



CUSHMAN®

LET'S WORK!

Gasoline Service Parts Manual



624959-BB

ISSUED SEP 2011

REVISED AUGUST 2018

SERVICE PARTS MANUAL

GASOLINE POWERED UTILITY VEHICLE

SHUTTLE 4X

STARTING MODEL YEAR 2012

DISCLAIMER: The E-Z-GO Division of Textron Inc. (E-Z-GO) reserves the right to incorporate engineering and design changes to products in this Manual, without obligation to include these changes on units leased/sold previously.

The information contained in this Manual may be revised periodically E-Z-GO, and therefore is subject to change without notice.

E-Z-GO DISCLAIMS LIABILITY FOR ERRORS IN THIS MANUAL, and E-Z-GO SPECIFICALLY DISCLAIMS LIABILITY FOR INCIDENTAL AND CONSEQUENTIAL DAMAGES RESULTING FROM THE USE OF THE INFORMATION AND MATERIALS IN THIS MANUAL.

TO CONTACT US

NORTH AMERICA:

TECHNICAL ASSISTANCE & WARRANTY PHONE: 1-800-774-3946, FAX: 1-800-448-8124

SERVICE PARTS PHONE: 1-888-GET-EZGO (1-888-438-3946), FAX: 1-800-752-6175

INTERNATIONAL: PHONE: 001-706-798-4311, FAX: 001-706-771-4609

E-Z-GO DIVISION OF TEXTRON INC., 1451 MARVIN GRIFFIN RD., AUGUSTA, GEORGIA USA 30906-3852

GENERAL INFORMATION

To obtain a copy of the limited warranty applicable to the vehicle, call or write a local Distributor, authorized Branch or the Warranty Department with vehicle serial number and manufacturer code.

The use of non Original Equipment Manufacturer (OEM) parts may void the warranty.

Overfilling of batteries may void the warranty.

BATTERY PROLONGED STORAGE

All batteries will self discharge over time. The rate of self discharge varies depending on the ambient temperature and the age and condition of the batteries.

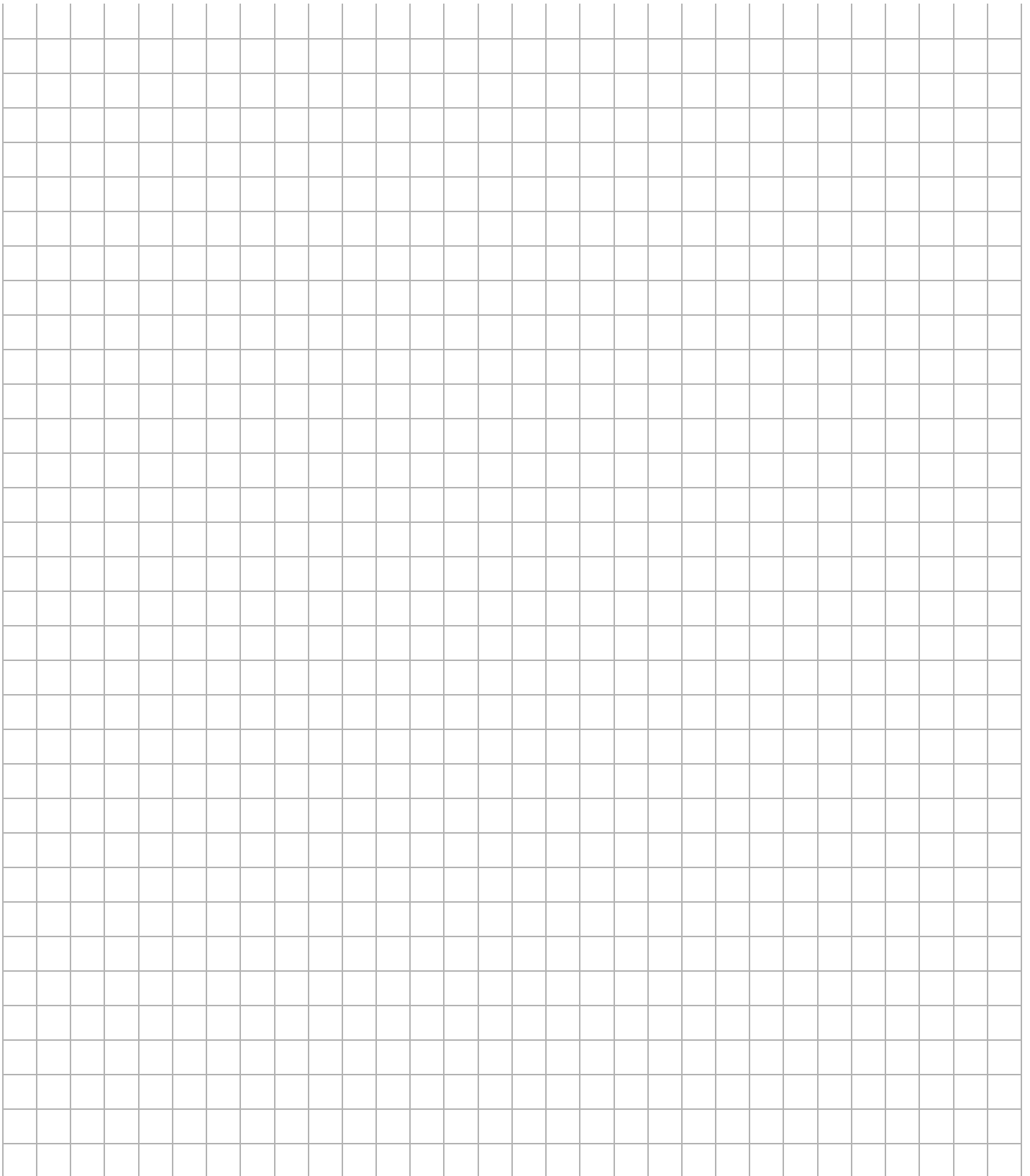
A fully charged battery will not freeze in winter temperatures unless the temperature falls below -75°F (-60°C).

As with all electric vehicles, the batteries must be checked and recharged as required or at a minimum of 30 day intervals.

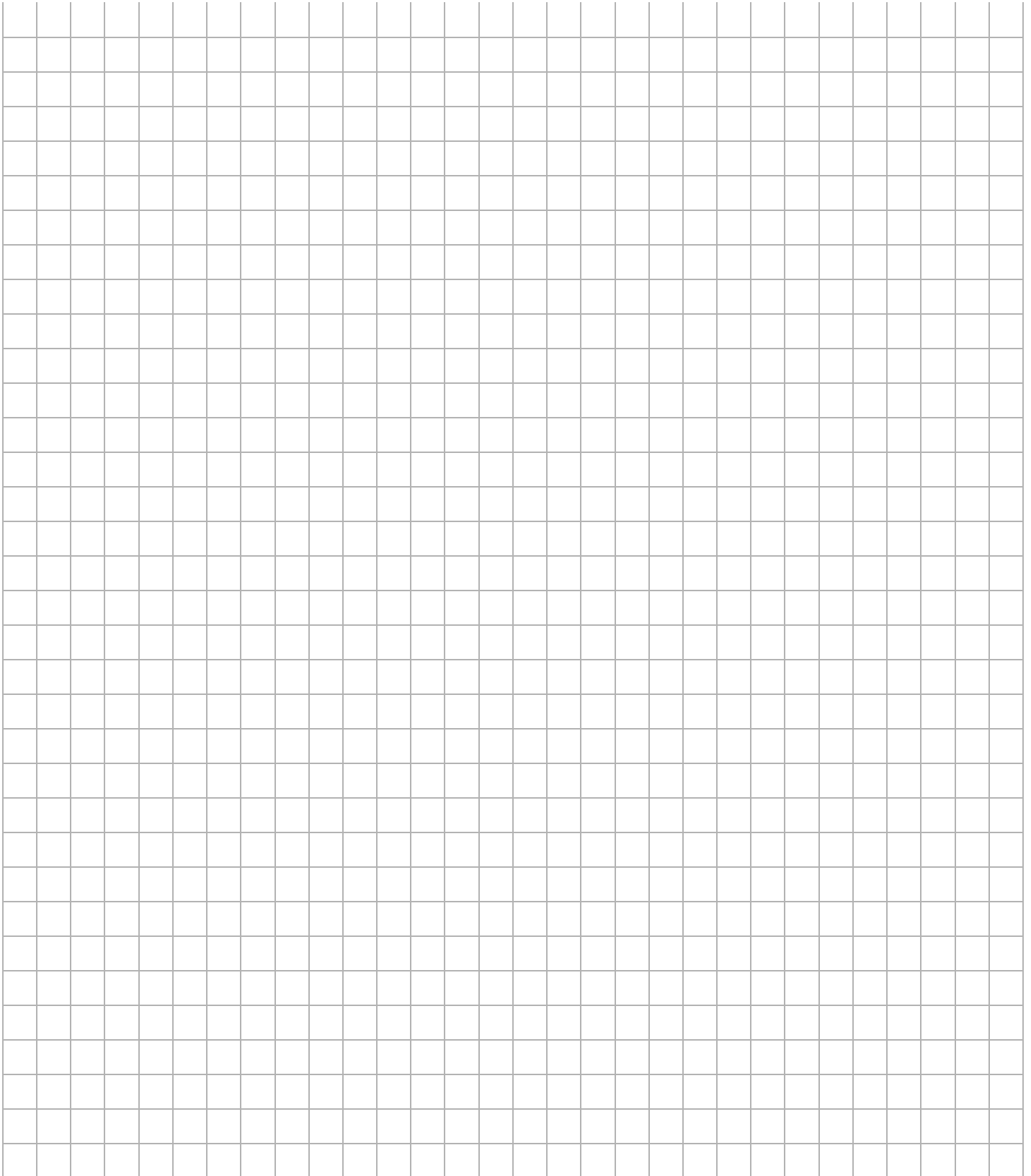
TABLE OF CONTENTS

SECTION	Page No.
HOW TO USE THE SERVICE PARTS MANUAL	Vii
ACCELERATOR	A - 1
AIR FILTER	B - 1
BODY	C - 1
BRAKES	D - 1
CARBURETOR AND CHOKE	E - 1
CLUTCH	F - 1
DIRECTION SELECTOR	G - 1
ELECTRICAL SYSTEM	H - 1
ENGINE AND MUFFLER	J - 1
ENGINE MOUNTING	K - 1
FRONT SUSPENSION AND STEERING	L - 1
FUEL SYSTEM	M - 1
REAR AXLE	N - 1
REAR SUSPENSION	P - 1
SEATING	Q - 1
STARTER AND GENERATOR	R - 1
WEATHER PROTECTION	T - 1
WHEELS AND TIRES	U - 1

NOTES



NOTES



HOW TO USE THE SERVICE PARTS MANUAL

This manual is divided into several sections:

- GENERAL INFORMATION
- ILLUSTRATED PARTS BREAKDOWN
- APPENDIX

The first section, GENERAL INFORMATION, contains the following information:

- WARRANTY INFORMATION
- GENERAL INDEX
- HOW TO USE THE SERVICE PARTS MANUAL

The second section, ILLUSTRATED PARTS BREAKDOWN, contains illustrations and parts lists for all systems of your vehicle.

The third section, APPENDIX, contains a listing of specialty products and accessories.

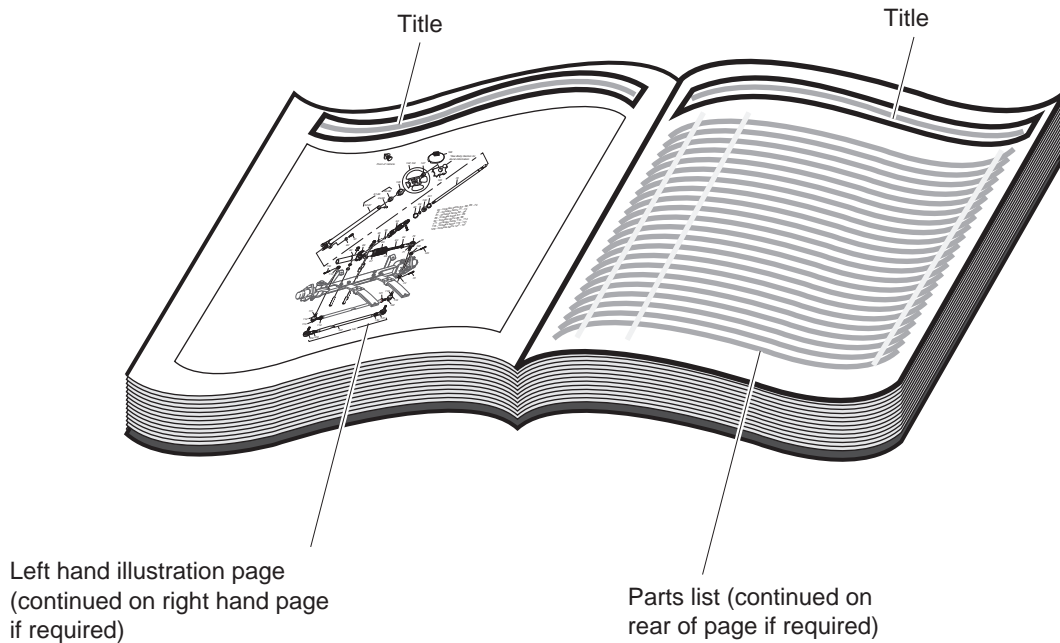
USE OF THE MANUAL

To use this manual, consult the GENERAL INDEX to locate the information or illustration required.

Introduction of some revisions varies due to supply of components; therefore, it is possible that various combinations of components may be found that are not directly reflected by each illustration. Consult the illustration that best suits your situation and then contact the Service Parts Department. It is important that the serial number of your vehicle and its model number be supplied to Service Parts when ordering any replacement components.

Locate the serial number plate (see BODY located in the Illustrated Parts Breakdown section of this manual for its location) and note the complete number shown on the plate.

HOW TO USE THE SERVICE PARTS MANUAL



1. WHEN THE PART NUMBER IS NOT KNOWN

- Determine the function and application of the part required. Turn to the General Index and select the most appropriate title.
- Turn to the page number indicated and locate the desired part on the illustration.
- From the illustration, obtain the item number assigned to the desired part. Refer to the accompanying description for specific information regarding the part.

2. IF YOU KNOW THE PART NUMBER

- Locate the part number or description in the appropriate column on the parts list page.

NOTE: It is suggested that you confirm that the part selected is correct by verifying it with the pictorial representation on the illustrated page.

Should an asterisk (*) appear in the part number column on the parts list page, read upwards until a part number is found. The part number is the lowest assembly sold by Service Parts and the asterisk (*) indicates that the part depicted is not available for purchase.

NOTE: Descriptions are indented under the assembly that they are used on. That assembly is, in turn listed under the assembly that it is used on. This process is repeated until the highest final assembly is reached.

To facilitate the maintenance and repair of the vehicle, a Technician's Repair and Service Manual is available from the Service Parts Department.

HOW TO USE THE SERVICE PARTS MANUAL

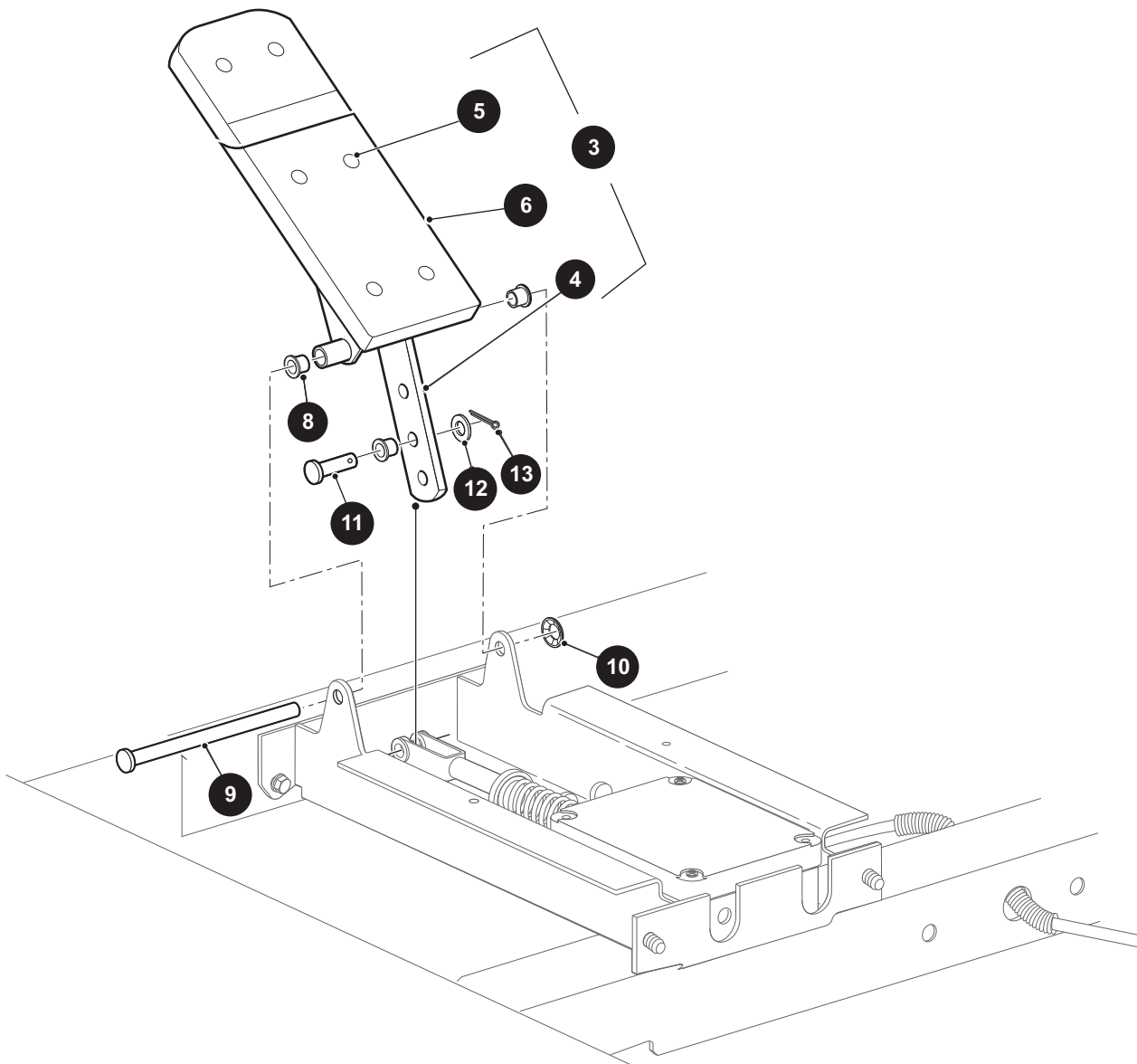
3. COLOR CODE FOR BODY COMPONENTS

The last two digits of the part number for the body part will denote the color code, locate the part number for the cowl, rear body, seat pod, side panel or seat wrap then locate your color in the list below, replace the last ** or XX with the two digit color code.

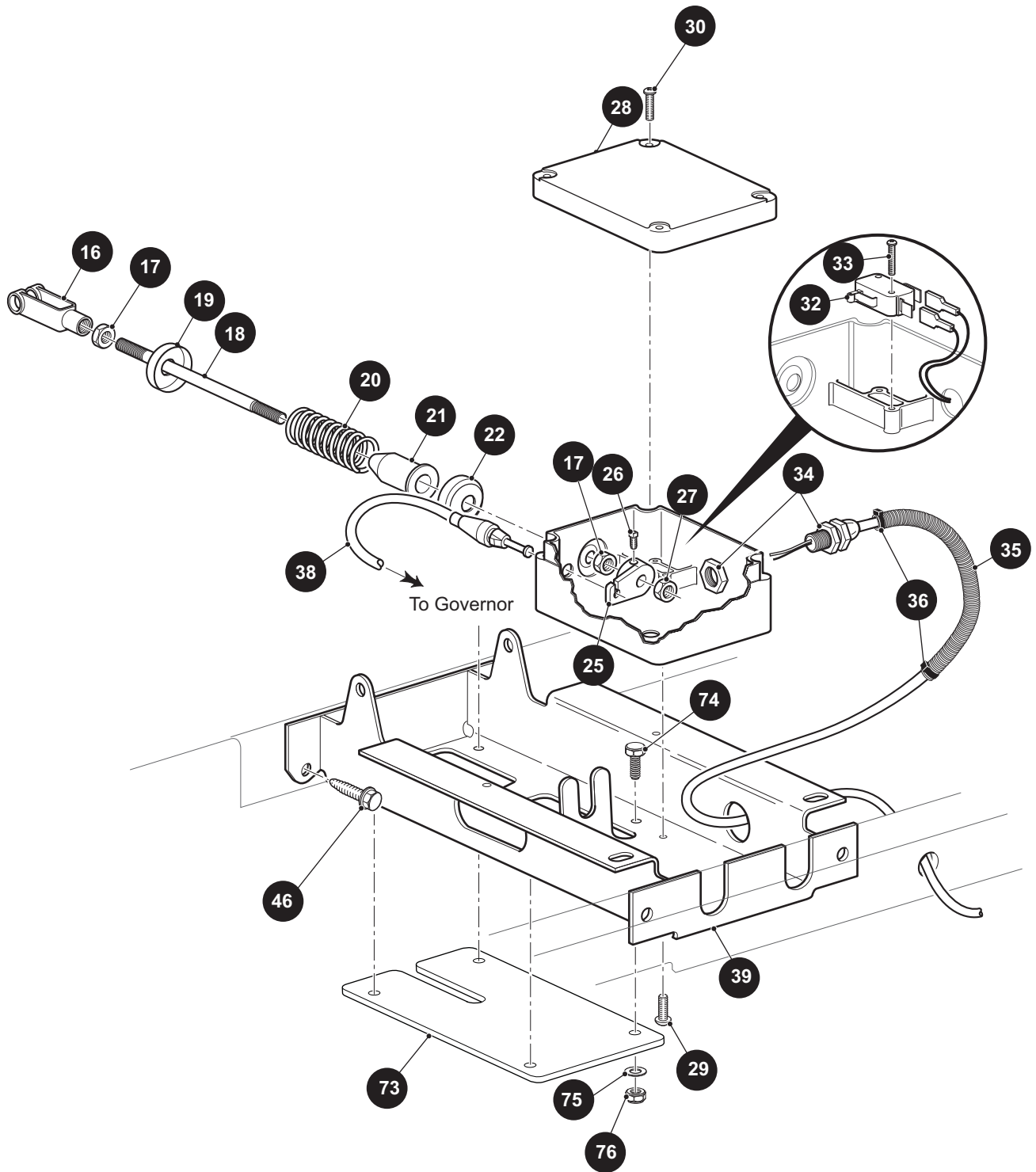
<u>CODE #</u>	<u>DESCRIPTION</u>	<u>CODE #</u>	<u>DESCRIPTION</u>
01	NO PAINT	53	MOSSY OAK NEW BREAK UP - DIPPED
02	SPECIAL COLOR	54	MOSSY OAK OBSESSION - DIPPED
05	JACOBSEN ORANGE	55	REALTREE ADVANTAGE MAX 4 - DIPPED
06	LIGHT GOLD PEARL	56	REALTREE HARDWOOD BROWN - DIPPED
07	SILVER PEARL METALIC	57	REALTREE AP HOT PINK - DIPPED
11	BLACK	58	BLACK / SILVER MARBLE - DIPPED
12	EMERALD GREEN PEARL	59	RED / SILVER MARBLE - DIPPED
13	CLOUD GRAY	60	HOT PINK / SILVER MARBLE - DIPPED
14	VIPER BLUE METALLIC	61	REALTREE AP
19	PATRIOT BLUE PEARL	62	REALTREE MAX 4
20	INFERNO RED METALLIC	63	MOSSY OAK BREAKUP
23	ADVANTAGE CLASSIC CAMO	64	MOSSY OAK TREESTAND
24	NATURAL	65	REALTREE APG
25	VIVID NEW HOLLAND BLUE	66	REALTREE MAX 1
26	STEEL BLUE PEARL	67	REALTREE AP PINK
27	BRIGHT SILVER METALLIC	68	REALTREE AP - DIPPED
29	PRIMER ONLY		
30	HD ADVANTAGE CAMO		
31	METALLIC CHARCOAL		
32	LIGHT ALMOND PEARL		
33	TIMBERLINE GREEN		
34	DEEP MOLTEN RED		
35	SAFETY YELLOW		
36	IVORY		
37	FOREST GREEN		
38	BRIGHT WHITE		
39	FLAME RED		
40	BLACK		
41	ELECTRIC BLUE		
42	PLATINUM		
43	BURGUNDY		
44	ALMOND		
45	BLACK		
46	FLAME RED		
47	BURLINGTON GREEN		
48	BLACK		
49	FLAME RED		
50	RECON GREEN		
51	SUNBURST ORANGE		
52	BRITISH RACING GREEN		

ACCELERATOR

- 1 PEDAL BOX ASSEMBLY Includes Items 3 - 39
- 3 ACCELERATOR PEDAL ASSEMBLY Includes Items 4 - 6



ACCELERATOR

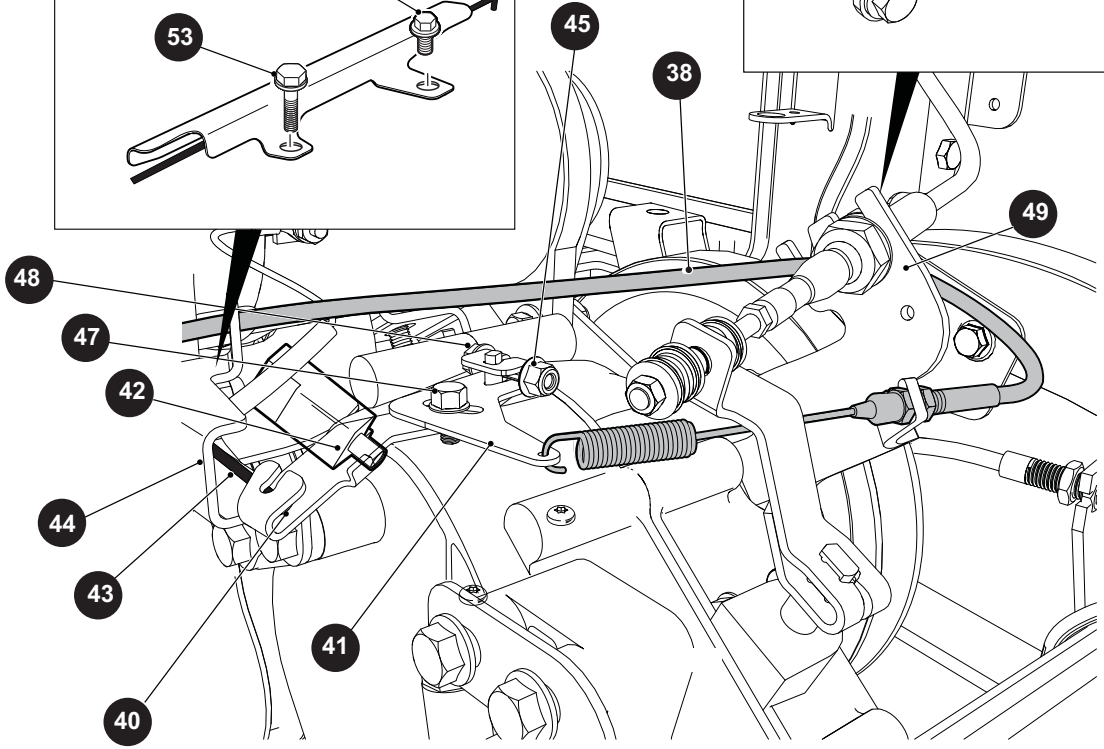
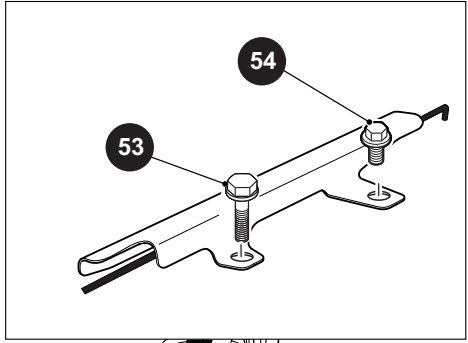
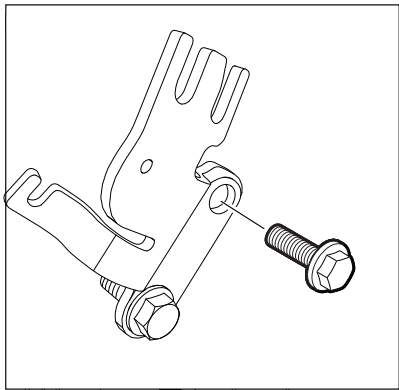


ACCELERATOR



WARNING DO NOT TAMPER WITH OR ATTEMPT TO CHANGE THE ADJUSTMENT OF THE GOVERNOR. GOVERNOR TAMPERING CAN RESULT IN SERIOUS PERSONAL INJURY AND WILL VOID THE VEHICLE WARRANTY.

66



ACCELERATOR

When ordering parts, please specify the model and serial number of the product.

* Indicates a component that is not available as an individual part.

*** Indicates consult Customer Service Department for additional information.

ITEM	PART NO.	1 2 3 4 5	DESCRIPTION	QTY.
1	606990		PEDAL BOX ASSEMBLY (INCLUDES ITEMS 3 - 39)	1
2				
3	25799G03		ACCELERATOR PEDAL ASSEMBLY (INCLUDES ITEMS 4 - 6).....	1
4	652824		ACCELERATOR PAD	1
5	16409G1		OVAL RIVET, 3/16" X 7/16" LG	6
6	27512G01		ACCELERATOR PEDAL PAD.....	1
7				
8	17838G1		NYLON BUSHING.....	1
9	74432G01		PEDAL PIVOT PIN	1
10	12064G6		PUSH NUT, 9/32"	1
11	10386G3		CLEVIS PIN, 5/16" X 13/16" LG	1
12	17255G1		TEFLON WASHER, 5/16"	1
13	10387G3		COTTER PIN, 3/32" X 3/4" LG	1
14				
15				
16	10385G4		CLEVIS YOKE (ADJUSTABLE).....	1
17	00532G4		HEX NUT, 5/16" - 24.....	2
18	72072G01		ACCELERATOR ROD	1
19	17677G2		SPRING RETAINER, 3/8".....	1
20	73046G01		COMPRESSION SPRING	1
21	17979G1		ACCELERATOR ROD BUSHING.....	1
22	17677G1		SPRING RETAINER, 1/2".....	1
23				
24				
25	72716G01		MICRO SWITCH CAM	1
26	00487G3		SETSCREW, 1/4" - 20 X 3/8" LG.	1
27	15126G1		LOCK NUT, 5/16" - 24	1
28	25853G03		PEDAL BOX AND COVER	1
29	01051G01		SCREW, #8 - 16 X 1/2" LG.....	4
30	00684G6		HEX HEAD BOLT (SS), #8 - 32 X 3/4" LG	2
31				

ACCELERATOR

When ordering parts, please specify the model and serial number of the product.

* Indicates a component that is not available as an individual part.

*** Indicates consult Customer Service Department for additional information.

ITEM	PART NO.	1	2	3	4	5	DESCRIPTION	QTY.
32	25861G01						MICRO SWITCH.....	1
33	01050G01						SCREW, #4 - 20 X 5/8" LG	2
34	72201G04						WIRE HARNESS (PEDAL BOX).....	1
35	17313G1						FLEX LOOM (BULK).....	AR
36	17618G1						WIRE TIE	2
37								
38	608608						ACCELERATOR CABLE.....	1
39	652241G03						ACCELERATOR PEDAL BRACKET.....	1
40	606283						GOVERNOR LEVER BUSHING	1
41	606083						UPPER GOVERNOR BRACKET	1
42	606005						LOWER GOVERNOR BRACKET	1
43	606284						GOVERNOR ROD.....	1
44	603890						GOVERNOR ROD GUARD.....	1
45	450452						HEX NUT, M6 - 1	1
46	00715G2						HEX HEAD BOLT, 5/16" - 18 X 4/5" LG.....	4
47	606265						HEX HEAD BOLT, M6 - 1 X 12MM LG	1
48	606421						HEX HEAD BOLT, M6 - 1 X 30MM LG	1
49	606074						GOVERNOR CABLE/DIRECTION SELECTOR BRACKET	1
50	606256						HEX HEAD BOLT, M10 - 1.25 X 25MM LG	2
51	72703G02						THROTTLE CABLE MOUNTING BRACKET	1
52	26830G01						LOCK NUT, M8 X 1.25 MM	2
53	606264						HEX HEAD BOLT, M6 - 1 X 20MM LG	1
54	606262						HEX HEAD BOLT, M8 - 1 X 20MM LG	1
55								
56	632936						GOVERNOR CABLE / DIRECTION SELECTOR BRACKET (FOR VEHICLES MANUFACTURED FROM APRIL 2014)	1
57								
58								
59								
60								
61								
62								

ACCELERATOR

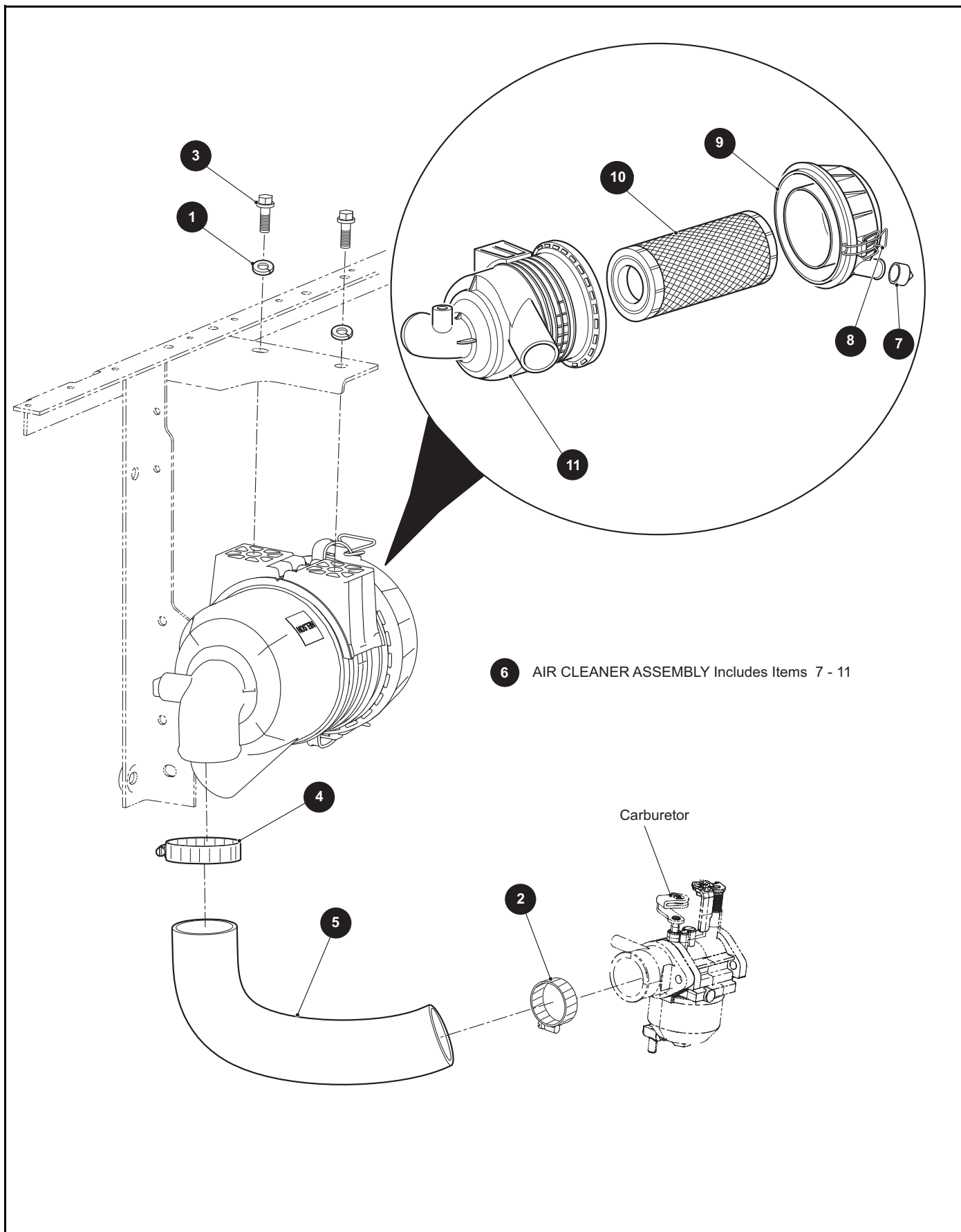
When ordering parts, please specify the model and serial number of the product.

* Indicates a component that is not available as an individual part.

*** Indicates consult Customer Service Department for additional information.

ITEM	PART NO.	1 2 3 4 5	DESCRIPTION	QTY.
63				
64				
65				
66	608527		LABEL (WARNING - GOVERNOR)	1
67				
68				
69				
70				
71	17618G1		WIRE TIE	2
72				
73	652780G03		PEDAL GUARD	1
74	00414G6		HEX EHAD BOLT, 1/4" - 20 X 3/4" LG	4
75	01110G01		FLAT WASHER (SS), 1/4".....	4
76	00654G2		LOCK NUT (SS), 1/4" - 20	4

AIR FILTER



6 AIR CLEANER ASSEMBLY Includes Items 7 - 11

AIR FILTER

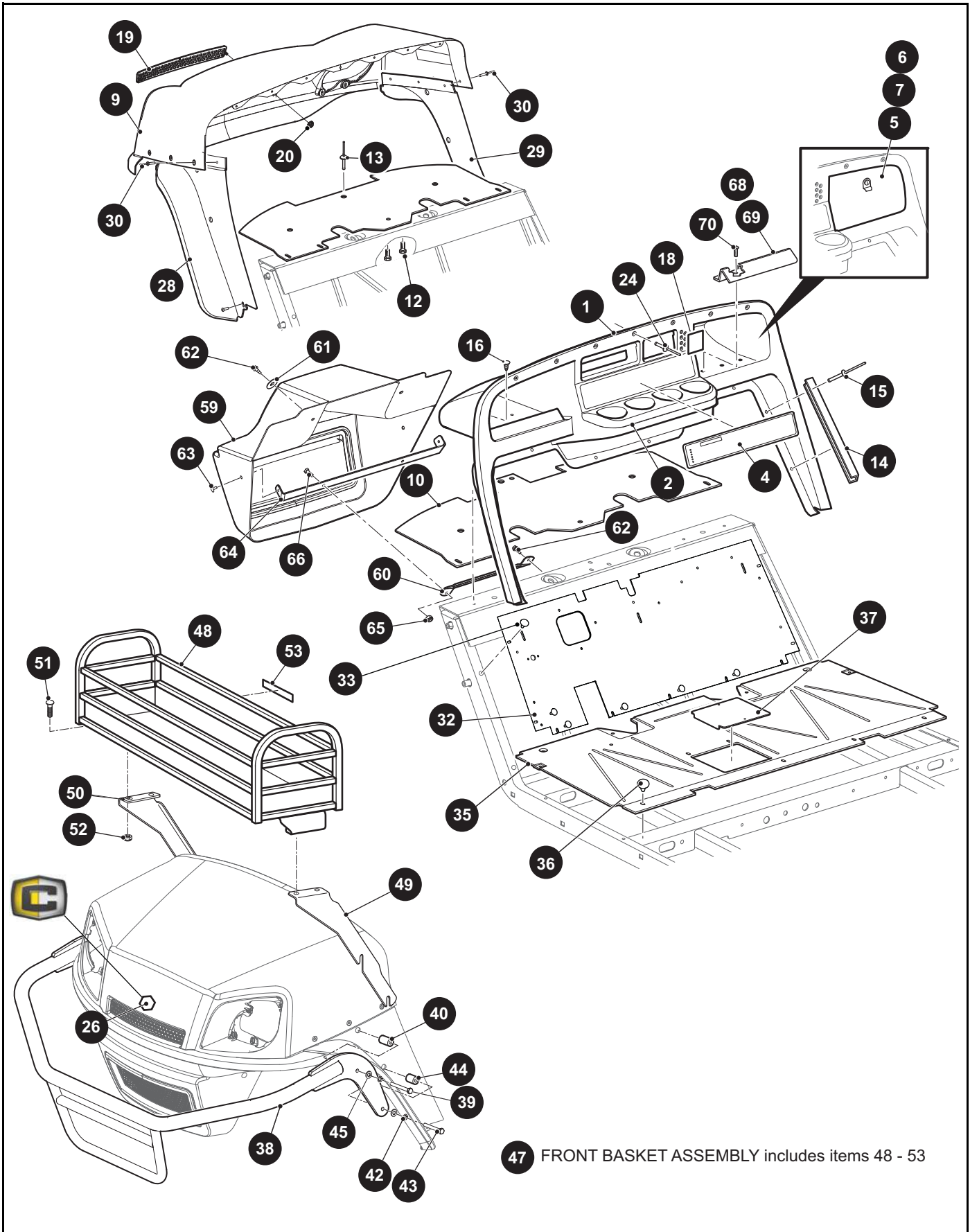
When ordering parts, please specify the model and serial number of the product.

* Indicates a component that is not available as an individual part.

*** Indicates consult Customer Service Department for additional information.

ITEM	PART NO.	1 2 3 4 5	DESCRIPTION	QTY.
1	606272		SPLIT WASHER, 8 MM.....	2
2	11391G1		HOSE CLAMP, 1.31	1
3	606261		HEX HEAD BOLT M8 - 25 X 20	2
4	11391G7		HOSE CLAMP, 1.56.....	1
5	601910		AIR FILTER HOSE, 14" LONG	1
6	658941		AIR CLEANER ASSEMBLY (INCLUDES ITEMS 7 - 11).....	1
7	28462G01		DUST EJECTOR VALVE	1
8	72604G01		AIR CLEANER CLIP.....	2
9	658957		AIR CLEANER COVER.....	1
10	28463G01		AIR FILTER ELEMENT.....	1
11	659139		BODY AND BRACKET ASSEMBLY	1

BODY



When ordering parts, please specify the model and serial number of the product.

* Indicates a component that is not available as an individual part.

*** Indicates consult Customer Service Department for additional information.

ITEM	PART NO.	1 2 3 4 5	DESCRIPTION	QTY.
1	71151G03		INSTRUMENT PANEL ASSEMBLY	1
2	27169G01		INSTRUMENT PANEL INSERT (FOUR CUP)	1
3				
4	601781		PICTOGRAM SAFETY LABEL	1
5	75459G01		GLOVE BOX DOORS (BOTH SIDES).....	1
6	75459G02		GLOVE BOX DOOR (DRIVER SIDE)	1
7	75459G03		GLOVE BOX DOOR (PASSENGER SIDE)	1
8				
9	613036GXX		COWL (SEE COLOR CODES IN "HOW TO USE" SECTION)	1
10	71413G01		SPLASH PANEL.....	1
11	71101G02		COWL SUPPORT BRACKET (NOT ILLUSTRATED)	1
12	71102G02		SELF TAPPING BOLT, 1/4" - 20 X 1/2" LG	3
13	71055G01		RIVET (ALUMINUM), 3/16" X 1 1/8" LG	1
14	71115G01		VINYL TRIM	2
15	71055G01		RIVET (ALUMINUM), 3/16" X 1" LG	10
16	16816G2		RATCHET FASTENER, 1/4" X 3/4" LG	4
17				
18	35968G01		TEE HOLDER COVER LABEL	1
19	617643		COWL GRILL COVER	1
20	71597G01		SELF THREADING NUT, 3/16" X 19/32"	2
21				
22				
23				
24	71055G01		RIVET (ALUMINUM), 3/16" X 1" LG	7
25				
26	619135		CUSHMAN NAME PLATE	1
27				
28	614378		FENDER FLARE (DRIVER SIDE)	1
29	613274		FENDER FLARE (PASSENGER SIDE).....	1
30	71055G01		RIVET (ALUMINUM), 3/16" X 1" LG	14
31				

BODY

When ordering parts, please specify the model and serial number of the product.

* Indicates a component that is not available as an individual part.

*** Indicates consult Customer Service Department for additional information.

ITEM	PART NO.	1 2 3 4 5	DESCRIPTION	QTY.
32	641260		UPPER FLOORPAN (FRAME MOUNTED STEERING)	1
33	14601G11		RIVET (ALUMINUM), 3/16" X 9/16" LG.....	9
34				
35	70451G01		LOWER FLOORPAN.....	1
36	14601G11		RIVET (ALUMINUM), 3/16" X 9/16" LG.....	7
37	70452G01		ACCESS COVER	1
38	617620		BRUSHGUARD	1
39	00440G6		HEX HEAD CAP SCREW, 5/16" - 18 X 2 3/4" LG.....	2
40	75048G02		SPACER, 5/16"	2
41				
42	00565G8		LOCK WASHER, 5/16"	4
43	00440G2		HEX HEAD BOLT, 5/16" - 18 X 2 1/4" LG.....	4
44	75048G04		SPACER, 1".....	2
45	00559G8		FLAT WASHER, 5/16"	4
46				
47	74521G02		FRONT BASKET ASSEMBLY (INCLUDES ITEMS 48 - 53)	1
48	74523G01		FRONT BASKET.....	1
49	74522G01		BASKET MOUNTING BRACKET (DRIVER SIDE)	1
50	74522G02		BASKET MOUNTING BRACKET (PASSENGER SIDE).....	1
51	00769G2		CARRIAGE BOLT (SS), 3/8" - 16 X 1.25" LG	4
52	11098G5		LOCK NUT, 3/8" - 16.....	4
53	71931G01		FRONT BASKET WARNING LABEL	1
54				
55				
56				
57				
58				
59	613273		FRONT FASCIA.....	1
60	70725G02		FRONT SHIELD BRACE	2
61	16469G1		FENDER WASHER, 1/4"	2
62	01038G01		HEX HEAD SWAGE FORM SCREW, 1/4" - 20 X 0.7" LG	4

When ordering parts, please specify the model and serial number of the product.

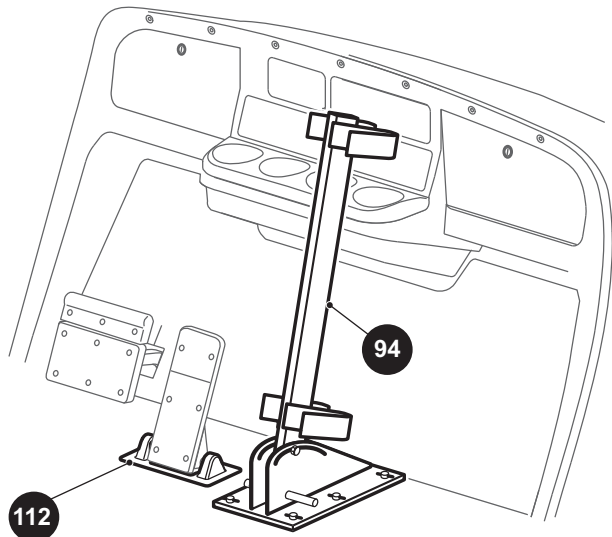
* Indicates a component that is not available as an individual part.

*** Indicates consult Customer Service Department for additional information.

ITEM	PART NO.	1 2 3 4 5	DESCRIPTION	QTY.
63	15058G1		RIVET (ALUMINUM), 3/16" X 4/9" LG	2
64	618653		FASCIA BRACKET.....	1
65	14390G4		HEX NUT, 1/4" - 20	2
66	00414G6		HEX HEAD BOLT, 1/4" - 20 X 3/4" LG	2
67				
68	71153G01		DEFLECTOR (PASSENGER SIDE)	1
69	71154G01		DEFLECTOR (DRIVER SIDE).....	1
70	00614G5		PAN HEAD PHILLIPS SCREW, #8 - 18 X 5/8" LG	4
71				
72				
73				
74				
75				
76				
77				
78				
79				
80				
81				
82				
83				
84				
85				
86				
87				
88				
89				
90				
91				
92				
93				

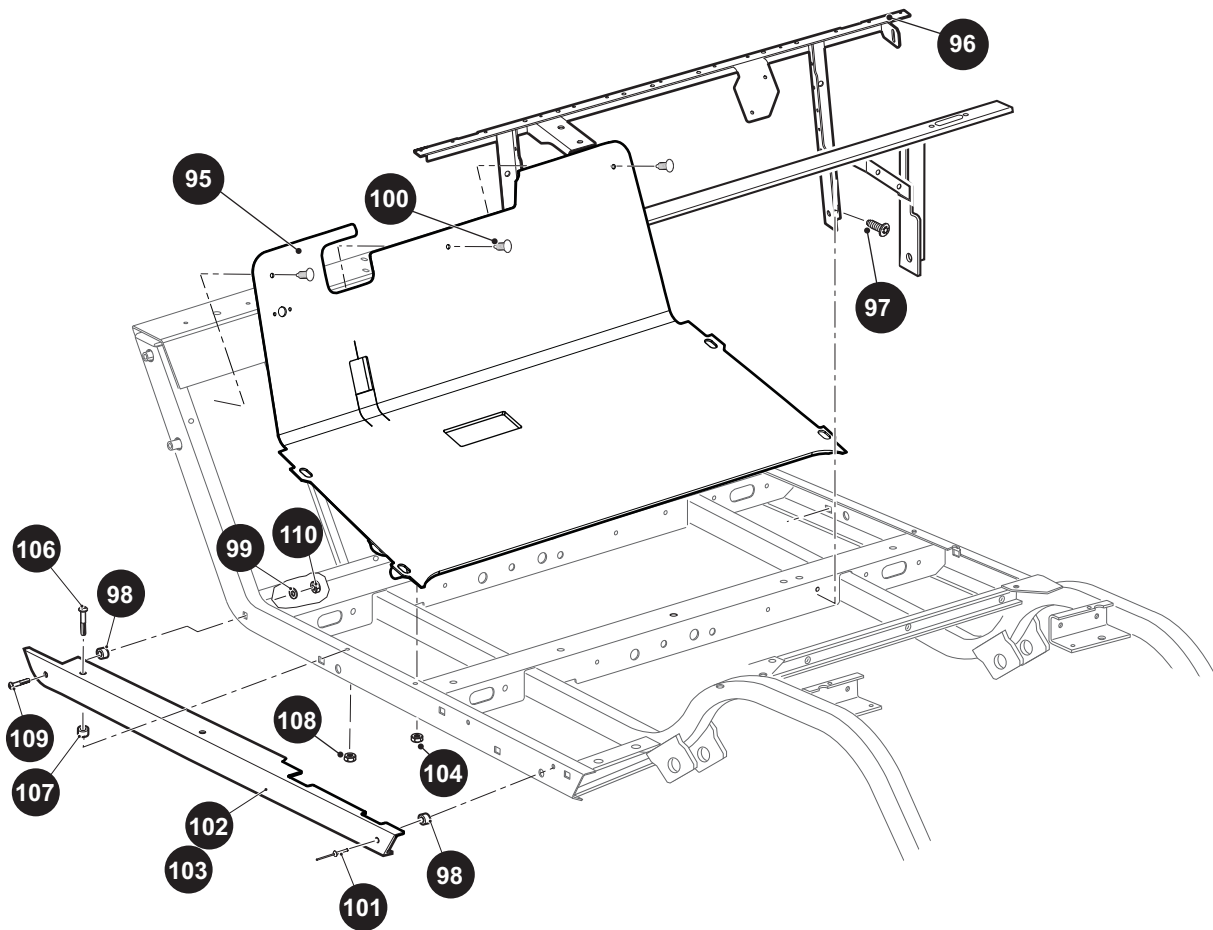
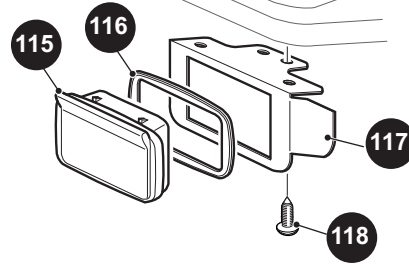
BODY

114 ASHTRAY KIT includes items 115 - 118



FLOOR MOUNT GUN HOLDER

ASHTRAY



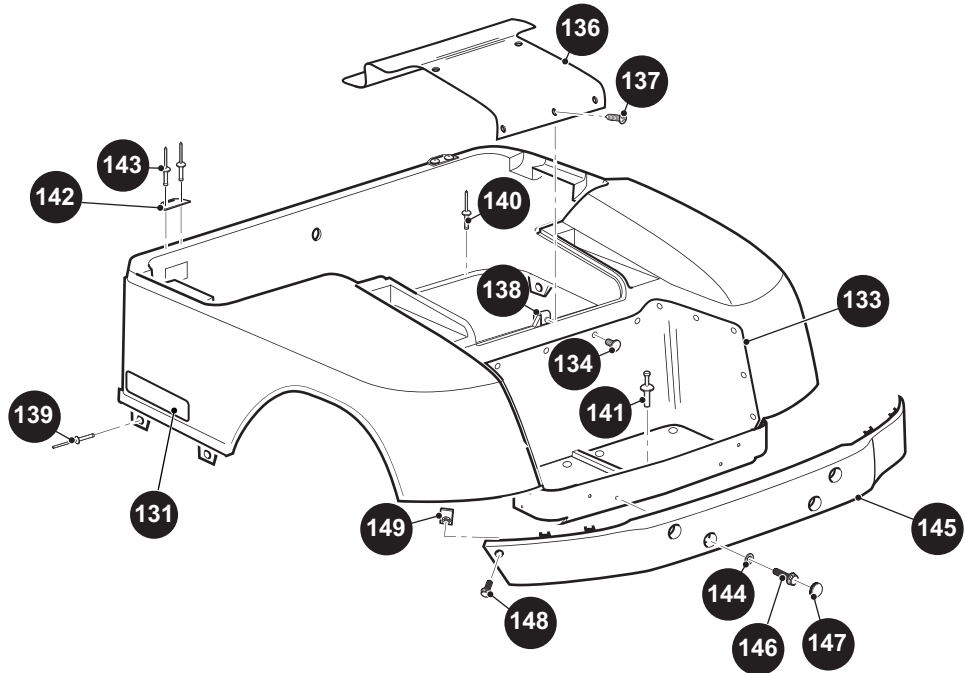
When ordering parts, please specify the model and serial number of the product.

* Indicates a component that is not available as an individual part.

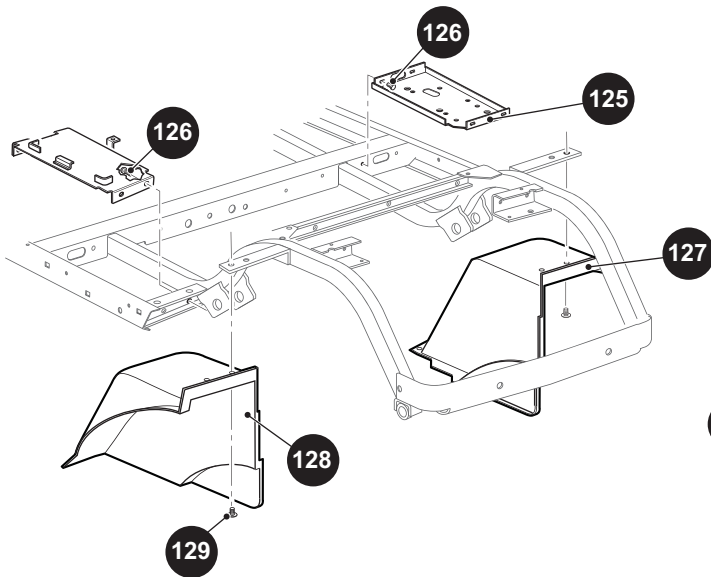
*** Indicates consult Customer Service Department for additional information.

ITEM	PART NO.	1 2 3 4 5	DESCRIPTION	QTY.
94	74365G01		FLOOR MOUNT GUN HOLDER.....	1
95	637535G02		FLOORMAT WITH HORN HOLES	1
96	605694		SEAT FRAME	1
97	00715G2		HEX HEAD BOLT, 5/16" - 18 X 4/5" LG	2
98	23726G4		SPACER, 5/16"	4
99	00660G5		FLAT WASHER, #10	2
100	16816G1		RATCHET RIVET, .25" X .680"	3
101	15058G6		RIVET (ALUMINUM), 3/16" X 15/16" LG	2
102	618356		ROCKER PANEL (DRIVER SIDE).....	1
103	618357		ROCKER PANEL (PASSENGER SIDE)	1
104	14390G4		LOCK NUT, 1/4" - 20.....	4
105				
106	16705G1		TRUSS HEAD PHILLIPS SCREW (SS), 1/4" - 20 X 1" LG.....	4
107	23726G4		SPACER, 5/16"	4
108	14390G04		LOCK NUT, 1/4" - 20.....	4
109	00789G2		TRUSS HEAD PHILLIPS SCREW, #10 - 24 X 1.25" LG	2
110	14390G10		LOCK NUT, #10 - 20	2
111	74533G01		GUN HOLDER (SWIVEL MOUNT) (NOT ILLUSTRATED).....	1
112	70135G01		PEDAL PIVOT COVER.....	1
113				
114	75109G04		ASHTRAY KIT (INCLUDES ITEMS 115 - 118).....	1
115	27731G01		ASHTRAY	1
116	27736G01		GASKET	1
117	75108G02		BRACKET.....	1
118	00106G6		PAN HEAD PHILLIPS SCREW, #12 - 14 X .75" LG.....	4
119				
120				
121				
122				
123				
124				

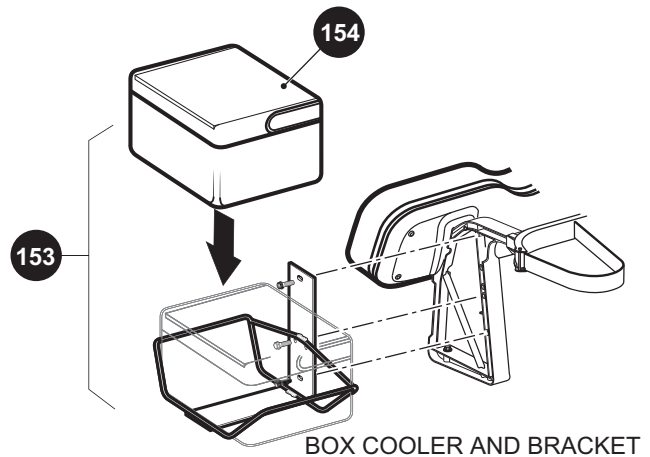
BODY



132 REAR BODY includes items 133 - 134



153 BOX COOLER AND BRACKET includes item 154



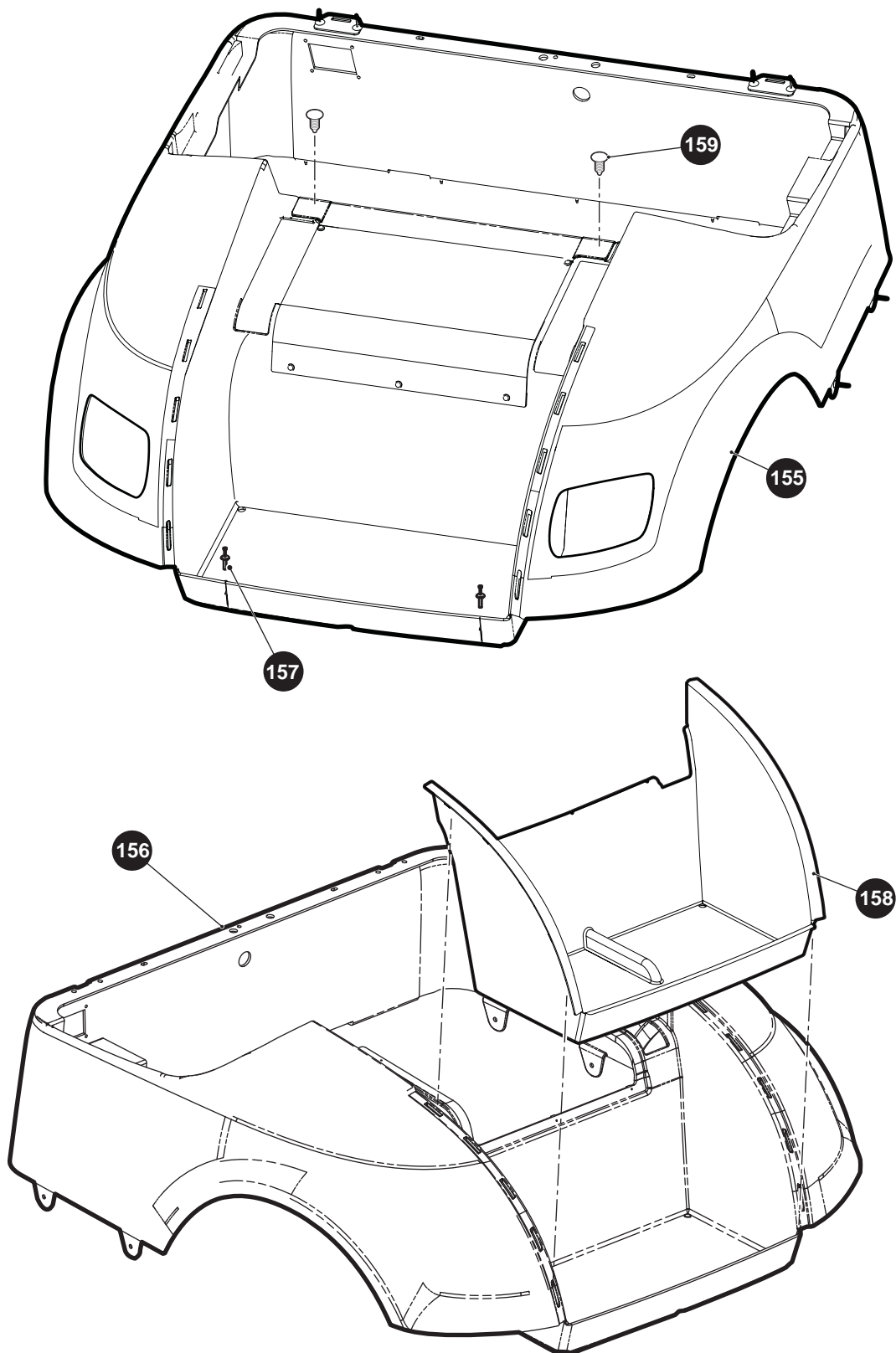
When ordering parts, please specify the model and serial number of the product.

* Indicates a component that is not available as an individual part.

*** Indicates consult Customer Service Department for additional information.

ITEM	PART NO.	1 2 3 4 5	DESCRIPTION	QTY.
125	70244G05		SPLASH PANEL.....	2
126	00715G2		HEX HEAD BOLT, 5/16" - 18 X 4/5" LG	8
127	635054G02		FENDER LINER (PASSENGER SIDE).....	1
128	635054G01		FENDER LINER (DRIVER SIDE)	1
129	16816G2		RATCHET FASTENER, 1/4" X 3/4" LG.....	8
130				
131	619387		CUSHMAN DECAL (SHUTTLE 4X).....	1
132	71912G4XX		REAR BODY (WITH TAILLIGHTS) (INCLUDES ITEMS 133 - 134) (SEE COLOR CODES IN "HOW TO USE" SECTION).....	1
133	71318G01		BAGWELL LINER.....	1
134	16816G1		RATCHET FASTENER, 1/4" X 9/16" LG	26
135				
136	71320G01		ACCESS PANEL.....	1
137	01107G01		PAN HEAD TORX SCREW (SS), #8 X 3/8" LG	5
138	71364G02		"J" CLIP.....	1
139	10570G12		RIVET (ALUMINUM), 1/4" X 9/16" LG	4
140	10570G10		RIVET (SS), 5/32" X 9/16" LG.....	5
141	18436G1		PLASTIC DRIVE RIVET, 1/4" X 3/4" LG	2
142	71609G01		SEAT HINGE PLATE.....	2
143	10570G11		RIVET (SS), 3/16" X 3/4" LG.....	4
144	00571G2		FLAT WASHER, 5/16".....	2
145	71451G02		NOTCHED REAR BUMPER	1
146	71102G01		HEX HEAD BOLT, 1/4" - 20 X 3/4" LG	4
147	71455G01		BUMPER PLUG	4
148	71102G01		HEX HEAD BOLT, 1/4" - 20 X 3/4" LG	2
149	71554G01		J-TYPE NUT RETAINER, 1/4" - 20	2
150				
151				
152				
153	74581G01		BOX COOLER AND BRACKET (INCLUDES ITEM 154).....	1
154	71048G01		COOLER AND BRACKET KIT (INCLUDES HARDWARE)	1

VEHICLES MANUFACTURED FROM MARCH 2014



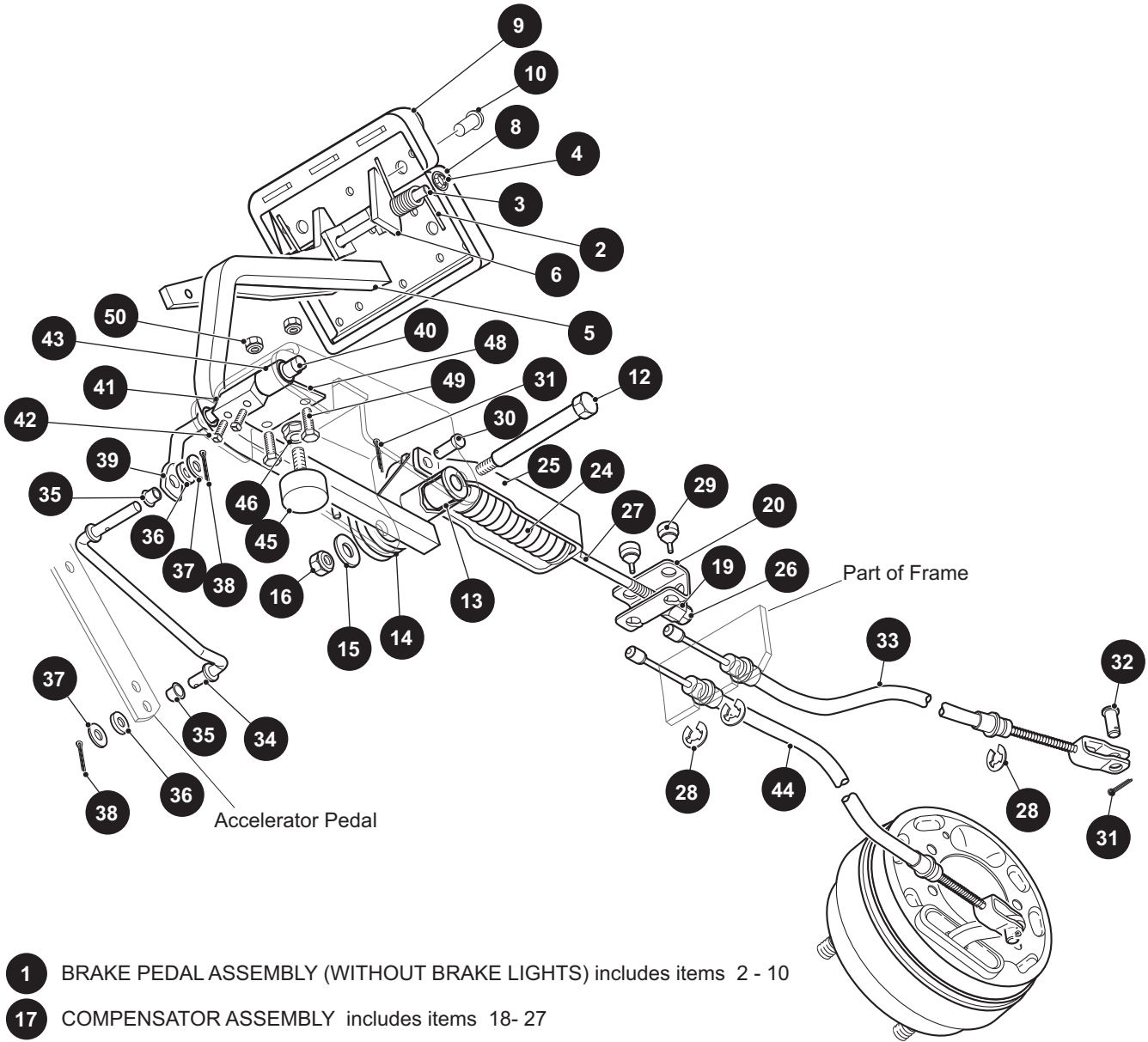
When ordering parts, please specify the model and serial number of the product.

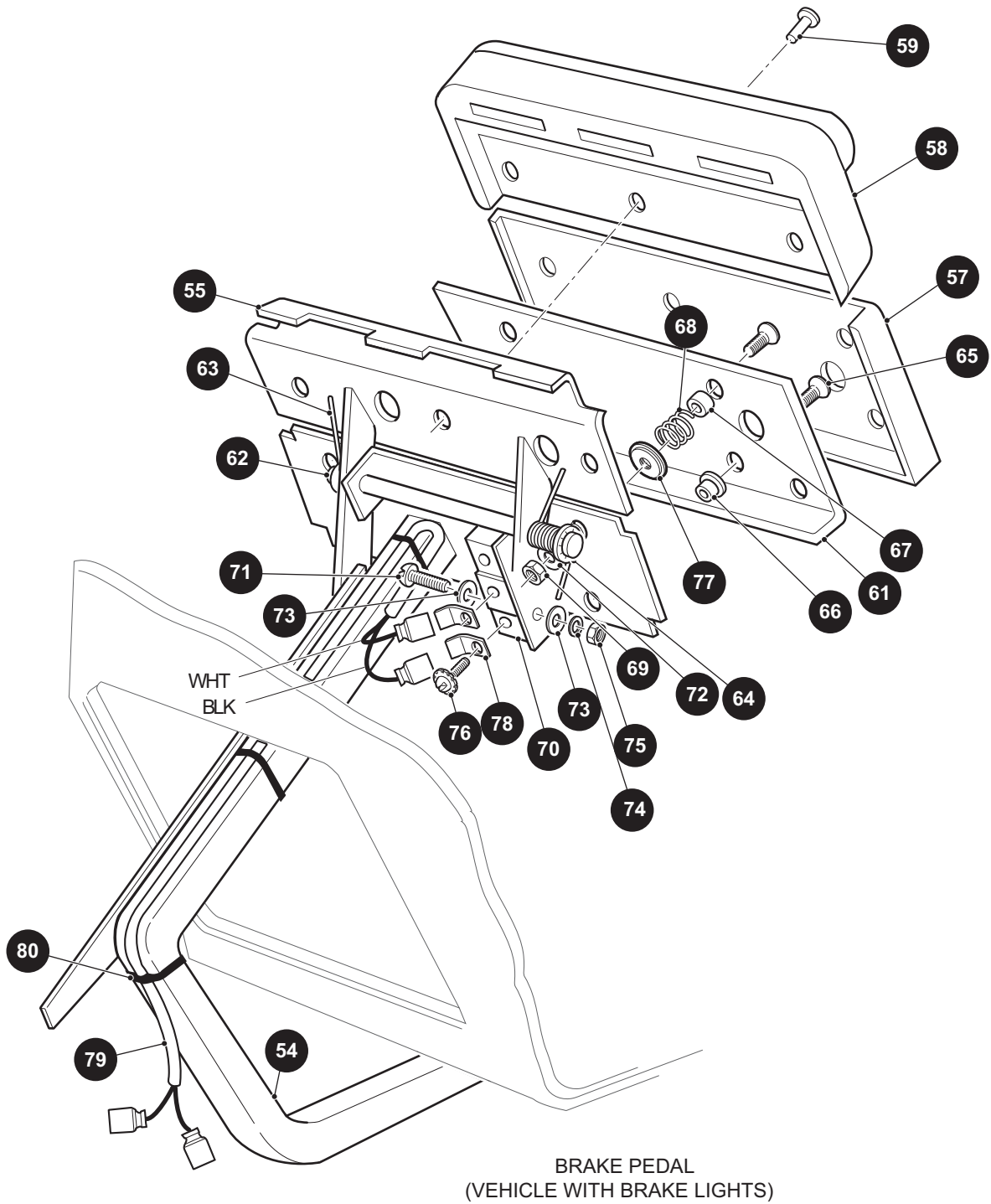
* Indicates a component that is not available as an individual part.

*** Indicates consult Customer Service Department for additional information.

ITEM	PART NO.	1 2 3 4 5	DESCRIPTION	QTY.
155	625272G0XX		REAR BODY (WITH LIGHTS) (FOR VEHICLES MANUFACTURED FROM MARCH 2014).....	1
156	619752G0XX		REAR BODY (FOR VEHICLES MANUFACTURED FROM MARCH 2014).....	1
157	633917		RIVET (FOR VEHICLES MANUFACTURED FROM MARCH 2014).....	2
158	624374		BAGWELL LINER (FOR VEHICLES MANUFACTURED FROM MARCH 2014).....	1
159	16816G2		RATCHET RIVET, .25" X .887" (FOR VEHICLES MANUFACTURED FROM MARCH 2014).....	2

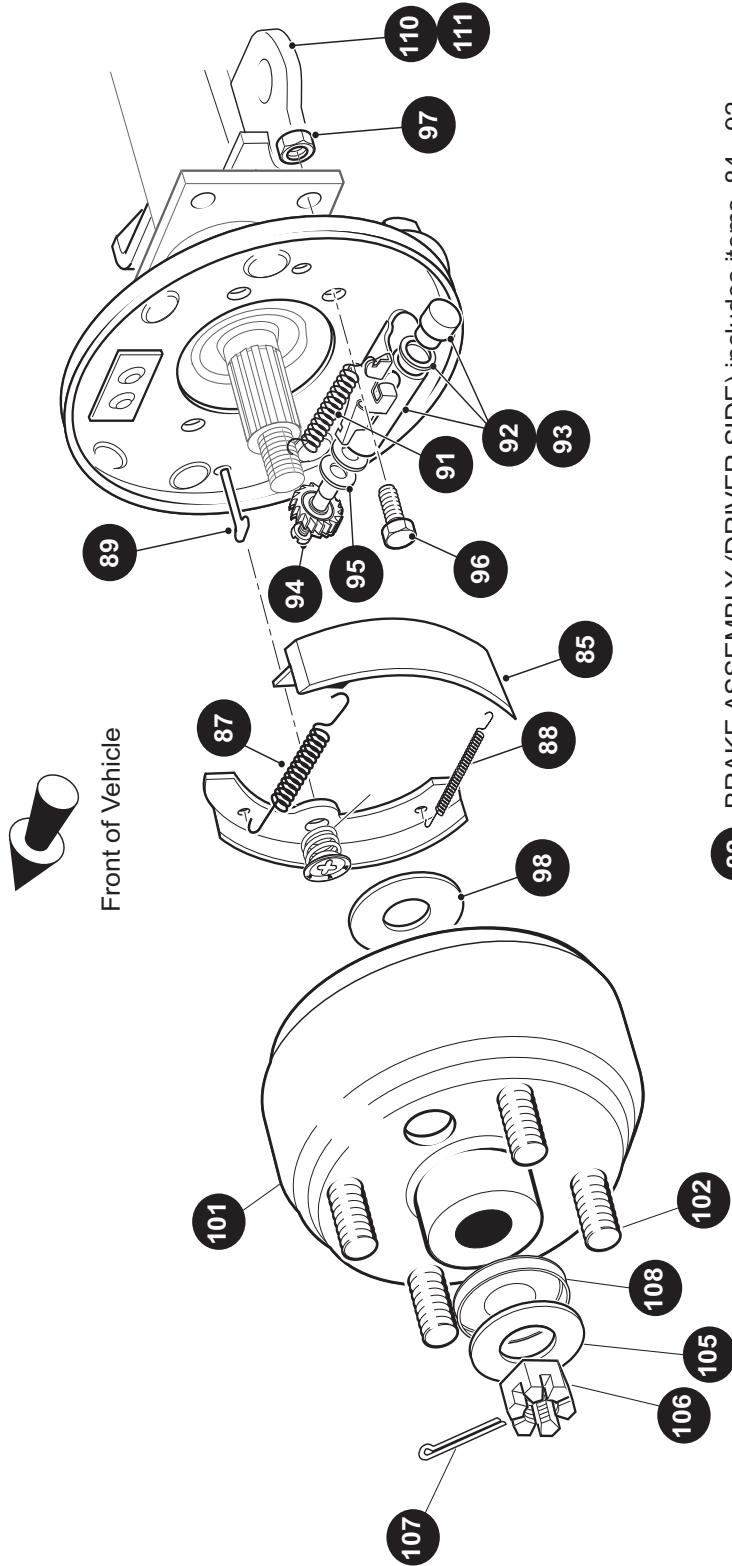
BRAKES





53 BRAKE PEDAL ASSEMBLY (WITH BRAKE LIGHTS) includes items 54 - 80

BRAKES



- 82 BRAKE ASSEMBLY (DRIVER SIDE) includes items 84 - 92
- 83 BRAKE ASSEMBLY (PASSENGER SIDE) includes items 84 - 93
- 84 BRAKE SHOE KIT includes item 85
- 86 BRAKE SPRING KIT includes items 87 - 91
- 92 BRAKE ADJUSTER KIT (DRIVER SIDE) includes items 94 - 95
- 93 BRAKE ADJUSTER KIT (PASSENGER SIDE) includes items 94 - 95
- 100 BRAKE DRUM ASSEMBLY includes items 101 - 102

BRAKES

When ordering parts, please specify the model and serial number of the product.

* Indicates a component that is not available as an individual part.

*** Indicates consult Customer Service Department for additional information.

ITEM	PART NO.	1 2 3 4 5	DESCRIPTION	QTY.
1	70612G02		BRAKE PEDAL ASSEMBLY (WITHOUT BRAKE LIGHTS) (INCLUDES ITEMS 2 - 10)	1
2	70681G01		TORSION SPRING.....	2
3	70682G01		PIVOT PIN.....	1
4	658825		PUSHNUT, 5/16"	1
5	652251G03		BRAKE PEDAL.....	1
6	652253G03		PARK BRAKE PEDAL	1
7				
8	70257G01		SERVICE BRAKE PAD.....	1
9	70256G01		PARK BRAKE PEDAL PAD	1
10	16409G1		OVAL RIVET, 3/16" X 3/8" LG	9
11	12416G2		NYLON WIRE TIE	3
12	70582G01		SHOULDER BOLT, 3/8 - 16 X 4" LG.....	1
13	70581G01		FLANGED BUSHING.....	2
14	70676G01		TORSION SPRING	1
15	00643G1		FLAT WASHER, 3/8"	1
16	11098G5		LOCK NUT, 3/8 - 16	1
17	612558		COMPENSATOR ASSEMBLY (INCLUDES ITEMS 18 - 27).....	1
18	00532G4		HEX NUT 5/16 - 24.....	2
19	629486		HEX SPHERICAL NUT 5/16 - 24	1
20	28082G01		EQUALIZER BRACKET	1
21	15121G1		FLAT WASHER, 3/8"	2
22	17979G1		ACCELERATOR ROD BUSHING.....	1
23	23061G2		TUBE	1
24	23463G1		COMPRESSION SPRING	1
25	652256		BRAKE YOKE	1
26	11098G9		LOCK NUT, 5/16 - 24.....	1
27	612557		COMPENSATOR LINK ROD.....	1
28	01111G01		RETAINING RING, S.S.	4
29	28083G01		BRAKE COMPENSATOR BUMPER.....	2
30	10386G3		CLEVIS PIN, 5/16" X 1" LG.....	3

BRAKES

When ordering parts, please specify the model and serial number of the product.

* Indicates a component that is not available as an individual part.

*** Indicates consult Customer Service Department for additional information.

ITEM	PART NO.	1 2 3 4 5	DESCRIPTION	QTY.
31	10387G3		COTTER PIN, 3/32" X 3/4" LG	3
32	14443G2		CLEVIS PIN, 5/16" X 3/4" LG	2
33	624690		BRAKE CABLE (DRIVER SIDE)	1
34	70601G01		KICK-OFF LINK.....	1
35	17838G1		NYLON BUSHING	2
36	20835G1		TEFLON WASHER, 3/8"	2
37	00559G8		FLAT WASHER, 5/16"	2
38	10387G3		COTTER PIN, 3/32" X 3/4" LG	2
39	70098G01		KICK-OFF CAM PIVOT	1
40	10097G6		FLANGED BEARING	2
41	70587G01		KICK-OFF CAM.....	1
42	71215G01		SET SCREW, 1/4 - 20 X 1/2" LG	2
43	14134G4		SPACER, 1".....	1
44	624703		BRAKE CABLE (PASSENGER SIDE).....	1
45	70113G01		ADJUSTABLE BUMPER	1
46	11027G1		LOCK NUT, 5/16 - 18.....	1
47				
48	70080G02		CATCH BRACKET.....	1
49	00414G6		BOLT, 1/4 - 20 X 3/4" LG	2
50	14390G4		LOCK NUT, 1/4 - 20.....	2
51				
52				
53	70690G02		BRAKE PEDAL ASSEMBLY(INCLUDES ITEMS 54 - 80)	1
54	652791G03		BRAKE PEDAL	1
55	652253G03		PARK BRAKE PEDAL.....	1
56				
57	70257G01		SERVICE BRAKE PAD	1
58	70256G01		PARK BRAKE PAD	1
59	16409G1		OVAL RIVET, 3/16" x 3/8" LG.....	9
60				
61	652820		BRAKE PEDAL PLATE	1

When ordering parts, please specify the model and serial number of the product.

* Indicates a component that is not available as an individual part.

*** Indicates consult Customer Service Department for additional information.

ITEM	PART NO.	1 2 3 4 5	DESCRIPTION	QTY.
62	70682G01		PIVOT PIN.....	1
63	70681G01		TORSION SPRING.....	2
64	658825		PUSHNUT, 5/16"	1
65	00737G8		SCREW, #10 - 24 X 1" LG.....	4
66	00739G1		RUBBER NUT, #10 - 24	2
67	652355		BRAKE PEDAL SPACER	2
68	27137G01		CONICAL SPRING.....	2
69	14390G10		LOCK NUT, #10 - 24.....	2
70	10606G8		MICRO SWITCH	1
71	00645G2		SCREW, #6 - 32 X 1 1/4" LG.....	2
72	00559G5		FLAT WASHER, #10	2
73	00559G3		FLAT WASHER, #6	4
74	00565G3		LOCK WASHER, #6	2
75	00525G5		NUT, #6 - 32	2
76	13514G1		SCREW AND LOCK WASHER, #6	2
77	00642G8		FLAT WASHER - 5/16"	2
78	14628G1		FASTON TAB.....	2
79	24605G1		WIRE HARNESS (BRAKE LIGHT).....	1
80	17618G1		WIRE TIE.....	2
81				
82	70998G01		BRAKE ASSEMBLY (DRIVER SIDE) (INCLUDES ITEMS 84 - 92).....	1
83	70998G02		BRAKE ASSEMBLY (PASSENGER SIDE) (INCL. ITEMS 84 - 91, 93)	1
84	70794G01		BRAKE SHOE KIT (INCLUDES ITEM 85).....	2
85	*		BRAKE SHOE.....	2
86	27944G01		BRAKE SPRING KIT (INCLUDES ITEMS 87 - 91)	2
87	*		UPPER SPRING	1
88	*		LOWER SPRING	1
89	*		PIN	2
90	*		CUP AND SPRING	2
91	*		ADJUSTER SPRING	1
92	72582G01		BRAKE ADJUSTER KIT (DRIVER SIDE) (INCLUDES ITEMS 94, 95)	1

BRAKES

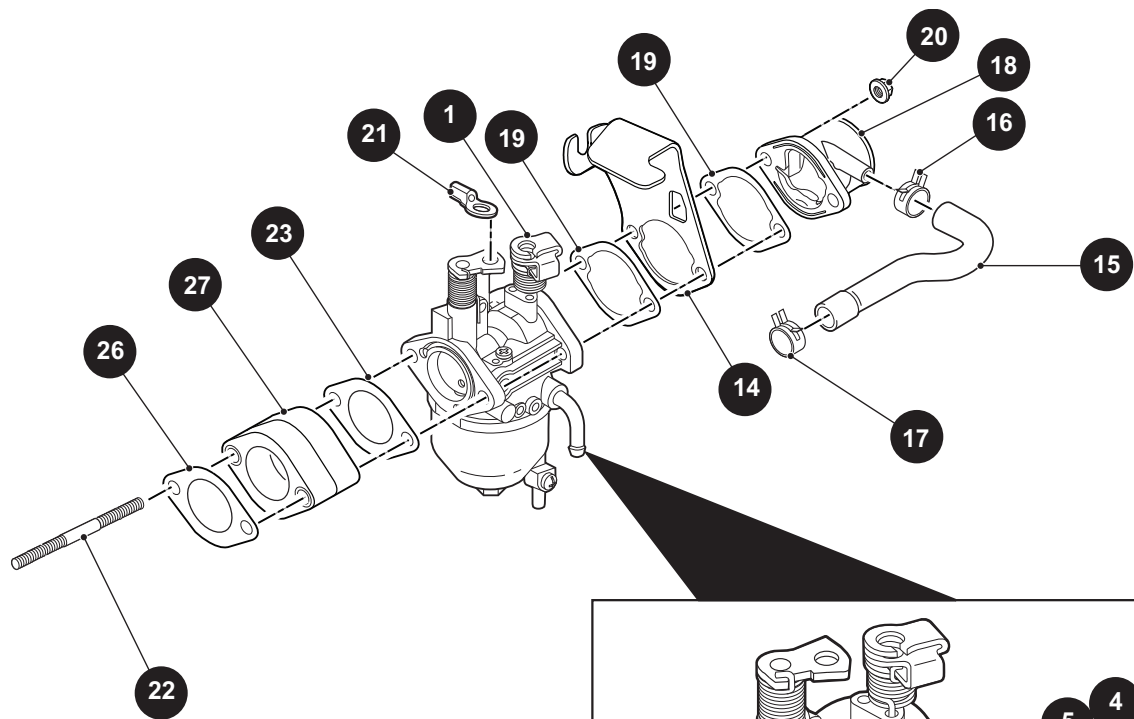
When ordering parts, please specify the model and serial number of the product.

* Indicates a component that is not available as an individual part.

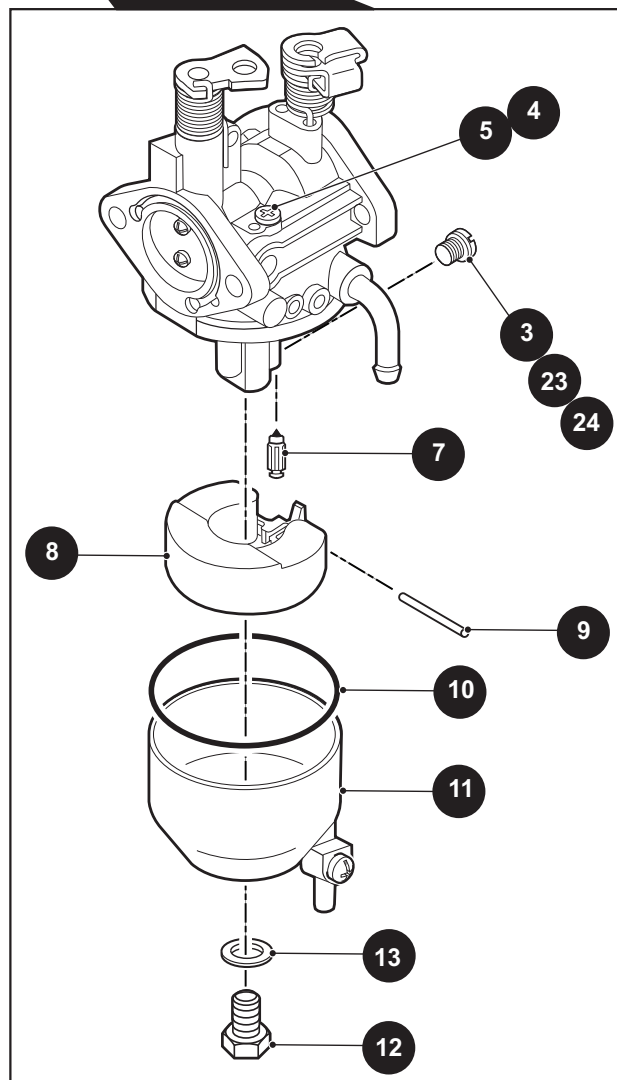
*** Indicates consult Customer Service Department for additional information.

ITEM	PART NO.	1	2	3	4	5	DESCRIPTION	QTY.
93	72582G02						BRAKE ADJUSTER KIT (PASSENGER SIDE) (INCL ITEMS 94, 95)	1
94	*						ADJUSTER.....	1
95	*						TEFLON WASHER.....	2
96	17083G2						BOLT, 5/16 - 24 X 1" LG	8
97	15126G1						LOCK NUT, 5/16 - 24.....	8
98	21809G1						INNER BRAKE DRUM WASHER, 1 5/16" OD X 1" ID X 1/32"	2
99								
100	21807G2						BRAKE DRUM ASSEMBLY (INCLUDES ITEMS 101 - 102).....	2
101	*						BRAKE DRUM	1
102	19862G1						LUG BOLT, 1/2 - 20.....	4
103								
104								
105	606945						OUTER BRAKE DRUM WASHER	2
106	606403						SLOTTED NUT, 3/4 - 16.....	2
107	10387G1						COTTER PIN, 1/8" X 1 1/2" LG	2
108	607033						SPINDLE CAP.....	2
109								
110	652248						BRAKE CABLE BRACKET (PASSENGER SIDE).....	1
111	652249						BRAKE CABLE BRACKET (DRIVER SIDE)	1

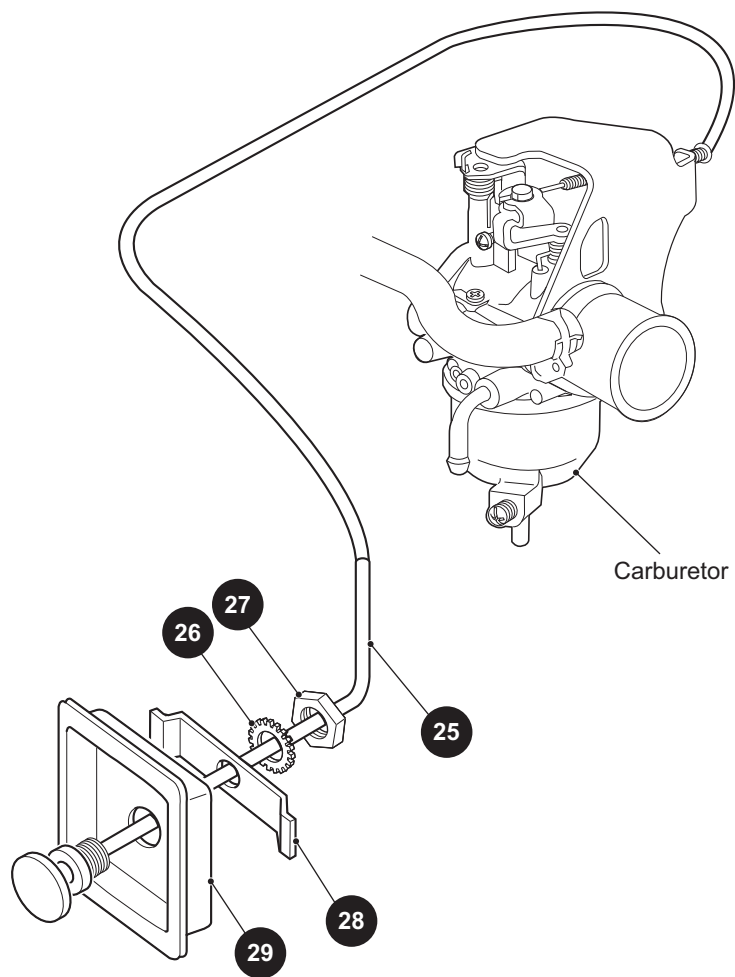
CARBURETOR AND CHOKE



1 CARBURETOR Includes Items 3 - 22



CARBURETOR AND CHOKE



CARBURETOR AND CHOKE

When ordering parts, please specify the model and serial number of the product.

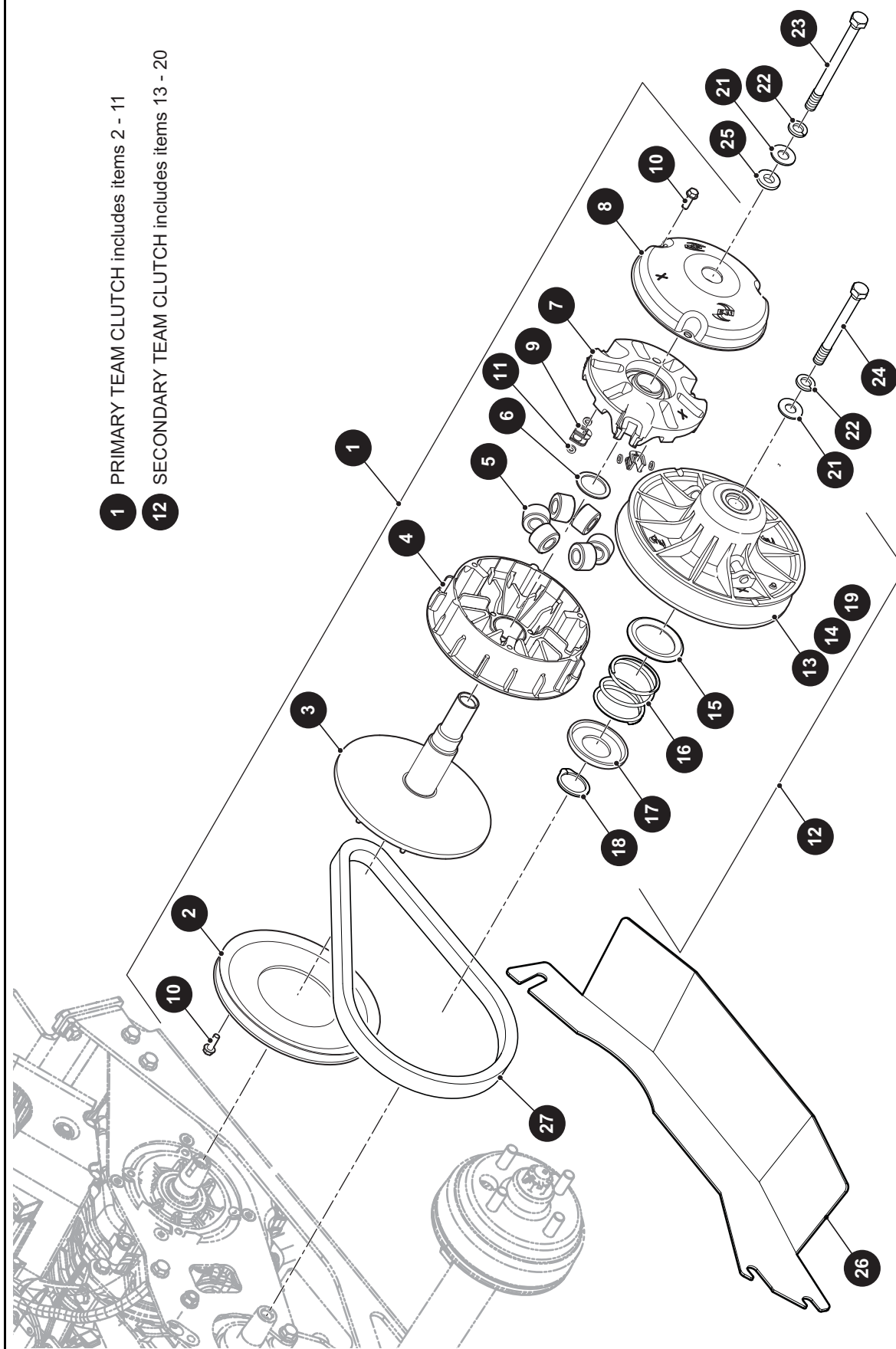
* Indicates a component that is not available as an individual part.

*** Indicates consult Customer Service Department for additional information.

ITEM	PART NO.	1 2 3 4 5	DESCRIPTION	QTY.
1	607955		CARBURETOR (INCLUDES ITEMS 3 - 22).....	1
2				
3	607956		MAIN JET (#106)	1
4	607957		PILOT JET (#52)	1
5	603585		PLUG	1
6				
7	603586		NEEDLE VALVE.....	1
8	603587		FLOAT.....	1
9	603588		FLOAT PIN.....	1
10	603589		FLOAT BOWL GASKET.....	1
11	603590		FLOAT CHAMBER.....	1
12	603592		BOWL SCREW	1
13	603591		BOWL GASKET	1
14	603583		CHOKE BRACKET	1
15	603598		BREATHER TUBE	1
16	603596		CLAMP, INTAKE TUBE.....	1
17	603597		CLAMP CYLINDER HEAD TUBE.....	1
18	603594		INTAKE TUBE.....	1
19	603593		CHOKE GASKET.....	2
20	603595		NUT, M6 X 1.0.....	2
21	608023		THROTTLE ROD ATTACHMENT BUSHING.....	1
22	603584		STUD BOLT	2
23	607684		MAIN JET (#102) (FOR ELEVATIONS OF 6000 FT - 10000 FT).....	1
24	607983		MAIN JET (#104) (FOR ELEVATIONS OF 3000 FT - 6000 FT).....	1
25	605868		CHOKE CABLE (SWB)	1
26	00568G4		LOCK WASHER, 9/16"	1
27	00545G4		JAM NUT, 9/16 - 18	1
28	72155G01		RETAINER.....	1
29	72154G01		CHOKE CABLE ADAPTER.....	1

CLUTCH

- 1 PRIMARY TEAM CLUTCH includes items 2 - 11
- 12 SECONDARY TEAM CLUTCH includes items 13 - 20



When ordering parts, please specify the model and serial number of the product.

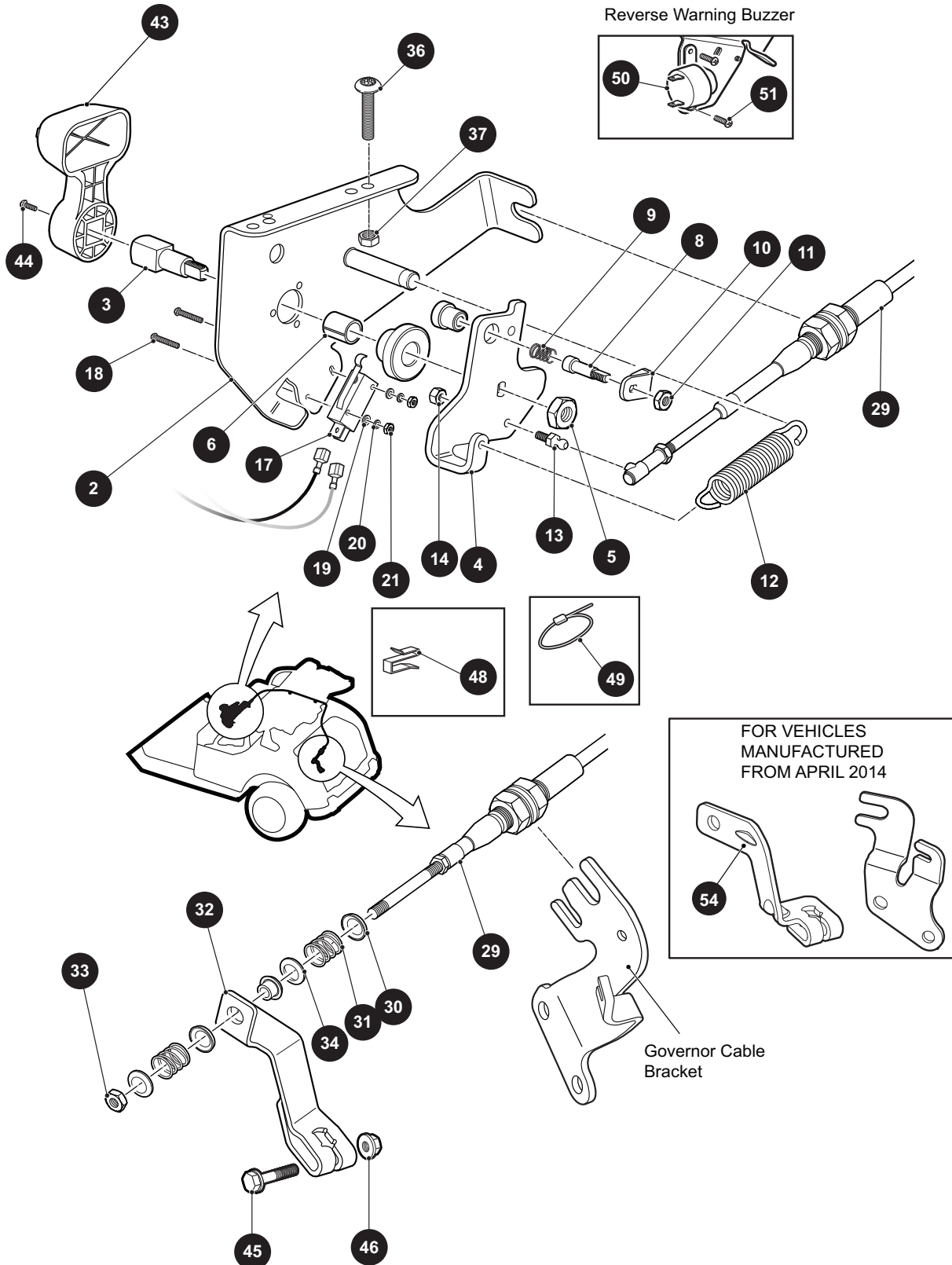
* Indicates a component that is not available as an individual part.

*** Indicates consult Customer Service Department for additional information.

ITEM	PART NO.	1 2 3 4 5	DESCRIPTION	QTY.
1	644301		PRIMARY TEAM CLUTCH (INCLUDES ITEMS 2 - 11).....	1
2	619333		PRIMARY STARTER PULLY, 195 - SVC.....	1
3	619334		STATIONARY ASSEMBLY	1
4	619335		MOVEABLE PRIMARY ASSEMBLY	1
5	624112		SHIFT ROLLER ASSEMBLY.....	6
6	619337		SHIM, 39 5MM X 31 75MM	1
7	644303		PRIMARY SPIDER ASSEMBLY	1
8	619339		PRIMARY DUST COVER ASSEMBLY.....	1
9	644305		BUTTON, TORQUE PRIMARY	6
10	619332		HEX WASHER HEAD BOLT, 1/4" - 20 X 3/4" LG	7
11	644306		PLUG, TORQUE PRIMARY.....	6
12	623949		SECONDARY TEAM CLUTCH (INCLUDES ITEMS 13 - 20).....	1
13	*		SECONDARY STATIONARY, 9.5.....	1
14	*		MOVEABLE SECONDARY, 9.5.....	1
15	619327		INNER RETAINER SPRING.....	1
16	624111		COMPRESSION SPRING, 2.70 O.D.....	1
17	619329		OUTER SPRING RETAINER	1
18	619330		RETAINER RING.....	1
19	619331		THRUST WASHER, 1 53" x 1 83" x 1"	1
20				
21	606239		CONICAL WASHER, M12	2
22	00566G3		LOCK WASHER (SPRING TYPE), 3/8".....	2
23	606245		HEX HEAD BOLT, M12 - 1 25 X 160MM LG.....	1
24	606243		HEX HEAD BOLT, M12 - 1 25 X 120MM LG.....	1
25	606230		CLUTCH WASHER, 27 5MM O.D. X 13 06MM I.D.	1
26	605950		CLUTCH BELT SHIELD.....	1
27	618630		DRIVE BELT	1

DIRECTION SELECTOR

1 DIRECTION SELECTOR ASSEMBLY Includes Items 2 - 34



DIRECTION SELECTOR

When ordering parts, please specify the model and serial number of the product.

* Indicates a component that is not available as an individual part.

*** Indicates consult Customer Service Department for additional information.

ITEM	PART NO.	1 2 3 4 5	DESCRIPTION	QTY.
1	606173		DIRECTION SELECTOR ASSEMBLY (INCLUDES ITEMS 2 - 34)	1
2	606077		DIRECTION SELECTOR BRACKET.....	1
3	70233G01		DIRECTION SELECTOR SHAFT.....	1
4	603700		DIRECTION SELECTOR CAM.....	1
5	14390G1		LOCK NUT, 3/8" - 24	1
6	25664G2		BUSHING, 1/2" X .75" LG	1
7				
8	72724G01		NEUTRAL LOCK PIN	1
9	72733G01		COMPRESSION SPRING, 3/8" X 5/8" LG	1
10	72729G01		NEUTRAL LOCK LATCH.....	1
11	00734G2		LOCK NUT, 1/4" - 28	1
12	28574G01		EXTENSION SPRING	1
13	72732G01		BALL STUD, 1/4"	1
14	00734G5		LOCK NUT, #10 - 32.....	1
15				
16				
17	72736G01		MICRO SWITCH	1
18	01062G01		SLOTTED MACHINED SCREW, #4 - 40 X 1" LG	2
19	00559G1		FLAT WASHER, #4	2
20	00565G1		LOCK WASHER, #4	2
21	00526G2		HEX NUT, #4 - 40	2
22				
23				
24				
25				
26				
27				
28				
29	605807		SHIFTER CABLE	1
30	25727G01		CUP WASHER, 1/4"	4
31	72735G01		COMPRESSION SPRING, 19/32" X 1" LG	2

DIRECTION SELECTOR

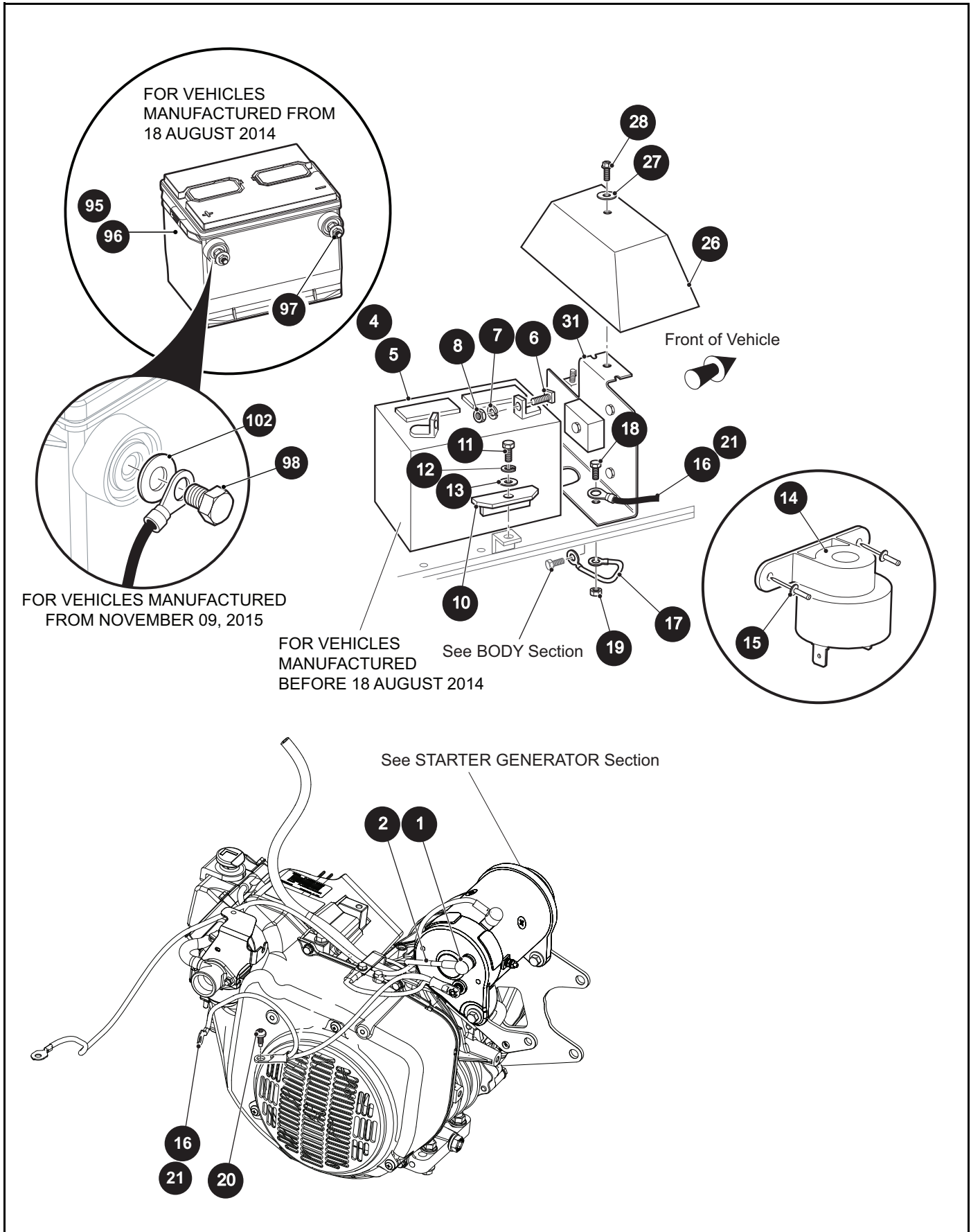
When ordering parts, please specify the model and serial number of the product.

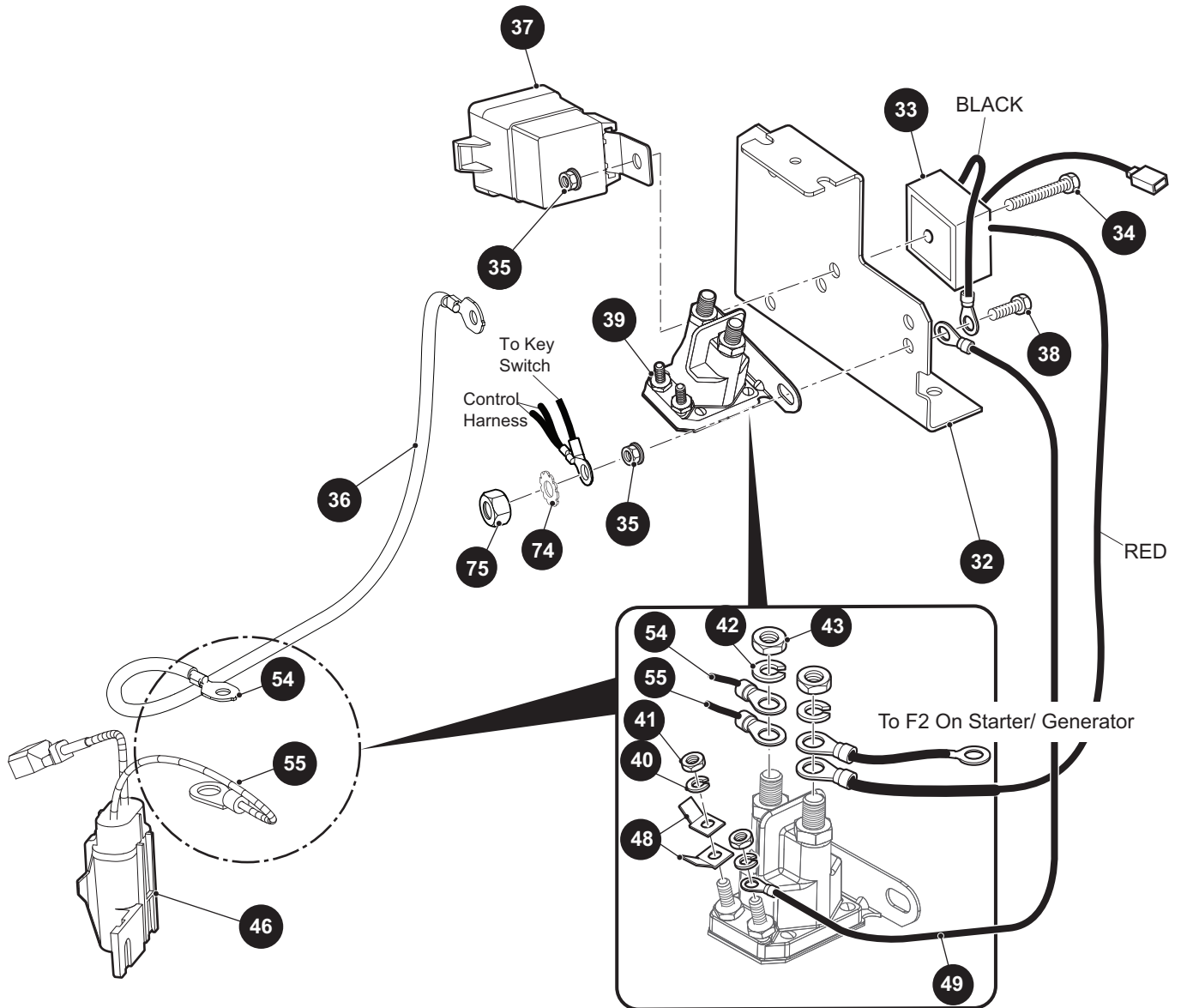
* Indicates a component that is not available as an individual part.

*** Indicates consult Customer Service Department for additional information.

ITEM	PART NO.	1	2	3	4	5	DESCRIPTION	QTY.
32	74455G01						SHIFTER ARM WITH BUSHING	1
33	00734G5						LOCK NUT, #10 - 32	1
34	22754G4						BUSHING, FLIP LOK, .250"	1
35								
36	70227G01						SOCKET HEAD SCREW, 1/4" - 20 X 7/8" LG.....	2
37	11027G2						LOCK NUT, 1/4" - 20	2
38								
39								
40								
41								
42								
43	71205G01						DIRECTION SELECTOR HANDLE	1
44	645185						TRUSS HEAD PHILLIPS SCREW, #10 - 32 X 1/2" LG.....	1
45	606421						HEX HEAD BOLT, M6 - 1 X 30MM LG	1
46	450452						HEX NUT, M6 - 1	1
47	17618G1						NYLON CLAMP, 8" LG (NOT ILLUSTRATED)	1
48	01072G01						CABLE CLIP	1
49	31539G1						NYLON CLAMP, 15.5" LG	2
50	73290G03						REVERSE WARNING BUZZER.....	1
51	01063G01						TAPTITE THREAD SCREW, #6 - 32 X 3/8" LG	2
52	25978G345						18 GA WIRE (RED 7") (NOT ILLUSTRATED).....	1
53								
54	632891						DIRECTION SELECTOR PIVOT BRACKET (FOR VEHICLES MANUFACTURED FROM APRIL 2014)	1

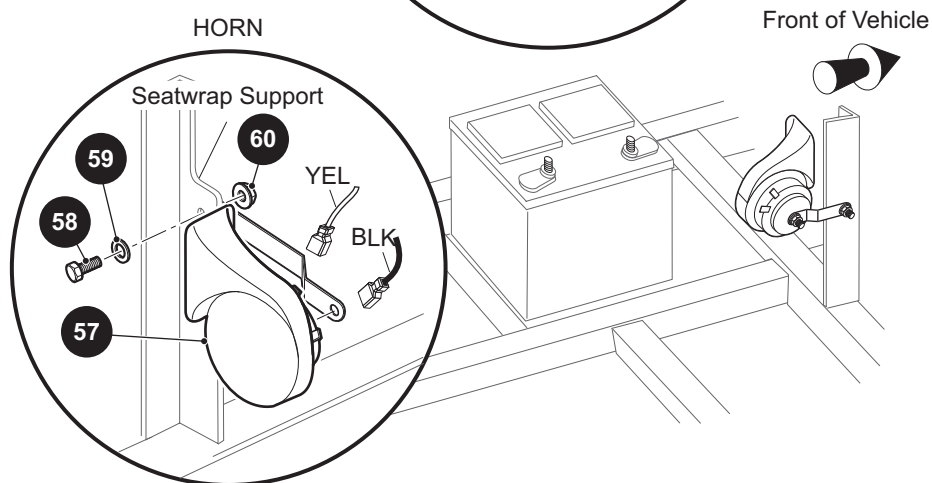
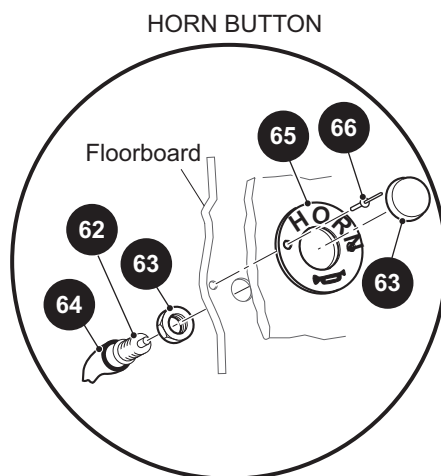
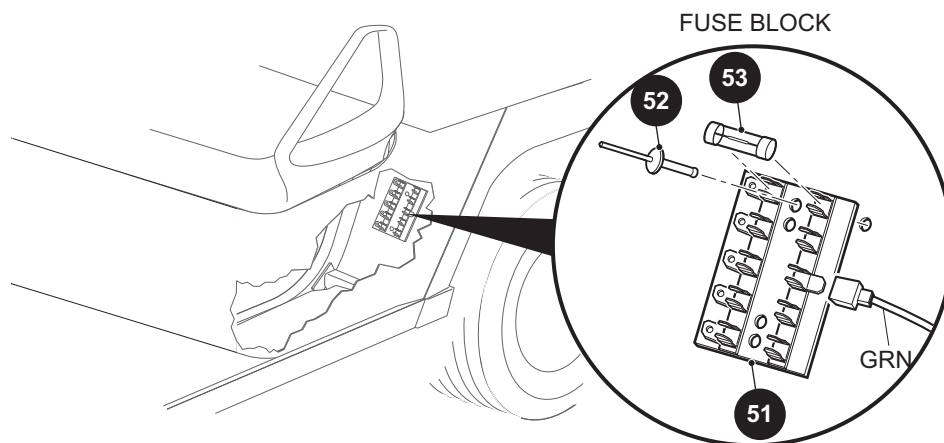
ELECTRICAL SYSTEM



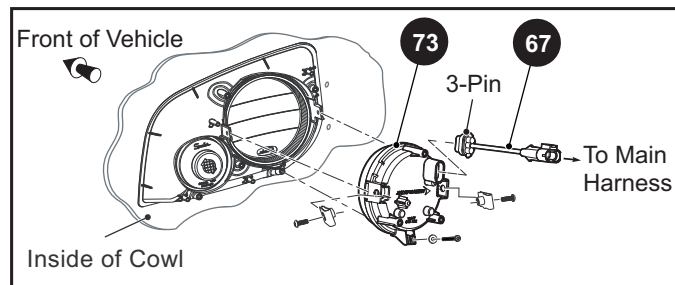
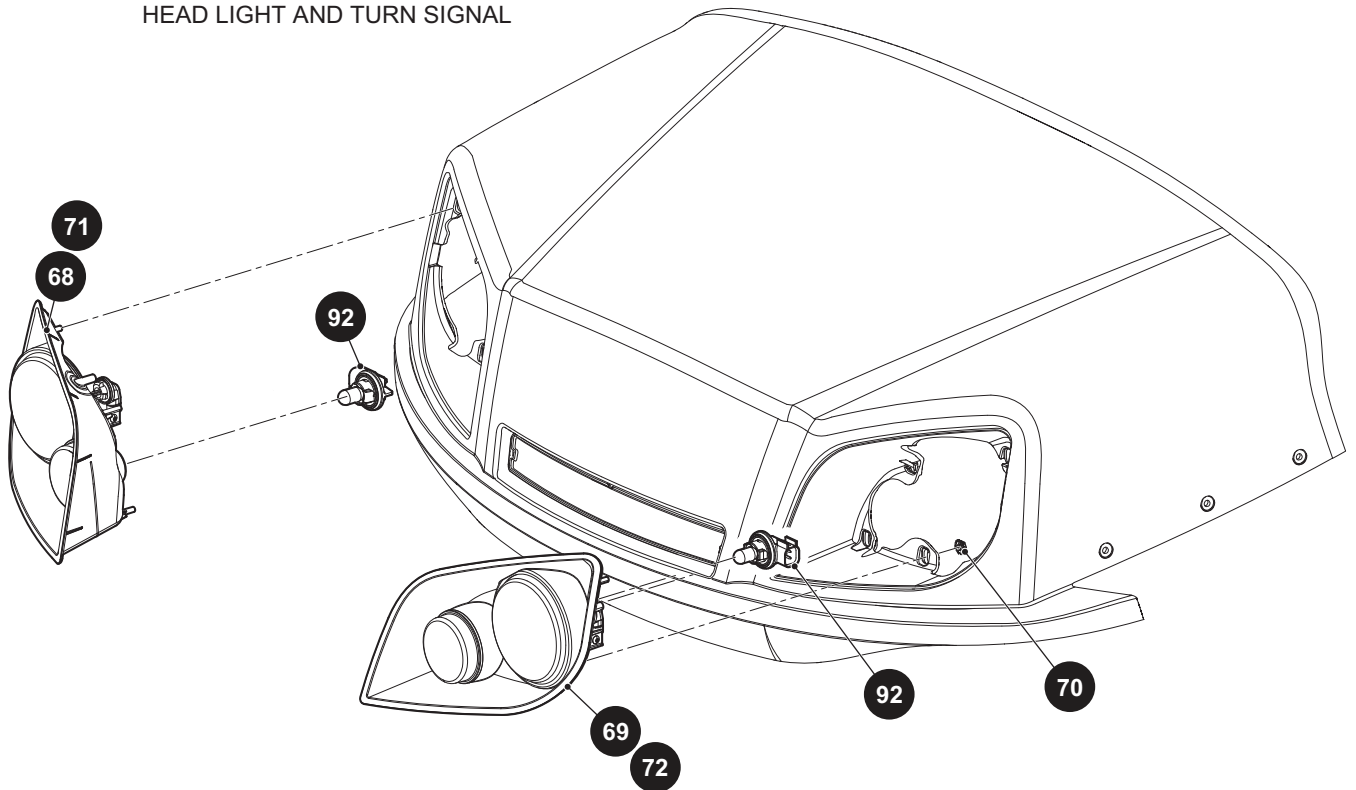


31 ELECTRICAL PLATE ASSEMBLY includes items 32 - 49

ELECTRICAL SYSTEM



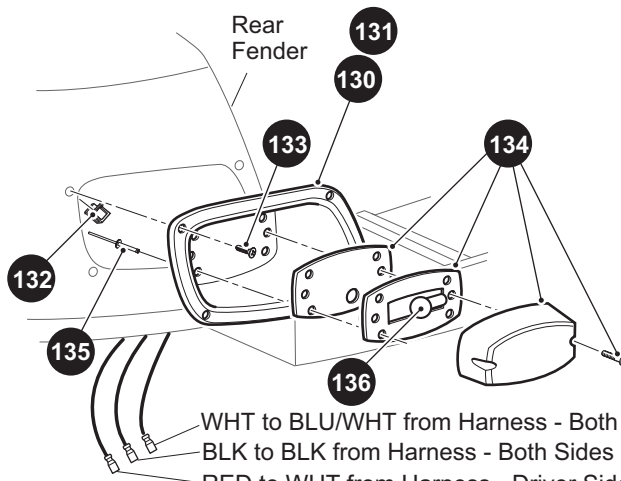
HEAD LIGHT AND TURN SIGNAL



- 71** LED HEADLIGHT ASSEMBLY (PASSENGER SIDE) includes item 73
- 72** LED HEADLIGHT ASSEMBLY (DRIVER SIDE) includes item 73

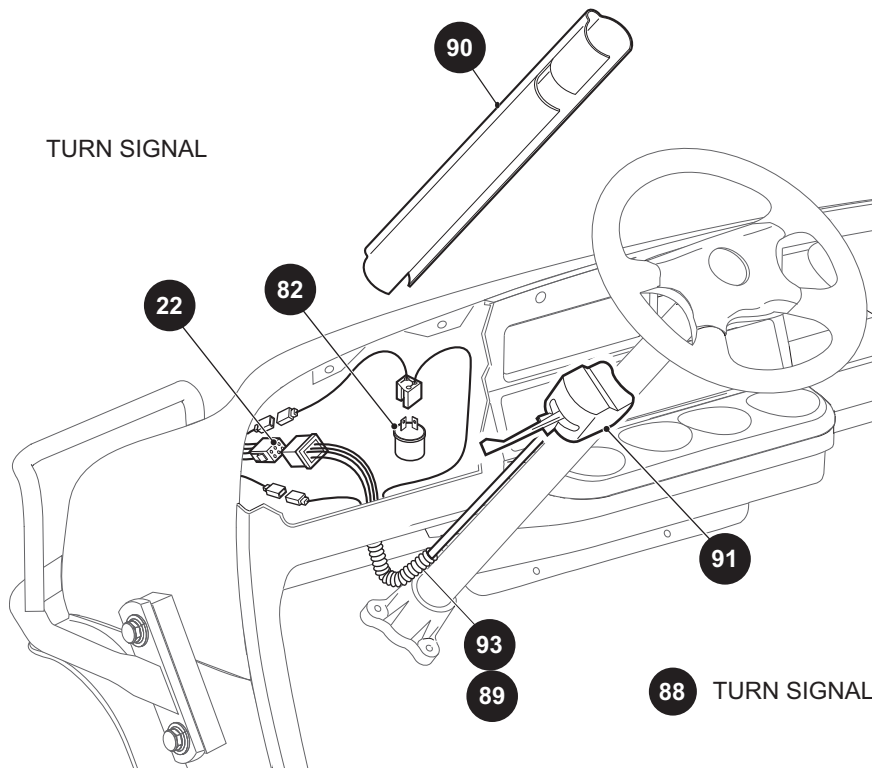
ELECTRICAL SYSTEM

TAIL LIGHT



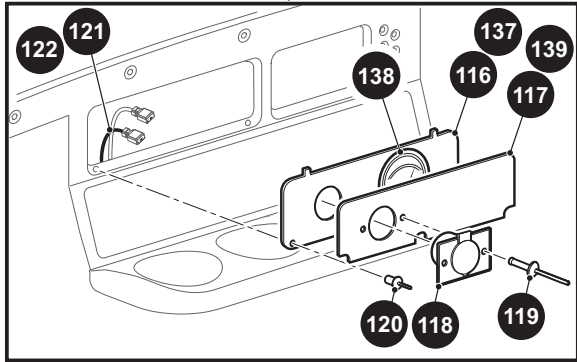
- WHT to BLU/WHT from Harness - Both Sides
- BLK to BLK from Harness - Both Sides
- RED to WHT from Harness - Driver Side
- RED to YEL from Harness - Passenger Side
- RED TO BRN from Harness - (W/O Turn Signals)

TURN SIGNAL



88 TURN SIGNAL KIT includes items 89 - 93

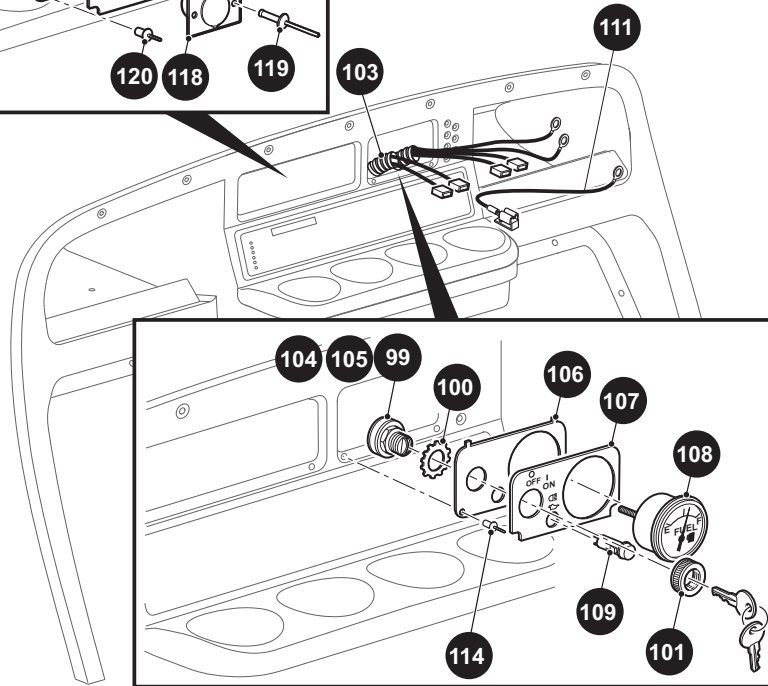
CONSOLE INSERT PLATE (WITH POWER OUTLET SHOWN)



115 CONSOLE INSERT ASSEMBLY includes items 116 - 119

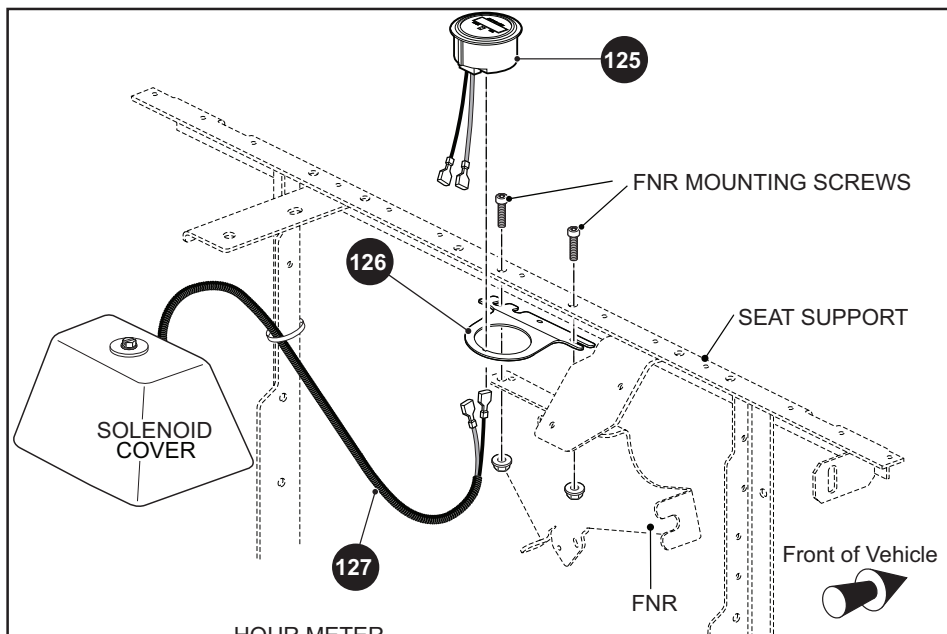
123 HOUR METER KIT (FACTORY) includes items 125 - 127

124 HOUR METER KIT (FIELD) includes items 125 - 127

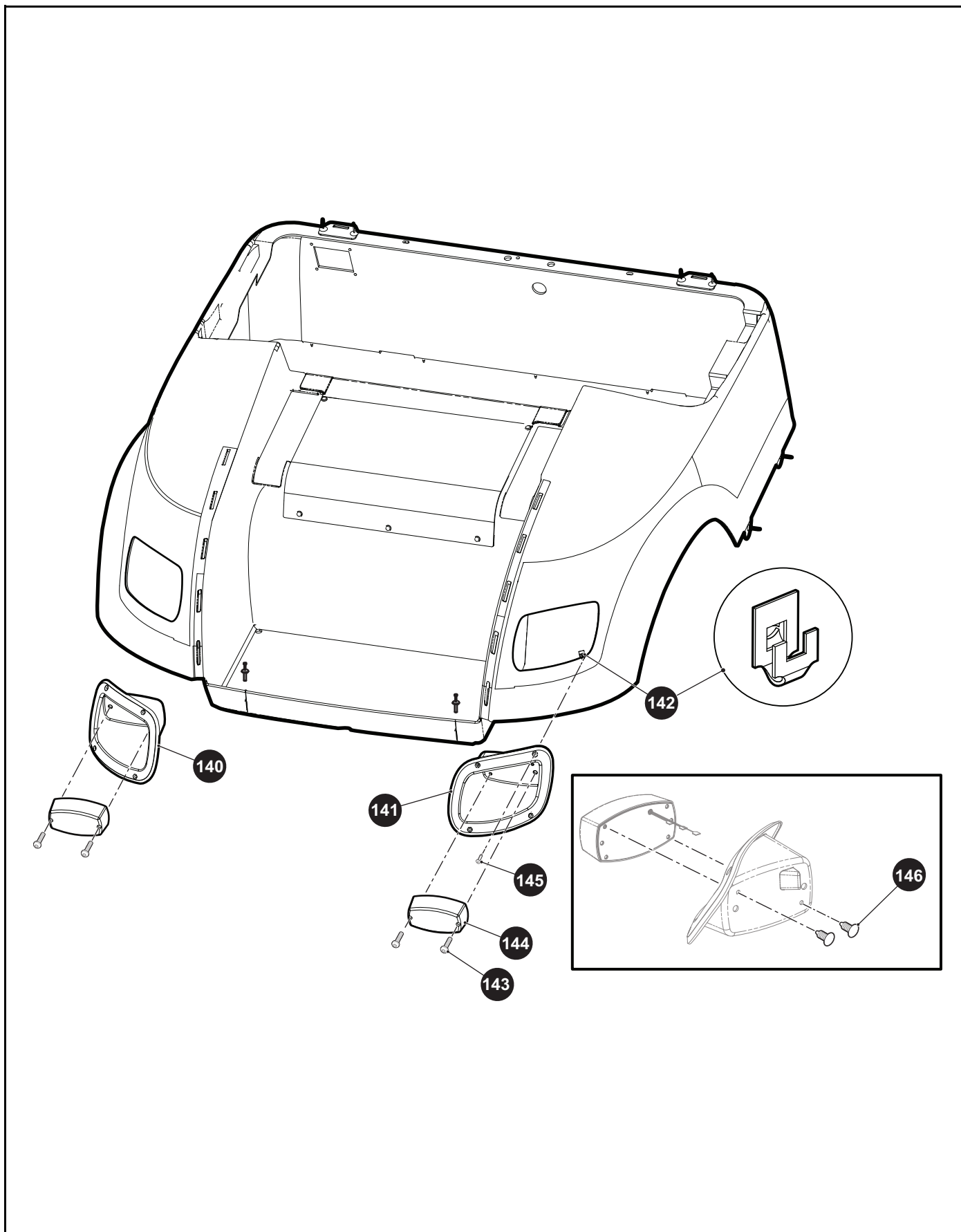


KEY SWITCH, INDICATOR LIGHT(S), AND FUEL GAUGE

Front of Vehicle



ELECTRICAL SYSTEM



ELECTRICAL SYSTEM

When ordering parts, please specify the model and serial number of the product.

* Indicates a component that is not available as an individual part.

*** Indicates consult Customer Service Department for additional information.

ITEM	PART NO.	1 2 3 4 5	DESCRIPTION	QTY.
1	607053		6 GA WIRE (BLACK 6", F1 - A2).....	1
2	25682G1		TERMINAL COVER	3
3				
4	600497		BATTERY, 12V, HD (FOR VEHICLES MANUFACTURED BEFORE 18 AUGUST 2014).....	1
5	24775G1		BATTERY, 12V (FOR VEHICLES MANUFACTURED BEFORE 18 AUGUST 2014).....	1
6	*		HEX HEAD BOLT, 5/16" - 18 X 1 1/4" LG.....	2
7	*		LOCK WASHER (SILICON BRONZE), 5/16"	2
8	*		HEX NUT (SILICON BRONZE), 5/16" - 18.....	2
9	611496		BATTERY WELDMENT TRAY	1
10	72101G02		BATTERY HOLD DOWN.....	1
11	00438G6		HEX HEAD BOLT, 5/16" - 18 X 3/4" LG	3
12	00565G8		LOCK WASHER, 5/16"	1
13	00571G2		FLAT WASHER (SS), 5/16".....	1
14	73290G03		CONTINUOUS TONE POTTED BUZZER	1
15	01041G01		BULBEX RIVET, 5/32" DIA.....	2
16	27044G03		GROUND CABLE	1
17	25976G19		14 GA WIRE (BLACK 6")	1
18	00438G6		HEX HEAD BOLT, 5/16" - 18 X 3/4" LG	2
19	11027G1		LOCK NUT, 5/16" - 18.....	2
20	26676G01		FLANGED BOLT, M6 - 1 X 23 MM LG	1
21	645191		GROUND CABLE (FOR VEHICLES MANUFACTURED FROM NOVEMBER 09, 2015)	1
22	645193		WIRE HARNESS, LONG (ACCESSORY) (FOR VEHICLES MANUFACTURED FROM NOVEMBER 09, 2015)	1
23				
24	605560		WIRE HARNESS (CONTROL)	1
25	17618G1		WIRE TIE (NOT ILLUSTRATED)	AR
26	73049G01		COVER (DIRECTION SELECTOR).....	1
27	16469G1		FLAT WASHER, 1/4"	1
28	00114G6		HEX HEAD BOLT, 1/4" - 14 X 3/4" LG	1

ELECTRICAL SYSTEM

When ordering parts, please specify the model and serial number of the product.

* Indicates a component that is not available as an individual part.

*** Indicates consult Customer Service Department for additional information.

ITEM	PART NO.	1	2	3	4	5	DESCRIPTION	QTY.
29	610428						BATTERY BOLT EXTENDER (NOT ILLUSTRATED).....	1
30								
31	605563						ELECTRIC PLATE ASSEMBLY (INCLUDES ITEMS 32 - 49)	1
32	73057G02						ELECTRICAL BRACKET	1
33	27739G01						VOLTAGE REGULATOR.....	1
34	303459						HEX HEAD BOLT, 1/4" - 20 X 1 1/2" LG	1
35	11027G2						LOCK NUT, 1/4" - 20	2
36	645190						WIRE ASSEMBLY 6 AWG.....	1
37	603282						RELAY.....	1
38	00661G8						HEX HEAD BOLT (SS), 1/4" - 20 X 5/8" LG	1
39	612813						SOLENOID.....	1
40	*						LOCK WASHER, #10	2
41	*						HEX NUT, #10 - 32	2
42	*						LOCK WASHER, 5/16"	2
43	*						HEX NUT, 5/16" - 24.....	2
44								
45								
46	600418G01						FUSE HOLDER ASSEMBLY.....	1
47								
48	73446G01						FASTON TAB, 90°	2
49	25978G56						18 GA WIRE (BLACK 5 3/4")	1
50								
51	22674G1						FUSE BLOCK.....	1
52	01041G01						RIVET, 1/8" X 13/16" LG.....	2
53	18392G1						15 AMP FUSE	3
54	645190						#6 GA WIRE ASSEMBLY	1
55	20216G1						16 GA WIRE (RED)	1
56								
57	32860G1						HORN.....	1
58	00414G5						HEX HEAD BOLT, 1/4" - 20 x 5/8" LG	1
59	0111G01						FLAT WASHER (SS), 1/4"	1

ELECTRICAL SYSTEM

When ordering parts, please specify the model and serial number of the product.

* Indicates a component that is not available as an individual part.

*** Indicates consult Customer Service Department for additional information.

ITEM	PART NO.	1 2 3 4 5	DESCRIPTION	QTY.
60	14390G4		LOCK NUT, 1/4" - 20	1
61				
62	17318G1		HORN SWITCH	1
63	17318G2		HORN SWITCH CAP AND NUT	1
64	27068G01		HORN SWITCH BOOT	1
65	19233G1		HORN SWITCH LABEL	1
66	71055G01		RIVET (ALUMINUM), 3/16" X 1" LG	2
67	654465		JUMPER HARNESS, LED HEADLIGHT	2
68	614497		PASSENGER SIDE HEADLIGHT ASSEMBLY	1
69	614501		DRIVER SIDE HEADLIGHT ASSEMBLY	1
70	71597G01		SELF THREADING NUT	8
71	659008		LED HEADLIGHT ASSEMBLY (PASSENGER SIDE) (INCLUDES ITEM 73).	1
72	659009		LED HEADLIGHT ASSEMBLY (DRIVER SIDE) (INCLUDES ITEM 73)	1
73	651411G03		LED HEADLIGHT	1
74	00567G7		LOCK WASHER (EXTERNAL TOOTH TYPE), 1/4"	1
75	00532G1		HEX NUT, 1/4" - 20	1
76	00439G1		HEX HEAD BOLT, 5/16" - 18 X 1 1/8" LG (NOT ILLUSTRATED)	1
77	75048G01		SPACER, .328" X .75" X .50" (NOT ILLUSTRATED)	1
78	11098G6		LOCK NUT, 5/16" - 18 (NOT ILLUSTRATED)	1
79				
80	31539G1		NYLON CLAMP (NOT ILLUSTRATED)	AR
81				
82	21640G1		FLASHER UNIT	1
83				
84				
85				
86				
87				
88	622712		TURN SIGNAL KIT (INCLUDES ITEMS 89 - 93)	1
89	17618G1		NYLON CLAMP	2
90	20965G3		STEERING COLUMN COVER	1

ELECTRICAL SYSTEM

When ordering parts, please specify the model and serial number of the product.

* Indicates a component that is not available as an individual part.

*** Indicates consult Customer Service Department for additional information.

ITEM	PART NO.	1	2	3	4	5	DESCRIPTION	QTY.
91	611810						TURN SIGNAL SWITCH ASSEMBLY	1
92	619102						TURN SIGNAL ASSEMBLY BULB.....	2
93	32307G3						FLEX ZIP LOOM	1
94								
95	637484						BATTERY, 12V (FOR VEHICLES MANUFACTURED FROM 18 AUGUST 2014).....	1
96	638433						BATTERY, 12V HD (FOR VEHICLES MANUFACTURED FROM 18 AUGUST 2014).....	1
97	610428						BATTERY BOLT EXTENDER (FOR VEHICLES MANUFACTURED FROM 18 AUGUST 2014).....	2
98	651336						BATTERY BOLT (FOR VEHICLES MANUFACTURED FROM NOVEMBER 09, 2015).....	2
99	33639G01						IGNITION SWITCH (WITH LIGHTS, INDIVIDUALLY KEYED)	1
100	00568G6						LOCK WASHER, 3/4"	1
101	17137G1						FACE NUT, 3/4" - 20.....	1
102	614221						FLAT WASHER, 3/8" (FOR VEHICLES MANUFACTURED FROM NOVEMBER 09, 2015).....	2
103	605639						WIRE HARNESS (KEY SWITCH)	1
104	33639G02						IGNITION SWITCH (WITH LIGHTS, GROUP KEYED)	1
105	33639G03						IGNITION SWITCH (WITH LIGHTS, INDIVIDUAL KEYED).....	1
106	73030G04						PLATE (FUEL GAUGE AND OIL LIGHT)	1
107	71131G01						LABEL (OIL LIGHT AND FUEL GAUGE WITH HEADLIGHTS)	1
108	21553G1						FUEL GAUGE.....	1
109	23474G1						INDICATOR LIGHT.....	1
110								
111	25978G122						18 GA WIRE (RED 6").....	1
112								
113								
114	33623G02						DRIVE RIVET, 3/16" X 3/8" LG.....	2
115	74693G01						CONSOLE INSERT ASSEMBLY W/PLUG (INCLUDES ITEMS 116 - 119).....	1
116	73522G03						CONSOLE INSERT PLATE	1
117	35966G03						LABEL (CONSOLE INSERT PLATE).....	1
118	71078G01						POWER OUTLET (12 VOLT).....	1

ELECTRICAL SYSTEM

When ordering parts, please specify the model and serial number of the product.

* Indicates a component that is not available as an individual part.

*** Indicates consult Customer Service Department for additional information.

ITEM	PART NO.	1 2 3 4 5	DESCRIPTION	QTY.
119	14601G10		RIVET (ALUMINUM), 3/16" X 7/16" LG.....	2
120	33623G02		DRIVE RIVET, 3/16" X 3/8" LG	3
121	71081G01		WIRE HARNESS (POWER OUTLET)	1
122	645194		WIRE HARNESS (POWER OUTLET) (FOR VEHICLES MANUFACTURED FROM NOVEMBER 09, 2015)	1
123	607284		HOUR METER KIT (FACTORY) (INCLUDES ITEMS 125 - 127)	1
124	607285		HOUR METER KIT (FIELD) (INCLUDES ITEMS 125 - 127)	1
125	617074		HOUR METER	1
126	635649		HOUR METER BRACKET.....	1
127	606254		WIRE HARNESS (HOUR METER)	1
128				
129				
130	74371G01		BEZEL (DRIVER SIDE)	1
131	74371G02		BEZEL (PASSENGER SIDE).....	1
132	71364G02		"J" CLIP.....	8
133	71425G01		COUNTERSUNK SCREW, #8	8
134	22288G1		BRAKE/TAILLIGHT LAMP	2
135	14601G11		ALUMINIUM RIVET, 3/16' X 9/16' LG	4
136	00513G4		HEX HEAD BOLT, #8 - 18 X 1 1/2" LG	4
137	73030G14		CONSOLE INSERT PLATE (FOR VEHICLES MANUFACTURED FROM NOVEMBER 09, 2015)	1
138	648247		FUEL LEVEL GAUGE (FOR VEHICLES MANUFACTURED FROM NOVEMBER 09, 2015)	1
139	648855		CONSOLE LABEL (FOR VEHICLES MANUFACTURED FROM NOVEMBER 09, 2015)	1
140	625251		BEZEL, TAILLIGHT (DRIVER SIDE) (FOR VEHICLES MANUFACTURED FROM MARCH 2014).....	1
141	625252		BEZEL, TAILLIGHT (PASSENGER SIDE) (FOR VEHICLES MANUFACTURED FROM MARCH 2014).....	1
142	71364G02		"J" TYPE NUT, #8 (FOR VEHICLES MANUFACTURED FROM MARCH 2014).....	8
143	00513G4		PAN HEAD PHILLIPS SCREW, #8 - 18 X 1.5" LG (FOR VEHICLES MANUFACTURED FROM MARCH 2014).....	4

ELECTRICAL SYSTEM

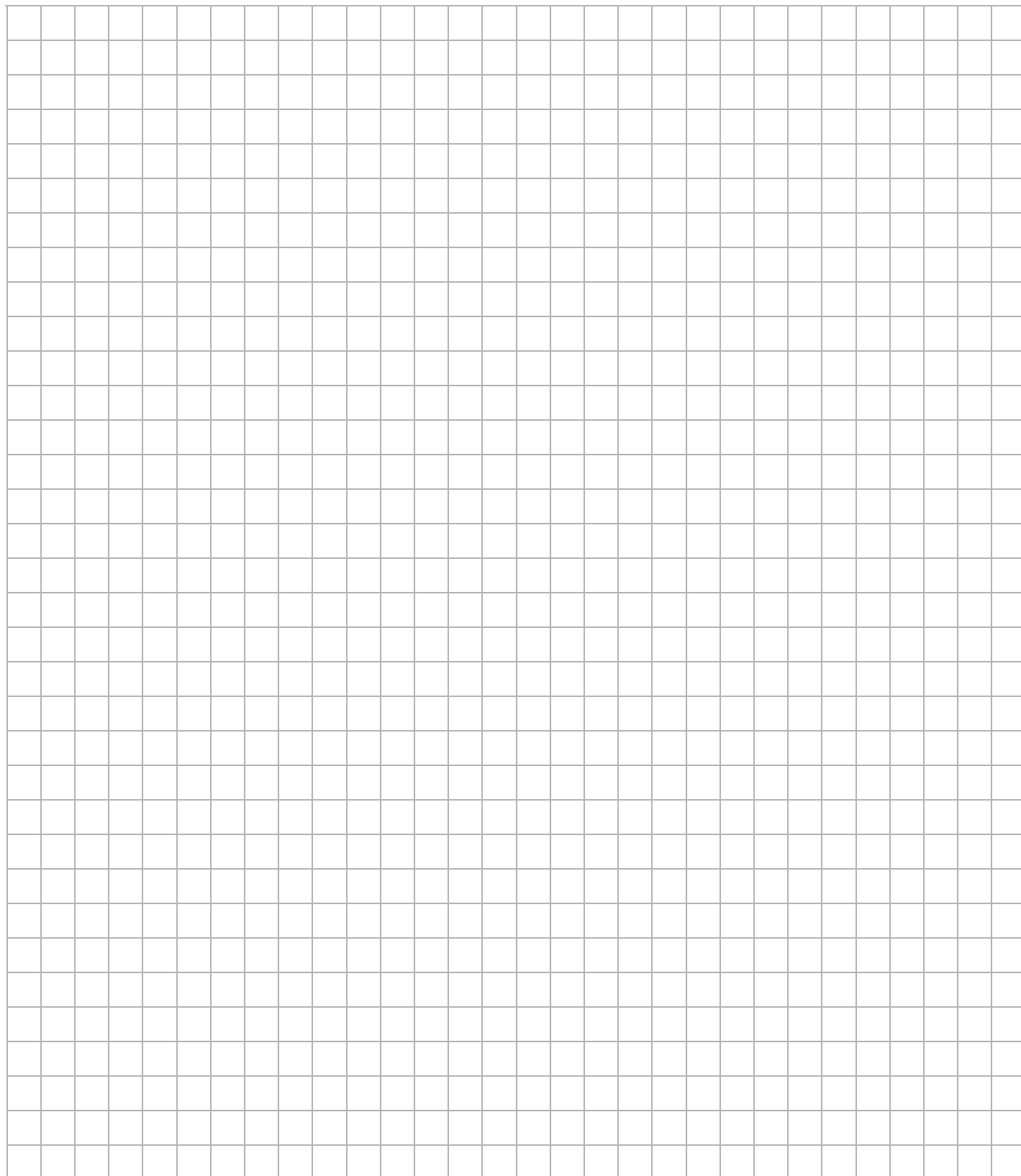
When ordering parts, please specify the model and serial number of the product.

* Indicates a component that is not available as an individual part.

*** Indicates consult Customer Service Department for additional information.

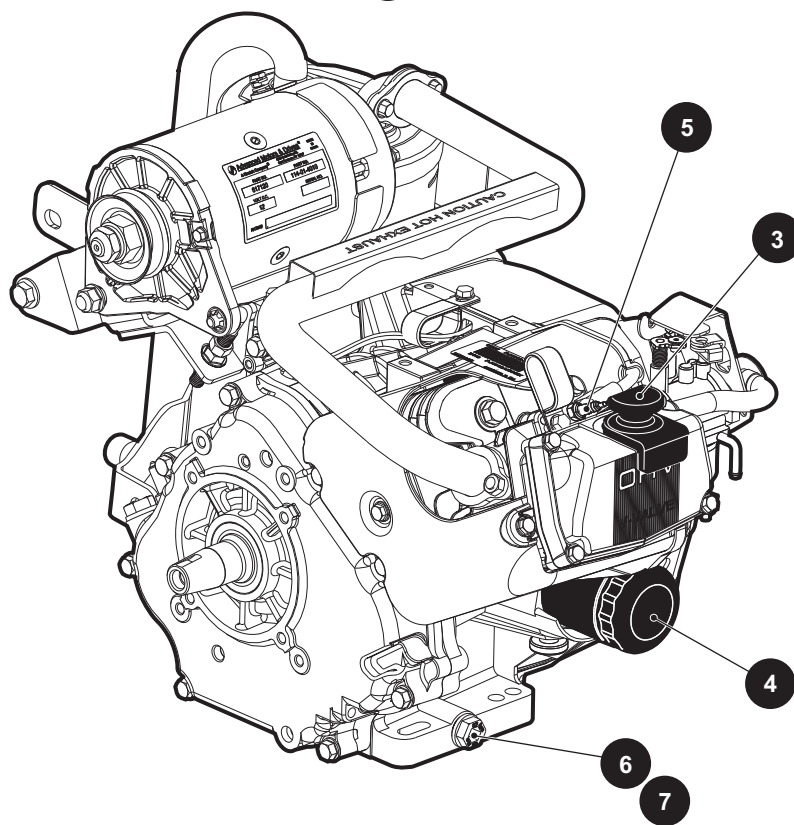
ITEM	PART NO.	1	2	3	4	5	DESCRIPTION	QTY.
144	22288G1						TAILLIGHT ASSEMBLY (FOR VEHICLES MANUFACTURED FROM MARCH 2014)	2
145	71425G01						TAPPING SCREW, #8 - 18 X .75" LG (FOR VEHICLES MANUFACTURED FROM MARCH 2014)	8
146	14601G11						RIVET, 3/16" X 9/16" (FOR VEHICLES MANUFACTURED FROM MARCH 2014)	2

Notes:

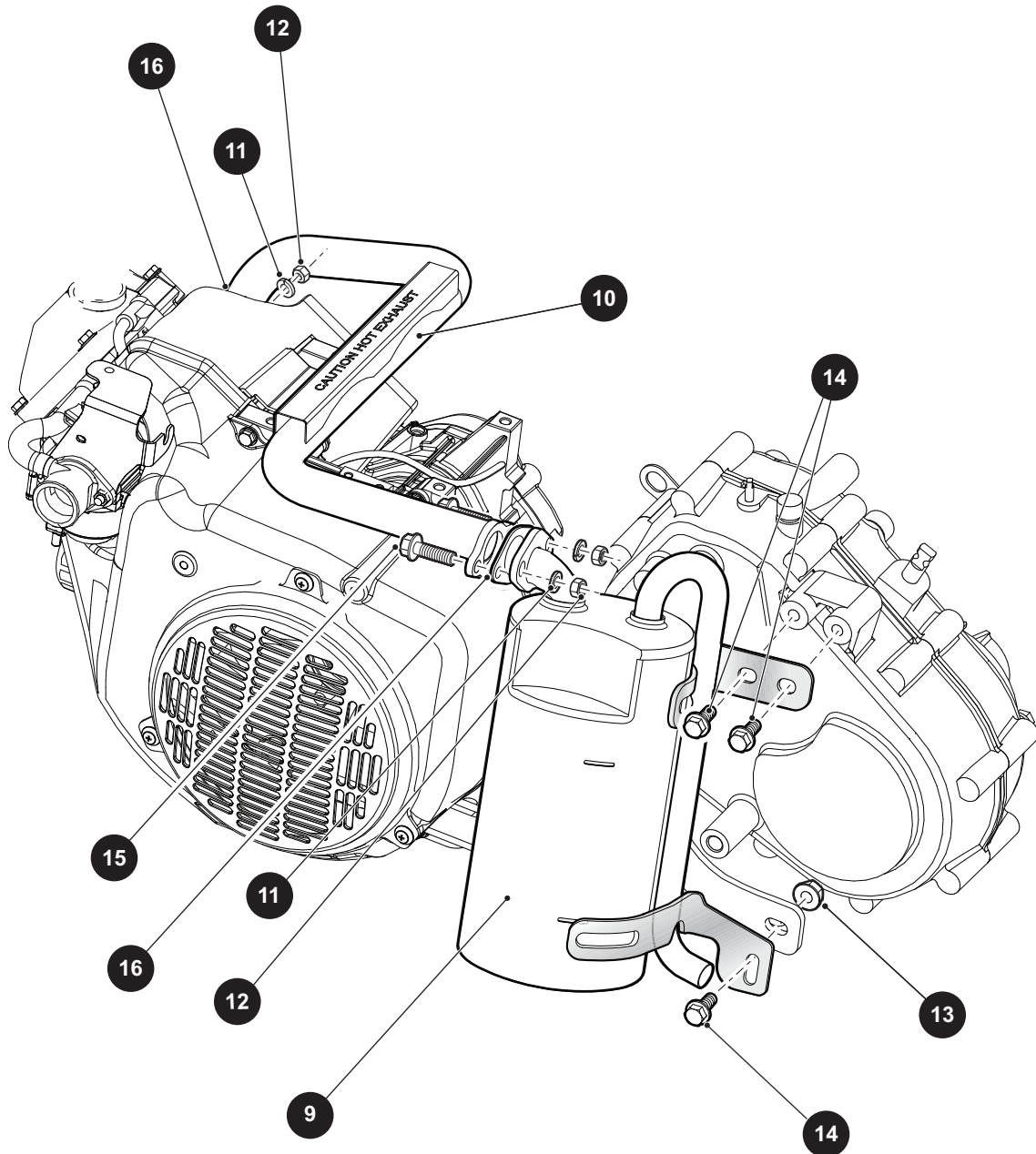


ENGINE AND MUFFLER

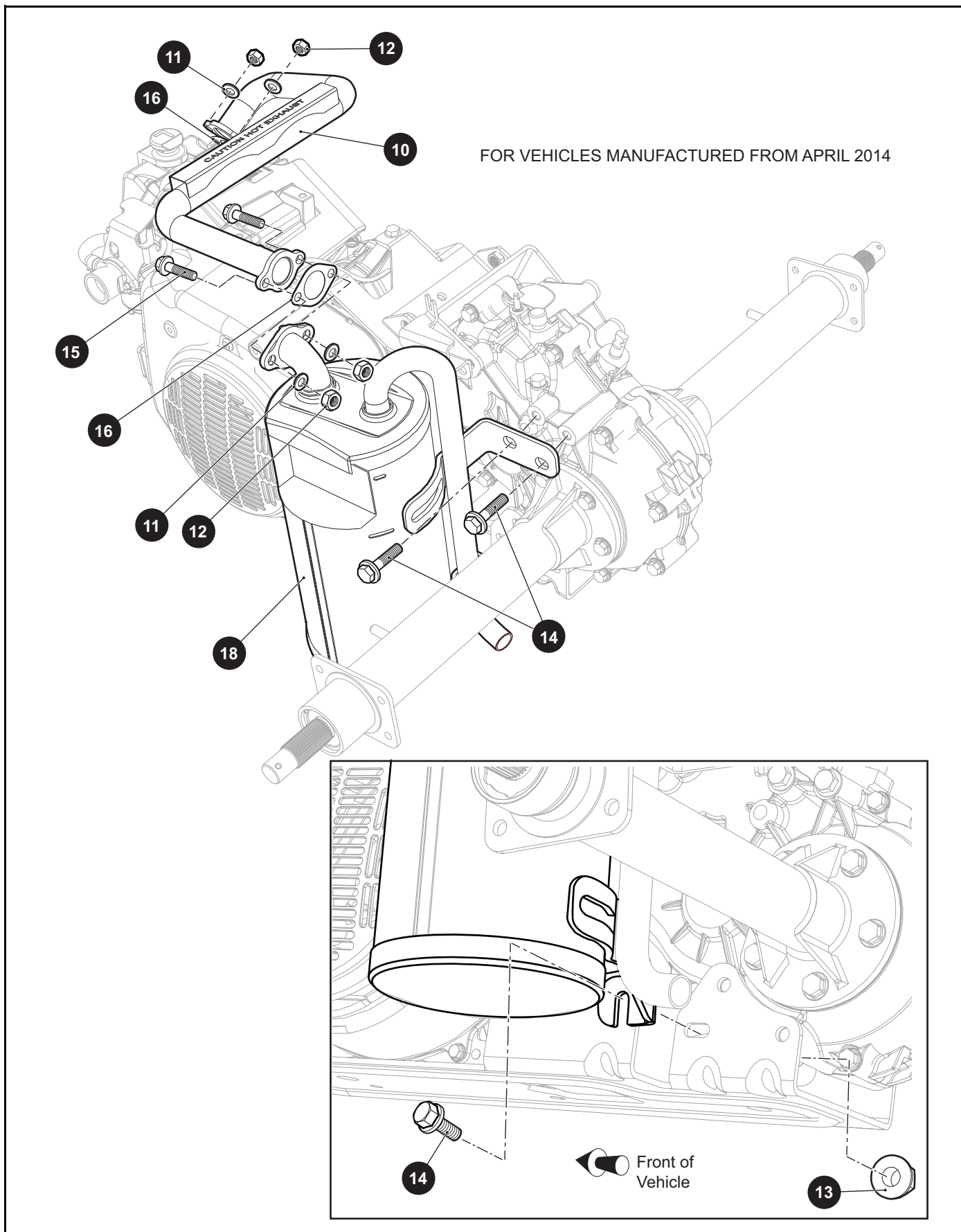
1 GAS ENGINE includes items 3 - 7



ENGINE AND MUFFLER



ENGINE AND MUFFLER



ENGINE AND MUFFLER

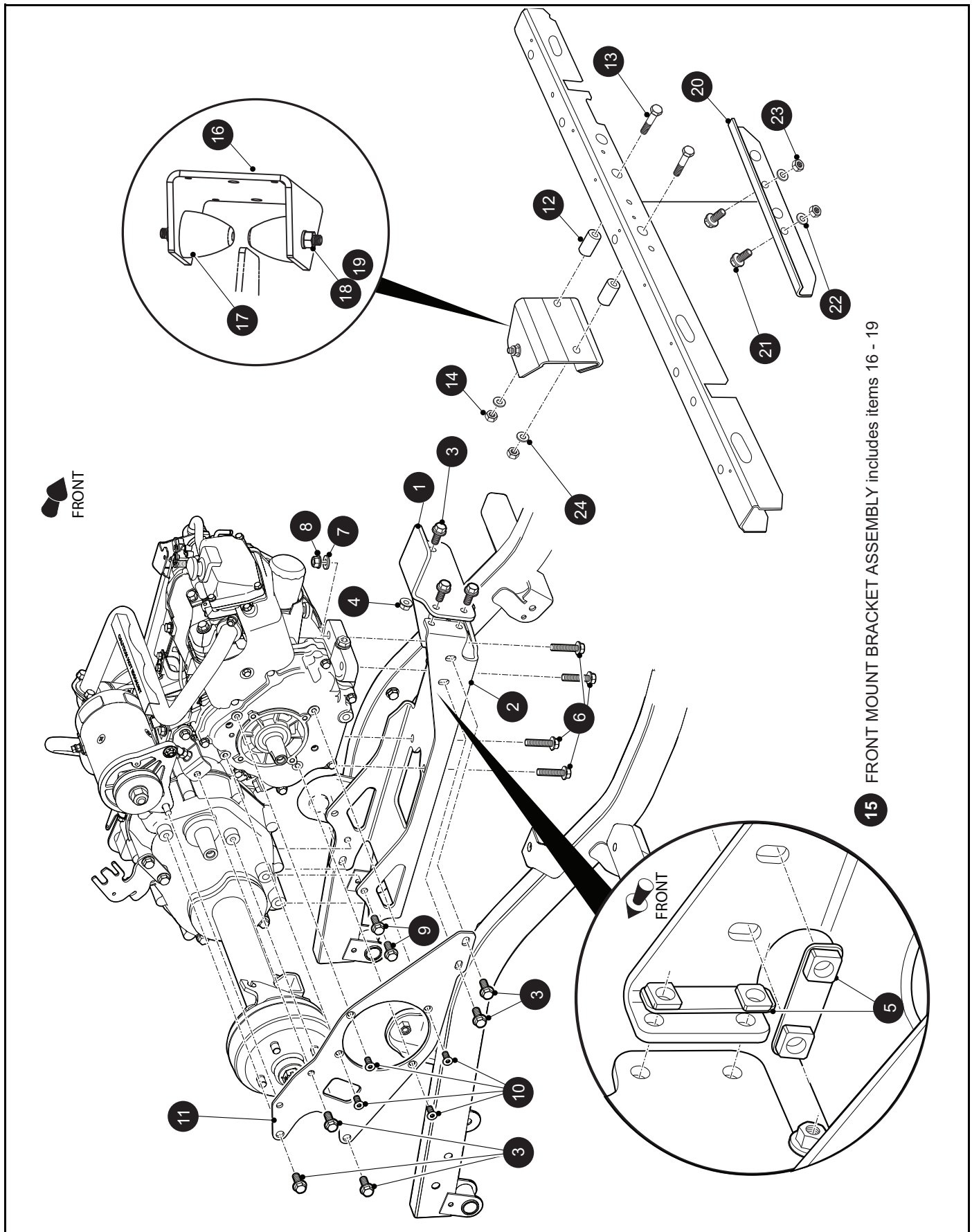
When ordering parts, please specify the model and serial number of the product.

* Indicates a component that is not available as an individual part.

*** Indicates consult Customer Service Department for additional information.

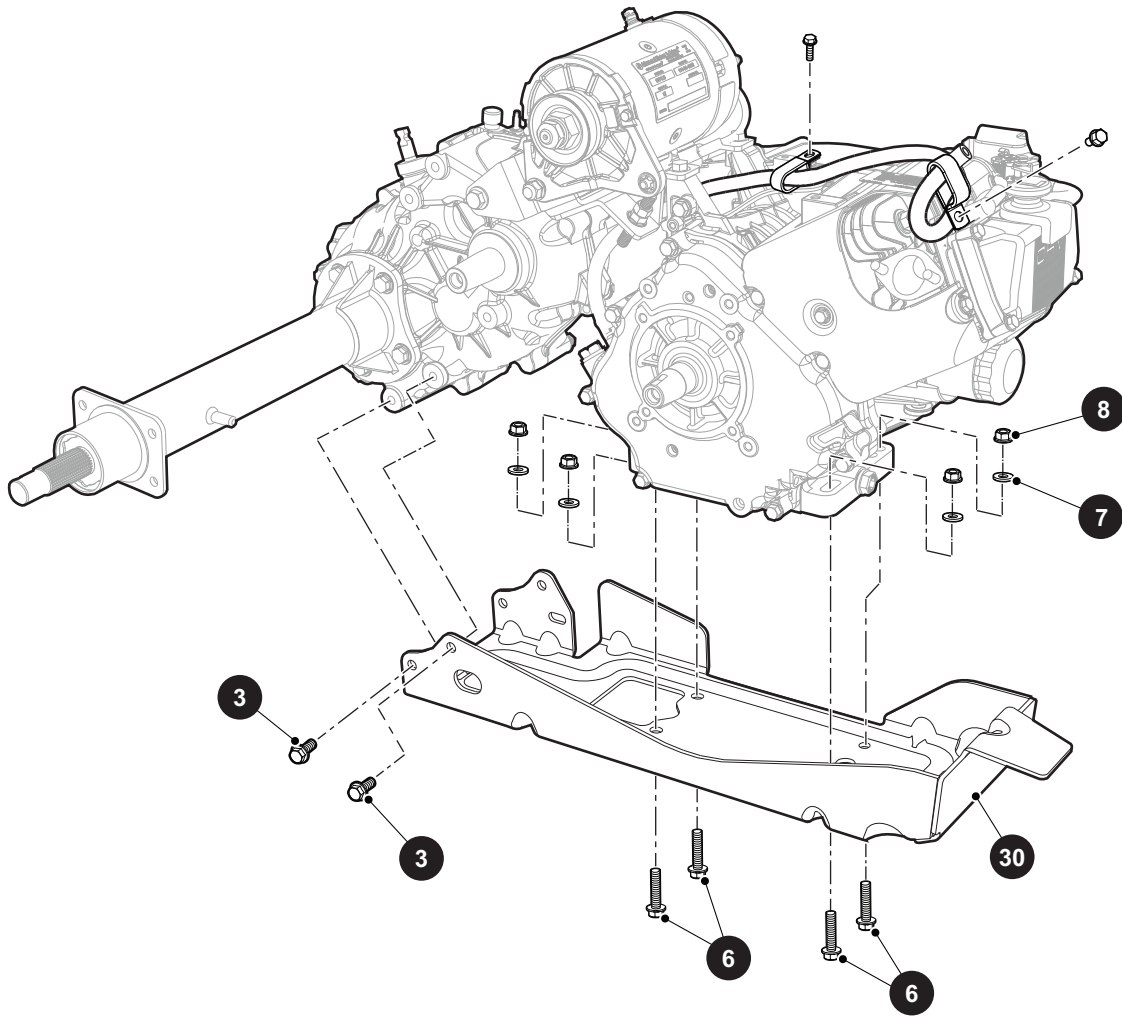
ITEM	PART NO.	1 2 3 4 5	DESCRIPTION	QTY.
1	607154		ENGINE, GAS, 13HP, NON-GOLF (INCLUDES ITEMS 3 - 7)	1
2				
3	606391		DIP STICK	1
4	607454		OIL FILTER	1
5	607462		SPARK PLUG (BPR2ES)	1
6	603557		OIL DRAIN PLUG	1
7	603562		'O' RING, 16MM	1
8				
9	612266		MUFFLER	1
10	606982		EXHAUST PIPE	1
11	606272		SPLIT WASHER, 8MM	4
12	606267		HEX NUT, M8 X 1.25	4
13	606279		HEX NUT, M10 - 1.25	1
14	606256		HEX HEAD BOLT, M10 - 1.25 X 25MM LG	3
15	602330		HEX HEAD BOLT, M8 - 1.25 X 30MM LG	2
16	603599		EXHAUST GASKET	2
17				
18	630970		MUFFLER (FOR VEHICLES MANUFACTURED FROM APRIL 2014)	1

ENGINE MOUNTING



15 FRONT MOUNT BRACKET ASSEMBLY includes items 16 - 19

FOR VEHICLES MANUFACTURED FROM APRIL 2014



ENGINE MOUNTING

When ordering parts, please specify the model and serial number of the product.

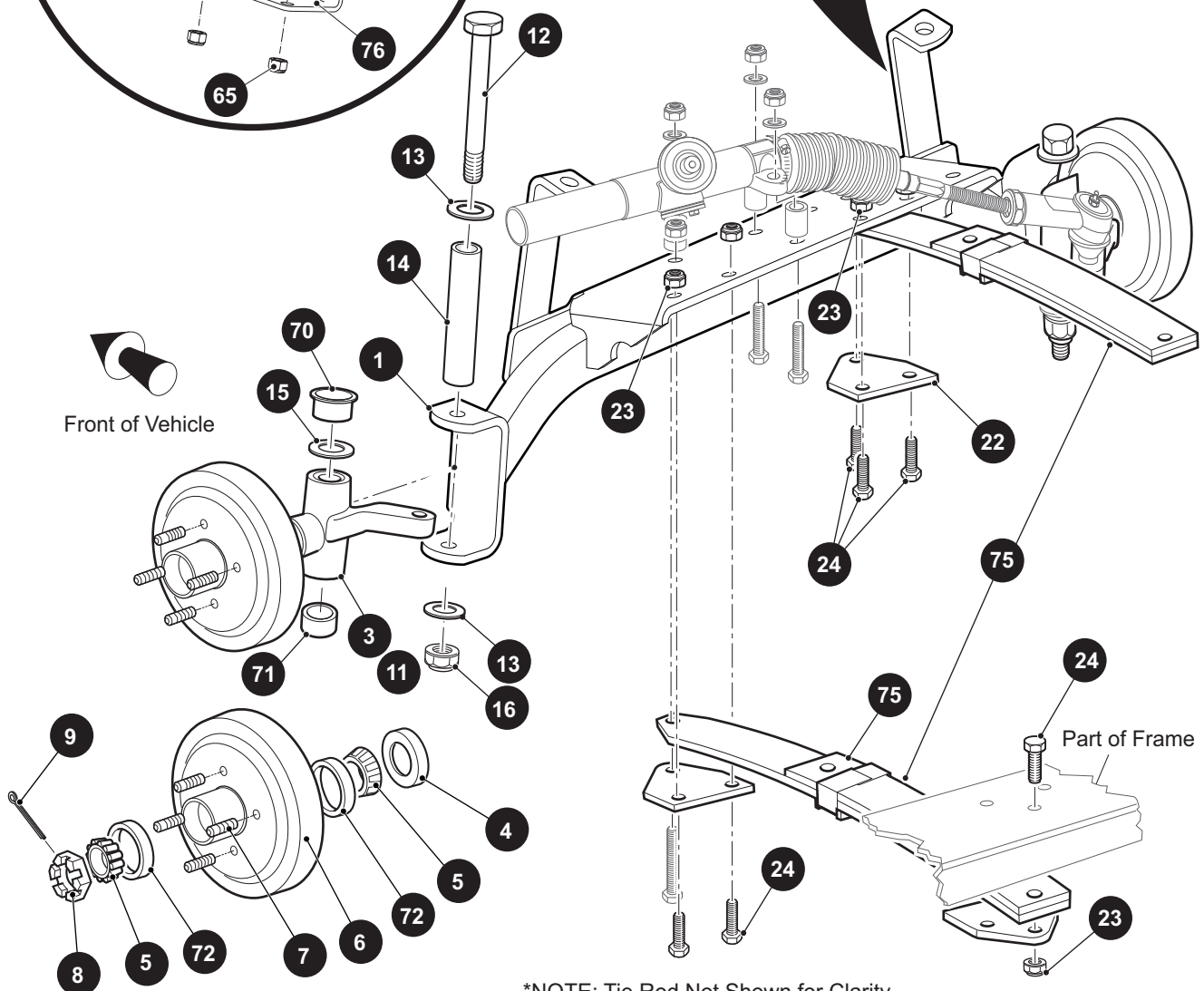
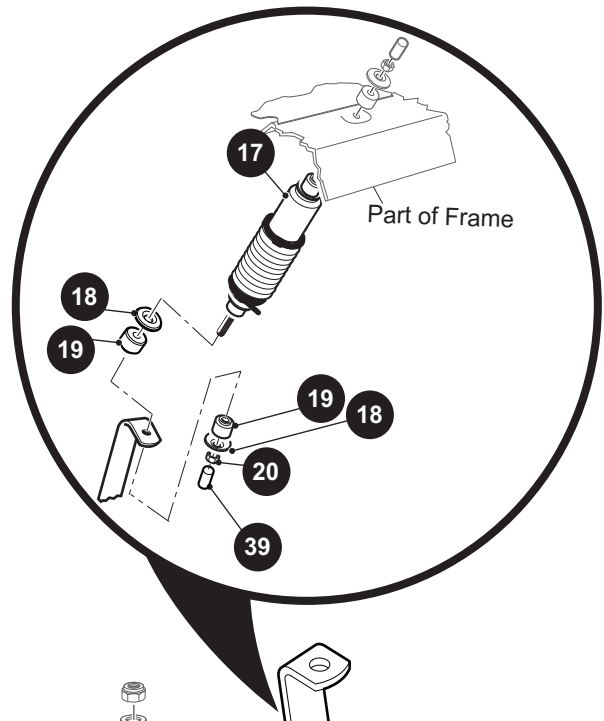
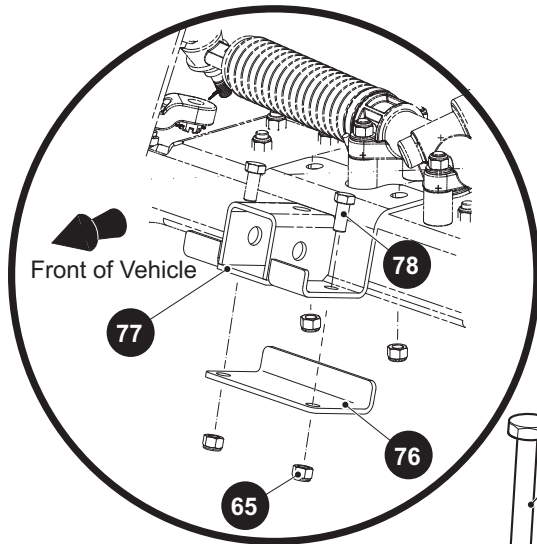
* Indicates a component that is not available as an individual part.

*** Indicates consult Customer Service Department for additional information.

ITEM	PART NO.	1 2 3 4 5	DESCRIPTION	QTY.
1	606007		FRONT ENGINE MOUNT	1
2	603101		ENGINE PAN MOUNT.....	1
3	606256		BOLT, M10 - 1.25 X 25	8
4	606279		NUT, M10 - 1.25	1
5	606096		NUT PLATE	2
6	606259		BOLT, M10 - 1, 0.25 X 45	4
7	603823		FLAT WASHER, M10 X 22 - 2.5.....	4
8	606279		NUT, M10 - 1.25	4
9	608020		BOLT, M10 - 1.25 X 34	4
10	606246		FLAT HEAD TORX SCREW, M8 - 1.25 X 2MM	4
11	602146		DIFFERENTIAL PLATE	1
12	72016G01		TUBE SPACER	2
13	00428G8		HEX HEAD SCREW, 3/8 - 16 X 3"	2
14	11098G5		LOCK NUT, 3/8 - 16.....	2
15	627627		FRONT MOUNT BRACKET ASSEMBLY (INCLUDES ITEMS 16 - 19).....	1
16	625345		FRONT MOUNT BRACKET.....	1
17	605757		RUBBER BUMPER.....	2
18	00974G01		HEX - NUT M10 X 1.5.....	2
19	608654		SPLIT LOCK WASHER, 10MM.....	2
20	652247		CROSSMEMBER BRACE.....	1
21	00438G7		HEX HEAD SCREW, 5/16 - 18 X 7/8"	2
22	00559G8		FLAT WASHER, 5/16	2
23	01109G01		LOCK NUT, 5/16 - 18.....	2
24	00643G1		FLAT WASHER, 3/8	2
25	630776		ENGINE PAN (FOR VEHICLES MANUFACTURED FROM APRIL 2014)	1

FRONT SUSPENSION/STEERING

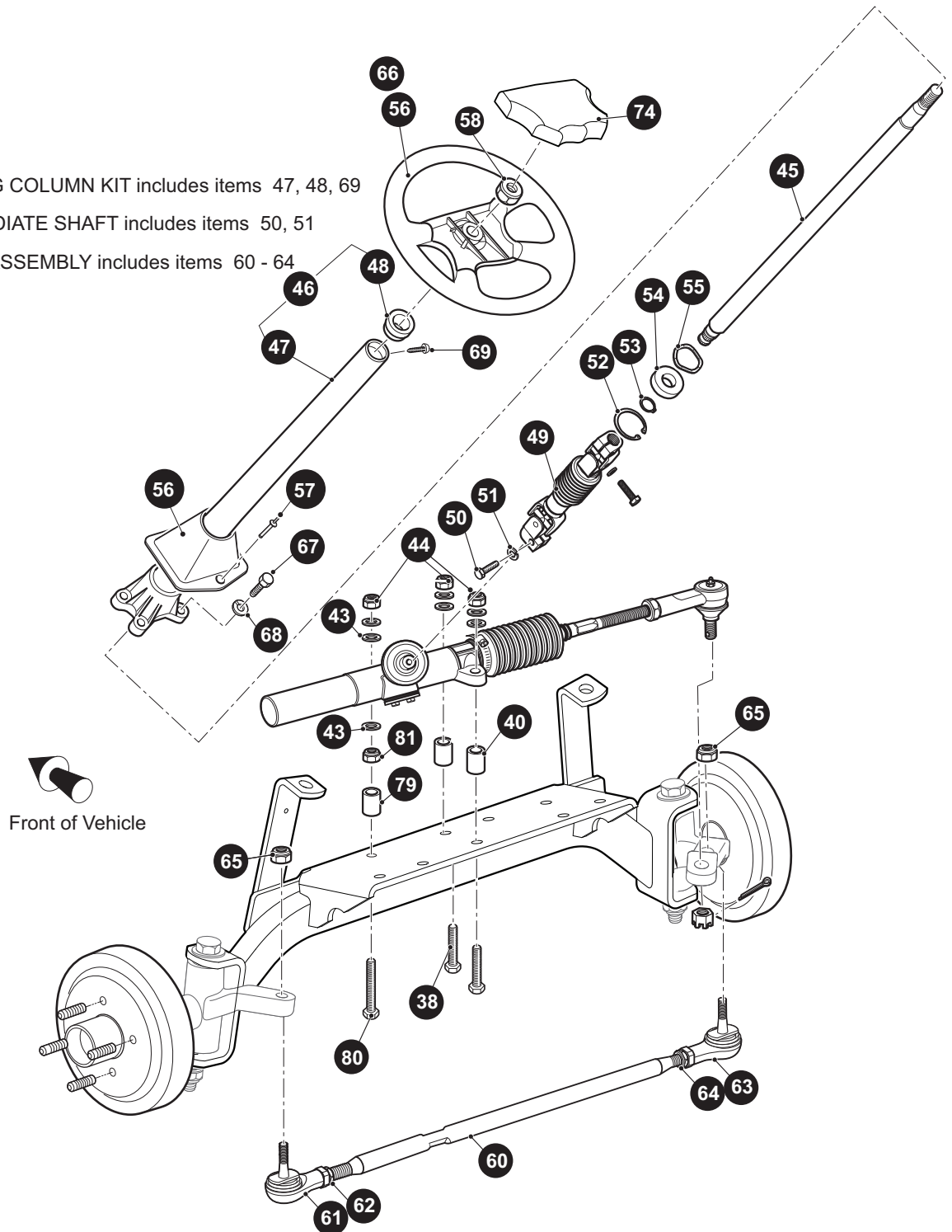
- 2** SPINDLE AND HUB ASSEMBLY (PASSENGER SIDE)
includes items 3 - 9, 70, 71, 72
- 6** WHEEL HUB ASSEMBLY includes Item 7
- 10** SPINDLE AND HUB ASSEMBLY, 4 LUG (DRIVER SIDE)
includes items 4 - 9, 11, 70, 71, 72



*NOTE: Tie Rod Not Shown for Clarity

FRONT SUSPENSION/STEERING

- 46 STEERING COLUMN KIT includes items 47, 48, 69
- 49 INTERMEDIATE SHAFT includes items 50, 51
- 59 TIE ROD ASSEMBLY includes items 60 - 64



FRONT SUSPENSION/STEERING

When ordering parts, please specify the model and serial number of the product.

* Indicates a component that is not available as an individual part.

*** Indicates consult Customer Service Department for additional information.

ITEM	PART NO.	1 2 3 4 5	DESCRIPTION	QTY.
1	652823		FRONT AXLE	1
2	70930G02		SPINDLE HUB ASSEMBLY (PASSENGER SIDE) (INCLUDES ITEMS 3 - 9, 70, 71, 72).....	1
3	70802G01		SPINDLE ASSEMBLY (PASSENGER SIDE).....	1
4	25146G1		GREASE SEAL	1
5	11750G2		ROLLER BEARING AND RACE ASSEMBLY	2
6	74332G01		WHEEL HUB.....	1
7	36038G01		DRIVE FLANGE STUD.....	4
8	12093G1		CASTELLATED NUT, 1" - 14	1
9	00798G8		COTTER PIN, 5/32" X 1 3/4" LG.....	1
10	70931G02		SPINDLE AND HUB ASSEMBLY, 4 LUG (DRIVER SIDE) (INCLUDES ITEMS 4 - 9, 11, 70, 71, 72)	1
11	70803G01		SPINDLE ASSEMBLY (DRIVER SIDE)	1
12	00407G6		KING PIN BOLT, 1/2" - 13 X 6" LG	2
13	00560G3		FLAT WASHER, 1/2"	4
14	70745G01		KING PIN TUBE	2
15	70754G01		THRUST WASHER (SS), 1"	2
16	14390G6		LOCK NUT, 1/2" - 13	2
17	76419G01		SHOCK ABSORBER	2
18	10435G1		SHOCK ABSORBER WASHER	8
19	10194G1		RUBBER BUSHING	8
20	00532G6		HEX NUT, 1/4" - 20.....	4
21				
22	652258		SPRING PLATE.....	4
23	00734G1		LOCK NUT, 7/16" - 14	11
24	00463G11		HEX HEAD BOLT, 7/16" - 14 X 1 3/4" LG.....	11
25				
26				
27				
28				
29				
30				

FRONT SUSPENSION/STEERING

When ordering parts, please specify the model and serial number of the product.

* Indicates a component that is not available as an individual part.

*** Indicates consult Customer Service Department for additional information.

ITEM	PART NO.	1 2 3 4 5	DESCRIPTION	QTY.
31				
32				
33				
34				
35				
36				
37				
38	00464G8		HEX HEAD BOLT, 7/16" - 14 X 2 3/4" LG	2
39	10044G01		VINYL CAP.....	4
40	70667G02		SPACER, 1" O.D. X .46" I.D. X 1.2" LG	2
41				
42				
43	00560G2		FLAT WASHER, 7/16".....	7
44	00734G1		LOCK NUT, 7/16" - 14.....	3
45	70607G01		STEERING SHAFT	1
46	70758G05		STEERING COLUMN KIT (INCLUDES ITEMS 47, 48 & 69).....	1
47	70610G03		STEERING COLUMN.....	1
48	28569G01		STEERING COLUMN BUSHING	1
49	70580G01		INTERMEDIATE SHAFT (INCLUDES ITEMS 50, 51)	1
50	01055G01		HEX HEAD BOLT, M8 X 1.25 - 1.18" LG	1
51	00565G8		LOCK WASHER, 5/16"	1
52	70751G01		RETAINING RING (INTERNAL).....	1
53	70888G01		RETAINING RING (EXTERNAL)	1
54	15112G1		BALL BEARING	1
55	70887G01		WAVE WASHER	1
56	70997G01		STEERING COLUMN BASE COVER.....	1
57	71055G01		RIVET, 3/16" DIA.....	1
58	14390G2		LOCK NUT, 5/8" - 18.....	1
59	70876G02		TIE ROD ASSEMBLY (INCLUDES ITEMS 60 - 64).....	1
60	70897G02		THREADED ROD (24" LG)	1
61	70902G01		TIE ROD END (LEFT HAND THREADS)	1

FRONT SUSPENSION/STEERING

When ordering parts, please specify the model and serial number of the product.

* Indicates a component that is not available as an individual part.

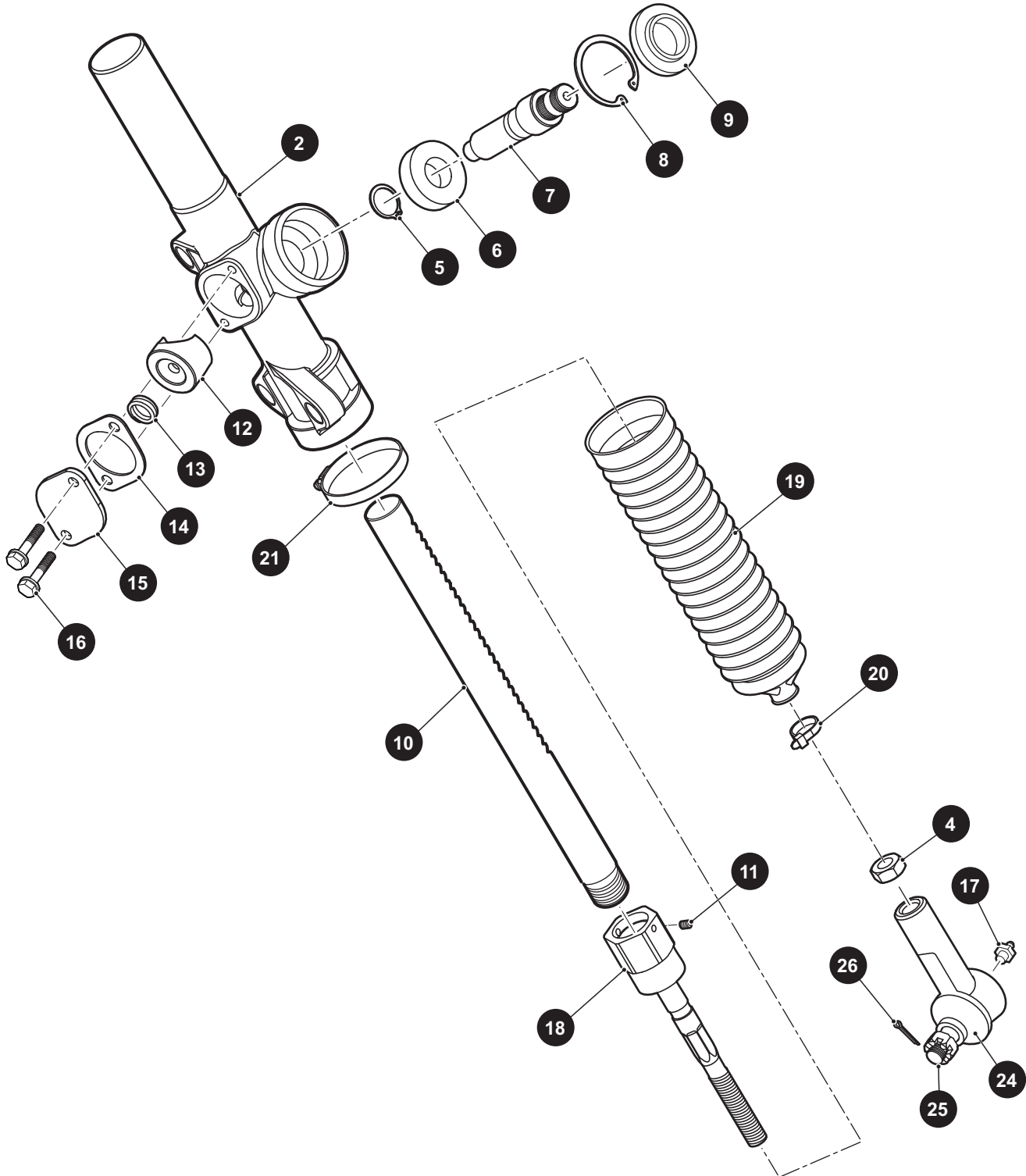
*** Indicates consult Customer Service Department for additional information.

ITEM	PART NO.	1	2	3	4	5	DESCRIPTION	QTY.
62	01069G01						JAM NUT, M12 X 1.25 - 05 (LEFT HAND THREADS).....	1
63	70902G02						TIE ROD END (RIGHT HAND THREADS).....	1
64	01069G02						JAM NUT, M12 X 1.25 - 05 (RIGHT HAND THREADS)	1
65	00734G1						LOCK NUT, 7/16" - 14	6
66	602979						STEERING WHEEL.....	1
67	01006G01						HEX WASHER HEAD BOLT, 3/8" - 16 X 1.25" LG	4
68	00879 G1						LOCK WASHER, 3/8"	4
69	01022G01						HEX WASHER HEAD BOLT , #6 - 20 X 5/16" LG	1
70	632925						FLANGED BUSHING, 25MM I.D. X 28MM O.D. X 18MM LG	1
71	632926						BUSHING SLEEVE.....	1
72	51141G1						RACE BEARING	2
73								
74	71147G01						STEERING WHEEL COVER.....	1
75	70990G03						FRONT LEAF SPRING	2
76	604572						WINCH RECEIVER RETAINER PLATE	1
77	635202						WINCH RECEIVER WELDMENT	1
78	00462G8						HEX HEAD BOLT, 7/16" - 14 X 1" LG.....	4
79	70667G04						SPACER, 1" O.D X .469" I.D. X .69" LG.....	1
80	01068G01						HEX HEAD BOLT, 7/16" - 14 X 3.5" LG.....	1
81	00532G7						HEX NUT, 1/4" - 20.....	1

FRONT SUSPENSION/STEERING

1 RACK AND PINION UNIT includes items 2 - 23

23 RACK BALL JOINT includes items 24 - 25



FRONT SUSPENSION/STEERING

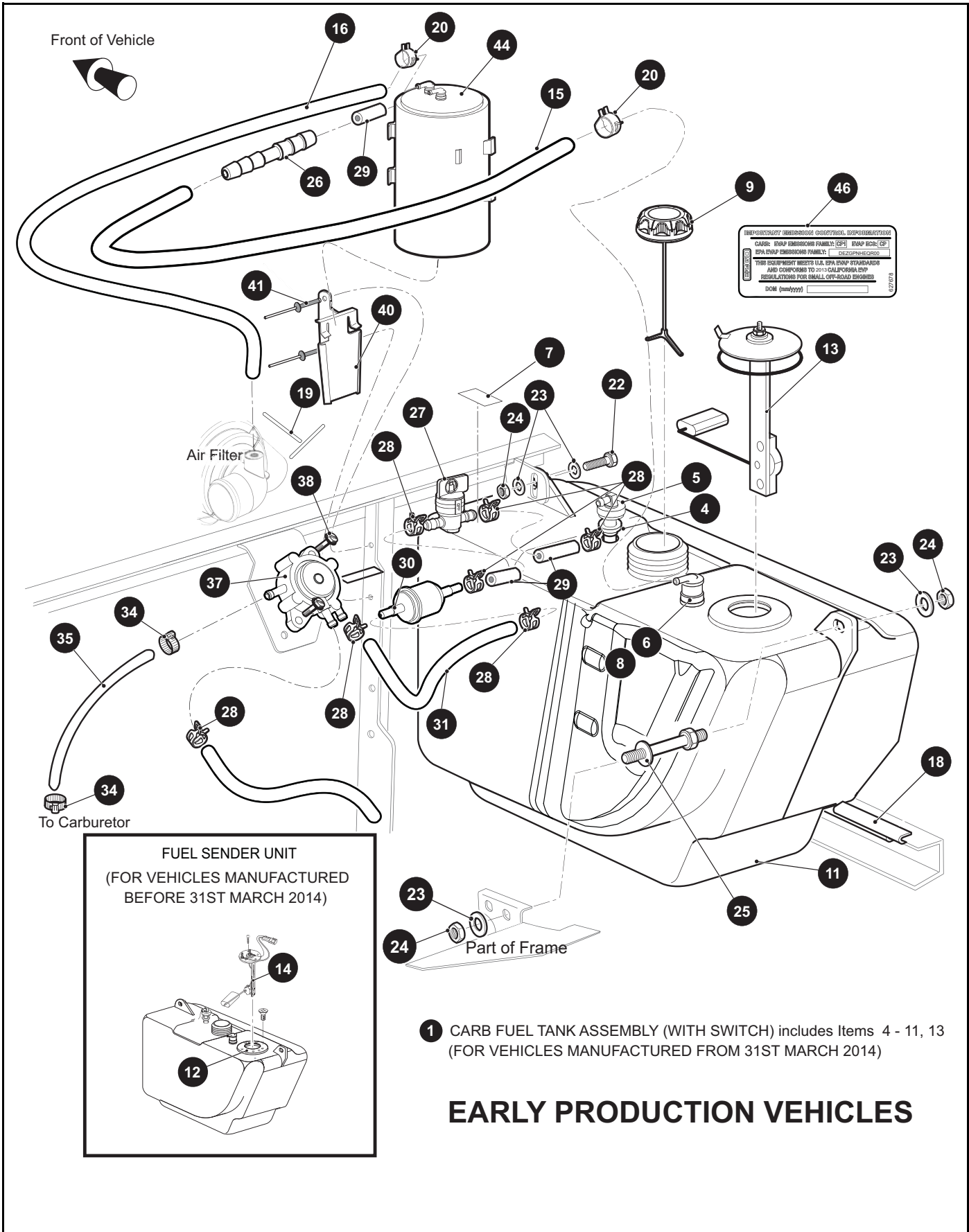
When ordering parts, please specify the model and serial number of the product.

* Indicates a component that is not available as an individual part.

*** Indicates consult Customer Service Department for additional information.

ITEM	PART NO.	1 2 3 4 5	DESCRIPTION	QTY.
1	70964G01		RACK AND PINION UNIT (INCLUDES ITEMS 2 - 23)	1
2	70965G01		STEERING RACK COVER & BEARING	1
3				
4	*		JAM NUT, 1/2" - 20	1
5	70750G01		RETAINING RING (EXTERNAL)	1
6	15112G1		BALL BEARING	1
7	70603G01		PINION	1
8	70751G01		RETAINING RING (INTERNAL)	1
9	70638G01		SEAL (PINION)	1
10	70604G01		STEERING RACK	1
11	*		SET SCREW, #10 - 32 X .25" LG	1
12	70590G01		RACK LOADER	1
13	70666G01		COMPRESSION SPRING	1
14	70645G01		GASKET (RACK LOADER COVER)	1
15	652259		COVER (RACK LOADER)	1
16	71102G01		HEX WASHER HEAD BOLT, 1/4" - 20 X 11/16" LG	2
17	10389G3		GREASE FITTING (STRAIGHT)	1
18	74694G01		ROD END (INNER)	1
19	70961G01		RACK BOOT	1
20	12416G2		NYLON CLAMP, 10"	1
21	11391G8		HOSE CLAMP, 1.81"	1
22				
23	70695G01		TIE ROD END (OUTER) (INCLUDES ITEMS 24 - 25)	1
24	50641G1		GROMMET	1
25	50209G2		HEX SLOTTED NUT, 7/16" - 20	1
26	10387G2		COTTER PIN, 3/32" X 1"	1

FUEL SYSTEM



FUEL SYSTEM

When ordering parts, please specify the model and serial number of the product.

* Indicates a component that is not available as an individual part.

*** Indicates consult Customer Service Department for additional information.

ITEM	PART NO.	1 2 3 4 5	DESCRIPTION	QTY.
1	645034		CARB FUEL TANK ASSEMBLY (WITH SWITCH) (INCLUDES ITEMS 4 - 11, 13)..... (FOR VEHICLES MANUFACTURED FROM 31ST MARCH 2014)	1
2				
3				
4	70988G01		SIPHON TUBE GROMMET.....	1
5	18287G3		SIPHON TUBE ASSEMBLY	1
6	606068		ROLLOVER VALVE GROMMET	1
7	625826		EPA FUEL TANK LABEL	1
8	606067		ROLLOVER VALVE	1
9	633423		FUEL TANK CAP (RATCHET).....	1
10				
11	*		NON FLUOR FUEL TANK (WITH SENDER UNIT)	1
12	72229G01		FUEL TANK ADAPTER	1
13	633024G02		PRESS FIT FUEL SENDER	1
14	20048G2		FUEL LEVEL SENDER.....	1
15	607546		LOW PRESSURE FUEL HOSE, 3/16" I.D. X 3/8" O.D. X 17" LONG	1
16	606966		LOW PRESSURE FUEL HOSE, 3/16" I.D. X 3/8" O.D. X 34" LONG	1
17				
18	32372G6		BLACK TRIM, 6.25" LONG	1
19	17618G1		NYLON CLAMP	2
20	606963		TUBING CLAMP, 3/16" I.D.....	2
21				
22	00438G8		HEX HEAD BOLT, 5/16" - 18 X 1" LG	1
23	00559G8		FLAT WASHER, 5/16"	4
24	11098G6		LOCK NUT, 5/16" - 18.....	3
25	70483G01		SPACER, 5/16" - 18	1
26	615346		HOSE REDUCER, I.D 1/4" X 3/16".....	1
27	611181		FUEL SHUT-OFF VALVE	1
28	18292G1		HOSE CLAMP, .50" DIAMETER	8
29	615350		FUEL SYSTEM HOSE 2"	3
30	72084G01		FUEL LINE FILTER	1

FUEL SYSTEM

When ordering parts, please specify the model and serial number of the product.

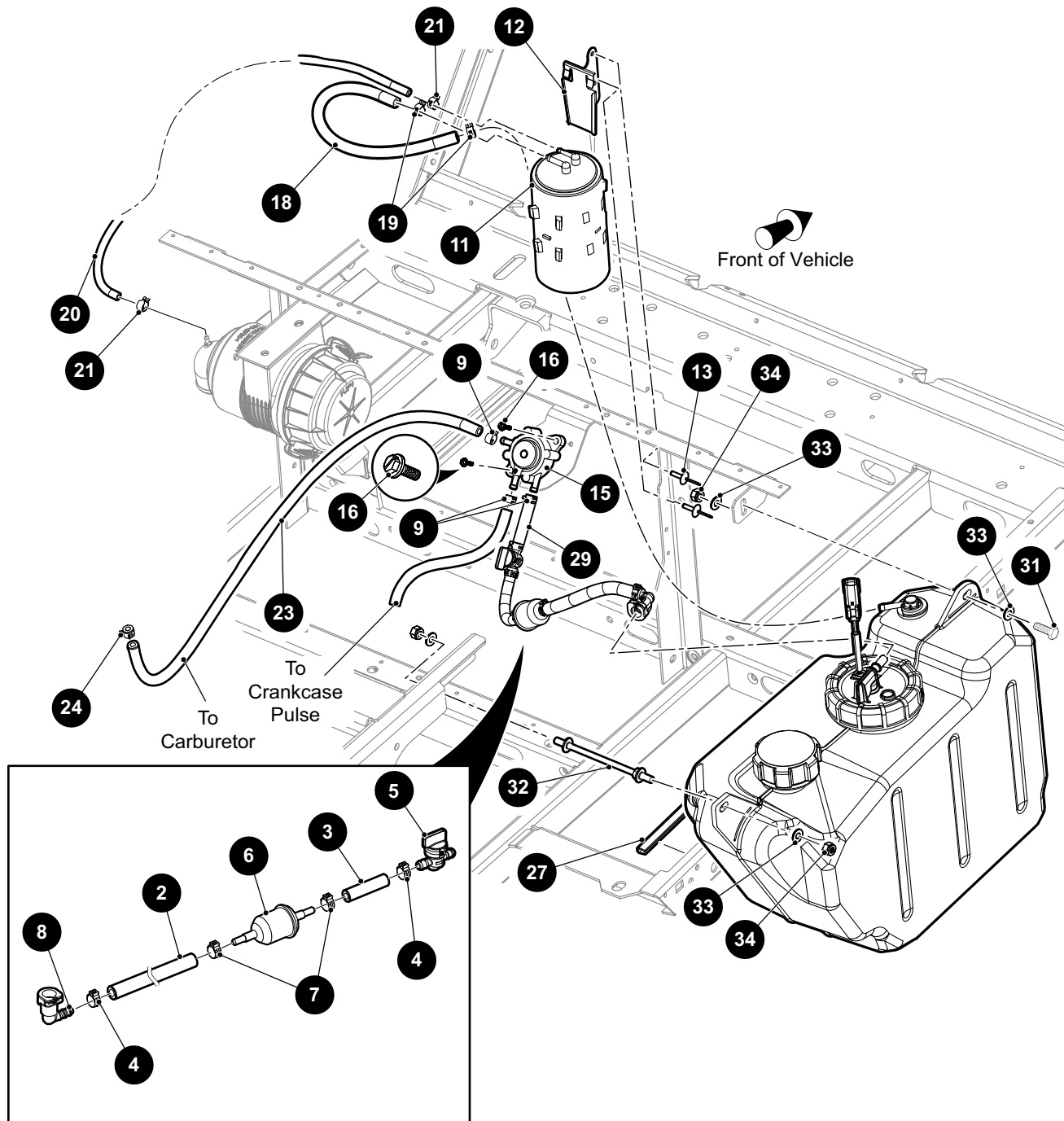
* Indicates a component that is not available as an individual part.

*** Indicates consult Customer Service Department for additional information.

ITEM	PART NO.	1 2 3 4 5	DESCRIPTION	QTY.
31	606969		FUEL SYSTEM HOSE, .25" I.D. X .50" O.D. X 8" LONG.....	1
32				
33				
34	11391G4		HOSE CLAMP, .25" - .63" DIA.....	2
35	604597		CARB FUEL SYSTEM HOSE, .25" I.D. X.50" O.D. X 26" LONG.....	1
36				
37	602061		FUEL PUMP	1
38	00114G6		HEX WASHER HEAD SLOTTED TAPPING SCREW, 1/4" - 14 X .75" LG	2
39				
40	606310		CARBON CANISTER MOUNTING BRACKET	1
41	10570G11		RIVET, 3/16" DIA X .70".....	2
42				
43				
44	606071		CARBON CANISTER	1
45				
46	627678		EVAP LABEL	1

FUEL SYSTEM

1 FUEL LINE ASSEMBLY includes items 2 - 8



LATE PRODUCTION VEHICLES

FUEL SYSTEM

When ordering parts, please specify the model and serial number of the product.

* Indicates a component that is not available as an individual part.

*** Indicates consult Customer Service Department for additional information.

ITEM	PART NO.	1 2 3 4 5	DESCRIPTION	QTY.
1	649515		FUEL LINE ASSEMBLY (INCLUDES ITEMS 2 - 8)	1
2	649570		HOSE, .312" I.D. X .562" O.D. X 9" LG	1
3	615350		HOSE, 2" LG	1
4	649873		CLAMP, 1/2" O.D.	2
5	611181		SHUT-OFF VALVE.....	1
6	72084G01		FUEL FILTER	1
7	649874		CLAMP, 9/16" O.D.	2
8	649577		CONNECTOR, 5/16" I.D.	1
9	18292G1		CLAMP, 1/2" O.D.	3
10				
11	606071		CARBON CANISTER.....	1
12	606310		CANISTER BRACKET	1
13	10570G11		RIVET (SS), 3/16" X .70"	2
14				
15	602061		FUEL PUMP.....	1
16	00114G6		HEX WASHER HEAD BOLT, 1/4" - 10 X 3/4" LG	2
17				
18	27184G14		FUEL SYSTEM TUBE.....	1
19	18292G1		CLAMP, 1/2" O.D.	2
20	606966		HOSE, 3/16" I.D. X 34" LG.....	1
21	606963		CLAMP, 3/16" I.D.	2
22				
23	604597		FUEL HOSE, 26" LG.....	1
24	18292G1		CLAMP, 1/2" O.D.	1
25				
26	17618G1		NYLON CLAMP, 7" LG (NOT ILLUSTRATED).....	2
27	32372G6		VINYL TRIM, 6.25" LG	1
28				
29	615350		FUEL HOSE, 2" LG.....	1
30				
31	00438G8		HEX HEAD BOLT, 5/16" - 18 X 5/8" LG	1

FUEL SYSTEM

When ordering parts, please specify the model and serial number of the product.

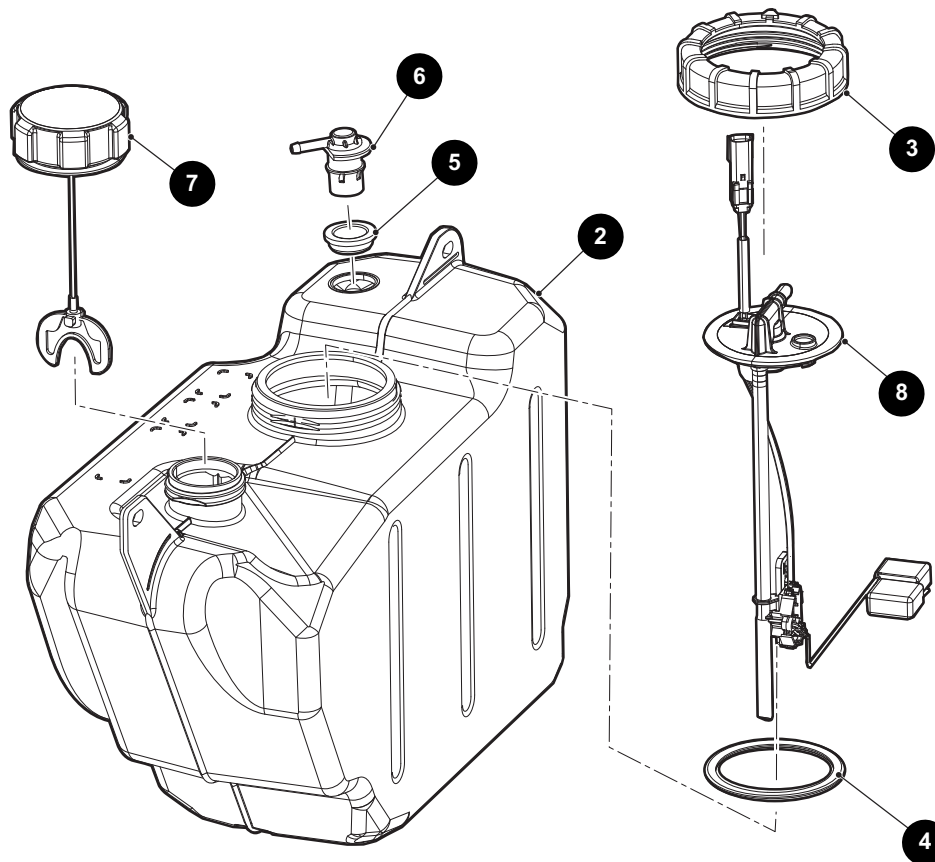
* Indicates a component that is not available as an individual part.

*** Indicates consult Customer Service Department for additional information.

ITEM	PART NO.	1 2 3 4 5	DESCRIPTION	QTY.
32	70483G01		SPACER	1
33	00559G8		FLAT WASHER, 5/16"	4
34	11098G6		LOCK NUT, 5/16" - 18	3

FUEL SYSTEM

- 1** FUEL TANK ASSEMBLY (WITH SENDER UNIT)
includes items 2 - 8



LATE PRODUCTION VEHICLES

FUEL SYSTEM

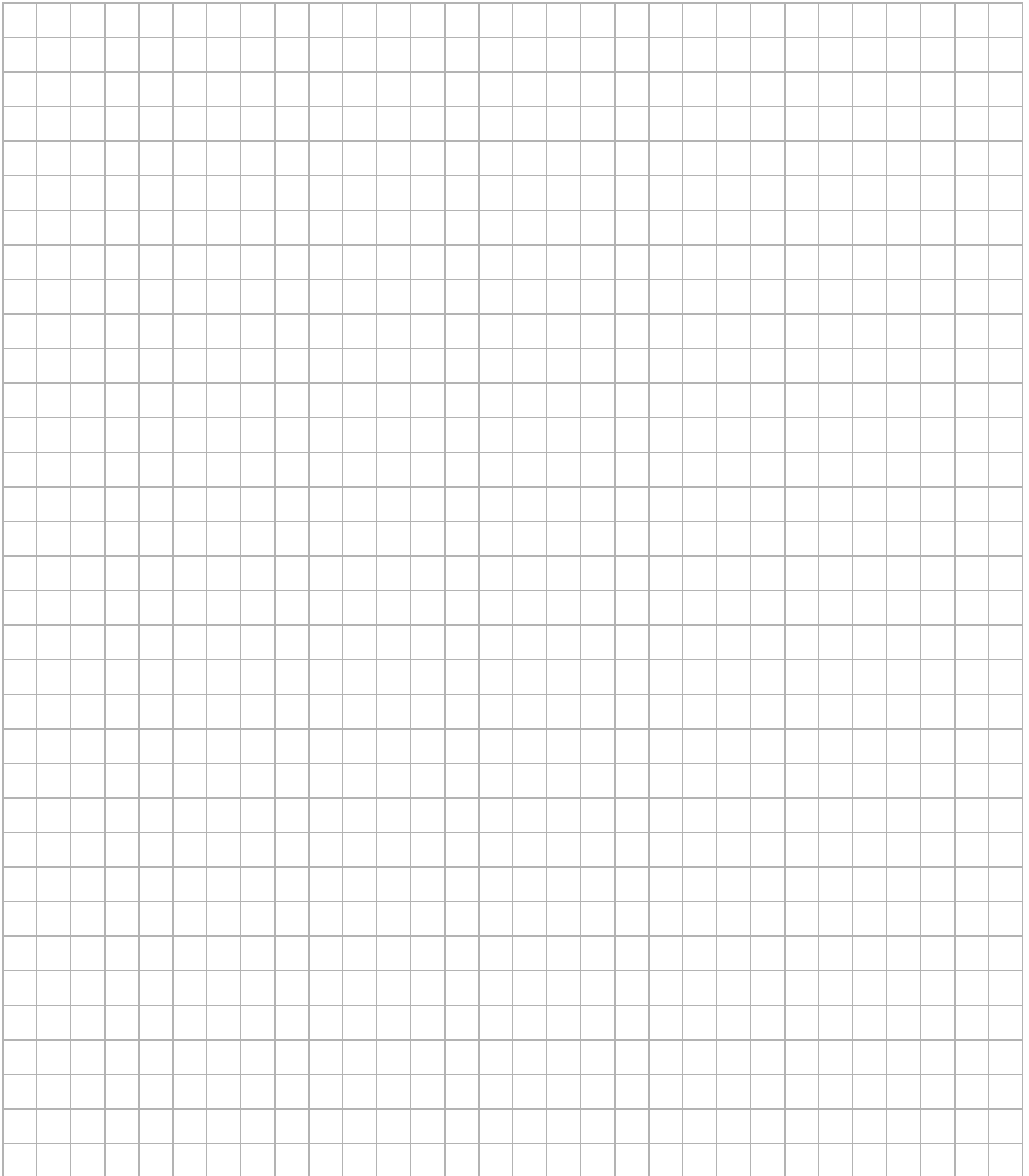
When ordering parts, please specify the model and serial number of the product.

* Indicates a component that is not available as an individual part.

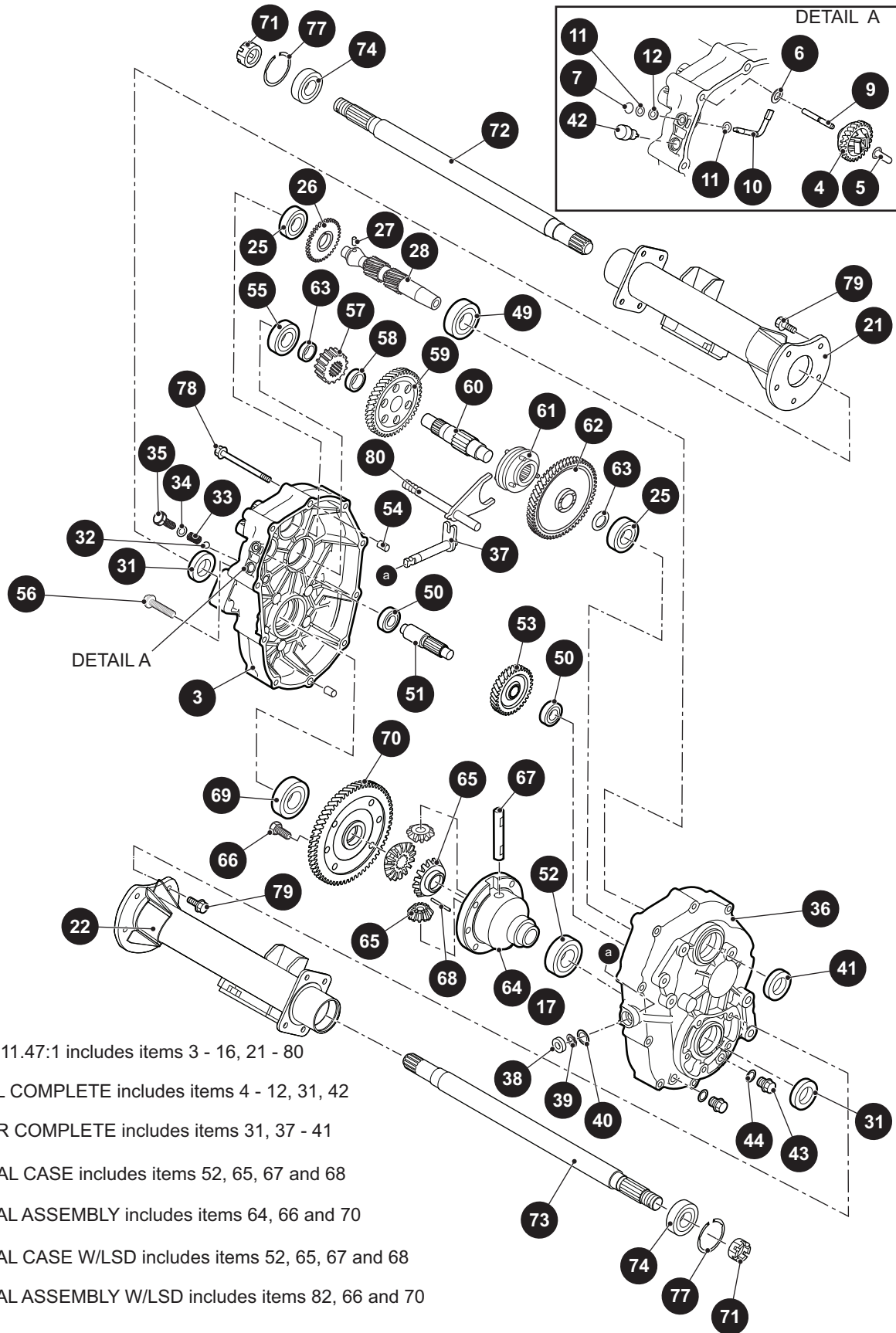
*** Indicates consult Customer Service Department for additional information.

ITEM	PART NO.	1 2 3 4 5	DESCRIPTION	QTY.
1	656139		FUEL TANK ASSEMBLY (WITH SENDER UNIT) (INCLUDES ITEMS 2 - 8) ..	1
2	646306		FUEL TANK	1
3	646837		CAP	1
4	646838		SEAL.....	1
5	647810		GROMMET	1
6	647809		ROLLOVER VALVE	1
7	635688		FUEL CAP	1
8	656144		FUEL PICKUP WITH SENDER ASSEMBLY	1

Notes:

A large grid of 20 columns and 30 rows for taking notes. The grid is composed of thin black lines forming small squares. The entire grid area is currently empty.

REAR AXLE



- 1 REAR AXLE, 11.47:1 includes items 3 - 16, 21 - 80
- 3 AXLE CASE L COMPLETE includes items 4 - 12, 31, 42
- 36 AXLE CASE R COMPLETE includes items 31, 37 - 41
- 64 DIFFERENTIAL CASE includes items 52, 65, 67 and 68
- 16 DIFFERENTIAL ASSEMBLY includes items 64, 66 and 70
- 17 DIFFERENTIAL CASE W/LSD includes items 52, 65, 67 and 68
- 18 DIFFERENTIAL ASSEMBLY W/LSD includes items 82, 66 and 70
- 2 REAR AXLE W/LSD, 11.47:1 includes items 3 - 12, 17 - 63, 65 - 80

REAR AXLE

When ordering parts, please specify the model and serial number of the product.

* Indicates a component that is not available as an individual part.

*** Indicates consult Customer Service Department for additional information.

ITEM	PART NO.	1 2 3 4 5	DESCRIPTION	QTY.
1	670468		REAR AXLE, 11.47:1 (INCLUDES ITEMS 3 - 16, 21 - 80)	1
2	670470		REAR AXLE W/LSD, 11.47:1 (INCLUDES ITEMS 3 - 12, 17 - 63, 65 - 80)....	1
3	639859		AXLE CASE L COMPLETE (INCLUDES ITEMS 4 - 12, 31, 42)	1
4	665887		GOVERNOR GEAR	1
5	639689		GOVERNOR SLEEVE	1
6	607904		FLAT WASHER	1
7	607913		RETAINING RING E5	1
8				
9	639698		GOVERNOR GEAR SHAFT	1
10	639707		GOVERNOR SHAFT	1
11	639736		FLAT WASHER, 6MM	2
12	607911		OIL SEAL, 6 x 10 x 2.5 MM.....	1
13				
14				
15				
16	639847		DIFFERENTIAL ASSEMBLY (INCLUDES ITEMS 64, 66 AND 70)	1
17	640098		DIFFERENTIAL CASE W/LSD (INCLUDES ITEMS 52, 65, 67 AND 68)	1
18	639847		DIFFERENTIAL ASSEMBLY W/LSD (INCLUDES ITEMS 17, 66 AND 70).....	1
19				
20				
21	607939		AXLE CASE L COMPLETE	1
22	607940		AXLE CASE R COMPLETE	1
23				
24				
25	26785G01		BALL BEARING (6204)	2
26	665888		GOVERNOR GEAR, 34	1
27	607920		PIN, 6 x 12L.....	1
28	639750		INPUT SHAFT	1
29				
30				

REAR AXLE

When ordering parts, please specify the model and serial number of the product.

* Indicates a component that is not available as an individual part.

*** Indicates consult Customer Service Department for additional information.

ITEM	PART NO.	1	2	3	4	5	DESCRIPTION	QTY.
31	639738						OIL SEAL, 24 x 40 x 9MM	2
32	26818G01						STEEL BALL	1
33	26819G01						SPRING	1
34	26831G01						GASKET, 10	1
35	26820G01						FLANGED HEX HEAD BOLT, M10 x 1.25 x 12 MM LG.....	1
36	639865						AXLE CASE R COMPLETE (INCLUDES ITEMS 31, 37 - 41)	1
37	639746						SELECT SHAFT	1
38	607915						OIL SEAL, 13 x 22 x 5MM	1
39	607916						SNAP RING, 13MM	1
40	607917						SPACER, 13 x 1MM	1
41	640093						OIL SEAL, 28 x 47 x 9MM	1
42	607919						AIR BREATHER	1
43	639747						OIL DRAIN PLUG	2
44	639748						GASKET, 14MM.....	2
45								
46								
47								
48								
49	607922						BALL BEARING (62/28).....	1
50	639868						BALL BEARING (TMB202)	2
51	639755						COUNTER SHAFT.....	1
52	640744						BALL BEARING (6006).....	1
53	639758						GEAR, 34	1
54	639869						KNOCK PIPE	2
55	639760						BALL BEARING (6304).....	2
56	639768						FLANGED HEX HEAD BOLT, M8 - 1.25 X 40MM LG.....	1
57	639769						GEAR, 17	1
58	28689G01						COLLAR, 24 x 7.5MM.....	1
59	639771						GEAR, 52.....	1
60	670697						CENTER SHAFT.....	1
61	639774						CLUTCH PIN.....	1

REAR AXLE

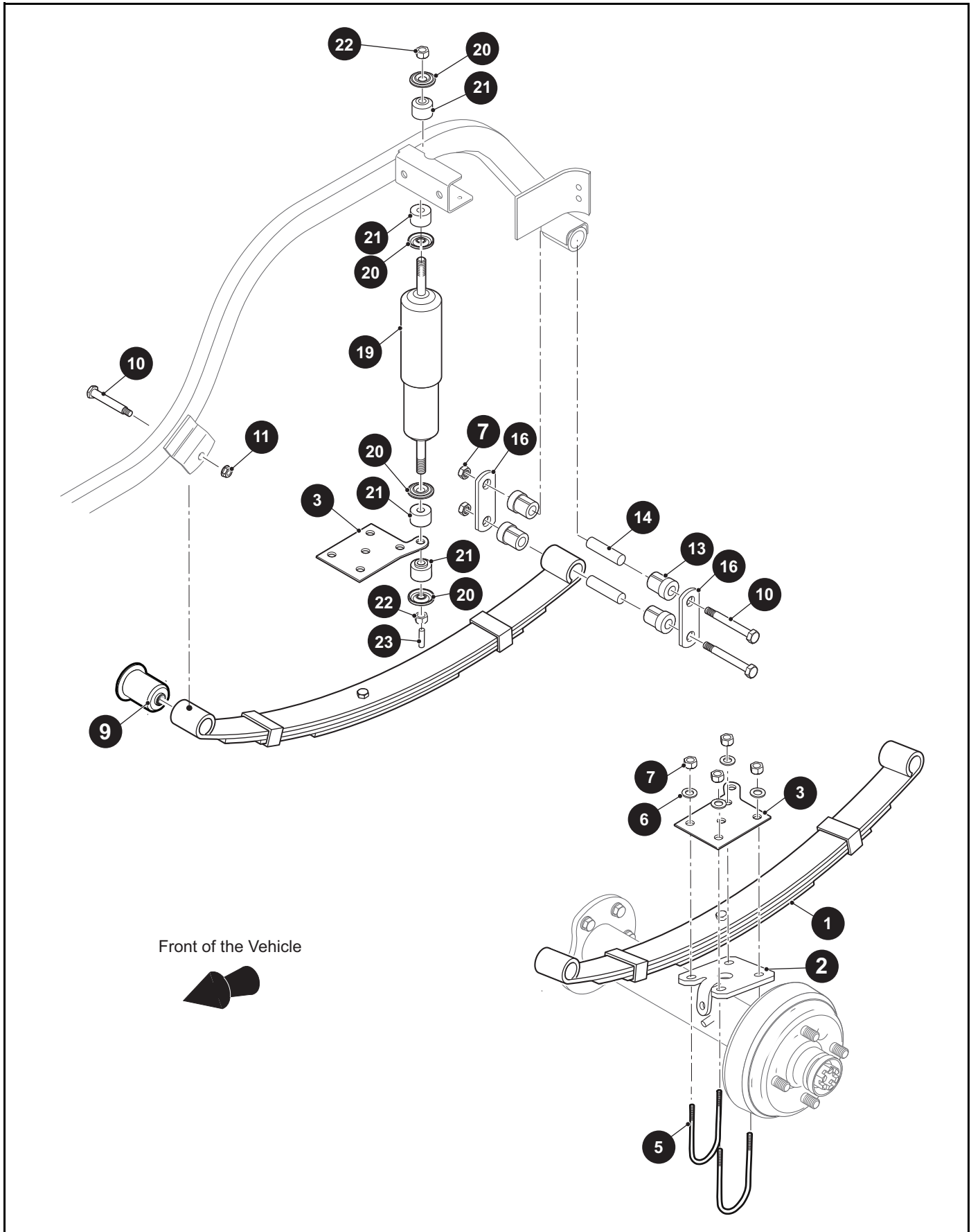
When ordering parts, please specify the model and serial number of the product.

* Indicates a component that is not available as an individual part.

*** Indicates consult Customer Service Department for additional information.

ITEM	PART NO.	1	2	3	4	5	DESCRIPTION	QTY.
62	670696						GEAR, 61	1
63	639797						SPACER, 20 x 2MM	2
64	639872						DIFFERENTIAL CASE (INCLUDES ITEMS 52, 65, 67 AND 68)	1
65	639800						DIFFERENTIAL PAIR GEAR	1
66	26808G01						HEX HEAD BOLT, M10 x 1.25 x 26 MM LG.....	6
67	28723G01						DIFFERENTIAL SHAFT	1
68	28697G01						SPRING PIN, 4 x 40L	1
69	639801						BALL BEARING (6007)	1
70	640739						GEAR, 60 COMPLETE (INCLUDES ITEM 69).....	1
71	607938						CASTLED NUT, M22 - 1.5	2
72	639876						AXLE SHAFT L COMPLETE (INCLUDES ITEM 74).....	1
73	639881						AXLE SHAFT R COMPLETE (INCLUDES ITEM 74)	1
74	639836						BALL BEARING (6205DD).....	2
75								
76								
77	26814G01						SNAP RING, 52MM	2
78	639839						FLANGED HEX HEAD BOLT, M8 x 1.25 x 60MM LG	9
79	639840						FLANGED HEX HEAD BOLT, M10 x 1.25 x 25MM LG	10
80	639844						SHIFT SHAFT COMPLETE.....	1

REAR SUSPENSION



REAR SUSPENSION

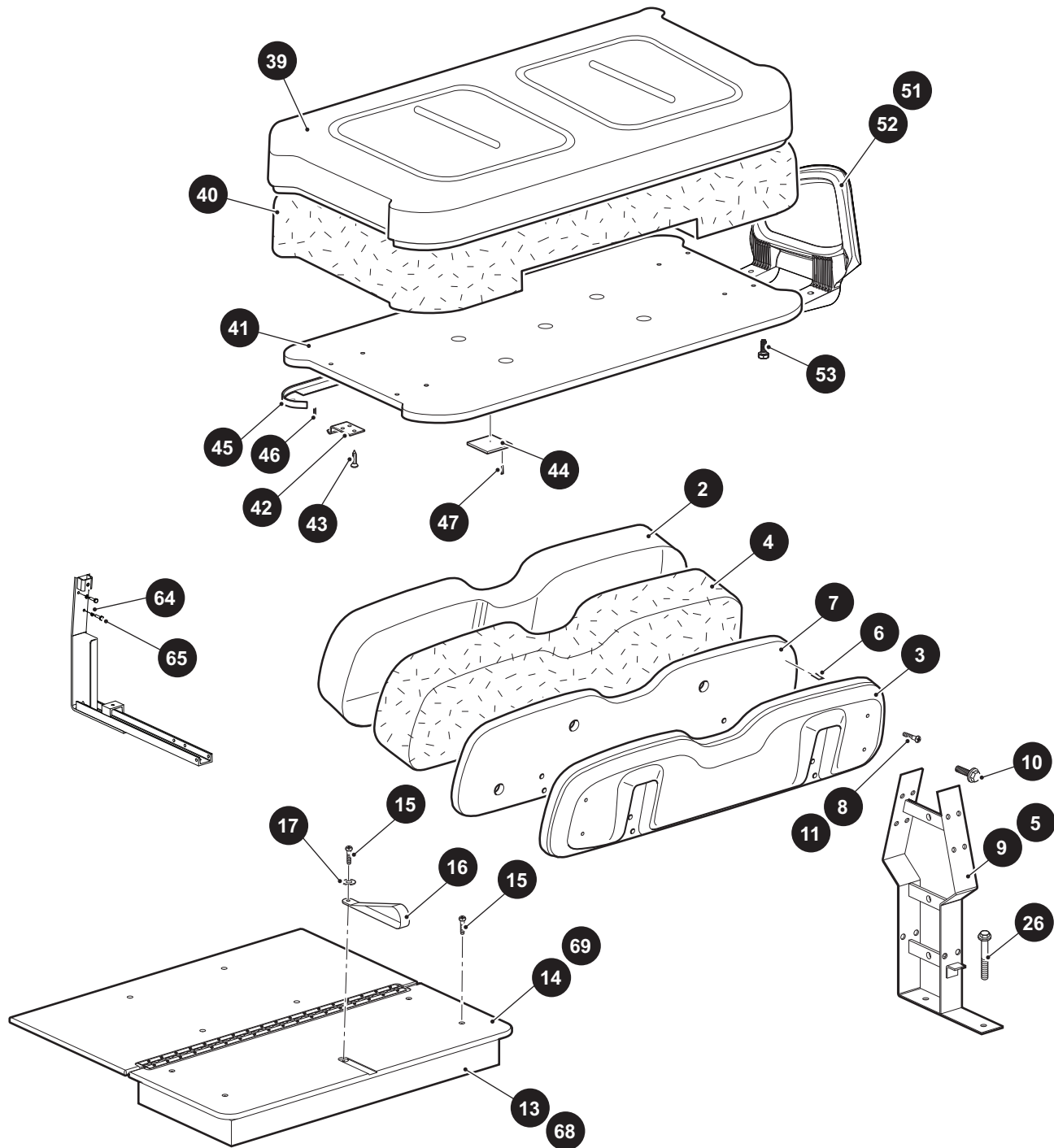
When ordering parts, please specify the model and serial number of the product.

* Indicates a component that is not available as an individual part.

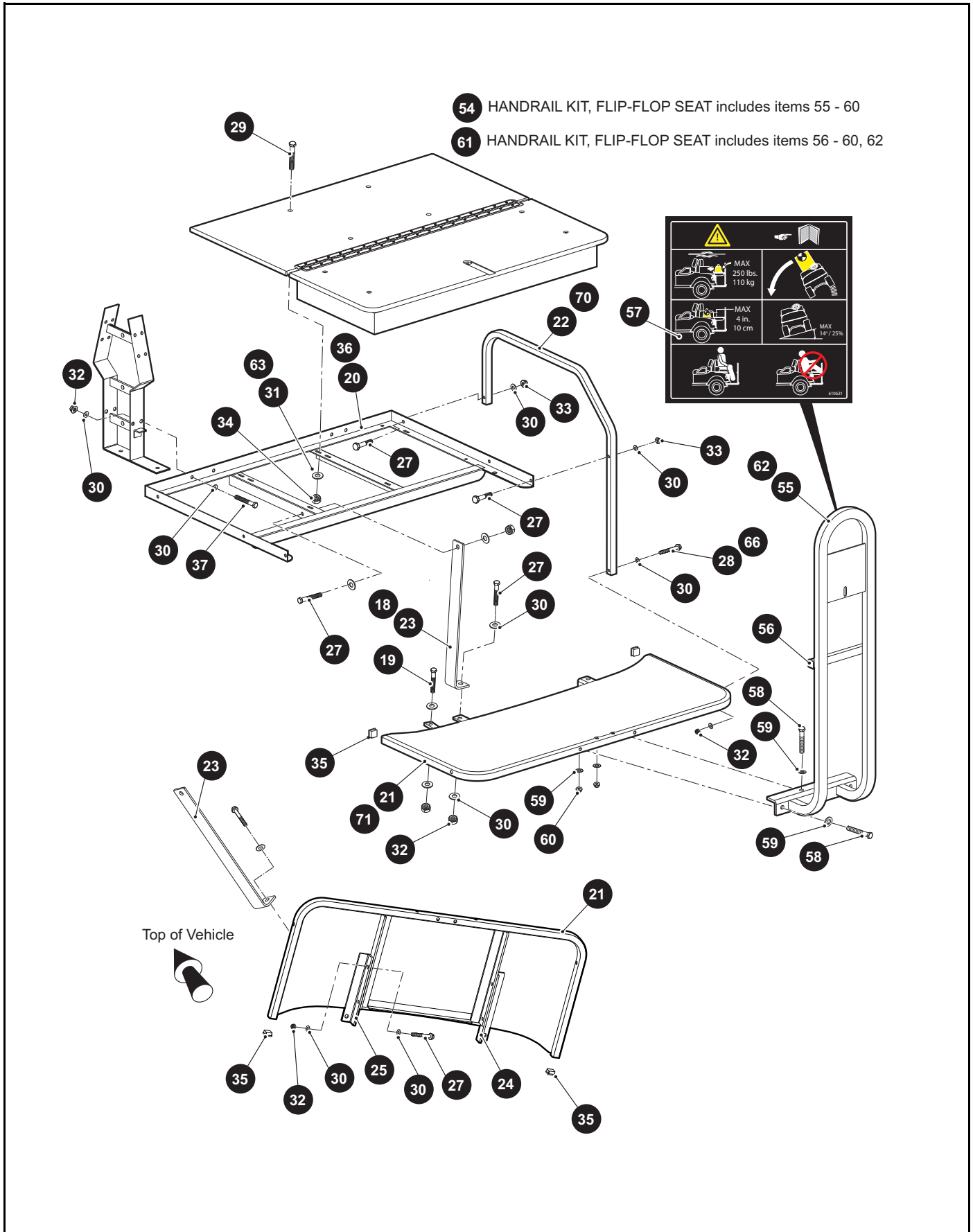
*** Indicates consult Customer Service Department for additional information.

ITEM	PART NO.	1 2 3 4 5	DESCRIPTION	QTY.
1	605721		HEAVY DUTY LEAF SPRING.....	2
2	652580		BRACKET, AXLE HIGH.....	2
3	605977		SPRING PLATE	2
4				
5	32195G3		'U' BOLT, 3/8" - 16 X 2" X 2 1/8" LG.....	4
6	00643G1		FLAT WASHER, 3/8".....	10
7	11098G5		LOCK NUT, 3/8" - 16.....	12
8				
9	605445		FRONT SPRING BUSHING.....	2
10	00665G9		SHOULDER BOLT, 3/8" - 16 X 3 1/4" LG	6
11	12262G1		LOCK NUT, 3/8" - 16.....	2
12				
13	624030		FLANGED BUSHING.....	8
14	70289G02		SPLIT STEEL SPACER	4
15				
16	652245		SHACKLE PLATE	4
17				
18				
19	642085		SHOCK ABSORBER.....	2
20	10435G1		SHOCK ABSORBER WASHER.....	8
21	10194G1		RUBBER BUSHING.....	8
22	00532G6		HEX NUT, 3/8" - 24	4
23	10044G01		VINYL CAP.....	2

SEATING



- 1** SEAT BACK ASSEMBLY includes items 2 - 11
- 38** SEAT BOTTOM ASSEMBLY includes items 39 - 53
- 12** FLIP FLOP SEAT BOTTOM ASSEMBLY includes items 13 - 17
- 67** FLIP FLOP SEAT BOTTOM ASSEMBLY includes items 15 - 17, 68 & 69



SEATING

When ordering parts, please specify the model and serial number of the product.

* Indicates a component that is not available as an individual part.

*** Indicates consult Customer Service Department for additional information.

ITEM	PART NO.	1	2	3	4	5	DESCRIPTION	QTY.	
1	***	SEAT BACK ASSEMBLY (INCLUDES ITEMS 2 - 11)					1		1
		71751G03 OYSTER							
		71751G04 TAN							
		71751G07 BLACK							
		71751G06 BROWN							
		7175101 GREY							
2	71753GXX	VINYL SEAT BACK COVER					1		1
		71753 G02 GRAY							
		71753 G03 OYSTER							
		71753 G04 TAN							
		71753 G06 BROWN							
		71753 G07 BLACK							
3	71752G01	SEAT BACK REAR COVER					1		1
4	71754G01	FOAM PADDING.....					1		1
5	631478	SEAT BACK SUPPORT (FOR VEHICLES MANUFACTURED FROM MARCH 2014).....					1		1
6	23222G01	FLAT STAPLE					95		95
7	645021	SEAT BACK BASE.....					1		1
8	01107G01	PAN HEAD SCREW, #8 - 20 X .63" LG					4		4
9	615730	SEAT BACK SUPPORT					2		2
10	71204G01	HEX HEAD BOLT, 1/4" - 20 X 7/8" LG					8		8
11	607535	PAN HEAD TORX SCREW, #8 - 20 X .99" LG (FOR VEHICLES MANUFACTURED FROM MARCH 2014).....					4		4
12	***	FLIP FLOP SEAT BOTTOM ASSEMBLY (INCLUDES ITEMS 13 - 17).....					1		1
		621027 TAN							
		621026 OYSTER							
		617897 BROWN							
		617895 GREY							
		621036 BLACK							
13	***	VINYL SEAT BOTTOM COVER.....					1		1
		611137 GRAY							
		615646 OYSTER							
		615647 TAN							
		617893 BROWN							
		615648 BLACK							
14	617137	DECK BOARD ASSEMBLY					1		1
15	16705G1	HEX HEAD BOLT (SS), 5/16" - 18 X .88" LG					5		5
16	617402	SEAT STRAP					1		1
17	00559G7	FLAT WASHER, 1/4"					1		1

When ordering parts, please specify the model and serial number of the product.

* Indicates a component that is not available as an individual part.

*** Indicates consult Customer Service Department for additional information.

ITEM	PART NO.	1	2	3	4	5	DESCRIPTION	QTY.
18	634174						SEAT FRAME SUPPORT (FOR VEHICLES MANUFACTURED FROM MARCH 2014).....	1
19	00427G6						HEX HEAD BOLT, 3/8" - 16 X 1 1/4" LG (FOR VEHICLES MANUFACTURED FROM MARCH 2014).....	4
20	615712						SEAT FRAME WELDMENT	1
21	615714						FOOTREST WELDMENT	1
22	615729						ARMREST, REAR SEAT.....	2
23	615713						SEAT FRAME SUPPORT	2
24	615728						FOOTREST BRACKET, PASSENGER SIDE	1
25	615727						FOOTREST BRACKET, DRIVER SIDE	1
26	01006G01						HEX HEAD BOLT, 3/8" - 16 X 1.25" LG	4
27	00427G4						HEX HEAD BOLT, 3/8" - 16 X 1.5" LG	16
28	00429G2						HEX HEAD BOLT, 3/8" - 16 X 3.25" LG	2
29	16705G9						HEX HEAD BOLT, 1/4" - 20 X 1.25" LG	4
30	614221						FLAT WASHER, 3/8".....	24
31	01110G01						FLAT WASHER, 1/4".....	4
32	11098G5						PLASTIC LOCK NUT, 3/8" - 16.....	10
33	11027G5						FLANGED LOCK NUT, 3/8" - 16.....	4
34	14390G4						PLASTIC LOCK NUT, 1/4" - 20.....	4
35	19853G1						SQUARE CAP TUBE, 1".....	2
36	634180						SEAT FRAME WELDMENT (FOR VEHICLES MANUFACTURED FROM MARCH 2014).....	1
37	00427G2						HEX HEAD BOLT, 3/8" - 49 X 1.25" LG (FOR VEHICLES MANUFACTURED FROM MARCH 2014).....	4
38	***						SEAT BOTTOM ASSEMBLY (INCLUDES ITEMS 39 - 53)	1
							629269G0103 TAN	
							629269G0101 OYSTER	
							629269G0107 BROWN	
							629269G0106 BLACK	
							629269G0104 GRAY	
39	***						VINYL SEAT BOTTOM COVER	1
							71602G02 GRAY	
							71602G03 OYSTER	
							71602G04 TAN	
							71602G07 BROWN	
							71602G06 BLACK	

SEATING

When ordering parts, please specify the model and serial number of the product.

* Indicates a component that is not available as an individual part.

*** Indicates consult Customer Service Department for additional information.

ITEM	PART NO.	1	2	3	4	5	DESCRIPTION	QTY.
40	71603G02						FOAM PADDING (SEAT BOTTOM).....	1
41	645492						SEAT BOTTOM.....	1
42	71610G01						SEAT HINGE.....	2
43	00720G08						HEX HEAD BOLT (SS), #12 - 14 X 1" LG.....	6
44	17074G1						RUBBER PAD	2
45	71012G01						VINYL TRIM (SEAT BOTTOM)	1
46	23222G1						FLAT STAPLE	110
47	23223G1						FLAT STAPLE	36
48								
49								
50								
51	617644						HIP RESTRAINT (PASSENGER SIDE).....	1
52	617645						HIP RESTRAINT (DRIVER SIDE)	1
53	615417						BUTTON HEAD TORX BOLT, M10 - 1.5 X 25MM LG	8
54	617901						HANDRAIL KIT, FLIP-FLOP SEAT (INCLUDES ITEMS 55 - 60)	1
55	615721						FOOTREST HANDLE WELDMENT	1
56	19859G1						SQUARE CAP TUBE, 3/4"	2
57	610631						DECAL	1
58	00427G8						HEX HEAD SCREW, 3/8" - 16 X 2" LG.....	4
59	614221						FLAT WASHER, 3/8"	8
60	11098G5						PLASTIC LOCK NUT, 3/8" - 16.....	4
61	634184						HANDRAIL KIT, FLIP-FLOP SEAT (INCLUDES ITEMS 56 - 60, 62) (FOR VEHICLES MANUFACTURED FROM MARCH 2014)	1
62	631485						FOOTREST HANDLE WELDMENT	1
63	00559G7						FLAT WASHER, 1/4" (FOR VEHICLES MANUFACTURED FROM MARCH 2014)	4
64	00664G7						LOCK WASHER, 1/4"	4
65	00661G8						HEX HEAD BOLT, 1/4" - 20 X 1" LG.....	4
66	00428G8						HEX HEAD BOLT, 3/8" - 16 X 2.25" LG (FOR VEHICLES MANUFACTURED FROM MARCH 2014)	2

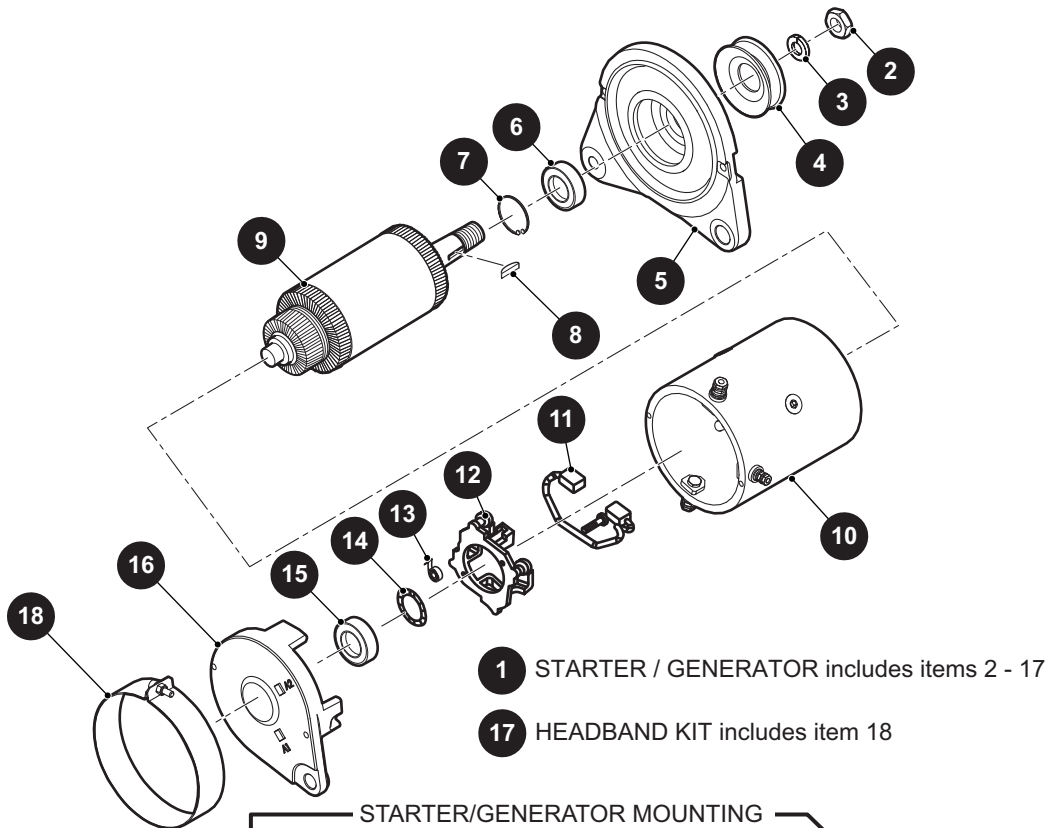
When ordering parts, please specify the model and serial number of the product.

* Indicates a component that is not available as an individual part.

*** Indicates consult Customer Service Department for additional information.

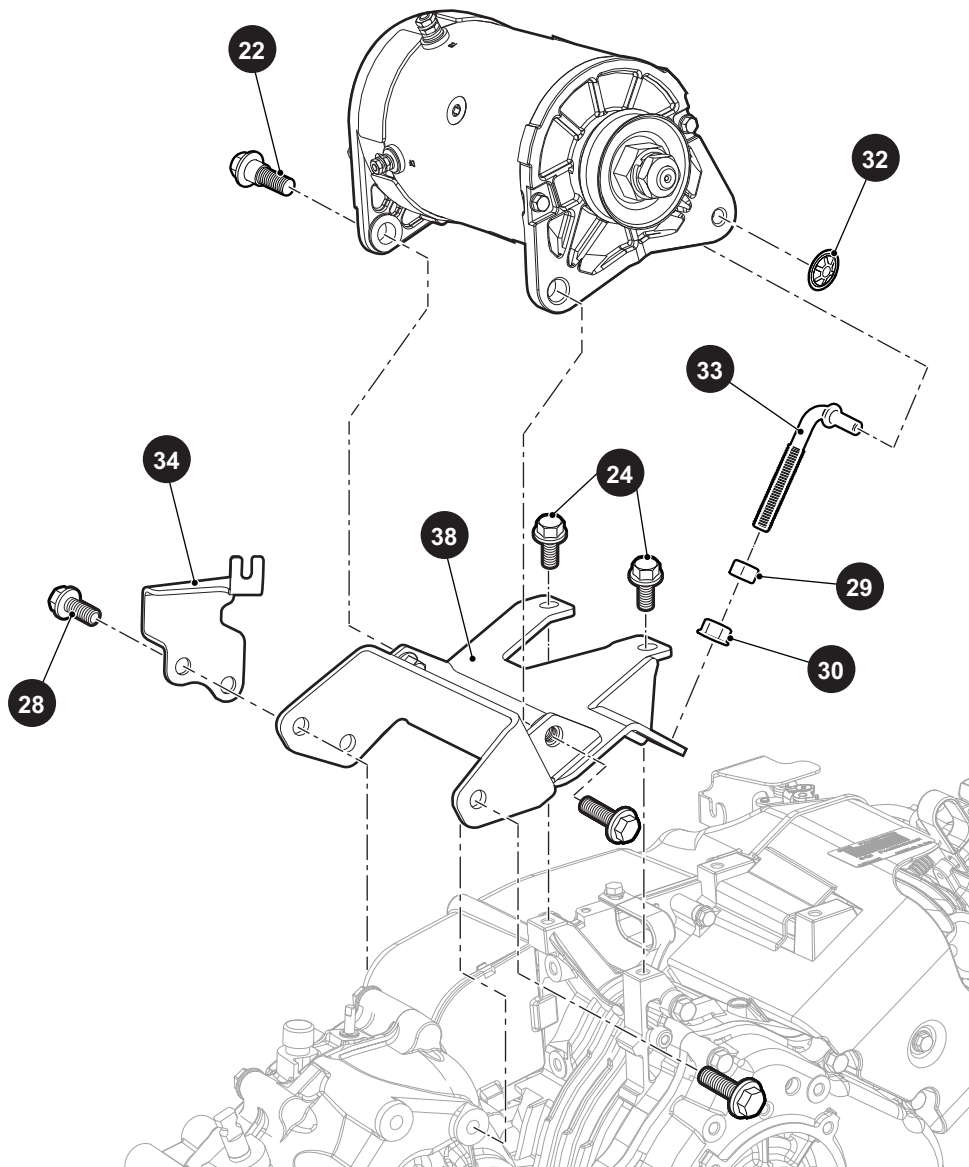
ITEM	PART NO.	1	2	3	4	5	DESCRIPTION	QTY.
67	***						FLIP FLOP SEAT BOTTOM ASSEMBLY (INCLUDES ITEMS 15 - 17, 68 & 69) (FOR VEHICLES MANUFACTURED FROM MARCH 2014).....	1
							628058G01 OYSTER	
							628058G03 TAN	
							628058G04 GRAY	
							628058G06 BLACK	
							628058G07 BROWN	
68	***						FLIP FLOP VINYL SEAT BOTTOM COVER	1
							617892 GRAY	
							617893 BROWN	
							615646 OYSTER	
							615647 TAN	
69	634190						DECK BOARD ASSEMBLY (FOR VEHICLES MANUFACTURED FROM MARCH 2014)	1
70	634175						REAR SEAT ARMREST (FOR VEHICLES MANUFACTURED FROM MARCH 2014).....	2
71	634179						FOOTREST WELDMENT (FOR VEHICLES MANUFACTURED FROM MARCH 2014).....	1

STARTER AND GENERATOR



STARTER AND GENERATOR

FOR VEHICLES MANUFACTURED FROM APRIL 2014



STARTER AND GENERATOR

When ordering parts, please specify the model and serial number of the product.

* Indicates a component that is not available as an individual part.

*** Indicates consult Customer Service Department for additional information.

ITEM	PART NO.	1 2 3 4 5	DESCRIPTION	QTY.
1	660379		STARTER / GENERATOR (INCLUDES ITEMS 2 - 17)	1
2	612029		HEX NUT	1
3	612030		LOCK WASHER.....	1
4	625716		PULLEY, 2.5" O.D.	1
5	654715		DRIVE END HEAD.....	1
6	612033		BEARING	1
7	612034		RETAINING RING.....	1
8	612035		WOODRUFF KEY	1
9	612036		ARMATURE ASSEMBLY	1
10	654716		FRAME AND FIELD ASSEMBLY	1
11	612038		BRUSH LEAD AND TERMINAL PACKAGE.....	1
12	654717		BRUSH BOX ASSEMBLY	1
13	656659		BRUSH SPRING.....	4
14	612043		WAVY WASHER	1
15	612044		BEARING	1
16	612045		COMMUTATOR END HEAD	1
17	658172		HEADBAND KIT (INCLUDES ITEM 18)	1
18	654718		HEADBAND.....	1
19				
20				
21				
22	606235		HEX HEAD BOLT, M10 - 1.25 X 20MM LG	2
23	606279		NUT, M10 - 1.25	2
24	606261		BOLT, M8 - 1.25 X 20MM LG	3
25	602141		STARTER / GENERATOR BRACKET	1
26	602145		TENSIONER BRACKET.....	1
27	606261		BOLT, M8 - 1.25 X 20MM LG	1
28	606256		BOLT, M10 - 1.25 X 25	1
29	606255		NUT, M10 - 1.25	1
30	606274		NUT, M10 - 1.25	1
31	630587		STARTER / GENERATOR BELT	1

STARTER AND GENERATOR

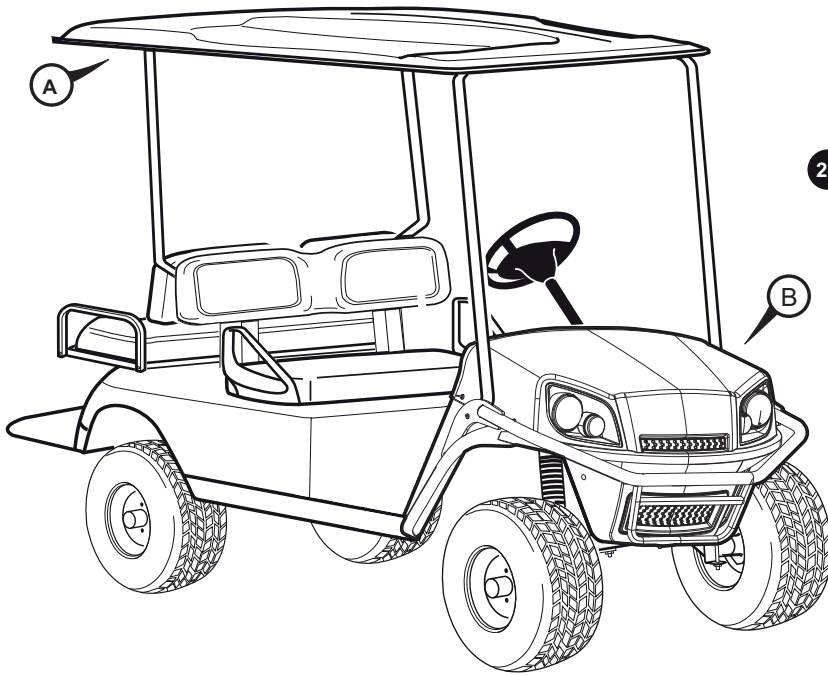
When ordering parts, please specify the model and serial number of the product.

* Indicates a component that is not available as an individual part.

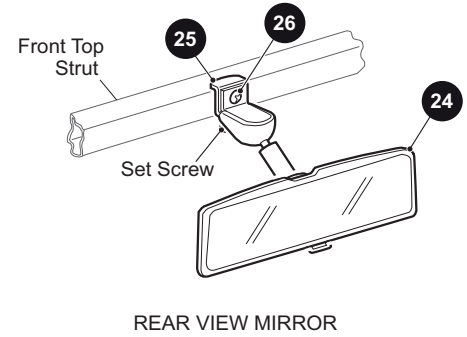
*** Indicates consult Customer Service Department for additional information.

ITEM	PART NO.	1 2 3 4 5	DESCRIPTION	QTY.
32	12064G6		PUSH NUT, 5/16"	1
33	629763		TENSIONER BOLT	1
34	603884		CABLE GUIDE BRACKET	1
35				
36	607103		WIRE ASSEMBLY, 6 AWG, 42" LG	1
37	25682G01		RUBBER BOOT	3
38	631972		STARTER / GENERATOR SUPPORT BRACKET (FOR VEHICLES MANUFACTURED FROM APRIL 2014).....	1

WEATHER PROTECTION



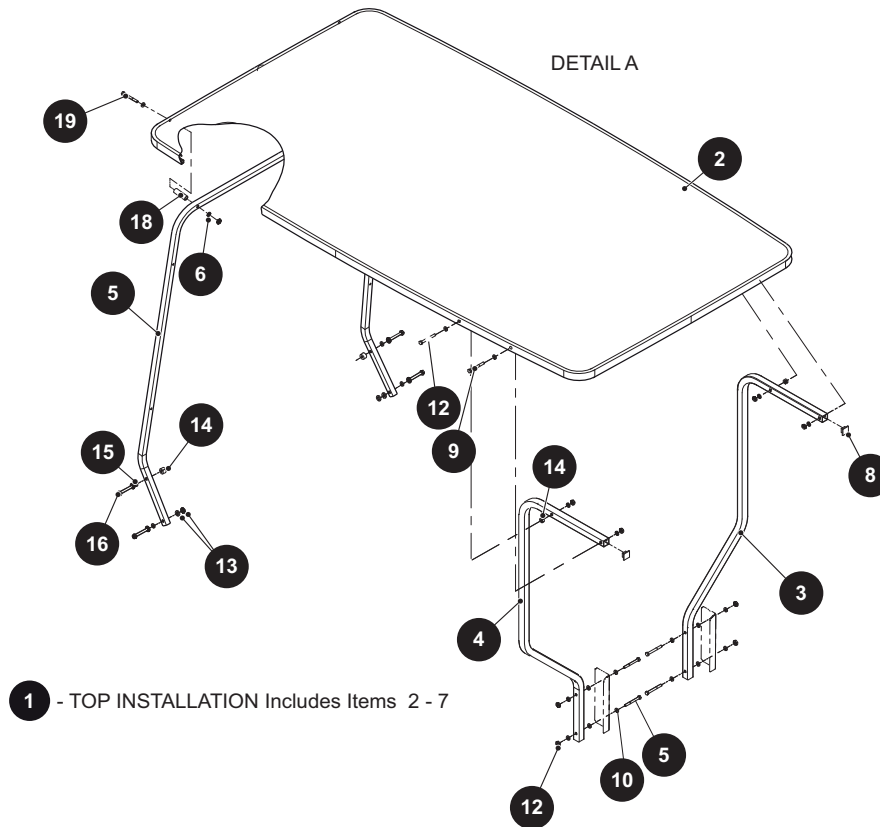
23 - REAR VIEW MIRROR Includes Items 24 - 26



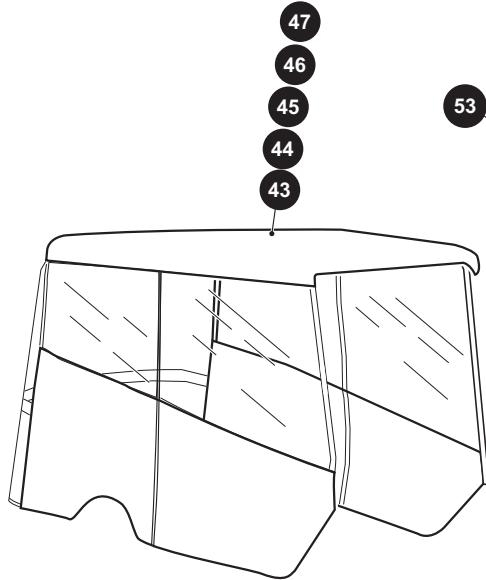
Front of Vehicle



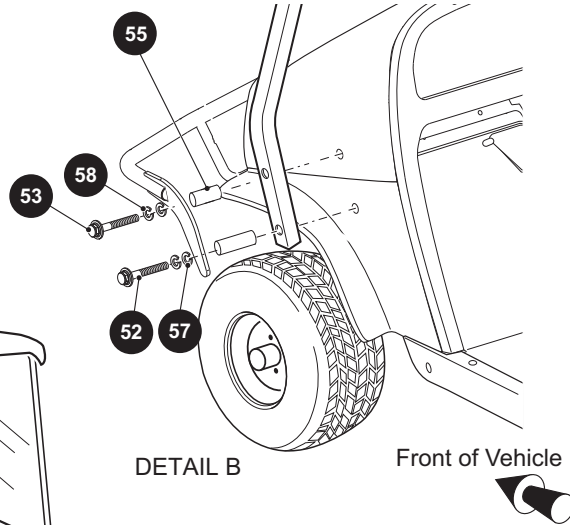
DETAIL A



1 - TOP INSTALLATION Includes Items 2 - 7

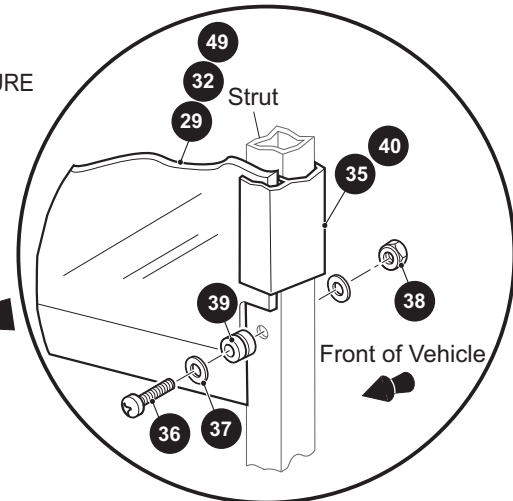
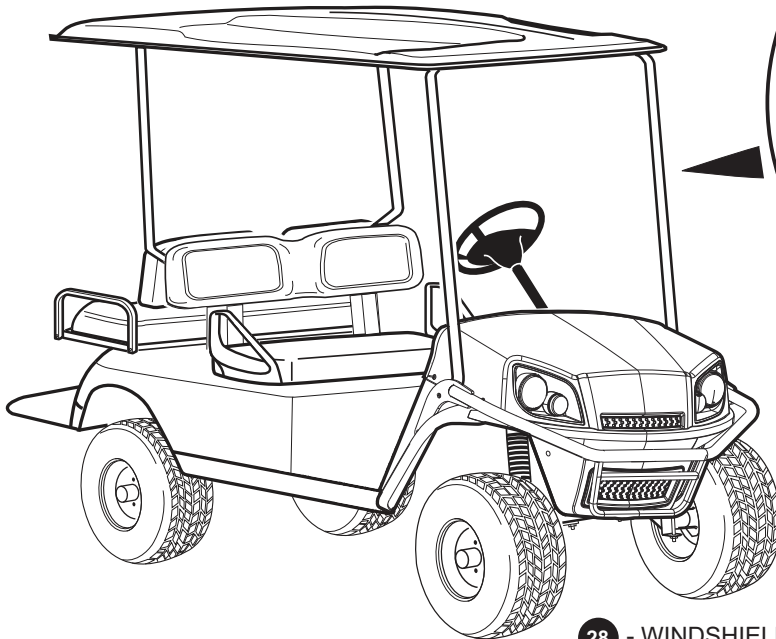


WEATHER ENCLOSURE



DETAIL B

Front of Vehicle



Front of Vehicle

- 28 - WINDSHIELD SPLIT KIT Includes Items 29 - 30
- 30 - WINDSHIELD SPLIT HARDWARE KIT Includes Items 35 - 39
- 31 - WINDSHIELD FULL KIT Includes Items 32 - 33
- 33 - WINDSHIELD FULL HARDWARE KIT Includes Items 36 - 40
- 48 - WINDSHIELD SPLIT KIT Includes Items 49 - 50
- 50 - WINDSHIELD SPLIT HARDWARE KIT Includes Items 35 - 39

WEATHER PROTECTION

When ordering parts, please specify the model and serial number of the product.

* Indicates a component that is not available as an individual part.

*** Indicates consult Customer Service Department for additional information.

ITEM	PART NO.	1 2 3 4 5	DESCRIPTION	QTY.
1	603120		TOP INSTALLATION KIT (INCLUDES ITEMS 2 - 7)	1
2	602672		HDPE TOP, TAN	1
3	602741		REAR STRUT, RH	1
4	602743		REAR STRUT, LH	1
5	75125G01		FRONT STRUT	1
6	00653G1		FLAT WASHER 3/8	1
7	75480G01		TOP KIT, HARDWARE (INCLUDES ITEMS 8 - 19)	1
8	19853G1		CAP TUBE	2
9	00665G5		HEX HEAD BOLT, 3/8" - 16 X 1.75" LG	4
10	00679G1		FLAT WASHER, 3/8" X.88	18
11	00771G5		NYLON WASHER, 3/8"	4
12	00891G5		LOCK NUT, 3/8" - 16	10
13	00879G1		FLAT WASHER, 3/8"	4
14	24647G1		SPACER SUNTOP, 1/4" THICK	2
15	00565G8		LOCK WASHER, 5/16	4
16	00440G2		HEX HEAD BOLT, 5/16" - 18 X 2 X 1/4" LG	4
17				
18	18716G1		ALUMINIUM SPACER	2
19	00674G8		HEX HEAD BOLT, 3/8" - 16 X 5"LG	2
20				
21				
22				
23	19528G2		REAR VIEW MIRROR KIT (INCLUDES ITEMS 24 - 26)	1
24	19496G1		REAR VIEW MIRROR	1
25	19502G2		SUPPORT BRACKET	1
26	19527G1		HEX HEAD BOLT (SS), #8 - 32 X 5/8" LG	1
27				
28	71966G05		SPLIT WINDSHIELD KIT (INCLUDES ITEMS 29 - 30)	1
29	630012		SPLIT WINDSHIELD	1
30	71956G05		SPLIT WINDSHIELD HARDWARE KIT (INCLUDES ITEMS 35 - 39)	1

WEATHER PROTECTION

When ordering parts, please specify the model and serial number of the product.

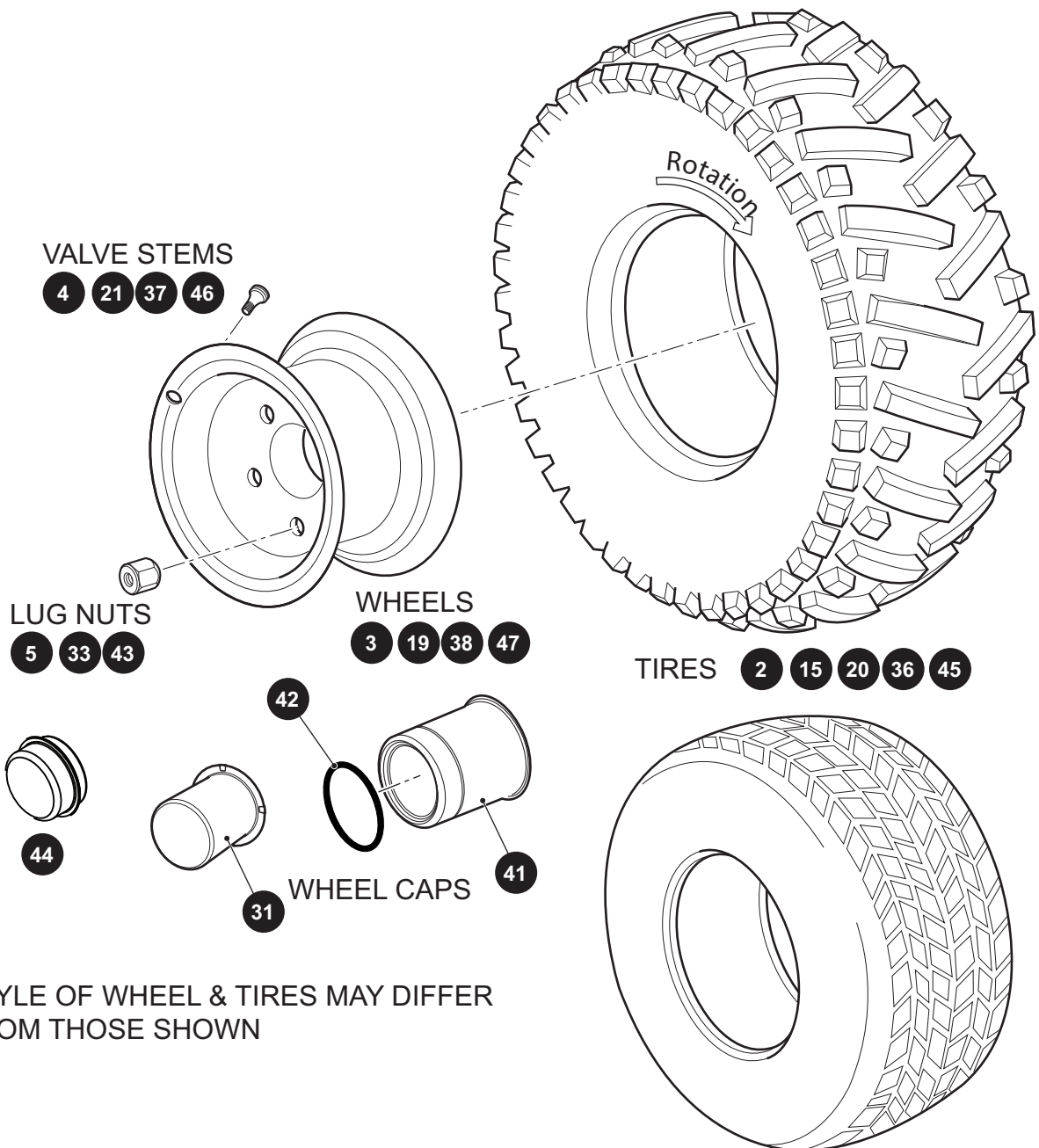
* Indicates a component that is not available as an individual part.

*** Indicates consult Customer Service Department for additional information.

ITEM	PART NO.	1 2 3 4 5	DESCRIPTION	QTY.
31	71966G03		FULL WINDSHIELD KIT (INCLUDES ITEMS 32 - 33)	
32	7196G01		FULL WINDSHIELD	1
33	*		FULL WINDSHIELD HARDWARE KIT (INCLUDES ITEMS 36 - 40)	1
34				
35	615661		SASH, 12"	2
36	*		SCREW, 1/4" - 20 X 1.75" LG	2
37	*		FLAT WASHER, 1/4"	2
38	*		LOCK NUT, 1/4" - 20	2
39	*		RUBBER GROMMET	2
40	615662		SASH, 26"	2
41				
42				
43	624829		TOP ENCLOSURE, BLACK.....	*
44	624830		TOP ENCLOSURE, GRAY.....	*
45	624831		TOP ENCLOSURE, GREEN.....	*
46	624832		TOP ENCLOSURE, WHITE	*
47	624833		TOP ENCLOSURE, TAN.....	*
48	71966G06		SPLIT WINDSHIELD KIT (INCLUDES ITEMS 49 - 50)	1
49	630013		SPLIT WINDSHIELD	1
50	71956G05		SPLIT WINDSHIELD HARDWARE KIT (INCLUDES ITEMS 35 - 39)	1
51				
52	00440G2		HEX HEAD BOLT, 5/16" - 18 X 2 1/4" LG	2
53	00440G6		HEX HEAD BOLT, 5/16" - 18 X 2 3/4" LG	2
54				
55	75048G04		SPACER, 1"	2
56	75048G02		SPACER.....	2
57	00559G8		FLAT WASHER, 5/16"	4
58	00565G8		LOCK WASHER, SPRING TYPE, 5/16"	4

WHEELS AND TIRES

- 1 WHEEL AND TIRE ASSEMBLY includes items 2 - 4
- 13 BLACK WHEEL & STRYKER® 1 TIRE ASSEMBLY (DRIVER SIDE) includes item 15
- 14 BLACK WHEEL & STRYKER® 1 TIRE ASSEMBLY (PASSENGER SIDE) includes item 15
- 17 POLISHED WHEEL & PATHFINDER TIRE® ASSEMBLY (DRIVER SIDE) includes items 19 - 21
- 18 POLISHED WHEEL & PATHFINDER TIRE® ASSEMBLY (PASSENGER SIDE) Items 19 - 21
- 35 POLISHED SPOKED WHEEL & TERRA TRAC TIRE ASSEMBLY includes items 36 - 38
- 44 WHEEL AND TIRE ASSEMBLY includes items 45 - 47



WHEELS AND TIRES

When ordering parts, please specify the model and serial number of the product.

* Indicates a component that is not available as an individual part.

*** Indicates consult Customer Service Department for additional information.

ITEM	PART NO.	1 2 3 4 5	DESCRIPTION	QTY.
1	28442G03		WHEEL AND TIRE ASSEMBLY, 20 X 10 - 10 (TURF SAVER) (INCLUDES ITEMS 2 - 4) (FOR VEHICLES MANUFACTURED UNTIL 14OCT2016)	AR
2	28442G02		TIRE (TURF SAVER).....	1
3	15172G02		WHEEL RIM (BLACK)	1
4	11657G1		VALVE STEM.....	1
5	14723G1		LUG NUT, 1/2" - 20	AR
6				
7				
8				
9				
10				
11				
12				
13	28632G02		BLACK WHEEL & STRYKER® 1 TIRE ASSEMBLY (DRIVER SIDE) (INCLUDES ITEMS 15).....	AR
14	28631G02		BLACK WHEEL & STRYKER® 1 TIRE ASSEMBLY (PASSENGER SIDE) (INCLUDES ITEMS 15).....	AR
15	28630G01		TIRE, 22 X 9 - 10 STRYKER 1	1
16				
17	604930		POLISHED WHEEL & PATHFINDER TIRE® ASSEMBLY (DRIVER SIDE) (INCLUDES ITEM 19 - 21)	AR
18	605228		POLISHED WHEEL & PATHFINDER TIRE® ASSEMBLY (PASSENGER SIDE) (INCLUDES ITEM 19 - 21)	AR
19	604927		POLISHED CAST ALUMINUM WHEEL	1
20	604928		TIRE, 22 X 11 PATHFINDER TIRE®	1
21	604915		VALVE STEM.....	1
22				
23				
24				
25				
26				
27				

WHEELS AND TIRES

When ordering parts, please specify the model and serial number of the product.

* Indicates a component that is not available as an individual part.

*** Indicates consult Customer Service Department for additional information.

ITEM	PART NO.	1 2 3 4 5	DESCRIPTION	QTY.
28	611693		DIAMOND WHEEL & SPEEDRACER TIRE ASSY (DRIVER SIDE)	AR
29	611692		DIAMOND WHEEL & SPEEDRACER TIRE ASSY (PASSENGER SIDE)	AR
30				
31	608910		DIAMOND WHEEL CAP.....	AR
32				
33	605310		CHROME LUG NUT, 1/2" - 20.....	AR
34				
35	608914		POLISHED SPOKED WHEEL & TERRA TRAC TIRE ASSEMBLY (INCLUDES ITEMS 36 - 38) (FOR VEHICLES MANUFACTURED BEFORE MAY 19, 2018)	AR
36	606141		TERRA TRAC TIRE, 22 X 11 - 10.....	1
37	604915		CHROME VALVE STEM.....	1
38	604927		POLISHED SPOKED WHEEL, 10 X 7.....	1
39				
40				
41	601353		WHEEL CAP.....	AR
42	650164		O-RING.....	AR
43	605310		CHROME LUG NUT, 1/2" - 20.....	AR
44	653627		WHEEL AND TIRE ASSEMBLY (INCLUDES ITEMS 45 - 47) (FOR VEHICLES MANUFACTURED AFTER MAY 19, 2018)	AR
45	658351		TIRE, K502, 22 X 10 - 10, 6PLY	1
46	604915		CHROME VALVE STEM.....	1
47	604927		POLISHED SPOKED WHEEL, 10 X 7.....	1



CUSHMAN®
LET'S WORK!

E-Z-GO Division of Textron Inc.,
1451 Marvin Griffin Road, Augusta, Georgia 30906 - 3852 USA

TO CONTACT US...

North America:

Technical Assistance & Warranty

Phone: 1-800-774-3946, FAX: 1-800-448-8124

Service Parts

Phone: 1-888-GET-E-Z-GO (1-888-438-3946), FAX: 1-800-752-6175

International:

Phone: 001-706-798-4311, FAX: 001-706-771-4609

Service Parts Manuals, as well as Repair and Service Manuals
are available from a local Distributor, an authorized Branch,
Genuine E-Z-GO Parts & Accessories Department or at www.shopezgo.com.

Copyrighted Material
This manual may not be reproduced in whole or
in part without the express permission of
E-Z-GO Division of Textron Inc.
Technical Communications Department