



**CUSHMAN®**

**LET'S WORK!**

# **Gasoline Service Parts Manual**



**624955-BF**

**ISSUED SEPTEMBER 2011**

**REVISED NOVEMBER 2018**



# SERVICE PARTS MANUAL

## GASOLINE POWERED UTILITY VEHICLE

**HAULER 800X  
STARTING MODEL YEAR 2012**

**HAULER 1200X  
STARTING MODEL YEAR 2012 THROUGH MODEL YEAR 2016**

DISCLAIMER: The E-Z-GO Division of Textron Inc. (E-Z-GO) reserves the right to incorporate engineering and design changes to products in this Manual, without obligation to include these changes on units leased/sold previously.

The information contained in this Manual may be revised periodically E-Z-GO, and therefore is subject to change without notice.

E-Z-GO DISCLAIMS LIABILITY FOR ERRORS IN THIS MANUAL, and E-Z-GO SPECIFICALLY DISCLAIMS LIABILITY FOR INCIDENTAL AND CONSEQUENTIAL DAMAGES RESULTING FROM THE USE OF THE INFORMATION AND MATERIALS IN THIS MANUAL.

### **TO CONTACT US**

#### **NORTH AMERICA:**

**TECHNICAL ASSISTANCE & WARRANTY PHONE: 1-800-774-3946, FAX: 1-800-448-8124**

**SERVICE PARTS PHONE: 1-888-GET-EZGO (1-888-438-3946), FAX: 1-800-752-6175**

**INTERNATIONAL: PHONE: 001-706-798-4311, FAX: 001-706-771-4609**

**E-Z-GO DIVISION OF TEXTRON INC., 1451 MARVIN GRIFFIN RD., AUGUSTA, GEORGIA USA 30906-3852**

## GENERAL INFORMATION

To obtain a copy of the limited warranty applicable to the vehicle, call or write a local Distributor, authorized Branch or the Warranty Department with vehicle serial number and manufacturer code.

The use of non Original Equipment Manufacturer (OEM) parts may void the warranty.

Overfilling of batteries may void the warranty.

### BATTERY PROLONGED STORAGE

All batteries will self discharge over time. The rate of self discharge varies depending on the ambient temperature and the age and condition of the batteries.

A fully charged battery will not freeze in winter temperatures unless the temperature falls below  $-75^{\circ}\text{F}$  ( $-60^{\circ}\text{C}$ ).

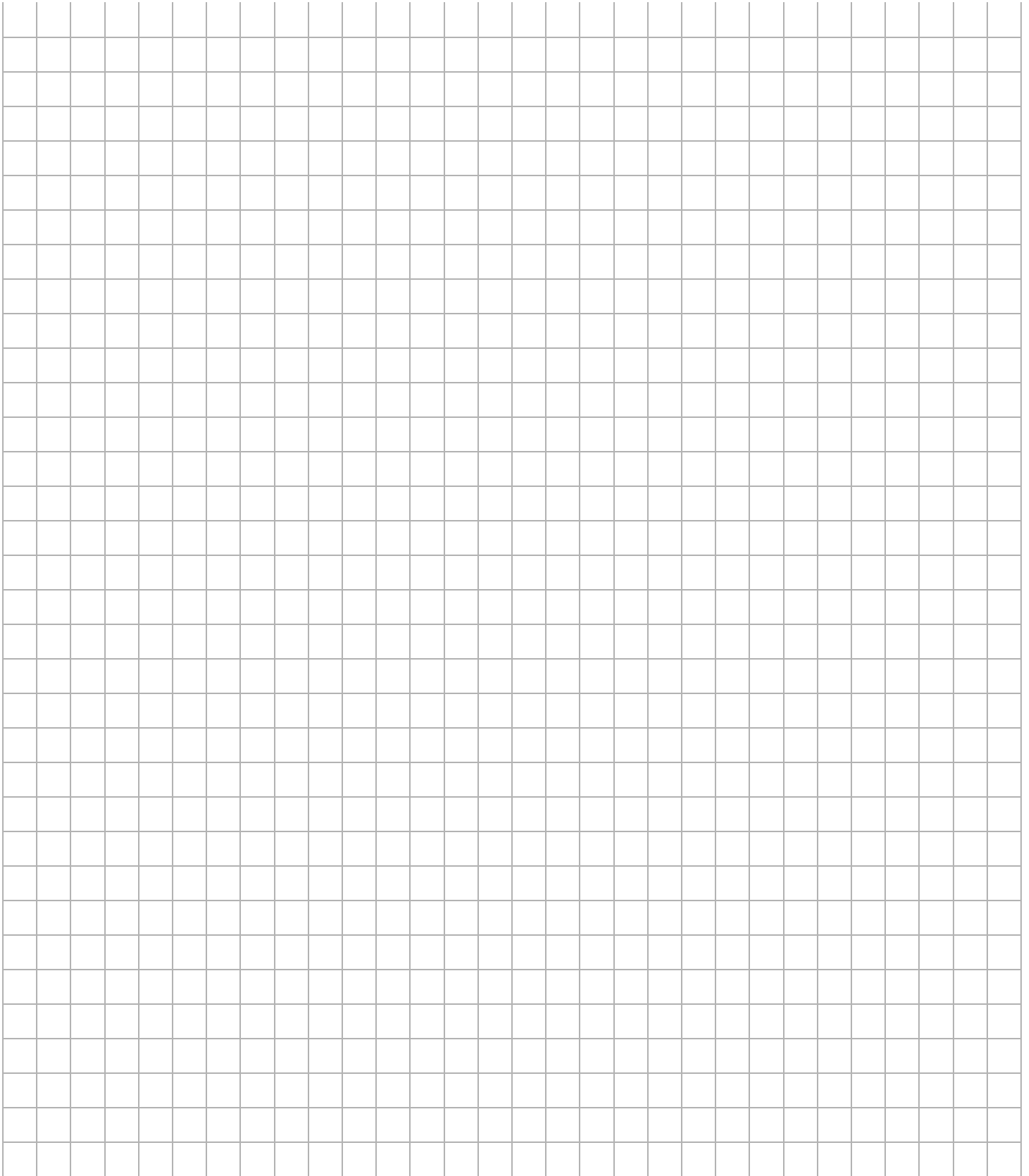
As with all electric vehicles, the batteries must be checked and recharged as required or at a minimum of 30 day intervals.



# TABLE OF CONTENTS

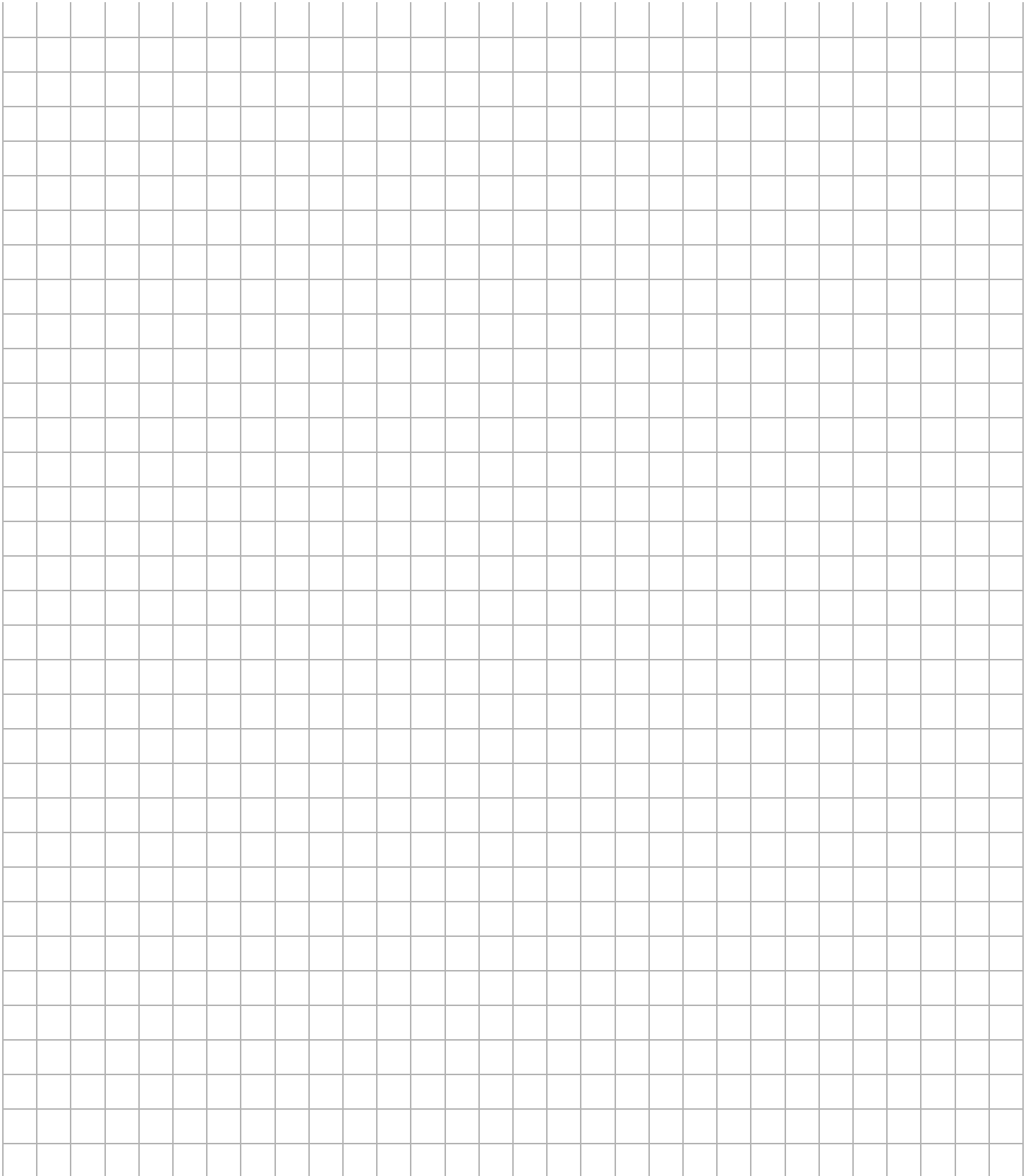
<b>SECTION</b>	<b>Page No.</b>
HOW TO USE THE SERVICE PARTS MANUAL .....	vii
ACCELERATOR .....	A - 1
AIR FILTER .....	B - 1
BODY .....	C - 1
BRAKES .....	D - 1
CAB .....	E - 1
CARBURETOR AND CHOKE .....	F - 1
CLUTCH .....	G - 1
DIRECTION SELECTOR .....	H - 1
ELECTRICAL SYSTEM .....	J - 1
ENGINE AND MUFFLER .....	K - 1
ENGINE MOUNTING .....	L - 1
FRONT SUSPENSION .....	M - 1
FUEL SYSTEM .....	N - 1
REAR AXLE .....	P - 1
REAR SUSPENSION - HAULER 800X .....	Q - 1
REAR SUSPENSION - HAULER 1200X .....	Q - 5
ROPS .....	R - 1
SEATING .....	S - 1
STARTER GENERATOR .....	T - 1
METAL TRUCK BED .....	U - 1
PLASTIC TRUCK BED .....	U - 9
WEATHER PROTECTION .....	V - 1
WHEELS AND TIRES .....	W - 1

# NOTES





# NOTES



# HOW TO USE THE SERVICE PARTS MANUAL

This manual is divided into several sections:

- GENERAL INFORMATION
- ILLUSTRATED PARTS BREAKDOWN
- APPENDIX

The first section, GENERAL INFORMATION, contains the following information:

- WARRANTY INFORMATION
- GENERAL INDEX
- HOW TO USE THE SERVICE PARTS MANUAL

The second section, ILLUSTRATED PARTS BREAKDOWN, contains illustrations and parts lists for all systems of your vehicle.

The third section, APPENDIX, contains a listing of specialty products and accessories.

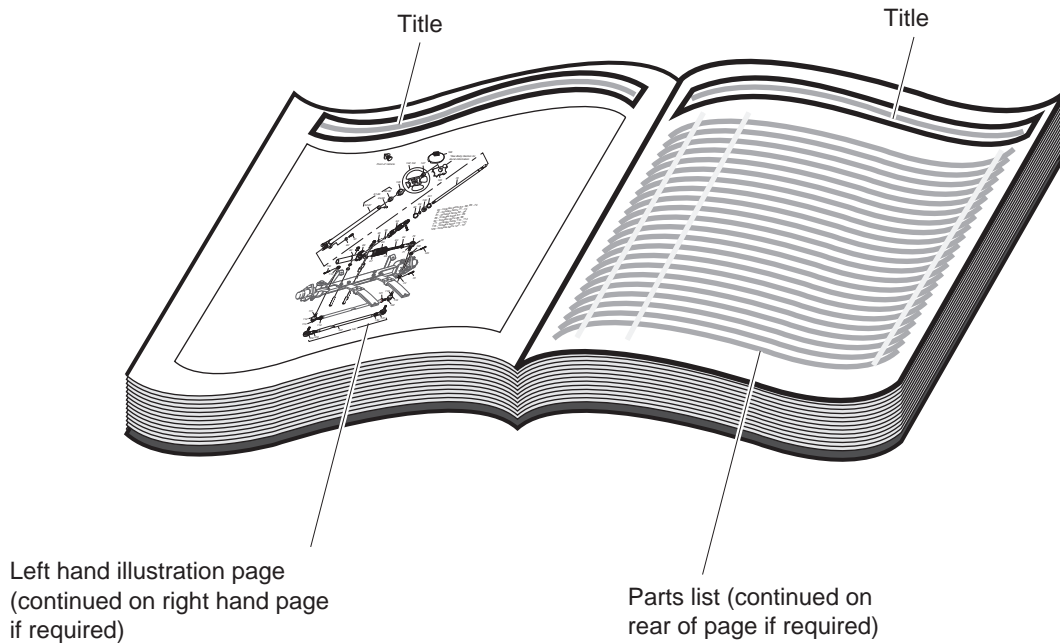
## USE OF THE MANUAL

To use this manual, consult the GENERAL INDEX to locate the information or illustration required.

Introduction of some revisions varies due to supply of components; therefore, it is possible that various combinations of components may be found that are not directly reflected by each illustration. Consult the illustration that best suits your situation and then contact the Service Parts Department. It is important that the serial number of your vehicle and its model number be supplied to Service Parts when ordering any replacement components.

Locate the serial number plate (see BODY located in the Illustrated Parts Breakdown section of this manual for its location) and note the complete number shown on the plate.

# HOW TO USE THE SERVICE PARTS MANUAL



## 1. WHEN THE PART NUMBER IS NOT KNOWN

- Determine the function and application of the part required. Turn to the General Index and select the most appropriate title.
- Turn to the page number indicated and locate the desired part on the illustration.
- From the illustration, obtain the item number assigned to the desired part. Refer to the accompanying description for specific information regarding the part.

## 2. IF YOU KNOW THE PART NUMBER

- Locate the part number or description in the appropriate column on the parts list page.

NOTE: It is suggested that you confirm that the part selected is correct by verifying it with the pictorial representation on the illustrated page.

Should an asterisk (\*) appear in the part number column on the parts list page, read upwards until a part number is found. The part number is the lowest assembly sold by Service Parts and the asterisk (\*) indicates that the part depicted is not available for purchase.

NOTE: Descriptions are indented under the assembly that they are used on. That assembly is, in turn listed under the assembly that it is used on. This process is repeated until the highest final assembly is reached.

**To facilitate the maintenance and repair of the vehicle, a Technician's Repair and Service Manual is available from the Service Parts Department.**

# HOW TO USE THE SERVICE PARTS MANUAL

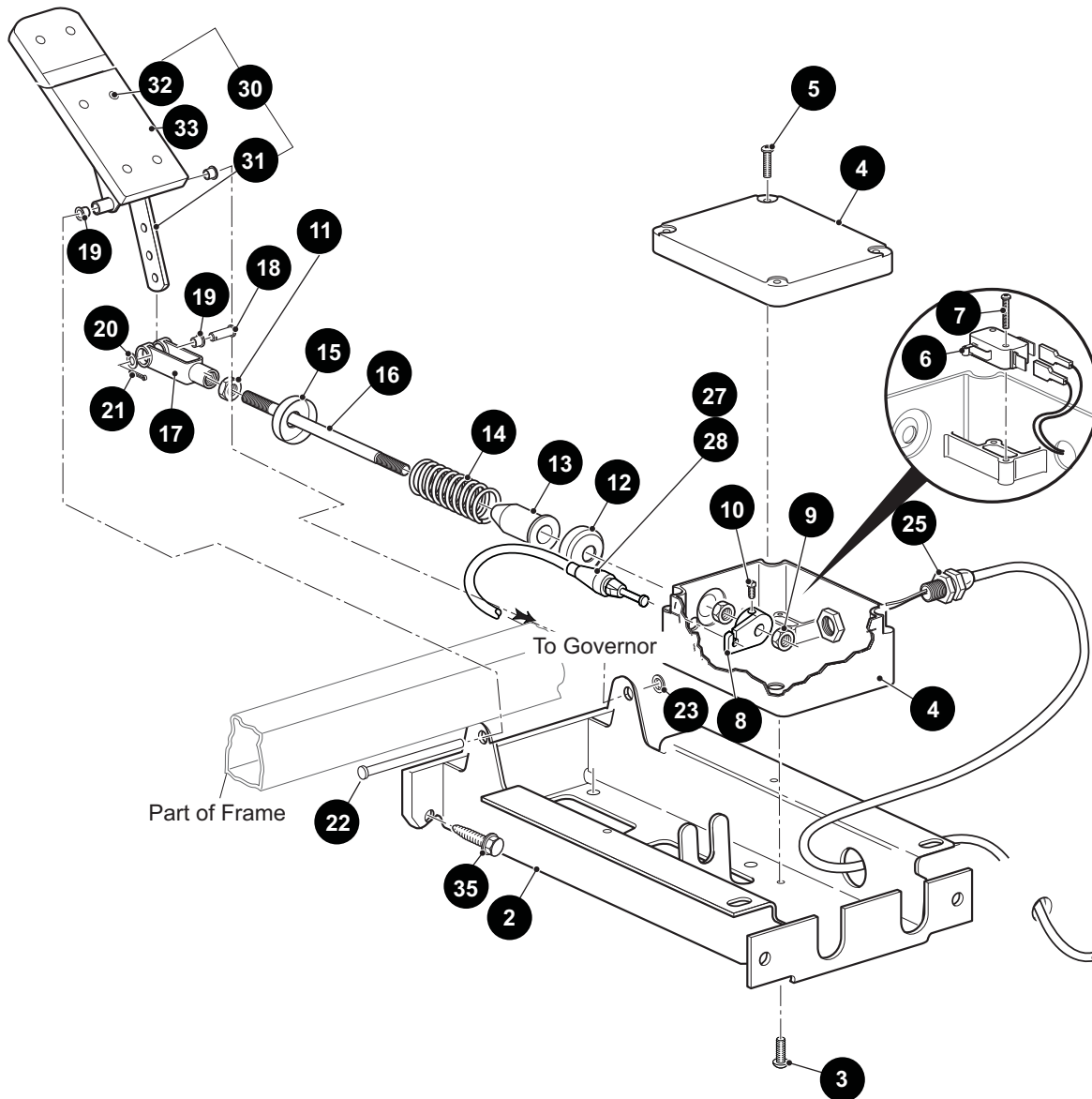
## 3. COLOR CODE FOR BODY COMPONENTS

The last two digits of the part number for the body part will denote the color code, locate the part number for the cowl, rear body, seat pod, side panel or seat wrap then locate your color in the list below, replace the last \*\* or XX with the two digit color code.

<u>CODE #</u>	<u>DESCRIPTION</u>	<u>CODE #</u>	<u>DESCRIPTION</u>
01	NO PAINT	53	MOSSY OAK NEW BREAK UP - DIPPED
02	SPECIAL COLOR	54	MOSSY OAK OBSESSION - DIPPED
05	JACOBSEN ORANGE	55	REALTREE ADVANTAGE MAX 4 - DIPPED
06	LIGHT GOLD PEARL	56	REALTREE HARDWOOD BROWN - DIPPED
07	SILVER PEARL METALIC	57	REALTREE AP HOT PINK - DIPPED
11	BLACK	58	BLACK / SILVER MARBLE - DIPPED
12	EMERALD GREEN PEARL	59	RED / SILVER MARBLE - DIPPED
13	CLOUD GRAY	60	HOT PINK / SILVER MARBLE - DIPPED
14	VIPER BLUE METALLIC	61	REALTREE AP
19	PATRIOT BLUE PEARL	62	REALTREE MAX 4
20	INFERNO RED METALLIC	63	MOSSY OAK BREAKUP
23	ADVANTAGE CLASSIC CAMO	64	MOSSY OAK TREESTAND
24	NATURAL	65	REALTREE APG
25	VIVID NEW HOLLAND BLUE	66	REALTREE MAX 1
26	STEEL BLUE PEARL	67	REALTREE AP PINK
27	BRIGHT SILVER METALLIC	68	REALTREE AP - DIPPED
29	PRIMER ONLY		
30	HD ADVANTAGE CAMO		
31	METALLIC CHARCOAL		
32	LIGHT ALMOND PEARL		
33	TIMBERLINE GREEN		
34	DEEP MOLTEN RED		
35	SAFETY YELLOW		
36	IVORY		
37	FOREST GREEN		
38	BRIGHT WHITE		
39	FLAME RED		
40	BLACK		
41	ELECTRIC BLUE		
42	PLATINUM		
43	BURGUNDY		
44	ALMOND		
45	BLACK		
46	FLAME RED		
47	BURLINGTON GREEN		
48	BLACK		
49	FLAME RED		
50	RECON GREEN		
51	SUNBURST ORANGE		
52	BRITISH RACING GREEN		

# ACCELERATOR

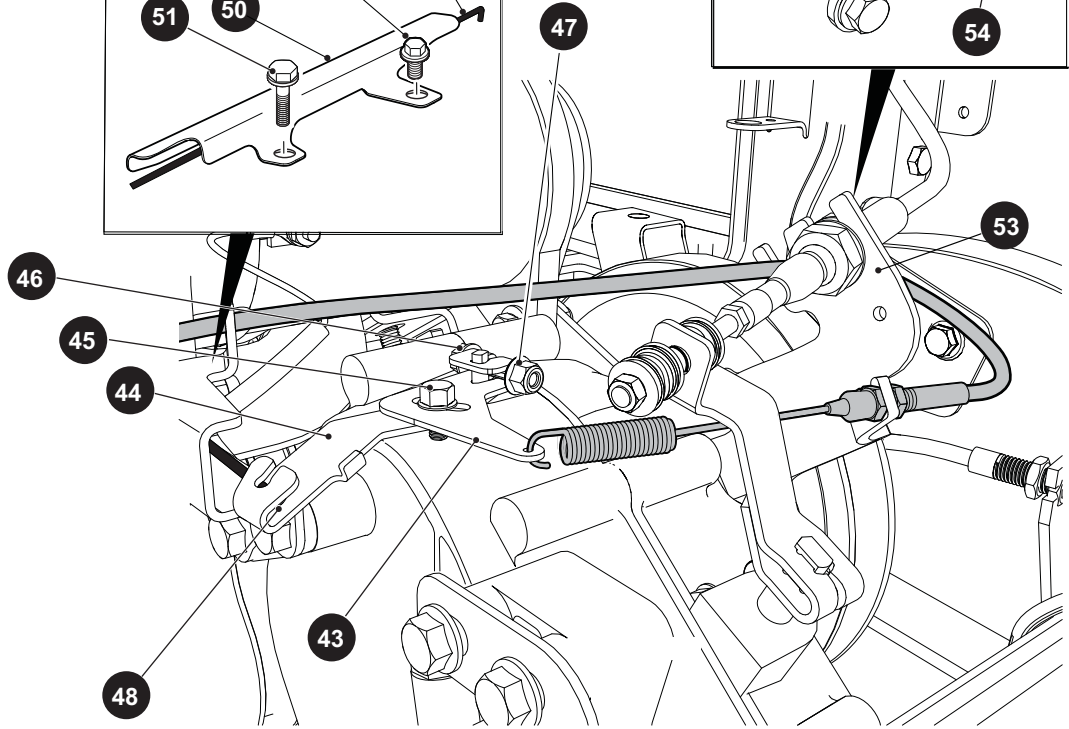
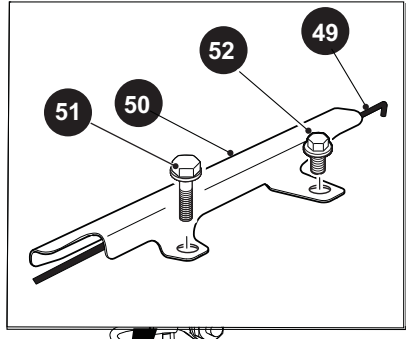
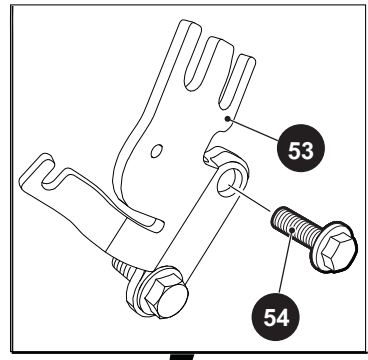
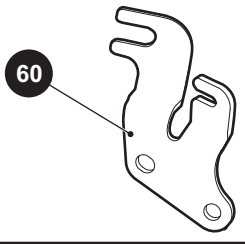
- 1 PEDAL BOX ASSEMBLY, 800X includes items 2 - 25 , 28 - 33
- 40 PEDAL BOX ASSEMBLY, 1200X includes items 2 - 27 , 30 - 33
- 30 ACCELERATOR PEDAL ASSEMBLY includes items 31 - 33





**⚠ WARNING** DO NOT TAMPER WITH OR ATTEMPT TO CHANGE THE ADJUSTMENT OF THE GOVERNOR. GOVERNOR TAMPERING CAN RESULT IN SERIOUS PERSONAL INJURY AND WILL VOID THE VEHICLE WARRANTY.

FOR VEHICLES MANUFACTURED FROM APRIL 2014



Differential

# ACCELERATOR

When ordering parts, please specify the model and serial number of the product.

\* Indicates a component that is not available as an individual part.

\*\*\* Indicates consult Customer Service Department for additional information.

ITEM	PART NO.	1	2	3	4	5	DESCRIPTION	QTY.
1	606990						PEDAL BOX ASSEMBLY, SWB (INCLUDES ITEMS 2 - 25, 28 - 33) (FOR HAULER 800X).....	1
2	652241G03						ACCELERATOR PEDAL BRACKET .....	1
3	01051G01						SCREW, #8 - 16 X 1/2" LG .....	4
4	25853G03						PEDAL BOX AND COVER.....	1
5	00684G6						HEX HEAD BOLT (SS), #8 - 32 X 3/4" LG.....	2
6	25861G01						MICRO SWITCH .....	1
7	01050G01						PAN HEAD TORX SCREW, #4 - 20 X 5/8" LG .....	2
8	72716G01						MICRO SWITCH CAM.....	1
9	15126G1						LOCK NUT, 5/16" - 24.....	1
10	00487G3						SETSCREW, 1/4" - 20 X 3/8" LG .....	1
11	00532G4						HEX NUT, 5/16" - 24 .....	2
12	17677G1						SPRING RETAINER .....	1
13	17979G1						ACCELERATOR ROD BUSHING .....	1
14	73046G01						COMPRESSION SPRING .....	1
15	17677G2						SPRING RETAINER .....	1
16	72072G01						ACCELERATOR ROD .....	1
17	10385G4						CLEVIS YOKE (ADJUSTABLE) .....	1
18	10386G3						CLEVIS PIN, 5/16" X 13/16" LG.....	1
19	17838G1						NYLON BUSHING .....	3
20	17255G1						TEFLON WASHER, 5/16" .....	1
21	10387G3						COTTER PIN, 3/32" X 3/4" LG.....	1
22	74432G01						PEDAL PIVOT PIN.....	1
23	12064G6						PUSH NUT, 9/32" .....	1
24								
25	72201G04						WIRE HARNESS (PEDAL BOX).....	1
26								
27	608614						ACCELERATOR CABLE, FOR 800X.....	1
28	608608						ACCELERATOR CABLE, FOR 1200X.....	1
29								
30	25799G03						ACCELERATOR PEDAL ASSEMBLY (INCLUDES ITEMS 31- 33) .....	1
31	652824						ACCELERATOR PEDAL .....	1

# ACCELERATOR

When ordering parts, please specify the model and serial number of the product.

\* Indicates a component that is not available as an individual part.

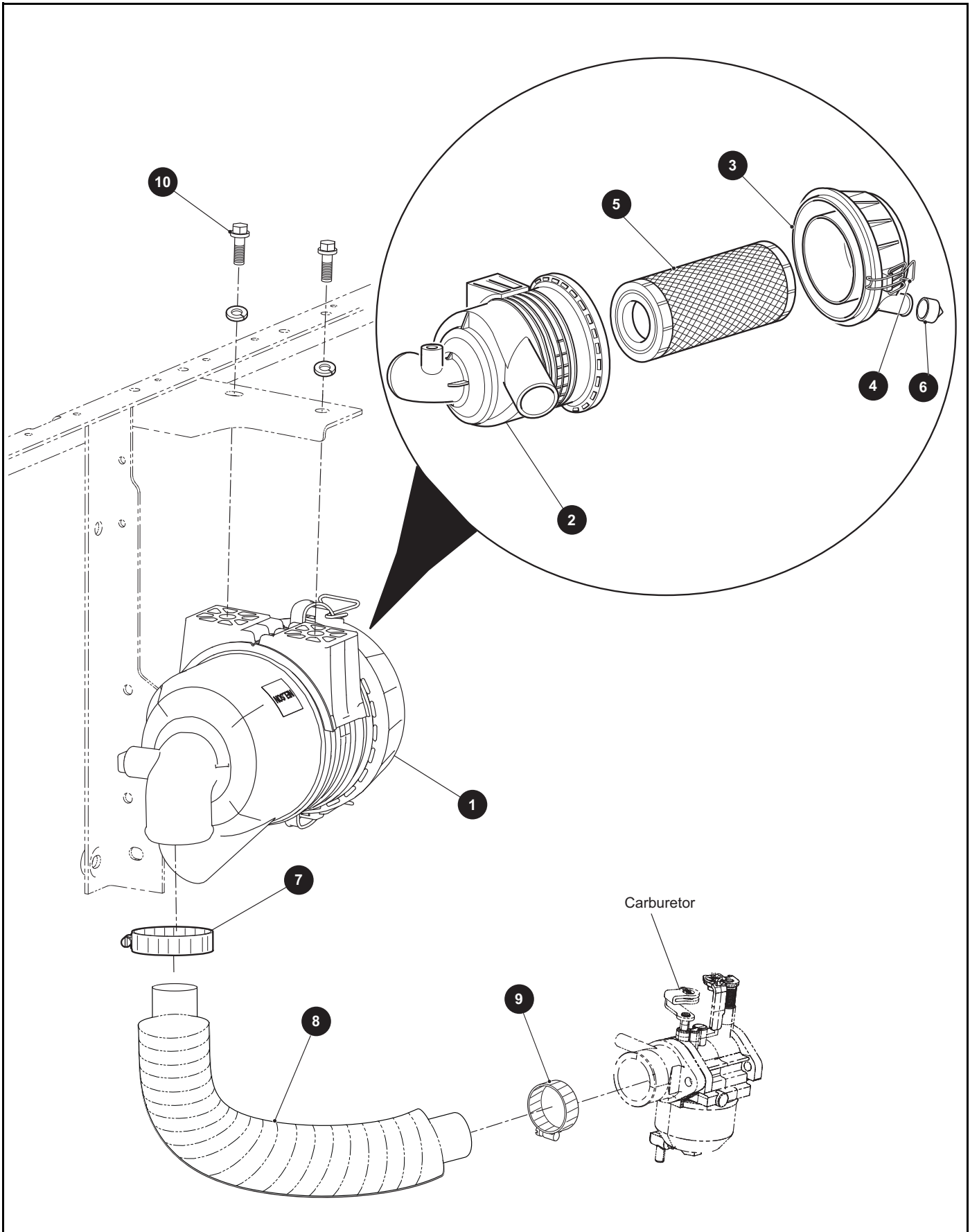
\*\*\* Indicates consult Customer Service Department for additional information.

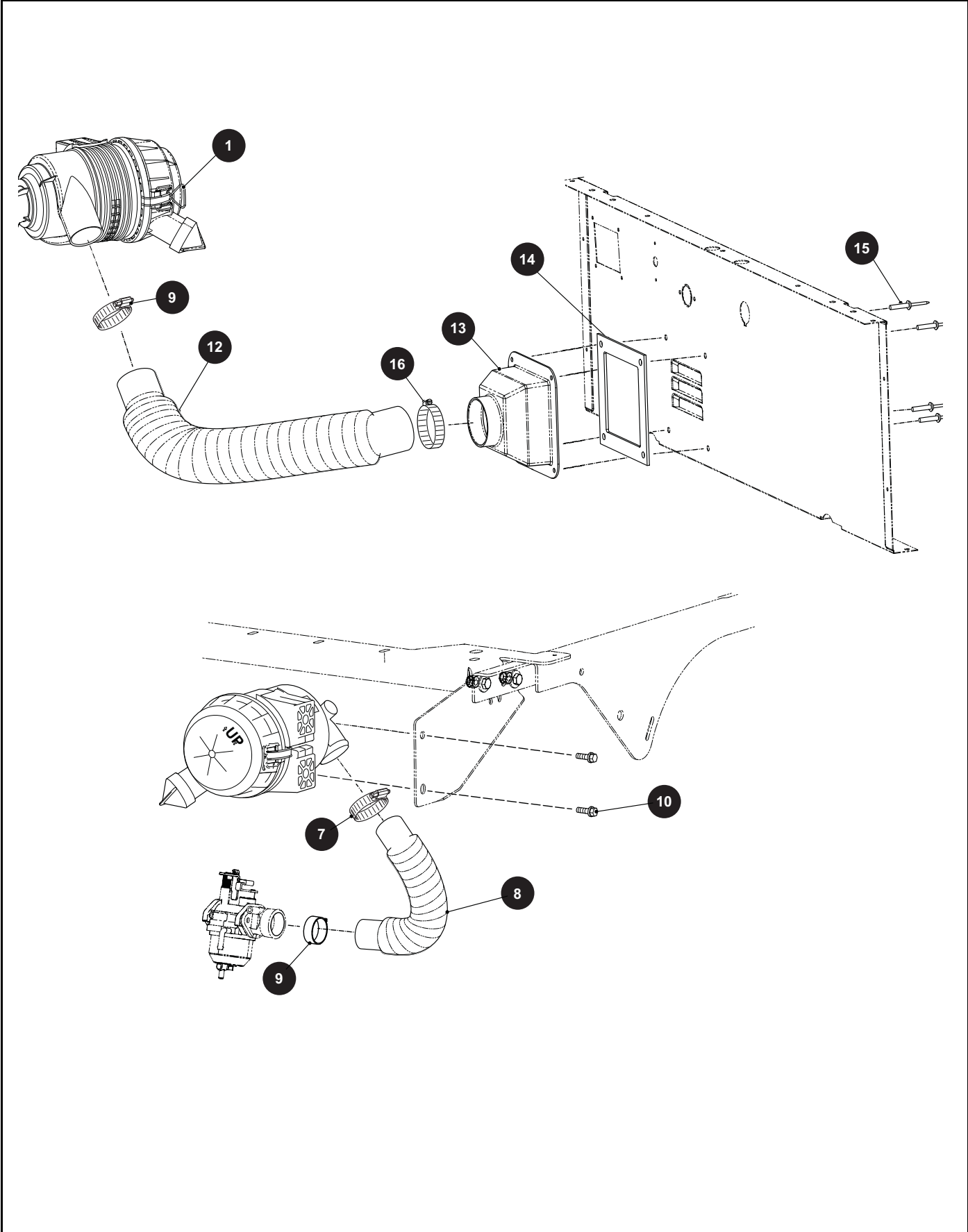
ITEM	PART NO.	1 2 3 4 5	DESCRIPTION	QTY.
32	16409G1		OVAL RIVET, 3/16" X 7/16" LG .....	6
33	27512G01		ACCELERATOR PEDAL PAD.....	1
34				
35	00715G2		HEX HEAD BOLT, 5/16" -18 X 4/5" LG .....	4
36				
37				
38				
39				
40	606991		PEDAL BOX ASSEMBLY, MWB (INCLUDES ITEMS 2 - 27, 30 - 33) ( FOR HAULER 1200X) .....	1
41				
42				
43	606083		UPPER GOVERNOR BRACKET.....	1
44	606005		LOWER GOVERNOR BRACKET .....	1
45	606265		FLANGED HEX HEAD BOLT, M6 - 1 X 12MM LG.....	1
46	606421		FLANGED HEX HEAD BOLT, M6 - 1 X 30 MM LG.....	1
47	450452		HEX NUT, M6 - 1.0.....	1
48	606283		GOVERNOR LEVER BUSHING .....	1
49	606284		GOVERNOR ROD .....	1
50	603890		GOVERNOR ROD GUARD .....	1
51	606264		FLANGED HEX HEAD BOLT, M6 - 1 X 20 MM LG.....	1
52	606262		FLANGED HEX HEAD BOLT, M8 - 1.25 X 16 MM LG.....	1
53	606074		GOVERNOR CABLE / DIRECTION SELECTOR BRACKET .....	1
54	606256		FLANGED HEX HEAD BOLT, M10 - 1.25 X 16 MM LG.....	2
55				
56	608527		GOVERNOR WARNING DECAL.....	1
57				
58				
59	17618G1		NYLON CLAMP .....	2
60	632936		GOVERNOR CABLE / DIRECTION SELECTOR BRACKET (FOR VEHICLES MANUFACTURED FROM APRIL 2014) .....	1





# AIR FILTER





# AIR FILTER

When ordering parts, please specify the model and serial number of the product.

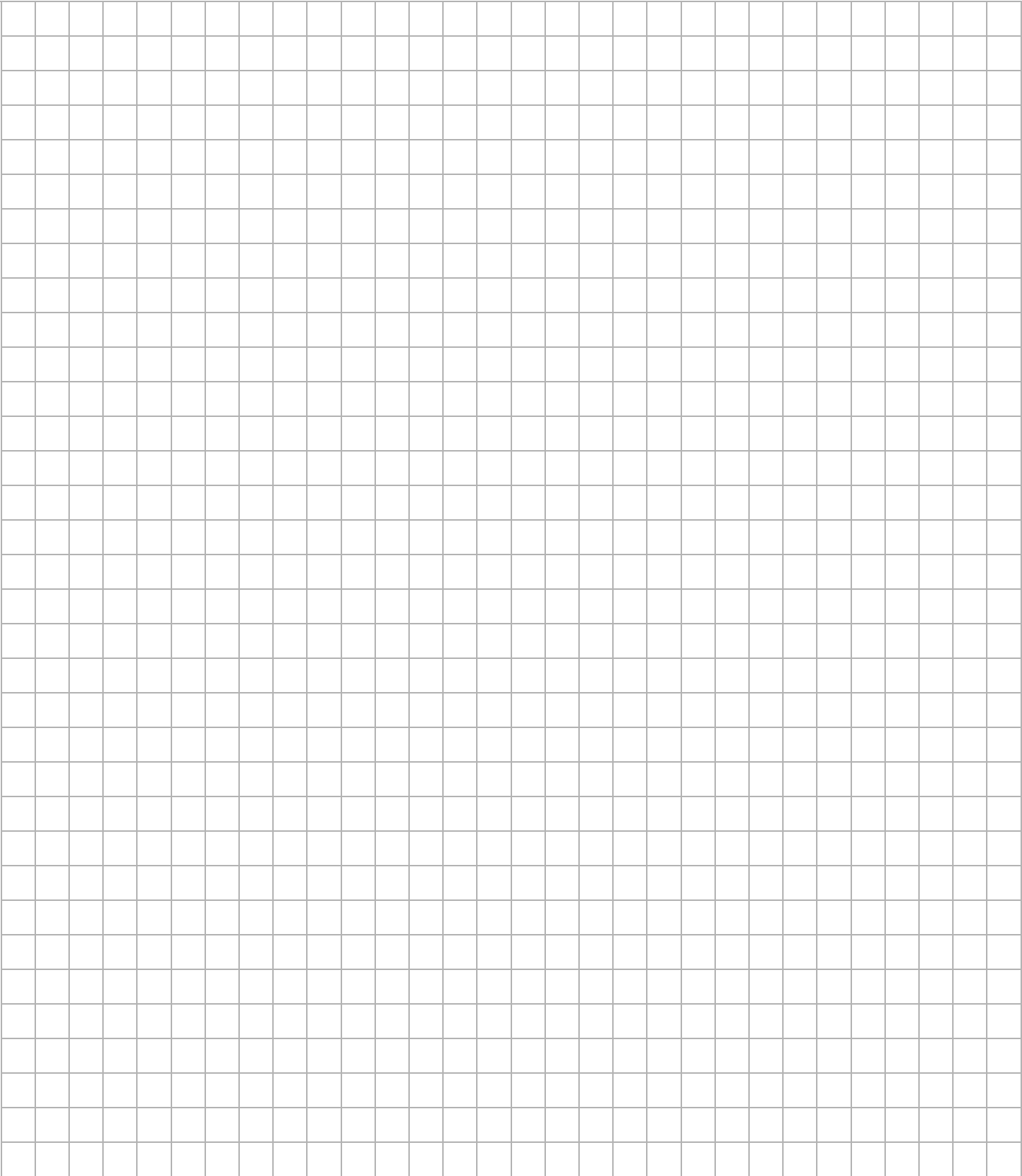
\* Indicates a component that is not available as an individual part.

\*\*\* Indicates consult Customer Service Department for additional information.

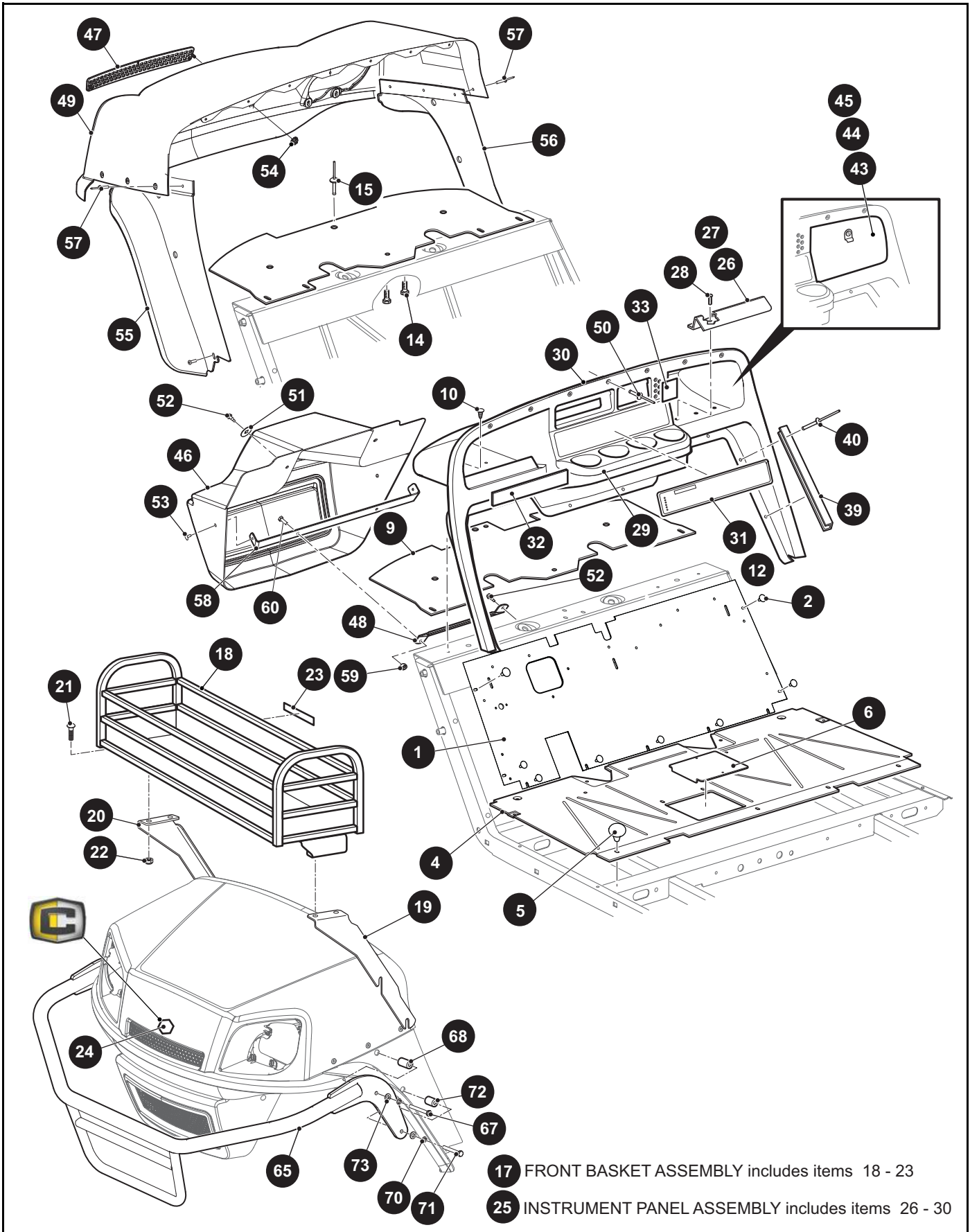
ITEM	PART NO.	1 2 3 4 5	DESCRIPTION	QTY.
1	658941		AIR CLEANER (INCLUDES ITEMS 2 - 6).....	1
2	659139		BODY & BRACKET ASSEMBLY.....	1
3	658957		AIR CLEANER COVER.....	1
4	72604G01		AIR CLEANER CLIP.....	2
5	28463G01		AIR FILTER ELEMENT.....	1
6	28462G01		DUST EJECTOR VALVE.....	1
7	11391G7		HOSE CLAMP, 1.56 - 2.50 DIA.....	1
8	601910		HOSE, 14" LONG.....	1
9	11391G1		HOSE CLAMP 1.31 - 2.25 DIA.....	3
10	25532G1		BOLT AND WASHER, M8 X 1.25 X 18 MM.....	4
11				
12	72637G03		HOSE, AIR INTAKE, 16" LONG.....	1
13	72416G01		INTAKE ASSEMBLY, REMOTE AIR.....	1
14	72415G01		GASKET, REMOTE AIR INTAKE.....	1
15	71055G01		RIVET, 3/16 DIA.....	4
16	11391G2		CLAMP, HOSE, 2.06 - 3.00 DIA.....	1

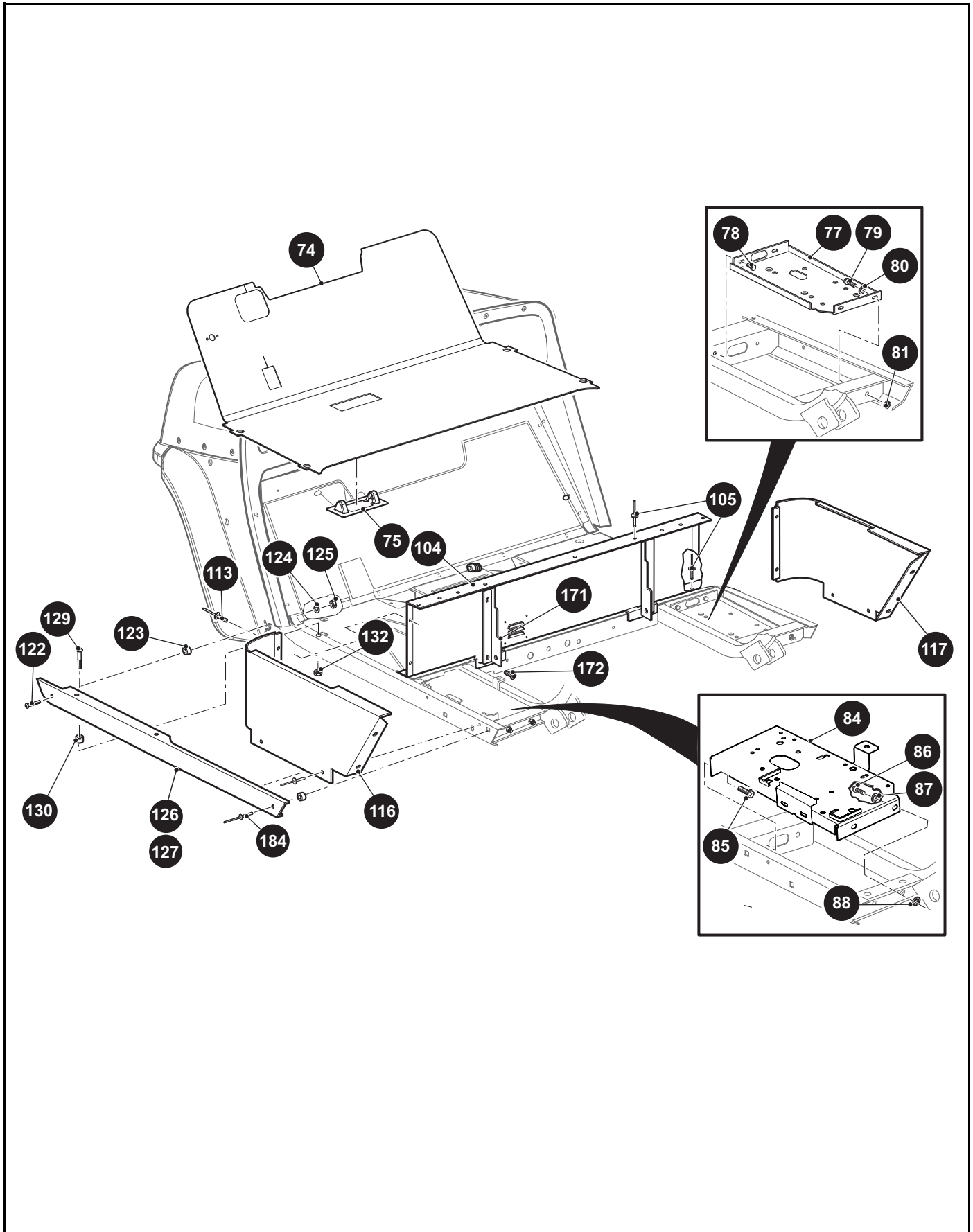


**Notes:**

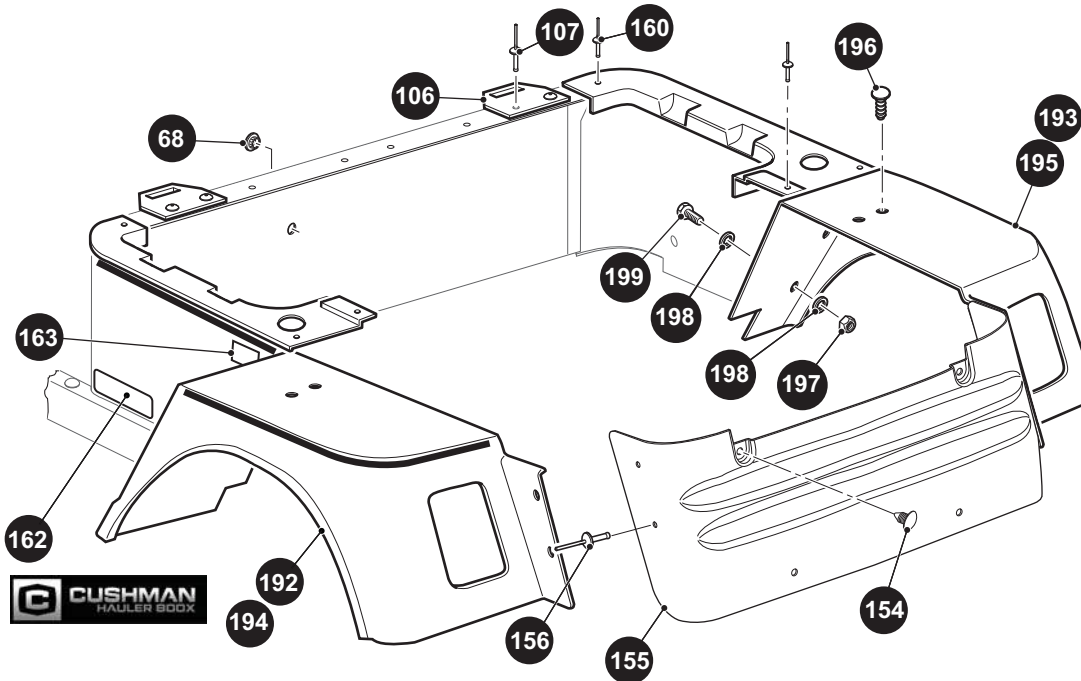
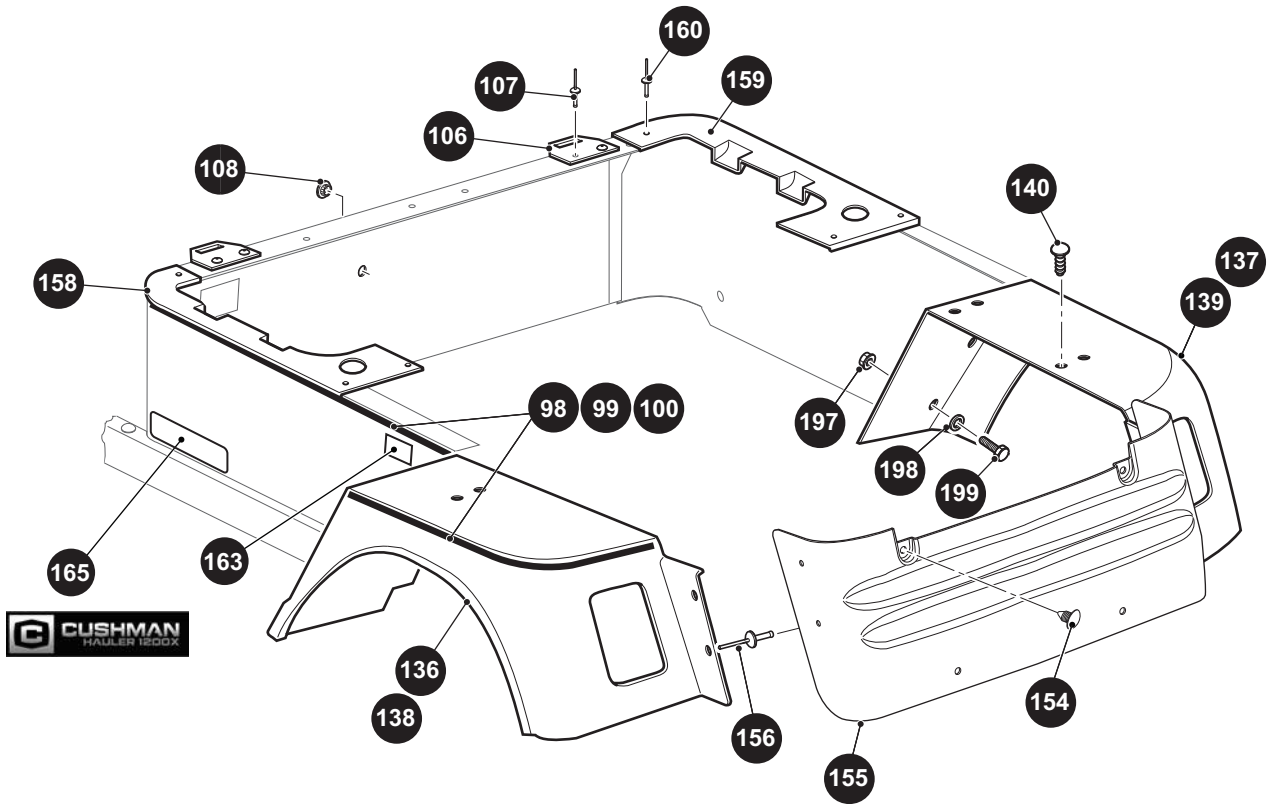
A large grid of graph paper with 20 columns and 30 rows, intended for taking notes.

# BODY



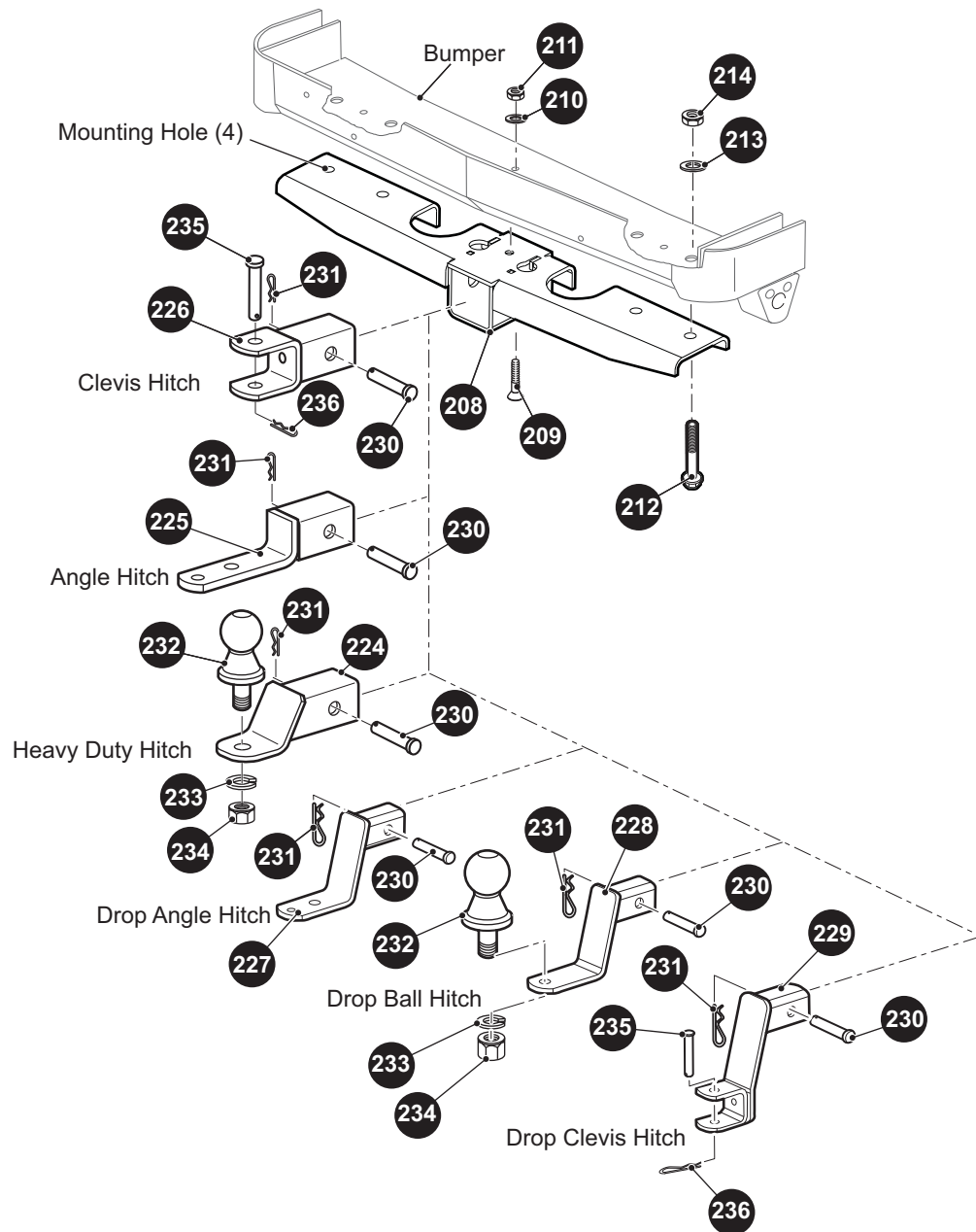


# BODY



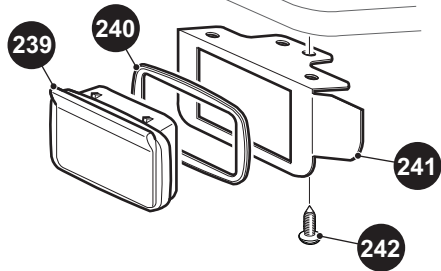
## HITCHES

- 218** HEAVY DUTY HITCH KIT includes items 224, 230 - 232
- 219** ANGLE HITCH KIT includes items 225, 230, 231
- 220** CLEVIS HITCH KIT includes items 226, 230, 231, 235, 236
- 221** DROP ANGLE HITCH KIT includes items 227, 230, 231
- 222** DROP BALL HITCH KIT includes items 228, 230 - 232
- 223** DROP CLEVIS HITCH KIT includes items 229, 230, 231, 235, 236

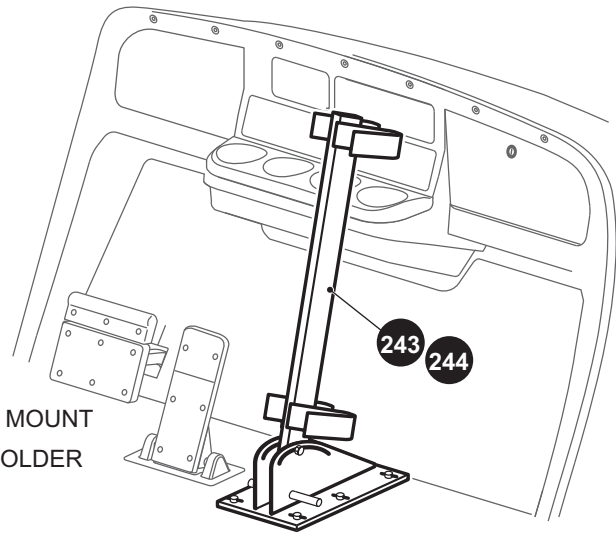


# BODY

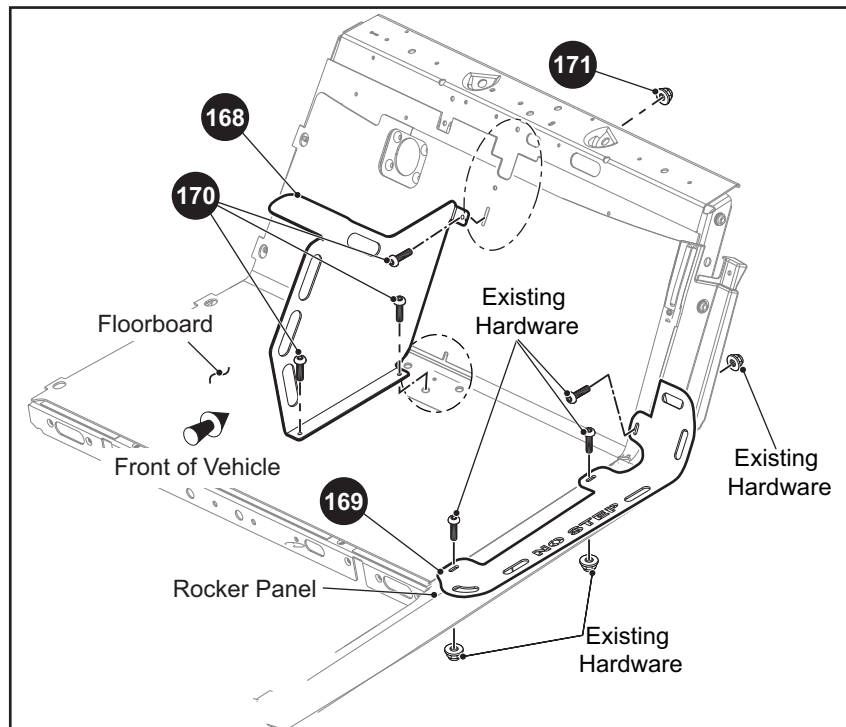
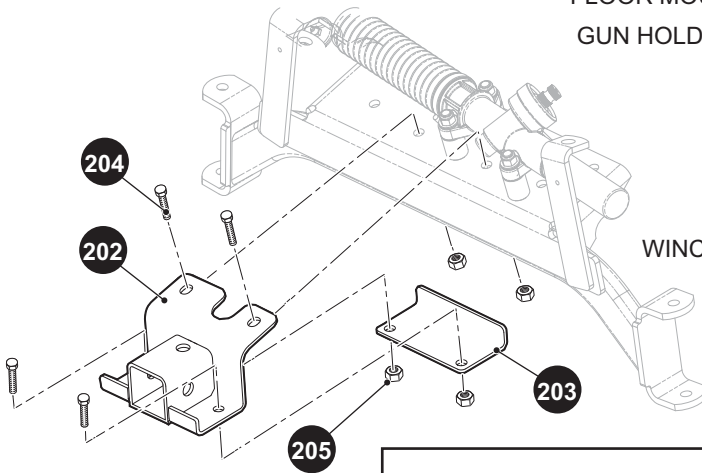
ASH TRAY



FLOOR MOUNT  
GUN HOLDER



WINCH RECEIVER



When ordering parts, please specify the model and serial number of the product.

\* Indicates a component that is not available as an individual part.

\*\*\* Indicates consult Customer Service Department for additional information.

ITEM	PART NO.	1 2 3 4 5	DESCRIPTION	QTY.
1	637534		UPPER FLOORPAN .....	1
2	14601G11		RIVET (ALUMINUM), 3/16" X 9/16" LG .....	9
3				
4	70451G01		LOWER FLOORPAN .....	1
5	14601G11		RIVET (ALUMINUM), 3/16" X 9/16" LG .....	7
6	70452G01		ACCESS COVER.....	1
7				
8				
9	71413G01		SPLASH PANEL.....	1
10	16816G2		RATCHET FASTENER, 1/4" X 3/4" LG.....	4
11				
12	625743		SAFETY AND OPERATION LABEL, CE.....	1
13				
14	71102G02		SELF TAPPING SCREW, 1/4" - 20 X 1/2" LG .....	3
15	71055G01		RIVET (ALUMINUM), 3/16" X 1 1/8" LG .....	1
16				
17	74521G02		FRONT BASKET ASSEMBLY (INCLUDES ITEMS 18 - 23).....	1
18	74523G01		FRONT BASKET .....	1
19	74522G01		BASKET MOUNTING BRACKET (DRIVER SIDE).....	1
20	74522G02		BASKET MOUNTING BRACKET (PASSENGER SIDE) .....	1
21	00769G2		CARRIAGE BOLT (SS), 3/8" - 16 X 1.25" LG.....	4
22	11098G5		LOCK NUT, 3/8" - 16 .....	4
23	71931G01		LABEL, FRONT BASKET (WARNING) .....	1
24	619135		CUSHMAN COWL DECAL .....	1
25	71151G01		INSTRUMENT PANEL ASSEMBLY (INCLUDES ITEMS 26 - 30).....	1
26	71153G01		DEFLECTOR (PASSENGER SIDE) .....	1
27	71154G01		DEFLECTOR (DRIVER SIDE).....	1
28	00614G5		SELF DRILL SCREW, #8 - 18 X 5/8" LG.....	4
29	71158G01		INSTRUMENT PANEL INSERT (FOUR CUP) .....	1
30	71152G01		INSTRUMENT PANEL.....	1
31	601781		LABEL (SAFETY).....	1

# BODY

When ordering parts, please specify the model and serial number of the product.

\* Indicates a component that is not available as an individual part.

\*\*\* Indicates consult Customer Service Department for additional information.

ITEM	PART NO.	1 2 3 4 5	DESCRIPTION	QTY.
32	74443G01		LABEL (ANTI-ROLLBACK).....	1
33	35968G01		LABEL (T-HOLDER COVER) .....	1
34				
35				
36				
37				
38				
39	71115G01		VINYL TRIM.....	2
40	71055G01		RIVET (ALUMINUM), 3/16" X 1" LG.....	10
41				
42				
43	75459G01		GLOVE BOX DOORS (BOTH SIDES) .....	1
44	75459G02		GLOVE BOX DOOR (DRIVER SIDE) .....	1
45	75459G03		GLOVE BOX DOOR (PASSENGER SIDE) .....	1
46	613273		FRONT FASCIA.....	1
47	617643		COWL GRILL COVER.....	1
48	70725G02		FRONT SHIELD BRACE .....	2
49	613036GXXX		COWL (See COLOR CODE in HOW TO USE Section of Manual) .....	1
50	71055G01		RIVET (ALUMINUM), 3/16" X 1" LG.....	7
51	16469G1		FENDER WASHER .....	2
52	01038G01		SWAGEFORM SCREW, 1/4" - 20 X 11/16".....	4
53	15058G1		RIVET (ALUMINUM), 3/16" X 7/16 X 5/8" LG .....	2
54	71597G01		SELF THREADING NUT 5 X 10 X 15MM .....	2
55	614378		FENDER FLARE (DRIVER SIDE).....	1
56	613274		FENDER FLARE (PASSENGER SIDE) .....	1
57	71055G01		RIVET (ALUMINUM), 3/16" X 1" LG.....	6
58	618653		FASCIA BRACKET .....	1
59	14390G4		PLASTIC INSERT LOCK NUT, 1/4" - 20 .....	2
60	00414G6		HEX HEAD BOLT, 1/4" - 20 X 3/4" LG.....	2
61				
62				



When ordering parts, please specify the model and serial number of the product.

\* Indicates a component that is not available as an individual part.

\*\*\* Indicates consult Customer Service Department for additional information.

ITEM	PART NO.	1 2 3 4 5	DESCRIPTION	QTY.
63				
64				
65	617620		BRUSHGUARD.....	1
66				
67	00440G6		HEX HEAD BOLT, 5/16" - 18 X 2 3/4" LG .....	2
68	75048G02		SPACER, 0.328" X 1.31".....	2
69				
70	00565G8		LOCK WASHER, 5/16" .....	4
71	00440G2		HEX HEAD BOLT, 5/16" - 18 X 2 3/4" LG .....	4
72	75048G04		SPACER, 0.328" X 0.75".....	2
73	00559G8		FLAT WASHER, 5/16".....	4
74	70663G06		FLOORMAT WITH HORN HOLES, DIAMOND PLATE .....	1
75	70135G01		PEDAL PIVOT COVER.....	1
76				
77	70244G05		SPLASH PANEL.....	1
78	00715G2		HEX HEAD BOLT, 5/16" - 18 X 4/5" LG .....	4
79	00438G8		HEX HEAD BOLT, 5/16" - 18 X 1" LG .....	2
80	00559G8		FLAT WASHER, 5/16".....	2
81	11098G6		LOCK NUT (SS), 5/16" - 18 .....	2
82				
83				
84	652441G03		BATTERY TRAY.....	1
85	00715G2		HEX HEAD BOLT, 5/16" - 18 X 4/5" LG .....	AR
86	00438G6		HEX HEAD BOLT, 5/16" - 18 X 3/4" LG .....	3
87	00571G2		FLAT WASHER, 5/16".....	1
88	00565G8		LOCK WASHER, 5/16" .....	1
89				
90				
91	70629G01		SPLASH PANEL.....	1
92	00106G6		SELF THREADING SCREW, #12 - 24 X 3/4" LG .....	2
93				

# BODY

When ordering parts, please specify the model and serial number of the product.

\* Indicates a component that is not available as an individual part.

\*\*\* Indicates consult Customer Service Department for additional information.

ITEM	PART NO.	1	2	3	4	5	DESCRIPTION	QTY.
94								
95								
96	605694						SEAT FRAME .....	1
97	00715G2						HEX HEAD BOLT, 5/16" - 18 X 4/5" LG.....	2
98								
99								
100								
101								
102								
103								
104	609143GXX						SEAT WRAP WITH LOUVERS (HAULER 800X ONLY) (See COLOR CODE in HOW TO USE Section).....	1
105	10570G10						RIVET (SS), 5/32" X 9/16" LG .....	8
106	71609G01						SEAT HINGE PLATE .....	2
107	10570G11						RIVET (SS), 3/16" X 3/4" LG .....	4
108	20271G02						HOLE PLUG (HAULER 1200X ONLY) .....	1
109								
110								
111	609168G1XX						SIDE PANEL (DRIVER SIDE) ( HAULER 1200X ONLY ) (See COLOR CODE in HOW TO USE Section).....	1
112	609168G2XX						SIDE PANEL (PASSENGER SIDE) ( HAULER 1200X ONLY ) (See COLOR CODE in HOW TO USE Section) .....	1
113	10570G10						RIVET (SS), 5/32" X 9/16" LG .....	4
114	10570G12						RIVET (ALUMINUM), 1/4" X 9/16" LG.....	4
115	16469G1						FENDER WASHER, 1/4" .....	4
116	609047G1XX						SIDE PANEL (DRIVER) ( HAULER 800X ONLY ) (See COLOR CODE in HOW TO USE Section) .....	1
117	609047G2XX						SIDE PANEL (PASSENGER) ( HAULER 800X ONLY ) (See COLOR CODE in HOW TO USE Section).....	1
118	618886						ROCKER PANEL (DRIVER SIDE) (HAULER 1200X ONLY) .....	1
119	618885						ROCKER PANEL (PASSENGER SIDE) (HAULER 1200X ONLY) .....	1
120	71440G03						BRACE (DRIVER SIDE) (HAULER 1200X ONLY) .....	1
121	71440G04						BRACE (PASSENGER SIDE) (HAULER 1200X ONLY) .....	1

When ordering parts, please specify the model and serial number of the product.

\* Indicates a component that is not available as an individual part.

\*\*\* Indicates consult Customer Service Department for additional information.

ITEM	PART NO.	1 2 3 4 5	DESCRIPTION	QTY.
122	00789G2		PHILLIPS HEAD SCREW, #10 - 24 X 1 1/4" LG .....	2
123	23726G4		SPACER, 1/4" .....	4
124	00660G5		FLAT WASHER (SS), #10.....	2
125	14390G10		LOCK NUT, #10 - 24 .....	2
126				
127				
128				
129	16705G1		PAN HEAD SCREW (SS), 1/4" - 20 X 1" LG .....	4
130	23726G4		SPACER, 1/4" .....	4
131				
132	14390G4		LOCK NUT, 1/4" - 20.....	4
133				
134				
135				
136	74893G01		FENDER (DRIVER SIDE) (HAULER 1200X ONLY) .....	1
137	74893G02		FENDER (PASSENGER SIDE) (HAULER 1200X ONLY) .....	1
138	74893G03		FENDER WITH TAILLIGHT OPENING (DRIVER SIDE) (HAULER 1200X ONLY) .....	1
139	74893G04		FENDER WITH TAILLIGHT OPENING (PASSENGER SIDE) (HAULER 1200X ONLY) .....	1
140	16816G2		RATCHET FASTENER, 1/4" X 3/4" LG.....	10
141				
142				
143				
144	618358		ROCKER PANEL, DRIVER SIDE (HAULER 800X ONLY) .....	1
145	618359		ROCKER PANEL, PASSENGER SIDE (HAULER 800X ONLY).....	1
146				
147				
148				
149				
150				
151				

# BODY

When ordering parts, please specify the model and serial number of the product.

\* Indicates a component that is not available as an individual part.

\*\*\* Indicates consult Customer Service Department for additional information.

ITEM	PART NO.	1	2	3	4	5	DESCRIPTION	QTY.
152								
153								
154	16816G2						RATCHET FASTENER, 1/4" X 3/4" LG .....	8
155	74890G01						REAR PANEL .....	1
156	71055G01						RIVET (ALUMINUM), 3/16" X 1" LG .....	4
157								
158	74891G01						SEAT FILLER PANEL (DRIVER SIDE) (HAULER 1200X ONLY).....	1
159	74891G02						SEAT FILLER PANEL (PASSENGER SIDE) (HAULER 1200X ONLY) .....	1
160	10570G10						RIVET (SS), 5/32" X 9/16" LG .....	6
161								
162	619142						DECAL, CUSHMAN LOGO, (HAULER 800X).....	2
163	74099G01						LABEL (TILT WARNING).....	2
164								
165	619143						DECAL, CUSHMAN LOGO, (HAULER 1200X).....	2
166								
167								
168	662991						ACCELERATOR PEDAL GUARD .....	1
169	661653						FLOORBOARD MOUNT .....	1
170	645323						TORX HEAD SCREW, M6 X 1 - 23.4MM LG .....	3
171	601476						LOCK NUT, M6 - 1.....	3
172								
173								
174								
175								
176								
177								
178								
179								
180								
181								
182								

When ordering parts, please specify the model and serial number of the product.

\* Indicates a component that is not available as an individual part.

\*\*\* Indicates consult Customer Service Department for additional information.

ITEM	PART NO.	1 2 3 4 5	DESCRIPTION	QTY.
183				
184	15058G6		RIVET (ALUMINUM), 3/16" X 15/16" LG .....	2
185				
186				
187				
188				
189				
190				
191				
192	74892G01		FENDER (DRIVER SIDE) (HAULER 800X ONLY) .....	1
193	74892G02		FENDER (PASSENGER SIDE) (HAULER 800X ONLY) .....	1
194	74892G03		FENDER WITH TAILLIGHT (DRIVER SIDE) (HAULER 800X ONLY) .....	1
195	74892G04		FENDER WITH TAILLIGHT (PASSENGER SIDE) (HAULER 800X ONLY) ...	1
196	16816G2		RATCHET FASTENER, 1/4" X 3/4" LG .....	10
197	14390G4		LOCK NUT, 1/4" - 20 .....	4
198	00642G7		FLAT WASHER, 1/4" .....	8
199	00414G6		HEX HEAD BOLT, 1/4" - 20 X 3/4" LG .....	4
200				
201				
202	604559		WINCH RECEIVER WELDMENT .....	1
203	604572		WINCH RECEIVER RETAINER PLATE .....	1
204	00462G8		HEX HEAD BOLT, 7/16" - 14 X 1" LG .....	4
205	00734G1		LOCK NUT, 7/16" - 14 .....	4
206				
207				
208	647080		HITCH RECEIVER .....	1
209	00198G8		FLAT SLOTTED HEAD SCREW, 5/16" - 18 X 1" LG .....	1
210	00571G2		FLAT WASHER .....	1
211	11098G6		LOCK NUT (SS), 5/16" - 18 .....	1
212	00463G4		HEX HEAD BOLT, 7/16" - 14 X 1 1/2" LG .....	4
213	00922G3		FLAT WASHER, 7/16" .....	4

# BODY

When ordering parts, please specify the model and serial number of the product.

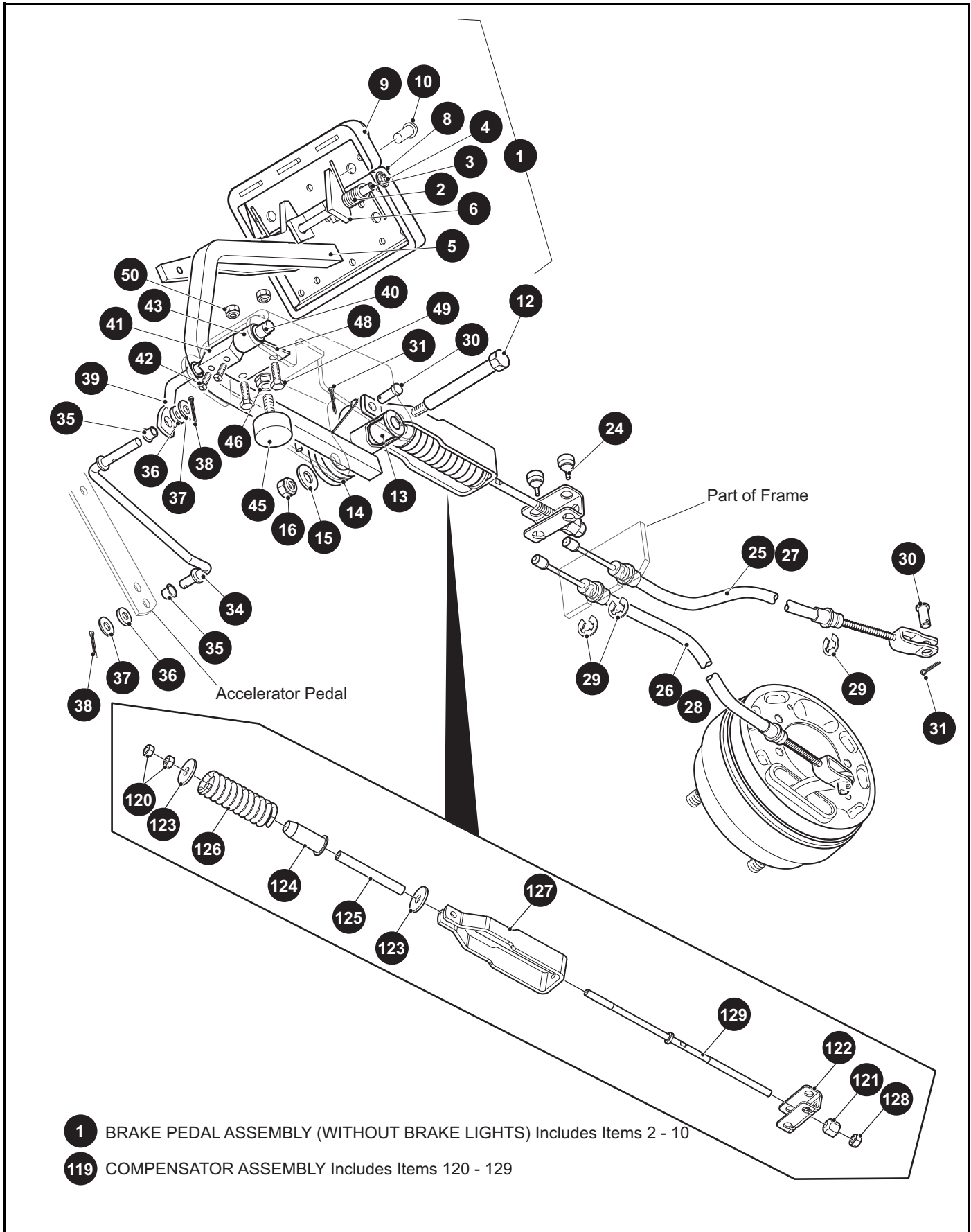
\* Indicates a component that is not available as an individual part.

\*\*\* Indicates consult Customer Service Department for additional information.

ITEM	PART NO.	1	2	3	4	5	DESCRIPTION	QTY.
214	00734G1						LOCK NUT, 7/16" - 14 .....	4
215								
216								
217								
218	646789						HEAVY DUTY BALL HITCH KIT (INCLUDES ITEMS 224, 230-232) .....	1
219	646790						ANGLE HITCH KIT (INCLUDES ITEMS 225, 230, 231) .....	1
220	646791						CLEVIS HITCH KIT (INCLUDES ITEMS 226, 230, 231, 235, 236).....	1
221	646792						DROP ANGLE HITCH KIT (INCLUDES ITEMS 227, 230, 231) .....	1
222	646793						DROP BALL HITCH KIT (INCLUDES ITEMS 228, 230-232) .....	1
223	646794						DROP CLEVIS HITCH KIT (INCLUDES ITEMS 229, 230, 231, 235, 236) .....	1
224	646730						HEAVY DUTY HITCH.....	1
225	646729						ANGLE HITCH.....	1
226	646727						CLEVIS HITCH .....	1
227	646731						DROP ANGLE HITCH.....	1
228	646743						DROP BALL HITCH .....	1
229	646744						DROP CLEVIS HITCH.....	1
230	21317G1						CLEVIS PIN, 5/8" X 3" LG.....	1
231	21683G1						COTTER PIN, 15/32" X 2 1/16" LG.....	1
232	31757G1						HITCH BALL WITH HARDWARE, 1 7/8" (INCLUDES ITEMS 233-234) ..	1
233	00566G6						LOCK WASHER, 3/4" .....	1
234	00702G2						HEX NUT, 5/16" - 18.....	1
235	14443G10						CLEVIS PIN, 1/2" X 3" LG.....	1
236	19314G1						COTTER PIN, 5/2" LG .....	1
237								
238								
239	27731G01						ASH TRAY .....	1
240	27736G01						GASKET .....	1
241	75108G02						BRACKET.....	1
242	00106G6						PAN HEAD PHILLIPS SCREW, #12 - 14 X .75" LG.....	4
243	74533G01						SWIVEL GUN HOLDER WITH BASE PLATE (HAULER 1200X ONLY) .....	1
244	74365G01						GUN HOLDER REMOVABLE FLOOR MOUNT (HAULER 1200X ONLY) .....	1



# BRAKES

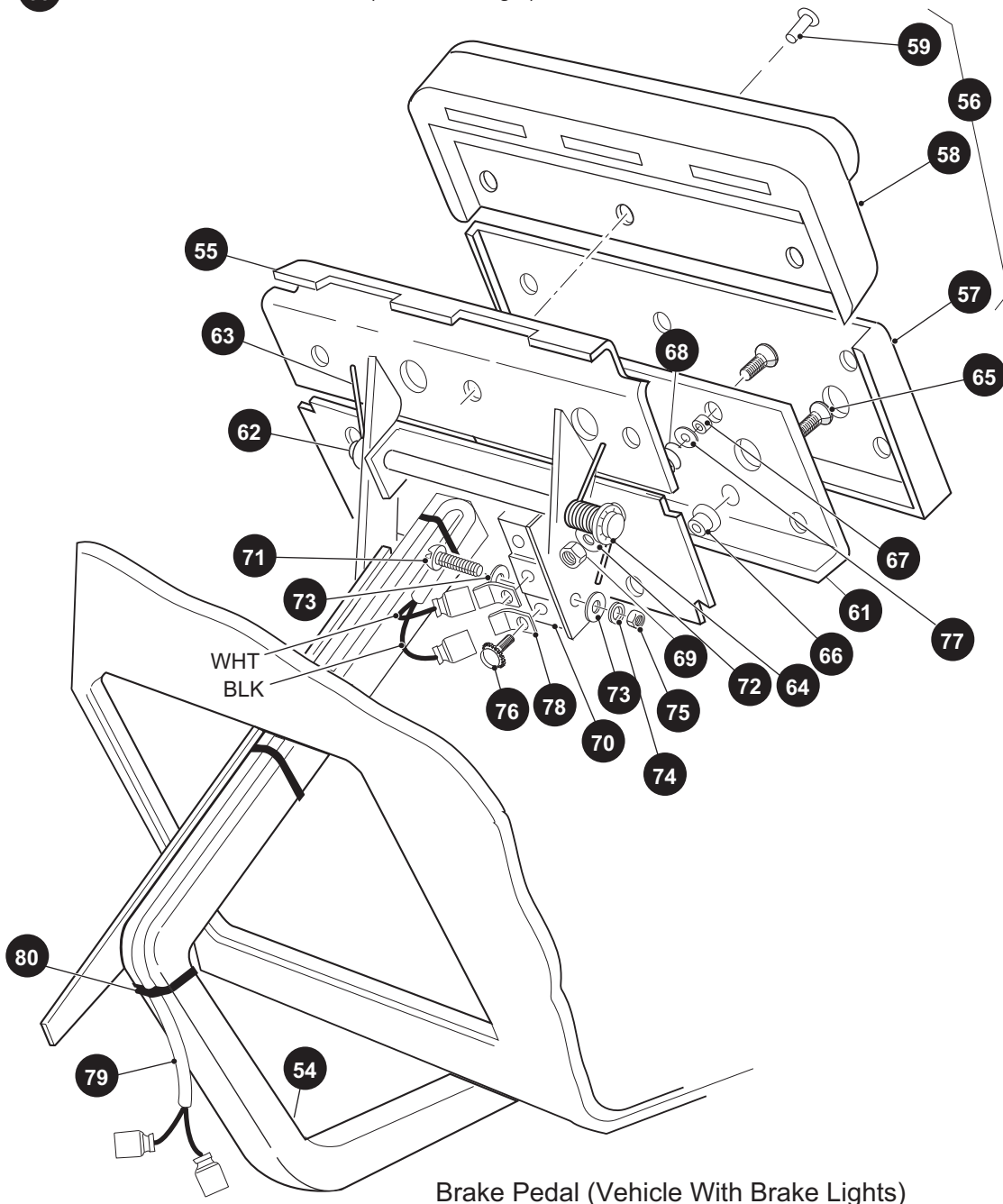


**1** BRAKE PEDAL ASSEMBLY (WITHOUT BRAKE LIGHTS) Includes Items 2 - 10

**119** COMPENSATOR ASSEMBLY Includes Items 120 - 129

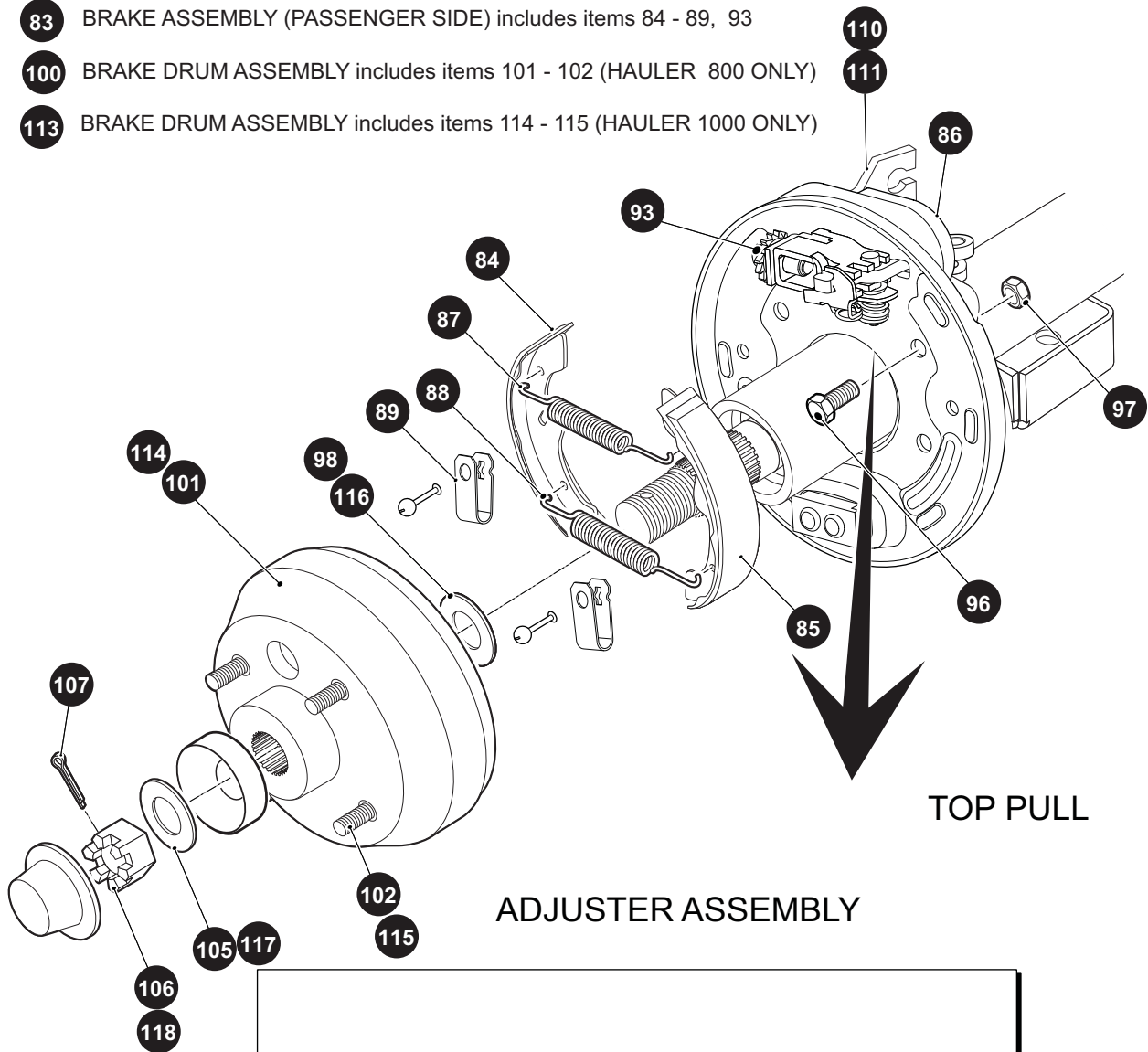


**53** - BRAKE PEDAL ASSEMBLY (with Brake Light) includes items 54 - 80



# BRAKES

- 82 BRAKE ASSEMBLY (DRIVER SIDE) includes items 84 - 92
- 83 BRAKE ASSEMBLY (PASSENGER SIDE) includes items 84 - 89, 93
- 100 BRAKE DRUM ASSEMBLY includes items 101 - 102 (HAULER 800 ONLY)
- 113 BRAKE DRUM ASSEMBLY includes items 114 - 115 (HAULER 1000 ONLY)





# BRAKES

When ordering parts, please specify the model and serial number of the product.

\* Indicates a component that is not available as an individual part.

\*\*\* Indicates consult Customer Service Department for additional information.

ITEM	PART NO.	1 2 3 4 5	DESCRIPTION	QTY.
1	70612G02		BRAKE PEDAL ASSEMBLY (WITHOUT BRAKE LIGHTS) (INCLUDES ITEMS 2 - 10).....	1
2	70681G01		TORSION SPRING .....	2
3	70682G01		PIVOT PIN .....	1
4	658825		PUSHNUT, 5/16" .....	2
5	652251G03		BRAKE PEDAL .....	1
6	652253G03		PARK BRAKE PEDAL.....	1
7				
8	70257G01		SERVICE BRAKE PAD .....	1
9	70256G01		PARK BRAKE PEDAL PAD.....	1
10	16409G1		OVAL RIVET, 3/16" X 7/16" LG .....	9
11				
12	70582G01		SHOULDER BOLT, 3/8 - 16 X 4" LG (STAINLESS STEEL).....	1
13	70581G01		FLANGED BUSHING .....	2
14	70676G01		TORSION SPRING .....	1
15	00643G1		FLAT WASHER, 3/8" .....	1
16	11098G5		LOCK NUT, 3/8 - 16.....	1
17				
18	12416G2		NYLON WEDGE LOCK CLAMP (NOT ILLUSTRATED) .....	AR
19				
20				
21				
22				
23				
24	28083G01		BRAKE COMPENSATOR BUMPER .....	2
25	624690		BRAKE CABLE (DRIVER SIDE) (FOR CUSHMAN HAULER 800 GAS).....	1
26	624703		BRAKE CABLE (PASSENGER SIDE) (FOR CUSHMAN HAULER 800 GAS)	1
27	608943		BRAKE CABLE (DRIVER SIDE) (FOR CUSHMAN HAULER 1200 GAS).....	1
28	624698		BRAKE CABLE (PASSENGER SIDE) (FOR CUSHMAN HAULER 1200 GAS)	1
29	01111G01		RETAINING RING, 13/32" (STAINLESS STEEL).....	4

When ordering parts, please specify the model and serial number of the product.

\* Indicates a component that is not available as an individual part.

\*\*\* Indicates consult Customer Service Department for additional information.

ITEM	PART NO.	1 2 3 4 5	DESCRIPTION	QTY.
30	10386G3		CLEVIS PIN, 5/16" X 13/16" LG.....	3
31	10387G3		COTTER PIN, 3/32" X 3/4" LG.....	3
32	14443G2		CLEVIS PIN, 5/16" X 5/8" LG.....	2
33				
34	70601G01		KICK-OFF LINK .....	1
35	17838G1		NYLON BUSHING .....	2
36	20835G1		TEFLON WASHER, 3/8" .....	2
37	00559G8		FLAT WASHER, 5/16" .....	2
38	10387G3		COTTER PIN, 3/32" X 3/4" LG.....	2
39	70098G01		KICK-OFF CAM PIVOT.....	1
40	10097G6		FLANGED BEARING .....	2
41	70587G01		KICK-OFF CAM .....	1
42	71215G01		SETSCREW, 1/4 - 20 X 1/2" LG .....	2
43	14134G4		SPACER.....	1
44				
45	70113G01		ADJUSTABLE BUMPER.....	1
46	11027G1		LOCK NUT, 5/16 - 18 .....	1
47				
48	70080G02		CATCH BRACKET .....	1
49	00414G6		BOLT, 1/4 - 20 X 3/4" LG.....	2
50	14390G4		LOCK NUT, 1/4 - 20 (STAINLESS STEEL).....	2
51				
52				
53	70690G02		BRAKE PEDAL ASSEMBLY (WITH BRAKE LIGHTS) (INCLUDES ITEMS 54 - 80) .....	1
54	652791G03		BRAKE PEDAL.....	1
55	652253G03		PARK BRAKE PEDAL .....	1
56				
57	70257G01		SERVICE BRAKE PAD.....	1
58	70256G01		PARK BRAKE PAD.....	1

# BRAKES

When ordering parts, please specify the model and serial number of the product.

\* Indicates a component that is not available as an individual part.

\*\*\* Indicates consult Customer Service Department for additional information.

ITEM	PART NO.	1	2	3	4	5	DESCRIPTION	QTY.
59	16409G1						OVAL RIVET, 3/16" x 7/16" LG.....	9
60								
61	652820						SERVICE BRAKE PEDAL PLATE .....	1
62	70682G01						PIVOT PIN .....	1
63	70681G01						TORSION SPRING .....	2
64	658825						PUSHNUT, 5/16" .....	1
65	00737G8						SCREW, #10 - 24 X 7/8" LG .....	4
66	00739G1						RUBBER NUT, #10 - 24.....	2
67	652355						BRAKE PEDAL SPACER.....	2
68	27137G01						CONICAL SPRING .....	2
69	14390G10						LOCK NUT, #10 - 24 .....	2
70	10606G8						MICRO SWITCH .....	1
71	00645G2						BOLT, #6 - 32 X 1 1/4" LG.....	2
72	00559G5						FLATWASHER, #10 .....	2
73	00559G3						FLAT WASHER, #6 .....	4
74	00565G3						LOCK WASHER, #6.....	2
75	00525G5						NUT, #6 - 32 .....	2
76	13514G1						SCREW AND LOCK WASHER, #6.....	2
77	00642G8						FLAT WASHER 5/16 .....	2
78	14628G1						FASTON TAB .....	2
79	24605G1						WIRE HARNESS (BRAKE LIGHT) .....	1
80	17618G1						WIRE TIE .....	3
81								
82	612211						BRAKE ASSEMBLY (DRIVER SIDE) (INCLUDES ITEMS 84 - 92) .....	1
83	612189						BRAKE ASSEMBLY (PASSENGER SIDE) (INCLUDES ITEMS 84 - 91, 93)..	1
84	612411						BRAKE SHOE, L .....	2
85	612412						BRAKE SHOE, T.....	2
86	612413						DUST COVER.....	1
87	612415						BRAKE SPRING .....	1
88	612414						BRAKE SPRING .....	1

When ordering parts, please specify the model and serial number of the product.

\* Indicates a component that is not available as an individual part.

\*\*\* Indicates consult Customer Service Department for additional information.

ITEM	PART NO.	1 2 3 4 5	DESCRIPTION	QTY.
89	612416		SHOE CLAMP .....	2
90				
91				
92	612418		GEAR ADJUSTER.....	1
93	612417		GEAR ADJUSTER.....	1
94				
95				
96	17083G2		BOLT, 5/16 - 24 X 1" LG.....	8
97	15126G1		LOCK NUT, 5/16 - 24 .....	8
98	15485G1		WASHER, 13/16" (HAULER 800) .....	2
99				
100	19186G1		BRAKE DRUM ASSEMBLY (INCLUDES ITEMS 101 - 102) (HAULER 800 ONLY).....	2
101	18500G2		BRAKE DRUM.....	1
102	19862G1		LUG BOLT, 1/2 - 20 X 1 3/16" LG .....	4
103				
104				
105	15487G1		WASHER, 1 3/8" O.D. X 21/32" (HAULER 800) .....	2
106	612928		CASTELLATED NUT, 5/8 - 18 (HAULER 800).....	2
107	10387G1		COTTER PIN, 1/8" X 1 1/2" LG.....	2
108				
109				
110	652248		BRAKE CABLE BRACKET (PASSENGER SIDE) .....	1
111	652249		BRAKE CABLE BRACKET (DRIVER SIDE).....	1
112				
113	21807G2		BRAKE DRUM ASSEMBLY (INCLUDES ITEMS 114 - 115) (HAULER1000 ONLY).....	1
114	20947G1		BRAKE DRUM.....	1
115	19862G2		LUG BOLT .....	4
116	21809G1		WASHER, INNER WHEEL RIM (HAULER 1000) .....	2
117	21830G1		WASHER - BRAKE DRUM (HAULER 1000) .....	2
118	00518G8		SLOTTED HEX NUT, 3/4 - 16 (HAULER 1000).....	2

# BRAKES

When ordering parts, please specify the model and serial number of the product.

\* Indicates a component that is not available as an individual part.

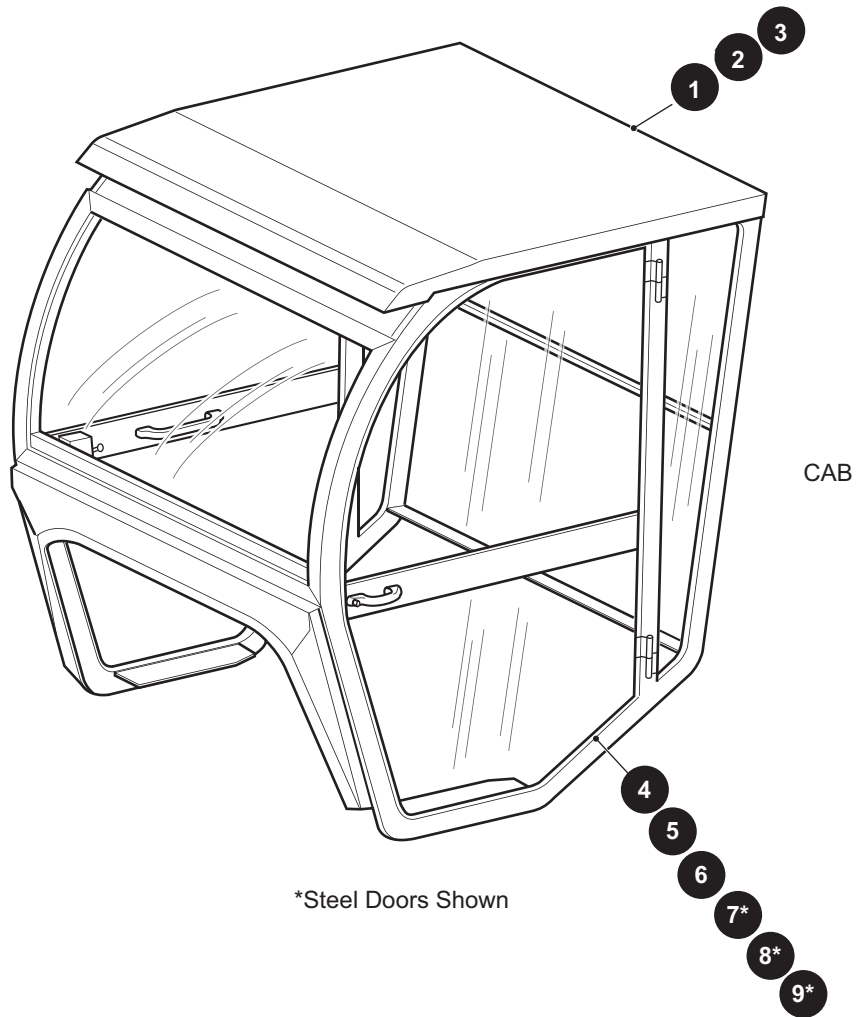
\*\*\* Indicates consult Customer Service Department for additional information.

ITEM	PART NO.	1	2	3	4	5	DESCRIPTION	QTY.
119	612558						COMPENSATOR ASSEMBLY (INCLUDES ITEMS 120 - 129) .....	1
120	00532G4						HEX NUT .....	2
121	629486						HEX NUT, 5/16 - 24.....	1
122	28082G01						EQUALIZER BRACKET .....	1
123	15121G1						FLAT WASHER - 5/16.....	2
124	17979G1						ACCELERATOR ROD BUSHING .....	1
125	23061G2						TUBE.....	1
126	23463G1						COMPRESSION SPRING .....	1
127	652256						BRAKE YOKE .....	1
128	11098G9						HEX LOCK NUT, 5/16 - 24.....	1
129	612557						COMPENSATOR LINK ROD .....	1



Notes:

A large grid area for writing notes, consisting of approximately 30 columns and 30 rows of small squares.



When ordering parts, please specify the model and serial number of the product.

\* Indicates a component that is not available as an individual part.

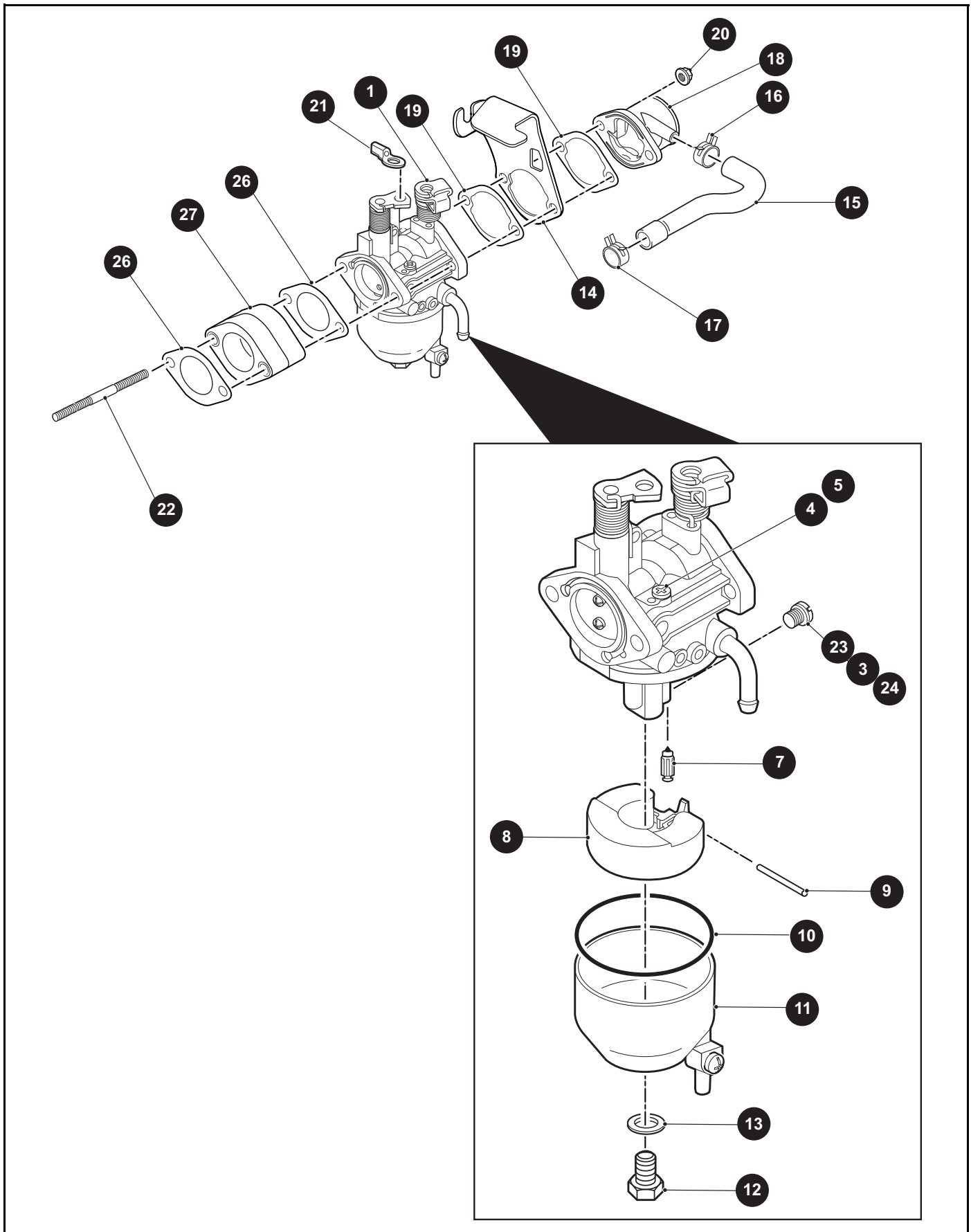
\*\*\* Indicates consult Customer Service Department for additional information.

ITEM	PART NO.	1 2 3 4 5	DESCRIPTION	QTY.
1	72684G01		STEEL CAB (WITHOUT DOORS) - TAN. ....	1
2	72684G02		STEEL CAB (WITHOUT DOORS) - WHITE .....	1
3	72684G03		STEEL CAB (WITHOUT DOORS) - OTHER .....	1
4	75855G01		VINYL DOOR KIT - TAN .....	1
5	75855G02		VINYL DOOR KIT - WHITE .....	1
6	75855G03		VINYL DOOR KIT - OTHER.....	1
7	75856G01		STEEL DOOR KIT - TAN .....	1
8	75856G02		STEEL DOOR KIT - WHITE.....	1
9	75856G03		STEEL DOOR KIT - OTHER.....	1
<p>REPLACEMENT PARTS AND ACCESSORIES MAY BE OBTAINED FROM CURTIS CAB, INC</p>				

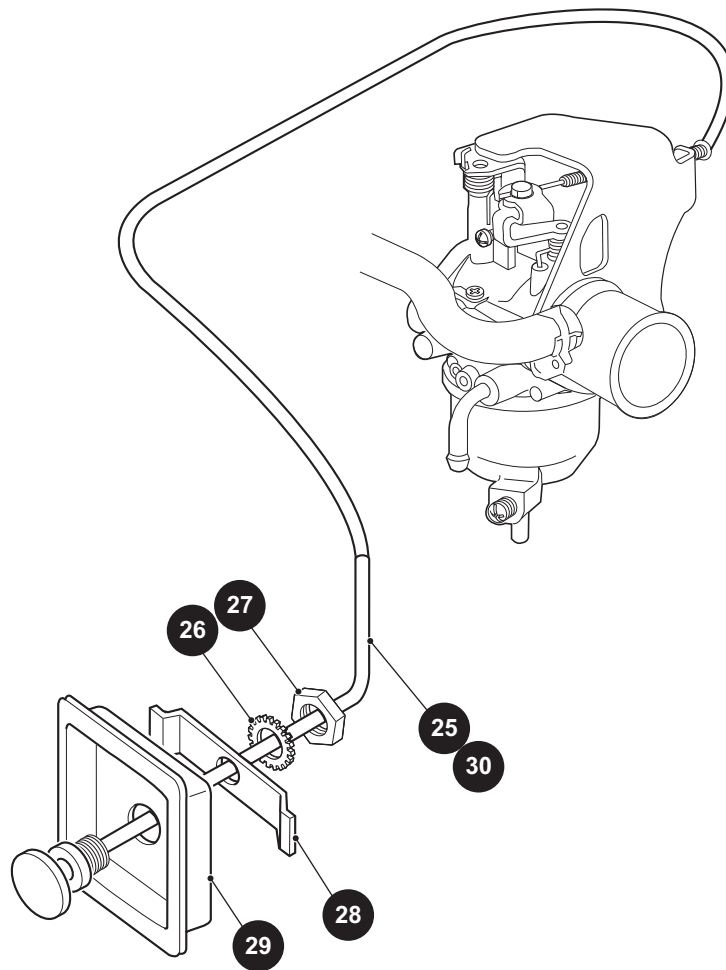




# CARBURETOR AND CHOKE



# CARBURETOR AND CHOKE



# CARBURETOR AND CHOKE

When ordering parts, please specify the model and serial number of the product.

\* Indicates a component that is not available as an individual part.

\*\*\* Indicates consult Customer Service Department for additional information.

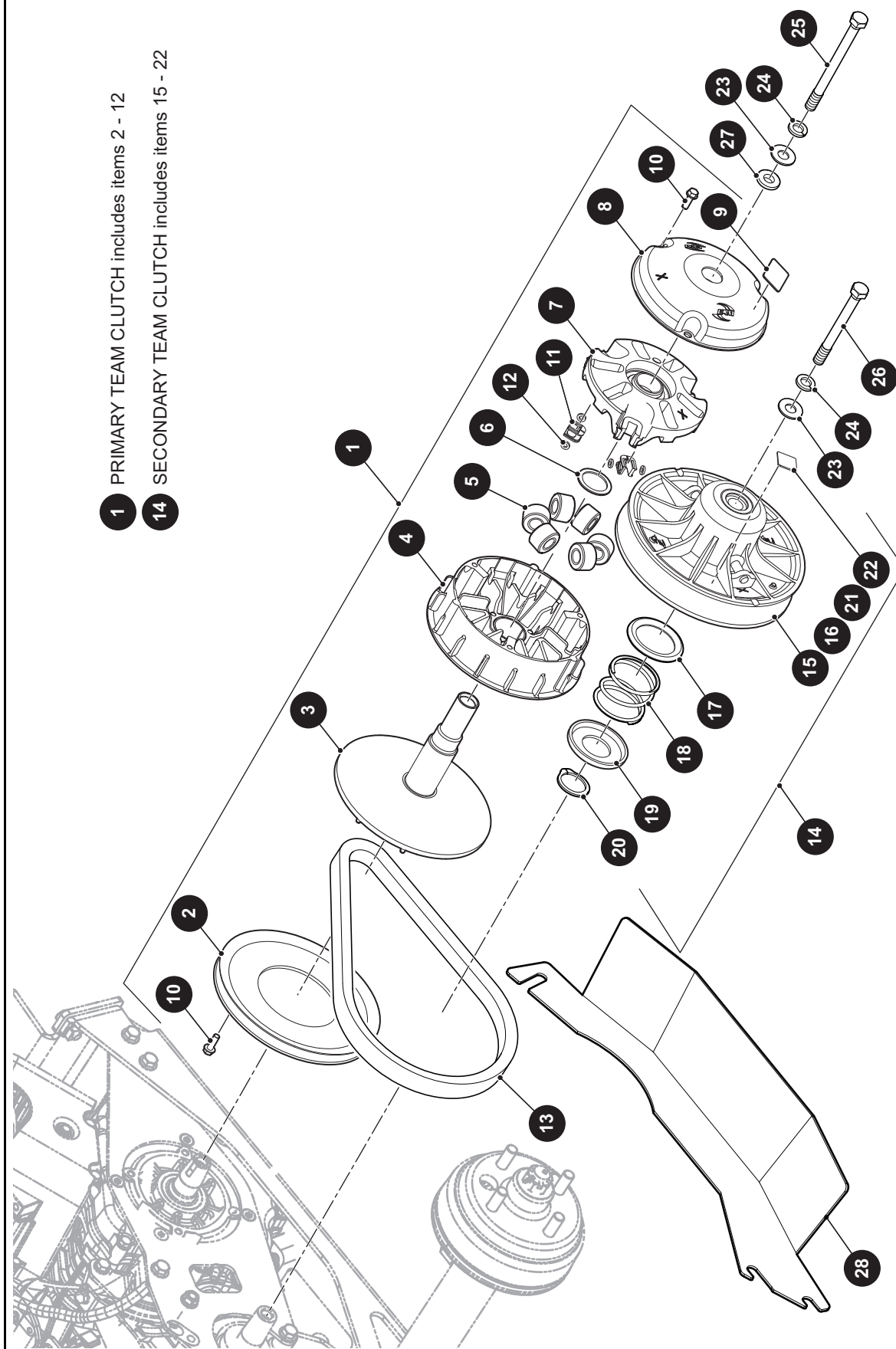
ITEM	PART NO.	1 2 3 4 5	DESCRIPTION	QTY.
1	607955		CARBURETOR (INCLUDES ITEMS 3 - 22).....	1
2				
3	607956		MAIN JET (#106) .....	1
4	607957		PILOT JET (#52) .....	1
5	603585		PLUG .....	1
6				
7	603586		NEEDLE VALVE.....	1
8	603587		FLOAT.....	1
9	603588		FLOAT PIN.....	1
10	603589		FLOAT BOWL GASKET.....	1
11	603590		FLOAT CHAMBER.....	1
12	603592		BOWL SCREW .....	1
13	603591		BOWL GASKET .....	1
14	603583		CHOKE BRACKET .....	1
15	603598		BREATHER TUBE .....	1
16	603596		CLAMP, INTAKE TUBE.....	1
17	603597		CLAMP CYLINDER HEAD TUBE.....	1
18	603594		INTAKE TUBE.....	1
19	603593		CHOKE GASKET.....	2
20	603595		NUT, M6 X 1.0.....	2
21	608023		THROTTLE ROD ATTACHMENT BUSHING.....	1
22	603584		STUD BOLT .....	2
23	607684		MAIN JET (#102) (FOR ELEVATIONS OF 6000 FT - 10000 FT).....	1
24	607683		MAIN JET (#104) (FOR ELEVATIONS OF 3000 FT - 6000 FT).....	1
25	605868		CHOKE CABLE (SWB) .....	1
26	00568G4		LOCK WASHER, 9/16" .....	1
27	00545G4		JAM NUT, 9/16 - 18 .....	1
28	72155G02		RETAINER.....	1
29	72154G01		CHOKE CABLE ADAPTER.....	1
30	605793		CHOKE CABLE (MWB).....	1





# CLUTCH

- 1 PRIMARY TEAM CLUTCH includes items 2 - 12
- 14 SECONDARY TEAM CLUTCH includes items 15 - 22



When ordering parts, please specify the model and serial number of the product.

\* Indicates a component that is not available as an individual part.

\*\*\* Indicates consult Customer Service Department for additional information.

ITEM	PART NO.	1 2 3 4 5	DESCRIPTION	QTY.
1	672688		PRIMARY TEAM CLUTCH (Includes items 2 - 12).....	1
2	619333		PRIMARY STARTER PULLY, 195 - SVC.....	1
3	*		STATIONARY ASSEMBLY .....	1
4	*		MOVEABLE PRIMARY ASSEMBLY.....	1
5	624112		SHIFT ROLLER ASSEMBLY .....	6
6	619337		SHIM, 39 5MM X 31 75MM .....	1
7	644303		PRIMARY SPIDER ASSEMBLY .....	1
8	*		PRIMARY DUST COVER ASSEMBLY .....	1
9	*		E-Z-GO PRIMARY LABEL.....	1
10	619332		HEX WASHER HEAD BOLT, 1/4" - 20 X 3/4" LG .....	7
11	644305		BUTTON, TORQUE PRIMARY .....	6
12	644306		PLUG, TORQUE PRIMARY .....	6
13	618630		DRIVE BELT .....	1
14	623949		SECONDARY TEAM CLUTCH (Includes items 15 - 22) .....	1
15	*		SECONDARY STATIONARY, 9.5 .....	1
16	*		MOVEABLE SECONDARY, 9.5.....	1
17	619327		INNER RETAINER SPRING.....	1
18	624111		COMPRESSION SPRING, 2.70 O.D. ....	1
19	619329		OUTER SPRING RETAINER .....	1
20	619330		RETAINER RING.....	1
21	619331		THRUST WASHER, 1 53" x 1 83" x 1" .....	1
22	*		SECONDARY PART E-Z-GO LOGO.....	1
23	606239		CONICAL WASHER, M12.....	2
24	00566G3		SPRING TYPE LOCK WASHER.....	2
25	606245		HEX HEAD BOLT, M12 - 1 25 X 160MM LG.....	1
26	606243		HEX HEAD BOLT, M12 - 1 25 X 120MM LG.....	1
27	606230		CLUTCH WASHER.....	1
28	605950		CLUTCH BELT SHIELD (TERRAIN 500 & 1000 Only).....	1



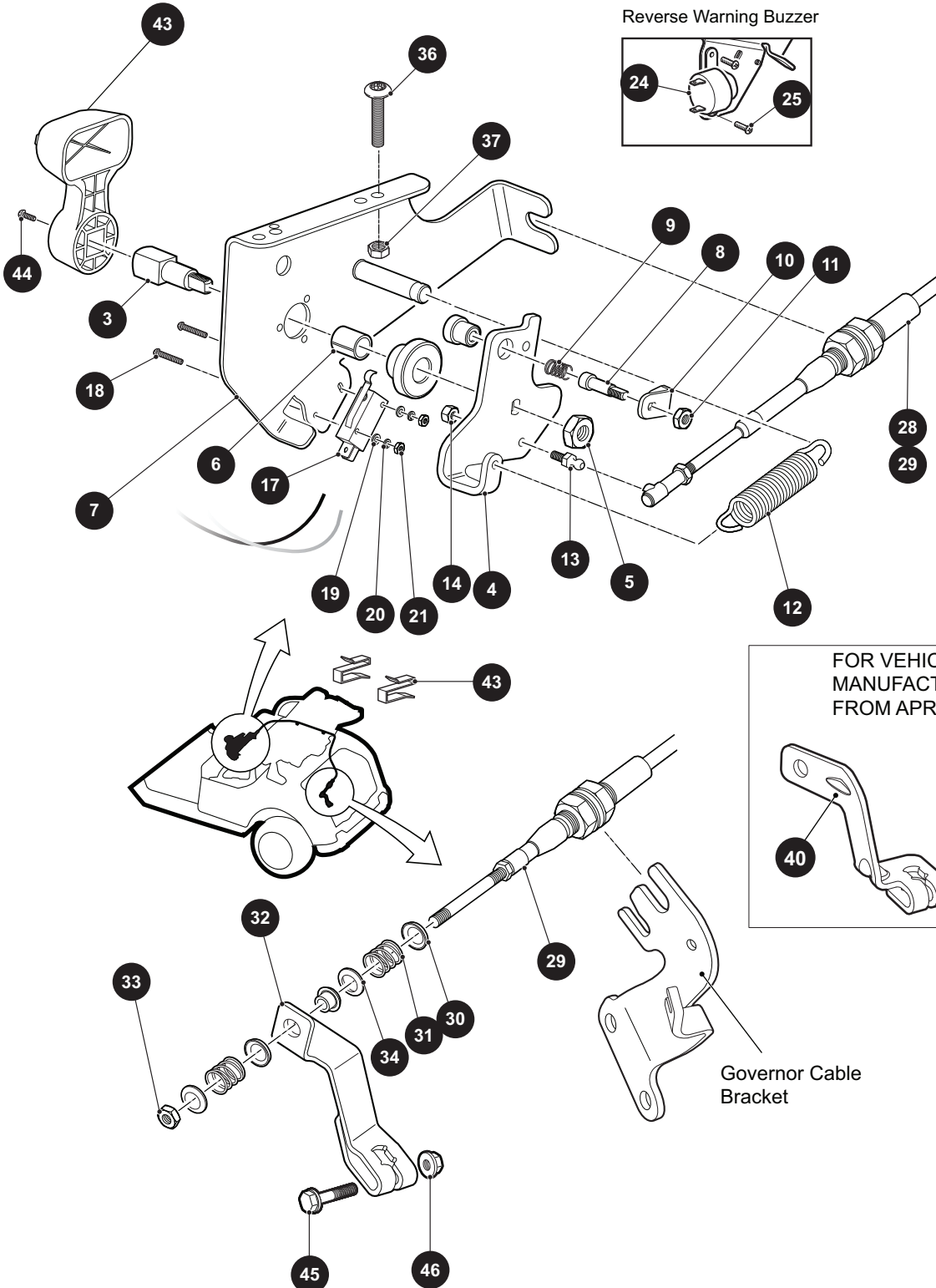
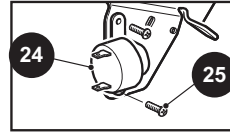


# DIRECTION SELECTOR

1 DIRECTION SELECTOR ASSEMBLY Includes Items 3 - 28, 30 - 34

2 DIRECTION SELECTOR ASSEMBLY Includes Items 3 - 27, 29 - 34

Reverse Warning Buzzer



FOR VEHICLES  
MANUFACTURED  
FROM APRIL 2014

Governor Cable  
Bracket

# DIRECTION SELECTOR

When ordering parts, please specify the model and serial number of the product.

\* Indicates a component that is not available as an individual part.

\*\*\* Indicates consult Customer Service Department for additional information.

ITEM	PART NO.	1 2 3 4 5	DESCRIPTION	QTY.
1	603416		DIRECTION SELECTOR ASSEMBLY (Includes Items 3 - 28, 30 - 34).....	1
2	606173		DIRECTION SELECTOR ASSEMBLY (Includes Items 3 - 27, 29 - 34).....	1
3	70233G01		DIRECTION SELECTOR SHAFT.....	1
4	603700		DIRECTION SELECTOR CAM.....	1
5	14390G1		LOCK NUT, 3/8 - 24.....	1
6	25664G2		BUSHING.....	1
7	606077		DIRECTION SELECTOR BRACKET.....	1
8	72724G01		NEUTRAL LOCK PIN.....	1
9	72733G01		COMPRESSION SPRING, 3/8" X 5/8" LG.....	1
10	72729G01		NEUTRAL LOCK LATCH.....	1
11	00734G2		LOCK NUT, 1/4 - 28.....	1
12	28574G01		EXTENSION SPRING.....	1
13	72732G01		BALL STUD, 1/4".....	1
14	00734G5		LOCK NUT, #10 - 32.....	1
15				
16				
17	72736G01		MICRO SWITCH.....	1
18	01062G01		SCREW, #4 - 40 X 1" LG.....	2
19	00559G1		FLAT WASHER, #4.....	2
20	00565G1		LOCK WASHER, #4.....	2
21	00526G2		NUT, #4 - 40.....	2
22				
23				
24	73290G03		REVERSE WARNING BUZZER.....	1
25	01063G01		SCREW, #6 - 32 X 3/8" LG.....	2
26	25978G345		18 GA WIRE (RED 7").....	1
27				
28	603615		PUSH / PULL CABLE.....	1
29	605807		PUSH / PULL CABLE.....	1
30	25727G01		CUP WASHER, 1/4".....	4
31	72735G01		COMPRESSION SPRING, 19/32" X 1" LG.....	2

# DIRECTION SELECTOR

When ordering parts, please specify the model and serial number of the product.

\* Indicates a component that is not available as an individual part.

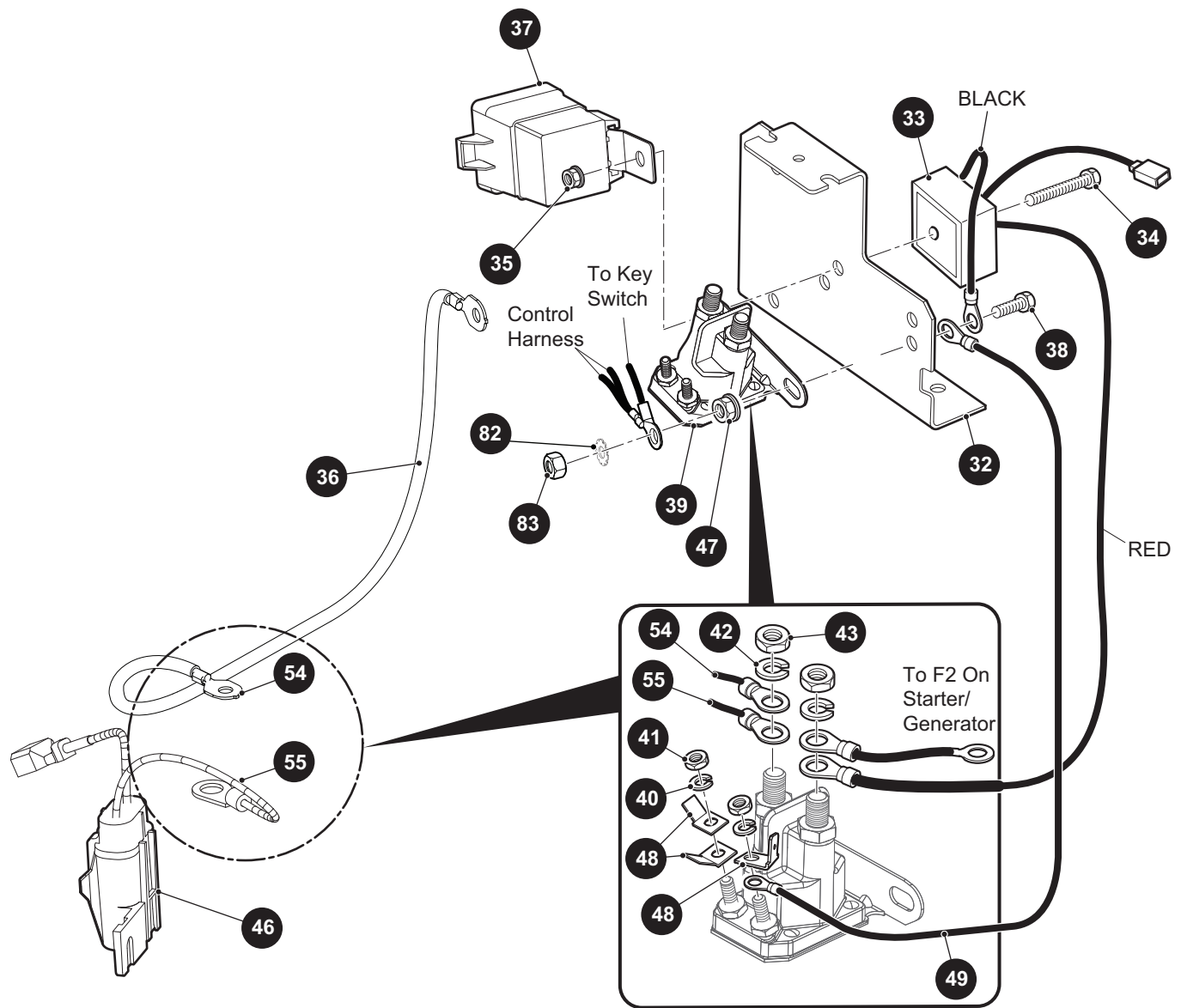
\*\*\* Indicates consult Customer Service Department for additional information.

ITEM	PART NO.	1	2	3	4	5	DESCRIPTION	QTY.
32	74455G01						SHIFTER ARM WITH BUSHING .....	1
33	00734G5						LOCK NUT, #10 - 32 .....	1
34	22754G4						BUSHING, FLIP LOK, .250 .....	1
35								
36	70227G01						SCREW, 1/4 - 20 X 7/8" LG.....	2
37	11027G2						LOCK NUT, 1/4 - 20.....	2
38								
39								
40	632891						DIRECTION SELECTOR PIVOT BRACKET (FOR VEHICLES MANUFACTURED FROM APRIL 2014).....	1
41								
42								
43	71205G01						DIRECTION SELECTOR HANDLE .....	1
44	00740G4						SCREW, #10 - 32 X 1/2" LG (STAINLESS STEEL) .....	1
45	606421						BOLT M6 - 1 X 30.....	1
46	450452						NUT M6 - 1 .....	1
47	17618G1						WIRE TIE.....	1
48	01072G01						CABLE CLIP .....	2

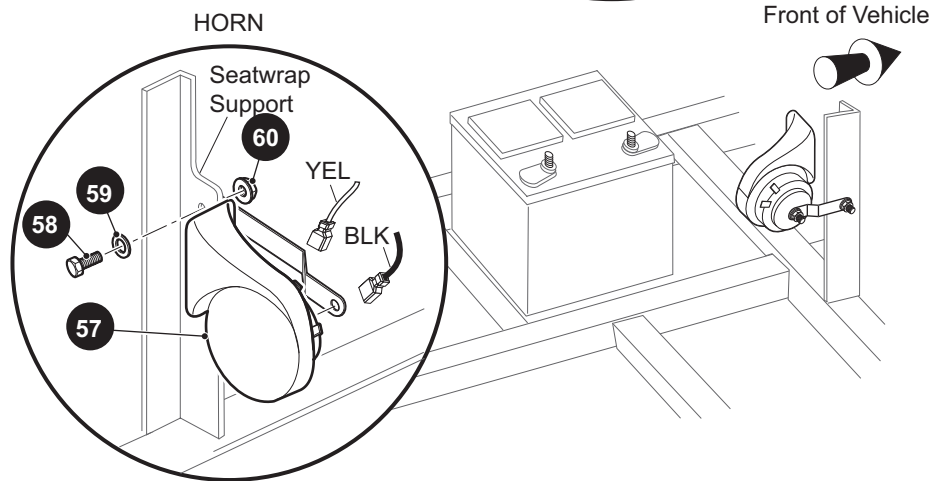
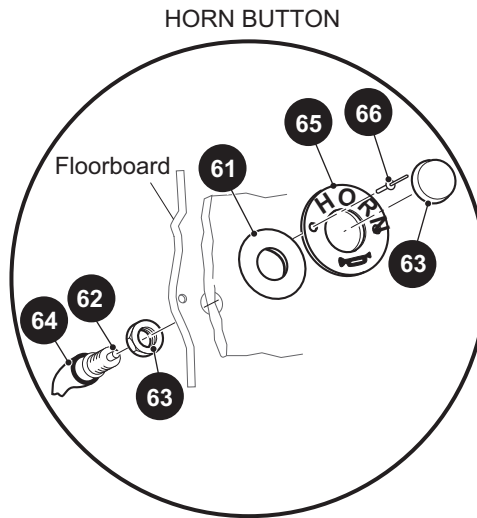
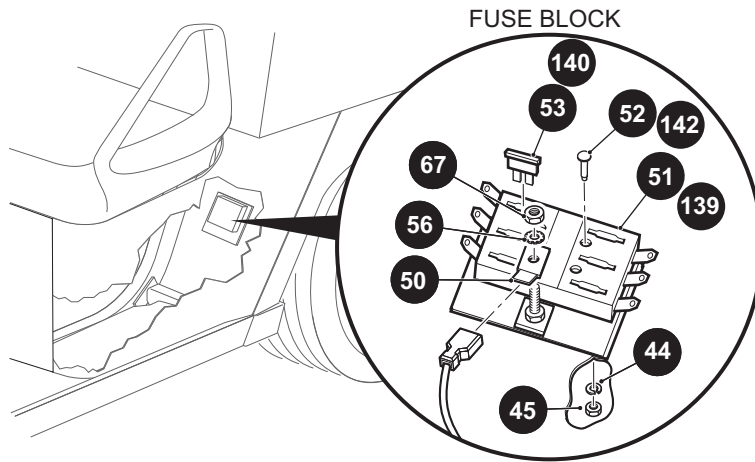




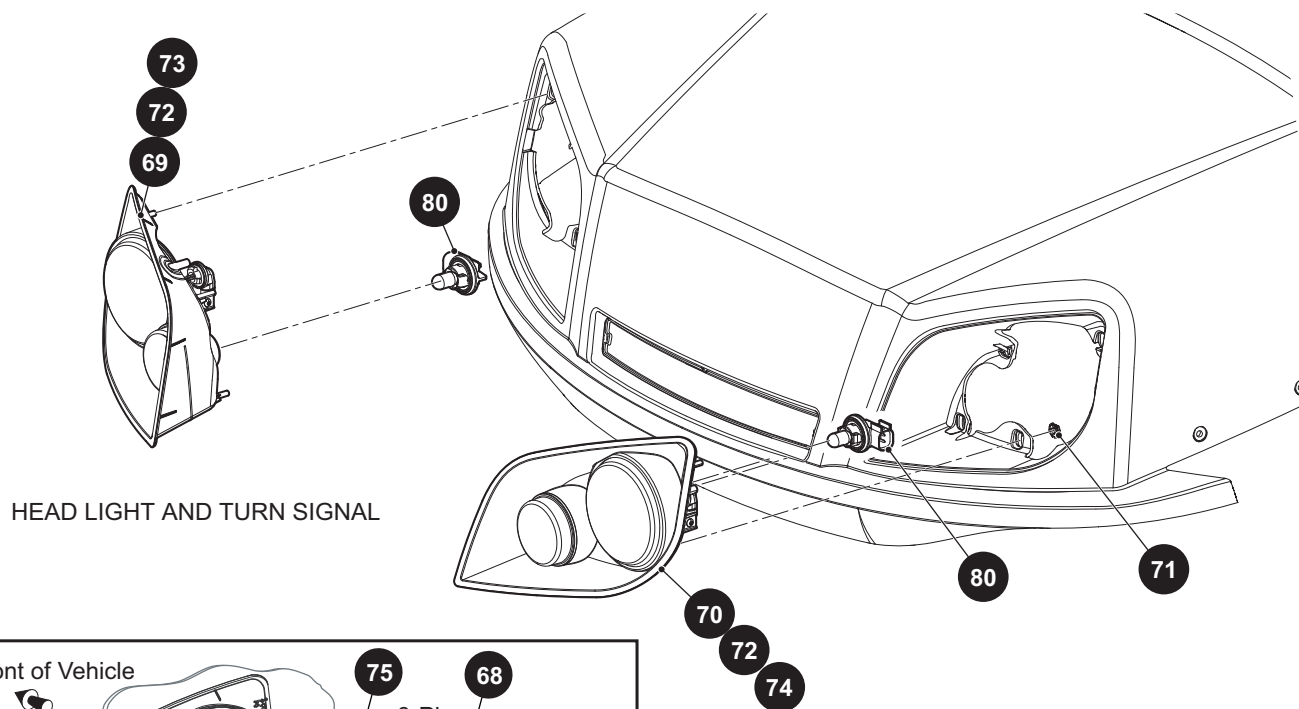
# ELECTRICAL SYSTEM



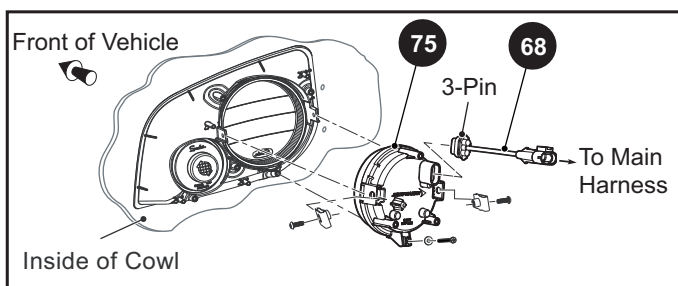
**31** ELECTRICAL PLATE ASSEMBLY includes items 32 - 43 and 46 - 49



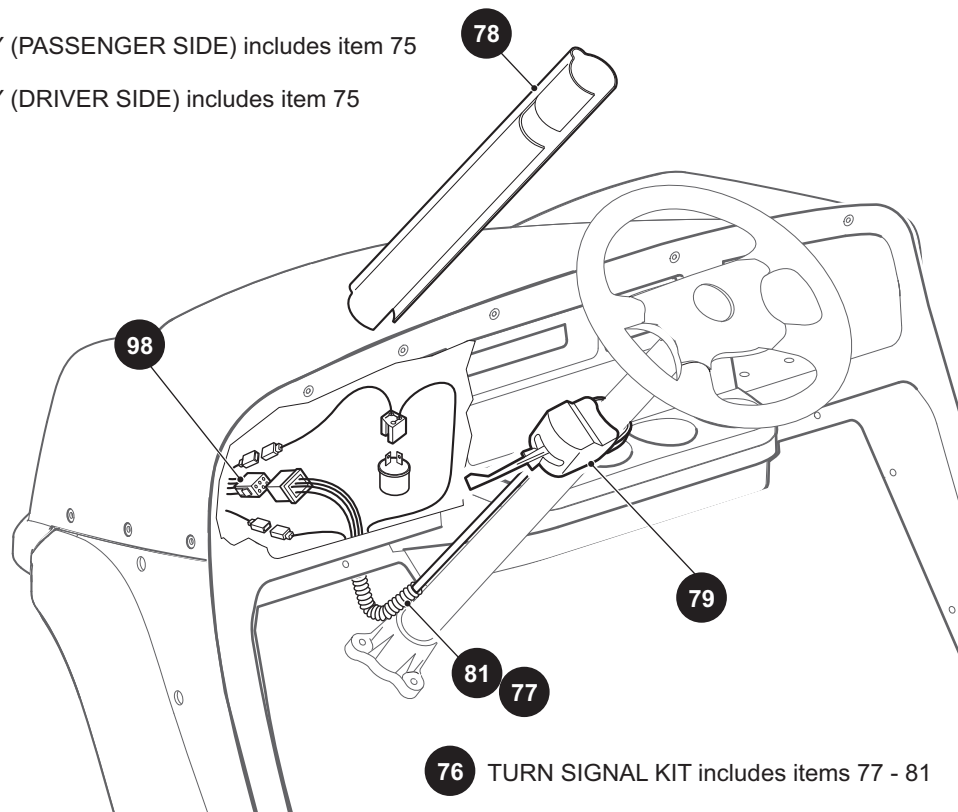
# ELECTRICAL SYSTEM



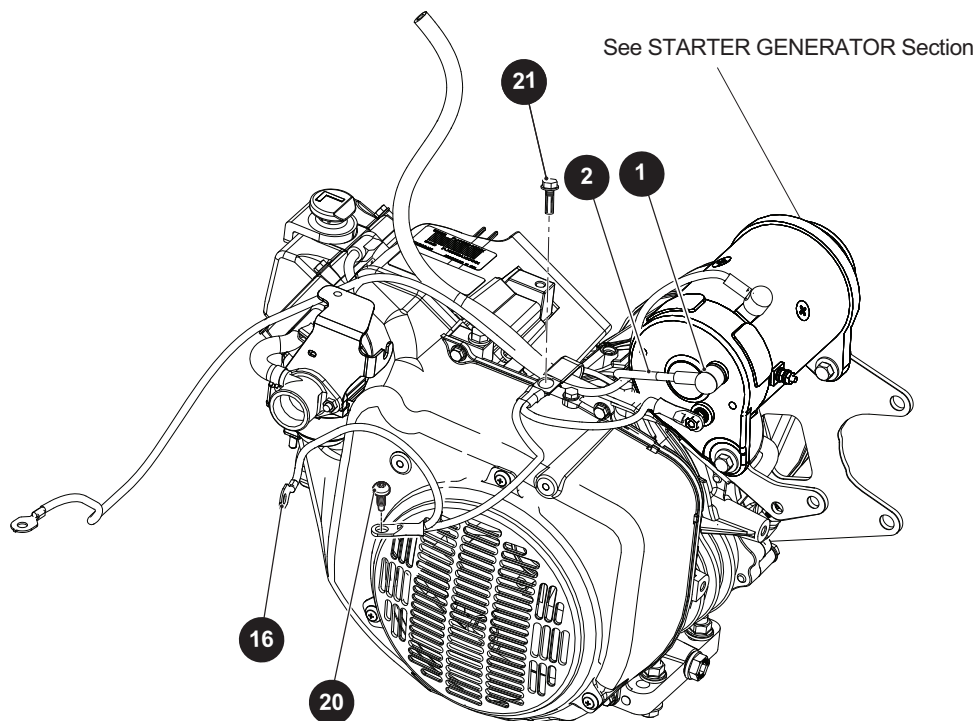
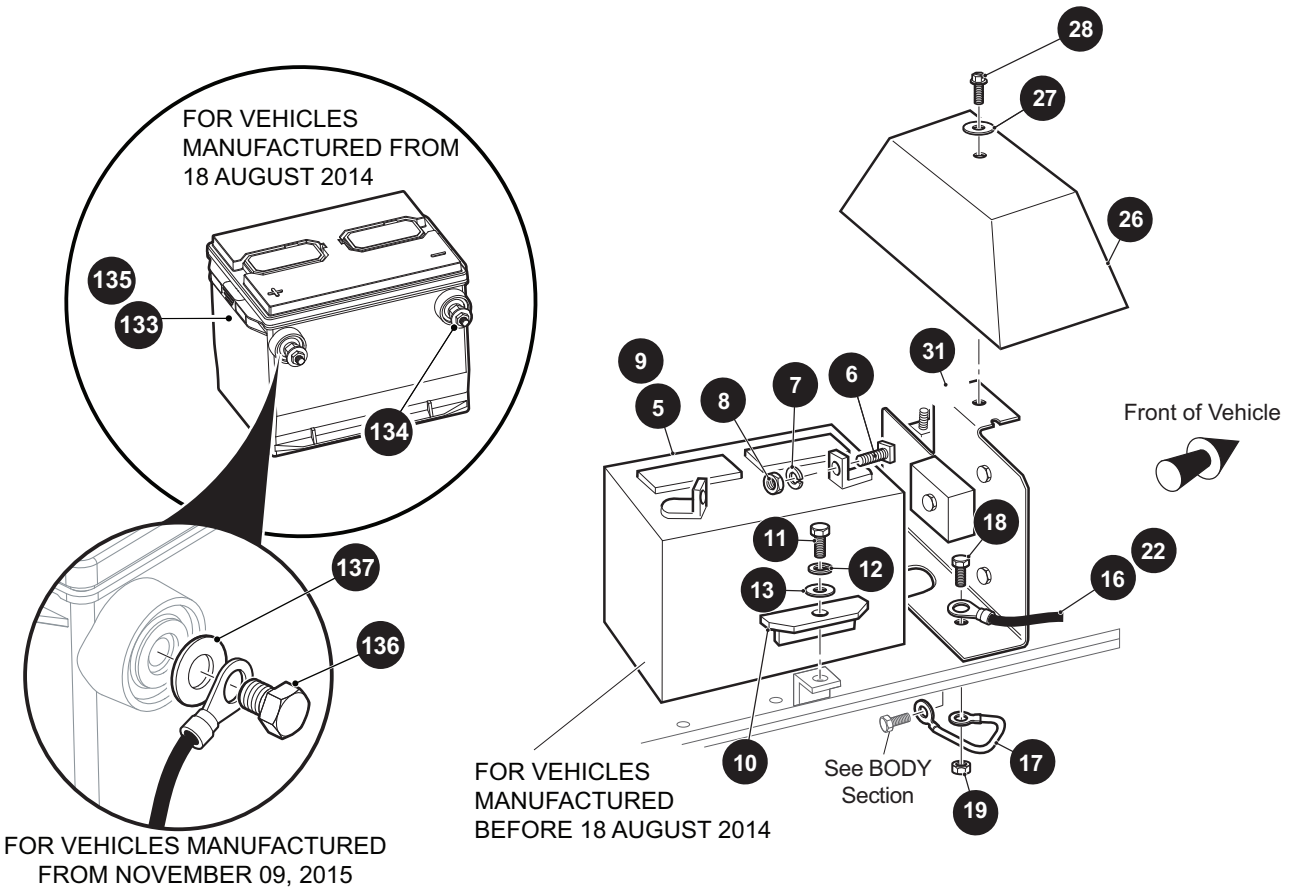
HEAD LIGHT AND TURN SIGNAL

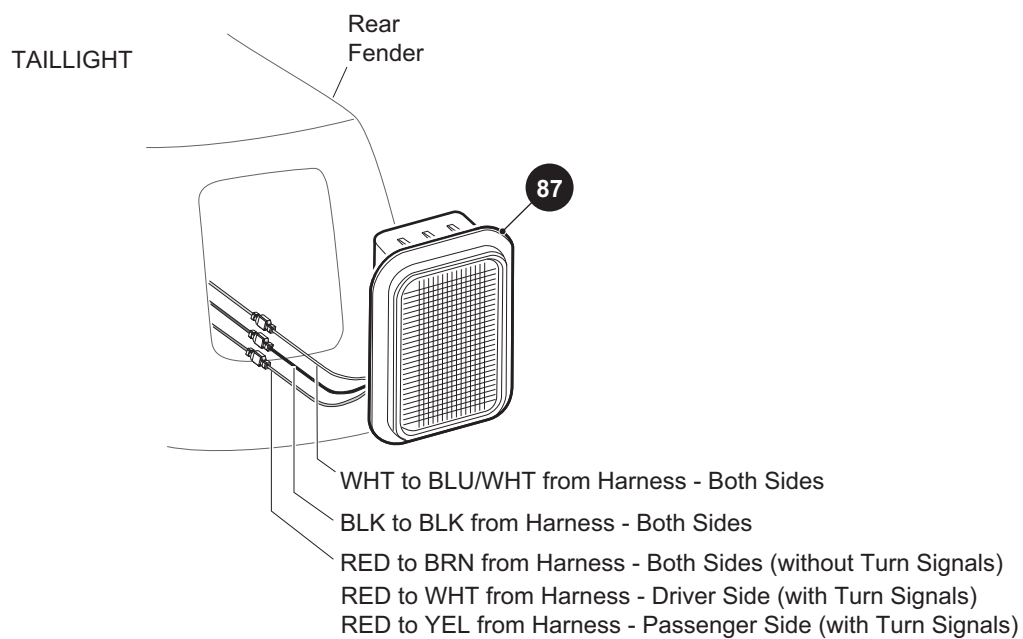


- 73** LED HEADLIGHT ASSEMBLY (PASSENGER SIDE) includes item 75
- 74** LED HEADLIGHT ASSEMBLY (DRIVER SIDE) includes item 75

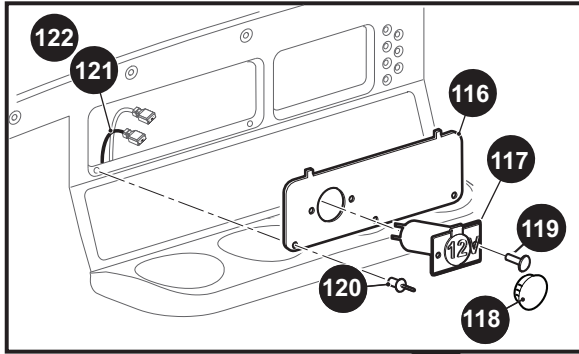


- 76** TURN SIGNAL KIT includes items 77 - 81





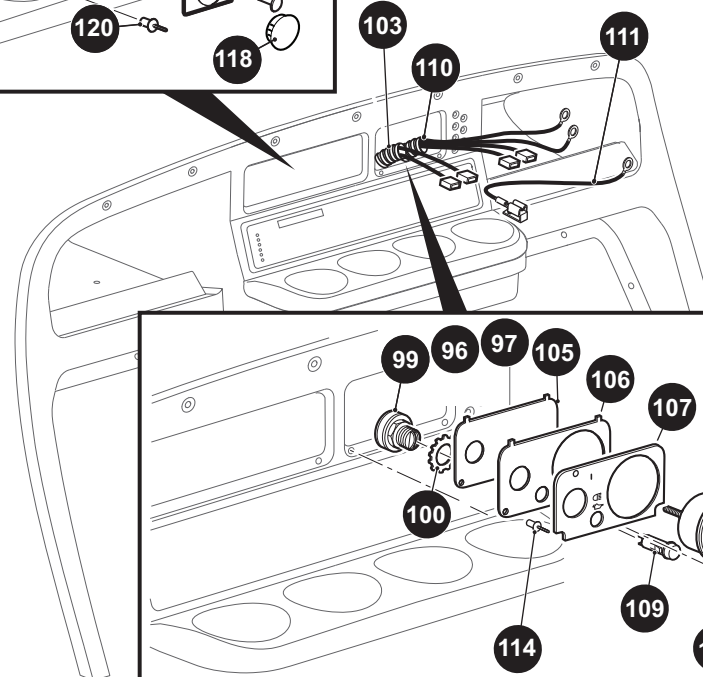
## CONSOLE INSERT PLATE



**115** CONSOLE INSERT ASSEMBLY  
Includes Items 116 - 119

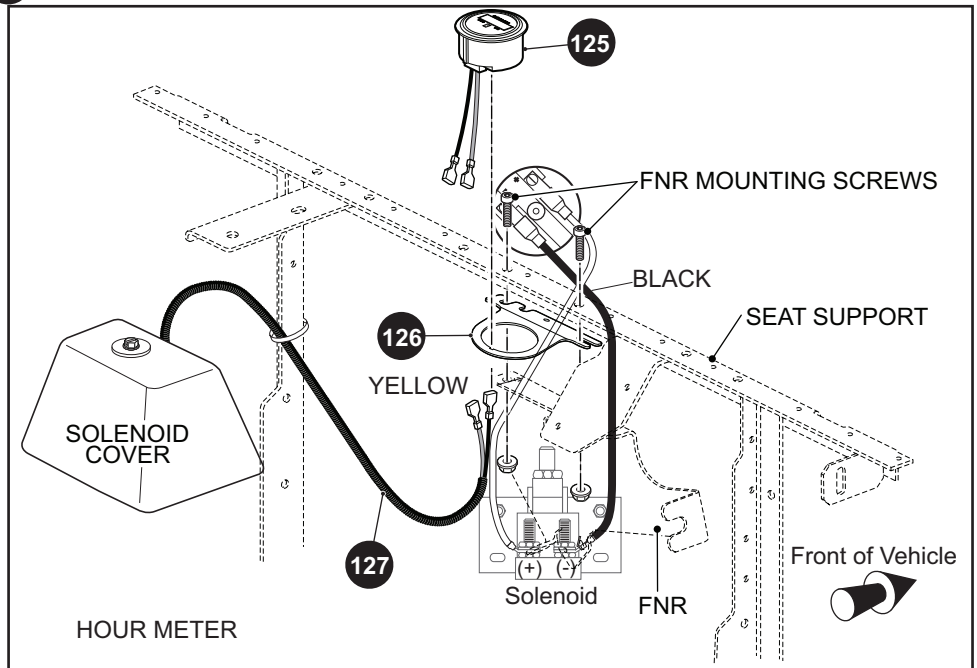
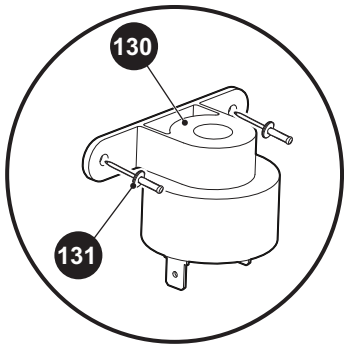
**113** CONSOLE INSERT ASSEMBLY  
Includes Items 116, 118

Front of Vehicle



## KEY SWITCH, INDICATOR LIGHT(S), AND FUEL GAUGE

**124** **128** HOUR METER KIT Includes Items 125 - 126



# ELECTRICAL SYSTEM

When ordering parts, please specify the model and serial number of the product.

\* Indicates a component that is not available as an individual part.

\*\*\* Indicates consult Customer Service Department for additional information.

ITEM	PART NO.	1 2 3 4 5	DESCRIPTION	QTY.
1	607053		6 GA WIRE (BLACK 6", F1 - A2) .....	1
2	25682G1		TERMINAL COVER.....	3
3				
4				
5	24775G1		BATTERY, 12V (FOR VEHICLES MANUFACTURED BEFORE 18 AUGUST 2014) .....	1
6	*		BOLT, 5/16" - 18 X 1 1/4" LG .....	2
7	*		LOCK WASHER (SILICON BRONZE), 5/16".....	2
8	*		NUT (SILICON BRONZE), 5/16" - 18.....	2
9	600497		BATTERY HD, 12V (FOR VEHICLES MANUFACTURED BEFORE 18 AUGUST 2014) .....	1
10	72101G02		BATTERY HOLD DOWN .....	1
11	00438G6		HEX HEAD BOLT, 5/16" - 18 X 3/4" LG.....	3
12	00565G8		LOCK WASHER, 5/16" .....	1
13	00571G2		FLAT WASHER (SS), 5/16" .....	1
14	605560		CONTROL HARNESS (NOT ILLUSTRATED).....	1
15	605639		KEY SWITCH WIRE HARNESS (NOT ILLUSTRATED) .....	1
16	27044G03		GROUND CABLE.....	1
17	25976G19		14 GA WIRE (BLACK 6").....	1
18	00438G6		HEX HEAD BOLT, 5/16" - 18 X 3/4" LG.....	2
19	11027G1		LOCK NUT, 5/16" - 18 .....	2
20	26676G01		FLANGED BOLT M6 X 1 X 23 MM.....	1
21	606264		FLANGED BOLT, M6 - 1 X 20 MM LG .....	1
22	645191		GROUND CABLE (FOR VEHICLES MANUFACTURED FROM NOVEMBER 09, 2015).....	1
23				
24	605821		WIRE HARNESS (CONTROL).....	1
25	17618G1		WIRE TIE (NOT ILLUSTRATED ).....	AR
26	73049G01		COVER FNR .....	1
27	16469G1		FENDER WASHER, 1/4" .....	1
28	00114G6		HEX WASHER HEAD TAPPING SCREW, 1/4" - 14 X 3/4" LG.....	1
29	645199		TERMINAL WIRE (WHITE), #10 GA (NOT ILLUSTRATED) (FOR VEHICLES MANUFACTURED FROM NOVEMBER 09, 2015).....	1



# ELECTRICAL SYSTEM

When ordering parts, please specify the model and serial number of the product.

\* Indicates a component that is not available as an individual part.

\*\*\* Indicates consult Customer Service Department for additional information.

ITEM	PART NO.	1 2 3 4 5	DESCRIPTION	QTY.
30	645198		TERMINAL WIRE (BLACK), #16 GA (NOT ILLUSTRATED) (FOR VEHICLES MANUFACTURED FROM NOVEMBER 09, 2015) .....	1
31	605563		ELECTRICAL PLATE ASSEMBLY (INCLUDES ITEMS 32 - 43 and 46 - 49) .....	1
32	73057G02		BRACKET .....	1
33	27739G01		VOLTAGE REGULATOR .....	1
34	303459		HEX HEAD BOLT, 1/4" - 20 X 1 1/2" LG.....	1
35	11027G2		LOCK NUT, 1/4" - 20 .....	1
36	645190		WIRE ASSEMBLY, 6 AWG .....	1
37	603282		RELAY .....	1
38	00661G8		HEX HEAD BOLT (SS), 1/4" - 20 X 1" LG .....	1
39	612813		SOLENOID .....	1
40	*		LOCK WASHER, #10.....	2
41	*		NUT, #10 - 32 .....	2
42	*		LOCK WASHER, 5/16" .....	2
43	*		NUT, 5/16" - 24.....	2
44	00559G5		FLAT WASHER, # 10 .....	2
45	14390G10		LOCKNUT, #10 - 24 .....	2
46	600418G01		FUSE HOLDER ASSEMBLY .....	1
47	11027G2		LOCK NUT, 1/4" - 20 .....	1
48	73446G01		FASTON TAB, 90° .....	3
49	25978G56		18 GA WIRE (BLACK 5 3/4").....	1
50	12914G01		PUSH ON MALE TERMINAL.....	1
51	35211G01		FUSE BLOCK .....	1
52	00379G2		RIVET, 1/8" X 13/16" LG .....	2
53	35212G01		15 AMP FUSE .....	3
54	645190		#6 GA WIRE ASSEMBLY .....	1
55	20216G1		16 GA WIRE (RED).....	1
56	00567G5		LOCK WASHER, #10.....	1
57	32860G1		HORN.....	1
58	00414G5		HEX HEAD BOLT, 1/4" - 20 x 5/8" LG.....	1
59	00559G7		FLAT WASHER (SS), 1/4".....	1

# ELECTRICAL SYSTEM

When ordering parts, please specify the model and serial number of the product.

\* Indicates a component that is not available as an individual part.

\*\*\* Indicates consult Customer Service Department for additional information.

ITEM	PART NO.	1	2	3	4	5	DESCRIPTION	QTY.
60	14390G4						LOCK NUT, 1/4" - 20 .....	1
61	608397						HORN PLATE .....	1
62	17318G1						HORN SWITCH .....	1
63	17318G2						HORN SWITCH CAP AND NUT .....	1
64	27068G01						HORN SWITCH BOOT .....	1
65	19233G1						HORN SWITCH LABEL .....	1
66	71055G01						ALUMINUM RIVET, 3/16" X 1" LG .....	2
67	00526G4						NUT, #10 - 32 .....	1
68	654465						JUMPER HARNESS, LED HEADLIGHT .....	2
69	614497						SIDE HEADLIGHT ASSEMBLY (PASSENGER SIDE) .....	1
70	614501						HEADLIGHT ASSEMBLY (DRIVER SIDE) .....	1
71	71597G01						SEL FTHREADING NUT .....	8
72	71781G02						VINYL TAPE .....	2
73	659008						LED HEADLIGHT ASSEMBLY (PASSENGER SIDE) (INCLUDES ITEM 75) .	1
74	659009						LED HEADLIGHT ASSEMBLY (DRIVER SIDE) (INCLUDES ITEM 75).....	1
75	651411G03						LED HEADLIGHT.....	1
76	622712						TURN SIGNAL KIT (INCLUDES ITEMS 77 - 81) .....	1
77	17618G1						NYLON CLAMP .....	2
78	20965G3						STEERING COLUMN COVER .....	1
79	611810						TURN SIGNAL SWITCH ASSEMBLY .....	1
80	619102						TURN SIGNAL ASSEMBLY BULB .....	2
81	32307G3						FLEX ZIP LOOVM.....	1
82	00567G7						LOCK WASHER (EXTERNAL TOOTH TYPE), 1/4" .....	1
83	00532G1						HEX NUT, 1/4" - 20.....	1
84	00439G1						HEX HEAD BOLT, 5/16" - 18 X 1 1/8" LG (NOT ILLUSTRATED) .....	1
85	75048G01						SPACER, .328" X .75" X .50" (NOT ILLUSTRATED) .....	1
86	11098G6						LOCK NUT, 5/16" - 18 (NOT ILLUSTRATED) .....	1
87	32739G2						TAILLIGHT ASSEMBLY (COMPLETE).....	2
88	610428						BATTERY BOLT EXTENDER (NOT ILLUSTRATED).....	1
89								
90								

# ELECTRICAL SYSTEM

When ordering parts, please specify the model and serial number of the product.

\* Indicates a component that is not available as an individual part.

\*\*\* Indicates consult Customer Service Department for additional information.

ITEM	PART NO.	1 2 3 4 5	DESCRIPTION	QTY.
91				
92				
93				
94				
95				
96	33639G01		IGNITION SWITCH (WITH LIGHTS, FLEETS).....	1
97	33639G03		IGNITION SWITCH (WITH LIGHTS, INDIVIDUAL).....	1
98	619153		WIRE HARNESS (ACCESSORY) (NOT ILLUSTRATED) .....	1
99	18602G1		IGNITION SWITCH (WITH LIGHTS, INDIVIDUALLY KEYED).....	1
100	00568G6		LOCK WASHER, 3/4" .....	1
101	17137G1		FACE NUT, 3/4" - 20 .....	1
102	17063G1		IGNITION KEY .....	1
103	605830		WIRE HARNESS (KEY SWITCH).....	1
104				
105	601015		CONSOLE PLATE .....	1
106	73030G04		PLATE (FUEL GAUGE AND OIL LIGHT).....	1
107	71131G01		LABEL (OIL LIGHT AND FUEL GAUGE WITH HEADLIGHTS).....	1
108	21553G1		FUEL GAUGE .....	1
109	23474G1		INDICATOR LIGHT .....	1
110	74311G01		HARNESS (OIL LIGHT/FUEL GAUGE) .....	1
111	25978G122		18 GA WIRE (RED 6") .....	1
112				
113	74693G02		CONSOLE INSERT ASSEMBLY (INCLUDES ITEMS 116, 118)	
114	33623G02		DRIVE RIVET, 3/16" X 3/8" LG .....	2
115	74693G01		CONSOLE INSERT ASSEMBLY (INCLUDES ITEMS 116 - 119) .....	1
116	73522G03		CONSOLE INSERT PLATE .....	1
117	71078G01		POWER OUTLET (12V) .....	1
118	20271G10		HOLE PLUG .....	1
119	14601G10		ALUMINUM RIVET, 5/32" .....	2
120	33623G02		DRIVE RIVET, 3/16" X 3/8" LG .....	3
121	71081G01		WIRE HARNESS .....	1

# ELECTRICAL SYSTEM

When ordering parts, please specify the model and serial number of the product.

\* Indicates a component that is not available as an individual part.

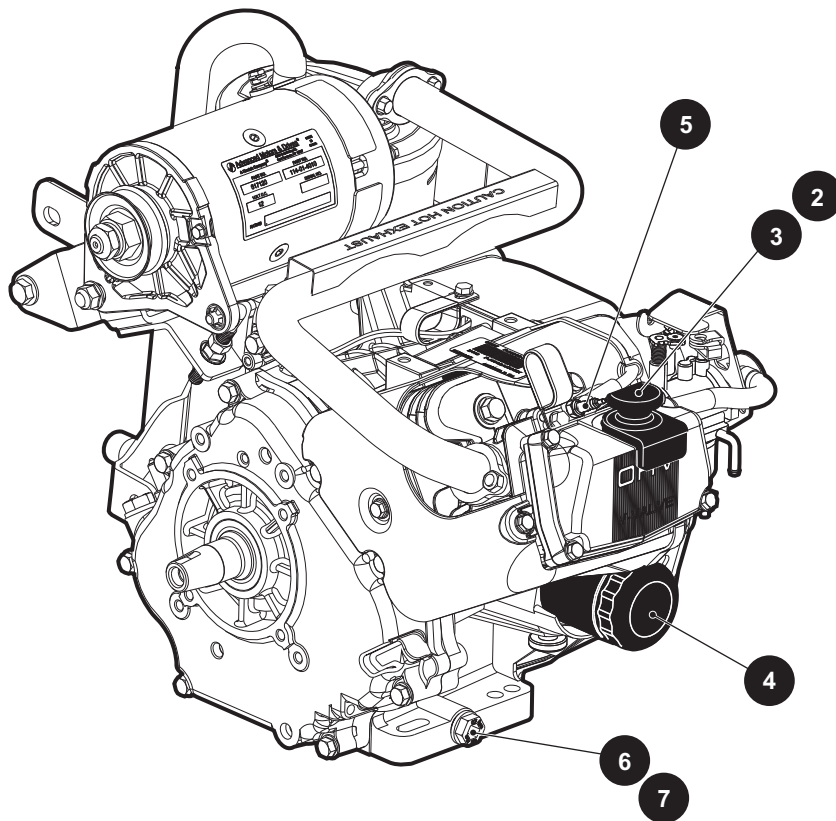
\*\*\* Indicates consult Customer Service Department for additional information.

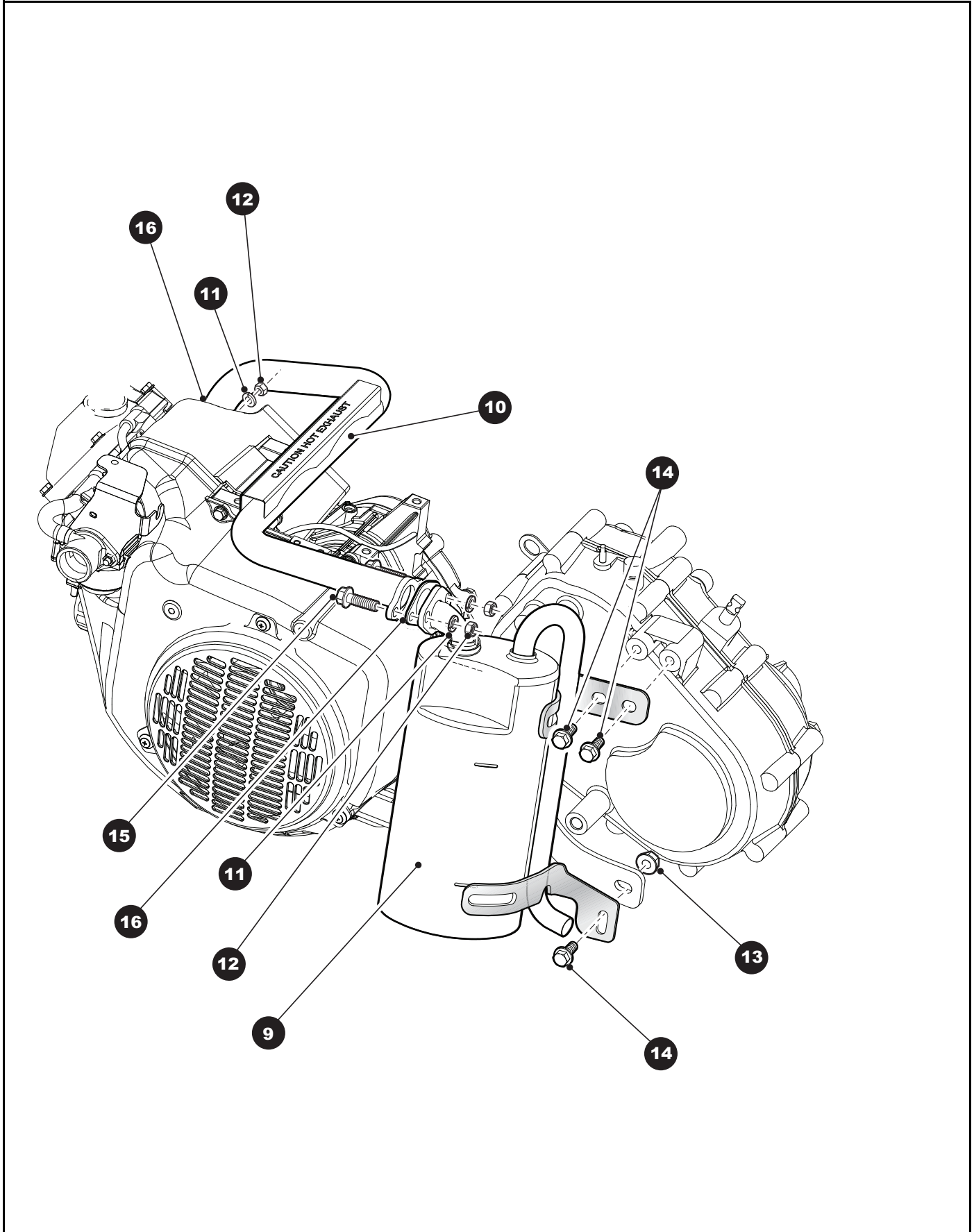
ITEM	PART NO.	1	2	3	4	5	DESCRIPTION	QTY.
122	645194						WIRE HARNESS (FOR VEHICLES MANUFACTURED FROM NOVEMBER 09, 2015).....	1
123	645197						WIRE HARNESS (ACCESSORY) (NOT ILLUSTRATED) (FOR VEHICLES MANUFACTURED FROM NOVEMBER 09, 2015).....	1
124	607285						HOUR METER KIT (INCLUDES ITEMS 125 - 126).....	1
125	617074						HOUR METER.....	1
126	635649						HOUR METER BRACKET.....	1
127	664689						WIRE HARNESS (HOUR METER).....	1
128	607284						HOUR METER KIT (INCLUDES ITEMS 125 - 126).....	1
129	31539G1						NYLON CLAMP 15.5" (NOT ILLUSTRATED).....	AR
130	73290G03						CONTINUOUS TONE POTTED BUZZER.....	1
131	01041G01						BULBEX RIVET, 5/32" DIA.....	2
132								
133	637484						BATTERY, 12V (FOR VEHICLES MANUFACTURED FROM 18 AUGUST 2014).....	1
134	610428						BATTERY BOLT EXTENDER (FOR VEHICLES MANUFACTURED FROM 18 AUGUST 2014).....	2
135	638433						BATTERY HD, 12V (FOR VEHICLES MANUFACTURED FROM 18 AUGUST 2014).....	1
136	651336						BATTERY BOLT (FOR VEHICLES MANUFACTURED FROM NOVEMBER 09, 2015).....	2
137	614221						FLAT WASHER, 3/8" (FOR VEHICLES MANUFACTURED FROM NOVEMBER 09, 2015).....	2
138	645195						ACCESSORY HARNESS (HEADLIGHTS) (NOT ILLUSTRATED) (FOR VEHICLES MANUFACTURED FROM NOVEMBER 09, 2015).....	1
139	22674G1						FUSE BLOCK (FOR VEHICLES MANUFACTURED FROM NOVEMBER 09, 2015).....	1
140	18392G1						FUSE, 15AMP (FOR VEHICLES MANUFACTURED FROM NOVEMBER 09, 2015).....	1
141	17618G1						NYLON CLAMP 15.5" (NOT ILLUSTRATED) (FOR VEHICLES MANUFACTURED FROM NOVEMBER 09, 2015).....	4
142	01041G01						BULBEX RIVET, 5/32" DIA (FOR VEHICLES MANUFACTURED FROM NOVEMBER 09, 2015).....	2



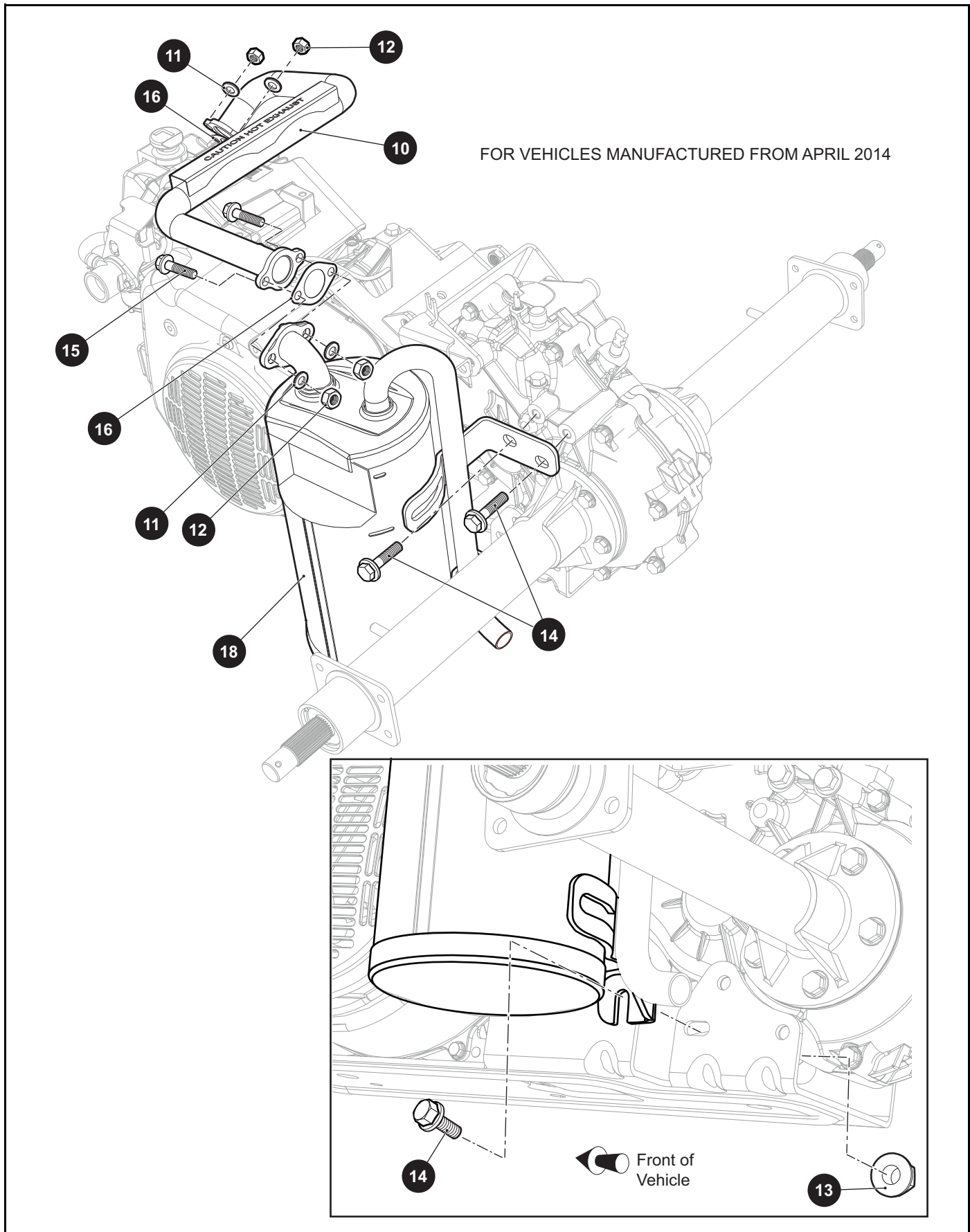
# ENGINE AND MUFFLER

1 GAS ENGINE includes items 4 - 7





# ENGINE AND MUFFLER





# ENGINE AND MUFFLER

When ordering parts, please specify the model and serial number of the product.

\* Indicates a component that is not available as an individual part.

\*\*\* Indicates consult Customer Service Department for additional information.

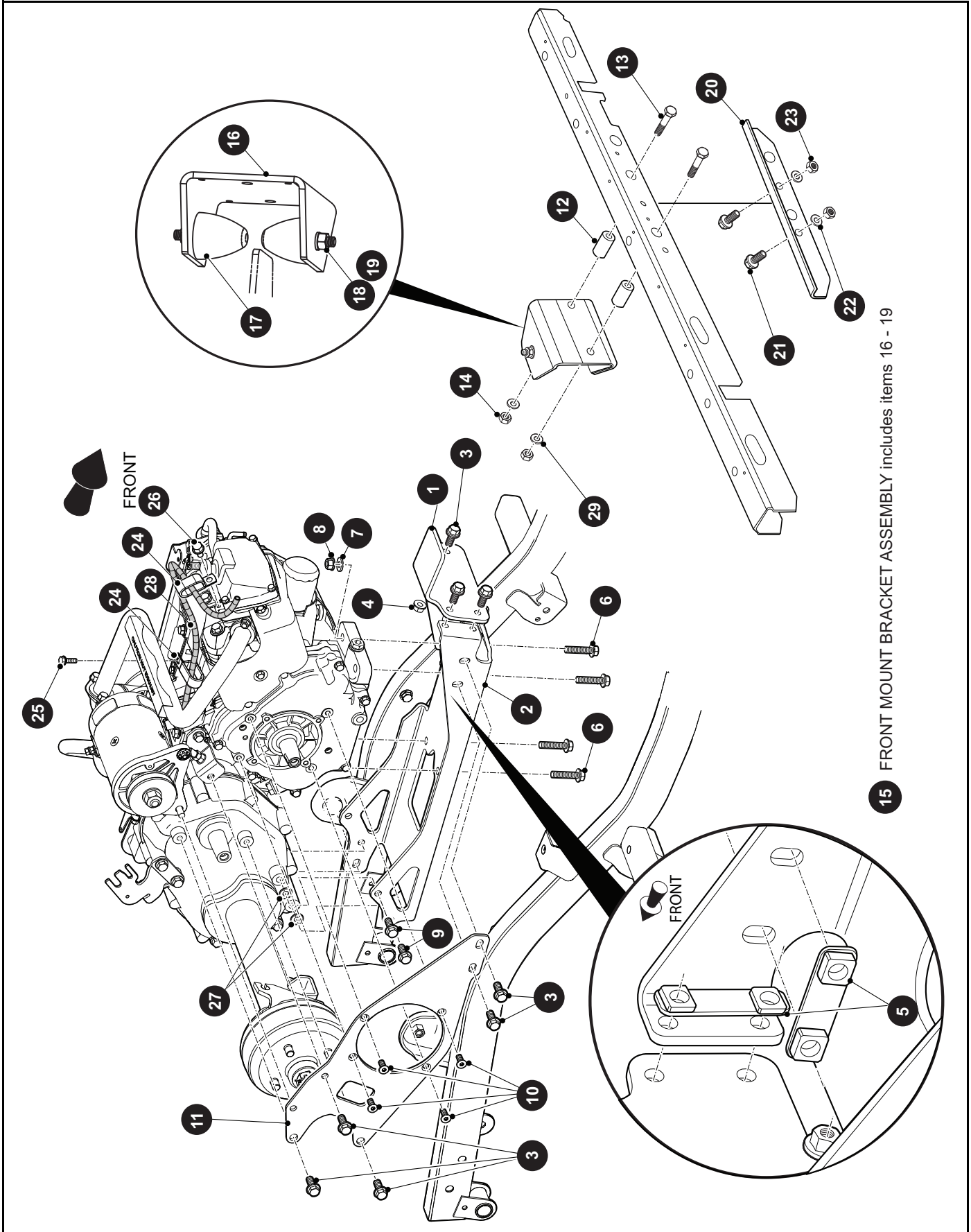
ITEM	PART NO.	1 2 3 4 5	DESCRIPTION	QTY.
1	633740		ENGINE, GAS, 13HP, NON-GOLF (INCLUDES ITEMS 4 - 7) .....	1
2	606390		DIP STICK, LOW (FOR HAULER 800X) .....	1
3	606391		DIP STICK, HIGH (FOR HAULER 1200X).....	1
4	607454		OIL FILTER.....	1
5	607462		SPARK PLUG (BPR2ES) .....	1
6	603557		OIL DRAIN PLUG.....	1
7	603562		'O' RING, 16MM.....	1
8				
9	612266		MUFFLER .....	1
10	606982		EXHAUST PIPE .....	1
11	606272		SPLIT WASHER, 8MM .....	4
12	606267		NUT, M8 X 1.25.....	4
13	606279		NUT, M10 - 1.25.....	1
14	606256		BOLT, M10 - 1.25 X 25.....	3
15	602330		BOLT, M8 - 1.25 X 30.....	2
16	603599		EXHAUST GASKET.....	2
17				
18	630970		MUFFLER (FOR VEHICLES MANUFACTURED FROM APRIL 2014) .....	1

## Notes:

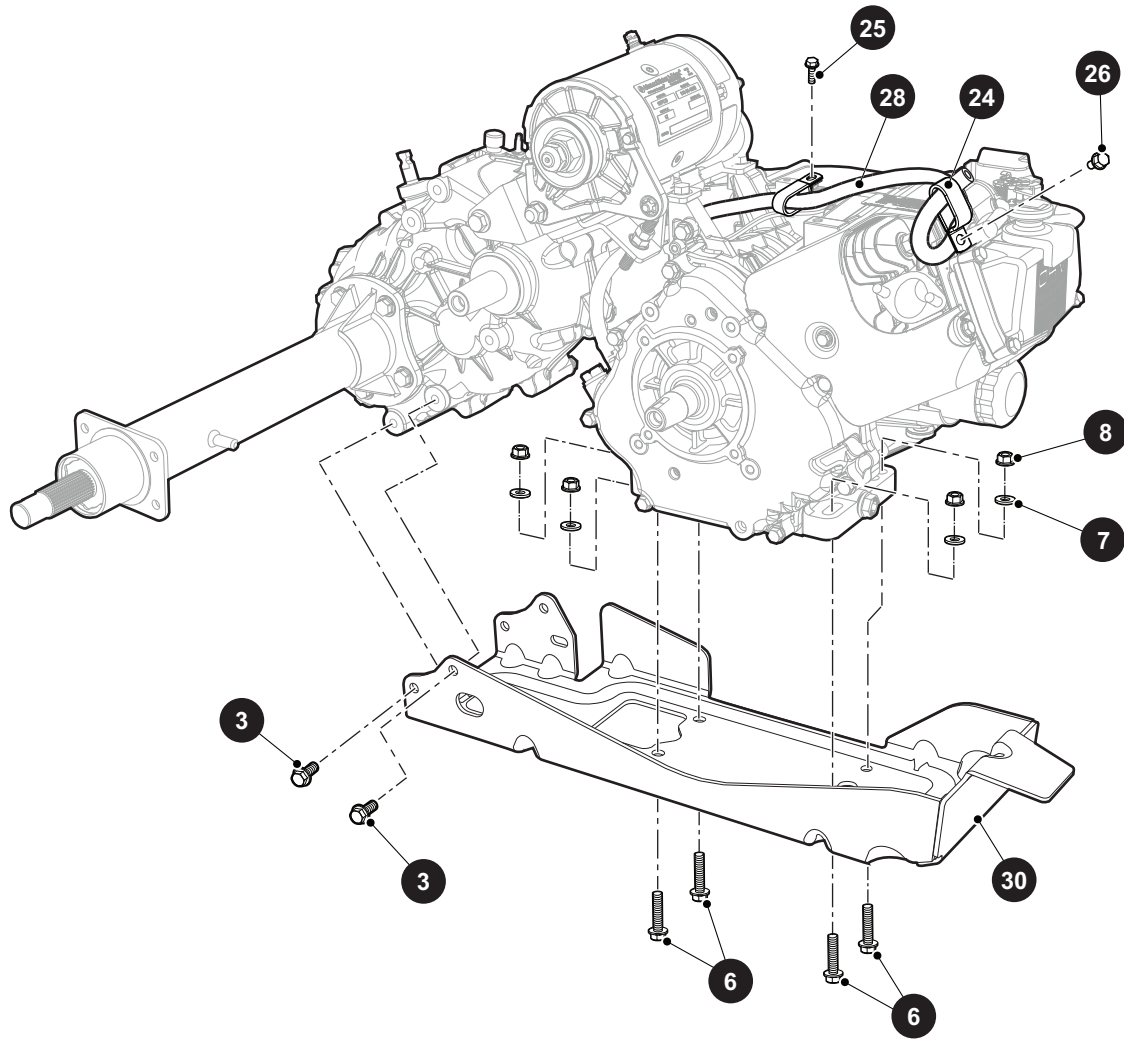
A large grid of 20 columns and 30 rows, designed for taking notes. The grid is empty and occupies most of the page's central area.



# ENGINE MOUNTING



FOR VEHICLES MANUFACTURED FROM APRIL 2014



# ENGINE MOUNTING

When ordering parts, please specify the model and serial number of the product.

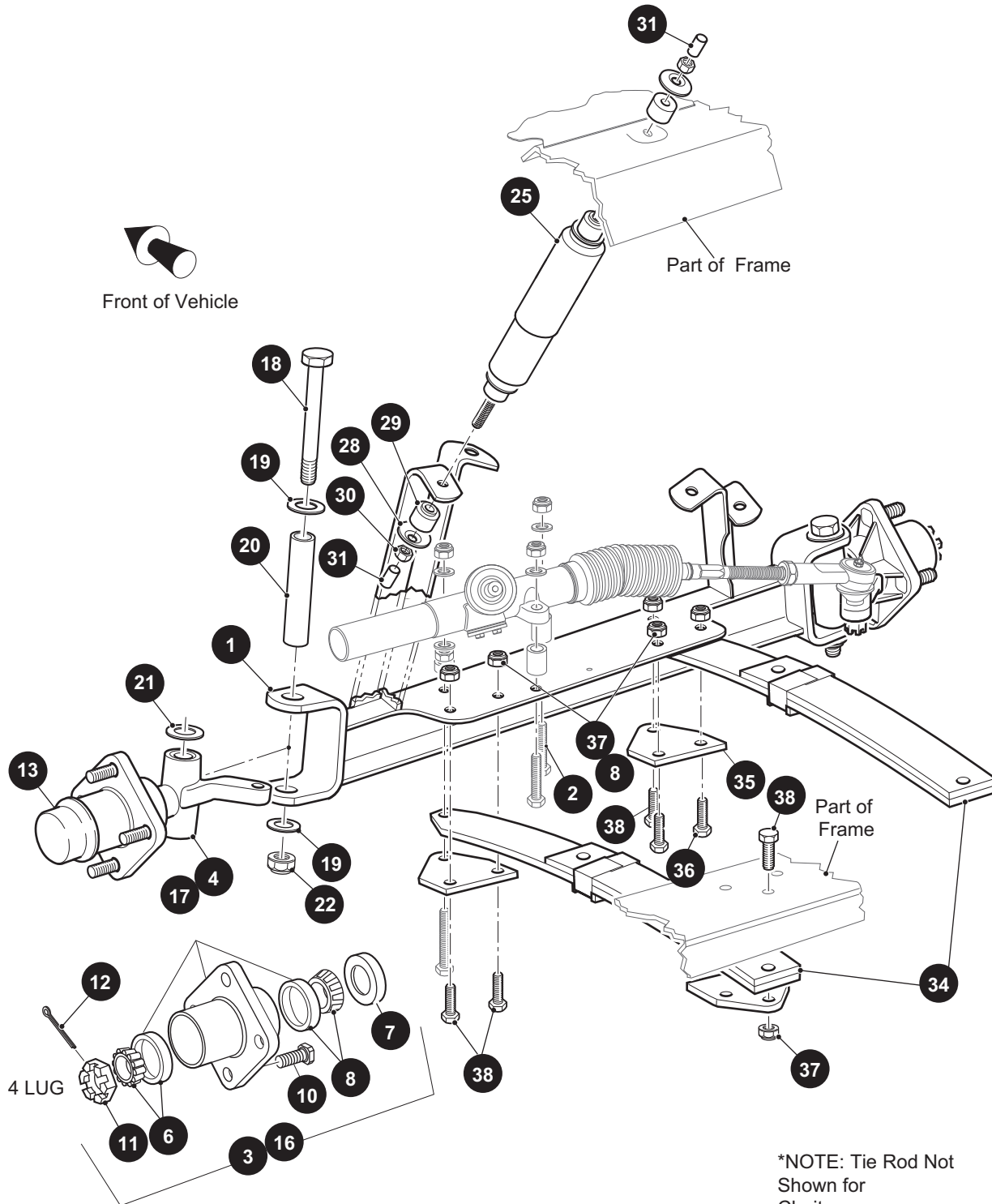
\* Indicates a component that is not available as an individual part.

\*\*\* Indicates consult Customer Service Department for additional information.

ITEM	PART NO.	1 2 3 4 5	DESCRIPTION	QTY.
1	606007		FRONT ENGINE MOUNT .....	1
2	603101		ENGINE PAN MOUNT.....	1
3	606256		HEX HEAD BOLT, M10 - 1.25 X 25MM LG .....	8
4	606279		HEX NUT, M10 - 1.25 .....	1
5	606096		NUT PLATE .....	2
6	606259		HEX HEAD BOLT, M10 - 1.25 X 45MM LG .....	4
7	603823		FLAT WASHER, M10 X 22 - 2.5.....	4
8	606279		HEX NUT, M10 - 1.25 .....	4
9	608020		HEX HEAD BOLT, M10 - 1.25 X 34MM LG .....	4
10	606246		FLAT HEAD SCREW, M6 - 1 X 12MM LG.....	4
11	602146		DIFFERENTIAL PLATE .....	1
12	72016G01		TUBE SPACER .....	2
13	00428G8		HEX HEAD BOLT, 3/8" - 16 X 2.75MM LG .....	2
14	11098G5		PLASTIC INSERT LOCK NUT, 3/8 -16.....	2
15	627627		FRONT MOUNT BRACKET ASSEMBLY (INCLUDES ITEMS 16 - 19).....	1
16	625345		FRONT MOUNT BRACKET.....	1
17	605757		RUBBER BUMPER.....	2
18	00974G01		HEX NUT, M10 X 1.5 .....	2
19	608654		SPLIT LOCK WASHER, 10MM.....	2
20	652247		CROSSMEMBER BRACE.....	1
21	00438G7		HEX HEAD BOLT, 5/16" - 18 X 7/8" LG .....	2
22	00559G8		FLAT WASHER, 5/16" .....	2
23	01109G01		PLASTIC INSERT LOCK NUT, 5/16 -18 UNC.....	2
24	606962		TUBE CLAMP, DBL - .72".....	2
25	606264		HEX HEAD BOLT, M6 - 1 X 20MM LG .....	1
26	606265		HEX HEAD BOLT, M6 - 1 X 12MM LG .....	1
27	00560G2		B TYPE NARROW FLAT WASHER, 7/16" .....	2
28	27184G12		TUBE, (FUEL SYSTEM).....	1
29	00643G1		FLAT WASHER, 3/8" X 1 X .063" .....	2
30	630776		ENGINE PAN (FOR VEHICLES MANUFACTURED FROM APRIL 2014) .....	1



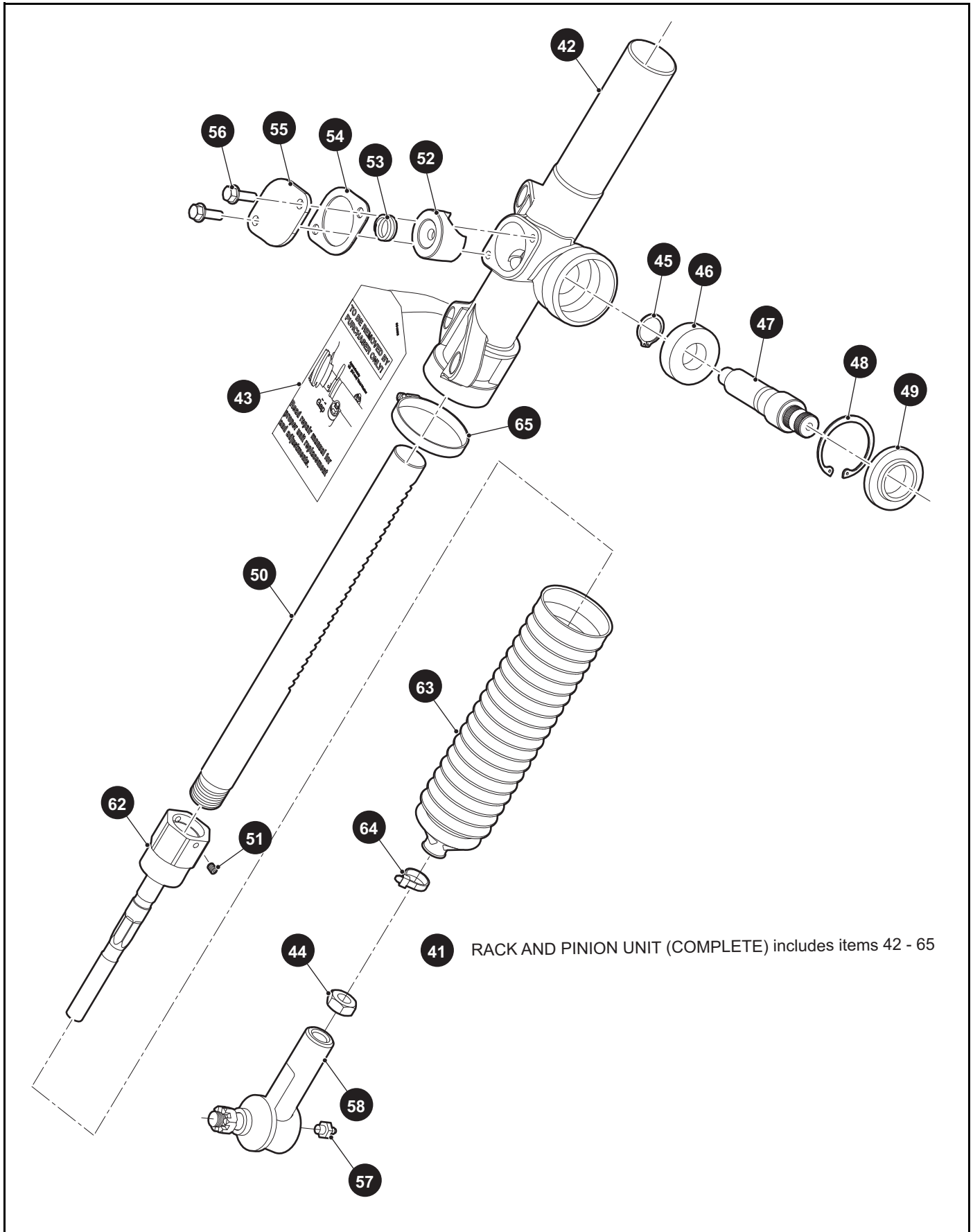
# FRONT SUSPENSION / STEERING - HAULER 800



- 3** SPINDLE AND HUB ASSEMBLY, 4 LUG (PASSENGER SIDE) includes items 4 -13
- 9** WHEEL HUB ASSEMBLY WITH RACES, 4 LUG includes item 10
- 16** SPINDLE AND HUB ASSEMBLY, 4 LUG (DRIVER SIDE) includes items 7 - 13 , 17



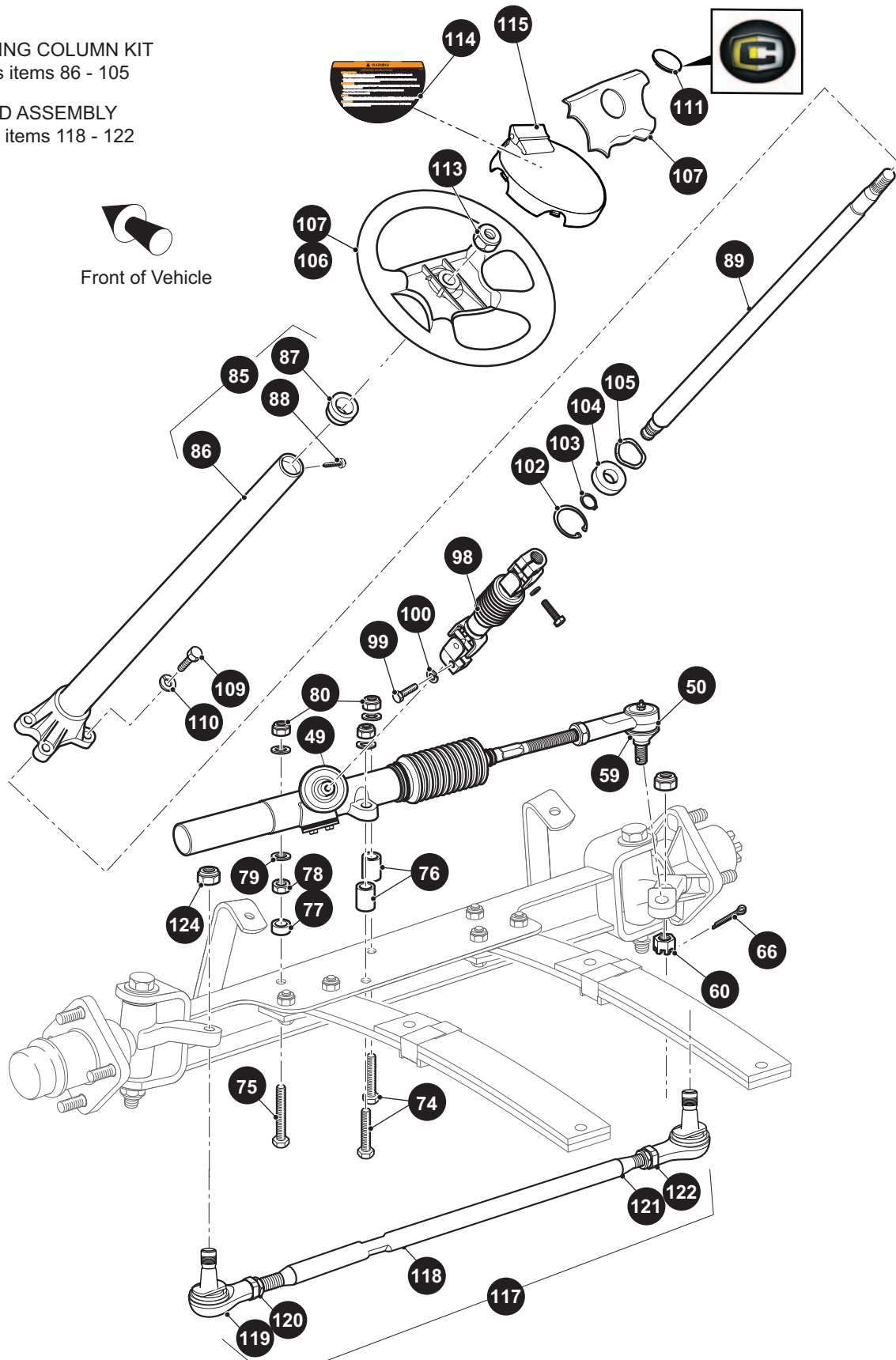
# FRONT SUSPENSION / STEERING - HAULER 800



# FRONT SUSPENSION / STEERING - HAULER 800

**85** STEERING COLUMN KIT  
includes items 86 - 105

**117** TIE ROD ASSEMBLY  
includes items 118 - 122



# FRONT SUSPENSION / STEERING - HAULER 800

When ordering parts, please specify the model and serial number of the product.

\* Indicates a component that is not available as an individual part.

\*\*\* Indicates consult Customer Service Department for additional information.

ITEM	PART NO.	1 2 3 4 5	DESCRIPTION	QTY.
1	602512		FRONT AXLE.....	1
2	00464G8		HEX HEAD BOLT, 7/16" - 14 X 2 3/4" LG .....	2
3	70942G03		SPINDLE AND HUB ASSEMBLY, 4 LUG (PASSENGER SIDE) (INCLUDES ITEMS 4 - 13) .....	1
4	70940G04		SPINDLE ASSEMBLY (PASSENGER SIDE) (INCLUDES ITEMS 5, 6)...	1
5	70648G01		BEARING .....	1
6	70749G01		BEARING, DP4 .....	1
7	25146G1		GREASE SEAL.....	1
8	50892G1		ROLLER BEARING AND RACE ASSEMBLY.....	2
9	70589G1		WHEEL HUB ASSEMBLY WITH RACES, 4 LUG (INCLUDES ITEM 10)	1
10	19862G1		LUG BOLT, 1/2" - 20 X 1 7/32" LG .....	4
11	12093G1		SLOTTED NUT, 1" - 14.....	1
12	00798G8		COTTER PIN, 5/32" X 1 3/4" LG .....	1
13	12091G2		SPINDLE CAP.....	2
14				
15				
16	70673G03		SPINDLE AND HUB ASSEMBLY, 4 LUG (DRIVER SIDE) (INCLUDES ITEMS 7 - 13 & 17) .....	1
17	70742G02		SPINDLE ASSEMBLY (DRIVER SIDE) (INCLUDES ITEMS 5, 6) .....	1
18	00407G6		HEX HEAD BOLT, 1/2" - 13 X 6" LG .....	2
19	00560G3		FLAT WASHER, 1/2" .....	4
20	70745G01		KING PIN TUBE.....	2
21	70754G01		THRUST WASHER (SS).....	2
22	14390G6		LOCK NUT, 1/2" - 13.....	2
23				
24				
25	76419G01		SHOCK ABSORBER.....	2
26				
27				
28	10435G1		SHOCK ABSORBER WASHER.....	8
29	10194G1		RUBBER SHOCK ABSORBER BUSHING .....	8

# FRONT SUSPENSION / STEERING - HAULER 800

When ordering parts, please specify the model and serial number of the product.

\* Indicates a component that is not available as an individual part.

\*\*\* Indicates consult Customer Service Department for additional information.

ITEM	PART NO.	1	2	3	4	5	DESCRIPTION	QTY.
30	00532G6						HEX NUT, 3/8" - 24.....	4
31	10044G01						VINYL CAP .....	4
32								
33								
34	70989G03						LEAF SPRING (HEAVY DUTY) (SEE PART NUMBER ON SPRING) .....	2
35	652258						SPRING PLATE.....	4
36								
37	00734G1						LOCK NUT, 7/16" - 14 .....	11
38	00463G11						HEX HEAD BOLT, 7/16" - 14 X 1 3/4" LG.....	11
39								
40								
41	74605G01						RACK AND PINION UNIT (COMPLETE) (INCLUDES ITEMS 42 - 65).....	1
42	70965G01						STEERING RACK COVER & BEARING .....	1
43	*						STEERING BOX INSTALLATION TAG .....	1
44	*						JAM NUT, 1/2" - 20 .....	1
45	70750G01						RETAINING RING (EXTERNAL) .....	1
46	15112G1						BALL BEARING .....	1
47	70603G01						PINION.....	1
48	70751G01						RETAINING RING (INTERNAL).....	1
49	70638G01						SEAL PINION.....	1
50	70604G01						RACK STEERING.....	1
51	*						SET SCREW, #10 - 32 X 0.25" LG .....	1
52	70590G01						RACK LOADER .....	1
53	70666G01						SPRING COMPRESSION .....	1
54	70645G01						GASKET (RACK LOADER) .....	1
55	652259						COVER (RACK LOADER) .....	1
56	71102G01						HEX HEAD SCREW, 1/4" - 20 .....	2
57	10389G3						GREASE FITTING, STRAIGHT .....	1
58	70695G01						TIE ROD END - OUTER .....	1
59	*						GROMMET - TIE ROD END .....	1

# FRONT SUSPENSION / STEERING - HAULER 800

When ordering parts, please specify the model and serial number of the product.

\* Indicates a component that is not available as an individual part.

\*\*\* Indicates consult Customer Service Department for additional information.

ITEM	PART NO.	1 2 3 4 5	DESCRIPTION	QTY.
60	*		SLOTTED NUT, 7/16" - 20.....	1
61				
62	74602G01		ROD END (INNER) .....	1
63	70961G01		RACK BOOT .....	1
64	12416G2		WIRE TIE.....	1
65	11391G8		WIRE TIE.....	1
66	10387G2		COTTER PIN, 3/32" X 1" LG.....	1
67				
68				
69				
70				
71				
72				
73				
74	00464G8		HEX HEAD BOLT, 7/16" - 14 X 2 3/4" LG .....	2
75	01068G01		HEX HEAD BOLT, 7/16" - 14 X 3 1/2" LG .....	1
76	70667G02		SPACER, 1.21" LG .....	2
77	70667G04		SPACER (SHORT), 0.69" LG.....	1
78	00532G7		HEX NUT, 7/16" - 14 .....	1
79	00560G2		FLAT WASHER, 7/16".....	7
80	00734G1		LOCK NUT, 7/16" - 14.....	3
81				
82				
83				
84				
85	70758G05		STEERING COLUMN KIT (INCLUDES ITEMS 86 - 105).....	1
86	70610G03		STEERING COLUMN.....	1
87	28569G01		STEERING COLUMN BUSHING .....	1
88	01022G01		HEX WASHER HEAD SCREW, #6 - 20 X 5/16" LG.....	1
89	70607G01		STEERING SHAFT.....	1

# FRONT SUSPENSION / STEERING - HAULER 800

When ordering parts, please specify the model and serial number of the product.

\* Indicates a component that is not available as an individual part.

\*\*\* Indicates consult Customer Service Department for additional information.

ITEM	PART NO.	1	2	3	4	5	DESCRIPTION	QTY.
90								
91								
92								
93								
94								
95								
96								
97								
98	70580G01						INTERMEDIATE SHAFT .....	1
99	01055G01						HEX HEAD BOLT, M8 X 1.25 - 6G.....	2
100	00565G8						LOCK WASHER, 5/16" .....	2
101								
102	70751G01						RETAINING RING (INTERNAL).....	1
103	70888G01						RETAINING RING (EXTERNAL) .....	1
104	15112G1						BALL BEARING .....	1
105	70887G01						WAVE WASHER .....	1
106	602980						STEERING WHEEL PREMIUM (OPTIONAL).....	1
107	71147G01						STEERING WHEEL COVER.....	1
108	602979						STEERING WHEEL.....	1
109	01006G01						HEX WASHER HEAD BOLT WITH PATCHLOCK, 3/8" - 16 X 1 1/4" LG .....	4
110	00879G1						LOCK WASHER, 3/8" .....	4
111	618086						STEERING WHEEL DECAL (CUSHMAN) .....	1
112								
113	14390G2						LOCK NUT, 5/8" - 18 .....	1
114	608529						STEERING WHEEL LABEL .....	1
115	607925						CLIPBOARD .....	1
116								
117	70876G02						TIE ROD ASSEMBLY (INCLUDES ITEMS 118 - 122).....	1
118	70807G01						THREADED ROD (24" LG).....	1
119	70902G01						TIE ROD END (LEFT HAND THREADS) .....	1

# FRONT SUSPENSION / STEERING - HAULER 800

When ordering parts, please specify the model and serial number of the product.

\* Indicates a component that is not available as an individual part.

\*\*\* Indicates consult Customer Service Department for additional information.

ITEM	PART NO.	1 2 3 4 5	DESCRIPTION	QTY.
120	01069G01		JAM NUT, M12 X 1.25 - 05 (LEFT HAND THREADS) .....	1
121	70902G02		TIE ROD END (RIGHT HAND THREADS).....	1
122	01069G02		JAM NUT, M12 X 1.25 - 05 (RIGHT HAND THREADS) .....	1
123	00734G1		LOCK NUT, 7/16" - 14 .....	2



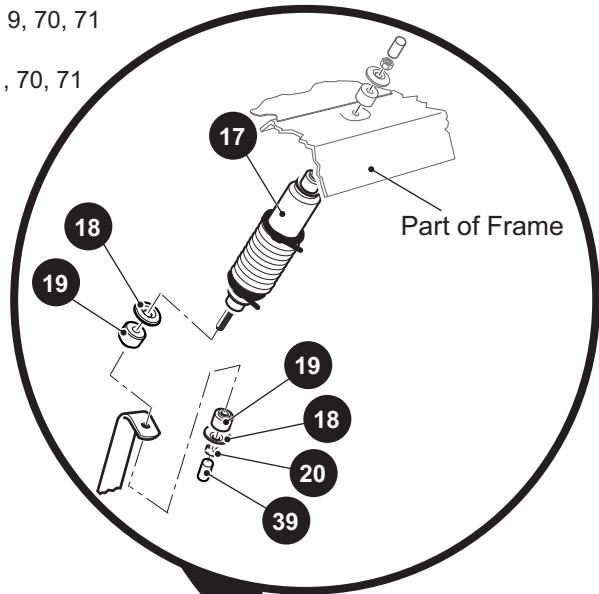




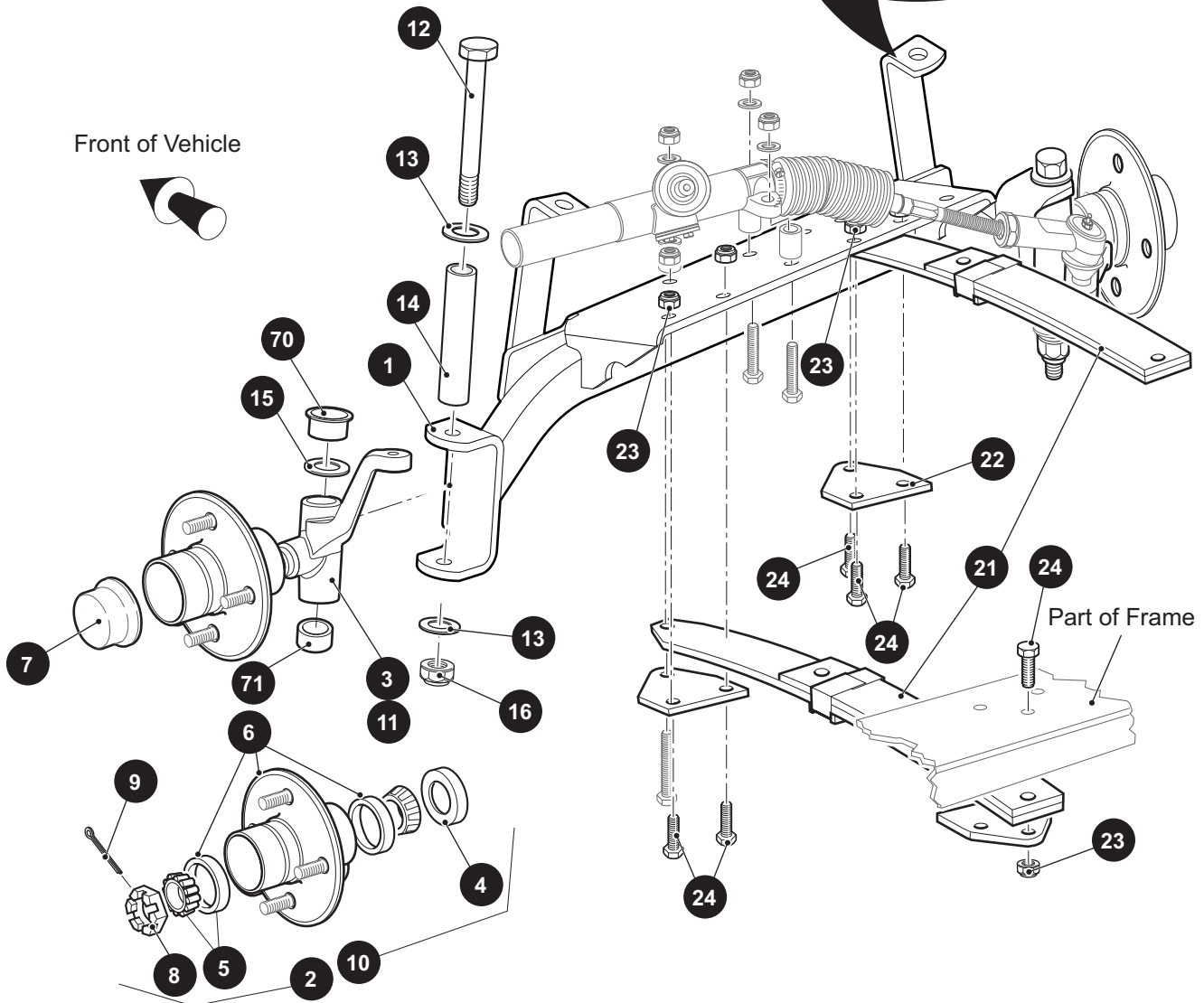
# FRONT SUSPENSION / STEERING - HAULER 1200

**2** PASSENGER SIDE SPINDLE ASSEMBLY includes items 3 - 9, 70, 71

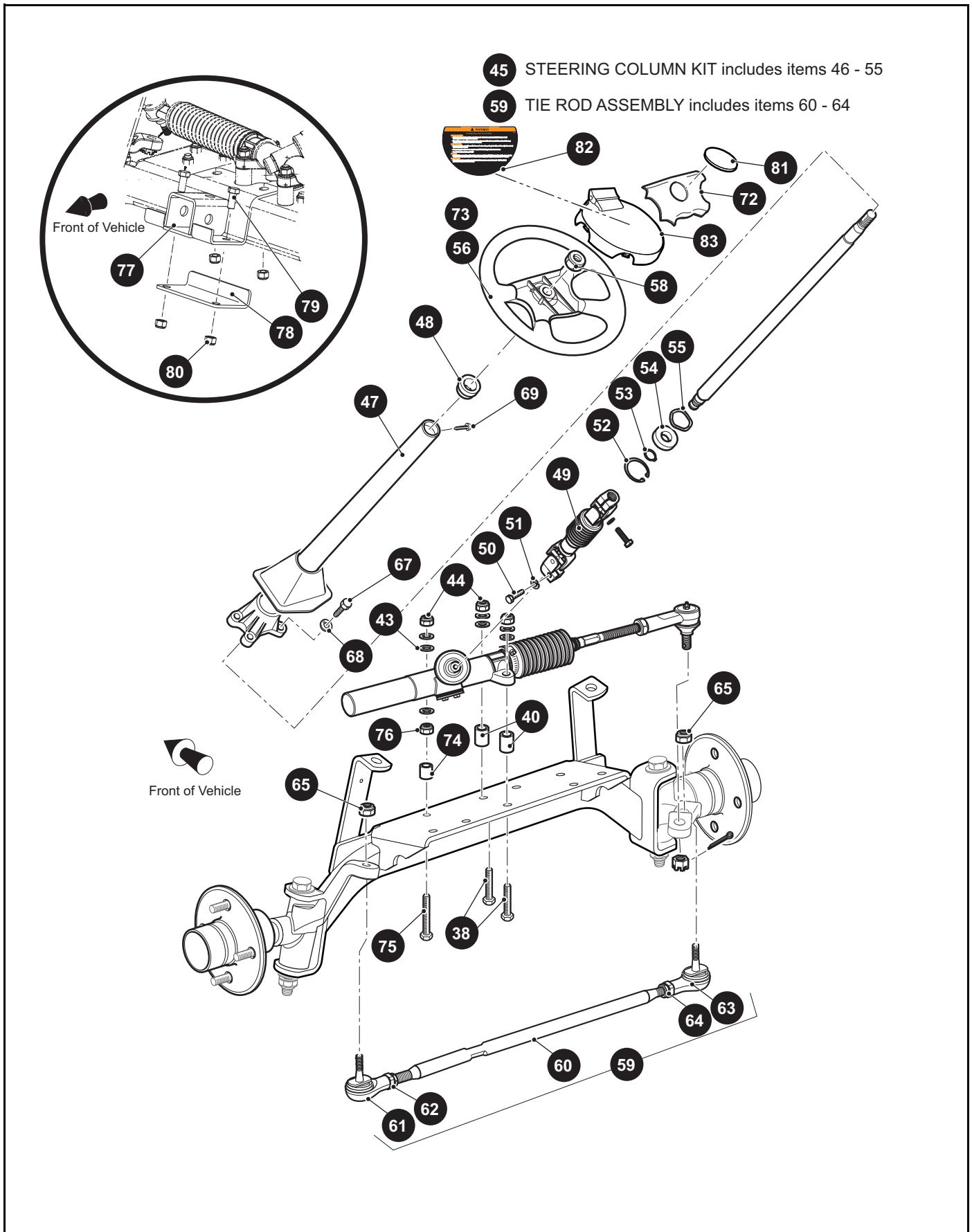
**10** DRIVER SIDE SPINDLE ASSEMBLY includes items 4 - 9, 11, 70, 71



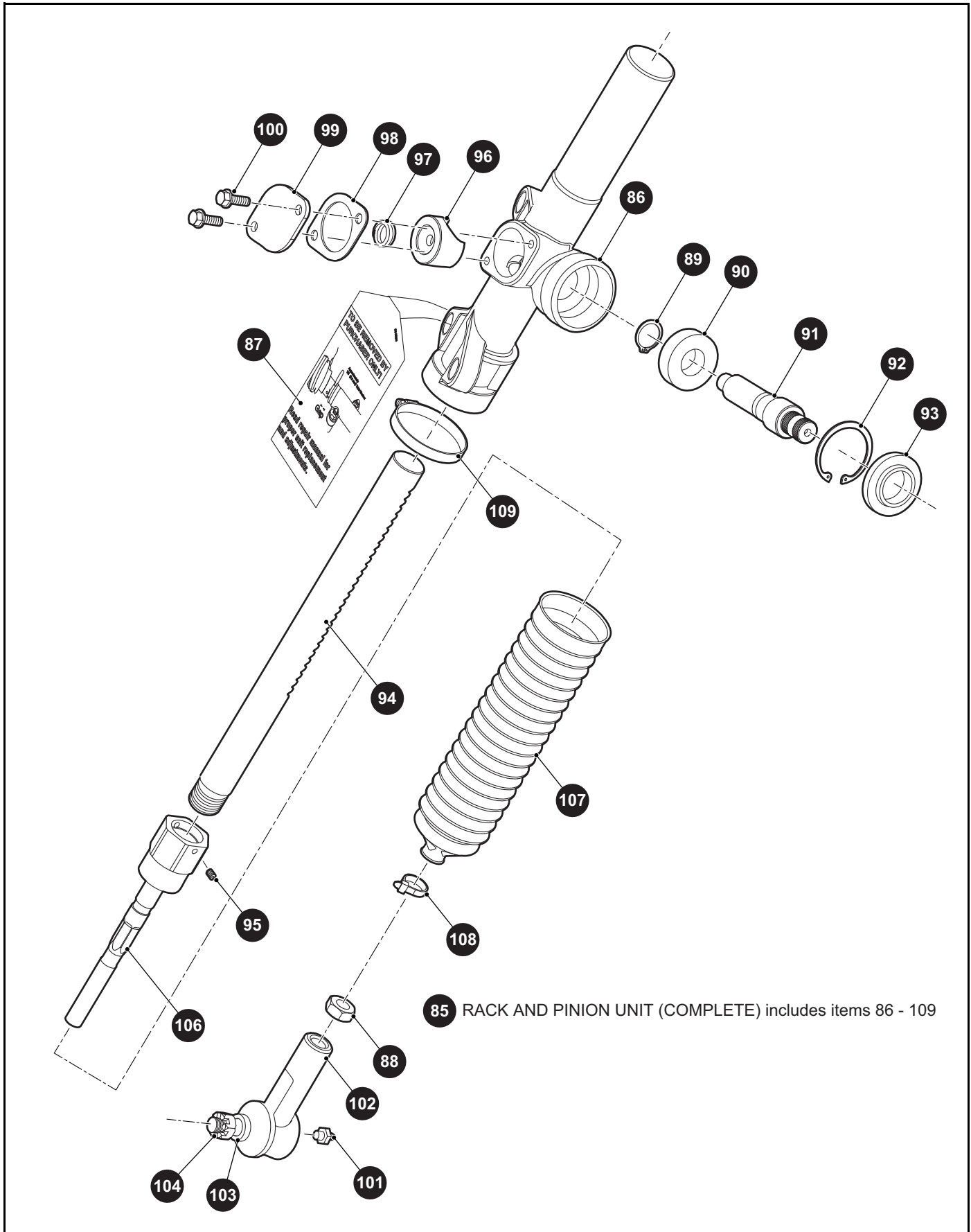
Front of Vehicle



# FRONT SUSPENSION/STEERING - HAULER 1200



# FRONT SUSPENSION / STEERING - HAULER 1200



# FRONT SUSPENSION / STEERING - HAULER 1200

When ordering parts, please specify the model and serial number of the product.

\* Indicates a component that is not available as an individual part.

\*\*\* Indicates consult Customer Service Department for additional information.

ITEM	PART NO.	1 2 3 4 5	DESCRIPTION	QTY.
1	652823		FRONT AXLE.....	1
2	70930G01		SPINDLE AND HUB ASSEMBLY, 4 LUG (PASSENGER SIDE) (INCLUDES ITEMS 3 - 9, 70, 71) .....	1
3	70802G01		SPINDLE ASSEMBLY (PASSENGER SIDE) .....	1
4	25146G1		GREASE SEAL.....	1
5	11750G2		ROLLER BEARING AND RACE ASSEMBLY .....	2
6	35886G01		WHEEL HUB ASSEMBLY WITH RACES, 4 LUG.....	1
7	12091G2		SPINDLE CAP .....	1
8	12093G1		CASTELLATED NUT, 1" - 14.....	1
9	00798G8		COTTER PIN, 5/32" X 1 3/4" LG .....	1
10	70931G01		SPINDLE AND HUB ASSEMBLY, 4 LUG (DRIVER SIDE) (INCLUDES ITEMS 4 - 9, 11, 70, 71).....	1
11	70803G01		SPINDLE ASSEMBLY (DRIVER SIDE) .....	1
12	00407G6		HEX HEAD BOLT, 1/2" - 13 X 6" LG .....	2
13	00560G3		WASHER, 1/2" .....	4
14	70745G01		KING PIN TUBE.....	2
15	70754G01		THRUST WASHER (SS), 1" .....	2
16	14390G6		LOCK NUT, 1/2" - 13.....	2
17	76419G01		SHOCK ABSORBER.....	2
18	10435G1		SHOCK ABSORBER WASHER.....	8
19	10194G1		RUBBER BUSHING.....	8
20	00532G6		HEX NUT, 1/4" - 20 .....	4
21	70990G03		LEAF SPRING (HEAVY DUTY) .....	2
22	652258		SPRING PLATE .....	4
23	00734G1		LOCK NUT, 7/16 " - 14.....	11
24	00463G11		HEX HEAD BOLT, 7/16" - 14 X 1 5/8" LG .....	11
25				
26				
27				
28				
29				
30				

# FRONT SUSPENSION / STEERING - HAULER 1200

When ordering parts, please specify the model and serial number of the product.

\* Indicates a component that is not available as an individual part.

\*\*\* Indicates consult Customer Service Department for additional information.

ITEM	PART NO.	1	2	3	4	5	DESCRIPTION	QTY.
31								
32								
33								
34								
35								
36								
37								
38	00464G8						HEX HEAD BOLT, 7/16" - 14 X 2 3/4" LG.....	2
39	10044G01						VINYL CAP.....	4
40	70667G02						SPACER, O.D 1" X I.D .46" X 1.2" LG.....	2
41								
42								
43	00560G2						FLAT WASHER, 1/2".....	7
44	00734G1						LOCK NUT, 7/16" - 14.....	3
45	70758G05						STEERING COLUMN KIT (INCLUDES ITEMS 46 - 55).....	1
46	70607G01						STEERING SHAFT.....	1
47	70610G03						STEERING COLUMN.....	1
48	28569G01						STEERING COLUMN BUSHING.....	1
49	70580G01						INTERMEDIATE SHAFT.....	1
50	01055G01						METRIC BOLT, M8 X 1.25 - 05.....	1
51	00565G8						LOCK WASHER, 5/16".....	1
52	70751G01						RETAINING RING (INTERNAL).....	1
53	70888G01						RETAINING RING (EXTERNAL).....	1
54	15112G1						BALL BEARING.....	1
55	70887G01						WAVE WASHER.....	1
56	602979						STEERING WHEEL.....	1
57	71950G01						CLIPBOARD.....	1
58	14390G2						LOCK NUT, 5/8"- 18.....	1
59	70876G02						TIE ROD ASSEMBLY (INCLUDES ITEMS 60 - 64).....	1
60	70897G02						THREADED ROD (24" LG).....	1
61	70902G01						TIE ROD END (LEFT HAND THREADS).....	1

# FRONT SUSPENSION / STEERING - HAULER 1200

When ordering parts, please specify the model and serial number of the product.

\* Indicates a component that is not available as an individual part.

\*\*\* Indicates consult Customer Service Department for additional information.

ITEM	PART NO.	1 2 3 4 5	DESCRIPTION	QTY.
62	01069G01		JAM NUT, M12 X 1.25 - 05 (LEFT HAND THREADS) .....	1
63	70902G02		TIE ROD END (RIGHT HAND THREADS).....	1
64	01069G02		JAM NUT, M12 X 1.25 - 05 (RIGHT HAND THREADS).....	1
65	00734G1		LOCK NUT, 7/16" - 14.....	2
66				
67	01006G01		HEX WASHER HEAD BOLT, 3/8" - 16 x 1 1/4" LG .....	4
68	00879G1		LOCK WASHER, 3/8" .....	4
69	01022G01		SCREW #6 - 20 x 5/16" LG .....	1
70	70648G01		FLANGED BEARING .....	1
71	70749G01		BEARING .....	1
72	71147G01		STEERING WHEEL COVER .....	1
73	602980		STEERING WHEEL, PREMIUM .....	1
74	70667G04		SPACER, O.D 1" X I.D .46" X .69" LG .....	1
75	01068G01		HEX HEAD BOLT, 7/16" - 14 X 3.5" LG .....	1
76	00532G7		HEX NUT, 1/4" - 20 .....	1
77	635202		WINCH RECEIVER WELDMENT .....	1
78	604572		WINCH RECEIVER RETAINER.....	1
79	00462G8		HEX HEAD CAP BOLT, 7/16" - 14 X 7/8" LG.....	4
80	00734G1		HEX LOCK NUT, 7/16" - 14 .....	4
81	605435		E-Z-GO DECAL.....	1
82	608529		STEERING WHEEL LABEL .....	1
83	607925		CLIPBOARD .....	1
84				
85	70964G01		RACK AND PINION UNIT (COMPLETE) (INCLUDES ITEMS 86 - 109) .....	1
86	70965G01		STEERING RACK COVER & BEARING .....	1
87	*		STEERING BOX INSTALLATION TAG.....	1
88	*		JAM NUT, 1/2" - 20 .....	1
89	70750G01		RETAINING RING (EXTERNAL) .....	1
90	15112G1		BALL BEARING .....	1
91	70603G01		PINION .....	1
92	70751G01		RETAINING RING (INTERNAL) .....	1

# FRONT SUSPENSION / STEERING - HAULER 1200

When ordering parts, please specify the model and serial number of the product.

\* Indicates a component that is not available as an individual part.

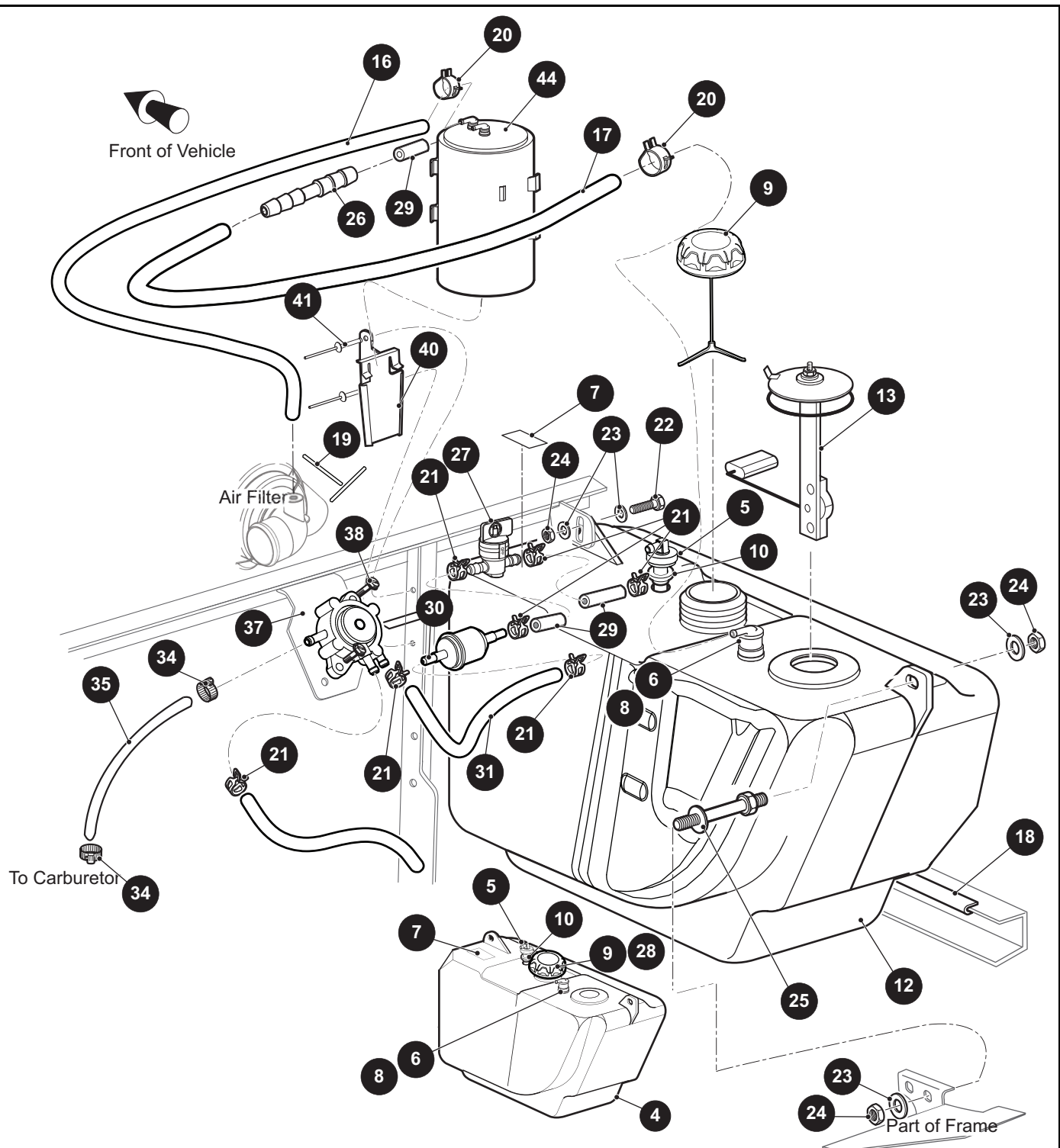
\*\*\* Indicates consult Customer Service Department for additional information.

ITEM	PART NO.	1	2	3	4	5	DESCRIPTION	QTY.
93	70638G01						SEAL PINION.....	1
94	70604G01						RACK STEERING.....	1
95	*						SET SCREW, #10 - 32 X .25" LG .....	1
96	70590G01						RACK LOADER .....	1
97	70666G01						SPRING COMPRESSION .....	1
98	70645G01						GASKET (RACK LOADER) .....	1
99	652259						COVER (RACK LOADER) .....	1
100	71102G01						HEX WASHER HEAD SCREW, 1/4" - 20 X 3/4" LG.....	2
101	10389G3						GREASE FITTING, STRAIGHT .....	1
102	70695G01						TIE ROD END - OUTER .....	1
103	*						GROMMET - TIE ROD END .....	1
104	*						SLOTTED NUT, 7/16" - 20 .....	1
105								
106	74694G01						ROD END (INNER).....	1
107	70961G01						BELLOWS, RACK COVER.....	1
108	12416G2						WEDGE CLAMP (NYLON), 11.8" LG.....	1
109	11391G8						CLAMP, HOSE .....	1





# FUEL SYSTEM



- 1 CARB FUEL TANK ASSEMBLY (WITHOUT SWITCH) includes items 3 - 10
- 2 CARB FUEL TANK ASSEMBLY (WITH SWITCH) includes items 5 - 13
- 3 FLUOR FUEL TANK (WITHOUT SENDER UNIT) includes item 4

## EARLY PRODUCTION VEHICLES

# FUEL SYSTEM

When ordering parts, please specify the model and serial number of the product.

\* Indicates a component that is not available as an individual part.

\*\*\* Indicates consult Customer Service Department for additional information.

ITEM	PART NO.	1 2 3 4 5	DESCRIPTION	QTY.
1	645033		CARB FUEL TANK ASSEMBLY (WITHOUT SWITCH) (INCLUDES ITEMS 3 - 10) .....	1
2	645034		CARB FUEL TANK ASSEMBLY (WITH SWITCH) (INCLUDES ITEMS 5 - 13) .....	1
3	*		FLUOR FUEL TANK (WITHOUT SENDER UNIT) (INCLUDES ITEM 4) .	1
4	*		NON-FLOUR FUEL TANK (WITHOUT SENDER UNIT) .....	1
5	18287G3		SIPHON TUBE ASSEMBLY .....	1
6	606068		ROLLOVER VALVE GROMMET .....	1
7	625826		EPA FUEL TANK LABEL .....	1
8	606067		ROLLOVER VALVE .....	1
9	633423		FUEL TANK CAP (RATCHET) .....	1
10	70988G01		SIPHON TUBE GROMMET.....	1
11				
12	*		NON-FLUOR FUEL TANK (WITH SENDER UNIT) .....	1
13	633024G02		PRESS FIT FUEL SENDER .....	1
14				
15				
16	606966		LOW PRESSURE FUEL HOSE (CARB), 3/16" I.D X 3/8" O.D X 34" LG .....	1
17	607546		LOW PRESSURE FUEL HOSE (CARB), 3/16" I.D X 3/8" O.D X 17" LG .....	1
18	32372G6		BLACK TRIM, 6.25" LG .....	1
19	17618G1		NYLON CLAMP .....	2
20	606963		TUBING CLAMP, 3/16" I.D.....	2
21	18292G1		HOSE CLAMP, .50" DIA.....	7
22	00438G8		HEX HEAD BOLT, 5/16" - 18 X 1" LG .....	1
23	00559G8		FLAT WASHER, 5/16" .....	4
24	11098G6		LOCK NUT, 5/16" - 18.....	3
25	70483G01		SPACER BOLT, 5/16" - 18 .....	1
26	615346		HOSE REDUCER, 1/4" I.D X 3/16".....	1
27	611181		FUEL SHUT-OFF VALVE .....	1
28				
29	615350		FUEL SYSTEM HOSE, 2" LG .....	3

# FUEL SYSTEM

When ordering parts, please specify the model and serial number of the product.

\* Indicates a component that is not available as an individual part.

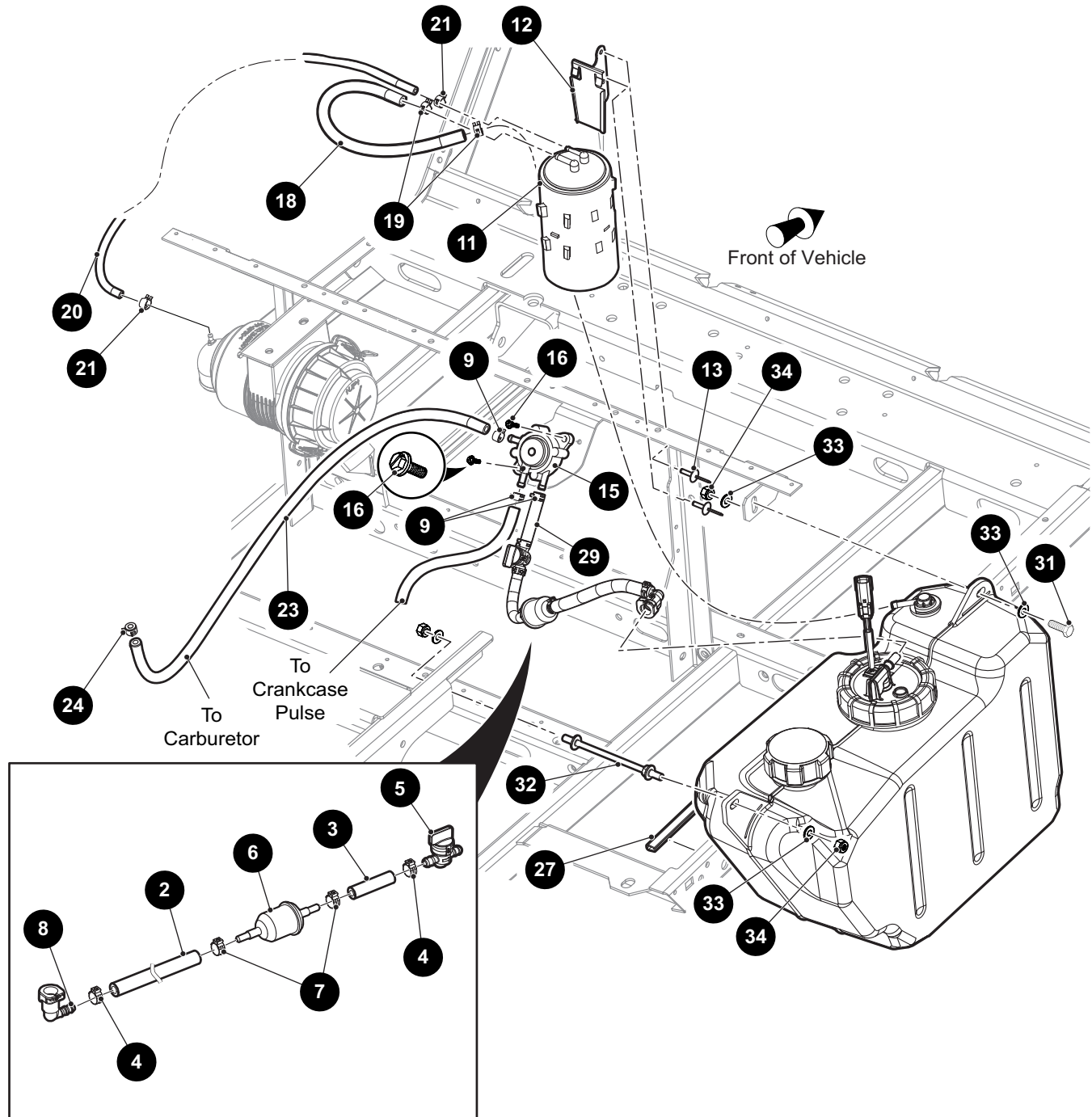
\*\*\* Indicates consult Customer Service Department for additional information.

ITEM	PART NO.	1 2 3 4 5	DESCRIPTION	QTY.
30	72084G01		FUEL LINE FILTER .....	1
31	606969		FUEL SYSTEM HOSE, .25" I.D. X .50" O.D X 8" LG .....	1
32				
33				
34	11391G4		HOSE CLAMP, .25" - .63" DIA.....	2
35	604597		CARB FUEL SYSTEM HOSE, .25" I.D X.50" O.D X 26" LG .....	1
36				
37	602061		FUEL PUMP .....	1
38	00114G6		HEX WASHER HEAD SLOTTED TAPPING SCREW, 1/4" - 14 X .75" LG .....	2
39				
40	606310		CARBON CANISTER MOUNTING BRACKET .....	1
41	10570G11		RIVET, 3/16" DIA X .70".....	2
42				
43				
44	606071		CARBON CANISTER .....	1



# FUEL SYSTEM

**1** FUEL LINE ASSEMBLY includes items 2 - 8



**LATE PRODUCTION VEHICLES**

# FUEL SYSTEM

When ordering parts, please specify the model and serial number of the product.

\* Indicates a component that is not available as an individual part.

\*\*\* Indicates consult Customer Service Department for additional information.

ITEM	PART NO.	1 2 3 4 5	DESCRIPTION	QTY.
1	649515		FUEL LINE ASSEMBLY (INCLUDES ITEMS 2 - 8) .....	1
2	649570		HOSE, .312" I.D. X .562" O.D. X 9" LG .....	1
3	615350		HOSE, 2" LG .....	1
4	649873		CLAMP, 1/2" O.D. ....	2
5	611181		SHUT-OFF VALVE.....	1
6	72084G01		FUEL FILTER .....	1
7	649874		CLAMP, 9/16" O.D. ....	2
8	649577		CONNECTOR, 5/16" I.D. ....	1
9	18292G1		CLAMP, 1/2" O.D. ....	3
10				
11	606071		CARBON CANISTER.....	1
12	606310		CANISTER BRACKET .....	1
13	10570G11		RIVET (SS), 3/16" X .70" .....	2
14				
15	602061		FUEL PUMP.....	1
16	00114G6		HEX WASHER HEAD BOLT, 1/4" - 10 X 3/4" LG .....	2
17				
18	27184G14		FUEL SYSTEM TUBE.....	1
19	18292G1		CLAMP, 1/2" O.D. ....	2
20	606966		HOSE, 3/16" I.D. X 34" LG.....	1
21	606963		CLAMP, 3/16" I.D. ....	2
22				
23	604597		FUEL HOSE, 26" LG.....	1
24	18292G1		CLAMP, 1/2" O.D. ....	1
25				
26	17618G1		NYLON CLAMP, 7" LG (NOT ILLUSTRATED).....	2
27	32372G6		VINYL TRIM, 6.25" LG .....	1
28				
29	615350		FUEL HOSE, 2" LG.....	1
30				
31	00438G8		HEX HEAD BOLT, 5/16" - 18 X 5/8" LG .....	1

# FUEL SYSTEM

When ordering parts, please specify the model and serial number of the product.

\* Indicates a component that is not available as an individual part.

\*\*\* Indicates consult Customer Service Department for additional information.

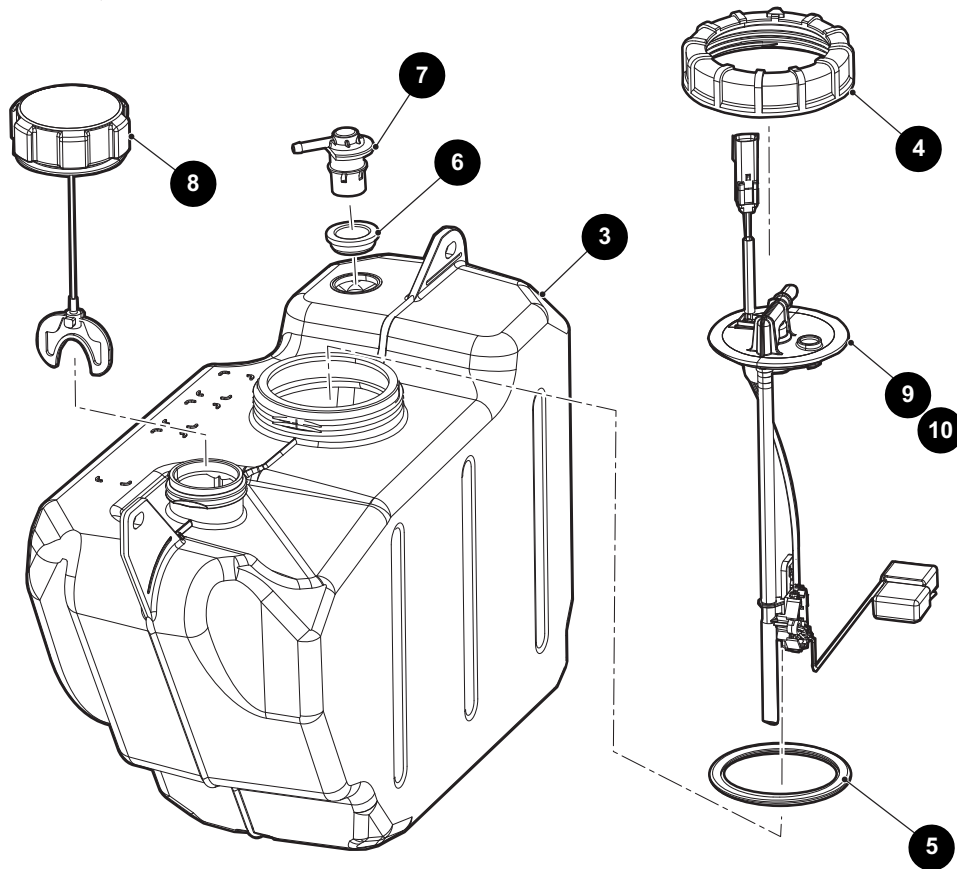
ITEM	PART NO.	1 2 3 4 5	DESCRIPTION	QTY.
32	70483G01		SPACER .....	1
33	00559G8		FLAT WASHER, 5/16" .....	4
34	11098G6		LOCK NUT, 5/16" - 18 .....	3





# FUEL SYSTEM

- 1** FUEL TANK ASSEMBLY (WITH SENDER UNIT)  
includes items 3 - 9
- 2** FUEL TANK ASSEMBLY (WITHOUT SENDER UNIT)  
includes items 3 - 8, 10



**LATE PRODUCTION VEHICLES**

# FUEL SYSTEM

When ordering parts, please specify the model and serial number of the product.

\* Indicates a component that is not available as an individual part.

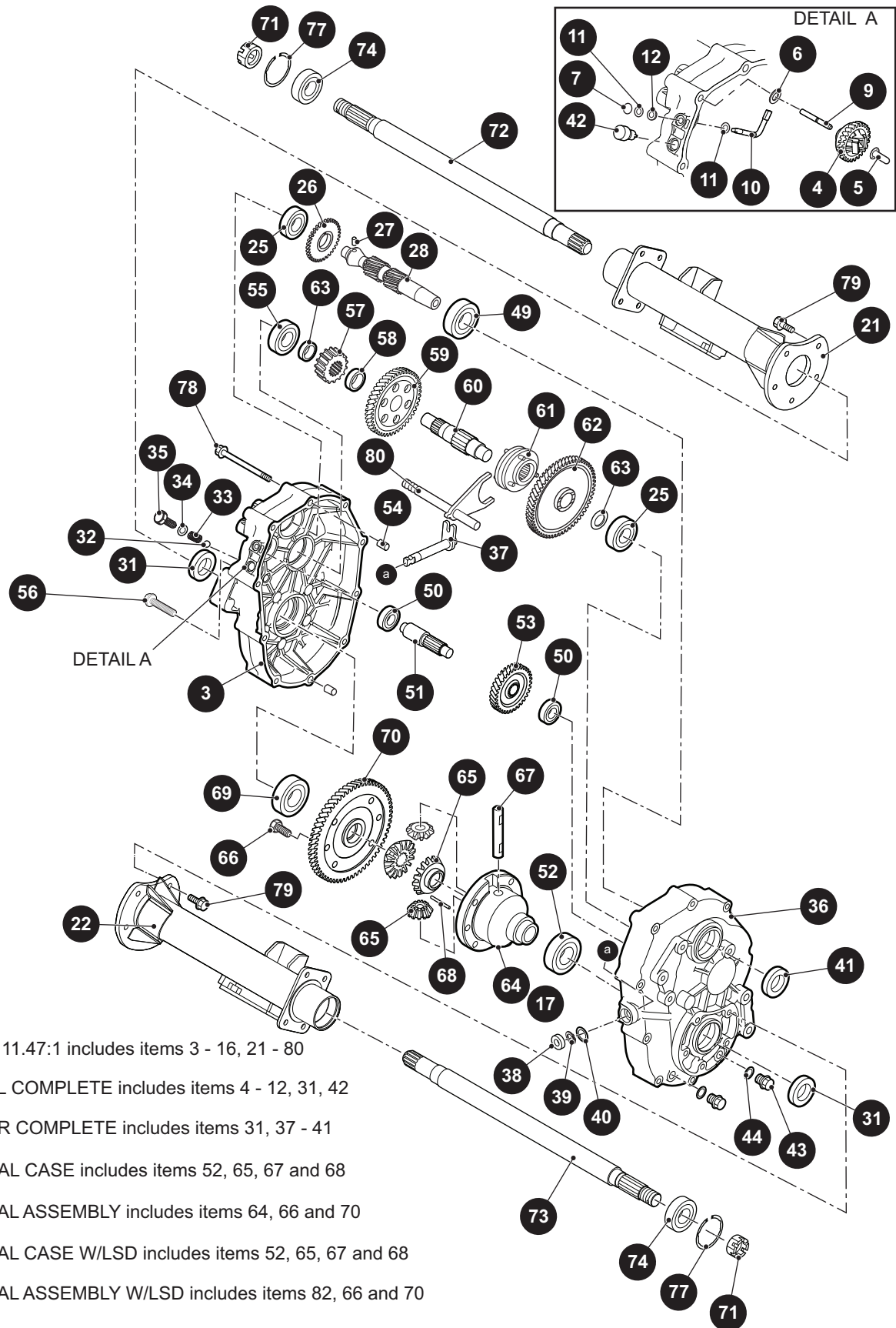
\*\*\* Indicates consult Customer Service Department for additional information.

ITEM	PART NO.	1 2 3 4 5	DESCRIPTION	QTY.
1	656139		FUEL TANK ASSEMBLY (WITH SENDER UNIT) (INCLUDES ITEMS 3 - 9) .....	1
2	656138		FUEL TANK ASSEMBLY (WITHOUT SENDER UNIT) (INCLUDES ITEMS 3 - 8, 10) .....	1
3	646306		FUEL TANK .....	1
4	646837		CAP .....	1
5	646838		SEAL.....	1
6	647810		GROMMET .....	1
7	647809		ROLLOVER VALVE .....	1
8	635688		FUEL CAP .....	1
9	656144		FUEL PICKUP WITH SENDER ASSEMBLY .....	1
10	656135		FUEL PICKUP WITHOUT SENDER ASSEMBLY .....	1





# REAR AXLE



- 1 REAR AXLE, 11.47:1 includes items 3 - 16, 21 - 80
- 3 AXLE CASE L COMPLETE includes items 4 - 12, 31, 42
- 36 AXLE CASE R COMPLETE includes items 31, 37 - 41
- 64 DIFFERENTIAL CASE includes items 52, 65, 67 and 68
- 16 DIFFERENTIAL ASSEMBLY includes items 64, 66 and 70
- 17 DIFFERENTIAL CASE W/LSD includes items 52, 65, 67 and 68
- 18 DIFFERENTIAL ASSEMBLY W/LSD includes items 82, 66 and 70
- 2 REAR AXLE W/LSD, 11.47:1 includes items 3 - 12, 17 - 63, 65 - 80

# REAR AXLE

When ordering parts, please specify the model and serial number of the product.

\* Indicates a component that is not available as an individual part.

\*\*\* Indicates consult Customer Service Department for additional information.

ITEM	PART NO.	1 2 3 4 5	DESCRIPTION	QTY.
1	670468		REAR AXLE, 11.47:1 (INCLUDES ITEMS 3 - 16, 21 - 80) .....	1
2	670470		REAR AXLE W/LSD, 11.47:1 (INCLUDES ITEMS 3 - 12, 17 - 63, 65 - 80)....	1
3	639859		AXLE CASE L COMPLETE (INCLUDES ITEMS 4 - 12, 31, 42) .....	1
4	665887		GOVERNOR GEAR .....	1
5	639689		GOVERNOR SLEEVE .....	1
6	607904		FLAT WASHER .....	1
7	607913		RETAINING RING E5 .....	1
8				
9	639698		GOVERNOR GEAR SHAFT .....	1
10	639707		GOVERNOR SHAFT .....	1
11	639736		FLAT WASHER, 6MM .....	2
12	607911		OIL SEAL, 6 x 10 x 2.5 MM.....	1
13				
14				
15				
16	639847		DIFFERENTIAL ASSEMBLY (INCLUDES ITEMS 64, 66 AND 70) .....	1
17	640098		DIFFERENTIAL CASE W/LSD (INCLUDES ITEMS 52, 65, 67 AND 68) .....	1
18	639847		DIFFERENTIAL ASSEMBLY W/LSD (INCLUDES ITEMS 17, 66 AND 70).....	1
19				
20				
21	607939		AXLE CASE L COMPLETE .....	1
22	607940		AXLE CASE R COMPLETE .....	1
23				
24				
25	26785G01		BALL BEARING (6204) .....	2
26	665888		GOVERNOR GEAR, 34 .....	1
27	607920		PIN, 6 x 12L.....	1
28	639750		INPUT SHAFT .....	1
29				
30				

# REAR AXLE

When ordering parts, please specify the model and serial number of the product.

\* Indicates a component that is not available as an individual part.

\*\*\* Indicates consult Customer Service Department for additional information.

ITEM	PART NO.	1	2	3	4	5	DESCRIPTION	QTY.
31	639738						OIL SEAL, 24 x 40 x 9MM .....	2
32	26818G01						STEEL BALL .....	1
33	26819G01						SPRING .....	1
34	26831G01						GASKET, 10 .....	1
35	26820G01						FLANGED HEX HEAD BOLT, M10 x 1.25 x 12 MM LG.....	1
36	639865						AXLE CASE R COMPLETE (INCLUDES ITEMS 31, 37 - 41) .....	1
37	639746						SELECT SHAFT .....	1
38	607915						OIL SEAL, 13 x 22 x 5MM .....	1
39	607916						SNAP RING, 13MM .....	1
40	607917						SPACER, 13 x 1MM .....	1
41	640093						OIL SEAL, 28 x 47 x 9MM .....	1
42	607919						AIR BREATHER .....	1
43	639747						OIL DRAIN PLUG .....	2
44	639748						GASKET, 14MM.....	2
45								
46								
47								
48								
49	607922						BALL BEARING (62/28).....	1
50	639868						BALL BEARING (TMB202) .....	2
51	639755						COUNTER SHAFT.....	1
52	640744						BALL BEARING (6006).....	1
53	639758						GEAR, 34 .....	1
54	639869						KNOCK PIPE .....	2
55	639760						BALL BEARING (6304).....	2
56	639768						FLANGED HEX HEAD BOLT, M8 - 1.25 X 40MM LG.....	1
57	639769						GEAR, 17 .....	1
58	28689G01						COLLAR, 24 x 7.5MM.....	1
59	639771						GEAR, 52.....	1
60	670697						CENTER SHAFT.....	1
61	639774						CLUTCH PIN.....	1



# REAR AXLE

When ordering parts, please specify the model and serial number of the product.

\* Indicates a component that is not available as an individual part.

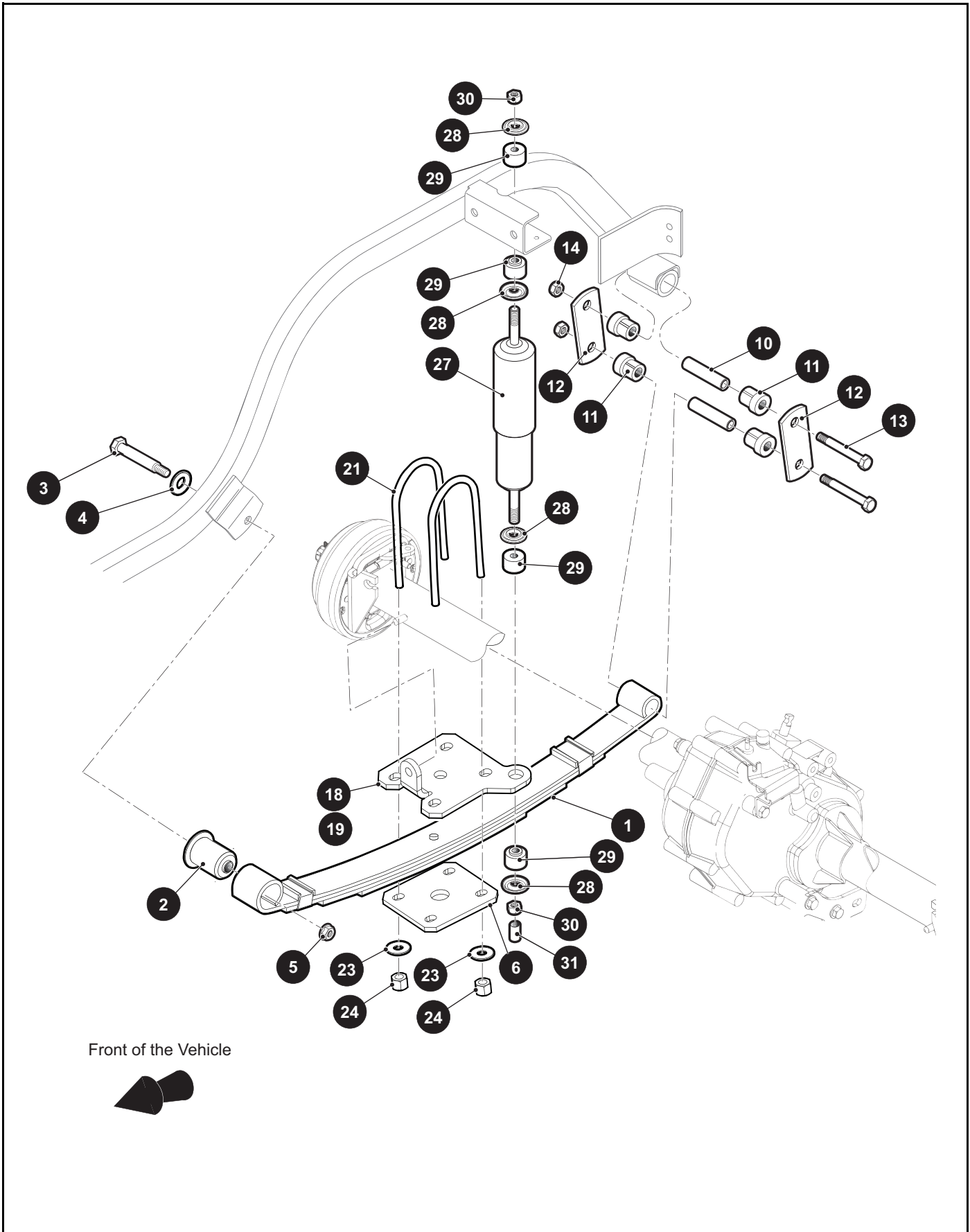
\*\*\* Indicates consult Customer Service Department for additional information.

ITEM	PART NO.	1	2	3	4	5	DESCRIPTION	QTY.
62	670696						GEAR, 61 .....	1
63	639797						SPACER, 20 x 2MM .....	2
64	639872						DIFFERENTIAL CASE (INCLUDES ITEMS 52, 65, 67 AND 68) .....	1
65	639800						DIFFERENTIAL PAIR GEAR .....	1
66	26808G01						HEX HEAD BOLT, M10 x 1.25 x 26 MM LG.....	6
67	28723G01						DIFFERENTIAL SHAFT .....	1
68	28697G01						SPRING PIN, 4 x 40L .....	1
69	639801						BALL BEARING (6007) .....	1
70	640739						GEAR, 60 COMPLETE (INCLUDES ITEM 69).....	1
71	607938						CASTLED NUT, M22 - 1.5 .....	2
72	639876						AXLE SHAFT L COMPLETE (INCLUDES ITEM 74).....	1
73	639881						AXLE SHAFT R COMPLETE (INCLUDES ITEM 74) .....	1
74	639836						BALL BEARING (6205DD).....	2
75								
76								
77	26814G01						SNAP RING, 52MM .....	2
78	639839						FLANGED HEX HEAD BOLT, M8 x 1.25 x 60MM LG .....	9
79	639840						FLANGED HEX HEAD BOLT, M10 x 1.25 x 25MM LG .....	10
80	639844						SHIFT SHAFT COMPLETE.....	1





# REAR SUSPENSION (HAULER 800X)



# REAR SUSPENSION (HAULER 800X)

When ordering parts, please specify the model and serial number of the product.

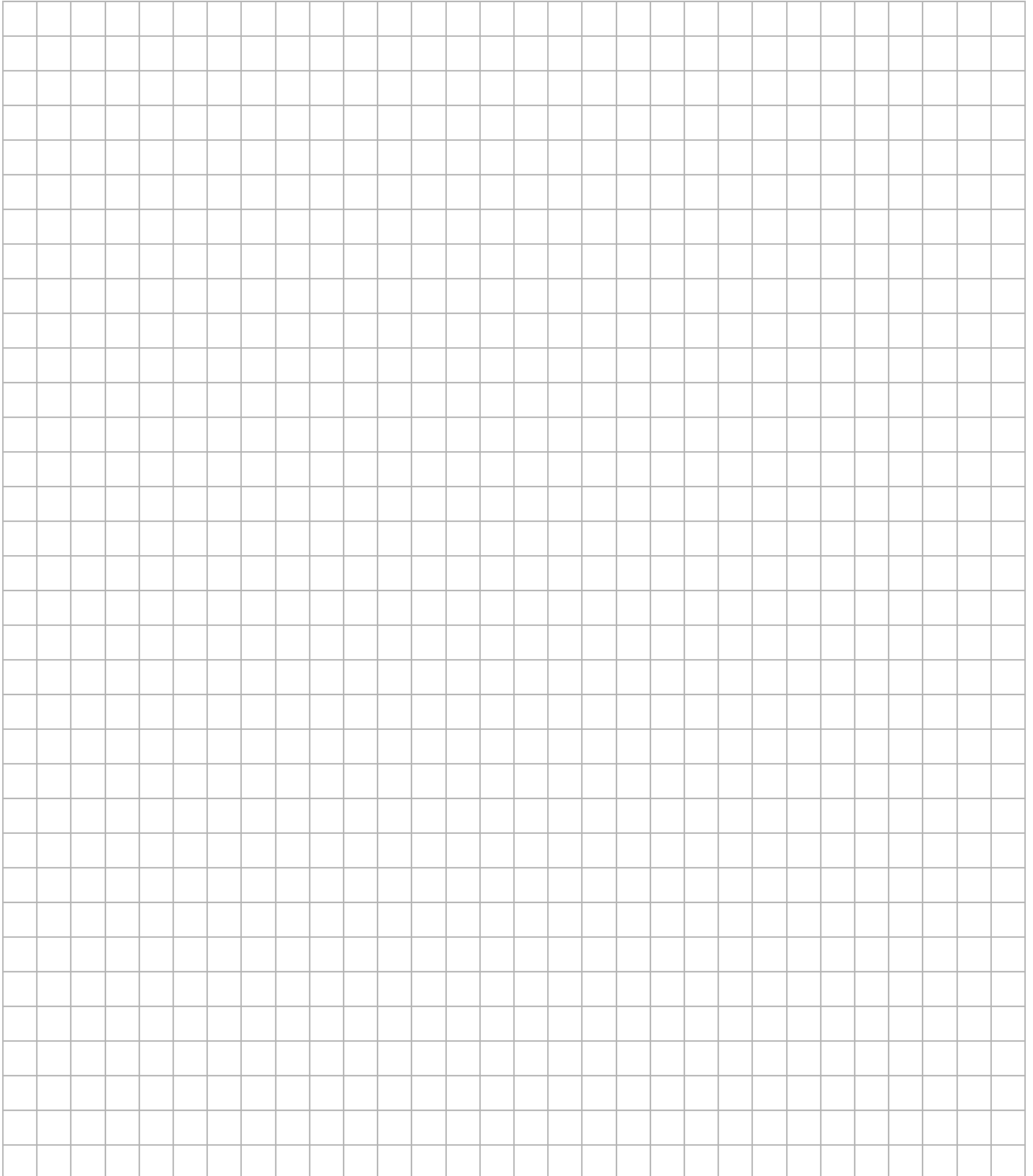
\* Indicates a component that is not available as an individual part.

\*\*\* Indicates consult Customer Service Department for additional information.

ITEM	PART NO.	1 2 3 4 5	DESCRIPTION	QTY.
1	605722		HEAVY DUTY LEAF SPRING.....	2
2	605445		LEAF SPRING BUSHING, FRONT.....	2
3	00665G9		HEX HEAD BOLT (SS), 3/8" - 16 X 3.5 LG.....	2
4	00643G1		FLAT WASHER, 3/8".....	2
5	12262G1		FLANGED LOCK NUT, 3/8" - 16.....	2
6	652246		REAR SUSPENSION PLATE .....	2
7				
8				
9				
10	70289G02		SPLIT STEEL SPACER .....	4
11	624030		FLANGED BUSHING.....	8
12	604961		SHACKLE PLATE .....	4
13	00665G9		HEX HEAD BOLT (SS), 3/8" - 16 X 3.5 LG.....	4
14	11098G5		LOCK NUT, 3/8" - 16.....	4
15				
16				
17				
18	605938		AXLE BRACKET, DRIVER SIDE .....	1
19	605958		AXLE BRACKET, PASSENGER SIDE.....	1
20				
21	32195G3		U-BOLT, 3/8" - 16 X 5" X 2.875" X 2".....	4
22				
23	00643G1		FLAT WASHER, 3/8".....	8
24	11098G5		LOCK NUT, 3/8" - 16.....	8
25				
26				
27	642085		SHOCK ABSORBER.....	2
28	10435G1		SHOCK ABSORBER WASHER.....	8
29	10194G1		RUBBER SHOCK BUSHING .....	8
30	00532G6		HEX NUT, 3/8" - 24 .....	4
31	10044G01		VINYL CAP.....	2

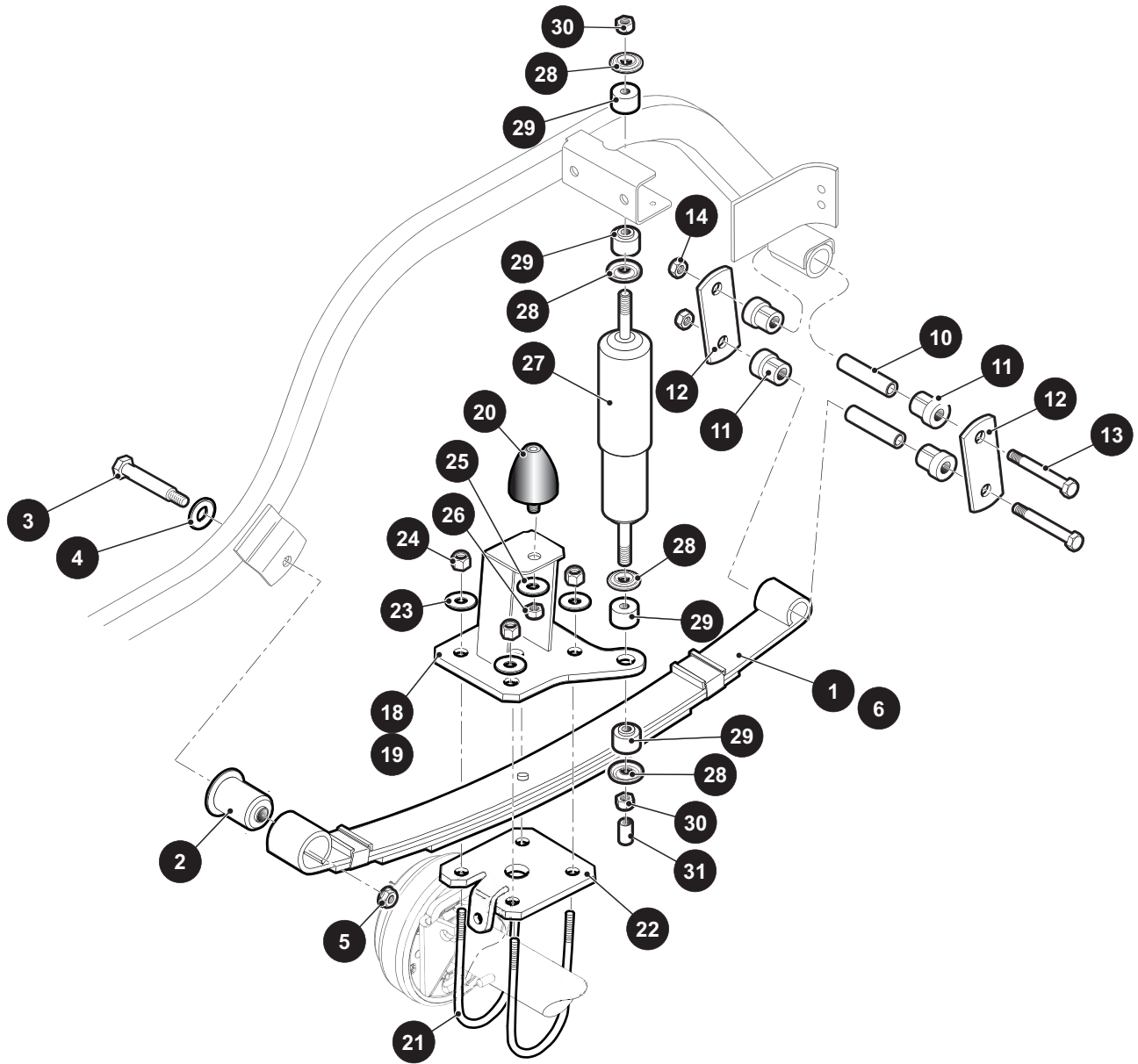
# REAR SUSPENSION (HAULER 800X)

Notes:

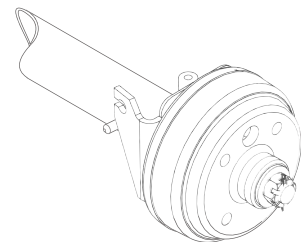




# REAR SUSPENSION (HAULER 1200X)



Front of the Vehicle





# REAR SUSPENSION (HAULER 1200X)

When ordering parts, please specify the model and serial number of the product.

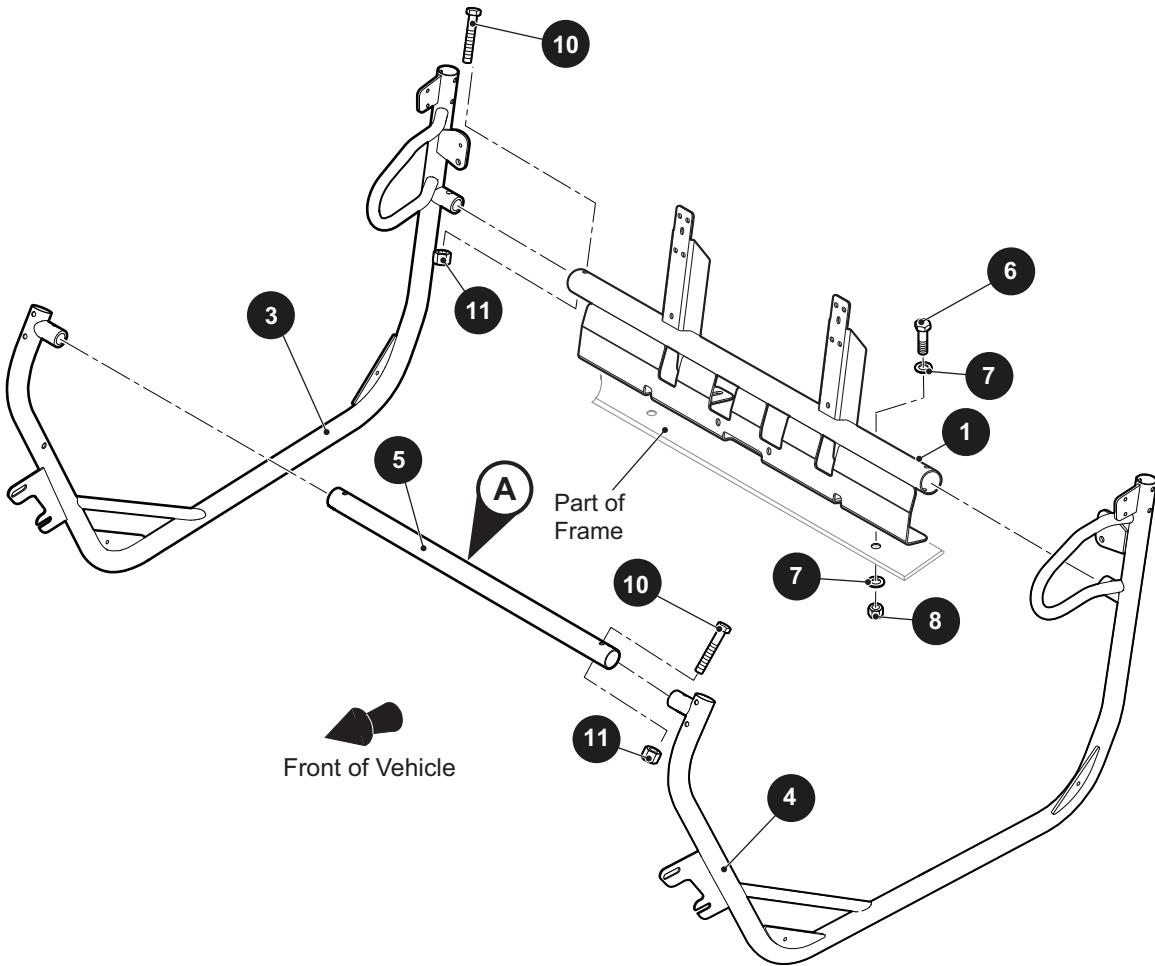
\* Indicates a component that is not available as an individual part.

\*\*\* Indicates consult Customer Service Department for additional information.

ITEM	PART NO.	1 2 3 4 5	DESCRIPTION	QTY.
1	605722		HEAVY DUTY LEAF SPRING.....	2
2	605445		LEAF SPRING BUSHING, FRONT.....	2
3	00665G9		HEX HEAD BOLT (SS), 3/8" - 16 X 3.5" LG .....	2
4	00643G1		FLAT WASHER, 3/8" .....	2
5	12262G1		FLANGED LOCK NUT, 3/8" - 16.....	2
6	605721		HEAVY DUTY LEAF SPRING.....	2
7				
8				
9				
10	70289G02		SPLIT STEEL SPACER .....	4
11	624030		FLANGED BUSHING.....	8
12	70290G02		SHACKLE PLATE .....	4
13	00665G9		HEX HEAD BOLT (SS), 3/8" - 16 X 3.5" LG .....	4
14	11098G5		LOCK NUT, 3/8" - 16.....	4
15				
16				
17				
18	652629G103		SPRING PLATE, DRIVER SIDE .....	1
19	652629G203		SPRING PLATE, PASSENGER SIDE.....	1
20	70492G01		RUBBER BUMPER.....	2
21	32195G3		U-BOLT, 3/8" - 16 X 5" X 2.875" X 2" .....	4
22	652580		REAR SUSPENSION PLATE .....	2
23	00643G1		FLAT WASHER, 3/8" .....	8
24	11098G5		LOCK NUT, 3/8" - 16.....	8
25	608654		SPLIT LOCK WASHER, M10.....	2
26	00974G01		HEX NUT, M10.....	2
27	642085		SHOCK ABSORBER.....	2
28	10435G1		SHOCK ABSORBER WASHER.....	8
29	10194G1		RUBBER SHOCK BUSHING .....	8
30	00532G6		HEX NUT, 3/8" - 24 .....	4
31	10044G01		VINYL CAP.....	2







A

**13**

**This ROPS was tested in accordance with the requirements of ISO 3471 per ANSI/ROHVA 1**

**CUSHMAN**

**EZGO**

A Textron Company 642582

Textron Specialized Vehicles  
1451 Menden Gaffin Rd.  
Augusta, GA 30906  
USA

Test GVW: 700 kgs (1545 lbs)  
Vehicle Models:  
Hauler 900 and 1200 G, E, XG, XE  
Hauler Pro, Pro X, 4X4  
E-Z-GO Terrain 250 and 1000 G, E  
E-Z-GO Terrain 1500 G

**WARNING**

The protection offered by this ROPS will be impaired if it has been subjected to any modification or structural damage. This ROPS must be replaced after a rollover.

When ordering parts, please specify the model and serial number of the product.

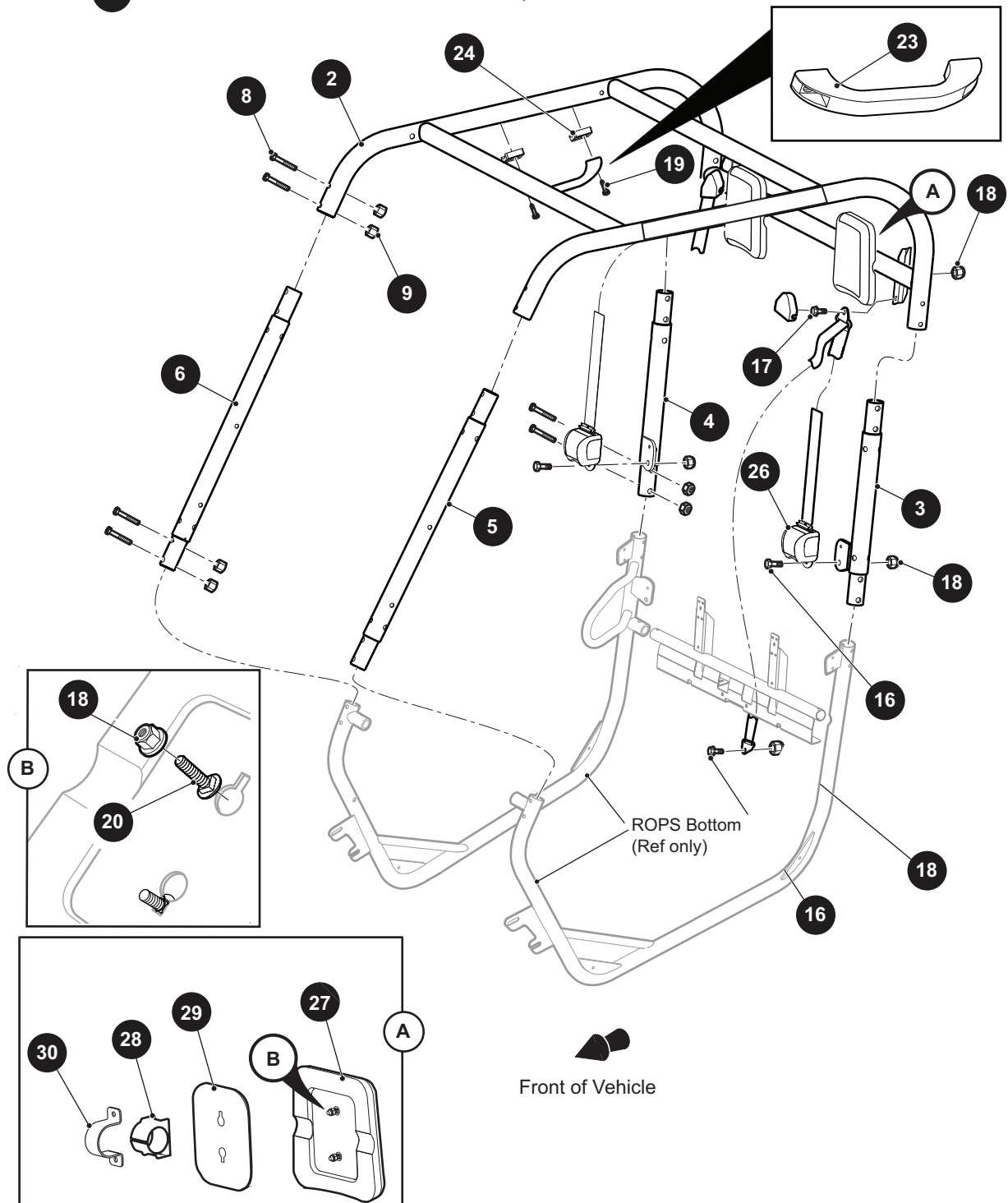
\* Indicates a component that is not available as an individual part.

\*\*\* Indicates consult Customer Service Department for additional information.

ITEM	PART NO.	1 2 3 4 5	DESCRIPTION	QTY.
1	640293		ROPS SEAT SUPPORT.....	1
2				
3	640183		ROPS BOTTOM (PASSENGER SIDE).....	1
4	640182		ROPS BOTTOM (DRIVER SIDE) .....	1
5	629023		FRONT CROSSBAR TUBE .....	1
6	00427G2		HEX HEAD BOLT, 3/8" - 16 X 1 1/4" LG .....	4
7	00571G2		FLAT WASHER, 5/16" .....	8
8	11098G5		LOCK NUT, 3/8" - 16 .....	4
9				
10	630642		HEX HEAD BOLT, 3/8" - 16 X 2 1/2" LG .....	4
11	630643		LOCK NUT, 3/8" - 16 .....	4
12				
13	642582		ROPS CERTIFICATION DECAL.....	1

# ROPS

- 1 ROPS UPPER KIT includes items 2 - 7
- 7 ROPS UPPER HARDWARE KIT includes items 8 - 9
- 15 ROPS ACCESSORY HARDWARE KIT includes items 16 - 20
- 22 ROPS ACCESSORY KIT includes items 15, 23 - 30



When ordering parts, please specify the model and serial number of the product.

\* Indicates a component that is not available as an individual part.

\*\*\* Indicates consult Customer Service Department for additional information.

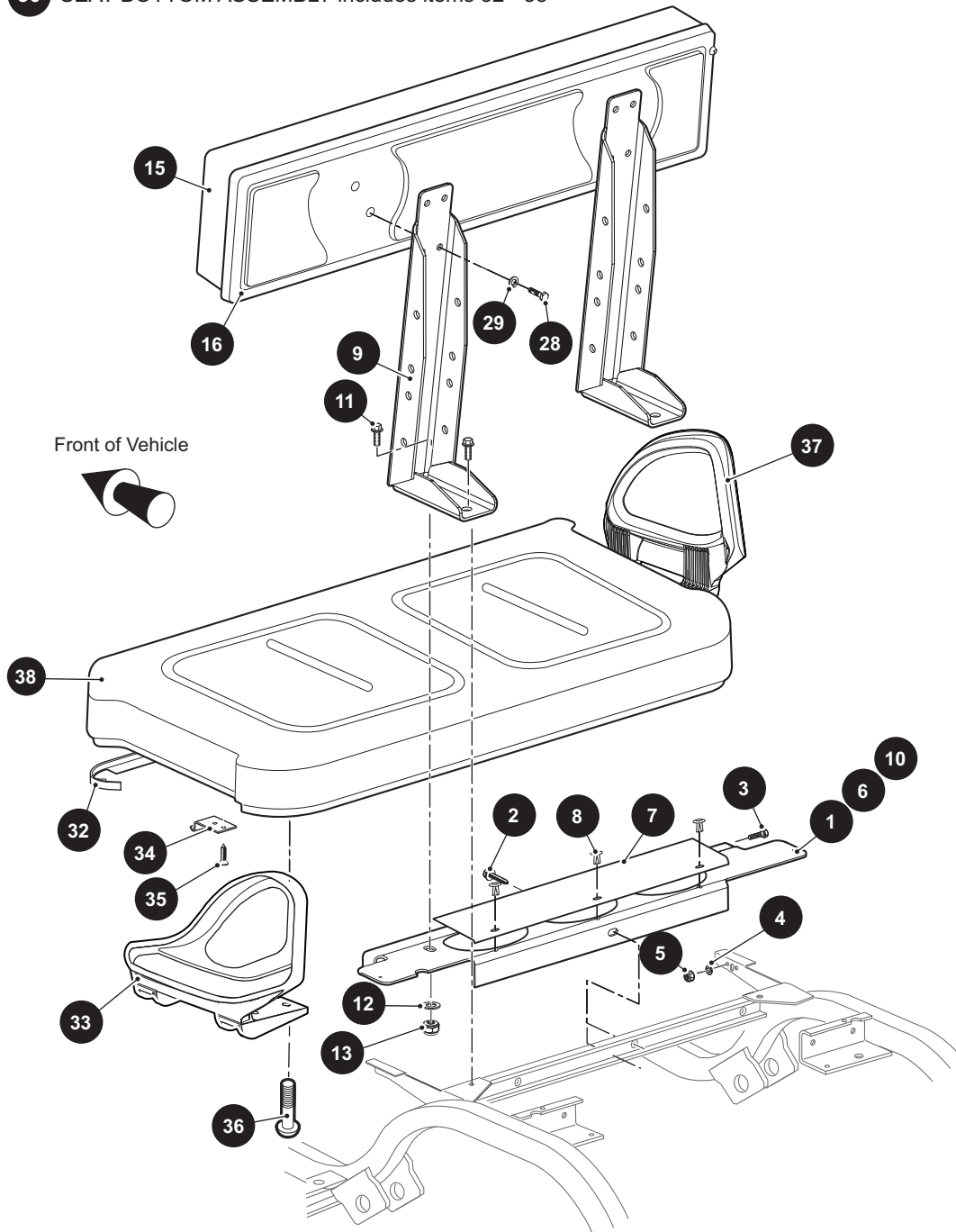
ITEM	PART NO.	1 2 3 4 5	DESCRIPTION	QTY.
1	631578		ROPS UPPER KIT (INCLUDES ITEMS 2 - 7) .....	1
2	631576		ROPS TOP WELDMENT.....	1
3	629080		CONNECTOR REAR (DRIVER SIDE) .....	1
4	629079		CONNECTOR REAR (PASSENGER SIDE).....	1
5	629082		CONNECTOR FRONT (DRIVER SIDE).....	1
6	629081		CONNECTOR FRONT (PASSENGER SIDE) .....	1
7	629328		ROPS UPPER HARDWARE KIT (INCLUDES ITEMS 8 - 9).....	1
8	630642		HEX HEAD BOLT, 3/8" - 16 X 2 1/2" LG .....	16
9	630643		LOCK NUT, 3/8" - 16.....	16
10				
11				
12				
13				
14				
15	640434		ROPS ACCESSORY HARDWARE KIT (INCLUDES ITEMS 16 - 20) .....	1
16	610753		HEX HEAD BOLT, 7/16" - 20 X 1" LG .....	4
17	609569		HEX HEAD BOLT, 7/16" - 20 X 3/4" LG .....	4
18	00734G3		LOCK NUT, 7/16" - 20.....	8
19	612255		PAN HEAD TORX SCREW, 12 - 14 X 1" LG .....	2
20	630763		CARRIAGE BOLT (SS), 1/4" - 20 X .75" LG .....	4
21				
22	640436		ROPS ACCESSORIES KIT (INCLUDES ITEMS 15, 23 - 30).....	1
23	611774		GRAB HANDLE .....	1
24	612254		GRAB HANDLE MOUNT.....	2
25	629454		SIDE DOOR NET (PAIR) (NOT ILLUSTRATED).....	1
26	649134		SEAT BELT RETRACTOR.....	2
27	628577		HEADREST .....	2
28	629642		CLAMP GUARD .....	2
29	629666		HEADREST PLATE .....	2
30	627786		CLAMP .....	2







**30** SEAT BOTTOM ASSEMBLY includes items 32 - 38



When ordering parts, please specify the model and serial number of the product.

\* Indicates a component that is not available as an individual part.

\*\*\* Indicates consult Customer Service Department for additional information.

ITEM	PART NO.	1 2 3 4 5	DESCRIPTION	QTY.
1	71262G03		SEAT BACK SUPPORT (HAULER 800 ONLY) .....	1
2	00715G2		BOLT, 5/16" - 18 X 13/16" LG .....	1
3	00438G8		HEX HEAD CAP SCREW, 5/16" - 18 X 3/4" LG .....	2
4	00642G8		FLAT WASHER, 5/16" .....	2
5	11098G6		LOCK NUT, 5/16" - 18 .....	2
6	74971G01		SEAT BACK SUPPORT (HAULER 1200 ONLY) .....	1
7	71263G01		ACCESS COVER .....	1
8	18436G1		DRIVE RIVET 3/16" .....	3
9	652243G03		SEAT BACK SUPPORT BRACKET .....	2
10	609567		SEAT BACK SUPPORT (HAULER 1200 ONLY) .....	1
11	00427G2		BOLT, 3/8" - 16 X 1 1/4" LG .....	4
12	00560G1		FLAT WASHER, 3/8" .....	2
13	11098G5		LOCK NUT, 3/8 - 16 .....	2
14	***		SEAT BACK ASSEMBLY 71274G04 GREY 71274G02 BLACK 71274G01 WHITE 71274G03 TAN 71274G07 BROWN 71274G05 OYSTER	
15	***		BACK REST COVER 18144G5 GREY 18144G3 BLACK 18144G2 WHITE 18144G3 TAN 18144G3 BROWN 18144G6 OYSTER	
16	74889G01		PLASTIC SEAT BACK COVER .....	1
17				
18				
19				
20				
21				
22				
23				
24				

# SEATING

When ordering parts, please specify the model and serial number of the product.

\* Indicates a component that is not available as an individual part.

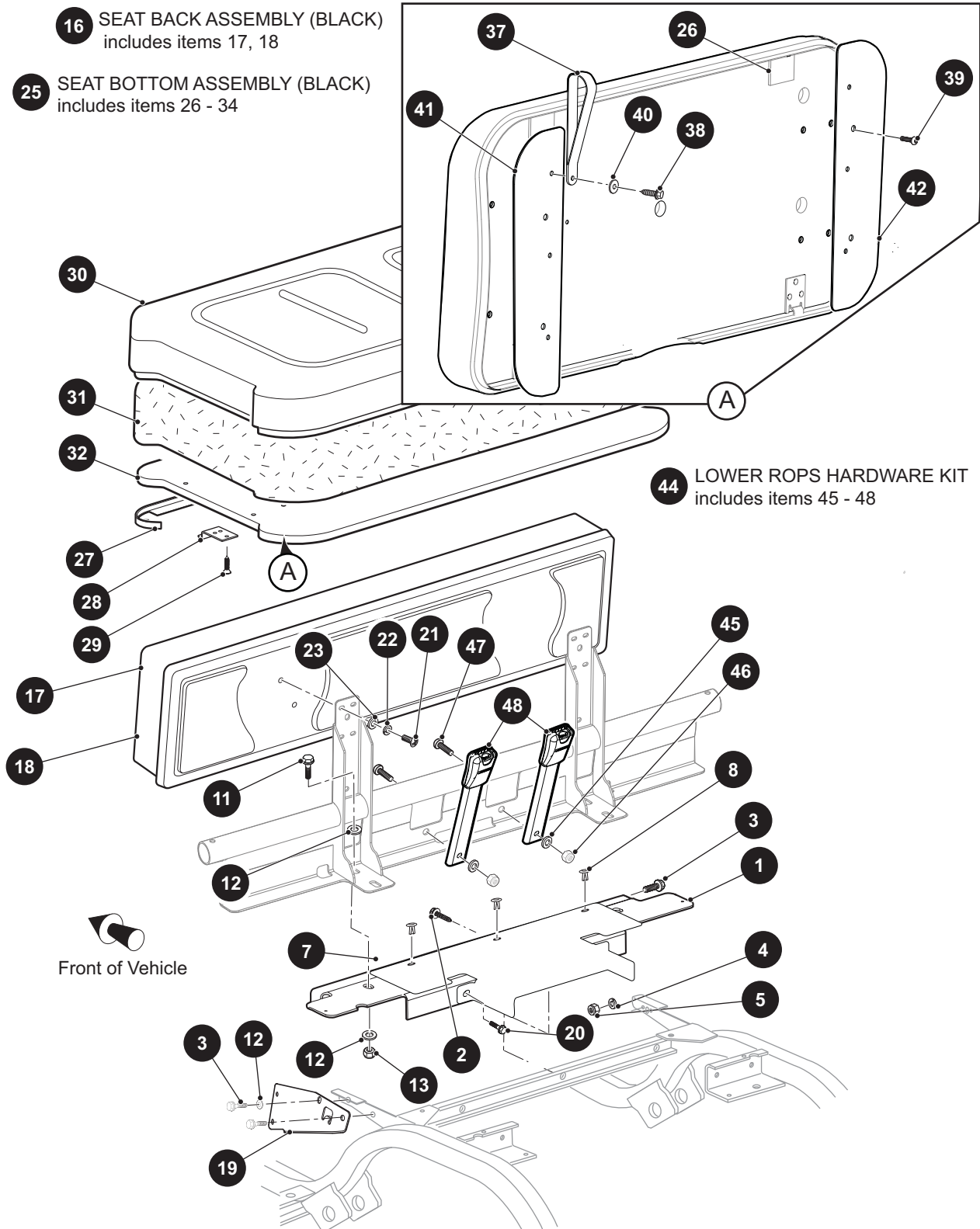
\*\*\* Indicates consult Customer Service Department for additional information.

ITEM	PART NO.	1	2	3	4	5	DESCRIPTION	QTY.
25								
26								
27								
28	605056						HEX HEAD SCREW WITH PATCHLOCK, 1/4 - 20 X 1" .....	4
29	00664G7						LOCK WASHER (SS), 1/4" .....	4
30	***						SEAT BOTTOM ASSEMBLY (INCLUDES ITEMS 32 - 38) 629269G0105 WHITE 629269G0106 BLACK 629269G0103 TAN 629269G0107 BROWN 629269G0101 OYSTER 629269G0104 GRAY	
31								
32	71012G01						VINYL TRIM (SEAT BOTTOM) .....	1
33	617645						HIP RESTRAINT (DRIVER SIDE) .....	1
34	71610G01						SEAT HINGE.....	2
35	00720G08						FLAT HEAD PHILLIPS SCREW, #12 - 14 X 1" LG.....	6
36	615417						BUTTON HEAD TORX BOLT, M10 - 1.5 X 25MM LG .....	1
37	617644						HIP RESTRAINT (PASSENGER SIDE).....	1
38	***						SEAT BOTTOM COVER  71602G01 WHITE 71602G06 BLACK 71602G04 TAN 71602G07 BROWN 71602G03 OYSTER 71602G02 GRAY	



**16** SEAT BACK ASSEMBLY (BLACK)  
includes items 17, 18

**25** SEAT BOTTOM ASSEMBLY (BLACK)  
includes items 26 - 34



When ordering parts, please specify the model and serial number of the product.

\* Indicates a component that is not available as an individual part.

\*\*\* Indicates consult Customer Service Department for additional information.

ITEM	PART NO.	1 2 3 4 5	DESCRIPTION	QTY.
1	71262G03		SEAT BACK SUPPORT .....	1
2	00715G2		FLANGED HEX HEAD BOLT, 5/16" - 18 X .8" LG .....	1
3	00438G8		HEX HEAD BOLT, 5/16" - 18 X 1" LG .....	5
4	00642G8		LOCK WASHER, 5/16" .....	2
5	11098G6		LOCK NUT, 5/16" - 18.....	2
6				
7	609575		CLOSEOUT BED COVER .....	1
8	18436G1		DRIVE RIVET.....	3
9				
10				
11	00427G2		FLANGED HEX HEAD BOLT, 3/8" - 16 X 1 1/4" LG .....	4
12	00571G2		FLAT WASHER, 5/16" .....	14
13	11098G5		LOCK NUT, 3/8" - 16.....	4
14				
15				
16	71274G02		SEAT BACK ASSEMBLY (BLACK) (INCLUDES ITEMS 17, 18).....	1
17	18144G3		VINYL COVER.....	1
18	74889G01		SEAT BACK COVER (PLASTIC) .....	1
19	634703		AIR CLEANER BRACKET .....	1
20	00114G6		HEX HEAD WASHER SCREW, 1/4 - 10 X 3/4" LG .....	2
21	16705G1		HEX HEAD BOLT (WITH PATCH LOCK), 1/4" - 20 X 1" LG.....	4
22	01110G01		FLAT WASHER (SS), 1/4".....	4
23	00664G7		LOCK WASHER (SS), 1/4" .....	4
24				
25	629269G1306		SEAT BOTTOM ASSEMBLY (BLACK) (INCLUDES ITEMS 26 - 34).....	1
26	17074G1		SOILING SLAB (NOT ILLUSTRATED).....	2
27	71012G01		VINYL TRIM (SEAT BOTTOM).....	1
28	71610G01		SEAT HINGE .....	1
29	00720G08		FLAT HEAD PHILLIPS SCREW, #12 - 14 X 1" LG.....	3
30	615169		VINYL SEAT BOTTOM COVER (BLACK).....	1
31	605503		SEAT BOTTOM PADDING (FOAM) .....	1

# SEATING

When ordering parts, please specify the model and serial number of the product.

\* Indicates a component that is not available as an individual part.

\*\*\* Indicates consult Customer Service Department for additional information.

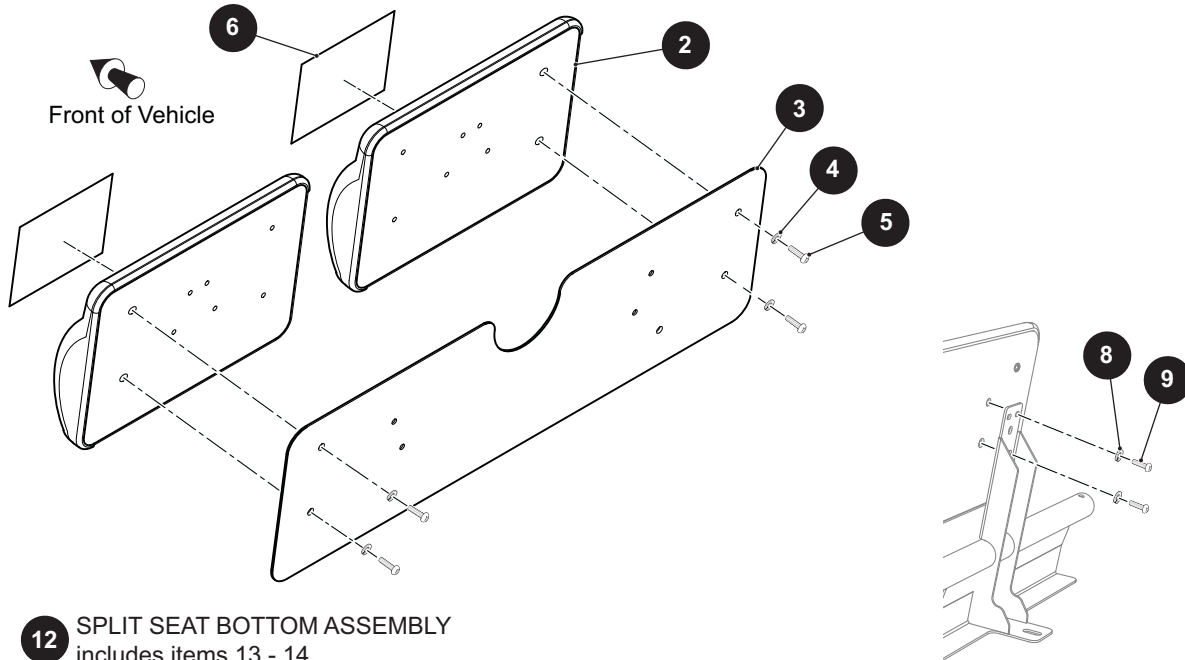
ITEM	PART NO.	1	2	3	4	5	DESCRIPTION	QTY.
32	645492						SEAT BOTTOM.....	1
33	23222G1						FLAT STAPLE, 3/8" (NOT ILLUSTRATED).....	AR
34	23223G1						FLAT STAPLE (NOT ILLUSTRATED) .....	AR
35								
36								
37	617402						SEAT STRAP.....	1
38	71398G01						FLANGED HEX HEAD SCREW, 1/4" - 20 X 1 1/4" LG .....	1
39	615417						BUTTON HEAD TORX BOLT, M10 - 1.5 X 25MM LG .....	4
40	16469G1						FENDER WASHER, 1/4" .....	1
41	640674G01						SEAT SIDE COVER (DRIVER SIDE).....	1
42	640674G02						SEAT SIDE COVER (PASSENGER SIDE) .....	1
43								
44	642823						LOWER ROPS HARDWARE KIT (INCLUDES ITEMS 45 - 48) .....	1
45	00560G3						FLAT WASHER, 1/2" .....	2
46	00734G3						LOCK NUT, 7/16" - 20.....	2
47	635630						BUTTON HEAD TORX BOLT, 7/16" - 20 X 1 1/4" LG.....	2
48	631973						BUCKLE AND BRACKET ASSEMBLY.....	2





# SEATING - HAULER 1200X

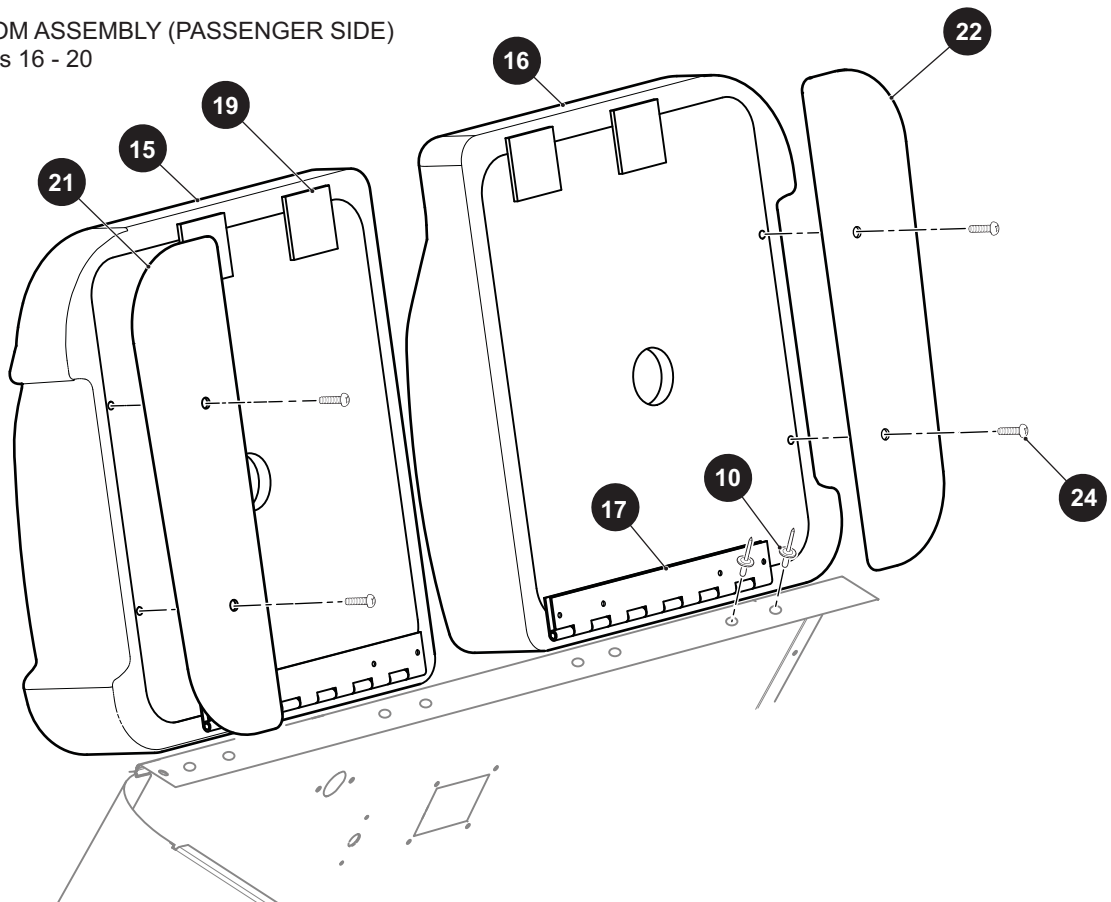
- 1** SEAT BACK ASSEMBLY includes items 2 - 6



- 12** SPLIT SEAT BOTTOM ASSEMBLY includes items 13 - 14

- 13** SEAT BOTTOM ASSEMBLY (DRIVER SIDE) includes items 15, 17 - 20

- 14** SEAT BOTTOM ASSEMBLY (PASSENGER SIDE) includes items 16 - 20



# SEATING - HAULER 1200X

When ordering parts, please specify the model and serial number of the product.

\* Indicates a component that is not available as an individual part.

\*\*\* Indicates consult Customer Service Department for additional information.

ITEM	PART NO.	1 2 3 4 5	DESCRIPTION	QTY.
1	626618G05		SEAT BACK ASSEMBLY (INCLUDES ITEMS 2 - 6).....	1
2	75840G**		SEAT BACK CUSHION .....	2
3	626607		SEAT BACK PLATE.....	1
4	00664G7		LOCK WASHER (SS), 1/4".....	4
5	16705G3		TRUSS HEAD PHILLIPS SCREW (SS), 1/4" - 20 X 3/4" LG .....	4
6	27336G01		WARINING DECAL.....	2
7				
8	00664G7		LOCK WASHER (SS), 1/4" .....	4
9	16705G1		TRUSS HEAD PHILLIPS SCREW (SS), 1/4" - 20 X 1" LG.....	4
10	10570G11		RIVET, 3/16" X .70" .....	8
11				
12	642838		SPLIT SEAT BOTTOM ASSEMBLY (INCLUDES ITEMS 13 - 14) .....	1
13	628111G05		SEAT BOTTOM ASSEMBLY (DRIVER SIDE) (INCLUDES ITEMS 15, 17 - 20).....	1
14	628112G05		SEAT BOTTOM ASSEMBLY (PASSENGER SIDE) (INCLUDES ITEMS 16 - 20).....	1
15	75833G**		SEAT BOTTOM (DRIVER SIDE) .....	1
16	75834G**		SEAT BOTTOM (PASSENGER SIDE).....	1
17	75847G01		SEAT HINGE .....	1
18	16705G1		TRUSS HEAD PHILLIPS SCREW (SS), 1/4" - 20 X 1" LG.....	3
19	17074G1		SOILING SLAB .....	2
20	23223G1		STAPLE (NOT ILLUSTRATED).....	8
21	640674G01		SEAT SIDE COVER (DRIVER SIDE) .....	1
22	640674G02		SEAT SIDE COVER (PASSENGER SIDE).....	1
23				
24	615417		BUTTON HEAD TORX BOLT, M10 - 1.5 X 25MM LG .....	4

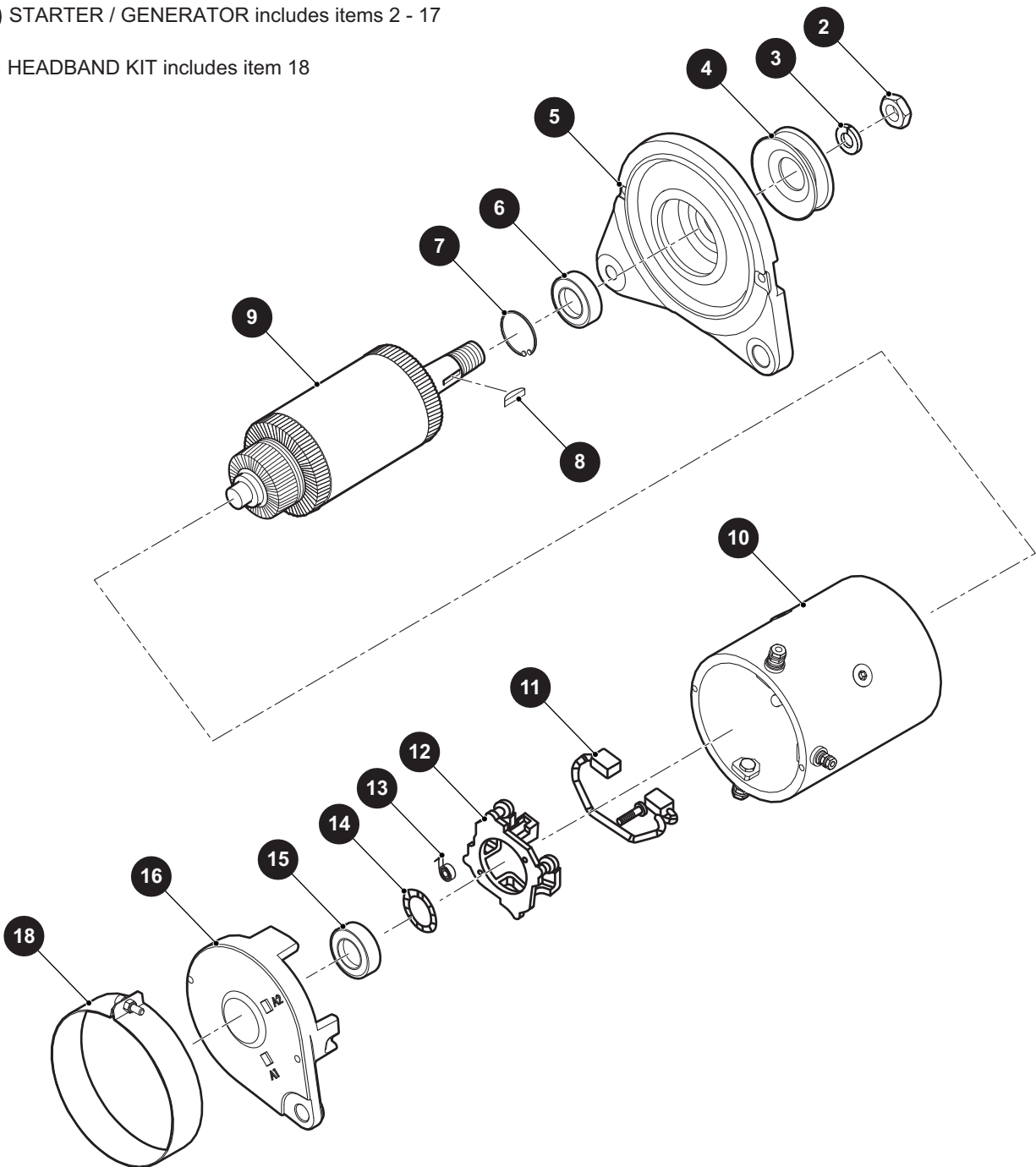




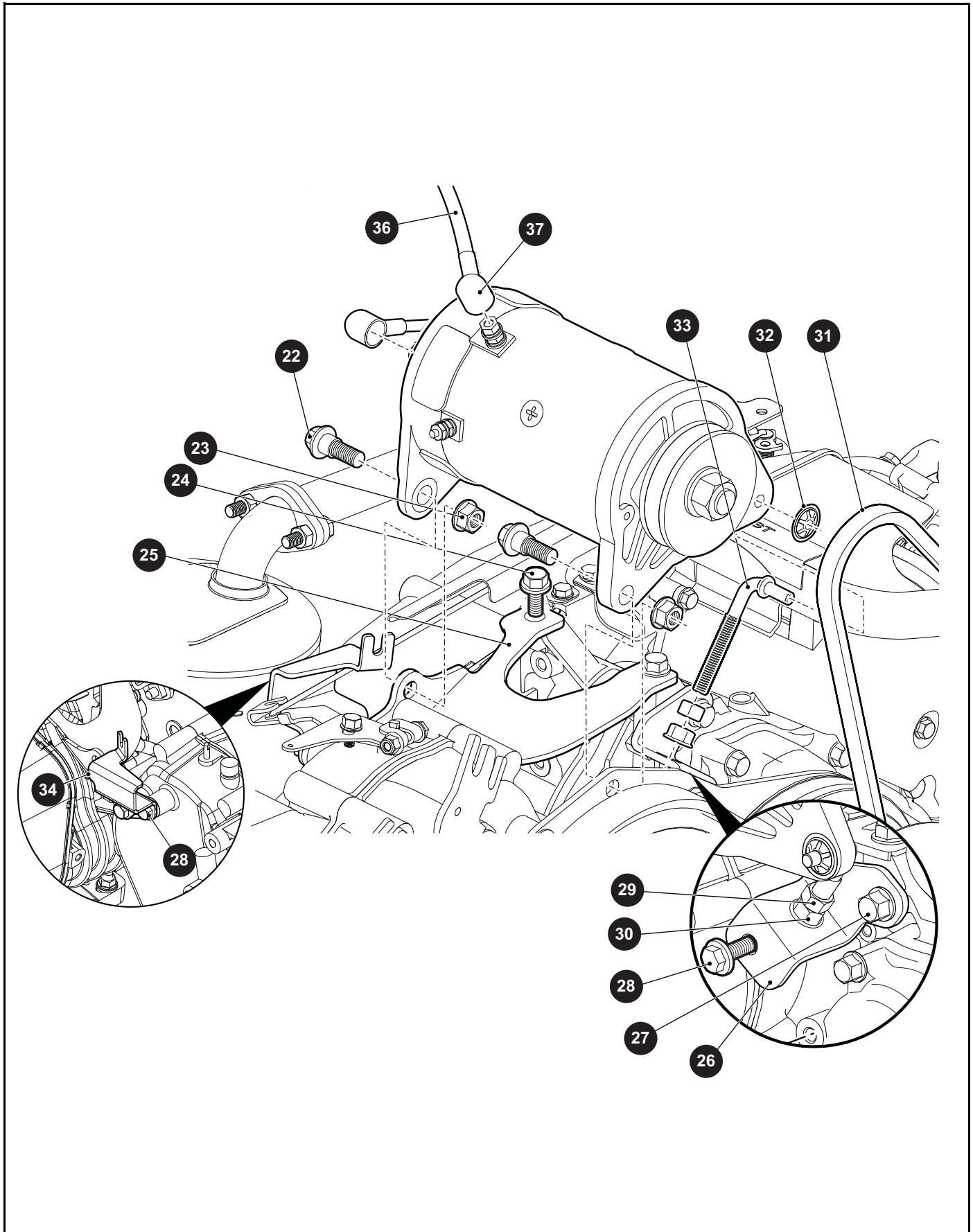
# STARTER / GENERATOR

1 STARTER / GENERATOR includes items 2 - 17

17 HEADBAND KIT includes item 18

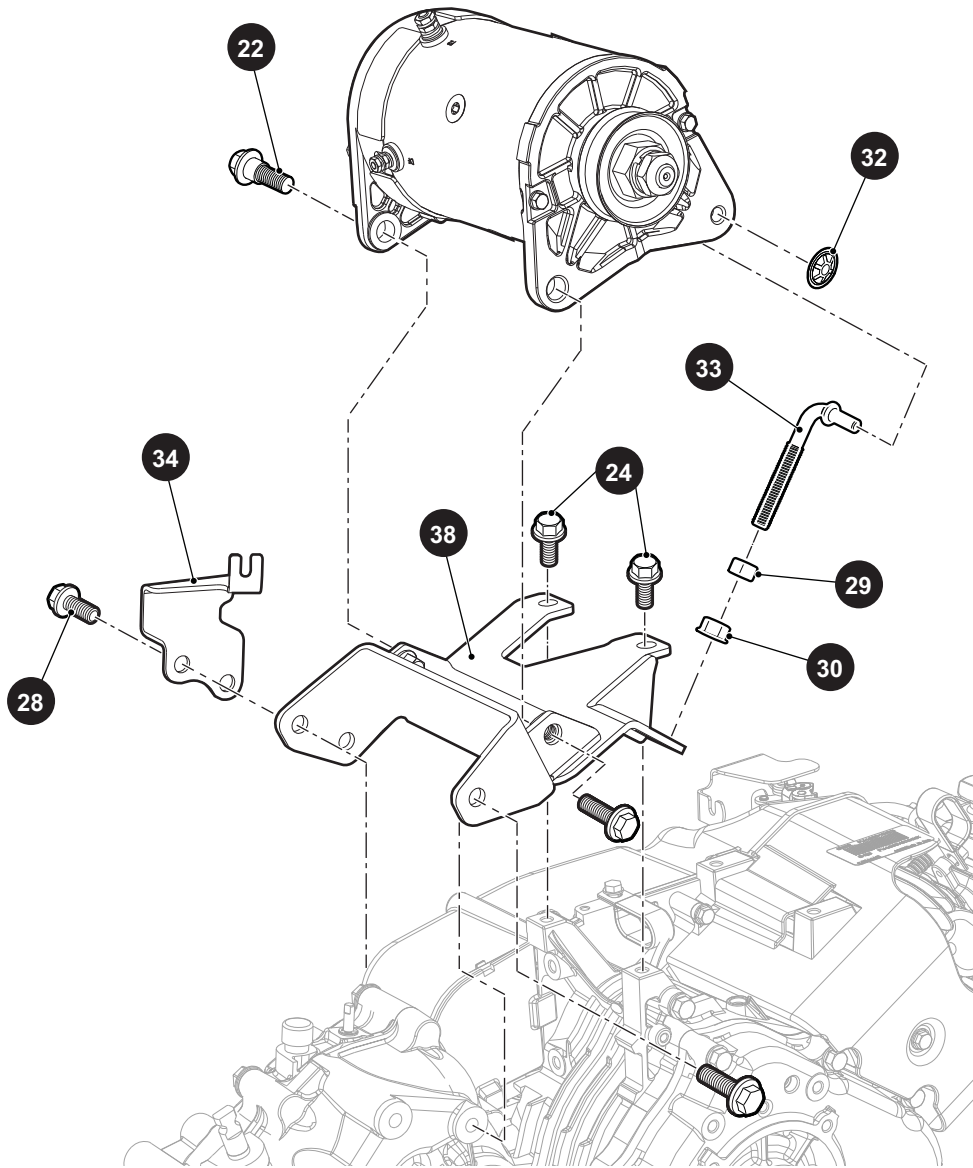


# STARTER / GENERATOR



# STARTER / GENERATOR

FOR VEHICLES MANUFACTURED FROM APRIL 2014





# STARTER / GENERATOR

When ordering parts, please specify the model and serial number of the product.

\* Indicates a component that is not available as an individual part.

\*\*\* Indicates consult Customer Service Department for additional information.

ITEM	PART NO.	1 2 3 4 5	DESCRIPTION	QTY.
1	660379		STARTER / GENERATOR (INCLUDES ITEMS 2 - 17) .....	1
2	612029		HEX NUT .....	1
3	612030		LOCK WASHER .....	1
4	625716		PULLEY, 2.5" O.D. ....	1
5	654715		DRIVE END HEAD .....	1
6	612033		BEARING .....	1
7	612034		RETAINING RING .....	1
8	612035		WOODRUFF KEY .....	1
9	612036		ARMATURE ASSEMBLY .....	1
10	654716		FRAME AND FIELD ASSEMBLY .....	1
11	612038		BRUSH LEAD AND TERMINAL PACKAGE .....	1
12	654717		BRUSH BOX ASSEMBLY .....	1
13	656659		BRUSH SPRING .....	4
14	612043		WAVY WASHER .....	1
15	612044		BEARING .....	1
16	612045		COMMUTATOR END HEAD .....	1
17	658172		HEADBAND KIT (INCLUDES ITEM 18) .....	1
18	654718		HEADBAND .....	1
19				
20				
21				
22	606235		HEXAGONAL HEAD SHOULDER BOLT - M10 - 1.25 X 20 .....	2
23	606279		HEX NUT, M10 - 1.25 .....	2
24	606261		HEX HEAD BOLT, M8 - 1.25 X 20MM LG .....	3
25	602141		STARTER / GENERATOR BRACKET .....	1
26	602145		TENSIONER BRACKET .....	1
27	606261		HEX HEAD BOLT, M8 - 1.25 X 20MM LG .....	1
28	606256		HEX HEAD BOLT, M10 - 1.25 X 25MM LG .....	9
29	606255		HEX JAM NUT, M10 - 1.25 .....	1
30	606274		HEX FLANGE NUT, M10 - 1.25 .....	1
31	630587		STARTER / GENERATOR BELT .....	1

# STARTER / GENERATOR

When ordering parts, please specify the model and serial number of the product.

\* Indicates a component that is not available as an individual part.

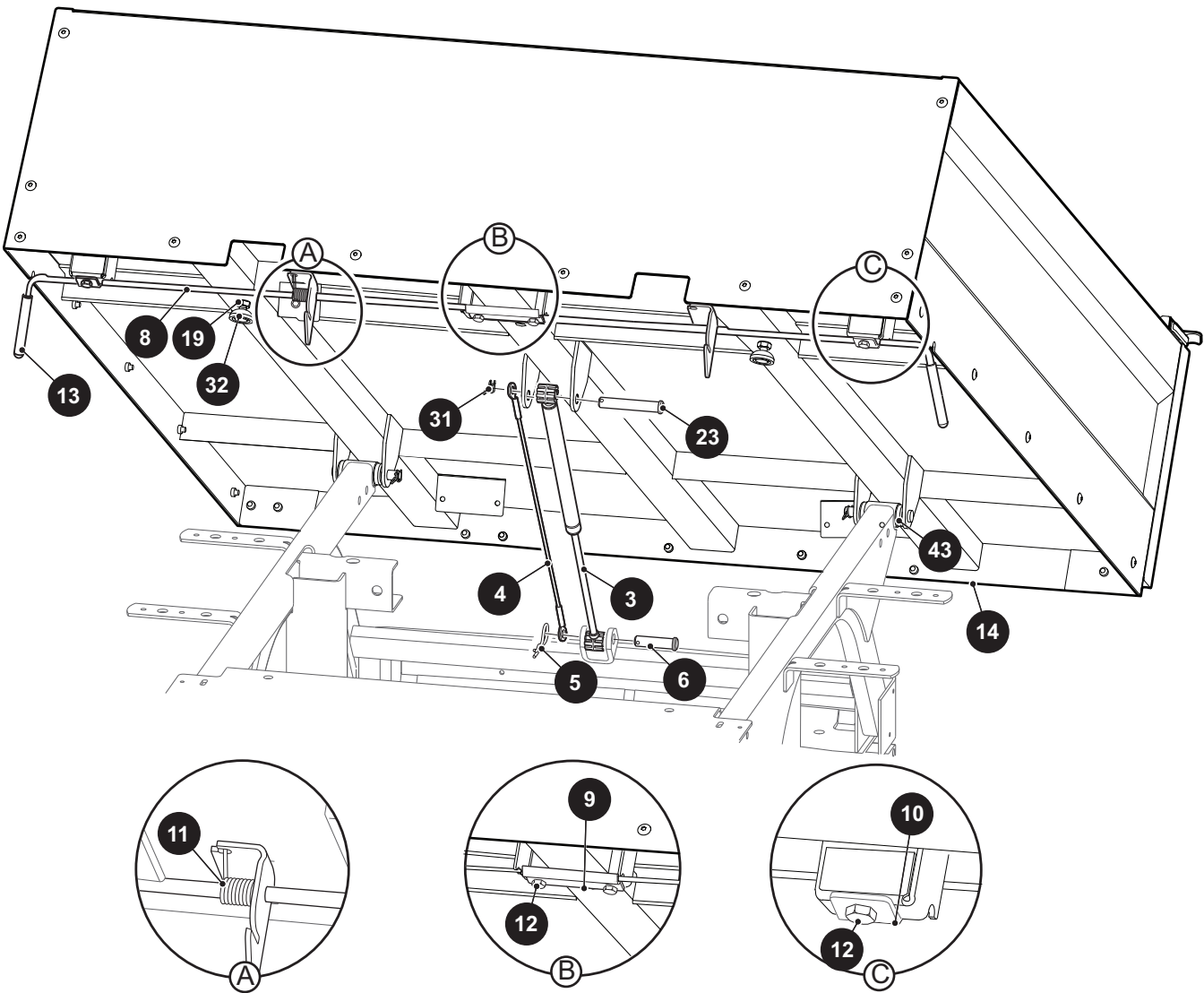
\*\*\* Indicates consult Customer Service Department for additional information.

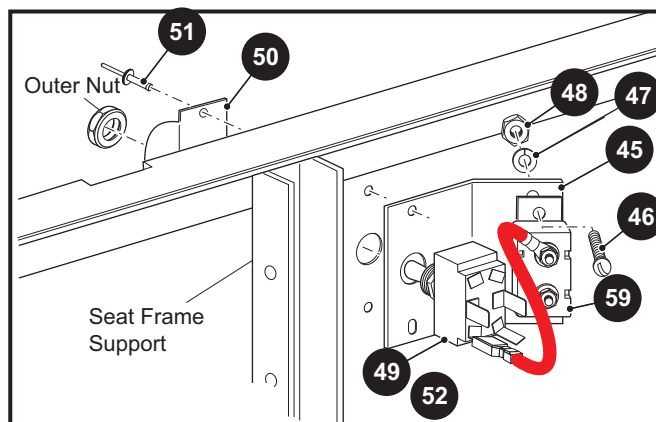
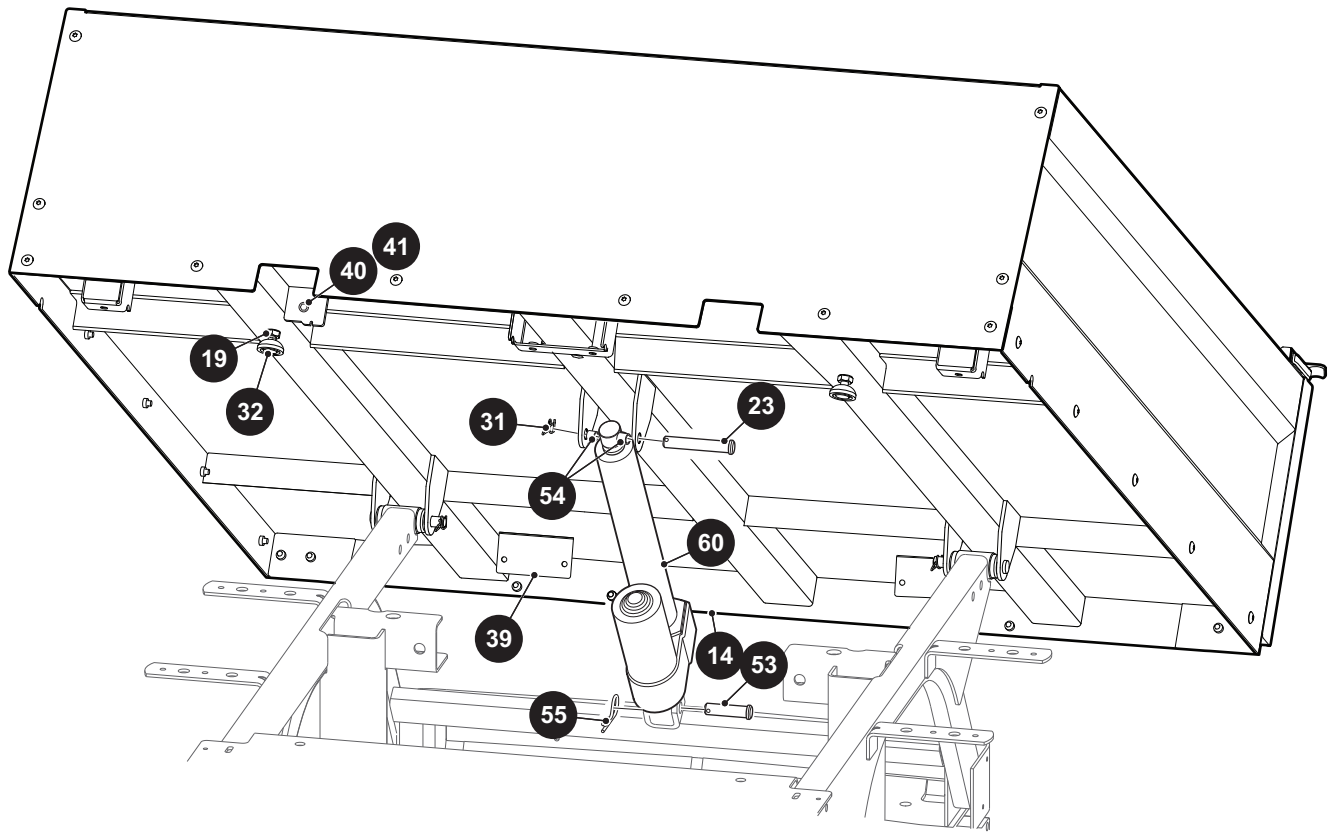
ITEM	PART NO.	1 2 3 4 5	DESCRIPTION	QTY.
32	12064G6		PUSH NUT, 5/16" .....	1
33	629763		TENSIONER BOLT.....	1
34	603884		CABLE GUIDE BRACKET .....	1
35				
36	607103		WIRE ASSEMBLY, 6 AWG, 42" LG .....	1
37	25682G01		RUBBER BOOT .....	3
38	631972		STARTER / GENERATOR SUPPORT BRACKET (FOR VEHICLES MANUFACTURED FROM APRIL 2014) .....	1



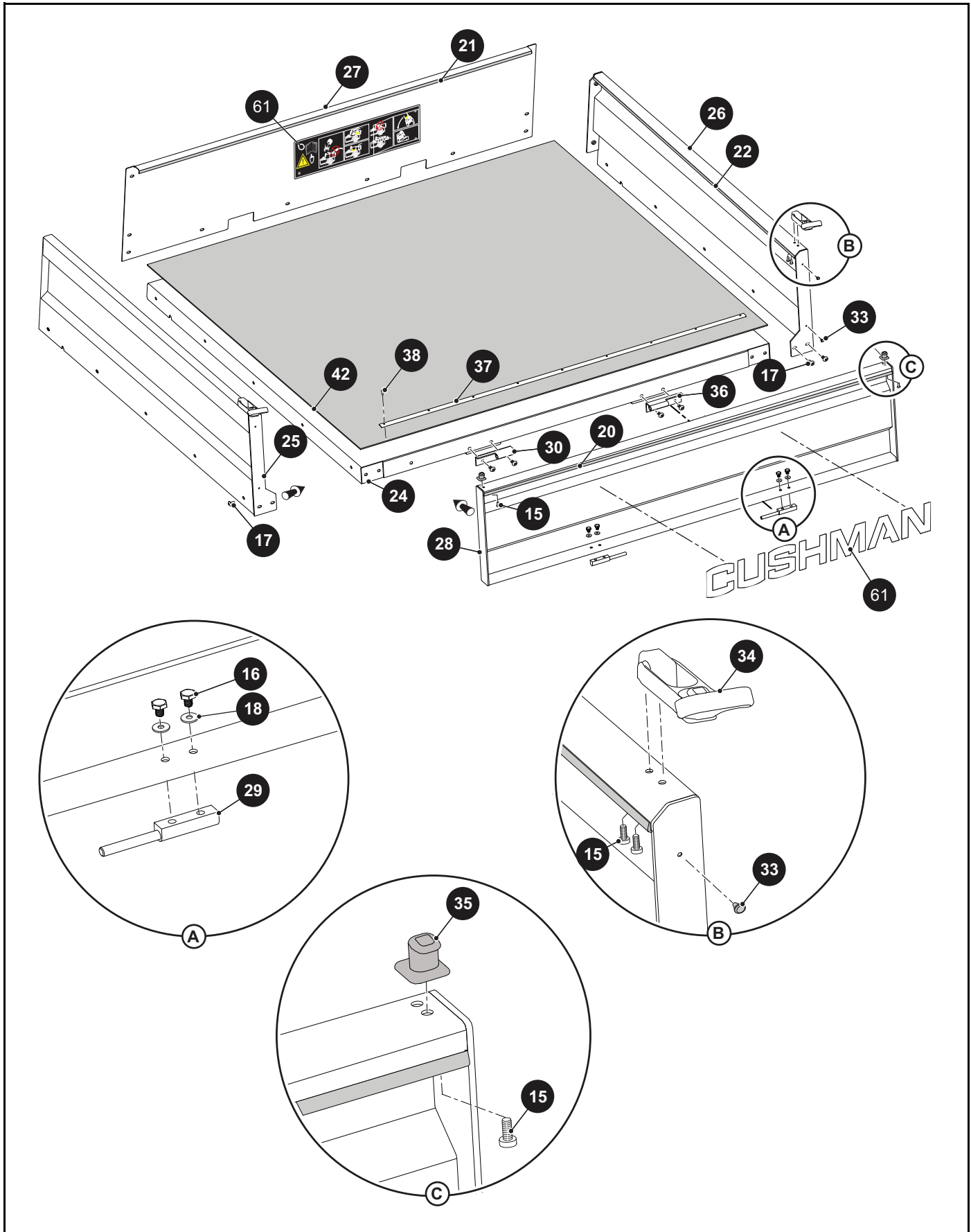
# TRUCK BED - METAL

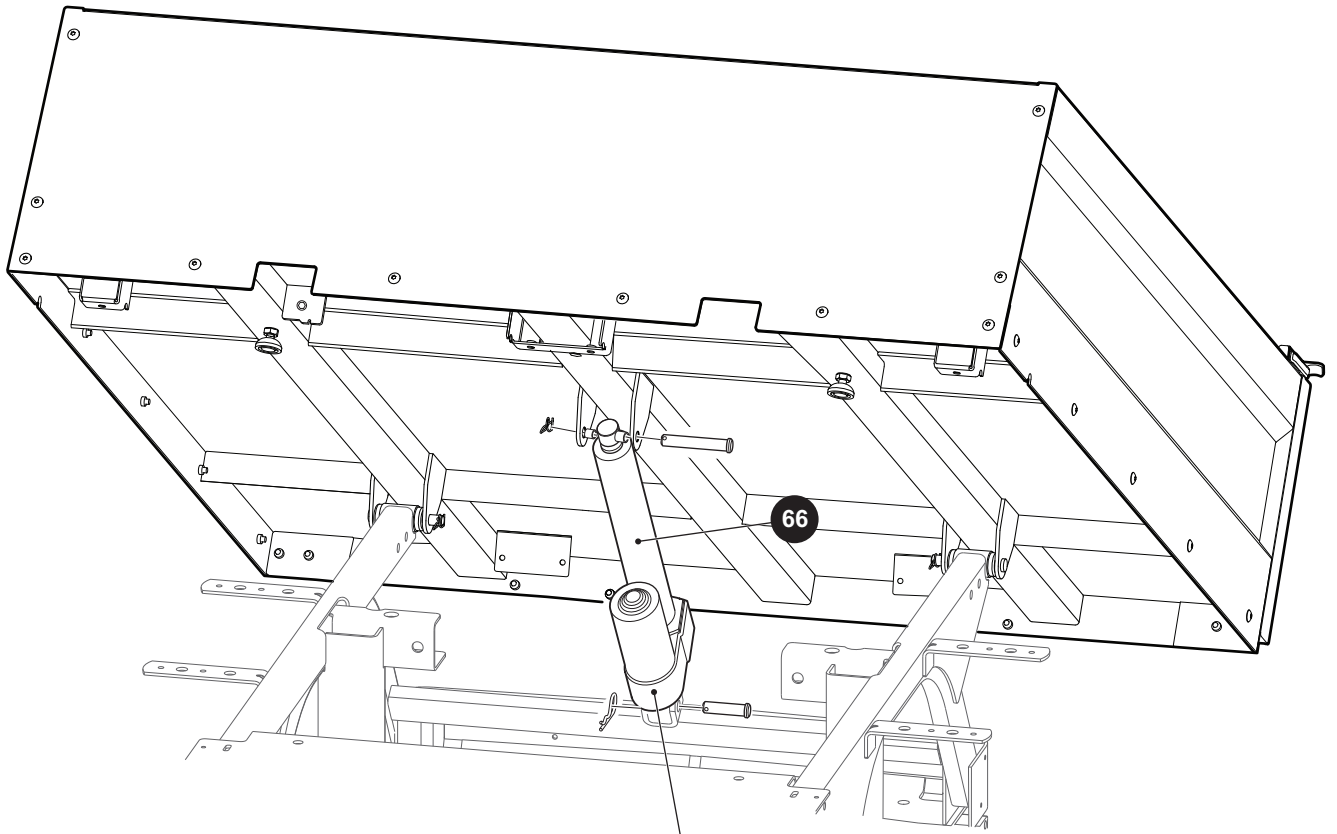
- 1 ALUMINUM BED, ELECTRIC LIFT includes items 14 , 43 - 60
- 2 ALUMINUM BED, MANUAL LIFT includes items 3 , 14 - 60



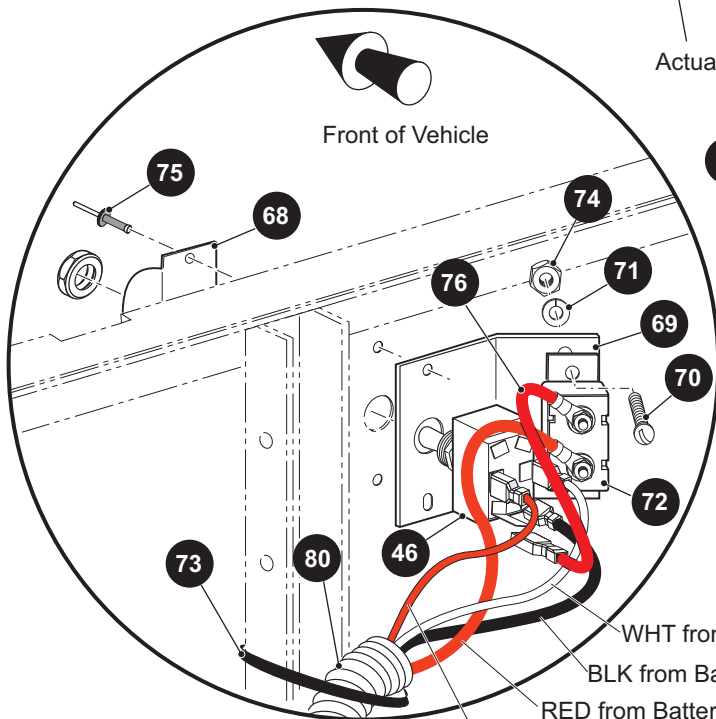


# TRUCK BED - METAL

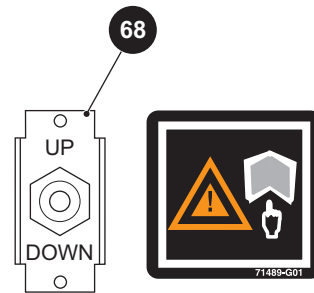




Actuator may be rotated 90° on some models



65 ELECTRIC DUMP KIT includes items 66 - 80



WHT from Actuator  
 BLK from Battery  
 RED from Battery  
 RED from Actuator

# TRUCK BED - METAL

When ordering parts, please specify the model and serial number of the product.

\* Indicates a component that is not available as an individual part.

\*\*\* Indicates consult Customer Service Department for additional information.

ITEM	PART NO.	1 2 3 4 5	DESCRIPTION	QTY.
1	620482		ALUMINUM BED, ELECTRIC LIFT (INCLUDES ITEMS 14, 43 - 60) .....	1
2	620481		ALUMINUM BED, MANUAL LIFT (INCLUDES ITEMS 3 - 6, 14, 43) .....	1
3	71537G02		GAS SPRING .....	1
4	602904		TETHER CABLE ASSEMBLY .....	1
5	21683G1		COTTER PIN .....	1
6	14443G12		CLEVIS PIN, 1/2" x 2.22" .....	1
7	620517		LATCH INSTALLTION (INCLUDES ITEMS 74 - 79) .....	1
8	74962G01		LATCH BED WELDMENT .....	1
9	652440G03		LATCH RETAINER BRACKET .....	1
10	652442G03		LATCH KEEPER PLATE .....	2
11	71538G01		LATCH TORSION SPRING .....	1
12	01118G01		HEX HEAD BOLT, 1/4"- 20UNC 2A X 5 X 8" .....	4
13	71704G01		HANDLE GRIP .....	2
14	612612		ALUMINUM BED, LARGE (INCLUDES ITEMS 15 - 42).....	1
15	612957		PAN HD SCREW, 10 - 24 X.500.....	6
16	*		HEX BOLT, .250" - 20 X .375" .....	4
17	612959		TORX SCREW,.250" - 20 X .500" .....	28
18	*		FLAT WASHER, .550" X .250".....	4
19	*		HEX NUT. 375" - 16.....	2
20	*		EDGE PROTECTOR .....	1
21	*		EDGE PROTECTOR .....	1
22	*		EDGE PROTECTOR .....	2
23	612965		CLEVIS PIN 1/2" X 2.22" .....	3
24	*		BED BOTTOM.....	1
25	*		SIDE PANEL (DRIVER SIDE) .....	1
26	*		SIDE PANEL (PASSENGER SIDE).....	1
27	*		FRONT PANEL.....	1
28	612970		TAILGATE WELDMENT .....	1
29	612971		PIVOT PIN.....	2
30	612972		HINGE (DRIVER SIDE).....	1
31	612973		RUE RING CLIP .....	3



# TRUCK BED - METAL

When ordering parts, please specify the model and serial number of the product.

\* Indicates a component that is not available as an individual part.

\*\*\* Indicates consult Customer Service Department for additional information.

ITEM	PART NO.	1	2	3	4	5	DESCRIPTION	QTY.
32	612974						LEVELING PAD .....	2
33	*						BUMPER INSERT,RUBBER .....	4
34	612976						DRAW LATCH.....	2
35	612977						DRAW LATCH KEEPER .....	2
36	612978						TAILGATE HINGE, (PASSENGER SIDE) .....	1
37	614440						MAT RETAINER.....	1
38	*						RIVET.....	9
39	*						HINGE SUPPORT .....	2
40	*						NUT.....	2
41	*						BOLT.....	1
42	*						RUBBER MAT .....	1
43	624030						FLANGED BUSHING .....	4
44	17618G1						NYLON CLAMP (NOT ILLUSTRATED).....	8
45	74165G02						CIRCUIT BREAKER MOUNTING BRACKET .....	1
46	00150G4						SCREW, #10 - 24 X 1/2" LG.....	2
47	00565G5						LOCK WASHER, #10 .....	2
48	00526G3						HEX NUT, #10 - 24.....	2
49	27680G01						TOGGLE SWITCH.....	1
50	27447G01						TOGGLE GUARD ASSEMBLY .....	1
51	10570G9						RIVET, 1/8" X 11/32" LG (ALUMINUM).....	2
52	25976G14						14 GA WIRE (RED 5").....	1
53	14443G11						CLEVIS PIN, 1/2" X 1 3/4" LG .....	1
54	27613G01						SPACER .....	2
55	21683G1						COTTER PIN, 15/32" X 2 13/16" LG .....	1
56	651950						DUMP HARNESS (48V) (NOT ILLUSTRATED).....	1
57	11845G3						INSULATED CABLE CLAMP, 11/16" (NOT ILLUSTRATED).....	2
58	00532G3						HEX NUT, 5/16" - 18 (NOT ILLUSTRATED).....	2
59	21320G3						CIRCUIT BREAKER (30 AMP 12V).....	1
60	27612G04						ELECTRIC ACTUATOR, 48V .....	1
61	74821G01						BED CAPACITY LABEL.....	1
62								

# TRUCK BED - METAL

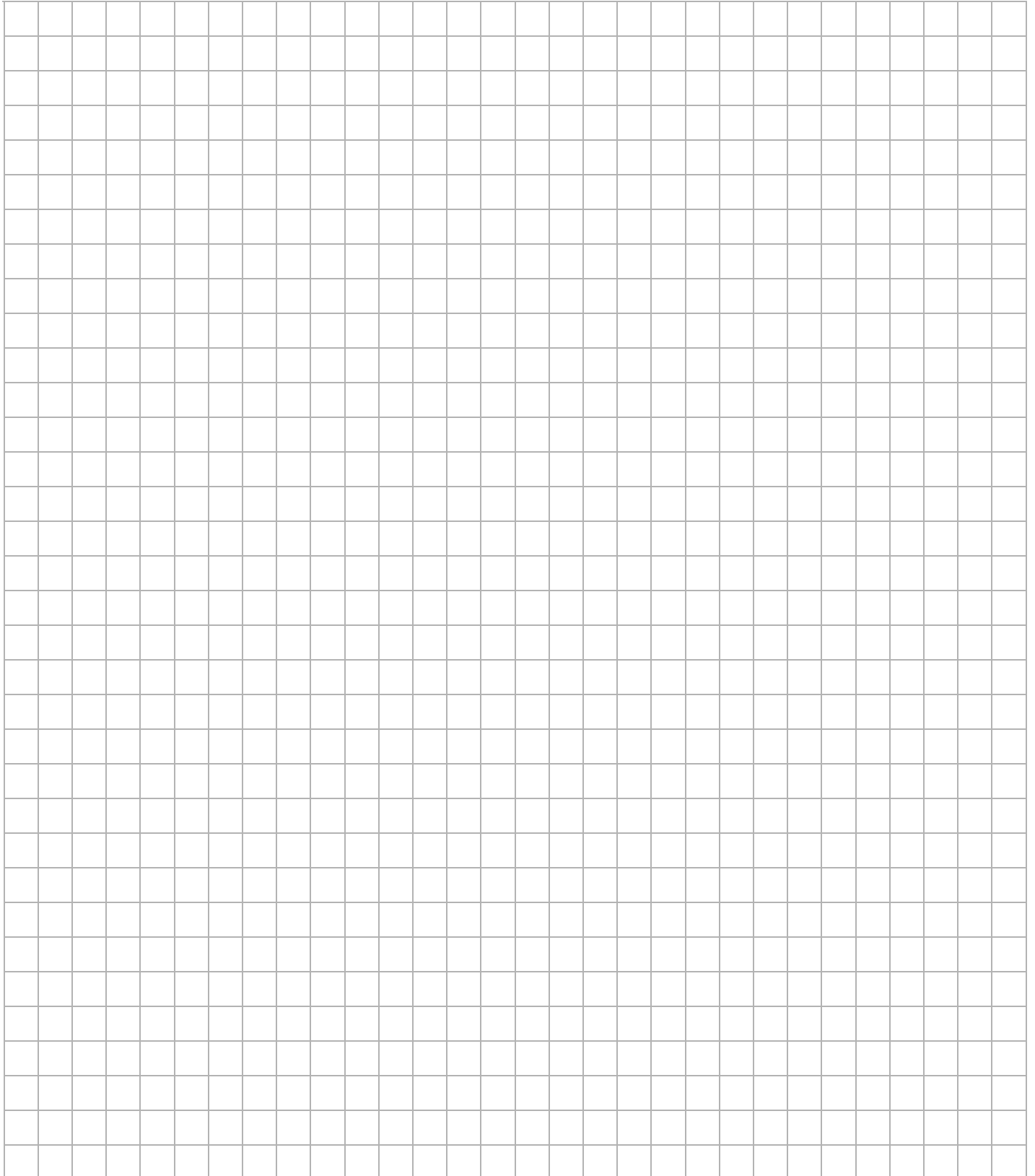
When ordering parts, please specify the model and serial number of the product.

\* Indicates a component that is not available as an individual part.

\*\*\* Indicates consult Customer Service Department for additional information.

ITEM	PART NO.	1	2	3	4	5	DESCRIPTION	QTY.
63								
64								
65	74164G01						ELECTRIC DUMP KIT ( INCLUDES ITEMS 66 - 80 ) .....	1
66	27612G02						ELECTRIC ACTUATOR, 12 VOLT, 1500 LBS.....	1
67	27680G01						TOGGLE SWITCH.....	1
68	27447G01						TOGGLE GUARD .....	1
69	74165G02						CIRCUIT BREAKER MOUNTING BRACKET.....	1
70	00150G4						SCREW, 10 - 24 X 1/2" LG .....	2
71	00565G5						LOCK WASHER, #10.....	2
72	21320G4						CIRCUIT BREAKER 15A 24V .....	1
73	17618G1						WIRE TIE .....	8
74	00526G3						NUT, #10 - 24.....	2
75	10570G9						RIVET, 5/32 X .55.....	2
76	25976G14						14 GA WIRE (RED 5") .....	1
77								
78								
79	27613G01						SPACER.....	2
80	74613G01						HARNESS.....	1

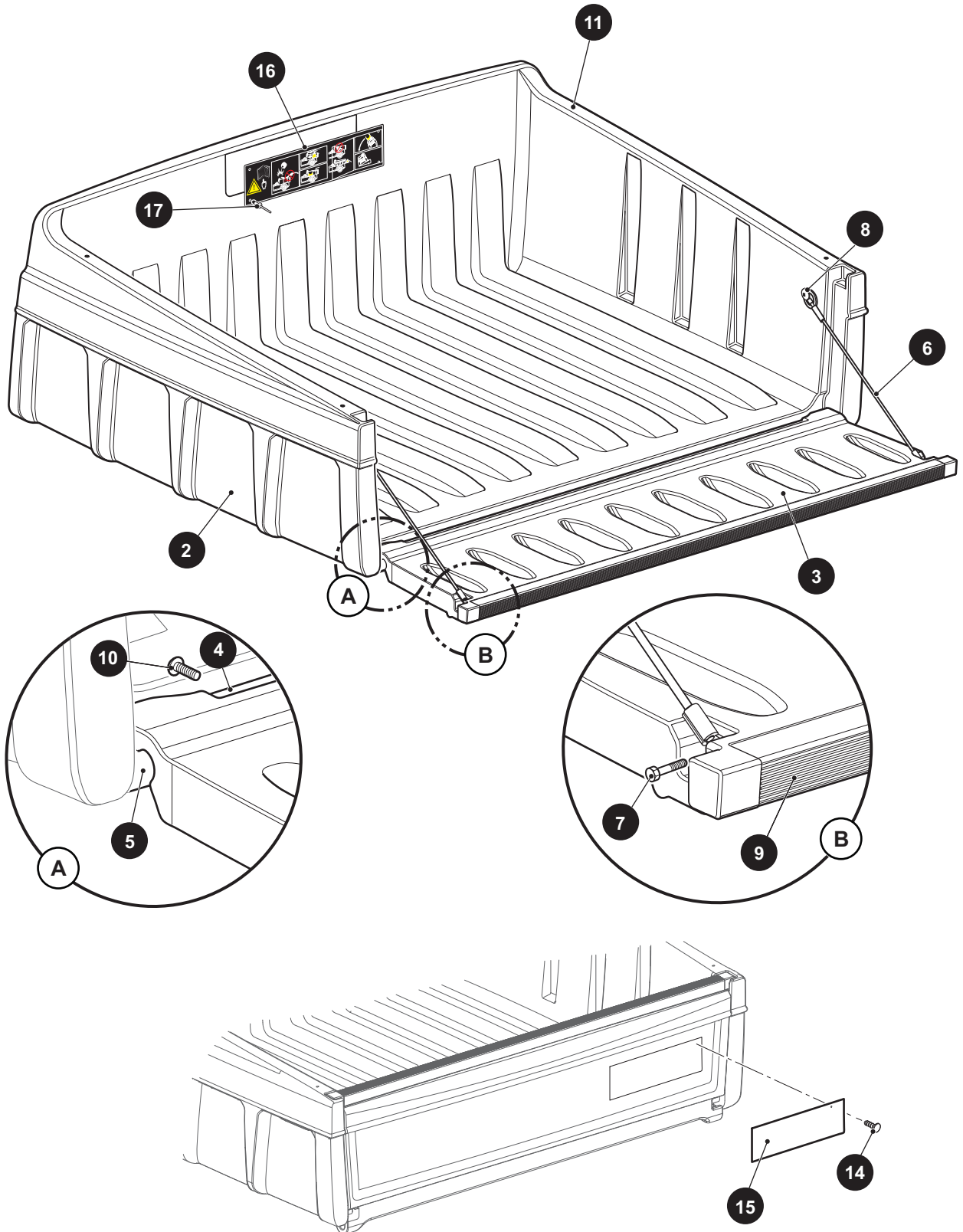
Notes:



A large grid of graph paper, consisting of 28 columns and 28 rows, intended for taking notes.

# TRUCK BED - PLASTIC

1 36" PLASTIC BED ASSEMBLY includes items 2 - 11



# TRUCK BED - PLASTIC

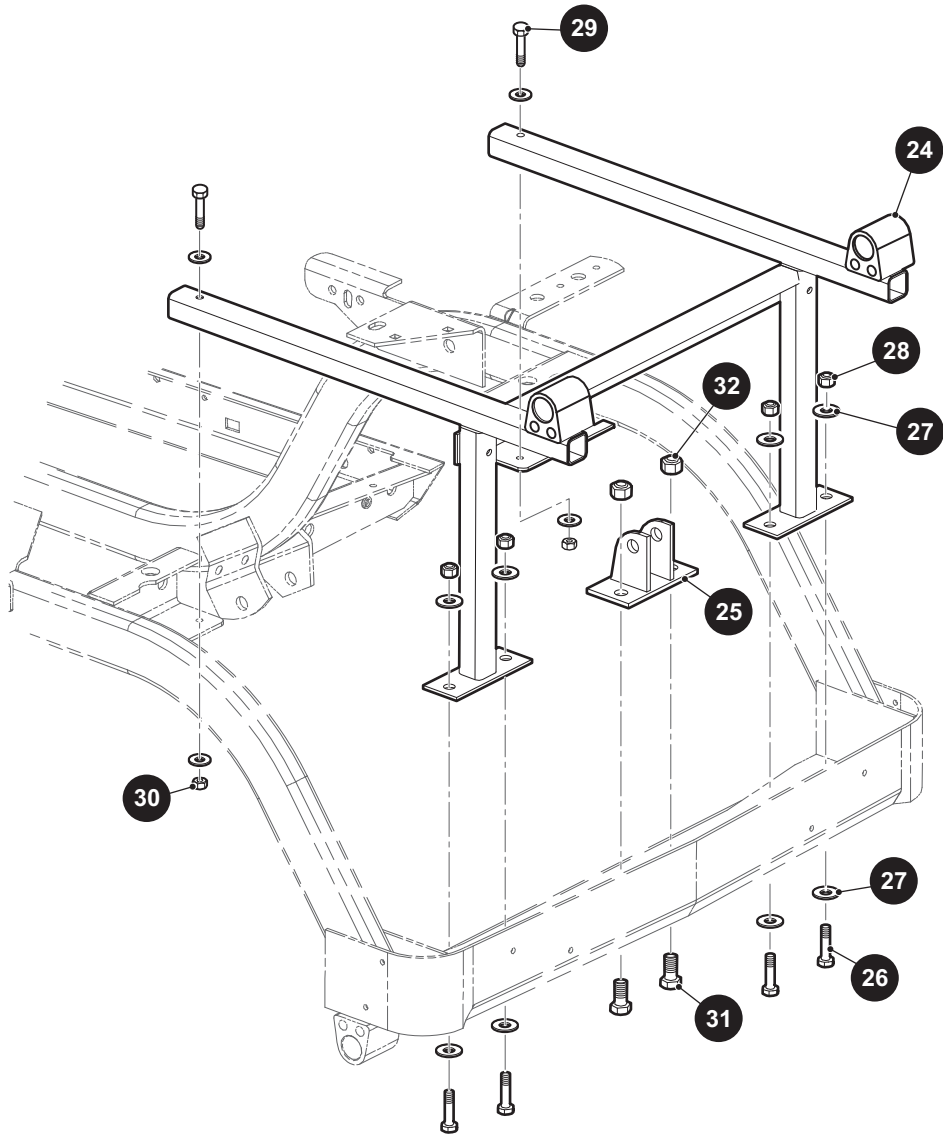
When ordering parts, please specify the model and serial number of the product.

\* Indicates a component that is not available as an individual part.

\*\*\* Indicates consult Customer Service Department for additional information.

ITEM	PART NO.	1 2 3 4 5	DESCRIPTION	QTY.
1	72647G01		36" PLASTIC TRUCK BED ASSEMBLY (INCLUDES ITEMS 2 - 11).....	1
2	72648G01		36" PLASTIC BED .....	1
3	72649G01		36" PLASTIC TAILGATE.....	1
4	73450G01		BOWED ANGLE .....	1
5	73454G01		PIVOT SHAFT .....	2
6	73455G02		TAILGATE CABLE ASSEMBLY .....	2
7	00415G2		HEX HEAD BOLT, 1/4" - 20 X 1 1/4" LG.....	2
8	73460G01		SHOULDER BOLT, 1/4" - 20 X 3/4" LG .....	2
9	73449G01		TAILGATE CAP .....	1
10	16705G2		PAN HEAD PHILLIPS SCREW, 1/4" - 2 X 5/8" LG.....	4
11	16816G5		RACHET FASTENER.....	4
12				
13				
14	16816G2		RATCHET FASTENER .....	4
15	600110G01		LABEL.....	2
16	74821G01		BED CAPACITY LABEL.....	1
17	71055G01		RIVET (ALUMINUM), 3/16".....	5
18				
19				
20				
21				
22				
23				

# TRUCK BED - PLASTIC



# TRUCK BED - PLASTIC

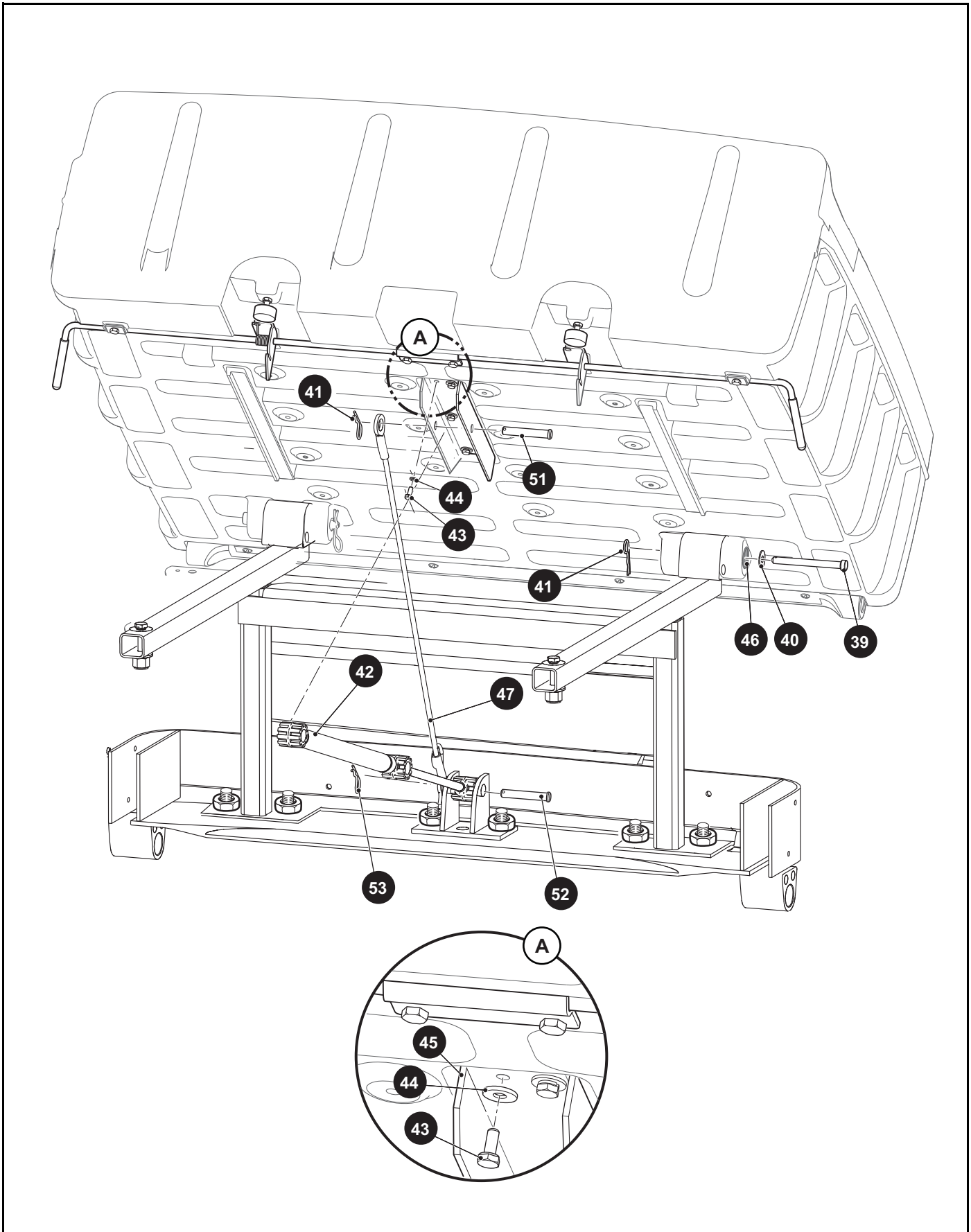
When ordering parts, please specify the model and serial number of the product.

\* Indicates a component that is not available as an individual part.

\*\*\* Indicates consult Customer Service Department for additional information.

ITEM	PART NO.	1 2 3 4 5	DESCRIPTION	QTY.
24	76423G01		TRUCK BED FRAME.....	1
25	71283G02		ELECTRIC LIFT BRACKET .....	1
26	00439G2		HEX HEAD BOLT, 5/16" - 18 X 1 1/4" LG .....	4
27	00642G8		FLAT WASHER, 5/16" .....	8
28	11098G6		LOCK NUT, 5/16"- 18.....	2
29	00415G6		HEX HEAD BOLT, 1/4" - 20 X 1 3/4" LG .....	2
30	14390G4		LOCK NUT, 1/4" - 20.....	2
31	00462G7		HEX HEAD BOLT, 7/16" - 14 X .875" LG .....	2
32	00734G1		LOCK NUT, 7/16" - 14.....	2
33				
34				
35				
36				
37				
38				

# TRUCK BED - PLASTIC





# TRUCK BED - PLASTIC

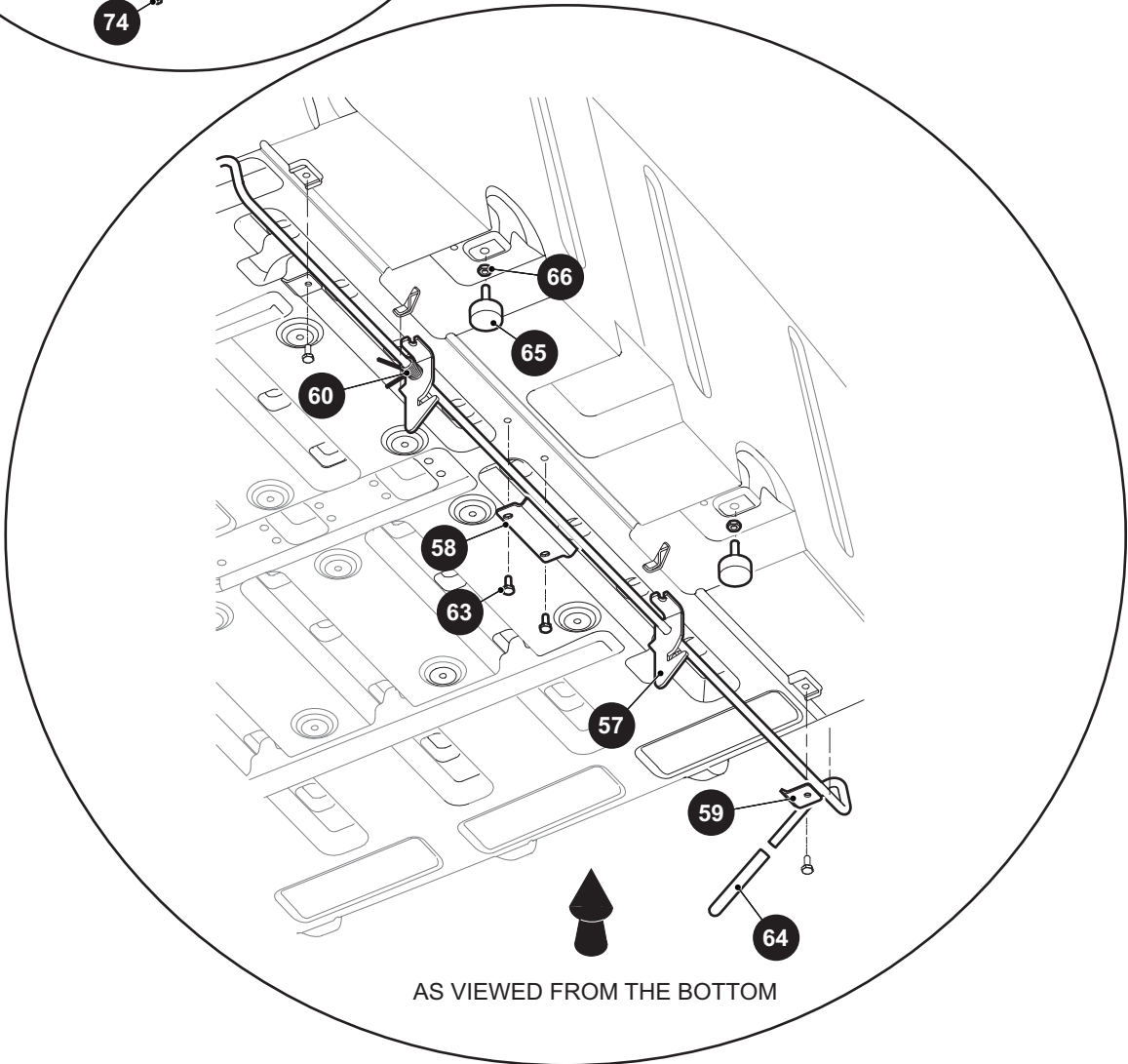
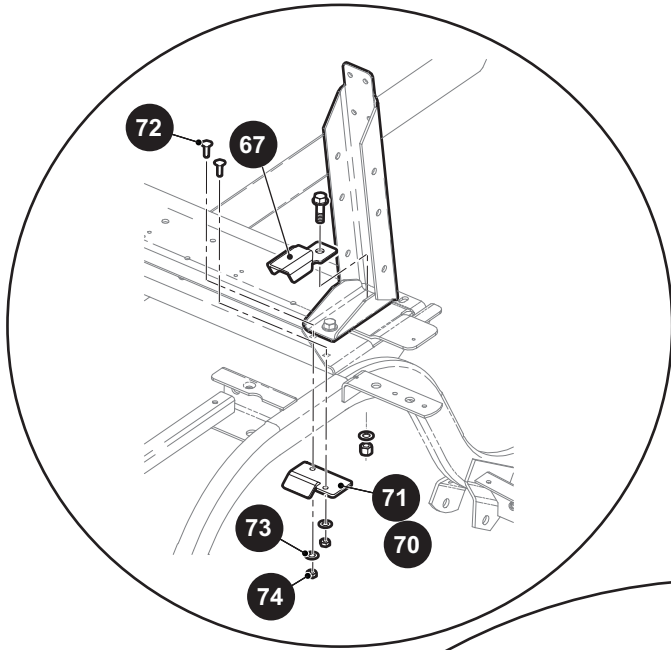
When ordering parts, please specify the model and serial number of the product.

\* Indicates a component that is not available as an individual part.

\*\*\* Indicates consult Customer Service Department for additional information.

ITEM	PART NO.	1 2 3 4 5	DESCRIPTION	QTY.
39	71571G01		CLEVIS PIN, .50" X 5.25" .....	2
40	00571G5		FLAT WASHER, 5/16" .....	2
41	21683G1		COTTER PIN, 15/32" X 2 13/16" .....	2
42	71537G02		GAS SPRING .....	1
43	01118G01		HEX HEAD BOLT WITH PATCHLOCK, 1/4" - 20 X .62" LG .....	8
44	00642G7		FLAT WASHER, 1/4" .....	8
45	71569G02		GAS SPRING CHANNEL .....	1
46	624030		FLANGED BUSHING .....	4
47	602904		CABLE ASSEMBLY .....	1
48				
49				
50				
51	14443G10		CLEVIS PIN, .50 X 3" .....	1
52	14443G12		CLEVIS PIN, 1/2" X 1 3/4" .....	1
53	21683G1		HAIR CLIP .....	1
54				
55				
56				

# TRUCK BED - PLASTIC



# TRUCK BED - PLASTIC

When ordering parts, please specify the model and serial number of the product.

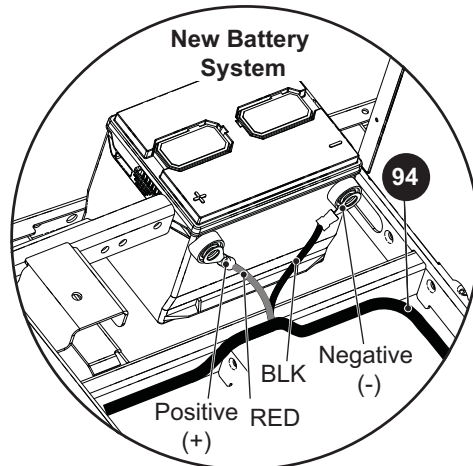
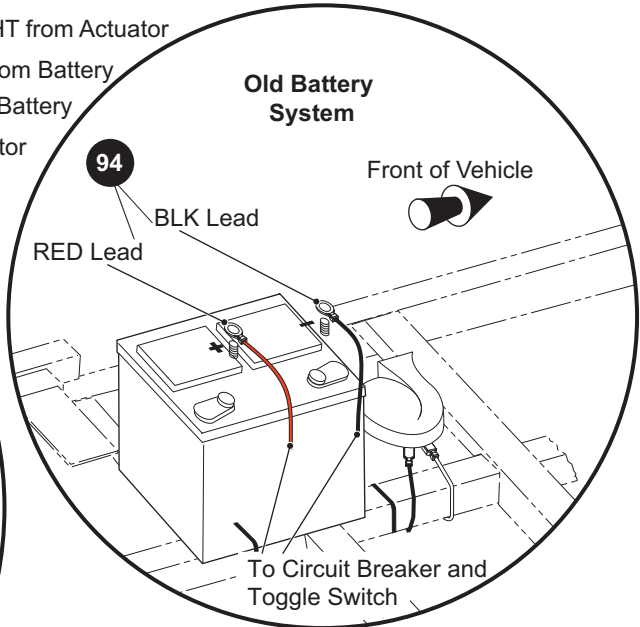
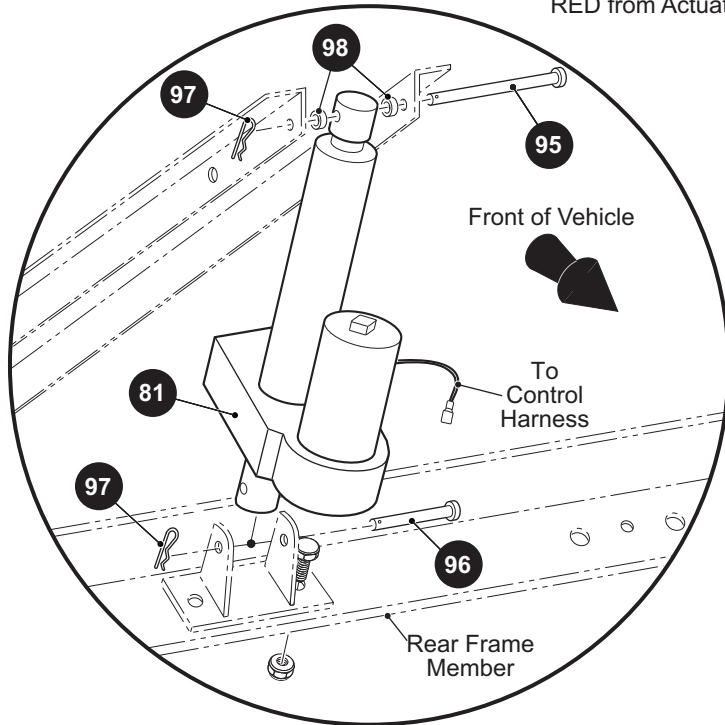
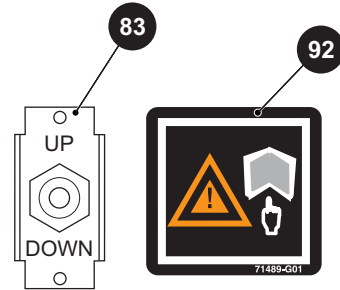
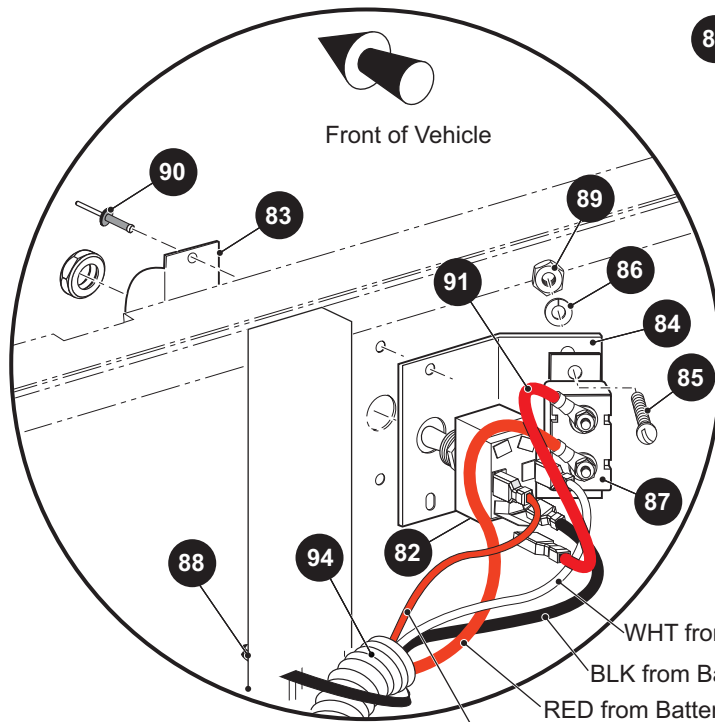
\* Indicates a component that is not available as an individual part.

\*\*\* Indicates consult Customer Service Department for additional information.

ITEM	PART NO.	1 2 3 4 5	DESCRIPTION	QTY.
57	74962G01		BED LATCH WELDMENT.....	1
58	652440G03		BRACKET .....	1
59	652442G03		LATCH PLATE .....	2
60	71538G01		TORSION SPRING .....	1
61				
62				
63	01118G01		HEX HEAD CAP SCREW, 1/4" - 2 X 5/8" LG .....	4
64	71704G01		HANDLE GRIP.....	2
65	70113G01		ADJUSTABLE BUMPER.....	2
66	11027G1		LOCK NUT, 5/16" - 18.....	2
67	652444G03		BUMPER BRACKET.....	2
68				
69				
70	602977		LATCH PLATE (DRIVER SIDE).....	1
71	602978		LATCH PLATE (PASSENGER SIDE).....	1
72	01014G03		CARRIAGE BOLT, 1/4" - 20 X .75" LG.....	4
73	00559G7		FLAT WASHER, 1/4".....	4
74	14390G4		LOCK NUT, 1/4" - 20.....	4
75				
76				
77				
78				
79				

# TRUCK BED - PLASTIC

80 ELECTRIC DUMP KIT includes items 81 - 98



# TRUCK BED - PLASTIC

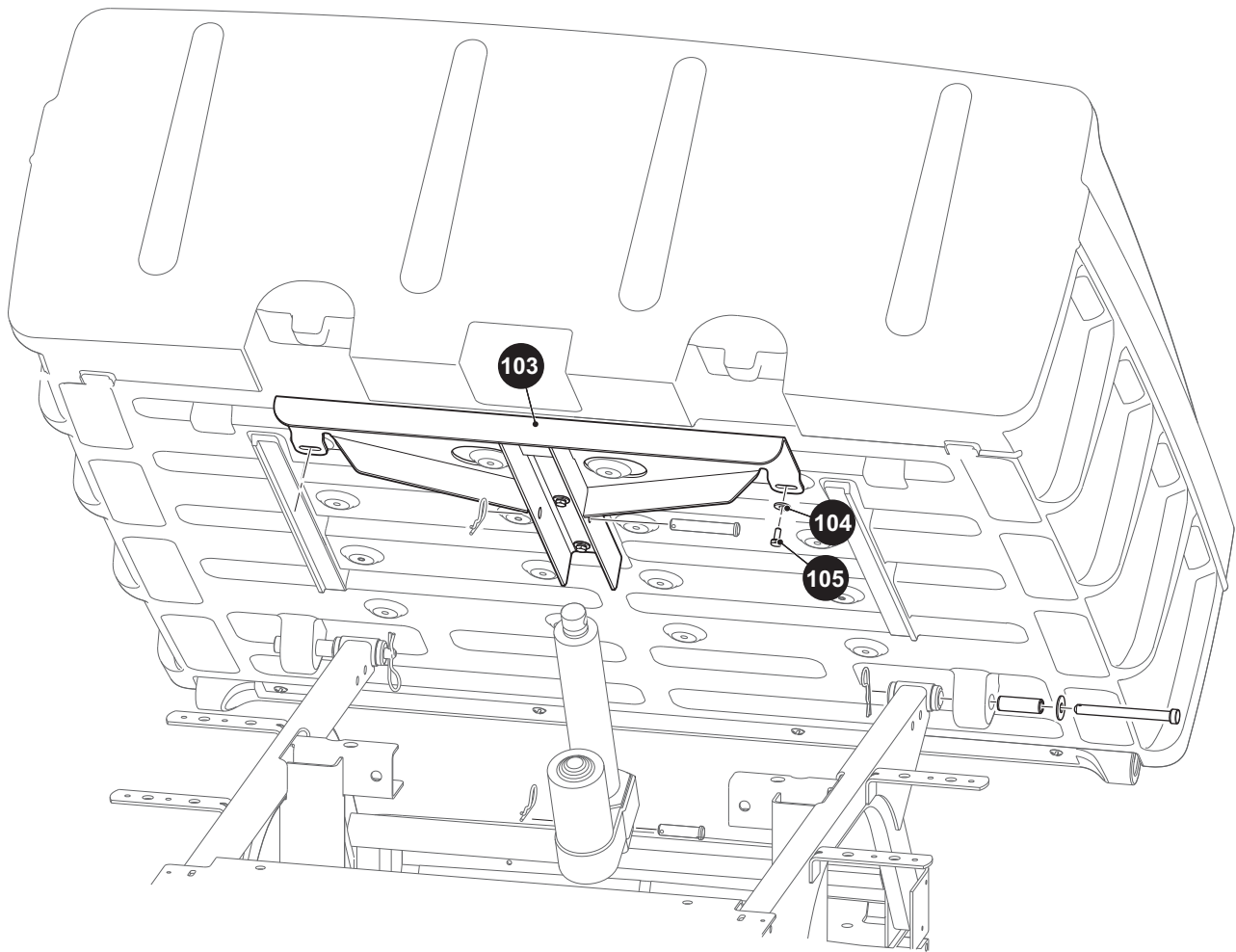
When ordering parts, please specify the model and serial number of the product.

\* Indicates a component that is not available as an individual part.

\*\*\* Indicates consult Customer Service Department for additional information.

ITEM	PART NO.	1 2 3 4 5	DESCRIPTION	QTY.
80	74164G04		ELECTRIC DUMP KIT (INCLUDES ITEMS 81 - 98) .....	1
81	27612G02		ELECTRIC ACTUATOR .....	1
82	27680G01		TOGGLE SWITCH.....	1
83	27447G01		TOGGLE GUARD.....	1
84	74165G02		CIRCUIT BREAKER MOUNTING BRACKET .....	1
85	00150G4		ROUND HEAD SLOTTED SCREW, #10 - 24 X 3/8" LG .....	2
86	00565G5		LOCK WASHER, #10 .....	2
87	21320G3		CIRCUIT BREAKER 15A, 24V .....	1
88	17618G1		WIRE TIE.....	8
89	00526G3		HEX NUT, #8 - 32 .....	2
90	10570G9		RIVET (ALUMINUM), 1/8" X 11/32" .....	2
91	25976G14		14 GA WIRE ASSEMBLY (RED 5") .....	1
92	71489G01		DECAL.....	1
93				
94	651950		WIRE HARNESS, ELECTRIC DUMP.....	1
95	14443G10		CLEVIS PIN, .50" X 3" .....	1
96	14443G11		CLEVIS PIN, .50" X 1.92" .....	1
97	21683G1		COTTER PIN, 15/32" X 2 13/16" .....	2
98	27613G01		SPACER, .75" O.D. X .50" I.D. ....	2
99				
100				
101				
102				

# TRUCK BED - PLASTIC



# TRUCK BED - PLASTIC

When ordering parts, please specify the model and serial number of the product.

\* Indicates a component that is not available as an individual part.

\*\*\* Indicates consult Customer Service Department for additional information.

ITEM	PART NO.	1 2 3 4 5	DESCRIPTION	QTY.
103	71547G02		OUTRIGGER CHANNEL .....	1
104	00642G7		FLAT WASHER, #4 - 5/16".....	8
105	01118G01		HEX HEAD BOLT, 1/4" - 20 X .62" LG .....	8
106				
107				
108				
109				
110				
111				

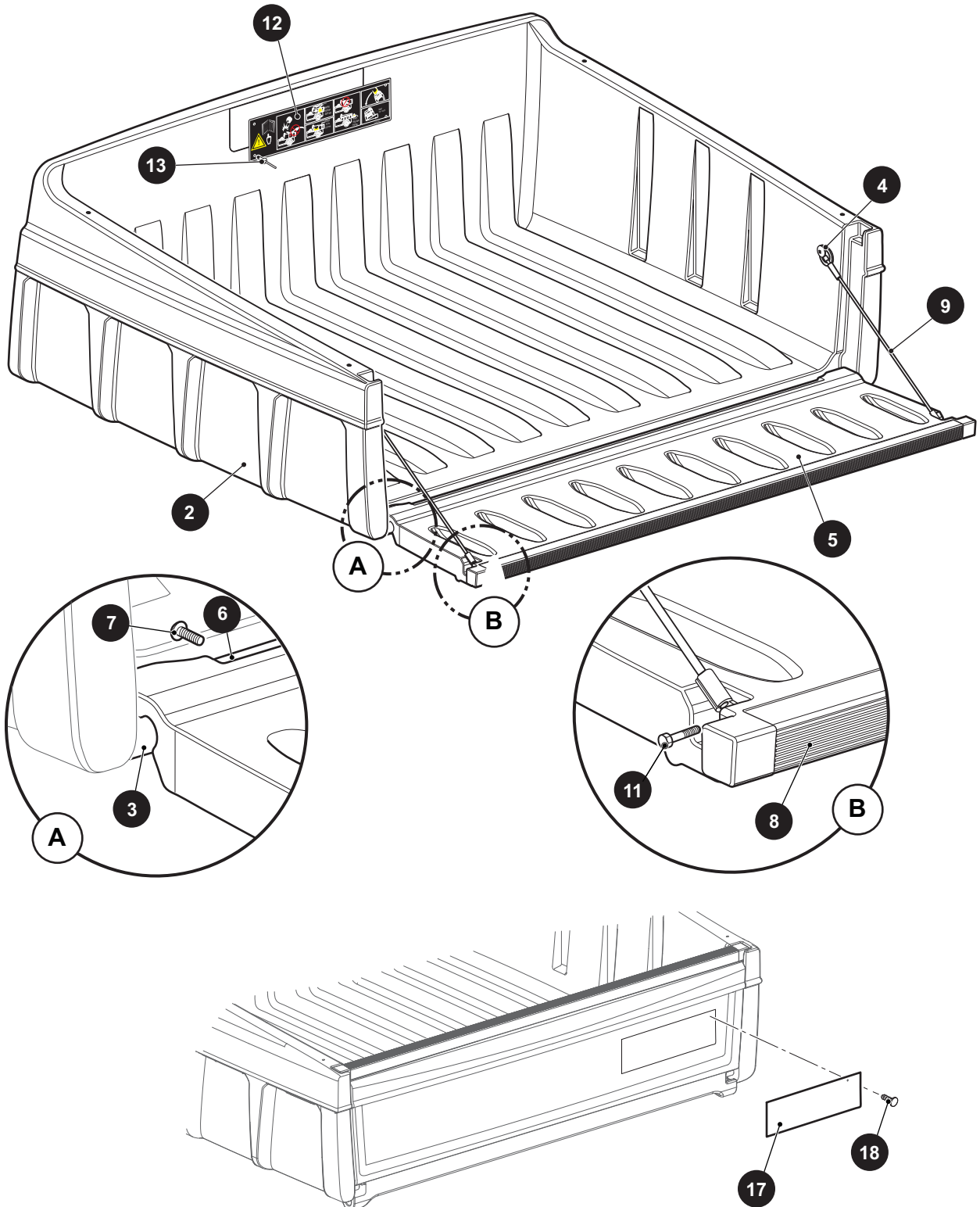






# TRUCK BED - PLASTIC

1 40" PLASTIC BED ASSEMBLY includes items 2 - 11



# TRUCK BED - PLASTIC

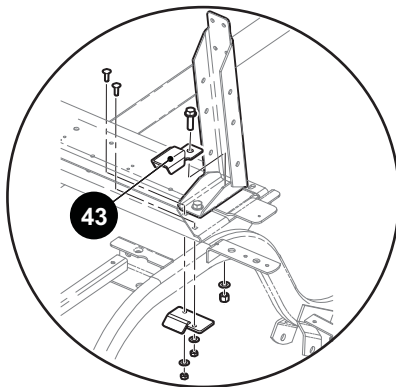
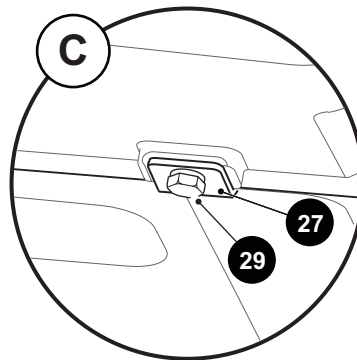
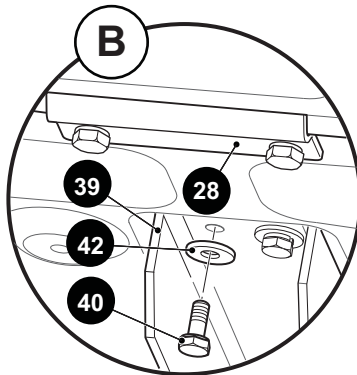
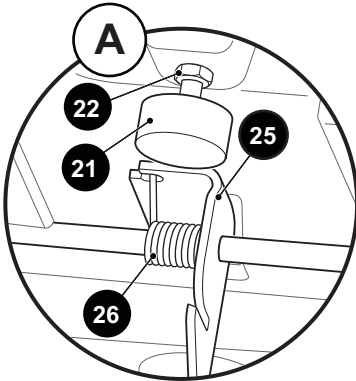
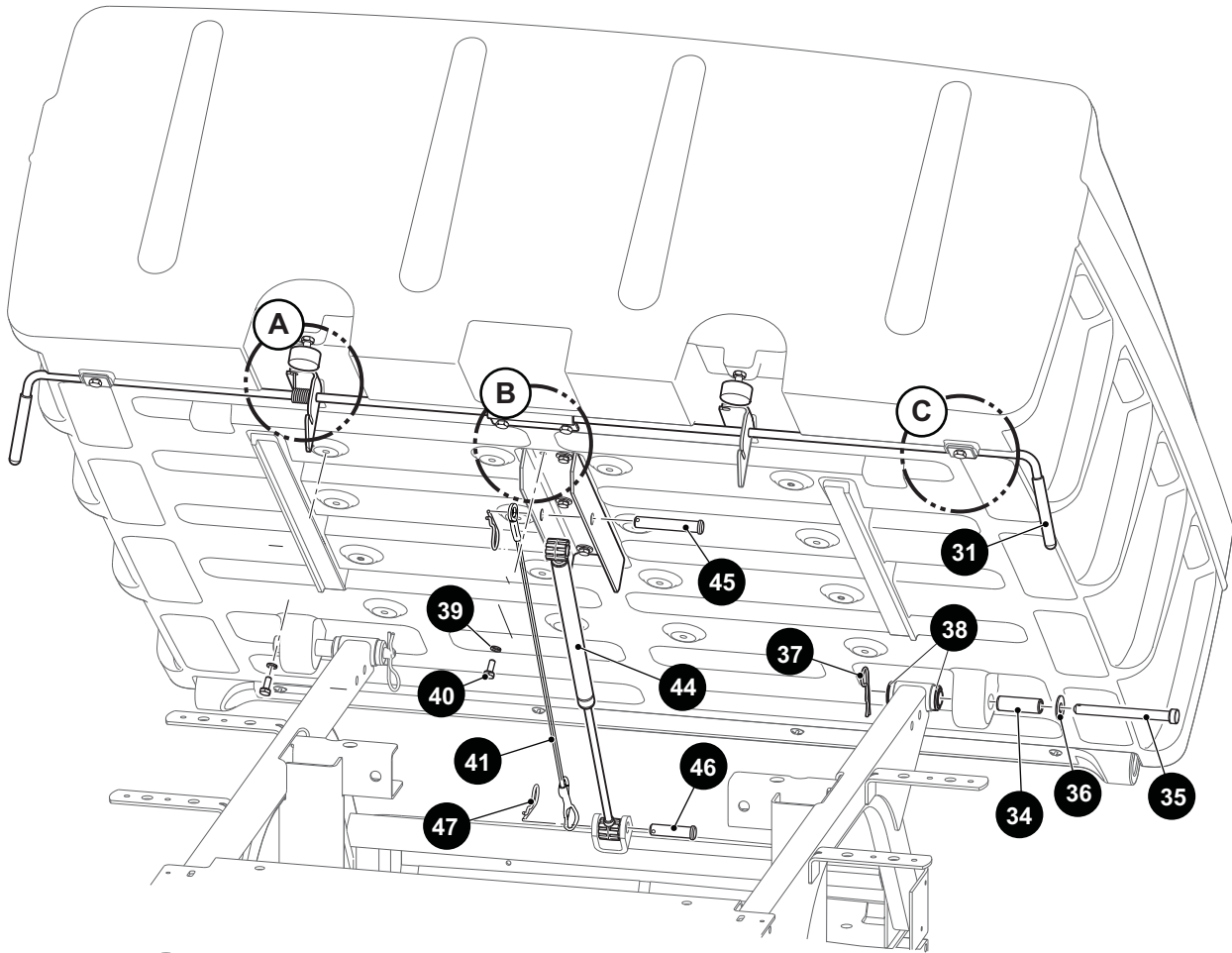
When ordering parts, please specify the model and serial number of the product.

\* Indicates a component that is not available as an individual part.

\*\*\* Indicates consult Customer Service Department for additional information.

ITEM	PART NO.	1 2 3 4 5	DESCRIPTION	QTY.
1	73451G01		BED ASSEMBLY, 40" (INCLUDES ITEMS 2 -11) .....	1
2	*		PLASTIC BED, 40" .....	1
3	73454G01		PIVOT SHAFT .....	2
4	73460G01		SHOULDER BOLT, 1/4" - 20 X 3/4" LG .....	2
5	73455G01		TAILGATE CABLE .....	1
6	73450G01		BOWED ANGLE .....	1
7	16705G2		PAN HEAD SCREW (SS), 1/4" - 20 X 5/8" LG .....	4
8	73449G01		TAILGATE CAP .....	1
9	16818G5		RATCHET FASTENER .....	4
10				
11	00415G2		HEX HEAD CAP SCREW, 1/4" - 20 X 1 1/4" LG .....	2
12	74821G01		BED CAPACITY LABEL .....	1
13	71055G01		RIVET (ALUMINUM), 3/16" X 1" .....	5
14				
15				
16				
17	600110G01		LABEL .....	1
18	16816G2		RATCHET FASTNER .....	4
19				
20				

# TRUCK BED - PLASTIC



# TRUCK BED - PLASTIC

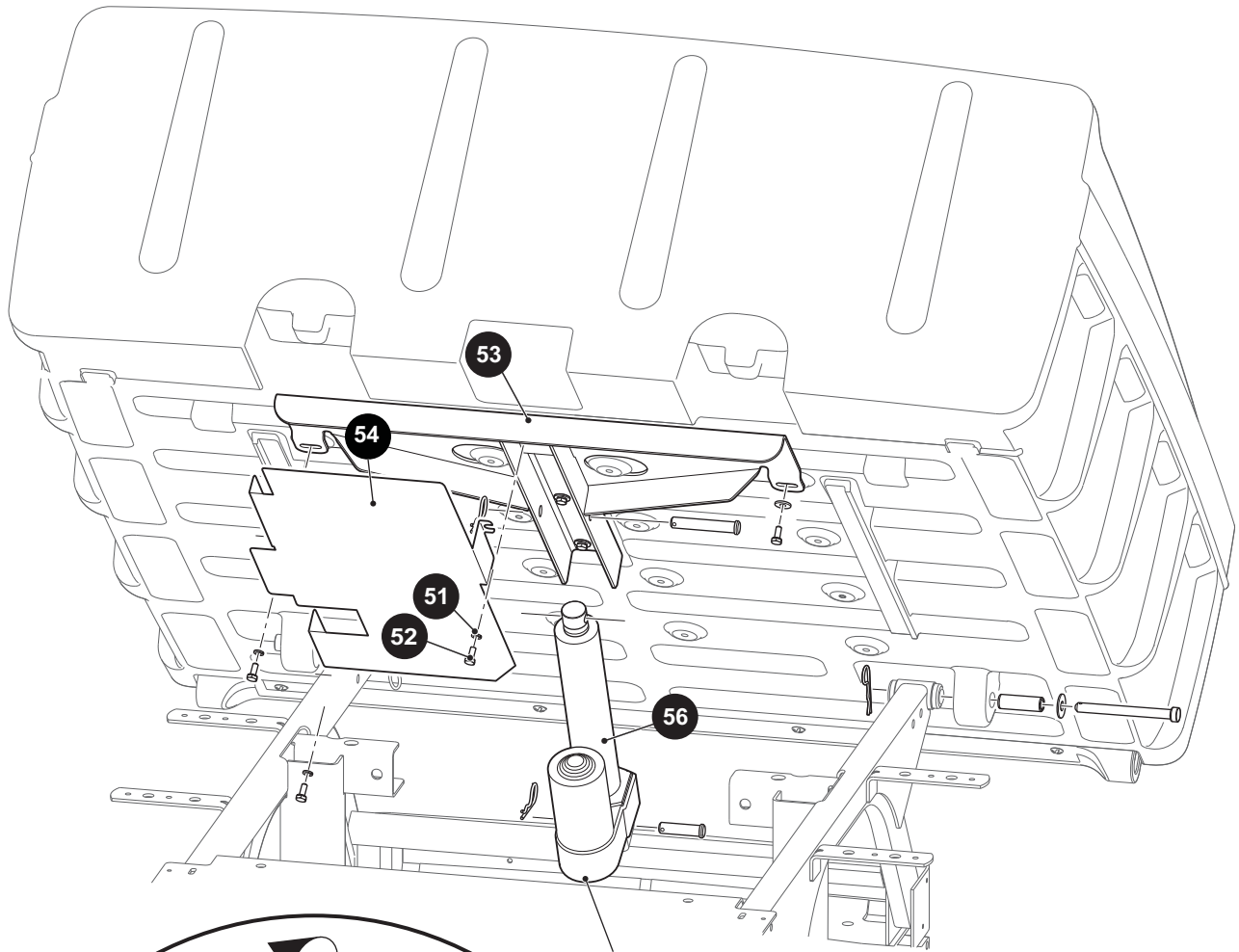
When ordering parts, please specify the model and serial number of the product.

\* Indicates a component that is not available as an individual part.

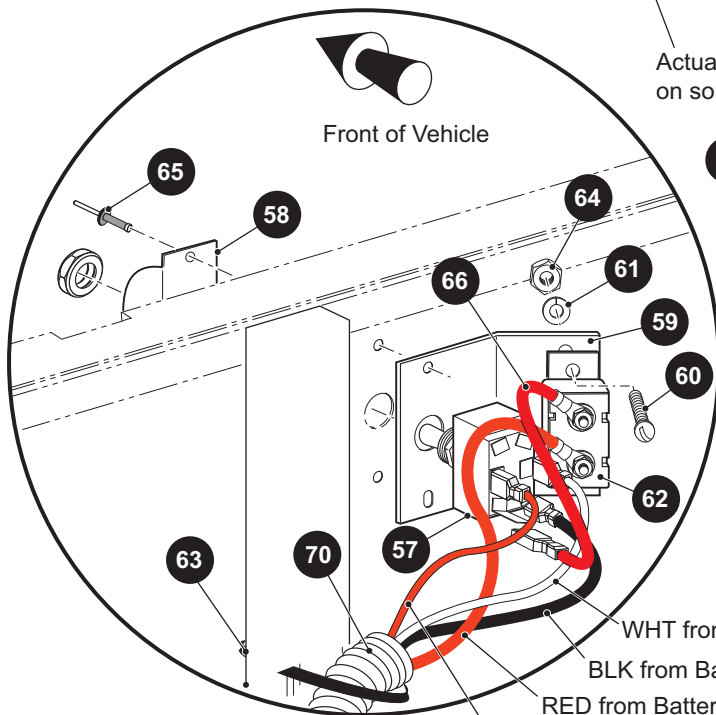
\*\*\* Indicates consult Customer Service Department for additional information.

ITEM	PART NO.	1 2 3 4 5	DESCRIPTION	QTY.
21	70113G01		ADJUSTABLE RUBBER BUMPER.....	2
22	11027G1		LOCK NUT, 5/16" - 18.....	2
23				
24				
25	74962G01		BED LATCH.....	1
26	71538G01		LATCH TORSION SPRING.....	1
27	652442G03		LATCH PLATE.....	2
28	652440G03		RETAINER BRACKET.....	1
29	01118G01		HEX HEAD CAP SCREW, 1/4" - 20 X 5/8" LG.....	4
30				
31	71704G01		HANDLE GRIP.....	2
32				
33				
34	71570G01		BUSHING.....	2
35	71571G01		CLEVIS PIN, .50" X 5.25".....	2
36	00571G5		FLAT WASHER, 5/16".....	2
37	21683G1		HAIR CLIP.....	2
38	624030		FLANGED BUSHING.....	4
39	71569G02		SPRING CHANNEL.....	1
40	01118G01		HEX HEAD CAP SCREW, 1/4" - 20 X 5/8" LG.....	8
41	602904		BED TETHER CABLE.....	1
42	00642G7		FLAT WASHER, 1/4".....	8
43	652444G03		BRACKET, BUMPER.....	2
44	71537G02		GAS SPRING.....	2
45	14443G10		CLEVIS PIN, 1/2" X 2 - 27/32".....	1
46	14443G12		CLEVIS PIN, 1/2" X 1 3/4".....	1
47	21683G1		HAIR CLIP.....	2
48				
49				
50				

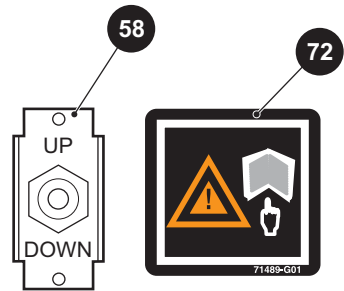
# TRUCK BED - PLASTIC



Actuator may be rotated 90° on some models



55 ELECTRIC DUMP KIT includes items 56 - 66



WHT from Actuator  
 BLK from Battery  
 RED from Battery  
 RED from Actuator

# TRUCK BED - PLASTIC

When ordering parts, please specify the model and serial number of the product.

\* Indicates a component that is not available as an individual part.

\*\*\* Indicates consult Customer Service Department for additional information.

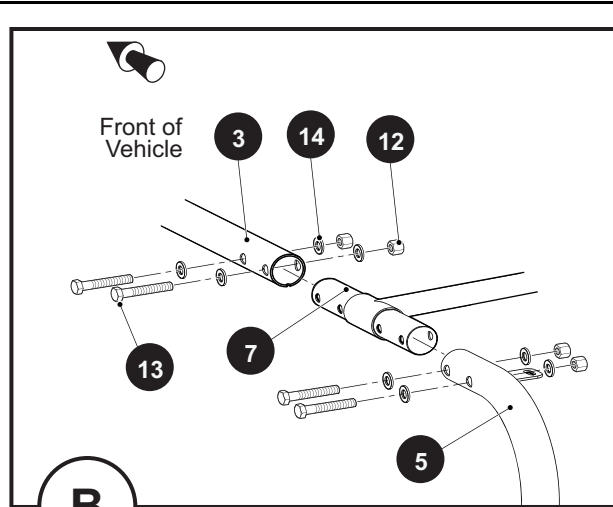
ITEM	PART NO.	1 2 3 4 5	DESCRIPTION	QTY.
51	00642G7		FLAT WASHER, 1/4" .....	8
52	01118G01		HEX HEAD CAP SCREW, 1/4" - 20 X 5/8" LG .....	8
53	71547G02		OUTRIGGER CHANNEL .....	1
54	72339G02		PLASTIC BED HEAT SHIELD (GASOLINE VEHICLES ONLY) .....	1
55	74164G01		ELECTRIC DUMP KIT (INCLUDES ITEMS 56 - 66) .....	1
56	27612G02		ELECTRIC ACTUATOR, 12V, 1500 LBS.....	1
57	27680G01		TOGGLE SWITCH.....	1
58	27447G01		TOGGLE GUARD.....	1
59	74165G02		CIRCUIT BREAKER MOUNTING BRACKET .....	1
60	00150G4		ROUND HEAD SLOTTED SCREW, #10 - 24 X 3/8" LG .....	2
61	00565G5		LOCK WASHER, #10 .....	2
62	21320G4		CIRCUIT BREAKER, 15A, 24V .....	1
63	17618G1		WIRE TIE.....	8
64	00526G3		HEX NUT, #10 - 24 .....	2
65	10570G9		RIVET, 5/32" X .55" .....	2
66	25976G14		14 GA WIRE (RED 5") .....	1
67				
68				
69	27613G01		SPACER, .75 O.D. X .50 I.D. (NOT ILLUSTRATED) .....	2
70	651950		DUMP HARNESS .....	1
71				
72	71489G01		DECAL .....	1
73				
74				
75				
76				



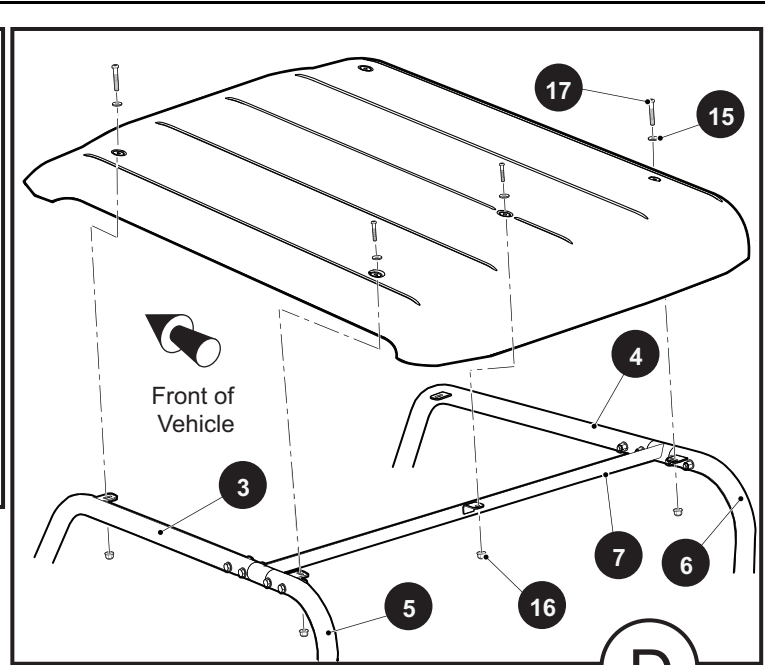




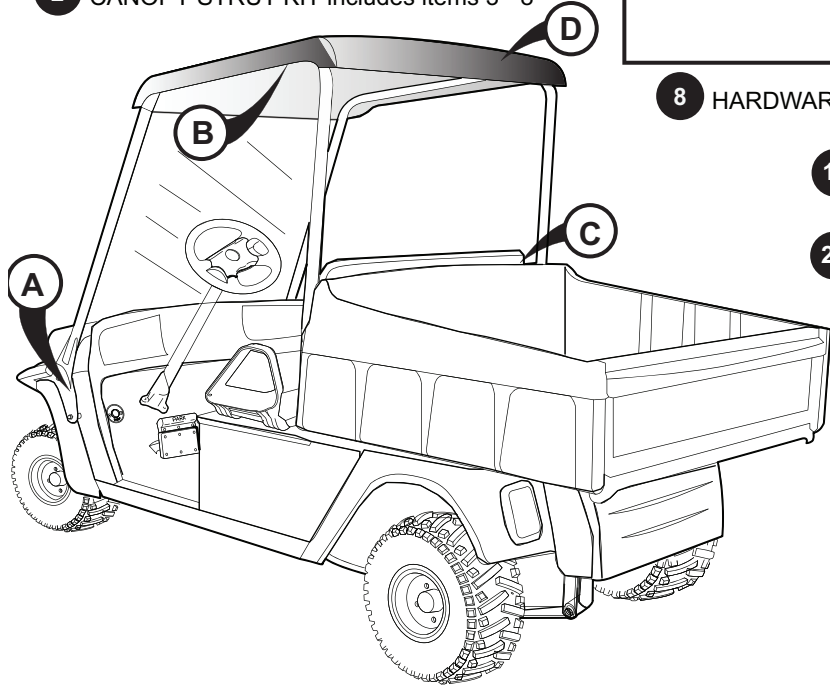
# WEATHER PROTECTION



**2** CANOPY STRUT KIT includes items 3 - 8

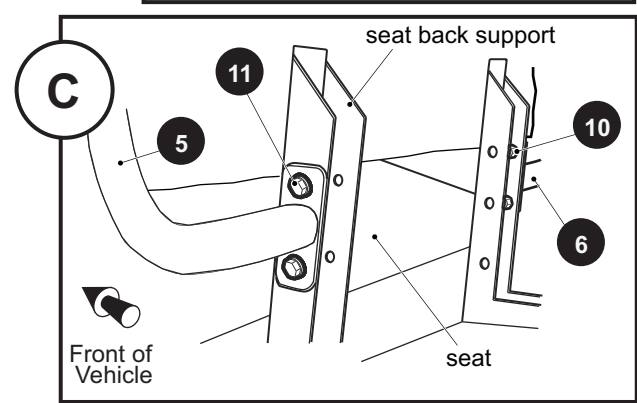
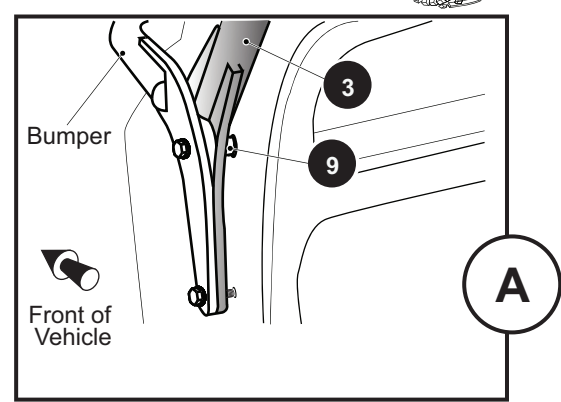
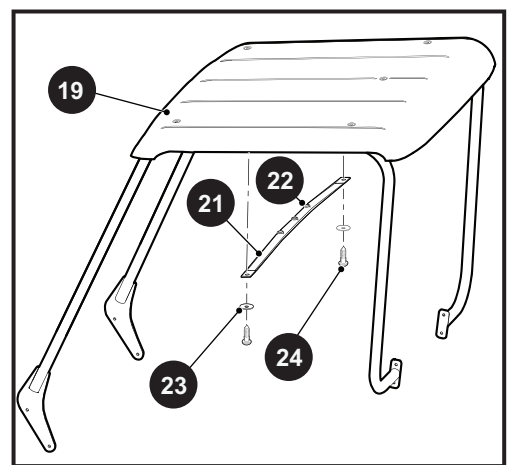


**8** HARDWARE KIT includes items 9 - 17



**18** CANOPY ASSEMBLY, REINFORCED (BLACK) includes items 19 - 24

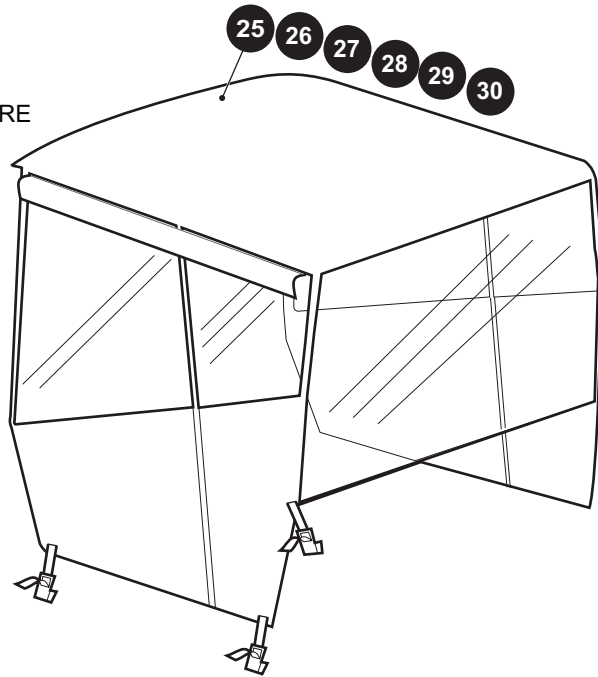
**20** REINFORCEMENT BAR ASSEMBLY includes items 21 - 22



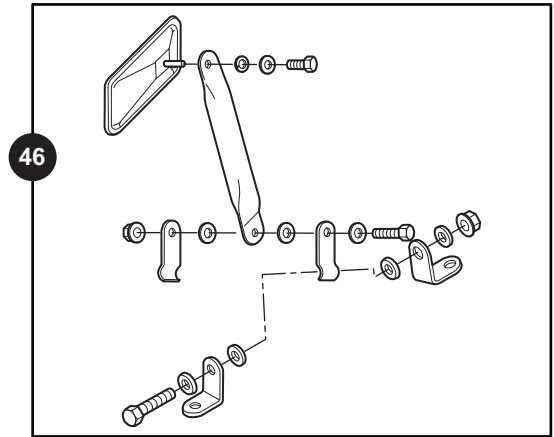
32 FULL WINDSHIELD KIT includes items 33 - 38

41 SPLIT WINDSHIELD KIT includes items 34 - 37, 42, 43

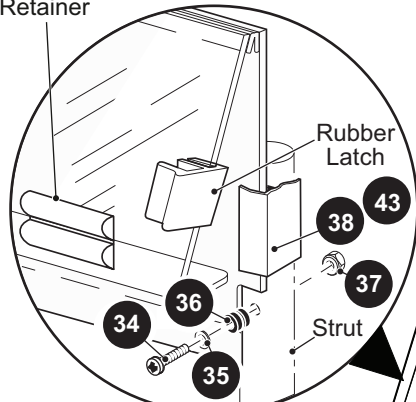
ENCLOSURE



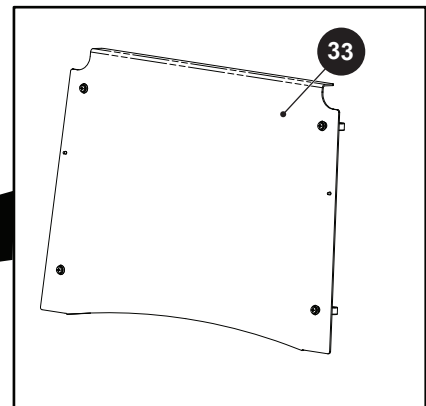
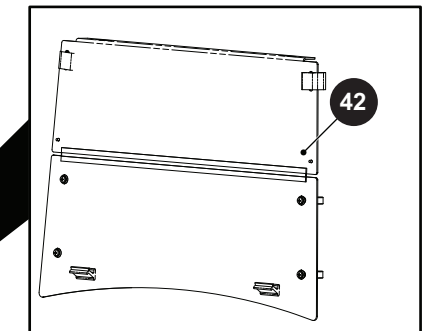
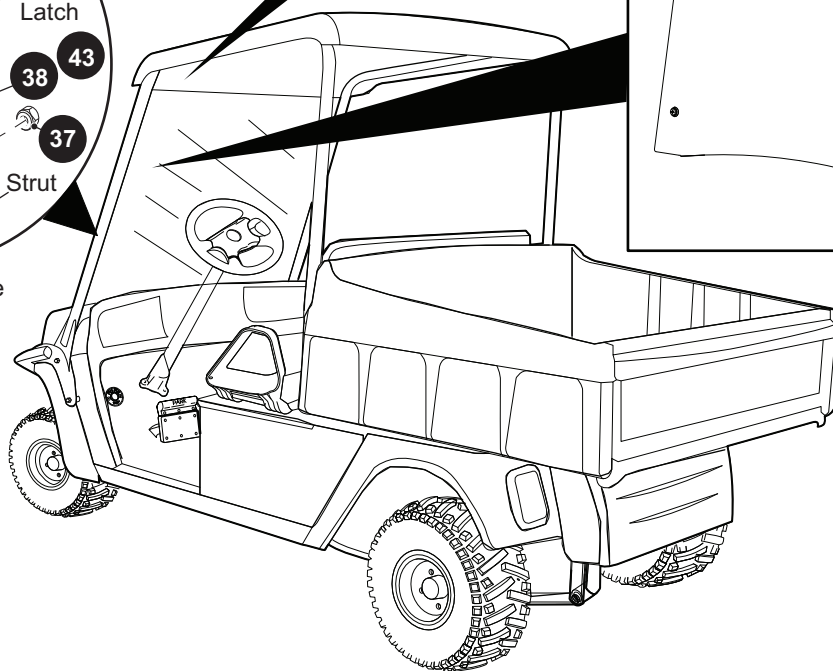
REAR VIEW MIRROR



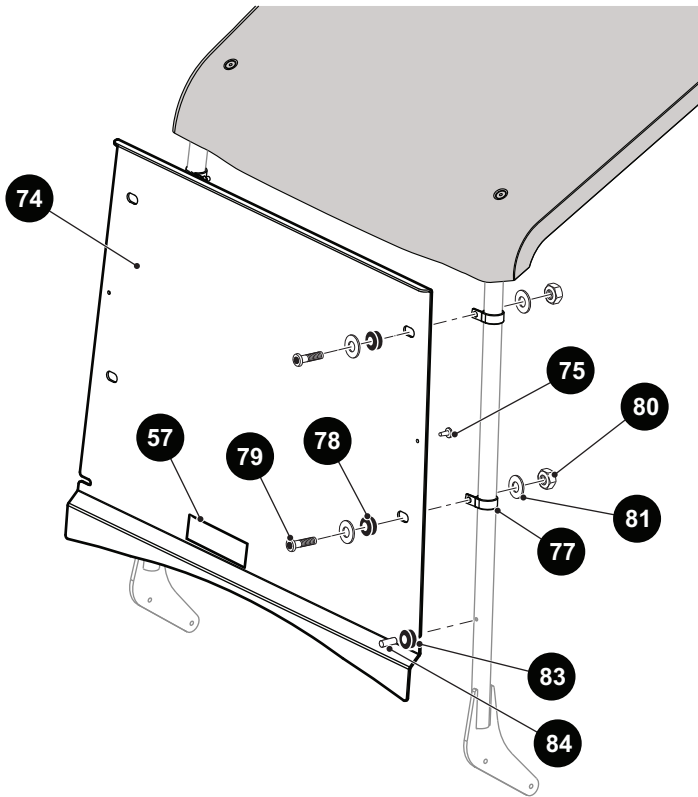
Windshield Retainer



Front of Vehicle

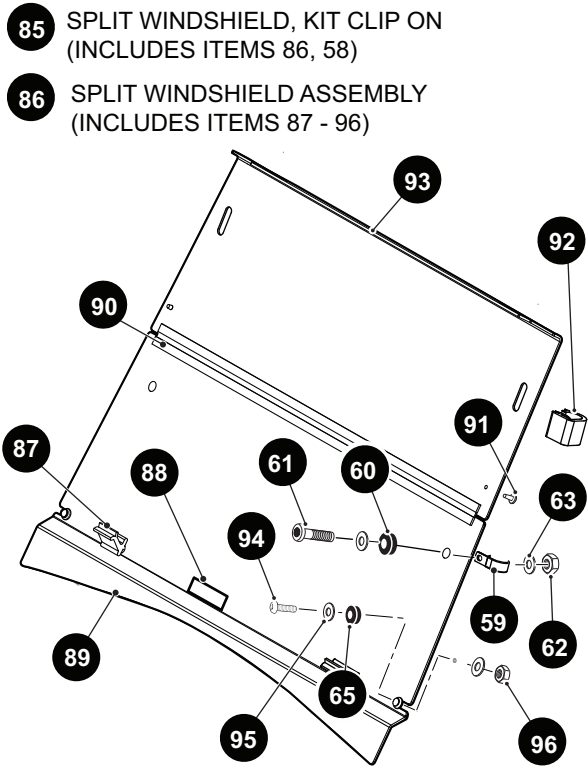


# WEATHER PROTECTION

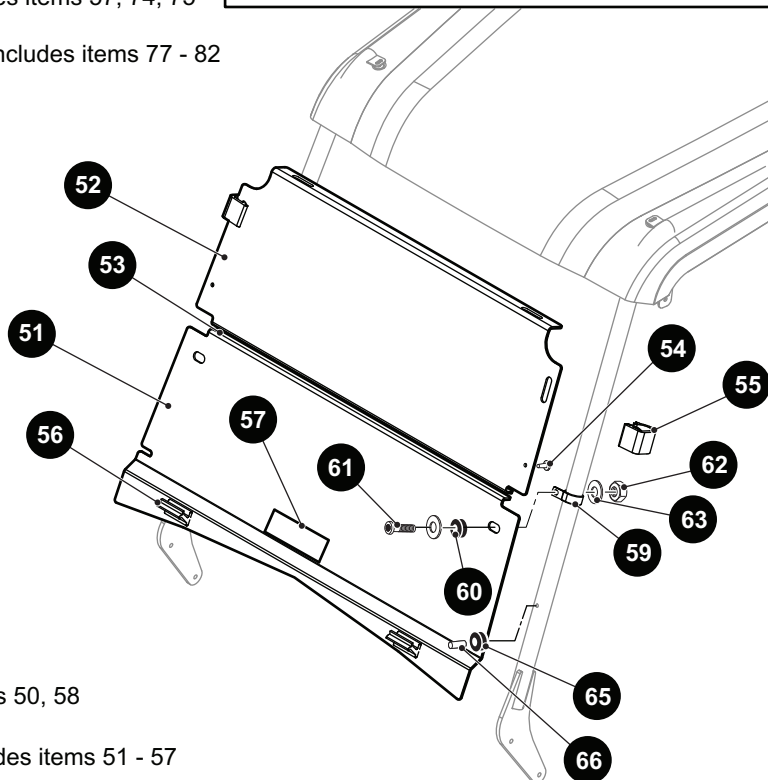


- 72 FULL WINDSHIELD KIT includes items 73, 76
- 73 FULL WINDSHIELD ASSEMBLY includes items 57, 74, 75
- 76 FULL WINDSHIELD HARDWARE KIT includes items 77 - 82

FOR VEHICLES MANUFACTURED FROM  
1<sup>ST</sup> DECEMBER 2014



- 85 SPLIT WINDSHIELD, KIT CLIP ON  
(INCLUDES ITEMS 86, 58)
- 86 SPLIT WINDSHIELD ASSEMBLY  
(INCLUDES ITEMS 87 - 96)



- 49 SPLIT WINDSHIELD KIT includes items 50, 58
- 50 SPLIT WINDSHIELD ASSEMBLY includes items 51 - 57
- 58 SPLIT WINDSHIELD HARDWARE KIT includes items 59 - 64, 94 - 96

# WEATHER PROTECTION

When ordering parts, please specify the model and serial number of the product.

\* Indicates a component that is not available as an individual part.

\*\*\* Indicates consult Customer Service Department for additional information.

ITEM	PART NO.	1 2 3 4 5	DESCRIPTION	QTY.
1				
2	638362		CANOPY STRUT KIT (INCLUDES ITEMS 3 - 8) .....	1
3	638092G01		CANOPY SUPPORT (DRIVER SIDE FRONT) .....	1
4	638092G02		CANOPY SUPPORT (PASSENGER SIDE FRONT) .....	1
5	626084		CANOPY SUPPORT (DRIVER SIDE REAR) .....	1
6	626085		CANOPY SUPPORT (PASSENGER SIDE REAR) .....	1
7	617641		CANOPY SUPPORT, CROSS TUBE .....	1
8	624119		HARDWARE KIT (INCLUDES ITEMS 9 - 17) .....	1
9	619586		SPACER, 3/4" .....	2
10	11098G6		LOCK NUT, 5/16" - 18 .....	4
11	00438G7		HEX HEAD BOLT, 5/16" - 18 X 7/8" LG .....	4
12	11098G5		LOCK NUT, 3/8" - 16 .....	8
13	00428G2		HEX HEAD BOLT, 3/8" - 16 X 2 1/4" LG .....	8
14	00560G1		FLAT WASHER, 3/8" .....	16
15	00915G1		BONDED SEAL WASHER, 1/4" .....	5
16	601476		LOCK NUT, M6 - 1 .....	5
17	*		TORX BOLT, M6 - 1 X 40MM LG .....	5
18	651139		CANOPY ASSEMBLY, REINFORCED (BLACK) (INCLUDES ITEMS 19 - 24) .....	1
19	639044		CANOPY (BLACK) .....	1
20	651138		REINFORCEMENT BAR ASSEMBLY (INCLUDES ITEMS 21 - 22) .....	1
21	639438		REINFORCEMENT BAR .....	1
22	820951		BUMPER .....	3
23	00559G4		FLAT WASHER, O.D .45" X I.D .19" .....	2
24	608290		PHILLIPS HEAD SELF TAPPING SCREW, #10 - 16 X .72" LG .....	2
25	624829		TOP ENCLOSURE (BLACK) .....	1
26	624830		TOP ENCLOSURE (GRAY) .....	1
27	624831		TOP ENCLOSURE (GREEN) .....	1
28	624832		TOP ENCLOSURE (WHITE) .....	1
29	624833		TOP ENCLOSURE (TAN) .....	1
30	*		VELCRO .....	AR

# WEATHER PROTECTION

When ordering parts, please specify the model and serial number of the product.

\* Indicates a component that is not available as an individual part.

\*\*\* Indicates consult Customer Service Department for additional information.

ITEM	PART NO.	1	2	3	4	5	DESCRIPTION	QTY.
31								
32	71966G03						FULL WINDSHIELD KIT (INCLUDES ITEMS 33 - 38) .....	1
33	71960G01						FULL WINDSHIELD .....	1
34	*						HEX HEAD BOLT, 1/4" - 20 X 1 3/4" LG .....	2
35	*						FLAT WASHER (SS), 1/4" .....	4
36	*						RUBBER GROMMET .....	2
37	*						LOCK NUT (SS), 1/4" - 20 .....	2
38	615662						SASH, 26" LG .....	2
39								
40								
41	71966G04						SPLIT WINDSHIELD KIT (INCLUDES ITEMS 34 - 37, 42, 43).....	1
42	617544						SPORT WINDSHIELD .....	1
43	615661						SASH, 12" LG .....	2
44								
45								
46	27924G01						MIRROR ASSEMBLY .....	1
47								
48								
49	625932						SPLIT WINDSHIELD KIT, CLIP - ON (INCLUDES ITEMS 50, 58) (FOR VEHICLES MANUFACTURED BEFORE 1ST DECEMBER 2014) .....	1
50	625930						SPLIT WINDSHIELD ASSEMBLY (INCLUDES ITEMS 51 - 57).....	1
51	625898						WINDSHIELD LOWER.....	1
52	625899						WINDSHIELD UPPER.....	1
53	603705						HINGE .....	1
54	604115						GROMMET .....	2
55	619621						UPPER LATCH.....	2
56	603201						LOWER LATCH.....	2
57	71963G01						WARNING DECAL.....	1
58	625928						HARDWARE KIT, SPLIT WINDSHIELD (INCLUDES ITEMS 59 - 64, 94 - 96) .....	1
59	619078						TUBE CLAMP, 1.5" DIA.....	2
60	604116						FASTENER GROMMET .....	2

# WEATHER PROTECTION

When ordering parts, please specify the model and serial number of the product.

\* Indicates a component that is not available as an individual part.

\*\*\* Indicates consult Customer Service Department for additional information.

ITEM	PART NO.	1	2	3	4	5	DESCRIPTION	QTY.
61	619082						PAN HEAD BOLT, 3/8" - 16 X 1 1/2" LG .....	2
62	11098G5						LOCK NUT, 3/8" - 16 .....	2
63	306981						FLAT WASHER, 3/8" .....	4
64	624785						GROMMET ASSEMBLY, 1/4" (INCLUDES ITEMS 65, 66) .....	2
65	624780						GROMMET, 1/4" .....	1
66	624778						SLEEVE, 1/4" .....	1
67								
68								
69								
70								
71								
72	625931						FULL WINDSHIELD KIT, CLIP - ON (INCLUDES ITEMS 73, 76).....	1
73	625927						FULL WINDSHIELD ASSEMBLY (INCLUDES ITEMS 57, 74, 75) .....	1
74	625904						FULL WINDSHIELD .....	1
75	604115						GROMMET .....	2
76	625929						HARDWARE KIT, FULL WINDSHIELD (INCLUDES ITEMS 77 - 82).....	1
77	619078						TUBE CLAMP, 1.5" DIA.....	4
78	604116						FASTENER GROMMET .....	4
79	619082						PAN HEAD BOLT, 3/8" - 16 X 1 1/2" LG .....	4
80	11098G5						LOCK NUT, 3/8" - 16 .....	4
81	306981						FLAT WASHER, 3/8" .....	8
82	624785						GROMMET ASSEMBLY, 1/4" (INCLUDES ITEMS 83, 84) .....	2
83	624780						GROMMET, 1/4" .....	1
84	624778						SLEEVE, 1/4" .....	1
85	638372						SPLIT WINDSHIELD, CLIP ON (INCLUDES ITEMS 87 - 93) (FOR VEHICLES MANUFACTURED FROM 1ST DECEMBER 2014) .....	1
86	638120						SPLIT WINDSHIELD ASSEMBLY (INCLUDES ITEMS 87 - 96) .....	1
87	603201						LOWER WINDSHIELD LATCH .....	2
88	71963G01						DECAL .....	1
89	638054						LOWER SPLIT WINDSHIELD .....	1
90	638070						HINGE .....	1

# WEATHER PROTECTION

When ordering parts, please specify the model and serial number of the product.

\* Indicates a component that is not available as an individual part.

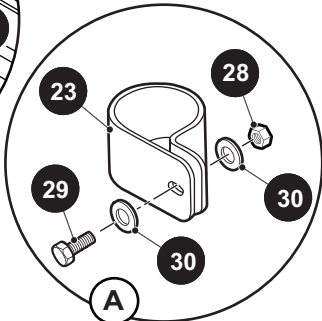
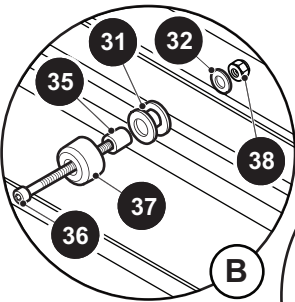
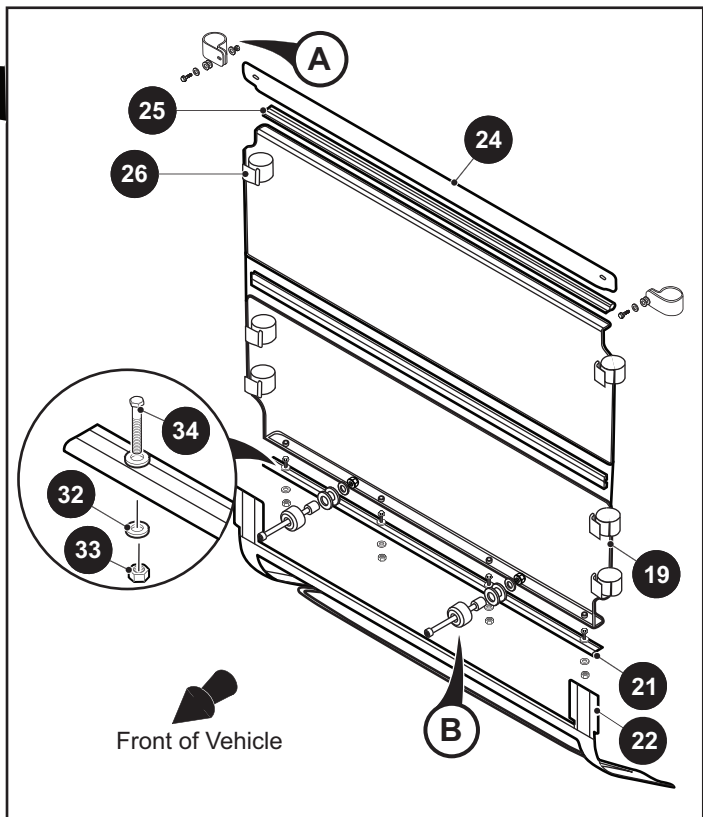
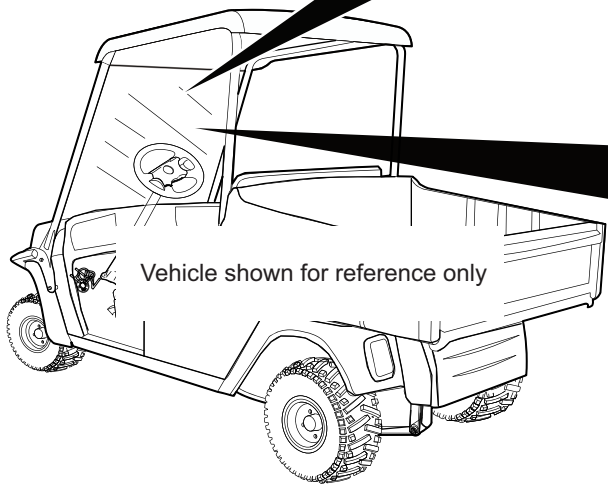
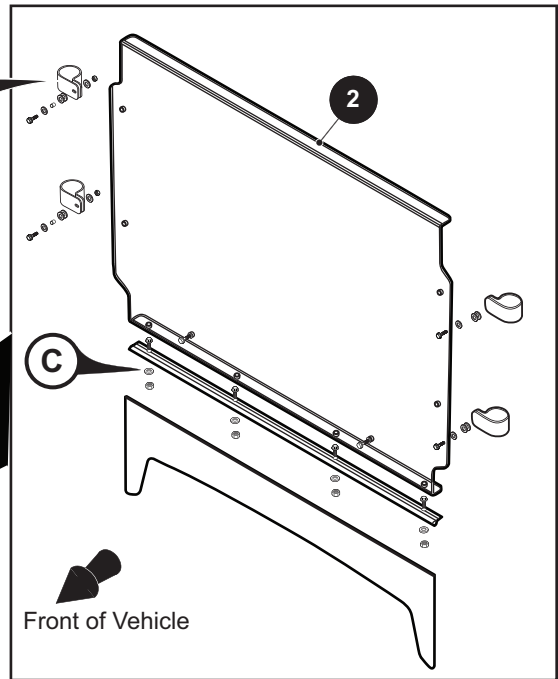
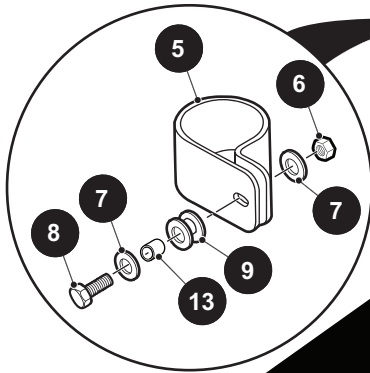
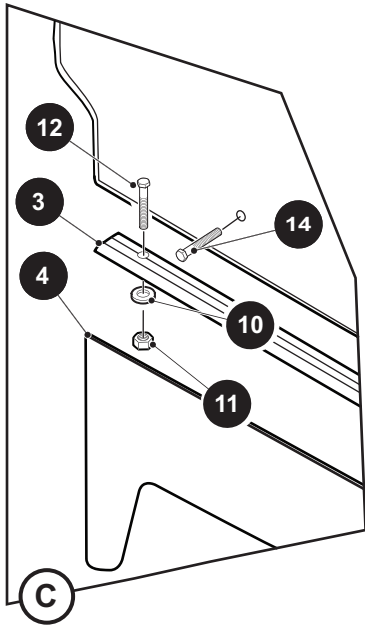
\*\*\* Indicates consult Customer Service Department for additional information.

ITEM	PART NO.	1	2	3	4	5	DESCRIPTION	QTY.
91	604115						GROMMET .....	2
92	619621						UPPER WINDSHIELD LATCH .....	2
93	638053						UPPER SPLIT WINDSHIELD.....	1
94	00753G7						TRUSS HEAD PHILLIPS SCREW, 1/4" - 20 X 2.5" LG .....	2
95	00650G7						FLAT WASHER, 1/4" .....	4
96	00550G1						HEX NUT, 1/4" - 20.....	2





# WEATHER PROTECTION



**1** WINDSHIELD KIT (FULL) includes items 2 - 14

**18** WINDSHIELD KIT (SPLIT) includes items 19 - 38

# WEATHER PROTECTION

When ordering parts, please specify the model and serial number of the product.

\* Indicates a component that is not available as an individual part.

\*\*\* Indicates consult Customer Service Department for additional information.

ITEM	PART NO.	1 2 3 4 5	DESCRIPTION	QTY.
1	627079		WINDSHIELD KIT (FULL) (INCLUDES ITEMS 2 - 14) .....	1
2	*		WINDSHIELD .....	1
3	*		AWNING MOLDING (ALUMINUM).....	1
4	*		TEXTILE SKIRT PLACEHOLDER.....	1
5	*		PLASTIC CLAMP .....	4
6	*		HEX NUT.....	6
7	*		FLAT WASHER .....	12
8	*		HEX HEAD BOLT .....	4
9	*		WINDSHIELD GROMMET .....	6
10	*		FLAT WASHER .....	8
11	*		HEX NUT.....	4
12	*		HEX HEAD BOLT .....	4
13	*		CRUSH SLEEVE .....	6
14	*		HEX HEAD BOLT .....	2
15				
16				
17				
18	627080		WINDSHIELD KIT (SPLIT) (INCLUDES ITEMS 19 - 38).....	1
19	*		WINDSHIELD .....	1
20				
21	*		AWNING MOLDING (ALUMINUM).....	1
22	*		TEXTILE SKIN PLACEHOLDER.....	1
23	*		PLASTIC CLAMP .....	2
24	*		UPPER METAL SEAL.....	1
25	*		UNIGRIP.....	1
26	*		TEXTILE STRAP .....	6
27				
28	*		HEX NUT.....	2
29	*		HEX HEAD BOLT .....	2
30	*		FLAT WASHER .....	4
31	*		GROMMET .....	2

# WEATHER PROTECTION

When ordering parts, please specify the model and serial number of the product.

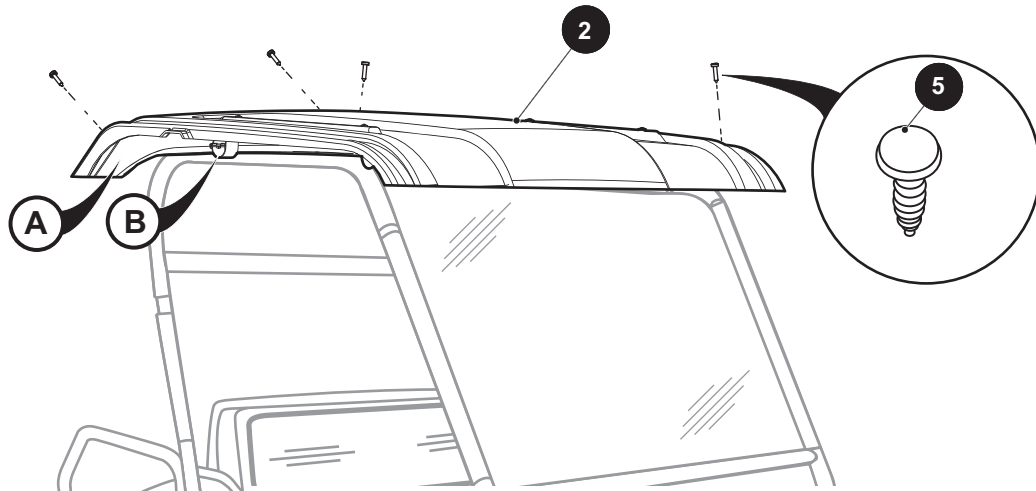
\* Indicates a component that is not available as an individual part.

\*\*\* Indicates consult Customer Service Department for additional information.

ITEM	PART NO.	1	2	3	4	5	DESCRIPTION	QTY.
32	*						FLAT WASHER .....	10
33	*						HEX NUT .....	4
34	*						HEX HEAD BOLT.....	4
35	*						CRUSH SLEEVE .....	2
36	*						HEX HEAD BOLT.....	2
37	*						BUMPER.....	2
38	*						HEX NUT .....	2



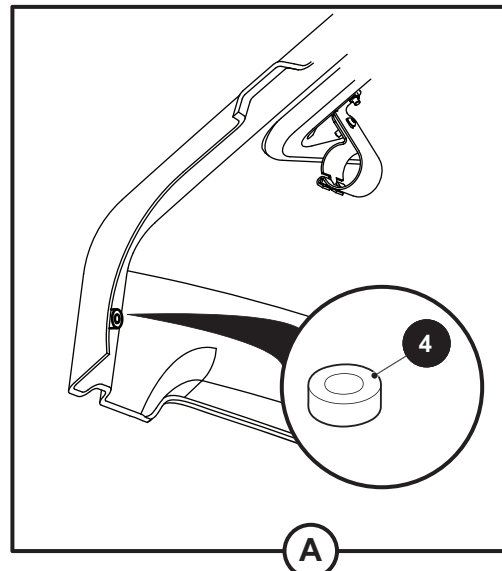
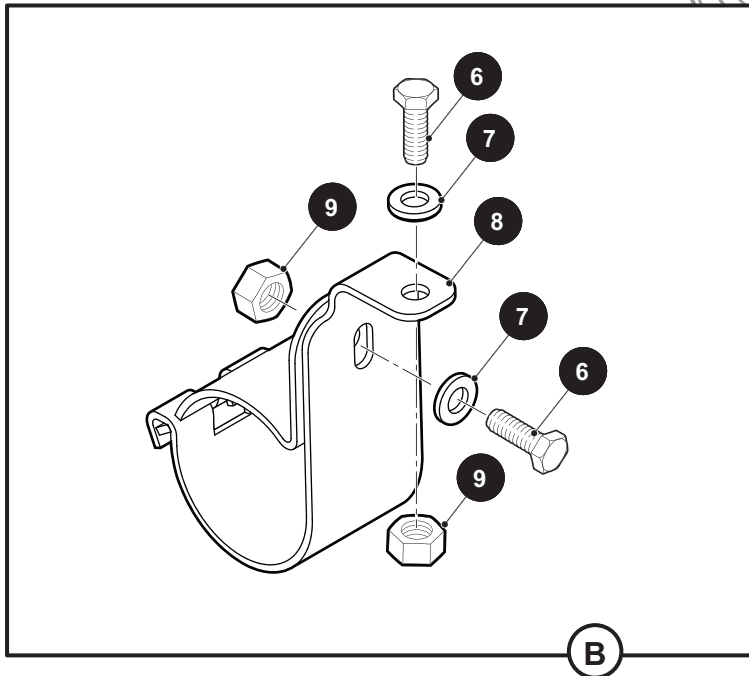
# WEATHER PROTECTION



Vehicle shown for reference only

**1** TOP CANOPY KIT includes items 2, 3

**3** HARDWARE KIT includes items 4 - 9



# WEATHER PROTECTION

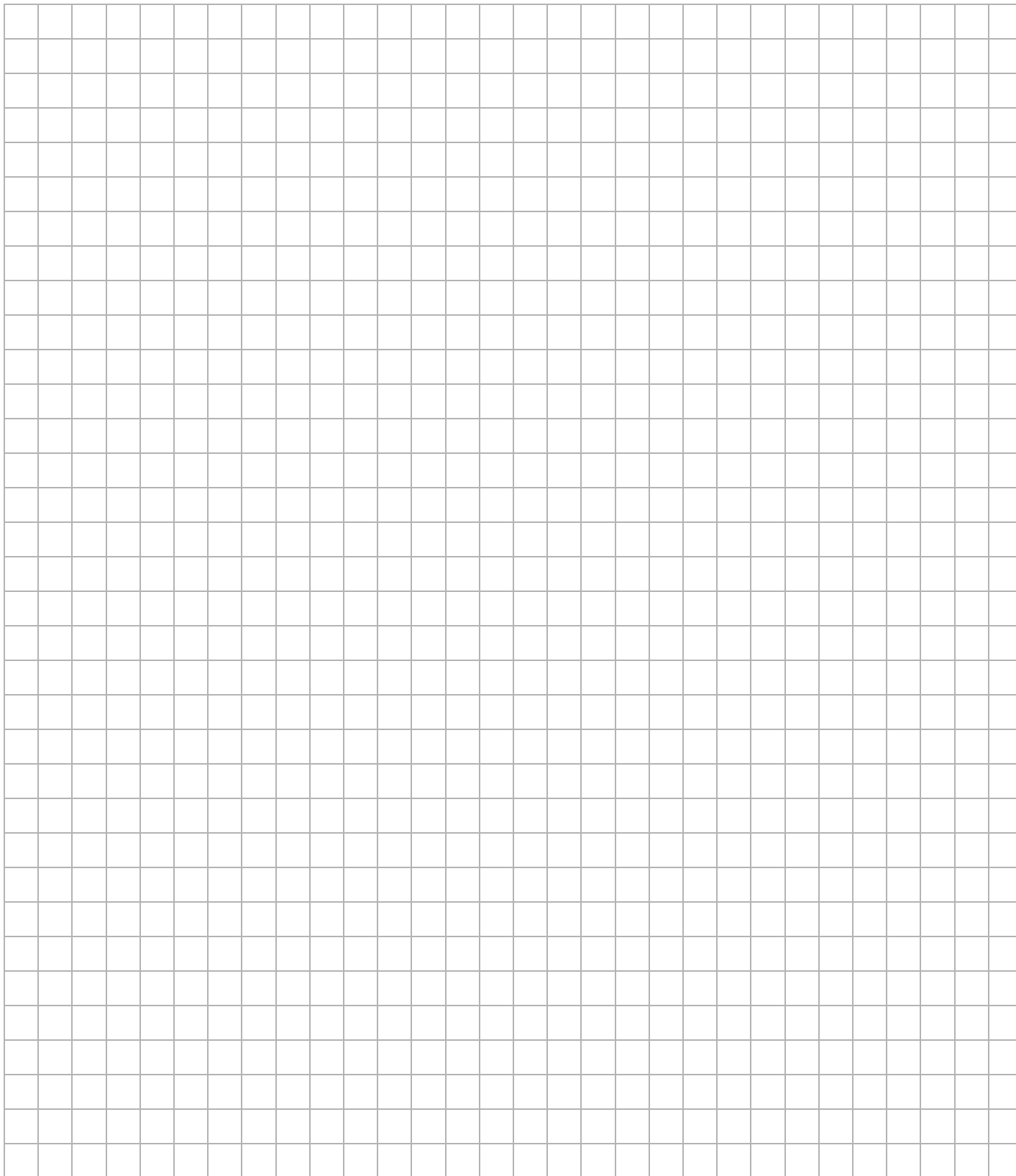
When ordering parts, please specify the model and serial number of the product.

\* Indicates a component that is not available as an individual part.

\*\*\* Indicates consult Customer Service Department for additional information.

ITEM	PART NO.	1 2 3 4 5	DESCRIPTION	QTY.
1	628584		TOP CANOPY KIT (INCLUDES ITEMS 2, 3).....	1
2	627077		TOP CANOPY .....	1
3	628585		HARDWARE KIT (INCLUDES ITEMS 4 - 9) .....	1
4	*		RUBBER SPACER.....	4
5	*		CHRISTMAS TREE PUSH RIVET .....	4
6	*		HEX HEAD BOLT, M6 - 1 X 20MM LG .....	8
7	*		FLAT WASHER, 1/4" .....	8
8	*		CLAMP (2 PIECE).....	4
9	*		HEX NUT, M6 - 1.....	8

Notes:

A large grid of graph paper, consisting of 20 columns and 30 rows of small squares, intended for taking notes.

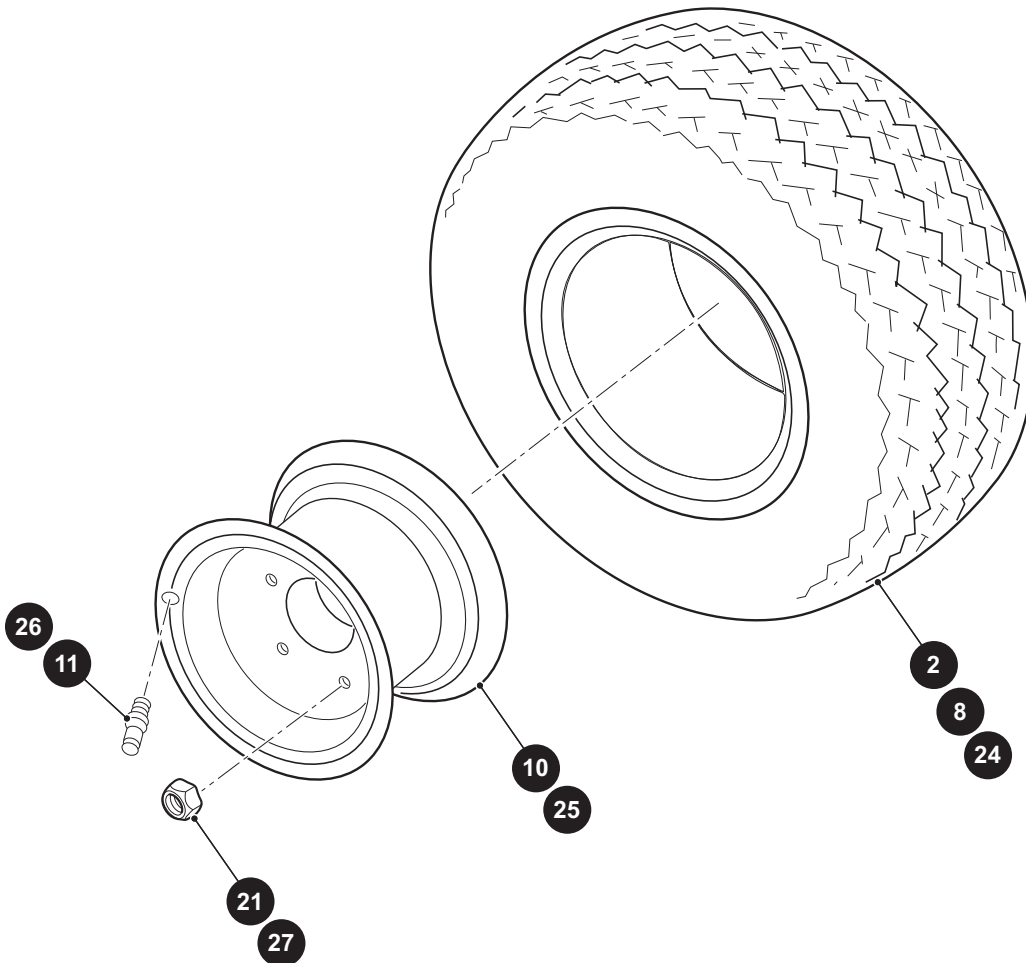




# WHEELS AND TIRES

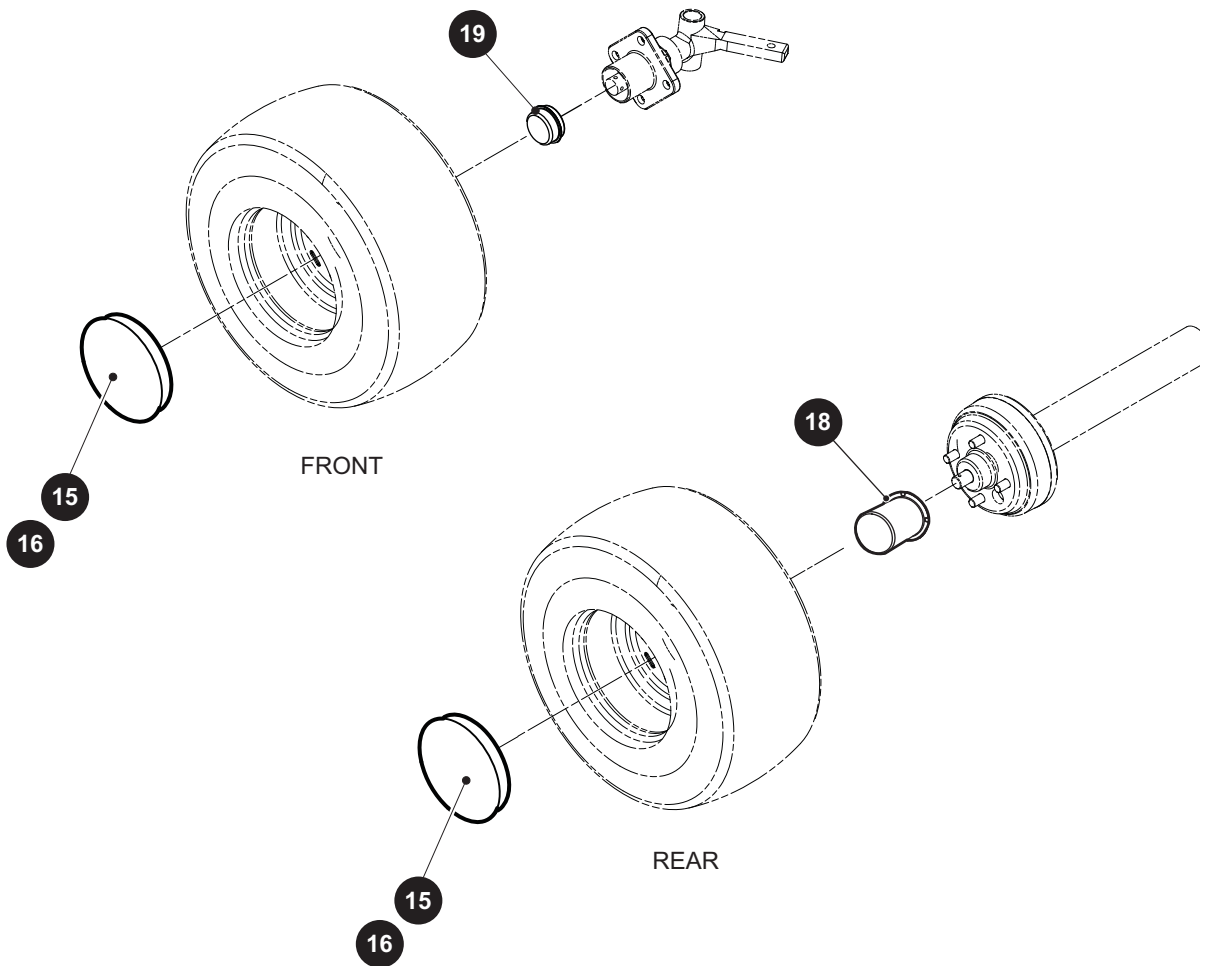
- 1 WHEEL AND TIRE ASSEMBLY, LINKS includes item 2, 10, 11
- 7 WHEEL AND TIRE ASSEMBLY, SURE TRAIL includes item 8,10,11
- 23 WHEEL AND TIRE ASSEMBLY, SURE TRAIL includes items 24 - 26

Tire design may vary by Part Number



**13** HUB CAP ASSEMBLY includes items 15,17

**14** HUB CAP ASSEMBLY includes items 16,17



# WHEELS AND TIRES

When ordering parts, please specify the model and serial number of the product.

\* Indicates a component that is not available as an individual part.

\*\*\* Indicates consult Customer Service Department for additional information.

ITEM	PART NO.	1 2 3 4 5	DESCRIPTION	QTY.
1	28757G01		WHEEL AND TIRE ASSEMBLY, LINKS (INCLUDES ITEM 2, 10, 11) (FOR VEHICLES MANUFACTURED UNTIL 14OCT2016) .....	1
2	28764G01		CARLISLE TIRE (LINKS 18 X 8.5 - 8, 4 PLY RATED).....	1
3				
4				
5				
6				
7	28842G01		WHEEL AND TIRE ASSEMBLY, SURE TRAIL (INCLUDES ITEM 8, 10, 11) (FOR VEHICLES MANUFACTURED UNTIL 14OCT2016) .....	1
8	28764G08		CARLISLE TIRE (USA TRAIL LOAD RANGE C).....	1
9				
10	28759G01		WHEEL RIM (4 LUG).....	1
11	11657G2		VALVE STEM.....	1
12				
13	615617		HUB CAP ASSEMBLY (INCLUDES ITEMS 15, 17) .....	1
14	615618		HUB CAP ASSEMBLY (INCLUDES ITEMS 16, 17) .....	1
15	*		HUBCAP (GOLD).....	1
16	*		HUBCAP (SILVER) .....	1
17	*		CLIP (NOT ILLUSTRATED) .....	3
18	601353		WHEEL CAP .....	2
19	12091G2		SPINDLE CAP .....	2
20				
21	14723G1		LUG NUT, 1/2" - 20 .....	AR
22				
23	652263		WHEEL AND TIRE ASSEMBLY (INCLUDES ITEMS 24 - 26) (FOR VEHICLES MANUFACTURED FROM 15OCT2016).....	1
24	652986		KENDA TIRE, K500, 20 X 8 - 10, 6PLY .....	1
25	643934		WHEEL, 10 X 6.....	1
26	643948		VALVE STEM .....	1
27	14723G1		LUG NUT, 1/2" - 20.....	AR









**CUSHMAN®**  
**LET'S WORK!**

**E-Z-GO Division of Textron Inc.,**  
1451 Marvin Griffin Road, Augusta, Georgia 30906 - 3852 USA

TO CONTACT US...

North America:

**Technical Assistance & Warranty** Phone: 1-800-774-3946, FAX: 1-800-448-8124

**Service Parts** Phone: 1-888-GET-E-Z-GO (1-888-438-3946), FAX: 1-800-752-6175

International: Phone: 001-706-798-4311, FAX: 001-706-771-4609

Service Parts Manuals, as well as Repair and Service Manuals  
are available from a local Distributor, an authorized Branch,  
Genuine E-Z-GO Parts & Accessories Department or at [www.shopezgo.com](http://www.shopezgo.com).

Copyrighted Material  
This manual may not be reproduced in whole or  
in part without the express permission of  
E-Z-GO Division of Textron Inc.  
Technical Communications Department