



A Textron Company

# **TXT FLEET**

## **Service Parts Manual**

**689392 - B**  
**ISSUED MARCH 2019**

**REVISED JUNE 2019**



# SERVICE PARTS MANUAL

## GASOLINE EFI POWERED GOLF CAR

**TXT FLEET**

**STARTING MID-MODEL YEAR 2019**

Never modify the vehicle in any way that will alter the weight distribution of the vehicle, decrease its stability or increase the speed beyond the factory specifications. Such modifications can cause serious personal injury or death. Textron Specialized Vehicles prohibits and dis-claims responsibility for any such modifications or any other alteration which would adversely affect the safety of the vehicle. TSV reserves the right to incorporate engineering and design changes to products in this manual, without obligation to include these changes on units sold previously.

The information contained in this manual may be revised periodically by TSV, and therefore is subject to change without notice. TSV DISCLAIMS LIABILITY FOR ERRORS IN THIS MANUAL, and SPECIFICALLY DISCLAIMS LIABILITY FOR INCIDENTAL AND CONSEQUENTIAL DAMAGES resulting from the use of the information and materials in this manual. These are the original instructions as defined by 2006/42/EC.

**TO CONTACT US:**

Textron Specialized Vehicles, Inc.  
1451 Marvin Griffin Road  
Augusta, Georgia, USA 30906-3852

**NORTH AMERICA:**

Technical Assistance & Warranty **PHONE: 1-800-774-3946, FAX: 1-800-448-8124**  
Service Parts **PHONE: 1-888-438-3946, FAX: 1-800-752-6175**  
International: **PHONE: 001-706-798-4311, FAX: 001-706-771-4609**

## GENERAL INFORMATION

To obtain a copy of the limited warranty applicable to the vehicle, call or write a local Distributor, authorized Branch or the Warranty Department with vehicle serial number and manufacturer code.

The use of non Original Equipment Manufacturer (OEM) approved parts may void the warranty.

Tampering with or adjusting the governor to permit vehicle to operate at above factory specifications will void the vehicle warranty.

When servicing engines, all adjustments and replacement components must be per original vehicle specifications in order to maintain the United States of America Federal and State emission certification applicable at the time of manufacture.

### BATTERY PROLONGED STORAGE

All batteries will self discharge over time. The rate of self discharge varies depending on the ambient temperature and the age and condition of the batteries.

A fully charged battery will not freeze in winter temperatures unless the temperature falls below -75° F (-60° C).

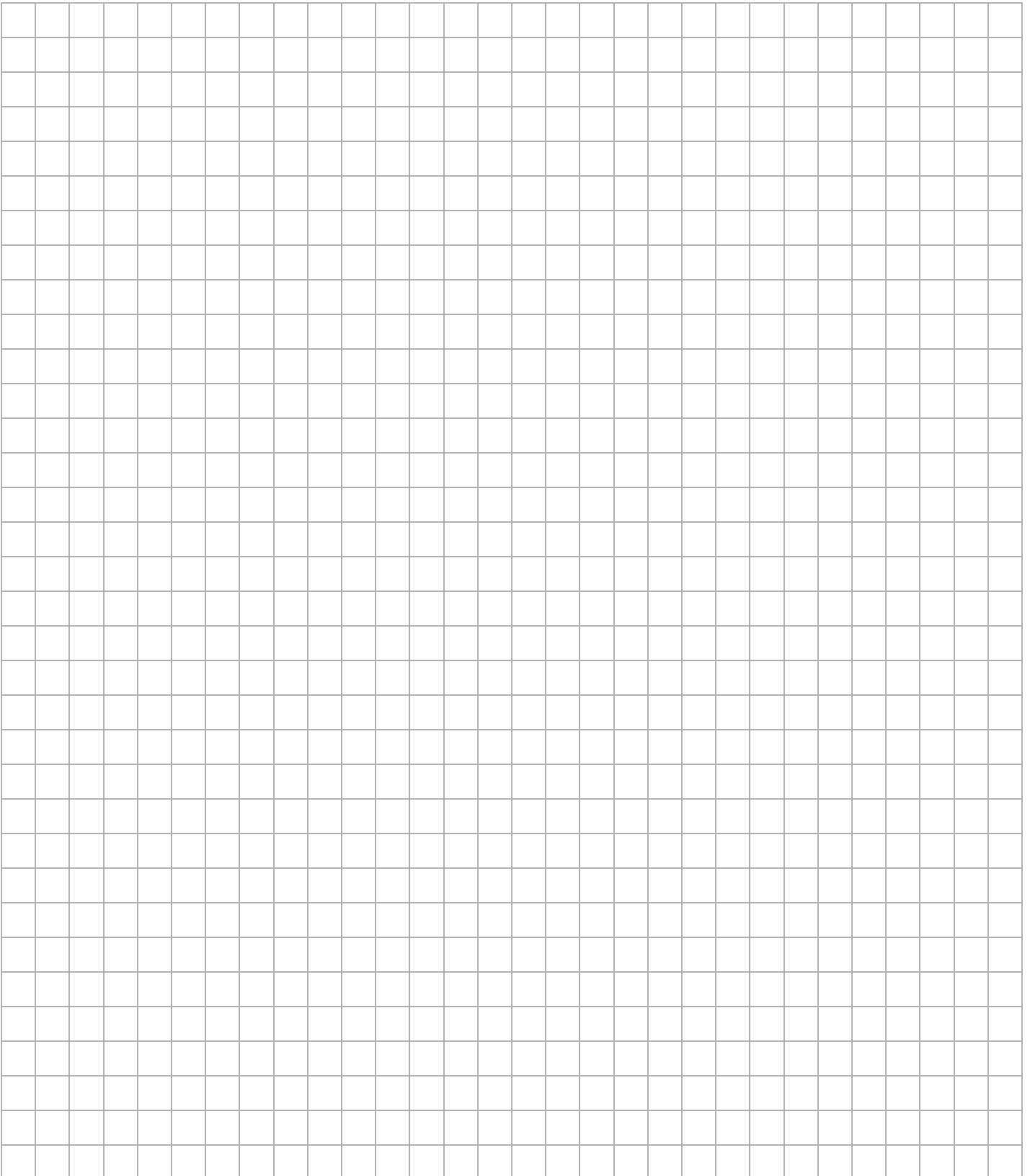
### BATTERY DISPOSAL

Lead-acid batteries are recyclable. Return whole scrap batteries to distributor, manufacturer or lead smelter for recycling. For neutralized spills, place residue in acid-resistant containers with absorbent material, sand or earth and dispose of in accordance with local, state and federal regulations for acid and lead compounds. Contact local and/or state environmental officials regarding disposal information.

# TABLE OF CONTENTS

<b>SECTION</b>	<b>Page No.</b>
HOW TO USE THE SERVICE PARTS MANUAL.....	V
ACCELERATOR.....	A - 1
AIR FILTER.....	B - 1
BODY.....	C - 1
BRAKES.....	D - 1
CLUTCH.....	E - 1
DIRECTION SELECTOR.....	F - 1
ELECTRICAL.....	G - 1
ENGINE AND MUFFLER.....	H - 1
ENGINE MOUNTING.....	J - 1
FRONT SUSPENSION AND STEERING.....	K - 1
FUEL SYSTEM.....	L - 1
REAR AXLE.....	M - 1
REAR SUSPENSION.....	N - 1
SEATING.....	P - 1
STARTER/GENERATOR.....	R - 1
TOW BAR.....	S - 1
WEATHER PROTECTION.....	T - 1
WHEELS AND TIRES.....	U - 1
DECALS AND LABELS.....	V - 1

# NOTES



A large grid of graph paper, consisting of 25 columns and 35 rows of small squares, intended for taking notes.

# HOW TO USE THE SERVICE PARTS MANUAL

This manual is divided into several sections:

- GENERAL INFORMATION
- ILLUSTRATED PARTS BREAKDOWN

The first section, GENERAL INFORMATION, contains the following information:

- WARRANTY INFORMATION
- TABLE OF CONTENT
- HOW TO USE THE SERVICE PARTS MANUAL

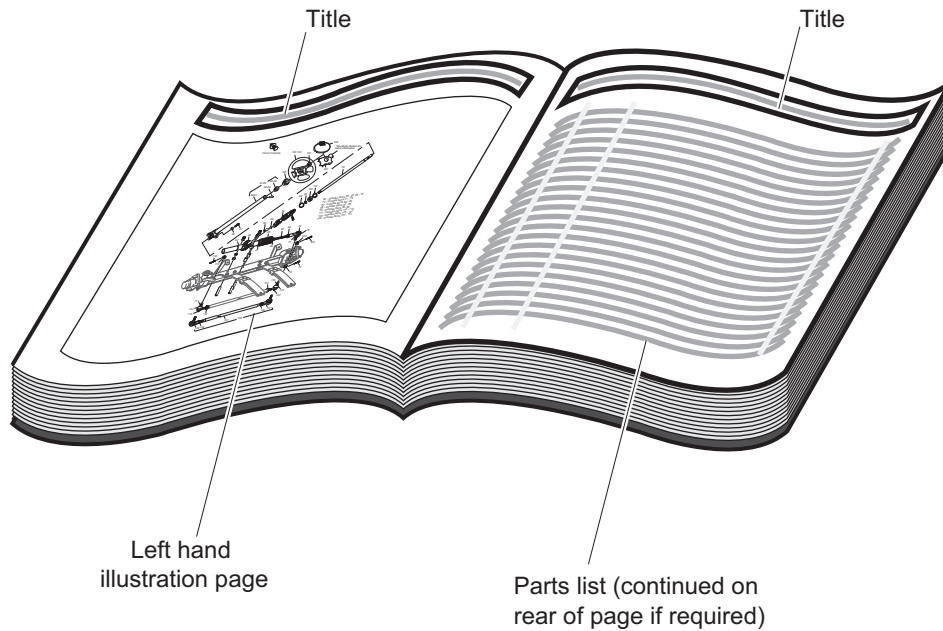
The second section, ILLUSTRATED PARTS BREAKDOWN, contains illustrations and parts lists for all systems of your vehicle.

## USE OF THE MANUAL

To use this manual, consult the TABLE OF CONTENTS to locate the information or illustration required.

Introduction of some revisions varies due to supply of components; therefore, it is possible that various combinations of components may be found that are not directly reflected by each illustration. Consult the illustration that best suits your situation and then contact the Service Parts Department. It is important that the serial number or VIN of your vehicle and the model name be supplied to Service Parts when ordering any replacement components.

# HOW TO USE THE SERVICE PARTS MANUAL



## 1. WHEN THE PART NUMBER IS NOT KNOWN

- Determine the function and application of the part required. Turn to the Table of Content and select the most appropriate title.
- Turn to the page number indicated and locate the desired part on the illustration.
- From the illustration, obtain the item number assigned to the desired part. Refer to the accompanying description for specific information regarding the part.

## 2. IF YOU KNOW THE PART NUMBER

- Locate the part number or description in the appropriate column on the parts list page.

NOTE: It is suggested that you confirm that the part selected is correct by verifying it with the pictorial representation on the illustrated page.

Should an asterisk (\*) appear in the part number column on the parts list page, read upwards until a part number is found. The part number is the lowest assembly sold by Service Parts and the asterisk (\*) indicates that the part depicted is not available for purchase.

NOTE: Descriptions are indented under the assembly that they are used on. That assembly is, in turn listed under the assembly that it is used on. This process is repeated until the highest final assembly is reached.

**To facilitate the maintenance and repair of the vehicle, a Repair and Service Manual is available from the Service Parts Department.**

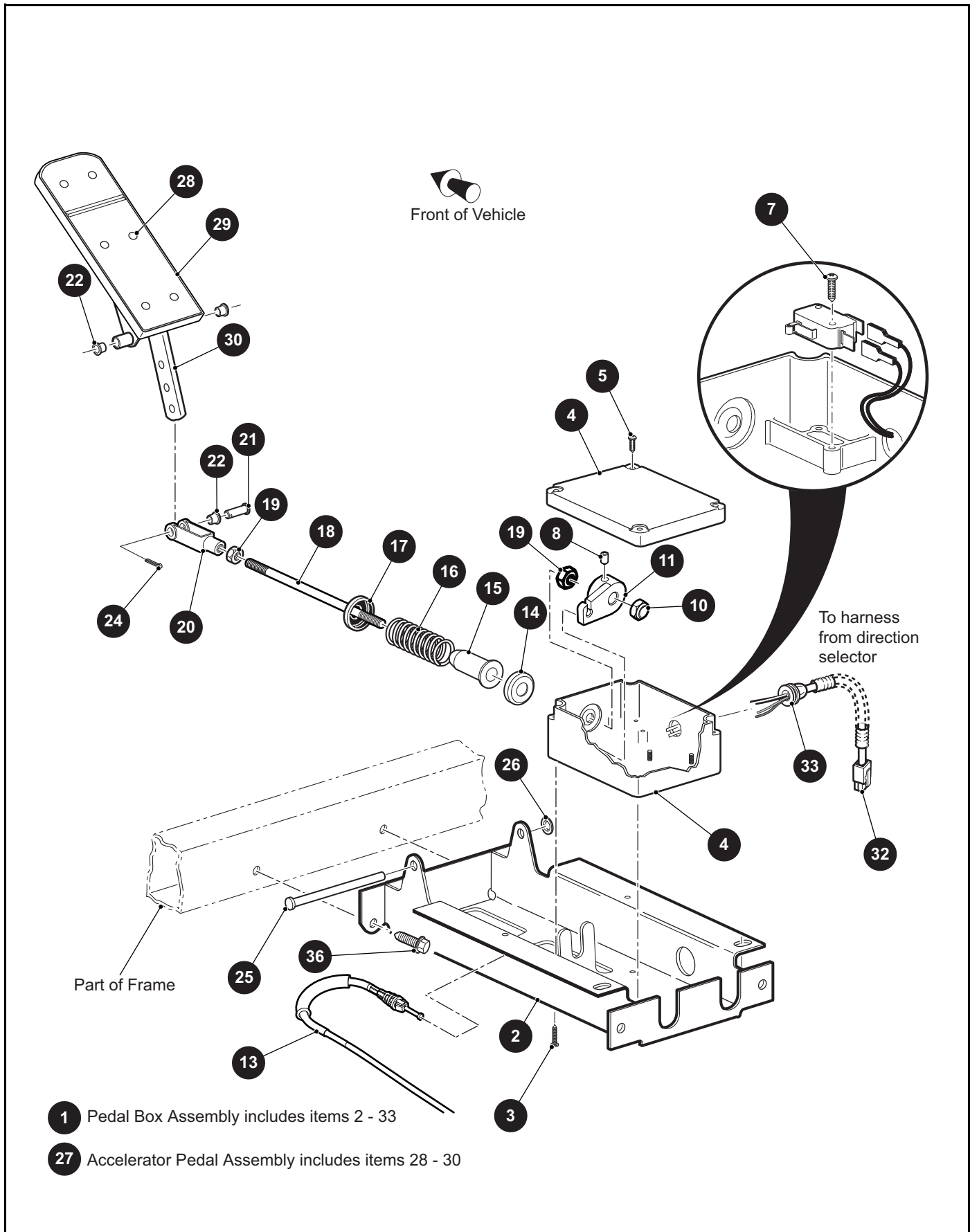


## 3. COLOR CODE FOR BODY COMPONENTS

The last two digits of the part number for the body part will denote the color code, locate the part number for the cowl, rear body, seat pod, side panel or seat wrap then locate your color in the list below, replace the last \*\* or XX with the two digit color code.

<b><u>CODE #</u></b>	<b><u>DESCRIPTION</u></b>
11	BLACK
19	PATRIOT BLUE PEARL
20	INFERNO RED METALLIC
26	STEEL BLUE PEARL
31	METALLIC CHARCOAL
35	SAFETY YELLOW
36	IVORY
37	FOREST GREEN
38	BRIGHT WHITE
39	FLAME RED
41	ELECTRIC BLUE
42	PLATINUM
43	BURGUNDY
44	ALMOND
51	SUNBURST ORANGE
52	BRITISH RACING GREEN
79	JACOBSEN ORANGE 172
82	NEW HOLLAND BLUE

# ACCELERATOR



THE USE OF NON U.L. PARTS WILL VOID ANY U.L. LISTING.

When ordering parts, please specify the model and serial number of the product.

\* Indicates a component that is not available as an individual part.

\*\*\* Indicates consult Customer Service Department for additional information.

ITEM	PART NO.	1 2 3 4 5	DESCRIPTION	QTY.
1	666105		Pedal Box Assembly (Includes Items 2 - 33).....	1
2	652241G03		Accelerator Pedal Bracket .....	1
3	01051G01		Pan Head Phillips Screw, #8 - 10 x 1/2" Lg .....	4
4	25853G03		Pedal Box and Cover.....	1
5	00684G6		Truss Head Screw (SS), #8 - 32 x 3/4" Lg.....	2
6				
7	01050G02		Pan Head Torx Screw, #4 - 20 x 5/8" Lg.....	2
8	00487G3		Socket Head Screw, 1/4" - 20 x 3/8" Lg.....	1
9				
10	15126G1		Lock Nut, 5/6" - 24 .....	1
11	72716G01		Micro Switch Cam.....	1
12				
13	662663		Accelerator Cable, Dual Rate .....	1
14	17677G1		Spring Retainer.....	1
15	17979G1		Bushing, .75" x 2" Lg .....	1
16	73046G01		Compression Spring .....	1
17	17677G2		Spring Retainer, 3/8".....	1
18	72072G01		Accelerator Rod.....	1
19	00532G4		Hex Nut, 5/16" - 24 .....	2
20	10385G4		Clevis Yoke (Adjustable).....	1
21	10386G3		Clevis Pin, 5/16" x 13/16" Lg .....	1
22	17838G1		Nylon Bushing, .37" x .31" Lg .....	3
23				
24	10387G3		Cotter Pin, 3/32" x 3/4" Lg .....	1
25	74432G01		Pedal Pivot Pin .....	1
26	12064G6		Push Nut, 5/16".....	1
27	25799G03		Accelerator Pedal Assembly (Includes Items 28 - 30) .....	1
28	16409G1		Oval Rivet, 3/16" x 7/16" Lg .....	6
29	27512G01		Accelerator Pedal Pad .....	1
30	652824		Accelerator Pedal.....	1
31				

# ACCELERATOR

THE USE OF NON U.L. PARTS WILL VOID ANY U.L. LISTING.

When ordering parts, please specify the model and serial number of the product.

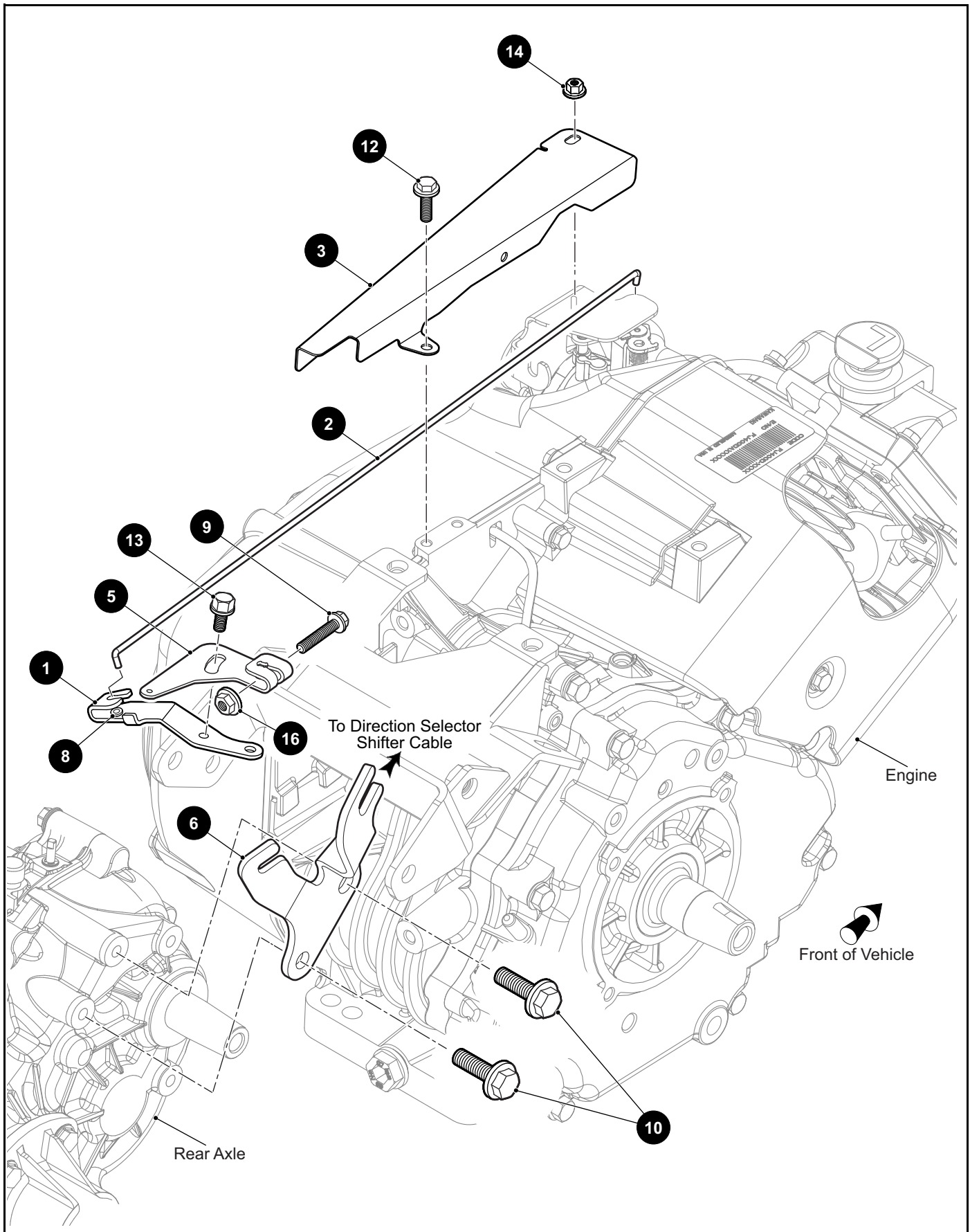
\* Indicates a component that is not available as an individual part.

\*\*\* Indicates consult Customer Service Department for additional information.

ITEM	PART NO.	1	2	3	4	5	DESCRIPTION	QTY.
32	658940						Pedal Harness.....	1
33	654645						Grommet (Rubber).....	1
34								
35	17618G1						Nylon Clamp, 7" Lg (Not Illustrated) .....	3
36	00715G2						Hex Washer Head Bolt, 5/16" - 18 x 3/4" Lg.....	4



# ACCELERATOR



THE USE OF NON U.L. PARTS WILL VOID ANY U.L. LISTING.

When ordering parts, please specify the model and serial number of the product.

\* Indicates a component that is not available as an individual part.

\*\*\* Indicates consult Customer Service Department for additional information.

ITEM	PART NO.	1 2 3 4 5	DESCRIPTION	QTY.
1	606005		Governor Bracket (Lower).....	1
2	606284		Governor Link Rod.....	1
3	660005		Governor Rod Guard.....	1
4				
5	606083		Governor Bracket (Upper).....	1
6	632936		Governor Cable / Direction Selector Bracket.....	1
7				
8	606283		Governor Lever Bushing.....	1
9	606421		Flanged Hex Head Bolt, M6 - 1 x 30mm Lg, Grade 8.8.....	1
10	606256		Flanged Hex Head Bolt, M10 - 1.25 x 25mm Lg, Grade 8.8.....	2
11				
12	606264		Flanged Hex Head Bolt, M6 - 1 x 20mm Lg, Grade 8.8.....	1
13	73876G01		Flanged Hex Head Bolt, M6 - 1 x 12mm Lg, Grade 8.8.....	1
14	601476		Lock Nut, M6 - 1.....	1
15				
16	450452		Flanged Hex Nut, M6 - 1.....	1

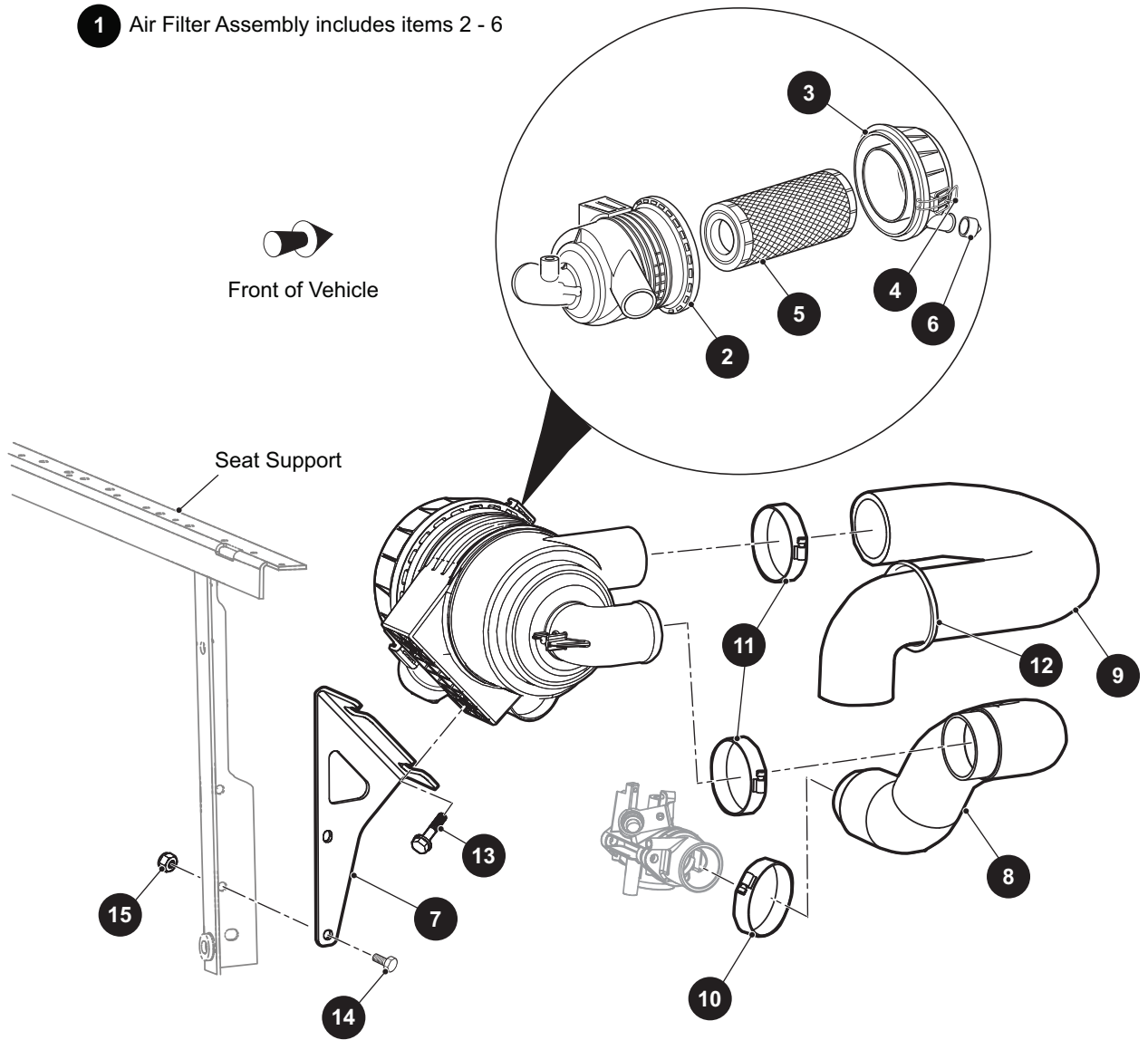






# AIR FILTER

1 Air Filter Assembly includes items 2 - 6



THE USE OF NON U.L. PARTS WILL VOID ANY U.L. LISTING.

When ordering parts, please specify the model and serial number of the product.

\* Indicates a component that is not available as an individual part.

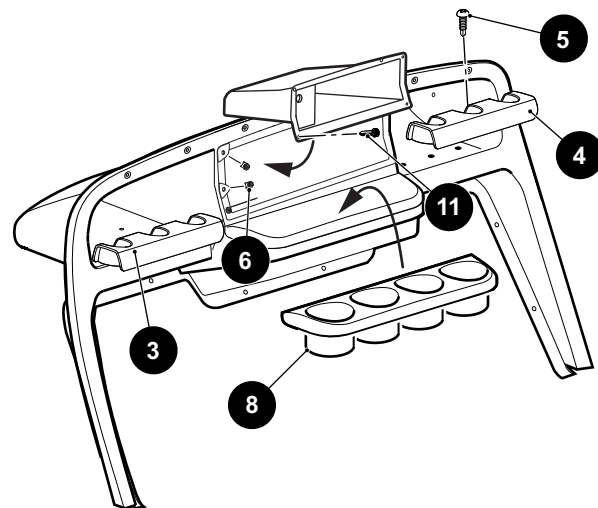
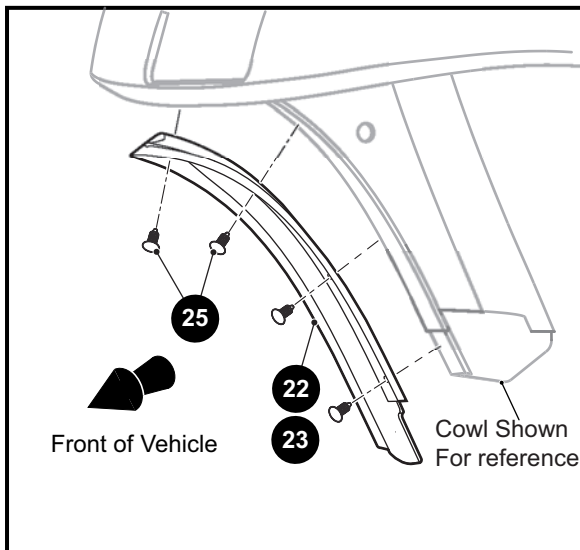
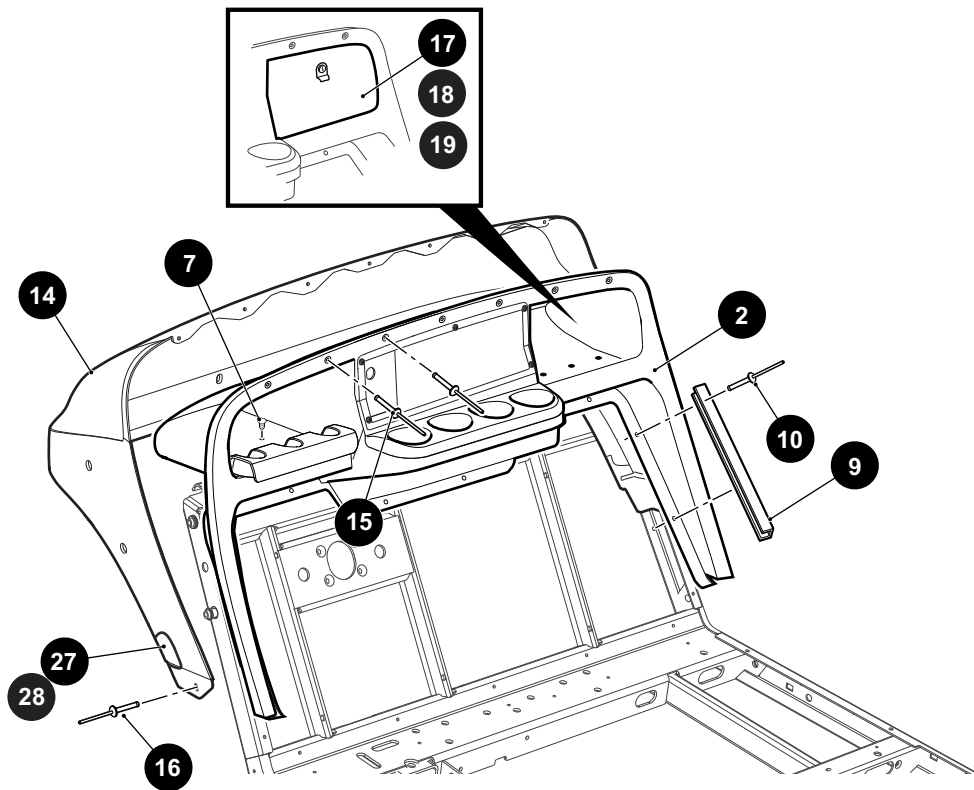
\*\*\* Indicates consult Customer Service Department for additional information.

ITEM	PART NO.	1 2 3 4 5	DESCRIPTION	QTY.
1	658941		Air Filter Assembly (Includes Items 2 - 6).....	1
2	659139		Air Cleaner Assembly .....	1
3	658957		Air Cleaner Cover .....	1
4	72604G01		Air Cleaner Clip .....	2
5	28463G01		Air Filter .....	1
6	28462G01		Dust Ejector Valve .....	1
7	659142		Air Cleaner Mounting Bracket .....	1
8	601910		Air filter Tube .....	1
9	661661		Intake Extension Hose .....	1
10	11391G5		Hose Clamp, .81" .....	1
11	11391G7		Hose Clamp, 1.56" .....	2
12	12416G2		Nylon Clamp, 11.8" .....	1
13	606261		Flanged Hex Head Bolt, M8 - 1.25 x 20mm Lg, Grade 8.8.....	2
14	00414G7		Hex Head Bolt, 1/4" - 20 x 7/8" Lg, Grade 5 .....	2
15	14390G4		Lock Nut, 1/4" - 20 .....	2





- 1 Instrument Panel Assembly includes items 2 - 6
- 21 Front Splash Guard Kit includes items 22 - 25
- 24 Hardware Kit includes item 25



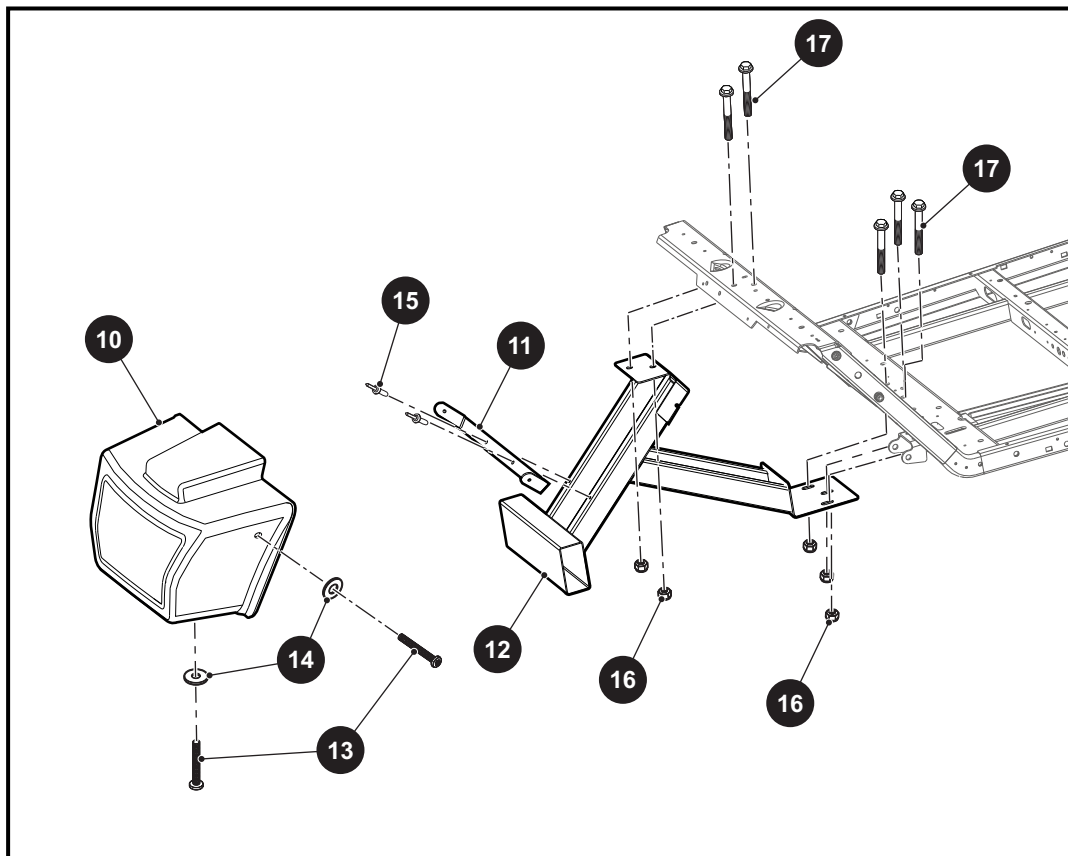
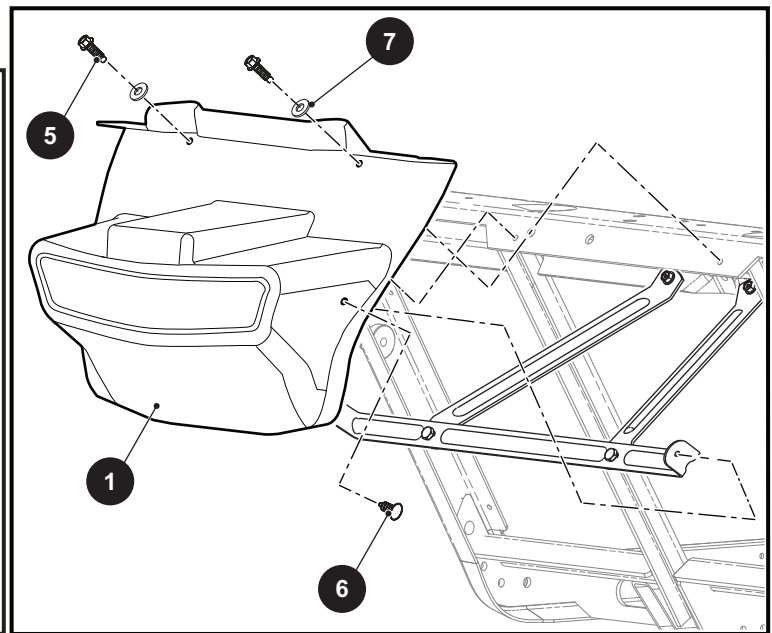
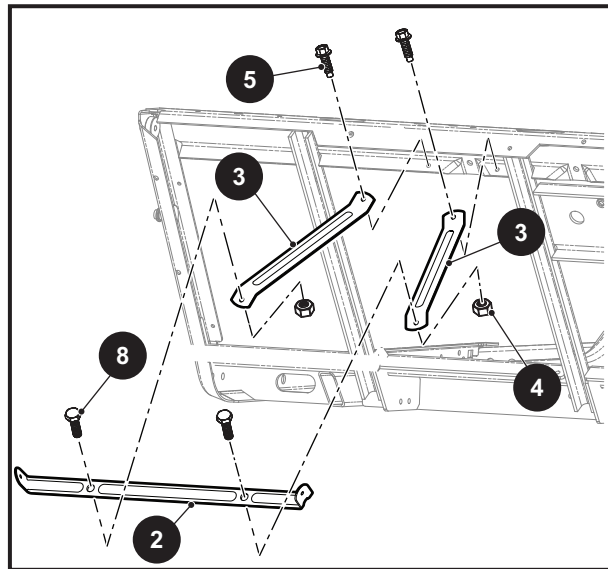
THE USE OF NON U.L. PARTS WILL VOID ANY U.L. LISTING.

When ordering parts, please specify the model and serial number of the product.

\* Indicates a component that is not available as an individual part.

\*\*\* Indicates consult Customer Service Department for additional information.

ITEM	PART NO.	1 2 3 4 5	DESCRIPTION	QTY.
1	628017		Instrument Panel Assembly (Includes Items 2 - 6).....	1
2	628010		Instrument Panel Assembly with Compartment.....	1
3	641632G01		Ball Holder (Driver Side).....	1
4	641632G02		Ball Holder (Passenger Side) .....	1
5	00614G3		Pan Head Phillips Tapping Screw, #8 - 15 x 3/8" Lg .....	4
6	71364G02		'J' Type Speed Nut, #8 - 15 x .198" Lg .....	5
7	16816G2		Ratchet Rivet, .25" x .887" .....	2
8	628023		Cup Holder .....	1
9	71115G01		Trim .....	2
10	71055G01		Rivet, 3/16" x .985" Dia .....	11
11	608290		Pan Head Phillips Tapping Screw, #10 - 16 x 3/4" Lg .....	5
12				
13				
14	619730G0XX		Cowl (See COLOR CODES in HOW TO USE Section).....	1
15	71055G01		Rivet, 3/16" x .985" Dia .....	7
16	10570G11		Rivet (SS), 3/16" x .70" .....	2
17	75459G01		Glove Box (Driver/Passenger Side) .....	1
18	75459G02		Glove Box (Driver Side) .....	1
19	75459G03		Glove Box (Passenger Side).....	1
20				
21	656538		Front Splash Guard Kit (Includes Items 22 - 25) .....	1
22	651127G01		Splash Guard (Driver Side) .....	1
23	651127G02		Splash Guard (Passenger Side) .....	1
24	656649		Hardware Kit (Includes Item 25) .....	1
25	16816G1		Ratchet Rivet, .25" x .680" .....	4
26				
27	627562		Reflector (Passenger Side).....	1
28	627561		Reflector (Driver Side).....	1





THE USE OF NON U.L. PARTS WILL VOID ANY U.L. LISTING.

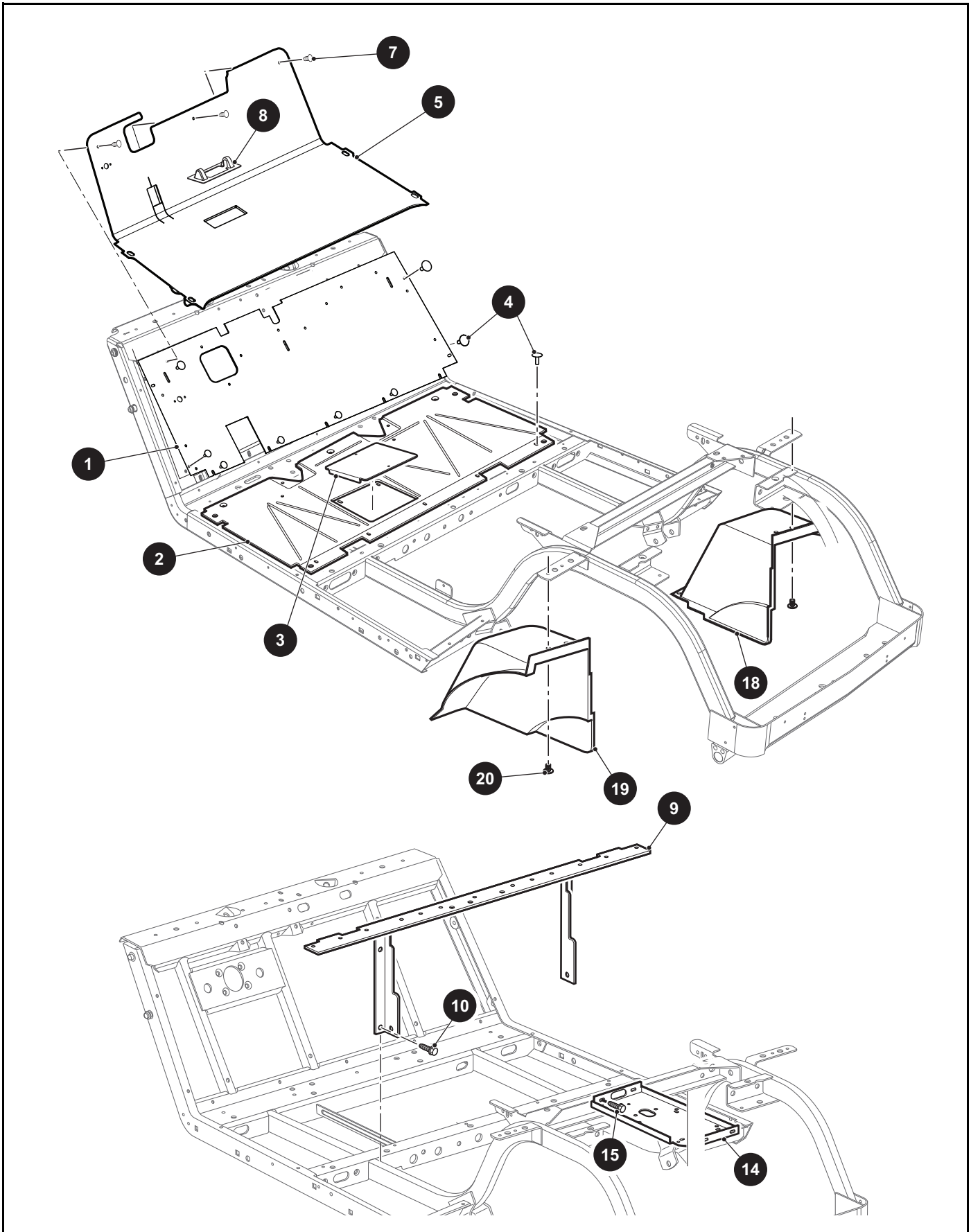
When ordering parts, please specify the model and serial number of the product.

\* Indicates a component that is not available as an individual part.

\*\*\* Indicates consult Customer Service Department for additional information.

ITEM	PART NO.	1 2 3 4 5	DESCRIPTION	QTY.
1	624607		Front Fascia .....	1
2	627769		Shield Bracket.....	1
3	70725G02		Front Shield Brace .....	2
4	14390G4		Lock Nut, 1/4" - 20 .....	2
5	01038G01		Hex Washer Head Swagefrom Screw, 1/4" - 20 x 11/16" Lg.....	4
6	15058G1		Rivet, 3/16" x .45" Lg .....	2
7	16469G1		Flat Washer, 1/4" .....	2
8	00414G6		Hex Head Bolt, 1/4" - 20 x 3/4" Lg, Grade 5 .....	2
9				
10	634329		Bumper Assembly .....	1
11	625208		Bumper Brace .....	1
12	625202		Bumper Support Weldment.....	1
13	627568		Socket Head Tapping Screw .....	3
14	627565		Flat Washer (SS), 1/4" .....	3
15	71055G01		Rivet, 3/16" x .985" Dia .....	2
16	00734G1		Lock Nut, 7/16" - 14 .....	5
17	00463G11		Hex Head Bolt, 7/16" - 14 x 1 3/4" Lg, Grade 5 .....	5

# BODY



THE USE OF NON U.L. PARTS WILL VOID ANY U.L. LISTING.

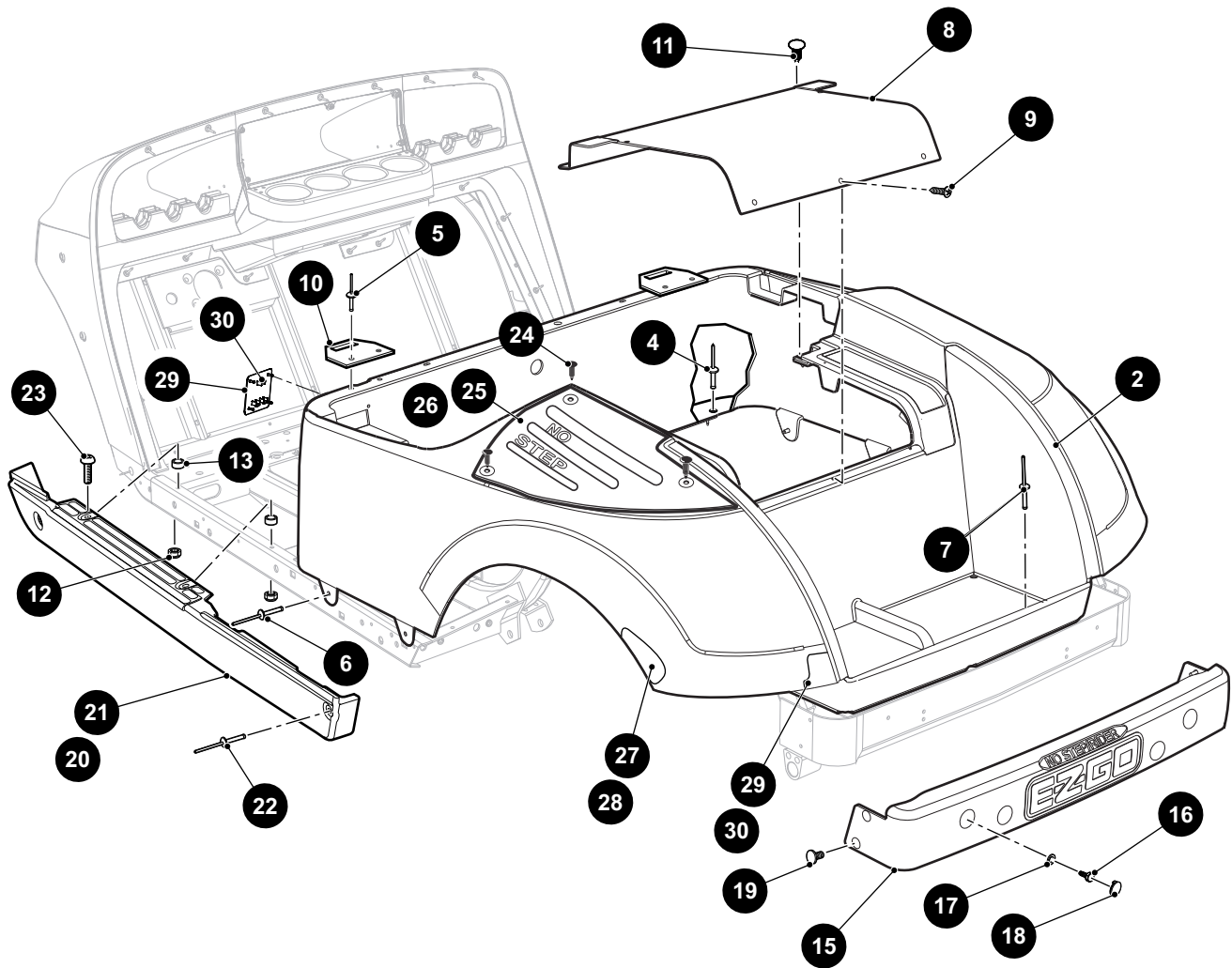
When ordering parts, please specify the model and serial number of the product.

\* Indicates a component that is not available as an individual part.

\*\*\* Indicates consult Customer Service Department for additional information.

ITEM	PART NO.	1 2 3 4 5	DESCRIPTION	QTY.
1	641260		Upper Floorpan .....	1
2	70451G01		Lower Floorpan .....	1
3	70452G01		Access Cover .....	1
4	14601G11		Rivet (Aluminum), 3/16" x 9/16" Lg .....	16
5	637535G01		Floormat .....	1
6				
7	16816G1		Ratchet Rivet, .25" x .680" .....	3
8	70135G01		Pedal Pivot Cover .....	1
9	659143		Seat Frame .....	1
10	00715G2		Flanged Hex Head Screw, 5/16" - 18 x 4/5" Lg.....	2
11				
12				
13				
14	70244G05		Splash Panel.....	1
15	00715G2		Flanged Hex Head Screw, 5/16" - 18 x 4/5" Lg.....	4
16				
17				
18	635054G02		Fender Liner (Passenger Side).....	1
19	635054G01		Fender Liner (Driver Side).....	1
20	16816G2		Ratchet Fastener, 1/4" x 3/4" Lg .....	8

1 Rear Body (Without Taillights) includes item 2



THE USE OF NON U.L. PARTS WILL VOID ANY U.L. LISTING.

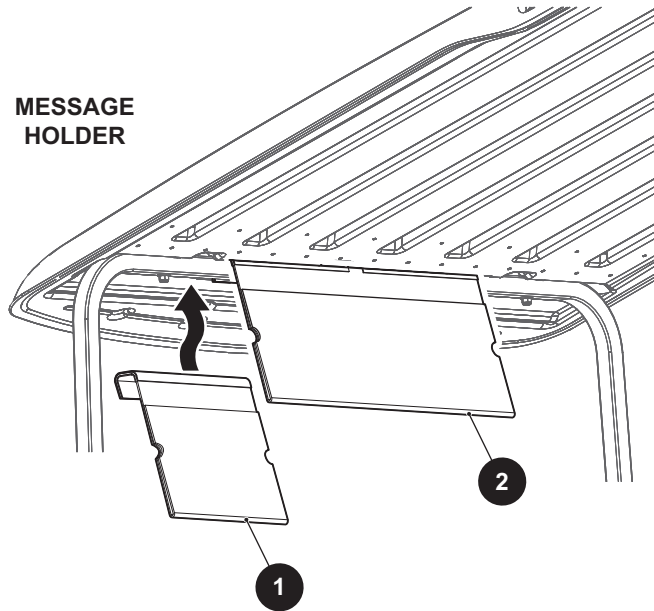
When ordering parts, please specify the model and serial number of the product.

\* Indicates a component that is not available as an individual part.

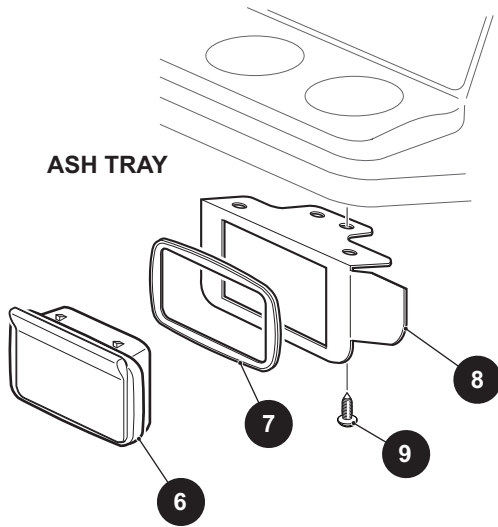
\*\*\* Indicates consult Customer Service Department for additional information.

ITEM	PART NO.	1 2 3 4 5	DESCRIPTION	QTY.
1	625272G0XX		Rear Body (Without Taillights) (Includes Item 2) (See COLOR CODES in HOW TO USE Section).....	1
2	624374		Bagwell Liner .....	1
3				
4	10570G10		Rivet (SS), 5/32" x 9/16" Lg .....	5
5	10570G11		Rivet (SS), 3/16" x .70" Lg .....	4
6	10570G12		Rivet (SS), 1/4" x 9/16" Lg .....	2
7	633917		Plastic Rivet, 1/4" x 1" Lg.....	2
8	71320G01		Access Cover .....	1
9	01107G01		Pan Head Torx Screw, #8 x .63" Lg .....	5
10	71609G01		Seat Hinge Plate .....	2
11	16816G2		Ratchet Fastener, 1/4" x 3/4" Lg .....	2
12	601476		Lock Nut, M6 - 1.....	4
13	23726G4		Spacer, 5/16".....	4
14				
15	71578G01		Rear Bumper.....	1
16	71102G01		Hex Head Bolt, 1/4" - 20 x 3/4" Lg, Grade 5 .....	4
17	00571G2		Flat Washer, 5/16" .....	4
18	71514G01		Bumper Plug .....	4
19	14601G17		Rivet (Aluminum), 3/16" x 9/16" Lg .....	4
20	615239		Rocker Panel with Sill Plate (Driver Side).....	1
21	617333		Rocker Panel with Sill Plate (Passenger Side) .....	1
22	15058G6		Black Rivet (Aluminum), 3/16" .....	4
23	634161		Flanged Button Head Trox Bolt, M6 - 1 x 34.5mm Lg.....	4
24	16816G2		Ratchet Rivet, .25" x .887" .....	6
25	625210		Rear Scuff Pad (Driver Side).....	1
26	625211		Rear Scuff Pad (Passenger Side) .....	1
27	627564		Side Reflectors (Passenger Side) .....	1
28	627563		Side Reflectors (Driver Side).....	1
29	625246		Rear Reflectors (Passenger Side) .....	1
30	625244		Rear Reflectors (Driver Side).....	1

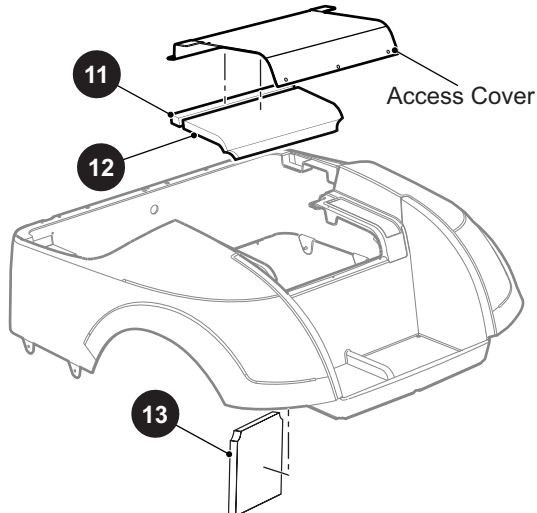
MESSAGE  
HOLDER



ASH TRAY



5 Ash Tray Kit includes items 6 - 9



THE USE OF NON U.L. PARTS WILL VOID ANY U.L. LISTING.

When ordering parts, please specify the model and serial number of the product.

\* Indicates a component that is not available as an individual part.

\*\*\* Indicates consult Customer Service Department for additional information.

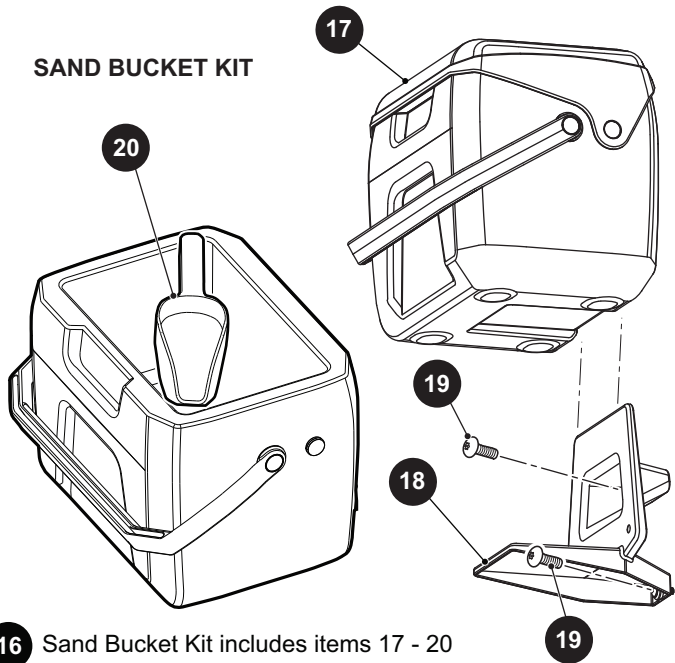
ITEM	PART NO.	1 2 3 4 5	DESCRIPTION	QTY.
1	609308		Message Holder .....	1
2	617613		Message Holder, Double.....	1
3				
4				
5	75109G03		Ash Tray Kit (Includes Items 6 - 9) .....	1
6	27731G01		Ash Tray .....	1
7	27736G01		Gasket .....	1
8	75108G02		Bracket .....	1
9	00106G6		Pan Head Phillips Screw, #12 - 14 x .75" Lg .....	4
10				
11	659357		Sound Treatment, Small (Access Cover) .....	1
12	657950		Sound Treatment, Large (Access Cover).....	1
13	657953		Sound Treatment (Rear Body) .....	1



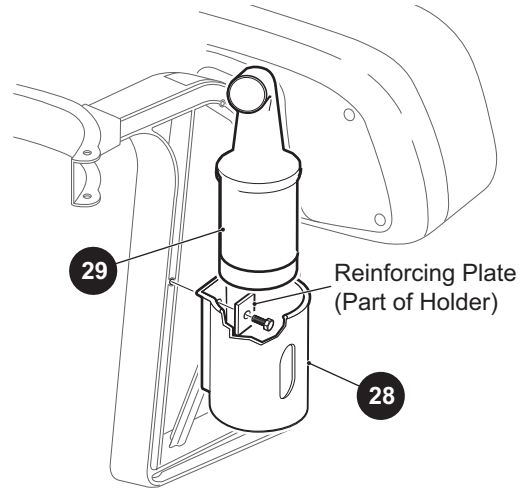




## SAND BUCKET KIT



## SAND BOTTLE DIVOT REPAIR KIT

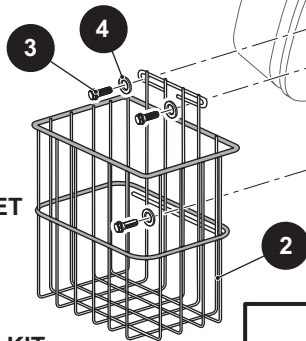


16 Sand Bucket Kit includes items 17 - 20

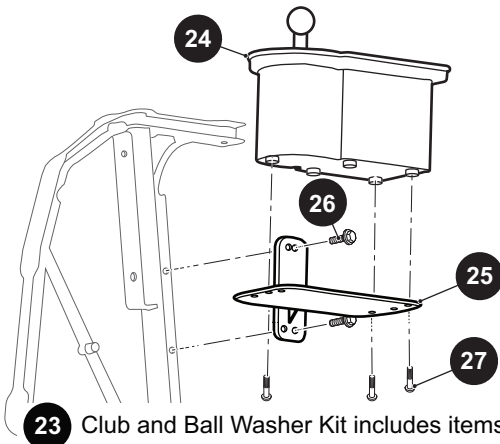
1 Side Basket Kit includes items 2 - 4

10 Center Basket Kit includes items 11 - 14

## SIDE BASKET KIT

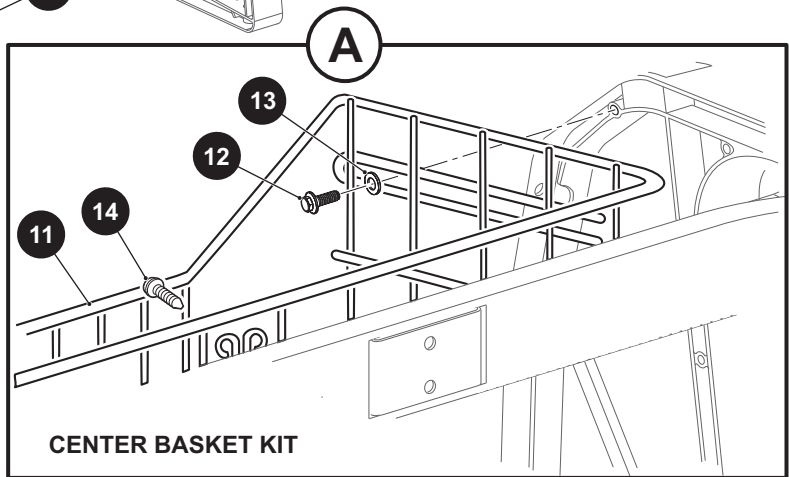


## CLUB & BALL WASHER KIT



23 Club and Ball Washer Kit includes items 24 - 27

## CENTER BASKET KIT



THE USE OF NON U.L. PARTS WILL VOID ANY U.L. LISTING.

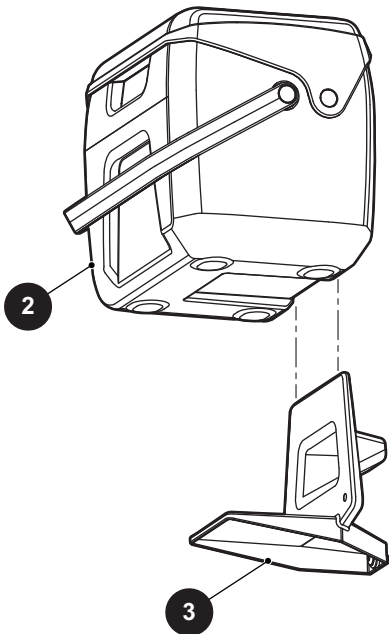
When ordering parts, please specify the model and serial number of the product.

\* Indicates a component that is not available as an individual part.

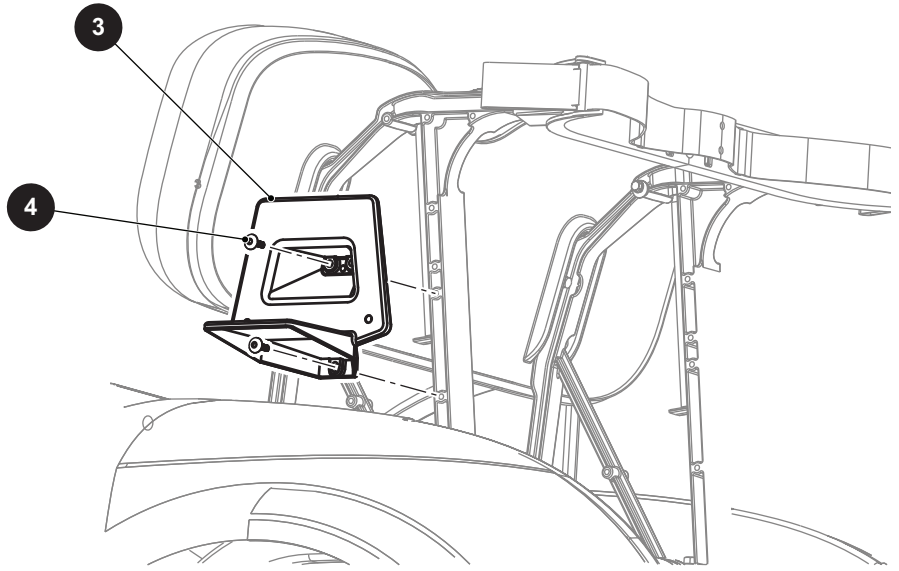
\*\*\* Indicates consult Customer Service Department for additional information.

ITEM	PART NO.	1 2 3 4 5	DESCRIPTION	QTY.
1	75007G03		Side Basket Kit (Includes Items 2 - 4) .....	1
2	75460G01		Side Basket .....	2
3	71102G01		Hex Head Bolt, 1/4" - 20 x 3/4" Lg, Grade 5 .....	6
4	00793G2		Flat Washer (SS), 1/4" .....	6
5				
6				
7				
8				
9				
10	75003G01		Center Basket Kit (Includes Items 11 - 14).....	1
11	75461G01		Center Basket .....	1
12	71102G01		Hex Head Bolt, 1/4" - 20 x 3/4" Lg, Grade 5 .....	2
13	00793G2		Flat Washer (SS), 1/4" .....	2
14	01105G01		Truss Head Torx Screw (SS), #10 - 14 x 5/8" Lg .....	2
15				
16	664402		Sand Bucket Kit (Includes Items 17 - 20).....	1
17	662248		Sand Bucket .....	1
18	658506		Bracket .....	1
19	659155		Truss Head Torx Screw, 1/4" - 20 x 3/4" Lg .....	2
20	74848G01		Scoop .....	1
21				
22				
23	627900		Club and Ball Washer Kit (Includes Items 24 - 27) .....	1
24	*		Club and Ball Washer .....	1
25	*		Club and Ball Washer Weldment .....	1
26	*		Hex Head Bolt, 1/4" - 20 x 3/4" Lg .....	2
27	*		Pan Head Phillips Self Tapping Screw, #8 - 18 x 1" Lg .....	3
28	28660G01		Sand Bottle Holder .....	1
29	600612		Sand Bottle .....	1
30	614191		Sand Bottle Hardware Kit (Not Illustrated) .....	1

1 Cooler Kit includes items 2 - 4

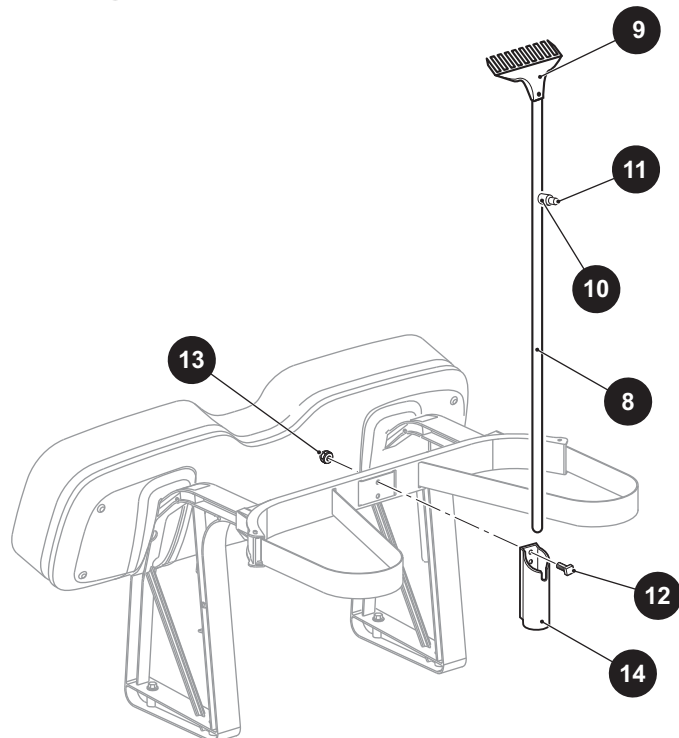


## BOX COOLER AND BRACKET



## RAKE ASSEMBLY

7 Rake Assembly includes items 8 - 14



THE USE OF NON U.L. PARTS WILL VOID ANY U.L. LISTING.

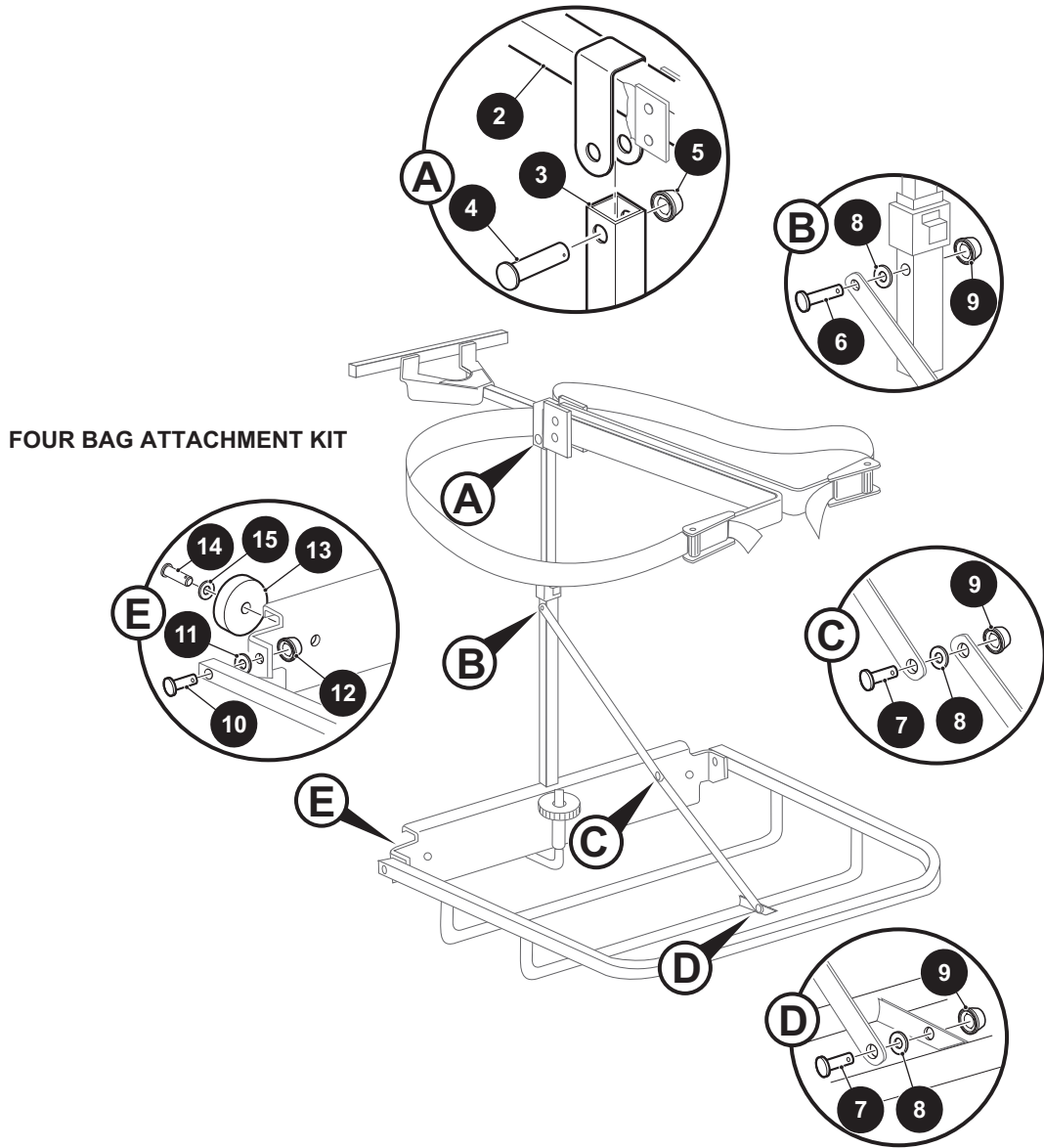
When ordering parts, please specify the model and serial number of the product.

\* Indicates a component that is not available as an individual part.

\*\*\* Indicates consult Customer Service Department for additional information.

ITEM	PART NO.	1 2 3 4 5	DESCRIPTION	QTY.
1	658509		Cooler Kit (Includes Items 2 - 4) .....	1
2	658503		Beverage Cooler.....	1
3	658506		Cooler Bracket.....	1
4	659155		Truss Head Torx Screw, 1/4" - 20 x 3/4" Lg .....	2
5				
6				
7	14735G1		Rake Assembly (Includes Items 8 - 14).....	1
8	14736G2		Rake Handle.....	1
9	14737G1		Rake .....	1
10	14934G1		Spacer .....	1
11	00130G8		Round Head Phillips Wood Screw, #10 - 13 x 1" Lg.....	1
12	00989G06		Square Head Bolt, 1/4" - 20 x 3/4" Lg.....	2
13	11027G2		Lock Nut, 1/4" - 20 .....	2
14	25885G01		Rake Holder.....	1

1 Four Bag Attachment Kit includes items 2 - 15



THE USE OF NON U.L. PARTS WILL VOID ANY U.L. LISTING.

When ordering parts, please specify the model and serial number of the product.

\* Indicates a component that is not available as an individual part.

\*\*\* Indicates consult Customer Service Department for additional information.

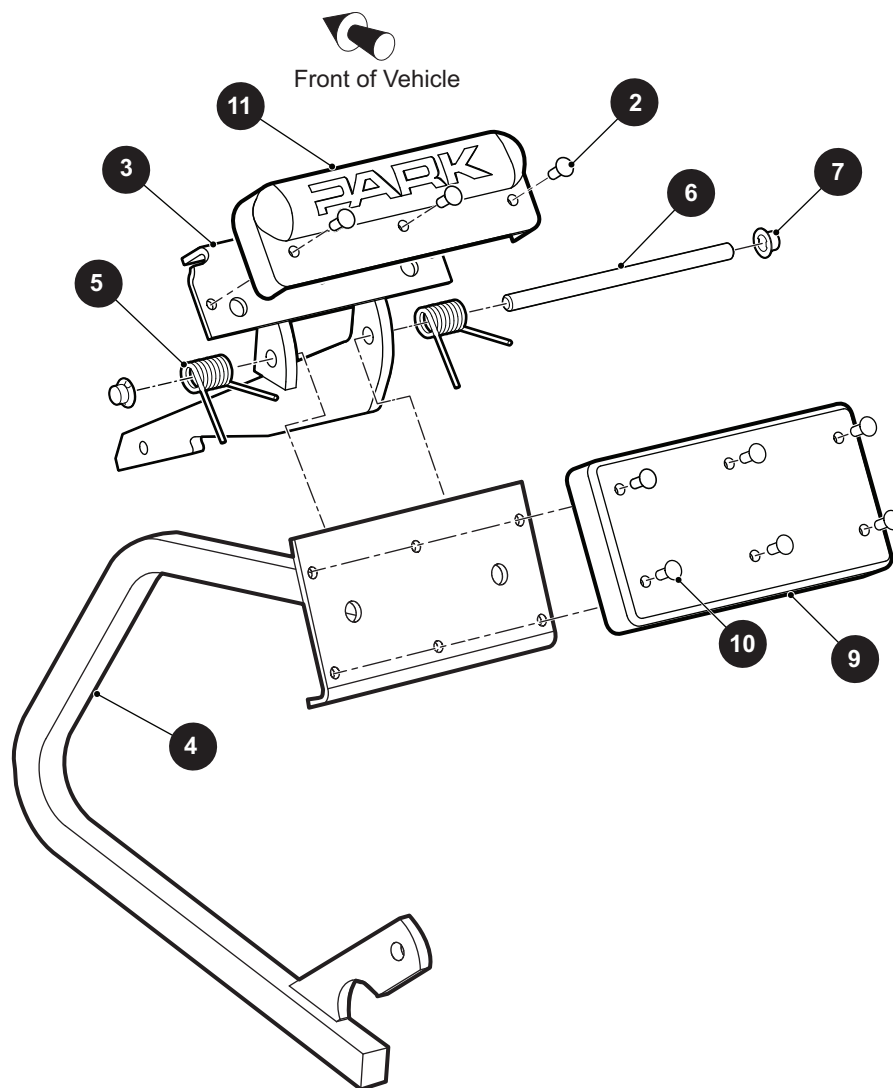
ITEM	PART NO.	1 2 3 4 5	DESCRIPTION	QTY.
1	75335G01		Four Bag Attachment Kit (Includes Items 2 -15) .....	1
2	*		Top Assembly .....	1
3	*		Bottom Assembly .....	1
4	17651G2		Clevis Pin, 5/16" x 1 1/8" Lg .....	1
5	28129G01		Push Nut, 5/16" .....	1
6	17651G2		Clevis Pin, 5/16" x 1 1/8" Lg .....	1
7	17651G3		Clevis Pin, 5/16" x 1/2" Lg .....	2
8	00559G8		Flat Washer, 5/16" .....	3
9	28129G01		Push Nut, 5/16" .....	3
10	17651G1		Clevis Pin, 3/8" x 1 1/4" Lg .....	2
11	00560G1		Flat Washer, 3/8" .....	2
12	28129G02		Push Nut, 3/8" .....	2
13	13728G1		Rubber Bumper .....	2
14	14601G1		Rivet, 3/16" .....	2
15	00559G5		Flat Washer, #10 .....	2







- 1 Brake Pedal Assembly (without Brake Lights) includes items 2 - 11



THE USE OF NON U.L. PARTS WILL VOID ANY U.L. LISTING.

When ordering parts, please specify the model and serial number of the product.

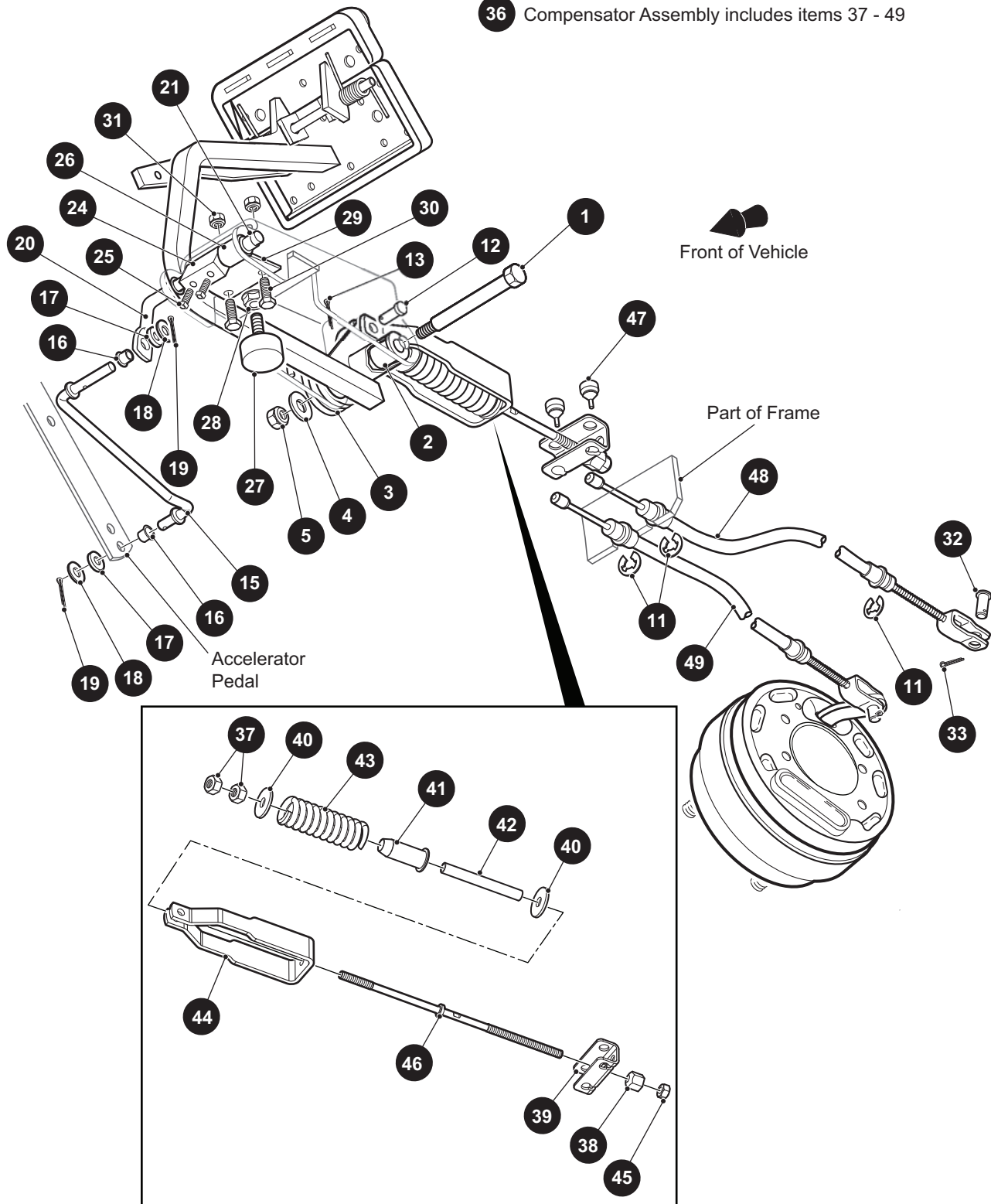
\* Indicates a component that is not available as an individual part.

\*\*\* Indicates consult Customer Service Department for additional information.

ITEM	PART NO.	1 2 3 4 5	DESCRIPTION	QTY.
1	70612G02		Brake Pedal Assembly (without Lights) (Includes Items 2 - 11) .....	1
2	16409G1		Oval Rivet, .375" x .468" Lg.....	3
3	652253G03		Park Brake Pedal.....	1
4	652251G03		Brake Pedal (without Lights).....	1
5	70681G01		Torsion Spring.....	2
6	70682G01		Pivot Pin .....	1
7	658825		Push Nut, 5/16" - 24 .....	2
8				
9	70257G01		Service Brake Pad.....	1
10	16409G1		Oval Rivet, .375" x .468" Lg.....	6
11	70256G01		Park Brake Pedal Pad .....	1

## 2 WHEEL DRUM BRAKES

36 Compensator Assembly includes items 37 - 49



THE USE OF NON U.L. PARTS WILL VOID ANY U.L. LISTING.

When ordering parts, please specify the model and serial number of the product.

\* Indicates a component that is not available as an individual part.

\*\*\* Indicates consult Customer Service Department for additional information.

ITEM	PART NO.	1 2 3 4 5	DESCRIPTION	QTY.
1	70582G01		Shoulder Bolt, .495 Dia. x 3/8" - 16 Thread x 3.406" Lg .....	1
2	70581G01		Bushing (Acetal), .51" I.D. x .795" O.D. x .75" Lg. ....	2
3	70676G01		Torsion Spring 1.34" Dia. ....	1
4	00643G1		Flat Washer, 3/8" .....	1
5	11098G5		Lock Nut, 3/8" - 16 .....	1
6				
7	12416G2		Wedge Clamp (Nylon), 11.8" Lg (Not Illustrated) .....	3
8				
9				
10				
11	01111G01		Retaining Ring, .8" O.D. x .39" I.D. x .42" .....	4
12	10386G3		Clevis Pin, .313" x .84" Lg.....	1
13	10387G3		Cotter Pin, .094" x .75" .....	1
14				
15	70601G01		Kick-off Linkage Rod .....	1
16	17838G1		Flanged Nyliner Bushing, .374" O.D. x .313" I.D. x .312" Lg .....	2
17	20835G1		Washer, .62" O.D. x .39" I.D. x .135" .....	2
18	00559G8		Flat Washer, 1/4" - 20.....	2
19	10387G3		Cotter Pin, .094" x .75" .....	2
20	70098G01		Kick-off Cam Pivot.....	1
21	10097G6		Flanged Bearing .502" O.D. x .378" I.D. x .380" .....	2
22				
23				
24	70587G01		Park Brake Cam.....	1
25	71215G01		Square Head Set Screw with Patch Lock, 1/4" - 20 x .5" Lg.....	2
26	14134G4		Spacer, .76" O.D. x .405" I.D. x 1.25" Lg .....	1
27	70113G01		Adjustable Rubber Bumper .....	1
28	11027G1		Flanged Lock Nut, 5/16" - 18 .....	1
29	70080G02		Hill Brake Catch Bracket .....	1
30	00414G6		Hex Head Bolt, 1/4" - 20 x .75" Lg, Grade 5 .....	2
31	14390G4		Lock Nut, 1/4" - 20 .....	2

# BRAKES

THE USE OF NON U.L. PARTS WILL VOID ANY U.L. LISTING.

When ordering parts, please specify the model and serial number of the product.

\* Indicates a component that is not available as an individual part.

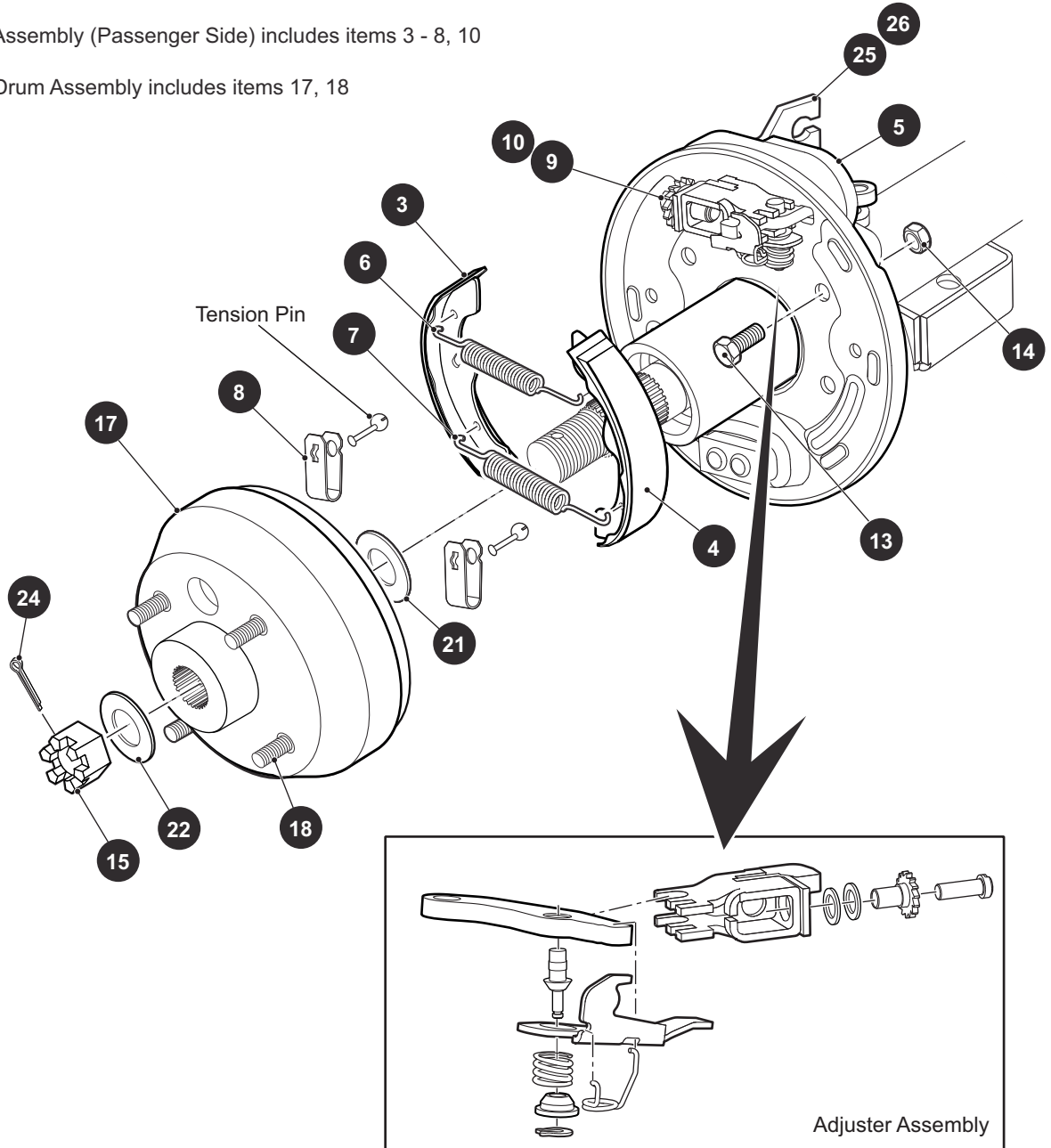
\*\*\* Indicates consult Customer Service Department for additional information.

ITEM	PART NO.	1	2	3	4	5	DESCRIPTION	QTY.
32	10386G3						Clevis Pin, .313" x .84" Lg .....	1
33	10387G3						Cotter Pin, .094" x .75" .....	1
34								
35								
36	654667						Compensator Assembly (Includes Items 37 - 49) .....	1
37	00532G4						Hex Nut, 5/16" - 24 .....	2
38	629486						Spherical Hex Nut, 5/16"- 24 .....	1
39	28082G01						Equalizer Bracket .....	1
40	15121G1						Flat Washer, 3/8" .....	2
41	17979G1						Accelerator Rod Bushing, .464" I.D. x 1" O.D. x 2" Lg .....	1
42	23061G2						Tube .....	1
43	23463G1						Compression Spring .....	1
44	652256						Brake Yoke .....	1
45	11098G9						Lock Nut, 5/16" - 24 .....	1
46	612557						Compensator Link Rod .....	1
47	28083G01						Brake Compensator Bumper .....	2
48	624690						Brake Cable (Driver Side) .....	1
49	624703						Brake Cable (Passenger Side) .....	1



# BRAKES

- 1 Brake Assembly (Driver Side) includes items 3 - 9
- 2 Brake Assembly (Passenger Side) includes items 3 - 8, 10
- 16 Brake Drum Assembly includes items 17, 18





# BRAKES

THE USE OF NON U.L. PARTS WILL VOID ANY U.L. LISTING.

When ordering parts, please specify the model and serial number of the product.

\* Indicates a component that is not available as an individual part.

\*\*\* Indicates consult Customer Service Department for additional information.

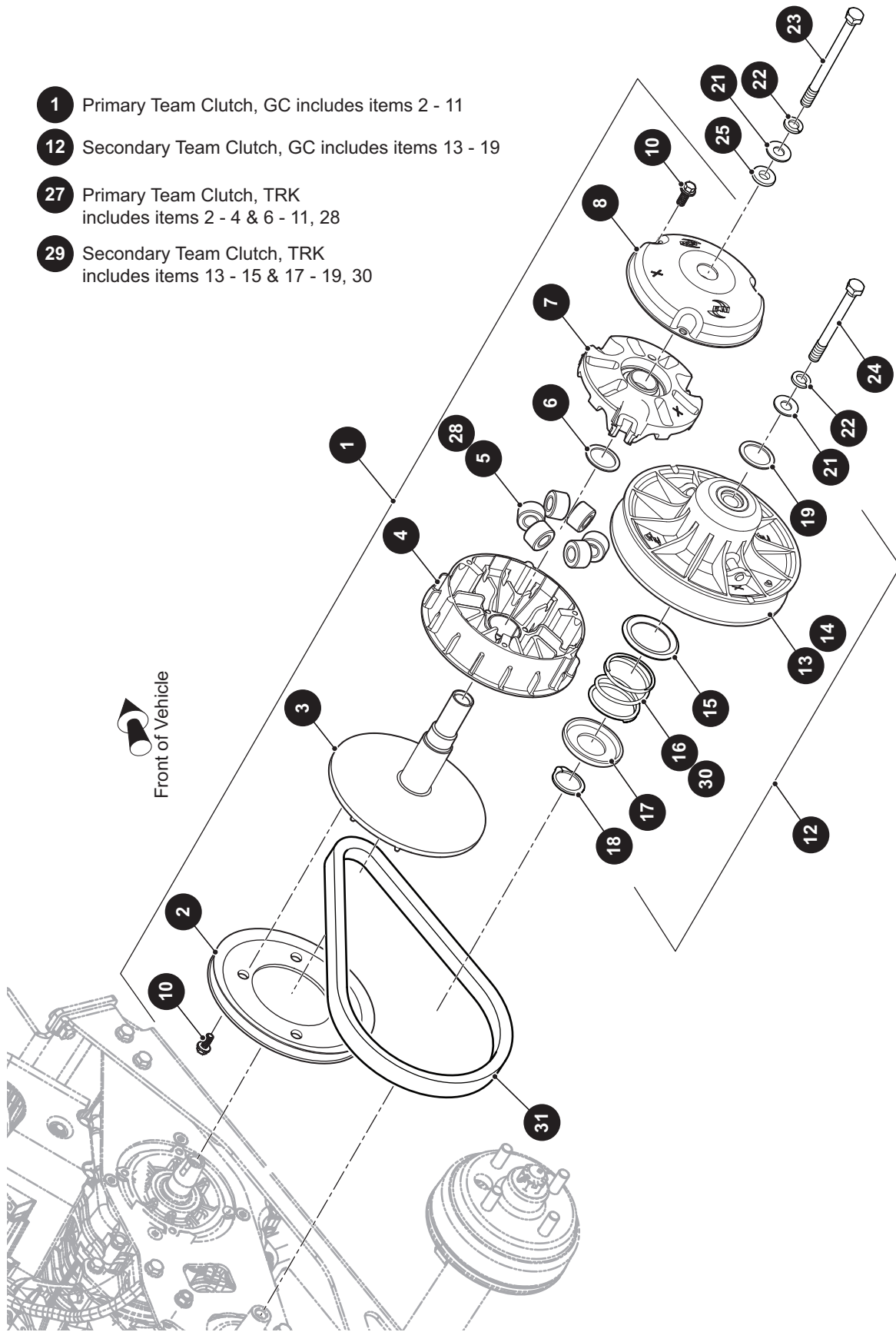
ITEM	PART NO.	1 2 3 4 5	DESCRIPTION	QTY.
1	612211		Brake Assembly (Driver Side) (Includes Items 3 - 9) .....	1
2	612189		Brake Assembly (Passenger Side) (Includes Items 3 - 8, 10).....	1
3	612411		Brake Shoe, Leading .....	1
4	612412		Brake Shoe, Trailing .....	1
5	612413		Dust Cover.....	1
6	612415		Brake Spring, Top .....	1
7	612414		Brake Spring, Bottom .....	1
8	612416		Shoe Clamp .....	2
9	612418		Gear Adjuster (Driver Side) .....	1
10	612417		Gear Adjuster (Passenger Side).....	1
11				
12				
13	17083G2		Hex Head Bolt, 5/16" - 24 x 1" Lg, Grade 8 .....	8
14	15126G1		Lock Nut, 5/16" - 24 .....	8
15	612928		Castle Nut, 5/8" - 18.....	2
16	21807G2		Brake Drum Assembly (Includes Items 17, 18).....	2
17	20947G1		Brake Drum .....	1
18	19862G2		Lug Bolt, 1/2" - 20 x 1.218" Lg.....	4
19				
20				
21	21809G1		Flat Washer, Inner Wheel Rim, 1.31" O.D. x .85" I.D.....	2
22	606945		Flat Washer - Brake Drum, 1.75" O.D. x .89" I.D. ....	2
23				
24	10387G1		Cotter Pin, .125" x 1.50" Lg .....	2
25	652248		Brake Cable Bracket (Passenger Side) .....	1
26	652249		Brake Cable Bracket (Driver Side).....	1





# CLUTCH

- 1 Primary Team Clutch, GC includes items 2 - 11
- 12 Secondary Team Clutch, GC includes items 13 - 19
- 27 Primary Team Clutch, TRK includes items 2 - 4 & 6 - 11, 28
- 29 Secondary Team Clutch, TRK includes items 13 - 15 & 17 - 19, 30



THE USE OF NON U.L. PARTS WILL VOID ANY U.L. LISTING.

When ordering parts, please specify the model and serial number of the product.

\* Indicates a component that is not available as an individual part.

\*\*\* Indicates consult Customer Service Department for additional information.

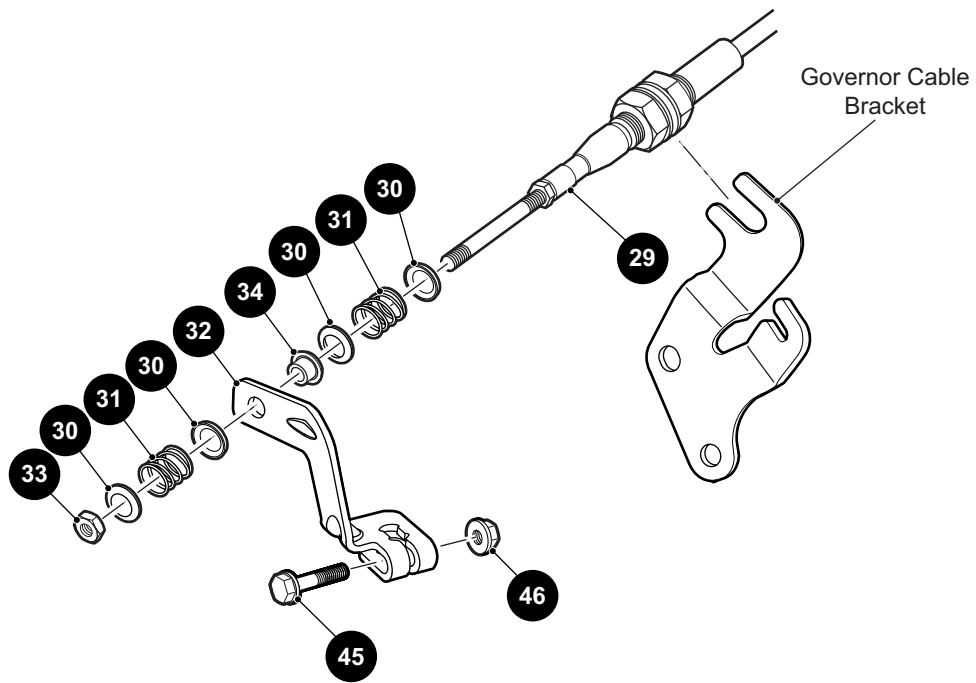
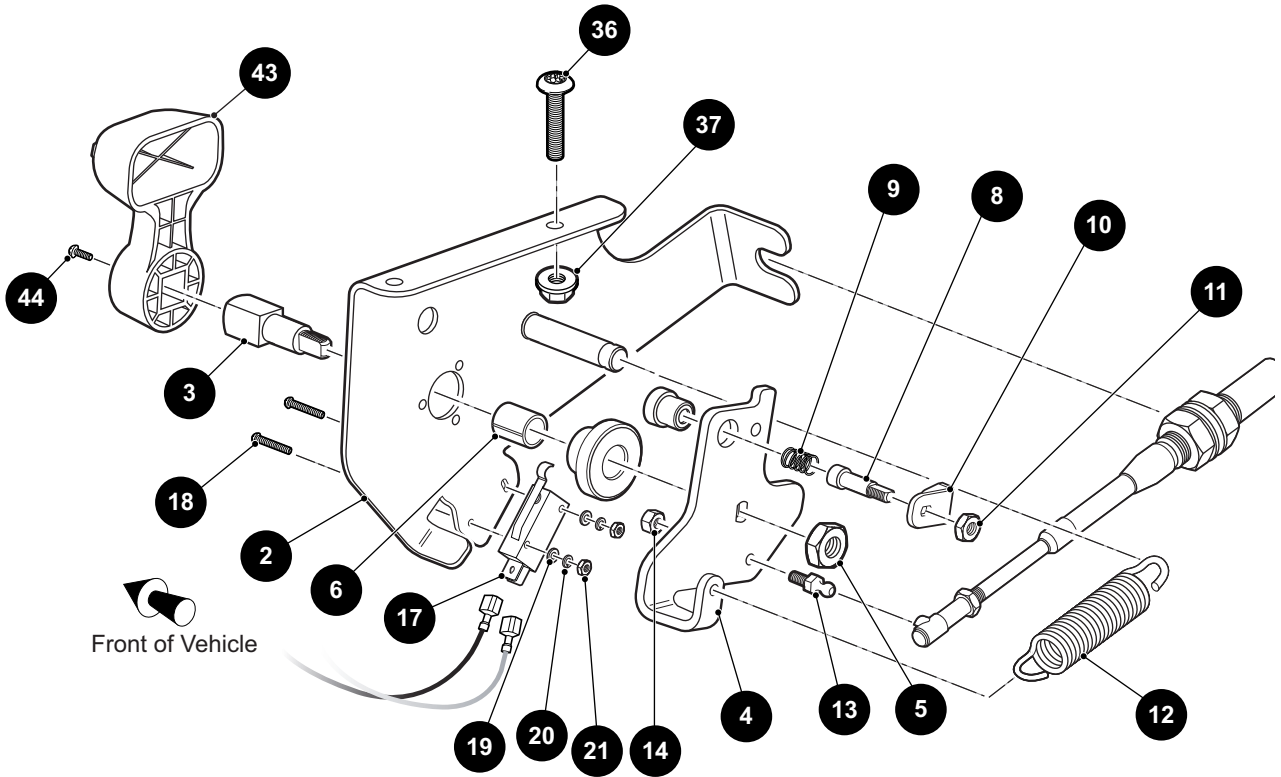
ITEM	PART NO.	1 2 3 4 5	DESCRIPTION	QTY.
1	672686		Primary Team Clutch, GC (Includes Items 2 - 11).....	1
2	619333		Primary Starter Pulley.....	1
3	619334		Stationary Assembly .....	1
4	619335		Moveable Primary Assembly .....	1
5	619336		Shift Roller Assembly.....	6
6	619337		Shim, 39.5mm x 31.75mm .....	1
7	644303		Primary Spider Assembly .....	1
8	619339		Primary Dust Cover Assembly.....	1
9	644305		Button, Torque Primary (Not Illustrated) .....	1
10	619332		Hex Washer Head Bolt, 1/4" - 20 x 3/4" Lg.....	7
11	644306		Plug, Torque Button (Not Illustrated).....	6
12	644300		Secondary Team Clutch, GC (Includes Items 13 - 19).....	1
13	*		Secondary Stationary Clutch .....	1
14	*		Moveable Secondary Clutch.....	1
15	619327		Inner Retainer Spring .....	1
16	644304		Compression Spring .....	1
17	619329		Outer Spring Retainer.....	1
18	619330		Retainer Ring.....	1
19	619331		Thrust Washer, 1.530" x 1.830" x 1" .....	1
20				
21	606239		Conical Washer, M12 .....	2
22	00566G3		Lock Washer (Spring Type), 3/8".....	2
23	606245		Hex Head Bolt, M12 - 1.25 x 160mm Lg, Grade 8.8.....	1
24	606243		Hex Head Bolt, M12 - 1.25 x 120mm Lg, Grade 8.8.....	1
25	606230		Clutch Washer, 27.5 O.D x 13.06 I.D. ....	1
26				
27	672688		Primary Team Clutch, TRK (Includes Items 2 - 4 & 6 - 11, 28).....	1
28	624112		Shift Roller Assembly.....	6
29	623949		Secondary Team Clutch, TRK (Includes Items 13 - 15 & 17- 19, 30) .....	1
30	624111		Compression Spring .....	1
31	618630		Drive Belt.....	1





# DIRECTION SELECTOR

**1** Direction Selector Assembly includes items 2 - 34





# DIRECTION SELECTOR

THE USE OF NON U.L. PARTS WILL VOID ANY U.L. LISTING.

When ordering parts, please specify the model and serial number of the product.

\* Indicates a component that is not available as an individual part.

\*\*\* Indicates consult Customer Service Department for additional information.

ITEM	PART NO.	1 2 3 4 5	DESCRIPTION	QTY.
1	603416		Direction Selector Assembly (Includes Items 2 - 34).....	1
2	606077		Direction Selector Bracket .....	1
3	70233G01		Direction Selector Shaft.....	1
4	603700		Direction Selector Cam.....	1
5	14390G1		Lock Nut, 3/8" - 24 .....	1
6	25664G2		Bushing, 1/2" x .750" Lg .....	1
7				
8	72724G01		Neutral Lock Pin .....	1
9	72733G01		Compression Spring .....	1
10	72729G01		Neutral Lock Latch.....	1
11	00734G2		Lock Nut, 1/4" - 28 .....	1
12	28574G01		Extension Spring .....	1
13	72732G01		Ball Stud, #10 - 32 .....	1
14	00734G5		Lock Nut, #10 - 32 .....	1
15				
16				
17	72736G01		Micro Switch .....	1
18	01062G01		Round Head Screw, #4 - 40 x 1" Lg .....	2
19	00559G1		Flat Washer, #4.....	2
20	00565G1		Lock Washer, #4 .....	2
21	00526G2		Hex Nut, #4 - 40 .....	2
22				
23				
24				
25				
26				
27				
28				
29	603615		Shifter Cable.....	1
30	25727G01		Cup Washer, 1/4".....	4
31	72735G01		Compression Spring.....	2

## DIRECTION SELECTOR

THE USE OF NON U.L. PARTS WILL VOID ANY U.L. LISTING.

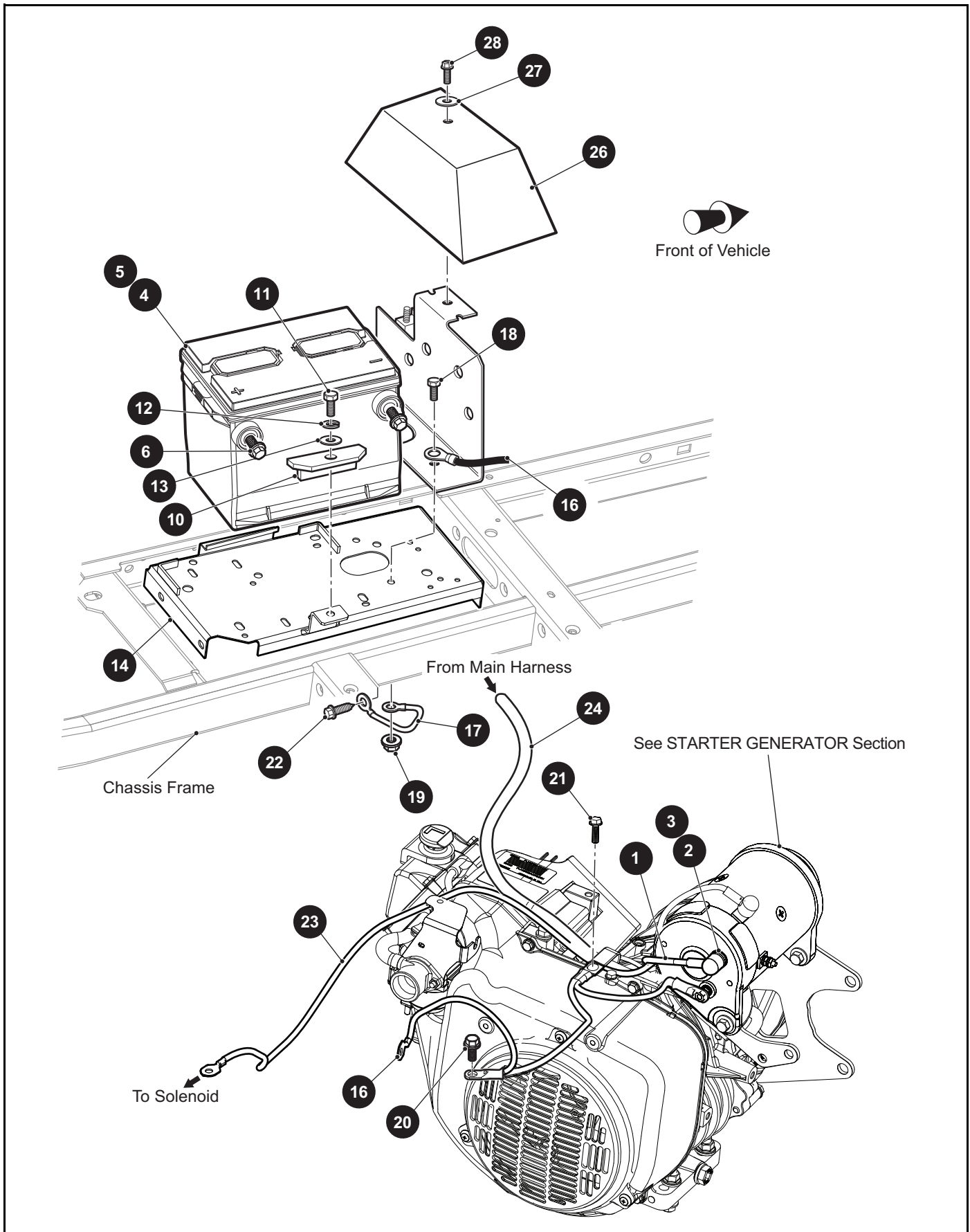
When ordering parts, please specify the model and serial number of the product.

\* Indicates a component that is not available as an individual part.

\*\*\* Indicates consult Customer Service Department for additional information.

ITEM	PART NO.	1	2	3	4	5	DESCRIPTION	QTY.
32	632891						Pivot Bracket.....	1
33	00734G5						Lock Nut, #10 - 32.....	1
34	22754G4						Bushing (Flip Lok), .250".....	1
35								
36	70227G01						Socket Head Cap Screw, 1/4" - 20 x 7/8" Lg, Grade 8.....	2
37	11027G2						Lock Nut, 1/4" - 20.....	2
38	31539G1						Nylon Clamp, 15.5" Lg (Not Illustrated).....	1
39								
40								
41								
42								
43	71205G01						Direction Selector Handle.....	1
44	01037G02						Truss Head Phillips Screw, #10 - 32 x 1/2" Lg.....	1
45	606421						Flanged Hex Head Bolt, M6 - 1 x 30mm Lg, Grade 8.8.....	1
46	450452						Hex Nut, M6 - 1.....	1





THE USE OF NON U.L. PARTS WILL VOID ANY U.L. LISTING.

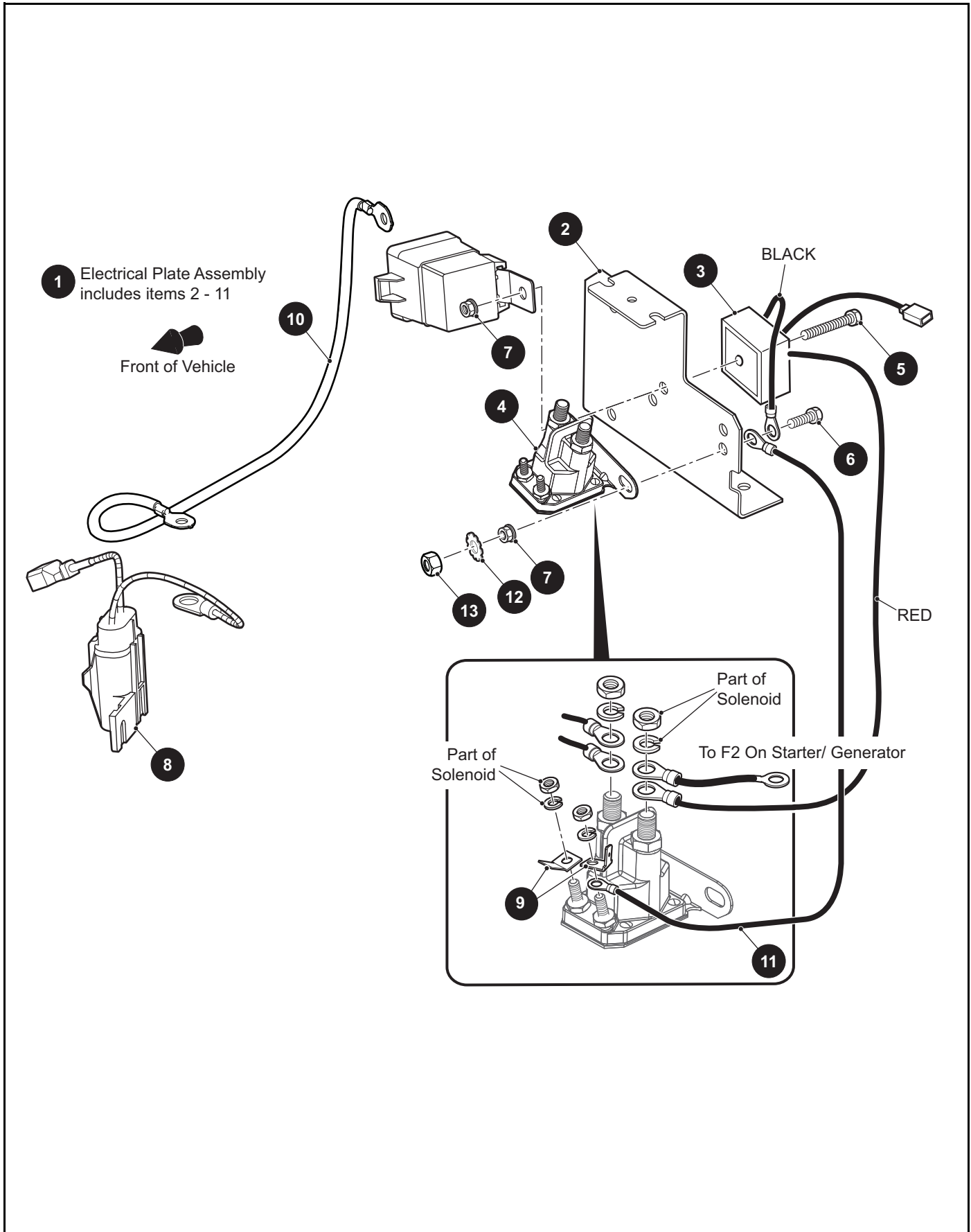
When ordering parts, please specify the model and serial number of the product.

\* Indicates a component that is not available as an individual part.

\*\*\* Indicates consult Customer Service Department for additional information.

ITEM	PART NO.	1 2 3 4 5	DESCRIPTION	QTY.
1	607053		#6 GA Wire (Black 6", F1 - A2).....	1
2	25682G01		Terminal Cover .....	3
3	25682G01		Terminal Cover (For CE Vehicles).....	2
4	638433		Battery, 12V.....	1
5	637484		Battery, 12V, HD.....	1
6	640488		Battery Bolt .....	2
7				
8				
9				
10	72101G02		Battery Hold Down .....	1
11	00438G6		Hex Head Bolt, 5/16" - 18 x 3/4" Lg, Grade 5 .....	1
12	00565G8		Lock Washer, 5/16" .....	1
13	00571G2		Flat Washer (SS), 5/16" .....	1
14	652441G03		Battery Tray.....	1
15				
16	645191		Battery/Engine Ground Cable .....	1
17	25976G19		#14 GA Wire (Black 6") .....	1
18	00438G6		Hex Head Bolt, 5/16" - 18 x 3/4" Lg, Grade 5 .....	2
19	11027G1		Flanged Lock Nut, 5/16" - 18 .....	2
20	26676G01		Flanged Hex Head Bolt, M6 - 1 x 23mm Lg.....	1
21	606264		Flanged Hex Head Bolt, M6 - 1 x 20mm Lg, Grade 8.8.....	1
22	00715G2		Hex Washer Head Screw, 5/16" - 18 x .875" Lg .....	4
23	607103		#6 GA Wire, 42" Lg .....	1
24	695052		Main Harness .....	1
25				
26	73049G01		Direction Selector Cover .....	1
27	16469G1		Fender Washer, 1/4" .....	1
28	00114G6		Hex Washer Head Slotted Tapping Screw, 1/4" - 14 x 3/4" Lg.....	1
29	608772		#6AWG Wire (Blue) (For CE vehicles) (Not Illustrated) .....	1
30	625757		#6AWG Wire (Blue) (Solenoid - F2) (For CE Vehicles) (Not Illustrated) .....	1

# ELECTRICAL



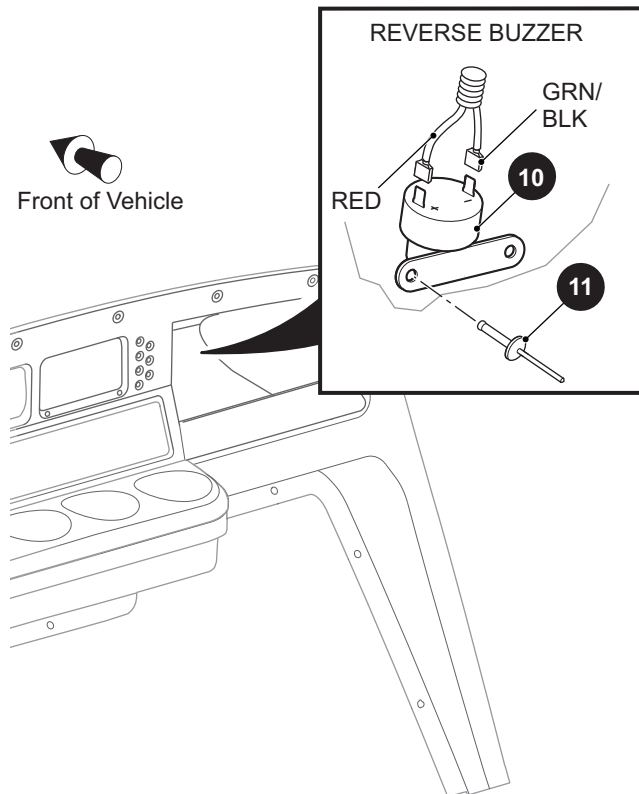
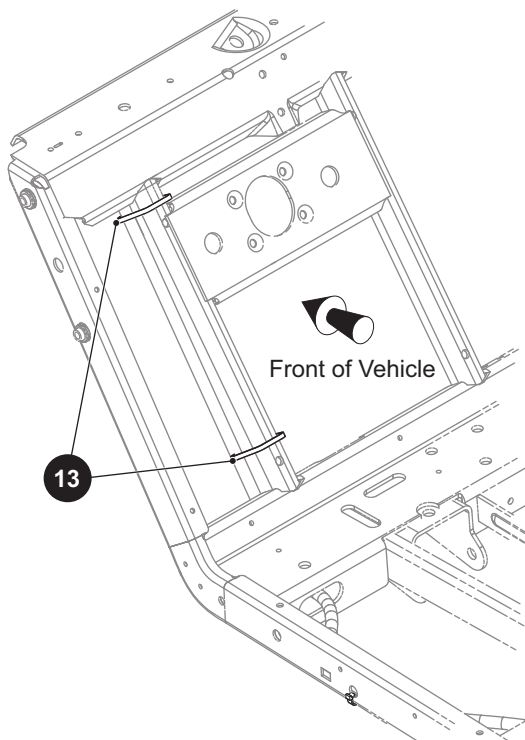
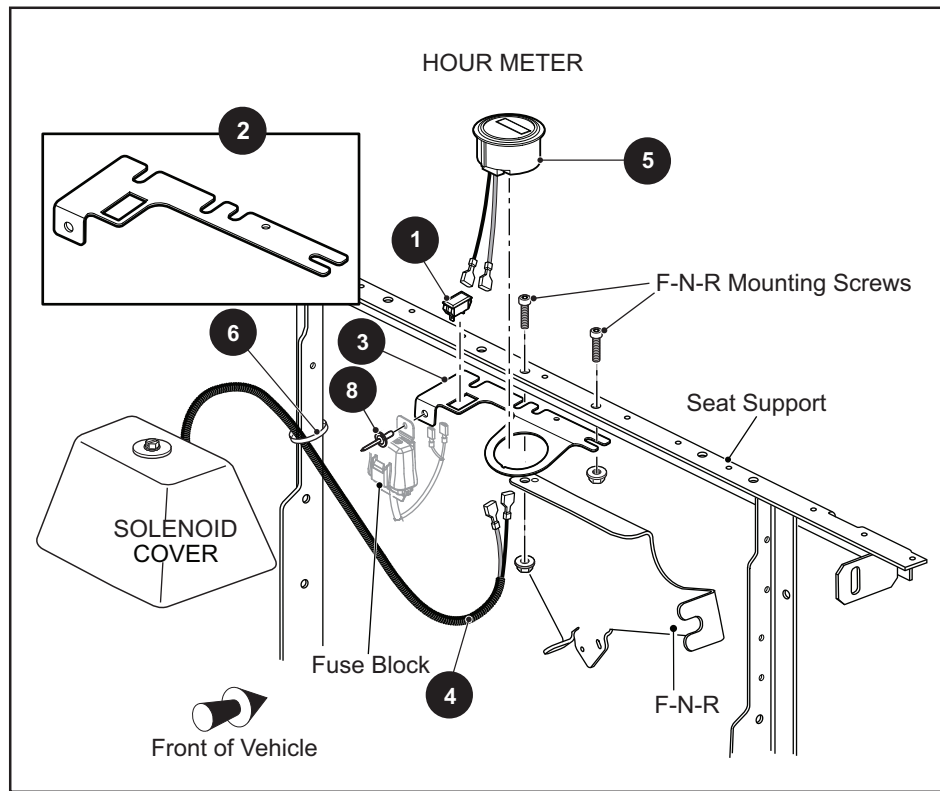
THE USE OF NON U.L. PARTS WILL VOID ANY U.L. LISTING.

When ordering parts, please specify the model and serial number of the product.

\* Indicates a component that is not available as an individual part.

\*\*\* Indicates consult Customer Service Department for additional information.

ITEM	PART NO.	1 2 3 4 5	DESCRIPTION	QTY.
1	660446		Electrical Plate Assembly (Includes Items 2 - 11) .....	1
2	73057G02		Bracket .....	1
3	27739G01		Voltage Regulator .....	1
4	663716		Solenoid.....	1
5	303459		Hex Head Bolt, 1/4" - 20 x 1 1/2" Lg, Grade 5.....	1
6	00661G8		Hex Head Bolt (SS), 1/4" - 20 x 1" Lg.....	1
7	11027G2		Flanged Lock Nut, 1/4" - 20.....	2
8	658683		Electrical Plate Harness .....	1
9	73446G01		Faston Tab, 90°.....	2
10	645190		#6 GA Wire Assembly.....	1
11	25978G56		#18 GA Wire Assembly (Black).....	1
12	00567G7		Lock Washer (External Tooth Type) .....	1
13	00532G1		Hex Nut, 1/4" - 20.....	1





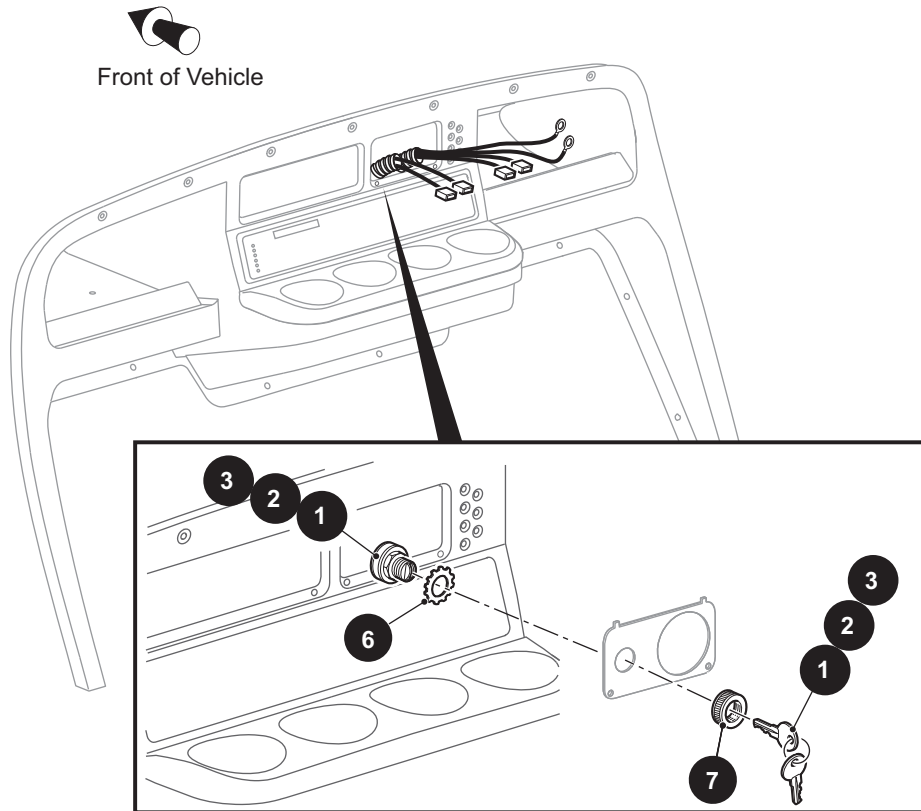
THE USE OF NON U.L. PARTS WILL VOID ANY U.L. LISTING.

When ordering parts, please specify the model and serial number of the product.

\* Indicates a component that is not available as an individual part.

\*\*\* Indicates consult Customer Service Department for additional information.

ITEM	PART NO.	1 2 3 4 5	DESCRIPTION	QTY.
1	659101		Malfunction Indicator Light .....	1
2	659085		Fuse Bracket (For Vehicles without Hour Meter) .....	1
3	662631		Fuse Bracket (For Vehicles with Hour Meter) .....	1
4	664689		Hour Meter Harness .....	1
5	617074		Hour Meter .....	1
6	17618G1		Nylon Clamp, 7" Lg .....	2
7				
8	71055G01		Rivet, 3/16" Dia. ....	1
9				
10	73290G03		Buzzer .....	1
11	01041G01		Rivet, 5/32" .....	2
12				
13	31539G1		Nylon Clamp, 15.5" Lg .....	5



KEY SWITCH, INDICATOR LIGHT(S), AND FUEL GAUGE

THE USE OF NON U.L. PARTS WILL VOID ANY U.L. LISTING.

When ordering parts, please specify the model and serial number of the product.

\* Indicates a component that is not available as an individual part.

\*\*\* Indicates consult Customer Service Department for additional information.

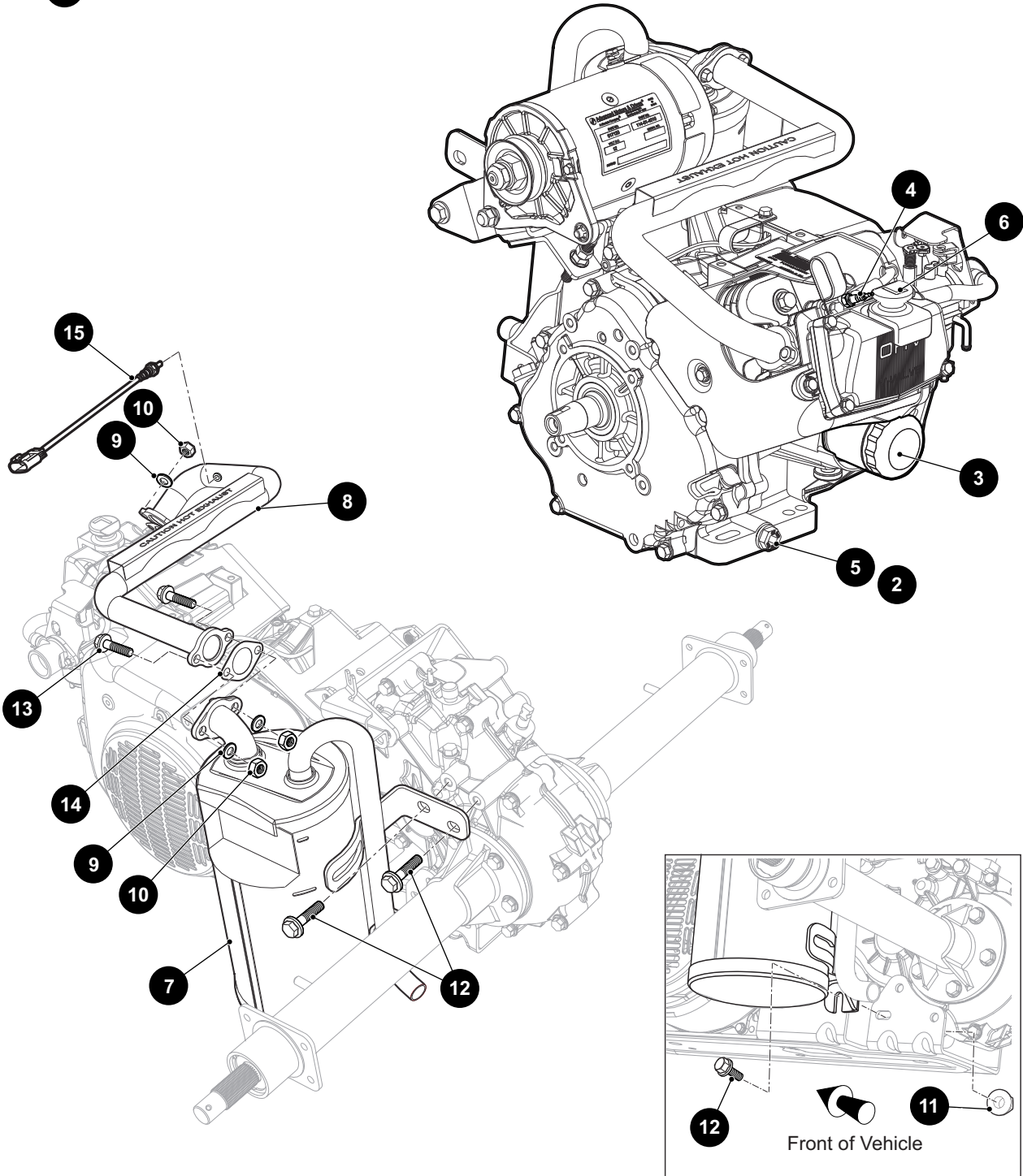
ITEM	PART NO.	1 2 3 4 5	DESCRIPTION	QTY.
1	18027-G1		Ignition Switch (Individual) .....	1
2	17955-G1		Ignition Switch (Group Key) .....	1
3	18602-G1		Ignition Switch (Fleet).....	1
4				
5				
6	00568G6		Lock Washer (External Tooth Type), 3/4" .....	1
7	17137G1		Face Nut, 3/4" - 20 .....	1





# ENGINE AND MUFFLER

1 Engine, Gas, 13HP includes items 2 - 5



## ENGINE AND MUFFLER

THE USE OF NON U.L. PARTS WILL VOID ANY U.L. LISTING.

When ordering parts, please specify the model and serial number of the product.

\* Indicates a component that is not available as an individual part.

\*\*\* Indicates consult Customer Service Department for additional information.

ITEM	PART NO.	1 2 3 4 5	DESCRIPTION	QTY.
1	658237		Engine, Gas, 13HP (Includes Items 2 - 5).....	1
2	603562		'O' Ring, 16mm .....	1
3	607454		Oil Filter .....	1
4	607462		Spark Plug .....	1
5	603557		Oil Drain Plug .....	1
6	606390		Dip Stick.....	1
7	674854		Muffler .....	1
8	657450		Exhaust Pipe.....	1
9	606272		Split Washer, 8mm .....	4
10	606267		Jam Nut, M8 - 1.25.....	4
11	606279		Flanged Nut, M10 - 1.25 .....	1
12	606256		Flanged Hex Head Bolt, M10 - 1.25 x 25mm Lg, Grade 8.8.....	3
13	602330		Flanged Hex Head Bolt, M8 - 1.25 x 30mm Lg .....	2
14	603599		Exhaust Gasket.....	2
15	657449		Oxygen Sensor .....	1

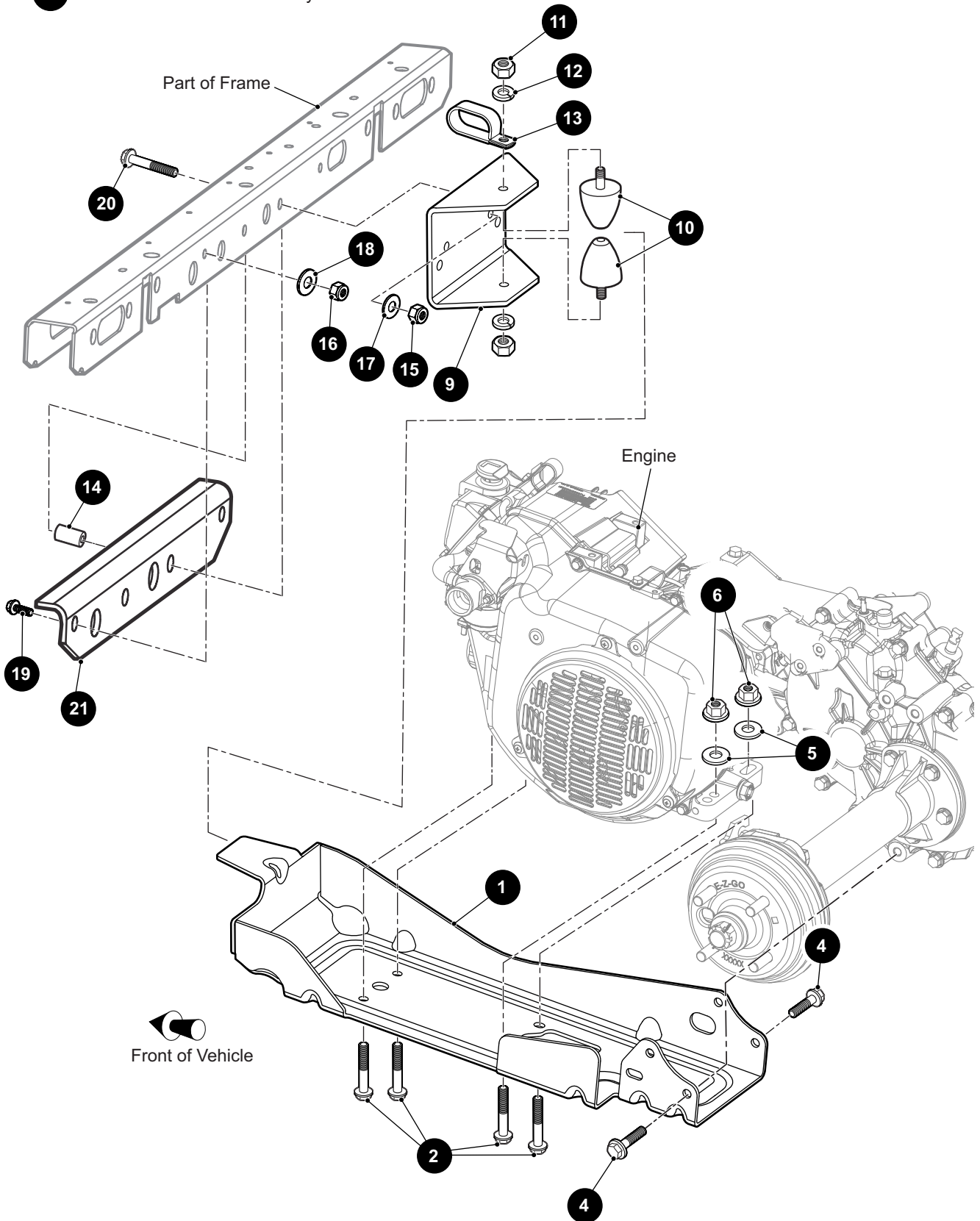






# ENGINE MOUNTING

8 Front Mount Bracket Assembly includes items 9 - 13



## ENGINE MOUNTING

THE USE OF NON U.L. PARTS WILL VOID ANY U.L. LISTING.

When ordering parts, please specify the model and serial number of the product.

\* Indicates a component that is not available as an individual part.

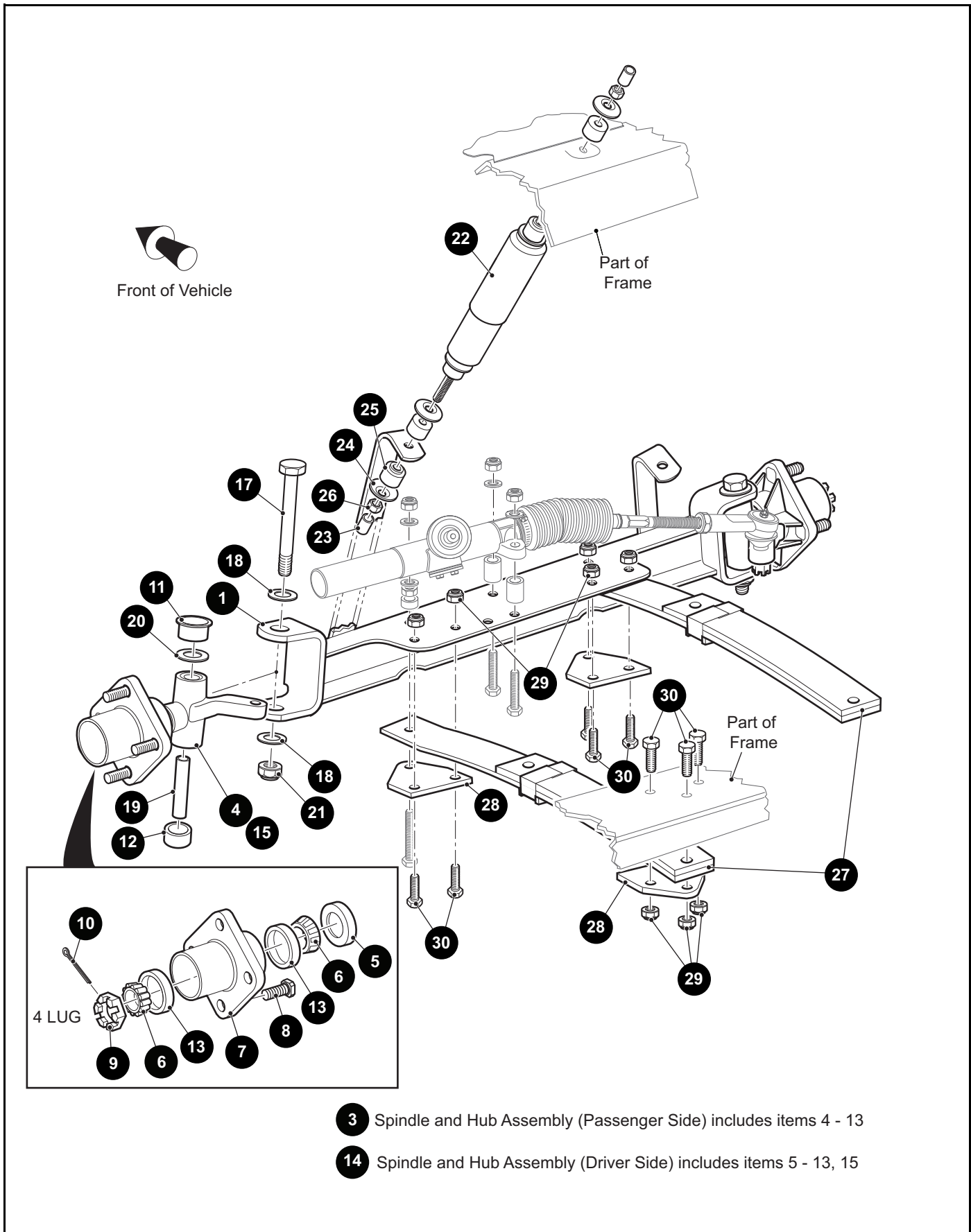
\*\*\* Indicates consult Customer Service Department for additional information.

ITEM	PART NO.	1 2 3 4 5	DESCRIPTION	QTY.
1	630776		Engine Pan .....	1
2	606259		Flanged Hex Head Bolt, M10 - 1.25 x 45mm Lg, Grade 8.8 .....	4
3				
4	606256		Flanged Hex Head Bolt, M10 - 1.25 x 25mm Lg, Grade 8.8 .....	4
5	603823		Flat Washer, M10 .....	4
6	606279		Flanged Hex Nut, M10 - 1.25 .....	4
7				
8	662794		Front Mount Bracket Assembly (Includes Items 9 - 13) .....	1
9	625345		Front Mount Bracket .....	1
10	605757		Rubber Bumper .....	2
11	00974G01		Hex Nut, M10 - 1.5 .....	2
12	608654		Lock Washer (Split), 10mm .....	2
13	692754		Tube Clamp (Wide), 1" .....	1
14	72016G01		Tube Spacer.....	1
15	11098G5		Lock Nut, 3/8" - 16 .....	1
16	01109G01		Lock Nut, 5/16" - 18 .....	1
17	00643G1		Flat Washer, 3/8" .....	1
18	00559G8		Flat Washer, 5/16" .....	1
19	00438G7		Hex Head Bolt, 5/16" - 18 x 7/8" Lg, Grade 5 .....	1
20	00428G8		Hex Head Bolt, 3/8" - 16 x 2.75" Lg .....	1
21	652247		Crossmember Brace .....	1





# FRONT SUSPENSION AND STEERING



## FRONT SUSPENSION AND STEERING

THE USE OF NON U.L. PARTS WILL VOID ANY U.L. LISTING.

When ordering parts, please specify the model and serial number of the product.

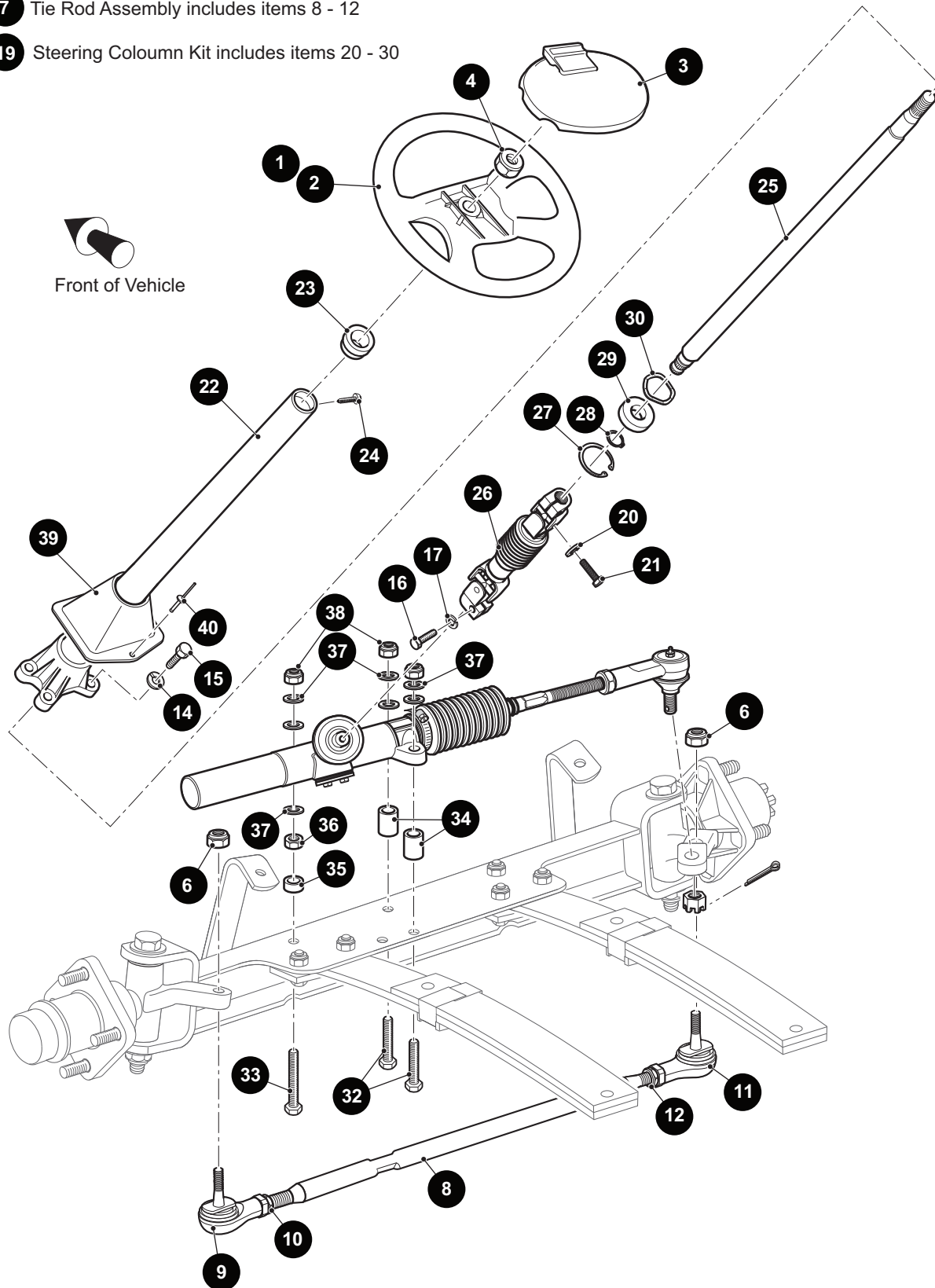
\* Indicates a component that is not available as an individual part.

\*\*\* Indicates consult Customer Service Department for additional information.

ITEM	PART NO.	1 2 3 4 5	DESCRIPTION	QTY.
1	652822		Front Axle .....	1
2				
3	70942G03		Spindle and Hub Assembly, 4 Lug (Passenger Side) (Includes Items 4 - 13) .....	1
4	70940G02		Spindle Assembly (Passenger Side) .....	1
5	25146G1		Grease Seal.....	1
6	11750G2		Roller Bearing.....	2
7	70589G01		Wheel Hub.....	1
8	19862G1		Lug Bolt, 1/2" - 20 x 1 3/16" Lg.....	4
9	12093G1		Castellated Nut, 1" - 14.....	1
10	00798G8		Cotter Pin, 5/32" x 1 3/4" Lg .....	1
11	632925		Flanged Bushing.....	1
12	632926		Bushing.....	1
13	51141G1		Race Bearing.....	2
14	70673G03		Spindle and Hub Assembly, 4 Lug (Driver Side) (Includes Items 5 - 13, 15) .....	1
15	70742G02		Spindle Assembly (Driver Side) .....	1
16				
17	00407G6		Hex Head Bolt 1/2" - 13 x 6" Lg, Grade 5 .....	1
18	00560G3		Flat Washer, 1/2".....	2
19	70745G01		King Pin Tube.....	1
20	70754G01		Thrust Washer (SS), 1" .....	1
21	14390G6		Lock Nut, 1/2" - 13 .....	1
22	76419G01		Shock Absorber.....	1
23	10044G01		Vinyl Cap.....	2
24	10435G1		Shock Absorber Washer .....	4
25	10194G1		Rubber Bushing .....	4
26	00532G6		Hex Nut, 3/8" - 24.....	2
27	70990G03		Leaf Spring.....	2
28	652258		Spring Plate.....	4
29	00734G1		Lock Nut, 7/16" - 14 .....	11
30	00463G11		Hex Head Bolt, 7/16" - 14 x 1 3/4" Lg, Grade 5 .....	11

# FRONT SUSPENSION AND STEERING

- 7 Tie Rod Assembly includes items 8 - 12
- 19 Steering Coloumn Kit includes items 20 - 30





## FRONT SUSPENSION AND STEERING

THE USE OF NON U.L. PARTS WILL VOID ANY U.L. LISTING.

When ordering parts, please specify the model and serial number of the product.

\* Indicates a component that is not available as an individual part.

\*\*\* Indicates consult Customer Service Department for additional information.

ITEM	PART NO.	1 2 3 4 5	DESCRIPTION	QTY.
1	602980		Steering Wheel (Premium).....	1
2	602979		Steering Wheel.....	1
3	607925		Scorecard Holder .....	1
4	14390G2		Lock Nut, 5/8" - 18 .....	1
5				
6	00734G1		Lock Nut, 7/16" - 14 .....	2
7	70876G02		Tie Rod Assembly (Includes Items 8 - 12) .....	1
8	70897G02		Threaded Rod, 24" Lg .....	1
9	70902G01		Tie Rod End (Left Hand Threads).....	1
10	01069G01		Jam Nut, M12 x 1.25 (Left Hand Threads) .....	1
11	70902G02		Tie Rod End (Right Hand Threads) .....	1
12	01069G02		Jam Nut, M12 x 1.25 (Right Hand Threads).....	1
13				
14	00879G1		Lock Washer, 3/8" .....	4
15	01006G01		Hex Head Bolt, 3/8" - 16 x 1 1/4" Lg .....	4
16	01055G01		Hex Head Bolt, M8 - 1.25 x 1.18" Lg, Grade 5.....	1
17	00565G8		Lock Washer, 5/16" .....	1
18				
19	70758G05		Steering Column Kit (Includes Items 20 - 30) .....	1
20	00565G8		Lock Washer, 5/16".....	1
21	01055G01		Hex Head Bolt, M8 - 1.25 x 1.18" Lg, Grade 5 .....	1
22	70610G03		Steering Column .....	1
23	28569G01		Steering Column Bushing.....	1
24	01022G01		Hex Washer Head Screw, #6 - 20 x 5/16" Lg .....	1
25	70607G01		Steering Shaft.....	1
26	70580G01		Intermediate Shaft .....	1
27	70751G01		Retaining Ring (Internal).....	1
28	70888G01		Retaining Ring (External) .....	1
29	15112G1		Ball Bearing .....	1
30	70887G01		Wave Washer .....	1
31				

## FRONT SUSPENSION AND STEERING

THE USE OF NON U.L. PARTS WILL VOID ANY U.L. LISTING.

When ordering parts, please specify the model and serial number of the product.

\* Indicates a component that is not available as an individual part.

\*\*\* Indicates consult Customer Service Department for additional information.

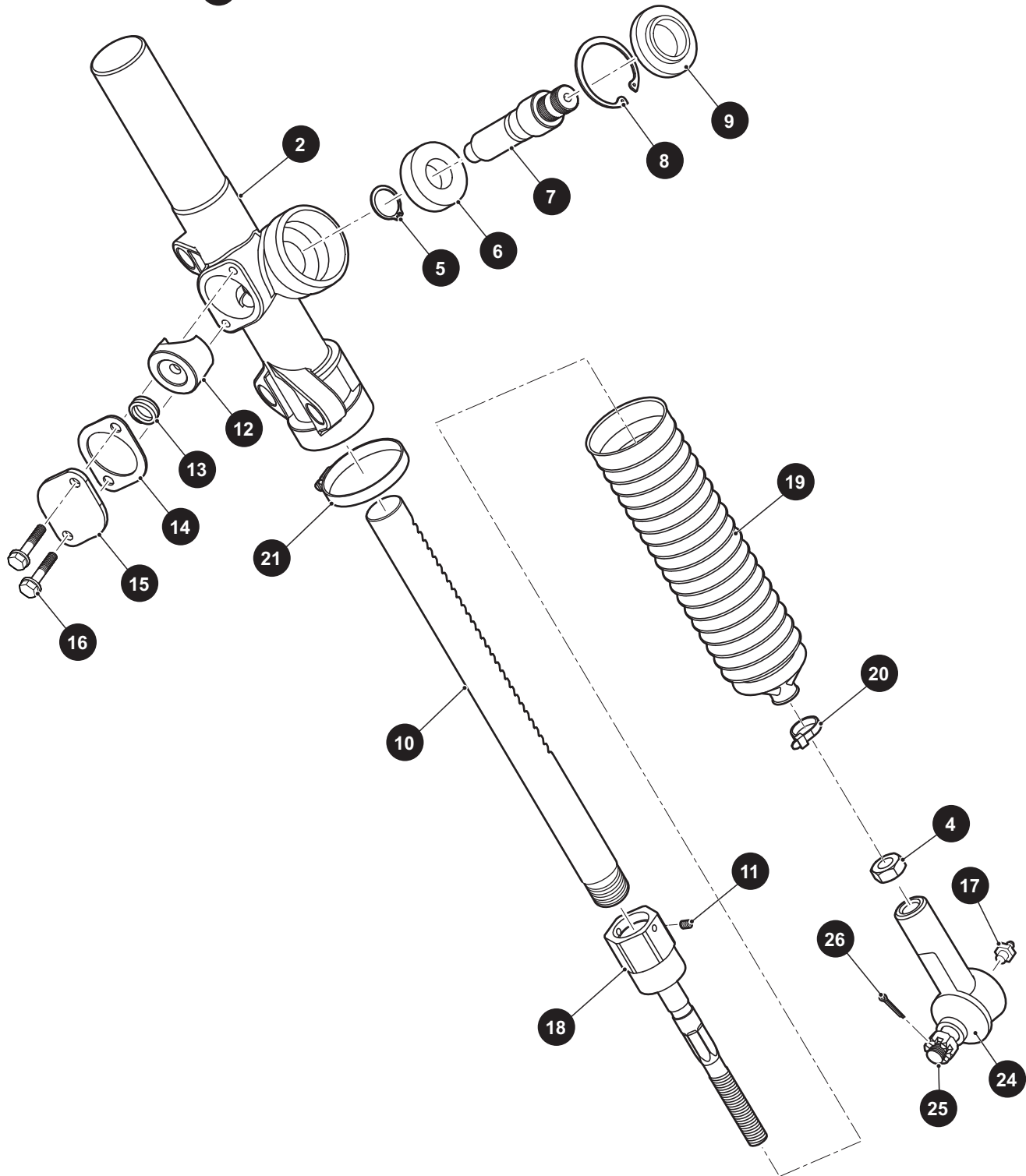
ITEM	PART NO.	1 2 3 4 5	DESCRIPTION	QTY.
32	00464G8		Hex Head Bolt, 7/16" - 14 x 2 3/4" Lg, Grade 5.....	2
33	01068G01		Hex Head Bolt, 7/16" - 14 x 3 1/2" Lg, Grade 5.....	1
34	70667G02		Spacer, 1.21" .....	2
35	70667G04		Spacer (Short), .69" .....	1
36	00532G7		Hex Nut, 7/16" - 14 .....	1
37	00560G2		Flat Washer, 7/16" .....	7
38	00734G1		Lock Nut, 7/16" - 14 .....	3
39	70997G01		Cover .....	1
40	71055G01		Rivet (Aluminum), 3/16" x 1" Lg.....	1



# FRONT SUSPENSION AND STEERING

**1** Rack and Pinion Unit includes items 2 - 23

**23** Tie Rod End (Outer) includes items 24 - 25



## FRONT SUSPENSION AND STEERING

THE USE OF NON U.L. PARTS WILL VOID ANY U.L. LISTING.

When ordering parts, please specify the model and serial number of the product.

\* Indicates a component that is not available as an individual part.

\*\*\* Indicates consult Customer Service Department for additional information.

ITEM	PART NO.	1 2 3 4 5	DESCRIPTION	QTY.
1	70964G01		Rack and Pinion Unit (Includes Items 2 - 23).....	1
2	70965G01		Steering Rack Cover and Bearing.....	1
3				
4	*		Jam Nut, 1/2" - 20.....	1
5	70750G01		Retaining Ring (External) .....	1
6	15112G1		Ball Bearing .....	1
7	70603G01		Pinion.....	1
8	70751G01		Retaining Ring (Internal).....	1
9	70638G01		Seal (Pinion) .....	1
10	70604G01		Steering Rack.....	1
11	*		Set Screw, #10 - 32 x .25" Lg .....	1
12	70590G01		Rack Loader .....	1
13	70666G01		Compression Spring .....	1
14	70645G01		Gasket (Rack Loader Cover).....	1
15	652259		Cover (Rack Loader) .....	1
16	71102G01		Hex Washer Head Bolt, 1/4" - 20 x 11/16" Lg, Grade 5.....	2
17	10389G3		Grease Fitting (Straight) .....	1
18	70694G01		Rod End (Inner) .....	1
19	70961G01		Rack Boot.....	1
20	12416G2		Nylon Clamp, 11.8" Lg.....	1
21	11391G8		Hose Clamp, 1.81".....	1
22				
23	70695G01		Tie Rod End (Outer) (Includes Items 24 - 25).....	1
24	50641G1		Grommet.....	1
25	*		Hex Slotted Nut, 7/16" - 20 .....	1
26	10387G2		Cotter Pin, 3/32" x 1".....	1

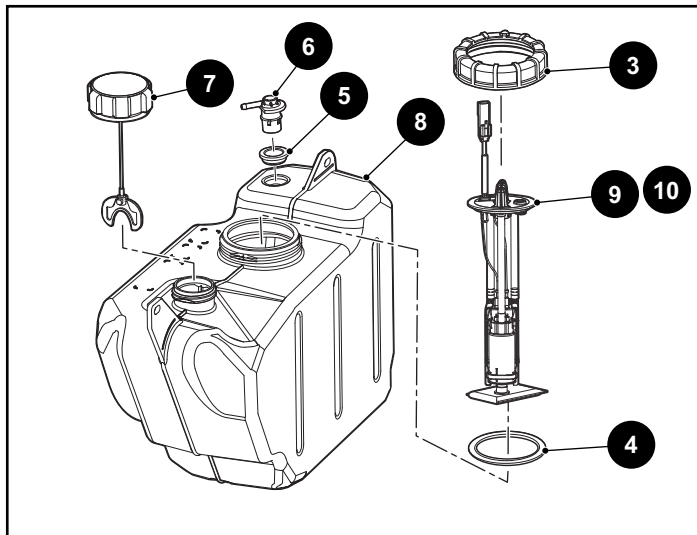
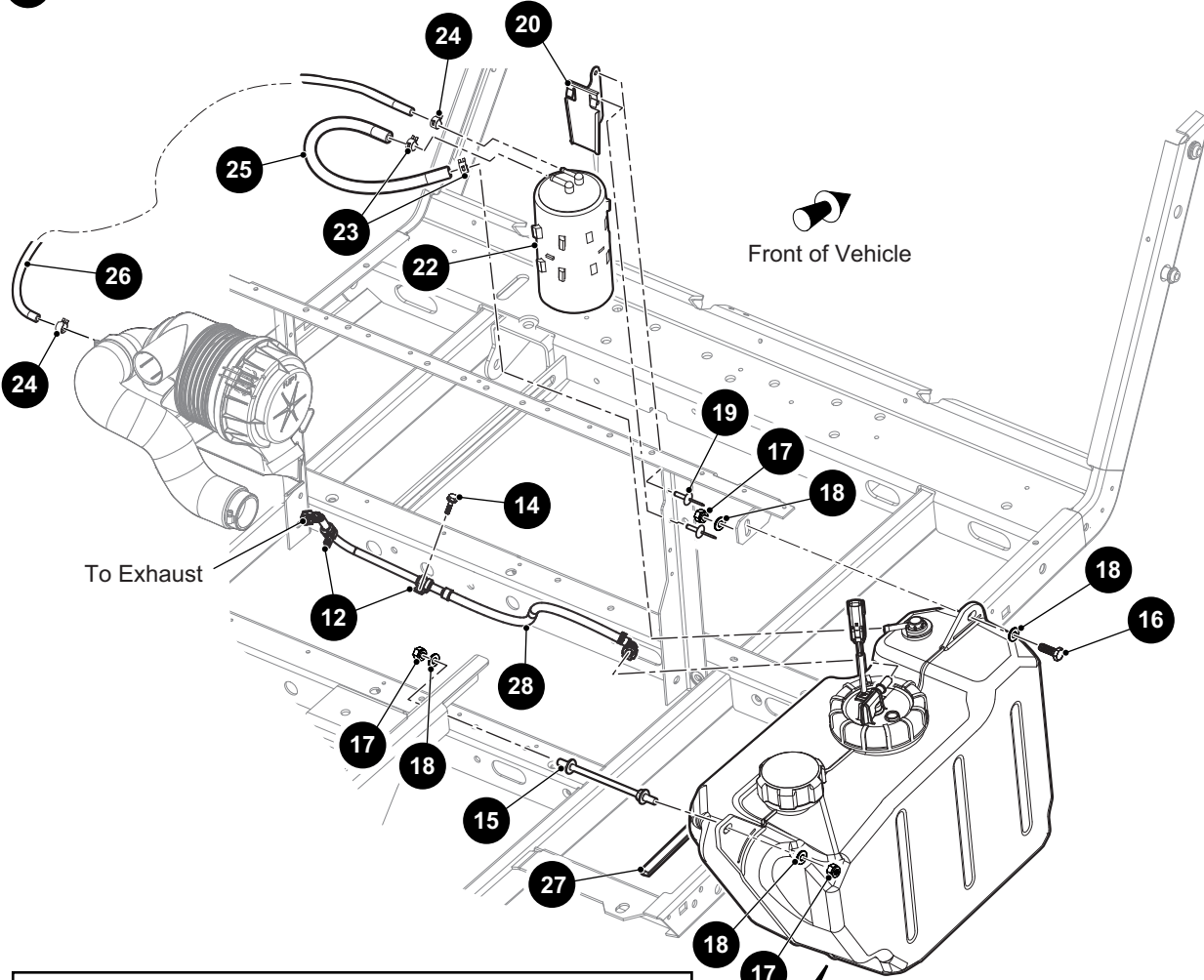
Notes:

A large grid of graph paper, consisting of 20 columns and 25 rows of small squares, intended for taking notes.



# FUEL SYSTEM

- 1 Fuel Tank Assembly includes items 3 - 9
- 2 Fuel Tank Assembly includes items 3 - 8, 10
- 21 Carbon Canister Assembly includes items 22 - 26





# FUEL SYSTEM

THE USE OF NON U.L. PARTS WILL VOID ANY U.L. LISTING.

When ordering parts, please specify the model and serial number of the product.

\* Indicates a component that is not available as an individual part.

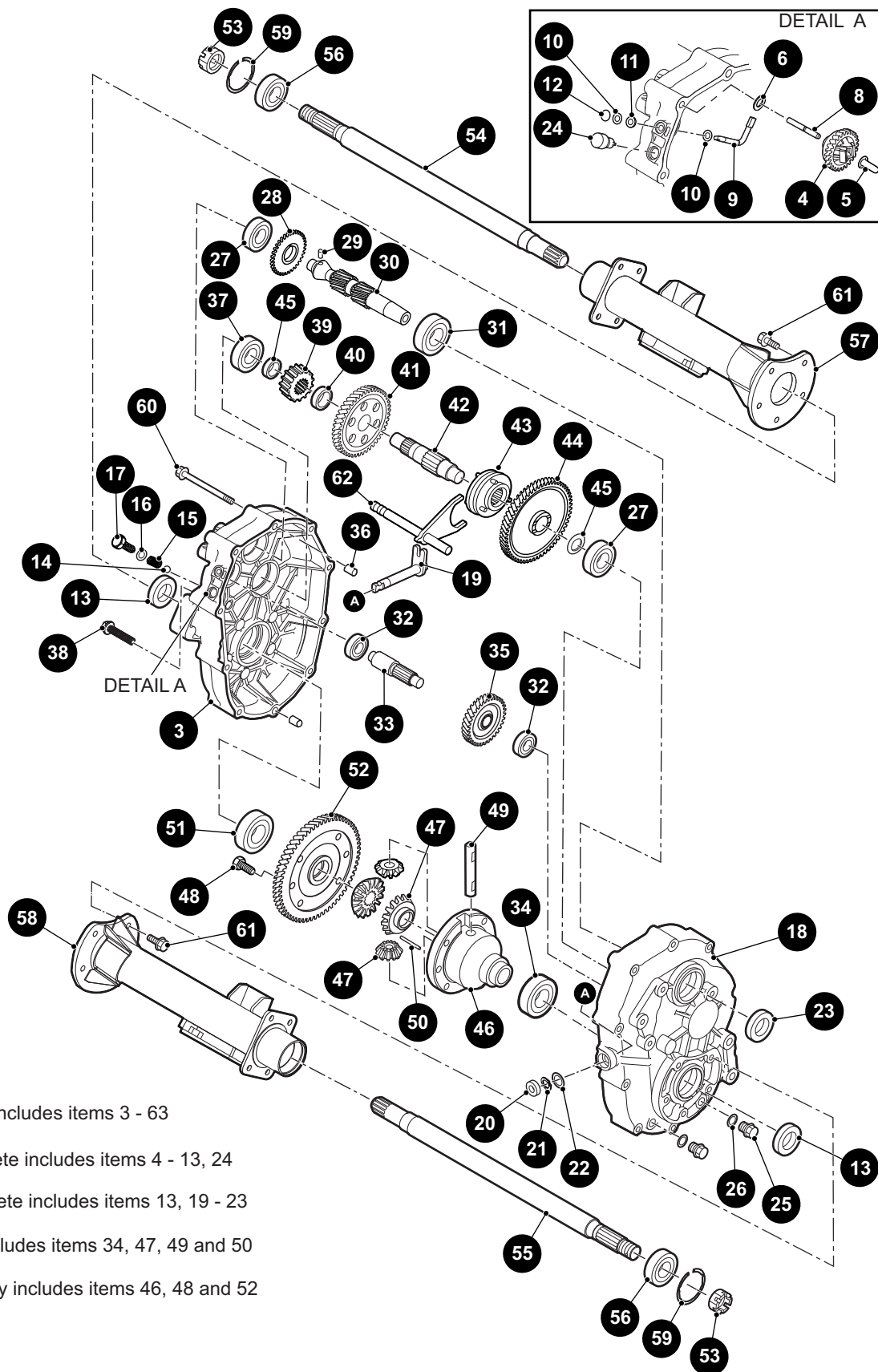
\*\*\* Indicates consult Customer Service Department for additional information.

ITEM	PART NO.	1 2 3 4 5	DESCRIPTION	QTY.
1	646825		Fuel Tank Assembly (with Sender Unit) (Includes Items 3 - 9).....	1
2	646824		Fuel Tank Assembly (without Sender Unit) (Includes Items 3 - 8, 10).....	1
3	646837		Fuel Pump Lid .....	1
4	646838		Seal .....	1
5	647810		Grommet.....	1
6	647809		Rollover Valve.....	1
7	670898		Fuel Cap .....	1
8	646306		Fuel Tank .....	1
9	646353		Fuel Pickup with Sender Assembly .....	1
10	646352		Fuel Pickup without Sender Assembly .....	1
11				
12	664747		Tube Clamp, .5" .....	2
13	602409		Barrel Clip, M6 - 1 (Not Illustrated).....	2
14	606264		Flanged Hex Head Bolt, M6 - 1 x 20mm Lg, Grade 8.8 .....	2
15	70483G01		Spacer, 5/16" - 18 .....	1
16	00438G8		Hex Head Bolt, 5/16" - 18 x 1" Lg, Grade 5 .....	1
17	11098G6		Lock Nut, 5/16" - 18 .....	3
18	00559G8		Flat Washer, 5/16" .....	4
19	10570G11		Rivet, 3/16" Dia x .70" .....	2
20	606310		Carbon Canister Mounting Bracket .....	1
21	662807		Carbon Canister Assembly (Includes Items 22 - 26) .....	1
22	606071		Carbon Canister .....	1
23	18292G1		Clamp, 1/2" O.D.....	2
24	606963		Clamp, 3/16" I.D .....	2
25	27184G14		Fuel System Tube.....	1
26	662608		Hose, 3/16" I.D. x 37" Lg .....	1
27	32372G6		Vinyl Trim, 6.25" Lg .....	1
28	666351		Fuel Hose Assembly .....	1





# REAR AXLE



- 1 Rear Axle, 11.47:1 includes items 3 - 63
- 3 Axle Case L Complete includes items 4 - 13, 24
- 18 Axle Case R Complete includes items 13, 19 - 23
- 46 Differential Case includes items 34, 47, 49 and 50
- 63 Differential Assembly includes items 46, 48 and 52

THE USE OF NON U.L. PARTS WILL VOID ANY U.L. LISTING.

When ordering parts, please specify the model and serial number of the product.

\* Indicates a component that is not available as an individual part.

\*\*\* Indicates consult Customer Service Department for additional information.

ITEM	PART NO.	1 2 3 4 5	DESCRIPTION	QTY.
1	670468		Rear Axle, 11.47:1 (Includes Items 3 - 63) .....	1
2				
3	639859		Axle Case L Complete (Includes Items 4 - 13, 24) .....	1
4	665887		Governor Gear .....	1
5	639689		Governor Sleeve .....	1
6	607904		Flat Washer .....	1
7				
8	639698		Governor Gear Shaft.....	1
9	639707		Governor Shaft.....	1
10	639736		Flat Washer, 6mm .....	2
11	607911		Oil Seal, 6 x 10 x 2.5mm .....	1
12	607913		Retaining Ring, E5 .....	1
13	639738		Oil Seal, 24 x 40 x 9mm .....	2
14	26818G01		Steel Ball .....	1
15	26819G01		Spring .....	1
16	26831G01		Gasket, 10 .....	1
17	26820G01		Flanged Hex Head Bolt, M10 - 1.25 x 12mm Lg .....	1
18	639865		Axle Case R Complete (Includes Items 13, 19 - 23) .....	1
19	639746		Select Shaft.....	1
20	607915		Oil Seal, 13 x 22 x 5mm .....	1
21	607916		Snap Ring, 13mm .....	1
22	607917		Spacer, 13 x 1mm .....	1
23	640093		Oil Seal, 28 x 47 x 9mm .....	1
24	607919		Air Breather .....	1
25	639747		Oil Drain Plug .....	2
26	639748		Gasket, 14mm .....	2
27	26785G01		Ball Bearing (6204).....	2
28	665888		Governor Gear, 34.....	1
29	607920		Pin, 6 x 12L.....	1
30	639750		Input Shaft .....	1
31	607922		Ball Bearing (62/28).....	1

## REAR AXLE

THE USE OF NON U.L. PARTS WILL VOID ANY U.L. LISTING.

When ordering parts, please specify the model and serial number of the product.

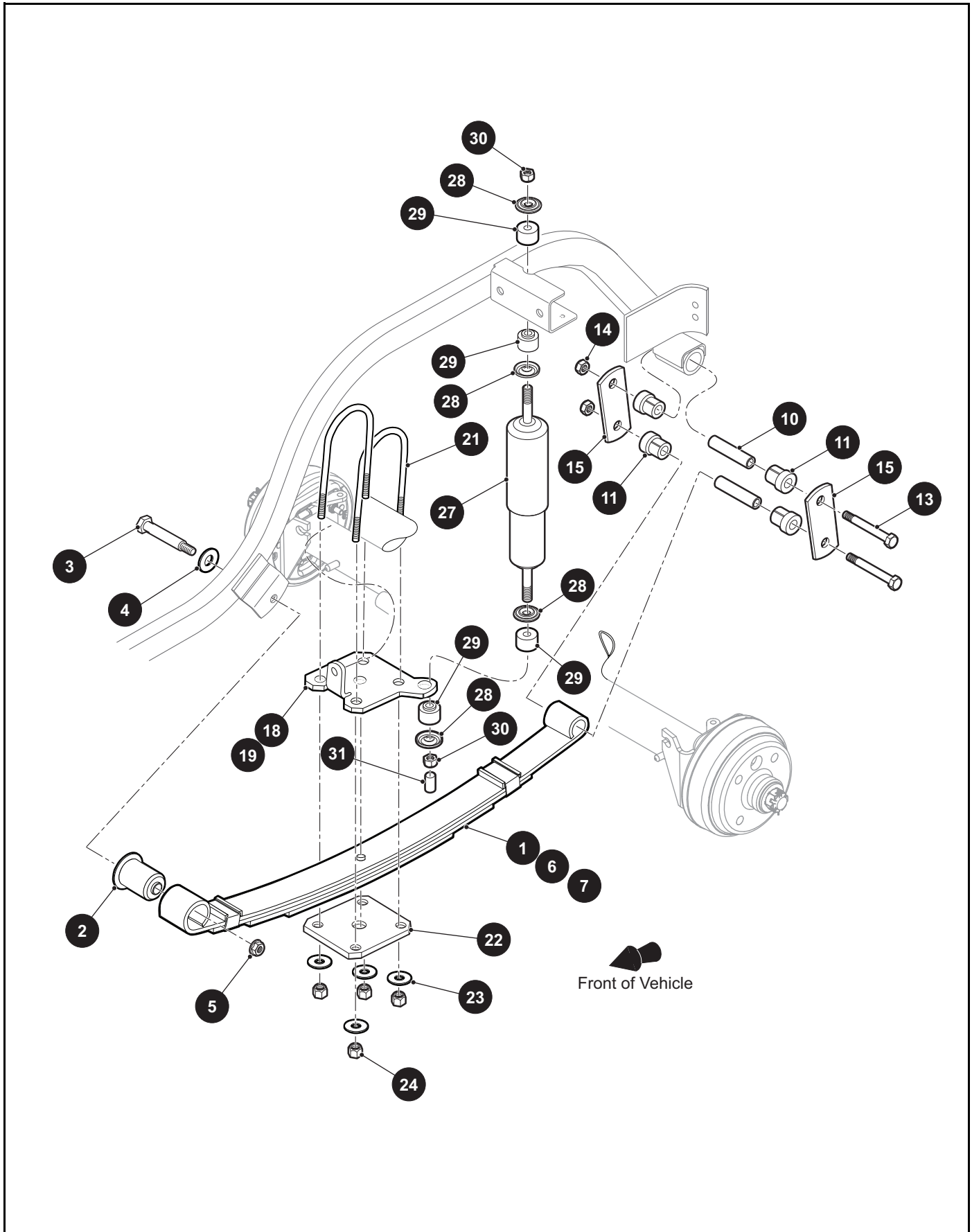
\* Indicates a component that is not available as an individual part.

\*\*\* Indicates consult Customer Service Department for additional information.

ITEM	PART NO.	1	2	3	4	5	DESCRIPTION	QTY.
32	639868						Ball Bearing (TMB202) .....	2
33	639755						Counter Shaft .....	1
34	640744						Ball Bearing (6006) .....	1
35	639758						Gear, 34.....	1
36	639869						Knock Pipe .....	2
37	639760						Ball Bearing (6304).....	2
38	639768						Flanged Hex Head Bolt, M8 - 1.25 x 40mm Lg .....	1
39	639769						Gear, 17.....	1
40	28689G01						Collar, 24 x 7.5mm .....	1
41	639771						Gear, 52.....	1
42	670697						Center Shaft .....	1
43	639774						Clutch Pin .....	1
44	670696						Gear, 61.....	1
45	639797						Spacer, 20 x 2mm .....	2
46	639872						Differential Case (Includes Items 34, 47, 49 and 50).....	1
47	639800						Differential Pair Gear.....	1
48	26808G01						Hex Head Bolt, M10 - 1.25 x 26mm Lg.....	6
49	28723G01						Differential Shaft.....	1
50	28697G01						Spring Pin, 4 x 40L.....	1
51	639801						Ball Bearing (6007) .....	1
52	640739						Gear, 60 Complete (Includes Item 51).....	1
53	607938						Castle Nut, M22 - 1.5 .....	2
54	639876						Axle Shaft L Complete (Includes Item 56).....	1
55	639881						Axle Shaft R Complete (Includes Item 56) .....	1
56	639836						Ball Bearing (6205DD).....	2
57	607939						Axle Case L Complete.....	1
58	607940						Axle Case R Complete .....	1
59	26814G01						Snap Ring, 52mm.....	2
60	639839						Flanged Hex Head Bolt, M8 - 1.25 x 60mm Lg .....	9
61	639840						Flanged Hex Head Bolt, M10 - 1.25 x 25mm Lg .....	10
62	639844						Shift Shaft Complete .....	1
63	639847						Differential Assembly (Includes Items 46, 48 and 52) .....	1



# REAR SUSPENSION





## REAR SUSPENSION

THE USE OF NON U.L. PARTS WILL VOID ANY U.L. LISTING.

When ordering parts, please specify the model and serial number of the product.

\* Indicates a component that is not available as an individual part.

\*\*\* Indicates consult Customer Service Department for additional information.

ITEM	PART NO.	1 2 3 4 5	DESCRIPTION	QTY.
1	605721		Leaf Spring.....	1
2	605445		Leaf Spring Bushing (Front).....	1
3	00665G9		Hex Head Bolt (SS), 3/8" - 16 x 3 1/2" Lg.....	1
4	00643G1		Flat Washer, 3/8".....	1
5	12262G1		Flanged Lock Nut, 3/8" - 16.....	1
6	605722		Rear Leaf Spring (Ivory), 450 Lb/In.....	1
7	627426		Rear Leaf Spring, 280 Lb/In.....	1
8				
9				
10	70289G02		Split Spacer (Steel).....	2
11	624030		Flanged Bushing.....	4
12				
13	00665G9		Hex Head Bolt (SS), 3/8" - 16 x 3 1/2" Lg.....	2
14	11098G5		Lock Nut, 3/8" - 16.....	2
15	652245		Shackle Plate.....	2
16				
17				
18	605938		Axle Bracket (Driver Side).....	1
19	605958		Axle Bracket (Passenger Side).....	1
20				
21	32195G3		U-bolt, 2 3/8" Dia x 5" Lg.....	2
22	652246		Rear Suspension Plate.....	1
23	00643G1		Flat Washer, 3/8".....	4
24	11098G5		Lock Nut, 3/8" - 16.....	4
25				
26				
27	642085		Shock Absorber.....	2
28	10435G1		Washer (Shock Absorber), .406" I.D. x 1.25" O.D. ....	4
29	10194G1		Rubber Bushing.....	4
30	00532G6		Hex Nut, 3/8" - 24.....	2
31	10044G01		Vinyl Cap.....	1



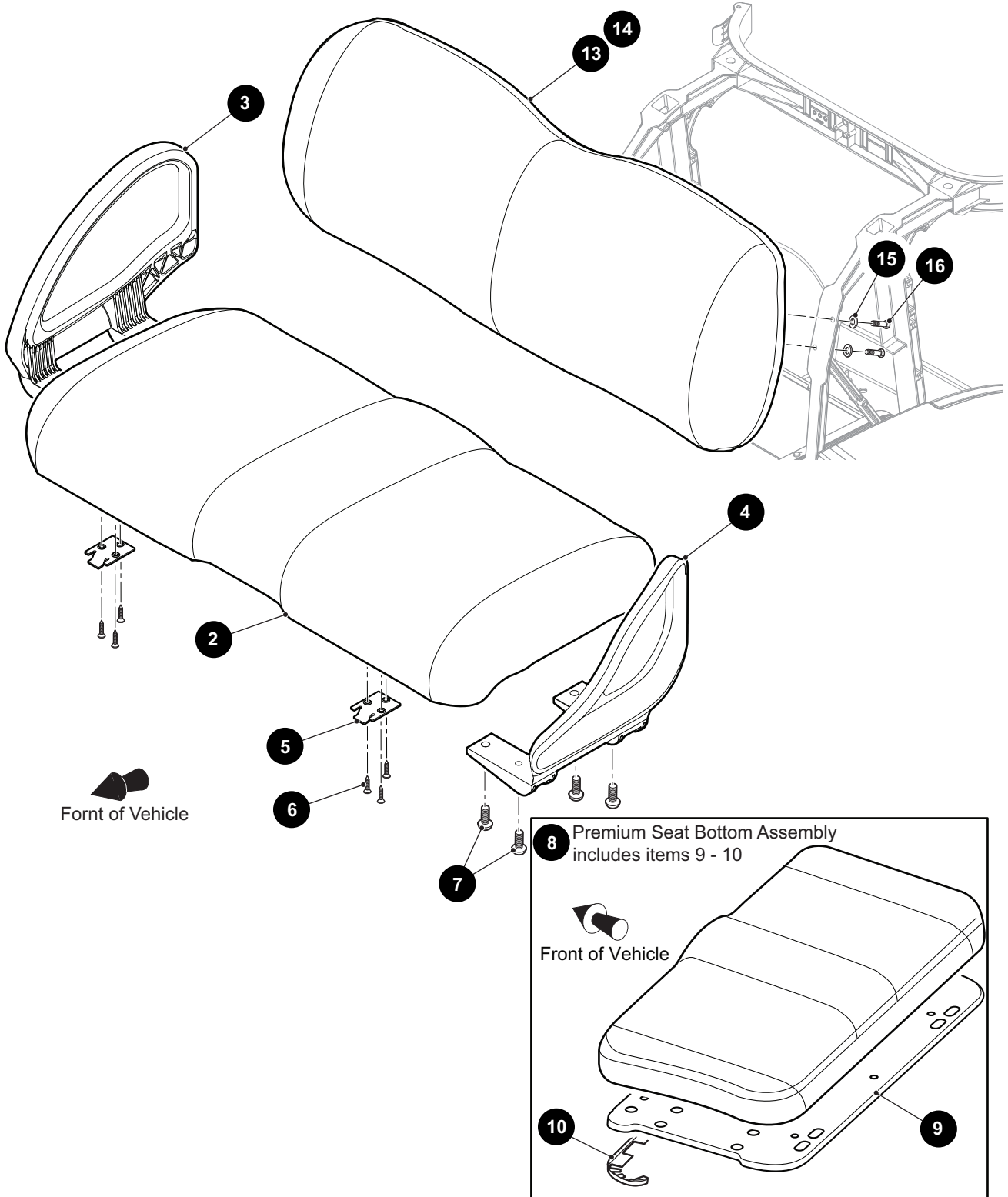


# SEATING

For Vehicles with Premium Seat Option

**1** Premium Seat Bottom Assembly includes items 2 - 7

**12** Premium Seat Bottom Assembly includes items 3 - 8



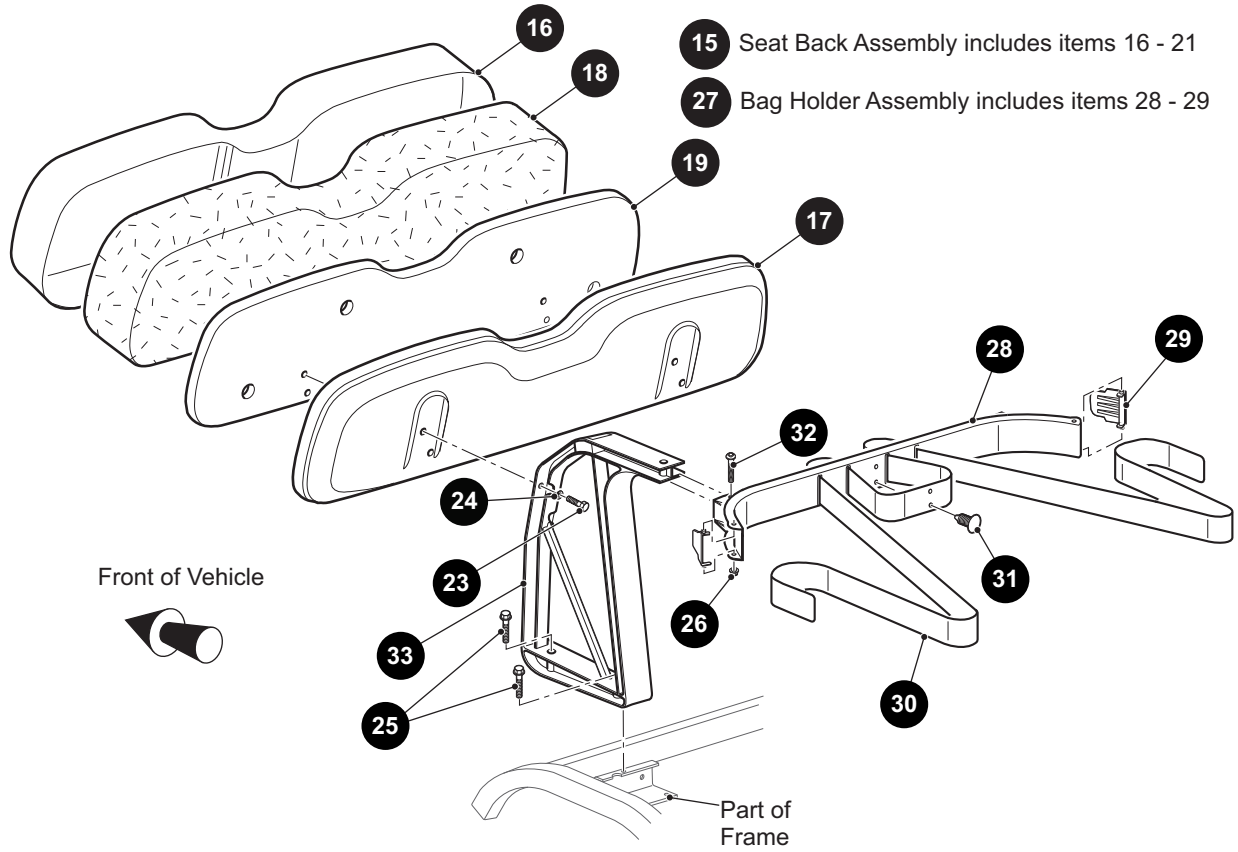
THE USE OF NON U.L. PARTS WILL VOID ANY U.L. LISTING.

When ordering parts, please specify the model and serial number of the product.

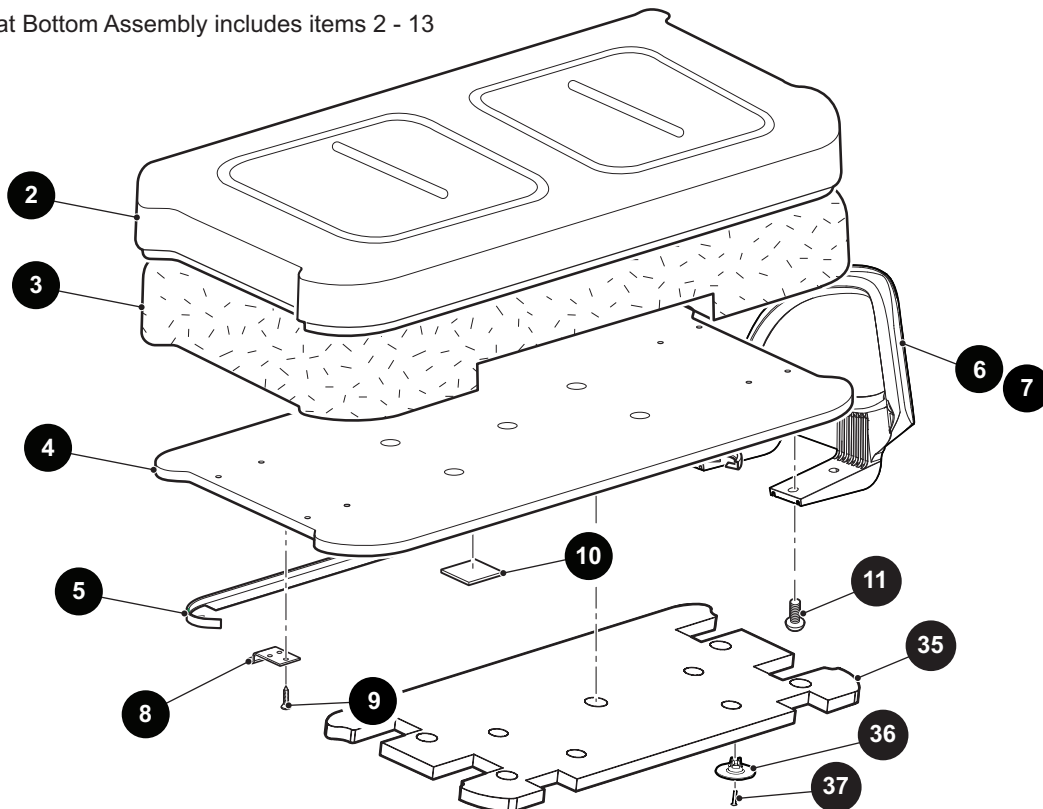
\* Indicates a component that is not available as an individual part.

\*\*\* Indicates consult Customer Service Department for additional information.

ITEM	PART NO.	1 2 3 4 5	DESCRIPTION	QTY.
1	***		Premium Seat Bottom Assembly (Includes Items 2 - 7)..... 629269G1917 Light Beige	1
2	***		Premium Seat Bottom Cover ..... 654085G17 Light Beige	1
3	617644		Hip Restraint (Passenger Side).....	1
4	617645		Hip Restraint (Driver Side).....	1
5	71610G01		Seat Hinge.....	2
6	00720G08		Phillips Head Tapping Screw, #12 -14 X 1" Lg .....	6
7	615417		Button Head Torx Bolt, M10 - 1.5 X 25mm Lg .....	8
8	***		Premium Seat Bottom (Includes Items 9 - 10)..... 686151G18 Mushroom 686151G19 Premium Gray 686151G20 Premium Custom	1
9	645492		Seat Bottom.....	1
10	71012G01		Vinyl Trim (Seat Bottom).....	2
11				
12	***		Premium Seat Bottom Assembly (Includes Items 3 - 8)..... 629269G1918 Mushroom 629269G1919 Gray 629269G1920 Custom	1
13	***		Premium Seat Back Assembly..... 654084G17 Light Beige	1
14	***		Premium Seat Back Assembly..... 686150G18 Mushroom 686150G19 Gray 686150G20 Custom	1
15	00664G7		Lock Washer (SS), 1/4".....	4
16	605056		Hex Head Bolt (SS), 1/4" - 20 X 1" Lg.....	4



1 Seat Bottom Assembly includes items 2 - 13



THE USE OF NON U.L. PARTS WILL VOID ANY U.L. LISTING.

When ordering parts, please specify the model and serial number of the product.

\* Indicates a component that is not available as an individual part.

\*\*\* Indicates consult Customer Service Department for additional information.

ITEM	PART NO.	1 2 3 4 5	DESCRIPTION	QTY.
1	***		Seat Bottom Assembly (Includes Items 2 - 13) ..... 629269G0101 Oyster 629269G0103 Tan 629269G0104 Gray 629269G0108 Custom Solid	1
2	***		Seat Bottom Cover ..... 71602G03 Oyster 71602G02 Gray 71602G04 Tan 71602G05 Custom Solid	1
3	71603G02		Foam Padding (Seat Bottom) .....	1
4	645492		Seat Bottom.....	1
5	71012G01		Vinyl Trim (Seat Bottom).....	1
6	617644		Hip Restraint (Passenger Side).....	1
7	617645		Hip Restraint (Driver Side).....	1
8	71610G01		Seat Hinge.....	2
9	00720G08		Phillips Head Tapping Screw, #12 -14 x 1" Lg.....	6
10	17074G1		Soiling Slab.....	2
11	615417		Button Head Torx Bolt, M10 - 1.5 x 25 mm Lg.....	8
12				
13	17618G1		Nylon Clamp, 7" Lg (Not Illustrated) .....	1
14				
15	***		Seat Back Assembly (Includes Items 16 - 21)..... 625229G0101 Oyster 625229G0103 Tan 625229G0104 Gray 625229G0108 Custom Solid	1
16	***		Vinyl Seat Back Cover ..... 625234G01 Oyster 625234G03 Tan 625234G04 Gray 625234G08 Custom Solid	1
17	625239		Plastic Seat Back Cover .....	1
18	625233		Foam Padding (Seat Back) .....	1
19	644266		Seat Back Base .....	1
20				
21	17618G1		Nylon Clamp, 7" Lg (Not Illustrated) .....	1

# SEATING

THE USE OF NON U.L. PARTS WILL VOID ANY U.L. LISTING.

When ordering parts, please specify the model and serial number of the product.

\* Indicates a component that is not available as an individual part.

\*\*\* Indicates consult Customer Service Department for additional information.

ITEM	PART NO.	1	2	3	4	5	DESCRIPTION	QTY.
22								
23	605056						Hex Head Bolt (SS), 1/4" - 20 x 1" Lg.....	4
24	00664G7						Lock Washer (SS), 1/4" .....	4
25	01075G01						Hex Head Bolt, 3/8" - 16 x 2 1/2" Lg.....	4
26	11027G2						Lock Nut, 1/4" - 20 .....	2
27	618206						Bag Holder Assembly (Includes Items 28 - 29) .....	1
28	610642						Bag Holder Bracket.....	1
29	608051						Bag Retainer Clamp.....	2
30	71853G01						Bag Retainer Strap .....	1
31	16816G1						Ratchet Fastener, 1/4" x 9/16" Lg.....	2
32	01102G01						Carriage Bolt (SS), 1/4" - 20 x 1 1/2" Lg.....	2
33	71811G03						Seat Support Bracket .....	2
34								
35	657949						Sound Treatment, Seat Bottom .....	1
36	663426						Retainer, Sound Treatment.....	4
37	00720G08						Phillips Head Tapping Screw, #12 - 14 x 1" Lg .....	4

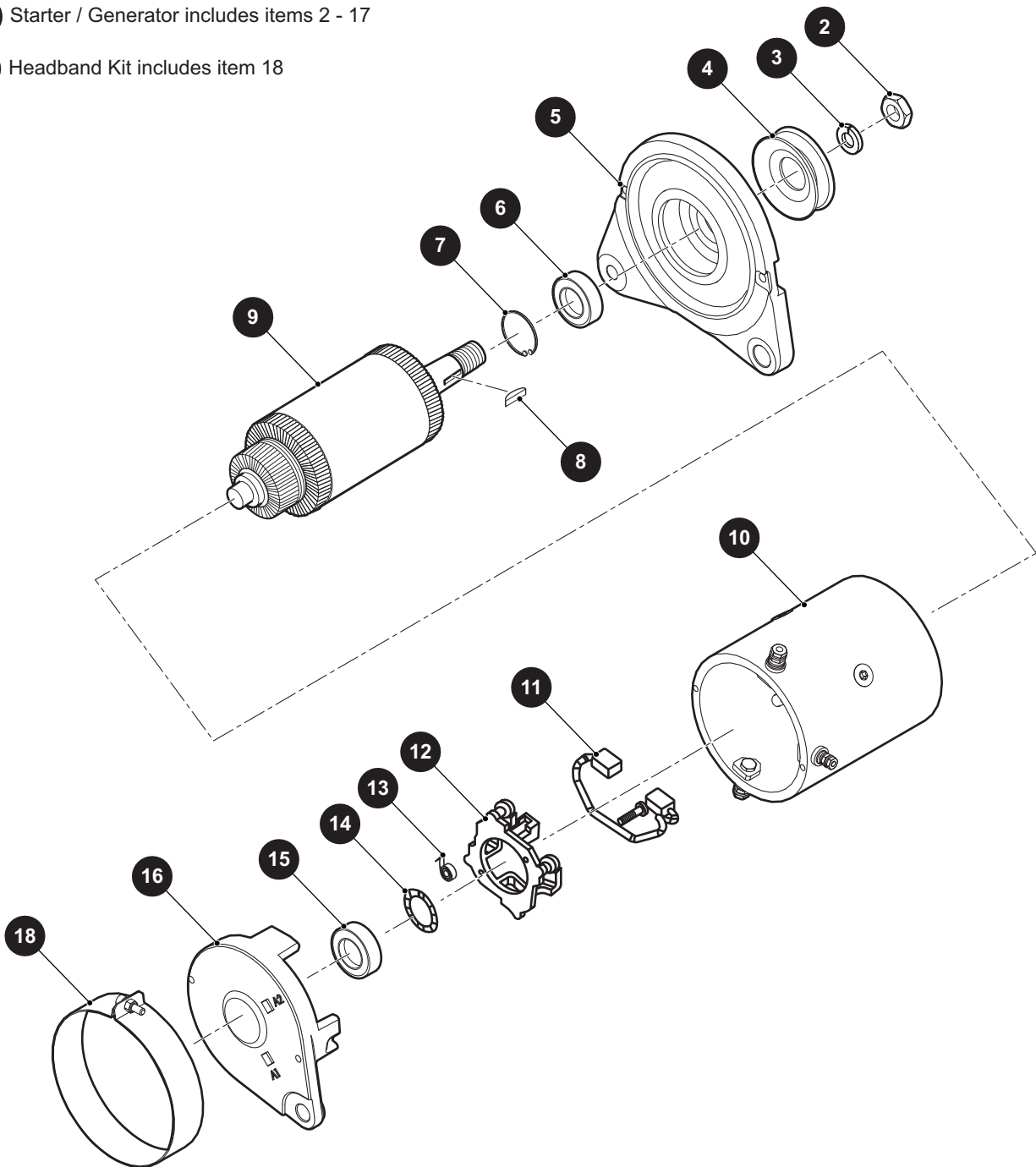




# STARTER AND GENERATOR

1 Starter / Generator includes items 2 - 17

17 Headband Kit includes item 18



## STARTER AND GENERATOR

THE USE OF NON U.L. PARTS WILL VOID ANY U.L. LISTING.

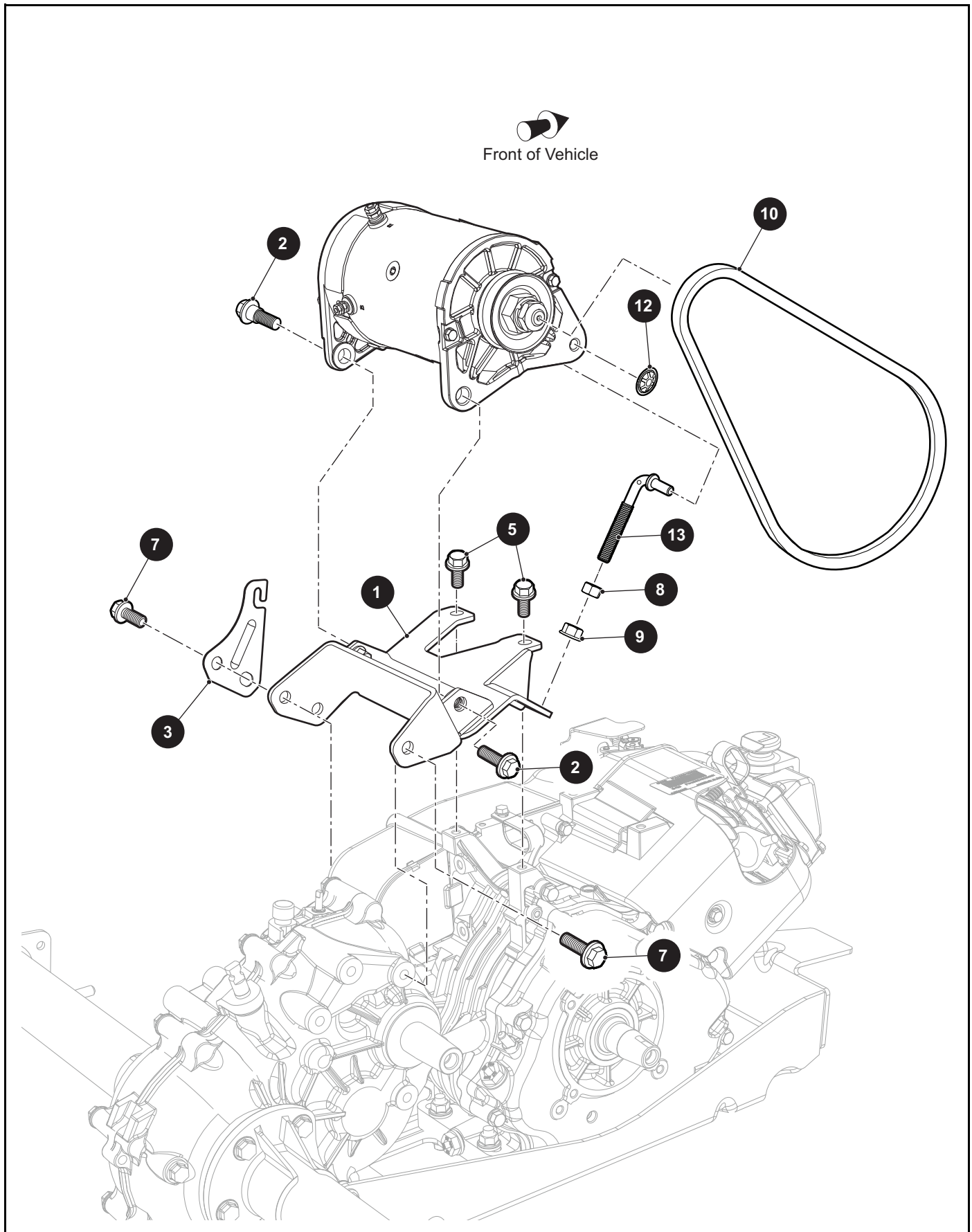
When ordering parts, please specify the model and serial number of the product.

\* Indicates a component that is not available as an individual part.

\*\*\* Indicates consult Customer Service Department for additional information.

ITEM	PART NO.	1 2 3 4 5	DESCRIPTION	QTY.
1	660379		Starter / Generator (Includes Items 2 - 17) .....	1
2	612029		Hex Nut.....	1
3	612030		Lock Washer.....	1
4	625716		Pulley, 2.5" O.D. ....	1
5	654715		Drive End Head .....	1
6	612033		Bearing .....	1
7	612034		Retaining Ring .....	1
8	612035		Woodruff Key .....	1
9	612036		Armature Assembly .....	1
10	654716		Frame and Field Assembly .....	1
11	612038		Brush Lead and Terminal Package.....	1
12	654717		Brush Box Assembly.....	1
13	656659		Brush Spring.....	4
14	612043		Wavy Washer .....	1
15	612044		Bearing .....	1
16	612045		Commutator End Head.....	1
17	658172		Headband Kit (Includes Item 18) .....	1
18	654718		Headband.....	1

# STARTER AND GENERATOR



## STARTER AND GENERATOR

THE USE OF NON U.L. PARTS WILL VOID ANY U.L. LISTING.

When ordering parts, please specify the model and serial number of the product.

\* Indicates a component that is not available as an individual part.

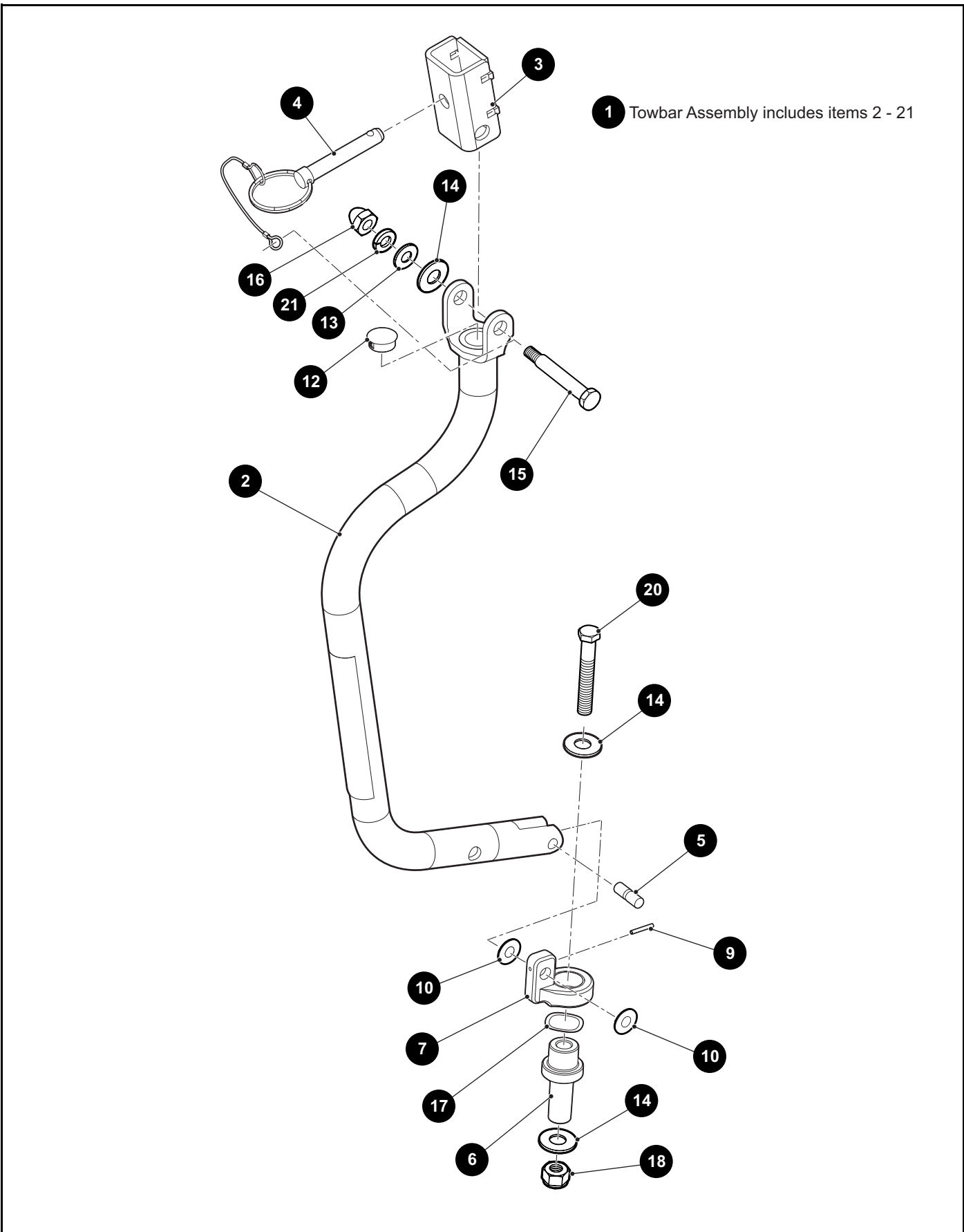
\*\*\* Indicates consult Customer Service Department for additional information.

ITEM	PART NO.	1 2 3 4 5	DESCRIPTION	QTY.
1	631972		Starter/Generator Support Bracket .....	1
2	606235		Flanged Hex Head Bolt, M10 - 1.25 x 20mm Lg.....	2
3	660001		Cable Guide Bracket.....	1
4				
5	606261		Flanged Hex Head Bolt, M8 - 1.25 x 20mm Lg, Grade 8.8.....	2
6				
7	606256		Flanged Hex Head Bolt, M10 - 1.25 x 25mm Lg, Grade 8.8.....	3
8	606255		Hex Jam Nut, M10 - 1.25 .....	1
9	606274		Flanged Hex Nut, M10 - 1.25 .....	1
10	630587		Starter/generator Belt.....	1
11				
12	12064G6		Push Nut, 5/16" .....	1
13	629763		Tensioner Bolt .....	1





# TOW BAR





THE USE OF NON U.L. PARTS WILL VOID ANY U.L. LISTING.

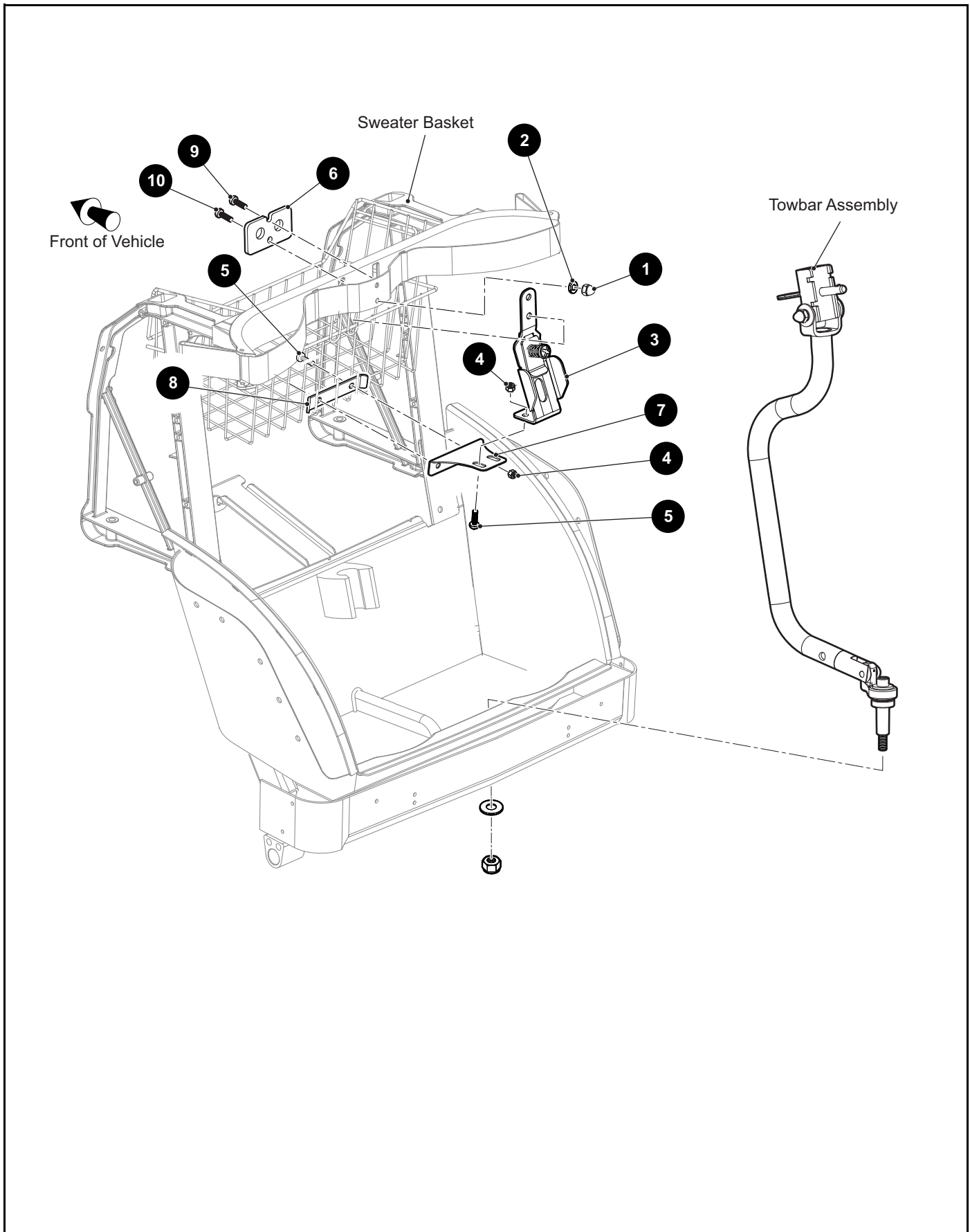
When ordering parts, please specify the model and serial number of the product.

\* Indicates a component that is not available as an individual part.

\*\*\* Indicates consult Customer Service Department for additional information.

ITEM	PART NO.	1 2 3 4 5	DESCRIPTION	QTY.
1	636433		Towbar Assembly (Includes Items 2 - 21) .....	1
2	635820		Towbar Weldment .....	1
3	635461		Coupling Weldment .....	1
4	649863		Hitch Pin Assembly (Short) .....	1
5	75360G01		Pivot Pin .....	1
6	625582		Towbar Pivot .....	1
7	625458		Towbar Swivel .....	1
8				
9	608793		Pin, 3mm x 22mm .....	1
10	75340G01		Flat Washer (Delrin), M10 .....	2
11				
12	20271G6		Hole Plug, .875" .....	1
13	00560G1		Flat Washer, 3/8" .....	1
14	00571G5		Flat Washer, 5/16" .....	3
15	14158G1		Shoulder Bolt, 1/2" / 3/8" - 16 x 2 3/4" Lg .....	1
16	15717G5		Acorn Nut, 3/8" - 16 .....	1
17	603341		Wavy Washer, 32mm .....	1
18	11098G8		Lock Nut, 3/8" - 16 .....	1
19				
20	00410G8		Hex Head Bolt, 1/2" - 20 x 3" Lg Grade 5 .....	1
21	00566G1		Spring Lock Washer, 7/16" .....	1

# TOW BAR



THE USE OF NON U.L. PARTS WILL VOID ANY U.L. LISTING.

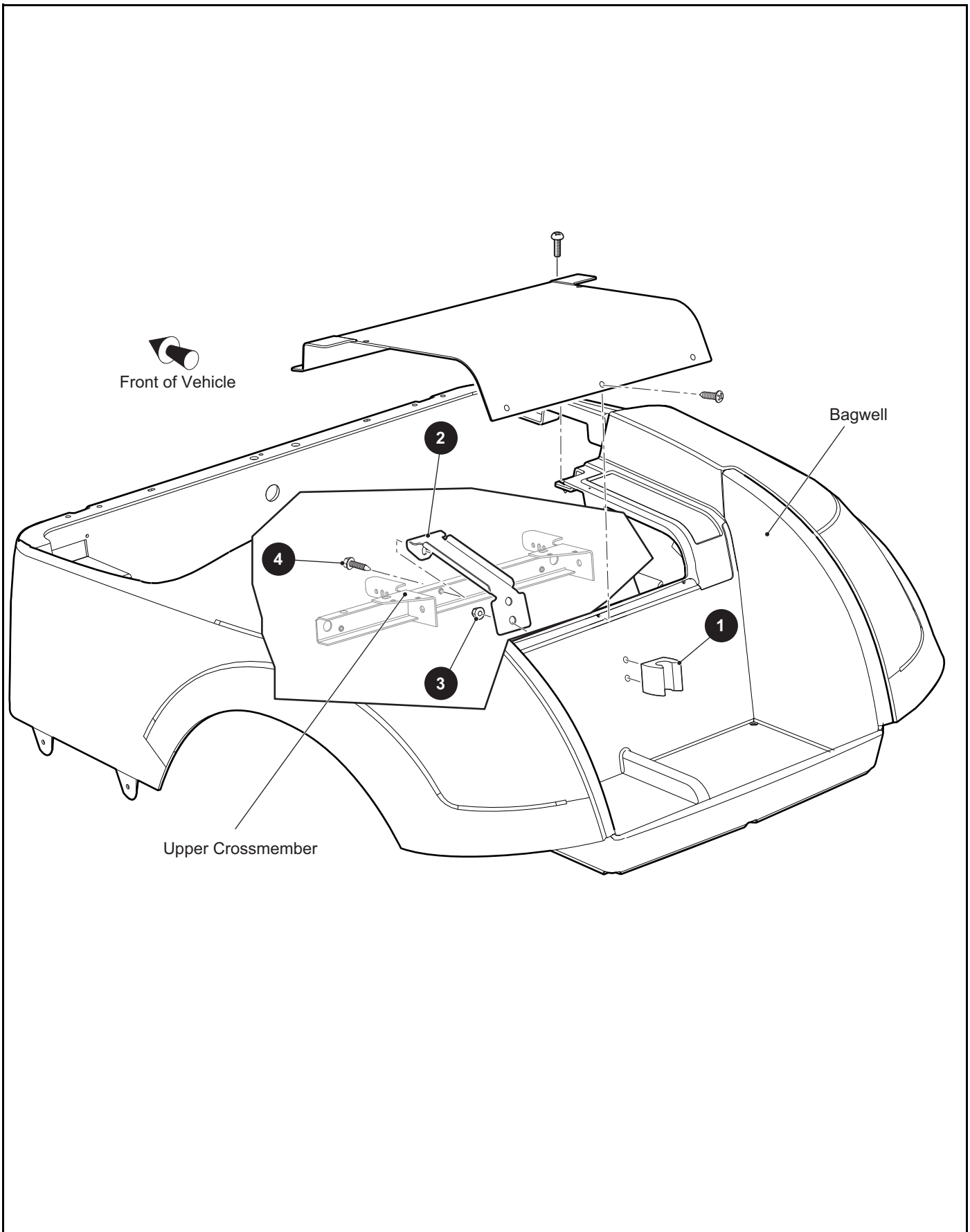
When ordering parts, please specify the model and serial number of the product.

\* Indicates a component that is not available as an individual part.

\*\*\* Indicates consult Customer Service Department for additional information.

ITEM	PART NO.	1 2 3 4 5	DESCRIPTION	QTY.
1	00520G1		Acorn Nut .....	2
2	00664G7		Lock Washer, 1/4" .....	2
3	641540		Towbar Bracket .....	1
4	14390G4		Lock Nut, 1/4" - 20 .....	4
5	16705G2		Pan Head Phillips Screw, 1/4" - 20 x 5/8" Lg .....	4
6	641600		Mounting Bracket .....	1
7	641547		Support Bracket .....	1
8	641599		Retainer.....	1
9	16705G5		Pan Head Phillips Screw, 1/4" - 20 x 1 1/2" Lg .....	1
10	16705G6		Pan Head Phillips Screw, 1/4" - 20 x 1 3/4" Lg .....	1

# TOW BAR



THE USE OF NON U.L. PARTS WILL VOID ANY U.L. LISTING.

When ordering parts, please specify the model and serial number of the product.

\* Indicates a component that is not available as an individual part.

\*\*\* Indicates consult Customer Service Department for additional information.

ITEM	PART NO.	1 2 3 4 5	DESCRIPTION	QTY.
1	603020		Towbar Retainer .....	1
2	637479		Retainer Bracket .....	1
3	600525		Lock Nut, M10 - 1.5.....	2
4	00715G2		Hex Washer Head Thread Forming Screw, 5/16" - 18 x .80" Lg .....	1



THE USE OF NON U.L. PARTS WILL VOID ANY U.L. LISTING.

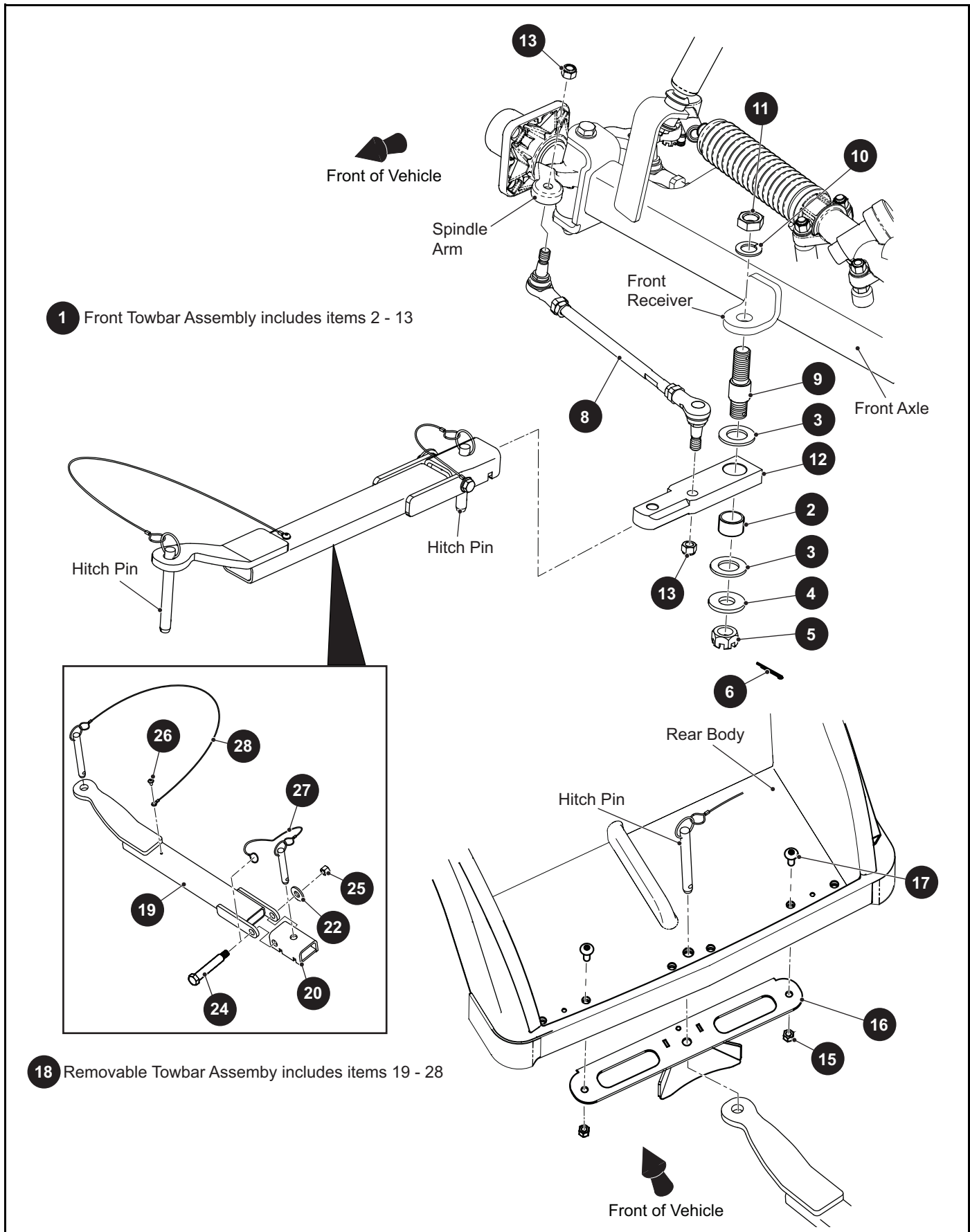
When ordering parts, please specify the model and serial number of the product.

\* Indicates a component that is not available as an individual part.

\*\*\* Indicates consult Customer Service Department for additional information.

ITEM	PART NO.	1 2 3 4 5	DESCRIPTION	QTY.
1	625284		Casual Towbar Kit (Includes Item 2) .....	1
2	625282		Casual Towbar Assembly (Includes Items 3 -15).....	1
3	625327		Towbar Weldment .....	1
4	625328		Tie Rod Assembly (Includes Items 5 - 7).....	1
5	625329		Tie Rod Weldment .....	1
6	70902G01		Tie Rod End (Driver Side).....	1
7	01069G01		Jam Nut, M12 - 1.25 .....	1
8	16783G1		Ferrule.....	1
9	14869G5		Wire Rope, 6" Lg.....	1
10	75068G01		Safety Pin.....	1
11	00734G1		Lock Nut, 7/16" - 14 .....	1
12	75060G01		Coupling .....	1
13	75035G02		Hex Head Plug with Hole, 1/4" - 18.....	1
14	14869G3		Wire Rope, 20" Lg.....	1
15	75067G01		Ferrule.....	1

# TOW BAR





THE USE OF NON U.L. PARTS WILL VOID ANY U.L. LISTING.

When ordering parts, please specify the model and serial number of the product.

\* Indicates a component that is not available as an individual part.

\*\*\* Indicates consult Customer Service Department for additional information.

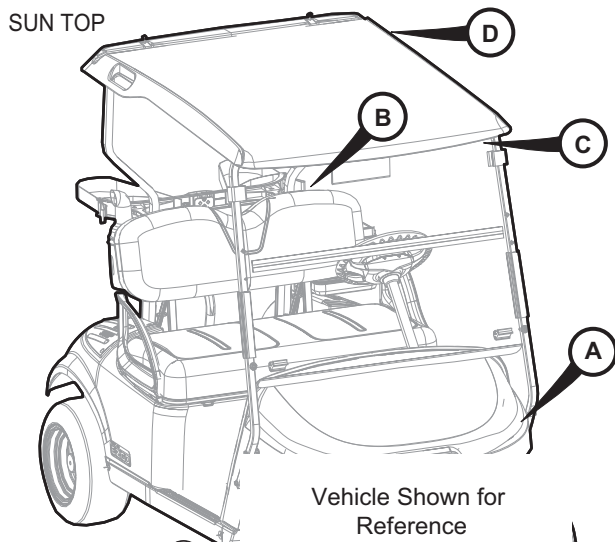
ITEM	PART NO.	1 2 3 4 5	DESCRIPTION	QTY.
1	637319		Front Towbar Assembly (Includes Items 2 - 13) .....	1
2	75307G01		Bearing .....	1
3	75309G01		Thrust Bearing .....	2
4	75342G01		Flat Washer, 1.7" O.D. x .781" I.D. ....	1
5	00518G8		Castle Nut, 3/4" - 16 .....	1
6	10387G1		Cotter Pin, .125" x 1.50" Lg .....	1
7				
8	625811		Tie Rod Assembly .....	1
9	75292G01		Pivot Bolt, 3/4" - 16 x 3.71" Lg .....	1
10	00566G6		Lock Washer, 3/4" .....	1
11	00533G8		Hex Nut, 1/2" - 13 .....	1
12	635632		Front Pivot Bar .....	1
13	00734G1		Lock Nut, 7/16" - 14 .....	2
14				
15	11098G5		Lock Nut, 3/8" - 16 .....	2
16	635620		Rear Towbar Receiver .....	1
17	73653G01		Truss Head Torx Screw, 3/8" - 16 x 1.5" Lg .....	2
18	635736		Removable Towbar Assembly (Includes Items 19 - 28) .....	1
19	635428		Towbar Tongue Weldment .....	1
20	635461		Towbar Coupling Weldment .....	1
21				
22	00571G5		Flat Washer (SS), 1/4" .....	1
23				
24	14158G1		Hex Shoulder Bolt, 1/2" x 2 3/4" Lg .....	1
25	11098G5		Lock Nut, 3/8" - 16 .....	1
26	637563		Self Tapping Screw, M4 - 1 x 14/12mm Lg .....	1
27	685471		Hitch Pin Assembly (Short) .....	1
28	641171		Hitch Pin Assembly (Long) .....	1





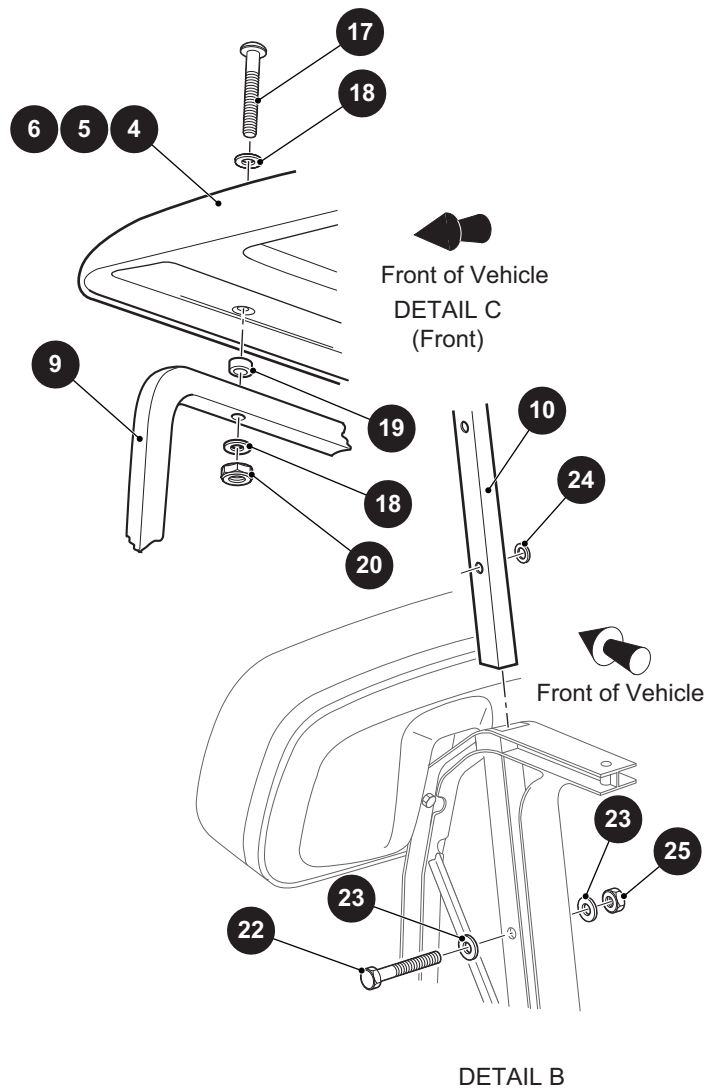
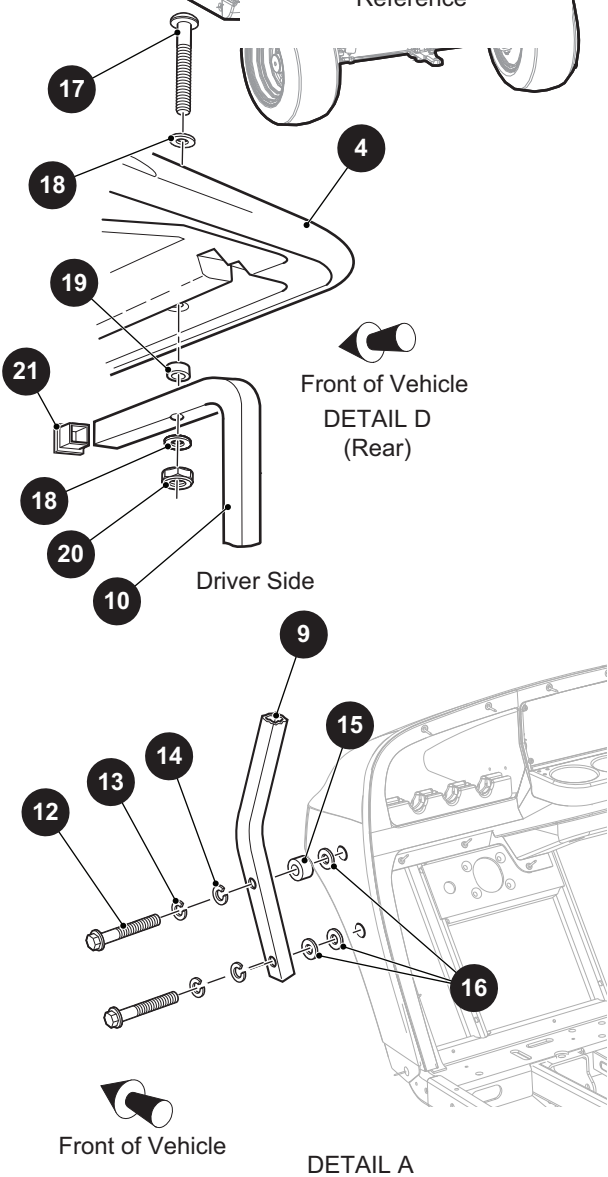
# WEATHER PROTECTION

## SUN TOP



Vehicle Shown for Reference

- 1 Sun Top Kit, 54" (Tan) includes items 4, 8
- 2 Sun Top Kit, 54" (Beige) includes items 5, 8
- 3 Sun Top Kit, 54" (Black) includes items 6, 8
- 8 Strut Set Kit, 1" includes items 9 - 11
- 11 Sun Top Hardware Kit includes items 12 - 25



# WEATHER PROTECTION

THE USE OF NON U.L. PARTS WILL VOID ANY U.L. LISTING.

When ordering parts, please specify the model and serial number of the product.

\* Indicates a component that is not available as an individual part.

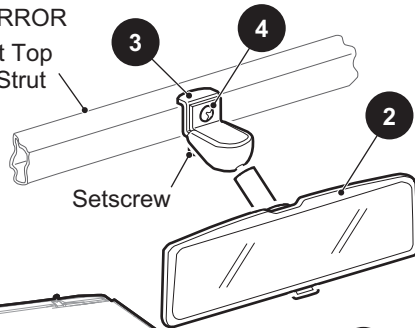
\*\*\* Indicates consult Customer Service Department for additional information.

ITEM	PART NO.	1 2 3 4 5	DESCRIPTION	QTY.
1	625299G01		Sun Top Kit, 54" (Tan) (Includes Items 4, 8).....	1
2	625299G02		Sun Top Kit, 54" (Beige) (Includes Items 5, 8) .....	1
3	625299G03		Sun Top Kit, 54" (Black) (Includes Items 6, 8).....	1
4	625290		Sun Top (Tan) .....	1
5	625291		Sun Top (Beige) .....	1
6	625292		Sun Top (Black) .....	1
7				
8	635005		Strut Set Kit, 1" (Includes Items 9 - 11).....	1
9	625294G01		Front Strut .....	1
10	75046G01		Rear Strut.....	1
11	625296		Sun Top Hardware Kit (Includes Items 12 - 25) .....	1
12	*		Hex Head Bolt, 5/16" - 18 x 2 1/4" Lg.....	2
13	*		Flat Washer, 5/16" .....	2
14	*		Lock Washer, 5/16".....	2
15	*		Spacer, .328" I.D. x .75" O.D. x .5" Lg .....	1
16	*		Flat Washer, 5/16" .....	3
17	*		Hex Head Bolt, 1/4" - 20 x 2 1/2" Lg.....	2
18	*		Flat Washer (SS), 1/4" .....	4
19	*		Spacer (Plastic), .28" I.D. x .56" O.D. x .74" Lg.....	2
20	*		Lock Nut (SS), 1/4" - 20.....	2
21	*		End Cap, 1" Sq .....	1
22	*		Hex Head Bolt (SS), 5/16" - 18 x 1 3/4" Lg.....	2
23	*		Flat Washer (SS), 5/16" .....	4
24	*		Teflon Washer, 5/16" .....	2
25	*		Lock Nut (SS), 5/16" - 18.....	2

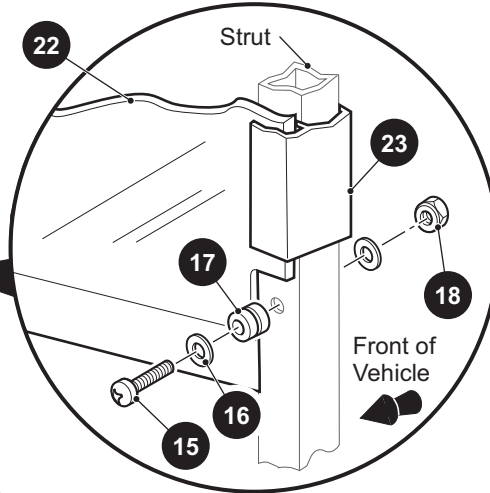
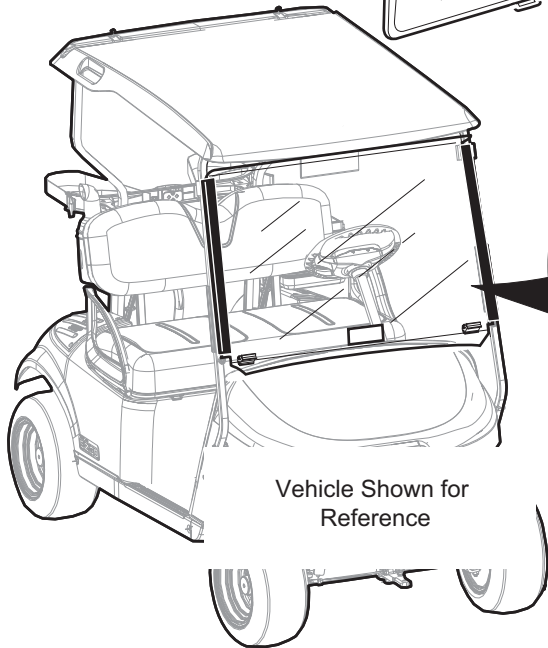
# WEATHER PROTECTION

## REAR VIEW MIRROR

Front Top  
Strut

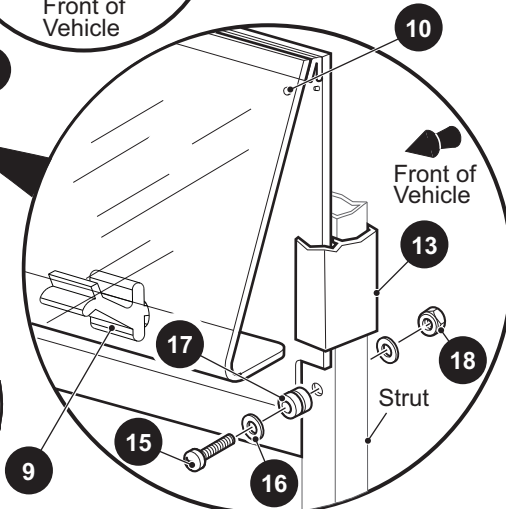
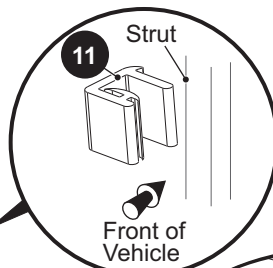
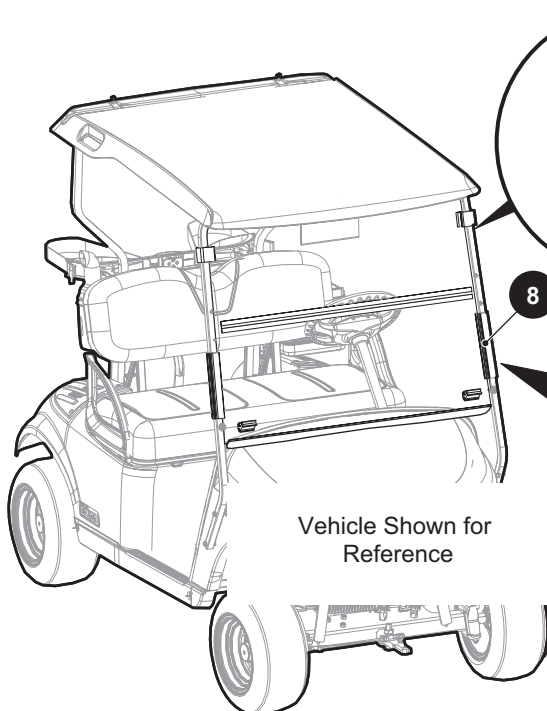


- 1 Rear View Mirror Kit includes items 2 - 4
- 6 Windshield Kit, Split includes items 7 - 14
- 7 Split Windshield Assembly includes items 8 - 11
- 14 Hardware Kit includes items 15 - 18



Full Windshield

- 20 Windshield Kit, Full includes items 14, 21 - 23
- 21 Full Windshield Assembly includes item 22



Split Windshield

# WEATHER PROTECTION

THE USE OF NON U.L. PARTS WILL VOID ANY U.L. LISTING.

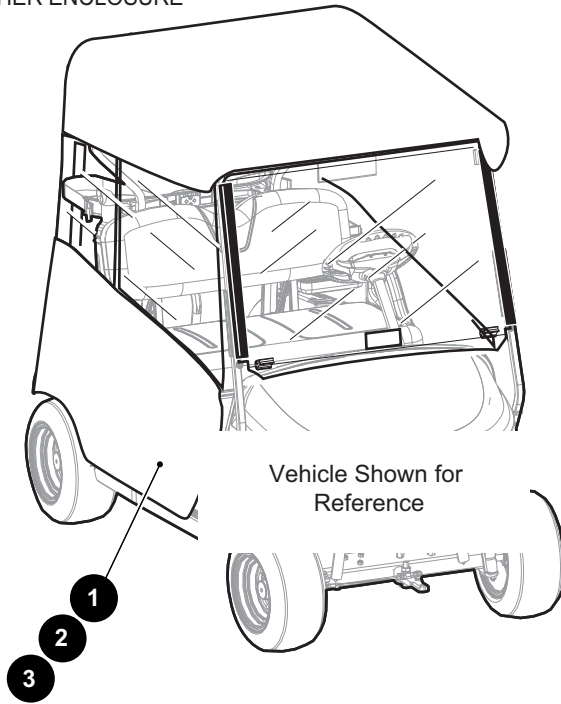
When ordering parts, please specify the model and serial number of the product.

\* Indicates a component that is not available as an individual part.

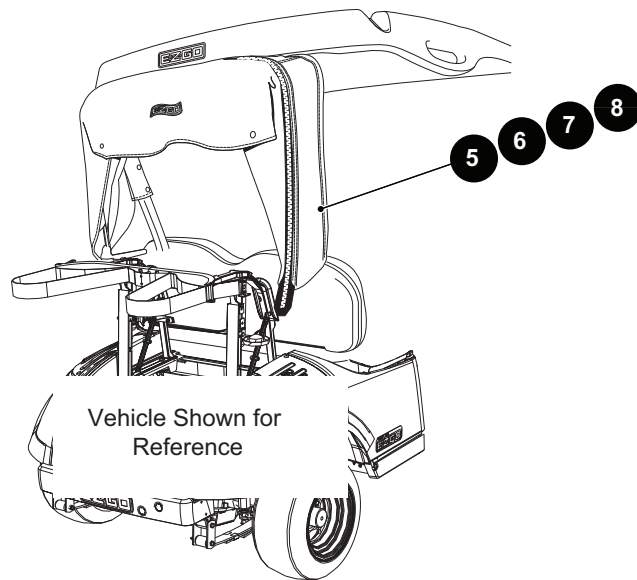
\*\*\* Indicates consult Customer Service Department for additional information.

ITEM	PART NO.	1 2 3 4 5	DESCRIPTION	QTY.
1	19528G2		Rear View Mirror Kit (Includes Items 2 - 4) .....	1
2	19496G1		Rear View Mirror.....	1
3	19502G2		Support Bracket.....	1
4	19527G1		Pan Head Phillips Screw (SS), #8 - 32 x 5/8" Lg.....	1
5				
6	625279G01		Windshield Kit, Split (Includes Items 7 - 14).....	1
7	625275		Windshield Assembly, Split (Includes Items 8 - 11) .....	1
8	*		Split Windshield.....	1
9	603201		Lower Latch.....	2
10	604115		Grommet .....	4
11	625230		Upper Latch.....	2
12				
13	625228		Sash, 9" Lg .....	2
14	625271		Hardware Kit (Includes Items 15 - 18) .....	1
15	00753G5		Truss Head Phillips Screw, 1/4" - 20 x 2" Lg.....	1
16	01110G01		Flat Washer (SS), 1/4" .....	2
17	625278		Rubber Grommet .....	1
18	00654G2		Lock Nut (SS), 1/4" - 20 .....	1
19				
20	625279G03		Windshield Kit, Full (Includes Items 14, 21 - 23).....	1
21	625277		Windshield Assembly, Full (Includes Item 22) .....	1
22	625276		Windshield Full.....	1
23	625227		Sash, 26" Lg .....	2

## WEATHER ENCLOSURE



## BAG COVER KIT





# WEATHER PROTECTION

THE USE OF NON U.L. PARTS WILL VOID ANY U.L. LISTING.

When ordering parts, please specify the model and serial number of the product.

\* Indicates a component that is not available as an individual part.

\*\*\* Indicates consult Customer Service Department for additional information.

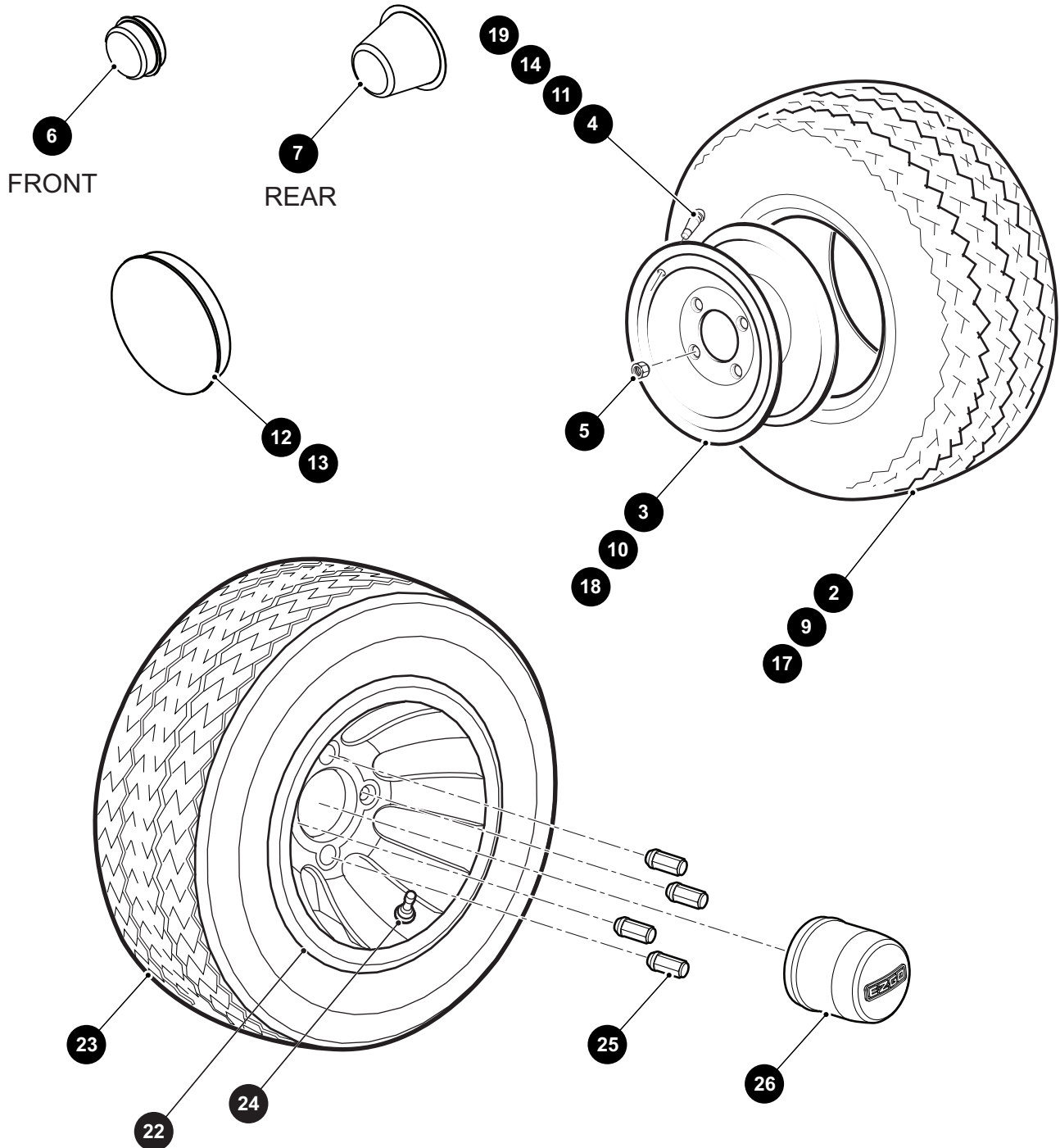
ITEM	PART NO.	1 2 3 4 5	DESCRIPTION	QTY.
1	634541		Weather Enclosure (3 Sided) (Tan) Recommended for Vehicles with Windshields .....	1
2	634542		Weather Enclosure (3 Sided) (Oyster) Recommended for Vehicles with Windshields .....	1
3	634543		Weather Enclosure (3 Sided) (Hunter Green) Recommended for Vehicles with Windshields .....	1
4				
5	625581		Bag Cover Kit (Oyster) .....	1
6	625583		Bag Cover Kit (Tan) .....	1
7	625585		Bag Cover Kit (Green) .....	1
8	618430		Bag Cover Kit (Black) .....	1





# WHEELS AND TIRES

- 1 Wheel and Tire Assembly (Links) includes items 2 - 4
- 8 Wheel and Tire Assembly (Sure Trail) includes items 9 - 11
- 16 Wheel and Tire Assembly (Hole - N - One) includes items 17 - 19
- 21 Wheel and Tire Assembly (Machine Alloy) includes items 22 - 24



# WHEELS AND TIRES

THE USE OF NON U.L. PARTS WILL VOID ANY U.L. LISTING.

When ordering parts, please specify the model and serial number of the product.

\* Indicates a component that is not available as an individual part.

\*\*\* Indicates consult Customer Service Department for additional information.

ITEM	PART NO.	1 2 3 4 5	DESCRIPTION	QTY.
1	28757G01		Wheel and Tire Assembly (Links) 18 x 8.5 - 8 (Includes Items 2 - 4) .....	1
2	28764G01		Tire, Carlisle Links .....	1
3	28759G01		Wheel Rim (4 Lug).....	1
4	11657G2		Valve Stem .....	1
5	14723G1		Lug Nut, 1/2" - 20 .....	4
6	12091G2		Spindle Cap.....	1
7	74175G01		Molded Dust Cap .....	1
8	28842G01		Wheel and Tire Assembly (Sure Trail) (Includes Items 9 - 11) .....	1
9	28764G06		Tire, USA Trail.....	1
10	28759G01		Wheel Rim (4 Lug).....	1
11	11657G2		Valve Stem .....	1
12	665149		Wheel Cover (Metallic Gold) .....	1
13	665144		Wheel Cover (Metallic Silver).....	1
14				
15				
16	612772		Wheel and Tire Assembly (Hole - N - One) (Includes Items 17 - 19) .....	1
17	612771		Kenda Tire, Hole - N - One .....	1
18	612770		Wheel, Monitor 8" .....	1
19	11657G2		Valve Stem .....	1
20				
21	647042		Wheel and Tire Assembly (Machine Alloy) (Includes Items 22 - 24) .....	1
22	647040		Wheel, 10" .....	1
23	647044		Tire (Kenda), 205/50 - 10" .....	1
24	604915		Valve Stem (Chrome) .....	1
25	605310		Lug Nut (Chrome) .....	4
26	652122		Wheel Cap (Chrome) .....	1





# DECALS AND LABELS

Cup Holder

1

**▲ WARNING Failure to follow these instructions can result in SERIOUS INJURY or DEATH**

• Operation by persons with valid drivers license, in accordance with state requirements. • Operate from Driver's side only. • For non-road use, and in designated areas only. • Do not operate under the influence of drugs or alcohol. • All occupants must be fully seated, keep entire body inside vehicle and hold on while vehicle is in motion; move direction selector to desired position, apply service brake, turn key to "ON" and accelerate smoothly. • Maximum vehicle payload is 800 lbs. (363 kg) including a maximum of 2 persons, options, and accessories. • Drive slowly straight up and down slopes and in turns. • Use care in reverse, in congested areas or out of loose terrain. • To release parking (PARK) brake, depress service (lower) brake pedal. • To stop, release accelerator pedal and apply service brake. • Before leaving vehicle, turn key "OFF", move the direction selector to "forward" (Gas vehicle) or "neutral" (Electric vehicle) and engage parking (PARK) brake.

**▲ WARNING** DO NOT TAMPER WITH OR ATTEMPT TO CHANGE THE ADJUSTMENT OF THE GOVERNOR. GOVERNOR TAMPERING CAN RESULT IN SERIOUS PERSONAL INJURY AND WILL VOID THE VEHICLE WARRANTY.

2

Governor Rod Guard

Cowl

3

4

5

**EZGO**  
A Textron Company

*Jack Nicklaus*

*Arnold Palmer*

13

**▲ WARNING ▲**

Vehicle restricted to no more than two occupants and four golf bags.

13

6

7

8

**TXT**  
EFI

Semi Permanent Towbar

9

11

11



## DECALS AND LABELS

THE USE OF NON U.L. PARTS WILL VOID ANY U.L. LISTING.

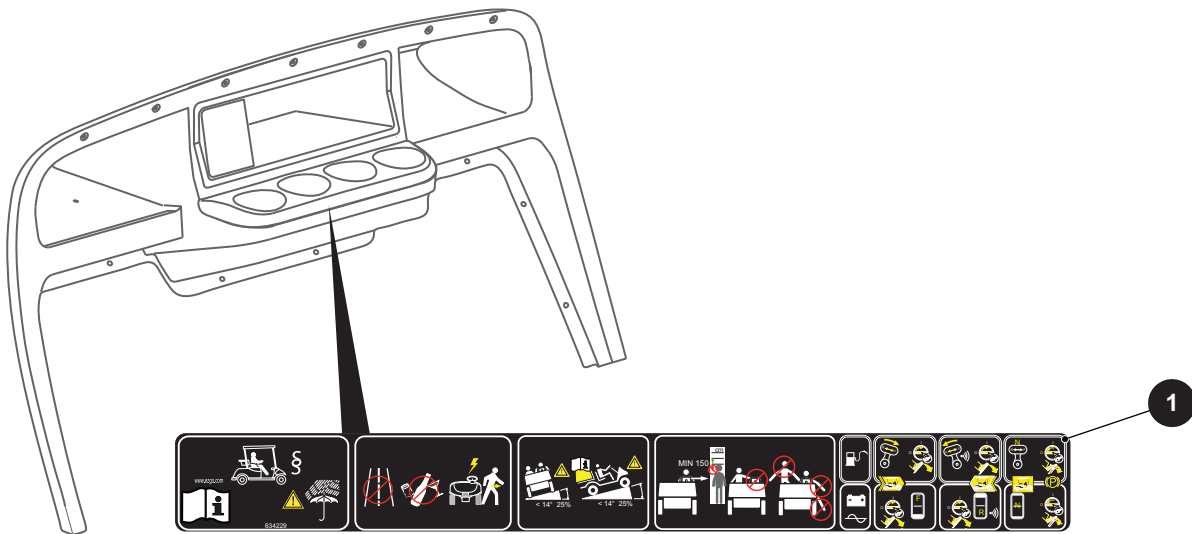
When ordering parts, please specify the model and serial number of the product.

\* Indicates a component that is not available as an individual part.

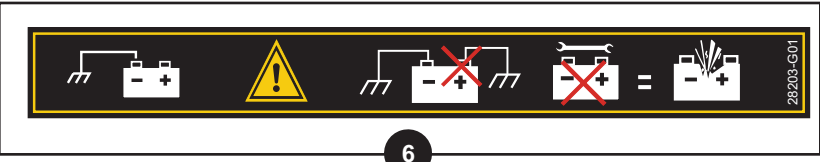
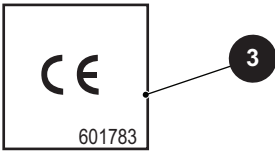
\*\*\* Indicates consult Customer Service Department for additional information.

ITEM	PART NO.	1 2 3 4 5	DESCRIPTION	QTY.
1	625240		Safety Label .....	1
2	608527		Governor Warning Label .....	1
3	606405		E-Z-GO Name Plate.....	1
4	634299		Jack Nicklaus Name Plate .....	1
5	634297		Arnold Palmer Name Plate.....	1
6	604847		Golden Bear Decal.....	1
7	604850		Umbrella Decal.....	1
8	690343		TXT Fleet Decal (EFI) .....	1
9	635906		Towbar Warning Label .....	1
10				
11	74093G01		Engine Warning Decal .....	1
12				
13	75130G01		Warning Label .....	1

For CE Vehicles



AUTHORIZED REPRESENTATIVE IN EC IS:  
 RANSOMES JACOBSEN LTD.  
 WEST ROAD, IPSWICH,  
 SUFFOLK, IP3 9TT, UK  
 614068



## DECALS AND LABELS

THE USE OF NON U.L. PARTS WILL VOID ANY U.L. LISTING.

When ordering parts, please specify the model and serial number of the product.

\* Indicates a component that is not available as an individual part.

\*\*\* Indicates consult Customer Service Department for additional information.

ITEM	PART NO.	1 2 3 4 5	DESCRIPTION	QTY.
1	634229		Safety Label (Instrument Panel).....	1
2	614068		Authorized Representative Decal (EC) .....	1
3	601783		CE Symbol Decal (For CE Vehicles).....	1
4				
5	608822		Governor Decal (For CE Vehicles).....	1
6	28203G01		Battery Warning Decal .....	1







A Textron Company

**Textron Specialized Vehicles, Inc.,**  
1451 Marvin Griffin Road  
Augusta, Georgia 30906 - 3852 USA

**CONTACT INFORMATION**

North America:

**Technical Assistance & Warranty** Phone: 1-800-774-3946, FAX: 1-800-448-8124  
**Service Parts** Phone: 1-888-438-3946, FAX: 1-800-752-6175

International: Phone: 001-706-798-4311, FAX: 001-706-771-4609

Owner's Guides and Repair Manuals  
are available from a local Distributor, an authorized Branch,  
Parts & Accessories Department or at [www.shop.txtsv.com/shop-ezgo](http://www.shop.txtsv.com/shop-ezgo)

Copyrighted Material  
This manual may not be reproduced in whole or  
in part without the express permission of  
Textron Specialized Vehicles  
Technical Publications Department