

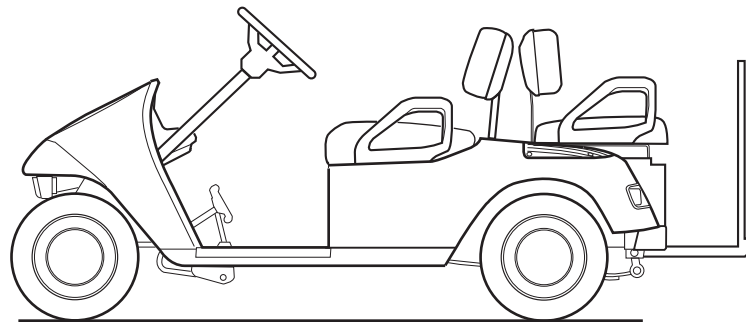
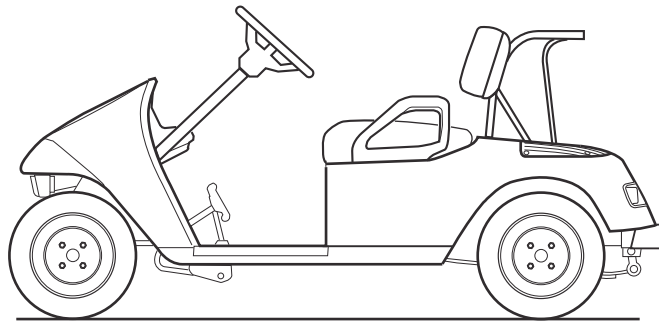
614275-AP



A Textron Company



SERVICE PARTS MANUAL



GASOLINE POWERED VEHICLE

ISSUED FEBRUARY 2010

REVISED MARCH 2016

SERVICE PARTS MANUAL

GASOLINE POWERED GOLF CAR

TXT Fleet

TXT Freedom

TXT Valor

TXT 2+2

STARTING MODEL YEAR 2010

DISCLAIMER: The E-Z-GO Division of Textron Inc. reserves the right to incorporate engineering and design changes to products in this Manual, without obligation to include these changes on units leased/sold previously.

The information contained in this Manual may be revised periodically by the E-Z-GO Division, and therefore is subject to change without notice.

The E-Z-GO Division DISCLAIMS LIABILITY FOR ERRORS IN THIS MANUAL, and the E-Z-GO Division SPECIFICALLY DISCLAIMS LIABILITY FOR INCIDENTAL AND CONSEQUENTIAL DAMAGES resulting from the use of the information and materials in this Manual.

CUSTOMER SERVICE DEPARTMENT IN USA PHONE: 1-800-241-5855 FAX: 1-800-448-8124

OUTSIDE USA PHONE: 001-706-798-4311, FAX: 001-706-771-4609

E-Z-GO DIVISION OF TEXTRON INC., MARVIN GRIFFIN RD., AUGUSTA, GEORGIA USA 30906

GENERAL INFORMATION

To obtain a copy of the limited warranty applicable to the vehicle, call or write a local Distributor, authorized Branch or the Warranty Department with vehicle serial number and manufacturer code.

The use of non Original Equipment Manufacturer (OEM) parts may void the warranty.

Tampering with or adjusting the governor to permit vehicle to operate at above factory specifications will void the vehicle warranty.

When servicing engines, all adjustments and replacement components must be per original vehicle specifications in order to maintain the United States of America Federal and State emission certification applicable at the time of manufacture.

BATTERY PROLONGED STORAGE

All batteries will self discharge over time. The rate of self discharge varies depending on the ambient temperature and the age and condition of the batteries.

A fully charged battery will not freeze in winter temperatures unless the temperature falls below -75° F (-60° C).

TABLE OF CONTENTS

SECTION	Page No.
HOW TO USE THE SERVICE PARTS MANUAL	V
ACCELERATOR	A-1
• Pedal Cover	
• Pedal Box Assembly	
• Accelerator Pedal Assembly	
AIR FILTER	B-1
• Air Cleaner Element	
• Air Filter Housing	
• Air Cleaner Hose	
BODY	C-1
• Front Bumper	
• Front Splash Shield	
• Cowl	
• Instrument Panel	
• Rocker Panels	
• Rear Body	
• Seat Support	
BRAKES - MECHANICAL	D-1
• Brake Pedal Pad	
• Brake Pedal	
• Brake Cable	
• Brake Drum Assembly	
CARBURETOR	F-1
• Carburetor	
• Main Jet	
• Choke Cable	
CLUTCH	G-1
• Drive Clutch	
• Driven Clutch	
DIRECTION SELECTOR	H-1
• Push/Pull Shifter Cable	
• Compression Spring	
• Neutral Lock Bracket	
ELECTRICAL SYSTEM	J-1
• Main Harness	
• Battery	
• Hour Meter	
• Ground Cable	
• Turn Signal	
• Headlight	
• Key Switch	
• Tail Lights	
ENGINE AND MUFFLER	K-1
• Engine	
• Muffler	
• Oil Dip Stick	
• Oil Filter	

TABLE OF CONTENTS

SECTION	Page No.
ENGINE MOUNTING	L-1
• Engine Pan Mount	
• Front Engine Mount	
FRONT SUSPENSION AND STEERING	M-1
• Strut	
• Spindle	
• Steering Box	
• Steering Column	
• Steering Wheel	
FUEL SYSTEM	N-1
• Fuel Tank	
• Pulse Line	
REAR AXLE	P-1
• Axle Shaft	
• Axle Tube	
• Oil Check Plug	
REAR SUSPENSION	Q-1
• Shocks	
• Leaf Spring	
• Shackles	
SEATING -	R-1
• Seat Bottom	
• Seat Back	
• Hip Restraints	
• Seat Back Support	
• Seat Bottom, Rear Facing Seat	
STARTER / GENERATOR	S-1
• Starter	
• Starter Belt	
• Starter Tensioner	
WEATHER PROTECTION	T-1
• Sun Top	
• Windshield	
WHEELS AND TIRES	U-1
• Tire & Wheel Assembly	
• Lug Nuts	

HOW TO USE THE SERVICE PARTS MANUAL

This manual is divided into several sections:

GENERAL INFORMATION

- TABLE OF CONTENTS
- HOW TO USE THE SERVICE PARTS MANUAL

ILLUSTRATED PARTS BREAKDOWN

- Contains illustrations and parts lists for all systems of the vehicle.

USE OF THE MANUAL

To use this manual, consult the TABLE OF CONTENTS (page iii) to locate the information or illustration required.

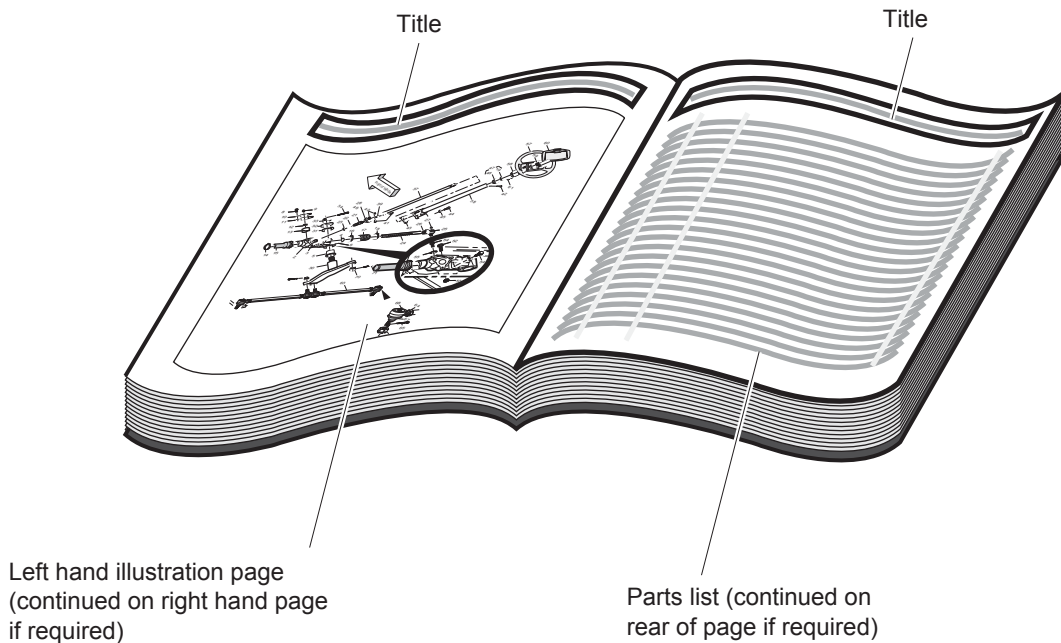
Introduction of some revisions varies due to supply of components; therefore, it is possible that various combinations of components may be found that are not directly reflected by each illustration. Consult the illustration that best suits your situation. Locate the serial number. It is important that the serial number of your vehicle and its model number be supplied to Service Parts when ordering any replacement components.

SERIAL NUMBER LOCATION

Three serial number and manufacture date code labels are on the vehicle. One is placed on the steering column, the second is located on the frame member under the front splash shield on the driver side and the third is located on the passenger side frame rail at the rear of the vehicle.

In order to obtain correct components for the vehicle, the manufacture date code, serial number and vehicle model must be provided when ordering service parts.

HOW TO USE THE SERVICE PARTS MANUAL



1. WHEN THE PART NUMBER IS NOT KNOWN

- Determine the function and application of the part required. Turn to the TABLE OF CONTENTS and select the most appropriate component description.
- Turn to the page number indicated and locate the part description in the parts list. Read the full accompanying description for specific information regarding the part that was not shown in the index.
- From the parts list, obtain the item number assigned to it and confirm that the part selected is correct by verifying it with the pictorial representation on the illustrated page.

2. IF YOU KNOW THE PART NUMBER

- Locate the part number or description in the appropriate column on the parts list page.

NOTE: It is suggested that you confirm that the part selected is correct by verifying it with the pictorial representation on the illustrated page.

Should an asterisk (*) appear in the part number column on the parts list page, read upwards until a part number is found. The part number is the lowest assembly sold by Service Parts. The asterisk (*) indicates that the part depicted is not available for purchase.

NOTE: Descriptions are indented under the assembly that they are used on. That assembly is, in turn listed under the assembly that it is used on. This process is repeated until the highest final assembly is reached.

To facilitate the maintenance and repair of the vehicle, a Technician's Repair and Service Manual is available from the Service Parts Department.

HOW TO USE THE SERVICE PARTS MANUAL

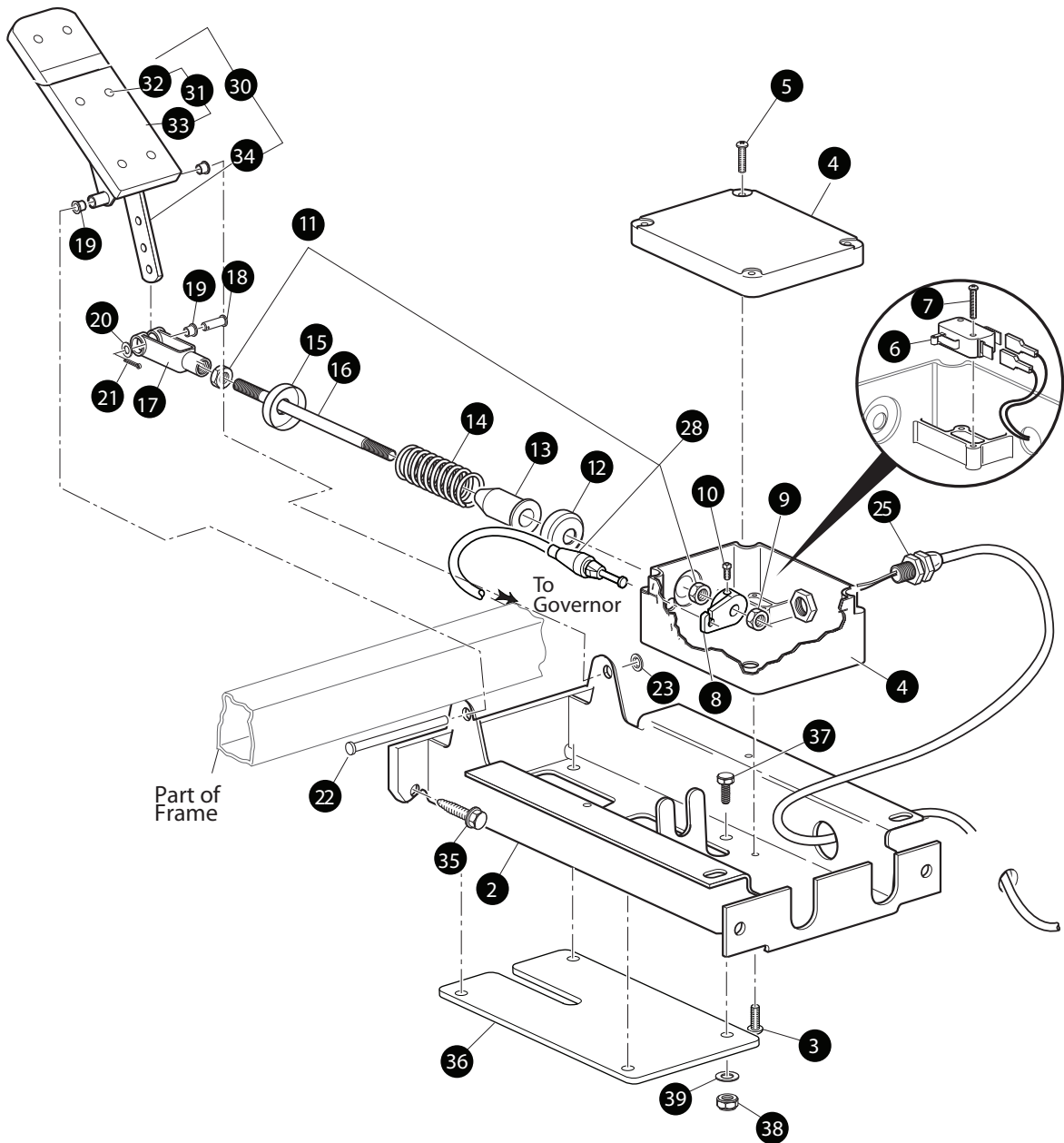
2. COLOR CODE FOR BODY COMPONENTS

The last two digits of the part number for the body part will denote the color code, locate the part number for the cowl, rear body, seat pod, side panel or seat wrap then locate your color in the list below, replace the last ** or XX with the two digit color code.

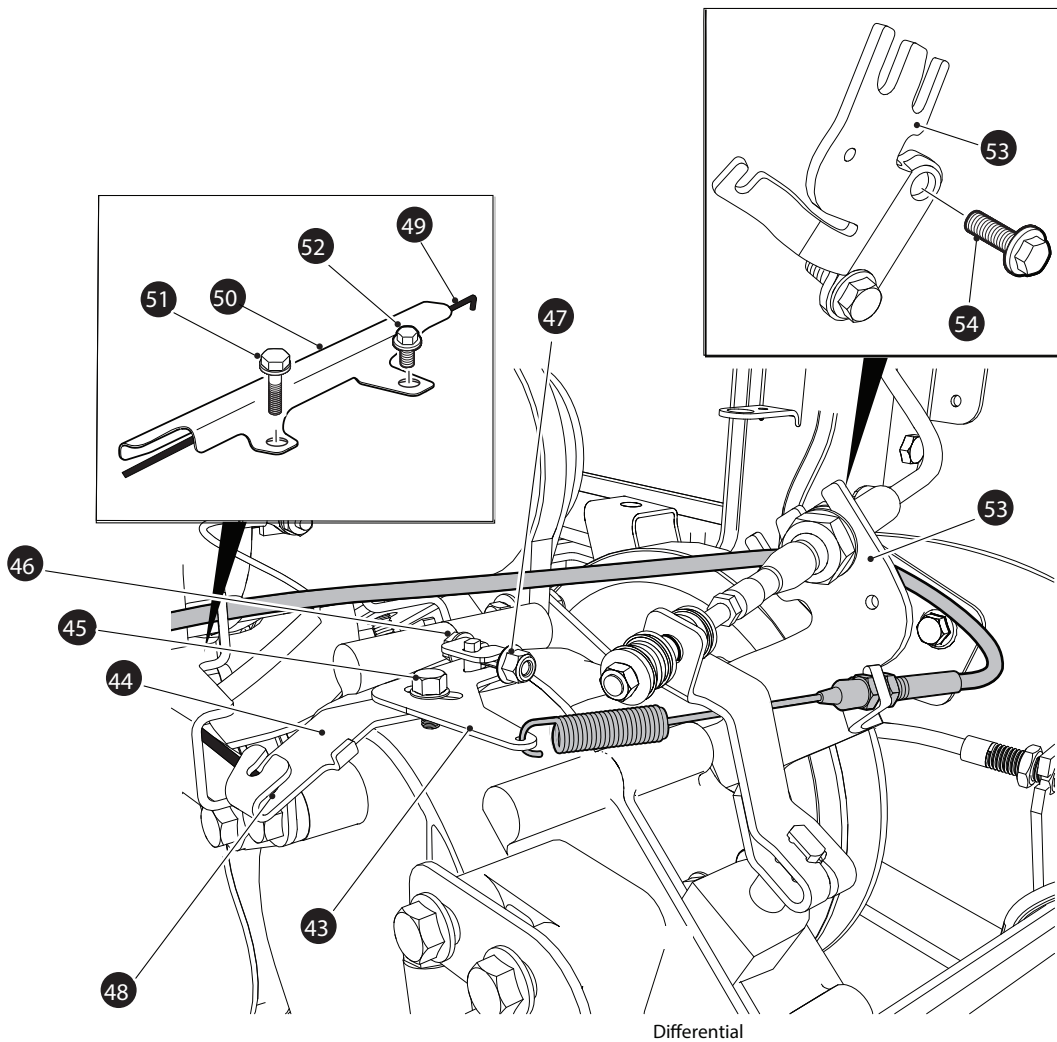
CODE #	DESCRIPTION	CODE #	DESCRIPTION
01	NO PAINT	53	MOSSY OAK NEW BREAK UP - DIPPED
02	SPECIAL COLOR	54	MOSSY OAK OBSESSION - DIPPED
05	JACOBSEN ORANGE	55	REALTREE ADVANTAGE MAX 4 - DIPPED
06	LIGHT GOLD PEARL	56	REALTREE HARDWOOD BROWN - DIPPED
07	SILVER PEARL METALLIC	57	REALTREE AP HOT PINK - DIPPED
11	BLACK	58	BLACK / SILVER MARBLE - DIPPED
12	EMERALD GREEN PEARL	59	RED / SILVER MARBLE - DIPPED
13	CLOUD GREY	60	HOT PINK / SILVER MARBLE - DIPPED
14	VIPER BLUE METALLIC	61	REALTREE AP
19	PATRIOT BLUE PEARL	62	REALTREE MAX 4
20	INFERNO RED METALLIC	63	MOSSY OAK BREAKUP
23	ADVANTAGE CLASSIC CAMO	64	MOSSY OAK TREESTAND
24	NATURAL	65	REALTREE APG
25	VIVID NEW HOLLAND BLUE	66	REALTREE MAX 1
26	STEEL BLUE PEARL	67	REALTREE AP PINK
27	BRIGHT SILVER METALLIC	68	REALTREE AP - DIPPED
29	PRIMER ONLY	69	MONSTER GREEN
30	HD ADVANTAGE CAMO	70	REAL TREE ADVANTAGE MAX1 AP
31	METALLIC CHARCOAL	71	REAR TREE AP SNOW DIPPED
32	LIGHT ALMOND PEARL	72	MATTE BLACK
33	TIMBERLINE GREEN	73	MATTE GREEN
34	DEEP MOLTEN RED	74	BARLEY GOLD
35	SAFETY YELLOW	75	OASIS GREEN
36	IVORY	76	JAVA BROWN
37	FOREST GREEN	77	SEMI GLOSS BLACK (FOR METAL PARTS)
38	BRIGHT WHITE		
39	FLAME RED		
40	BLACK		
41	ELECTRIC BLUE		
42	PLATINUM		
43	BURGUNDY		
44	ALMOND		
45	BLACK		
46	FLAME RED		
47	BURLINGTON GREEN		
48	BLACK		
49	FLAME RED		
50	RECON GREEN		
51	SUNBURST ORANGE		
52	BRITISH RACING GREEN		

ACCELERATOR

1 - Includes Items 3 - 34



⚠ WARNING DO NOT TAMPER WITH OR ATTEMPT TO CHANGE THE ADJUSTMENT OF THE GOVERNOR. GOVERNOR TAMPERING CAN RESULT IN SERIOUS PERSONAL INJURY AND WILL VOID THE VEHICLE WARRANTY.



ACCELERATOR

When ordering parts, please specify the model and serial number of the product.

* Indicates a component that is not available as an individual part.

*** Indicates consult Customer Service Department for additional information.

ITEM	PART NO.	1 2 3 4 5	DESCRIPTION	QTY.
1	606990		PEDAL BOX ASSEMBLY (INCLUDES ITEMS 2 - 34)	1
2	70116G02		ACCELERATOR PEDAL BRACKET	1
3	01051G01		SCREW, #8 - 16 X 1/2" LG	4
4	25853G03		PEDAL BOX AND COVER	1
5	00684G6		SCREW, #8 - 32 X 3/4" LG (STAINLESS STEEL)	2
6	25861G01		MICRO SWITCH	1
7	01050G01		SCREW, #4 - 20 X 5/8" LG	2
8	72716G01		MICRO SWITCH CAM	1
9	15126G1		LOCK NUT, 5/16 - 24	1
10	00487G3		SETSCREW, 1/4 - 20 X 3/8" LG	1
11	00532G4		NUT, 5/16 - 24	2
12	17677G1		SPRING RETAINER	1
13	17979G1		ACCELERATOR ROD BUSHING	1
14	73046G01		COMPRESSION SPRING	1
15	17677G2		SPRING RETAINER	1
16	72072G01		ACCELERATOR ROD	1
17	10385G4		CLEVIS YOKE (ADJUSTABLE)	1
18	10386G3		CLEVIS PIN, 5/16" X 13/16" LG	1
19	17838G1		NYLON BUSHING	3
20	17255G1		TEFLON WASHER, 5/16"	1
21	10387G3		COTTER PIN, 3/32" X 3/4" LG	1
22	74432G01		PEDAL PIVOT PIN	1
23	12064G6		PUSH NUT, 9/32"	1
24				
25	72201G04		WIRE HARNESS (PEDAL BOX)	1
26				
27				
28	608608		ACCELERATOR CABLE	1
29				
30	25799G03		ACCELERATOR PEDAL ASSEMBLY (INCLUDES ITEMS 31- 33)	1
31	27844G01		ACCELERATOR PEDAL PAD KIT (INCLUDES ITEMS 32- 33)	1

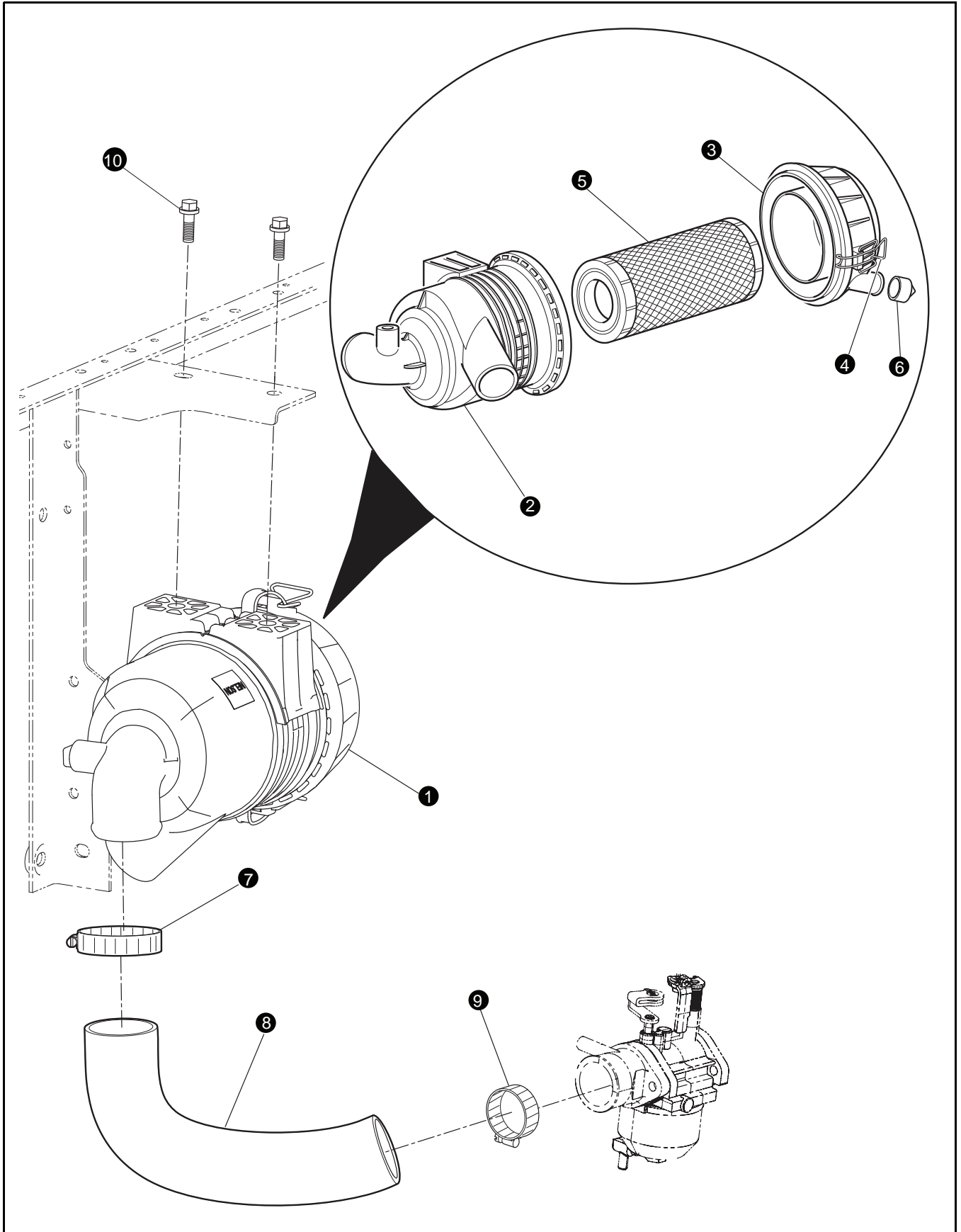
When ordering parts, please specify the model and serial number of the product.

* Indicates a component that is not available as an individual part.

*** Indicates consult Customer Service Department for additional information.

ITEM	PART NO.	1 2 3 4 5	DESCRIPTION	QTY.
32	16409G1		OVAL RIVET, 3/16" X 7/16" LG	6
33	27512G01		ACCELERATOR PEDAL PAD	1
34	*		ACCELERATOR PEDAL.....	1
35	00715G2		BOLT, 5/16 -18 X 4/5" LG.....	4
36	612487		PLATE, BRACKET	1
37	00414G6		SCREW, HEX HEAD.....	4
38	00654G2		NUT (STAINLESS).....	4
39	01110G01		FLAT WASHER	4
40				
41				
42				
43	606083		UPPER GOVERNOR BRACKET.....	1
44	606005		LOWER GOVERNOR BRACKET	1
45	606265		BOLT, M6 - 1 X 12.....	1
46	606421		BOLT, M6 - 1 X 30.....	1
47	450452		NUT, M6 - 1.0.....	1
48	606283		GOVERNOR LEVER BUSHING	1
49	606284		GOVERNOR ROD	1
50	603890		GOVERNOR ROD GUARD	1
51	606264		BOLT, M6 - 1 X 20.....	1
52	606262		BOLT, M8 - 1.25 X 16.....	1
53	606074		GOVERNOR CABLE / DIRECTION SELECTOR BRACKET	1
54	606256		BOLT, M10 - 1.25 X 16.....	2
55				
56	608527		GOVERNOR WARNING DECAL.....	1
57				
58				
59	17618G1		NYLON CLAMP	2

AIRFILTER

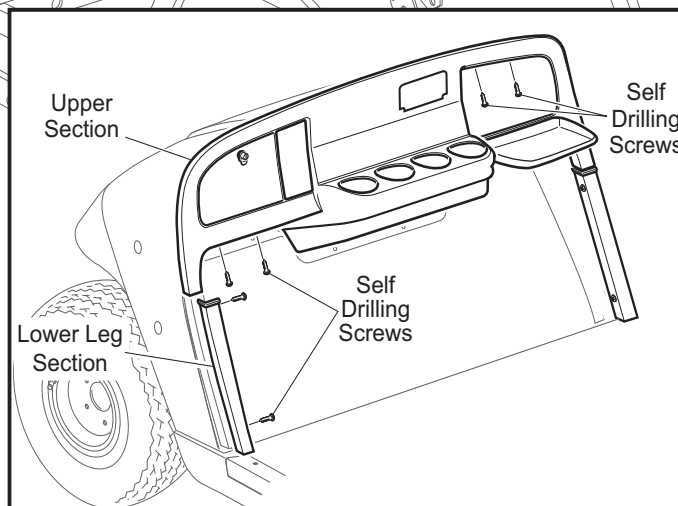
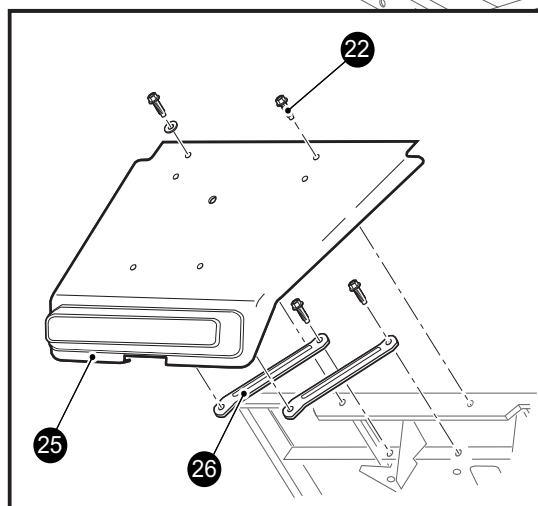
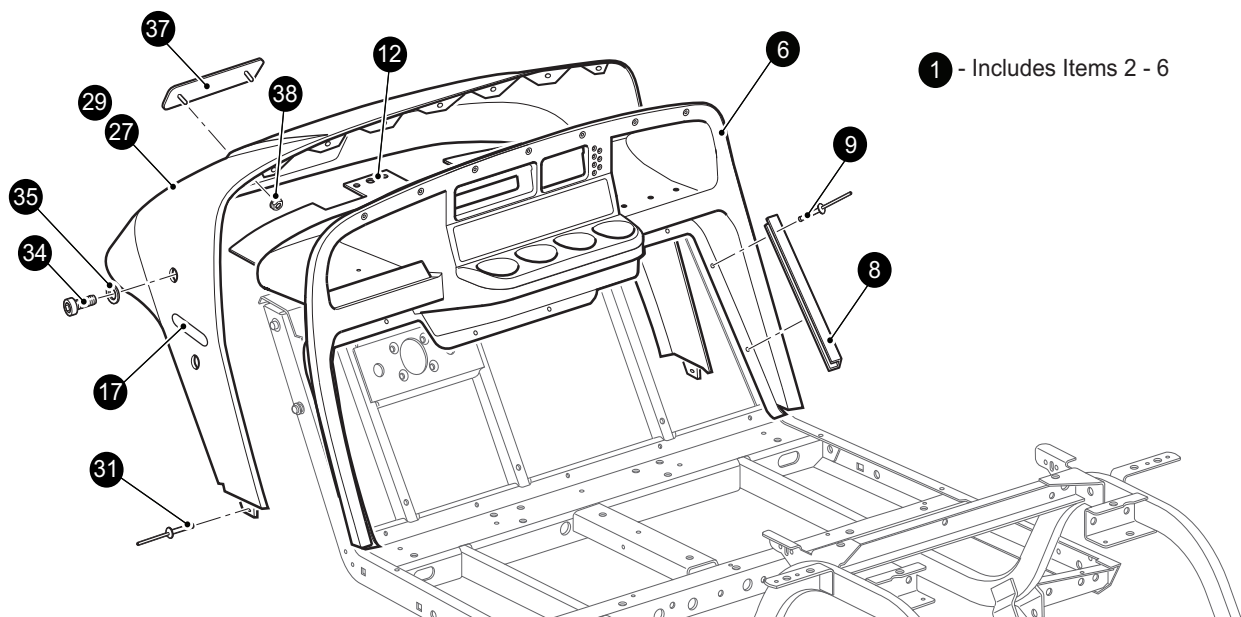
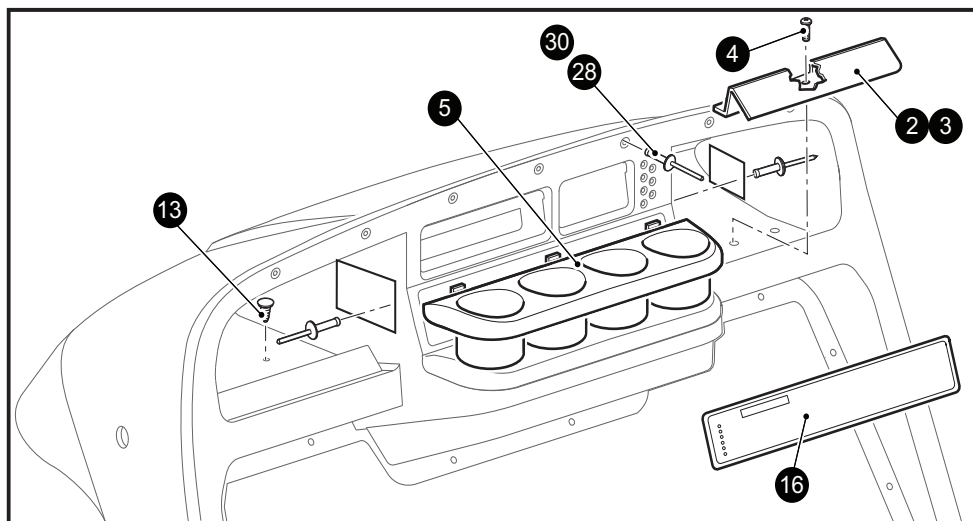


When ordering parts, please specify the model and serial number of the product.

* Indicates a component that is not available as an individual part.

*** Indicates consult Customer Service Department for additional information.

ITEM	PART NO.	1 2 3 4 5	DESCRIPTION	QTY.
1	606952		AIR CLEANER (INCLUDES ITEMS 2 - 6)	1
2	607269		BODY & BRACKET ASSEMBLY	1
3	72599G01		AIR CLEANER COVER	1
4	72604G01		AIR CLEANER CLIP	2
5	28463G01		AIR FILTER	1
6	28462G01		VALVE DUST EJECTOR	1
7	11391G7		HOSE CLAMP	1
8	607950		HOSE	1
9	11391G1		HOSE CLAMP	1
10	25532G1		BOLT AND WASHER, M8 X 1.25 X 18 MM	2



When ordering parts, please specify the model and serial number of the product.

* Indicates a component that is not available as an individual part.

*** Indicates consult Customer Service Department for additional information.

ITEM	PART NO.	1 2 3 4 5	DESCRIPTION	QTY.
1	71151G01		INSTRUMENT PANEL ASSEMBLY (INCLUDES ITEMS 2 - 6)	1
2	71153G01		DEFLECTOR (PASSENGER SIDE)	1
3	71154G01		DEFLECTOR (DRIVER SIDE).....	1
4	00614G5		PAN HEAD PHILLIPS SCREW, #8 - 18 X 5/8" LG	4
5	71158G01		INSTRUMENT PANEL INSERT (4 CUP HOLDER)	1
6	71152G01		INSTRUMENT PANEL.....	1
7				
8	71115G01		VINYL TRIM	2
9	71055G01		RIVET (ALUMINUM), 3/16" X 1" LG	10
10				
11				
12	71413G01		SPLASH PANEL	1
13	16816G2		RATCHET FASTENER, 1/4" X 3/4" LG.....	5
14				
15				
16	608465		SAFETY LABEL	1
17	607545		FRONT AMBER REFLECTOR	2
18				
19				
20				
21				
22	01038G01		HEX HEAD BOLT, 1/4" - 20 X 11/16" LG	4
23				
24				
25	27166G04		FRONT SHIELD.....	1
26	70725G01		FRONT SHIELD BRACE	2
27	619730G1XX		COWL W/LIGHTS (see COLOR CODES in HOW TO USE section) (FOR VEHICLES MANUFACTURED FROM MARCH 2014).....	1
28	71055G01		RIVET (ALUMINUM), 3/16" X 1" LG (FOR VEHICLES MANUFACTURED FROM MARCH 2014).....	7
29	71051G**		COWL (see COLOR CODES in HOW TO USE section)	1
30	71055G01		RIVET (ALUMINUM), 3/16" X 1" LG	9

BODY

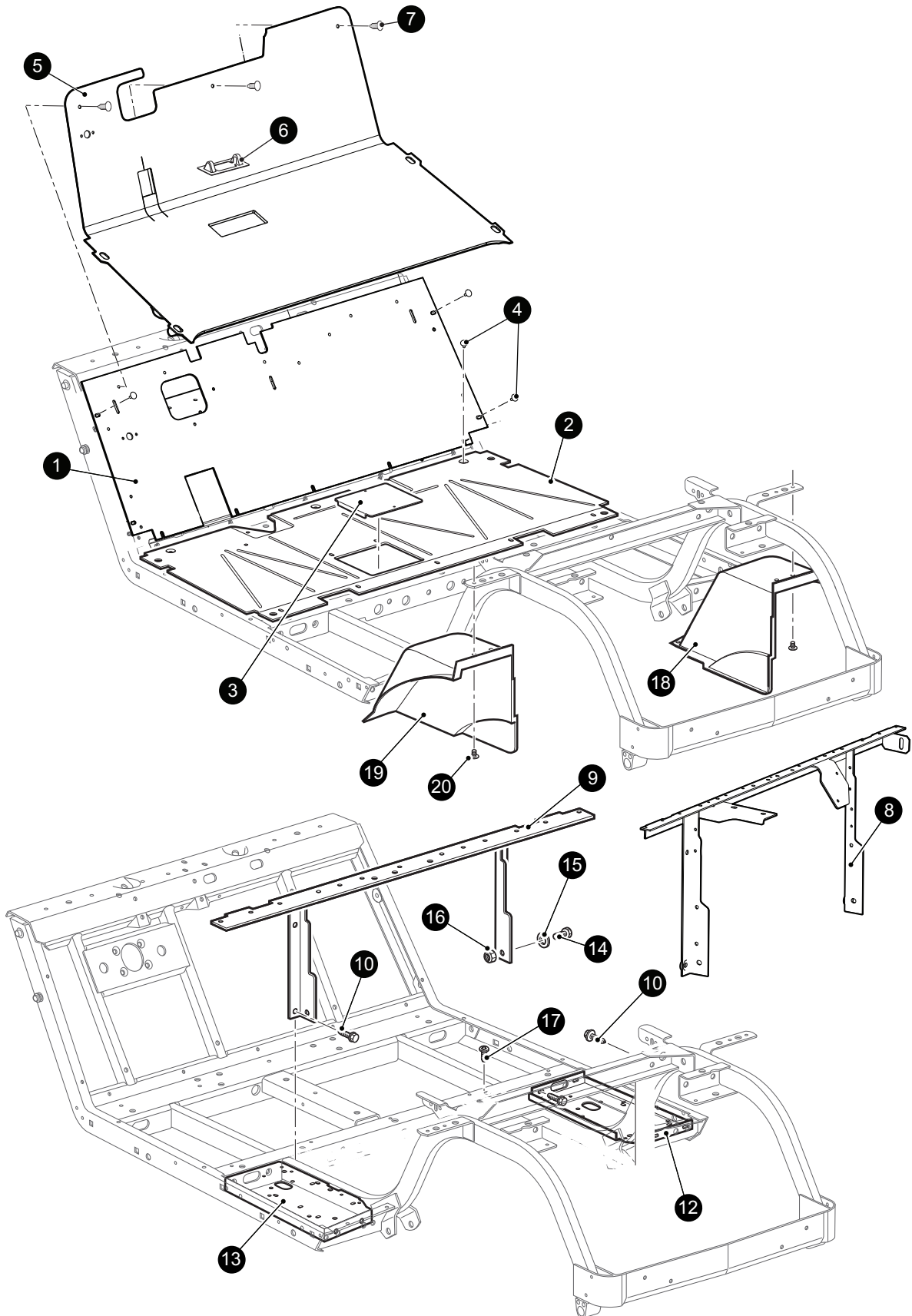
When ordering parts, please specify the model and serial number of the product.

* Indicates a component that is not available as an individual part.

*** Indicates consult Customer Service Department for additional information.

ITEM	PART NO.	1 2 3 4 5	DESCRIPTION	QTY.
31	10570G11		RIVET (SS), 3/16" X 3/4" LG	2
32				
33				
34	00438G6		HEX HEAD BOLT, 5/16" - 18 X 3/4" LG.....	2
35	00571G2		FLAT WASHER, 5/16"	2
36				
37	71037G03		E-Z-GO NAMEPLATE (GOLD).....	1
38	71597G01		SELF THREADING NUT, 5MM X 10MM X 15MM.....	2
39				

BODY



When ordering parts, please specify the model and serial number of the product.

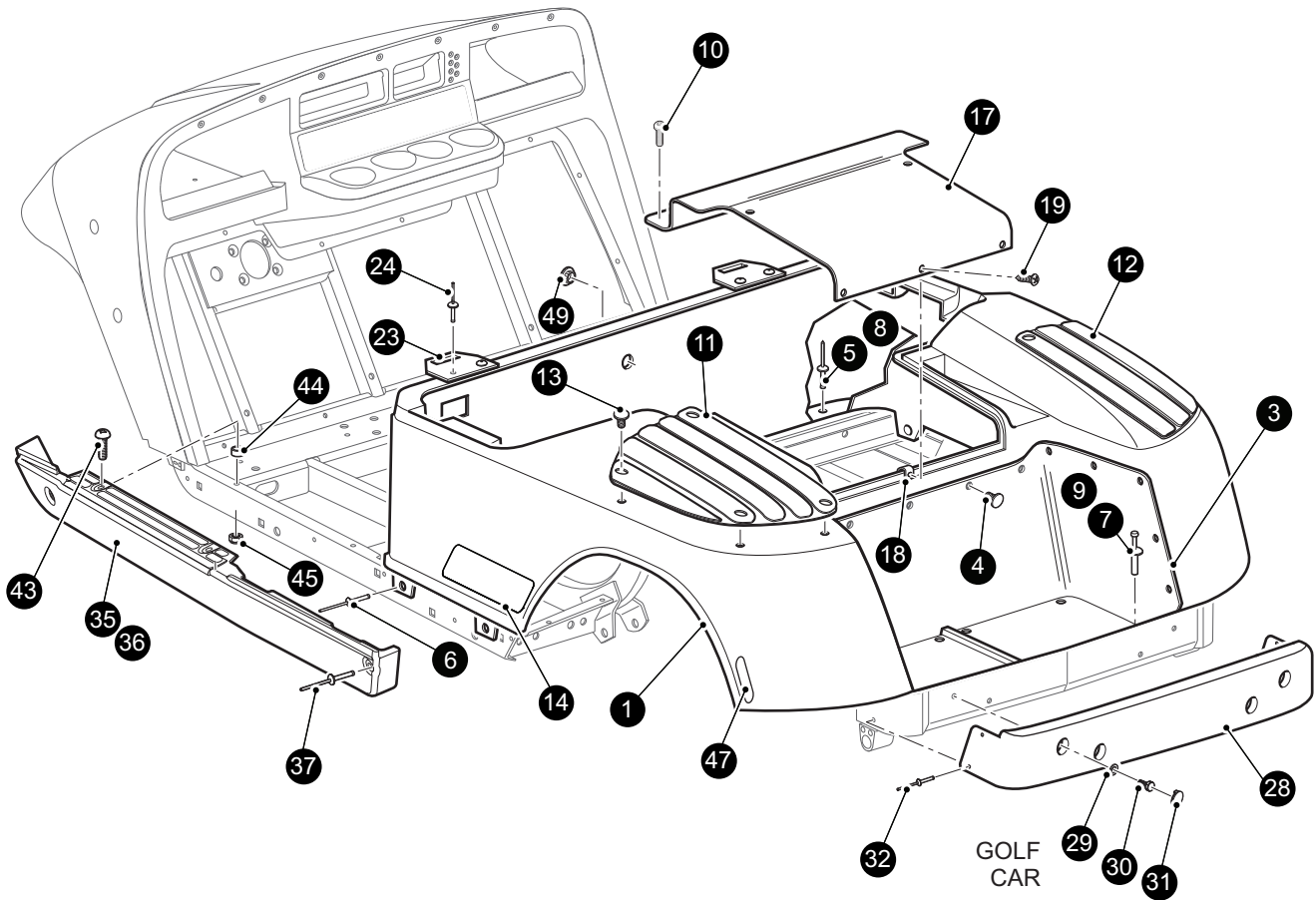
* Indicates a component that is not available as an individual part.

*** Indicates consult Customer Service Department for additional information.

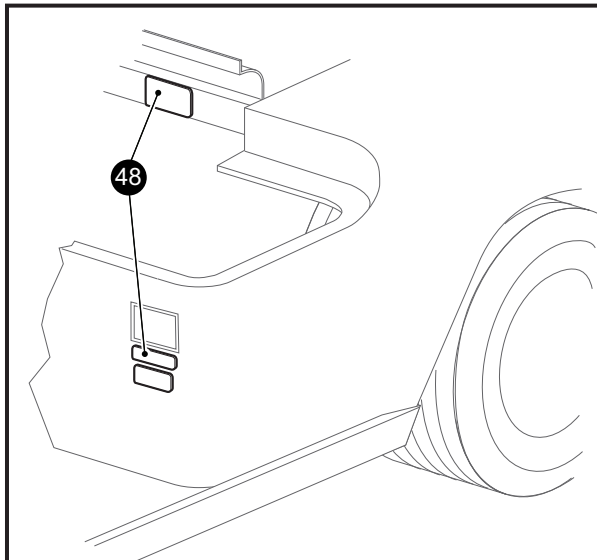
ITEM	PART NO.	1 2 3 4 5	DESCRIPTION	QTY.
1	641260		UPPER FLOORPAN	1
2	70451G01		LOWER FLOORPAN	1
3	70452G01		ACCESS COVER.....	1
4	14601G11		RIVET (ALUMINUM), 3/16" X 9/16" LG	16
5	637535G02		FLOORMAT WITH HORN HOLES	1
6	70135G01		PEDAL PIVOT COVER.....	1
7	16816G1		RATCHET RIVET, .25" X .680"	3
8	605694		SEAT FRAME	1
9	70441G01		SEAT FRAME	1
10	00715G2		HEX HEAD BOLT, 5/16" - 18 X 4/5" LG	4
11				
12	70244G03		SPLASH PANEL	1
13	600496		BATTERY TRAY.....	1
14	00438G6		HEX HEAD BOLT 5/16" - 18 X 3/4" LG.....	2
15	00559G8		FLAT WASHER, 5/16".....	2
16	11098G6		LOCK NUT, 5/16" - 18.....	2
17	70200G01		HEX HEAD BOLT, 3/8" - 16 X 3/4" LG	2
18	635054G02		FENDER LINER (PASSENGER SIDE).....	1
19	635054G01		FENDER LINER (DRIVER SIDE)	1
20	16816G2		RATCHET FASTENER, 1/4" X 3/4" LG.....	8

BODY

2 - Includes Items 3, 4



LABELS



When ordering parts, please specify the model and serial number of the product.

* Indicates a component that is not available as an individual part.

*** Indicates consult Customer Service Department for additional information.

ITEM	PART NO.	1 2 3 4 5	DESCRIPTION	QTY.
1	625272G1XX		REAR BODY W/TAILLIGHTS (see COLOR CODES in HOW TO USE section) (FOR VEHICLES MANUFACTURED FROM MARCH 2014).....	1
2	71331G0**		REAR BODY (WITH TAILLIGHTS) (INCLUDES ITEMS 3, 4) (see COLOR CODES in HOW TO USE section)	1
3	71318G01		BAGWELL LINER.....	1
4	16816G1		RATCHET FASTENER, 1/4" X 9/16" LG	26
5	10570G10		RIVET (SS), 5/32" X 9/16" LG.....	6
6	10570G12		RIVET (ALUMINUM), 1/4" X 9/16" LG	4
7	18436G1		RIVET, 1/4" X 3/4" LG	2
8	10570G10		RIVET (SS), 5/32" X 9/16" LG (FOR VEHICLES MANUFACTURED FROM MARCH 2014).....	5
9	633917		PLASTIC DRIVE RIVET, .625" X 1" LG (FOR VEHICLES MANUFACTURED FROM MARCH 2014).....	2
10	16816G2		RATCHET RIVET, .25" X .887" LG (FOR VEHICLES MANUFACTURED FROM MARCH 2014).....	2
11	75126G01		FENDER SCUFFGUARD (DRIVER SIDE).....	1
12	75126G02		FENDER SCUFFGUARD (PASSENGER SIDE)	1
13	16816G2		RATCHET FASTENER, 1/4" X 3/4" LG.....	8
14	612951		FREEDOM VALOR DECAL (FOR VEHICLES MANUFACTURED FROM MARCH 2014).....	2
15				
16				
17	71320G01		ACCESS PANEL.....	1
18	71364G02		'J' TYPE SPEED NUT, #8	1
19	01107G01		PAN HEAD TORX SCREW (SS), #8 X 5/8" LG	5
20				
21				
22				
23	71609G01		SEAT HINGE PLATE	2
24	10570G11		RIVET (SS), 3/16" X 3/4"	4
25				
26				
27				

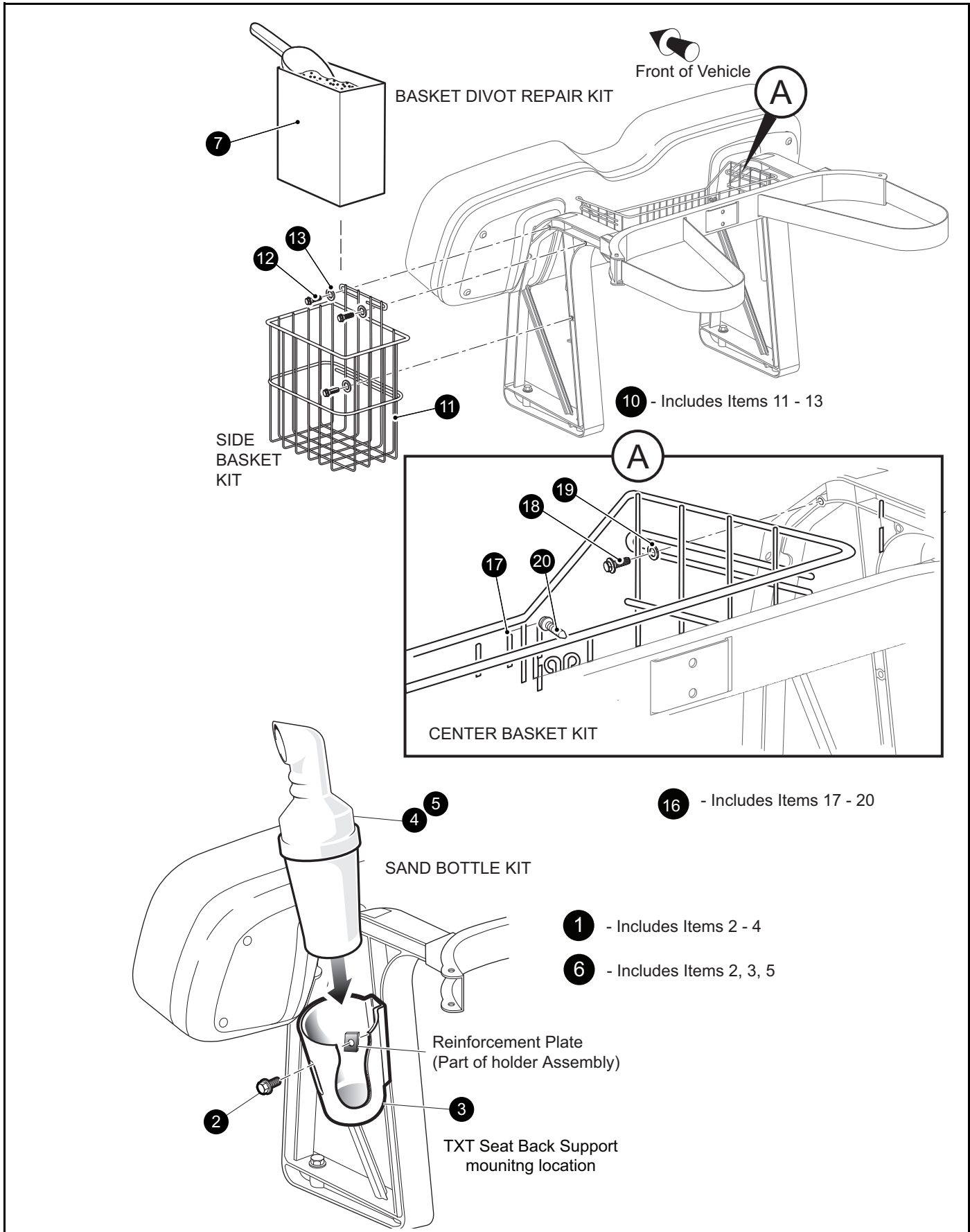
BODY

When ordering parts, please specify the model and serial number of the product.

* Indicates a component that is not available as an individual part.

*** Indicates consult Customer Service Department for additional information.

ITEM	PART NO.	1 2 3 4 5	DESCRIPTION	QTY.
28	71578G01		REAR BUMPER	1
29	00571G2		FLAT WASHER, 5/16"	4
30	71102G03		HEX HEAD BOLT, 1/4" - 20 X 3/4" LG.....	4
31	71514G01		BUMPER PLUG	4
32	14601G17		RIVET (ALUMINUM), 3/16" X 9/16"	4
33				
34				
35	615239		ROCKER PANEL WITH SILL PLATE (DRIVER SIDE).....	1
36	617333		ROCKER PANEL WITH SILL PLATE (PASSENGER SIDE)	1
37	15058G6		RIVET (ALUMINUM), 3/16" X 15/16"	4
38				
39				
40				
41				
42				
43	634161		HEXALOBULAR FLANGE BOLT, M6 - 1 X 34.5MM LG	4
44	23726G4		SPACER, 5/16"	4
45	601476		LOCK NUT, M6 - 1.....	4
46				
47	607547		REAR RED REFLECTOR	2
48	*		SERIAL NUMBER LABEL	1
49	74024G01		SEAT WRAP MOUNTED NOISE SUPPRESSOR	1



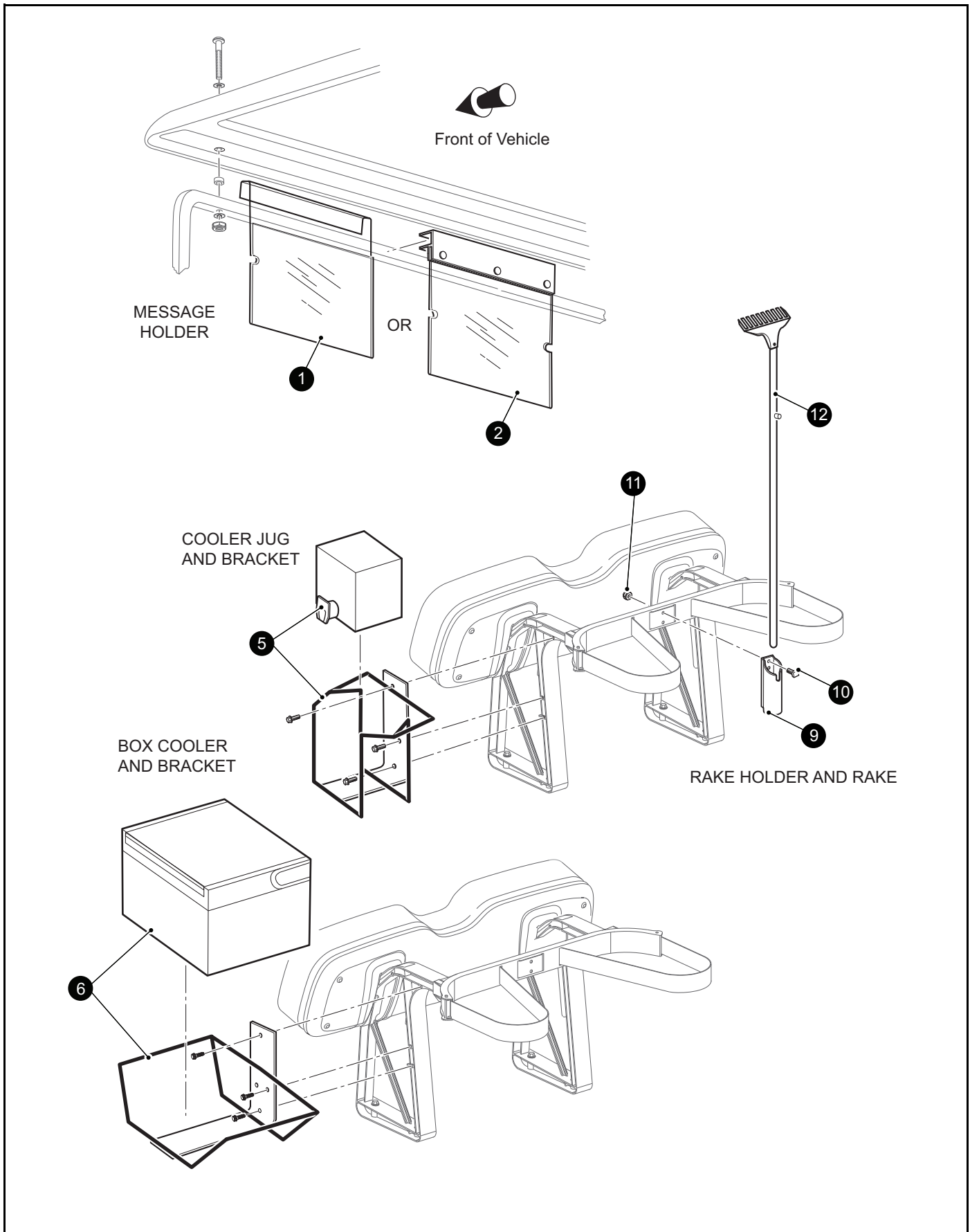
When ordering parts, please specify the model and serial number of the product.

* Indicates a component that is not available as an individual part.

*** Indicates consult Customer Service Department for additional information.

ITEM	PART NO.	1 2 3 4 5	DESCRIPTION	QTY.
1	614195		TOP SCREW SAND BOTTLE KIT (INCLUDES ITEMS 2 - 4)	1
2	71102G01		HEX HEAD BOLT, 1/4" - 20 X 3/4" LG.....	1
3	28660G01		SAND BOTTLE HOLDER.....	1
4	28659G01		SAND BOTTLE.....	1
5	600612		SAND BOTTLE.....	1
6	614179		BOTTOM SCREW SAND BOTTLE KIT (INCLUDES ITEMS 2, 3, 5)	1
7	23300G01		BASKET DIVOT REPAIR KIT (INCLUDES SCOOP).....	1
8				
9				
10	75007G02		SIDE BASKET KIT (INCLUDES ITEMS 11 - 13)	1
11	75460G01		SIDE BASKET	1
12	71102G01		HEX HEAD BOLT, 1/4" - 20 X 3/4" LG.....	3
13	00793G2		FLAT WASHER (SS), 1/4"	3
14				
15				
16	75003G02		CENTER BASKET KIT (INCLUDES ITEMS 17 - 20).....	1
17	75461G01		CENTER BASKET.....	1
18	71102G01		HEX HEAD BOLT, 1/4" - 20 X 3/4" LG.....	2
19	00793G2		FLAT WASHER (SS), 1/4"	2
20	01105G01		TORX SCREW (SS), #10 X 5/8" LG.....	2

BODY



When ordering parts, please specify the model and serial number of the product.

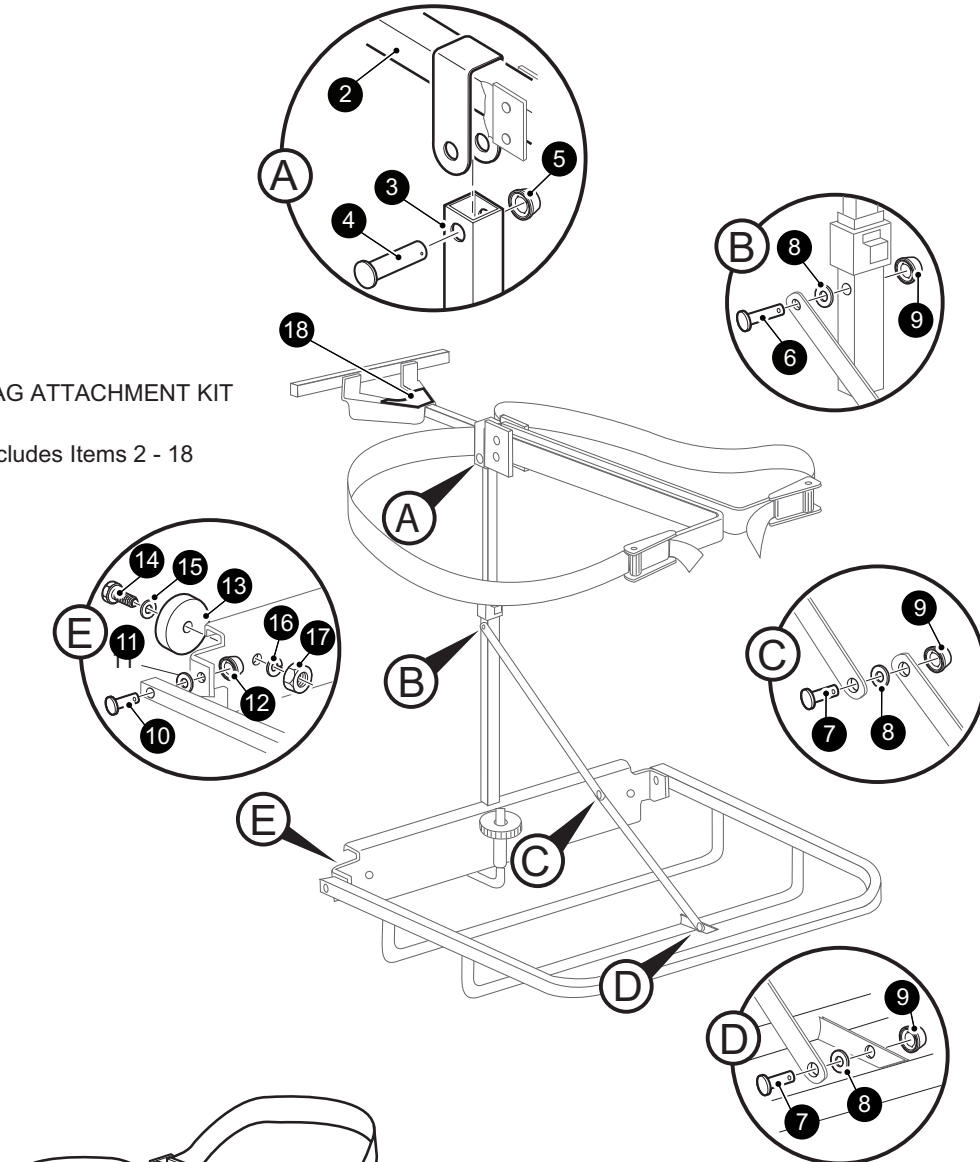
* Indicates a component that is not available as an individual part.

*** Indicates consult Customer Service Department for additional information.

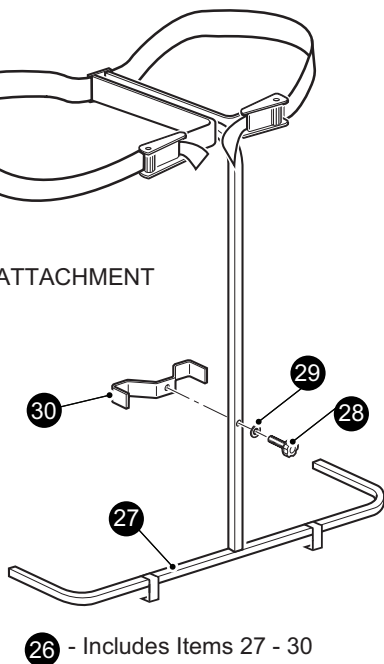
ITEM	PART NO.	1 2 3 4 5	DESCRIPTION	QTY.
1	75509G01		MESSAGE HOLDER (ONE PIECE)	1
2	75496G01		MESSAGE HOLDER	1
3				
4				
5	75495G01		COOLER JUG AND BRACKET KIT.....	1
6	71048G01		BOX COOLER AND BRACKET KIT	1
7				
8				
9	25885G01		RAKE HOLDER	1
10	00989G06		SQUARE HEAD BOLT, 1/4" - 20 X 3/4" LG	2
11	11027G2		LOCK NUT, 1/4" - 20.....	2
12	14735G1		RAKE	1

FOUR BAG ATTACHMENT KIT

1 - Includes Items 2 - 18

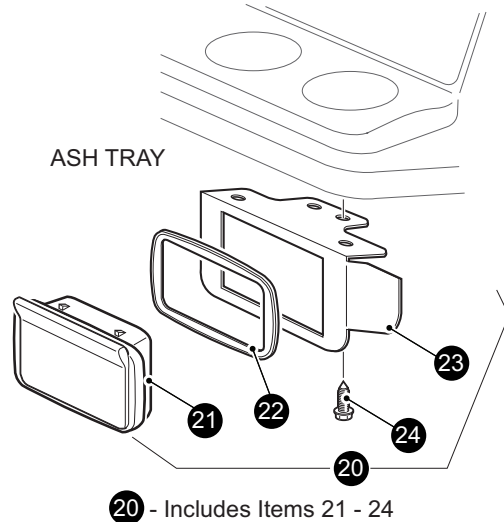


TWO BAG ATTACHMENT



26 - Includes Items 27 - 30

ASH TRAY



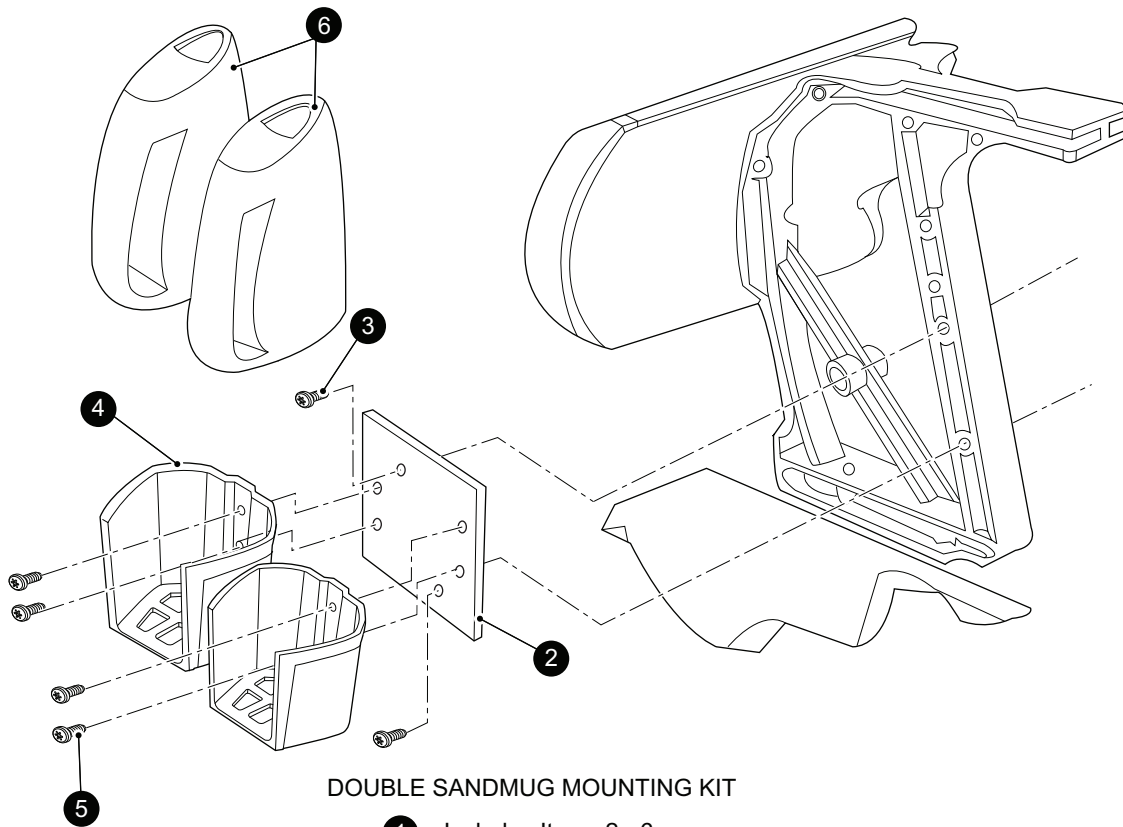
20 - Includes Items 21 - 24

When ordering parts, please specify the model and serial number of the product.

* Indicates a component that is not available as an individual part.

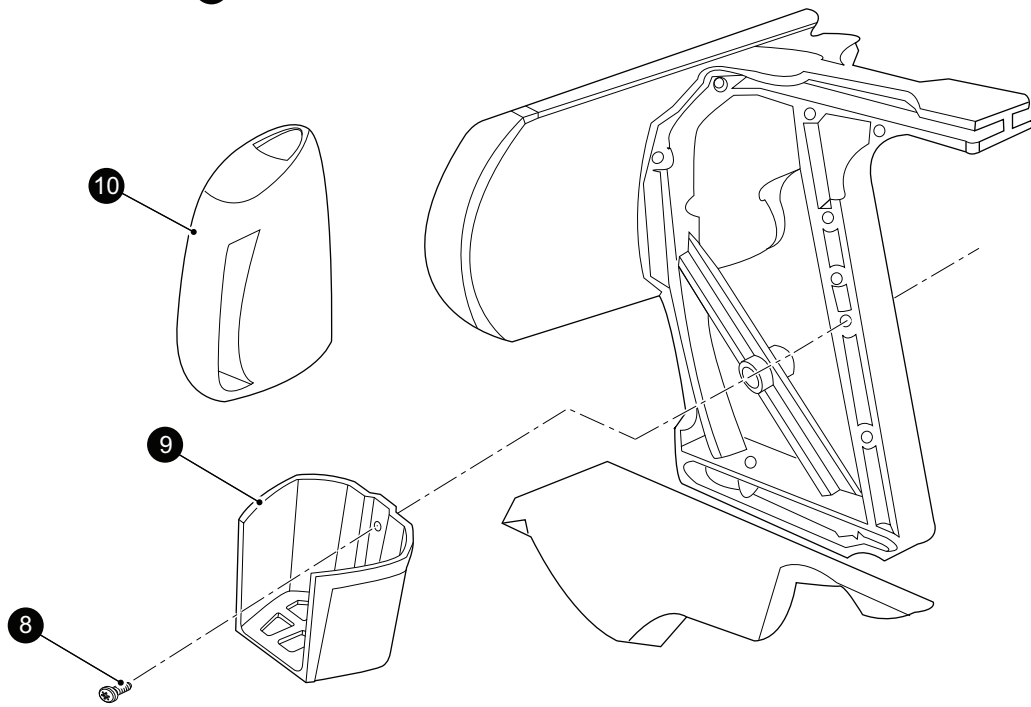
*** Indicates consult Customer Service Department for additional information.

ITEM	PART NO.	1 2 3 4 5	DESCRIPTION	QTY.
1	75335G01		FOUR BAG ATTACHMENT KIT (INCLUDES ITEMS 2 - 18)	1
2	*		TOP ASSEMBLY	1
3	*		BOTTOM ASSEMBLY	1
4	17651G2		CLEVIS PIN, 5/16" X 1 1/8" LG	1
5	28129G01		PUSH NUT, 5/16"	1
6	17651G2		CLEVIS PIN, 5/16" X 1 1/8" LG	1
7	17651G3		CLEVIS PIN, 5/16" X 1/2" LG	2
8	00559G8		FLAT WASHER, 5/16"	3
9	28129G01		PUSH NUT, 5/16"	3
10	*		CLEVIS PIN 3/8" X 1 1/4" LG	2
11	00560G1		FLAT WASHER, 3/8"	2
12	*		PUSH NUT, 3/8"	2
13	13728G1		RUBBER BUMPER	2
14	00150G6		ROUND HEAD SLOTTED SCREW, #10 - 24 X 3/4" LG	2
15	00559G5		FLAT WASHER, #10	2
16	00565G5		LOCK WASHER, #10	2
17	00526G3		HEX NUT, #10 - 24	2
18	*		WARNING LABEL	1
19				
20	75109G02		ASH TRAY KIT (INCLUDES ITEMS 24 - 27)	1
21	27731G01		ASH TRAY	1
22	27736G01		GASKET	1
23	75108G02		BRACKET	1
24	00100G4		HEX HEAD TAPPING SCREW, #10 - 16 X 1/2" LG	4
25				
26	75183G01		TWO BAG ATTACHMENT KIT (INCLUDES ITEMS 27 - 30)	1
27	75188G01		TWO BAG ATTACHMENT	1
28	22238G2		KNOB, 3/8" - 16 X 1 1/2" LG	1
29	17255G1		TEFLON WASHER, 5/16"	1
30	75187G01		SUPPORT BRACKET	1



DOUBLE SANDMUG MOUNTING KIT

1 - Includes Items 2 - 6



SINGLE SANDMUG MOUNTING KIT

7 - Includes Items 8 - 10

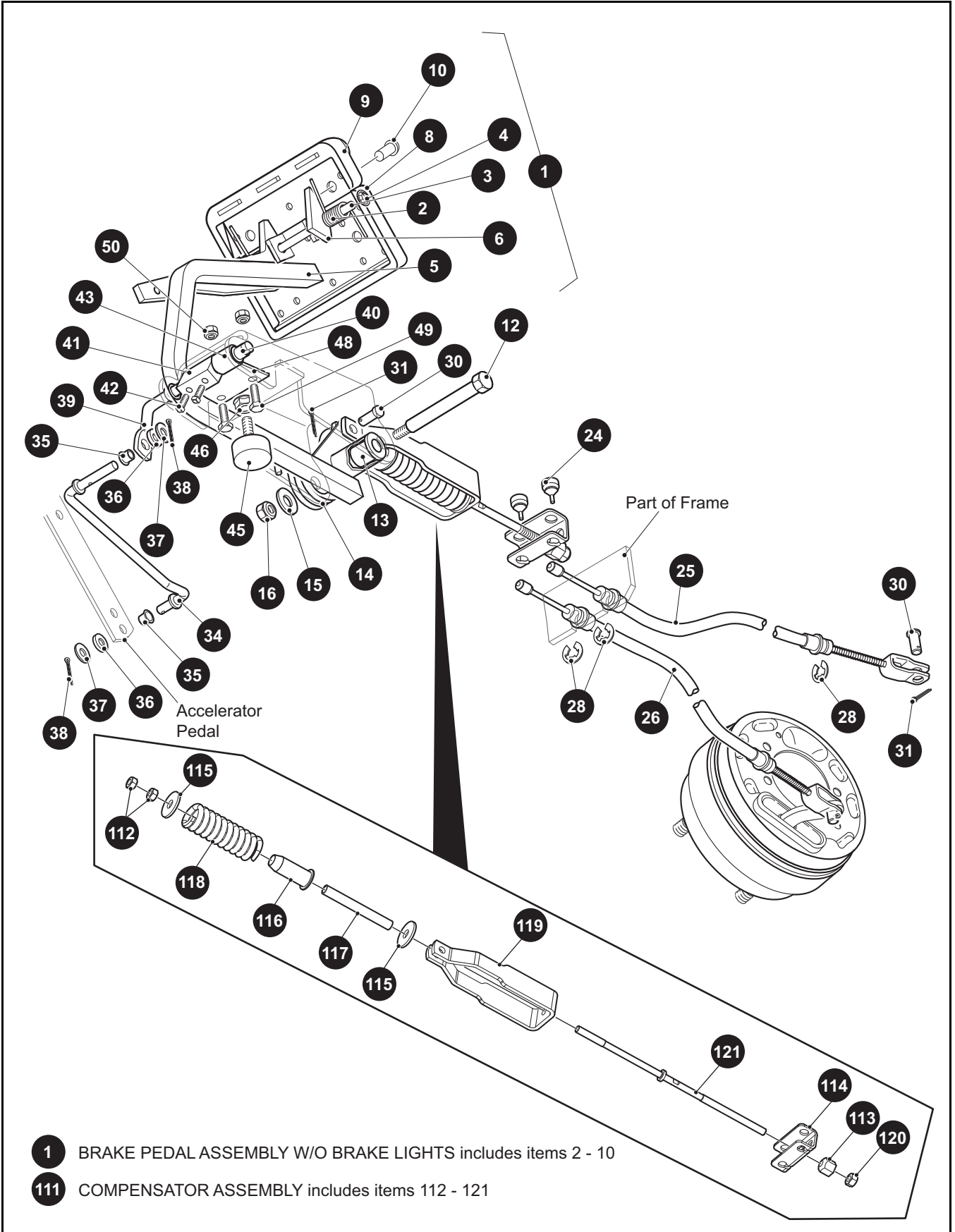
When ordering parts, please specify the model and serial number of the product.

* Indicates a component that is not available as an individual part.

*** Indicates consult Customer Service Department for additional information.

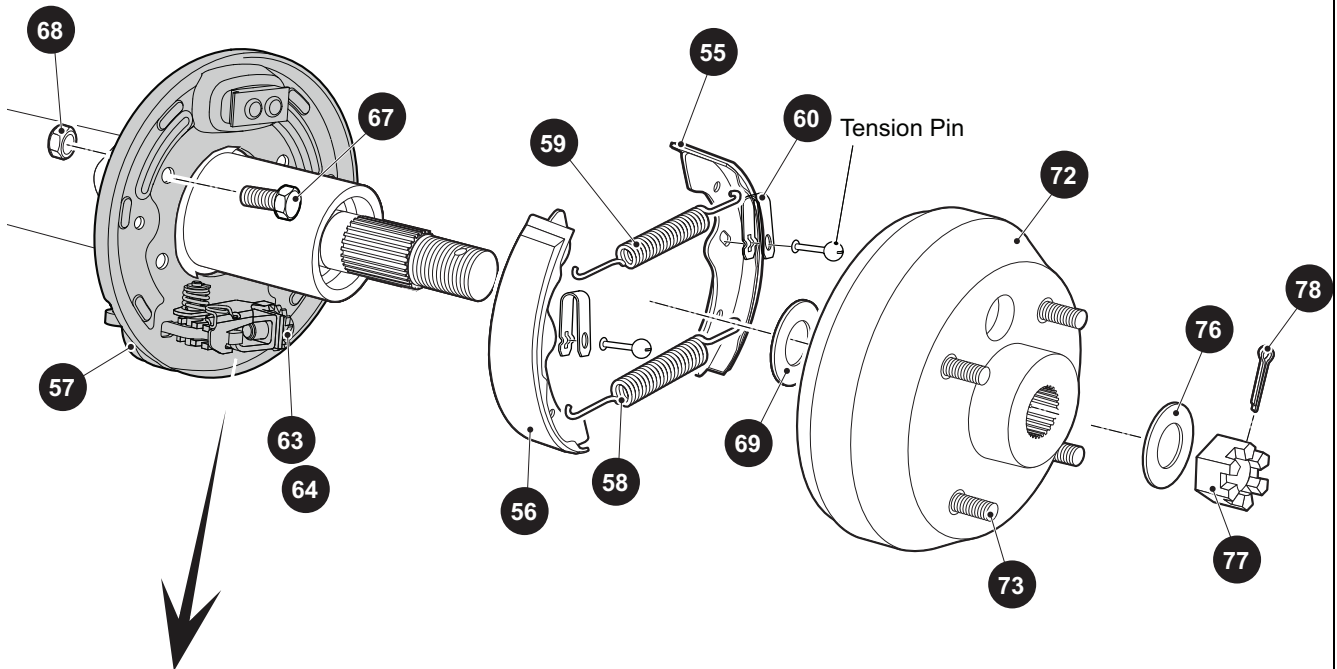
ITEM	PART NO.	1 2 3 4 5	DESCRIPTION	QTY.
1	606986		DOUBLE SANDMUG MOUNTING KIT (INCLUDES ITEMS 2 - 6).....	1
2	606988		MOUNTING PLATE, SAND MUG - HOLDER	1
3	71102G01		HEX HEAD BOLT 1/4" - 20 X 3/4"	2
4	606950		SAND MUG HOLDER	2
5	*		HEX HEAD BOLT 1/4" - 20 X 1/2"	4
6	606949		SAND MUG	2
7	606951		SINGLE SANDMUG MOUNTING KIT (INCLUDES ITEMS 8 - 10).....	1
8	71102G01		HEX HEAD BOLT 1/4" - 20 X 3/4"	1
9	606950		SAND MUG HOLDER	1
10	606949		SAND MUG	1

BRAKES - MECHANICAL

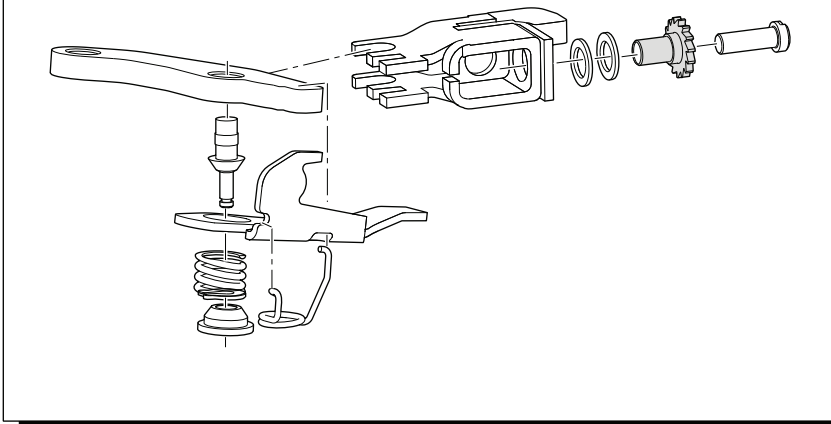


BOTTOM PULL

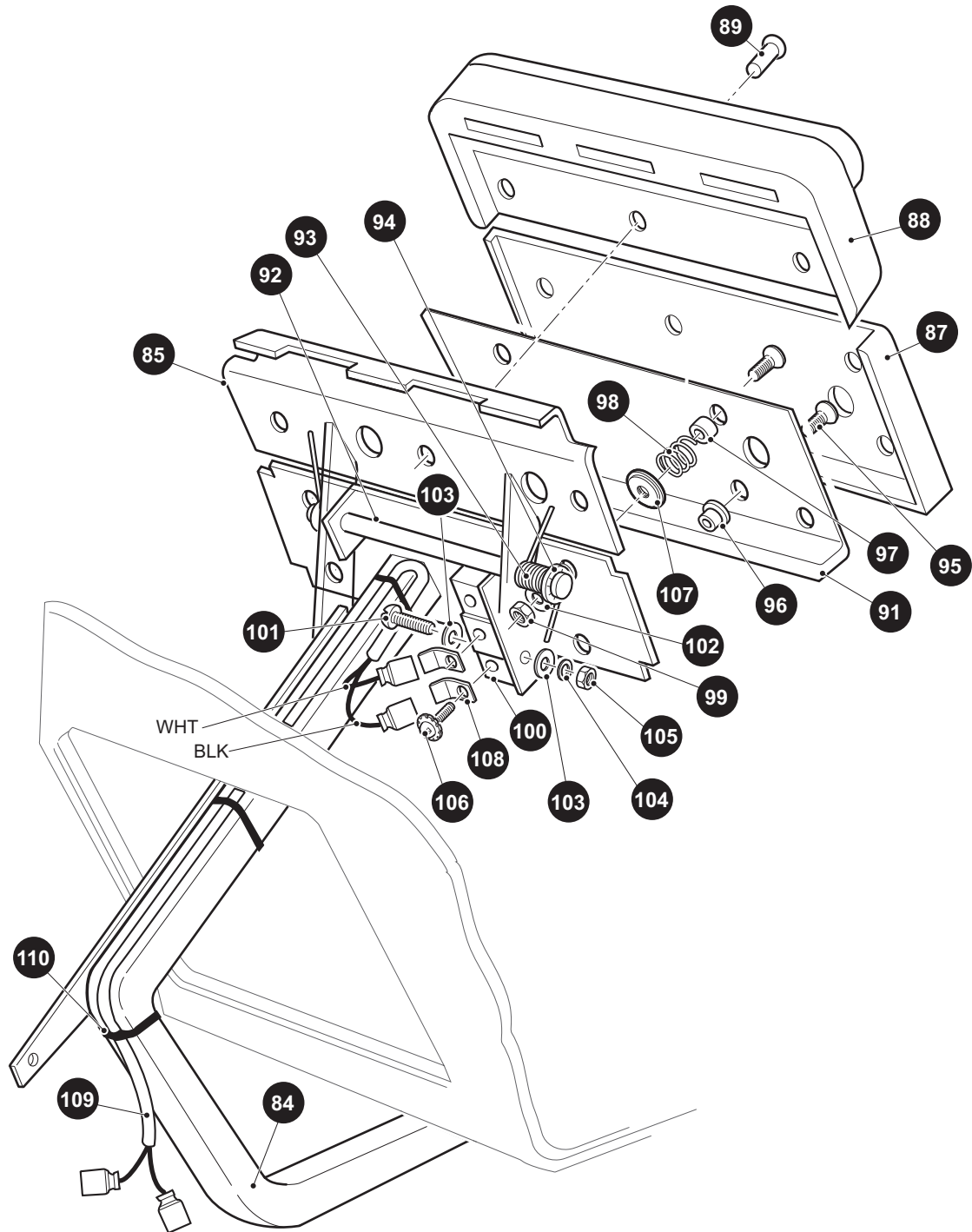
- 53 BRAKE ASSEMBLY (DRIVER SIDE) includes items 55 - 60, 63
- 54 BRAKE ASSEMBLY (PASSENGER SIDE) includes items 55 - 60, 64
- 71 BRAKE DRUM ASSEMBLY includes items 72 & 73



Adjuster Assembly



83 BRAKE PEDAL ASSEMBLY (WITH BRAKE LIGHTS) includes items 84 - 110



BRAKES - MECHANICAL

THE USE OF NON U.L. PARTS WILL VOID ANY U.L. LISTING.

When ordering parts, please specify the model and serial number of the product.

* Indicates a component that is not available as an individual part.

G** Indicates consult Customer Service Department for additional information.

ITEM	PART NO.	1 2 3 4 5	DESCRIPTION	QTY.
1	70612G02		BRAKE PEDAL ASSEMBLY (WITHOUT BRAKE LIGHTS) (INCLUDES ITEMS 2 - 10).....	1
2	70681G01		TORSION SPRING.....	2
3	70682G01		PIVOT PIN.....	1
4	01071G01		PUSHNUT, 5/16".....	2
5	70259G02		BRAKE PEDAL.....	1
6	641748		PARK BRAKE PEDAL.....	1
7				
8	70257G01		SERVICE BRAKE PAD.....	1
9	70256G01		PARK BRAKE PEDAL PAD.....	1
10	16409G1		OVAL RIVET, 3/16" X 7/16" LG.....	9
11				
12	70582G01		SHOULDER BOLT (SS), 3/8" - 16 X 4" LG.....	1
13	70581G01		ACETAL FLANGED BUSHING.....	2
14	70676G01		TORSION SPRING.....	1
15	00643G1		FLAT WASHER, 3/8".....	1
16	11098G5		LOCK NUT, 3/8" - 16.....	1
17				
18				
19				
20	12416G2		NYLON WEDGE LOCK CLAMP, 10" (NOT ILLUSTRATED).....	AR
21				
22				
23				
24	28083G01		BRAKE COMPENSATOR BUMPER.....	2
25	624690		BRAKE CABLE, 37.06" (DRIVER SIDE).....	1
26	624703		BRAKE CABLE, 52.81" (PASSENGER SIDE).....	1
27				
28	01111G01		RETAINING RING (SS), 13/32".....	4
29				

BRAKES - MECHANICAL

THE USE OF NON U.L. PARTS WILL VOID ANY U.L. LISTING.

When ordering parts, please specify the model and serial number of the product.

* Indicates a component that is not available as an individual part.

G** Indicates consult Customer Service Department for additional information.

ITEM	PART NO.	1 2 3 4 5	DESCRIPTION	QTY.
30	10386G3		CLEVIS PIN, 5/16" X 13/16" LG	3
31	10387G3		COTTER PIN, 3/32" X 3/4" LG	3
32				
33				
34	70601G01		KICK-OFF LINK.....	1
35	17838G1		NYLON BUSHING.....	2
36	20835G1		TEFLON WASHER, 3/8"	2
37	00559G8		FLAT WASHER, 5/16"	2
38	10387G3		COTTER PIN, 3/32" X 3/4" LG	2
39	70098G01		KICK-OFF CAM PIVOT	1
40	10097G6		FLANGED BEARING	2
41	70587G01		KICK-OFF CAM, PARK BRAKE	1
42	71215G01		SETSCREW, 1/4" - 20 X 1/2" LG	2
43	14134G4		SPACER, 1.25" LG	1
44				
45	70113G01		ADJUSTABLE BUMPER	1
46	11027G1		LOCK NUT, 5/16" - 18	1
47				
48	70080G02		CATCH BRACKET	1
49	00414G6		HEX HEAD BOLT, 1/4" - 20 X 3/4" LG	2
50	14390G4		LOCK NUT (SS), 1/4" - 20.....	2
51				
52				
53	612211		BRAKE ASSEMBLY (DRIVER SIDE) (INCLUDES ITEMS 55 - 60, 63)	1
54	612189		BRAKE ASSEMBLY (PASSENGER SIDE) (INCLUDES ITEMS 55 - 60, 64)..	1
55	612411		BRAKE SHOE, L.....	1
56	612412		BRAKE SHOE, T	1
57	612413		DUST COVER	1
58	612415		BRAKE SPRING, BOTTOM.....	1
59	612414		BRAKE SPRING, TOP	1

BRAKES - MECHANICAL

THE USE OF NON U.L. PARTS WILL VOID ANY U.L. LISTING.

When ordering parts, please specify the model and serial number of the product.

* Indicates a component that is not available as an individual part.

G** Indicates consult Customer Service Department for additional information.

ITEM	PART NO.	1 2 3 4 5	DESCRIPTION	QTY.
60	612416		SHOE CLAMP	2
61				
62				
63	612418		GEAR ADJUSTER (DRIVER SIDE).....	1
64	612417		GEAR ADJUSTER (PASSENGER SIDE)	1
65				
66				
67	17083G2		HEX HEAD BOLT, 5/16" - 24 X 1" LG	8
68	15126G1		LOCK NUT, 5/16" - 24	8
69	21809G1		FLAT WASHER, 1.312" O.D X 0.979" I.D	2
70				
71	21807G2		BRAKE DRUM ASSEMBLY (INCLUDES ITEMS 72 & 73).....	2
72	20947G1		BRAKE DRUM	1
73	19862G2		LUG BOLT, 1/2" - 20 X 1 3/16" LG	4
74				
75				
76	606945		FLAT WASHER, BRAKE DRUM	2
77	606403		CASTELLATED NUT, M22 X 1.5.....	2
78	10387G1		COTTER PIN, 1/8" X 1 1/2" LG	2
79				
80	608200		BRAKE CABLE BRACKET (PASSENGER SIDE).....	1
81	608201		BRAKE CABLE BRACKET (DRIVER SIDE)	1
82				
83	70690G02		BRAKE PEDAL ASSEMBLY (WITH BRAKE LIGHTS) (INCLUDES ITEMS 84 - 110)	1
84	70686G02		BRAKE PEDAL	1
85	641748		PARK BRAKE PEDAL.....	1
86				
87	70257G01		SERVICE BRAKE PAD	1
88	70256G01		PARK BRAKE PAD	1

BRAKES - MECHANICAL

THE USE OF NON U.L. PARTS WILL VOID ANY U.L. LISTING.

When ordering parts, please specify the model and serial number of the product.

* Indicates a component that is not available as an individual part.

G** Indicates consult Customer Service Department for additional information.

ITEM	PART NO.	1	2	3	4	5	DESCRIPTION	QTY.
89	16409G1						OVAL RIVET, 3/16" X 7/16" LG	9
90								
91	70258G03						SERVICE BRAKE PEDAL PLATE	1
92	70682G01						PIVOT PIN	1
93	70681G01						TORSION SPRING	2
94	01071G01						PUSHNUT, 5/16"	2
95	00737G8						PHILLIPS FLAT HEAD SCREW, #10 - 24 X 1" LG	4
96	00739G1						RUBBER NUT, #10 - 24	2
97	74535G01						BRAKE PEDAL STANDOFF	2
98	27137G01						CONICAL SPRING	2
99	14390G10						LOCK NUT, #10 - 24	2
100	10606G8						MICRO SWITCH	1
101	00645G2						PHILLIPS PAN HEAD SCREW, #6 - 32 X 1 1/4" LG	2
102	00559G5						FLAT WASHER, #10	2
103	00559G3						FLAT WASHER, #6	4
104	00565G3						LOCK WASHER, #6	2
105	00525G5						HEX NUT, #6 - 32	2
106	13514G1						PHILLIPS PAN HEAD SCREW WITH LOCK WASHER, #6	2
107	00642G8						FLAT WASHER, 5/16"	2
108	14628G1						FASTON TAB	2
109	24605G1						BRAKE LIGHT WIRE HARNESS	1
110	17618G1						NYLON CLAMP	2
111	612558						COMPENSATOR ASSEMBLY (INCLUDES ITEMS 112 - 121)	1
112	00532G4						HEX NUT, 1/4" - 20	2
113	629486						HEX NUT, 5/16" - 24	1
114	28082G01						EQUALIZER BRACKET	1
115	15121G1						FLAT WASHER, 5/16"	2
116	17979G1						ACCELERATOR ROD BUSHING	1
117	23061G2						TUBE	1
118	23463G1						COMPRESSION SPRING	1

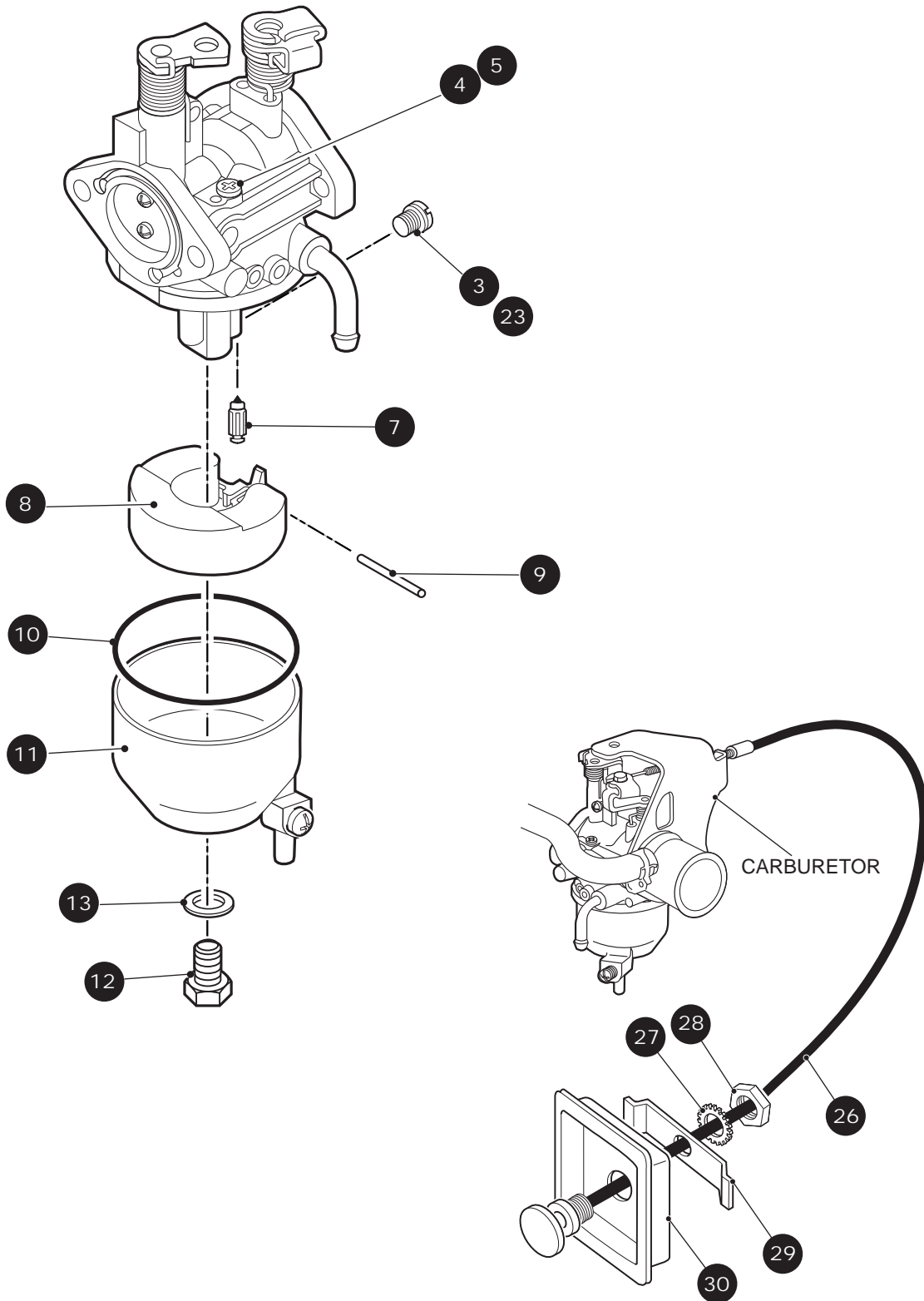
BRAKES - MECHANICAL

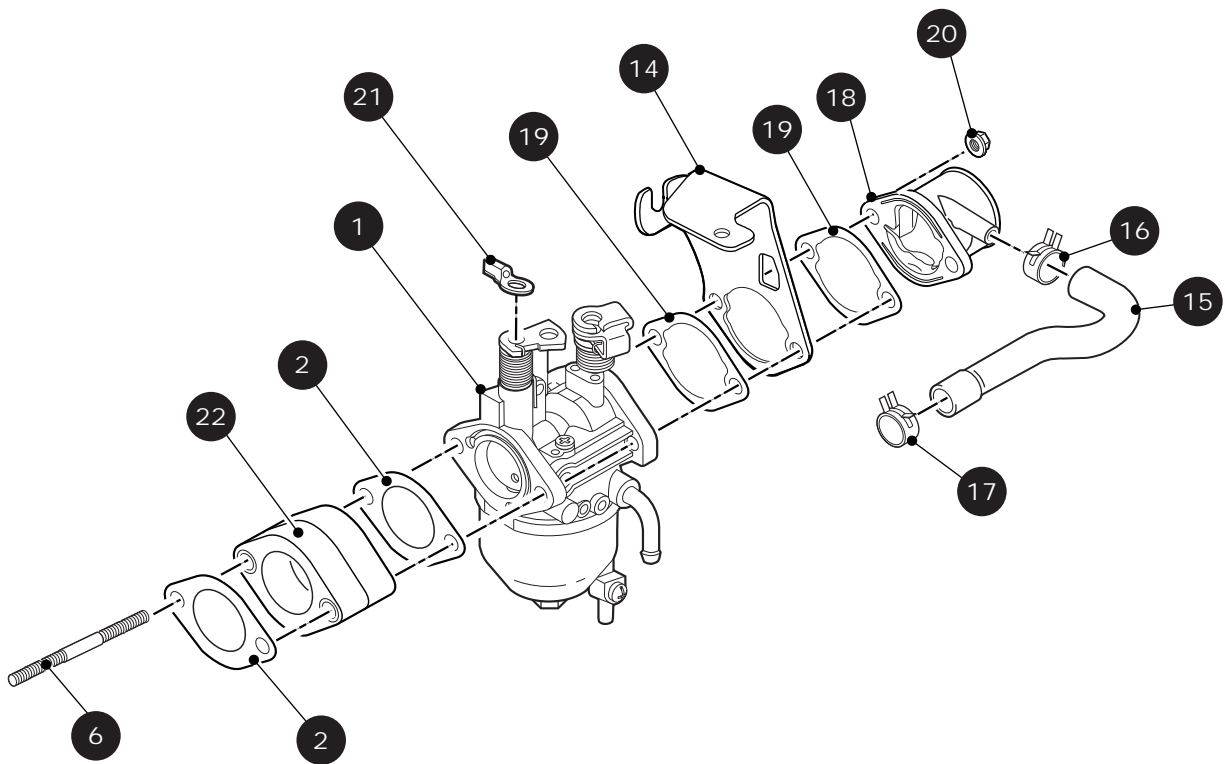
THE USE OF NON U.L. PARTS WILL VOID ANY U.L. LISTING.
 When ordering parts, please specify the model and serial number of the product.
 * Indicates a component that is not available as an individual part.
 G** Indicates consult Customer Service Department for additional information.

ITEM	PART NO.	1	2	3	4	5	DESCRIPTION	QTY.
119	27330G01						BRAKE YOKE	1
120	11098G9						HEX LOCK NUT, 5/16" - 24	1
121	612557						COMPENSATOR ROD LINK	1

CARBURETOR

1 CARBURETOR includes items 2 - 22





CARBURETOR

THE USE OF NON U.L. PARTS WILL VOID ANY U.L. LISTING.

When ordering parts, please specify the model and serial number of the product.

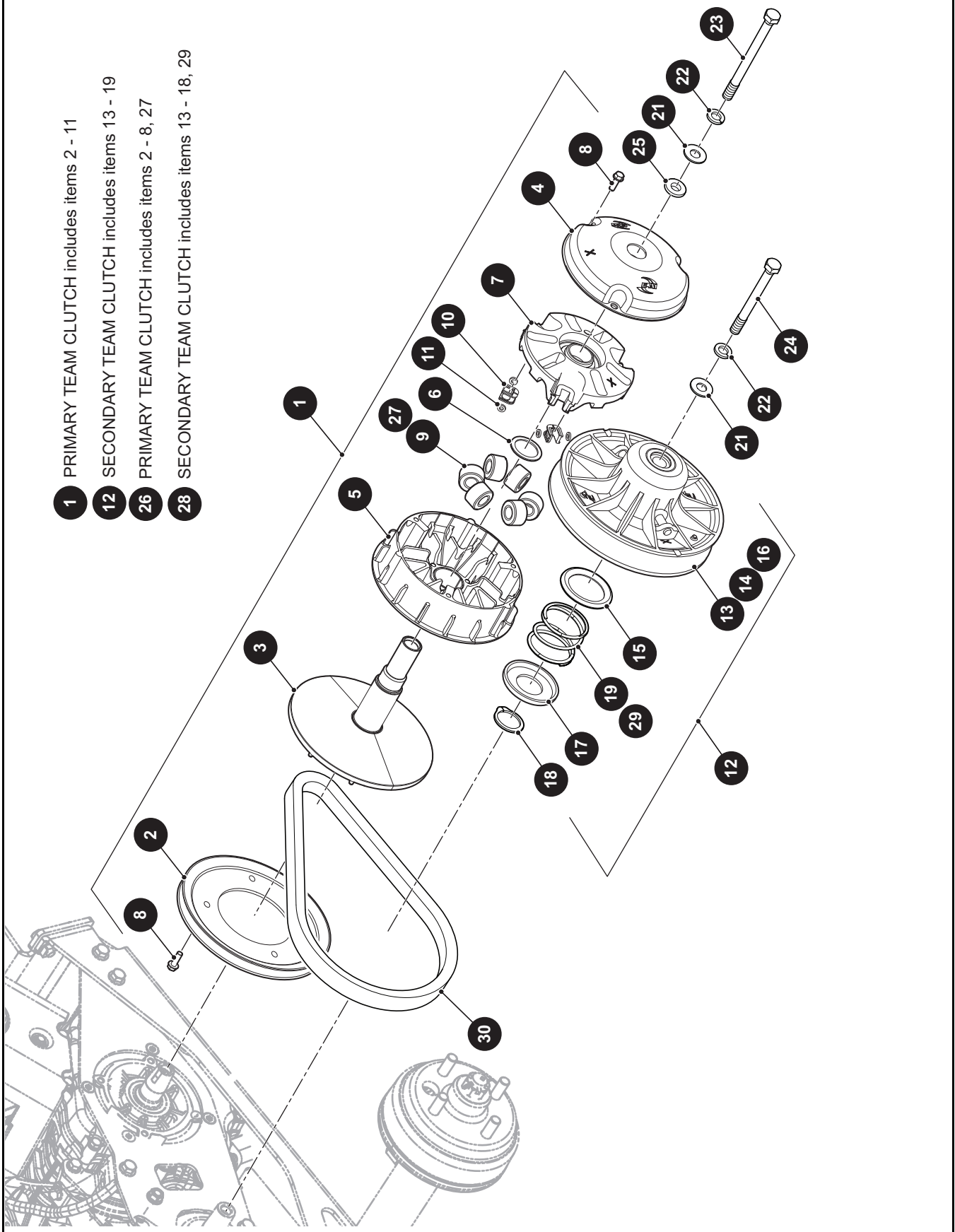
* Indicates a component that is not available as an individual part.

G** Indicates consult Customer Service Department for additional information.

ITEM	PART NO.	1 2 3 4 5	DESCRIPTION	QTY.
1	607954		CARBURETOR (INCLUDES ITEMS 2 - 22).....	1
2	603580		CARBURETOR MOUNT GASKET	2
3	607683		MAIN JET (#104)	1
4	608021		PILOT JET (#44).....	1
5	603585		PLUG	1
6	603584		STUD BOLT	1
7	603586		NEEDLE VALVE	1
8	603587		FLOAT.....	1
9	603588		FLOAT PIN.....	1
10	603589		FLOAT BOWL GASKET	1
11	603590		FLOAT CHAMBER.....	1
12	603592		CHAMBER PLUG	1
13	603591		BOWL GASKET	1
14	603583		CHOKE BRACKET	1
15	603598		BREATHER TUBE	1
16	603596		CLAMP, INTAKE TUBE.....	1
17	603597		CLAMP CYLINDER HEAD TUBE.....	1
18	603594		INTAKE TUBE.....	1
19	603593		CHOKE GASKET.....	2
20	603595		HEX NUT, M6 X 1.0	2
21	608023		THROTTLE ROD ATTACHMENT BUSHING.....	1
22	603581		CARBURETOR INSULATOR	1
23	607684		MAIN JET (#102) (FOR ELEVATIONS OF 3000 FT - 6000 FT).....	1
24	607682		LABEL, HIGH ALTITUDE JET, 6000 FT (NOT ILLUSTRATED).....	1
25	607681		LABEL, HIGH ALTITUDE JET, 3000 FT - 6000 FT (NOT ILLUSTRATED)	1
26	605868		CHOKE CABLE (SWB)	1
27	00568G4		LOCK WASHER, 9/16"	1
28	00545G4		JAM NUT, 9/16 " - 18.....	1
29	72155G01		RETAINER	1
30	72154G01		CHOKE CABLE ADAPTER.....	1

CLUTCH

- 1 PRIMARY TEAM CLUTCH includes items 2 - 11
- 12 SECONDARY TEAM CLUTCH includes items 13 - 19
- 26 PRIMARY TEAM CLUTCH includes items 2 - 8, 27
- 28 SECONDARY TEAM CLUTCH includes items 13 - 18, 29



Where applicable, THE USE OF NON UL PARTS WILL VOID ANY UL LISTING.

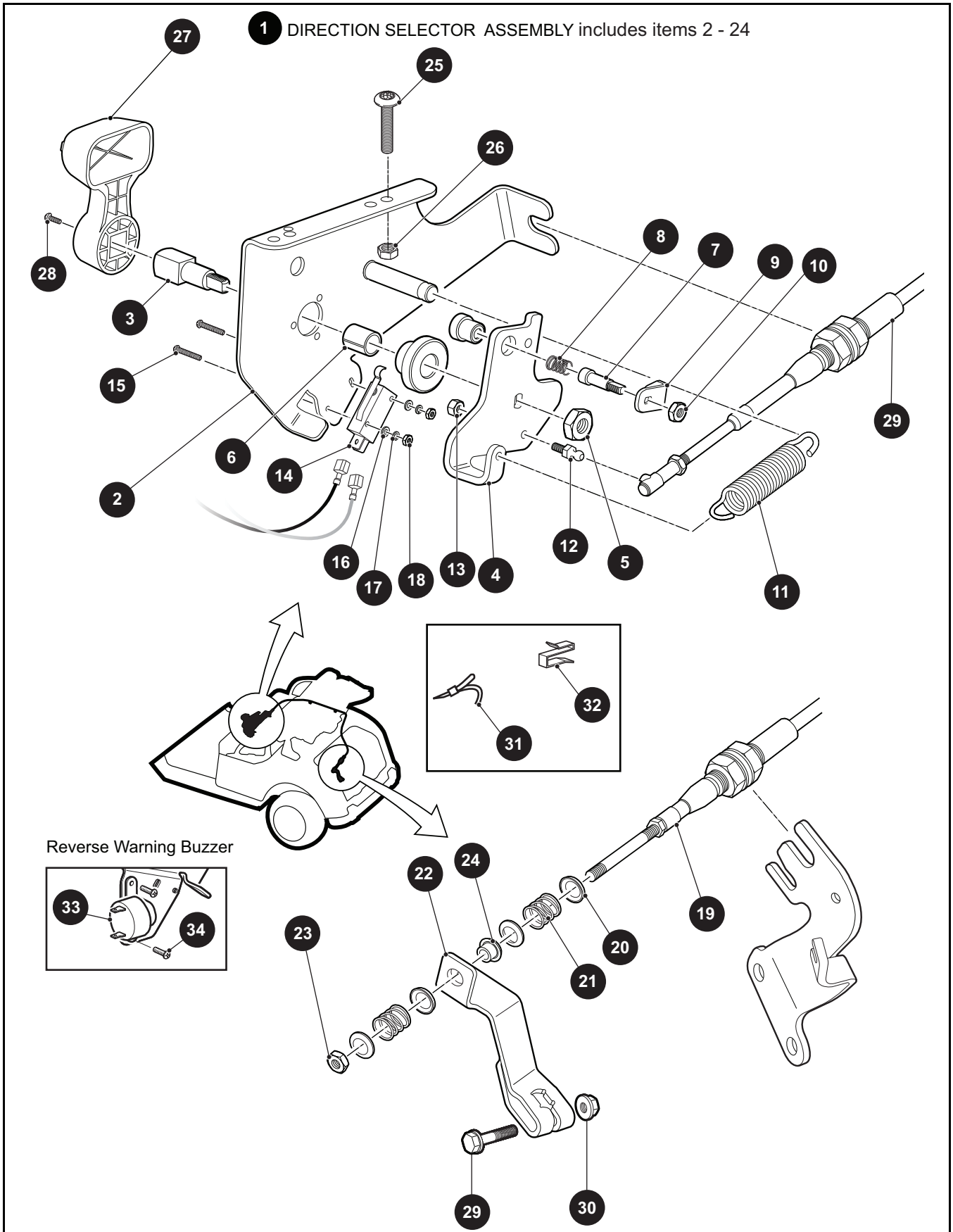
When ordering parts, please specify the model and serial number of the product.

* Indicates a component that is not available as an individual part.

G** Indicates consult Customer Service Department for additional information.

ITEM	PART NO.	1 2 3 4 5	DESCRIPTION	QTY.
1	644299		PRIMARY TEAM CLUTCH (Includes items 2 - 11)	1
2	619333		PRIMARY STARTER PULLY, 195 - SVC	1
3	619334		STATIONARY ASSEMBLY	1
4	619339		PRIMARY DUST COVER ASSEMBLY	1
5	619335		MOVEABLE PRIMARY ASSEMBLY	1
6	619337		SHIM, 39.5 MM X 31.75 MM.....	1
7	644303		PRIMARY SPIDER ASSEMBLY	1
8	619332		HEX TAP BOLT, 1/4" - 20 X 0.75" LG	7
9	619336		SHIFT ROLLER ASSEMBLY	6
10	644305		BUTTON	6
11	644306		PLUG	6
12	644300		SECONDARY TEAM CLUTCH (Includes items 13 - 19).....	1
13	*		SECONDARY STATIONARY, 9.5	1
14	*		MOVEABLE SECONDARY, 9.5	1
15	619327		INNER RETAINER SPRING	1
16	619331		THRUST WASHER, 1.530X 1.830 X 1	1
17	619329		OUTER SPRING RETAINER.....	1
18	619330		RETAINER RING	1
19	644304		COMPRESSION SPRING, 2.70 O.D	1
20				
21	606239		CONICAL WASHER, M12.....	2
22	00566G3		SPRING TYPE LOCK WASHER.....	2
23	606245		HEX HEAD BOLT, M12 - 1.25 X 160 MM LG	1
24	606243		HEX HEAD BOLT, M12 - 1.25 X 120 MM LG	1
25	606230		CLUTCH WASHER, 13.06 MM DIA	1
26	623948		PRIMARY TEAM CLUTCH (Includes items 2 - 8, 27)	1
27	624112		SHIFT ROLLER ASSEMBLY	6
28	623949		SECONDARY TEAM CLUTCH (Includes items 13 - 18, 29).....	1
29	624111		COMPRESSION SPRING, 2.70 O.D.....	1
30	618630		BELT DRIVE.....	1

DIRECTION SELECTOR



DIRECTION SELECTOR

Where applicable, THE USE OF NON UL PARTS WILL VOID ANY UL LISTING.

When ordering parts, please specify the model and serial number of the product.

* Indicates a component that is not available as an individual part.

G** Indicates consult Customer Service Department for additional information.

ITEM	PART NO.	1 2 3 4 5	DESCRIPTION	QTY.
1	603416		DIRECTION SELECTOR ASSEMBLY (INCLUDES ITEMS 2 - 24)	1
2	606077		DIRECTION SELECTOR BRACKET	1
3	70233G01		DIRECTION SELECTOR SHAFT	1
4	603700		DIRECTION SELECTOR CAM	1
5	14390G1		LOCK NUT, 3/8" - 24.....	1
6	25664G2		BUSHING, 1/2" X .75" LG	1
7	72724G01		NEUTRAL LOCK PIN	1
8	72733G01		COMPRESSION SPRING, 3/8" X 5/8" LG	1
9	72729G01		NEUTRAL LOCK LATCH	1
10	00734G2		LOCK NUT, 1/4" - 28.....	1
11	28574G01		EXTENSION SPRING	1
12	72732G01		BALL STUD, 1/4"	1
13	00734G5		LOCK NUT, 1/4" - 28.....	1
14	72736G01		MICRO SWITCH.....	1
15	01062G01		SLOTTED MACHINED SCREW, #4 - 40 X 1" LG	2
16	00559G1		FLAT WASHER, #4.....	2
17	00565G1		LOCK WASHER, #4 - 5/16	2
18	00526G2		HEX NUT, #4 - 40	2
19	603615		PUSH/PULL CABLE	1
20	25727G01		CUP WASHER, 1/4"	4
21	72735G01		COMPRESSION SPRING, 19/32" X 1" LG	2
22	606014		PIVOT BRACKET WITH BUSHING.....	1
23	00734G5		LOCK NUT, #10 - 32	1
24	22754G4		FLIP LOK BUSHING, .25"	1
25	70227G01		SOCKET HEAD SCREW, 1/4" - 20 X 7/8" LG	2
26	11027G2		LOCK NUT, 1/4" - 20	2
27	71205G01		DIRECTION SELECTOR HANDLE.....	1
28	00740G4		TRUSS HEAD PHILLIPS SCREW (SS), #10 - 32 X 1/2" LG	1
29	606421		HEX HEAD BOLT, M6 - 1 X 30MM LG	1
30	450452		HEX NUT, M6 - 1	1

DIRECTION SELECTOR

Where applicable, THE USE OF NON UL PARTS WILL VOID ANY UL LISTING.

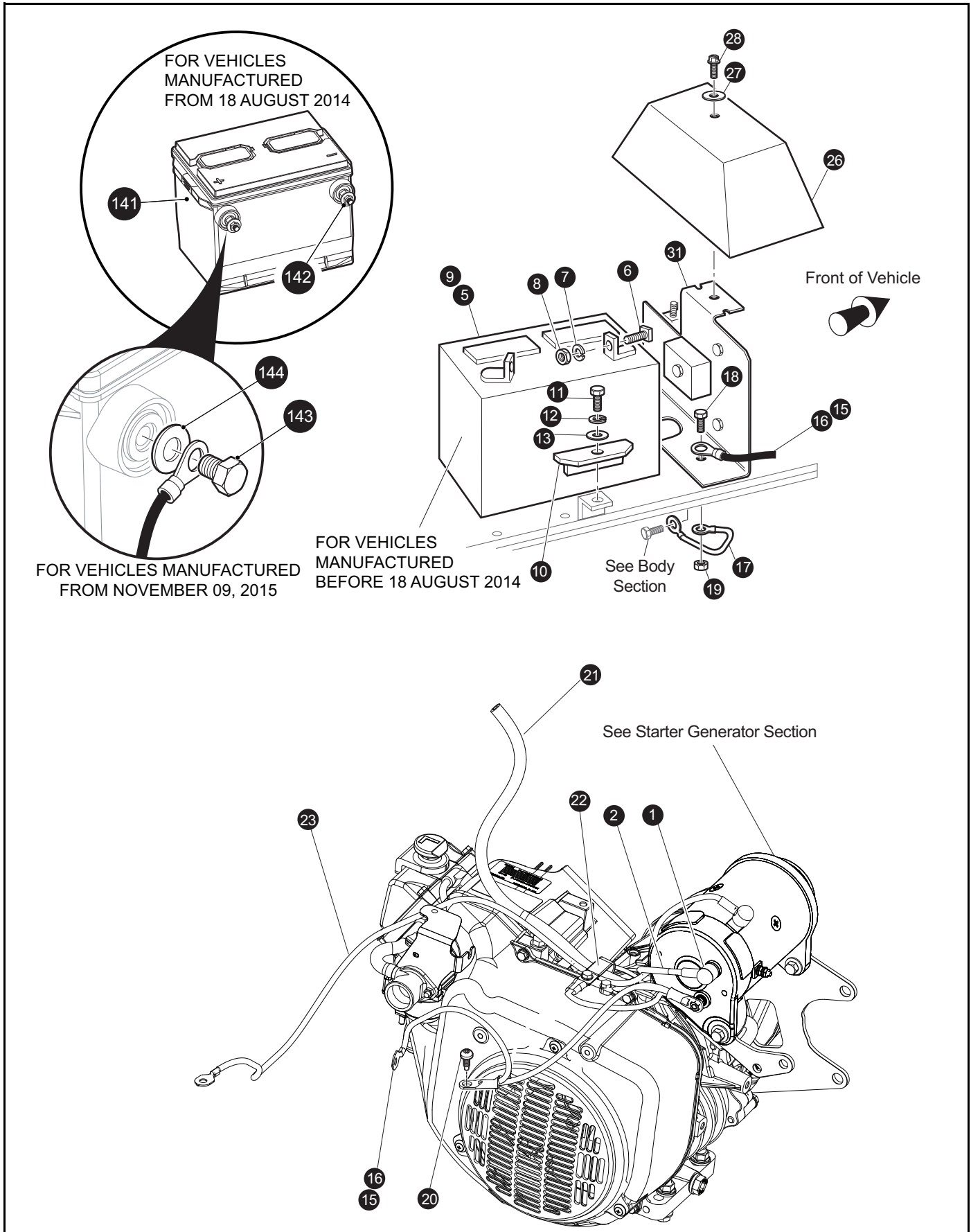
When ordering parts, please specify the model and serial number of the product.

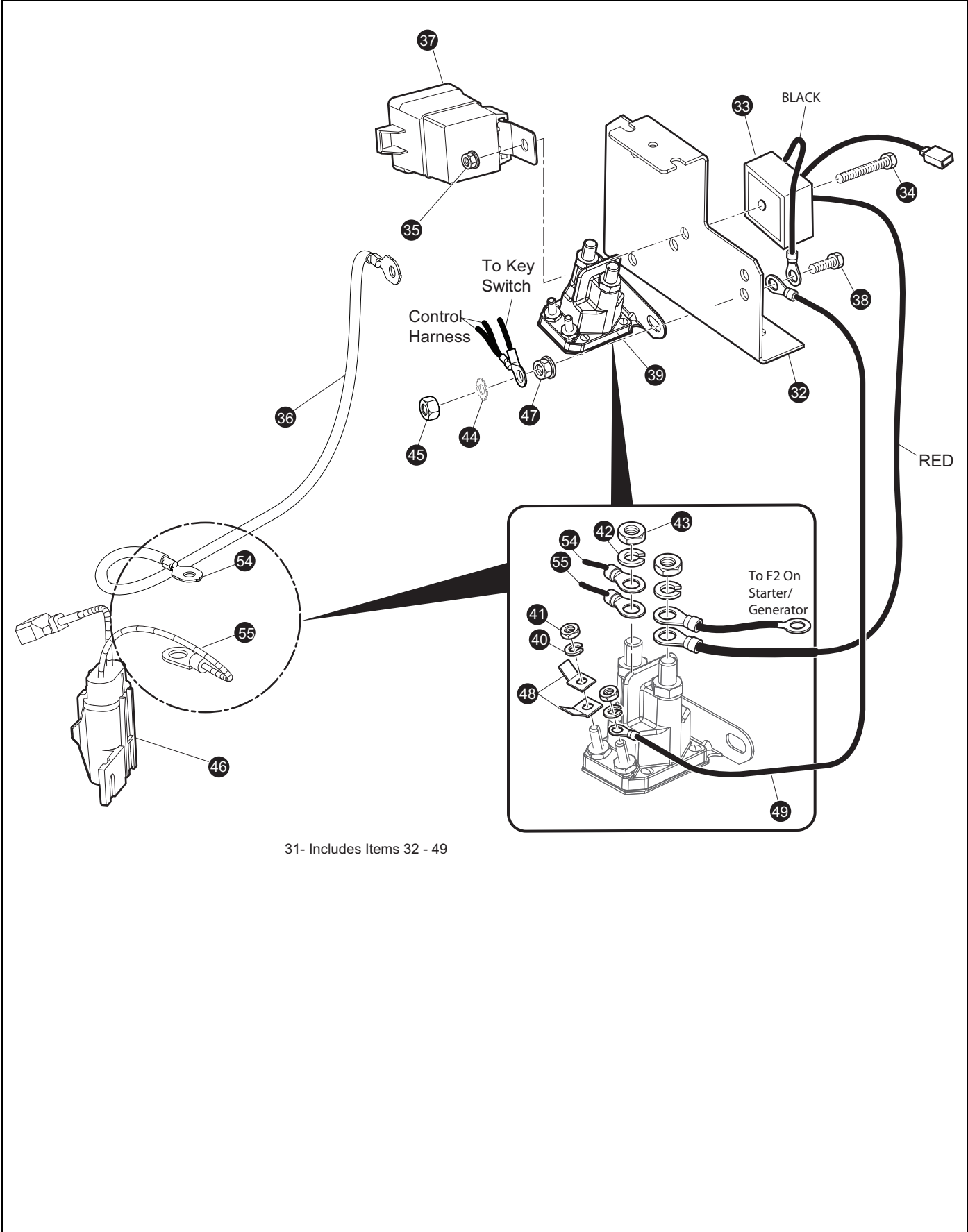
* Indicates a component that is not available as an individual part.

G** Indicates consult Customer Service Department for additional information.

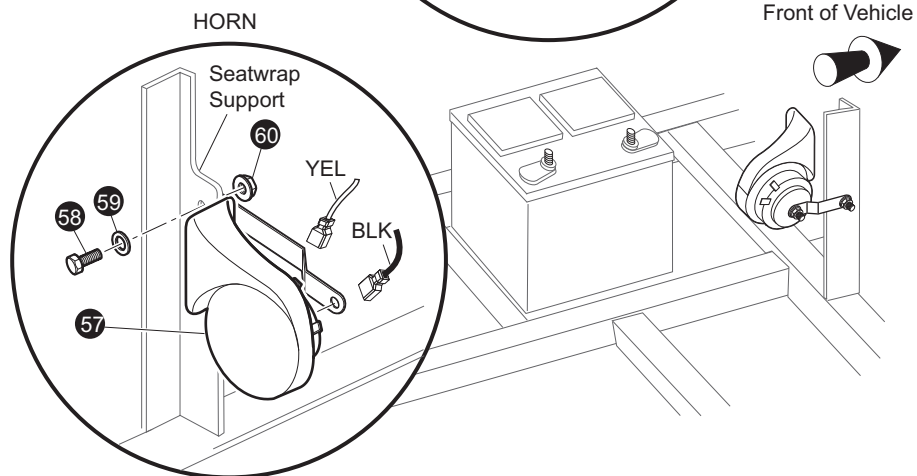
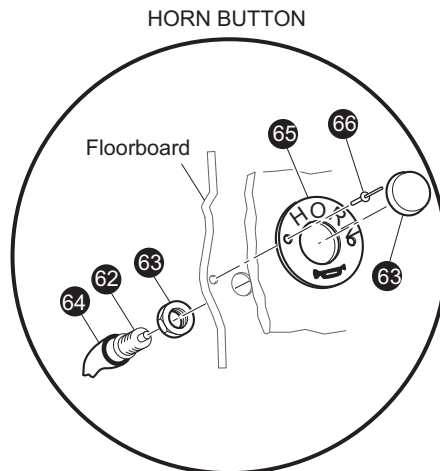
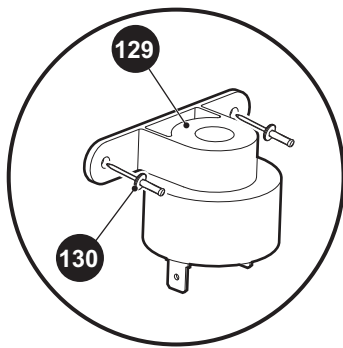
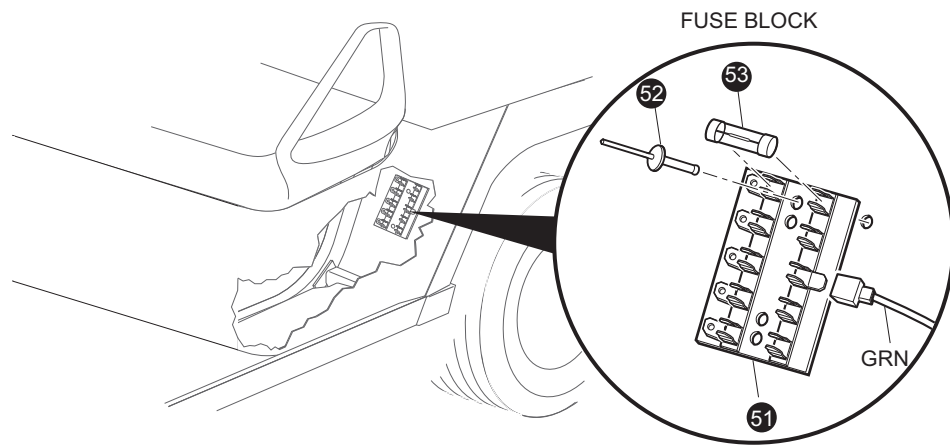
ITEM	PART NO.	1 2 3 4 5	DESCRIPTION	QTY.
31	31539G1		WIRE TIE	1
32	01072G01		CABLE CLIP.....	1
33	73290G03		REVERSE WARNING BUZZER.....	1
34	01063G01		TAPTITE THREAD SCREW, #6 - 32 X 3/8" LG	2
35	25978G345		18 GA WIRE (RED) (NOT ILLUSTRATED), 7" LG.....	1

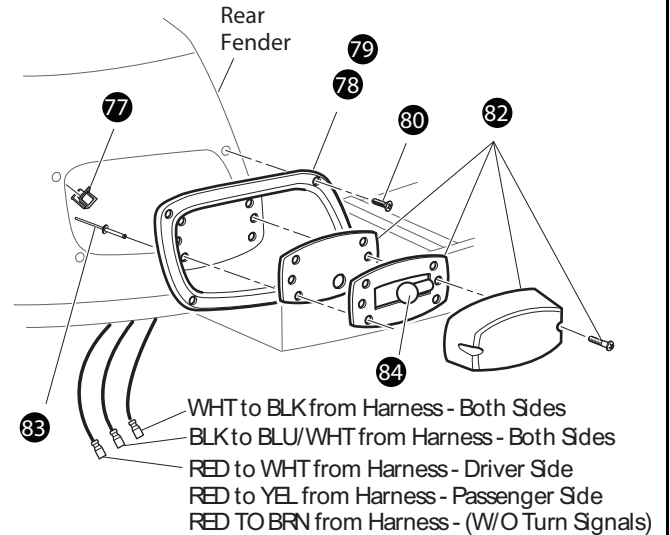
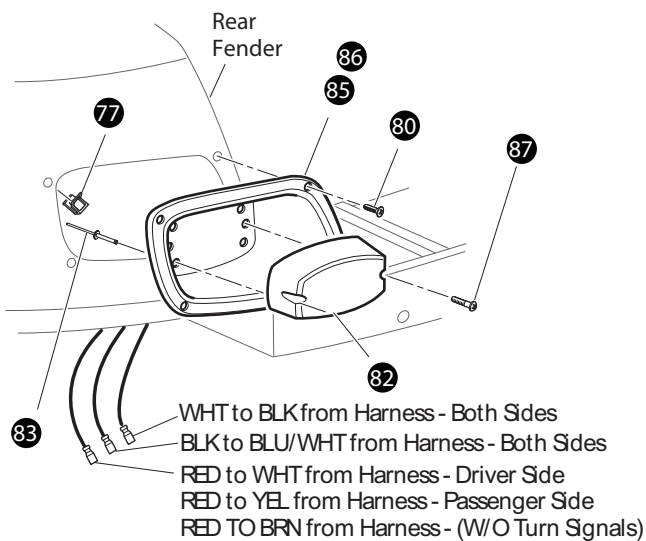
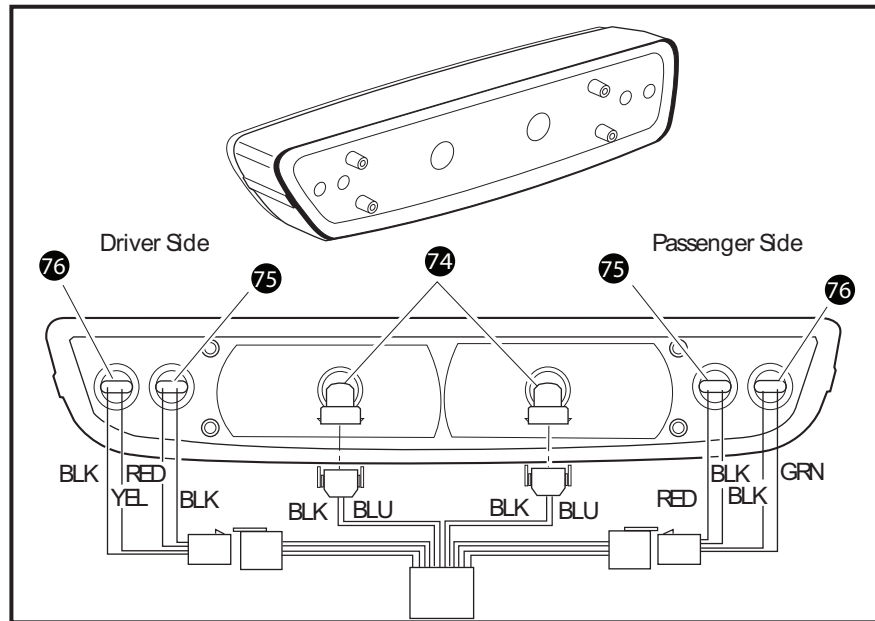
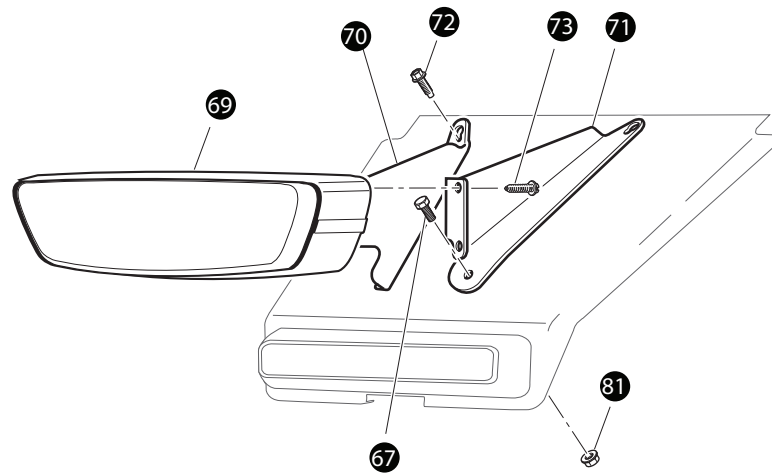
ELECTRICAL SYSTEM



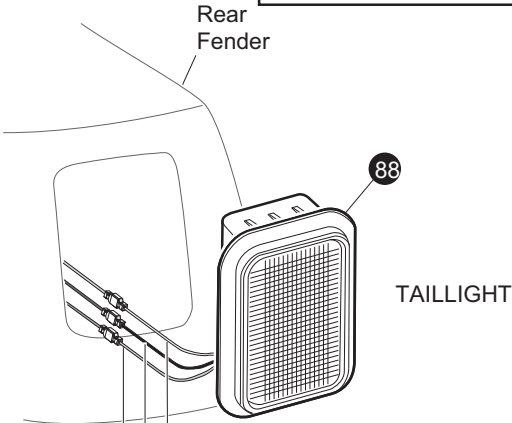
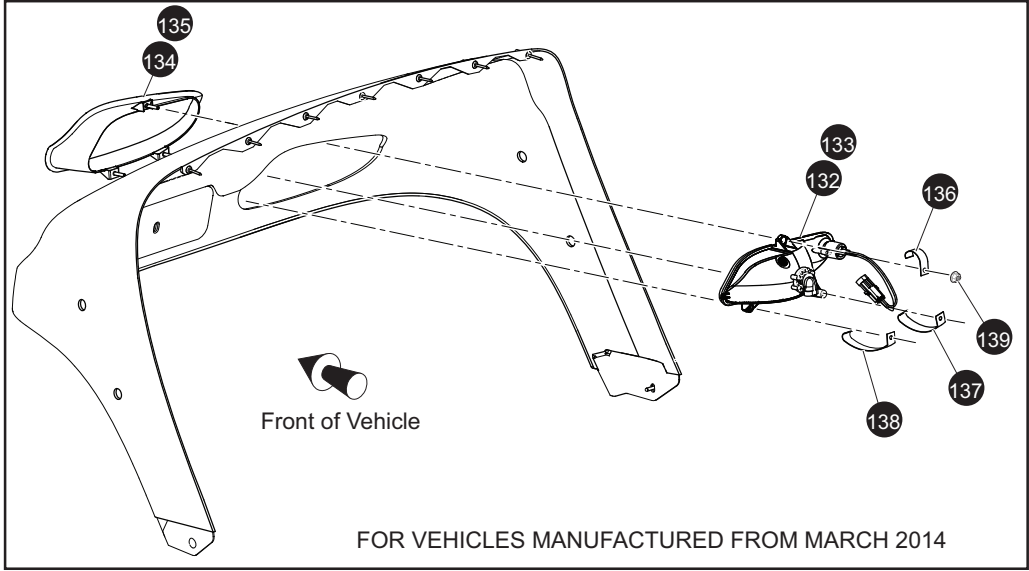


31- Includes Items 32 - 49



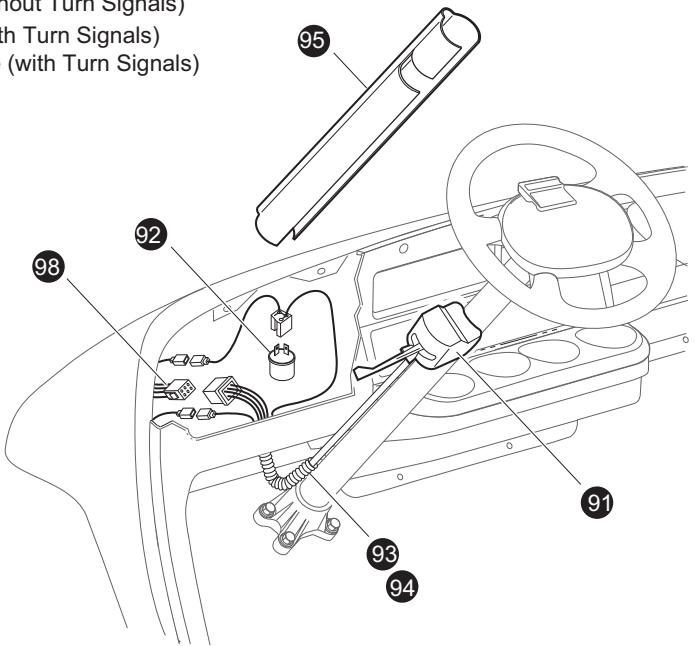


ELECTRICAL SYSTEM

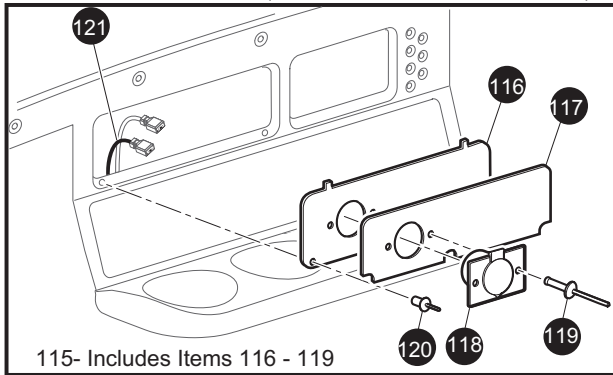


- WHT to BLU/WHT from Harness - Both Sides
- BLK to BLK from Harness - Both Sides
- RED to BRN from Harness - Both Sides (without Turn Signals)
- RED to WHT from Harness - Driver Side (with Turn Signals)
- RED to YEL from Harness - Passenger Side (with Turn Signals)

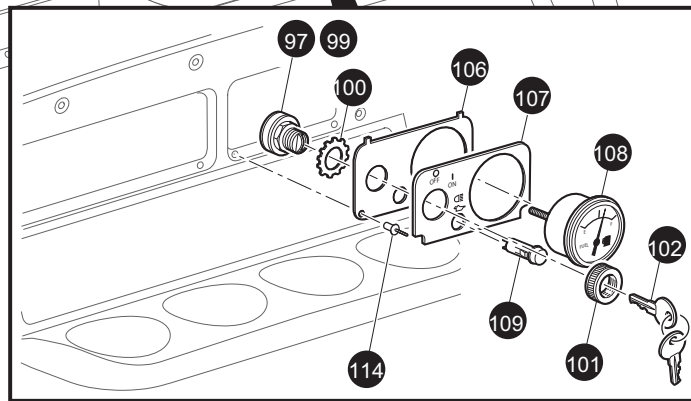
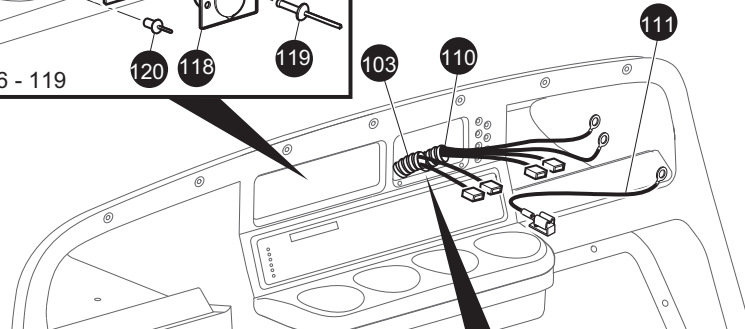
TURN SIGNAL
90 - Includes Items 91 - 95



CONSOLE INSERT PLATE (WITH POWER OUTLET SHOWN)

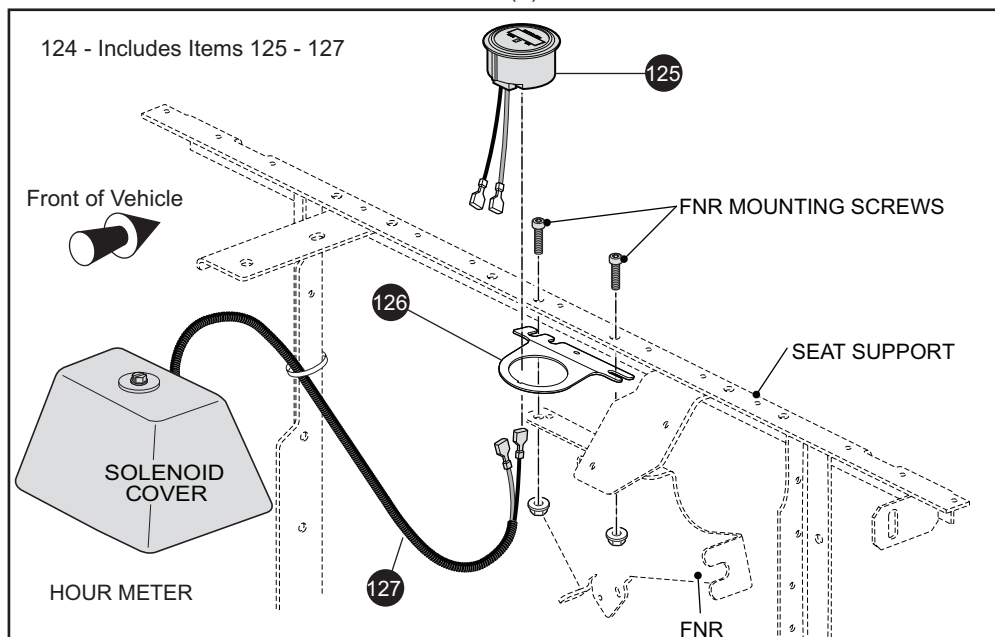


115- Includes Items 116 - 119



KEY SWITCH, INDICATOR LIGHT(S), AND FUEL GAUGE

Front of Vehicle



124 - Includes Items 125 - 127

Front of Vehicle



SOLENOID COVER

HOUR METER

FNR

ELECTRICAL SYSTEM

When ordering parts, please specify the model and serial number of the product.

* Indicates a component that is not available as an individual part.

*** Indicates consult Customer Service Department for additional information.

ITEM	PART NO.	1 2 3 4 5	DESCRIPTION	QTY.
1	607053		6 GA WIRE (BLACK 6", F1 - A2)	1
2	25682G01		TERMINAL COVER.....	3
3				
4				
5	24775G1		BATTERY, 12V (FOR VEHICLES MANUFACTURED BEFORE 18 AUGUST 2014)	1
6	*		BOLT, 5/16" - 18 X 1 1/4" LG	2
7	*		LOCK WASHER (SILICON BRONZE), 5/16".....	2
8	*		NUT (SILICON BRONZE), 5/16" - 18.....	2
9	600497		HEAVY DUTY BATTERY, 12 V.....	1
10	72101G02		BATTERY HOLD DOWN	1
11	00438G6		HEX HEAD BOLT, 5/16" - 18 X 3/4" LG.....	3
12	00565G8		LOCK WASHER, 5/16"	1
13	00571G2		FLAT WASHER (SS), 5/16"	1
14				
15	645191		GROUND CABLE (FOR VEHICLES MANUFACTURED FROM NOVEMBER 09, 2015)	1
16	27044G03		GROUND CABLE.....	1
17	25976G19		14 GA WIRE (BLACK 6").....	1
18	00438G6		HEX HEAD BOLT, 5/16" - 18 X 3/4" LG.....	2
19	11027G1		LOCK NUT, 5/16" - 18	2
20	26676G01		FLANGED BOLT, M6 X 1 X 23 MM	1
21	27184G12		FUEL TUBE	1
22				
23	607103		6 GA WIRE (42" LONG)	1
24	605560		WIRE HARNESS (CONTROL).....	1
25	17618G1		WIRE TIE (NOT ILLUSTRATED).....	AR
26	73049G01		COVER FNR	1
27	16469G1		FENDER WASHER, 1/4"	1
28	00114G6		HEX WASHER HEAD TAPPING SCREW, 1/4" - 14 X 3/4" LG	1
29				
30				

ELECTRICAL SYSTEM

When ordering parts, please specify the model and serial number of the product.

* Indicates a component that is not available as an individual part.

*** Indicates consult Customer Service Department for additional information.

ITEM	PART NO.	1 2 3 4 5	DESCRIPTION	QTY.
31	605563		ELECTRICAL PLATE ASSEMBLY (INCLUDES ITEMS 32 - 49)	1
32	73057G01		BRACKET	1
33	27739G01		VOLTAGE REGULATOR	1
34	00415G4		HEX HEAD BOLT, 1/4" - 20 X 1 1/4" LG	1
35	11027G2		LOCK NUT, 1/4" - 20	1
36	25972G33		WIRE ASSEMBLY 6 GA	1
37	603282		RELAY	1
38	00661G8		HEX HEAD BOLT (SS), 1/4" - 20 X 1" LG	1
39	612813		SOLENOID	1
40	*		LOCK WASHER, #10	2
41	*		NUT, #10 - 32	2
42	*		LOCK WASHER, 5/16"	2
43	*		NUT, 5/16" - 24	2
44	00567G7		LOCK WASHER (EXTERNAL TOOTH TYPE), 1/4"	1
45	00532G1		HEX NUT, 1/4" - 20	1
46	600418G01		FUSE HOLDER ASSEMBLY	1
47	11027G2		LOCK NUT, 1/4" - 20	1
48	73446G01		FASTON TAB, 90°	2
49	25978G56		18 GA WIRE (BLACK 5 3/4")	1
50	00439G1		HEX HEAD BOLT, 5/16" - 18 X 1 1/8" LG (NOT ILLUSTRATED)	1
51	22674G1		FUSE BLOCK	1
52	01041G01		RIVET, 1/8" X 13/16" LG	2
53	18392G1		15 AMP FUSE	3
54	25972G33		#6 GA WIRE ASSEMBLY	1
55	20216G1		16 GA WIRE (RED)	1
56	75048G01		SPACER, .328" X .75" X .50" (NOT ILLUSTRATED)	1
57	32860G1		HORN	1
58	00414G5		HEX HEAD BOLT (SS), 1/4" - 20 x 5/8" LG	1
59	00559G7		FLAT WASHER (SS), 1/4"	1
60	14390G4		LOCK NUT, 1/4" - 20	1
61	11098G6		LOCK NUT, 5/16" - 18 (NOT ILLUSTRATED)	1

ELECTRICAL SYSTEM

When ordering parts, please specify the model and serial number of the product.

* Indicates a component that is not available as an individual part.

*** Indicates consult Customer Service Department for additional information.

ITEM	PART NO.	1 2 3 4 5	DESCRIPTION	QTY.
62	17318G1		HORN SWITCH.....	1
63	17318G2		HORN SWITCH CAP AND NUT.....	1
64	27068G01		HORN SWITCH BOOT.....	1
65	19233G1		HORN SWITCH LABEL.....	1
66	71055G01		ALUMINUM RIVET, 3/16" X 1" LG	2
67	00414G6		HEX HEAD BOLT, 1/4" - 20 x 3/4 " LG	2
68	610428		BATTERY BOLT EXTENDER (NOT ILLUSTRATED).....	2
69	74001G01		HEADLIGHT AND TURN SIGNAL LIGHT	1
70	74236G03		HEADLIGHT MOUNT BRACKET (PASSENGER SIDE)	1
71	74236G04		HEADLIGHT MOUNT BRACKET (DRIVER SIDE).....	1
72	01038G01		HEX WASHER HEAD BOLT, 1/4" - 20 X 11/16" LG	2
73	00114G6		HEX WASHER HEAD TAPPING SCREW, 1/4" - 14 X 3/4" LG	4
74	74004G01		HEADLIGHT BULB.....	AR
75	74005G01		MARKER LIGHT BULB	AR
76	74006G01		TURN SIGNAL BULB	AR
77	71364G02		"J" CLIP (SHUTTLE 4/6).....	8
78	74371G01		BEZEL (DRIVER SIDE) (SHUTTLE 4/6)	1
79	74371G02		BEZEL (PASSENGER SIDE) (SHUTTLE 4/6).....	1
80	71425G01		COUNTERSUNK SCREW, #8 (SHUTTLE 4/6).....	8
81	11027G2		LOCT NUT, 1/4" - 20.....	2
82	22288G1		BRAKE / TAILLIGHT LAMP (SHUTTLE 4/6)	1
83	14601G11		ALUMINUM RIVET, 3/16" X 9/16" LG	4
84	21759G1		TAILLIGHT BULB	AR
85	625251		BEZEL (DRIVER SIDE) (FOR VEHICLES MANUFACTURED FROM MARCH 2014)	1
86	625252		BEZEL (PASSENGER SIDE) (FOR VEHICLES MANUFACTURED FROM MARCH 2014)	1
87	00513G4		PHILLIPS HEAD SCREW, #8 - 18 X 1 1/2" LG (FOR VEHICLES MANUFACTURED FROM MARCH 2014)	4
88	32739G2		TAILLIGHT ASSEMBLY (SHUTTLE 2) (COMPLETE).....	2
89				

ELECTRICAL SYSTEM

When ordering parts, please specify the model and serial number of the product.

* Indicates a component that is not available as an individual part.

*** Indicates consult Customer Service Department for additional information.

ITEM	PART NO.	1 2 3 4 5	DESCRIPTION	QTY.
90	75107G02		TURN SIGNAL KIT (INCLUDES ITEMS 91 - 95).....	1
91	17867G1		TURN SIGNAL (WITH MOUNTING HARDWARE) (INCLUDES ITEM 106)	1
92	21640G1		TURN SIGNAL FLASHER	1
93	32307G3		FLEX ZIP LOOM, 3/8 X 8" LG	1
94	17618G1		WIRE TIE.....	2
95	20965G3		STEERING COLUMN COVER.....	1
96				
97	33639G01		IGNITION SWITCH (FLEET KEYED)	1
98	606045		WIRE HARNESS (ACCESSORY)	1
99	33639G03		IGNITION SWITCH (WITH LIGHTS, INDIVIDUALLY KEYED).....	1
100	00568G6		LOCK WASHER, 3/4"	1
101	17137G1		FACE NUT, 3/4" - 20	1
102	17063G1		IGNITION KEY.....	1
103	605639		WIRE HARNESS (KEY SWITCH).....	1
104				
105				
106	73030G04		PLATE (FUEL GAUGE AND OIL LIGHT).....	1
107	71131G01		LABEL (OIL LIGHT AND FUEL GAUGE WITH HEADLIGHTS).....	1
108	21553G1		FUEL GAUGE	1
109	23474G1		INDICATOR LIGHT	1
110	74311G01		HARNESS (OIL LIGHT/FUEL GAUGE)	1
111	25978G122		18 GA WIRE (RED 6")	1
112				
113				
114	33623G02		DRIVE RIVET, 3/16" X 3/8" LG	2
115	74693G01		CONSOLE INSERT ASSEMBLY (INCLUDES ITEMS 116 - 119)	1
116	73522G03		CONSOLE INSERT PLATE.....	1
117	35962G01		LABEL (CONSOLE INSERT PLATE)	1
118	71078G01		POWER OUTLET (12 VOLT)	1
119	14601G10		ALUMINUM RIVET, 3/16" X 7/16" LG	2
120	33623G02		DRIVE RIVET, 3/16" X 3/8" LG	3

ELECTRICAL SYSTEM

When ordering parts, please specify the model and serial number of the product.

* Indicates a component that is not available as an individual part.

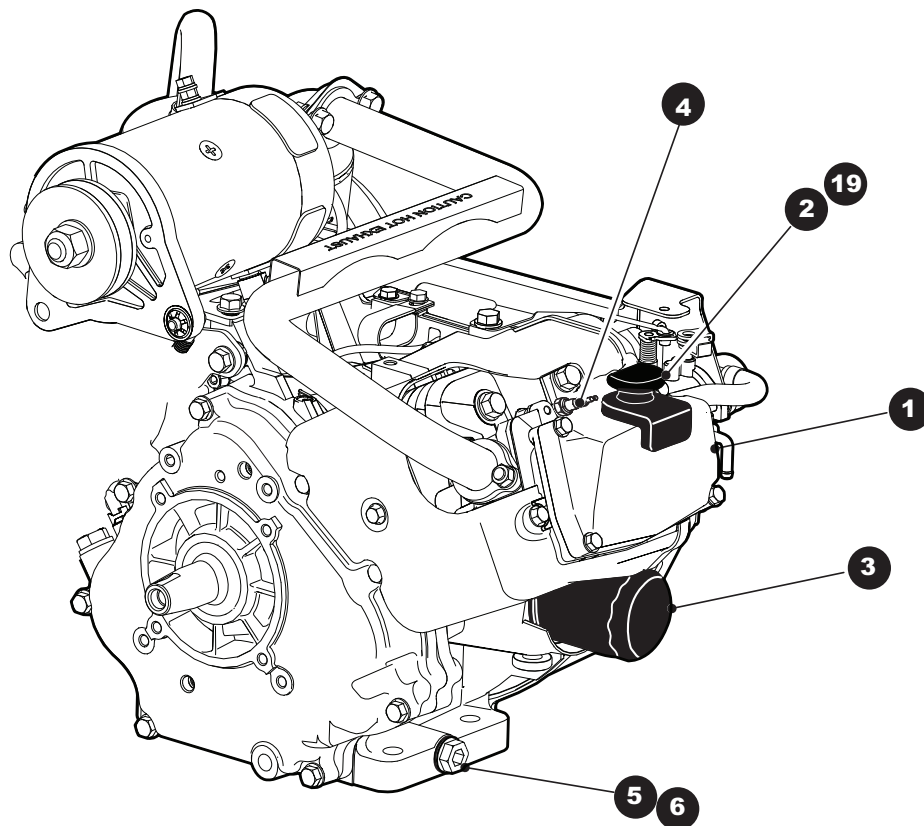
*** Indicates consult Customer Service Department for additional information.

ITEM	PART NO.	1 2 3 4 5	DESCRIPTION	QTY.
121	71081G01		WIRE HARNESS (POWER OUTLET).....	1
122				
123				
124	607285		HOUR METER KIT (INCLUDES ITEMS 125 - 127)	1
125	617074		HOUR METER.....	1
126	635649		HOUR METER BRACKET	1
127	606254		WIRE HARNESS (HOUR METER).....	1
128	31539G1		NYLON CLAMP 15.5" (NOT ILLUSTRATED).....	AR
129	73290G03		CONTINUOUS TONE POTTED BUZZER.....	1
130	01041G01		BULBEX RIVET, 5/32" DIA	2
131				
132	602928		HEADLAMP ASSEMBLY (DRIVER SIDE) (FOR VEHICLES MANUFACTURED FROM MARCH 2014)	1
133	603328		HEADLAMP ASSEMBLY (PASSENGER SIDE) (FOR VEHICLES MANUFACTURED FROM MARCH 2014)	1
134	625280		HEADLAMP BEZEL (DRIVER SIDE) (FOR VEHICLES MANUFACTURED FROM MARCH 2014)	1
135	625281		HEADLAMP BEZEL (PASSENGER SIDE) (FOR VEHICLES MANUFACTURED FROM MARCH 2014)	1
136	626275		HEADLAMP CLIP (FOR VEHICLES MANUFACTURED FROM MARCH 2014)	1
137	626276		HEADLAMP CLIP (FOR VEHICLES MANUFACTURED FROM MARCH 2014)	1
138	626277		HEADLAMP CLIP (FOR VEHICLES MANUFACTURED FROM MARCH 2014)	1
139	71597G01		SELF THREADING NUT, 5 X 10MM (FOR VEHICLES MANUFACTURED FROM MARCH 2014)	6
140				
141	637484		BATTERY, 12V (FOR VEHICLES MANUFACTURED FROM 18 AUGUST 2014).....	1
142	610428		BATTERY BOLT EXTENDER (FOR VEHICLES MANUFACTURED FROM 18 AUGUST 2014)	2
143	651336		BATTERY BOLT (FOR VEHICLES MANUFACTURED FROM NOVEMBER 09, 2015).....	2
144	614221		FLAT WASHER, 3/8" (FOR VEHICLES MANUFACTURED FROM NOVEMBER 09, 2015).....	2

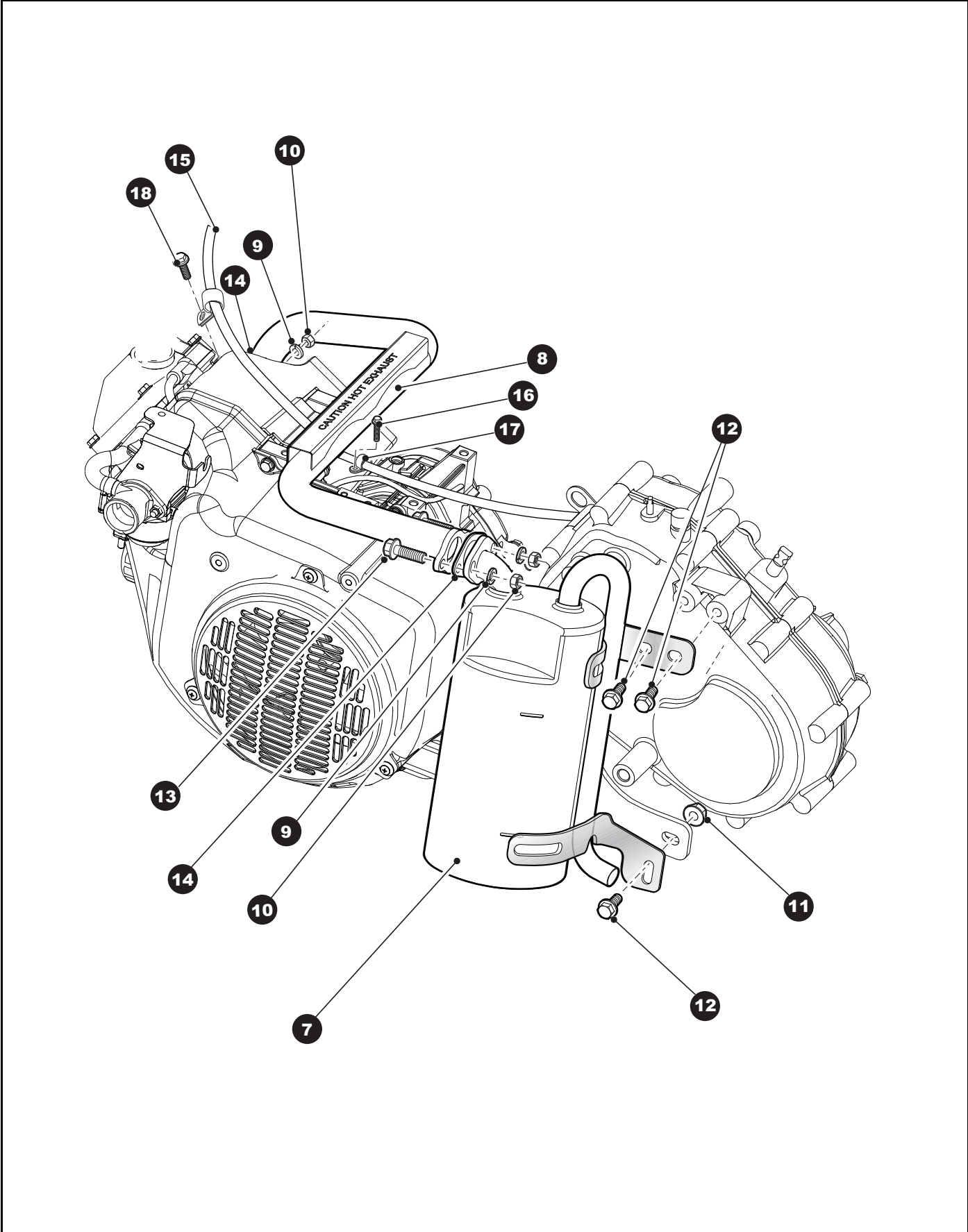
Notes:

A large grid area for taking notes, consisting of 25 columns and 35 rows of small squares.

ENGINE AND MUFFLER



1 ENGINE, GAS, 13HP, NON-GOLF includes items 2 - 6



ENGINE AND MUFFLER

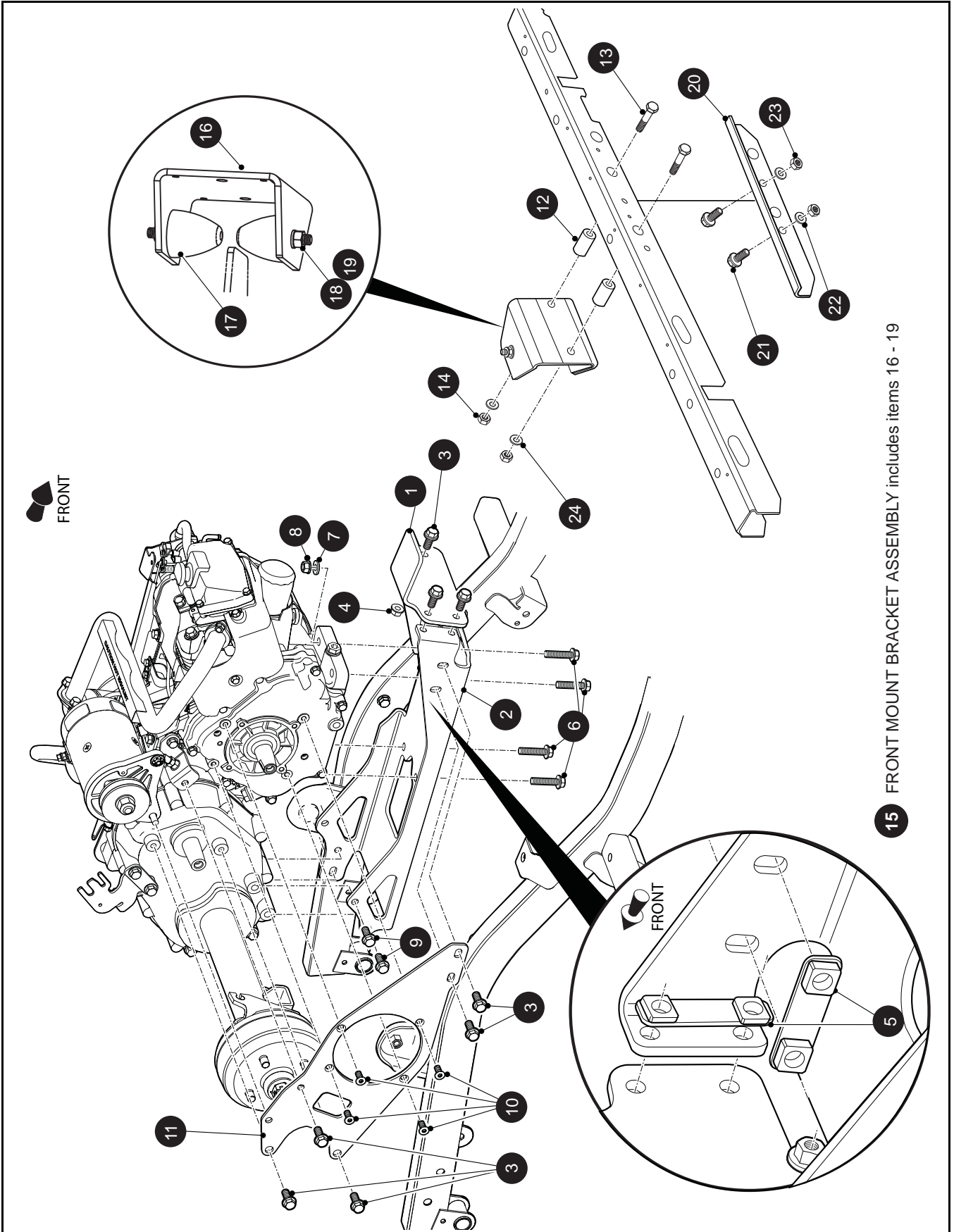
When ordering parts, please specify the model and serial number of the product.

* Indicates a component that is not available as an individual part.

*** Indicates consult Customer Service Department for additional information.

ITEM	PART NO.	1 2 3 4 5	DESCRIPTION	QTY.
1	633740		ENGINE, GAS, 13HP, NON-GOLF (INCLUDES ITEMS 2 - 6).....	1
2	606390		DIP STICK.....	1
3	607454		OIL FILTER	1
4	607462		SPARK PLUG (BPR2ES).....	1
5	603557		OIL DRAIN PLUG	1
6	603562		'O' RING, 16MM	1
7	612266		MUFFLER.....	1
8	606982		EXHAUST PIPE	1
9	606272		SPLIT WASHER, 8MM	4
10	606267		JAM NUT, M8 - 1.25	4
11	606279		FLANGE NUT, M10 - 1.25	1
12	606256		HEX HEAD FLANGE BOLT, M10 - 1.25 X 25MM LG.....	3
13	602330		HEX HEAD FLANGE BOLT, M8 - 1.25 X 30MM LG.....	2
14	603599		EXHAUST GASKET	2
15	27184G12		FUEL TUBE.....	1
16	606264		HEX HEAD FLANGE BOLT, M6 - 1 X 20MM LG.....	1
17	606962		CLAMP	2
18	606265		HEX HEAD FLANGE BOLT, M6 - 1 X 12MM LG.....	1
19	606391		DIP STICK.....	1

ENGINE MOUNTING



15 FRONT MOUNT BRACKET ASSEMBLY includes items 16 - 19

ENGINE MOUNTING

Where applicable, THE USE OF NON UL PARTS WILL VOID ANY UL LISTING.

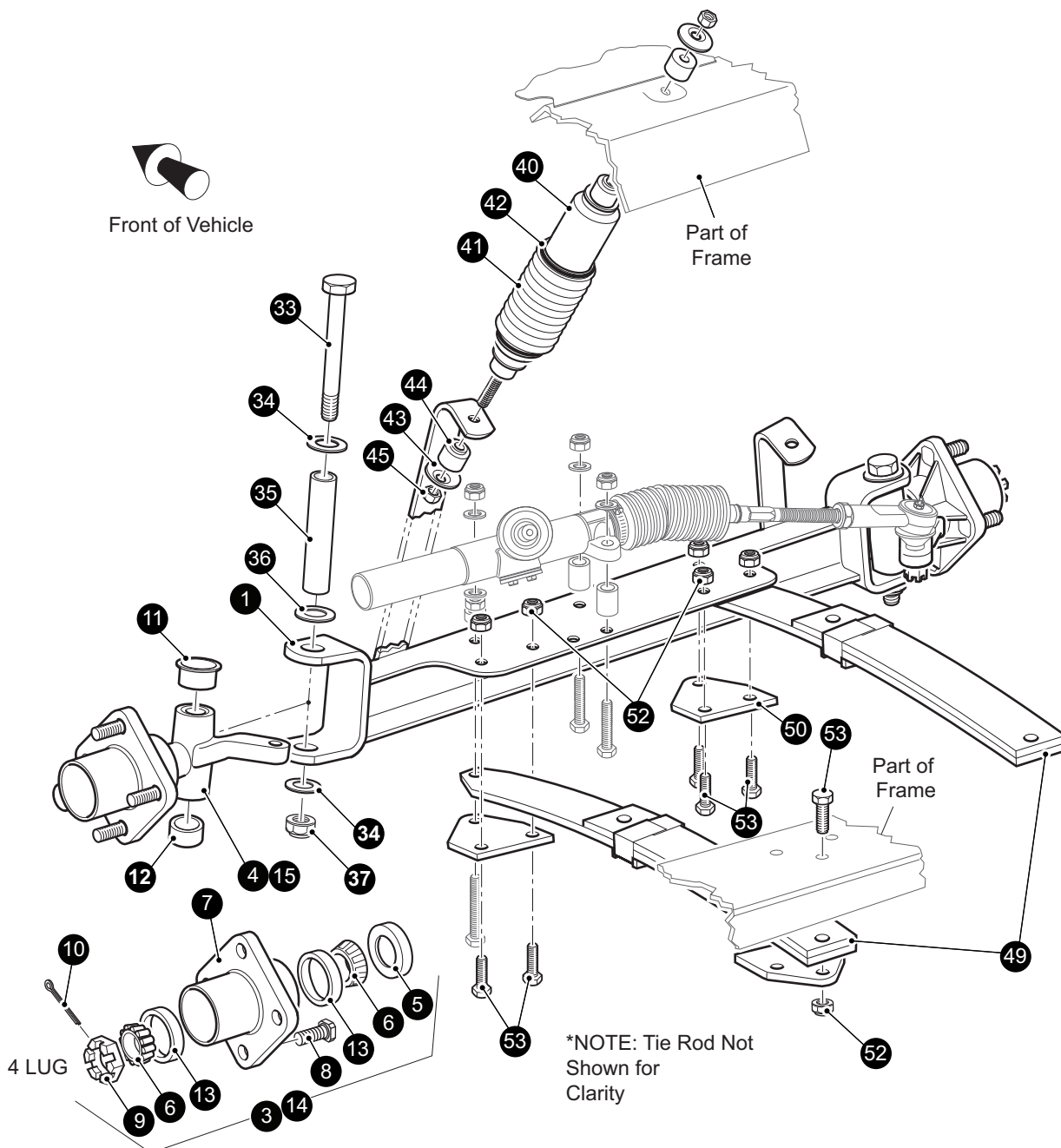
When ordering parts, please specify the model and serial number of the product.

* Indicates a component that is not available as an individual part.

G** Indicates consult Customer Service Department for additional information.

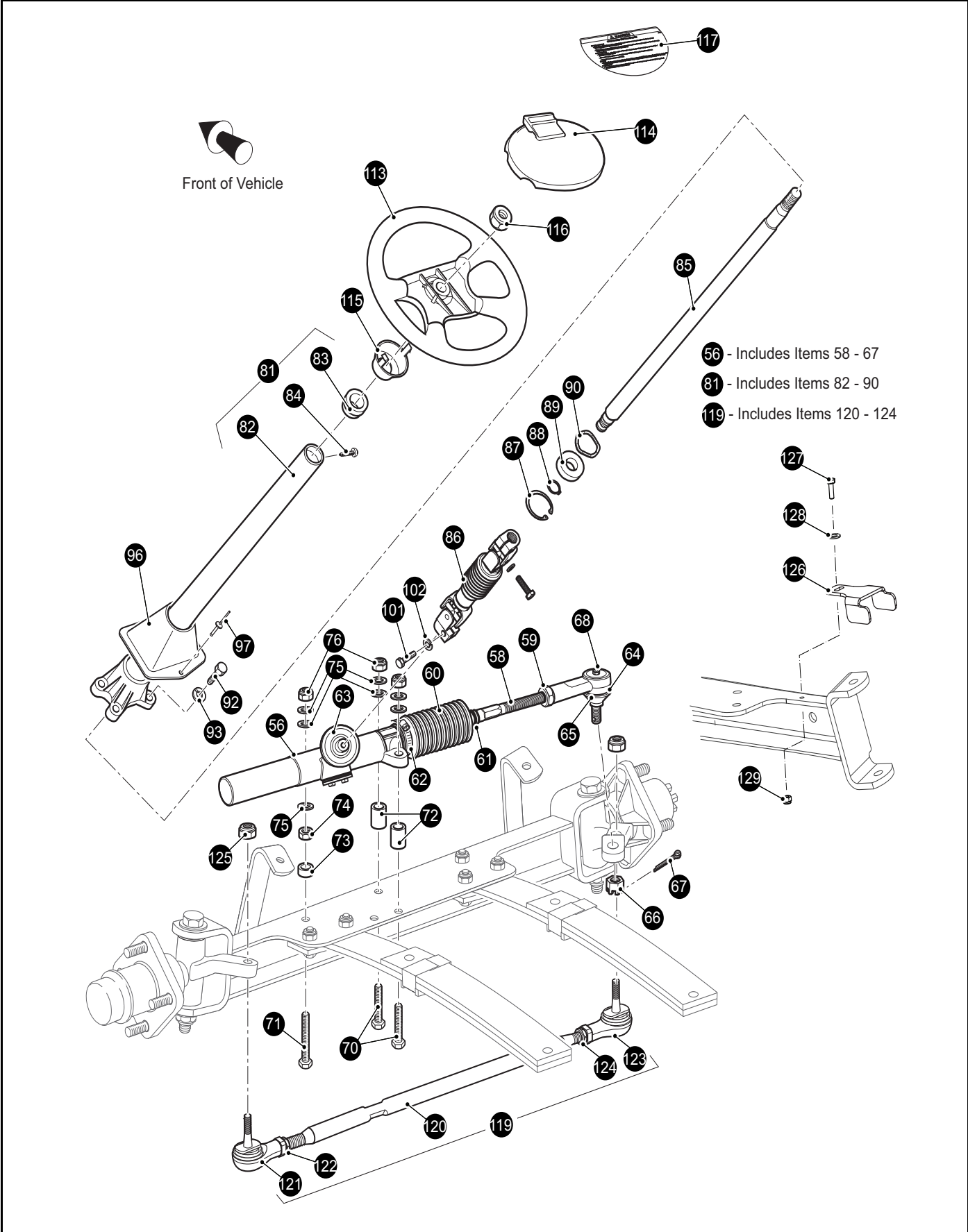
ITEM	PART NO.	1 2 3 4 5	DESCRIPTION	QTY.
1	606007		FRONT ENGINE MOUNT	1
2	603101		ENGINE PAN MOUNT	1
3	606256		BOLT, M10 - 1.25 X 25	8
4	606279		NUT, M10 - 1.25	1
5	606096		NUT PLATE	2
6	606259		BOLT, M10 - 1.25 X 45	4
7	603823		FLAT WASHER, M10 X 22 - 2.5.....	4
8	606279		NUT, M10 - 1.25	4
9	608020		BOLT, M10 - 1.25 X 34	4
10	606246		FLAT HEAD SCREW, T40.....	4
11	602146		DIFFERENTIAL PLATE.....	1
12	72016G01		TUBE SPACER	2
13	00428G8		HEX HEAD 3/8 - 16, UNC X 2.75.....	2
14	11098G5		PLASTIC INSERT LOCK NUT 3/8 - 16.....	2
15	627627		FRONT MOUNT BRACKET ASSEMBLY (INCLUDES ITEMS 16 - 19).....	1
16	625345		FRONT MOUNT BRACKET	1
17	605757		RUBBER BUMPER.....	2
18	00974G01		HEX - NUT	2
19	608654		SPLIT LOCK WASHER, 10MM.....	2
20	70269G02		CROSSMEMBER BRACE	1
21	00438G7		SCREW, CAP HEX HEAD 5/16 - 18 UNC	2
22	00559G8		FLAT WASHER	2
23	01109G01		PLASTIC INSERT LOCK NUT	2
24	00643G1		FLAT WASHER	2

FRONT SUSPENSION



- 3 - Includes Items 4 - 13
- 14 - Includes Items 5 - 13, 15

FRONT SUSPENSION



FRONT SUSPENSION

When ordering parts, please specify the model and serial number of the product.

* Indicates a component that is not available as an individual part.

*** Indicates consult Customer Service Department for additional information.

ITEM	PART NO.	1 2 3 4 5	DESCRIPTION	QTY.
1	602513		FRONT AXLE	1
2				
3	70942G03		SPINDLE AND HUB ASSEMBLY, 4 LUG (PASSENGER SIDE) (INCLUDES ITEMS 4 - 13)	1
4	70940G02		SPINDLE ASSEMBLY (PASSENGER SIDE)	1
5	25146G1		GREASE SEAL	1
6	11750G2		ROLLER BEARING	2
7	70589G01		WHEEL HUB	1
8	19862G1		LUG BOLT, 1/2" - 20 X 1 3/16" LG	4
9	12093G1		HEXAGONAL SLOTTED NUT	1
10	00798G8		COTTER PIN, 5/32" X 1 3/4" LG	1
11	70648G01		FLANGED BEARING	2
12	70749G01		BEARING	2
13	51141G1		RACE BEARING	2
14	70673G03		SPINDLE AND HUB ASSEMBLY, 4 LUG (DRIVER SIDE) (INCLUDES ITEMS 5 - 13, 15)	1
15	70742G02		SPINDLE ASSEMBLY (DRIVER SIDE)	1
16				
17				
18				
19				
20				
21				
22				
23				
24				
25				
26				
27				
28				
29				
30				

FRONT SUSPENSION

When ordering parts, please specify the model and serial number of the product.

* Indicates a component that is not available as an individual part.

*** Indicates consult Customer Service Department for additional information.

ITEM	PART NO.	1 2 3 4 5	DESCRIPTION	QTY.
31				
32				
33	00407G6		HEX HEAD BOLT, 1/2" - 13 X 6" LG	2
34	00560G3		FLAT WASHER, 1/2"	4
35	70745G01		KING PIN TUBE	2
36	70754G01		THRUST WASHER (SS), 1"	2
37	14390G6		LOCK NUT, 1/2" - 13	2
38				
39				
40	76419G01		SHOCK ABSORBER	2
41	70509G01		SHOCK ABSORBER BOOT	2
42	31539G1		WIRE TIE	4
43	10435G1		SHOCK ABSORBER WASHER	8
44	10194G1		RUBBER BUSHING	8
45	00532G6		HEX NUT, 3/8" - 24	4
46				
47				
48				
49	70989G03		LEAF SPRING (HEAVY DUTY) (SEE PART NUMBER ON SPRING).....	2
50	70163G03		SPRING PLATE	4
51				
52	00734G1		LOCK NUT, 7/16" - 14	11
53	00463G11		HEX HEAD BOLT, 7/16" - 14 X 1 3/4" LG	11
54				
55				
56	70964G01		RACK AND PINION UNIT (COMPLETE) (INCLUDES ITEMS 58 - 67).....	1
57				
58	74694G01		RACK EXTENSION	1
59	*		JAM NUT, 1/2" - 20	1
60	70961G01		RACK BOOT	1
61	12416G2		WIRE TIE	1

FRONT SUSPENSION

When ordering parts, please specify the model and serial number of the product.

* Indicates a component that is not available as an individual part.

*** Indicates consult Customer Service Department for additional information.

ITEM	PART NO.	1	2	3	4	5	DESCRIPTION	QTY.
62	11391G8						CLAMP, 1 13/16" - 2 3/8"	1
63	70638G01						PINION SEAL.....	1
64	70695G01						TIE ROD END - OUTER	1
65	*						GROMMET - TIE ROD END	1
66	*						CASTELLATED NUT, 7/16" - 20	1
67	10389G3						GREASE FITTING, STRAIGHT	1
68	10387G2						COTTER PIN, 3/32" X 1" LG	1
69								
70	00464G8						HEX HEAD BOLT, 7/16" - 14 X 2 3/4" LG.....	2
71	01068G01						HEX HEAD BOLT, 7/16" - 14 X 3 1/2" LG.....	1
72	70667G02						SPACER, 1.21" LG	2
73	70667G04						SPACER (SHORT), 0.69" LG	1
74	00532G7						HEX NUT, 7/16" - 14.....	1
75	00560G2						FLAT WASHER, 7/16"	4
76	00734G1						LOCK NUT, 7/16" - 14	3
77								
78								
79								
80								
81	70758G05						STEERING COLUMN KIT (INCLUDES ITEMS 82 - 90)	1
82	70610G03						STEERING COLUMN	1
83	28569G01						STEERING COLUMN BUSHING.....	1
84	01022G01						HEX WASHER HEAD SCREW, #6 - 20 X 5/16" LG	1
85	70607G01						STEERING SHAFT	1
86	70580G01						INTERMEDIATE SHAFT	1
87	70751G01						RETAINING RING (INTERNAL).....	1
88	70888G01						RETAINING RING (EXTERNAL)	1
89	15112G1						BALL BEARING	1
90	70887G01						WAVE WASHER	1
91								
92	01006G01						HEX WASHER HEAD BOLT, 3/8" - 16 X 1 1/4" LG	4

FRONT SUSPENSION

When ordering parts, please specify the model and serial number of the product.

* Indicates a component that is not available as an individual part.

*** Indicates consult Customer Service Department for additional information.

ITEM	PART NO.	1 2 3 4 5	DESCRIPTION	QTY.
93	00879G1		LOCK WASHER, 3/8"	4
94				
95				
96	70997G01		COVER	1
97	71055G01		RIVET, 3/16" X 1" LG (ALUMINUM).....	1
98				
99				
100				
101	01055G01		HEX HEAD BOLT, M8 X 1.25 - 6G.....	1
102	00565G8		LOCK WASHER, 5/16"	1
103				
104				
105				
106				
107				
108				
109				
110				
111				
112				
113	602979		STEERING WHEEL.....	1
114	607925		CLIPBOARD	1
115	71949G01		HUB COVER.....	1
116	14390G2		LOCK NUT, 5/8" - 18.....	1
117	608529		WARNING LABEL.....	1
118				
119	70876G02		TIE ROD ASSEMBLY (INCLUDES ITEMS 120 - 124).....	1
120	70897G02		THREADED ROD (24" LG)	1
121	70902G01		TIE ROD END (LEFT HAND THREADS).....	1
122	01069G01		JAM NUT, M12 X 1.25 - 05 (LEFT HAND THREADS)	1
123	70902G02		TIE ROD END (RIGHT HAND THREADS)	1

FRONT SUSPENSION

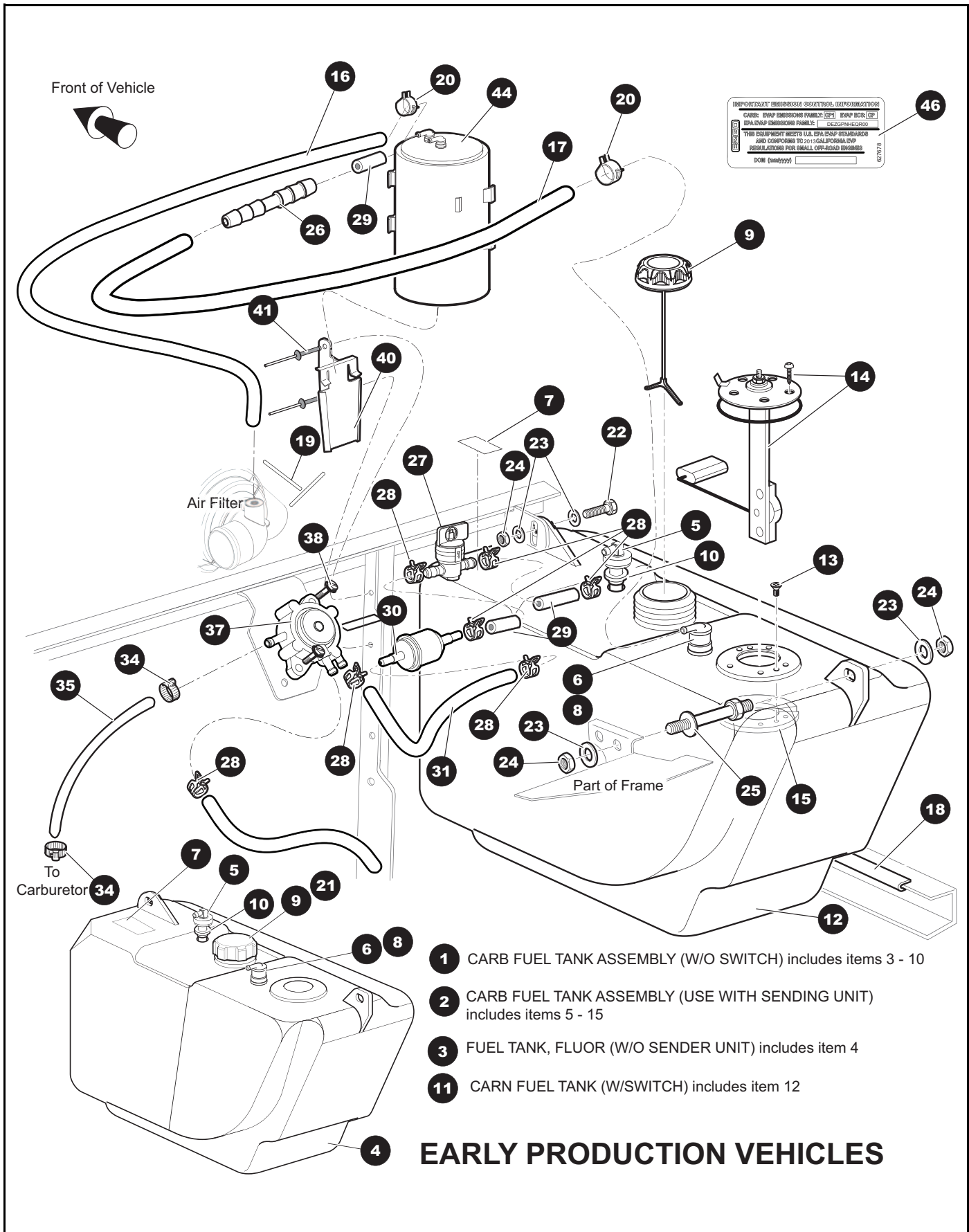
When ordering parts, please specify the model and serial number of the product.

* Indicates a component that is not available as an individual part.

*** Indicates consult Customer Service Department for additional information.

ITEM	PART NO.	1	2	3	4	5	DESCRIPTION	QTY.
124	01069G02						JAM NUT, M12 X 1.25 - 05 (RIGHT HAND THREADS)	1
125	00734G1						LOCK NUT, 7/16" - 14	2
126	613372						BRACKET, STEERING STOP	1
127	00414G6						HEX HEAD SCREW, 1/4 - 20 X 1/2"	1
128	00559G8						WASHER, FLAT TYPE A.....	1
129	14390G4						NUT LOCK	1

FUEL SYSTEM



- 1 CARB FUEL TANK ASSEMBLY (W/O SWITCH) includes items 3 - 10
- 2 CARB FUEL TANK ASSEMBLY (USE WITH SENDING UNIT) includes items 5 - 15
- 3 FUEL TANK, FLUOR (W/O SENDER UNIT) includes item 4
- 11 CARN FUEL TANK (W/SWITCH) includes item 12

EARLY PRODUCTION VEHICLES

When ordering parts, please specify the model and serial number of the product.

* Indicates a component that is not available as an individual part.

*** Indicates consult Customer Service Department for additional information.

ITEM	PART NO.	1 2 3 4 5	DESCRIPTION	QTY.
1	645033		CARB FUEL TANK ASSEMBLY (W/O SWITCH) (INCLUDES ITEMS 3 - 10)	1
2	645034		CARB FUEL TANK ASSEMBLY (USE WITH SENDING UNIT) (INCLUDES ITEMS 5 - 15)	1
3	*		FUEL TANK, FLUOR (W/O SENDER UNIT) (INCLUDES ITEM 4)	1
4	*		FUEL TANK, W/O SENDER UNIT	1
5	18287G3		SIPHON TUBE ASSEMBLY	1
6	606068		ROLLOVER VALVE GROMMET	1
7	625826		EPA FUEL TANK LABEL	1
8	606067		ROLLOVER VALVE	1
9	633423		FUEL TANK CAP (RATCHET)	1
10	70988G01		SIPHON TUBE GROMMET	1
11	607479		CARB FUEL TANK, FLOUR (W/SWITCH) (INCLUDES ITEM 12)	1
12	*		FUEL TANK, W/ SENDER UNIT	1
13	72230G01		PHILLIPS FLAT HEAD MACHINE SCREW, #6 - 32	2
14	20048G2		FUEL LEVEL SENDER	1
15	72229G01		FUEL TANK ADAPTER	1
16	606966		LOW PRESSURE FUEL HOSE (CARB), 3/16" I.D X 3/8" O.D X 34" LG	1
17	607546		LOW PRESSURE FUEL HOSE (CARB), 3/16" I.D X 3/8" O.D X 17" LG	1
18	32372G6		BLACK TRIM, 6.25" LG	1
19	17618G1		NYLON CLAMP	2
20	606963		TUBING CLAMP, 3/16" I.D.	2
21				
22	00438G8		HEX HEAD BOLT, 5/16" - 18 X 1" LG	1
23	00559G8		FLAT WASHER, 5/16"	4
24	11098G6		LOCK NUT, 5/16" - 18	3
25	70483G01		SPACER, 5/16" - 18	1
26	615346		HOSE REDUCER, 1/4" I.D X 3/16"	1
27	611181		FUEL SHUT-OFF VALVE	1
28	18292G1		HOSE CLAMP, .50 DIA	8
29	615350		FUEL SYSTEM HOSE, 2" LG	3
30	72084G01		FUEL LINE FILTER	1

FUEL SYSTEM

When ordering parts, please specify the model and serial number of the product.

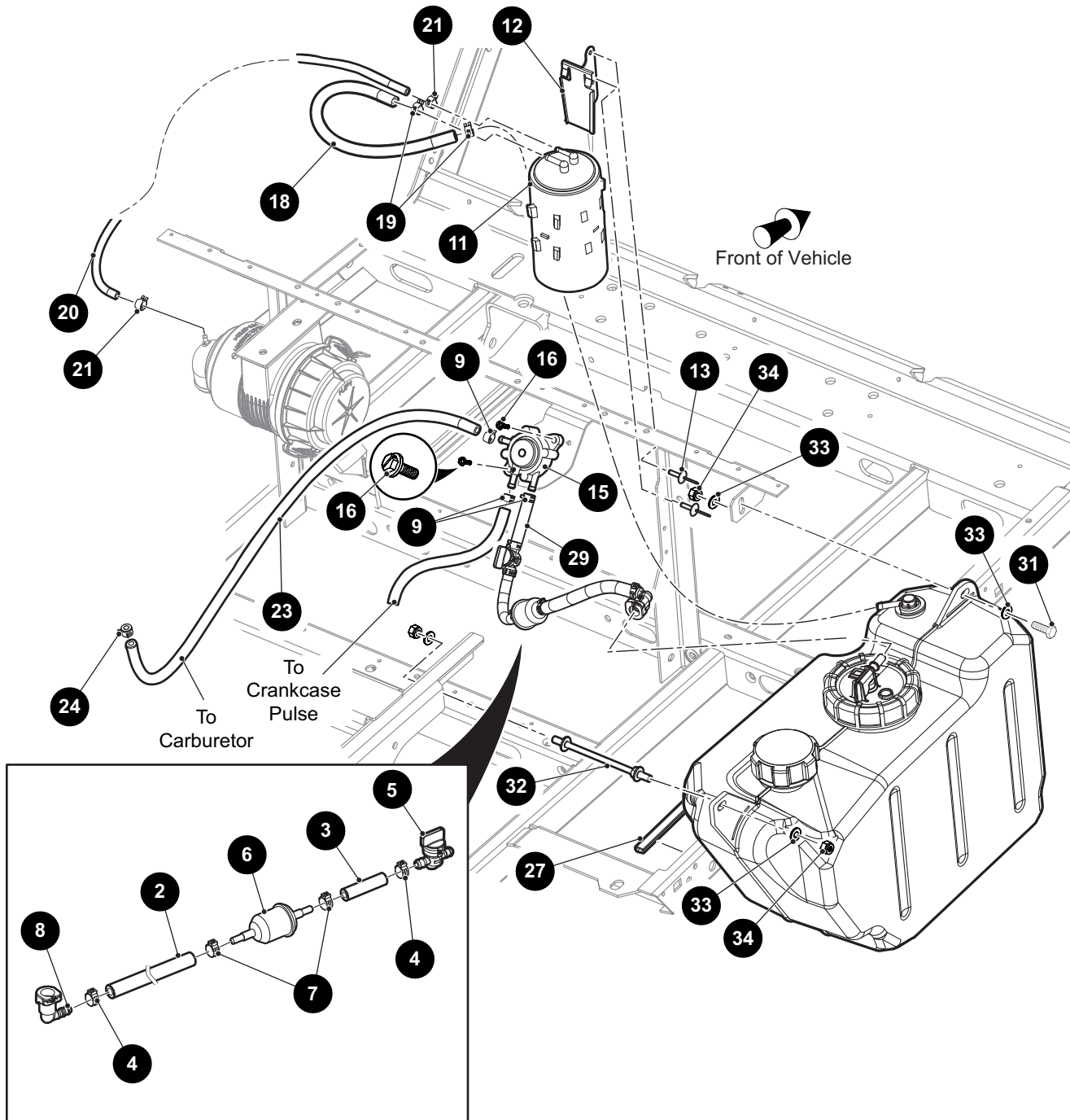
* Indicates a component that is not available as an individual part.

*** Indicates consult Customer Service Department for additional information.

ITEM	PART NO.	1 2 3 4 5	DESCRIPTION	QTY.
31	606969		FUEL SYSTEM HOSE, .25 I.D. X .50 O.D. X 8" LG.....	1
32				
33				
34	11391G4		HOSE CLAMP, .25 - .63 DIA	2
35	604597		CARB FUEL SYSTEM HOSE, .25 I.D. X.50 O.D X 26" LG.....	1
36				
37	602061		FUEL PUMP	1
38	00114G6		HEX WASHER HEAD SLOTTED TAPPING SCREW, 1/4" - 14 X .75 LG.....	2
39				
40	606310		CARBON CANISTER MOUNTING BRACKET (CARB ONLY).....	1
41	10570G11		RIVET, 3/16" DIA X .70 (CARB ONLY)	2
42				
43				
44	606071		CARBON CANISTER (CARB ONLY)	1
45				
46	627678		EVAP LABEL	1

FUEL SYSTEM

1 FUEL LINE ASSEMBLY includes items 2 - 8



LATE PRODUCTION VEHICLES

FUEL SYSTEM

When ordering parts, please specify the model and serial number of the product.

* Indicates a component that is not available as an individual part.

*** Indicates consult Customer Service Department for additional information.

ITEM	PART NO.	1 2 3 4 5	DESCRIPTION	QTY.
1	649515		FUEL LINE ASSEMBLY (INCLUDES ITEMS 2 - 8)	1
2	649570		HOSE, .312" I.D. X .562" O.D. X 9" LG	1
3	615350		HOSE, 2" LG	1
4	649873		CLAMP, 1/2" O.D.	2
5	611181		SHUT-OFF VALVE.....	1
6	72084G01		FUEL FILTER	1
7	649874		CLAMP, 9/16" O.D.	2
8	649577		CONNECTOR, 5/16" I.D.	1
9	18292G1		CLAMP, 1/2" O.D.	3
10				
11	606071		CARBON CANISTER.....	1
12	606310		CANISTER BRACKET	1
13	10570G11		RIVET (SS), 3/16" X .70"	2
14				
15	602061		FUEL PUMP.....	1
16	00114G6		HEX WASHER HEAD BOLT, 1/4" - 10 X 3/4" LG	2
17				
18	27184G14		FUEL SYSTEM TUBE.....	1
19	18292G1		CLAMP, 1/2" O.D.	2
20	606966		HOSE, 3/16" I.D. X 34" LG.....	1
21	606963		CLAMP, 3/16" I.D.	2
22				
23	604597		FUEL HOSE, 26" LG.....	1
24	18292G1		CLAMP, 1/2" O.D.	1
25				
26	17618G1		NYLON CLAMP, 7" LG (NOT ILLUSTRATED).....	2
27	32372G6		VINYL TRIM, 6.25" LG	1
28				
29	615350		FUEL HOSE, 2" LG.....	1
30				
31	00438G8		HEX HEAD BOLT, 5/16" - 18 X 5/8" LG	1

FUEL SYSTEM

When ordering parts, please specify the model and serial number of the product.

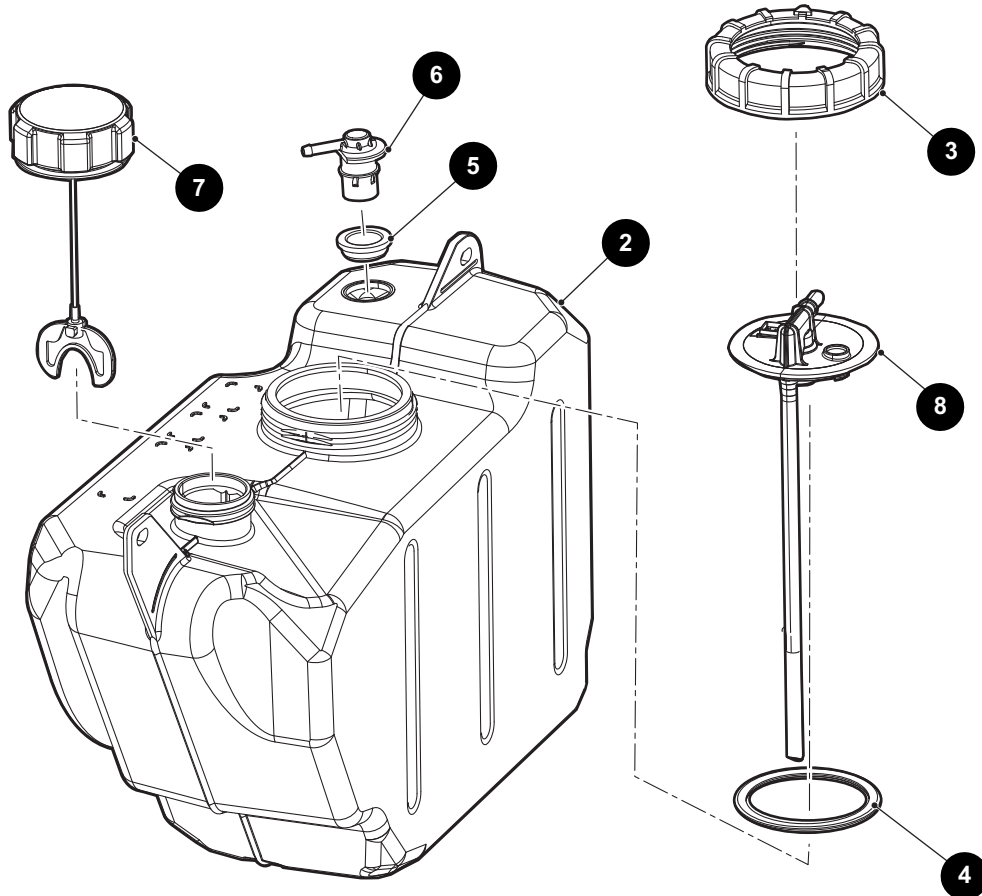
* Indicates a component that is not available as an individual part.

*** Indicates consult Customer Service Department for additional information.

ITEM	PART NO.	1 2 3 4 5	DESCRIPTION	QTY.
32	70483G01		SPACER	1
33	00559G8		FLAT WASHER, 5/16"	4
34	11098G6		LOCK NUT, 5/16" - 18	3

FUEL SYSTEM

- 1** FUEL TANK ASSEMBLY (WITHOUT SENDER UNIT)
includes items 2 - 8



LATE PRODUCTION VEHICLES

When ordering parts, please specify the model and serial number of the product.

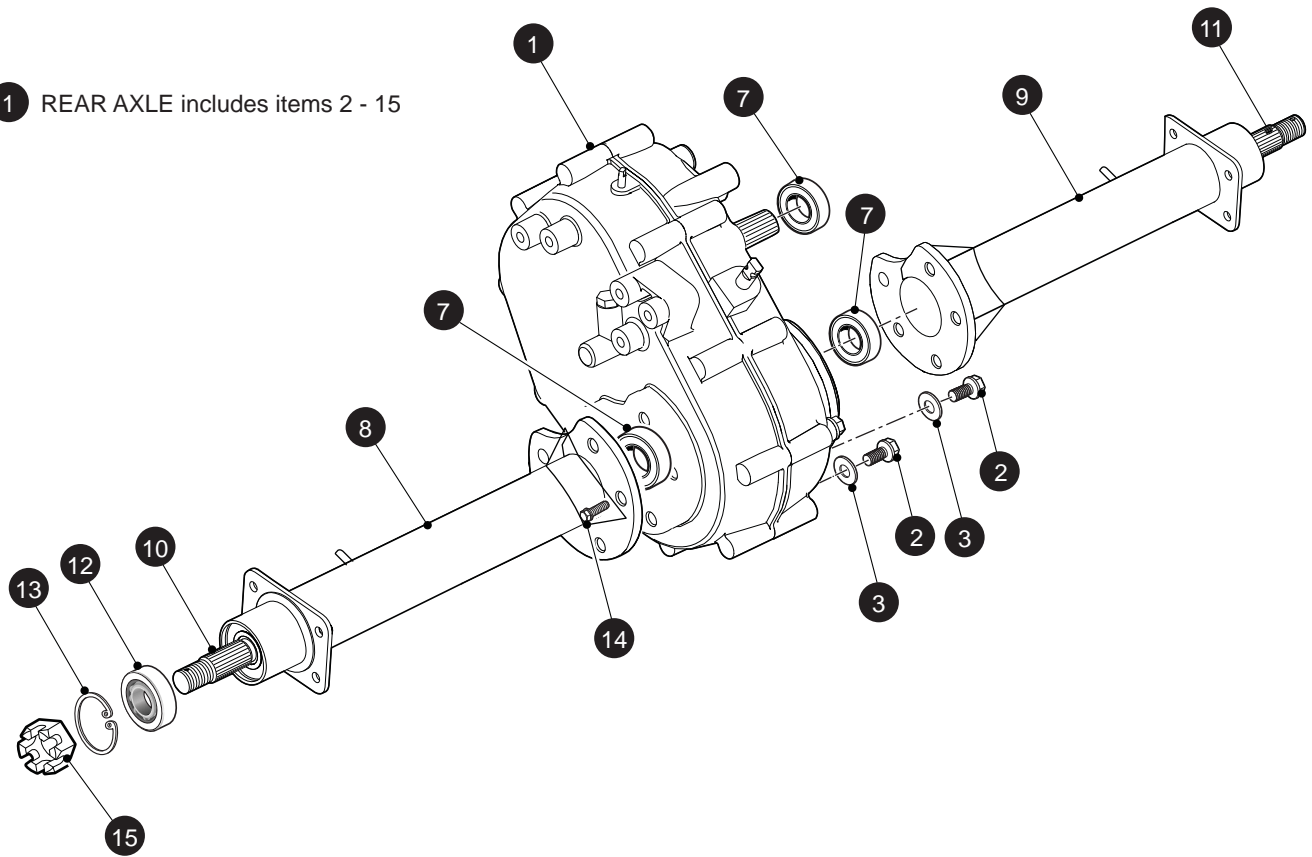
* Indicates a component that is not available as an individual part.

*** Indicates consult Customer Service Department for additional information.

ITEM	PART NO.	1 2 3 4 5	DESCRIPTION	QTY.
1	646822		FUEL TANK ASSEMBLY (WITHOUT SENDER UNIT) (INCLUDES ITEMS 2 - 8)	1
2	646306		FUEL TANK	1
3	646837		CAP	1
4	646838		SEAL.....	1
5	647810		GROMMET	1
6	647809		ROLLOVER VALVE	1
7	635688		FUEL CAP	1
8	646350		FUEL PICKUP WITHOUT SENDER ASSEMBLY.....	1

REAR AXLE

1 REAR AXLE includes items 2 - 15



REAR AXLE

Where applicable, THE USE OF NON UL PARTS WILL VOID ANY UL LISTING.

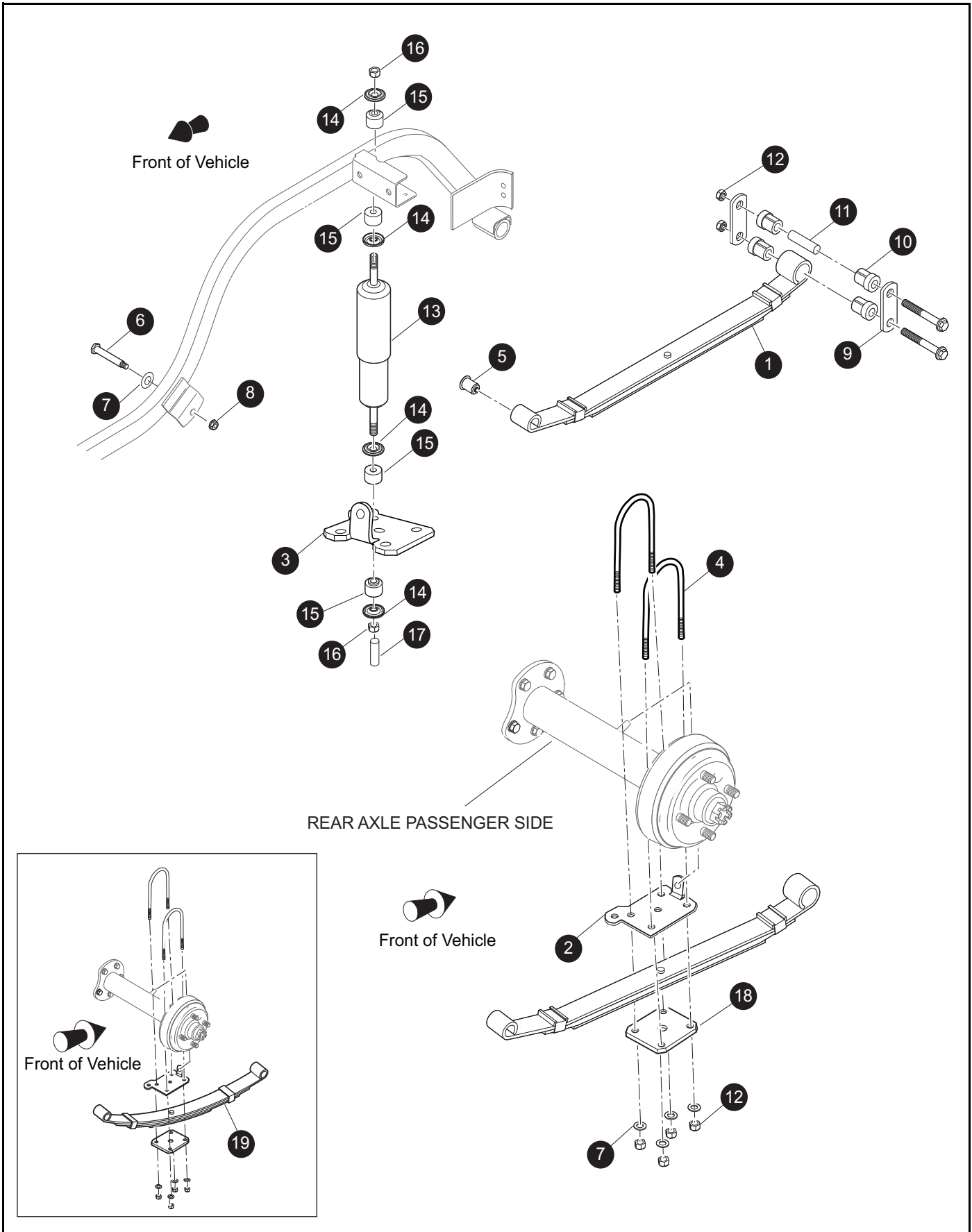
When ordering parts, please specify the model and serial number of the product.

* Indicates a component that is not available as an individual part.

G** Indicates consult Customer Service Department for additional information.

ITEM	PART NO.	1 2 3 4 5	DESCRIPTION	QTY.
1	627891		REAR AXLE, (INCLUDES ITEMS 2 - 15)	1
2	26770G01		OIL CHECK PLUG.....	2
3	26771G01		GASKET, 14 MM.....	2
4				
5				
6				
7	72259G01		OIL SEAL 28 X 47 X 9 MM	3
8	607939		AXLE TUBE (DRIVER SIDE).....	1
9	607940		AXLE TUBE (PASSENGER SIDE)	1
10	607945		AXLE SHAFT (DRIVER SIDE).....	1
11	607946		AXLE SHAFT (PASSENGER SIDE)	1
12	26811G01		BALL BEARING	2
13	26814G01		RETAINING RING, 52 MM	2
14	72260G01		FLANGED HEX HEAD BOLT, M10 X 1.5 X 23 LG	10
15	606403		SLOTTED NUT, M22 X 1.5.....	2

REAR SUSPENSION



REAR SUSPENSION

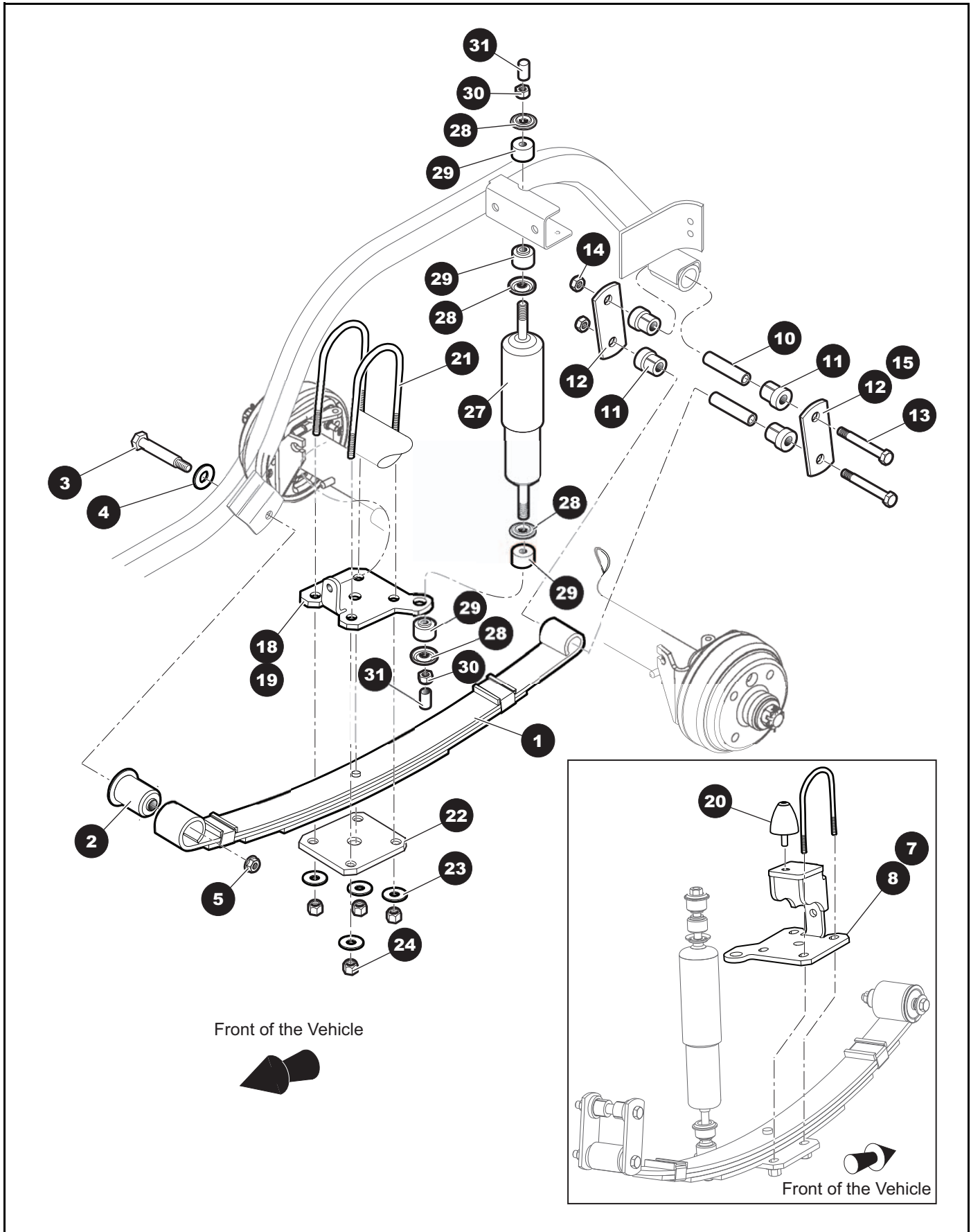
When ordering parts, please specify the model and serial number of the product.

* Indicates a component that is not available as an individual part.

*** Indicates consult Customer Service Department for additional information.

ITEM	PART NO.	1 2 3 4 5	DESCRIPTION	QTY.
1	627426		LIGHT DUTY LEAF SPRING	2
2	605958		AXLE BRACKET PASSENGER SIDE	1
3	605938		AXLE BRACKET DRIVER SIDE	1
4	32195G3		'U' BOLT, 2 3/8" DIA X 5" LG	4
5	605445		FRONT SPRING BUSH	2
6	00665G9		SHOULDER BOLT, 3/8" - 16 X 3 1/2" LG	6
7	00643G1		FLAT WASHER B TYPE, 3/8"	10
8	12262G1		LOCK NUT, 3/8" - 16	2
9	70290G02		SHACKLE PLATE	4
10	624030		FLANGED BUSHING	8
11	70289G02		SPLIT STEEL SPACER	4
12	11098G5		LOCK NUT, 3/8" - 16	12
13	642085		SHOCK ABSORBER	2
14	10435G1		SHOCK ABSORBER WASHER	8
15	10194G1		RUBBER BUSHING	8
16	00532G6		HEX NUT, 3/8" - 24	4
17	10044G01		VINYL CAP	2
18	605956		REAR SUSPENSION PLATE	2
19	605721		HEAVY DUTY LEAF SPRING (OPTIONAL)	2

REAR SUSPENSION - VALOR



REAR SUSPENSION - VALOR

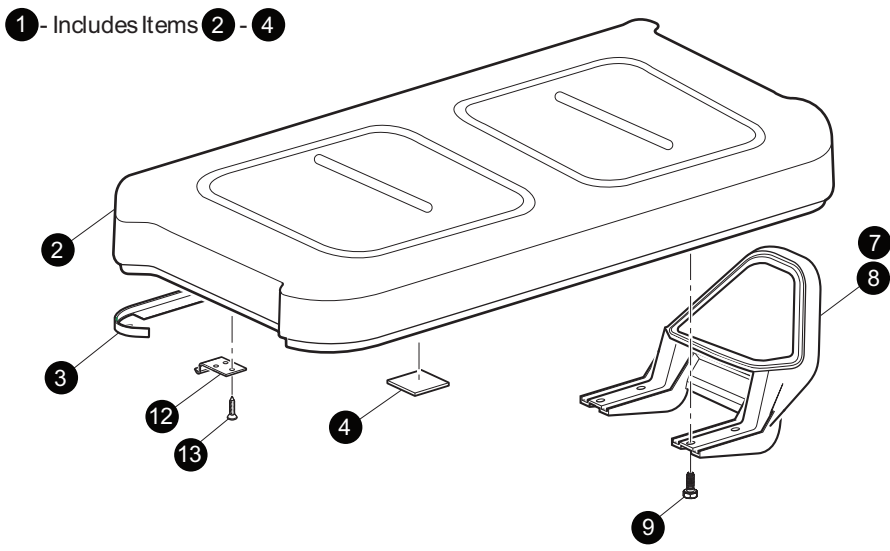
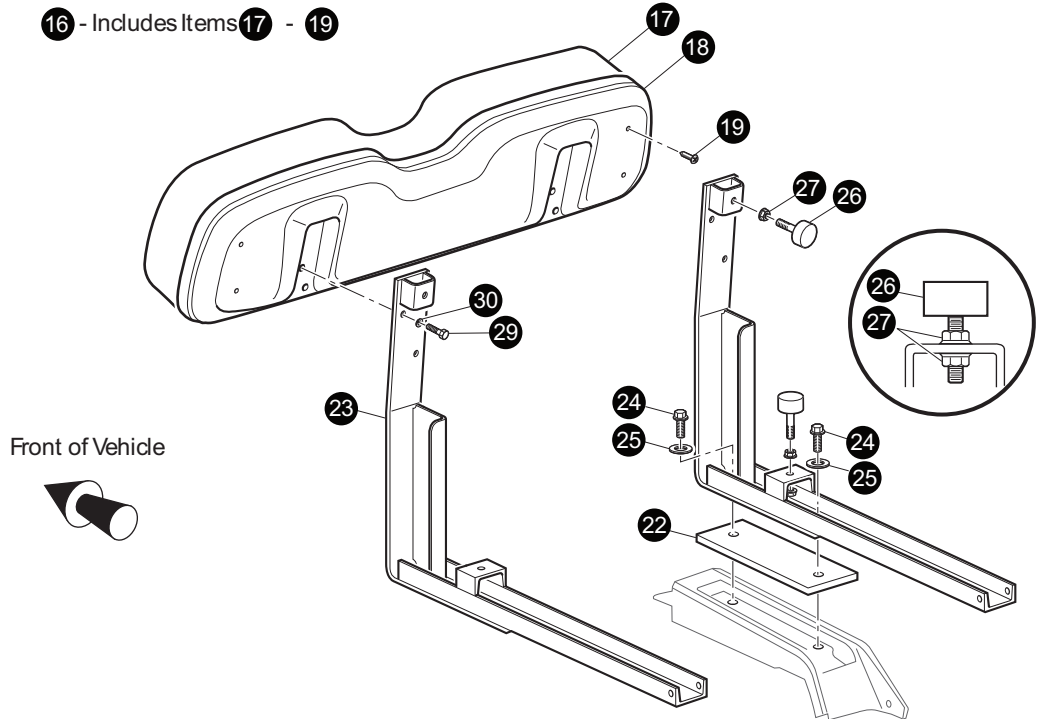
When ordering parts, please specify the model and serial number of the product.

* Indicates a component that is not available as an individual part.

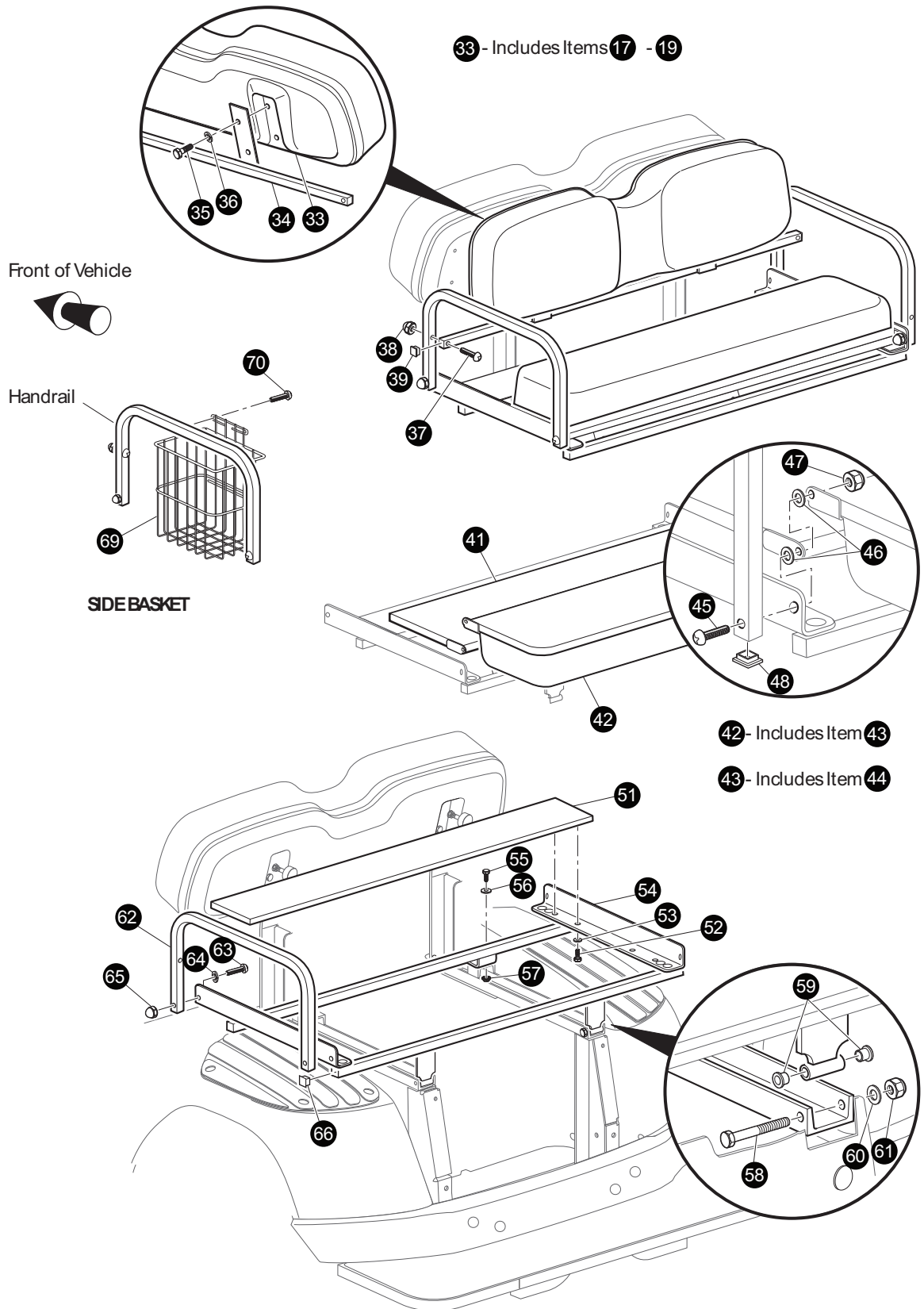
*** Indicates consult Customer Service Department for additional information.

ITEM	PART NO.	1 2 3 4 5	DESCRIPTION	QTY.
1	605722		HEAVY DUTY LEAF SPRING.....	2
2	605445		LEAF SPRING BUSHING, FRONT	2
3	00665G9		HEX HEAD BOLT (SS), 3/8" - 16 X 3.5 LG.....	2
4	00643G1		FLAT WASHER, 3/8"	2
5	12262G1		FLANGED LOCK NUT, 3/8" - 16.....	2
6				
7	605952		AXLE BRACKET, DRIVER SIDE (OPTIONAL).....	1
8	605959		AXLE BRACKET, PASSENGER SIDE (OPTIONAL)	1
9				
10	70289G02		SPLIT STEEL SPACER	4
11	624030		FLANGED BUSHING.....	8
12	604961		SHACKLE PLATE	4
13	00665G9		HEX HEAD BOLT (SS), 3/8" - 16 X 3.5 LG.....	4
14	11098G5		LOCK NUT, 3/8" - 16.....	4
15	70290G02		SHACKLE PLATE (OPTIONAL).....	4
16				
17				
18	605938		AXLE BRACKET, DRIVER SIDE	1
19	605958		AXLE BRACKET, PASSENGER SIDE.....	1
20	70492G01		RUBBER BUMPER (OPTIONAL)	2
21	32195G3		U-BOLT, 2 3/8" DIA X 5" LG.....	4
22	605956		REAR SUSPENSION PLATE	2
23	00643G1		FLAT WASHER, 3/8"	8
24	11098G5		LOCK NUT, 3/8" - 16.....	8
25				
26				
27	642085		SHOCK ABSORBER	2
28	10435G1		SHOCK ABSORBER WASHER.....	8
29	10194G1		RUBBER BUSHING.....	8
30	00532G6		HEX NUT, 3/8" - 24	4
31	10044G01		VINYL CAP	2

SEATING - CONVERTIBLE CARRIER



SEATING - CONVERTIBLE CARRIER



SEATING - CONVERTIBLE CARRIER

When ordering parts, please specify the model and serial number of the product.

* Indicates a component that is not available as an individual part.

*** Indicates consult Customer Service Department for additional information.

ITEM	PART NO.	1 2 3 4 5	DESCRIPTION	QTY.
1	71611G**		SEAT BOTTOM ASSEMBLY (INCLUDES ITEMS 2 - 4)	1
2	71602G**		VINYL SEAT BOTTOM COVER	1
3	71012G01		VINYL TRIM (SEAT BOTTOM)	1
4	17074G1		RUBBER PAD	2
5				
6				
7	71701G01		HIP RESTRAINT (PASSENGER SIDE)	1
8	71702G01		HIP RESTRAINT (DRIVER SIDE)	1
9	71204G01		HEX HEAD BOLT, 1/4" - 20 X 7/8" LG.....	8
10				
11				
12	71610G01		SEAT HINGE	2
13	00720G08		SCREW, #12 - 14 X 1" LG (STAINLESS STEEL)	4
14				
15				
16	71751G**		SEAT BACK ASSEMBLY (INCLUDES ITEMS 17 - 19).....	1
17	71753G**		VINYL SEAT BACK COVER	1
18	71752G01		PLASTIC SEAT BACK COVER	1
19	01107G01		SCREW, #8 X 5/8" LG (STAINLESS STEEL)	4
20				
21				
22	70364G01		SPACER	2
23	74111G01		SEAT BACK SUPPORT	2
24	01006G02		HEX HEAD BOLT, 3/8" - 16 X 1 1/2" LG.....	4
25	00560G1		WASHER, 3/8"	4
26	70113G01		ADJUSTABLE BUMPER	2
27	11027G1		LOCK NUT, 5/16" - 18	2
28				
29	00661G8		HEX HEAD BOLT, 1/4" - 20 X 1" LG (STAINLESS STEEL)	4
30	00664G7		LOCK WASHER, 1/4" (STAINLESS STEEL).....	4
31				

SEATING - CONVERTIBLE CARRIER

When ordering parts, please specify the model and serial number of the product.

* Indicates a component that is not available as an individual part.

*** Indicates consult Customer Service Department for additional information.

ITEM	PART NO.	1 2 3 4 5	DESCRIPTION	QTY.
32				
33	71751G**		SEAT BACK ASSEMBLY (INCLUDES ITEMS 17 - 19)	1
34	75258G01		SEAT BACK SUPPORT	1
35	00661G8		HEX HEAD BOLT, 1/4" - 20 X 0.75" LG (STAINLESS STEEL).....	4
36	00664G7		LOCK WASHER, 1/4" (STAINLESS STEEL)	4
37	16705G6		SCREW, 1/4" - 20 X 1 3/4" LG (STAINLESS STEEL).....	2
38	00520G1		ACORN NUT, 1/4" - 20 (STAINLESS STEEL)	2
39	75261G01		CAP-TUBE - 3/4" X 11 GA	2
40				
41	71062G01		BED.....	1
42	71063G**		SEAT BOTTOM ASSEMBLY (INCLUDES ITEM 43)	1
43	75197G**		SEAT BOTTOM (INCLUDES ITEM 44)	1
44	75252G**		VINYL SEAT BOTTOM COVER	1
45	00762G6		SCREW, 5/16" - 18 X 1 1/4" LG (STAINLESS STEEL).....	2
46	17255G1		WASHER, LK - SS - 5/16".....	4
47	00891G3		LOCK NUT - ACORN - 5/16" - 18	2
48	19859G1		CAP-TUBE - 3/4" X 11 GA	4
49				
50				
51	71060G01		BED FRONT (INCLUDES MAT)	1
52	00661G6		HEX HEAD BOLT, 1/4" - 20 X 3/4" LG (STAINLESS STEEL).....	4
53	00559G8		WASHER - LK - SP - SS - 1/4"	4
54	75193G01		SUPPORT FRAME	1
55	00438G8		HEX HEAD BOLT, 5/16" - 18 X 1" LG	2
56	00559G8		WASHER, 5/16"	2
57	11027G1		LOCK NUT, 5/16" - 18.....	2
58	00272G4		HEX HEAD BOLT, 5/16" - 18 X 2 1/2" LG	2
59	17838G1		NYLON BUSHING	4
60	00559G8		WASHER, 5/16"	2
61	11098G6		LOCK NUT, 5/16" - 18 (STAINLESS STEEL).....	2
62	75196G01		HANDRAIL.....	2

SEATING - CONVERTIBLE CARRIER

When ordering parts, please specify the model and serial number of the product.

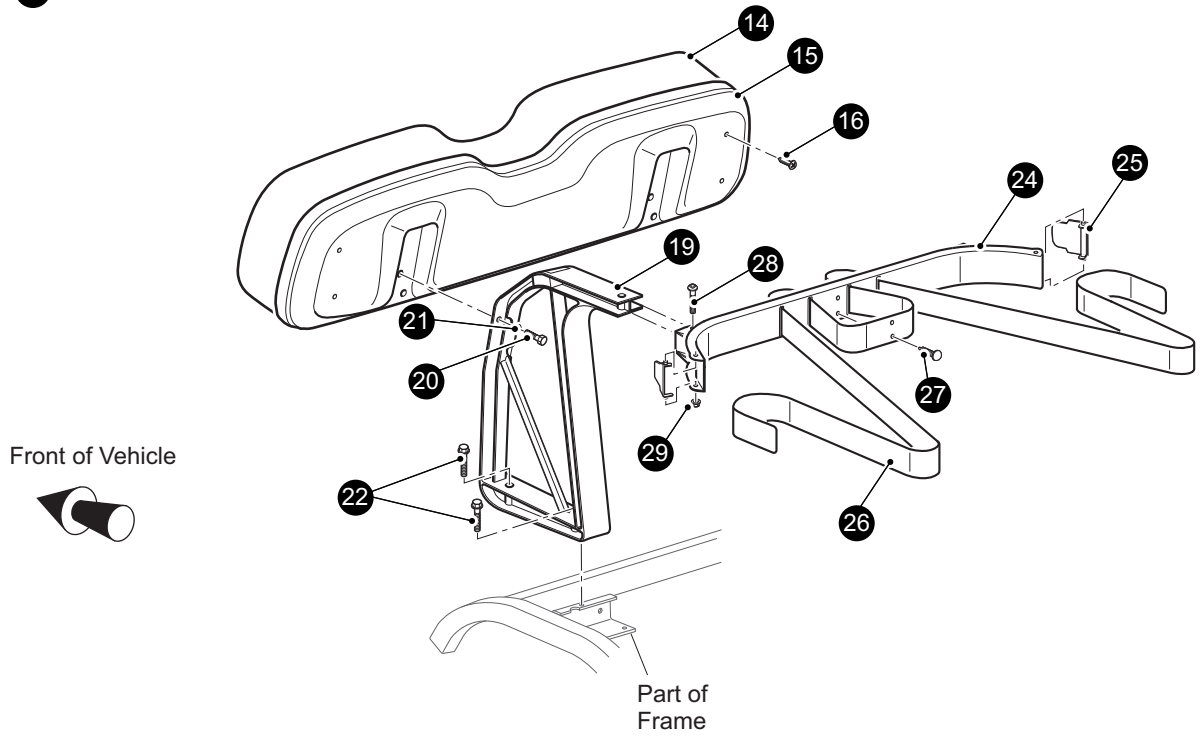
* Indicates a component that is not available as an individual part.

*** Indicates consult Customer Service Department for additional information.

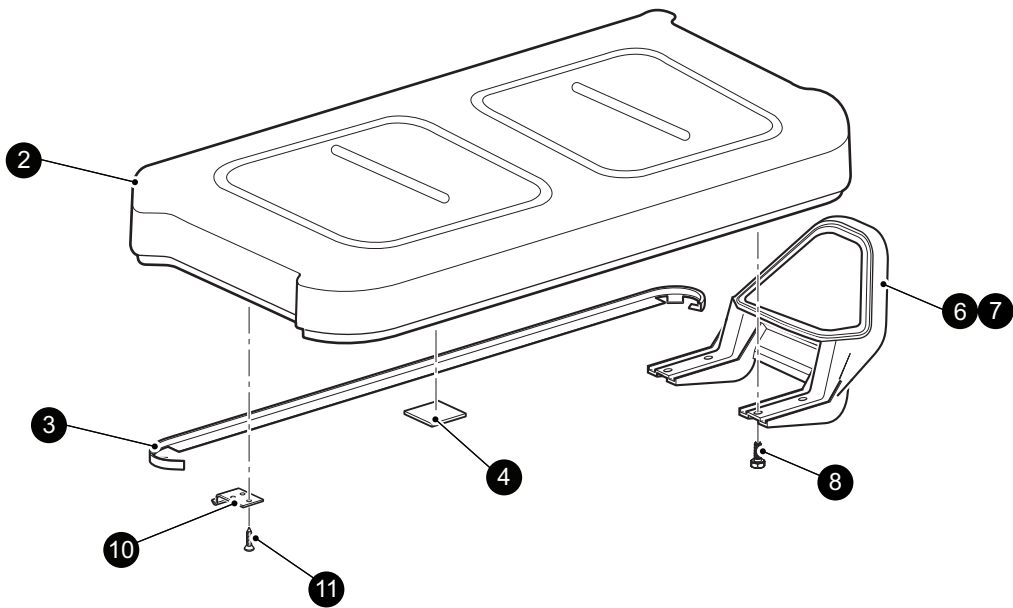
ITEM	PART NO.	1 2 3 4 5	DESCRIPTION	QTY.
63	00762G2		SCREW, 5/16" - 18 X 1 1/4" LG (STAINLESS STEEL)	2
64	00664G8		LOCK WASHER, 5/16" (STAINLESS STEEL).....	2
65	00520G3		ACORN NUT, 5/16" - 18 (STAINLESS STEEL).....	2
66	75261G02		END CAP, 1"	4
67				
68				
69	75007G02		SIDE BASKET (BLACK).....	2
70	00106G6		SELF THREADING SCREW, #12 - 24 X 3/4" LG.....	4

SEATING & BAG HOLDER

13 - Includes Items 14 - 16



1 - Includes Items 2 - 11



SEATING & BAG HOLDER

When ordering parts, please specify the model and serial number of the product.

* Indicates a component that is not available as an individual part.

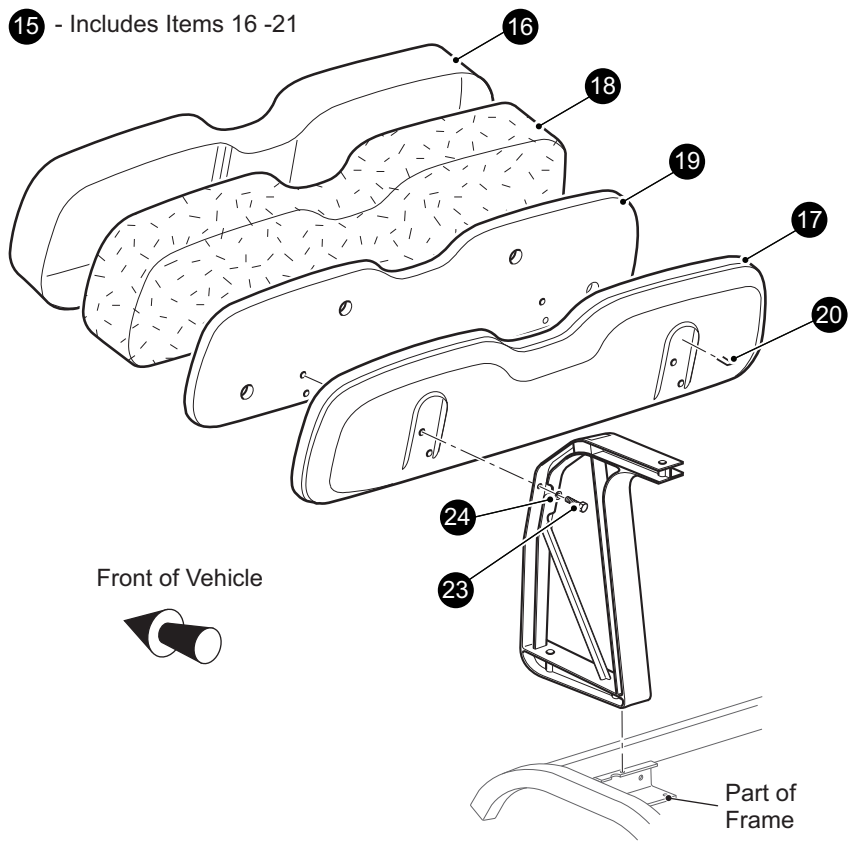
*** Indicates consult Customer Service Department for additional information.

ITEM	PART NO.	1 2 3 4 5	DESCRIPTION	QTY.
1	71611G**		SEAT BOTTOM ASSEMBLY (INCLUDES ITEMS 2 - 11)	1
2	71602G**		VINYL SEAT BOTTOM COVER	1
3	71012G01		VINYL TRIM (SEAT BOTTOM).....	1
4	17074G1		RUBBER PAD	2
5				
6	71701G01		HIP RESTRAINT (PASSENGER SIDE)	1
7	71702G01		HIP RESTRAINT (DRIVER SIDE).....	1
8	71204G01		HEX HEAD BOLT, 1/4" - 20 X 7/8" LG.....	8
9				
10	71610G01		SEAT HINGE	2
11	00720G08		SCREW, #12 - 14 X 1" LG (STAINLESS STEEL)	6
12				
13	71751G**		SEAT BACK ASSEMBLY (INCLUDES ITEMS 14 - 16)	1
14	71753G**		VINYL SEAT BACK COVER	1
15	71752G01		PLASTIC SEAT BACK COVER.....	1
16	01107G01		SCREW, #8 X 5/8" LG (STAINLESS STEEL).....	4
17				
18				
19	71811G03		SEAT SUPPORT BRACKET.....	2
20	605056		HEX HEAD BOLT, 1/4" - 20 X 1" LG (STAINLESS STEEL).....	4
21	00664G7		LOCK WASHER, 1/4" (STAINLESS STEEL).....	4
22	01075G01		SCREW, 3/8" - 16 X 2 1/2" LG	4
23				
24	610642		BAG HOLDER BRACKET.....	1
25	608051		BAG RETAINER CLAMP	2
26	71853G01		BAG RETAINER STRAP.....	1
27	16816G1		RATCHET FASTENER, 1/4" X 9/16" LG.....	2
28	01102G01		CARRIAGE BOLT, 1/4" - 20 X 1 1/2" LG (STAINLESS STEEL)	2
29	11027G2		LOCK NUT, 1/4" - 20.....	2

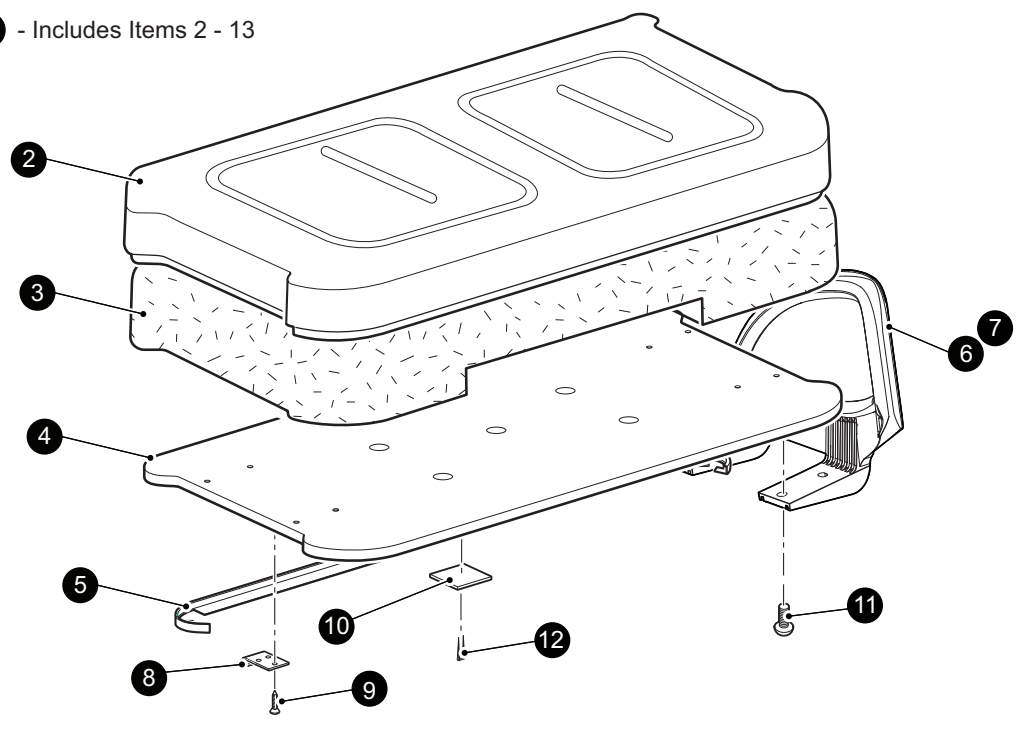
SEATING

FOR VEHICLES MANUFACTURED FROM 5TH OCTOBER 2014

15 - Includes Items 16 - 21



1 - Includes Items 2 - 13



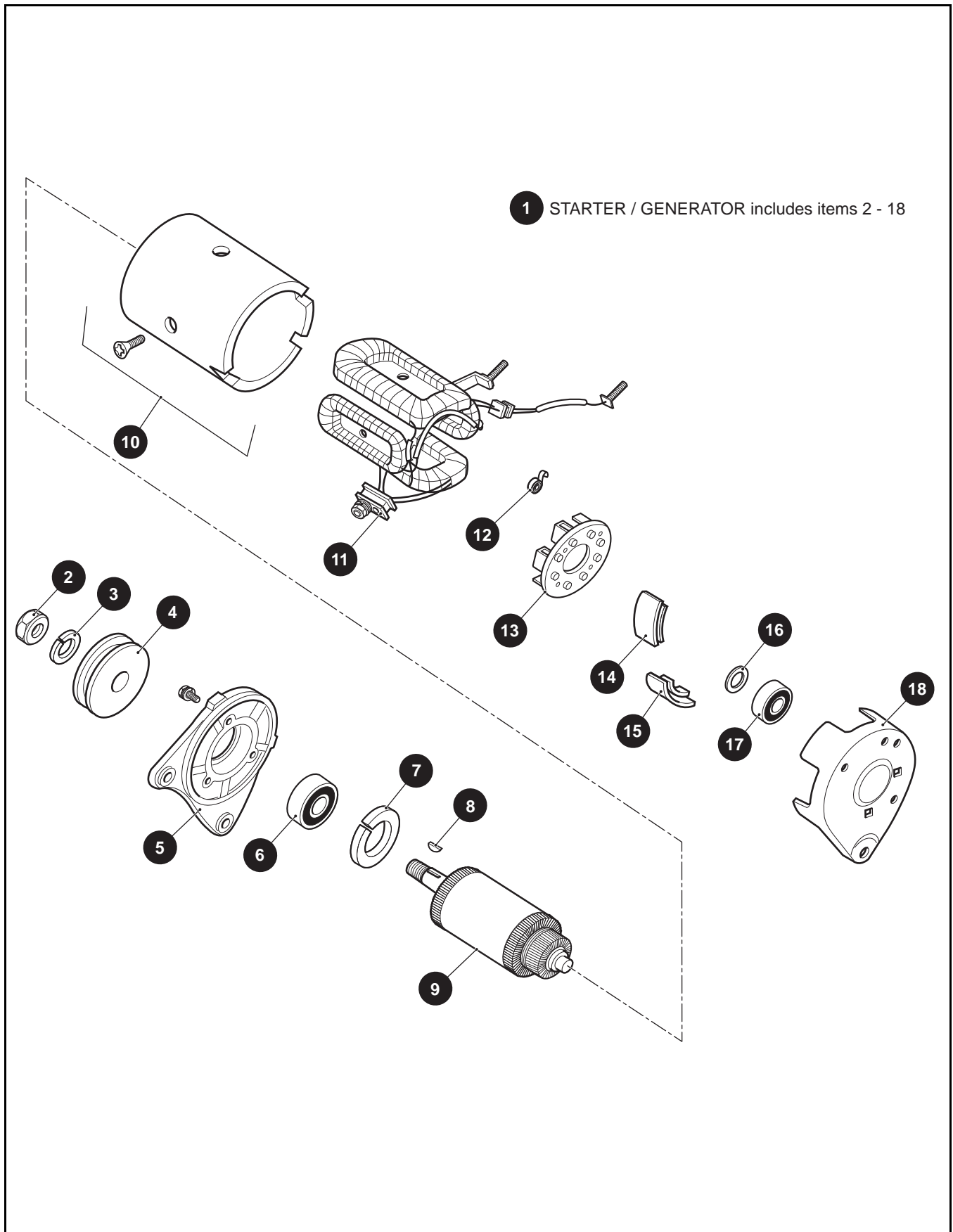
When ordering parts, please specify the model and serial number of the product.

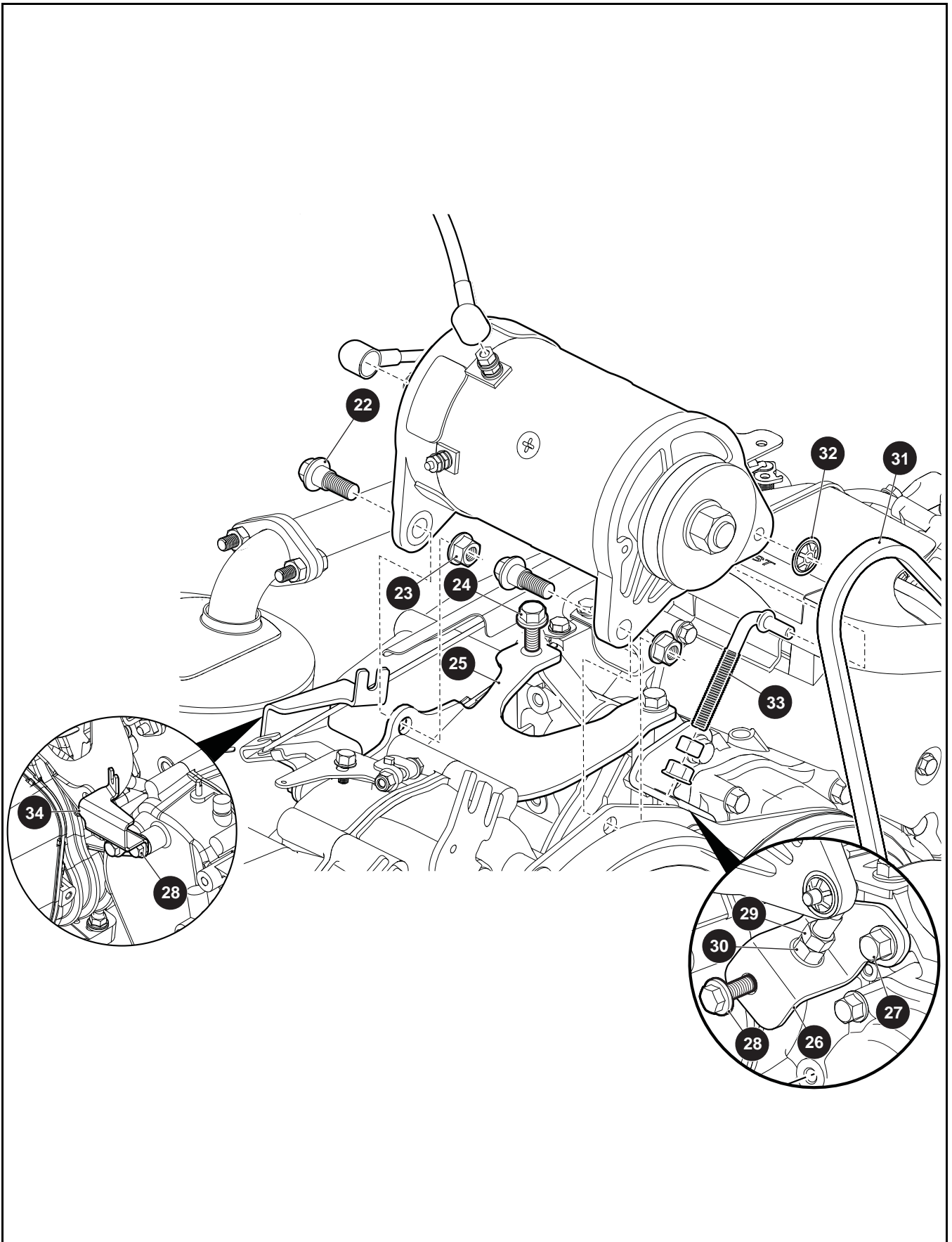
* Indicates a component that is not available as an individual part.

*** Indicates consult Customer Service Department for additional information.

ITEM	PART NO.	1 2 3 4 5	DESCRIPTION	QTY.
1	***		SEAT BOTTOM ASSEMBLY (INCLUDES ITEMS 2 - 13)..... 629269G0103 TAN 629269G0106 BLACK	1
2	***		SEAT BOTTOM COVER 71602G04 TAN 71602G06 BLACK	1
3	71603G02		FOAM PADDING (SEAT BOTTOM)	1
4	645492		SEAT BOTTOM	1
5	71012G01		VINYL TRIM (SEAT BOTTOM).....	1
6	617644		HIP RESTRAINT (PASSENGER SIDE)	1
7	617645		HIP RESTRAINT (DRIVER SIDE).....	1
8	71610G01		SEAT HINGE	2
9	00720G08		PHILLIPS HEAD TAPPING SCREW, #12 -14 X 1" LG	6
10	17074G1		SOILING SLAB.....	2
11	615417		BUTTON HEAD TORX BOLT, M10 - 1.5 X 25MM LG.....	8
12	*		FLAT STAPLE.....	A/R
13	17618G1		NYLON CLAMP (NOT ILLUSTRATED).....	1
14				
15	***		SEAT BACK ASSEMBLY (INCLUDES ITEMS 16 - 21) 625229G0103 TAN 625229G0106 BLACK	1
16	***		VINYL SEAT BACK COVER 625234G03 TAN 625234G06 BLACK	1
17	625239		PLASTIC SEAT BACK COVER.....	1
18	625233		FOAM PADDING (SEAT BACK).....	1
19	644266		SEAT BACK BASE	1
20	*		FLAT STAPLE.....	A/R
21	17618G1		NYLON CLAMP (NOT ILLUSTRATED).....	1
22				
23	605056		HEX HEAD BOLT (SS), 1/4" - 20 X 1" LG	4
24	00664G7		LOCK WASHER (SS), 1/4"	4

STARTER / GENERATOR





STARTER / GENERATOR

Where applicable, THE USE OF NON UL PARTS WILL VOID ANY UL LISTING.

When ordering parts, please specify the model and serial number of the product.

* Indicates a component that is not available as an individual part.

G** Indicates consult Customer Service Department for additional information.

ITEM	PART NO.	1 2 3 4 5	DESCRIPTION	QTY.
1	625715		STARTER / GENERATOR (INCLUDES ITEMS 2 - 18).....	1
2	612029		NUT.....	1
3	612030		LOCKWASHER	1
4	625716		PULLEY	1
5	612032		FRONT COVER.....	1
6	612033		BEARING.....	1
7	612034		RETAINING RING.....	1
8	612035		KEY.....	1
9	612036		ARMATURE ASSEMBLY	1
10	612037		FRAME & FIELD ASSEMBLY	1
11	612038		BRUSH LEAD & TERMINAL PKG.....	1
12	612039		BRUSH SPRING.....	4
13	612040		BRUSH BOX ASSEMBLY.....	1
14	612041		BRUSH 1 COVER.....	3
15	612042		BRUSH 2 COVER.....	2
16	612043		WAVY WASHER	1
17	612044		BEARING.....	1
18	612045		REAR COVER	1
19				
20				
21				
22	606235		BOLT, HXFL SHLDR - M10 - 1.25 X 20.....	2
23	606279		NUT, M10 - 1.25	2
24	606261		BOLT, M8 - 1.25 X 20	3
25	602141		STARTER / GENERATOR BRACKET.....	1
26	602145		TENSIONER BRACKET	1
27	606261		BOLT, M8 - 1.25 X 20	1
28	606256		BOLT, M10 - 1.25 X 25	9
29	606255		NUT, M10 - 1.25	1
30	606274		NUT, M10 - 1.25	1

STARTER / GENERATOR

Where applicable, THE USE OF NON UL PARTS WILL VOID ANY UL LISTING.

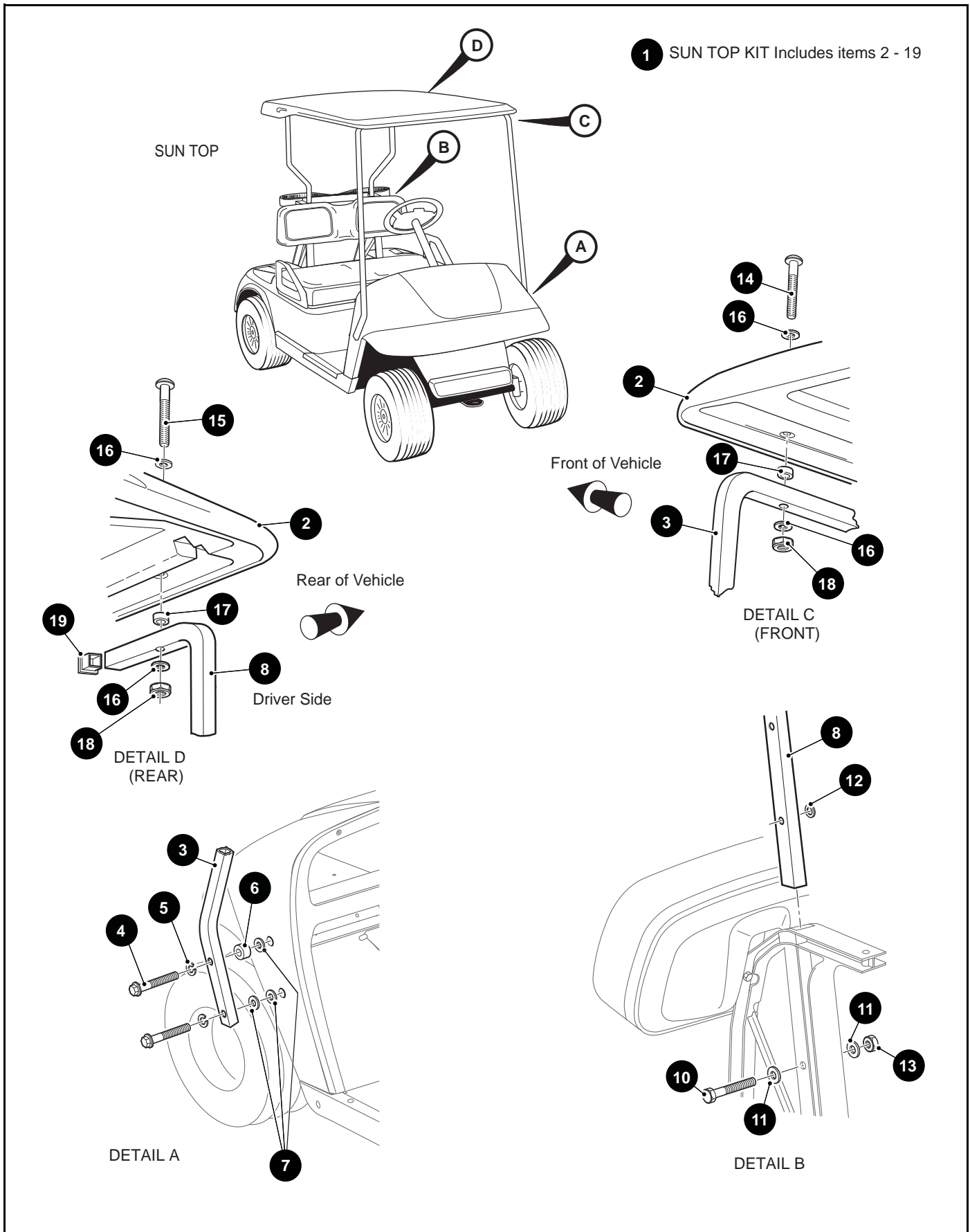
When ordering parts, please specify the model and serial number of the product.

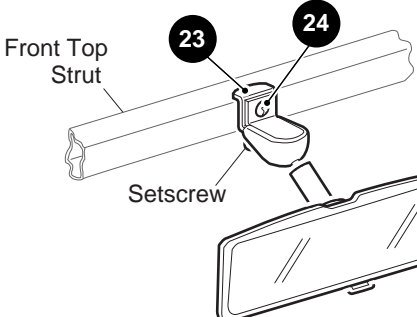
* Indicates a component that is not available as an individual part.

G** Indicates consult Customer Service Department for additional information.

ITEM	PART NO.	1 2 3 4 5	DESCRIPTION	QTY.
31	630587		STARTER / GENERATOR BELT	1
32	12064G6		PUSH NUT, 5/16"	1
33	629763		TENSIONER BOLT	1
34	603884		CABLE GUIDE BRACKET	1

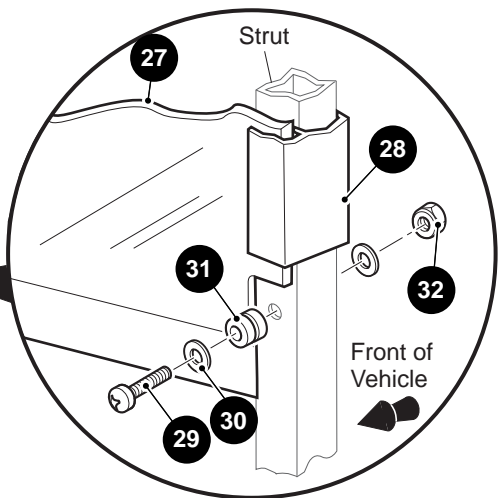
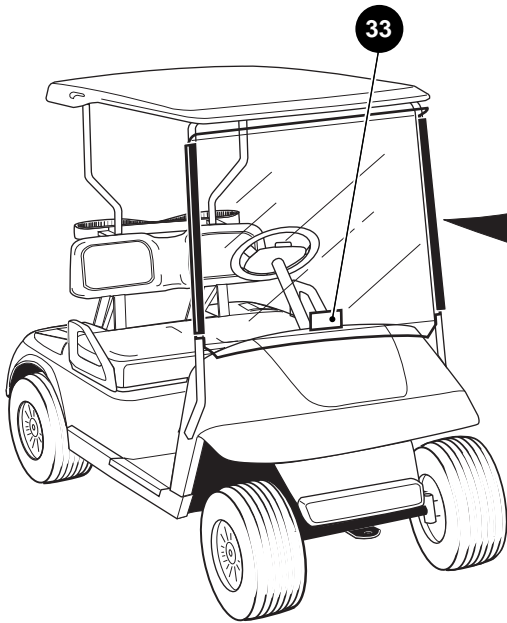
WEATHER PROTECTION





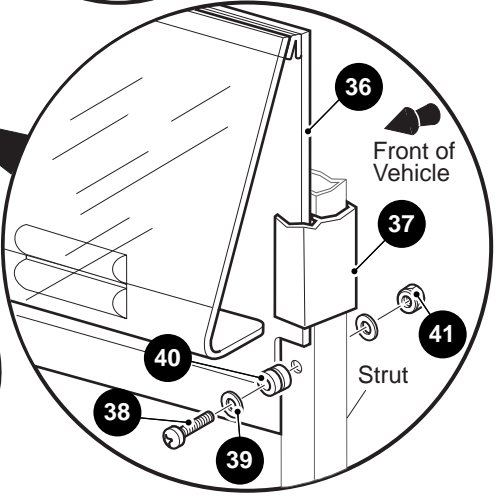
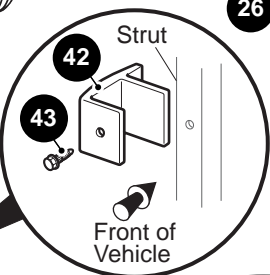
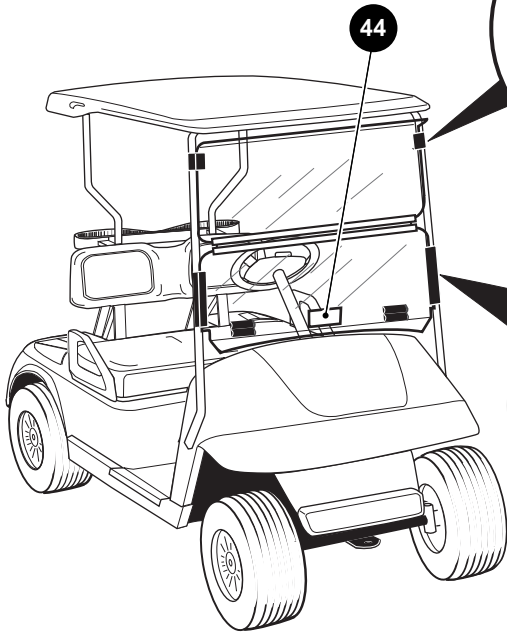
REAR VIEW MIRROR

21 REAR VIEW MIRROR KIT Includes Items 22 - 24



FULL WINDSHIELD

26 WINDSHIELD KIT Includes Items 27 - 33

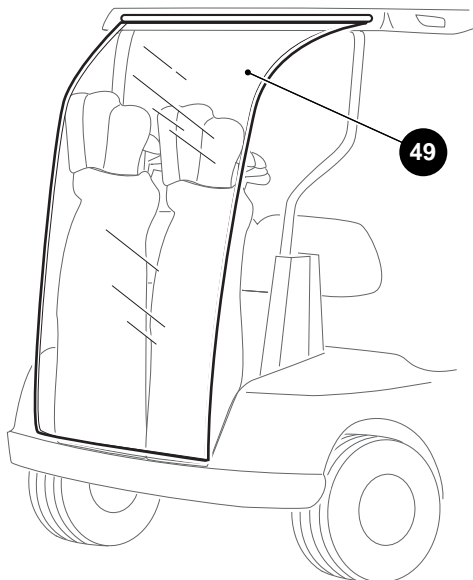
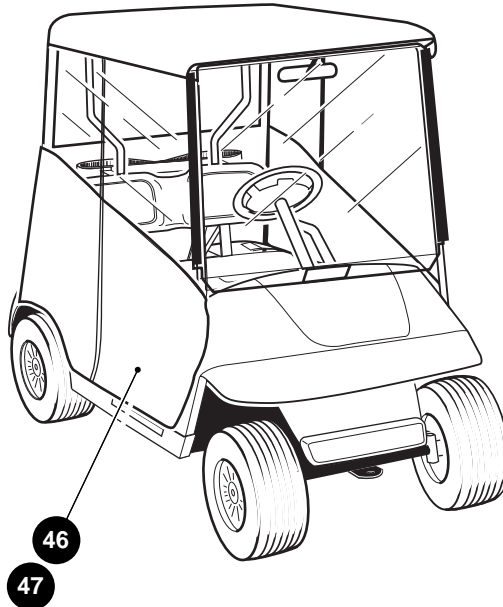


FOLD DOWN WINDSHIELD

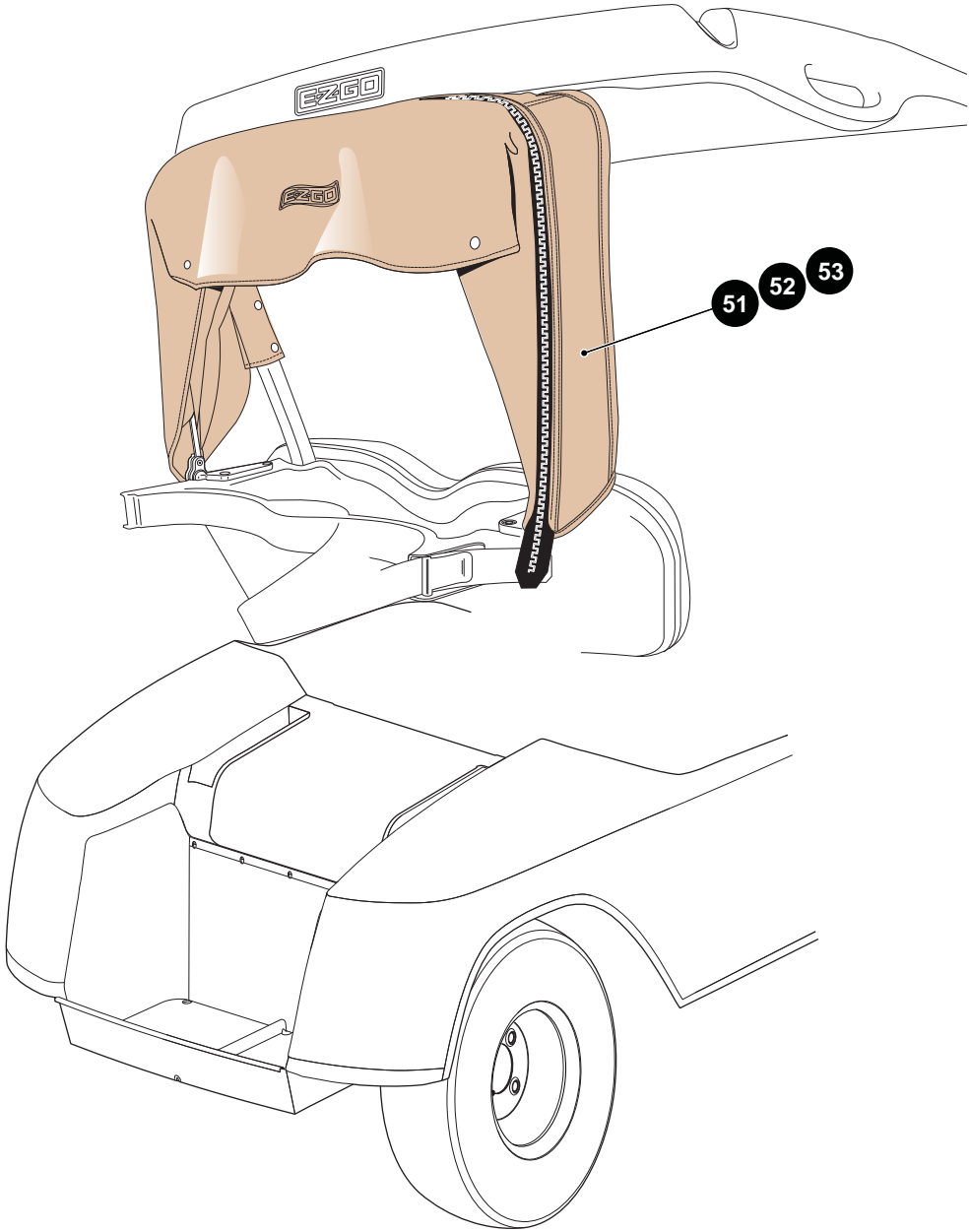
35 FOLD DOWN WINDSHIELD KIT Includes Items 36 - 44

WEATHER PROTECTION

WEATHER ENCLOSURE



BAG AND RAIN CURTAIN



WEATHER PROTECTION

When ordering parts, please specify the model and serial number of the product.

* Indicates a component that is not available as an individual part.

*** Indicates consult Customer Service Department for additional information.

ITEM	PART NO.	1	2	3	4	5	DESCRIPTION	QTY.
1	75040-G**						SUN TOP KIT (GOLF CAR) (INCLUDES ITEMS 2 - 19)	1
2	27069-G**						SUN TOP	1
3	75045-G05						FRONT STRUT	1
4	000440-G2						SCREW - CAP - 5/16 - 18 X 2 1/4"	4
5	00559-G8						FLAT WASHER - 5/16" FL - B - CP	4
6	75048-G01						SPACER, 1/2"	2
7	00570-G2						FLAT WASHER, 5/16"	6
8	75046-G02						REAR STRUT	2
9								
10	00685-G7						STAINLESS STEEL BOLT, 5/16 - 18 X 1 3/4" LG	4
11	01110-G03						STAINLESS STEEL FLAT WASHER, 5/16"	8
12	17255-G1						TEFLON WASHER, 5/16"	4
13	01109-G01						STAINLESS STEEL LOCK NUT, 5/16 - 18	4
14	00753-G5						STAINLESS STEEL SCREW, 1/4 - 20 X 2" LG	2
15	00753-G6						STAINLESS STEEL SCREW, 1/4 - 20 X 2 1/4" LG	2
16	01110-G01						STAINLESS STEEL FLAT WASHER, 1/4"	8
17	75051-G01						PLASTIC SPACER 1/2"	4
18	00654-G2						STAINLESS STEEL LOCK NUT, 1/4 - 20	4
19	19853-G1						END CAP, 1"	2
20								
21	19528-G2						REAR VIEW MIRROR KIT (INCLUDES ITEMS 22 - 24)	1
22	19496-G1						REAR VIEW MIRROR	1
23	19502-G2						SUPPORT BRACKET	1
24	19527-G1						STAINLESS STEEL SCREW, #8 - 32 X 5/8" LG	1
25								
26	75524-G01						WINDSHIELD KIT (GOLF CAR) (INCLUDES ITEMS 27 - 33)	1
27	*						WINDSHIELD	1
28	EGWHC12						SASH, 26" LG	2
29	EGWHS12						STAINLESS STEEL SCREW, 1/4 - 20 X 1 3/4" LG	2
30	EGWHW12						STAINLESS STEEL FLAT WASHER, 1/4"	4
31	EGWHG13						RUBBER GROMMET	2

WEATHER PROTECTION

When ordering parts, please specify the model and serial number of the product.

* Indicates a component that is not available as an individual part.

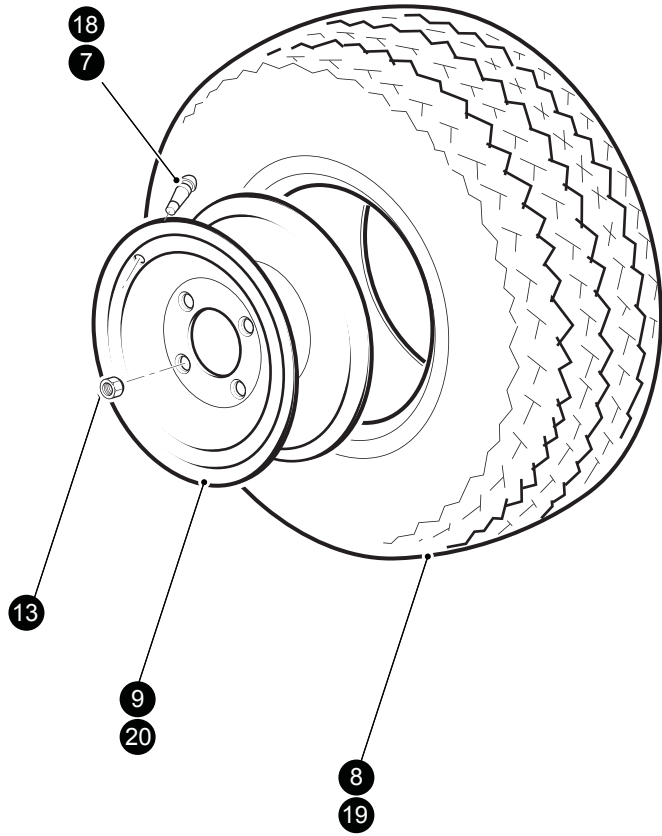
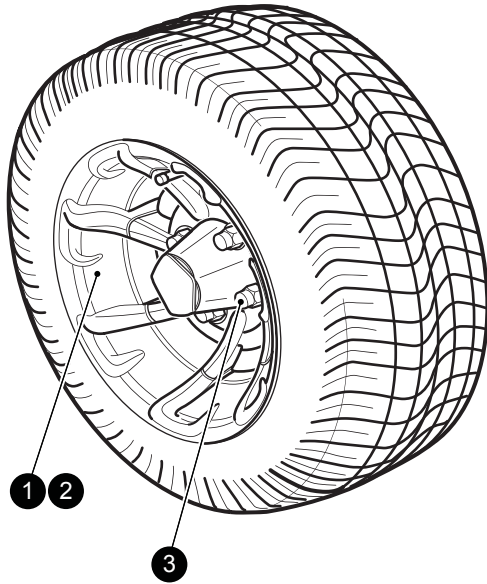
*** Indicates consult Customer Service Department for additional information.

ITEM	PART NO.	1 2 3 4 5	DESCRIPTION	QTY.
32	EGWHN12		STAINLESS STEEL LOCK NUT, 1/4 - 20.....	2
33	EGWHL14		SAFETY LABEL	1
34				
35	74910G01		FOLD DOWN WINDSHIELD KIT (GOLF CAR) (INCLUDES ITEMS 36 - 44)	1
36	*		WINDSHIELD	1
37	EGWHC10		SASH, 12" LG.....	2
38	EGWHS12		STAINLESS STEEL SCREW, 1/4 - 20 X 1 3/4" LG.....	2
39	EGWHW12		STAINLESS STEEL FLAT WASHER, 1/4"	4
40	EGWHG13		RUBBER GROMMET	2
41	EGWHN12		STAINLESS STEEL LOCK NUT, 1/4 - 20.....	2
42	137-010		TOP GRIP, 3/4" X 2"	2
43	136-008		TOP GRIP FASTENER.....	2
44	EGWHL14		SAFETY LABEL	1
45				
46	75078-G01		WEATHER ENCLOSURE (3 SIDED) RECOMMENDED FOR VEHICLES WITH WINDSHIELDS.....	1
47	75079-G01		WEATHER ENCLOSURE (4 SIDED) RECOMMENDED FOR VEHICLES WITHOUT WINDSHIELDS	1
48				
49	75191-G01		BAG COVER AND RAIN CURTAIN KIT	1
50				
51	625581		BAG COVER KIT, OYSTER.....	1
52	625583		BAG COVER KIT, TAN.....	1
53	625585		BAG COVER KIT, GREEN.....	1
<p>For service or replacement windshield parts, contact: Eagle Parts, Inc. 1411 Marvin Griffin Rd. Augusta, GA 30906 Telephone (706) 790-6687 or FAX (706) 790-6066</p>				

WHEELS AND TIRES

6 Includes Items 7-9

17 Includes Items 18-20



METALLIC SILVER HUBCAP

14



CHROME HUBCAP

4



METALLIC GOLD HUBCAP

15

WHEELS AND TIRES

When ordering parts, please specify the model and serial number of the product.

* Indicates a component that is not available as an individual part.

*** Indicates consult Customer Service Department for additional information.

ITEM	PART NO.	1 2 3 4 5	DESCRIPTION	QTY.
1	606179		TIRE & WHEEL ASSEMBLY 18 X 10 - 10 SPEED RACER	2
2	606240		TIRE & WHEEL ASSEMBLY 18 X 10 - 10 SPEED RACER	2
3	606925		LUG NUTS	16
4	608910		WHEEL CAP CHROME FINISH	4
5				
6	612772		WHEEL AND TIRE ASSEMBLY	4
7	11657G2		VALVE STEM.....	1
8	612771		KENDA TIRE (HOLE-N-ONE).....	1
9	612770		WHEEL.....	1
10				
11				
12				
13	14723G1		LUG NUTS	16
14	607097		METALLIC SILVER HUBCAP	1
15	601635		METALLIC GOLD HUBCAP.....	1
16				
17	28757G01		WHEEL AND TIRE ASSEMBLY (LINKS 18 X 8.5 - 8) (INCLUDES ITEMS 18 - 20)	1
18	11657G2		VALVE STEM.....	1
19	28764G01		TIRE (LINKS 18 X 8.5 - 8).....	1
20	28759G01		WHEEL RIM (4 LUG)	1

SPECIALTY PRODUCTS

SPECIALTY PRODUCTS

SPECIAL TOOLS	PART NO.
HIGH RESISTANCE SPARK PLUG WIRE SET	26733G02
CLUTCH PULLER (DRIVE)	19779G2
FLYWHEEL PULLER	27111G01
CURRENT INDICATOR	16489G2
DIGITAL MULTI-METER	27481G01
TUBELESS TIRE REPAIR KIT	606009
TIRE PLUGGER REFILL PACK (50/BOX)	606831

TOUCH UP PAINT	PART NO.
PEN 3 OUNCE (89 ML) - HUNTER GREEN	28432G02
PEN 3 OUNCE (89 ML) - CHAMPAGNE BEIGE	28432G01
PEN 3 OUNCE (89 ML) - WHITE	28432G05
PEN 3 OUNCE (89 ML) - INDUSTRIAL YELLOW	28432G03
PEN 3 OUNCE (89 ML) - ORANGE	28432G04
PEN 3 OUNCE (89 ML) - STEEL BLUE PEARL	28432G24
PEN 3 OUNCE (89 ML) - CAMOUFLAGE PAINT (THREE PENS)	75831G01
AEROSOL 12 OUNCE (360 ML) - HUNTER GREEN	28140G09
AEROSOL 12 OUNCE (360 ML) - CHAMPAGNE BEIGE	28140G15
AEROSOL 12 OUNCE (360 ML) - INDUSTRIAL YELLOW	28140G14

MAINTENANCE PRODUCTS	PART NO.
PLEXUS® CLEANER, 13 OUNCE (380 ML) (FOR WINDSHIELDS)	28433G02
BATTERY PROTECTOR, 14 OUNCE (410 ML) SPRAY	27619G02
E-Z-GO ALL SURFACE CLEANER	606311
E-Z-GO FIBREGLASS/PLASTIC RESTORER	606313
WINDSHIELD AND PLASTIC PROTECTOR	606314
64 OZ HAND CLEANER	607636
4 OZ HAND CLEANER	607637

OPTIONS/ACCESSORIES

OPTIONS/ACCESSORIES

2 BAG ATTACHMENT	75183G01	Body -Footrest
4 BAG ATTACHMENT	75335G01	Body - Accessories Continued
ASHTRAY KIT	75109G03	Body - Accessories Continued
CENTER BASKET	75003G01	Body - Accessories
COOLER JUG AND BRACKET KIT	75495G01	Body - Accessories Continued
COOLER BOX AND BRACKET KIT	71048G01	Body - Accessories Continued
DIVOT REPAIR KIT	23300G1	Body - Accessories
MESSAGE HOLDER KIT (REQUIRES SUN TOP)	75509G01	Body - Accessories Continued
MESSAGE HOLDER KIT (REQUIRES SUN TOP)	75496G01	Body - Accessories Continued
REAR VIEW MIRROR (REQUIRES SUN TOP)	19528G2	Weather Protection - Golf Car
SAND BOTTLE KIT, BOTTOM SCREW	614179	Body - Accessories
SAND BOTTLE KIT, TOP SCREW	614195	Body - Accessories
SAND BOTTLE KIT, TOP SCREW, 30 PACK	614181	Body - Accessories
SAND BOTTLE KIT, BOTTOM SCREW, 30 PACK	614182	Body - Accessories
SAND RAKE	14735G1	Body - Accessories Continued
SAND RAKE HOLDER	75006G01	Body - Accessories Continued
SIDE BASKET	75007G**	Body - Accessories
SUN TOP KIT, GOLF CAR	75040G**	Weather Protection - Golf Car
TOW BAR KIT (PERMANENT)	75361G01	Tow Bar - Permanent
WINDSHIELD KIT, GOLF CAR	75524G01	Weather Protection, Golf Car
WINDSHIELD KIT, FOLD DOWN, GOLF CAR	74910G01	Weather Protection, Golf Car
BFS - INSTALLATION	607108	Electrical System
NOZZLE GUN - BFS-08	608813	Electrical System
HEAVY DUTY LEAF SPRING	605721	Rear Suspension
CLUB AND BALL WASHER KIT	627900	Body - Accessories



A Textron Company

E-Z-GO Division Of Textron, Inc.,
1451 Marvin Griffin Road, Augusta, Georgia USA 30906-3852

TO CONTACT US

North America:

Technical Assistance & Warranty Phone: 1-800-774-3946, FAX: 1-800-448-8124
Service Parts Phone: 1-888-GET-EZGO (1-888-438-3946), FAX: 1-800-752-6175

International:

Phone: 001-706-798-4311, FAX: 001-706-771-4609

Copyrighted Material
This manual may not be reproduced in whole or
in part without the express permission of
E-Z-GO Division of Textron, Inc.
Technical Communications Department