

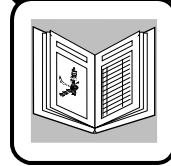
620383-AV



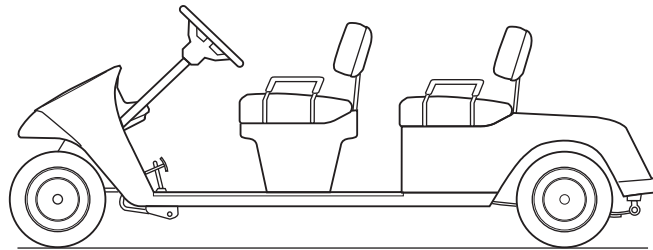
A Textron Company

**CUSHMAN**<sup>®</sup>

A Textron Company



# SERVICE PARTS MANUAL



## GASOLINE POWERED PERSONNEL CARRIERS AND GOLF CAR

ISSUED APRIL 2008

REVISED FEBRUARY 2017



# **PARTS MANUAL**

## **GASOLINE POWERED PERSONNEL CARRIER AND GOLF CAR**

**VEHICLE**

**TXT G5**

**Starting Model Year 2008**

The E-Z-GO Division of TEXTRON Inc. reserves the right to incorporate engineering and design changes to products in this Manual, without obligation to include these changes on units leased/sold previously.

The information contained in this Manual may be revised periodically by the E-Z-GO Division, and therefore is subject to change without notice.

The E-Z-GO Division **DISCLAIMS LIABILITY FOR ERRORS IN THIS MANUAL**, and the E-Z-GO Division **SPECIFICALLY DISCLAIMS LIABILITY FOR INCIDENTAL AND CONSEQUENTIAL DAMAGES** resulting from the use of the information and materials in this Manual.

### **TO CONTACT US**

#### **NORTH AMERICA:**

**TECHNICAL ASSISTANCE & WARRANTY PHONE: 1-800-774-3946, FAX: 1-800-448-8124**

**SERVICE PARTS PHONE: 1-888-GET-EZGO (1-888-438-3946), FAX: 1-800-752-6175**

#### **INTERNATIONAL:**

**PHONE: 001-706-798-4311, FAX: 001-706-771-4609**

**E-Z-GO DIVISION OF TEXTRON, INC., 1451 MARVIN GRIFFIN ROAD, AUGUSTA, GEORGIA USA 30906-3852**

## NOTES

To obtain a copy of the limited warranty applicable to the vehicle, call or write a local distributor, E-Z-GO Branch or E-Z-GO Warranty Department with vehicle serial number and manufacturer code.

The use of non E-Z-GO parts may void the warranty.

Overfilling batteries may void the warranty.

### BATTERY PROLONGED STORAGE

All batteries will self discharge over time. The rate of self discharge varies depending on the ambient temperature and the age and condition of the batteries.

A fully charged battery will not freeze in winter temperatures unless the temperature falls below -75° F (-60° C).

For winter storage, the batteries must be clean, fully charged and disconnected from any source of electrical drain, such as the battery charger. Disconnect the battery charger cable from the vehicle batteries when not charging.

As with all electric vehicles, the batteries must be checked and recharged as required or at a minimum of 30 day intervals.

Refer to the 'Prolonged Storage' section within the BATTERIES AND CHARGING section of this manual.

# TABLE OF CONTENTS

SECTION	Page No.
<b>HOW TO USE THE SERVICE PARTS MANUAL</b> .....	<b>V</b>
<b>ACCELERATOR</b> .....	<b>A-1</b>
• Pedal Cover	
• Pedal Box Assembly	
• Accelerator Pedal Assembly	
<b>AIR FILTER</b> .....	<b>B-1</b>
• Air Cleaner Element	
• Air Filter Housing	
• Air Cleaner Hose	
<b>BODY</b> .....	<b>C-1</b>
• Front Bumper	
• Front Splash Shield	
• Cowl	
• Instrument Panel	
• Rocker Panels	
• Rear Body	
• Seat Support	
<b>BRAKES - FRONT DISC</b> .....	<b>D-1</b>
• Brake Pedal Pad	
• Brake Pedal	
• Brake Compensator Assembly	
• Spindle Calliper Disc Hub Assembly	
<b>BRAKES - MECHANICAL</b> .....	<b>E-1</b>
• Brake Pedal Pad	
• Brake Pedal	
• Brake Cable	
• Brake Drum Assembly	
<b>CARBURETOR</b> .....	<b>F-1</b>
• Carburetor	
• Main Jet	
• Choke Cable	
<b>CLUTCH</b> .....	<b>G-1</b>
• Drive Clutch	
• Driven Clutch	
<b>DIRECTION SELECTOR</b> .....	<b>H-1</b>
• Push/Pull Shifter Cable	
• Compression Spring	
• Neutral Lock Bracket	
<b>ELECTRICAL SYSTEM</b> .....	<b>J-1</b>
• Main Harness	
• Battery	
• Hour Meter	
• Ground Cable	
• Headlight	
• Key Switch	

# TABLE OF CONTENTS

<b>SECTION</b>	<b>Page No.</b>
<b>ENGINE AND MUFFLER</b> .....	<b>K-1</b>
• Engine	
• Muffler	
• Oil Dip Stick	
• Oil Filter	
<b>ENGINE MOUNTING</b> .....	<b>L-1</b>
• Engine Pan Mount	
• Front Engine Mount	
<b>FRONT SUSPENSION AND STEERING</b> .....	<b>M-1</b>
• Strut	
• Spindle	
• Steering Box	
• Steering Column	
• Steering Wheel	
<b>FUEL SYSTEM</b> .....	<b>N-1</b>
• Fuel Tank	
• Pulse Line	
<b>REAR AXLE</b> .....	<b>P-1</b>
• Axle Shaft	
• Axle Tube	
• Oil Check Plug	
<b>REAR SUSPENSION</b> .....	<b>Q-1</b>
• Shocks	
• Leaf Spring	
• Shackles	
<b>SEATING</b> .....	<b>R-1</b>
• Seat Bottom	
• Seat Back	
• Hip Restraints	
• Seat Back Support	
• Seat Bottom, Rear Facing Seat	
<b>STARTER / GENERATOR</b> .....	<b>S-1</b>
• Starter	
• Starter Belt	
• Starter Tensioner	
<b>WEATHER PROTECTION</b> .....	<b>T-1</b>
• Sun Top	
• Windshield	
<b>WHEELS AND TIRES</b> .....	<b>U-1</b>
• Tire & Wheel Assembly	
• Lug Nuts	

# HOW TO USE THE SERVICE PARTS MANUAL

This manual is divided into several sections:

## **GENERAL INFORMATION**

- TABLE OF CONTENTS
- HOW TO USE THE SERVICE PARTS MANUAL

## **ILLUSTRATED PARTS BREAKDOWN**

- Contains illustrations and parts lists for all systems of the vehicle.

## **USE OF THE MANUAL**

To use this manual, consult the TABLE OF CONTENTS (page iii) to locate the information or illustration required.

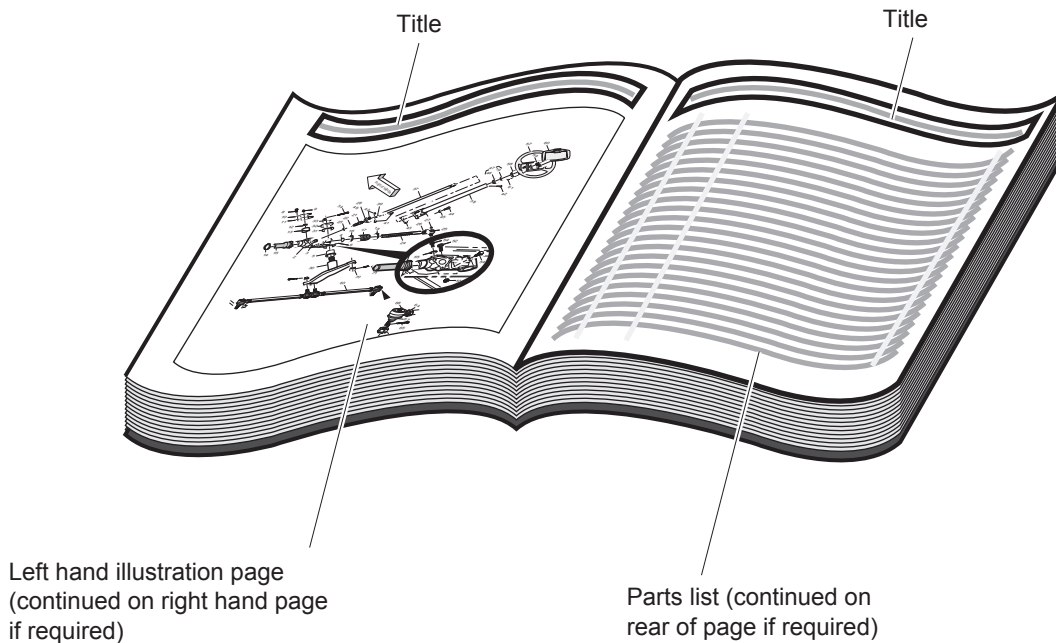
Introduction of some revisions varies due to supply of components; therefore, it is possible that various combinations of components may be found that are not directly reflected by each illustration. Consult the illustration that best suits your situation. Locate the serial number. It is important that the serial number of your vehicle and its model number be supplied to Service Parts when ordering any replacement components.

## **SERIAL NUMBER LOCATION**

Three serial number and manufacture date code labels are on the vehicle. One is placed on the steering column, the second is located on the frame member under the front splash shield on the driver side and the third is located on the passenger side frame rail at the rear of the vehicle.

In order to obtain correct components for the vehicle, the manufacture date code, serial number and vehicle model must be provided when ordering service parts.

# HOW TO USE THE SERVICE PARTS MANUAL



## 1. WHEN THE PART NUMBER IS NOT KNOWN

- Determine the function and application of the part required. Turn to the TABLE OF CONTENTS and select the most appropriate component description.
- Turn to the page number indicated and locate the part description in the parts list. Read the full accompanying description for specific information regarding the part that was not shown in the index.
- From the parts list, obtain the item number assigned to it and confirm that the part selected is correct by verifying it with the pictorial representation on the illustrated page.

Should an asterisk (\*) appear in the part number column on the parts list page, read upwards until a part number is found. The part number is the lowest assembly sold by Service Parts. The asterisk (\*) indicates that the part depicted is not available for purchase.

NOTE: Descriptions are indented under the assembly that they are used on. That assembly is, in turn listed under the assembly that it is used on. This process is repeated until the highest final assembly is reached.

**To facilitate the maintenance and repair of the vehicle, a Technician's Repair and Service Manual is available from the Service Parts Department.**

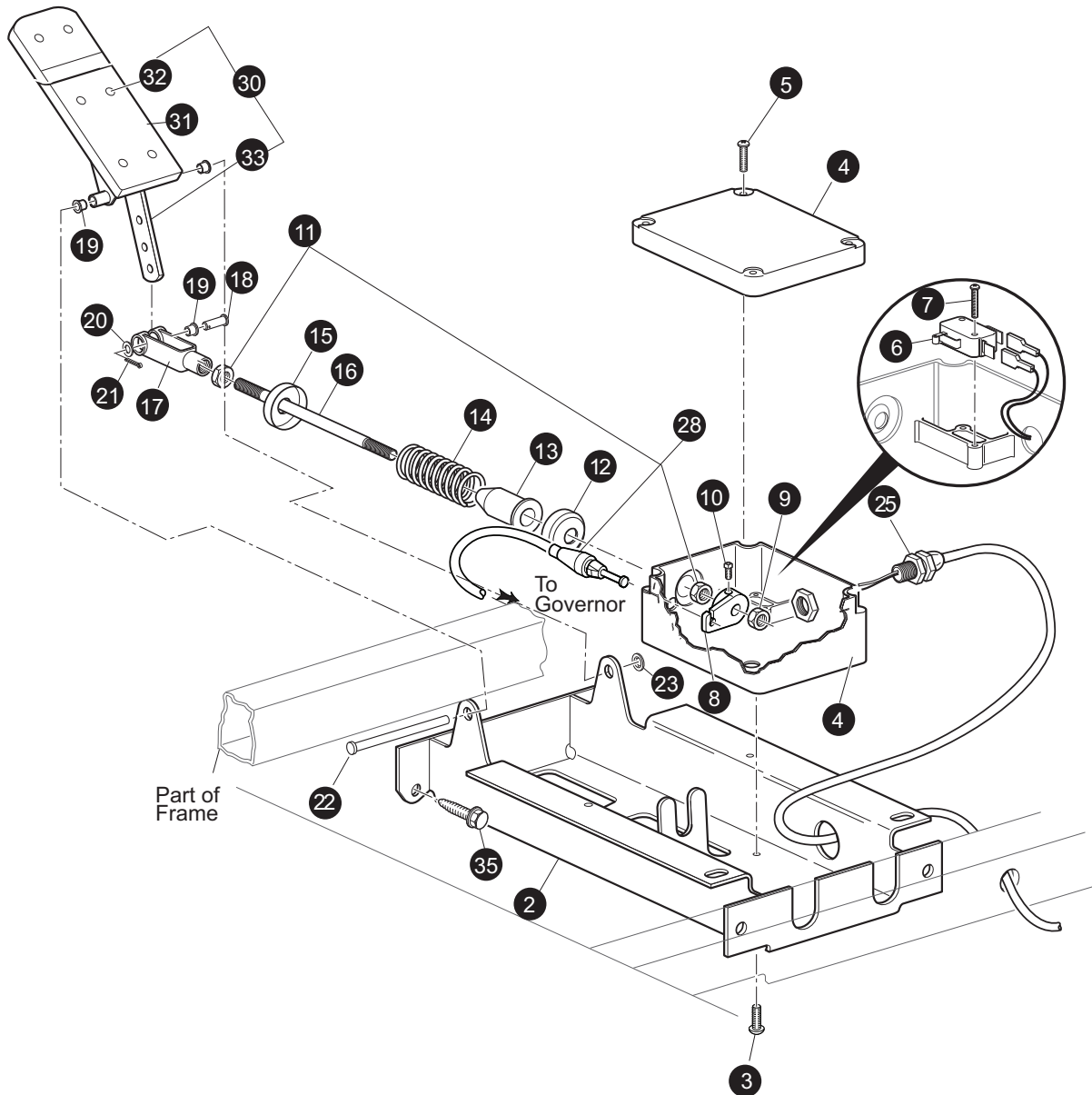


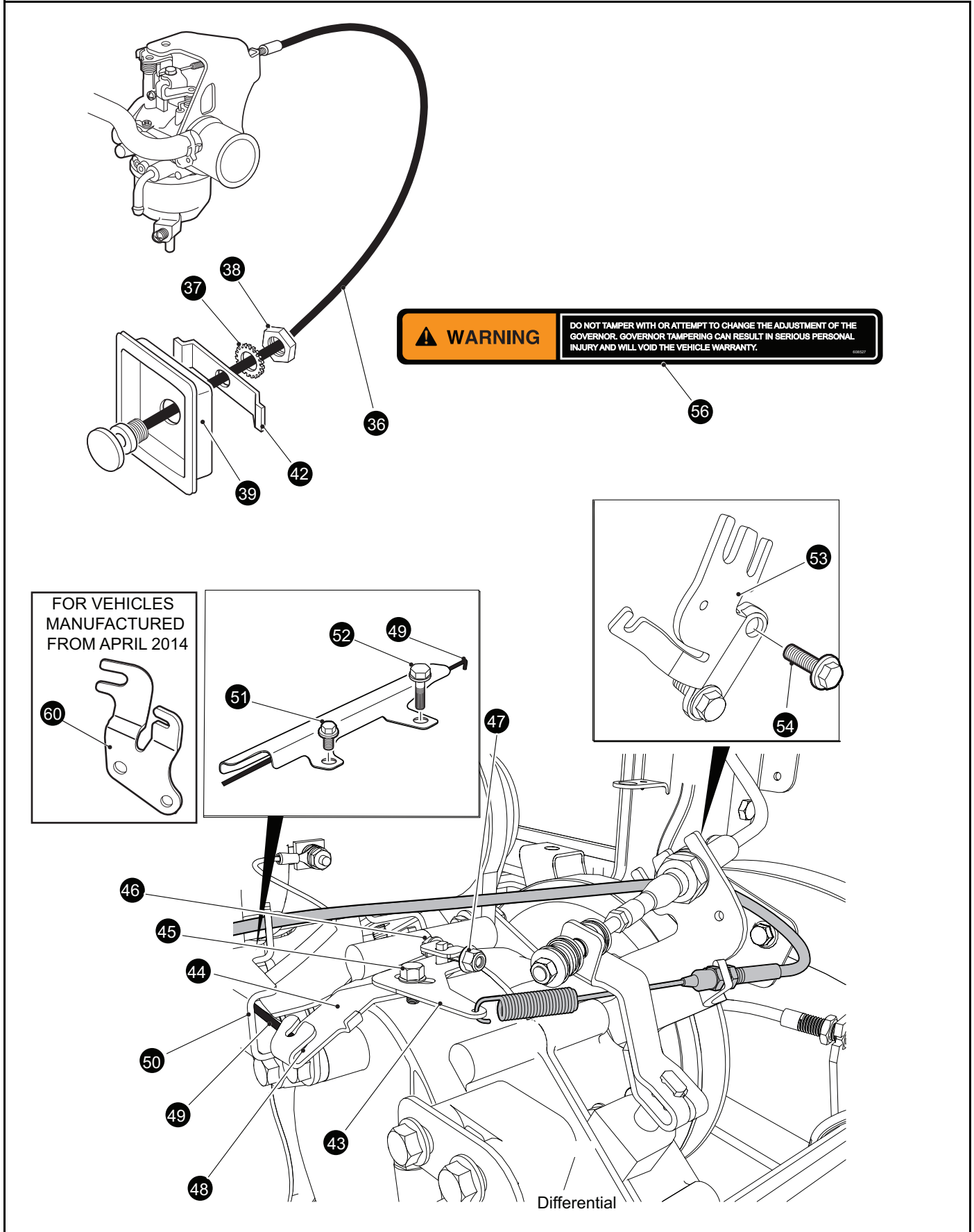
# ILLUSTRATED PARTS BREAKDOWN

## ILLUSTRATED PARTS BREAKDOWN

# ACCELERATOR

1 - Includes Items 2 - 39





**⚠ WARNING** DO NOT TAMPER WITH OR ATTEMPT TO CHANGE THE ADJUSTMENT OF THE GOVERNOR. GOVERNOR TAMPERING CAN RESULT IN SERIOUS PERSONAL INJURY AND WILL VOID THE VEHICLE WARRANTY.

FOR VEHICLES  
MANUFACTURED  
FROM APRIL 2014

Differential

# ACCELERATOR

When ordering parts, please specify the model and serial number of the product.

\* Indicates a component that is not available as an individual part.

\*\*\* Indicates consult Customer Service Department for additional information.

ITEM	PART NO.	1 2 3 4 5	DESCRIPTION	QTY.
1	606992		PEDAL BOX ASSEMBLY (INCLUDES ITEMS 2 - 39).....	1
2	70116G02		ACCELERATOR PEDAL BRACKET .....	1
3	01051G01		PHILLIPS PAN HEAD SCREW, #8 - 16 X 1/2" LG .....	4
4	25853G03		PEDAL BOX AND COVER.....	1
5	00684G6		PHILLIPS TRUSS HEAD MACHINE SCREW (SS), #8 - 32 X 3/4" LG ....	2
6	25861G01		MICRO SWITCH .....	1
7	01050G01		PAN TORX HEAD TAPPING SCREW, #4 - 20 X 5/8" LG .....	2
8	72716G01		MICRO SWITCH CAM .....	1
9	15126G1		LOCK NUT, 5/16" - 24 .....	1
10	00487G3		SETSCREW, 1/4" - 20 X 3/8" LG .....	1
11	00532G4		HEX NUT, 5/16" - 24 .....	2
12	17677G1		SPRING RETAINER .....	1
13	17979G1		ACCELERATOR ROD BUSHING .....	1
14	73046G01		COMPRESSION SPRING .....	1
15	17677G2		SPRING RETAINER .....	1
16	72072G01		ACCELERATOR ROD .....	1
17	10385G4		CLEVIS YOKE (ADJUSTABLE) .....	1
18	10386G3		CLEVIS PIN, 5/16" X 13/16" LG.....	1
19	17838G1		NYLON BUSHING .....	3
20	17255G1		TEFLON WASHER, 5/16" .....	1
21	10387G3		COTTER PIN, 3/32" X 3/4" LG.....	1
22	74432G01		PEDAL PIVOT PIN.....	1
23	12064G6		PUSH NUT, 9/32" .....	1
24				
25	72201G04		WIRE HARNESS (PEDAL BOX).....	1
26				
27				
28	608618		ACCELERATOR CABLE.....	1
29				
30	25799G03		ACCELERATOR PEDAL ASSEMBLY (INCLUDES ITEMS 31- 33) .....	1
31	27512G01		ACCELERATOR PEDAL PAD .....	1

When ordering parts, please specify the model and serial number of the product.

\* Indicates a component that is not available as an individual part.

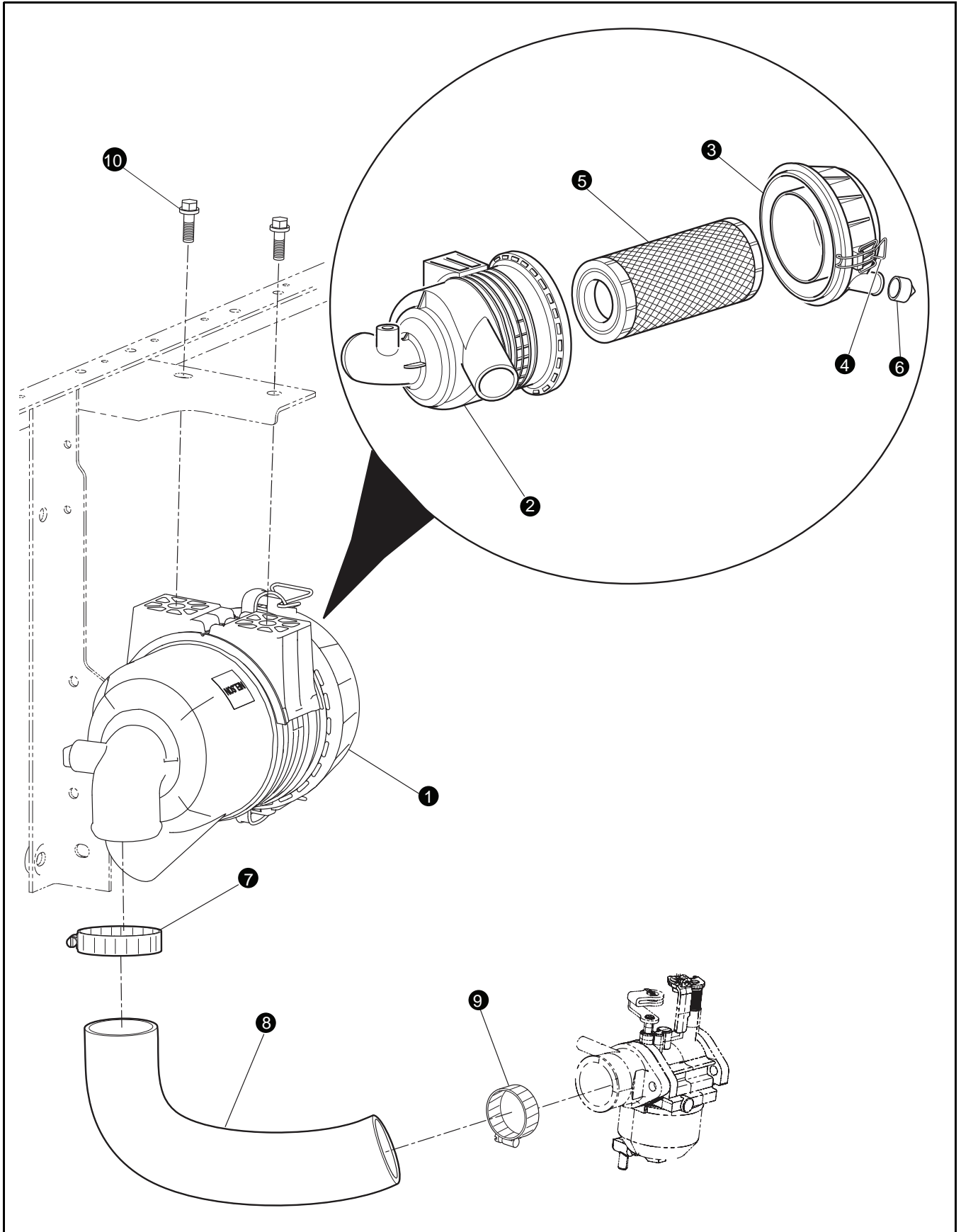
\*\*\* Indicates consult Customer Service Department for additional information.

ITEM	PART NO.	1 2 3 4 5	DESCRIPTION	QTY.
32	16409G1		OVAL RIVET, 3/16" X 7/16" LG .....	6
33	652824		ACCELERATOR PEDAL.....	1
34				
35	00715G2		FLANGED HEX HEAD BOLT, 5/16" -18 X 4/5" LG.....	4
36	605795		CHOKE CABLE ASSY .....	1
37	00568G4		LOCK WASHER, 9/16" .....	1
38	00545G4		JAM NUT, 9/16" - 18.....	1
39	72154G01		CHOKE CABLE ADAPTER .....	1
40				
41				
42	72155G01		RETAINER .....	1
43	606083		UPPER GOVERNOR BRACKET.....	1
44	606005		LOWER GOVERNOR BRACKET .....	1
45	606265		FLANGE HEX HEAD BOLT, M6 - 1 X 12MM LG .....	1
46	606421		FLANGE HEX HEAD BOLT, M6 - 1 X 30MM LG .....	1
47	450452		HEX NUT, M6 - 1.....	1
48	606283		GOVERNOR LEVER BUSHING .....	1
49	606284		GOVERNOR ROD .....	1
50	603890		GOVERNOR ROD GUARD .....	1
51	606264		HEX HEAD BOLT, M6 - 1 X 20MM LG.....	1
52	606262		HEX HEAD BOLT, M8 - 1.25 X 16MM LG.....	1
53	606074		GOVERNOR CABLE / DIRECTION SELECTOR BRACKET .....	1
54	606256		HEX HEAD BOLT, M10 - 1.25 X 25MM LG.....	2
55				
56	608527		GOVERNOR WARNING DECAL.....	1
57				
58				
59	17618G1		NYLON CLAMP .....	2
60	632936		GOVERNOR CABLE / DIRECTION SELECTOR BRACKET (FOR VEHICLES MANUFACTURED FROM APRIL 2014) .....	1





# AIRFILTER





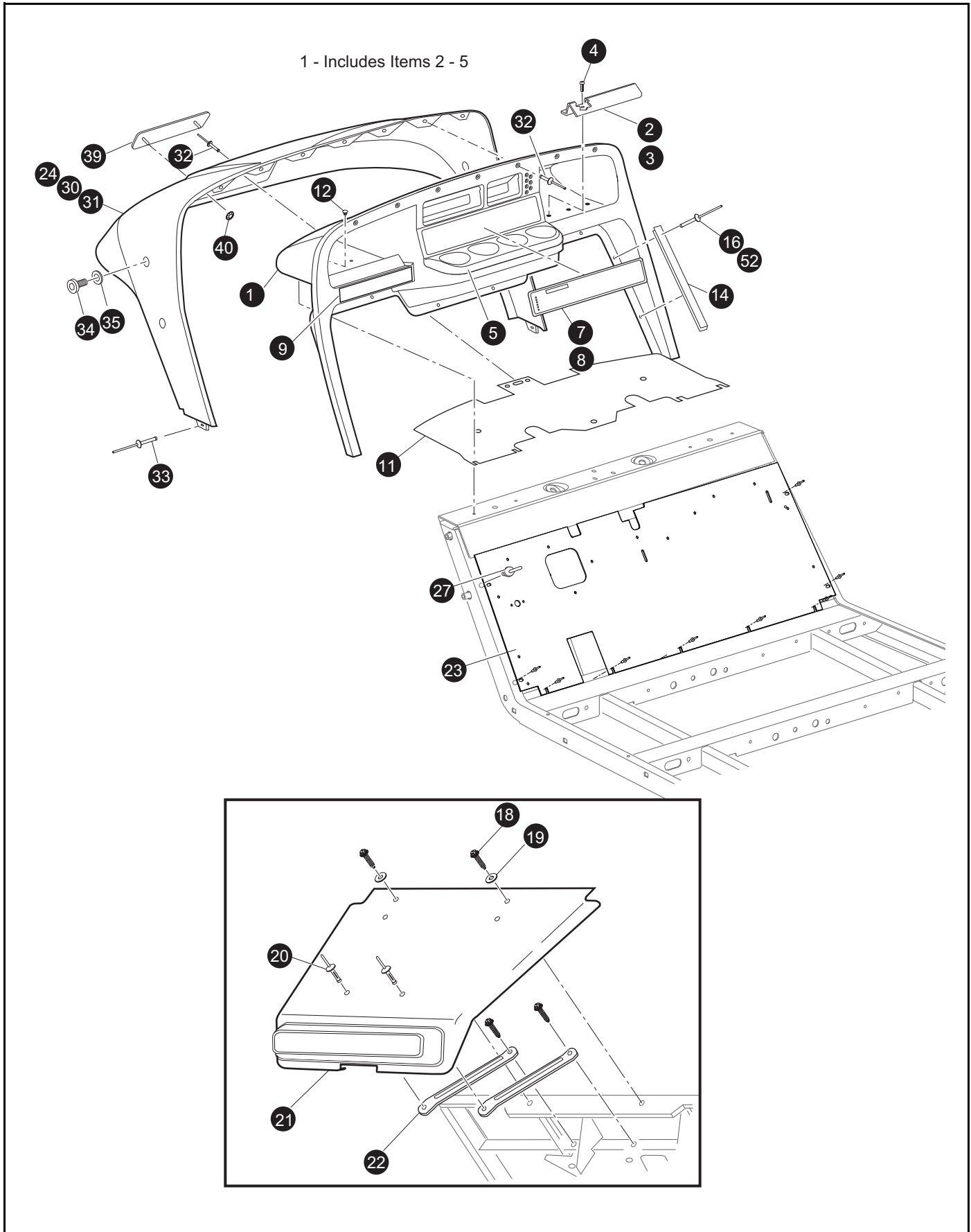
When ordering parts, please specify the model and serial number of the product.

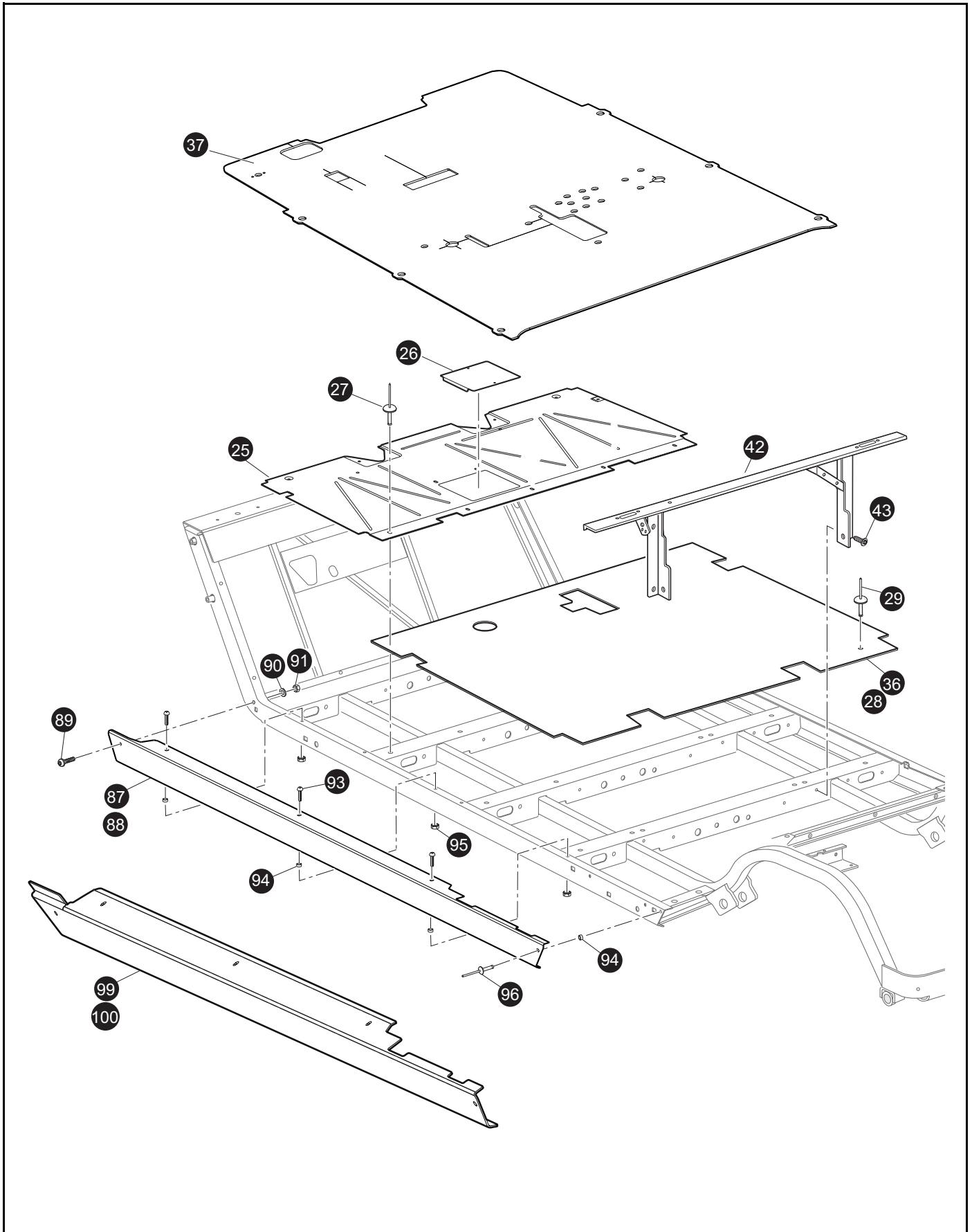
\* Indicates a component that is not available as an individual part.

\*\*\* Indicates consult Customer Service Department for additional information.

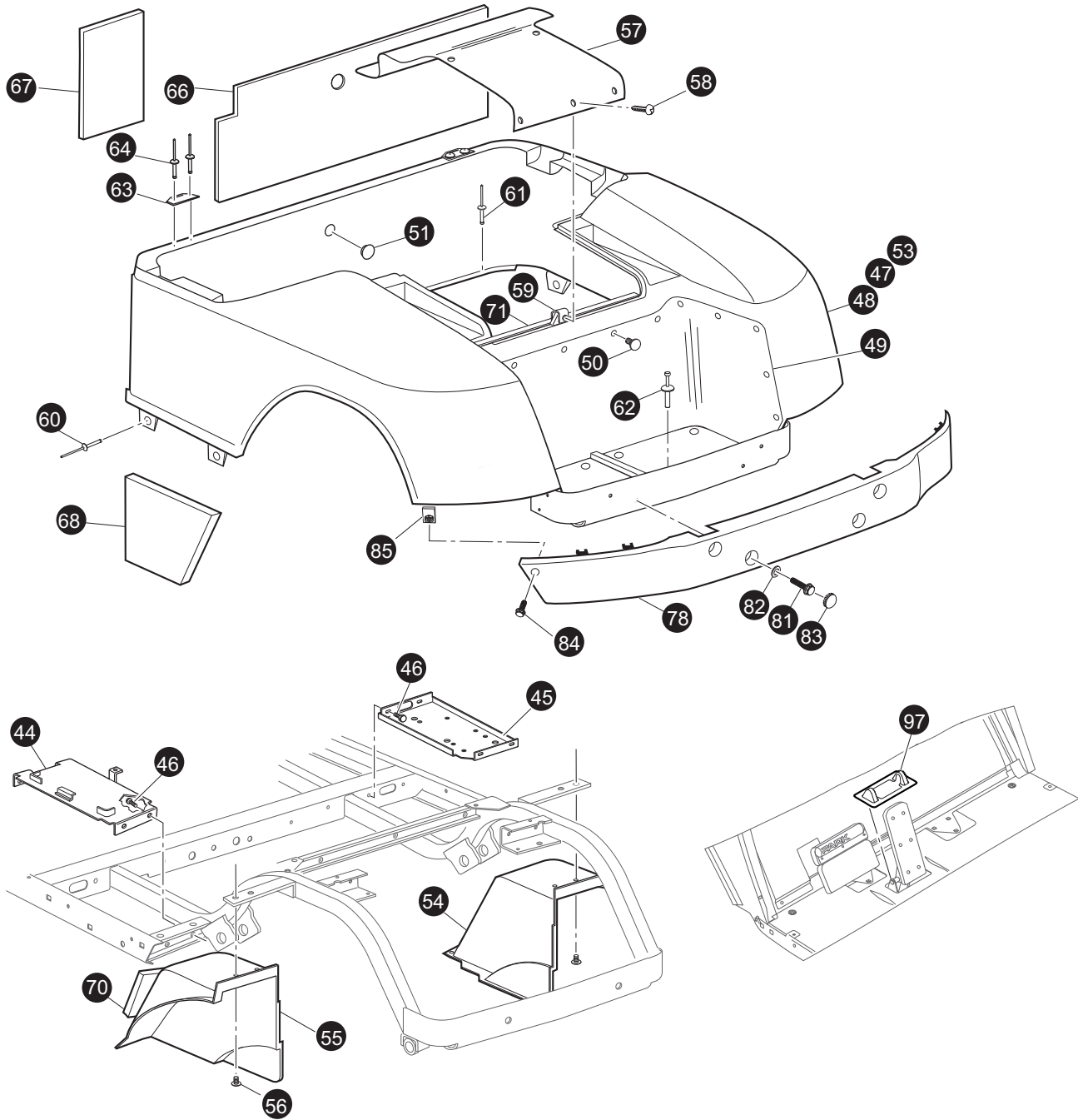
ITEM	PART NO.	1 2 3 4 5	DESCRIPTION	QTY.
1	606952		AIR CLEANER (INCLUDES ITEMS 2 - 6) .....	1
2	607269		BODY & BRACKET ASSEMBLY .....	1
3	72599G01		AIR CLEANER COVER .....	1
4	72604G01		AIR CLEANER CLIP .....	2
5	28463G01		AIR FILTER .....	1
6	28462G01		VALVE DUST EJECTOR .....	1
7	11391G7		HOSE CLAMP .....	1
8	607950		HOSE .....	1
9	11391G1		HOSE CLAMP .....	1
10	25532G1		BOLT AND WASHER, M8 X 1.25 X 18 MM .....	2

# BODY





# BODY



When ordering parts, please specify the model and serial number of the product.

\* Indicates a component that is not available as an individual part.

\*\*\* Indicates consult Customer Service Department for additional information.

ITEM	PART NO.	1 2 3 4 5	DESCRIPTION	QTY.
1	71151G01		INSTRUMENT PANEL ASSEMBLY (INCLUDES ITEMS 2 - 5).....	1
2	71153G01		BALL DEFLECTOR (PASSENGER SIDE) .....	1
3	71154G01		BALL DEFLECTOR (DRIVER SIDE).....	1
4	00614G5		PAN HEAD PHILLIPS SCREW, #8 - 18 X 5/8" LG .....	6
5	71158G01		INSTRUMENT PANEL INSERT (4 CUP HOLDER).....	1
6				
7	601781		LABEL (SAFETY).....	1
8				
9	74443G01		LABEL (ANTI-ROLLBACK) .....	1
10				
11	71413G01		SPLASH PANEL.....	1
12	16816G2		RATCHET FASTENER, 1/4" X 3/4" .....	5
13				
14	71115G01		VINYL TRIM (SHUTTLE - QTY 2) (TG5 - QTY 1).....	2
15				
16	71055G01		RIVET (ALUMINUM), 3/16" X 1" .....	10
17				
18	01038G01		HEX HEAD BOLT, 1/4" - 20 X 11/16" LG .....	4
19	16469G1		FENDER WASHER, 1/4" .....	2
20	01057G01		RIVET, 1/4" X 3/4" .....	2
21	27166G04		FRONT SHIELD.....	1
22	70725G01		FRONT SHIELD BRACE .....	2
23	637534		UPPER FLOORPAN .....	1
24	619730G1**		COWL W/LIGHTS (FOR VEHICLES MANUFACTURED FROM MAR 2014).	1
25	70451G01		LOWER FLOORPAN .....	1
26	70452G01		ACCESS COVER.....	1
27	14601G11		RIVET (ALUMINUM), 3/16" X 9/16" .....	16
28	70823G01		REAR FLOORPAN.....	1
29	10570G10		RIVET (SS), 5/32" X 9/16" .....	5
30	619730G0**		COWL (FOR VEHICLES MANUFACTURED FROM MARCH 2014).....	1
31	71051G**		COWL .....	1

# BODY

When ordering parts, please specify the model and serial number of the product.

\* Indicates a component that is not available as an individual part.

\*\*\* Indicates consult Customer Service Department for additional information.

ITEM	PART NO.	1 2 3 4 5	DESCRIPTION	QTY.
32	71055G01		RIVET, 3/16" X 1" .....	9
33	10570G11		RIVET (SS), 3/16" X 3/4" .....	2
34	71056G01		TRUSS HEAD BOLT, 5/16 - 18 X 5/8" LG .....	4
35	00570G2		FLAT WASHER, 5/16" .....	4
36	70823G01		REAR FLOORPAN (HAND PARK BRAKE).....	1
37	70668G02		FLOORMAT, W/HORN HOLES .....	1
38				
39	71037G02		E-Z-GO NAMEPLATE (GOLD).....	1
40	71597G01		SELF THREADING NUT, 5 X 10 X 15MM.....	2
41				
42	605694		SEAT FRAME .....	1
43	00715G2		HEX HEAD BOLT, 5/16" - 18 X 4/5" LG.....	2
44	652441G03		BATTERY TRAY .....	1
45	70244G03		SPLASH PAN .....	1
46	00715G2		HEX HEAD BOLT, 5/16" - 18 X 4/5" LG.....	8
47	71912G6**		REAR BODY ASSEMBLY (W/OUT TAILLIGHTS) (INCLUDES ITEMS 49, 50)	1
48	71332G3**		REAR BODY ASSEMBLY (W/ TAILLIGHTS) (INCLUDES ITEMS 49, 50).....	1
49	71318G01		BAGWELL LINER .....	1
50	16816G1		RATCHET FASTENER, 1/4" X 9/16" .....	12
51	71316G01		PLUG.....	1
52	71055G01		RIVET (ALUMINUM), 3/16" X 1" (FOR VEHICLES MANUFACTURED FROM MARCH 2014) .....	7
53	625272G0XX		REAR BODY (FOR VEHICLES MANUFACTURED FROM MARCH 2014)....	1
54	635054G02		FENDER LINER (PASSENGER SIDE) .....	1
55	635054G01		FENDER LINER (DRIVER SIDE) .....	1
56	16816G2		RATCHET FASTENER, 1/4" X 3/4" .....	8
57	71320G01		ACCESS PANEL .....	1
58	01107G01		PAN HEAD TORX SCREW (SS), #8 X 3/8" LG.....	5
59	71364G02		'J' CLIP .....	1
60	10570G12		RIVET (ALUMINUM), 1/4" X 9/16".....	4
61	10570G10		RIVET, 5/32" X 9/16" .....	6
62	18436G1		RIVET (PLASTIC), 1/4" X 3/4".....	2

When ordering parts, please specify the model and serial number of the product.

\* Indicates a component that is not available as an individual part.

\*\*\* Indicates consult Customer Service Department for additional information.

ITEM	PART NO.	1 2 3 4 5	DESCRIPTION	QTY.
63	71609G01		HINGE PLATE.....	2
64	10570G11		RIVET (SS), 3/16" X 3/4" .....	4
65				
66	72112G01		SEATWRAP NOISE SUPPRESSOR (LARGE) .....	1
67	72549G01		SEATWRAP NOISE SUPPRESSOR (SMALL).....	1
68	72552G01		SEATWRAP NOISE SUPPRESSOR (DRIVER SIDE - SIDE) .....	1
69	72548G01		FENDER NOISE SUPPRESSOR .....	2
70	72551G01		FENDER NOISE SUPPRESSOR (DRIVER SIDE - FRONT) .....	1
71	22744G1		BAGWELL NOISE SUPPRESSOR.....	1
72				
73				
74				
75				
76				
77				
78	71451G02		REAR BUMPER.....	1
79				
80				
81	71102G01		HEX HEAD BOLT, 1/4" - 20 X 1 1/4" LG .....	4
82	00571G2		FLAT WASHER, 5/16" .....	AR
83	71455G01		BUMPER PLUG .....	4
84	71102G03		HEX HEAD BOLT, 1/4 - 20 x 11/16" LG .....	2
85	71554G01		'J' TYPE NUT RETAINER, 1/4" - 20.....	2
86				
87	618889		ROCKER PANEL (DRIVER SIDE).....	1
88	618888		ROCKER PANEL (PASSENGER SIDE) .....	1
89	00789G2		PHILLIPS TRUSS HEAD SCREW, #10 - 24 X 1 1/4"LG .....	2
90	00660G5		FLAT WASHER, #10 .....	2
91	14390G10		LOCK NUT, #10 - 24 .....	2
92				
93	16705G1		PHILLIPS TRUSS HEAD SCREW (SS), 1/4" - 20 X 1" LG.....	6

# BODY

When ordering parts, please specify the model and serial number of the product.

\* Indicates a component that is not available as an individual part.

\*\*\* Indicates consult Customer Service Department for additional information.

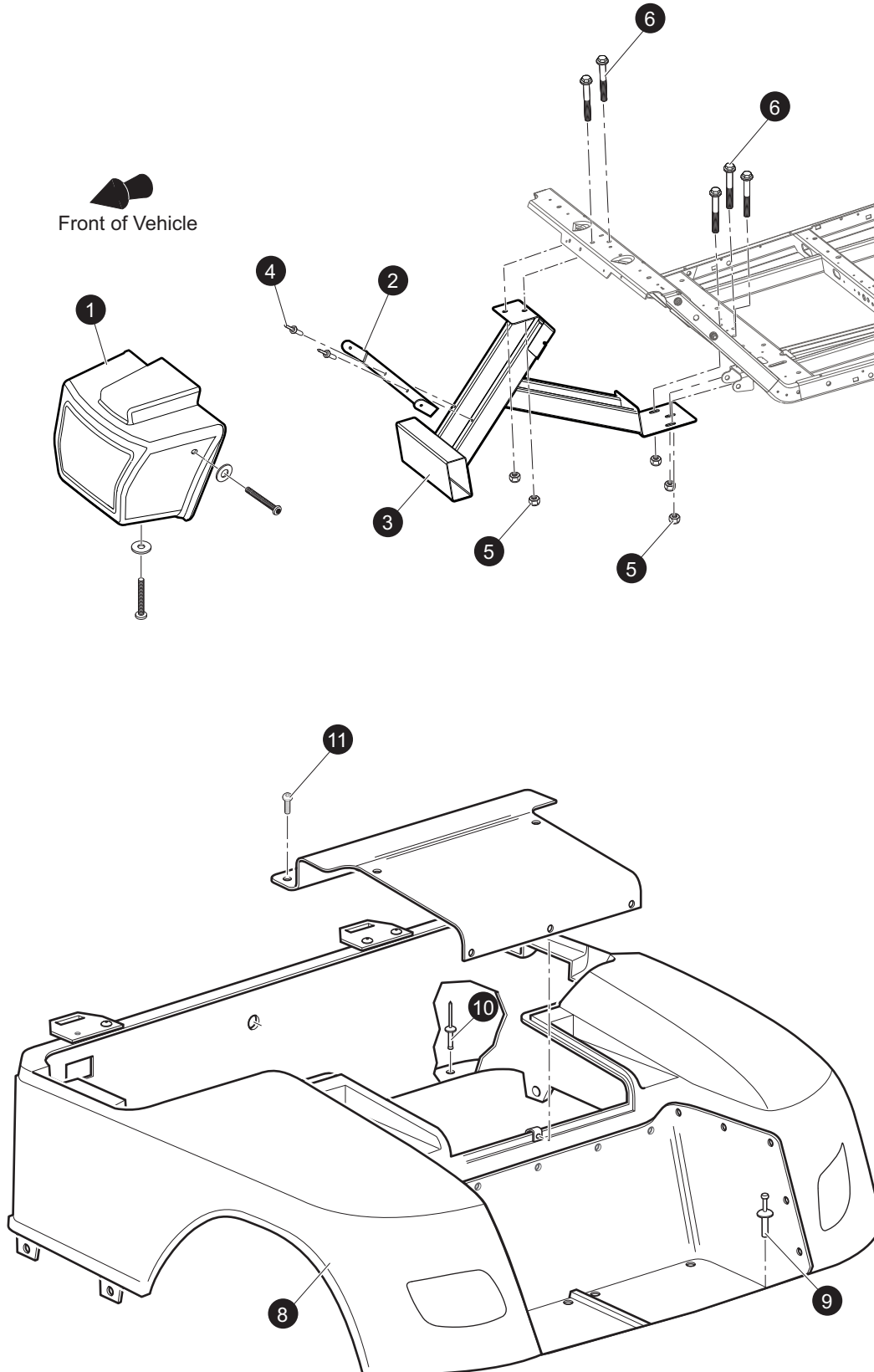
ITEM	PART NO.	1 2 3 4 5	DESCRIPTION	QTY.
94	23726G4		SPACER, 5/16" .....	8
95	14390G4		LOCK NUT, 1/4 - 20.....	6
96	15058G6		RIVET (ALUMINUM), 3/16" X 15/16".....	2
97	70135G01		PEDAL PIVOT COVER .....	1
98				
99	637361G01		ROCKER PANEL (DRIVER SIDE) (FOR VEHICLES MANUFACTURED FROM MARCH 2014) .....	1
100	637361G02		ROCKER PANEL (PASSENGER SIDE) (FOR VEHICLES MANUFACTURED FROM MARCH 2014) .....	1



Notes:

A large grid of graph paper with 20 columns and 30 rows, intended for writing notes.

VEHICLES MANUFACTURED FROM MARCH 2014



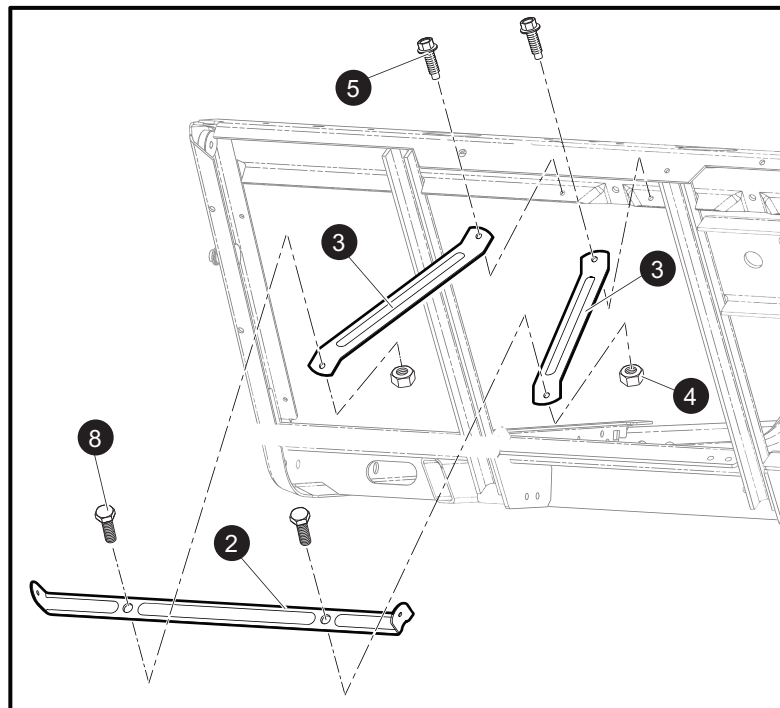
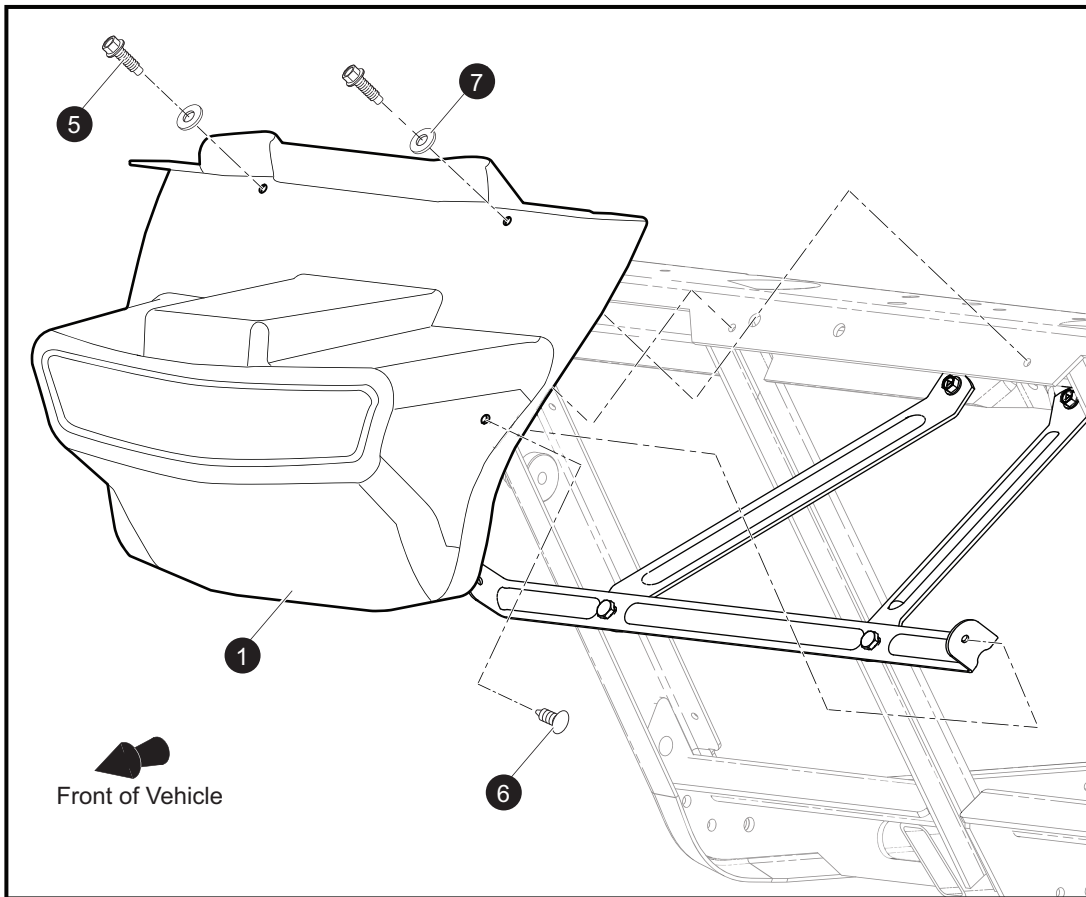
When ordering parts, please specify the model and serial number of the product.

\* Indicates a component that is not available as an individual part.

\*\*\* Indicates consult Customer Service Department for additional information.

ITEM	PART NO.	1 2 3 4 5	DESCRIPTION	QTY.
1	634329		BUMPER ASSEMBLY (FOR VEHICLES MANUFACTURED FROM MARCH 2014).....	1
2	625208		BUMPER BRACE (FOR VEHICLES MANUFACTURED FROM MARCH 2014).....	1
3	625202		BUMPER SUPPORT WELDMENT (FOR VEHICLES MANUFACTURED FROM MARCH 2014).....	1
4	71055G01		RIVET, 3/16" X .985" (FOR VEHICLES MANUFACTURED FROM MARCH 2014).....	2
5	00734G1		LOCK NUT, 7/16" - 14 (FOR VEHICLES MANUFACTURED FROM MARCH 2014).....	5
6	00463G11		HEX HEAD BOLT, 7/16" - 14 X 1 5/8" LG (FOR VEHICLES MANUFACTURED FROM MARCH 2014).....	5
7				
8	625272G1XX		REAR BODY (FOR VEHICLES MANUFACTURED FROM MARCH 2014) ...	1
9	633917		PLASTIC DRIVE RIVET, .625" X 1" (FOR VEHICLES MANUFACTURED FROM MARCH 2014).....	2
10	10570G10		RIVET (SS), 5/32" X 9/16" (FOR VEHICLES MANUFACTURED FROM MARCH 2014).....	5
11	16816G2		RATCHET RIVET, .25" X .887" (FOR VEHICLES MANUFACTURED FROM MARCH 2014).....	2

VEHICLES MANUFACTURED FROM MARCH 2014



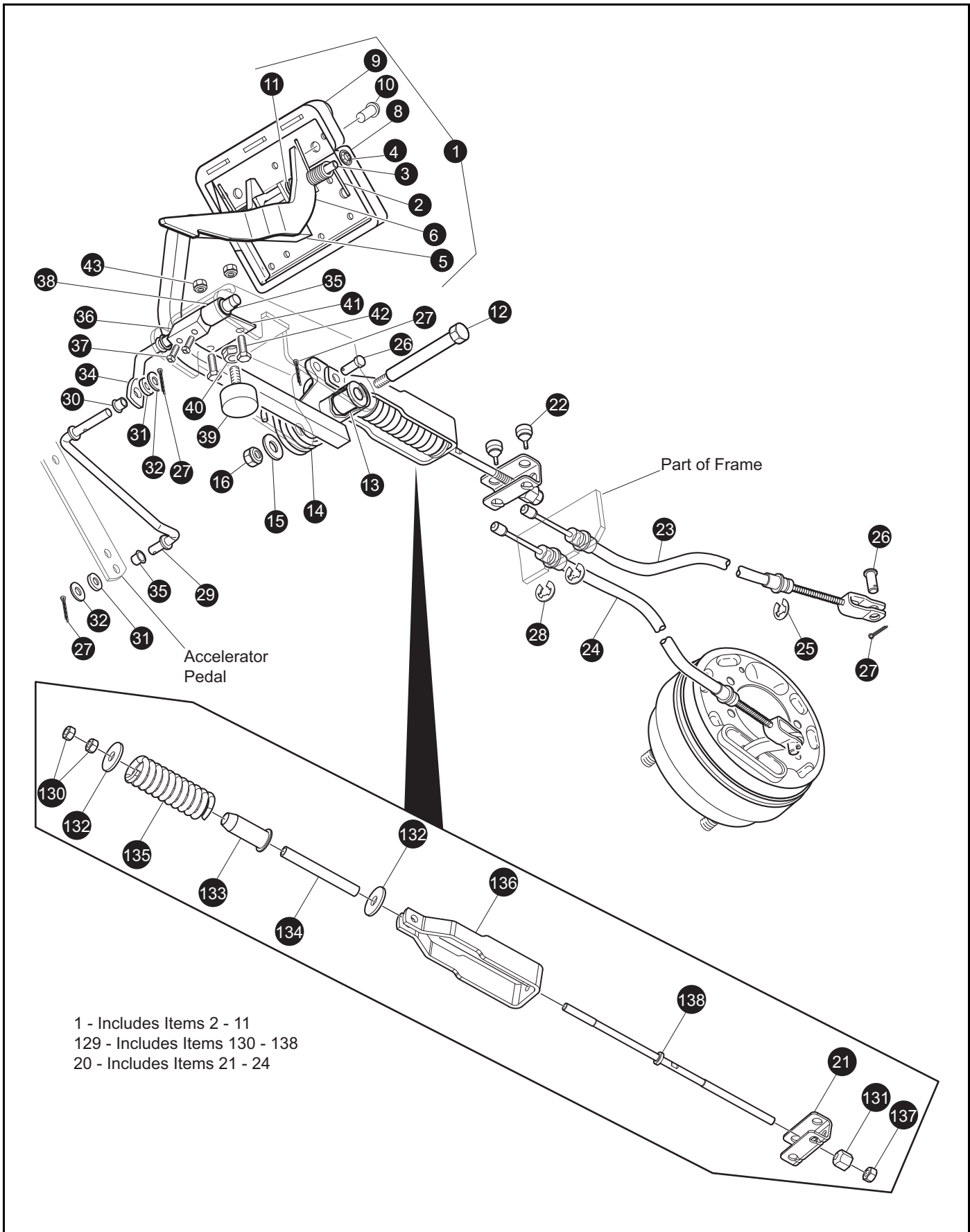
When ordering parts, please specify the model and serial number of the product.

\* Indicates a component that is not available as an individual part.

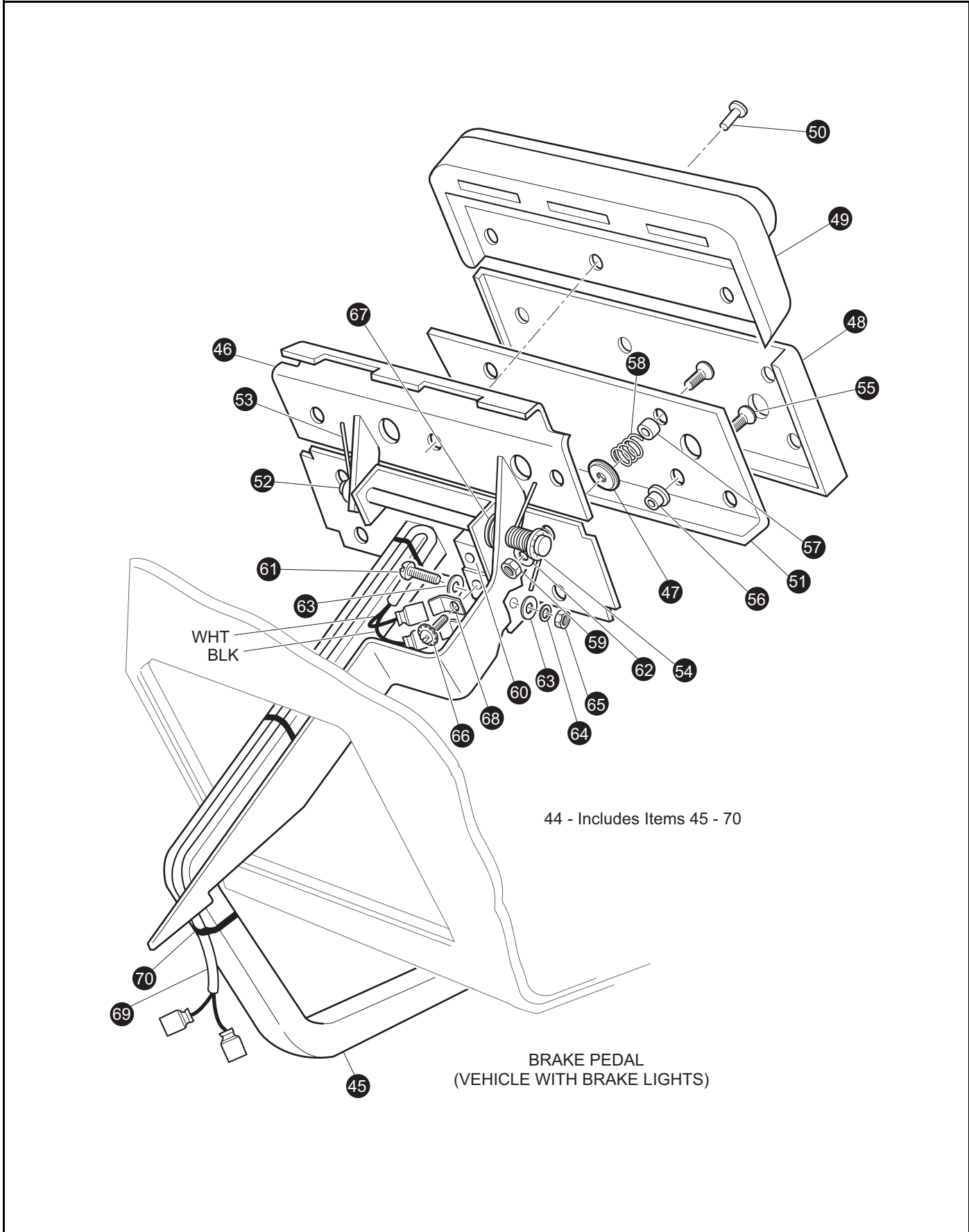
\*\*\* Indicates consult Customer Service Department for additional information.

ITEM	PART NO.	1 2 3 4 5	DESCRIPTION	QTY.
1	624607		FRONT SHIELD (FOR VEHICLES MANUFACTURED FROM MARCH 2014).....	1
2	627769		SHIELD BRACKET (FOR VEHICLES MANUFACTURED FROM MARCH 2014).....	1
3	70725G02		FRONT SHIELD BRACE (FOR VEHICLES MANUFACTURED FROM MARCH 2014).....	2
4	14390G4		LOCK NUT, 1/4" - 20 (FOR VEHICLES MANUFACTURED FROM MARCH 2014).....	2
5	01038G01		SWAGEFORM SCREW, 1/4" - 20 X 11/16" LG (FOR VEHICLES MANUFACTURED FROM MARCH 2014).....	4
6	15058G1		RIVET, 3/16" X .45" (FOR VEHICLES MANUFACTURED FROM MARCH 2014).....	2
7	16469G1		FLAT WASHER, 1/4" (FOR VEHICLES MANUFACTURED FROM MARCH 2014).....	2
8	00414G6		HEX HEAD BOLT, 1/4" - 20 X 3/4" LG (FOR VEHICLES MANUFACTURED FROM MARCH 2014).....	2

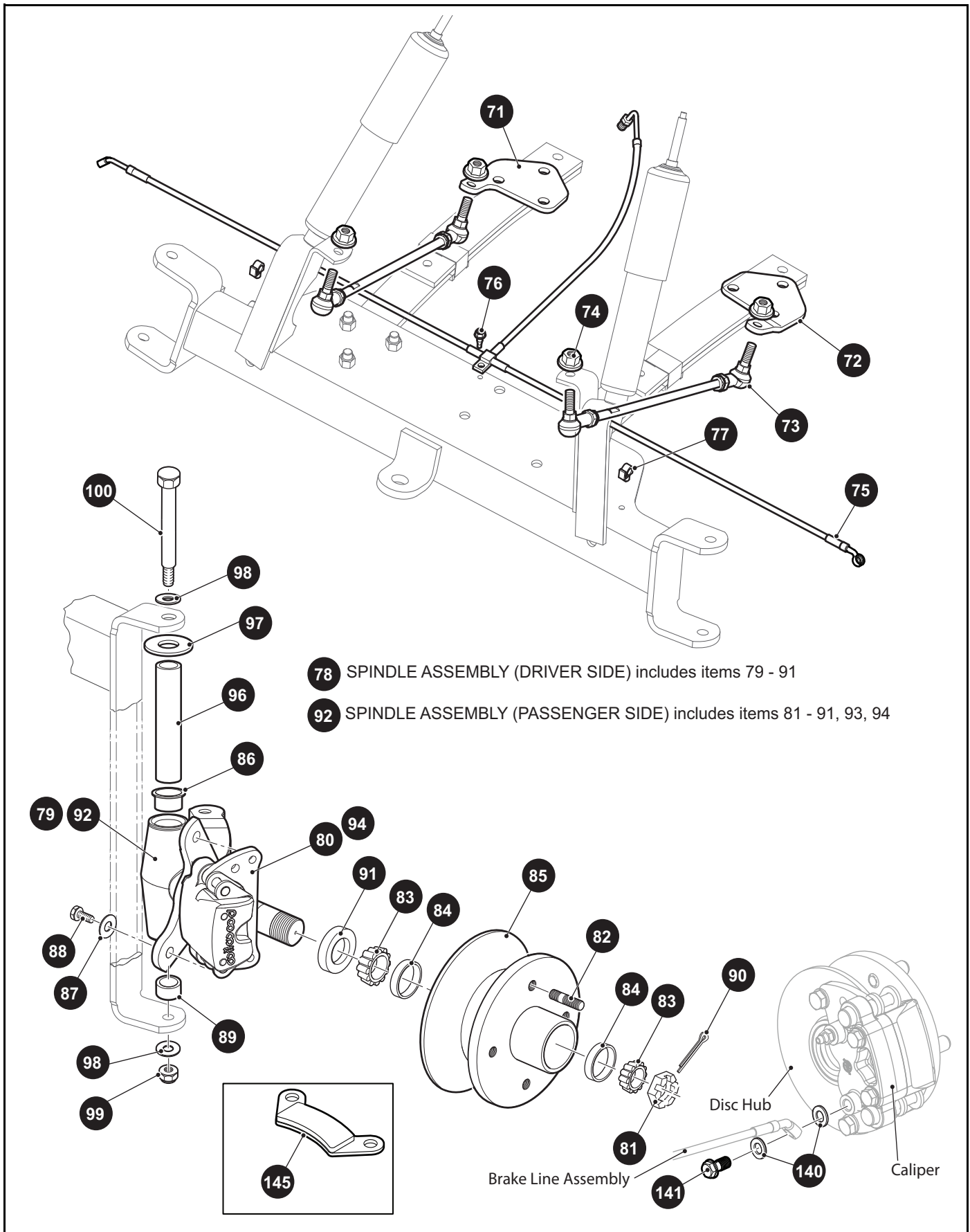
# BRAKES - FRONT DISC



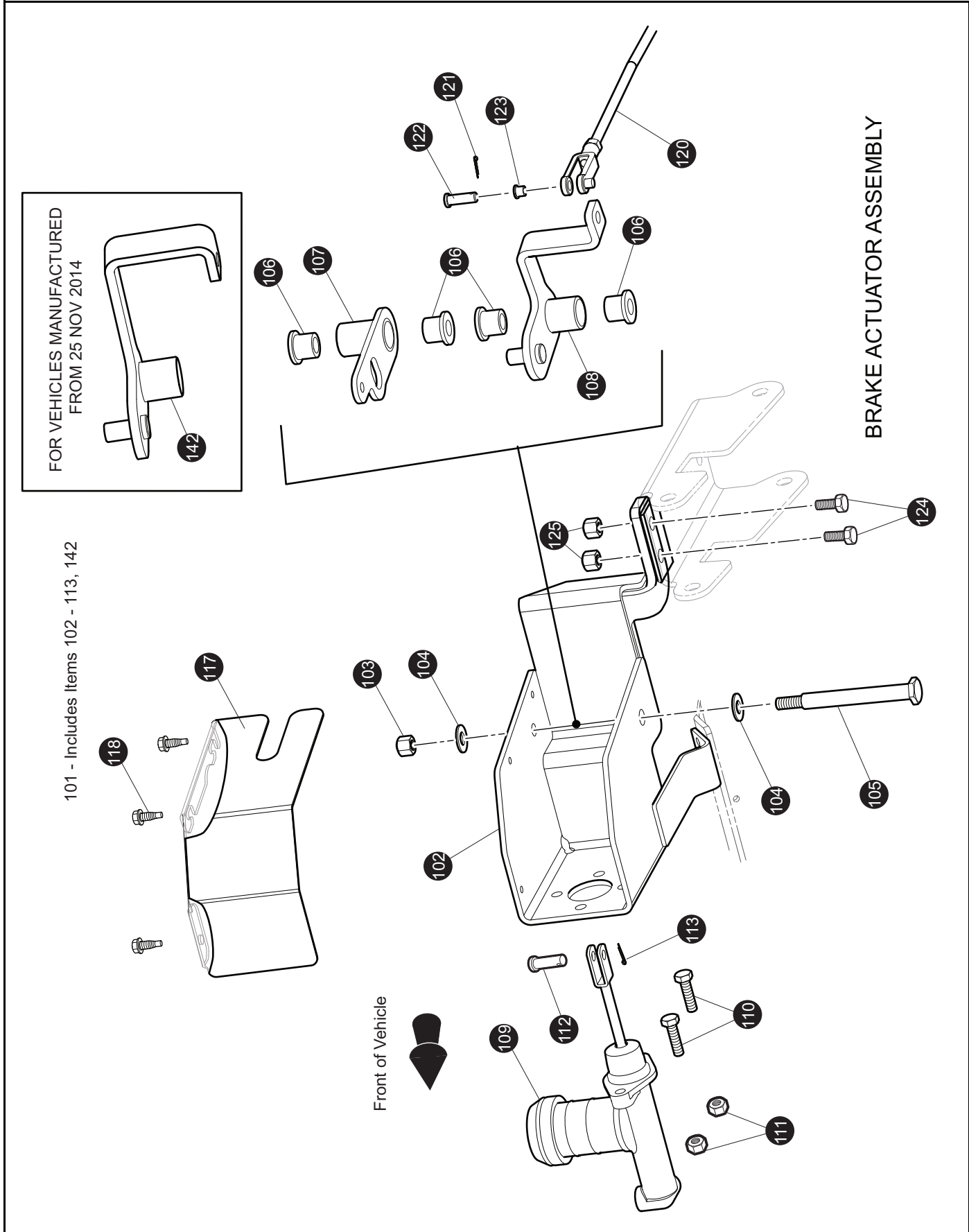
- 1 - Includes Items 2 - 11
- 129 - Includes Items 130 - 138
- 20 - Includes Items 21 - 24



# BRAKES - FRONT DISC







# BRAKES - FRONT DISC

When ordering parts, please specify the model and serial number of the product.

\* Indicates a component that is not available as an individual part.

\*\*\* Indicates consult Customer Service Department for additional information.

ITEM	PART NO.	1 2 3 4 5	DESCRIPTION	QTY.
1	74723G01		BRAKE PEDAL ASSEMBLY (WITHOUT BRAKE LIGHTS) (INCLUDES ITEMS 2 - 11) .....	1
2	70681G01		TORSION SPRING .....	2
3	70682G01		PIVOT PIN .....	1
4	01071G01		PUSHNUT, 5/16" .....	2
5	74721G01		BRAKE PEDAL .....	1
6	641760		PARK BRAKE PEDAL.....	1
7				
8	70257G01		BRAKE PAD.....	1
9	70256G01		PARK BRAKE PEDAL PAD.....	1
10	16409G1		OVAL RIVET, 3/16" X 15/32" LG .....	9
11	20835G1		TEFLON WASHER, 3/8" .....	2
12	70582G01		SHOULDER BOLT, 3/8" - 16 X 4" LG .....	1
13	70581G01		FLANGED BUSHING .....	2
14	70676G01		TORSION SPRING .....	1
15	00643G1		FLAT WASHER, 3/8" .....	1
16	11098G5		LOCK NUT, 3/8" - 16 .....	1
17				
18	12416G2		NYLON WEDGE LOCK CLAMP (NOT ILLUSTRATED) .....	6
19				
20	624713		EQUALIZER AND BRAKE CABLE ASSEMBLY (INCLUDES ITEMS 21 - 24).....	1
21	28082G01		EQUALIZER BRACKET.....	1
22	28083G01		BRAKE COMPENSATOR BUMPER.....	2
23	624695		BRAKE CABLE (DRIVER SIDE).....	1
24	624696		BRAKE CABLE (PASSENGER SIDE) .....	1
25	01111G01		RETAINING RING (SS). .....	4
26	10386G3		CLEVIS PIN, 5/16" X 1" .....	5
27	10387G3		COTTER PIN, 3/32" X 3/4" .....	3
28				
29	70601G01		KICK-OFF LINK.....	1
30	17838G1		NYLON BUSHING.....	2

# BRAKES - FRONT DISC

When ordering parts, please specify the model and serial number of the product.

\* Indicates a component that is not available as an individual part.

\*\*\* Indicates consult Customer Service Department for additional information.

ITEM	PART NO.	1 2 3 4 5	DESCRIPTION	QTY.
31	20835G1		TEFLON WASHER, 3/8" .....	2
32	00559G8		FLAT WASHER, 5/16" .....	2
33				
34	70098G01		KICK-OFF CAM PIVOT.....	1
35	10097G6		FLANGED BEARING .....	2
36	70587G01		KICK-OFF CAM .....	1
37	71215G01		SETSCREW WITH PATCH LOCK, 1/4" - 20 X 1/2" LG .....	2
38	14134G4		SPACER, 1 1/4" .....	1
39	70113G01		ADJUSTABLE BUMPER.....	1
40	11027G1		LOCK NUT, 5/16" - 18.....	1
41	70080G02		CATCH BRACKET .....	1
42	00414G6		HEX HEAD BOLT, 1/4" - 20 X 1/2" LG .....	2
43	14390G4		LOCK NUT, 1/4" - 20.....	2
44	74874G01		BRAKE PEDAL ASSEMBLY (WITH BRAKE LIGHTS) (INCLUDES ITEMS 45 - 70) .....	1
45	74870G01		BRAKE PEDAL.....	1
46	641760		PARK BRAKE PEDAL .....	1
47	00642G8		FLAT WASHER, #4 .....	2
48	70257G01		BRAKE PAD .....	1
49	70256G01		PARK BRAKE PAD.....	1
50	16409G1		OVAL RIVET, 3/16" X 15/32" LG .....	9
51	70258G03		BRAKE PEDAL PLATE.....	1
52	70682G01		PIVOT PIN.....	1
53	70681G01		TORSION SPRING.....	2
54	01071G01		PUSHNUT, 5/16" .....	2
55	00737G8		PHILLIPS PAN HEAD MACHINE SCREW, #10 - 24 X 1" LG .....	4
56	00739G1		RUBBER NUT, #10 - 24 .....	2
57	652355		BRAKE PEDAL SPACER .....	2
58	27137G01		CONICAL SPRING .....	2
59	14390G10		LOCK NUT, #10 - 24.....	2
60	10606G8		MICRO SWITCH .....	1

# BRAKES - FRONT DISC

When ordering parts, please specify the model and serial number of the product.

\* Indicates a component that is not available as an individual part.

\*\*\* Indicates consult Customer Service Department for additional information.

ITEM	PART NO.	1	2	3	4	5	DESCRIPTION	QTY.
61	00645G2						PHILLIPS PAN HEAD MACHINE SCREW, #6 - 32 X 1 1/4" LG.....	2
62	00559G5						FLAT WASHER, #10.....	2
63	00559G3						FLAT WASHER, #6.....	4
64	00565G3						LOCK WASHER, #6.....	2
65	00525G5						HEX NUT, #6 - 32.....	2
66	13514G1						PHILLIPS PAN HEAD MACHINE SCREW, #6 - 32 X 7/32" LG.....	2
67	20835G1						TEFLON WASHER, 3/8".....	2
68	14628G1						FASTON TAB.....	2
69	24605G1						WIRE HARNESS (BRAKE LIGHT).....	1
70	17618G1						WIRE TIE.....	3
71	74731G02						SPRING PLATE (PASSENGER SIDE).....	1
72	74731G01						SPRING PLATE (DRIVER SIDE).....	1
73	74730G01						FOUR LINK ROD.....	2
74	606279						HEX NUT, M10 - 1.25.....	4
75	630766						BRAKE LINE.....	1
76	01038G01						SWAGEFORM SCREW WITH DOGPOINT, 1/4" - 20 X 1/2" LG.....	1
77	74875G01						WIRE RETAINER.....	2
78	602281						SPINDLE, CALIPER AND DISC HUB ASSEMBLY (DRIVER SIDE) (INCLUDES ITEMS 79 - 91).....	1
79	602176						DISC BRAKE SPINDLE (DRIVER SIDE).....	1
80	633918G02						CALIPER (DRIVER SIDE).....	1
81	12093G1						SLOTTED NUT, 1" - 14.....	1
82	74864G01						DRIVE FLANGE STUD.....	4
83	11750G2						ROLLER BEARING.....	2
84	51141G1						BEARING RACE.....	2
85	630672						DISC BRAKE HUB.....	1
86	70648G01						FLANGED BEARING.....	1
87	00566G1						LOCK WASHER, 3/8".....	2
88	00426G8						HEX HEAD BOLT, 3/8" - 16 X 1" LG.....	2
89	70749G01						BEARING.....	1
90	00798G8						COTTER PIN, 5/32" X 1 3/4".....	1
91	25146G1						GREASE SEAL.....	1

# BRAKES - FRONT DISC

When ordering parts, please specify the model and serial number of the product.

\* Indicates a component that is not available as an individual part.

\*\*\* Indicates consult Customer Service Department for additional information.

ITEM	PART NO.	1 2 3 4 5	DESCRIPTION	QTY.
92	602288		SPINDLE, CALIPER AND DISC HUB ASSEMBLY (PASSENGER SIDE) (INCLUDES ITEMS 81 - 91, 93, 94) .....	1
93	602158		DISC BRAKE SPINDLE (PASSENGER SIDE).....	1
94	633918G01		CALIPER (PASSENGER SIDE) .....	1
95	74948G01		DISC BRAKE SERVICE HUB (INCLUDES ITEMS 82 - 85, 91) .....	1
96	70745G01		KINGPIN TUBE .....	2
97	70754G01		THRUST WASHER (SS), .995" I.D. X 1.38" O.D.....	2
98	00560G3		FLAT WASHER, 1/2" .....	4
99	14390G6		LOCK NUT, 1/2" - 13 .....	2
100	00407G6		HEX HEAD BOLT, 1/2" - 13 X 6" LG .....	2
101	608706		FRONT DISC BRAKE BRAKE ACTUATOR ASSEMBLY (INCLUDES ITEMS 102 - 113, 142).....	1
102	608661		MASTER CYLINDER MOUNT WELDMENT .....	1
103	11098G5		LOCKNUT, 3/8" - 16 .....	1
104	00679G1		FLAT WASHER (SS), 3/8" .....	1
105	74711G01		ACTUATOR PIVOT BOLT, 3/8" - 16 X 4 1/2" LG .....	1
106	70581G02		ACETAL BUSHING.....	4
107	608122		UPPER ACTUATOR PIVOT .....	1
108	608118		LOWER ACTUATOR PIVOT (FOR VEHICLES MANUFACTURED BEFORE 25 NOV 2014).....	1
109	887364		MASTER CYLINDER .....	1
110	00439G1		HEX HEAD BOLT, 1/2" - 13 X 6" LG.....	2
111	11098G06		LOCKNUT, 5/16" - 18 .....	2
112	10386G3		CLEVIS PIN, 5/16" X 1" .....	1
113	10387G3		COTTER PIN, 3/32" X 3/4" .....	1
114				
115	00771G5		FLAT WASHER, 3/8" (NOT ILLUSTRATED).....	1
116	21504G1		BRAKE FLUID (NOT ILLUSTRATED) .....	A/R
117	612704		ACTUATOR COVER .....	1
118	01038G01		SWAGEFORM SCREW WITH DOGPOINT, 1/4" - 20 X 1/2" LG .....	3
119				
120	608943		ACTUATOR LINKAGE .....	1

# BRAKES - FRONT DISC

When ordering parts, please specify the model and serial number of the product.

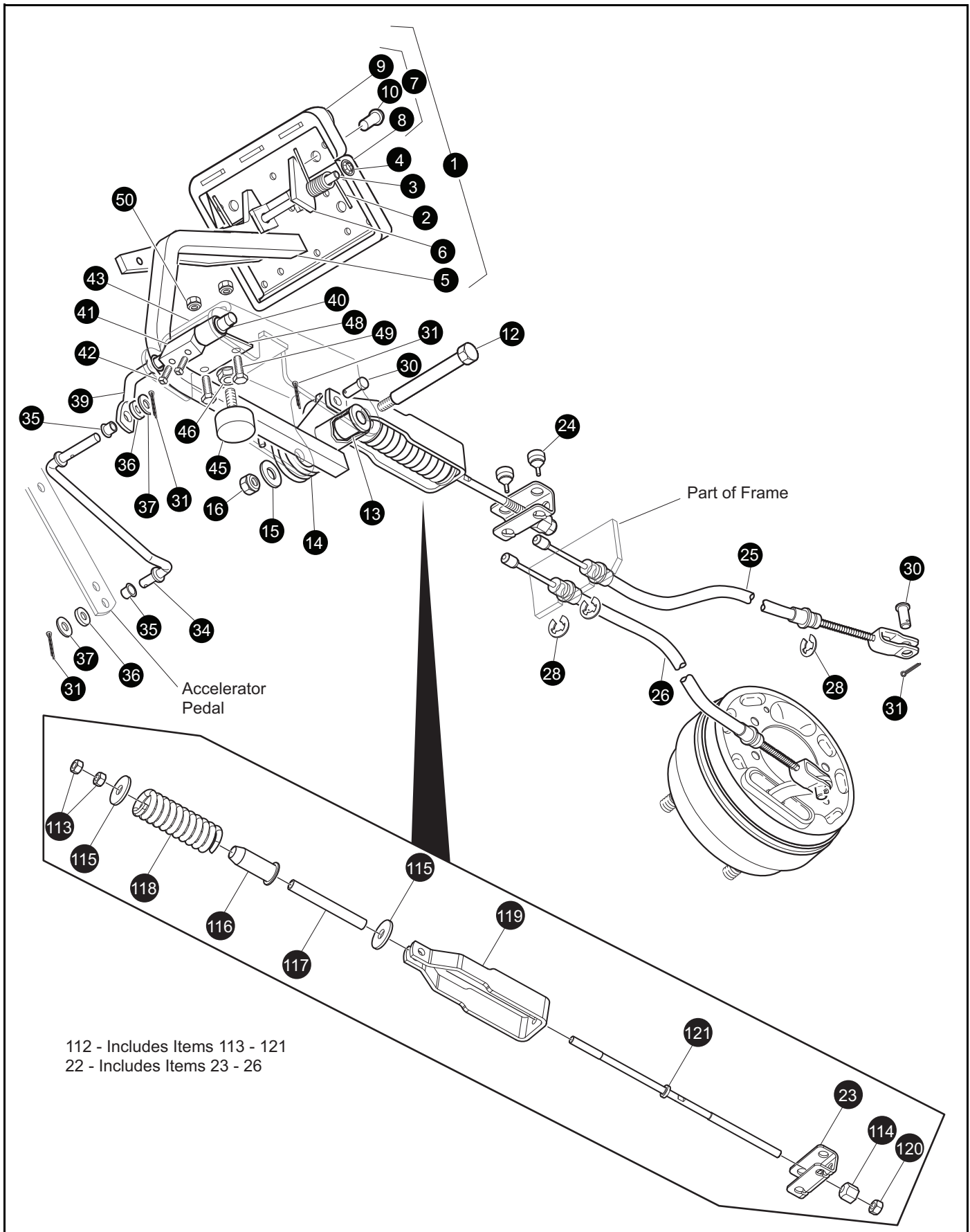
\* Indicates a component that is not available as an individual part.

\*\*\* Indicates consult Customer Service Department for additional information.

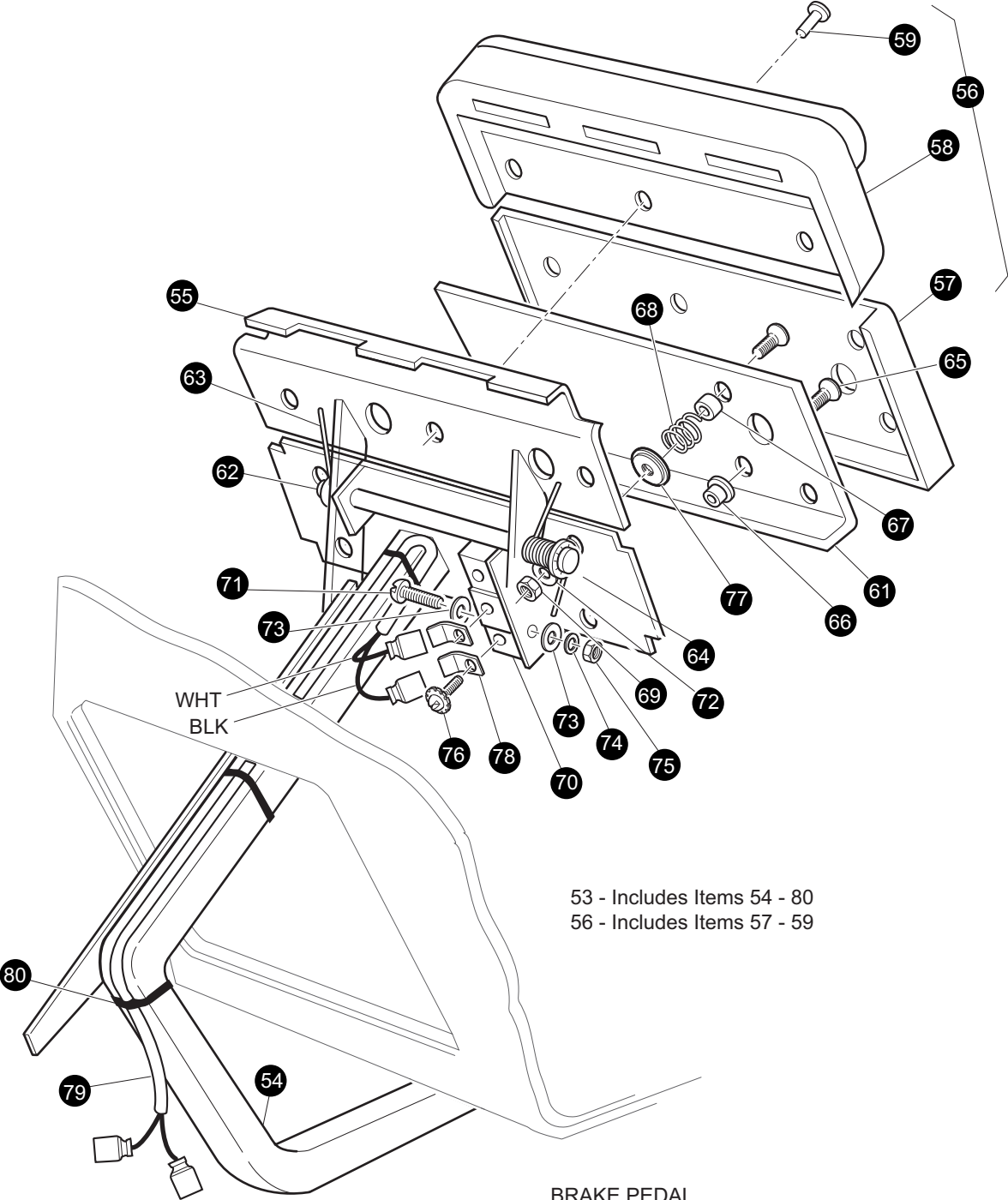
ITEM	PART NO.	1	2	3	4	5	DESCRIPTION	QTY.
121	10387G3						COTTER PIN, 3/32" X 3/4" .....	2
122	10386G3						CLEVIS PIN, 5/16" X 1" .....	4
123	17838G1						NYLON BUSHING .....	4
124	00414G6						HEX HEAD BOLT, 1/4" - 20 X 1/2" LG.....	2
125	14390G4						LOCK NUT, 1/4" - 20 .....	2
126	74917G01						DISC BRAKE PAD AND PIN KIT (SERVICES ONE CORNER) (INCLUDES ITEMS 127 - 128) (NOT ILLUSTRATED).....	1
127	*						BRAKE PADS (NOT ILLUSTRATED) .....	2
128	*						BRAKE PAD RETAINER PINS (NOT ILLUSTRATED) .....	2
129	612558						COMPENSATOR ASSEMBLY (INCLUDES ITEMS 130 - 138) .....	1
130	00532G4						HEX NUT, 1/4" - 20 .....	2
131	629486						HEX NUT, 5/16" - 24 .....	1
132	15121G1						FLAT WASHER, 5/16".....	2
133	17979G1						ACCELERATOR ROD BUSHING .....	1
134	23061G2						TUBE.....	1
135	23463G1						COMPRESSION SPRING .....	1
136	27330G01						BRAKE YOKE .....	1
137	11098G9						HEX LOCK NUT, 5/16" - 24 .....	1
138	612557						COMPENSATOR LINK ROD .....	1
139								
140	613293						CRUSH WASHER, M10 .....	4
141	616459						BANJO BOLT, M10 - 1 X 20" LG .....	2
142	641826						LOWER ACTUATOR PIVOT (FOR VEHICLES MANUFACTURED FROM 25 NOV 2014).....	1
143								
144								
145	649167						BRAKE PAD .....	2



# BRAKES - MECHANICAL



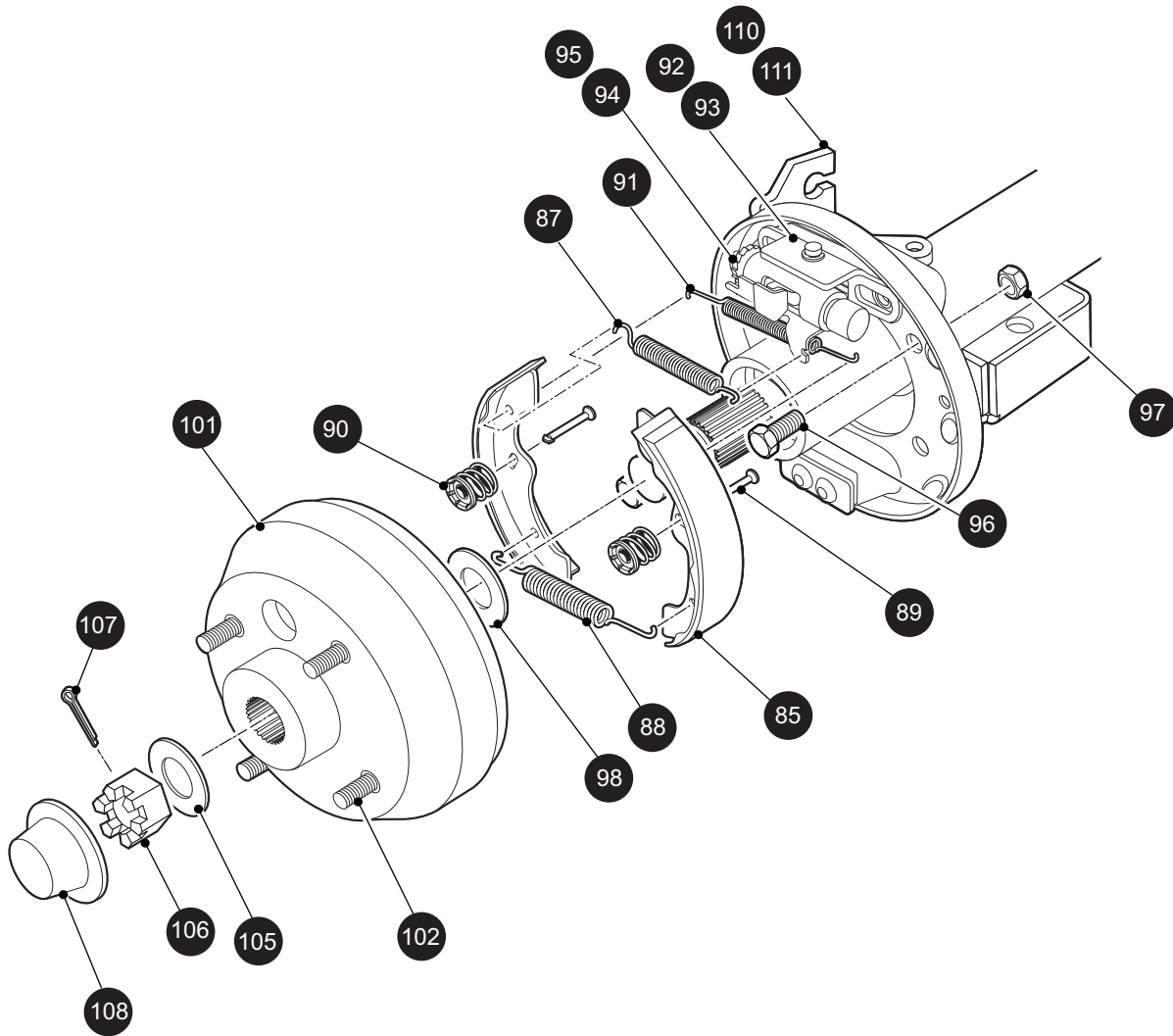




53 - Includes Items 54 - 80  
56 - Includes Items 57 - 59

**BRAKE PEDAL  
(VEHICLE WITH BRAKE LIGHTS)**

# BRAKES - MECHANICAL



- 82 - Includes Items 84 - 92, 94, 95
- 83 - Includes Items 84 - 91, 93 - 95
- 84 - Includes Items 85
- 86 - Includes Items 87 - 91
- 92 - Includes Items 94, 95
- 93 - Includes Items 94, 95
- 100 - Includes Items 101, 102

# BRAKES - MECHANICAL

When ordering parts, please specify the model and serial number of the product.

\* Indicates a component that is not available as an individual part.

\*\*\* Indicates consult Customer Service Department for additional information.

ITEM	PART NO.	1 2 3 4 5	DESCRIPTION	QTY.
1	70612G02		BRAKE PEDAL ASSEMBLY (WITHOUT BRAKE LIGHTS) (INCLUDES ITEMS 2 - 10) .....	1
2	70681G01		TORSION SPRING.....	2
3	70682G01		PIVOT PIN.....	1
4	01071G01		PUSHNUT, 5/16" .....	2
5	652251G03		BRAKE PEDAL.....	1
6	652253G03		PARK BRAKE PEDAL .....	1
7	70274G01		BRAKE/PARK BRAKE PEDAL PAD KIT (INCLUDES ITEMS 8 - 10).....	1
8	*		SERVICE BRAKE PAD .....	1
9	*		PARK BRAKE PEDAL PAD.....	1
10	15766G1		OVAL RIVET, 3/16" X 7/16" LG .....	9
11				
12	70582G01		SHOULDER BOLT (SS), 3/8" - 16 X 4" LG .....	1
13	70581G01		FLANGED BUSHING.....	2
14	70676G01		TORSION SPRING .....	1
15	00643G1		WASHER, 3/8" .....	1
16	11098G5		LOCK NUT, 3/8" - 16.....	1
17				
18				
19	12416G2		NYLON WEDGE LOCK CLAMP (NOT ILLUSTRATED).....	6
20				
21				
22	624714		EQUALIZER AND BRAKE CABLE ASSEMBLY (INCLUDES ITEMS 23 - 26)	1
23	28082G01		EQUALIZER BRACKET .....	1
24	28083G01		BRAKE COMPENSATOR BUMPER .....	2
25	624695		BRAKE CABLE DRIVER SIDE.....	1
26	624696		BRAKE CABLE PASSENGER SIDE .....	1
27				
28	01111G01		RETAINING RING (SS), 13/32" .....	4
29				
30	10386G3		CLEVIS PIN, 5/16" X 13/16" LG.....	3

# BRAKES - MECHANICAL

When ordering parts, please specify the model and serial number of the product.

\* Indicates a component that is not available as an individual part.

\*\*\* Indicates consult Customer Service Department for additional information.

ITEM	PART NO.	1 2 3 4 5	DESCRIPTION	QTY.
31	10387G3		COTTER PIN, 3/32" X 3/4" LG .....	5
32				
33				
34	70601G01		KICK-OFF LINK.....	1
35	17838G1		NYLON BUSHING .....	2
36	20835G1		TEFLON WASHER, 3/8" .....	2
37	00559G8		WASHER, 5/16" .....	2
38				
39	70098G01		KICK-OFF CAM PIVOT .....	1
40	10097G6		FLANGED BEARING .....	2
41	70587G01		KICK-OFF CAM.....	1
42	71215G01		SETSCREW, 1/4" - 20 X 1/2" LG .....	2
43	14134G4		SPACER .....	1
44				
45	70113G01		ADJUSTABLE BUMPER .....	1
46	11027G1		LOCK NUT, 5/16" - 18 .....	1
47				
48	70080G02		CATCH BRACKET.....	1
49	00414G6		BOLT, 1/4" - 20 X 3/4" LG .....	2
50	14390G4		LOCK NUT (SS), 1/4 - 20 .....	2
51				
52				
53	70690G02		BRAKE PEDAL ASSEMBLY (WITH BRAKE LIGHTS) (INCLUDES ITEMS 54 - 80).....	1
54	*		BRAKE PEDAL .....	1
55	641748		PARK BRAKE PEDAL.....	1
56	70274G01		BRAKE/PARK BRAKE PEDAL PAD KIT (INCLUDES ITEMS 57 - 59) .....	1
57	*		SERVICE BRAKE PAD.....	1
58	*		PARK BRAKE PAD.....	1
59	16409G1		OVAL RIVET, 3/16" x 7/16" LG .....	9
60				
61	70258G03		BRAKE PEDAL PLATE .....	1

# BRAKES - MECHANICAL

When ordering parts, please specify the model and serial number of the product.

\* Indicates a component that is not available as an individual part.

\*\*\* Indicates consult Customer Service Department for additional information.

ITEM	PART NO.	1 2 3 4 5	DESCRIPTION	QTY.
62	70682G01		PIVOT PIN.....	1
63	70681G01		TORSION SPRING.....	2
64	01071G01		PUSHNUT, 5/16" .....	1
65	00737G8		SCREW, #10 - 24 X 7/8" LG.....	4
66	00739G1		RUBBER NUT, #10 - 24 .....	2
67	652355		BRAKE PEDAL SPACER .....	2
68	27137G01		CONICAL SPRING.....	2
69	14390G10		LOCK NUT, #10 - 24.....	2
70	10606G8		MICRO SWITCH .....	1
71	00645-G2		SCREW, #6 - 32 X 1 1/4" LG.....	2
72	00559G5		WASHER, #10 .....	2
73	00559G3		WASHER, #6.....	4
74	00565G3		LOCK WASHER, #6 .....	2
75	00525G5		NUT, #6 - 32 .....	2
76	13514G1		SCREW AND LOCK WASHER, #6 .....	2
77	00642-G8		WASHER - 5/16" .....	2
78	14628G1		FASTON TAB.....	2
79	24605G1		WIRE HARNESS (BRAKE LIGHT).....	1
80	17618G1		WIRE TIE.....	4
81				
82	70998G01		BRAKE ASSEMBLY (DRIVER SIDE) (INCLUDES ITEMS 84 - 92, 94, 95)....	1
83	70998G02		BRAKE ASSEMBLY (PASSENGER SIDE) (INCLUDES ITEMS 84 - 91, 93 - 95) .....	1
84	70794G01		BRAKE SHOE KIT (INCLUDES ITEM 85).....	2
85	*		BRAKE SHOE.....	2
86	27944G01		BRAKE SPRING KIT (INCLUDES ITEMS 87 - 91) .....	2
87	*		UPPER SPRING .....	1
88	*		LOWER SPRING .....	1
89	*		PIN .....	2
90	*		CUP AND SPRING .....	2
91	*		ADJUSTER SPRING .....	1

# BRAKES - MECHANICAL

When ordering parts, please specify the model and serial number of the product.

\* Indicates a component that is not available as an individual part.

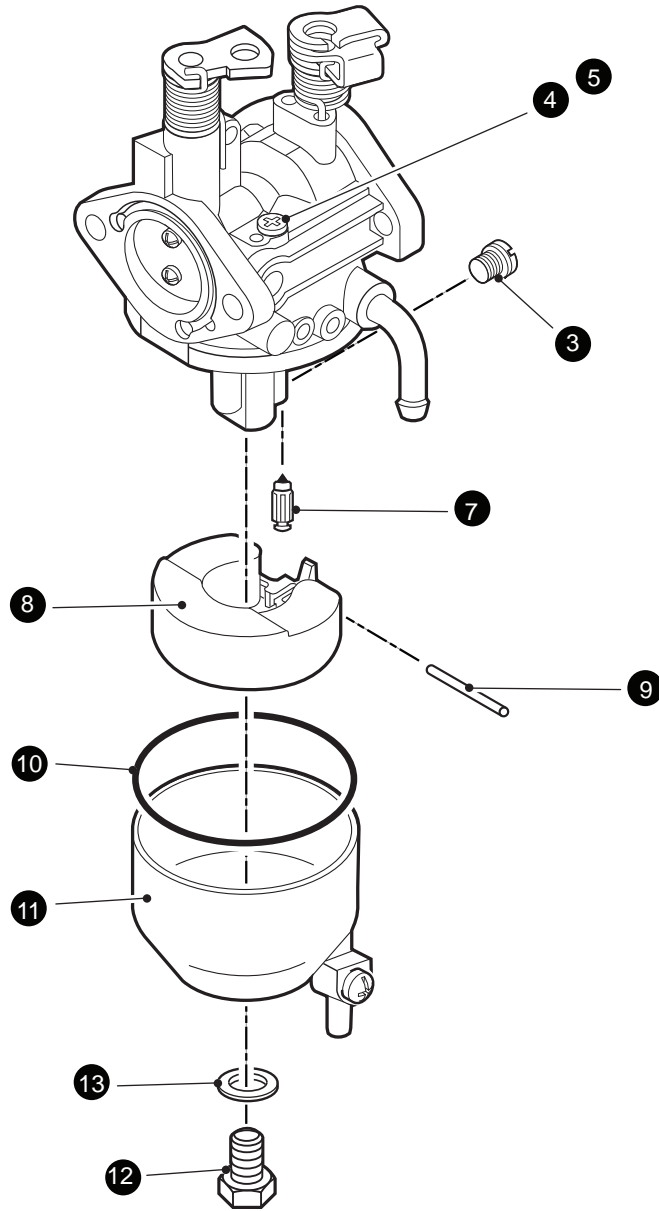
\*\*\* Indicates consult Customer Service Department for additional information.

ITEM	PART NO.	1	2	3	4	5	DESCRIPTION	QTY.
92	72582G01						BRAKE ADJUSTER KIT (DRIVER SIDE) (INCLUDES ITEMS 94 - 95) ...	1
93	72582G02						BRAKE ADJUSTER KIT (PASSENGER SIDE) (INCLUDES ITEMS 94 - 95) .....	1
94	*						ADJUSTER.....	1
95	*						TEFLON WASHER.....	2
96	17083G2						BOLT, 5/16" - 24 X 1" LG.....	8
97	15126G1						LOCK NUT, 5/16" - 24 .....	8
98	21809G1						INNER BRAKE DRUM WASHER, 1 5/16" OD X 1" ID X 1/32" .....	2
99								
100	21807G2						BRAKE DRUM ASSEMBLY (INCLUDES ITEMS 101 - 102) .....	2
101	*						BRAKE DRUM .....	1
102	19862G2						LUG BOLT, 1/2" - 20 X 1 3/16" LG .....	4
103								
104								
105	606945						OUTER BRAKE DRUM WASHER .....	2
106	606403						SLOTTED NUT, M22 X 1.5.....	2
107	10387G1						COTTER PIN, 1/8" X 1 1/2" LG .....	2
108	74175G01						SPINDLE CAP.....	2
109								
110	652248						BRAKE CABLE BRACKET (PASSENGER SIDE).....	1
111	652249						BRAKE CABLE BRACKET (DRIVER SIDE) .....	1
112	612558						COMPENSATOR ASSEMBLY (INCLUDES ITEMS 113 - 121) .....	1
113	00532G4						HEX NUT .....	2
114	629486						HEX NUT, 5/16" - 24 .....	1
115	15121G1						FLAT WASHER, 5/16".....	2
116	17979G1						ACCELERATOR ROD BUSHING .....	1
117	23061G2						TUBE.....	1
118	23463G1						COMPRESSION SPRING .....	1
119	27330G01						BRAKE YOKE .....	1
120	11098G9						HEX LOCK NUT, 5/16" - 24 .....	1
121	612557						COMPENSATOR LINK ROD .....	1

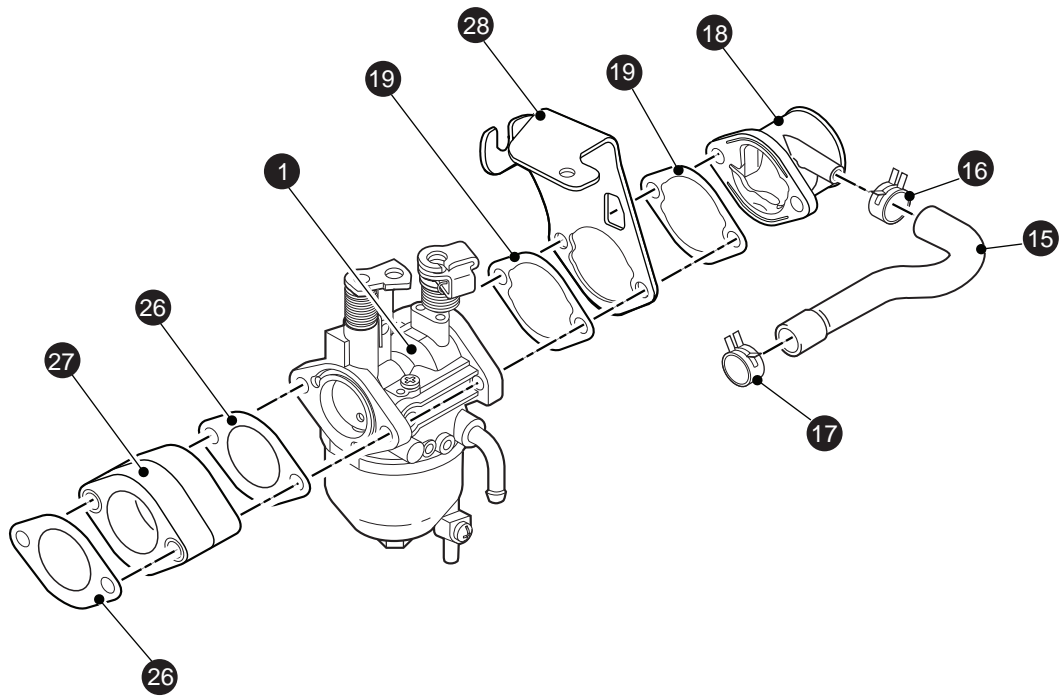
Notes:

A large grid of graph paper with 30 columns and 30 rows, intended for taking notes.

# CARBURETOR







# CARBURETOR

THE USE OF NON U.L. PARTS WILL VOID ANY U.L. LISTING.

When ordering parts, please specify the model and serial number of the product.

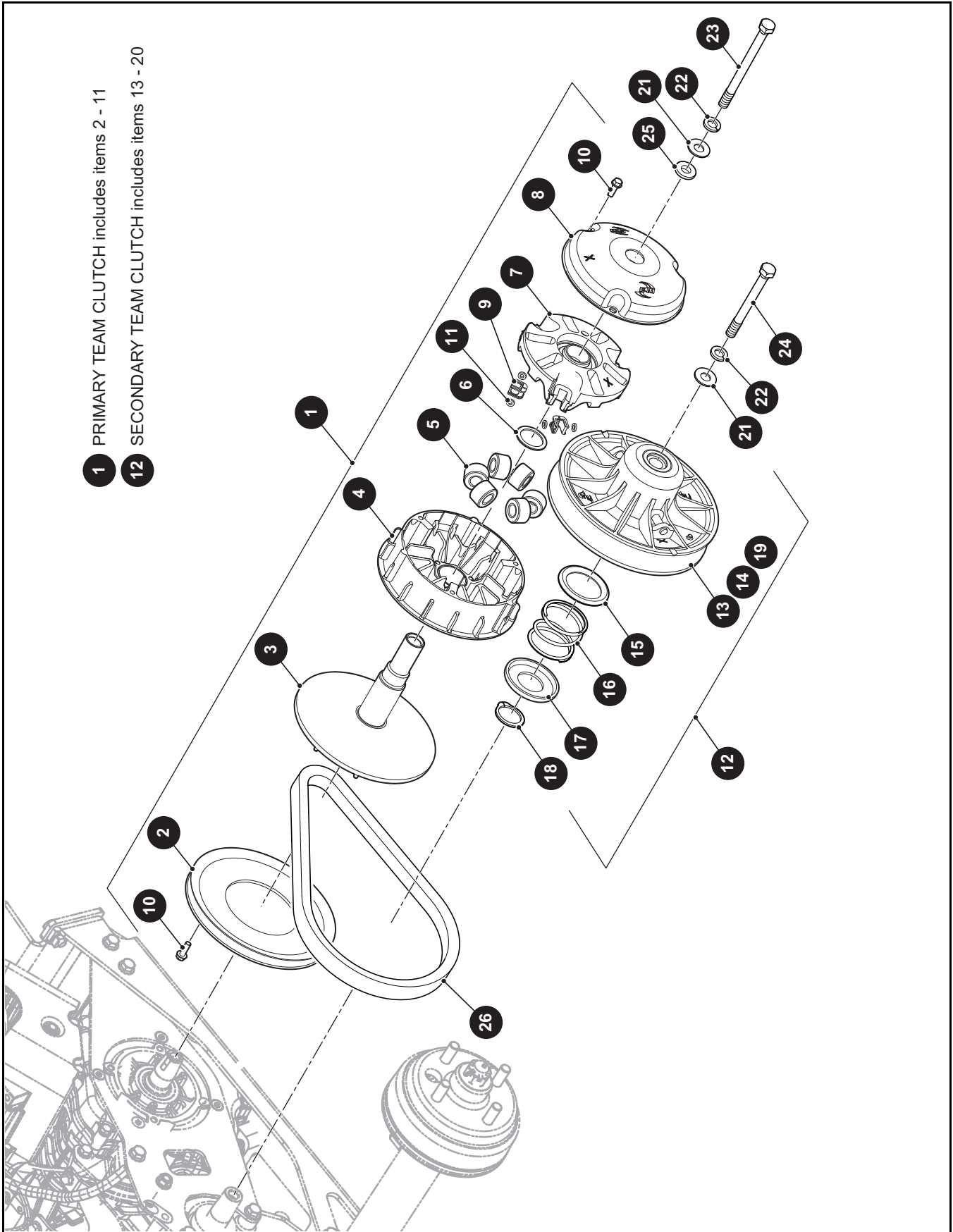
\* Indicates a component that is not available as an individual part.

G\*\* Indicates consult Customer Service Department for additional information.

ITEM	PART NO.	1 2 3 4 5	DESCRIPTION	QTY.
1	607954		CARBURETOR (INCLUDES ITEMS 3 - 21).....	1
2				
3	607683		MAIN JET (#104) .....	1
4	608021		PILOT JET (#44).....	1
5	603585		PLUG .....	1
6				
7	603586		NEEDLE VALVE .....	1
8	603587		FLOAT.....	1
9	603588		FLOAT PIN.....	1
10	603589		FLOAT BOWL GASKET .....	1
11	603590		FLOAT CHAMBER.....	1
12	603592		BOWL SCREW .....	1
13	603591		BOWL GASKET .....	1
14				
15	603598		BREATHER TUBE .....	1
16	603596		CLAMP, INTAKE TUBE.....	1
17	603597		CLAMP CYLINDER HEAD TUBE.....	1
18	603594		INTAKE TUBE.....	1
19	603593		CHOKE GASKET.....	2
20	603595		NUT, M6 X 1.0.....	2
21	608023		THROTTLE ROD ATTACHMENT BUSHING.....	1
22				
23	607684		MAIN JET (#102) (FOR ELEVATIONS OF 3000 FT - 6000 FT).....	1
24	607685		MAIN JET (#100) (FOR ELEVATIONS OF 6000 FT - 10000 FT).....	1
25				
26	603580		CARBURETOR MOUNT GASKET.....	2
27	603581		CARBURETOR INSULATOR .....	1



# CLUTCH

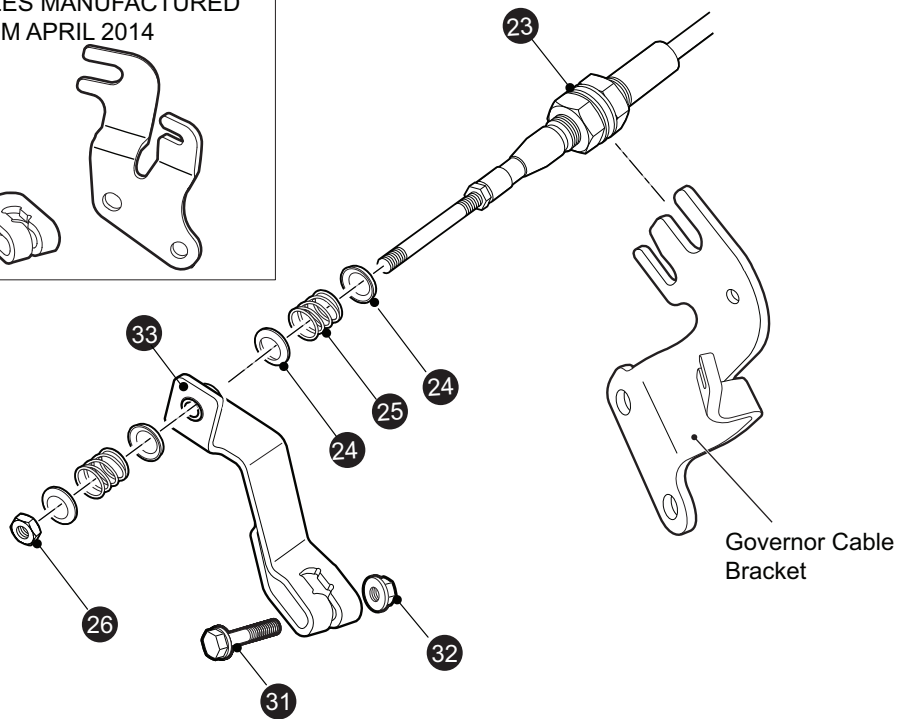
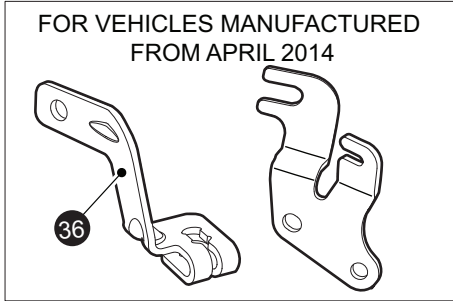
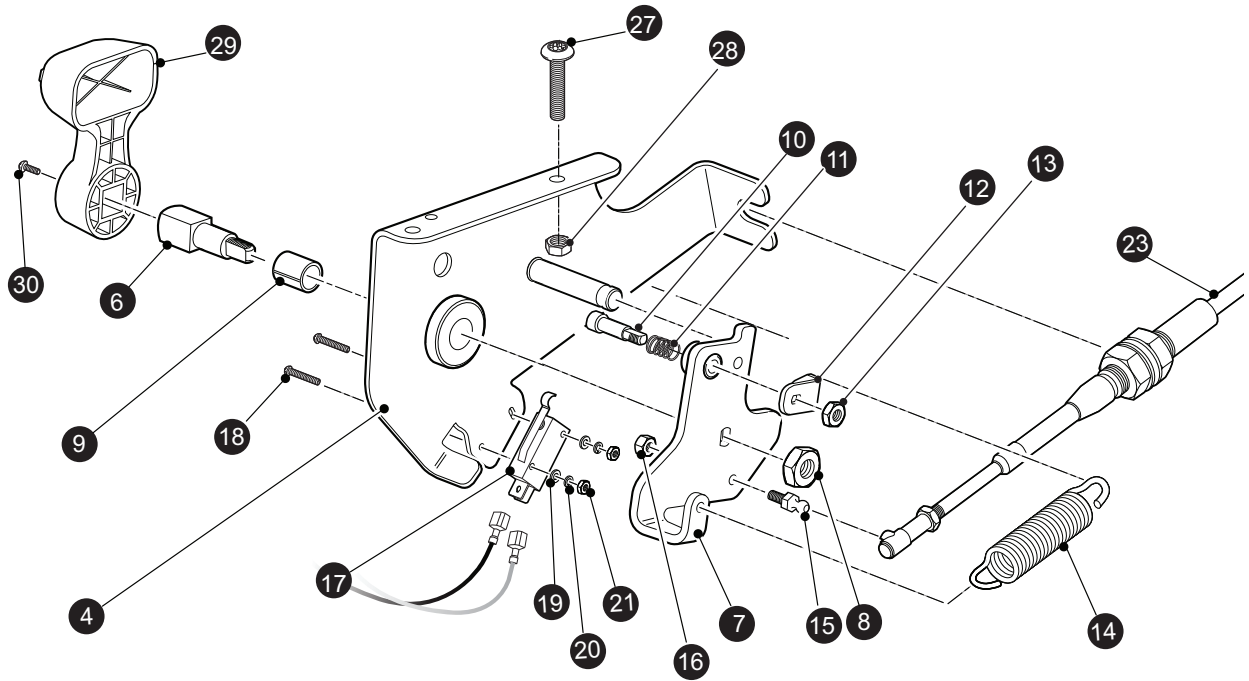


Where applicable, THE USE OF NON UL PARTS WILL VOID ANY UL LISTING.  
 When ordering parts, please specify the model and serial number of the product.  
 \* Indicates a component that is not available as an individual part.  
 G\*\* Indicates consult Customer Service Department for additional information.

ITEM	PART NO.	1 2 3 4 5	DESCRIPTION	QTY.
1	644301		PRIMARY TEAM CLUTCH (Includes items 2 - 11) .....	1
2	619333		PRIMARY STARTER PULLY, 195 - SVC .....	1
3	619334		STATIONARY ASSEMBLY .....	1
4	619335		MOVEABLE PRIMARY ASSEMBLY .....	1
5	624112		SHIFT ROLLER ASSEMBLY .....	6
6	619337		SHIM, 39.5 X 31.75.....	1
7	644303		PRIMARY SPIDER ASSEMBLY .....	1
8	619339		PRIMARY DUST COVER ASSEMBLY .....	1
9	644305		BUTTON .....	6
10	619332		BOLT, 1/4 - 20 X.75.....	7
11	644306		PLUG .....	6
12	623949		SECONDARY TEAM CLUTCH (Includes items 13 - 20).....	1
13	*		SECONDARY STATIONARY, 9.5 .....	1
14	*		MOVEABLE SECONDARY, 9.5 .....	1
15	619327		INNER RETAINER SPRING .....	1
16	624111		COMPRESSION SPRING, 2.70 OD .....	1
17	619329		OUTER SPRING RETAINER.....	1
18	619330		RETAINER RING .....	1
19	619331		THRUST WASHER, 1.530 x 1.830 x 1 .....	1
20				
21	606239		CONICAL WASHER, M12.....	2
22	00566G3		SPRING TYPE LOCK WASHER.....	2
23	606245		HEX BOLT, M12 - 1.25 X 160.....	1
24	606243		HEX BOLT, M12 - 1.25 X 120.....	1
25	606230		CLUTCH WASHER .....	1
26	618630		DRIVE BELT .....	1

# DIRECTION SELECTOR

2 - includes Items (4, 6, 7 - 21, 23 - 33)



# DIRECTION SELECTOR

Where applicable, THE USE OF NON UL PARTS WILL VOID ANY UL LISTING.

When ordering parts, please specify the model and serial number of the product.

\* Indicates a component that is not available as an individual part.

G\*\* Indicates consult Customer Service Department for additional information.

ITEM	PART NO.	1 2 3 4 5	DESCRIPTION	QTY.
1				
2	605999		DIRECTION SELECTOR ASSEMBLY (INCLUDES ITEMS 4, 6, 7-21, 23-33) ...	1
3				
4	608830		DIRECTION SELECTOR BRACKET WITH BUSH (INCLUDES ITEM 9) ....	1
5				
6	606266		DIRECTION SELECTOR SHAFT .....	1
7	603700		DIRECTION SELECTOR CAM.....	1
8	14390G1		LOCK NUT, 3/8" - 24.....	1
9	*		BUSHING .....	1
10	72724G01		NEUTRAL LOCK PIN .....	1
11	72733G01		COMPRESSION SPRING, 3/8" X 5/8" LG .....	1
12	72729G01		NEUTRAL LOCK BRACKET .....	1
13	00734G2		LOCK NUT, 1/4" - 28.....	1
14	28574G01		EXTENSION SPRING .....	1
15	72732G01		BALL STUD, 1/4" .....	1
16	00734G5		LOCK NUT, #10 - 32 .....	1
17	72736G01		MICRO SWITCH.....	1
18	01062G01		ROUND HEAD SLOTTED SCREW, #4 - 40 X 1" LG .....	2
19	00559G1		FLAT WASHER, #4.....	2
20	00565G1		LOCK WASHER, #4 .....	2
21	00526G2		HEX NUT, #4 - 40 .....	2
22				
23	605809		PUSH / PULL SHIFTER CABLE.....	1
24	25727G01		CUP WASHER, 1/4" .....	4
25	72735G01		COMPRESSION SPRING, 19/32" X 1" LG .....	2
26	00734G5		LOCK NUT, #10 - 32 .....	1
27	70227G01		SOCKET HEAD CAPSCREW, 1/4" - 20 X 7/8" LG .....	2
28	11027G2		LOCK NUT, 1/4" - 20 .....	2
29	71205G01		DIRECTION SELECTOR HANDLE.....	1
30	00740G4		TRUSS HEAD PHILLIPS SCREW (SS), #10 - 32 X 1/2" LG .....	1

# DIRECTION SELECTOR

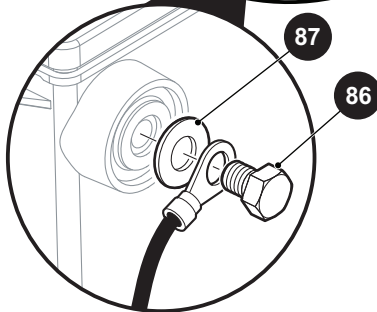
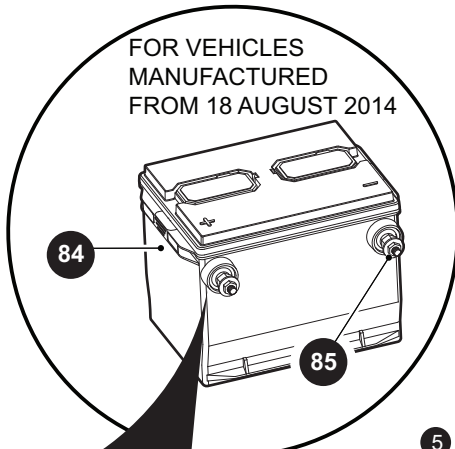
Where applicable, THE USE OF NON UL PARTS WILL VOID ANY UL LISTING.  
 When ordering parts, please specify the model and serial number of the product.  
 \* Indicates a component that is not available as an individual part.  
 G\*\* Indicates consult Customer Service Department for additional information.

ITEM	PART NO.	1 2 3 4 5	DESCRIPTION	QTY.
31	606421		HEX HEAD BOLT, M6 - 1 X 30MM LG .....	1
32	450452		HEX NUT, M6 - 1 .....	1
33	608832		SHIFTER ARM ( INCLUDES ITEM 34 ) .....	1
34	*		BUSHING, FLIP LOK, 0.25 .....	1
35				
36	632891		DIRECTION SELECTOR PIVOT BRACKET (FOR VEHICLES MANUFACTURED FROM APRIL 2014).....	1



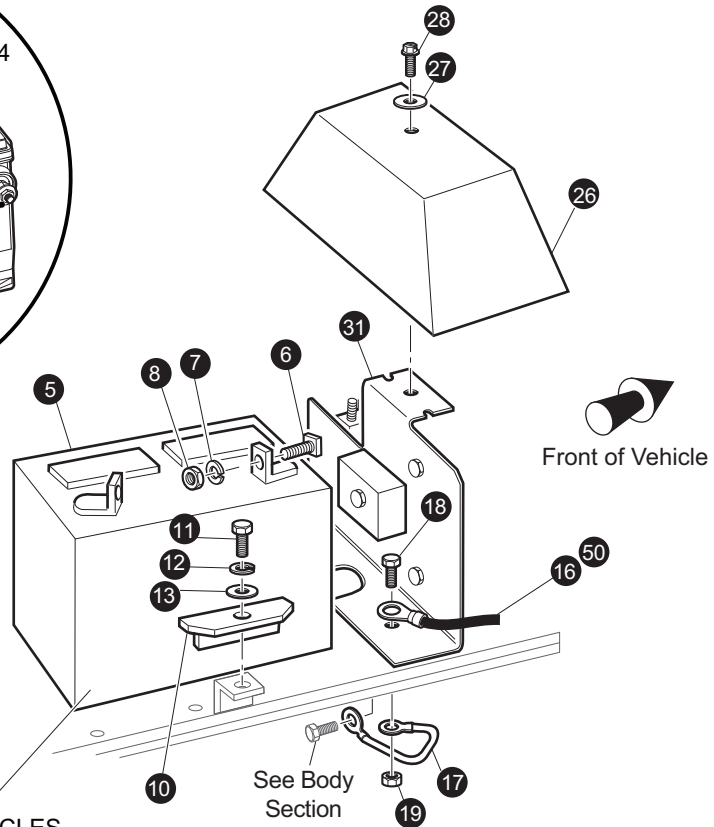


# ELECTRICAL SYSTEM

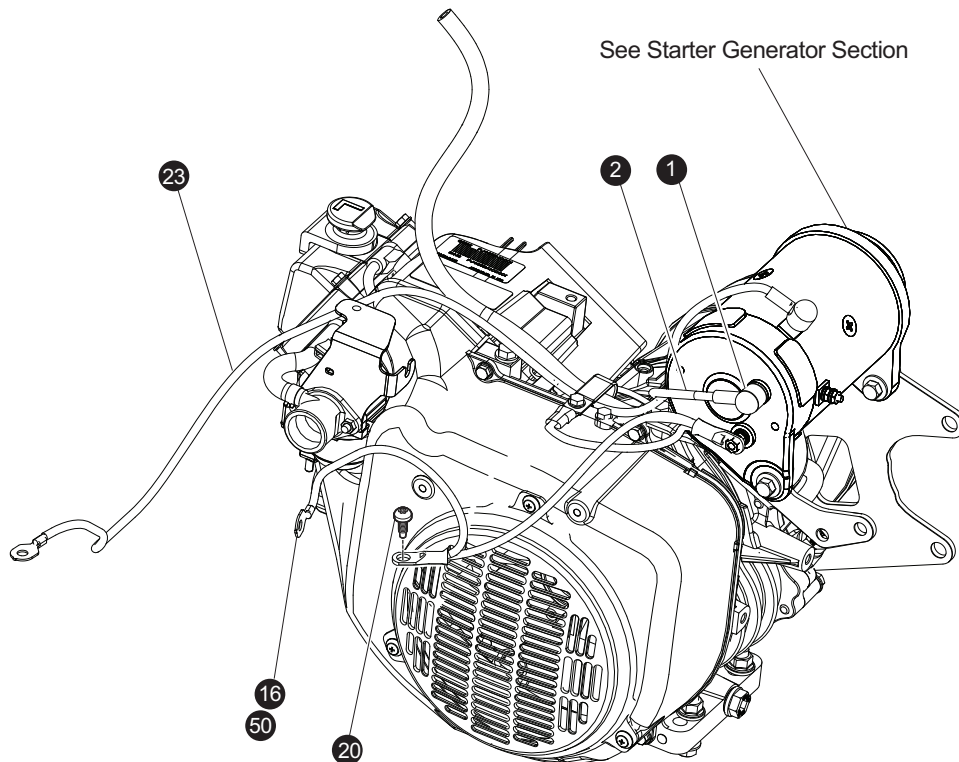


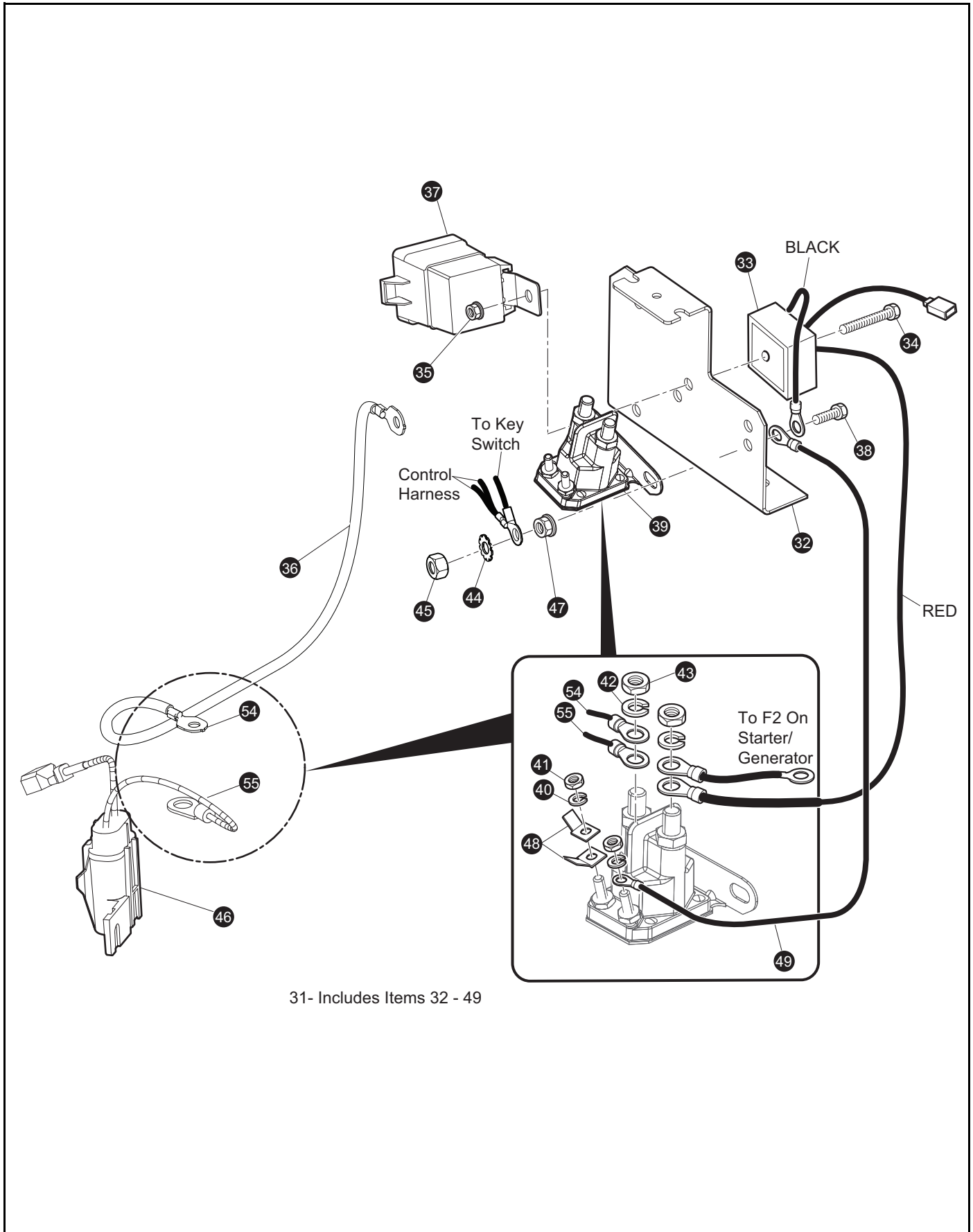
FOR VEHICLES MANUFACTURED  
FROM NOVEMBER 09, 2015

FOR VEHICLES  
MANUFACTURED  
BEFORE 18 AUGUST 2014

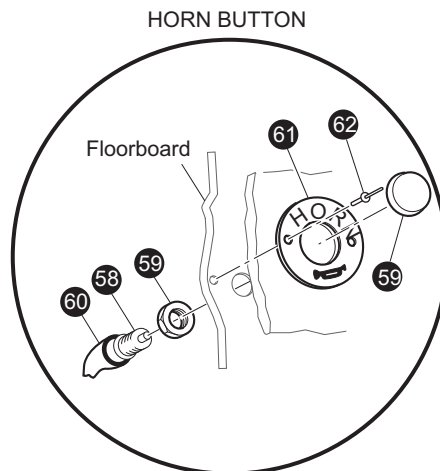
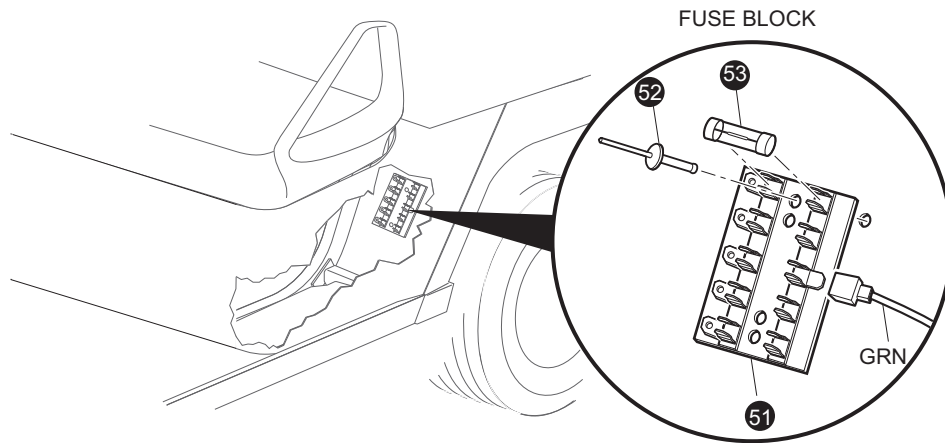


See Starter Generator Section

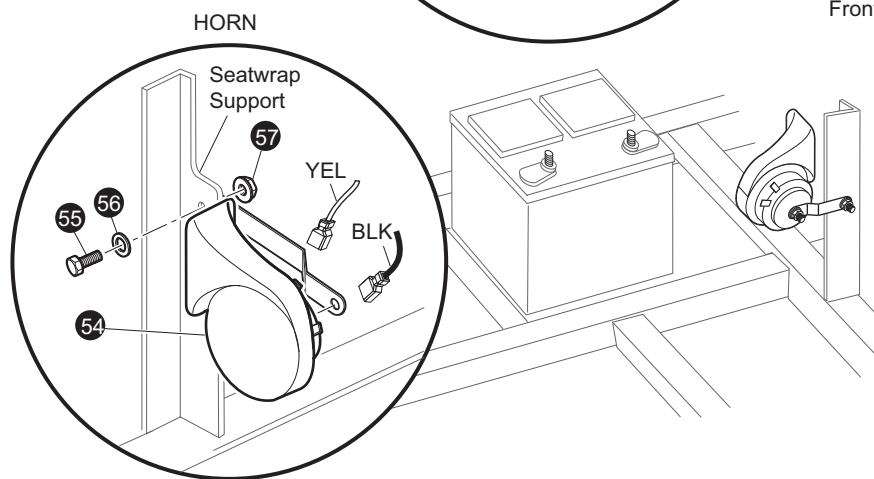


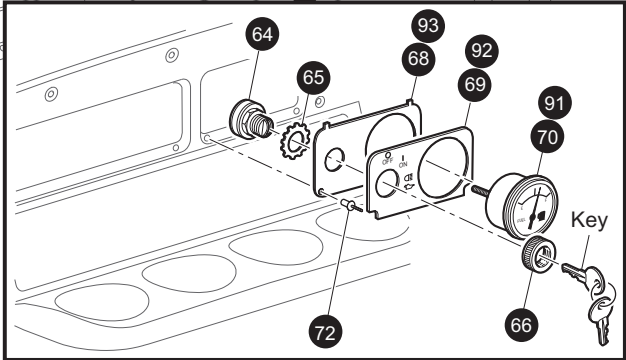
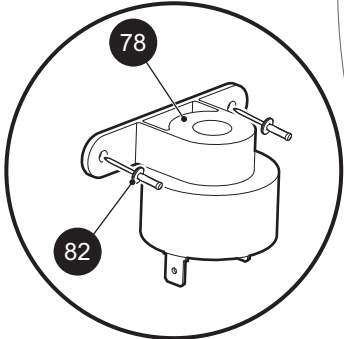
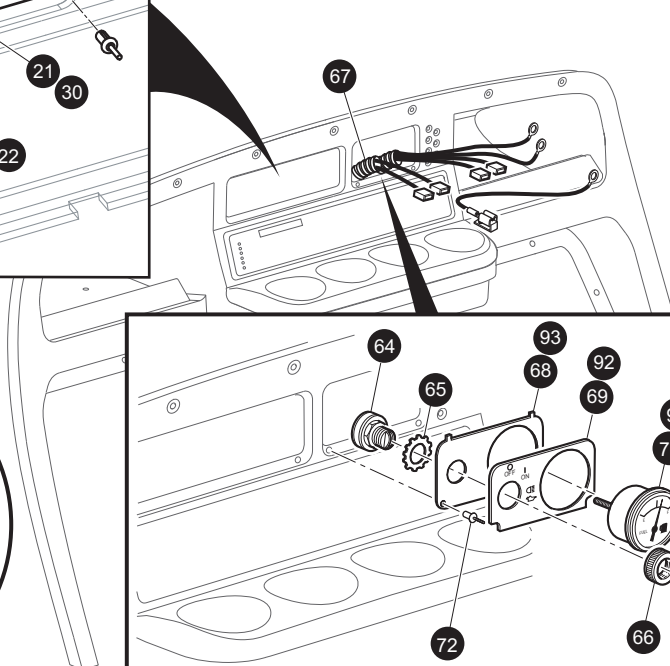
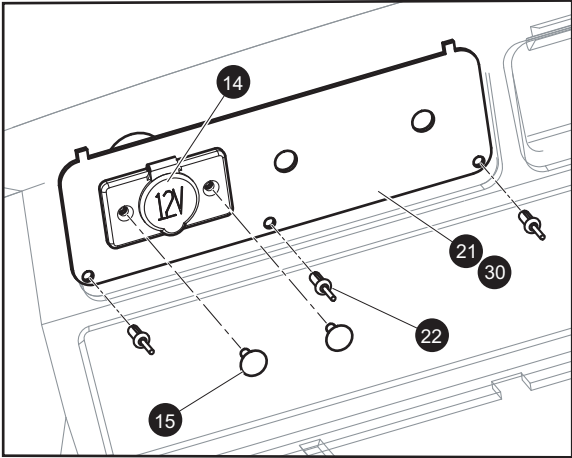


31- Includes Items 32 - 49

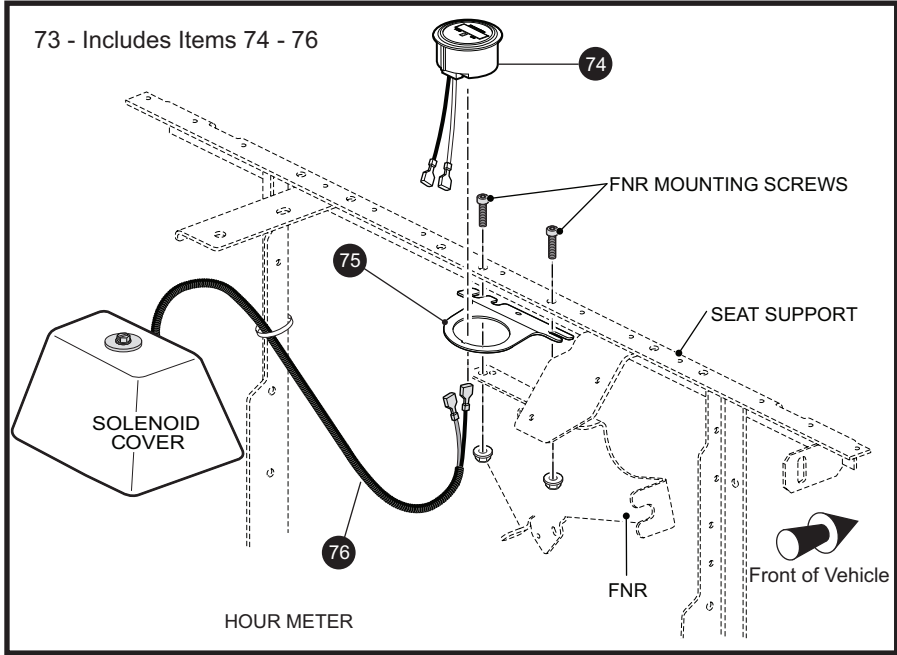


Front of Vehicle





KEY SWITCH, INDICATOR LIGHT(S), AND FUEL GAUGE



73 - Includes Items 74 - 76

# ELECTRICAL SYSTEM

When ordering parts, please specify the model and serial number of the product.

\* Indicates a component that is not available as an individual part.

\*\*\* Indicates consult Customer Service Department for additional information.

ITEM	PART NO.	1 2 3 4 5	DESCRIPTION	QTY.
1	607053		6 GA WIRE (BLACK 6", F1 - A2) .....	1
2	25682G01		TERMINAL COVER.....	3
3				
4				
5	24775G1		BATTERY, 12V (FOR VEHICLES MANUFACTURED BEFORE 18 AUGUST 2014) .....	1
6	*		BOLT, 5/16" - 18 X 1 1/4" LG .....	2
7	*		LOCK WASHER (SILICON BRONZE), 5/16".....	2
8	*		NUT (SILICON BRONZE), 5/16" - 18.....	2
9				
10	72101G02		BATTERY HOLD DOWN .....	1
11	00438G6		HEX HEAD BOLT, 5/16" - 18 X 3/4" LG.....	3
12	00565G8		LOCK WASHER, 5/16" .....	1
13	00571G2		WASHER (SS), 5/16" .....	1
14	71078G01		12V POWER OUTLET (FOR VEHICLES MANUFACTURED FROM NOVEMBER 09, 2015).....	1
15	14601G10		RIVET, 5/32" X .075" (FOR VEHICLES MANUFACTURED FROM NOVEMBER 09, 2015).....	2
16	27044G03		GROUND CABLE.....	1
17	25976G19		14 GA WIRE (BLACK 6").....	1
18	00438G6		HEX HEAD BOLT, 5/16" - 18 X 3/4" LG.....	2
19	11027G1		LOCK NUT, 5/16" - 18 .....	2
20	26676G01		FLANGED BOLT.....	1
21	74693G01		CONSOLE INSERT WITH POWER OUTLET (FOR VEHICLES MANUFACTURED FROM NOVEMBER 09, 2015).....	1
22	33623G02		DRIVE RIVET, 3/16" (FOR VEHICLES MANUFACTURED FROM NOVEMBER 09, 2015).....	3
23	607103		6 GA WIRE (42" LONG) .....	1
24	605777		WIRE HARNESS (CONTROL).....	1
25	17618G1		WIRE TIE (NOT ILLUSTRATED ).....	AR
26	73049G01		COVER FNR .....	1
27	16469G1		FENDER WASHER, 1/4" .....	1
28	00114G6		HEX WASHER HEAD TAPPING SCREW, 1/4" - 14 X 3/4" LG.....	1

# ELECTRICAL SYSTEM

When ordering parts, please specify the model and serial number of the product.

\* Indicates a component that is not available as an individual part.

\*\*\* Indicates consult Customer Service Department for additional information.

ITEM	PART NO.	1 2 3 4 5	DESCRIPTION	QTY.
29	645201		12V POWER OUTLET HARNESS, 6AWG (NOT ILLUSTRATED) (FOR VEHICLES MANUFACTURED FROM NOVEMBER 09, 2015) .....	1
30	73522G03		CONSOLE INSERT (FOR VEHICLES MANUFACTURED FROM NOVEMBER 09, 2015) .....	1
31	605563		ELECTRICAL PLATE ASSEMBLY (INCLUDES ITEMS 32 - 49) .....	1
32	73057G01		BRACKET .....	1
33	27739G01		VOLTAGE REGULATOR .....	1
34	00415G4		HEX HEAD BOLT, 1/4" - 20 X 1 1/4" LG .....	1
35	11027G2		LOCK NUT, 1/4" - 20 .....	1
36	25972G33		WIRE ASSEMBLY 6 GA .....	1
37	603282		RELAY .....	1
38	00661G8		HEX HEAD BOLT (SS), 1/4" - 20 X 1" LG .....	1
39	612813		SOLENOID .....	1
40	*		LOCK WASHER, #10 .....	2
41	*		NUT, #10 - 32 .....	2
42	*		LOCK WASHER, 5/16" .....	2
43	*		NUT, 5/16" - 24 .....	2
44	00567G7		LOCK WASHER (EXTERNAL TOOTH TYPE), 1/4" .....	1
45	00532G1		HEX NUT, 1/4" - 20 .....	1
46	600418G01		FUSE HOLDER ASSEMBLY .....	1
47	11027G2		LOCK NUT, 1/4" - 20 .....	1
48	73446G01		FASTON TAB, 90° .....	2
49	25978G56		18 GA WIRE (BLACK 5 3/4") .....	1
50	645191		GROUND CABLE (FOR VEHICLES MANUFACTURED FROM NOVEMBER 09, 2015) .....	1
51	22674G1		FUSE BLOCK .....	1
52	01041G01		RIVET, 1/8" X 13/16" LG .....	2
53	18392G1		15 AMP FUSE .....	3
54	32860G1		HORN .....	1
55	00414G5		HEX HEAD BOLT, 1/4" - 20 x 5/8" LG .....	1
56	00559G7		FLAT WASHER (SS), 1/4" .....	1
57	14390G4		LOCK NUT, 1/4" - 20 .....	1

# ELECTRICAL SYSTEM

When ordering parts, please specify the model and serial number of the product.

\* Indicates a component that is not available as an individual part.

\*\*\* Indicates consult Customer Service Department for additional information.

ITEM	PART NO.	1	2	3	4	5	DESCRIPTION	QTY.
58	17318G1						HORN SWITCH.....	1
59	17318G2						HORN SWITCH CAP AND NUT.....	1
60	27068G01						HORN SWITCH BOOT.....	1
61	19233G1						HORN SWITCH LABEL.....	1
62	71055G01						ALUMINUM RIVET, 3/16" X 1" LG .....	2
63	606021						WIRE HARNESS (ACCESSORY).....	1
64	18602G1						IGNITION SWITCH (WITH LIGHTS, INDIVIDUALLY KEYED) .....	1
65	00568G6						LOCK WASHER, 3/4".....	1
66	17137G1						FACE NUT, 3/4" - 20.....	1
67	605866						WIRE HARNESS (KEY SWITCH).....	1
68	73030G04						PLATE (FUEL GAUGE AND OIL LIGHT) .....	1
69	71127G01						LABEL (OIL LIGHT AND FUEL GAUGE WITH HEADLIGHTS) .....	1
70	21553G1						FUEL GAUGE.....	1
71								
72	33623G02						DRIVE RIVET, 3/16" X 3/8" LG.....	2
73	607285						HOUR METER KIT (INCLUDES ITEMS 74 - 76) .....	1
74	617074						HOUR METER.....	1
75	635649						HOUR METER BRACKET .....	1
76	606254						WIRE HARNESS (HOUR METER).....	1
77	31539G1						NYLON CLAMP 15.5" (NOT ILLUSTRATED).....	AR
78	73290G03						CONTINUOUS TONE POTTED BUZZER.....	1
79	11098G6						LOCK NUT, 5/16" - 18 (NOT ILLUSTRATED) .....	1
80	75048G01						SPACER, .328" X .75" X .50" (NOT ILLUSTRATED) .....	1
81	00439G1						HEX HEAD BOLT, 5/16" - 18 X 1 1/8" LG (NOT ILLUSTRATED) .....	1
82	01041G01						BULBEX RIVET, 5/32" DIA.....	2
83	645200						WIRE HARNESS (ACCESSORY) (NOT ILLUSTRATED) (FOR VEHICLES MANUFACTURED FROM NOVEMBER 09, 2015).....	1
84	637484						BATTERY, 12V (FOR VEHICLES MANUFACTURED FROM 18AUGUST2014) .....	1
85	610428						BATTERY BOLT EXTENDER (FOR VEHICLES MANUFACTURED FROM 18AUG2014) .....	2
86	651336						BATTERY BOLT (FOR VEHICLES MANUFACTURED FROM NOVEMBER 09, 2015).....	2



# ELECTRICAL SYSTEM

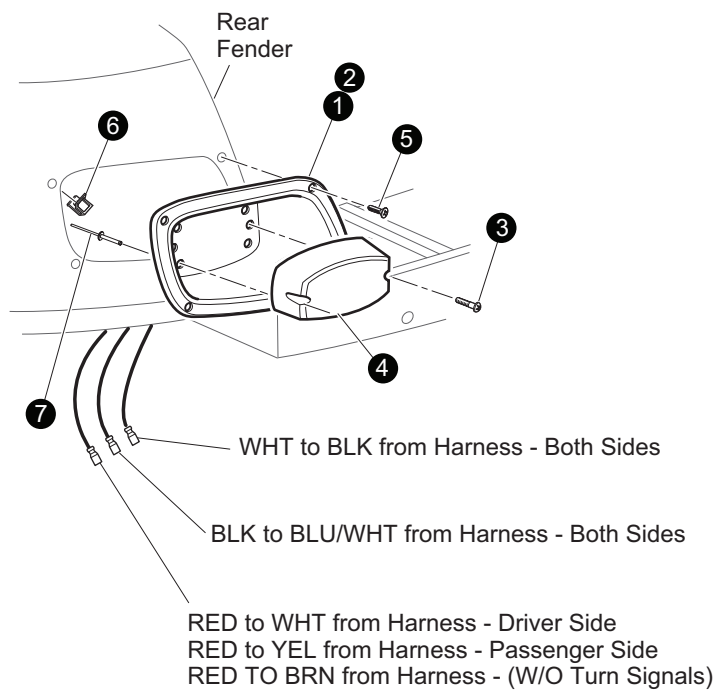
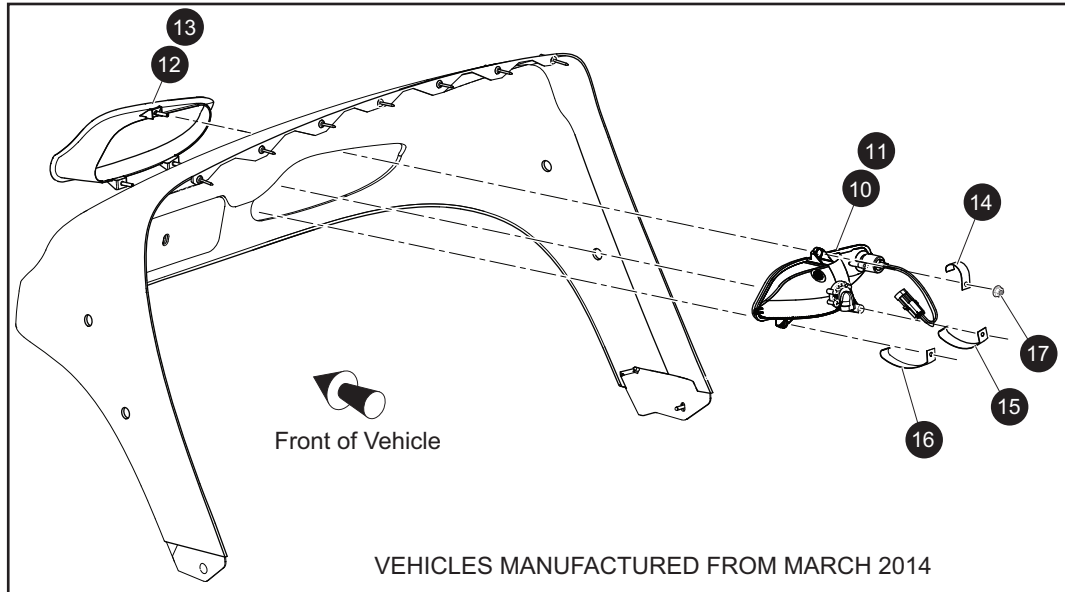
When ordering parts, please specify the model and serial number of the product.

\* Indicates a component that is not available as an individual part.

\*\*\* Indicates consult Customer Service Department for additional information.

ITEM	PART NO.	1 2 3 4 5	DESCRIPTION	QTY.
87	614221		FLAT WASHER, 3/8" (FOR VEHICLES MANUFACTURED FROM NOVEMBER 09, 2015) .....	2
88				
89				
90	25978G122		18AWG WIRE (FUEL GAUGE) (NOT ILLUSTRATED).....	1
91	648247		FUEL LEVEL GAUGE .....	1
92	648854		CONSOLE DECAL .....	1
93	73030G14		CONSOLE PLATE .....	1

# ELECTRICAL SYSTEM



# ELECTRICAL SYSTEM

When ordering parts, please specify the model and serial number of the product.

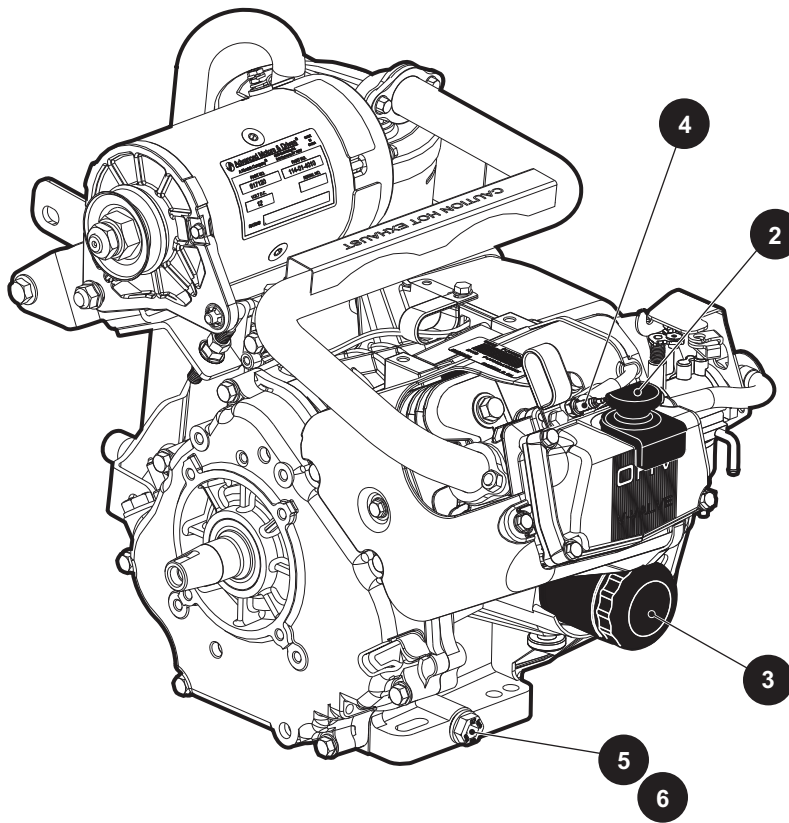
\* Indicates a component that is not available as an individual part.

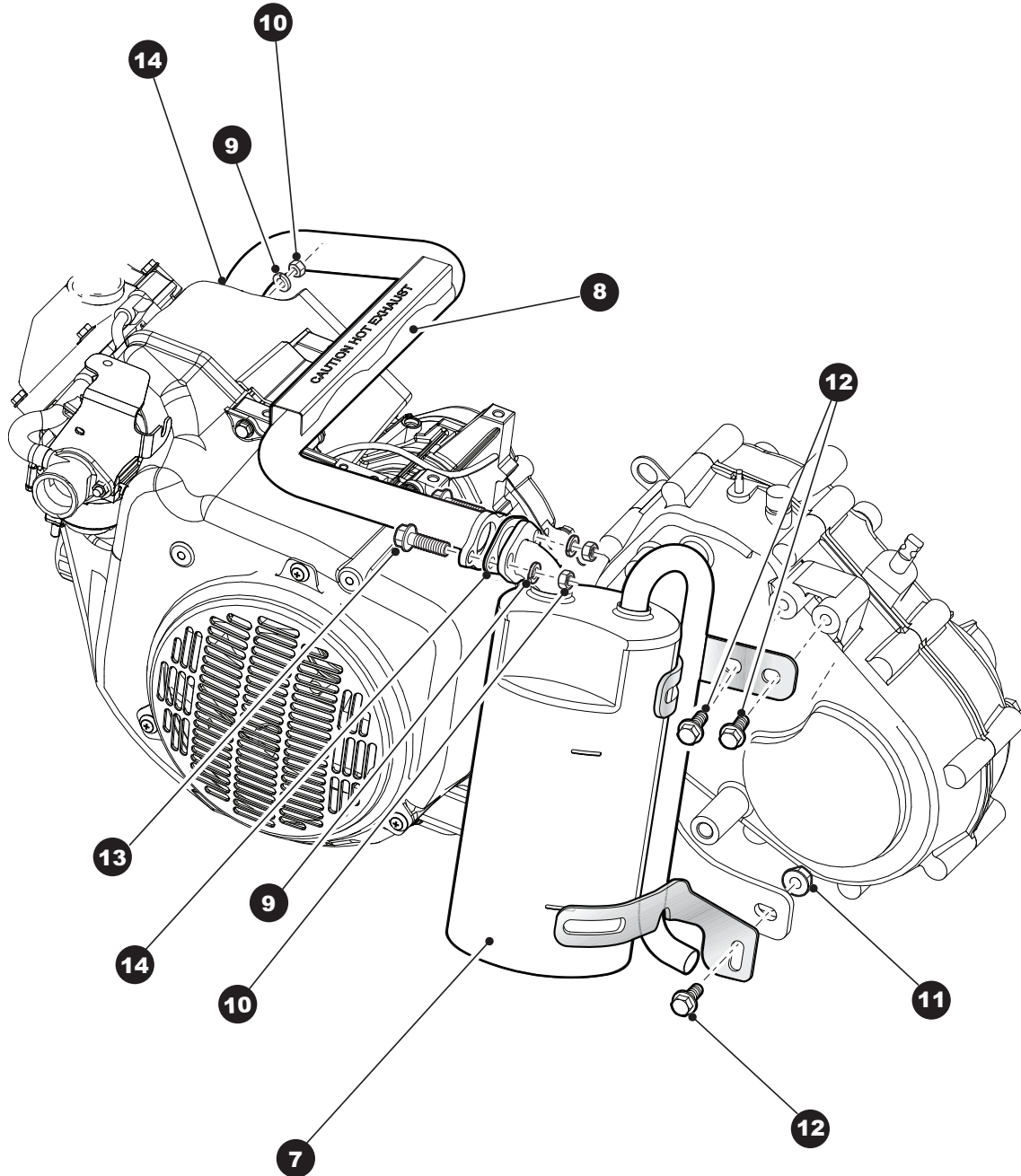
\*\*\* Indicates consult Customer Service Department for additional information.

ITEM	PART NO.	1 2 3 4 5	DESCRIPTION	QTY.
1	625251		BEZEL, TAILLIGHT (DRIVER SIDE).....	1
2	625252		BEZEL, TAILLIGHT (PASSENGER SIDE) .....	1
3	00513G4		PAN HEAD PHILLIPS SCREW, #8 X 1.5" LG.....	4
4	22288G1		TAILLIGHT ASSEMBLY .....	2
5	71425G01		TAPPING SCREW, #8 - 18 X .75" LG.....	8
6	71364G02		'J' CLIP.....	8
7	14601G11		RIVET (ALUMINUM), 3/16" X 9/16" .....	4
8				
9				
10	602928		HEADLIGHT ASSEMBLY (DRIVER SIDE) (FOR VEHICLES MANUFACTURED FROM MARCH 2014).....	1
11	603328		HEADLIGHT ASSEMBLY (PASSENGER SIDE) (FOR VEHICLES MANUFACTURED FROM MARCH 2014).....	1
12	625280		BEZEL, HEADLIGHT (DRIVER SIDE) (FOR VEHICLES MANUFACTURED FROM MARCH 2014).....	1
13	625281		BEZEL, HEADLIGHT (PASSENGER SIDE) (FOR VEHICLES MANUFACTURED FROM MARCH 2014).....	1
14	626275		CLIP ((FOR VEHICLES MANUFACTURED FROM MARCH 2014) .....	1
15	626276		CLIP ((FOR VEHICLES MANUFACTURED FROM MARCH 2014) .....	1
16	626277		CLIP ((FOR VEHICLES MANUFACTURED FROM MARCH 2014) .....	1
17	71597G01		SELF THREADING NUT, 5 X 10MM (FOR VEHICLES MANUFACTURED FROM MARCH 2014).....	6

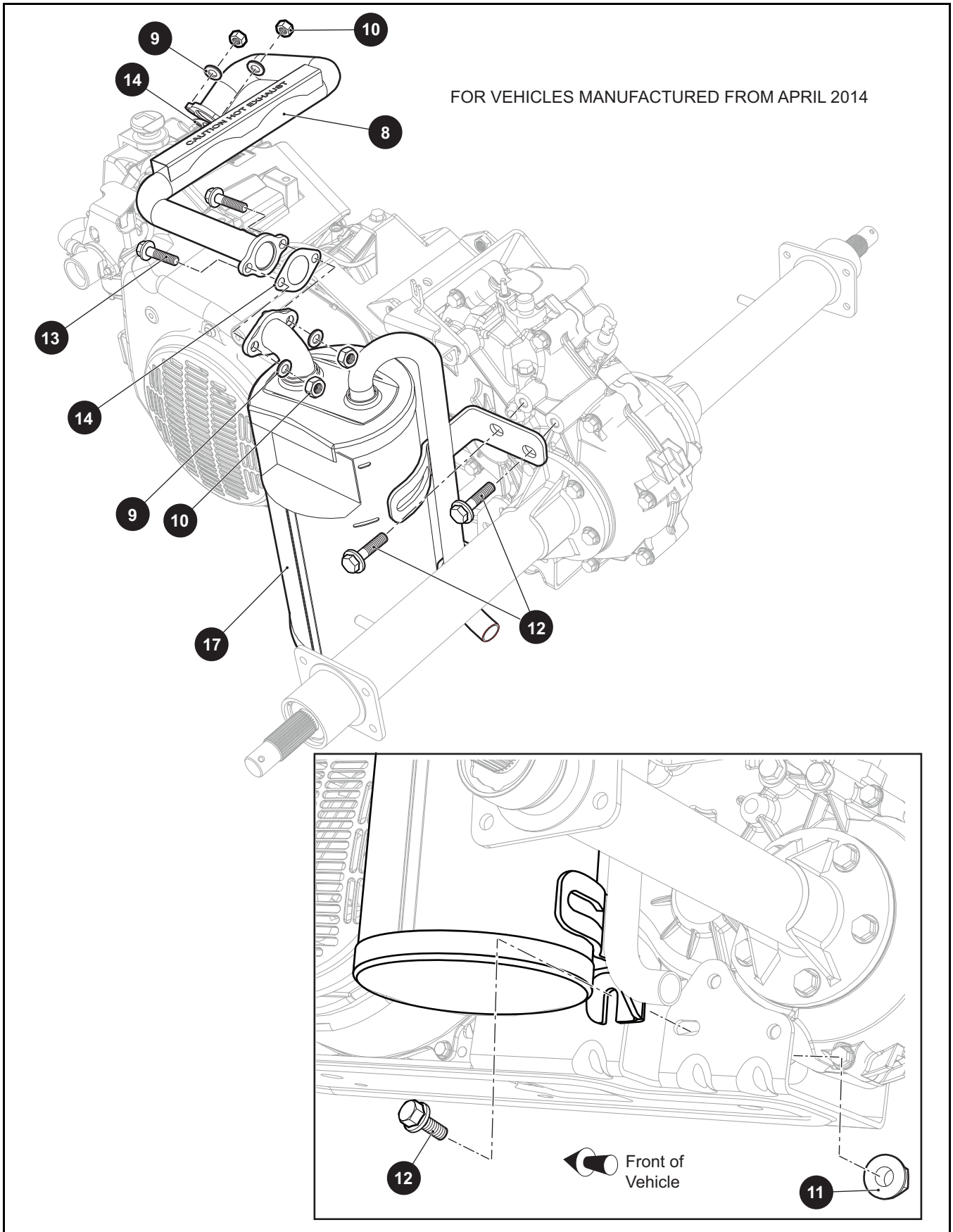
# ENGINE AND MUFFLER

1 GAS ENGINE, 13 HP includes items 3 - 6





# ENGINE AND MUFFLER



# ENGINE AND MUFFLER

Where applicable, THE USE OF NON UL PARTS WILL VOID ANY UL LISTING.  
 When ordering parts, please specify the model and serial number of the product.  
 \* Indicates a component that is not available as an individual part.  
 G\*\* Indicates consult Customer Service Department for additional information.

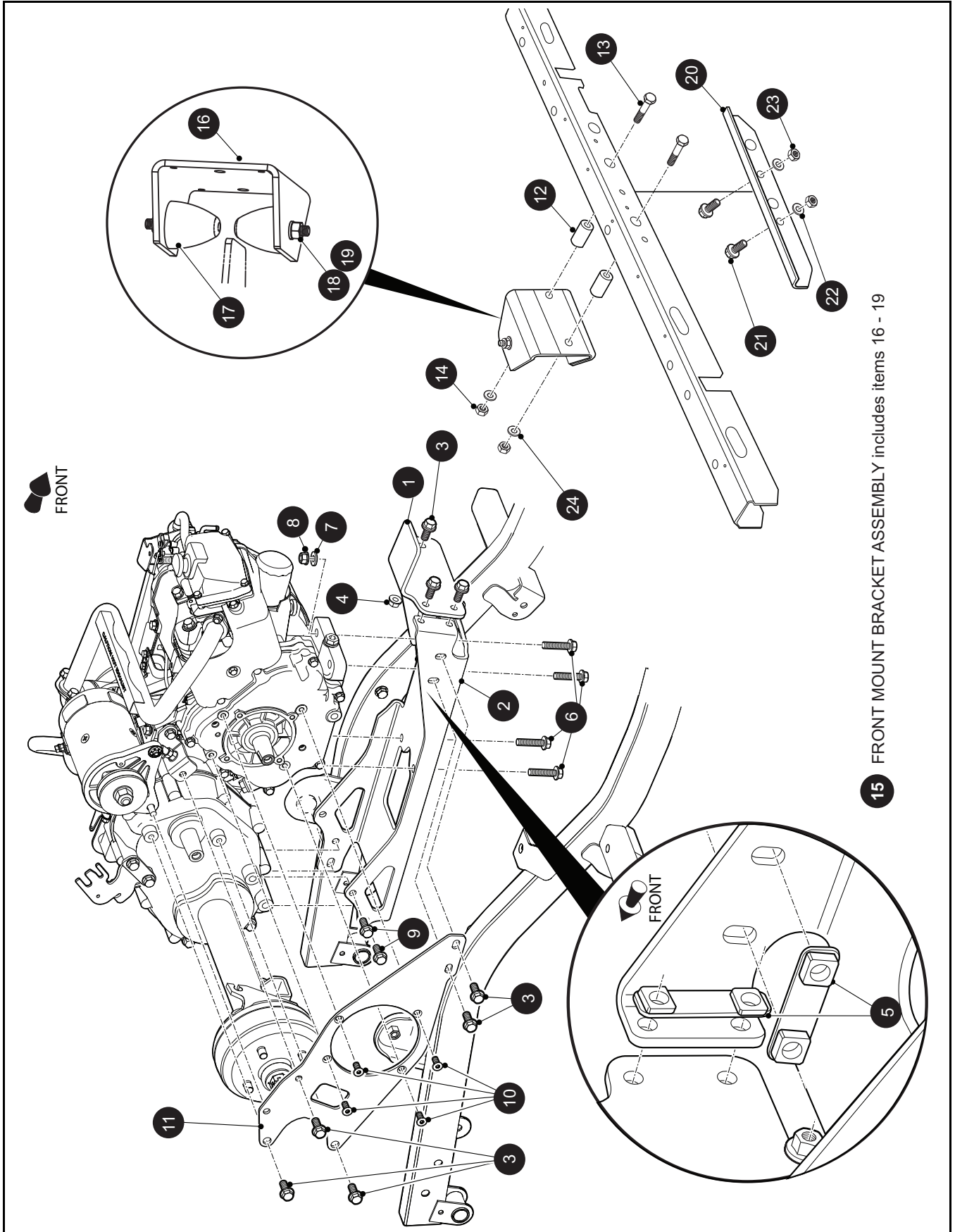
ITEM	PART NO.	1 2 3 4 5	DESCRIPTION	QTY.
1	633740		ENGINE, GAS, 13HP, NON-GOLF (INCLUDES ITEMS 3 - 6).....	1
2	606390		DIP STICK.....	1
3	607454		OIL FILTER.....	1
4	607462		SPARK PLUG (BPR2ES).....	1
5	603557		OIL DRAIN PLUG.....	1
6	603562		'O' RING, 16MM.....	1
7	612266		MUFFLER.....	1
8	606982		EXHAUST PIPE.....	1
9	606272		WASHER, 8MM.....	4
10	606267		NUT, M8 X 1.25.....	4
11	606279		NUT, M10 - 1.25.....	1
12	606256		BOLT, M10 - 1.25 X 25.....	3
13	602330		BOLT, M8 - 1.25 X 30.....	2
14	603599		EXHAUST GASKET.....	2
15				
16				
17	630970		MUFFLER (FOR VEHICLES MANUFACTURED FROM APRIL 2014).....	1



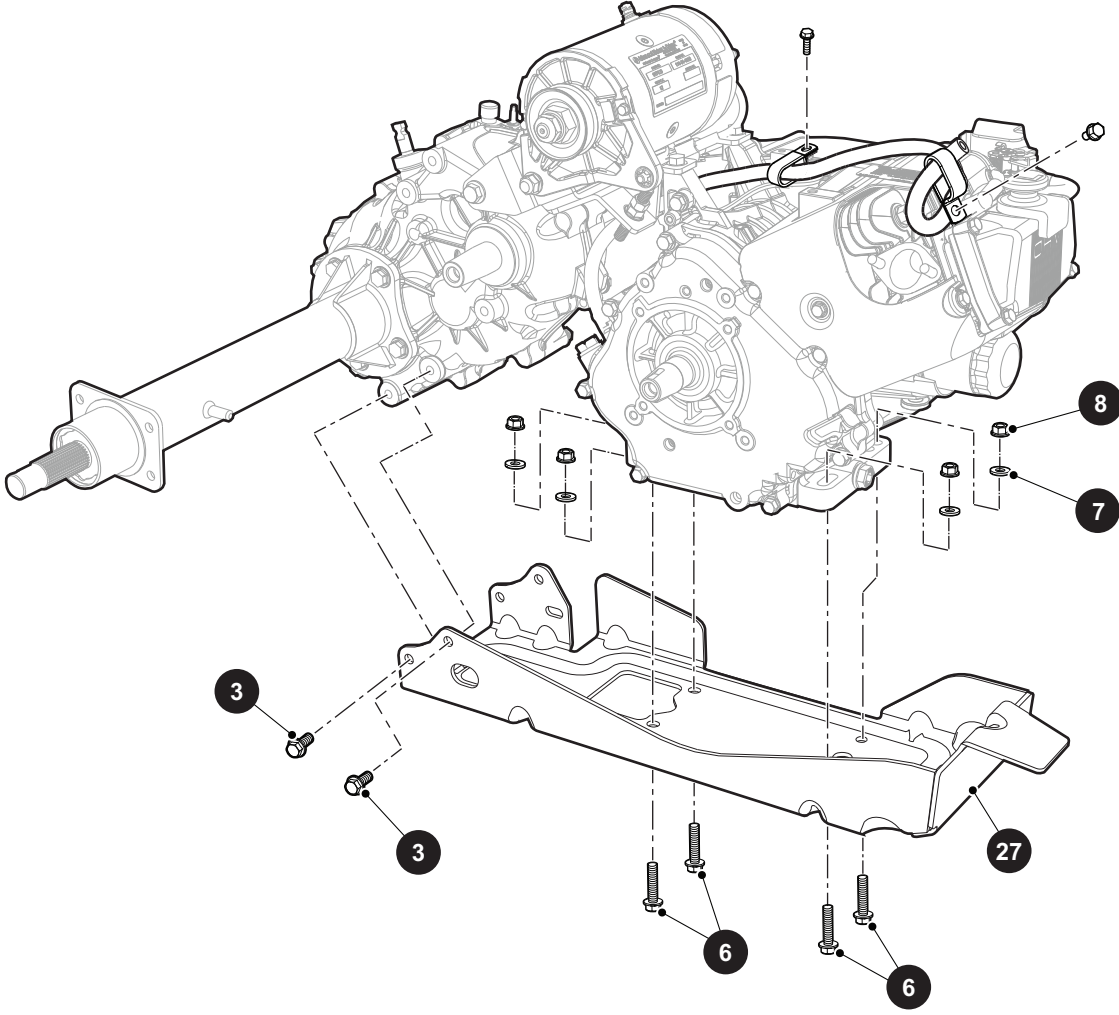




# ENGINE MOUNTING



FOR VEHICLES MANUFACTURED FROM APRIL 2014



# ENGINE MOUNTING

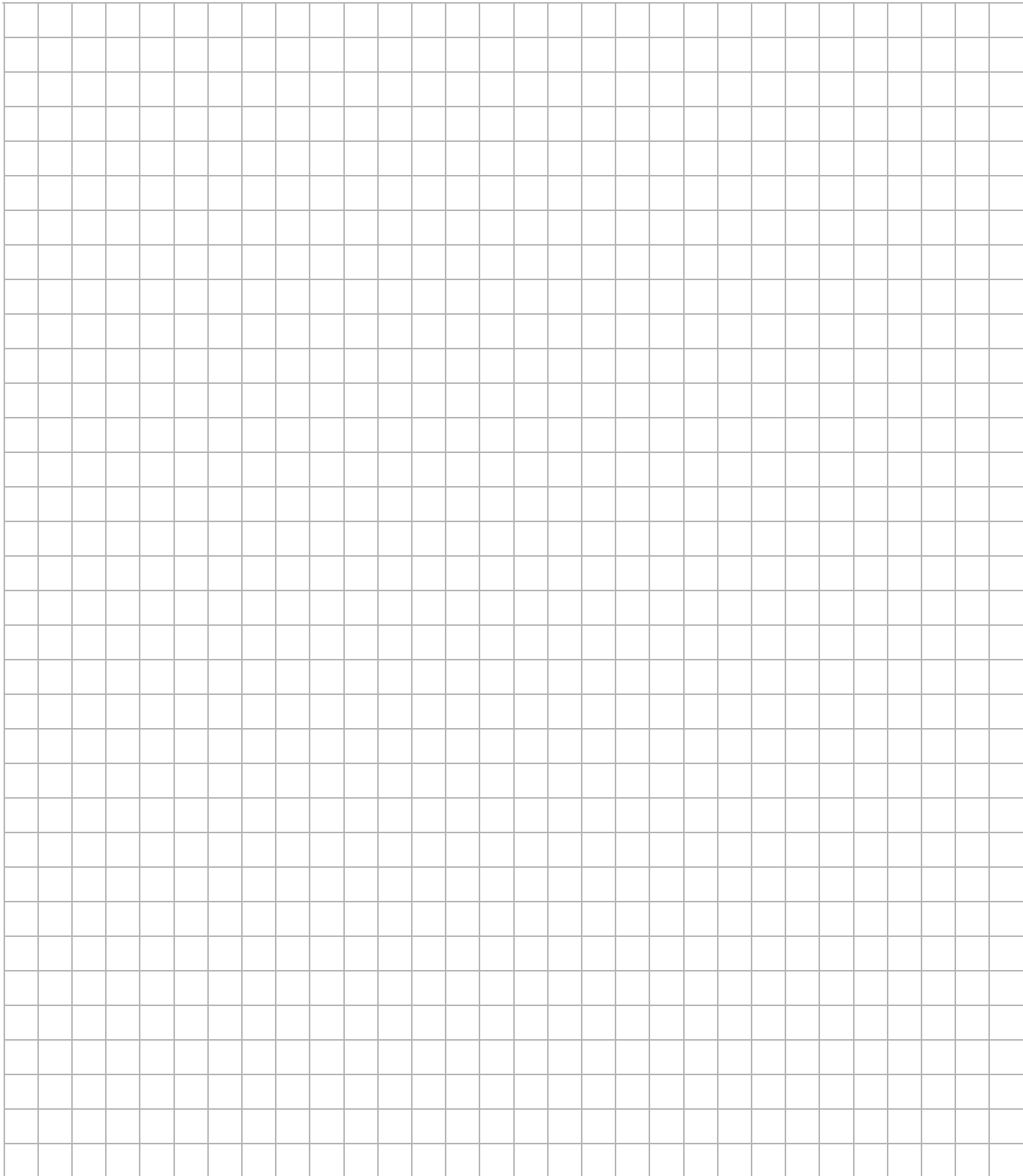
Where applicable, THE USE OF NON UL PARTS WILL VOID ANY UL LISTING.

When ordering parts, please specify the model and serial number of the product.

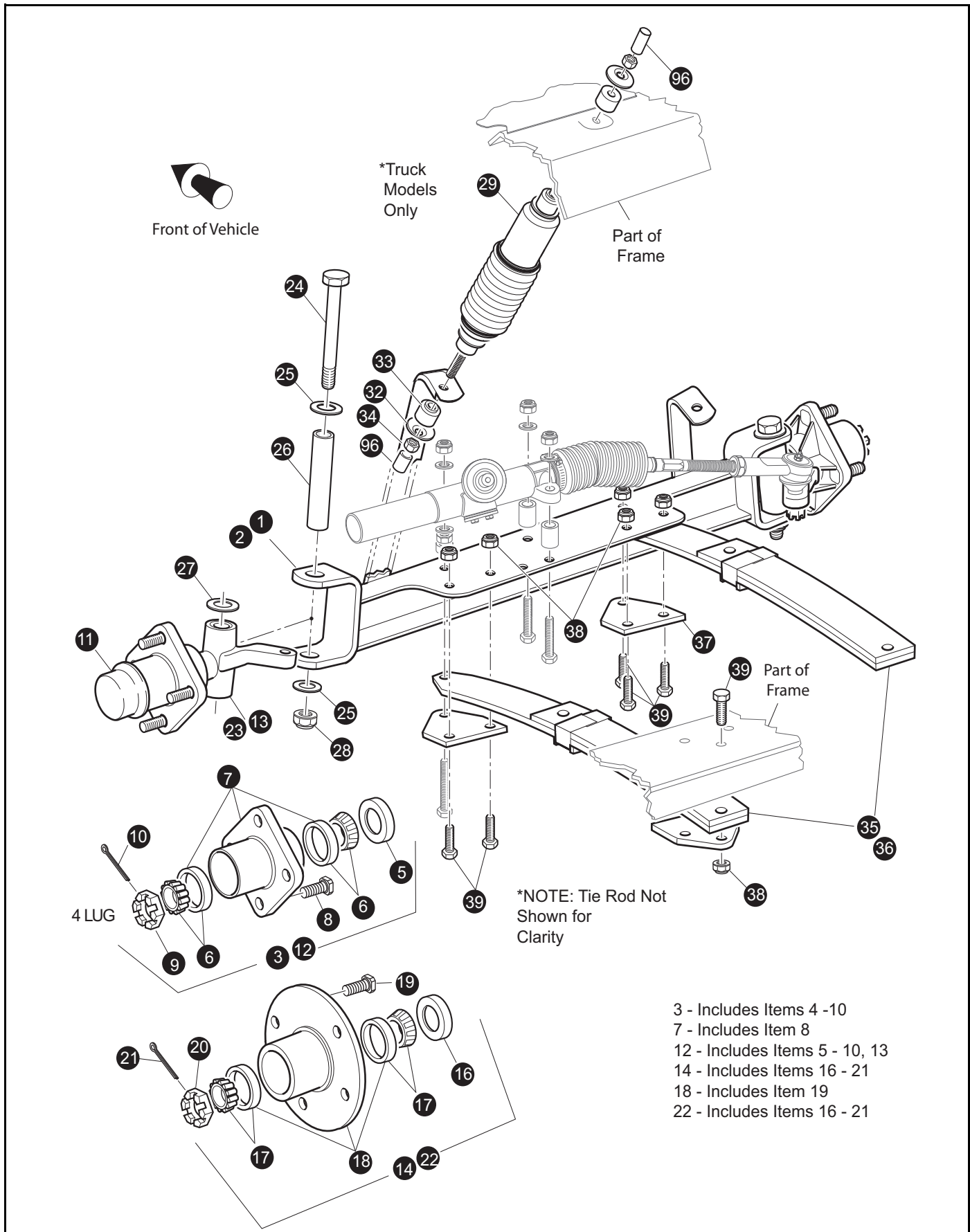
\* Indicates a component that is not available as an individual part.

G\*\* Indicates consult Customer Service Department for additional information.

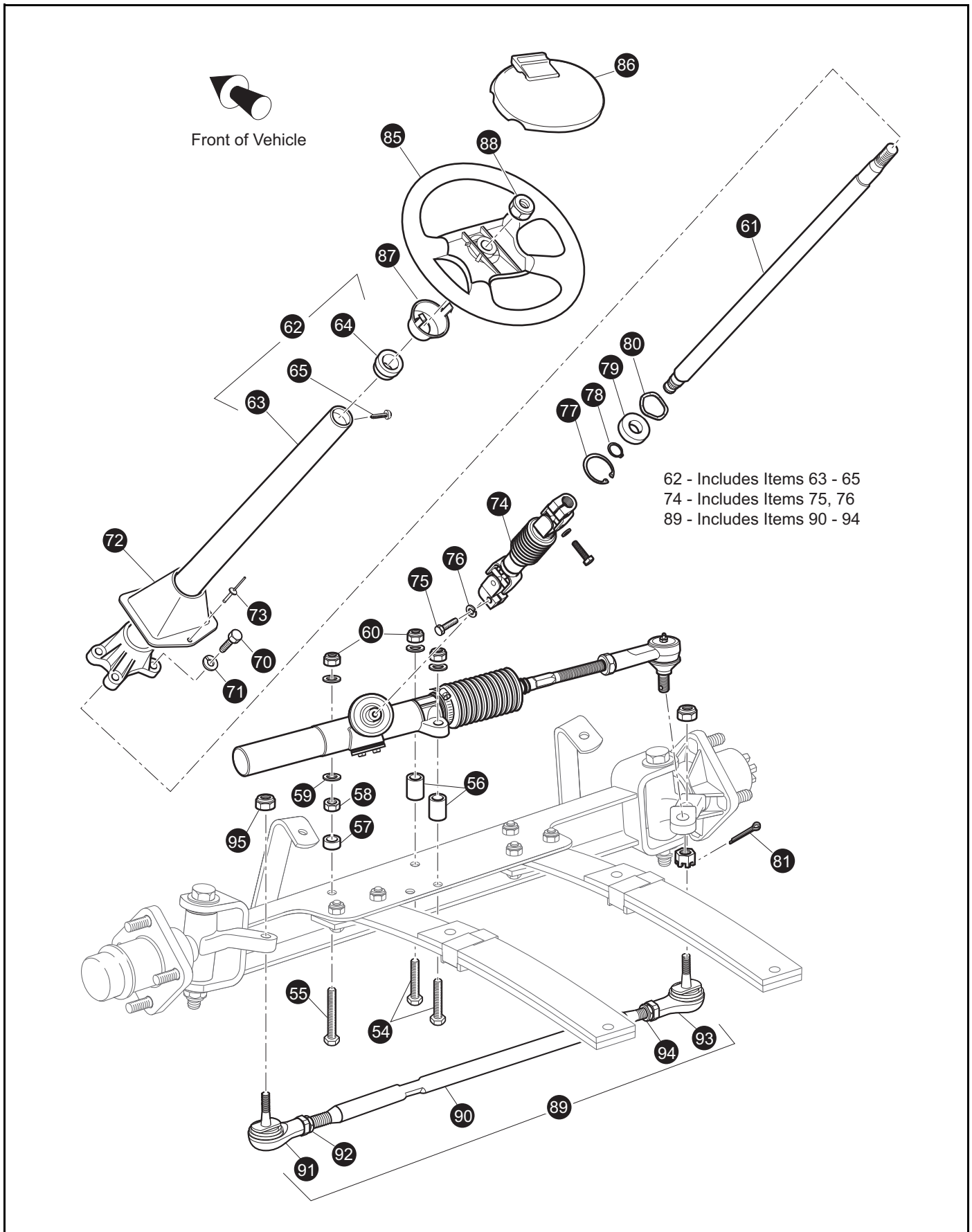
ITEM	PART NO.	1 2 3 4 5	DESCRIPTION	QTY.
1	606007		FRONT ENGINE MOUNT .....	1
2	603101		ENGINE PAN MOUNT .....	1
3	606256		BOLT, M10 - 1.25 X 25 .....	8
4	606279		NUT, M10 - 1.25 .....	1
5	606096		NUT PLATE .....	2
6	606259		BOLT, M10 - 1.25 X 45 .....	4
7	603823		FLAT WASHER, M10 X 22 - 2.5.....	4
8	606279		NUT, M10 - 1.25 .....	4
9	608020		BOLT, M10 - 1.25 X 34 .....	4
10	606246		FLAT HEAD SCREW, T40.....	4
11	602146		DIFFERENTIAL PLATE.....	1
12	72016G01		TUBE SPACER .....	2
13	00428G8		HEX HEAD 3/8 - 16, UNC X 2.75.....	2
14	11098G5		PLASTIC INSERT LOCK NUT 3/8 - 16.....	2
15	627627		FRONT MOUNT BRACKET ASSEMBLY (INCLUDES ITEMS 16 - 19).....	1
16	625345		FRONT MOUNT BRACKET .....	1
17	605757		RUBBER BUMPER.....	2
18	00974G01		HEX - NUT .....	2
19	608654		SPLIT LOCK WASHER, 10MM.....	2
20	70269G02		CROSSMEMBER BRACE .....	1
21	00438G7		SCREW, CAP HEX HEAD 5/16 - 18 UNC .....	2
22	00559G8		FLAT WASHER .....	2
23	01109G01		PLASTIC INSERT LOCK NUT .....	2
24	00643G1		FLAT WASHER .....	2
25				
26				
27	630776		ENGINE PAN (FOR VEHICLES MANUFACTURED FROM APRIL 2014).....	1



# FRONT SUSPENSION / STEERING

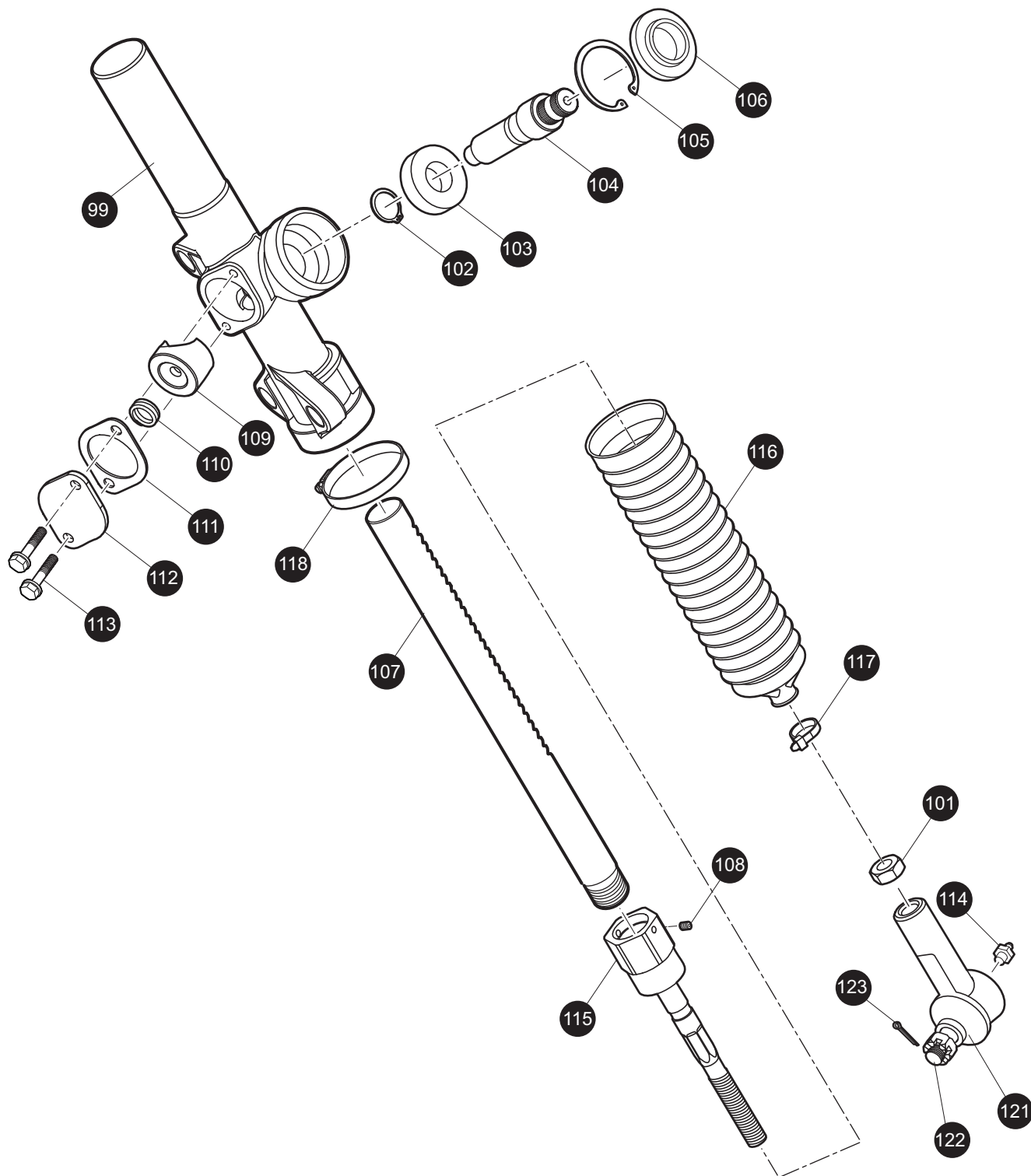


# FRONT SUSPENSION / STEERING



# FRONT SUSPENSION / STEERING

98 - Includes Items 99 - 120  
120- Includes Items 121 - 122





# FRONT SUSPENSION / STEERING

When ordering parts, please specify the model and serial number of the product.

\* Indicates a component that is not available as an individual part.

\*\*\* Indicates consult Customer Service Department for additional information.

ITEM	PART NO.	1 2 3 4 5	DESCRIPTION	QTY.
1	652822		FRONT AXLE.....	1
2	602327		FRONT AXLE WITH FRONT DISC BRAKES.....	1
3	70942G03		SPINDLE AND HUB ASSEMBLY, 4 LUG (PASSENGER SIDE) (INCLUDES ITEMS 4 - 10).....	1
4	70942G04		SPINDLE ASSEMBLY (PASSENGER SIDE).....	1
5	25146G1		GREASE SEAL.....	1
6	50892G1		ROLLER BEARING AND RACE ASSEMBLY.....	2
7	70589G01		WHEEL HUB ASSEMBLY WITH RACES, 4 LUG (INCLUDES ITEM 8) ..	1
8	19862G1		LUG BOLT, 1/2" - 20 X 1 3/16" LG.....	4
9	12093G1		CASTELLATED NUT, 1" - 14.....	1
10	00798G8		COTTER PIN, 5/32" X 1 3/4" LG.....	1
11	12091G2		SPINDLE CAP.....	2
12	70673G03		SPINDLE AND HUB ASSEMBLY, 4 LUG (DRIVER SIDE) (INCLUDES ITEMS 5 - 10, 13).....	1
13	70673G04		SPINDLE ASSEMBLY (DRIVER SIDE).....	1
14	602288		SPINDLE AND HUB ASSEMBLY WITH FRONT DISC BRAKES (PASSENGER SIDE)(INCLUDES ITEMS 16 - 21).....	1
15				
16	12092G1		GREASE SEAL.....	1
17	50892G1		ROLLER BEARING AND RACE ASSEMBLY.....	2
18	74673G01		WHEEL HUB ASSEMBLY WITH RACES, (INCLUDES ITEM 19).....	1
19	30143G1		LUG BOLT, 1/2" - 20 X 1 7/32" LG.....	5
20	12093G1		CASTELLATED NUT, 1" - 14.....	1
21	00798G8		COTTER PIN, 5/32" X 1 3/4" LG.....	1
22	602281		SPINDLE AND HUB ASSEMBLY, WITH FRONT DISC BRAKES (DRIVER SIDE)(INCLUDES ITEMS 16 - 21).....	1
23				
24	00407G6		HEX HEAD BOLT, 1/2" - 13 X 6" LG.....	2
25	00560G3		FLAT WASHER, 1/2".....	4
26	70745G01		KING PIN TUBE.....	2
27	70754G01		THRUST WASHER (SS), 1".....	2
28	14390G6		LOCK NUT, 1/2" - 13.....	2

# FRONT SUSPENSION / STEERING

When ordering parts, please specify the model and serial number of the product.

\* Indicates a component that is not available as an individual part.

\*\*\* Indicates consult Customer Service Department for additional information.

ITEM	PART NO.	1 2 3 4 5	DESCRIPTION	QTY.
29	76419G01		SHOCK ABSORBER .....	2
30				
31				
32	10435G1		SHOCK ABSORBER WASHER .....	8
33	10194G1		RUBBER BUSHING .....	8
34	00532G6		HEX NUT, 3/8" - 24.....	4
35				
36	70664G03		LEAF SPRING (HEAVY DUTY) (SEE PART NUMBER ON SPRING) .....	2
37	652258		SPRING PLATE.....	4
38	00734G1		LOCK NUT, 7/16" - 14 .....	11
39	00463G11		HEX HEAD BOLT, 7/16" - 14 X 1 3/4" LG.....	11
40				
41				
42				
43				
44				
45				
46				
47				
48				
49				
50				
51				
52				
53				
54	00464G8		HEX HEAD BOLT, 7/16" - 14 X 2 3/4" LG.....	2
55	01068G01		HEX HEAD BOLT, 7/16" - 14 X 3 1/2" LG.....	1
56	70667G02		SPACER, 1.21" LG .....	2
57	70667G04		STEERING HOUSING SPACER.....	1
58	00532G7		HEX NUT, 7/16" - 14.....	1
59	00560G2		FLAT WASHER, 7/16" .....	7

# FRONT SUSPENSION / STEERING

When ordering parts, please specify the model and serial number of the product.

\* Indicates a component that is not available as an individual part.

\*\*\* Indicates consult Customer Service Department for additional information.

ITEM	PART NO.	1 2 3 4 5	DESCRIPTION	QTY.
60	00734G1		LOCK NUT, 7/16" - 14.....	3
61	70607G01		STEERING SHAFT.....	1
62	70758G06		STEERING COLUMN KIT (INCLUDES ITEMS 63 - 65).....	1
63	70610G03		STEERING COLUMN.....	1
64	28569G01		STEERING COLUMN BUSHING.....	1
65	01022G01		HEX WASHER HEAD SCREW, #6 - 20 X 5/16" LG.....	1
66	70758G08		STEERING COLUMN KIT (HORN) (INCLUDES ITEMS 67 - 69).....	1
67	70610G04		STEERING COLUMN.....	1
68	28569G01		STEERING COLUMN BUSHING.....	1
69	01022G01		HEX WASHER HEAD SCREW, #6 - 20 X 5/16" LG.....	1
70	01006G01		HEX WASHER HEAD BOLT, 3/8" - 16 X 1 1/4" LG.....	4
71	00879G1		LOCK WASHER, 3/8".....	4
72	70997G01		COVER.....	1
73	71055G01		RIVET (ALUMINUM), 3/16" X 1" LG.....	1
74	70580G01		INTERMEDIATE SHAFT (INCLUDES ITEMS 75, 76).....	1
75	01055G01		HEX HEAD BOLT, M8 X 1.25 - 6G.....	2
76	00565G8		LOCK WASHER, 5/16".....	2
77	70751G01		RETAINING RING (INTERNAL).....	1
78	70888G01		RETAINING RING (EXTERNAL).....	1
79	15112G1		BALL BEARING.....	1
80	70887G01		WAVE WASHER.....	1
81	10387G2		COTTER PIN, 3/32" X 1" LG.....	1
82				
83				
84				
85	602979		STEERING WHEEL.....	1
86	607925		CLIPBOARD.....	1
87	71949G01		HUB COVER.....	1
88	14390G2		LOCK NUT, 5/8" - 18.....	1
89	70876G02		TIE ROD ASSEMBLY (INCLUDES ITEMS 90 - 94).....	1
90	70897G02		THREADED ROD (24" LG).....	1

# FRONT SUSPENSION / STEERING

When ordering parts, please specify the model and serial number of the product.

\* Indicates a component that is not available as an individual part.

\*\*\* Indicates consult Customer Service Department for additional information.

ITEM	PART NO.	1 2 3 4 5	DESCRIPTION	QTY.
91	70902G01		TIE ROD END (LEFT HAND THREADS) .....	1
92	01069G01		JAM NUT, M12 X 1.25 - 05 (LEFT HAND THREADS).....	1
93	70902G02		TIE ROD END (RIGHT HAND THREADS) .....	1
94	01069G02		JAM NUT, M12 X 1.25 - 05 (RIGHT HAND THREADS) .....	1
95	00734G1		LOCK NUT, 7/16" - 14 .....	2
96	10044G01		VINYL CAP .....	4
97				
98	70964G01		RACK AND PINION UNIT (INCLUDES ITEMS 99 - 120).....	1
99	70965G01		STEERING RACK COVER & BEARING .....	1
100				
101	*		JAM NUT, 1/2" - 20 .....	1
102	70750G01		RETAINING RING (EXTERNAL) .....	1
103	15112G1		BALL BEARING .....	1
104	70603G01		PINION.....	1
105	70751G01		RETAINING RING (INTERNAL).....	1
106	70638G01		SEAL (PINION) .....	1
107	70604G01		STEERING RACK.....	1
108	*		SET SCREW, #10 - 32 X .25" LG .....	1
109	70590G01		RACK LOADER .....	1
110	70666G01		COMPRESSION SPRING .....	1
111	70645G01		GASKET (RACK LOADER COVER).....	1
112	652259		COVER (RACK LOADER) .....	1
113	71102G01		HEX WASHER HEAD BOLT, 1/4" - 20 X 11/16" LG.....	2
114	10389G3		GREASE FITTING (STRAIGHT).....	1
115	74694G01		ROD END (INNER) .....	1
116	70961G01		RACK BOOT .....	1
117	12416G2		NYLON CLAMP, 10" .....	1
118	11391G8		HOSE CLAMP, 1.81".....	1
119				
120	70695G01		TIE ROD END (OUTER) (INCLUDES ITEMS 121 - 122) .....	1
121	50641G1		GROMMET .....	1

# FRONT SUSPENSION / STEERING

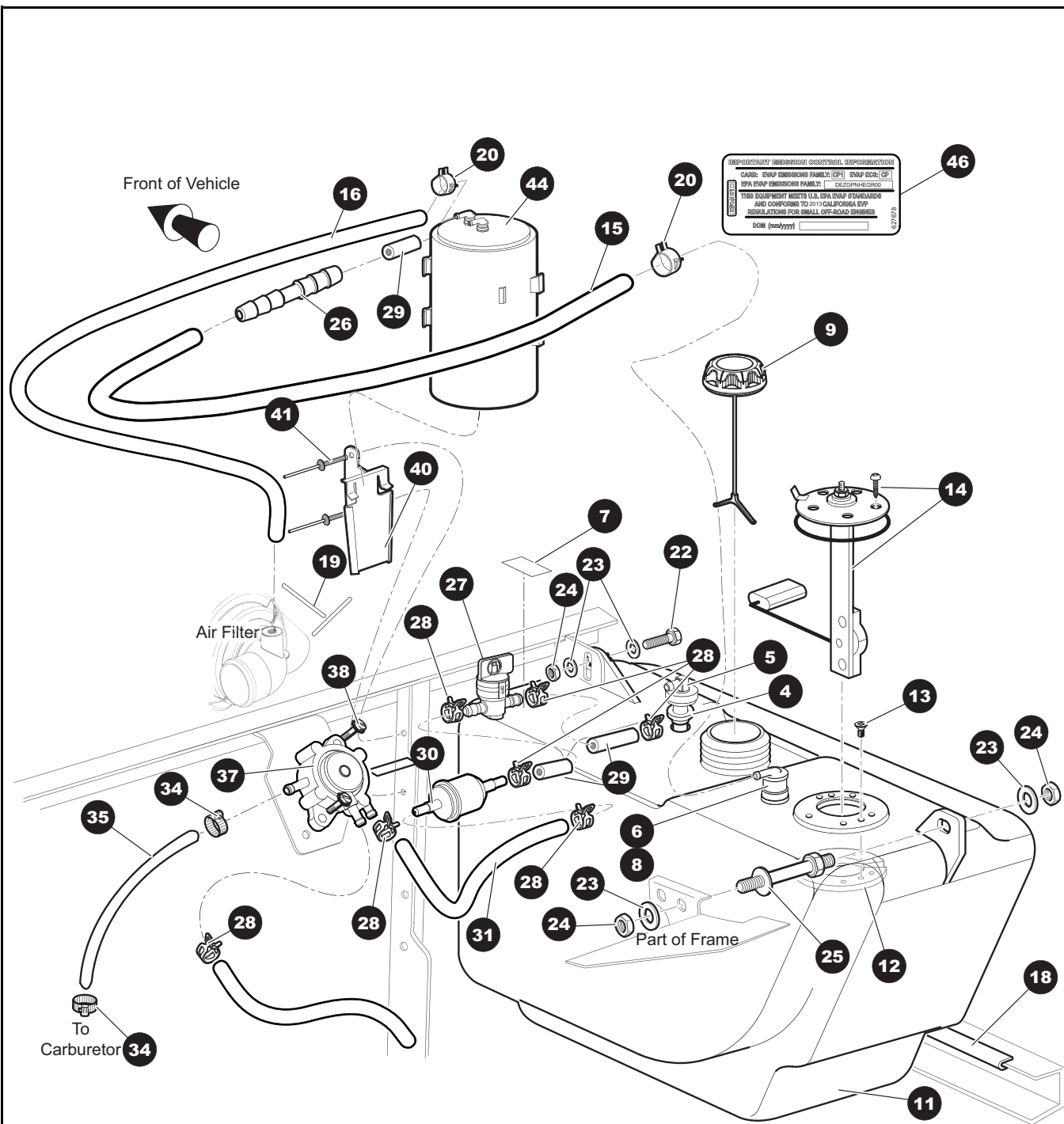
When ordering parts, please specify the model and serial number of the product.

\* Indicates a component that is not available as an individual part.

\*\*\* Indicates consult Customer Service Department for additional information.

ITEM	PART NO.	1 2 3 4 5	DESCRIPTION	QTY.
122	50209G2		HEX SLOTTED NUT, 7/16" - 20.....	1
123	10387G2		COTTER PIN, 3/32" X 1" .....	1

# FUEL SYSTEM



- 1 CARB FUEL TANK ASSEMBLY (Use with sending unit) includes items 4 - 14
- 10 CARB FUEL TANK, FLOUR (w/switch) includes item 11

## EARLY PRODUCTION VEHICLES

# FUEL SYSTEM

When ordering parts, please specify the model and serial number of the product.

\* Indicates a component that is not available as an individual part.

\*\*\* Indicates consult Customer Service Department for additional information.

ITEM	PART NO.	1 2 3 4 5	DESCRIPTION	QTY.
1	645034		CARB FUEL TANK ASSEMBLY (Use with sending unit) (INCLUDES ITEMS 4 - 14) .....	1
2				
3				
4	70988G01		SIPHON TUBE GROMMET.....	1
5	18287G3		SIPHON TUBE ASSEMBLY .....	1
6	606068		ROLLOVER VALVE GROMMET .....	1
7	617886		EPA FUEL TANK LABEL .....	1
8	606067		ROLLOVER VALVE .....	1
9	633423		FUEL TANK CAP (RATCHET).....	1
10	*		CARB FUEL TANK, FLUOR (W/SWITCH) (INCLUDES ITEM 11) .....	1
11	*		FUEL TANK, W/ SENDER UNIT .....	1
12	72229G01		FUEL TANK ADAPTER.....	1
13	72230G01		FLAT HEAD MACHINE SCREW .....	2
14	20048G2		FUEL LEVEL SENDER.....	1
15	607546		LOW PRESSURE FUEL HOSE, 3/16" I.D. X 3/8" O.D. X 17.00 LONG (CARB)	1
16	606966		LOW PRESSURE FUEL HOSE, 3/16" I.D. X 3/8" O.D. X 34.00 LONG (CARB)	1
17				
18	32372G6		BLACK TRIM, 6.25" LONG .....	1
19	17618G1		NYLON CLAMP .....	2
20	606963		TUBING CLAMP, 3/16" I.D.....	2
21				
22	00438G8		HEX HEAD BOLT, 5/16" - 18 X 1 LG .....	1
23	00559G8		FLAT WASHER, 5/16" .....	4
24	11098G6		LOCK NUT, 5/16" - 18.....	3
25	70483G01		SPACER, 5/16" - 18 .....	1
26	615346		HOSE REDUCER - ID 1/4" X 3/16" .....	1
27	611181		FUEL SHUT-OFF VALVE .....	1
28	18292G1		HOSE CLAMP,.50 DIAMETER .....	8
29	615350		FUEL SYSTEM HOSE 2.00" .....	3
30	72084G01		FUEL LINE FILTER .....	1

# FUEL SYSTEM

When ordering parts, please specify the model and serial number of the product.

\* Indicates a component that is not available as an individual part.

\*\*\* Indicates consult Customer Service Department for additional information.

ITEM	PART NO.	1 2 3 4 5	DESCRIPTION	QTY.
31	606969		FUEL SYSTEM HOSE,.25 I.D. X.50 O.D. X 8.00 LONG.....	1
32				
33				
34	11391G4		HOSE CLAMP, .25 - .63 DIA .....	2
35	604597		CARB FUEL SYSTEM HOSE,.25 I.D. X.50 O.D. X 26.00 LONG.....	1
36				
37	602061		FUEL PUMP .....	1
38	00114G6		HEX WASHER HEAD SLOTTED TAPPING SCREW, 1/4" - 14 X .75 LG.....	2
39				
40	606310		CARBON CANISTER MOUNTING BRACKET (CARB ONLY).....	1
41	10570G11		RIVET, 3/16" DIA X .70 (CARB ONLY) .....	2
42				
43				
44	606071		CARBON CANISTER (CARB ONLY) .....	1
45				
46	627678		EVAP LABEL .....	1







When ordering parts, please specify the model and serial number of the product.

\* Indicates a component that is not available as an individual part.

\*\*\* Indicates consult Customer Service Department for additional information.

ITEM	PART NO.	1 2 3 4 5	DESCRIPTION	QTY.
1	649515		FUEL LINE ASSEMBLY (INCLUDES ITEMS 2 - 8) .....	1
2	649570		HOSE, .312" I.D. X .562" O.D. X 9" LG .....	1
3	615350		HOSE, 2" LG .....	1
4	649873		CLAMP, 1/2" O.D. ....	2
5	611181		SHUT-OFF VALVE.....	1
6	72084G01		FUEL FILTER .....	1
7	649874		CLAMP, 9/16" O.D. ....	2
8	649577		CONNECTOR, 5/16" I.D. ....	1
9	18292G1		CLAMP, 1/2" O.D. ....	3
10				
11	606071		CARBON CANISTER.....	1
12	606310		CANISTER BRACKET .....	1
13	10570G11		RIVET (SS), 3/16" X .70" .....	2
14				
15	602061		FUEL PUMP.....	1
16	00114G6		HEX WASHER HEAD BOLT, 1/4" - 10 X 3/4" LG .....	2
17				
18	27184G14		FUEL SYSTEM TUBE.....	1
19	18292G1		CLAMP, 1/2" O.D. ....	2
20	606966		HOSE, 3/16" I.D. X 34" LG.....	1
21	606963		CLAMP, 3/16" I.D. ....	2
22				
23	604597		FUEL HOSE, 26" LG.....	1
24	18292G1		CLAMP, 1/2" O.D. ....	1
25				
26	17618G1		NYLON CLAMP, 7" LG (NOT ILLUSTRATED).....	2
27	32372G6		VINYL TRIM, 6.25" LG .....	1
28				
29	615350		FUEL HOSE, 2" LG.....	1
30				
31	00438G8		HEX HEAD BOLT, 5/16" - 18 X 5/8" LG .....	1

# FUEL SYSTEM

When ordering parts, please specify the model and serial number of the product.

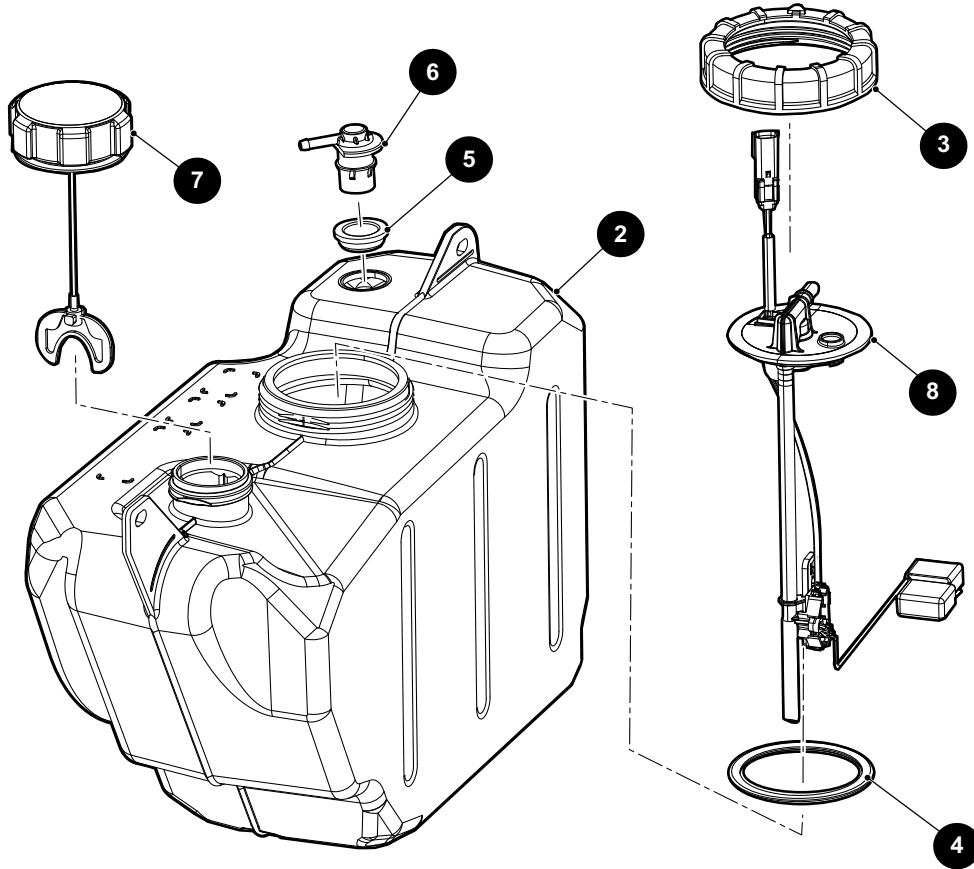
\* Indicates a component that is not available as an individual part.

\*\*\* Indicates consult Customer Service Department for additional information.

ITEM	PART NO.	1 2 3 4 5	DESCRIPTION	QTY.
32	70483G01		SPACER .....	1
33	00559G8		FLAT WASHER, 5/16" .....	4
34	11098G6		LOCK NUT, 5/16" - 18 .....	3



- 1** FUEL TANK ASSEMBLY (WITH SENDER UNIT)  
includes items 2 - 8



**LATE PRODUCTION VEHICLES**

When ordering parts, please specify the model and serial number of the product.

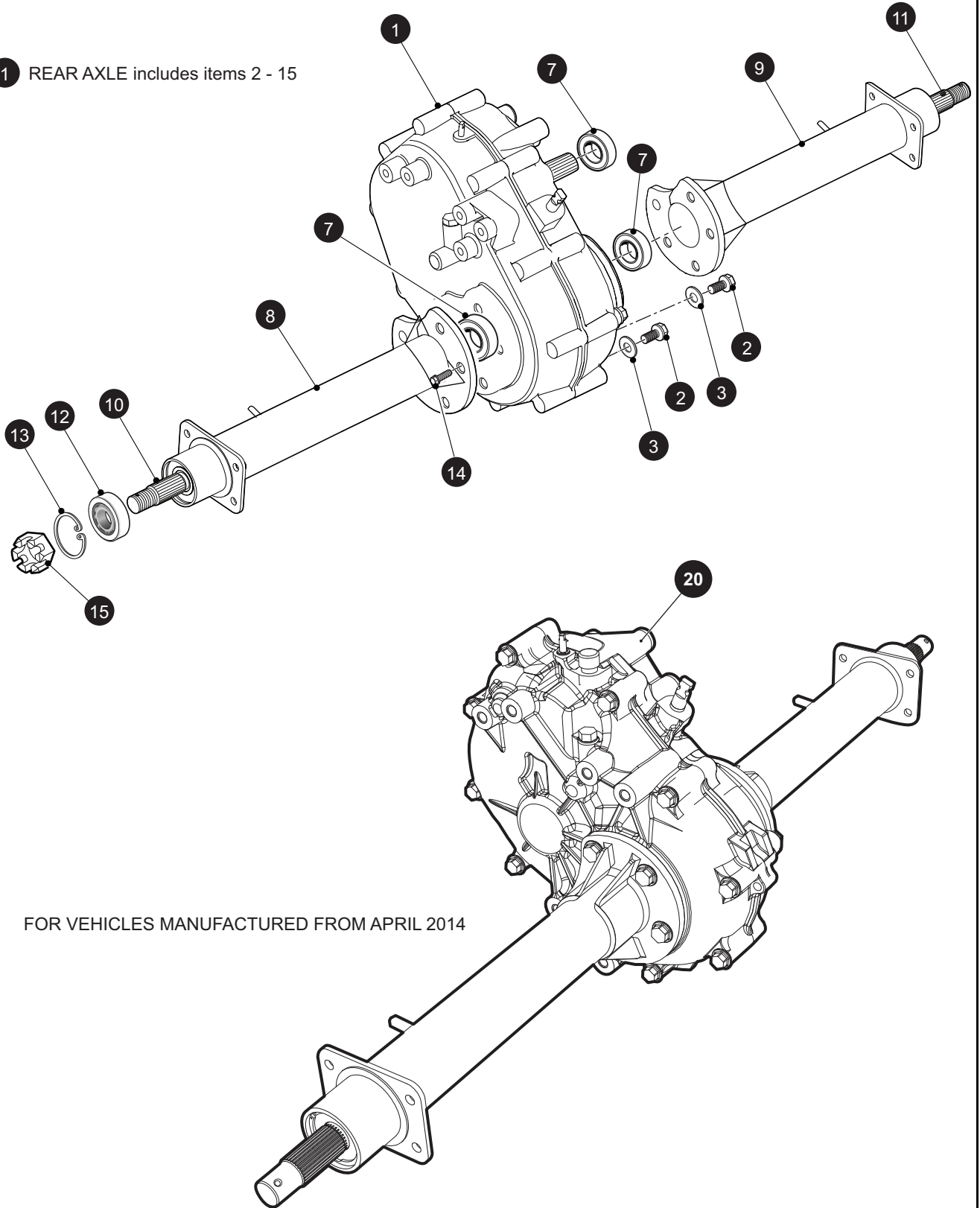
\* Indicates a component that is not available as an individual part.

\*\*\* Indicates consult Customer Service Department for additional information.

ITEM	PART NO.	1 2 3 4 5	DESCRIPTION	QTY.
1	646823		FUEL TANK ASSEMBLY (WITH SENDER UNIT) (INCLUDES ITEMS 2 - 8) ..	1
2	646306		FUEL TANK .....	1
3	646837		CAP .....	1
4	646838		SEAL.....	1
5	647810		GROMMET .....	1
6	647809		ROLLOVER VALVE .....	1
7	635688		FUEL CAP .....	1
8	646351		FUEL PICKUP WITH SENDER ASSEMBLY .....	1

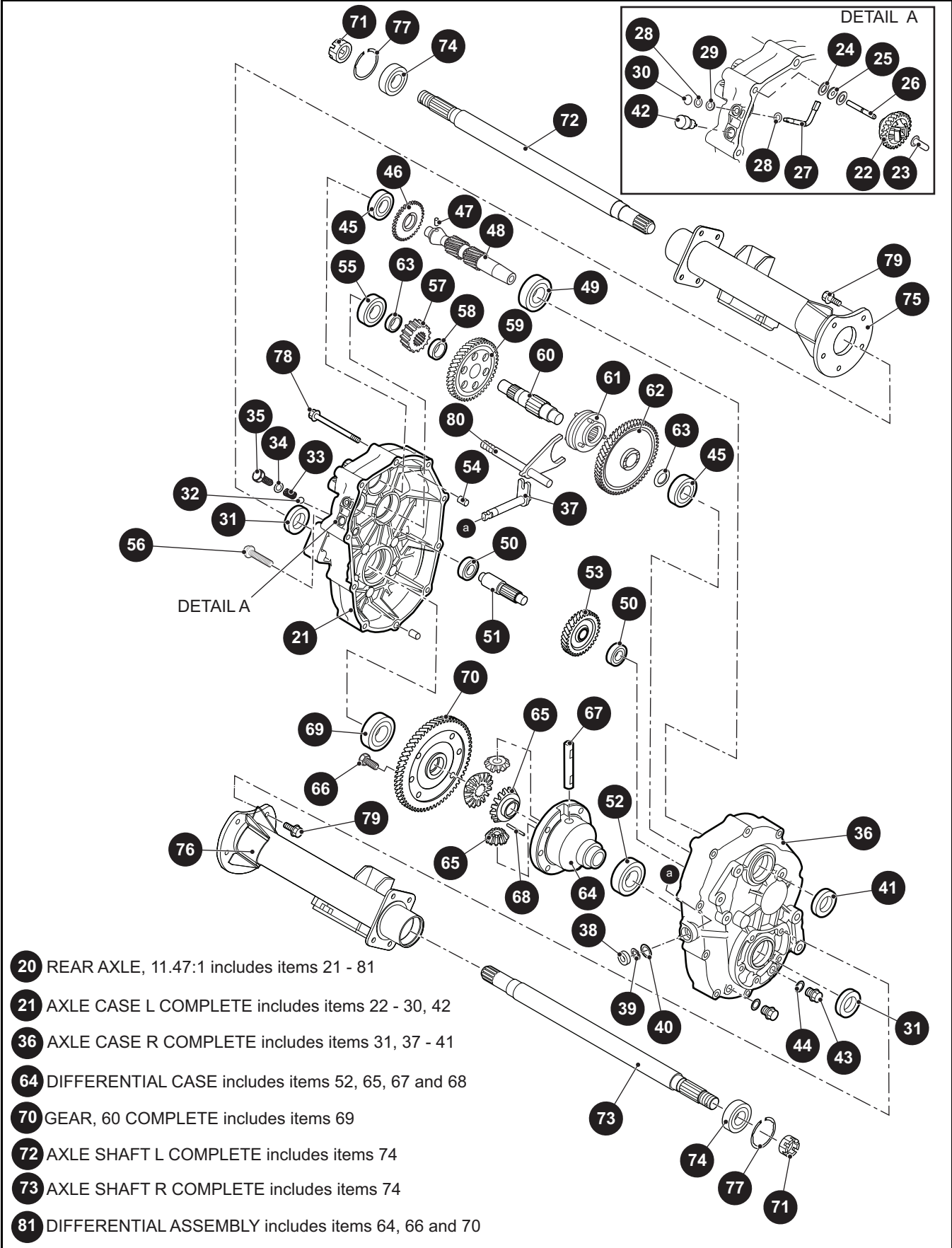
# REAR AXLE

1 REAR AXLE includes items 2 - 15



FOR VEHICLES MANUFACTURED FROM APRIL 2014





- 20 REAR AXLE, 11.47:1 includes items 21 - 81
- 21 AXLE CASE L COMPLETE includes items 22 - 30, 42
- 36 AXLE CASE R COMPLETE includes items 31, 37 - 41
- 64 DIFFERENTIAL CASE includes items 52, 65, 67 and 68
- 70 GEAR, 60 COMPLETE includes items 69
- 72 AXLE SHAFT L COMPLETE includes items 74
- 73 AXLE SHAFT R COMPLETE includes items 74
- 81 DIFFERENTIAL ASSEMBLY includes items 64, 66 and 70

# REAR AXLE

Where applicable, THE USE OF NON UL PARTS WILL VOID ANY UL LISTING.

When ordering parts, please specify the model and serial number of the product.

\* Indicates a component that is not available as an individual part.

G\*\* Indicates consult Customer Service Department for additional information.

ITEM	PART NO.	1 2 3 4 5	DESCRIPTION	QTY.
1	627891		REAR AXLE, (INCLUDES ITEMS 2 - 15) .....	1
2	26770G01		OIL CHECK PLUG.....	2
3	26771G01		GASKET, 14 MM.....	2
4				
5				
6				
7	72259G01		OIL SEAL 28 X 47 X 9 MM .....	3
8	607939		AXLE TUBE (DRIVER SIDE).....	1
9	607940		AXLE TUBE (PASSENGER SIDE) .....	1
10	607945		AXLE SHAFT (DRIVER SIDE) .....	1
11	607946		AXLE SHAFT (PASSENGER SIDE) .....	1
12	26811G01		BALL BEARING .....	2
13	26814G01		RETAINING RING, 52 MM .....	2
14	72260G01		FLANGED BOLT, M10 X 1.5 X 23MM LG.....	10
15	606403		SLOTTED NUT, M22 X 1.5.....	2
16				
17				
18				
19				
20	632513		REAR AXLE, 11.47:1 (INCLUDES ITEMS 21 - 81) (FOR VEHICLES MANUFACTURED FROM APRIL 2014).....	1
21	639859		AXLE CASE L COMPLETE (INCLUDES ITEMS 22 - 30, 42) .....	1
22	639686		GOVERNOR GEAR .....	1
23	639689		GOVERNOR SLEEVE .....	1
24	607904		FLAT WASHER .....	2
25	607905		THRUST BEARING.....	1
26	639698		GOVERNOR GEAR SHAFT .....	1
27	639707		GOVERNOR SHAFT.....	1
28	639736		FLAT WASHER, 6MM .....	2
29	607911		OIL SEAL, 6 x 10 x 2.5 MM.....	1

# REAR AXLE

Where applicable, THE USE OF NON UL PARTS WILL VOID ANY UL LISTING.

When ordering parts, please specify the model and serial number of the product.

\* Indicates a component that is not available as an individual part.

G\*\* Indicates consult Customer Service Department for additional information.

ITEM	PART NO.	1	2	3	4	5	DESCRIPTION	QTY.
30	607913						RETAINING RING E5.....	1
31	639738						OIL SEAL, 24 x 40 x 9MM.....	2
32	26818G01						STEEL BALL.....	1
33	26819G01						SPRING .....	1
34	26831G01						GASKET, 10.....	1
35	26820G01						FLANGED HEX HEAD BOLT, M10 x 1.25 x 12 MM LG .....	1
36	639865						AXLE CASE R COMPLETE (INCLUDES ITEMS 31, 37 - 41).....	1
37	639746						SELECT SHAFT.....	1
38	607915						OIL SEAL, 13 x 22 x 5MM.....	1
39	607916						SNAP RING, 13MM .....	1
40	607917						SPACER, 13 x 1MM .....	1
41	640093						OIL SEAL, 28 x 47 x 9MM.....	1
42	607919						AIR BREATHER .....	1
43	639747						OIL DRAIN PLUG .....	2
44	639748						GASKET, 14MM.....	2
45	26785G01						BALL BEARING (6204).....	2
46	607921						GOVERNOR GEAR, 34.....	1
47	607920						PIN, 6 x 12L .....	1
48	639750						INPUT SHAFT .....	1
49	607922						BALL BEARING (62/28).....	1
50	639868						BALL BEARING (TMB202).....	2
51	639755						COUNTER SHAFT .....	1
52	640744						BALL BEARING (6006).....	1
53	639758						GEAR, 34.....	1
54	639869						KNOCK PIPE .....	2
55	639760						BALL BEARING (6304).....	2
56	639768						FLANGED HEX HEAD BOLT, M8 - 1.25 X 40MM LG .....	1
57	639769						GEAR, 17.....	1
58	28689G01						COLLAR, 24 x 7.5MM.....	1
59	639771						GEAR, 52.....	1

# REAR AXLE

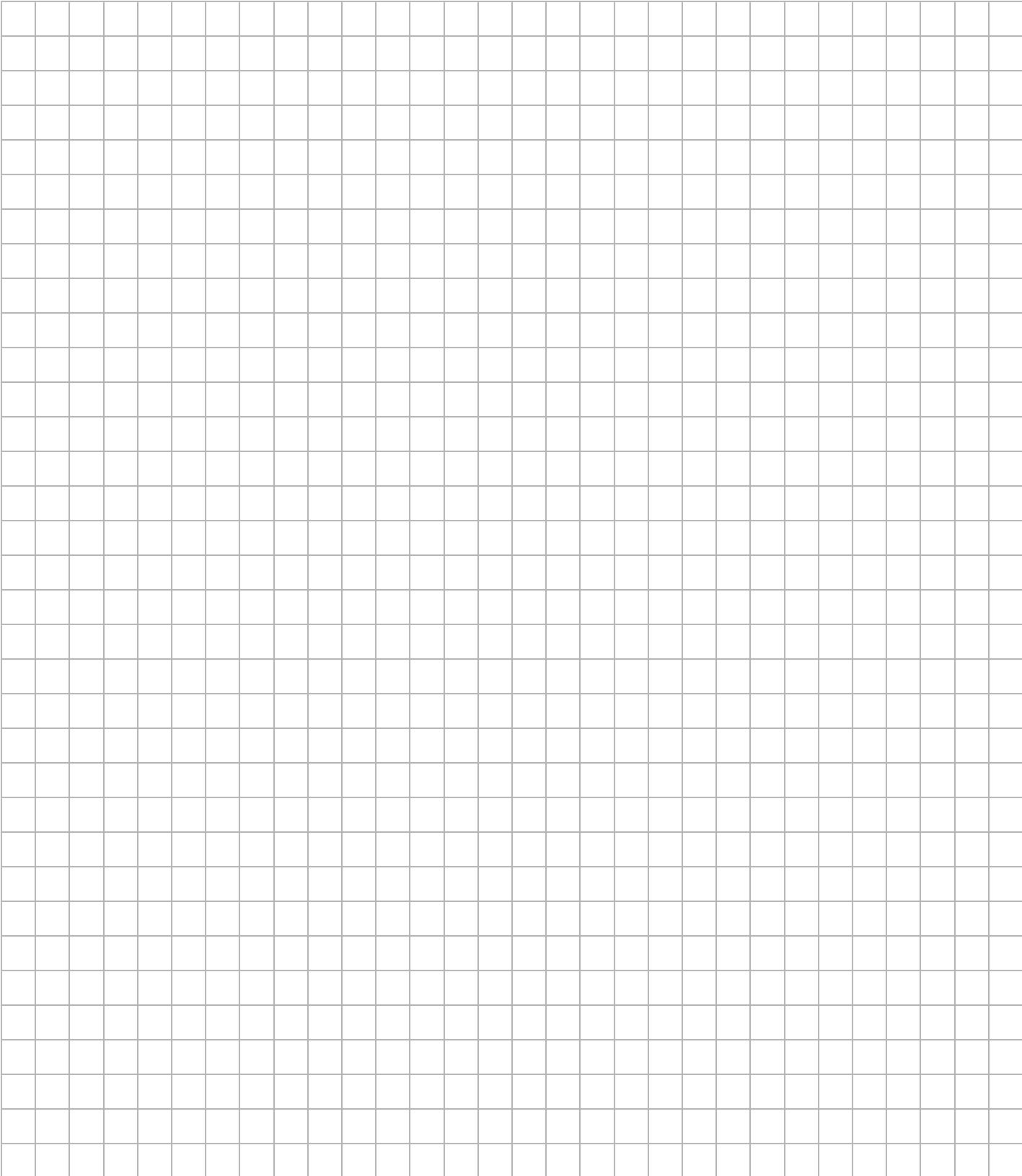
Where applicable, THE USE OF NON UL PARTS WILL VOID ANY UL LISTING.

When ordering parts, please specify the model and serial number of the product.

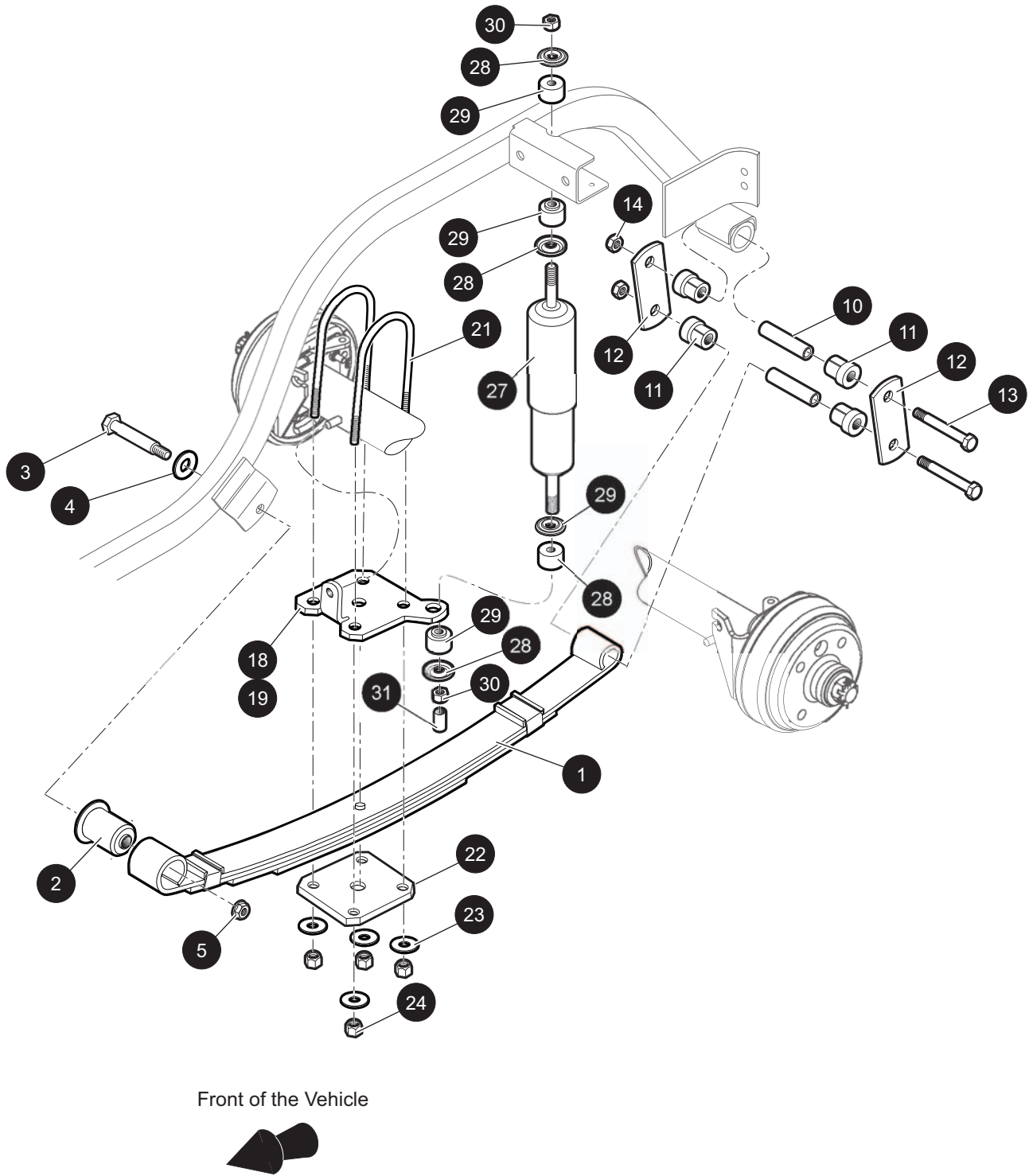
\* Indicates a component that is not available as an individual part.

G\*\* Indicates consult Customer Service Department for additional information.

ITEM	PART NO.	1	2	3	4	5	DESCRIPTION	QTY.
60	639772						CENTER SHAFT .....	1
61	639774						CLUTCH PIN .....	1
62	639777						GEAR, 61.....	1
63	639797						SPACER, 20 x 2MM.....	2
64	639872						DIFFERENTIAL CASE (INCLUDES ITEMS 52, 65, 67 AND 68) .....	1
65	639800						DIFFERENTIAL PAIR GEAR .....	1
66	26808G01						HEX HEAD BOLT, M10 x 1.25 x 26 MM LG .....	6
67	28723G01						DIFFERENTIAL SHAFT.....	1
68	28697G01						SPRING PIN, 4 x 40L .....	1
69	639801						BALL BEARING (6007).....	1
70	640739						GEAR, 60 COMPLETE (INCLUDES ITEM 69). .....	1
71	607938						CASTLED NUT, M22 - 1.5 .....	2
72	639876						AXLE SHAFT L COMPLETE (INCLUDES ITEM 74) .....	1
73	639881						AXLE SHAFT R COMPLETE (INCLUDES ITEM 74) .....	1
74	639836						BALL BEARING (6205DD).....	2
75	607939						AXLE CASE L COMPLETE .....	1
76	607940						AXLE CASE R COMPLETE.....	1
77	26814G01						SNAP RING, 52MM.....	2
78	639839						FLANGED HEX HEAD BOLT, M8 x 1.25 x 60MM LG .....	9
79	639840						FLANGED HEX HEAD BOLT, M10 x 1.25 x 25MM LG .....	10
80	639844						SHIFT SHAFT COMPLETE .....	1
81	639847						DIFFERENTIAL ASSEMBLY (INCLUDES ITEMS 64, 66 AND 70) .....	1



# REAR SUSPENSION



# REAR SUSPENSION

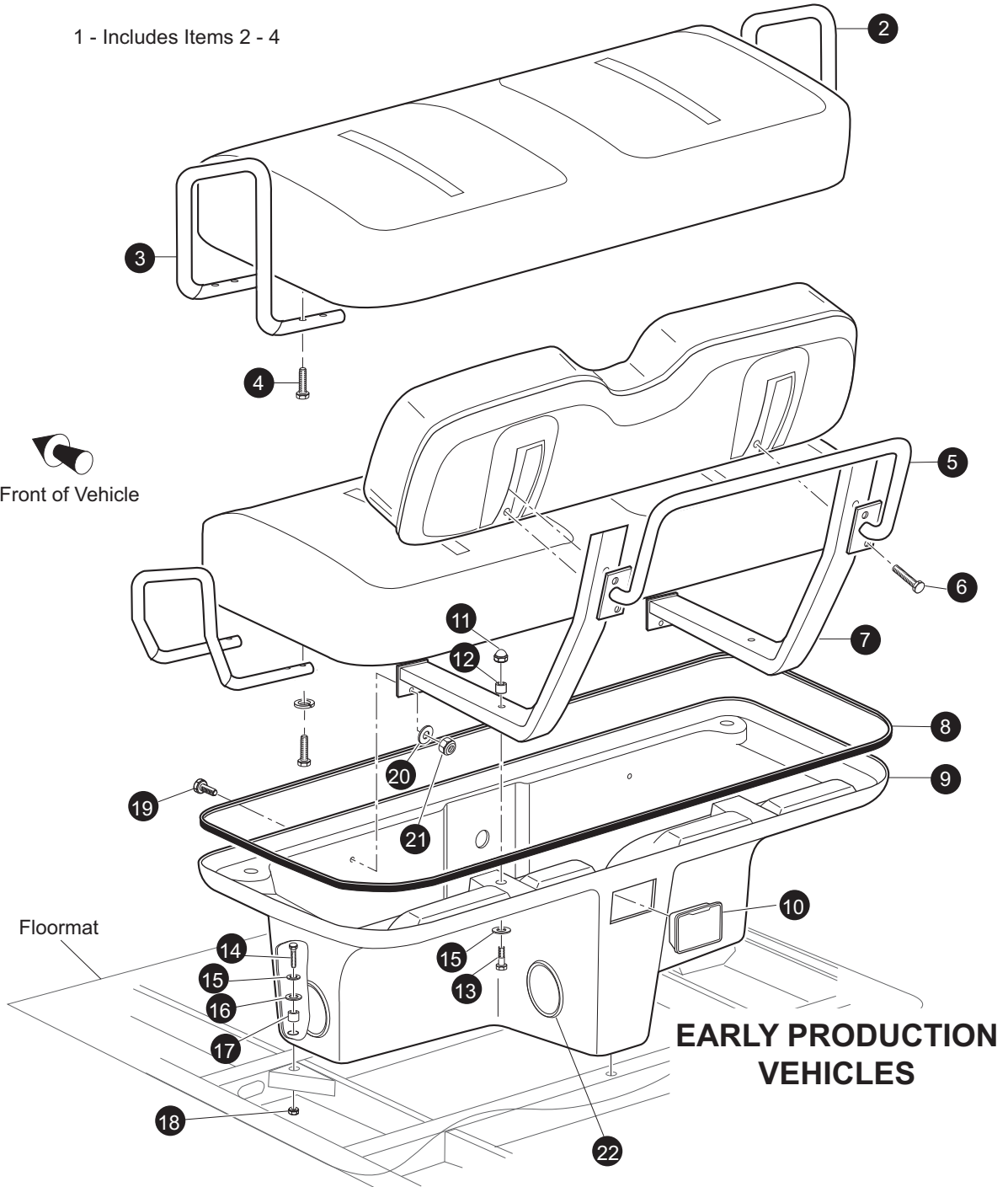
When ordering parts, please specify the model and serial number of the product.

\* Indicates a component that is not available as an individual part.

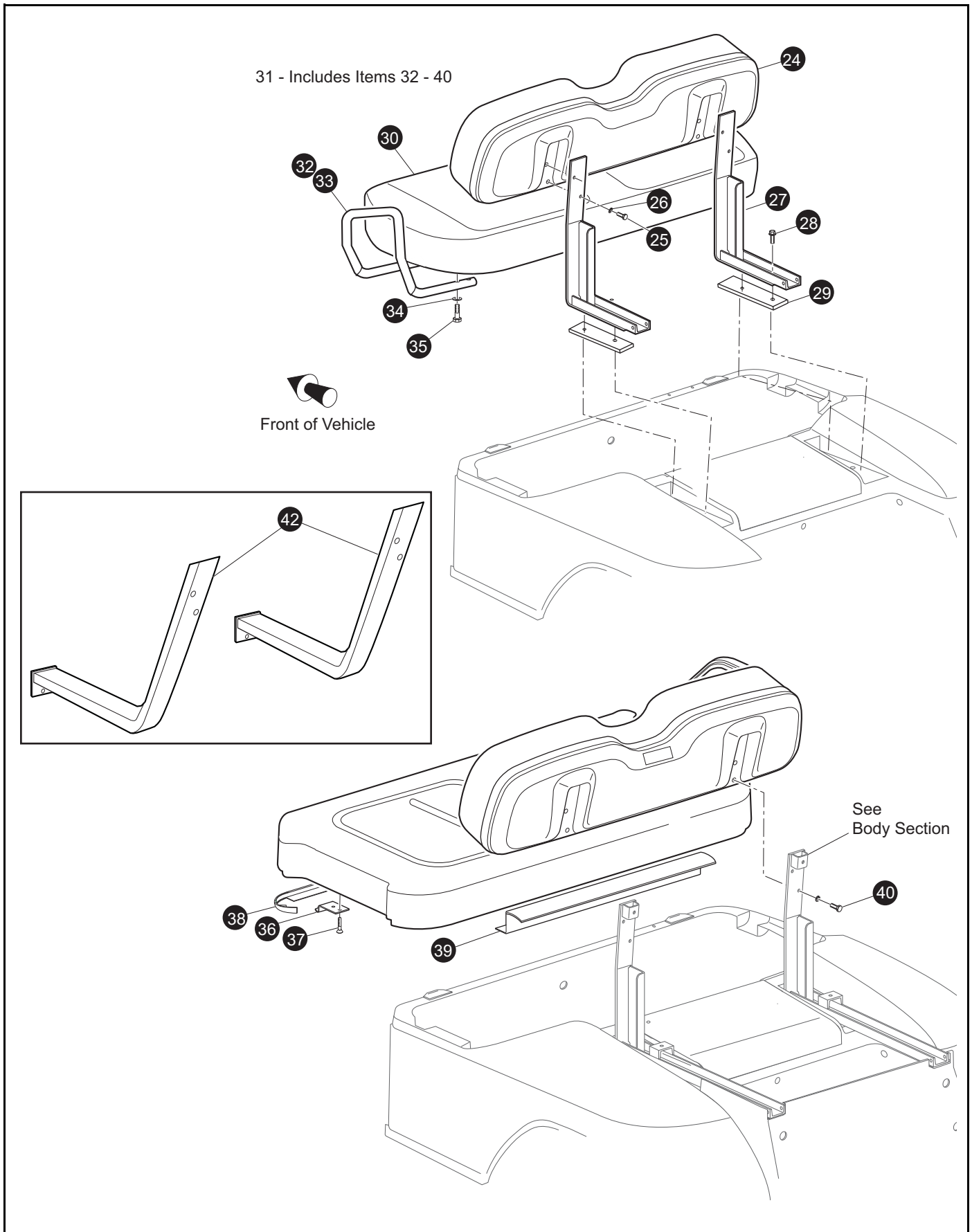
\*\*\* Indicates consult Customer Service Department for additional information.

ITEM	PART NO.	1 2 3 4 5	DESCRIPTION	QTY.
1	605721		HEAVY DUTY LEAF SPRING.....	2
2	605445		LEAF SPRING BUSHING, FRONT .....	2
3	00665G9		HEX HEAD BOLT (SS), 3/8" - 16 X 3.5" LG .....	2
4	00643G1		FLAT WASHER, 3/8" .....	2
5	12262G1		FLANGED LOCK NUT, 3/8" - 16.....	2
6				
7				
8				
9				
10	70289G02		SPLIT STEEL SPACER .....	4
11	624030		FLANGED BUSHING.....	8
12	70290G02		SHACKLE PLATE .....	4
13	00665G9		HEX HEAD BOLT (SS), 3/8" - 16 X 3.5" LG .....	4
14	11098G5		LOCK NUT, 3/8" - 16.....	4
15				
16				
17				
18	605938		AXLE BRACKET, DRIVER SIDE .....	1
19	605958		AXLE BRACKET, PASSTENGER SIDE.....	1
20				
21	32195G3		U-BOLT, 2 3/8" DIA X 5" LG.....	4
22	605956		REAR SUSPENSION PLATE .....	2
23	00643G1		FLAT WASHER, 3/8" .....	8
24	11098G5		LOCK NUT, 3/8" - 16.....	8
25				
26				
27	642085		SHOCK ABSORBER .....	2
28	10435G1		SHOCK ABSORBER WASHER.....	8
29	10194G1		RUBBER SHOCK BUSHING .....	8
30	00532G6		HEX NUT, 3/8" - 24 .....	4
31	10044G01		VINYL CAP .....	2

# SEATING







# SEATING

When ordering parts, please specify the model and serial number of the product.

\* Indicates a component that is not available as an individual part.

\*\*\* Indicates consult Customer Service Department for additional information.

ITEM	PART NO.	1 2 3 4 5	DESCRIPTION	QTY.
1	71888G**		SEAT BOTTOM (INCLUDES ITEMS 2 - 4) .....	1
2	71877G01		HIP RESTRAINT (PASSENGER SIDE).....	1
3	71877G02		HIP RESTRAINT (DRIVER SIDE) .....	1
4	71204G01		MACHINE SCREW WITH PATCH LOCK, 1/4" - 20 X 1 1/4" LG.....	8
5	71632G01		REAR HAND HOLD BAR .....	1
6	71204G02		MACHINE SCREW WITH PATCH LOCK, 1/4" - 20 X 2" LG .....	4
7	626576		SEAT BACK SUPPORT WELDMENT .....	2
8	32805G6		TRIM (BLACK).....	1
9	70836G0**		SEAT POD.....	1
10	27731G01		ASHTRAY .....	1
11	15717G5		ACORN NUT, 3/8" - 16 .....	2
12	23726G4		SPACER, 5/16" .....	2
13	00427G8		HEX HEAD BOLT, 3/8" - 16 X 2" LG.....	2
14	00439G8		HEX HEAD BOLT, 5/16" - 18 X 2" LG.....	3
15	00675G1		FLAT WASHER (SS), 3/8" .....	5
16	71883G01		RUBBER WASHER, 5/8" .....	3
17	23726G9		SPACER, 3/4" .....	3
18	11098G6		LOCK NUT (SS), 5/16" - 18.....	3
19	00976G06		TRUSS HEAD PHILLIPS SCREW (SS), 5/16" - 18 X 3/4" LG .....	2
20	00559G6		FLAT WASHER (SS), 1/4" .....	2
21	11098G6		LOCK NUT (SS), 1/4" - 20.....	2
22	71599G01		VENT PLUG .....	4
23				
24	71751G**		SEAT BACK.....	1
25	00661G8		HEX HEAD BOLT (SS), 1/4" - 20 X 1" LG .....	4
26	00664G7		LOCK WASHER (SS), 1/4" .....	4
27	74137G01		SEAT BACK SUPPORT .....	2
28	01006G02		HEX HEAD BOLT, 3/8" - 16 X 1 1/4" LG .....	4
29	70364G01		SPACER PLATE .....	
30	71651G**		SEAT BOTTOM .....	1
31	71646G01		HAND HOLD KIT (INCLUDES ITEMS 32 - 40) .....	1

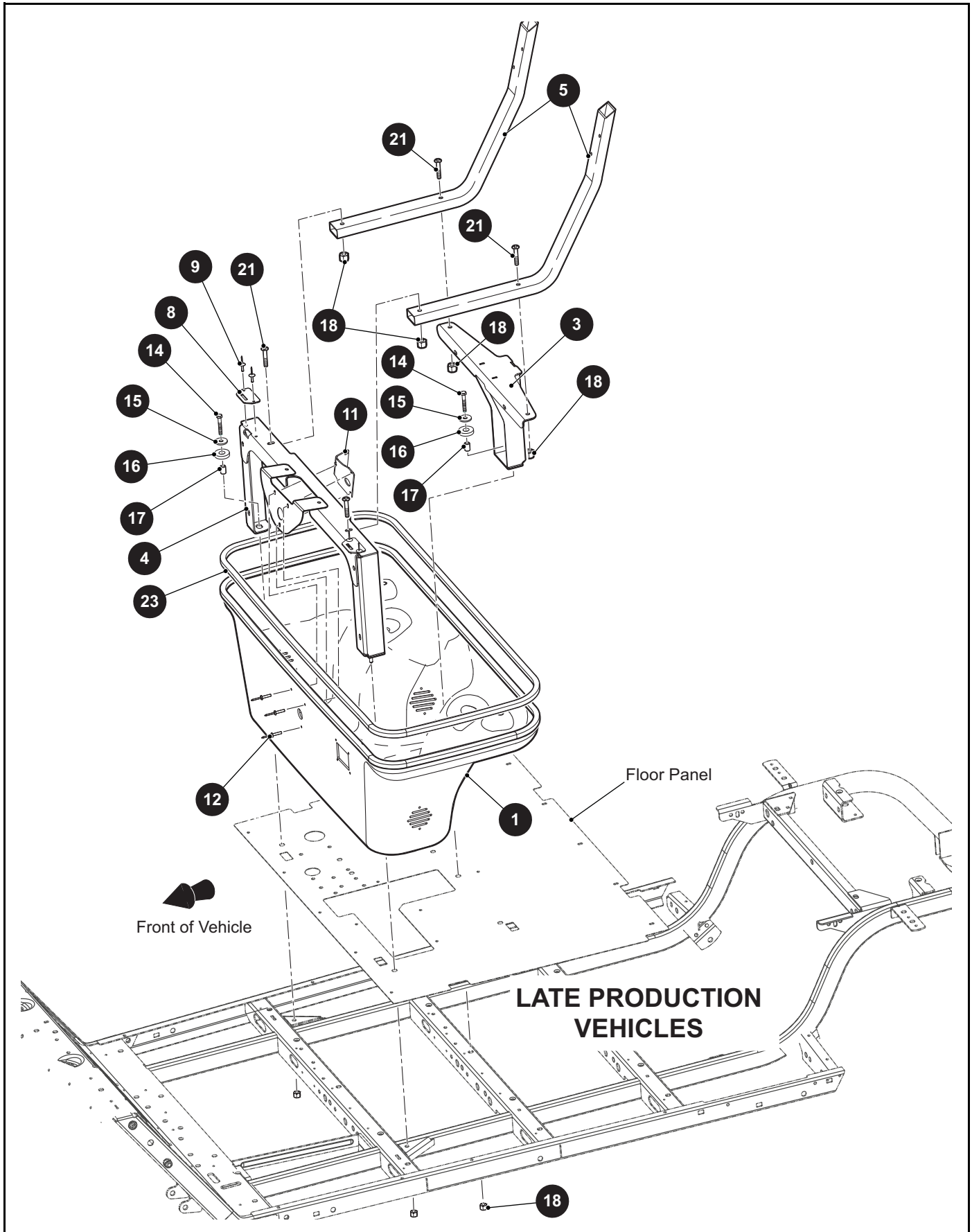
When ordering parts, please specify the model and serial number of the product.

\* Indicates a component that is not available as an individual part.

\*\*\* Indicates consult Customer Service Department for additional information.

ITEM	PART NO.	1 2 3 4 5	DESCRIPTION	QTY.
32	71876G01		HIP RESTRAINT, REAR SEAT (PASSENGER SIDE).....	1
33	71876G02		HIP RESTRAINT, REAR SEAT (DRIVER SIDE) .....	1
34	00559G7		FLAT WASHER (SS), 1/4" .....	8
35	00415G2		HEX HEAD BOLT, 1/4" - 20 X 1 1/4" LG.....	8
36	71610G01		SEAT HINGE .....	2
37	00720G08		FLAT HEAD PHILLIPS SCREW, #12 - 14 X 1" LG.....	6
38	71012G01		FRONT EDGE TRIM .....	1
39	71608G01		BACK EDGE TRIM.....	1
40	71204G01		MACHINE SCREW WITH PATCH LOCK, 1/4" - 20 X 7/8" LG .....	8
41				
42	71868G01		SEAT BACK SUPPORT WELDMENT .....	2

# SEATING



When ordering parts, please specify the model and serial number of the product.

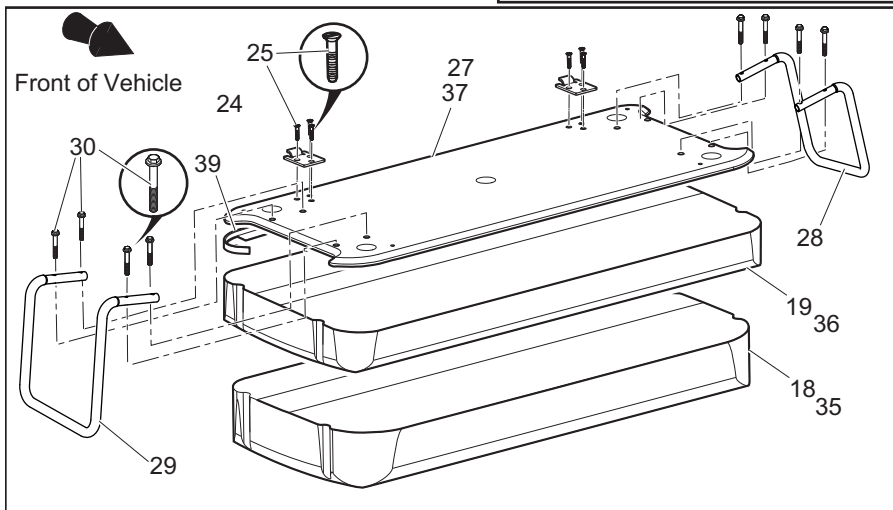
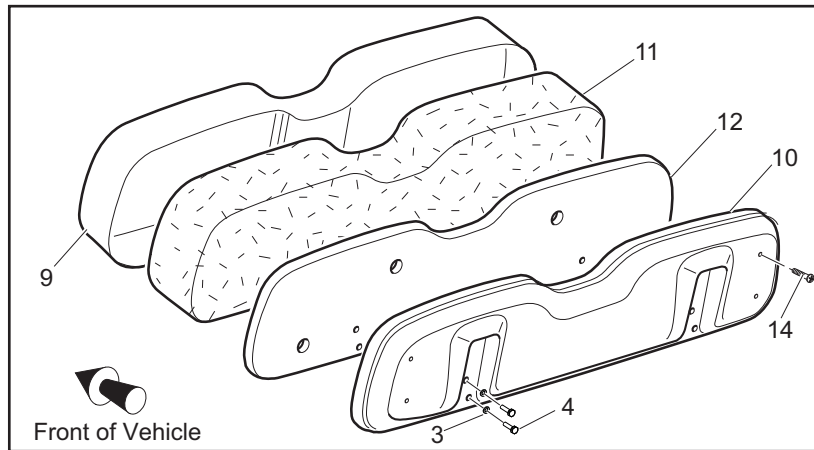
\* Indicates a component that is not available as an individual part.

\*\*\* Indicates consult Customer Service Department for additional information.

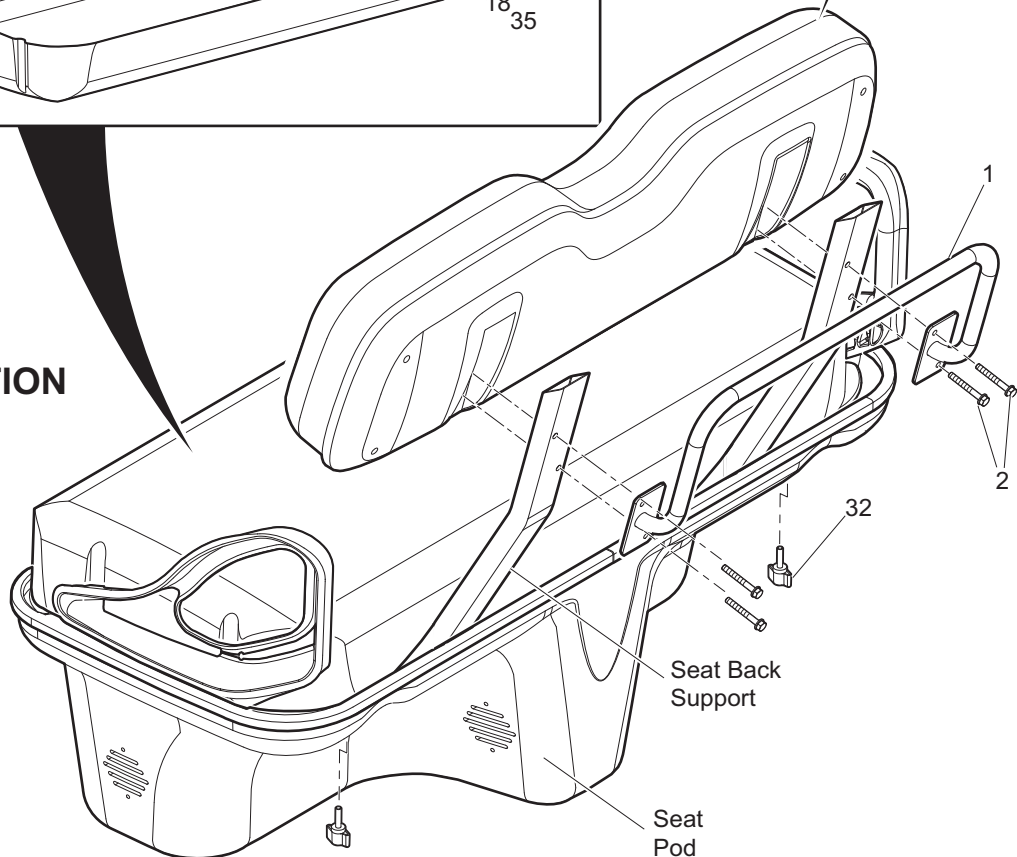
ITEM	PART NO.	1 2 3 4 5	DESCRIPTION	QTY.
1	648313GXX		SEAT POD .....	1
2				
3	648507		REAR SEAT SUPPORT .....	1
4	654767		SEAT SUPPORT .....	1
5	648523		SEAT BACK SUPPORT TUBE .....	2
6				
7				
8	71609G01		HINGE PLATE.....	2
9	10570G11		RIVET (SS), 3/16" X .70" LG.....	4
10				
11	605869		DIRECTION SELECTOR MOUNTING BRACKET .....	1
12	71055G01		RIVET (ALUMINUM), 3/16" X 1" LG .....	3
13				
14	00439G8		HEX HEAD BOLT (SS), 5/16" - 18 X 2" LG .....	3
15	00675G1		WASHER (SS), .398" I.D. X 1.25" O.D. X .115" LG .....	3
16	71883G01		WASHER (RUBBER), .625" I.D. X 1.50" O.D. X .312" LG.....	3
17	23726G9		SPACER, .312" I.D. X .562" O.D. X .750" LG .....	3
18	11098G6		LOCK NUT, 5/16" - 18.....	7
19				
20				
21	00762G6		TRUSS HEAD PHILLIP SCREW (SS), 5/16" - 18 X 3/4" LG .....	4
22				
23	32805G6		TRIM, 118" LG .....	1

# SEATING

- 7- SEAT BACK ASSEMBLY  
includes items 9 - 14
- 17- SEAT BOTTOM ASSEMBLY  
includes items 18 - 30
- 34- SEAT BOTTOM ASSEMBLY  
includes items 24, 25, 35 - 40



## LATE PRODUCTION VEHICLES



When ordering parts, please specify the model and serial number of the product.

\* Indicates a component that is not available as an individual part.

\*\*\* Indicates consult Customer Service Department for additional information.

ITEM	PART NO.	1 2 3 4 5	DESCRIPTION	QTY.
1	71632G01		HAND GRIP WELDMENT.....	1
2	71204G02		MACHINE SCREW WITH PATCH LOCK, 1/4" - 20 X 2" LG.....	4
3	00664G7		LOCK WASHER, 1/4" .....	4
4	00661G8		HEX HEAD BOLT, 1/4" - 20 X 1" .....	4
5				
6				
7	***		SEAT BACK ASSEMBLY (INCLUDES ITEM 9 - 14) ..... 71751G02 GRAY 71751G04 TAN 71751G03 OYSTER 71751G05 SPECIAL	2
8				
9	***		VINYL SEAT BACK COVER..... 71753G02 GRAY 71753G04 TAN 71753G03 OYSTER 71753G05 SPECIAL	1
10	71752G01		REAR SEAT BACK COVER .....	1
11	71754G01		SEAT BACK PADDING .....	1
12	645021		SEAT BACK BASE .....	1
13				
14	01107G01		PAN HEAD TORX SCREW (SS), #8 X .63" LG.....	4
15				
16				
17	***		SEAT BOTTOM ASSEMBLY (INCLUDES ITEM 18 - 30) ..... 71888G09 OYSTER 71888G10 TAN 71888G11 GRAY	1
18	***		VINYL SEAT BOTTOM 71624G04 TAN 71624G02 GRAY 71624G03 OYSTER	
19	71625G01		SEAT BOTTOM PADDING .....	1
20				
21				
22				

# SEATING

When ordering parts, please specify the model and serial number of the product.

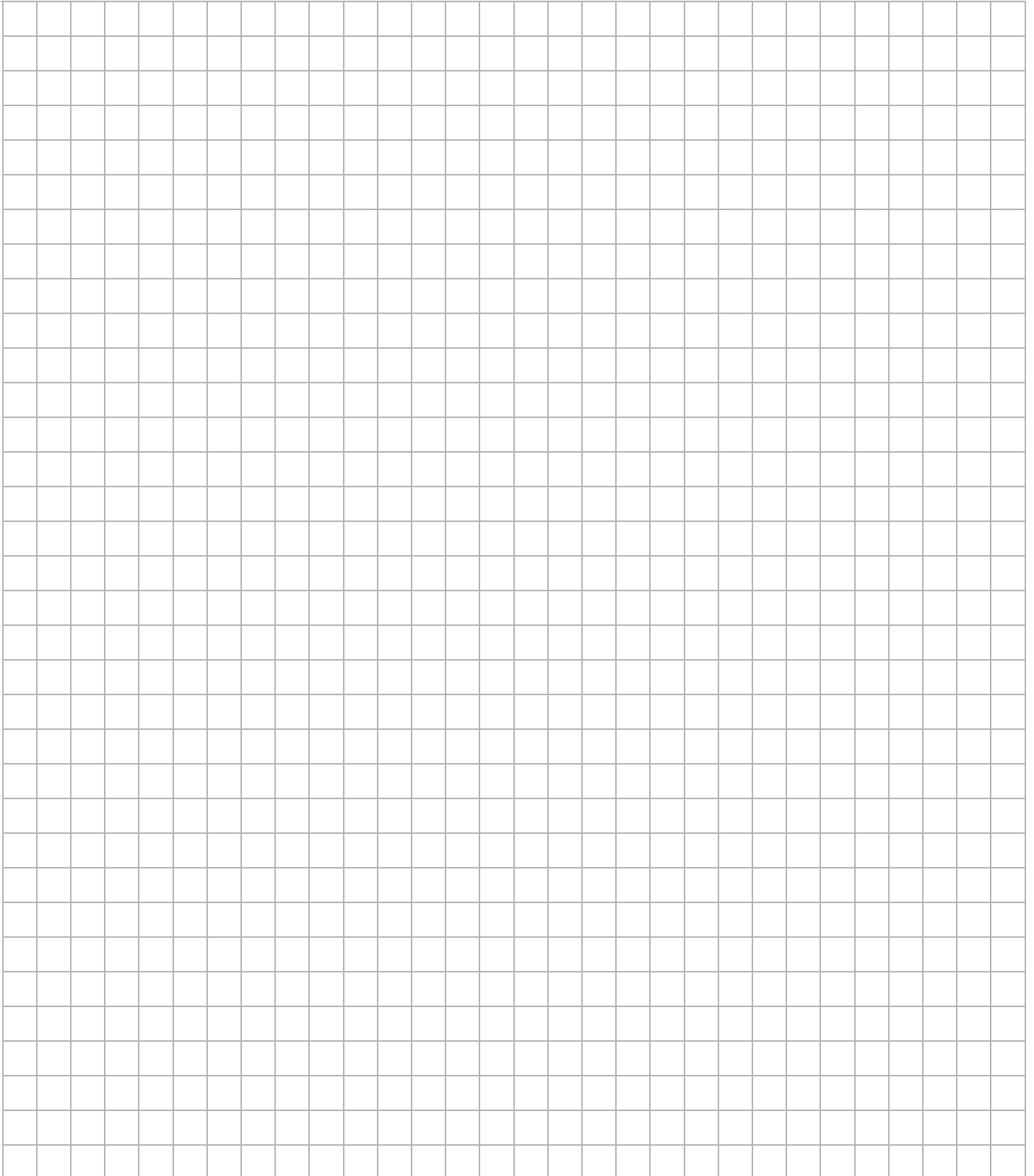
\* Indicates a component that is not available as an individual part.

\*\*\* Indicates consult Customer Service Department for additional information.

ITEM	PART NO.	1	2	3	4	5	DESCRIPTION	QTY.
23								
24	71610G01						SEAT HINGE.....	2
25	00720G08						FLAT HEAD PHILLIPS SCREW, #12 -14 X 1" LG .....	6
26								
27	654797						SEAT BOTTOM BASE .....	1
28	71877G01						HIP RESTRAINT (DRIVER SIDE) .....	1
29	71877G02						HIP RESTRAIN T (PASSENGER SIDE) .....	1
30	71204G01						BUTTON HEAD TORX BOLT, M10 - 1.5 X 25MM LG .....	8
31								
32	70864G01						T-KNOB STUD, 1/4" - 20 X 1" LG .....	2
33								
34	***						SEAT BOTTOM ASSEMBLY (INCLUDES ITEM 24, 25, 35 - 40)..... 629269G0701 OYSTER 629269G0703 TAN 629269G0704 GRAY 629269G0708 CUSTOM SOLID	1
35	***						VINYL SEAT COVER..... 71650G03 OYSTER 71650G04 TAN 71650G02 GRAY 71650G05 SPECIAL	1
36	71649G01						SEAT BOTTOM PADDING.....	1
37	645493						SEAT BOTTOM BASE .....	1
38								
39	71012G01						TRIM .....	1
40	17074G1						SOILING SLAB (NOT ILLUSTRATED) .....	2

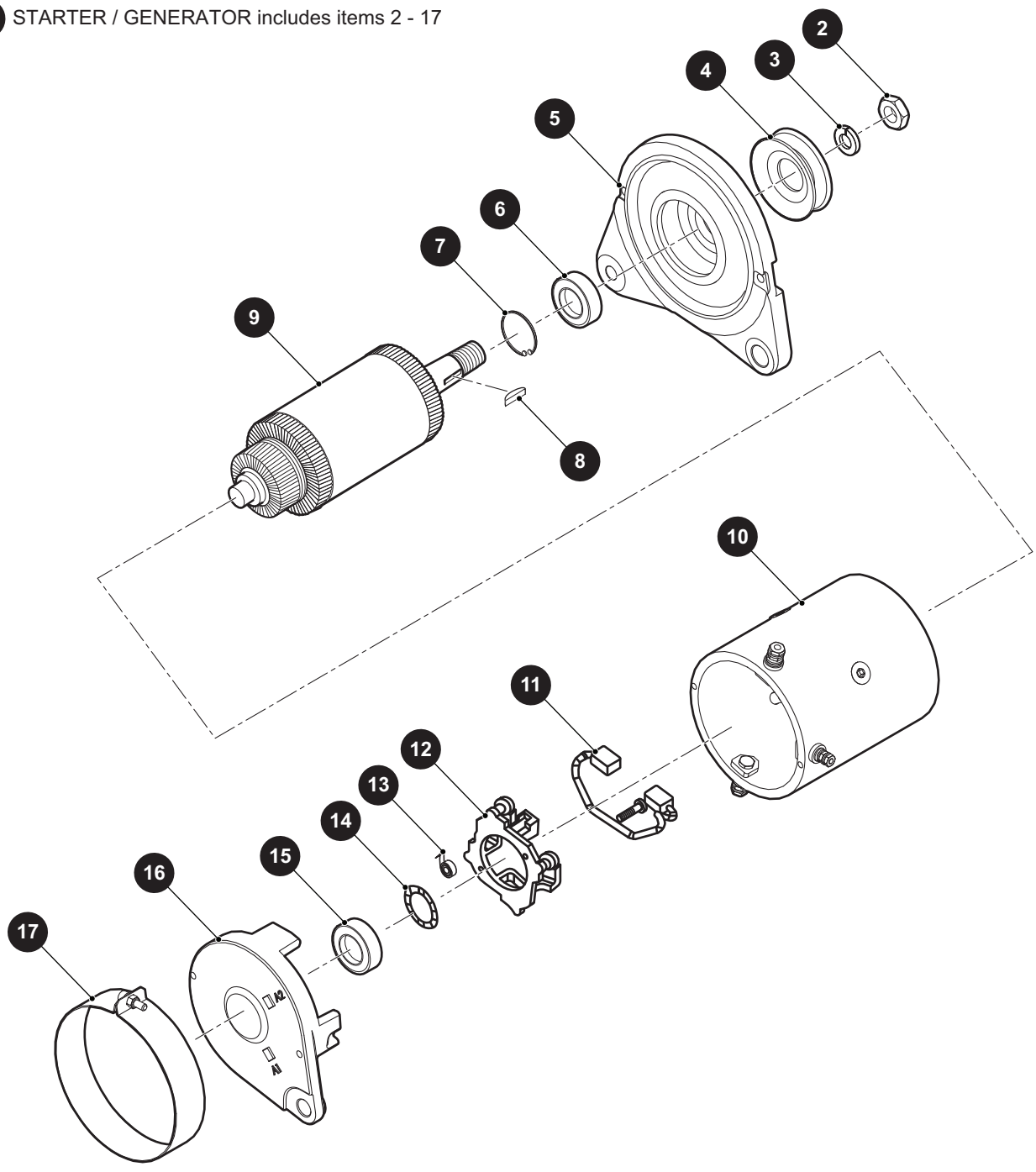


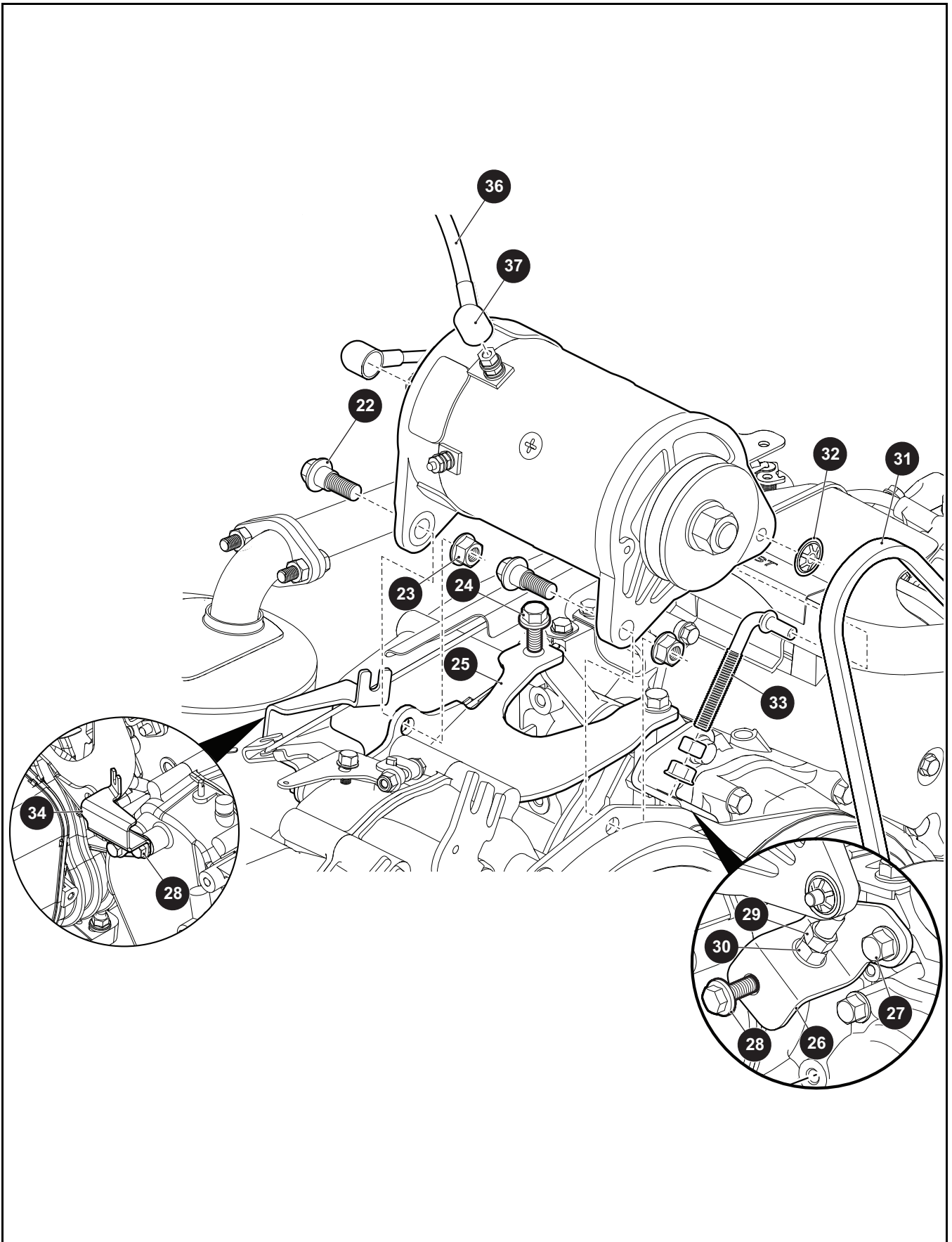
Notes:

A large, empty grid of graph paper consisting of 30 columns and 35 rows of small squares. The grid is intended for writing notes.

# STARTER / GENERATOR

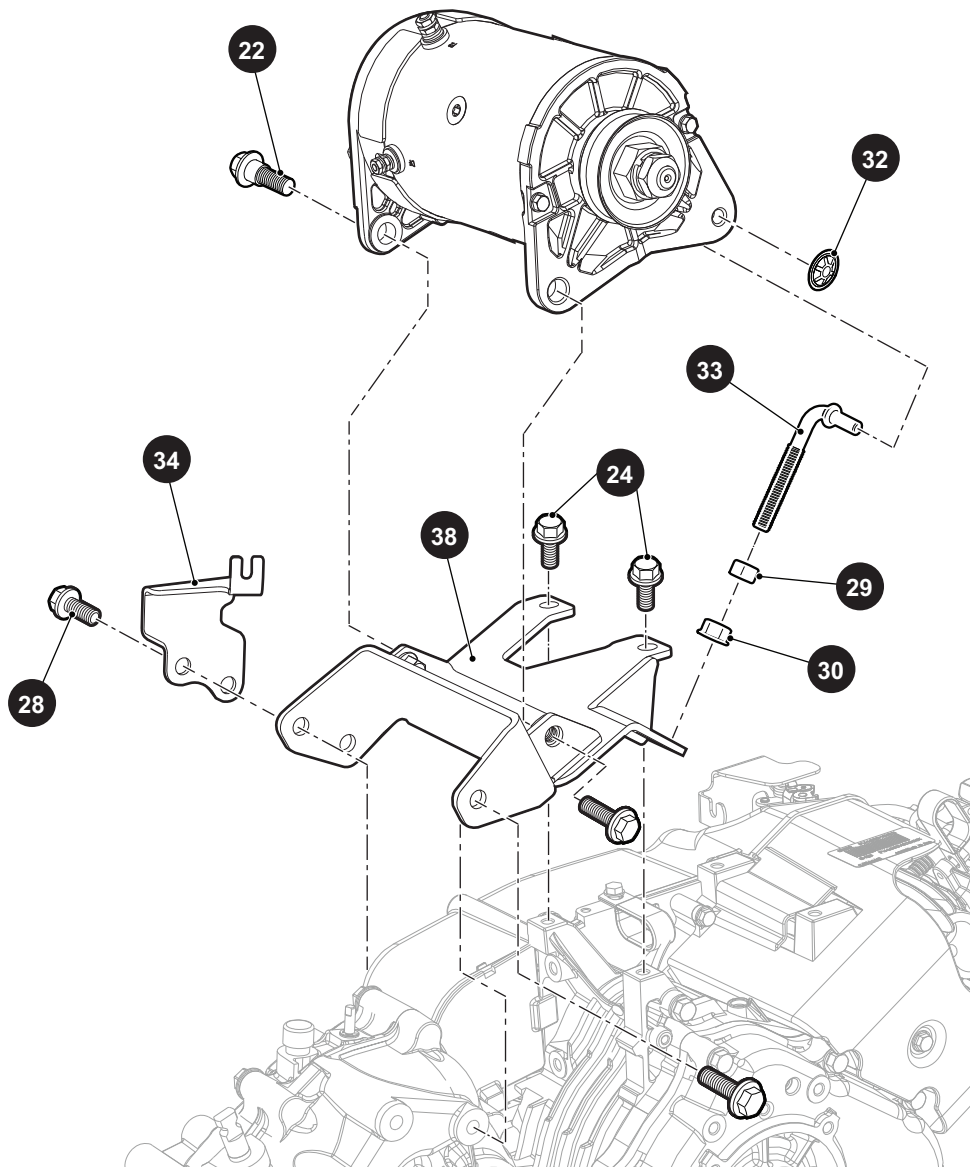
1 STARTER / GENERATOR includes items 2 - 17





# STARTER / GENERATOR

FOR VEHICLES MANUFACTURED FROM APRIL 2014



# STARTER / GENERATOR

Where applicable, THE USE OF NON UL PARTS WILL VOID ANY UL LISTING.

When ordering parts, please specify the model and serial number of the product.

\* Indicates a component that is not available as an individual part.

G\*\* Indicates consult Customer Service Department for additional information.

ITEM	PART NO.	1 2 3 4 5	DESCRIPTION	QTY.
1	649711		STARTER / GENERATOR (INCLUDES ITEMS 2 - 17).....	1
2	612029		HEX NUT .....	1
3	612030		LOCK WASHER .....	1
4	625716		PULLEY, 2.5" O.D. ....	1
5	654715		DRIVE END HEAD .....	1
6	612033		BEARING.....	1
7	612034		RETAINING RING.....	1
8	612035		WOODRUFF KEY.....	1
9	612036		ARMATURE ASSEMBLY .....	1
10	654716		FRAME AND FIELD ASSEMBLY .....	1
11	612038		BRUSH LEAD AND TERMINAL PACKAGE .....	1
12	654717		BRUSH BOX ASSEMBLY .....	1
13	612039		BRUSH SPRING.....	4
14	612043		WAVY WASHER .....	1
15	612044		BEARING.....	1
16	612045		COMMUTATOR END HEAD.....	1
17	654718		HEADBAND .....	1
18				
19				
20				
21				
22	606235		FLANGED HEX HEAD BOLT, M10 - 1.25 X 20MM LG .....	2
23	606279		FLANGED HEX NUT, M10 - 1.25.....	2
24	606261		BOLT, M8 - 1.25 X 20 .....	3
25	602141		STARTER / GENERATOR BRACKET.....	1
26	602145		TENSIONER BRACKET.....	1
27	606261		BOLT, M8 - 1.25 X 20MM LG .....	1
28	606256		BOLT, M10 - 1.25 X 25MM LG .....	9
29	606255		NUT, M10 - 1.25 .....	1
30	606274		NUT, M10 - 1.25 .....	1

# STARTER / GENERATOR

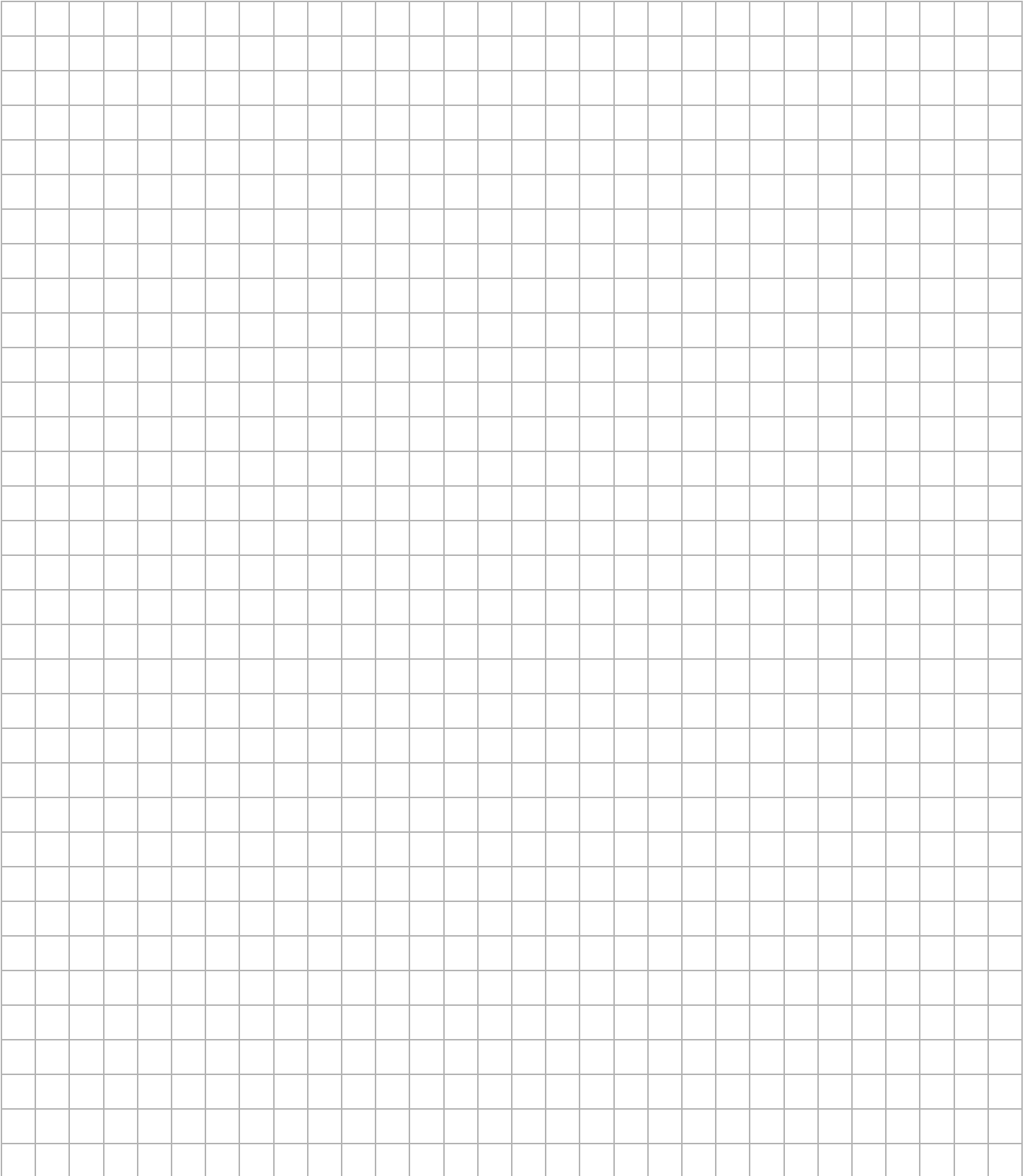
Where applicable, THE USE OF NON UL PARTS WILL VOID ANY UL LISTING.

When ordering parts, please specify the model and serial number of the product.

\* Indicates a component that is not available as an individual part.

G\*\* Indicates consult Customer Service Department for additional information.

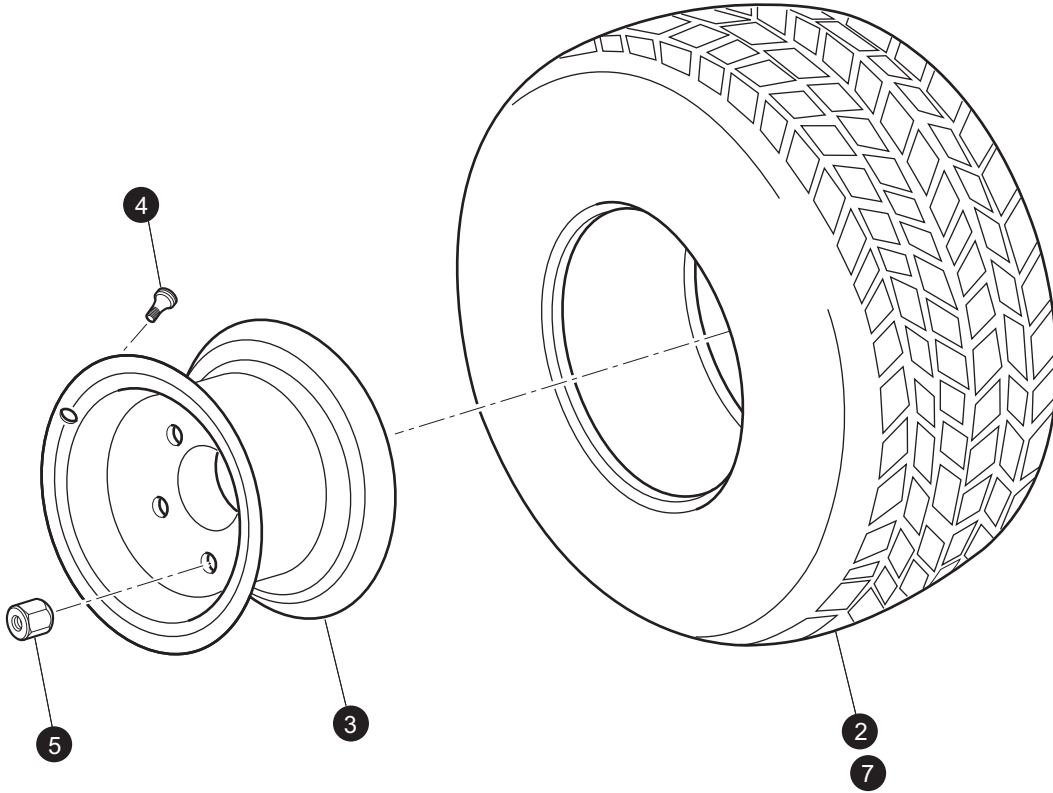
ITEM	PART NO.	1 2 3 4 5	DESCRIPTION	QTY.
31	630587		STARTER / GENERATOR BELT .....	1
32	12064G6		PUSH NUT, 5/16" .....	1
33	629763		TENSIONER BOLT .....	1
34	603884		CABLE GUIDE BRACKET .....	1
35				
36	607103		WIRE ASSEMBLY, 6 AWG, 42" LG .....	1
37	25682G01		RUBBER BOOT .....	3
38	631972		STARTER/GENERATOR SUPPORT BRACKET (FOR VEHICLES MANUFACTURED FROM APRIL 2014) .....	1



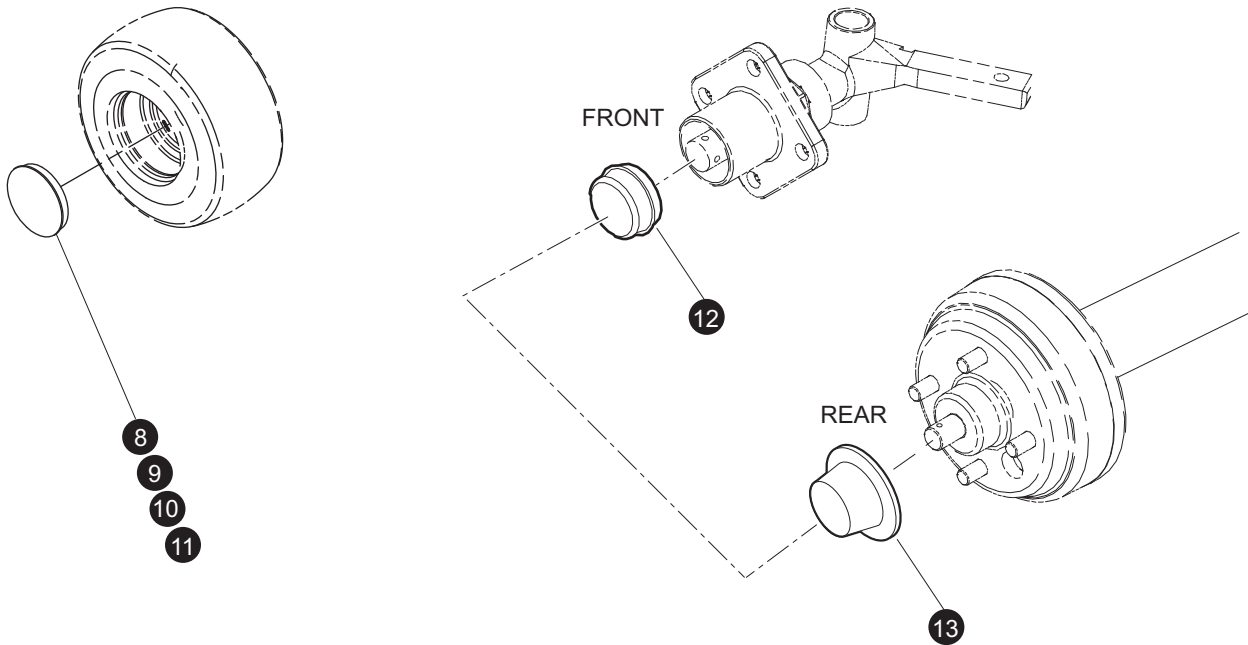
# WHEELS AND TIRES

1 - Includes Items 2, 3 & 4

6 - Includes Items 3, 4 & 7



(Style of tire may differ from tire shown)





# WHEELS AND TIRES

When ordering parts, please specify the model and serial number of the product.

\* Indicates a component that is not available as an individual part.

\*\*\* Indicates consult Customer Service Department for additional information.

ITEM	PART NO.	1 2 3 4 5	DESCRIPTION	QTY.
1	28757G01		TIRE AND WHEEL ASSEMBLY (INCLUDES ITEMS 2 - 4) .....	AR
2	28764G01		TIRE, 18 X 8.50 - 8 LINKS® .....	1
3	28759G01		WHEEL RIM .....	1
4	11657G2		VALVE STEM.....	1
5	14723G1		LUG NUT, 1/2 - 20.....	AR
6	28842G01		TIRE AND WHEEL ASSEMBLY (INCLUDES ITEMS 3,4 AND 7) .....	1
7	28764G06		TRAIL TIRE .....	1
8	14913G1		8"CHROME E-Z-GO WHEEL COVER.....	4
9	16042G1		6"CHROME E-Z-GO WHEEL COVER.....	4
10	615618		SILVER HUB CAP .....	4
11	615617		GOLD HUB CAP .....	4
12	12091G2		SPINDLE CAP .....	2
13	74175G01		DUST CAP .....	2



# SPECIALTY PRODUCTS

## SPECIALTY PRODUCTS

<b>SPECIAL TOOLS</b>	<b>PART NO.</b>
HIGH RESISTANCE SPARK PLUG WIRE SET .....	26733G02
CLUTCH PULLER (DRIVE) .....	19779G2
FLYWHEEL PULLER .....	27111G01
CURRENT INDICATOR .....	16489G2
DIGITAL MULTI-METER .....	27481G01
TUBELESS TIRE REPAIR KIT .....	606009
TIRE PLUGGER REFILL PACK (50/BOX) .....	606831

<b>TOUCH UP PAINT</b>	<b>PART NO.</b>
PEN 3 OUNCE (89 ML) - HUNTER GREEN .....	28432G02
PEN 3 OUNCE (89 ML) - CHAMPAGNE BEIGE .....	28432G01
PEN 3 OUNCE (89 ML) - WHITE .....	28432G05
PEN 3 OUNCE (89 ML) - INDUSTRIAL YELLOW .....	28432G03
PEN 3 OUNCE (89 ML) - ORANGE .....	28432G04
PEN 3 OUNCE (89 ML) - STEEL BLUE PEARL .....	28432G24
PEN 3 OUNCE (89 ML) - CAMOUFLAGE PAINT (THREE PENS) .....	75831G01
AEROSOL 12 OUNCE (360 ML) - HUNTER GREEN .....	28140G09
AEROSOL 12 OUNCE (360 ML) - CHAMPAGNE BEIGE .....	28140G15
AEROSOL 12 OUNCE (360 ML) - INDUSTRIAL YELLOW .....	28140G14

<b>MAINTENANCE PRODUCTS</b>	<b>PART NO.</b>
PLEXUS® CLEANER, 13 OUNCE (380 ML) (FOR WINDSHIELDS) .....	28433G02
BATTERY PROTECTOR, 14 OUNCE (410 ML) SPRAY .....	27619G02
E-Z-GO ALL SURFACE CLEANER .....	606311
E-Z-GO FIBREGLASS/PLASTIC RESTORER .....	606313
WINDSHIELD AND PLASTIC PROTECTOR .....	606314
64 OZ HAND CLEANER .....	607636
4 OZ HAND CLEANER .....	607637

# OPTIONS/ACCESSORIES

## OPTIONS/ACCESSORIES

ITEM	KIT NO.	SECTION
ASHTRAY KIT . . . . .	75109G02 . . . . .	Body - Accessories Continued
CLUTCH BELT SHEILD. . . . .	605950 . . . . .	Clutch
DROP SIDE KIT. . . . .	34538G03 . . . . .	Body
PINSTRIPING INSTALLATION (GOLD) . . . . .	75111G01 . . . . .	Body
PINSTRIPING INSTALLATION (DARK GREEN). . . . .	75111G01 . . . . .	Body
PINSTRIPING INSTALLATION (WHITE). . . . .	75111G01 . . . . .	Body
PINSTRIPING INSTALLATION (BLACK). . . . .	75111G01 . . . . .	Body
PINSTRIPING INSTALLATION (RED). . . . .	75111G01 . . . . .	Body
PINSTRIPING INSTALLATION (BURGUNDY) . . . . .	75111G01 . . . . .	Body
PINSTRIPING INSTALLATION (NON STANDARD COLOR)75111G01 . . . . .	75111G01 . . . . .	Body
REAR VIEW MIRROR KIT. . . . .	19528G2 . . . . .	Body
SUN TOP KIT, SHUTTLE . . . . .	606057 . . . . .	Weather Protection
SUN TOP ASSEMBLY, . . . . .	75282G02 . . . . .	Weather Protection
TURN SIGNAL KIT . . . . .	75107G02 . . . . .	Electrical System
WINDSHIELD KIT, SHUTTLE 2+2. . . . .	606058 . . . . .	Weather Protection
WINDSHIELD KIT, FLAT . . . . .	75524G04 . . . . .	Weather Protection
4 CADDY CARRIER CONV RETROFIT KIT . . . . .	75278G03 . . . . .	Weather Protection





A Textron Company

E-Z-GO Division Of Textron, Inc.,  
1451 Marvin Griffin Road, Augusta, Georgia USA 30906-3852

TO CONTACT US

North America:

Technical Assistance & Warranty Phone: 1-800-774-3946, FAX: 1-800-448-8124  
Service Parts Phone: 1-888-GET-EZGO (1-888-438-3946), FAX: 1-800-752-6175

International:

Phone: 001-706-798-4311, FAX: 001-706-771-4609

Copyrighted Material  
This manual may not be reproduced in whole or  
in part without the express permission of  
E-Z-GO Division of Textron, Inc.  
Technical Communications Department