



# **2020 Carryall 700 Illustrated Parts List**



**Gasoline and Electric Vehicles**

Manual Number 86753090015  
Edition Code \_B



# USING THE ILLUSTRATED PARTS LIST

---

## **⚠ WARNING**

- **This manual is to be used only for identification and ordering of service parts. Be sure to read and use the maintenance and service manual before attempting any vehicle repairs.**

The manual is divided into sections. Note that there are two or three flags on the outside edge of each page. The first flag contains the section number of which that page is a part. The other flag (or flags) contains the letter E or G, signifying that the page pertains to the electric or gasoline vehicles only.

Use the Table of Contents to find the sections and pages that contain the parts and assemblies you seek. The Table of Contents lists section numbers, and under them, the individual page titles and numbers to be found in that section. The index can be used to find specific parts and assemblies. The index is divided into numerical and alphabetical listings with the page numbers in italic text.

There is a two-page spread for each individual page title in the Table of Contents. On the left-hand page is an illustration showing the parts in their relative positions; the parts are each tagged with an item number in a balloon. The right-hand page is the parts list page, and gives the page title at the top, then the item numbers (corresponding to the numbers on the illustration), part descriptions, and quantity of parts used.

Note that a part description may be indented. This indentation corresponds to a parts assembly level indicated by the numbers 1, 2, 3, and 4 at the top left corner of the parts description area of the parts list page. A part that is indented to *level 2* is a component of the *level 1* part (assembly) that it is listed under. A *level 3* part is a component of the *level 2* part that it is listed under, and a *level 4* part is a component of the *level 3* part preceding it. In each case, the part quantity given for a level 2, 3, or 4 part is *the quantity used per next higher level assembly of which it is a component*. A part that is not indented is a *level 1* part. This means that the quantity given is the quantity used per the portion of the vehicle illustrated on that particular spread.



P. O. Box 204658  
Augusta, Georgia 30917-4658 USA  
Telephone 706-863-3000  
Service Parts Fax 706-855-7413  
[www.clubcar.com](http://www.clubcar.com)

## HOW TO ORDER PARTS

Replacement parts and accessories can be obtained from our network of authorized dealers and distributors. You can obtain the name and phone number of your closest authorized Club Car dealer or distributor by visiting our web site at [www.clubcardealer.com](http://www.clubcardealer.com), by calling our toll-free Service Parts and Technical Assistance hotline at (800) 872-2246 or (706) 863-3000, extension 3887, or by scanning this Quick Response (QR) code to be taken to the Club Car dealer locator. **Refer to Figure 1.** Download a QR code reader such as RedLaser or Barcode Scanner to your cell phone or tablet.



Figure 1 Dealer Locator QR Code

## CUSTOMER SATISFACTION SURVEY

Let your voice be heard!

Please take time to participate in the Technical Publications satisfaction survey. Obtaining feedback from our customers is important to the department's continuous improvement process. The online survey takes less than five minutes and responses will help the department to examine current performance as well as identify areas for future improvement.

Our top priority is to provide timely, accurate, and user friendly manuals.

The online satisfaction survey can be found at: <http://bit.ly/1w9uFMh>



Figure 2 Survey QR Code

**NOTE:** *This illustrated parts list represents the most current information at the time of publication. Club Car, LLC is continually working to further improve its vehicles and other products. These improvements may affect the parts used to service the vehicle. Any modification and/or significant change in specifications will be forwarded to all Club Car and Carryall distributors/dealers and will, when applicable, appear in future editions of this illustrated parts list.*

*Club Car, LLC reserves the right to change specifications and designs at any time without notice and without the obligation of making changes to units previously sold.*

Copyright © 2019 Club Car, LLC.

Club Car is a registered trademark of Club Car, LLC.

This manual effective July 1, 2020.

# CONTENTS

## SECTION 1 – BODY AND TRIM

Brush Guards .....	1-3
Headlight Guard .....	1-5
Fender Guard .....	1-7
Front License Plate Holder .....	1-9
Front Body .....	1-11
Body Touch-Up Paint .....	1-13
Front Bumper, Grille, and Fenders .....	1-15
Headlight Bezels .....	1-17
Dash, Glovebox Door, and Floormat .....	1-19
Front Frame, Standard .....	1-21
Seat Bottom .....	1-23
Seat Back .....	1-25
Seat Frame and Hip-Restraint .....	1-27
Underseat Storage – Electric Vehicles .....	1-29
Underseat Storage – Gasoline Vehicles .....	1-31
Windshield, Hinged .....	1-33
Windshield, Non-Hinged .....	1-35
Canopy Kit, White .....	1-37
Canopy Kit, Biege .....	1-39
Canopy Support Kit – Long .....	1-41
Canopy Kit, Black .....	1-43
Canopy – Long .....	1-45
Mirrors .....	1-47
Inner Rear Fenders .....	1-49
Rear Fenders and Tail Skirt .....	1-51
Rear Bumper Guards .....	1-53
Rear License Plate Holder .....	1-55
Tilt Bed (Long) Hinge – Electric Vehicle .....	1-57
Tilt Bed (Long) Hinge – Gasoline Vehicle .....	1-59
Long Bed Hinge Spacer Kit – Vehicle with CAB .....	1-61
Tilt Bed – Long .....	1-63
Electric Bed Lift, Long – Electric Vehicles .....	1-65
Electric Bed Lift – Gasoline Vehicles .....	1-67
Flat Bed Trim – Long .....	1-69
Cargo Box Kit – Long (Page 1 of 2) .....	1-71
Cargo Box Kit (Page 2 of 2) .....	1-73
Tailgate Teather .....	1-75
Stake Side Kit – Long .....	1-77

# CONTENTS

---

Modular Bed Accessories .....	1-79
Modular Bed Accessories .....	1-81
Modular Bed Accessories .....	1-83
Heavy Duty Trailer Hitch .....	1-85
Rear Receiver Hitch .....	1-87
Trailer Hitch Ball .....	1-89
Range Picker Adapter .....	1-91
Cab Doors – Glass with LH Sliding Window .....	1-93
Cab Roof .....	1-95
Cab Doors – Glass with LH & RH Sliding Windows .....	1-97
Hardware Kit, Door Striker .....	1-99
Cab Doors – Soft .....	1-101
Cab Doors – Range, Driver-Side .....	1-103
Cab Doors – Range, Passenger-Side .....	1-105
Cab Doors – Vent .....	1-107
Cab - Mirrors .....	1-109
Cab – Windshield, Range, (Poly) .....	1-111
Cab – Windshield (Tempered) .....	1-113
Cab – 2-Point Seat Belts .....	1-115
Cab – Electrical, Power Harness, Electric Vehicle to Cab .....	1-117
Cab – Electrical, Overhead Console .....	1-119
Cab – Electrical, Windshield Wiper .....	1-121
Cab – Electrical, Cab Power Harness, Gasoline Vehicle to Cab .....	1-123
Cab – Electrical, Windshield Washer .....	1-125
Cab – Electrical, Work Lights .....	1-127
Cab – Electrical, Warning Beacon .....	1-129
Cab – Rear Window Screen .....	1-131
Cab – Rear Window with Slider .....	1-133
Cab – Rear Window, One-Piece .....	1-135
Cab – Exhaust .....	1-137
Enclosures .....	1-139
Van Box, Long – Gray .....	1-141
Van Box, Long – White .....	1-143
Van Box, Long – Service Parts .....	1-145
Van Box – No Windows .....	1-147
Toolboxes .....	1-149

## SECTION 2 – WHEELS AND TIRES

---

10 Inch Wheels and 20 Inch Tires .....	2-3
8 Inch Wheels and 18 Inch Tires – Vehicles with Small-Wheel Turf Package .....	2-5

# CONTENTS

Wheel Covers .....	2-7
--------------------	-----

## SECTION 3 – DECALS

Decals – Electric Carryall 700 .....	3-3
Decals – Electric Carryall 700, Continued .....	3-5
Decals – Gasoline Carryall 700 .....	3-7
Decals – Gasoline Carryall 700, Continued .....	3-9
Badging Decals – Carryall 700 .....	3-11

## SECTION 4 – LIGHTS, CONTROLS, AND INDICATORS

Headlights .....	4-3
12-Volt Fuse Block and Fuses – Electric Vehicle .....	4-5
Horn, Turn Signals, and Taillights – Electric and Gasoline Vehicles .....	4-7
Horn and Tail Light Kit – Electric and Gasoline Vehicles .....	4-9
Instrument Panel – Electric Vehicle .....	4-11
Instrument Panel – Gasoline Vehicle .....	4-13
Keyswitch – Electric Vehicle .....	4-15
Keyswitch, Private Speed Mode - Electric Vehicle .....	4-17
Keyswitch, Pedal-Start – Gasoline Vehicle .....	4-19
Keyswitch, Key-start – Gasoline Vehicle .....	4-21
Rear Mounted Reverse Buzzer .....	4-23
DC Converter – Electric Vehicle .....	4-25
Voltage Limiter – Gasoline Vehicle .....	4-27
Strobe Light, Post Mounted – Gasoline Vehicles .....	4-29
Strobe Light, Post Mounted – Electric Vehicles .....	4-31
Strobe Light – Canopy Mounted .....	4-33
Reflectors .....	4-35
Heater Defogger – Electric Vehicle .....	4-37
USB and Powerpoint Receptacle .....	4-39

## SECTION 5 – BRAKES, PEDALS, AND CABLE ASSEMBLIES

Brake Pedal Assembly – Vehicles with 2-Wheel Brakes and 4-Wheel Brakes .....	5-3
Accelerator Pedal Assembly – Electric Vehicles .....	5-5
Accelerator Rod and Pedal Assembly – Gasoline Vehicle .....	5-7
Pedal Close-Out Kit .....	5-9
Front Brake Assembly – Vehicles with 4-Wheel Brakes .....	5-11
Front Brake Cables and Equalizer – Vehicle with 4-Wheel Brakes .....	5-13
Rear Brake Cables and Equalizer – Gasoline Vehicle with 4-Wheel Brakes .....	5-15
Rear Brake Cables and Equalizer – Electric Vehicle with 4-Wheel Brakes .....	5-17

# CONTENTS

Rear Brake Equalizer Rod Rub Strip – Electric Vehicle with 4-Wheel Brakes .....	5-19
Rear Brakes, Manually-Adjusted – Elec. Vehicles with 4-Wheel Brakes .....	5-21
Rear Brakes, Manually-Adjusted – Gas Vehicles with 4-Wheel Brakes .....	5-23

## SECTION 6 – STEERING, FRONT AND REAR SUSPENSION

Steering Gear Assembly .....	6-3
Steering Column .....	6-5
Steering Wheel .....	6-7
Steering Wheel with Clip .....	6-9
Front Suspension, Upper, HD .....	6-11
Front Suspension, Lower, HD, 3 Leaf-1 Plate .....	6-13
Front Suspension, Upper .....	6-15
Front Suspension, Lower, HD, 2 Leaf-2 Plates .....	6-17
Steering Stop .....	6-19
Front Wheel Hubs .....	6-21
Rear Suspension Components, Standard .....	6-23

## SECTION 7 – ELECTRICAL SYSTEM – GASOLINE EFI

Wiring, Fuses, and Diodes, Key and Pedal Start – EFI .....	7-3
Starter/Generator, Key and Pedal Start – EFI .....	7-5
Starter/Generator Mounting – ECH440 .....	7-7
Operation and Maintenance Switch .....	7-9
Electrical Component Box, Key-Start .....	7-11
Electrical Component Box, Pedal-Start .....	7-13
Forward/Reverse Shifter Switches, Key-Start – EFI .....	7-15
Forward/Reverse Shifter Switches, Pedal-Start – EFI .....	7-17
Battery – Gasoline Utility Vehicles .....	7-19
Top-Post Battery – Gasoline Utility Vehicles .....	7-21

## SECTION 8 – ENGINE (KOHLER ECH440)

Tune-Up Parts .....	8-3
Engine and Engine Mounting .....	8-5
Engine Pan and Snubber Mounting .....	8-7
Blower Housing and Heat Shield – ECH440 .....	8-9
Ignition Components and Flywheel – ECH440 .....	8-11
Cylinder Head and Valve – ECH440 .....	8-13
Crankcase and Piston – ECH440 .....	8-15
Oil Sensor and Lubrication – ECH440 .....	8-17
Crankshaft – ECH440 .....	8-19



# CONTENTS

---

## SECTION 9 – FUEL SYSTEM – EFI

---

Fuel Tank with Pump, Side Fill – EFI .....	9-3
Carbon Canister – EFI .....	9-5
Throttle Body and Mounting .....	9-7
Governor Bracket and Cover – EFI .....	9-9
Governor and Accelerator Cables – EFI .....	9-11
Air Intake Elbow – EFI .....	9-13
Air Filter System and Intake Hose – EFI, LWB Utility/Trans .....	9-15

---

## SECTION 10 – EXHAUST SYSTEM – ECH440

---

Exhaust System .....	10-3
----------------------	------

---

## SECTION 11 – DRIVE BELT AND CLUTCHES – EFI GASOLINE VEHICLES

---

Drive Belts – EFI .....	11-3
Drive Clutch – Key-Start Vehicles .....	11-5
Drive Clutch – Pedal-Start Vehicles .....	11-7
Driven Clutch – Key Start and Pedal Start .....	11-9

---

## SECTION 12 – TRANSAXLE (FUJI ED65)

---

Forward/Reverse Shifter Assembly .....	12-3
Shifter Cable – CA700 .....	12-5
Shift Lever and Bracket – Pedal-Start Engines .....	12-7
Shift Lever and Bracket – Key-Start Engines .....	12-9
Governor Arm and Brackets – Utility Vehicles .....	12-11
Transaxle (ED65), Limited Slip – Page 1 of 3 .....	12-13
Transaxle (ED65), Open – Page 1 of 3 .....	12-15
Transaxle (ED65), Limited Slip and Open – Page 2 of 3 .....	12-17
Transaxle (ED65), Limited Slip – Page 3 of 3 .....	12-19
Transaxle (ED65), Open – Page 3 of 3 .....	12-21
Hub, Rear .....	12-23
Differential Guard, ED65 – Gasoline Vehicle .....	12-25

---

## SECTION 13 – ELECTRICAL SYSTEM – ELECTRIC VEHICLES

---

Motor Controller Output Regulator (MCOR) .....	13-3
Wiring, Fuses, and Diodes – Electric Vehicle .....	13-5
Tow/Run Switch and Hour Meter .....	13-7
48-Volt Electric Components - Electric Vehicle .....	13-9
Batteries 6-Volt, Standard Duty .....	13-11

# CONTENTS

---

Batteries 6-Volt, Heavy Duty .....	13-13
Hand Pump and Deionizer (Battery-Powered Quality Light) .....	13-15
Single Point Watering System (SPWS) .....	13-17

## **SECTION 14 – ELECTRIC MOTOR**

---

Motor (Model DA5-4006) – IQ Plus .....	14-3
--	------

## **SECTION 15 – TRANSAXLE – ELECTRIC VEHICLES**

---

Transaxle – Electric Vehicles .....	15-3
Differential Guard – Electric Vehicles .....	15-5

## **SECTION 16 – ON-BOARD BATTERY CHARGERS – HIGH-FREQUENCY**

---

On-Board Battery Charger, High-Freq. ....	16-3
---	------

## **SECTION 17 – MAINTENANCE AND SERVICE TOOLS**

---

Maintenance and Service Tools .....	17-3
Maintenance and Service Tools, Continued .....	17-5
Maintenance and Service Tools, Continued .....	17-7

## **SECTION i – INDEX**

---

# BODY AND TRIM

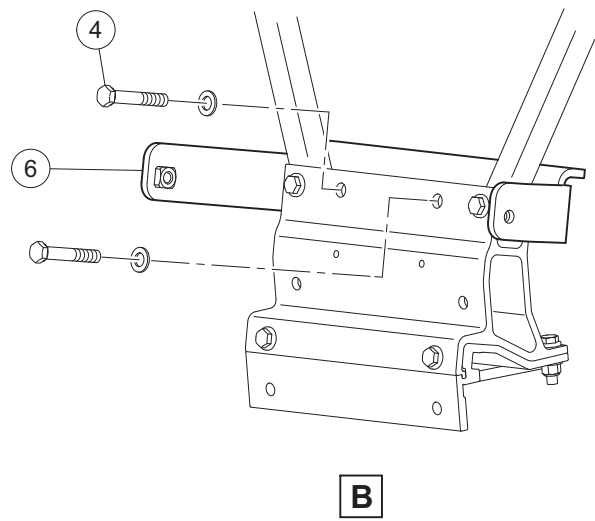
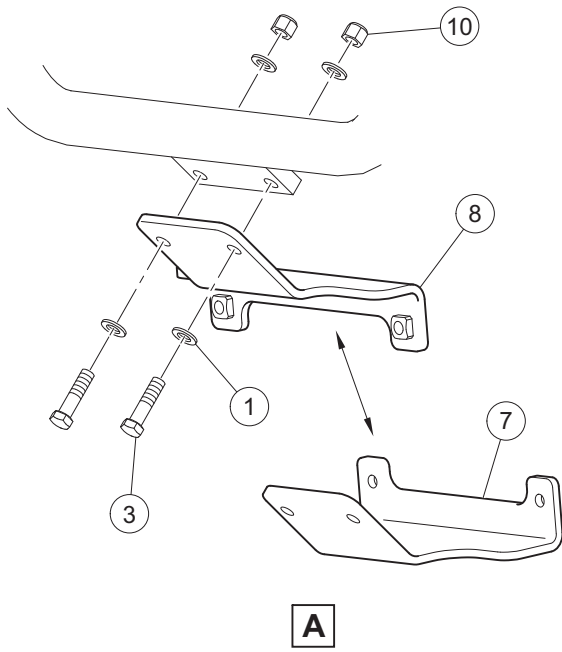
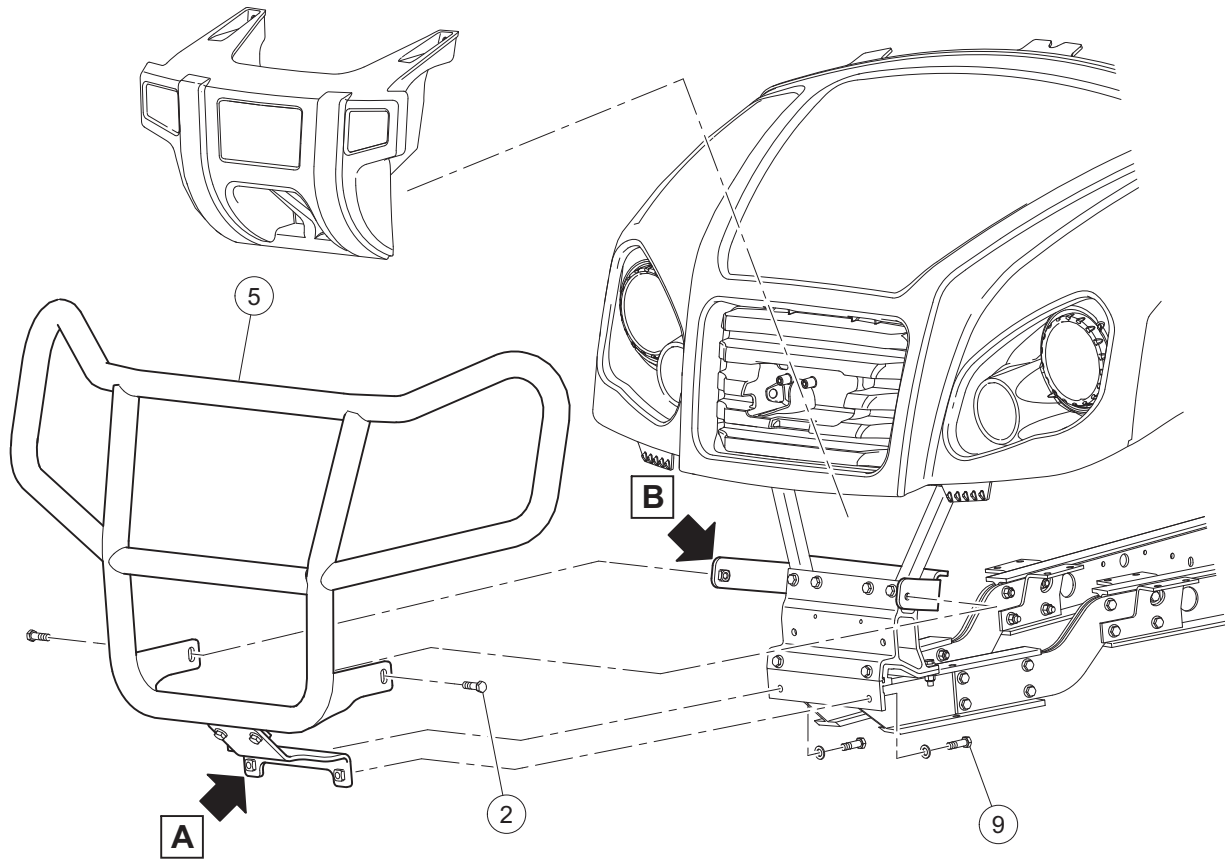
---

1

G

E

**1**  
**G**  
**E**



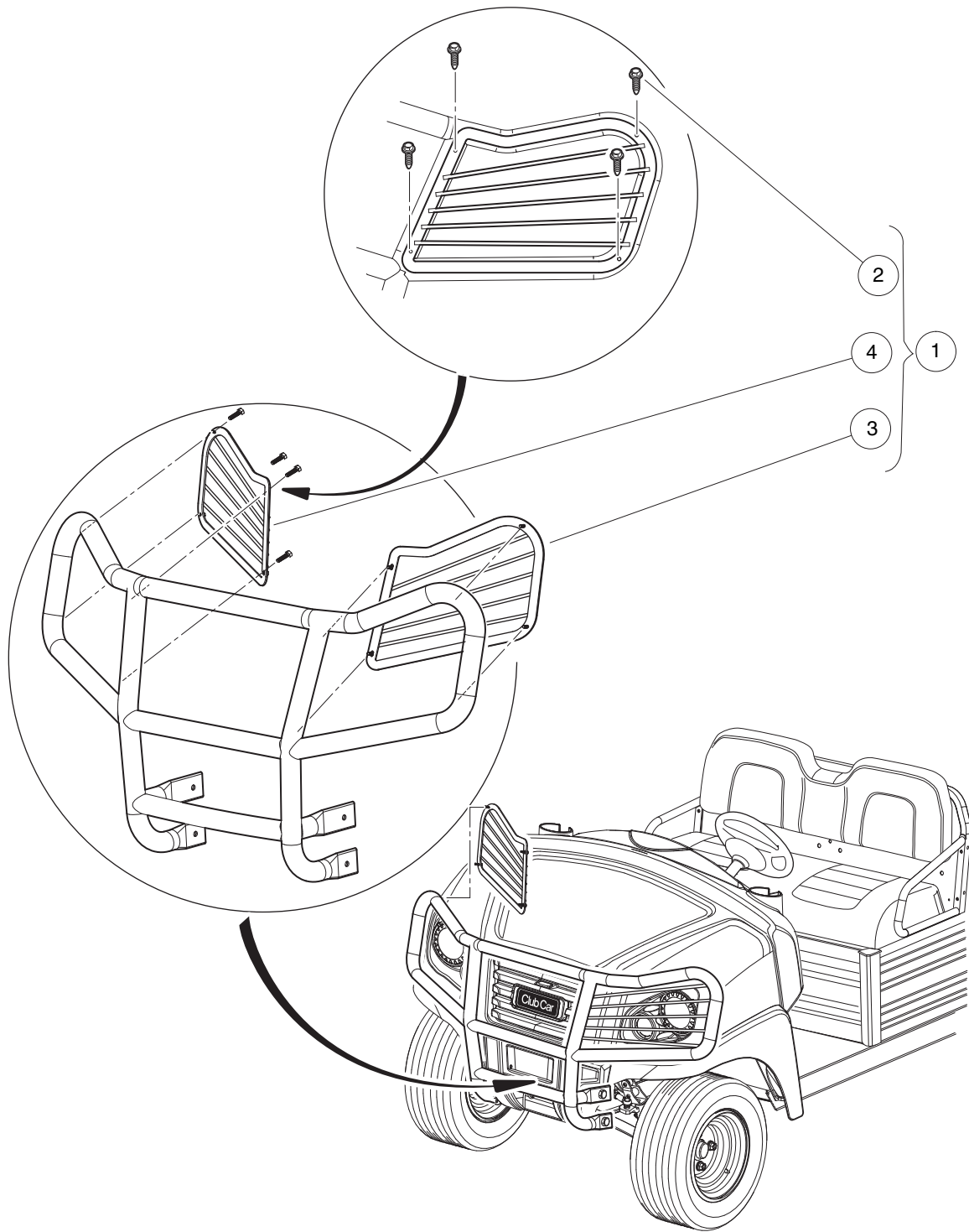
G-140199-000006

# BRUSH GUARDS

ITEM	PART NO.	DESCRIPTION	QTY
		<b>1 2 3 4</b>	
1	<u>1011990</u>	Washer, 3/8 Flat .....	8
2	<u>105197401</u>	Bolt, Flg, 3/8-16 X 1" Loc .....	2
3	<u>1624</u>	Screw, 3/8-16 X 1.50, Hex-Head Cap .....	2
4	<u>2402</u>	Screw, 3/8-16 X 2.25 Hx Hd Cap .....	2
5	47600627001	Weldment, Hd Bumper, Hb, Res .....	1
6	47600628001	Asm,bkt,back Spt,bg,common .....	1
7	47600629001	Asm,bkt,btm Spt,bg,non-lifted .....	1
8	47600630001	Asm,bkt,btm Spt,bg,lifted .....	1
9	705	Screw, Cap-hex Hd 3/8-16x1.25 .....	2
10	<u>8754</u>	Locknut, 3/8-16 Hex .....	2
<p>Note: For complete brush guard kits order kit part number 47605991002 for non-lifted vehicles or kit part number 47605991004 for lifted vehicles.</p>			

**1**  
**G**  
**E**

**1**  
**G**  
**E**



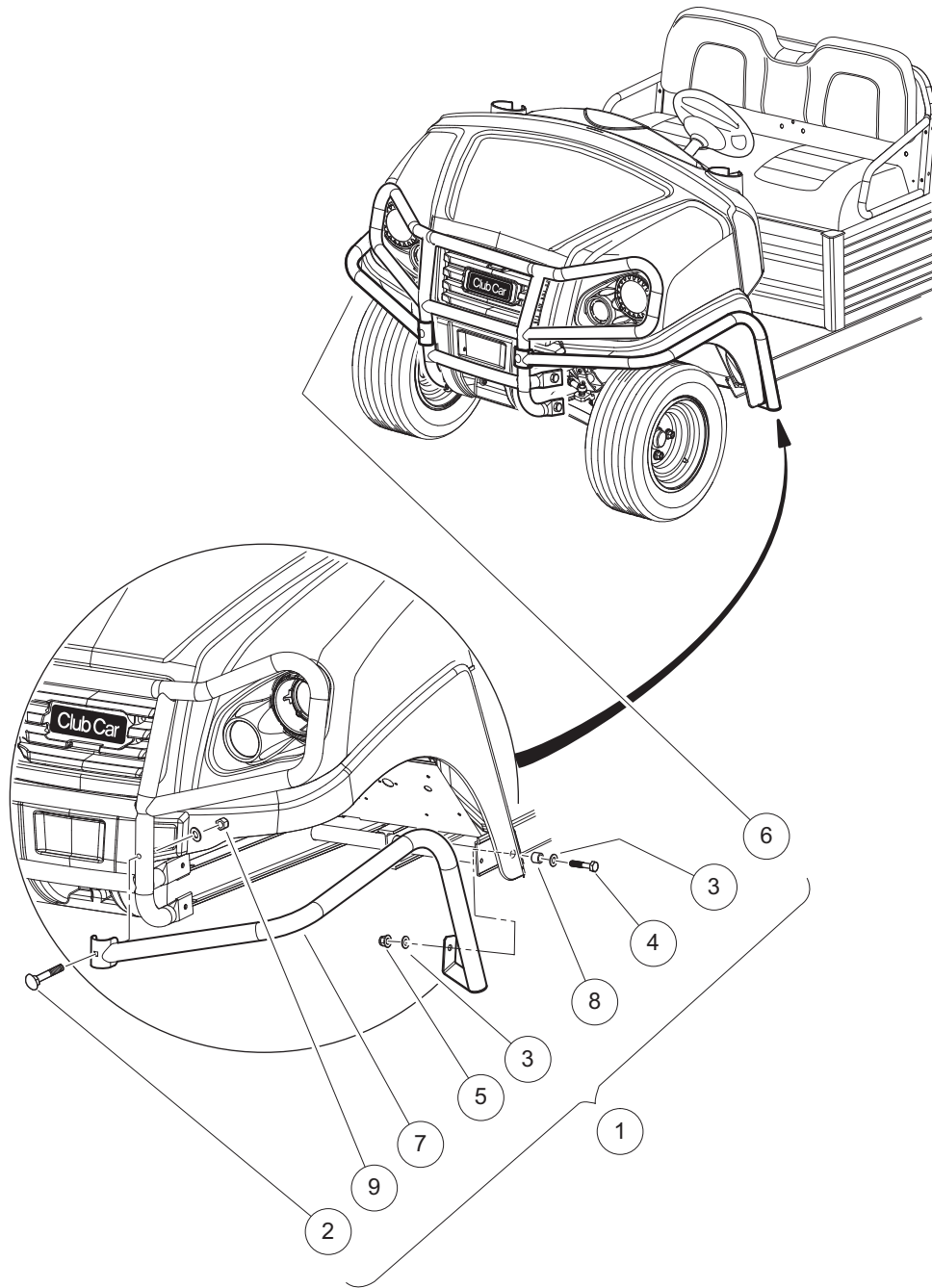
001300-017

# HEADLIGHT GUARD

ITEM	PART NO.	DESCRIPTION	QTY
		1 2 3 4	
1	<u>105156301</u>	Kit, Head Light Guard, Utl Res (includes items 2 through 4) .....	1
2	<u>102296819</u>	Screw-M6 x 19 .....	8
3	<u>105156701</u>	Guard, Headlight, UTL,LH .....	1
4	<u>105156702</u>	Guard, Head Light, Utl, Rh .....	1

1  
G  
E

**1**  
**G**  
**E**



001300-002

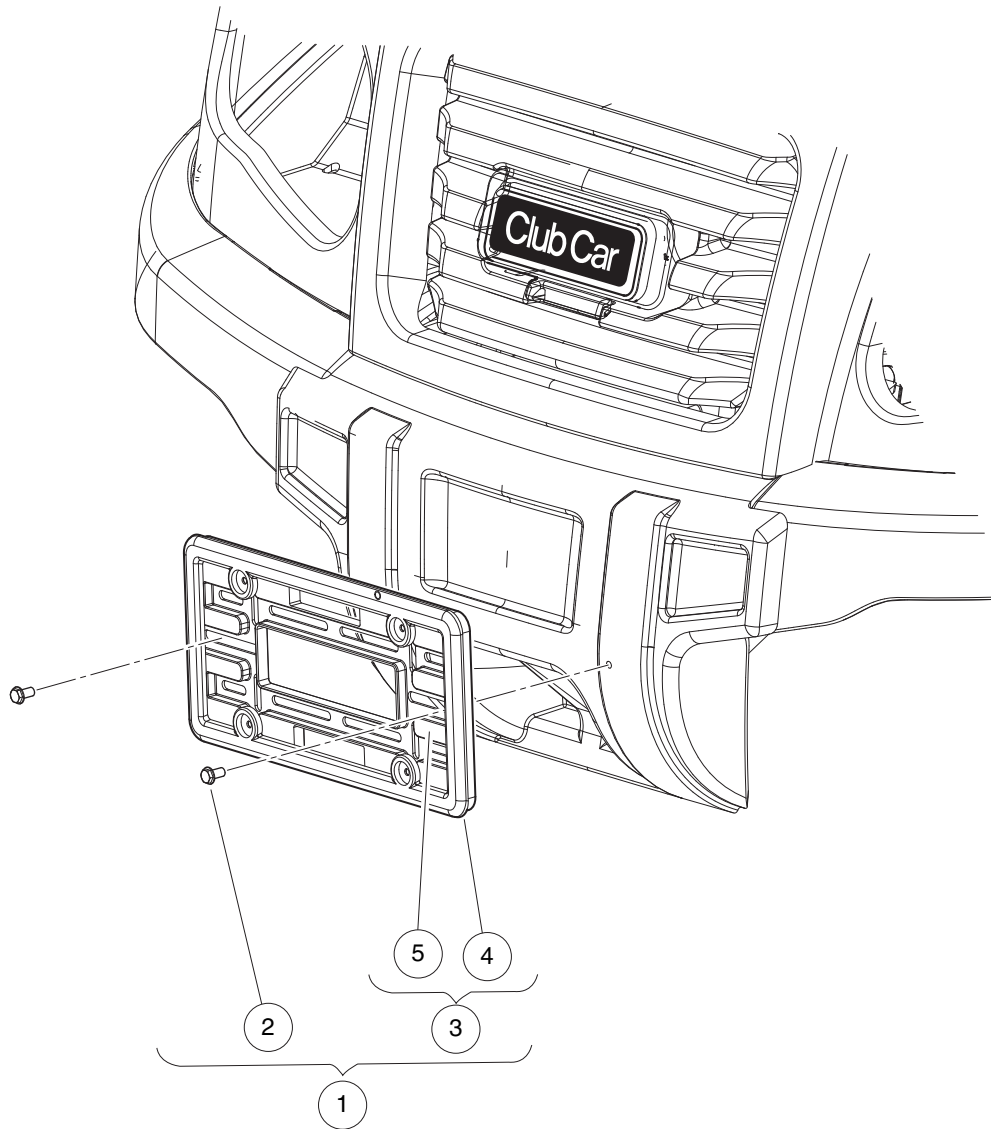


# FENDER GUARD

ITEM	PART NO.	DESCRIPTION	QTY
		<b>1 2 3 4</b>	
1	<u>105124001</u>	Kit, Fender Guard, Hb Res (includes items 2 through 9) .....	1
2	101242802	Bolt, 3/8-16 X 2.25 Rd Hd Sq Bk .....	2
3	<u>102323501</u>	Washer, Flat, 3/8, Blk Fin .....	6
4	<u>102621601</u>	Bolt, M10 X 1.50 X 45 Black .....	2
5	<u>102670701</u>	Nut, Flange, M10 X 1.5 Nylon .....	2
6	105074501	Weldment, Fender Guard, Hb, Rh .....	1
7	105074502	Weldment, Fender Guard, Hb, Lh .....	1
8	<u>105094001</u>	Spacer, Canopy Support, Dash .....	2
9	<u>8754</u>	Locknut, 3/8-16 Hex .....	2

**1**  
**G**  
**E**

**1**  
**G**  
**E**

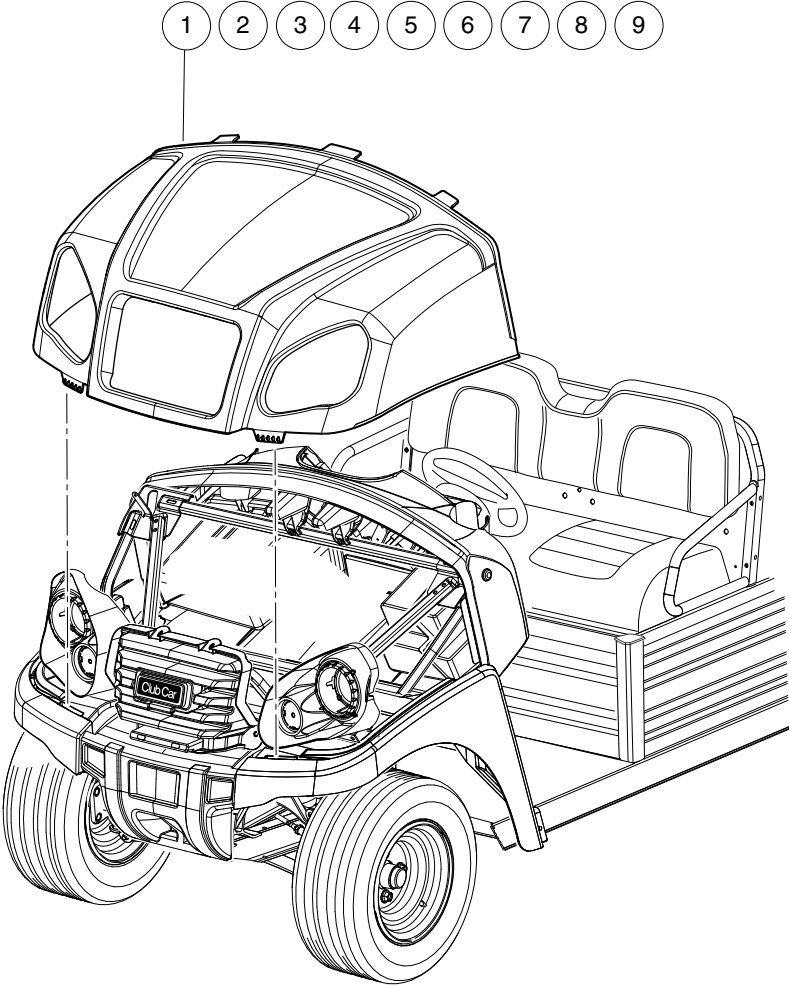


001155-001

# FRONT LICENSE PLATE HOLDER

ITEM	PART NO.	DESCRIPTION	QTY
		1 2 3 4	
1	<u>105124901</u>	Kit, Front, License Pl, Lsv (includes items 2 and 3) .....	1
2	<u>101856101</u>	Screw, 1/4-15 X .50 Hi-lo Hex .....	2
3	<u>102311501</u>	Front License Plate Assembly (includes items 4 and 5) .....	1
4	N/A	Frame, License Plate .....	1
5	N/A	Mount, License Plate .....	1

1  
G  
E



001300-003

# FRONT BODY

ITEM	PART NO.	DESCRIPTION	QTY
		1 2 3 4	
1	<u>105034321</u>	Cowl, Ca, Serv, Dk Green .....	1
2	<u>105034322</u>	Cowl, Ca, Serv, Dk Gray .....	1
3	<u>105034323</u>	Cowl, Ca, Serv, White .....	1
4	<u>105034324</u>	Cowl, Ca, Serv, Bright Blue .....	1
5	<u>105034325</u>	Cowl, Ca, Serv, Titn Silver .....	1
6	<u>105034326</u>	Cowl, Ca, Serv, Beige .....	1
7	<u>105034327</u>	Cowl, Ca, Serv, Red .....	1
8	<u>105034328</u>	Cowl, Ca, Serv, Black .....	1
9	<u>105034329</u>	Cowl, Ca, Serv, Classic Blue .....	1

1  
G  
E

1

G

E

- 1
- 2
- 3
- 4
- 5
- 6
- 7
- 8
- 9
- 10

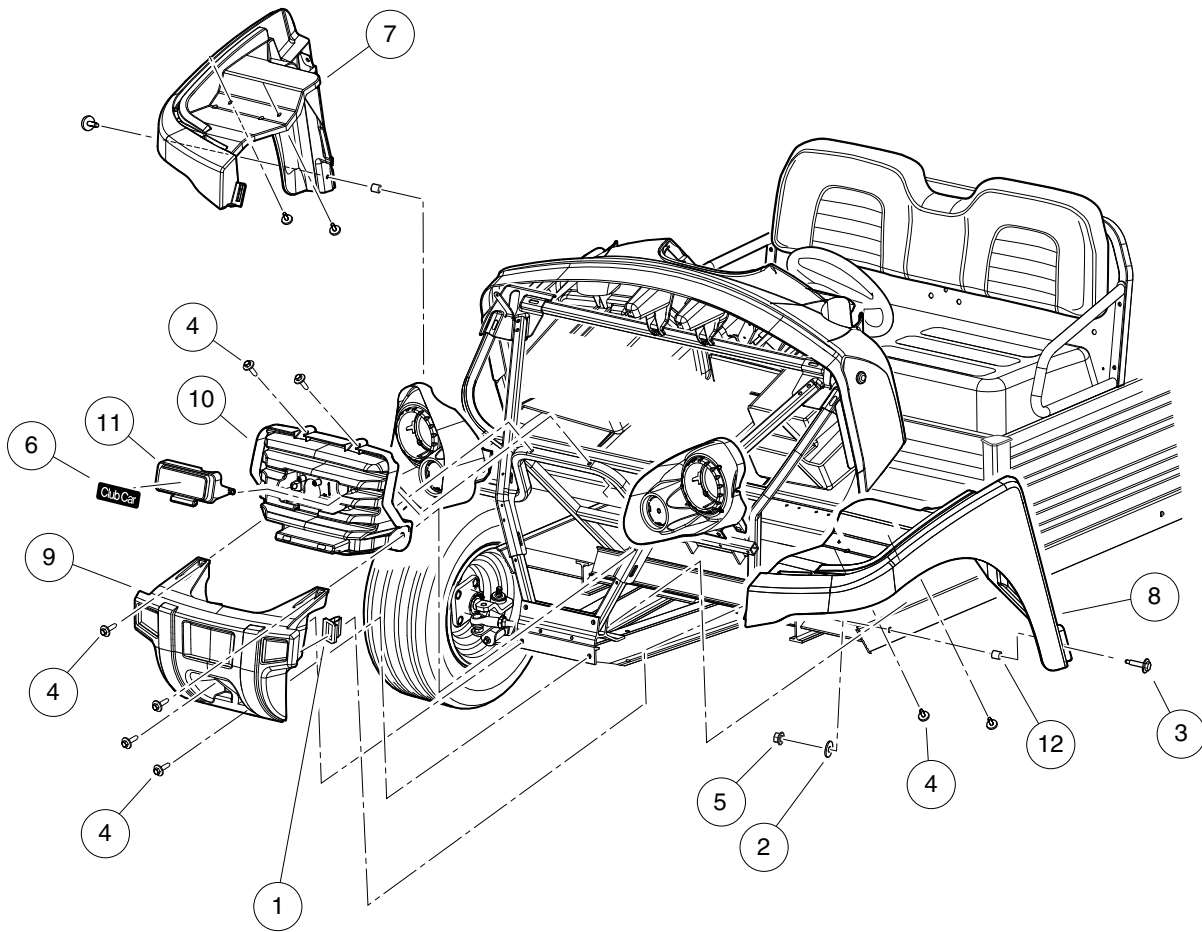


001300-020

# BODY TOUCH-UP PAINT

ITEM	PART NO.	DESCRIPTION	QTY
		<b>1 2 3 4</b>	
1	<u>105117701</u>	Paint, Touch-up, White .....	1
2	<u>105117702</u>	Paint, Touch-up, Classic Blue .....	1
3	<u>105117703</u>	Paint, Touch-up, Dark Green .....	1
4	<u>105117704</u>	Paint, Touch-up, Red .....	1
5	<u>105117705</u>	Paint, Touch-up, Dark Gray .....	1
6	<u>105117706</u>	Paint, Touch-up, Black .....	1
7	<u>105117707</u>	Paint, Touch-up, Tan .....	1
8	<u>105117708</u>	Paint, Touch-up, Bright Blue .....	1
9	<u>105117709</u>	Paint, Touch-up, Titn Silver .....	1
10	<u>105117710</u>	Paint, Touch-up, Light Gray .....	1

**1**  
**G**  
**E**



001300-004

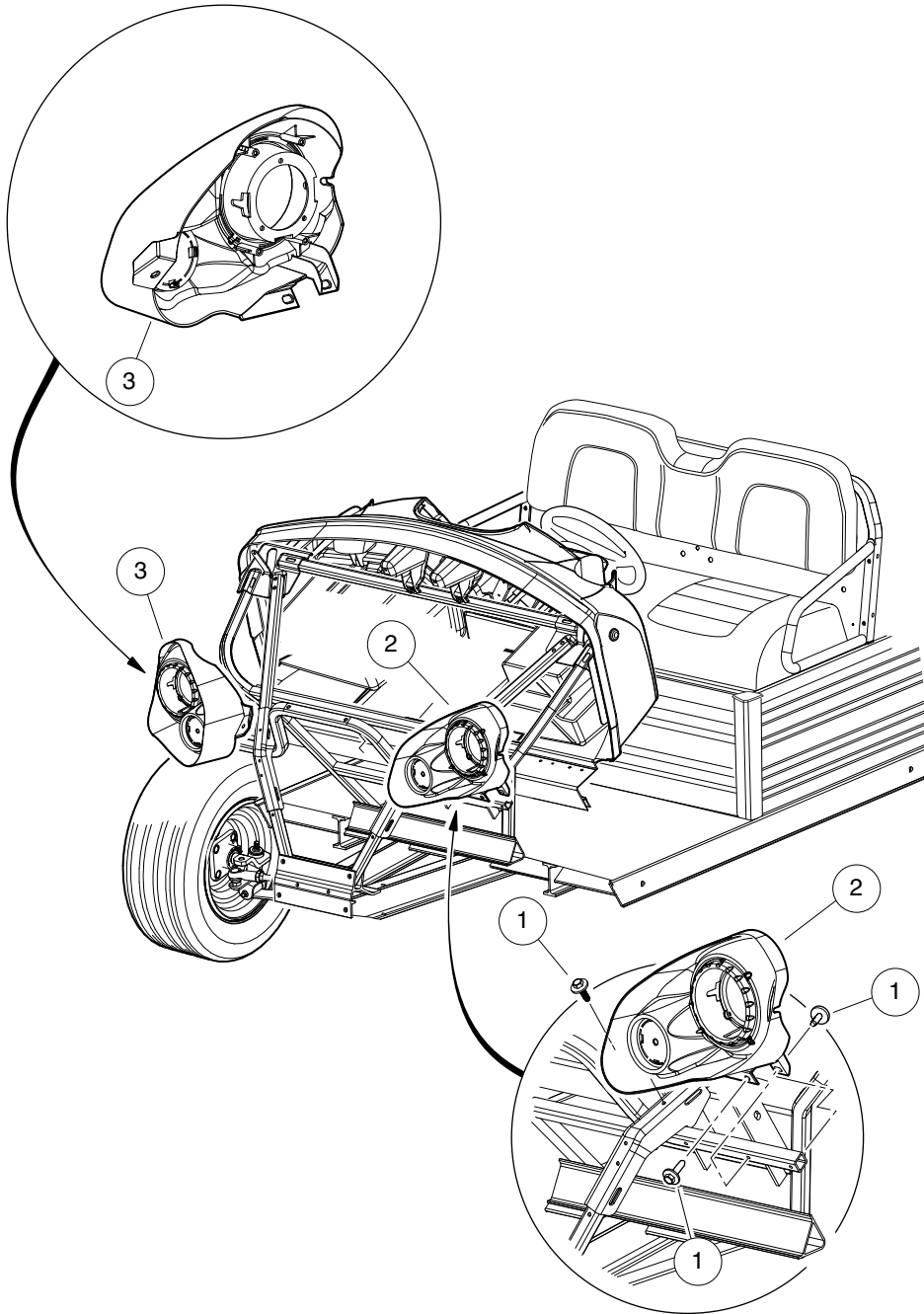


# FRONT BUMPER, GRILLE, AND FENDERS

ITEM	PART NO.	DESCRIPTION	QTY
		1 2 3 4	
1	<u>102292701</u>	Clip-body-trim .....	2
2	<u>102296301</u>	Washer, M6x18x1.6 Flat .....	2
3	<u>102296530</u>	Screw - M6 X 1.0 X 30 Sems .....	6
4	<u>102297125</u>	Screw, M6-1.0x25.4, Thread-Forming, SEMS .....	8
5	<u>102541501</u>	Nut-m6x1.0 Fl Mtl Lock,blk .....	2
6	<u>102883601</u>	Decal, Nameplate, CCI, Front .....	1
7	<u>105034401</u>	Fender, Front, Rh, Ca .....	1
8	<u>105034501</u>	Fender, Front, Lh, Ca .....	1
9	<u>105034601</u>	Bumper, Front, Plastic, Ca .....	1
10	<u>105034701</u>	Grille, Ca .....	1
11	<u>105034801</u>	Door, Charger Port, Ca .....	1
12	<u>105036701</u>	Spacer, Frt Fender, Ca .....	2

**1**  
**G**  
**E**

**1**  
**G**  
**E**



001300-005

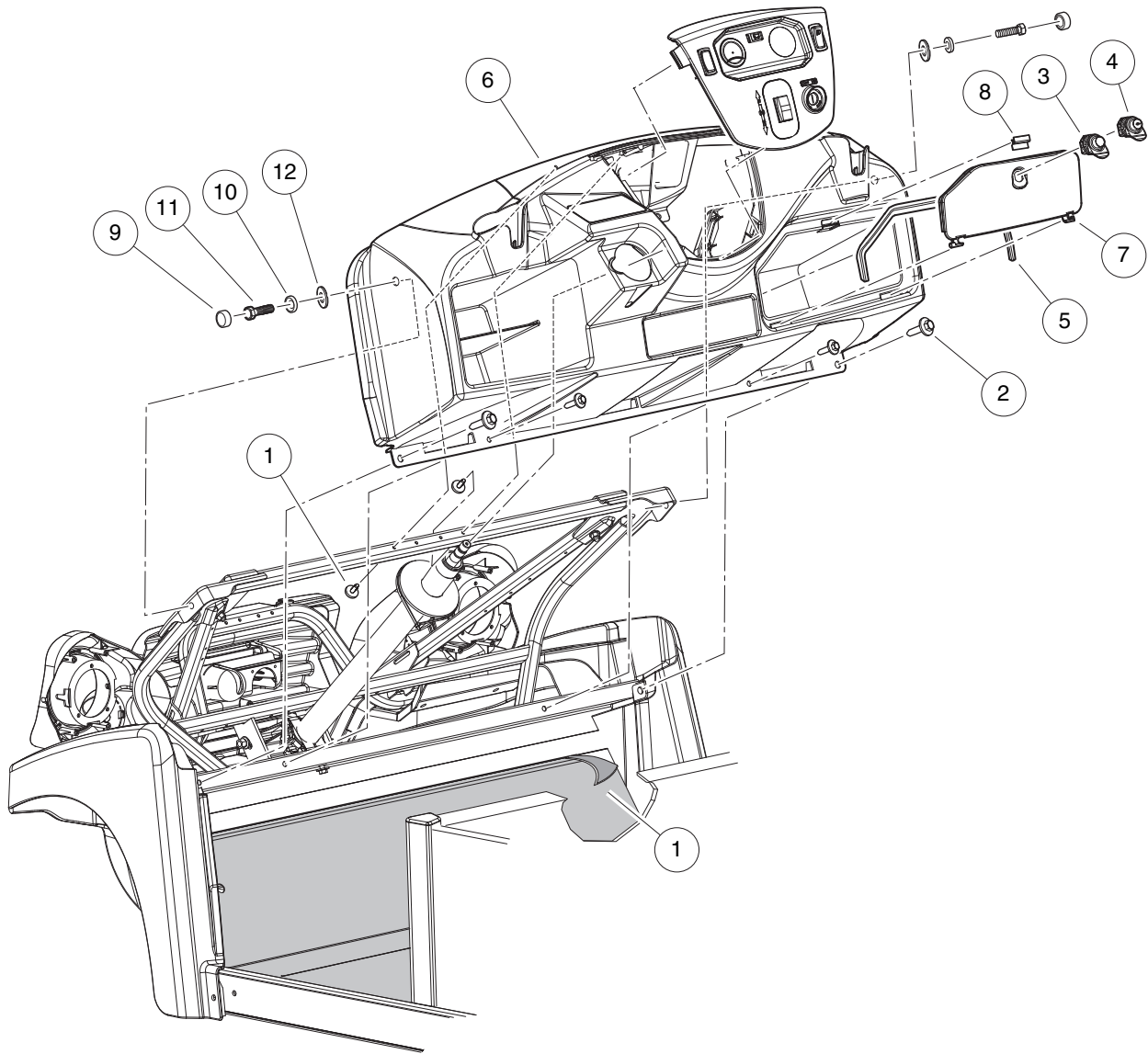
# HEADLIGHT BEZELS

ITEM	PART NO.	DESCRIPTION	QTY
		1 2 3 4	
1	<u>102297125</u>	Screw, M6-1.0x25.4, Thread-Forming, SEMS .....	6
2	<u>105034901</u>	Bezel, Hl, Lh, Ca .....	1
3	<u>105035001</u>	Bezel, Hl, Rh, Ca .....	1

**1**

**G**

**E**



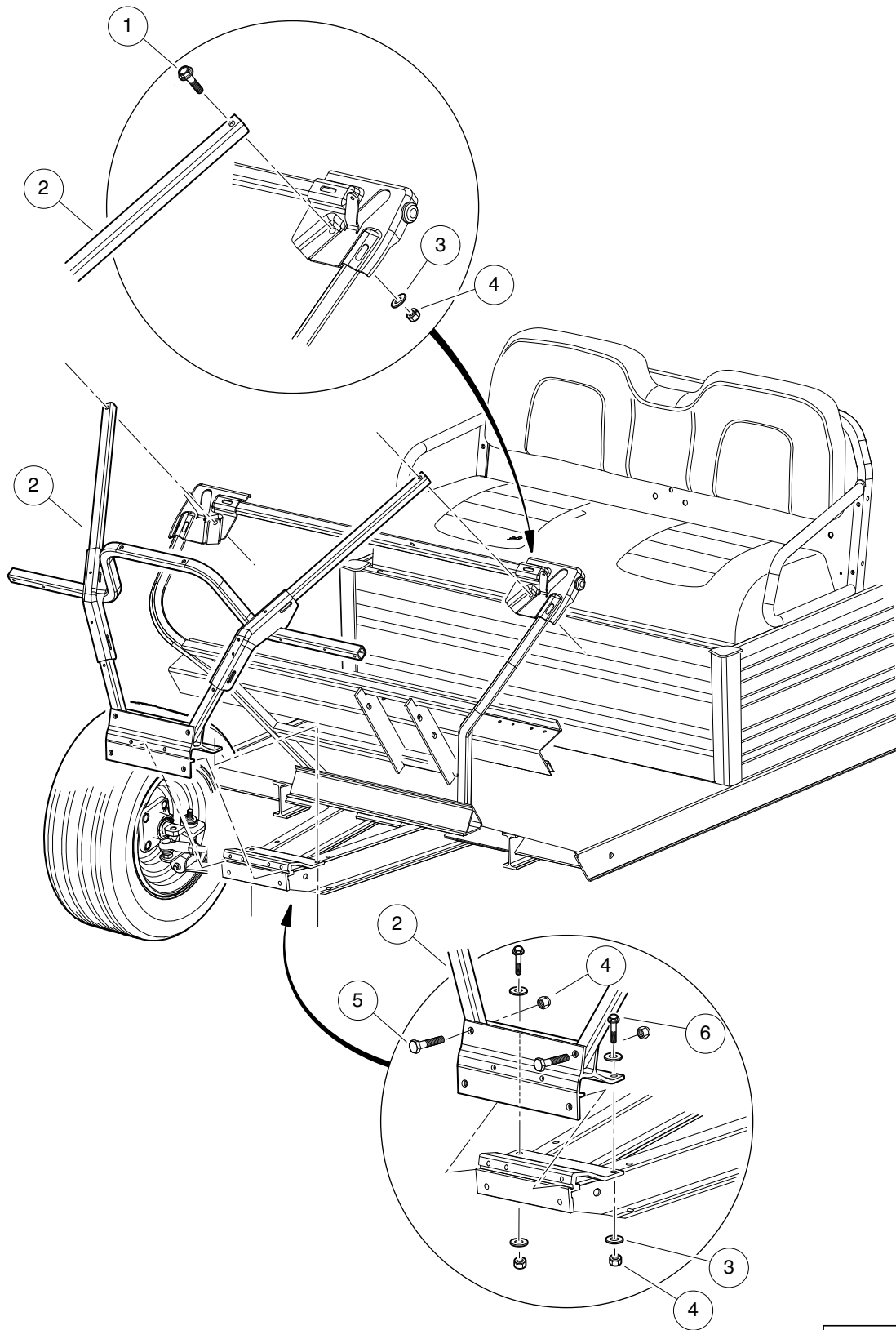
001300-006

# DASH, GLOVEBOX DOOR, AND FLOORMAT

ITEM	PART NO.	DESCRIPTION	QTY
		<b>1 2 3 4</b>	
1	<u>101503202</u>	Floormat .....	1
2	<u>102297125</u>	Screw, M6-1.0x25.4, Thread-Forming, SEMS .....	6
3	<u>103182701</u>	Latch, Push Close .....	1
4	<u>103182702</u>	Latch, Push Close W/ Key .....	1
5	103540203	Seal, Bulb, 13 X 27 X 579 Mm .....	1
6	<u>105034001</u>	Dash, Ca .....	1
7	<u>105034201</u>	Door, Glove Box, Ca .....	1
8	<u>105035701</u>	Keeper, Latch, Ca .....	1
9	<u>105049201</u>	Cover, Bolt, Rh Series .....	2
10	<u>105049301</u>	Cover, Washer, Rhw Series .....	2
11	320	Screw, 3/8-16 X 1.00 Hex-Head Cap .....	2
12	<u>334</u>	Washer, 3/8, Type A, Flat .....	2

1  
G  
E

**1**  
**G**  
**E**



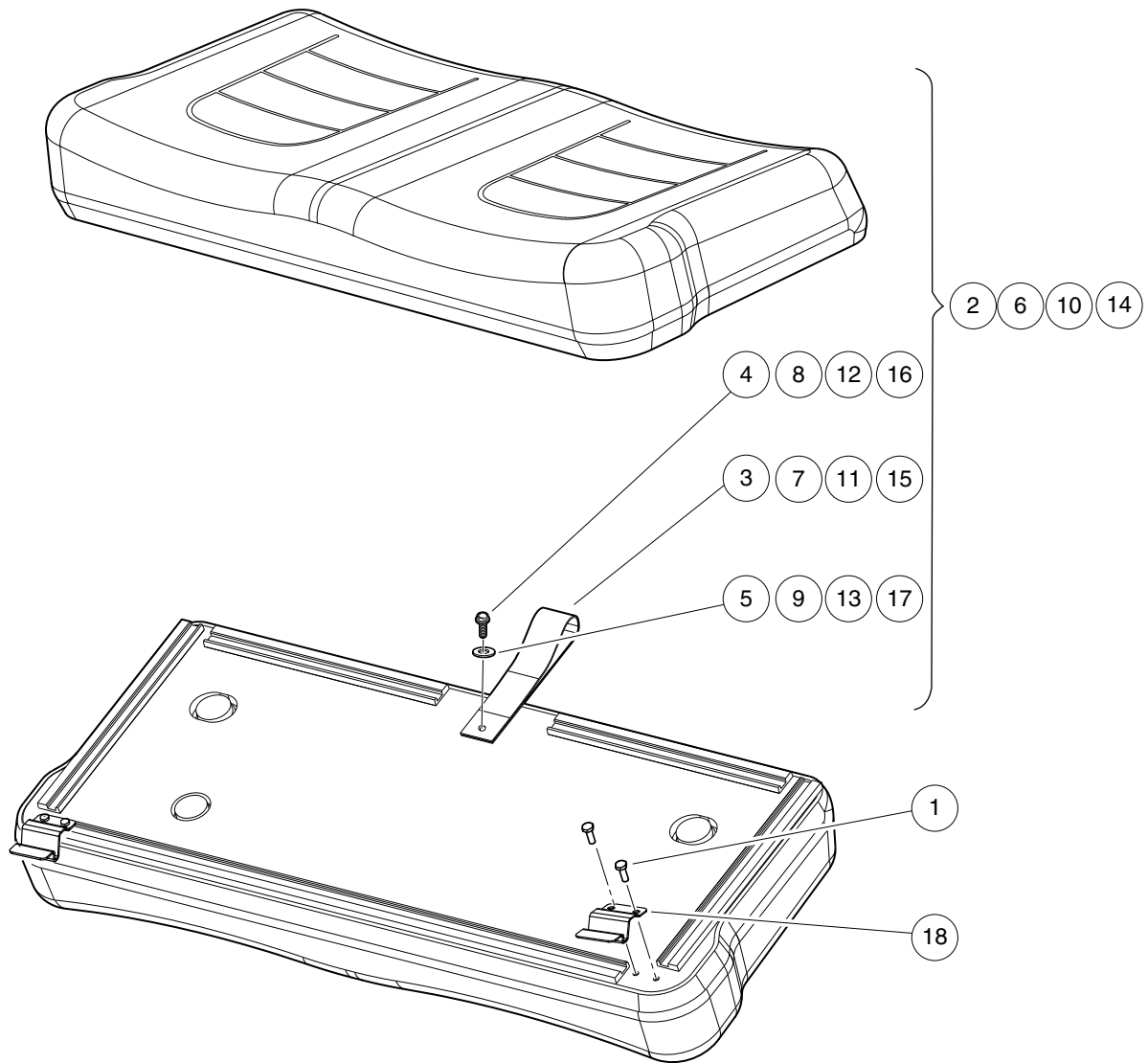
001107-001

# FRONT FRAME, STANDARD

ITEM	PART NO.	DESCRIPTION	QTY
		<b>1 2 3 4</b>	
1	<u>1011937</u>	Bolt, 5/16-18 X 1.25 Hex Head .....	2
2	<u>105007001</u>	Weldment, Front, Util, Std .....	1
3	<u>1241</u>	Washer, 5/16 Type A Flat .....	6
4	<u>7473</u>	Locknut, 5/16-18 Nylon Insert .....	6
5	<u>8935</u>	Screw, 5/16-18 X 2.25 Hex-Head Cap .....	2
6	<u>8963</u>	Screw, 5/16-18 X 1.75 Hex-Head Cap .....	2

1  
G  
E

**1**  
**G**  
**E**



001300-021



# SEAT BOTTOM

ITEM	PART NO.	DESCRIPTION	QTY
		<b>1 2 3 4</b>	
1	<u>101954301</u>	Screw, 1/4-20 X 0.75 Hex-Head Cap .....	4
2	<u>105064521</u>	Asm, Seatbottom, White, Ca, Sp (includes items 3 through 5) .....	1
3	<u>1013309</u>	Strap, Utility Seat .....	1
4	<u>101954301</u>	Screw, 1/4-20 X 0.75 Hex-Head Cap .....	1
5	<u>332</u>	Washer, 1/4 Type A Narrow Flat .....	1
6	<u>105064522</u>	Asm, Seatbottom, Black, Ca, Sp (includes items 7 through 9) .....	1
7	<u>1013309</u>	Strap, Utility Seat .....	1
8	<u>101954301</u>	Screw, 1/4-20 X 0.75 Hex-Head Cap .....	1
9	<u>332</u>	Washer, 1/4 Type A Narrow Flat .....	1
10	<u>105064523</u>	Asm, Seatbottom, Gray, Ca, Sp (includes items 11 through 13) .....	1
11	<u>1013309</u>	Strap, Utility Seat .....	1
12	<u>101954301</u>	Screw, 1/4-20 X 0.75 Hex-Head Cap .....	1
13	<u>332</u>	Washer, 1/4 Type A Narrow Flat .....	1
14	<u>105064524</u>	Asm, Seatbottom, Beige,ca, Sp (includes items 15 through 17) .....	1
15	<u>1013309</u>	Strap, Utility Seat .....	1
16	<u>101954301</u>	Screw, 1/4-20 X 0.75 Hex-Head Cap .....	1
17	<u>332</u>	Washer, 1/4 Type A Narrow Flat .....	1
18	<u>105200401</u>	Bracket,Hinge, Seat,CA .....	2

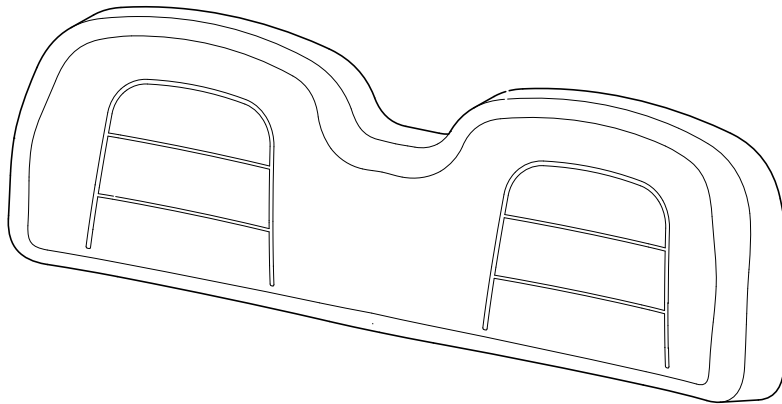
1  
G  
E

1

G

E

1 2 3 4



001300-022

# SEAT BACK

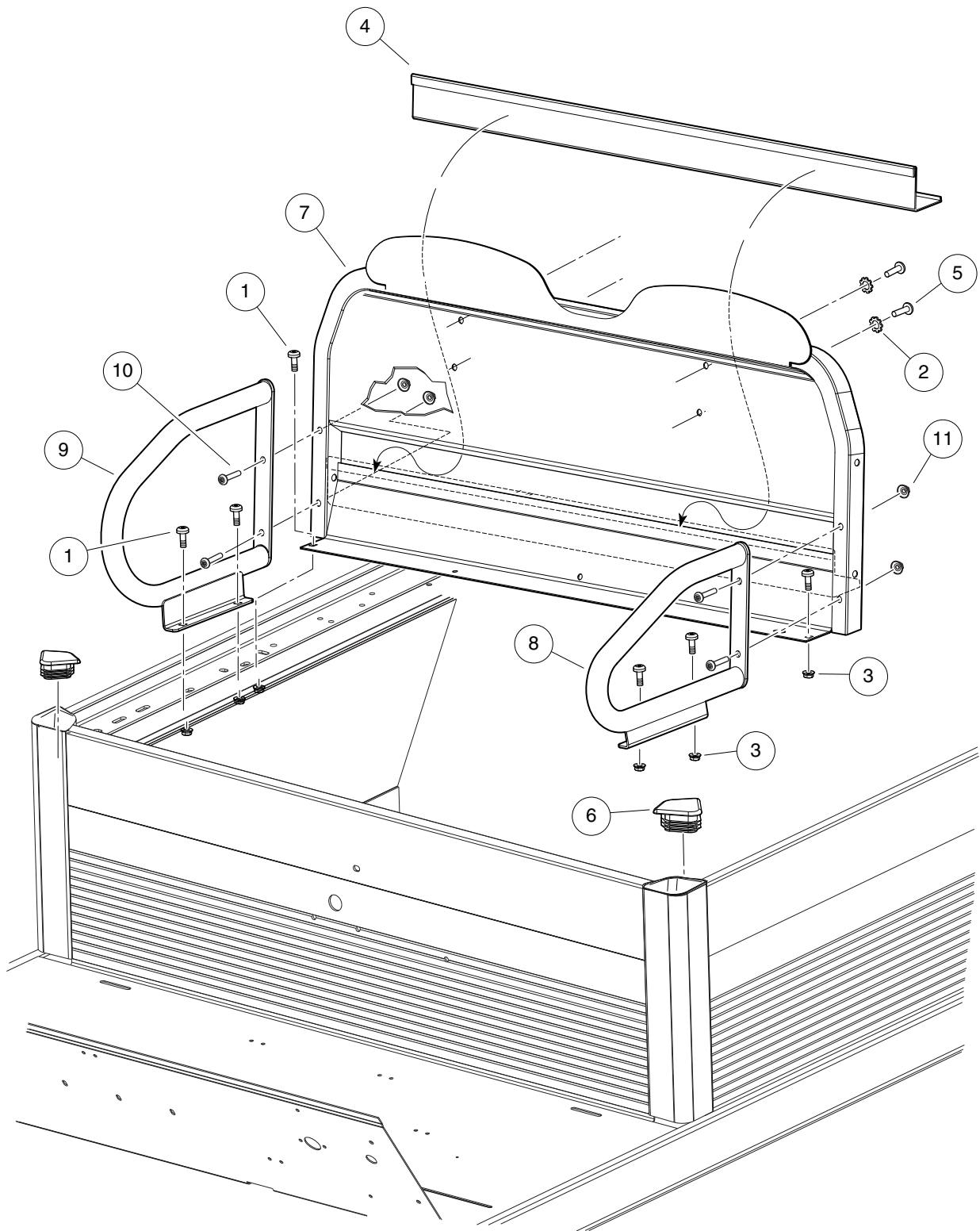
ITEM	PART NO.	DESCRIPTION	QTY
		1 2 3 4	
1	<u>105064121</u>	Asm, Seatback, White, Ca, Sp .....	1
2	<u>105064122</u>	Asm, Seatback, Black, Ca, Sp .....	1
3	<u>105064123</u>	Asm, Seatback, Gray, Ca, Sp .....	1
4	<u>105064124</u>	Asm, Seatback, Beige, Ca, Sp .....	1

1

G

E

**1**  
**G**  
**E**

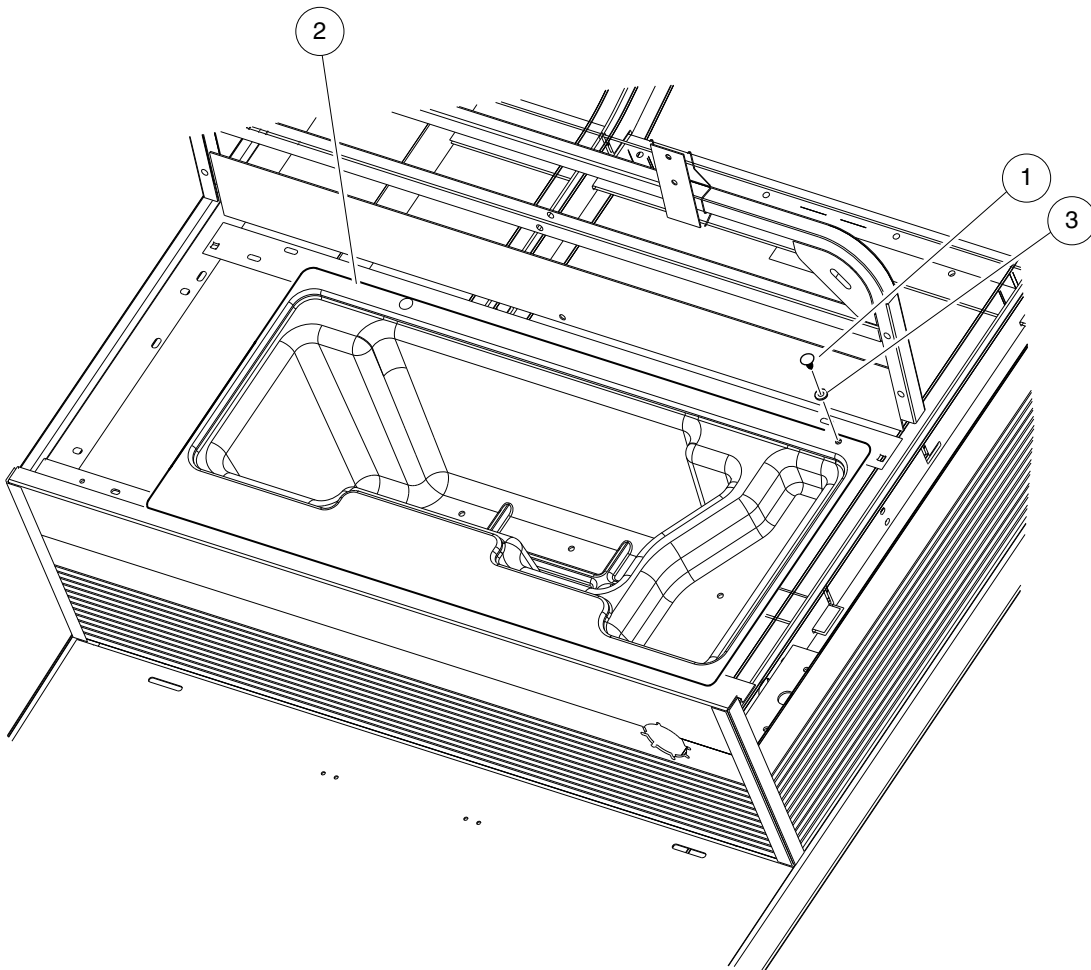


001161-003

# SEAT FRAME AND HIP-RESTRAINT

ITEM	PART NO.	DESCRIPTION	QTY
		1 2 3 4	
1	1015399	Screw, 5/16-18 X 0.88 Torx Truss-Head .....	6
2	<u>101946201</u>	Washer, Lock, 0.250 External-Tooth .....	4
3	<u>101963401</u>	Locknut, 5/16-18 Hex Flange .....	6
4	<u>102989501</u>	Seal, Bed, 41-Inch .....	1
5	<u>103487501</u>	Screw, 1/4-20 X 1.0, Black .....	4
6	<u>105006501</u>	Cap, Corner, Frame .....	2
7	<u>105062401</u>	Seatback, Weldment, Ca .....	1
8	<u>105063001</u>	Wldmnt, Hip Restraint, Sml, Lh .....	1
9	<u>105063002</u>	Wldmnt, Hip Restraint, Lrg, Rh .....	1
10	<u>105078401</u>	Scrw, 5/16-18 X 1.75, Tr Tx Hd .....	4
11	<u>105194301</u>	Nut, 5/16-18, Conical Washer .....	4

**1**  
**G**  
**E**

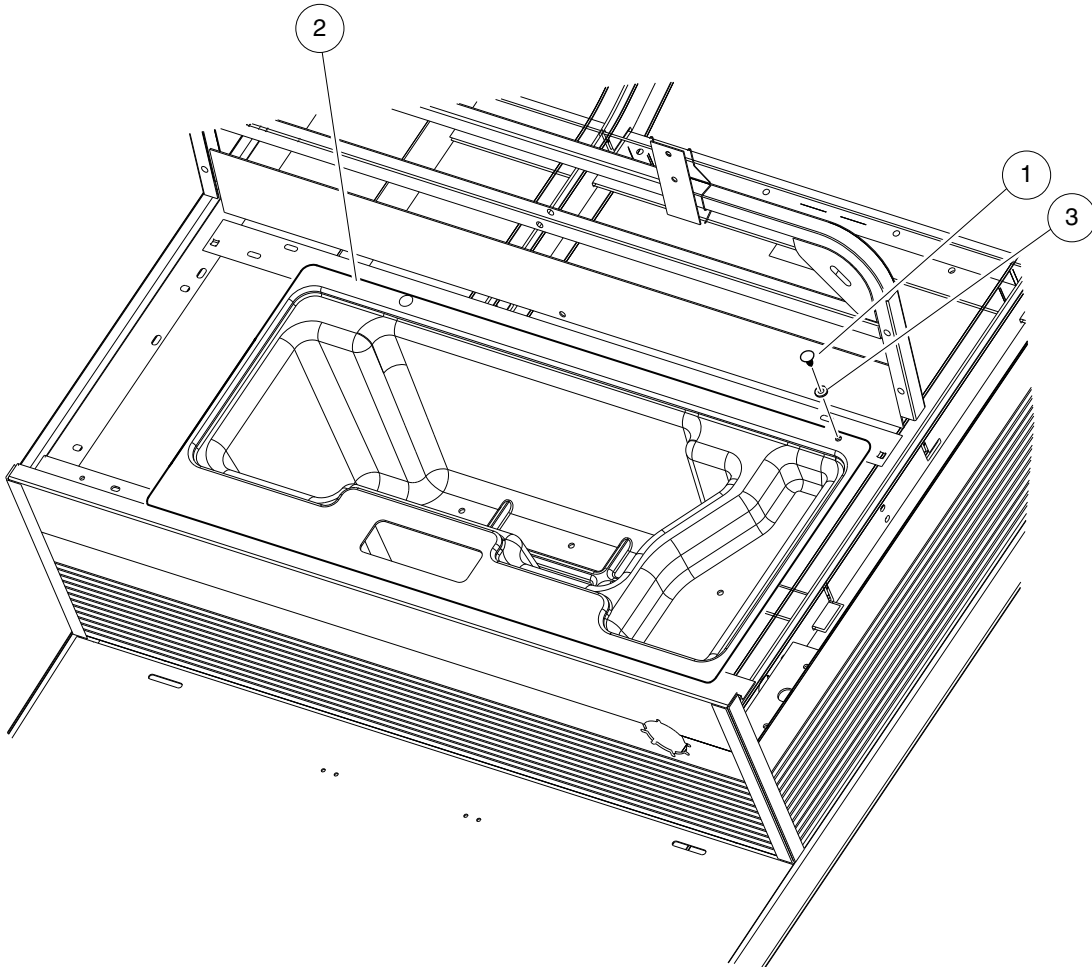


001171-001

# UNDERSEAT STORAGE – ELECTRIC VEHICLES

ITEM	PART NO.	DESCRIPTION	QTY
		1 2 3 4	
1	<u>1010434</u>	Barrel - Plastic .....	2
2	<u>103731003</u>	Container, Underseat, Ca, Ele .....	1
3	<u>332</u>	Washer, 1/4 Type A Narrow Flat .....	2

1  
G  
E



001172-001



## UNDERSEAT STORAGE – GASOLINE VEHICLES

ITEM	PART NO.	DESCRIPTION	QTY
		1 2 3 4	
1	<u>1010434</u>	Barrel - Plastic .....	2
2	<u>103731001</u>	Container, Underseat, CA,Gas .....	1
3	<u>332</u>	Washer, 1/4 Type A Narrow Flat .....	2

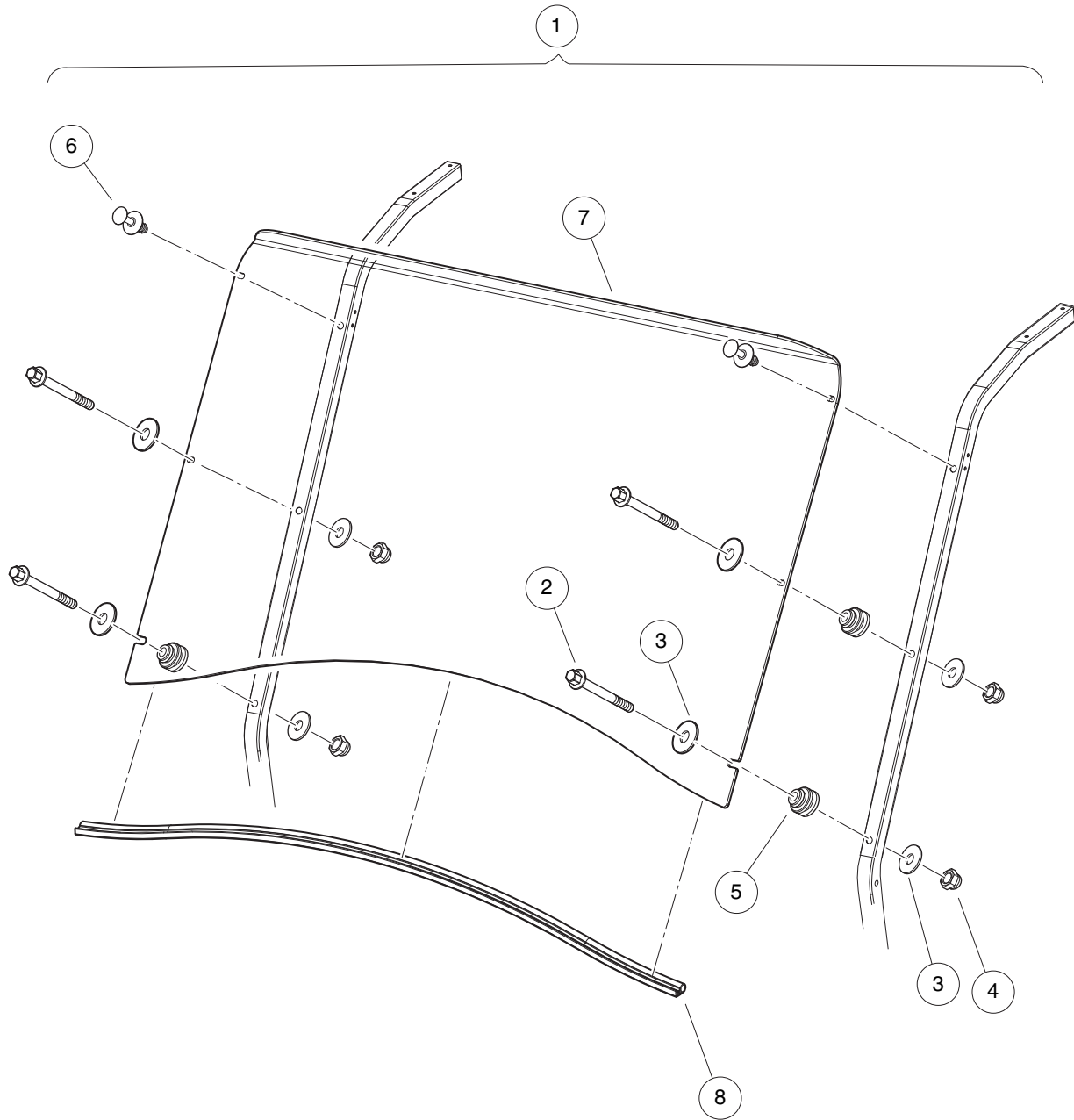
1  
G  
E



# WINDSHIELD, HINGED

ITEM	PART NO.	DESCRIPTION	QTY
		<b>1 2 3 4</b>	
1	<u>105109101</u>	Kit, Windshield, Hinged, Hb (includes items 2 through 9) .....	1
2	<u>102296150</u>	Bolt - M6x1.0x50 Hex Flng Hd .....	4
3	<u>102296301</u>	Washer, M6x18x1.6 Flat .....	4
4	<u>102582401</u>	Cap Nut M6, Sp .....	4
5	<u>102947601</u>	Grommet, Windshield .....	4
6	<u>103754901</u>	Fastener, Barrel - .610 X .25 .....	8
7	<u>105060901</u>	Windshield, Hinged, Utility Hb .....	1
8	<u>105069901</u>	Clip, Retainer, W/s 1.25" .....	2
9	<u>105196001</u>	seal,windshield .....	1

1  
G  
E



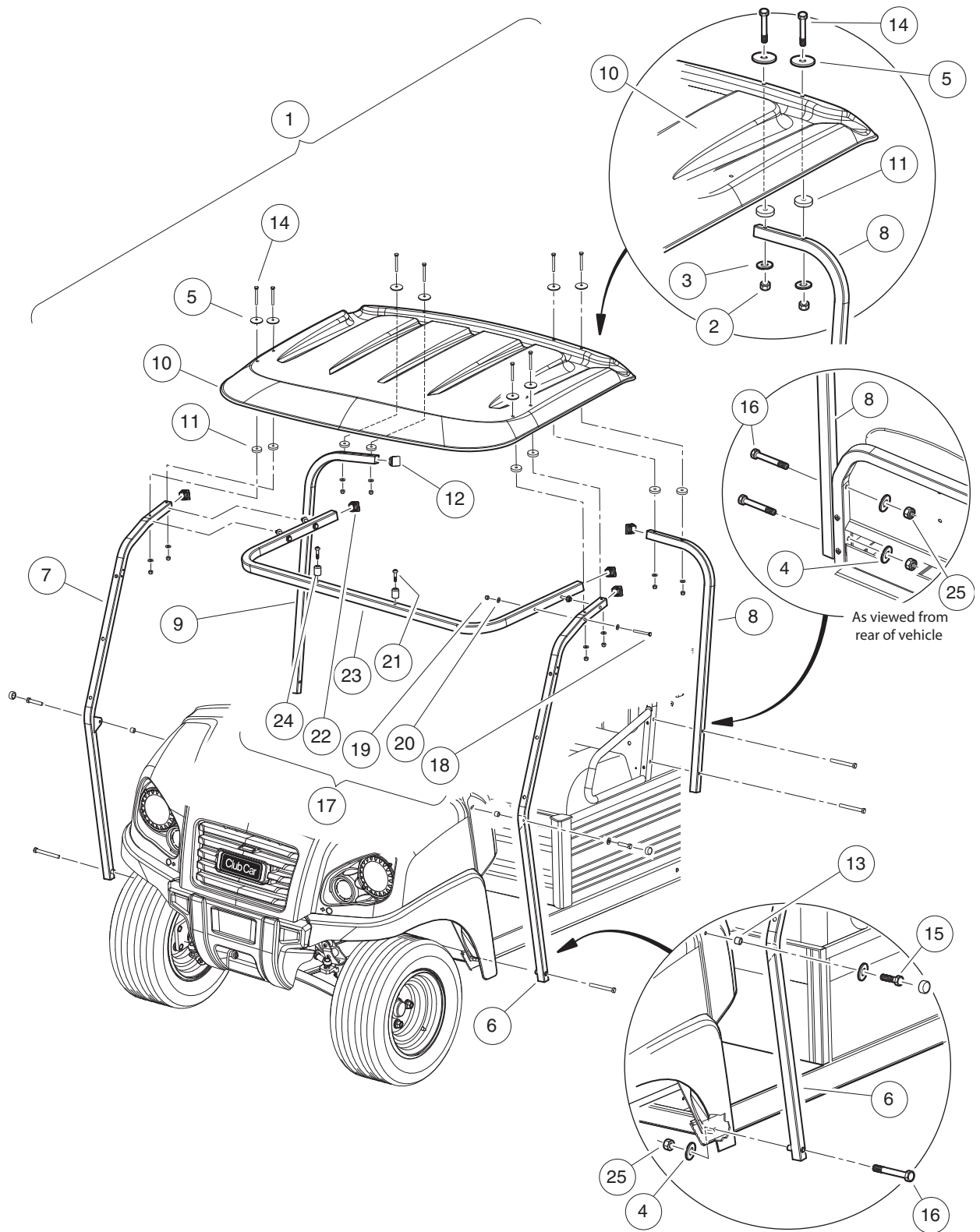
001115-001

# WINDSHIELD, NON-HINGED

ITEM	PART NO.	DESCRIPTION	QTY
		<b>1 2 3 4</b>	
1	<u>105109201</u>	Kit, Windshield, Single, Hb (includes items 2 through 8) .....	1
2	<u>102296150</u>	Bolt - M6x1.0x50 Hex Flng Hd .....	4
3	<u>102296301</u>	Washer, M6x18x1.6 Flat .....	8
4	<u>102582401</u>	Cap Nut M6, Sp .....	4
5	<u>102947601</u>	Grommet, Windshield .....	4
6	<u>105093501</u>	Blind Rivet, Push, 3-10 Panel .....	2
7	<u>105102301</u>	Windshield, Single, Hb .....	1
8	<u>105196001</u>	seal,windshield .....	1

**1**  
**G**  
**E**

**1**  
**G**  
**E**



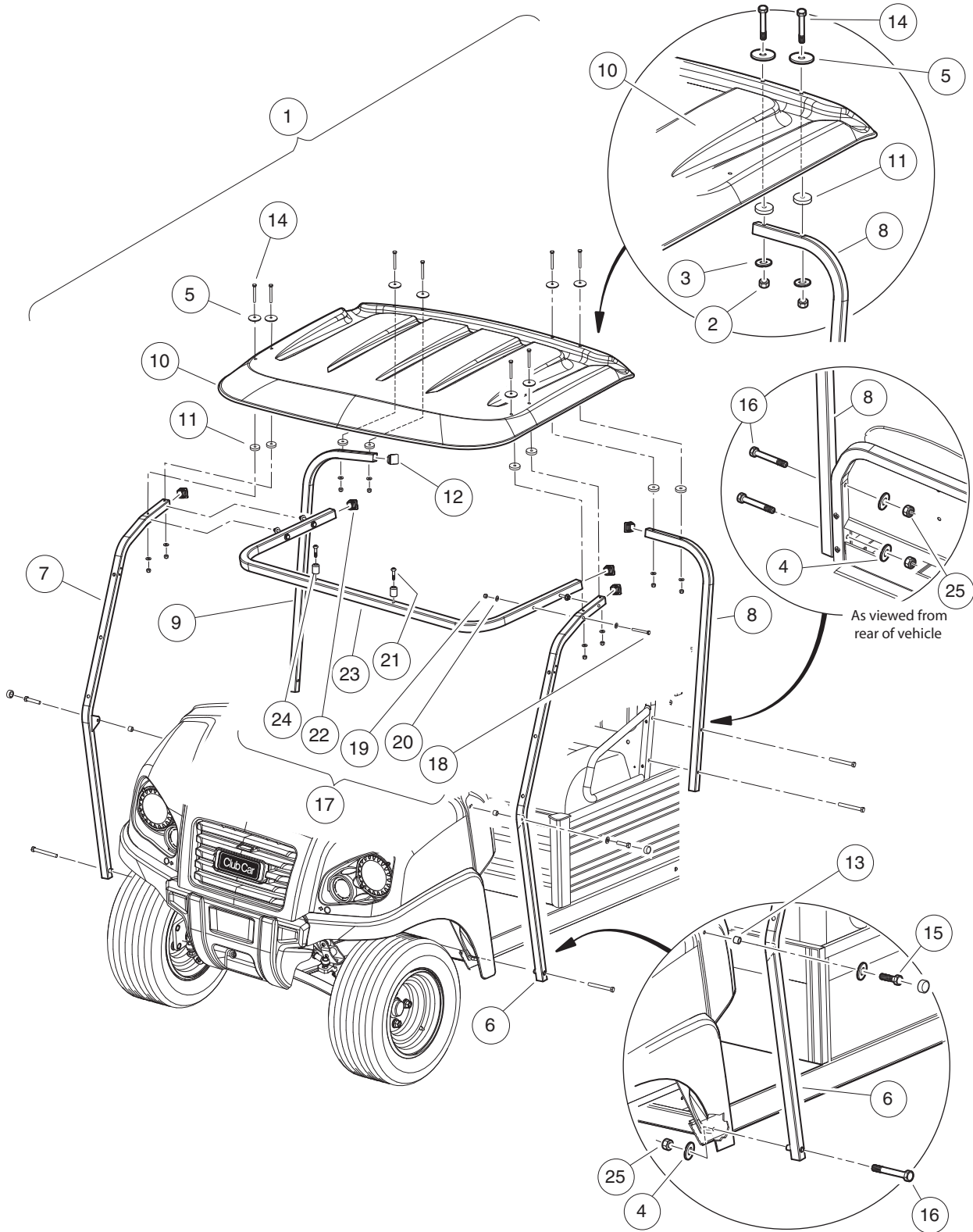
001300-014

# CANOPY KIT, WHITE

ITEM	PART NO.	DESCRIPTION	QTY
		<b>1 2 3 4</b>	
1	<u>105063301</u>	Kit, Canopy, Hb, White (includes items 2 through 25) .....	1
2	<u>102242401</u>	Nut - Nylon Insert W/cap .....	8
3	<u>102296301</u>	Washer, M6x18x1.6 Flat .....	8
4	<u>102323501</u>	Washer, Flat, 3/8, Blk Fin .....	6
5	<u>103196001</u>	Washer, Conical Spring, Canopy .....	8
6	<u>105063201</u>	Weldment, Strut, Ds, Hb .....	1
7	<u>105063202</u>	Weldment, Strut, Ps, Hb .....	1
8	<u>105063401</u>	Rear, Strut, Bent, Ds .....	1
9	<u>105063402</u>	Rear, Strut, Bent, Ps .....	1
10	<u>105072001</u>	Canopy, Short, Restyle, White .....	1
11	<u>105086101</u>	Spacer, Rubber, 7.1i D-6.35 Thk .....	8
12	<u>105092601</u>	Plug, Square -31.75mm .....	4
13	<u>105094001</u>	Spacer, Canopy Support, Dash .....	2
14	<u>105197301</u>	1/4-20 x 2.25, BHCS, 6-LOBE .....	8
15	<u>105197401</u>	BOLT, FLG, 3/8-16 X 1.00 LOC .....	2
16	<u>105197402</u>	BOLT, FLG, 3/8-16 X 3.00 .....	6
17	<u>105251901</u>	Kit, Canopy Support, Front (includes items 18 through 24) .....	1
18	<u>1012159</u>	Bolt, 1/4-20 X 2.75 Hex-Head .....	4
19	<u>102242401</u>	Nut - Nylon Insert W/cap .....	4
20	<u>102296301</u>	Washer, M6x18x1.6 Flat .....	8
21	<u>102557201</u>	Screw, #6-20 Type Abx1.00 Pan .....	2
22	<u>102581201</u>	Plug, Square - 25.4 mm .....	2
23	<u>105249901</u>	Tube, Front Support, Canopy, Utility .....	1
24	<u>105250501</u>	Bumper, Rubber, 3/4-in. Round .....	2
25	<u>8754</u>	Locknut, 3/8-16 Hex .....	6

**1**  
**G**  
**E**

**1**  
**G**  
**E**



001300-014

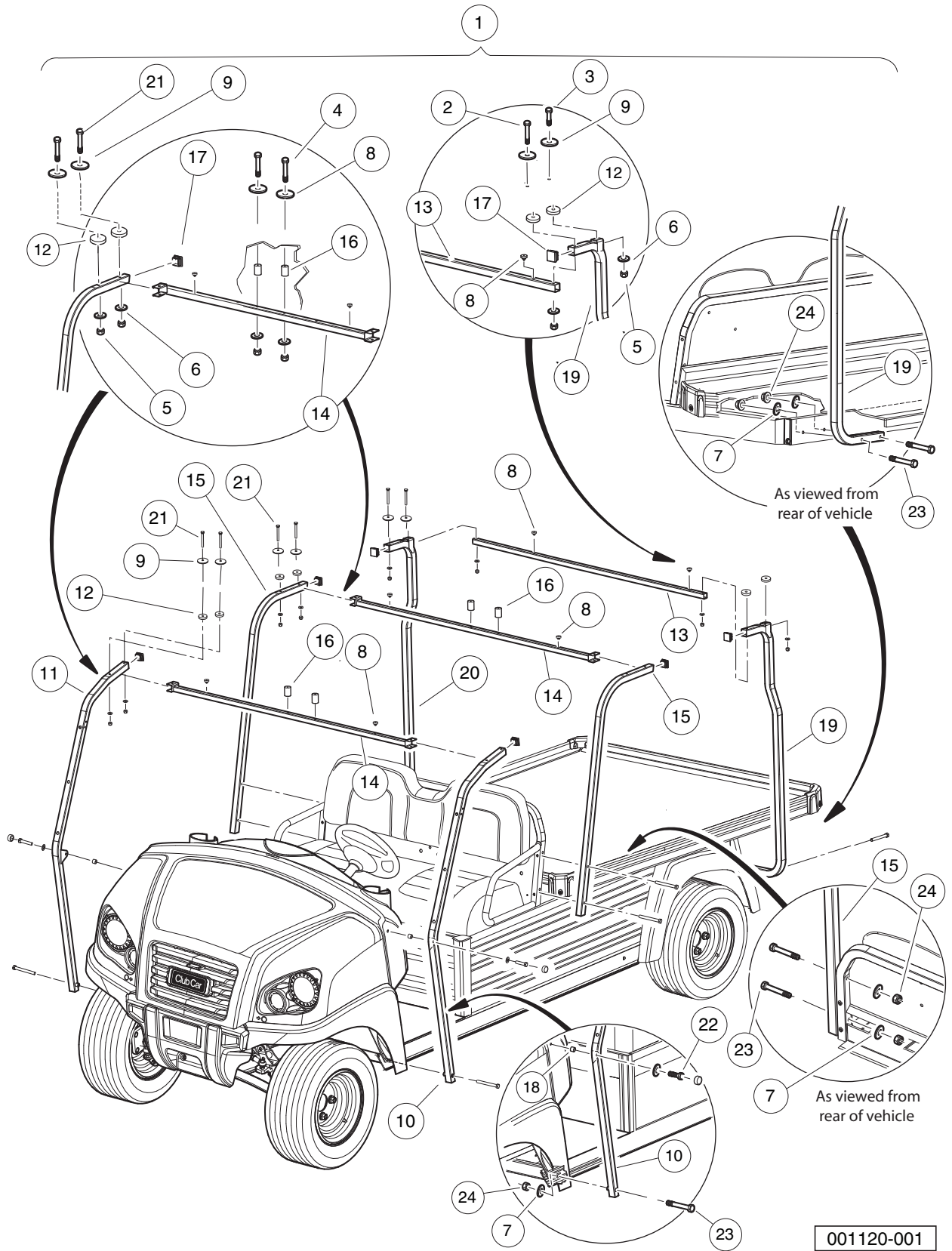


# CANOPY KIT, BIEGE

ITEM	PART NO.	DESCRIPTION	QTY
		<b>1 2 3 4</b>	
1	<u>105063302</u>	Kit, Canopy, Hb, Beige (includes items 2 through 25) .....	1
2	<u>102242401</u>	Nut - Nylon Insert W/cap .....	8
3	<u>102296301</u>	Washer, M6x18x1.6 Flat .....	8
4	<u>102323501</u>	Washer, Flat, 3/8, Blk Fin .....	6
5	<u>103196001</u>	Washer, Conical Spring, Canopy .....	8
6	<u>105063201</u>	Weldment, Strut, Ds, Hb .....	1
7	<u>105063202</u>	Weldment, Strut, Ps, Hb .....	1
8	<u>105063401</u>	Rear, Strut, Bent, Ds .....	1
9	<u>105063402</u>	Rear, Strut, Bent, Ps .....	1
10	<u>105072002</u>	Canopy, Short, Restyle, Beige .....	1
11	<u>105086101</u>	Spacer, Rubber, 7.1i D-6.35 Thk .....	8
12	<u>105092601</u>	Plug, Square -31.75mm .....	8
13	<u>105094001</u>	Spacer, Canopy Support, Dash .....	4
14	<u>105197301</u>	1/4-20 x 2.25, BHCS, 6-LOBE .....	8
15	<u>105197401</u>	BOLT, FLG, 3/8-16 X 1.00 LOC .....	2
16	<u>105197402</u>	BOLT, FLG, 3/8-16 X 3.00 .....	6
17	<u>105251901</u>	Kit, Canopy Support, Front (includes items 18 through 24) .....	1
18	<u>1012159</u>	Bolt, 1/4-20 X 2.75 Hex-Head .....	4
19	<u>102242401</u>	Nut - Nylon Insert W/cap .....	4
20	<u>102296301</u>	Washer, M6x18x1.6 Flat .....	8
21	<u>102557201</u>	Screw, #6-20 Type Abx1.00 Pan .....	2
22	<u>102581201</u>	Plug, Square - 25.4 mm .....	2
23	<u>105249901</u>	Tube, Front Support, Canopy, Utility .....	1
24	<u>105250501</u>	Bumper, Rubber, 3/4-in. Round .....	2
25	<u>8754</u>	Locknut, 3/8-16 Hex .....	6

**1**  
**G**  
**E**

**1**  
**G**  
**E**



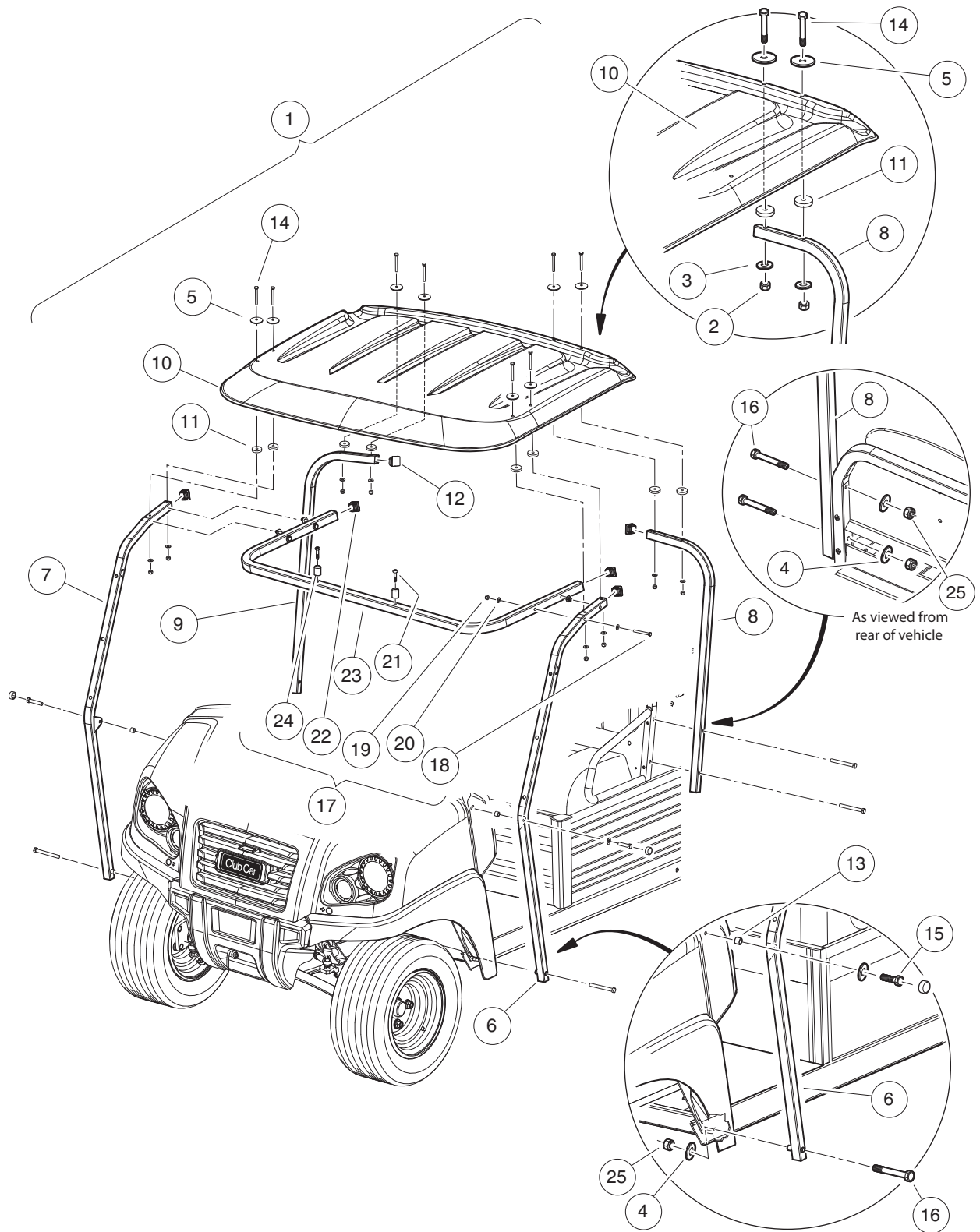
001120-001

# CANOPY SUPPORT KIT – LONG

ITEM	PART NO.	DESCRIPTION	QTY
		<b>1 2 3 4</b>	
1	<u>105100301</u>	Kit, Canopy Support, Tp6 (includes items 2 through 24) .....	1
2	<u>1012462</u>	Bolt, 1/4-20 X 3.50 Hex Head .....	2
3	<u>101861901</u>	Screw, 1/4-20 X 1.125 Hex Cap .....	2
4	<u>102063601</u>	Screw, 1/4-20 X 3.25 Hex Cap .....	4
5	<u>102242401</u>	Nut - Nylon Insert W/cap .....	16
6	<u>102296301</u>	Washer, M6x18x1.6 Flat .....	16
7	<u>102323501</u>	Washer, Flat, 3/8, Blk Fin .....	14
8	<u>102590801</u>	Bumper, Rubber .....	6
9	<u>103196001</u>	Washer, Conical Spring, Canopy .....	16
10	<u>105063201</u>	Weldment, Strut, Ds, Hb .....	1
11	<u>105063202</u>	Weldment, Strut, Ps, Hb .....	1
12	<u>105086101</u>	Spacer, Rubber,7.1i D-6.35 Thk .....	14
13	<u>105087101</u>	Tube, Crs Support, Lg Canopy .....	1
14	<u>105087201</u>	Weldmnt, Crs Supprt, Lg Canopy .....	2
15	<u>105087301</u>	Strut, Rear, Long Canopy, Res .....	2
16	<u>105089201</u>	Spacer, Ruber-30 Odx42 Ht-1/4 .....	4
17	<u>105092601</u>	Plug, Square -31.75mm .....	6
18	<u>105094001</u>	Spacer, Canopy Support, Dash .....	2
19	<u>105099901</u>	Weldment, Strut Sup Lg, Fds Ds .....	1
20	<u>105099902</u>	Weldment, Strut Sup Lg, Fds Ps .....	1
21	<u>105197301</u>	1/4-20 x 2.25,BHCS,6-LOBE .....	10
22	<u>105197401</u>	BOLT,FLG,3/8-16 X 1.00 LOC .....	2
23	<u>105197402</u>	BOLT,FLG,3/8-16 X 3.00 .....	10
24	<u>8754</u>	Locknut, 3/8-16 Hex .....	10

**1**  
**G**  
**E**

**1**  
**G**  
**E**



001300-014

# CANOPY KIT, BLACK

ITEM	PART NO.	DESCRIPTION	QTY
		<b>1 2 3 4</b>	
1	<u>105063303</u>	Kit, Canopy, Hb, Black (includes items 2 through 25) .....	1
2	<u>102242401</u>	Nut - Nylon Insert W/cap .....	8
3	<u>102296301</u>	Washer, M6x18x1.6 Flat .....	8
4	<u>102323501</u>	Washer, Flat, 3/8, Blk Fin .....	6
5	<u>103196001</u>	Washer, Conical Spring, Canopy .....	8
6	<u>105063201</u>	Weldment, Strut, Ds, Hb .....	1
7	<u>105063202</u>	Weldment, Strut, Ps, Hb .....	1
8	<u>105063401</u>	Rear, Strut, Bent, Ds .....	1
9	<u>105063402</u>	Rear, Strut, Bent, Ps .....	1
10	<u>105072003</u>	Canopy, Short, Restyle, Blk .....	1
11	<u>105086101</u>	Spacer, Rubber, 7.1i D-6.35 Thk .....	8
12	<u>105092601</u>	Plug, Square -31.75mm .....	4
13	<u>105094001</u>	Spacer, Canopy Support, Dash .....	2
14	<u>105197301</u>	1/4-20 x 2.25, BHCS, 6-LOBE .....	8
15	<u>105197401</u>	BOLT, FLG, 3/8-16 X 1.00 LOC .....	2
16	<u>105197402</u>	BOLT, FLG, 3/8-16 X 3.00 .....	6
17	<u>105251901</u>	Kit, Canopy Support, Front (includes items 18 through 24) .....	1
18	<u>1012159</u>	Bolt, 1/4-20 X 2.75 Hex-Head .....	4
19	<u>102242401</u>	Nut - Nylon Insert W/cap .....	4
20	<u>102296301</u>	Washer, M6x18x1.6 Flat .....	8
21	<u>102557201</u>	Screw, #6-20 Type Abx1.00 Pan .....	2
22	<u>102581201</u>	Plug, Square - 25.4 mm .....	2
23	<u>105249901</u>	Tube, Front Support, Canopy, Utility .....	1
24	<u>105250501</u>	Bumper, Rubber, 3/4-in. Round .....	2
25	<u>8754</u>	Locknut, 3/8-16 Hex .....	6

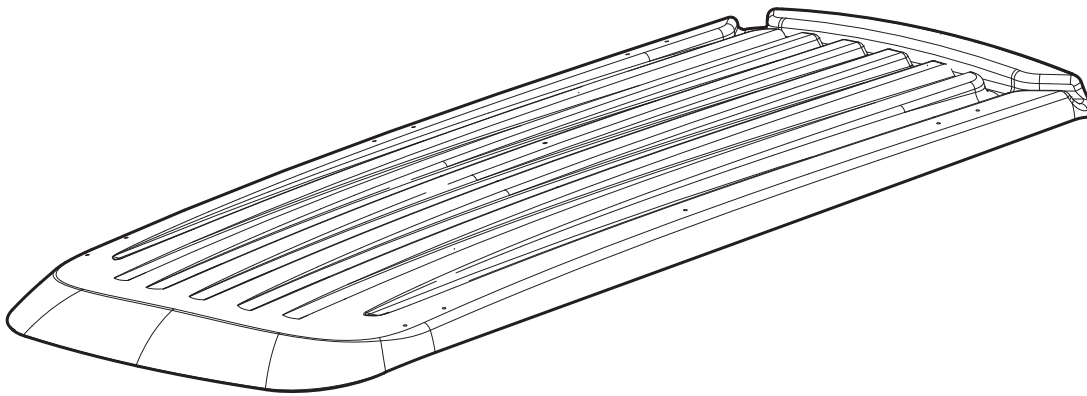
**1**  
**G**  
**E**

1

G

E

1 2 3



001121-001

# CANOPY – LONG

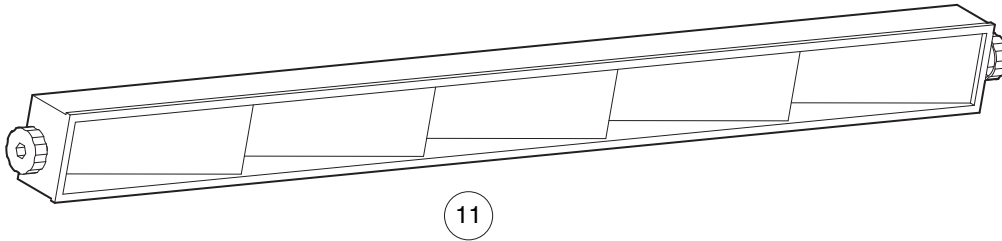
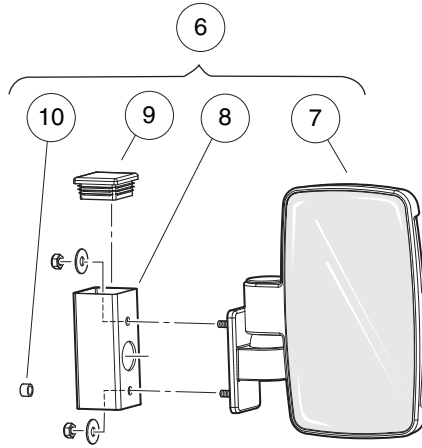
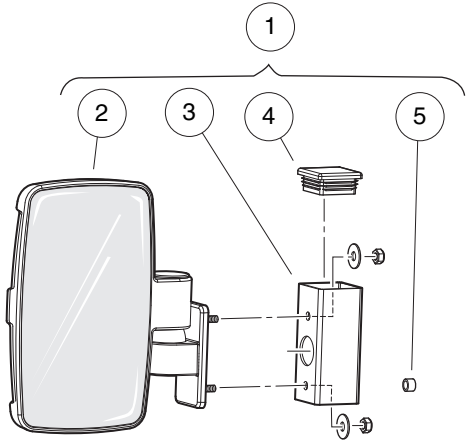
ITEM	PART NO.	DESCRIPTION	QTY
		1 2 3 4	
1	<u>105077601</u>	Canopy, Long, Restyle, White .....	1
2	<u>105077602</u>	Canopy, Long, Restyle, Beige .....	1
3	<u>105077603</u>	Canopy, Long, Restyle, Black .....	1

1

G

E

**1**  
**G**  
**E**



001300-019

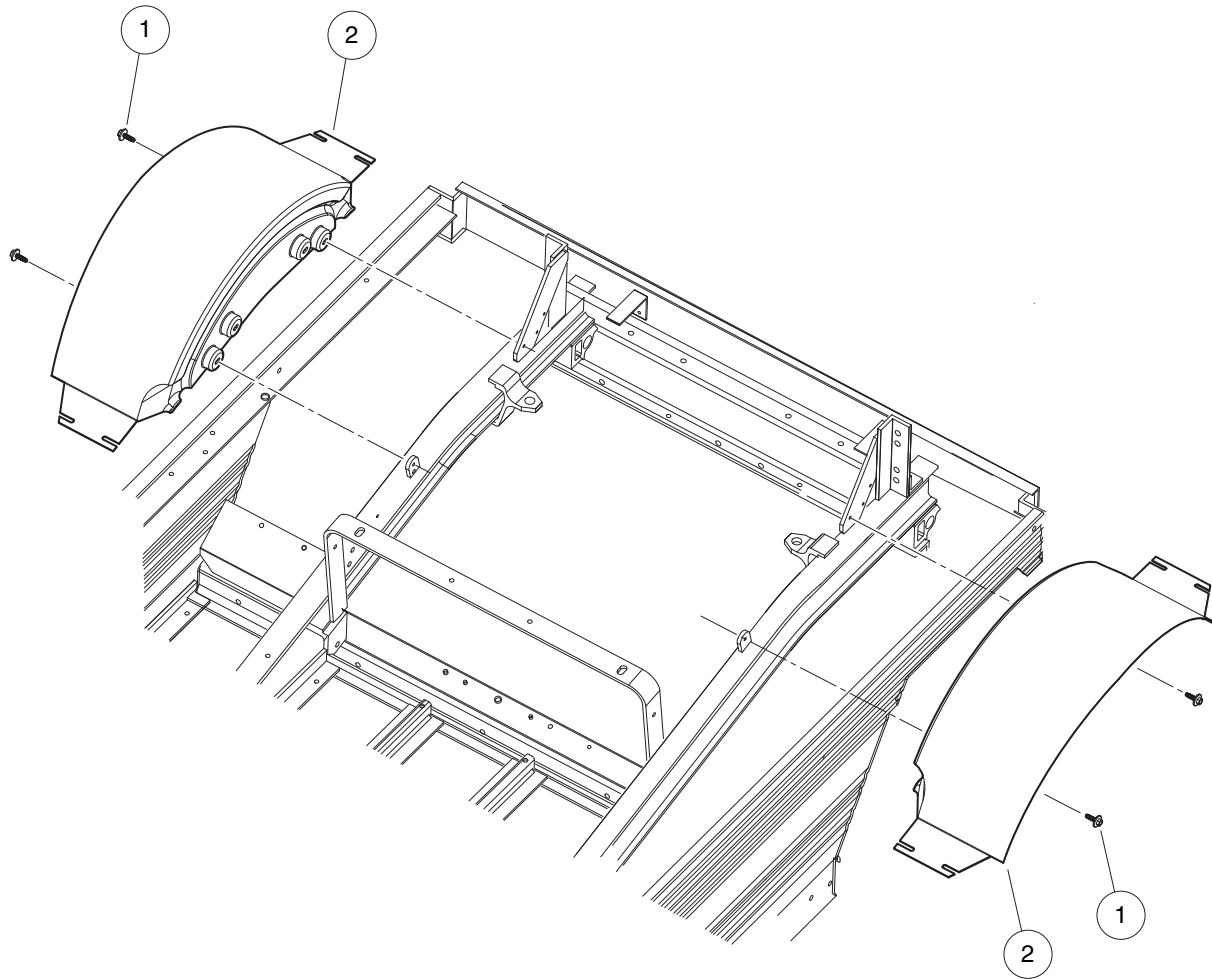


# MIRRORS

ITEM	PART NO.	DESCRIPTION	QTY
		<b>1 2 3 4</b>	
1	<u>105124201</u>	Kit, Mirror, Hb, Res, Ds (includes items 2 through 5) .....	1
2	<u>105128801</u>	Asm, Mirror, Utl Res, Ds .....	1
3	105128901	Tube, Mirror, Support .....	1
4	105129001	Plug, Square 38.1 Mm .....	1
5	105170101	Spacer, M6, Plastic .....	1
6	<u>105124202</u>	Kit, Mirror, Hb, Res, Ps (includes items 7 through 10) .....	1
7	<u>105128802</u>	Asm, Mirror, Utl Res, Ps .....	1
8	105128901	Tube, Mirror, Support .....	1
9	105129001	Plug, Square 38.1 Mm .....	1
10	105170101	Spacer, M6, Plastic .....	1
11	<u>105288801</u>	Kit, Mirror, 5 Panel, Canopy .....	1

**1**  
**G**  
**E**

**1**  
**G**  
**E**

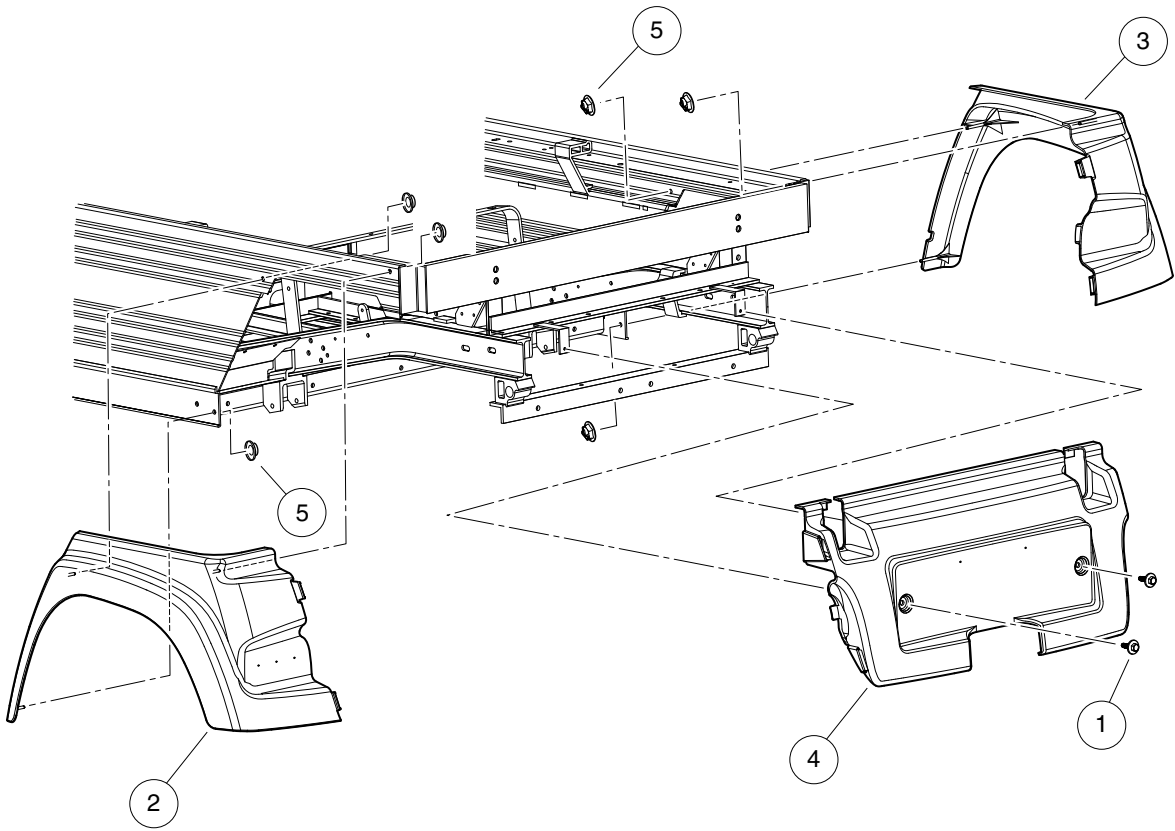


001123-001

# INNER REAR FENDERS

ITEM	PART NO.	DESCRIPTION	QTY
1	<u>102297125</u>	1 2 3 4 Screw, M6-1.0x25.4, Thread-Forming, SEMS .....	4
2	<u>105035801</u>	Fender, Inner, Ca .....	2

**1**  
**G**  
**E**



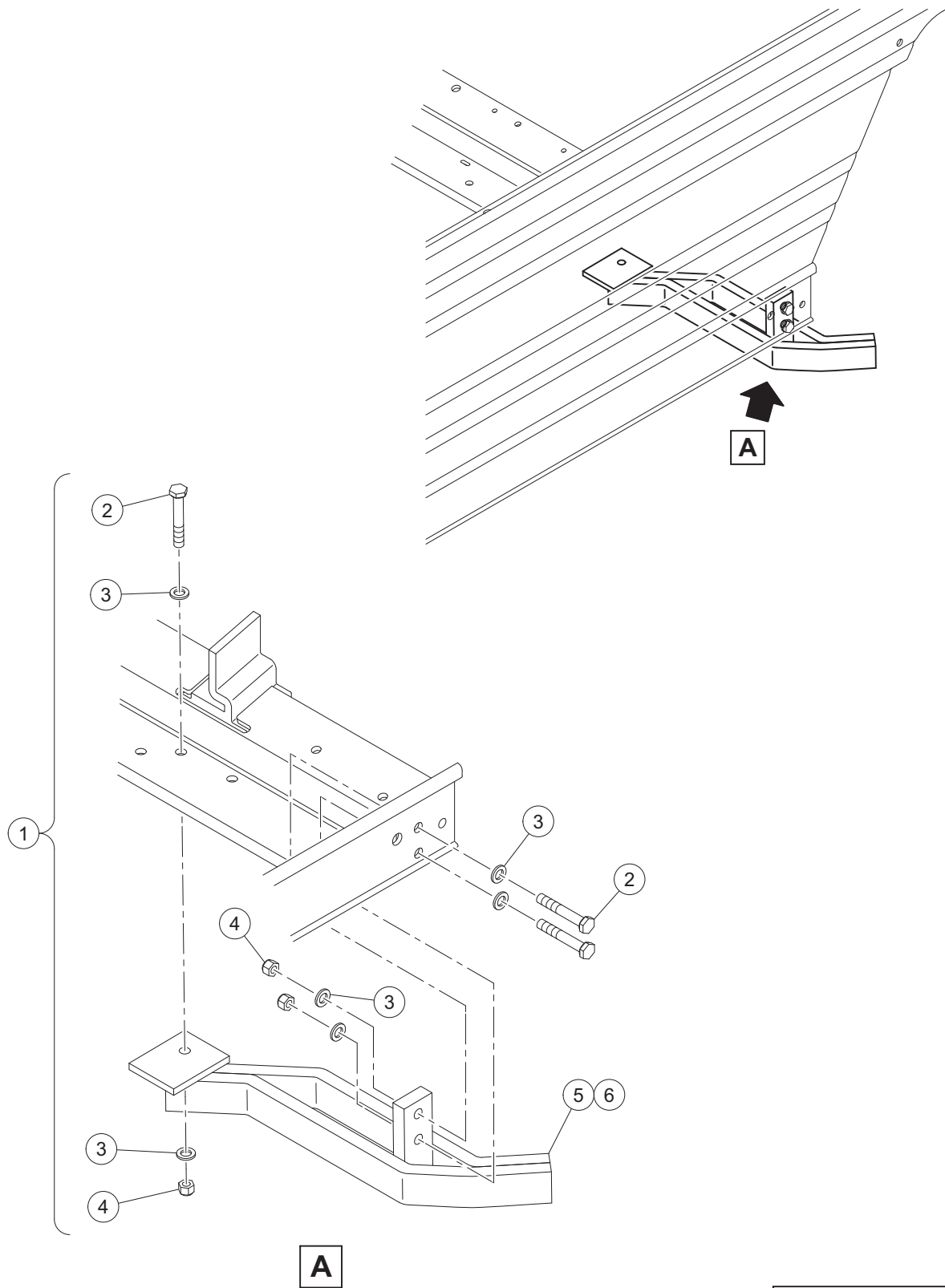
001124-001

# REAR FENDERS AND TAIL SKIRT

ITEM	PART NO.	DESCRIPTION	QTY
		<b>1 2 3 4</b>	
1	<u>102297125</u>	Screw, M6-1.0x25.4, Thread-Forming, SEMS .....	2
2	<u>105035101</u>	Fender, Rear, Lh, Ca .....	1
3	<u>105035201</u>	Fender, Rear, Rh, Ca .....	1
4	<u>105035301</u>	Tailskirt, Ca .....	1
5	<u>105066401</u>	Nut, Self Thread, 5x10x15 .....	6

1  
G  
E

**1**  
**G**  
**E**



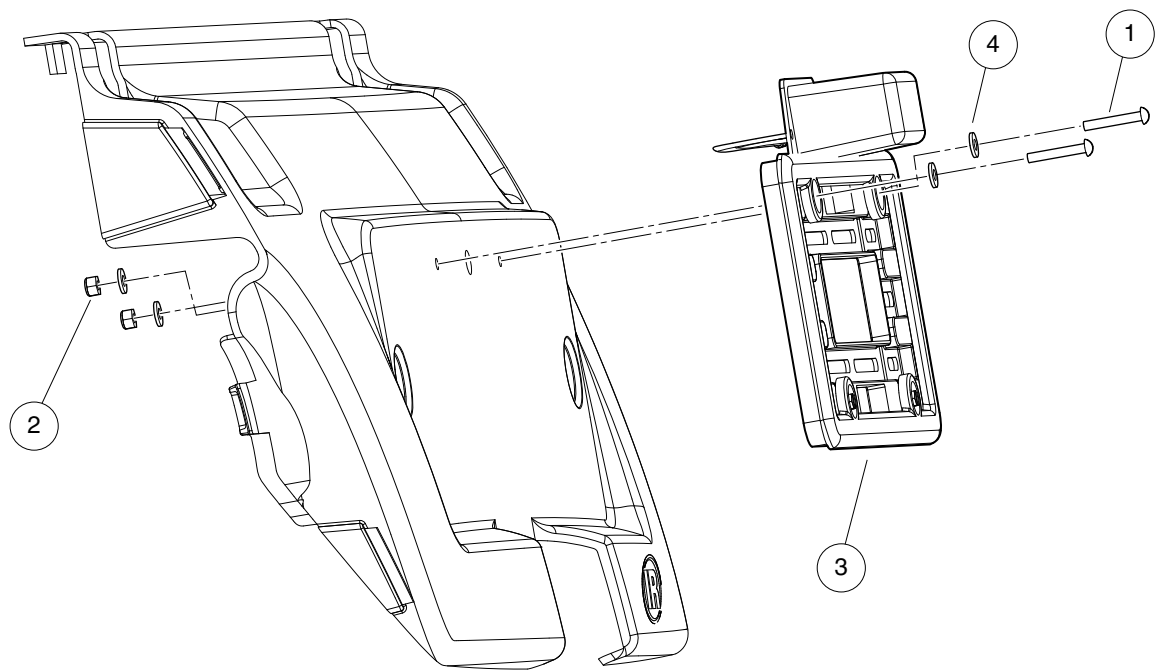
G-140199-000016

# REAR BUMPER GUARDS

ITEM	PART NO.	DESCRIPTION	QTY
		1 2 3 4	
1	47653325002	Kit, Bumper Guard, Rear, Ca (includes items 2 through 6) .....	1
2	1218	Screw, 5/16-18 X 1.25 Hex-Head Cap .....	6
3	<u>1241</u>	Washer, 5/16 Type A Flat .....	12
4	<u>7473</u>	Locknut, 5/16-18 Nylon Insert .....	6
5	SVP707604	Wldmnt, Bumper Guard, Driver .....	1
6	SVP707605	Wldmnt, Bumper Guard, Pass .....	1

1  
G  
E

**1**  
**G**  
**E**



001170-001

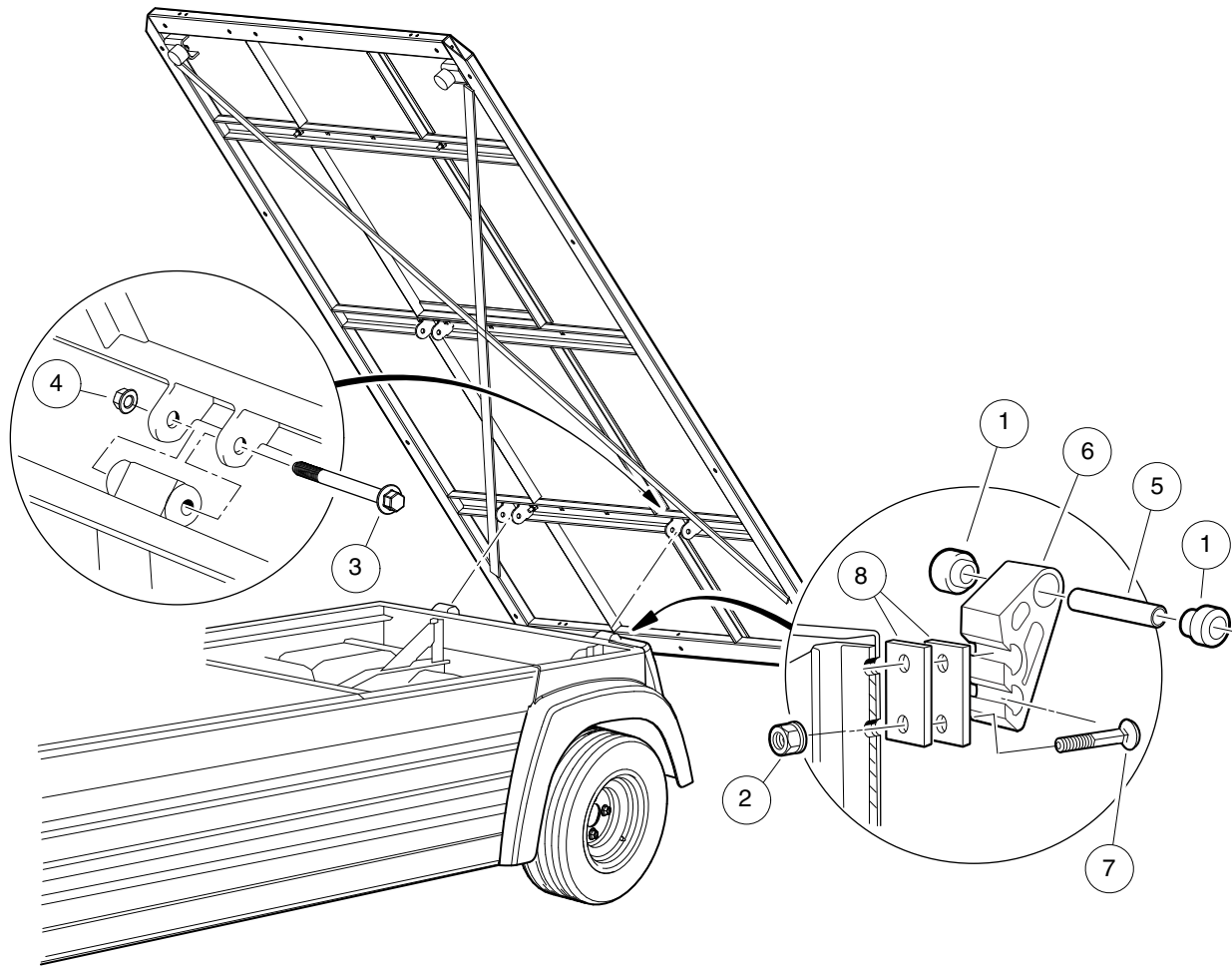


# REAR LICENSE PLATE HOLDER

ITEM	PART NO.	DESCRIPTION	QTY
		1 2 3 4	
1	<u>1010909</u>	Screw, #10-32 X 1.25 Rd Hd Mch .....	2
2	<u>1013061</u>	Locknut, #10-32 Nylon Insert .....	2
3	N/A	License Plate,ASM, Rear .....	1
4	<u>183</u>	Washer, #10, Type A, Flat .....	4

1  
G  
E

**1**  
**G**  
**E**



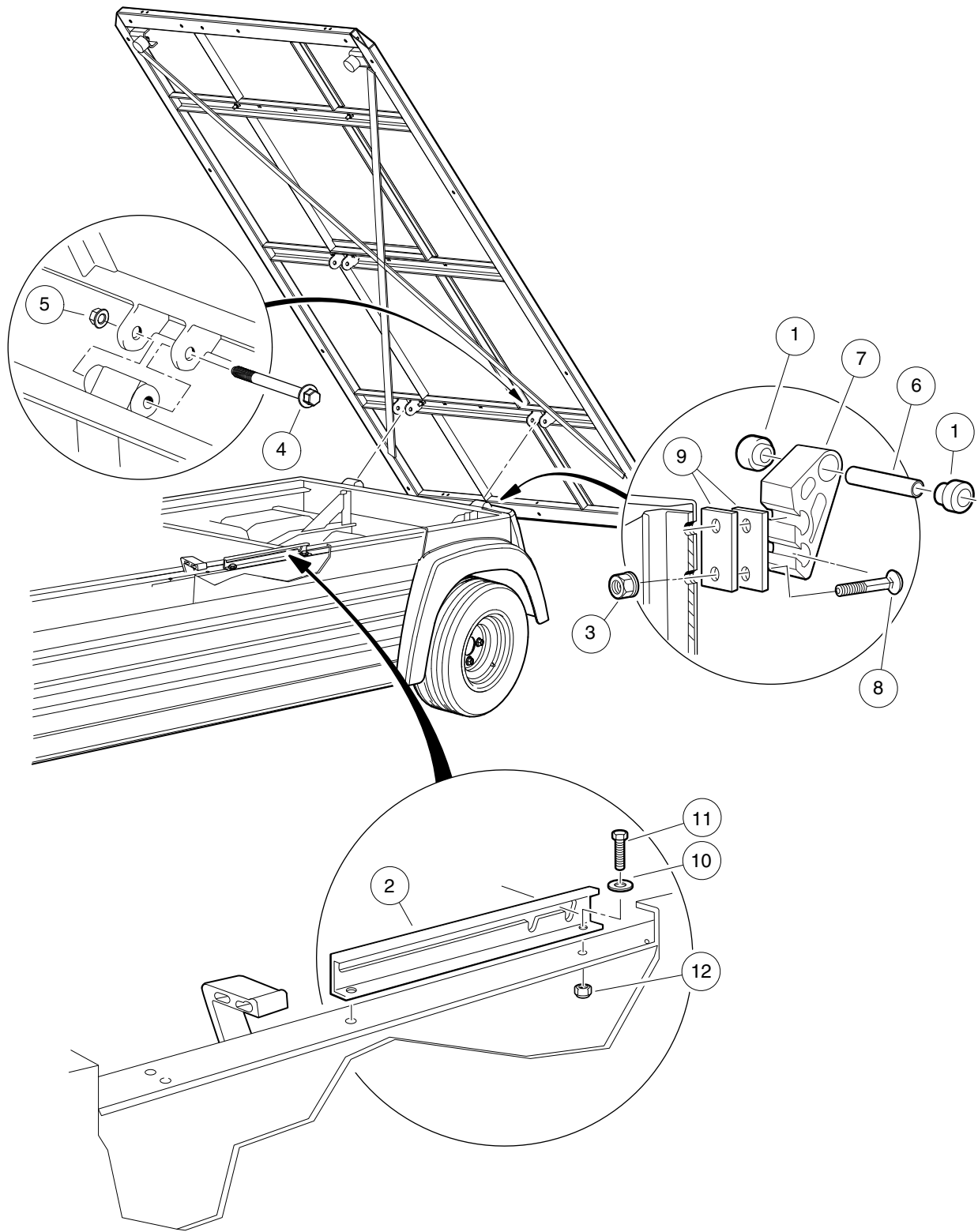
001149-001

# TILT BED (LONG) HINGE – ELECTRIC VEHICLE

ITEM	PART NO.	DESCRIPTION	QTY
		1 2 3 4	
1	<u>1015583</u>	Bushing, Urethane .....	4
2	<u>102065901</u>	Locknut, 3/8-16 Flanged Dimple .....	4
3	<u>102298185</u>	Bolt - Flange Hd, M8 X 85.0 .....	2
4	<u>102298401</u>	Nut,m8,all Metal Lock .....	2
5	<u>102506401</u>	Sleeve - Spring Eye Mounts .....	2
6	<u>103538701</u>	Bracket, Bed Hinge, Extruded .....	2
7	<u>103539002</u>	3/8-16 X 1.75 Carr Blt Gr5 Zn .....	4
8	<u>103575801</u>	Shim, Bed Hinge, .125 Thick .....	4

1  
G  
E

**1**  
**G**  
**E**



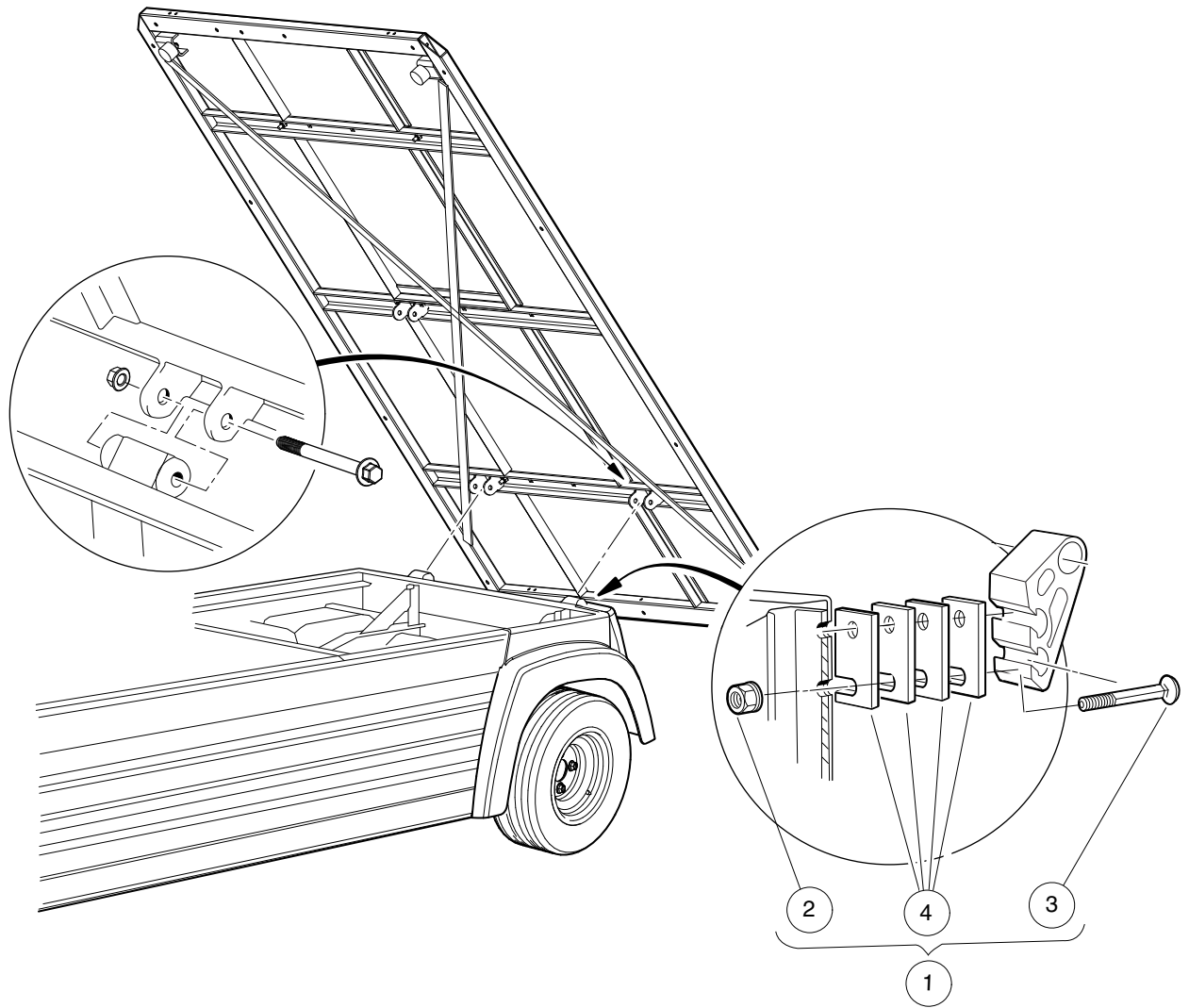
001149-002

## TILT BED (LONG) HINGE – GASOLINE VEHICLE

ITEM	PART NO.	DESCRIPTION	QTY
		1 2 3 4	
1	<u>1015583</u>	Bushing, Urethane .....	4
2	1015700	Track Prop Rod Ca li .....	1
3	<u>102065901</u>	Locknut, 3/8-16 Flanged Dimple .....	4
4	<u>102298185</u>	Bolt - Flange Hd, M8 X 85.0 .....	2
5	<u>102298401</u>	Nut,m8,all Metal Lock .....	2
6	<u>102506401</u>	Sleeve - Spring Eye Mounts .....	2
7	<u>103538701</u>	Bracket, Bed Hinge, Extruded .....	2
8	<u>103539001</u>	3/8-16 X 1.25 Carr Blt Gr5 Zn .....	4
9	<u>103575801</u>	Shim, Bed Hinge, .125 Thick .....	4
10	<u>332</u>	Washer, 1/4 Type A Narrow Flat .....	2
11	<u>7479</u>	Screw, 1/4-20 X 1.25 Hex-Head Cap .....	2
12	<u>8233</u>	Locknut, 1/4-20, Nylon Insert .....	2

**1**  
**G**  
**E**

**1**  
**G**  
**E**



001149-004

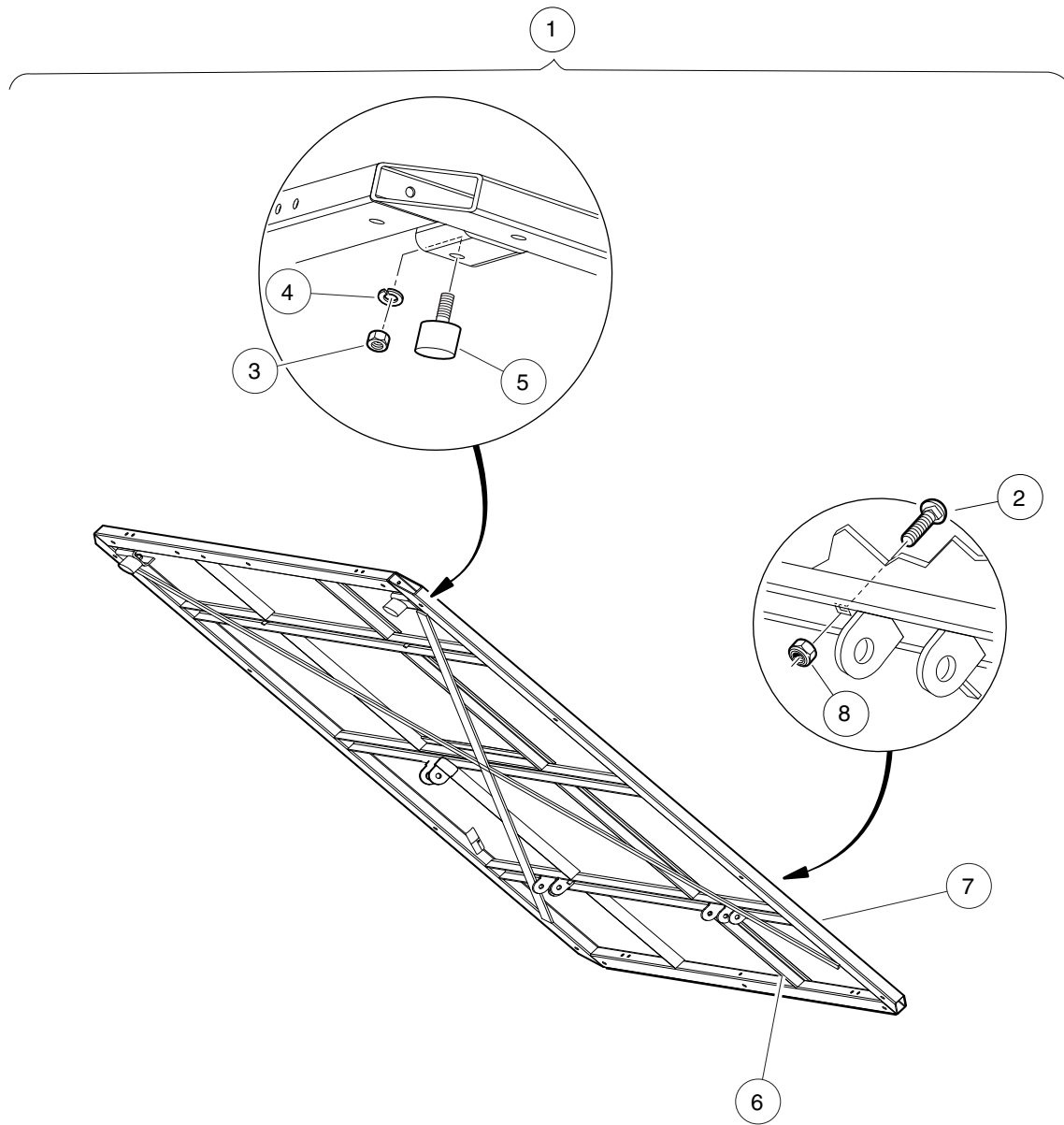
# LONG BED HINGE SPACER KIT – VEHICLE WITH CAB

ITEM	PART NO.	DESCRIPTION	QTY
		1 2 3 4	
1	<u>105298002</u>	Kit, Extra Shims W/ Hardware (includes items 2 through 4) .....	1
2	<u>102065901</u>	Locknut, 3/8-16 Flanged Dimple .....	4
3	<u>103539002</u>	3/8-16 X 1.75 Carr Blt Gr5 Zn .....	4
4	<u>103575801</u>	Shim, Bed Hinge, .125 Thick .....	4

**1**

**G**

**E**



001151-001

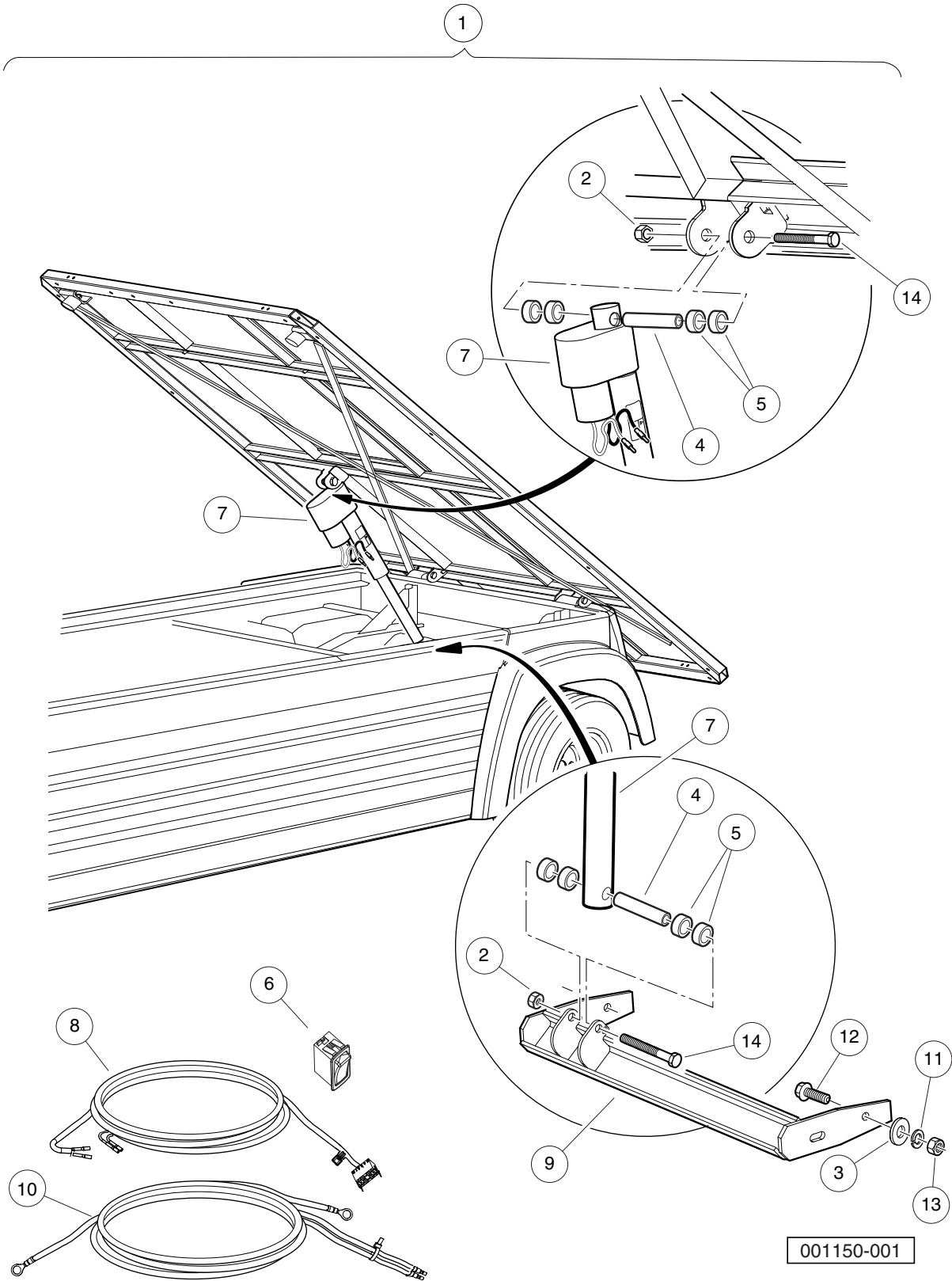


# TILT BED – LONG

ITEM	PART NO.	DESCRIPTION	QTY
		<b>1 2 3 4</b>	
1	<u>105197201</u>	Kit, Bed Floor, Long (includes items 2 through 8) .....	1
2	<u>101043502</u>	Bolt, Carriage, 5/16-18x1 blk .....	4
3	<u>1012528</u>	Nut, M8-1.25 Hex .....	2
4	<u>1013734</u>	Lockwasher, 8mm Split .....	2
5	<u>105036601</u>	Bumper, Bedfloor, Ca .....	2
6	N/A	Frame, Weldmnt, Bed, Long .....	1
7	N/A	Plate, Flr, Bed Utl, Lng Rhino .....	1
8	<u>7473</u>	Locknut, 5/16-18 Nylon Insert .....	4

**1**  
**G**  
**E**

**1**  
**G**  
**E**

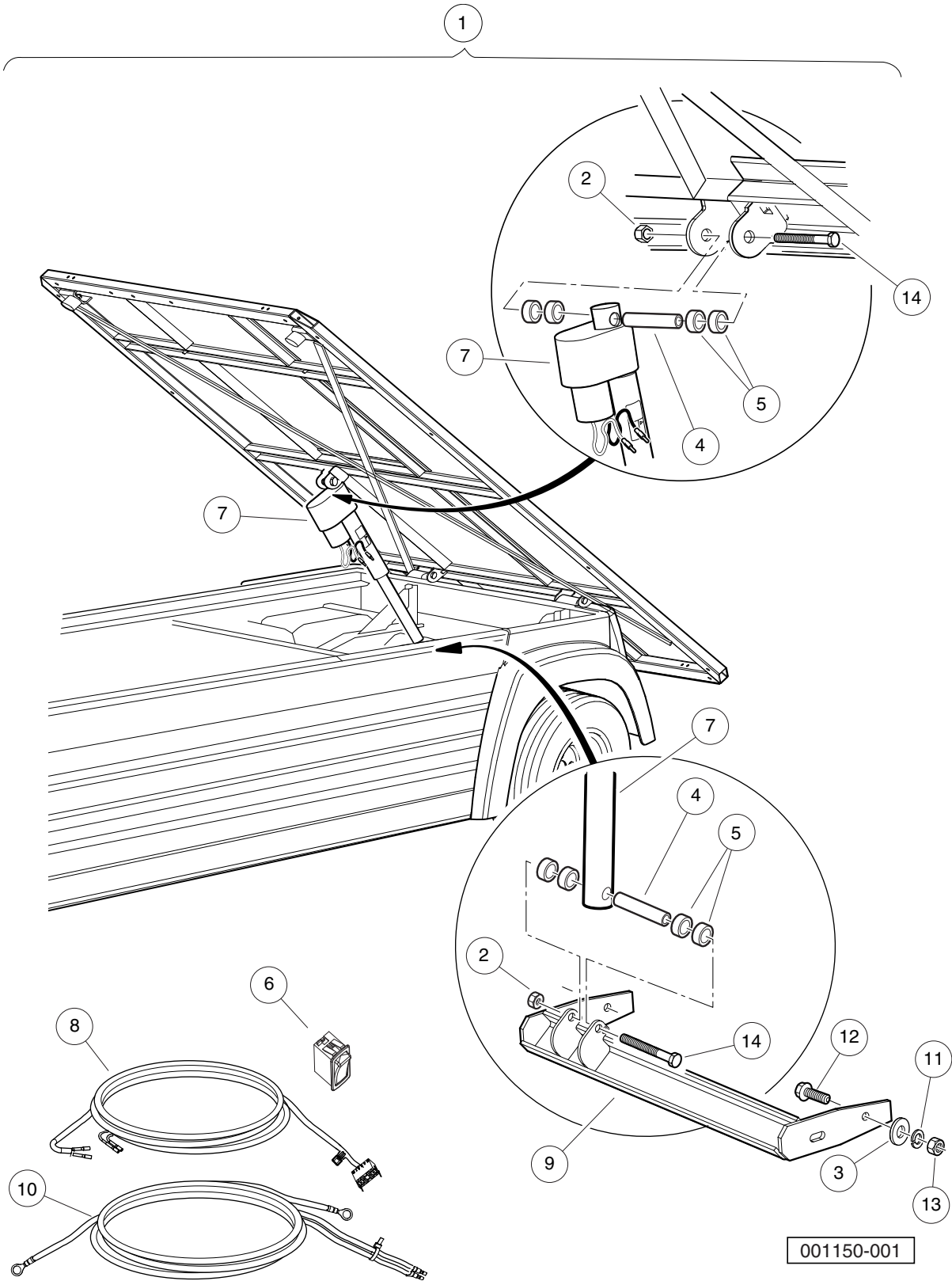


## ELECTRIC BED LIFT, LONG – ELECTRIC VEHICLES

ITEM	PART NO.	DESCRIPTION	QTY
		1 2 3 4	
1	105170401	Kit, Bed Lift, Elec, Lng (includes items 2 through 14) .....	1
2	<u>1010138</u>	Locknut, 3/8-16 Dimpled .....	2
3	<u>1011990</u>	Washer, 3/8 Flat .....	4
4	<u>1016603</u>	Bushing, Long .....	2
5	1017774	Body Spacer .....	8
6	<u>102882501</u>	Switch, Rocker, Bed Lift .....	1
7	<u>103951801</u>	Actuator, Bed Lift, Electric .....	1
8	<u>105108901</u>	Harness, Bed Lift, Util .....	1
9	<u>105131001</u>	Weldment, Mnt, Bed Lift, Ca .....	1
10	<u>105197602</u>	Asm, Jumper, Bedlift, Ca700 .....	1
11	<u>357</u>	Lockwasher, 3/8 Split .....	4
12	705	Screw, Cap-hex Hd 3/8-16x1.25 .....	4
13	<u>706</u>	Nut, Hex 3/8-16 .....	4
14	<u>7561</u>	Bolt, 3/8-16 X 3.00 Hex Head .....	2

1  
G  
E

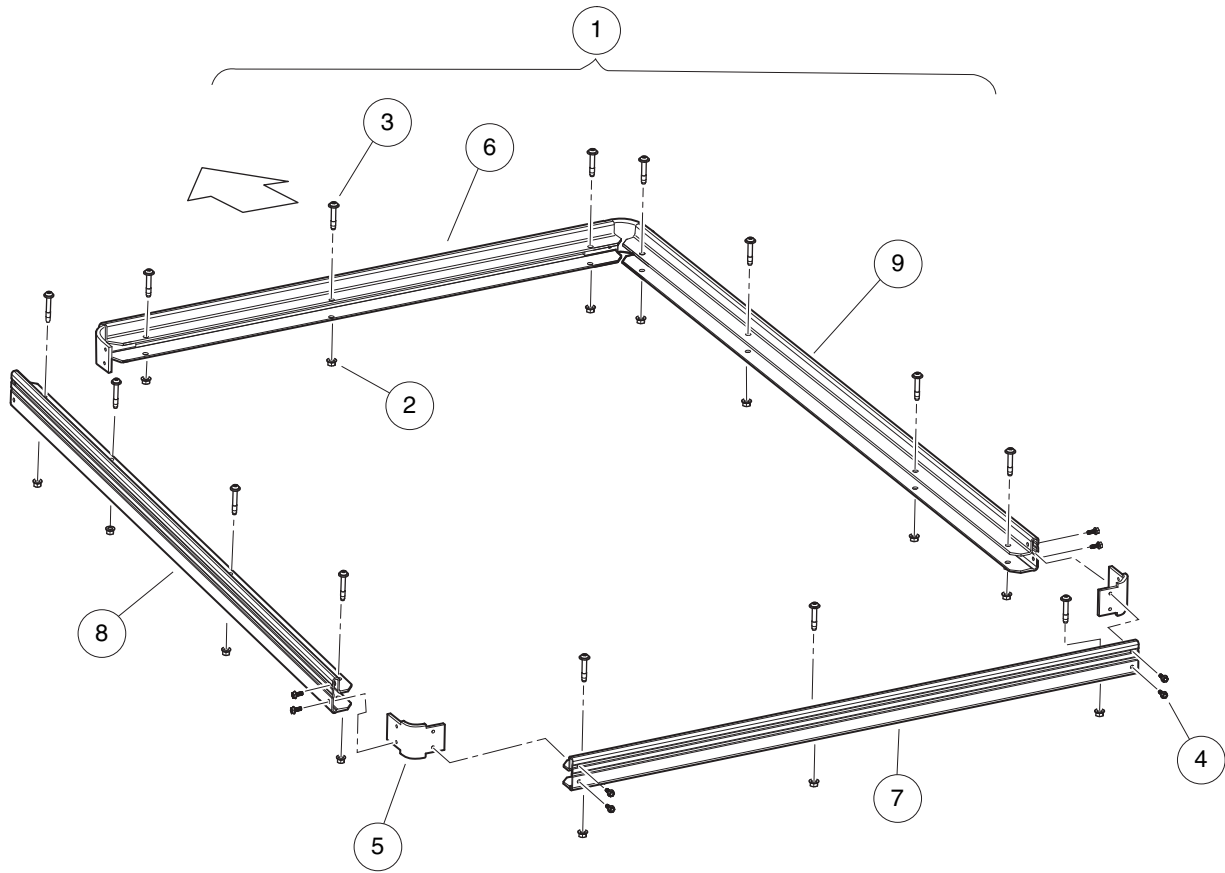
**1**  
**G**  
**E**



# ELECTRIC BED LIFT – GASOLINE VEHICLES

ITEM	PART NO.	DESCRIPTION	QTY
		1 2 3 4	
1	105170601	Kit, Bed Lift, Gas, Lng (includes items 2 through 14) .....	1
2	<u>1010138</u>	Locknut, 3/8-16 Dimpled .....	2
3	<u>1011990</u>	Washer, 3/8 Flat .....	4
4	<u>1016603</u>	Bushing, Long .....	2
5	1017774	Body Spacer .....	8
6	<u>102882501</u>	Switch, Rocker, Bed Lift .....	1
7	<u>103951801</u>	Actuator, Bed Lift, Electric .....	1
8	<u>105108901</u>	Harness, Bed Lift, Util .....	1
9	<u>105131001</u>	Weldment, Mnt, Bed Lift, Ca .....	1
10	<u>105197602</u>	Asm, Jumper, Bedlift, Ca700 .....	1
11	<u>357</u>	Lockwasher, 3/8 Split .....	4
12	705	Screw, Cap-hex Hd 3/8-16x1.25 .....	4
13	<u>706</u>	Nut, Hex 3/8-16 .....	4
14	<u>7561</u>	Bolt, 3/8-16 X 3.00 Hex Head .....	2

1  
G  
E



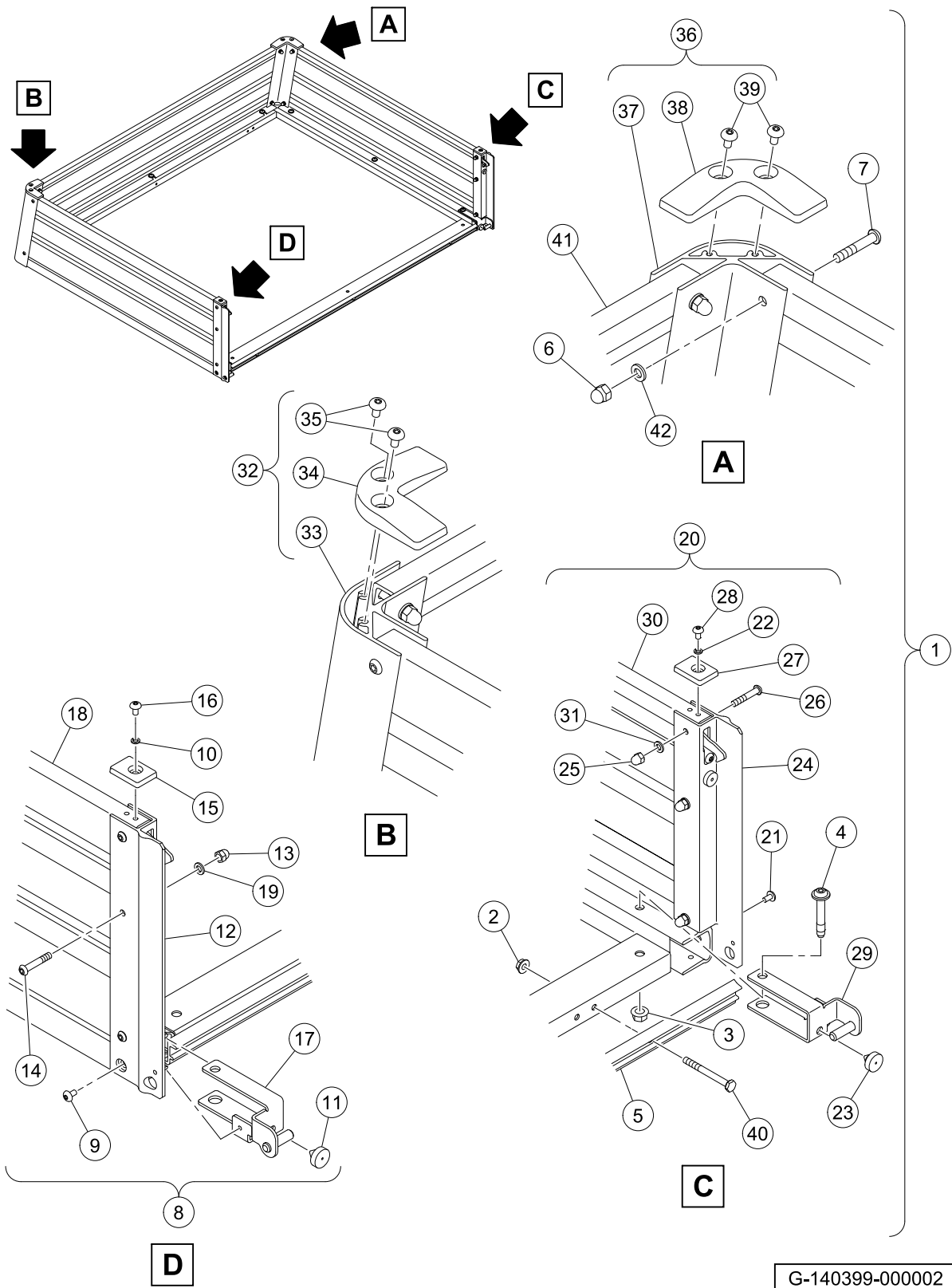
001127-001

# FLAT BED TRIM – LONG

ITEM	PART NO.	DESCRIPTION	QTY
		<b>1 2 3 4</b>	
1	<u>105122206</u>	Kit, Flat Trim, Ca, Long (includes items 2 through 9) .....	1
2	<u>102298401</u>	Nut,m8,all Metal Lock .....	14
3	<u>102299550</u>	Screw,m8x50,sems,tx,bttn,plt .....	14
4	<u>105185701</u>	Pan Head Screw, M6 X 16 Tt .....	16
5	<u>105185801</u>	Bracket,Bed Corner,CA .....	4
6	<u>105194801</u>	Trim, Bed, Cntr, Front .....	1
7	<u>105194802</u>	Trim, Bed, Cntr, Rear .....	1
8	<u>105195001</u>	Trim, Bed, Lng, Lh .....	1
9	<u>105195002</u>	Trim, Bed, Lng, Rh .....	1

**1**  
**G**  
**E**

**1**  
**G**  
**E**



G-140399-000002

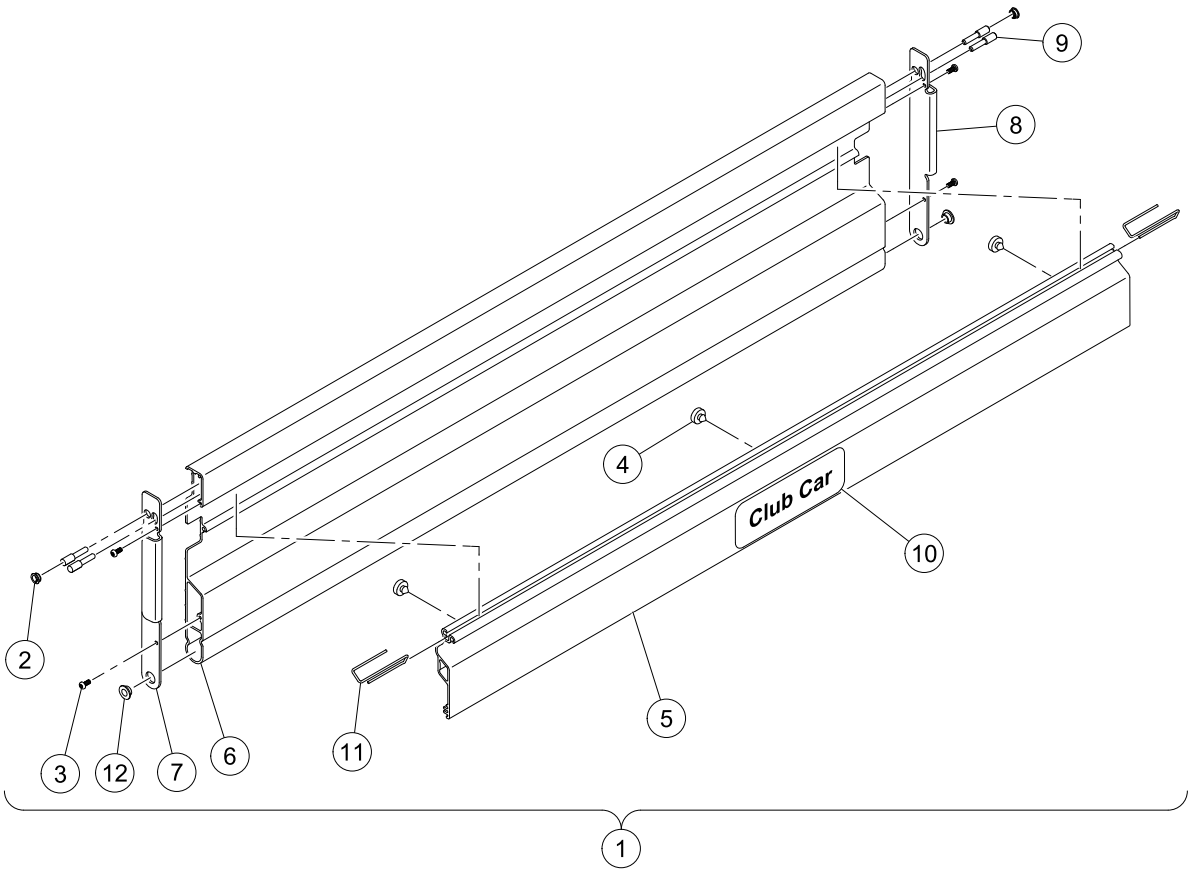


## CARGO BOX KIT – LONG (PAGE 1 OF 2)

ITEM	PART NO.	DESCRIPTION	QTY
		1 2 3 4	
1	<u>105122106</u>	Kit, Cargo Box, Long (includes items 2 through 42) .....	1
2	<u>1015661</u>	Nut, Lock Hx Flanged 1/4-20 .....	3
3	<u>102298401</u>	Nut,m8,all Metal Lock .....	11
4	<u>102299550</u>	Screw,m8x50,sems,tx,bttn,plt .....	11
5	<u>105192301</u>	Extr, Bed, Cargo, Rear .....	1
6	<u>105192901</u>	Nut, Acorn, M6, Lock, Silver .....	8
7	<u>105193001</u>	Screw, 6 Lobe, M6 X 35 .....	8
8	<u>105200703</u>	Asm, Cargo Box, DS, Long (includes items 9 through 19) .....	1
9	<u>1014321</u>	Screw, #10 Truss-Head Torx .....	1
10	<u>1016</u>	Lockwasher, #10 Split .....	1
11	<u>102590801</u>	Bumper, Rubber .....	1
12	<u>105127401</u>	Asm, Latch, Tailgate, Lh .....	1
13	<u>105192901</u>	Nut, Acorn, M6, Lock, Silver .....	2
14	<u>105193001</u>	Screw, 6 Lobe, M6 X 35 .....	2
15	<u>105196201</u>	Cap, Corner, Rear, Cargo Bed .....	1
16	<u>105205201</u>	Screw, 10-24 X .36, St Torx .....	1
17	<u>47563313001</u>	Weldment, Pivot, Tailgate, Lh .....	1
18	N/A	Panel, Cargo Box, Lh, Long .....	1
19	<u>96705199</u>	Washer, M6 .....	2
20	<u>105200803</u>	Asm, Cargo Box, PS, Long (includes items 21 through 31) .....	1
21	<u>1014321</u>	Screw, #10 Truss-Head Torx .....	1
22	<u>1016</u>	Lockwasher, #10 Split .....	1
23	<u>102590801</u>	Bumper, Rubber .....	1
24	<u>105127402</u>	Asm, Latch, Tailgate, Rh .....	1
25	<u>105192901</u>	Nut, Acorn, M6, Lock, Silver .....	2
26	<u>105193001</u>	Screw, 6 Lobe, M6 X 35 .....	2
27	<u>105196201</u>	Cap, Corner, Rear, Cargo Bed .....	1
28	<u>105205201</u>	Screw, 10-24 X .36, St Torx .....	1
29	<u>47563313002</u>	Weldment, Pivot, Tailgate, Rh .....	1
30	N/A	Panel, Cargo Box, Rh, Long .....	1
31	<u>96705199</u>	Washer, M6 .....	2
32	<u>105200901</u>	Asm, Cargo Box,Corner,DS (includes items 33 through 35) .....	1
33	N/A	Extr, Bed Corner, Lh .....	1
34	<u>105196101</u>	Cap, Corner, Frt, Cargo Bed .....	1
35	<u>105205201</u>	Screw, 10-24 X .36, St Torx .....	2
36	<u>105201001</u>	Asm,Cargo Box,Corner,PS (includes items 37 through 39) .....	1
37	N/A	Extr, Bed Corner, Rh .....	1
38	<u>105196101</u>	Cap, Corner, Frt, Cargo Bed .....	1
39	<u>105205201</u>	Screw, 10-24 X .36, St Torx .....	2
40	<u>324</u>	Screw, 1/4-20 X 2.50 Hx Hd Cap .....	3
41	<u>47621599001</u>	Panel, Cargo Box, Frt .....	1
42	<u>96705199</u>	Washer, M6 .....	12

**1**  
**G**  
**E**

**1**  
**G**  
**E**

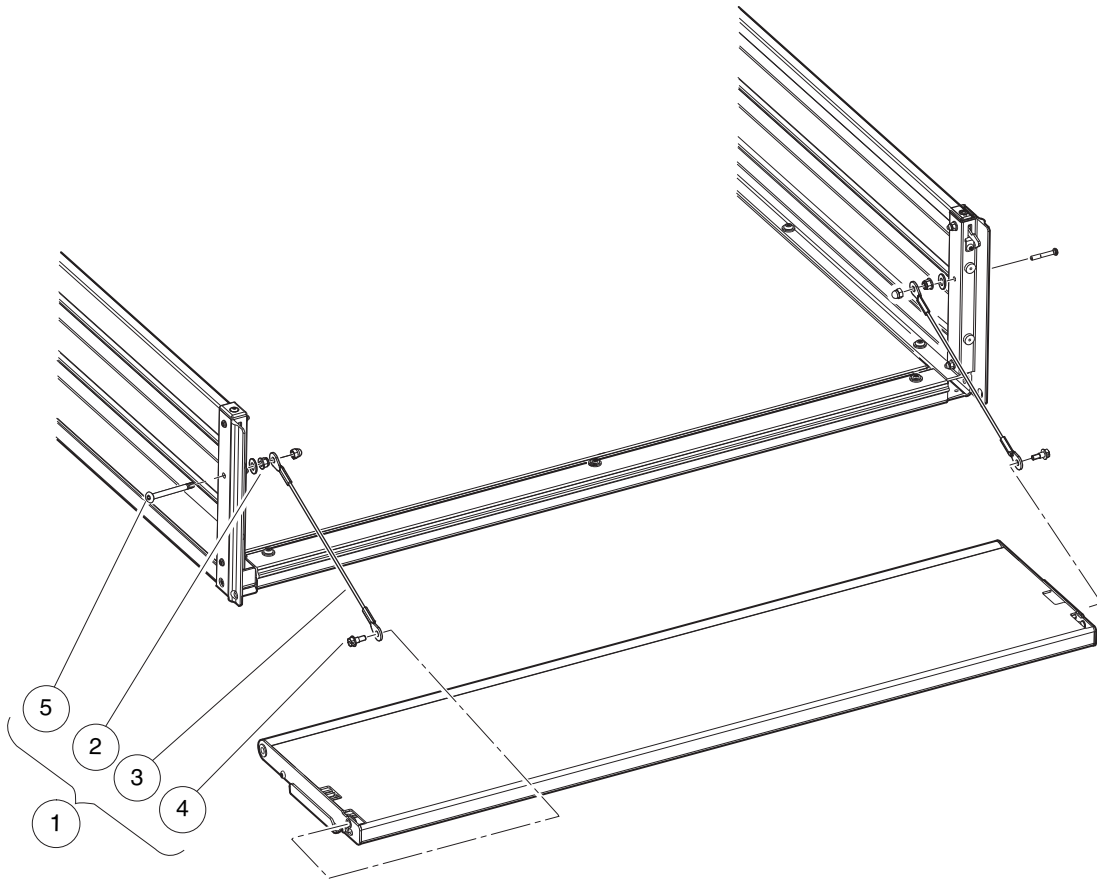


G-140399-000001

## CARGO BOX KIT (PAGE 2 OF 2)

ITEM	PART NO.	DESCRIPTION	QTY
		1 2 3 4	
1	<u>105128101</u>	Asm, Tailgate, Wide Handle (includes items 2 through 12) .....	1
2	<u>1015363</u>	Bushing, Snap-In .....	2
3	<u>102554512</u>	Screw M5-08x12 Torx Pn Trs .....	4
4	<u>102590801</u>	Bumper, Rubber .....	3
5	<u>105128201</u>	Handle, Tailgate, Wide .....	1
6	N/A	Panel, Tailgate, Wide .....	1
7	<u>105130301</u>	Bracket, End, Tailgate, Lh .....	1
8	<u>105130302</u>	Bracket, End, Tailgate, Rh .....	1
9	<u>105130501</u>	Pin, Latch, Tailgate .....	4
10	<u>105165901</u>	Decal, Branding, Club Car Logo .....	1
11	<u>105216201</u>	Spring, Return, Handle .....	2
12	<u>7049</u>	Bushing, Nylon .....	2

**1**  
**G**  
**E**



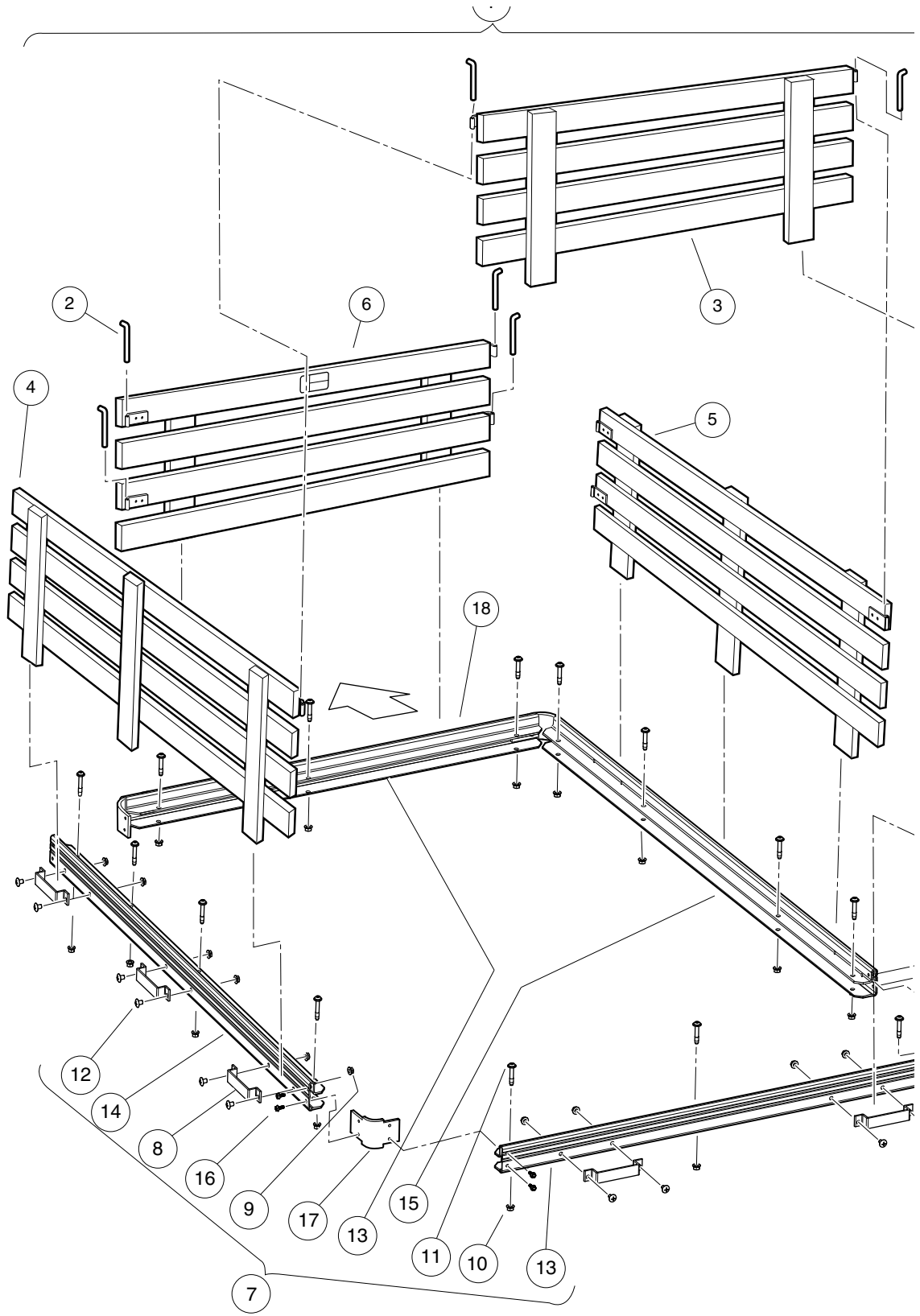
001160-002

# TAILGATE TEATHER

ITEM	PART NO.	DESCRIPTION	QTY
1	<u>105127302</u>	1 2 3 4 Kit, Tether, Tailgate (includes items 2 through 5) .....	1
2	<u>102621501</u>	Nut, Flange, M6 X 1.0, Nylon .....	2
3	<u>105128001</u>	Cable, Tether, Tailgate .....	2
4	<u>105129901</u>	Screw, Shoulder, Self Thread .....	2
5	<u>105193101</u>	Screw, 6 Lobe, M6 X 50 .....	2

**1**  
**G**  
**E**

**1**  
**G**  
**E**

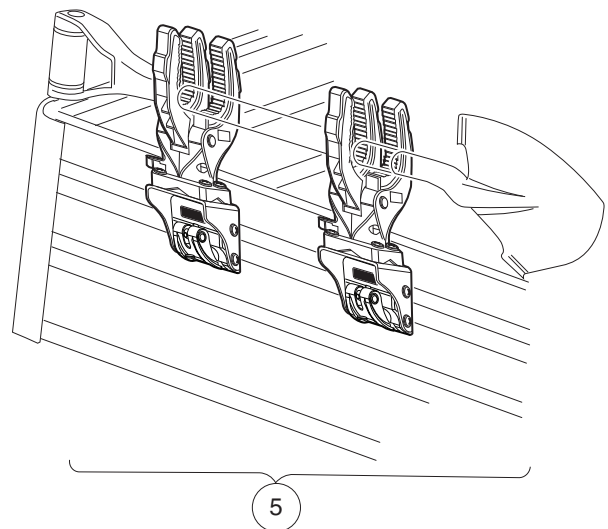
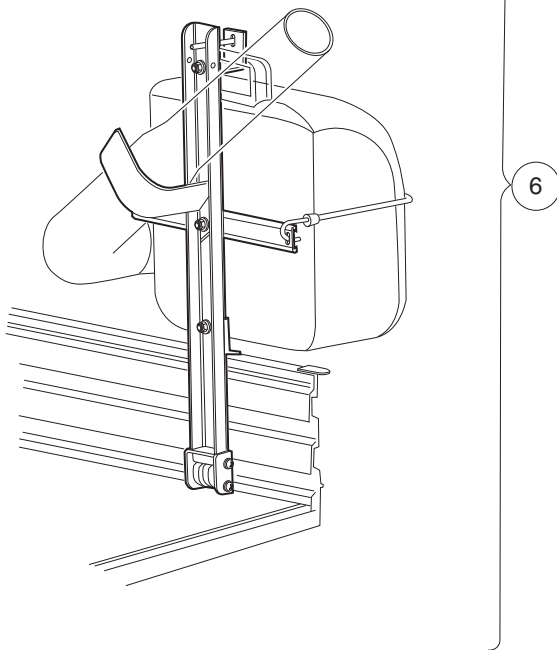
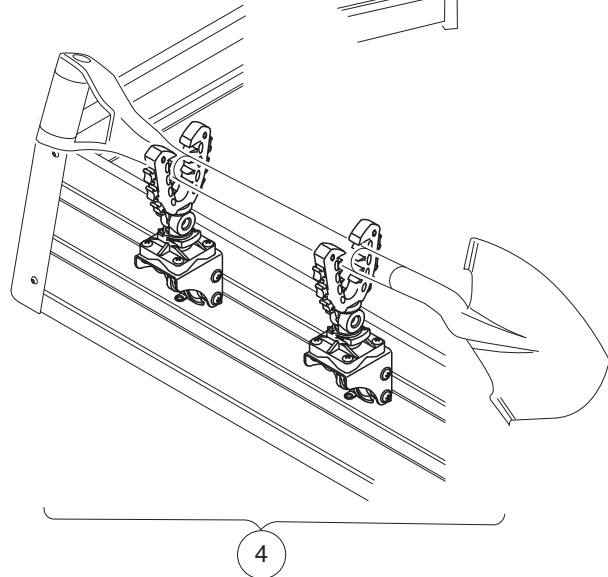
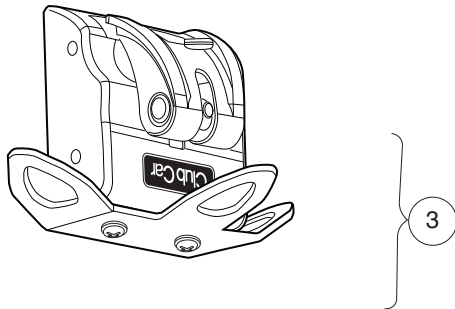
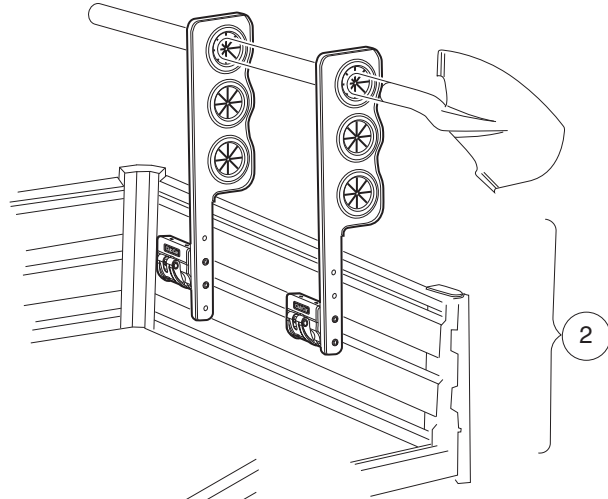
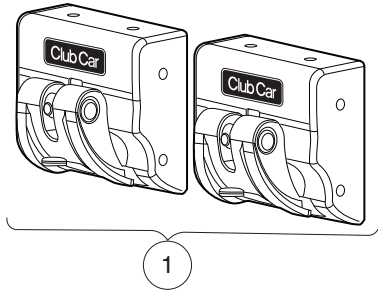


# STAKE SIDE KIT – LONG

ITEM	PART NO.	DESCRIPTION	QTY
		<b>1 2 3 4</b>	
1	<u>105109601</u>	Kit, Stake Side, Long (includes items 2 through 7) .....	1
2	<u>1015656</u>	Pin, hinge .....	6
3	<u>102847603</u>	Asm, Stake Side, 48 X 19 Rear .....	1
4	<u>105113401</u>	Stake Side, Ca Large, Lh .....	1
5	<u>105113402</u>	Stake Side, Ca Large, Rh .....	1
6	<u>105129501</u>	Stake Side, Front, Ca, 50" .....	1
7	<u>105148503</u>	Asm, Trim, Stake Side, Long (includes items 8 through 18) .....	1
8	<u>1016077</u>	Bracket, Stake Side .....	8
9	<u>101963401</u>	Locknut, 5/16-18 Hex Flange .....	16
10	<u>102298401</u>	Nut,m8,all Metal Lock .....	14
11	<u>102299550</u>	Screw,m8x50,sems,tx,bttn,plt .....	16
12	<u>105129601</u>	Screw, Phl Trus Hd, 5/16-18x.5 .....	16
13	<u>105148601</u>	Trim, Stake Side, Cen, Rear .....	1
14	<u>105148901</u>	Trim, Stake Side, Long, Lh .....	1
15	<u>105148902</u>	Trim, Stake Side, Long, Rh .....	1
16	<u>105185701</u>	Pan Head Screw, M6 X 16 Tt .....	16
17	<u>105185801</u>	Bracket, Bed Corner, CA .....	4
18	<u>105194801</u>	Trim, Bed, Cntr, Front .....	1

**1**  
**G**  
**E**

**1**  
**G**  
**E**



001167-003

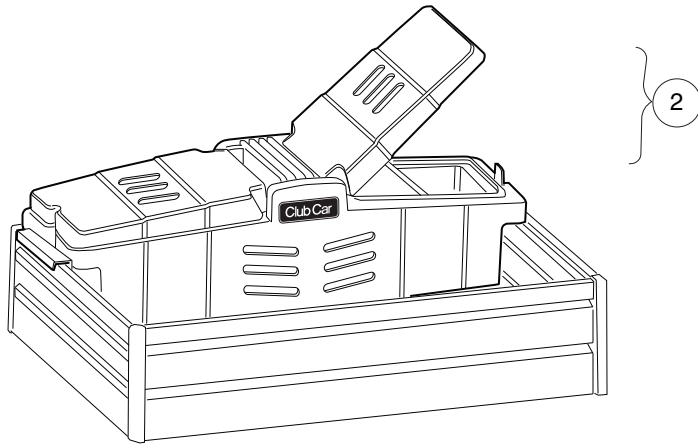
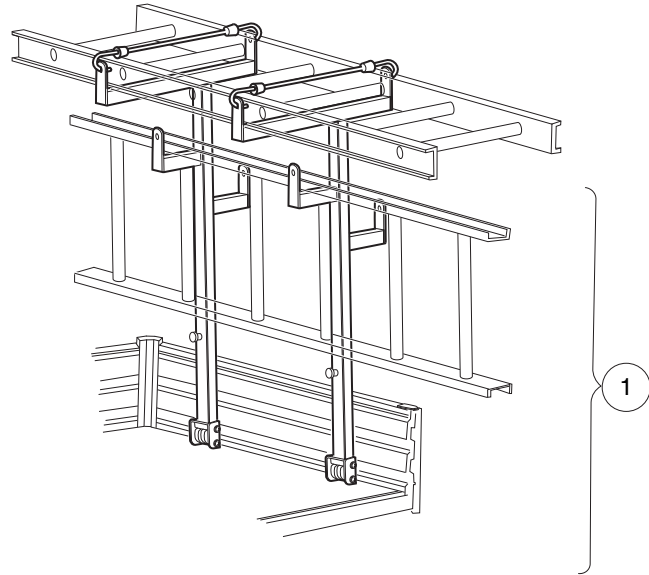


# MODULAR BED ACCESSORIES

ITEM	PART NO.	DESCRIPTION	QTY
		1 2 3 4	
1	<u>105160401</u>	Bed Clamp, Set .....	1
2	<u>105160801</u>	Kit, Tool Rack .....	1
3	<u>105160901</u>	Kit, Tie Down .....	1
4	<u>105161001</u>	Kit, Ratcheting Grip .....	1
5	<u>105161101</u>	Kit, Static Grip .....	1
6	<u>105161401</u>	Kit, Holder, Leaf Blower .....	1
Note: Component part numbers unavailable at publication.			

1  
G  
E

**1**  
**G**  
**E**



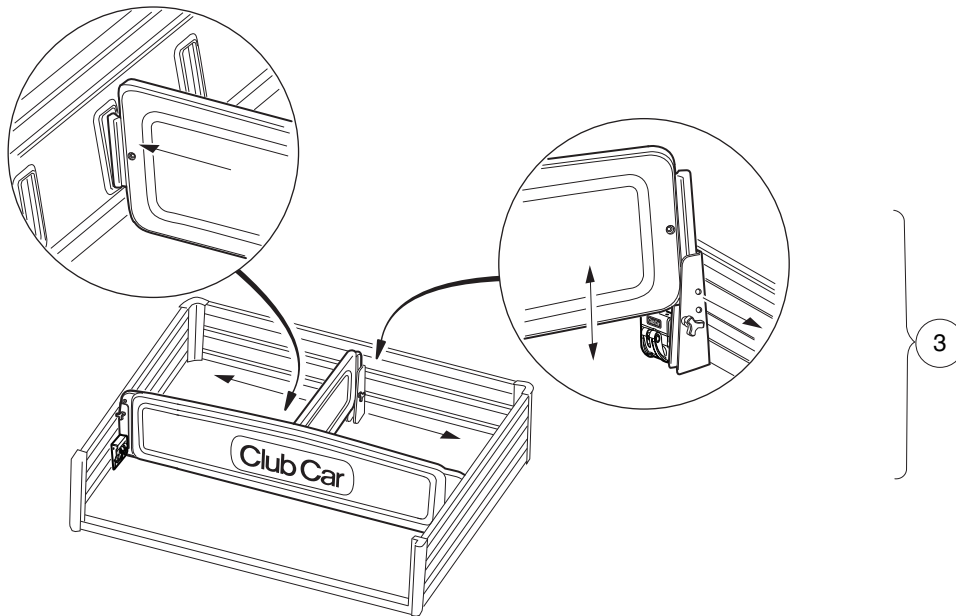
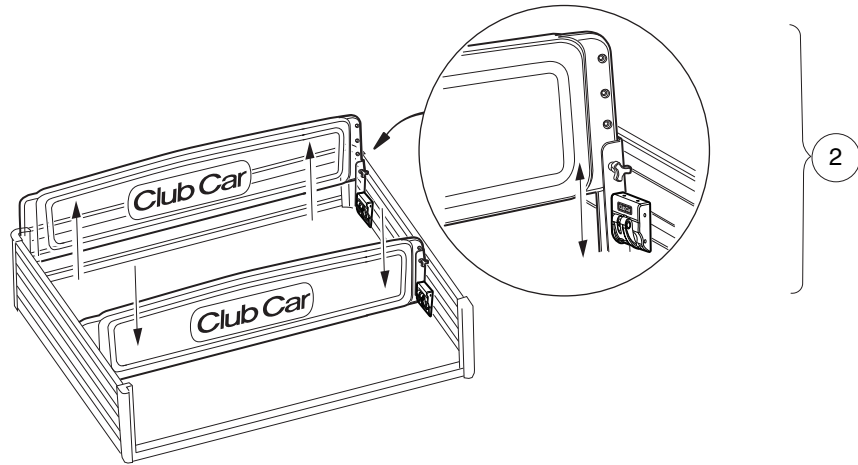
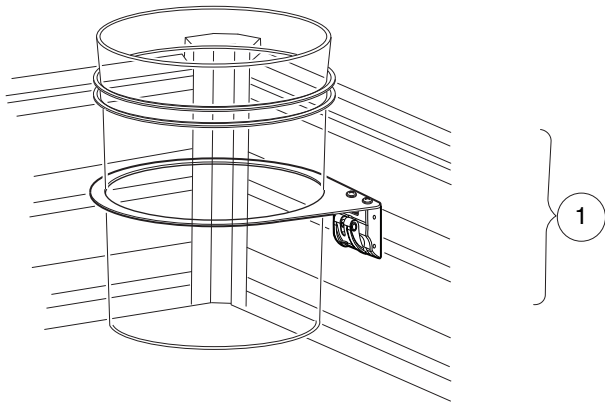
001168-001

# MODULAR BED ACCESSORIES

ITEM	PART NO.	DESCRIPTION	QTY
1	<u>105161501</u>	1 2 3 4 Kit, Rack, Ladder .....	1
2	105161601	Kit, Toolbox .....	1
<p>Note: Component part numbers unavailable at publication.</p>			

**1**  
**G**  
**E**

**1**  
**G**  
**E**



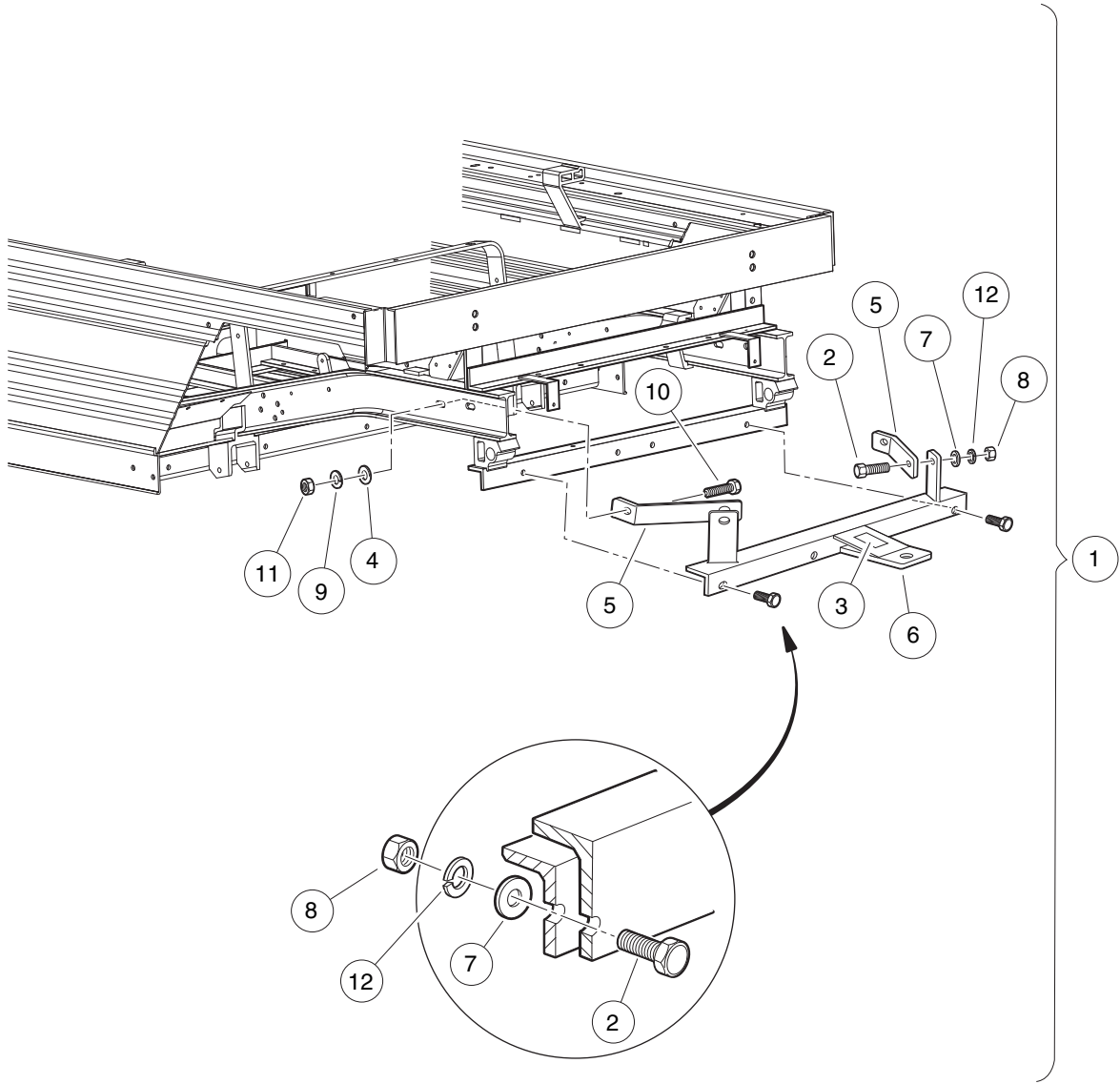
001169-001

# MODULAR BED ACCESSORIES

ITEM	PART NO.	DESCRIPTION	QTY
1	<u>105160501</u>	1 2 3 4 Kit, Holder, Bucket .....	1
2	<u>105161201</u>	Kit, Bed Divider/extension .....	1
3	<u>105161301</u>	Kit, Bed Divider, Short .....	1
<p>Note: Component part numbers unavailable at publication.</p>			

**1**  
**G**  
**E**

**1**  
**G**  
**E**

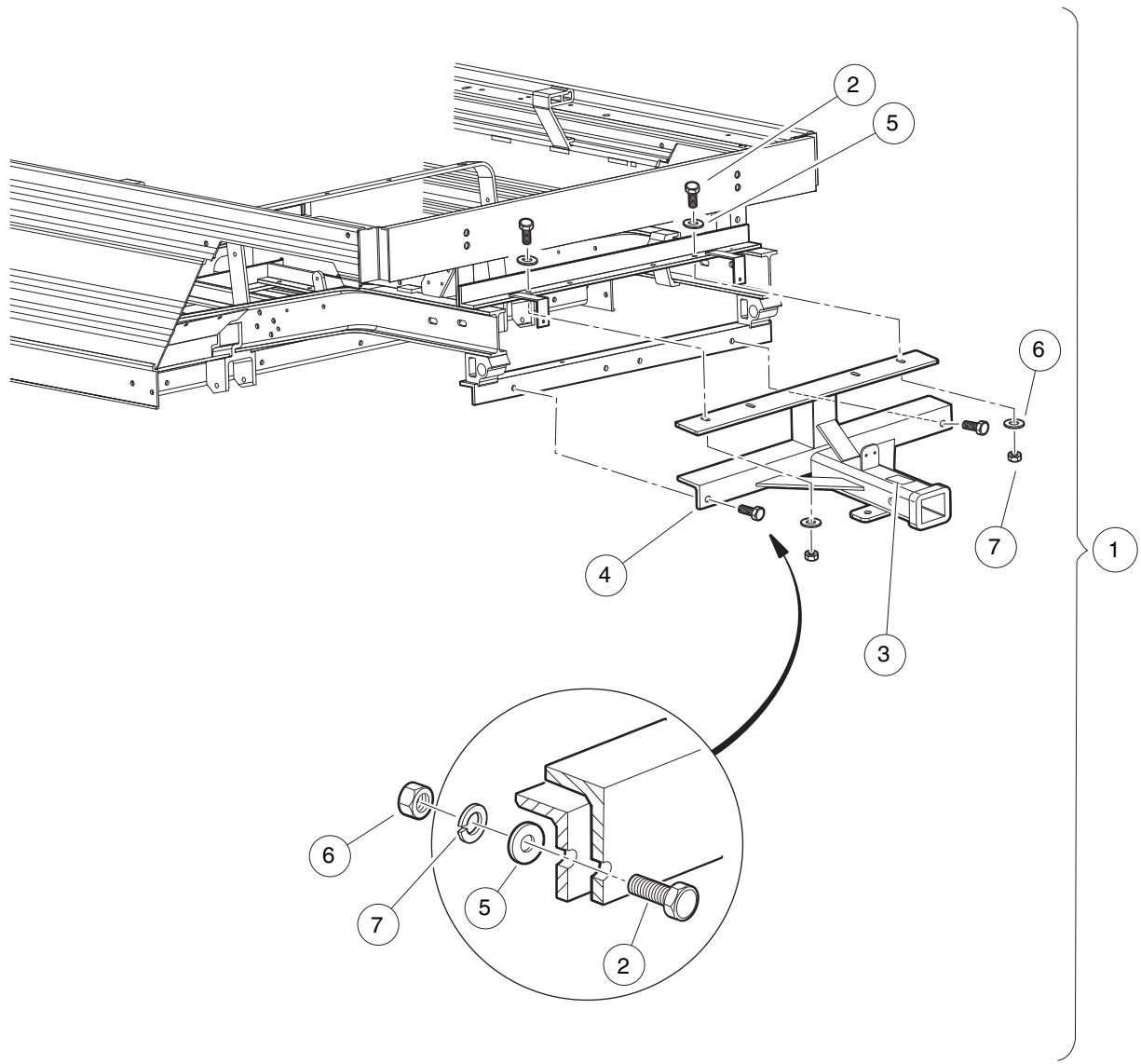


001132-001

# HEAVY DUTY TRAILER HITCH

ITEM	PART NO.	DESCRIPTION	QTY
		1 2 3 4	
1	<u>1015445</u>	Kit, Trailer Hitch (includes items 2 through 12) .....	1
2	<u>1010934</u>	Screw, 5/16-18 X 1.00 Hex Cap .....	4
3	<u>1011553</u>	Decal, Trailer Hitch .....	1
4	<u>1011990</u>	Washer, 3/8 Flat .....	2
5	<u>1013483</u>	Brace, Trailer Hitch .....	2
6	N/A	Asm, Trailer Hitch .....	1
7	<u>1241</u>	Washer, 5/16 Type A Flat .....	4
8	<u>1242</u>	Nut, 5/16-18 Hex .....	4
9	<u>357</u>	Lockwasher, 3/8 Split .....	2
10	705	Screw, Cap-hex Hd 3/8-16x1.25 .....	2
11	<u>706</u>	Nut, Hex 3/8-16 .....	2
12	<u>7174</u>	Lockwasher, 5/16 Split .....	4

**1**  
**G**  
**E**



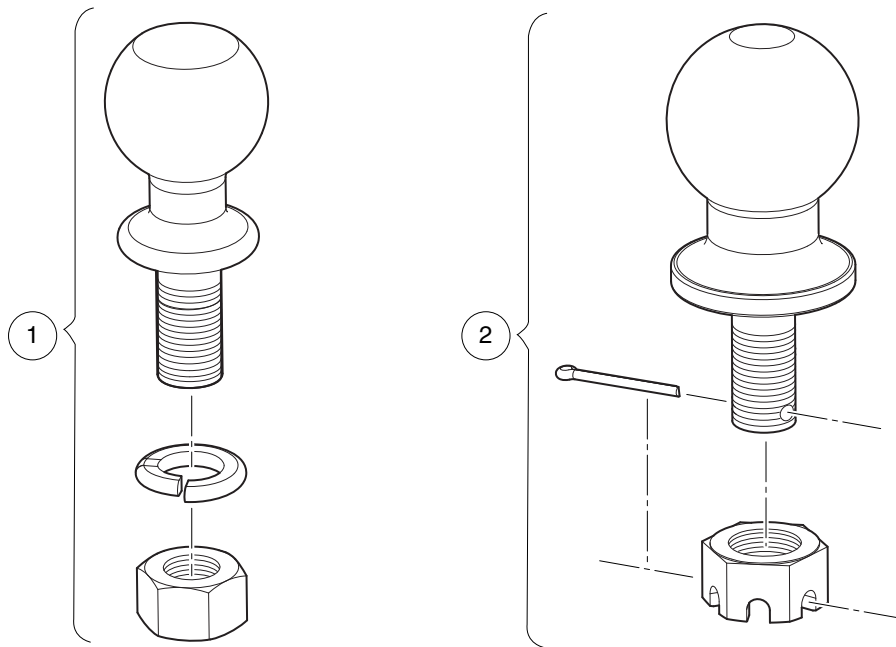
001133-001



# REAR RECIEVER HITCH

ITEM	PART NO.	DESCRIPTION	QTY
		<b>1 2 3 4</b>	
1	<u>102065103</u>	Kit, Rear Receiver (includes items 2 through 7) .....	1
2	<u>1010934</u>	Screw, 5/16-18 X 1.00 Hex Cap .....	6
3	<u>1011553</u>	Decal, Trailer Hitch .....	1
4	<u>102056001</u>	Rear Receiver Weld Asm .....	1
5	<u>1241</u>	Washer, 5/16 Type A Flat .....	6
6	<u>1242</u>	Nut, 5/16-18 Hex .....	6
7	<u>7174</u>	Lockwasher, 5/16 Split .....	6

1  
G  
E

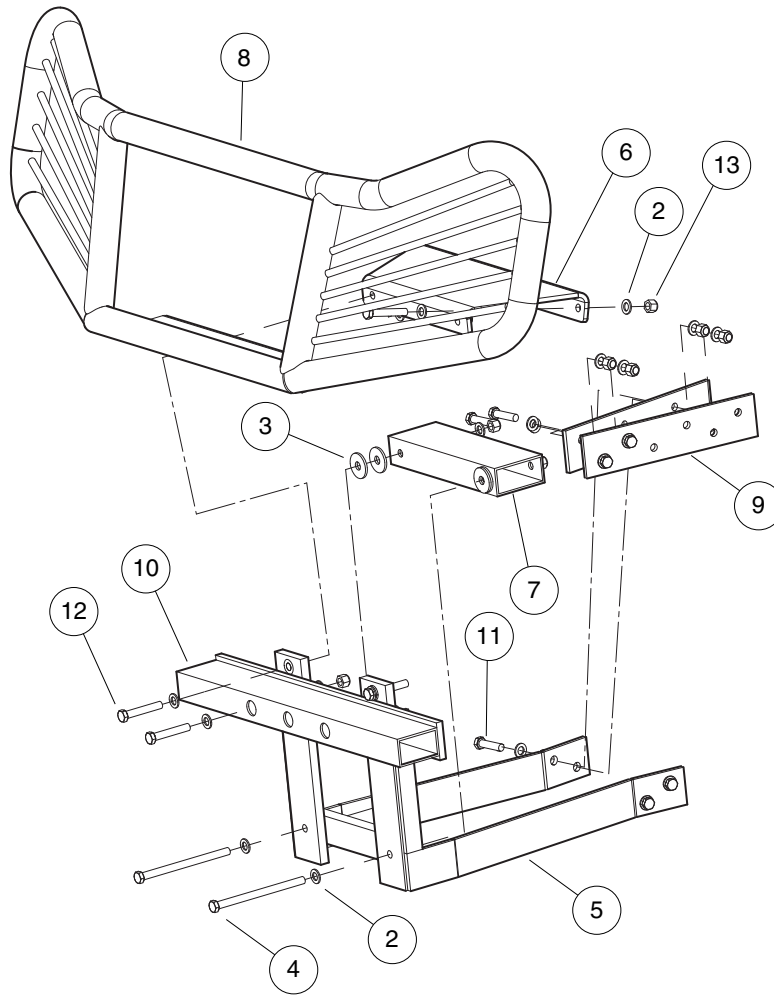


001137-001

# TRAILER HITCH BALL

ITEM	PART NO.	DESCRIPTION	QTY
1	<u>1011546</u>	1 2 3 4 Trailer Hitch Ball - 1 7/8" .....	1
2	<u>104033601</u>	Ball, Trailer Hitch, 50mm .....	1

**1**  
**G**  
**E**



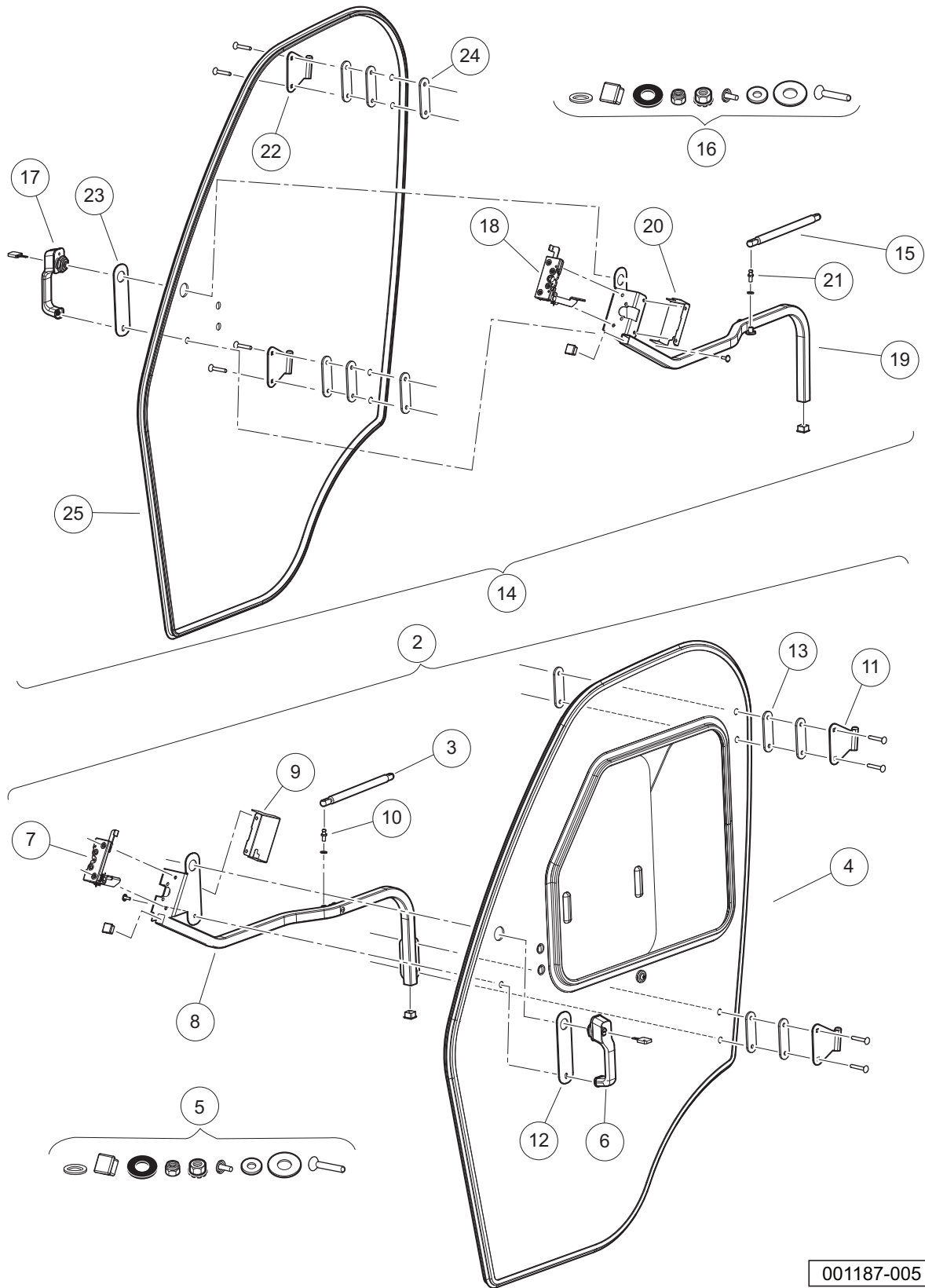
001138-002

# RANGE PICKER ADAPTER

ITEM	PART NO.	DESCRIPTION	QTY
		1 2 3 4	
1	<u>105124101</u>	Kit, Adapter, Range Picker (includes items 2 through 13) .....	1
2	<u>1011990</u>	Washer, 3/8 Flat .....	32
3	<u>102491501</u>	Washer, Hard, M10 .....	4
4	<u>102913601</u>	Screw, 3/8-16 X 5.50 Hx Hd Cap .....	2
5	<u>104033701</u>	Weldment, Adapter, Rp .....	1
6	<u>105145401</u>	Bracket, Top Support, Rp .....	1
7	<u>105145501</u>	Tube, Btm Support, Rp .....	1
8	<u>105216701</u>	Wldmnt, Guard, Hdlight, Range .....	1
9	<u>105233701</u>	Plate, Support, I-beam .....	2
10	<u>105248201</u>	Tube, 1.5" X 2.5", 19.5" Long .....	1
11	<u>1624</u>	Screw, 3/8-16 X 1.50, Hex-Head Cap .....	8
12	<u>2402</u>	Screw, 3/8-16 X 2.25 Hx Hd Cap .....	6
13	<u>8754</u>	Locknut, 3/8-16 Hex .....	16

1  
G  
E

**1**  
**G**  
**E**



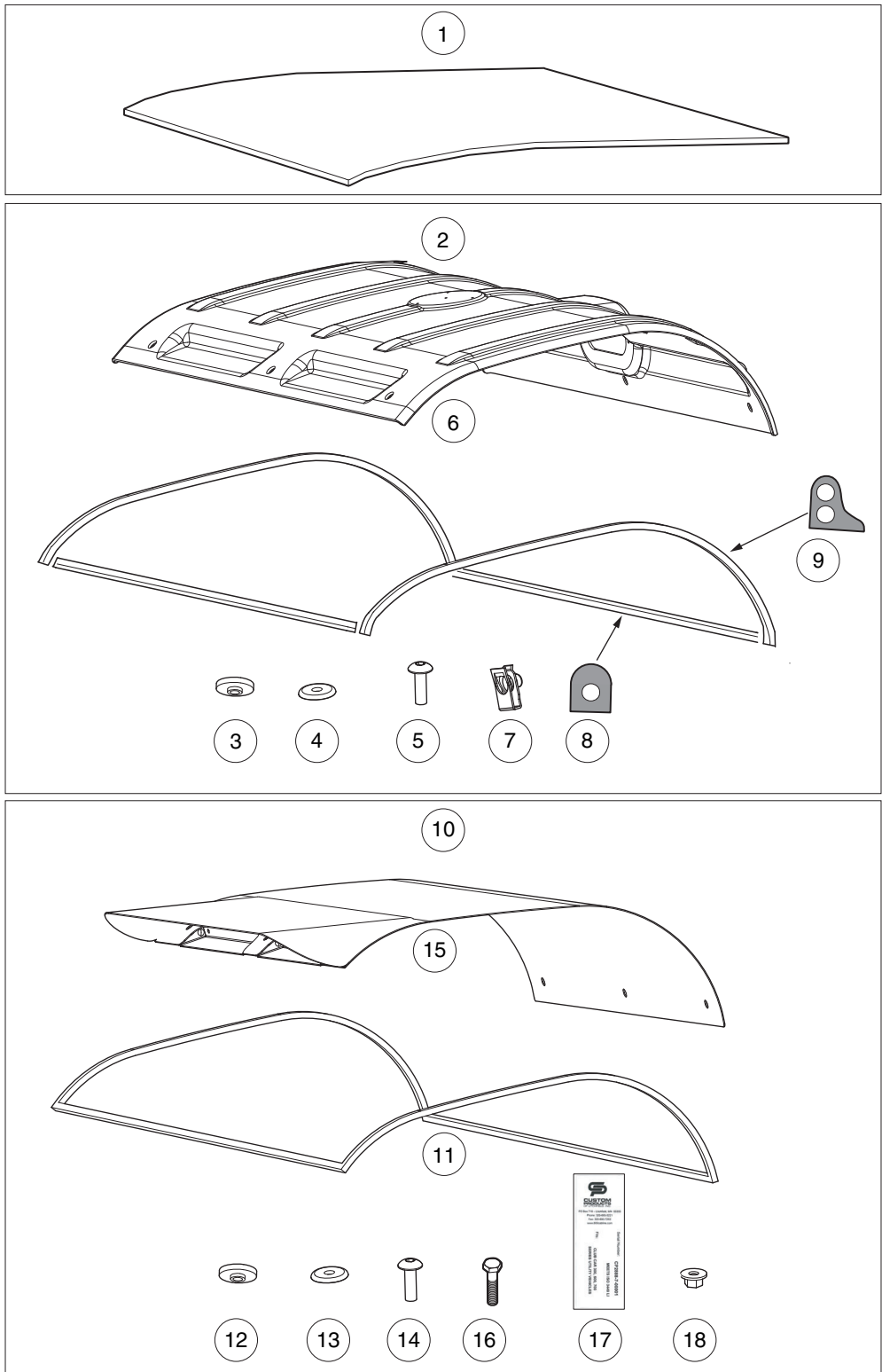
001187-005

## CAB DOORS – GLASS WITH LH SLIDING WINDOW

ITEM	PART NO.	DESCRIPTION	QTY
		1 2 3 4	
1	105097301	Kit, Doors, Glass, w/Sliding Windows, LH only (includes items 2 through 14) .....	1
2	<u>105181701</u>	Glass Door Asm, Lh (includes items 3 through 13) .....	1
3	<u>104001201</u>	Gas Spring .....	1
4	<u>105181801</u>	Glass Door Replacement, Lh .....	1
5	<u>105181901</u>	Hardware Kit, Glass Door .....	1
6	<u>105182001</u>	Handle, Push Button .....	1
7	<u>105182101</u>	Latch, Glass Door, Lh .....	1
8	<u>105182201</u>	Handle, Glass Door, Lh .....	1
9	<u>105182301</u>	Cover, Latch, Lh .....	1
10	<u>105182401</u>	Spring, Ball Stud .....	1
11	<u>105182501</u>	Hinge, Door .....	2
12	<u>105182601</u>	Spacer, Handle .....	1
13	<u>105182701</u>	Plate, Upper Hinge .....	1
14	<u>105182901</u>	Glass Door Asm, Rh (includes items 15 through 25) .....	1
15	<u>104001201</u>	Gas Spring .....	1
16	<u>105181901</u>	Hardware Kit, Glass Door .....	1
17	<u>105182001</u>	Handle, Push Button .....	1
18	<u>105182102</u>	Latch, Glass Door, Rh .....	1
19	<u>105182202</u>	Handle, Glass Door, Rh .....	1
20	<u>105182302</u>	Cover, Latch, Rh .....	1
21	<u>105182401</u>	Spring, Ball Stud .....	1
22	<u>105182501</u>	Hinge, Door .....	2
23	<u>105182601</u>	Spacer, Handle .....	1
24	<u>105182701</u>	Plate, Upper Hinge .....	1
25	<u>105183001</u>	Glass Door Replacement, Rh .....	1

1  
G  
E

**1**  
**G**  
**E**



001182-002

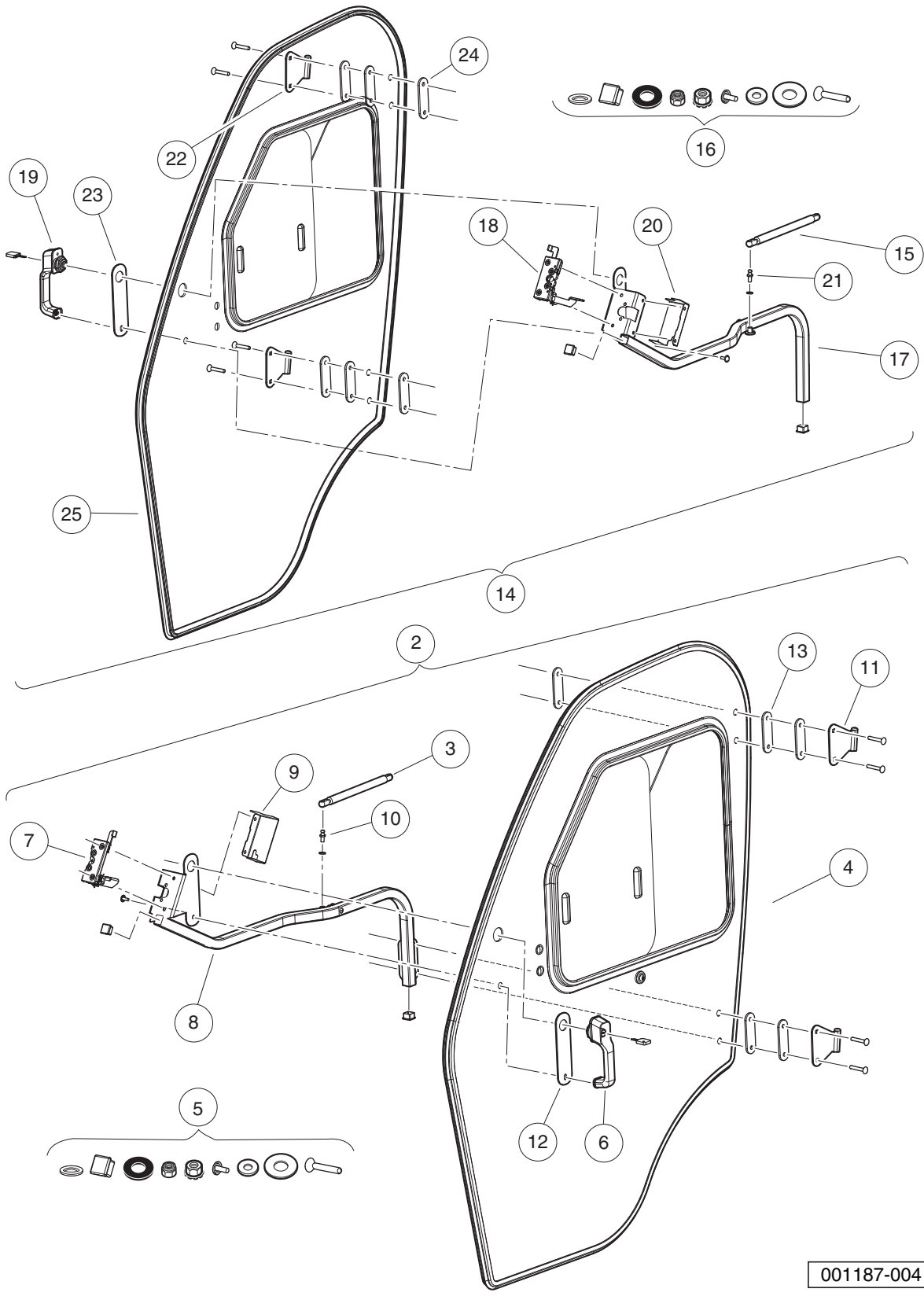


# CAB ROOF

ITEM	PART NO.	DESCRIPTION	QTY
		1 2 3 4	
1	<u>105097001</u>	Kit, Cab, Canopy, Liner .....	1
2	<u>47552858001</u>	Kit, Cab Roof, Standard (includes items 3 through 9) .....	1
3	<u>47553013001</u>	Washer, Rubber, 5/16 ID-1-1/4 OD in. ....	10
4	<u>47553014001</u>	Washer, Chamfered, 5/16 ID-1-1/4 OD in. ....	10
5	<u>47553015001</u>	Screw, Torx, Pan-Hed, 5/16-18 x 1-1/4 in. ....	10
6	<u>47553777001</u>	Roof, Cab, Standard .....	1
7	<u>47554192001</u>	Clip Nut, 5/16-18 .....	10
8	<u>47570761001</u>	D-Seal, Roof .....	2
9	<u>47570762001</u>	P-Seal, Roof .....	2
10	<u>47552859001</u>	Kit, Cab, FOPS (includes items 11 through 18) .....	A/R
11	<u>47553012001</u>	Seal, Roof .....	1
12	<u>47553013001</u>	Washer, Rubber, 5/16 ID-1-1/4 OD in. ....	10
13	<u>47553014001</u>	Washer, Chamfered, 5/16 ID-1-1/4 OD in. ....	10
14	<u>47553015001</u>	Screw, Torx, Pan-Hed, 5/16-18 x 1-1/4 in. ....	7
15	<u>47553824001</u>	Roof, Cab, FOPS .....	1
16	<u>47553825001</u>	Screw, 5/16-18 x 1-1/4 in. Hex-Head Cap .....	3
17	<u>47555699001</u>	Decal, Fops, Cab .....	1
18	<u>47573611001</u>	Locknut, 5/16-18, Hex-Flange .....	10

**1**  
**G**  
**E**

**1**  
**G**  
**E**

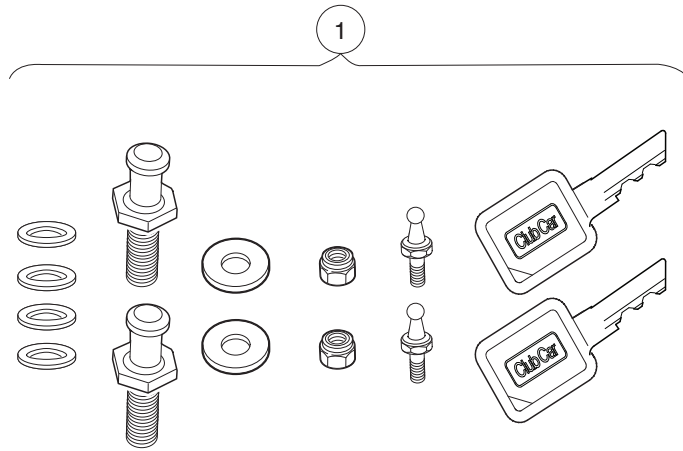


001187-004

# CAB DOORS – GLASS WITH LH & RH SLIDING WINDOWS

ITEM	PART NO.	DESCRIPTION	QTY
		1 2 3 4	
1	<u>105245901</u>	Kit, Doors, Glass, w/Sliding Windows, LH/RH (includes items 2 through 14) .....	1
2	<u>105181701</u>	Glass Door Asm, Lh (includes items 3 through 13) .....	1
3	<u>104001201</u>	Gas Spring .....	1
4	<u>105181801</u>	Glass Door Replacement, Lh .....	1
5	<u>105181901</u>	Hardware Kit, Glass Door .....	1
6	<u>105182001</u>	Handle, Push Button .....	1
7	<u>105182101</u>	Latch, Glass Door, Lh .....	1
8	<u>105182201</u>	Handle, Glass Door, Lh .....	1
9	<u>105182301</u>	Cover, Latch, Lh .....	1
10	<u>105182401</u>	Spring, Ball Stud .....	1
11	<u>105182501</u>	Hinge, Door .....	2
12	<u>105182601</u>	Spacer, Handle .....	1
13	<u>105182701</u>	Plate, Upper Hinge .....	1
14	<u>105265301</u>	Asm, Glass Door, Rh, W/slider (includes items 15 through 25) .....	1
15	<u>104001201</u>	Gas Spring .....	1
16	<u>105181901</u>	Hardware Kit, Glass Door .....	1
17	<u>105182002</u>	Handle, Glass Door, RH .....	1
18	<u>105182102</u>	Latch, Glass Door, Rh .....	1
19	<u>105182202</u>	Handle, Glass Door, Rh .....	1
20	<u>105182302</u>	Cover, Latch, Rh .....	1
21	<u>105182401</u>	Spring, Ball Stud .....	1
22	<u>105182501</u>	Hinge, Door .....	2
23	<u>105182601</u>	Spacer, Handle .....	1
24	<u>105182701</u>	Plate, Upper Hinge .....	1
25	<u>105265401</u>	Asm, Glass Dr Repl, Rh, W/sldr .....	1

**1**  
**G**  
**E**



001438-001

# HARDWARE KIT, DOOR STRIKER

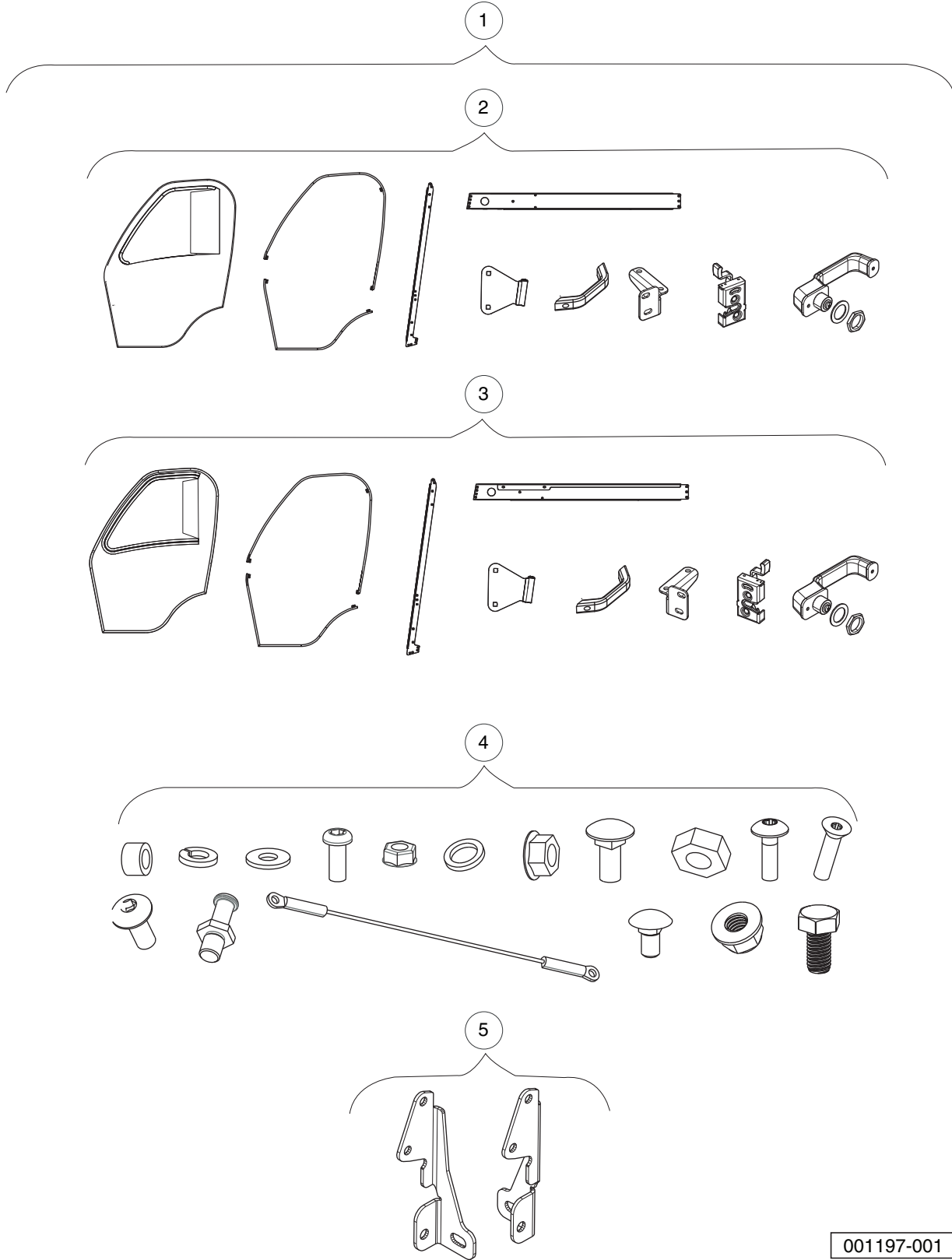
ITEM	PART NO.	DESCRIPTION	QTY
1	<u>105182801</u>	<p>1 2 3 4</p> <p>Hardware Kit, Door Striker .....</p>	1

1

G

E

**1**  
**G**  
**E**



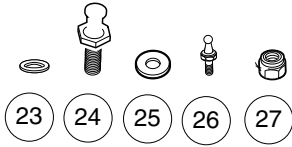
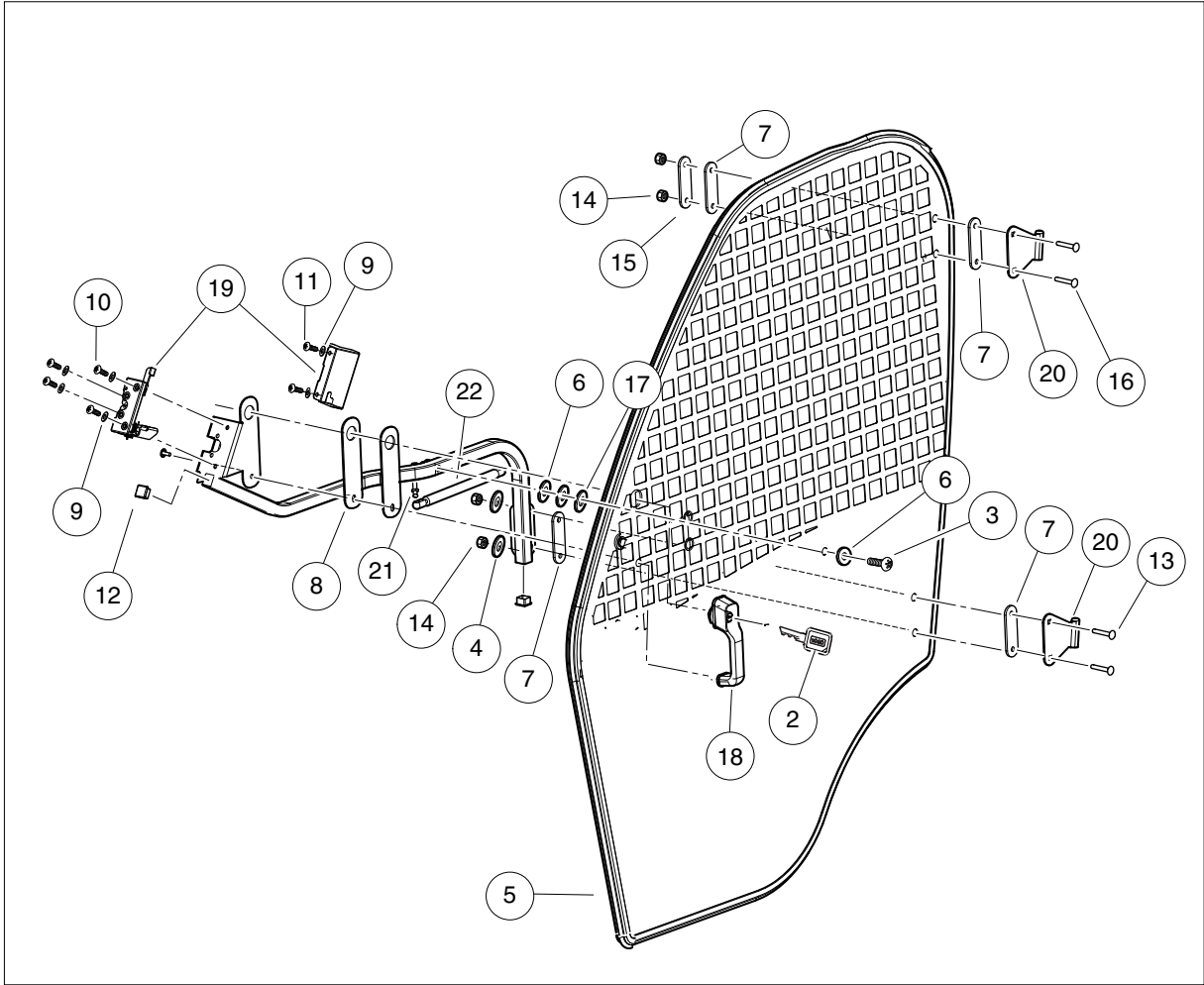
001197-001

# CAB DOORS – SOFT

ITEM	PART NO.	DESCRIPTION	QTY
		1 2 3 4	
1	<u>105097401</u>	Cab, Doors, Soft Kit (includes items 2 through 5) .....	1
2	<u>105183101</u>	Soft Door Asm, Lh .....	1
3	<u>105183201</u>	Soft Door Asm, Rh .....	1
4	<u>105183301</u>	Hardware, Soft Door .....	1
5	<u>105183401</u>	Hardware Kit, Soft Door Strike .....	1

1  
G  
E

1



001195-003

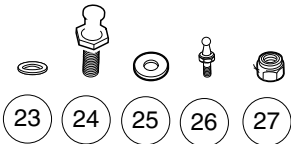
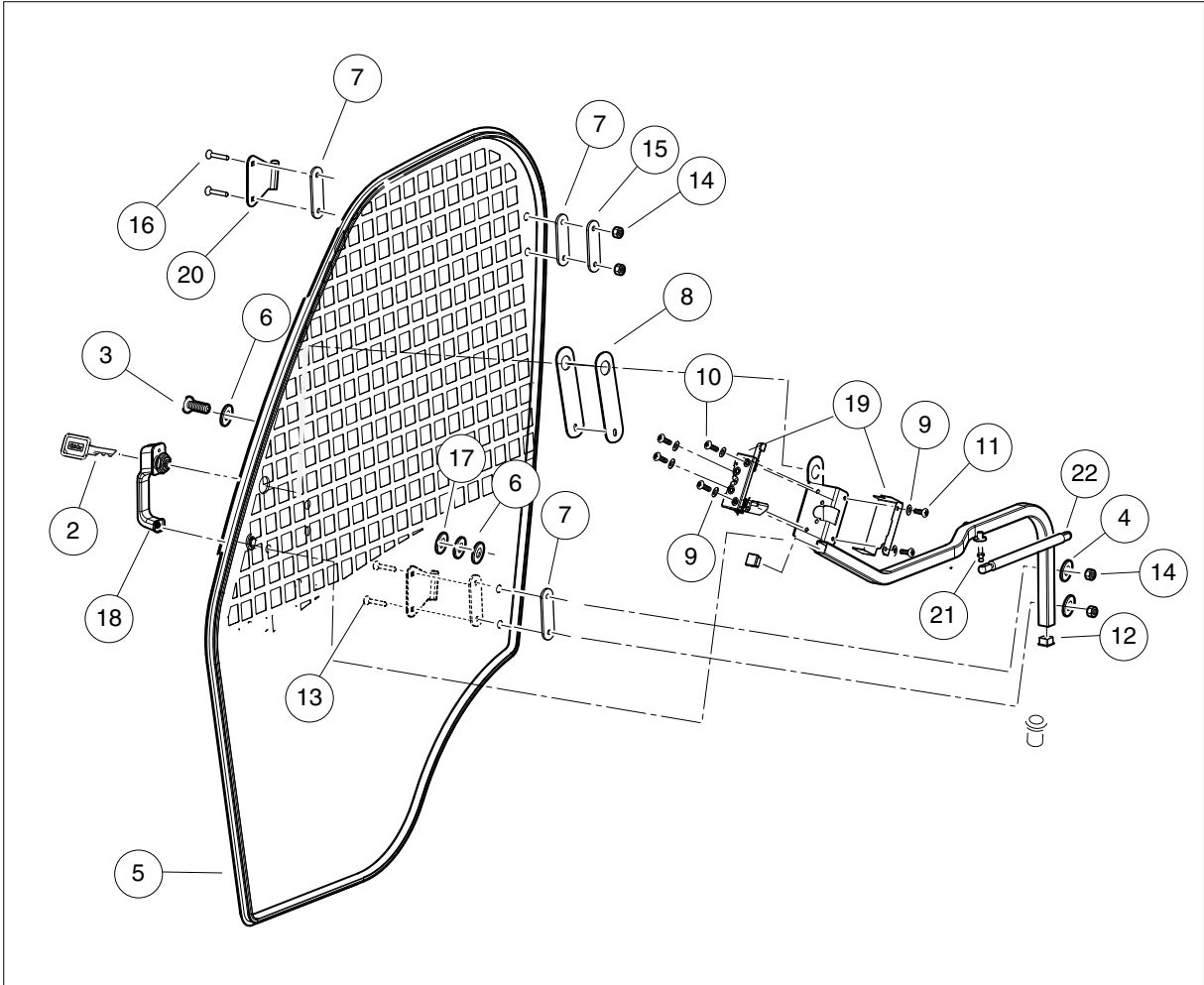


## CAB DOORS – RANGE, DRIVER-SIDE

ITEM	PART NO.	DESCRIPTION	QTY
		1 2 3 4	
1	<u>47555423001</u>	Asm, Door, Range, Lh (includes items 2 through 22) .....	1
2	<u>105068001</u>	Key, Uncommon, Padded 1a .....	1
3	<u>47553026001</u>	Scrw, 5/16-18x1.50", Pn Hd Trx .....	3
4	<u>47553027001</u>	Washer, 5/16" id X .875" od, Fw .....	3
5	<u>47553942001</u>	Seal, Windshld Frame, Lamntd .....	1
6	<u>47554388001</u>	Washer, 11/32" id X 1.25" od, Fw .....	6
7	<u>47555424001</u>	Shim, Door Hinge, Rubr, Range .....	4
8	<u>47555425001</u>	Shim, Dr Handle, Foam, Range .....	2
9	<u>47555426001</u>	Washer, 1/4" id X .485" od, Lw .....	7
10	<u>47555427001</u>	Scrw, M6-1.0 X 20", Pn Hd Trx .....	4
11	<u>47555428001</u>	Scrw, M6-1.0 X 10", Pn Hd Trx .....	2
12	<u>47555429001</u>	Plug, Cap, 1" Sq. Tube .....	2
13	<u>47555430001</u>	Bolt, 5/16-18 X 1.50", Carr .....	2
14	<u>47555431001</u>	Locknut, 5/16-18, Hex .....	5
15	<u>47555432001</u>	Plate, Door Hinge, Range .....	1
16	<u>47555433001</u>	Bolt, 5/16-18 X 1.25", Carr .....	2
17	<u>47555434001</u>	Washer, 5/16" id X 1.25" od, Rbr .....	2
18	<u>47555435001</u>	Asm, Door Handle, Range .....	1
19	<u>47555436001</u>	Asm, Latch Mech, Door, Rng, Lh .....	1
20	<u>47555437001</u>	Wldmnt, Door Hinge, Range .....	2
21	<u>47555446001</u>	Stud, Ball, Gas Spring .....	1
22	<u>47555451001</u>	Spring, Gas, Cab .....	1
23	<u>47555441001</u>	Washer, .443" id X .630" od .....	2
24	<u>47555442001</u>	Striker, Latch, Door, Cab .....	1
25	<u>47555443001</u>	Washer, 1/2" id X 1.25" od, Fw .....	2
26	<u>47555446001</u>	Stud, Ball, Gas Spring .....	1
27	<u>47555447001</u>	Nut, 7/16-14, Hex Hd Flng .....	1

1  
G  
E

1



001195-004

## CAB DOORS – RANGE, PASSENGER-SIDE

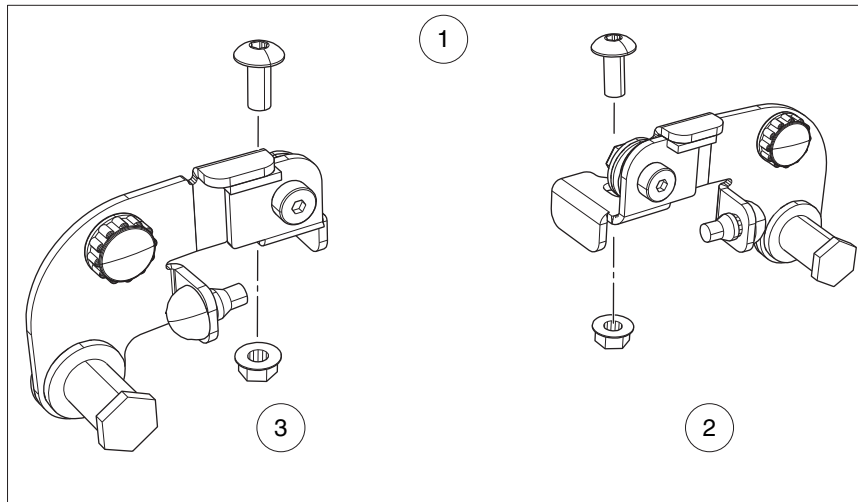
ITEM	PART NO.	DESCRIPTION	QTY
		1 2 3 4	
1	<u>47555423002</u>	Asm, Door, Range, Rh (includes items 2 through 22) .....	1
2	<u>105068001</u>	Key, Uncommon, Padded 1a .....	1
3	<u>47553026001</u>	Scrw, 5/16-18x1.50", Pn Hd Trx .....	3
4	<u>47553027001</u>	Washer, 5/16" id X .875" od, Fw .....	3
5	<u>47553942001</u>	Seal, Windshld Frame, Lamntd .....	1
6	<u>47554388001</u>	Washer, 11/32" id X 1.25" od, Fw .....	6
7	<u>47555424001</u>	Shim, Door Hinge, Rubr, Range .....	4
8	<u>47555425001</u>	Shim, Dr Handle, Foam, Range .....	2
9	<u>47555426001</u>	Washer, 1/4" id X .485" od, Lw .....	7
10	<u>47555427001</u>	Scrw, M6-1.0 X 20", Pn Hd Trx .....	4
11	<u>47555428001</u>	Scrw, M6-1.0 X 10", Pn Hd Trx .....	2
12	<u>47555429001</u>	Plug, Cap, 1" Sq. Tube .....	2
13	<u>47555430001</u>	Bolt, 5/16-18 X 1.50", Carr .....	2
14	<u>47555431001</u>	Locknut, 5/16-18, Hex .....	5
15	<u>47555432001</u>	Plate, Door Hinge, Range .....	1
16	<u>47555433001</u>	Bolt, 5/16-18 X 1.25", Carr .....	2
17	<u>47555434001</u>	Washer, 5/16" id X 1.25" od, Rbr .....	2
18	<u>47555435001</u>	Asm, Door Handle, Range .....	1
19	<u>47555436002</u>	Asm, Latch Mech, Door, Rng, Rh .....	1
20	<u>47555437001</u>	Wldmnt, Door Hinge, Range .....	2
21	<u>47555446001</u>	Stud, Ball, Gas Spring .....	1
22	<u>47555451001</u>	Spring, Gas, Cab .....	1
23	<u>47555441001</u>	Washer, .443" id X .630" od .....	4
24	<u>47555442001</u>	Striker, Latch, Door, Cab .....	2
25	<u>47555443001</u>	Washer, 1/2" id X 1.25" od, Fw .....	4
26	<u>47555446001</u>	Stud, Ball, Gas Spring .....	2
27	<u>47555447001</u>	Nut, 7/16-14, Hex Hd Flng .....	2

1  
G  
E

1

G

E



001143-002

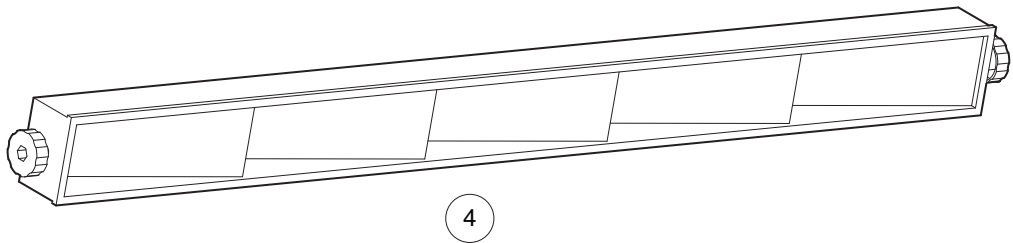
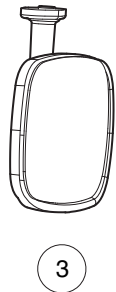
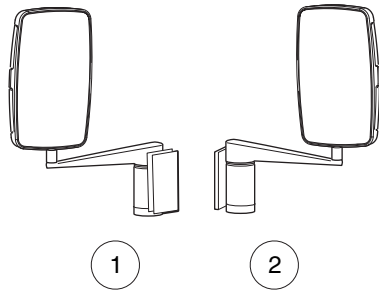
# CAB DOORS – VENT

ITEM	PART NO.	DESCRIPTION	QTY
		1 2 3 4	
1	105097501	Cab, Door, Vent Kit (includes items 2 and 3) .....	1
2	<u>105178301</u>	Door Vent Lh .....	1
3	<u>105178401</u>	Door Vent Rh .....	1

1

G

E



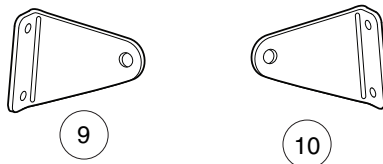
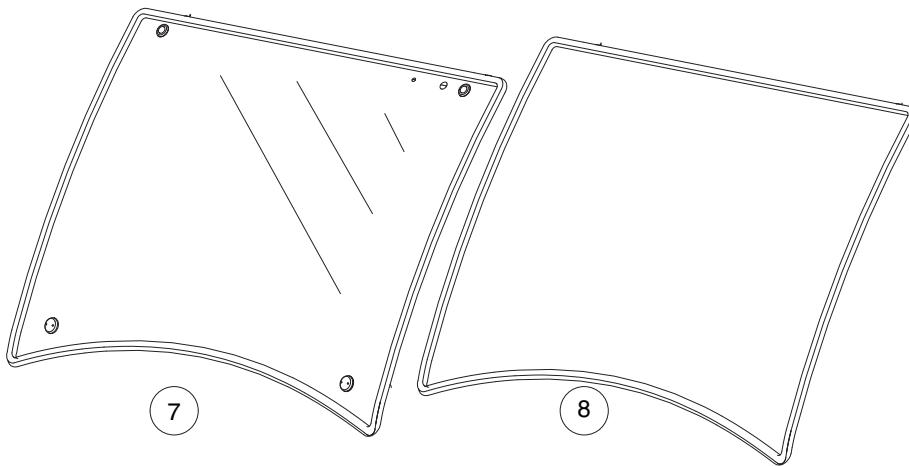
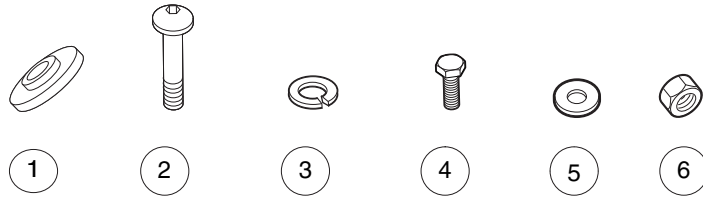
001198-001

# CAB - MIRRORS

ITEM	PART NO.	DESCRIPTION	QTY
		<b>1 2 3 4</b>	
1	<u>105098501</u>	Cab, Mirror, Left Hand Kit .....	1
2	<u>105098502</u>	Cab Passenger Side Mirror Kit .....	1
3	<u>105098701</u>	Cab, Mirror, Interior Kit .....	1
4	<u>105289301</u>	Kit, Mirror, 5 Panel, Cab .....	1

**1**  
**G**  
**E**

**1**  
**G**  
**E**



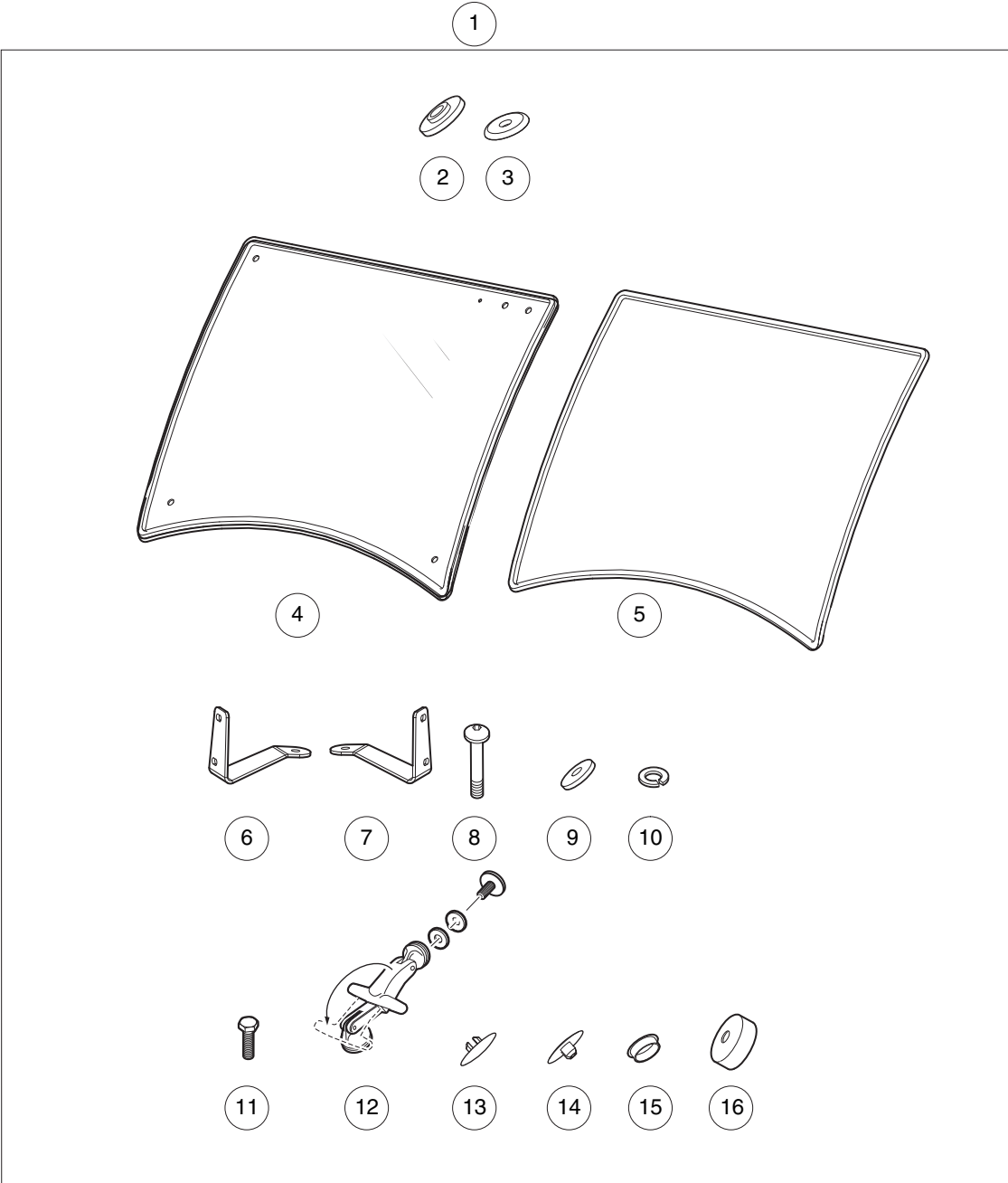
001186-003



## CAB – WINDSHIELD, RANGE, (POLY)

ITEM	PART NO.	DESCRIPTION	QTY
		1 2 3 4	
1	<u>47553013001</u>	Washer, Rubber, 5/16 ID-1-1/4 OD in. ....	22
2	<u>47553015001</u>	Screw, Torx, Pan-Hed, 5/16-18 x 1-1/4 in. ....	4
3	<u>47553028001</u>	Washer, Lock, 5/16 in. ....	4
4	<u>47553029001</u>	Screw, Hex-Head, M8 x 16 mm ....	4
5	<u>47554388001</u>	Washer, Flat, 11/35 x 1-1/4 in. ....	8
6	<u>47555431001</u>	Locknut, 5/16-18 in. ....	2
7	<u>47555438001</u>	ASM, Windshield and Seal, Polycarb ....	1
8	<u>47555439001</u>	Seal, Window Trim, Polycarb ....	1
9	<u>47555440001</u>	Bracket, Windshield, Polycarb, Driver-side ....	1
10	<u>47555440002</u>	Bracket, Windshield, Polycarb, Passenger side ....	1

**1**  
**G**  
**E**

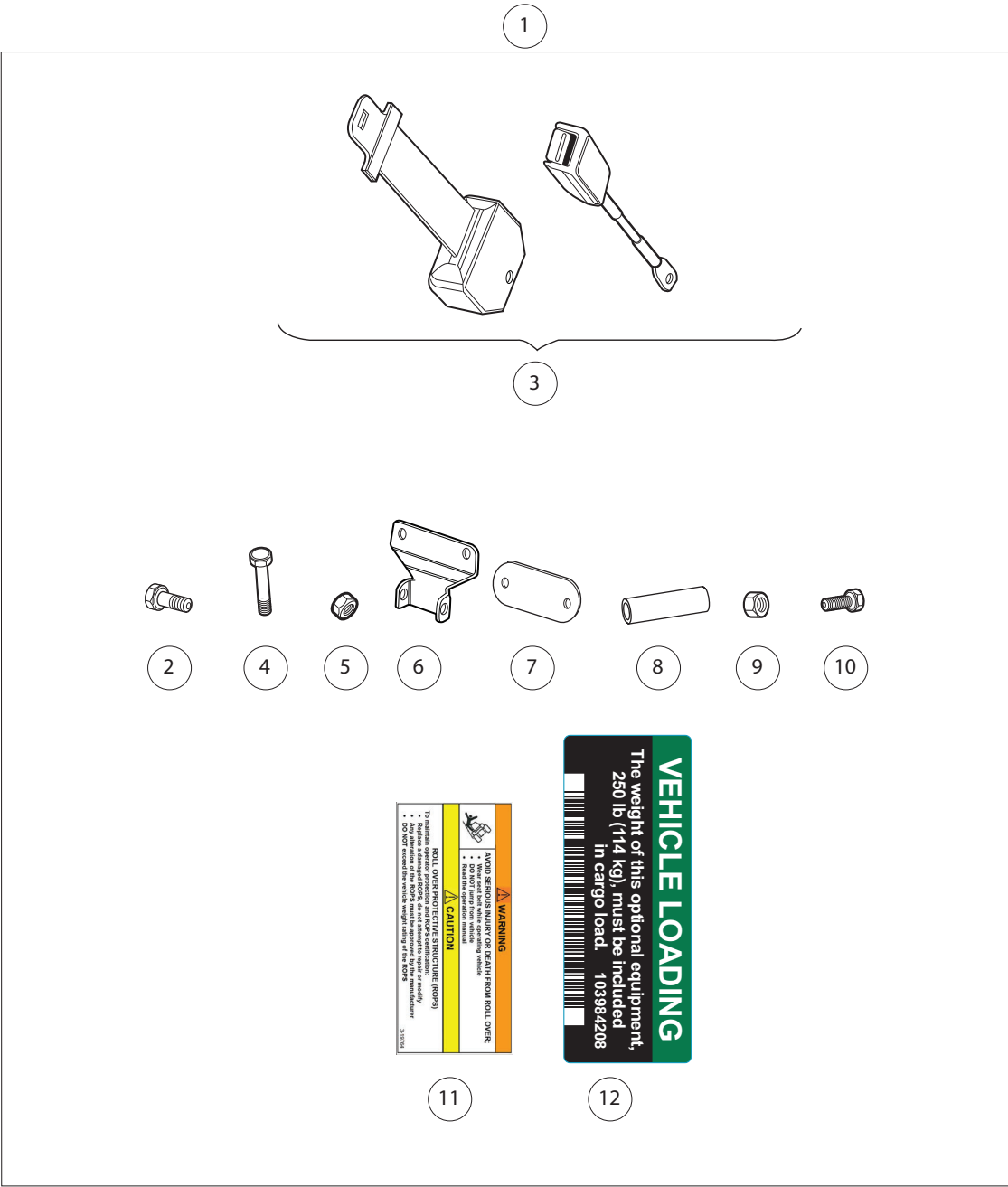


001184-004

## CAB – WINDSHIELD (TEMPERED)

ITEM	PART NO.	DESCRIPTION	QTY	
		1 2 3 4		<b>1</b>
1	<u>47552860001</u>	Kit, WindshIELD, Tempered, Cab (includes items 2 through 16) .....	1	<b>G</b>
2	<u>47553013001</u>	Washer, Rubber, 5/16 ID-1-1/4 OD in. ....	4	<b>E</b>
3	<u>47553014001</u>	Washer, Chamfered, 5/16 ID-1-1/4 OD in. ....	2	
4	<u>47553021001</u>	ASM, Windshield, with seal, Tempered, Cab .....	1	
5	<u>47553024001</u>	Seal, Window Trim, Tempered .....	1	
6	<u>47553025001</u>	Mount, T-Handle (passenger side) .....	1	
7	<u>47553025002</u>	Mount, T-Handle (driver side) .....	1	
8	<u>47553026001</u>	Screw, Pan-Head Torx, 5/16-18 x 1-1/2 in. ....	2	
9	<u>47553027001</u>	Washer, Flat, 3/8 x 7/8 in. ....	6	
10	<u>47553028001</u>	Washer, Lock, 5/16 in. ....	2	
11	<u>47553029001</u>	Screw, Hex-Head, M8 x 16 mm .....	6	
12	<u>47553030001</u>	ASM, T-Handle .....	2	
13	<u>47553031001</u>	Plug, Hole, Female, 5/8 in. ....	1	
14	<u>47553032001</u>	Plug, Hole, Male, 5/8 in. ....	1	
15	<u>47553033001</u>	Plug, Hole, 3/8 in. ....	2	
16	<u>47553948001</u>	Plastic Spacer .....	2	

**1**  
**G**  
**E**



001180-002

## CAB – 2-POINT SEAT BELTS

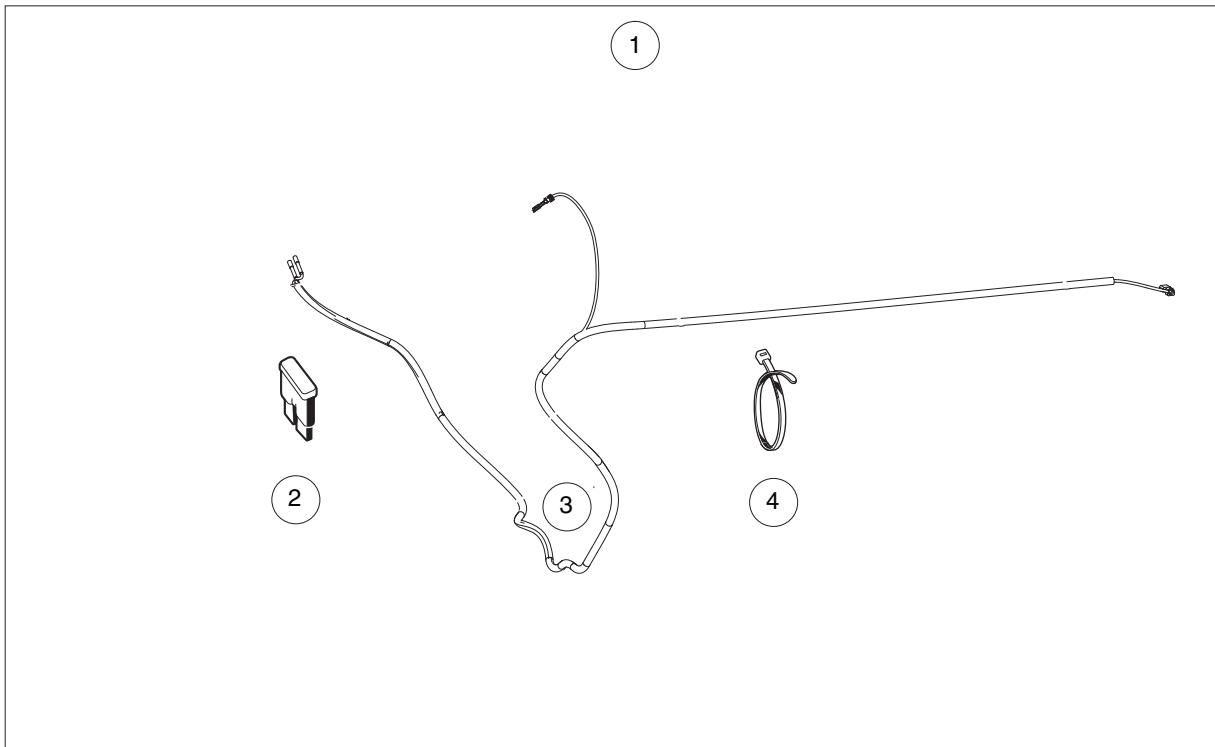
ITEM	PART NO.	DESCRIPTION	QTY
		<b>1 2 3 4</b>	
1	<u>47552865001</u>	Kit, 2-Point Seat Belt (includes items 2 through 12) .....	1
2	47552872001	Screw, Hex-Head Cap, 3/8-16 x 1 in. ....	2
3	47554720001	ASM, Seat Belt, 2-Point .....	2
4	47554721001	Screw, Cap, Hex-Head, 7/16-14 x 2-1/2 in. ....	2
5	47554722001	Locknut, Hex, 7/16-14 .....	4
6	47554723001	Bracket, Center Mount, 2-Point Seat Belt .....	1
7	47554724001	Plate, Backing, Center Mount, 2-Point Seat Belt .....	1
8	47554726001	Spacer, Retractor, 1/2 x 9/16 in. ....	2
9	47554727001	Locknut, Center, 3/8-16 in. ....	2
10	47554728001	Screw, Cap, Hex-Head, 7/16-14 x 1 in. ....	2
11	47554730001	Decal, Warn, Rops .....	1
12	47554731001	Decal, Weight, Reduce .....	1

1  
G  
E

1

G

E



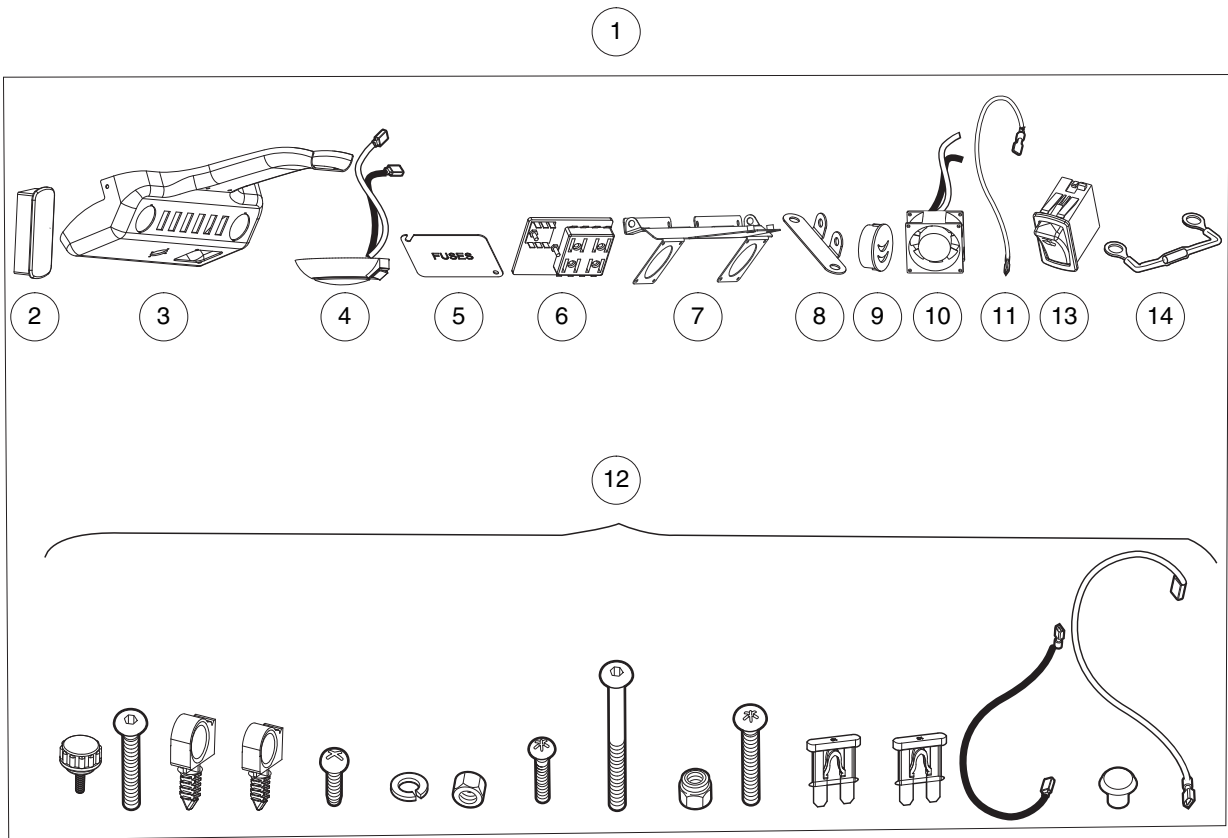
001193-001

# CAB – ELECTRICAL, POWER HARNESS, ELECTRIC VEHICLE TO CAB

ITEM	PART NO.	DESCRIPTION	QTY
		1 2 3 4	
1	<u>105234002</u>	Kit, Cab Pwr Harness, Elec (includes items 2 through 4) .....	1
2	<u>105114807</u>	Fuse, Mini, Atm, 15 Amp .....	1
3	<u>105205501</u>	Harn, Pwr Supply, Cab .....	1
4	<u>8639</u>	Tie Wrap, 11" Nylon .....	5

**1**  
**G**  
**E**

**1**  
**G**  
**E**



001188-002

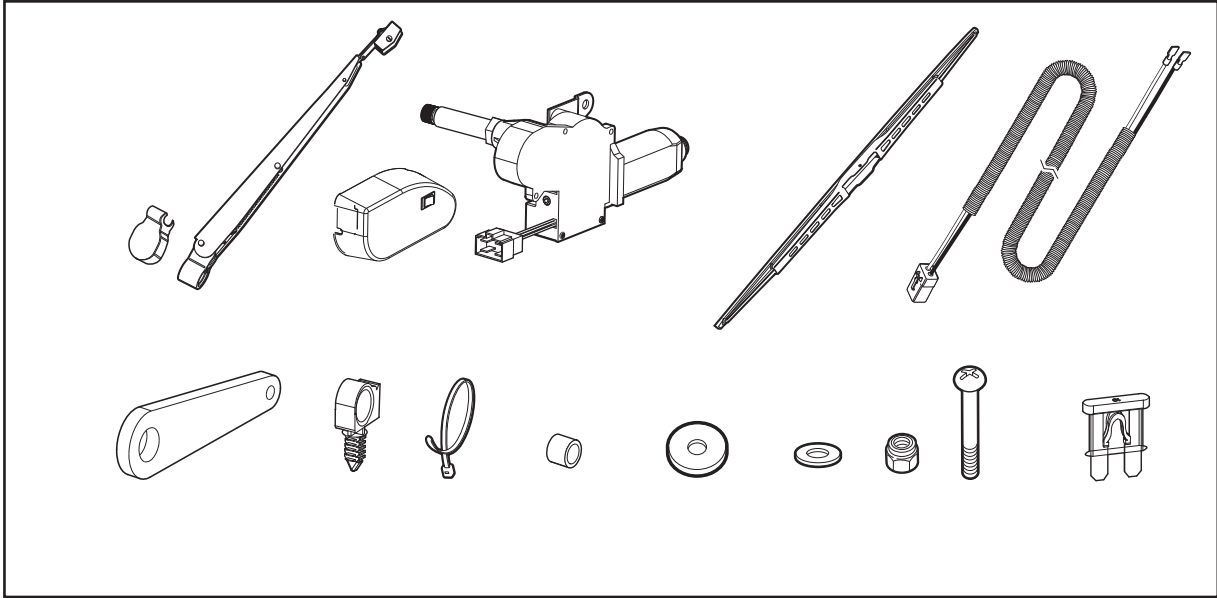


## CAB – ELECTRICAL, OVERHEAD CONSOLE

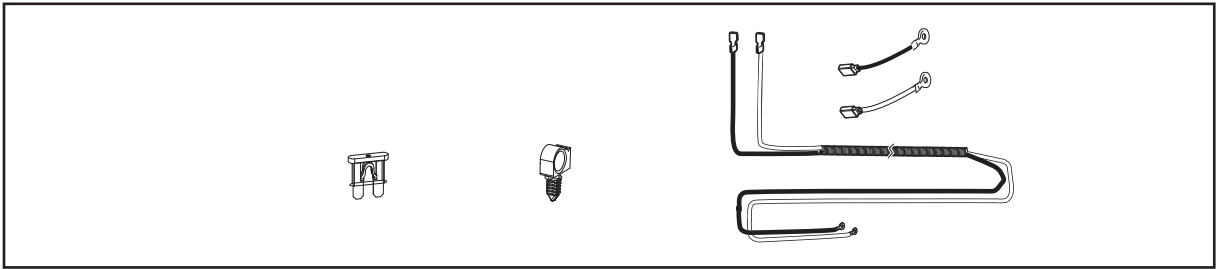
ITEM	PART NO.	DESCRIPTION	QTY
		1 2 3 4	
1	<u>105097901</u>	Cab, Overhead Console, Kit (includes items 2 through 14) .....	1
2	<u>103180101</u>	Cover, Hole, Switch, Rocker .....	5
3	<u>105179001</u>	Overhead Console Asm .....	1
4	<u>105179101</u>	Cab, Dome Light .....	1
5	<u>105179201</u>	Cab, Fuse Cover .....	1
6	<u>105179301</u>	Cab, Fuse Holder 8 W Grnd .....	1
7	<u>105179401</u>	Front Fan Bracket, Asm .....	1
8	<u>105179501</u>	Rear Oh Console Bracket .....	1
9	<u>105179601</u>	Fan Louver .....	2
10	<u>105179701</u>	Oh Console Fan .....	1
11	<u>105179801</u>	Wire Jumper, Fan .....	1
12	<u>105179901</u>	Hardware Kit, Oh Console .....	1
13	<u>105183501</u>	Rocker, Fan .....	1
14	<u>105295301</u>	Asm, Capacitor, 0.47uf .....	1

1  
G  
E

**1**  
**G**  
**E**



1



2

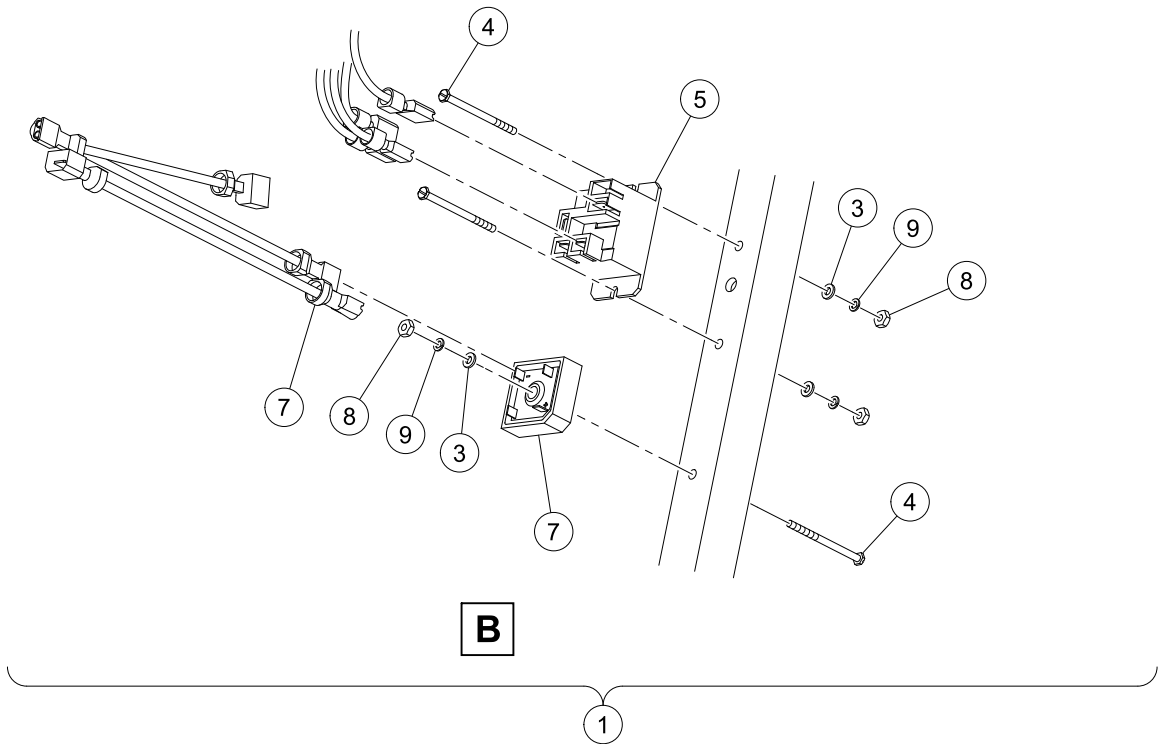
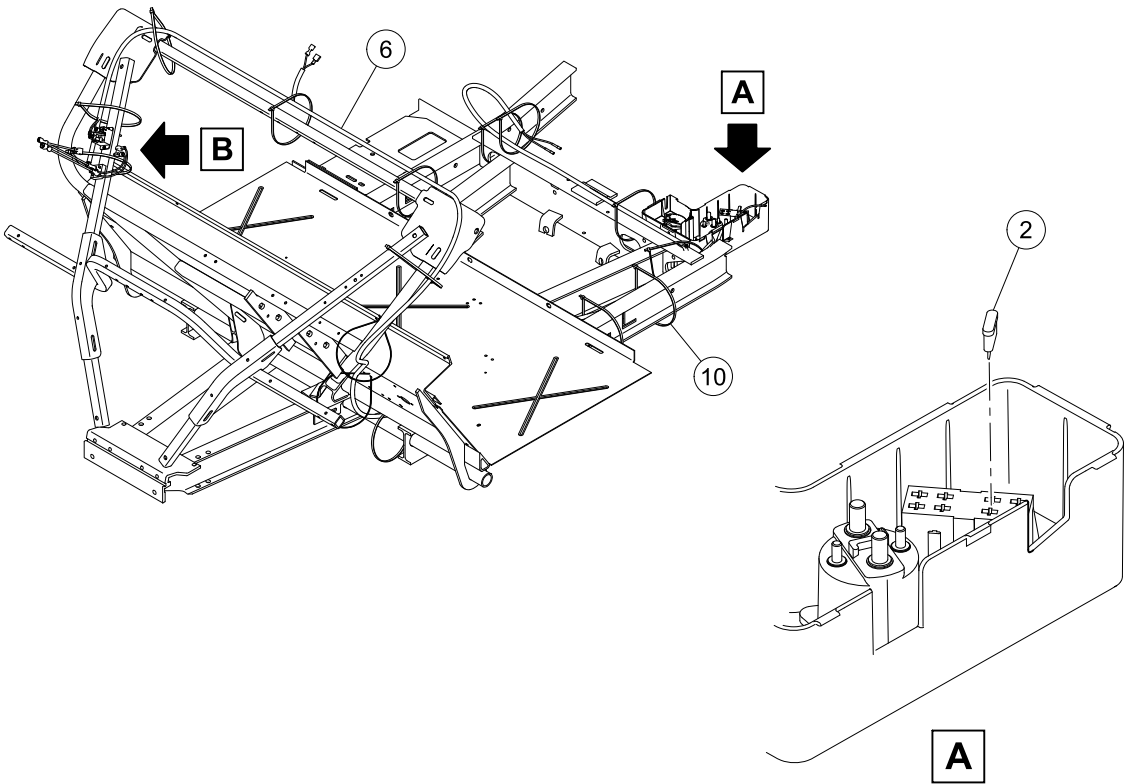
001190-001

# CAB – ELECTRICAL, WINDSHIELD WIPER

ITEM	PART NO.	DESCRIPTION	QTY
1	<u>105098001</u>	1 2 3 4 Cab, Front Wiper Kit .....	1
2	<u>105098002</u>	Cab, Wiper Power Harness Kit (w/o Console) .....	A/R
<p>Note: Vehicles not equipped with an overhead console will require kit part number <u>105098001</u>, Front Wiper Kit, and <u>105098002</u>, Cab Wiper Power Harness Kit. Vehicles equipped with an overhead console are wired for wiper power and require only the <u>105098001</u>, Front Wiper Kit.</p>			

1  
G  
E

**1**  
**G**  
**E**



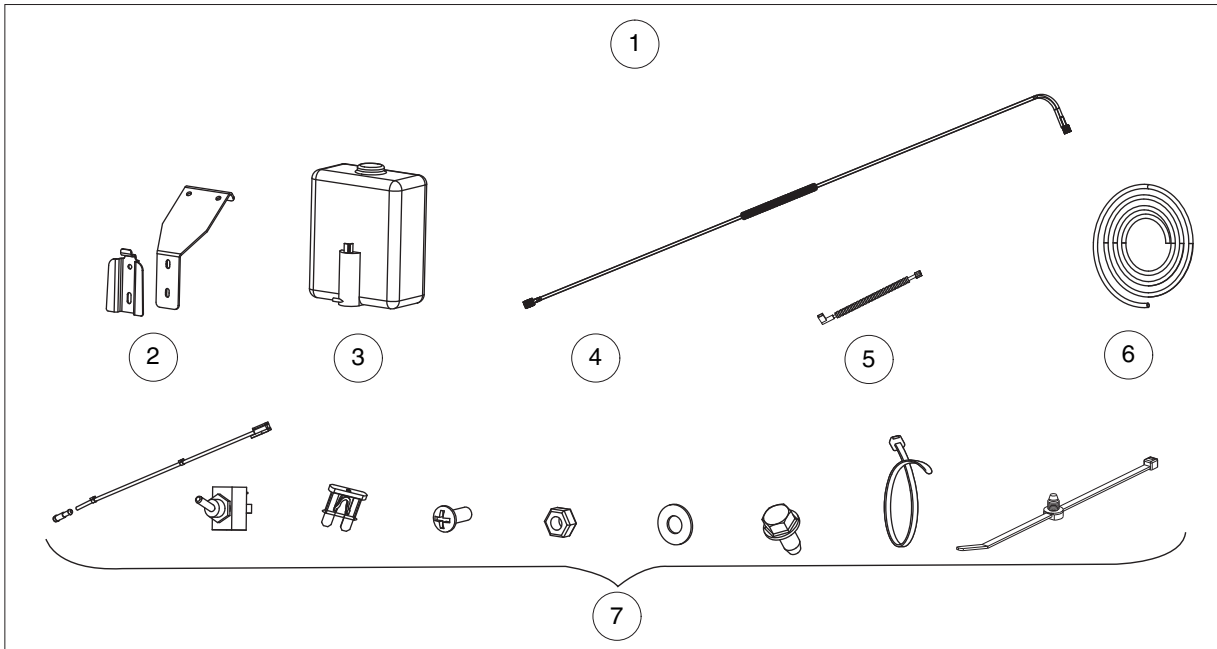
G-131099-000004

# CAB – ELECTRICAL, CAB POWER HARNESS, GASOLINE VEHICLE TO CAB

ITEM	PART NO.	DESCRIPTION	QTY
		1 2 3 4	
1	<u>105234102</u>	Kit, Cab Pwr Harness, Gas (includes items 2 through 10) .....	1
2	<u>1012295</u>	Fuse, 10-Amp .....	1
3	<u>1012431</u>	Washer, #4 Flat .....	3
4	<u>1015878</u>	Screw, #4-40 Hex Head Machine .....	3
5	<u>102199001</u>	Relay, 12-Volt .....	1
6	<u>105236301</u>	Harness, Pwr, Cab, Gas .....	1
7	<u>47604303001</u>	Voltage Limiter, Gas .....	1
8	<u>8057</u>	Nut, #4-40 Hex Machine .....	3
9	<u>8058</u>	Lockwasher, #4 Split .....	3
10	<u>8639</u>	Tie Wrap, 11" Nylon .....	17

1  
G  
E

**1**  
**G**  
**E**



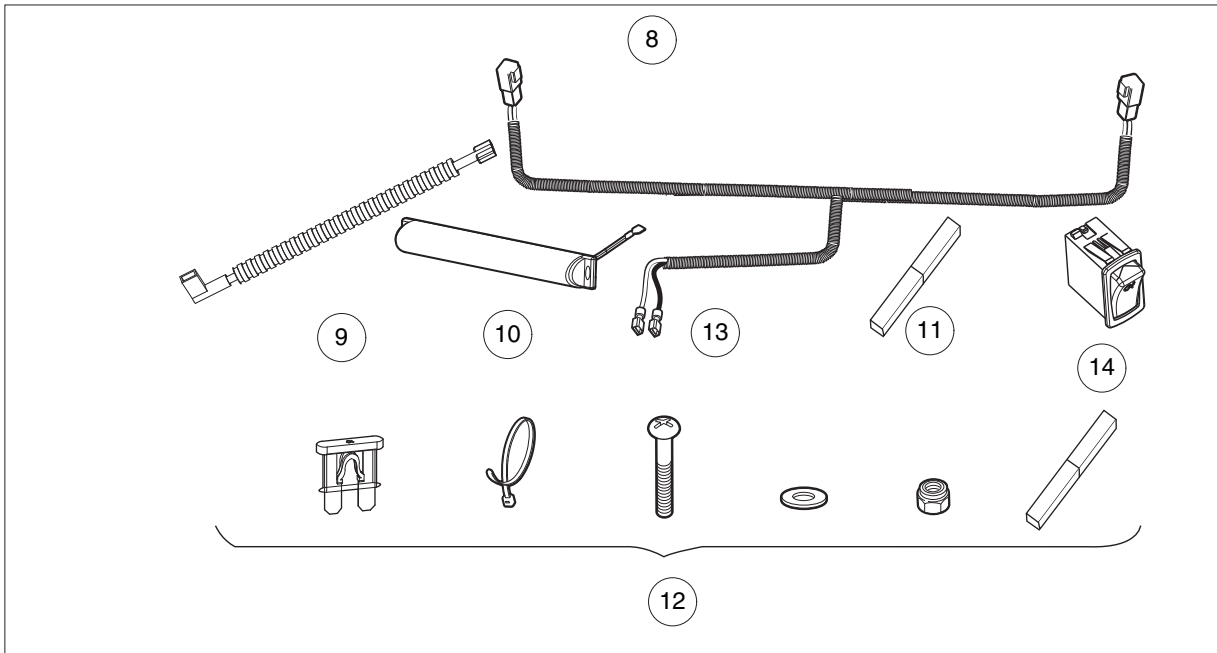
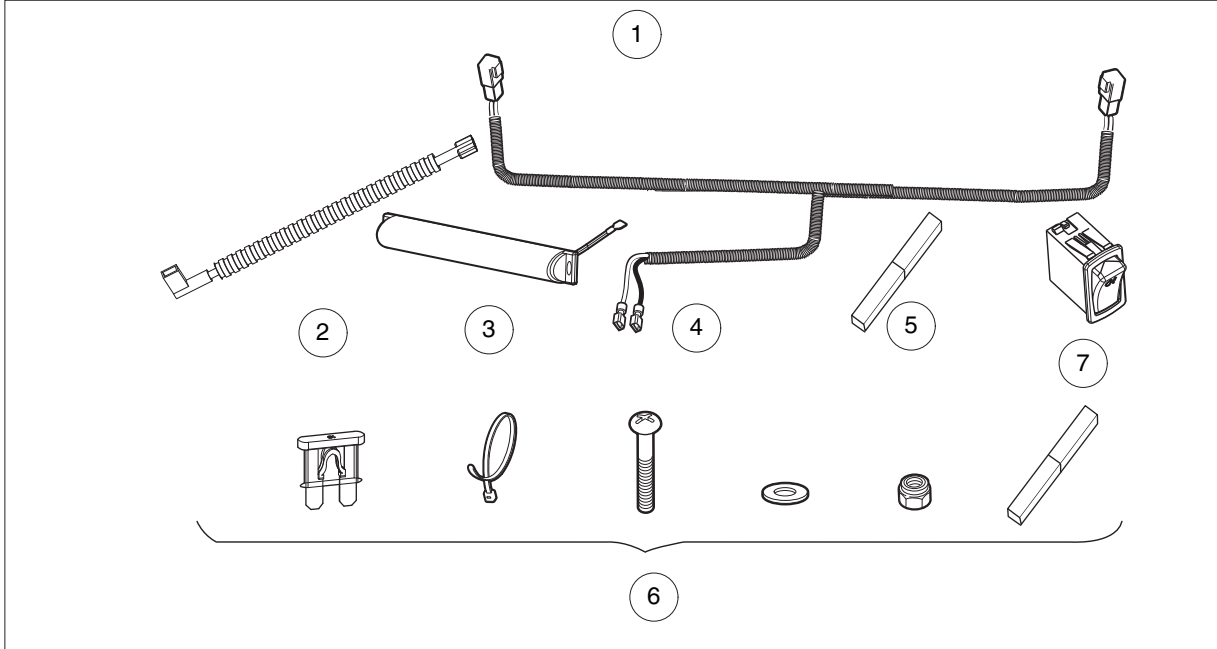
001189-001

# CAB – ELECTRICAL, WINDSHIELD WASHER

ITEM	PART NO.	DESCRIPTION	QTY
		1 2 3 4	
1	<u>105098101</u>	Cab, Front Wiper, Washer Kit (includes items 2 through 7) .....	1
2	<u>105180301</u>	Washer Tank Mount Plate .....	1
3	<u>105180401</u>	Wash Tank Asm .....	1
4	<u>105180501</u>	Wire Harness Sw To Pump .....	1
5	<u>105180601</u>	Wire Harness Fb To Sw .....	1
6	<u>105180701</u>	Hose 18x31x17ft .....	1
7	<u>105180801</u>	Hardware Kit, Wiper Washer .....	1

1  
G  
E

**1**  
**G**  
**E**



001191-001

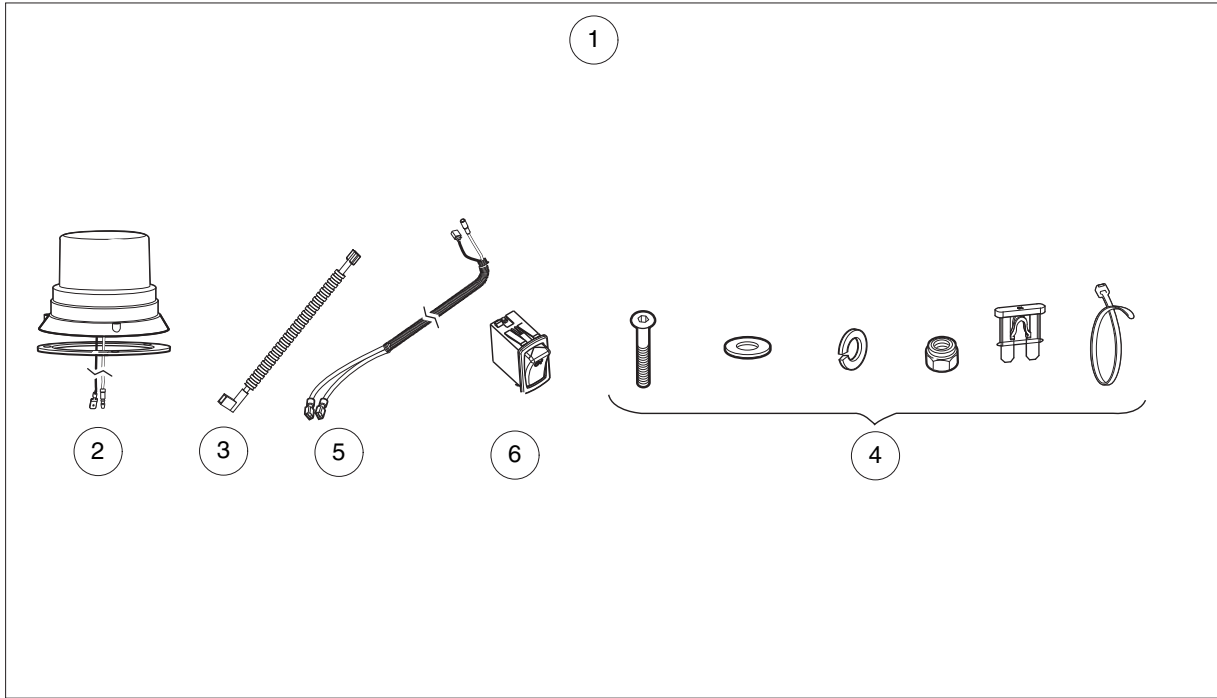


# CAB – ELECTRICAL, WORK LIGHTS

ITEM	PART NO.	DESCRIPTION	QTY
		1 2 3 4	
1	<u>105098201</u>	Cab, Front Work Light Kit (includes items 2 through 7) .....	1
2	<u>105180601</u>	Wire Harness Fb To Sw .....	1
3	<u>105180901</u>	Cab Work Light Led .....	2
4	<u>105181001</u>	Wire Harn Front WI .....	1
5	<u>105181101</u>	Work Light Tape .....	2
6	<u>105181301</u>	Hardware Kit, Work Light .....	1
7	<u>105183601</u>	Switch, Rocker, Front Work Light .....	1
8	<u>105098301</u>	Cab, Rear Work Light Kit (includes items 9 through 14) .....	1
9	<u>105180601</u>	Wire Harness Fb To Sw .....	1
10	<u>105180901</u>	Cab Work Light Led .....	2
11	<u>105181101</u>	Work Light Tape .....	2
12	<u>105181301</u>	Hardware Kit, Work Light .....	1
13	<u>105181401</u>	Wire Harn Rear WI .....	1
14	<u>105181501</u>	Rocker Rear WI .....	1

1  
G  
E

**1**  
**G**  
**E**



001192-001

# CAB – ELECTRICAL, WARNING BEACON

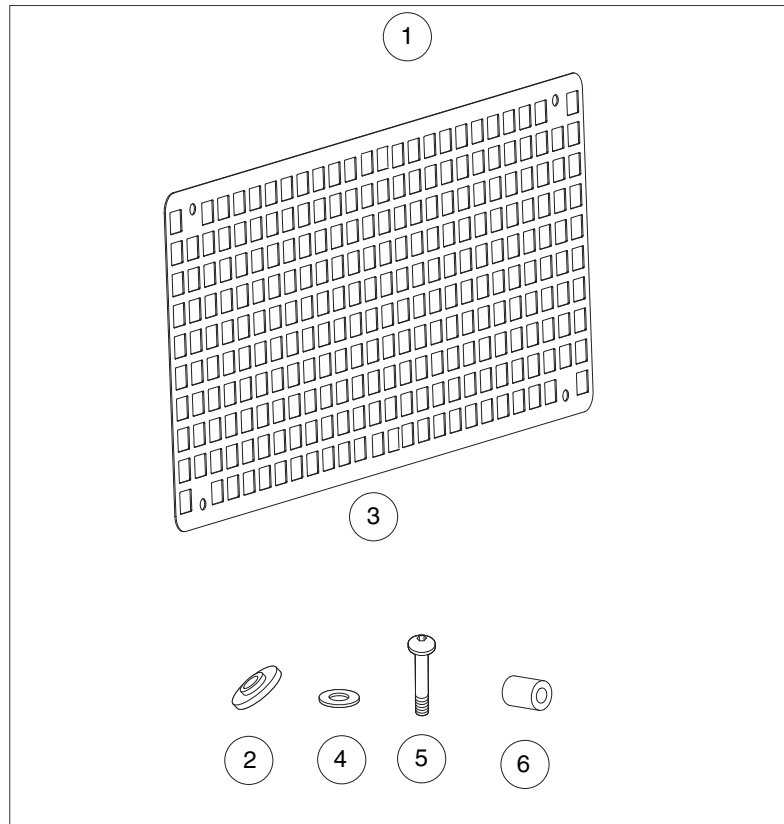
ITEM	PART NO.	DESCRIPTION	QTY
		1 2 3 4	
1	<u>105098401</u>	Cab, Warning Beacon Kit (includes items 2 through 6) .....	1
2	<u>104002101</u>	Light, Strobe, Amber .....	1
3	<u>105180601</u>	Wire Harness Fb To Sw .....	1
4	<u>105181201</u>	Hardware Kit, Beacon Kit .....	1
5	<u>105181601</u>	Wire Harness Sw To Beac .....	1
6	<u>105183801</u>	Rocker Beacon .....	1

1  
G  
E

1

G

E

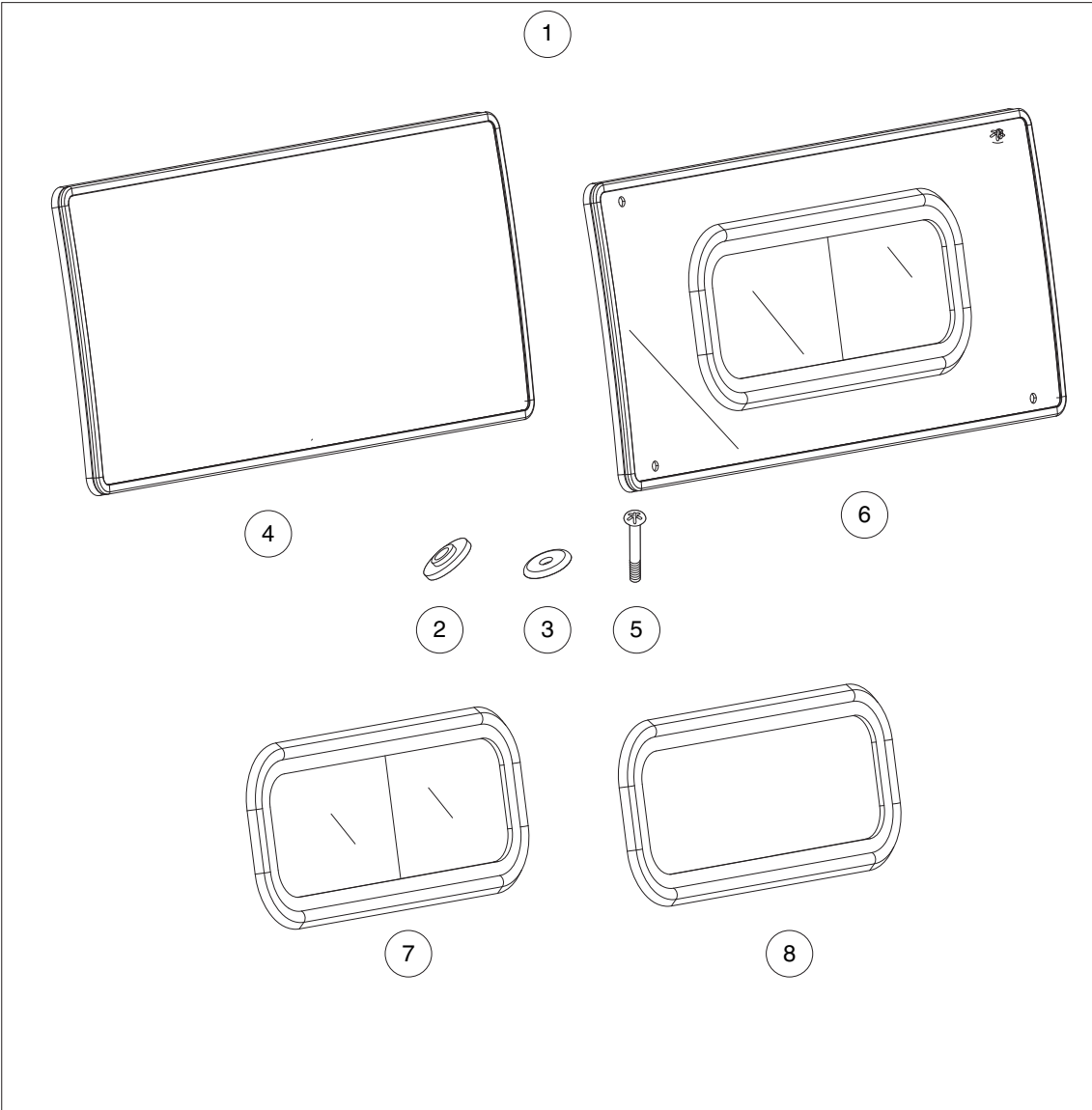


001185-004

## CAB – REAR WINDOW SCREEN

ITEM	PART NO.	DESCRIPTION	QTY
		<b>1 2 3 4</b>	
1	47552864001	Kit, Cab Rear Window Screen (includes items 2 through 6) .....	1
2	47553013001	Washer, Rubber, 5/16 ID-1-1/4 OD in. ....	4
3	47554387001	Rear Window Screen, Cab .....	1
4	47554388001	Washer, Flat, 11/35 x 1-1/4 in. ....	4
5	47554389001	Screw, Pan-Head, Torx, 5/16-18 x 2-1/2 in. ....	4
6	47554390001	Spacer, 3/8 x 1 in. ....	4

**1**  
**G**  
**E**



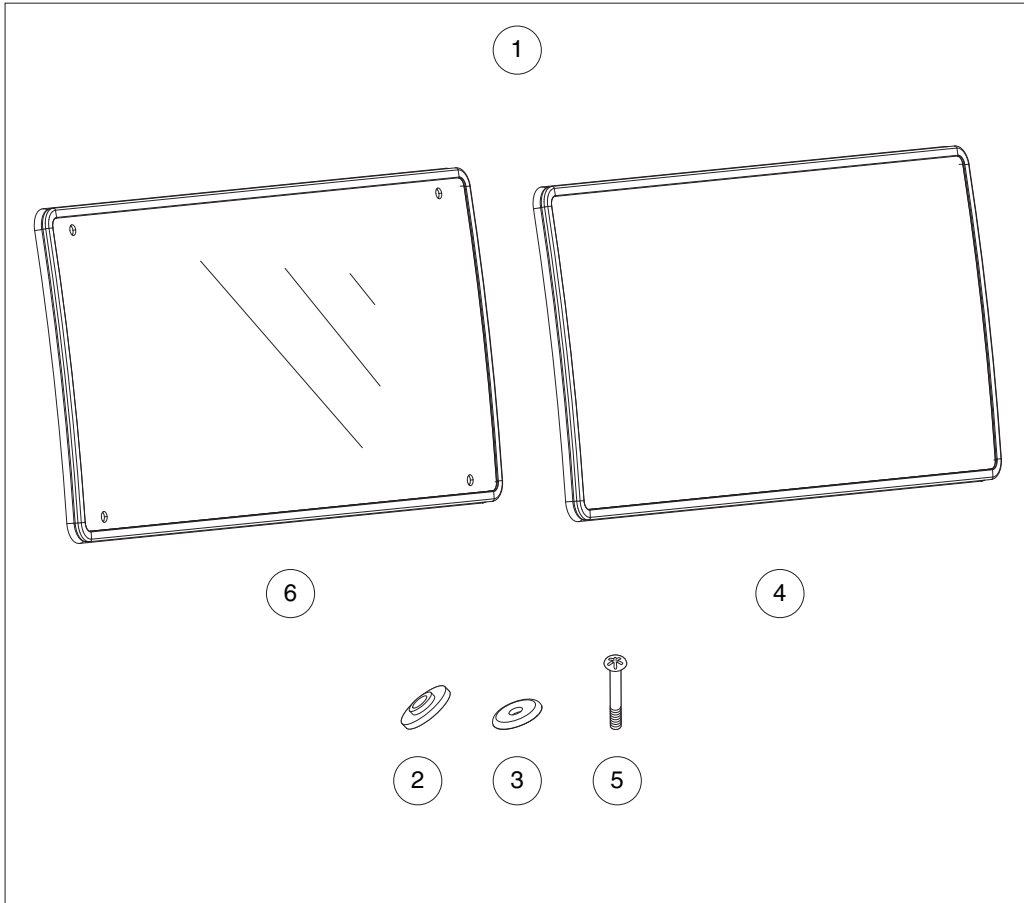
001185-003

# CAB – REAR WINDOW WITH SLIDER

ITEM	PART NO.	DESCRIPTION	QTY
		1 2 3 4	
1	<u>47552863001</u>	Kit, Cab Rear Window with Slider (includes items 2 through 8) .....	1
2	<u>47553013001</u>	Washer, Rubber, 5/16 ID-1-1/4 OD in. ....	12
3	<u>47553014001</u>	Washer, Chamfered, 5/16 ID-1-1/4 OD in. ....	4
4	<u>47553024001</u>	Seal, Window Trim, Tempered .....	1
5	<u>47553026001</u>	Screw, Pan-Head Torx, 5/16-18 x 1-1/2 in. ....	4
6	<u>47554309001</u>	Asm, Rear Window with Slider Window and Seal .....	1
7	<u>47554310001</u>	Rear Slider Window with Seal, Cab .....	1
8	<u>47554311001</u>	Seal, Rear Slider Window, Cab .....	1

**1**  
**G**  
**E**

**1**  
**G**  
**E**



001185-002



# CAB – REAR WINDOW, ONE-PIECE

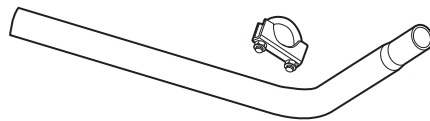
ITEM	PART NO.	DESCRIPTION	QTY
		<b>1 2 3 4</b>	
1	<u>47552862001</u>	Kit, Cab Rear Window (includes items 2 through 6) .....	1
2	<u>47553013001</u>	Washer, Rubber, 5/16 ID-1-1/4 OD in. ....	12
3	<u>47553014001</u>	Washer, Chamfered, 5/16 ID-1-1/4 OD in. ....	4
4	<u>47553024001</u>	Seal, Window Trim, Tempered .....	1
5	<u>47553026001</u>	Screw, Pan-Head Torx, 5/16-18 x 1-1/2 in. ....	4
6	<u>47553950001</u>	Rear Window with Seal, One-Piece .....	1

**1**  
**G**  
**E**

1

G

E



1

001199-001

# CAB – EXHAUST

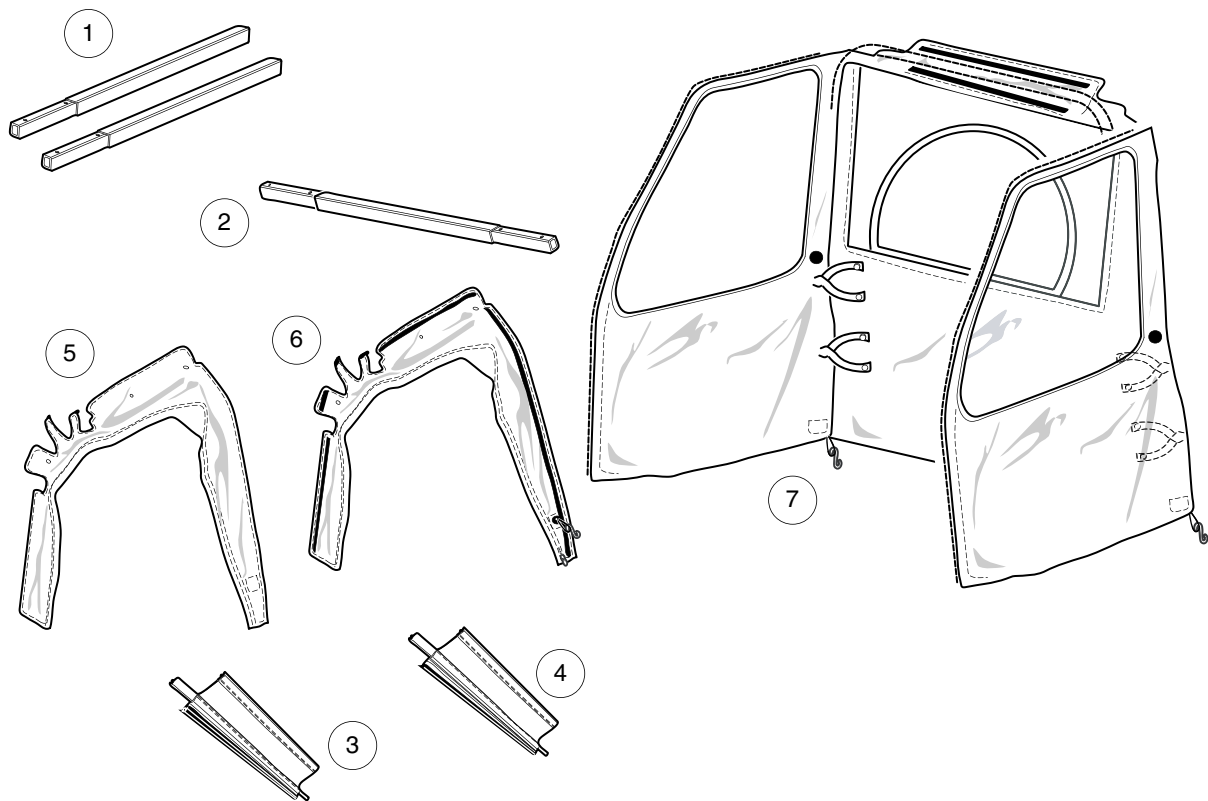
ITEM	PART NO.	DESCRIPTION	QTY
1	<u>105143401</u>	<div style="display: flex; justify-content: space-between; margin-bottom: 5px;"> <span>1</span> <span>2</span> <span>3</span> <span>4</span> </div> Kit, Exhaust Extension, 400cc .....	1

**1**

**G**

**E**

**1**  
**G**  
**E**



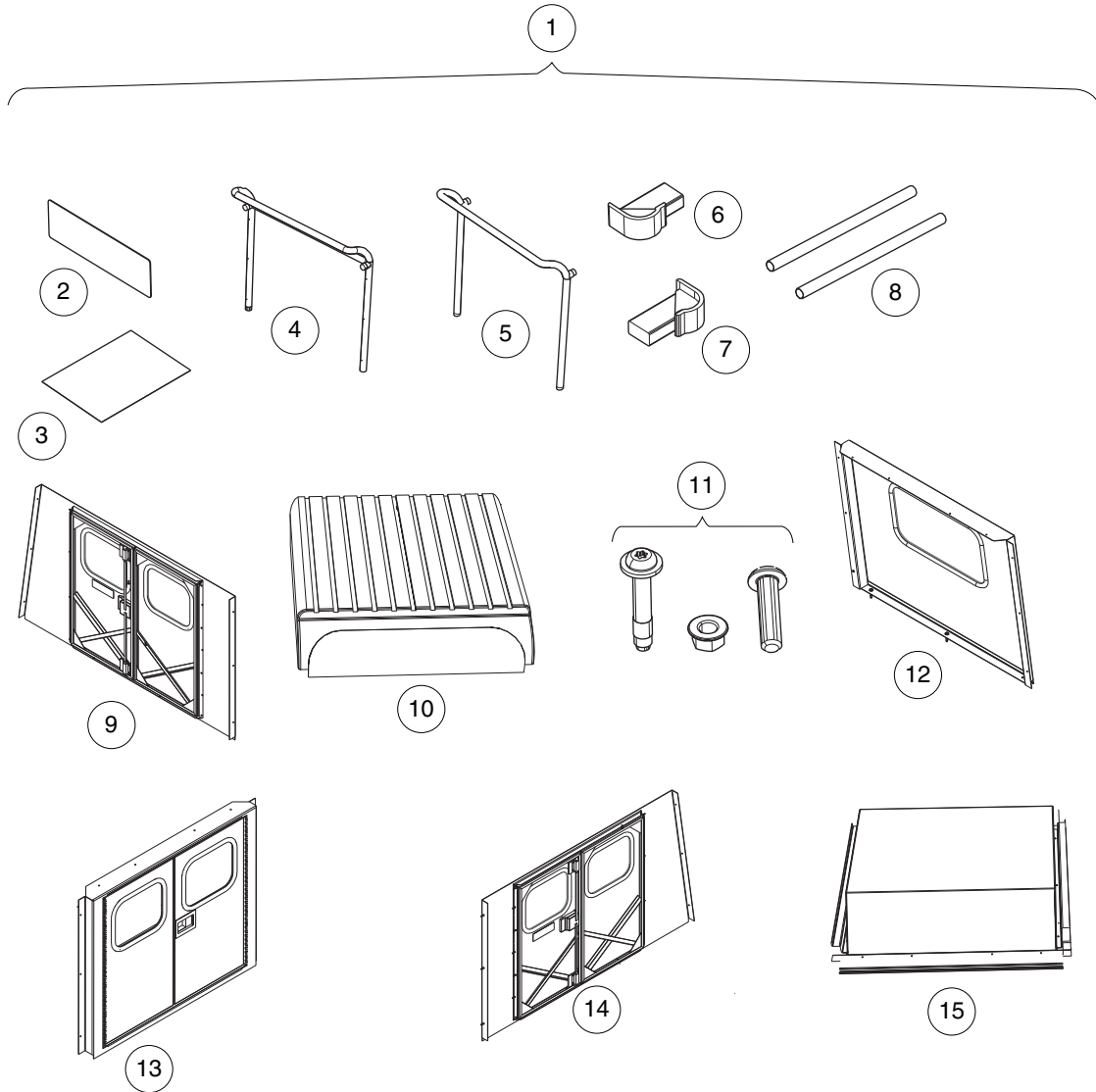
001240-001

# ENCLOSURES

ITEM	PART NO.	DESCRIPTION	QTY
		1 2 3 4	
1	<u>105124301</u>	Kit, Enclosure, White .....	1
2	<u>105124302</u>	Kit, Enclosure, Beige .....	1
3	<u>105124401</u>	Kit, Enclosure, Gray .....	1
4	<u>105124501</u>	Kit, Enclosure, Black .....	1

1  
G  
E

**1**  
**G**  
**E**



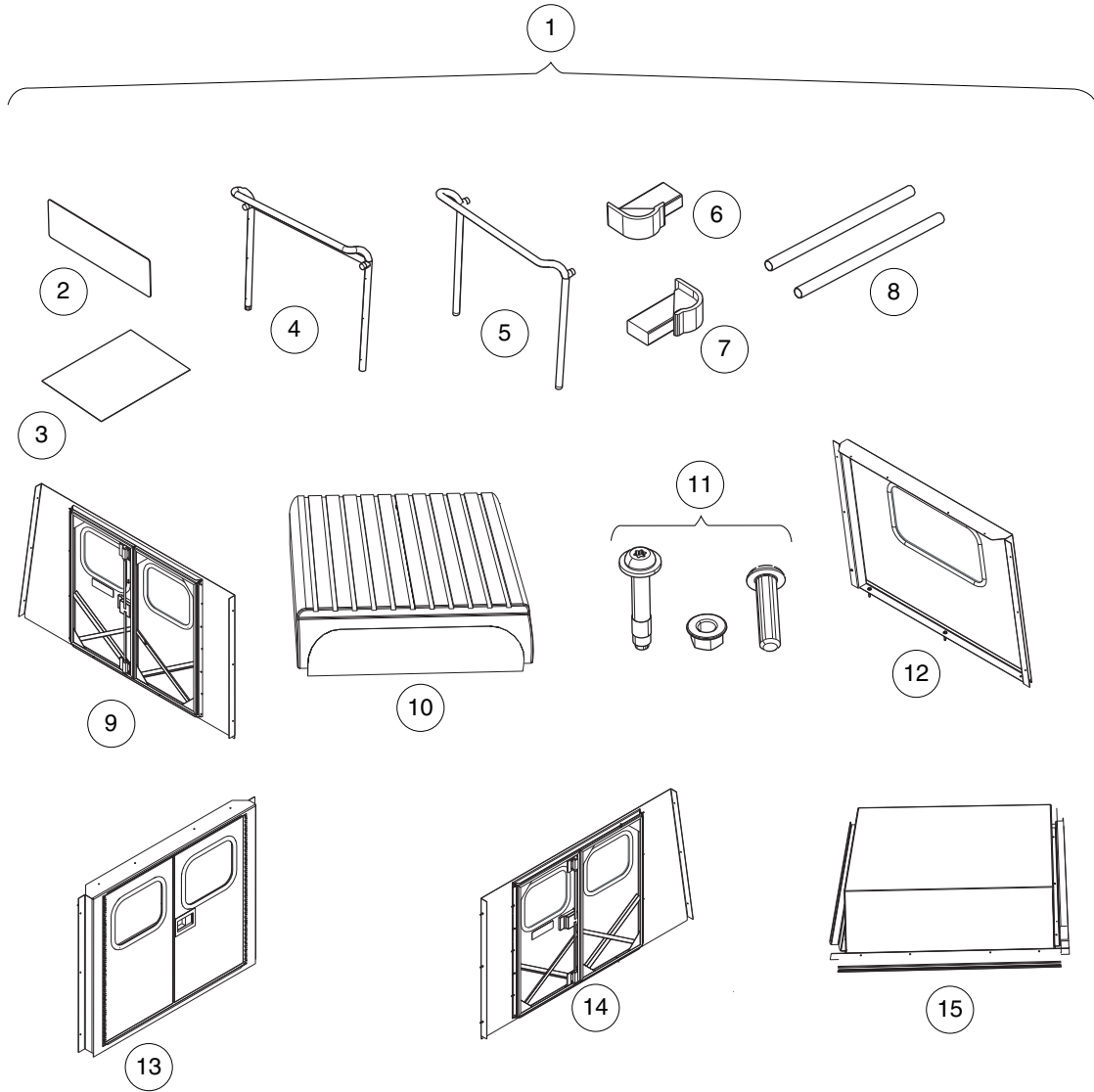
001176-001

## VAN BOX, LONG – GRAY

ITEM	PART NO.	DESCRIPTION	QTY
		<b>1 2 3 4</b>	
1	105158802	Kit, Van Box, Long, Gray (includes items 2 through 15) .....	1
2	105237601	Decal, Warn Rollover Van Box .....	1
3	105237701	Kit, Foreign Decal, Van Box, Rollover Warning .....	1
4	<u>105238001</u>	Asm, Rear Tubing, Van .....	1
5	<u>105238101</u>	Asm, Front Tubing, Van .....	1
6	105239101	Bumpers Front, Van .....	1
7	<u>105239201</u>	Bumpers Rear, Van .....	1
8	105239601	Tubing, 700, Van .....	1
9	105239802	Panel Lh W/dr, 700, Van, Gray .....	1
10	105240201	Roof 700, Van, White .....	1
11	<u>105240301</u>	Hardware, 700, Van .....	1
12	105241002	Panel Ft W Window, Van, Gray .....	1
13	105241102	Panel Rr W Window, Van, Gray .....	1
14	105244002	Panel Rh W/dr, 700, Van, Gray .....	1
15	105244102	Panel Attic, 700, Van, Gray .....	1

1  
G  
E

**1**  
**G**  
**E**



001176-001

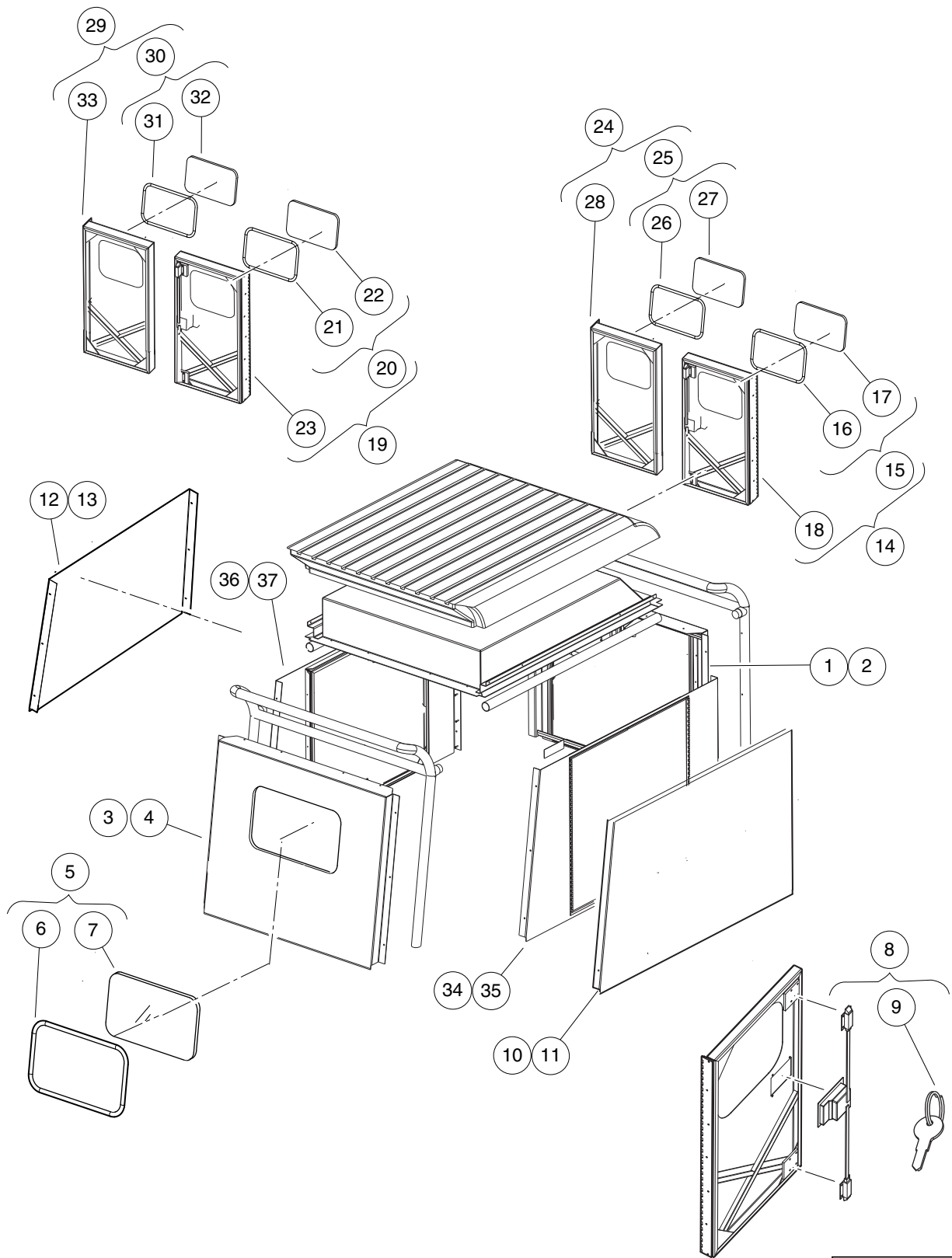


## VAN BOX, LONG – WHITE

ITEM	PART NO.	DESCRIPTION	QTY
		1 2 3 4	
1	<u>105158801</u>	Kit, Van Box, Long, White (includes items 2 through 15) .....	1
2	<u>105237601</u>	Decal, Warn Rollover Van Box .....	1
3	<u>105237701</u>	Kit, Foreign Decal, Van Box, Rollover Warning .....	1
4	<u>105238001</u>	Asm, Rear Tubing, Van .....	1
5	<u>105238101</u>	Asm, Front Tubing, Van .....	1
6	<u>105239101</u>	Bumpers Front, Van .....	1
7	<u>105239201</u>	Bumpers Rear, Van .....	1
8	<u>105239601</u>	Tubing, 700, Van .....	1
9	<u>105239801</u>	Panel Lh W/dr, 700, Van, White .....	1
10	<u>105240201</u>	Roof 700, Van, White .....	1
11	<u>105240301</u>	Hardware, 700, Van .....	1
12	<u>105241001</u>	Panel Ft W Window, Van, White .....	1
13	<u>105241101</u>	Panel Rr W Window, Van, White .....	1
14	<u>105244001</u>	Panel Rh W/dr, 700, Van, White .....	1
15	<u>105244101</u>	Panel Attic, 700, Van, White .....	1

1  
G  
E

**1**  
**G**  
**E**



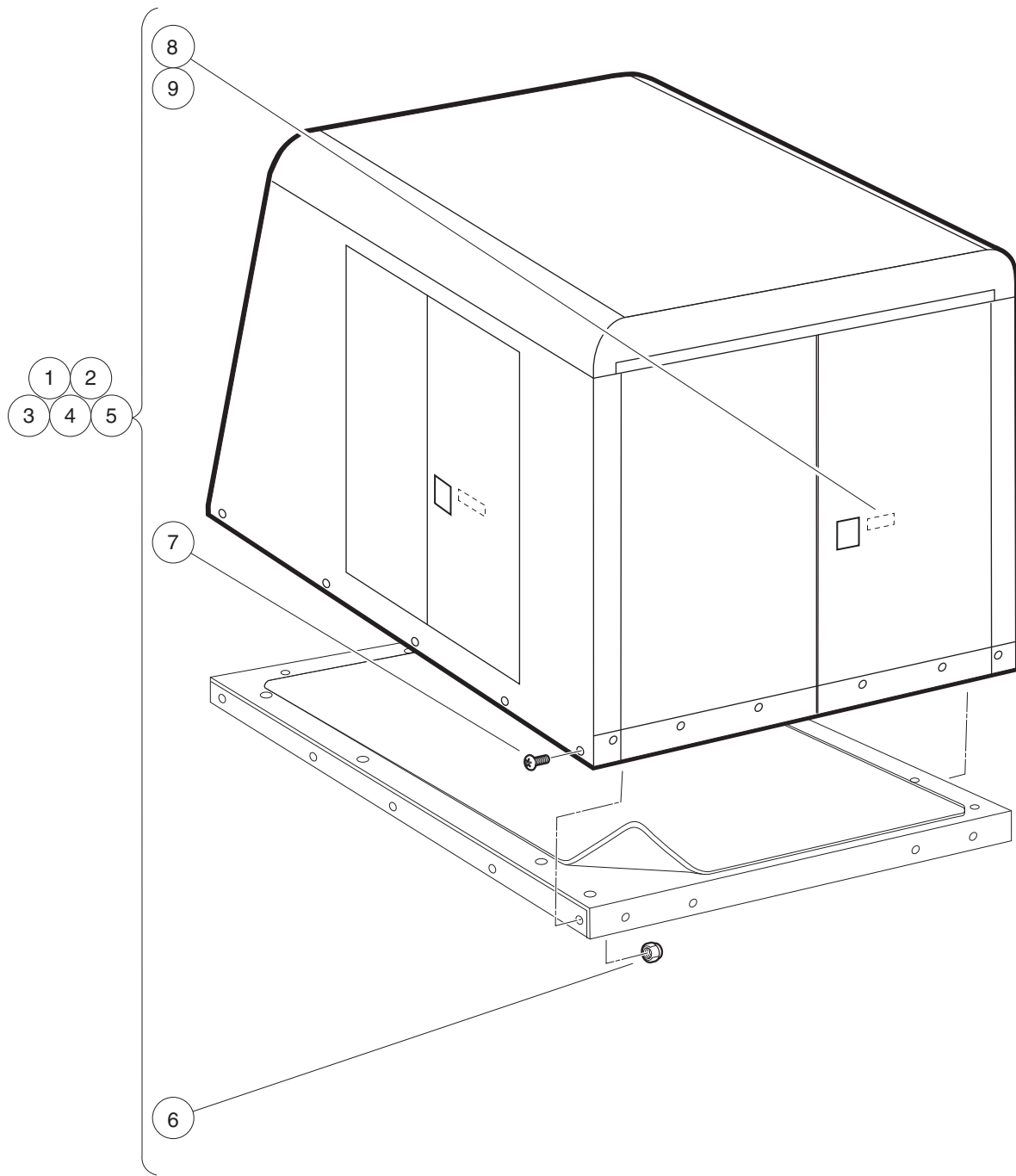
001175-002

# VAN BOX, LONG – SERVICE PARTS

ITEM	PART NO.	DESCRIPTION	QTY
		<b>1 2 3 4</b>	
1	105237801	Panel Rr, w/o Doors, Van, White .....	1
2	105237802	Panel Rr, w/o Doors, Van, Gray .....	1
3	105237901	Panel Ft, w/o Window, Van, White .....	1
4	105237902	Panel Ft, w/o Window, Van, Gray .....	1
5	105238301	Asm, Window, Frt Panel, Van (includes items 6 and 7) .....	1
6	<u>105241401</u>	Window Seal, Frt Panel, Van .....	1
7	105241501	Window Glass, Frt Panel, Van .....	1
8	105238603	Lock Mechanism, Door, Van (includes item 9) .....	1
9	105238604	Key, Van Box, 500, 700 .....	1
10	105239701	Panel, Solid, Lh, 700, Van, White .....	1
11	105239702	Panel, Solid, Lh, 700, Van, Gray .....	1
12	105239901	Panel, Solid, Rh, 700, Van, White .....	1
13	105239902	Panel, Solid, Rh, 700, Van, Gray .....	1
14	105241601	Door, W Window, Lh, Van, White (includes items 15 through 18) .....	1
15	105238201	Asm, Window, Door, Van (includes items 16 and 17) .....	1
16	<u>105241201</u>	Window Seal, Door, Van .....	1
17	105241301	Window Glass, Door, Van .....	1
18	105238401	Door,w/o Window, Left, Van, White .....	1
19	105241602	Door, W Window, Lh, Van, Gray (includes items 20 through 23) .....	1
20	105238201	Asm, Window, Door, Van (includes items 21 and 22) .....	1
21	<u>105241201</u>	Window Seal, Door, Van .....	1
22	105241301	Window Glass, Door, Van .....	1
23	105238402	Door, w/o Window, Left, Van, Gray .....	1
24	<u>105241701</u>	Door, W Window, Rh, Van, White (includes items 25 through 28) .....	1
25	105238201	Asm, Window, Door, Van (includes items 26 and 27) .....	1
26	<u>105241201</u>	Window Seal, Door, Van .....	1
27	105241301	Window Glass, Door, Van .....	1
28	105238501	Door, w/o Window, Right, Van, White .....	1
29	105241702	Door, W Window, Rh, Van, Gray (includes items 30 through 33) .....	1
30	105238201	Asm, Window, Door, Van (includes items 31 and 32) .....	1
31	<u>105241201</u>	Window Seal, Door, Van .....	1
32	105241301	Window Glass, Door, Van .....	1
33	105238502	Door, w/o Window, Right, Van, Gray .....	1
34	105241801	Pnl Lh, Open, No Doors, 700, Van, White .....	1
35	105241802	Pnl Lh, Open, No Doors, 700, Van, Gray .....	1
36	105241901	Pnl Rh, Open, No Doors, 700, Van, White .....	1
37	105241902	Pnl Rh, Open, No Doors, 700, Van, Gray .....	1

**1**  
**G**  
**E**

**1**  
**G**  
**E**



- |                    |                    |                             |                                |
|--------------------|--------------------|-----------------------------|--------------------------------|
| Shelf<br>Kit<br>10 | CHMSL<br>Kit<br>11 | Ladder<br>Rack<br>Kit<br>12 | Interior<br>Light<br>Kit<br>13 |
|--------------------|--------------------|-----------------------------|--------------------------------|

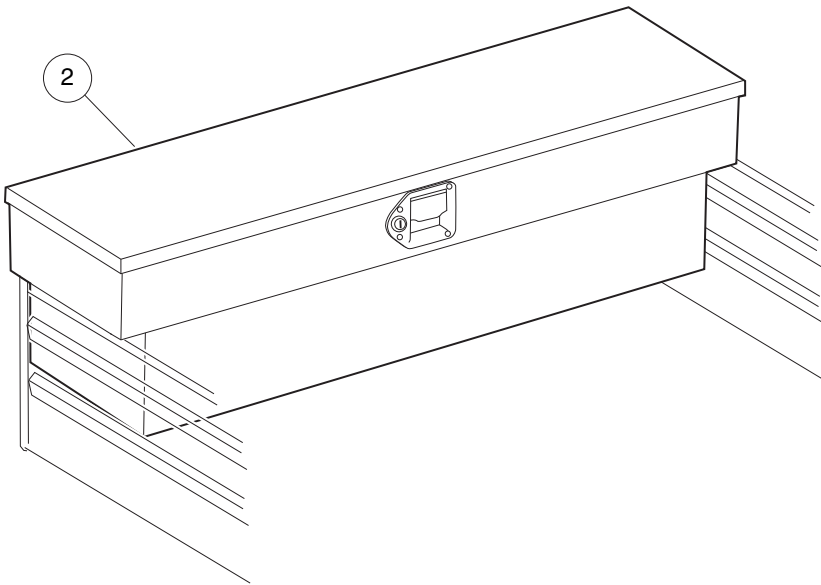
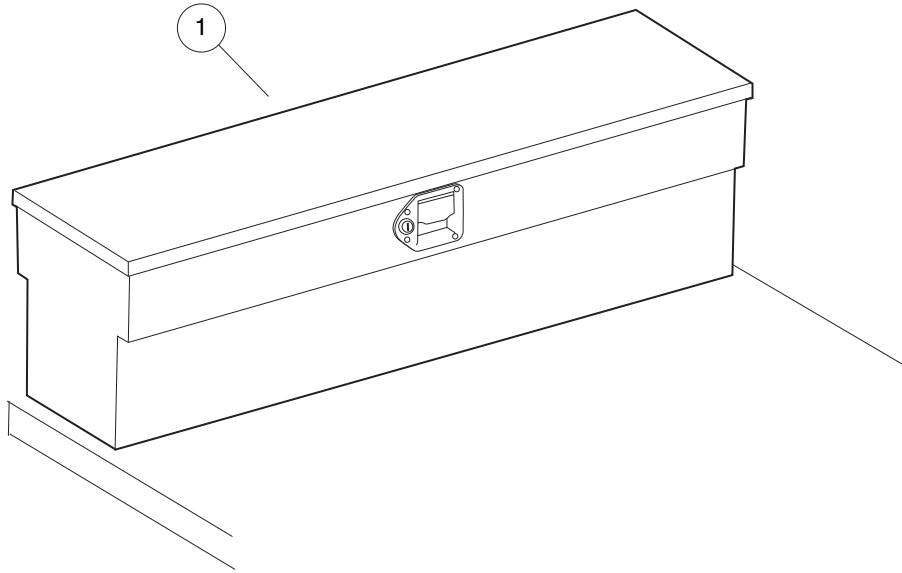
001443-001

## VAN BOX – NO WINDOWS

ITEM	PART NO.	DESCRIPTION	QTY
		1 2 3 4	
1	SVP1154001	Vanbox, Basic, 700, Fp, Beige .....	1
2	SVP1154002	Vanbox, Basic, 700, Fp, Black .....	1
3	SVP1154003	Vanbox, Basic, 700, Fp, Gray .....	1
4	SVP1154004	Vanbox, Basic, 700, Fp, Mill .....	1
5	<u>SVP1154005</u>	Vanbox, Basic, 700, Fp, White (includes items 6 through 9) .....	1
6	<u>102298401</u>	Nut, M8, All Metal Lock .....	14
7	<u>102299550</u>	Screw,m8x50,sems,tx,btt,plt .....	14
8	105237601	Decal, Warn Rollover Van Box .....	3
9	105237701	Kit, Foreign Decal, Van Box, Rollover Warning .....	1
10	SVP1154701	Kit, Shelf, Vanbox, Basic, 700 .....	1
11	SVP1154801	Kit, Chmsl, Vanbox .....	1
12	SVP1155101	Kit, Ladder Rack,vanbox, 700 .....	1
13	SVP1161801	Kit Light Interior Van Box 700 .....	1

1  
G  
E

**1**  
**G**  
**E**



001157-001

# TOOLBOXES

ITEM	PART NO.	DESCRIPTION	QTY
1	<u>101837401</u>	1 2 3 4 Toolbox, Flat Bed .....	1
2	<u>101837502</u>	Toolbox, Box Bed .....	1

**1**  
**G**  
**E**

**1**

**G**

**E**



# WHEELS AND TIRES

---

2

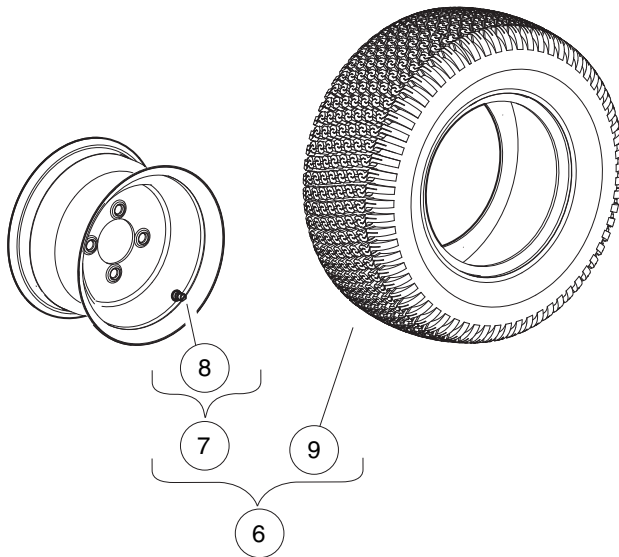
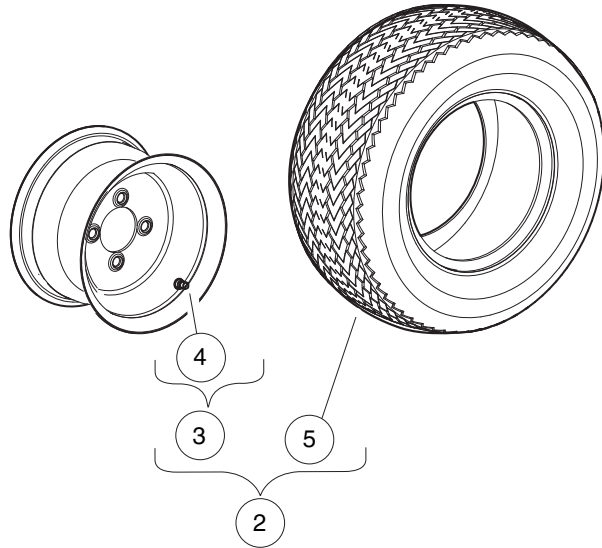
G

E

2

G

E



001320-001

# 10 INCH WHEELS AND 20 INCH TIRES

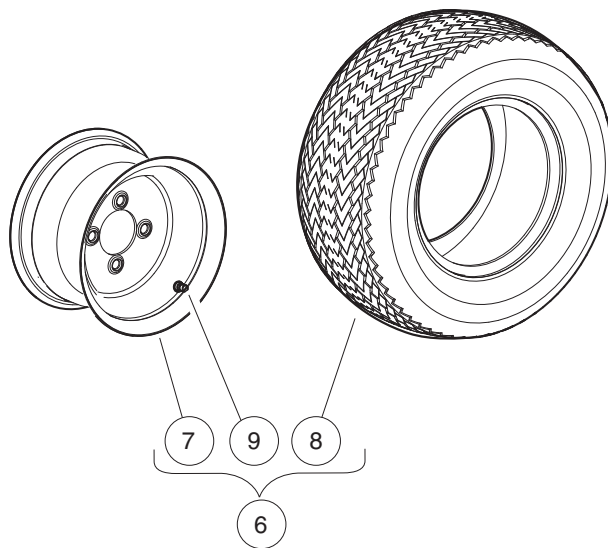
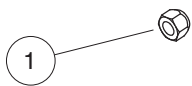
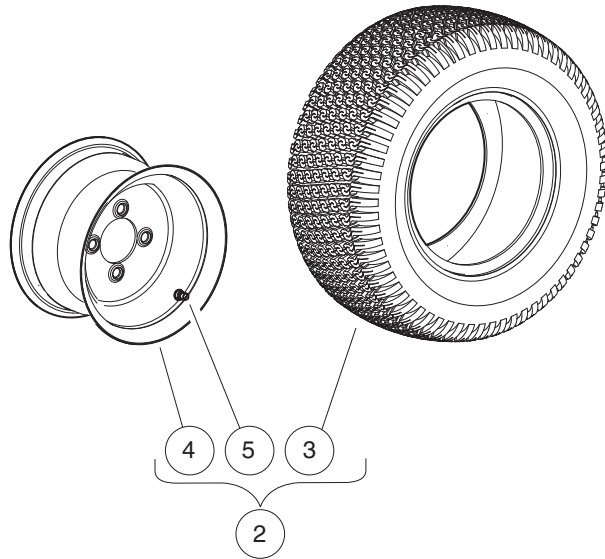
ITEM	PART NO.	DESCRIPTION	QTY
		1 2 3 4	
1	<u>1010984</u>	.500-20 Unf Lug Nut .....	16
2	<u>105078809</u>	Asm,whl,hn1,20x10-10,6pl (includes items 3 through 5) .....	4
3	<u>105079204</u>	Wheel, 10"x6", Gray, 0 Offset, RR, with Valve Stem (includes item 4) .....	1
4	<u>105078901</u>	Valve Stem, Kenda, Tr 412 .....	1
5	<u>105079301</u>	Tire, Hole-n-1, 20x10-10, 6pl .....	1
6	<u>105078810</u>	Asm,whl,st,20x10-10,6pl (includes items 7 through 9) .....	4
7	<u>105079204</u>	Wheel, 10"x6", Gray, 0 Offset, RR, with Valve Stem (includes item 8) .....	1
8	<u>105078901</u>	Valve Stem, Kenda, Tr 412 .....	1
9	<u>105079401</u>	Tire, Superturf, 20x10-10, 6pl .....	1

2  
G  
E

2

G

E



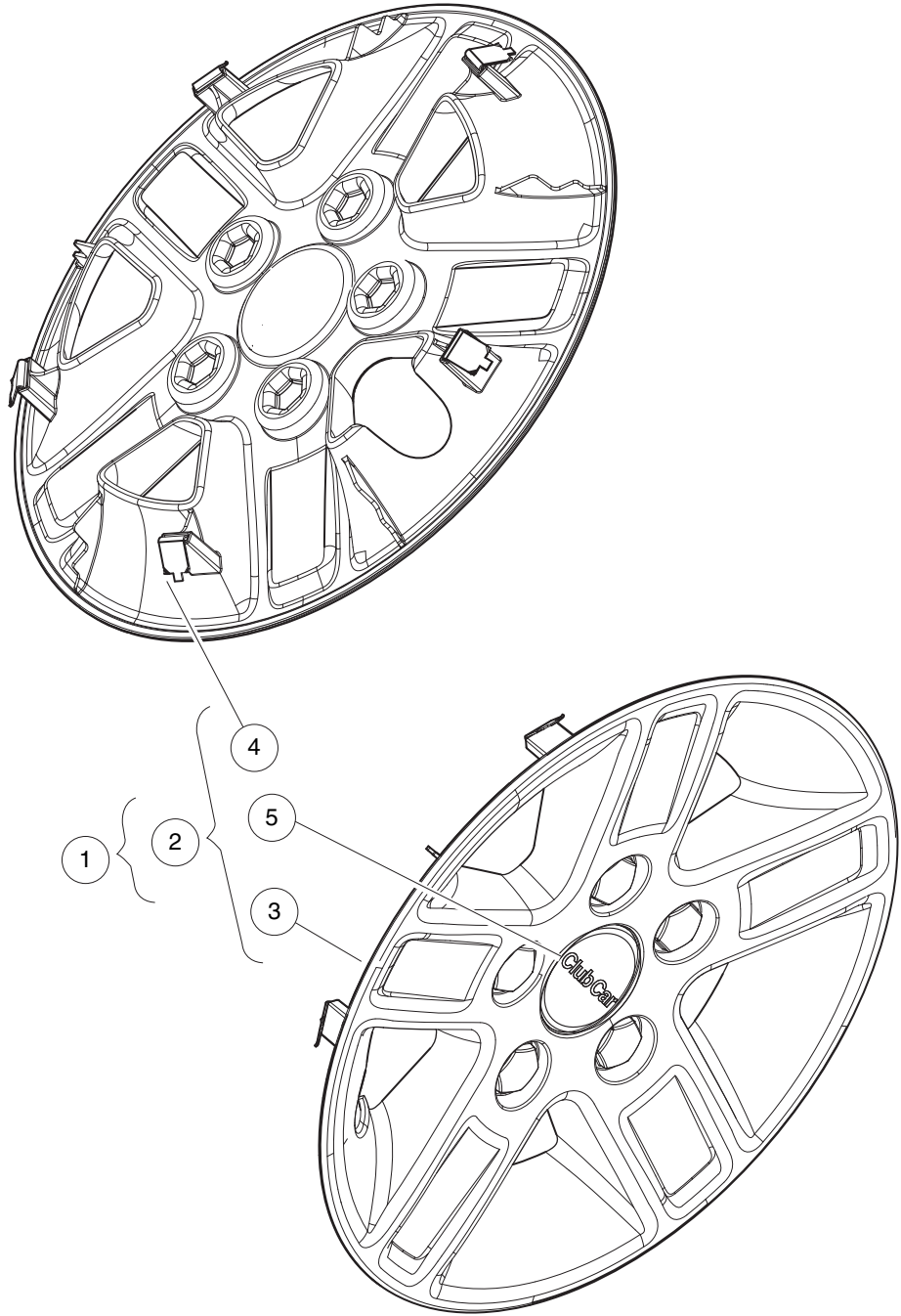
001320-002

# 8 INCH WHEELS AND 18 INCH TIRES – VEHICLES WITH SMALL-WHEEL TURF PACKAGE

ITEM	PART NO.	DESCRIPTION	QTY
		1 2 3 4	
1	<u>1010984</u>	.500-20 Unf Lug Nut .....	16
2	<u>103951002</u>	Assembly, Silver Wheel Kenda, X/t 6ply (includes items 3 through 5) .....	4
3	<u>102569302</u>	Tire, Kenda, 18x8.5-8, 6-ply Xtr .....	1
4	<u>103459104</u>	Wheel Rim, 8"x7", Silver, Std .....	1
5	<u>7310</u>	Valve Stem, Black Plastic .....	1
6	<u>103951003</u>	Asm,silver Whl Kenda, Hn1 6pl (includes items 7 through 9) .....	4
7	<u>103459104</u>	Wheel Rim, 8"x7", Silver, Std .....	1
8	<u>103658601</u>	Tire, Kenda Hn1, 6pl .....	1
9	<u>7310</u>	Valve Stem, Black Plastic .....	1

2  
G  
E

**2**  
**G**  
**E**



001350-002

# WHEEL COVERS

ITEM	PART NO.	DESCRIPTION	QTY
		1 2 3 4	
1	<u>105106501</u>	Kit, Wheel Cover, 10x6" (includes item 2) .....	1
2	<u>105106301</u>	Asm, Whl Cover, 5 Spoke, 10x6" (includes items 3 through 5) .....	4
3	N/A	Wheel Cover, 5 Spoke, 10x7" .....	1
4	105106101	Wheel Cover, Clip .....	5
5	105106201	Decal, Wheel Cover, Club Car .....	1

2  
G  
E

**2**

**G**

**E**



# DECALS

---

3

G

E

**⚠ WARNING**

Unintended vehicle movement may cause severe injury or death. Before using vehicle, read owner's manual and vehicle safety warnings.

Before leaving vehicle:

- Engage park brake to lock wheels.
- Place vehicle in NEUTRAL.
- Turn key to OFF and remove key.

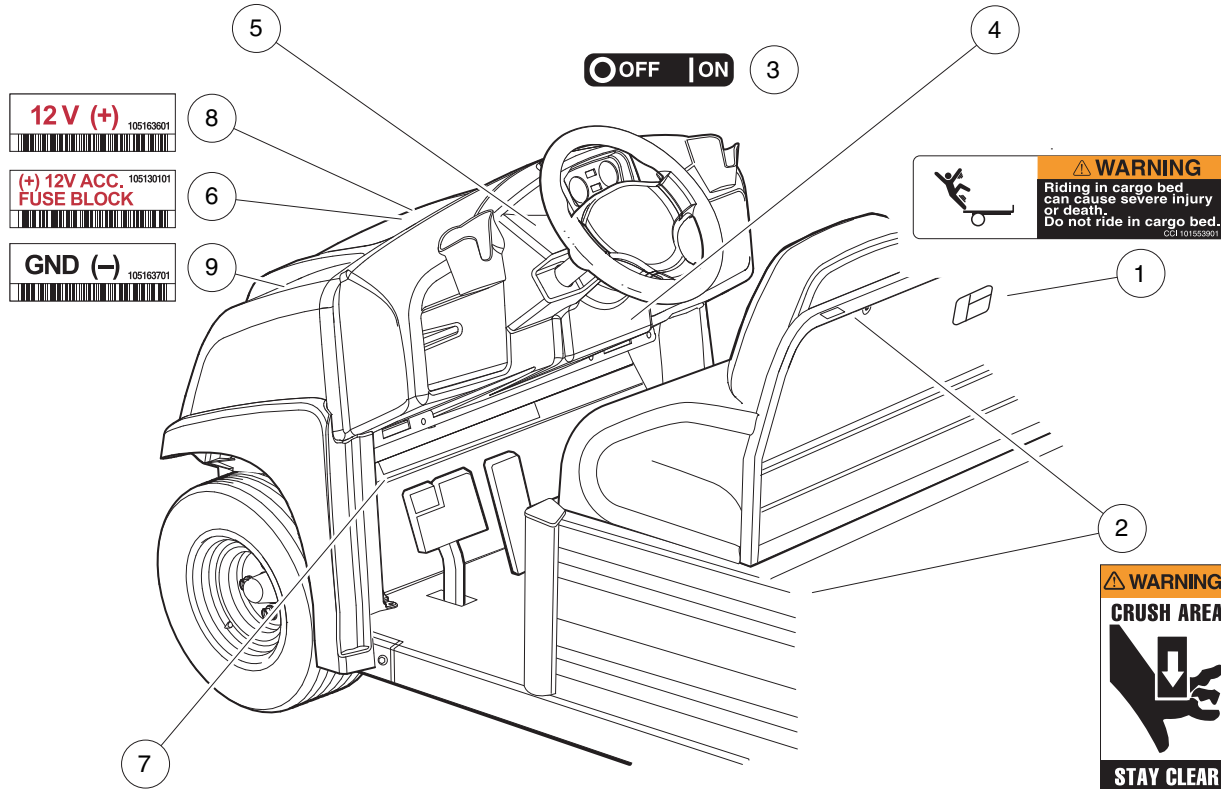
105046101

**⚠ WARNING**

**UNINTENDED MOVEMENT, ROLLOVER, OR FALLING OUT CAN CAUSE SERIOUS INJURY OR DEATH.**

- Vehicle to be operated by licensed and authorized persons only.
- Use in authorized areas only. Do not operate on public roads.
- One (1) person per bucket seat maximum.
- Two (2) persons per bench seat maximum.
- Operate from driver's seat only.
- Do not start vehicle until all occupants are fully seated.
- Drive slowly in turns and straight up and down slopes.
- Remain fully seated while moving.
- Hold on and keep entire body inside vehicle while moving.
- Never attempt jumps and avoid extreme braking in reverse.
- Do not leave children unattended in vehicle at any time.
- Children requiring a child safety seat must not ride in vehicle.
- Never operate under the influence of alcohol or drugs.

104026901



**VEHICLE LOADING**

Read owner's manual and warnings on dash.

- Vehicle rated capacity: 1500 lb (680 kg) on level surface only.
  - Includes occupants and cargo load.
- Maximum cargo load: 1000 lb (454 kg)
  - Includes cargo, bed load, and optional equipment.
- Vehicle combination rated capacity: 1500 lb (680 kg)
  - Includes vehicle rated capacity and gross trailer weight.

**⚠ WARNING**

**ROLLOVER CAN CAUSE SERIOUS INJURY OR DEATH.**

- Place cargo forward in the cargo bed and distribute evenly side to side. Secure load.
- On uneven or steep terrain, reduce speed and load.
- Avoid stopping on or backing down steep hills.
- Avoid top-heavy loads.

105151501

2854

## DECALS – ELECTRIC CARRYALL 700

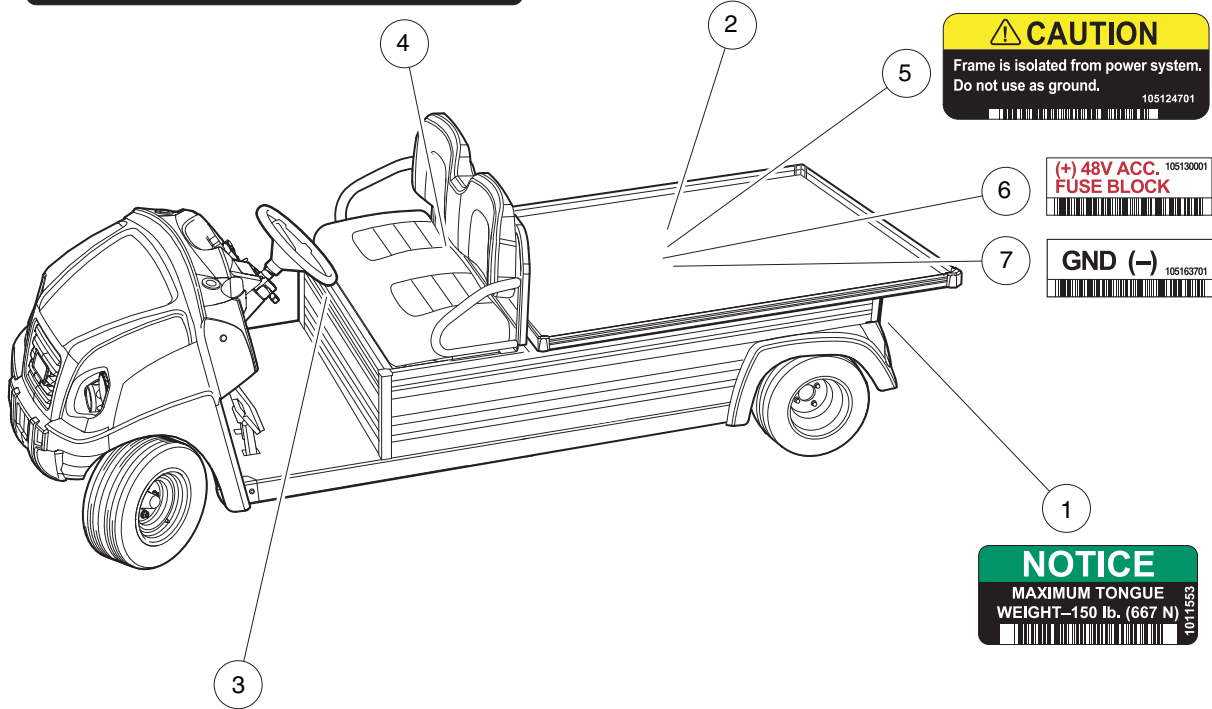
ITEM	PART NO.	DESCRIPTION	QTY
		1 2 3 4	
1	<u>101553901</u>	Decal, Bed Load Warning .....	1
2	<u>101609401</u>	Decal, Crush Area Warning .....	2
3	<u>101825101</u>	Decal, Off/On .....	1
4	<u>104026801</u>	Decal, Oc, Warning, Ca .....	1
5	<u>105046101</u>	Decal, Op, Instructions, Ca .....	1
6	<u>105130101</u>	Decal, Fuse Block, Acc, 12v .....	1
7	<u>105151501</u>	Decal, Loading, Ca 700 .....	1
8	<u>105163601</u>	Decal, 12v (+) .....	1
9	<u>105163701</u>	Decal, Gnd (-) .....	1

3  
G  
E

**⚠ WARNING**  
**AVOID FIRE HAZARD**  
 • Replacement battery wires must be 4-gauge (AWG) with low-resistance terminals equivalent to factory-installed wires.  
 • Ensure that battery connections are clean and properly tightened. See owner's manual.  
 CCI 102967601

**CAUTION**  
**EXPOSURE TO WATER MAY DAMAGE ELECTRONIC COMPONENTS**  
 • Do not operate vehicle without this cover properly installed.  
 • Do not direct water stream in the area of the cover without cover securely in place.  
 • See vehicle maintenance and service manual before servicing.  
 CCI 102518301

**⚠ CAUTION**  
 Frame is isolated from power system.  
 Do not use as ground.  
 105124701



**(+) 48V ACC. FUSE BLOCK**  
 105130001

**GND (-)**  
 105163701

**NOTICE**  
 MAXIMUM TONGUE WEIGHT-150 lb. (667 N)  
 1011553

**⚠ WARNING**  
**BATTERY EXPLOSION COULD RESULT IN SEVERE PERSONAL INJURY.**  
 • Do not store items in battery compartment.  
 • Place Run/Tow switch in TOW position before:  
 - Disconnecting or connecting battery cables  
 - Towing this vehicle  
 - Extended storage  
 - Servicing the vehicle

NORMAL	TRIPPED
TOW	RUN

CCI 102845101

2855

## DECALS – ELECTRIC CARRYALL 700, CONTINUED

ITEM	PART NO.	DESCRIPTION	QTY
		1 2 3 4	
1	<u>1011553</u>	Decal, Trailer Hitch .....	1
2	<u>102518301</u>	Decal, Caution, Electrical Component Cover .....	1
3	<u>102845101</u>	Decal, Tow Switch .....	1
4	<u>102967601</u>	Decal, Warning, 4 Gauge Wire .....	1
5	105124701	Decal, Caution, Not Use As Gnd .....	1
6	105130001	Decal, Fuse Block, Acc, 48v .....	1
7	<u>105163701</u>	Decal, Gnd (-) .....	1

3  
G  
E

**WARNING**

Unintended vehicle movement may cause severe injury or death. Before using vehicle, read owner's manual and vehicle safety warnings.

Before leaving vehicle:

- Engage park brake to lock wheels.
- Place vehicle in NEUTRAL.
- Turn key to OFF and remove key.

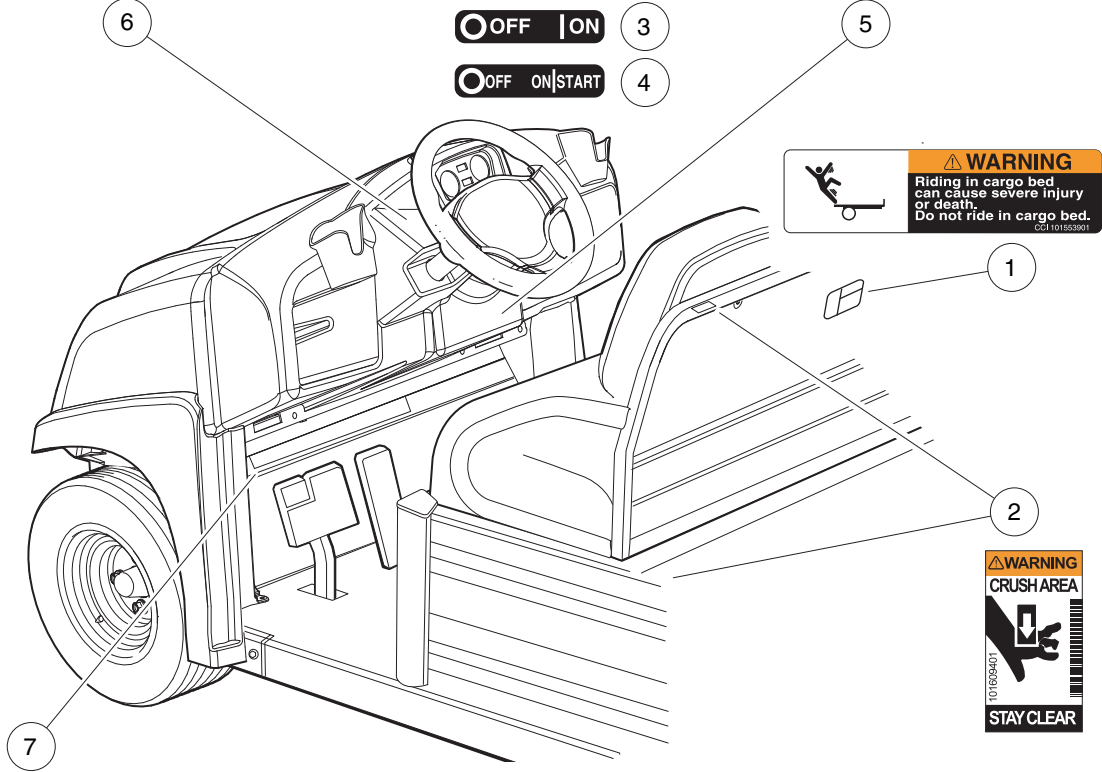
105046101

**WARNING**

**UNINTENDED MOVEMENT, ROLLOVER, OR FALLING OUT CAN CAUSE SERIOUS INJURY OR DEATH.**

- Vehicle to be operated by licensed and authorized persons only.
- Use in authorized areas only. Do not operate on public roads.
- One (1) person per bucket seat maximum.
- Two (2) persons per bench seat maximum.
- Operate from driver's seat only.
- Do not start vehicle until all occupants are fully seated.
- Drive slowly in turns and straight up and down slopes.
- Remain fully seated while moving.
- Hold on and keep entire body inside vehicle while moving.
- Never attempt jumps and avoid extreme braking in reverse.
- Do not leave children unattended in vehicle at any time.
- Children requiring a child safety seat must not ride in vehicle.
- Never operate under the influence of alcohol or drugs.

104026801



**WARNING**

Riding in cargo bed can cause severe injury or death. Do not ride in cargo bed.

CCI101553901

**WARNING**

**CRUSH AREA**

101698401

**STAY CLEAR**

**VEHICLE LOADING**

Read owner's manual and warnings on dash.

- Vehicle rated capacity: 1500 lb (680 kg) on level surface only.
- Includes occupants and cargo load.
- Maximum cargo load: 1000 lb (454 kg)
- Includes cargo, bed load, and optional equipment.
- Vehicle combination rated capacity: 1500 lb (680 kg)
- Includes vehicle rated capacity and gross trailer weight.

**WARNING**

**ROLLOVER CAN CAUSE SERIOUS INJURY OR DEATH.**

- Place cargo forward in the cargo bed and distribute evenly side to side. Secure load.
- On uneven or steep terrain, reduce speed and load.
- Avoid stopping on or backing down steep hills.
- Avoid top-heavy loads.

105151501

2858

## DECALS – GASOLINE CARRYALL 700

ITEM	PART NO.	DESCRIPTION	QTY
		1 2 3 4	
1	<u>101553901</u>	Decal, Bed Load Warning .....	1
2	<u>101609401</u>	Decal, Crush Area Warning .....	1
3	<u>101825101</u>	Decal, Off/On .....	1
4	<u>101825102</u>	Decal, Off/On/Start .....	1
5	<u>104026801</u>	Decal, Oc, Warning, Ca .....	1
6	<u>105046101</u>	Decal, Op, Instructions, Ca .....	1
7	<u>105151501</u>	Decal, Loading, Ca 700 .....	1

3  
G  
E

**WARNING**

**GASOLINE EXPLOSION / FIRE CAN CAUSE SERIOUS INJURY OR DEATH.**

- No sparks or open flame near fuel or fuel tank.
- No smoking near fuel or fuel tank.
- Stop engine and allow to cool before refueling.
- Do not disconnect pressurized fuel lines.

105082301

**WARNING**

**GASOLINE EXPLOSION / FIRE CAN CAUSE SERIOUS INJURY OR DEATH.**

- No sparks or open flame near fuel or fuel tank.
- No smoking near fuel or fuel tank.
- Stop engine and allow to cool before refueling.

105084701

**WARNING**

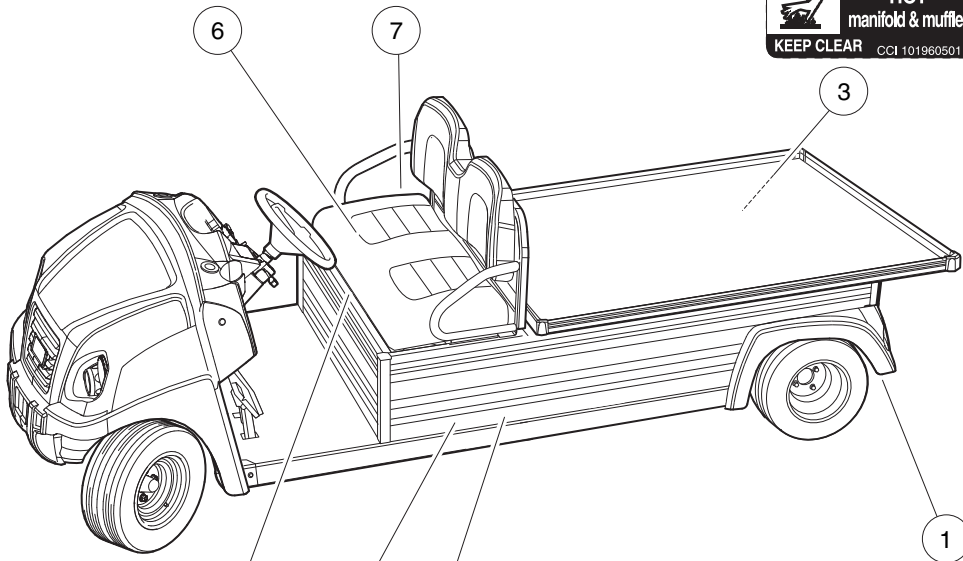
**CAN CAUSE SEVERE INJURY**

**Rotating parts**

**HOT manifold & muffler**

**KEEP CLEAR**

CCI 101960501



Maintenance Operate

**WARNING**

**VEHICLE MOVEMENT MAY CAUSE SERIOUS INJURY**

When switch is in Maintenance position, chock wheels and firmly set park brake.

CCI 103205501

**WARNING**

**INCORRECT WIRING COULD RESULT IN SEVERE INJURY OR DEATH.**

- Diode and solenoid connections must have correct polarity.
- Keep persons clear of engine bolts when making final connections.

CCI 10346951

**NOTICE**

**MAXIMUM TONGUE WEIGHT—150 lb. (667 N)**

1011563

**WARNING**

Negative frame ground. Can cause severe injury. Do not contact positive (+) battery post or cable to frame. Disconnect negative battery lead first.

**WARNING**

Excessive speed. Can cause severe injury or death. Do not tamper with engine governor adjustment.

CCI 101915201

2859

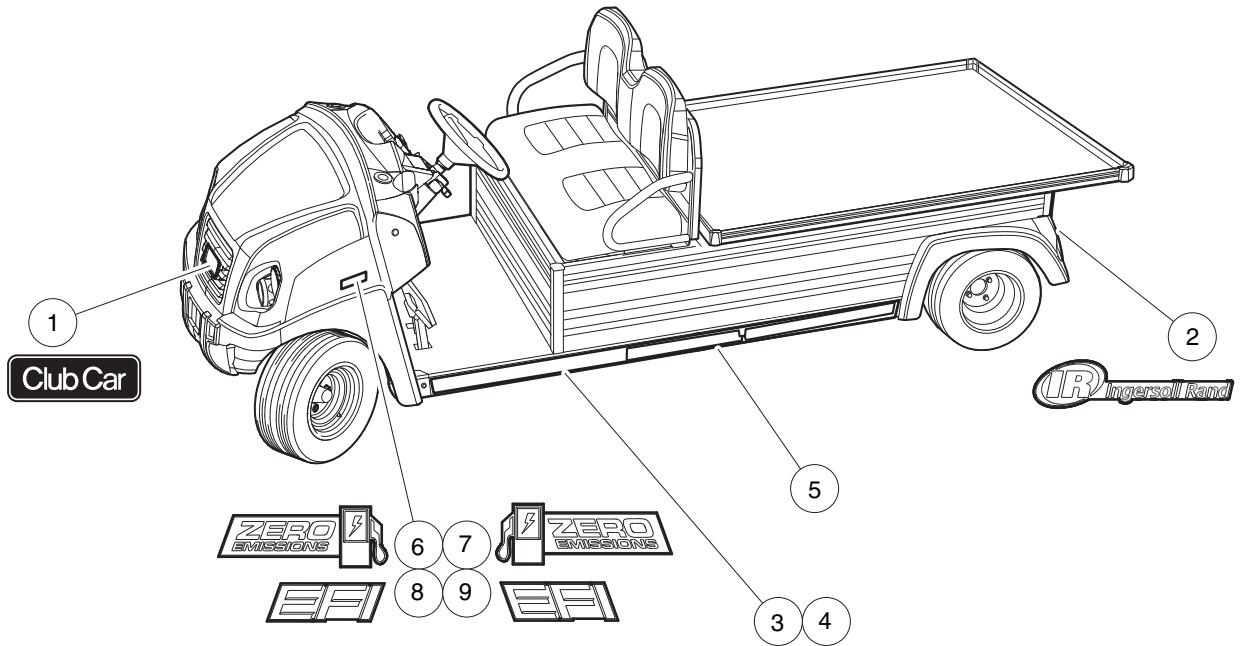


## DECALS – GASOLINE CARRYALL 700, CONTINUED

ITEM	PART NO.	DESCRIPTION	QTY
		1 2 3 4	
1	<u>1011553</u>	Decal, Trailer Hitch .....	1
2	<u>101915201</u>	Decal, Frame Ground and Governor Warning .....	1
3	<u>101960501</u>	Decal, Rotating Parts/Hot Manifold .....	1
4	<u>102345901</u>	Decal, Diode Safety .....	1
5	<u>103205501</u>	Decal, Maintenance/Operate Switch .....	1
6	<u>105082301</u>	Decal, Warn, Gas Pressure .....	1
7	<u>105084701</u>	Decal, Warn Gas Side Fill .....	1

3  
G  
E

**3**  
**G**  
**E**



001025-002

## BADGING DECALS – CARRYALL 700

ITEM	PART NO.	DESCRIPTION	QTY
		1 2 3 4	
1	<u>102883601</u>	Decal, Nameplate, CCI, Front .....	1
2	<u>103234304</u>	Decal, Badge, Ir, Red .....	1
3	<u>105115003</u>	Decal, Side Stringer, Long .....	1
4	<u>105115006</u>	Decal, R Side Stringer, Long .....	1
5	<u>105152901</u>	Decal, Branding, Ca 700 .....	2
6	<u>105153201</u>	Decal, Zero Emission Vhcle, Lh .....	1
7	<u>105153202</u>	Decal, Zero Emission Vhcle, Rh .....	1
8	<u>105153301</u>	Decal, Efi, Itallic, Lh .....	1
9	<u>105153302</u>	Decal, Efi, Itallic, Rh .....	1

3  
G  
E

**3**

**G**

**E**

# LIGHTS, CONTROLS, AND INDICATORS

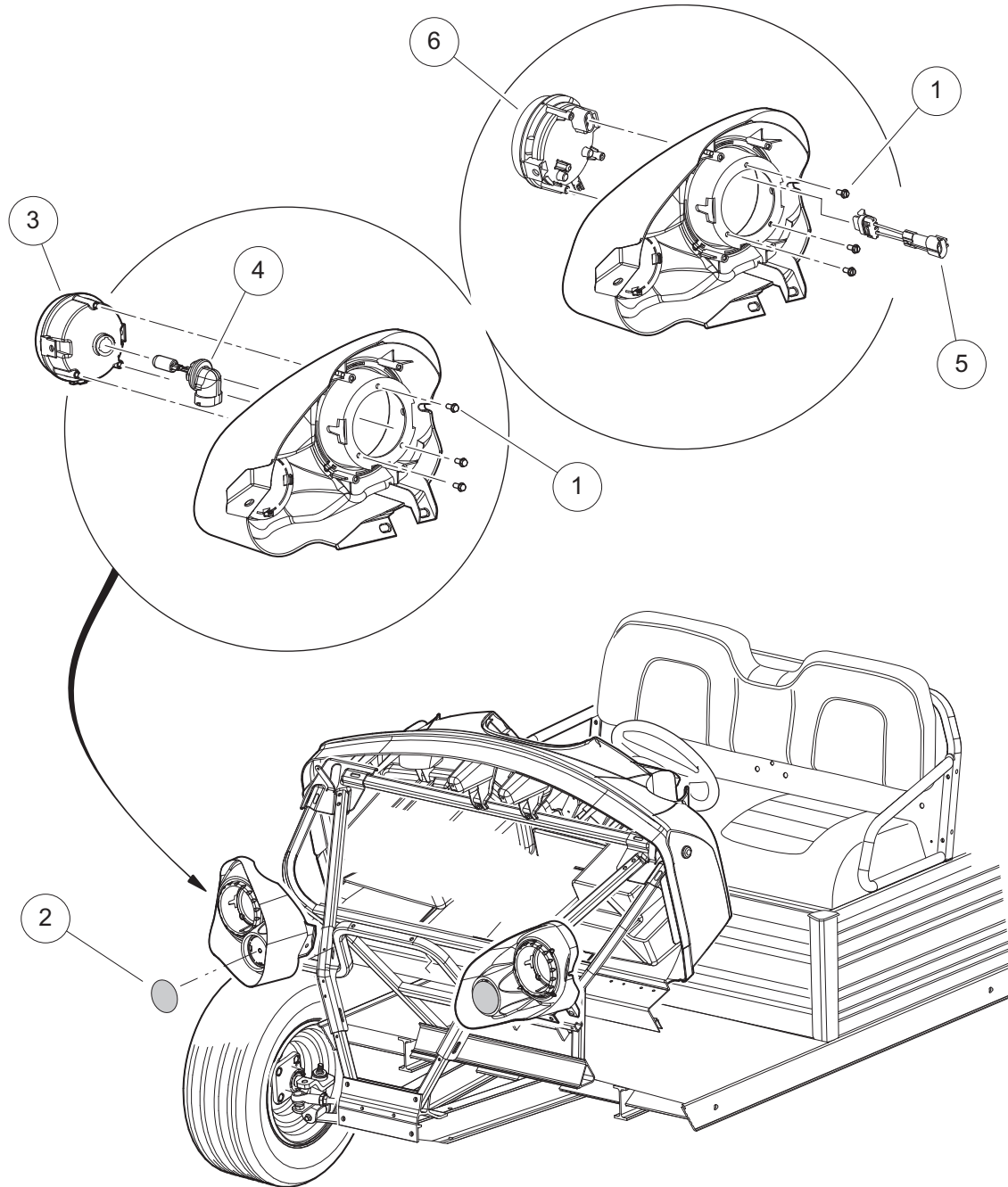
---

4

G

E

**4**  
**G**  
**E**



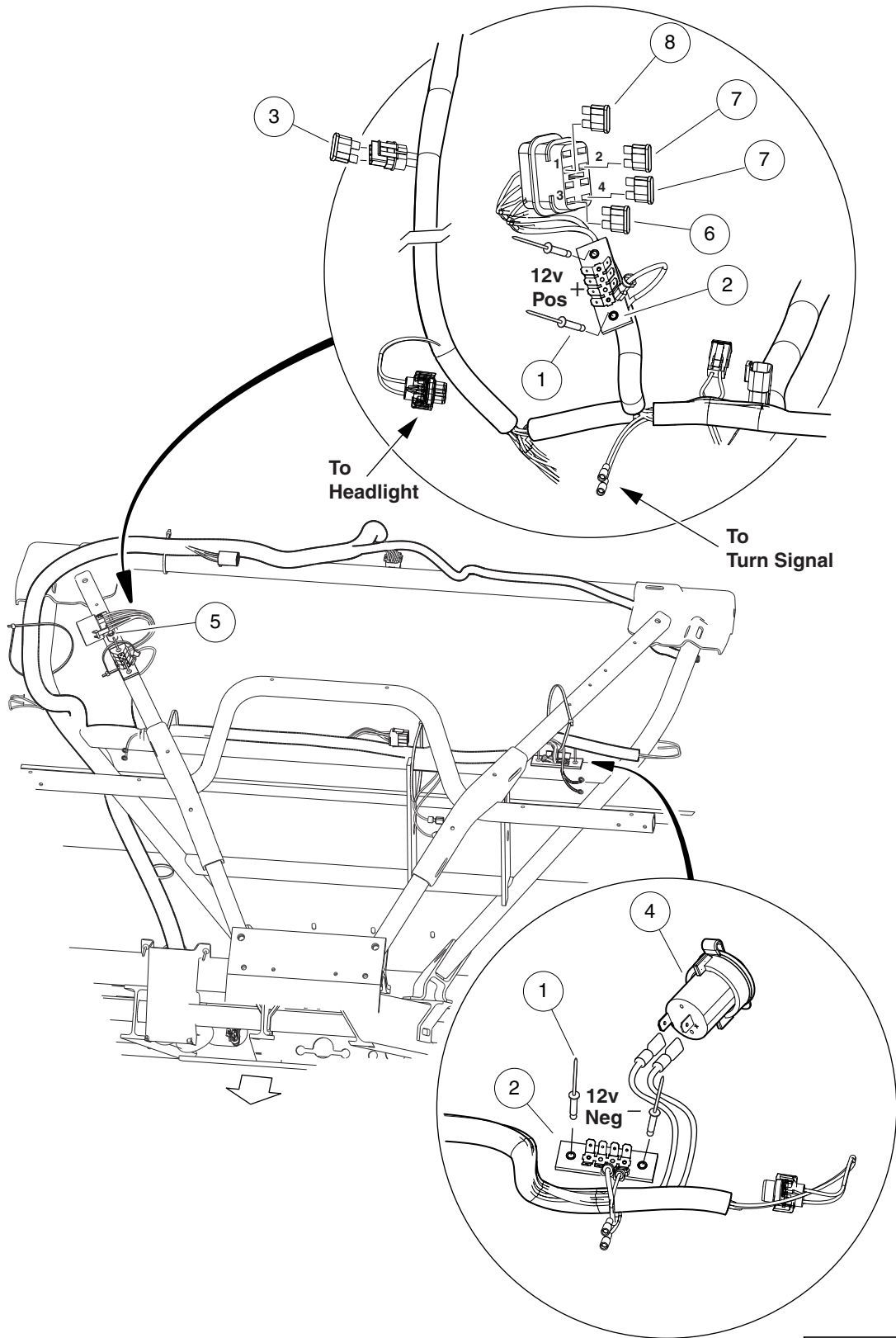
001370-002

# HEADLIGHTS

ITEM	PART NO.	DESCRIPTION	QTY
		<b>1 2 3 4</b>	
1	<u>101850301</u>	Screw, #12-16 X 0.50 Washer-Head Hi-Lo .....	6
2	<u>105036801</u>	Reflector, Decal, 3.20", Amber .....	2
3	<u>105073401</u>	Hdlight, Round, 4.5", Utl .....	2
4	<u>105093801</u>	Bulb, Halogen, 862 .....	2
5	47579923001	Jmpr, Head Lt, Led, Ca .....	2
6	<u>47583907001</u>	Headlight, Led, 4.5", Ca .....	2
		Note: Item 5 only applies to vehicles with LED headlights.	

**4**  
**G**  
**E**

**4**  
**G**  
**E**



001360-002

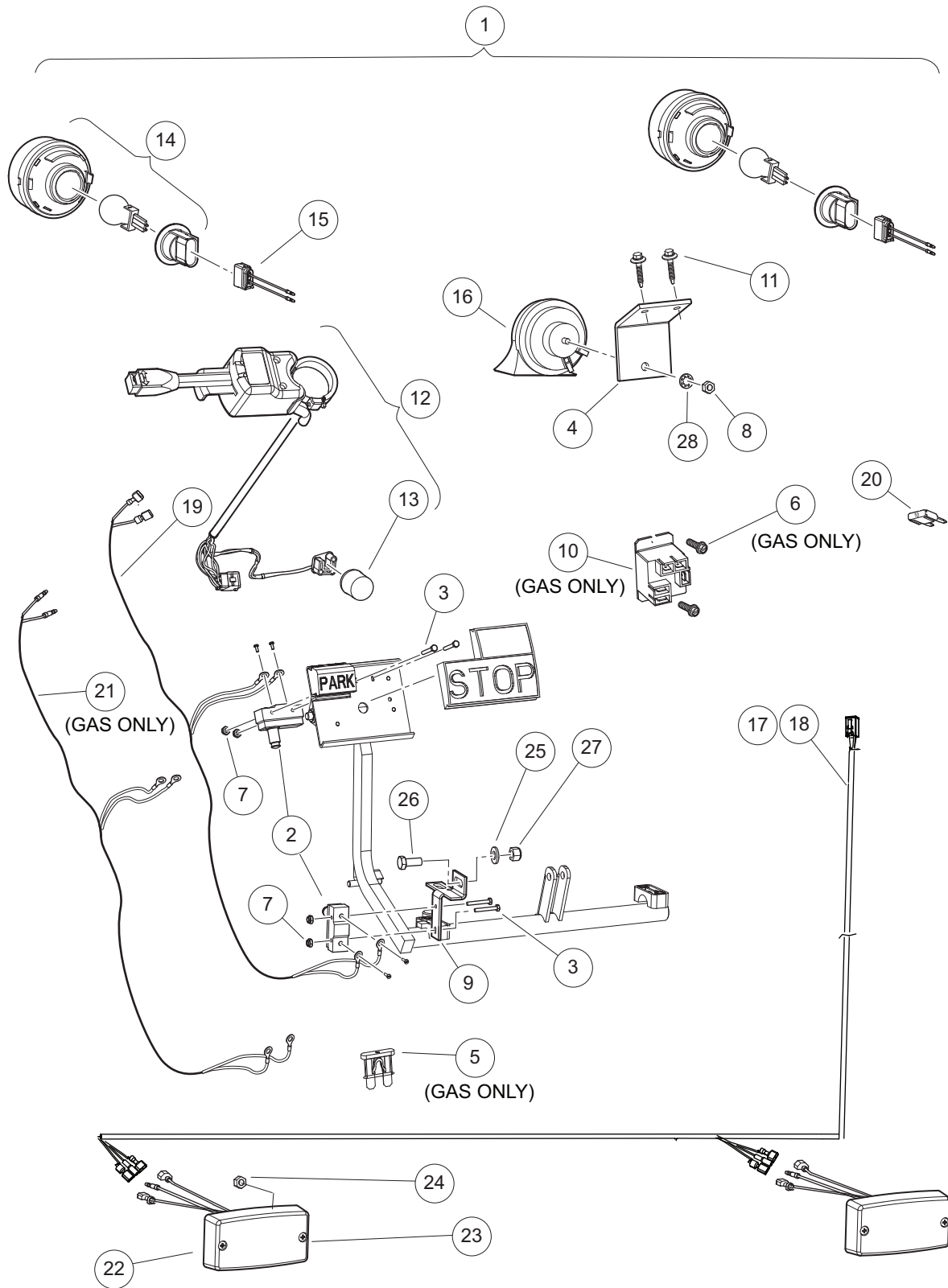


# 12-VOLT FUSE BLOCK AND FUSES – ELECTRIC VEHICLE

ITEM	PART NO.	DESCRIPTION	QTY
		1 2 3 4	
1	<u>1013357</u>	Rivet, 5/32 Aluminum Pop .....	4
2	<u>1016356</u>	Terminal Block with Insulator .....	2
3	<u>1016423</u>	Fuse, 20-Amp .....	1
4	<u>102198001</u>	Receptacle, Accessory .....	1
5	<u>102238001</u>	#10-24 Taptite Screw .....	1
6	<u>105114805</u>	Fuse, Mini, Atm, 7.5 Amp .....	1
7	<u>105114806</u>	Fuse, Mini, Atm, 10 Amp .....	2
8	<u>105114807</u>	Fuse, Mini, Atm, 15 Amp .....	1

**4**  
**G**  
**E**

**4**  
**G**  
**E**



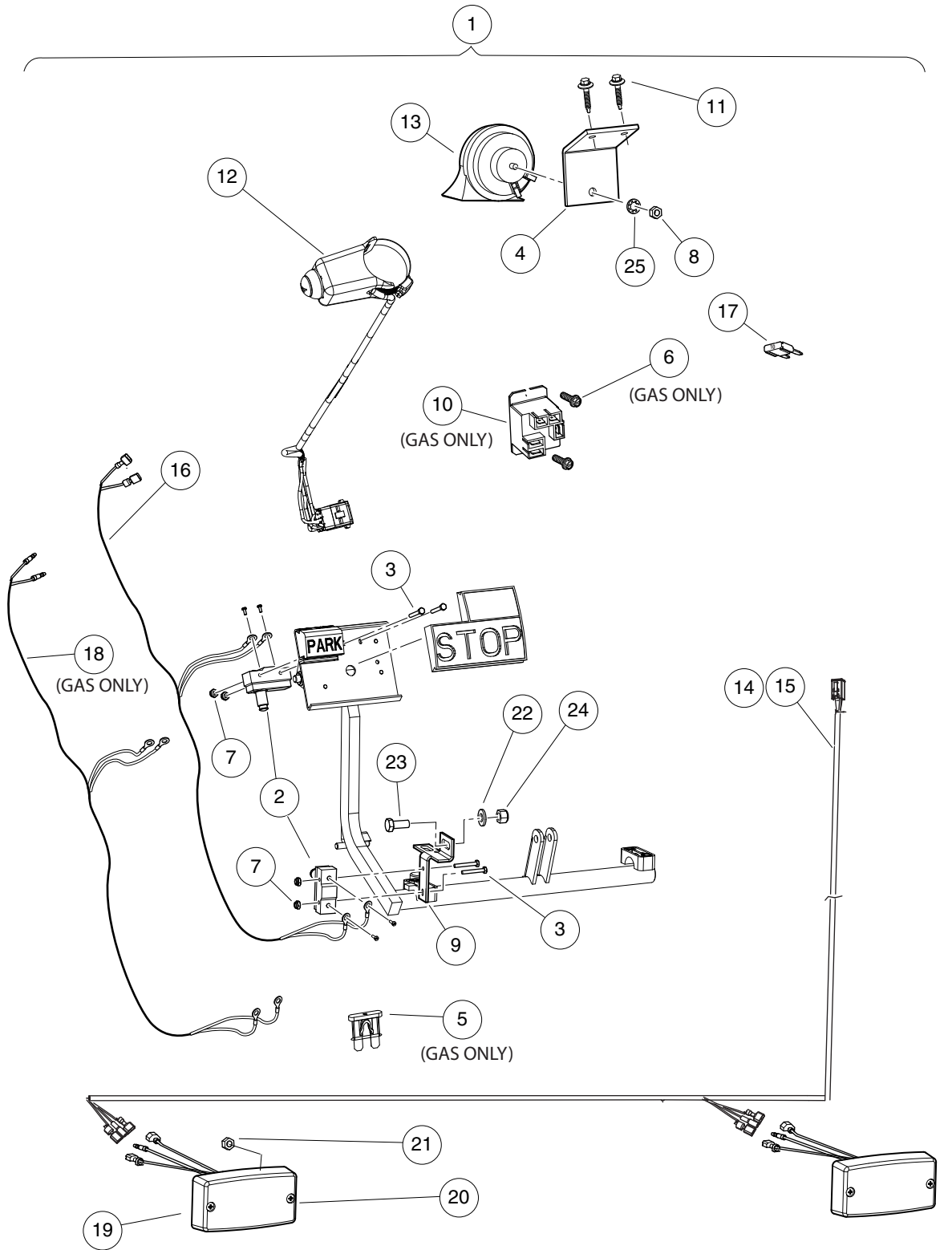
001368-002

# HORN, TURN SIGNALS, AND TAILLIGHTS – ELECTRIC AND GASOLINE VEHICLES

ITEM	PART NO.	DESCRIPTION	QTY
		1 2 3 4	
1	<u>105122808</u>	Kit, Horn/Tail Light/Turn (includes items 2 through 28) .....	1
2	<u>1011439</u>	Switch, Limit .....	2
3	<u>1011557</u>	Screw, #6-32 X 1.00 Hex-Head Machine .....	4
4	<u>1011825</u>	Horn Bracket .....	1
5	<u>1012295</u>	Fuse, 10-Amp .....	1
6	<u>1016849</u>	Screw, #4-24 X 0.33, Pan-Head, Machine .....	2
7	<u>101932201</u>	Locknut, #6-32 Nylon .....	4
8	<u>101955101</u>	Nut, M6 Hex .....	1
9	<u>101957101</u>	Bracket, Brake Light Switch .....	1
10	<u>102199001</u>	Relay, 12-Volt .....	1
11	<u>102297125</u>	Screw, M6-1.0x25.4, Thread-Forming, SEMS .....	2
12	<u>102517501</u>	Turn Signal Asm (includes item 13) .....	1
13	<u>102546401</u>	Flasher Unit, Prec .....	1
14	<u>102894503</u>	Light, Turn Sig, Round 3", Utl .....	2
15	<u>103245001</u>	Jumper, Turn Signal, Ca/xrt/hu .....	2
16	<u>103484301</u>	Horn, 12v, Gnd Isolated .....	1
17	<u>105108201</u>	Harness, Tail Light, Utility, Short .....	1
18	<u>105108301</u>	Harness, Tail Light, Utility, Long .....	1
19	<u>105108401</u>	Harness, Brk, Pedal Switch Utl .....	1
20	<u>105114806</u>	Fuse, Mini, Atm, 10 Amp .....	1
21	<u>105135201</u>	Jumper, Hill Brake, Switch .....	1
22	<u>105165801</u>	Lamp, Stop/trn/tail, Footdeck .....	2
23	<u>105190601</u>	Screw, #8-32 X 0.625, Clr Znc .....	4
24	<u>105190701</u>	Nut, Flanged, #8-32, Serrated .....	4
25	<u>1241</u>	Washer, 5/16 Type A Flat .....	1
26	<u>7173</u>	Screw, 5/16-18 X 0.75, Hex-Head Cap .....	1
27	<u>7473</u>	Locknut, 5/16-18 Nylon Insert .....	2
28	<u>7820</u>	Washer, 5/16 Internal-Tooth .....	1
Note: 1051082, Harness, Tail Light, Utility, Short, fits the following vehicles with serial prefix: MA, MB, MC, MD, ME, MF, MK, ML, MM, MP, MU.			

4  
G  
E

**4**  
**G**  
**E**



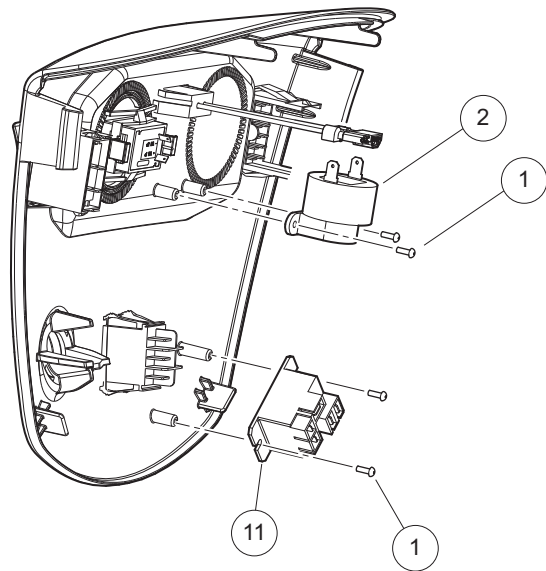
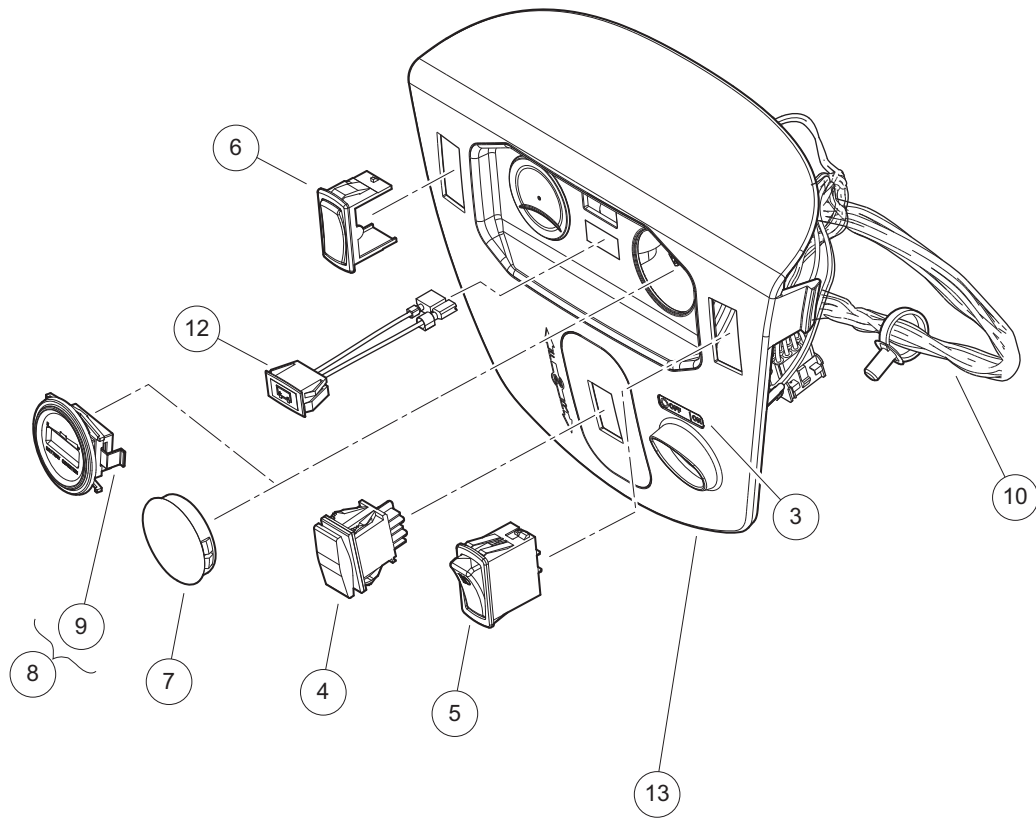
001367-002

# HORN AND TAIL LIGHT KIT – ELECTRIC AND GASOLINE VEHICLES

ITEM	PART NO.	DESCRIPTION	QTY
		1 2 3 4	
1	<u>105122807</u>	Kit, Horn/Tail Light/Turn (includes items 2 through 25) .....	1
2	<u>1011439</u>	Switch, Limit .....	2
3	<u>1011557</u>	Screw, #6-32 X 1.00 Hex-Head Machine .....	4
4	<u>1011825</u>	Horn Bracket .....	1
5	<u>1012295</u>	Fuse, 10-Amp .....	1
6	<u>1016849</u>	Screw, #4-24 X 0.33, Pan-Head, Machine .....	2
7	<u>101932201</u>	Locknut, #6-32 Nylon .....	4
8	<u>101955101</u>	Nut, M6 Hex .....	1
9	<u>101957101</u>	Bracket, Brake Light Switch .....	1
10	<u>102199001</u>	Relay, 12-Volt .....	1
11	<u>102297125</u>	Screw, M6-1.0x25.4, Thread-Forming, SEMS .....	2
12	<u>102517601</u>	Subasm, Horn Button Harness .....	1
13	<u>103484301</u>	Horn, 12v, Gnd Isolated .....	1
14	<u>105108201</u>	Harness, Tail Light, Utility, Short .....	1
15	<u>105108301</u>	Harness, Tail Light, Utility, Long .....	1
16	<u>105108401</u>	Harness, Brk, Pedal Switch Utl .....	1
17	<u>105114806</u>	Fuse, Mini, Atm, 10 Amp .....	1
18	<u>105135201</u>	Jumper, Hill Brake, Switch .....	1
19	<u>105165801</u>	Lamp, Stop/trn/tail, Footdeck .....	2
20	<u>105190601</u>	Screw, #8-32 X 0.625, Clr Znc .....	4
21	<u>105190701</u>	Nut, Flanged, #8-32, Serrated .....	4
22	<u>1241</u>	Washer, 5/16 Type A Flat .....	1
23	<u>7173</u>	Screw, 5/16-18 X 0.75, Hex-Head Cap .....	1
24	<u>7473</u>	Locknut, 5/16-18 Nylon Insert .....	1
25	<u>7820</u>	Washer, 5/16 Internal-Tooth .....	1
<p style="margin-left: 40px;">Note: <u>105108201</u> Harness, Tail Light, Utility, Short, fits the following vehicles with serial prefix: MA, MB, MC, MD, ME, MF, MK, ML, MM, MP, MU.</p>			

4  
G  
E

**4**  
**G**  
**E**



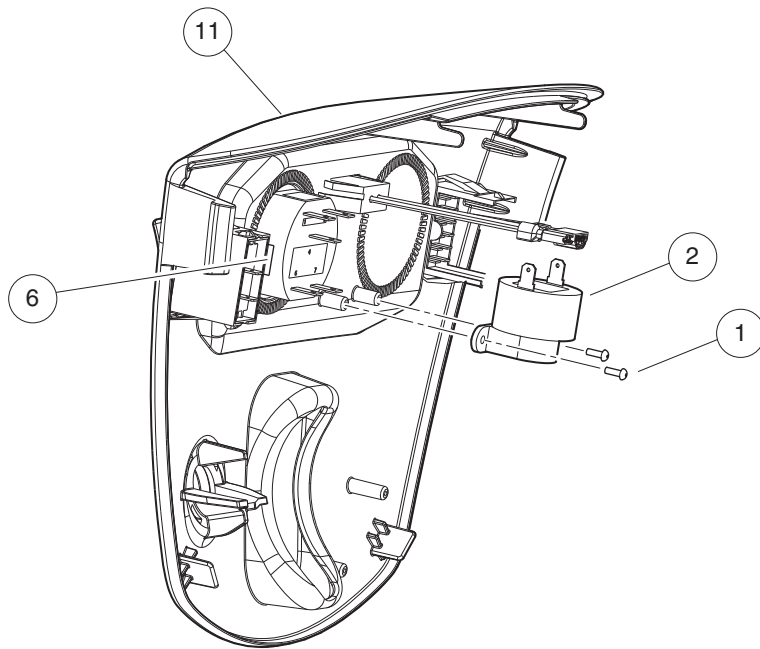
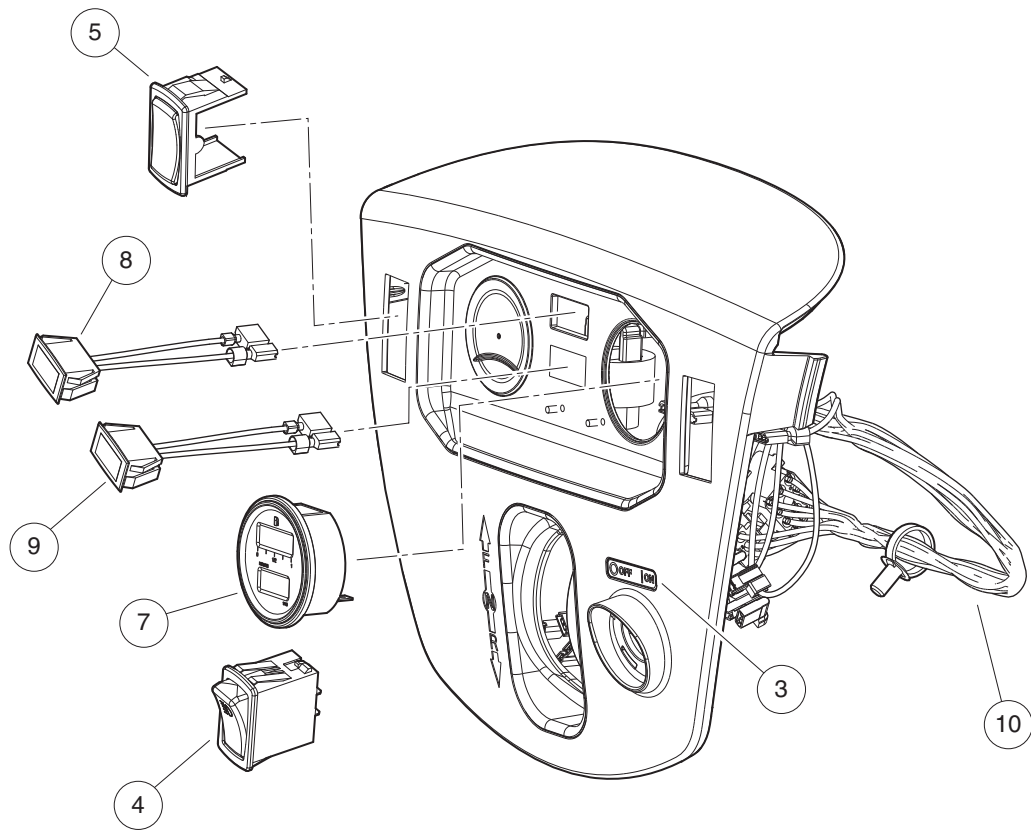
001371-003

## INSTRUMENT PANEL – ELECTRIC VEHICLE

ITEM	PART NO.	DESCRIPTION	QTY
		1 2 3 4	
1	<u>1016849</u>	Screw, #4-24 X 0.33, Pan-Head, Machine .....	2
2	<u>1016851</u>	Multi-Purpose Buzzer (9-48 VDC) .....	1
3	<u>101825101</u>	Decal, Off/On .....	1
4	<u>101856002</u>	Switch, Rocker, Single-Pole .....	1
5	<u>102869401</u>	Switch, Rocker, Light .....	1
6	<u>103180101</u>	Cover, Hole, Switch, Rocker .....	1
7	<u>103198301</u>	Plug, Hole, Round, 2.0 In .....	1
8	<u>103354401</u>	Gauge, Battery Cond Ind, Rnd (includes item 9) .....	1
9	<u>103348202</u>	Clip, Bci, Round .....	1
10	<u>105082101</u>	Harness, Ip, Elec, Util .....	1
11	<u>105112401</u>	Relay, Spdt Nc, 48v 30a, Pmt .....	1
12	<u>105152301</u>	Indicator, Charger, Dash, Cap .....	1
13	47631907001	Instrument Panel, Ca, Elec, Uv .....	1

4  
G  
E

**4**  
**G**  
**E**



001372-002

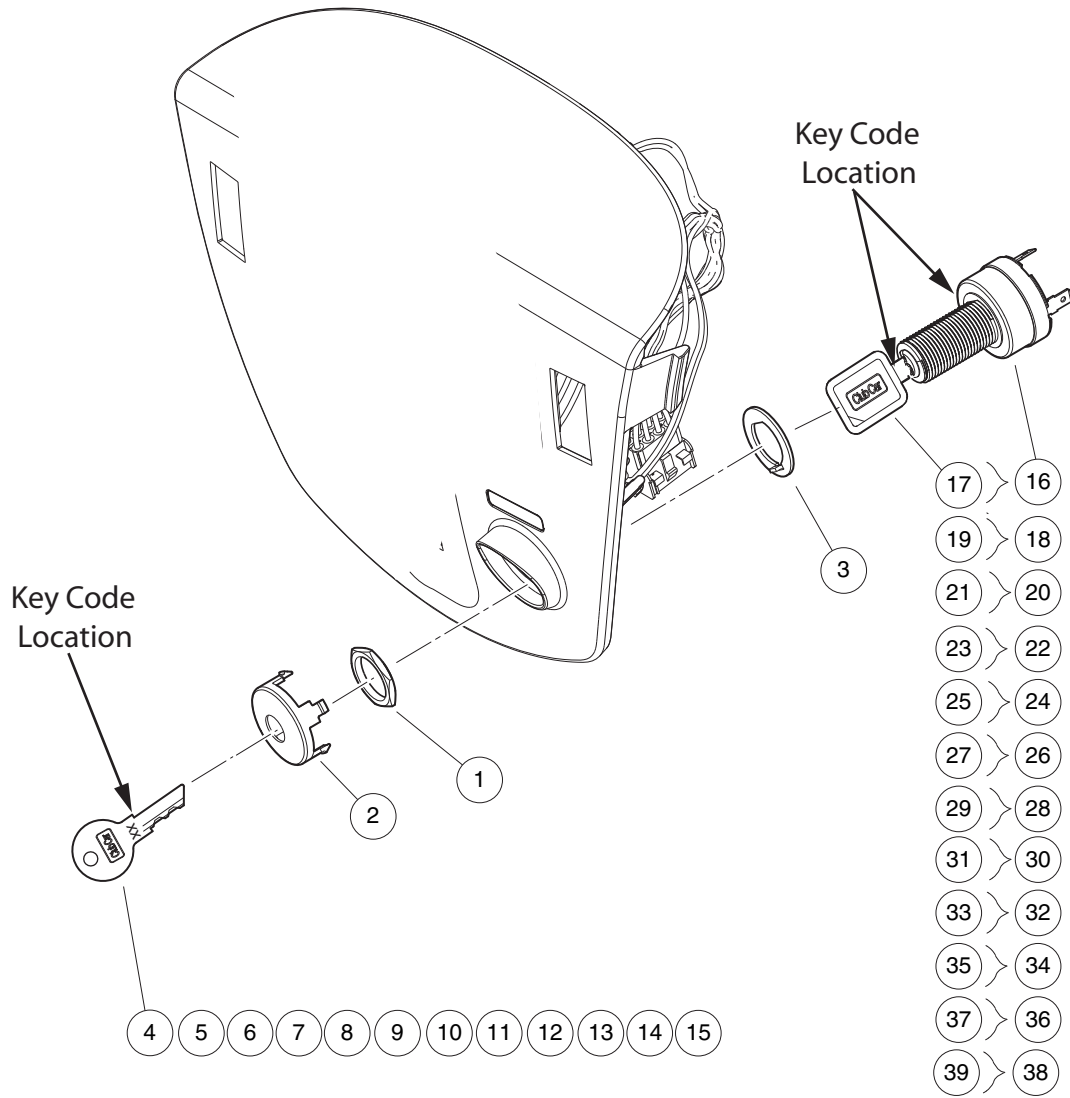


## INSTRUMENT PANEL – GASOLINE VEHICLE

ITEM	PART NO.	DESCRIPTION	QTY
		1 2 3 4	
1	<u>1016849</u>	Screw, #4-24 X 0.33, Pan-Head, Machine .....	2
2	<u>1016851</u>	Multi-Purpose Buzzer (9-48 VDC) .....	1
3	<u>101825101</u>	Decal, Off/On .....	1
4	<u>102869401</u>	Switch, Rocker, Light .....	1
5	<u>103180101</u>	Cover, Hole, Switch, Rocker .....	1
6	<u>103348201</u>	Clip, Meter, Round .....	1
7	<u>103348602</u>	Gauge, Fuel-hour,sep Gnd, Ds .....	1
8	<u>105037101</u>	Light, Oil (LED) .....	1
9	47598441001	Light, Dash, Led, Mil .....	1
10	47609057001	Harness, Ip, Gas, Ca, Com .....	1
11	47631907002	Instrument Panel, Ca, Gas, Uv .....	1

**4**  
**G**  
**E**

**4**  
**G**  
**E**



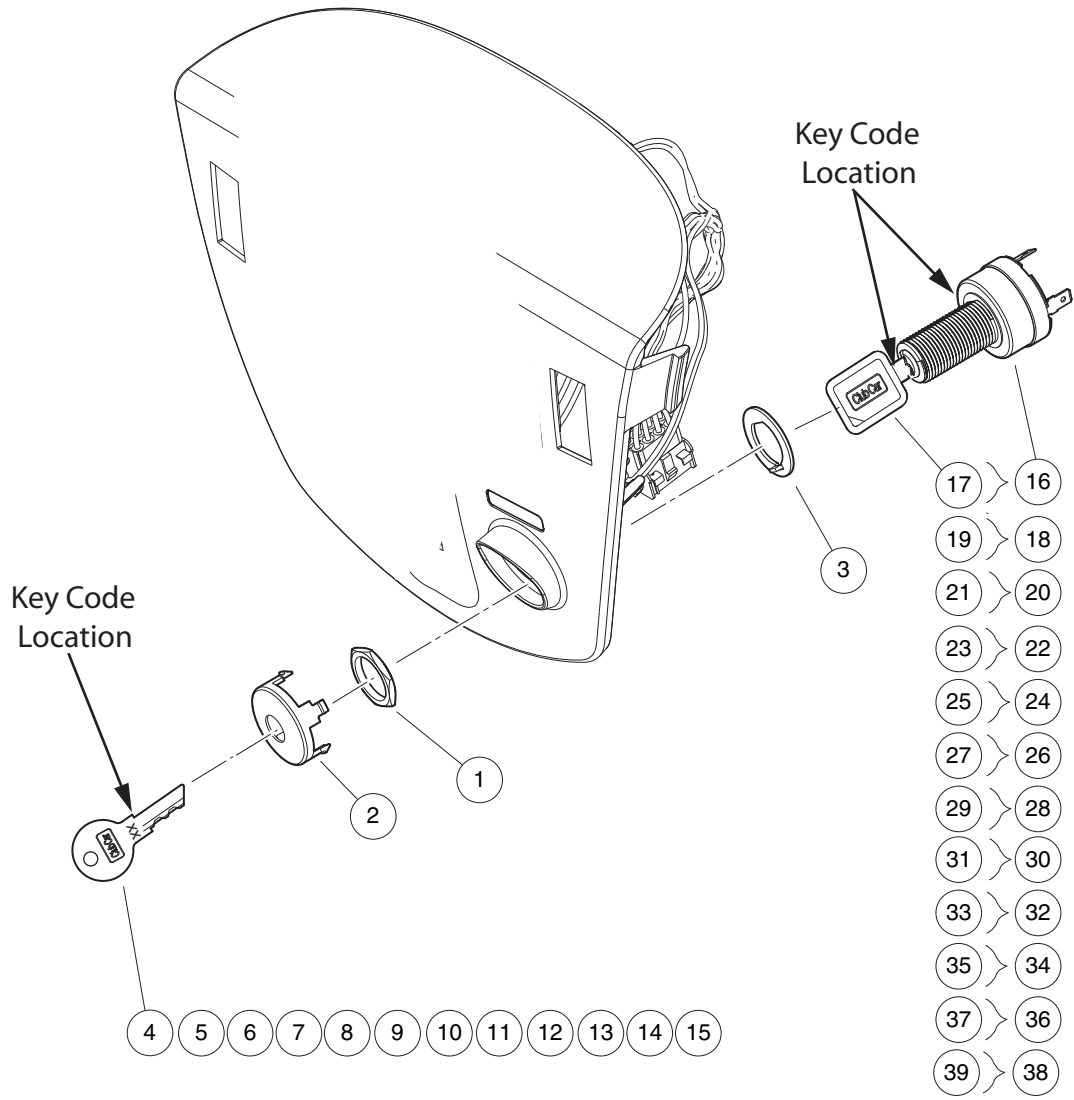
001355-001

# KEYSWITCH – ELECTRIC VEHICLE

ITEM	PART NO.	DESCRIPTION	QTY
		<b>1 2 3 4</b>	
1	<u>101830701</u>	Nut, Key Switch .....	1
2	<u>101834502</u>	Cap, Black Key Switch .....	1
3	<u>101851101</u>	Washer, Key Switch .....	1
4	<u>101974701</u>	Key, Uncommon 1a .....	1
5	<u>101974702</u>	Key, Uncommon 1b .....	1
6	<u>101974703</u>	Key, Uncommon 1c .....	1
7	<u>101974704</u>	Key, Uncommon 1d .....	1
8	<u>101974705</u>	Key, Uncommon 2a .....	1
9	<u>101974706</u>	Key, Uncommon 2b .....	1
10	<u>101974707</u>	Key, Uncommon 2c .....	1
11	<u>101974708</u>	Key, Uncommon 2d .....	1
12	<u>101974709</u>	Key, Uncommon 1e .....	1
13	<u>101974710</u>	Key, Uncommon 1f .....	1
14	<u>101974711</u>	Key, Uncommon 2e .....	1
15	<u>101974712</u>	Key, Uncommon 2f .....	1
16	<u>105081701</u>	Keysw, Uncom, 4t, Off/on 1a, E (includes item 17) .....	1
17	<u>105068001</u>	Key, Uncommon, Padded 1a .....	1
18	<u>105081702</u>	Keysw, Uncom, 4t, Off/on 1b, E (includes item 19) .....	1
19	<u>105068002</u>	Key, Uncommon, Padded 1b .....	1
20	<u>105081703</u>	Keysw, Uncom, 4t, Off/on 1c, E (includes item 21) .....	1
21	<u>105068003</u>	Key, Uncommon, Padded 1c .....	1
22	<u>105081704</u>	Keysw, Uncom, 4t, Off/on 1d, E (includes item 23) .....	1
23	<u>105068004</u>	Key, Uncommon, Padded 1d .....	1
24	<u>105081705</u>	Keysw, Uncom, 4t, Off/on 1e, E (includes item 25) .....	1
25	<u>105068005</u>	Key, Uncommon, Padded 1e .....	1
26	<u>105081706</u>	Keysw, Uncom, 4t, Off/on 1f, E (includes item 27) .....	1
27	<u>105068006</u>	Key, Uncommon, Padded 1f .....	1
28	<u>105081707</u>	Keysw, Uncom, 4t, Off/on 2a, E (includes item 29) .....	1
29	<u>105068007</u>	Key, Uncommon, Padded 2a .....	1
30	<u>105081708</u>	Keysw, Uncom, 4t, Off/on 2b, E (includes item 31) .....	1
31	<u>105068008</u>	Key, Uncommon, Padded 2b .....	1
32	<u>105081709</u>	Keysw, Uncom, 4t, Off/on 2c, E (includes item 33) .....	1
33	<u>105068009</u>	Key, Uncommon, Padded 2c .....	1
34	<u>105081710</u>	Keysw, Uncom, 4t, Off/on 2d, E (includes item 35) .....	1
35	<u>105068010</u>	Key, Uncommon, Padded 2d .....	1
36	<u>105081711</u>	Keysw, Uncom, 4t, Off/on 2e, E (includes item 37) .....	1
37	<u>105068011</u>	Key, Uncommon, Padded 2e .....	1
38	<u>105081712</u>	Keysw, Uncom, 4t, Off/on 2f, E (includes item 39) .....	1
39	<u>105068012</u>	Key, Uncommon, Padded 2f .....	1
		Note: Keyswitch <u>105081701</u> , is standard for electric vehicles equipped with a cab. Keyswitch <u>105081702</u> , is standard for electric vehicles without a cab. Keyswitches <u>105081703</u> through <u>105081712</u> allows different key code combinations for electric fleet vehicles.	

4  
G  
E

**4**  
**G**  
**E**



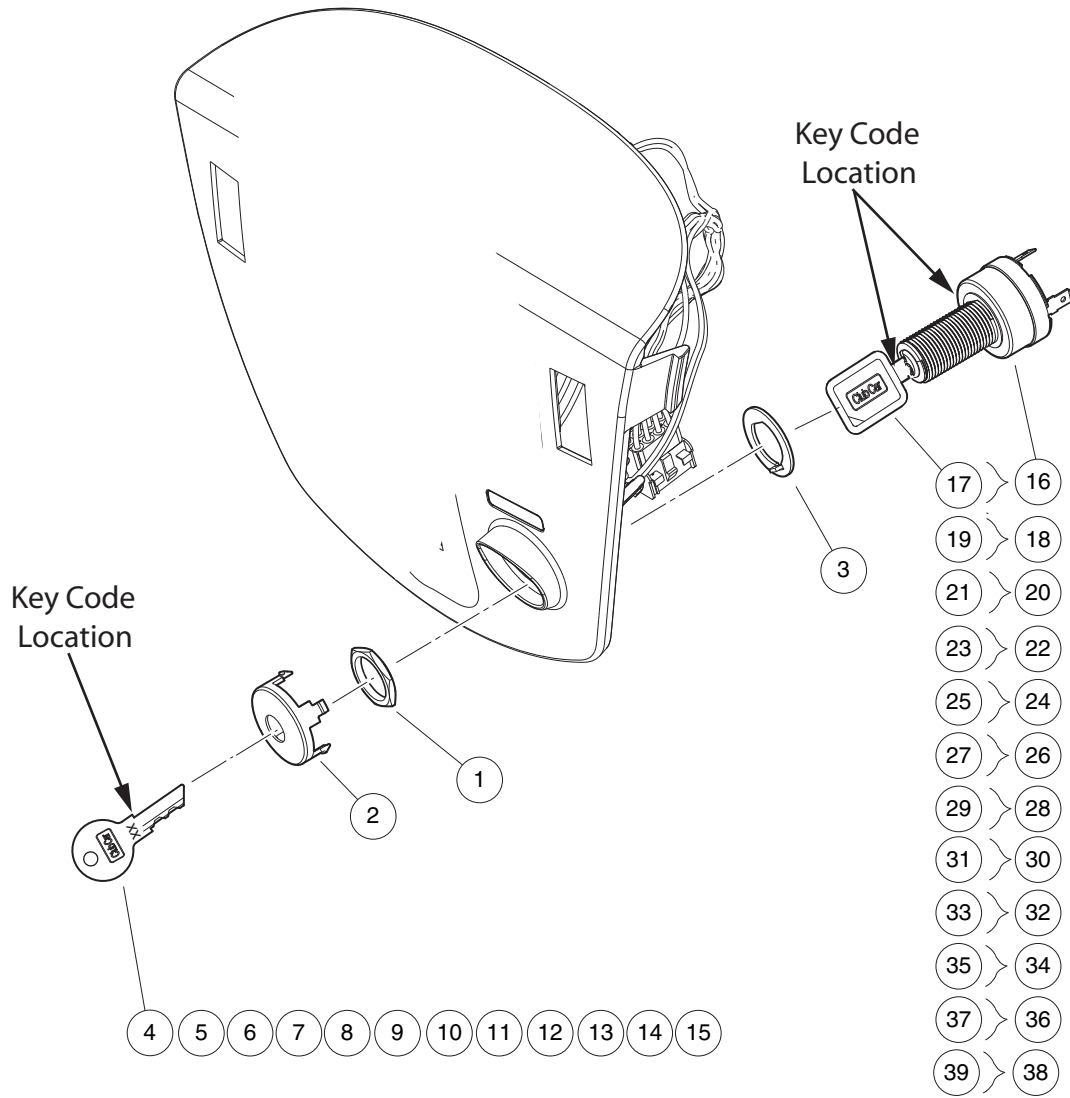
001355-001

# KEYSWITCH, PRIVATE SPEED MODE - ELECTRIC VEHICLE

ITEM	PART NO.	DESCRIPTION	QTY
		1 2 3 4	
1	<u>101830701</u>	Nut, Key Switch .....	1
2	<u>101834502</u>	Cap, Black Key Switch .....	1
3	<u>101851101</u>	Washer, Key Switch .....	1
4	<u>101974701</u>	Key, Uncommon 1a .....	1
5	<u>101974702</u>	Key, Uncommon 1b .....	1
6	<u>101974703</u>	Key, Uncommon 1c .....	1
7	<u>101974704</u>	Key, Uncommon 1d .....	1
8	<u>101974705</u>	Key, Uncommon 2a .....	1
9	<u>101974706</u>	Key, Uncommon 2b .....	1
10	<u>101974707</u>	Key, Uncommon 2c .....	1
11	<u>101974708</u>	Key, Uncommon 2d .....	1
12	<u>101974709</u>	Key, Uncommon 1e .....	1
13	<u>101974710</u>	Key, Uncommon 1f .....	1
14	<u>101974711</u>	Key, Uncommon 2e .....	1
15	<u>101974712</u>	Key, Uncommon 2f .....	1
16	<u>105082001</u>	Keysw, Uncom, 4t, Off/p2/p3 1a (includes item 17) .....	1
17	<u>105068001</u>	Key, Uncommon, Padded 1a .....	1
18	<u>105082002</u>	Keysw, Uncom, 4t, Off/p2/p3 1b (includes item 19) .....	1
19	<u>105068002</u>	Key, Uncommon, Padded 1b .....	1
20	<u>105082003</u>	Keysw, Uncom, 4t, Off/p2/p3 1c (includes item 21) .....	1
21	<u>105068003</u>	Key, Uncommon, Padded 1c .....	1
22	<u>105082004</u>	Keysw, Uncom, 4t, Off/p2/p3 1d (includes item 23) .....	1
23	<u>105068004</u>	Key, Uncommon, Padded 1d .....	1
24	<u>105082005</u>	Keysw, Uncom, 4t, Off/p2/p3 1e (includes item 25) .....	1
25	<u>105068005</u>	Key, Uncommon, Padded 1e .....	1
26	<u>105082006</u>	Keysw, Uncom, 4t, Off/p2/p3 1f (includes item 27) .....	1
27	<u>105068006</u>	Key, Uncommon, Padded 1f .....	1
28	<u>105082007</u>	Keysw, Uncom, 4t, Off/p2/p3 2a (includes item 29) .....	1
29	<u>105068007</u>	Key, Uncommon, Padded 2a .....	1
30	<u>105082008</u>	Keysw, Uncom, 4t, Off/p2/p3 2b (includes item 31) .....	1
31	<u>105068008</u>	Key, Uncommon, Padded 2b .....	1
32	<u>105082009</u>	Keysw, Uncom, 4t, Off/p2/p3 2c (includes item 33) .....	1
33	<u>105068009</u>	Key, Uncommon, Padded 2c .....	1
34	<u>105082010</u>	Keysw, Uncom, 4t, Off/p2/p3 2d (includes item 35) .....	1
35	<u>105068010</u>	Key, Uncommon, Padded 2d .....	1
36	<u>105082011</u>	Keysw, Uncom, 4t, Off/p2/p3 2e (includes item 37) .....	1
37	<u>105068011</u>	Key, Uncommon, Padded 2e .....	1
38	<u>105082012</u>	Keysw, Uncom, 4t, Off/p2/p3 2f (includes item 39) .....	1
39	<u>105068012</u>	Key, Uncommon, Padded 2f .....	1
		Note: Keyswitch <u>105082001</u> , is standard for private speed mode electric vehicles equipped with a cab. Keyswitch <u>105082002</u> , is standard for private speed mode electric vehicles without a cab. Keyswitches <u>105082003</u> through <u>105082012</u> allows different key code combinations for private speed mode electric fleet vehicles.	

4  
G  
E

**4**  
**G**  
**E**



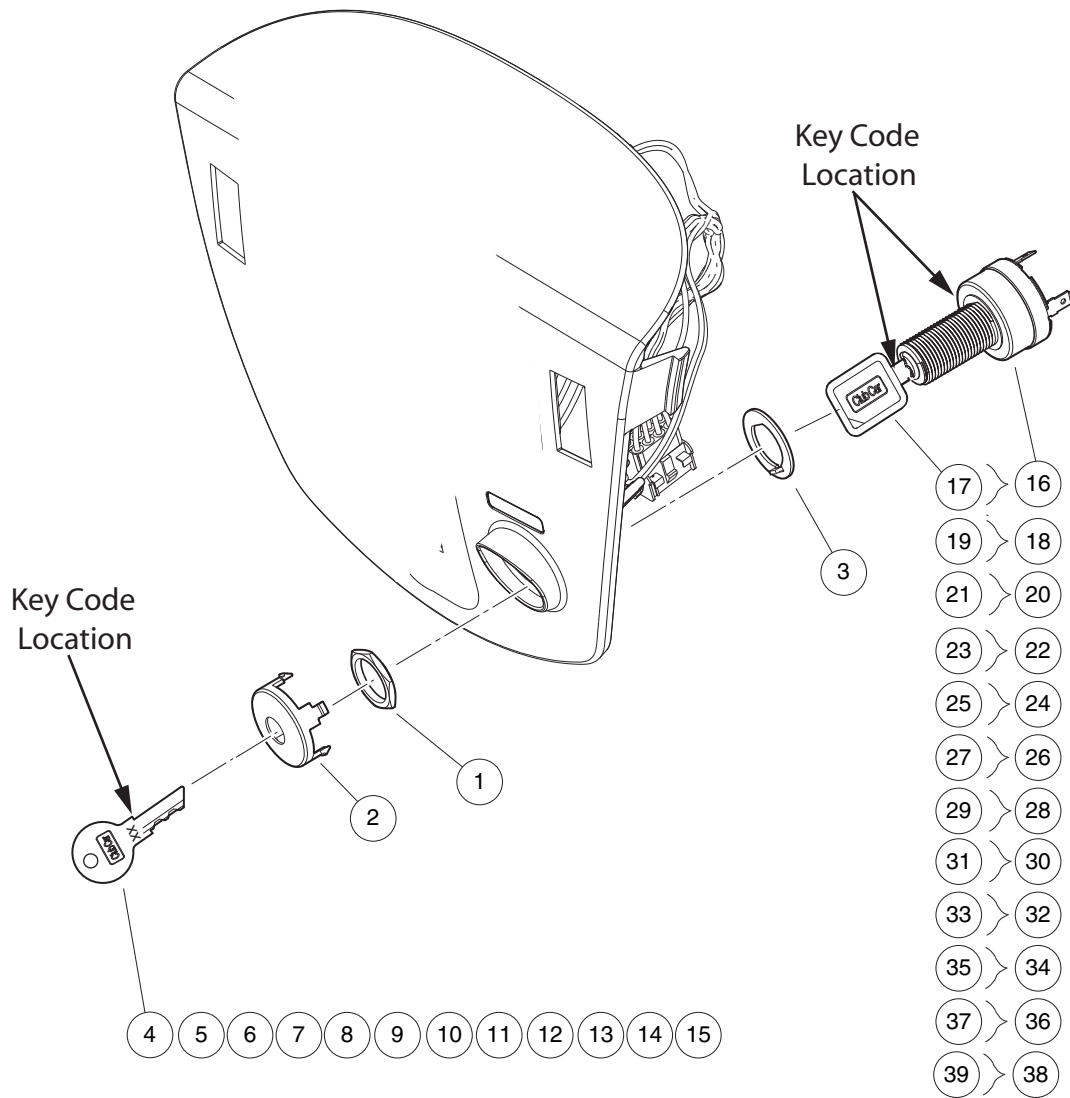
001355-001

## KEYSWITCH, PEDAL-START – GASOLINE VEHICLE

ITEM	PART NO.	DESCRIPTION	QTY
		1 2 3 4	
1	<u>101830701</u>	Nut, Key Switch .....	1
2	<u>101834502</u>	Cap, Black Key Switch .....	1
3	<u>101851101</u>	Washer, Key Switch .....	1
4	<u>101974701</u>	Key, Uncommon 1a .....	1
5	<u>101974702</u>	Key, Uncommon 1b .....	1
6	<u>101974703</u>	Key, Uncommon 1c .....	1
7	<u>101974704</u>	Key, Uncommon 1d .....	1
8	<u>101974705</u>	Key, Uncommon 2a .....	1
9	<u>101974706</u>	Key, Uncommon 2b .....	1
10	<u>101974707</u>	Key, Uncommon 2c .....	1
11	<u>101974708</u>	Key, Uncommon 2d .....	1
12	<u>101974709</u>	Key, Uncommon 1e .....	1
13	<u>101974710</u>	Key, Uncommon 1f .....	1
14	<u>101974711</u>	Key, Uncommon 2e .....	1
15	<u>101974712</u>	Key, Uncommon 2f .....	1
16	<u>105081801</u>	Keysw, Uncom, 4t, Off/on 1a, G (includes item 17) .....	1
17	<u>105068001</u>	Key, Uncommon, Padded 1a .....	1
18	<u>105081802</u>	Keysw, Uncom, 4t, Off/on 1b, G (includes item 19) .....	1
19	<u>105068002</u>	Key, Uncommon, Padded 1b .....	1
20	<u>105081803</u>	Keysw, Uncom, 4t, Off/on 1c, G (includes item 21) .....	A/R
21	<u>105068003</u>	Key, Uncommon, Padded 1c .....	1
22	<u>105081804</u>	Keysw, Uncom, 4t, Off/on 1d, G (includes item 23) .....	1
23	<u>105068004</u>	Key, Uncommon, Padded 1d .....	1
24	<u>105081805</u>	Keysw, Uncom, 4t, Off/on 1e, G (includes item 25) .....	1
25	<u>105068005</u>	Key, Uncommon, Padded 1e .....	1
26	<u>105081806</u>	Keysw, Uncom, 4t, Off/on 1f, G (includes item 27) .....	1
27	<u>105068006</u>	Key, Uncommon, Padded 1f .....	1
28	<u>105081807</u>	Keysw, Uncom, 4t, Off/on 2a, G (includes item 29) .....	1
29	<u>105068007</u>	Key, Uncommon, Padded 2a .....	1
30	<u>105081808</u>	Keysw, Uncom, 4t, Off/on 2b, G (includes item 31) .....	1
31	<u>105068008</u>	Key, Uncommon, Padded 2b .....	1
32	<u>105081809</u>	Keysw, Uncom, 4t, Off/on 2c, G (includes item 33) .....	1
33	<u>105068009</u>	Key, Uncommon, Padded 2c .....	1
34	<u>105081810</u>	Keysw, Uncom, 4t, Off/on 2d, G (includes item 35) .....	1
35	<u>105068010</u>	Key, Uncommon, Padded 2d .....	1
36	<u>105081811</u>	Keysw, Uncom, 4t, Off/on 2e, G (includes item 37) .....	1
37	<u>105068011</u>	Key, Uncommon, Padded 2e .....	1
38	<u>105081812</u>	Keysw, Uncom, 4t, Off/on 2f, G (includes item 39) .....	1
39	<u>105068012</u>	Key, Uncommon, Padded 2f .....	1
		Note: Keyswitch <u>105081801</u> , is standard for pedal-start gasoline vehicles equipped with a cab. Keyswitch <u>105081802</u> , is standard for pedal-start gasoline vehicles without a cab. Keyswitches <u>105081803</u> through <u>105081812</u> allows different key code combinations for pedal-start gasoline fleet vehicles.	



**4**  
**G**  
**E**



001355-001



# KEYSWITCH, KEY-START – GASOLINE VEHICLE

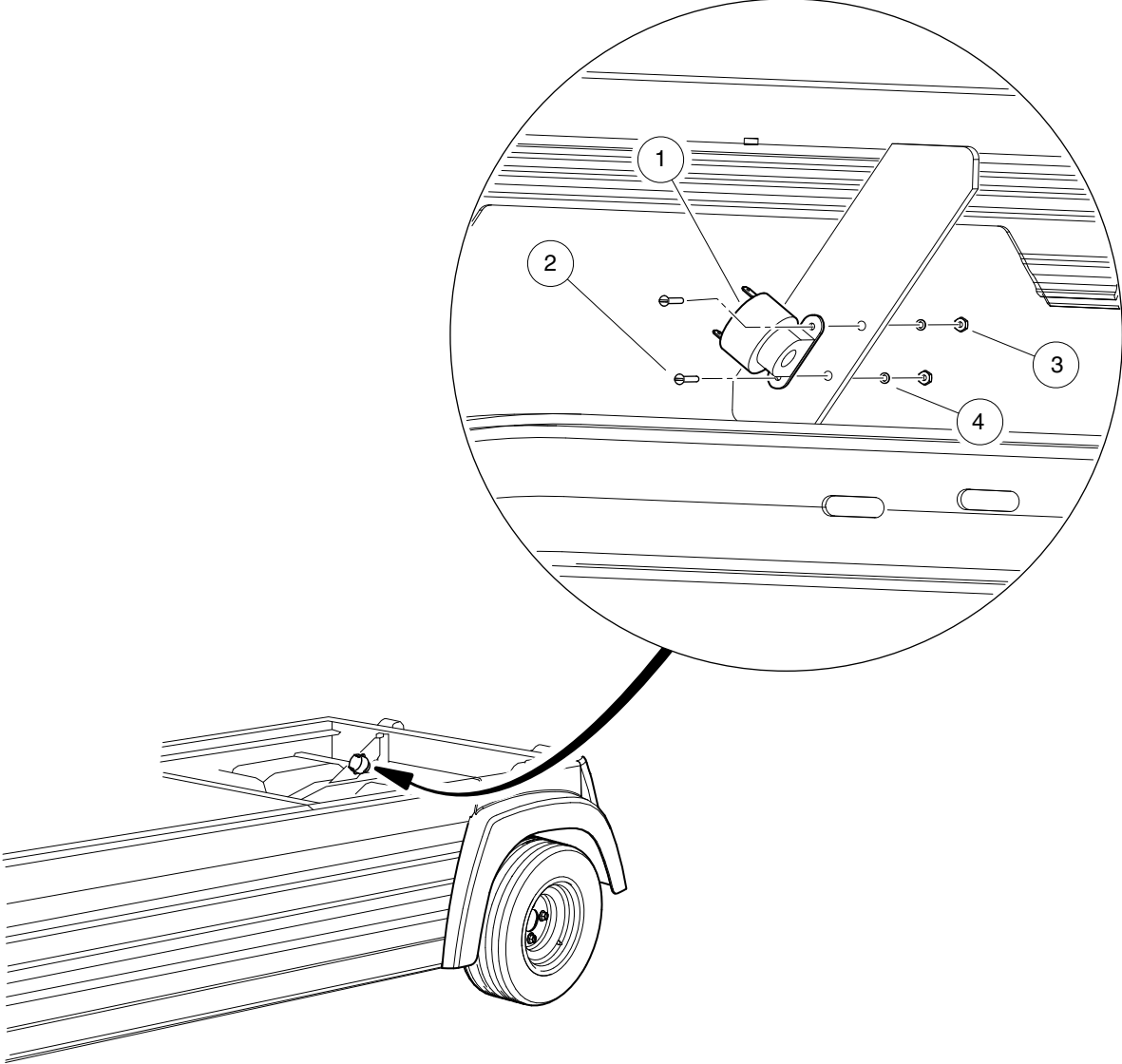
ITEM	PART NO.	DESCRIPTION	QTY
		1 2 3 4	
1	<u>101830701</u>	Nut, Key Switch .....	1
2	<u>101834502</u>	Cap, Black Key Switch .....	1
3	<u>101851101</u>	Washer, Key Switch .....	1
4	<u>101974701</u>	Key, Uncommon 1a .....	1
5	<u>101974702</u>	Key, Uncommon 1b .....	1
6	<u>101974703</u>	Key, Uncommon 1c .....	1
7	<u>101974704</u>	Key, Uncommon 1d .....	1
8	<u>101974705</u>	Key, Uncommon 2a .....	1
9	<u>101974706</u>	Key, Uncommon 2b .....	1
10	<u>101974707</u>	Key, Uncommon 2c .....	1
11	<u>101974708</u>	Key, Uncommon 2d .....	1
12	<u>101974709</u>	Key, Uncommon 1e .....	1
13	<u>101974710</u>	Key, Uncommon 1f .....	1
14	<u>101974711</u>	Key, Uncommon 2e .....	1
15	<u>101974712</u>	Key, Uncommon 2f .....	1
16	<u>105081901</u>	Keysw, Uncom, 4t, Off/on/st 1a (includes item 17) .....	1
17	<u>105068001</u>	Key, Uncommon, Padded 1a .....	1
18	<u>105081902</u>	Keysw, Uncom, 4t, Off/on/st 1b (includes item 19) .....	1
19	<u>105068002</u>	Key, Uncommon, Padded 1b .....	1
20	<u>105081903</u>	Keysw, Uncom, 4t, Off/on/st 1c (includes item 21) .....	1
21	<u>105068003</u>	Key, Uncommon, Padded 1c .....	1
22	<u>105081904</u>	Keysw, Uncom, 4t, Off/on/st 1d (includes item 23) .....	1
23	<u>105068004</u>	Key, Uncommon, Padded 1d .....	1
24	<u>105081905</u>	Keysw, Uncom, 4t, Off/on/st 1e (includes item 25) .....	1
25	<u>105068005</u>	Key, Uncommon, Padded 1e .....	1
26	<u>105081906</u>	Keysw, Uncom, 4t, Off/on/st 1f (includes item 27) .....	1
27	<u>105068006</u>	Key, Uncommon, Padded 1f .....	1
28	<u>105081907</u>	Keysw, Uncom, 4t, Off/on/st 2a (includes item 29) .....	1
29	<u>105068007</u>	Key, Uncommon, Padded 2a .....	1
30	<u>105081908</u>	Keysw, Uncom, 4t, Off/on/st 2b (includes item 31) .....	1
31	<u>105068008</u>	Key, Uncommon, Padded 2b .....	1
32	<u>105081909</u>	Keysw, Uncom, 4t, Off/on/st 2c (includes item 33) .....	1
33	<u>105068009</u>	Key, Uncommon, Padded 2c .....	1
34	<u>105081910</u>	Keysw, Uncom, 4t, Off/on/st 2d (includes item 35) .....	1
35	<u>105068010</u>	Key, Uncommon, Padded 2d .....	1
36	<u>105081911</u>	Keysw, Uncom, 4t, Off/on/st 2e (includes item 37) .....	1
37	<u>105068011</u>	Key, Uncommon, Padded 2e .....	1
38	<u>105081912</u>	Keysw, Uncom, 4t, Off/on/st 2f (includes item 39) .....	1
39	<u>105068012</u>	Key, Uncommon, Padded 2f .....	1
		Note: Keyswitch <u>105081901</u> , is standard for key-start gasoline vehicles equipped with a cab. Keyswitch <u>105081902</u> , is standard for key-start gasoline vehicles without a cab. Keyswitches <u>105081903</u> through <u>105081912</u> allows different key code combinations for key-start gasoline fleet vehicles.	

4  
G  
E

4

G

E



001361-001

## REAR MOUNTED REVERSE BUZZER

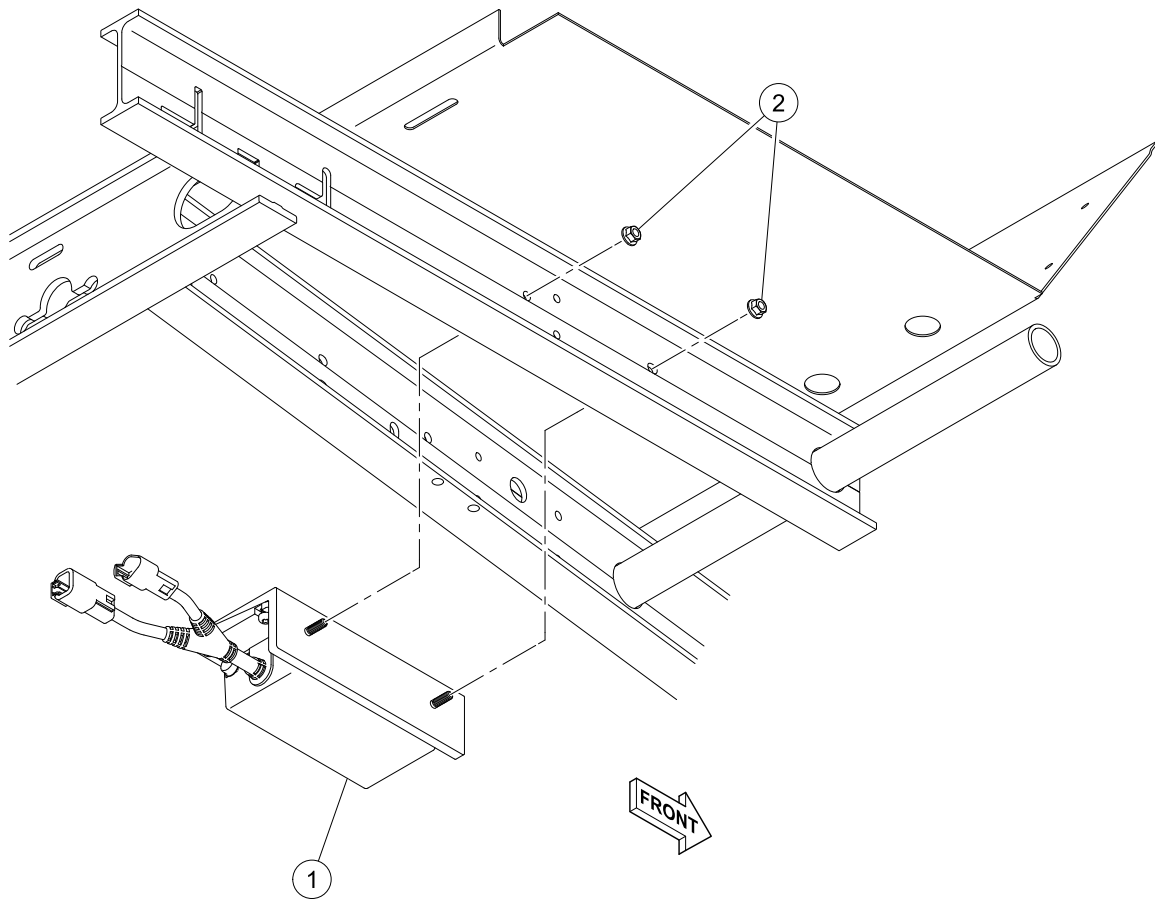
ITEM	PART NO.	DESCRIPTION	QTY
		1 2 3 4	
1	<u>1016851</u>	Multi-Purpose Buzzer (9-48 VDC) .....	1
2	<u>8056</u>	Screw, #4-40 X 0.75 Round-Head Machine .....	2
3	<u>8057</u>	Nut, #4-40 Hex Machine .....	2
4	<u>8058</u>	Lockwasher, #4 Split .....	2

4

G

E

**4**  
**G**  
**E**



G-130299-000003

# DC CONVERTER – ELECTRIC VEHICLE

ITEM	PART NO.	DESCRIPTION	QTY
1	<u>47594727001</u>	1 2 3 4 Converter, Dc/dc .....	1
2	<u>96704176</u>	Nut, Flanged, M6 X 1, Serrated .....	2

4

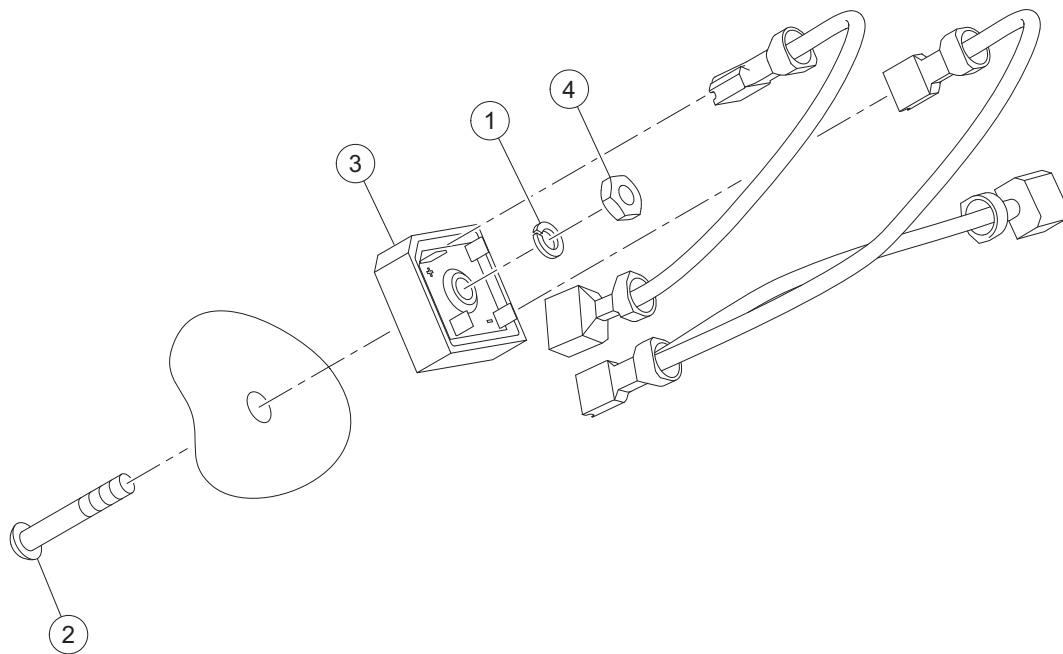
G

E

4

G

E



001365-003

## VOLTAGE LIMITER – GASOLINE VEHICLE

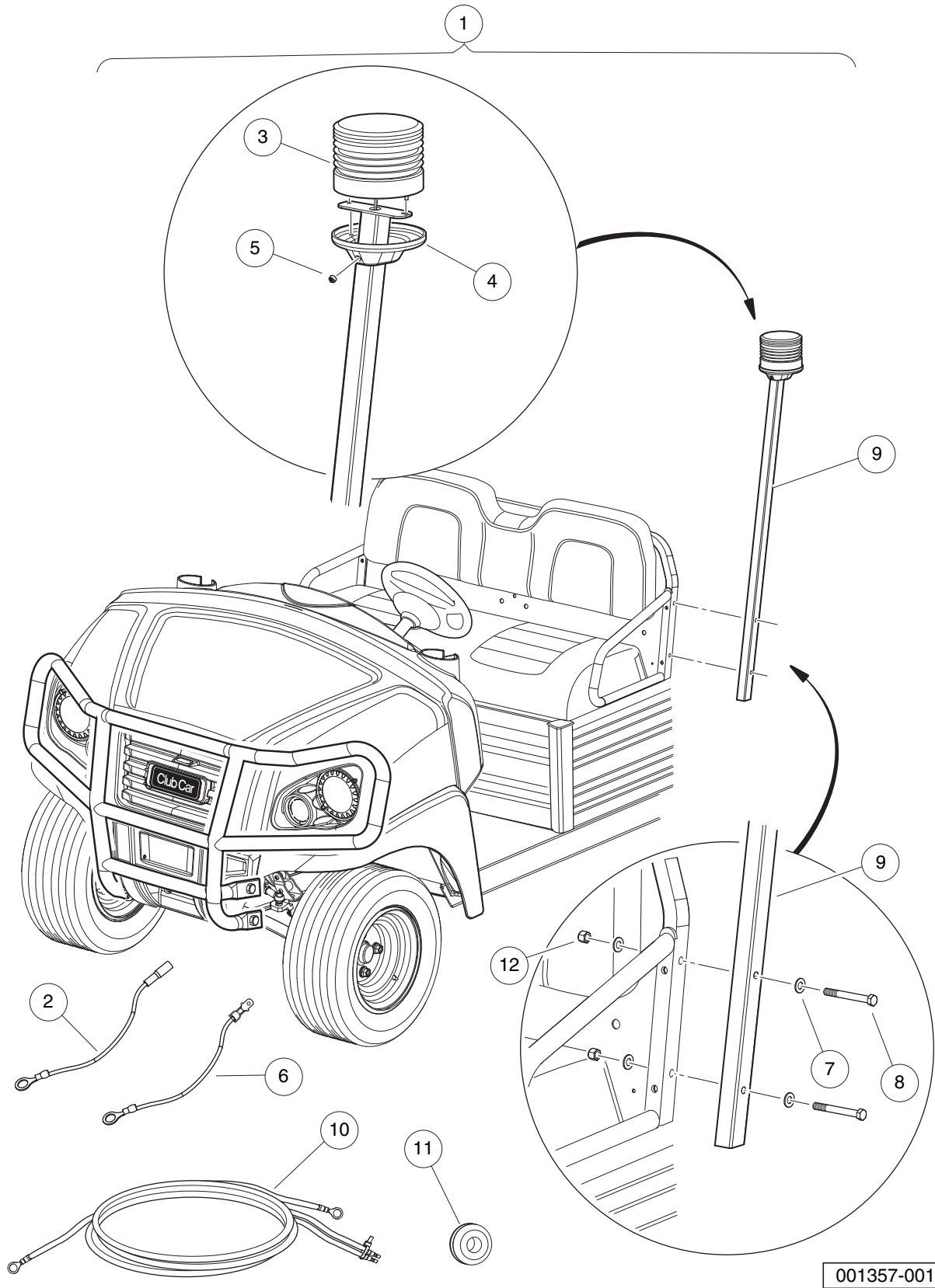
ITEM	PART NO.	DESCRIPTION	QTY
		1 2 3 4	
1	<u>1016</u>	Lockwasher, #10 Split .....	1
2	<u>103821301</u>	Screw, Panhead #10-32 X 1.75 .....	1
3	<u>47604303001</u>	Voltage Limiter, Gas .....	1
4	<u>7893</u>	Nut, #10-32 Hex .....	1

4

G

E

**4**  
**G**  
**E**



001357-001

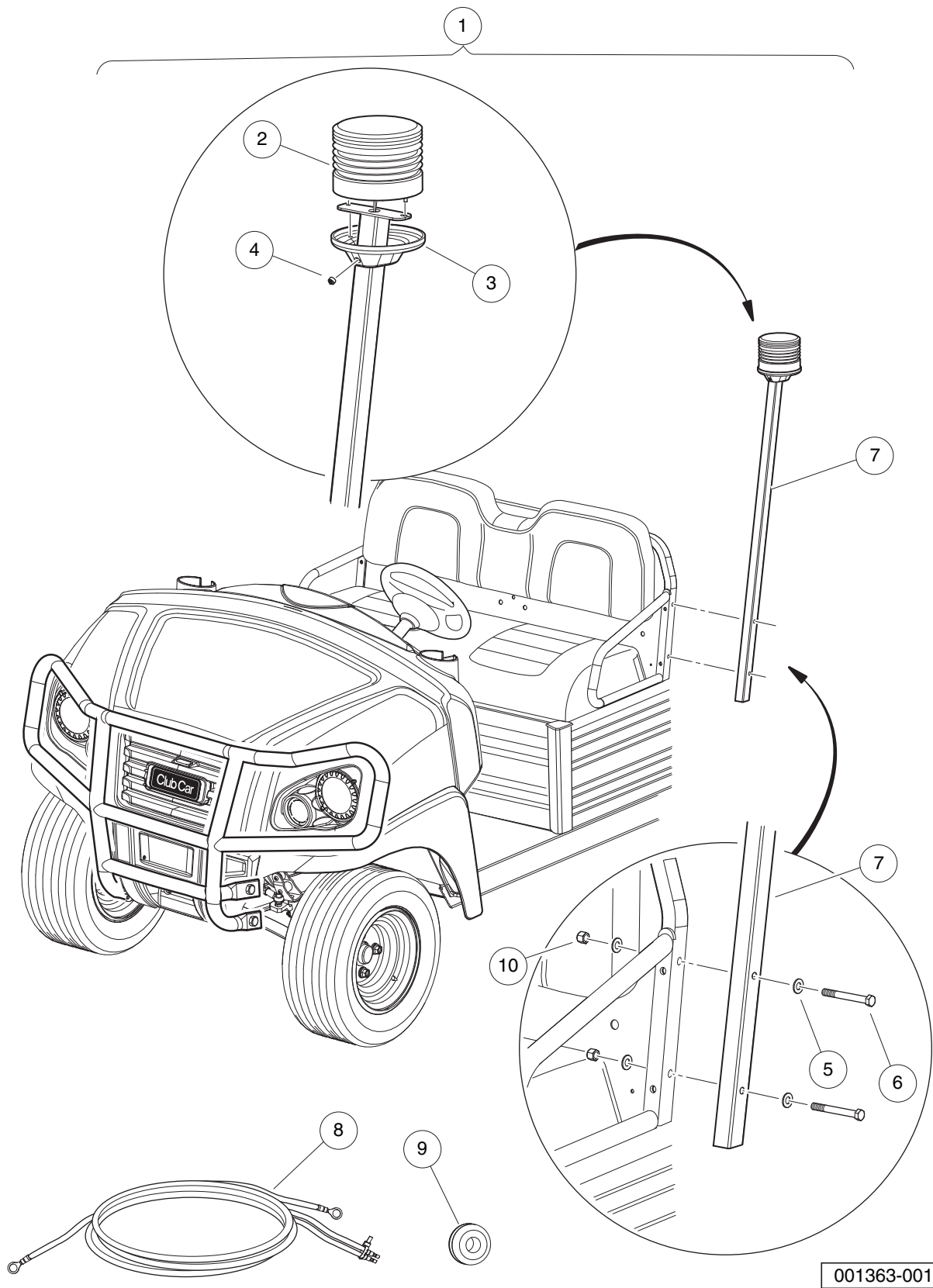


# STROBE LIGHT, POST MOUNTED – GASOLINE VEHICLES

ITEM	PART NO.	DESCRIPTION	QTY
		1 2 3 4	
1	<u>105155601</u>	Kit, Post Mtd. Strobe, Gas (includes items 2 through 12) .....	1
2	1015154	Wire Assembly Blue Ca #16 .....	1
3	<u>1015156</u>	Light Assembly, Strobe .....	1
4	1015157	Cover Plate Switch - Pole Ca .....	1
5	<u>1015187</u>	Switch Assembly .....	1
6	1016929	Wire Assembly Black #16 .....	1
7	<u>102323501</u>	Washer, Flat, 3/8, Blk Fin .....	4
8	<u>105088601</u>	Hhcs, 3/8 - 16 X 3.25, Black .....	2
9	105118601	Weldment, Post Mtd. Strobe .....	1
10	<u>105204401</u>	Wire Harness Asm,PM Strobe .....	1
11	<u>105205301</u>	Grommet,1/8-in groove .....	1
12	<u>8754</u>	Locknut, 3/8-16 Hex .....	2

4  
G  
E

**4**  
**G**  
**E**



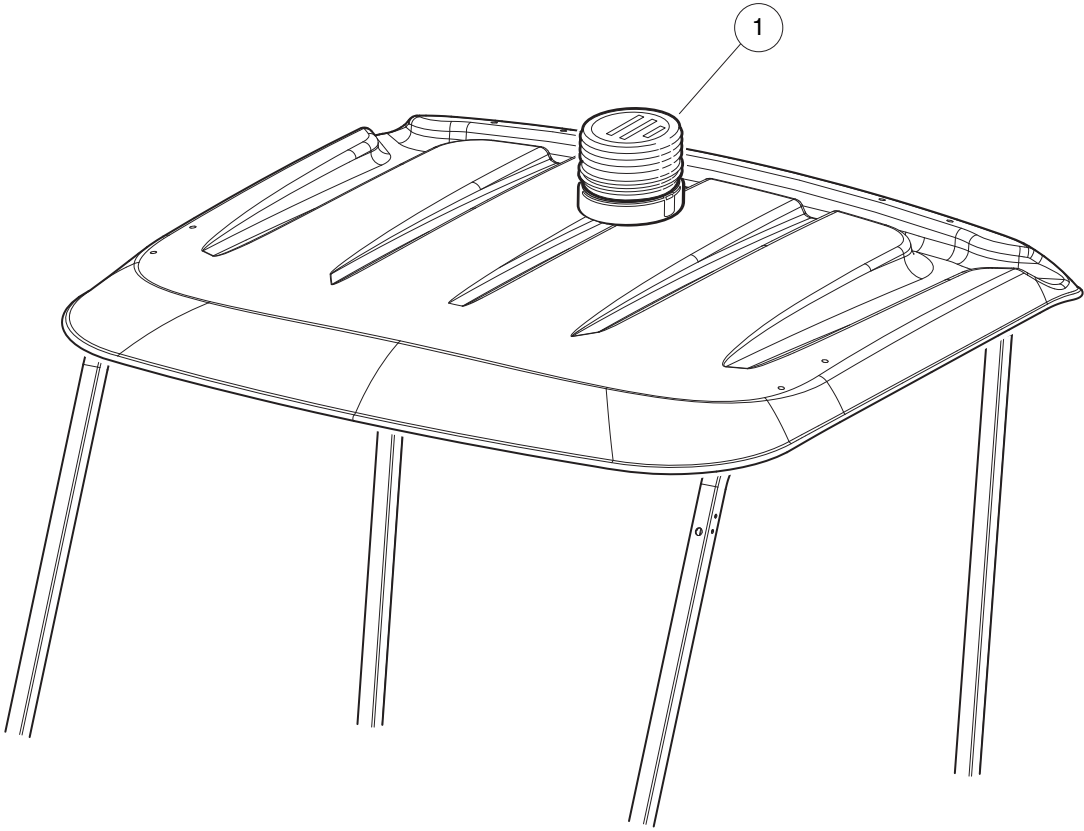
001363-001

## STROBE LIGHT, POST MOUNTED – ELECTRIC VEHICLES

ITEM	PART NO.	DESCRIPTION	QTY
		1 2 3 4	
1	<u>105155501</u>	Kit, Post Mtd. Strobe, Elec (includes items 2 through 10) .....	1
2	<u>1015156</u>	Light Assembly, Strobe .....	1
3	<u>1015157</u>	Cover Plate Switch - Pole Ca .....	1
4	<u>1015187</u>	Switch Assembly .....	1
5	<u>102323501</u>	Washer, Flat, 3/8, Blk Fin .....	4
6	<u>105088601</u>	Hhcs, 3/8 - 16 X 3.25, Black .....	2
7	<u>105118601</u>	Weldment, Post Mtd. Strobe .....	1
8	<u>105204401</u>	Wire Harness Asm,PM Strobe .....	1
9	<u>105205301</u>	Grommet,1/8-in groove .....	1
10	<u>8754</u>	Locknut, 3/8-16 Hex .....	2

**4**  
**G**  
**E**

**4**  
**G**  
**E**



001364-001

# STROBE LIGHT – CANOPY MOUNTED

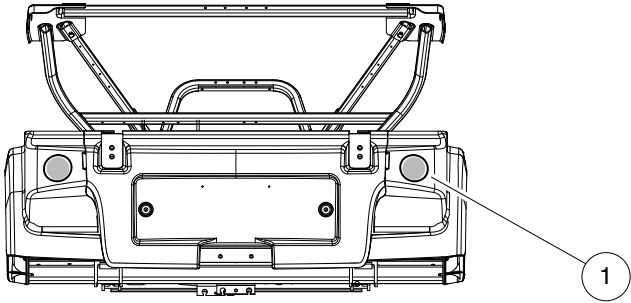
ITEM	PART NO.	DESCRIPTION	QTY
1	SVP12987001	<div style="display: flex; justify-content: space-between; margin-bottom: 5px;"> <span>1</span> <span>2</span> <span>3</span> <span>4</span> </div> Kit, Strobe, Canopy, Led .....	1

4

G

E

**4**  
**G**  
**E**



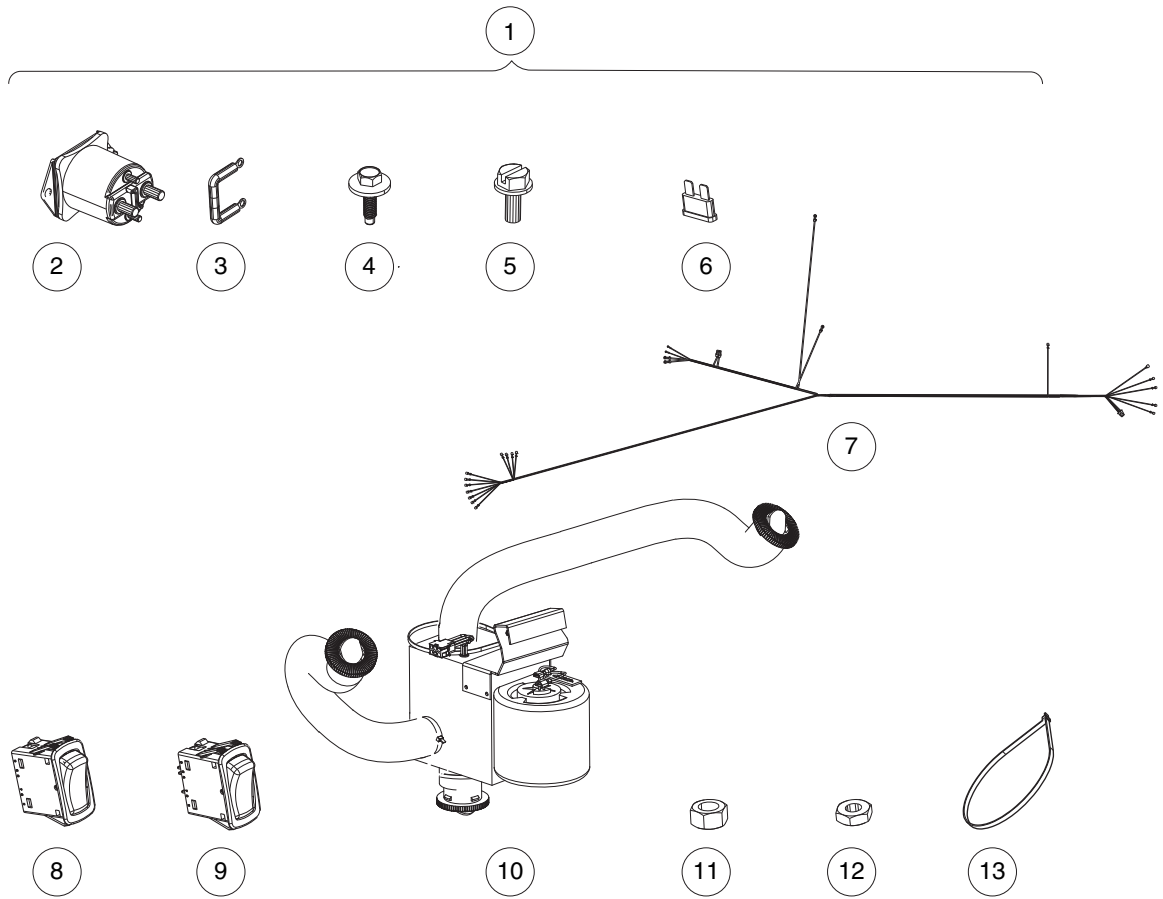
001362-001

# REFLECTORS

ITEM	PART NO.	DESCRIPTION	QTY
1	<u>103832501</u>	1 2 3 4 Reflector, Red, Round, Sae .....	2
2	<u>103832601</u>	Reflector, Yell, Rect, Sae .....	2
3	<u>105144801</u>	Reflector, Red, Rect, Sae .....	2

**4**  
**G**  
**E**

**4**  
**G**  
**E**



001366-002



## HEATER DEFOGGER – ELECTRIC VEHICLE

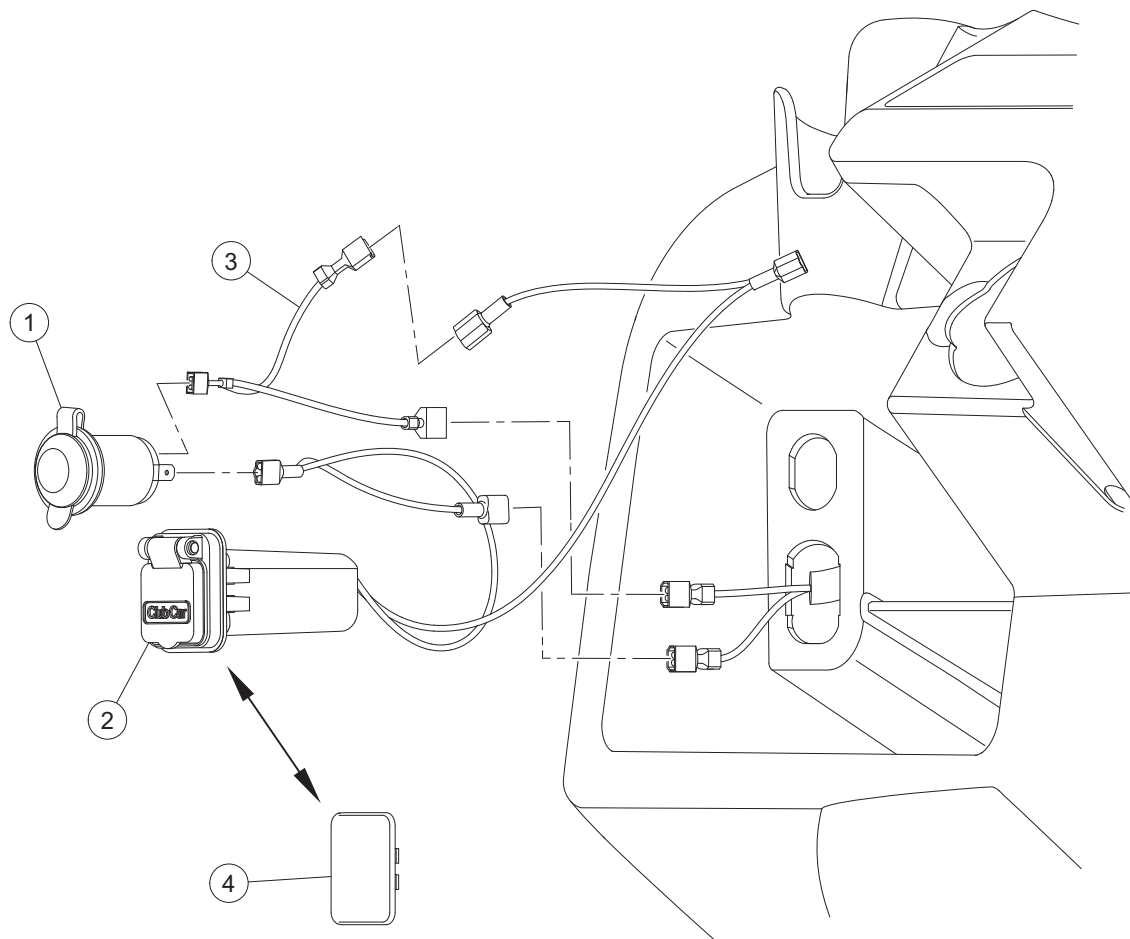
ITEM	PART NO.	DESCRIPTION	QTY
		1 2 3 4	
1	<u>105135802</u>	Kit, Defogger, Heater (includes items 2 through 13) .....	1
2	<u>1013609</u>	Solenoid, 12-Volt .....	1
3	<u>1014948</u>	Diode .....	1
4	<u>102297125</u>	Screw, M6-1.0x25.4, Thread-Forming, SEMS .....	2
5	<u>102817101</u>	Screw, 1/4-20 X .50 Hex Wsh Hd .....	2
6	<u>103541401</u>	Fuse, Atc, 5 Amp .....	1
7	<u>105108801</u>	Harness, Heater, Cab, Util .....	1
8	<u>105112501</u>	Switch, Heater, 12vdc .....	1
9	<u>105112601</u>	Switch, Blower, 12vdc .....	1
10	N/A	Heater, Defogger .....	1
11	<u>1242</u>	Nut, 5/16-18 Hex .....	2
12	<u>7893</u>	Nut, #10-32 Hex .....	2
13	<u>8639</u>	Tie Wrap, 11" Nylon .....	8

4  
G  
E

4

G

E



G-150299-000001

# USB AND POWERPOINT RECEPTACLE

ITEM	PART NO.	DESCRIPTION	QTY
		1 2 3 4	
1	<u>102198001</u>	Receptacle, Accessory .....	1
2	47587715001	Usb, 12v .....	1
3	47654251001	Harness, Jumper, Usb .....	1
4	47669399001	Plug, Usb .....	A/R

**4**

**G**

**E**

**4**

**G**

**E**

# **BRAKES, PEDALS, AND CABLE ASSEMBLIES**

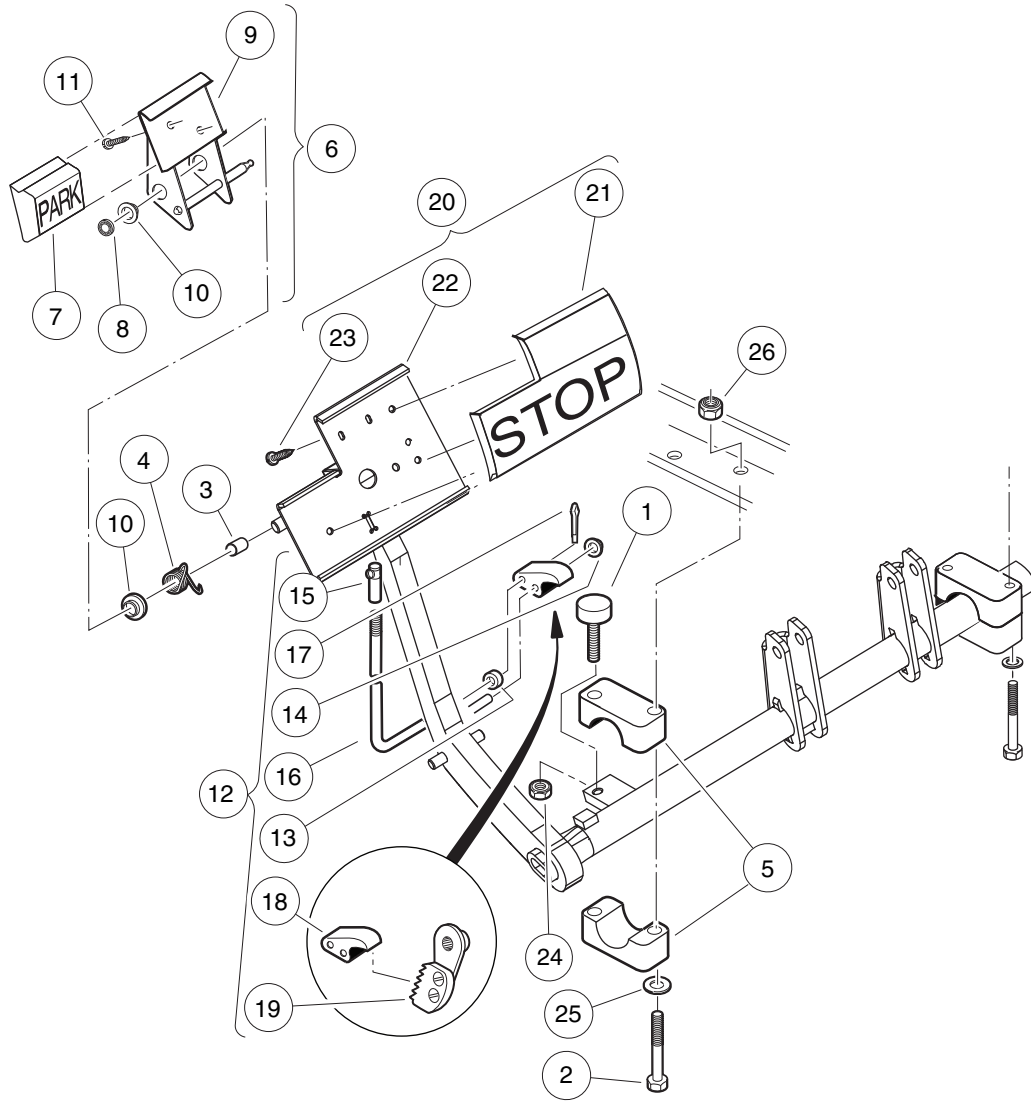
---

**5**

**G**

**E**

**5**  
**G**  
**E**

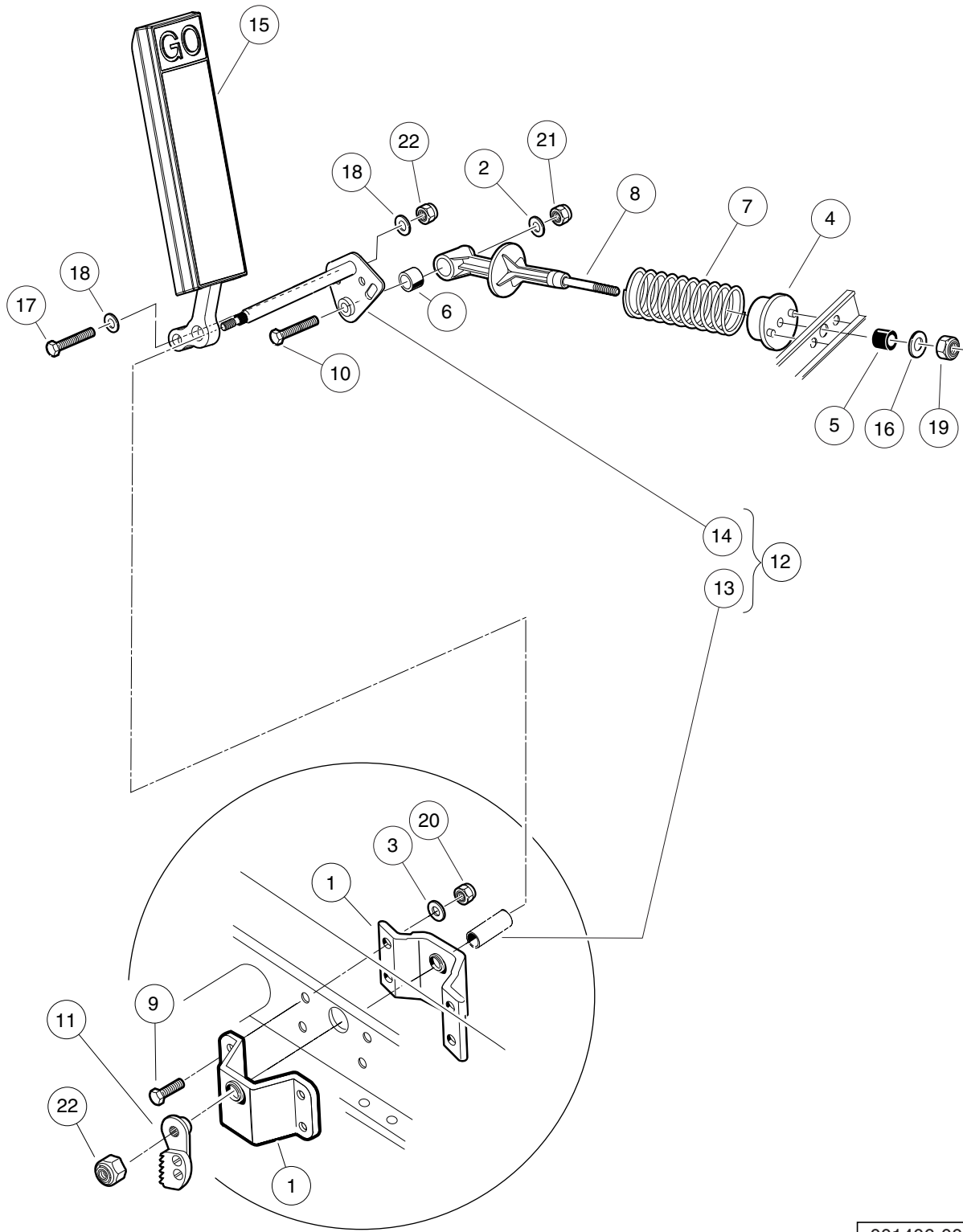


001405-002

## BRAKE PEDAL ASSEMBLY – VEHICLES WITH 2-WHEEL BRAKES AND 4-WHEEL BRAKES

ITEM	PART NO.	DESCRIPTION	QTY	<b>5</b>
		<b>1 2 3 4</b>		<b>G</b>
1	<u>1010878</u>	Bumper, Rubber .....	1	<b>E</b>
2	<u>1010921</u>	Screw, 5/16-18 X 2.50 Hex Cap .....	4	
3	<u>1010927</u>	Hill Brake Spacer .....	1	
4	<u>1010933</u>	Spring, Hill Brake Torsion .....	1	
5	<u>1011402</u>	Package, Brake Mounting Block .....	1	
6	<u>1011418</u>	Kit, Hill Brake Pedal (includes items 7 through 11) .....	1	
7	<u>1013870</u>	Pad, Hill Brake .....	1	
8	<u>1013876</u>	Pushnut, 3/8 .....	1	
9	N/A	Hill Brake Weld Assembly .....	1	
10	<u>1032</u>	Bushing, Nylon .....	2	
11	7716	Screw, #10-16 Type AB, Sheet Metal .....	2	
12	<u>101187702</u>	Kit, Hill Brake Latch (includes items 13 through 19) .....	1	
13	<u>1010805</u>	Sleeve, Hill Brake Rod .....	1	
14	<u>1010877</u>	Pushnut, 3/8 .....	1	
15	1010932	Ball Joint, 1/4-28 .....	1	
16	N/A	Rod, Hill Brake .....	1	
17	<u>1017029</u>	Pin, Cotter, 7/64 x 1/2 Stainless-Steel .....	1	
18	N/A	Pawl, Hill Brake .....	1	
19	101918501	Ratchet Assembly .....	1	
20	<u>101878201</u>	Brake Pedal Kit (includes items 21 through 23) .....	1	
21	<u>1013869</u>	Pad, Brake Pedal .....	1	
22	N/A	Weldment, Brake Pedal, 2wr Std .....	1	
23	7716	Screw, #10-16 Type AB, Sheet Metal .....	3	
24	<u>1028</u>	Nut, 1/4-20 Hex .....	1	
25	<u>1241</u>	Washer, 5/16 Type A Flat .....	4	
26	<u>7473</u>	Locknut, 5/16-18 Nylon Insert .....	4	

**5**  
**G**  
**E**



001406-001

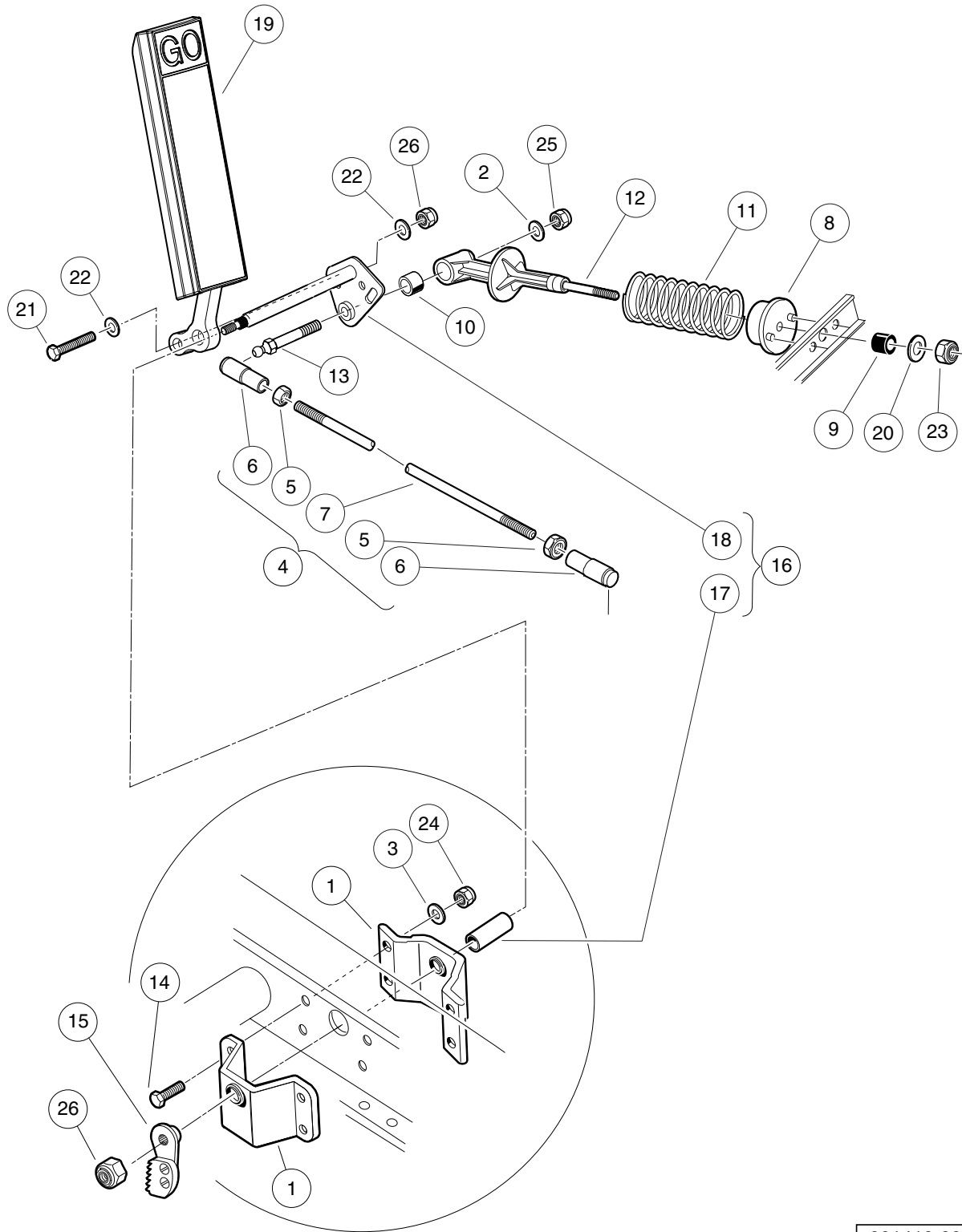


# ACCELERATOR PEDAL ASSEMBLY – ELECTRIC VEHICLES

ITEM	PART NO.	DESCRIPTION	QTY
		1 2 3 4	
1	<u>1011694</u>	Accelerator Bracket and Bearing Assembly .....	2
2	<u>1011931</u>	Washer, 1/4 Flat .....	1
3	<u>1014007</u>	Washer, 1/4, Flat .....	4
4	<u>1017378</u>	Cup, Spring .....	1
5	<u>1017380</u>	Bumper, Spring Return .....	1
6	<u>1017424</u>	Bearing, Pivot Support .....	1
7	101796201	Spring, Accelerator Return .....	1
8	<u>101817401</u>	Retainer, Spring .....	1
9	<u>101861901</u>	Screw, 1/4-20 X 1.125 Hex Cap .....	4
10	<u>101862001</u>	Screw, 1/4-20 X 1.500 Flange .....	1
11	101918501	Ratchet Assembly .....	1
12	<u>102026001</u>	Kit, Accelerator Pivot Rod Assembly (includes items 13 and 14) .....	1
13	101919801	Spacer, Accelerator .....	1
14	<u>102158901</u>	Pivot Rod Weldment .....	1
15	<u>103865101</u>	Pedal, Accel, Insert .....	A/R
16	<u>1241</u>	Washer, 5/16 Type A Flat .....	1
17	<u>1624</u>	Screw, 3/8-16 X 1.50, Hex-Head Cap .....	1
18	<u>334</u>	Washer, 3/8, Type A, Flat .....	2
19	<u>7473</u>	Locknut, 5/16-18 Nylon Insert .....	1
20	<u>8233</u>	Locknut, 1/4-20, Nylon Insert .....	4
21	<u>8717</u>	Locknut, Nylon Insert, 1/4-28 .....	1
22	<u>8754</u>	Locknut, 3/8-16 Hex .....	2

5  
G  
E

**5**  
**G**  
**E**



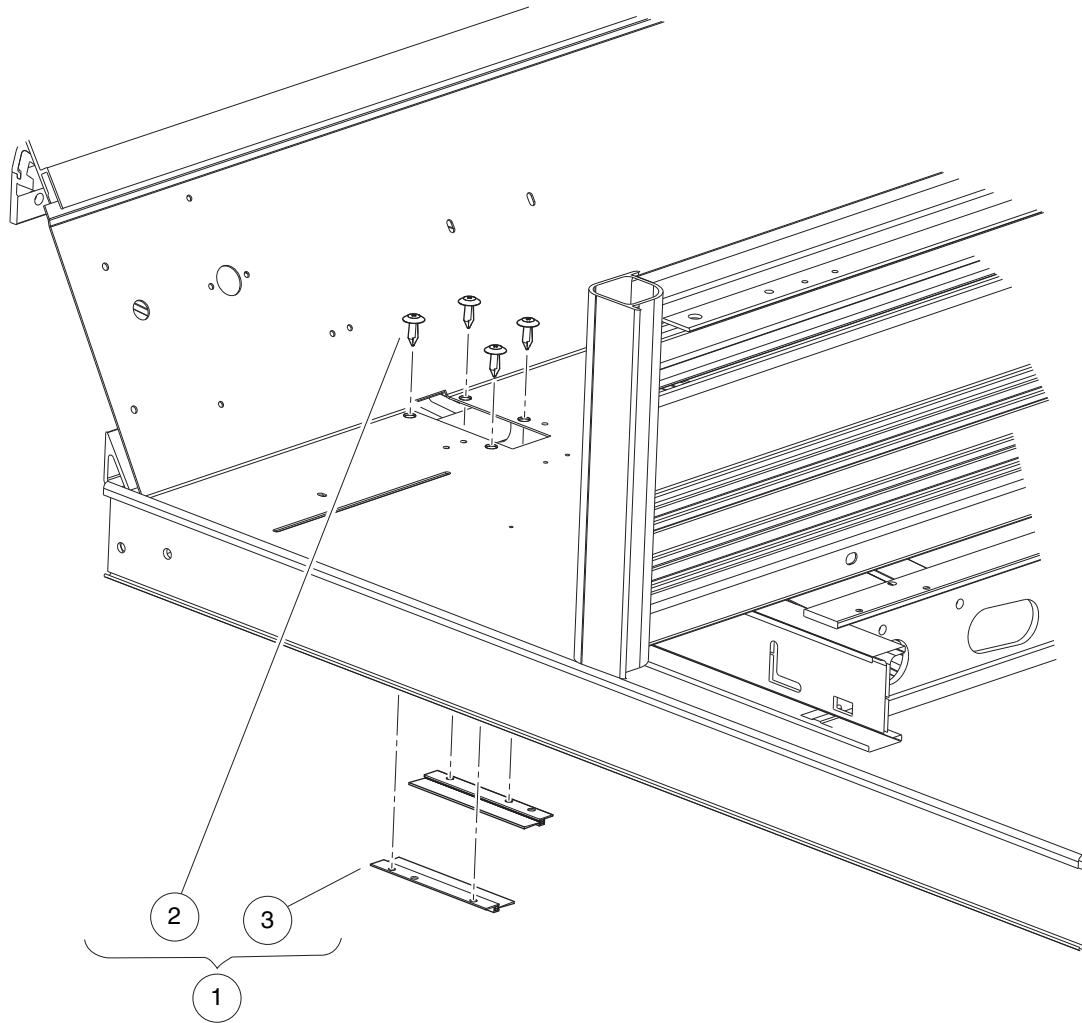
001410-001

# ACCELERATOR ROD AND PEDAL ASSEMBLY – GASOLINE VEHICLE

ITEM	PART NO.	DESCRIPTION	QTY
		<b>1 2 3 4</b>	
1	<u>1011694</u>	Accelerator Bracket and Bearing Assembly .....	2
2	<u>1011931</u>	Washer, 1/4 Flat .....	1
3	<u>1014007</u>	Washer, 1/4, Flat .....	4
4	<u>101674702</u>	Rod, Accelerator (includes items 5 through 7) .....	1
5	<u>1011084</u>	Nut, 1/4-28 Hex Jam .....	2
6	<u>1011734</u>	Joint, Ball .....	2
7	N/A	Accelerator Rod Elec Stretch .....	1
8	<u>1017378</u>	Cup, Spring .....	1
9	<u>1017380</u>	Bumper, Spring Return .....	1
10	<u>1017424</u>	Bearing, Pivot Support .....	1
11	101796201	Spring, Accelerator Return .....	1
12	<u>101817401</u>	Retainer, Spring .....	1
13	101818801	Stud, 1/4-28 X 1.35 Ball .....	1
14	<u>101861901</u>	Screw, 1/4-20 X 1.125 Hex Cap .....	4
15	101918501	Ratchet Assembly .....	1
16	<u>102026001</u>	Kit, Accelerator Pivot Rod Assembly (includes items 17 and 18) .....	1
17	101919801	Spacer, Accelerator .....	1
18	<u>102158901</u>	Pivot Rod Weldment .....	1
19	<u>103865101</u>	Pedal, Accel, Insert .....	1
20	<u>1241</u>	Washer, 5/16 Type A Flat .....	1
21	<u>1624</u>	Screw, 3/8-16 X 1.50, Hex-Head Cap .....	1
22	<u>334</u>	Washer, 3/8, Type A, Flat .....	2
23	<u>7473</u>	Locknut, 5/16-18 Nylon Insert .....	1
24	<u>8233</u>	Locknut, 1/4-20, Nylon Insert .....	4
25	<u>8717</u>	Locknut, Nylon Insert, 1/4-28 .....	1
26	<u>8754</u>	Locknut, 3/8-16 Hex .....	2

**5**  
**G**  
**E**

**5**  
**G**  
**E**



001418-001

# PEDAL CLOSE-OUT KIT

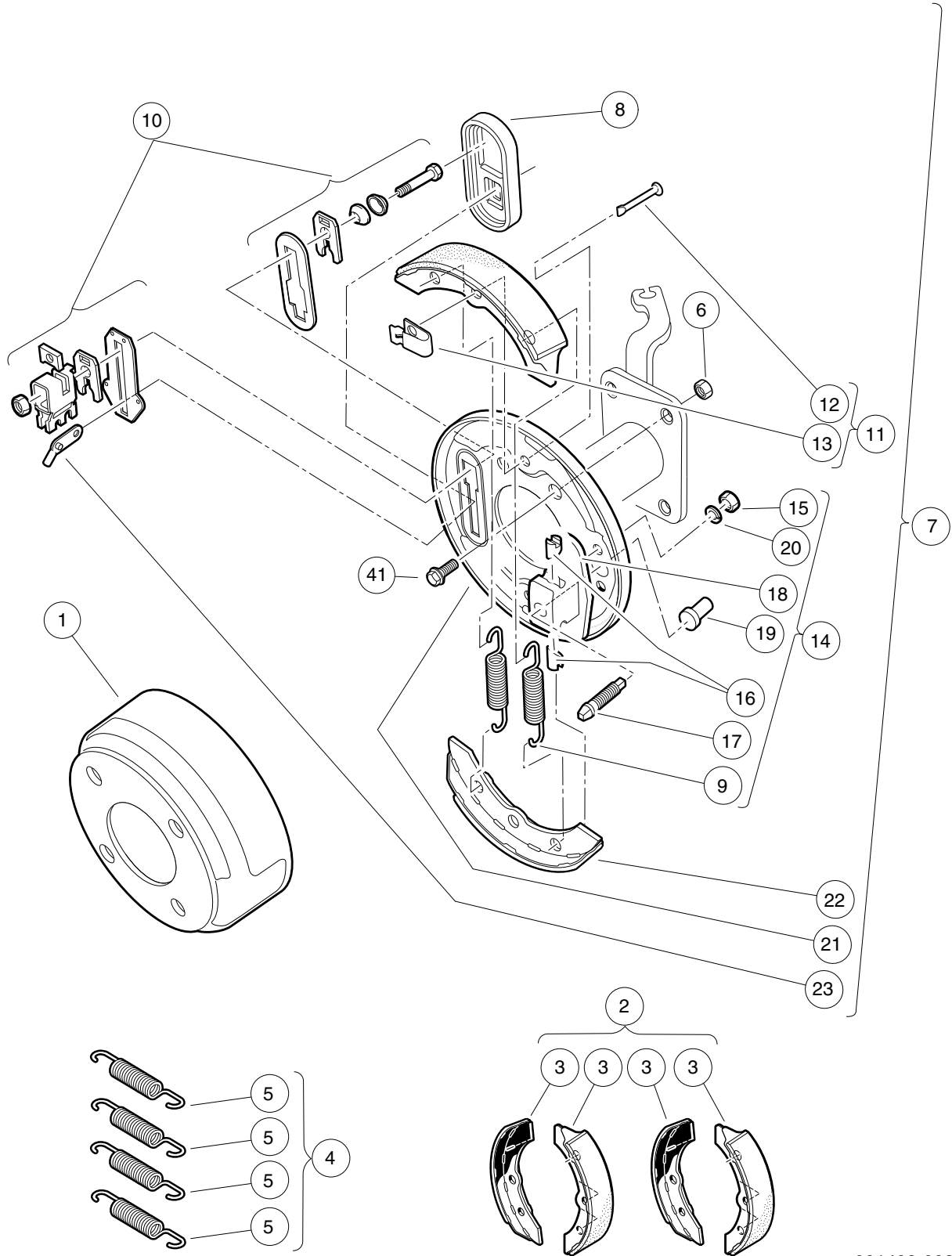
ITEM	PART NO.	DESCRIPTION	QTY
		1 2 3 4	
1	<u>105149101</u>	Kit, Close Out, Pedal, Utl (includes items 2 and 3) .....	1
2	<u>102025701</u>	Screw, Tuflok Panel, 1/4 .....	4
3	<u>105149201</u>	Asm, Brush, Pedal Close Out .....	2

5

G

E

**5**  
**G**  
**E**



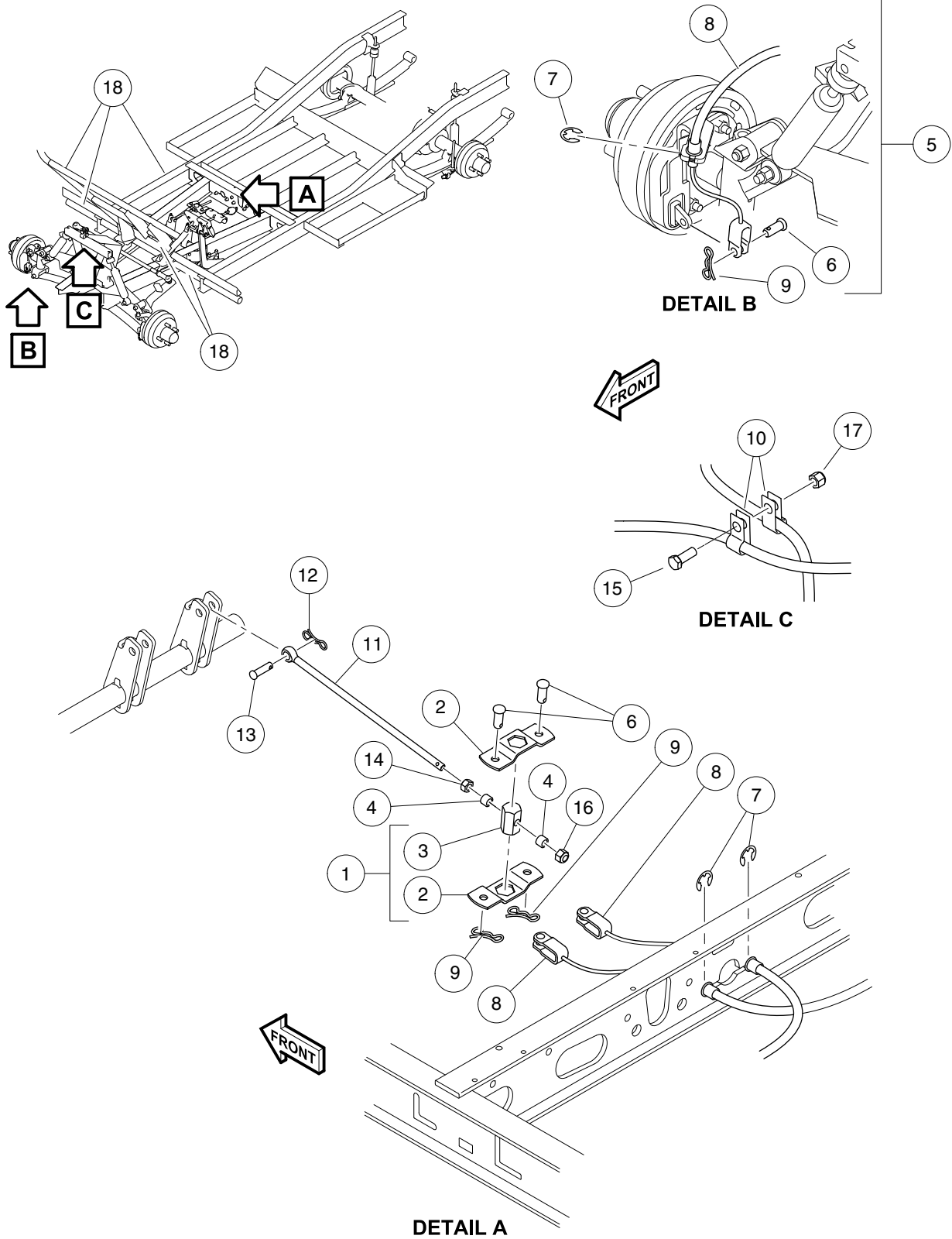
001402-002

# FRONT BRAKE ASSEMBLY – VEHICLES WITH 4-WHEEL BRAKES

ITEM	PART NO.	DESCRIPTION	QTY
		1 2 3 4	
1	<u>1011137</u>	Drum, Brake .....	2
2	<u>101146302</u>	Kit, Non-Asbestos Brake Shoe (includes item 3) .....	1
3	101880701	Shoe Brake Manual Adj (Available in Kit, Non-Asbestos Brake Shoe) .....	4
4	<u>1011464</u>	Package, Brake Spring (includes item 5) .....	1
5	1011314	Brake Spring .....	4
6	<u>1013924</u>	Nut, 5/16-24, Hex Head Cone .....	8
7	<u>1016557</u>	Cluster, Brake, Driver-Side (includes items 8 through 23) .....	1
8	<u>1010850</u>	Dust Cover .....	1
9	1011314	Brake Spring .....	2
10	<u>1011465</u>	Kit, Brake Actuator .....	1
11	<u>1011466</u>	Kit, Shoe Retainer (includes items 12 and 13) .....	1
12	N/A	Pin .....	2
13	N/A	Shoe Clamp Spring .....	2
14	<u>1011467</u>	Kit, Anchor Body (includes items 15 through 20) .....	1
15	<u>1011114</u>	Nut, M6-1.00 Hex .....	2
16	1011298	Anchor Piston .....	2
17	N/A	Adjustment Bolt .....	1
18	N/A	Anchor Body Component .....	1
19	<u>1011303</u>	Adjustment Bolt Cap .....	1
20	<u>451</u>	Lockwasher, 1/4 Split .....	2
21	1011494	Backing Plate, Left-Hand .....	1
22	101880701	Shoe Brake Manual Adj (Available in Kit, Non-Asbestos Brake Shoe) .....	2
23	102860501	Arm, Brake Lever .....	1
24	<u>1016573</u>	Cluster, Brake, Passenger-Side (includes items 25 through 40) .....	1
25	<u>1010850</u>	Dust Cover .....	1
26	<u>1011154</u>	Backing Plate, Right-Hand .....	1
27	1011314	Brake Spring .....	2
28	<u>1011465</u>	Kit, Brake Actuator .....	1
29	<u>1011466</u>	Kit, Shoe Retainer (includes items 30 and 31) .....	1
30	N/A	Pin .....	2
31	N/A	Shoe Clamp Spring .....	2
32	<u>1011467</u>	Kit, Anchor Body (includes items 33 through 38) .....	1
33	<u>1011114</u>	Nut, M6-1.00 Hex .....	2
34	1011298	Anchor Piston .....	2
35	N/A	Adjustment Bolt .....	1
36	N/A	Anchor Body Component .....	1
37	<u>1011303</u>	Adjustment Bolt Cap .....	1
38	<u>451</u>	Lockwasher, 1/4 Split .....	2
39	101880701	Shoe Brake Manual Adj (Available in Kit, Non-Asbestos Brake Shoe) .....	2
40	102860501	Arm, Brake Lever .....	1
41	<u>47542195001</u>	Bolt, Brake Cluster Mnt .....	8
		Note: Passenger-side brake cluster (items 25-41) not shown. Components have a similar appearance to driver-side brake cluster components.	

5  
G  
E

**5**  
**G**  
**E**



001423-001

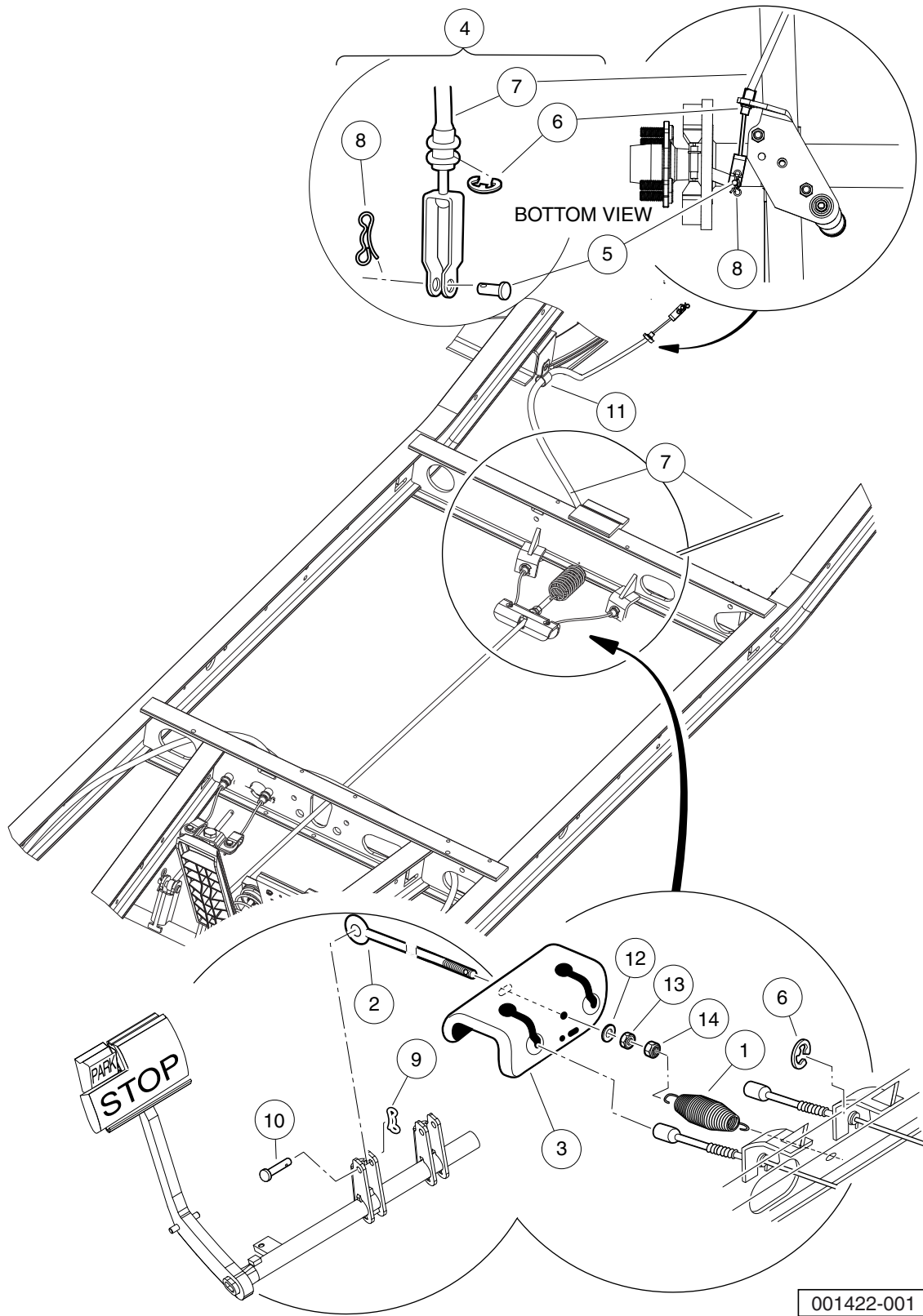


# FRONT BRAKE CABLES AND EQUALIZER – VEHICLE WITH 4-WHEEL BRAKES

ITEM	PART NO.	DESCRIPTION	QTY
		1 2 3 4	
1	<u>1017211</u>	Kit, Equalizer and Pivot Limiter (includes items 2 and 3) .....	1
2	1016319	Equalizer Weld Assembly .....	2
3	1016320	Equalizer, Pivot Limiter .....	1
4	<u>101865301</u>	Spacer .....	2
5	<u>101874601</u>	Kit, Brake Cable (includes items 6 through 9) .....	1
6	<u>1010829</u>	Pin, Clevis, 5/16 X 3/4 .....	4
7	<u>1011779</u>	E-Clip, 1/2 .....	4
8	N/A	Brake Cable .....	2
9	<u>102292801</u>	Pin, Bow Tie Locking - .072 .....	4
10	<u>101935301</u>	Clamp, Brake Cable .....	2
11	<u>101953106</u>	Rod, Equalizer, 9.75" .....	1
12	<u>102323101</u>	Pin, Bow Tie Locking .....	1
13	<u>102323201</u>	Pin, 3/8 X 1-5/16 Clevis .....	1
14	<u>1242</u>	Nut, 5/16-18 Hex .....	1
15	320	Screw, 3/8-16 X 1.00 Hex-Head Cap .....	1
16	<u>7473</u>	Locknut, 5/16-18 Nylon Insert .....	1
17	<u>8754</u>	Locknut, 3/8-16 Hex .....	1
18	<u>8990</u>	Tie Wrap, 8" Nylon .....	5

5  
G  
E

**5**  
**G**  
**E**



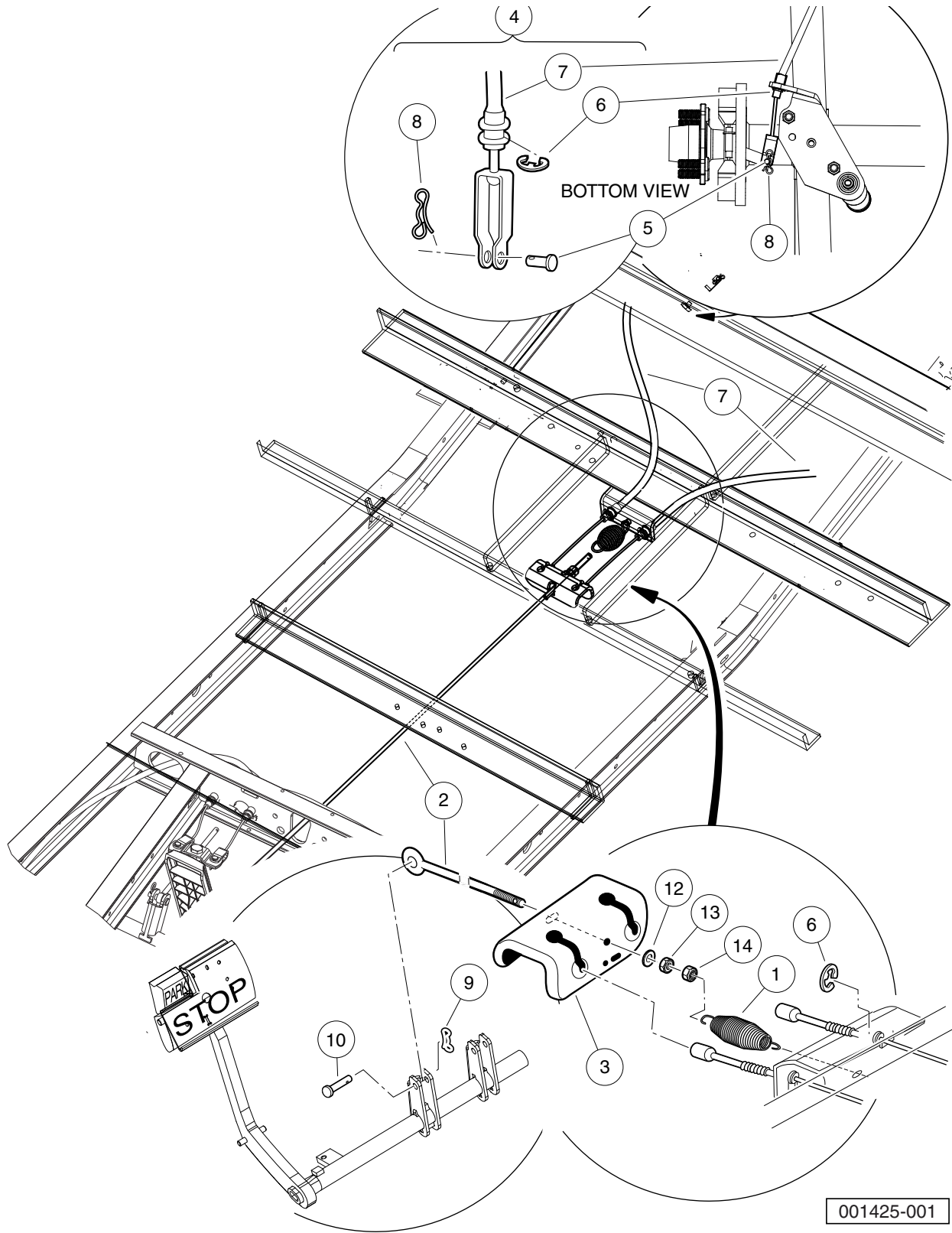
001422-001

# REAR BRAKE CABLES AND EQUALIZER – GASOLINE VEHICLE WITH 4-WHEEL BRAKES

ITEM	PART NO.	DESCRIPTION	QTY
		1 2 3 4	
1	<u>1013531</u>	Spring, Brake Return .....	1
2	<u>101953104</u>	Rod, Equalizer .....	1
3	<u>101990801</u>	Equalizer Bracket .....	1
4	<u>102166901</u>	Kit, Brake Cable Rear (includes items 5 through 8) .....	A/R
5	<u>1010829</u>	Pin, Clevis, 5/16 X 3/4 .....	2
6	<u>1011779</u>	E-Clip, 1/2 .....	4
7	102162601	Cable, Brake .....	2
8	<u>102292801</u>	Pin, Bow Tie Locking - .072 .....	2
9	<u>102323101</u>	Pin, Bow Tie Locking .....	1
10	<u>102323201</u>	Pin, 3/8 X 1-5/16 Clevis .....	1
11	<u>102891101</u>	Clamp, Cable, Brake, Sym .....	2
12	<u>1241</u>	Washer, 5/16 Type A Flat .....	5
13	<u>1242</u>	Nut, 5/16-18 Hex .....	1
14	<u>7473</u>	Locknut, 5/16-18 Nylon Insert .....	5

**5**  
**G**  
**E**

**5**  
**G**  
**E**



001425-001

# REAR BRAKE CABLES AND EQUALIZER – ELECTRIC VEHICLE WITH 4-WHEEL BRAKES

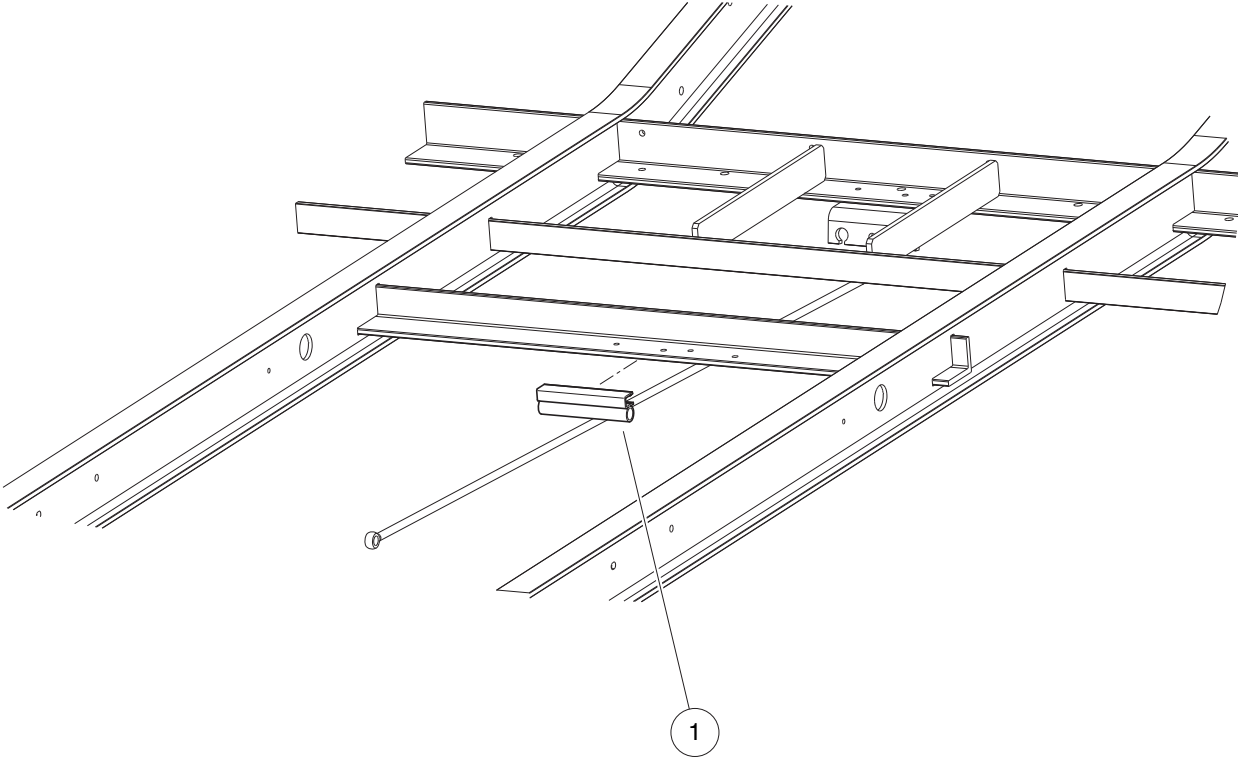
ITEM	PART NO.	DESCRIPTION	QTY
		<b>1 2 3 4</b>	
1	<u>1013531</u>	Spring, Brake Return .....	1
2	101953103	Rod, Equalizer, 41.91" .....	1
3	<u>101990801</u>	Equalizer Bracket .....	1
4	<u>102166901</u>	Kit, Brake Cable Rear (includes items 5 through 8) .....	A/R
5	<u>1010829</u>	Pin, Clevis, 5/16 X 3/4 .....	2
6	<u>1011779</u>	E-Clip, 1/2 .....	4
7	102162601	Cable, Brake .....	2
8	<u>102292801</u>	Pin, Bow Tie Locking - .072 .....	2
9	<u>102323101</u>	Pin, Bow Tie Locking .....	1
10	<u>102323201</u>	Pin, 3/8 X 1-5/16 Clevis .....	1
11	<u>102891101</u>	Clamp, Cable, Brake, Sym .....	2
12	<u>1241</u>	Washer, 5/16 Type A Flat .....	5
13	<u>1242</u>	Nut, 5/16-18 Hex .....	1
14	<u>7473</u>	Locknut, 5/16-18 Nylon Insert .....	5

**5**  
**G**  
**E**

5

G

E



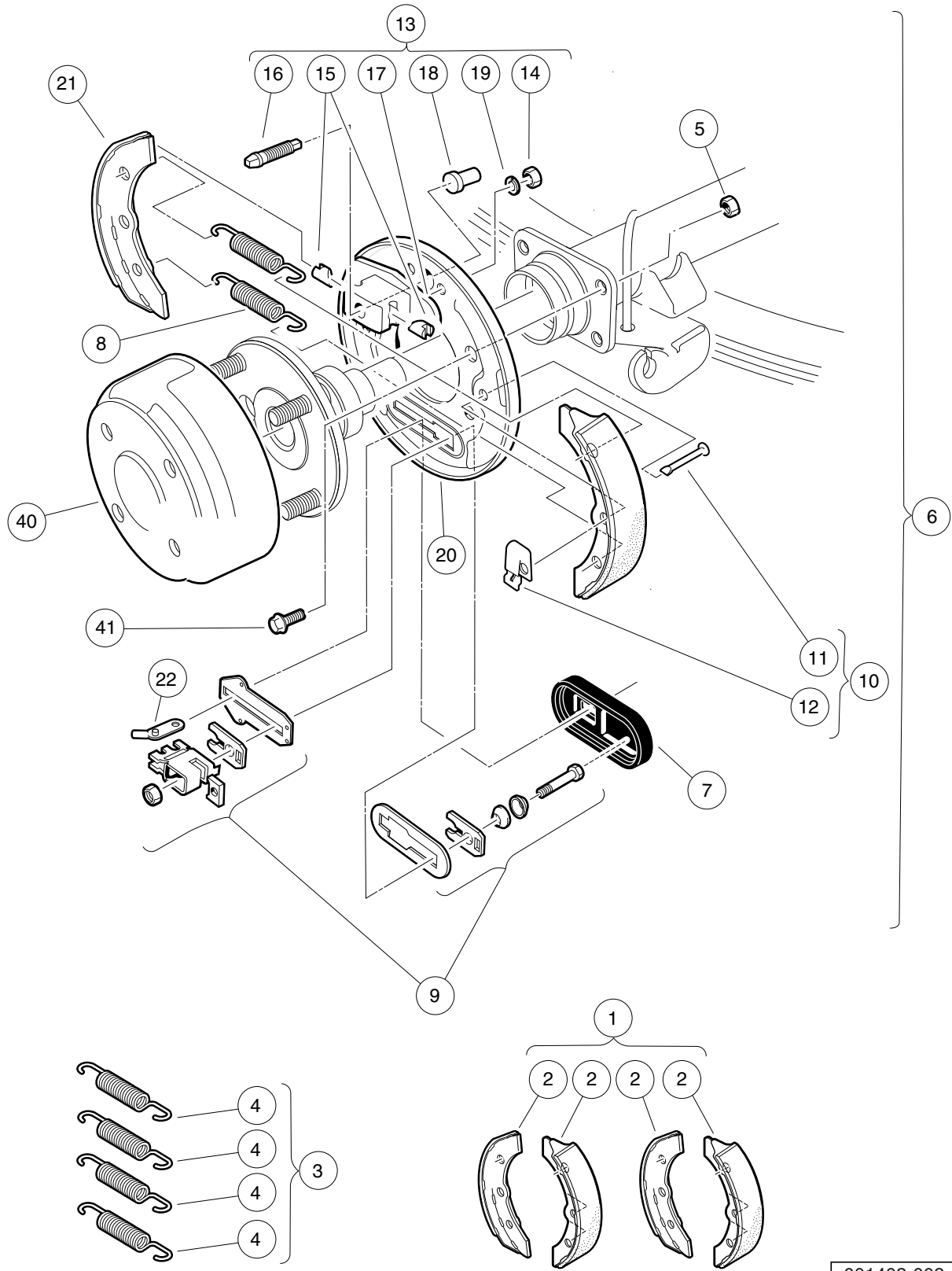
001268-001

# REAR BRAKE EQUALIZER ROD RUB STRIP – ELECTRIC VEHICLE WITH 4-WHEEL BRAKES

ITEM	PART NO.	DESCRIPTION	QTY
1	105295001	<div style="display: flex; justify-content: space-between; margin-bottom: 5px;"> <span>1</span> <span>2</span> <span>3</span> <span>4</span> </div> Seal, 5/8 Bulb X 1/4 Flange .....	1

5  
G  
E

**5**  
**G**  
**E**



001403-003

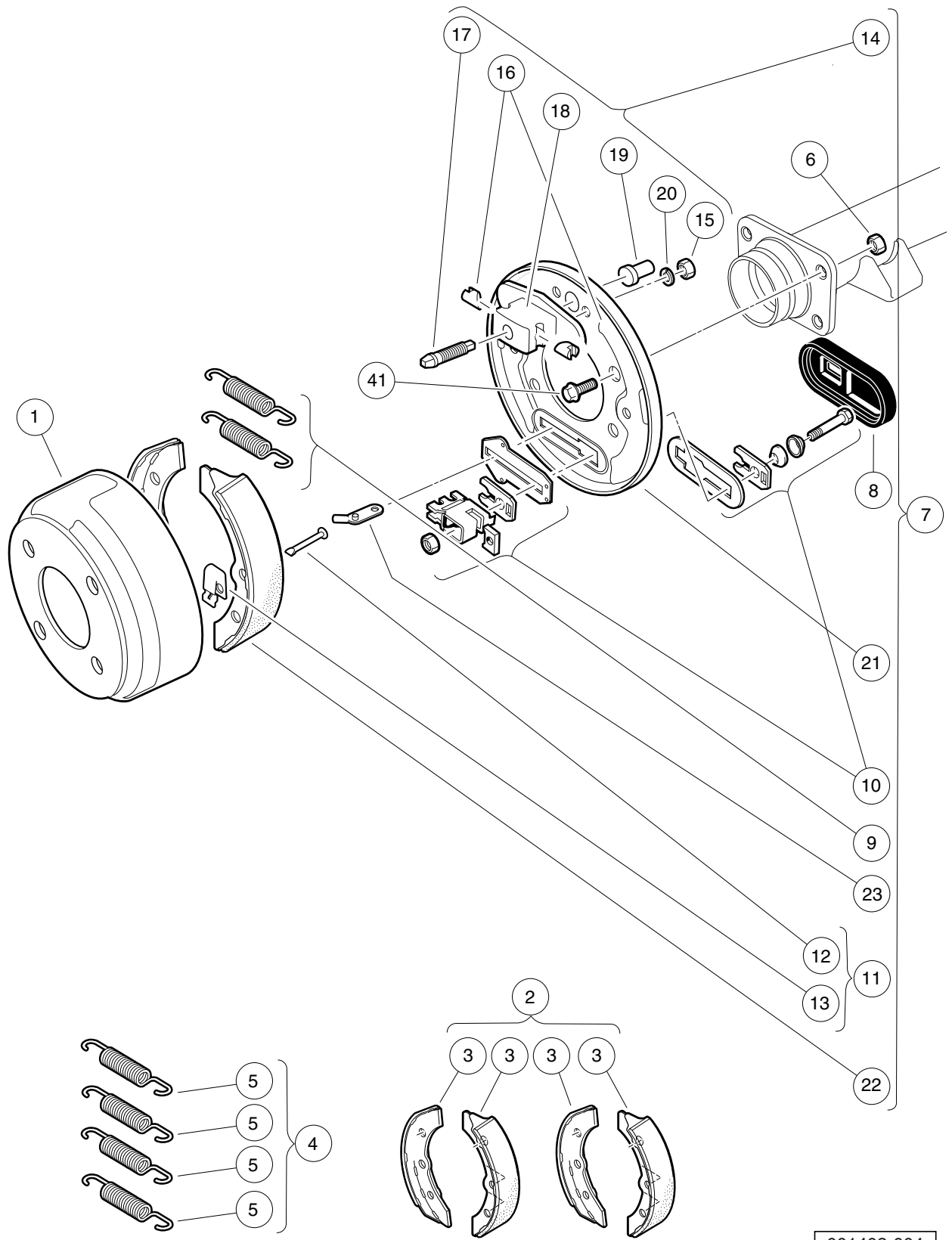


# REAR BRAKES, MANUALLY-ADJUSTED – ELEC. VEHICLES WITH 4-WHEEL BRAKES

ITEM	PART NO.	DESCRIPTION	QTY
		1 2 3 4	
1	<u>101146302</u>	Kit, Non-Asbestos Brake Shoe (includes item 2) .....	1
2	101880701	Shoe Brake Manual Adj (Available in Kit, Non-Asbestos Brake Shoe) .....	4
3	<u>1011464</u>	Package, Brake Spring (includes item 4) .....	1
4	1011314	Brake Spring .....	4
5	<u>1013924</u>	Nut, 5/16-24, Hex Head Cone .....	8
6	<u>1016557</u>	Cluster, Brake, Driver-Side (includes items 7 through 22) .....	1
7	<u>1010850</u>	Dust Cover .....	1
8	1011314	Brake Spring .....	2
9	<u>1011465</u>	Kit, Brake Actuator .....	1
10	<u>1011466</u>	Kit, Shoe Retainer (includes items 11 and 12) .....	1
11	N/A	Pin .....	2
12	N/A	Shoe Clamp Spring .....	2
13	<u>1011467</u>	Kit, Anchor Body (includes items 14 through 19) .....	1
14	<u>1011114</u>	Nut, M6-1.00 Hex .....	2
15	1011298	Anchor Piston .....	2
16	N/A	Adjustment Bolt .....	1
17	N/A	Anchor Body Component .....	1
18	<u>1011303</u>	Adjustment Bolt Cap .....	1
19	<u>451</u>	Lockwasher, 1/4 Split .....	2
20	1011494	Backing Plate, Left-Hand .....	1
21	101880701	Shoe Brake Manual Adj (Available in Kit, Non-Asbestos Brake Shoe) .....	2
22	102860501	Arm, Brake Lever .....	1
23	<u>1016573</u>	Cluster, Brake, Passenger-Side (includes items 24 through 39) .....	1
24	<u>1010850</u>	Dust Cover .....	1
25	<u>1011154</u>	Backing Plate, Right-Hand .....	1
26	1011314	Brake Spring .....	2
27	<u>1011465</u>	Kit, Brake Actuator .....	1
28	<u>1011466</u>	Kit, Shoe Retainer (includes items 29 and 30) .....	1
29	N/A	Pin .....	2
30	N/A	Shoe Clamp Spring .....	2
31	<u>1011467</u>	Kit, Anchor Body (includes items 32 through 37) .....	1
32	<u>1011114</u>	Nut, M6-1.00 Hex .....	2
33	1011298	Anchor Piston .....	2
34	N/A	Adjustment Bolt .....	1
35	N/A	Anchor Body Component .....	1
36	<u>1011303</u>	Adjustment Bolt Cap .....	1
37	<u>451</u>	Lockwasher, 1/4 Split .....	2
38	101880701	Shoe Brake Manual Adj (Available in Kit, Non-Asbestos Brake Shoe) .....	2
39	102860501	Arm, Brake Lever .....	1
40	<u>101791101</u>	Drum without Center Hole, Brake .....	2
41	<u>47542195001</u>	Bolt, Brake Cluster Mnt .....	8
		Note: Passenger-side brake cluster (items 24-40) not shown. Components have a similar appearance to driver-side brake cluster components.	

5  
G  
E

**5**  
**G**  
**E**



001403-004

# REAR BRAKES, MANUALLY-ADJUSTED – GAS VEHICLES WITH 4-WHEEL BRAKES

ITEM	PART NO.	DESCRIPTION	QTY	
		1 2 3 4		5
1	<u>1011137</u>	Drum, Brake .....	2	G
2	<u>101146302</u>	Kit, Non-Asbestos Brake Shoe (includes item 3) .....	1	E
3	101880701	Shoe Brake Manual Adj (Available in Kit, Non-Asbestos Brake Shoe) .....	4	
4	<u>1011464</u>	Package, Brake Spring (includes item 5) .....	1	
5	1011314	Brake Spring .....	4	
6	<u>1013924</u>	Nut, 5/16-24, Hex Head Cone .....	8	
7	<u>1016557</u>	Cluster, Brake, Driver-Side (includes items 8 through 23) .....	1	
8	<u>1010850</u>	Dust Cover .....	1	
9	1011314	Brake Spring .....	2	
10	<u>1011465</u>	Kit, Brake Actuator .....	1	
11	<u>1011466</u>	Kit, Shoe Retainer (includes items 12 and 13) .....	1	
12	N/A	Pin .....	2	
13	N/A	Shoe Clamp Spring .....	2	
14	<u>1011467</u>	Kit, Anchor Body (includes items 15 through 20) .....	1	
15	<u>1011114</u>	Nut, M6-1.00 Hex .....	2	
16	1011298	Anchor Piston .....	2	
17	N/A	Adjustment Bolt .....	1	
18	N/A	Anchor Body Component .....	1	
19	<u>1011303</u>	Adjustment Bolt Cap .....	1	
20	<u>451</u>	Lockwasher, 1/4 Split .....	2	
21	1011494	Backing Plate, Left-Hand .....	1	
22	101880701	Shoe Brake Manual Adj (Available in Kit, Non-Asbestos Brake Shoe) .....	2	
23	102860501	Arm, Brake Lever .....	1	
24	<u>1016573</u>	Cluster, Brake, Passenger-Side (includes items 25 through 40) .....	1	
25	<u>1010850</u>	Dust Cover .....	1	
26	<u>1011154</u>	Backing Plate, Right-Hand .....	1	
27	1011314	Brake Spring .....	2	
28	<u>1011465</u>	Kit, Brake Actuator .....	1	
29	<u>1011466</u>	Kit, Shoe Retainer (includes items 30 and 31) .....	1	
30	N/A	Pin .....	2	
31	N/A	Shoe Clamp Spring .....	2	
32	<u>1011467</u>	Kit, Anchor Body (includes items 33 through 38) .....	1	
33	<u>1011114</u>	Nut, M6-1.00 Hex .....	2	
34	1011298	Anchor Piston .....	2	
35	N/A	Adjustment Bolt .....	1	
36	N/A	Anchor Body Component .....	1	
37	<u>1011303</u>	Adjustment Bolt Cap .....	1	
38	<u>451</u>	Lockwasher, 1/4 Split .....	2	
39	101880701	Shoe Brake Manual Adj (Available in Kit, Non-Asbestos Brake Shoe) .....	2	
40	102860501	Arm, Brake Lever .....	1	
41	<u>47542195001</u>	Bolt, Brake Cluster Mnt .....	8	
		Note: Passenger-side brake cluster (items 25-41) not shown. Components have a similar appearance to driver-side brake cluster components.		

**5**

**G**

**E**

# STEERING, FRONT AND REAR SUSPENSION

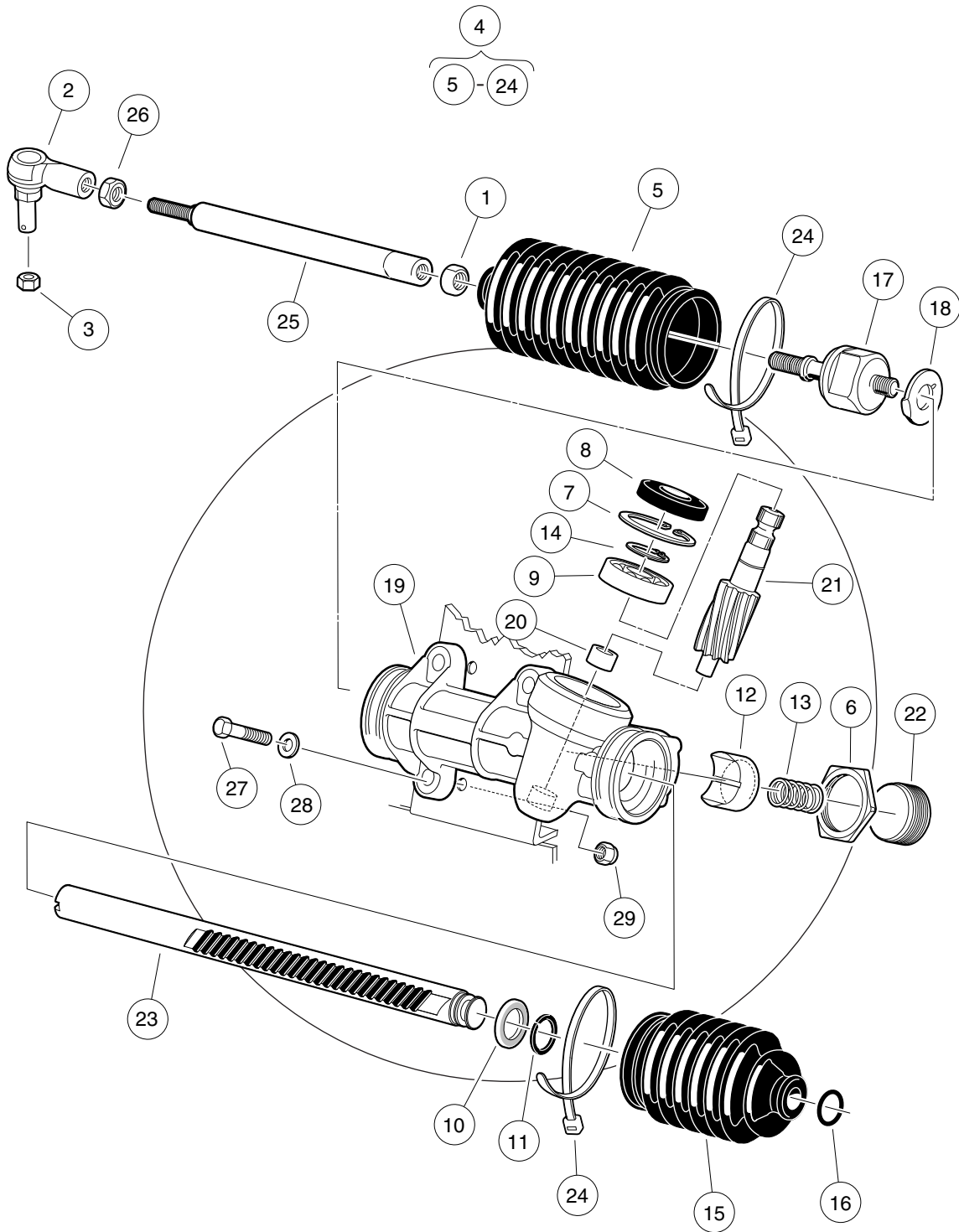
---

6

G

E

**6**  
**G**  
**E**



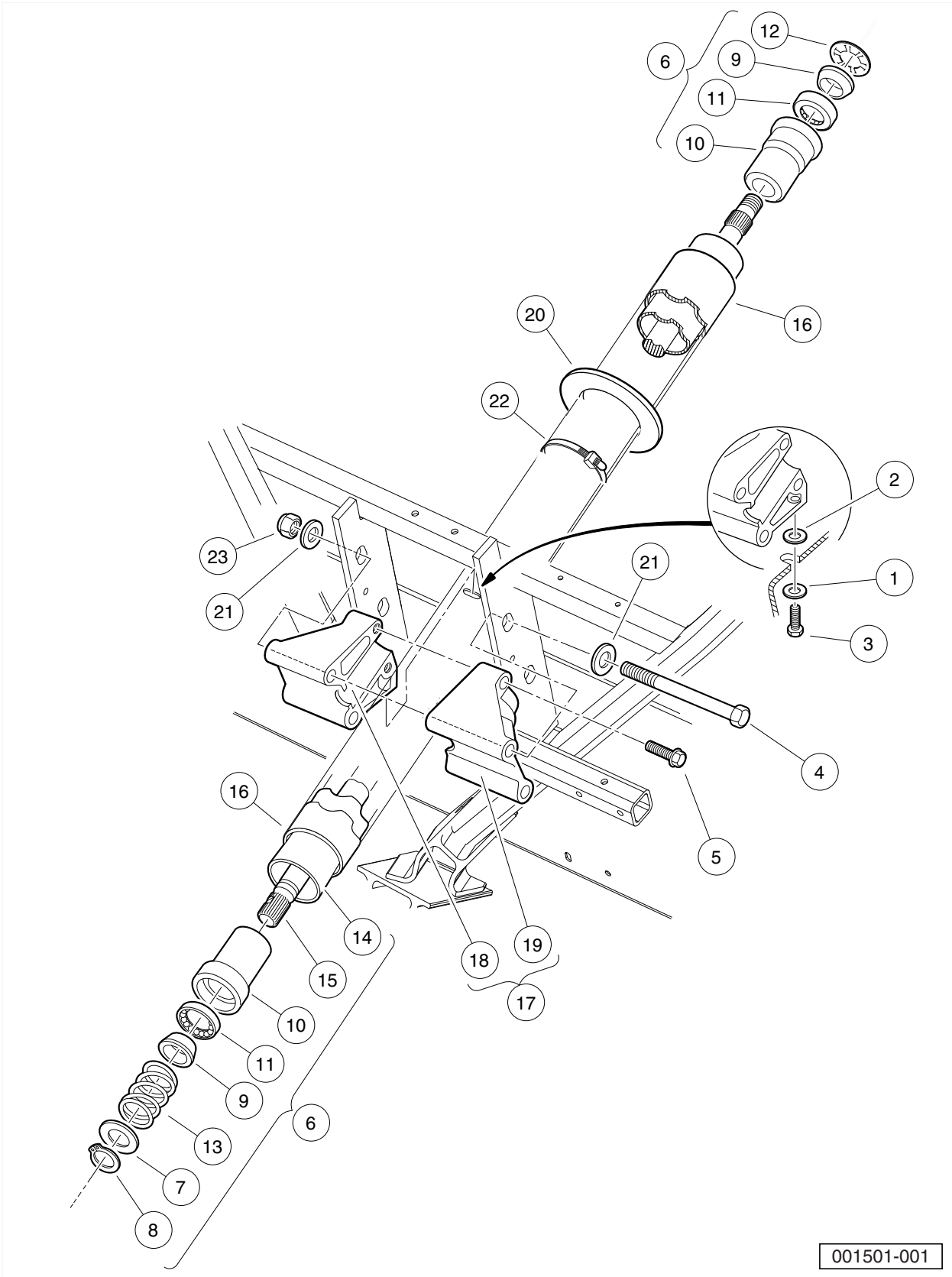
001500-002

# STEERING GEAR ASSEMBLY

ITEM	PART NO.	DESCRIPTION	QTY
		<b>1 2 3 4</b>	
1	1013042	Nut, 12mm Hex .....	1
2	<u>102022602</u>	End, Tie Rod, M12 X 1.25, Lh .....	1
3	<u>102289201</u>	Nut - Hex Locking, M12 X 1.25 .....	1
4	<u>103601501</u>	Asm, Steering Rack And Pinion (includes items 5 through 24) .....	1
5	<u>1013035</u>	Bellows, Long .....	1
6	<u>1013044</u>	Rack Screw Locknut .....	1
7	N/A	Snap Ring .....	1
8	<u>1013052</u>	Seal, Steering Pinion Dust .....	1
9	<u>101879401</u>	Bearing, Ball .....	1
10	<u>101879501</u>	Stop Washer .....	1
11	101879601	Stop Ring, C-Type .....	1
12	<u>101879701</u>	Support Yoke .....	1
13	<u>101879801</u>	Rack Guide Pressure Spring .....	1
14	<u>101879901</u>	Ring, Stop, C-Type .....	1
15	<u>101880001</u>	Bellows, Short .....	1
16	101880101	Dust Seal Retaining Ring .....	1
17	<u>101880201</u>	Inner Ball Joint Asm .....	1
18	101880301	Washer, Tab .....	1
19	N/A	Box, Steering Gear .....	1
20	N/A	Bearing, Lower Pinion .....	1
21	N/A	Pinion, Steering .....	1
22	N/A	Screw, Rack Guide .....	1
23	N/A	Rack, Steering .....	1
24	<u>8990</u>	Tie Wrap, 8" Nylon .....	2
25	<u>103653401</u>	Link, Drag, Male Thd .....	1
26	<u>103653501</u>	Nut, Jam, M12-1.25, Lh .....	1
27	<u>1624</u>	Screw, 3/8-16 X 1.50, Hex-Head Cap .....	3
28	<u>334</u>	Washer, 3/8, Type A, Flat .....	3
29	<u>8754</u>	Locknut, 3/8-16 Hex .....	3

**6**  
**G**  
**E**

**6**  
**G**  
**E**



001501-001

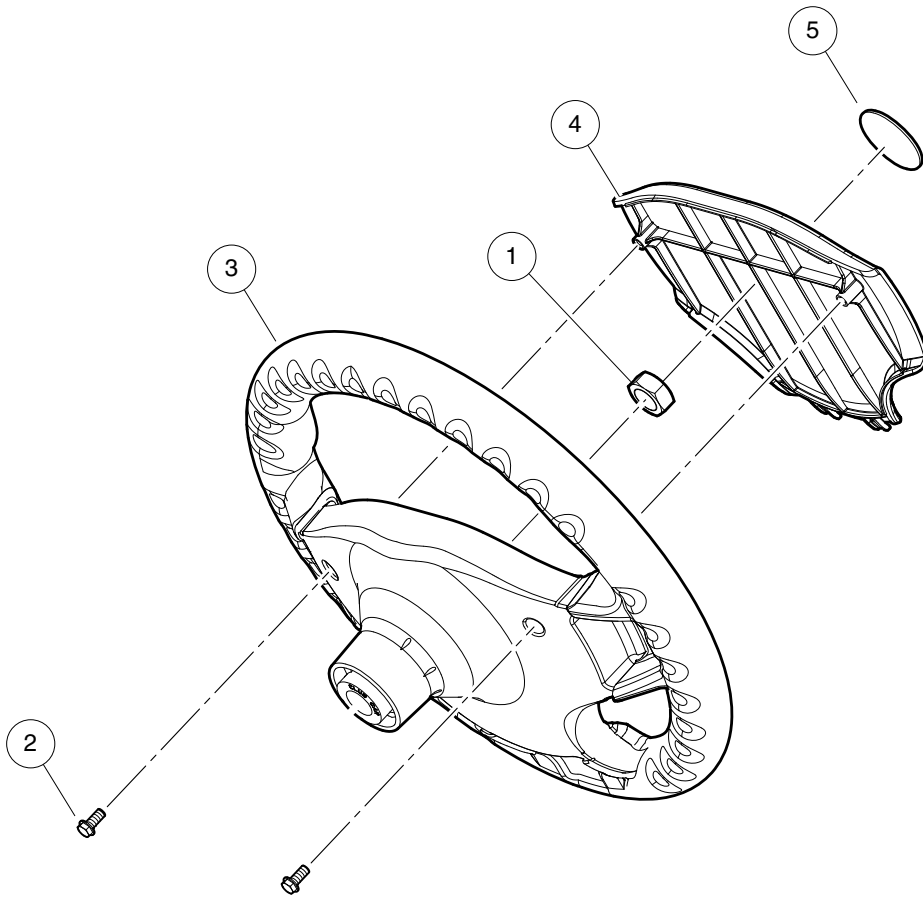
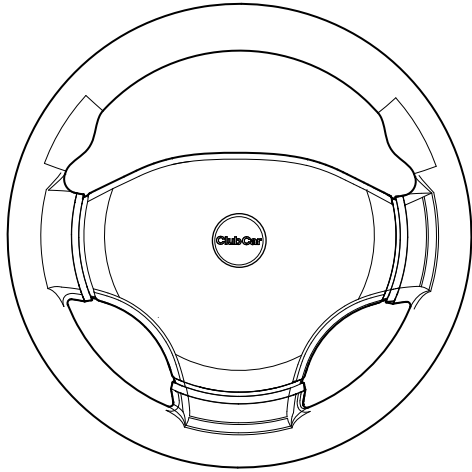


# STEERING COLUMN

ITEM	PART NO.	DESCRIPTION	QTY
		<b>1 2 3 4</b>	
1	<u>1011697</u>	Washer, 5/16 Flat .....	1
2	<u>1012571</u>	Washer, 5/16 Extra Thick Flat .....	1
3	<u>1014288</u>	Screw, 5/16-18 X 0.75, Thread-Forming .....	1
4	<u>1016183</u>	Screw, 3/8-16 X 7.00 Hex Cap .....	2
5	<u>1016269</u>	Screw, 5/16-18 Thrd Forming .....	2
6	<u>1017313</u>	Steering Shaft Assembly (includes items 7 through 15) .....	1
7	<u>1012604</u>	Washer, 0.675 ID X 1.19 OD .....	1
8	<u>1012605</u>	Ring, 0.579 Internal Retaining .....	1
9	<u>1014125</u>	Wedge, Molded .....	2
10	<u>1014126</u>	Seat, Plastic Bearing .....	2
11	<u>1014213</u>	Bearing, Ball .....	2
12	<u>1014214</u>	Ring, Retaining .....	1
13	<u>1014217</u>	Spring, Steering Shaft .....	1
14	<u>1017314</u>	Column, Aluminum Steering .....	1
15	<u>1017315</u>	Shaft Steering Column .....	1
16	<u>1017317</u>	Tube Cover, Steering Column .....	1
17	101984801	Kit, Steering Column Mounting Bracket (includes items 18 and 19) .....	1
18	N/A	Bracket, RH Steering Column Mount .....	1
19	N/A	Bracket, LH Steering column mount .....	1
20	<u>102278001</u>	Boot, Steering Column Round .....	1
21	<u>334</u>	Washer, 3/8, Type A, Flat .....	4
22	<u>8639</u>	Tie Wrap, 11" Nylon .....	1
23	<u>8754</u>	Locknut, 3/8-16 Hex .....	2

**6**  
**G**  
**E**

**6**  
**G**  
**E**



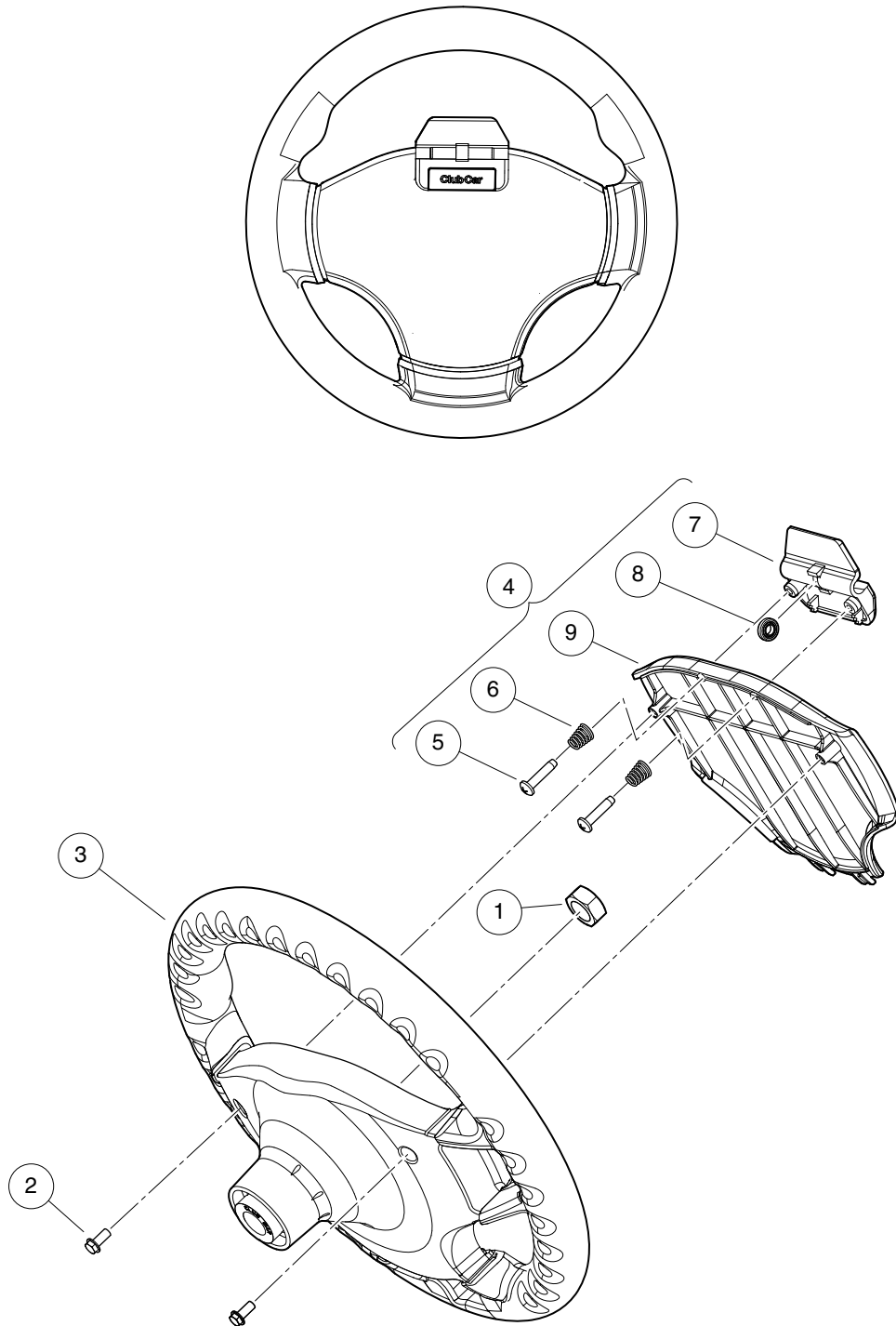
001503-001

# STEERING WHEEL

ITEM	PART NO.	DESCRIPTION	QTY
		<b>1 2 3 4</b>	
1	<u>1017273</u>	Nut, 5/8-18 Nylon Insert Jam .....	1
2	<u>101850301</u>	Screw, #12-16 X 0.50 Washer-Head Hi-Lo .....	2
3	<u>103724504</u>	Steering Wheel, Soft Spl .....	1
4	<u>103724602</u>	Cover, Steering Wheel, Generic .....	1
5	<u>103829401</u>	Logo, Cci, Steer Wheel .....	1

**6**  
**G**  
**E**

**6**  
**G**  
**E**



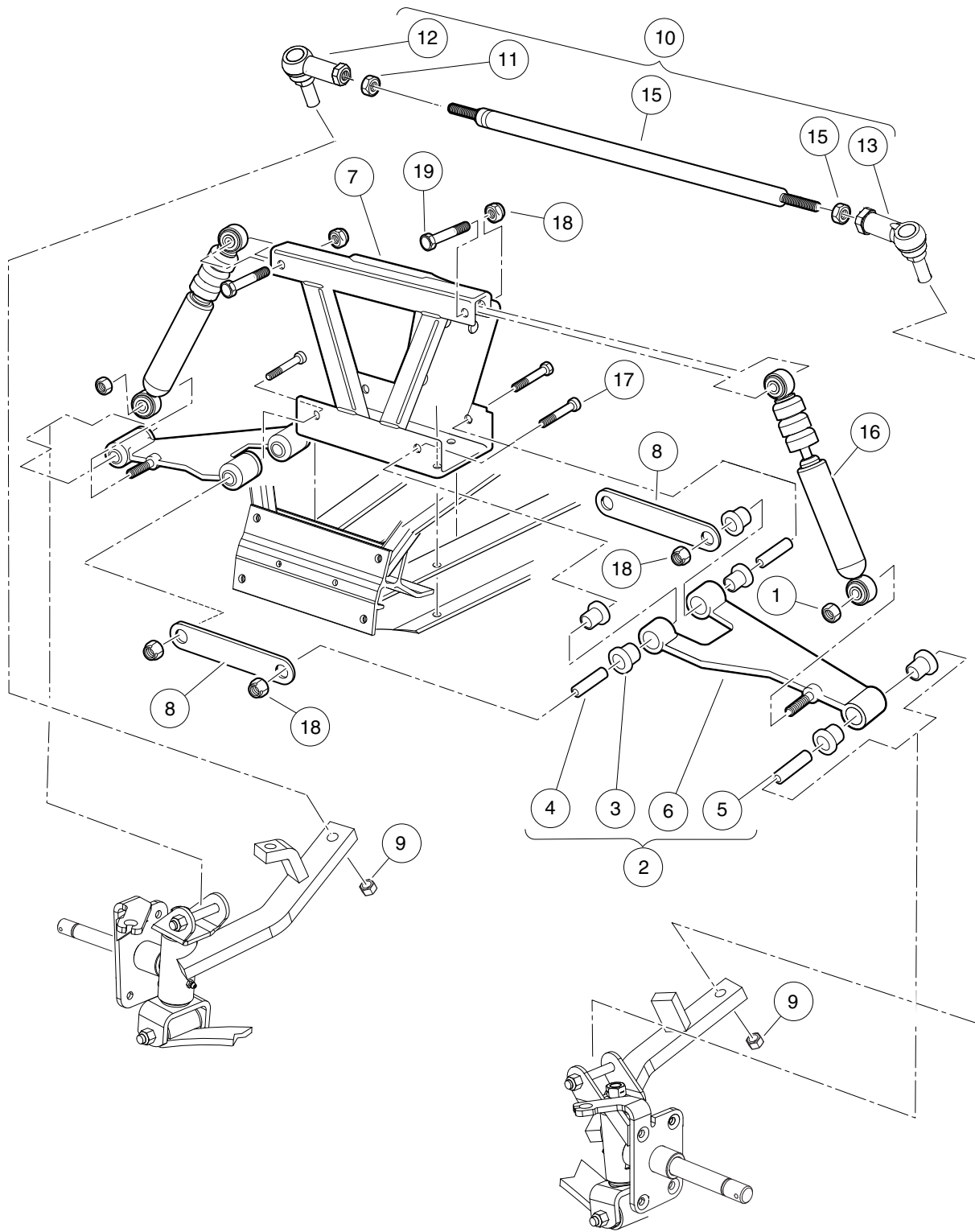
001504-001

# STEERING WHEEL WITH CLIP

ITEM	PART NO.	DESCRIPTION	QTY
		<b>1 2 3 4</b>	
1	<u>1017273</u>	Nut, 5/8-18 Nylon Insert Jam .....	1
2	<u>101850301</u>	Screw, #12-16 X 0.50 Washer-Head Hi-Lo .....	2
3	<u>103724504</u>	Steering Wheel, Soft Spl .....	1
4	<u>103724901</u>	Asm, Scorecard, Clip (includes items 5 through 9) .....	1
5	<u>1012565</u>	Screw, #12 Phillips Round Head .....	2
6	<u>1012566</u>	Tapered Compression Spring .....	2
7	1016154	Clip, Scorecard .....	1
8	<u>1016214</u>	Pencil Grip .....	1
9	103724601	Cover, Steering Wheel, Clip .....	1

**6**  
**G**  
**E**

**6**  
**G**  
**E**



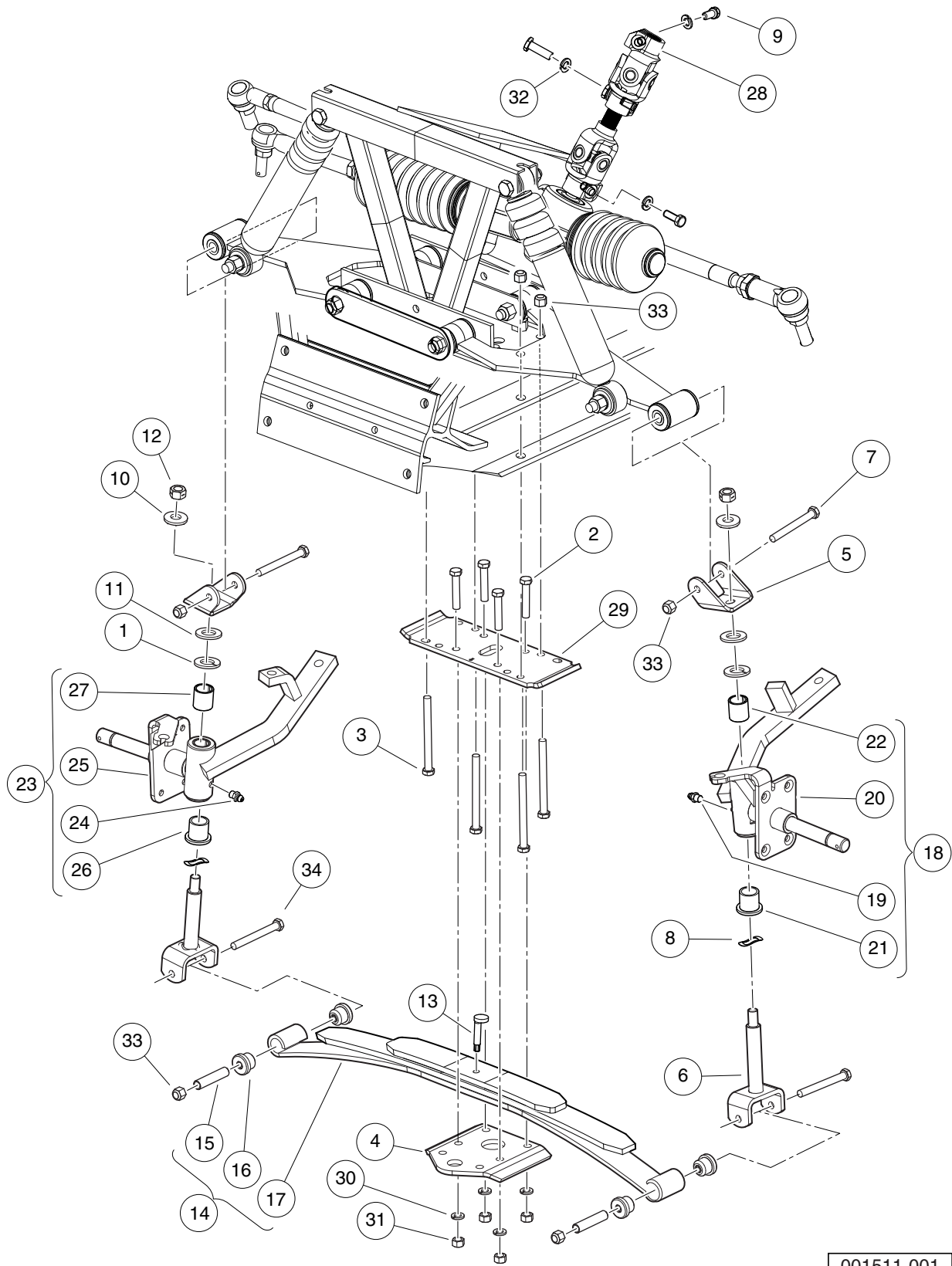
001510-001

## FRONT SUSPENSION, UPPER, HD

ITEM	PART NO.	DESCRIPTION	QTY
		1 2 3 4	
1	<u>1010138</u>	Locknut, 3/8-16 Dimpled .....	2
2	<u>1016353</u>	Sub-Assembly, Delta A-Plate (includes items 3 through 6) .....	2
3	<u>1016346</u>	Bushing, Urethane .....	6
4	<u>1016349</u>	Sleeve, Delta Inner .....	2
5	<u>1016350</u>	Sleeve, Delta Outer .....	1
6	<u>1016351</u>	Delta A-Plate .....	1
7	<u>101638502</u>	Weldment, Shock & Gear, Ca .....	1
8	<u>1017266</u>	A-Plate Strap .....	2
9	<u>102289201</u>	Nut - Hex Locking, M12 X 1.25 .....	2
10	<u>103653601</u>	Asm, Tie Rod (includes items 11 through 15) .....	1
11	<u>1013042</u>	Nut, 12mm Hex .....	1
12	<u>102022601</u>	End, Tie Rod M12 X 1.25 Rh .....	1
13	<u>102022602</u>	End, Tie Rod, M12 X 1.25, Lh .....	1
14	<u>103354701</u>	Rod, Tie, Male Thd .....	1
15	<u>103653501</u>	Nut, Jam, M12-1.25, Lh .....	1
16	<u>105106702</u>	Shock Absorb, Frnt, 3 Bump Ele .....	2
17	<u>2402</u>	Screw, 3/8-16 X 2.25 Hx Hd Cap .....	4
18	<u>8754</u>	Locknut, 3/8-16 Hex .....	6
19	<u>8861</u>	Bolt, 3/8-16 X 1.75 Hex .....	2

6  
G  
E

**6**  
**G**  
**E**



001511-001

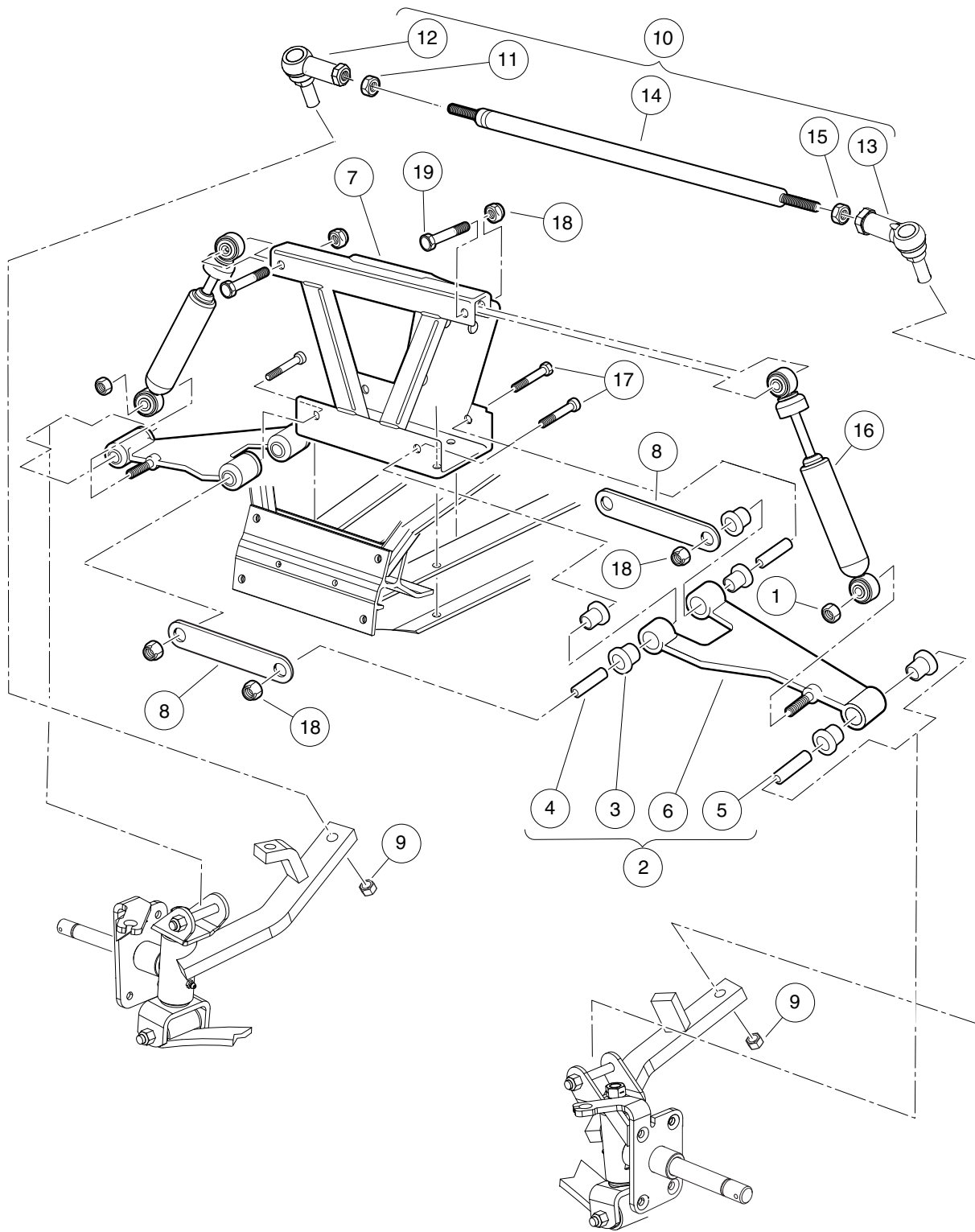


## FRONT SUSPENSION, LOWER, HD, 3 LEAF-1 PLATE

ITEM	PART NO.	DESCRIPTION	QTY
		<b>1 2 3 4</b>	
1	<u>1010150</u>	Bearing, Thrust .....	2
2	<u>1010177</u>	Bolt, 3/8-16 X 2.00 Hex Head .....	4
3	<u>1010200</u>	Bolt, 3/8-16 X 4.25 Hex Head .....	4
4	<u>1014276</u>	Plate, Front Spring Retainer .....	1
5	<u>1016384</u>	Clevis, Delta Upper .....	2
6	<u>1016386</u>	King Pin Assembly .....	2
7	<u>1016387</u>	Screw, 3/8-16 X 2.75 Hx Hd Cap .....	2
8	<u>1016389</u>	Washer, 1.125 Od Wave .....	2
9	<u>1017226</u>	Bolt, Hex-Head, 8mm X 1.25 - 30 .....	3
10	<u>102564002</u>	Washer-1/2 Conical, Yellow .....	2
11	<u>102684501</u>	Washer, M12 Hard Regular .....	2
12	<u>102766301</u>	Nut, 1/2-20, Center Lock .....	2
13	<u>103507001</u>	Eccentric Bolt Common .....	1
14	<u>103628901</u>	Spring Asm, Front, 3 Leaf (includes items 15 through 17) .....	1
15	<u>1012303</u>	Bushing, Steel .....	2
16	<u>1015583</u>	Bushing, Urethane .....	4
17	103502801	Spring, Front, 3 Leaf .....	1
18	<u>103717302</u>	Asm, Spindle, Lh, 4wb, Sp (includes items 19 through 22) .....	1
19	<u>1015597</u>	Fitting, 1/4-28 Thread-Forming Grease .....	1
20	N/A	Subasm, Spindle, Lh, 4wb .....	1
21	<u>7048</u>	Bushing, Flanged Bronze .....	1
22	<u>8067</u>	Bushing, Bronze Spindle .....	1
23	<u>103717402</u>	Asm, Spindle, Rh, 4wb, Sp (includes items 24 through 27) .....	1
24	<u>1015597</u>	Fitting, 1/4-28 Thread-Forming Grease .....	1
25	N/A	Subasm, Spindle, Rh, 4wb .....	1
26	<u>7048</u>	Bushing, Flanged Bronze .....	1
27	<u>8067</u>	Bushing, Bronze Spindle .....	1
28	<u>105074201</u>	Shaft, Int, Steering, Sus Fwd .....	1
29	<u>105083301</u>	Plate, Spring Mount, Restyle .....	1
30	<u>357</u>	Lockwasher, 3/8 Split .....	4
31	<u>706</u>	Nut, Hex 3/8-16 .....	5
32	<u>7174</u>	Lockwasher, 5/16 Split .....	3
33	<u>8754</u>	Locknut, 3/8-16 Hex .....	8
34	<u>8755</u>	Screw, 3/8-16 X 3.375 Hex Cap .....	2

**6**  
**G**  
**E**

**6**  
**G**  
**E**



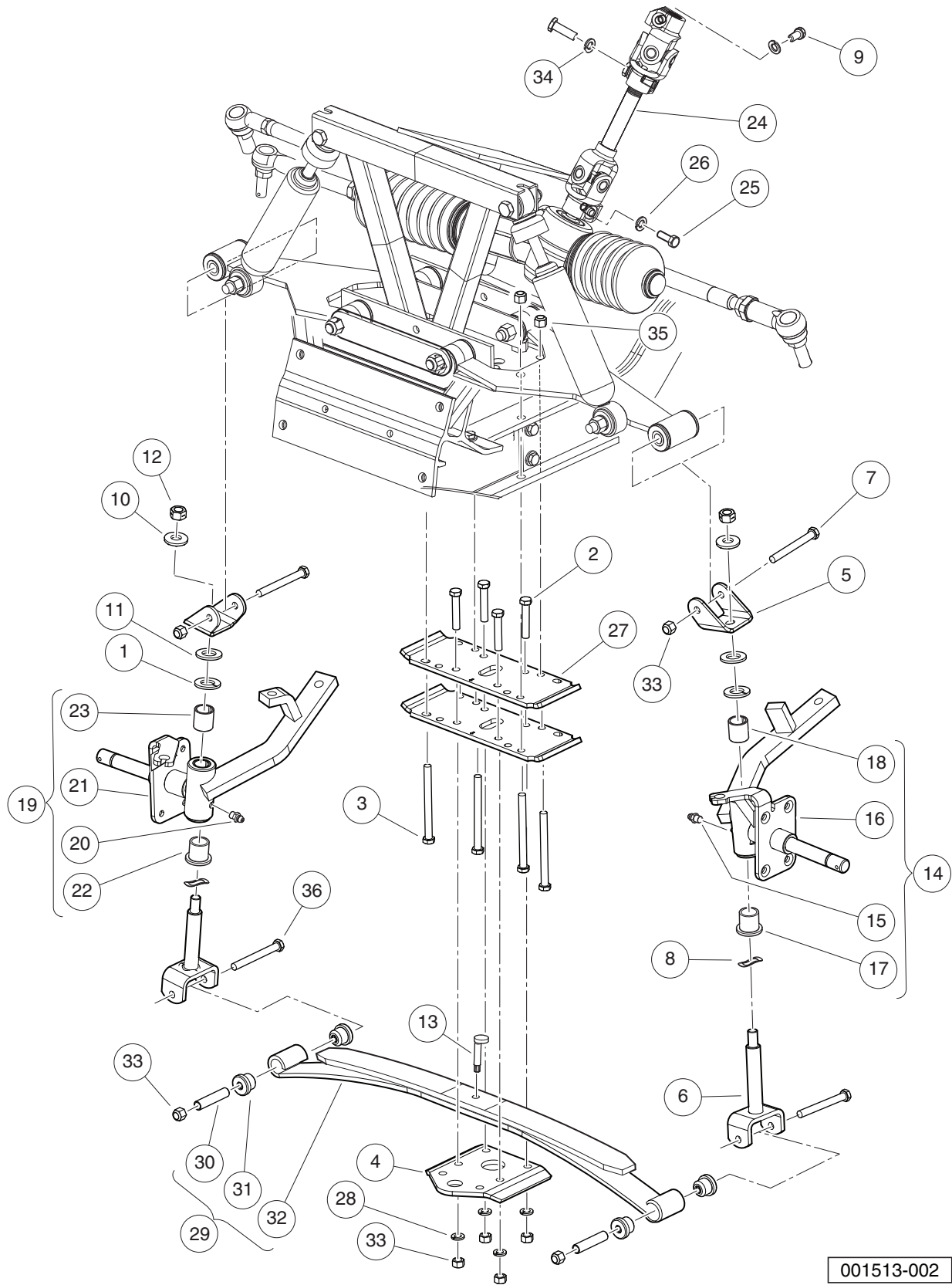
001505-001

## FRONT SUSPENSION, UPPER

ITEM	PART NO.	DESCRIPTION	QTY
		1 2 3 4	
1	<u>1010138</u>	Locknut, 3/8-16 Dimpled .....	2
2	<u>1016353</u>	Sub-Assembly, Delta A-Plate (includes items 3 through 6) .....	2
3	<u>1016346</u>	Bushing, Urethane .....	6
4	<u>1016349</u>	Sleeve, Delta Inner .....	2
5	<u>1016350</u>	Sleeve, Delta Outer .....	1
6	<u>1016351</u>	Delta A-Plate .....	1
7	<u>101638502</u>	Weldment, Shock & Gear, Ca .....	1
8	<u>1017266</u>	A-Plate Strap .....	2
9	<u>102289201</u>	Nut - Hex Locking, M12 X 1.25 .....	2
10	<u>103653601</u>	Asm, Tie Rod (includes items 11 through 15) .....	1
11	1013042	Nut, 12mm Hex .....	1
12	<u>102022601</u>	End, Tie Rod M12 X 1.25 Rh .....	1
13	<u>102022602</u>	End, Tie Rod, M12 X 1.25, Lh .....	1
14	<u>103354701</u>	Rod, Tie, Male Thd .....	1
15	<u>103653501</u>	Nut, Jam, M12-1.25, Lh .....	1
16	<u>105106601</u>	Shock Absorber, Front, 1 Bumper .....	2
17	<u>2402</u>	Screw, 3/8-16 X 2.25 Hx Hd Cap .....	4
18	<u>8754</u>	Locknut, 3/8-16 Hex .....	6
19	<u>8861</u>	Bolt, 3/8-16 X 1.75 Hex .....	2

6  
G  
E

**6**  
**G**  
**E**

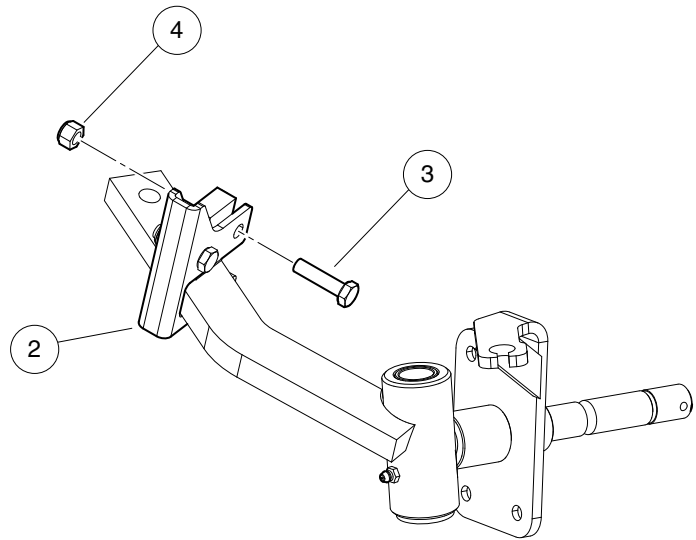


001513-002

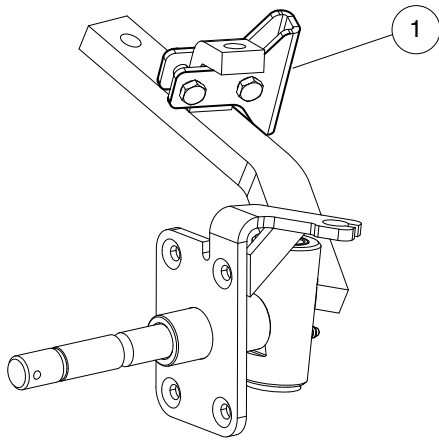
## FRONT SUSPENSION, LOWER, HD, 2 LEAF-2 PLATES

ITEM	PART NO.	DESCRIPTION	QTY
		<b>1 2 3 4</b>	
1	<u>1010150</u>	Bearing, Thrust .....	2
2	<u>1010177</u>	Bolt, 3/8-16 X 2.00 Hex Head .....	4
3	<u>1010200</u>	Bolt, 3/8-16 X 4.25 Hex Head .....	4
4	<u>1014276</u>	Plate, Front Spring Retainer .....	1
5	<u>1016384</u>	Clevis, Delta Upper .....	2
6	<u>1016386</u>	King Pin Assembly .....	2
7	<u>1016387</u>	Screw, 3/8-16 X 2.75 Hx Hd Cap .....	2
8	<u>1016389</u>	Washer, 1.125 Od Wave .....	2
9	<u>1017226</u>	Bolt, Hex-Head, 8mm X 1.25 - 30 .....	3
10	<u>102564002</u>	Washer-1/2 Conical, Yellow .....	2
11	<u>102684501</u>	Washer, M12 Hard Regular .....	2
12	<u>102766301</u>	Nut, 1/2-20, Center Lock .....	2
13	<u>103507001</u>	Eccentric Bolt Common .....	1
14	<u>103717302</u>	Asm, Spindle, Lh, 4wb, Sp (includes items 15 through 18) .....	1
15	<u>1015597</u>	Fitting, 1/4-28 Thread-Forming Grease .....	1
16	N/A	Subasm, Spindle, Lh, 4wb .....	1
17	<u>7048</u>	Bushing, Flanged Bronze .....	1
18	<u>8067</u>	Bushing, Bronze Spindle .....	1
19	<u>103717402</u>	Asm, Spindle, Rh, 4wb, Sp (includes items 20 through 23) .....	1
20	<u>1015597</u>	Fitting, 1/4-28 Thread-Forming Grease .....	1
21	N/A	Subasm, Spindle, Rh, 4wb .....	1
22	<u>7048</u>	Bushing, Flanged Bronze .....	1
23	<u>8067</u>	Bushing, Bronze Spindle .....	1
24	<u>103867901</u>	Joint, Steering, Lifted (includes items 25 and 26) .....	1
25	<u>1017226</u>	Bolt, Hex-Head, 8mm X 1.25 - 30 .....	3
26	<u>7174</u>	Lockwasher, 5/16 Split .....	3
27	<u>105083301</u>	Plate, Spring Mount, Restyle .....	2
28	<u>357</u>	Lockwasher, 3/8 Split .....	4
29	<u>47585213001</u>	Spring Asm, Front 2 Leaf, Hd (includes items 30 through 32) .....	1
30	<u>1012303</u>	Bushing, Steel .....	2
31	<u>10158302</u>	Bushing, Urethane, Soft .....	4
32	<u>105187801</u>	Spring, Front 2 Leaf, Hd .....	1
33	<u>706</u>	Nut, Hex 3/8-16 .....	5
34	<u>7174</u>	Lockwasher, 5/16 Split .....	3
35	<u>8754</u>	Locknut, 3/8-16 Hex .....	8
36	<u>8755</u>	Screw, 3/8-16 X 3.375 Hex Cap .....	2

**6**  
**G**  
**E**



**DRIVER SIDE  
SPINDLE**



**PASSENGER SIDE  
SPINDLE**



001529-001

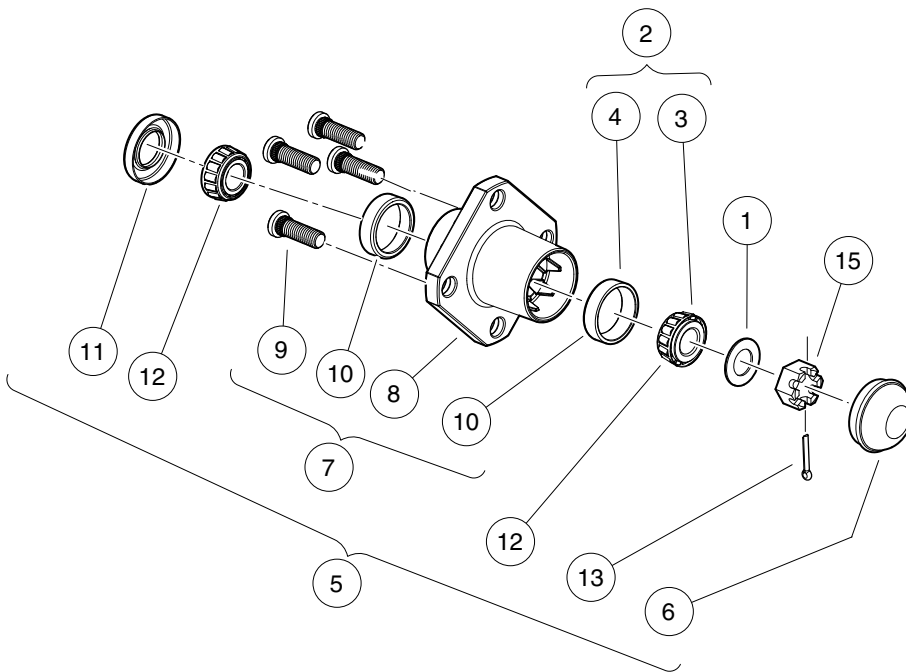
# STEERING STOP

ITEM	PART NO.	DESCRIPTION	QTY
		<b>1 2 3 4</b>	
1	<u>105242801</u>	Brkt, Steering Stop, Pass, Ca .....	1
2	<u>105243001</u>	Brkt, Steering Stop, Drv, Ca .....	1
3	1218	Screw, 5/16-18 X 1.25 Hex-Head Cap .....	4
4	<u>7473</u>	Locknut, 5/16-18 Nylon Insert .....	4
<p>Note: Steering Stops <u>105242801</u> and <u>105243001</u> are required if vehicle is equipped with the 105100601, HD Bumper Kit.</p>			

**6**

**G**

**E**



001520-002

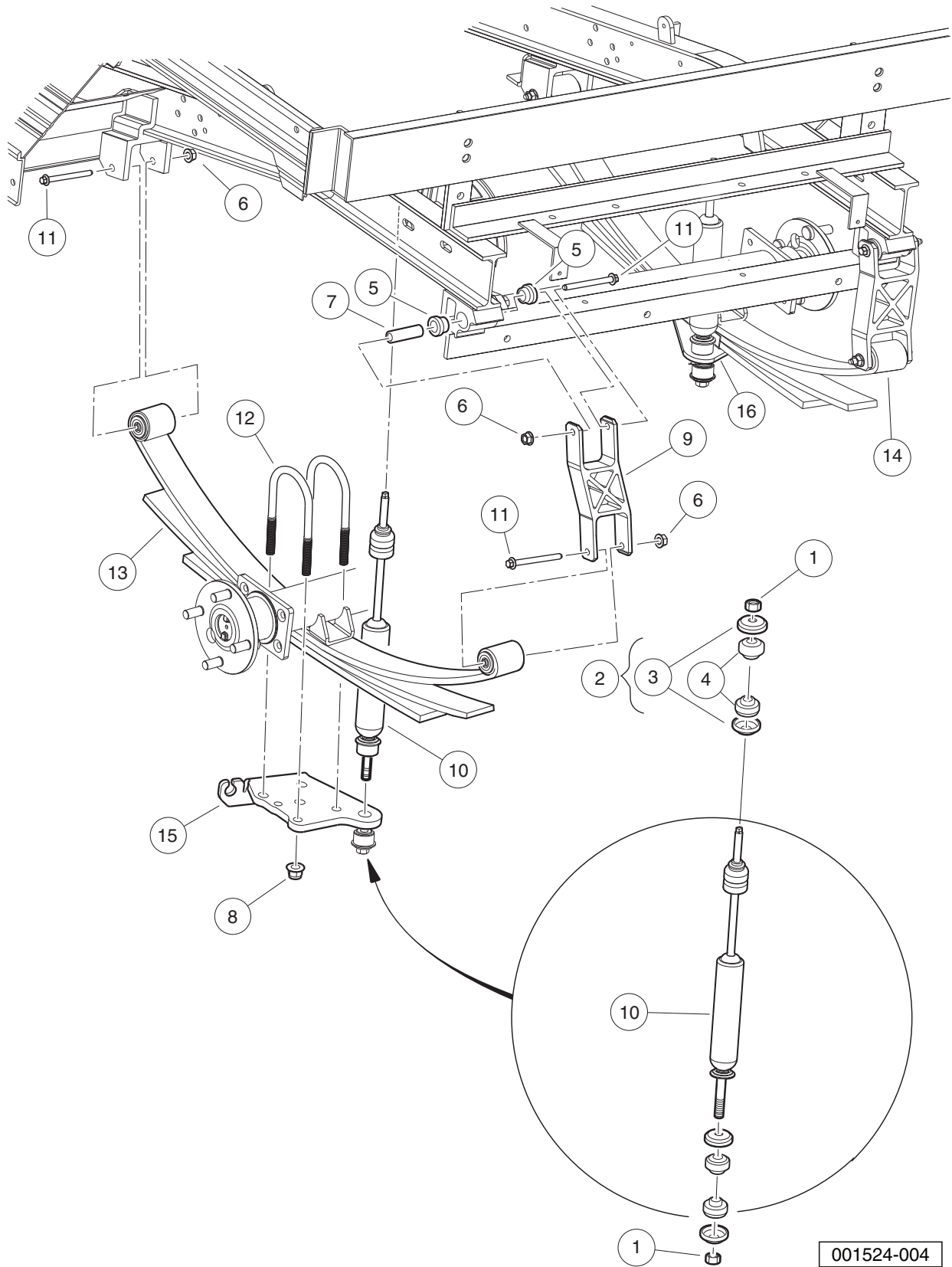


# FRONT WHEEL HUBS

ITEM	PART NO.	DESCRIPTION	QTY
		1 2 3 4	
1	<u>1010005</u>	Washer, 3/4 Flat .....	2
2	<u>1011393</u>	Hub Bearing Package (includes items 3 and 4) .....	4
3	7274	Bearing, Front Hub Wheel .....	1
4	7308	Race, Front Hub Bearing .....	1
5	<u>1011892</u>	Hub Assembly (includes items 6 through 13) .....	1
6	<u>1011887</u>	Dust Cover .....	1
7	N/A	Hub (includes items 8 through 10) .....	1
8	N/A	Front Hub .....	1
9	<u>103477901</u>	Lug Stud, 1/2-20 Unf, 4037 .....	4
10	7308	Race, Front Hub Bearing .....	2
11	<u>1013135</u>	Seal, Double Lip .....	1
12	7274	Bearing, Front Hub Wheel .....	2
13	<u>7910</u>	Pin, 5/32 X 1.00 Cotter .....	1
14	<u>1013135</u>	Seal, Double Lip .....	2
15	<u>7840</u>	Nut, 3/4-16 Hex Slotted .....	2

6  
G  
E

**6**  
**G**  
**E**



001524-004

# REAR SUSPENSION COMPONENTS, STANDARD

ITEM	PART NO.	DESCRIPTION	QTY
		<b>1 2 3 4</b>	
1	<u>1010145</u>	Nut, 3/8-24 Hex .....	4
2	<u>1011415</u>	Kit, Shock Absorber Cushion (includes items 3 and 4) .....	4
3	N/A	Retainer, Shock Absorber Cushion .....	2
4	<u>47579096001</u>	Isolator, Shock Damper .....	2
5	<u>101558302</u>	Bushing, Urethane, Soft .....	4
6	<u>102298401</u>	Nut,m8,all Metal Lock .....	6
7	<u>102506401</u>	Sleeve - Spring Eye Mounts .....	2
8	<u>102670701</u>	Nut, Flange, M10 X 1.5 Nylon .....	8
9	<u>105068902</u>	Shackle, 6", Com, Machined .....	2
10	<u>105106801</u>	Shock Absorber,Rear, 2 Bumper .....	2
11	<u>105188185</u>	Bolt, M8x85mm,10.9 Grade .....	6
12	<u>105188701</u>	U-bolt, M10x1.5x58 .....	4
13	<u>47585228001</u>	Spring Asm, Std Rear Leaf, Lh .....	1
14	<u>47585228002</u>	Spring Asm, Std Rear Leaf, Rh .....	1
15	<u>47599907001</u>	Bkt, U-bolt, 3-1, Lh .....	1
16	<u>47599907002</u>	Bkt, U-bolt, 3-1, Rh .....	1

**6**  
**G**  
**E**

**6**

**G**

**E**

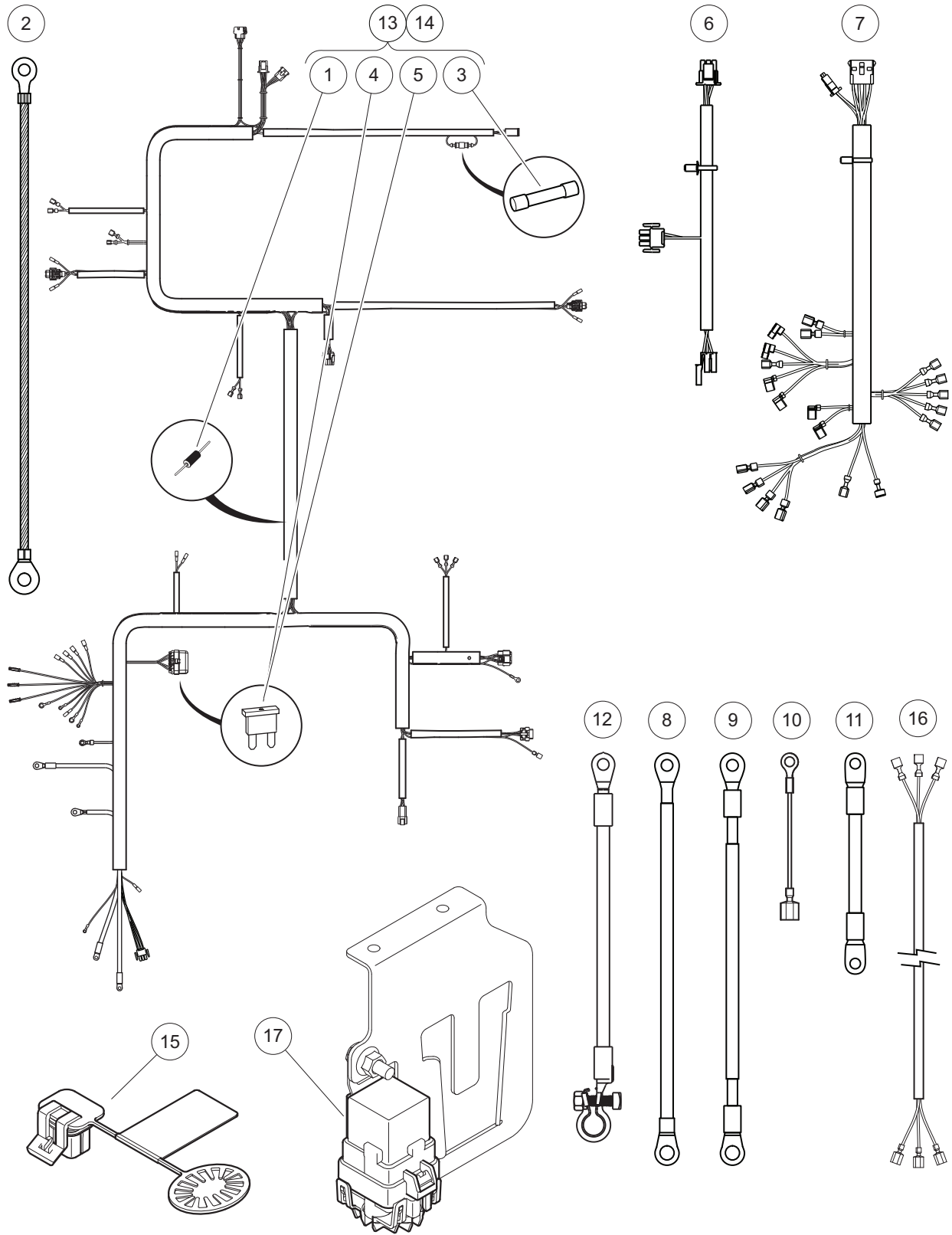
# **ELECTRICAL SYSTEM – GASOLINE EFI**

---

**7**

**G**

**7**  
**G**



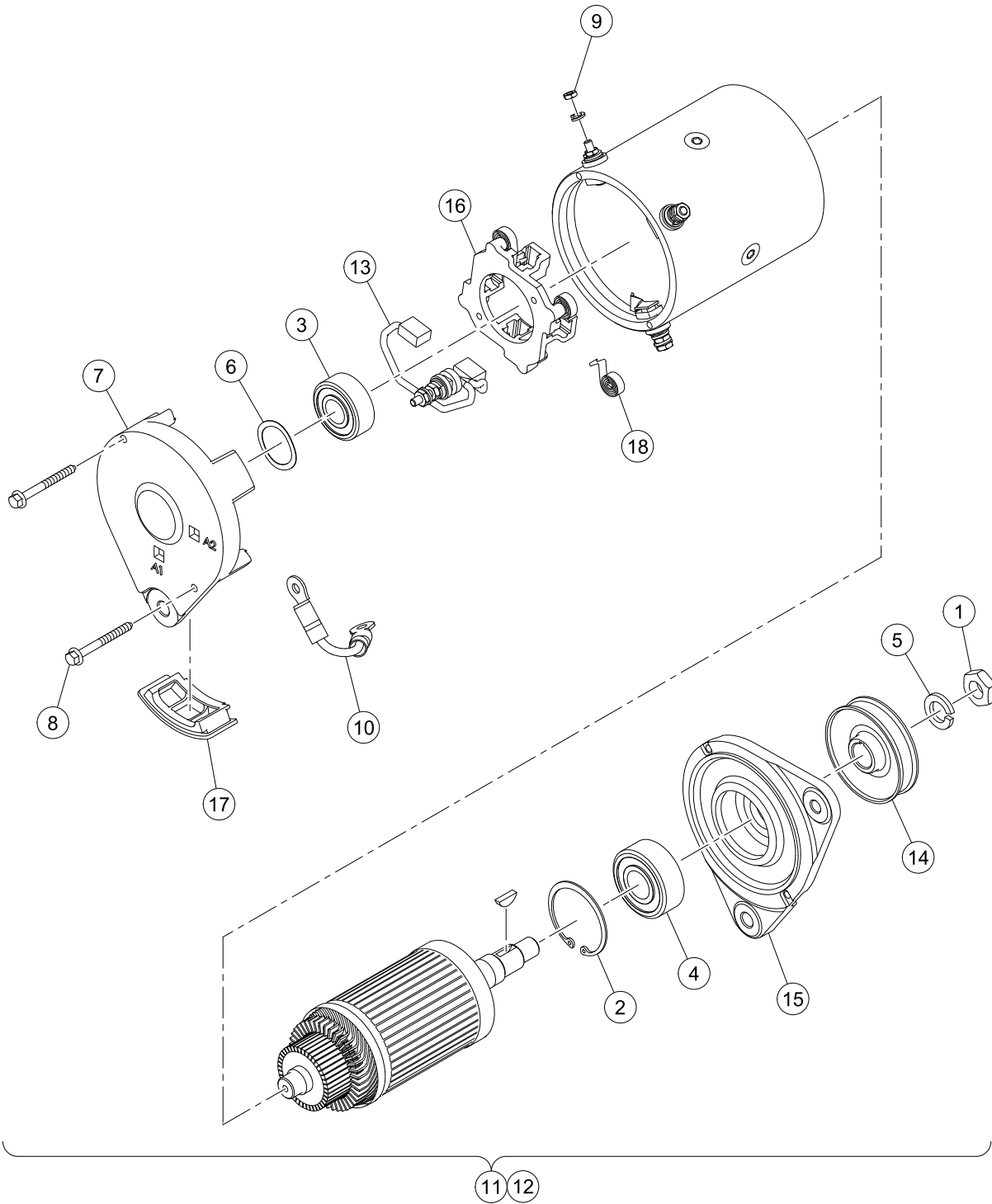
000994-003

# WIRING, FUSES, AND DIODES, KEY AND PEDAL START – EFI

ITEM	PART NO.	DESCRIPTION	QTY
		1 2 3 4	
1	<u>1014789</u>	Diode, General Purpose, 3.0-Amp .....	2
2	<u>1015332</u>	Wire, Ground, #10, Uninsulated .....	1
3	<u>103924801</u>	Fuse, Glass, 2-Amp .....	1
4	<u>105081501</u>	Fuse, ATM, 5-Amp .....	1
5	<u>105081601</u>	Fuse, ATM, 10-Amp .....	1
6	<u>105093301</u>	Harness, Wire, FNR Connector, CA300-700 .....	1
7	<u>105095101</u>	Harness, Wire, Instr. Panel, Gas, CA300-700 .....	1
8	<u>105135901</u>	Wire, Battery (side-post), B-, Gas .....	1
9	<u>105136001</u>	Wire, Battery (side-post), B+, Gas .....	1
10	<u>105143301</u>	Wire, Ground, Fuel Tank .....	1
11	<u>105161701</u>	Wire, 4-Ga, Green, Starter/Generator .....	1
12	<u>105256801</u>	Wire Assy, 4ga, Battery, (top-post) B+, Gas .....	1
13	<u>47607500001</u>	Harness, Main, Gas, Ca700, Ks .....	1
14	<u>47607501001</u>	Harness, Main, Gas, Ca700, Ps .....	1
15	<u>47611208001</u>	Cap, Diagnostic Port .....	1
16	<u>47616912001</u>	Jumper, Maint Sw / Diag. Port .....	1
17	<u>47623281001</u>	Relay, Mini 630 Spdt,40a/30a .....	1
Note: For ECU, see Engine Ignition Components section.			

7  
G

**7**  
**G**



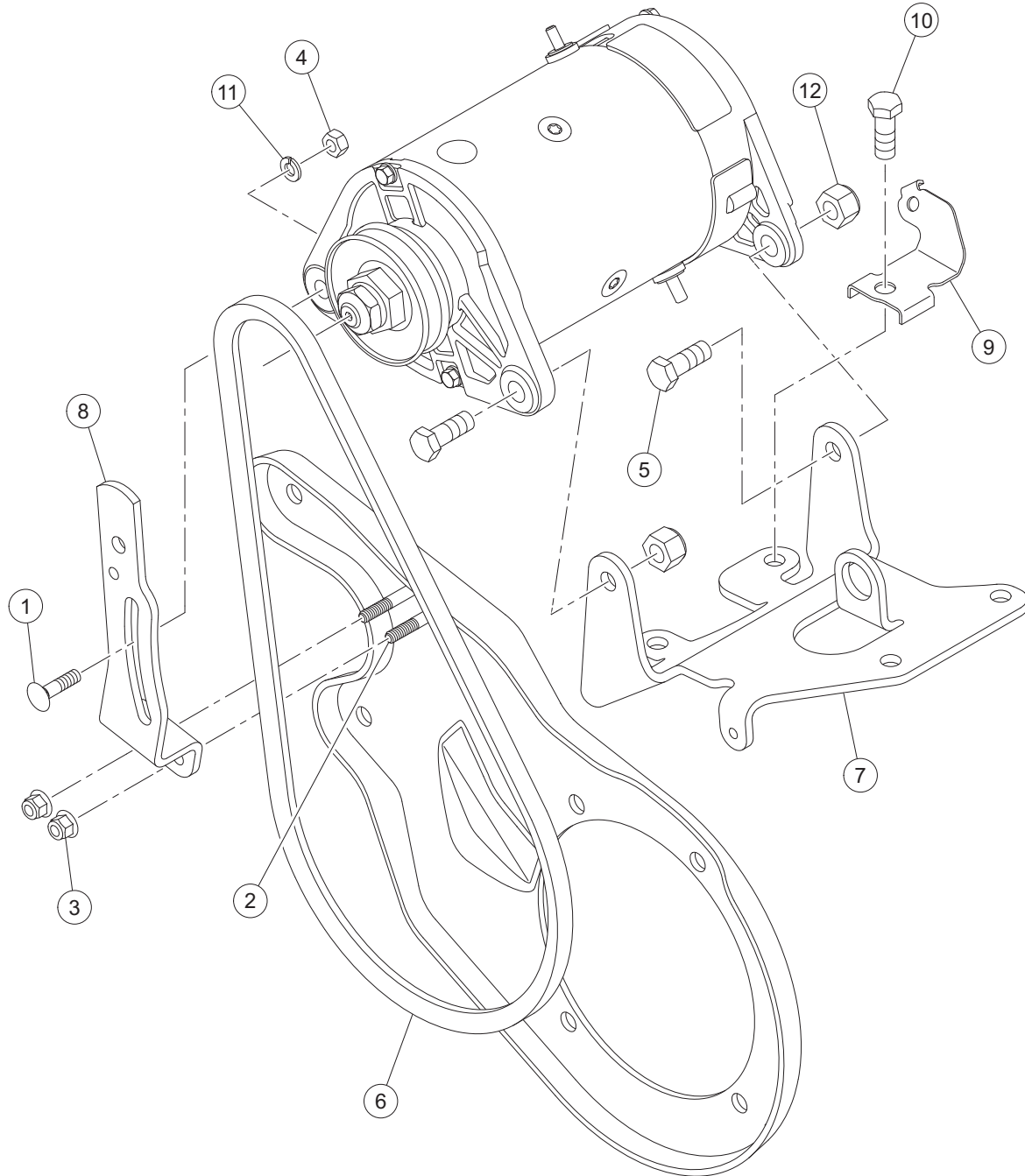
G-130199-000001



# STARTER/GENERATOR, KEY AND PEDAL START – EFI

ITEM	PART NO.	DESCRIPTION	QTY
		1 2 3 4	
1	<u>102838701</u>	Nut, Hex, M14x2, S/G .....	1
2	<u>102838801</u>	Retainer, Front, S/G .....	1
3	<u>102838901</u>	Bearing, Ball, Rear, S-g .....	1
4	<u>102839001</u>	Bearing, Ball, Front, S-g .....	1
5	<u>102839301</u>	Washer, Lock M14x2, S-g .....	1
6	<u>102841101</u>	Washer, Wave, S-g .....	1
7	<u>103347601</u>	Head, Comm End, S-g .....	1
8	<u>103347701</u>	Set, Fast, Ceh Deh, S-g .....	1
9	<u>103347801</u>	Set, Term Hardware, S/G .....	1
10	<u>105161701</u>	Wire, 4-Ga, Green, Starter/Generator .....	1
11	<u>47559475001</u>	Starter Generator, Ps .....	1
12	<u>47559475002</u>	Starter Generator, Ks .....	1
13	<u>47583000001</u>	Set, Brush Term, S-g .....	1
14	<u>47583790001</u>	Pulley, Starter-generator .....	1
15	<u>47583791001</u>	Head, Drive End, S-g .....	1
16	<u>47583794001</u>	Kit, Brush And Brush Holder .....	1
17	<u>47584178001</u>	Kit, Cover, Brush Insp, S-g .....	1
18	<u>47584179001</u>	Kit, Spring Brush, S-g .....	1

**7**  
**G**



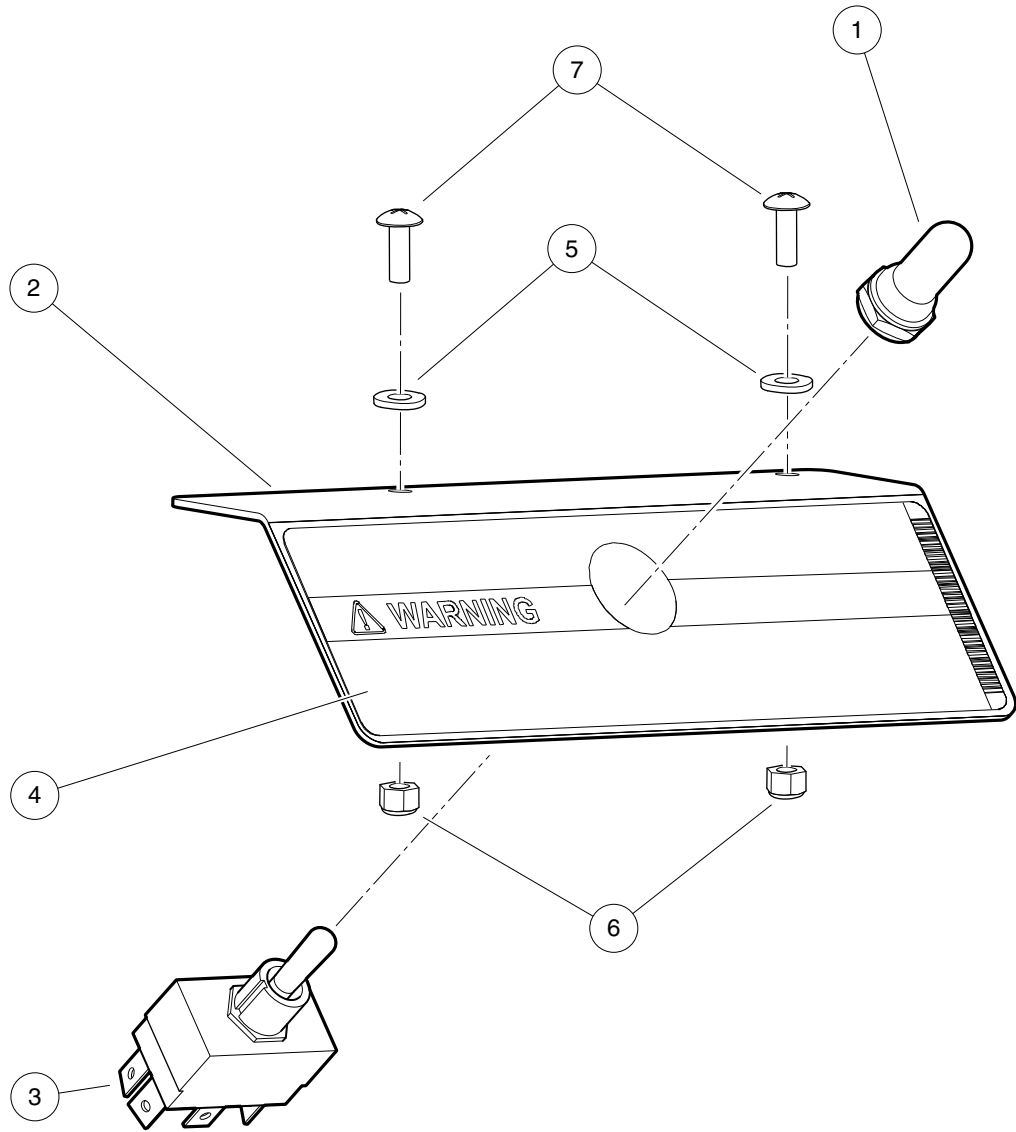
G-130199-00002

## STARTER/GENERATOR MOUNTING – ECH440

ITEM	PART NO.	DESCRIPTION	QTY
		1 2 3 4	
1	<u>1015932</u>	Bolt, Carriage, 5/16-18 .....	1
2	<u>102541401</u>	Bolt-m6x1.0x20 Hex Flhd Blk-I .....	2
3	<u>102621501</u>	Nut, Flange, M6 X 1.0, Nylon .....	2
4	<u>1242</u>	Nut, 5/16-18 Hex .....	1
5	<u>1624</u>	Screw, 3/8-16 X 1.50, Hex-Head Cap .....	2
6	47539338002	Belt, Sg, Ech440, #5a .....	1
7	47611868001	Bracket, Mounting, S/g .....	1
8	47611869001	Bracket, Tensioner, S/g .....	1
9	47611870001	Bracket, Mtg, Gov Cable Clip .....	1
10	47617345001	Screw, M8-1.25x20, Hex Hd Flg .....	4
11	<u>7174</u>	Lockwasher, 5/16 Split .....	1
12	<u>8754</u>	Locknut, 3/8-16 Hex .....	2

**7**  
**G**

**7**  
**G**



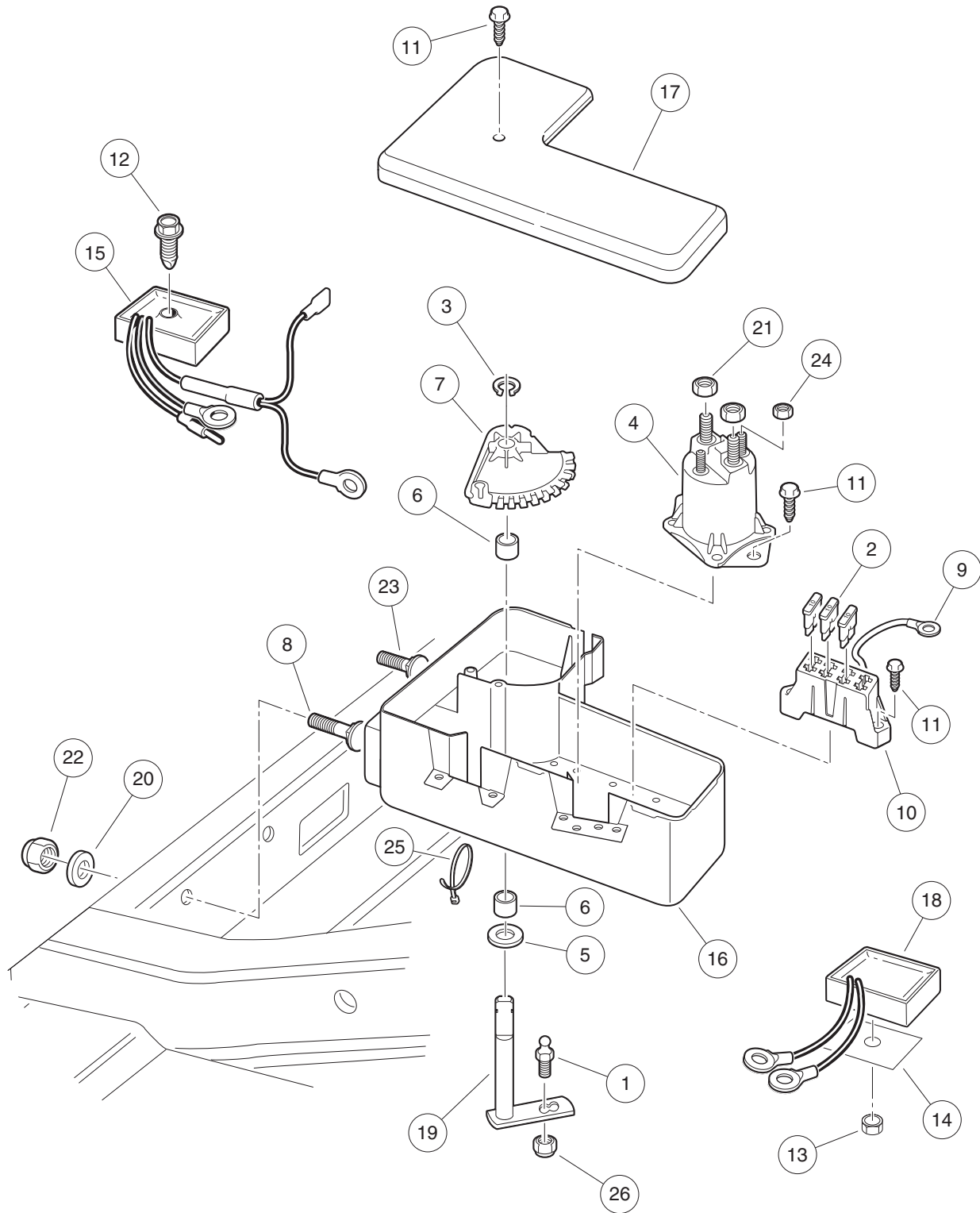
000755-003

# OPERATION AND MAINTENANCE SWITCH

ITEM	PART NO.	DESCRIPTION	QTY
		1 2 3 4	
1	<u>101908401</u>	Boot, Switch .....	1
2	<u>101922501</u>	Bracket, Tow/Run Switch Mounting .....	1
3	<u>103198401</u>	Switch, Toggle, SPDT .....	1
4	<u>103205501</u>	Decal, Maintenance/Operate Switch .....	1
5	<u>332</u>	Washer, 1/4 Type A Narrow Flat .....	2
6	<u>8233</u>	Locknut, 1/4-20, Nylon Insert .....	2
7	<u>8248</u>	Screw, 1/4-20 X 0.75, Truss-Head Machine .....	2

**7**  
**G**

**7**  
**G**



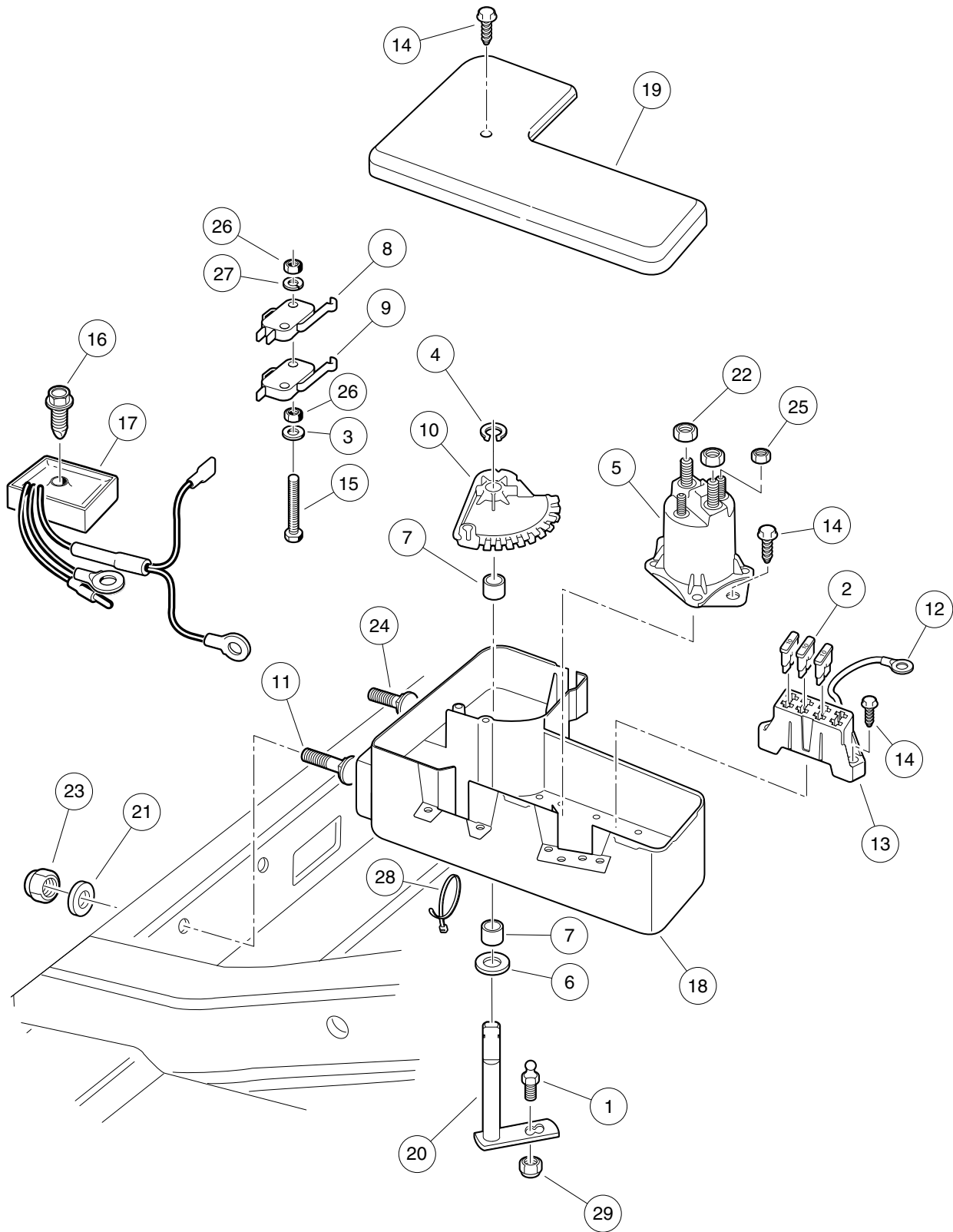
001014-005

## ELECTRICAL COMPONENT BOX, KEY-START

ITEM	PART NO.	DESCRIPTION	QTY
		1 2 3 4	
1	<u>1010954</u>	Stud, Ball, 1/4-28 X 0.560 .....	1
2	<u>1012295</u>	Fuse, 10-Amp .....	3
3	<u>1013589</u>	Ring, Retaining, 0.338" Internal .....	1
4	<u>1013609</u>	Solenoid, 12-Volt .....	1
5	<u>1014065</u>	Washer, Flat, 0.38" ID, Delrin .....	1
6	<u>1014145</u>	Bushing, Secondary Weight, Split .....	2
7	<u>1015373</u>	Cam, Electric Box .....	1
8	<u>1015405</u>	Bolt, Carriage, 5/16-18 X 2.0 .....	1
9	<u>1015737</u>	Wire Assy, #10 Red .....	1
10	<u>1015741</u>	Fuse Block .....	1
11	<u>1015752</u>	Screw, #12-16 X 0.625, Hi-Lo .....	5
12	<u>101856102</u>	Screw, 1/4-15 X 1.50, Hi-lo, Hex .....	1
13	<u>101963401</u>	Locknut, 5/16-18 Hex Flange .....	1
14	<u>102269701</u>	Thermal Pad .....	1
15	<u>102711201</u>	Voltage Regulator .....	1
16	105000301	Box, Component, Electrical .....	1
17	<u>105000401</u>	Cover, Box, Component, Elec .....	1
18	<u>105037201</u>	Diode, Charging .....	1
19	<u>105037401</u>	Weldment, Bellcrank, Comp Box .....	1
20	<u>1241</u>	Washer, 5/16 Type A Flat .....	2
21	<u>1242</u>	Nut, 5/16-18 Hex .....	2
22	<u>7473</u>	Locknut, 5/16-18 Nylon Insert .....	2
23	<u>7818</u>	Bolt, Carriage, 5/16-18 X 1.5 .....	1
24	<u>7893</u>	Nut, #10-32 Hex .....	2
25	<u>8639</u>	Tie Wrap, 11" Nylon .....	6
26	<u>8717</u>	Locknut, Nylon Insert, 1/4-28 .....	1

**7**  
**G**

**7**  
**G**



001014-001

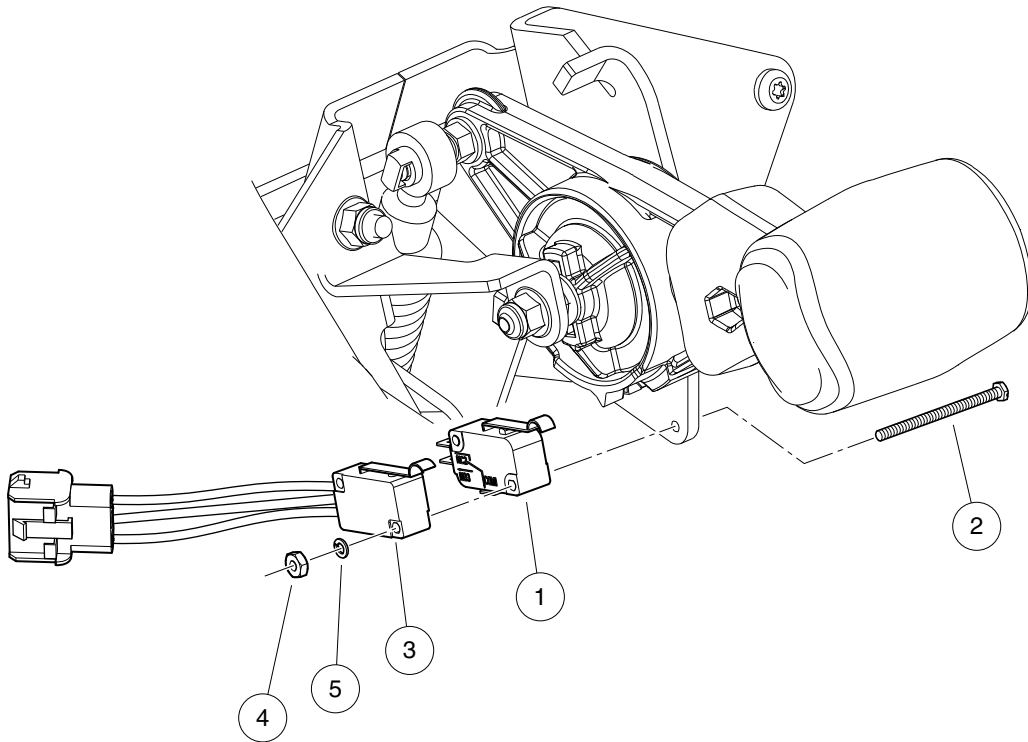


# ELECTRICAL COMPONENT BOX, PEDAL-START

ITEM	PART NO.	DESCRIPTION	QTY
		1 2 3 4	
1	<u>1010954</u>	Stud, Ball, 1/4-28 X 0.560 .....	1
2	<u>1012295</u>	Fuse, 10-Amp .....	3
3	<u>1012431</u>	Washer, #4 Flat .....	2
4	<u>1013589</u>	Ring, Retaining, 0.338" Internal .....	1
5	<u>1013609</u>	Solenoid, 12-Volt .....	1
6	<u>1014065</u>	Washer, Flat, 0.38" ID, Delrin .....	1
7	<u>1014145</u>	Bushing, Secondary Weight, Split .....	2
8	<u>1014807</u>	Switch, Limit .....	1
9	<u>1014808</u>	Switch, Limit .....	1
10	<u>1015373</u>	Cam, Electric Box .....	1
11	<u>1015405</u>	Bolt, Carriage, 5/16-18 X 2.0 .....	1
12	<u>1015737</u>	Wire Assy, #10 Red .....	1
13	<u>1015741</u>	Fuse Block .....	1
14	<u>1015752</u>	Screw, #12-16 X 0.625, Hi-Lo .....	5
15	<u>1015878</u>	Screw, #4-40 Hex Head Machine .....	2
16	<u>101856102</u>	Screw, 1/4-15 X 1.50, Hi-lo, Hex .....	1
17	<u>102711201</u>	Voltage Regulator .....	1
18	<u>105000301</u>	Box, Component, Electrical .....	1
19	<u>105000401</u>	Cover, Box, Component, Elec .....	1
20	<u>105037401</u>	Weldment, Bellcrank, Comp Box .....	1
21	<u>1241</u>	Washer, 5/16 Type A Flat .....	2
22	<u>1242</u>	Nut, 5/16-18 Hex .....	2
23	<u>7473</u>	Locknut, 5/16-18 Nylon Insert .....	2
24	<u>7818</u>	Bolt, Carriage, 5/16-18 X 1.5 .....	1
25	<u>7893</u>	Nut, #10-32 Hex .....	2
26	<u>8057</u>	Nut, #4-40 Hex Machine .....	4
27	<u>8058</u>	Lockwasher, #4 Split .....	2
28	<u>8639</u>	Tie Wrap, 11" Nylon .....	6
29	<u>8717</u>	Locknut, Nylon Insert, 1/4-28 .....	1

**7**

**G**

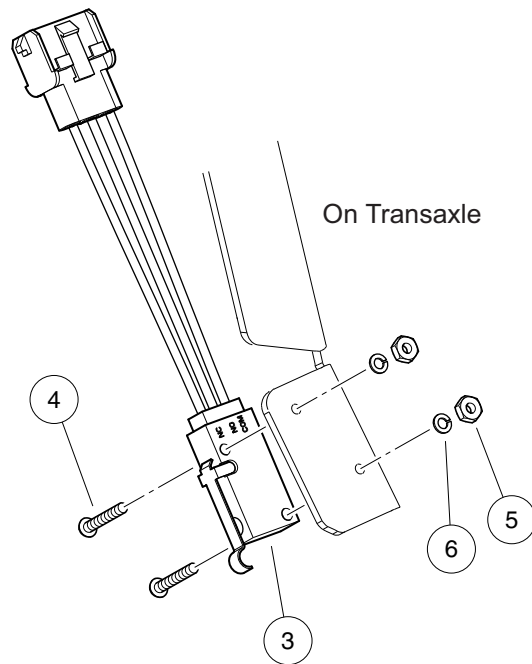
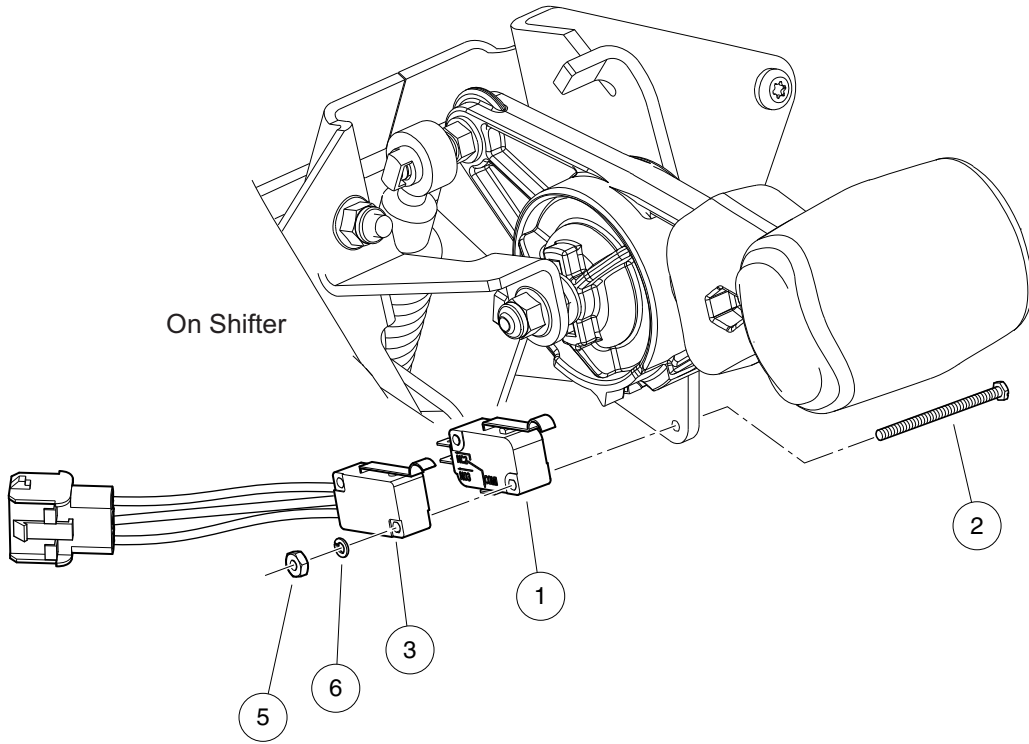


000999-002

# FORWARD/REVERSE SHIFTER SWITCHES, KEY-START – EFI

ITEM	PART NO.	DESCRIPTION	QTY
		<b>1 2 3 4</b>	
1	<u>1014807</u>	Switch, Limit .....	1
2	<u>1015878</u>	Screw, #4-40 Hex Head Machine .....	2
3	<u>105102601</u>	Switch, Limit, Sealed, with 3-Wire Lead .....	1
4	<u>8057</u>	Nut, #4-40 Hex Machine .....	2
5	<u>8058</u>	Lockwasher, #4 Split .....	2

**7**  
**G**



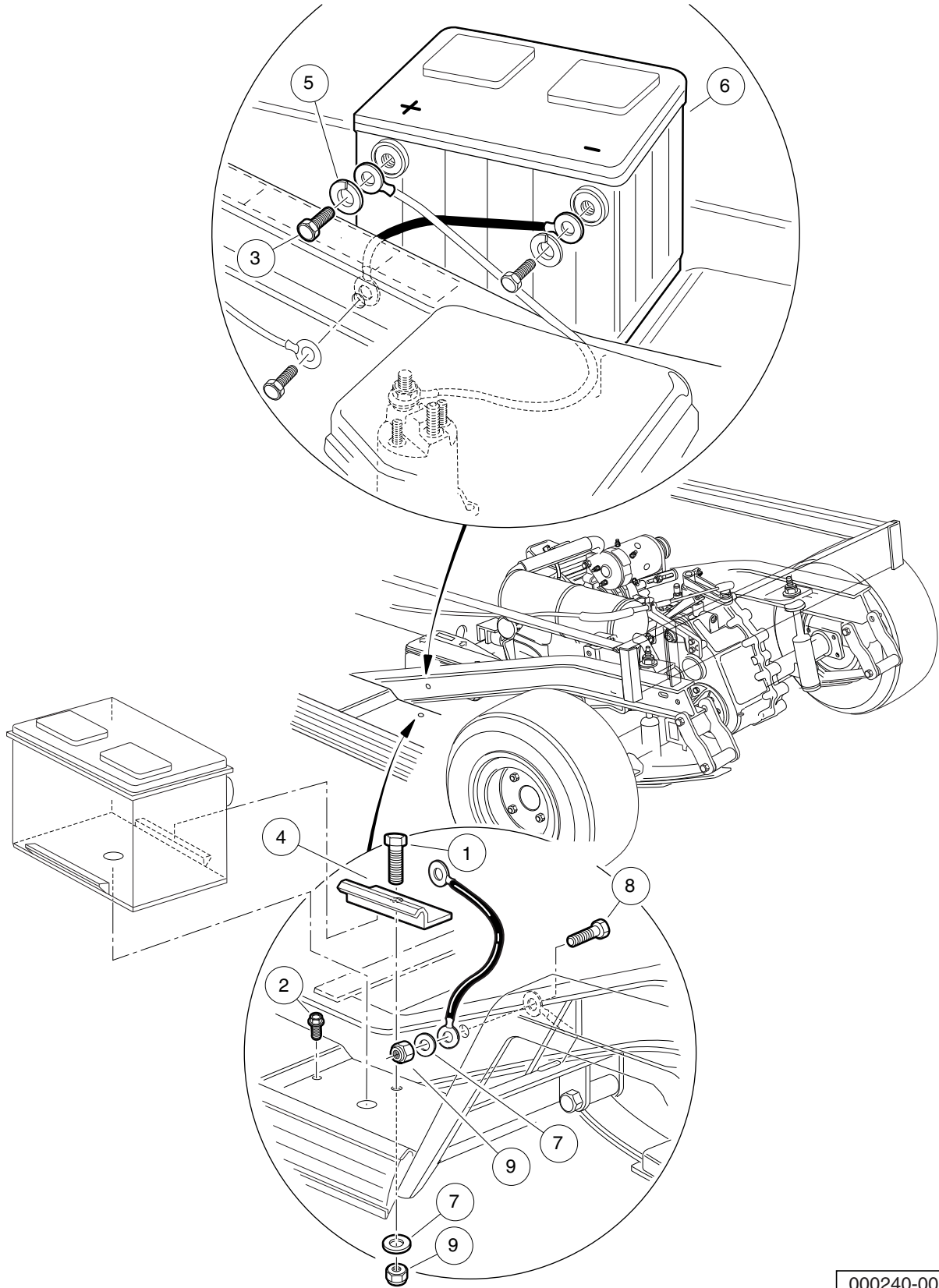
000999-001

# FORWARD/REVERSE SHIFTER SWITCHES, PEDAL-START – EFI

ITEM	PART NO.	DESCRIPTION	QTY
		1 2 3 4	
1	<u>1014807</u>	Switch, Limit .....	1
2	<u>1015878</u>	Screw, #4-40 Hex Head Machine .....	2
3	<u>105102601</u>	Switch, Limit, Sealed, with 3-Wire Lead .....	2
4	<u>8056</u>	Screw, #4-40 X 0.75 Round-Head Machine .....	2
5	<u>8057</u>	Nut, #4-40 Hex Machine .....	4
6	<u>8058</u>	Lockwasher, #4 Split .....	4

**7**  
**G**

**7**  
**G**



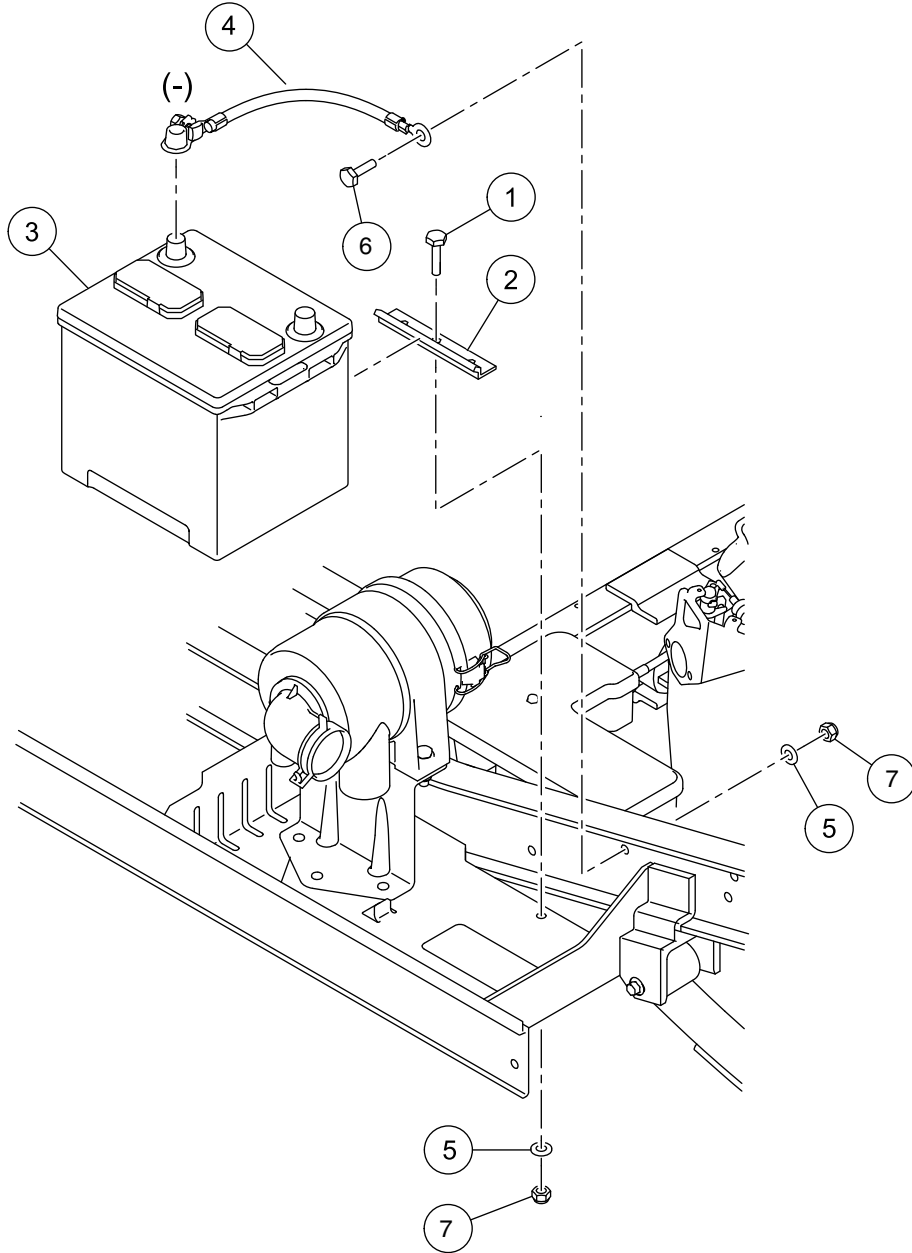
000240-001

# BATTERY – GASOLINE UTILITY VEHICLES

ITEM	PART NO.	DESCRIPTION	QTY
		1 2 3 4	
1	<u>1010934</u>	Screw, 5/16-18 X 1.00 Hex Cap .....	1
2	<u>1014288</u>	Screw, 5/16-18 X 0.75, Thread-Forming .....	1
3	<u>1014375</u>	Screw, 3/8-16 X 0.50, Stainless Steel, Hex-Head .....	2
4	<u>101898001</u>	Clamp, Battery .....	1
5	<u>101898101</u>	Retainer - Battery .....	1
6	<u>102355301</u>	Lockwasher, 3/8 Split Ss .....	2
7	<u>103496801</u>	Battery, Start, 12v .....	1
8	<u>1241</u>	Washer, 5/16 Type A Flat .....	2
9	<u>1606</u>	Rivet, 3/16 X .500 Alum Pop .....	2
10	<u>7173</u>	Screw, 5/16-18 X 0.75, Hex-Head Cap .....	1
11	<u>7473</u>	Locknut, 5/16-18 Nylon Insert .....	2

7

G



000250-001



## TOP-POST BATTERY – GASOLINE UTILITY VEHICLES

ITEM	PART NO.	DESCRIPTION	QTY
		1 2 3 4	
1	<u>1010934</u>	Screw, 5/16-18 X 1.00 Hex Cap .....	1
2	<u>101898001</u>	Clamp, Battery .....	1
3	<u>105237301</u>	Battery, Start, 12v, Type 26 .....	1
4	105256701	Wire Assy, 4ga, Battery, (top-post) B-, Gas .....	1
5	<u>1241</u>	Washer, 5/16 Type A Flat .....	2
6	<u>7173</u>	Screw, 5/16-18 X 0.75, Hex-Head Cap .....	1
7	<u>7473</u>	Locknut, 5/16-18 Nylon Insert .....	2

7

G

7

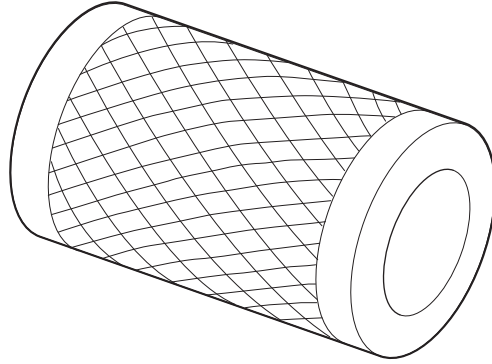
G

# ENGINE (KOHLER ECH440)

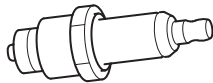
---

8

G



1



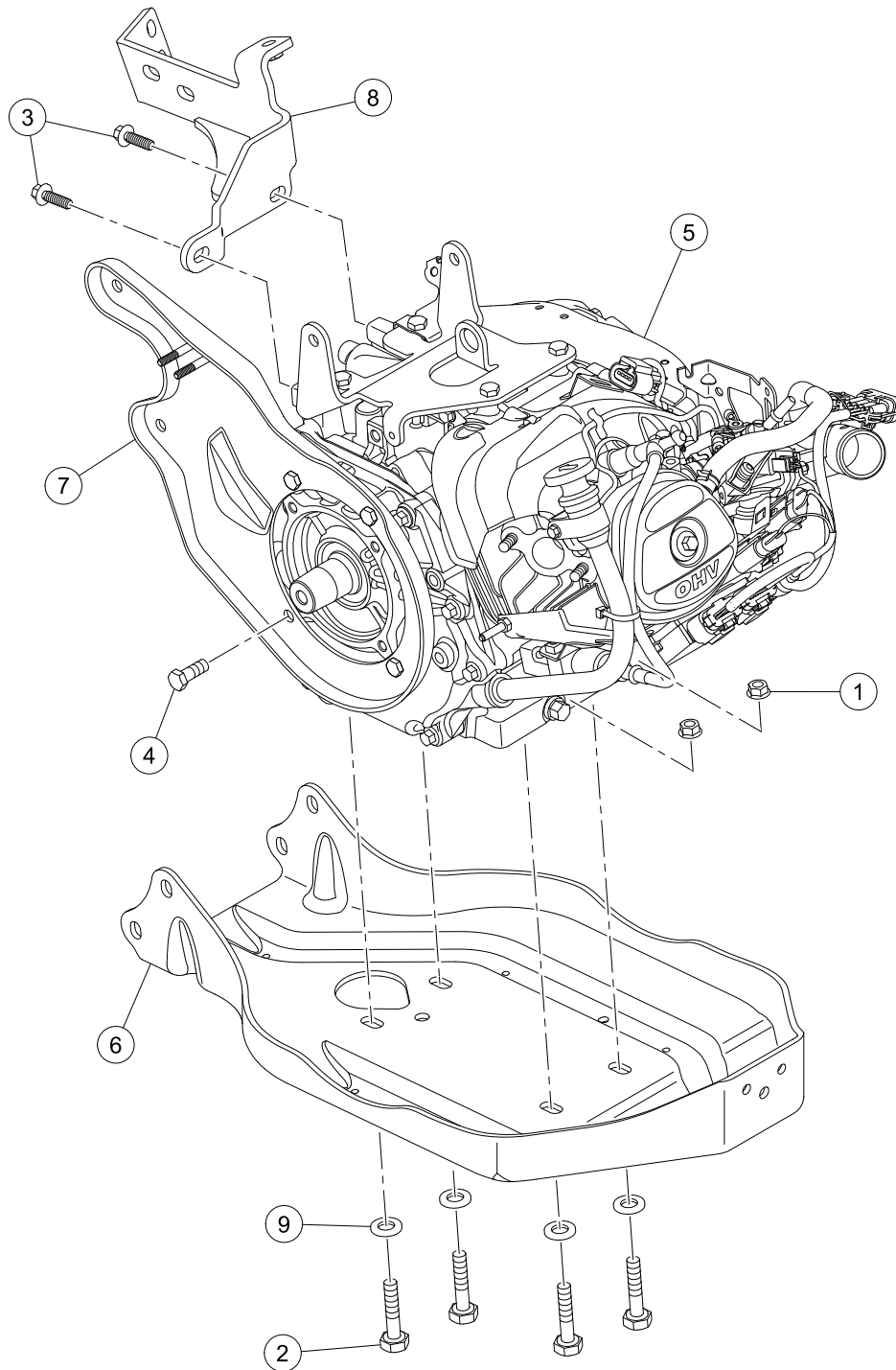
2

000992-003

# TUNE-UP PARTS

ITEM	PART NO.	DESCRIPTION	QTY
1	<u>102558201</u>	1 2 3 4 Air Filter, 4 Inch .....	1
2	<u>47640281001</u>	Plug, Spark, Kohler .....	1

**8**  
**G**



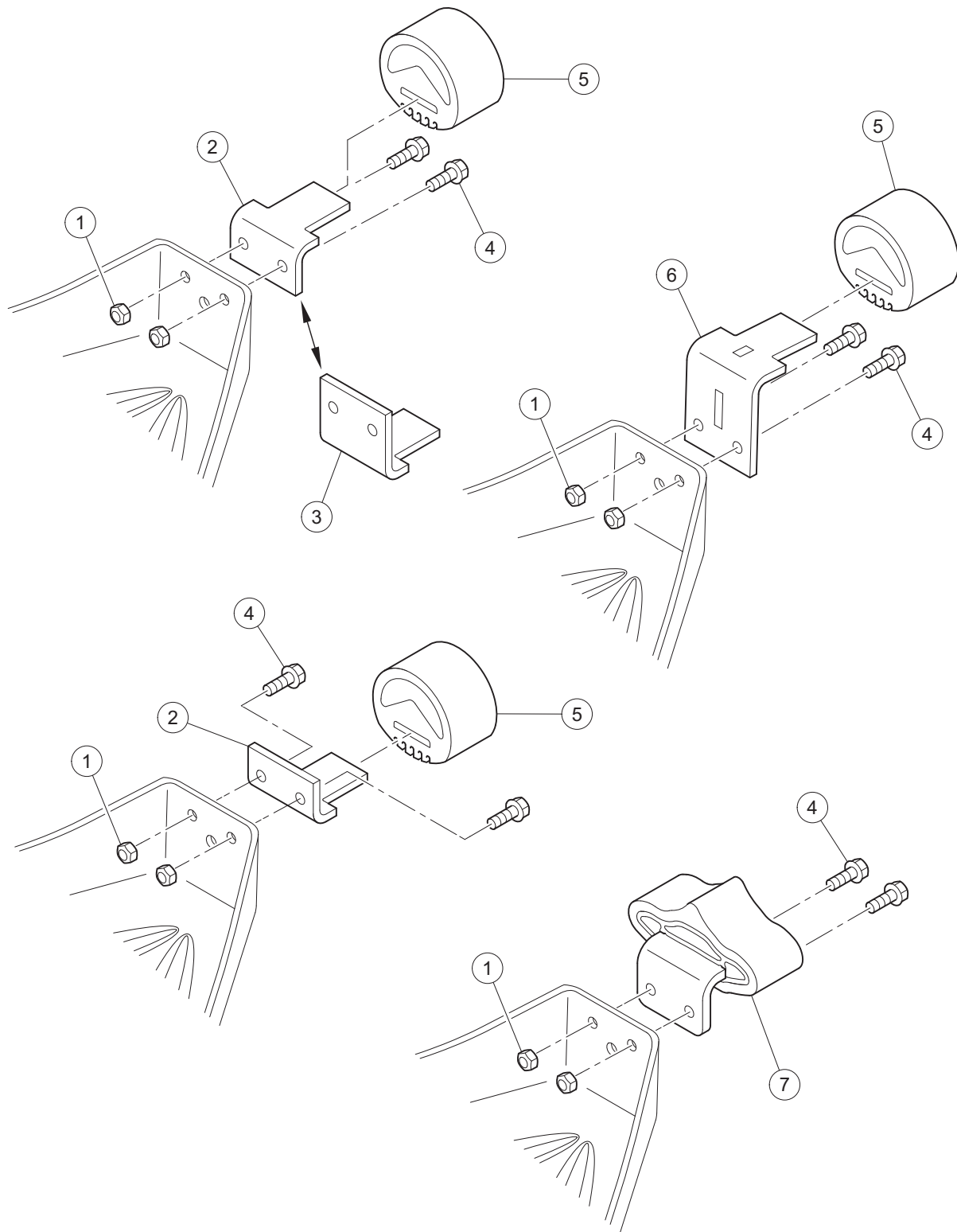
G-110199-000002

## ENGINE AND ENGINE MOUNTING

ITEM	PART NO.	DESCRIPTION	QTY
		1 2 3 4	
1	<u>102617201</u>	Nut, Flanged, M10 X 1.5, Mechanically Deformed .....	4
2	<u>102732401</u>	Bolt, M10 X 45, Zn-Ni (Black) .....	4
3	<u>103262201</u>	Bolt Flg Blk, M8 X 25, Loctite .....	2
4	<u>103508101</u>	Bolt, 3/8-16 X .75 Lock Patch .....	4
5	<u>47598099001</u>	Engine, Gas, Ech440 .....	1
6	<u>47611483001</u>	Plate, Mtg, Engine/axle, Pan .....	1
7	<u>47611484001</u>	Plate, Mtg, Engine/axle, Cvt .....	1
8	<u>47611648001</u>	Weldment, Mtg, Exhaust .....	1
9	<u>96741046</u>	Washer, M10, Hard .....	4

8

G



G-010299-000001

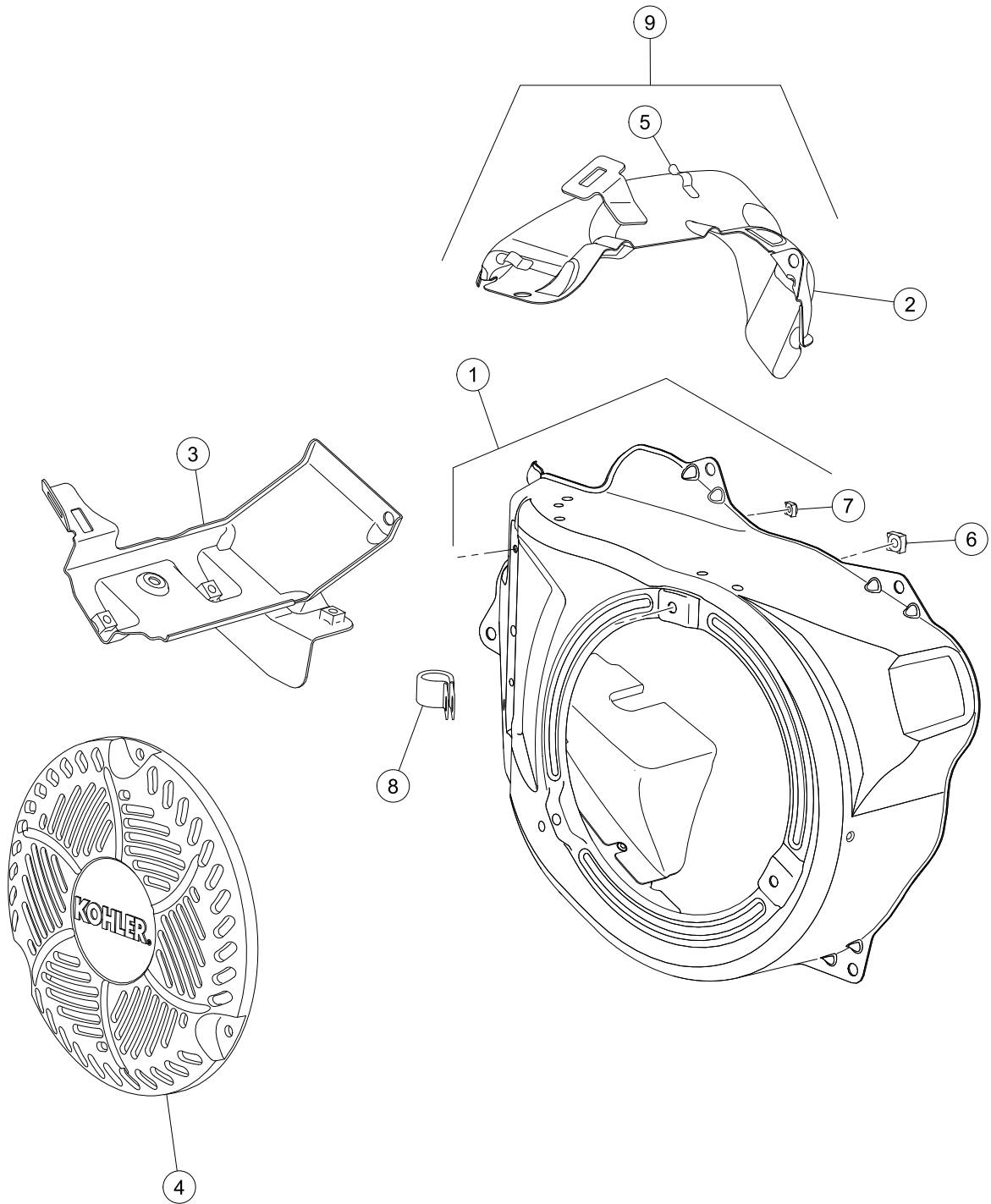


# ENGINE PAN AND SNUBBER MOUNTING

ITEM	PART NO.	DESCRIPTION	QTY
		1 2 3 4	
1	<u>1013924</u>	Nut, 5/16-24, Hex Head Cone .....	2
2	<u>101834601</u>	Bracket, Snubber .....	1
3	<u>101834602</u>	Bracket, Snubber, Tall .....	1
4	<u>101884801</u>	Screw, 5/16-24 X 0.875, Grade-8 .....	2
5	<u>102540301</u>	Snubber, Inner Frame .....	1
6	47564890001	Bracket, Snubber, Csmr, Lifted .....	1
7	47587701001	Asm, Dual Snubber (includes items 8 and 9) .....	1
8	47583795001	Bracket, Dual Snubber .....	1
9	47584184001	Snubber, Dual .....	1
<p style="margin-left: 40px;">Note: Items 8 and 9 are not illustrated.</p>			

8

G

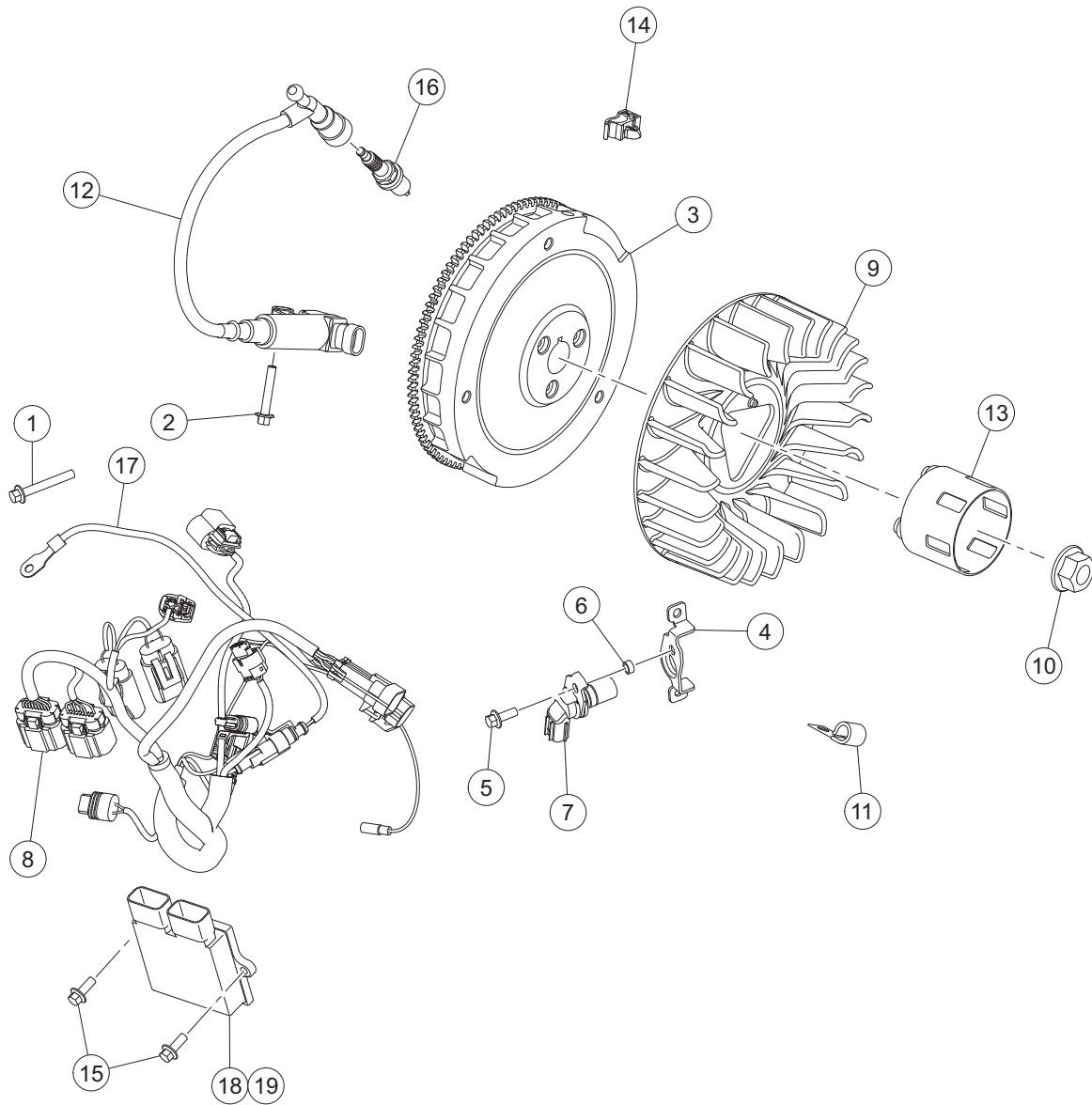


G-040899-000001

## BLOWER HOUSING AND HEAT SHIELD – ECH440

ITEM	PART NO.	DESCRIPTION	QTY
		1 2 3 4	
1	<u>47629844001</u>	Kit, Blower Housing, Kohler .....	1
2	<u>47629845001</u>	Shield, Upper Heater, Kohler .....	1
3	<u>47629846001</u>	Shield Assembly, Cylinder, Koh .....	1
4	<u>47629847001</u>	Screen, Blower Housing, Kohler .....	1
5	<u>47629848001</u>	Clip, Wire, Kohler .....	2
6	<u>47629851001</u>	Nut, Blower Housing (cky), Koh .....	1
7	<u>47629853001</u>	Nut, Blower Housing (cky), Koh .....	1
8	<u>47629855001</u>	Clamp, Insulator, Kohler .....	1
9	<u>47629856001</u>	Assembly, Heat Shield, Kohler .....	1

**8**  
**G**



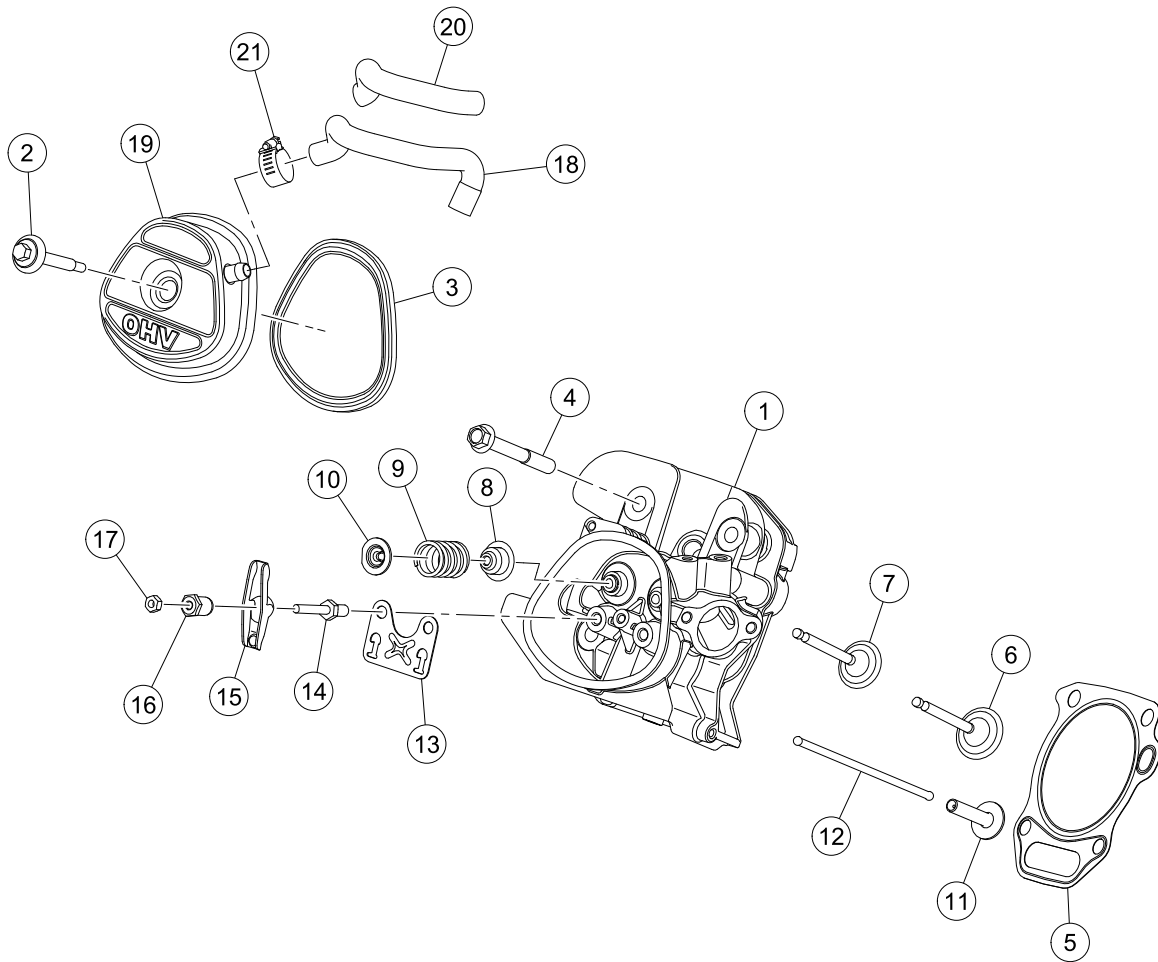
G-040799-000003

## IGNITION COMPONENTS AND FLYWHEEL – ECH440

ITEM	PART NO.	DESCRIPTION	QTY
		1 2 3 4	
1	47629702001	Screw, Hex Flange (m6), Kohler .....	1
2	47629702001	Screw, Hex Flange (m6), Kohler .....	3
3	47629826001	Flywheel Assy, Electric Start .....	1
4	47629828001	Bracket, Crank Sensor, Kohler .....	1
5	47629831001	Screw, Hex Flange, Kohler .....	1
6	47629832001	Spacer, Kohler .....	1
7	47629833001	Sensor, Speed, Kohler .....	1
8	47629834001	Harness, Wiring Assy, Kohler .....	1
9	47629835001	Fan, Flywheel, Kohler .....	1
10	47629836001	Nut, Flywheel, Kohler .....	1
11	47629837001	Clip, Cable, Kohler .....	1
12	47629838001	Coil, Ignition-efi, Kohler .....	1
13	47629841001	Cup, Starter Drive, Kohler .....	1
14	47629843001	Clip, Wiring Harness, Kohler .....	1
15	47640021001	Screw, M6x16, Kohler .....	2
16	47640281001	Plug, Spark, Kohler .....	1
17	47650647001	Sensor, Temperature .....	1
18	47664335001	Module, Ecu, Kohler, O2 Update .....	A/R
19	47676897001	Module, ECU, Kohler .....	A/R
Note: Item 19 (47676897001) only applies to vehicles that have had kit p/n 47649794001 installed. Make sure to validate and order correct ECU p/n.			

8

G



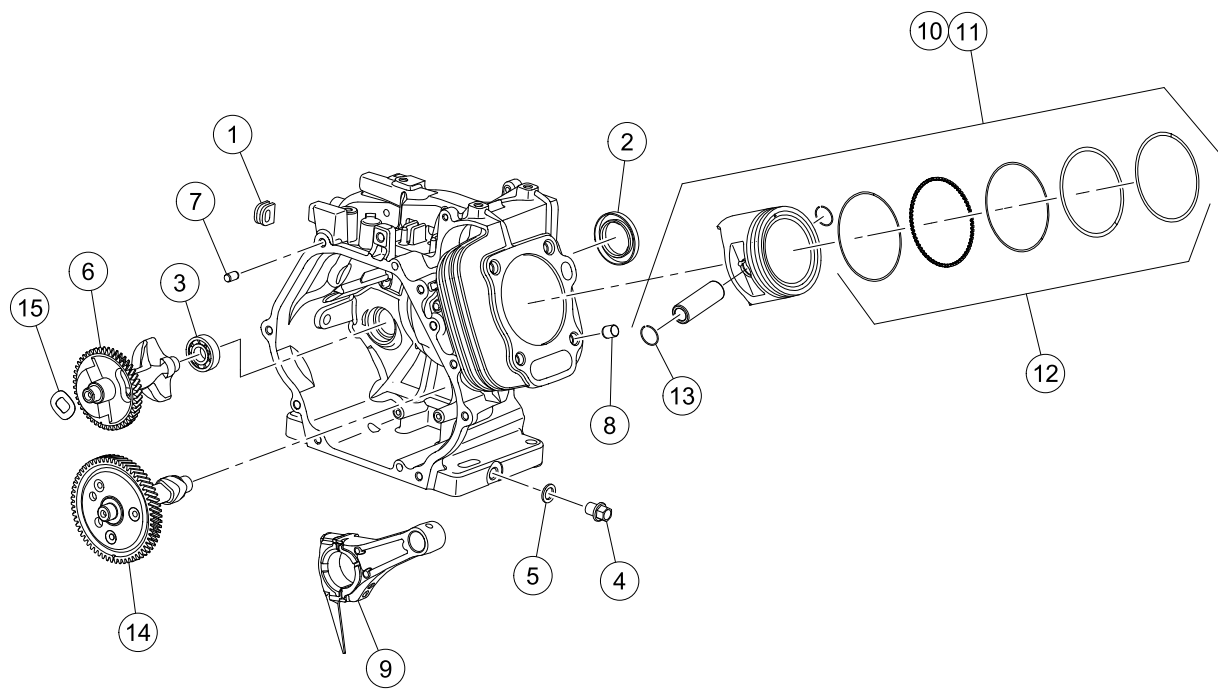
G-040599-000001

## CYLINDER HEAD AND VALVE – ECH440

ITEM	PART NO.	DESCRIPTION	QTY
		1 2 3 4	
1	<u>47629711001</u>	Assembly, Cylinder Head, Kohle .....	1
2	<u>47629714001</u>	Screw, Valve Cover Seal Assy, .....	1
3	<u>47629716001</u>	Gasket, Valve Cover, Kohler .....	1
4	<u>47629717001</u>	Screw, Hex Flange Cylinder Hea .....	4
5	<u>47629718001</u>	Kit, Head Gasket, Kohler .....	1
6	<u>47629719001</u>	Valve, Intake, Kohler .....	1
7	<u>47629720001</u>	Valve, Exhaust, Kohler .....	1
8	<u>47629722001</u>	Seal, Valve Stem, Kohler .....	2
9	<u>47629723001</u>	Spring, Valve, Kohler .....	2
10	<u>47629724001</u>	Retainer, Valve Spring, Kohler .....	2
11	<u>47629725001</u>	Lifter, Valve, Kohler .....	2
12	<u>47629726001</u>	Rod, Push, Kohler .....	2
13	<u>47629727001</u>	Plate, Pushrod Guide, Kohler .....	1
14	<u>47629728001</u>	Stud, Rocker, Kohler .....	2
15	<u>47629729001</u>	Arm, Rocker, Kohler .....	2
16	<u>47629730001</u>	Pivot, Rocker Arm, Kohler .....	2
17	<u>47629768001</u>	Nut, Hex Jam, Kohler .....	2
18	<u>47629822001</u>	Hose, Breather, Kohler .....	1
19	<u>47629823001</u>	Valve Cover Assembly, Kohler .....	1
20	<u>47629824001</u>	Sleeve, Anti Abrasion, Kohler .....	1
21	<u>47629825001</u>	Clamp, Hose, Kohler .....	1

**8**

**G**



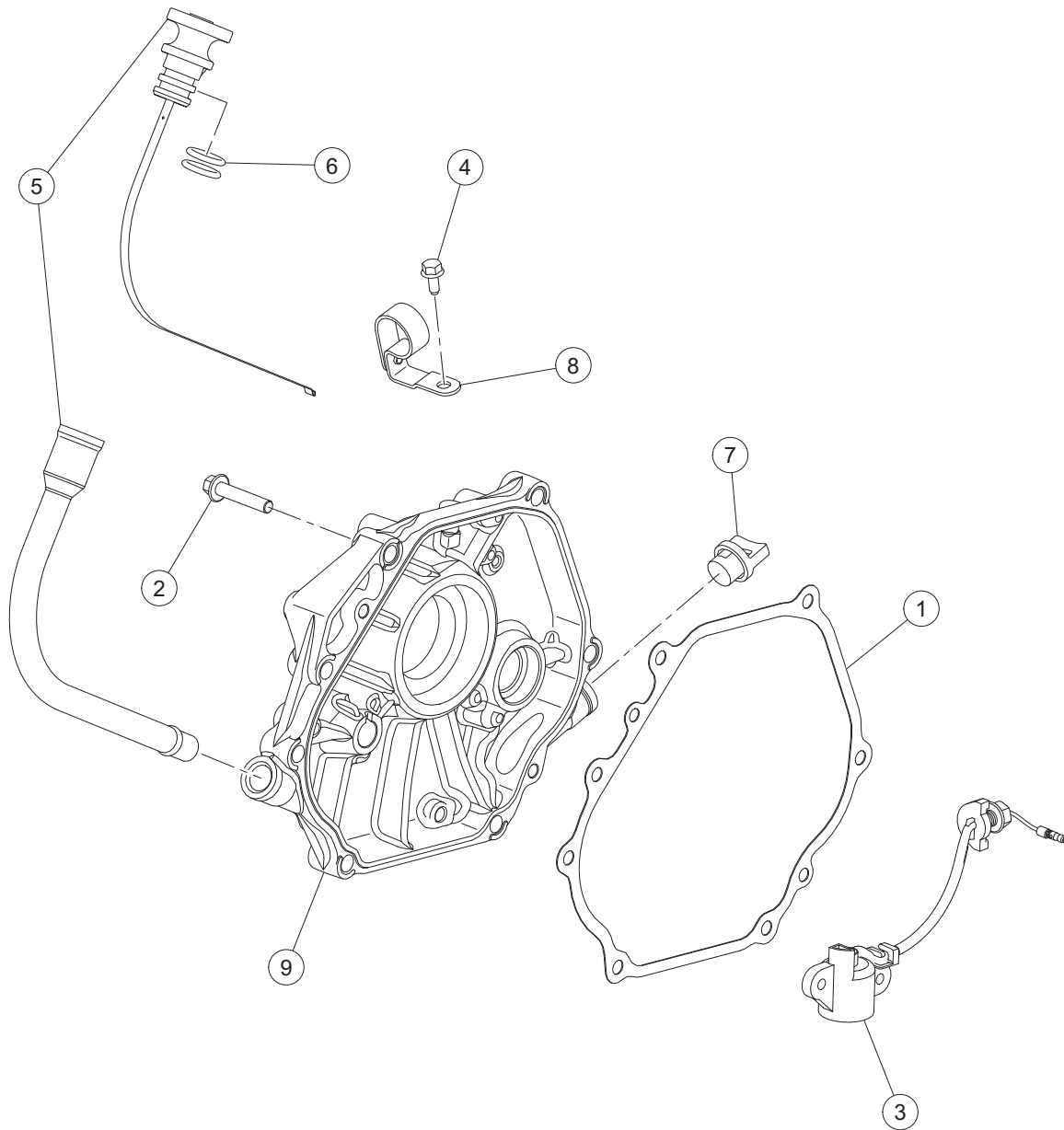
G-040399-000001



# CRANKCASE AND PISTON – ECH440

ITEM	PART NO.	DESCRIPTION	QTY
		1 2 3 4	
1	<u>47629677001</u>	Grommet, Crankcase,kohler .....	1
2	<u>47629680001</u>	Seal, Crankcase, Kohler .....	2
3	<u>47629682001</u>	Bearing, Balancing Shaft, Kohl .....	2
4	<u>47629685001</u>	Kit, Drain Plug, Kohler .....	2
5	<u>47629686001</u>	Washer, Drain Plug, Kohler .....	2
6	<u>47629687001</u>	Shaft, Balance, Kohler .....	1
7	<u>47629688001</u>	Pin, Dowel, Kohler .....	2
8	<u>47629689001</u>	Pin, Dowel Cylinder Head, Kohl .....	2
9	<u>47629690001</u>	Rod, Connecting Assembly,kohle .....	1
10	<u>47629691001</u>	Kit, Piston Wing Set (std), Ko .....	1
11	<u>47629693001</u>	Kit, Piston (0.25 O.s.), Kohle .....	1
12	<u>47629694001</u>	Ring Set, Kohler .....	2
13	<u>47629696001</u>	Retainer, Piston, Kohler .....	2
14	<u>47629697001</u>	Camshaft Assembly, Kohler .....	1
15	<u>47629698001</u>	Spring, Wave, Kohler .....	1

**8**  
**G**

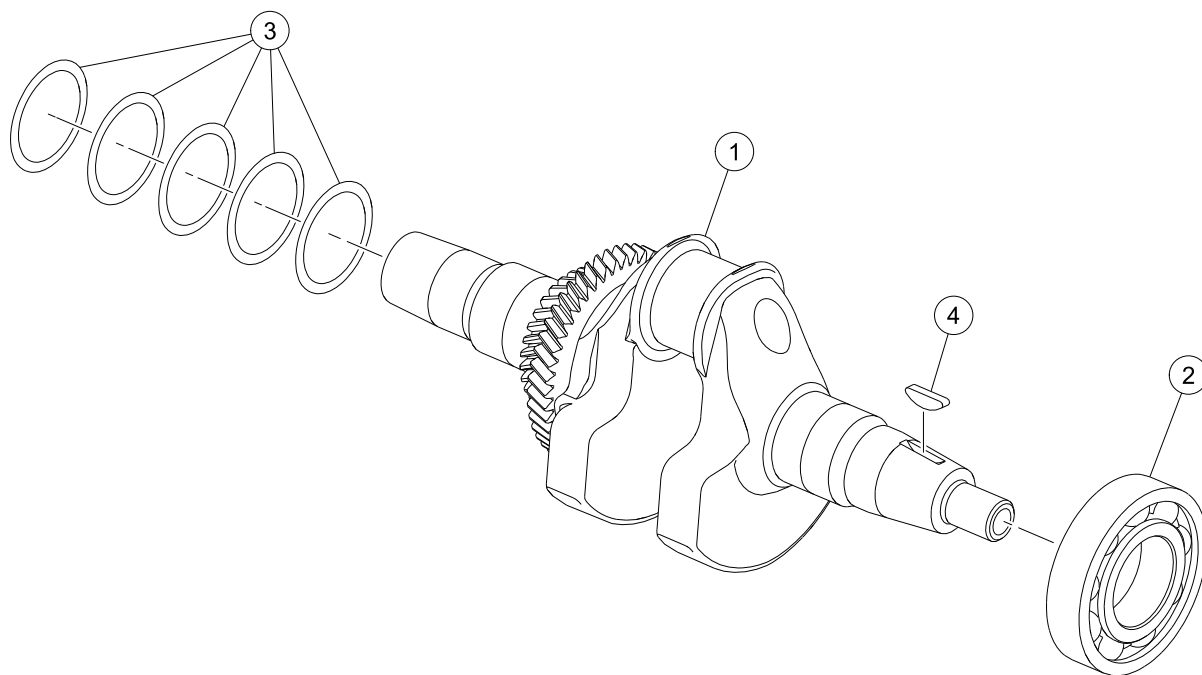


G-040699-000001

## OIL SENSOR AND LUBRICATION – ECH440

ITEM	PART NO.	DESCRIPTION	QTY
		1 2 3 4	
1	<u>47629699001</u>	Gasket, Closure Plate, Kohler .....	1
2	<u>47629700001</u>	Screw, Closure Plate, Kohler .....	7
3	<u>47629701001</u>	Switch, Oil Sensor Assembly, K .....	1
4	<u>47629702001</u>	Screw, Hex Flange (m6), Kohler .....	18
5	<u>47629703001</u>	Dipstick, Assembly, Kohler .....	1
6	<u>47629705001</u>	O-ring, Dipstick Cap, Kohler .....	2
7	<u>47629707001</u>	Cap Assy, Oil Fill, Kohler .....	1
8	<u>47629709001</u>	Bracket, Dipstick Tub, Kohler .....	1
9	<u>47640020001</u>	Plate, Closure, Kohler .....	1

**8**  
**G**



G-040299-000001

# CRANKSHAFT – ECH440

ITEM	PART NO.	DESCRIPTION	QTY
		<b>1 2 3 4</b>	
1	<u>47629583001</u>	Crankshaft Assembly, Kohler .....	1
2	<u>47629585001</u>	Bearing, Crankshaft, Kohler .....	2
3	<u>47629588001</u>	Kit, Shims, Kohler .....	5
4	<u>47629589001</u>	Key, Flywheel, Kohler .....	1

**8**  
**G**

8

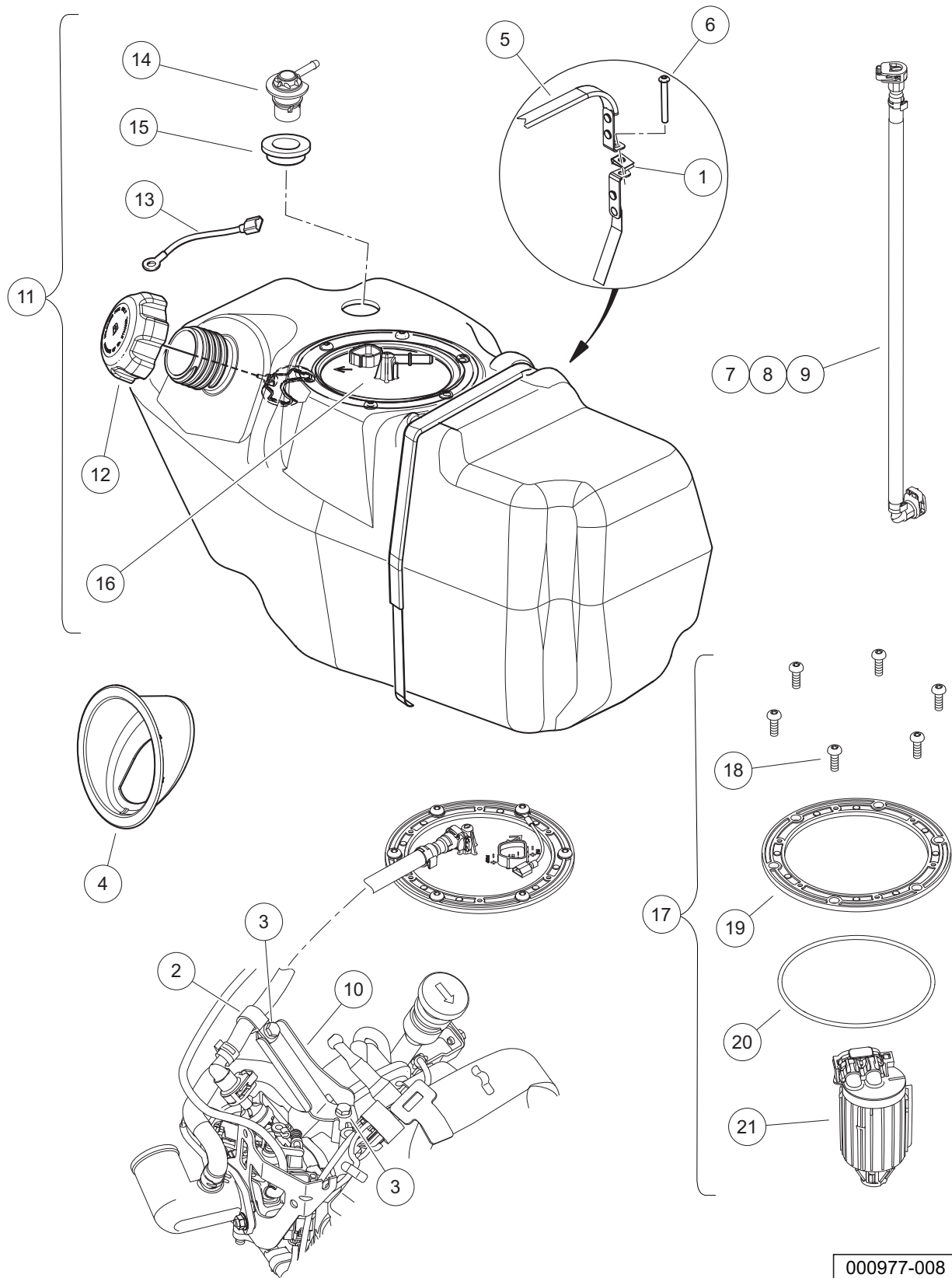
G

# FUEL SYSTEM – EFI

---

9

G



000977-008

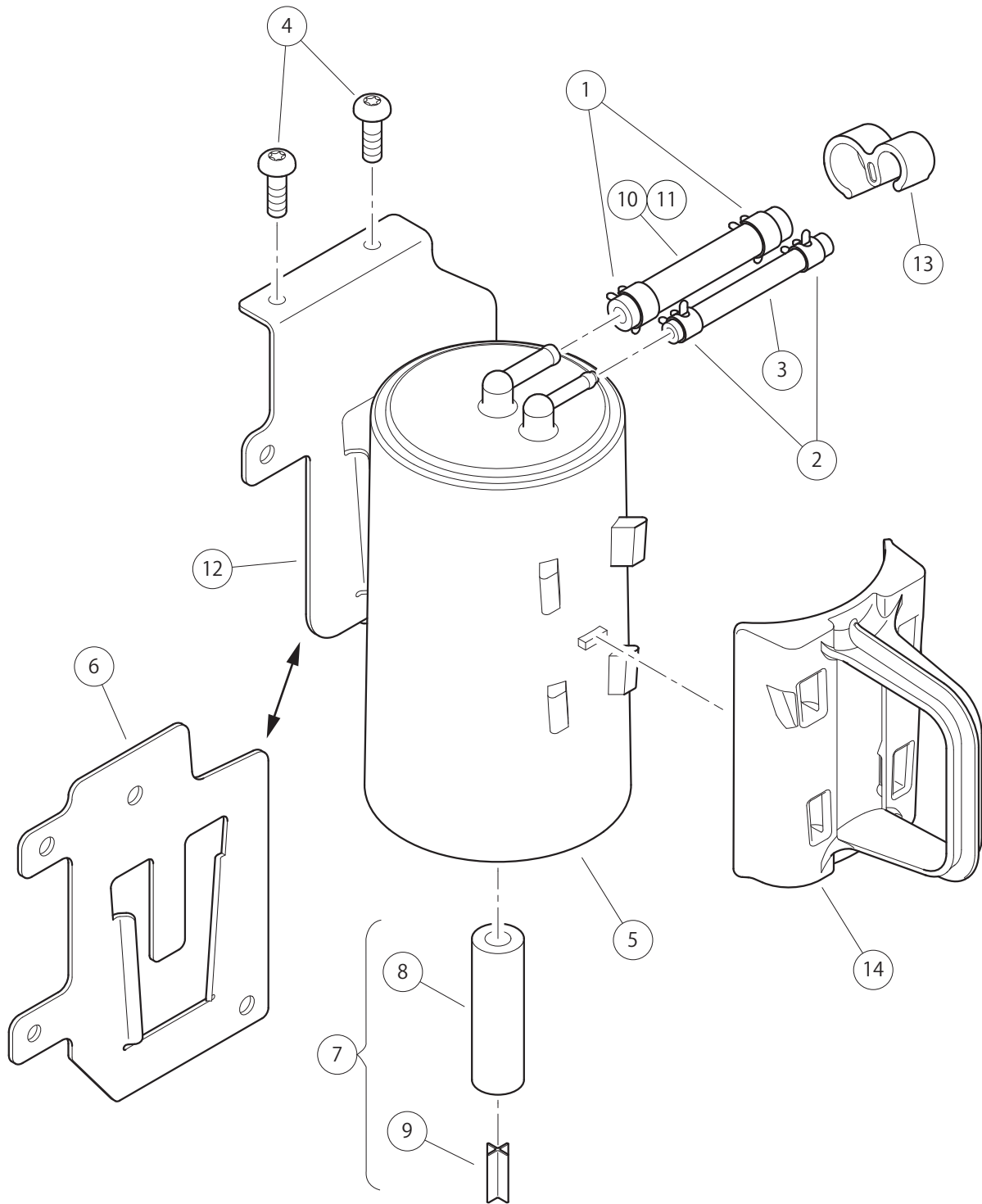


## FUEL TANK WITH PUMP, SIDE FILL – EFI

ITEM	PART NO.	DESCRIPTION	QTY
		<b>1 2 3 4</b>	
1	<u>1014116</u>	Nut, 1/4-20 Speed .....	1
2	102410607	P-clamp, Insulated .500 In .....	1
3	<u>102490301</u>	Bolt, M6 X 1 X 16, Loctite .....	2
4	<u>102977901</u>	Bezel, Fuel Fill, 5.0 Dia .....	1
5	<u>105093601</u>	Retention Strap, Tank .....	1
6	<u>105194101</u>	1/4-20 X 2.5, Bhcs, 6-lobe .....	1
7	47606233001	Asm, Fuel Line, Util .....	1
8	47606233002	Asm, Fuel Line, Util .....	1
9	47606233004	Asm, Fuel Line, Uff, Hb, Lwb .....	1
10	47634448002	Bracket, Support .....	1
11	47664037001	Asm, Tank, Fuel, Side, Su (includes items 12 through 17) .....	1
12	<u>103372101</u>	Cap, Fuel Tank, Gas, Ratchet .....	1
13	<u>105143301</u>	Wire, Ground, Fuel Tank .....	1
14	47611876001	Vent Rov, Fuel Tank, Precedent .....	1
15	47611877001	Grommet, Fuel Tank, Vent .....	1
16	N/A	Fuel Pump Module Su 50psi .....	1
17	<u>47623339001</u>	Kit, Fuel Filter, 50 Psi (includes items 18 through 21) .....	1
18	<u>102025801</u>	Screw, 1/4-20 X .75 Torx Pn Hd .....	6
19	<u>105043801</u>	Fuel Module, Hold Down Ring .....	1
20	<u>105043901</u>	O-Ring, Fuel Module .....	1
21	N/A	Fuel Filter, 50psi .....	1
<p>Note: Item 7 applies to short wheel base vehicles only. Item 8 applies to medium wheel base vehicles only. Item 9 applies to long wheel base vehicles only.</p>			

**9**

**G**



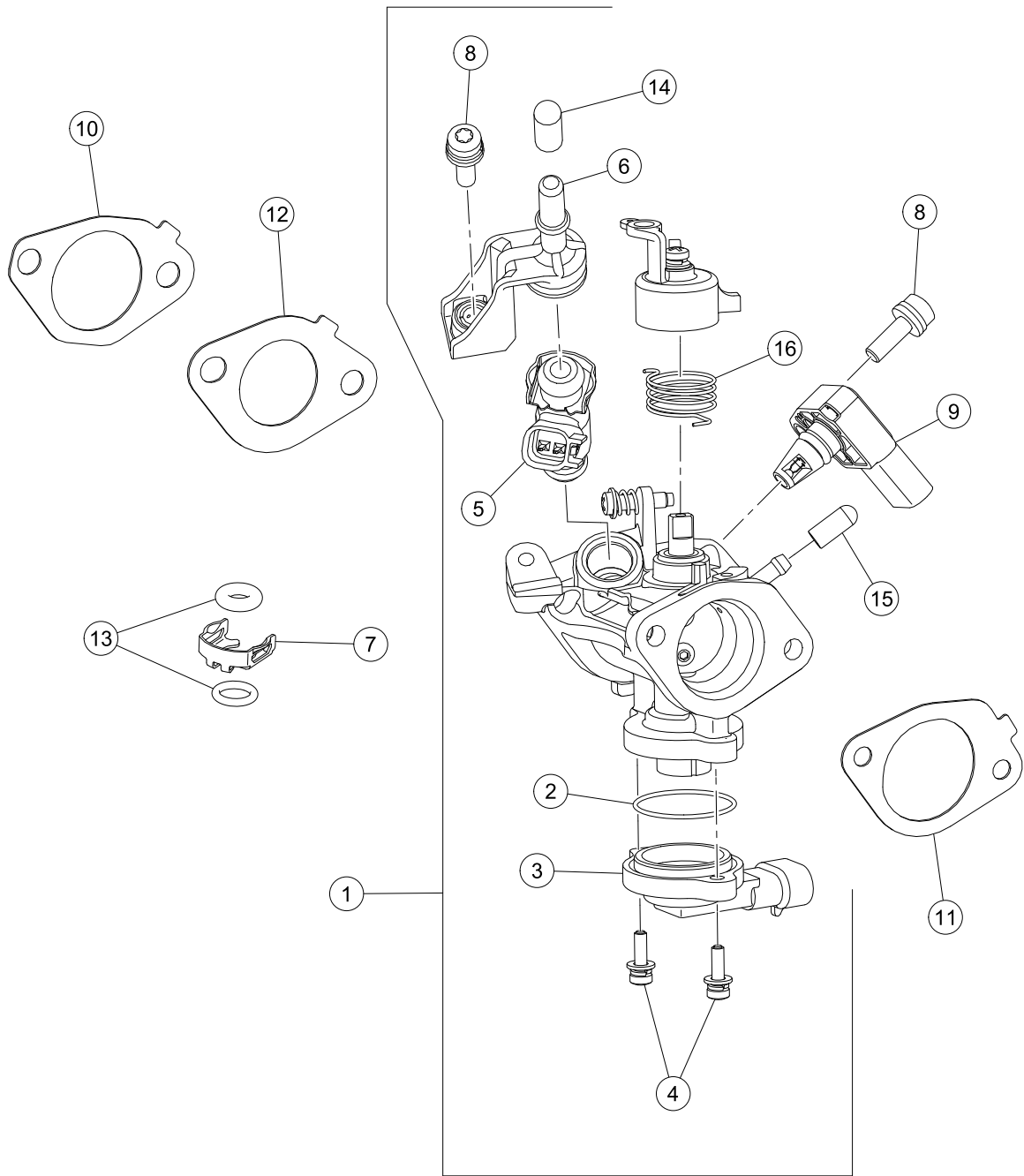
000980-014

## CARBON CANISTER – EFI

ITEM	PART NO.	DESCRIPTION	QTY
		<b>1 2 3 4</b>	
1	<u>1012649</u>	Clamp, 0.460 Red Hose .....	2
2	<u>1013746</u>	Clamp, 0.301 ID Hose .....	2
3	101587714	Hose, Fuel, Vent, 34" Long .....	1
4	<u>102025801</u>	Screw, 1/4-20 X .75 Torx Pn Hd .....	2
5	<u>103372401</u>	Canister, Carbon .....	1
6	<u>103452001</u>	Brkt, Mtg, Carbon Canister .....	1
7	<u>103756401</u>	Asm, Vent Line, Carbon Canister (includes items 8 and 9) .....	1
8	N/A	Hose, Vent, 5/16 I.D., Bulk .....	1
9	N/A	Vent, Barb, 5/16 I.D. Hose .....	1
10	103896604	Hose, Vent, 1/4 Id, 17 In (SWB and Utility) .....	1
11	103896605	Hose, Vent, 1/4 Id, 23.5 In .....	1
12	47606257001	Brkt, Mtg, Carbon Canister .....	1
13	47619701001	Clip, Purge Line, Util .....	2
14	47637087001	Bracket, fuel line routing .....	1
<p>Note: Items 6 and 14 apply to short wheel base vehicles only. Item 12 applies to utility and long wheel base vehicles only.</p>			

9

G

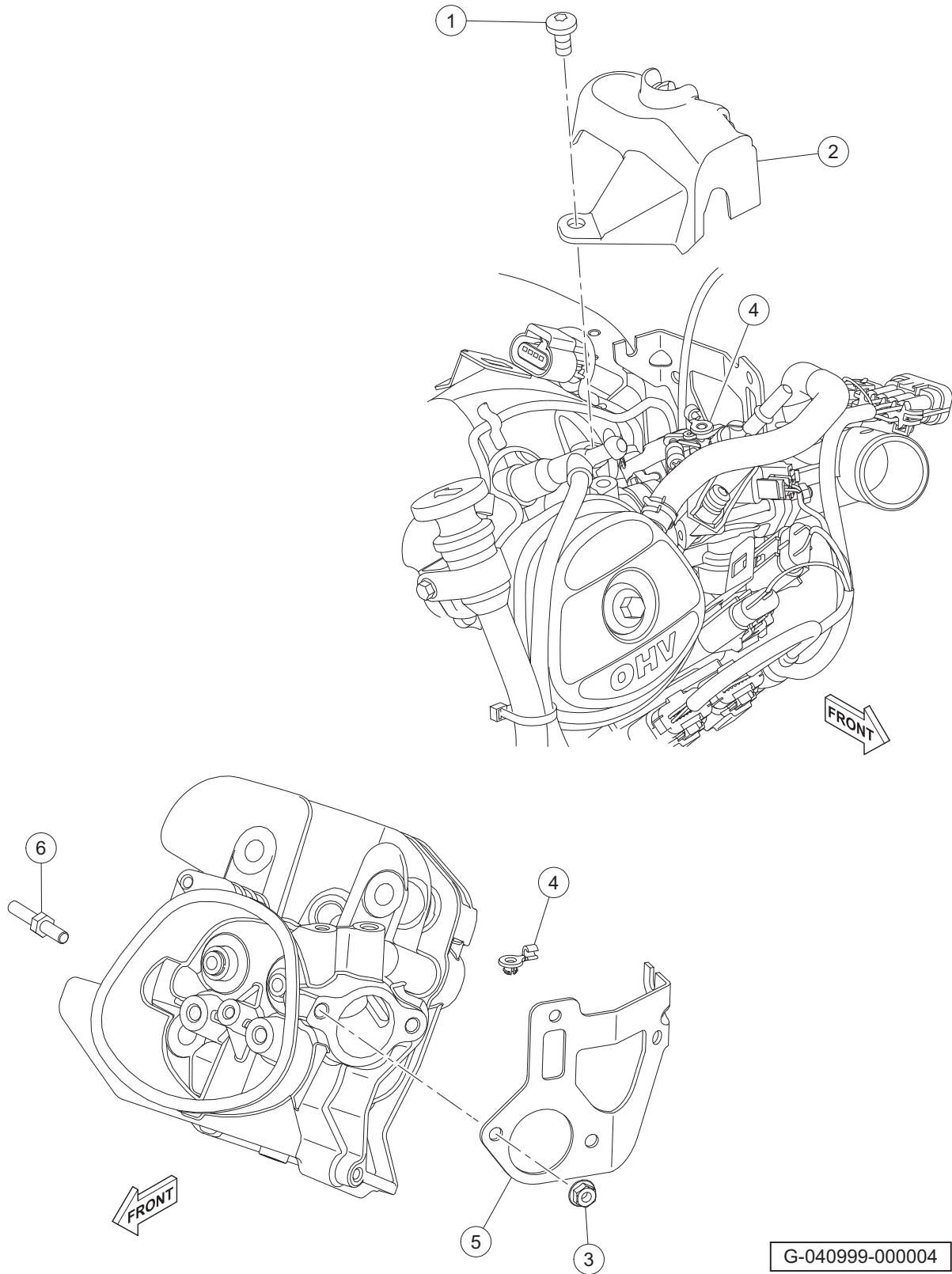


G-100199-000001

# THROTTLE BODY AND MOUNTING

ITEM	PART NO.	DESCRIPTION	QTY
		1 2 3 4	
1	<u>47629857001</u>	Throttle Body, Assembly, Kohle .....	1
2	<u>47629858001</u>	O-ring, Kohler .....	1
3	<u>47629859001</u>	Kit, Tps, Kohler .....	1
4	<u>47629860001</u>	Screw, Hexalobular, M4 X 0.7 X .....	2
5	<u>47629861001</u>	Injector, Fuel, Kohler .....	1
6	<u>47629862001</u>	Cap, Fuel Inector, Kohler .....	1
7	<u>47629864001</u>	Clip, Retainer, Kohler .....	1
8	<u>47629865001</u>	Screw, Hexalobular, M6 X 1 Sem .....	2
9	<u>47629866001</u>	Sensor, T-map, Kohler .....	1
10	<u>47629867001</u>	Kit, Gasket Intake, Kohler .....	1
11	<u>47629868001</u>	Gasket, Throttle Body, Kohler .....	1
12	<u>47629869001</u>	Gasket, Insulator To T-body, K .....	1
13	<u>47629870001</u>	Kit, Fuel Injector O-ring, Koh .....	1
14	<u>47629871001</u>	Cap, Masking, Kohler .....	1
15	<u>47629872001</u>	Cap, Masking, Kohler .....	1
16	<u>47629874001</u>	Spring, Return, Kohler .....	1

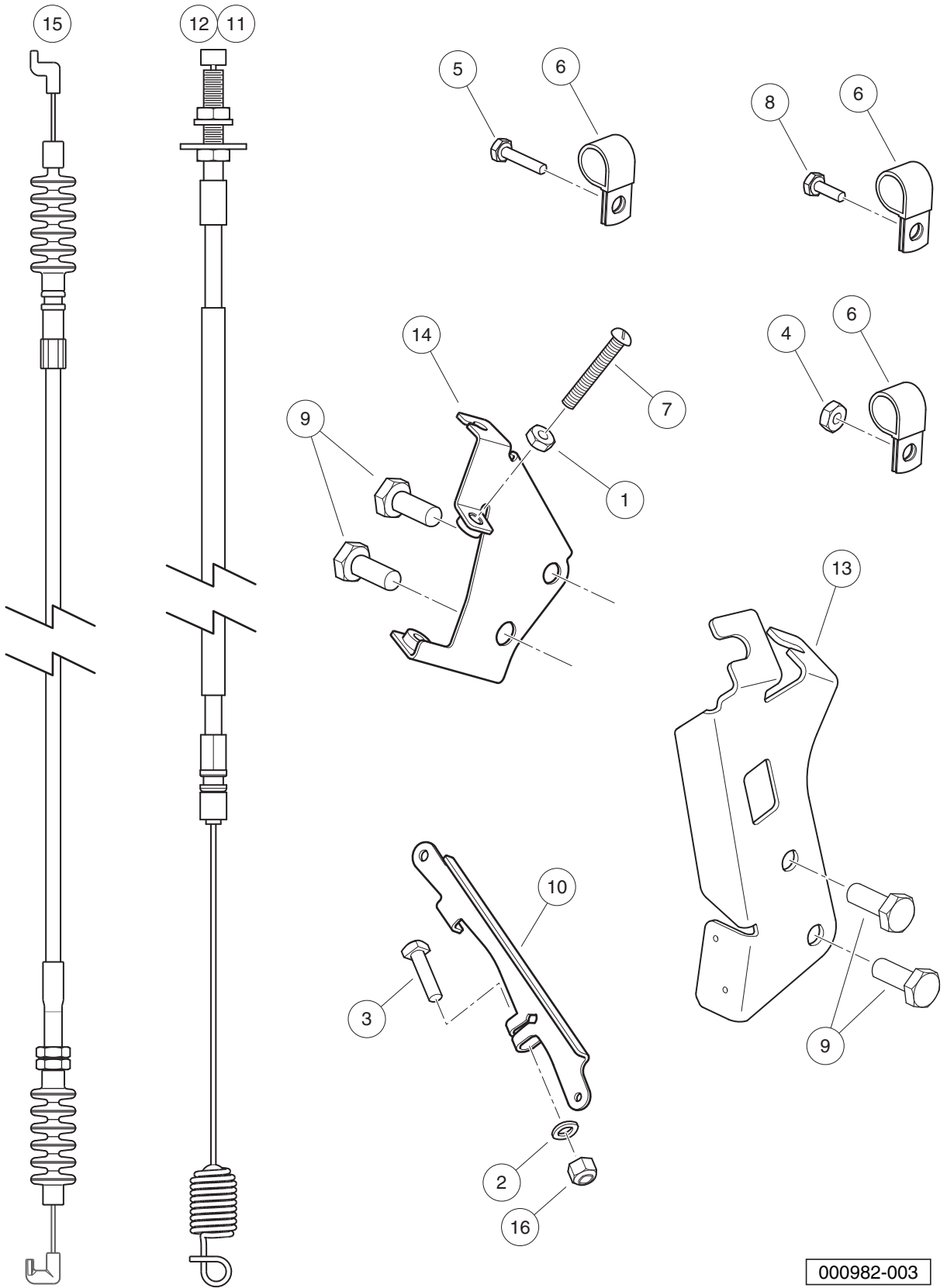
**9**  
**G**



## GOVERNOR BRACKET AND COVER – EFI

ITEM	PART NO.	DESCRIPTION	QTY
		1 2 3 4	
1	<u>102298116</u>	Bolt, Flanged Head, M8 X 16.0 .....	1
2	<u>47612352001</u>	Cover, Governor, Ech 440 .....	1
3	<u>47629875001</u>	Nut, Hex Flange Lock (m6), Koh .....	2
4	<u>47629876001</u>	Bushing, Linkage Retainer, Koh .....	1
5	<u>47629877001</u>	Bracket, Governor, Kohler .....	1
6	<u>47629878001</u>	Stud, Ground, Kohler .....	1

**9**  
**G**



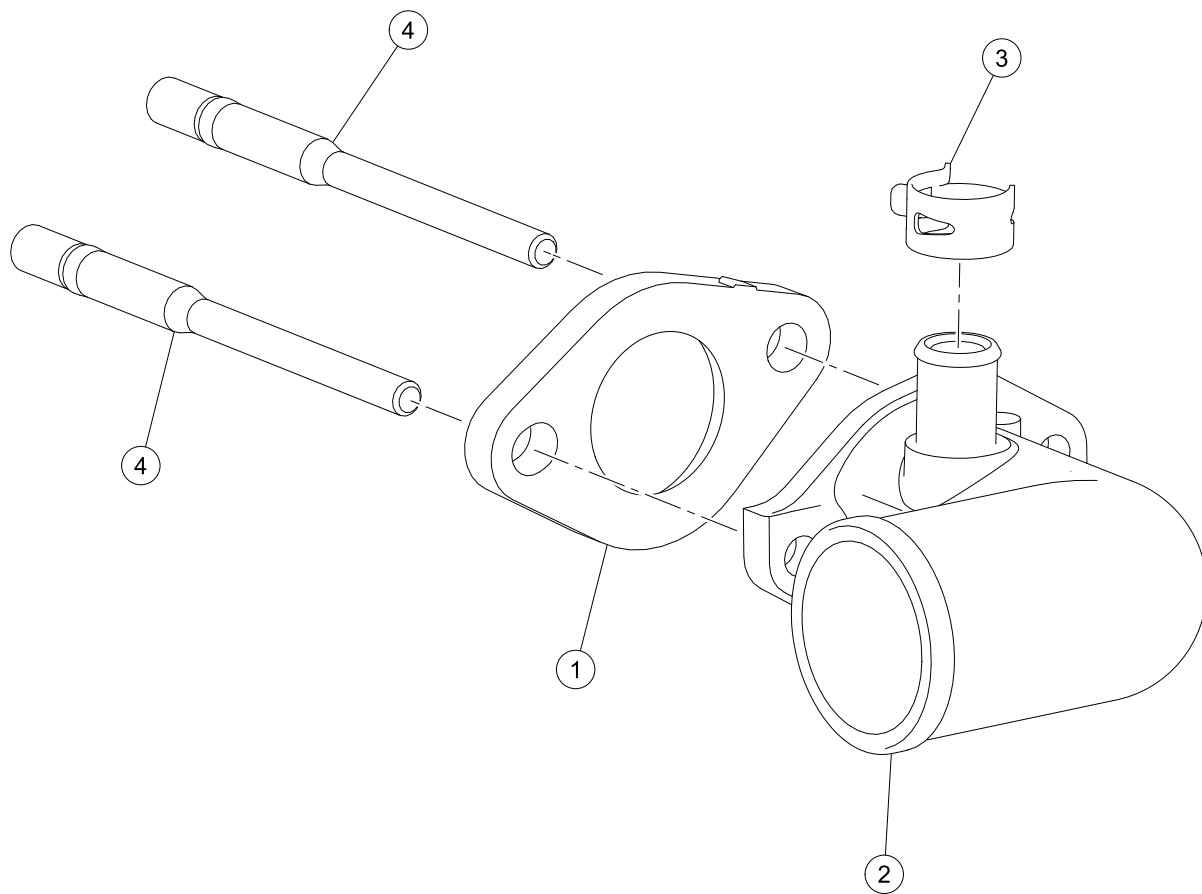
000982-003



## GOVERNOR AND ACCELERATOR CABLES – EFI

ITEM	PART NO.	DESCRIPTION	QTY
		1 2 3 4	
1	<u>1011114</u>	Nut, M6-1.00 Hex .....	2
2	<u>1014007</u>	Washer, 1/4, Flat .....	1
3	<u>101886101</u>	Screw, 1/4-20 X 1.00, Square-Head .....	1
4	<u>101887601</u>	Locknut, M6-1.00 Nylon Insert .....	1
5	<u>102296716</u>	Screw, M6 X 16 Tt Hx Fl Hd .....	1
6	<u>102410604</u>	P-clamp, Insulated, 0.625 Inch .....	3
7	<u>102476401</u>	Bolt, Stop, Pedal .....	1
8	<u>102490301</u>	Bolt, M6 X 1 X 16, Loctite .....	1
9	<u>102498201</u>	Bolt, M10 X 1.25 X 25, Loctite .....	2
10	<u>104023501</u>	Arm, Governor, ED65 .....	1
11	<u>105007402</u>	Cable, Accelerator, Utility, Low-Speed .....	1
12	<u>105007403</u>	Cable, Accelerator, Utility, Std-Speed .....	1
13	<u>105135101</u>	Bracket, Cable, FNR/Accelerator, ED65 .....	1
14	<u>105144401</u>	Weldment, Governor Bracket .....	1
15	<u>47601355001</u>	Cable, Governor, Z Fit 90 Fit .....	1
16	<u>8233</u>	Locknut, 1/4-20, Nylon Insert .....	1

9  
G



G-040999-000003

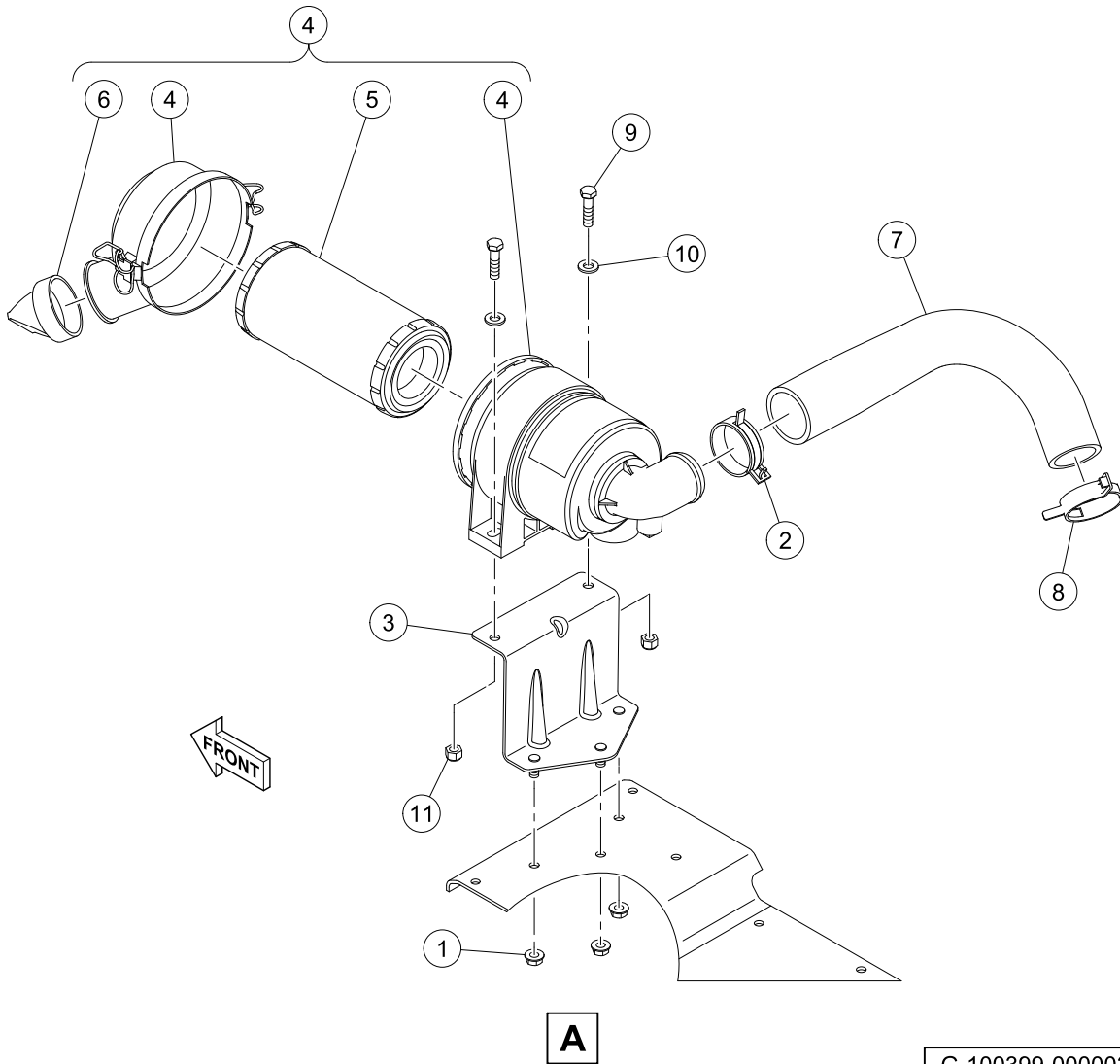
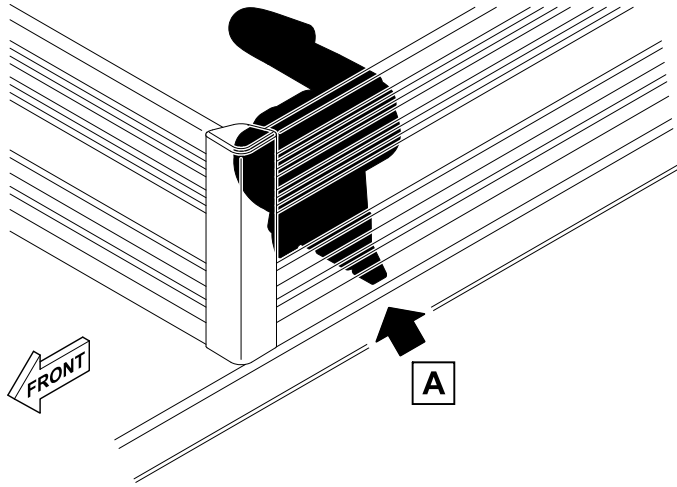
# AIR INTAKE ELBOW – EFI

ITEM	PART NO.	DESCRIPTION	QTY
		1 2 3 4	
1	<u>47629879001</u>	Insulator Throttle Body, Kohler .....	1
2	<u>47629880001</u>	Elbow, Air Inlet, Kohler .....	1
3	<u>47629881001</u>	Clamp, Breather Hose, Kohler .....	1
4	<u>47629882001</u>	Stud, Intake, Kohler .....	2

9

G

9  
G



G-100399-000003

# AIR FILTER SYSTEM AND INTAKE HOSE – EFI, LWB UTILITY/ TRANS

ITEM	PART NO.	DESCRIPTION	QTY
		1 2 3 4	
1	<u>101963401</u>	Locknut, 5/16-18 Hex Flange .....	3
2	<u>102411209</u>	Clamp, Hose, Ctb 55mm Dia. ....	1
3	105003401	Asm, Bracket, Mtg, Air Cleaner .....	1
4	<u>105009101</u>	Air Cleaner, Utility with EFI (includes items 5 and 6) .....	1
5	<u>102558201</u>	Air Filter, 4 Inch .....	1
6	<u>102725501</u>	Valve, Evacuator, Filter Air .....	1
7	<u>105009401</u>	Hose, Air Intake, LWB Utility with EFI .....	1
8	<u>105088501</u>	Clamp, Ctb, 49mm Dia, W/clip .....	1
9	1218	Screw, 5/16-18 X 1.25 Hex-Head Cap .....	2
10	<u>1241</u>	Washer, 5/16 Type A Flat .....	2
11	<u>7473</u>	Locknut, 5/16-18 Nylon Insert .....	2

9  
G

9

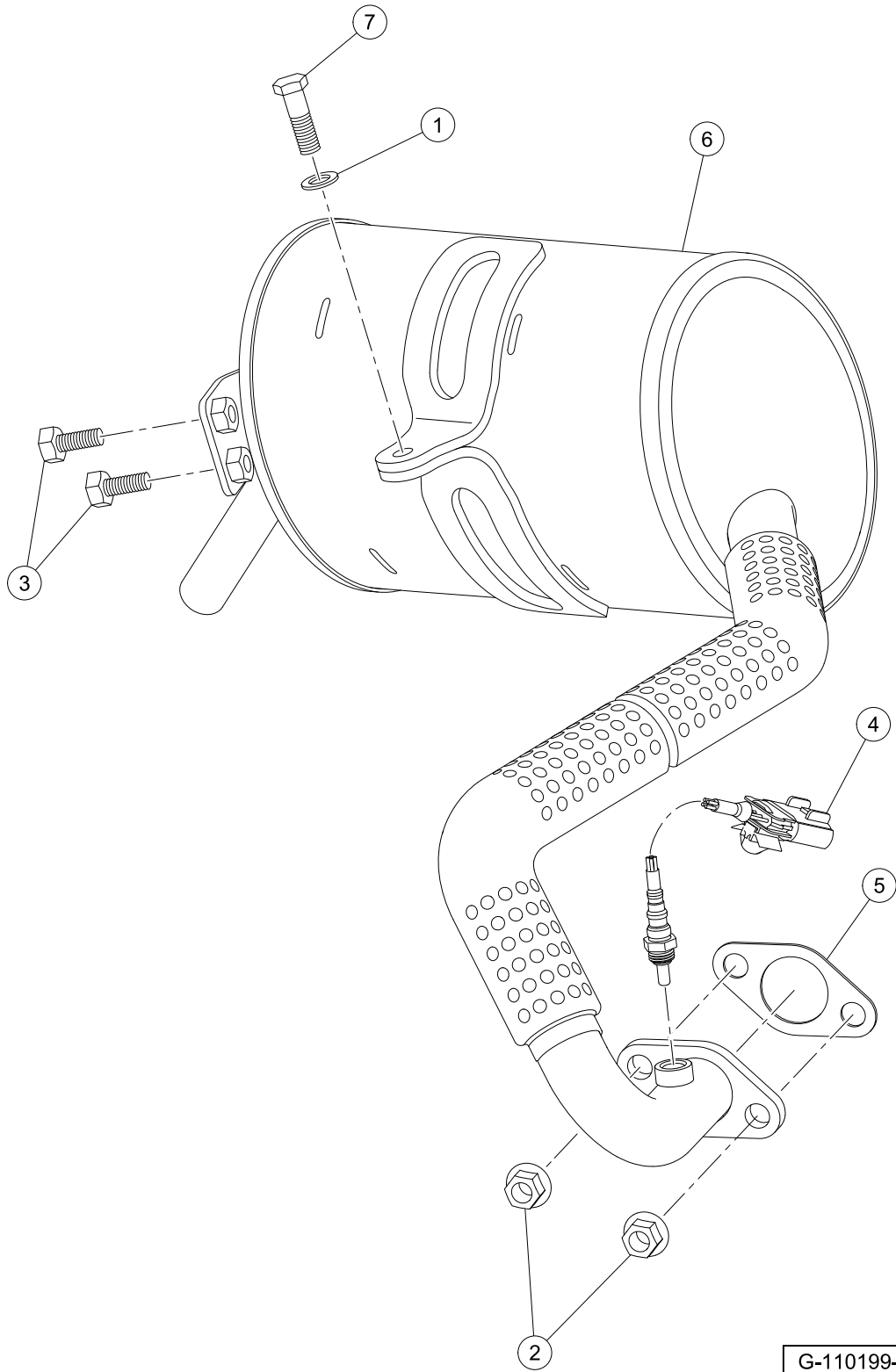
G

# EXHAUST SYSTEM – ECH440

---

10

G



G-110199-000001



# EXHAUST SYSTEM

ITEM	PART NO.	DESCRIPTION	QTY
		1 2 3 4	
1	<u>1011697</u>	Washer, 5/16 Flat .....	1
2	<u>102298401</u>	Nut, M8, All Metal Lock .....	2
3	<u>102922701</u>	Bolt, Flanged Head, M8x1.25x20 Lock Patch .....	2
4	<u>47611209001</u>	Asm, Sensor, Oxygen, Heated .....	1
5	<u>47611210001</u>	Gasket, Exhaust, Grpht, Ech440 .....	1
6	<u>47613047002</u>	Exhaust, Ech440, Utility .....	1
7	<u>96705587</u>	Bolt, M8 X 1.25 X 30 .....	1

10

G

**10**

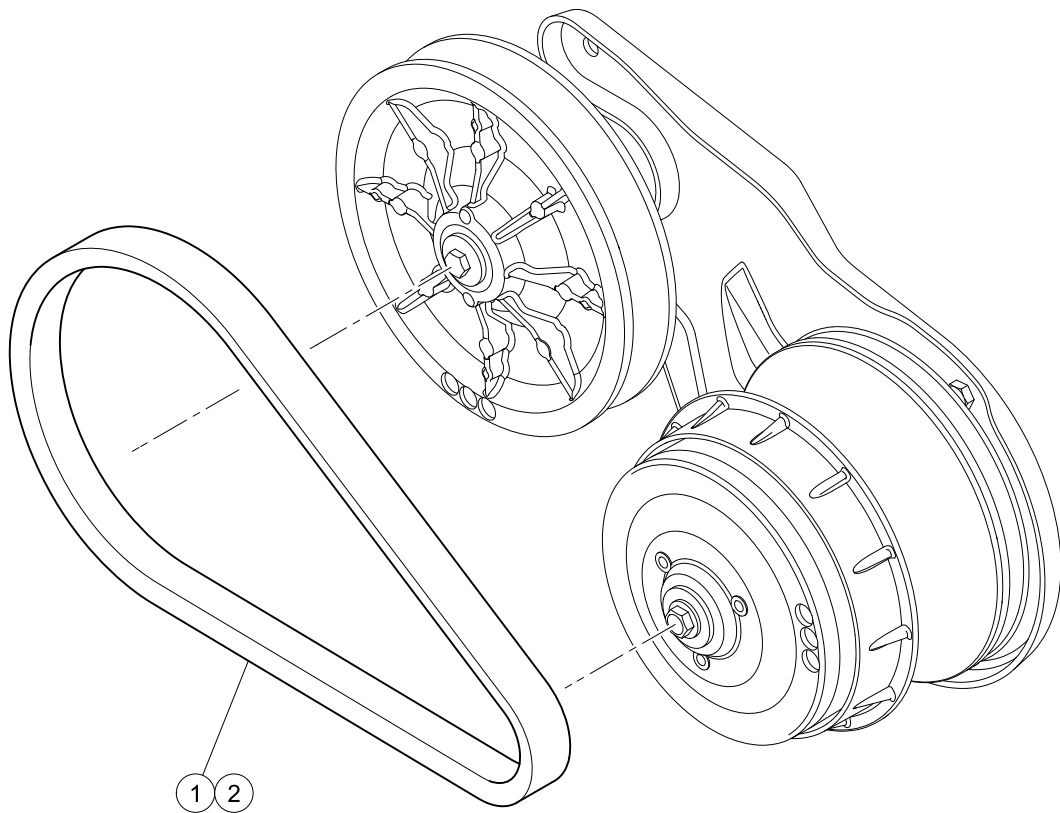
**G**

# DRIVE BELT AND CLUTCHES – EFI GASOLINE VEHICLES

---

11

G

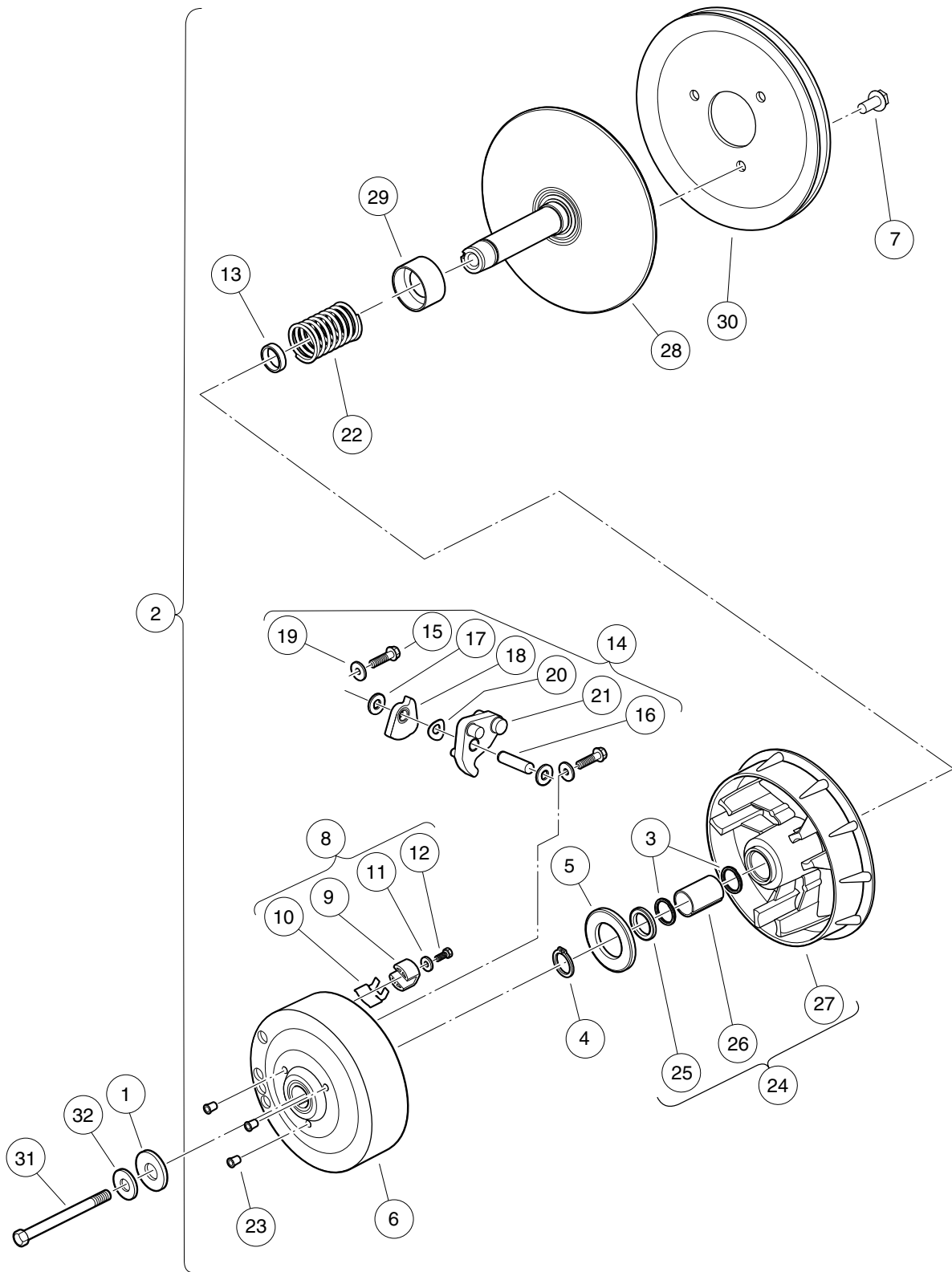


G-060099-000001

# DRIVE BELTS – EFI

ITEM	PART NO.	DESCRIPTION	QTY
1	<u>103974102</u>	1 2 3 4 Belt, Drive, Key-Start .....	1
2	<u>105245801</u>	Belt, Drive, Pedal-Start .....	1

**11**  
**G**

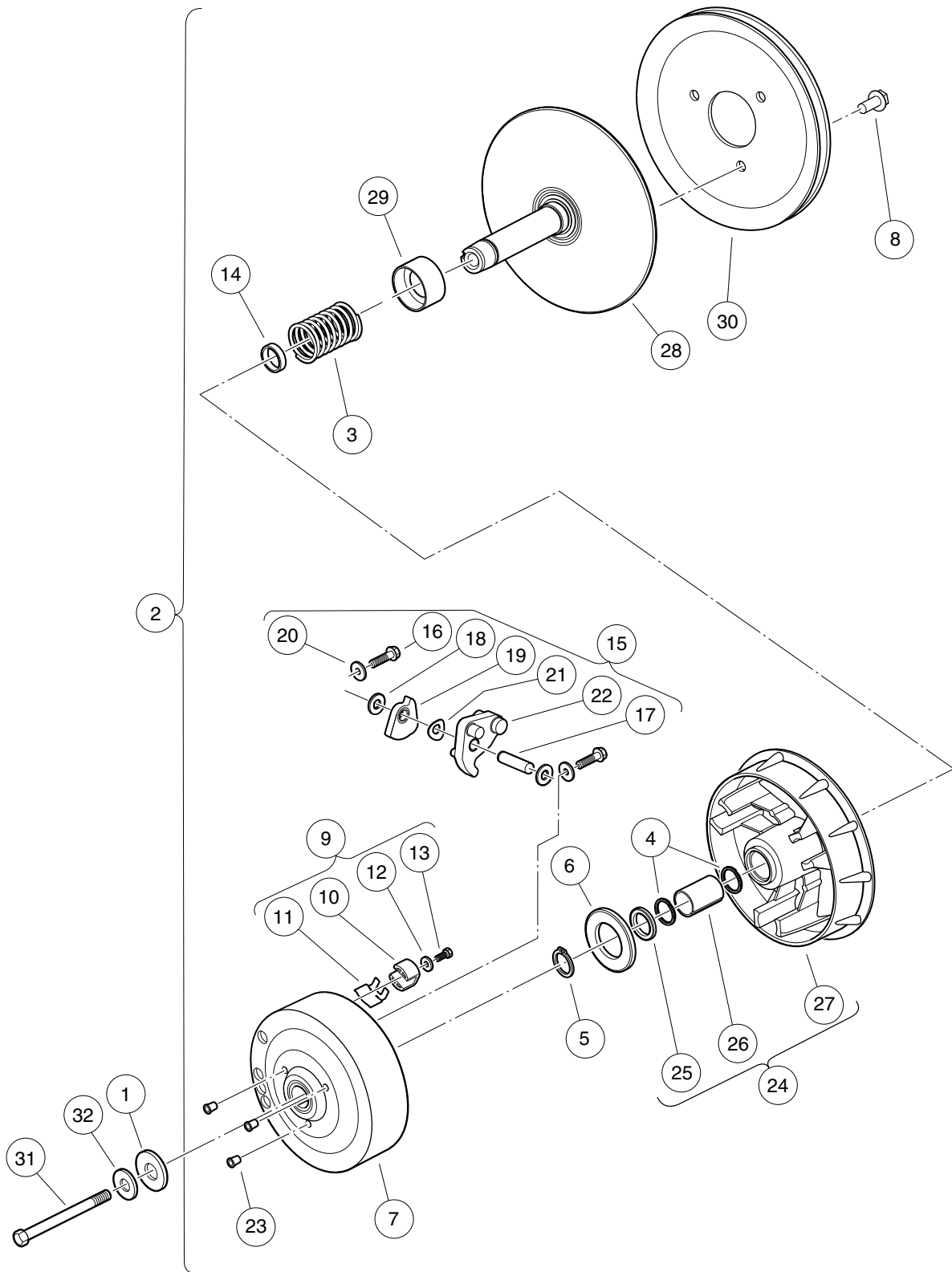


000958-002

## DRIVE CLUTCH – KEY-START VEHICLES

ITEM	PART NO.	DESCRIPTION	QTY
		1 2 3 4	
1	<u>102491501</u>	Washer, Hard, M10 .....	1
2	<u>103973902</u>	Clutch, Drive, Key-Start (includes items 3 through 30) .....	1
3	<u>1014056</u>	Ring, Spiral Backup .....	2
4	<u>1014057</u>	Ring, 0.810" Internal Retaining .....	1
5	<u>1014058</u>	Thrust Washer .....	1
6	<u>1014059</u>	Drive Hub Assy, Drive Clutch .....	1
7	<u>1014288</u>	Screw, 5/16-18 X 0.75, Thread-Forming .....	3
8	<u>1014453</u>	Kit, Drive Clutch Button (includes items 9 through 12) .....	1
9	<u>1014062</u>	Driver, Drive Clutch .....	3
10	<u>1014287</u>	Spring, Drive Button .....	3
11	<u>183</u>	Washer, #10, Type A, Flat .....	3
12	<u>8450</u>	Screw, #10-24 X 0.50, Hex-Head .....	3
13	<u>1016289</u>	Spacer, Fixed Face Shaft .....	1
14	<u>1016801</u>	Kit, Drive Clutch Weight (includes items 15 through 21) .....	1
15	<u>1014063</u>	Screw, 1/4-20 X 1.00, Hex Head .....	6
16	N/A	Pin, Dowel, 0.3752 x 1.50 .....	3
17	<u>1014065</u>	Washer, Flat, 0.38" ID, Delrin .....	6
18	N/A	Clutch Weight, Secondary .....	3
19	N/A	Washer .....	6
20	<u>1016201</u>	Washer, Wave .....	3
21	N/A	Weight, Primary .....	3
22	<u>1016901</u>	Spring, Drive Clutch .....	1
23	N/A	Cap Plug .....	3
24	<u>103974201</u>	Asm, Sheave, Moveable, Drive, Wr (includes items 25 through 27) .....	1
25	<u>1014055</u>	Retainer .....	1
26	N/A	Bushing, Split, Drive Clutch .....	1
27	N/A	Sheave, Moveable, Drive, Wr .....	1
28	<u>103974401</u>	Sheave, Fixed, Drive, Wr .....	1
29	<u>103984601</u>	Spacer, Idler, Drive .....	1
30	<u>105096101</u>	Pulley, 7.3 Inch Effective Dia .....	1
31	<u>103976101</u>	Screw, 3/8-24x5.75, Patch .....	1
32	<u>334</u>	Washer, 3/8, Type A, Flat .....	1

**11**  
**G**



000958-001



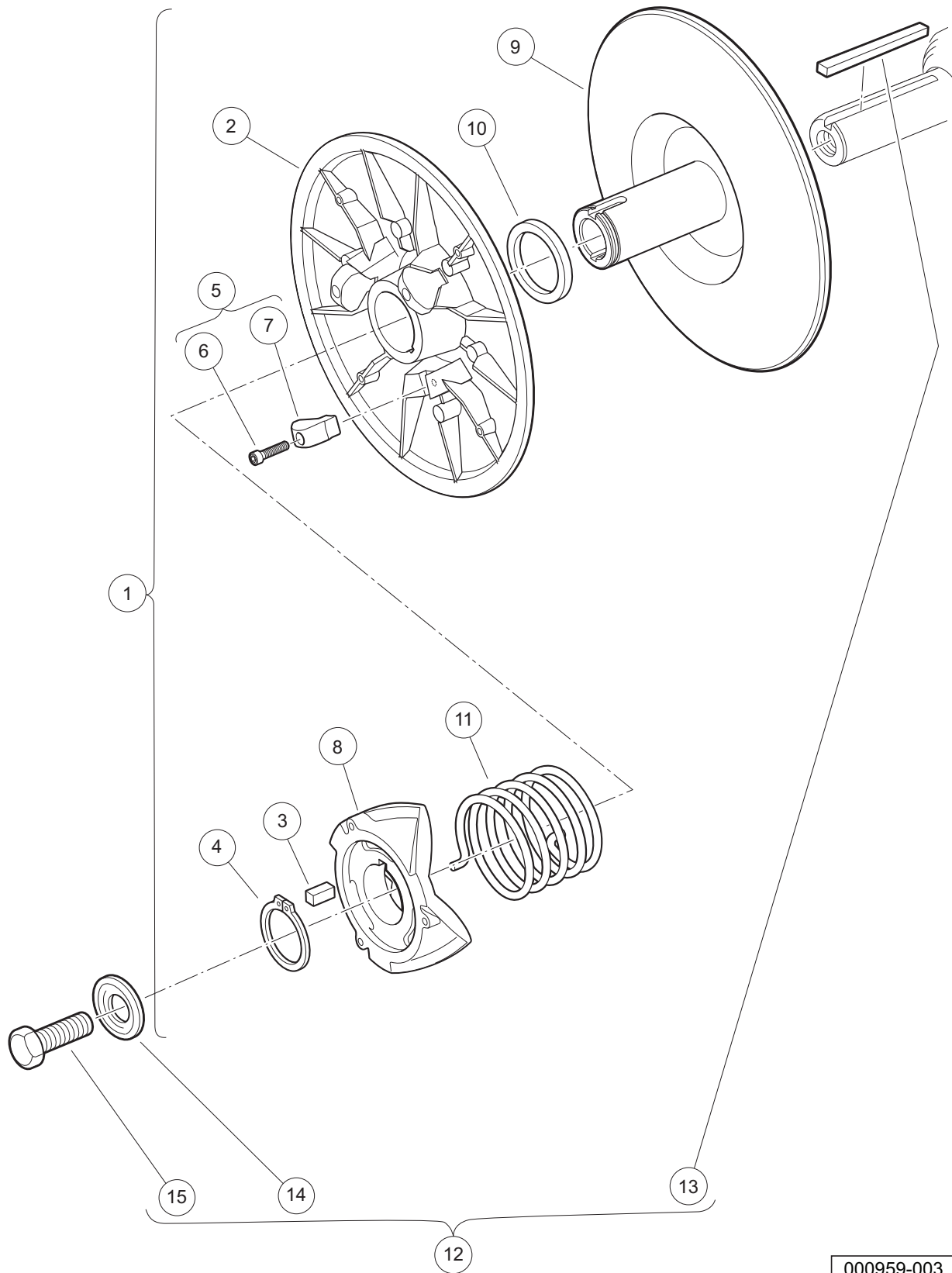
# DRIVE CLUTCH – PEDAL-START VEHICLES

ITEM	PART NO.	DESCRIPTION	QTY
		1 2 3 4	
1	<u>102491501</u>	Washer, Hard, M10 .....	1
2	<u>103973901</u>	Clutch, Drive, Pedal-Start (includes items 3 through 30) .....	1
3	<u>1014051</u>	Spring, Drive Clutch .....	1
4	<u>1014056</u>	Ring, Spiral Backup .....	2
5	<u>1014057</u>	Ring, 0.810" Internal Retaining .....	1
6	<u>1014058</u>	Thrust Washer .....	1
7	<u>1014059</u>	Drive Hub Assy, Drive Clutch .....	1
8	<u>1014288</u>	Screw, 5/16-18 X 0.75, Thread-Forming .....	3
9	<u>1014453</u>	Kit, Drive Clutch Button (includes items 10 through 13) .....	1
10	<u>1014062</u>	Driver, Drive Clutch .....	3
11	<u>1014287</u>	Spring, Drive Button .....	3
12	<u>183</u>	Washer, #10, Type A, Flat .....	3
13	<u>8450</u>	Screw, #10-24 X 0.50, Hex-Head .....	3
14	<u>1016289</u>	Spacer, Fixed Face Shaft .....	1
15	<u>1016801</u>	Kit, Drive Clutch Weight (includes items 16 through 22) .....	1
16	<u>1014063</u>	Screw, 1/4-20 X 1.00, Hex Head .....	6
17	N/A	Pin, Dowel, 0.3752 x 1.50 .....	3
18	<u>1014065</u>	Washer, Flat, 0.38" ID, Delrin .....	6
19	N/A	Clutch Weight, Secondary .....	3
20	N/A	Washer .....	6
21	<u>1016201</u>	Washer, Wave .....	3
22	N/A	Weight, Primary .....	3
23	N/A	Cap Plug .....	3
24	<u>103974201</u>	Asm, Sheave, Moveable, Drive, Wr (includes items 25 through 27) .....	1
25	<u>1014055</u>	Retainer .....	1
26	N/A	Bushing, Split, Drive Clutch .....	1
27	N/A	Sheave, Moveable, Drive, Wr .....	1
28	<u>103974401</u>	Sheave, Fixed, Drive, Wr .....	1
29	<u>103984601</u>	Spacer, Idler, Drive .....	1
30	<u>105096101</u>	Pulley, 7.3 Inch Effective Dia .....	1
31	<u>103976101</u>	Screw, 3/8-24x5.75, Patch .....	1
32	<u>334</u>	Washer, 3/8, Type A, Flat .....	1

11

G

**11**  
**G**



000959-003

## DRIVEN CLUTCH – KEY START AND PEDAL START

ITEM	PART NO.	DESCRIPTION	QTY
		1 2 3 4	
1	47601767002	Asm, Clutch, Driven, Ccw, Red (includes items 2 through 11) .....	1
2	<u>1014072</u>	Movable-Face Assembly with Bushing .....	1
3	<u>1014078</u>	Key, Driven Clutch .....	1
4	<u>1014080</u>	Ring, Retaining .....	1
5	<u>1014454</u>	Kit, Driven Clutch Button (includes items 6 and 7) .....	1
6	<u>1012836</u>	Screw, #8-32 X 3/4, Socket-Head Cap .....	3
7	N/A	Button, Drive .....	3
8	<u>1017686</u>	Cam, Driven Clutch .....	1
9	<u>103975301</u>	Sheave, Fixed, Driven, Wr .....	1
10	<u>104025101</u>	Washer, Acetal, Driven Clutch .....	1
11	47601832001	Spring, Drvn Clutch, Ccw, Red .....	1
12	<u>AM10419</u>	Kit, Clutch Repair (includes items 13 through 15) .....	1
13	<u>101833401</u>	Key, 3/16 Sq X 1.50" .....	1
14	<u>102155801</u>	Washer, Driven Clutch .....	1
15	<u>102242101</u>	Screw, 5/16-18 X 3/4 Hex-Head with Patch .....	1

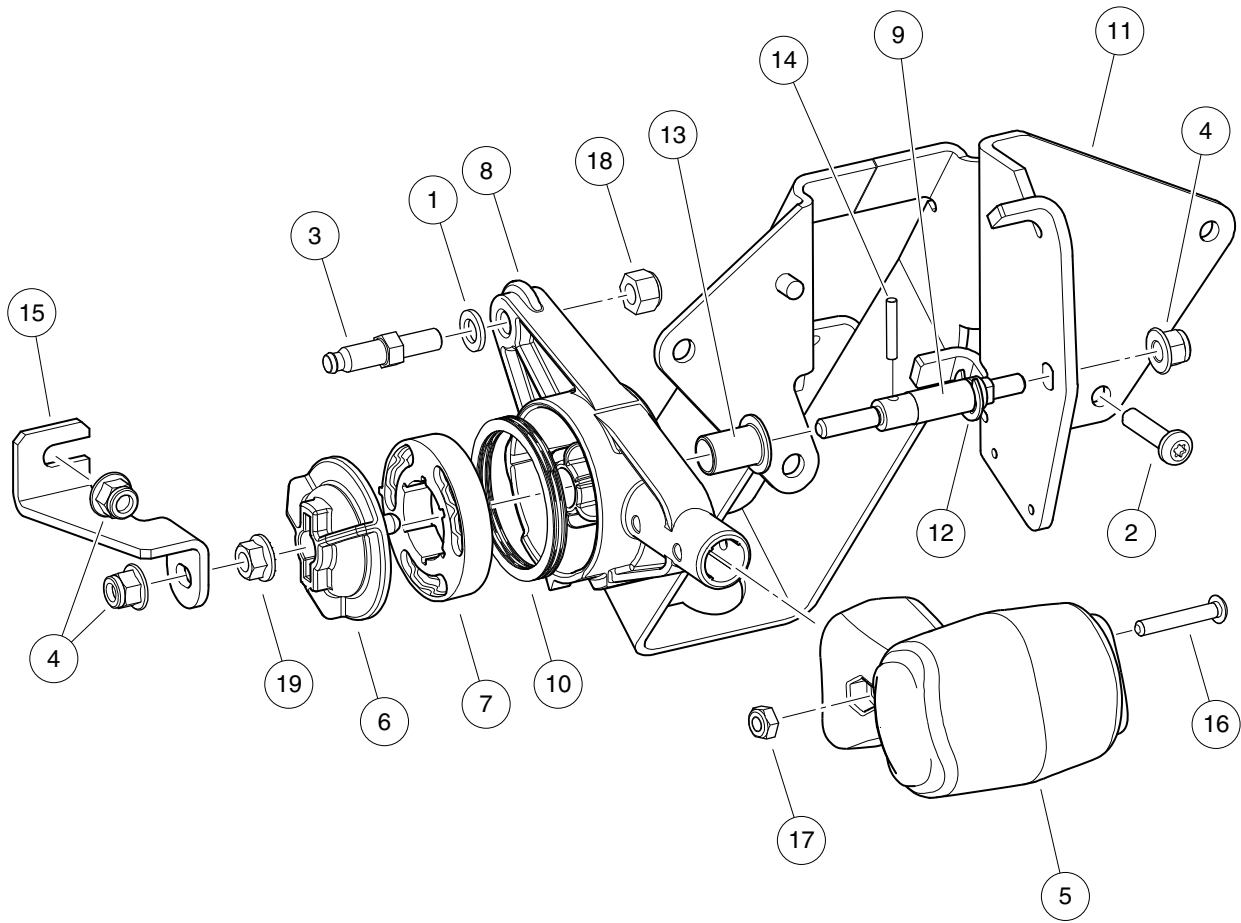
**11**  
**G**

11

G

# TRANSAXLE (FUJI ED65)

---



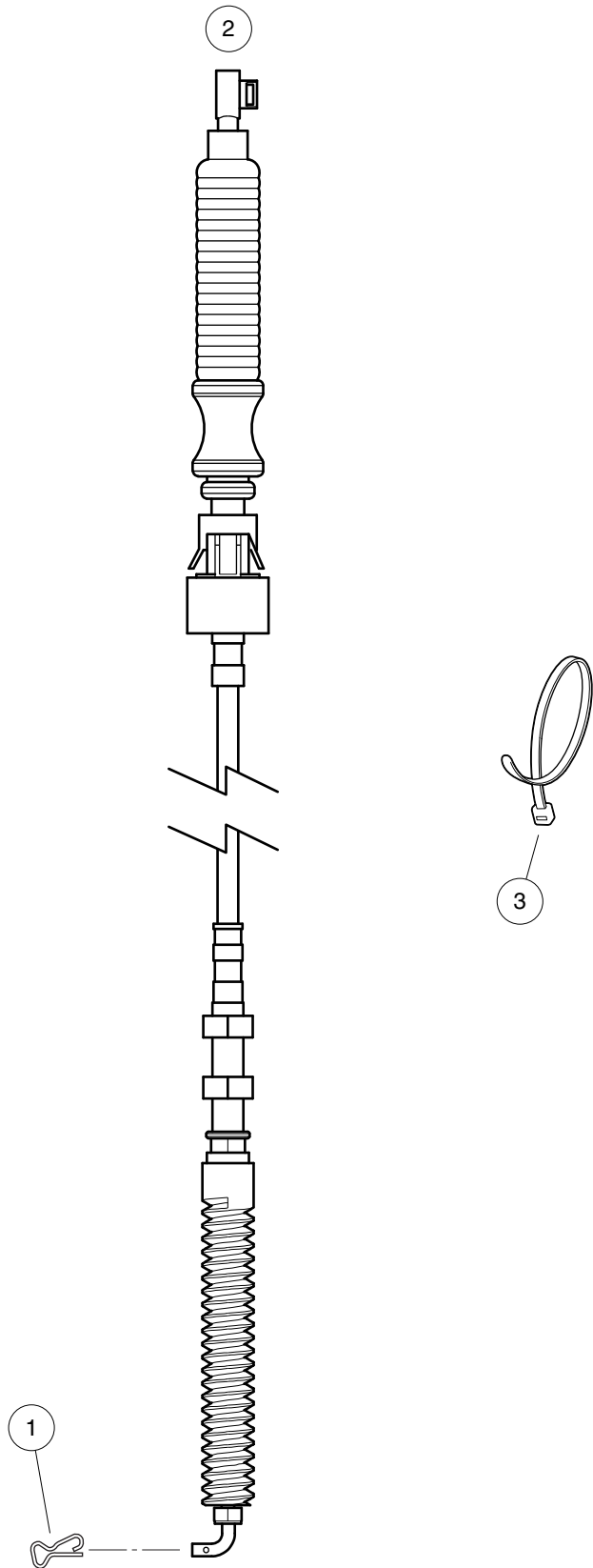
000987-001

## FORWARD/REVERSE SHIFTER ASSEMBLY

ITEM	PART NO.	DESCRIPTION	QTY
		1 2 3 4	
1	<u>1014007</u>	Washer, 1/4, Flat .....	1
2	<u>102296020</u>	Screw, Torx Pan Hd Pt, M6 X 20 .....	4
3	<u>102526201</u>	Stud, Thread, 1/4-28 .....	1
4	<u>102621501</u>	Nut, Flange, M6 X 1.0, Nylon .....	3
5	<u>105036301</u>	Shifter, Soft, Gas, CA300-700 .....	1
6	<u>105037701</u>	Follower, FNR Detent .....	1
7	<u>105038001</u>	Cam, FNR Detent, Alternate .....	1
8	<u>105038101</u>	Housing, FNR, Gas, CA300-700 .....	1
9	<u>105038201</u>	Shaft, FNR, Dash .....	1
10	<u>105038501</u>	Spring, Wave, Gas FNR Shifter .....	1
11	<u>105039401</u>	Bracket, Shifter, Dash Mount .....	1
12	<u>105039801</u>	E-Clip, External, 8mm Groove .....	1
13	<u>105039901</u>	Bushing, Dash Shifter, Gas .....	1
14	<u>105040401</u>	Pin, Round, 0.125 Dia x 0.625 .....	1
15	<u>105040501</u>	Bracket, Shifter, Brace, Dash .....	1
16	<u>105083701</u>	Bolt, 10-24 X 1.25", But Head .....	1
17	<u>105083801</u>	Nut, Nylon Lock, #10-24, Blk .....	1
18	<u>8717</u>	Locknut, Nylon Insert, 1/4-28 .....	1
19	<u>96704176</u>	Nut, Flanged, M6 X 1, Serrated .....	1

**12**  
**G**

12  
G



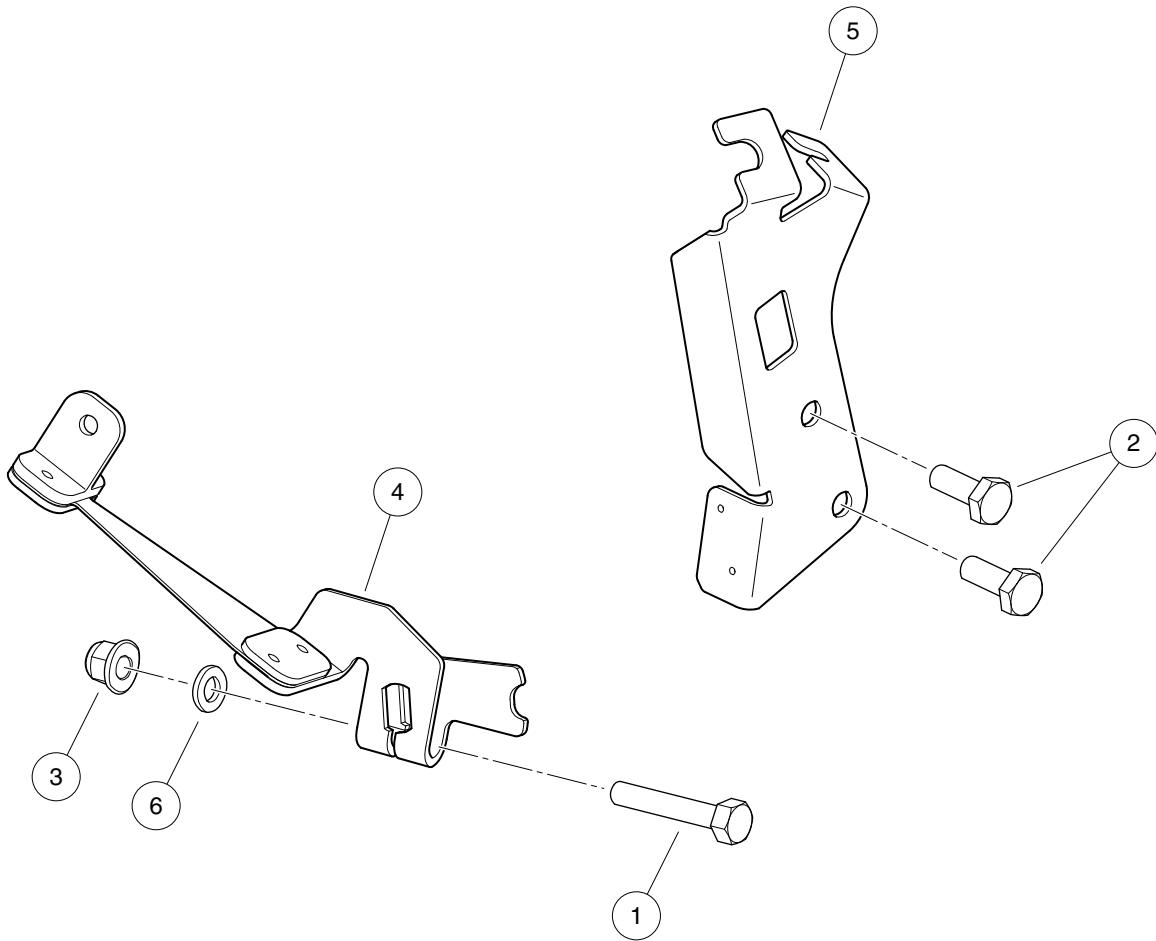
000988-001



# SHIFTER CABLE – CA700

ITEM	PART NO.	DESCRIPTION	QTY
1	<u>103886601</u>	1 2 3 4 Clip, Bowtie .....	1
2	<u>105038804</u>	Cable, Shifter, CA700/Transporter .....	1
3	<u>8990</u>	Tie Wrap, 8" Nylon .....	A/R

**12**  
**G**

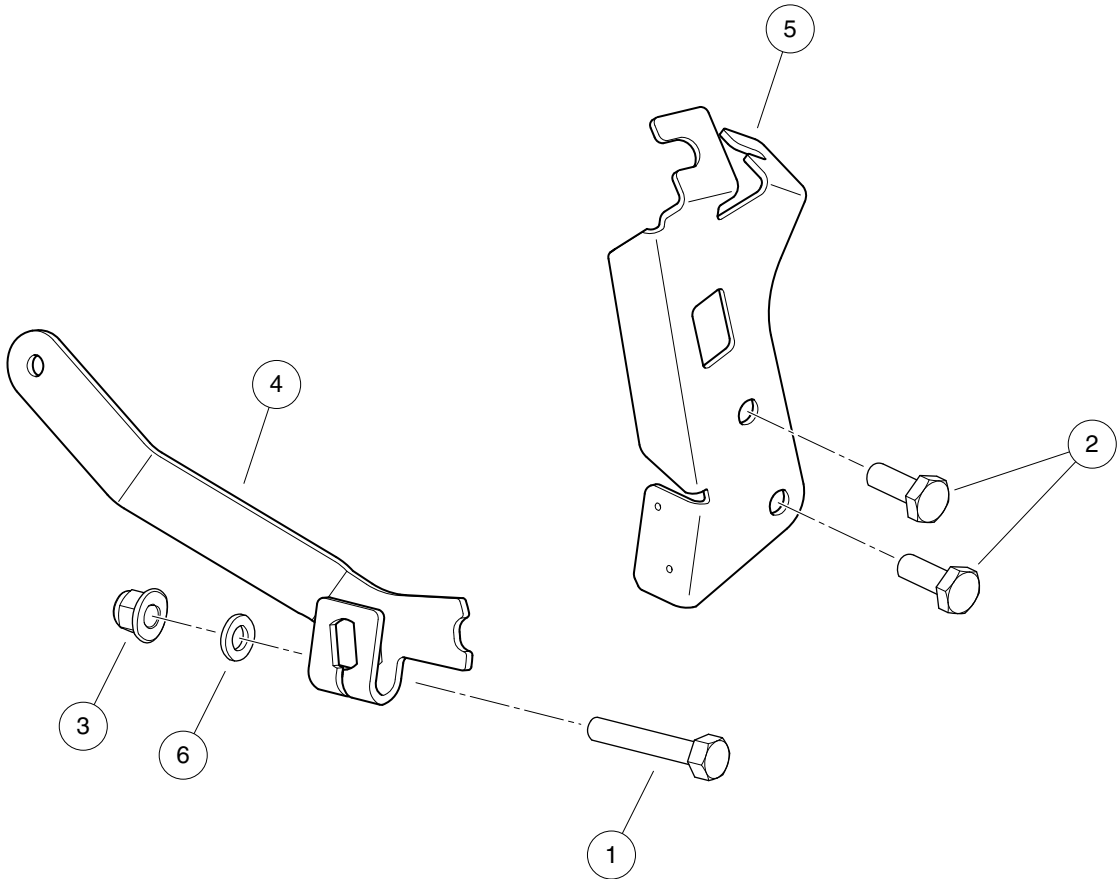


000965-001

## SHIFT LEVER AND BRACKET – PEDAL-START ENGINES

ITEM	PART NO.	DESCRIPTION	QTY
		1 2 3 4	
1	<u>102059501</u>	Screw, 6M-1.00 X 35mm, Hex Head .....	1
2	<u>102498201</u>	Bolt, M10 X 1.25 X 25, Loctite .....	2
3	<u>102621501</u>	Nut, Flange, M6 X 1.0, Nylon .....	1
4	<u>105040901</u>	Lever, Shift, Flex, Transaxle, Pedal-Start .....	1
5	<u>105135101</u>	Bracket, Cable, FNR/Accelerator, ED65 .....	1
6	<u>96705199</u>	Washer, M6 .....	1

**12**  
**G**



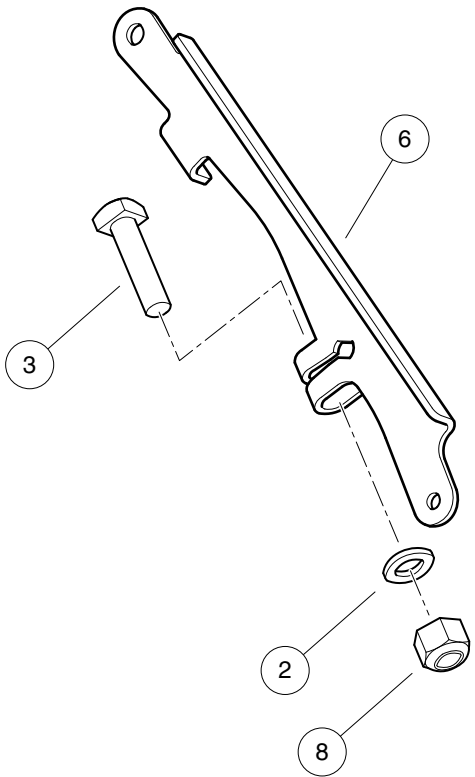
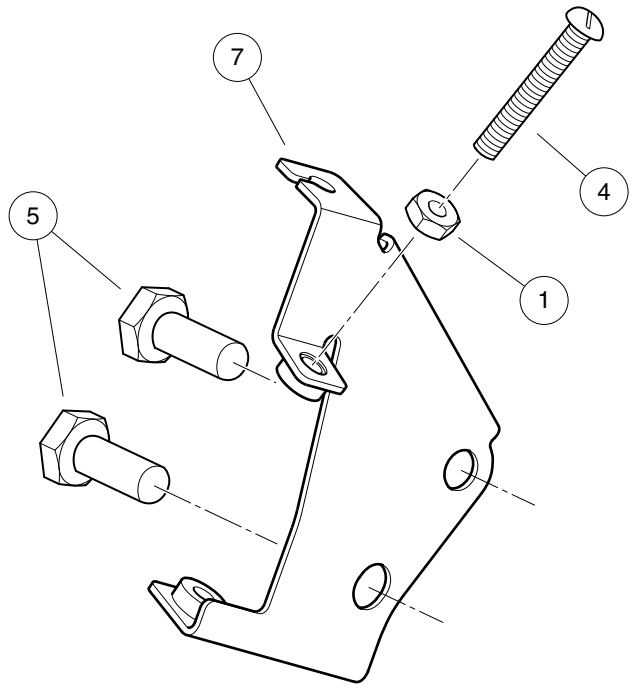
000965-002

## SHIFT LEVER AND BRACKET – KEY-START ENGINES

ITEM	PART NO.	DESCRIPTION	QTY
		1 2 3 4	
1	<u>102059501</u>	Screw, 6M-1.00 X 35mm, Hex Head .....	1
2	<u>102498201</u>	Bolt, M10 X 1.25 X 25, Loctite .....	2
3	<u>102621501</u>	Nut, Flange, M6 X 1.0, Nylon .....	1
4	<u>105134901</u>	Lever, Shift, Transaxle, Key-Start .....	1
5	<u>105135101</u>	Bracket, Cable, FNR/Accelerator, ED65 .....	1
6	<u>96705199</u>	Washer, M6 .....	1

12

G



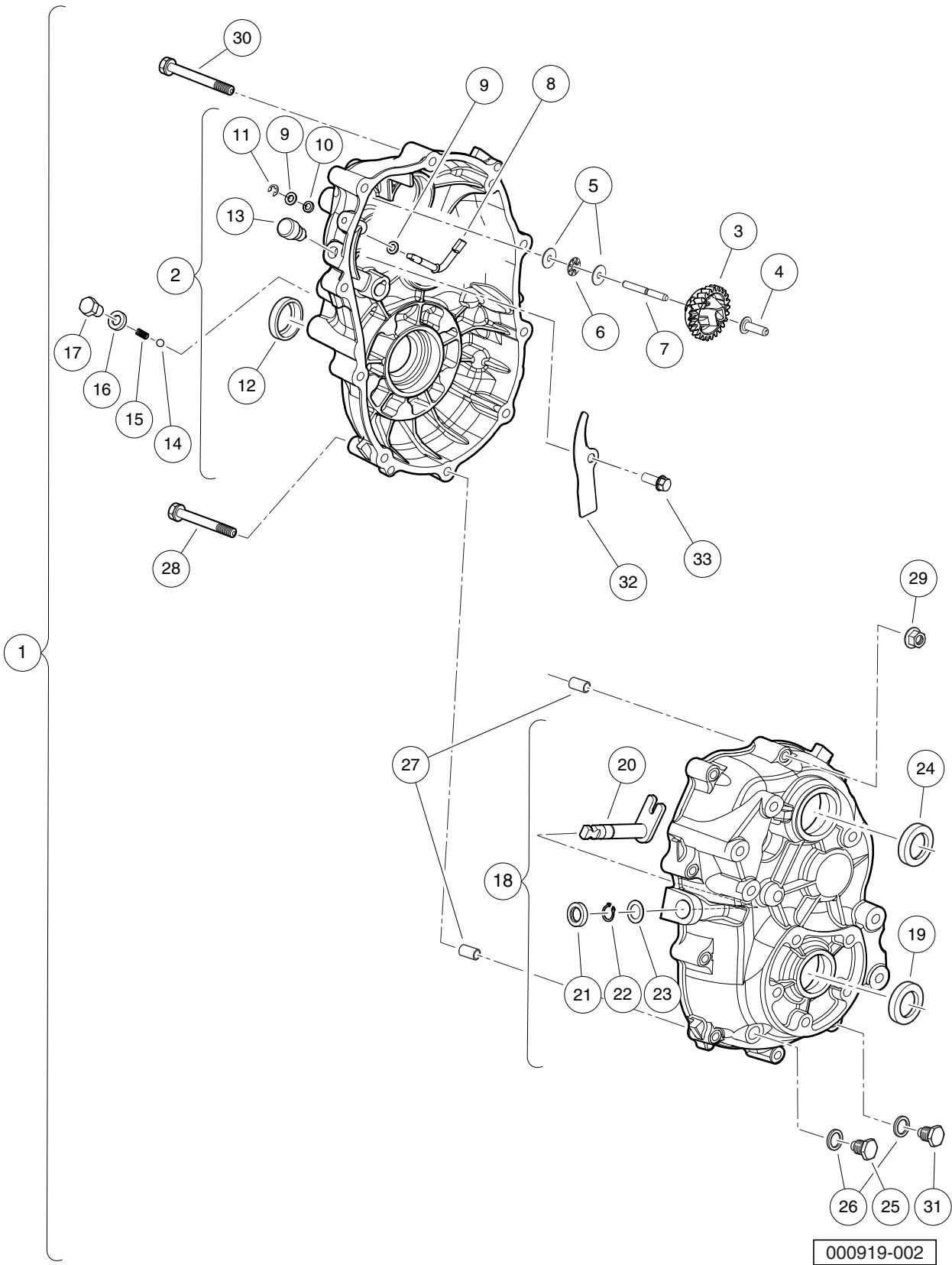
000966-002

## GOVERNOR ARM AND BRACKETS – UTILITY VEHICLES

ITEM	PART NO.	DESCRIPTION	QTY
		1 2 3 4	
1	<u>1011114</u>	Nut, M6-1.00 Hex .....	1
2	<u>1014007</u>	Washer, 1/4, Flat .....	1
3	<u>101886101</u>	Screw, 1/4-20 X 1.00, Square-Head .....	1
4	<u>102476401</u>	Bolt, Stop, Pedal .....	1
5	<u>102498201</u>	Bolt, M10 X 1.25 X 25, Loctite .....	2
6	<u>104023501</u>	Arm, Governor, ED65 .....	1
7	<u>105144401</u>	Weldment, Governor Bracket .....	1
8	<u>8233</u>	Locknut, 1/4-20, Nylon Insert .....	1

12

G



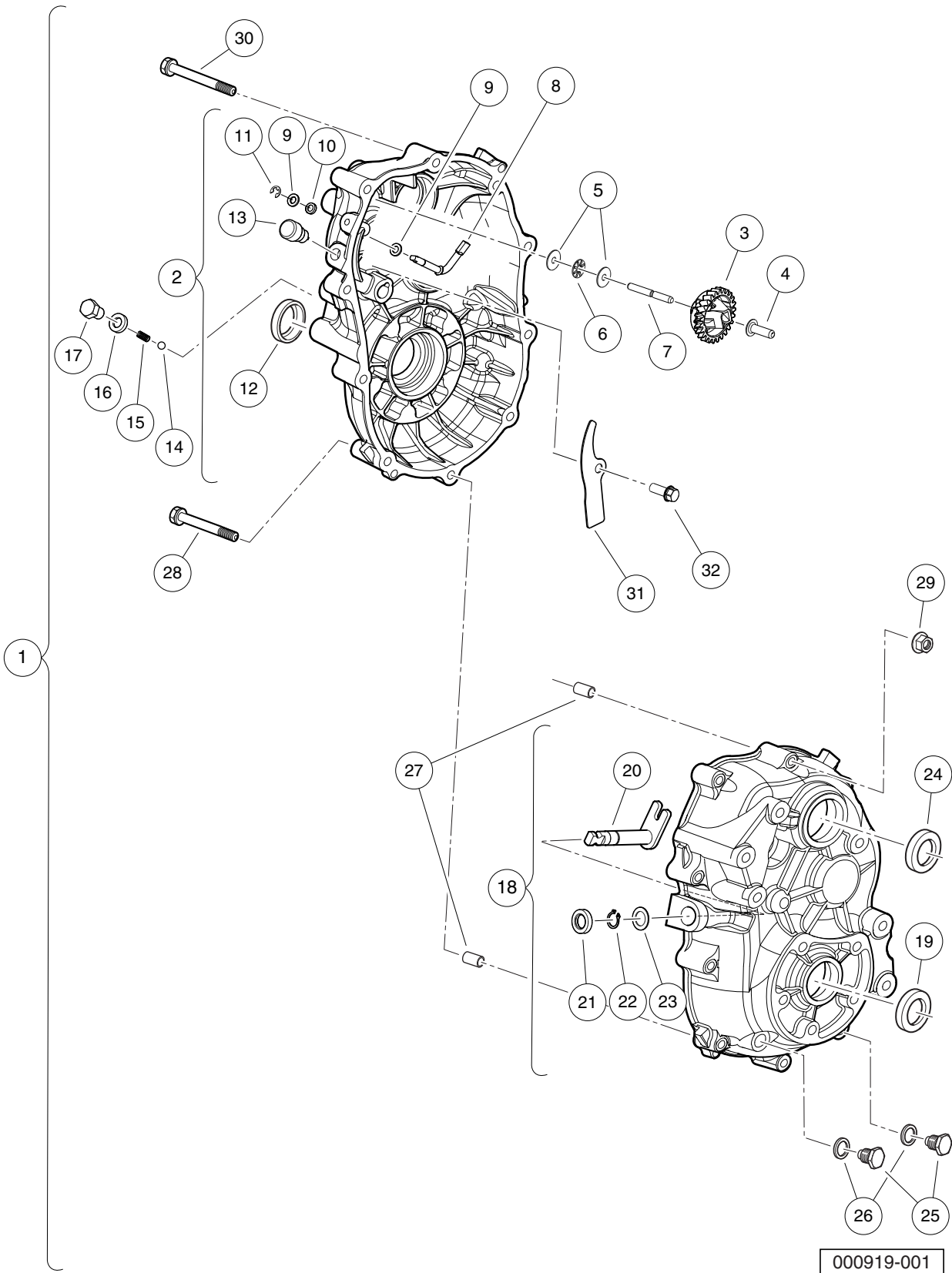


## TRANSAXLE (ED65), LIMITED SLIP – PAGE 1 OF 3

ITEM	PART NO.	DESCRIPTION	QTY
		1 2 3 4	
1	<u>103879702</u>	Transaxle, ED65, Limited-Slip Differential (includes items 2 through 33) .....	1
2	<u>105025001</u>	Case, Transaxle, Left, Complete, ED65 (includes items 3 through 13) .....	1
3	<u>105025101</u>	Gear, Governor, Complete, ED65 .....	1
4	<u>105025201</u>	Sleeve, Governor, ED65 .....	1
5	<u>105025301</u>	Washer, ED65 .....	2
6	<u>105025401</u>	Bearing, Thrust, ED65 .....	1
7	<u>105025501</u>	Shaft, Governor Gear, ED65 .....	1
8	<u>105025601</u>	Shaft, Governor, ED65 .....	1
9	<u>105025701</u>	Washer, 6mm, ED65 .....	2
10	<u>105025801</u>	Seal, Oil, 6x10x2.5, ED65 .....	1
11	<u>105025901</u>	Retaining Ring, E5, ED65 .....	1
12	<u>105026001</u>	Seal, Oil, 24x40x9, ED65 .....	1
13	<u>105027101</u>	Vent, Breather, ED65 .....	1
14	<u>105026101</u>	Ball, Steel, ED65 .....	1
15	<u>105026201</u>	Spring, ED65 .....	1
16	<u>105026301</u>	Gasket, 10, ED65 .....	1
17	<u>105026401</u>	Bolt, M10-1.25x12mm Lg, ED65 .....	1
18	<u>105026501</u>	Case, Transaxle, Right, Complete, ED65 (includes items 19 through 24) .....	1
19	<u>105026001</u>	Seal, Oil, 24x40x9, ED65 .....	1
20	<u>105026601</u>	Shaft, Select, ED65 .....	1
21	<u>105026701</u>	Seal, Oil, 13x22x5, ED65 .....	1
22	<u>105026801</u>	Snap Ring, 13mm, ED65 .....	1
23	<u>105026901</u>	Spacer, 13x1, ED65 .....	1
24	<u>105027001</u>	Seal, Oil, 25x45x7, ED65 .....	1
25	<u>105027201</u>	Plug, Oil Drain, ED65 .....	1
26	<u>105027301</u>	Gasket, 14, ED65 .....	2
27	<u>105028301</u>	Pin, Guide, ED65 .....	2
28	<u>105028501</u>	Bolt, Flange, M8-1.25x65mm, ED65 .....	1
29	<u>105030001</u>	Nut, Flange, M8-1.25, ED65 .....	10
30	<u>105030701</u>	Bolt, Flanged, M8-1.25x80mm, ED65 .....	9
31	<u>105063501</u>	Plug, Oil Drain, Magnetic, ED65 .....	1
32	<u>105234801</u>	Plate, Ed65 Splash .....	1
33	<u>105234901</u>	Bolt, M6-1 X 12mm Lg, Ed65 .....	1
Note: Fuji transaxle component listings span three pages. To identify your transaxle, locate the serial number decal on the axle tube.			

12

G

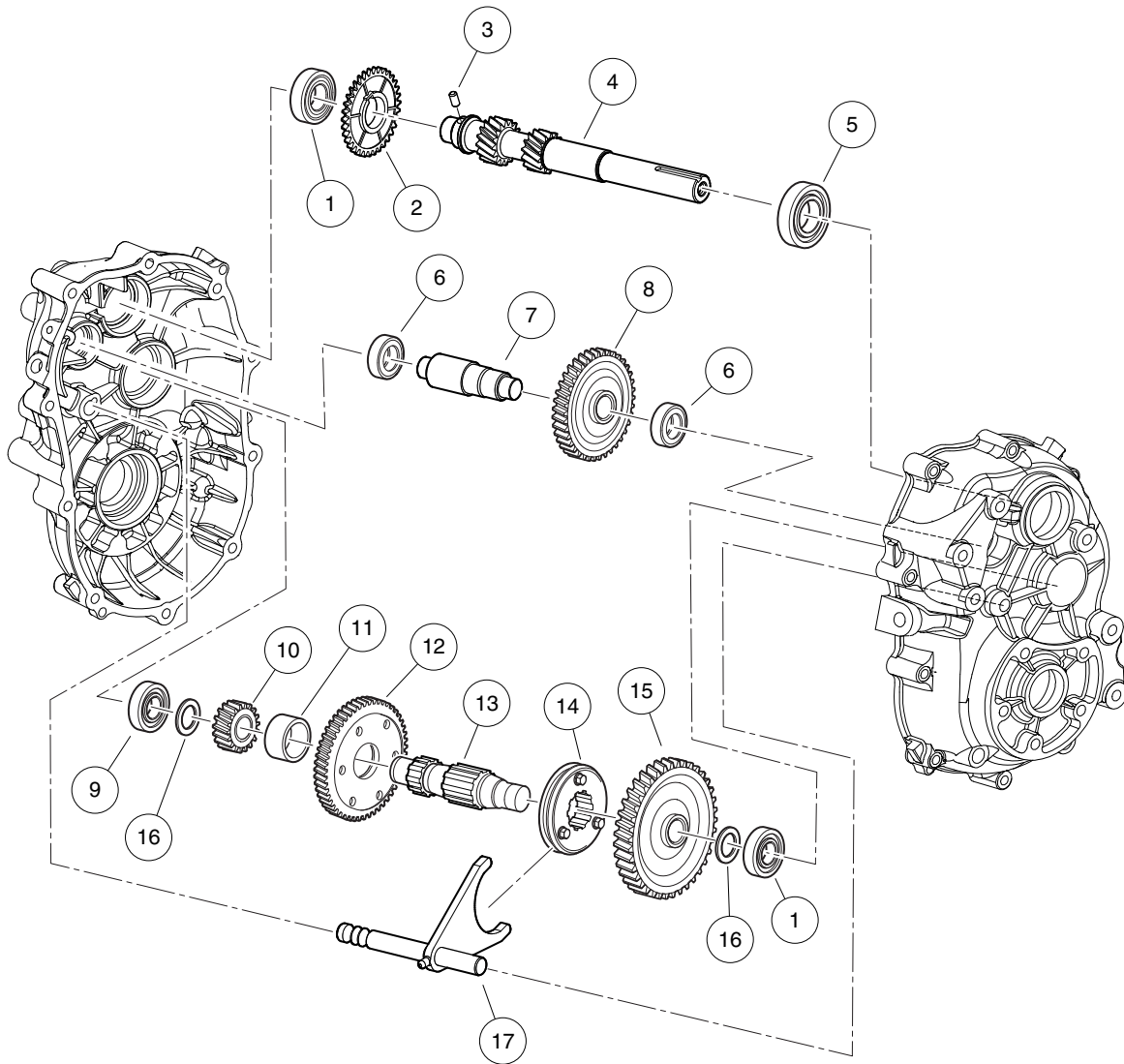


## TRANSAXLE (ED65), OPEN – PAGE 1 OF 3

ITEM	PART NO.	DESCRIPTION	QTY
		1 2 3 4	
1	<u>103879701</u>	Transaxle, ED65, Open Differential (includes items 2 through 32) .....	1
2	<u>105025001</u>	Case, Transaxle, Left, Complete, ED65 (includes items 3 through 13) .....	1
3	<u>105025101</u>	Gear, Governor, Complete, ED65 .....	1
4	<u>105025201</u>	Sleeve, Governor, ED65 .....	1
5	<u>105025301</u>	Washer, ED65 .....	2
6	<u>105025401</u>	Bearing, Thrust, ED65 .....	1
7	<u>105025501</u>	Shaft, Governor Gear, ED65 .....	1
8	<u>105025601</u>	Shaft, Governor, ED65 .....	1
9	<u>105025701</u>	Washer, 6mm, ED65 .....	2
10	<u>105025801</u>	Seal, Oil, 6x10x2.5, ED65 .....	1
11	<u>105025901</u>	Retaining Ring, E5, ED65 .....	1
12	<u>105026001</u>	Seal, Oil, 24x40x9, ED65 .....	1
13	<u>105027101</u>	Vent, Breather, ED65 .....	1
14	<u>105026101</u>	Ball, Steel, ED65 .....	1
15	<u>105026201</u>	Spring, ED65 .....	1
16	<u>105026301</u>	Gasket, 10, ED65 .....	1
17	<u>105026401</u>	Bolt, M10-1.25x12mm Lg, ED65 .....	1
18	<u>105026501</u>	Case, Transaxle, Right, Complete, ED65 (includes items 19 through 24) .....	1
19	<u>105026001</u>	Seal, Oil, 24x40x9, ED65 .....	1
20	<u>105026601</u>	Shaft, Select, ED65 .....	1
21	<u>105026701</u>	Seal, Oil, 13x22x5, ED65 .....	1
22	<u>105026801</u>	Snap Ring, 13mm, ED65 .....	1
23	<u>105026901</u>	Spacer, 13x1, ED65 .....	1
24	<u>105027001</u>	Seal, Oil, 25x45x7, ED65 .....	1
25	<u>105027201</u>	Plug, Oil Drain, ED65 .....	2
26	<u>105027301</u>	Gasket, 14, ED65 .....	2
27	<u>105028301</u>	Pin, Guide, ED65 .....	2
28	<u>105028501</u>	Bolt, Flange, M8-1.25x65mm, ED65 .....	1
29	<u>105030001</u>	Nut, Flange, M8-1.25, ED65 .....	10
30	<u>105030701</u>	Bolt, Flanged, M8-1.25x80mm, ED65 .....	9
31	<u>105234801</u>	Plate, Ed65 Splash .....	1
32	<u>105234901</u>	Bolt, M6-1 X 12mm Lg, Ed65 .....	1
Note: Fuji transaxle component listings span three pages. To identify your transaxle, locate the serial number decal on the axle tube.			

12

G



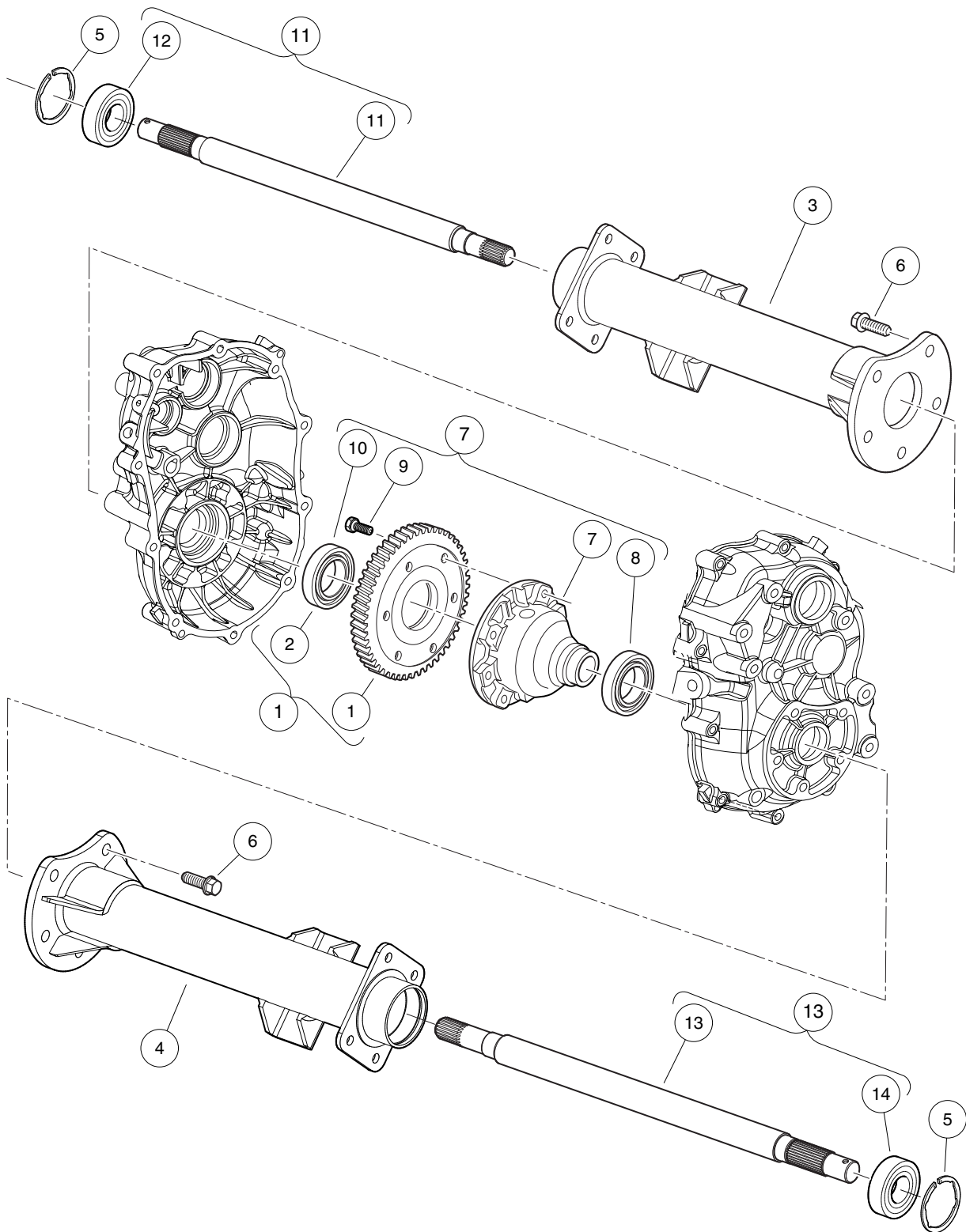
000919-003

# TRANSAXLE (ED65), LIMITED SLIP AND OPEN – PAGE 2 OF 3

ITEM	PART NO.	DESCRIPTION	QTY
		1 2 3 4	
1	<u>105027401</u>	Bearing, Ball (6204) .....	2
2	<u>105027501</u>	Gear, Governor, 34 Tooth, ED65 .....	1
3	<u>105027601</u>	Pin, 6x12 Long, ED65 .....	1
4	105027701	Shaft, Input, ED65 .....	1
5	105027801	Bearing, Ball (6205 seal) .....	1
6	<u>105027901</u>	Bearing, Ball (6202) .....	2
7	105028001	Shaft, Counter, ED65 .....	1
8	105028201	Gear, 34 Tooth, ED65 .....	1
9	<u>105028401</u>	Bearing, Ball (6304) .....	1
10	105028601	Gear, 17 Tooth, ED65 .....	1
11	<u>105028701</u>	Collar, 24 x 12, ED65 .....	1
12	<u>105028801</u>	Gear, 52 Tooth, ED65 .....	1
13	105028901	Shaft, Center, ED65 .....	1
14	<u>105029001</u>	Clutch, Pin, ED65 .....	1
15	105029101	Gear, 62 Tooth, ED65 .....	1
16	<u>105029201</u>	Spacer, 20x2, ED65 .....	2
17	<u>105030901</u>	Shaft, Shift, ED65 .....	1
<p>Note: To identify your transaxle, locate the serial number decal on the axle tube.</p>			

12

G



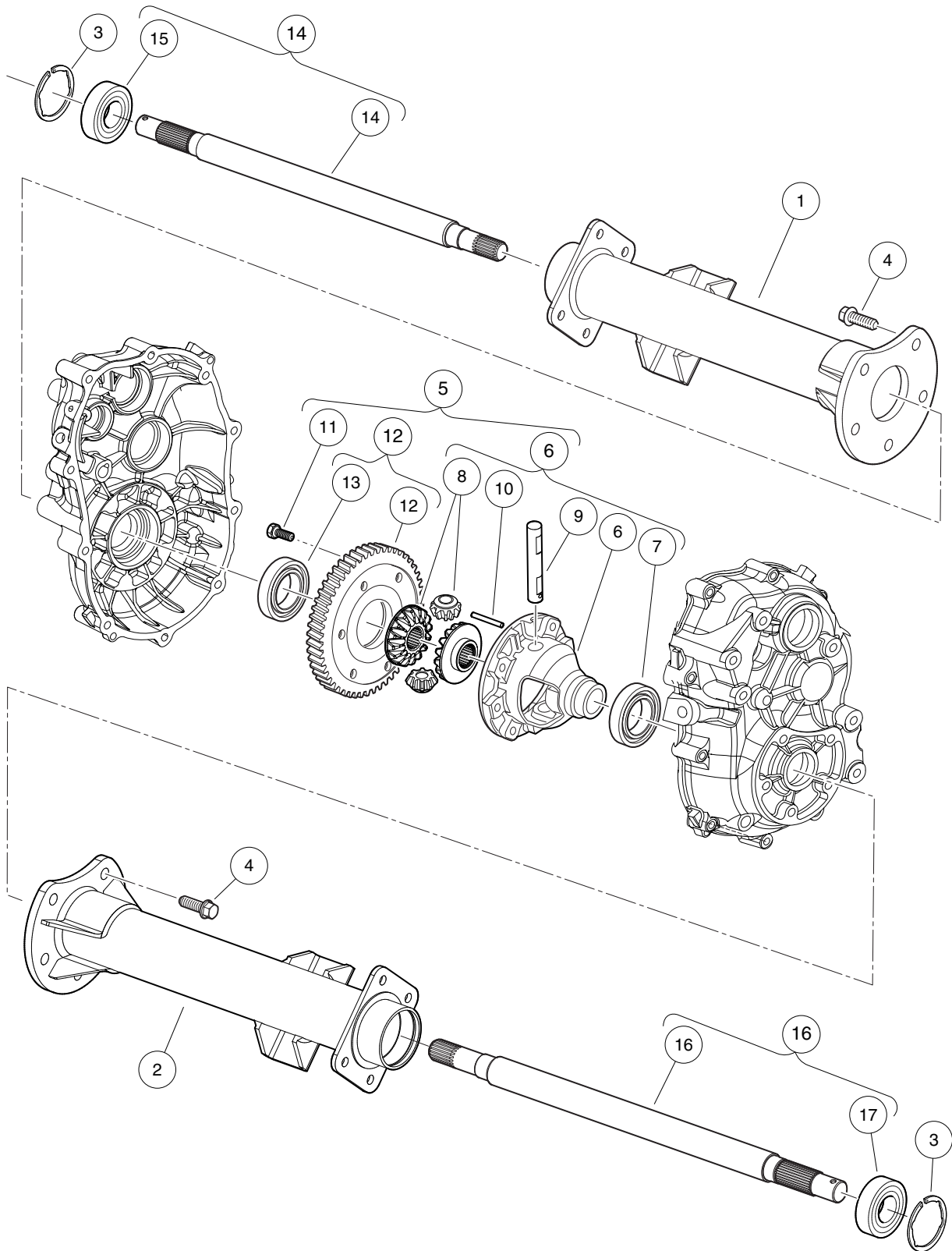
000919-005

## TRANSAXLE (ED65), LIMITED SLIP – PAGE 3 OF 3

ITEM	PART NO.	DESCRIPTION	QTY
		1 2 3 4	
1	105029901	Gear, 60 Tooth, Complete, ED65 (includes item 2) .....	1
2	<u>105029801</u>	Bearing, Ball (6007) .....	1
3	105030401	Axle Tube, Driver-Side, ED65 .....	1
4	105030501	Axle Tube, Passenger-Side, ED65 .....	1
5	<u>105030601</u>	Snap Ring, 52mm, ED65 .....	2
6	<u>105030801</u>	Bolt, Flange, M10-1.25x25, ED65 .....	10
7	<u>105063601</u>	Differential, Limited-Slip, ED65 (includes items 8 through 10) .....	1
8	<u>105028101</u>	Bearing, Ball (6006) .....	1
9	<u>105029501</u>	Bolt, M10-1.25x26mm Lg, ED65 .....	6
10	<u>105029801</u>	Bearing, Ball (6007) .....	1
11	<u>105066001</u>	Axle Shaft, Driver-Side, Complete, ED65 (includes item 12) .....	1
12	<u>105030301</u>	Bearing, Ball (6205DD) .....	1
13	<u>105066101</u>	Axle Shaft, Passenger-Side, Complete, ED65 (includes item 14) .....	1
14	<u>105030301</u>	Bearing, Ball (6205DD) .....	1
<p style="margin-left: 40px;">Note: To identify your transaxle, locate the serial number decal on the axle tube.</p>			

12

G



000919-004

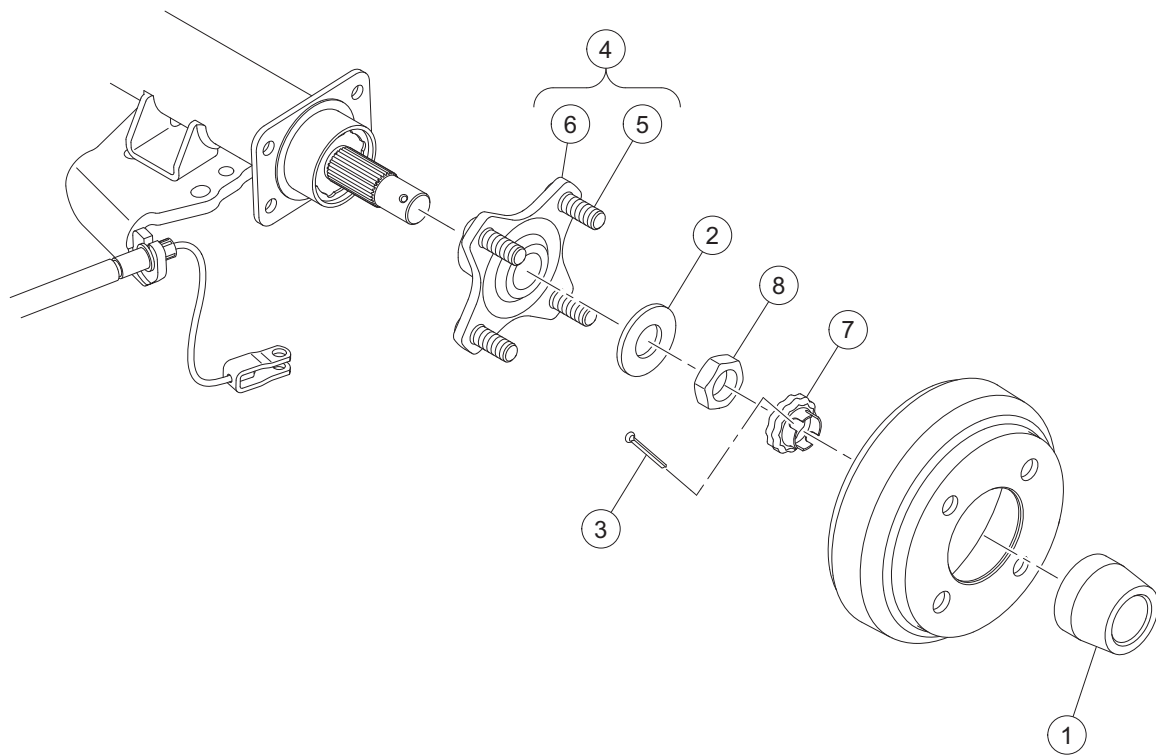


## TRANSAXLE (ED65), OPEN – PAGE 3 OF 3

ITEM	PART NO.	DESCRIPTION	QTY
		<b>1 2 3 4</b>	
1	105030401	Axle Tube, Driver-Side, ED65 .....	1
2	105030501	Axle Tube, Passenger-Side, ED65 .....	1
3	<u>105030601</u>	Snap Ring, 52mm, ED65 .....	2
4	<u>105030801</u>	Bolt, Flange, M10-1.25x25, ED65 .....	10
5	<u>105031001</u>	Differential, Open, ED65 (includes items 6 through 12) .....	1
6	<u>105029301</u>	Case, Differential, Complete, ED65 (includes items 7 through 10) .....	1
7	<u>105028101</u>	Bearing, Ball (6006) .....	1
8	105029401	Gear Set, Differential, ED65 .....	1
9	<u>105029601</u>	Shaft, Differential, ED65 .....	1
10	<u>105029701</u>	Pin, 4x40 Long, ED65 .....	1
11	<u>105029501</u>	Bolt, M10-1.25x26mm Lg, ED65 .....	6
12	105029901	Gear, 60 Tooth, Complete, ED65 (includes item 13) .....	1
13	<u>105029801</u>	Bearing, Ball (6007) .....	1
14	<u>105066001</u>	Axle Shaft, Driver-Side, Complete, ED65 (includes item 15) .....	1
15	<u>105030301</u>	Bearing, Ball (6205DD) .....	1
16	<u>105066101</u>	Axle Shaft, Passenger-Side, Complete, ED65 (includes item 17) .....	1
17	<u>105030301</u>	Bearing, Ball (6205DD) .....	1
		Note: To identify your transaxle, locate the serial number decal on the axle tube.	

**12**

**G**



G-070199-000003

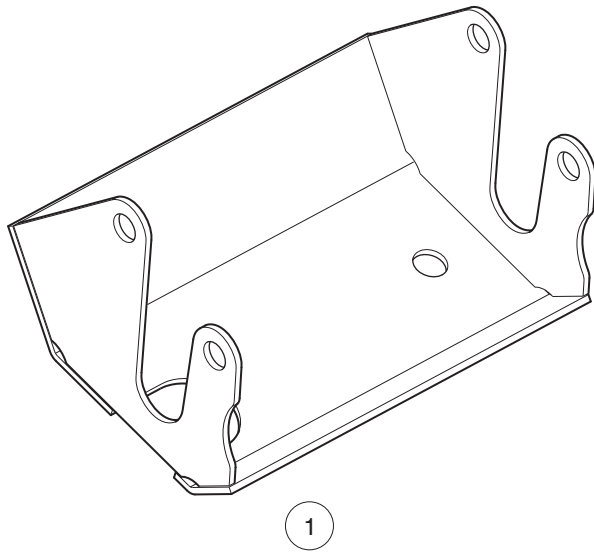
# HUB, REAR

**12**  
**G**

ITEM	PART NO.	DESCRIPTION	QTY
		<b>1 2 3 4</b>	
1	102274101	Center Cap, Rubber .....	2
2	<u>102617801</u>	Washer, Hard, M22 .....	2
3	<u>103989501</u>	Pin, Cotter, 9/64 X 1.75" .....	2
4	<u>103995001</u>	Asm, Hub, Machined (includes items 5 and 6) .....	2
5	<u>103951501</u>	Lug Stud, 1/2-20 UNF, SAE J1102 .....	4
6	<u>103979301</u>	Hub, Machined .....	1
7	<u>104021701</u>	Retaining Ring, Hex Nut, M22 .....	2
8	<u>104027101</u>	Nut, Hex, M22x1.5, Thin .....	2

12

G



001436-001

## DIFFERENTIAL GUARD, ED65 – GASOLINE VEHICLE

ITEM	PART NO.	DESCRIPTION	QTY
1	47662588001	<div style="display: flex; justify-content: space-between; margin-bottom: 5px;"> <span>1</span> <span>2</span> <span>3</span> <span>4</span> </div> Guard, Differential .....	1

12

G

12

G

# ELECTRICAL SYSTEM – ELECTRIC VEHICLES

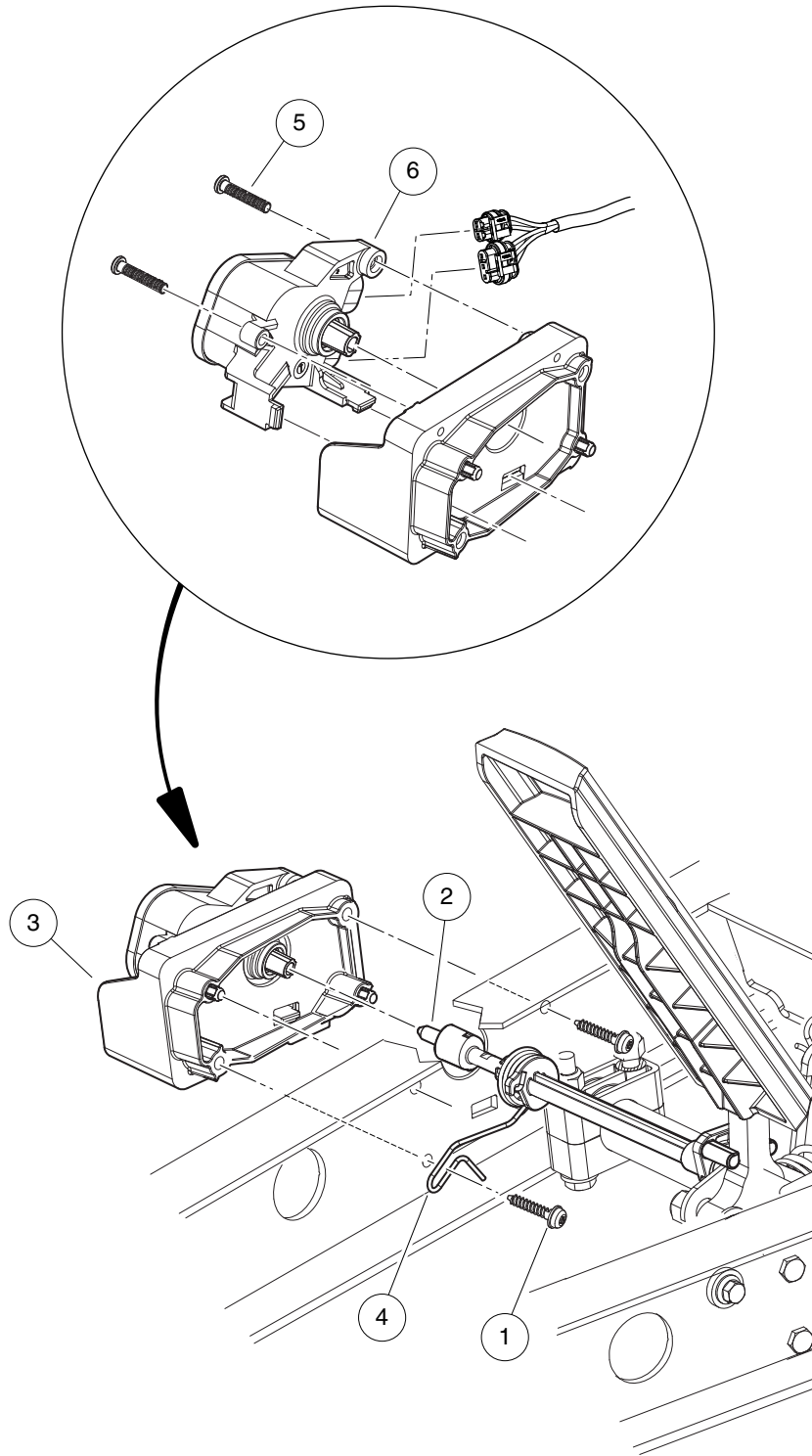
---

13

*E*

13

E



002522-001



# MOTOR CONTROLLER OUTPUT REGULATOR (MCOR)

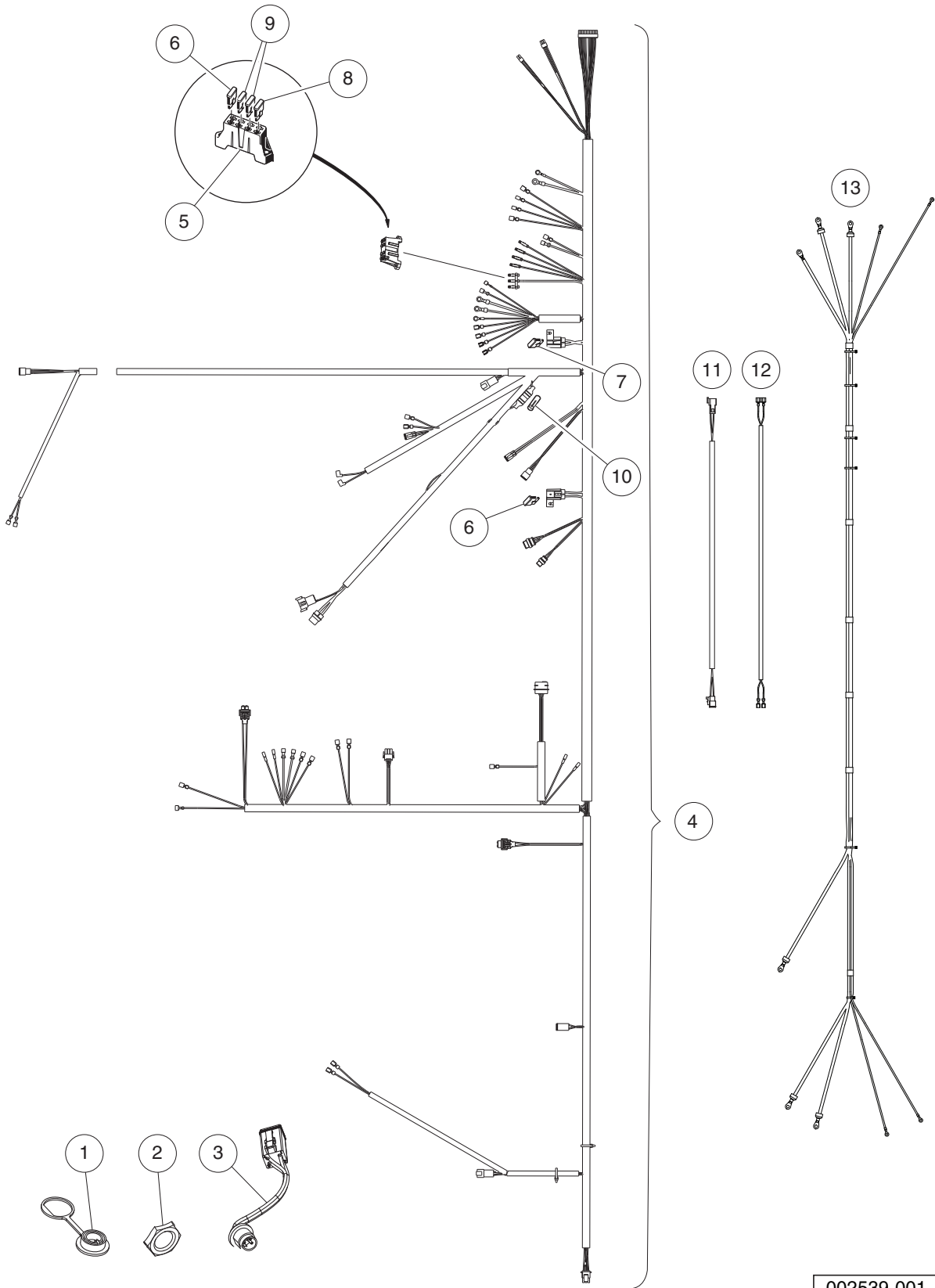
ITEM	PART NO.	DESCRIPTION	QTY
		1 2 3 4	
1	<u>102297230</u>	Screw, M6, Torx, Interlock Thread .....	2
2	<u>103902101</u>	Bar, Drive, Cast .....	1
3	<u>103902301</u>	Housing, Mcor .....	1
4	<u>103902401</u>	Spring, Torsion .....	1
5	<u>103943401</u>	Screw, Pan, #10 X 1.00 Hi-lo .....	2
6	<u>105116301</u>	MCOR4, Type 16 Switch .....	1

13

E

13

E



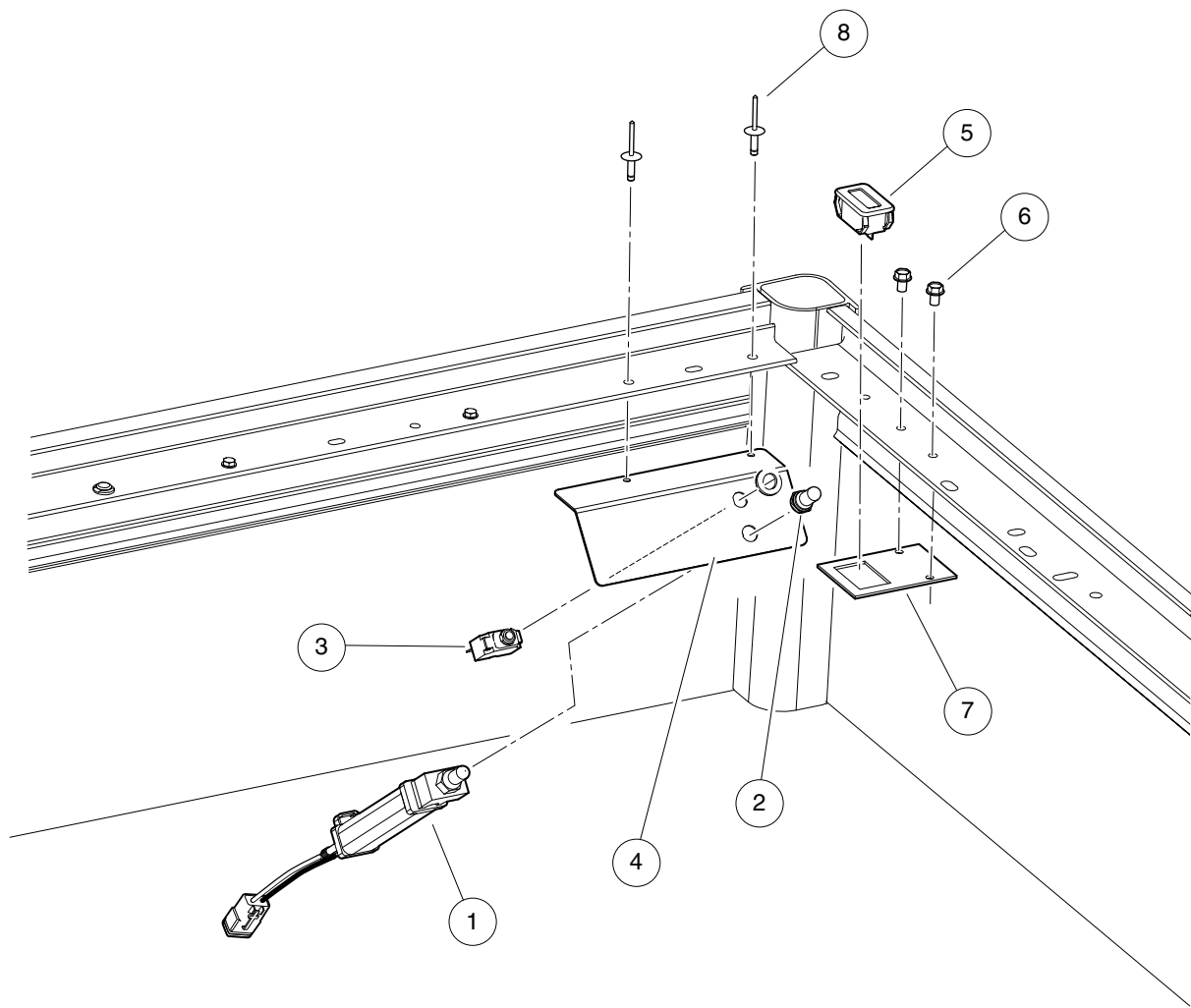
002539-001

## WIRING, FUSES, AND DIODES – ELECTRIC VEHICLE

ITEM	PART NO.	DESCRIPTION	QTY
		1 2 3 4	
1	<u>102196901</u>	Dust Cap .....	1
2	<u>102572401</u>	Nut, Diagnostic Port .....	1
3	<u>103218601</u>	Harness, Diagnostic Port .....	1
4	<u>105076901</u>	Harness, Wire, Main, CA700/CA900/T-porter/XL/XLC, Elec (includes items 5 through 10)	1
5	<u>1015741</u>	Fuse Block .....	1
6	<u>1016423</u>	Fuse, 20-Amp .....	2
7	<u>102492301</u>	Fuse, 30-Amp .....	1
8	<u>102538601</u>	15 Amp Fuse .....	1
9	<u>105167201</u>	Fuse, Atc, 2 Amp .....	1
10	105173901	Fuse, Agc, 1 Amp .....	1
11	SVP853001	Harness, Wire, Extension, Speed Sensor .....	1
12	SVP860001	Harness, Wire, Extension, Reverse Buzzer .....	1
13	SVP895801	Harness Power Ca900 Iq Plus .....	1

13

E



002518-001

# TOW/RUN SWITCH AND HOUR METER

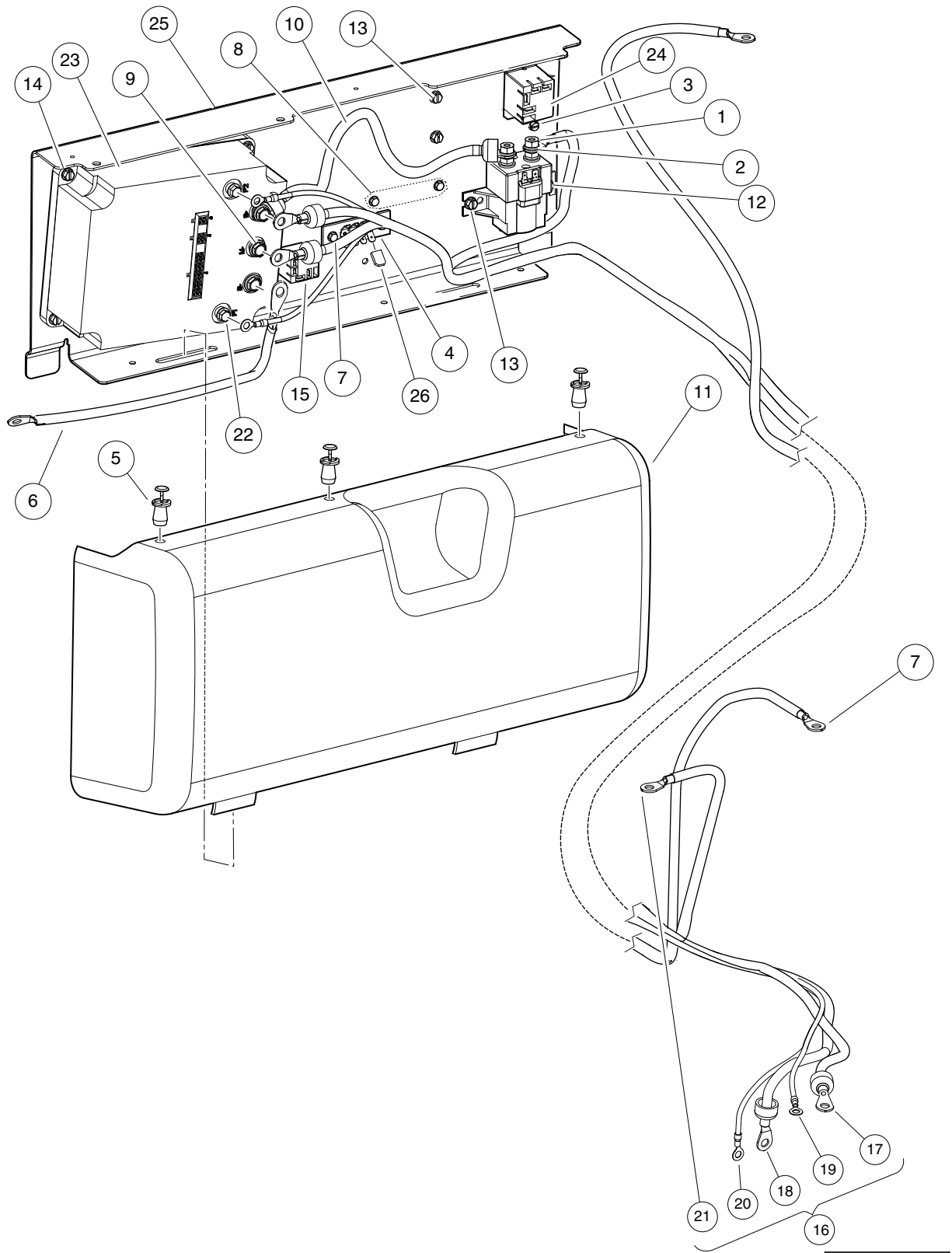
ITEM	PART NO.	DESCRIPTION	QTY
		1 2 3 4	
1	<u>101908101</u>	Switch Assembly, Tow/Run .....	1
2	<u>101908401</u>	Boot, Switch .....	1
3	<u>102838101</u>	Circuit Breaker, 20 Amp .....	1
4	<u>102915701</u>	Plate, Switch, Run Tow, Mode .....	1
5	<u>103510301</u>	Meter, Hour .....	1
6	<u>103541501</u>	Screw, Tapping, 1/4-20 X .375 .....	2
7	<u>105145201</u>	Bracket, Hour Meter Sq, Short .....	1
8	<u>7973</u>	Rivet, 3/16 X .400 Blind .....	2

13

E

13

E



002513-003

## 48-VOLT ELECTRIC COMPONENTS - ELECTRIC VEHICLE

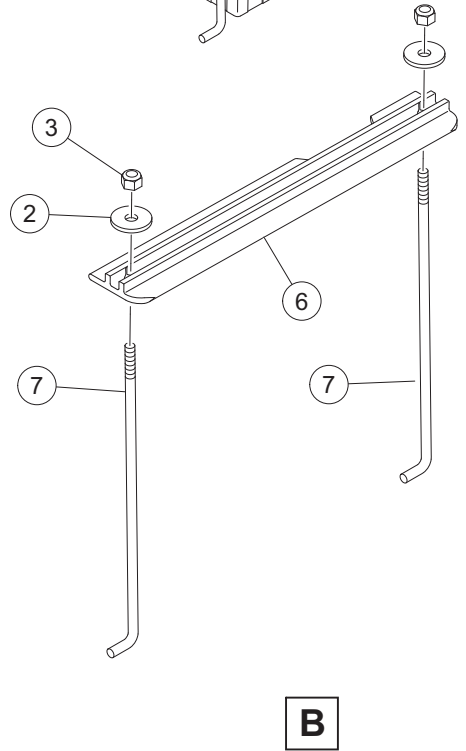
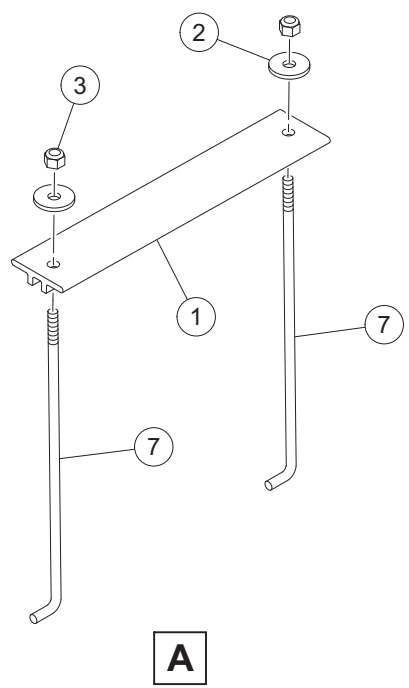
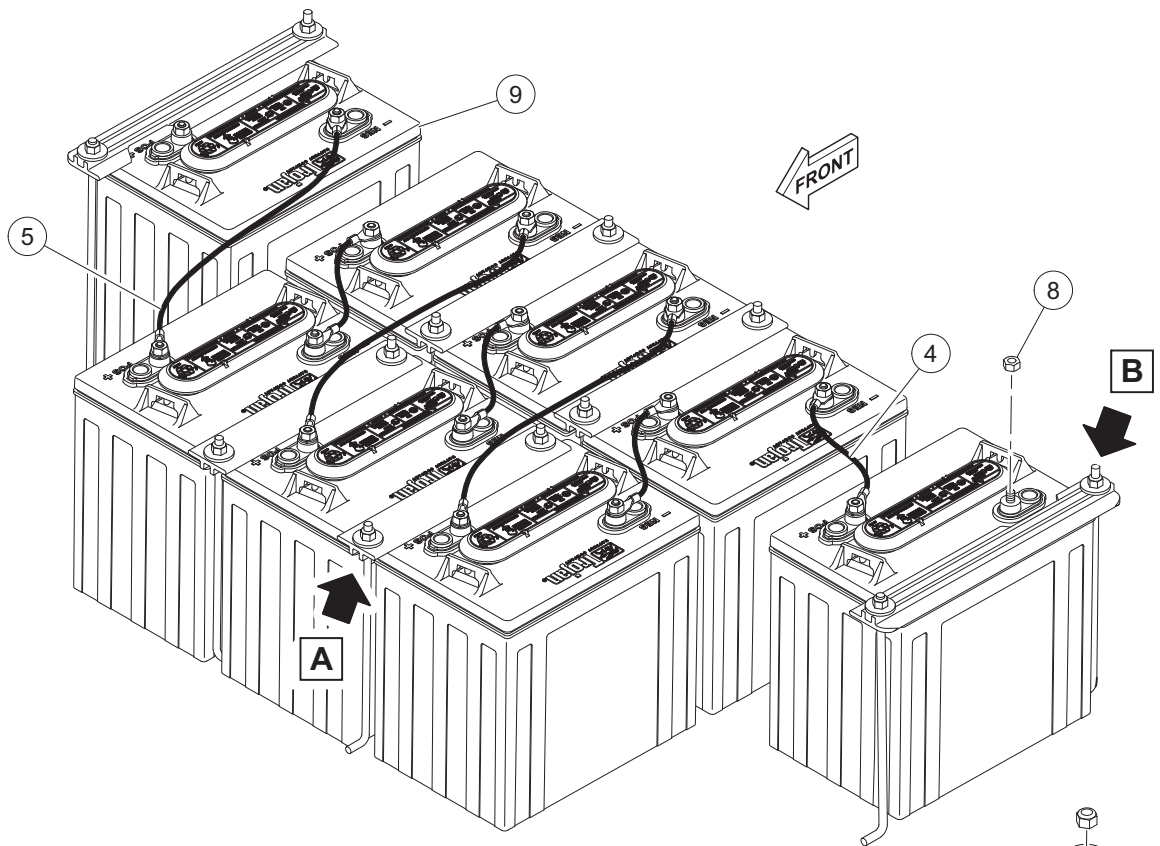
ITEM	PART NO.	DESCRIPTION	QTY
		1 2 3 4	
1	<u>1012528</u>	Nut, M8-1.25 Hex .....	2
2	<u>1013734</u>	Lockwasher, 8mm Split .....	2
3	<u>1015720</u>	Screw, #6-32 X 1/2 Hex Washer-Head .....	4
4	<u>1016356</u>	Terminal Block with Insulator .....	1
5	<u>1016967</u>	Blind Rivet, Push Type .....	3
6	102002803	Wire Assy, #4 Black, 26 In .....	1
7	<u>102002804</u>	Wire Assy, #4 Black, 81 In .....	1
8	<u>102238001</u>	#10-24 Taptite Screw .....	4
9	<u>102240501</u>	Bolt, Controller, Terminal .....	3
10	<u>102440901</u>	Wire Asm, #4 Yellow, 13" .....	1
11	<u>102772402</u>	Cover, Electrical Component, Carryall 6 .....	1
12	<u>102774701</u>	Solenoid, 48v .....	1
13	<u>102817101</u>	Screw, 1/4-20 X .50 Hex Wsh Hd .....	4
14	<u>102817201</u>	Screw, 1/4-20 X .88 Hex Wsh Hd .....	4
15	<u>103397901</u>	Relay, Spst No, 48v 30a, Pmt .....	1
16	<u>103698601</u>	Harness, Power, Ca6 Iq Plus (includes items 17 through 21) .....	1
17	N/A	Asm, #4 Grn Wire, 89" .....	1
18	N/A	Asm, #4 Wht Wire, 88.5" .....	1
19	N/A	Asm, #10 Org Wire, 89.5" .....	1
20	N/A	Asm, #10 Blu Wire, 95.5" .....	1
21	N/A	Asm, #4 Red Wire, 67.5" .....	1
22	105000501	Screw, M6 X 1 X 12 Ser Hex Flg .....	2
23	105075202	Controller, 500 Amp, Hfc, Sp .....	1
24	<u>105112401</u>	Relay, Spdt Nc, 48v 30a, Pmt .....	1
25	<u>105147101</u>	Plate, Component, Frnt, No Obc .....	1
26	<u>105195501</u>	Cap, Quick Conn Tab, 1/4 In .....	6
		Note: 48-volt fuse block (1015741) is a component of the main wire harness, 105076901.	

13

E

13

E



G-130799-000011

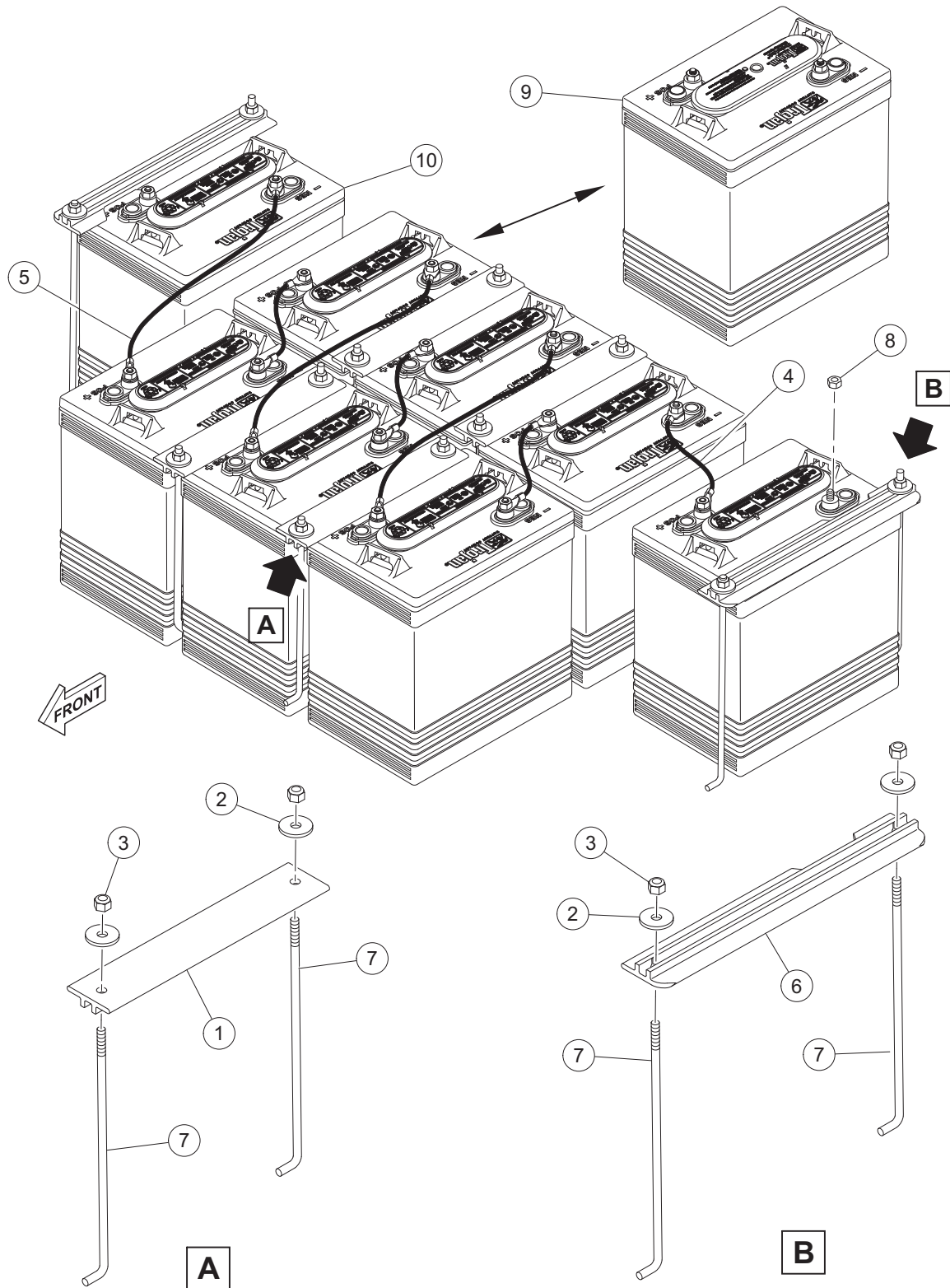


# BATTERIES 6-VOLT, STANDARD DUTY

ITEM	PART NO.	DESCRIPTION	QTY
		1 2 3 4	
1	<u>101090801</u>	Hold-Down, Battery .....	4
2	1012571	Washer, 5/16 Extra Thick Flat .....	12
3	1015072	Locknut, 5/16-18 Nylon Insert .....	12
4	<u>102002901</u>	Wire Assy, #4 Black .....	4
5	<u>102764001</u>	Wire Asm, #4 Black .....	3
6	<u>102766201</u>	Hold Down, Outside .....	2
7	<u>102845204</u>	Rod, Battery Hold Down 12" .....	12
8	<u>102873401</u>	5/16-18 Heavy Hex Nut .....	16
9	<u>103969799</u>	Battery,6v Trojan T145, Wet,sp .....	8

13

E



G-130799-000012

## BATTERIES 6-VOLT, HEAVY DUTY

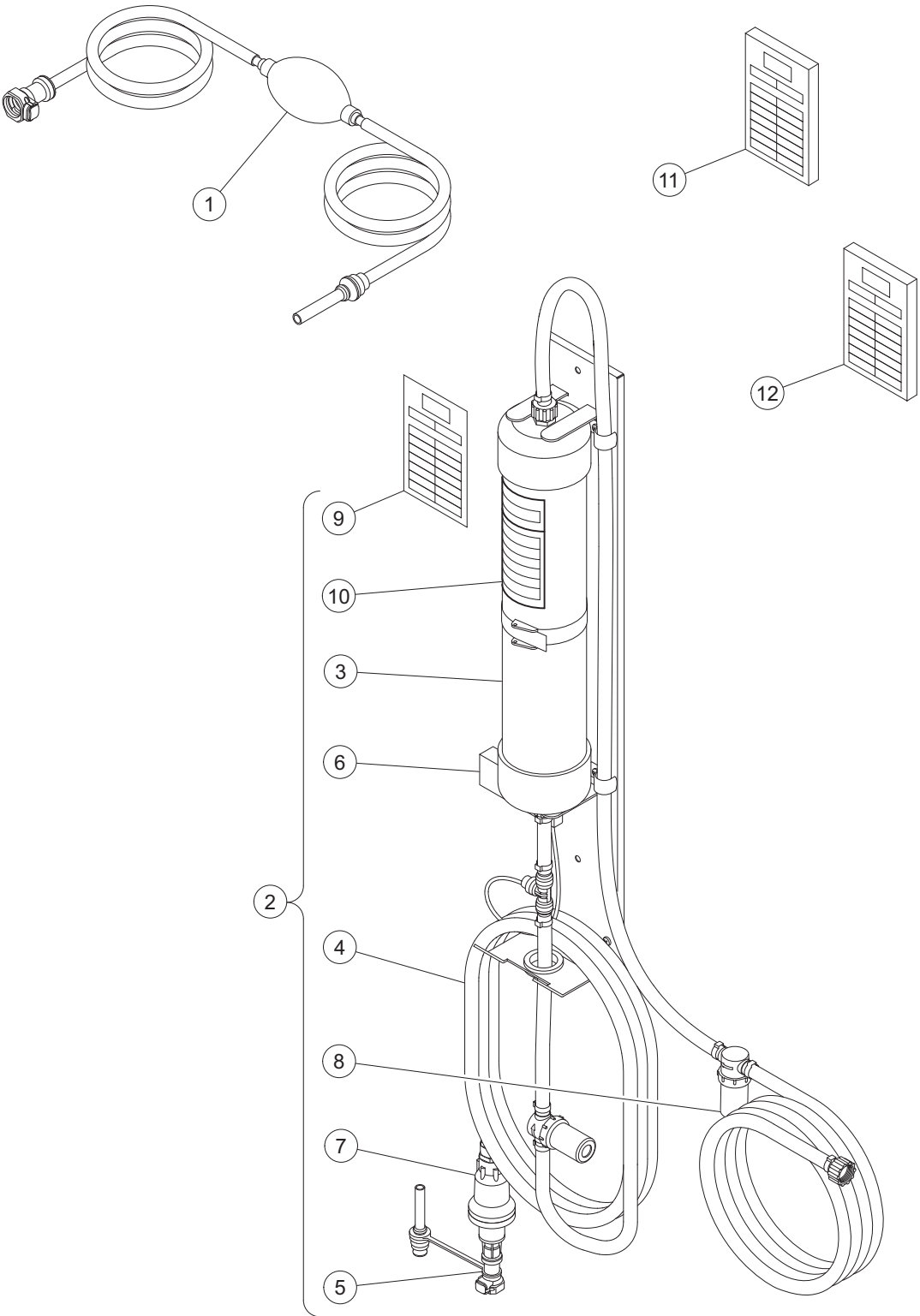
ITEM	PART NO.	DESCRIPTION	QTY
		1 2 3 4	
1	<u>101090801</u>	Hold-Down, Battery .....	4
2	1012571	Washer, 5/16 Extra Thick Flat .....	12
3	1015072	Locknut, 5/16-18 Nylon Insert .....	12
4	<u>102002901</u>	Wire Assy, #4 Black .....	4
5	<u>102764001</u>	Wire Asm, #4 Black .....	3
6	<u>102766201</u>	Hold Down, Outside .....	2
7	<u>102845204</u>	Rod, Battery Hold Down 12" .....	12
8	<u>102873401</u>	5/16-18 Heavy Hex Nut .....	16
9	103969703	Battery,6v Trojn T145,wet,spws .....	8
10	<u>103969799</u>	Battery,6v Trojan T145, Wet,sp .....	8
		Note: Item 9 only applies to vehicles with Single Point Watering Systems (SPWS).	

13

E

13

E



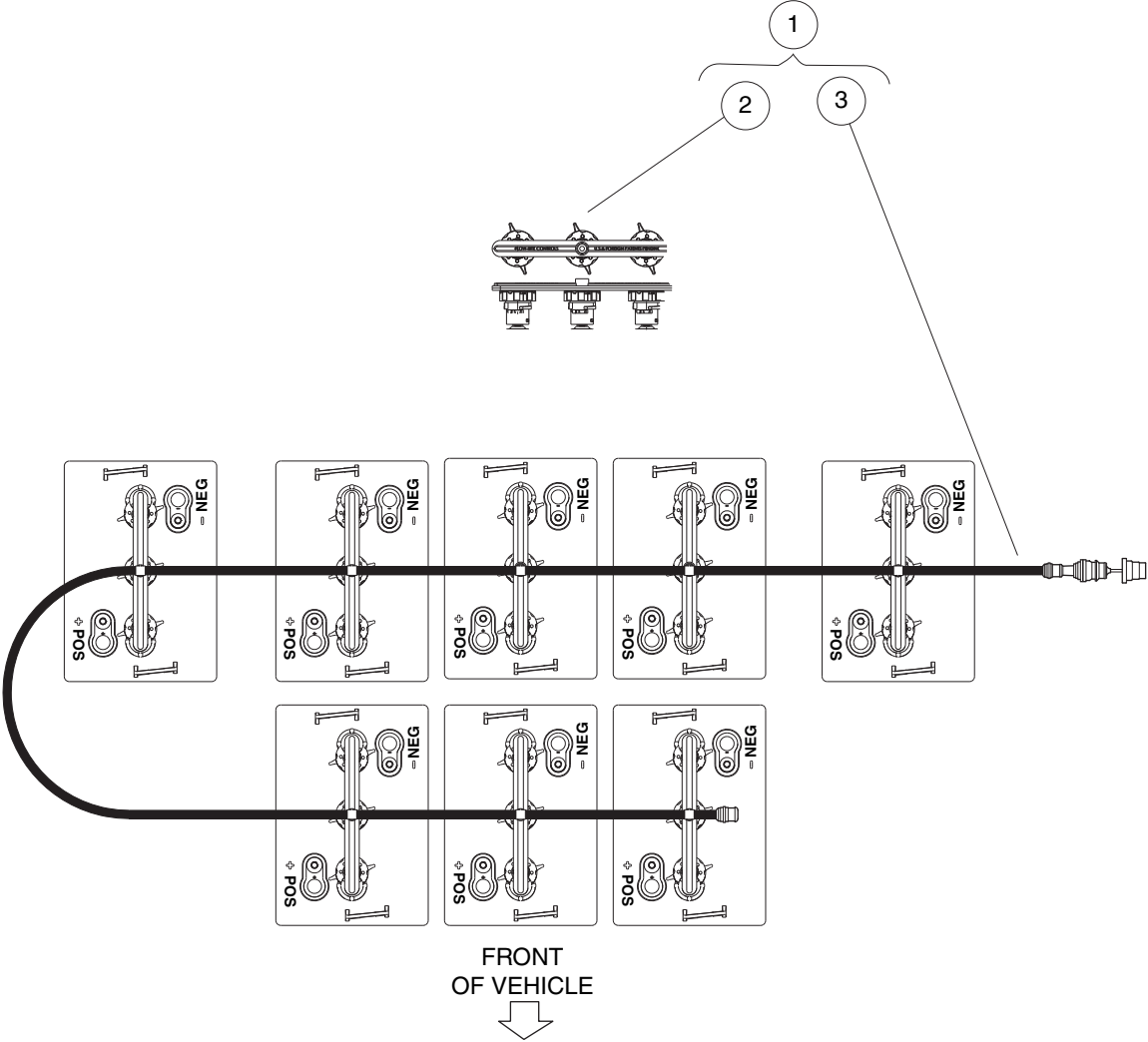
002523-003

# HAND PUMP AND DEIONIZER (BATTERY-POWERED QUALITY LIGHT)

ITEM	PART NO.	DESCRIPTION	QTY
		1 2 3 4	
1	<u>104006101</u>	Kit, Hand Pump, Spws .....	1
2	<u>105166801</u>	Deionizer, w/Battery-Powered Water Quality Light (includes items 3 through 10) .....	1
3	<u>104005901</u>	Cartridge, Deionizer .....	1
4	<u>105166901</u>	Hose,outlet,deionizer .....	1
5	<u>105167001</u>	Flow Ind, W/coupler, Deionizer .....	1
6	<u>105167101</u>	Light, Quality, Battery-Powered, w/T-Fitting .....	1
7	<u>105168501</u>	Regulator, Pressure, Deionizer .....	1
8	<u>105168601</u>	Strainer, In-line, Deionizer .....	1
9	<u>AM1300001</u>	Decal, Filter Log, Blue .....	1
10	<u>AM1300201</u>	Decal, Inspect Log, Yellow .....	1
11	AM1300101	Decal, Filter Log, Blue, Pack of 100 .....	A/R
12	AM1300301	Decal, Inspect Log, Yellow, Pack of 100 .....	A/R

13

E



002524-001

# SINGLE POINT WATERING SYSTEM (SPWS)

ITEM	PART NO.	DESCRIPTION	QTY
		1 2 3 4	
1	<u>105300302</u>	Kit, Spws, 8x6v, Ca700 (includes items 2 and 3) .....	1
2	<u>103510501</u>	Manifold, Lpr, 3 Vlve, Spw .....	8
3	105300501	Spws, Carryall, 8x6v, Ca700 .....	1

13

E

**13**

***E***

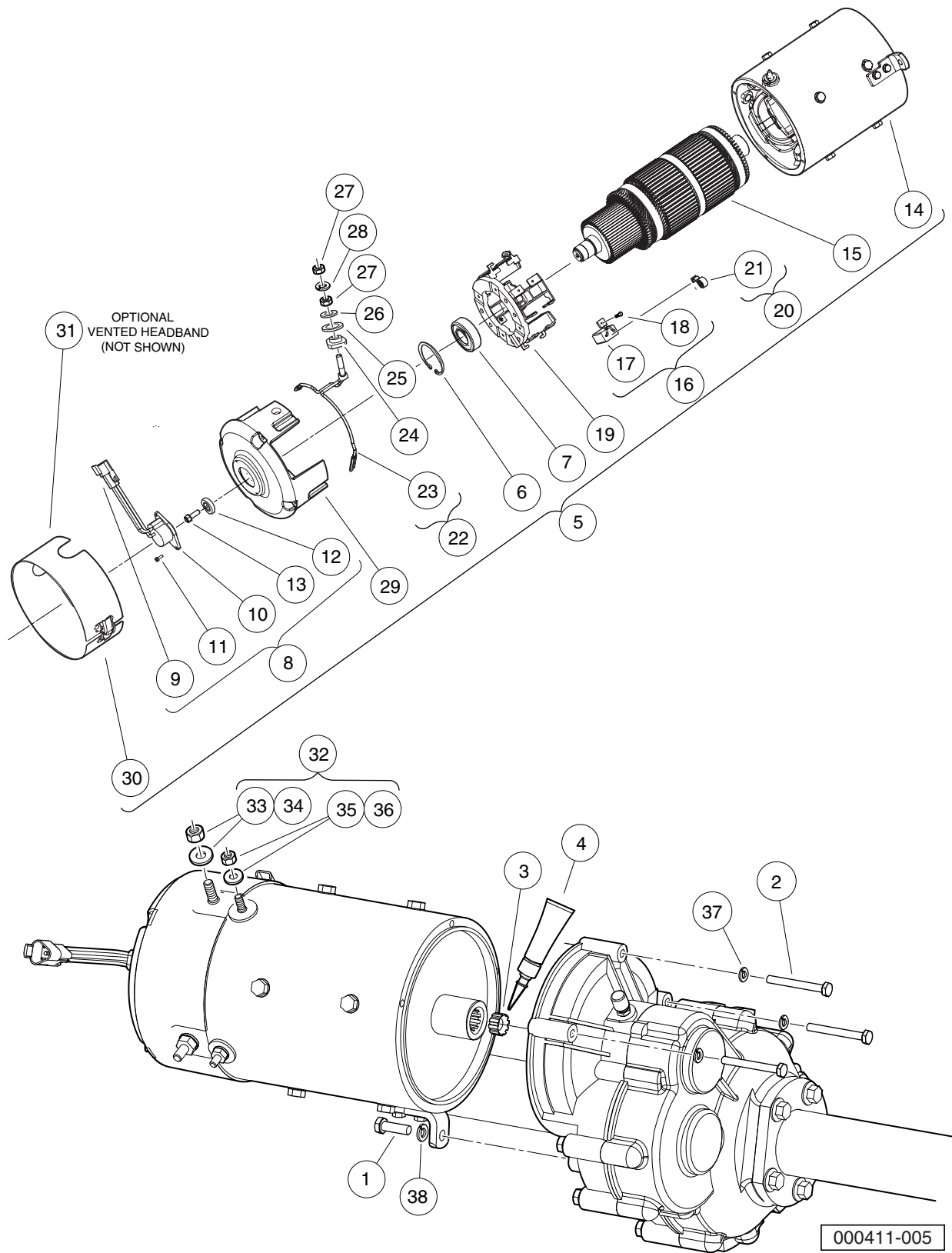


# ELECTRIC MOTOR

---

14

*E*



# MOTOR (MODEL DA5-4006) – IQ PLUS

ITEM	PART NO.	DESCRIPTION	QTY
		<b>1 2 3 4</b>	
1	<u>1010934</u>	Screw, 5/16-18 X 1.00 Hex Cap .....	1
2	1014201	Screw, 1/4-20 X 2.25 Hex Cap .....	3
3	<u>102235201</u>	Bumper, Drive Unit .....	1
4	<u>102243403</u>	Lubricant, Moly-Teflon (Single-Use Tube) .....	1
5	<u>102775101</u>	IQ Plus Electric Motor, 48-VDC 3.7 hp (includes items 6 through 30) .....	1
6	N/A	Ring, 2.24" Internal Retaining .....	1
7	<u>102186401</u>	Bearing, Ball .....	1
8	<u>102704901</u>	Kit, Speed Sensor (includes items 9 through 13) .....	1
9	<u>101942301</u>	Kit, 3-Pin Wedge Lock .....	1
10	N/A	Sensor, Motor Speed, ADC .....	1
11	N/A	Screw, #8-32, Taptite Thread .....	2
12	N/A	Magnet, ADC Motor .....	1
13	N/A	Screw, 1/4-20 x 0.5 .....	1
14	N/A	Asm, Frame And Field, 3.7 Hp .....	1
15	N/A	Armature (Includes external hardware not shown) .....	1
16	<u>102938601</u>	Kit, Brush, 3.7 Hp (includes items 17 and 18) .....	1
17	N/A	Brush, Motor .....	8
18	N/A	Screw, Taptite .....	8
19	<u>102938701</u>	Asm, Brush Box, 3.7 Hp .....	1
20	<u>102938801</u>	Kit, Brush Spring, 3.7 Hp (includes item 21) .....	1
21	N/A	Brush Spring .....	8
22	<u>102938901</u>	Kit, Brush Lead Asm, 3.7 Hp (includes items 23 through 28) .....	1
23	N/A	Terminal and Lead Assembly .....	2
24	N/A	Insulator, Terminal .....	2
25	N/A	Washer, Insulating .....	2
26	N/A	Washer, Flat, 5/16, Brass/Bronze .....	2
27	N/A	Nut, 5/16, Steel .....	4
28	N/A	Lockwasher, 5/16, Steel .....	2
29	<u>102939001</u>	Commutator End Head, 3.7 Hp .....	1
30	<u>102939101</u>	Sealed Headband, 3.7 Hp .....	1
31	<u>102939102</u>	Vented Headband, 3.7 HP (optional - not shown) .....	1
32	<u>102951701</u>	Pkg, Terminal Hardware, 3.7hp (includes items 33 through 36) .....	1
33	N/A	Nut, 5/16, Steel .....	2
34	N/A	Lockwasher, 5/16, Steel .....	2
35	N/A	Nut, 1/4-20, Steel .....	2
36	N/A	Lockwasher, 1/4-20, Steel .....	2
37	<u>451</u>	Lockwasher, 1/4 Split .....	3
38	<u>7174</u>	Lockwasher, 5/16 Split .....	1

**14**

**E**

**14**

***E***

# TRANSAXLE – ELECTRIC VEHICLES

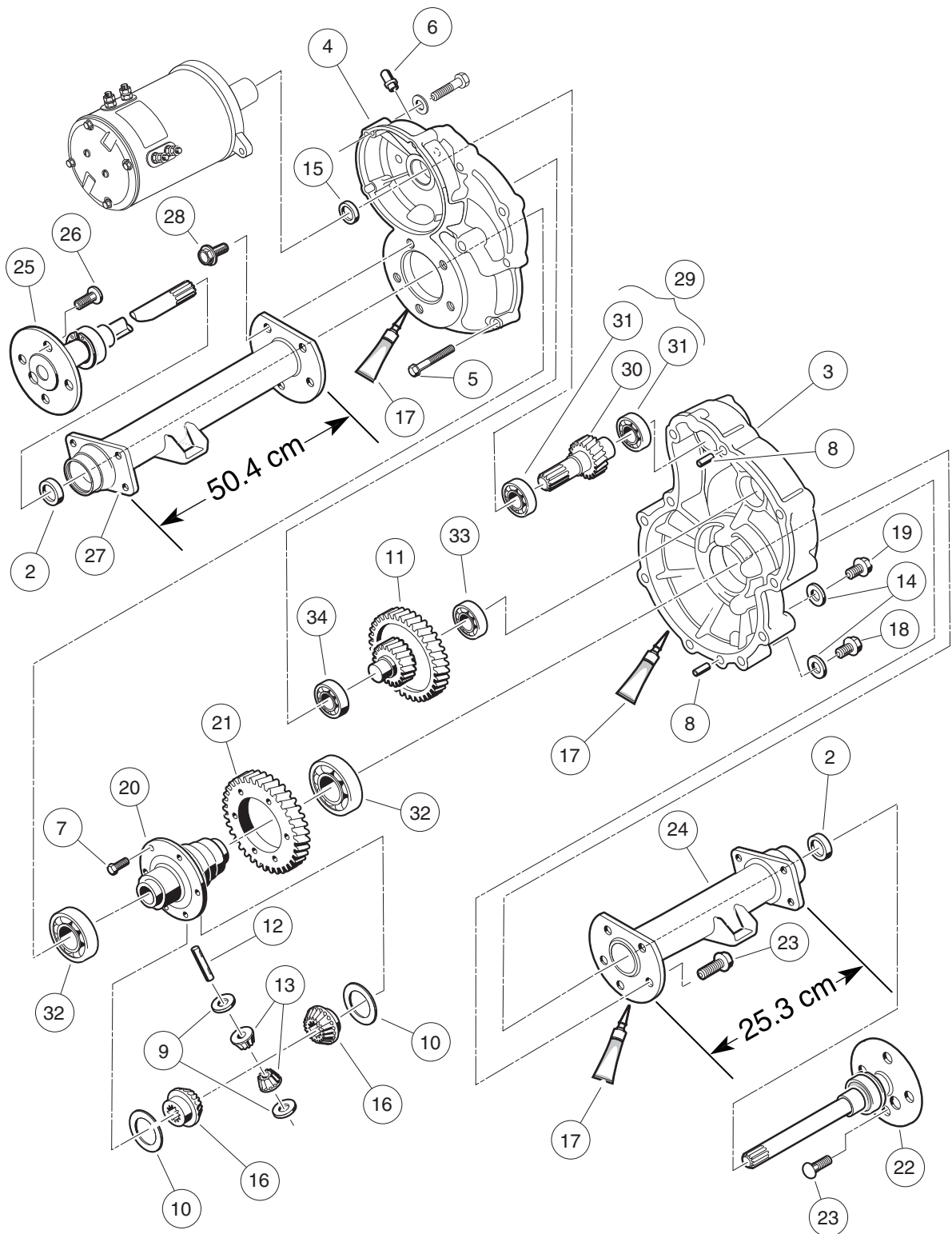
---

15

*E*

15

E



000223-005

# TRANSAXLE – ELECTRIC VEHICLES

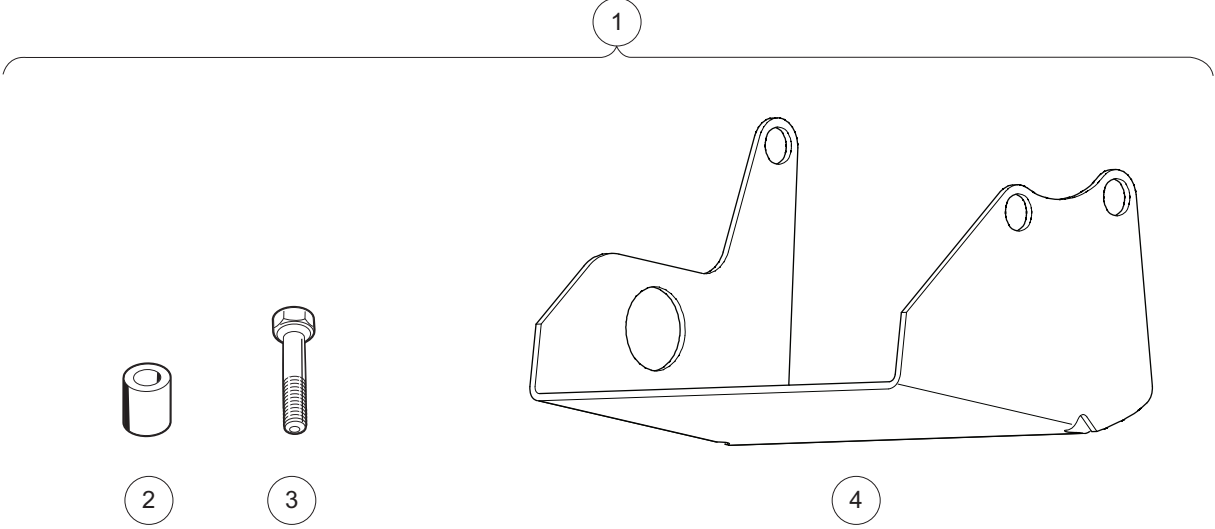
ITEM	PART NO.	DESCRIPTION	QTY
		<b>1 2 3 4</b>	
1	<u>102771701</u>	Transaxle, Electric (includes items 2 through 34) .....	1
2	<u>1013794</u>	Axle Shaft Oil Seal .....	2
3	<u>101895401</u>	Gear Case, Driver-Side .....	1
4	<u>101895501</u>	Gear Case, Passenger-Side .....	1
5	<u>101897001</u>	Screw, M8-1.25 X 60mm Hex-Head .....	11
6	<u>101897201</u>	Breather .....	1
7	<u>101897401</u>	Screw, M10-1.25 X 25mm .....	6
8	<u>101897601</u>	Pin, 11mm OD X 8.5mm ID X 10mm .....	2
9	<u>101903601</u>	Washer, Thrust .....	2
10	<u>101903701</u>	Washer, Thrust .....	2
11	<u>101906901</u>	Intermediate Shaft Assembly .....	1
12	<u>101922101</u>	Pin, 15.99mm X 88.7mm Dowel .....	1
13	<u>101923001</u>	Gear, Differential Idler .....	2
14	<u>101923201</u>	Gasket .....	2
15	<u>101923501</u>	Seal, Lip .....	1
16	<u>101923901</u>	Gear, Differential .....	2
17	<u>101928701</u>	Liquid Gasket (Transaxle case) .....	1
18	<u>101972101</u>	Plug, M14-1.5 X 12mm Magnetic .....	1
19	<u>101972201</u>	Plug, M14-1.5 X 12mm Hex .....	1
20	<u>102356601</u>	Housing, Differential, 6 Bolt .....	6
21	<u>102356801</u>	Gear, Differential Output, 6-Bolt .....	6
22	<u>102886301</u>	Axle Assembly, Driver-Side (includes item 23) .....	1
23	<u>101922201</u>	Lug Stud .....	4
24	<u>102886401</u>	Tube, Axle, Driver-Side .....	1
25	<u>102886501</u>	Axle Assembly, Passenger-Side (includes item 26) .....	1
26	<u>101922201</u>	Lug Stud .....	4
27	<u>102886601</u>	Tube, Axle, Passenger-Side .....	1
28	<u>102902801</u>	Screw, M10 X 30 .....	10
29	<u>103582801</u>	Asm, E Trans Shaft/bearing (includes items 30 and 31) .....	1
30	N/A	Shaft, Input .....	1
31	<u>7335</u>	Bearing .....	2
32	<u>7330</u>	Inner Axle Tube Bearing .....	2
33	<u>7335</u>	Bearing .....	1
34	<u>7336</u>	Bearing .....	1

15

E

15

E



000365-002



## DIFFERENTIAL GUARD – ELECTRIC VEHICLES

ITEM	PART NO.	DESCRIPTION	QTY
		1 2 3 4	
1	<u>101611402</u>	Kit, Differential Guard, Elec Vehicles (includes items 2 through 4) .....	1
2	<u>101914001</u>	Spacer, Steel .....	2
3	<u>101936101</u>	Screw, M10-1.50 X 60mm Hex Cap .....	2
4	<u>101978601</u>	Guard, Differential, Electric Vehicle Transaxle .....	1

15

E

**15**

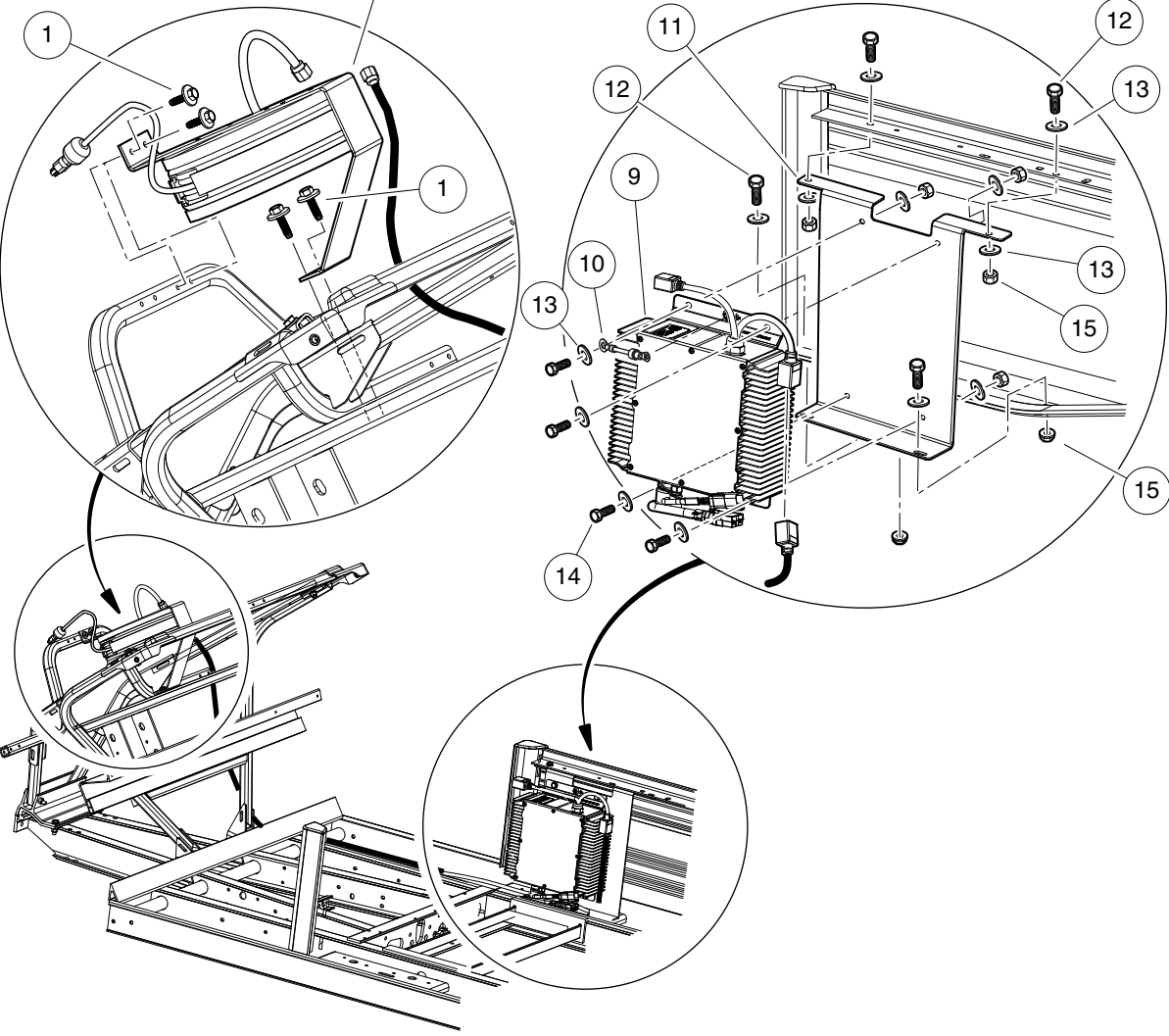
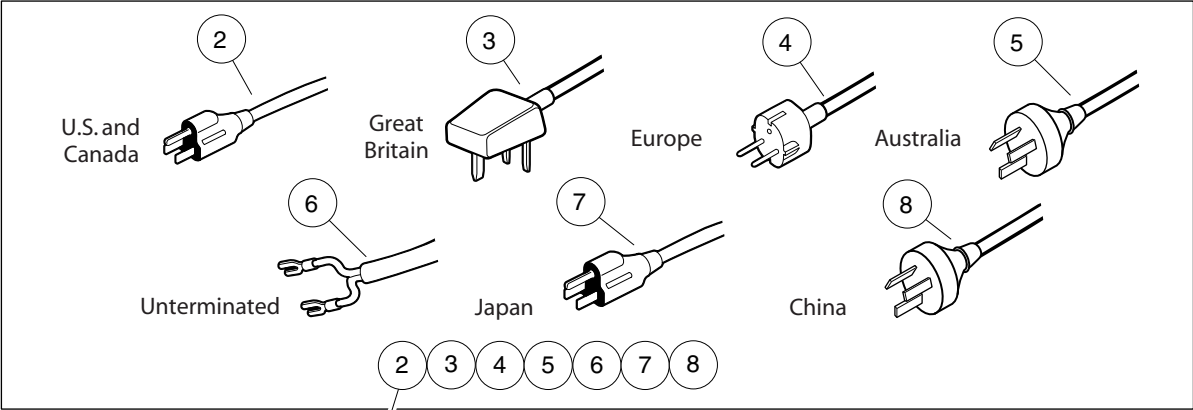
***E***

# ON-BOARD BATTERY CHARGERS – HIGH-FREQUENCY

---

16

E



002809-001

## ON-BOARD BATTERY CHARGER, HIGH-FREQ.

ITEM	PART NO.	DESCRIPTION	QTY
		1 2 3 4	
1	<u>102297125</u>	Screw, M6-1.0x25.4, Thread-Forming, SEMS .....	4
2	<u>105117601</u>	Cord Reel, Retractable, Us .....	1
3	<u>105117602</u>	Cord Reel, Retractable, Uk .....	1
4	<u>105117603</u>	Cord Reel, Retractable, Eu .....	1
5	<u>105117604</u>	Cord Reel, Retractable, Aus .....	1
6	<u>105117605</u>	Cord Reel, Retractable, Unterm .....	1
7	105117606	Cord Reel, Retractable, Japan .....	1
8	105117607	Cord Reel, Retractable, China .....	1
9	105161901	Asm, Chgr, Batt, Onboard, Quiq .....	1
10	<u>105224001</u>	Harness, Charger Ground .....	1
11	<u>105249601</u>	Bracket, On-Board Charger, CA7/TRANS .....	1
12	304	Screw, 1/4-20 X 1.0 Hex-Head Cap .....	2
13	<u>332</u>	Washer, 1/4 Type A Narrow Flat .....	12
14	<u>7847</u>	Screw, 1/4-20 X 0.75 Hex-Head Cap .....	4
15	<u>8233</u>	Locknut, 1/4-20, Nylon Insert .....	6

16

E

**16**

***E***

# MAINTENANCE AND SERVICE TOOLS

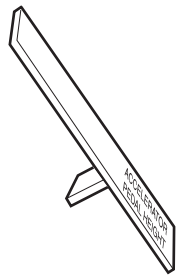
---

17

G

E

**17**  
**G**  
**E**



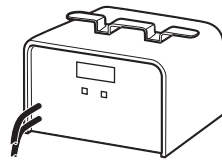
1



2



3



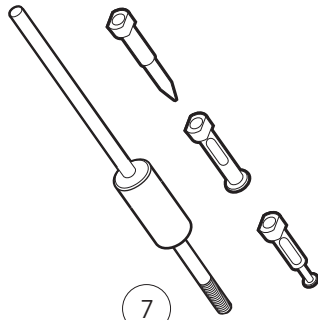
4



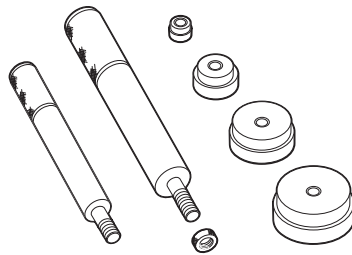
5



6



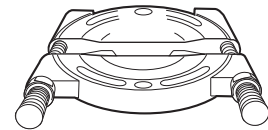
7



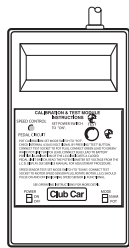
8



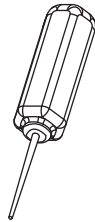
9



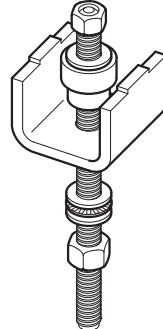
10



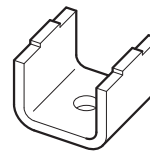
11



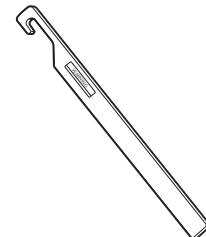
12



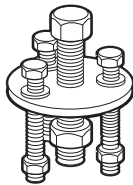
13



14



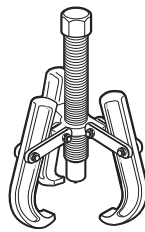
15



16



17



18



19

001060-003



# MAINTENANCE AND SERVICE TOOLS

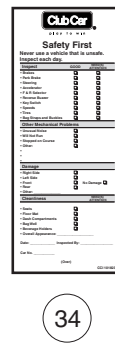
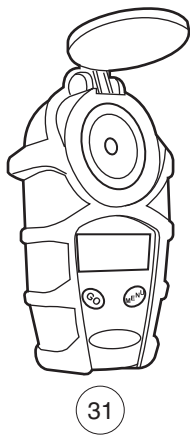
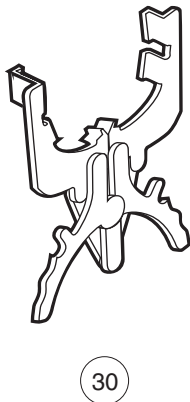
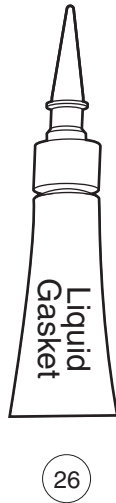
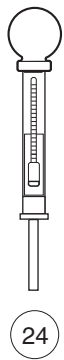
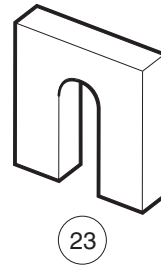
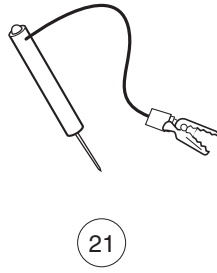
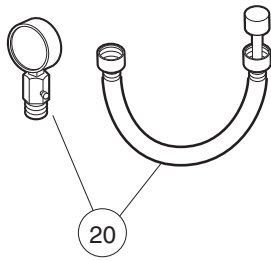
ITEM	PART NO.	DESCRIPTION	QTY GAS	QTY ELEC
		<p><b>1 2 3 4</b></p> <p>The following tool list includes all tools available from Club Car for maintenance and service procedures for gasoline and electric golf and utility vehicles. Be sure to carefully examine the tool list for applicability to your vehicle before ordering.</p>		
1	<u>101871001</u>	Accelerator Pedal Adjustment Tool (Utility Vehicles).....	1	1
2	<u>101813202</u>	Adhesive, Guide Ring, 3-Gram Tube .....		1
3	<u>101641202</u>	Arbor .....	1	
4	<u>101831901</u>	Battery Discharge Machine, 36/48 Volt .....		1
5	<u>1014305</u>	Battery Terminal Protector Spray .....	1	1
6	1011767	Battery Thermometer .....	1	1
7	<u>1016417</u>	Bearing and Oil Seal Remover Assembly .....	1	1
8	<u>1016416</u>	Bearing Driver Set .....	1	1
9	<u>1012811</u>	Bearing Puller .....	1	1
10	<u>1012812</u>	Bearing Puller Wedge Attachment .....	1	1
11	<u>101887101</u>	Calibration Test Module .....		1
12	<u>102562401</u>	Charger Bezel Tool .....		1
		Clutch Tools (items 13 - 19) .....	1	
13	47568549001	Driven Clutch Tool .....	1	
14	47568246001	Plate, Cam Press (supplied with item 13).....	1	
15	<u>105072501</u>	Drive Clutch Holder Tool Assembly .....	1	
16	<u>1014497</u>	Drive Clutch Hub Puller .....	1	
17	<u>1014496</u>	Drive Clutch Puller .....	1	
18	<u>1014508</u>	Driven Clutch Cam Puller .....	1	
19	<u>1014507</u>	Driven Clutch Puller Plug .....	1	
		<p>Please refer to the maintenance and service manual for proper tool application.</p>		

**17**

**G**

**E**

**17**  
**G**  
**E**



001061-003

## MAINTENANCE AND SERVICE TOOLS, CONTINUED

ITEM	PART NO.	DESCRIPTION	QTY GAS	QTY ELEC
		1 2 3 4		
20	101641002	Compression Gauge and Adapter .....	1	
21	1011273	Continuity Tester .....	1	1
22	<u>1012151</u>	Dry Moly Lubricant .....	1	1
23	<u>1016418</u>	Gear Yoke .....	1	1
24	<u>1011478</u>	Hydrometer .....	1	1
25	<u>1013593</u>	Internal Retaining Ring Pliers .....	1	1
26	<u>101928701</u>	Liquid Gasket (transaxle case) .....	1	1
27	<u>102243402</u>	Moly-Teflon Lubricant (4-oz. (113-gram) tube) .....		1
28	<u>102587201</u>	Paint Pen, Touch-Up, Underbody ,Black .....	1	1
29	<u>1016414</u>	Piston Ring Compressor Kit .....	1	
30	<u>1016415</u>	Piston Ring Pliers .....	1	
31	<u>AM1285701</u>	Refractometer .....	1	1
32	<u>1012549</u>	Retaining Ring Pliers, 45 External .....	1	1
33	<u>1012560</u>	Retaining Ring Pliers, 90 Internal .....	1	1
34	<u>101823101</u>	Safety First Card (50 per pack) .....	1	1
35	<u>1012809</u>	Seal Puller .....	1	1
		Please refer to the maintenance and service manual for proper tool application.		

17

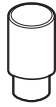
G

E

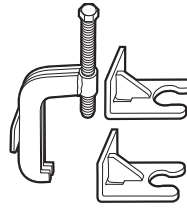
**17**  
**G**  
**E**



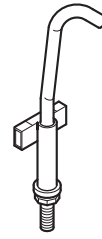
36



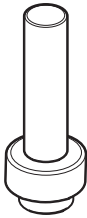
37



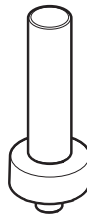
38



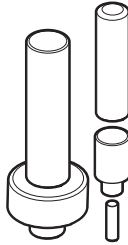
39



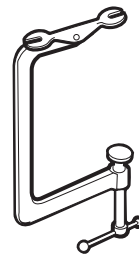
40



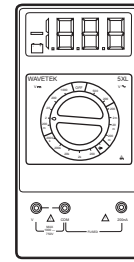
41



42



43



44



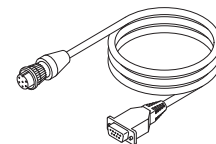
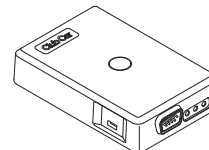
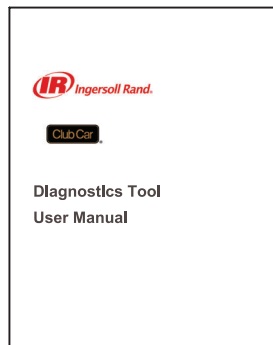
45



46



47



48

001062-002

## MAINTENANCE AND SERVICE TOOLS, CONTINUED

ITEM	PART NO.	DESCRIPTION	QTY GAS	QTY ELEC	
		1 2 3 4			<b>17</b>
36	<u>1014264</u>	Steering Column Bearing Press Tool .....	1	1	<b>G</b>
37	<u>1014259</u>	Steering Column Retaining Ring Tool .....	1	1	<b>E</b>
38	102061201	Steering Wheel Puller Tool .....	1	1	
39	<u>102570401</u>	Tool, Tensioning, Starter Generator .....	1		
40	<u>1014162</u>	Transaxle Axle Seal Tool .....		1	
41	1014161	Transaxle Pinion Seal Tool .....		1	
42	<u>1014115</u>	Transmission Tool Kit .....		1	
43	<u>101641101</u>	Valve Spring Compressor .....	1		
44	1011480	Volt Ohm Meter .....	1	1	
45	<u>47631025001</u>	Kit, EFI Diagnostics .....	1		
46	<u>47631026001</u>	Kit, Bluetooth EFI Diagnostics .....	1		
47	<u>47631075001</u>	Kit, EFI Tool .....	1		
<p>Please refer to the maintenance and service manual for proper tool application.</p>					



# INDEX

## Part Number and Page

AM10419	11-9	7561	1-65, 1-67	1011393	6-21
AM1300001	13-15	7716	5-3	1011402	5-3
AM1300101	13-15	7818	7-11, 7-13	1011415	6-23
AM1300201	13-15	7820	4-7, 4-9	1011418	5-3
AM1300301	13-15	7840	6-21	1011439	4-7, 4-9
SVP1154001	1-147	7847	16-3	101146302	5-11, 5-21, 5-23
SVP1154002	1-147	7893	4-27, 4-37, 7-11, 7-13	1011464	5-11, 5-21, 5-23
SVP1154003	1-147	7910	6-21	1011465	5-11, 5-21, 5-23
SVP1154004	1-147	7973	13-7	1011466	5-11, 5-21, 5-23
SVP1154005	1-147	8056	4-23, 7-17	1011467	5-11, 5-21, 5-23
SVP1154701	1-147	8057	1-123, 4-23, 7-13, 7-15, 7-17	1011478	17-5
SVP1154801	1-147	8058	1-123, 4-23, 7-13, 7-15, 7-17	1011480	17-7
SVP1155101	1-147	8067	6-13, 6-17	1011494	5-11, 5-21, 5-23
SVP1161801	1-147	8233	1-59, 5-5, 5-7, 7-9, 9-11, 12-11, 16-3	1011546	1-89
SVP12987001	4-33	8248	7-9	1011553	1-85, 1-87, 3-5, 3-9
SVP707604	1-53	8450	11-5, 11-7	1011557	4-7, 4-9
SVP707605	1-53	8639	1-117, 1-123, 4-37, 6-5, 7-11, 7-13	1011694	5-5, 5-7
SVP853001	13-5	8717	5-5, 5-7, 7-11, 7-13, 12-3	1011697	6-5, 10-3
SVP860001	13-5	8754	1-3, 1-7, 1-37, 1-39, 1-41, 1-43, 1-91, 4-29, 4-31, 5-5, 5-7, 5-13, 6-3, 6-5, 6-11, 6-13, 6-15, 6-17, 7-7	1011734	5-7
SVP895801	13-5	8755	6-13, 6-17	1011767	17-3
183	1-55, 11-5, 11-7	8861	6-11, 6-15	1011779	5-13, 5-15, 5-17
304	16-3	8935	1-21	1011825	4-7, 4-9
320	1-19, 5-13	8963	1-21	101187702	5-3
324	1-71	8990	5-13, 6-3, 12-5	1011887	6-21
332	1-23, 1-29, 1-31, 1-59, 7-9, 16-3	1010005	6-21	1011892	6-21
334	1-19, 5-5, 5-7, 6-3, 6-5, 11-5, 11-7	1010138	1-65, 1-67, 6-11, 6-15	1011931	5-5, 5-7
357	1-65, 1-67, 1-85, 6-13, 6-17	1010145	6-23	1011937	1-21
451	5-11, 5-21, 5-23, 14-3	1010150	6-13, 6-17	1011990	1-3, 1-65, 1-67, 1-85, 1-91
705	1-3, 1-65, 1-67, 1-85	1010177	6-13, 6-17	1012151	17-5
706	1-65, 1-67, 1-85, 6-13, 6-17	1010200	6-13, 6-17	1012159	1-37, 1-39, 1-43
1016	1-71, 4-27	1010434	1-29, 1-31	1012295	1-123, 4-7, 4-9, 7-11, 7-13
1028	5-3	101043502	1-63	1012303	6-13, 6-17
1032	5-3	1010805	5-3	101242802	1-7
1218	1-53, 6-19, 9-15	1010829	5-13, 5-15, 5-17	1012431	1-123, 7-13
1241	1-21, 1-53, 1-85, 1-87, 4-7, 4-9, 5-3, 5-5, 5-7, 5-15, 5-17, 7-11, 7-13, 7-19, 7-21, 9-15	1010850	5-11, 5-21, 5-23	1012462	1-41
1242	1-85, 1-87, 4-37, 5-13, 5-15, 5-17, 7-7, 7-11, 7-13	1010877	5-3	1012528	1-63, 13-9
1606	7-19	1010878	5-3	1012549	17-5
1624	1-3, 1-91, 5-5, 5-7, 6-3, 7-7	101090801	13-11, 13-13	1012560	17-5
2402	1-3, 1-91, 6-11, 6-15	1010909	1-55	1012565	6-9
7048	6-13, 6-17	1010921	5-3	1012566	6-9
7049	1-73	1010927	5-3	1012571	6-5, 13-11, 13-13
7173	4-7, 4-9, 7-19, 7-21	1010932	5-3	1012604	6-5
7174	1-85, 1-87, 6-13, 6-17, 7-7, 14-3	1010933	5-3	1012605	6-5
7274	6-21	1010934	1-85, 1-87, 7-19, 7-21, 14-3	1012649	9-5
7308	6-21	1010954	7-11, 7-13	1012809	17-5
7310	2-5	1010984	2-3, 2-5	1012811	17-3
7330	15-3	1011084	5-7	1012812	17-3
7335	15-3	1011114	5-11, 5-21, 5-23, 9-11, 12-11	1012836	11-9
7336	15-3	1011137	5-11, 5-23	1013035	6-3
7473	1-21, 1-53, 1-63, 4-7, 4-9, 5-3, 5-5, 5-7, 5-13, 5-15, 5-17, 6-19, 7-11, 7-13, 7-19, 7-21, 9-15	1011154	5-11, 5-21, 5-23	1013042	6-3, 6-11, 6-15
7479	1-59	1011273	17-5	1013044	6-3
		1011298	5-11, 5-21, 5-23	1013052	6-3
		1011303	5-11, 5-21, 5-23	1013061	1-55
		1011314	5-11, 5-21, 5-23	1013135	6-21
				1013309	1-23
				1013357	4-5

# INDEX

1013483	1-85	1015154	4-29	1016557	5-11, 5-21, 5-23
1013531	5-15, 5-17	1015156	4-29, 4-31	1016573	5-11, 5-21, 5-23
1013589	7-11, 7-13	1015157	4-29, 4-31	1016603	1-65, 1-67
1013593	17-5	1015187	4-29, 4-31	101674702	5-7
1013609	4-37, 7-11, 7-13	1015332	7-3	1016801	11-5, 11-7
1013734	1-63, 13-9	1015363	1-73	1016849	4-7, 4-9, 4-11, 4-13
1013746	9-5	1015373	7-11, 7-13	1016851	4-11, 4-13, 4-23
1013794	15-3	1015399	1-27	1016901	11-5
1013869	5-3	1015405	7-11, 7-13	1016929	4-29
1013870	5-3	1015445	1-85	1016967	13-9
1013876	5-3	1015524	17-3	1017029	5-3
1013924	5-11, 5-21, 5-23, 8-7	101553901	3-3, 3-7	1017211	5-13
1014007	5-5, 5-7, 9-11, 12-3, 12-11	1015583	1-57, 1-59, 6-13	1017226	6-13, 6-17
1014051	11-7	101558302	6-17, 6-23	1017266	6-11, 6-15
1014055	11-5, 11-7	1015597	6-13, 6-17	1017273	6-7, 6-9
1014056	11-5, 11-7	1015656	1-77	1017313	6-5
1014057	11-5, 11-7	1015661	1-71	1017314	6-5
1014058	11-5, 11-7	1015700	1-59	1017315	6-5
1014059	11-5, 11-7	1015720	13-9	1017317	6-5
1014062	11-5, 11-7	1015737	7-11, 7-13	1017378	5-5, 5-7
1014063	11-5, 11-7	1015741	7-11, 7-13, 13-5	1017380	5-5, 5-7
1014065	7-11, 7-13, 11-5, 11-7	1015752	7-11, 7-13	1017424	5-5, 5-7
1014072	11-9	101587714	9-5	1017686	11-9
1014078	11-9	1015878	1-123, 7-13, 7-15, 7-17	1017774	1-65, 1-67
1014080	11-9	1015932	7-7	101791101	5-21
1014115	17-7	1016077	1-77	101796201	5-5, 5-7
1014116	9-3	101609401	3-3, 3-7	101808401	17-3
1014125	6-5	101611402	15-5	101813202	17-3
1014126	6-5	1016154	6-9	101817401	5-5, 5-7
1014145	7-11, 7-13	1016183	6-5	101818801	5-7
1014161	17-7	1016201	11-5, 11-7	101823101	17-5
1014162	17-7	1016214	6-9	101825101	3-3, 3-7, 4-11, 4-13
1014201	14-3	1016269	6-5	101825102	3-7
1014213	6-5	1016289	11-5, 11-7	101830701	4-15, 4-17, 4-19, 4-21
1014214	6-5	1016319	5-13	101831901	17-3
1014217	6-5	1016320	5-13	101833401	11-9
1014259	17-7	1016346	6-11, 6-15	101834502	4-15, 4-17, 4-19, 4-21
1014264	17-7	1016349	6-11, 6-15	101834601	8-7
1014276	6-13, 6-17	1016350	6-11, 6-15	101834602	8-7
1014287	11-5, 11-7	1016351	6-11, 6-15	101837401	1-149
1014288	6-5, 7-19, 11-5, 11-7	1016353	6-11, 6-15	101837502	1-149
1014305	17-3	1016356	4-5, 13-9	101850301	4-3, 6-7, 6-9
1014321	1-71	1016384	6-13, 6-17	101851101	4-15, 4-17, 4-19, 4-21
1014375	7-19	101638502	6-11, 6-15	101856002	4-11
1014453	11-5, 11-7	1016386	6-13, 6-17	101856101	1-9
1014454	11-9	1016387	6-13, 6-17	101856102	7-11, 7-13
1014496	17-3	1016389	6-13, 6-17	101861901	1-41, 5-5, 5-7
1014497	17-3	101641002	17-5	101862001	5-5
1014507	17-3	101641101	17-7	101865301	5-13
1014508	17-3	101641202	17-3	101871001	17-3
1014789	7-3	1016414	17-5	101874601	5-13
1014807	7-13, 7-15, 7-17	1016415	17-5	101878201	5-3
1014808	7-13	1016416	17-3	101879401	6-3
1014948	4-37	1016417	17-3	101879501	6-3
101503202	1-19	1016418	17-5	101879601	6-3
1015072	13-11, 13-13	1016423	4-5, 13-5	101879701	6-3



# INDEX

101879801	6-3	101974706	4-15, 4-17, 4-19, 4-21	102298185	1-57, 1-59
101879901	6-3	101974707	4-15, 4-17, 4-19, 4-21	102298401	1-57, 1-59, 1-69, 1-71, 1-77, 1-147, 6-23, 10-3
101880001	6-3	101974708	4-15, 4-17, 4-19, 4-21	102299550	1-69, 1-71, 1-77, 1-147
101880101	6-3	101974709	4-15, 4-17, 4-19, 4-21	102311501	1-9
101880201	6-3	101974710	4-15, 4-17, 4-19, 4-21	102323101	5-13, 5-15, 5-17
101880301	6-3	101974711	4-15, 4-17, 4-19, 4-21	102323201	5-13, 5-15, 5-17
101880701	5-11, 5-21, 5-23	101974712	4-15, 4-17, 4-19, 4-21	102323501	1-7, 1-37, 1-39, 1-41, 1-43, 4-29, 4-31
101884801	8-7	101978601	15-5	102345901	3-9
101886101	9-11, 12-11	101984801	6-5	102355301	7-19
101887101	17-3	101990801	5-15, 5-17	102356601	15-3
101887601	9-11	102002803	13-9	102356801	15-3
101895401	15-3	102002804	13-9	102410604	9-11
101895501	15-3	102002901	13-11, 13-13	102410607	9-3
101897001	15-3	102022601	6-11, 6-15	102411209	9-15
101897201	15-3	102022602	6-3, 6-11, 6-15	102440901	13-9
101897401	15-3	102025701	5-9	102476401	9-11, 12-11
101897601	15-3	102025801	9-3, 9-5	102490301	9-3, 9-11
101898001	7-19, 7-21	102026001	5-5, 5-7	102491501	1-91, 11-5, 11-7
101898101	7-19	102056001	1-87	102492301	13-5
101903601	15-3	102059501	12-7, 12-9	102498201	9-11, 12-7, 12-9, 12-11
101903701	15-3	102061201	17-7	102506401	1-57, 1-59, 6-23
101906901	15-3	102063601	1-41	102517501	4-7
101908101	13-7	102065103	1-87	102517601	4-9
101908401	7-9, 13-7	102065901	1-57, 1-59, 1-61	102518301	3-5
101914001	15-5	102155801	11-9	102526201	12-3
101915201	3-9	102158901	5-5, 5-7	102538601	13-5
101918501	5-3, 5-5, 5-7	102162601	5-15, 5-17	102540301	8-7
101919801	5-5, 5-7	102166901	5-15, 5-17	102541401	7-7
101922101	15-3	102186401	14-3	102541501	1-15
101922201	15-3	102196901	13-5	102546401	4-7
101922501	7-9	102198001	4-5, 4-39	102554512	1-73
101923001	15-3	102199001	1-123, 4-7, 4-9	102557201	1-37, 1-39, 1-43
101923201	15-3	102235201	14-3	102558201	8-3, 9-15
101923501	15-3	102238001	4-5, 13-9	102562401	17-3
101923901	15-3	102240501	13-9	102564002	6-13, 6-17
101928701	15-3, 17-5	102242101	11-9	102569302	2-5
101932201	4-7, 4-9	102242401	1-37, 1-39, 1-41, 1-43	102570401	17-7
101935301	5-13	102243402	17-5	102572401	13-5
101936101	15-5	102243403	14-3	102581201	1-37, 1-39, 1-43
101942301	14-3	102269701	7-11	102582401	1-33, 1-35
101946201	1-27	102274101	12-23	102587201	17-5
101953103	5-17	102278001	6-5	102590801	1-41, 1-71, 1-73
101953104	5-15	102289201	6-3, 6-11, 6-15	102617201	8-5
101953106	5-13	102292701	1-15	102617801	12-23
101954301	1-23	102292801	5-13, 5-15, 5-17	102621501	1-75, 7-7, 12-3, 12-7, 12-9
101955101	4-7, 4-9	102296020	12-3	102621601	1-7
101957101	4-7, 4-9	102296150	1-33, 1-35	102670701	1-7, 6-23
101960501	3-9	102296301	1-15, 1-33, 1-35, 1-37, 1-39, 1-41, 1-43	102684501	6-13, 6-17
101963401	1-27, 1-77, 7-11, 9-15	102296530	1-15	102704901	14-3
101972101	15-3	102296716	9-11	102711201	7-11, 7-13
101972201	15-3	102296819	1-5	102725501	9-15
101974701	4-15, 4-17, 4-19, 4-21	102297125	1-15, 1-17, 1-19, 1-49, 1-51, 4-7, 4-9, 4-37, 16-3	102732401	8-5
101974702	4-15, 4-17, 4-19, 4-21	102297230	13-3	102764001	13-11, 13-13
101974703	4-15, 4-17, 4-19, 4-21	102298116	9-9	102766201	13-11, 13-13
101974704	4-15, 4-17, 4-19, 4-21				
101974705	4-15, 4-17, 4-19, 4-21				

# INDEX

102766301	6-13, 6-17	103347701	7-5	103896605	9-5
102771701	15-3	103347801	7-5	103902101	13-3
102772402	13-9	103348201	4-13	103902301	13-3
102774701	13-9	103348202	4-11	103902401	13-3
102775101	14-3	103348602	4-13	103924801	7-3
102817101	4-37, 13-9	103354401	4-11	103943401	13-3
102817201	13-9	103354701	6-11, 6-15	103951002	2-5
102838101	13-7	103372101	9-3	103951003	2-5
102838701	7-5	103372401	9-5	103951501	12-23
102838801	7-5	103397901	13-9	103951801	1-65, 1-67
102838901	7-5	103452001	9-5	103969703	13-13
102839001	7-5	103459104	2-5	103969799	13-11, 13-13
102839301	7-5	103477901	6-21	103973901	11-7
102841101	7-5	103484301	4-7, 4-9	103973902	11-5
102845101	3-5	103487501	1-27	103974102	11-3
102845204	13-11, 13-13	103496801	7-19	103974201	11-5, 11-7
102847603	1-77	103502801	6-13	103974401	11-5, 11-7
102860501	5-11, 5-21, 5-23	103507001	6-13, 6-17	103975301	11-9
102869401	4-11, 4-13	103508101	8-5	103976101	11-5, 11-7
102873401	13-11, 13-13	103510301	13-7	103979301	12-23
102882501	1-65, 1-67	103510501	13-17	103984601	11-5, 11-7
102883601	1-15, 3-11	103538701	1-57, 1-59	103989501	12-23
102886301	15-3	103539001	1-59	103995001	12-23
102886401	15-3	103539002	1-57, 1-61	104001201	1-93, 1-97
102886501	15-3	103540203	1-19	104002101	1-129
102886601	15-3	103541401	4-37	104005901	13-15
102891101	5-15, 5-17	103541501	13-7	104006101	13-15
102894503	4-7	103575801	1-57, 1-59, 1-61	104021701	12-23
102902801	15-3	103582801	15-3	104023501	9-11, 12-11
102913601	1-91	103601501	6-3	104025101	11-9
102915701	13-7	103628901	6-13	104026801	3-3, 3-7
102922701	10-3	103653401	6-3	104027101	12-23
102938601	14-3	103653501	6-3, 6-11, 6-15	104033601	1-89
102938701	14-3	103653601	6-11, 6-15	104033701	1-91
102938801	14-3	103658601	2-5	105000301	7-11, 7-13
102938901	14-3	103698601	13-9	105000401	7-11, 7-13
102939001	14-3	103717302	6-13, 6-17	105000501	13-9
102939101	14-3	103717402	6-13, 6-17	105003401	9-15
102939102	14-3	103724504	6-7, 6-9	105006501	1-27
102947601	1-33, 1-35	103724601	6-9	105007001	1-21
102951701	14-3	103724602	6-7	105007402	9-11
102967601	3-5	103724901	6-9	105007403	9-11
102977901	9-3	103731001	1-31	105009101	9-15
102989501	1-27	103731003	1-29	105009401	9-15
103180101	1-119, 4-11, 4-13	103754901	1-33	105025001	12-13, 12-15
103182701	1-19	103756401	9-5	105025101	12-13, 12-15
103182702	1-19	103821301	4-27	105025201	12-13, 12-15
103196001	1-37, 1-39, 1-41, 1-43	103829401	6-7	105025301	12-13, 12-15
103198301	4-11	103832501	4-35	105025401	12-13, 12-15
103198401	7-9	103832601	4-35	105025501	12-13, 12-15
103205501	3-9, 7-9	103865101	5-5, 5-7	105025601	12-13, 12-15
103218601	13-5	103867901	6-17	105025701	12-13, 12-15
103234304	3-11	103879701	12-15	105025801	12-13, 12-15
103245001	4-7	103879702	12-13	105025901	12-13, 12-15
103262201	8-5	103886601	12-5	105026001	12-13, 12-15
103347601	7-5	103896604	9-5	105026101	12-13, 12-15

# INDEX

105026201	12-13, 12-15	105034328	1-11	105064522	1-23
105026301	12-13, 12-15	105034329	1-11	105064523	1-23
105026401	12-13, 12-15	105034401	1-15	105064524	1-23
105026501	12-13, 12-15	105034501	1-15	105066001	12-19, 12-21
105026601	12-13, 12-15	105034601	1-15	105066101	12-19, 12-21
105026701	12-13, 12-15	105034701	1-15	105066401	1-51
105026801	12-13, 12-15	105034801	1-15	105068001	1-103, 1-105, 4-15, 4-17, 4-19, 4-21
105026901	12-13, 12-15	105034901	1-17	105068002	4-15, 4-17, 4-19, 4-21
105027001	12-13, 12-15	105035001	1-17	105068003	4-15, 4-17, 4-19, 4-21
105027101	12-13, 12-15	105035101	1-51	105068004	4-15, 4-17, 4-19, 4-21
105027201	12-13, 12-15	105035201	1-51	105068005	4-15, 4-17, 4-19, 4-21
105027301	12-13, 12-15	105035301	1-51	105068006	4-15, 4-17, 4-19, 4-21
105027401	12-17	105035701	1-19	105068007	4-15, 4-17, 4-19, 4-21
105027501	12-17	105035801	1-49	105068008	4-15, 4-17, 4-19, 4-21
105027601	12-17	105036301	12-3	105068009	4-15, 4-17, 4-19, 4-21
105027701	12-17	105036601	1-63	105068010	4-15, 4-17, 4-19, 4-21
105027801	12-17	105036701	1-15	105068011	4-15, 4-17, 4-19, 4-21
105027901	12-17	105036801	4-3	105068012	4-15, 4-17, 4-19, 4-21
105028001	12-17	105037101	4-13	105068902	6-23
105028101	12-19, 12-21	105037201	7-11	105069901	1-33
105028201	12-17	105037401	7-11, 7-13	105072001	1-37
105028301	12-13, 12-15	105037701	12-3	105072002	1-39
105028401	12-17	105038001	12-3	105072003	1-43
105028501	12-13, 12-15	105038101	12-3	105073401	4-3
105028601	12-17	105038201	12-3	105074201	6-13
105028701	12-17	105038501	12-3	105074501	1-7
105028801	12-17	105038804	12-5	105074502	1-7
105028901	12-17	105039401	12-3	105075202	13-9
105029001	12-17	105039801	12-3	105076901	13-5
105029101	12-17	105039901	12-3	105077601	1-45
105029201	12-17	105040401	12-3	105077602	1-45
105029301	12-21	105040501	12-3	105077603	1-45
105029401	12-21	105040901	12-7	105078401	1-27
105029501	12-19, 12-21	105043801	9-3	105078809	2-3
105029601	12-21	105043901	9-3	105078810	2-3
105029701	12-21	105046101	3-3, 3-7	105078901	2-3
105029801	12-19, 12-21	105049201	1-19	105079204	2-3
105029901	12-19, 12-21	105049301	1-19	105079301	2-3
105030001	12-13, 12-15	105060901	1-33	105079401	2-3
105030301	12-19, 12-21	105062401	1-27	105081501	7-3
105030401	12-19, 12-21	105063001	1-27	105081601	7-3
105030501	12-19, 12-21	105063002	1-27	105081701	4-15
105030601	12-19, 12-21	105063201	1-37, 1-39, 1-41, 1-43	105081702	4-15
105030701	12-13, 12-15	105063202	1-37, 1-39, 1-41, 1-43	105081703	4-15
105030801	12-19, 12-21	105063301	1-37	105081704	4-15
105030901	12-17	105063302	1-39	105081705	4-15
105031001	12-21	105063303	1-43	105081706	4-15
105034001	1-19	105063401	1-37, 1-39, 1-43	105081707	4-15
105034201	1-19	105063402	1-37, 1-39, 1-43	105081708	4-15
105034321	1-11	105063501	12-13	105081709	4-15
105034322	1-11	105063601	12-19	105081710	4-15
105034323	1-11	105064121	1-25	105081711	4-15
105034324	1-11	105064122	1-25	105081712	4-15
105034325	1-11	105064123	1-25	105081801	4-19
105034326	1-11	105064124	1-25	105081802	4-19
105034327	1-11	105064521	1-23	105081803	4-19

# INDEX

105081804	4-19	105097401	1-101	105117707	1-13
105081805	4-19	105097501	1-107	105117708	1-13
105081806	4-19	105097901	1-119	105117709	1-13
105081807	4-19	105098001	1-121	105117710	1-13
105081808	4-19	105098002	1-121	105118601	4-29, 4-31
105081809	4-19	105098101	1-125	105122106	1-71
105081810	4-19	105098201	1-127	105122206	1-69
105081811	4-19	105098301	1-127	105122807	4-9
105081812	4-19	105098401	1-129	105122808	4-7
105081901	4-21	105098501	1-109	105124001	1-7
105081902	4-21	105098502	1-109	105124101	1-91
105081903	4-21	105098701	1-109	105124201	1-47
105081904	4-21	105099901	1-41	105124202	1-47
105081905	4-21	105099902	1-41	105124301	1-139
105081906	4-21	105100301	1-41	105124302	1-139
105081907	4-21	105102301	1-35	105124401	1-139
105081908	4-21	105102601	7-15, 7-17	105124501	1-139
105081909	4-21	105106101	2-7	105124701	3-5
105081910	4-21	105106201	2-7	105124901	1-9
105081911	4-21	105106301	2-7	105127302	1-75
105081912	4-21	105106501	2-7	105127401	1-71
105082001	4-17	105106601	6-15	105127402	1-71
105082002	4-17	105106702	6-11	105128001	1-75
105082003	4-17	105106801	6-23	105128101	1-73
105082004	4-17	105108201	4-7, 4-9	105128201	1-73
105082005	4-17	105108301	4-7, 4-9	105128801	1-47
105082006	4-17	105108401	4-7, 4-9	105128802	1-47
105082007	4-17	105108801	4-37	105128901	1-47
105082008	4-17	105108901	1-65, 1-67	105129001	1-47
105082009	4-17	105109101	1-33	105129501	1-77
105082010	4-17	105109201	1-35	105129601	1-77
105082011	4-17	105109601	1-77	105129901	1-75
105082012	4-17	105112401	4-11, 13-9	105130001	3-5
105082101	4-11	105112501	4-37	105130101	3-3
105082301	3-9	105112601	4-37	105130301	1-73
105083301	6-13, 6-17	105113401	1-77	105130302	1-73
105083701	12-3	105113402	1-77	105130501	1-73
105083801	12-3	105114805	4-5	105131001	1-65, 1-67
105084701	3-9	105114806	4-5, 4-7, 4-9	105134901	12-9
105086101	1-37, 1-39, 1-41, 1-43	105114807	1-117, 4-5	105135101	9-11, 12-7, 12-9
105087101	1-41	105115003	3-11	105135201	4-7, 4-9
105087201	1-41	105115006	3-11	105135802	4-37
105087301	1-41	105116301	13-3	105135901	7-3
105088501	9-15	105117601	16-3	105136001	7-3
105088601	4-29, 4-31	105117602	16-3	105143301	7-3, 9-3
105089201	1-41	105117603	16-3	105143401	1-137
105092601	1-37, 1-39, 1-41, 1-43	105117604	16-3	105144401	9-11, 12-11
105093301	7-3	105117605	16-3	105144801	4-35
105093501	1-35	105117606	16-3	105145201	13-7
105093601	9-3	105117607	16-3	105145401	1-91
105093801	4-3	105117701	1-13	105145501	1-91
105094001	1-7, 1-37, 1-39, 1-41, 1-43	105117702	1-13	105147101	13-9
105095101	7-3	105117703	1-13	105148503	1-77
105096101	11-5, 11-7	105117704	1-13	105148601	1-77
105097001	1-95	105117705	1-13	105148901	1-77
105097301	1-93	105117706	1-13	105148902	1-77

# INDEX

105149101	5-9	105180301	1-125	105195501	13-9
105149201	5-9	105180401	1-125	105196001	1-33, 1-35
105151501	3-3, 3-7	105180501	1-125	105196101	1-71
105152301	4-11	105180601	1-125, 1-127, 1-129	105196201	1-71
105152901	3-11	105180701	1-125	105197201	1-63
105153201	3-11	105180801	1-125	105197301	1-37, 1-39, 1-41, 1-43
105153202	3-11	105180901	1-127	105197401	1-3, 1-37, 1-39, 1-41, 1-43
105153301	3-11	105181001	1-127	105197402	1-37, 1-39, 1-41, 1-43
105153302	3-11	105181101	1-127	105197602	1-65, 1-67
105155501	4-31	105181201	1-129	105200401	1-23
105155601	4-29	105181301	1-127	105200703	1-71
105156301	1-5	105181401	1-127	105200803	1-71
105156701	1-5	105181501	1-127	105200901	1-71
105156702	1-5	105181601	1-129	105201001	1-71
105158801	1-143	105181701	1-93, 1-97	105204401	4-29, 4-31
105158802	1-141	105181801	1-93, 1-97	105205201	1-71
105160401	1-79	105181901	1-93, 1-97	105205301	4-29, 4-31
105160501	1-83	105182001	1-93, 1-97	105205501	1-117
105160801	1-79	105182002	1-97	105216201	1-73
105160901	1-79	105182101	1-93, 1-97	105216701	1-91
105161001	1-79	105182102	1-93, 1-97	105224001	16-3
105161101	1-79	105182201	1-93, 1-97	105233701	1-91
105161201	1-83	105182202	1-93, 1-97	105234002	1-117
105161301	1-83	105182301	1-93, 1-97	105234102	1-123
105161401	1-79	105182302	1-93, 1-97	105234801	12-13, 12-15
105161501	1-81	105182401	1-93, 1-97	105234901	12-13, 12-15
105161601	1-81	105182501	1-93, 1-97	105236301	1-123
105161701	7-3, 7-5	105182601	1-93, 1-97	105237301	7-21
105161901	16-3	105182701	1-93, 1-97	105237601	1-141, 1-143, 1-147
105163601	3-3	105182801	1-99	105237701	1-141, 1-143, 1-147
105163701	3-3, 3-5	105182901	1-93	105237801	1-145
105165801	4-7, 4-9	105183001	1-93	105237802	1-145
105165901	1-73	105183101	1-101	105237901	1-145
105166801	13-15	105183201	1-101	105237902	1-145
105166901	13-15	105183301	1-101	105238001	1-141, 1-143
105167001	13-15	105183401	1-101	105238101	1-141, 1-143
105167101	13-15	105183501	1-119	105238201	1-145
105167201	13-5	105183601	1-127	105238301	1-145
105168501	13-15	105183801	1-129	105238401	1-145
105168601	13-15	105185701	1-69, 1-77	105238402	1-145
105170101	1-47	105185801	1-69, 1-77	105238501	1-145
105170401	1-65	105187801	6-17	105238502	1-145
105170601	1-67	105188185	6-23	105238603	1-145
105173901	13-5	105188701	6-23	105238604	1-145
105178301	1-107	105190601	4-7, 4-9	105239101	1-141, 1-143
105178401	1-107	105190701	4-7, 4-9	105239201	1-141, 1-143
105179001	1-119	105192301	1-71	105239601	1-141, 1-143
105179101	1-119	105192901	1-71	105239701	1-145
105179201	1-119	105193001	1-71	105239702	1-145
105179301	1-119	105193101	1-75	105239801	1-143
105179401	1-119	105194101	9-3	105239802	1-141
105179501	1-119	105194301	1-27	105239901	1-145
105179601	1-119	105194801	1-69, 1-77	105239902	1-145
105179701	1-119	105194802	1-69	105240201	1-141, 1-143
105179801	1-119	105195001	1-69	105240301	1-141, 1-143
105179901	1-119	105195002	1-69	105241001	1-143

# INDEX

105241002	1-141	47553025001	1-113	47555442001	1-103, 1-105
105241101	1-143	47553025002	1-113	47555443001	1-103, 1-105
105241102	1-141	47553026001	1-103, 1-105, 1-113, 1-133, 1-135	47555446001	1-103, 1-105
105241201	1-145	47553027001	1-103, 1-105, 1-113	47555447001	1-103, 1-105
105241301	1-145	47553028001	1-111, 1-113	47555451001	1-103, 1-105
105241401	1-145	47553029001	1-111, 1-113	47555699001	1-95
105241501	1-145	47553030001	1-113	47559475001	7-5
105241601	1-145	47553031001	1-113	47559475002	7-5
105241602	1-145	47553032001	1-113	47563313001	1-71
105241701	1-145	47553033001	1-113	47563313002	1-71
105241702	1-145	47553777001	1-95	47564890001	8-7
105241801	1-145	47553824001	1-95	47570761001	1-95
105241802	1-145	47553825001	1-95	47570762001	1-95
105241901	1-145	47553942001	1-103, 1-105	47573611001	1-95
105241902	1-145	47553948001	1-113	47579096001	6-23
105242801	6-19	47553950001	1-135	47579923001	4-3
105243001	6-19	47554192001	1-95	47583000001	7-5
105244001	1-143	47554309001	1-133	47583790001	7-5
105244002	1-141	47554310001	1-133	47583791001	7-5
105244101	1-143	47554311001	1-133	47583794001	7-5
105244102	1-141	47554387001	1-131	47583795001	8-7
105245801	11-3	47554388001	1-103, 1-105, 1-111, 1-131	47583907001	4-3
105245901	1-97	47554389001	1-131	47584178001	7-5
105248201	1-91	47554390001	1-131	47584179001	7-5
105249601	16-3	47554720001	1-115	47584184001	8-7
105249901	1-37, 1-39, 1-43	47554721001	1-115	47585213001	6-17
105250501	1-37, 1-39, 1-43	47554722001	1-115	47585228001	6-23
105251901	1-37, 1-39, 1-43	47554723001	1-115	47585228002	6-23
105256701	7-21	47554724001	1-115	47587701001	8-7
105256801	7-3	47554726001	1-115	47587715001	4-39
105265301	1-97	47554727001	1-115	47594727001	4-25
105265401	1-97	47554728001	1-115	47598099001	8-5
105288801	1-47	47554730001	1-115	47598441001	4-13
105289301	1-109	47554731001	1-115	47599907001	6-23
105295001	5-19	47555423001	1-103	47599907002	6-23
105295301	1-119	47555423002	1-105	47600627001	1-3
105298002	1-61	47555424001	1-103, 1-105	47600628001	1-3
105300302	13-17	47555425001	1-103, 1-105	47600629001	1-3
105300501	13-17	47555426001	1-103, 1-105	47600630001	1-3
47539338002	7-7	47555427001	1-103, 1-105	47601355001	9-11
47542195001	5-11, 5-21, 5-23	47555428001	1-103, 1-105	47601767002	11-9
47552858001	1-95	47555429001	1-103, 1-105	47601832001	11-9
47552859001	1-95	47555430001	1-103, 1-105	47604303001	1-123, 4-27
47552860001	1-113	47555431001	1-103, 1-105, 1-111	47606233001	9-3
47552862001	1-135	47555432001	1-103, 1-105	47606233002	9-3
47552863001	1-133	47555433001	1-103, 1-105	47606233004	9-3
47552864001	1-131	47555434001	1-103, 1-105	47606257001	9-5
47552865001	1-115	47555435001	1-103, 1-105	47607500001	7-3
47552872001	1-115	47555436001	1-103	47607501001	7-3
47553012001	1-95	47555436002	1-105	47609057001	4-13
47553013001	1-95, 1-111, 1-113, 1-131, 1-133, 1-135	47555437001	1-103, 1-105	47611208001	7-3
47553014001	1-95, 1-113, 1-133, 1-135	47555438001	1-111	47611209001	10-3
47553015001	1-95, 1-111	47555439001	1-111	47611210001	10-3
47553021001	1-113	47555440001	1-111	47611483001	8-5
47553024001	1-113, 1-133, 1-135	47555440002	1-111	47611484001	8-5
		47555441001	1-103, 1-105	47611648001	8-5

# INDEX

47611868001	7-7	47629768001	8-13	47640281001	8-3, 8-11
47611869001	7-7	47629822001	8-13	47650647001	8-11
47611870001	7-7	47629823001	8-13	47653325002	1-53
47611876001	9-3	47629824001	8-13	47654251001	4-39
47611877001	9-3	47629825001	8-13	47662588001	12-25
47612352001	9-9	47629826001	8-11	47664037001	9-3
47613047002	10-3	47629828001	8-11	47664335001	8-11
47616912001	7-3	47629831001	8-11	47669399001	4-39
47617345001	7-7	47629832001	8-11	47676897001	8-11
47619701001	9-5	47629833001	8-11	96704176	4-25, 12-3
47621599001	1-71	47629834001	8-11	96705199	1-71, 12-7, 12-9
47623281001	7-3	47629835001	8-11	96705587	10-3
47623339001	9-3	47629836001	8-11	96741046	8-5
47629583001	8-19	47629837001	8-11		
47629585001	8-19	47629838001	8-11	<b>A</b>	
47629588001	8-19	47629841001	8-11	accelerator bracket and bearing assembly	5-5, 5-7
47629589001	8-19	47629843001	8-11	accelerator cable	9-11
47629677001	8-15	47629844001	8-9	accelerator pedal adjustment tool	17-3
47629680001	8-15	47629845001	8-9	accelerator pivot rod	5-5, 5-7
47629682001	8-15	47629846001	8-9	accelerator return spring	5-5, 5-7
47629685001	8-15	47629847001	8-9	accelerator rod	5-7
47629686001	8-15	47629848001	8-9	accessory receptacle	4-5, 4-39
47629687001	8-15	47629851001	8-9	adhesive, guide ring	17-3
47629688001	8-15	47629853001	8-9	air cleaner assembly	9-15
47629689001	8-15	47629855001	8-9	air filter	8-3, 9-15
47629690001	8-15	47629856001	8-9	air filter evacuator	9-15
47629691001	8-15	47629857001	9-7	air intake hose	9-15
47629693001	8-15	47629858001	9-7	AM1285701	17-5
47629694001	8-15	47629859001	9-7	anchor body	5-11, 5-21, 5-23
47629696001	8-15	47629860001	9-7	anchor body kit	5-11, 5-21, 5-23
47629697001	8-15	47629861001	9-7	anchor, piston	5-11, 5-21, 5-23
47629698001	8-15	47629862001	9-7	A-plate strap	6-11, 6-15
47629699001	8-17	47629864001	9-7	A-plate, delta	6-11, 6-15
47629700001	8-17	47629865001	9-7	arbor	17-3
47629701001	8-17	47629866001	9-7	arm	
47629702001	8-11, 8-17	47629867001	9-7	governor	9-11, 12-11
47629703001	8-17	47629868001	9-7	armature	14-3
47629705001	8-17	47629869001	9-7	assembly	
47629707001	8-17	47629870001	9-7	accelerator bracket and bearing	5-5, 5-7
47629709001	8-17	47629871001	9-7	accelerator pivot rod	5-5, 5-7
47629711001	8-13	47629872001	9-7	bearing, steering shaft	6-5
47629714001	8-13	47629874001	9-7	delta A-plate	6-11, 6-15
47629716001	8-13	47629875001	9-9	drive hub	11-5, 11-7
47629717001	8-13	47629876001	9-9	fuel cap	9-3
47629718001	8-13	47629877001	9-9	inner ball joint	6-3
47629719001	8-13	47629878001	9-9	kingpin	6-13, 6-17
47629720001	8-13	47629879001	9-13	moveable-face	11-5, 11-7, 11-9
47629722001	8-13	47629880001	9-13	ratchet	5-3, 5-5, 5-7
47629723001	8-13	47629881001	9-13	secondary clutch weight	11-5, 11-7
47629724001	8-13	47629882001	9-13	steering shaft	6-5
47629725001	8-13	47631907001	4-11	axle	15-3
47629726001	8-13	47631907002	4-13	axle guard	15-5
47629727001	8-13	47634448002	9-3	axle shaft	12-19, 12-21
47629728001	8-13	47637087001	9-5	axle shaft oil seal	15-3
47629729001	8-13	47640020001	8-17	axle tube	12-19, 12-21, 15-3
47629730001	8-13	47640021001	8-11		

# INDEX

## B

backing plate, brake 5-11, 5-21, 5-23  
ball bearing 7-5, 12-17, 12-19, 12-21  
ball joint 5-3, 5-7  
ball stud 7-11, 7-13  
ball, trailer hitch 1-89  
barrel, plastic 1-29, 1-31  
battery  
    12-volt, side-post 7-19  
    12-volt, top-post 7-21  
battery clamp 7-19, 7-21  
battery condition indicator 4-11  
battery discharge machine 17-3  
battery hold-down 13-11, 13-13  
battery hold-down rod 13-11, 13-13  
battery retainer 7-19  
battery terminal protector spray 17-3  
battery thermometer 17-3  
battery, top-post, wire, 4ga, B+ 7-3  
battery, top-post, wire, B- 4ga, 7-21  
bearing 15-3  
    ball 7-5, 12-17, 12-19, 12-21  
    ball (motor) 14-3  
    ball (steering pinion) 6-3  
    front wheel hub 6-21  
    hub 6-21  
    inner axle tube 15-3  
    lower pinion (steering) 6-3  
    pivot support 5-5, 5-7  
    steering shaft 6-5  
    thrust 6-13, 6-17, 12-13, 12-15  
bearing and oil seal remover 17-3  
bearing driver set 17-3  
bearing puller 17-3  
bearing puller wedge 17-3  
bearing seat 6-5  
bed clamp kit 1-79  
bed floor kit 1-63  
bed floor weldment 1-63  
bed lift actuator 1-65, 1-67  
bed lift harness 1-65, 1-67  
bed lift kit, gas vehicle 1-67  
bed lift kit, electric 1-65  
bed lift weldment 1-65, 1-67  
bed seal 1-27  
bellows 6-3  
belt, drive 11-3  
block, brake-mounting 5-3  
block, fuse 7-11, 7-13, 13-5  
block, terminal 4-5, 13-9  
body, anchor 5-11, 5-21, 5-23  
boot, steering column 6-5  
boot, switch 7-9, 13-7  
box  
    steering gear 6-3

    tool 1-149  
brace, trailer hitch 1-85  
bracket  
    accel.cable 9-11, 12-7, 12-9  
    brake light switch 4-7, 4-9  
    carbon canister 9-5  
    FNR cable 9-11, 12-7, 12-9  
    governor 9-11, 12-11  
    horn 4-7, 4-9  
    shifter 12-3  
    snubber 8-7  
    stake side 1-77  
    steering column 6-5  
    steering column mounting 6-5  
    Tow/Run switch 7-9  
bracket, hinge, bed 1-57, 1-59  
bracket, tailgate Lh 1-73  
bracket, tailgate Rh 1-73  
brake actuator kit 5-11, 5-21, 5-23  
brake backing plate 5-11, 5-21, 5-23  
brake cable 5-13, 5-15, 5-17  
brake cable equalizer 5-13, 5-15, 5-17  
brake cluster 5-11, 5-21, 5-23  
brake drum 5-11, 5-21, 5-23  
brake lever arm 5-11, 5-21, 5-23  
brake light switch bracket 4-7, 4-9  
brake mounting block 5-3  
brake pedal 5-3  
brake pedal pad 5-3  
brake return spring 5-15, 5-17  
brake shoe 5-11, 5-21, 5-23  
brake spring 5-11, 5-21, 5-23  
breather 12-13, 12-15, 15-3  
Brkt, Steering Stop, Drv, CA, LSV 6-19  
brush box assembly 14-3  
brush kit, motor 14-3  
brush rigging 14-3  
brush spring 14-3  
brush, motor 14-3  
bucket holder kit 1-83  
bulb, halogen 4-3  
bumper  
    drive unit (motor) 14-3  
    rubber 5-3  
    spring return 5-5, 5-7  
bumper, bed floor 1-63  
bushing 1-65, 1-67, 7-11, 7-13, 11-5, 11-7, 12-3  
    bronze 6-13, 6-17  
    nylon 1-73, 5-3  
    snap-in 1-73  
    spindle 6-13, 6-17  
    steel 6-13, 6-17  
    urethane 1-57, 1-59, 6-11, 6-13, 6-15, 6-17, 6-23  
button, drive 11-9  
buzzer, reverse 4-11, 4-13, 4-23

## C

cab door 1-93, 1-97  
cab liner 1-95  
cab mirror 1-109  
cab mirror lh 1-109  
cab overhead console 1-119  
cab roof, standard 1-95  
cab wiper kit 1-121  
cable  
    accelerator 9-11  
    brake 5-13, 5-15, 5-17  
    FNR shifter 12-5  
calibration test module 17-3  
cam  
    driven clutch 11-9  
    electrical component box 7-11, 7-13  
canister, carbon, fuel tank 9-5  
canopy  
    short 1-37  
canopy kit 1-37  
canopy support kit 1-41  
cap  
    dust 13-5  
    fuel, gas, ratchet 9-3  
    key switch 4-15, 4-17, 4-19, 4-21  
    rubber 12-23  
cap, quick connector 13-9  
carbon canister 9-5  
card, safety first 17-5  
cargo box kit, long 1-71  
cargo box, corner, ds 1-71  
cargo box, corner, ps 1-71  
case  
    gear 15-3  
    transaxle 12-13, 12-15  
center shaft 12-17  
charger bezel tool 17-3  
charging diode 7-11  
circuit breaker 13-7  
clamp  
    battery 7-19, 7-21  
    hose 9-5, 9-15  
    p- (fuel filter) 9-11  
clevis, upper delta 6-13, 6-17  
clip  
    body trim 1-15  
    meter 4-13  
    wheel cover 2-7  
clip, score card 6-9  
cluster, brake 5-11, 5-21, 5-23  
clutch  
    pin 12-17  
clutch cam installation tool 17-3  
clutch repair kit 11-9  
clutch tool kit 17-3



# INDEX

clutch weight 11-5, 11-7  
clutch, drive 11-5, 11-7  
collar 12-17  
column, steering 6-5  
component mounting plate cover 13-9  
compression gauge 17-5  
compressor, piston ring 17-5  
compressor, valve spring 17-7  
continuity tester 17-5  
counter shaft 12-17  
cover  
    dust 5-11, 5-21, 5-23, 6-21  
    rocker switch hole 1-119, 4-11, 4-13  
    steering column 6-5  
cowl 1-11  
C-type stop ring 6-3  
cup, spring 5-5, 5-7  
cushion, shock absorber 6-23

## D

dash 1-19  
decal 1-141, 1-143, 1-147  
    4-gauge wire warning 3-5  
    bed load warning 3-3, 3-7  
    crush area warning 3-3, 3-7  
    diode safety 3-9  
    electrical cover safety 3-5  
    filter log 13-15  
    frame ground 3-9  
    inspect log 13-15  
    key switch 3-7  
    maintenance/operate switch 3-9, 7-9  
    nameplate 1-15, 3-11  
    on/off 3-3, 3-7, 4-11, 4-13  
    rotating parts 3-9  
    Tow/Run switch 3-5  
    trailer hitch 1-85, 1-87, 3-5, 3-9  
    wheel cover 2-7  
deionizer 13-15  
    cartridge 13-15  
delta A-plate 6-11, 6-15  
delta A-plate sub-assembly 6-11, 6-15  
diagnostic port 13-5  
differential 12-21  
    limited-slip 12-19  
    open 12-21  
differential drive unit 15-3  
differential gear 15-3  
differential gear set 12-21  
differential guard 15-5  
differential housing 15-3  
differential shaft 12-21  
diode 4-37, 7-3  
diode, charging 7-11  
door, charger port 1-15  
door, glove box 1-19

doors, soft, cab 1-101  
drain plug 12-13, 12-15  
drive belt 11-3  
drive button 11-9  
drive clutch 11-5, 11-7  
drive clutch button 11-5, 11-7  
drive clutch holder tool 17-3  
drive clutch hub puller 17-3  
drive clutch puller 17-3  
drive clutch spring 11-5, 11-7  
drive clutch weight 11-5, 11-7  
drive hub 11-5, 11-7  
drive unit bumper 14-3  
drive unit guard 15-5  
driven clutch button 11-9  
driven clutch cam 11-9  
driven clutch cam puller 17-3  
driven clutch puller plug 17-3  
driver, drive clutch 11-5, 11-7  
drum, brake 5-11, 5-21, 5-23  
dry moly lubricant 17-5  
dual snubber 8-7  
dust cap 13-5  
dust cover 5-11, 5-21, 5-23, 6-21

## E

eccentric bolt 6-13, 6-17  
E-clip 5-13, 5-15, 5-17  
enclosure kit 1-139  
end cap, motor 14-3  
end, tie rod 6-11, 6-15  
engine  
    air cleaner 9-15  
    air filter 8-3, 9-15  
    air intake hose 9-15  
equalizer pivot 5-13  
equalizer rod 5-13, 5-15, 5-17  
equalizer, brake cable 5-13, 5-15, 5-17  
exhaust extension 1-137  
extension harness 13-5

## F

face, moveable 11-9  
fender, front, lh 1-15  
fender, front, rh 1-15  
fender, inner 1-49  
fender, rear 1-51  
filter  
    air 8-3, 9-15  
fitting, thread-forming grease 6-13, 6-17  
flasher, turn signal, 12-volt 4-7  
flat bed trim kit 1-69  
floor mat 1-19  
fnr shaft 12-3  
FNR shift lever 12-7, 12-9

FNR shifter base 12-3  
FNR shifter cable 12-5  
fops kit 1-95  
frame  
    corner cap 1-27  
frame and field, motor 14-3  
frame weldment, front 1-21  
front spring retainer plate 6-13, 6-17  
Fuel Module, Hold-Down Ring 9-3  
fuse  
    10-amp 1-123, 4-7, 4-9, 7-3, 7-11, 7-13  
    15-amp 13-5  
    1-amp 13-5  
    20-amp 4-5, 13-5  
    2-amp 7-3, 13-5  
    30-amp 13-5  
    5-amp 7-3  
fuse block 7-11, 7-13, 13-5  
fuse, mini, 7.5A 4-5  
fuse, mini, 10A 4-5, 4-7, 4-9  
fuse, mini, 15A 1-117, 4-5

## G

gasket 12-13, 12-15  
    liquid 15-3, 17-5  
    plug 15-3  
gauge, battery condition 4-11  
gauge, compression 17-5  
gear  
    17 tooth 12-17  
    34 tooth 12-17  
    52 tooth 12-17  
    60 tooth 12-19, 12-21  
    62 tooth 12-17  
    differential 15-3  
    differential idler 15-3  
    differential output 15-3  
    governor 12-13, 12-15  
    governor, 34 tooth 12-17  
    set, differential 12-21  
gear yoke 17-5  
gearcase 15-3  
governor arm 9-11, 12-11  
governor gear shaft 12-13, 12-15  
governor shaft 12-13, 12-15  
grill 1-15  
grip, pencil 6-9  
guard, differential 15-5  
guide pin 12-13, 12-15  
guide ring adhesive 17-3

## H

handle, FNR 12-3  
harness, extension, reverse buzzer 13-5  
harness, extension, speed sensor 13-5

# INDEX

harness, wire 4-9  
harness, wire, gas FNR connector 7-3  
harness, wire, gas instr. panel 7-3  
harness, brake pedal switch 4-7, 4-9  
harness, taillight 4-7, 4-9  
headband, sealed, motor 14-3  
headband, vented, motor 14-3  
headlight 4-3  
headlight bezel, lh 1-17  
headlight bezel, rh 1-17  
headlight guard kit 1-5  
heater, defogger 4-37  
heater, defogger kit 4-37  
hill brake rod 5-3  
hill brake weld assembly 5-3  
hinge pin 1-77  
hip restraint 1-27  
hitch, trailer 1-85  
hitch, trailer, ball 1-89  
hold-down rod, battery 13-11, 13-13  
hold-down, battery 13-11, 13-13  
holder, license plate 1-9  
hole plug 4-11  
horn bracket 4-7, 4-9  
hose  
    air intake 9-15  
    vent 9-5  
hour meter 13-7  
hour meter bracket 13-7  
housing  
    3-pin 14-3  
    differential 15-3  
hub 6-21, 12-23  
hub bearing 6-21  
hydrometer 17-5

## I

idler gear, differential 15-3  
indicator, battery condition 4-11  
indicator, charger 4-11  
inner frame snubber 8-7  
input shaft 12-17, 15-3  
instrument panel wire harness, electric vehicle 4-11  
insulating washer 14-3  
insulator, motor terminal 14-3  
intermediate shaft 15-3  
internal retaining ring pliers 17-5  
isolator, shock damper 6-23

## J

joint  
    ball 5-3, 5-7  
    steering 6-17

## K

key  
    driven clutch 11-9  
    square 11-9  
key switch cap 4-15, 4-17, 4-19, 4-21  
key switch, uncommon 4-15, 4-17, 4-19, 4-21  
keyswitch, uncommon 4-15  
kingpin 6-13, 6-17  
kit  
    3-pin housing 14-3  
    accelerator pivot rod 5-5, 5-7  
    anchor body 5-11, 5-21, 5-23  
    brake actuator 5-11, 5-21, 5-23  
    brake cable 5-13  
    brake pedal 5-3  
    brake shoe 5-11, 5-21, 5-23  
    brake shoe retainer 5-11, 5-21, 5-23  
    CHMSL 1-147  
    clutch repair 11-9  
    decals 1-141, 1-143, 1-147  
    drive clutch button 11-5, 11-7  
    drive clutch weight 11-5, 11-7  
    driven clutch button 11-9  
    equalizer, brake 5-13  
    glass doors 1-93, 1-97  
    hand pump, SPWS 13-15  
    interior light 1-147  
    ladder rack 1-147  
    motor brush 14-3  
    motor brush lead assembly 14-3  
    motor brush spring 14-3  
    motor speed sensor 14-3  
    park brake latch 5-3  
    park brake pedal 5-3  
    rear receiver hitch 1-87  
    shelf 1-147  
    shock absorber cushion 6-23  
    shoe retainer 5-11, 5-21, 5-23  
    steering column mounting bracket 6-5  
    trailer hitch 1-85

Kit, Horn/Tail Light/Turn 4-9

## L

ladder rack kit 1-81  
lamp, stop, turn, tail 4-7, 4-9  
latch 1-19  
latch, park brake 5-3  
leaf blower holder kit 1-79  
lever  
    transaxle shift 12-7, 12-9  
license frame kit 1-9  
license plate 1-9  
license plate holder 1-9  
light  
    oil 4-13

strobe 1-129  
    water quality 13-15  
light, strobe 4-29, 4-31  
limit switch 4-7, 4-9, 7-13, 7-15, 7-17  
liquid gasket 15-3, 17-5  
low oil warning light 4-13  
lubricant, dry moly 17-5  
lubricant, moly-teflon 14-3, 17-5  
lug nut 2-3, 2-5  
lug stud 12-23, 15-3

## M

magnet, speed sensor 14-3  
mat, floor 1-19  
MCOR 13-3  
meter clip 4-13  
meter, hour 13-7  
meter, volt ohm 17-7  
mirror 1-109  
mirror, exterior kit 1-47  
module  
    calibration test 17-3  
Module, ECU 8-11  
moly-teflon lubricant 17-5  
motor  
    48-volt IQ Plus 14-3  
motor brush 14-3  
motor brush kit 14-3  
motor brush lead assembly kit 14-3  
motor brush spring 14-3  
motor bumper 14-3  
motor end cap 14-3  
motor frame and field 14-3  
motor headband, sealed 14-3  
motor headband, vented 14-3  
motor magnet, speed sensor 14-3  
motor speed sensor 14-3  
motor speed sensor kit 14-3  
motor terminal and lead assembly 14-3  
motor terminal insulator 14-3  
mounting block, brake 5-3  
moveable-face 11-5, 11-7, 11-9

## N

nameplate decal 1-15, 3-11  
nut, lug 2-3, 2-5

## O

oil seal 12-13, 12-15  
oil warning light, low 4-13  
O-Ring, Fuel Module 9-3

## P

pad  
    brake pedal 5-3

# INDEX

- park brake 5-3
  - thermal 7-11
- paint, underbody (black) 17-5
- paint, touch-up 1-13
- park brake latch 5-3
- park brake pedal 5-3
- park brake rod sleeve 5-3
- park brake spacer 5-3
- park brake torsion spring 5-3
- pawl 5-3
- p-clamp (fuel filter) 9-11
- pedal, brake 5-3
- pedal, park brake 5-3
- pencil grip 6-9
- pin
  - bow tie locking 5-13, 5-15, 5-17
  - clevis 5-13, 5-15, 5-17
  - differential 12-21
  - guide 12-13, 12-15
  - input shaft 12-17
- pin, hinge 1-77
- pinion, steering 6-3
- piston anchor 5-11, 5-21, 5-23
- piston ring compressor 17-5
- piston ring pliers 17-5
- pivot support bearing 5-5, 5-7
- plate
  - front spring retainer 6-13, 6-17
  - license 1-9
- Plate, Closure, Kohler 8-17
- plate, Tow/Run switch 13-7
- pliers
  - internal retaining ring 17-5
  - piston ring 17-5
  - retaining ring 17-5
- plug
  - drain 12-13, 12-15
  - driven clutch puller 17-3
  - hole 4-11
- port, diagnostic 13-5
- prop rod track 1-59
- protector spray, battery terminal 17-3
- puller
  - bearing 17-3
  - drive clutch 17-3
  - drive clutch hub 17-3
  - driven clutch cam 17-3
  - seal 17-5
- R**
- race, front hub bearing 6-21
- rack guide pressure spring 6-3
- rack, steering 6-3
- range picker adapter 1-91
- ratchet, park brake 5-3, 5-5, 5-7
- rear window screen, cab 1-131
- rear window with slider, cab 1-133
- rear window, cab 1-135
- receiver hitch 1-87
- receptacle, accessory 4-5, 4-39
- reflector, yellow 4-35
- reflector, amber 4-3
- reflector, red 4-35
- reflector, red, rectangle 4-35
- refractometer 17-5
- regulator, voltage 7-11, 7-13
- relay 13-9
- relay 48v 4-11, 13-9
- relay, 12-volt 1-123, 4-7, 4-9
- remover, bearing and oil seal 17-3
- retainer
  - accelerator pedal spring 5-5, 5-7
  - battery 7-19
  - brake shoe 5-11, 5-21, 5-23
  - shock absorber cushion 6-23
- retaining ring 6-5
- retaining ring pliers 17-5
- return spring bumper 5-5, 5-7
- reverse buzzer 4-11, 4-13, 4-23
- rim (wheel) 2-5
- ring
  - C-type stop 6-3
  - retaining 6-5, 7-11, 7-13, 11-5, 11-7, 11-9, 12-13, 12-15, 12-23
  - snap 6-3
  - spiral backup 11-5, 11-7
- rivet, blind push 13-9
- rock guard 15-5
- rocker switch 1-65, 1-67, 4-11
- rocker switch (lights) 4-11, 4-13
- rod
  - accelerator 5-7
  - accelerator pivot 5-5, 5-7
  - battery hold-down 13-11, 13-13
  - equalizer 5-13, 5-15, 5-17
  - hill brake 5-3
- S**
- safety first card 17-5
- score card clip 6-9
- score card plate 6-9
- seal
  - lip 15-3
  - oil 12-13, 12-15, 15-3
  - steering pinion dust 6-3
- seal puller 17-5
- seal, bed 1-27
- sealant 15-3
- seat bottom 1-23
- seat strap 1-23
- seat, bearing 6-5
- seatback 1-25
- seatback weldment 1-27
- select shaft 12-13, 12-15
- sensor, motor speed 14-3
- Sensor, Temperature 8-11
- shaft
  - axle 12-19, 12-21
  - center 12-17
  - counter 12-17
  - differential 12-21
  - governor 12-13, 12-15
  - governor gear 12-13, 12-15
  - input 12-17, 15-3
  - intermediate 15-3
  - select 12-13, 12-15
  - shift 12-17
  - steering column 6-5
- shift lever 12-7, 12-9
- shift shaft 12-3, 12-17
- shifter bracket 12-3
- shifter handle 12-3
- shifter, base 12-3
- shifter, FNR 12-3
- shock absorber 6-23
- shock absorber cushion 6-23
- shock absorber cushion retainer 6-23
- shock damper isolator 6-23
- shoe retainer kit 5-11, 5-21, 5-23
- shoe, brake 5-11, 5-21, 5-23
- side panel, ds, long 1-71
- side panel, ps, long 1-71
- sleeve 1-57, 1-59, 6-23, 12-13, 12-15
  - delta A-plate 6-11, 6-15
  - park brake rod 5-3
- snap ring 6-3
- snubber bracket 8-7
- snubber, dual 8-7
- snubber, inner frame 8-7
- solenoid 13-9
- solenoid, 12-volt 4-37, 7-11, 7-13
- spacer 12-13, 12-15, 12-17
  - accelerator pivot rod 5-5, 5-7
  - park brake 5-3
- speed sensor 14-3
- speed sensor magnet 14-3
- speed sensor, motor 14-3
- spindle assembly 6-13, 6-17
- spiral backup ring 11-5, 11-7
- spray, battery terminal protector 17-3
- spring 12-13, 12-15
  - accelerator return 5-5, 5-7
  - brake 5-11, 5-21, 5-23
  - brake return 5-15, 5-17
  - brush 14-3
  - compression 6-9
  - drive button 11-5, 11-7
  - drive clutch 11-5, 11-7

# INDEX

park brake torsion 5-3  
rack guide pressure 6-3  
steering shaft compression 6-5  
spring cup 5-5, 5-7  
spring mounting plate 6-13, 6-17  
spring, motor brush 14-3  
SPWS manifold 13-17  
stake side 1-77  
stake side bracket 1-77  
stake side kit 1-77  
stake side panel, front 1-77  
stake side trim kit 1-77  
stake side trim, center 1-77  
static grip kit 1-79  
steel bushing 6-13, 6-17  
steering column 6-5  
steering column bearing press tool 17-7  
steering column retaining ring tool 17-7  
steering gear box 6-3  
steering joint 6-17  
steering pinion 6-3  
steering pinion dust seal 6-3  
steering rack 6-3  
steering shaft 6-13  
steering shaft assembly 6-5  
steering shaft compression spring 6-5  
steering wheel puller tool 17-7  
stem, valve 2-5  
strap, A-plate 6-11, 6-15  
strap, seat 1-23  
strobe light 1-129, 4-29, 4-31  
strobe light, post mounted 4-29, 4-31  
strut, canopy front 1-37, 1-39, 1-41, 1-43  
stud  
lug 12-23, 15-3  
stud, ball 7-11, 7-13  
support yoke (steering) 6-3  
switch plate cover 4-29, 4-31  
switch  
key, uncommon 4-15, 4-17, 4-19, 4-21  
light rocker 4-11, 4-13  
limit 4-7, 4-9, 7-13, 7-15, 7-17  
rocker 1-65, 1-67, 4-11  
Tow/Run 13-7  
turn signal 4-7  
switch assembly 4-29, 4-31  
switch rubber boot 7-9, 13-7  
switch, toggle 7-9

## T

12-volt solenoid 4-37, 7-11, 7-13  
tailgate 1-73  
tailgate handle 1-73  
tailgate latch, lh 1-71  
tailgate latch, rh 1-71  
tailgate teather kit 1-75

tailskirt 1-51  
terminal block 4-5, 13-9  
tester, continuity 17-5  
thermal pad 7-11  
thermometer, battery 17-3  
thread-forming grease fitting 6-13, 6-17  
thrust bearing 6-13, 6-17  
tie down kit 1-79  
tie rod 6-11, 6-15  
tie rod end 6-11, 6-15  
tie wrap 1-117, 1-123, 4-37, 5-13, 6-3, 6-5, 7-11, 7-13, 12-5  
tire 2-3, 2-5  
toggle switch 7-9  
tool  
accelerator pedal adjustment 17-3  
belt tensioning, starter/generator 17-7  
charger bezel 17-3  
clutch cam installation 17-3  
drive clutch holder 17-3  
steering column bearing press 17-7  
steering column retaining ring 17-7  
steering wheel puller 17-7  
transaxle axle seal 17-7  
transaxle pinion seal 17-7  
transmission 17-7  
tool kit, clutch 17-3  
tool rack kit 1-79  
toolbox 1-149  
toolbox kit 1-81  
touch-up paint 17-5  
Tow/Run switch 13-7  
Tow/Run switch bracket 7-9  
Tow/Run switch plate 13-7  
track, prop rod 1-59  
trailer hitch 1-85  
trailer hitch ball 1-89  
trailer hitch brace 1-85  
transaxle (Electric Vehicle) 15-3  
transaxle axle seal tool 17-7  
transaxle guard 15-5  
transaxle pinion seal tool 17-7  
transaxle, limited-slip (Gas Vehicle) 12-13  
transaxle, open-diff (Gas Vehicle) 12-15  
transmission tool 17-7  
tube  
axle 12-19, 12-21, 15-3  
turn signal switch 4-7

## U

U-bolt 6-23  
upper delta clevis 6-13, 6-17  
urethane bushing 1-57, 1-59, 6-11, 6-13, 6-15, 6-17, 6-23

## V

valve 9-15  
valve spring compressor 17-7  
valve stem 2-3, 2-5  
vent  
transaxle 12-13, 12-15  
vent, barb 9-5  
vent, door, cab 1-107  
volt ohm meter 17-7  
voltage regulator 7-11, 7-13

## W

warning beacon, cab 1-129  
warning light, low oil 4-13  
washer, insulating 14-3  
washer, cab 1-125  
water quality light 13-15  
wedge, bearing puller 17-3  
weight  
clutch 11-5, 11-7  
secondary clutch 11-5, 11-7  
weldment  
governor bracket 9-11, 12-11  
weldment, receiver hitch 1-87  
wheel 2-3, 2-5  
wheel cover 2-7  
windshield kit, hinged 1-33  
windshield kit, non-hinged 1-35  
windshield, hinged 1-33  
windshield, non-hinged 1-35  
wire  
green, starter/generator 7-3, 7-5  
ground, fuel tank 7-3, 9-3  
wire harness 4-9, 7-3  
wire harness, main 13-5  
work light, front, cab 1-127  
work light, rear, cab 1-127  
wrap, tie 1-117, 1-123, 4-37, 5-13, 6-3, 6-5, 7-11, 7-13, 12-5

## Y

yoke, gear 17-5  
yoke, support (steering) 6-3









**Club Car, Inc.**  
P.O. Box 204658  
Augusta, GA 30917-4658  
USA

**Web** [www.clubcar.com](http://www.clubcar.com)  
**Phone** 1.706.863.3000  
1.800.ClubCar  
**Int'l** +1 706.863.3000  
**Fax** 1.706.863.5808