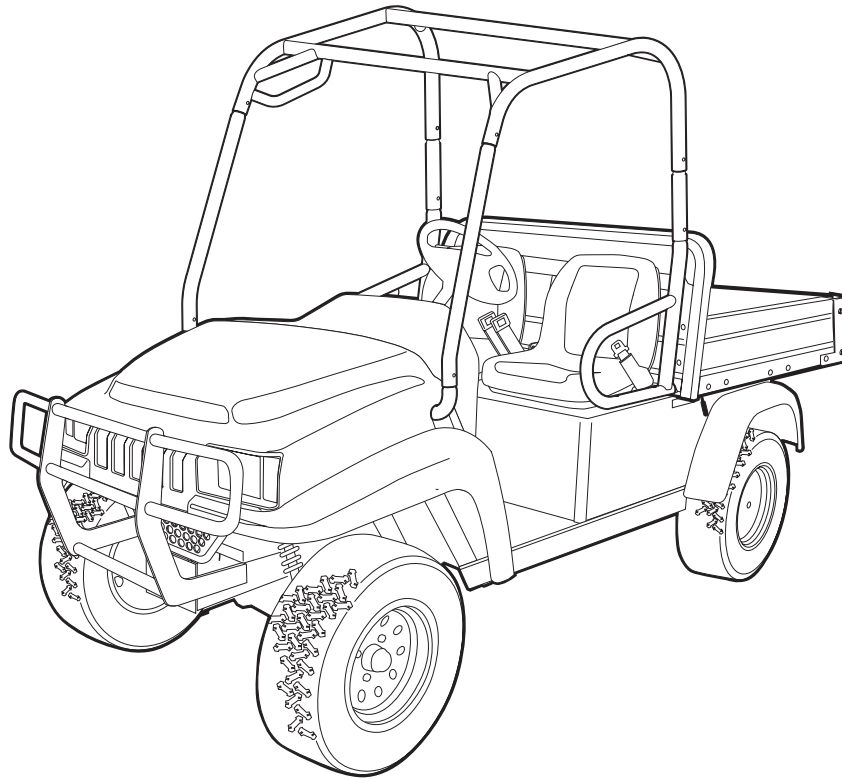




Bobcat®

Bobcat 2200 Illustrated Parts List



Gasoline and Diesel Vehicles



USING THE ILLUSTRATED PARTS LIST

WARNING

- **This manual is to be used only for identification and ordering of service parts. Be sure to read and use the maintenance and service manual before attempting any vehicle repairs.**

This manual covers all 2200 vehicles with serial number 235211001 and above.

The manual is divided into 15 sections. Sections 1 through 14 pertain to service parts for the vehicles, and Section 15 pertains to special service tools.

Use the Table of Contents to find the sections and pages that contain the parts and assemblies you seek. The Table of Contents lists section numbers, and under them, the individual page titles and numbers to be found in that section. The index can be used to find specific parts and assemblies. The index is divided into numerical and alphabetical listings with the page numbers in italic text.

There is a two-page spread for each individual page title in the Table of Contents. On the left-hand page is an illustration showing the parts in their relative positions; the parts are each tagged with an item number in a balloon. The right-hand page is the parts list page, and gives the page title at the top, then the item numbers (corresponding to the numbers on the illustration), part descriptions, and quantity of parts used.

Note that a part description may be indented. This indentation corresponds to a parts assembly level indicated by the numbers 1, 2, 3, and 4 at the top left corner of the parts description area of the parts list page. A part that is indented to *level 2* is a component of the *level 1* part (assembly) that it is listed under. A *level 3* part is a component of the *level 2* part that it is listed under, and a *level 4* part is a component of the *level 3* part preceding it. In each case, the part quantity given for a level 2, 3, or 4 part is the quantity used per next higher level assembly of which it is a component. A part that is not indented is a *level 1* part. This means that the quantity given is the quantity used per the portion of the vehicle illustrated on that particular spread.

HOW TO ORDER PARTS

Replacement parts and accessories can be obtained from our network of authorized dealers. You can obtain the name and phone number of your closest Bobcat dealer by visiting our web site at www.bobcat.com or by calling 701-222-5315.

Bobcat Company
P. O. Box 128
Gwinner, ND 58040-0128 USA
Telephone 701-222-5315
www.bobcat.com

NOTE: *This illustrated parts list represents the most current information at the time of publication. Bobcat Company is continually working to further improve its vehicles and other products. These improvements may affect the parts used to service the vehicle. Any modification and/or significant change in specifications will be forwarded to all Bobcat dealers and will, when applicable, appear in future editions of this illustrated parts list.*

Bobcat Company reserves the right to change specifications and designs at any time without notice and without incurring the obligation of making changes to units previously sold.

Copyright © 2004, 2005 Bobcat Company

CONTENTS

SECTION 1 – BODY AND TRIM

Front Body Trim, Gasoline Vehicles	1-3
Front Body Trim, Diesel Vehicles	1-5
Front Body Components	1-7
Front Seats and Cup Holder	1-9
ROPS	1-11
Latch Plate and Prop Rod	1-13
Tilt Bed, Hinge, and Latch	1-15
Cargo Box	1-17
Rear Body Trim	1-19

SECTION 2 – WHEELS AND TIRES

Wheels and Tires	2-3
------------------------	-----

SECTION 3 – DECALS

Safety Decals, Gasoline Vehicles	3-3
Safety Decals, Gasoline Vehicles, Continued	3-5
Safety Decals, Diesel Vehicles	3-7
Safety Decals, Diesel Vehicles, Continued	3-9
Badging Decals, Bobcat 2200	3-11

SECTION 4 – BRAKE SYSTEMS

Front Brake Assembly	4-3
Rear Brake Assembly	4-5
Master Cylinder	4-7
Hydraulic Brake Lines and Clips	4-9
Park Brake Assembly with Pulley System	4-11
Park Brake Assembly with Bellcrank System	4-13

SECTION 5 – PEDAL GROUP

Accelerator Pedal Assembly	5-3
Brake Pedal Assembly	5-5
Park Brake Pedal Assembly	5-7
Park Brake Pedal Assembly with Bellcrank System	5-9

SECTION 6 – STEERING AND SUSPENSION

Steering Column	6-3
-----------------------	-----

CONTENTS

Steering Gear Assembly	6-5
Front Suspension – A-Arms	6-7
Front Suspension (Standard)	6-9
Front Suspension (High-Capacity Option)	6-11
Rear Suspension (Standard)	6-13
Rear Suspension (High-Capacity Option)	6-15

SECTION 7 – ELECTRICAL SYSTEM

Wiring – Gasoline Vehicles (as originally manufactured for 2004 model year)	7-5
Wiring – Gasoline Vehicles	7-9
Wiring – Diesel Vehicles	7-13
Headlights	7-15
Electrical Component Box, Gasoline Vehicles	7-17
Electrical Component Box, Diesel Vehicles	7-19
Electrical Components, Instrument Panel, Gasoline Vehicles	7-21
Electrical Components, Instrument Panel, Diesel Vehicles	7-23
Battery – Gasoline Vehicles	7-25
Battery – Diesel Vehicles	7-27

SECTION 8 – DIESEL ENGINE (OPEN BREATHER)

Kubota D722 Diesel Engine Mounting	8-3
Crankcase	8-5
Oil Pan	8-7
Cylinder Head	8-9
Gear Case	8-11
Head Cover	8-13
Dipstick and Guide	8-15
Oil Pump	8-17
Main Bearing Case	8-19
Camshaft and Idle Gear	8-21
Piston and Crankshaft	8-23
Flywheel	8-25
Shaft	8-27
Idle Apparatus	8-29
Stop Solenoid	8-31
Alternator (Diesel Vehicles)	8-33
Injection Pump	8-35
Speed Control Plate	8-37
Nozzle Holders and Glow Plugs	8-39

CONTENTS

Governor Components	8-41
Starter	8-43
Valves and Rocker Arms	8-45
Diesel Inlet Manifold	8-47
Exhaust Manifold	8-49
Gasket Kits	8-51
Piston Kit	8-53

SECTION 9 – HONDA GX620 GASOLINE ENGINE

Honda GX620 Gasoline Engine Mounting	9-3
Shrouds and Brackets	9-5
Ignition Components and Flywheel	9-7
Oil Circulation	9-9
Cylinder Head	9-11
Crankcase and Crankshaft	9-13
Oil Filter Adapter and Voltage Regulator	9-15

SECTION 10 – FUEL, INTAKE, AND GOVERNOR SYSTEM

Fuel System – Gasoline Vehicles	10-3
Fuel Tank – Gasoline Vehicles	10-5
Fuel System – Diesel Vehicles	10-7
Fuel Tank – Diesel Vehicles	10-9
Carburetor Assembly, Honda Gasoline Vehicles	10-11
Carburetor Installation – Honda Gasoline Vehicles	10-13
Governor and Accelerator Cables, Gasoline Vehicles	10-15
Choke Cable, Gasoline Vehicles	10-17
Accelerator Cable, Diesel Vehicles	10-19
Governor Cover – Gasoline Vehicles	10-21
Governor System – Gasoline Vehicles	10-23
Intake Duct and Air Box Assembly – Honda Gasoline Vehicles	10-25
Intake Duct and Air Box Assembly – Diesel Vehicles	10-27

SECTION 11 – EXHAUST SYSTEM

Exhaust System, Gasoline Vehicles	11-3
Exhaust System, Diesel Vehicles	11-5

SECTION 12 – CLUTCHES

Clutch Cover (Standard)	12-3
-------------------------------	------

CONTENTS

Clutch Cover (Sealed)	12-5
Drive Belt	12-7
Drive Clutch – Gasoline Vehicles	12-9
Drive Clutch – Diesel Vehicles	12-11
Driven Clutch	12-13

SECTION 13 – DRIVETRAIN COMPONENTS

Front Differential Mounting and Half Shafts	13-3
Front Differential (Output Components)	13-5
Front Differential (Input Components)	13-7
Prop Shafts	13-9
Forward/Reverse Shifter Assembly	13-11
Transmission	13-13
Transmission, Continued	13-15
Transmission Shift Shaft and Bell Crank (Style A)	13-17
Transmission Shift Shaft and Bell Crank (Style B)	13-19
Transmission, Continued	13-21
Transmission Cable	13-23
Rear Differential	13-25
Rear Differential, Continued	13-27

SECTION 14 – RADIATOR AND COOLANT SYSTEM (DIESEL VEHICLES)

Radiator	14-3
Coolant Expansion Tank	14-5
Coolant Pipes and Hoses	14-7
Water Flange and Thermostat	14-9
Water Pump	14-11
Block Coolant Pipe	14-13

SECTION 15 – MAINTENANCE AND SERVICE TOOLS

Maintenance and Service Tools	15-3
Maintenance and Service Tools, Continued	15-5
Maintenance and Service Tools, Continued	15-7
Maintenance and Service Tools, Continued	15-9
Maintenance and Service Tools, Continued	15-11

SECTION i – INDEX

BODY AND TRIM

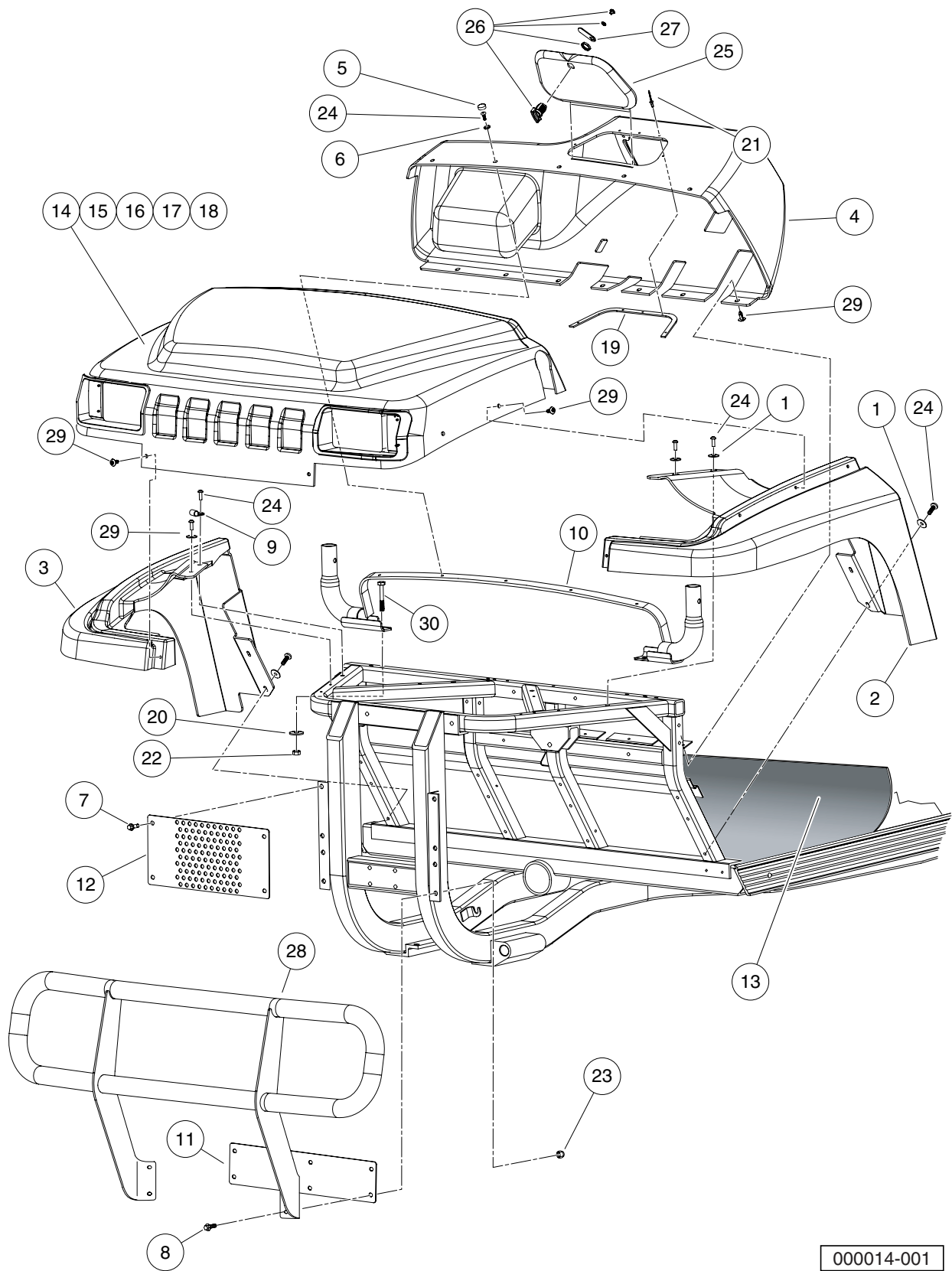
1

G

D

1
G

D



000014-001

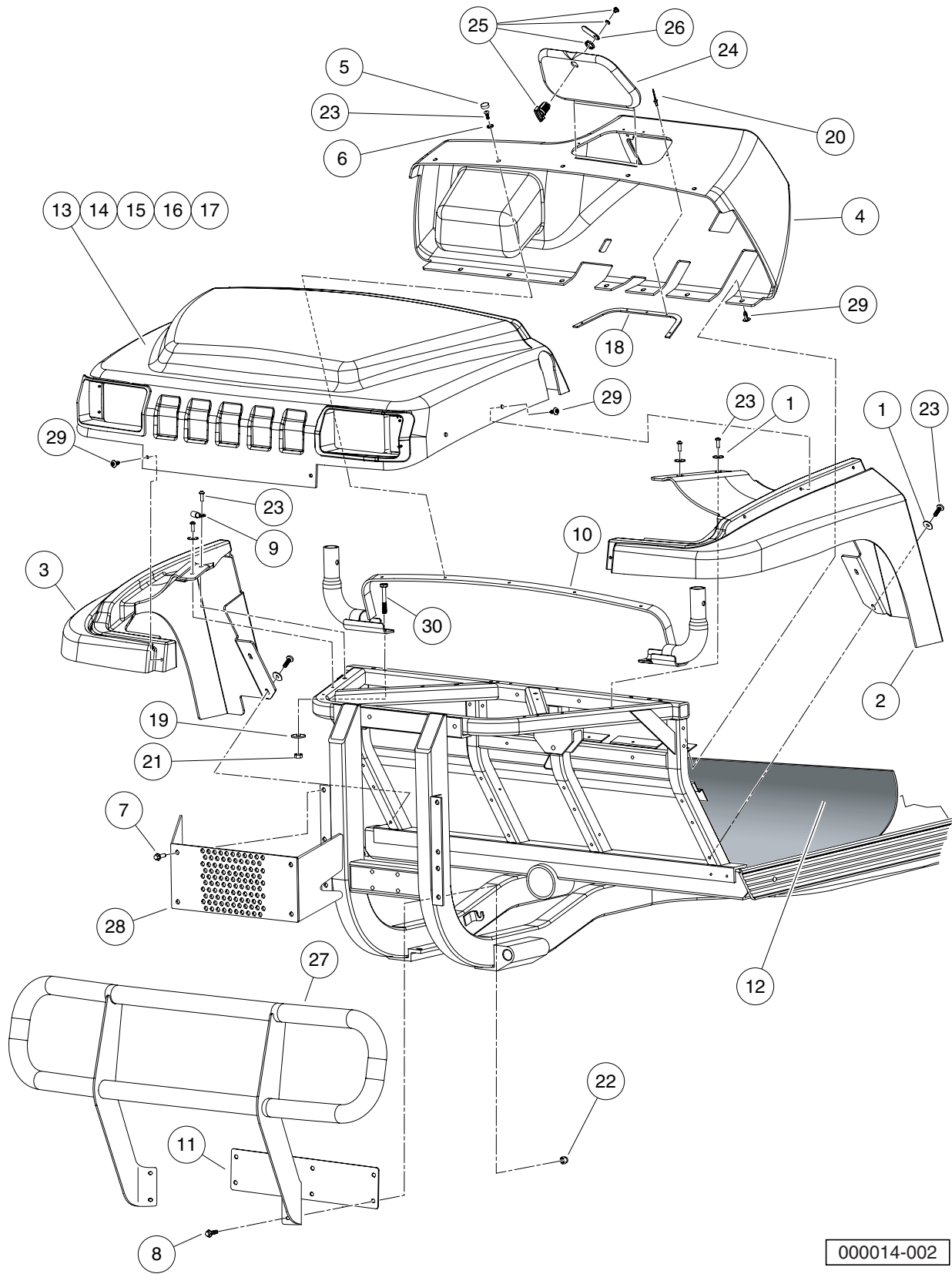
FRONT BODY TRIM, GASOLINE VEHICLES

ITEM	PART NO.	DESCRIPTION	QTY
		1 2 3 4	
1	<u>1014306</u>	Washer, 1/4" Type B Flat	7
2	<u>102021502</u>	Fender, Left Front	1
3	<u>102021602</u>	Fender, Right Front	1
4	<u>102021802</u>	Dashboard with Access Hole	1
5	<u>102045001</u>	Cap, 1/4" Plastic Screw Head	5
6	<u>102048401</u>	Washer, 1/4 Id Scalloped Plast	5
7	<u>102289002</u>	Screw, M8 X 1.25 X 30 Tri, Blk	4
8	<u>102298130</u>	Bolt, Flange Head, M8 X 30.0	4
9	<u>102410603</u>	P-Clamp, Insulated .312 In	1
10	<u>102418501</u>	Weldment, Support, ROPS	1
11	<u>102420601</u>	Plate, Brush Mount	1
12	<u>102429301</u>	Grill, Flat	1
13	<u>102432001</u>	Mat, Floor	1
14	<u>102459710</u>	Cowl, Machined, Dark Green	1
15	<u>102459714</u>	Cowl, Machined, Dark Gray	1
16	<u>102459715</u>	Cowl, Machined, Red	1
17	<u>102459716</u>	Cowl, Machined, White	1
18	<u>102459718</u>	Cowl, Machined, Camo	1
19	<u>102477301</u>	Support, Access Panel, Dash	1
20	<u>102491501</u>	Washer Hard,m10	4
21	<u>102492801</u>	Rivet, .125" Dia, .311" Panel	5
22	<u>102617201</u>	Nut Flg M10 X 1.5 Mech Def	4
23	<u>102618601</u>	Lock Nut, Flg M8 X 1.25 Nylon	4
24	<u>102628601</u>	Screw, 1/4-20 X 1.0 Pn Hd Torx	13
25	<u>102760501</u>	Panel, Access, Dash	1
26	<u>102760701</u>	Cam Lock Body	1
27	<u>102760801</u>	Latch, Cam, Access Panel	1
28	<u>102778001</u>	Asm, Brush Guard	1
29	<u>102967901</u>	Rivet, Removable, Tuflok 1/4"	15
30	<u>96715552</u>	Bolt, M10 X 1.50 X 65	4

1
G
D

1
G

D



000014-002

FRONT BODY TRIM, DIESEL VEHICLES

ITEM	PART NO.	DESCRIPTION	QTY
		1 2 3 4	
1	<u>1014306</u>	Washer, 1/4" Type B Flat	7
2	<u>102021502</u>	Fender, Left Front	1
3	<u>102021602</u>	Fender, Right Front	1
4	<u>102021802</u>	Dashboard with Access Hole	1
5	<u>102045001</u>	Cap, 1/4" Plastic Screw Head	5
6	<u>102048401</u>	Washer, 1/4 Id Scalloped Plast	5
7	<u>102289002</u>	Screw, M8 X 1.25 X 30 Tri, Blk	4
8	<u>102298130</u>	Bolt, Flange Head, M8 X 30.0	4
9	<u>102410603</u>	P-Clamp, Insulated .312 In	1
10	<u>102418501</u>	Weldment, Support, ROPS	1
11	<u>102420601</u>	Plate, Brush Mount	1
12	<u>102432001</u>	Mat, Floor	1
13	<u>102459710</u>	Cowl, Machined, Dark Green	1
14	<u>102459714</u>	Cowl, Machined, Dark Gray	1
15	<u>102459715</u>	Cowl, Machined, Red	1
16	<u>102459716</u>	Cowl, Machined, White	1
17	<u>102459718</u>	Cowl, Machined, Camo	1
18	<u>102477301</u>	Support, Access Panel, Dash	1
19	<u>102491501</u>	Washer Hard,m10	4
20	<u>102492801</u>	Rivet, .125" Dia, .311" Panel	5
21	<u>102617201</u>	Nut Flg M10 X 1.5 Mech Def	4
22	<u>102618601</u>	Lock Nut, Flg M8 X 1.25 Nylon	4
23	<u>102628601</u>	Screw, 1/4-20 X 1.0 Pn Hd Torx	13
24	<u>102760501</u>	Panel, Access, Dash	1
25	<u>102760701</u>	Cam Lock Body	1
26	<u>102760801</u>	Latch, Cam, Access Panel	1
27	<u>102778001</u>	Asm, Brush Guard	1
28	<u>102831601</u>	Guard, Radiator	1
29	<u>102967901</u>	Rivet, Removable, Tuflok 1/4"	15
30	<u>8248</u>	Screw, 1/4-20 X 0.75 Truss-Head Machine	4

1

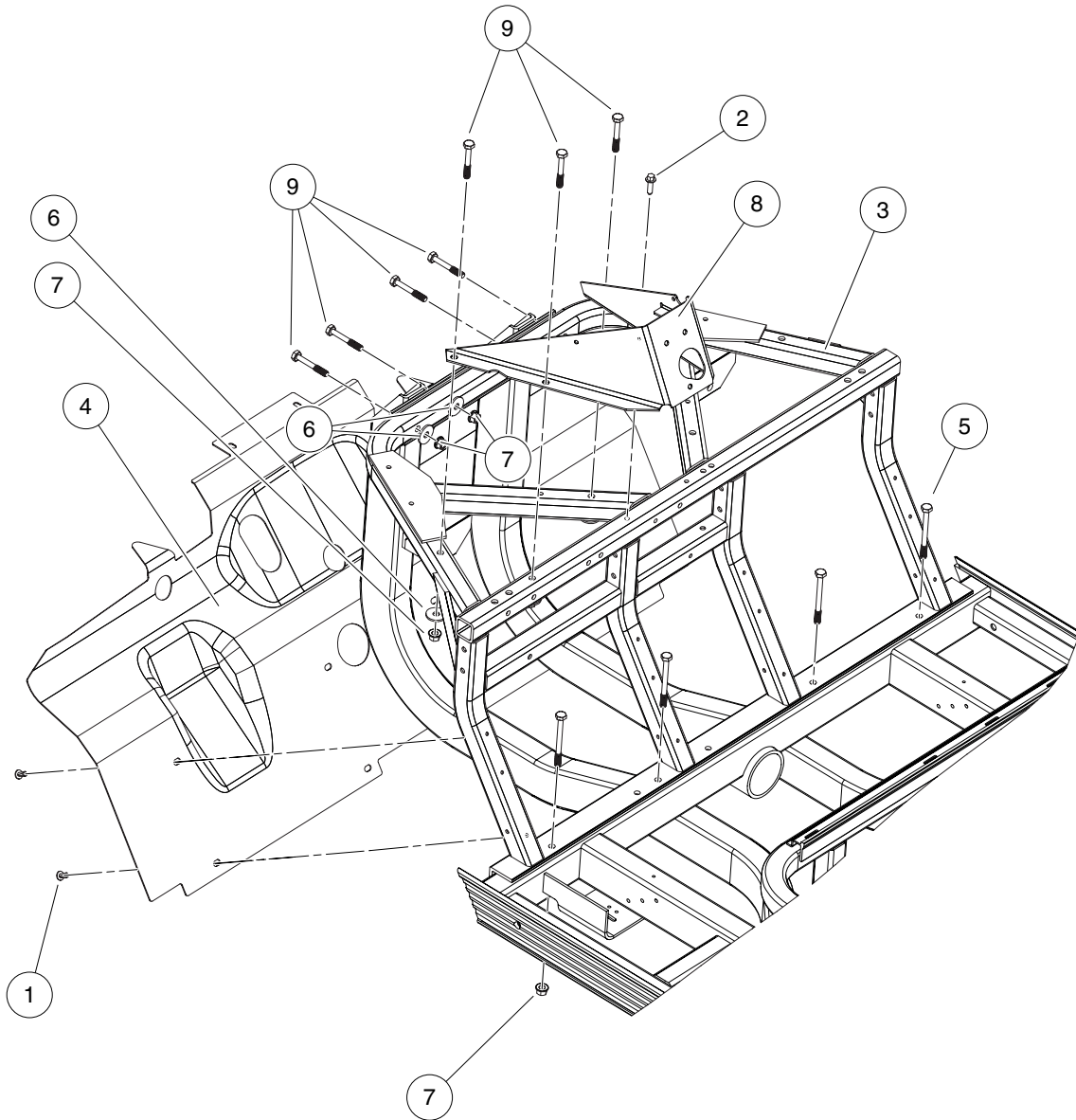
G

D

1

G

D



000017-001

FRONT BODY COMPONENTS

ITEM	PART NO.	DESCRIPTION	QTY
		1 2 3 4	
1	<u>1016967</u>	Blind Rivet, Push Type	8
2	<u>102289001</u>	Screw, M8X1.25X30, Hex	1
3	****	Weldment, Dash, Front	1
4	<u>102437201</u>	Guard, Splash	1
5	<u>102491301</u>	Bolt, M10x1.50x100 (Black)	4
6	<u>102491501</u>	Washer Hard,m10	7
7	<u>102617201</u>	Nut Flg M10 X 1.5 Mech Def	11
8	****	Bracket, Support, Steering	1
9	<u>96715552</u>	Bolt, M10 X 1.50 X 65	7
		**** Special order item available upon request.	

1

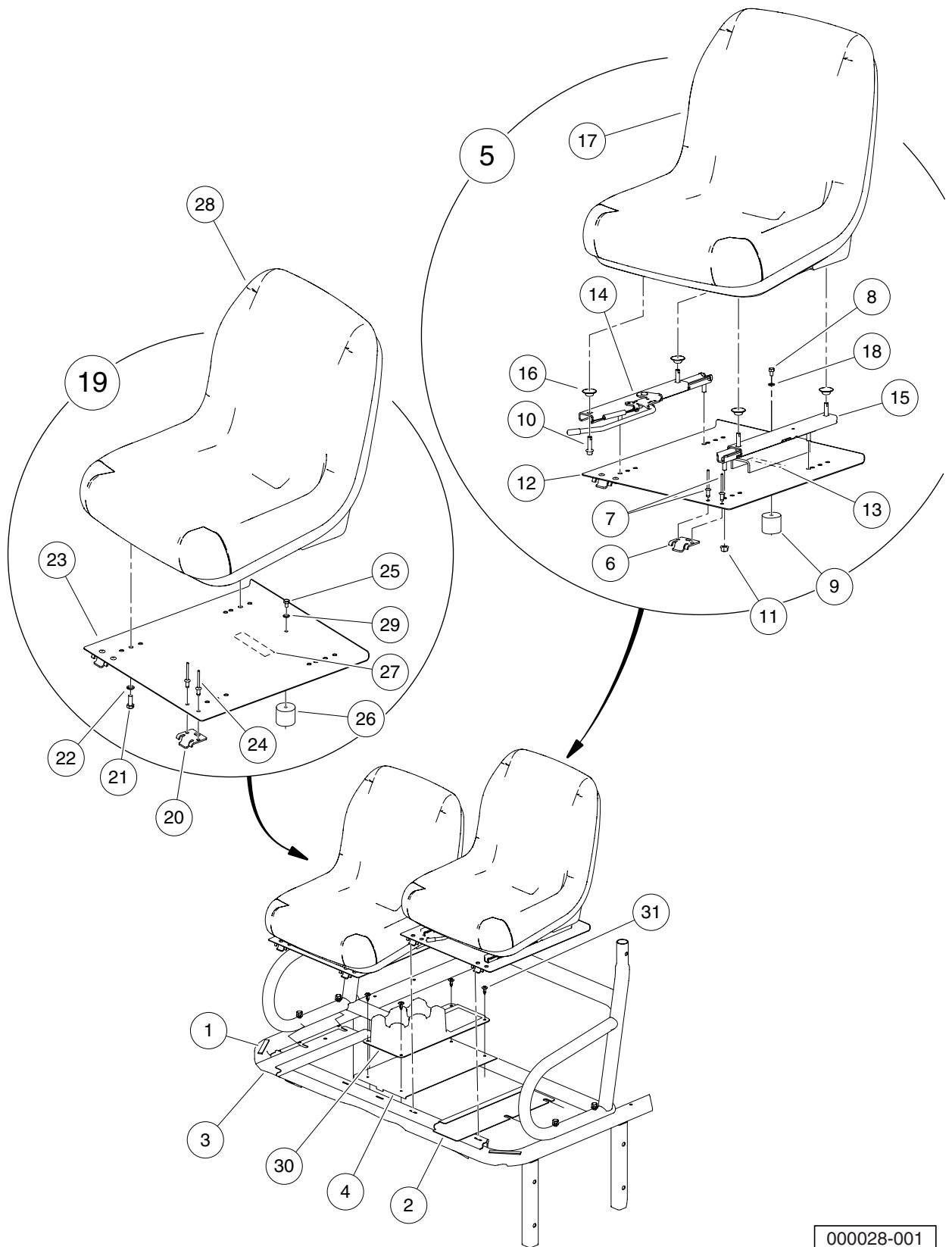
G

D

1

G

D



000028-001

FRONT SEATS AND CUP HOLDER

ITEM	PART NO.	DESCRIPTION	QTY
		1 2 3 4	
1	<u>1014471</u>	Tape, Vinyl Foam 1/8" x 3/4" *	2
2	<u>102425401</u>	Closeout, Driver Side	1
3	<u>102425501</u>	Closeout, Passenger Side	1
4	<u>102442001</u>	Pan, Center, Closeout	1
5	<u>102473701</u>	Asm, Bucket Seat Adjustable (includes items 6 through 18)	1
6	<u>1011652</u>	Hinge Plate	2
7	<u>102047001</u>	Rivet, 1/4 X .438 Blind	4
8	<u>102059401</u>	Screw, 6m-1.00 X 10mm Hex Head	1
9	<u>102061101</u>	Seat Holder Cup	1
10	<u>102298130</u>	Bolt, Flange Head, M8 X 30.0	4
11	<u>102298401</u>	Nut,m8,all Metal Lock	4
12	<u>102456001</u>	Pan, Seat, Driver Asm	1
13	<u>102458901</u>	Decal, Hot Surface Warning	1
14	<u>102473501</u>	Adjuster, Forward/Aft	1
15	<u>102473601</u>	Adjuster, Slider	1
16	<u>102475901</u>	Washer, Bell	4
17	<u>103267001</u>	Seat, Bucket, Gray	1
18	<u>451</u>	Lockwasher, 1/4 Helical Split	1
19	N/A	Assembly, Bucket Seat w/Spacers (includes items 20 through 29)	1
20	<u>1011652</u>	Hinge Plate	2
21	<u>1012830</u>	Screw, M8-125 X 22 Hex-Head	4
22	<u>1013734</u>	Lockwasher, 8mm Split	4
23	<u>102023703</u>	Pan, Seat, Passenger	1
24	<u>102047001</u>	Rivet, 1/4 X .438 Blind	4
25	<u>102059401</u>	Screw, 6m-1.00 X 10mm Hex Head	1
26	<u>102061101</u>	Seat Holder Cup	1
27	<u>102458901</u>	Decal, Hot Surface Warning	1
28	<u>103267001</u>	Seat, Bucket, Gray	1
29	<u>451</u>	Lockwasher, 1/4 Helical Split	1
30	<u>102486201</u>	Console, Center, Drink Holder	1
31	<u>102967901</u>	Rivet, Removable, Tuflok 1/4"	4
		* Note: Item not shown.	

1

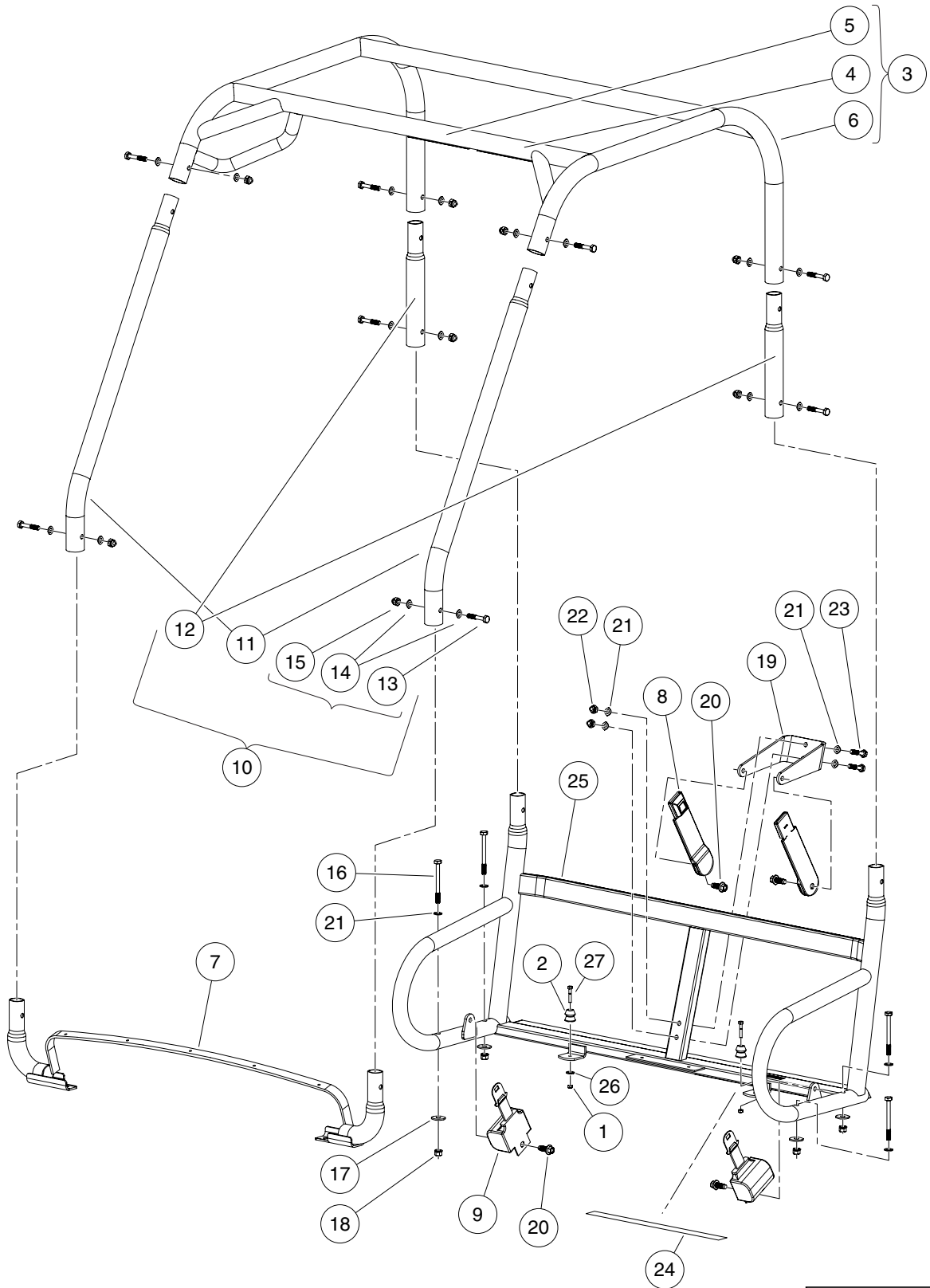
G

D

1

G

D



000029-001

ROPS

ITEM	PART NO.	DESCRIPTION	QTY
		1 2 3 4	
1	<u>101887601</u>	Locknut, M6-1.00 Nylon Insert	2
2	<u>102059001</u>	Seat Holder Base	2
3	<u>102418401</u>	Weldment, Top, ROPS (includes items 4 through 6)	1
4	<u>102459401</u>	Decal, Young Driver Warning	1
5	<u>102621101</u>	Decal, ROPS Certification/Warning	1
6	<u>102920901</u>	Weldment, ROPS, Top, Unlabeled	1
7	<u>102418501</u>	Weldment, Support, ROPS	1
8	<u>102447601</u>	Buckle, Seat Belt with Sleeve	2
9	<u>102447602</u>	Retractor, Seat Belt	2
10	<u>102482201</u>	Kit, ROPS (includes items 11 through 15)	1
11	<u>102419901</u>	Tube, Support, Front, ROPS	2
12	<u>102420001</u>	Tube, Support, Rear, ROPS	2
13	<u>102718001</u>	Bolt, M10 X 55, Zn-Ni (Black)	8
14	<u>102718101</u>	Washer, Hard, M10, Zn-Ni/Blk	16
15	<u>102718201</u>	Nut, Hex Cap, M10, Zn-Ni/Blk	8
16	<u>102491301</u>	Bolt, M10x1.50x100 (Black)	4
17	<u>102491501</u>	Washer Hard,m10	4
18	<u>102617201</u>	Nut Flg M10 X 1.5 Mech Def	4
19	<u>102670601</u>	Bracket, Seatbelt, Bolt-On	1
20	<u>102671201</u>	Screw,m12x1.75x30 Thd Form Blk	4
21	<u>102718101</u>	Washer, Hard, M10, Zn-Ni/Blk	8
22	<u>102718201</u>	Nut, Hex Cap, M10, Zn-Ni/Blk	2
23	<u>102732401</u>	Bolt, M10 X 45, Zn-Ni (Black)	2
24	<u>102739201</u>	Barrier, Heat, Neoprene	1
25	<u>102886101</u>	Weldment, Supp, Seat, Rops	1
26	<u>332</u>	Washer, 1/4 Type A Narrow Flat	2
27	<u>96742515</u>	Bolt, M6 X 1 X 45	2

1

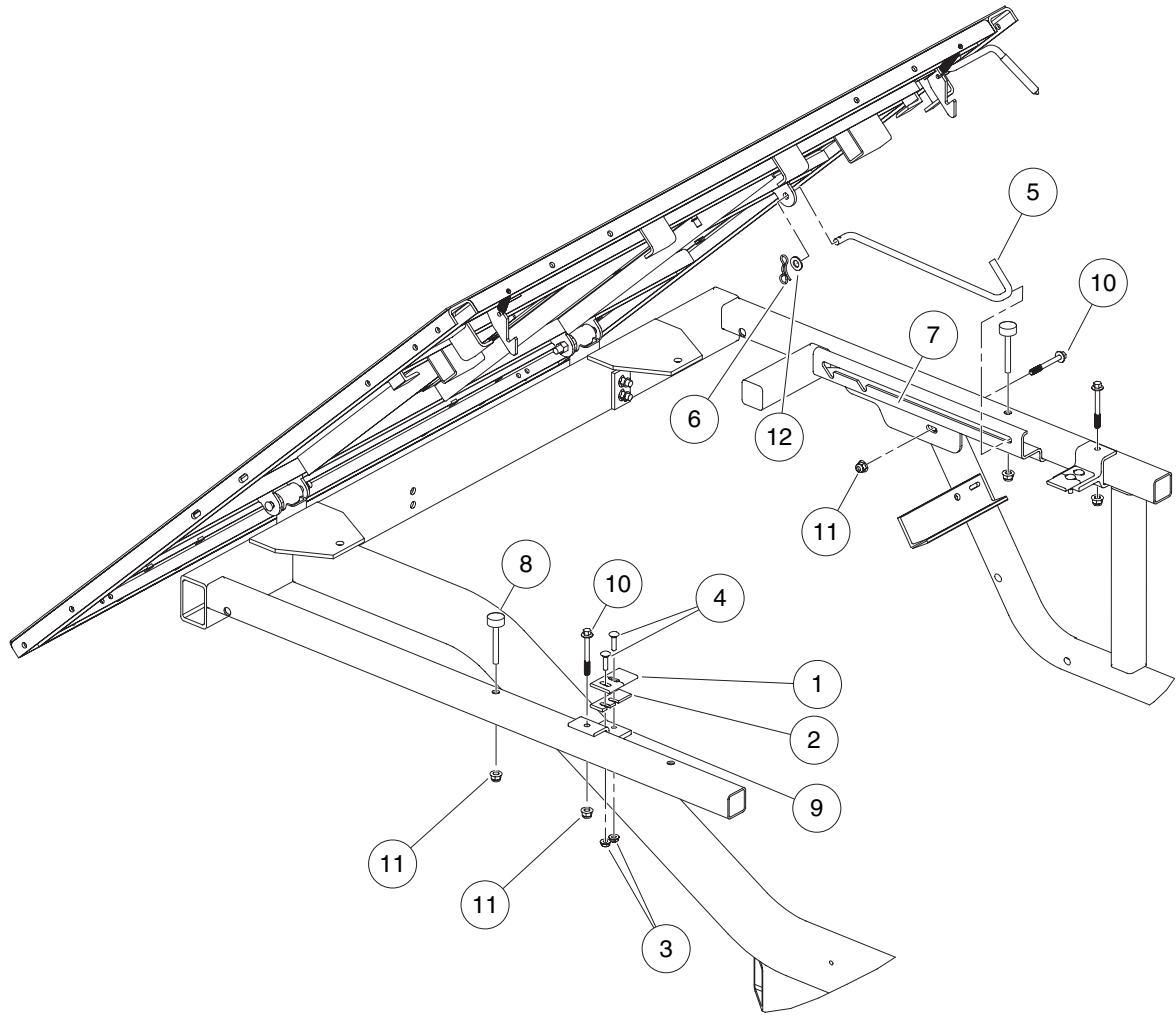
G

D

1

G

D



000036-001

LATCH PLATE AND PROP ROD

ITEM	PART NO.	DESCRIPTION	QTY
		1 2 3 4	
1	<u>1015277</u>	Latch Plate, Tilt Bed	2
2	<u>1016078</u>	Latch Plate Shim	A/R
3	<u>101835601</u>	Locknut, 1/4-20 Hex Whiz	4
4	<u>101958602</u>	Bolt, Carriage, 1/4-20 X 1.0	4
5	<u>102301401</u>	Rod, Prop	1
6	<u>102323101</u>	Pin, Bow Tie Locking	1
7	<u>102418101</u>	Track, Prop Rod	1
8	<u>102426601</u>	Bumper, Bed, Mtg, Front	2
9	<u>102493801</u>	Bracket, Latch, Bed	2
10	<u>102618301</u>	Bolt Flanged Head, M8 X 1.25 X 65	3
11	102618601	Lock Nut, Flg M8 X 1.25 Nylon	5
12	<u>334</u>	Washer, 3/8 Type A Flat	1

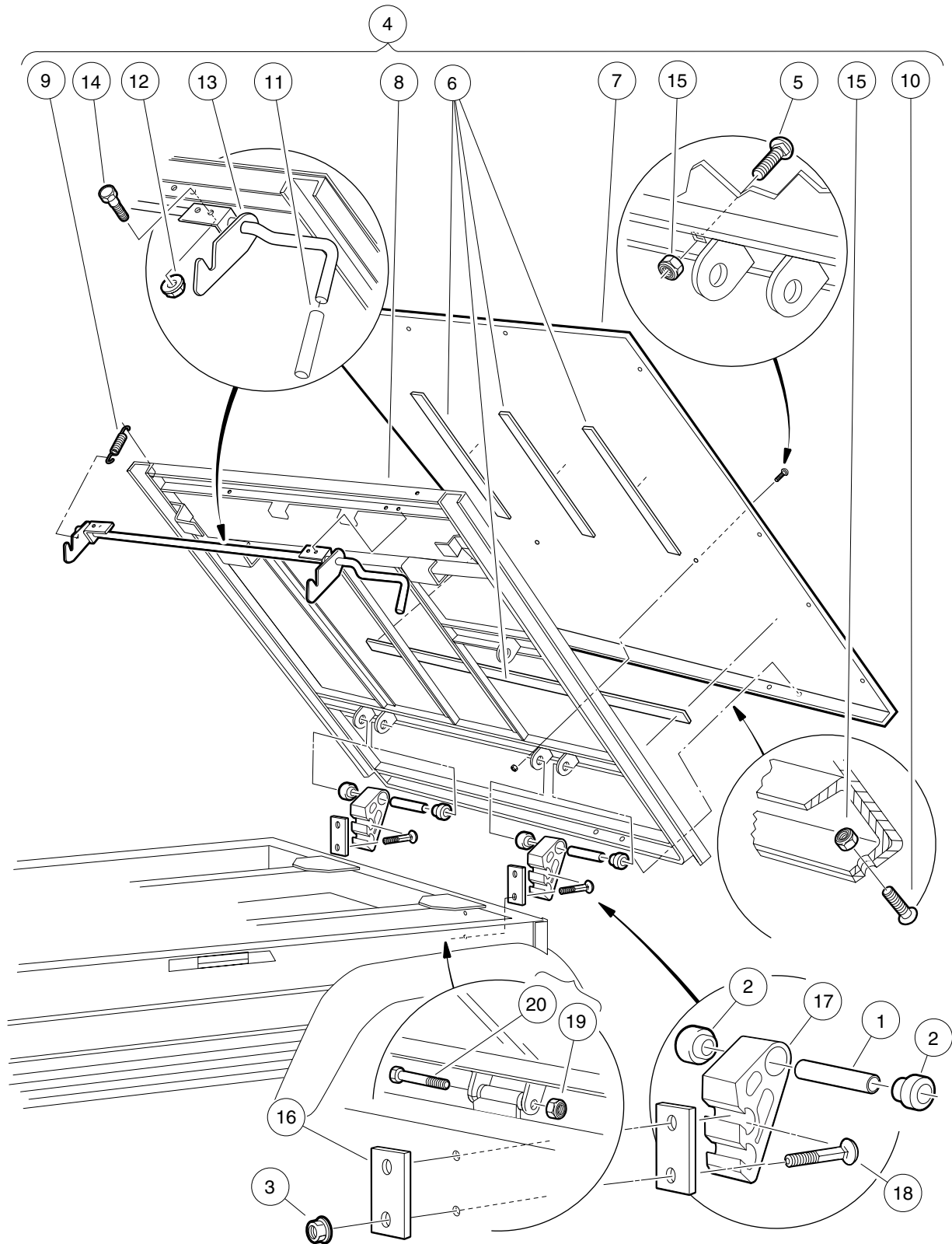
1

G

D

1
G

D



000037-001

TILT BED, HINGE, AND LATCH

ITEM	PART NO.	DESCRIPTION	QTY
		1 2 3 4	
1	<u>1012303</u>	Bushing, Steel	2
2	<u>1015583</u>	Bushing, Urethane	2
3	<u>102065901</u>	Locknut, 3/8-16 Flanged Dimple	4
4	<u>102171503</u>	Tilt Bed Assembly (includes items 5 through 15)	1
5	<u>1010435</u>	Bolt, Carriage, 5/16-18 X 1.00	4
6	<u>1014471</u>	Tape, Vinyl Foam 1/8" x 3/4" *	A/R
7	N/A	Plate, Floor Bed	1
8	N/A	Frame Assembly	1
9	<u>1015391</u>	Extension, Spring Latch	2
10	<u>1015399</u>	Screw, 5/16-18 X 0.88 Torx Truss-Head	4
11	<u>1015400</u>	Grip, Tilt Latch Hand	1
12	<u>101835601</u>	Locknut, 1/4-20 Hex Whiz	4
13	<u>102426901</u>	Ltch Weld Asm Tlt Bd	1
14	<u>403</u>	Screw, 1/4-20 X 0.625 Hex-Head Cap	4
15	<u>7473</u>	Locknut, 5/16-18 Nylon Insert	8
16	<u>102614101</u>	Plate, Back	2
17	<u>103538701</u>	Extr, Brkt, Hinge, Bed	2
18	<u>103538901</u>	3/8-16 X 3.5 Carr Blt Gr5 Zn	4
19	<u>8754</u>	Locknut, 3/8-16 Hex	2
20	<u>8755</u>	Screw, 3/8-16 X 3.375 Hex Cap	2
		* Note: Item not shown.	

1

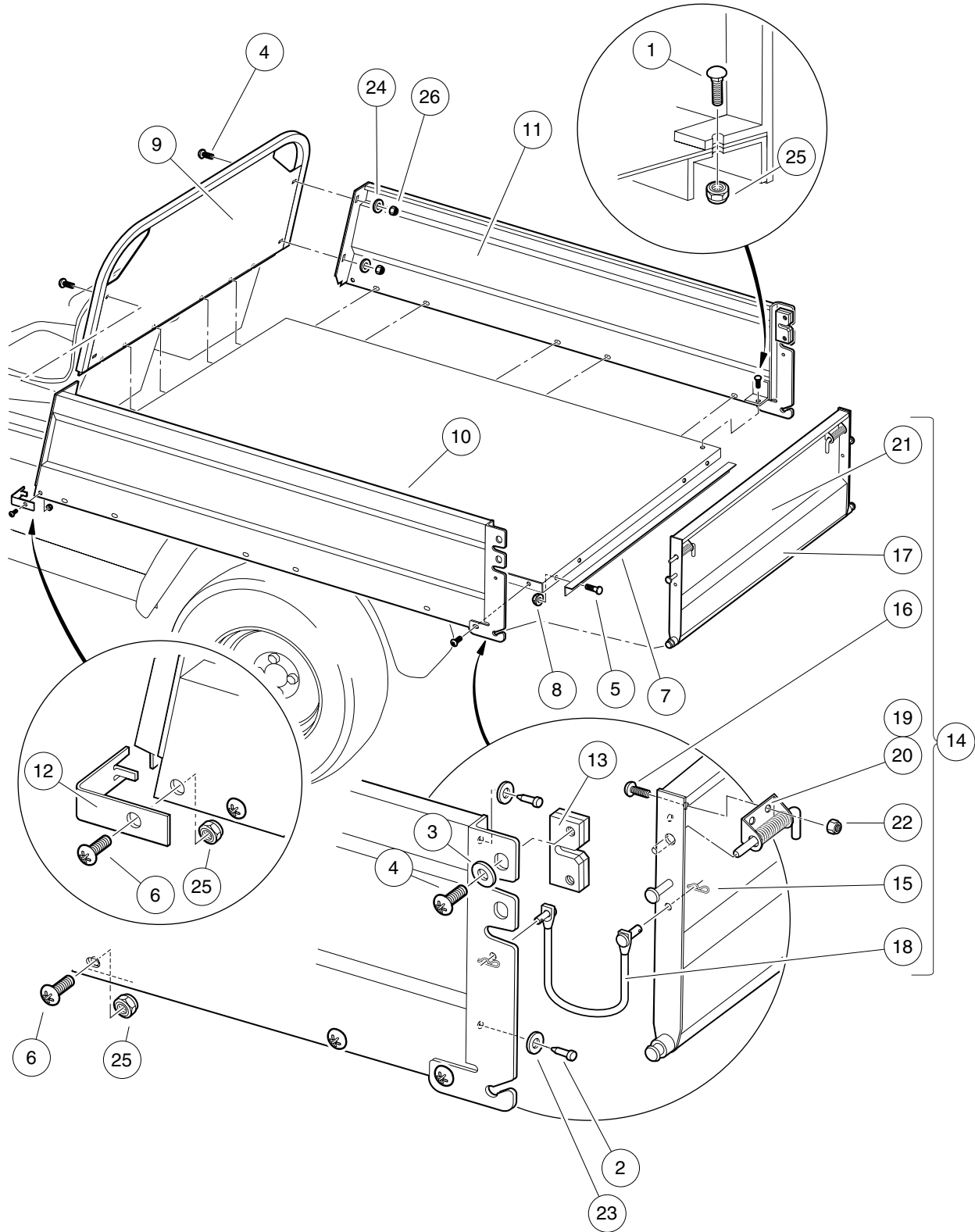
G

D

1

G

D



000038-003

CARGO BOX

ITEM	PART NO.	DESCRIPTION	QTY
		1 2 3 4	
1	<u>1010435</u>	Bolt, Carriage, 5/16-18 X 1.00	13
2	<u>1010436</u>	Bumper, Rubber	4
3	<u>1014306</u>	Washer, 1/4" Type B Flat	4
4	<u>1014415</u>	Screw, 1/4-20 X 0.75 Torx Truss-Head	8
5	<u>1014537</u>	Stud, Self-Clinching Flush Head	4
6	<u>1015399</u>	Screw, 5/16-18 X 0.88 Torx Truss-Head	18
7	<u>101894304</u>	Box Bed Tailgate Angle	1
8	<u>101963401</u>	Locknut, 5/16-18 Hex Flange	4
9	<u>102221301</u>	Front Panel Weldment	1
10	<u>102221401</u>	Left Panel Weldment	1
11	<u>102221501</u>	Right Panel Weldment	1
12	<u>102221701</u>	Front Corner Cap	2
13	<u>102222001</u>	Slam Latch	2
14	<u>102229902</u>	Asm, Bobcat Tailgate (includes items 15 through 22)	1
15	<u>1013366</u>	Hair Pin Clip	4
16	<u>1014415</u>	Screw, 1/4-20 X 0.75 Torx Truss-Head	4
17	N/A	Tailgate, Weldment	1
18	<u>102221801</u>	Tether Assembly	2
19	<u>102222101</u>	Spring Latch Left	1
20	<u>102222201</u>	Spring Latch Right	1
21	<u>102339001</u>	Decal, Tailgate, Bobcat	1
22	<u>8233</u>	Locknut, 1/4-20 Nylon Insert	4
23	<u>102239901</u>	Washer, Rubber, 3/8	4
24	<u>332</u>	Washer, 1/4 Type A Narrow Flat	4
25	<u>7473</u>	Locknut, 5/16-18 Nylon Insert	31
26	<u>8233</u>	Locknut, 1/4-20 Nylon Insert	4

1

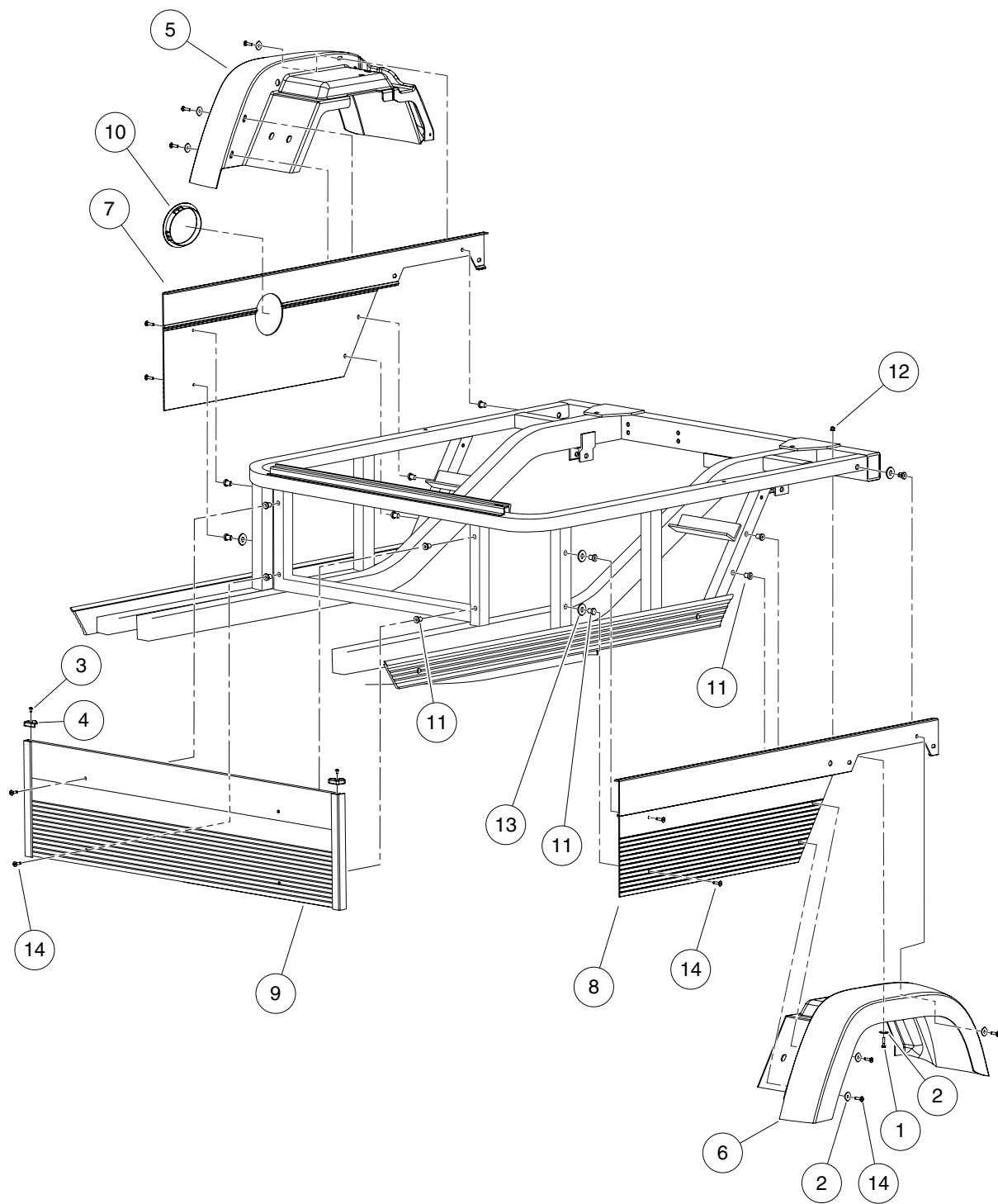
G

D

1

G

D



000027-001

REAR BODY TRIM

ITEM	PART NO.	DESCRIPTION	QTY
		1 2 3 4	
1	<u>1012769</u>	Screw, M6-1.00 X 25mm Hex Cap	2
2	<u>1014306</u>	Washer, 1/4" Type B Flat	8
3	<u>1014321</u>	Screw, #10 Truss-Head Torx	2
4	<u>101438702</u>	Corner Cap AWD	2
5	<u>102251601</u>	Fender, Right Rear	1
6	<u>102251701</u>	Fender, Left Rear	1
7	<u>102454001</u>	Assembly, Panel (Passenger Side)	1
8	<u>102454101</u>	Assembly, Panel (Driver Side)	1
9	<u>102454201</u>	Panel, Front	1
10	<u>102466201</u>	Bezel, Fuel Fill	1
11	<u>102491701</u>	Well Nut 1/4-20	14
12	<u>102621501</u>	Nut Flg, M6 X 1.0 Nylon	2
13	<u>102684501</u>	Washer, M12 Hard Regular	2
14	<u>8251</u>	Screw, 1/4-20 X 1.0 Truss-Head Machine	14

1

G

D

1

G

D

WHEELS AND TIRES

2

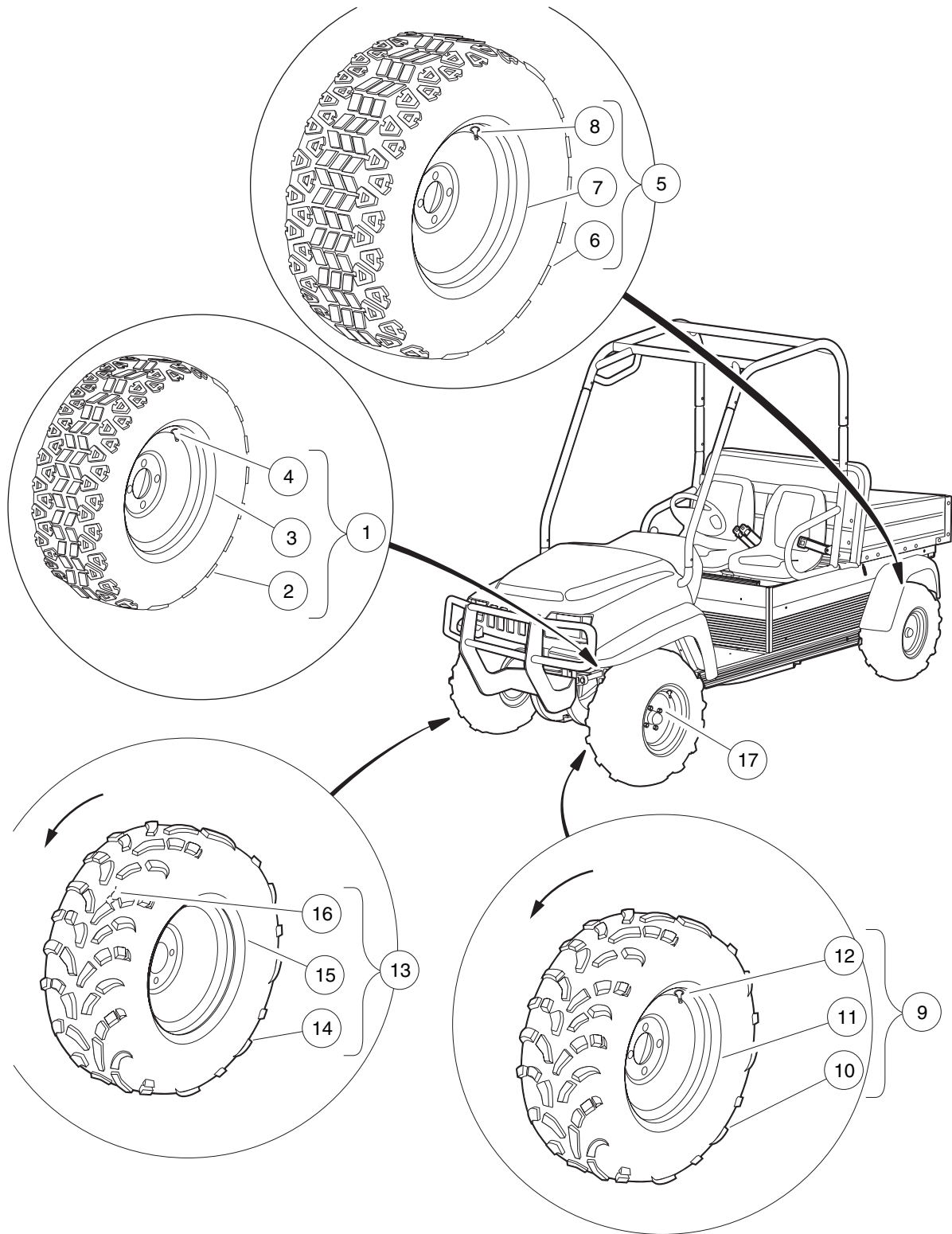
G

D

2

G

D



000009-001

WHEELS AND TIRES

ITEM	PART NO.	DESCRIPTION	QTY
		1 2 3 4	
1	<u>102021410</u>	Orange Tire Asm HDAT 8in (includes items 2 through 4)	2
2	<u>102021305</u>	HDAT Tire, 8"	1
3	<u>102374802</u>	Wheel, Indus Spider, Orange	1
4	<u>7310</u>	Valve Stem	1
5	<u>102021411</u>	Orange Tire Asm HDAT 10.5in (includes items 6 through 8)	2
6	<u>102021302</u>	Tire, HDAT	1
7	<u>102374802</u>	Wheel, Indus Spider, Orange	1
8	<u>7310</u>	Valve Stem	1
9	<u>102021412</u>	Orange Tire Asm AT489 Left-Hand (includes items 10 through 12)	2
10	<u>102021306</u>	Tire, AT489	1
11	<u>102374802</u>	Wheel, Indus Spider, Orange	1
12	<u>7310</u>	Valve Stem	1
13	<u>102021413</u>	Orange Tire Asm AT489 Right-Hand (includes items 14 through 16)	2
14	<u>102021306</u>	Tire, AT489	1
15	<u>102374802</u>	Wheel, Indus Spider, Orange	1
16	<u>7310</u>	Valve Stem	1
17	<u>102736901</u>	Nut, Lug, 1/2-20 SAE J2283	16

2

G

D

2

G

D

DECALS

3

G

D

3

G

D

UNDER 16

WARNING

YOUNG DRIVERS INCREASE CHANCE OF DEATH

- Young drivers may not be able to control vehicle.
- No drivers younger than 16 years old.
- Do not leave children unsupervised on vehicle.

CCI 10249901

WARNING

ROLLOVER OR FALLING OFF MAY CAUSE DEATH

- Read owner's manual and operating instructions.
- Fasten seat belts and remain seated while moving.
- Children requiring a child safety seat must not ride on vehicle.

Comply with state and local laws pertaining to child safety.

- Drive slowly in turns and straight up and down slopes.
- Do not start vehicle until all occupants are seated.
- Front seats: One (1) person per seat maximum.
- Operate from driver side only and not on public roads.
- Keep entire body inside vehicle while moving.
- Do not operate while under the influence of alcohol or drugs.
- Never attempt jumps and avoid extremely hard braking in reverse.

OFF ON
START

F
N
R

CCI 102495201

Club Car, Inc.
Augusta, Georgia, USA

Roll-over Protective Structure (ROPS)
ROPS per ISO 3471, SAE J1040,
AS 2294.1, and CSA B352.2

Certified for vehicle models:
Carryall 294, XRT 1500, and Bobcat 2200
Max. unladen vehicle mass: 1543 lb (700 kg)

WARNING

- Do not modify or remove Roll-over Protective Structure (ROPS).
- Replace ROPS if damaged. Do not attempt repair.
- Use seat belts during operation. Do not jump from vehicle.
- Keep away from drop-offs, steep slopes, and unstable surfaces.

CCI 102621101

WARNING

Riding in cargo bed can cause severe injury or death. Do not ride in cargo bed.

CCI 1011533901

WARNING

Rotating Parts

CCI 102224001

NOTICE

MAXIMUM TONGUE WEIGHT - 150 lbs.

CCI 1011553

WARNING

CRUSH AREA

STAY CLEAR

CCI 101609401

WARNING

Crush area. Can cause severe injury. Stay clear when closing bed.

CCI 102499001

VEHICLE LOADING

Read owner's manual and warnings on dash.

- Maximum gross vehicle weight: 2750 lb. (1247 kg)
- Maximum cargo load: 800 lb. (363 kg)
- Includes cargo bed load and gross trailer weight.
- Maximum cargo load is reduced by the weight of optional equipment.
- Maximum trailer hitch tongue weight: 150 lb. force (667 N).

PREVENT VEHICLE ROLL-OVER.

- Place cargo forward in the cargo bed and distribute evenly side to side. Secure load.
- On uneven or steep terrain reduce speed and load. Avoid stopping on or backing down steep hills.
- Avoid top heavy loads. See owner's manual.

CCI 102662301

HIGH-CAPACITY VEHICLE LOADING

Read owner's manual and warnings on dash.

- Maximum gross vehicle weight: 3012 lb. (1366 kg)
- Maximum cargo load: 1050 lb. (476 kg)
- Includes cargo bed load and gross trailer weight.
- Maximum cargo load is reduced by the weight of optional equipment.
- Maximum trailer hitch tongue weight: 150 lb. force (667 N).

PREVENT VEHICLE ROLL-OVER.

- Place cargo forward in the cargo bed and distribute evenly side to side. Secure load.
- On uneven or steep terrain reduce speed and load. Avoid stopping on or backing down steep hills.
- Avoid top heavy loads. See owner's manual.

CCI 102459601

000005-001

SAFETY DECALS, GASOLINE VEHICLES

ITEM	PART NO.	DESCRIPTION	QTY
		1 2 3 4	
1	<u>1011553</u>	Decal, Trailer Hitch	1
2	<u>101553901</u>	Decal, Bed Load Warning	1
3	<u>101609401</u>	Decal, Crush Area Warning	2
4	<u>102224001</u>	Decal, Rotating Parts Warning	1
5	<u>102455201</u>	Decal, Instrument Panel Warning, Gasoline Vehicle	1
6	<u>102459301</u>	Decal, Bed Crush Area Warning	1
7	<u>102459401</u>	Decal, Young Driver Warning	1
8	<u>102459601</u>	Decal, Vehicle Loading, High-Capacity	1
9	<u>102621101</u>	Decal, ROPS Certification/Warning	1
10	<u>102682301</u>	Decal, Vehicle Loading, Standard Capacity	1

3

G

D

3

G

D

⚠ WARNING


- GASOLINE EXPLOSION / FIRE.
- CAN CAUSE SEVERE INJURY OR DEATH.
- NO SMOKING, SPARKS, OR OPEN FLAME.
- STOP ENGINE, ALLOW TO COOL BEFORE REFUELING.
- TURN FUEL VALVE () ON DURING OPERATION.
- () OFF DURING STORAGE OR TRANSPORT.

CCI 101547601

OPERATING INSTRUCTIONS

- Read owner's manual and vehicle safety warnings. Study and understand controls.

TO START ENGINE

- Place shift lever in Neutral () position and press brake pedal.
- Turn key to "START" position and hold until engine starts.

TO OPERATE VEHICLE

- Make sure wheels are turned in desired direction and nothing is in your path.
- Engine must be at idle before moving shift lever.
- While vehicle is stopped, and the engine is at idle, select shift lever position.
 - ⬆ – Forward
 - ⊖ – Neutral
 - ⬆ – Reverse (Buzzer will sound)
- Release park brake and slowly press accelerator pedal to increase speed.
- All-wheel drive will automatically drive appropriate wheel(s) as required.

TO STOP VEHICLE

- Release accelerator pedal and push brake pedal. After stopping, firmly set park brake.
- Turn key to "OFF" position, remove key and place shift lever in neutral position when not in use.

CCI 102455001

⚠ WARNING

WINCH CABLE FRACTURE COULD RESULT IN SERIOUS INJURY OR DEATH.

- Do not use winch while persons are seated on the vehicle.
- Use remote operation switch for winch control.
- Stand to the side and away from the vehicle to operate winch.
- Read winch operator manual before operating winch.

102231691

⚠ WARNING

CAN CAUSE SEVERE BURNS
Hot Surface

CCI 102458901

⚠ WARNING

Negative frame ground. Can cause severe injury. Do not contact positive (+) battery post or cable to frame. Disconnect negative (-) battery cable first.

CCI 102459101

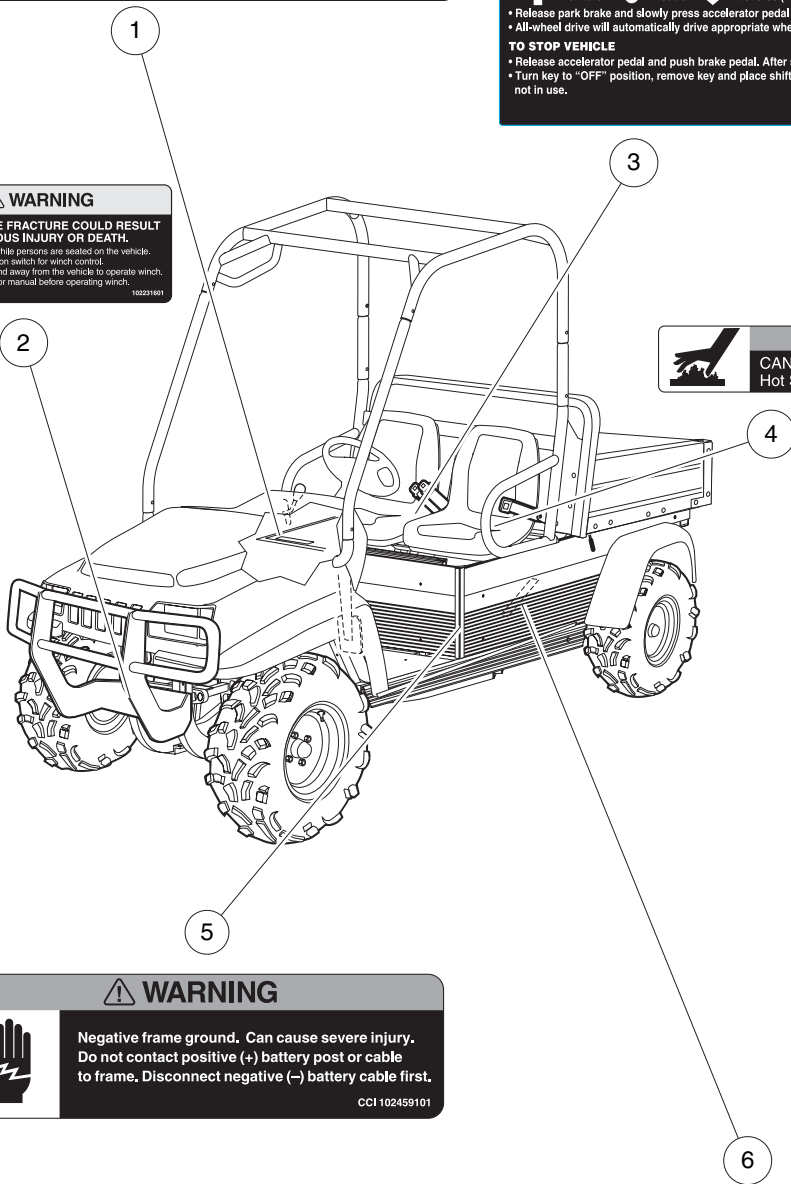
⚠ WARNING

CAN CAUSE SEVERE INJURY
Rotating parts. KEEP CLEAR.

⚠ WARNING

CAN CAUSE SEVERE INJURY
Hot manifold and muffler. KEEP CLEAR.

CCI 102459501



000006-001

SAFETY DECALS, GASOLINE VEHICLES, CONTINUED

ITEM	PART NO.	DESCRIPTION	QTY
		1 2 3 4	
1	<u>101547601</u>	Decal, Gasoline Explosion/Fire Warning	1
2	<u>102231601</u>	Decal, Winch Cable Fracture Warning	1
3	<u>102455001</u>	Decal, Operating Instructions, Gasoline	1
4	<u>102458901</u>	Decal, Hot Surface Warning	3
5	<u>102459101</u>	Decal, Frame Ground Warning	1
6	<u>102459501</u>	Decal, Rotating Parts and Hot Exhaust Warning	1

3

G

D

3
G

D

UNDER 16

WARNING
YOUNG DRIVERS INCREASE CHANCE OF DEATH

- Young drivers may not be able to control vehicle.
- No drivers younger than 16 years old.
- Do not leave children unattended on vehicle. CCI 10269991

WARNING
ROLLOVER OR FALLING OFF MAY CAUSE DEATH

- Read owner's manual and operating instructions.
- Fasten seat belts and remain seated while moving.
- Children requiring a child safety seat must not ride on vehicle. Comply with state and local laws pertaining to child safety.
- Drive slowly in turns and straight up and down slopes.
- Do not start vehicle until all occupants are seated.
- Front seats: One (1) person per seat maximum.
- Operate from driver side only and not on public roads.
- Keep entire body inside vehicle while moving.
- Do not operate while under the influence of alcohol or drugs.
- Never attempt jumps and avoid extremely hard braking in reverse.

OFF ON
PREHEAT START

F N R

CCI 10260301

Club Car, Inc
Augusta, Georgia, USA
Roll-over Protective Structure (ROPS)
ROPS per ISO 3471, SAE J1040,
AS 2294.1, and CSA B552.2
Certified for vehicle models:
Carrvall 294, XRT 1500, and Bobcat 2200
Max, unladen vehicle mass: 1543 lb (700 kg)

WARNING

- Do not modify or remove Roll-over Protective Structure (ROPS).
- Replace ROPS if damaged. Do not attempt repair.
- Use seat belts during operation. Do not jump from vehicle.
- Keep away from drop-offs, steep slopes, and unstable surfaces. CCI 102621101

WARNING
Riding in cargo bed can cause severe injury or death. Do not ride in cargo bed. CCI 1011553901

DIESEL FUEL ONLY
CCI 102458801

WARNING
Rotating Parts
CCI 10222901

WARNING
CRUSH AREA
STAY CLEAR
CCI 101609401

NOTICE
MAXIMUM TONGUE WEIGHT - 150 lbs.
CCI 10111553

WARNING
Crush area. Can cause severe injury. Stay clear when closing bed. CCI 10246901

VEHICLE LOADING
Read owner's manual and warnings on dash.

- Maximum gross vehicle weight: 2750 lb. (1247 kg)
- Maximum cargo load: 800 lb. (363 kg)
- Includes cargo bed load and gross trailer weight.
- Maximum cargo load is reduced by the weight of optional equipment.
- Maximum trailer hitch tongue weight: 150 lb. force (667 N).

PREVENT VEHICLE ROLL-OVER.

- Place cargo forward in the cargo bed and distribute evenly side to side. Secure load.
- On uneven or steep terrain reduce speed and load. Avoid stopping on or backing down steep hills.
- Avoid top heavy loads. See owner's manual. CCI 102682301

HIGH-CAPACITY VEHICLE LOADING
Read owner's manual and warnings on dash.

- Maximum gross vehicle weight: 3012 lb. (1366 kg)
- Maximum cargo load: 1050 lb. (476 kg)
- Includes cargo bed load and gross trailer weight.
- Maximum cargo load is reduced by the weight of optional equipment.
- Maximum trailer hitch tongue weight: 150 lb. force (667 N).

PREVENT VEHICLE ROLL-OVER.

- Place cargo forward in the cargo bed and distribute evenly side to side. Secure load.
- On uneven or steep terrain reduce speed and load. Avoid stopping on or backing down steep hills.
- Avoid top heavy loads. See owner's manual. CCI 102459601

000005-002

SAFETY DECALS, DIESEL VEHICLES

ITEM	PART NO.	DESCRIPTION	QTY
		1 2 3 4	
1	<u>1011553</u>	Decal, Trailer Hitch	1
2	<u>101553901</u>	Decal, Bed Load Warning	1
3	<u>101609401</u>	Decal, Crush Area Warning	2
4	<u>102224001</u>	Decal, Rotating Parts Warning	1
5	<u>102455301</u>	Decal, Warning, Diesel	1
6	<u>102458801</u>	Decal, Diesel Fuel Only	1
7	<u>102459301</u>	Decal, Bed Crush Area Warning	1
8	<u>102459401</u>	Decal, Young Driver Warning	1
9	<u>102459601</u>	Decal, Vehicle Loading, High-Capacity	1
10	<u>102621101</u>	Decal, ROPS Certification/Warning	1
11	<u>102682301</u>	Decal, Vehicle Loading, Standard Capacity	1

3

G

D

3

G

D

⚠ WARNING

DIESEL FUEL EXPLOSION / FIRE.

- Can cause severe injury or death.
- No smoking, sparks, or open flame.
- Stop engine, allow to cool before refueling.

CCI 102459201

OPERATING INSTRUCTIONS

- Read owner's manual and vehicle safety warnings. Study and understand controls.

TO START ENGINE

- Place shift lever in Neutral (N) position and press brake pedal.
- To preheat glow plugs, turn key to "PREHEAT" position and hold for 10-15 seconds.
- Turn key to "START" position and hold until engine starts.

TO OPERATE VEHICLE

- Make sure wheels are turned in desired direction and nothing is in your path.
- Engine must be at idle before moving shift lever.
- While vehicle is stopped, and the engine is at idle, select shift lever position.
 - ↑ - Forward
 - N - Neutral
 - ↓ - Reverse (Buzzer will sound)
- Release park brake and slowly press accelerator pedal to increase speed.
- All-wheel drive will automatically drive appropriate wheel(s) as required.

TO STOP VEHICLE

- Release accelerator pedal and push brake pedal. After stopping, firmly set park brake.
- Turn key to "OFF" position, remove key and place shift lever in neutral position when not in use.

CCI 102455101

⚠ WARNING

CAN CAUSE SEVERE INJURY

Rotating parts. KEEP CLEAR.

CCI 102460201

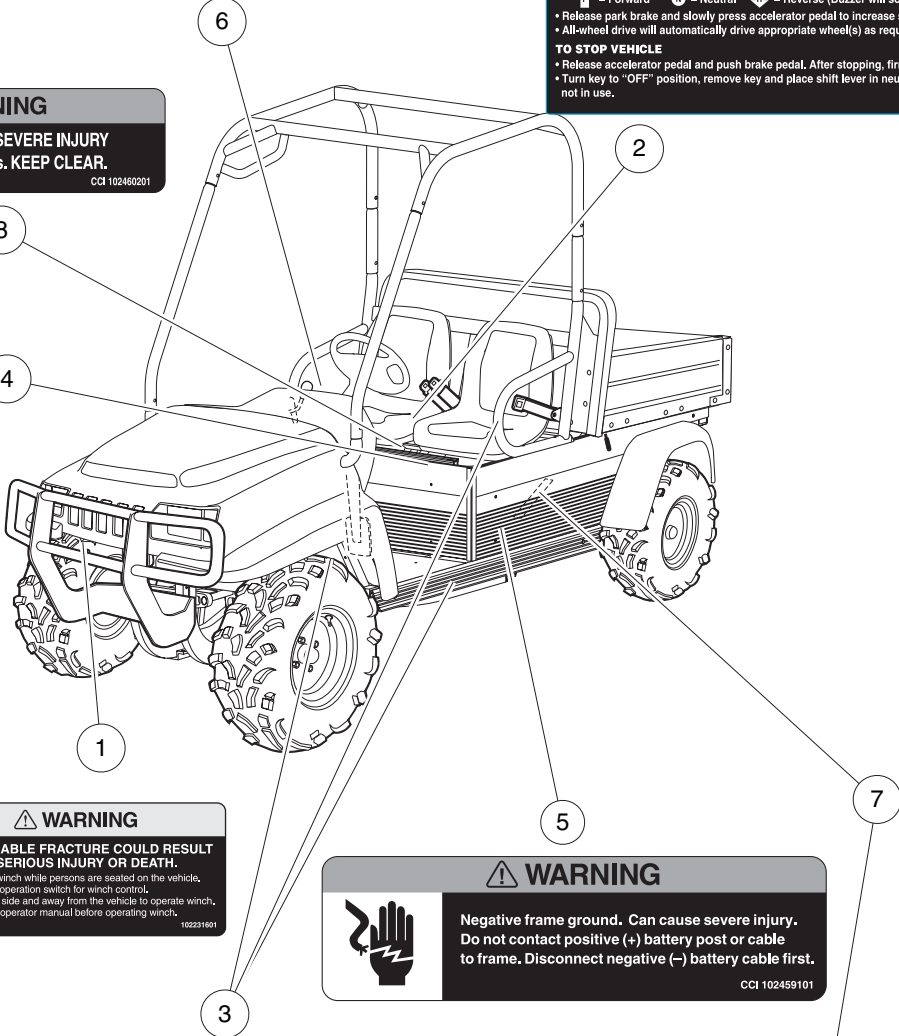
⚠ WARNING

CAN CAUSE SEVERE INJURY

HOT manifold

KEEP CLEAR

CCI 102459001



⚠ WARNING

WINCH CABLE FRACTURE COULD RESULT IN SERIOUS INJURY OR DEATH.

- Do not use winch while persons are seated on the vehicle.
- Use remote operation switch for winch control.
- Stand to the side and away from the vehicle to operate winch.
- Read winch operator manual before operating winch.

102231601

⚠ WARNING

Negative frame ground. Can cause severe injury.

Do not contact positive (+) battery post or cable to frame. Disconnect negative (-) battery cable first.

CCI 102459101

⚠ WARNING

CAN CAUSE SEVERE BURNS

Hot Surface

CCI 102459901

⚠ WARNING

CAN CAUSE SEVERE INJURY

Rotating parts. KEEP CLEAR.

⚠ WARNING

CAN CAUSE SEVERE INJURY

Hot manifold and muffler. KEEP CLEAR.

CCI 102459501

000006-002

SAFETY DECALS, DIESEL VEHICLES, CONTINUED

ITEM	PART NO.	DESCRIPTION	QTY
		1 2 3 4	
1	<u>102231601</u>	Decal, Winch Cable Fracture Warning	1
2	<u>102455101</u>	Decal, Operating Instructions, Diesel	1
3	<u>102458901</u>	Decal, Hot Surface Warning	5
4	<u>102459001</u>	Decal, Hot Manifold Warning	1
5	<u>102459101</u>	Decal, Frame Ground Warning	1
6	<u>102459201</u>	Decal, Diesel Explosion/Fire Warning	1
7	<u>102459501</u>	Decal, Rotating Parts and Hot Exhaust Warning	1
8	<u>102460201</u>	Decal, Rotating Parts Warning	1

3

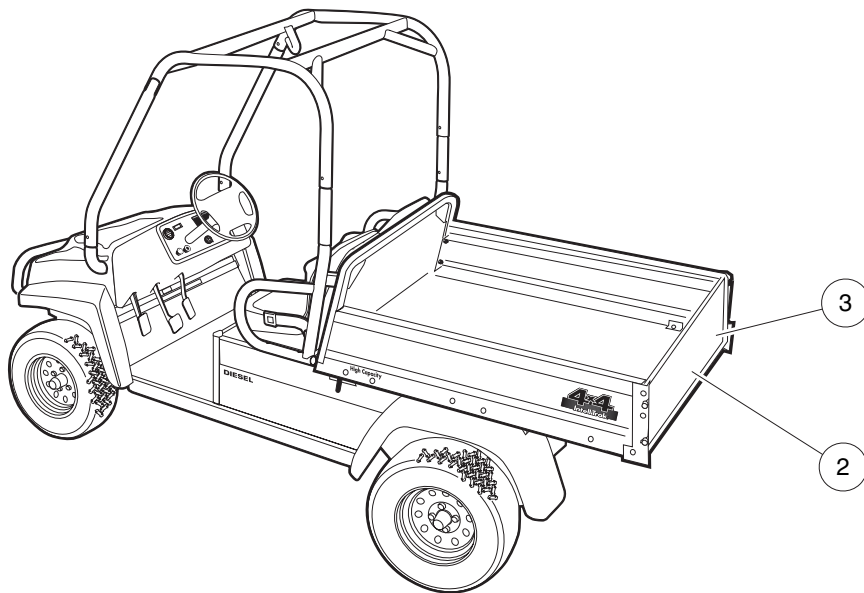
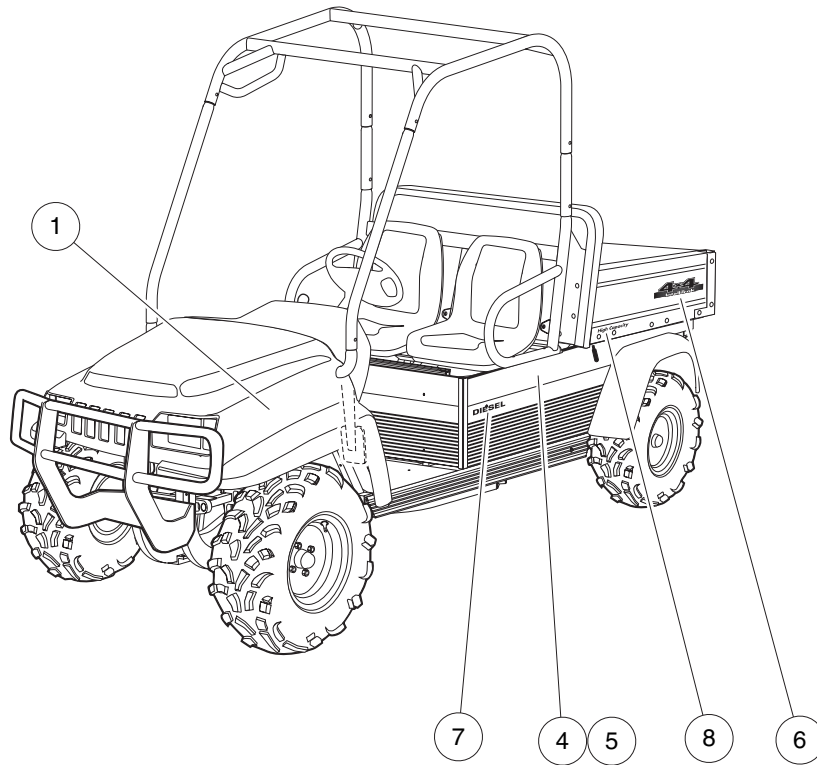
G

D

3

G

D



000011-003

BADGING DECALS, BOBCAT 2200

ITEM	PART NO.	DESCRIPTION	QTY
		1 2 3 4	
1	<u>102335901</u>	Decal, Bobcat	2
2	<u>102339001</u>	Decal, Tailgate, Bobcat	1
3	<u>102339101</u>	Decal, IR	1
4	<u>102623101</u>	Decal, Bobcat 2200 (driver-side)	1
5	<u>102623201</u>	Decal, Bobcat 2200 (passenger-side)	1
6	<u>102623301</u>	Decal, 4x4	2
7	<u>102623501</u>	Decal, Diesel	2
8	<u>102673301</u>	Decal, High-Capacity (optional accessory)	2

3

G

D

3

G

D

BRAKE SYSTEMS

4

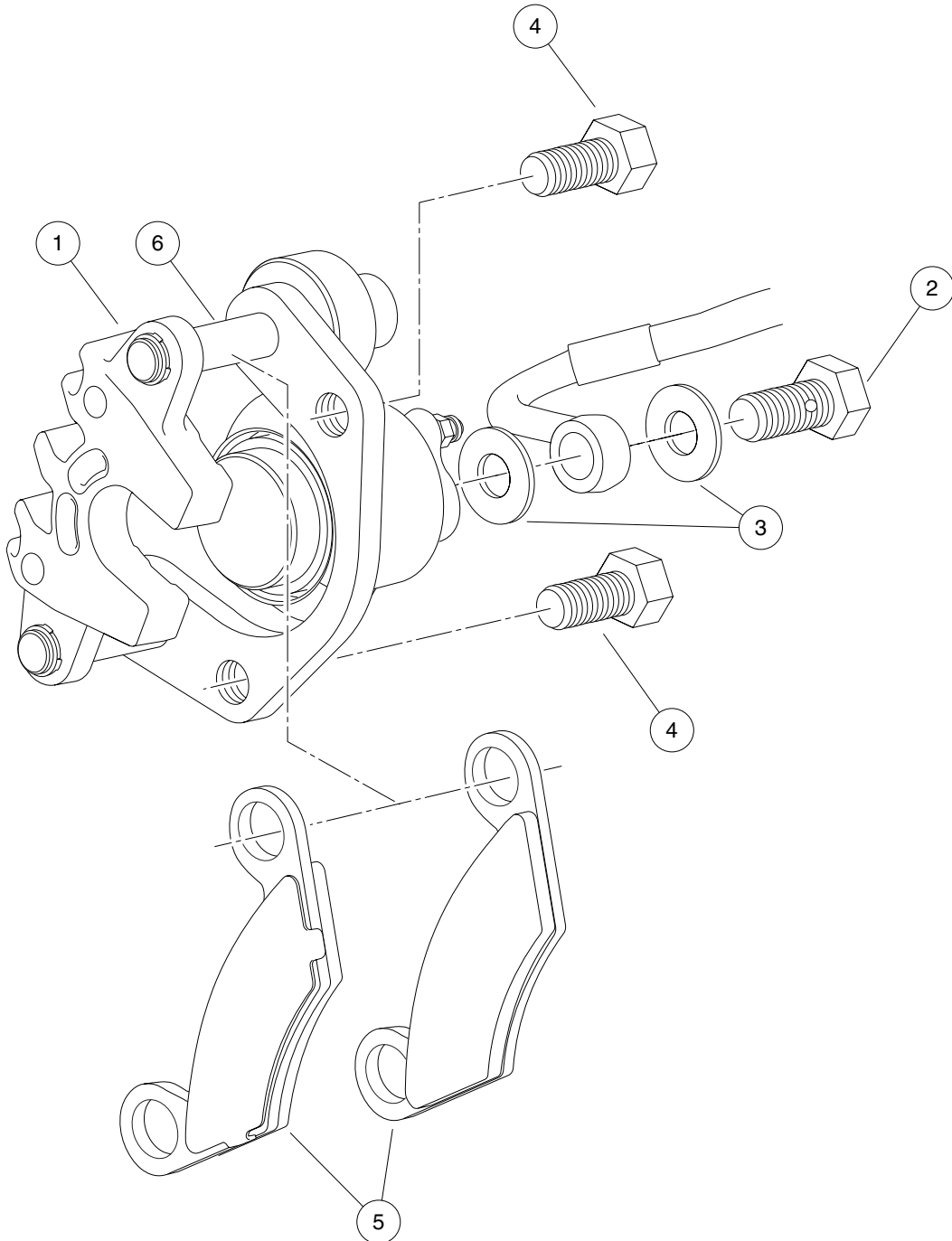
G

D

4

G

D



000067-001

FRONT BRAKE ASSEMBLY

ITEM	PART NO.	DESCRIPTION	QTY
		1 2 3 4	
1	<u>102367601</u>	Brake Caliper, Front, with Brake Pads	2
2	<u>102488001</u>	Bolt, Banjo, M10x1x19	2
3	<u>102491601</u>	Washer, Copper, M10 Crush	4
4	<u>102493301</u>	Bolt Flange Head, 3/8-24x.750 with Loctite	4
5	<u>102714001</u>	Service Kit, Brake Pad (4 Pads)	1
6	<u>103418801</u>	Pin, Slide, 7/16	2

4

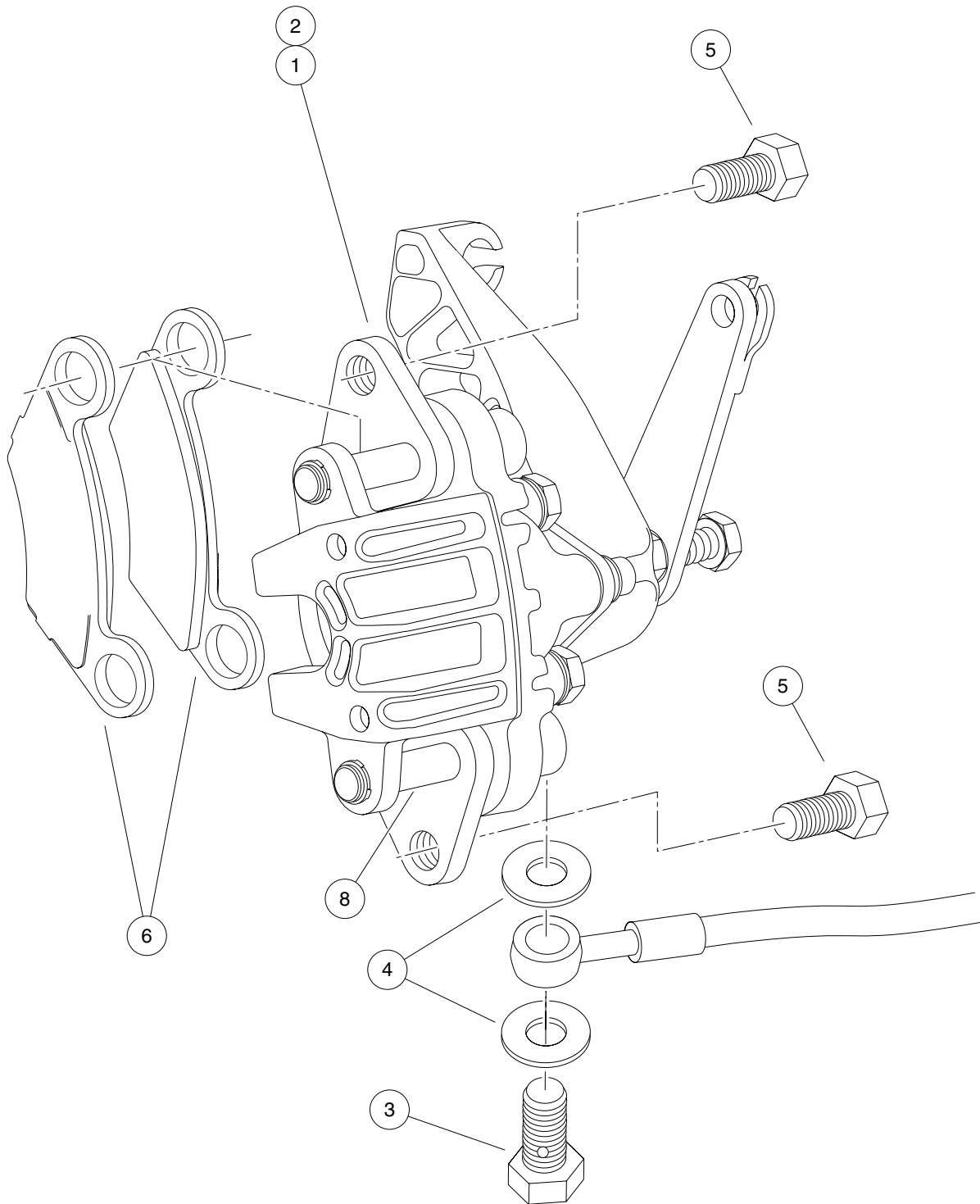
G

D

4

G

D



000068-001

REAR BRAKE ASSEMBLY

ITEM	PART NO.	DESCRIPTION	QTY
		1 2 3 4	
1	<u>102399201</u>	Caliper, Brake, Hydro-Mechanical, LH	1
2	<u>102399202</u>	Caliper, Brake, Hydro-Mechanical, RH	1
3	<u>102488001</u>	Bolt, Banjo, M10x1x19	2
4	<u>102491601</u>	Washer, Copper, M10 Crush	4
5	<u>102493301</u>	Bolt Flange Head, 3/8-24x.750 with Loctite	4
6	<u>102714001</u>	Service Kit, Brake Pad (4 Pads)	1
7	<u>103418701</u>	Spring, Brake Caliper Return	1
8	<u>103418801</u>	Pin, Slide, 7/16	2

4

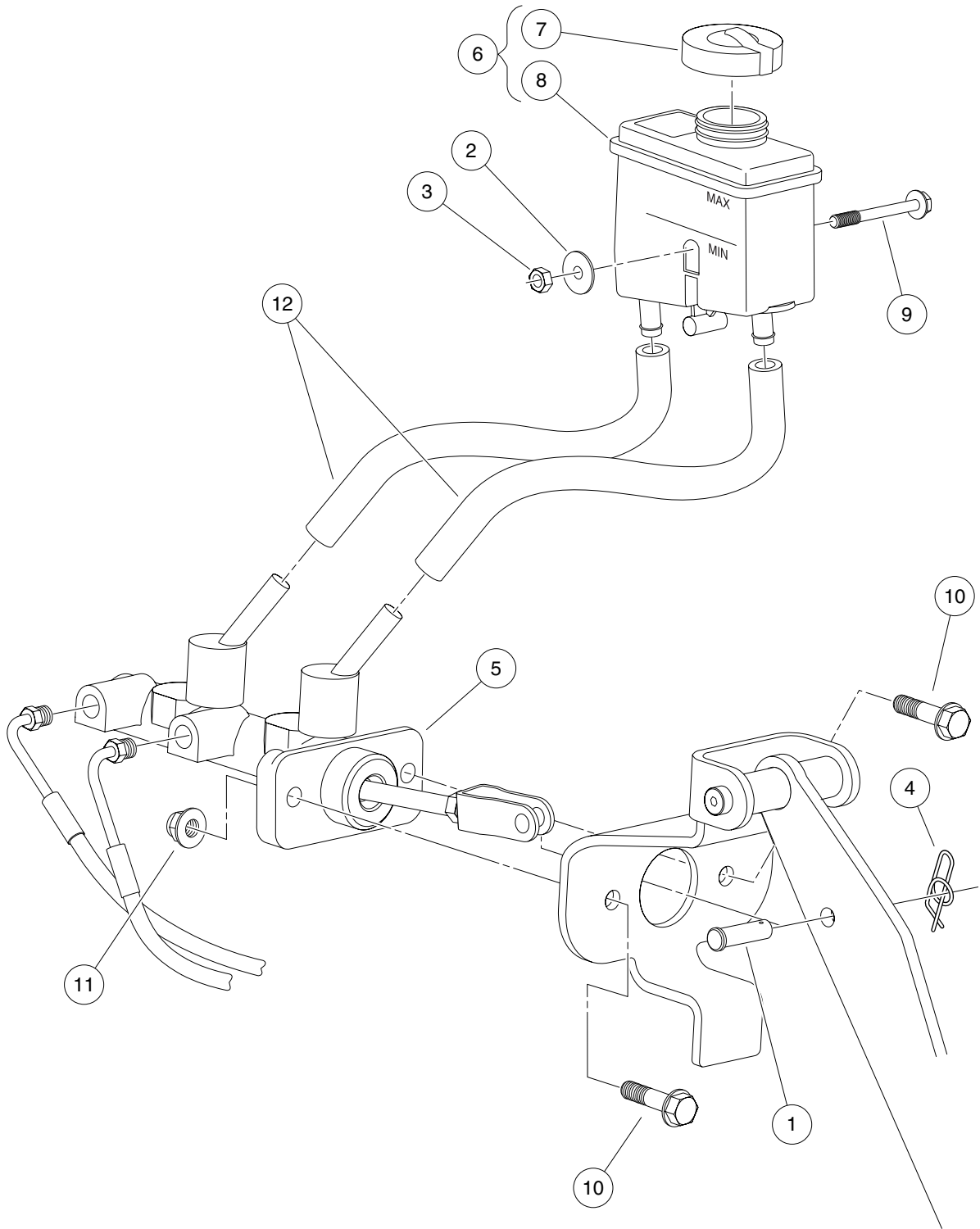
G

D

4

G

D



000069-001

MASTER CYLINDER

ITEM	PART NO.	DESCRIPTION	QTY
		1 2 3 4	
1	<u>101082903</u>	Clevis Pin, 5/16 X 1	1
2	<u>1014306</u>	Washer, 1/4" Type B Flat	1
3	<u>101887601</u>	Locknut, M6-1.00 Nylon Insert	1
4	<u>102176901</u>	Pin, Rue	1
5	<u>102402801</u>	Cylinder, Master, Tandem	1
6	<u>102402901</u>	Assembly, Reservoir, Remote (includes items 7 and 8)	1
7	<u>102051401</u>	Filler Cap Asm	1
8	N/A	Reservoir, Brake Fluid, Without Cap	1
9	<u>102541465</u>	Bolt, M 6 X 1.0 X 65 Hex, Flange, Head, Black	1
10	<u>102618401</u>	Bolt Flanged Head, M8 X 1.25 X 35	2
11	<u>102618601</u>	Lock Nut, Flg M8 X 1.25 Nylon	2
12	<u>102715701</u>	Line, Reservoir, Brake	2

4

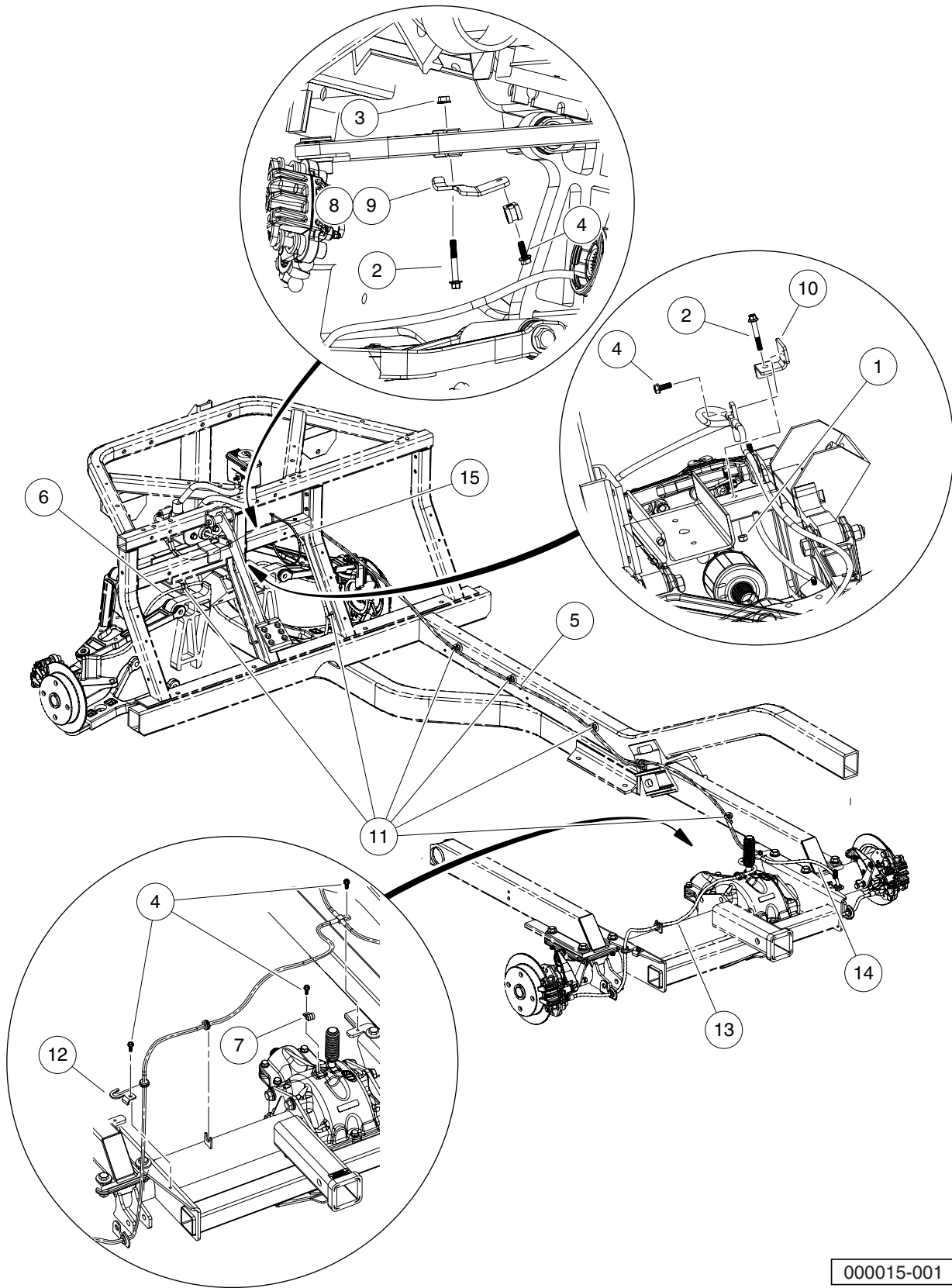
G

D

4

G

D



000015-001

HYDRAULIC BRAKE LINES AND CLIPS

ITEM	PART NO.	DESCRIPTION	QTY
		1 2 3 4	
1	<u>101887601</u>	Locknut, M6-1.00 Nylon Insert	1
2	<u>102296140</u>	Bolt, Flanged Head, M6x1.0x40	3
3	<u>102296401</u>	Nut-m6x1.0 Flng All Mtl Lock	2
4	<u>102296716</u>	Screw, M6 X 16 Tt Hx Fl Hd	7
5	<u>102407801</u>	Assembly, Brake Line, Rear	1
6	<u>102407901</u>	Assembly, Brakeline, Front (includes item 7)	1
7	<u>102410603</u>	P-Clamp, Insulated .312 In	1
8	<u>102474101</u>	Bracket, Brake Line, Left	1
9	<u>102474102</u>	Bracket, Brake Line, Right	1
10	<u>102474301</u>	Bracket, Tee, Brakeline	1
11	<u>102475701</u>	Clip, Brake Line	6
12	<u>102689001</u>	Bracket, Line, Hydraulic	2
13	<u>102689101</u>	Brkt, Line, Hyd, Shk Mnt, Drv	1
14	<u>102689102</u>	Brkt, Line, Hyd, Shk Mnt, Pass	1
15	<u>8639</u>	Tie Wrap, 11" Nylon	1

4

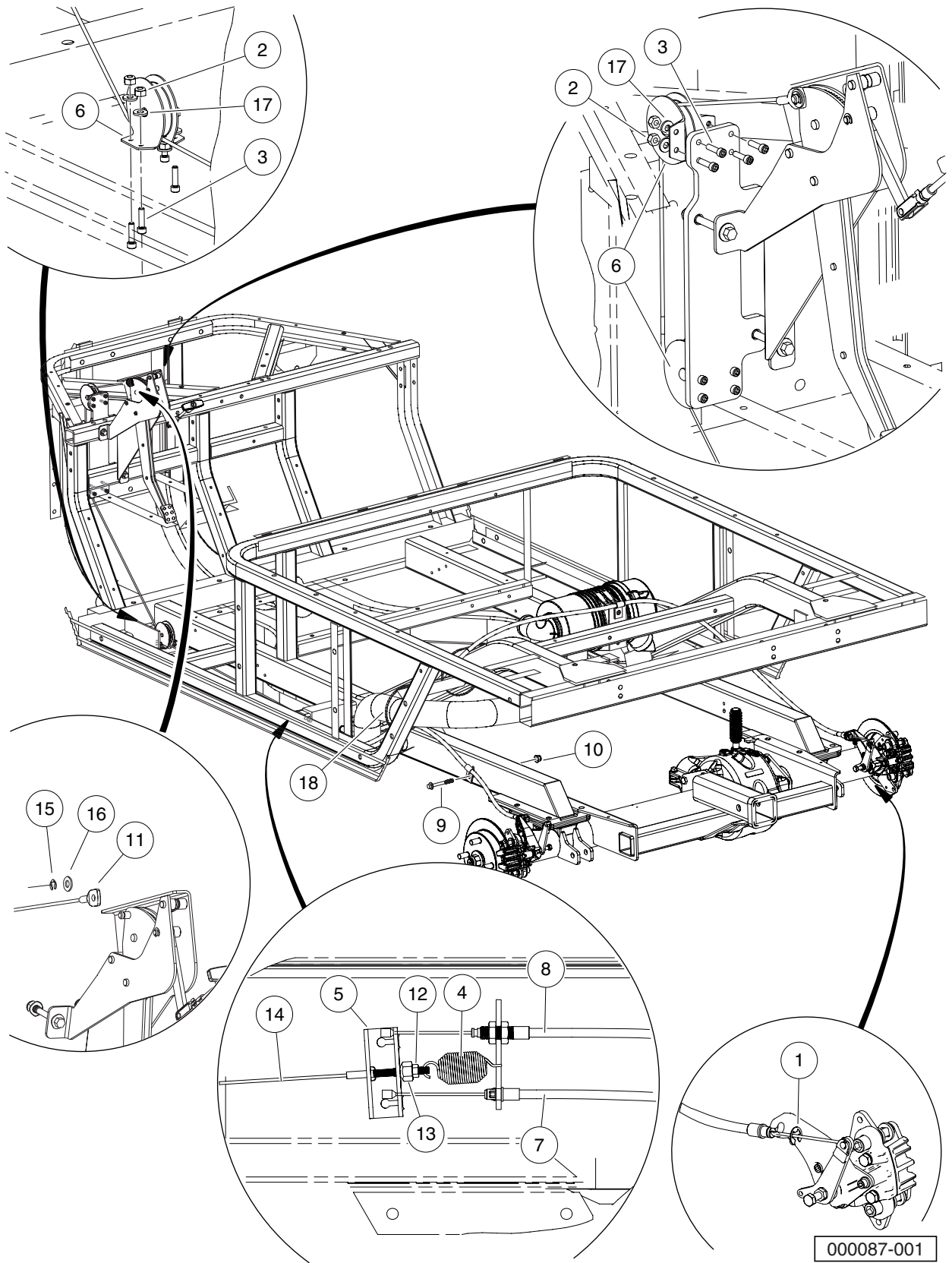
G

D

4

G

D



000087-001

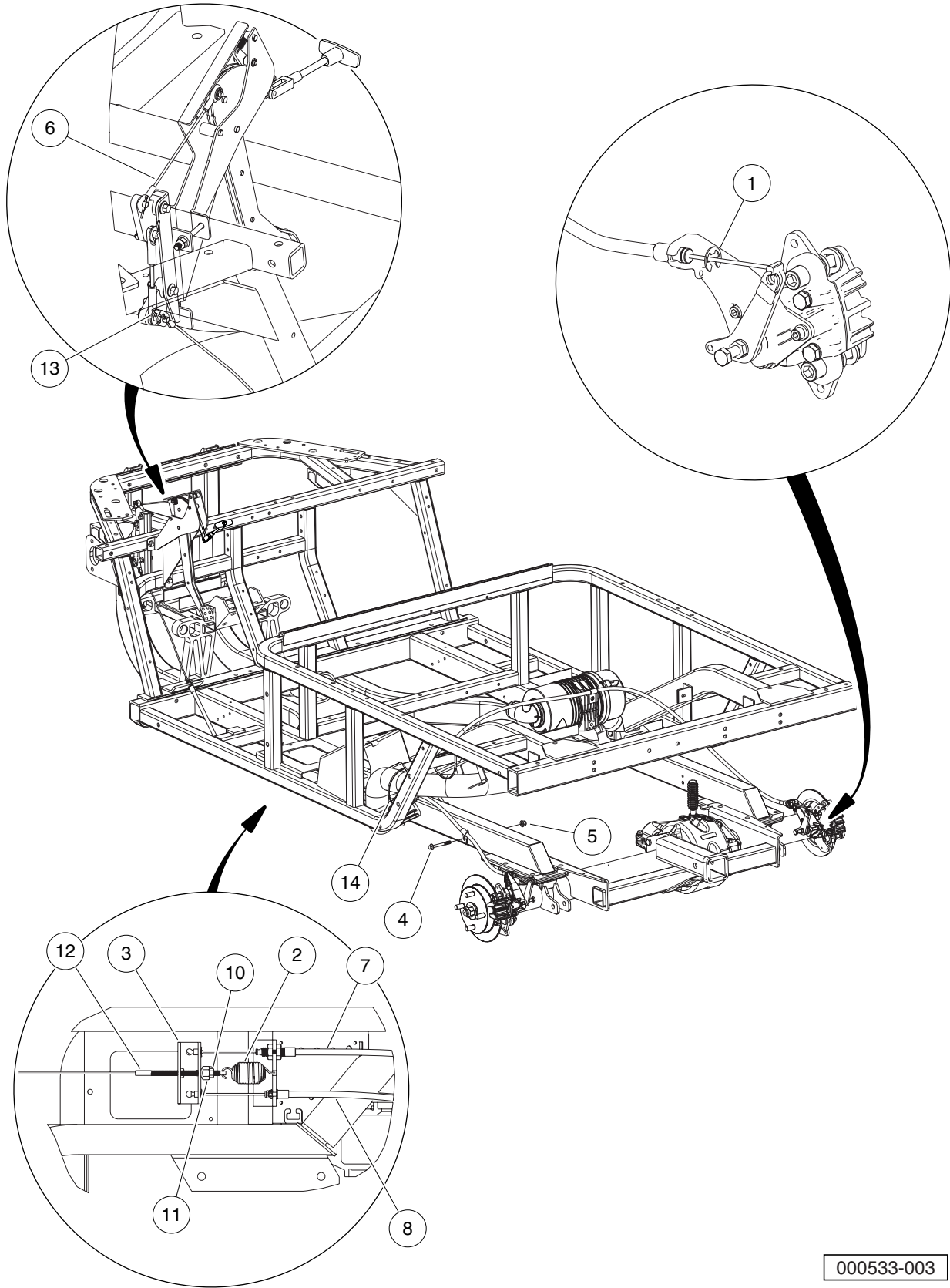
PARK BRAKE ASSEMBLY WITH PULLEY SYSTEM

ITEM	PART NO.	DESCRIPTION	QTY	
		1 2 3 4		4
1	<u>1011779</u>	E-Clip, 1/2	2	G
2	<u>1012438</u>	Locknut, #10-24 Nylon Insert	12	
3	<u>101260202</u>	Screw, #10-24 X 3/4 Socket-Head	12	
4	<u>1013531</u>	Spring, Brake Return	1	D
5	<u>101990802</u>	Equalizer Bracket	1	
6	<u>102028302</u>	Pulley, 2-Inch Flat Mount	3	
7	<u>102442701</u>	Cable, Brake, Parking, Left	1	
8	<u>102442801</u>	Cable, Brake, Parking, Right	1	
9	<u>102618301</u>	Bolt Flanged Head, M8 X 1.25 X 65	1	
10	<u>102618601</u>	Lock Nut, Flg M8 X 1.25 Nylon	1	
11	<u>102770001</u>	Brake Cable, Park, Kit, Front (includes items 12 through 16)	1	
12	<u>1010521</u>	Nut, 5/16-24 Hex	1	
13	<u>102052801</u>	Nut, 5/16-24 Hex Cone	1	
14	N/A	Cable, Brake, Parking, Front	1	
15	<u>102692801</u>	Ring, Retaining, External, 9mm	1	
16	<u>1241</u>	Washer, 5/16 Type A Flat	1	
17	<u>183</u>	Washer, #10 Type A Flat	12	
18	<u>8639</u>	Tie Wrap, 11" Nylon	2	

4

G

D



000533-003

PARK BRAKE ASSEMBLY WITH BELLCRANK SYSTEM

ITEM	PART NO.	DESCRIPTION	QTY
		1 2 3 4	
1	<u>1011779</u>	E-Clip, 1/2	2
2	<u>1013531</u>	Spring, Brake Return	1
3	<u>101990802</u>	Equalizer Bracket	1
4	<u>102618301</u>	Bolt Flanged Head, M8 X 1.25 X 65	1
5	<u>102618601</u>	Lock Nut, Flg M8 X 1.25 Nylon	1
6	<u>102712601</u>	Cable, Crank, Bell, Front	1
7	<u>102763301</u>	Cable, Noncoated, Pbrake, Left	1
8	<u>102763401</u>	Cable, Noncoated, Pbrake, Right	1
9	<u>102770301</u>	Kit, Cable, Brake, Crank, Fr (includes items 10 through 13)	1
10	<u>1010521</u>	Nut, 5/16-24 Hex	1
11	<u>102052801</u>	Nut, 5/16-24 Hex Cone	1
12	N/A	Cable, Crank, Bell, Main	1
13	<u>1035</u>	Cotter Pin, 3/32 x 1	1
14	<u>8639</u>	Tie Wrap, 11" Nylon	2

4

G

D

4

G

D

PEDAL GROUP

5

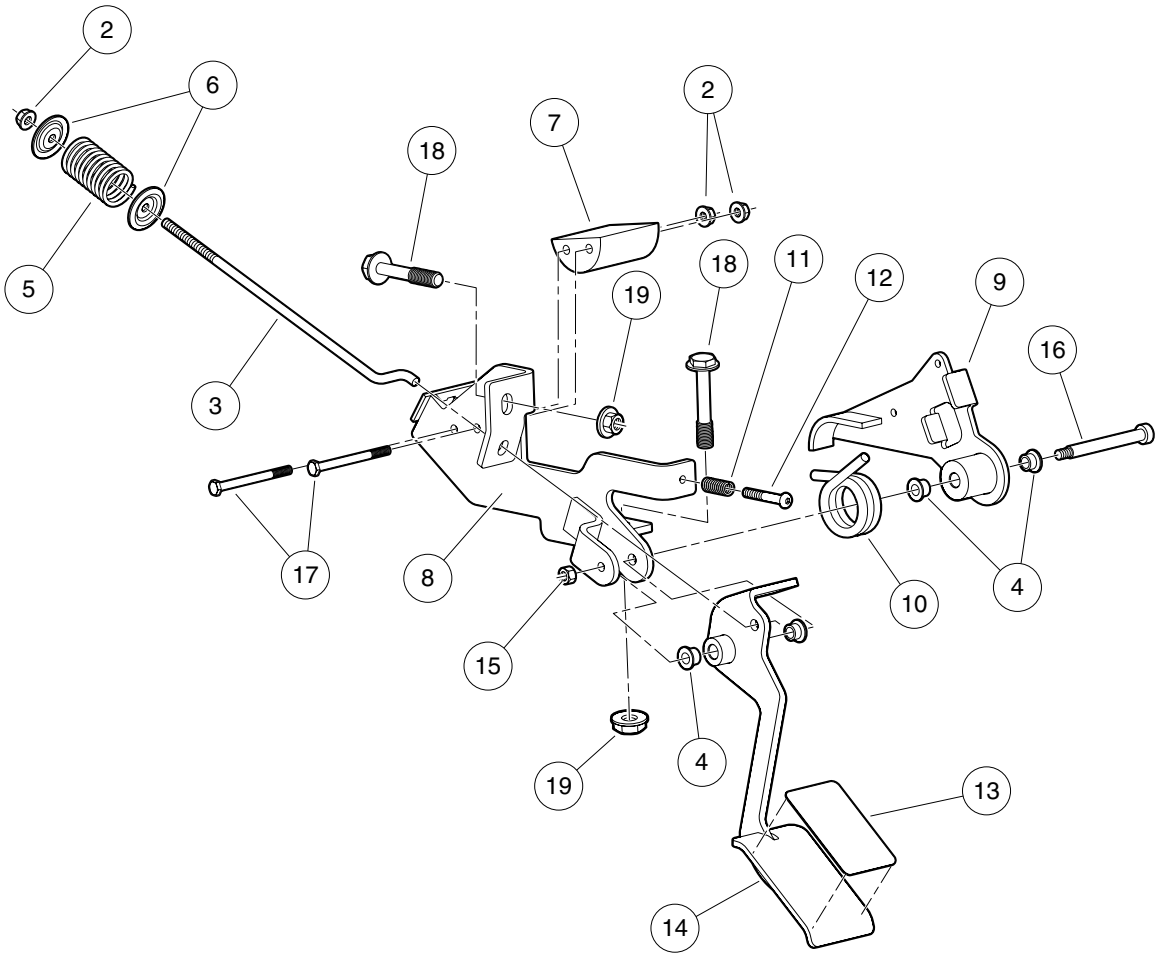
G

D

5

G

D



000026-001

ACCELERATOR PEDAL ASSEMBLY

ITEM	PART NO.	DESCRIPTION	QTY
		1 2 3 4	
1	<u>102489901</u>	Asm, Pedal, Accelerator (includes items 2 through 17)	1
2	<u>102296401</u>	Nut-m6x1.0 Flng All Mtl Lock	3
3	N/A	Pullrod, Spring, Compression	1
4	<u>102442901</u>	Bushing, Greaseless	4
5	N/A	Spring, Comp, Pedal, Pullrod	1
6	N/A	Washer, Retaining Spring, 7mm	2
7	N/A	Guide, Cable, Accelerator	1
8	N/A	Weldment, Bracket, Pedal	1
9	N/A	Weldment, Lever, Motion, Lost	1
10	N/A	Spring, Torsion	1
11	N/A	Spring, Stop, Pedal	1
12	N/A	Bolt, Stop, Pedal	1
13	N/A	Pad, Grip Tape, Accelerator	1
14	N/A	Weldment, Pedal, Accelerator	1
15	<u>102618101</u>	Nut M6x1 Mech Def Center	1
16	<u>103273101</u>	Bolt, Shoulder, M8 X 70, Hc	1
17	<u>96706825</u>	Bolt, M6 X 1 X 70	2
18	<u>102618301</u>	Bolt Flanged Head, M8 X 1.25 X 65	2
19	<u>102618601</u>	Lock Nut, Flg M8 X 1.25 Nylon	2

5

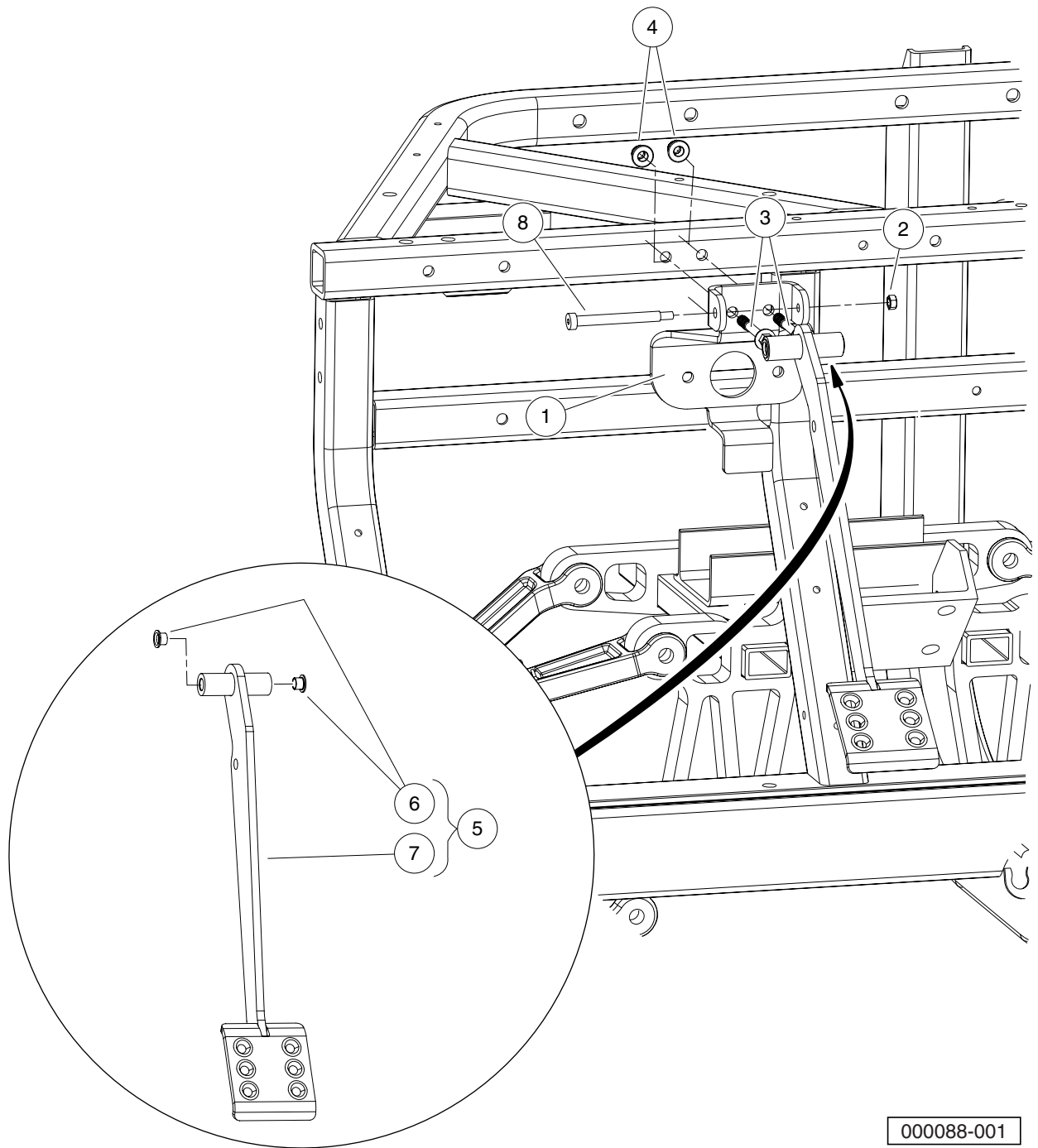
G

D

5

G

D



000088-001

BRAKE PEDAL ASSEMBLY

ITEM	PART NO.	DESCRIPTION	QTY
		1 2 3 4	
1	<u>102380601</u>	Bracket, Pedal, Brake	1
2	<u>102618101</u>	Nut M6x1 Mech Def Center	1
3	<u>102618301</u>	Bolt Flanged Head, M8 X 1.25 X 65	2
4	102618601	Lock Nut, Flg M8 X 1.25 Nylon	2
5	N/A	Asm, Pedal, Brake, Hung (includes items 6 and 7)	1
6	<u>102442901</u>	Bushing, Greaseless	2
7	<u>102626201</u>	Weldment, Pedal, Brake, Hung	1
8	<u>103273101</u>	Bolt, Shoulder, M8 X 70, Hc	1

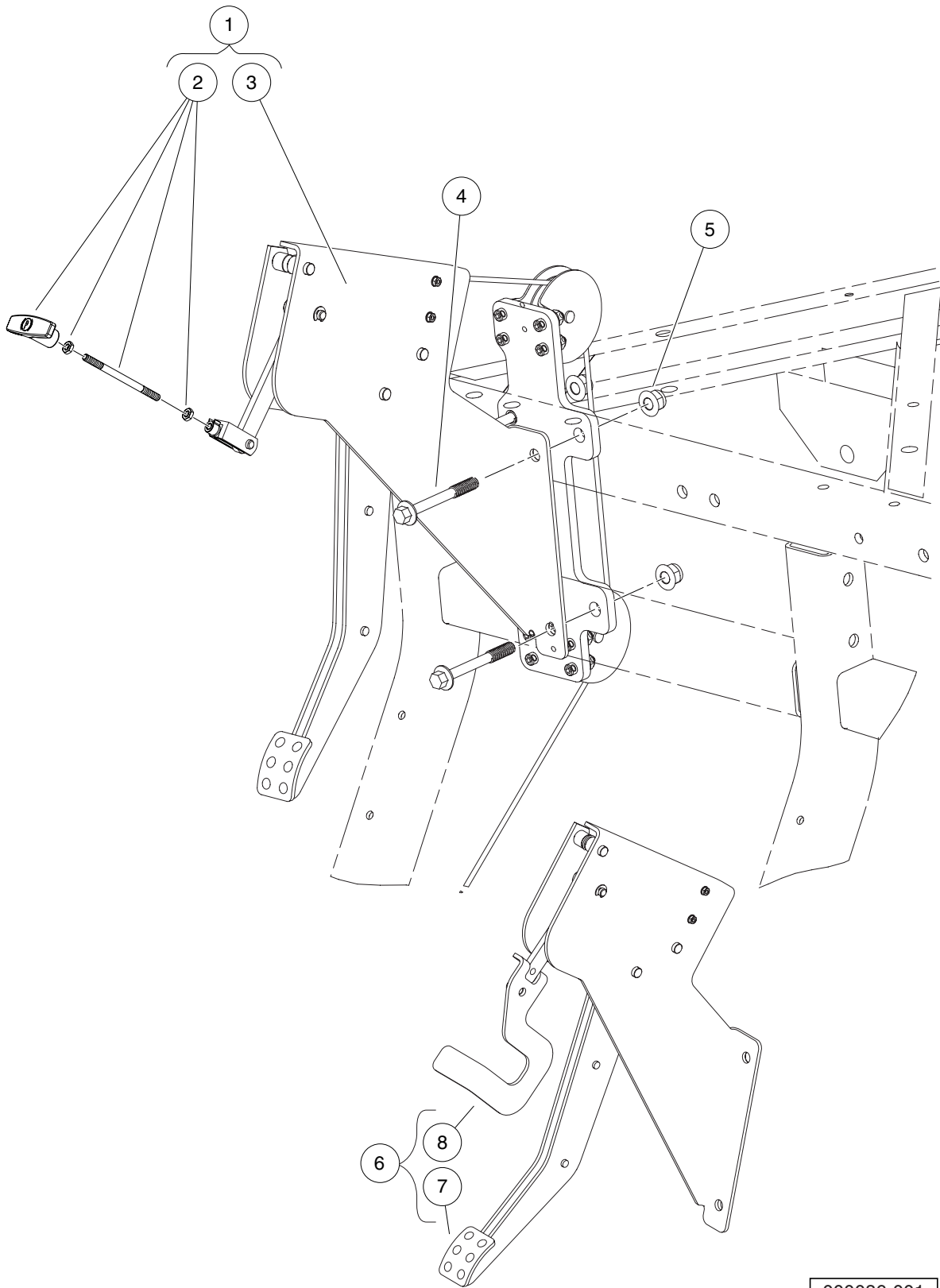
5

G

D

5
G

D



000086-001

PARK BRAKE PEDAL ASSEMBLY

ITEM	PART NO.	DESCRIPTION	QTY
		1 2 3 4	
1	N/A	Pedal Asm, Brake, Park (includes items 2 and 3)	1
2	<u>102758701</u>	Kit, Handle, Brake, Park	1
3	N/A	Pedal, Brake, Park	1
4	<u>102618301</u>	Bolt Flanged Head, M8 X 1.25 X 65	3
5	<u>102618601</u>	Lock Nut, Flg M8 X 1.25 Nylon	3
6	<u>102892401</u>	Asm, Pedal, Brake, Hard (includes items 7 and 8)	1
7	N/A	Pedal, Brake, Park	1
8	<u>102896601</u>	Handle, Release, Park Brake	1
<p style="text-align: center;">Note: Item 1 has been discontinued. Use item 6 for replacement of the complete assembly.</p>			

5

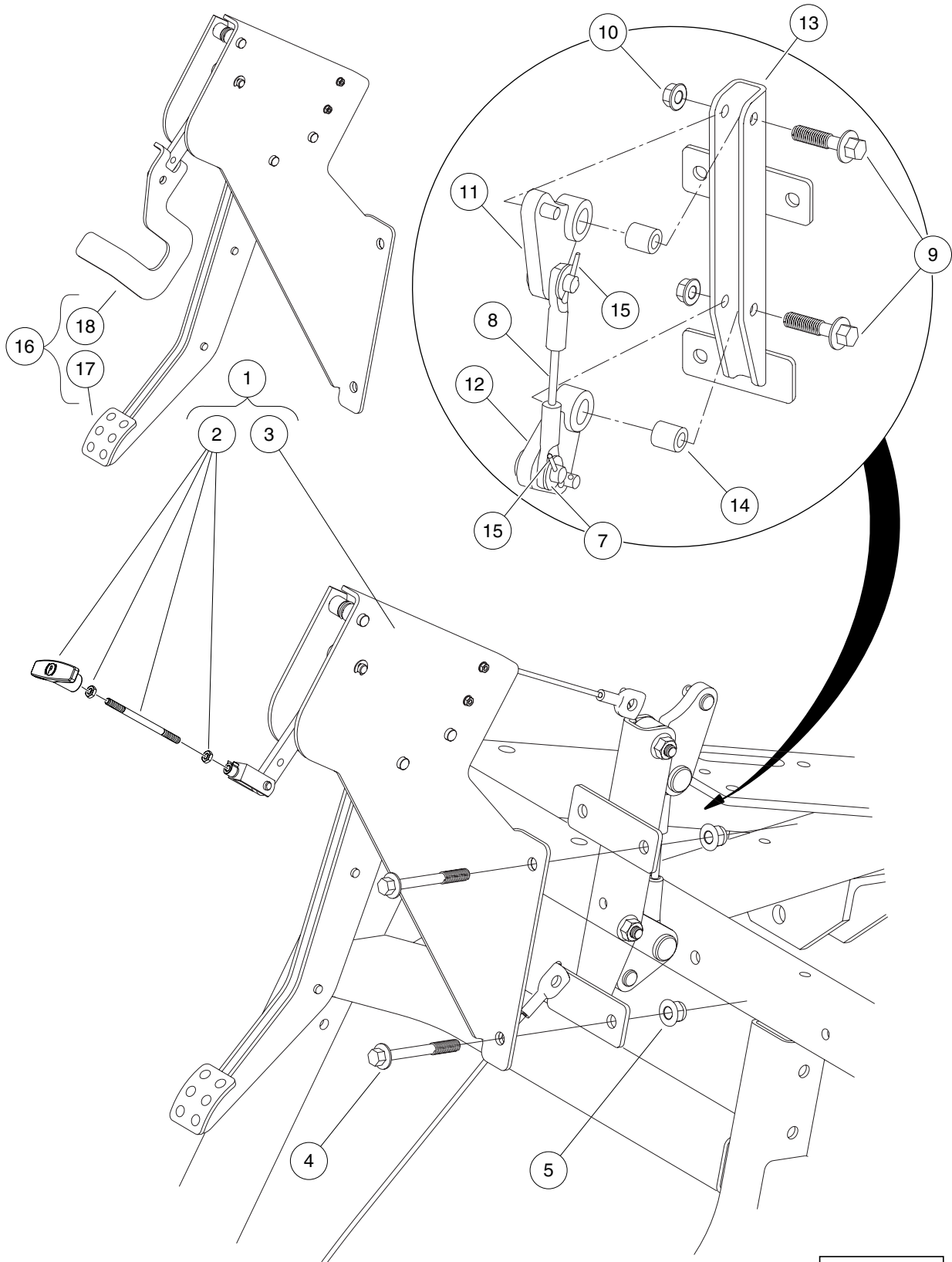
G

D

5

G

D



000086-003

PARK BRAKE PEDAL ASSEMBLY WITH BELLCRANK SYSTEM

ITEM	PART NO.	DESCRIPTION	QTY
		1 2 3 4	
1	N/A	Pedal Asm, Brake, Park (includes items 2 and 3)	1
2	<u>102758701</u>	Kit, Handle, Brake, Park	1
3	N/A	Pedal, Brake, Park	1
4	<u>102618301</u>	Bolt Flanged Head, M8 X 1.25 X 65	3
5	<u>102618601</u>	Lock Nut, Flg M8 X 1.25 Nylon	3
6	<u>102751501</u>	Asm, Sub, Bracket, Park Brake (includes items 7 through 15)	1
7	<u>102323501</u>	Washer, Flat, 3/8, Blk Fin	2
8	<u>102716001</u>	Cable, Crank, Bell	1
9	<u>102741501</u>	Bolt Flg, M8x1.25 X 35, Gr10.9	2
10	<u>102741601</u>	Nut Flg M8 X 1.25 Gr 10	2
11	<u>102751301</u>	Asm, Bellcrank, Upper	1
12	<u>102751401</u>	Asm, Bellcrank, Lower	1
13	<u>103305001</u>	Brkt, Bellcrank, Prk Brk, Awd	1
14	<u>103305101</u>	Spacer, Pivot, Park Brk, Awd	2
15	<u>1035</u>	Cotter Pin, 3/32 x 1	2
16	<u>102892401</u>	Asm, Pedal, Brake, Hard (includes items 17 and 18)	1
17	N/A	Pedal, Brake, Park	1
18	<u>102896601</u>	Handle, Release, Park Brake	1
Note: Item 1 has been discontinued. Use item 16 for replacement of the complete assembly.			

5

G

D

5

G

D

STEERING AND SUSPENSION

6

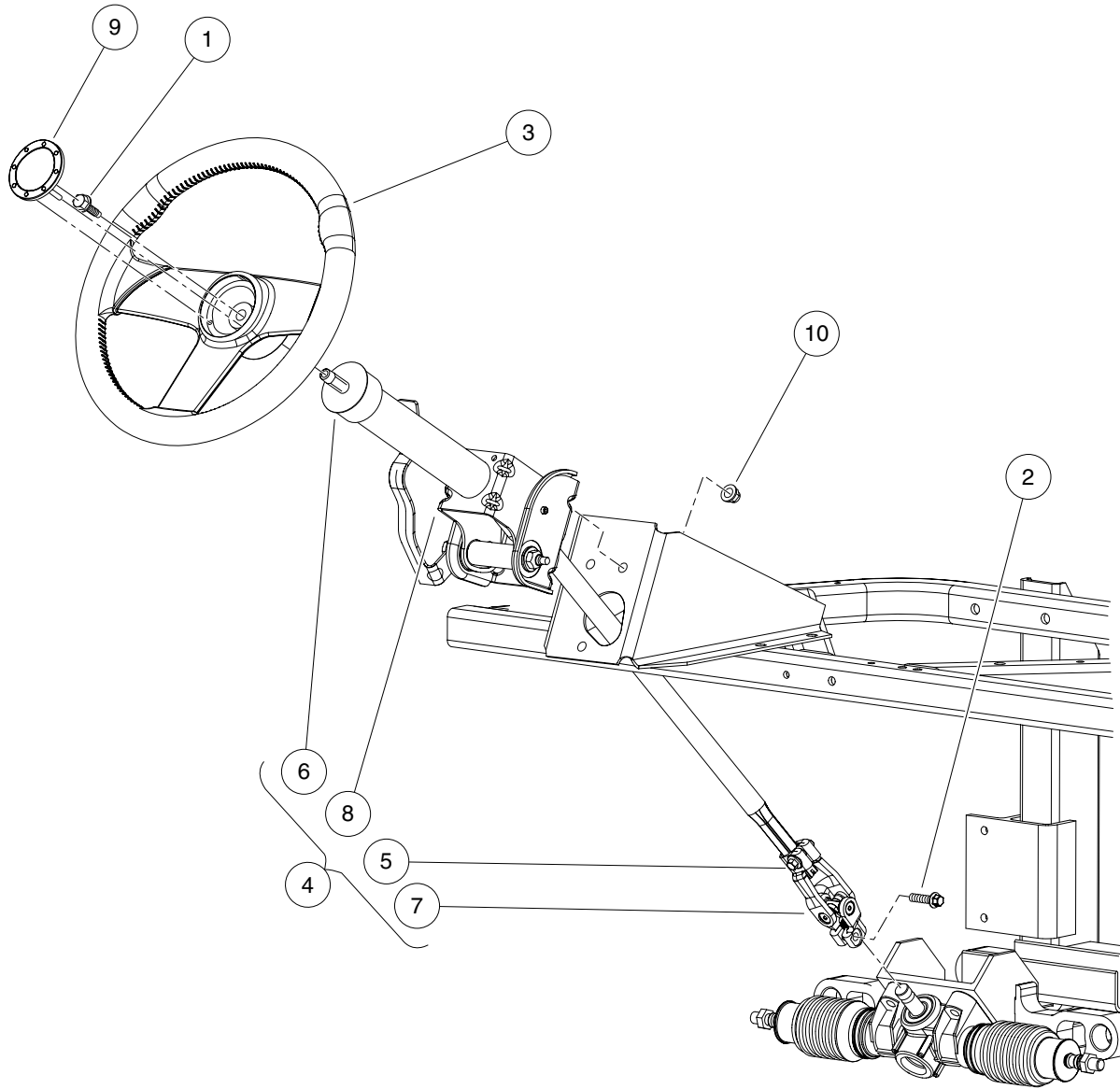
G

D

6

G

D



000070-001

STEERING COLUMN

ITEM	PART NO.	DESCRIPTION	QTY
		1 2 3 4	
1	102290120	Bolt, M10 X 20 Hex Washer Hd	1
2	<u>102298130</u>	Bolt, Flange Head, M8 X 30.0	1
3	<u>102363802</u>	Steering Wheel, Viper, Hex Hub	1
4	<u>102364201</u>	Steering Column (includes items 5 through 8)	1
5	<u>102298130</u>	Bolt, Flange Head, M8 X 30.0	1
6	<u>102571301</u>	Shroud, Steering Column	1
7	N/A	Knuckle, Steering, Slider	1
8	N/A	Column, Steering without Knuckle and Shroud	1
9	<u>102367101</u>	Cap, Steering Wheel, Viper	1
10	102618601	Lock Nut, Flg M8 X 1.25 Nylon	3

6

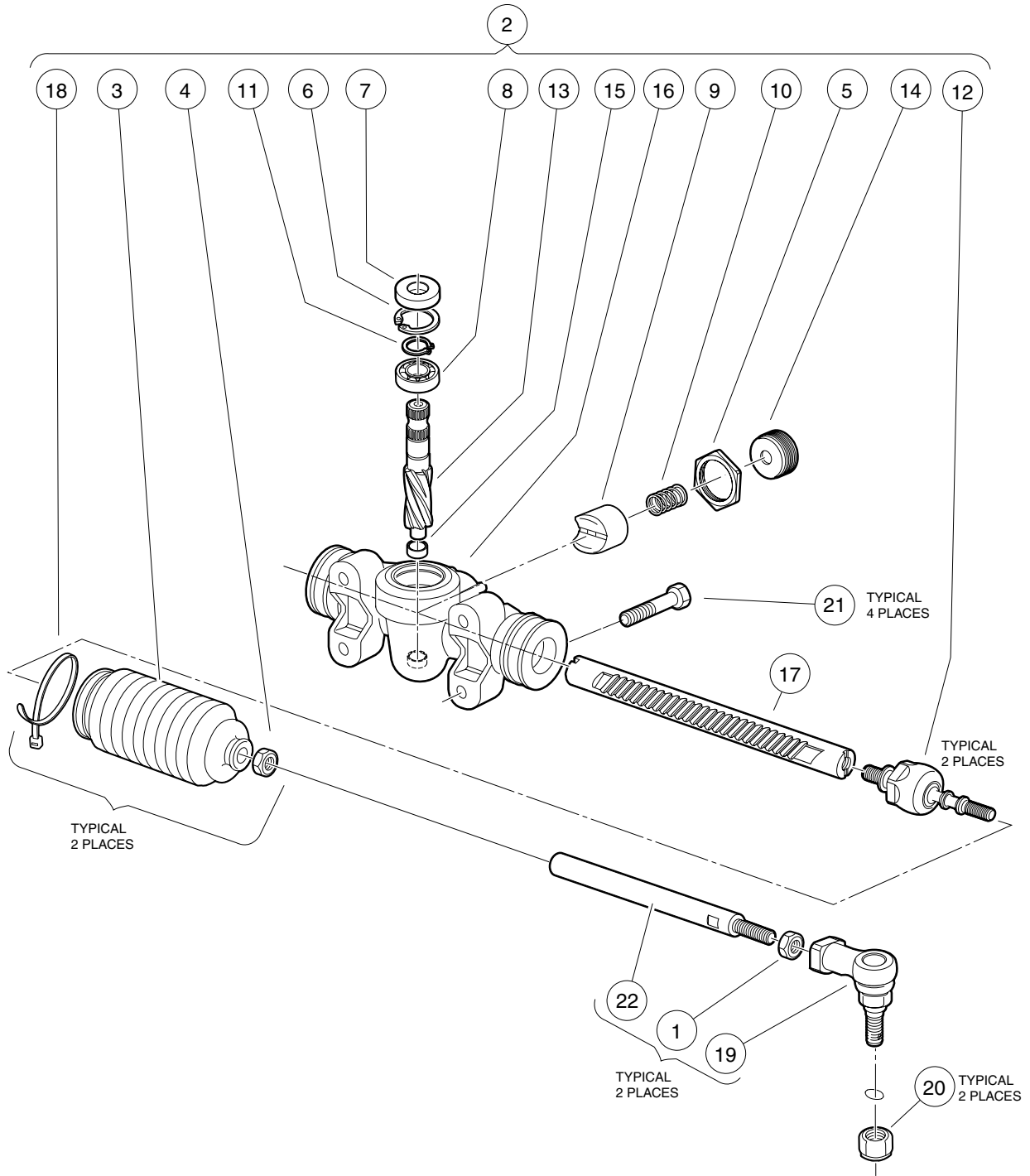
G

D

6

G

D



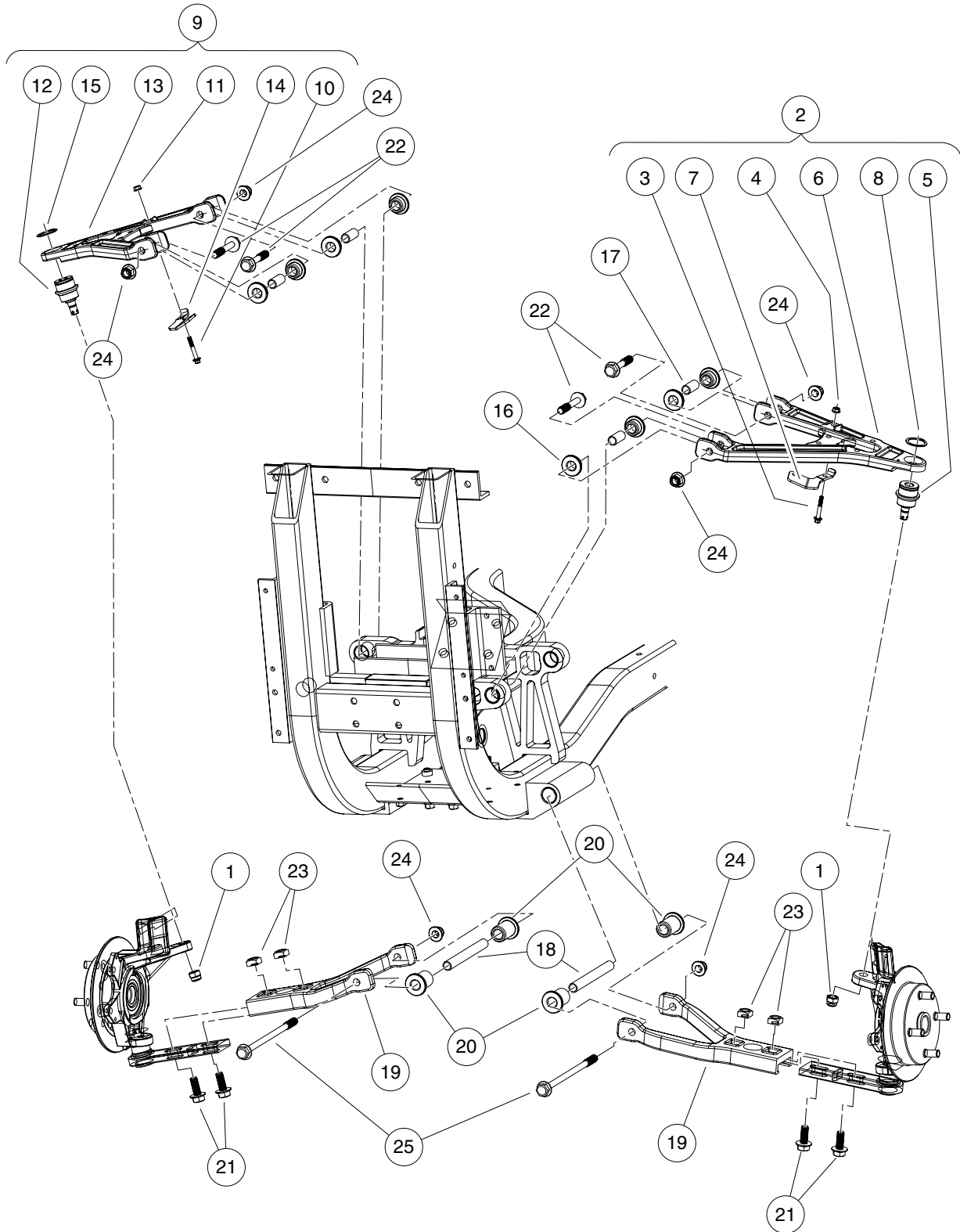
000071-002

STEERING GEAR ASSEMBLY

ITEM	PART NO.	DESCRIPTION	QTY	6
		1 2 3 4		G
1	1013042	Nut, 12mm Hex	2	
2	<u>102010102</u>	Steering Rack (includes items 3 through 18)	1	
3	<u>1013035</u>	Bellows, Long	2	
4	1013042	Nut, 12mm Hex	2	D
5	<u>1013044</u>	Rack Screw Locknut	1	
6	1013051	Snap Ring	1	
7	<u>1013052</u>	Seal, Steering Pinion Dust	1	
8	<u>101879401</u>	Bearing, Ball	1	
9	<u>101879701</u>	Support Yoke	1	
10	<u>101879801</u>	Rack Guide Pressure Spring	1	
11	<u>101879901</u>	Ring, Stop, C-Type	1	
12	<u>101880201</u>	Inner Ball Joint Asm	2	
13	N/A	Pinion, Steering	1	
14	N/A	Bearing, Lower Pinion	1	
15	N/A	Screw, Rack Guide	1	
16	N/A	Housing, Steering Gear	1	
17	N/A	Rack, Steering	1	
18	<u>8990</u>	Tie Wrap, 8" Nylon	2	
19	<u>102022601</u>	End, Tie Rod M12 X 1.25	2	
20	<u>102022901</u>	Locknut, M12-1.25 Nylon	2	
21	<u>102449901</u>	Link, Drag	2	
22	<u>102687801</u>	Bolt, Flange Head, M10x 1.5 X 40 with Loctite	4	

6
G

D



000074-001

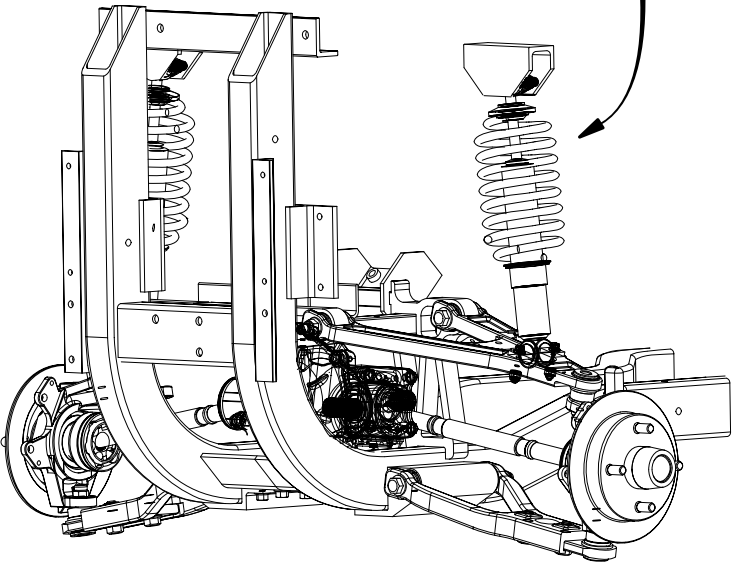
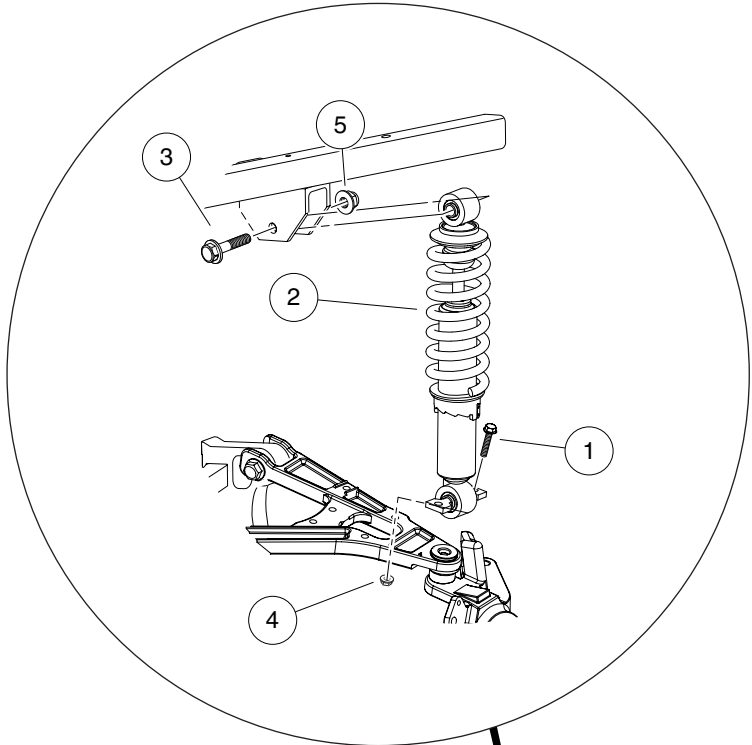
FRONT SUSPENSION – A-ARMS

ITEM	PART NO.	DESCRIPTION	QTY	6
		1 2 3 4		G
1	<u>102022901</u>	Locknut, M12-1.25 Nylon	2	
2	<u>102368501</u>	Sub-assembly, A-Arm, Upper, LH (includes items 3 through 8)	1	
3	<u>102296140</u>	Bolt, Flanged Head, M6x1.0x40	1	
4	<u>102296401</u>	Nut-m6x1.0 Flng All Mtl Lock	1	D
5	<u>102361901</u>	Joint, Ball	1	
6	<u>102368801</u>	A-Arm, Upper, Left	1	
7	<u>102474101</u>	Bracket, Brake Line, Left	1	
8	<u>102722301</u>	Ring, Retaining, Ext, 1-1/4"	1	
9	<u>102368502</u>	Sub-assembly, A-Arm, Upper, RH (includes items 10 through 15)	1	
10	<u>102296140</u>	Bolt, Flanged Head, M6x1.0x40	1	
11	<u>102296401</u>	Nut-m6x1.0 Flng All Mtl Lock	1	
12	<u>102361901</u>	Joint, Ball	1	
13	<u>102368802</u>	A-Arm, Upper, Right	1	
14	<u>102474102</u>	Bracket, Brake Line, Right	1	
15	<u>102722301</u>	Ring, Retaining, Ext, 1-1/4"	1	
16	<u>102408401</u>	Bushing, A-Arm	8	
17	<u>102437001</u>	Sleeve, Upper	4	
18	<u>102437101</u>	Sleeve, Lower	2	
19	<u>102446901</u>	Arm, Lower	2	
20	<u>102469901</u>	Bushing, Lower Arm	4	
21	<u>102490801</u>	Bolt, Flange Head, M12x 1.75x 30 with Loctite	4	
22	<u>102616301</u>	Bolt, Flange Head, M12 X 1.75 X 70	4	
23	<u>102617701</u>	Nut, Square, M12x 1.75	4	
24	<u>102620501</u>	Nut Flg, M12x1.75, Nylon Gr 10	6	
25	<u>103256701</u>	Bolt Flg, M12 X 1.75 X 200 10.	2	

6

G

D



000072-001

FRONT SUSPENSION (STANDARD)

ITEM	PART NO.	DESCRIPTION	QTY
		1 2 3 4	
1	<u>102298240</u>	Bolt, Flange Head, M8-1.25 X 40	4
2	<u>102394002</u>	Shock, Coil Over, Front Hd	2
3	<u>102616301</u>	Bolt, Flange Head, M12 X 1.75 X 70	2
4	102618601	Lock Nut, Flg M8 X 1.25 Nylon	4
5	<u>102620501</u>	Nut Flg, M12x1.75, Nylon Gr 10	2

6

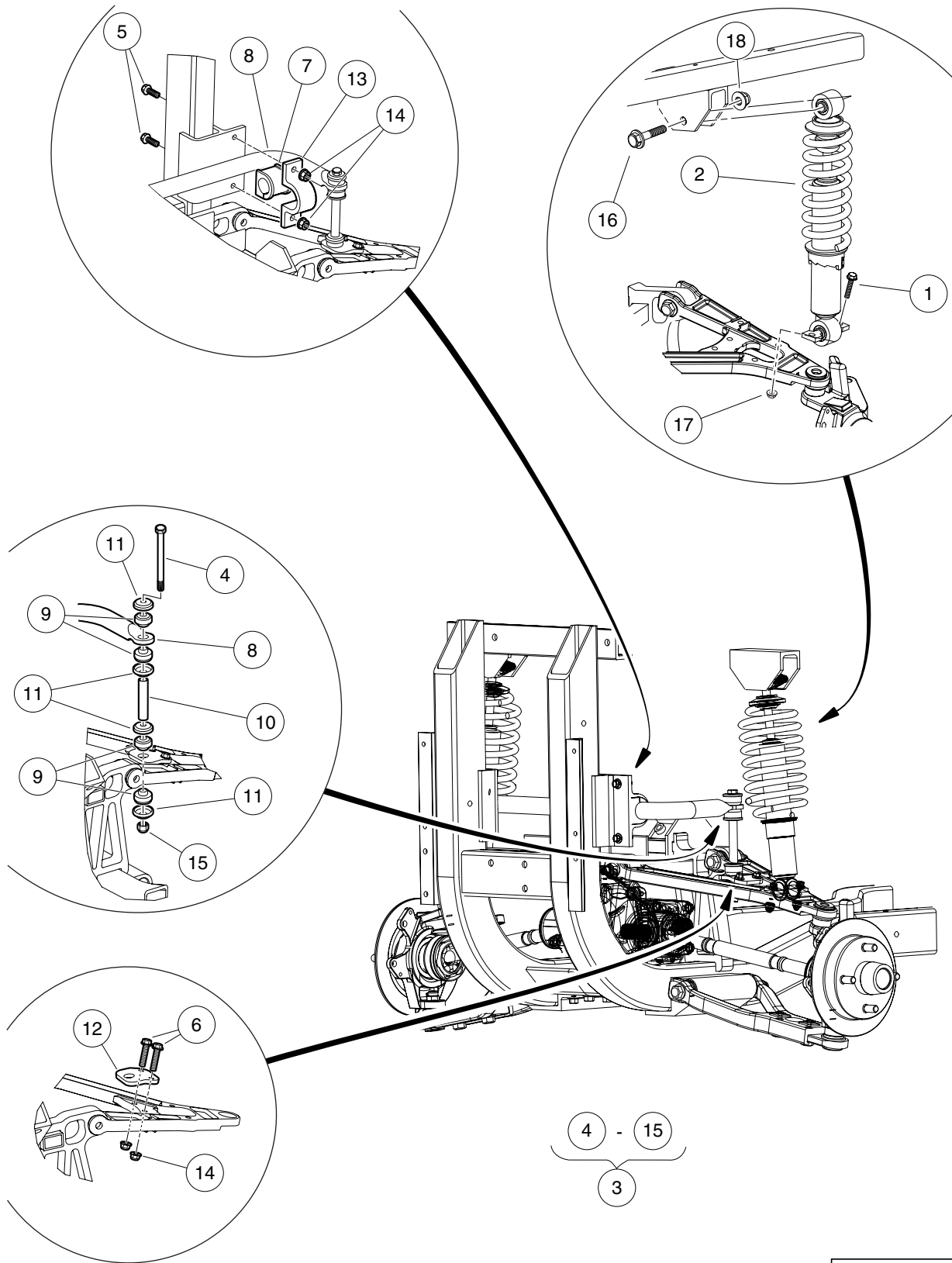
G

D

6

G

D



000072-002

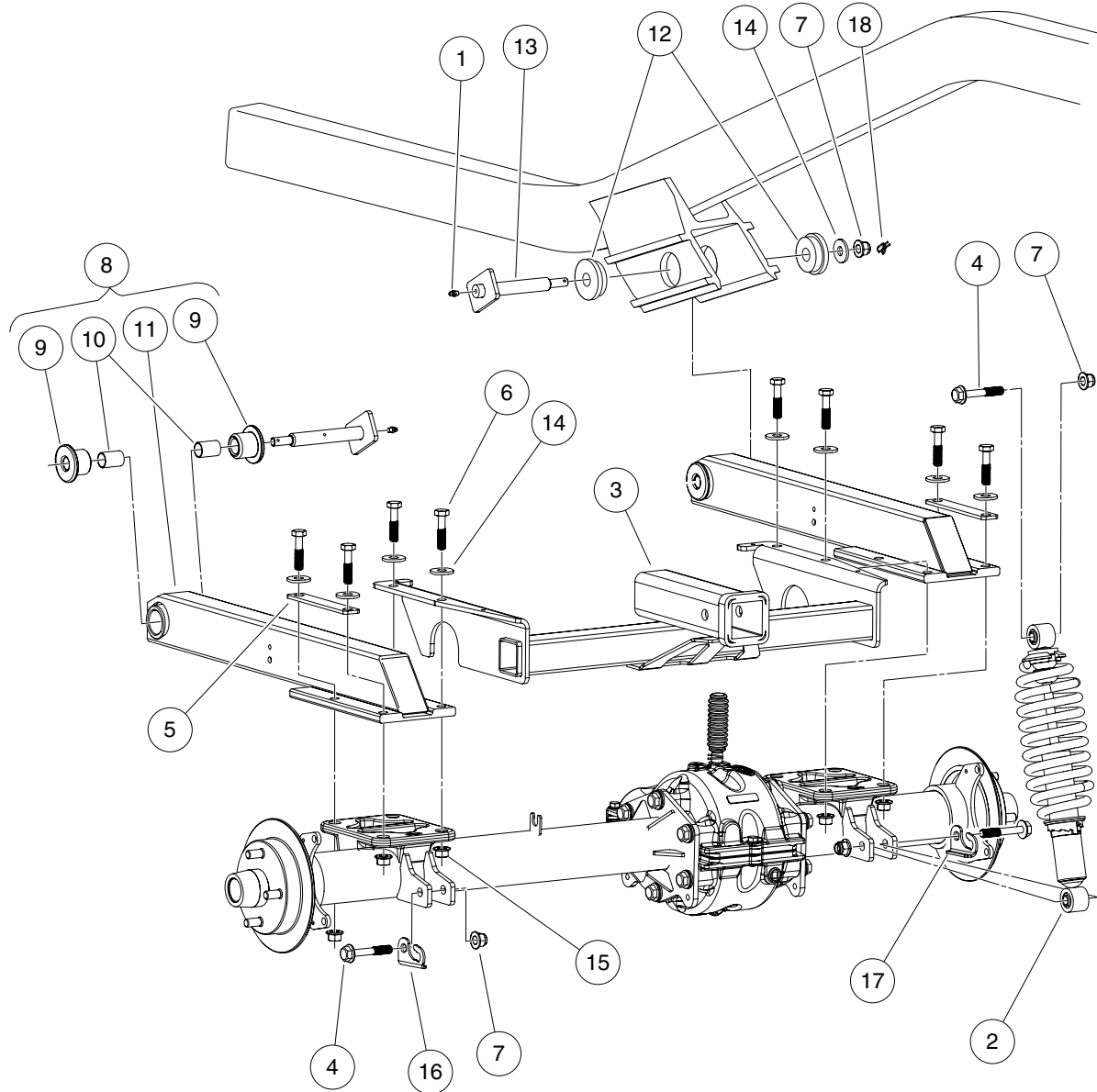
FRONT SUSPENSION (HIGH-CAPACITY OPTION)

ITEM	PART NO.	DESCRIPTION	QTY	
		1 2 3 4		6
1	<u>102298240</u>	Bolt, Flange Head, M8-1.25 X 40	4	G
2	<u>102394002</u>	Shock, Coil Over, Front Hd	2	
3	<u>102468802</u>	Kit, Anti-Sway Bar (includes items 4 through 15)	1	
4	<u>1016183</u>	Screw, 3/8-16 X 7.00 Hex Cap	2	D
5	<u>102298130</u>	Bolt, Flange Head, M8 X 30.0	4	
6	<u>102298240</u>	Bolt, Flange Head, M8-1.25 X 40	4	
7	<u>102446601</u>	Bushing, Anti-Sway Bar, 1-1/8	2	
8	<u>102464601</u>	Bar, Sway, Formed	1	
9	<u>102470101</u>	Bushing, Link	8	
10	<u>102470501</u>	Sleeve, Link	2	
11	<u>102470601</u>	Washer, Cup, Bushing	8	
12	<u>102477201</u>	Mount, Link	2	
13	<u>102495001</u>	Bracket, Anti-Sway Bar	2	
14	<u>102618601</u>	Lock Nut, Flg M8 X 1.25 Nylon	8	
15	<u>8754</u>	Locknut, 3/8-16 Hex	2	
16	<u>102616301</u>	Bolt, Flange Head, M12 X 1.75 X 70	2	
17	<u>102618601</u>	Lock Nut, Flg M8 X 1.25 Nylon	4	
18	<u>102620501</u>	Nut Flg, M12x1.75, Nylon Gr 10	2	

6

G

D



000031-001

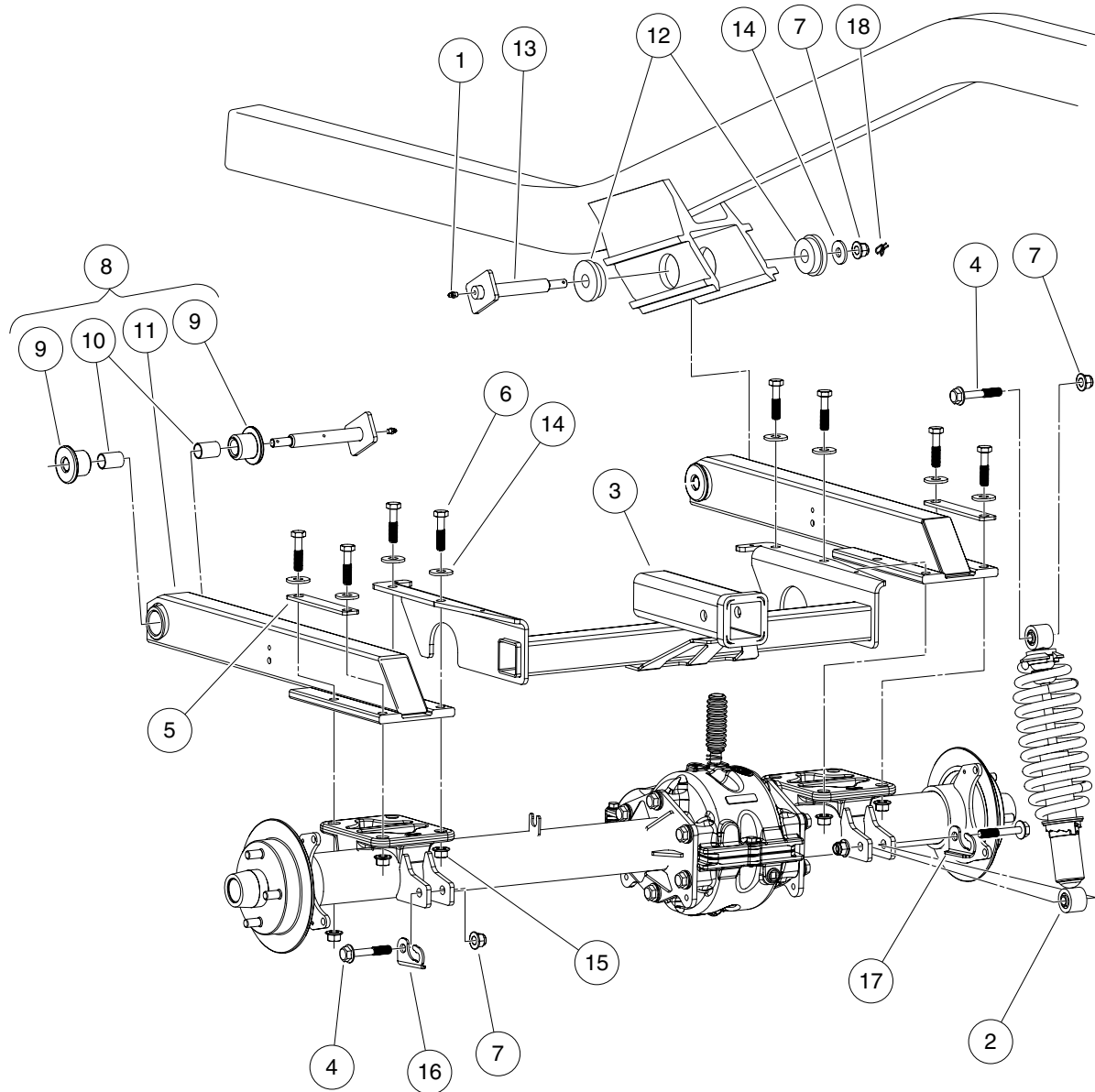
REAR SUSPENSION (STANDARD)

ITEM	PART NO.	DESCRIPTION	QTY	
		1 2 3 4		6
1	<u>1015597</u>	Fitting, 1/4-28 Thread-Forming Grease	2	G
2	102365601	Shock, Coil Over Rear	2	
3	<u>102393501</u>	Weldment, Receiver, Rear	1	
4	<u>102616301</u>	Bolt, Flange Head, M12 X 1.75 X 70	4	D
5	<u>102619801</u>	Washer, Strip, Swingarm	2	
6	<u>102620401</u>	Bolt Flanged Head, M12 X 1.75 X 50	8	
7	<u>102620501</u>	Nut Flg, M12x1.75, Nylon Gr 10	6	
8	N/A	Sub Asm Swingarm (includes items 9 through 11)	2	
9	<u>102398901</u>	Bushing, Pivot, Urethane	2	
10	<u>102477001</u>	Bushing, Teflon	2	
11	<u>103282301</u>	Swingarm, Rear, Awd	1	
12	N/A	Insert, Flanged, H-Bracket	4	
13	<u>102682901</u>	Pin, Swingarm, Weldment	2	
14	<u>102684501</u>	Washer, M12 Hard Regular	10	
15	<u>102685601</u>	Nut Flg M12 X 1.75 Cl10	8	
16	<u>102689101</u>	Brkt, Line, Hyd, Shk Mnt, Drv	1	
17	<u>102689102</u>	Brkt, Line, Hyd, Shk Mnt, Pass	1	
18	<u>102737101</u>	Cotter, Rue Ring, 1/2"	2	

6

G

D



000031-001

REAR SUSPENSION (HIGH-CAPACITY OPTION)

ITEM	PART NO.	DESCRIPTION	QTY	
		1 2 3 4		6
1	<u>1015597</u>	Fitting, 1/4-28 Thread-Forming Grease	2	G
2	<u>102365602</u>	Shock, Coil Over, Rear HD	2	
3	<u>102393501</u>	Weldment, Receiver, Rear	1	
4	<u>102616301</u>	Bolt, Flange Head, M12 X 1.75 X 70	4	D
5	<u>102619801</u>	Washer, Strip, Swingarm	2	
6	<u>102620401</u>	Bolt Flanged Head, M12 X 1.75 X 50	8	
7	<u>102620501</u>	Nut Flg, M12x1.75, Nylon Gr 10	6	
8	N/A	Sub Asm Swingarm (includes items 9 through 11)	2	
9	<u>102398901</u>	Bushing, Pivot, Urethane	2	
10	<u>102477001</u>	Bushing, Teflon	2	
11	<u>103282301</u>	Swingarm, Rear, Awd	1	
12	N/A	Insert, Flanged, H-Bracket	4	
13	<u>102682901</u>	Pin, Swingarm, Weldment	2	
14	<u>102684501</u>	Washer, M12 Hard Regular	10	
15	<u>102685601</u>	Nut Flg M12 X 1.75 Cl10	8	
16	<u>102689101</u>	Brkt, Line, Hyd, Shk Mnt, Drv	1	
17	<u>102689102</u>	Brkt, Line, Hyd, Shk Mnt, Pass	1	
18	<u>102737101</u>	Cotter, Rue Ring, 1/2"	2	

6

G

D

ELECTRICAL SYSTEM

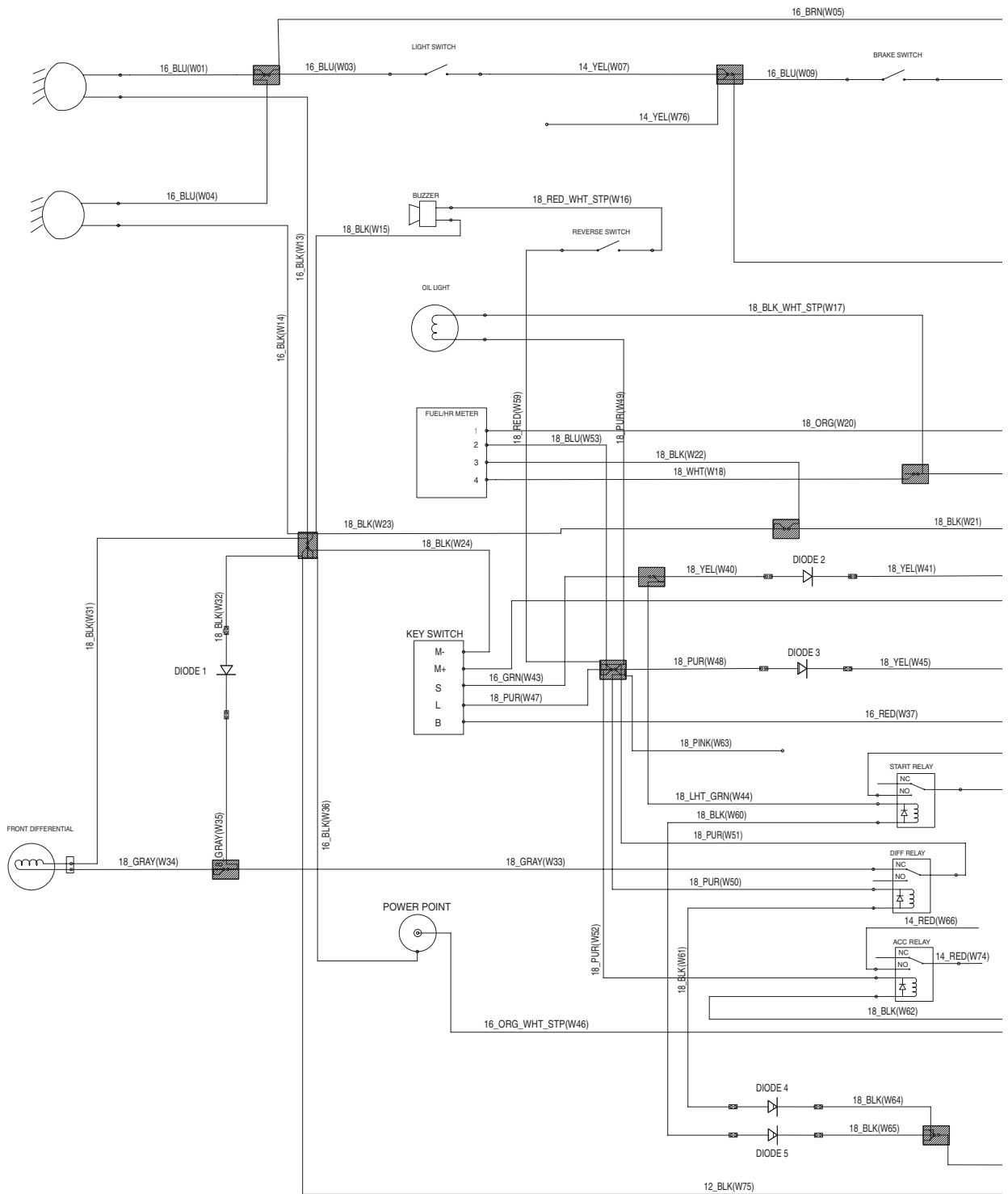
7

G

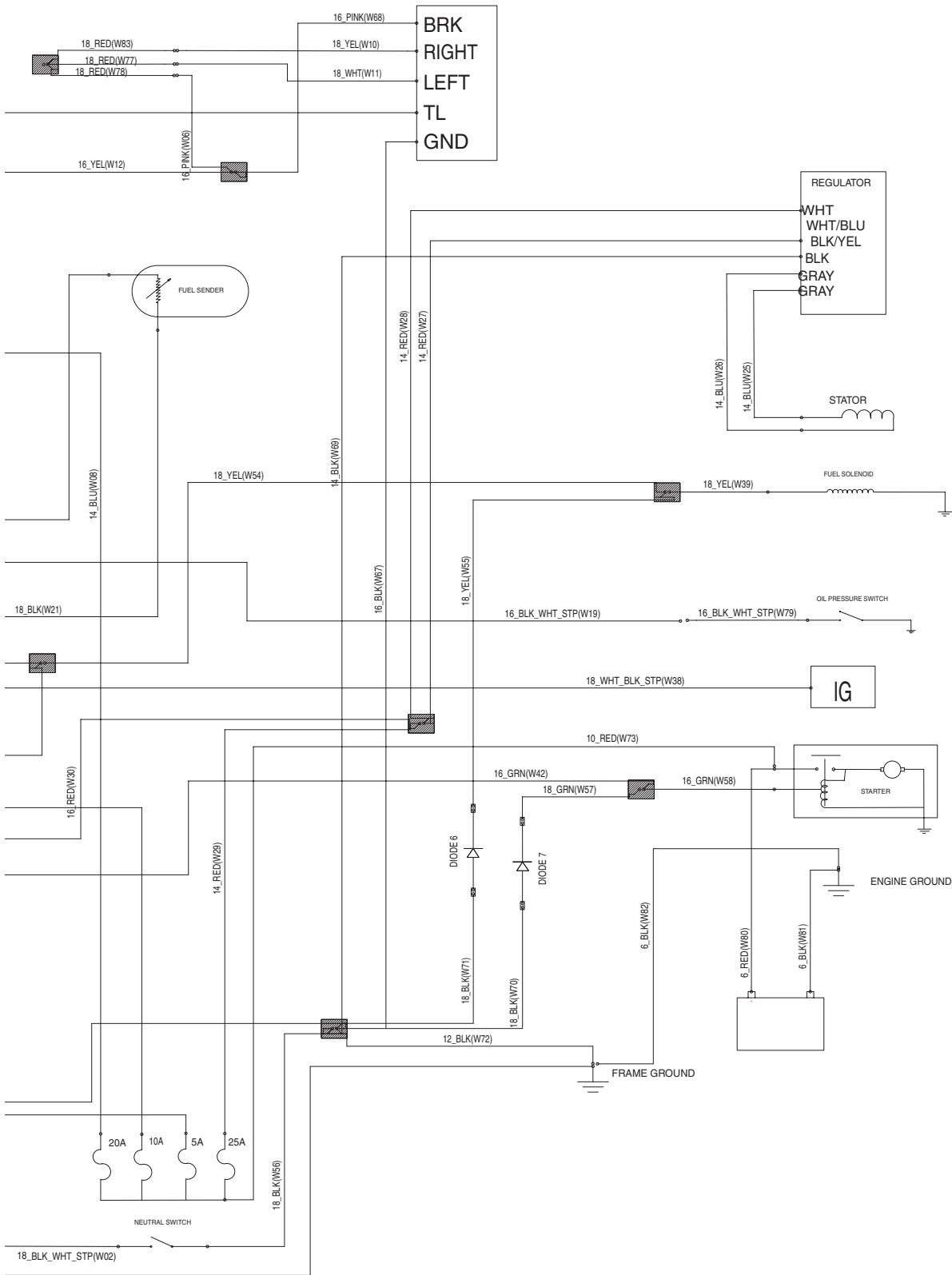
D

7
G

D



000001-001



000001-001

7

G

D

See previous two pages for illustration.

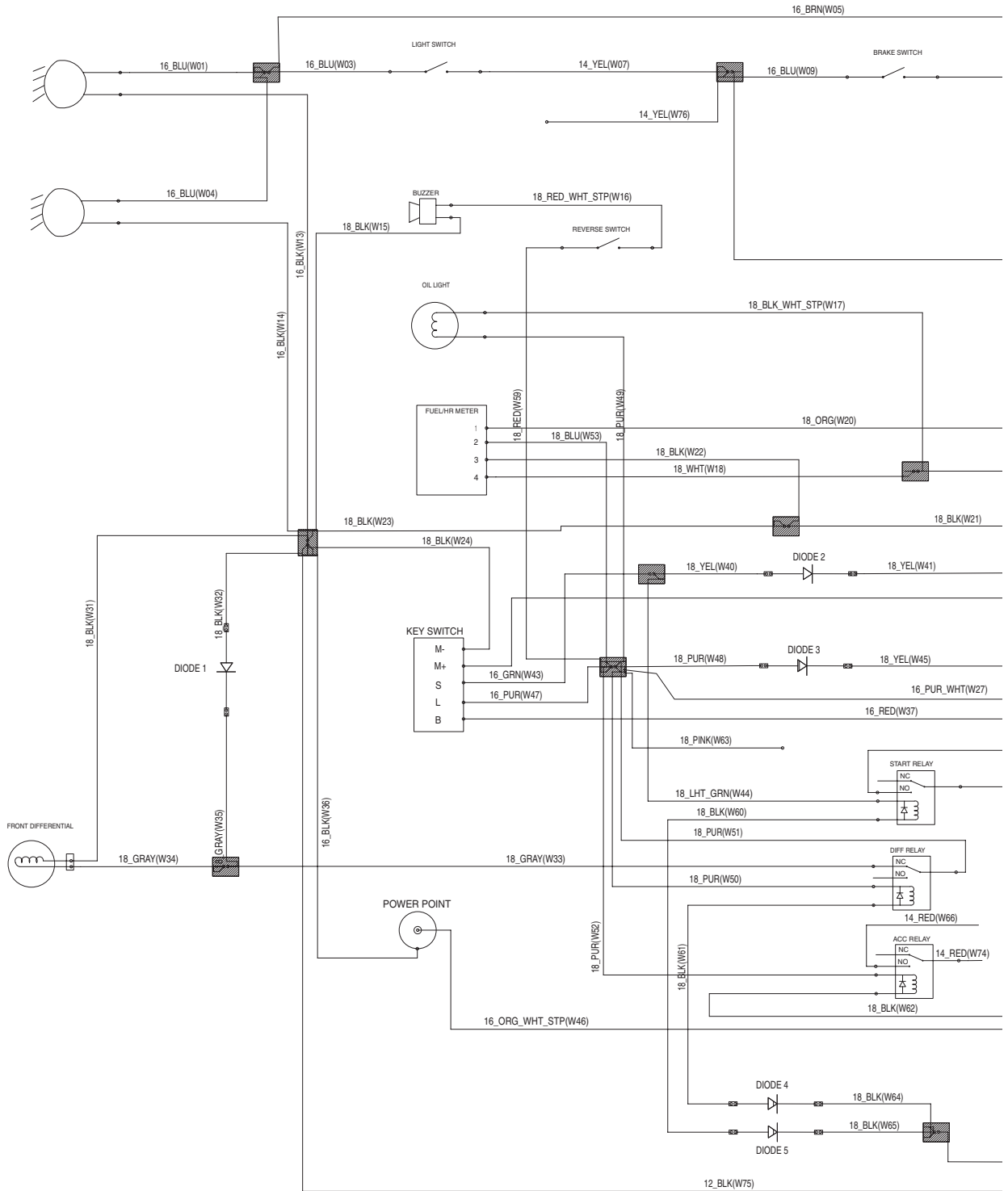
WIRING – GASOLINE VEHICLES (AS ORIGINALLY MANUFACTURED FOR 2004 MODEL YEAR)

ITEM	PART NO.	DESCRIPTION	QTY
1	<u>102435301</u>	1 2 3 4 Wire Harness, Awd, Gas	1

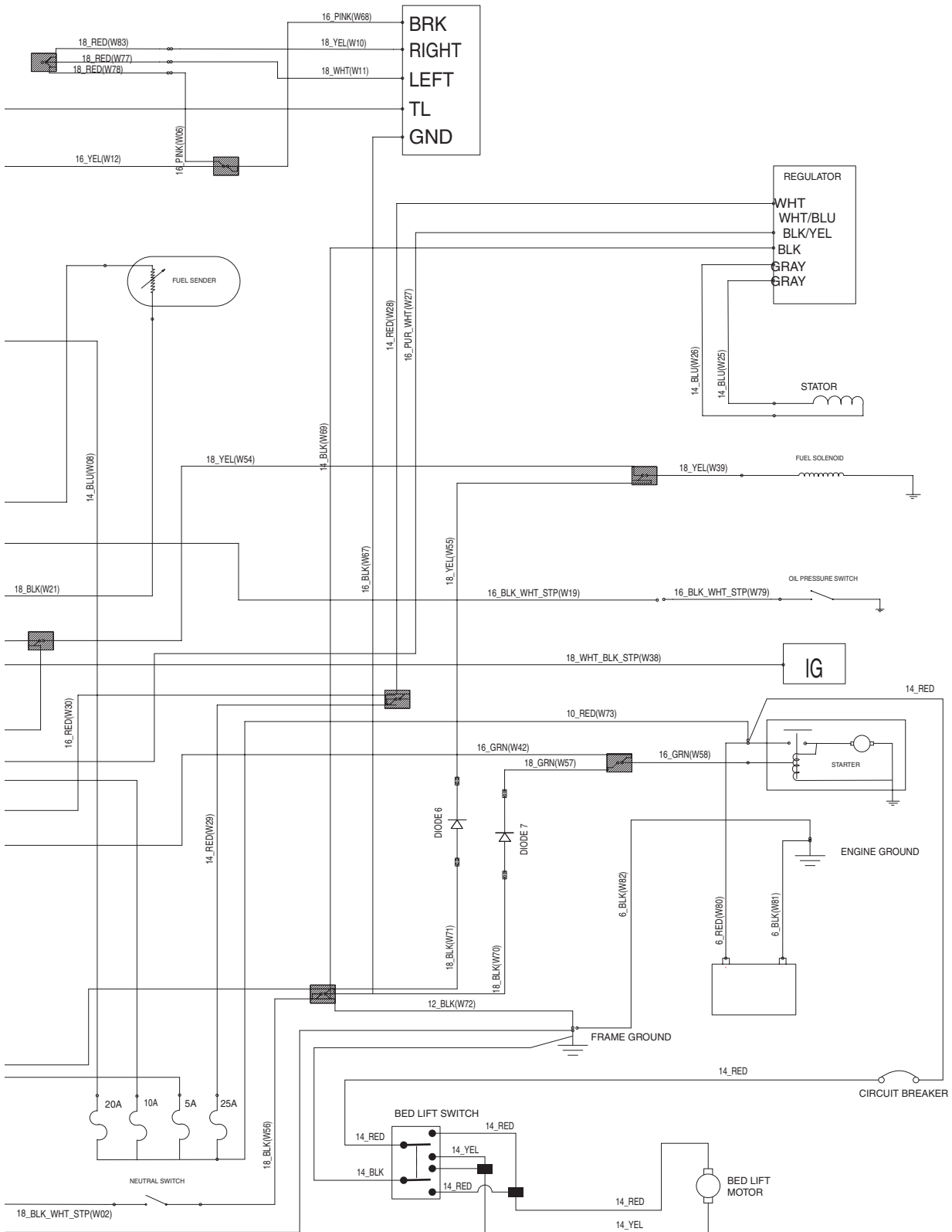
7
G
D

7
G

D



000001-002



00001-003

7

G

D

See previous two pages for illustration.

WIRING – GASOLINE VEHICLES

ITEM	PART NO.	DESCRIPTION	QTY
1	<u>102435301</u>	1 2 3 4 Wire Harness, Awd, Gas	1

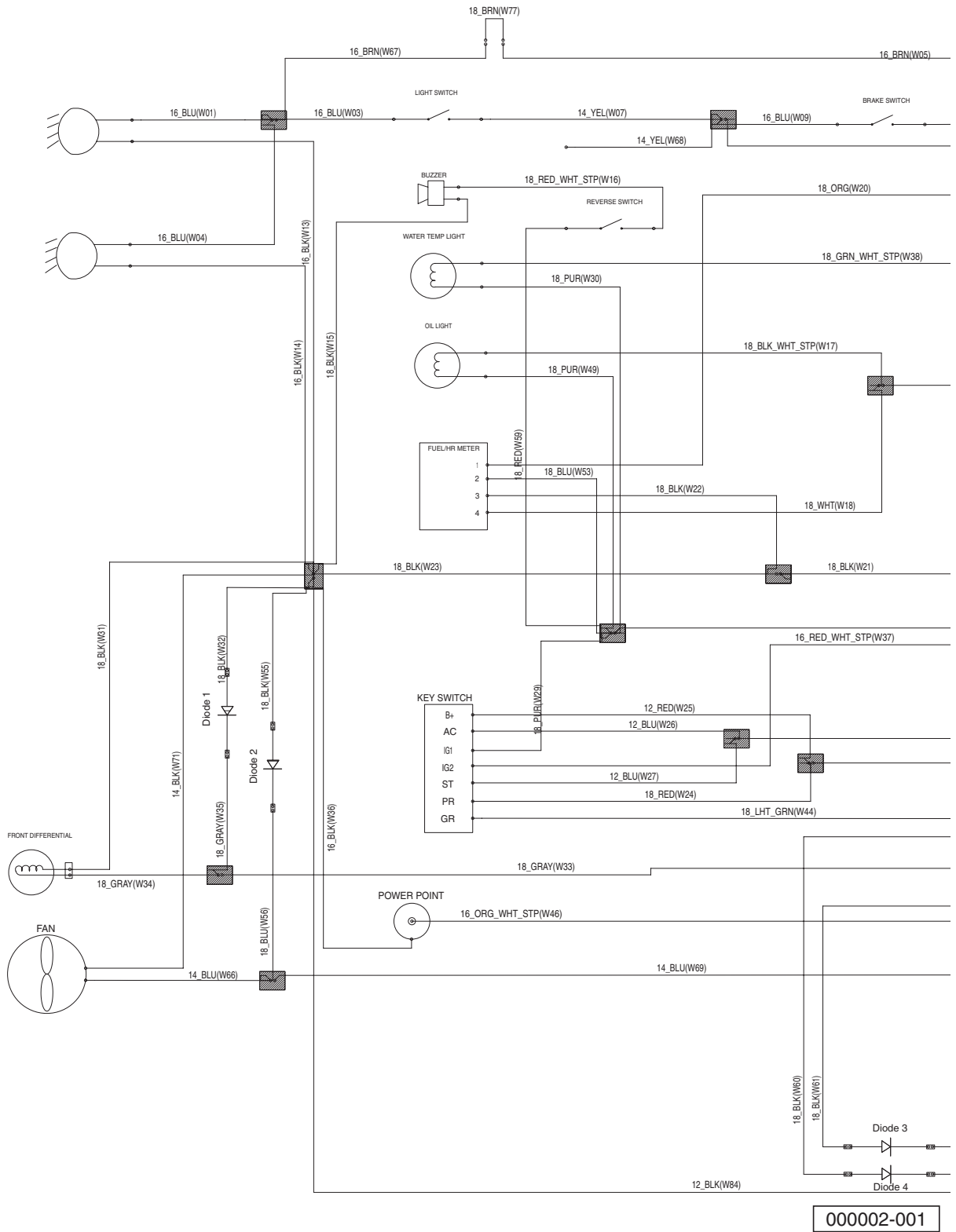
7

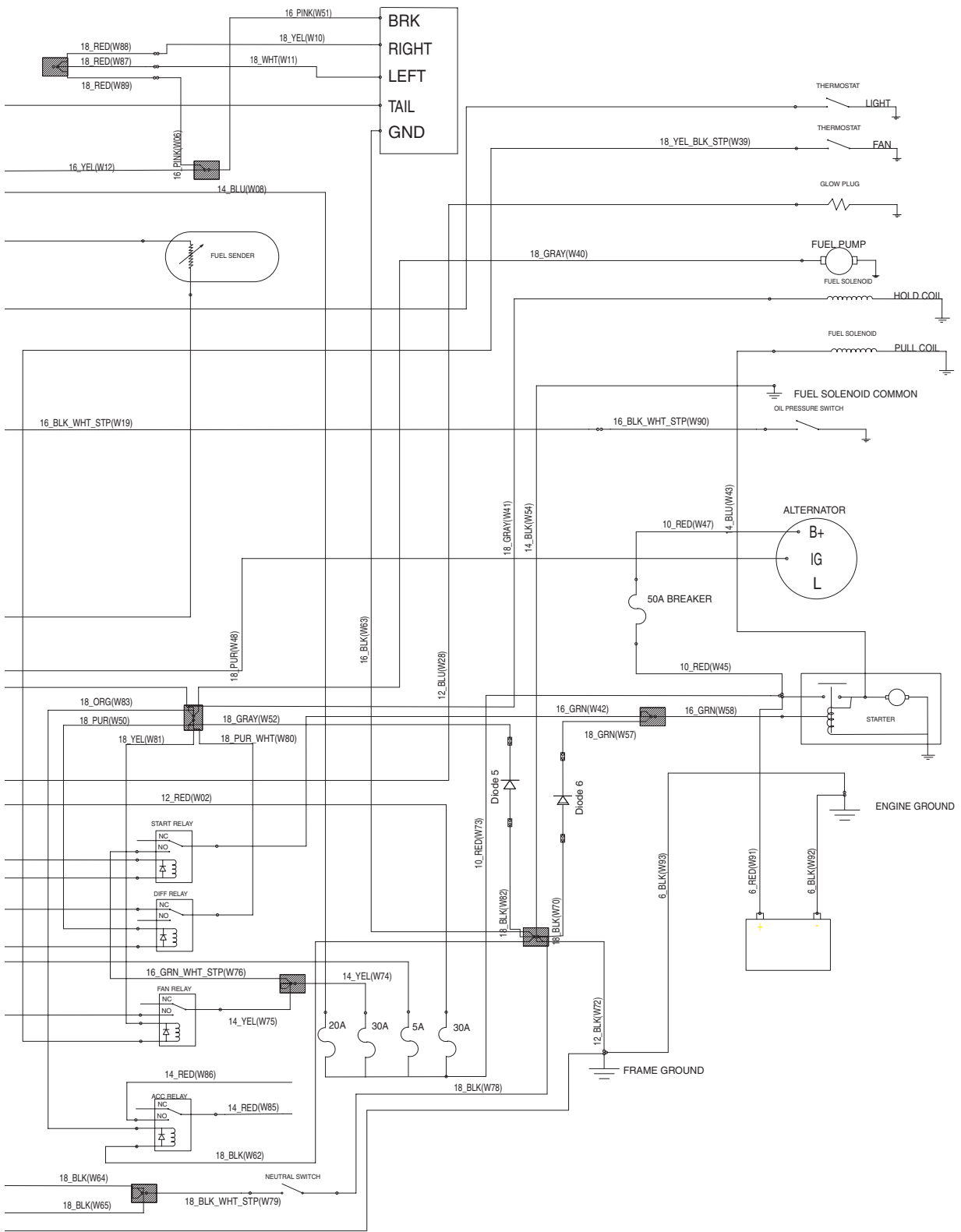
G

D

7
G

D





000002-001

7

G

D

See previous two pages for illustration.

WIRING – DIESEL VEHICLES

ITEM	PART NO.	DESCRIPTION	QTY
1	<u>102444201</u>	1 2 3 4 Wire Harness, Awd, Diesel	A/R

7

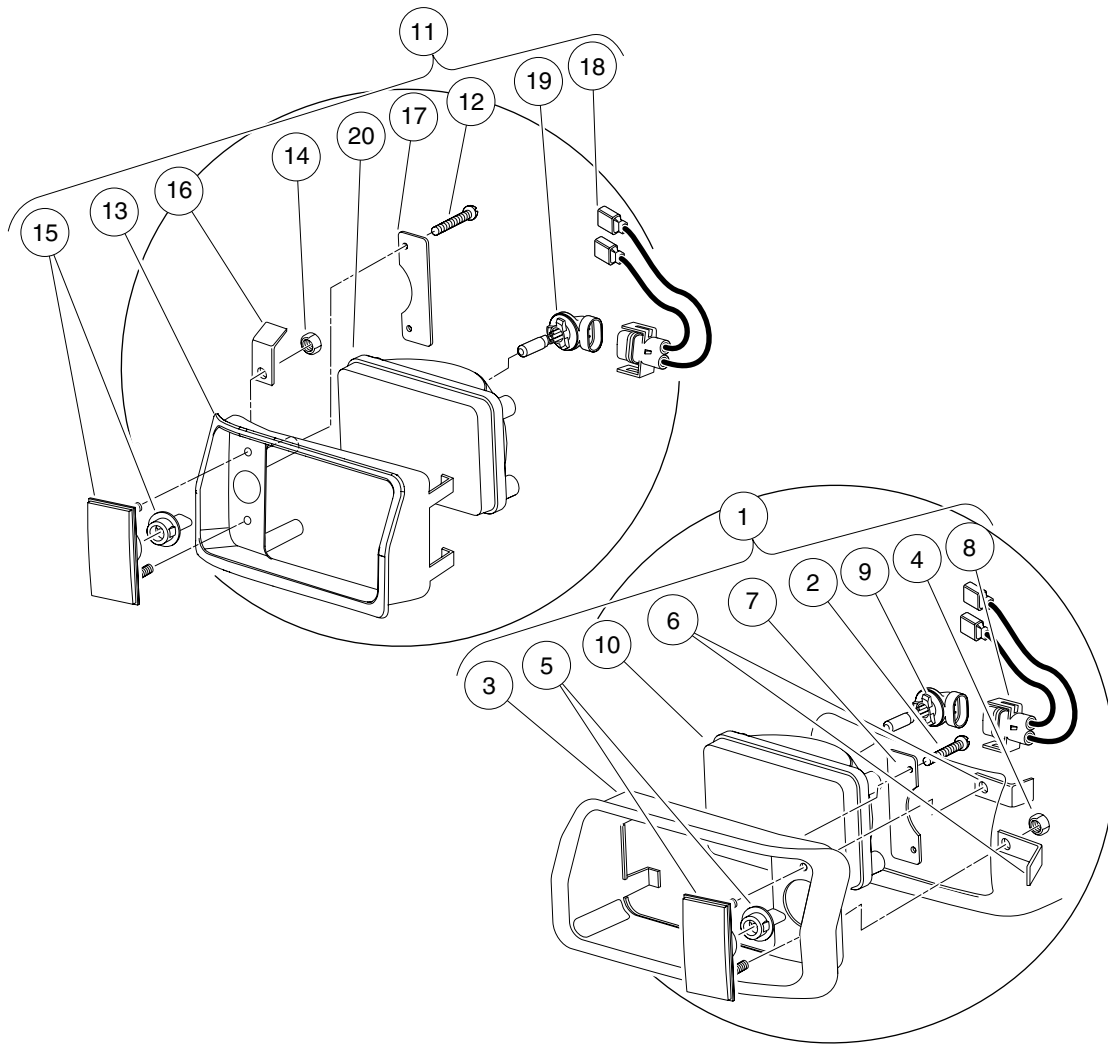
G

D

7

G

D



000073-001

HEADLIGHTS

ITEM	PART NO.	DESCRIPTION	QTY
		1 2 3 4	
1	<u>101988001</u>	Headlight Assembly, Driver-Side Single Beam (includes items 2 through 10)	1
2	<u>1013461</u>	Screw, #10-16 Hex-Head Hi-Lo	2
3	<u>1016880</u>	Headlight Bezel, Left	1
4	<u>1017</u>	Nut, #10-24 Stainless-Steel Hex Machine	2
5	<u>1017062</u>	Turn Signal Lens Assy	1
6	<u>1017064</u>	Mounting Bracket	2
7	<u>1017065</u>	Retainer, Headlight	1
8	<u>101987901</u>	Connector Harness Assembly, Headlight	1
9	<u>101988101</u>	Bulb, Headlight	1
10	<u>101988201</u>	Lens, Headlight	1
11	<u>101988002</u>	Headlight Assy, Passenger-Side Single Beam (includes items 12 through 20)	1
12	<u>1013461</u>	Screw, #10-16 Hex-Head Hi-Lo	2
13	<u>1016879</u>	Headlight Bezel, Right	1
14	<u>1017</u>	Nut, #10-24 Stainless-Steel Hex Machine	2
15	<u>1017062</u>	Turn Signal Lens Assy	1
16	<u>1017064</u>	Mounting Bracket	2
17	<u>1017065</u>	Retainer, Headlight	1
18	<u>101987901</u>	Connector Harness Assembly, Headlight	1
19	<u>101988101</u>	Bulb, Headlight	1
20	<u>101988201</u>	Lens, Headlight	1

7

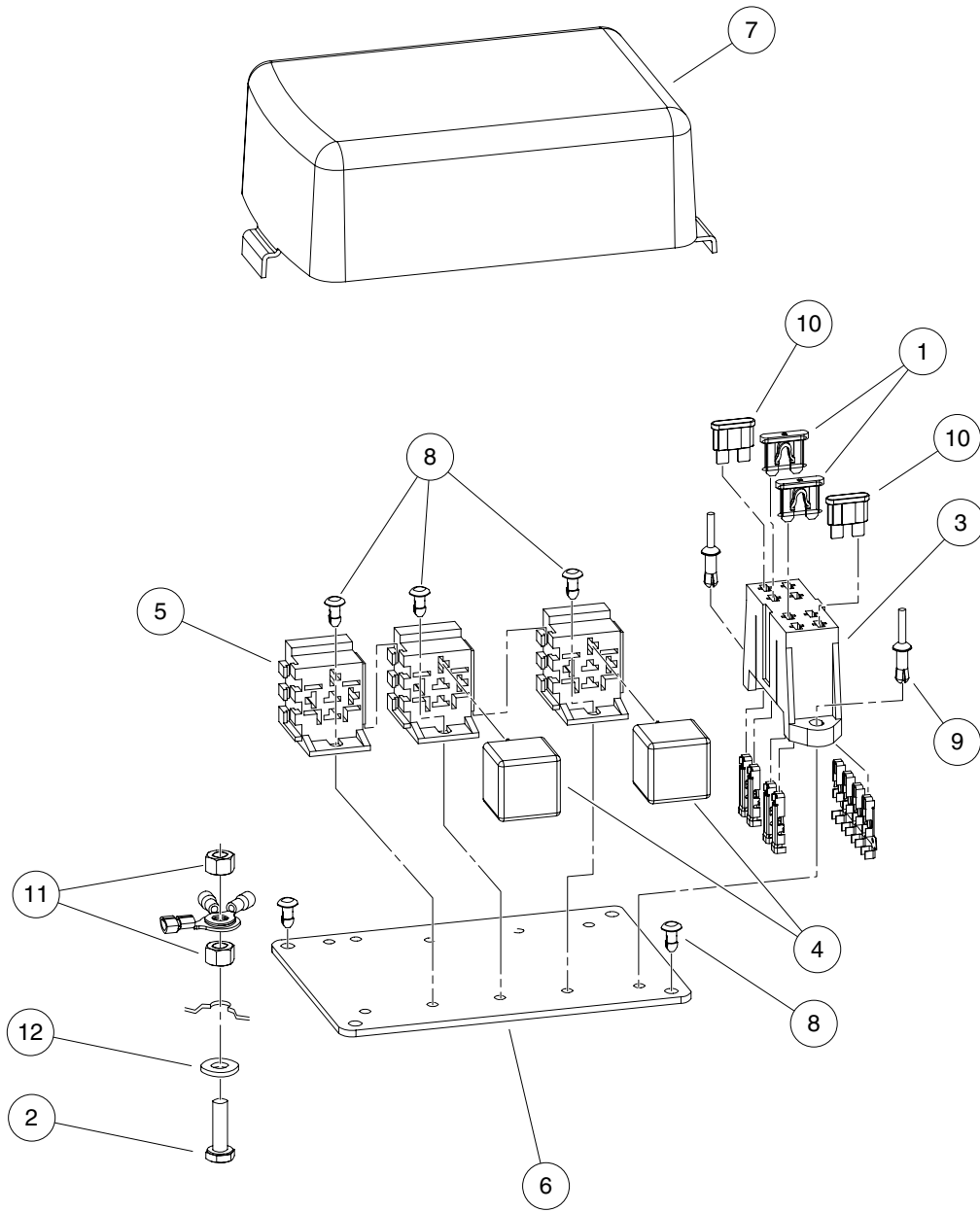
G

D

7

G

D



000076-001

ELECTRICAL COMPONENT BOX, GASOLINE VEHICLES

ITEM	PART NO.	DESCRIPTION	QTY
		1 2 3 4	
1	<u>1012295</u>	Fuse, 10-Amp	2
2	N/A	Screw, 1/4-20 X .88 Hex Hd Cap	1
3	<u>1015741</u>	Fuse Block	1
4	<u>102420201</u>	Relay, Mini ISO, SPDT	2
5	****	Connector, Relay	3
6	<u>102420401</u>	Plate, Electrical	1
7	<u>102420501</u>	Cover, Electrical	1
8	<u>102447901</u>	Fastener, Push-in	7
9	<u>102448001</u>	Rivet, Drive	2
10	<u>102492201</u>	Fuse, 25-Amp	2
11	<u>1108</u>	Locknut, 1/4-20 Dimpled	2
12	<u>332</u>	Washer, 1/4 Type A Narrow Flat	1
		**** Special order item available upon request.	

7

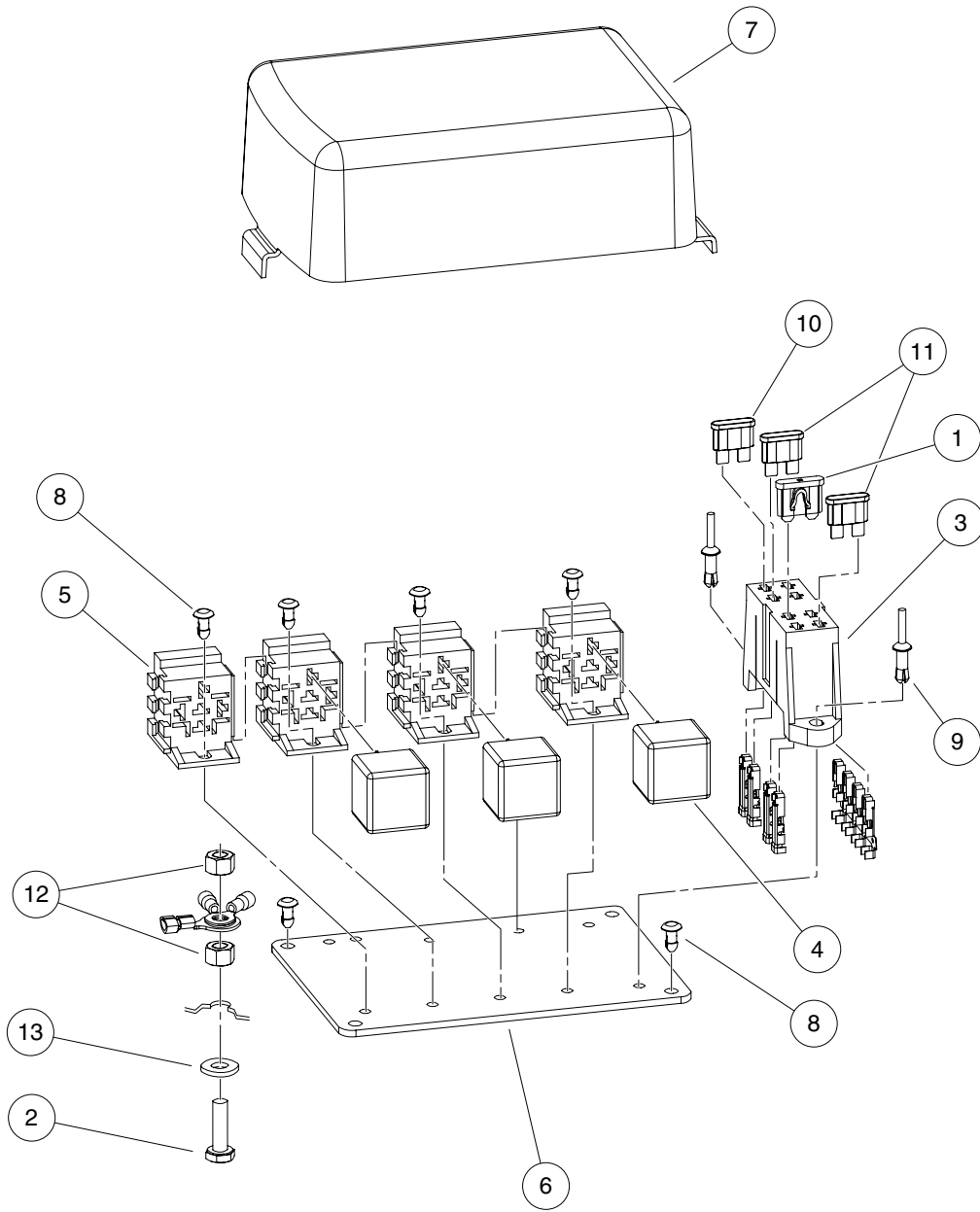
G

D

7

G

D



000076-002

ELECTRICAL COMPONENT BOX, DIESEL VEHICLES

ITEM	PART NO.	DESCRIPTION	QTY
		1 2 3 4	
1	<u>1012295</u>	Fuse, 10-Amp	1
2	N/A	Screw, 1/4-20 X .88 Hex Hd Cap	1
3	<u>1015741</u>	Fuse Block	1
4	<u>102420201</u>	Relay, Mini ISO, SPDT	3
5	****	Connector, Relay	4
6	<u>102420401</u>	Plate, Electrical	1
7	<u>102420501</u>	Cover, Electrical	1
8	<u>102447901</u>	Fastener, Push-in	8
9	<u>102448001</u>	Rivet, Drive	2
10	<u>102492201</u>	Fuse, 25-Amp	1
11	<u>102492301</u>	Fuse, 30-Amp	2
12	<u>1108</u>	Locknut, 1/4-20 Dimpled	2
13	<u>332</u>	Washer, 1/4 Type A Narrow Flat	1
**** Special order item available upon request.			

7

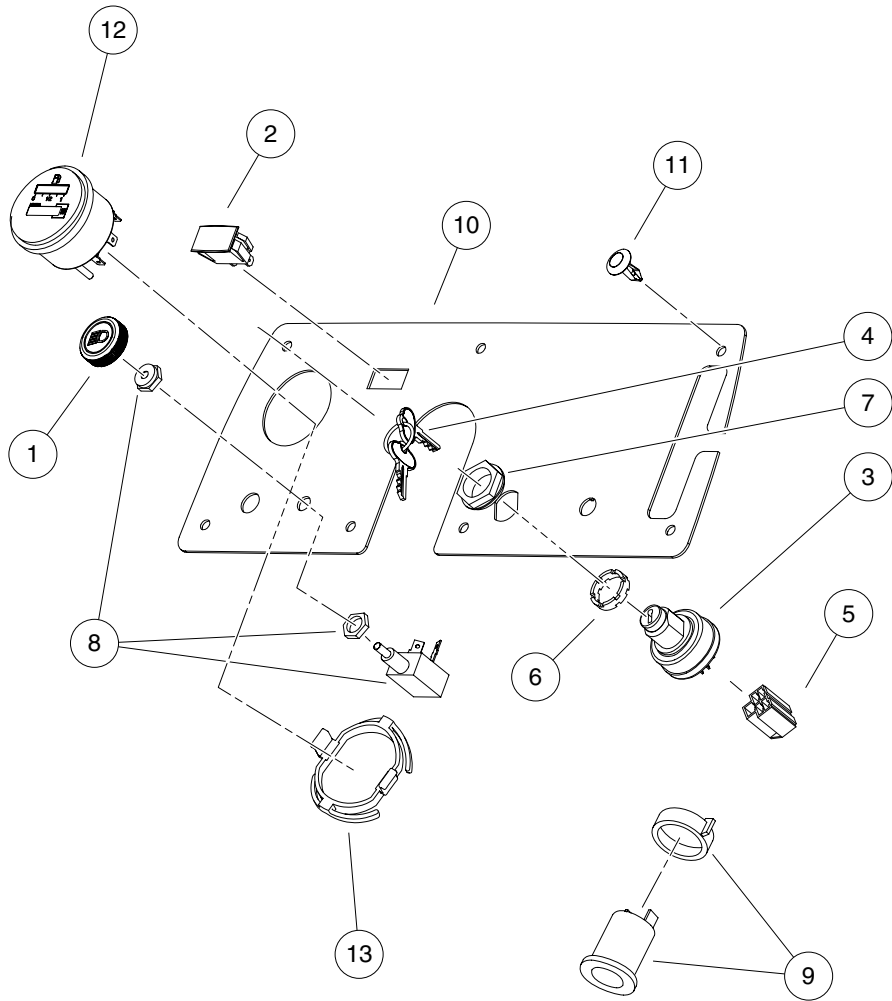
G

D

7

G

D



000080-001

ELECTRICAL COMPONENTS, INSTRUMENT PANEL, GASOLINE VEHICLES

ITEM	PART NO.	DESCRIPTION	QTY
		1 2 3 4	
1	<u>1013857</u>	Knob, Light Switch	1
2	<u>1016630</u>	Light, Oil	1
3	<u>102044702</u>	Key Switch 12v Key Start	1
4	102044801	Key Set	1
5	N/A	Connector, 5 Way, Female	1
6	<u>102051601</u>	Spacer, Keyswitch	1
7	<u>102051701</u>	Nut, Key Switch	1
8	<u>102051901</u>	Switch, Light	1
9	<u>102198001</u>	Receptacle, Accessory	1
10	<u>102739901</u>	Panel, Instrument - Gas	1
11	<u>102967901</u>	Rivet, Removable, Tuflok 1/4"	7
12	<u>103348101</u>	Gauge Fuel-hour Sep Gnd	1
13	<u>103348201</u>	Clip, Meter, Round	1

7

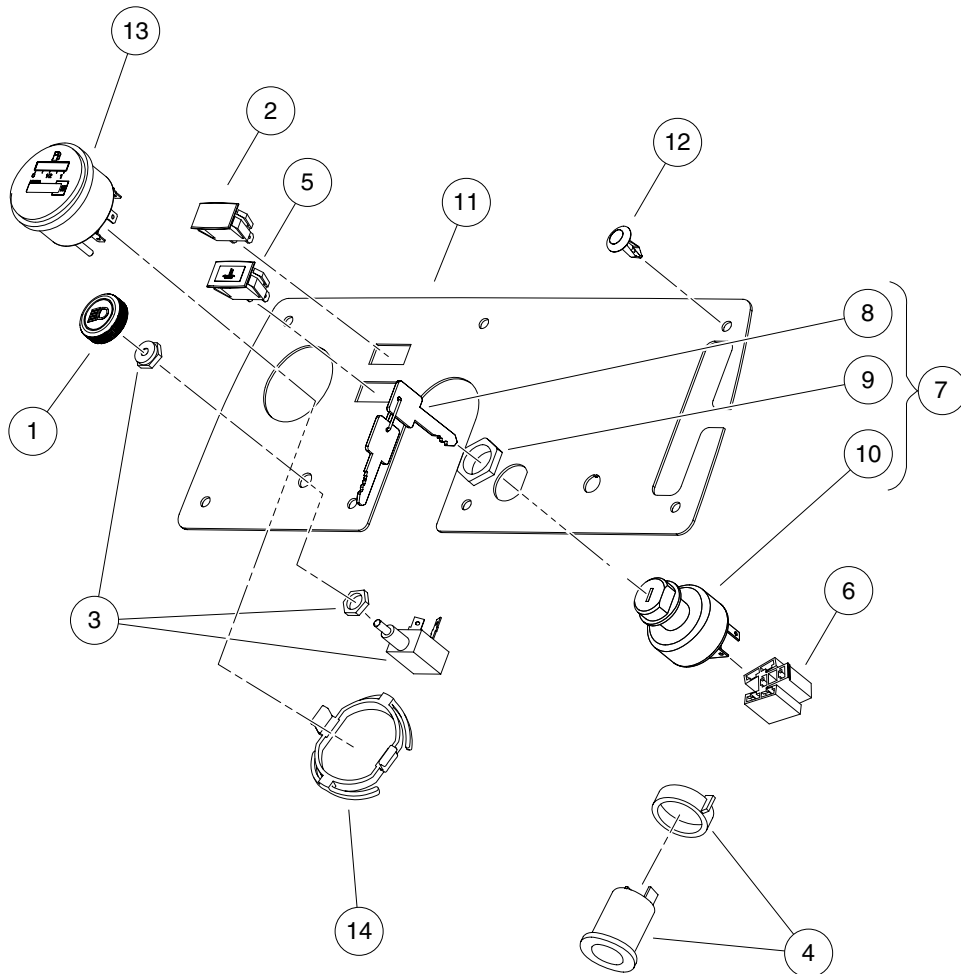
G

D

7

G

D



000080-002

ELECTRICAL COMPONENTS, INSTRUMENT PANEL, DIESEL VEHICLES

ITEM	PART NO.	DESCRIPTION	QTY
		1 2 3 4	
1	<u>1013857</u>	Knob, Light Switch	1
2	<u>1016630</u>	Light, Oil	1
3	<u>102051901</u>	Switch, Light	1
4	<u>102198001</u>	Receptacle, Accessory	1
5	<u>102375401</u>	Light, Indicator, Coolant Temp	1
6	N/A	Connector, 6 Way, 56 Series	1
7	<u>102457301</u>	Switch, Key (includes items 8 through 10)	1
8	<u>102731701</u>	Key Set (1 pair)	1
9	N/A	Nut, Key Switch	1
10	N/A	Switch, Key without Nut	1
11	<u>102739902</u>	Panel, Instrument - Diesel	1
12	<u>102967901</u>	Rivet, Removable, Tuflok 1/4"	7
13	<u>103348101</u>	Gauge Fuel-hour Sep Gnd	1
14	<u>103348201</u>	Clip, Meter, Round	1

7

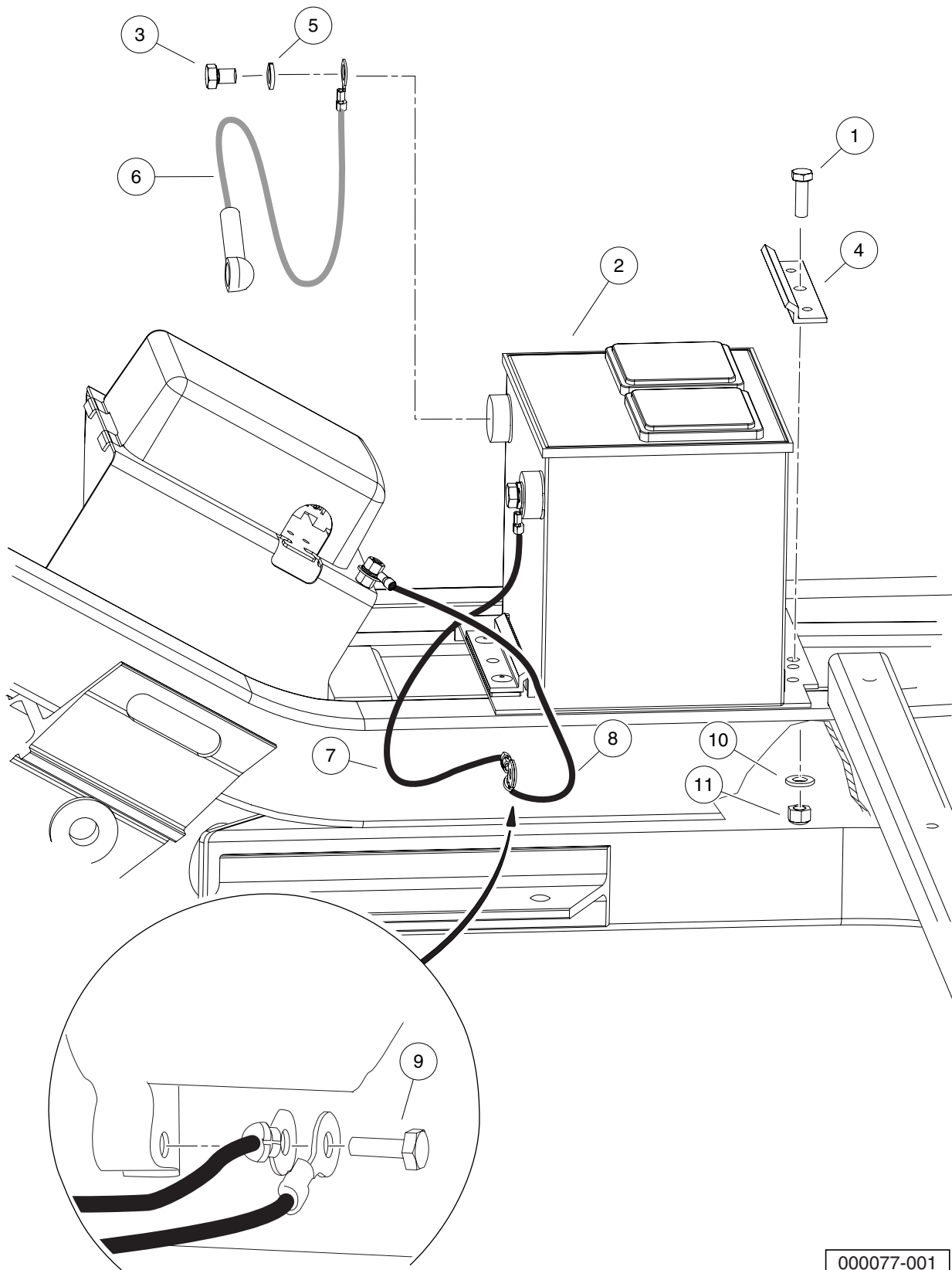
G

D

7

G

D



000077-001

BATTERY – GASOLINE VEHICLES

ITEM	PART NO.	DESCRIPTION	QTY
		1 2 3 4	
1	<u>1010934</u>	Screw, 5/16-18 X 1.00 Hex Cap	1
2	<u>1012328</u>	Battery, 12-Volt	1
3	<u>1014375</u>	Screw, 3/8-16 X 0.50 Stainless Steel Hex-Head	2
4	<u>101898001</u>	Clamp, Battery	1
5	<u>102355301</u>	Lockwasher, 3/8 Stainless Stl	2
6	<u>102442201</u>	Asm, #6 Red Wire	1
7	<u>102442301</u>	Asm, #6 Blk Wire	1
8	<u>102442401</u>	Asm, #6 Blk Wire	1
9	<u>102490301</u>	Bolt, M6 X 1 X 16 Loctite	1
10	<u>1241</u>	Washer, 5/16 Type A Flat	1
11	<u>7473</u>	Locknut, 5/16-18 Nylon Insert	1

7

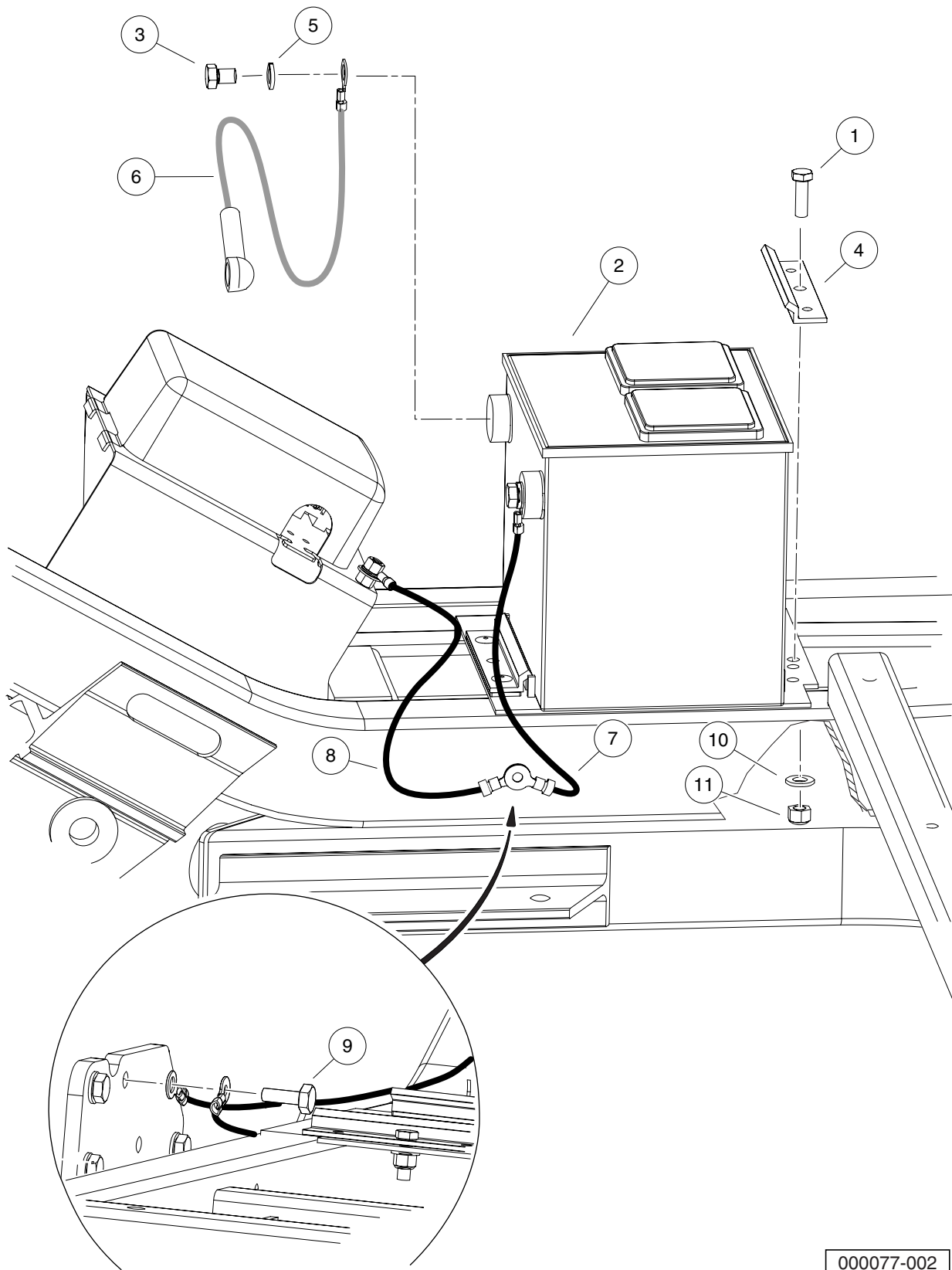
G

D

7

G

D



000077-002

BATTERY – DIESEL VEHICLES

ITEM	PART NO.	DESCRIPTION	QTY
		1 2 3 4	
1	<u>1010934</u>	Screw, 5/16-18 X 1.00 Hex Cap	1
2	<u>1012328</u>	Battery, 12-Volt	1
3	<u>1014375</u>	Screw, 3/8-16 X 0.50 Stainless Steel Hex-Head	2
4	<u>101898001</u>	Clamp, Battery	1
5	<u>102355301</u>	Lockwasher, 3/8 Stainless Stl	2
6	<u>102442201</u>	Asm, #6 Red Wire	1
7	<u>102448401</u>	Wire Asm, #6 Blk, Awd, 350	1
8	<u>102448501</u>	Wire Asm, #6 Blk, Awd, 325	1
9	<u>102498201</u>	Bolt, M10 X 1.25 X 25 Loctite	1
10	<u>1241</u>	Washer, 5/16 Type A Flat	1
11	<u>7473</u>	Locknut, 5/16-18 Nylon Insert	1

7

G

D

7

G

D

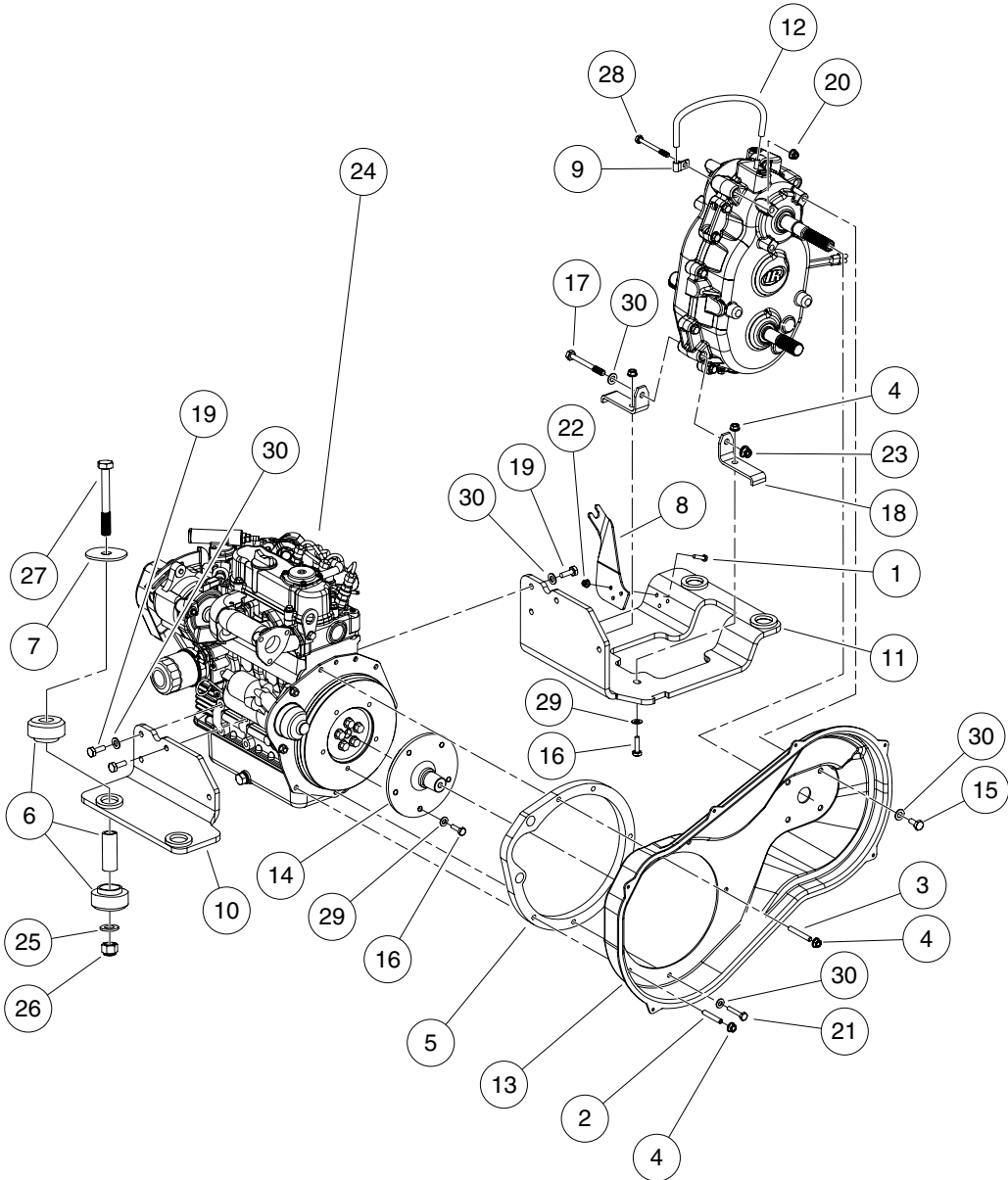
DIESEL ENGINE (OPEN BREATHER)

8

D

8

D



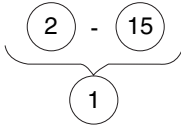
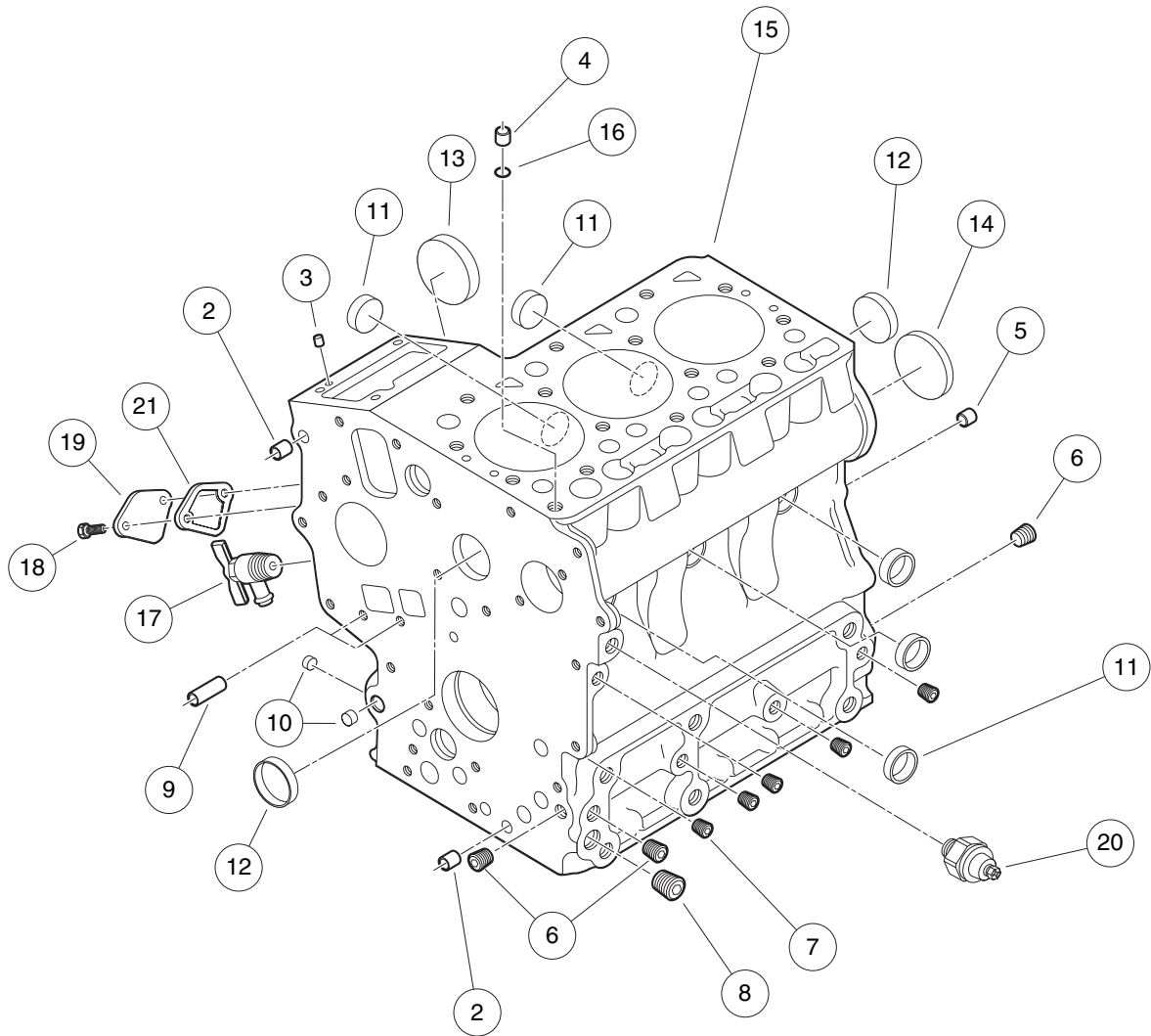
000025-002

KUBOTA D722 DIESEL ENGINE MOUNTING

ITEM	PART NO.	DESCRIPTION	QTY
		1 2 3 4	
1	<u>1012769</u>	Screw, M6-1.00 X 25mm Hex Cap	3
2	<u>101833101</u>	Stud, M8-1.25 X 50 mm Two-Ended	1
3	<u>101833201</u>	Stud, M8-1.25 X 60mm Two-Ended	1
4	<u>102298401</u>	Nut,m8,all Metal Lock	7
5	<u>102370101</u>	Spacer, Engine, Diesel	1
6	<u>102370501</u>	Isolator Ring and Bushing	4
7	<u>102370601</u>	Washer, Snubbing, Ring N Bush	4
8	<u>102382401</u>	Bracket, FNR Trans Cable	1
9	<u>102410603</u>	P-Clamp, Insulated .312 In	1
10	<u>102414701</u>	Plate, Engine Mounting, Weld, Left-Hand	1
11	<u>102414801</u>	Plate, Engine Mounting, Weld, Right-Hand	1
12	<u>102462301</u>	Hose, Vent, Transmission	1
13	<u>102462501</u>	Cover, CVT Inner, Diesel	1
14	<u>102465901</u>	Shaft, CVT Adapter	1
15	<u>102490101</u>	Bolt, M10 X 1.5 X 20 Loctite	4
16	<u>102490201</u>	Bolt, M8 X 1.25 X 25 Loctite	7
17	<u>102490501</u>	Bolt, M10 X 1.5 X 100 Loctite	1
18	<u>102494401</u>	Bracket, Transmission Mounting	2
19	<u>102498201</u>	Bolt, M10 X 1.25 X 25 Loctite	8
20	<u>102618601</u>	Lock Nut, Flg M8 X 1.25 Nylon	1
21	<u>102621301</u>	Bolt, M8 X 1.25 X 40 with Loctite	3
22	<u>102621501</u>	Nut Flg, M6 X 1.0 Nylon	3
23	<u>102670701</u>	Nut Flg M10 X 1.5 Nylon	1
24	<u>102934601</u>	Engine, Kubota, D722, with Closed Breather, 60a	1
25	<u>96701412</u>	Washer, M12 Hard	4
26	N/A	Locknut, M12x1.75 Nylon Insert	4
27	<u>96704721</u>	Bolt, M12 X 1.75 X 90	4
28	<u>96718978</u>	Bolt, M8 X 1.25 X 80	1
29	<u>96741038</u>	Washer, M8 Hard	10
30	<u>96741046</u>	Washer, M10 Hard	12

8

D



000039-001

CRANKCASE

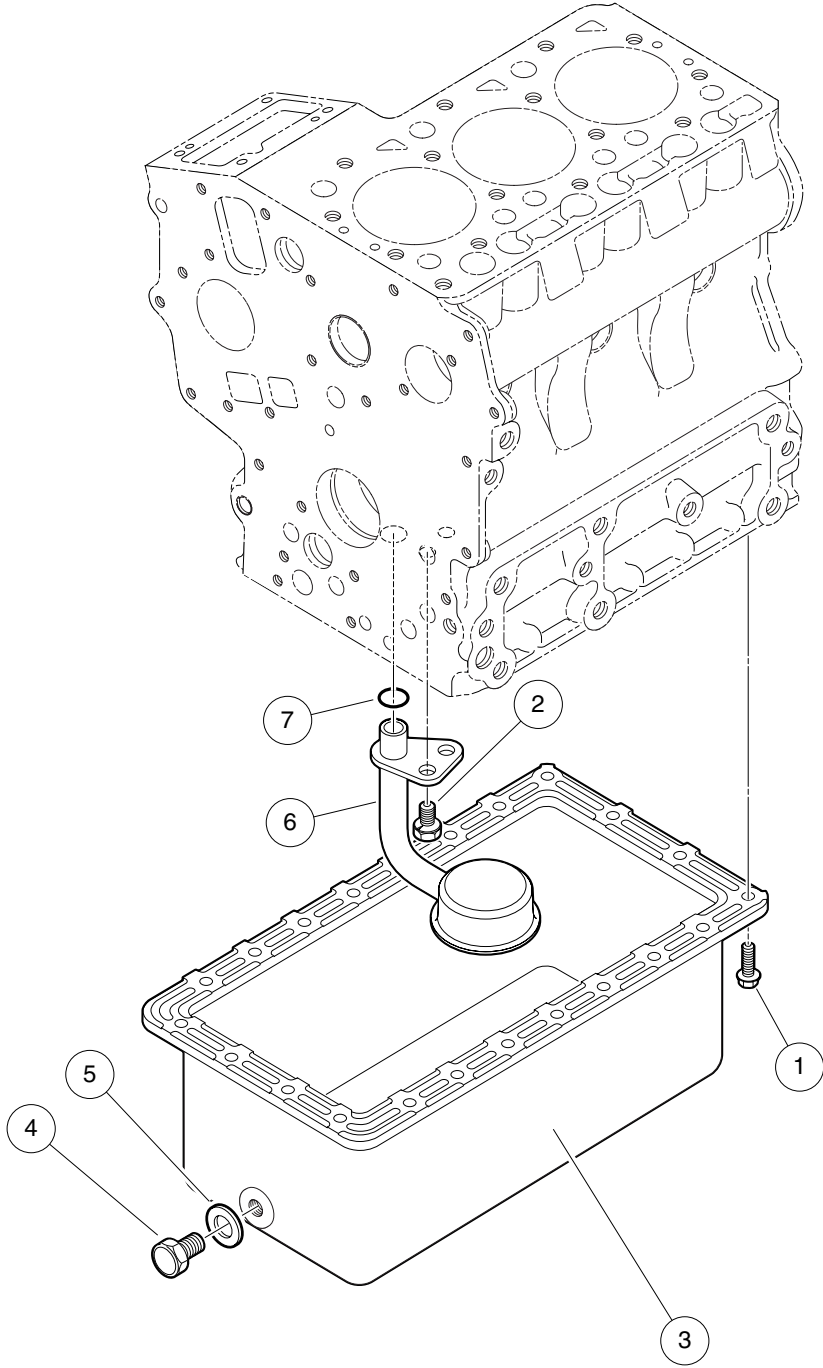
8

D

ITEM	PART NO.	DESCRIPTION	QTY
		1 2 3 4	
1	<u>102600001</u>	Engine Block (includes items 2 through 15)	1
2	<u>102600101</u>	Pin, Pipe, Dia 8 X 14	2
3	<u>102600201</u>	Pin, Straight, Dia 5 X 10	2
4	<u>102600401</u>	Pin, Pipe, Dia 7 X 14	1
5	<u>102600601</u>	Pin, Straight, Dia 8 X 16	2
6	<u>102600701</u>	Plug, 1/8"	3
7	<u>102600801</u>	Plug, 3/32"	5
8	<u>102601001</u>	Plug, 1/4"	1
9	<u>102601301</u>	Pin, Pipe, Dia 8 X 11	2
10	<u>102726201</u>	Cap, Sealing, Small	3
11	<u>102726301</u>	Cap, Sealing, Med	5
12	<u>102726401</u>	Cap, Sealing, Large	2
13	<u>102726501</u>	Cover, Fuel Camshaft	1
14	<u>102726601</u>	Plug, Expansion	1
15	N/A	Block, Engine	1
16	<u>102600301</u>	O Ring, 8 X 7	1
17	<u>102601401</u>	Cock, Drain	1
18	<u>102631601</u>	Bolt, M6 X 1 X 20	2
19	<u>102700801</u>	Plate, Engine Block	1
20	<u>102730801</u>	Switch, Oil Pressure	1
21	<u>102732601</u>	Gasket, Fuel Pump, D722	1
		 Note: The part number for a complete engine is 102739301.	

8

D



000040-001

OIL PAN

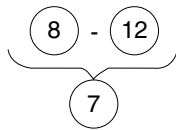
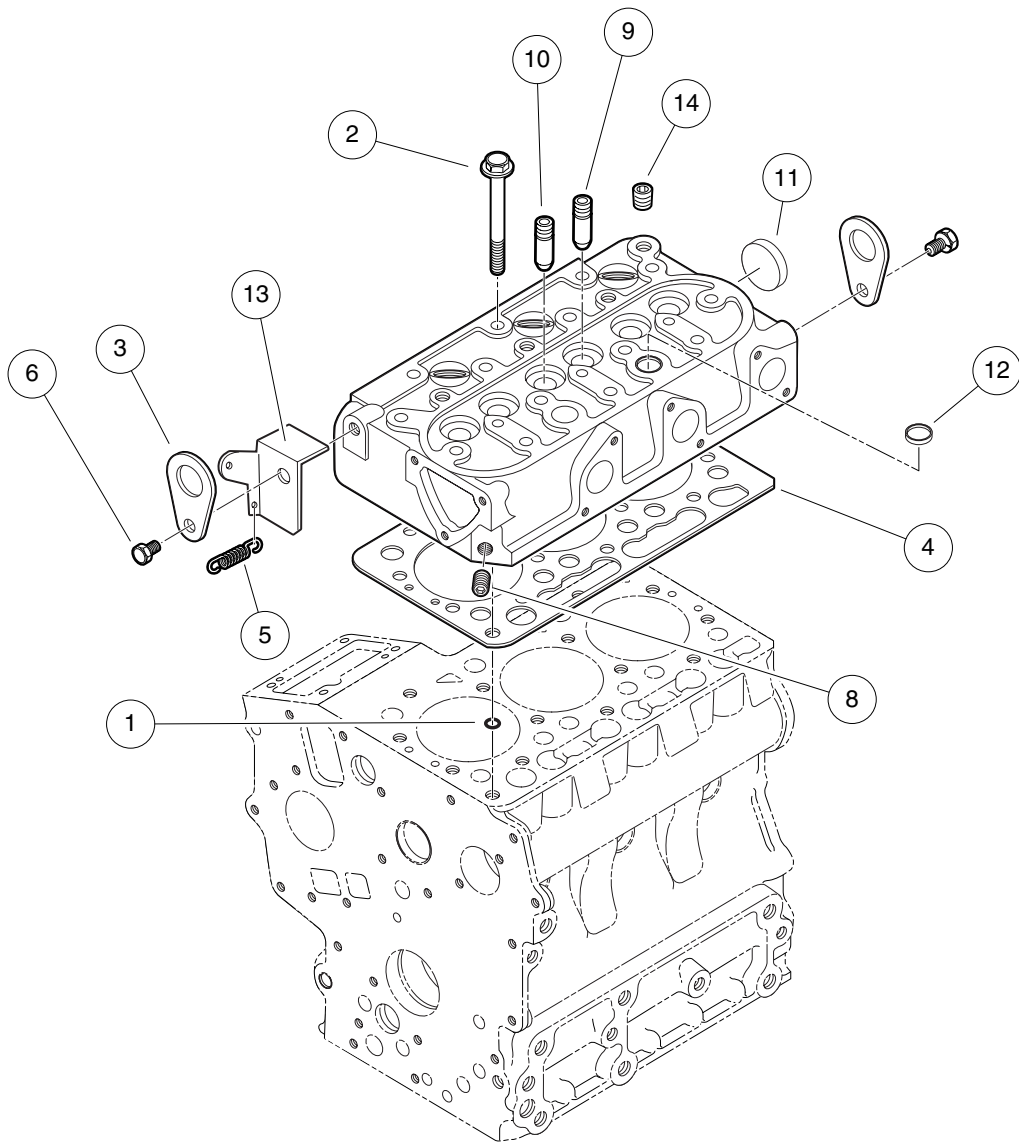
ITEM	PART NO.	DESCRIPTION	QTY
		1 2 3 4	
1	<u>102605101</u>	Bolt, M6 X 1 X 14	22
2	<u>102606901</u>	Bolt, M8 X 1.25 X 15	1
3	<u>102607001</u>	Oil Pan	1
4	<u>102607201</u>	Plug, Drain, M12 X 14	1
5	<u>102607301</u>	Gasket, 20 X 13	1
6	<u>102607401</u>	Filter, Oil, Pick Up	1
7	<u>102654601</u>	O Ring, 20 X 17	1

8

D

8

D



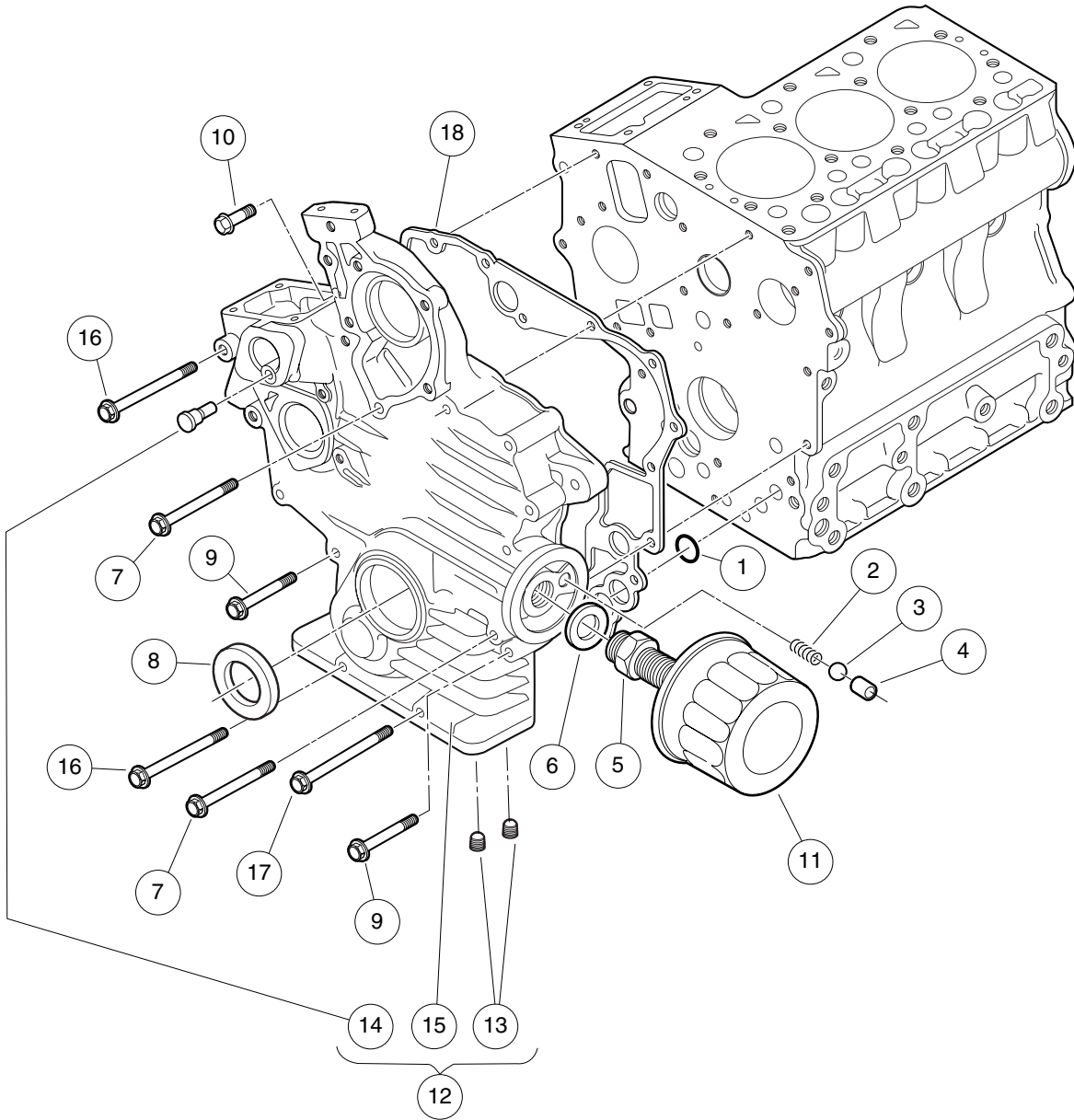
000041-001

CYLINDER HEAD

ITEM	PART NO.	DESCRIPTION	QTY
		1 2 3 4	
1	<u>102600301</u>	O Ring, 8 X 7	1
2	<u>102652801</u>	Bolt, Cylinder Head	14
3	<u>102653901</u>	Hook, Engine	2
4	<u>102654101</u>	Gasket, Cylinder Head	1
5	<u>102701001</u>	Spring, Start	1
6	<u>102726701</u>	Bolt, Engine Hook	2
7	<u>102726801</u>	Head, Cylinder, Complete (includes items 8 through 12)	1
8	<u>102600801</u>	Plug, 3/32"	1
9	<u>102653401</u>	Guide, Exhaust Valve	3
10	<u>102653501</u>	Guide, Inlet Valve	3
11	<u>102726901</u>	Cap, Sealing, Head	1
12	<u>102727001</u>	Cap, Sealing, Head, Top	2
13	<u>102727101</u>	Stay, Cylinder Head	1
14	<u>102727201</u>	Plug, Cylinder Head	1

8

D



000042-001

GEAR CASE

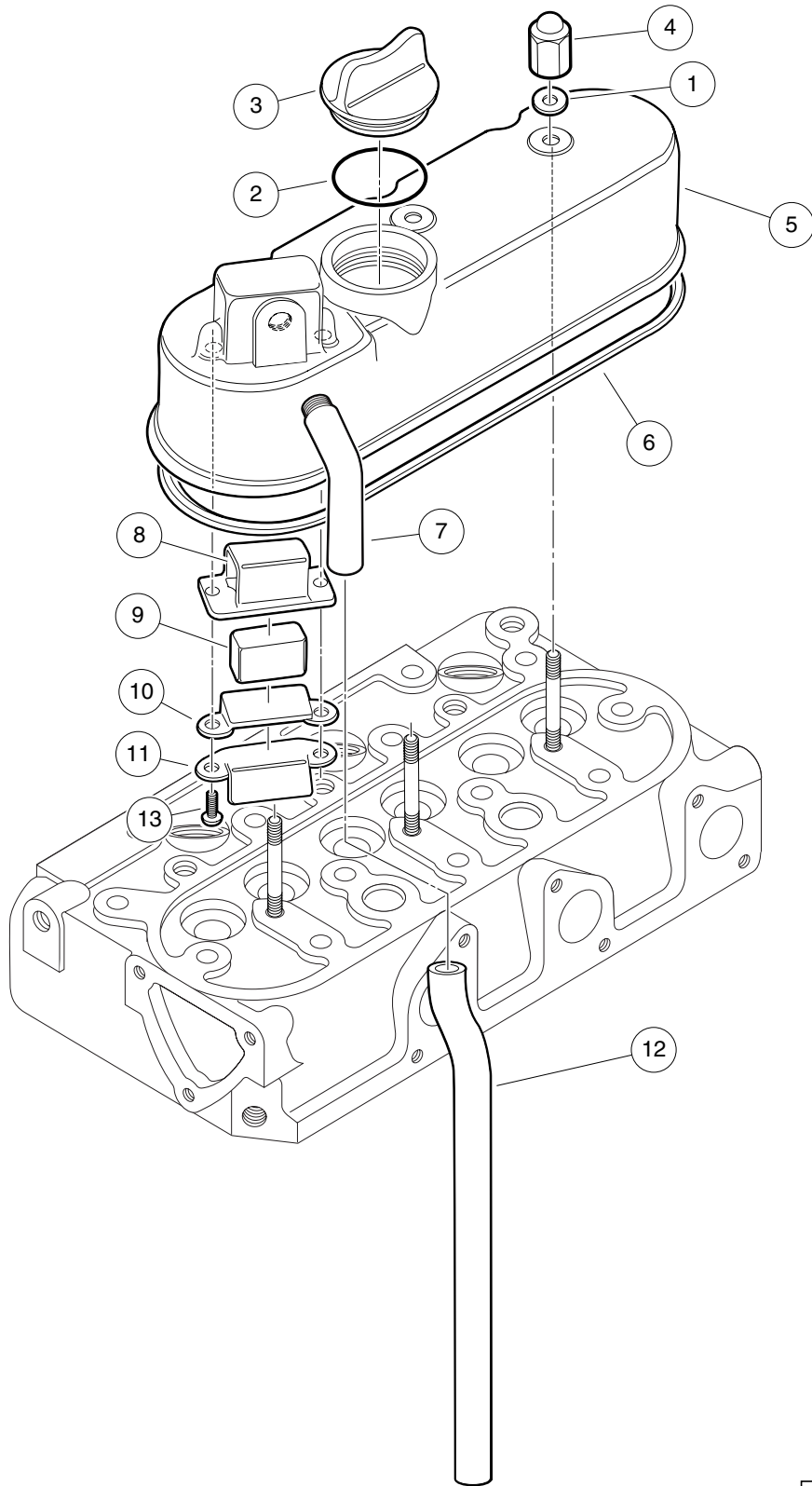
8

D

ITEM	PART NO.	DESCRIPTION	QTY
		1 2 3 4	
1	<u>102601801</u>	O Ring, 18 X 13	3
2	<u>102601901</u>	Spring, Valve	1
3	<u>102602001</u>	Ball, Valve	1
4	<u>102602101</u>	Seat, Valve	1
5	<u>102602301</u>	Joint, Pipe	1
6	<u>102602401</u>	Washer, Plain, Special	1
7	<u>102602601</u>	Bolt, M6 X 1 X 60	2
8	<u>102602701</u>	Seal, Oil	1
9	<u>102602801</u>	Bolt, D722, Front Case	9
10	<u>102654301</u>	Bolt, D722 Intake Manfld Lower	1
11	<u>102703301</u>	Filter, Engine Oil, D722	1
12	<u>102727301</u>	Case, Gear, Complete (includes items 13 through 15)	1
13	<u>102601001</u>	Plug, 1/4"	2
14	<u>102601601</u>	Pin, Start Spring	1
15	N/A	Case, Gear	1
16	<u>102727401</u>	Bolt, Gearcase, Top	2
17	<u>102727501</u>	Bolt, Gearcase, Lower	1
18	<u>102729301</u>	Gasket, Gearcase, D722	1

8

D



000043-001

HEAD COVER

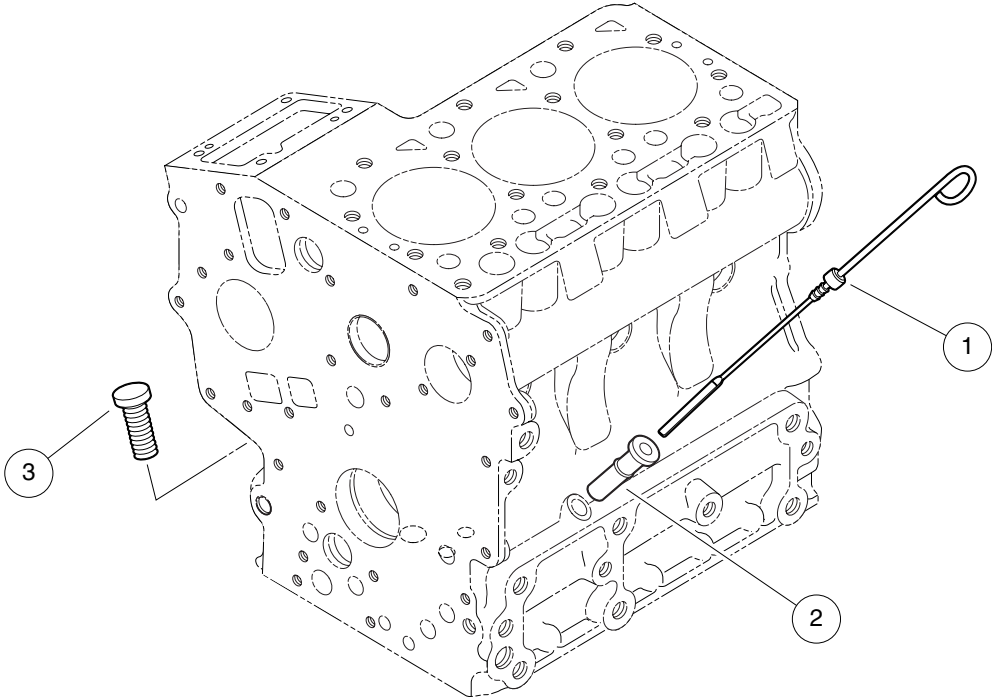
ITEM	PART NO.	DESCRIPTION	QTY
		1 2 3 4	
1	<u>102635301</u>	Gasket, 6 X 10	3
2	<u>102644001</u>	O Ring, 30 X 36	1
3	<u>102644101</u>	Plug, Oil Filler	1
4	<u>102644201</u>	Nut, Crown, M6	3
5	<u>102644401</u>	Cover, Cylinder Head	1
6	<u>102644501</u>	Gasket, Head Cover	1
7	<u>102644601</u>	Joint, Breather Pipe	1
8	<u>102644701</u>	Plate, Breather Element, Top	1
9	<u>102644801</u>	Element, Breather	1
10	<u>102644901</u>	Plate, Breather Element, Bottom	1
11	<u>102645001</u>	Oil Shield, Breather	1
12	<u>102645401</u>	Pipe, Breather	1
13	<u>102727601</u>	Screw, Breather	2

8

D

8

D



000044-001

DIPSTICK AND GUIDE

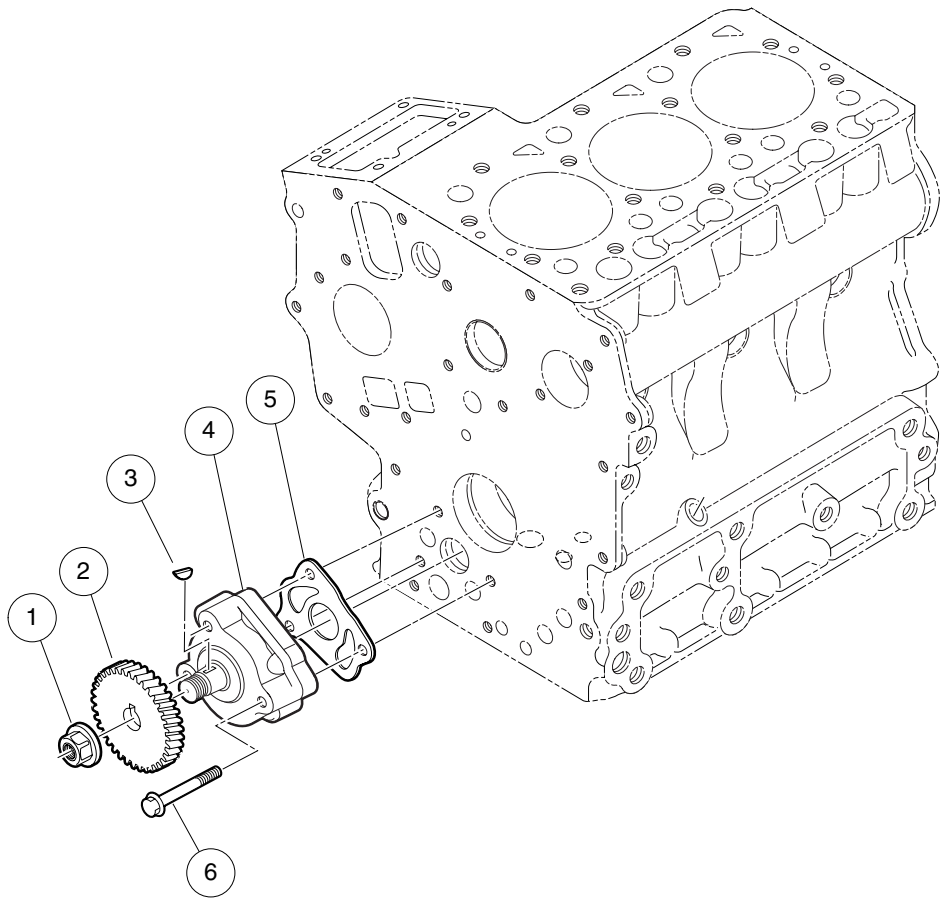
ITEM	PART NO.	DESCRIPTION	QTY
		1 2 3 4	
1	<u>102606701</u>	Gauge, Oil	1
2	<u>102727701</u>	Guide, Oil Gauge	1
3	<u>102727801</u>	Plug, Oil Gauge	1

8

D

8

D



000045-001

OIL PUMP

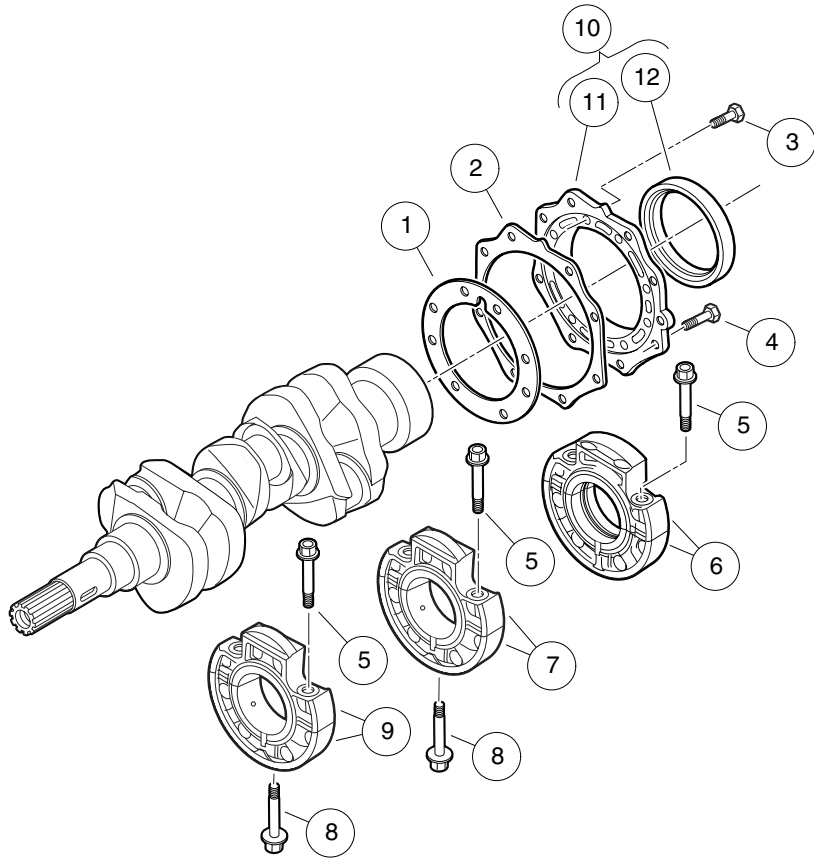
ITEM	PART NO.	DESCRIPTION	QTY
		1 2 3 4	
1	<u>102606201</u>	Nut, Flange, D722 Oil Pump	1
2	<u>102606301</u>	Gear, Oil Pump Drive	1
3	<u>102606401</u>	Key, Feather, 8x4	1
4	<u>102606501</u>	Assy, Pump, Oil	1
5	<u>102606601</u>	Gasket, Oil Pump	1
6	<u>102727901</u>	Bolt, Oil Pump	3

8

D

8

D



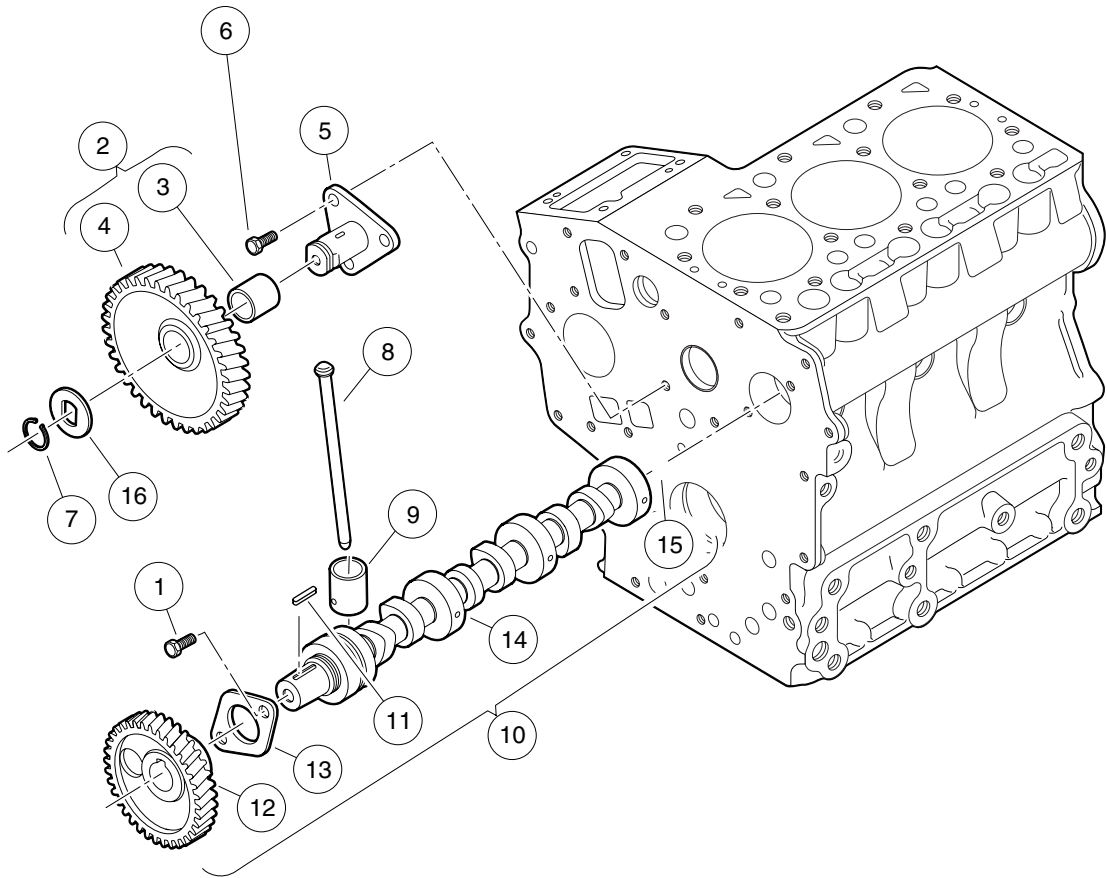
000046-001

MAIN BEARING CASE

ITEM	PART NO.	DESCRIPTION	QTY
		1 2 3 4	
1	<u>102608201</u>	Gasket, Bearing Case	1
2	<u>102608301</u>	Gasket, Cover	1
3	<u>102608601</u>	Bolt, M6 X 1 X 20	8
4	<u>102608701</u>	Bolt, M6 X 1 X 22	8
5	<u>102608901</u>	Bolt, Bearing Case, Top	6
6	<u>102609101</u>	Assy Case, Main Brg, First	1
7	<u>102609301</u>	Assy Case, Main Brg, Sec	1
8	<u>102609401</u>	Bolt, Bearing Case, Bottom	2
9	<u>102609601</u>	Assy Case, Main Brg, Third	1
10	<u>102728001</u>	Assy, Cover, Bearing Case (includes items 11 and 12)	1
11	<u>102608401</u>	Cover, Bearing Case	1
12	<u>102608501</u>	Seal, Oil	1

8

D



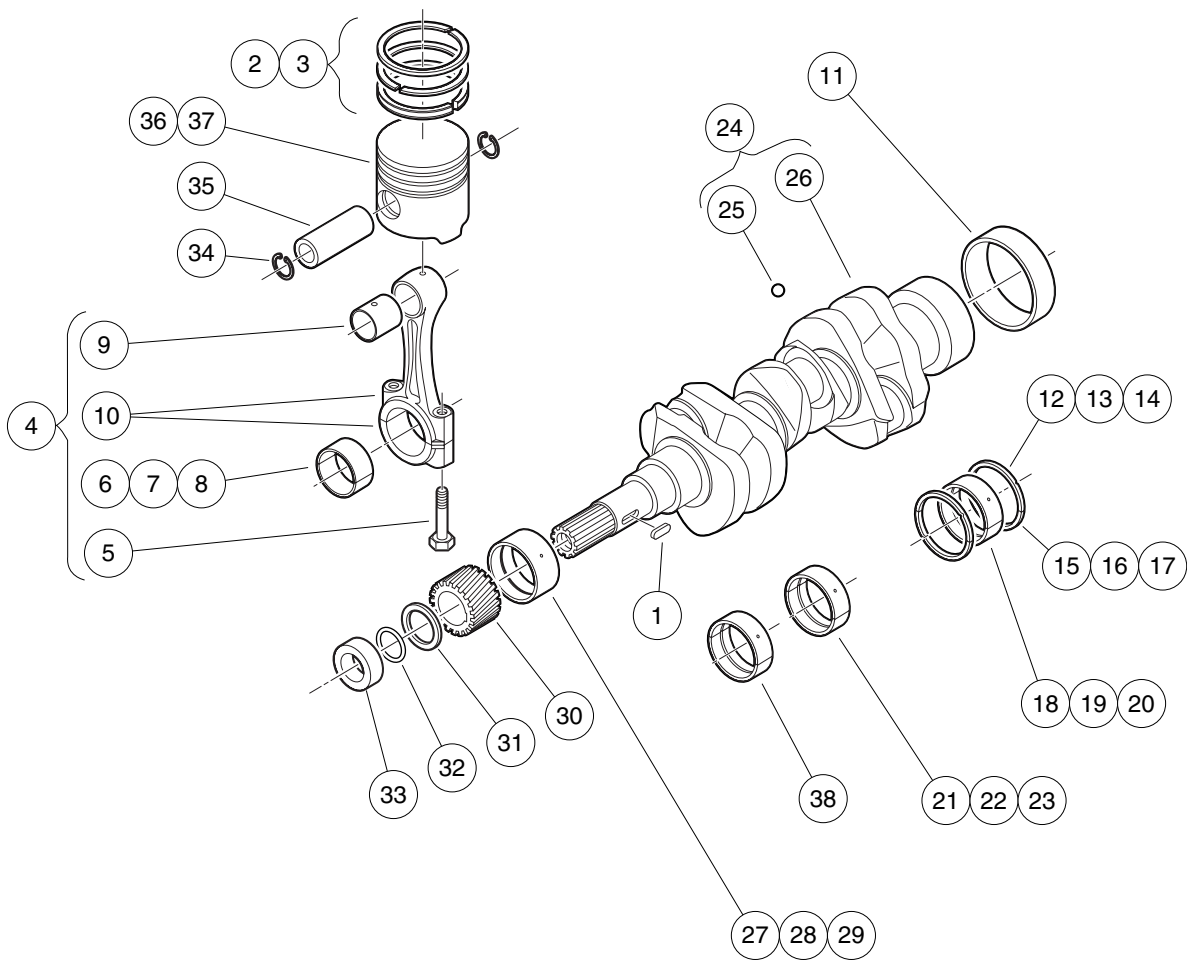
000047-002

CAMSHAFT AND IDLE GEAR

ITEM	PART NO.	DESCRIPTION	QTY
		1 2 3 4	
1	<u>102604201</u>	Bolt, D722, Cam End	2
2	<u>102604901</u>	Gear, Idle (includes items 3 and 4)	1
3	N/A	Bushing, D722 Idle Gear	1
4	N/A	Gear, Idle	1
5	<u>102605001</u>	Shaft, Idle Gear	1
6	<u>102605101</u>	Bolt, M6 X 1 X 14	3
7	<u>102605301</u>	Ring, Snap	1
8	102605401	Push Rod	6
9	<u>102605501</u>	Tappet	6
10	<u>102605801</u>	Assy Camshaft, Long (includes items 11 through 15)	1
11	<u>102605601</u>	Key, Feather, Long Camshaft	1
12	<u>102605901</u>	Gear, Cam	1
13	102606001	Stopper, Camshaft	1
14	N/A	Camshaft	1
15	<u>102799401</u>	Ball, Check	1
16	<u>102654401</u>	Collar, Idle Gear	1

8

D



000048-001

PISTON AND CRANKSHAFT

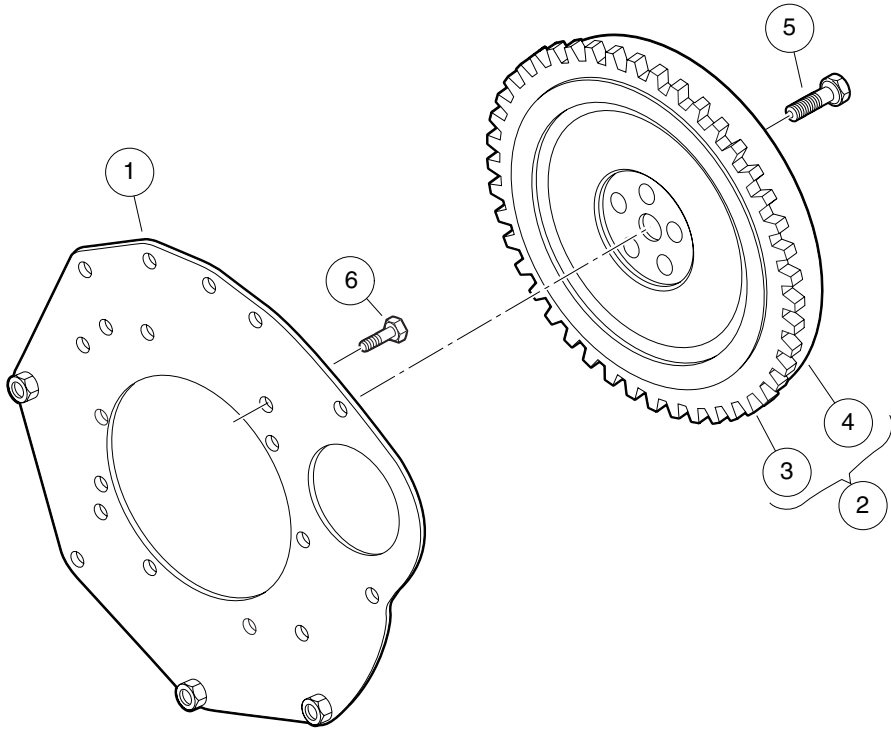
ITEM	PART NO.	DESCRIPTION	QTY
		1 2 3 4	
1	<u>102604401</u>	Key, Feather, Short Camshaft	1
2	<u>102607601</u>	Assy Piston Ring, D722 Std	3
3	<u>102607602</u>	Assy Piston Ring, D722 +.025	3
4	<u>102607801</u>	Assy, Connecting Rod (includes items 5 through 10)	3
5	<u>102607901</u>	Bolt, Connecting Rod	6
6	<u>102630701</u>	Metal, Crank, Rod, D722, Std	3
7	<u>102630702</u>	Metal, Crank, Rod, D722, .020	3
8	<u>102630703</u>	Metal, Crank, Rod, D722, .040	3
9	<u>102732201</u>	Bushing, Piston Pin, D722	3
10	N/A	Rod, Connecting	1
11	<u>102608101</u>	Sleeve, Crankshaft	1
12	<u>102608801</u>	Metal,crank, O Side, Std	2
13	<u>102608802</u>	Metal,crank, O Side, +.020	2
14	<u>102608803</u>	Metal,crank, O Side, +.040	2
15	<u>102608804</u>	Metal,crank, I Side, Std	2
16	<u>102608805</u>	Metal,crank, I Side, +.020	2
17	<u>102608806</u>	Metal,crank, I Side, +.040	2
18	<u>102609001</u>	Metal, Crank, Main, Rear Std	1
19	<u>102609002</u>	Metal, Crank, Main, Rear -.020	1
20	<u>102609003</u>	Metal, Crank, Main, Rear -.040	1
21	<u>102609801</u>	Metal, Crank, Main, Mid Std	4
22	<u>102609802</u>	Metal, Crank, Main, Mid +.020	2
23	<u>102609803</u>	Metal, Crank, Main, Mid +.040	2
24	<u>102610001</u>	Crankshaft (includes items 25 and 26)	1
25	<u>102608001</u>	Ball, Crankshaft	3
26	N/A	Crankshaft	1
27	<u>102630001</u>	Metal, Crank, D722, Frnt, Std	1
28	<u>102630002</u>	Metal, Crank, 722, Frnt, -.020	1
29	<u>102630003</u>	Metal, Crank, 722, Frnt, -.040	1
30	<u>102630101</u>	Gear, Crank	1
31	<u>102630201</u>	Slinger, Oil	1
32	<u>102630301</u>	O Ring, 23 X 26	1
33	<u>102630401</u>	Collar, Crankshaft	1
34	<u>102630901</u>	Circlip, Piston Pin	6
35	<u>102631001</u>	Pin, Piston	3
36	<u>102728101</u>	Piston, D722, Std	3
37	<u>102728102</u>	Piston, D722, +0.25	3
38	<u>102728201</u>	Metal, Crankshaft, Brg	1

8

D

8

D



000049-001

FLYWHEEL

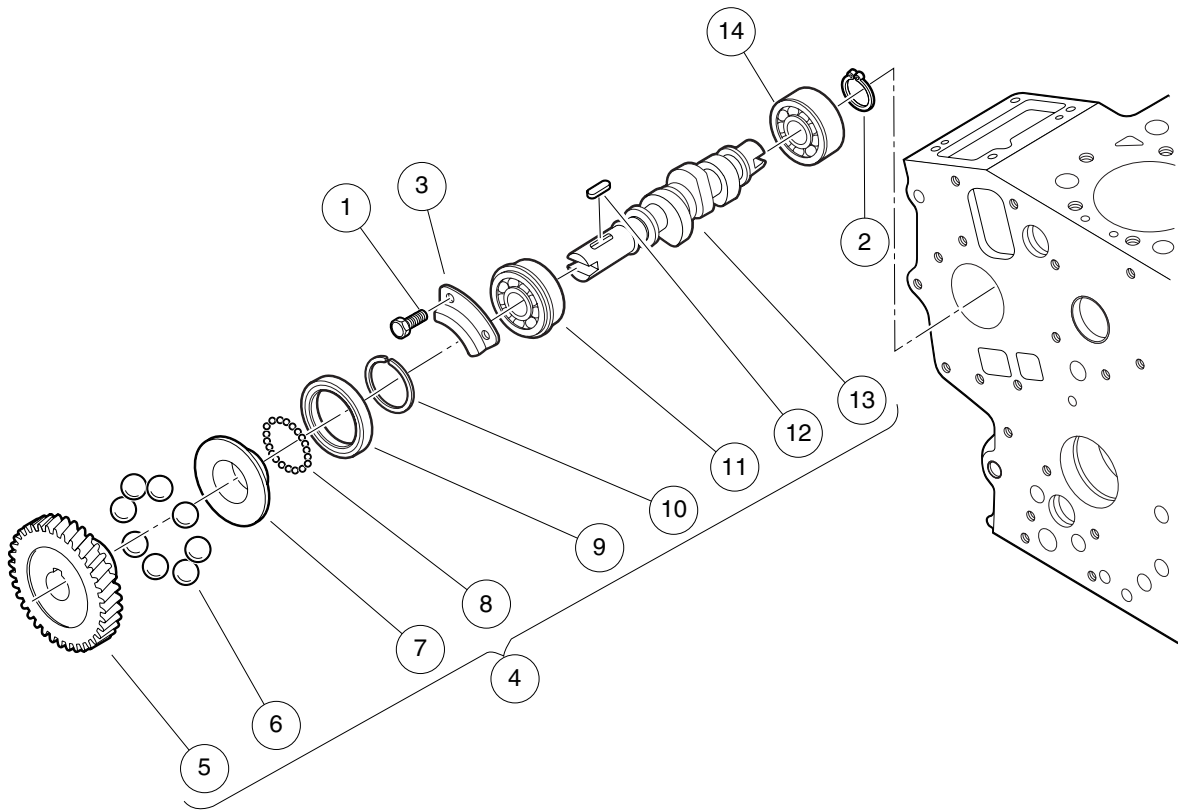
ITEM	PART NO.	DESCRIPTION	QTY
		1 2 3 4	
1	<u>102647501</u>	Plate, Rear End	1
2	<u>102647801</u>	Flywheel (includes items 3 and 4)	1
3	<u>102647901</u>	Gear, Ring, D722	1
4	N/A	Flywheel	1
5	<u>102648001</u>	Bolt, Flange Head, M10 X 1.5 X 25	5
6	<u>102728301</u>	Bolt, End Plate	10

8

D

8

D



000050-001

SHAFT

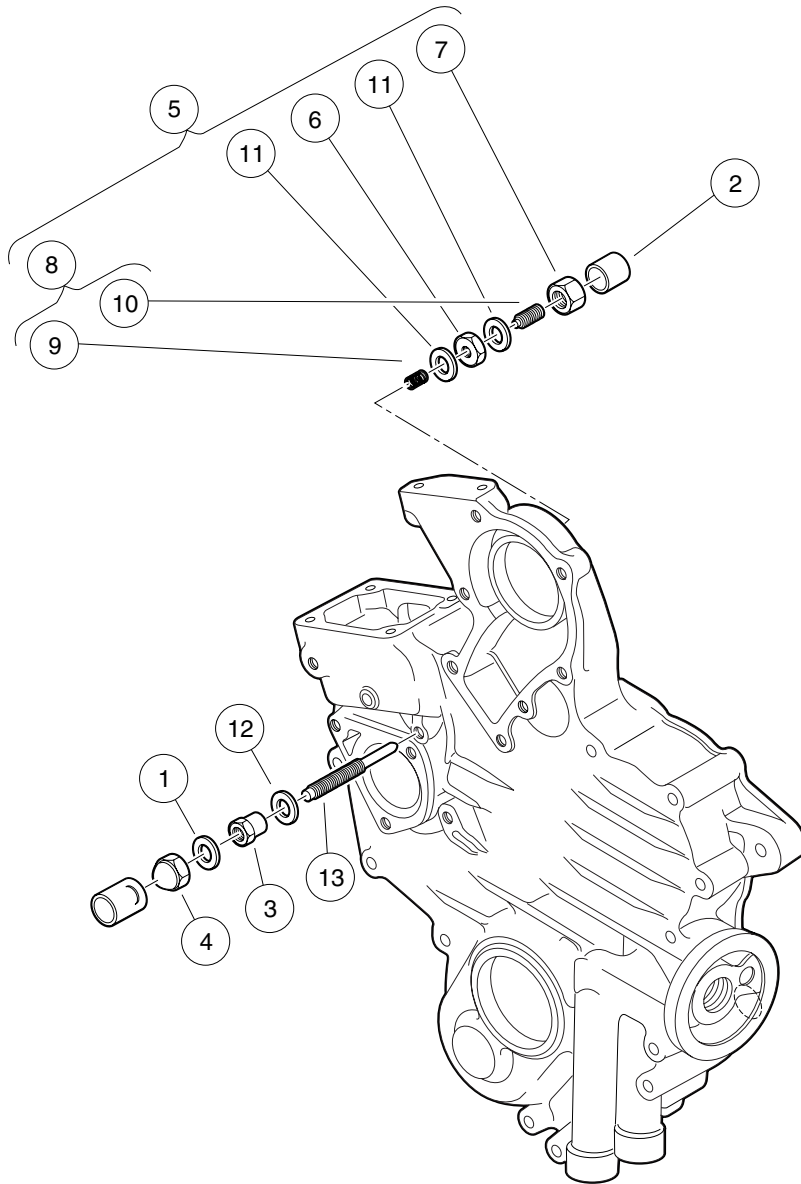
8

D

ITEM	PART NO.	DESCRIPTION	QTY
		1 2 3 4	
1	<u>102604201</u>	Bolt, D722, Cam End	2
2	<u>102604701</u>	Circlip, External	1
3	<u>102604801</u>	Stopper, Fuel, C/shaft	1
4	<u>102728401</u>	Assy, Fuel Camshaft (includes items 5 through 13)	1
5	<u>102603601</u>	Gear, Injection Pump	1
6	<u>102603701</u>	Ball, Injection Pump	8
7	<u>102603801</u>	Sleeve, Governor	1
8	<u>102603901</u>	Ball, Governor	32
9	<u>102604001</u>	Case, Governor Ball	1
10	<u>102604101</u>	Circlip	1
11	<u>102604301</u>	Bearing, Ball	1
12	<u>102604401</u>	Key, Feather, Short Camshaft	1
13	<u>102604501</u>	Camshaft, Fuel, Short	1
14	<u>102728501</u>	Bearing, Ball	1

8

D



000051-001

IDLE APPARATUS

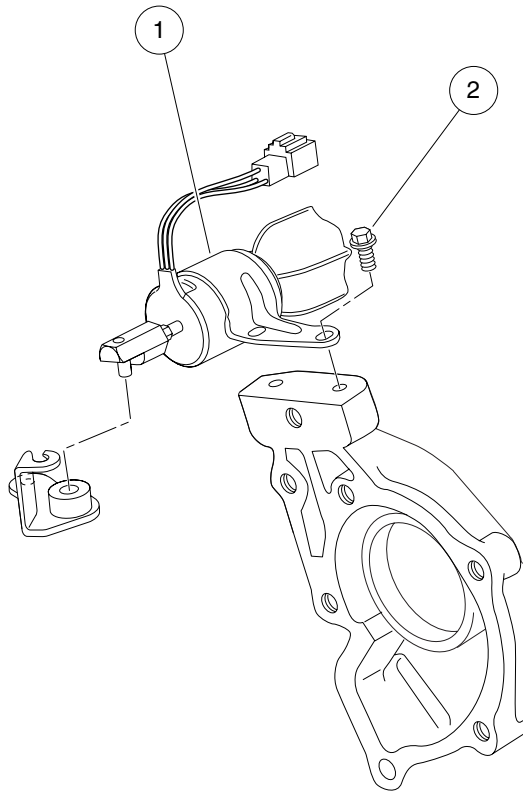
8

ITEM	PART NO.	DESCRIPTION	QTY
		1 2 3 4	
1	<u>102635301</u>	Gasket, 6 X 10	1
2	<u>102635701</u>	Cap, Bolt Assy	1
3	<u>102637001</u>	Nut, Lock, Special	1
4	<u>102637101</u>	Nut, Special	1
5	<u>102728601</u>	Assy, Idle Apparatus (includes items 6 through 11)	1
6	<u>102635501</u>	Nut, M8, D722 Idle App, Specl	1
7	<u>102635801</u>	Nut, M8, D722 Idle App	1
8	<u>102635901</u>	Assy, Bolt, Adjusting (includes items 9 and 10)	1
9	N/A	Spring, Idle Apparatus	1
10	N/A	Stud, Idle Adjustment	1
11	<u>102728801</u>	Gasket, Idle Apparatus, Rear	2
12	<u>102728901</u>	Gasket, Idle Apparatus, Front	1
13	<u>102799501</u>	Bolt, Idle Adjusting	1

D

8

D



000052-001

STOP SOLENOID

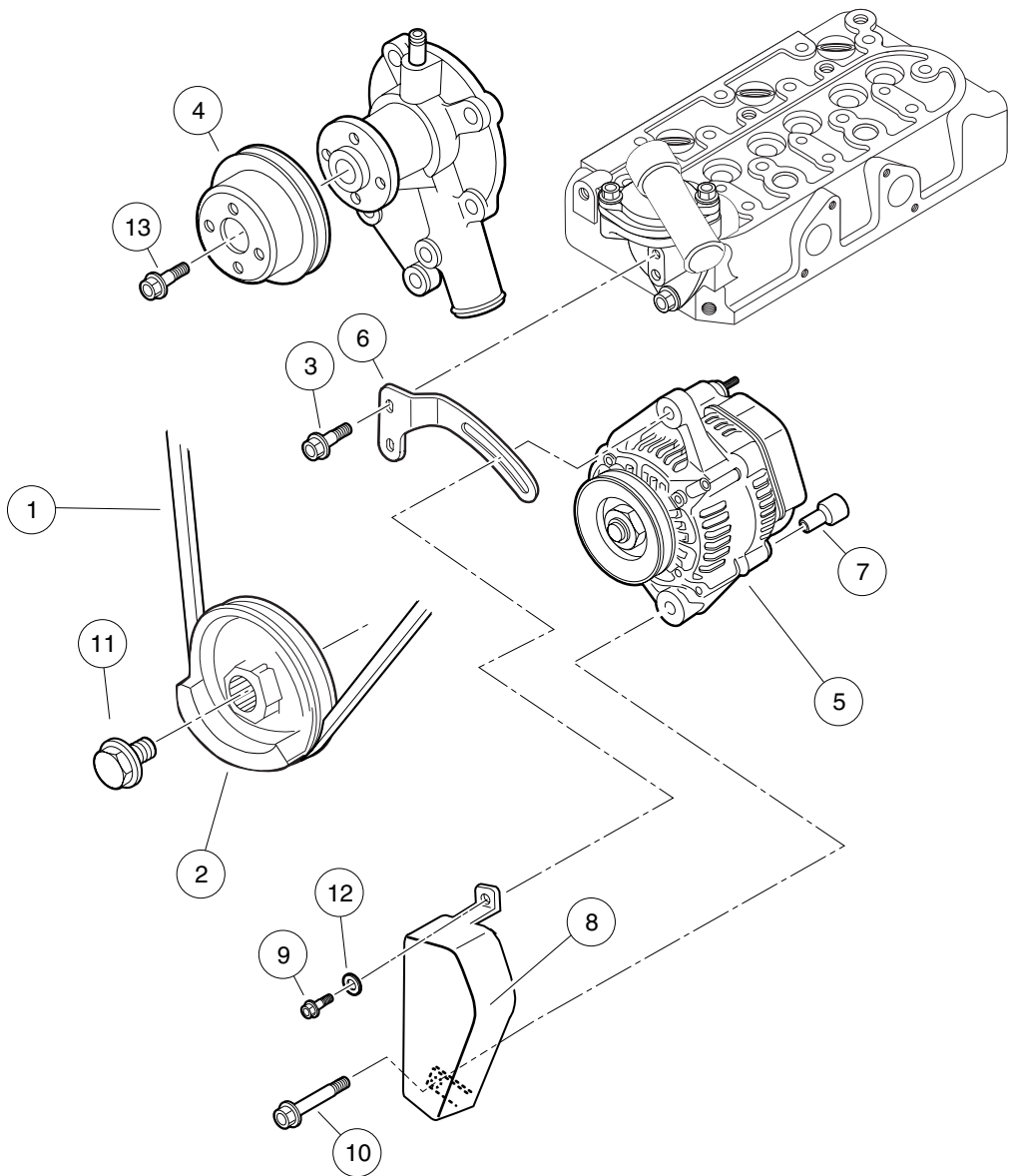
ITEM	PART NO.	DESCRIPTION	QTY
1	102729001	1 2 3 4 Solenoid, Stop, D722	1
2	<u>102729101</u>	Bolt, Solenoid, Stop, D722	2

8

D

8

D



000057-001

ALTERNATOR (DIESEL VEHICLES)

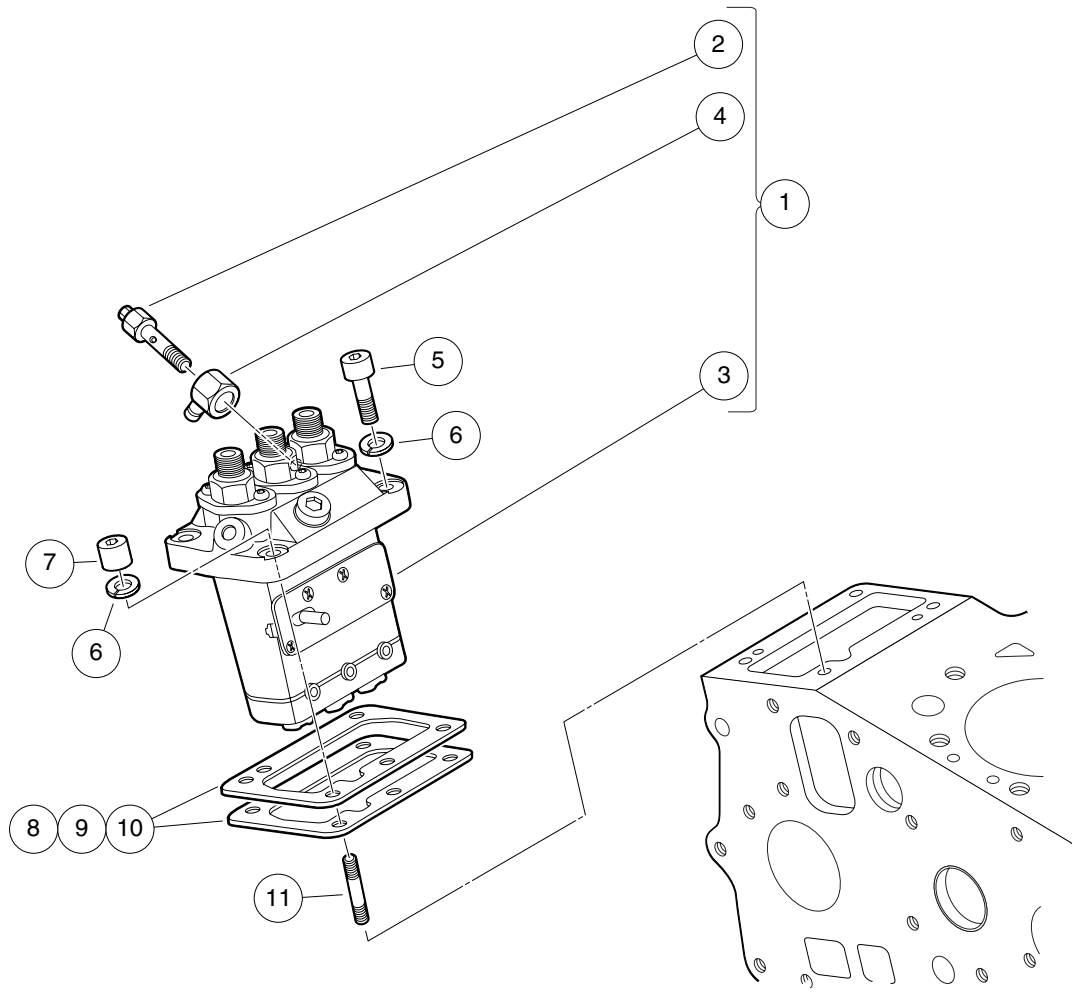
ITEM	PART NO.	DESCRIPTION	QTY
		1 2 3 4	
1	<u>102601101</u>	V-Belt	1
2	<u>102630601</u>	Pulley, Fan Drive	1
3	<u>102631601</u>	Bolt, M6 X 1 X 20	2
4	<u>102701201</u>	Pulley, Water Pump	1
5	<u>102730001</u>	Alternator, 40-Amp	1
6	<u>102730101</u>	Stay, Alternator Assy, D722	1
7	<u>102730201</u>	Collar, Alternator Assy, D722	1
8	<u>102730301</u>	Cover, Alternator Assy, D722	1
9	<u>102730401</u>	Bolt, Alt, D722, Adjuster	1
10	<u>102730501</u>	Bolt, Alt, D722, Pivot	1
11	<u>102730601</u>	Bolt, Alt, D722, Drive Pulley	1
12	<u>102730701</u>	Washer, Alt, D722	1
13	<u>102731301</u>	Bolt, D722, Drive Pulley	4

8

D

8

D



000053-001

INJECTION PUMP

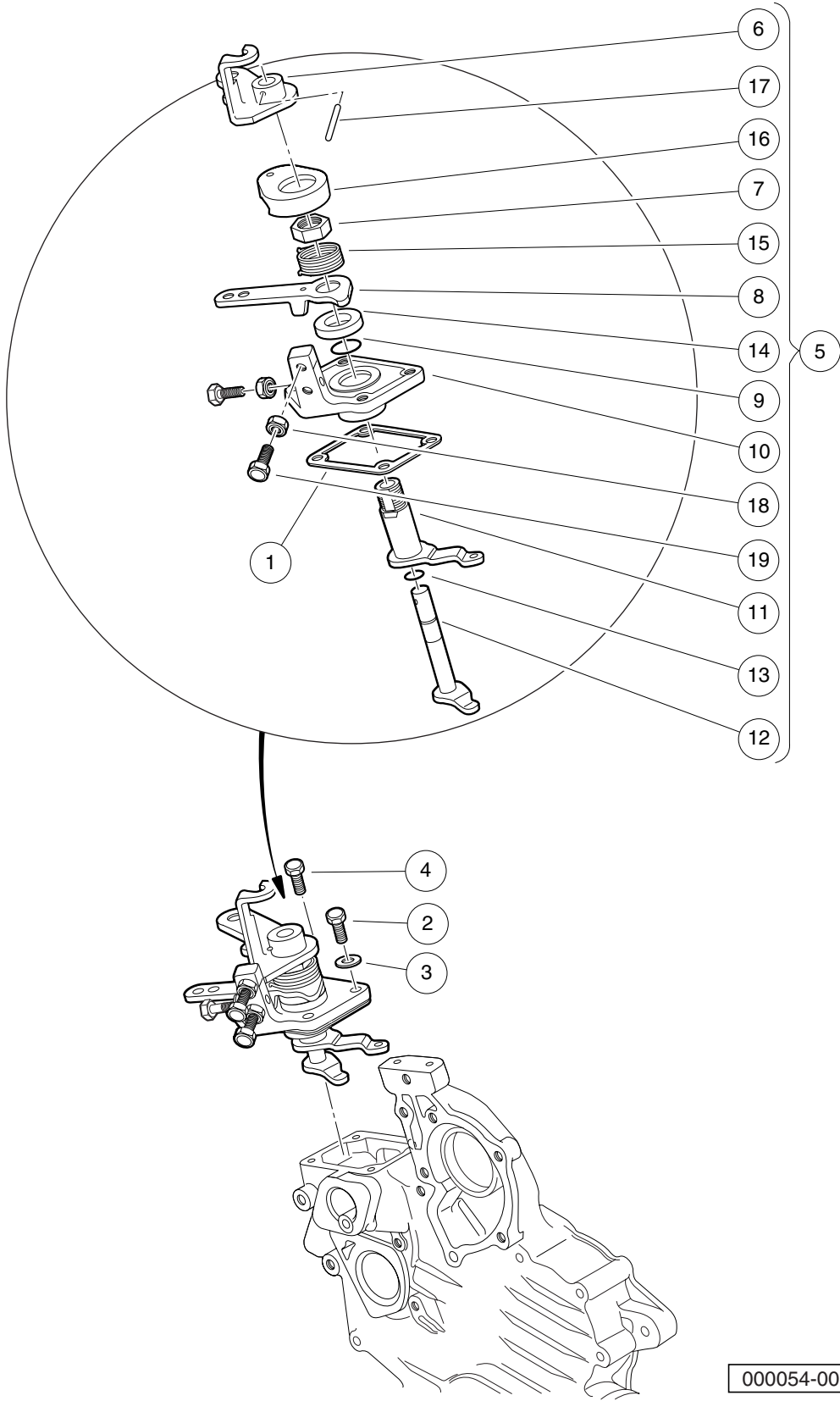
ITEM	PART NO.	DESCRIPTION	QTY
		1 2 3 4	
1	<u>102637301</u>	Assy Pump, Injection (includes items 2 through 4)	1
2	N/A	Screw, Hollow, D722, Inj Pump	1
3	<u>102640401</u>	Joint, Eye	1
4	N/A	Pump, Injection	1
5	<u>102640501</u>	Bolt, Hex-Head, M5 X 0.75 X	2
6	<u>102640601</u>	Washer, Spring, M6, D722	4
7	<u>102640701</u>	Nut, Special	2
8	<u>102640901</u>	Shim, Injection Pump, 0.20 mm	A/R
9	<u>102641001</u>	Shim, Injection Pump, 0.25 mm	A/R
10	102641101	Shim, Injection Pump, 0.30 mm	A/R
11	<u>102641201</u>	Stud, M5 X 25	2

8

D

8

D



000054-001

SPEED CONTROL PLATE

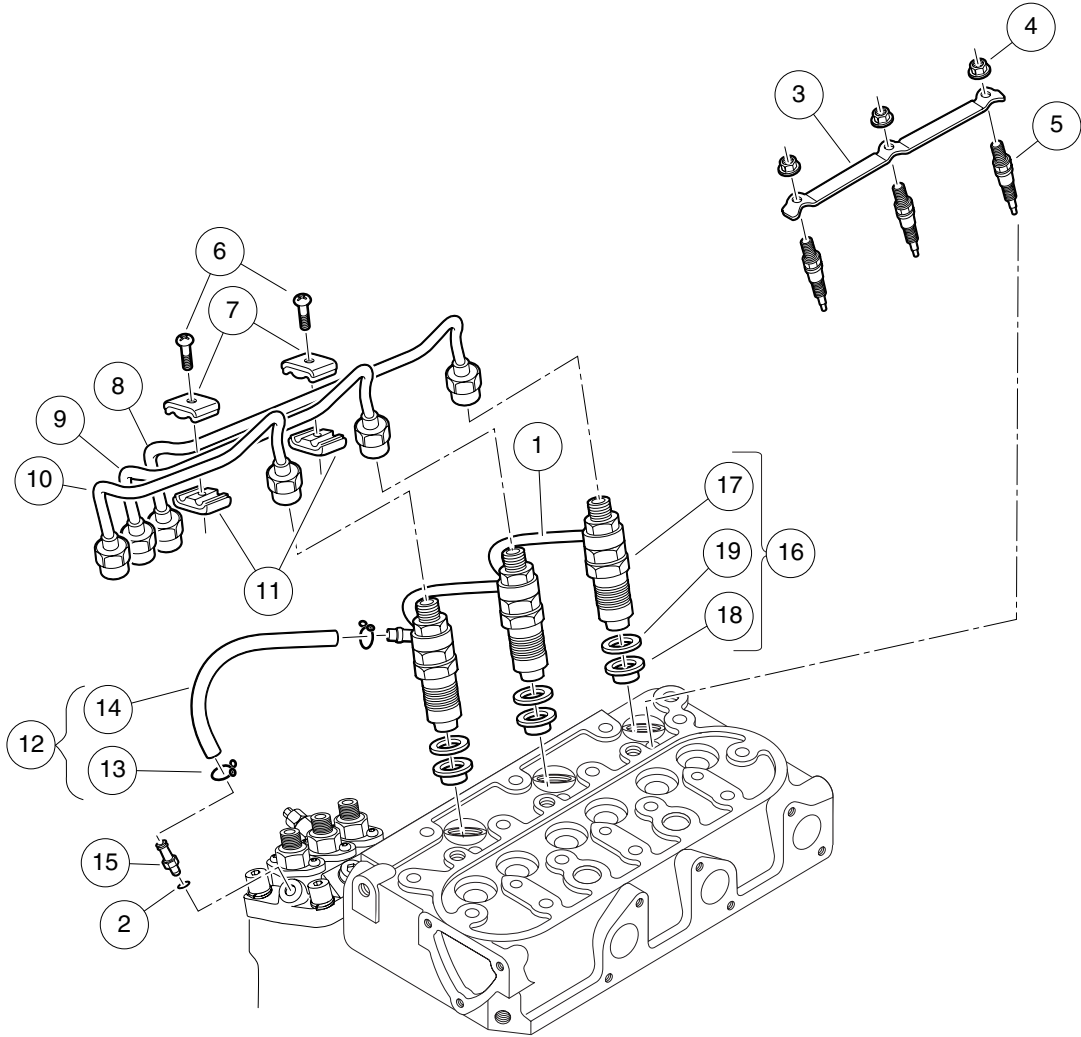
ITEM	PART NO.	DESCRIPTION	QTY
		1 2 3 4	
1	<u>102634501</u>	Gasket, Control Plate	1
2	<u>102635201</u>	Bolt, M6 X 1 X 30	2
3	<u>102635301</u>	Gasket, 6 X 10	2
4	<u>102654301</u>	Bolt, D722 Intake Manfld Lower	2
5	<u>102701401</u>	Assy, Governor (includes items 6 through 19)	1
6	<u>102633701</u>	Lever, Engine Stop	1
7	<u>102633801</u>	Nut, Speed Control	1
8	<u>102633901</u>	Lever, Speed Control	1
9	<u>102634001</u>	O Ring, 19 X 16	1
10	<u>102634101</u>	Plate, Speed Control	1
11	<u>102634201</u>	Lever, Governor	1
12	<u>102634301</u>	Shaft, Lever	1
13	<u>102634401</u>	O Ring, 9 X 7	1
14	<u>102634601</u>	Collar, Lever	1
15	<u>102634701</u>	Spring, Return	1
16	<u>102729401</u>	Cap, Speed Cntrl Plate Rtrn	1
17	<u>102729501</u>	Pin, Spring, Speed Plate	1
18	N/A	Nut, Speed Control	2
19	N/A	Bolt, Speed Control	2

8

D

8

D



000055-001

NOZZLE HOLDERS AND GLOW PLUGS

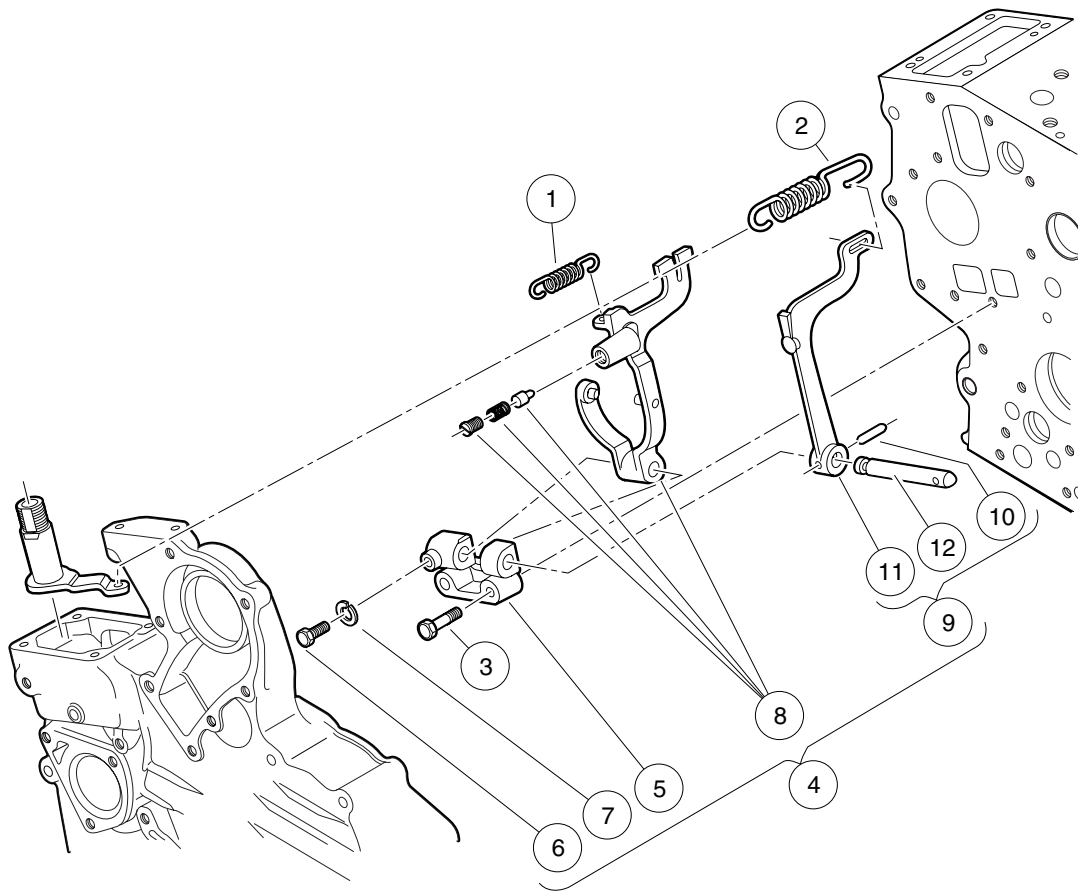
ITEM	PART NO.	DESCRIPTION	QTY
		1 2 3 4	
1	<u>102605701</u>	Assy Pipe, D722 Fuel Over Flow	1
2	<u>102635301</u>	Gasket, 6 X 10	1
3	<u>102642401</u>	Cord, Glow Plug	1
4	<u>102642501</u>	Nut, Flange,m4	3
5	<u>102642601</u>	Glow Plug	3
6	<u>102642801</u>	Screw, Washer	2
7	<u>102642901</u>	Clamp, Pipe, Top	2
8	<u>102643001</u>	Pipe, Injection, Left	1
9	<u>102643101</u>	Pipe, Injection, Right	1
10	<u>102643201</u>	Pipe, Injection, Middle	1
11	<u>102643301</u>	Clamp, Pipe, Bottom	2
12	<u>102643401</u>	Assy Pipe, Over Flow (includes items 13 and 14)	1
13	<u>102729601</u>	Clip, Pipe, Return	2
14	N/A	Hose, Overflow	1
15	<u>102643701</u>	Screw, Air Bleeder	1
16	<u>102729701</u>	Kit, Holder, Nozzle (includes items 17 through 19)	3
17	<u>102641501</u>	Assembly, Nozzle Holder	3
18	<u>102642701</u>	Seal, Heat	3
19	<u>102643601</u>	Gasket, Nozzle	3

8

D

8

D



000056-001

GOVERNOR COMPONENTS

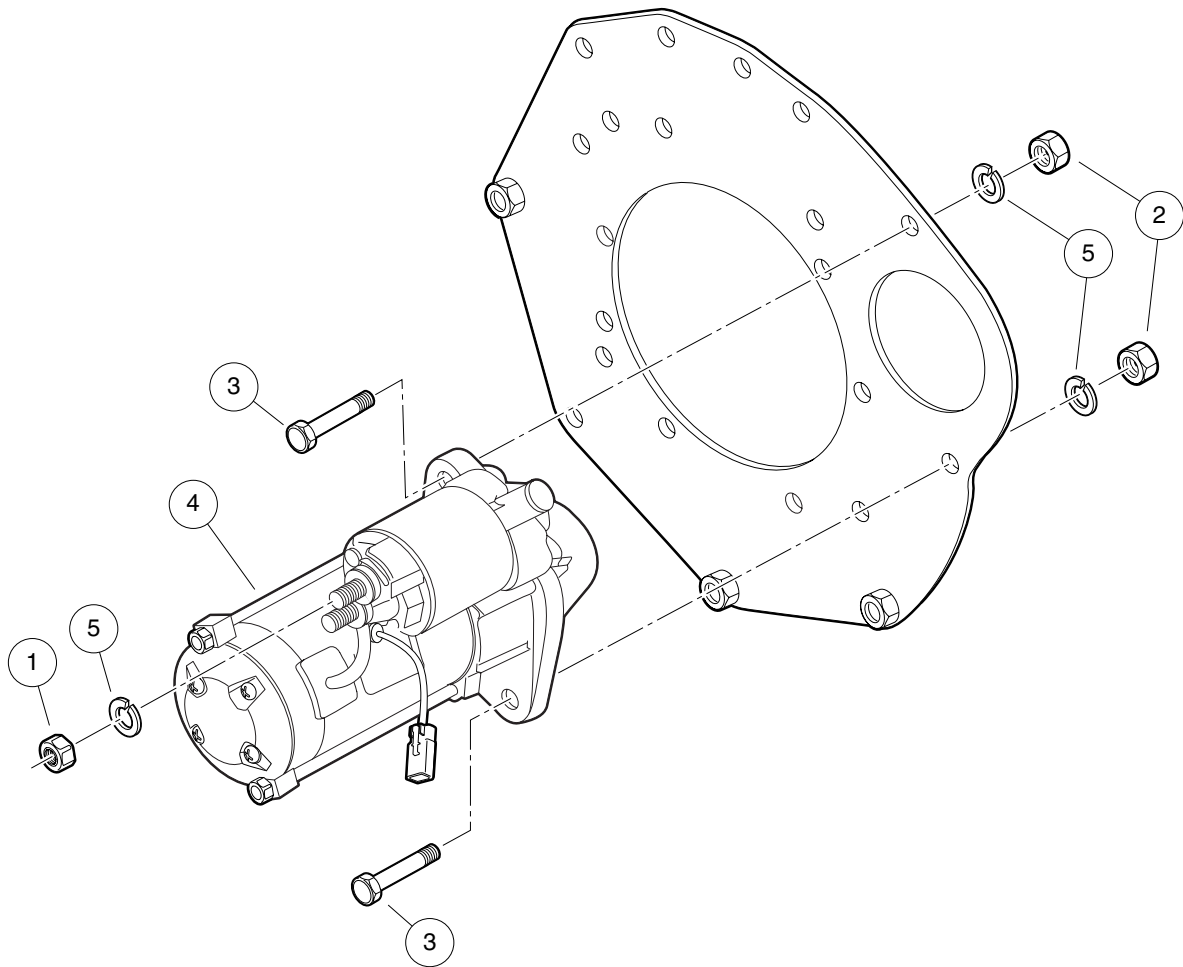
ITEM	PART NO.	DESCRIPTION	QTY
		1 2 3 4	
1	<u>102634901</u>	Spring, Start	1
2	<u>102635101</u>	Spring, Governor	1
3	<u>102636301</u>	Bolt, M5 X 0.75 X 25	2
4	<u>102729801</u>	Assembly, Governor Fork Level (includes items 5 through 9)	1
5	<u>102636201</u>	Holder, Fork Lever	1
6	<u>102636401</u>	Bolt, M5 X 0.75 X 11	1
7	<u>102636501</u>	Washer, Spring, M5	1
8	N/A	Lever, Fork, Middle	1
9	<u>102729901</u>	Assembly, Governor Fork Level, Lower (includes items 10 through 12)	1
10	<u>102633601</u>	Pin, Spring	1
11	<u>102636101</u>	Lever, Fork, End	1
12	<u>102636601</u>	Shaft, Fork Lever	1

8

D

8

D



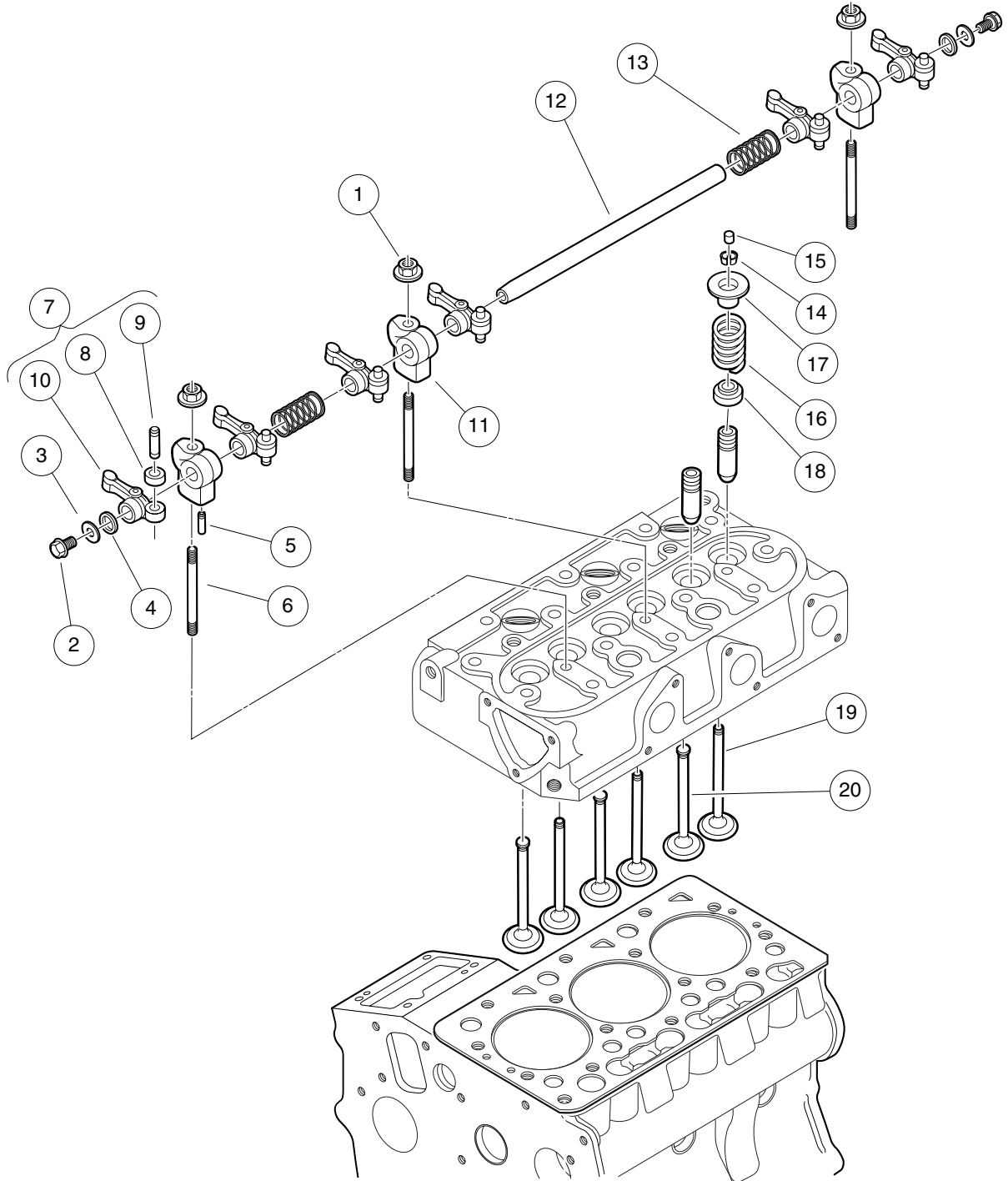
000058-001

STARTER

ITEM	PART NO.	DESCRIPTION	QTY
		1 2 3 4	
1	<u>102645501</u>	Nut, D722, Starter	2
2	<u>102647701</u>	Nut, M8, Plate	2
3	<u>102648401</u>	Bolt, M8 X 1.25 X 28	2
4	<u>102648501</u>	Motor, Starter	1
5	<u>102732501</u>	Washer, Spring, D722, Starter	4

8

D



000062-001

VALVES AND ROCKER ARMS

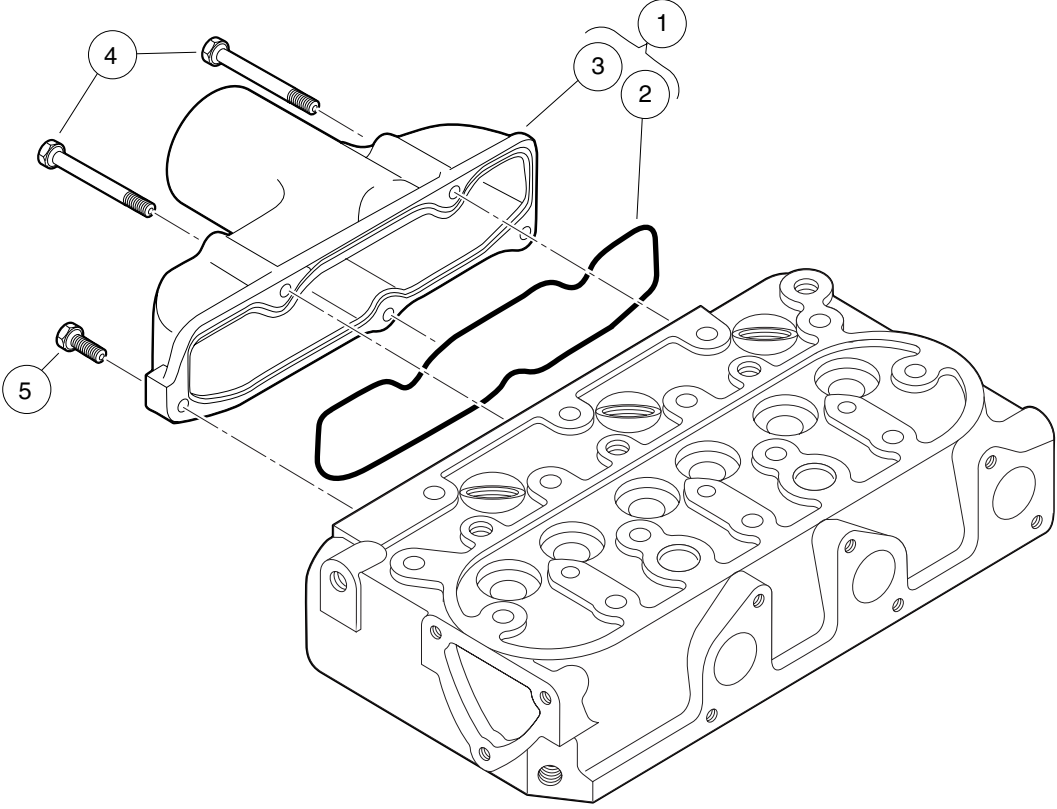
ITEM	PART NO.	DESCRIPTION	QTY
		1 2 3 4	
1	<u>102632001</u>	Nut, Flange, M6	3
2	<u>102646401</u>	Bolt, M6 X 1 X 8	2
3	<u>102651301</u>	Washer, D722, Plain, Rocker	2
4	<u>102651601</u>	Washer, Rocker Arm	2
5	<u>102651801</u>	Pin, Spring, D722, Rocker	1
6	<u>102651901</u>	Stud, Rocker Arm	3
7	<u>102652001</u>	Assy Rocker Arm (includes items 8 through 10)	6
8	<u>102651501</u>	Nut, M6	6
9	<u>102651701</u>	Screw-Adjusting	6
10	N/A	Arm, Rocker	1
11	<u>102652201</u>	Bracket, Rocker Arm	3
12	<u>102652601</u>	Shaft, Rocker Arm	1
13	<u>102652701</u>	Spring, Rocker Arm	2
14	<u>102652901</u>	Collet, Valve Spring, Set	6
15	<u>102653001</u>	Cap, Valve, D722	6
16	<u>102653101</u>	Spring, Valve	6
17	<u>102653201</u>	Retainer, Spring	6
18	<u>102653301</u>	Seal, Valve Stem	6
19	<u>102653601</u>	Valve, Exhaust	3
20	<u>102653701</u>	Valve, Inlet	3

8

D

8

D



000063-001

DIESEL INLET MANIFOLD

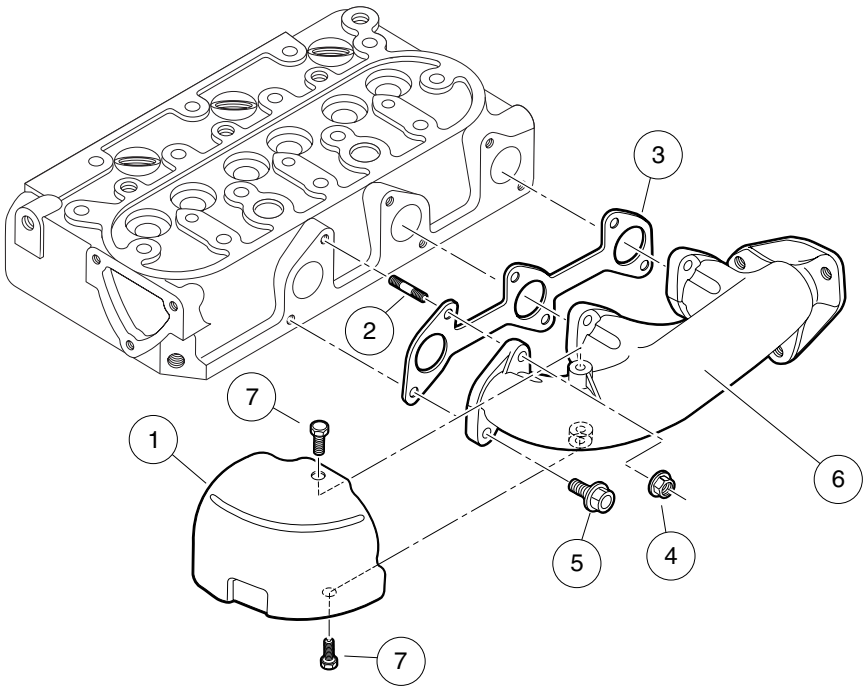
ITEM	PART NO.	DESCRIPTION	QTY
		1 2 3 4	
1	<u>102645801</u>	Assy Manifold, Inlet (includes items 2 and 3)	1
2	<u>102646001</u>	Gasket, Intake Manifold	1
3	N/A	Manifold, Inlet	1
4	<u>102646101</u>	Bolt, M6 X 1 X 45	3
5	<u>102654301</u>	Bolt, D722 Intake Manfld Lower	2

8

D

8

D



000064-001

EXHAUST MANIFOLD

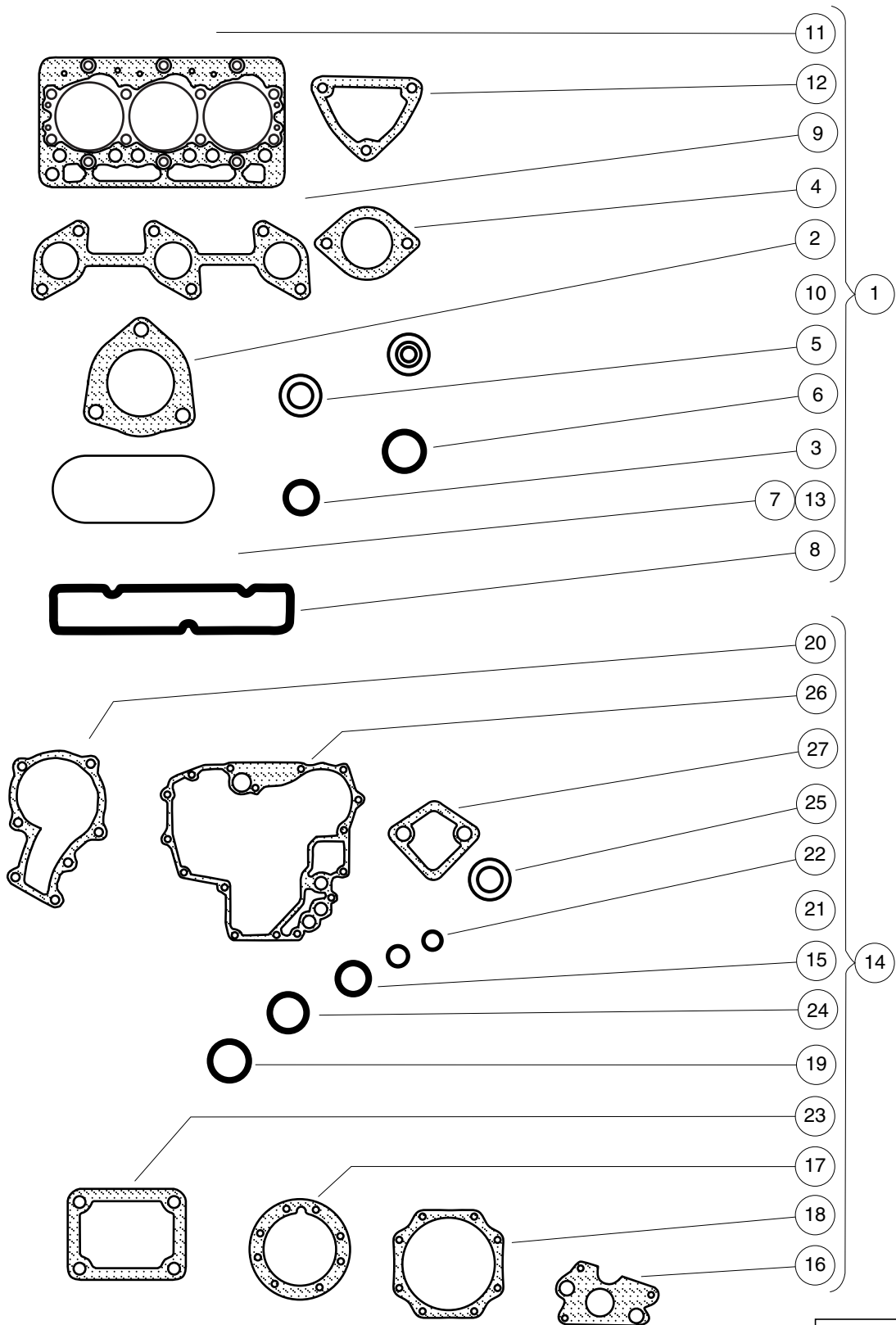
ITEM	PART NO.	DESCRIPTION	QTY
		1 2 3 4	
1	<u>102646301</u>	Cover, Heat Proof	1
2	<u>102646501</u>	Stud, M6 X 26	3
3	<u>102646601</u>	Gasket, Ex-manifold	1
4	<u>102647101</u>	Nut, Flange, M6, Ubs	3
5	<u>102647201</u>	Bolt, Flange Head, M6 X 1 X 16	3
6	<u>102731501</u>	Manifold, Exhaust, D722	1
7	<u>102731601</u>	Bolt, D722, Exhst Manfld Cover	2

8

D

8

D



000065-001

GASKET KITS

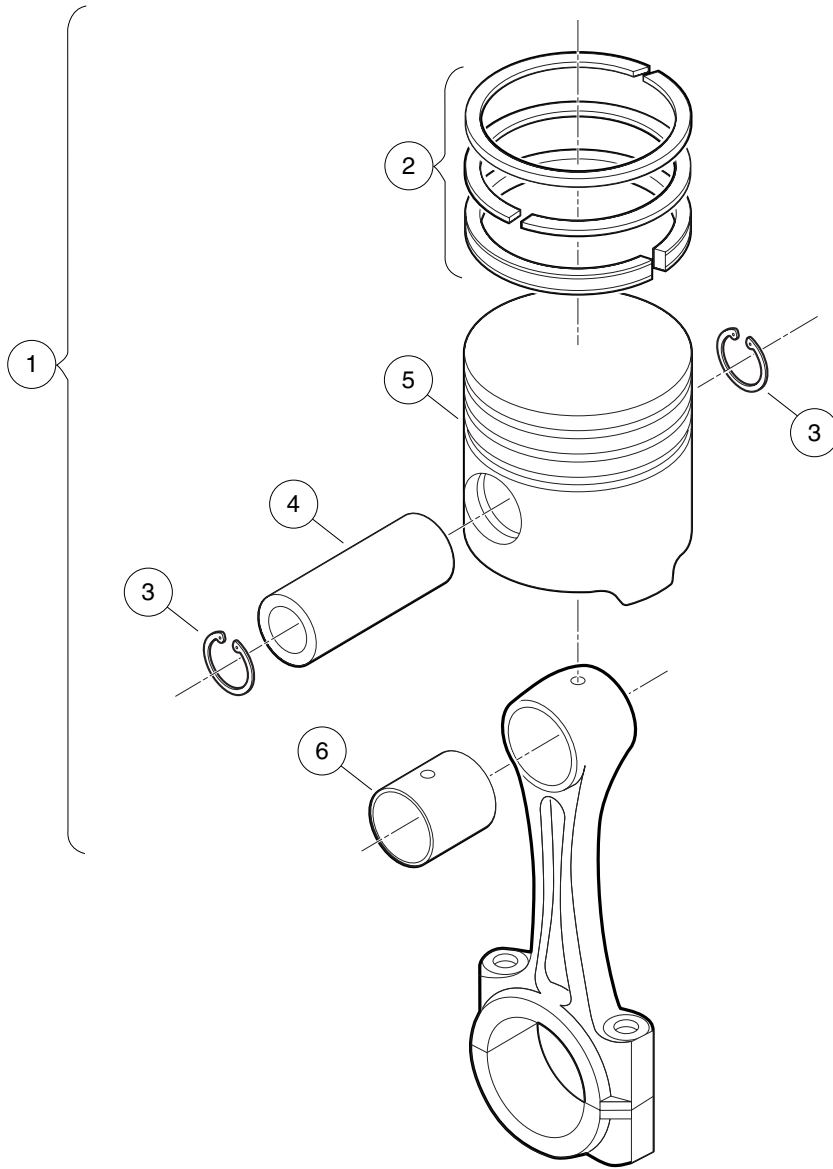
ITEM	PART NO.	DESCRIPTION	QTY
		1 2 3 4	
1	<u>102731801</u>	Kit, Gasket Upper, D722 (includes items 2 through 13)	1
2	<u>102422301</u>	Gasket, Exhaust Diesel	1
3	<u>102600301</u>	O Ring, 8 X 7	1
4	<u>102633401</u>	Gasket, Thermostat	1
5	<u>102635301</u>	Gasket, 6 X 10	3
6	<u>102644001</u>	O Ring, 30 X 36	1
7	<u>102644501</u>	Gasket, Head Cover	1
8	<u>102646001</u>	Gasket, Intake Manifold	1
9	<u>102646601</u>	Gasket, Ex-manifold	1
10	<u>102653301</u>	Seal, Valve Stem	6
11	<u>102654101</u>	Gasket, Cylinder Head	1
12	<u>102654701</u>	Gasket, Water Flange	1
13	<u>102798501</u>	Gasket, Cylinder Head Cover	1
14	<u>102731901</u>	Kit, Gasket Lower, D722 (includes items 15 through 27)	1
15	<u>102601801</u>	O Ring, 18 X 13	3
16	<u>102606601</u>	Gasket, Oil Pump	1
17	<u>102608201</u>	Gasket, Bearing Case	1
18	<u>102608301</u>	Gasket, Cover	1
19	<u>102630301</u>	O Ring, 23 X 26	1
20	<u>102632701</u>	Gasket, Water Pump, D722	1
21	<u>102634001</u>	O Ring, 19 X 16	1
22	<u>102634401</u>	O Ring, 9 X 7	1
23	<u>102634501</u>	Gasket, Control Plate	1
24	<u>102654601</u>	O Ring, 20 X 17	1
25	<u>102728801</u>	Gasket, Idle Apparatus, Rear	2
26	<u>102729301</u>	Gasket, Gearcase, D722	1
27	<u>102732601</u>	Gasket, Fuel Pump, D722	1

8

D

8

D



000066-001

PISTON KIT

ITEM	PART NO.	DESCRIPTION	QTY
		1 2 3 4	
1	<u>102732001</u>	Kit, Piston Rebuild, D722 (includes items 2 through 6)	1
2	<u>102607601</u>	Assy Piston Ring, D722 Std	1
3	<u>102630901</u>	Circlip, Piston Pin	2
4	<u>102631001</u>	Pin, Piston	1
5	<u>102728101</u>	Piston, D722, Std	1
6	<u>102732201</u>	Bushing, Piston Pin, D722	1

8

D

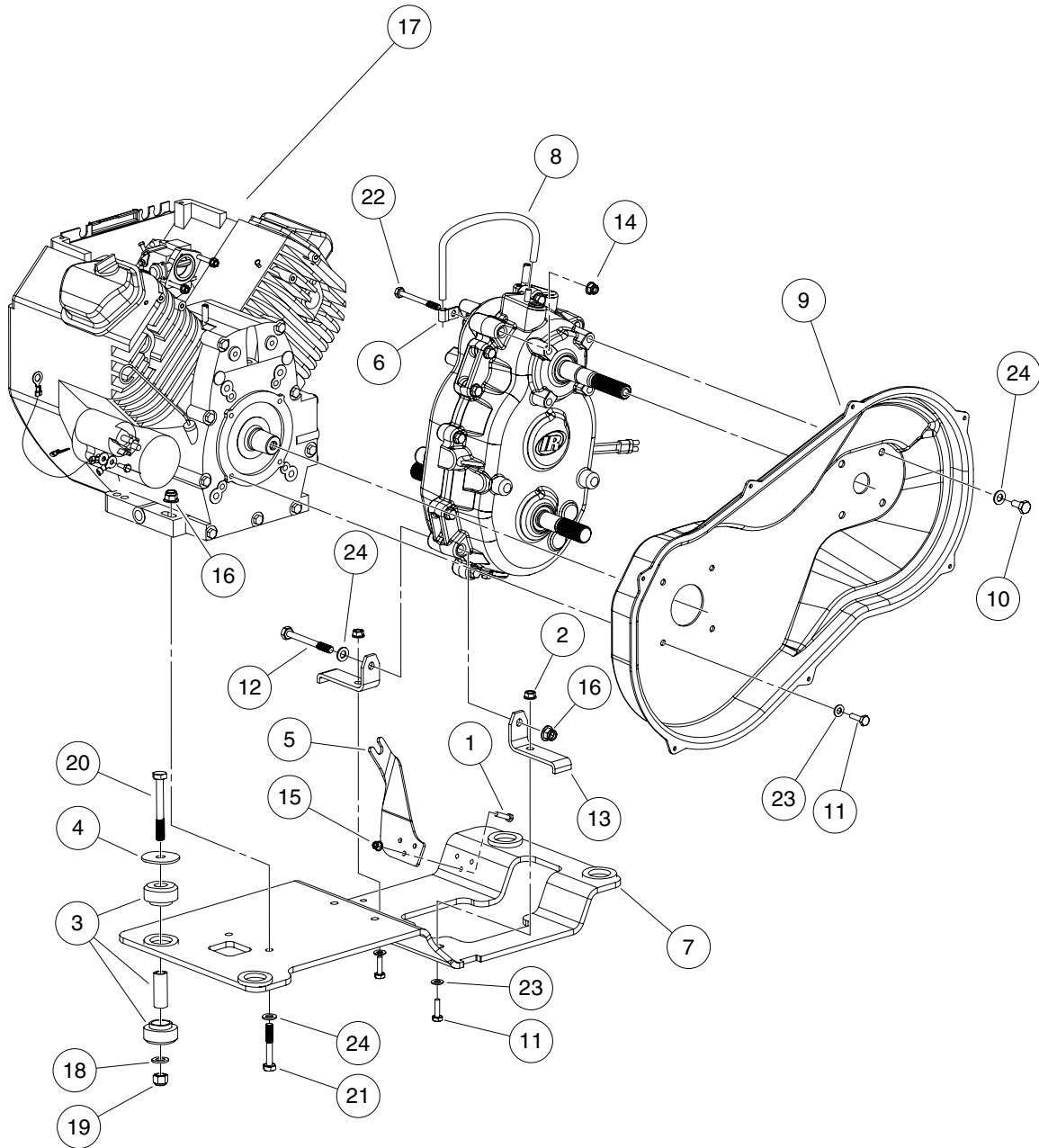
8

D

HONDA GX620 GASOLINE ENGINE

9

G



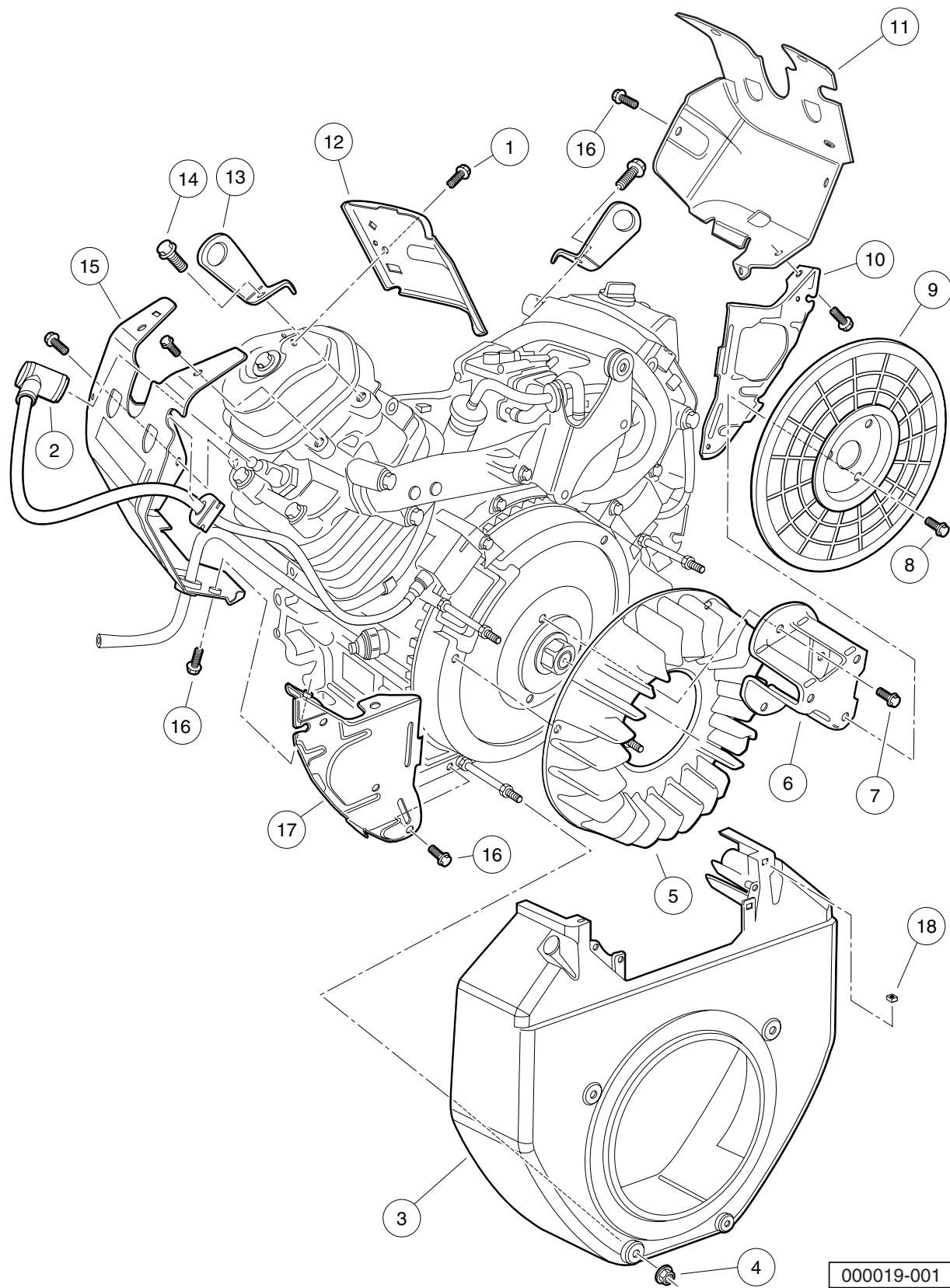
000025-003

HONDA GX620 GASOLINE ENGINE MOUNTING

ITEM	PART NO.	DESCRIPTION	QTY
		1 2 3 4	
1	<u>1012769</u>	Screw, M6-1.00 X 25mm Hex Cap	3
2	<u>102298401</u>	Nut,m8,all Metal Lock	2
3	<u>102370501</u>	Isolator Ring and Bushing	4
4	<u>102370601</u>	Washer, Snubbing, Ring N Bush	4
5	<u>102382401</u>	Bracket, FNR Trans Cable	1
6	<u>102410603</u>	P-Clamp, Insulated .312 In	1
7	<u>102414901</u>	Plate, Eng Mtg, Weld, Honda	1
8	<u>102462301</u>	Hose, Vent, Transmission	1
9	<u>102462502</u>	Cover, CVT Inner, Honda	1
10	<u>102490101</u>	Bolt, M10 X 1.5 X 20 Loctite	4
11	<u>102490201</u>	Bolt, M8 X 1.25 X 25 Loctite	6
12	<u>102490501</u>	Bolt, M10 X 1.5 X 100 Loctite	1
13	<u>102494401</u>	Bracket, Transmission Mounting	2
14	<u>102618601</u>	Lock Nut, Flg M8 X 1.25 Nylon	1
15	<u>102621501</u>	Nut Flg, M6 X 1.0 Nylon	3
16	<u>102670701</u>	Nut Flg M10 X 1.5 Nylon	5
17	<u>103252201</u>	Engine, Honda, No Acr	1
18	<u>96701412</u>	Washer, M12 Hard	4
19	N/A	Locknut, M12x1.75 Nylon Insert	4
20	<u>96704721</u>	Bolt, M12 X 1.75 X 90	4
21	<u>96704960</u>	Bolt, M10 X 1.5 X 60	4
22	<u>96718978</u>	Bolt, M8 X 1.25 X 80	1
23	<u>96741038</u>	Washer, M8 Hard	6
24	<u>96741046</u>	Washer, M10 Hard	9

9

G



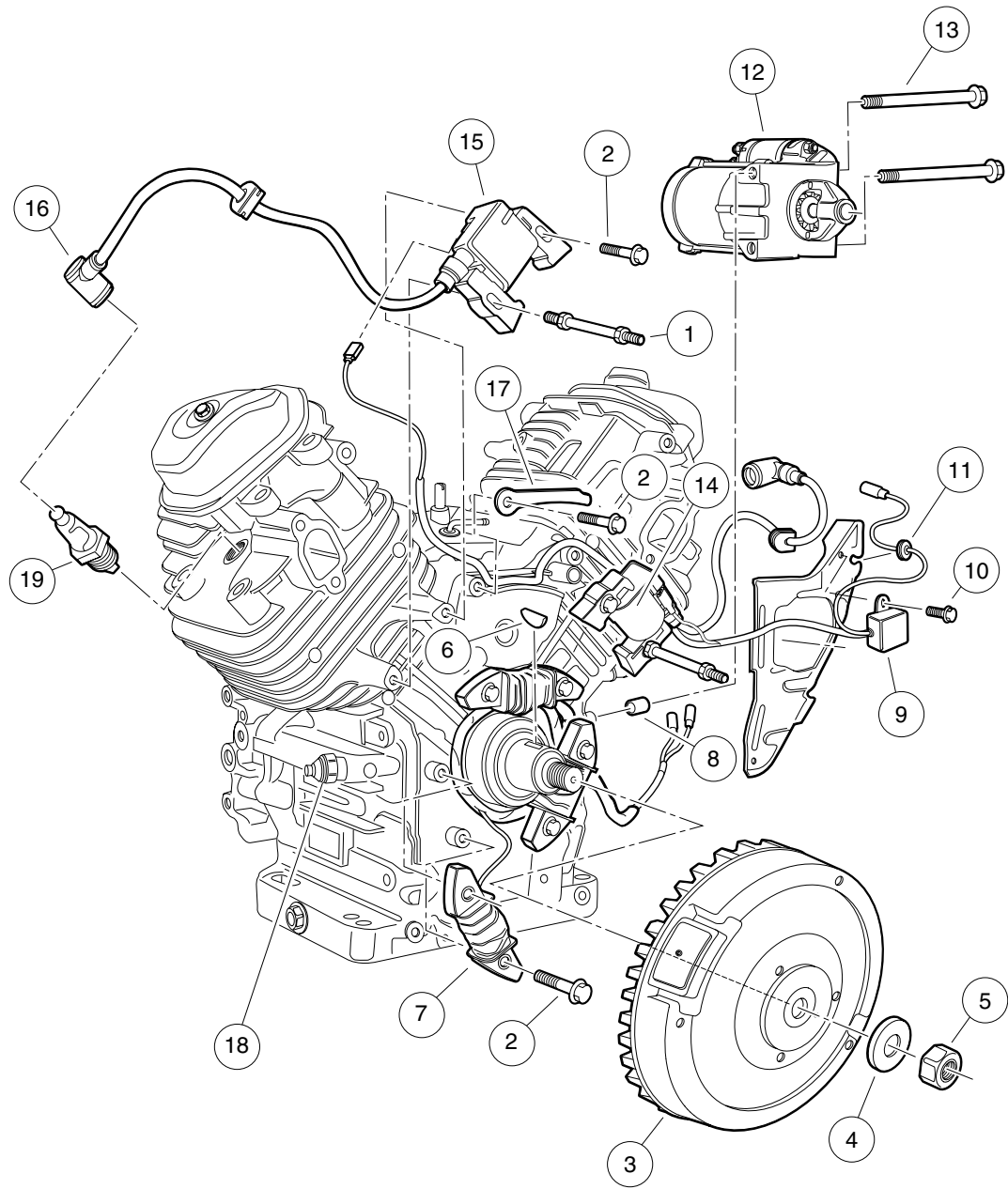
000019-001

SHROUDS AND BRACKETS

ITEM	PART NO.	DESCRIPTION	QTY
		1 2 3 4	
1	<u>102657501</u>	Bolt, Flange Head, M6 X 11 X 4	2
2	<u>102666201</u>	Cap Assy, Noise Suppressor	2
3	<u>102666801</u>	Cover, Fan, Bright Red	1
4	<u>102666901</u>	Nut, Flange, M6	4
5	<u>102667001</u>	Fan, Cooling	1
6	<u>102667101</u>	Holder, Screen Grid	1
7	<u>102667201</u>	Bolt, Flange Head, M8 X 1.25 X 16	3
8	<u>102667301</u>	Bolt, Flange Head, M6 X 1 X 12	3
9	<u>102667401</u>	Grid Screen, PTO	1
10	<u>102667501</u>	Plate, R Side	1
11	<u>102667601</u>	Shroud, R	1
12	<u>102667701</u>	Shroud, Head	2
13	<u>102667901</u>	Hanger, Engine	2
14	<u>102668001</u>	Bolt, Flange Head, M8 X 1.25 X 20	2
15	<u>102668101</u>	Shroud, L	1
16	<u>102668301</u>	Bolt, Flange Head, M6 X 1 X 12	6
17	<u>102668401</u>	Plate, Left Side	1
18	<u>102759401</u>	Nut, Square, 5mm	2
		Note: The part number for a complete engine is 102402701.	

9

G



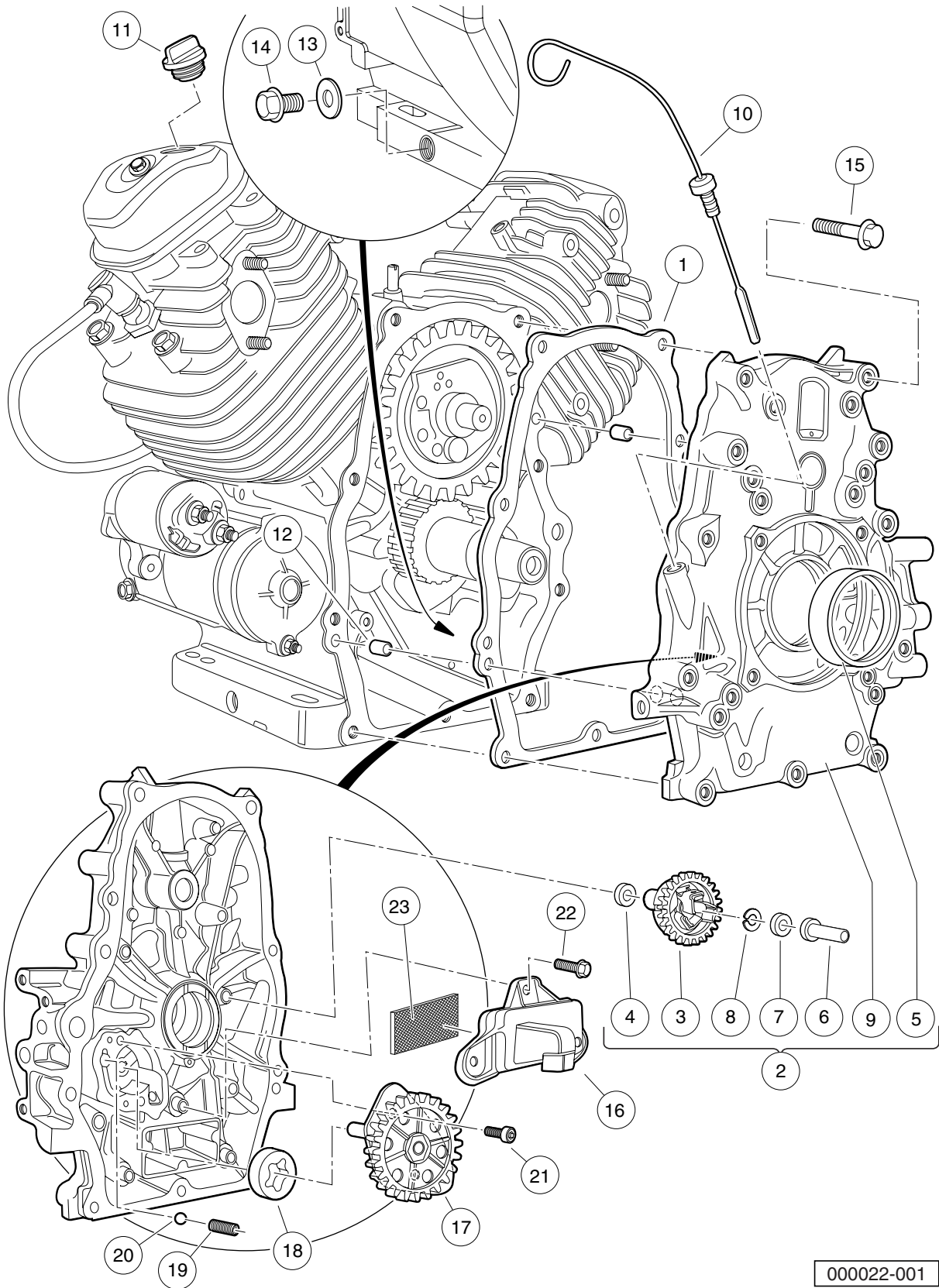
000018-001

IGNITION COMPONENTS AND FLYWHEEL

ITEM	PART NO.	DESCRIPTION	QTY
		1 2 3 4	
1	<u>102655301</u>	Stud, Engine	2
2	<u>102661901</u>	Bolt, Flange Head, M6 X 1 X 32	9
3	<u>102664601</u>	Flywheel	1
4	<u>102664701</u>	Washer, M20	1
5	<u>102664801</u>	Nut, Flange, M20	1
6	<u>102664901</u>	Key, Special Woodruff, 25 X 18	1
7	<u>102665001</u>	Coil Assy, Charge, 12-Volt, 20-Amp	1
8	<u>102665101</u>	Pin, Dowel, 10x12	2
9	<u>102665301</u>	Diode Assembly	1
10	<u>102665401</u>	Bolt, Flange Head, M6 X 1 X 8	1
11	<u>102665501</u>	Grommet, Tool	1
12	<u>102665601</u>	Motor, Starter	1
13	<u>102665701</u>	Bolt, Flange Head, M8 X 1.25 X 110	2
14	<u>102665901</u>	Coil Assy, R, Ignition	2
15	<u>102666001</u>	Coil Assy, L, Ignition	2
16	<u>102666201</u>	Cap Assy, Noise Suppressor	2
17	<u>102668201</u>	Clamp, Wire	1
18	<u>102831201</u>	Switch, Oil Pressure	1
19	<u>AM1232301</u>	Spark Plug, BPR2ES	2

9

G



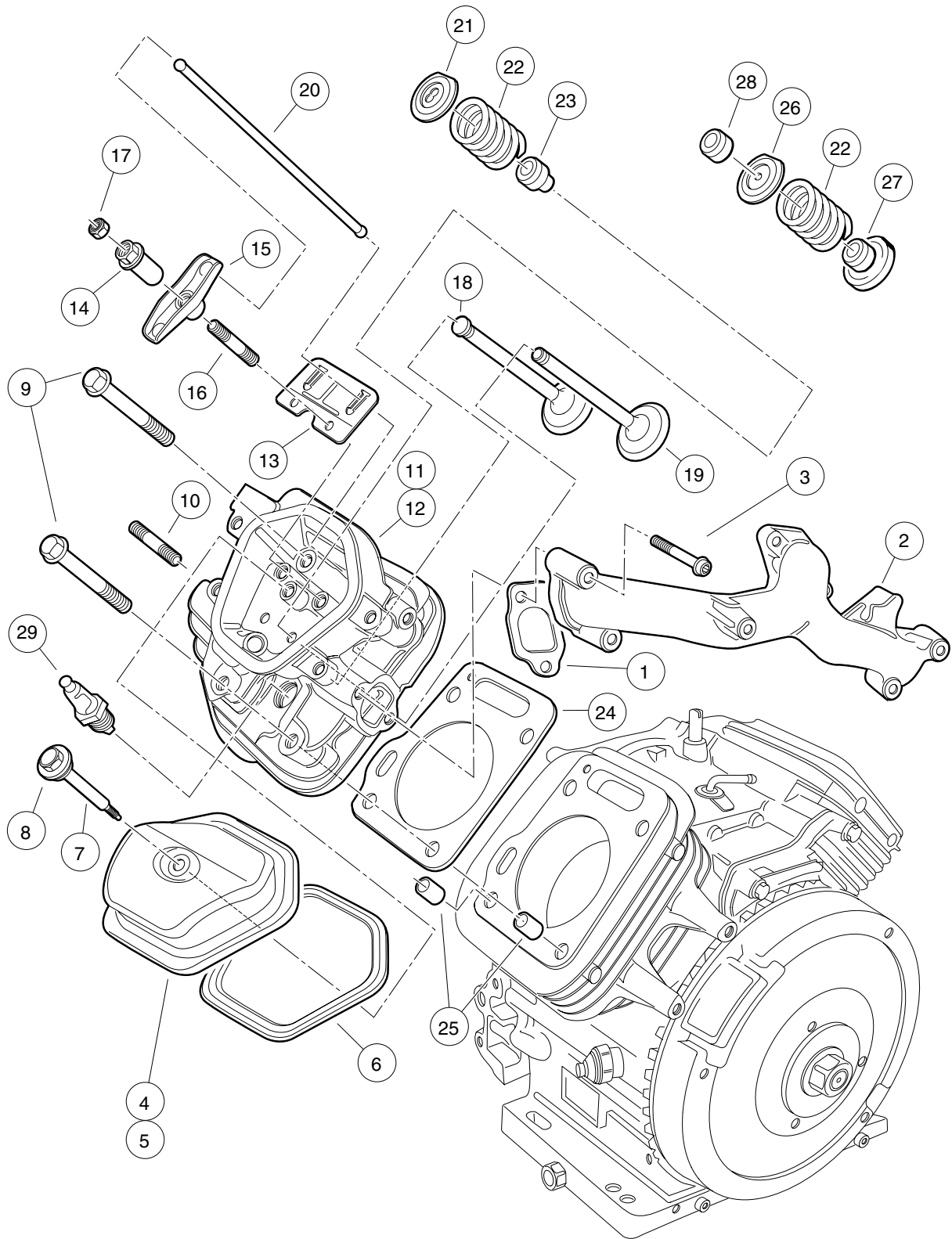
000022-001

OIL CIRCULATION

ITEM	PART NO.	DESCRIPTION	QTY
		1 2 3 4	
1	<u>102658001</u>	Gasket, Case Cover	1
2	<u>102658101</u>	Cover Assembly, Crankcase (includes items 3 through 9)	1
3	<u>102658801</u>	Governor Assembly	1
4	<u>102659601</u>	Washer, Plain, M6	1
5	<u>102724301</u>	Seal, Oil, 38 X 58 X 9	1
6	<u>102724401</u>	Slider, Governor	1
7	<u>102724501</u>	Washer, 6 X 16	1
8	<u>102724601</u>	Clip, Governor	1
9	N/A	Cover, Crankcase	1
10	<u>102658201</u>	Dipstick, Oil	1
11	<u>102658301</u>	Cap, Oil Filler	1
12	<u>102658401</u>	Pin A, Dowel, 8 X 14	2
13	<u>102658501</u>	Washer, Drain Plug, M14	1
14	<u>102658601</u>	Bolt, Drain Plug , M14	1
15	<u>102658701</u>	Bolt, Flange Head, M8 X 1.25 X 50	9
16	<u>102658901</u>	Cover, Oil Filter	1
17	<u>102659001</u>	Cover Assembly, Oil Pump	1
18	<u>102659101</u>	Rotor, Oil Pump, Outer	1
19	<u>102659201</u>	Spring, Relief Valve	1
20	<u>102659301</u>	Ball, Steel , 3/8, #12	1
21	<u>102659401</u>	Bolt, Socket	2
22	<u>102659501</u>	Bolt, Flange Head, M6 X 1 X 20	3
23	<u>102724701</u>	Screen, Oil Filter	1

9

G

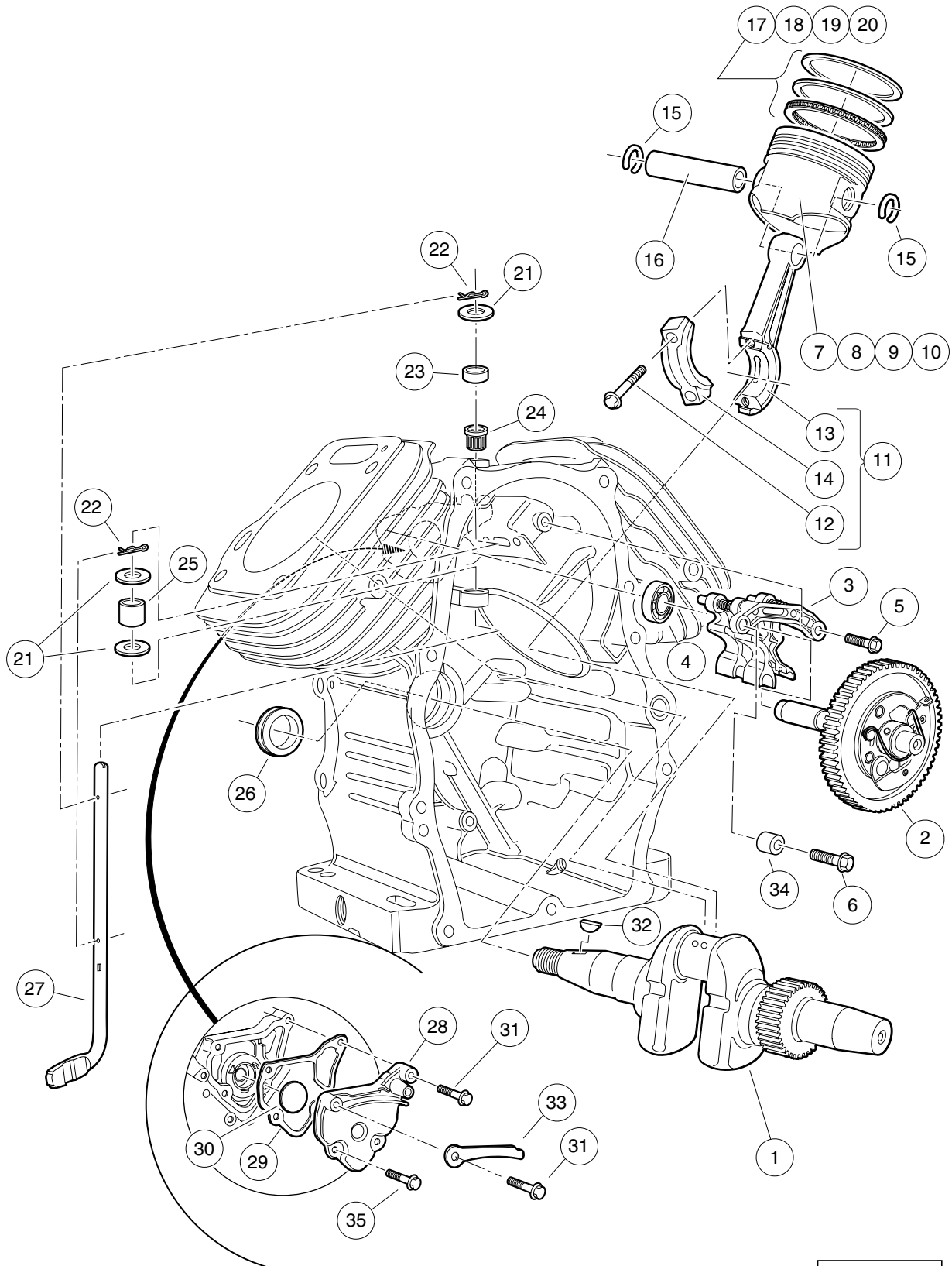


000013-001

CYLINDER HEAD

ITEM	PART NO.	DESCRIPTION	QTY
		1 2 3 4	
1	<u>102657601</u>	Gasket, Intake Manifold	2
2	<u>102657701</u>	Manifold, Inlet	1
3	<u>102657801</u>	Bolt, Socket, M8 X 1.25 X 45	4
4	<u>102662101</u>	Cover, Head	1
5	N/A	Cover, Head Filler	1
6	<u>102662201</u>	Gasket, Cylinder Head Cover	2
7	<u>102662301</u>	Bolt, Head Cover	2
8	<u>102662401</u>	Washer, Head Cover	2
9	<u>102662601</u>	Bolt, Flange Head, M10 X 1.5 X 80	8
10	<u>102662701</u>	Bolt, Stud, M8x22	4
11	<u>102662801</u>	Cylinder Head, #2	1
12	<u>102662802</u>	Cylinder Head, #1	1
13	<u>102662901</u>	Plate, Push Rod Guide	2
14	<u>102663001</u>	Pivot, Rocker Arm	4
15	<u>102663101</u>	Arm, Valve Rocker	4
16	<u>102663201</u>	Bolt, Pivot, M8	4
17	<u>102663301</u>	Nut, Pivot Adj	4
18	<u>102663401</u>	Valve, Ex	2
19	<u>102663501</u>	Valve, In	2
20	<u>102663801</u>	Rod, Push	4
21	<u>102663901</u>	Retainer, In Valve Spring	2
22	<u>102664001</u>	Spring, Valve	4
23	<u>102664101</u>	Seal, Valve Stem	2
24	<u>102664301</u>	Gasket, Cylinder Head	2
25	<u>102664401</u>	Pin A, Dowel ,12 X 20	4
26	<u>102722701</u>	Retainer, Ex Valve Spring	2
27	<u>102722801</u>	Seat, Valve Spring	2
28	<u>102722901</u>	Rotator, Valve	2
29	<u>AM1232301</u>	Spark Plug, BPR2ES	2

9
G



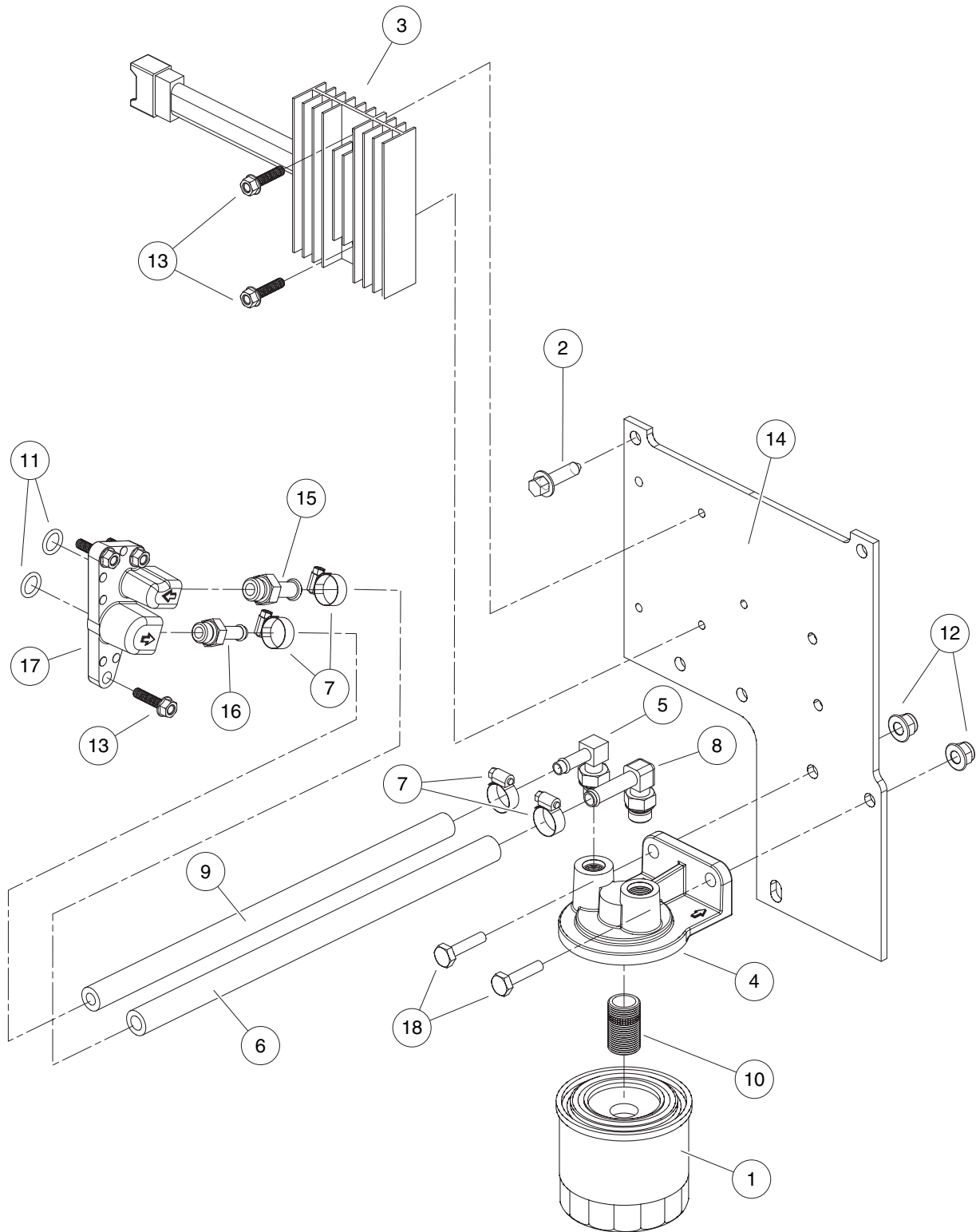
000023-001

CRANKCASE AND CRANKSHAFT

ITEM	PART NO.	DESCRIPTION	QTY
		1 2 3 4	
1	<u>102659801</u>	Crankshaft	1
2	<u>102659901</u>	Camshaft Assembly	1
3	<u>102660001</u>	Lifter Assembly, Valve	1
4	<u>102660101</u>	Bearing, Radial Ball, 6003	1
5	<u>102660201</u>	Bolt, Flange Head, M5 X 1 X 16	1
6	<u>102660301</u>	Bolt, Flange Head, M6 X 1 X 25	1
7	<u>102660401</u>	Piston, Std	2
8	<u>102660402</u>	Piston, Over-Sized 0.25	2
9	<u>102660403</u>	Piston, Over-Sized 0.50	2
10	<u>102660404</u>	Piston, 0.75	2
11	<u>102660501</u>	Rod Assy., Connecting (includes items 12 through 14)	2
12	<u>102660901</u>	Bolt, Connecting Rod, 6 X 37	2
13	N/A	Connecting Rod	1
14	N/A	Cap, Connecting Rod	1
15	<u>102660601</u>	Clip, Piston Pin, 18mm	4
16	<u>102660701</u>	Pin, Piston	2
17	<u>102660801</u>	Ring Set, Piston, Std	2
18	<u>102660802</u>	Ring Set, Piston, OS 0.25	2
19	<u>102660803</u>	Ring Set, Piston, OS 0.50	2
20	<u>102660804</u>	Ring Set, Piston, OS 0.75	2
21	<u>102661001</u>	Washer, Plain, M8	3
22	<u>102661101</u>	Pin, Lock, 8 Mm	2
23	<u>102661201</u>	Bearing, Needle, 8 X 12.7 X 11	1
24	<u>102661202</u>	Oil Seal, 8 X 14 X 5	1
25	<u>102661301</u>	Bearing, Needle, 8 X 12 X 10	1
26	<u>102661401</u>	Oil Seal, 38 X 58 X 9	1
27	<u>102661501</u>	Shaft, Governor Arm	1
28	<u>102661601</u>	Cover, Breather	1
29	<u>102661701</u>	Gasket, Breather Cover	1
30	<u>102661801</u>	Valve, Breather	1
31	<u>102661901</u>	Bolt, Flange Head, M6 X 1 X 32	2
32	<u>102664901</u>	Key, Special Woodruff, 25 X 18	1
33	<u>102668201</u>	Clamp, Wire	1
34	<u>102725101</u>	Pin A, Dowel	1
35	<u>102725201</u>	Bolt, Flange Head, 6 X 16	1

9

G



000083-001

OIL FILTER ADAPTER AND VOLTAGE REGULATOR

ITEM	PART NO.	DESCRIPTION	QTY
		1 2 3 4	
1	<u>1016467</u>	Filter, Oil	1
2	<u>102289001</u>	Screw, M8X1.25X30, Hex	3
3	<u>102331401</u>	Regulator, Voltage	1
4	<u>102371401</u>	Bracket, Oil Filter Mount	1
5	<u>102434801</u>	Adapter, 90, 5/16 Tube	1
6	<u>102443501</u>	Hose, 3/8, Remote Oil, Honda	1
7	<u>102443601</u>	Clamp, Hose	4
8	<u>102457501</u>	Adapter, 90, 3/8 Tube	1
9	<u>102457601</u>	Hose, 5/16, Remote Oil, Honda	1
10	<u>102475301</u>	Nipple, M20, Remote Oil	1
11	<u>102490401</u>	O-ring 11.8 X 2.4	2
12	<u>102618601</u>	Lock Nut, Flg M8 X 1.25 Nylon	2
13	<u>102670801</u>	Screw, M6 X 1 X 25 Thd Form	5
14	<u>102710301</u>	Plate, Fuel/Oil System	1
15	<u>102721901</u>	Adapter, 3/8 Hose	1
16	<u>102722001</u>	Adapter, 5/16 Hose	1
17	<u>102849401</u>	Adapter, Oil Filter, Honda Eng	1
18	<u>96705587</u>	Bolt, M8 X 1.25 X 30	2

9
G

9

G

FUEL, INTAKE, AND GOVERNOR SYSTEM

10

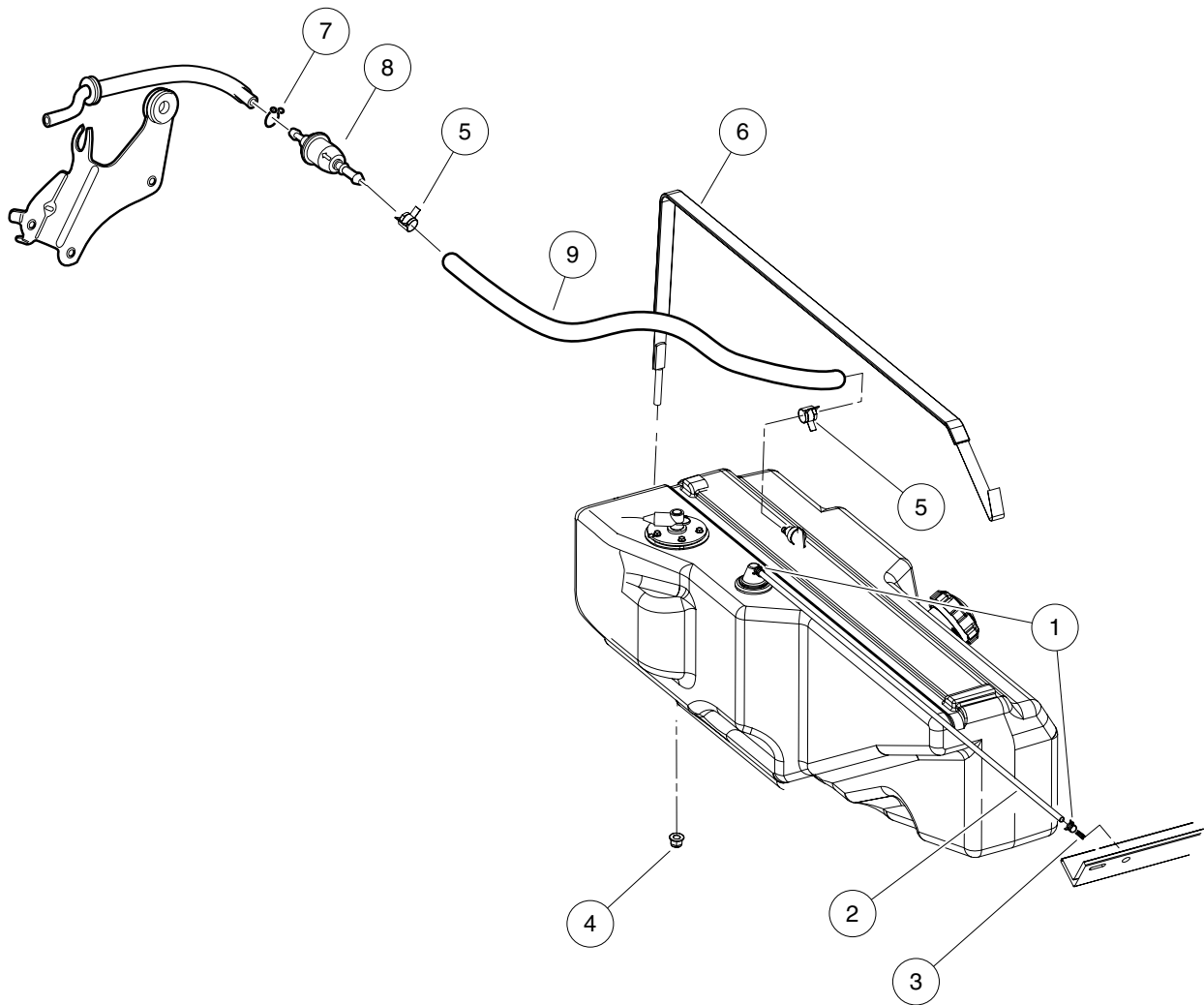
G

D

10

G

D



000081-002

FUEL SYSTEM – GASOLINE VEHICLES

ITEM	PART NO.	DESCRIPTION	QTY
		1 2 3 4	
1	<u>1013746</u>	Clamp, 0.301 ID Hose	2
2	<u>101587703</u>	Hose, Fuel, Vent, 22" Long	1
3	<u>101824401</u>	Vent Barb	1
4	<u>102298401</u>	Nut,m8,all Metal Lock	1
5	<u>102411202</u>	Clamp, Hose, Ctb 13mm	2
6	<u>102426301</u>	Strap, Tank, Fuel	1
7	<u>102657201</u>	Clip, Tube, B10	1
8	<u>102657301</u>	Filter, Fuel	1
9	<u>103307901</u>	Hose, Tank To Filter, Fh680d	1

10

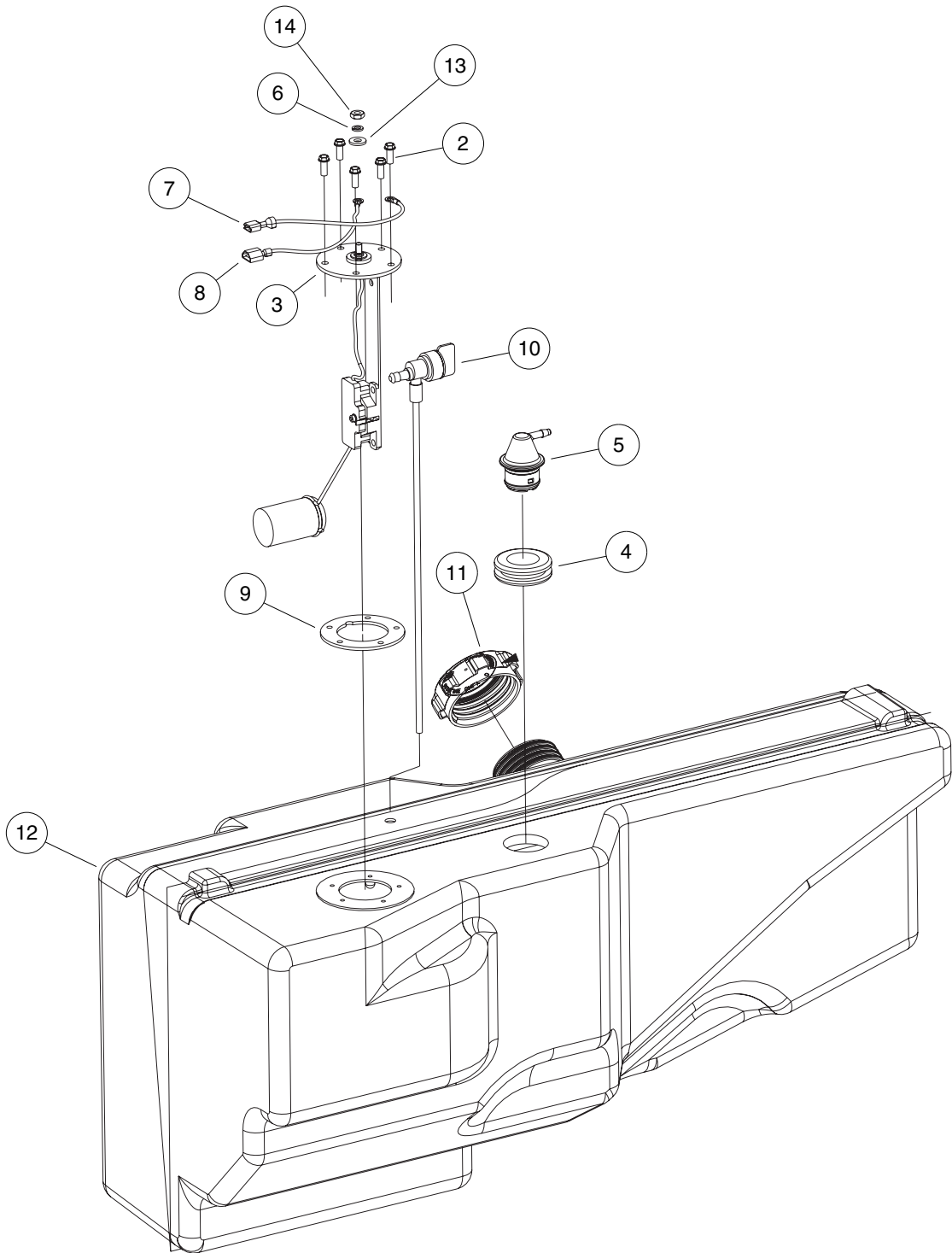
G

D

10

G

D



000082-004

FUEL TANK – GASOLINE VEHICLES

ITEM	PART NO.	DESCRIPTION	QTY
		1 2 3 4	
1	<u>102952102</u>	Asm, Tank, Fuel, Gas, 4x4 (includes items 2 through 14)	1
2	<u>1013461</u>	Screw, #10-16 Hex-Head Hi-Lo	5
3	****	Sending Unit, Fuel Level *	1
4	<u>1015139</u>	Insulation Grommet	1
5	<u>1015143</u>	Vent, Fuel Tank	1
6	<u>1016</u>	Washer, #10 Split Lock	1
7	N/A	Wire Asm, Blk, 170mm	1
8	N/A	Wire Asm, Org, 170mm	1
9	<u>102522001</u>	Gasket, Rubber	1
10	<u>102670901</u>	Valve, Pickup Tube, Fuel	1
11	<u>102751601</u>	Cap, Fuel Tank, Gasoline	1
12	N/A	Tank, Fuel, Gas, 4x4	1
13	<u>183</u>	Washer, #10 Type A Flat	1
14	<u>8797</u>	Nut, #10-32 Brass Hex	1
<p>**** Special order item available upon request.</p> <p>* Note: Must replace fuel sending unit gasket when servicing this component.</p>			

10

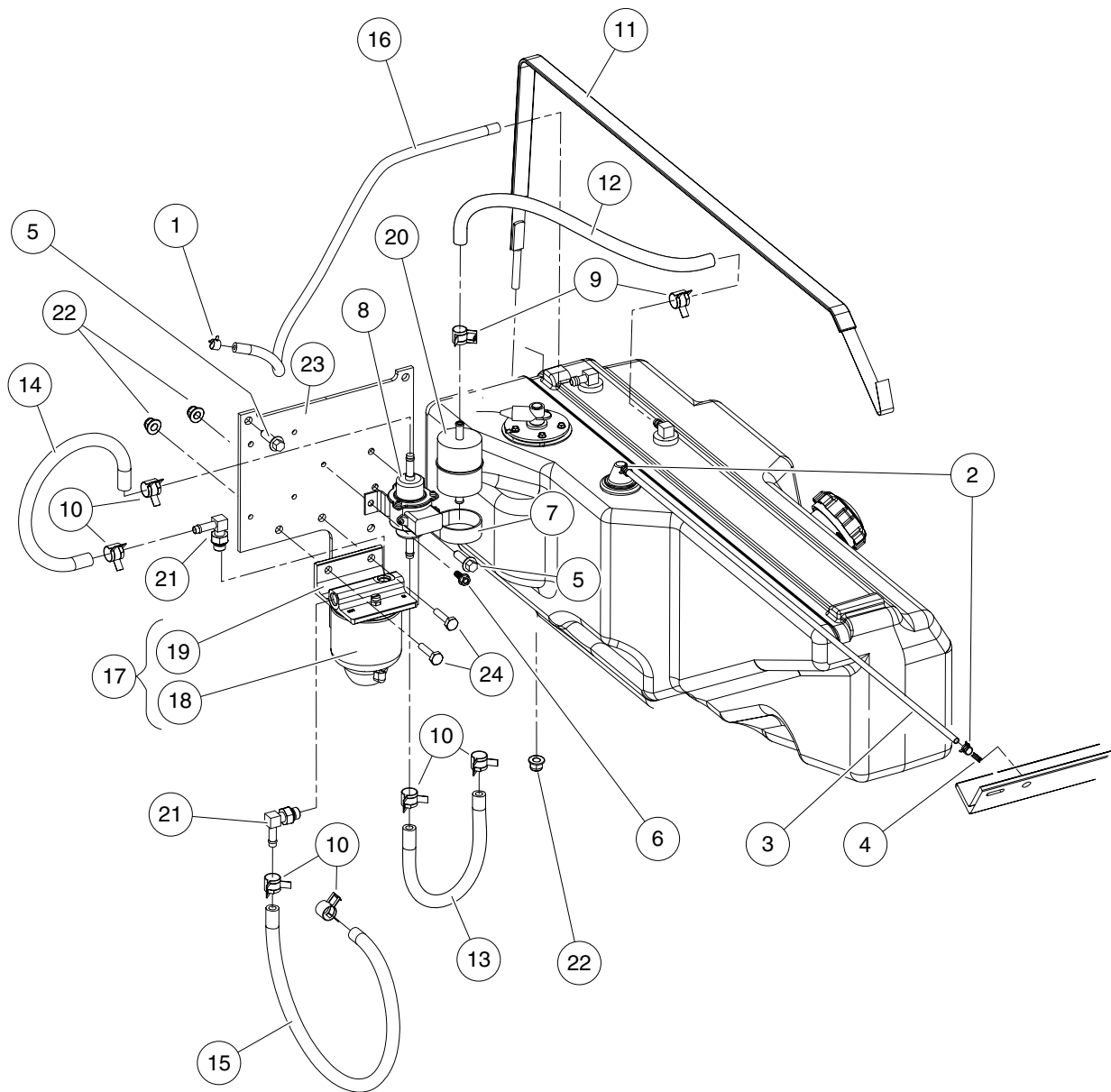
G

D

10

G

D



000081-001

FUEL SYSTEM – DIESEL VEHICLES

ITEM	PART NO.	DESCRIPTION	QTY
		1 2 3 4	
1	<u>101313402</u>	Clamp, Green Hose	1
2	<u>1013746</u>	Clamp, 0.301 ID Hose	2
3	<u>101587703</u>	Hose, Fuel, Vent, 22" Long	1
4	<u>101824401</u>	Vent Barb	1
5	<u>102289001</u>	Screw, M8X1.25X30, Hex	5
6	<u>102296716</u>	Screw, M6 X 16 Tt Hx Fl Hd	1
7	<u>102410602</u>	P-Clamp, Insulated 1.75 In	1
8	<u>102410801</u>	Pump, Diesel Fuel Electric	1
9	<u>102411202</u>	Clamp, Hose, Ctb 13mm	2
10	<u>102411203</u>	Clamp, Hose, Ctb 14mm	6
11	<u>102426301</u>	Strap, Tank, Fuel	1
12	<u>102430001</u>	Hose, Tank To Prefilter Diesel	1
13	<u>102430101</u>	Hose, Fuel Prefilter To Pump	1
14	<u>102430201</u>	Hose, Fuel Pump To Filter	1
15	<u>102430301</u>	Hose, Fuel Filter To Eng	1
16	<u>102430401</u>	Hose, Fuel Return	1
17	<u>102434601</u>	Filter Assy, Fuel	1
18	<u>102434701</u>	Filter, Fuel	1
19	<u>102434801</u>	Adapter, 90, 5/16 Tube	2
20	<u>102618601</u>	Lock Nut, Flg M8 X 1.25 Nylon	3
21	<u>102710301</u>	Plate, Fuel/Oil System	1
22	<u>96705587</u>	Bolt, M8 X 1.25 X 30	2

10

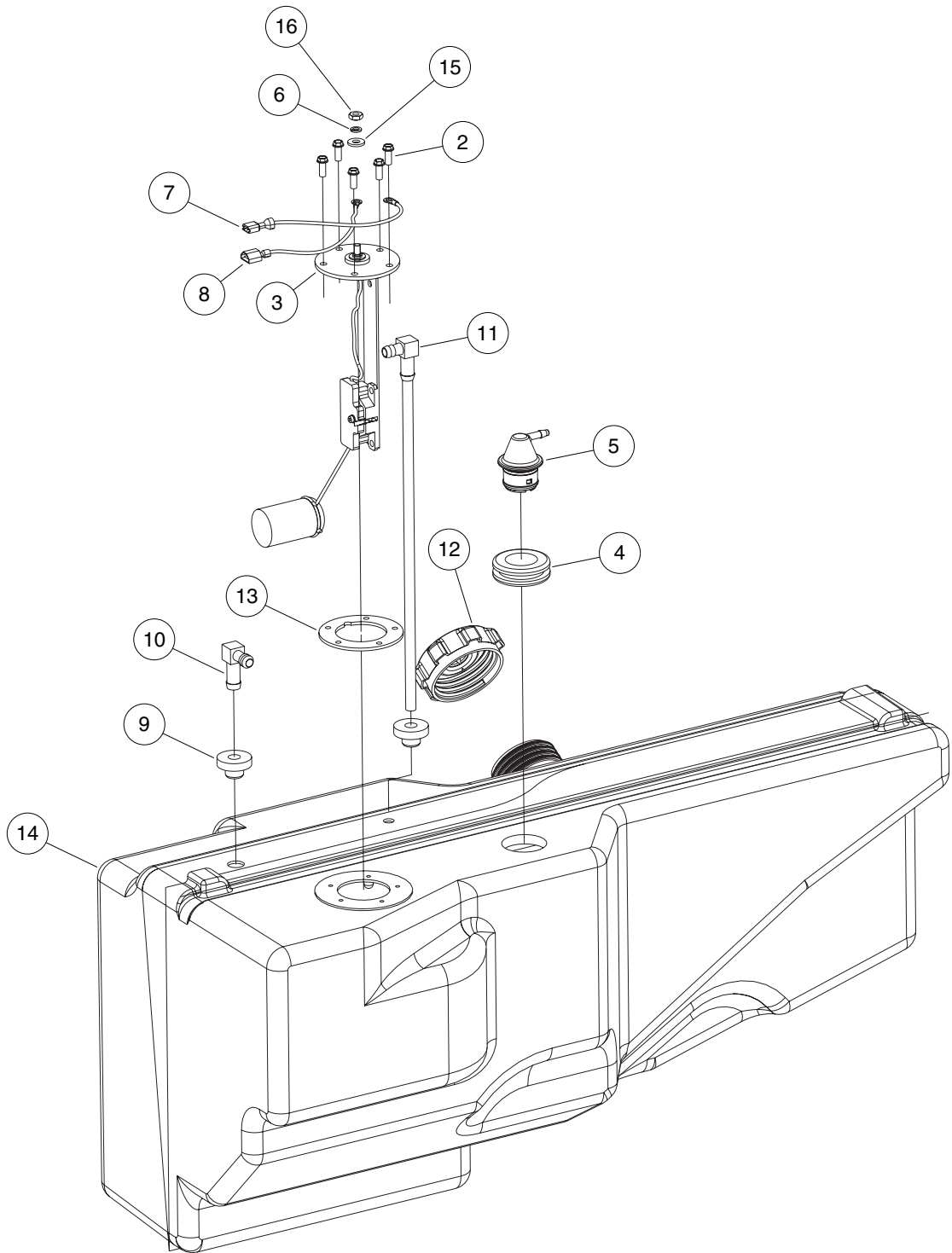
G

D

10

G

D



000082-005

FUEL TANK – DIESEL VEHICLES

ITEM	PART NO.	DESCRIPTION	QTY
		1 2 3 4	
1	<u>102952101</u>	Asm, Tank, Fuel, Diesel, 4x4 (includes items 2 through 16)	1
2	<u>1013461</u>	Screw, #10-16 Hex-Head Hi-Lo	5
3	****	Sending Unit, Fuel Level *	1
4	<u>1015139</u>	Insulation Grommet	1
5	<u>1015143</u>	Vent, Fuel Tank	1
6	<u>1016</u>	Washer, #10 Split Lock	1
7	N/A	Wire Asm, Blk, 170mm	1
8	N/A	Wire Asm, Org, 170mm	1
9	<u>102406701</u>	Bushing, Line, Return	2
10	<u>102406801</u>	Elbow, 90 Barbed	1
11	<u>102478501</u>	Pickup Tube, Fuel	1
12	<u>102494701</u>	Cap, Fuel (Diesel)	1
13	<u>102522001</u>	Gasket, Rubber	1
14	N/A	Tank, Fuel, Diesel, 4x4	1
15	<u>183</u>	Washer, #10 Type A Flat	1
16	<u>8797</u>	Nut, #10-32 Brass Hex	1
		**** Special order item available upon request.	
		* Note: Must replace fuel sending unit gasket when servicing this component.	

10

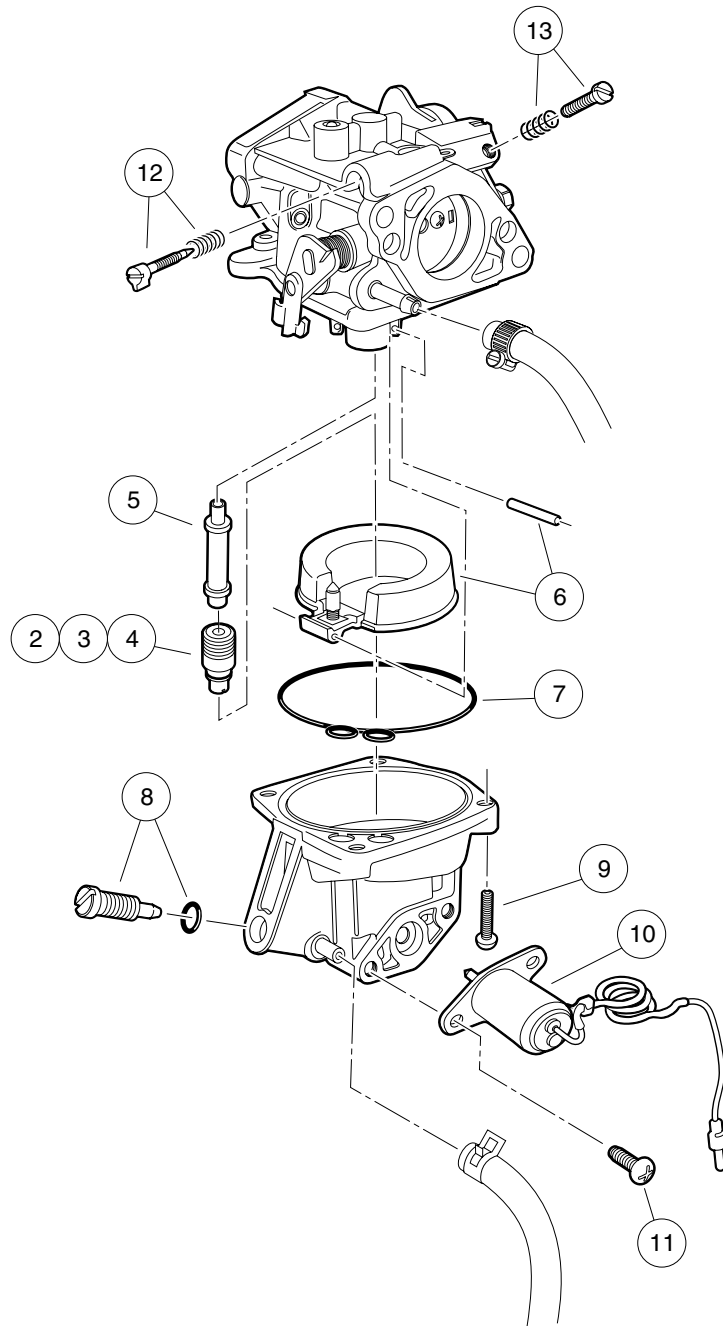
G

D

10

G

D



000020-001

CARBURETOR ASSEMBLY, HONDA GASOLINE VEHICLES

ITEM	PART NO.	DESCRIPTION	QTY
		1 2 3 4	
1	<u>103201601</u>	Carburetor, Seal Shaft (includes items 2 through 13)	1
2	<u>102623802</u>	Jet, GX620, #102 (8000 ft. and higher (2438 m and higher))	1
3	<u>102623805</u>	Jet, GX620, #105 (5000-8000 ft. (1524-2438 m))	1
4	<u>102623808</u>	Jet, GX620, #108 (0-5000 ft. (0-1524 m))	1
5	<u>102655401</u>	Nozzle, Main	1
6	<u>102655501</u>	Float Set	1
7	<u>102655601</u>	Gasket Set	1
8	<u>102655701</u>	Screw Set, Drain	1
9	<u>102655801</u>	Screw-Washer, M4 X 14	4
10	<u>102655901</u>	Valve Assy., Solenoid	1
11	<u>102656001</u>	Screw-Washer, M5 X 12	2
12	<u>102724101</u>	Screw Set, Left	1
13	<u>102724201</u>	Screw Set, Right	1

10

G

D

CARBURETOR INSTALLATION – HONDA GASOLINE VEHICLES

ITEM	PART NO.	DESCRIPTION	QTY
		1 2 3 4	
1	<u>102385801</u>	Bracket, Choke Cable	1
2	<u>102462601</u>	Insert, Adapter, Carburetor	2
3	<u>102493001</u>	Gasket, Adapter, Carburetor	1
4	<u>102617301</u>	Screw Tapping, M5 X 0.8x10	2
5	<u>102620801</u>	Adapter, Intake Honda GX620	1
6	<u>102656101</u>	Clip, Breather Tube	1
7	<u>102656201</u>	Grommet, Reserve Tank	1
8	<u>102656301</u>	Bolt, Flange Head, M6 X 1 X 120	2
9	<u>102656402</u>	Pump Assy., Fuel, Sup	1
10	<u>102656501</u>	Tube, Breather	1
11	<u>102656601</u>	Stay, Fuel Pump	1
12	<u>102656701</u>	Gasket, Carburetor	2
13	<u>102656801</u>	Insulator, Carburetor	1
14	<u>102656901</u>	Srew-Washer, M6 X 16	2
15	<u>102657001</u>	Tube B, Fuel	1
16	<u>102657101</u>	Tube, Diaphragm	1
17	<u>102657201</u>	Clip, Tube, B10	3
18	<u>102657301</u>	Filter, Fuel	1
19	<u>102657401</u>	Clip, Wire Harness	1
20	<u>102657501</u>	Bolt, Flange Head, M6 X 11 X 4	2
21	<u>102657601</u>	Gasket, Intake Manifold	2
22	<u>102657701</u>	Manifold, Inlet	1
23	<u>102657801</u>	Bolt, Socket, M8 X 1.25 X 45	4
24	<u>102710501</u>	Spring, Continuity, Solenoid	1
25	<u>102725401</u>	Tube A, Fuel	1

10

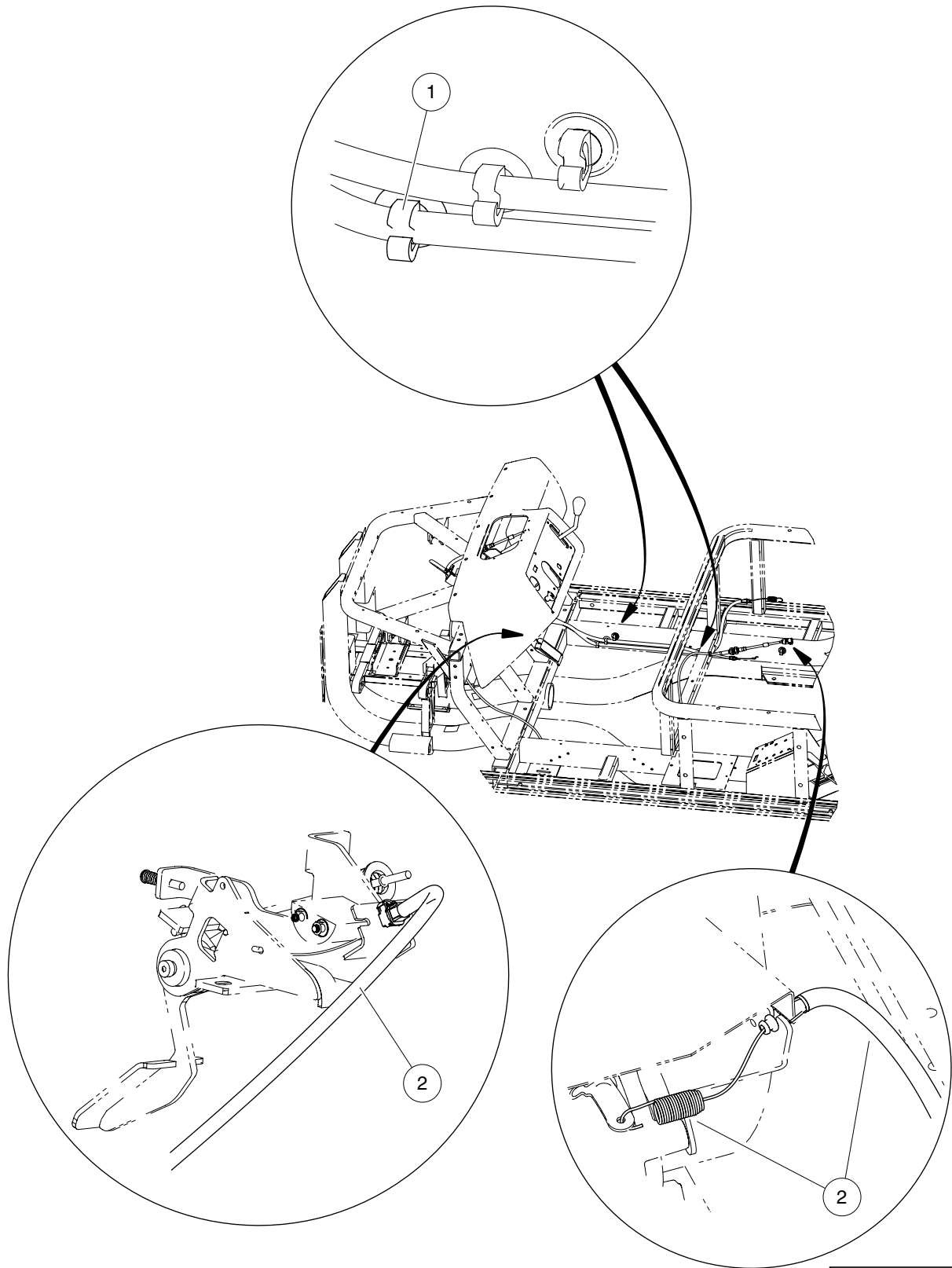
G

D

10

G

D



000033-001

GOVERNOR AND ACCELERATOR CABLES, GASOLINE VEHICLES

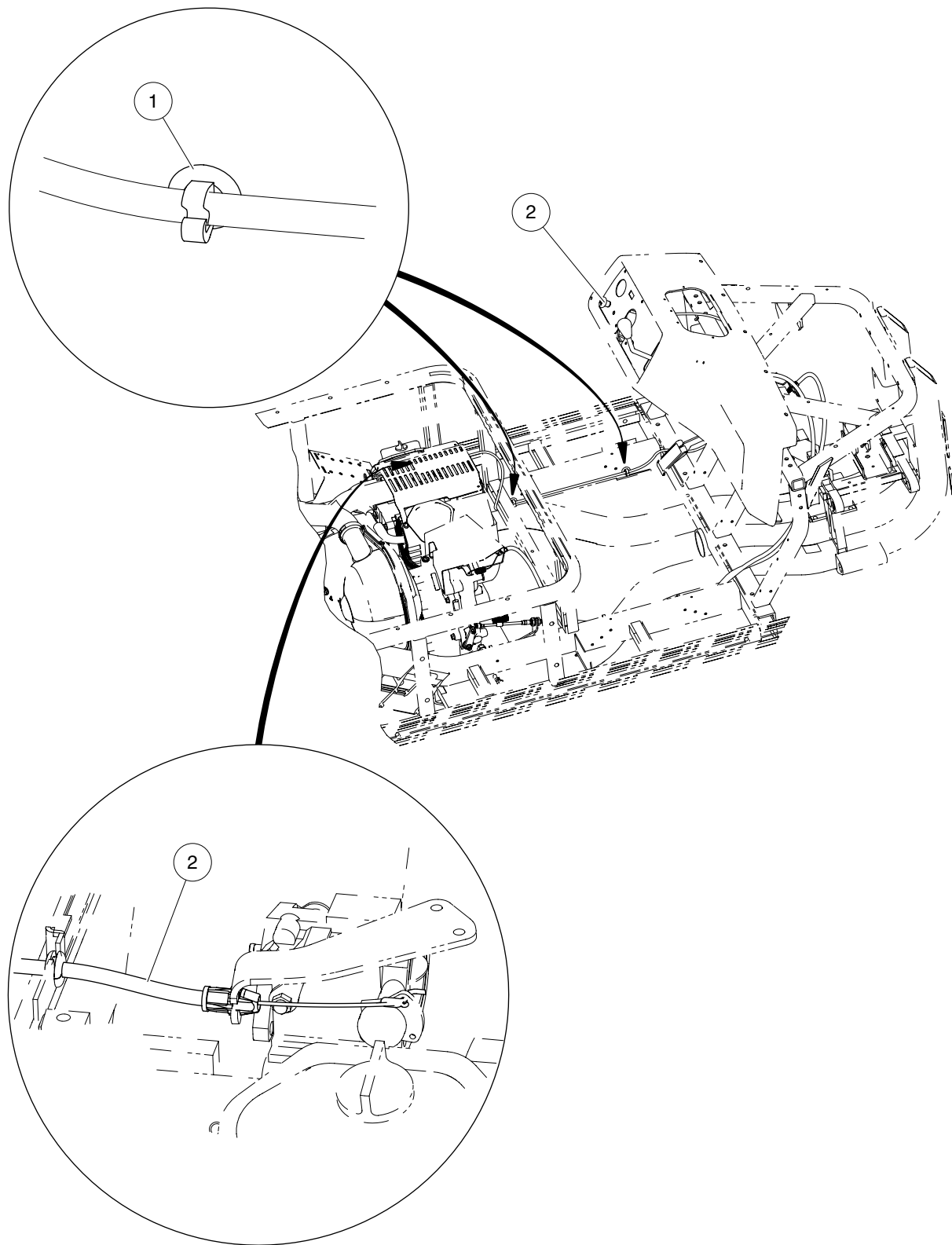
ITEM	PART NO.	DESCRIPTION	QTY
1	<u>102475701</u>	1 2 3 4 Clip, Brake Line	2
2	<u>102498701</u>	Cable, Accelerator, GX620	1

10
G
D

10

G

D



000034-001

CHOKE CABLE, GASOLINE VEHICLES

ITEM	PART NO.	DESCRIPTION	QTY
1	<u>102475701</u>	1 2 3 4 Clip, Brake Line	2
2	<u>102826101</u>	Cable, Choke	1

10

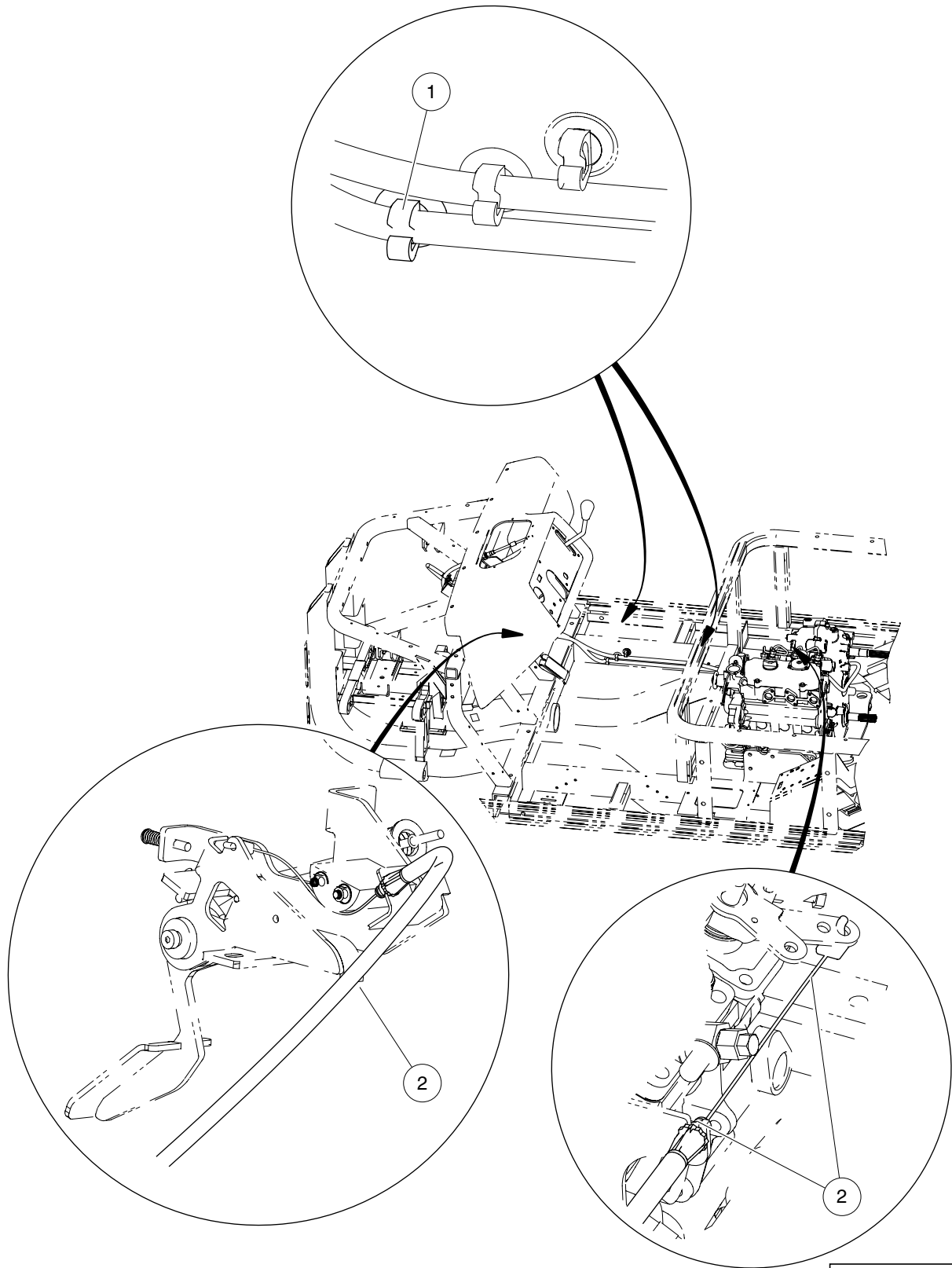
G

D

10

G

D



000035-001

ACCELERATOR CABLE, DIESEL VEHICLES

ITEM	PART NO.	DESCRIPTION	QTY
		1 2 3 4	
1	<u>102475701</u>	Clip, Brake Line	2
2	<u>102498801</u>	Cable, Accelerator, Diesel	1

10

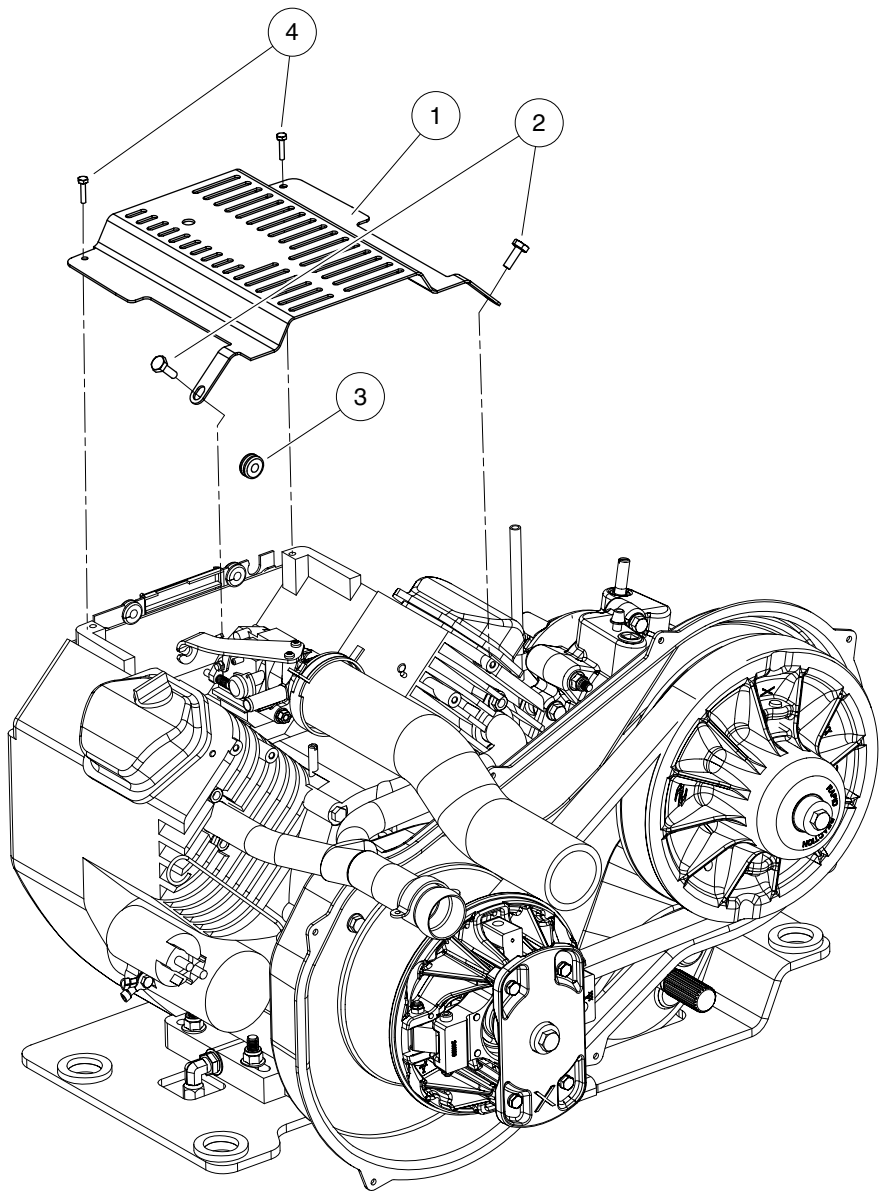
G

D

10

G

D



000085-001

GOVERNOR COVER – GASOLINE VEHICLES

ITEM	PART NO.	DESCRIPTION	QTY
		1 2 3 4	
1	<u>102451001</u>	Cover, Engine, Honda	1
2	<u>102498101</u>	Bolt, M8 X 1.25 X 20	2
3	<u>102707101</u>	Grommet, Split, 50 Durometer	2
4	<u>96705736</u>	Bolt, M5 X .8 X 20	2

10

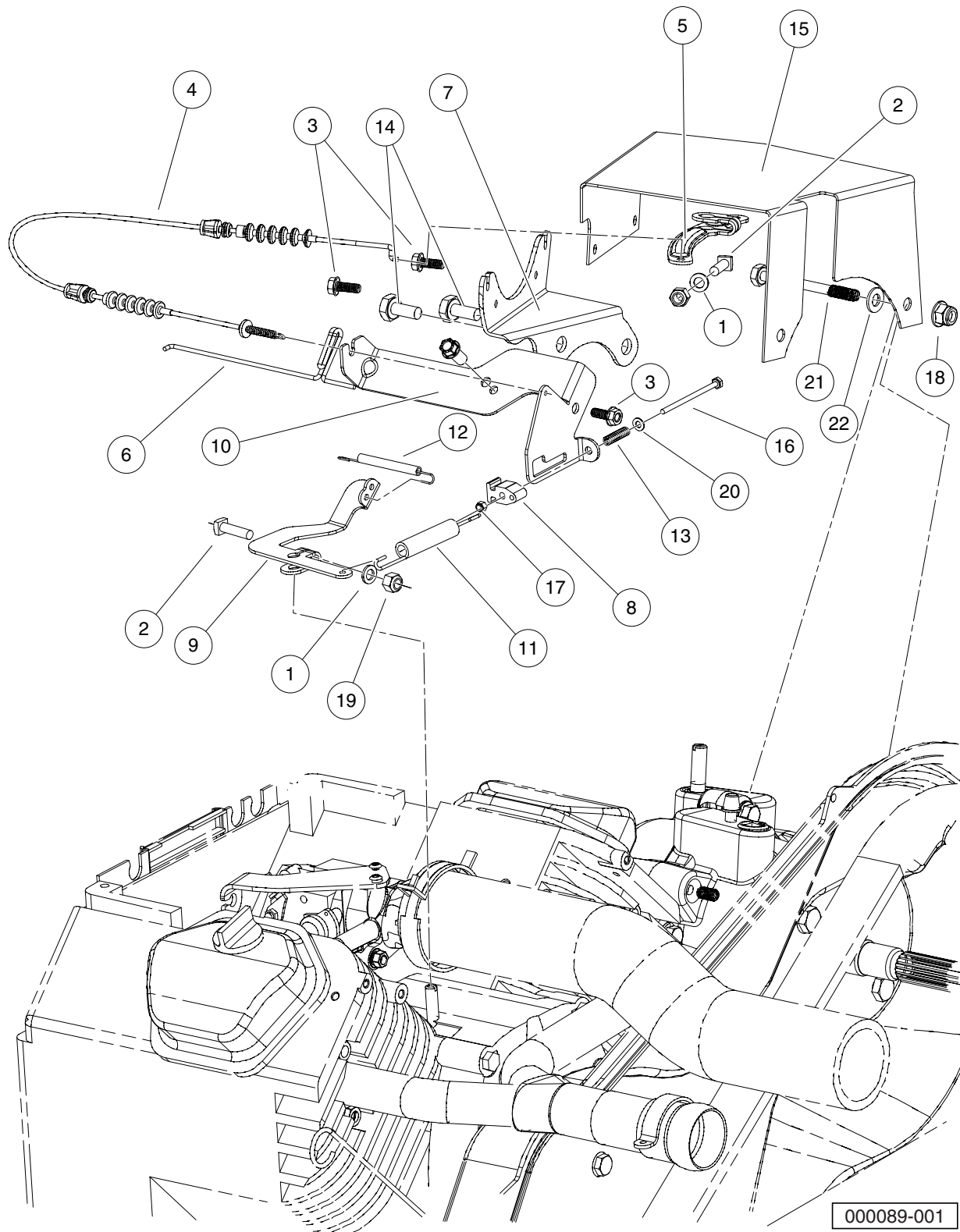
G

D

10

G

D



GOVERNOR SYSTEM – GASOLINE VEHICLES

ITEM	PART NO.	DESCRIPTION	QTY
		1 2 3 4	
1	<u>1014007</u>	Washer, 1/4 Flat	2
2	<u>101886101</u>	Screw, 1/4-20 X 1.00 Square-Head	2
3	<u>102296716</u>	Screw, M6 X 16 Tt Hx Fl Hd	3
4	<u>102423701</u>	Cable, Engine Governor	1
5	<u>102433101</u>	Bracket, Governor, Arm, Trans	1
6	<u>102433501</u>	Wire, Governor	1
7	<u>102451201</u>	Bracket, Governor, Trans Cable	1
8	<u>102452301</u>	Adjuster, Spring, Idle	1
9	<u>102454801</u>	Bracket, Arm, Gov, Engine	1
10	<u>102454901</u>	Bracket, Cable, Gov, Engine	1
11	<u>102457001</u>	Spring	1
12	<u>102457101</u>	Spring, Carb	1
13	<u>102457201</u>	Spring, Compression, Adj, Idle	1
14	<u>102490101</u>	Bolt, M10 X 1.5 X 20 Loctite	2
15	<u>102499601</u>	Guard, Governor, Ground Speed	1
16	<u>102616801</u>	Bolt, M4 X .7 X 60	1
17	<u>102616901</u>	Nut Flg, M4 X 0.7 Mech Def	1
18	<u>102618601</u>	Lock Nut, Flg M8 X 1.25 Nylon	1
19	<u>8233</u>	Locknut, 1/4-20 Nylon Insert	2
20	<u>96714464</u>	Washer, M4	1
21	<u>96718978</u>	Bolt, M8 X 1.25 X 80	1
22	<u>96741038</u>	Washer, M8 Hard	1

10

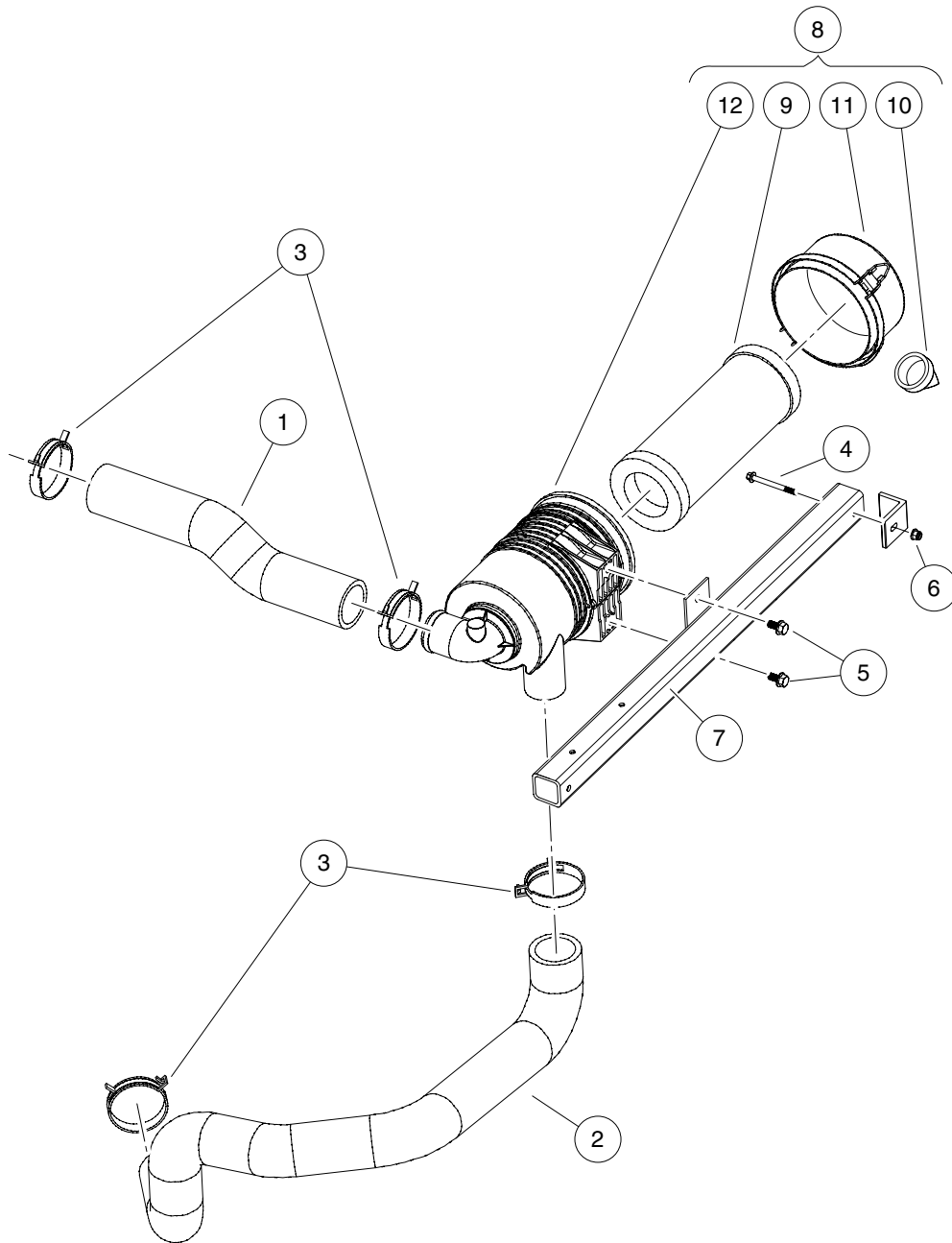
G

D

10

G

D



000090-001

INTAKE DUCT AND AIR BOX ASSEMBLY – HONDA GASOLINE VEHICLES

ITEM	PART NO.	DESCRIPTION	QTY
		1 2 3 4	
1	<u>102378901</u>	Hose, Intake, GX620	1
2	<u>102395601</u>	Hose, Intake, Primary	1
3	<u>102411210</u>	Clamp, Hose, Ctb 64mm	4
4	<u>102541465</u>	Bolt, M 6 X 1.0 X 65 Hex, Flange, Head, Black	2
5	<u>102621201</u>	Bolt Flanged Head, M8 X1.25x 16 with Loctite	2
6	<u>102621501</u>	Nut Flg, M6 X 1.0 Nylon	2
7	N/A	Weldment, Support, Air Cleaner	1
8	<u>102810701</u>	Filter, Air, Canister, W/labe (includes items 9 through 12)	1
9	<u>102498601</u>	Element, Filter, Air, 5 In	1
10	<u>102725501</u>	Valve, Evacuator, Filter Air	1
11	<u>102725601</u>	Cap, Latch Lock, Filter, Air	1
12	N/A	Body, Canister, Filter, Air	1

10

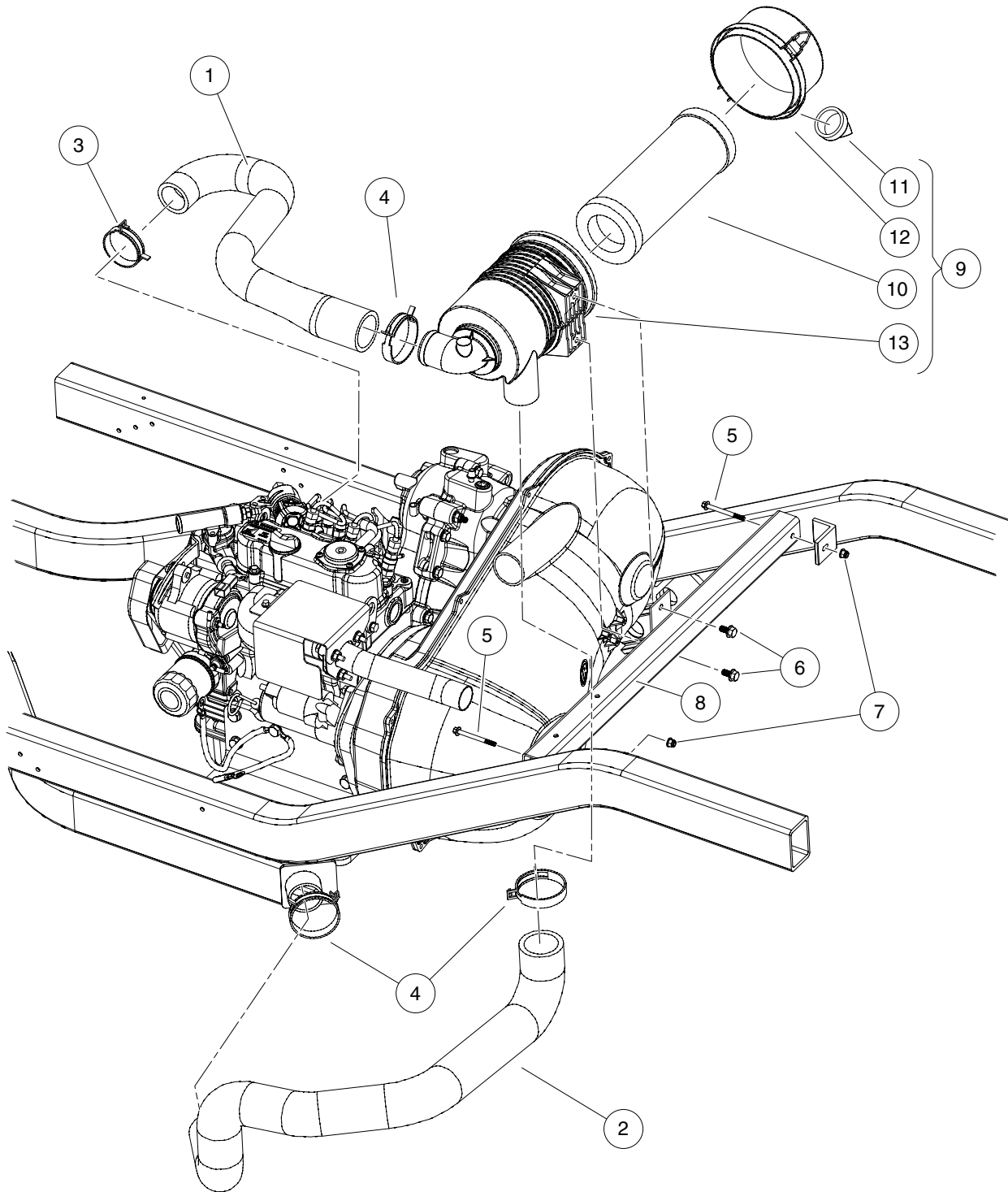
G

D

10

G

D



000090-002

INTAKE DUCT AND AIR BOX ASSEMBLY – DIESEL VEHICLES

ITEM	PART NO.	DESCRIPTION	QTY
		1 2 3 4	
1	<u>102379001</u>	Hose, Intake, D722	1
2	<u>102395601</u>	Hose, Intake, Primary	1
3	<u>102411209</u>	Clamp, Hose, Ctb 55mm	1
4	<u>102411210</u>	Clamp, Hose, Ctb 64mm	3
5	<u>102541465</u>	Bolt, M 6 X 1.0 X 65 Hex, Flange, Head, Black	2
6	<u>102621201</u>	Bolt Flanged Head, M8 X1.25x 16 with Loctite	2
7	<u>102621501</u>	Nut Flg, M6 X 1.0 Nylon	2
8	N/A	Weldment, Support, Air Cleaner	1
9	<u>102810701</u>	Filter, Air, Canister, W/labe (includes items 10 through 13)	1
10	<u>102498601</u>	Element, Filter, Air, 5 In	1
11	<u>102725501</u>	Valve, Evacuator, Filter Air	1
12	<u>102725601</u>	Cap, Latch Lock, Filter, Air	1
13	N/A	Body, Canister, Filter, Air	1

10

G

D

10

G

D

EXHAUST SYSTEM

11

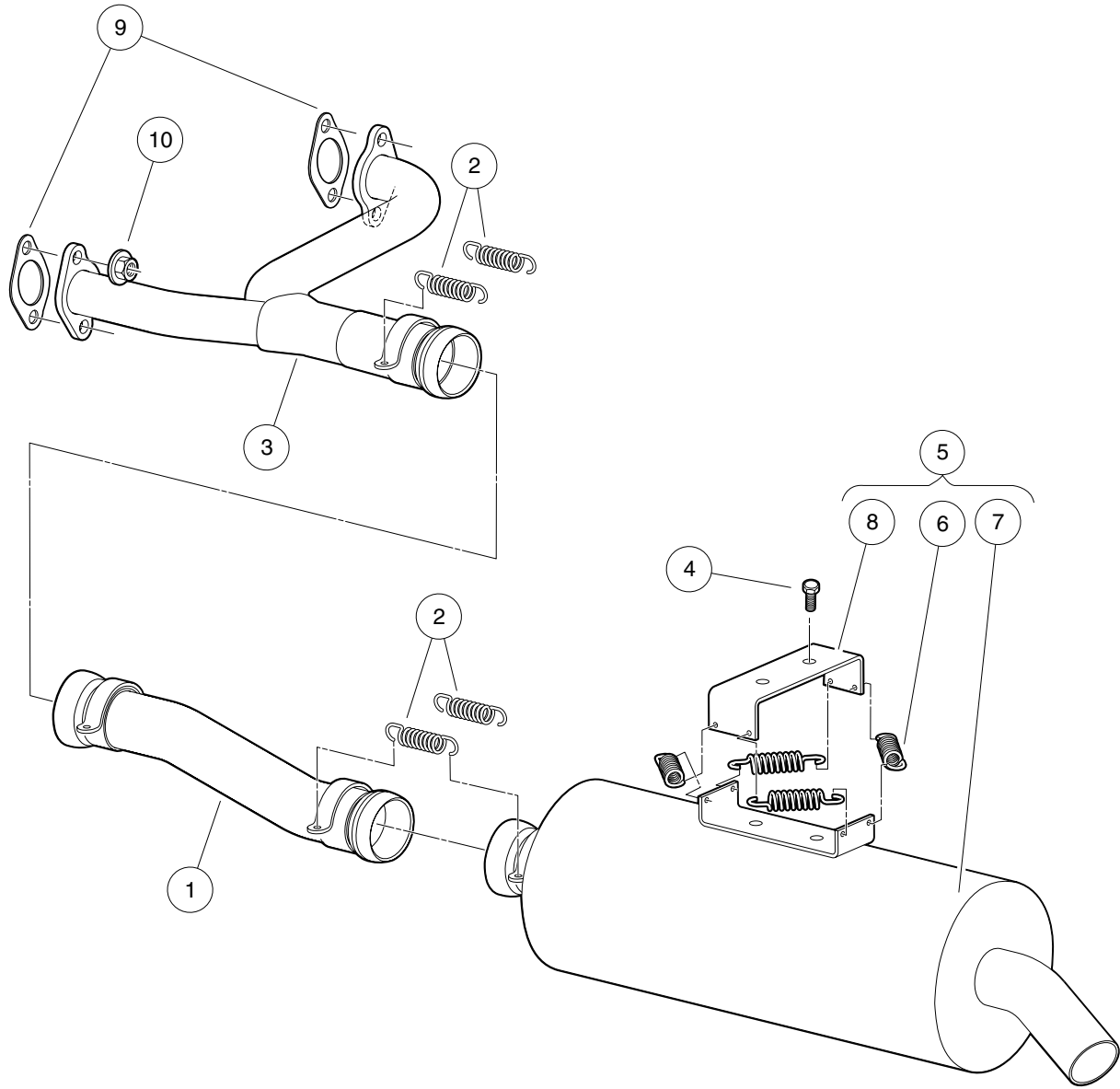
G

D

11

G

D



000075-001

EXHAUST SYSTEM, GASOLINE VEHICLES

ITEM	PART NO.	DESCRIPTION	QTY
		1 2 3 4	
1	<u>102409401</u>	Pipe, Exhaust Intermediate	1
2	<u>102409501</u>	Spring, Exhaust	4
3	<u>102409601</u>	Header, Exhaust, Gas	1
4	<u>102621201</u>	Bolt Flanged Head, M8 X1.25x 16 with Loctite	2
5	<u>102812801</u>	Asm, Muffler, AWD Homologation (includes items 6 through 8)	1
6	<u>102409501</u>	Spring, Exhaust	4
7	N/A	Muffler	1
8	N/A	Bracket, Muffler	1
9	<u>102834901</u>	Gasket, Exhaust, Gx620	2
10	<u>96704416</u>	Nut Flg, M8 X 1.25 Serrated	4

11

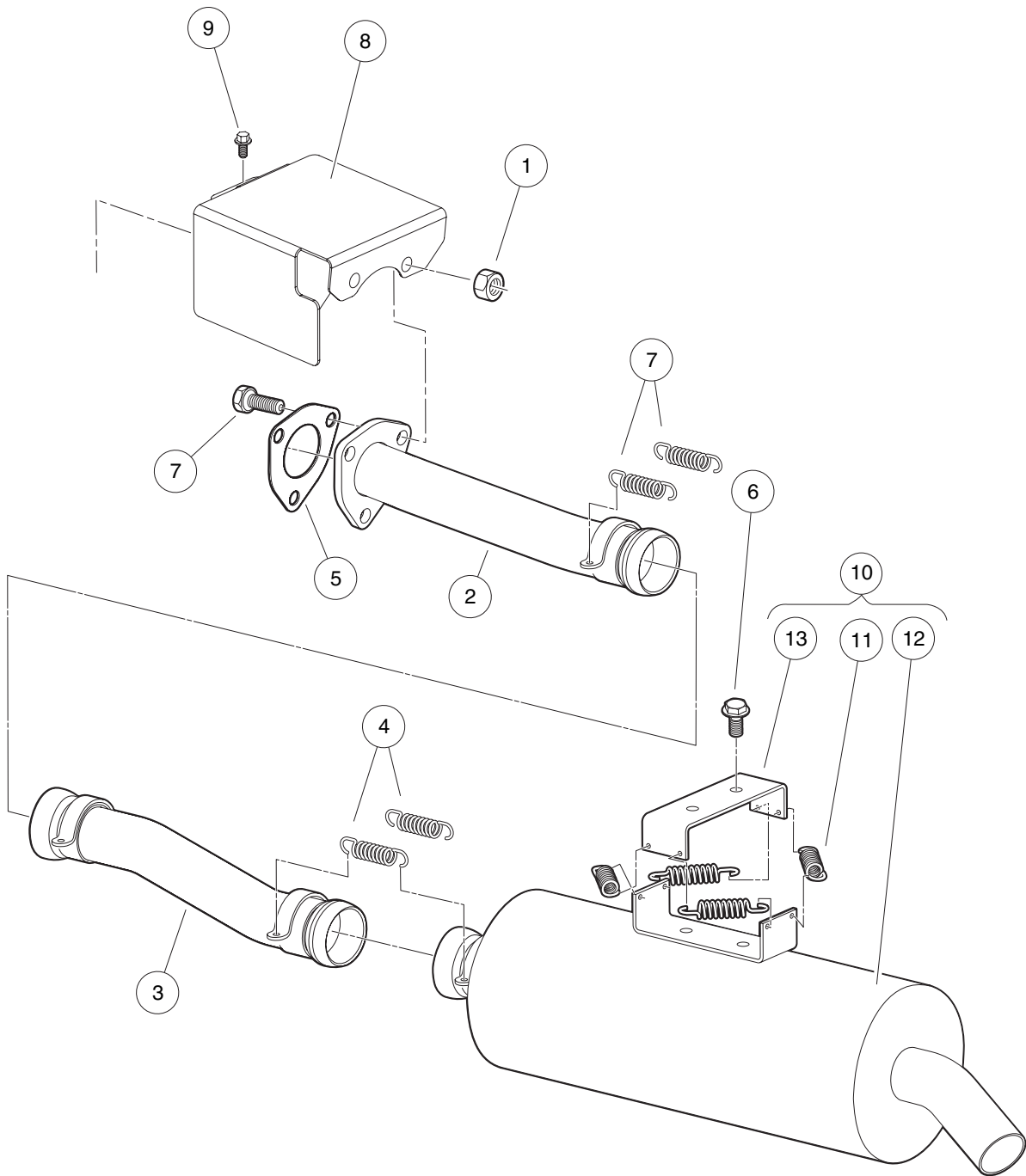
G

D

11

G

D



000075-002

EXHAUST SYSTEM, DIESEL VEHICLES

ITEM	PART NO.	DESCRIPTION	QTY
		1 2 3 4	
1	<u>102298401</u>	Nut,m8,all Metal Lock	3
2	<u>102409301</u>	Pipe, Exhaust Diesel Main	1
3	<u>102409401</u>	Pipe, Exhaust Intermediate	1
4	<u>102409501</u>	Spring, Exhaust	4
5	<u>102422301</u>	Gasket, Exhaust Diesel	1
6	<u>102621201</u>	Bolt Flanged Head, M8 X1.25x 16 with Loctite	2
7	<u>102621301</u>	Bolt, M8 X 1.25 X 40 with Loctite	3
8	<u>102628101</u>	Shield, Diesel Exhaust	1
9	<u>102731601</u>	Bolt, D722, Exhst Manfld Cover	1
10	<u>102812801</u>	Asm, Muffler, AWD Homologation (includes items 11 through 13)	1
11	<u>102409501</u>	Spring, Exhaust	4
12	N/A	Muffler	1
13	N/A	Bracket, Muffler	1

11

G

D

11

G

D

CLUTCHES

12

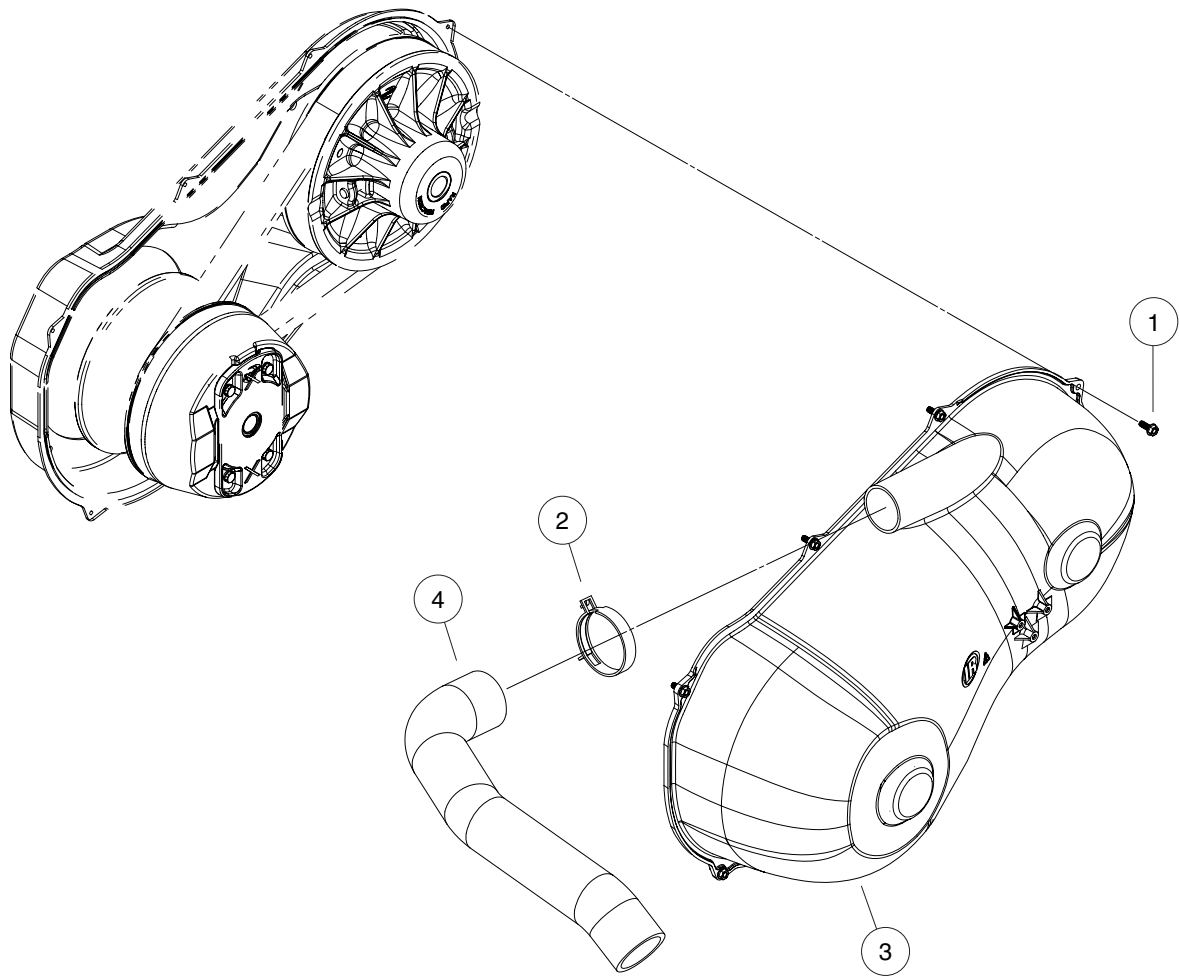
G

D

12

G

D



000008-002

CLUTCH COVER (STANDARD)

ITEM	PART NO.	DESCRIPTION	QTY
		1 2 3 4	
1	<u>102296716</u>	Screw, M6 X 16 Tt Hx Fl Hd	7
2	<u>102411210</u>	Clamp, Hose, Ctb 64mm	1
3	<u>102628301</u>	Cover, Cvt, Open	1
4	<u>103320601</u>	Hose, Outlet, Cvt	1

12

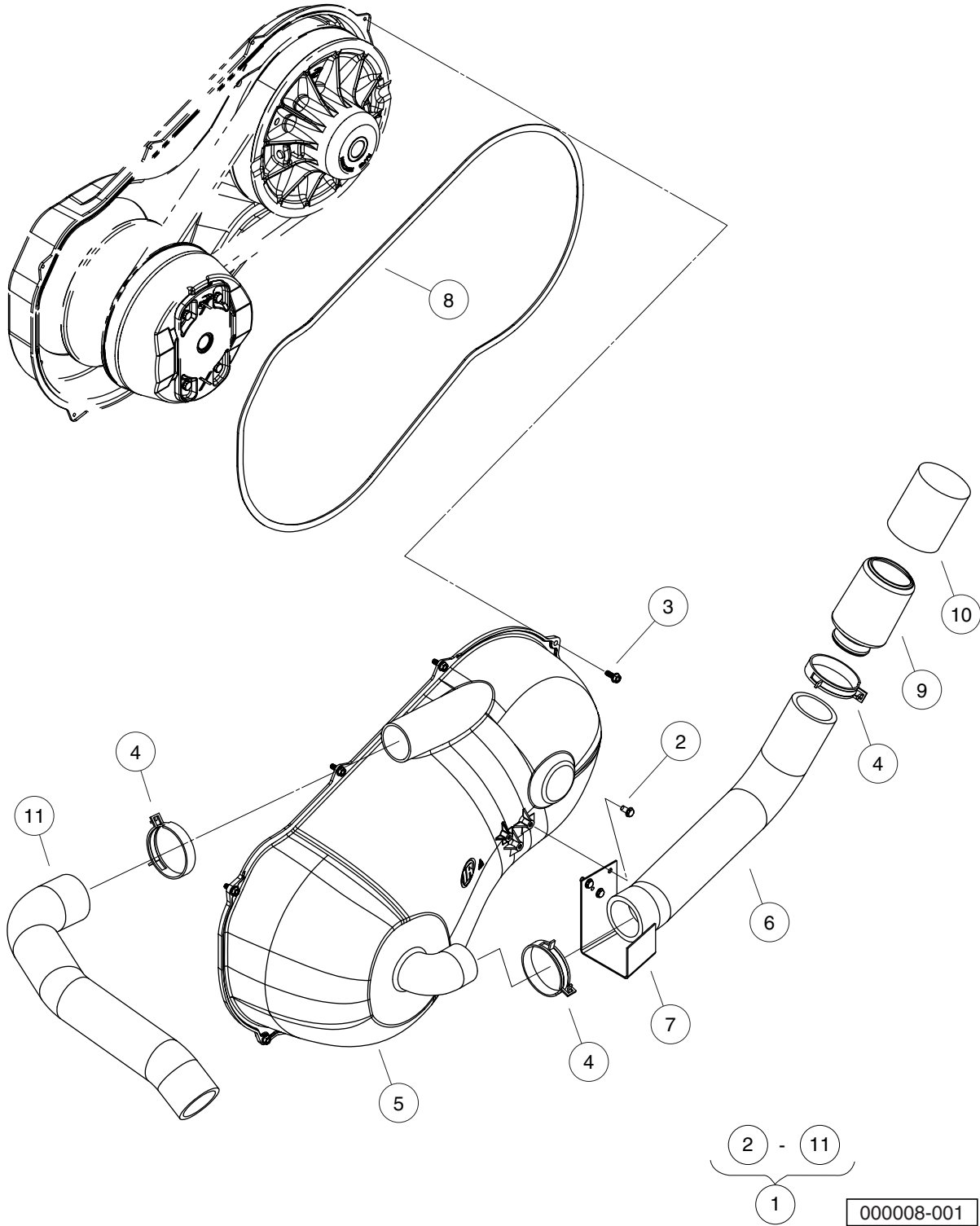
G

D

12

G

D



000008-001

CLUTCH COVER (SEALED)

ITEM	PART NO.	DESCRIPTION	QTY
		1 2 3 4	
1	<u>102616003</u>	Kit, Sealed CVT Cover (includes items 2 through 11)	1
2	<u>101856102</u>	Screw, 1/4-15 X 1.50 Hi-lo Hex	3
3	<u>102296716</u>	Screw, M6 X 16 Tt Hx Fl Hd	7
4	<u>102411210</u>	Clamp, Hose, Ctb 64mm	3
5	<u>102414501</u>	Cover, CVT Outer	1
6	<u>102481001</u>	Hose, Inlet, Cover, CVT	1
7	<u>102481201</u>	Bracket, Inlet, Cover, CVT	1
8	<u>102481301</u>	Gasket, Cover, CVT	1
9	<u>102616101</u>	Cap, Inlet, Cover, CVT	1
10	<u>102628001</u>	Filter, Inlet, Cover, CVT	1
11	<u>103320601</u>	Hose, Outlet, Cvt	1

12

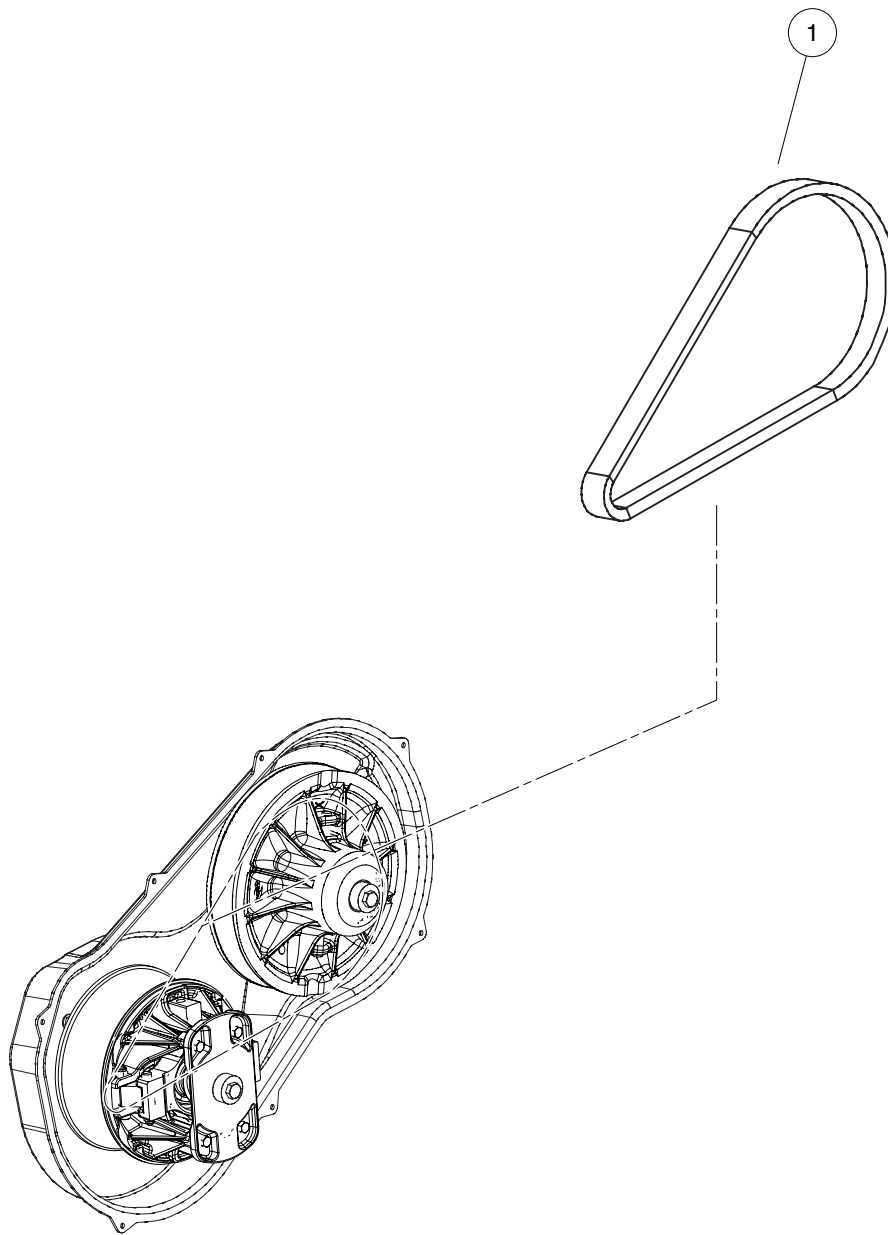
G

D

12

G

D



000084-001

DRIVE BELT

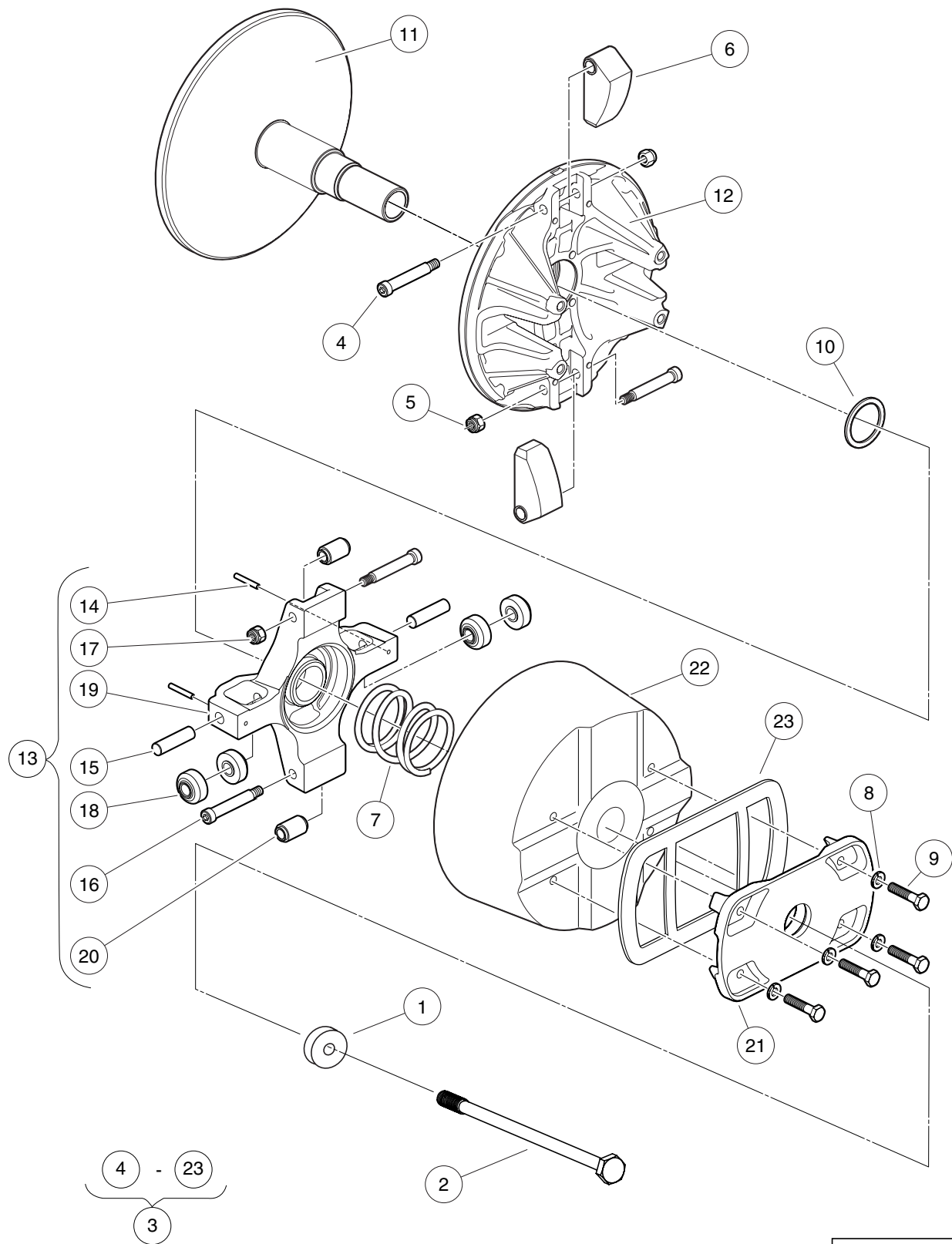
ITEM	PART NO.	DESCRIPTION	QTY
1	<u>102374901</u>	1 2 3 4 Belt, Drive	1

12
G
D

12

G

D



DRIVE CLUTCH – GASOLINE VEHICLES

ITEM	PART NO.	DESCRIPTION	QTY
		1 2 3 4	
1	<u>102385601</u>	Washer, Stepped	1
2	<u>102490001</u>	Bolt, M10x1.25x200 Loctite	1
3	<u>103185401</u>	Clutch, 4x4, Gas, W/cover (includes items 4 through 23)	1
4	<u>102690501</u>	Screw, Shlder Hex, .312 X 1.75	2
5	<u>102690701</u>	Nut, Lock Hex, 1/14-20, Flexlc	2
6	<u>102691001</u>	Sub Assy, Wt Clutch, Gas	2
7	<u>102691401</u>	Spring, Compression, Primary	1
8	<u>102691601</u>	Washer, Lock, H-Spring, 1/4	4
9	<u>102691701</u>	Screw, Cap, Hex Hd, 1/4 X 1.25	4
10	<u>102691801</u>	Shim, 1.63 X 1.33	A/R
11	N/A	Subassembly, Drive Clutch	1
12	N/A	Subassembly, Moveable, Drive Clutch	1
13	N/A	Spider Subassembly (Gasoline) (includes items 14 through 20)	1
14	<u>102690201</u>	Pin, Spring Slotted, 1.25 X 1.0	2
15	<u>102690301</u>	Pin, Dowel, .375 X 1.50	2
16	<u>102690501</u>	Screw, Shlder Hex, .312 X 1.75	2
17	<u>102690701</u>	Nut, Lock Hex, 1/14-20, Flexlc	2
18	<u>102691901</u>	Roller, Torque, Gas	4
19	N/A	Spider, Drive Clutch	1
20	<u>102839401</u>	Sub Assy, Roller Weight	2
21	N/A	Cover, Drive Clutch	1
22	<u>103185801</u>	Cover, Clutch, 4x4	1
23	<u>103185901</u>	Gasket, Cover, Clutch, 4x4	1

12

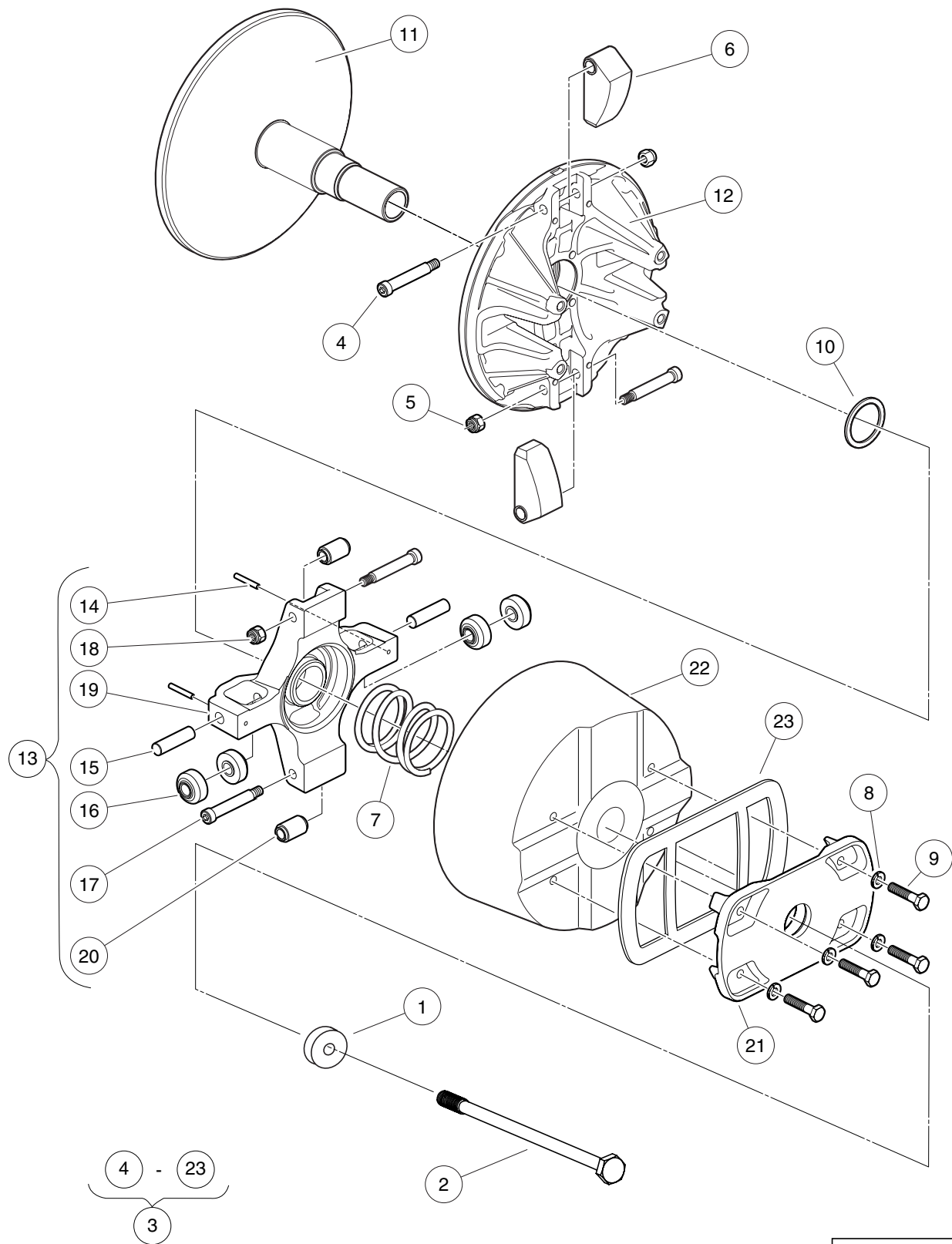
G

D

12

G

D



DRIVE CLUTCH – DIESEL VEHICLES

ITEM	PART NO.	DESCRIPTION	QTY
		1 2 3 4	
1	<u>102385601</u>	Washer, Stepped	1
2	<u>102616501</u>	Bolt, M10 X 1.5 X 160	1
3	<u>103185501</u>	Clutch, 4x4, Diesel, W/cover (includes items 4 through 23)	1
4	<u>102690501</u>	Screw, Shlder Hex, .312 X 1.75	2
5	<u>102690701</u>	Nut, Lock Hex, 1/14-20, Flexlc	2
6	<u>102690801</u>	Sub Assy, Wt Clutch, Diesel	2
7	<u>102691401</u>	Spring, Compression, Primary	1
8	<u>102691601</u>	Washer, Lock, H-Spring, 1/4	4
9	<u>102691701</u>	Screw, Cap, Hex Hd, 1/4 X 1.25	4
10	<u>102691801</u>	Shim, 1.63 X 1.33	A/R
11	N/A	Subassembly, Drive Clutch	1
12	N/A	Subassembly, Moveable, Drive Clutch	1
13	N/A	Subassembly, Spider Utility, Diesel (includes items 14 through 20)	1
14	<u>102690201</u>	Pin, Spring Slotted, 1.25 X 1.0	2
15	<u>102690301</u>	Pin, Dowel, .375 X 1.50	2
16	<u>102690401</u>	Roller, Torque, Diesel	4
17	<u>102690501</u>	Screw, Shlder Hex, .312 X 1.75	2
18	<u>102690701</u>	Nut, Lock Hex, 1/14-20, Flexlc	2
19	N/A	Spider, Drive Clutch	1
20	<u>102839401</u>	Sub Assy, Roller Weight	2
21	N/A	Cover, Drive Clutch	1
22	<u>103185801</u>	Cover, Clutch, 4x4	1
23	<u>103185901</u>	Gasket, Cover, Clutch, 4x4	1

12

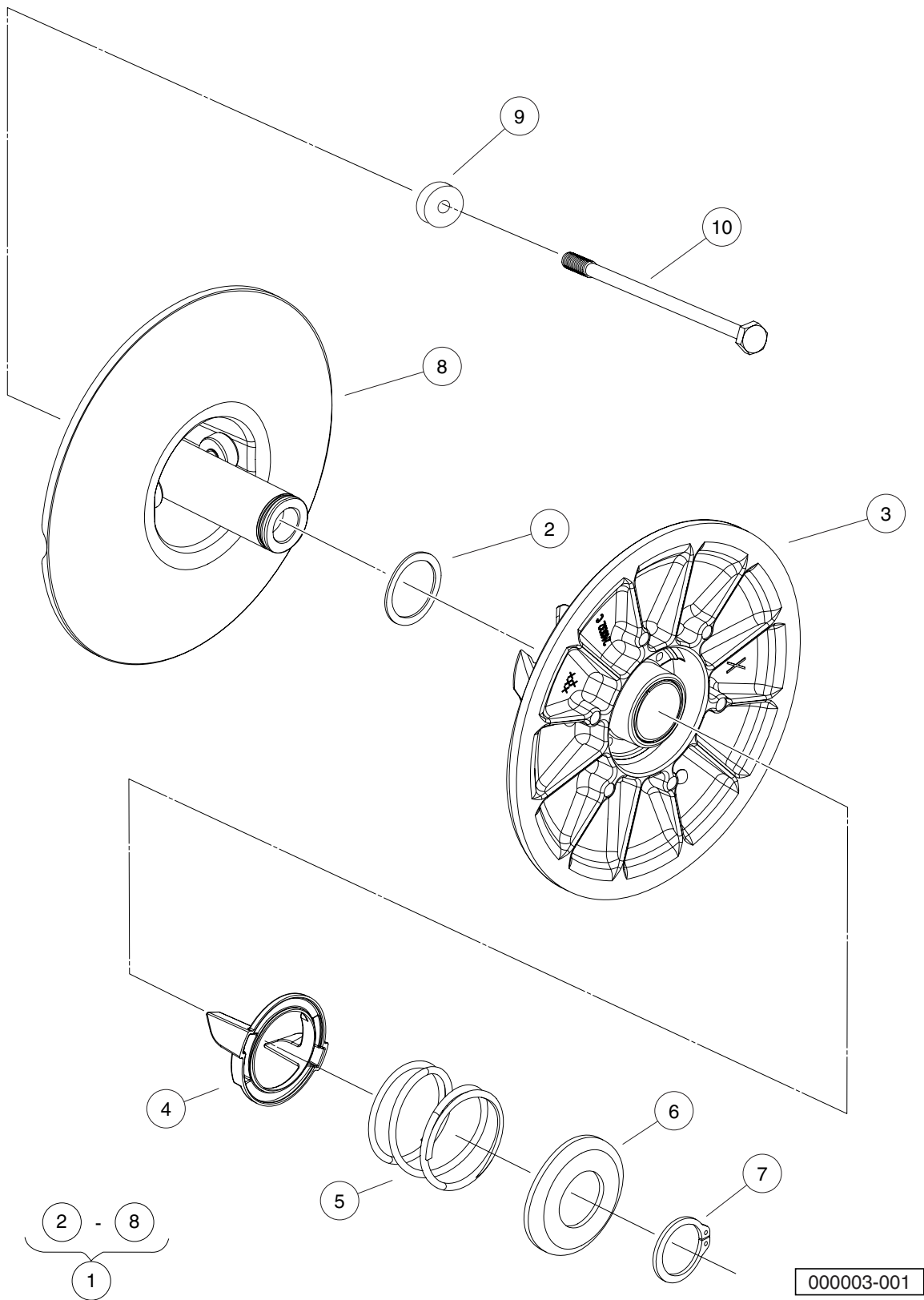
G

D

12

G

D



000003-001

DRIVEN CLUTCH

ITEM	PART NO.	DESCRIPTION	QTY
		1 2 3 4	
1	<u>102369901</u>	CVT, Secondary (includes items 2 through 8)	1
2	<u>102695401</u>	Washer, Thrust, 1.53 X 1.92	1
3	N/A	Sheave, Driven Clutch	1
4	<u>102695601</u>	Retainer, Spring, Inner	1
5	<u>102695701</u>	Spring, Compression, Secondary	1
6	<u>102695801</u>	Retainer, Spring, Outer	1
7	<u>102695901</u>	Ring, Retaining, External	1
8	N/A	Driven Clutch Base Sheave	1
9	<u>102385701</u>	Washer, Stepped	1
10	<u>102490501</u>	Bolt, M10 X 1.5 X 100 Loctite	1

12

G

D

12

G

D

DRIVETRAIN COMPONENTS

13

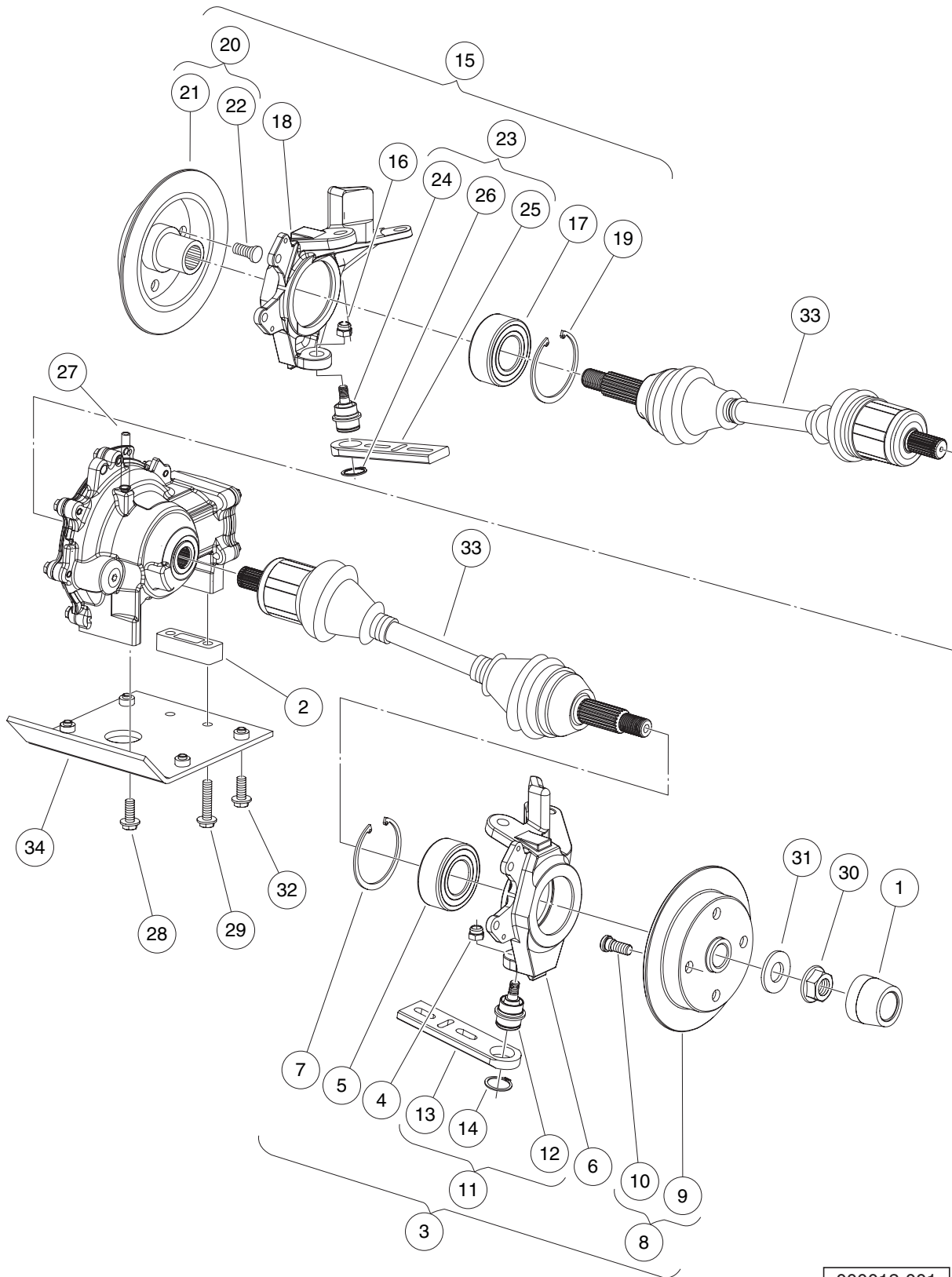
G

D

13

G

D



000012-001

FRONT DIFFERENTIAL MOUNTING AND HALF SHAFTS

ITEM	PART NO.	DESCRIPTION	QTY
		1 2 3 4	
1	102274101	Center Cap, Rubber	2
2	102381701	Spacer Block, Diff	1
3	102436001	Upright Sub-Assembly, LH (includes items 4 through 11)	1
4	102022901	Locknut, M12-1.25 Nylon	1
5	102368201	Bearing	1
6	N/A	Upright, Left	1
7	102374701	Internal Retaining Ring, 80mm Bore	1
8	102376601	Assy, Rotor, Brake, Front (includes items 9 and 10)	1
9	N/A	Rotor, Brake, Front	1
10	102475801	Stud, Wheel Lug	4
11	102479001	Asm, Adjuster, Slide (includes items 12 through 14)	1
12	102361901	Joint, Ball	1
13	102447001	Slide, Adjuster	1
14	102722301	Ring, Retaining, Ext, 1-1/4"	1
15	102436101	Upright Sub-Assembly, RH (includes items 16 through 23)	1
16	102022901	Locknut, M12-1.25 Nylon	1
17	102368201	Bearing	1
18	N/A	Upright, Right	1
19	102374701	Internal Retaining Ring, 80mm Bore	1
20	102376601	Assy, Rotor, Brake, Front (includes items 21 and 22)	1
21	N/A	Rotor, Brake, Front	1
22	102475801	Stud, Wheel Lug	4
23	102479001	Asm, Adjuster, Slide (includes items 24 through 26)	1
24	102361901	Joint, Ball	1
25	102447001	Slide, Adjuster	1
26	102722301	Ring, Retaining, Ext, 1-1/4"	1
27	102462401	Hose, Vent, Front Diff	1
28	102491001	Bolt Flanged Head, 3/8-16x1.0 with Loctite	2
29	102491101	Bolt Flanged Head, 3/8-16x1.500 with Loctite	2
30	102617501	Nut Flg, M22 X 1.5 Mech Def	2
31	102617801	Washer Hard, M22	2
32	102711601	Bolt, Flange Head, M10 X 1.5 X 25	4
33	102865201	Shaft, Half	2
34	103244701	Asm, Mount, Diff Plate	1

13

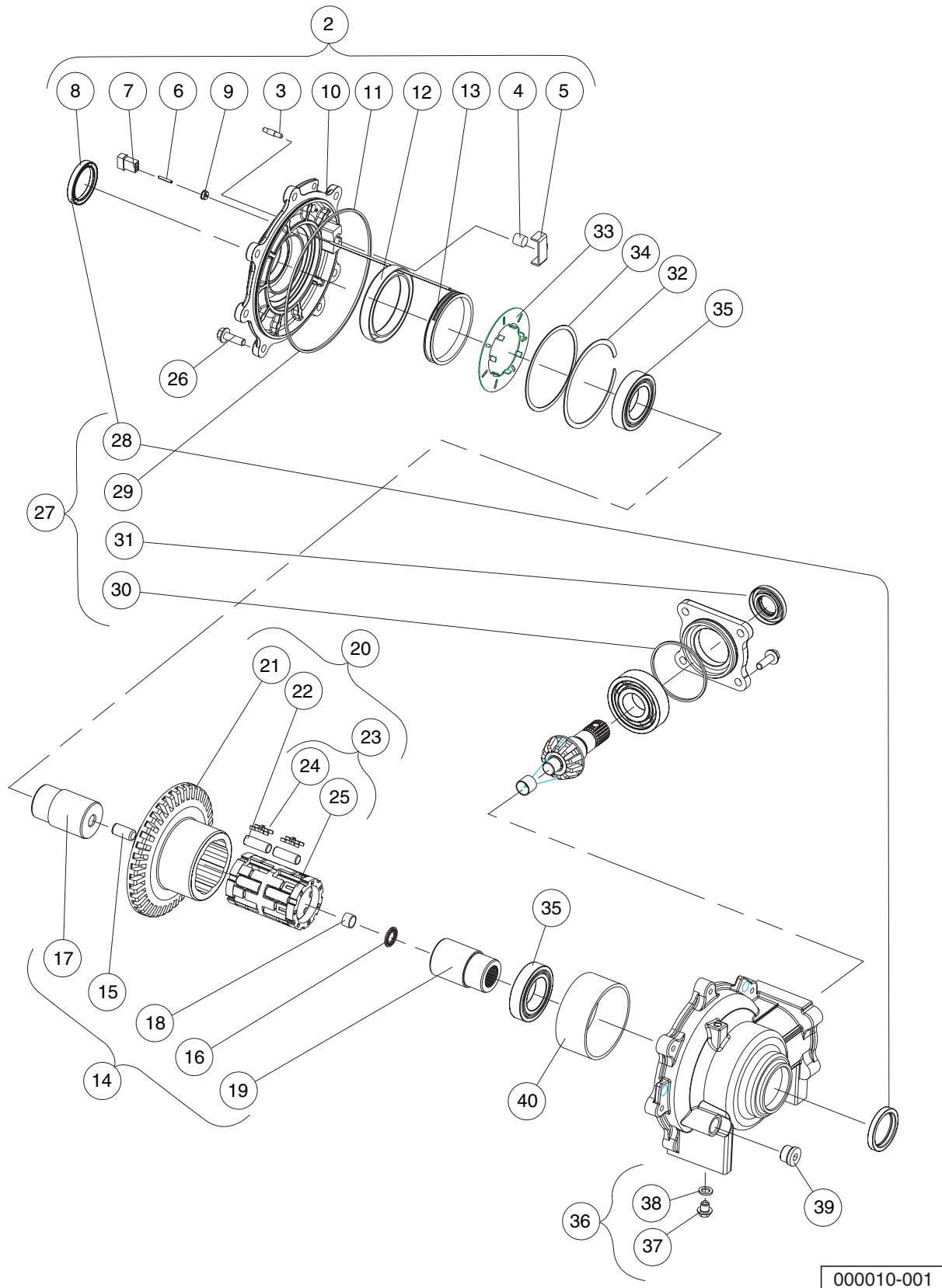
G

D

13

G

D



FRONT DIFFERENTIAL (OUTPUT COMPONENTS)

ITEM	PART NO.	DESCRIPTION	QTY
		1 2 3 4	
1	<u>102371801</u>	Differential, Front * (includes items 2 through 40)	1
2	<u>102438201</u>	Kit, Assy, Output Cover Plate (includes items 3 through 13)	1
3	<u>102439001</u>	Set Screw, #10-24 UNC-3A with Patch	1
4	<u>102439101</u>	Thrust Button	1
5	<u>102439201</u>	Thrust Plate	1
6	N/A	Mate-N-Lock Pin	2
7	N/A	Mate-N-Lock Housing	1
8	N/A	Oil Seal	1
9	N/A	Grommet	1
10	N/A	Plate, Output Cover	1
11	N/A	O-Ring	1
12	N/A	Coil, Pocket Insert	1
13	N/A	Coil with Press-Fit Bobbin	1
14	<u>102438301</u>	Kit, Assy, Race Output Hub (includes items 15 through 19)	1
15	<u>102439401</u>	Pin, Dowel	1
16	<u>102439501</u>	Bearing, Needle	1
17	N/A	Race/Output Hub, Male	1
18	N/A	Bushing, PermiGlide	1
19	N/A	Race/Output Hub, Female	1
20	<u>102438401</u>	Kit, Assy, Clutch (includes items 21 through 23)	1
21	<u>102439601</u>	Clutch Hsg/Ring Gear, Machined	1
22	<u>102439801</u>	Kit, Roller (contains 14 rollers)	1
23	<u>102439901</u>	Kit, Assy, Roll Cage (includes items 24 and 25)	1
24	N/A	Kit, H-Clip Spring (contains 14 clips)	1
25	N/A	Roll Cage, Plastic	1
26	<u>102438501</u>	Kit, Bolt (contains 7 bolts)	1
27	<u>102438601</u>	Kit, Minor Repair (includes items 28 through 31)	1
28	N/A	Oil Seal	1
29	N/A	O-Ring	1
30	N/A	O-Ring	1
31	N/A	Oil Seal, Triple-Lipped	1
32	<u>102438701</u>	Retaining, Ring Internal	1
33	<u>102438801</u>	Plate, Armature	1
34	<u>102438901</u>	Shim, Armature, Plate	1
35	<u>102439301</u>	Bearing, Ball	12
36	<u>102440101</u>	Kit, Assy, Drain Plug (includes items 37 and 38)	1
37	N/A	Plug, Oil Drain	1
38	N/A	Washer, Nylon, 0.625 x 0.382 x 0.06	1
39	<u>102440301</u>	Plug, Oil Fill	1
40	N/A	Bushing, Self-Lubricating, 80 x 85 x 20	1
		* Note: This assembly also contains components listed on the following two pages.	

13

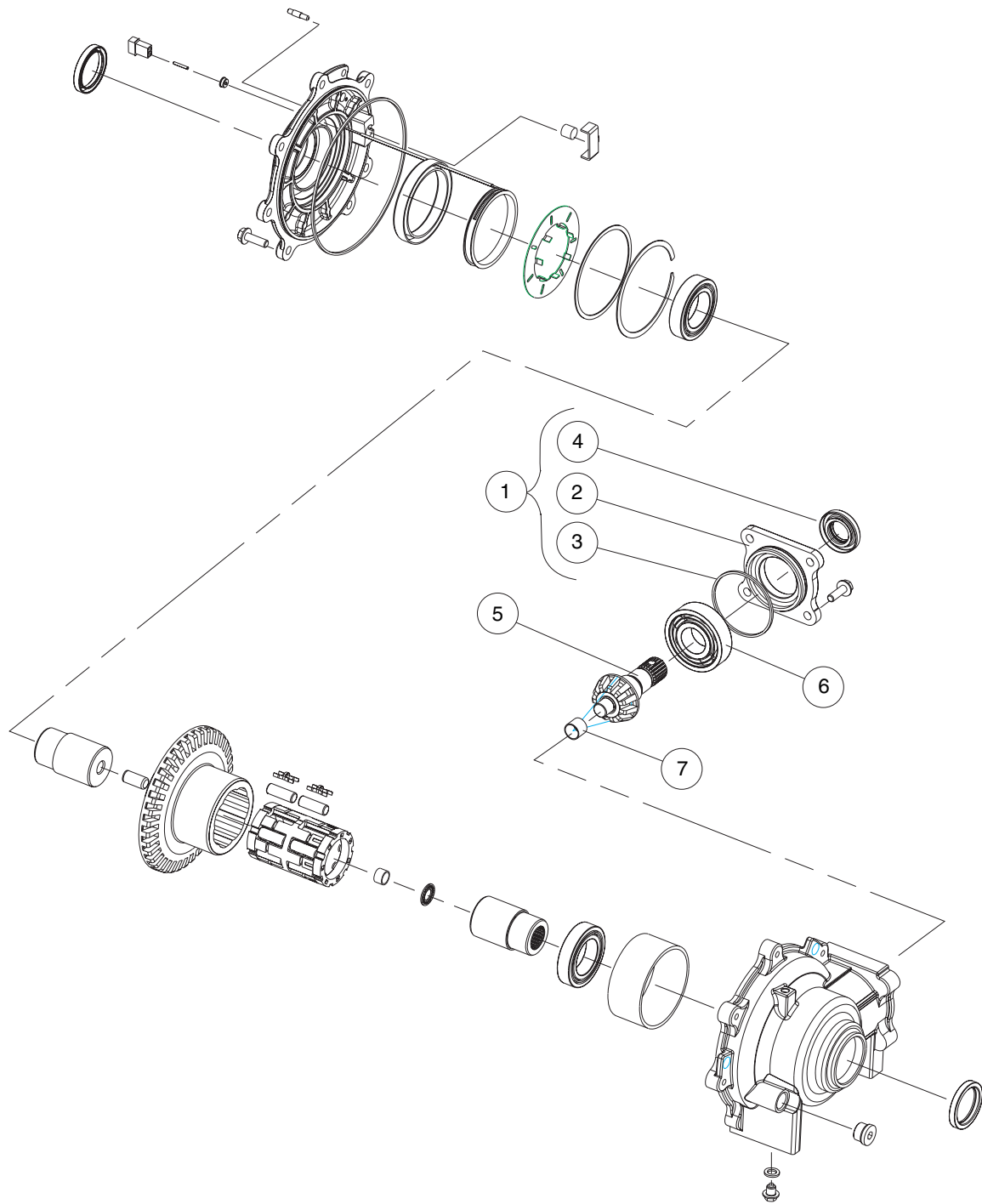
G

D

13

G

D



000010-002

FRONT DIFFERENTIAL (INPUT COMPONENTS)

ITEM	PART NO.	DESCRIPTION	QTY
		1 2 3 4	
1	<u>102440201</u>	Kit, Assy, Input Cover Plate (includes items 2 through 4)	1
2	<u>102440601</u>	Cover, Input, Machined	1
3	N/A	O-Ring	1
4	N/A	Oil Seal, Triple-Lipped	1
5	<u>102440401</u>	Shaft, Pinion, Machined	1
6	<u>102440501</u>	Bearing, Ball	1
7	N/A	Bushing, Plain 16 Id X 15 Wide	1
<p>Note: This page contains a list of components internal to the front differential. See the previous pages for other front differential components.</p>			

13

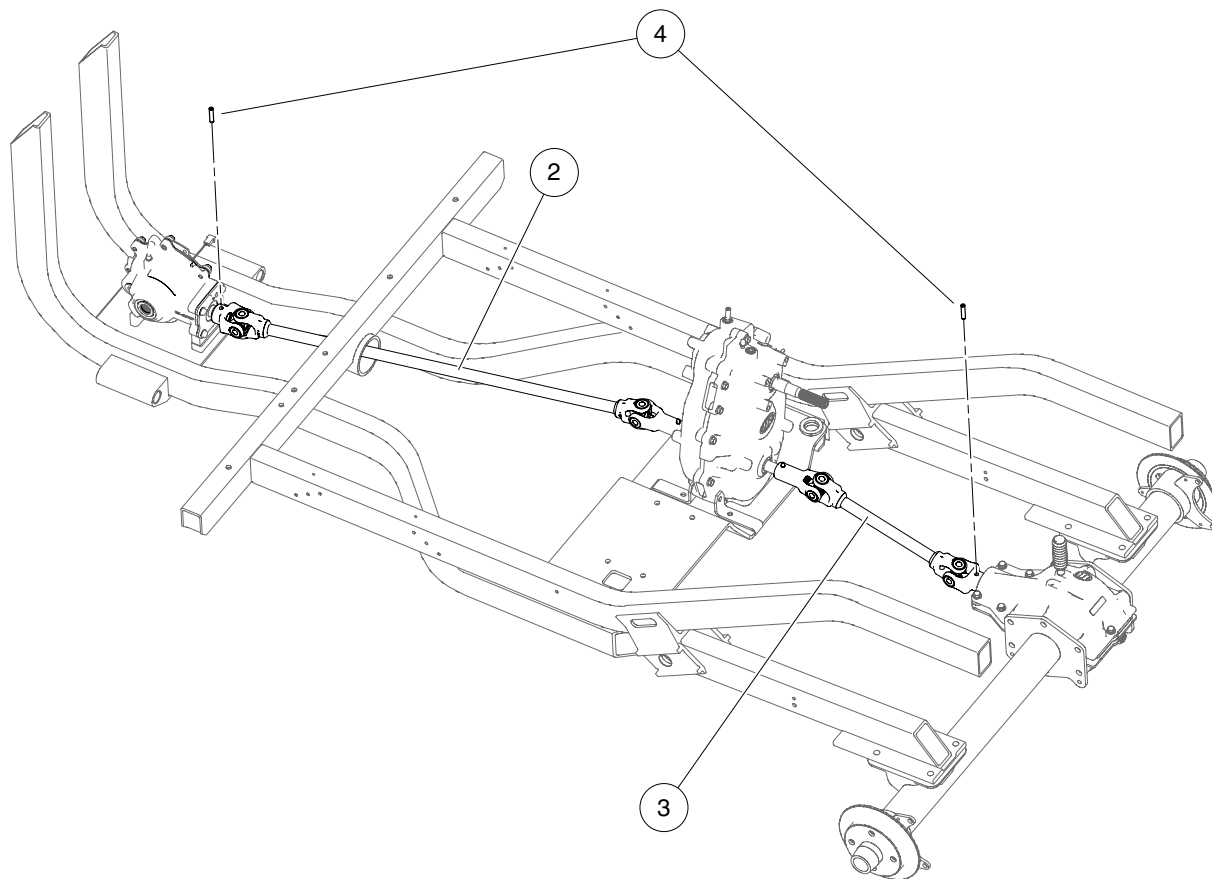
G

D

13

G

D



000091-001

PROP SHAFTS

ITEM	PART NO.	DESCRIPTION	QTY
		1 2 3 4	
1	N/A	Inst, Prop Shafts, Awd (includes items 2 through 4)	1
2	<u>102371701</u>	Prop Shaft, Front	1
3	102372101	Prop Shaft, Rear	1
4	95293643	Pin, Spring, 5/16 X 1-1/2 Hd	2

13

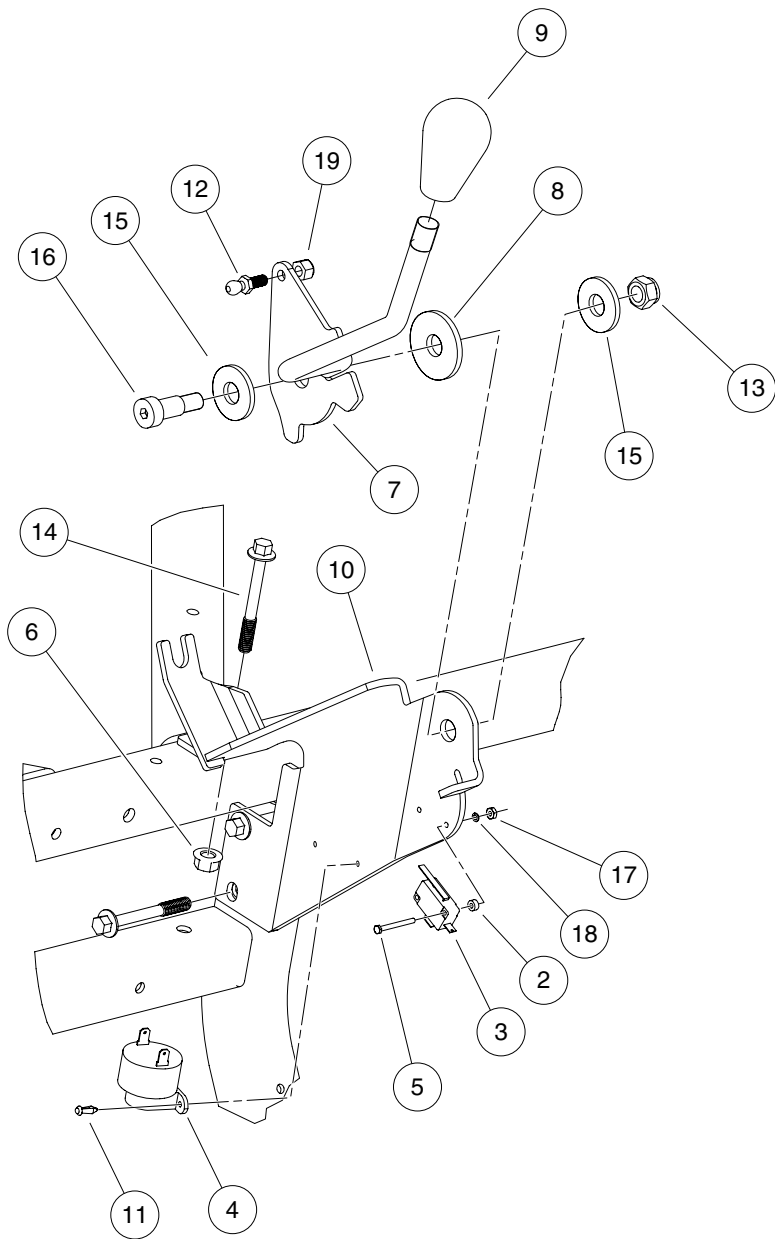
G

D

13

G

D



000030-001

FORWARD/REVERSE SHIFTER ASSEMBLY

ITEM	PART NO.	DESCRIPTION	QTY
		1 2 3 4	
1	<u>102470801</u>	Asm, FNR (includes items 2 through 19)	1
2	<u>1014727</u>	Washer, #4 Nylon Flat	2
3	<u>1014808</u>	Switch, Limit	1
4	<u>1016851</u>	Buzzer, Reverse (9-48 VDC)	1
5	<u>1016896</u>	Screw, #4-40 X 1.125 Hx Hd Mch	2
6	<u>102298401</u>	Nut,m8,all Metal Lock	3
7	N/A	Weldment, FNR Shifter	1
8	<u>102375901</u>	Bushing, Fnr	1
9	<u>102376001</u>	Knob, Fnr	1
10	N/A	Weldment, FNR Shifter Bracket	1
11	N/A	Rivet, Micro Tuflok	2
12	<u>102615701</u>	Stud, Ball, .346 Dia	1
13	<u>102616701</u>	Locknut, M10x1.5 Nylon Insert	1
14	<u>102618301</u>	Bolt Flanged Head, M8 X 1.25 X 65	3
15	<u>102684501</u>	Washer, M12 Hard Regular	2
16	<u>102684601</u>	Shoulder Bolt,m12 X 20 M10 Thd	1
17	<u>8057</u>	Nut, #4-40 Hex Machine	2
18	<u>8058</u>	Lockwasher, #4 Helical Split	2
19	<u>8717</u>	Locknut, 1/4-28 Nylon Insert	1

13

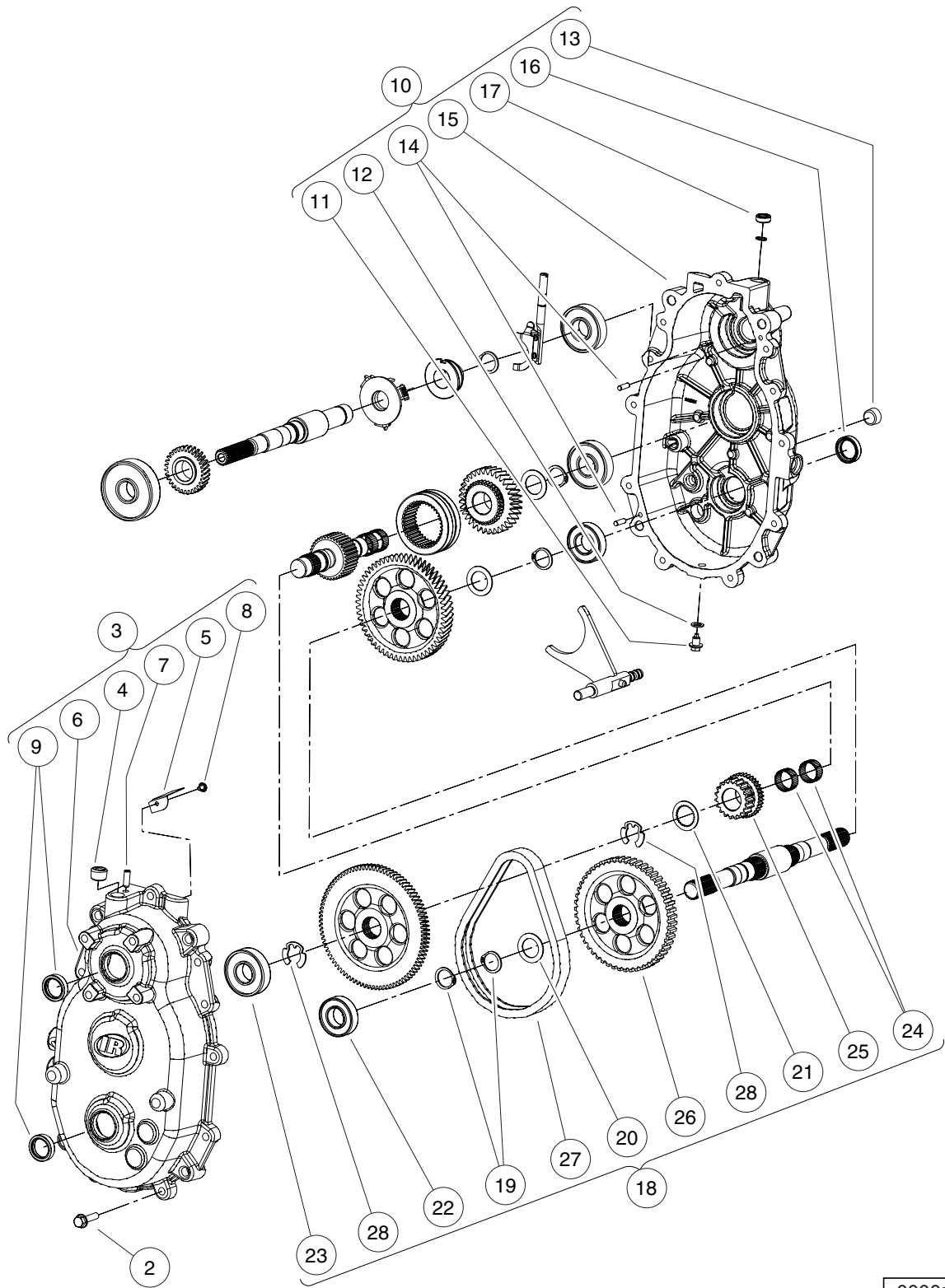
G

D

13

G

D



000016-001

TRANSMISSION

ITEM	PART NO.	DESCRIPTION	QTY
		1 2 3 4	
1	<u>102369401</u>	Transmission, Parallel Shaft * (includes items 2 through 18)	1
2	<u>102693301</u>	Screw,hex Flange, M8 X 35	11
3	<u>102764201</u>	Asm, Gear Case, Rear (includes items 4 through 9)	1
4	<u>102694201</u>	Plug, Square Skt, 1/12-14, Ptf	1
5	<u>102696301</u>	Oil, Deflector	1
6	N/A	Gearcase, Rear	1
7	<u>102698301</u>	Vent, Trans	1
8	<u>102698901</u>	Screw, Tapping # 10-24 X .375	1
9	<u>102699401</u>	Seal, Triple, 25 X 35 X 7.8	2
10	<u>102764301</u>	Asm, Gear Case, Front (includes items 11 through 17)	1
11	<u>102693401</u>	Plug,3/8-16, Hex Flange	1
12	<u>102693501</u>	Washer, .625 X .382 X .60	1
13	<u>102694201</u>	Plug, Square Skt, 1/12-14, Ptf	1
14	<u>102696101</u>	Pin, Dowel, 6 X 20	2
15	N/A	Gearcase, Front	1
16	<u>102699401</u>	Seal, Triple, 25 X 35 X 7.8	1
17	<u>102721501</u>	Seal, Dual-Lip	1
18	<u>102765201</u>	Kit, Reverse Gear Repair (includes items 19 through 28)	1
19	<u>102696201</u>	Ring, Retaining, Basic External	2
20	<u>102696501</u>	Washer, Thrust, 1.007 X .062	1
21	<u>102696701</u>	Washer, 26.231 X 39.167 X 1.57	1
22	<u>102696801</u>	Bearing, Ball	1
23	<u>102696901</u>	Bearing, Ball	1
24	<u>102697101</u>	Bearing, Needle	2
25	N/A	Sprocket, 19-Tooth	1
26	N/A	Sprocket, 51-Tooth	1
27	N/A	Chain, .375p, .75 Wide, 60ptch	1
28	<u>102699701</u>	Ring, Retaining, E-Ring	2
		* Note: This assembly also contains components listed on the following four pages.	

13

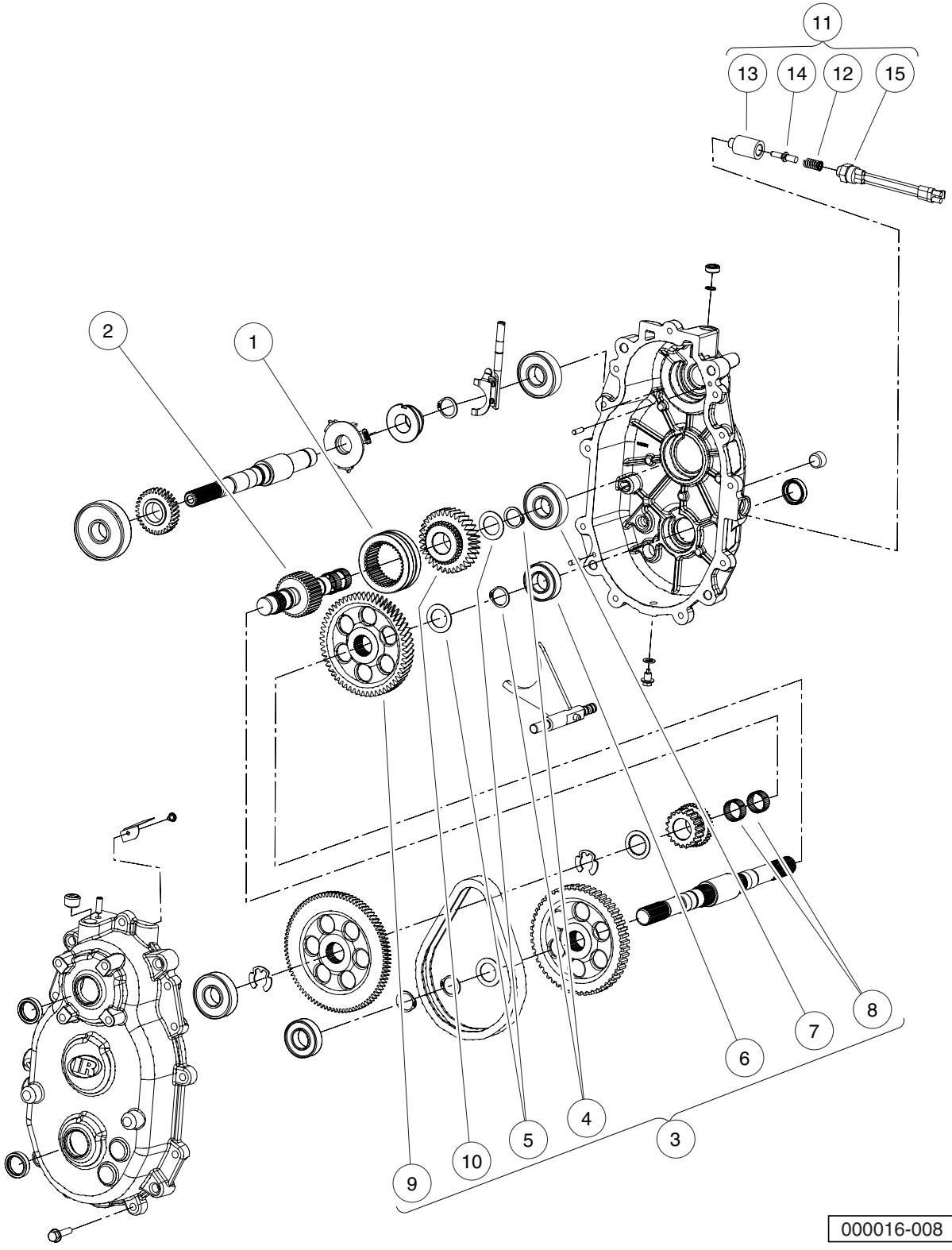
G

D

13

G

D



000016-008

TRANSMISSION, CONTINUED

ITEM	PART NO.	DESCRIPTION	QTY
		1 2 3 4	
1	<u>102697501</u>	Dog, Engagement	1
2	<u>102698701</u>	Shaft, Intermediate	1
3	102764901	Kit, Forward Gear Repair (includes items 4 through 10)	1
4	<u>102696201</u>	Ring, Retaining, Basic External	2
5	<u>102696501</u>	Washer, Thrust, 1.007 X .062	2
6	<u>102696801</u>	Bearing, Ball	1
7	<u>102696901</u>	Bearing, Ball	1
8	<u>102697101</u>	Bearing, Needle	2
9	N/A	Gear, Helical 58-Tooth	1
10	N/A	Gear, Helical 34-Tooth	1
11	<u>102765101</u>	Kit, Neutral Switch Repair (includes items 12 through 15)	1
12	N/A	Spring, .484 X .340 X 1.076	1
13	N/A	Guide, Detent Bullet	1
14	N/A	Bullet, Detent	1
15	N/A	Switch, Indicator, Pollak	1
<p>Note: This page contains a list of components internal to the transmission. See the previous pages for other transmission components.</p>			

13

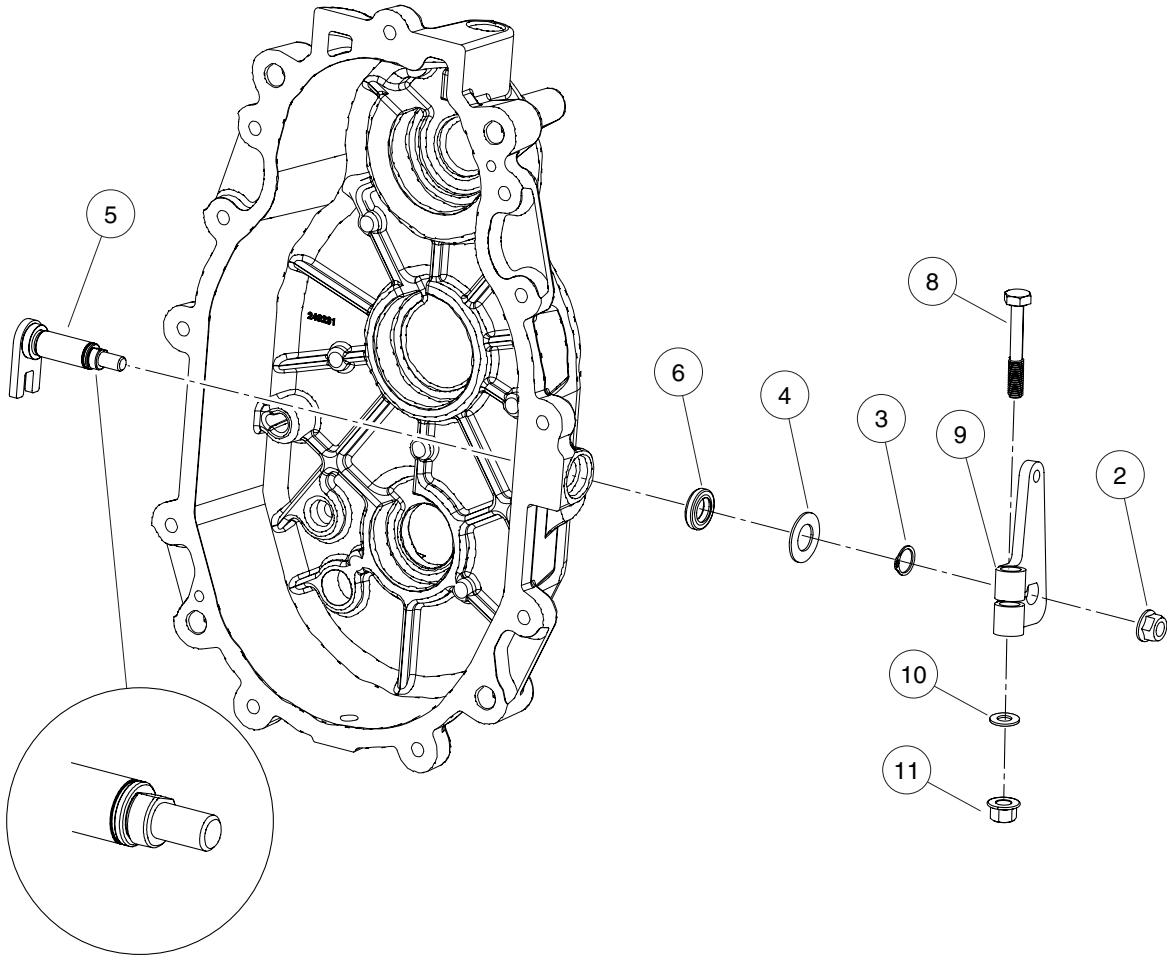
G

D

13

G

D



000016-009

TRANSMISSION SHIFT SHAFT AND BELL CRANK (STYLE A)

ITEM	PART NO.	DESCRIPTION	QTY
		1 2 3 4	
1	102765001	Kit, Trans Shift Shaft Repair (includes items 2 through 6)	1
2	<u>102696001</u>	Nut, Lock Hex, Nylon, 5/16-24	1
3	<u>102696401</u>	Ring, Retaining, External 9/16	1
4	<u>102696601</u>	Washer, Flat, .58 X 1.08 X .05	1
5	<u>102699101</u>	Weldment, Shift, Shaft	1
6	<u>102699601</u>	Seal, Dul Lip, .88 X .56 X .19	1
7	103294301	Kit, Bellcrank, D Shape, Clamp (includes items 8 through 11)	1
8	<u>1010177</u>	Bolt, 3/8-16 X 2.00 Hex Head	1
9	103280201	Asm, Bellcrank, D Shape, Clamp	1
10	<u>334</u>	Washer, 3/8 Type A Flat	1
11	<u>8754</u>	Locknut, 3/8-16 Hex	1

13

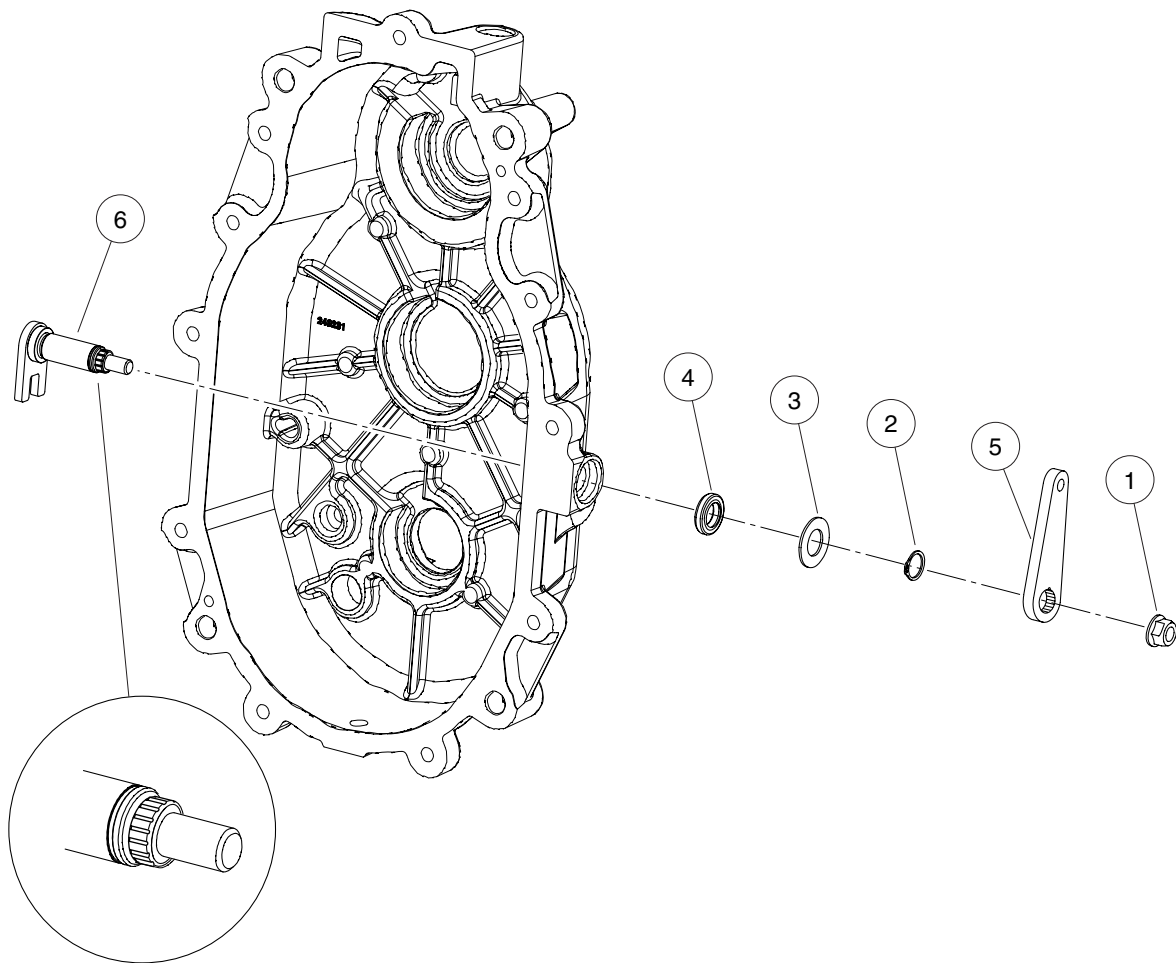
G

D

13

G

D



000016-010

TRANSMISSION SHIFT SHAFT AND BELL CRANK (STYLE B)

ITEM	PART NO.	DESCRIPTION	QTY
		1 2 3 4	
1	<u>102696001</u>	Nut, Lock Hex, Nylon, 5/16-24	1
2	<u>102696401</u>	Ring, Retaining, External 9/16	1
3	<u>102696601</u>	Washer, Flat, .58 X 1.08 X .05	1
4	<u>102699601</u>	Seal, Dul Lip, .88 X .56 X .19	1
5	<u>103239501</u>	Bellcrank, Alum	1
6	<u>103239801</u>	Shaft, Shift	1

13

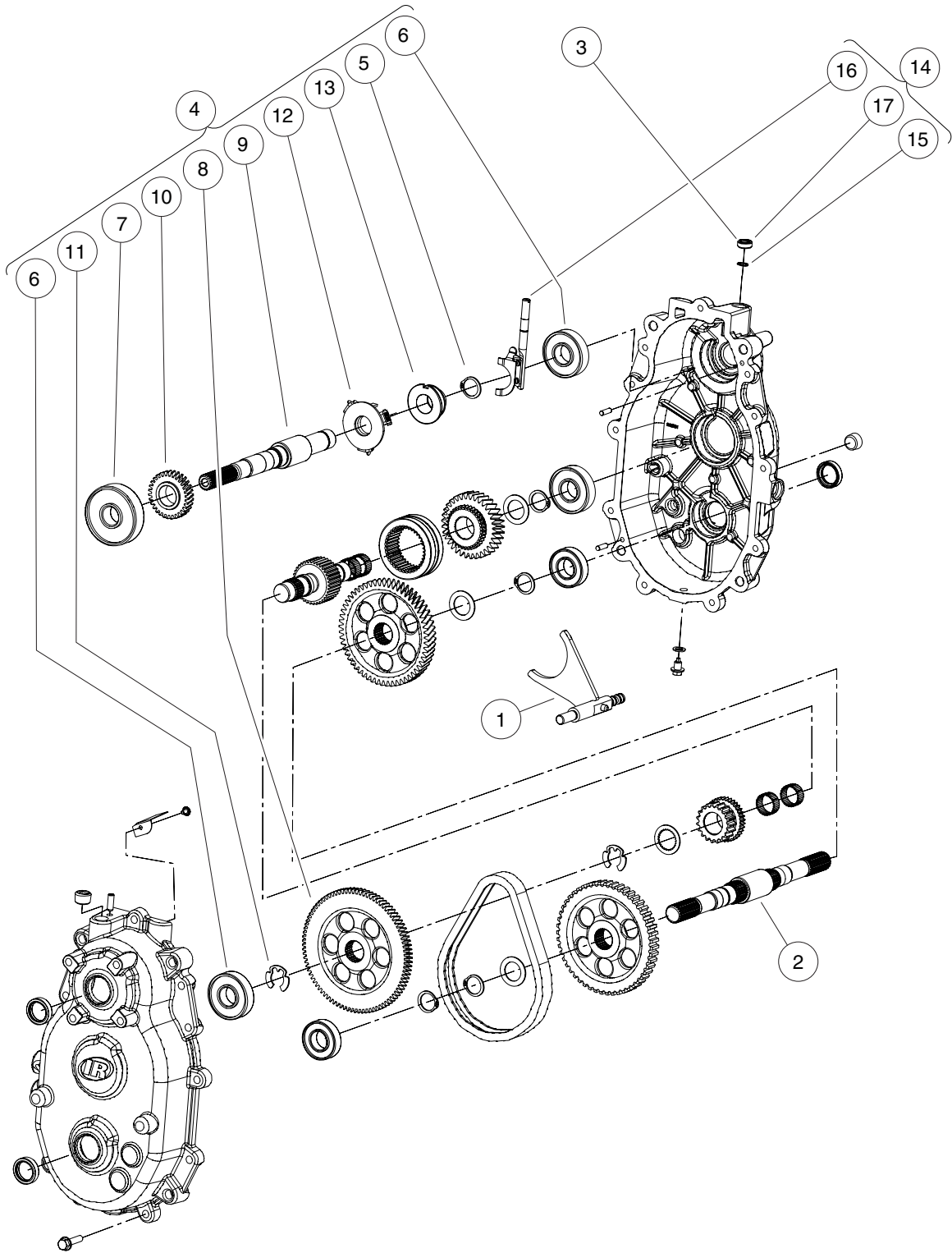
G

D

13

G

D



000016-003

TRANSMISSION, CONTINUED

ITEM	PART NO.	DESCRIPTION	QTY
		1 2 3 4	
1	<u>102697801</u>	Fork, Transmission	1
2	<u>102698801</u>	Shaft, Output	1
3	<u>102699501</u>	Plug, 19mm	1
4	102764701	Kit, Input Shaft Repair (includes items 5 through 13)	1
5	<u>102696201</u>	Ring, Retaining, Basic External	1
6	<u>102696901</u>	Bearing, Ball	2
7	<u>102697001</u>	Bearing, Ball	1
8	N/A	Gear, Helical 90-Tooth	1
9	N/A	Shaft, Input	1
10	N/A	Gear, Helical, 31-tooth	1
11	<u>102699701</u>	Ring, Retaining, E-Ring	1
12	N/A	Sub Assy, Fly Weight	1
13	N/A	Sub Assy, Governor Spool	1
14	<u>102764801</u>	Kit, Governor Shaft Repair (includes items 15 through 17)	2
15	<u>102700001</u>	Ring, Retaining	1
16	<u>102700101</u>	Assy, Governor Arm	1
17	<u>102721501</u>	Seal, Dual-Lip	1
Note: This page contains a list of components internal to the transmission. See the previous pages for other transmission components.			

13

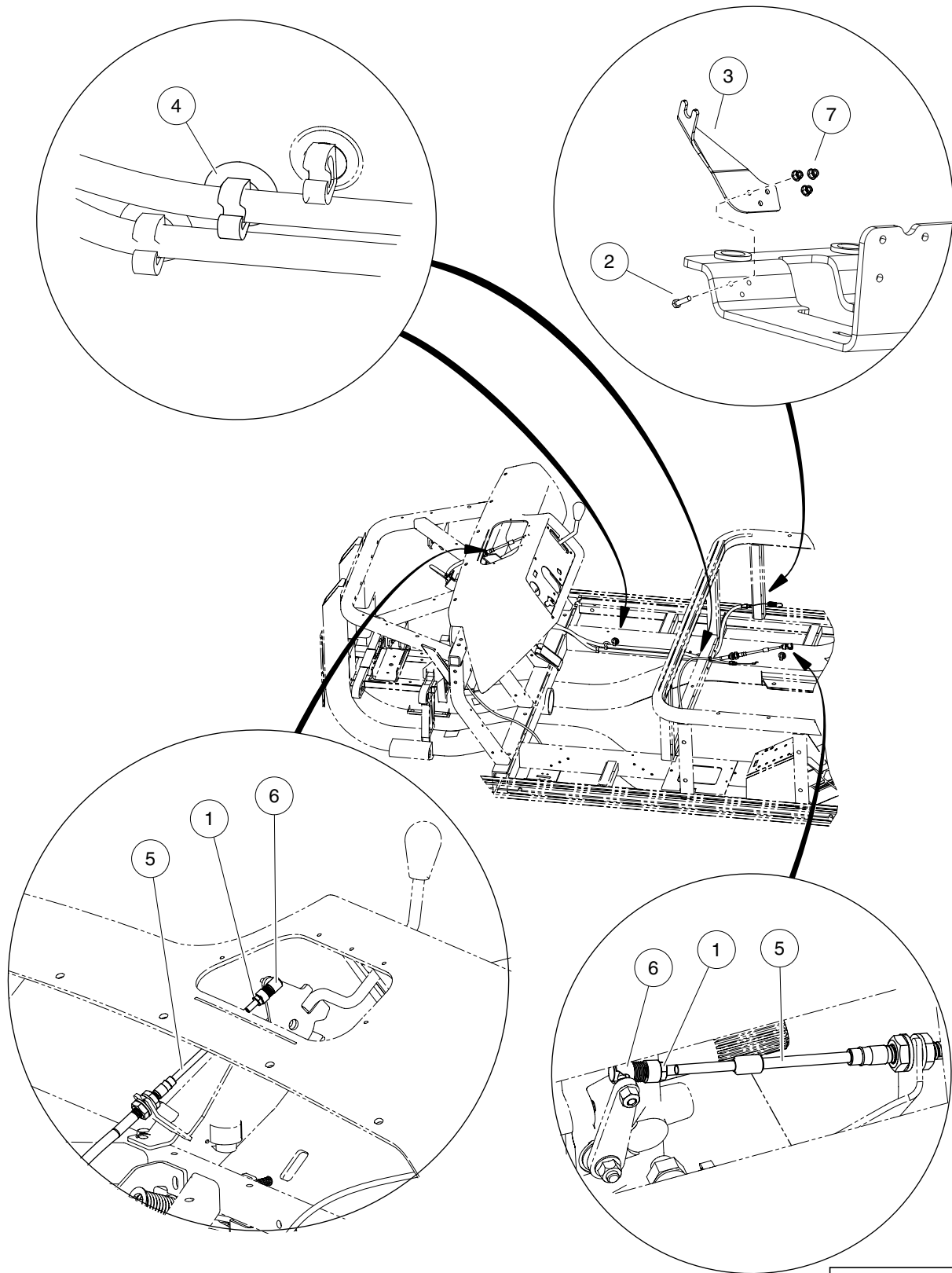
G

D

13

G

D



000032-001

TRANSMISSION CABLE

ITEM	PART NO.	DESCRIPTION	QTY
		1 2 3 4	
1	<u>1011084</u>	Nut, 1/4-28 Hex Jam	2
2	<u>1012769</u>	Screw, M6-1.00 X 25mm Hex Cap	3
3	<u>102382401</u>	Bracket, FNR Trans Cable	1
4	<u>102475701</u>	Clip, Brake Line	2
5	<u>102495801</u>	Cable, Transmission Shift	1
6	<u>102615801</u>	Joint, Ball, .346 Dia	2
7	<u>102621501</u>	Nut Flg, M6 X 1.0 Nylon	3

13

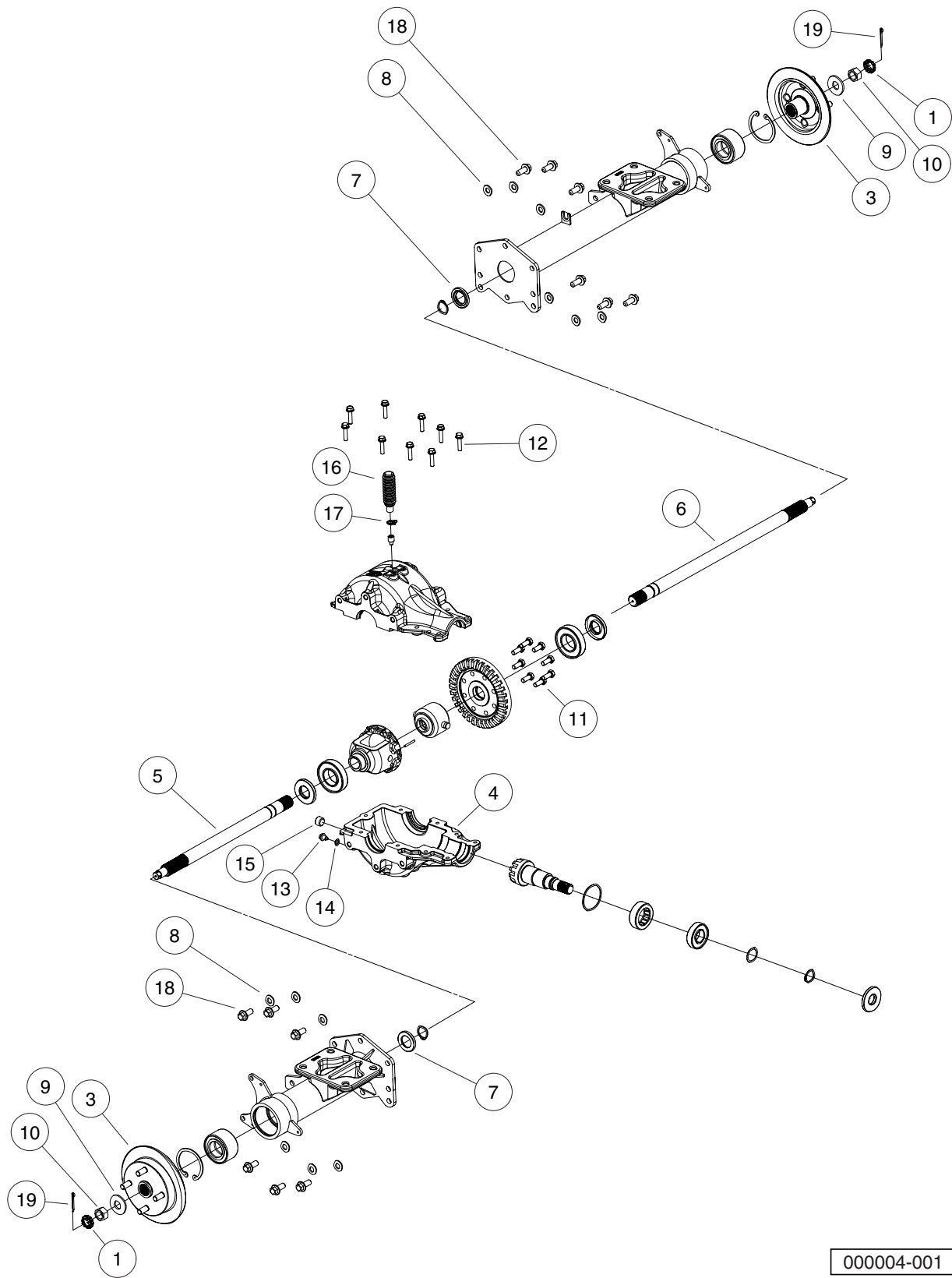
G

D

13

G

D



000004-001

REAR DIFFERENTIAL

ITEM	PART NO.	DESCRIPTION	QTY
		1 2 3 4	
1	<u>102831501</u>	Axle, Rear, Guard Mounts (includes items 2 through 19)	1
2	<u>102276001</u>	Locking Cap, Nut	2
3	<u>102376602</u>	Assy, Rotor, Brake, Rear	2
4	<u>102449101</u>	Gearcase, Lower, Machined	1
5	<u>102463501</u>	Axle, Right-hand	1
6	<u>102463601</u>	Axle, Left-Hand	1
7	<u>102672101</u>	Washer,counterbored 51 X 30	2
8	<u>102672201</u>	Washer, Belleville, 1.063 X .043	12
9	<u>102672301</u>	Washer, Belleville, 49 X 4	2
10	<u>102672401</u>	Nut, Hex, M20 X 1.5 , Modified	2
11	<u>102693201</u>	Screw, M10 X 25	8
12	<u>102693301</u>	Screw,hex Flange, M8 X 35	9
13	<u>102693401</u>	Plug,3/8-16, Hex Flange	1
14	<u>102693501</u>	Washer, .625 X .382 X .60	1
15	<u>102694201</u>	Plug, Square Skt, 1/12-14, Ptf	1
16	<u>102694301</u>	Bellows, Vent, Upper Housing	1
17	<u>102694401</u>	Clamp, Hose, Dw-9.5	1
18	<u>102694701</u>	Screw, Hex Fl, M12 X 1.75 X 30	12
19	<u>102694801</u>	Pin, Cotter, 5/32 X 1.25	2

13

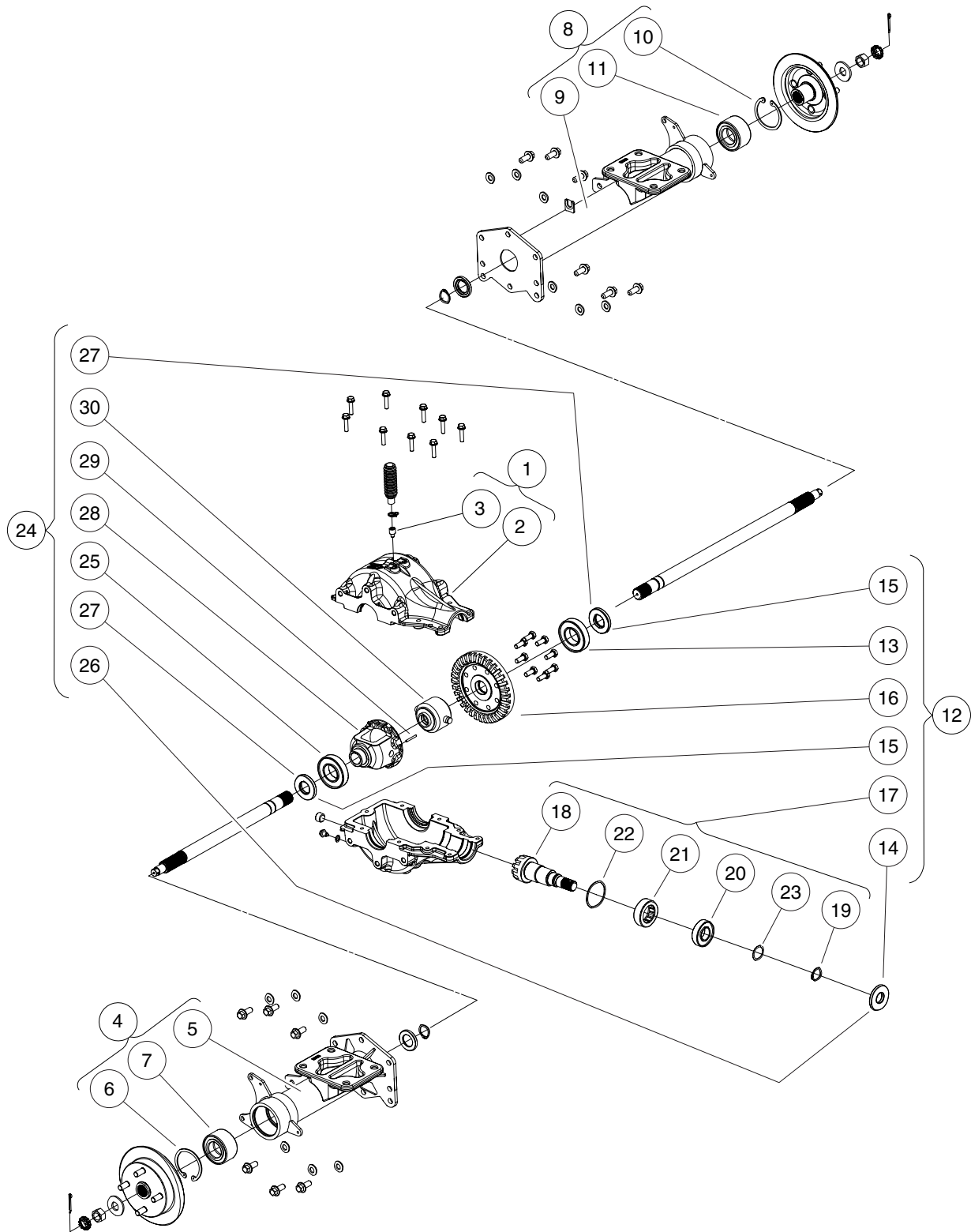
G

D

13

G

D



000004-002

REAR DIFFERENTIAL, CONTINUED

ITEM	PART NO.	DESCRIPTION	QTY
		1 2 3 4	
1	<u>102765301</u>	Asm, Gearcase, Upper (includes items 2 and 3)	1
2	N/A	Gearcase, Upper, Machined	1
3	<u>102694001</u>	Vent, Top, Upper Housing	1
4	<u>102765401</u>	Asm, Axle Tube, RH (includes items 5 through 7)	1
5	N/A	Weldment, Axle Tube Rh	1
6	<u>102463801</u>	Ring, Retaining, Internal	1
7	<u>102464301</u>	Bearing	1
8	<u>102765501</u>	Asm, Axle Tube, LH (includes items 9 through 11)	1
9	N/A	Weldment, Axle Tube Lh	1
10	<u>102463801</u>	Ring, Retaining, Internal	1
11	<u>102464301</u>	Bearing	1
12	<u>102765801</u>	Kit, Rear Axle Gear Repair (includes items 13 through 17)	1
13	<u>102464201</u>	Bearing, Ball	1
14	<u>102464401</u>	Seal, Dual-Lip 25x 62x 7tc	1
15	<u>102464501</u>	Seal, Dual-Lip 30x 62x 8tc	2
16	N/A	Gear, Ring, 33-Tooth	1
17	N/A	Asm, Pinion W/ Bearings (includes items 18 through 23)	1
18	N/A	Pinion, 10t Machined	1
19	<u>102463901</u>	Ring, Retaining, External	1
20	<u>102464001</u>	Bearing, Ball	1
21	<u>102464101</u>	Bearing, Needle, Drawn Shell	1
22	<u>102693601</u>	Washer, 2.625 X 2.367 X .06	1
23	<u>102694502</u>	Shim, 1.50 X 1.189 X .008	1
24	<u>102961501</u>	Asm, Differential & Carrier (includes items 25 through 30)	1
25	<u>102464201</u>	Bearing, Ball	1
26	<u>102464401</u>	Seal, Dual-Lip 25x 62x 7tc	1
27	<u>102464501</u>	Seal, Dual-Lip 30x 62x 8tc	2
28	<u>102961301</u>	Housing, Differential, Mach	1
29	<u>102961401</u>	Pin, Dowel, 4 X 35	1
30	<u>102961601</u>	Asm, Locker, Nongrease/Spacers	1

13

G

D

13

G

D

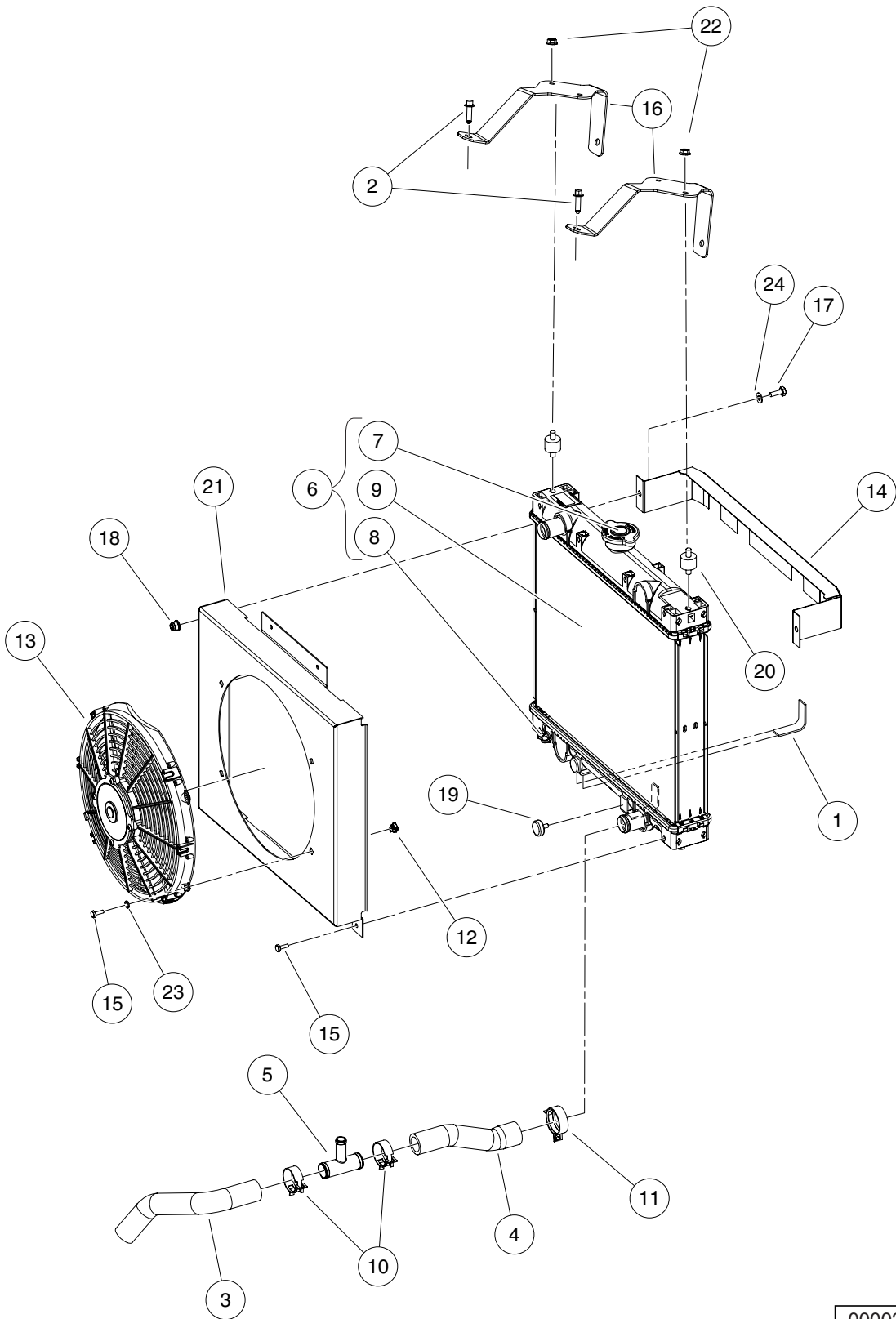
RADIATOR AND COOLANT SYSTEM (DIESEL VEHICLES)

14

D

14

D



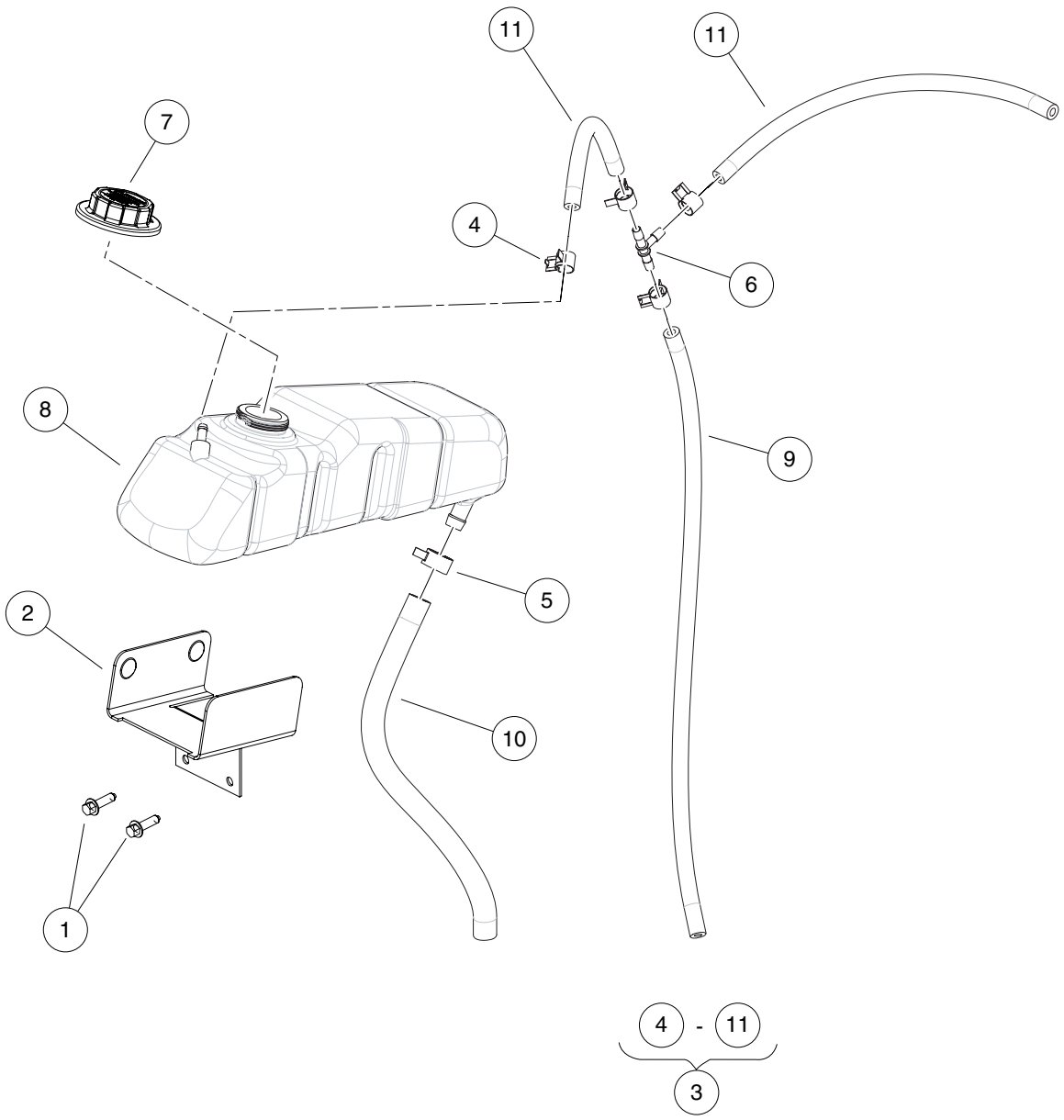
000024-001

RADIATOR

14

D

ITEM	PART NO.	DESCRIPTION	QTY
		1 2 3 4	
1	<u>1014471</u>	Tape, Vinyl Foam 1/8" x 3/4" *	A/R
2	<u>102289001</u>	Screw, M8X1.25X30, Hex	2
3	<u>102377801</u>	Hose, Coolant Lower Pipe	1
4	<u>102377901</u>	Hose, Coolant Lower Rad	1
5	<u>102380301</u>	Tee, Coolant Fill	1
6	<u>102410301</u>	Exchanger, Engine Coolant (includes items 7 through 9)	1
7	<u>102737301</u>	Cap, Radiator	1
8	<u>102737401</u>	Drain Cock, Radiator	1
9	N/A	Radiator	1
10	<u>102411207</u>	Clamp, Hose, Ctb 35mm	2
11	<u>102411208</u>	Clamp, Hose, Ctb 38mm	1
12	<u>102411301</u>	Nut, Self Retaining	4
13	<u>102436701</u>	Fan, Cooling 12 In Elect	1
14	<u>102452101</u>	Guard, Radiator, Top	1
15	<u>102490301</u>	Bolt, M6 X 1 X 16 Loctite	8
16	<u>102493401</u>	Bracket, Upper Radiator Mount	2
17	<u>102498101</u>	Bolt, M8 X 1.25 X 20	2
18	<u>102618601</u>	Lock Nut, Flg M8 X 1.25 Nylon	2
19	<u>102684401</u>	Bumper, 13mm Stud	2
20	<u>102685001</u>	Isolator, Twin-Stud	2
21	<u>102855501</u>	Shroud, Radiator Fan	1
22	<u>96704416</u>	Nut Flg, M8 X 1.25 Serrated	2
23	<u>96705199</u>	Washer, M6	4
24	<u>96741038</u>	Washer, M8 Hard	2
		* Note: Item not shown.	



000078-001

COOLANT EXPANSION TANK

ITEM	PART NO.	DESCRIPTION	QTY
		1 2 3 4	
1	<u>102289001</u>	Screw, M8X1.25X30, Hex	2
2	<u>102460801</u>	Bracket, Coolant Bottle	1
3	N/A	Asm, Tank, Expansion (includes items 4 through 11)	1
4	<u>102411204</u>	Clamp, Hose, CTB 15mm	4
5	<u>102411205</u>	Clamp, Hose, CTB 22mm	1
6	<u>102411701</u>	Fitting, Tee	1
7	<u>102427501</u>	Cap, Radiator	1
8	<u>102434501</u>	Tank, Expansion	1
9	<u>102435201</u>	Hose, Tee To Vent Tube, Coolnt	1
10	<u>102807601</u>	Hose, Clnt, 5/8 Sae J20r3 Bulk	A/R
11	<u>102807801</u>	Hose, Clnt 5/16 Sae J20r3 Bulk	A/R

14

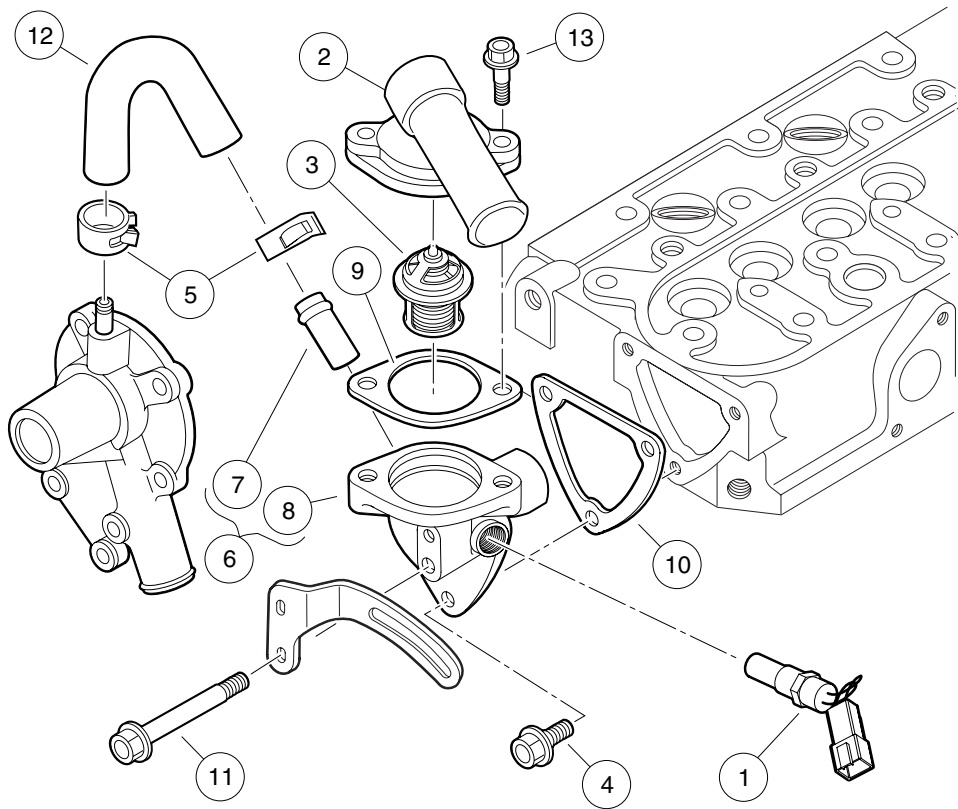
D

COOLANT PIPES AND HOSES

ITEM	PART NO.	DESCRIPTION	QTY
		1 2 3 4	
1	<u>102377501</u>	Hose, Coolant Upper Rad	1
2	<u>102377601</u>	Hose, Coolant Lower Eng	1
3	<u>102411204</u>	Clamp, Hose, CTB 15mm	4
4	<u>102411205</u>	Clamp, Hose, CTB 22mm	1
5	<u>102411206</u>	Clamp, Hose, Ctb 30mm	1
6	<u>102411207</u>	Clamp, Hose, Ctb 35mm	5
7	<u>102411208</u>	Clamp, Hose, Ctb 38mm	1
8	<u>102427601</u>	Clamp, Bar	1
9	<u>102435001</u>	Hose, Vent Tube To Eng, Coolnt	1
10	<u>102458901</u>	Decal, Hot Surface Warning	2
11	<u>102480501</u>	Hose, Coolant, Return, Engine	1
12	<u>102618301</u>	Bolt Flanged Head, M8 X 1.25 X 65	2
13	<u>102618601</u>	Lock Nut, Flg M8 X 1.25 Nylon	3
14	<u>102628701</u>	Weldment, Group, Coolant Pipe (includes items 15 through 19)	1
15	N/A	Pipe, Coolant Upper	1
16	N/A	Pipe, Coolant Lower	1
17	N/A	Tab, Rear Mntg, Coolant Pipe	2
18	N/A	Pipe, Vent, Coolant	1
19	N/A	Tab, Cooling Pipe Mount	1
20	<u>96747126</u>	Bolt, M8 X 1.25 X 130	1

14

D



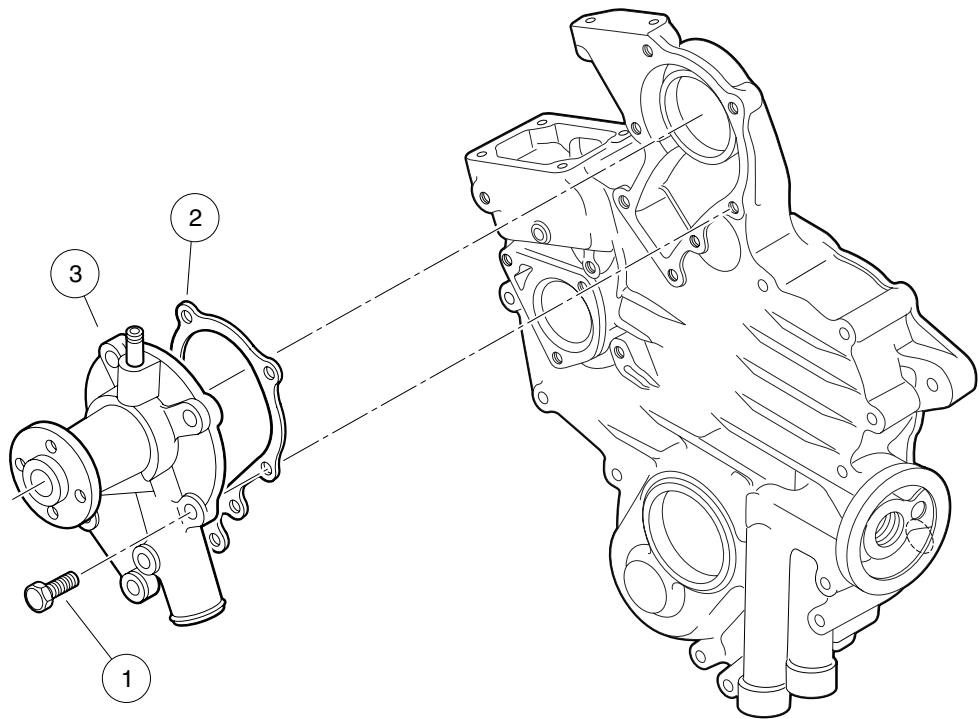
000059-001

WATER FLANGE AND THERMOSTAT

ITEM	PART NO.	DESCRIPTION	QTY
		1 2 3 4	
1	<u>102410001</u>	Sensor, Coolant Temp	1
2	<u>102631301</u>	Cover, Thermostat	1
3	<u>102631401</u>	Assy, Thermostat	1
4	<u>102631601</u>	Bolt, M6 X 1 X 20	2
5	<u>102633001</u>	Band, Pipe	2
6	<u>102633201</u>	Flange, Water (includes items 7 and 8)	1
7	<u>102633301</u>	Pipe, Water Return, D722	1
8	N/A	Flange, Water	1
9	<u>102633401</u>	Gasket, Thermostat	1
10	<u>102654701</u>	Gasket, Water Flange	1
11	<u>102730901</u>	Bolt, Alt, D722, Stay Lower	1
12	<u>102731001</u>	Pipe, Water Return, D722	1
13	<u>102731101</u>	Bolt, D722, Thermostat Cover	2

14

D



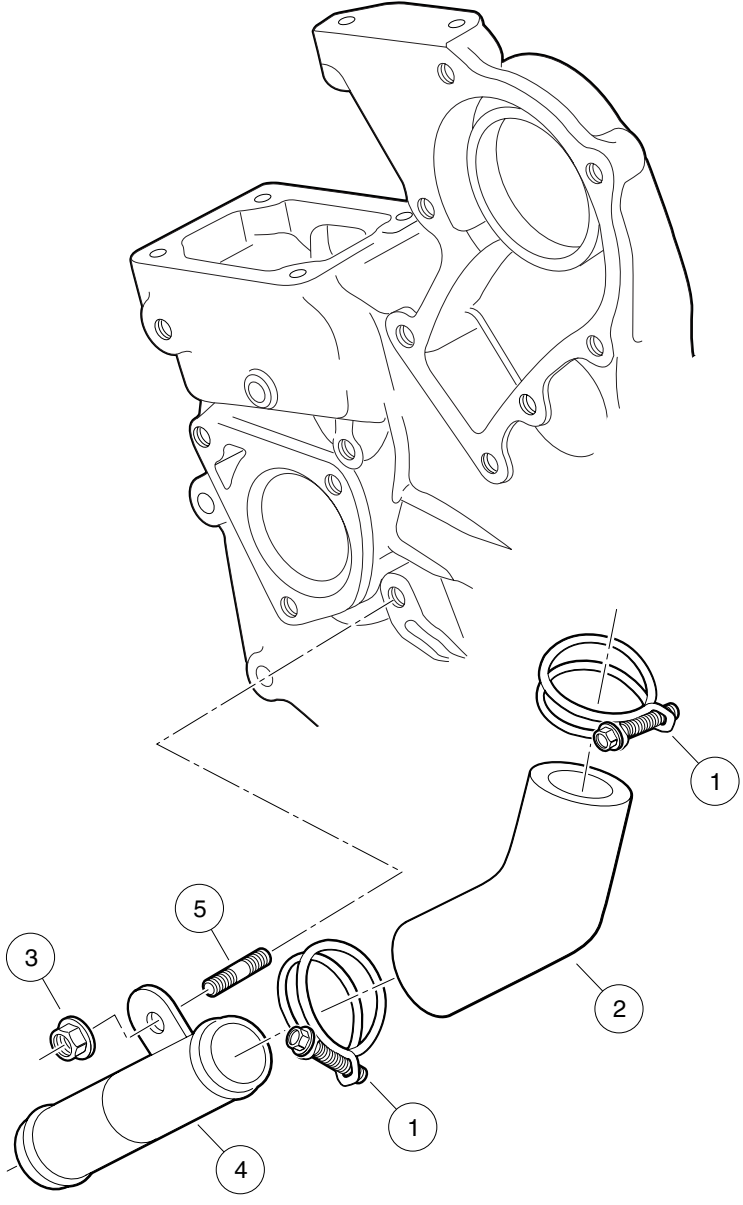
000060-001

WATER PUMP

ITEM	PART NO.	DESCRIPTION	QTY
		1 2 3 4	
1	<u>102608701</u>	Bolt, M6 X 1 X 22	4
2	<u>102632701</u>	Gasket, Water Pump, D722	1
3	<u>102731201</u>	Water Pump Assembly	1

14

D



00061-001

BLOCK COOLANT PIPE

ITEM	PART NO.	DESCRIPTION	QTY
		1 2 3 4	
1	<u>102631701</u>	Band, Pipe, with Nut	2
2	<u>102631801</u>	Pipe, Water, Bent	1
3	<u>102632001</u>	Nut, Flange, M6	1
4	<u>102632101</u>	Pipe, Water, Bent	1
5	<u>102632201</u>	Stud, M6 X 15	1

14

D

14

D

MAINTENANCE AND SERVICE TOOLS

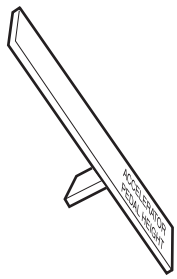
15

G

E

D

15
G
E
D



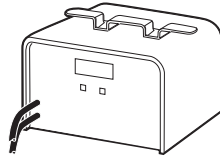
1



2



3



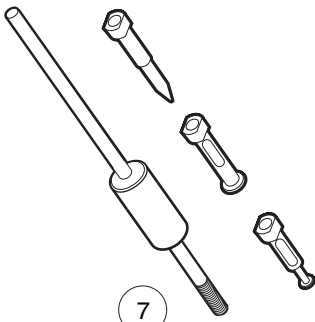
4



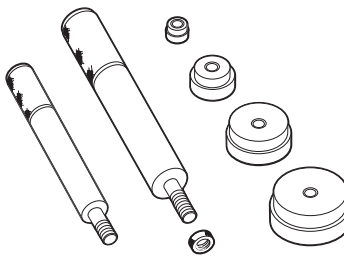
5



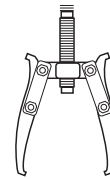
6



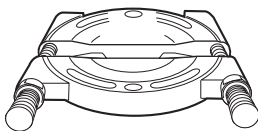
7



8



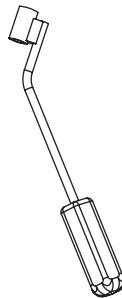
9



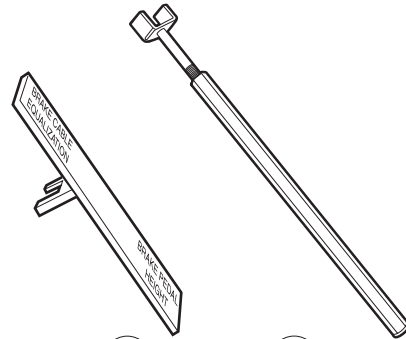
10



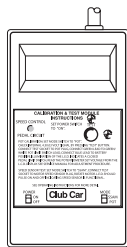
11



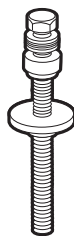
12



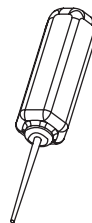
14 15
13



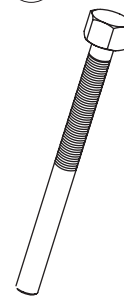
16



17



18



19

MAINTENANCE AND SERVICE TOOLS

ITEM	PART NO.	DESCRIPTION	QTY DIESEL	QTY GAS	QTY ELEC
		<p style="text-align: center;">1 2 3 4</p> <p>The following tool list includes all tools available from Club Car for maintenance and service procedures for gasoline, electric, and/or diesel vehicles, both past and present models. Be sure to carefully examine the tool list for applicability to your vehicle before ordering.</p>			
1	<u>101871001</u>	Accelerator Pedal Adjustment Tool		1	1
2	<u>101813202</u>	Adhesive, Guide Ring, 3-Gram Tube			1
3	<u>101641202</u>	Arbor		1	
4	<u>101831901</u>	Battery Discharge Machine, 36/48 Volt			1
5	<u>1014305</u>	Battery Terminal Protector Spray	1	1	1
6	<u>1011767</u>	Battery Thermometer	1	1	1
7	<u>1016417</u>	Bearing and Oil Seal Remover Assembly	1	1	1
8	<u>1016416</u>	Bearing Driver Set	1	1	1
9	<u>1012811</u>	Bearing Puller	1	1	1
10	<u>1012812</u>	Bearing Puller Wedge Attachment	1	1	1
11	<u>1013582</u>	Brake Adjustment Tool (used only on vehicles with manually adjusted mechanical brakes)		1	1
12	<u>102555501</u>	Brake Cable Release Tool	1	1	1
13	<u>102249901</u>	Brake Pedal Adjustment Tool Kit (used for the Carryall Electric Industrial Truck only) (includes items 14 and 15).....			1
14	****	Brake Pedal Adjustment Tool			1
15	****	Brake Pedal Tension Tool			1
16	<u>101887101</u>	Calibration Test Module			1
17	<u>101808401</u>	Cam Installation Tool		1	
18	<u>102562401</u>	Charger Bezel Tool			1
19	<u>102686101</u>	Clutch Removal Tool (for 4x4 vehicles)	1	1	
		Please refer to the maintenance and service manual for proper tool application.			
	****	Special order item available upon request			

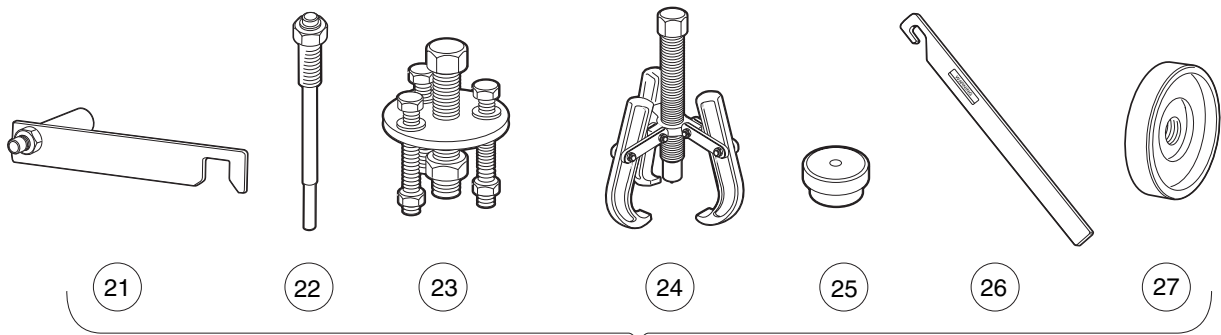
15

G

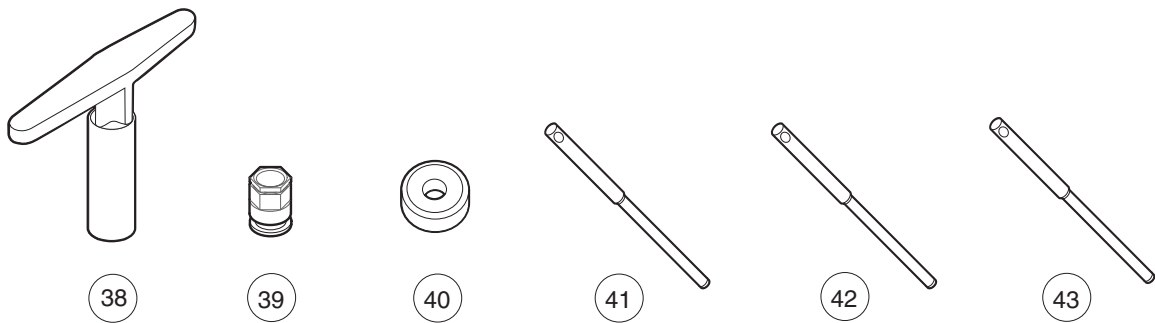
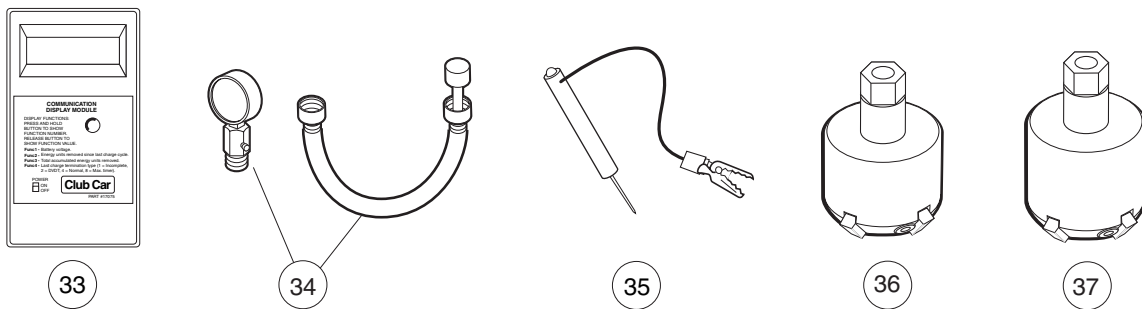
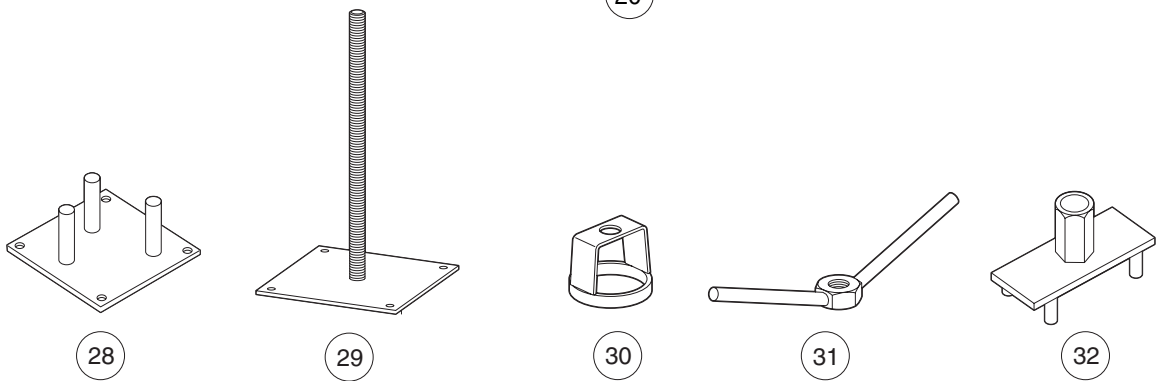
E

D

15
G
E
D



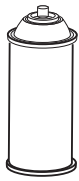
20



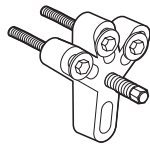
MAINTENANCE AND SERVICE TOOLS, CONTINUED

ITEM	PART NO.	DESCRIPTION	QTY DIESEL	QTY GAS	QTY ELEC	15
		1 2 3 4				G
20	<u>1014510</u>	Clutch Tool Kit (includes items 21 - 27)		1		E
21	<u>1014498</u>	Clutch Alignment Tool (for pre-unitized transaxle vehicles built prior to 1997 model year)		1		D
22	<u>1014496</u>	Drive Clutch Puller (for Kawasaki engines only)		1		
23	<u>1014497</u>	Drive Clutch Hub Puller (for Kawasaki engines only)		1		
24	<u>1014508</u>	Driven Clutch Cam Puller (for Kawasaki engines only)		1		
25	<u>1014507</u>	Driven Clutch Puller Plug (for Kawasaki engines only)		1		
26	<u>1015524</u>	Drive Clutch Holder Tool Assembly (for Kawasaki engines only)		1		
27	<u>101809101</u>	Press Weldment (for Kawasaki engines only)		1		
28	<u>102601501</u>	Drive ClutchFixed Sheave Tool (for 4x4 vehicles)	1	1		
29	<u>102603501</u>	Driven Clutch Spring Compression Base (for use with items 30 and 31) (for 4x4 vehicles)	1	1		
30	<u>102605201</u>	Driven Clutch Spring Compression Collar (for use with items 29 and 31) (for 4x4 vehicles)	1	1		
31	<u>102606101</u>	Driven Clutch Spring Compression Nut (for use with items 29 and 30) (for 4x4 vehicles)	1	1		
32	<u>102607501</u>	Drive Clutch Spider Removal Tool (for 4x4 vehicles)	1	1		
33	101831801	Communication Display Module			1	
34	101641002	Compression Gauge and Adapter		1		
35	1011273	Continuity Tester		1	1	
36	<u>102773801</u>	Cutter, Valve Seat, #122		1		
37	<u>102773901</u>	Cutter, Valve Seat #115		1		
38	<u>102774101</u>	Wrench, T, #505.....		1		
39	<u>102774101</u>	Adapter, T-Wrench		1		
40	102675401	Cutter, Valve Seat, 60 Degree (requires item 51) (for Honda GX620 Gasoline Engines)		1		
41	<u>102774201</u>	Pilot, 6.6 MM		1		
42	<u>102774301</u>	Pilot, 6.62 MM.....		1		
43	<u>102774401</u>	Pilot, 6.65 MM.....		1		
		Please refer to the maintenance and service manual for proper tool application.				

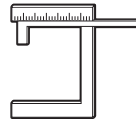
15
G
E
D



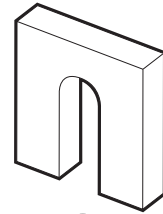
44



45



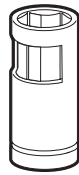
46



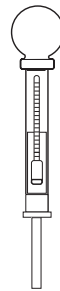
47



48



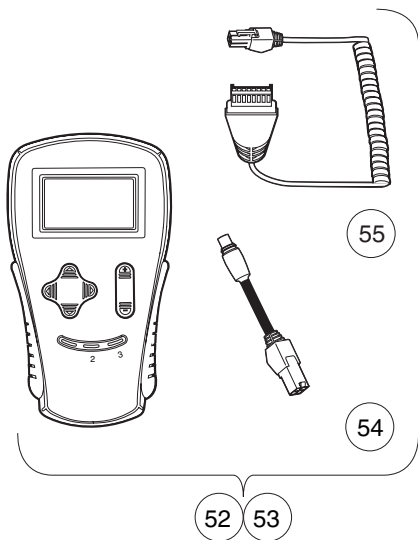
49



50



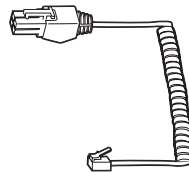
51



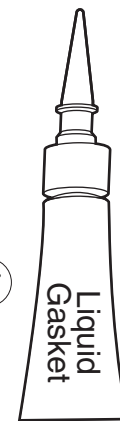
52 53

55

54



56



57



58



59 60



61

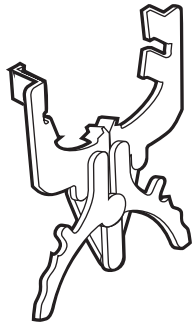
MAINTENANCE AND SERVICE TOOLS, CONTINUED

ITEM	PART NO.	DESCRIPTION	QTY DIESEL	QTY GAS	QTY ELEC	15	
		1 2 3 4					
44	<u>1012151</u>	Dry Moly Lubricant	1	1	1	G	
45	<u>1016627</u>	Flywheel Puller Kit (for Kawasaki Engines)		1			E
46	<u>102669901</u>	Gauge, Carburetor Float Level (for Honda GX620 Gasoline Engines)		1			
47	<u>1016418</u>	Gear Yoke	1	1	1		
48	<u>101933101</u>	Governor Shaft Installation Tool (for Kawasaki Engine Vehicles)		1			
49	<u>102169401</u>	Hydraulic Brake Adjuster (for Turf/CA 272/472, Pioneer/XRT 1200, Bobcat 2100, HUV 4213)			1		
50	<u>1011478</u>	Hydrometer	1	1	1		
51	<u>1013593</u>	Internal Retaining Ring Pliers	1	1	1		
52	<u>102248803</u>	IQ Display Module (IQDM) Kit (IQ System and IQ Plus vehicles)			1		
		(includes items 54 and 55)					
53	<u>102248804</u>	IQ Display Module (IQDM-P) Kit (IQ System and IQ Plus vehicles)			1		
		(includes items 54 and 55)					
54	<u>102251501</u>	Adaptor, Cable			1		
55	<u>102241502</u>	IQDM Series 2 Cable			1		
56	<u>102241501</u>	IQDM Series 1 Cable (replacement)			1		
57	<u>101928701</u>	Liquid Gasket (transaxle case)	1	1	1		
58	<u>102243402</u>	Moly-Teflon Lubricant (4-oz. (113-gram) tube)			1		
59	<u>101997201</u>	Paint, Touch-Up – Beige*		1	1		
59	<u>101997207</u>	Paint, Touch-Up – Black*		1	1		
59	<u>101997212</u>	Paint, Touch-Up – Burgundy*		1	1		
59	<u>101997211</u>	Paint, Touch-Up – Classic Blue (Navy)*		1	1		
59	<u>101997205</u>	Paint, Touch-Up – Dark Gray*	1	1	1		
59	<u>101997209</u>	Paint, Touch-Up – Dark Green*	1	1	1		
59	<u>101997204</u>	Paint, Touch-Up – Gray*	1	1	1		
59	<u>101997203</u>	Paint, Touch-Up – Red*	1	1	1		
59	<u>101997206</u>	Paint, Touch-Up – Royal Blue (Pacific Blue)*		1	1		
59	<u>101997202</u>	Paint, Touch-Up – White*	1	1	1		
60	<u>102562301</u>	Paint, Precedent Underbody – Gray		1	1		
61	<u>102587201</u>	Paint Pen, Touch-Up, Precedent Underbody – Black		1	1		
		Please refer to the maintenance and service manual for proper tool application.					
		* Item 59 is not for use on Surlyn [®] body material, which is used on Precedent vehicles.					

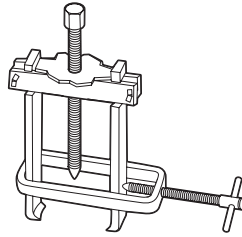
15
G
E
D



62



63



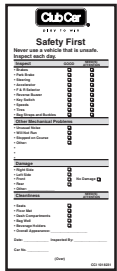
64



65



66



67



68



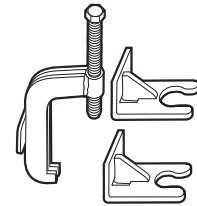
69



70



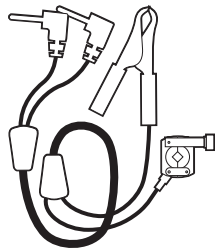
71



72



73



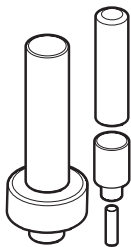
74



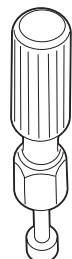
75



76



77



83



84



85



86

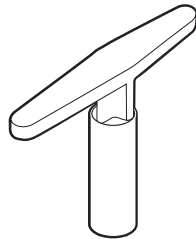
MAINTENANCE AND SERVICE TOOLS, CONTINUED

ITEM	PART NO.	DESCRIPTION	QTY DIESEL	QTY GAS	QTY ELEC	15
		1 2 3 4				G
62	<u>1016414</u>	Piston Ring Compressor Kit (FE290, FE350 and FE400 engines)		1		E
63	<u>1016415</u>	Piston Ring Pliers (for Kawasaki Engines)		1		D
64	<u>102668801</u>	Puller, Special Use (for Kubota D722 Diesel Engines)	1			
65	<u>1012549</u>	Retaining Ring Pliers, 45° External	1	1	1	
66	<u>1012560</u>	Retaining Ring Pliers, 90° Internal	1	1	1	
67	<u>101823101</u>	Safety First Card (50 per pack)	1	1	1	
68	<u>1012809</u>	Seal Puller	1	1	1	
69	<u>102330901</u>	Spanner Wrench (for coil over shock front suspension vehicles only)	1	1		
70	<u>1014264</u>	Steering Column Bearing Press Tool		1	1	
71	<u>1014259</u>	Steering Column Retaining Ring Tool		1	1	
72	<u>102061201</u>	Steering Wheel Puller Tool	1	1	1	
73	<u>AM10753</u>	Tachometer (includes gasoline engine pick up lead only)	1	1		
74	<u>AM10771</u>	Tachometer Diesel Probe (for use with item 73)	1			
75	<u>1014162</u>	Transaxle Axle Seal Tool		1		
76	<u>1014161</u>	Transaxle Pinion Seal Tool		1		
77	<u>1014115</u>	Transmission Tool Kit		1		
78	<u>101611003</u>	Tune-Up Kit, All OHV (for FE290, FE350, FE400 only) (includes air filter, spark plug, oil filter, fuel filters) (not shown)		1		
79	<u>AM11804</u>	Tune-Up Kit, Gx620 (for Honda Engines) (includes air filter, spark plug, oil filter, fuel filters) (not shown)		1		
80	<u>AM11805</u>	Tune-Up Kit, D722 (for Kubota Engines) (includes air filter, oil filter, fuel filters, water separator filter) (not shown)	1			
81	<u>AM1220301</u>	Tune-Up Kit, Precedent (for FE290/350 Engines) (includes air filter, spark plug, oil filter, fuel filters) (not shown)		1		
82	<u>AM1232401</u>	Tune-Up Kit, FH680D (for Kawasaki V-Twin Engines) (includes oil filter, fuel filter, air filter, and spark plugs) (not shown)		1		
83	<u>1016413</u>	Valve Clearance Adjuster Screw Holder (for FE290 engines only)		1		
84	<u>102674601</u>	Valve Guide Driver (for Honda GX620 Gasoline Engines)		1		
85	<u>101641201</u>	Valve Guide Reamer (FE290, FE350, and FE400 only)		1		
86	<u>102674401</u>	Valve Guide Reamer, 6.6 mm (for Honda GX620 Gasoline Engines)		1		

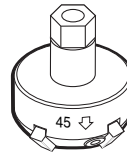
15
G
E
D



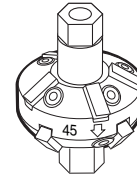
87



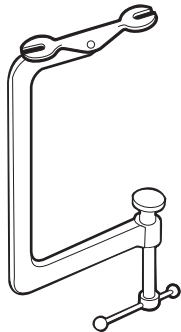
88



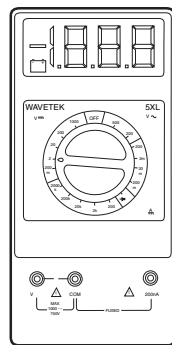
89



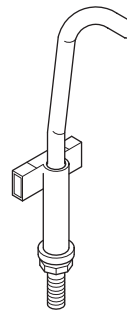
90



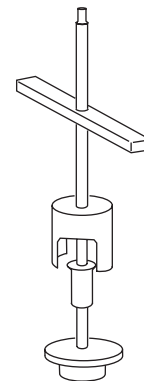
91



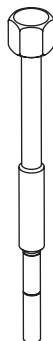
92



93



94



95

MAINTENANCE AND SERVICE TOOLS, CONTINUED

ITEM	PART NO.	DESCRIPTION	QTY DIESEL	QTY GAS	QTY ELEC
		1 2 3 4			
87	<u>1016552</u>	Valve Seat Cutter Guide		1	
88	<u>1016551</u>	Valve Seat Cutter T-Wrench		1	
89	<u>1016553</u>	Valve Seat Cutter, 45° (32 mm diameter) (for FE290 engines only)		1	
90	<u>1016554</u>	Valve Seat Cutter, 45°/30° (35 mm diameter)		1	
91	<u>101641101</u>	Valve Spring Compressor		1	
92	1011480	Volt Ohm Meter	1	1	1
93	<u>102570401</u>	Tool, Tensioning, Starter Generator (For Precedent vehicles)		1	
94	<u>103601401</u>	Puller, Drive Clutch, XRT 950.....		1	
95	<u>103601701</u>	Tool, Disassembly, Driven Clutch, XRT 950.....		1	

15

G

E

D

INDEX

Part Number and Page

AM10753	15-9	1013042	6-5	1016413	15-9
AM10771	15-9	1013044	6-5	1016414	15-9
AM1232301	9-7, 9-11	1013051	6-5	1016415	15-9
183	4-11, 10-5, 10-9	1013052	6-5	1016416	15-3
332	1-11, 1-17, 7-17, 7-19	101313402	10-7	1016417	15-3
334	1-13, 13-17	1013366	1-17	1016418	15-7
403	1-15	1013461	7-15, 10-5, 10-9	1016467	9-15
451	1-9	1013531	4-11, 4-13	1016551	15-11
1016	10-5, 10-9	1013582	15-3	1016552	15-11
1017	7-15	1013593	15-7	1016553	15-11
1035	4-13, 5-9	1013734	1-9	1016554	15-11
1108	7-17, 7-19	1013746	10-3, 10-7	1016627	15-7
1241	4-11, 7-25, 7-27	1013857	7-21, 7-23	1016630	7-21, 7-23
7310	2-3	1014007	10-23	1016851	13-11
7473	1-15, 1-17, 7-25, 7-27	1014115	15-9	1016879	7-15
8057	13-11	1014161	15-9	1016880	7-15
8058	13-11	1014162	15-9	1016896	13-11
8233	1-17, 10-23	1014259	15-9	1016967	1-7
8248	1-5	1014264	15-9	1017062	7-15
8251	1-19	1014305	15-3	1017064	7-15
8639	4-9, 4-11, 4-13	1014306	1-3, 1-5, 1-17, 1-19, 4-7	1017065	7-15
8717	13-11	1014321	1-19	101808401	15-3
8754	1-15, 6-11, 13-17	1014375	7-25, 7-27	101809101	15-5
8755	1-15	101438702	1-19	101813202	15-3
8797	10-5, 10-9	1014415	1-17	101823101	15-9
8990	6-5	1014471	1-9, 1-15, 14-3	101824401	10-3, 10-7
1010177	13-17	1014496	15-5	101831801	15-5
1010435	1-15, 1-17	1014497	15-5	101831901	15-3
1010436	1-17	1014498	15-5	101833101	8-3
1010521	4-11, 4-13	1014507	15-5	101833201	8-3
101082903	4-7	1014508	15-5	101835601	1-13, 1-15
1010934	7-25, 7-27	1014510	15-5	101856102	12-5
1011084	13-23	1014537	1-17	101871001	15-3
1011273	15-5	1014727	13-11	101879401	6-5
1011478	15-7	1014808	13-11	101879701	6-5
1011480	15-11	1015139	10-5, 10-9	101879801	6-5
1011553	3-3, 3-7	1015143	10-5, 10-9	101879901	6-5
1011652	1-9	1015277	1-13	101880201	6-5
1011767	15-3	1015391	1-15	101886101	10-23
1011779	4-11, 4-13	1015399	1-15, 1-17	101887101	15-3
1012151	15-7	1015400	1-15	101887601	1-11, 4-7, 4-9
1012295	7-17, 7-19	101547601	3-5	101894304	1-17
1012303	1-15	1015524	15-5	101898001	7-25, 7-27
1012328	7-25, 7-27	101553901	3-3, 3-7	101928701	15-7
1012438	4-11	1015583	1-15	101933101	15-7
1012549	15-9	1015597	6-13, 6-15	101958602	1-13
1012560	15-9	1015741	7-17, 7-19	101963401	1-17
101260202	4-11	101587703	10-3, 10-7	101972001	15-7
1012769	1-19, 8-3, 9-3, 13-23	1016078	1-13	101972002	15-7
1012809	15-9	101609401	3-3, 3-7	101972003	15-7
1012811	15-3	101611003	15-9	101972004	15-7
1012812	15-3	1016183	6-11	101972005	15-7
1012830	1-9	101641002	15-5	101972006	15-7
1013035	6-5	101641101	15-11	101972007	15-7
		101641201	15-9	101972009	15-7
		101641202	15-3	101972011	15-7

INDEX

101972012	15-7	102248803	15-7	102377801	14-3
101987901	7-15	102249901	15-3	102377901	14-3
101988001	7-15	102251501	15-7	102378901	10-25
101988002	7-15	102251601	1-19	102379001	10-27
101988101	7-15	102251701	1-19	102380301	14-3
101988201	7-15	102274101	13-3	102380601	5-5
101990802	4-11, 4-13	102276001	13-25	102381701	13-3
102010102	6-5	102289001	1-7, 9-15, 10-7, 14-3, 14-5	102382401	8-3, 9-3, 13-23
102021302	2-3	102289002	1-3, 1-5	102385601	12-9, 12-11
102021305	2-3	102290120	6-3	102385701	12-13
102021306	2-3	102296140	4-9, 6-7	102385801	10-13
102021410	2-3	102296401	4-9, 5-3, 6-7	102393501	6-13, 6-15
102021411	2-3	102296716	4-9, 10-7, 10-23, 12-3, 12-5	102394002	6-9, 6-11
102021412	2-3	102298130	1-3, 1-5, 1-9, 6-3, 6-11	102395601	10-25, 10-27
102021413	2-3	102298240	6-9, 6-11	102398901	6-13, 6-15
102021502	1-3, 1-5	102298401	1-9, 8-3, 9-3, 10-3, 11-5, 13-11	102399201	4-5
102021602	1-3, 1-5	102301401	1-13	102399202	4-5
102021802	1-3, 1-5	102323101	1-13	102402801	4-7
102022601	6-5	102323501	5-9	102402901	4-7
102022901	6-5, 6-7, 13-3	102330901	15-9	102406701	10-9
102023703	1-9	102331401	9-15	102406801	10-9
102028302	4-11	102335901	3-11	102407801	4-9
102044702	7-21	102339001	1-17, 3-11	102407901	4-9
102044801	7-21	102339101	3-11	102408401	6-7
102045001	1-3, 1-5	102355301	7-25, 7-27	102409301	11-5
102047001	1-9	102361901	6-7, 13-3	102409401	11-3, 11-5
102048401	1-3, 1-5	102363802	6-3	102409501	11-3, 11-5
102051401	4-7	102364201	6-3	102409601	11-3
102051601	7-21	102365601	6-13	102410001	14-9
102051701	7-21	102365602	6-15	102410301	14-3
102051901	7-21, 7-23	102367101	6-3	102410602	10-7
102052801	4-11, 4-13	102367601	4-3	102410603	1-3, 1-5, 4-9, 8-3, 9-3
102059001	1-11	102368201	13-3	102410801	10-7
102059401	1-9	102368501	6-7	102411202	10-3, 10-7
102061101	1-9	102368502	6-7	102411203	10-7
102061201	15-9	102368801	6-7	102411204	14-5, 14-7
102065901	1-15	102368802	6-7	102411205	14-5, 14-7
102169401	15-7	102369401	13-13	102411206	14-7
102171503	1-15	102369901	12-13	102411207	14-3, 14-7
102176901	4-7	102370101	8-3	102411208	14-3, 14-7
102198001	7-21, 7-23	102370501	8-3, 9-3	102411209	10-27
102221301	1-17	102370601	8-3, 9-3	102411210	10-25, 10-27, 12-3, 12-5
102221401	1-17	102371401	9-15	102411301	14-3
102221501	1-17	102371701	13-9	102411701	14-5
102221701	1-17	102371801	13-5	102414501	12-5
102221801	1-17	102372101	13-9	102414701	8-3
102222001	1-17	102374701	13-3	102414801	8-3
102222101	1-17	102374802	2-3	102414901	9-3
102222201	1-17	102374901	12-7	102418101	1-13
102224001	3-3, 3-7	102375401	7-23	102418401	1-11
102229902	1-17	102375901	13-11	102418501	1-3, 1-5, 1-11
102231601	3-5, 3-9	102376001	13-11	102419901	1-11
102239901	1-17	102376601	13-3	102420001	1-11
102241501	15-7	102376602	13-25	102420201	7-17, 7-19
102241502	15-7	102377501	14-7	102420401	7-17, 7-19
102243402	15-7	102377601	14-7	102420501	7-17, 7-19

INDEX

102420601	1-3, 1-5	102442201	7-25, 7-27	102462301	8-3, 9-3
102422301	8-51, 11-5	102442301	7-25	102462401	13-3
102423701	10-23	102442401	7-25	102462501	8-3
102425401	1-9	102442701	4-11	102462502	9-3
102425501	1-9	102442801	4-11	102462601	10-13
102426301	10-3, 10-7	102442901	5-3, 5-5	102463501	13-25
102426601	1-13	102443501	9-15	102463601	13-25
102426901	1-15	102443601	9-15	102463801	13-27
102427501	14-5	102444201	7-13	102463901	13-27
102427601	14-7	102446601	6-11	102464001	13-27
102429301	1-3	102446901	6-7	102464101	13-27
102430001	10-7	102447001	13-3	102464201	13-27
102430101	10-7	102447601	1-11	102464301	13-27
102430201	10-7	102447602	1-11	102464401	13-27
102430301	10-7	102447901	7-17, 7-19	102464501	13-27
102430401	10-7	102448001	7-17, 7-19	102464601	6-11
102432001	1-3, 1-5	102448401	7-27	102465901	8-3
102433101	10-23	102448501	7-27	102466201	1-19
102433501	10-23	102449101	13-25	102468802	6-11
102434501	14-5	102449901	6-5	102469901	6-7
102434601	10-7	102451001	10-21	102470101	6-11
102434701	10-7	102451201	10-23	102470501	6-11
102434801	9-15, 10-7	102452101	14-3	102470601	6-11
102435001	14-7	102452301	10-23	102470801	13-11
102435201	14-5	102454001	1-19	102473501	1-9
102435301	7-5, 7-9	102454101	1-19	102473601	1-9
102436001	13-3	102454201	1-19	102473701	1-9
102436101	13-3	102454801	10-23	102474101	4-9, 6-7
102436701	14-3	102454901	10-23	102474102	4-9, 6-7
102437001	6-7	102455001	3-5	102474301	4-9
102437101	6-7	102455101	3-9	102475301	9-15
102437201	1-7	102455201	3-3	102475701	4-9, 10-15, 10-17, 10-19, 13-23
102438201	13-5	102455301	3-7	102475801	13-3
102438301	13-5	102456001	1-9	102475901	1-9
102438401	13-5	102457001	10-23	102477001	6-13, 6-15
102438501	13-5	102457101	10-23	102477201	6-11
102438601	13-5	102457201	10-23	102477301	1-3, 1-5
102438701	13-5	102457301	7-23	102478501	10-9
102438801	13-5	102457501	9-15	102479001	13-3
102438901	13-5	102457601	9-15	102480501	14-7
102439001	13-5	102458801	3-7	102481001	12-5
102439101	13-5	102458901	1-9, 3-5, 3-9, 14-7	102481201	12-5
102439201	13-5	102459001	3-9	102481301	12-5
102439301	13-5	102459101	3-5, 3-9	102482201	1-11
102439401	13-5	102459201	3-9	102486201	1-9
102439501	13-5	102459301	3-3, 3-7	102488001	4-3, 4-5
102439601	13-5	102459401	1-11, 3-3, 3-7	102489901	5-3
102439801	13-5	102459501	3-5, 3-9	102490001	12-9
102439901	13-5	102459601	3-3, 3-7	102490101	8-3, 9-3, 10-23
102440101	13-5	102459710	1-3, 1-5	102490201	8-3, 9-3
102440201	13-7	102459714	1-3, 1-5	102490301	7-25, 14-3
102440301	13-5	102459715	1-3, 1-5	102490401	9-15
102440401	13-7	102459716	1-3, 1-5	102490501	8-3, 9-3, 12-13
102440501	13-7	102459718	1-3, 1-5	102490801	6-7
102440601	13-7	102460201	3-9	102491001	13-3
102442001	1-9	102460801	14-5	102491101	13-3

INDEX

102491301	1-7, 1-11	102604101	8-27	102609401	8-19
102491501	1-3, 1-5, 1-7, 1-11	102604201	8-21, 8-27	102609601	8-19
102491601	4-3, 4-5	102604301	8-27	102609801	8-23
102491701	1-19	102604401	8-23, 8-27	102609802	8-23
102492201	7-17, 7-19	102604501	8-27	102609803	8-23
102492301	7-19	102604701	8-27	102610001	8-23
102492801	1-3, 1-5	102604801	8-27	102614101	1-15
102493001	10-13	102604901	8-21	102615701	13-11
102493301	4-3, 4-5	102605001	8-21	102615801	13-23
102493401	14-3	102605101	8-7, 8-21	102616003	12-5
102493801	1-13	102605201	15-5	102616101	12-5
102494401	8-3, 9-3	102605301	8-21	102616301	6-7, 6-9, 6-11, 6-13, 6-15
102494701	10-9	102605401	8-21	102616501	12-11
102495001	6-11	102605501	8-21	102616701	13-11
102495801	13-23	102605601	8-21	102616801	10-23
102498101	10-21, 14-3	102605701	8-39	102616901	10-23
102498201	7-27, 8-3	102605801	8-21	102617201	1-3, 1-5, 1-7, 1-11
102498601	10-25, 10-27	102605901	8-21	102617301	10-13
102498701	10-15	102606001	8-21	102617501	13-3
102498801	10-19	102606101	15-5	102617701	6-7
102499601	10-23	102606201	8-17	102617801	13-3
102522001	10-5, 10-9	102606301	8-17	102618101	5-3, 5-5
102541465	4-7, 10-25, 10-27	102606401	8-17	102618301	1-13, 4-11, 4-13, 5-3, 5-5, 5-7, 5-9, 13-11, 14-7
102555501	15-3	102606501	8-17	102618401	4-7
102562401	15-3	102606601	8-17, 8-51	102618601	1-3, 1-5, 1-13, 4-7, 4-11, 4-13, 5-3, 5-5, 5-7, 5-9, 6-3, 6-9, 6-11, 8-3, 9-3, 9-15, 10-7, 10-23, 14-3, 14-7
102570401	15-11	102606701	8-15	102619801	6-13, 6-15
102571301	6-3	102606901	8-7	102620401	6-13, 6-15
102600001	8-5	102607001	8-7	102620501	6-7, 6-9, 6-11, 6-13, 6-15
102600101	8-5	102607201	8-7	102620801	10-13
102600201	8-5	102607301	8-7	102621101	1-11, 3-3, 3-7
102600301	8-5, 8-9, 8-51	102607401	8-7	102621201	10-25, 10-27, 11-3, 11-5
102600401	8-5	102607501	15-5	102621301	8-3, 11-5
102600601	8-5	102607601	8-23, 8-53	102621501	1-19, 8-3, 9-3, 10-25, 10-27, 13-23
102600701	8-5	102607602	8-23	102623101	3-11
102600801	8-5, 8-9	102607801	8-23	102623201	3-11
102601001	8-5, 8-11	102607901	8-23	102623301	3-11
102601101	8-33	102608001	8-23	102623501	3-11
102601301	8-5	102608101	8-23	102623802	10-11
102601401	8-5	102608201	8-19, 8-51	102623805	10-11
102601501	15-5	102608301	8-19, 8-51	102623808	10-11
102601601	8-11	102608401	8-19	102626201	5-5
102601801	8-11, 8-51	102608501	8-19	102628001	12-5
102601901	8-11	102608601	8-19	102628101	11-5
102602001	8-11	102608701	8-19, 14-11	102628301	12-3
102602101	8-11	102608801	8-23	102628601	1-3, 1-5
102602301	8-11	102608802	8-23	102628701	14-7
102602401	8-11	102608803	8-23	102630001	8-23
102602601	8-11	102608804	8-23	102630002	8-23
102602701	8-11	102608805	8-23	102630003	8-23
102602801	8-11	102608806	8-23	102630101	8-23
102603501	15-5	102608901	8-19	102630201	8-23
102603601	8-27	102609001	8-23	102630301	8-23, 8-51
102603701	8-27	102609002	8-23	102630401	8-23
102603801	8-27	102609003	8-23		
102603901	8-27	102609101	8-19		
102604001	8-27	102609301	8-19		

INDEX

102630601	8-33	102641501	8-39	102653201	8-45
102630701	8-23	102642401	8-39	102653301	8-45, 8-51
102630702	8-23	102642501	8-39	102653401	8-9
102630703	8-23	102642601	8-39	102653501	8-9
102630901	8-23, 8-53	102642701	8-39	102653601	8-45
102631001	8-23, 8-53	102642801	8-39	102653701	8-45
102631301	14-9	102642901	8-39	102653901	8-9
102631401	14-9	102643001	8-39	102654101	8-9, 8-51
102631601	8-5, 8-33, 14-9	102643101	8-39	102654301	8-11, 8-37, 8-47
102631701	14-13	102643201	8-39	102654401	8-21
102631801	14-13	102643301	8-39	102654601	8-7, 8-51
102632001	8-45, 14-13	102643401	8-39	102654701	8-51, 14-9
102632101	14-13	102643601	8-39	102655301	9-7
102632201	14-13	102643701	8-39	102655401	10-11
102632701	8-51, 14-11	102644001	8-13, 8-51	102655501	10-11
102633001	14-9	102644101	8-13	102655601	10-11
102633201	14-9	102644201	8-13	102655701	10-11
102633301	14-9	102644401	8-13	102655801	10-11
102633401	8-51, 14-9	102644501	8-13, 8-51	102655901	10-11
102633601	8-41	102644601	8-13	102656001	10-11
102633701	8-37	102644701	8-13	102656101	10-13
102633801	8-37	102644801	8-13	102656201	10-13
102633901	8-37	102644901	8-13	102656301	10-13
102634001	8-37, 8-51	102645001	8-13	102656402	10-13
102634101	8-37	102645401	8-13	102656501	10-13
102634201	8-37	102645501	8-43	102656601	10-13
102634301	8-37	102645801	8-47	102656701	10-13
102634401	8-37, 8-51	102646001	8-47, 8-51	102656801	10-13
102634501	8-37, 8-51	102646101	8-47	102656901	10-13
102634601	8-37	102646301	8-49	102657001	10-13
102634701	8-37	102646401	8-45	102657101	10-13
102634901	8-41	102646501	8-49	102657201	10-3, 10-13
102635101	8-41	102646601	8-49, 8-51	102657301	10-3, 10-13
102635201	8-37	102647101	8-49	102657401	10-13
102635301	8-13, 8-29, 8-37, 8-39, 8-51	102647201	8-49	102657501	9-5, 10-13
102635501	8-29	102647501	8-25	102657601	9-11, 10-13
102635701	8-29	102647701	8-43	102657701	9-11, 10-13
102635801	8-29	102647801	8-25	102657801	9-11, 10-13
102635901	8-29	102647901	8-25	102658001	9-9
102636101	8-41	102648001	8-25	102658101	9-9
102636201	8-41	102648401	8-43	102658201	9-9
102636301	8-41	102648501	8-43	102658301	9-9
102636401	8-41	102651301	8-45	102658401	9-9
102636501	8-41	102651501	8-45	102658501	9-9
102636601	8-41	102651601	8-45	102658601	9-9
102637001	8-29	102651701	8-45	102658701	9-9
102637101	8-29	102651801	8-45	102658801	9-9
102637301	8-35	102651901	8-45	102658901	9-9
102640401	8-35	102652001	8-45	102659001	9-9
102640501	8-35	102652201	8-45	102659101	9-9
102640601	8-35	102652601	8-45	102659201	9-9
102640701	8-35	102652701	8-45	102659301	9-9
102640901	8-35	102652801	8-9	102659401	9-9
102641001	8-35	102652901	8-45	102659501	9-9
102641101	8-35	102653001	8-45	102659601	9-9
102641201	8-35	102653101	8-45	102659801	9-13

INDEX

102659901	9-13	102665401	9-7	102689102	4-9, 6-13, 6-15
102660001	9-13	102665501	9-7	102690201	12-9, 12-11
102660101	9-13	102665601	9-7	102690301	12-9, 12-11
102660201	9-13	102665701	9-7	102690401	12-11
102660301	9-13	102665901	9-7	102690501	12-9, 12-11
102660401	9-13	102666001	9-7	102690701	12-9, 12-11
102660402	9-13	102666201	9-5, 9-7	102690801	12-11
102660403	9-13	102666801	9-5	102691001	12-9
102660404	9-13	102666901	9-5	102691401	12-9, 12-11
102660501	9-13	102667001	9-5	102691601	12-9, 12-11
102660601	9-13	102667101	9-5	102691701	12-9, 12-11
102660701	9-13	102667201	9-5	102691801	12-9, 12-11
102660801	9-13	102667301	9-5	102691901	12-9
102660802	9-13	102667401	9-5	102692801	4-11
102660803	9-13	102667501	9-5	102693201	13-25
102660804	9-13	102667601	9-5	102693301	13-13, 13-25
102660901	9-13	102667701	9-5	102693401	13-13, 13-25
102661001	9-13	102667901	9-5	102693501	13-13, 13-25
102661101	9-13	102668001	9-5	102693601	13-27
102661201	9-13	102668101	9-5	102694001	13-27
102661202	9-13	102668201	9-7, 9-13	102694201	13-13, 13-25
102661301	9-13	102668301	9-5	102694301	13-25
102661401	9-13	102668401	9-5	102694401	13-25
102661501	9-13	102668801	15-9	102694502	13-27
102661601	9-13	102669901	15-7	102694701	13-25
102661701	9-13	102670601	1-11	102694801	13-25
102661801	9-13	102670701	8-3, 9-3	102695401	12-13
102661901	9-7, 9-13	102670801	9-15	102695601	12-13
102662101	9-11	102670901	10-5	102695701	12-13
102662201	9-11	102671201	1-11	102695801	12-13
102662301	9-11	102672101	13-25	102695901	12-13
102662401	9-11	102672201	13-25	102696001	13-17, 13-19
102662601	9-11	102672301	13-25	102696101	13-13
102662701	9-11	102672401	13-25	102696201	13-13, 13-15, 13-21
102662801	9-11	102673301	3-11	102696301	13-13
102662802	9-11	102674001	15-5	102696401	13-17, 13-19
102662901	9-11	102674101	15-5	102696501	13-13, 13-15
102663001	9-11	102674201	15-5	102696601	13-17, 13-19
102663101	9-11	102674401	15-9	102696701	13-13
102663201	9-11	102674601	15-9	102696801	13-13, 13-15
102663301	9-11	102675001	15-5	102696901	13-13, 13-15, 13-21
102663401	9-11	102675101	15-5	102697001	13-21
102663501	9-11	102675201	15-5	102697101	13-13, 13-15
102663801	9-11	102675301	15-5	102697501	13-15
102663901	9-11	102675401	15-5	102697801	13-21
102664001	9-11	102682301	3-3, 3-7	102698301	13-13
102664101	9-11	102682901	6-13, 6-15	102698701	13-15
102664301	9-11	102684401	14-3	102698801	13-21
102664401	9-11	102684501	1-19, 6-13, 6-15, 13-11	102698901	13-13
102664601	9-7	102684601	13-11	102699101	13-17
102664701	9-7	102685001	14-3	102699401	13-13
102664801	9-7	102685601	6-13, 6-15	102699501	13-21
102664901	9-7, 9-13	102686101	15-3	102699601	13-17, 13-19
102665001	9-7	102687801	6-5	102699701	13-13, 13-21
102665101	9-7	102689001	4-9	102700001	13-21
102665301	9-7	102689101	4-9, 6-13, 6-15	102700101	13-21

INDEX

102700801	8-5	102728201	8-23	102760701	1-3, 1-5
102701001	8-9	102728301	8-25	102760801	1-3, 1-5
102701201	8-33	102728401	8-27	102763301	4-13
102701401	8-37	102728501	8-27	102763401	4-13
102703301	8-11	102728601	8-29	102764201	13-13
102707101	10-21	102728801	8-29, 8-51	102764301	13-13
102710301	9-15, 10-7	102728901	8-29	102764701	13-21
102710501	10-13	102729001	8-31	102764801	13-21
102711601	13-3	102729101	8-31	102764901	13-15
102712601	4-13	102729301	8-11, 8-51	102765001	13-17
102714001	4-3, 4-5	102729401	8-37	102765101	13-15
102715701	4-7	102729501	8-37	102765201	13-13
102716001	5-9	102729601	8-39	102765301	13-27
102718001	1-11	102729701	8-39	102765401	13-27
102718101	1-11	102729801	8-41	102765501	13-27
102718201	1-11	102729901	8-41	102765801	13-27
102721501	13-13, 13-21	102730001	8-33	102770001	4-11
102721901	9-15	102730101	8-33	102770301	4-13
102722001	9-15	102730201	8-33	102778001	1-3, 1-5
102722301	6-7, 13-3	102730301	8-33	102798501	8-51
102722701	9-11	102730401	8-33	102799401	8-21
102722801	9-11	102730501	8-33	102799501	8-29
102722901	9-11	102730601	8-33	102807601	14-5
102724101	10-11	102730701	8-33	102807801	14-5
102724201	10-11	102730801	8-5	102810701	10-25, 10-27
102724301	9-9	102730901	14-9	102812801	11-3, 11-5
102724401	9-9	102731001	14-9	102826101	10-17
102724501	9-9	102731101	14-9	102831201	9-7
102724601	9-9	102731201	14-11	102831501	13-25
102724701	9-9	102731301	8-33	102831601	1-5
102725101	9-13	102731501	8-49	102834901	11-3
102725201	9-13	102731601	8-49, 11-5	102839401	12-9, 12-11
102725401	10-13	102731701	7-23	102849401	9-15
102725501	10-25, 10-27	102731801	8-51	102855501	14-3
102725601	10-25, 10-27	102731901	8-51	102865201	13-3
102726201	8-5	102732001	8-53	102886101	1-11
102726301	8-5	102732201	8-23, 8-53	102892401	5-7, 5-9
102726401	8-5	102732401	1-11	102896601	5-7, 5-9
102726501	8-5	102732501	8-43	102920901	1-11
102726601	8-5	102732601	8-5, 8-51	102934601	8-3
102726701	8-9	102736901	2-3	102952101	10-9
102726801	8-9	102737101	6-13, 6-15	102952102	10-5
102726901	8-9	102737301	14-3	102961301	13-27
102727001	8-9	102737401	14-3	102961401	13-27
102727101	8-9	102739201	1-11	102961501	13-27
102727201	8-9	102739901	7-21	102961601	13-27
102727301	8-11	102739902	7-23	102967901	1-3, 1-5, 1-9, 7-21, 7-23
102727401	8-11	102741501	5-9	103185401	12-9
102727501	8-11	102741601	5-9	103185501	12-11
102727601	8-13	102751301	5-9	103185801	12-9, 12-11
102727701	8-15	102751401	5-9	103185901	12-9, 12-11
102727801	8-15	102751501	5-9	103201601	10-11
102727901	8-17	102751601	10-5	103239501	13-19
102728001	8-19	102758701	5-7, 5-9	103239801	13-19
102728101	8-23, 8-53	102759401	9-5	103244701	13-3
102728102	8-23	102760501	1-3, 1-5	103252201	9-3

INDEX

103256701 6-7
103267001 1-9
103273101 5-3, 5-5
103280201 13-17
103282301 6-13, 6-15
103294301 13-17
103305001 5-9
103305101 5-9
103307901 10-3
103320601 12-3, 12-5
103348101 7-21, 7-23
103348201 7-21, 7-23
103418701 4-5
103418801 4-3, 4-5
103538701 1-15
103538901 1-15
95293643 13-9
96701412 8-3, 9-3
96704416 11-3, 14-3
96704721 8-3, 9-3
96704960 9-3
96705199 14-3
96705587 9-15, 10-7
96705736 10-21
96706825 5-3
96714464 10-23
96715552 1-3, 1-7
96718978 8-3, 9-3, 10-23
96741038 8-3, 9-3, 10-23, 14-3
96741046 8-3, 9-3
96742515 1-11
96747126 14-7

A

A-arm 6-7
absorber, shock 6-9, 6-11
accelerator cable 10-15, 10-19
accelerator pedal 5-3
accelerator pedal adjustment tool 15-3
accessory receptacle 7-21, 7-23
adapter
 cable (IQDM) 15-7
 hose 9-15
 intake, engine 10-13
 tube 9-15, 10-7
adapter, oil filter 9-15
adhesive, guide ring 15-3
adjuster
 hydraulic brake 15-7
adjuster, forward/aft 1-9
adjuster, slide 13-3
adjuster, slider 1-9
adjuster, spring 10-23
air clean support 10-25, 10-27
air filter 10-25, 10-27
air filter canister 10-25, 10-27

air filter evacuator 10-25, 10-27
alternator 8-33
arbor 15-3
arm
 A- 6-7
 governor 13-21
 lower 6-7
 rocker 8-45
 valve rocker 9-11
arm, swing 6-13, 6-15
assembly
 accelerator pedal 5-3
 adjusting bolt 8-29
 alternator 8-33
 bearing case cover 8-19
 brake line 4-9
 brake pedal 5-5, 5-7, 5-9
 brake rotor 13-3, 13-25
 bucket seat 1-9
 camshaft 8-21, 9-13
 case, main bearing 8-19
 connecting rod 8-23, 9-13
 crankcase cover 9-9
 drain cock 8-5
 filler cap 4-7
 forward/reverse 13-11
 fuel camshaft 8-27
 fuel cap 10-9
 fuel filter 10-7
 fuel pump 10-7, 10-13
 fuel tank vent 10-5, 10-9
 gear case 13-13, 13-27
 governor 8-37, 9-9
 governor arm 13-21
 governor fork lever 8-41
 headlight 7-15
 headlight harness 7-15
 idle apparatus 8-29
 inner ball joint 6-5
 latch, tilt bed 1-15
 manifold 8-47
 muffler 13-3
 nozzle holder 8-39
 oil pump 8-17
 oil pump cover 9-9
 overflow pipe 8-39
 park brake pedal 5-7, 5-9
 pinion 13-27
 piston ring 8-23, 8-53
 pump 8-35
 reservoir, remote 4-7
 rocker arm 8-45
 slide adjuster 13-3
 tank, coolant expansion 14-5
 tether 1-17
 thermostat 14-9

tilt bed 1-15
tire 2-3
turn signal lens 7-15
valve, lifter 9-13
valve, solenoid 10-11
water pump 14-11
wire 7-25, 7-27, 10-5, 10-9
assembly, sub-
 A-arm, upper 6-7
 fly weight 13-21
 front differential upright 13-3
 gear case 13-13
 governor spool 13-21
 moveable drive clutch 12-9, 12-11
 spider 12-9, 12-11
 stationary 12-9, 12-11
 swingarm 6-13, 6-15
 weight clutch 12-9, 12-11
axle 13-25
axle tube 13-27
axle, rear, guard mounts 13-25

B

ball
 check 8-21
 crankshaft 8-23
 governor 8-27
 injection pump 8-27
 steel 9-9
 valve 8-11
ball joint 6-7, 13-3, 13-23
ball stud 13-11
band, pipe 14-9, 14-13
banjo bolt 4-3, 4-5
bar clamp 14-7
bar, sway 6-11
barb, vent 10-3, 10-7
barrier, heat 1-11
base, seat holder 1-11
battery clamp 7-25, 7-27
battery discharge machine 15-3
battery terminal protector spray 15-3
battery thermometer 15-3
battery, 12-volt 7-25, 7-27
bearing 13-27
 ball (steering pinion) 6-5
 lower pinion 6-5
 needle 9-13, 13-5, 13-13, 13-15, 13-27
 radial ball 9-13
bearing and oil seal remover 15-3
bearing case cover 8-19
bearing case, main 8-19
bearing driver set 15-3
bearing puller 15-3
bearing puller wedge 15-3
bed floor plate 1-15

INDEX

- bed, tilt 1-15
 - bell crank kit 4-13
 - bellcrank 5-9, 13-17, 13-19
 - bellows 6-5, 13-25
 - belt, drive 12-7
 - belt, V- 8-33
 - bezel, fuel fill 1-19
 - bezel, headlight 7-15
 - block, differential spacer 13-3
 - block, engine 8-5
 - block, fuse 7-17, 7-19
 - bobbin, coil with press fit 13-5
 - body, front 1-3, 1-5
 - bolt
 - adjusting 8-29
 - banjo 4-3, 4-5
 - drain plug 9-9
 - bracket
 - anti-sway bar 6-11
 - bed latch 1-13
 - brake line 4-9, 6-7
 - brake pedal 5-5
 - choke cable 10-13
 - coolant bottle 14-5
 - cover inlet 12-5
 - equalizer 4-11, 4-13
 - governor arm 10-23
 - governor cable 10-23
 - headlight mounting 7-15
 - hydraulic line 4-9, 6-13, 6-15
 - muffler 11-3, 11-5
 - oil filter mount 9-15
 - park brake 5-9
 - radiator mount, upper 14-3
 - rocker arm 8-45
 - seatbelt 1-11
 - steering support 1-7
 - transmission cable 8-3, 9-3, 13-23
 - transmission mounting 8-3, 9-3
 - brake adjustment tool 15-3
 - brake cable 4-13
 - brake cable release tool 15-3
 - brake caliper 4-3, 4-5
 - brake caliper return spring 4-5
 - brake fluid reservoir 4-7
 - brake line 4-9
 - brake pad service kit 4-3, 4-5
 - brake pedal 5-5, 5-7, 5-9
 - brake pedal adjustment tool 15-3
 - brake pedal tension tool 15-3
 - brake return spring 4-11, 4-13
 - brake rotor 13-3, 13-25
 - brake, park, cable pulley kit 4-11
 - breather 8-13
 - breather tube 10-13
 - breather valve 9-13
 - brush guard 1-3, 1-5
 - bucket seat 1-9
 - buckle, seatbelt 1-11
 - bulb, headlight 7-15
 - bullet, detent 13-15
 - bumper
 - bed 1-13
 - front 1-3, 1-5
 - rubber 1-17
 - stud 14-3
 - bushing
 - A-arm 6-7
 - anti-sway bar 6-11
 - arm, lower 6-7
 - flanged bronze 8-21
 - forward/reverse 13-11
 - greaseless 5-3, 5-5
 - link 6-11
 - Permi-glide 13-5
 - piston pin 8-23, 8-53
 - pivot, urethane 6-13, 6-15
 - plain 13-7
 - return line 10-9
 - self-lubricating 13-5
 - steel 1-15
 - teflon 6-13, 6-15
 - urethane 1-15
 - button, thrust 13-5
 - buzzer, reverse 13-11
 - C**
 - cable
 - accelerator 10-15, 10-19
 - bell crank 4-13, 5-9
 - brake 4-13
 - choke 10-17
 - governor 10-23
 - IQDM 15-7
 - park brake 4-11
 - transmission 13-23
 - cage, roll 13-5
 - calibration test module 15-3
 - caliper, brake 4-3, 4-5
 - cam installation tool 15-3
 - camshaft 8-21, 9-13
 - camshaft, fuel 8-27
 - canister, air filter 10-25, 10-27
 - cap
 - air filter 10-25, 10-27
 - bolt assembly 8-29
 - connecting rod 9-13
 - filler 4-7
 - fuel 10-9
 - fuel tank 10-5
 - inlet 12-5
 - noise suppressor 9-5, 9-7
 - oil filler 9-9
 - pressure 14-5
 - radiator 14-3
 - rubber 13-3
 - sealing 8-5, 8-9
 - spark plug 9-5, 9-7
 - speed control plate 8-37
 - steering wheel 6-3
 - valve 8-45
 - cap, front corner 1-17
 - carburetor air vent tube 10-3, 10-7
 - carburetor float level tool 15-7
 - carburetor, Honda 10-11
 - card, safety first 15-9
 - case
 - gear 8-11, 13-13, 13-25, 13-27
 - governor ball 8-27
 - main bearing 8-19
 - case cover, bearing 8-19
 - chain, transmission 13-13
 - charge coil 9-7
 - charger bezel tool 15-3
 - choke cable 10-17
 - clamp
 - bar 14-7
 - battery 7-25, 7-27
 - hose 10-3, 10-7
 - p- (fuel filter) 1-3, 1-5, 4-9, 8-3, 9-3, 10-7
 - pipe 8-39
 - wire 9-7, 9-13
 - clevis pin 4-7
 - clip
 - hair pin 1-17
 - clip, brake line 4-9, 10-15, 10-17, 10-19, 13-23
 - clip, breather tube 10-13
 - clip, governor 9-9
 - clip, meter 7-21, 7-23
 - clip, piston pin 9-13
 - clip, return pipe 8-39
 - clip, tube 10-3, 10-13
 - clip, wire harness 10-13
- closeout 1-9
- clutch 12-13
- clutch alignment tool 15-5
- clutch cover 12-9, 12-11
- clutch housing 13-5
- clutch removal tool 15-3
- clutch tool kit 15-5
- clutch, diesel 12-11
- clutch, gas 12-9
- coil
 - charge 9-7
 - ignition 9-7
 - pocket insert 13-5
- coil with press-fit bobbin 13-5
- collar, alternator assembly 8-33

INDEX

collar, crankshaft 8-23
collar, idle gear 8-21
collar, lever 8-37
collet 8-45
column, steering 6-3
communication display module 15-5
compression gauge 15-5
compressor, piston ring 15-9
compressor, valve spring 15-11
connecting rod 8-23, 9-13
connector, relay 7-17, 7-19
console, drink holder 1-9
continuity tester 15-5
coolant exchanger 14-3
coolant expansion tank 14-5
coolant fill tee 14-3
coolant lamp sensor 14-9
coolant pipe 14-7
coolant pipe mounting tab 14-7
coolant temperature indicator light 7-23
cooling fan 9-5, 14-3
cord, glow plug 8-39
corner cap 1-17
cotter, rue ring 6-13, 6-15
cover 9-9
 alternator assembly 8-33
 bearing case 8-19
 breather 9-13
 clutch 12-9, 12-11
 crankcase 9-9
 CVT 8-3, 9-3, 12-3, 12-5, 12-9, 12-11
 cylinder head 8-13
 electrical 7-17, 7-19
 engine 10-21
 fan 9-5
 fuel camshaft 8-5
 head 9-11
 head filler 9-11
 heat proof 8-49
 input 13-7
 oil filter 9-9
 oil pump 9-9
 thermostat 14-9
cover plate, output 13-5
cover, steering column 6-3
cowl 1-3, 1-5
cowl support, ROPS 1-3, 1-5, 1-11
crank 8-23
crankcase 9-9
crankcase cover 9-9
crankshaft 8-23, 9-13
C-type stop ring 6-5
cup holder, seat 1-9
cutter, valve seat 15-5, 15-11
CVT 12-13
CVT cover 12-3

CVT cover kit, sealed 12-5
CVT cover kit, unsealed 12-5
cylinder head 8-9, 9-11
cylinder, master 4-7

D

dash, front 1-7
dashboard 1-3, 1-5
decal
 4x4 3-11
 bed load warning 3-3, 3-7
 Bobcat 2200 3-11
 Bobcat tailgate 1-17, 3-11
 crush area warning 3-3, 3-7
 diesel 3-11
 diesel fuel only 3-7
 driver/passenger 3-5, 3-9
 ground warning 3-5, 3-9
 high capacity 3-11
 hot manifold warning 3-9
 hot surface warning 1-9, 3-5, 3-9, 14-7
 IR 3-11
 operating instructions 3-5, 3-9
 ROPS certification 1-11, 3-3, 3-7
 rotating parts 3-3, 3-7
 rotating parts and hot manifold 3-5, 3-9
 rotating parts warning 3-9
 trailer hitch 3-3, 3-7
 under 16 warning 1-11, 3-3, 3-7
 vehicle loading 3-3, 3-7
 warning, diesel 3-7
 warning, gas 3-3
 winch cable warning 3-5, 3-9
deflector oil 13-13
diaphragm tube 10-13
diesel tachometer probe 15-9
differential housing 13-27
differential, front 13-5
diode, engine stop 9-7
dipstick, oil 9-9
disc 4-11
dowel pin 13-5
drag link 6-5
drain cock 8-5
drink holder console 1-9
drive belt 12-7
drive clutch fixed sheave tool 15-5
drive clutch holder tool 15-5
drive clutch hub puller 15-5
drive clutch puller 15-5
drive clutch spider removal tool 15-5
drive clutch, moveable 12-9, 12-11
drive shaft 13-9
driven clutch base sheave 12-13
driven clutch cam puller 15-5
driven clutch puller plug 15-5

driven clutch spring compression base tool 15-5
driven clutch spring compression collar tool 15-5
driven clutch spring compression nut tool 15-5
dry moly lubricant 15-7

E

E-clip 4-11, 4-13
elbow 10-9
end, tie rod 6-5
engine block 8-5
engine, diesel, Kubota D722 with closed breather 8-3
engine, Honda 9-3
equalizer 4-11, 4-13
exchanger, engine coolant 14-3
exhaust header 11-3
exhaust valve 8-45, 9-11
expansion tank, coolant 14-5
extension, spring latch 1-15

F

fan shroud 14-3
fan, cooling 9-5, 14-3
fastener, push-in 7-17, 7-19
fender, front 1-3, 1-5
fender, rear 1-19
filler cap 4-7
filter
 air 10-25, 10-27
 fuel 10-3, 10-7, 10-13
 inlet cover 12-5
 oil 8-7, 8-11, 9-15
filter, air, canister 10-25, 10-27
fitting, thread-forming grease 6-13, 6-15
flange, water 14-9
float set 10-11
floor mat 1-3, 1-5
floor plate, bed 1-15
fly weight 13-21
flywheel 8-25, 9-7
flywheel puller 15-7
FNR shifter bracket 8-3, 9-3, 13-23
fork, transmission 13-21
forward/reverse assembly 13-11
Forward/Reverse shifter 13-11
frame, tilt bed 1-15
front body 1-3, 1-5
front differential 13-5
fuel camshaft 8-27
fuel cap 10-9
fuel filter 10-3, 10-7, 10-13
fuel gauge sending unit 10-5, 10-9
fuel injection pump 8-35

INDEX

fuel pickup tube 10-9
fuel pump 10-7, 10-13
fuel tank (diesel) 10-9
fuel tank (gasoline) 10-5
fuel tank cap 10-5
fuel tank strap 10-3, 10-7
fuel tank vent 10-5, 10-9
fuel tank, diesel 10-9
fuel tank, gas 10-5
fuel tube 10-13
fuel-hour gauge 7-21, 7-23
fuse
 10-amp 7-17, 7-19
 25-amp 7-17, 7-19
 30-amp 7-19
fuse block 7-17, 7-19

G

gasket
 bearing case 8-19, 8-51
 breather cover 9-13
 carburetor 10-13
 carburetor adapter 10-13
 carburetor bowl 10-11
 case cover 9-9
 clutch cover 12-9, 12-11
 control plate 8-37, 8-51
 cover 8-19, 8-51, 12-5
 cylinder head 8-9, 8-51, 9-11
 cylinder head cover 8-51, 9-11
 drain plug 8-7
 exhaust 8-51, 11-3, 11-5
 ex-manifold 8-49, 8-51
 fuel pump 8-5, 8-51
 gearcase 8-11, 8-51
 head cover 8-13, 8-51
 head cover nut 8-13, 8-29, 8-37, 8-39, 8-51
 idle apparatus 8-29, 8-51
 intake manifold 8-47, 8-51, 9-11, 10-13
 liquid 15-7
 nozzle 8-39
 oil pump 8-17, 8-51
 sending unit 10-5, 10-9
 thermostat 8-51, 14-9
 water flange 8-51, 14-9
 water pump 8-51, 14-11
gauge, compression 15-5
gauge, fuel-hour 7-21, 7-23
gauge, oil 8-15
gear
 cam 8-21
 case 8-11, 13-13, 13-25, 13-27
 crank 8-23
 helical 13-15, 13-21
 idle 8-21
 injection pump 8-27

 oil pump drive 8-17
 ring 8-25, 13-5, 13-27
gear ring engagement 13-15
gear yoke 15-7
glow plug 8-39
glow plug cord 8-39
governor 8-37, 9-9
governor arm 13-21
governor cable 10-23
governor fork lever 8-41
governor guard 10-23
governor shaft installation tool 15-7
governor spool 13-21
governor wire 10-23
grid, screen 9-5
grill 1-3
grip tape, accelerator pad 5-3
grip, tilt latch hand 1-15
grommet 10-5, 10-9, 10-13, 13-5
grommet tool 9-7
guard
 governor 10-23
 radiator 14-3
 splash 1-7
guard, brush 1-3, 1-5
guide
 accelerator cable 5-3
 detent bullet 13-15
 exhaust valve 8-9
 inlet valve 8-9
 oil gauge 8-15
 valve seat cutter 15-11
guide ring adhesive 15-3

H

hair pin clip 1-17
half shaft 13-3
handle, park brake 5-7, 5-9
hanger, engine 9-5
harness, wire 7-5, 7-9, 7-13
head, cylinder 8-9, 9-11
header, exhaust 11-3
headlight assembly 7-15
headlight bulb 7-15
headlight harness 7-15
headlight retainer 7-15
heat barrier 1-11
heat seal 8-39
helical gear 13-15, 13-21
hinge plate 1-9
holder
 drink 1-9
 fork lever 8-41
 screen grid 9-5
Honda engine 9-3
hook, engine 8-9

hose 14-5
 coolant 14-3, 14-7
 fuel filter 10-7
 fuel pump 10-7
 fuel return 10-7
 inlet cover 12-5
 intake 10-25, 10-27
 oil, remote 9-15
 overflow 8-39
 vent 8-3, 9-3, 13-3, 14-5, 14-7
hose, outlet 12-3, 12-5
housing
 clutch 13-5
 differential 13-27
 Mate-N-Lock 13-5
 steering gear 6-5
hub 4-11
hub, race/output 13-5
hydraulic brake adjuster 15-7
hydrometer 15-7

I

idle apparatus 8-29
idle gear 8-21
ignition coil 9-7
injection pump gear 8-27
inlet valve 8-45, 9-11
insert, carburetor adapter 10-13
insulator, carburetor 10-13
intake adapter, engine 10-13
internal retaining ring pliers 15-7
IQ display module (IQDM) 15-7
isolator ring and bushing 8-3, 9-3
isolator, twin stud 14-3

J

jet, main 10-11
joint
 ball 6-7, 13-3, 13-23
 breather pipe 8-13
 eye 8-35
 pipe 8-11

K

key
 feather 8-17, 8-21, 8-23, 8-27
 pair 7-23
 woodruff 9-7, 9-13
key (pair) 7-21
key switch 7-21, 7-23
key switch spacer 7-21
keyswitch nut 7-21
kit
 anti-sway 6-11
 bolt 13-5

INDEX

brake pad service 4-3, 4-5
brake pedal adjustment tool 15-3
clutch 13-5
cover plate, input 13-7
cover plate, output 13-5
drain plug 13-5
forward gear repair 13-15
gasket 8-51
governor shaft repair 13-21
H-clip spring 13-5
input shaft repair 13-21
IQ display module (IQDM) 15-7
neutral switch repair 13-15
nozzle holder 8-39
park brake handle 5-7, 5-9
piston rebuild 8-53
race output hub 13-5
rear axle gear repair 13-27
repair, minor 13-5
reverse gear repair 13-13
roll cage 13-5
roller 13-5
ROPS 1-11
transmission shift shaft repair 13-17
tune-up 15-9
knob, forward/reverse 13-11
knob, light switch 7-21, 7-23
knuckle, slider steering 6-3

L

latch plate, tilt bed 1-13
latch, access panel 1-3, 1-5
latch, slam 1-17
latch, spring 1-17
latch, tilt bed 1-15
lens, headlight 7-15
lever
 engine stop 8-37
 fork 8-41
 governor 8-37
 lost motion 5-3
 speed control 8-37
light
 oil 7-21, 7-23
light switch 7-21, 7-23
light switch knob 7-21, 7-23
light, coolant temperature indicator 7-23
limit switch 13-11
line, brake reservoir 4-7
link, drag 6-5
liquid gasket 15-7
low oil warning light 7-21, 7-23
lubricant, dry moly 15-7
lubricant, moly-teflon 15-7

M

main jet 10-11
manifold 8-47
 exhaust 8-49
 inlet 8-47, 9-11, 10-13
mat, floor 1-3, 1-5
Mate-N-Lock housing 13-5
Mate-N-Lock pin 13-5
meter clip 7-21, 7-23
meter, volt ohm 15-11
module
 calibration test 15-3
 communication display 15-5
moly-teflon lubricant 15-7
motor
 starter 8-43, 9-7
mount, link 6-11
moveable drive clutch 12-9, 12-11
muffler 11-3, 11-5, 13-3

N

nipple, remote oil 9-15
noise suppressor cap 9-5, 9-7
nongrease/spacers locker 13-27
nozzle holder 8-39
nozzle, main 10-11
nut, keyswitch 7-21

O

oil deflector 13-13
oil dipstick 9-9
oil filter 8-7, 8-11, 9-15
oil filter screen 9-9
oil pan 8-7
oil pressure switch 8-5, 9-7
oil pump 8-17
oil pump drive gear 8-17
oil seal 8-11, 8-19, 9-9, 9-13, 13-5, 13-7
oil shield, breather 8-13
oil slinger 8-23
oil warning light, low 7-21, 7-23
O-ring 8-5, 8-7, 8-9, 8-11, 8-13, 8-23, 8-37, 8-51, 9-15, 13-5, 13-7
overflow pipe 8-39

P

paint, touch-up 15-7
pan
 center 1-9
 oil 8-7
 seat 1-9
panel
 access 1-3, 1-5
 left 1-17
 right 1-17

 side 1-19
panel, front 1-17, 1-19
park brake cable 4-11
park brake pedal 5-7, 5-9
p-clamp (fuel filter) 1-3, 1-5, 4-9, 8-3, 9-3, 10-7
pedal, accelerator 5-3
pedal, brake 5-5, 5-7, 5-9
pin, clevis 4-7
pin, dowel 13-5
pin, Mate-N-Lock 13-5
pin, piston 8-23, 8-53, 9-13
pin, slide, caliper slide pin 4-3, 4-5
pinion 13-27
pinion, steering 6-5
pipe
 breather 8-13
 coolant 14-7
 exhaust 11-3, 11-5
 injection 8-39
 overflow 8-39
 water 14-13
 water return 14-9
pipe band 14-9, 14-13
pipe clamp 8-39
pipe, coolant 14-7
piston 8-23, 8-53, 9-13
piston pin 8-23, 8-53, 9-13
piston ring 8-23, 8-53
piston ring compressor 15-9
piston ring pliers 15-9
piston ring set 9-13
pivot, rocker arm 9-11
plate
 armature 13-5
 back 1-15
 breather 8-13
 brush mount 1-3, 1-5
 cover, output 13-5
 electrical 7-17, 7-19
 engine block 8-5
 engine mounting 8-3, 9-3
 engine, left side 9-5
 fuel/oil 9-15, 10-7
 hinge 1-9
 latch 1-13
 push rod guide 9-11
 shroud 8-25, 9-5
 speed control 8-37
 thrust 13-5
pliers
 internal retaining ring 15-7
 piston ring 15-9
 retaining ring 15-9
plug
 cylinder head 8-9
 drain 8-7

INDEX

driven clutch puller 15-5
engine block 8-5, 8-9, 8-11, 13-13, 13-25
expansion 8-5
gearcase 13-13, 13-25
glow 8-39
oil drain 13-5
oil fill 13-5
oil filler 8-13
oil gauge 8-15
plug, spark 9-7, 9-11
press weldment 15-5
prop rod 1-13
prop shaft 13-9
protector spray, battery terminal 15-3
puller
 bearing 15-3
 clutch 15-3
 drive clutch 15-5
 drive clutch hub 15-5
 driven clutch cam 15-5
 flywheel 15-7
 seal 15-9
 special use tool 15-9
pulley
 fan drive 8-33
 mount 4-11
 water pump 8-33
pulley, brake, park, cable, kit 4-11
pullrod, compression spring 5-3
pump
 fuel 10-7, 10-13
 fuel injection 8-35
 oil 8-17
 water 14-11
push rod 8-21, 9-11

R

rack guide pressure spring 6-5
rack, steering 6-5
radiator 14-3
radiator cap 14-3
radiator guard 1-5, 14-3
radiator pipe 14-7
reamer, valve guide 15-9
receiver, rear 6-13, 6-15
receptacle, accessory 7-21, 7-23
regulator, voltage 9-15
relay 7-17, 7-19
relay connector 7-17, 7-19
remover, bearing and oil seal 15-3
reservoir, brake fluid 4-7
reservoir, remote 4-7
retainer
 headlight 7-15
 spring (driven clutch) 12-13
 valve spring 8-45, 9-11

retaining ring 13-3
retaining ring pliers 15-9
retractor, seat belt 1-11
reverse buzzer 13-11
ring
 piston 8-23, 8-53
 snap 6-5
ring gear 8-25, 13-5, 13-27
ring set, piston 9-13
ring, C-type stop 6-5
ring, retaining 13-3
ring, retaining, ext 6-7, 13-3
rivet, blind push 1-7
rocker arm 8-45
rocker arm pivot 9-11
rod
 connecting 8-23, 9-13
 crank crank rod 8-23
 prop 1-13
 push 8-21, 9-11
roll cage 13-5
roller weight 12-9, 12-11
roller, torque 12-9, 12-11
ROPS certification decal 1-11, 3-3, 3-7
ROPS cowl support 1-3, 1-5, 1-11
ROPS kit 1-11
ROPS support tube 1-11
ROPS top 1-11
ROPS weldment 1-11
rotator, valve 9-11
rotor, brake 13-3, 13-25
rotor, oil pump 9-9
rubber bumper 1-17

S

safety first card 15-9
screen grid 9-5
screen, oil filter 9-9
screw, valve clearance adjuster 15-9
seal
 dual lip 13-13, 13-17, 13-19, 13-21, 13-27
 heat 8-39
 oil 8-11, 8-19, 9-9, 9-13, 13-5, 13-7
 steering pinion dust 6-5
 triple lip 13-13
 valve stem 8-45, 8-51, 9-11
seat puller 15-9
seat
 bucket 1-9
 valve 8-11
 valve spring 9-11
seat belt retractor 1-11
seat holder base 1-11
seat, bucket 1-9
seatbelt buckle 1-11
sending unit, fuel gauge 10-5, 10-9
sensor, coolant lamp 14-9
service kit, brake pad 4-3, 4-5
shaft
 CVT adapter 8-3
 drive 13-9
 fork lever 8-41
 governor arm 9-13
 idle gear 8-21
 input 13-21
 intermediate 13-15
 lever 8-37
 output 13-21
 pinion 13-7
 prop 13-9
 rock arm 8-45
 shift 13-19
shaft shift 13-17
shaft, half 13-3
sheave, drive clutch base 12-13
sheave, driven clutch 12-13
shield, exhaust 11-5
shift, shaft 13-17
shim 12-9, 12-11, 13-27
shim, armature plate 13-5
shim, injection pump 8-35
shim, latch plate 1-13
shock absorber 6-9, 6-11, 6-13, 6-15
shroud 9-5
 head 9-5
shroud, fan 14-3
slam latch 1-17
sleeve
 crankshaft 8-23
 governor 8-27
 link 6-11
 lower suspension 6-7
 upper suspension 6-7
slide pin 4-3, 4-5
slide, adjuster 13-3
slider, governor 9-9
slinger, oil 8-23
snap ring 6-5
solenoid, stop 8-31
spacer
 engine 8-3
 key switch 7-21
spacer block, differential 13-3
spanner wrench 15-9
spark plug 9-7, 9-11
spark plug cap 9-5, 9-7
spider 12-9, 12-11
splash guard 1-7
spray, battery terminal protector 15-3
spring
 access panel 1-3, 1-5
 brake caliper return 4-5

INDEX

brake return 4-11, 4-13
carburetor 10-23
choke spring 10-23
compression 10-23, 12-9, 12-11, 12-13
continuity 10-13
detent bullet 13-15
exhaust 11-3, 11-5
governor 8-41
governor idle 10-23
idle apparatus 8-29
pedal 5-3
pedal stop 5-3
rack guide pressure 6-5
relief valve 9-9
return 8-37
rocker arm 8-45
start 8-9, 8-41
torsion 5-3
valve 8-11, 8-45, 9-11
spring latch 1-17
sprocket 13-13
starter motor 8-43, 9-7
stay
 alternator assembly 8-33
 cylinder head 8-9
 fuel pump 10-13
steel bushing 1-15
steering column 6-3
steering column bearing press tool 15-9
steering column cover 6-3
steering column retaining ring tool 15-9
steering gear housing 6-5
steering pinion dust seal 6-5
steering rack 6-5
steering wheel 6-3
steering wheel puller tool 15-9
stem, valve 2-3
stopper, camshaft 8-21
stopper, fuel camshaft 8-27
strap, fuel tank 10-3, 10-7
stud 8-3, 8-35, 8-49, 14-13
 engine 9-7
 idle adjustment 8-29
 self-clinching 1-17
stud, ball 13-11
support yoke (steering) 6-5
support, access panel 1-3, 1-5
sway bar 6-11
swingarm 6-13, 6-15
switch
 indicator (transmission) 13-15
 key 7-21, 7-23
 light 7-21, 7-23
 limit 13-11
 oil pressure 8-5, 9-7

T

12-volt battery 7-25, 7-27
tab, coolant pipe mounting 14-7
tachometer 15-9
tachometer probe, diesel 15-9
tailgate 1-17
tailgate angle 1-17
tank
 coolant expansion 14-5
tank, fuel 10-5, 10-9
tank, fuel (diesel) 10-9
tank, fuel (gasoline) 10-5
tape, grip, accelerator pad 5-3
tape, vinyl foam 1-9, 1-15, 14-3
tappet 8-21
tee, coolant fill 14-3
temperature indicator light, coolant 7-23
tester, continuity 15-5
tether 1-17
thermometer, battery 15-3
thermostat 14-9
thread-forming grease fitting 6-13, 6-15
thrust button 13-5
thrust plate 13-5
tie rod end 6-5
tie wrap 4-9, 4-11, 4-13, 6-5
tilt bed 1-15
tilt bed frame 1-15
tilt latch hand grip 1-15
tire 2-3
tire assembly, AT489, orange 2-3
tire assembly, HDAT, orange 2-3
tool
 accelerator pedal adjustment 15-3
 belt tensioning, starter/generator 15-11
 brake adjustment 15-3
 brake cable release 15-3
 brake pedal adjustment 15-3
 brake pedal tension 15-3
 cam installation 15-3
 carburetor float level 15-7
 charger bezel 15-3
 clutch alignment 15-5
 cT-wrench 15-5
 drive clutch fixed sheave 15-5
 drive clutch holder 15-5
 drive clutch spider removal 15-5
 driven clutch spring compression base 15-5
 driven clutch spring compression collar 15-5
 driven clutch spring compression nut 15-5
 governor shaft installation 15-7
 grommet 9-7
 puller, special use 15-9
 steering column bearing press 15-9

steering column retaining ring 15-9
steering wheel puller 15-9
transaxle axle seal 15-9
transaxle pinion seal 15-9
transmission 15-9
 valve guide driver 15-9
 valve seat cutter 15-5
tool kit, clutch 15-5
top, ROPS 1-11
torque converter 12-13
torque roller 12-9, 12-11
touch-up paint 15-7
track, prop rod 1-13
transaxle axle seal tool 15-9
transaxle housing 13-27
transaxle pinion seal tool 15-9
transmission cable 13-23
transmission cable bracket 8-3, 9-3, 13-23
transmission chain 13-13
transmission fork 13-21
transmission tool 15-9
transmission, parallel shaft 13-13
tube
 axle 13-27
 breather 10-13
 carburetor air vent 10-3, 10-7
 diaphragm 10-13
 fuel 10-13
 fuel pickup 10-9
 ROPS support 1-11
tune-up kit 15-9
turn signal lens 7-15
T-wrench tool 15-5

U

upright, front differential 13-3
urethane bushing 1-15

V

valve 10-25, 10-27
 breather 9-13
 exhaust 8-45, 9-11
 fuel pickup tube 10-5
 inlet 8-45, 9-11
 lifter 9-13
 rocker arm 9-11
 rotator 9-11
 seat 8-11
 solenoid 10-11
 spring seat 9-11
valve clearance adjuster screw 15-9
valve guide driver tool 15-9
valve guide reamer 15-9
valve seat cutter 15-5, 15-11
valve seat cutter guide 15-11

INDEX

valve seat cutter tool 15-5
valve seat t-wrench 15-11
valve spring compressor 15-11
valve stem 2-3
V-belt 8-33
vent barb 10-3, 10-7
vent, housing, upper 13-27
vent, transmission 13-13
volt ohm meter 15-11
voltage regulator 9-15

W

warning light, low oil 7-21, 7-23
water flange 14-9
water pump 14-11
wedge, bearing puller 15-3
weight clutch 12-9, 12-11
weldment
 press 15-5
weldment, accelerator pedal 5-3
weldment, accelerator pedal bracket 5-3
weldment, air cleaner support 10-25, 10-27
weldment, brake pedal 5-5
weldment, coolant pipe 14-7
weldment, cowl support, ROPS 1-3, 1-5, 1-11
weldment, dash, front 1-7
weldment, Forward/Reverse shifter 13-11
weldment, Forward/Reverse shifter bracket
 13-11
weldment, lever, lost motion 5-3
weldment, receiver 6-13, 6-15
weldment, shaft shift 13-17
weldment, tilt bed frame 1-15
weldment, top, ROPS 1-11
wheel 2-3
wheel, steering 6-3
wire assembly 7-25, 7-27, 10-5, 10-9
wire harness 7-5, 7-9, 7-13
wire, governor 10-23
wrap, tie 4-9, 4-11, 4-13, 6-5
wrench, spanner 15-9

Y

yoke, gear 15-7
yoke, support (steering) 6-5

