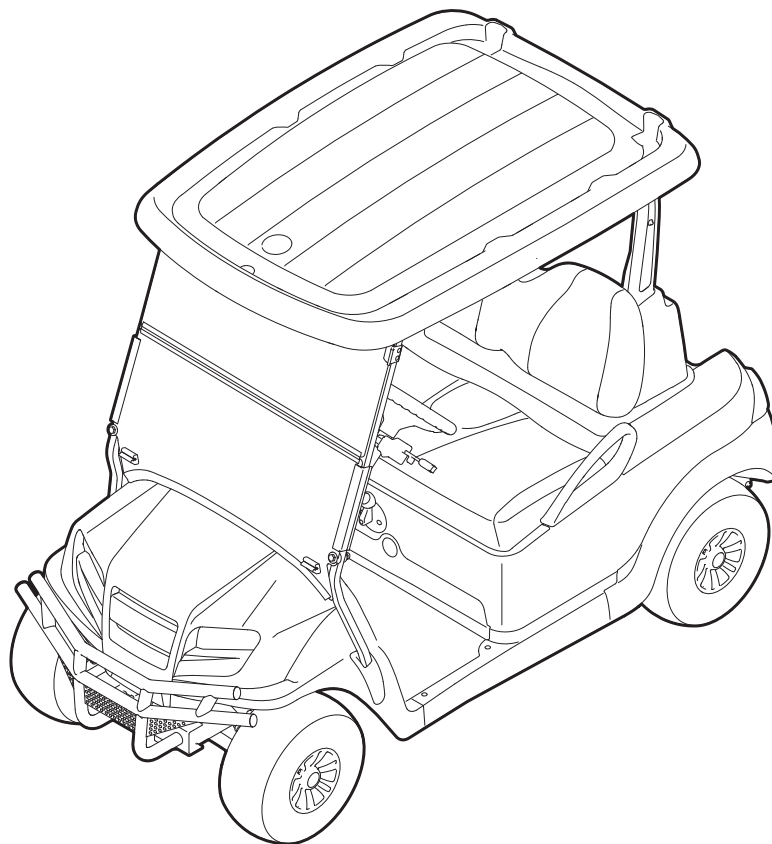




2019 Onward HP Lithium-Ion Illustrated Parts List



HP Lithium-Ion Vehicle

Manual Number 86753090003
Edition Code _C

USING THE ILLUSTRATED PARTS LIST

⚠ WARNING

- **This manual is to be used only for identification and ordering of service parts. Be sure to read and use the maintenance and service manual before attempting any vehicle repairs.**

The manual is divided into several sections. Note that there are two flags on the outside edge of each page. The first flag contains the section number of which that page is a part. The second flag contains the letter E signifying that the page pertains to lithium-ion electric vehicles.

Use the Table of Contents to find the sections and pages that contain the parts and assemblies you seek. The Table of Contents lists section numbers, and under them, the individual page titles and numbers to be found in that section. The index can be used to find specific parts and assemblies. The index is divided into numerical and alphabetical listings with the page numbers in italic text.

There is a two-page spread for each individual page title in the Table of Contents. On the left-hand page is an illustration showing the parts in their relative positions; the parts are each tagged with an item number in a balloon. The right-hand page is the parts list page, and gives the page title at the top, then the item numbers (corresponding to the numbers on the illustration), part descriptions, and quantity of parts used. Some item numbers have more than one part number because several configurations of a component are represented together on one spread.

Note that a part description may be indented. This indentation corresponds to a parts assembly level indicated by the numbers 1, 2, 3, and 4 at the top left corner of the parts description area of the parts list page. A part that is indented to *level 2* is a component of the *level 1* part (assembly) that it is listed under. A *level 3* part is a component of the *level 2* part that it is listed under, and a *level 4* part is a component of the *level 3* part preceding it. In each case, the part quantity given for a level 2, 3, or 4 part is *the quantity used per next higher level assembly of which it is a component*. A part that is not indented is a *level 1* part. This means that the quantity given is the quantity used per the portion of the vehicle illustrated on that particular spread.



**P. O. Box 204658
Augusta, Georgia 30917-4658 USA
Telephone 706-863-3000
Service Parts Fax 706-855-7413
www.clubcar.com**

HOW TO ORDER PARTS

Replacement parts and accessories can be obtained from our network of authorized dealers and distributors. You can obtain the name and phone number of your closest authorized Club Car dealer or distributor by visiting our web site at www.clubcardealer.com, by calling our toll-free Service Parts and Technical Assistance hotline at (800) 872-2246 or (706) 863-3000, extension 3887, or by scanning this Quick Response (QR) code to be taken to the Club Car dealer locator. **Refer to Figure 1.** Download a QR code reader such as RedLaser or Barcode Scanner to your cell phone or tablet.



Figure 1 Dealer Locator QR Code

CUSTOMER SATISFACTION SURVEY

Let your voice be heard!

Please take time to participate in the Technical Publications satisfaction survey. Obtaining feedback from our customers is important to the department's continuous improvement process. The online survey takes less than five minutes and responses will help the department to examine current performance as well as identify areas for future improvement.

Our top priority is to provide timely, accurate, and user friendly manuals.

The online satisfaction survey can be found at: <http://bit.ly/1w9uFMh>



Figure 2 Survey QR Code

NOTE: *This illustrated parts list represents the most current information at the time of publication. Club Car, LLC is continually working to further improve its vehicles and other products. These improvements may affect the parts used to service the vehicle. Any modification and/or significant change in specifications will be forwarded to all Club Car distributors/dealers and will, when applicable, appear in future editions of this illustrated parts list.*

Club Car, LLC reserves the right to change specifications and designs at any time without notice and without the obligation of making changes to units previously sold.

Copyright © 2019 Club Car, LLC
Club Car, Onward, Onward HP li-Ion, and Surlyn
are registered trademarks of Club Car, LLC
This manual effective March 22, 2019.

2019 Onward HP Lithium-Ion IPL

CONTENTS

SECTION 1 – BODY AND TRIM

Frame	1-3
Brush Guards	1-5
Grill Inserts	1-7
Front Bumper	1-9
Front Fenders	1-11
Front Body	1-13
Dash	1-15
Floor Mat, Retainers, and Front Underbody	1-17
Kick Plate – On-Board Charger	1-19
Kick Plate – Shelf Charger	1-21
Seat Bottom with Hip Restraints	1-23
Seat Back, Backrest, and Structural Accessory Module (SAM)	1-25
Rear Body	1-27
Rear Valance	1-29
Rear Fenders	1-31
Receiver Hitch	1-33
Canopies	1-35
Canopy Struts	1-37
Front Strut Kit, Four-Passenger Canopy	1-39
Grab Handle Kits	1-41
Four-Passenger Canopy with Rear Struts – Black	1-43
Four-Passenger Canopy with Rear Struts – White	1-45
Four-Passenger Canopy with Rear Struts – Beige	1-47
Rear-Facing Seat Frame and Foot Deck – Consumer Car	1-49
Rear-Facing Seat	1-51
Hinged Windshield, Clear	1-53
Hinged Windshield, Tinted	1-55
Beverage Holder	1-57
Bucket Storage	1-59
Mirrors, Side	1-61
Golf Bag Holder	1-63
Overhead Storage	1-65
Mirror, 5-Panel	1-67

SECTION 2 – WHEELS AND TIRES

Tires – Onward	2-3
Wheels – Onward	2-5
Wheel and Tire Assemblies – Onward, Standard Height	2-7

CONTENTS

Wheel and Tire Assemblies – Onward, Lifted	2-9
--	-----

SECTION 3 – DECALS

Decals	3-3
Decals – Badging	3-5

SECTION 4 – LIGHTS, CONTROLS AND INDICATORS

Headlights – Onward	4-3
Brake Light Switch Kit	4-5
Turn Signal Lever And Horn	4-7
Instrument Panels	4-9
Keyswitches	4-11
Bluetooth Sound System	4-13
DC/DC Converter – Electric Vehicle	4-15
Taillights	4-17

SECTION 5 – BRAKES AND PEDAL GROUP ASSEMBLIES

Rear Brakes, Self-Adjusting	5-3
Brake Cables and Equalizer Bracket	5-5
Brake Cables and Equalizer Bracket – Lifted Vehicle	5-7
Pedal Groups with MCOR	5-9

SECTION 6 – STEERING, FRONT AND REAR SUSPENSION – STANDARD HEIGHT

Steering Wheel, Comfort Grip with Clip	6-3
Steering Wheel, Comfort Grip with Logo	6-5
Steering Column	6-7
Steering Gear Assembly	6-9
Front Suspension, Upper	6-11
Front Suspension, Lower	6-13
Rear Suspension, Electric Vehicle	6-15
Rear Suspension, Four Passenger Electric, Optional Two or Four Passenger HD	6-17
Panhard Rod	6-19

SECTION 7 – STEERING, FRONT AND REAR SUSPENSION – LIFTED

Steering Wheel, Comfort Grip with Clip	7-3
Steering Wheel, Comfort Grip with Logo	7-5
Steering Column	7-7
Steering Gear Assembly	7-9

CONTENTS

Front Suspension, Lifted	7-11
Rear Suspension, Lifted	7-13
Panhard Rod	7-15

SECTION 8 – ELECTRICAL SYSTEM – LITHIUM-ION

Motor Controller Output Regulator (MCOR)	8-3
Dynamic Braking Resistor	8-5
Wiring Harnesses and PDM	8-7
Bluetooth and Acc Harnesses	8-9
Forward/Reverse Switch and Tow/Run Switch	8-11
Battery and Battery Bucket	8-13
Module, Controller and Solenoids	8-15
Hazard Switch and USB Port	8-17

SECTION 9 – ELECTRIC MOTOR

Electric Motor	9-3
----------------------	-----

SECTION 10 – TRANSAXLE

Transaxle	10-3
-----------------	------

SECTION 11 – BATTERY CHARGERS

IC-650 Battery Charger – Shelf	11-3
IC-900 Battery Charger – Shelf	11-5
Cords – Battery Charger, High-Frequency	11-7
IC-650 Battery Charger – Onboard	11-9
Battery Charger Cord Reels – Onboard	11-11

SECTION 12 – MAINTENANCE AND SERVICE TOOLS

Maintenance and Service Tools	12-3
-------------------------------------	------

SECTION i – INDEX

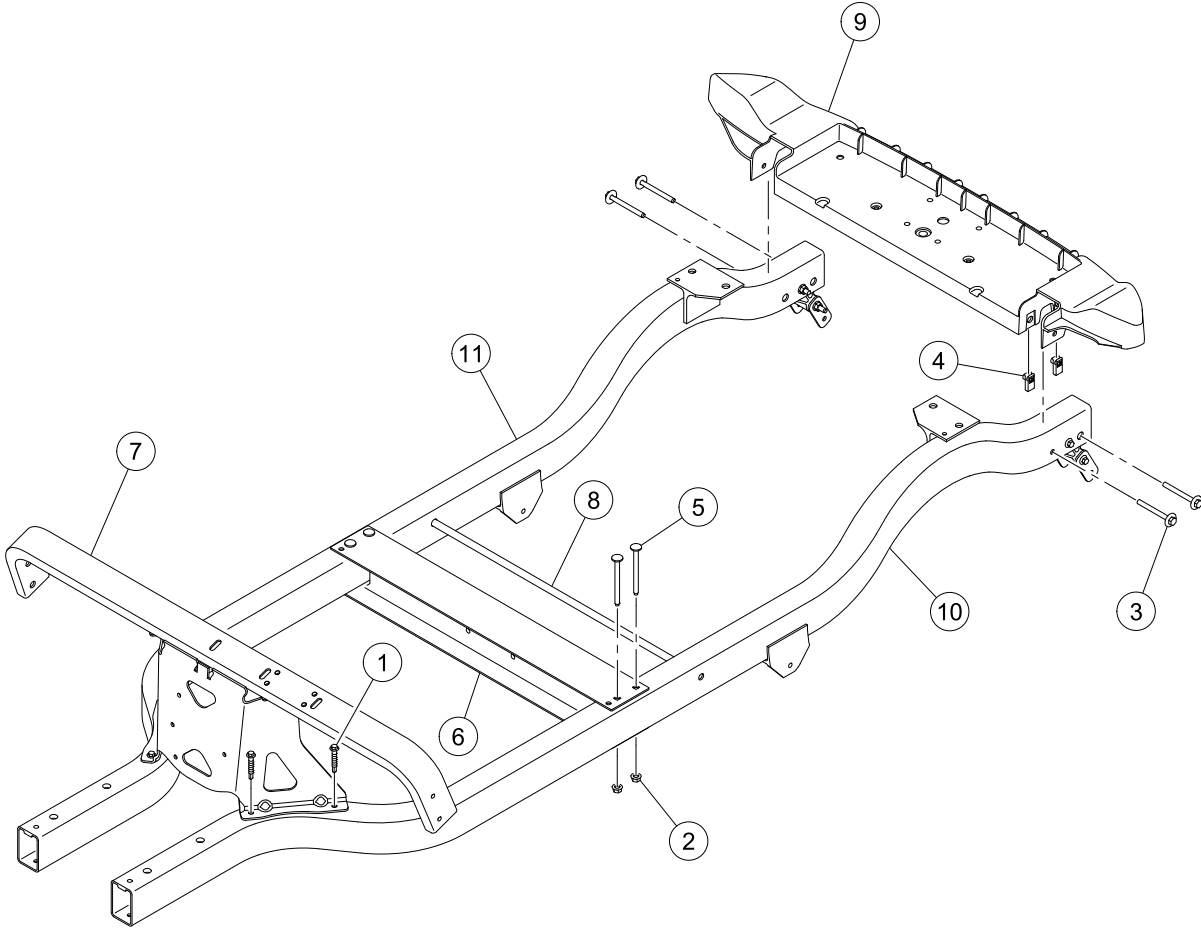
BODY AND TRIM

1

E

1

E



G-010099-000004

FRAME

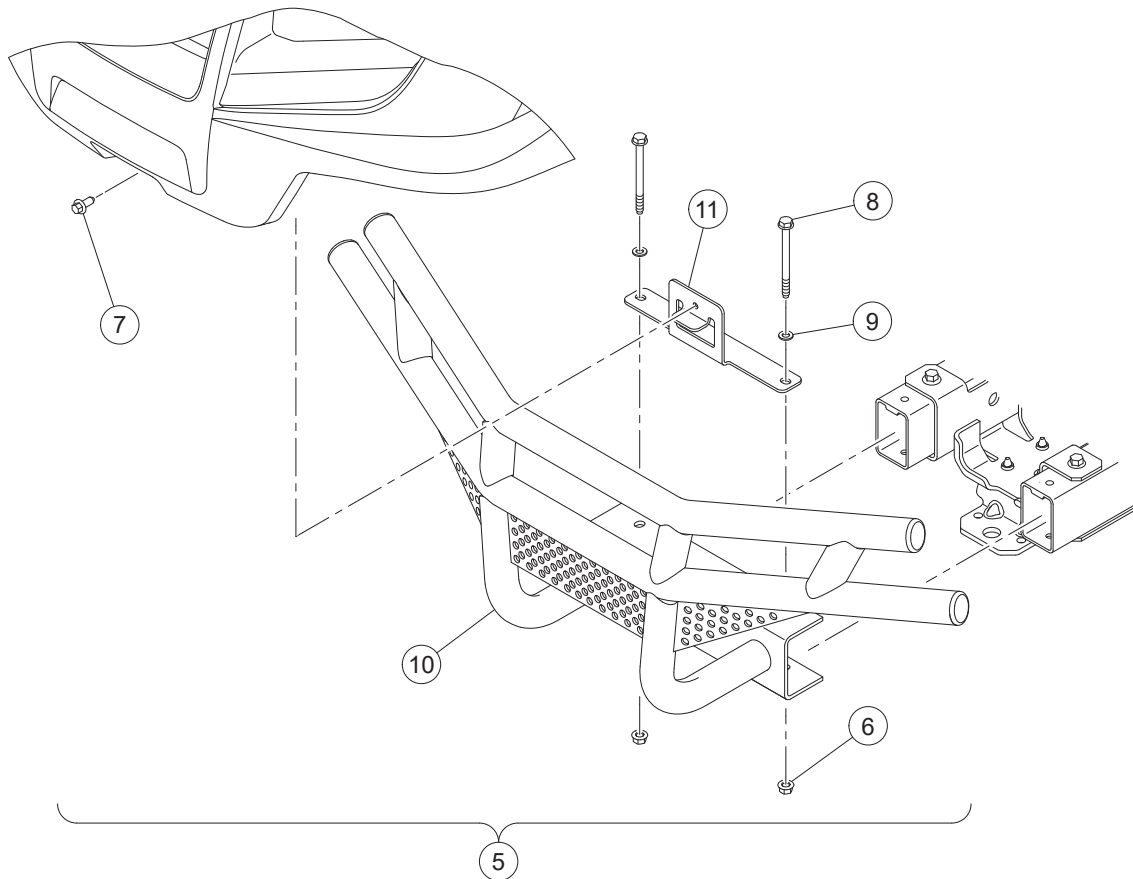
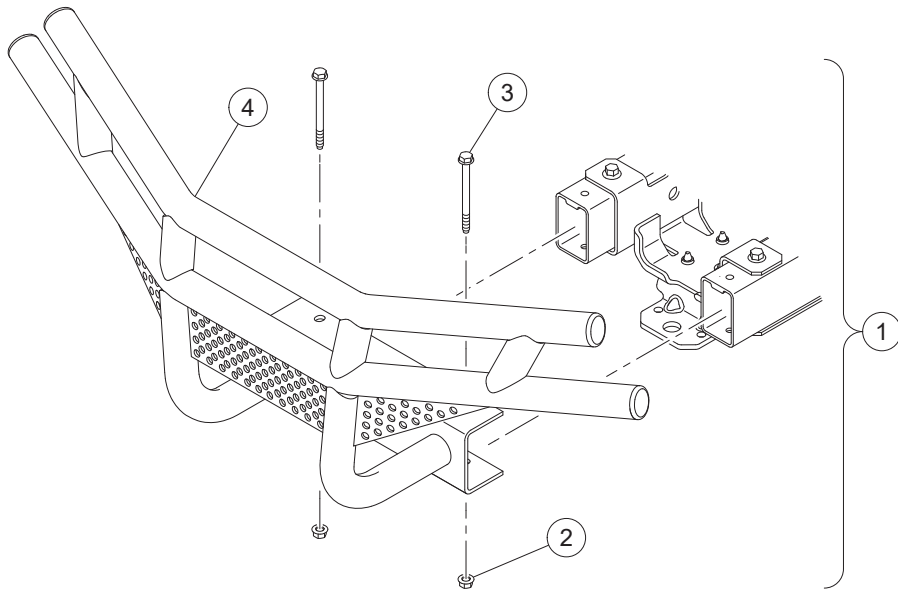
ITEM	PART NO.	DESCRIPTION	QTY
		1 2 3 4	
1	<u>102292101</u>	Screw-5/16 X 1.5 Tek	4
2	<u>102298401</u>	Nut,m8,all Metal Lock	4
3	<u>102298580</u>	M8-1.25 X 80 Sems	4
4	<u>102298601</u>	J-clip - M8 X 1.25	4
5	<u>102298995</u>	Bolt, Wafer Head, M8-1.25x95	4
6	<u>102505401</u>	Xmbr-middle	1
7	<u>102505701</u>	Assembly, Dash Support	1
8	<u>103638901</u>	Rod, .5 Od X 26.26	1
9	<u>103926603</u>	Rear Cross Member, Csmr, Sp	1
10	<u>103990503</u>	Weldment, Frame, Csmr, Driver-side	1
11	<u>103990601</u>	Weldment, Frame, Passenger-side	1
		Note: Item 8 applies to electric vehicles only.	

1

E

1

E



G-140199-000015

BRUSH GUARDS

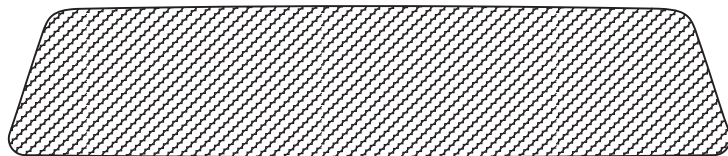
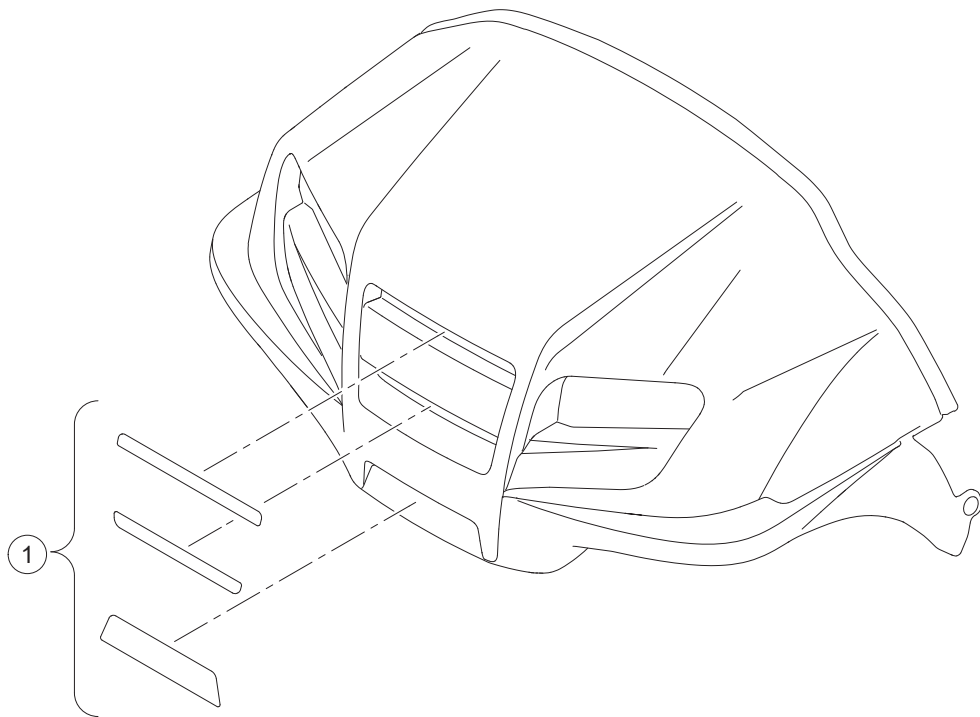
ITEM	PART NO.	DESCRIPTION	QTY
		1 2 3 4	
1	<u>47577561002</u>	Kit, Brush Guard, Lifted (includes items 2 through 4)	1
2	<u>102298401</u>	Nut, M8, All Metal Lock	2
3	<u>102534201</u>	Bolt - Fl Hd, M8 X 95	2
4	<u>47578016001</u>	Asm, Brush Guard Res	1
5	<u>47577561004</u>	Kit, Brush Guard, NI (includes items 6 through 11)	1
6	<u>102298401</u>	Nut, M8, All Metal Lock	2
7	<u>102298720</u>	Screw, M8-1.25x20, Taptite	1
8	<u>103423701</u>	Bolt, M8 X 1.25 X 110	2
9	<u>105307701</u>	Washer, Flat, Ss, M8	2
10	<u>47578016001</u>	Asm, Brush Guard Res	1
11	<u>47680239001</u>	Bracket, Cowl Support	1

1

E

1

E



①

G-160299-000008

GRILL INSERTS

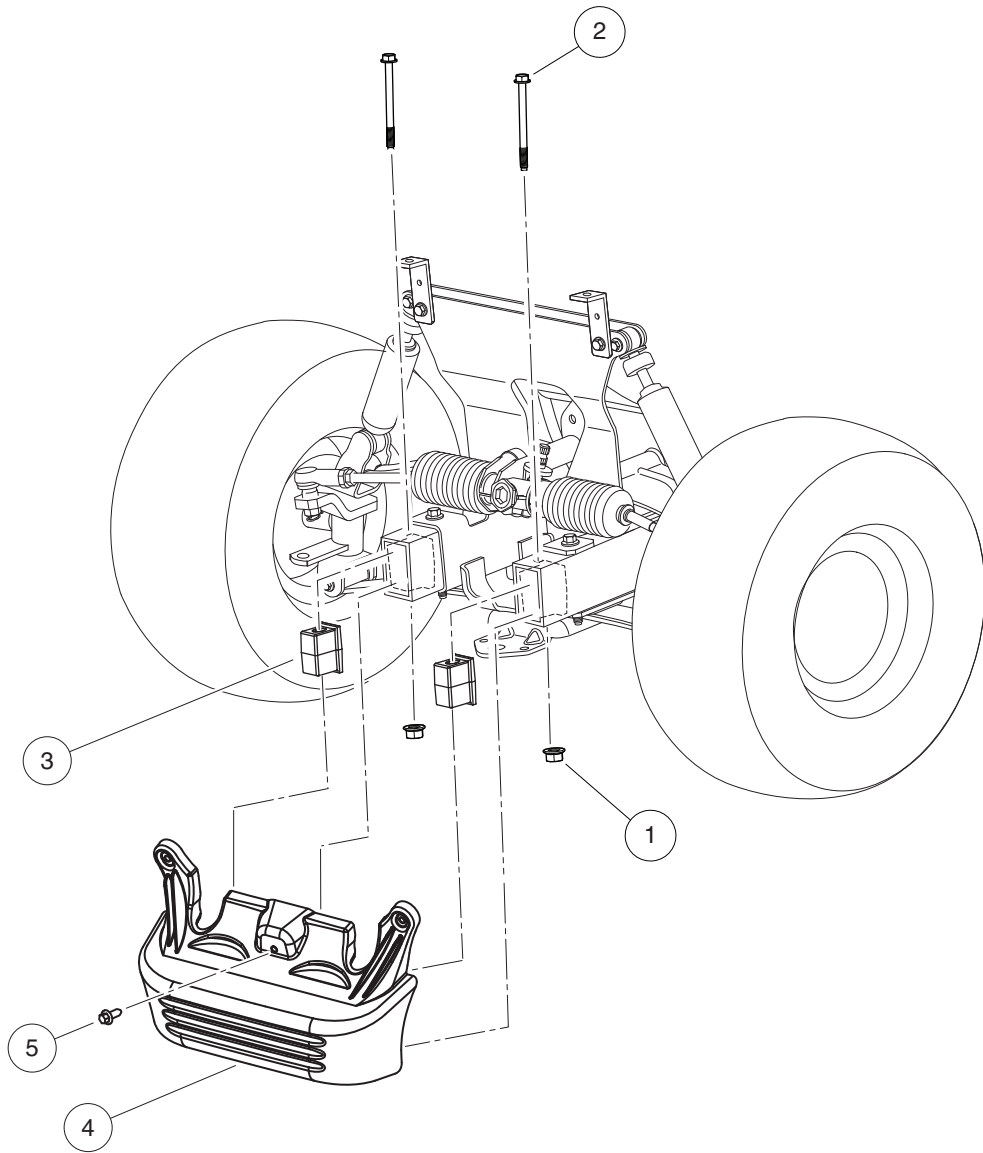
ITEM	PART NO.	DESCRIPTION	QTY
1	<u>47649254001</u>	1 2 3 4 Kit, Grill Insert	1

1

E

1

E



001299-001

FRONT BUMPER

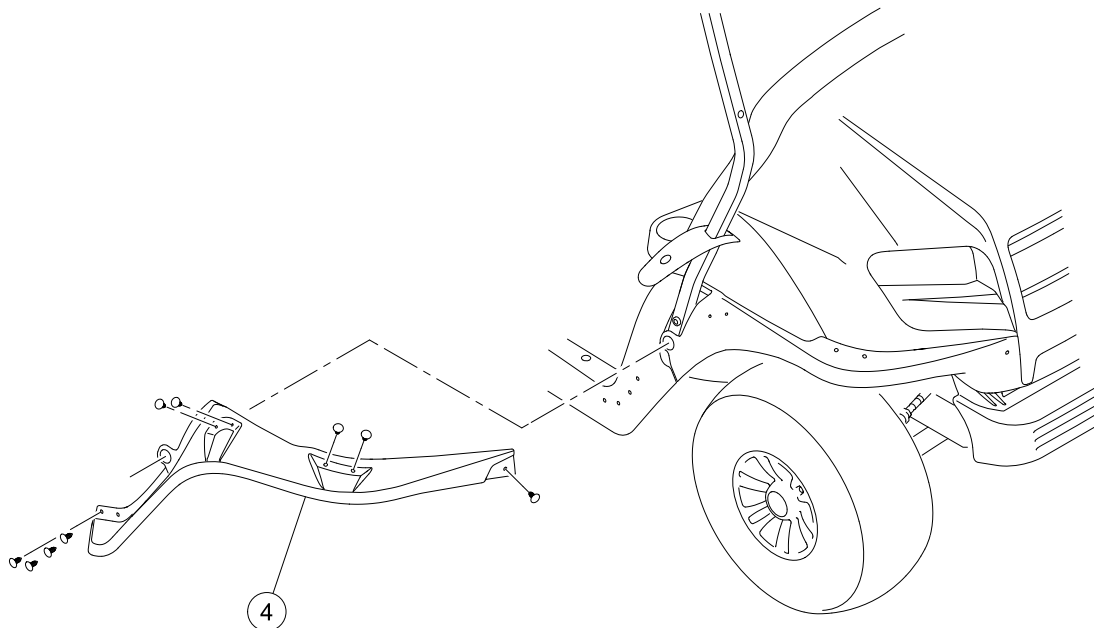
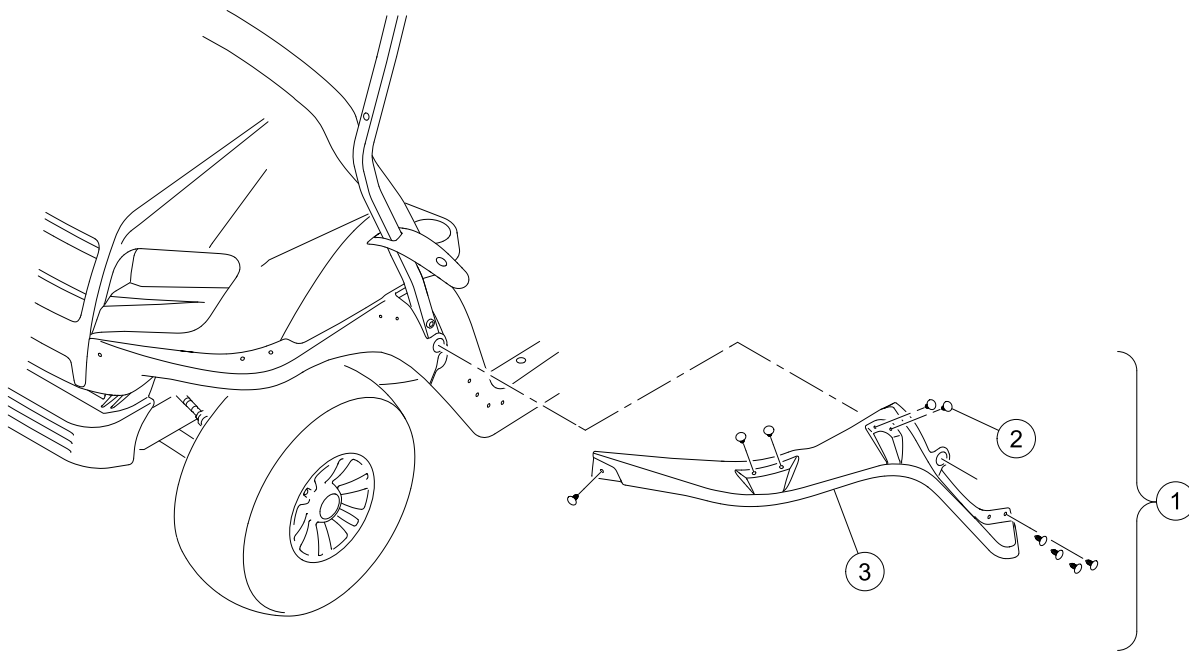
ITEM	PART NO.	DESCRIPTION	QTY
		1 2 3 4	
1	<u>102298401</u>	Nut,m8,all Metal Lock	2
2	<u>102534201</u>	Bolt - Fl Hd, M8 X 95	2
3	<u>103325001</u>	Plug, Shock, Bumper	2
4	<u>103923601</u>	Bumper, Prec Fleet, W/light	1
5	47579669001	Screw, 3/8 Hex & Hex Washer Hd	1

1

E

1

E



G-140699-000006

FRONT FENDERS

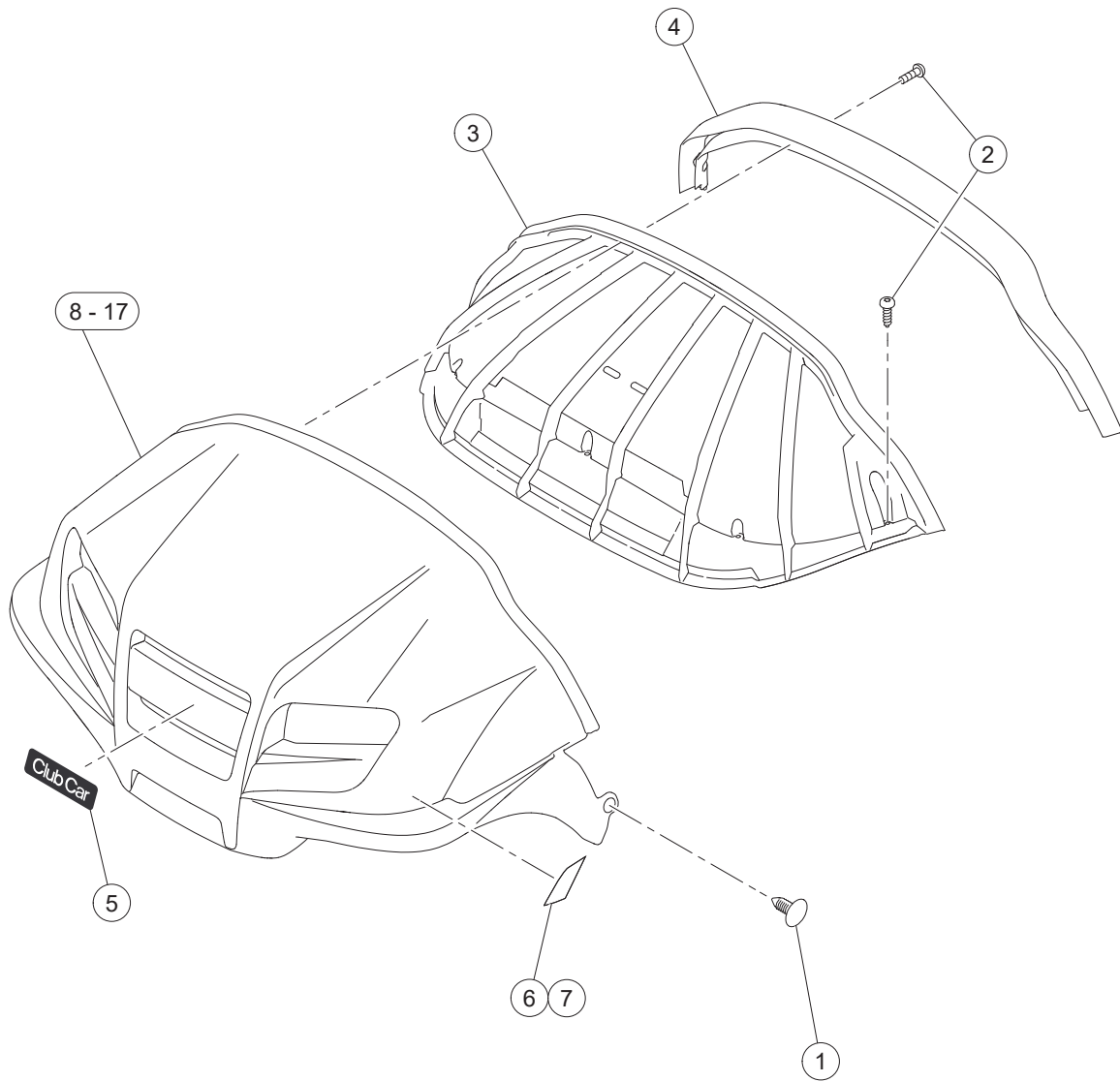
ITEM	PART NO.	DESCRIPTION	QTY
		1 2 3 4	
1	<u>47632116001</u>	Kit, Fenders, Front (includes items 2 through 4)	1
2	<u>1010434</u>	Barrel - Plastic	18
3	47628936001	Fender, Front, LH	1
4	47628936002	Fender, Front, RH	1

1

E

1

E



G-140299-000002

FRONT BODY

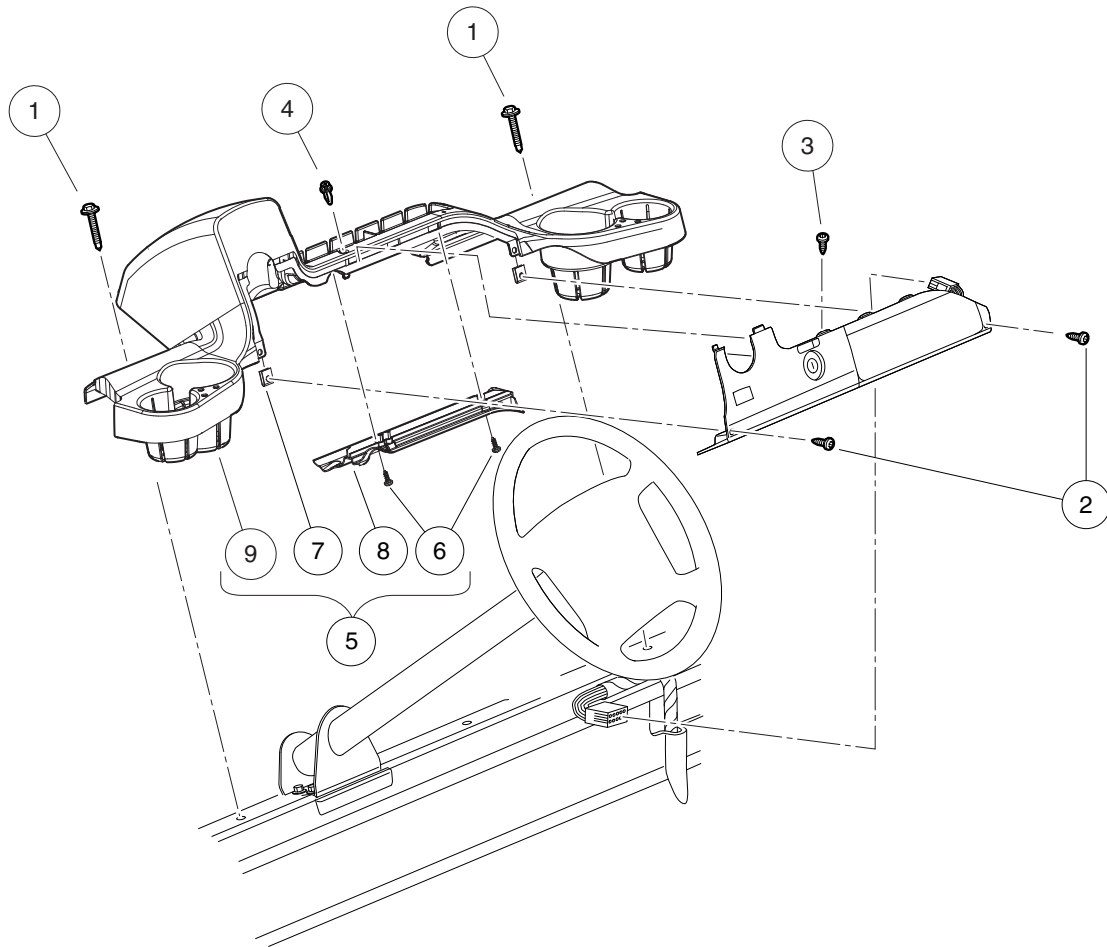
ITEM	PART NO.	DESCRIPTION	QTY
		1 2 3 4	
1	<u>1010434</u>	Barrel - Plastic	4
2	<u>102296020</u>	Screw, Torx Pan Hd Pt, M6 X 20	9
3	<u>102501501</u>	Brow	1
4	102502501	Brow Cap	1
5	<u>102883602</u>	Decal, Nameplate, Csmr	1
6	47583296001	Reflector, Front, Csmr, Driver-side	1
7	47583296002	Reflector, Front, Csmr, Passenger-side	1
8	47627633002	Panel Frt, Met Prl Blue	1
9	47627633003	Panel Frt, Met Green	1
10	47627633004	Panel Frt, Met Black	1
11	47627633005	Panel Frt, Met Platinum	1
12	47627633006	Panel Frt, Cdy Apple Red	1
13	47627633011	Panel Frt, Met Glacier	1
14	47627633058	Panel Frt, Met Beige, Sp	1
15	47627633064	Panel Frt, Met Ocn Tl, Sp	1
16	47627633068	Panel Frt, Mdnght Silver, Sp	1
17	47627633070	Panel Frt, Blue Oynx, Sp	1
		Note: For current or additional color options, contact your local Club Car dealer or distributor.	

1

E

1

E



000438-003

DASH

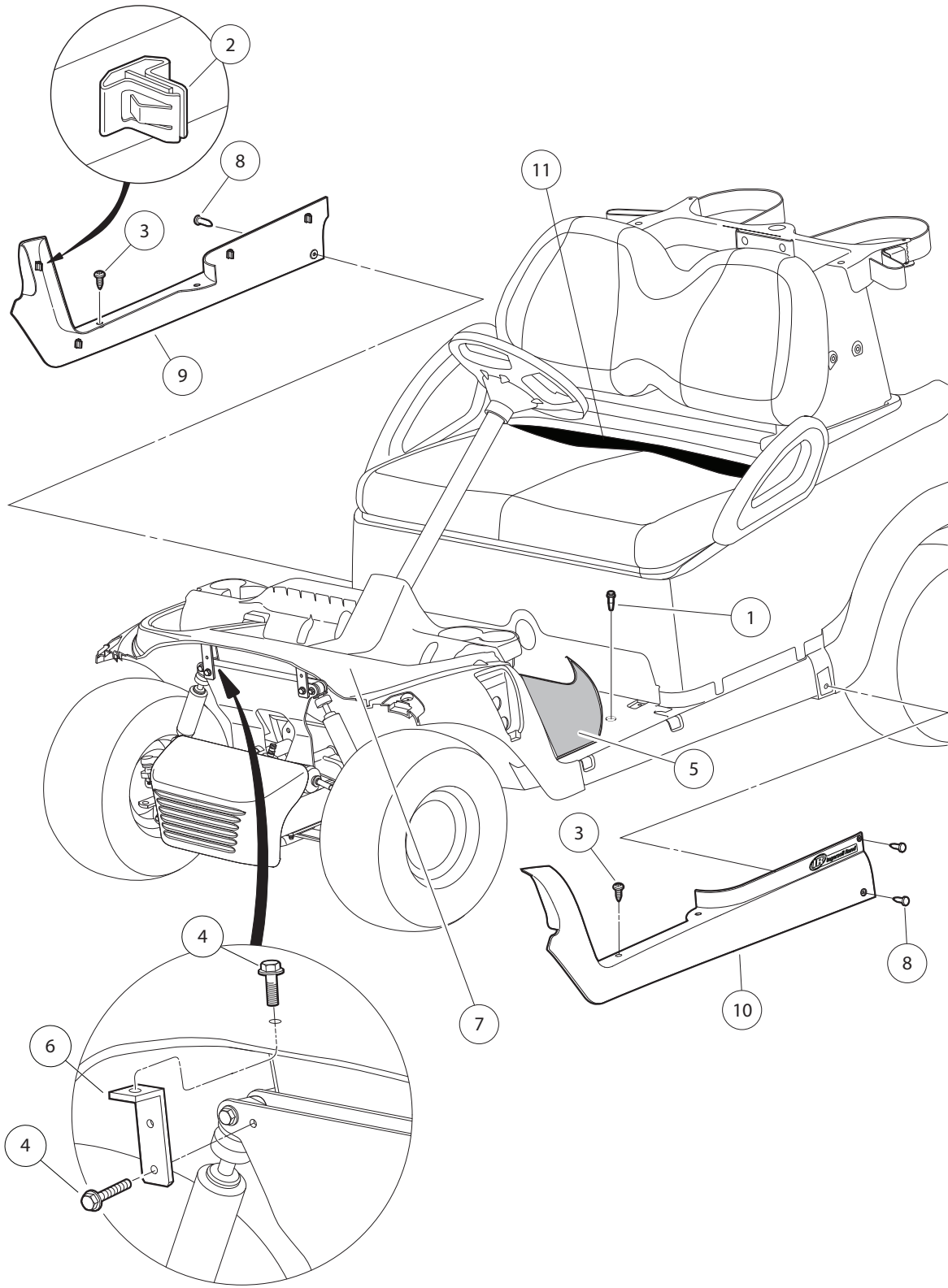
ITEM	PART NO.	DESCRIPTION	QTY
		1 2 3 4	
1	<u>102292356</u>	Screw-1/4-20x56 Hwh Self Drill	2
2	<u>102296819</u>	Screw-M6 x 19	2
3	<u>102557201</u>	Screw, #6-20 Type Abx1.00 Pan	1
4	<u>102915601</u>	Plastic Rivet - Tuflock	1
5	<u>103402701</u>	Dash Assembly (includes items 6 through 9)	1
6	N/A	Screw-torx Pan Hd Pt,m6 X 16	2
7	<u>102297001</u>	U-nut, 1/4" Type Ab	2
8	N/A	Drain Channel - Dash	1
9	N/A	Dash	1

1

E

1

E



000497-009

FLOOR MAT, RETAINERS, AND FRONT UNDERBODY

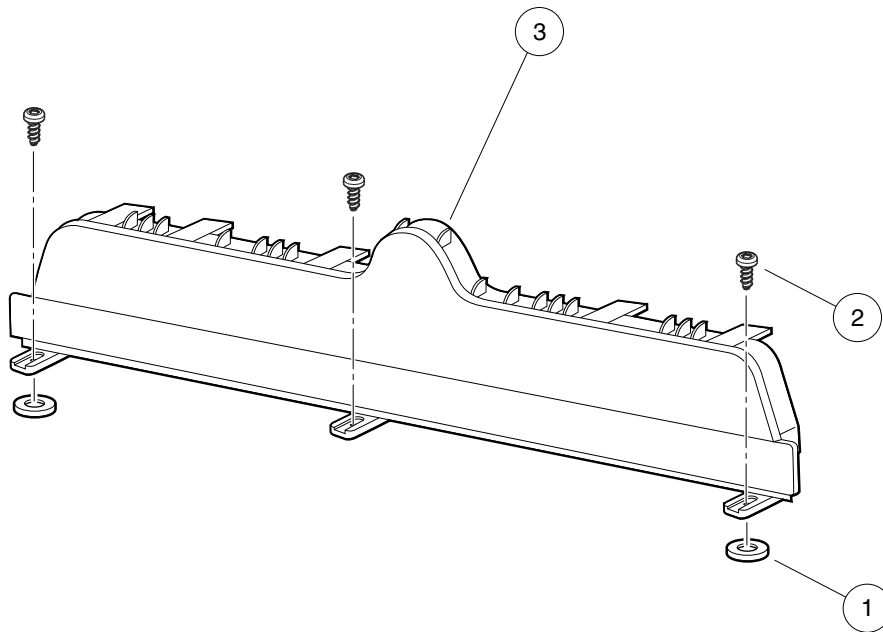
ITEM	PART NO.	DESCRIPTION	QTY
		1 2 3 4	
1	<u>102292356</u>	Screw-1/4-20x56 Hwh Self Drill	3
2	<u>102292701</u>	Clip-body-trim	8
3	<u>102298020</u>	Screw, K80x20, Torx Pn Hd Pt	4
4	<u>102298720</u>	Screw, M8-1.25x20, Taptite	4
5	<u>102504802</u>	Floormat	1
6	<u>102521901</u>	Bracket-clamshell	2
7	<u>103635201</u>	Underbody, Front, One Piece	1
8	<u>105291501</u>	Rivet, Plastic Tuflok, 8mm	4
9	<u>105314001</u>	Floormat Retainer, Passenger-side, Black	1
10	<u>105314101</u>	Floormat Retainer, Driver-side, Black	1
11	47652014001	Insulation, Rear Underbody	1
<p>Note: The front underbody is a special order item available upon request. It will require some trimming for use on the Onward vehicle.</p>			

1

E

1

E



001059-001

KICK PLATE – ON-BOARD CHARGER

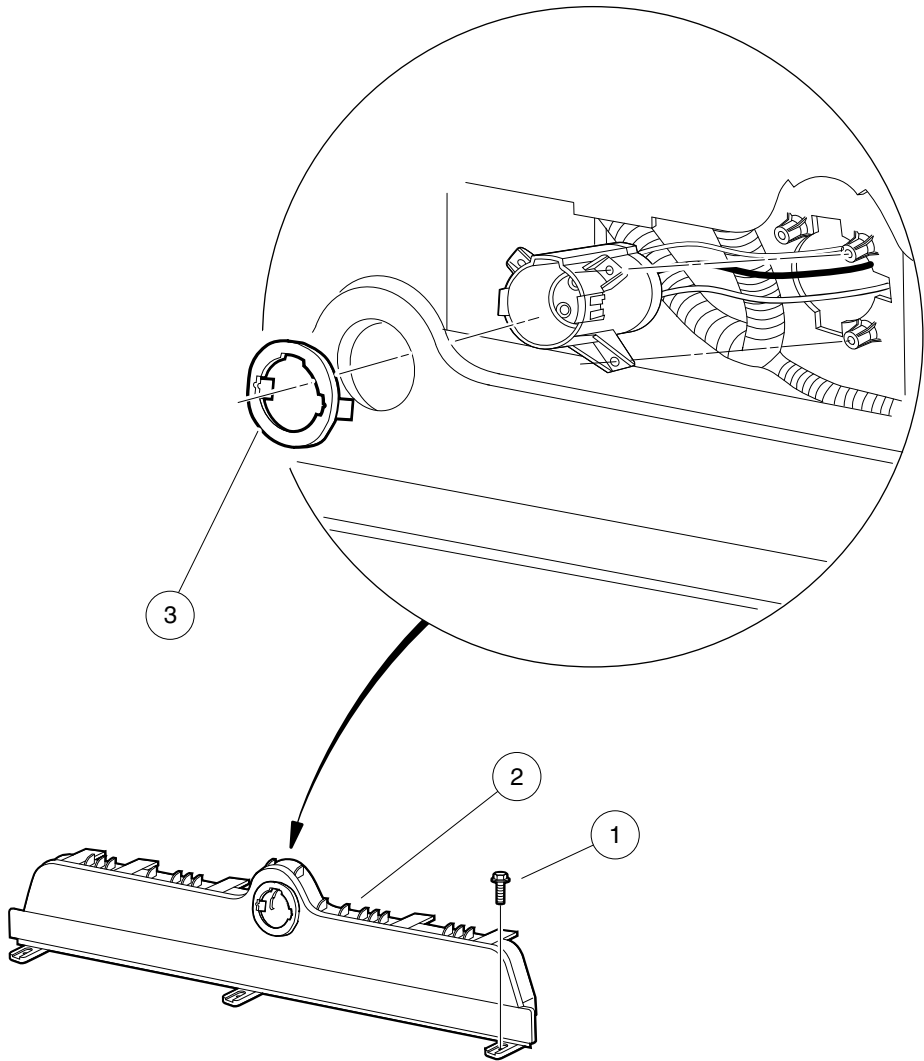
ITEM	PART NO.	DESCRIPTION	QTY
		1 2 3 4	
1	1012571	Washer, 5/16 Extra Thick Flat	2
2	<u>102298020</u>	Screw, K80x20, Torx Pn Hd Pt	3
3	<u>105005402</u>	Plate, Kick, Black	1

1

E

1

E



000500-003

KICK PLATE – SHELF CHARGER

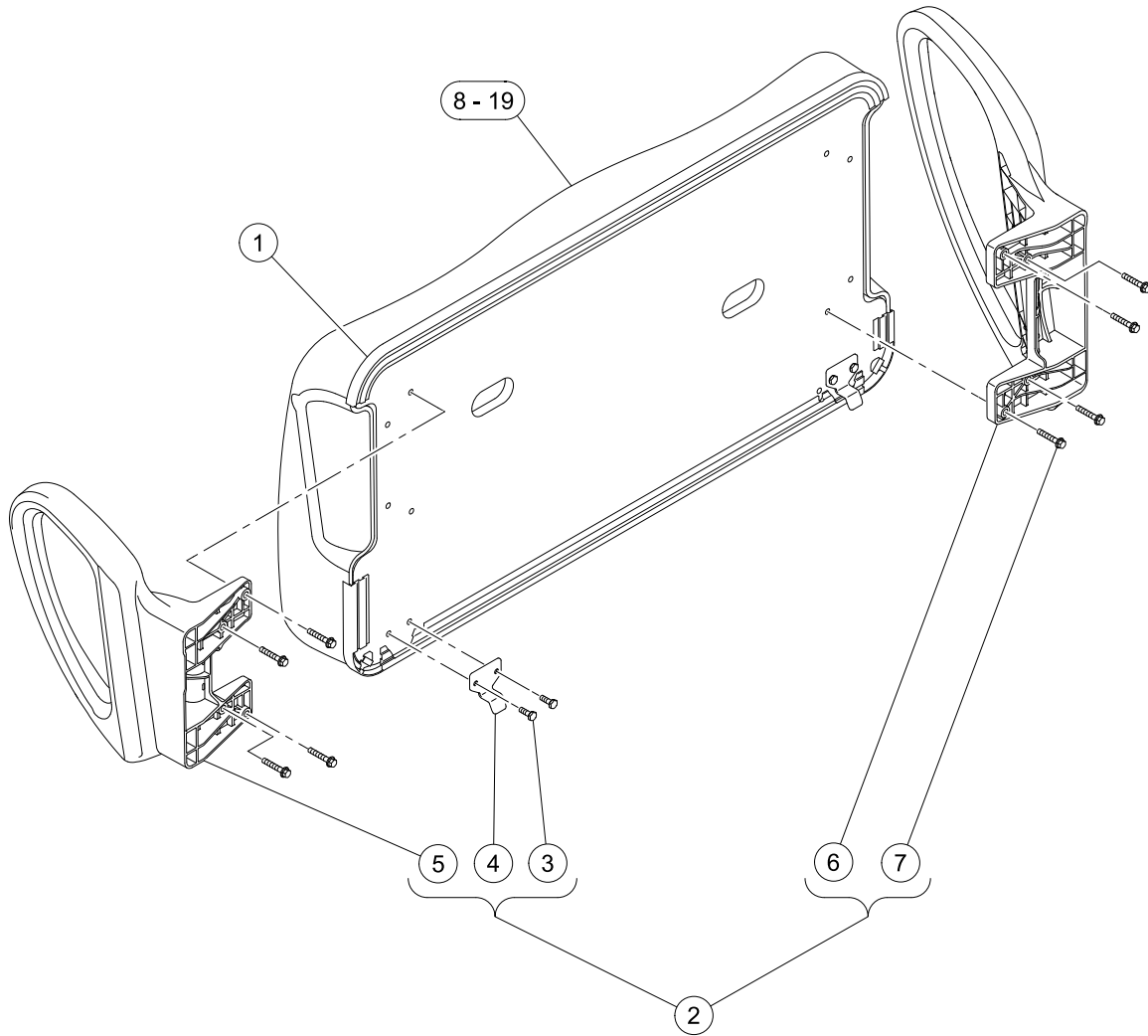
ITEM	PART NO.	DESCRIPTION	QTY
		1 2 3 4 Screw, K80x20, Torx Pn Hd Pt	
1	<u>102298020</u>	Screw, K80x20, Torx Pn Hd Pt	3
2	<u>102508202</u>	Plate - Electric Kick Blk	1
3	<u>102516902</u>	Socket Trim, Charger	1

1

E

1

E



G-140699-000011

SEAT BOTTOM WITH HIP RESTRAINTS

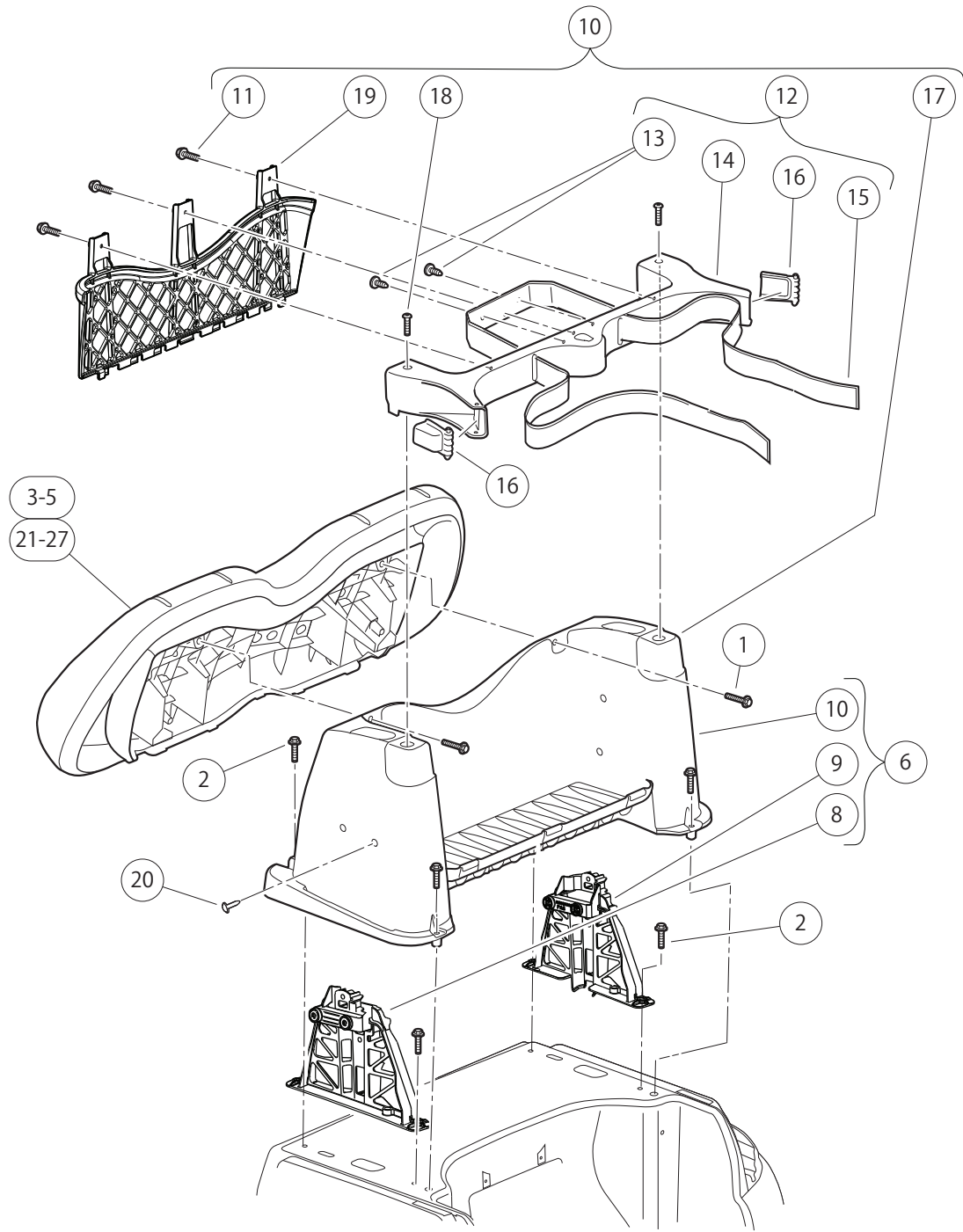
ITEM	PART NO.	DESCRIPTION	QTY
		1 2 3 4	
1	<u>101998501</u>	Gasket, Seat	1
2	<u>103833901</u>	Kit, Seat Bottom (includes items 3 through 7)	1
3	<u>101954301</u>	Screw, 1/4-20 X 0.75 Hex-Head Cap	4
4	<u>103832901</u>	Hinge, Seat Bottom	2
5	<u>103833601</u>	Hip Restraint, Drv	1
6	<u>103833701</u>	Hip Restraint, Pas	1
7	<u>103833801</u>	1/4-20 X 1.5 Hex Flg Patch	8
8	<u>104023421</u>	Seat Bottom Asm, Beige, Service Replacement	1
9	<u>104023422</u>	Seat Bottom Asm, White, Service Replacement	1
10	<u>104023424</u>	Seat Bottom Asm, Gray, Service Replacement	1
11	<u>104023425</u>	Seat Bottom Asm, Black, Service Replacement	1
12	<u>105223321</u>	Seat Bottom Asm, Premium, Light Beige, Service Replacement	1
13	<u>105223322</u>	Seat Bottom Asm, Premium, Camello, Service Replacement	1
14	<u>105223323</u>	Seat Bottom Asm, Premium, Off-White, Service Replacement	1
15	<u>105223324</u>	Seat Bottom Asm, Premium, Camello/Lt. Beige, Service Replacement	1
16	<u>105223325</u>	Seat Bottom Asm, Premium, Camello/Off-White, Service Replacement	1
17	<u>105223327</u>	Seat Bottom Asm, Premium, Black, Service Replacement	1
18	<u>105223328</u>	Seat Bottom Asm, Premium, Black/Gray, Service Replacement	1
19	<u>105223329</u>	Seat Bottom Asm, Premium, Gray, Service Replacement	1
		<p>Note: Item 1 is supplied with all seat bottom assemblies and can be procured individually. For current or additional color options, contact your local Club Car dealer or distributor.</p>	

1

E

1

E



000435-014

SEAT BACK, BACKREST, AND STRUCTURAL ACCESSORY MODULE (SAM)

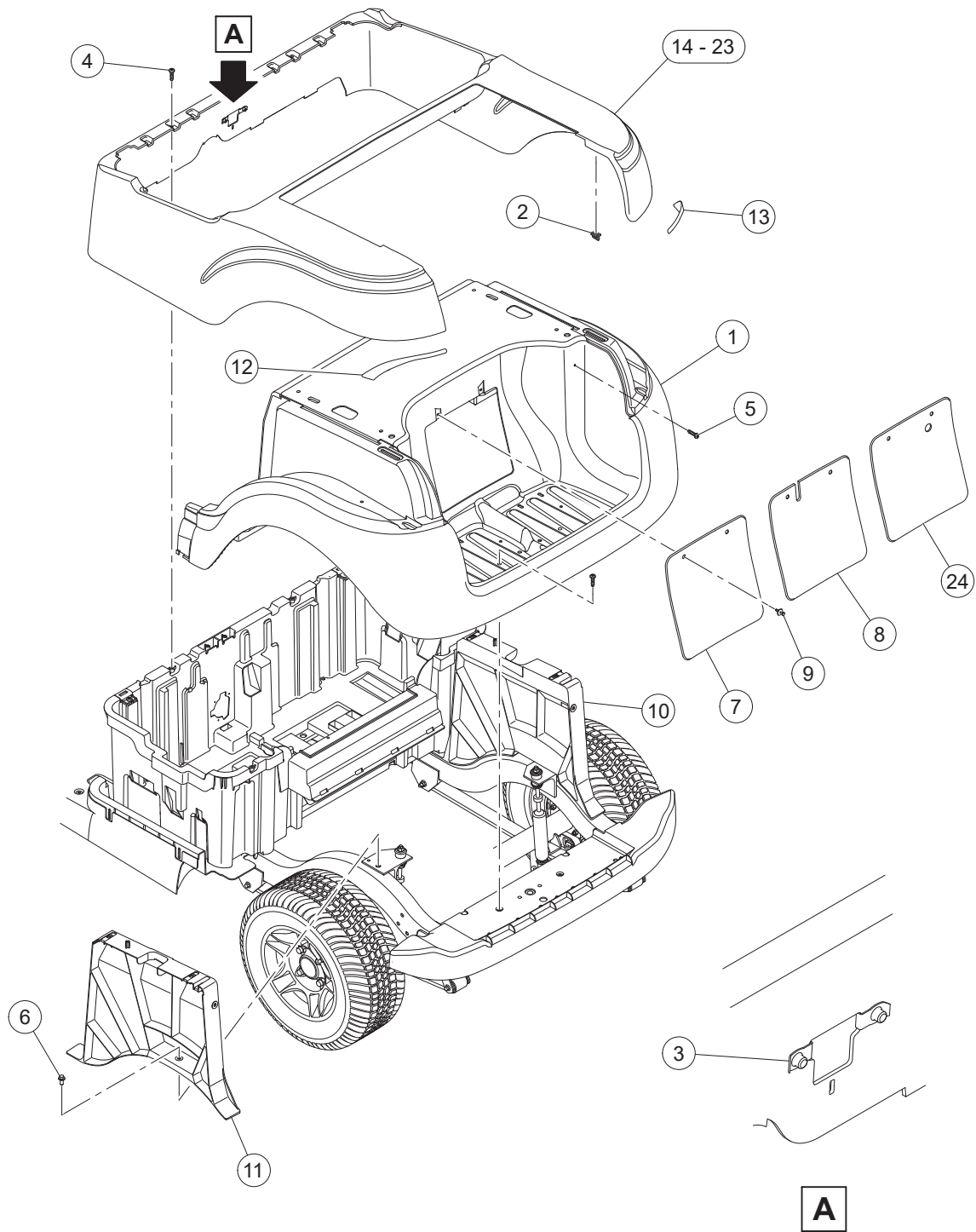
ITEM	PART NO.	DESCRIPTION	QTY
		1 2 3 4	
1	<u>102296530</u>	Screw - M6 X 1.0 X 30 Sems	2
2	<u>102298250</u>	Bolt-flange Hd, M8 X 50.0	6
3	<u>103853121</u>	Asm, Seat Back, Beige, Service Replacement	1
4	<u>103853122</u>	Asm, Seat Back, White, Service Replacement	1
5	<u>103853125</u>	Asm, Seat Back, Black, Service Replacement	1
6	<u>103952901</u>	Kit, S.A.M. Assembly (includes items 7 through 10)	1
7	<u>102297230</u>	Screw, M6, Torx, Interlock Thread	4
8	<u>103929301</u>	Support- Canopy, Drv	1
9	<u>103929302</u>	Support- Canopy, Pass	1
10	N/A	Asm, S.A.M. (includes items 11 through 19)	1
11	<u>102297230</u>	Screw, M6, Torx, Interlock Thread	3
12	<u>102504001</u>	Asm, Bag Hoop (includes items 13 through 16)	1
13	<u>1010434</u>	Barrel - Plastic	2
14	<u>102504201</u>	Hoop-bag	1
15	<u>102504301</u>	Strap, Bag	1
16	<u>102517001</u>	Buckle-bag Strap	2
17	N/A	Structural Accessory Module (S.A.M.)	1
18	<u>103327601</u>	Screw, 5/16, Torx, Bosscrew	2
19	<u>103699401</u>	Panel, S.A.M., Prec	1
20	<u>103978801</u>	Barrel-push 6mm	4
21	<u>105223421</u>	Asm, Seat Back, Premium, Lt. Beige, Service Replacement	1
22	<u>105223422</u>	Asm, Seat Back, Premium, Camello, Service Replacement	1
23	<u>105223423</u>	Asm, Seat Back, Premium, Off-White, Service Replacement	1
24	<u>105223425</u>	Asm, Seat Back, Premium, Camello/Off-White, Service Replacement	1
25	<u>105223427</u>	Asm, Seat Back, Premium, Black, Service Replacement	1
26	<u>105223428</u>	Asm, Seat Back, Premium, Black/Gray, Service Replacement	1
27	<u>105223429</u>	Sp,asm,prem Seat Back,gray	1
		<p>Note: Screws (item 7) not shown. These are four new screws to replace those used to attach accessory mounting brackets to SAM (item 17). For current or additional color options, contact your local Club Car dealer or distributor.</p>	

1

E

1

E



G-140299-000003

REAR BODY

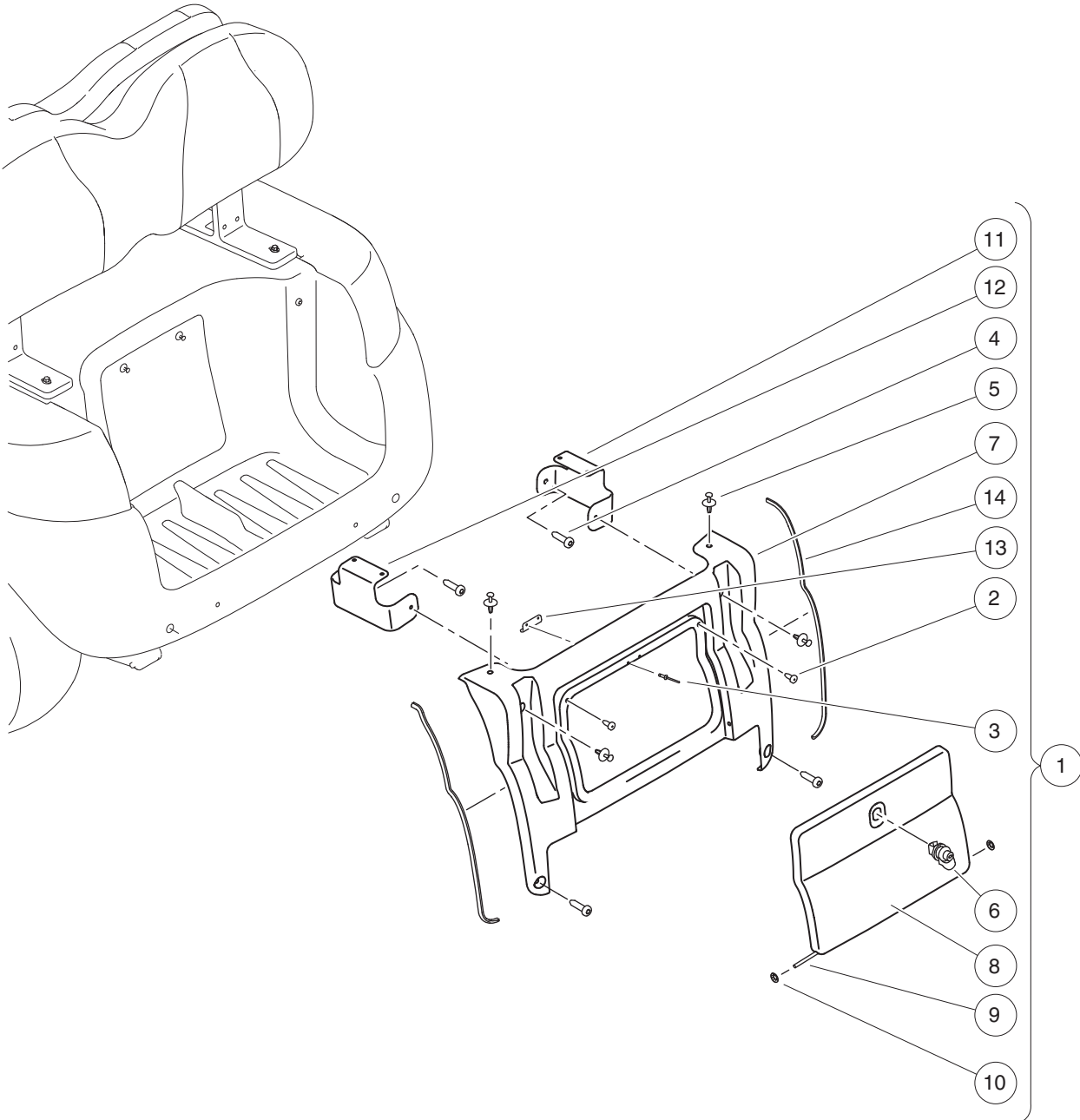
ITEM	PART NO.	DESCRIPTION	QTY
		1 2 3 4	
1	102279106	Underbody, Rear, Common	1
2	<u>102292701</u>	Clip-body-trim	2
3	<u>102296601</u>	U-Nut, M6-1.0, Prevailing Torque	2
4	<u>102297230</u>	Screw, M6, Torx, Interlock Thread	4
5	102298030	Screw, K80x30, Torx Pn Hd Pt	4
6	102298716	M8-1.25x16 Taptite	2
7	<u>102501402</u>	Panel, Access, Black	1
8	<u>102501403</u>	Panel, Access, Black, with Punched Hole	1
9	<u>102967901</u>	Rivet, Removable, Tuflok 1/4"	2
10	<u>103812901</u>	Asm, Rear Underbody Support, Passenger-side	1
11	<u>103813001</u>	Asm, Rear Underbody Support, Driver-side	1
12	47583297001	Reflector, Rear, Csmr, Driver-side	1
13	47583297002	Reflector, Rear, Csmr, Passenger-side	1
14	<u>47589919301</u>	Pnl, Bty, Rr, Mt Glacier, Sp	1
15	<u>47589919302</u>	Pnl, Bty, Rr, Mt Platinum, Sp	1
16	<u>47589919303</u>	Pnl, Bty, Rr, Mt Cndy Apl, Sp	1
17	<u>47589919304</u>	Pnl, Bty, Rr, Mt Green, Sp	1
18	<u>47589919306</u>	Pnl, Bty, Rr, Mt Black, Sp	1
19	<u>47589919308</u>	Pnl, Bty, Rr, Mt Prl Blue, Sp	1
20	<u>47589919311</u>	Pnl, Bty, Rr, Mt Beige, Sp	1
21	47589919320	Pnl, Bty, Rr, Met Ocn Tl, Sp	1
22	47589919324	Pnl, Bty, Rr, Mdnght Silver,sp	1
23	47589919326	Pnl,bty,rr,blue Oynx,sp	1
24	<u>SVP915201</u>	Panel-access-lite Hole Cut Out	1
		Note: For current or additional color options, contact your local Club Car dealer or distributor.	

1

E

1

E



001327-001

REAR VALANCE

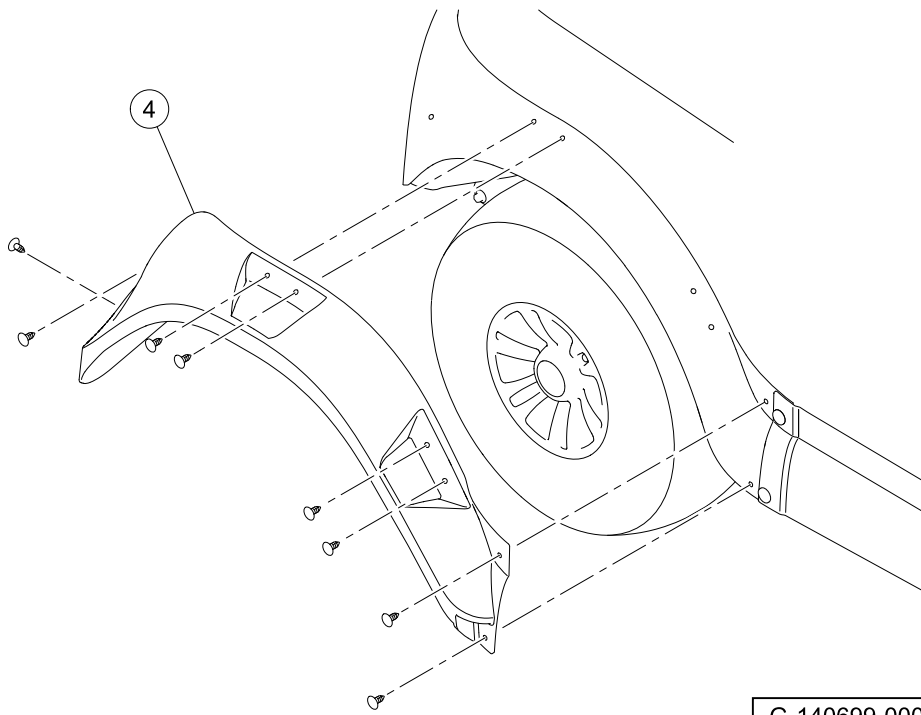
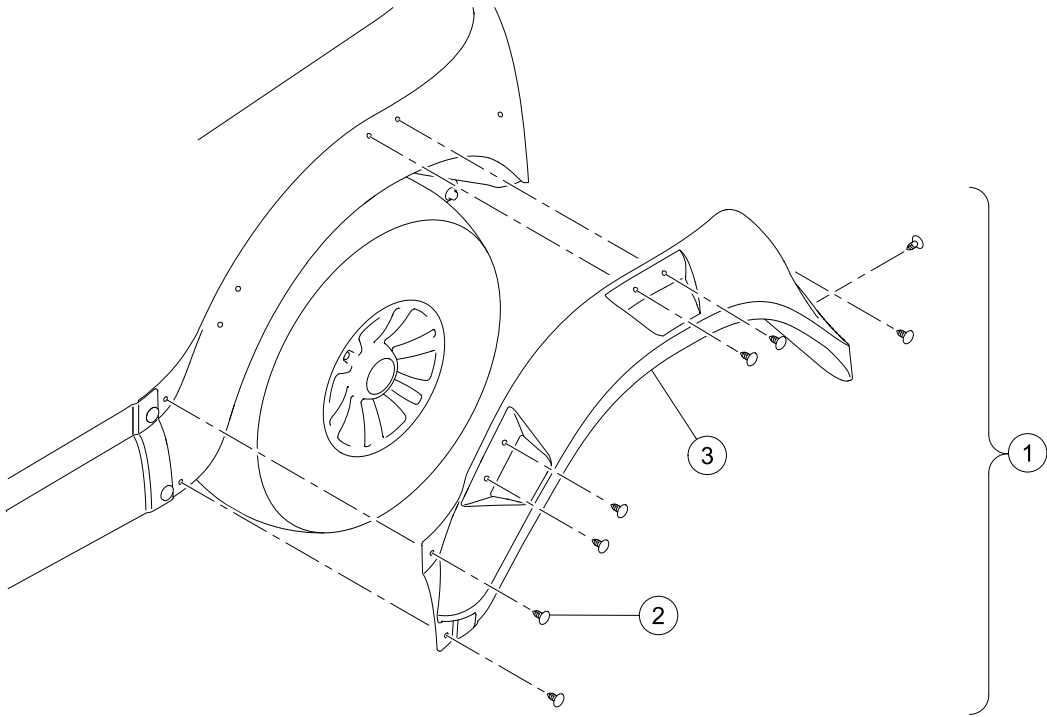
ITEM	PART NO.	DESCRIPTION	QTY
		1 2 3 4	
1	<u>47579068001</u>	Kit, Rear Valance (includes items 2 through 14)	1
2	<u>1010436</u>	Bumper, Rubber	2
3	<u>1015727</u>	Rivet, 1/8	2
4	102298030	Screw, K80x30, Torx Pn Hd Pt	2
5	<u>102967901</u>	Rivet, Removable, Tuflok 1/4"	4
6	<u>103182702</u>	Latch, Push Close W/ Key	1
7	<u>47579059001</u>	Body, Rear Valance	1
8	<u>47579060001</u>	Door, Rear Valance	1
9	47579061001	Hinge Rod, Rear Valance	1
10	47579062001	Push Nut, Smooth Shaft, 1/4	2
11	N/A	Bracket, Rear Valance, Driver-Side	1
12	N/A	Bracket, Rear Valance, Passenger-Side	1
13	47579065001	Keeper, Latch, Rear Valance	1
14	47579066001	Edge Trim, Rear Valance	2

1

E

1

E



G-140699-000005

REAR FENDERS

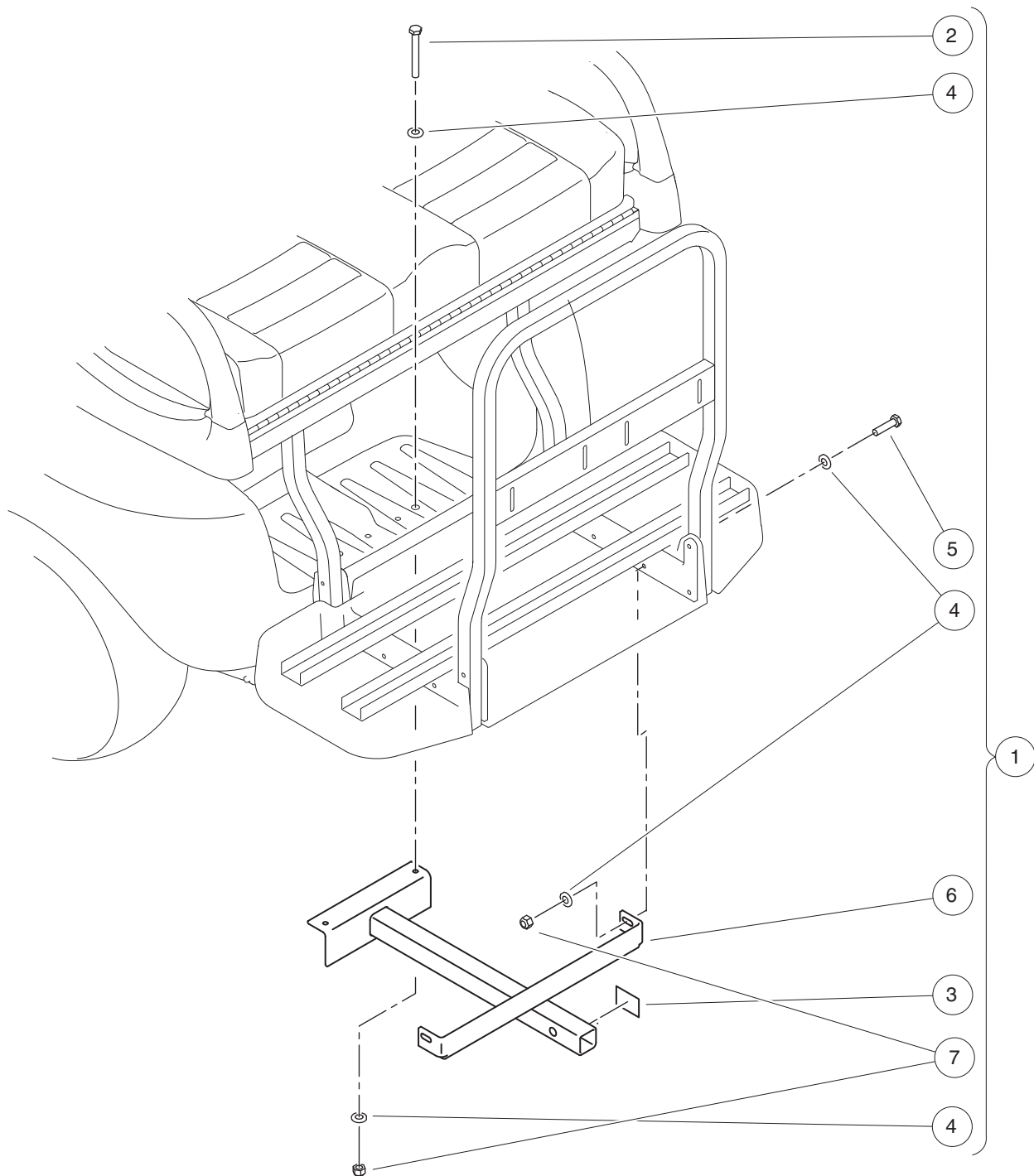
ITEM	PART NO.	DESCRIPTION	QTY
		1 2 3 4	
1	47554725001	Kit, Fenders, Rear, CSMR (includes items 2 through 4)	1
2	<u>1010434</u>	Barrel - Plastic	16
3	47555159001	Fender, Rear, Csmr, Driver-side	1
4	47555159002	Fender, Rear, Csmr, Passenger-side	1

1

E

1

E



001328-001

RECEIVER HITCH

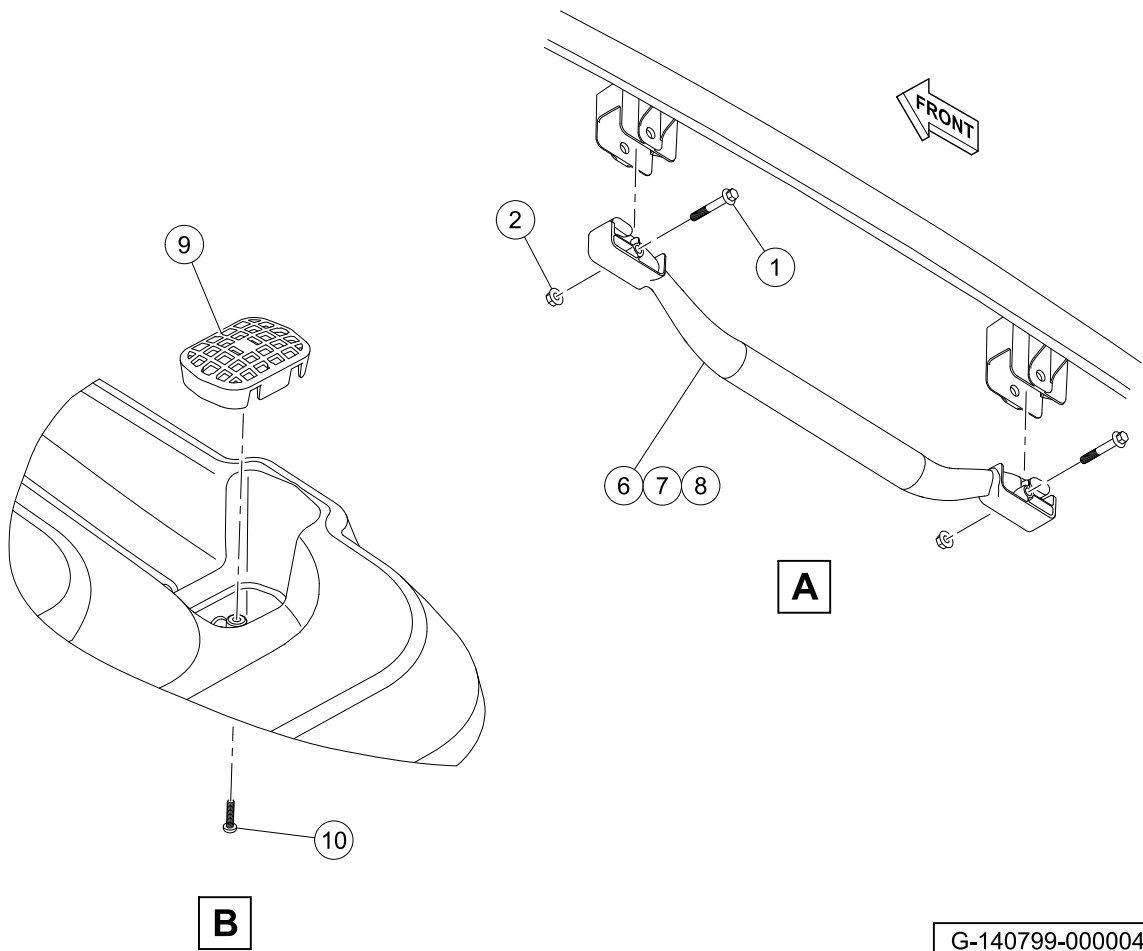
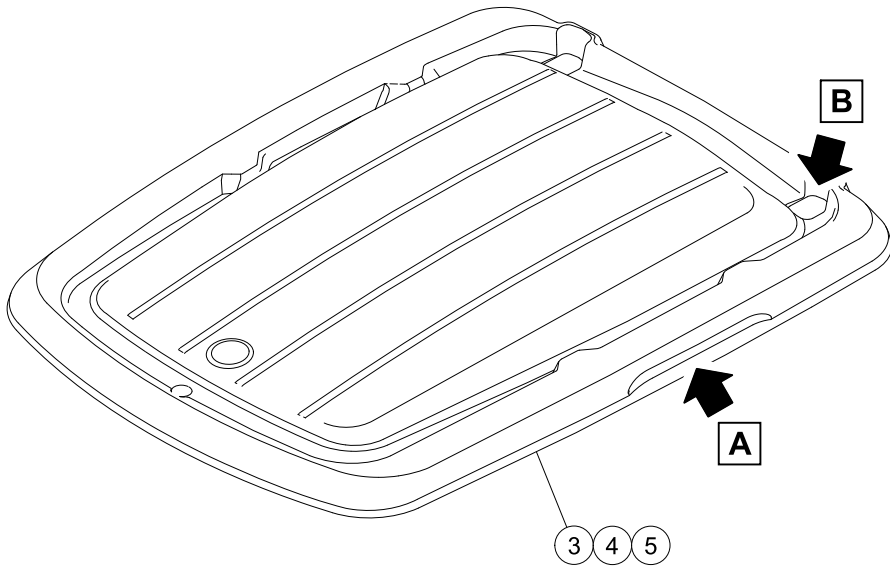
ITEM	PART NO.	DESCRIPTION	QTY
		1 2 3 4	
1	<u>47578437001</u>	Kit, Receiver Hitch, Csmr (includes items 2 through 7)	1
2	<u>1010921</u>	Screw, 5/16-18 X 2.50 Hex Cap	2
3	<u>1011553</u>	Decal, Trailer Hitch	1
4	<u>1011697</u>	Washer, 5/16 Flat	8
5	1218	Screw, 5/16-18 X 1.25 Hex-Head Cap	2
6	47575464001	Asm Receiver Hitch Weldment	1
7	<u>7473</u>	Locknut, 5/16-18 Nylon Insert	4

1

E

1

E



G-140799-000004

CANOPIES

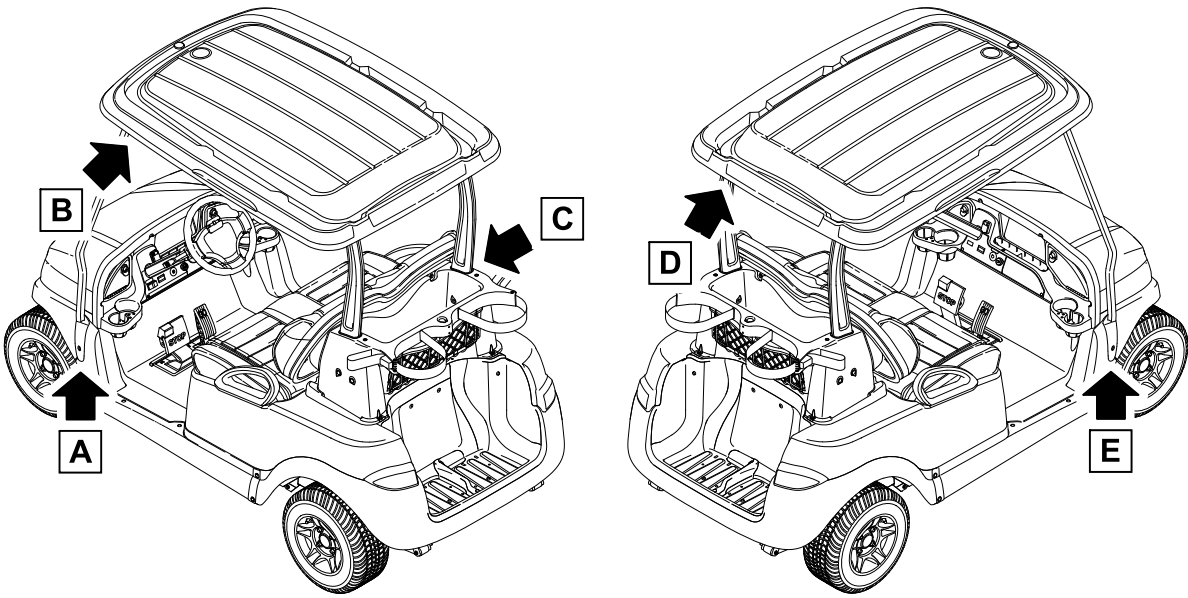
ITEM	PART NO.	DESCRIPTION	QTY
		1 2 3 4	
1	<u>102296140</u>	Bolt, Flanged Head, M6x1.0x40	4
2	<u>102296401</u>	Nut, M6x1.0, Flange, Metal Lock	4
3	<u>102508901</u>	Canopy-white	1
4	<u>102508902</u>	Canopy-beige	1
5	<u>102508903</u>	Canopy-black	1
6	<u>102511601</u>	Handle, Canopy (White)	2
7	<u>102511602</u>	Handle, Canopy (Beige)	2
8	<u>102511603</u>	Handle-canopy (black)	2
9	<u>103205101</u>	Cover, Drain, Canopy	2
10	<u>103210101</u>	Screw, #8 X.75, Torx, Tapping	2
11	<u>104008001</u>	Asm, Canopy W/handles, White	A/R
12	<u>104008002</u>	Asm, Canopy W/handles, Beige	A/R
13	<u>104008003</u>	Asm, Canopy W/handles, Black	A/R
		<p>Note: Items 11, 12 and 13 are not illustrated. If ordered, the canopy assembly will be supplied with all applicable detail parts.</p>	

1

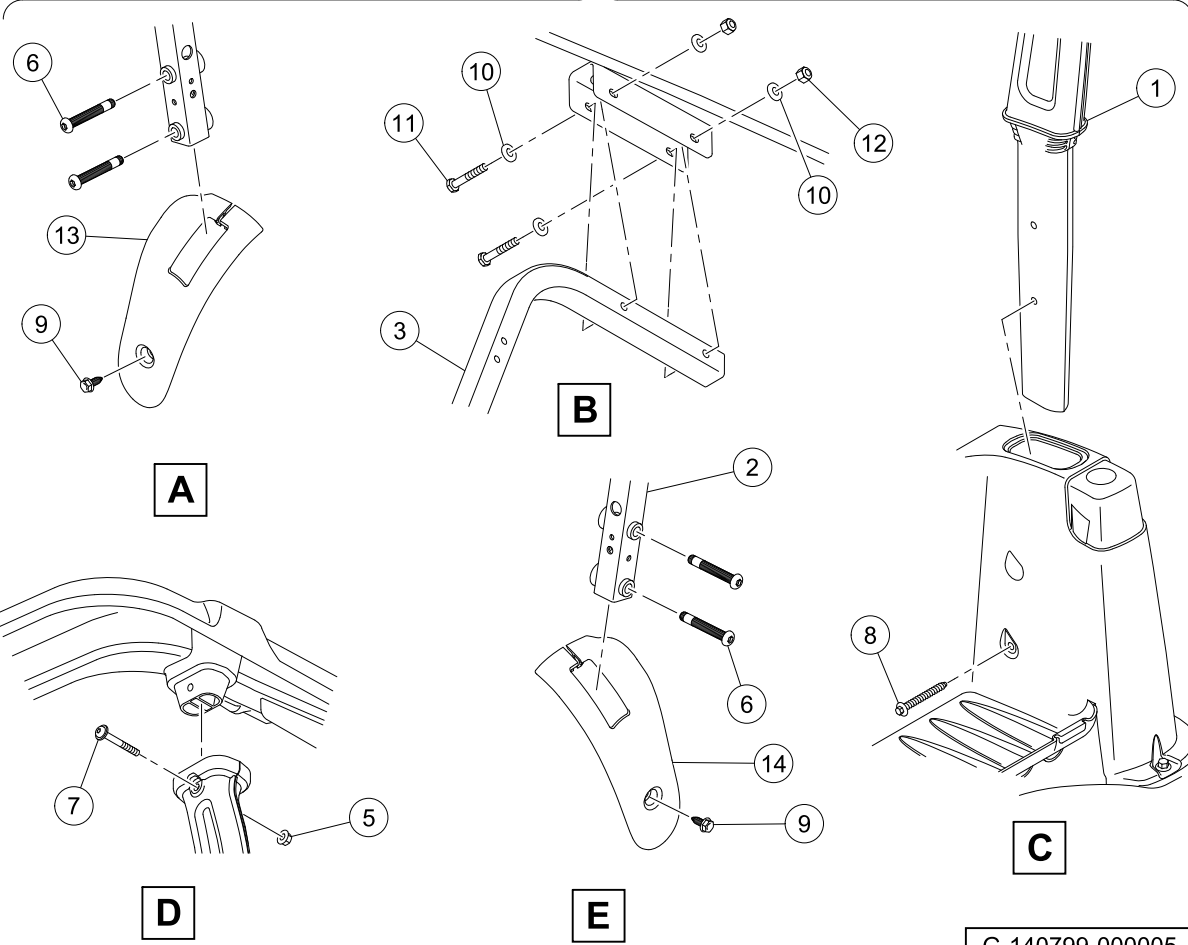
E

1

E



4



G-140799-000005

CANOPY STRUTS

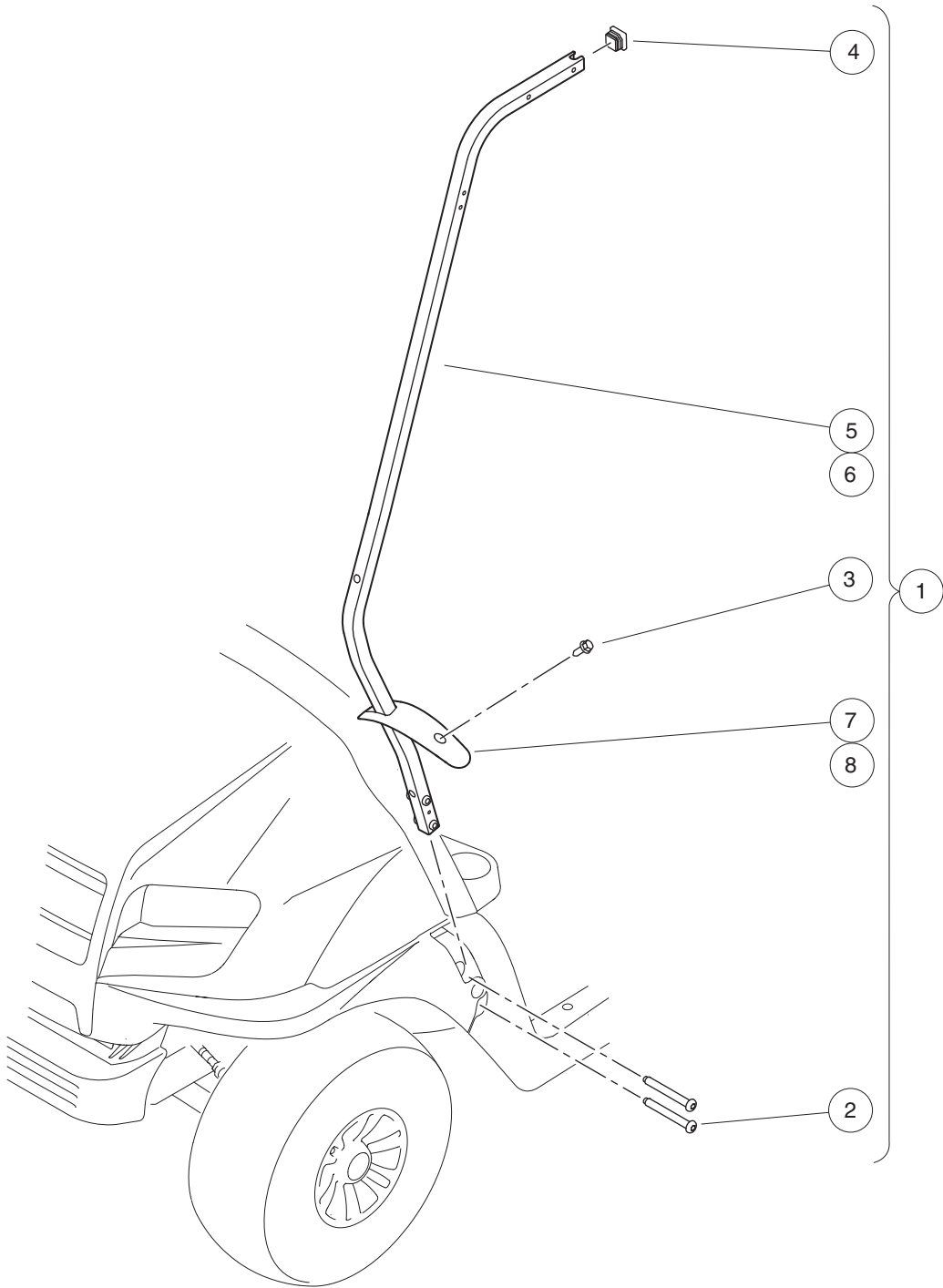
ITEM	PART NO.	DESCRIPTION	QTY
		1 2 3 4	
1	<u>102513501</u>	Asm-rear Canopy Support	2
2	<u>103750001</u>	Strut, Canopy Front, Passenger-side	1
3	<u>103750101</u>	Strut, Canopy Front, Driver-side	1
4	<u>104008501</u>	Kit, Hardware, Canopy, Std (includes items 5 through 12)	1
5	<u>102298401</u>	Nut, M8, All Metal Lock	2
6	<u>102299065</u>	M8-1.25 X 65 Tx Bttn Hd Bolt	4
7	<u>102299360</u>	Screw, M8-1.25 X 60, Sems, Tx	2
8	<u>102299601</u>	Screw, Pt, K80x70 Hex Flg Hd	2
9	<u>102544201</u>	Screw, M6 Hex	2
10	<u>103196001</u>	Washer, Conical Spring, Canopy	8
11	<u>103199301</u>	Bolt - M6 X 1 X 45 Hh Grey	4
12	<u>103200301</u>	Nut, M6 x 1.00	4
13	<u>47631793001</u>	Cover, Canopy Support, LH	1
14	<u>47631793002</u>	Cover, Canopy Support, RH	1

1

E

1

E



001397-002

FRONT STRUT KIT, FOUR-PASSENGER CANOPY

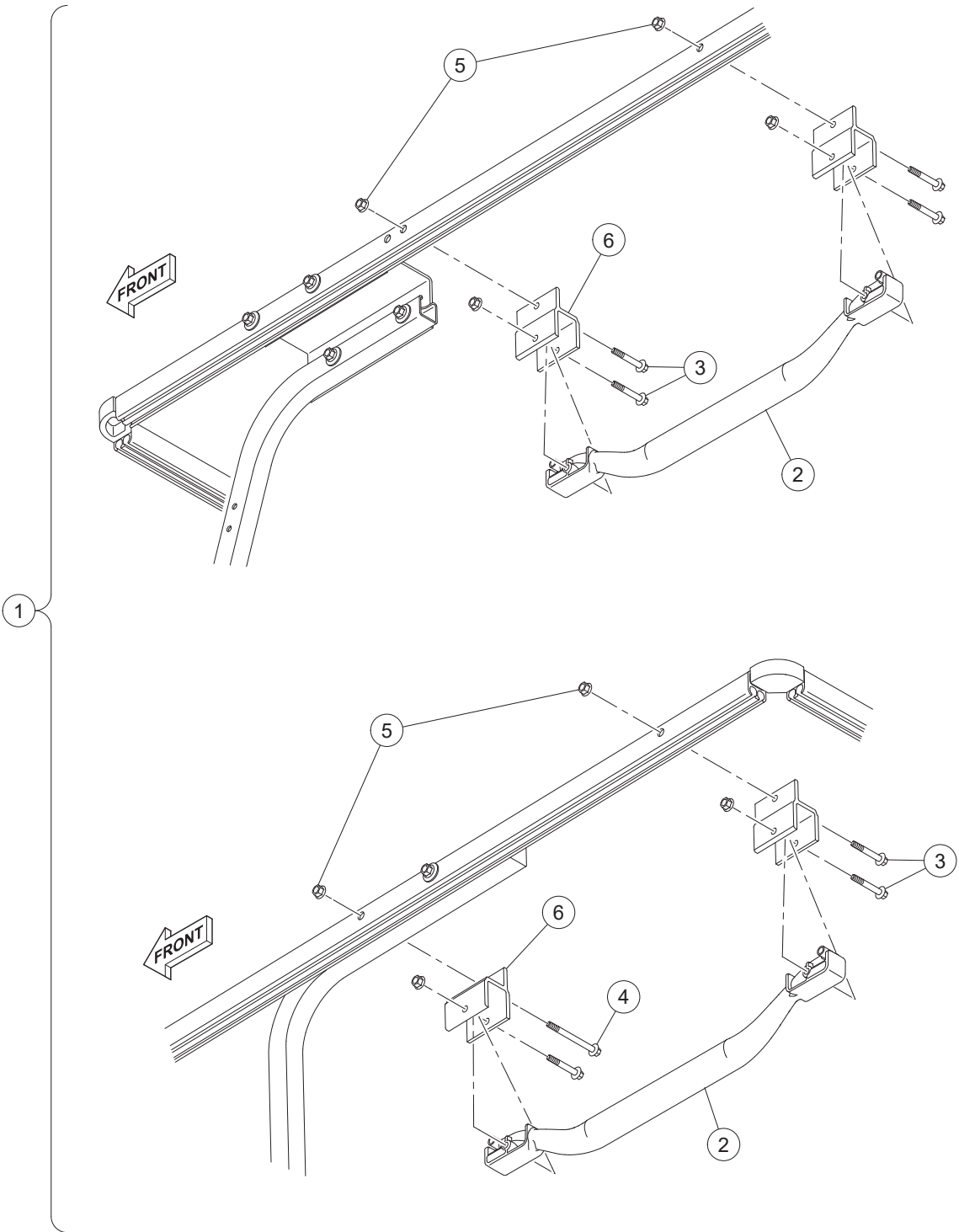
ITEM	PART NO.	DESCRIPTION	QTY
		1 2 3 4	
1	<u>47592812003</u>	Kit, Front Struts, Onward (includes items 2 through 8)	1
2	<u>102299065</u>	M8-1.25 X 65 Tx Bttn Hd Bolt	4
3	<u>102544201</u>	Screw, M6 Hex	2
4	<u>102581201</u>	Plug, Square - 25.4 mm	2
5	<u>103750001</u>	Strut, Canopy Front, Passenger-side	1
6	<u>103750101</u>	Strut, Canopy Front, Driver-side	1
7	<u>47631793001</u>	Cover, Canopy Support, LH	1
8	<u>47631793002</u>	Cover, Canopy Support, RH	1

1

E

1

E



G-140799-000006

GRAB HANDLE KITS

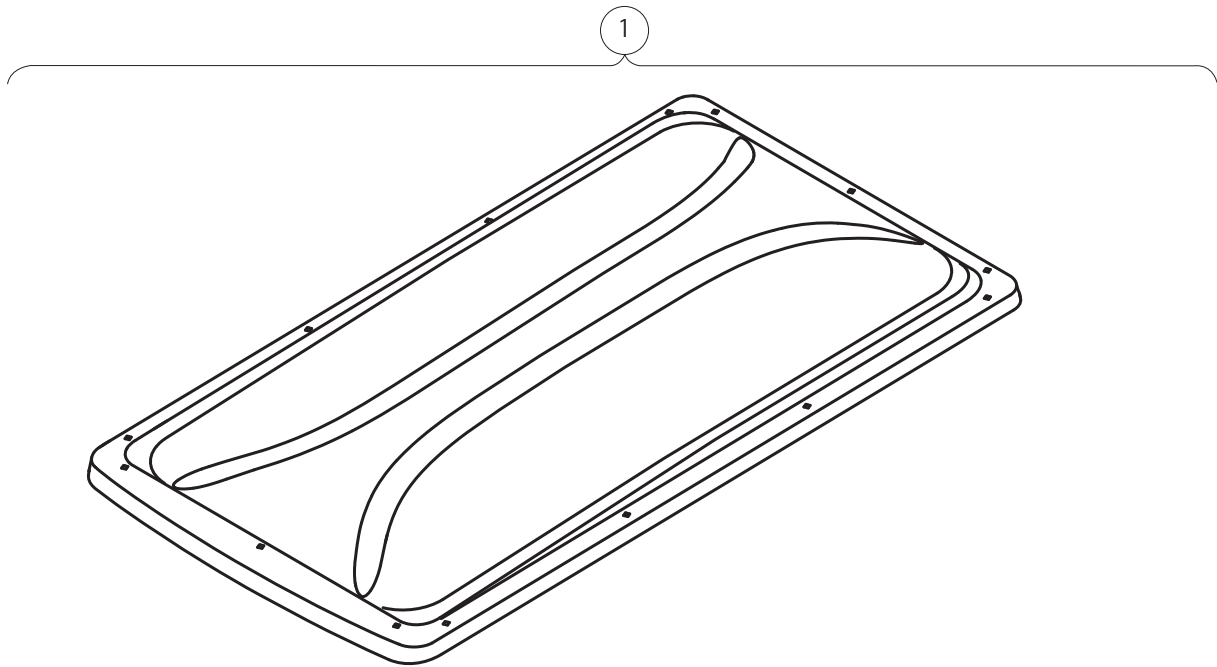
ITEM	PART NO.	DESCRIPTION	QTY
		1 2 3 4	
1	<u>47634205001</u>	Kit, Grab Handles (includes items 2 through 6)	1
2	<u>102511603</u>	Handle-canopy (black)	2
3	<u>102541440</u>	Bolt-m6x1.0x40 Hex Flhd, Blk	8
4	<u>102541465</u>	Bolt, M 6 X 1.0 X 65 Hex, Flange, Head, Black	2
5	<u>102541501</u>	Nut-m6x1.0 Fl Mtl Lock,blk	8
6	47634203001	Bracket, Grab Handle	4
7	47634205002	Kit, Grab Handle (includes items 8 through 11)	1
8	<u>102511603</u>	Handle-canopy (black)	1
9	<u>102541440</u>	Bolt-m6x1.0x40 Hex Flhd, Blk	4
10	<u>102541501</u>	Nut-m6x1.0 Fl Mtl Lock,blk	4
11	47634203001	Bracket, Grab Handle	2
		Note: Items 7 through 11 are not illustrated.	

1

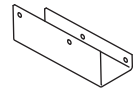
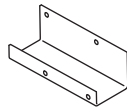
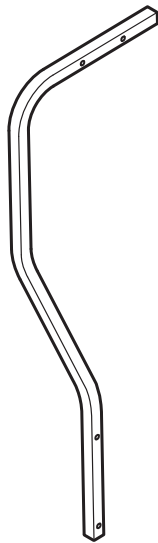
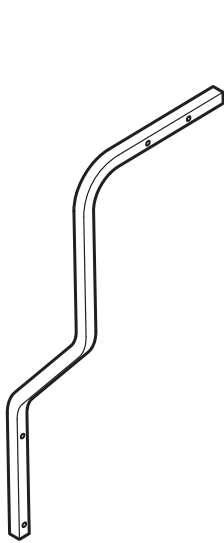
E

1

E



2

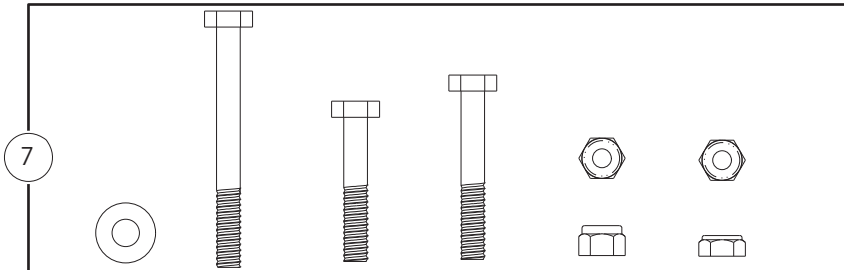


3

4

5

6



001329-001

FOUR-PASSENGER CANOPY WITH REAR STRUTS – BLACK

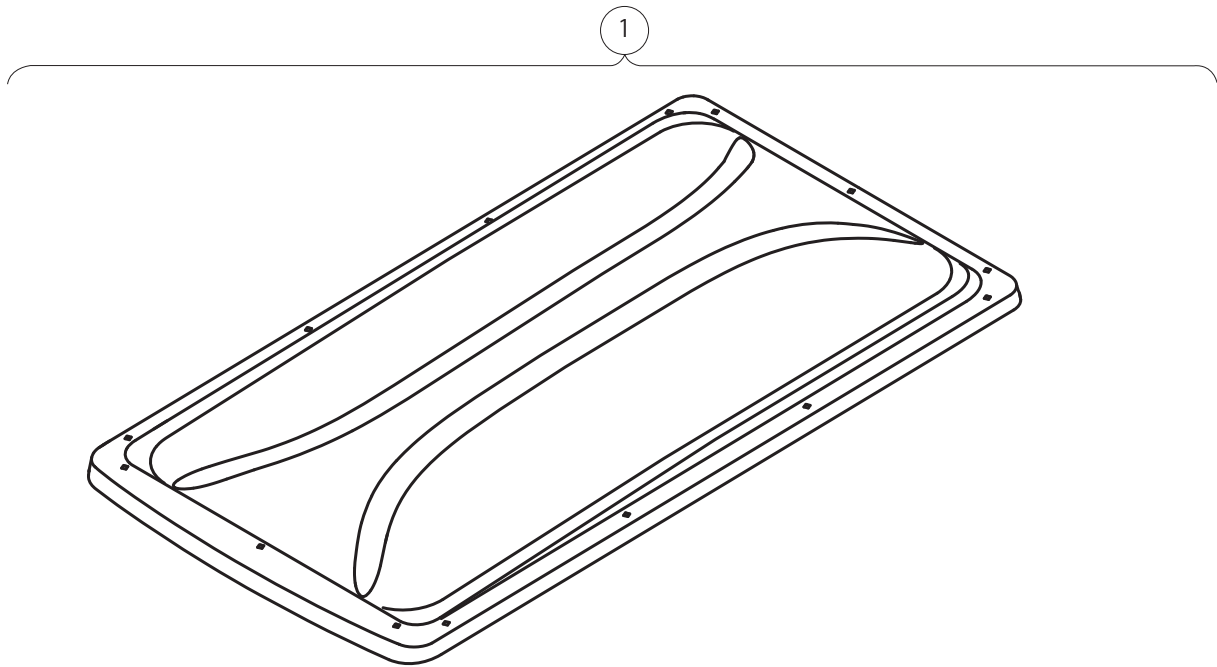
ITEM	PART NO.	DESCRIPTION	QTY
		1 2 3 4	
1	<u>47570464001</u>	Kit, Canopy, Phantom, Blk (includes items 2 through 7)	1
2	N/A	Top, Canopy, Phantom Blk	1
3	N/A	Strut, Canopy, Phantom Ds	1
4	N/A	Strut, Canopy, Phantom Ps	1
5	<u>47582821001</u>	Bracket, Canopy, Phantom Ds	1
6	<u>47582821002</u>	Bracket, Canopy, Phantom Ps	1
7	<u>47583112001</u>	Kit, Hardware, Canopy Phantom	1

1

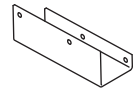
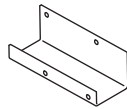
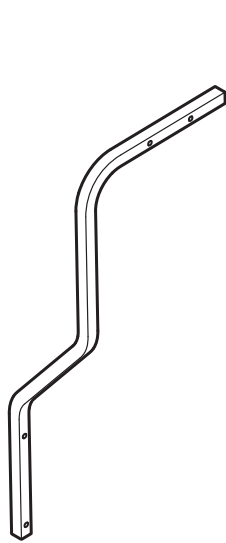
E

1

E



2

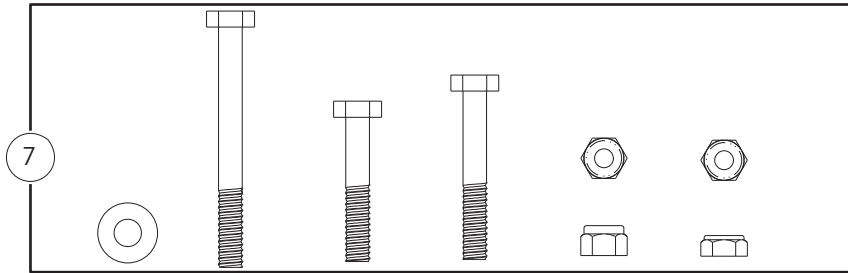


3

4

5

6



001329-001

FOUR-PASSENGER CANOPY WITH REAR STRUTS – WHITE

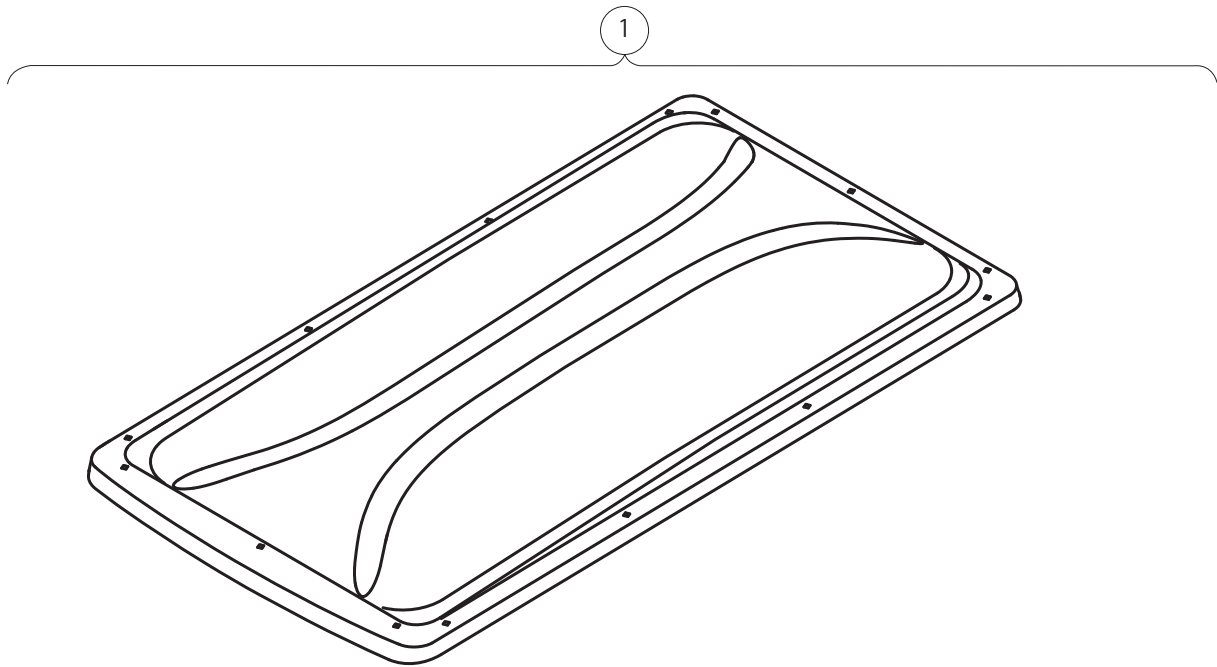
ITEM	PART NO.	DESCRIPTION	QTY
		1 2 3 4	
1	<u>47570464002</u>	Kit, Canopy, Phantom, Wht (includes items 2 through 7)	1
2	N/A	Top, Canopy, Phantom Wht	1
3	N/A	Strut, Canopy, Phantom Ds	1
4	N/A	Strut, Canopy, Phantom Ps	1
5	<u>47582821001</u>	Bracket, Canopy, Phantom Ds	1
6	<u>47582821002</u>	Bracket, Canopy, Phantom Ps	1
7	<u>47583112001</u>	Kit, Hardware, Canopy Phantom	1

1

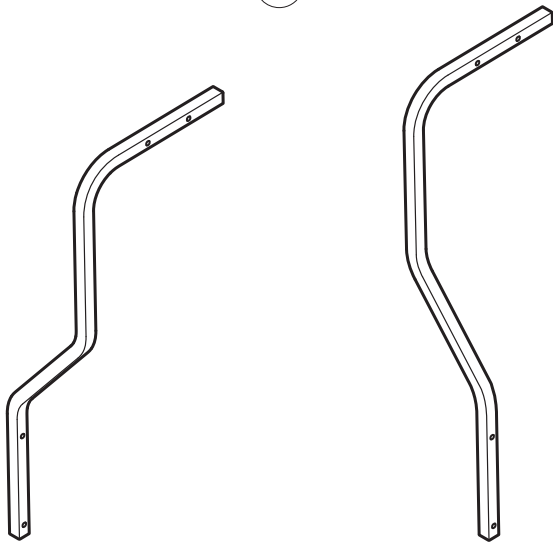
E

1

E

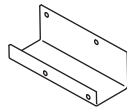


2

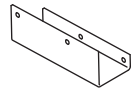


3

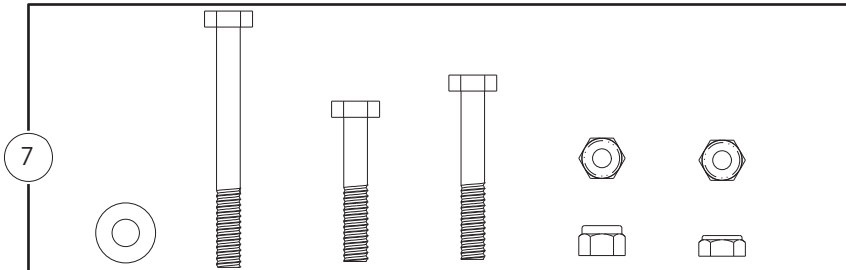
4



5



6



7

001329-001

FOUR-PASSENGER CANOPY WITH REAR STRUTS – BEIGE

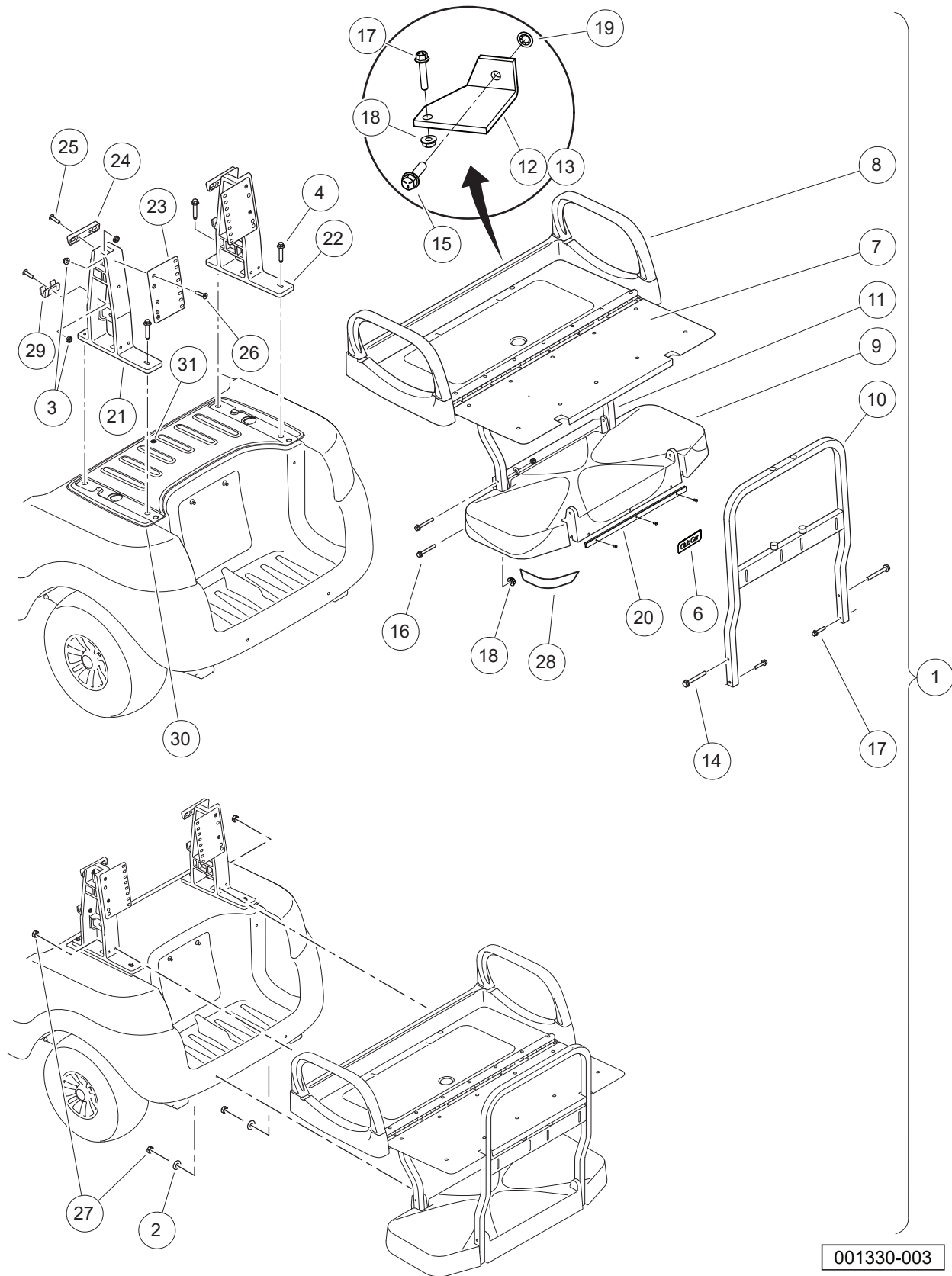
ITEM	PART NO.	DESCRIPTION	QTY
		1 2 3 4	
1	<u>47570464003</u>	Kit, Canopy, Phantom, Beige (includes items 2 through 7)	1
2	N/A	Top, Canopy, Phantom Beige	1
3	N/A	Strut, Canopy, Phantom Ds	1
4	N/A	Strut, Canopy, Phantom Ps	1
5	<u>47582821001</u>	Bracket, Canopy, Phantom Ds	1
6	<u>47582821002</u>	Bracket, Canopy, Phantom Ps	1
7	<u>47583112001</u>	Kit, Hardware, Canopy Phantom	1

1

E

1

E



REAR-FACING SEAT FRAME AND FOOT DECK – CONSUMER CAR

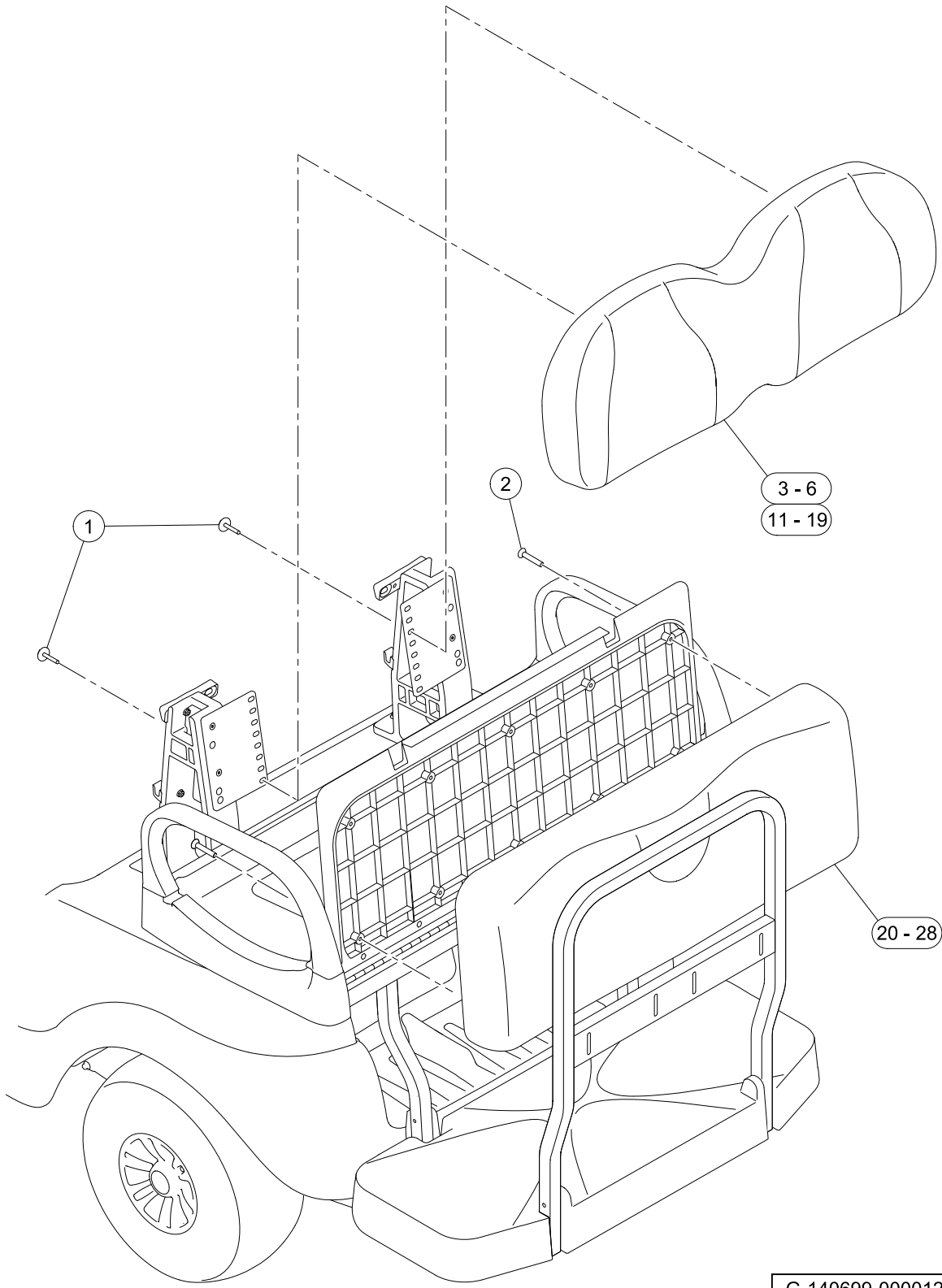
ITEM	PART NO.	DESCRIPTION	QTY
		1 2 3 4	
1	<u>47592811001</u>	Kit, Folddown, Seatback, 4-Passenger (includes items 2 through 29)	1
2	<u>1011578</u>	Washer, 5/16 Type B Flat	2
3	<u>101835601</u>	Locknut, 1/4-20 Hex Whiz	8
4	<u>102298240</u>	Bolt, Flange Head, M8-1.25 X 40	4
5	N/A	Asm, Fold Down Seat, Csmr, MX5 (includes items 6 through 20)	1
6	<u>102278802</u>	Decal, Club Car, Silver	1
7	<u>47564782001</u>	Assy, Seat Base, Dmd, Mx5	1
8	<u>47564783001</u>	Arm Rest, Mx5	2
9	<u>47564784001</u>	Assy, Foot Rest, Mx5	1
10	<u>47564785001</u>	Grab Bar, Rear, Mx5	1
11	<u>47564786001</u>	Support, Bumper Mount, MX5	1
12	<u>47564787001</u>	Bracket, Seat Base Mount, Driver-side, MX5	1
13	<u>47564787002</u>	Bracket, Seat Base Mount, Passenger-side, MX5	1
14	<u>47568672001</u>	Bolt, 5/16-18x2.5 Hx Flg Zn G8	4
15	<u>47568673001</u>	Bolt, 5/16-18x1.25 Hx Flg Zn G5	2
16	<u>47568674001</u>	Bolt, 1/4-20x2.0 Hx Flg Zn G5	6
17	<u>47568674002</u>	Bolt, 1/4-20x1.25 Hx Flg Zn G5	4
18	<u>47568676001</u>	Nut, 1/4-20 Hx Flg Zn Nyloc	10
19	<u>47568677001</u>	Nut, 5/16, Push, Ps	4
20	<u>47581051001</u>	Stiffener, Foot Rest, Mx5	1
21	<u>47563300001</u>	Support, Seat Back, Driver-side, MX5, Csmr	1
22	<u>47563300002</u>	Support, Seat Back, Passenger-side, MX5, Csmr	1
23	<u>47563301001</u>	Bracket, Seat Back, Rear, Csmr	2
24	<u>47563302001</u>	Brkt, St Bk, Frnt, Top, Csmr	2
25	<u>47563304001</u>	Screw, Trshd, 1/4-20x1.00, Lp	4
26	<u>47563305001</u>	Screw, Flthd, 1/4-20x1.25, Lp	4
27	<u>47568675001</u>	Nut, 5/16-18 Hx Flg Zn Nyloc	4
28	<u>47578327001</u>	Reflector, Reflex, Red, Mx5	2
29	<u>47624766001</u>	Bracket, Seat Back, Front, Btm	2
30	<u>47653531001</u>	Cover, Underbody, 4-6 Pass (includes item 31)	1
31	<u>1010434</u>	Barrel - Plastic	1
		Note: Item 5 is not illustrated.	

1

E

1

E



G-140699-000012

REAR-FACING SEAT

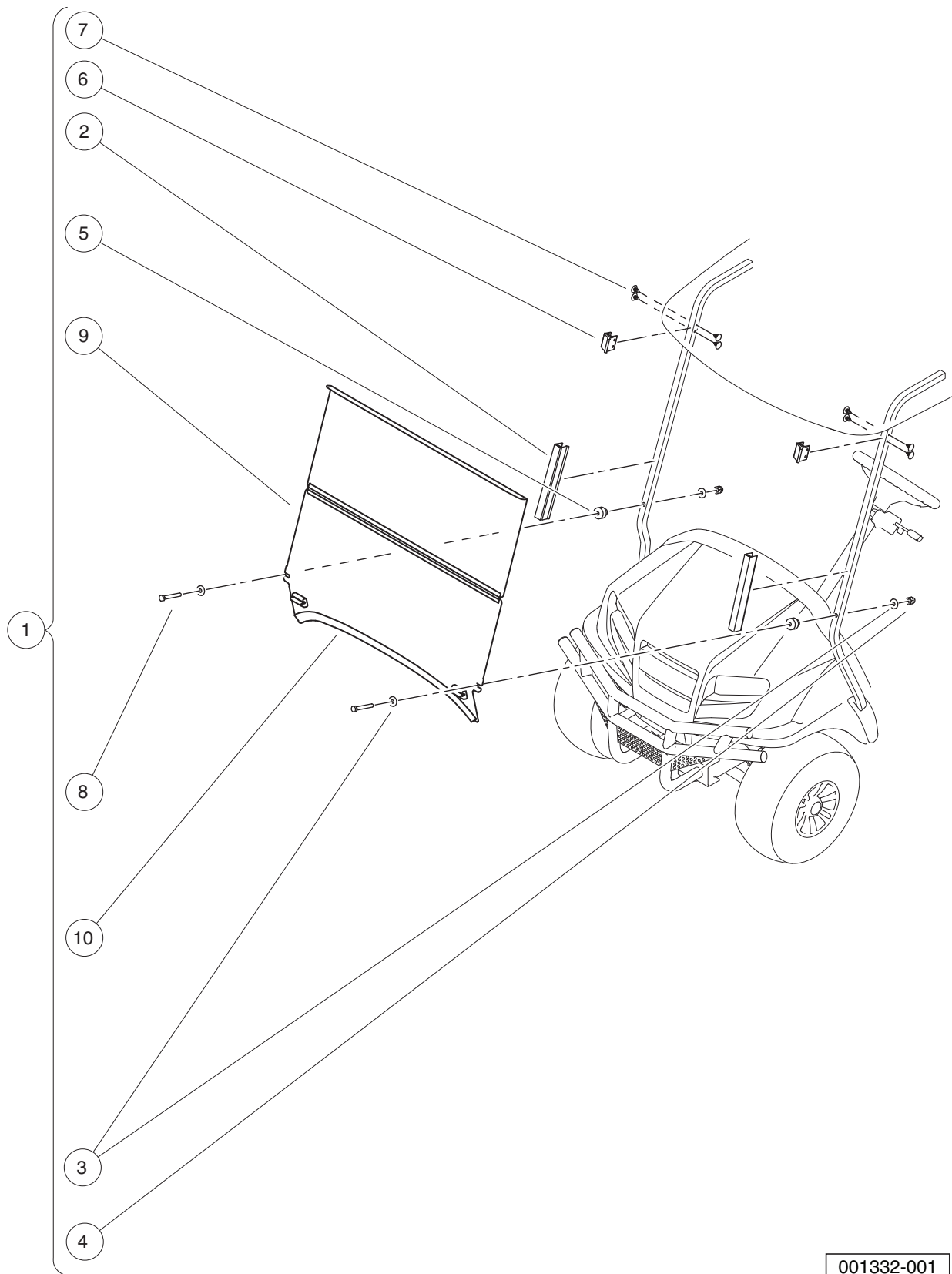
ITEM	PART NO.	DESCRIPTION	QTY
		1 2 3 4	
1	<u>47563306001</u>	Screw, M6x1.0x30, Sems, Lp	4
2	<u>47563307001</u>	Screw, Flthd, 1/4-20x1.50, Ss	10
3	<u>47564886021</u>	Asm, Seat Back, Rear, Beige, Service Replacement	1
4	<u>47564886022</u>	Asm, Seat Back, Rear, White, Service Replacement	1
5	<u>47564886024</u>	Asm, Seat Back, Rear, Gray, Service Replacement	1
6	<u>47564886025</u>	Asm, Seat Back, Rear, Black, Service Replacement	1
7	<u>47564887021</u>	Asm, Seat Bottom, Rear, Beige, Service Replacement	1
8	<u>47564887022</u>	Asm, Seat Bottom, Rear, White, Service Replacement	1
9	<u>47564887024</u>	Asm, Seat Bottom, Rear, Gray, Service Replacement	1
10	<u>47564887025</u>	Asm, Seat Bottom, Rear, Black, Service Replacement	1
11	<u>47564888021</u>	Asm, Seat Back, Rear, Lt. Beige, Service Replacement	1
12	<u>47564888022</u>	Asm, Seat Back, Rear, Camello, Service Replacement	1
13	<u>47564888023</u>	Asm, Seat Back, Rear, Off-White, Service Replacement	1
14	<u>47564888024</u>	Asm, Seat Back, Rear, Camello/Lt. Beige, Service Replacement	1
15	<u>47564888025</u>	Asm, Seat Back, Rear, Camello/Off-White, Service Replacement	1
16	<u>47564888026</u>	Asm, Seat Back, Rear, Lt. Beige/Off-White, Service Replacement	1
17	<u>47564888027</u>	Asm, Seat Back, Rear, Black, Service Replacement	1
18	<u>47564888028</u>	Asm, Seat Back, Rear, Black/Gray, Service Replacement	1
19	<u>47564888029</u>	Asm,bk,rr,gray,srv,prem	1
20	<u>47564889021</u>	Asm, Seat Bottom, Rear, Lt. Beige, Service Replacement	1
21	<u>47564889022</u>	Asm, Seat Bottom, Rear, Camello, Service Replacement	1
22	<u>47564889023</u>	Asm, Seat Bottom, Rear, Off-White, Service Replacement	1
23	<u>47564889024</u>	Asm, Seat Bottom, Rear, Camello/Lt. Beige, Service Replacement	1
24	<u>47564889025</u>	Asm, Seat Bottom, Rear, Camello/Off-White, Service Replacement	1
25	<u>47564889026</u>	Asm, Seat Bottom, Rear, Lt. Beige/Off-White, Service Replacement	1
26	<u>47564889027</u>	Asm, Seat Bottom, Rear, Black, Service Replacement	1
27	<u>47564889028</u>	Asm, Seat Bottom, Rear, Black/Gray, Service Replacement	1
28	<u>47564889029</u>	Asm,btm,rr,gray,srv,prem	1
		Note: For current or additional color options, contact your local Club Car dealer or distributor.	

1

E

1

E



001332-001

HINGED WINDSHIELD, CLEAR

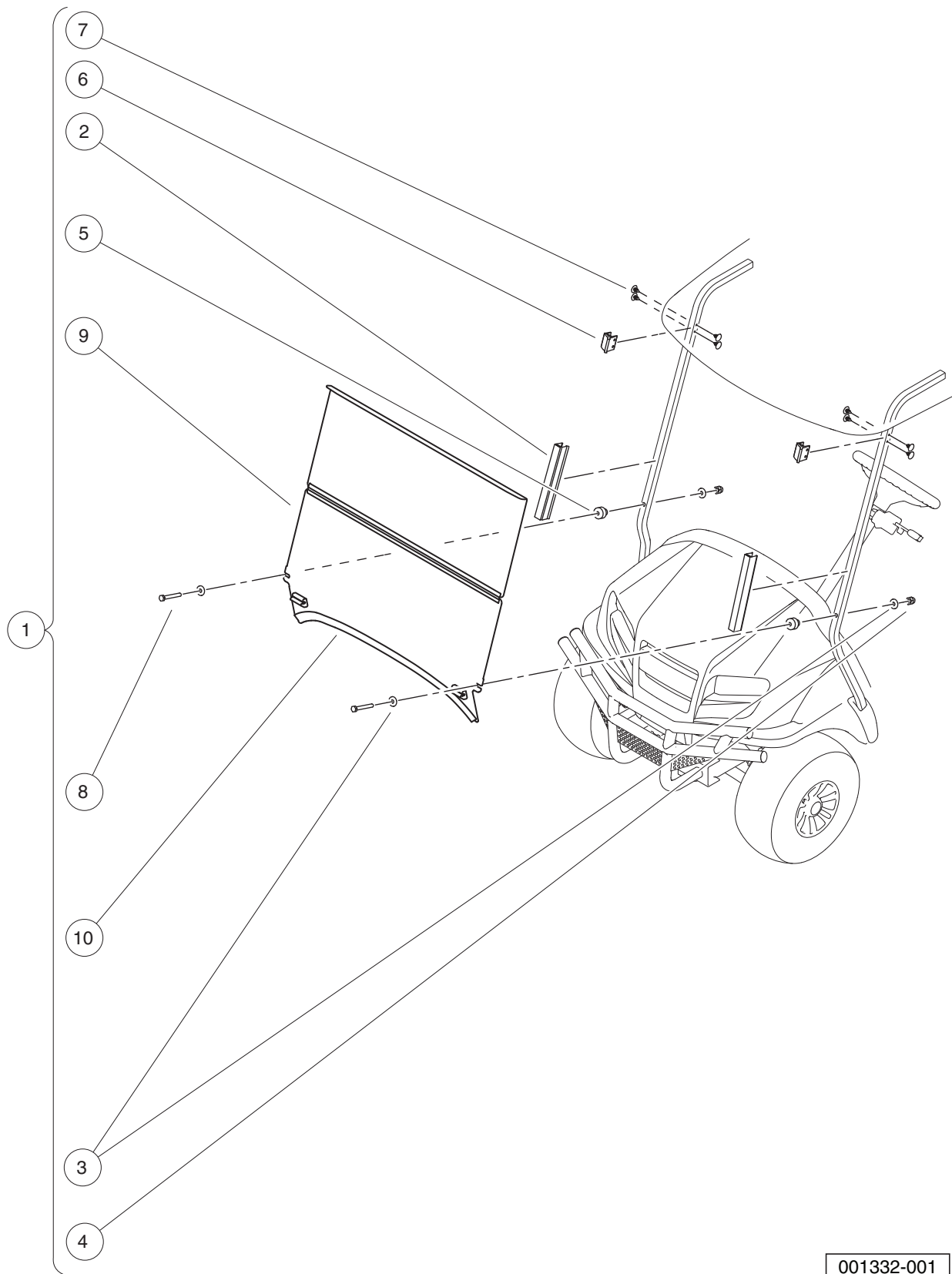
ITEM	PART NO.	DESCRIPTION	QTY
		1 2 3 4	
1	<u>47576798001</u>	Kit, Std Hinged W/s, Csmr (includes items 2 through 9)	1
2	<u>102163001</u>	Windshield Channel	2
3	<u>102296301</u>	Washer, M6x18x1.6 Flat	4
4	<u>102582401</u>	Cap Nut M6, Sp	2
5	<u>102947601</u>	Grommet, Windshield	2
6	<u>103677101</u>	W/s, Rubber, Clip Retainer	2
7	<u>103754901</u>	Fastener, Barrel - .610 X .25	8
8	<u>105289701</u>	M6x1.0x48 Hex Hd Bolt-blk	2
9	47576797001	Asm Hinged/windshield Consumer (includes item 10)	1
10	47576796001	Bulb Seal, Windshield	1

1

E

1

E



001332-001

HINGED WINDSHIELD, TINTED

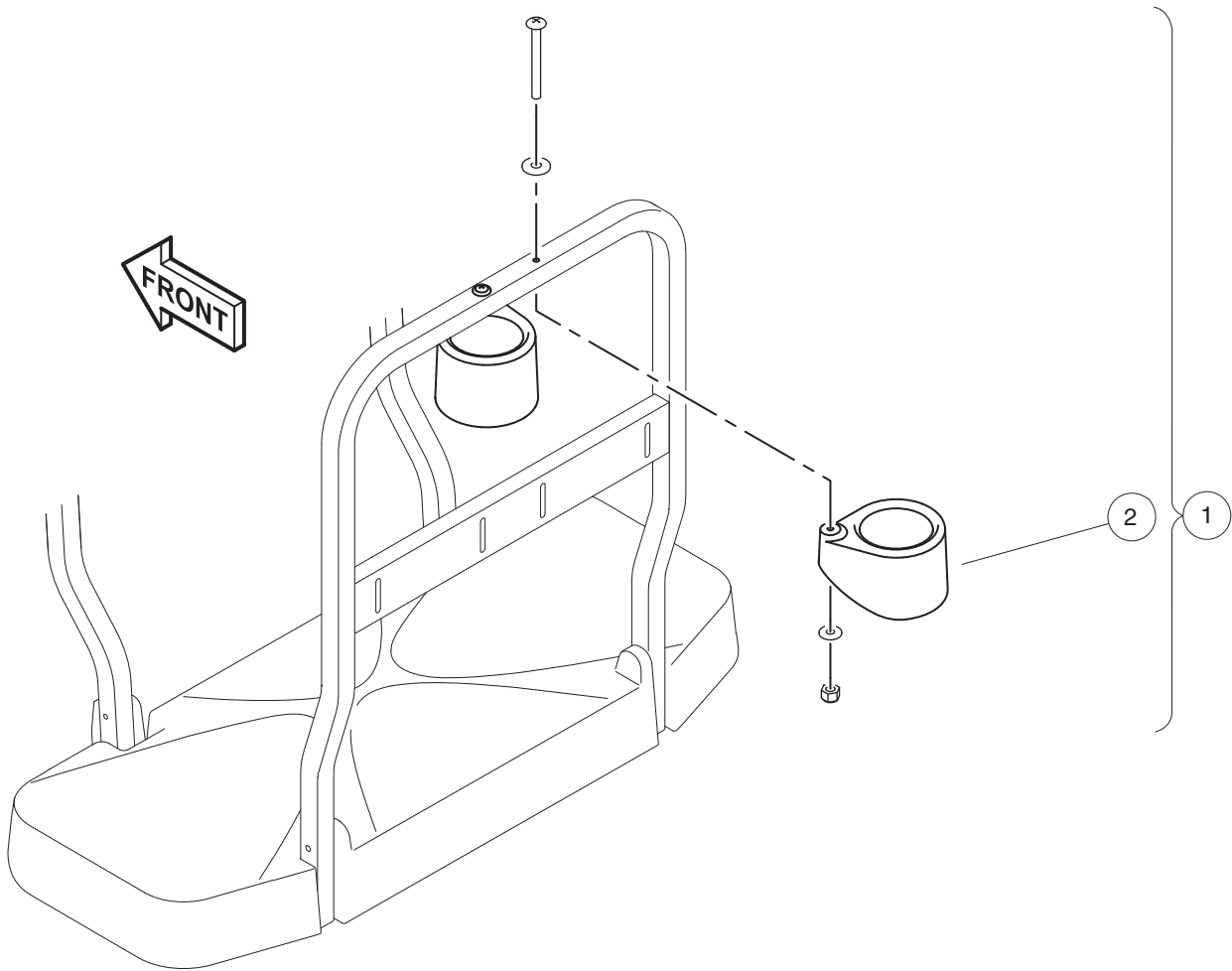
ITEM	PART NO.	DESCRIPTION	QTY
		1 2 3 4	
1	<u>47579760001</u>	Kit, Hinged W/s Tinted, Cnsmr (includes items 2 through 9)	1
2	<u>102163001</u>	Windshield Channel	2
3	<u>102296301</u>	Washer, M6x18x1.6 Flat	4
4	<u>102582401</u>	Cap Nut M6, Sp	2
5	<u>102947601</u>	Grommet, Windshield	2
6	<u>103677101</u>	W/s, Rubber, Clip Retainer	2
7	<u>103754901</u>	Fastener, Barrel - .610 X .25	8
8	<u>105289701</u>	M6x1.0x48 Hex Hd Bolt-blk	2
9	47579759001	Asm Hinged/ws Tinted Cnsmr (includes item 10)	1
10	47576796001	Bulb Seal, Windshield	1

1

E

1

E



001333-001

BEVERAGE HOLDER

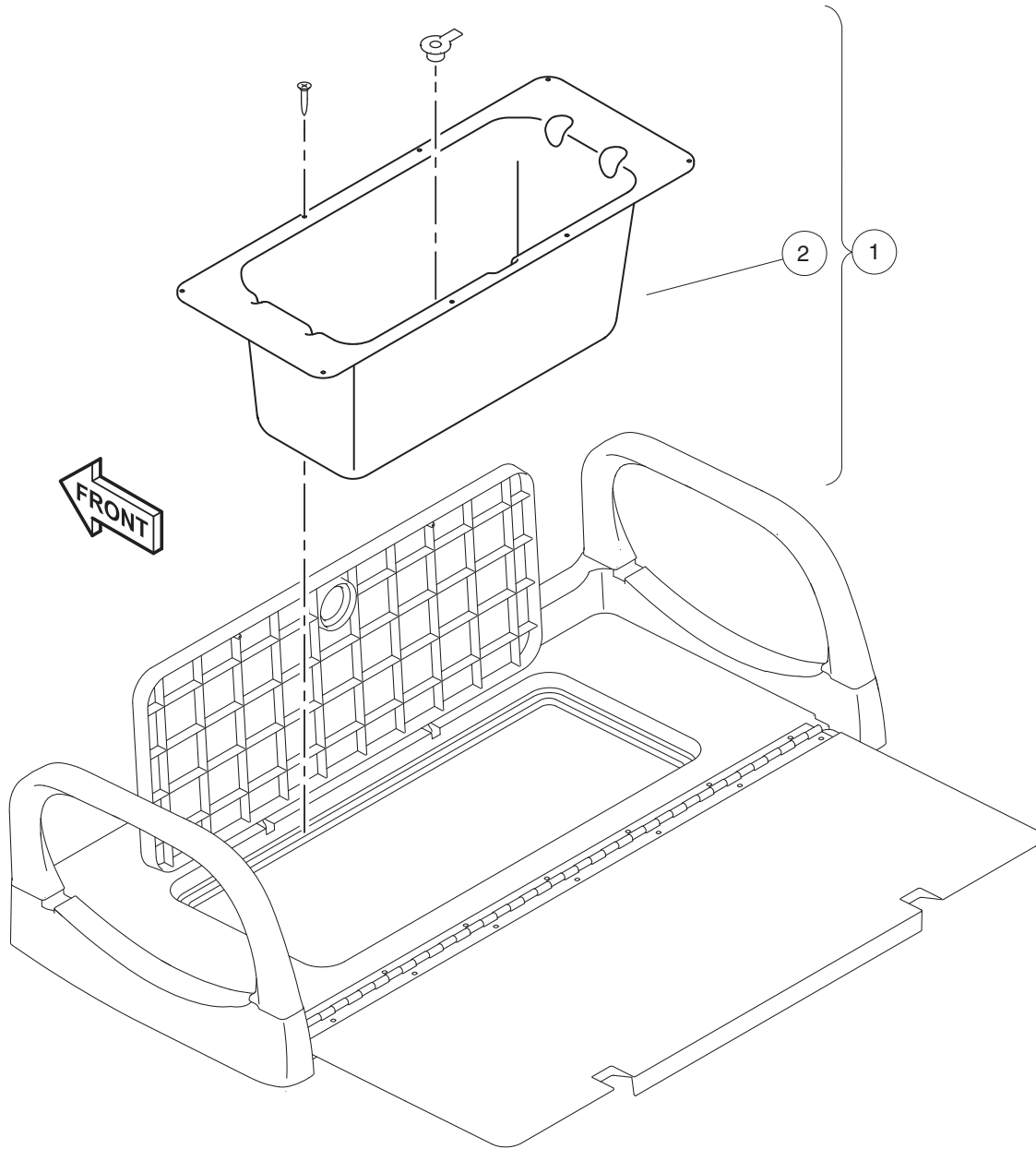
ITEM	PART NO.	DESCRIPTION	QTY
		1 2 3 4	
1	<u>47579985001</u>	Kit, Holder, Beverage, Mx5 (includes item 2)	1
2	47582270001	Assy, Holder, Beverage, Mx5	2

1

E

1

E



001334-001

BUCKET STORAGE

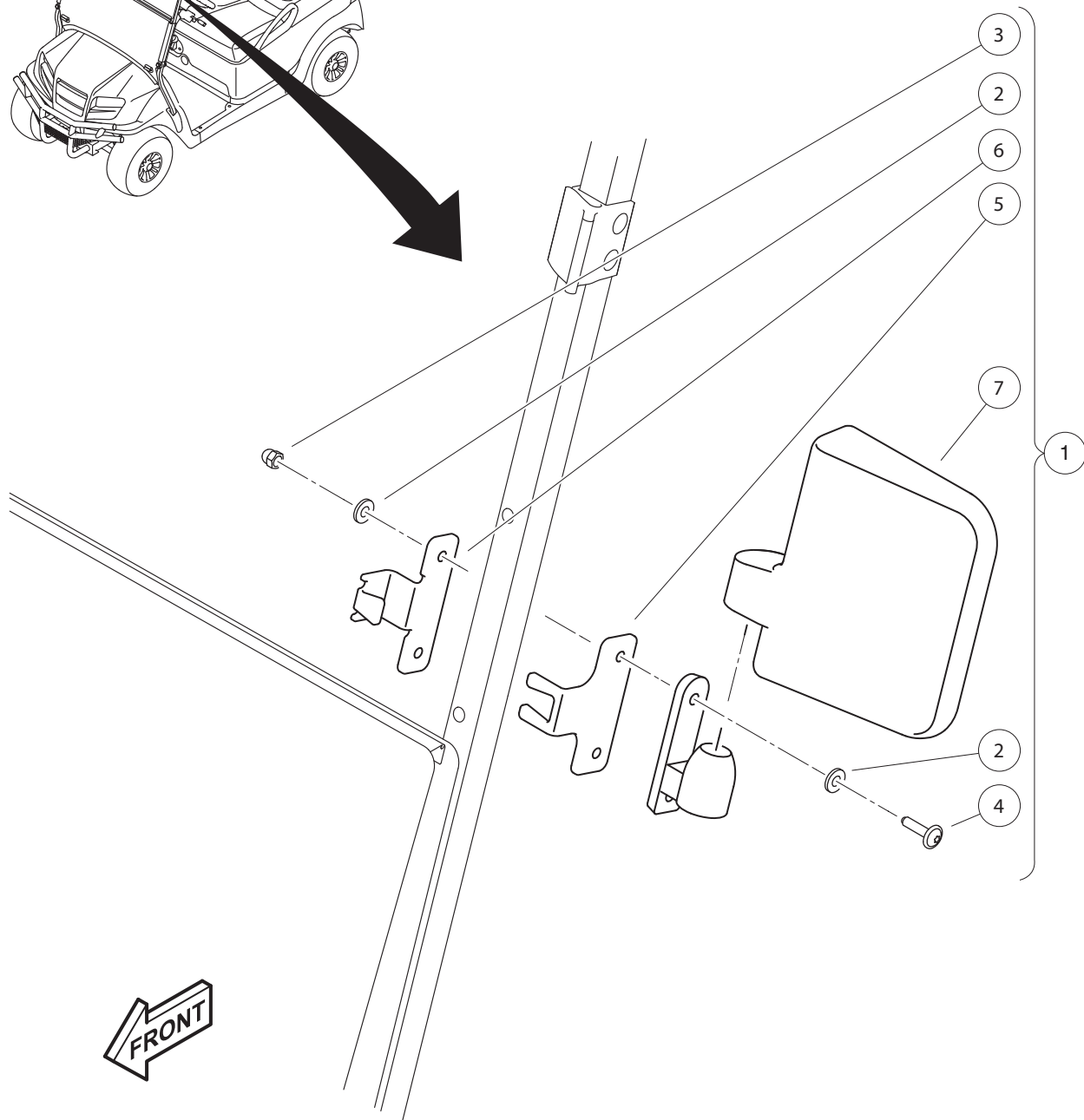
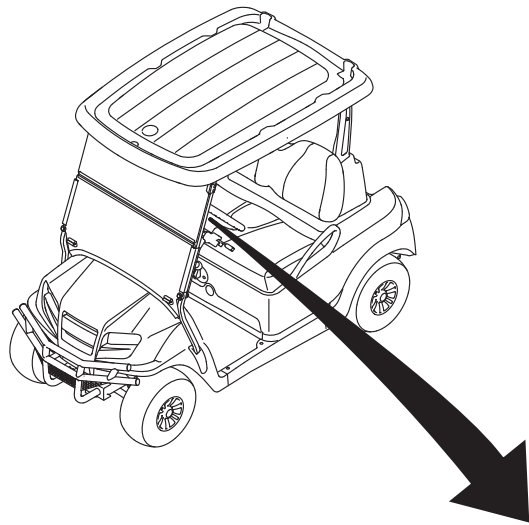
ITEM	PART NO.	DESCRIPTION	QTY
1	<u>47579986001</u>	1 2 3 4 Kit, Bucket, Storage, Mx5 (includes item 2)	1
2	47582271001	Assy, Bucket, Storage, Mx5	1

1

E

1

E



001336-001

MIRRORS, SIDE

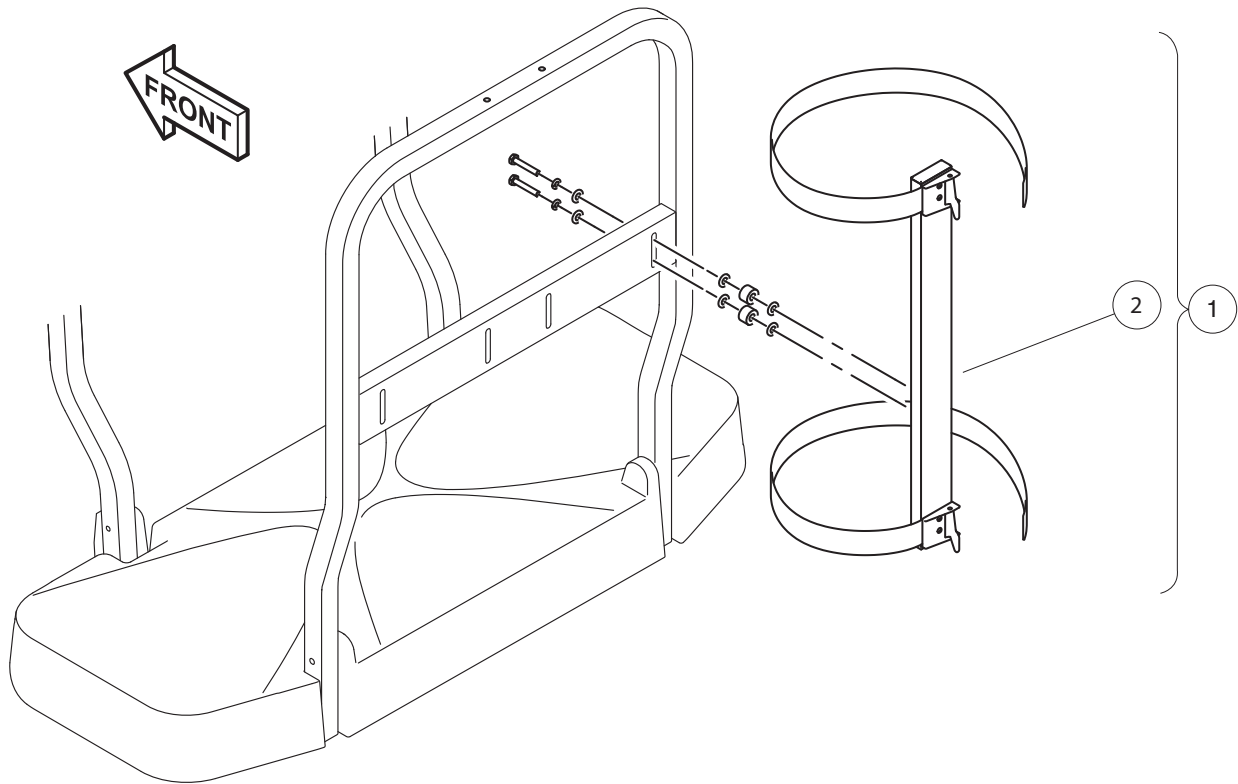
ITEM	PART NO.	DESCRIPTION	QTY
		1 2 3 4	
1	<u>47577558001</u>	Kit, Side Mirrors, Csmr (includes items 2 through 7)	1
2	<u>102324901</u>	Washer, Flat, 1/4", Blk	8
3	<u>102582401</u>	Cap Nut M6, Sp	4
4	<u>47577554001</u>	Screw, M6, Torx T30 Recess	4
5	<u>47577555001</u>	Mirror Bracket, Mnt, Outer	2
6	<u>47577556001</u>	Mirror Bracket, Mnt, Inner	2
7	<u>47577557001</u>	Asm Side Mirrors, Res	1

1

E

1

E



001337-001

GOLF BAG HOLDER

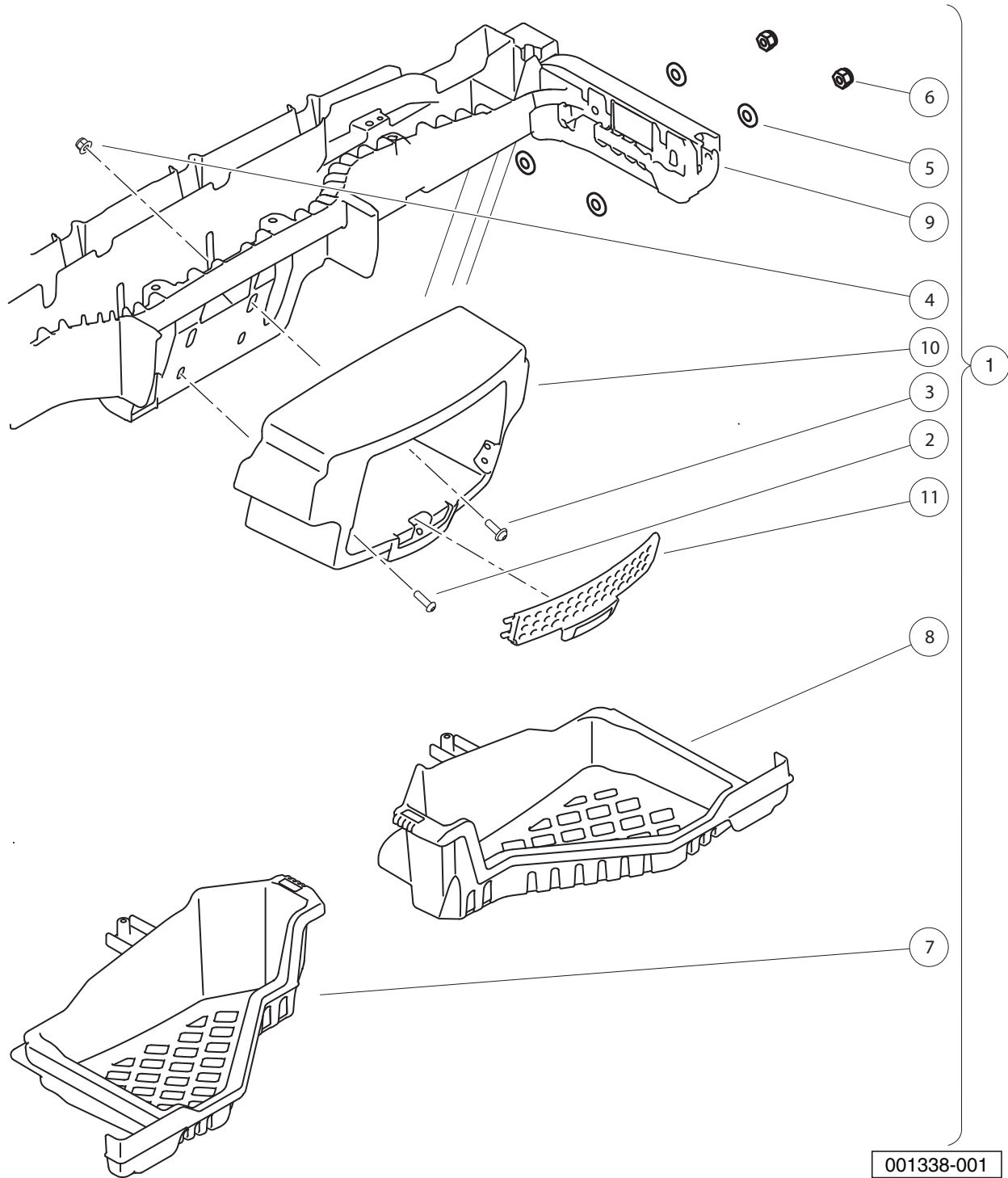
ITEM	PART NO.	DESCRIPTION	QTY
1	<u>47570463001</u>	1 2 3 4 Kit, Holder, Golf Bag, Mx5 (includes item 2)	1
2	47582268001	Assy, Holder, Golf Bag, Mx5	1

1

E

1

E



001338-001

OVERHEAD STORAGE

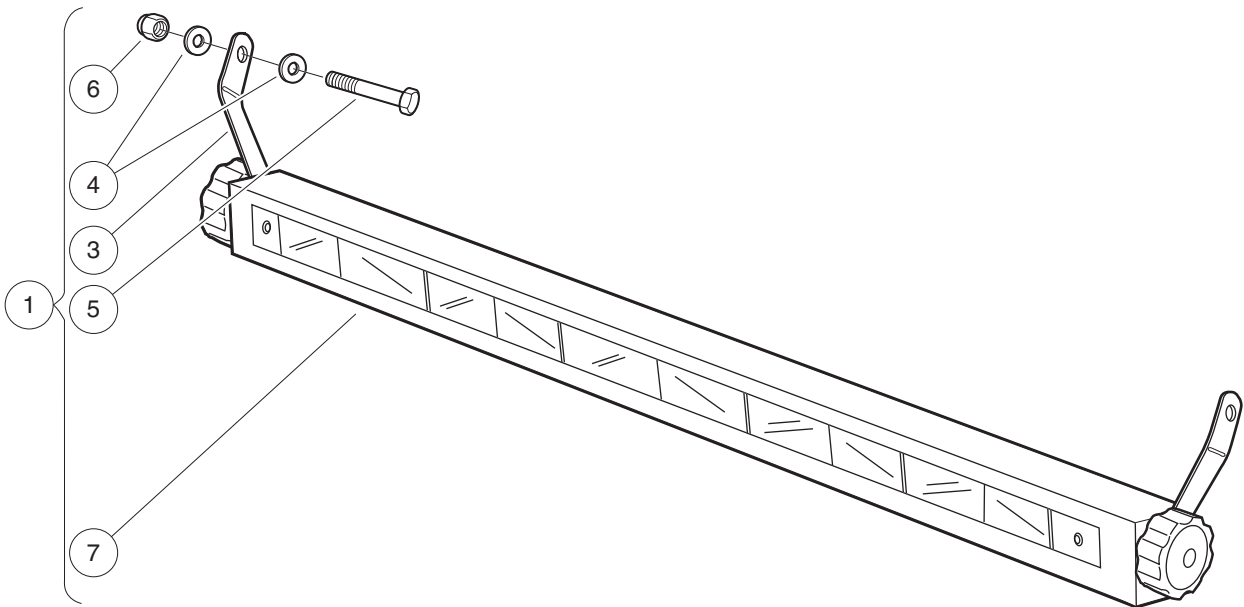
ITEM	PART NO.	DESCRIPTION	QTY
		1 2 3 4	
1	<u>47582822001</u>	Kit, Ovh Storage System (includes items 2 through 11)	1
2	<u>102296150</u>	Bolt - M6x1.0x50 Hex Flng Hd	4
3	<u>102296920</u>	Screw, M6, Torx Button Head, Sems	2
4	<u>102621501</u>	Nut, Flange, M6 X 1.0, Nylon	2
5	<u>103196001</u>	Washer, Conical Spring, Canopy	8
6	<u>103200301</u>	Nut, M6 x 1.00	4
7	<u>47559264001</u>	Basket, Overhead, Driver-side	1
8	<u>47559264002</u>	Basket, Overhead, Passenger-side	1
9	<u>47559265002</u>	Support, Display Unit, Bt	1
10	<u>47581131001</u>	Storage Unit, Center, Csmr	1
11	<u>47581132001</u>	Closeout, Plastic, Perforated	1

1

E

1

E



000720-005

MIRROR, 5-PANEL

ITEM	PART NO.	DESCRIPTION	QTY
		1 2 3 4	
1	<u>AM15028001</u>	Kit, Mirror 5 Panel, Csmr Pack (includes item 2)	1
2	<u>105288901</u>	Mirror Kit, Wink (includes items 3 through 7)	1
3	<u>105313801</u>	Brkt, Mirror, 5 Panel, Mtg	2
4	<u>332</u>	Washer, 1/4 Type A Narrow Flat	8
5	<u>7311</u>	Screw, 1/4-20 X 2.00 Hex-Head Cap	2
6	<u>8233</u>	Locknut, 1/4-20, Nylon Insert	2
7	<u>AM10092</u>	ICS 5-Panel Mirror	1
Note: Item 2 is not illustrated.			

1

E

1

E

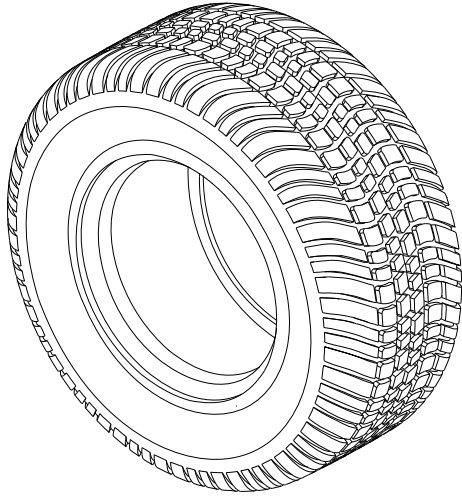
WHEELS AND TIRES

2

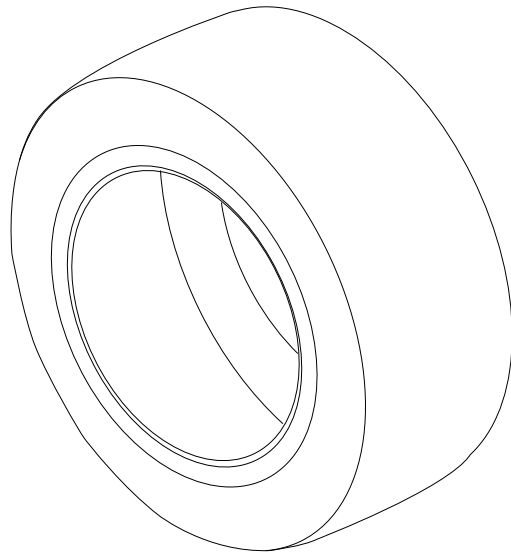
G

E

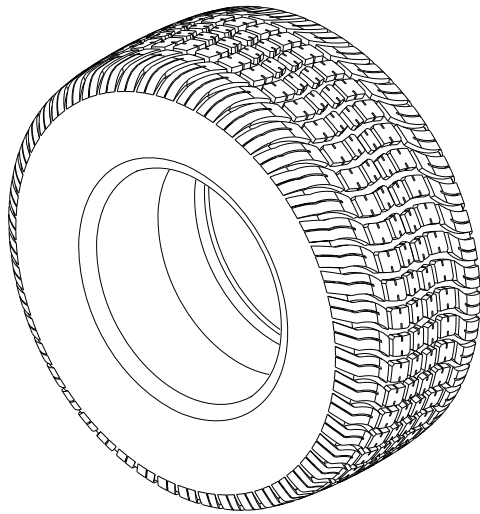
2
G
E



1



2 3



4

G-090099-000005

TIRES – ONWARD

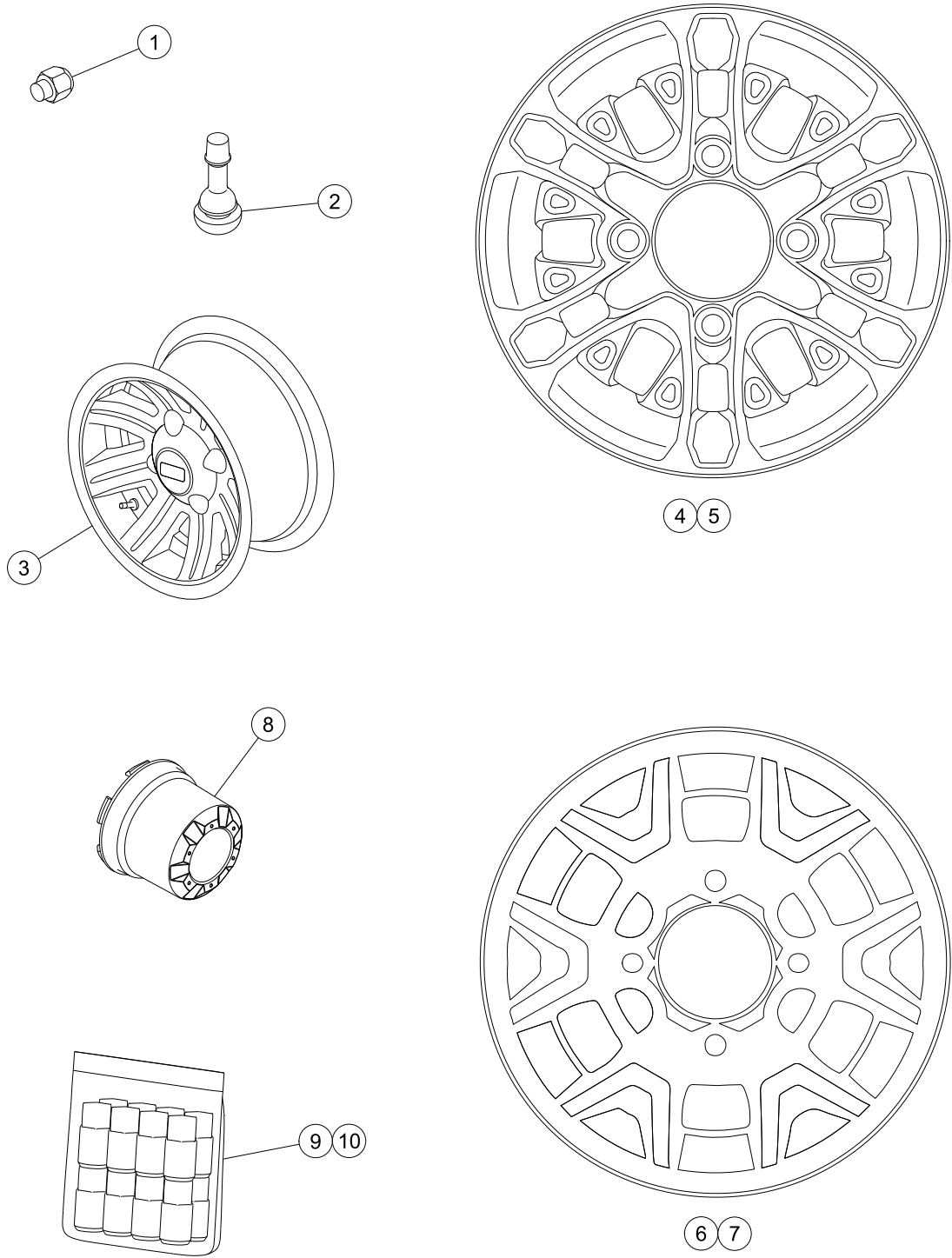
ITEM	PART NO.	DESCRIPTION	QTY
		1 2 3 4	
1	<u>102556701</u>	Tire, Pro Tour, 205-50 X 10	A/R
2	47561633001	Tire, 22x10-10 Kraken	A/R
3	<u>47561635001</u>	Tire, 23x10-14 Kraken	A/R
4	47561636001	Tire, 205/55-10 Loadstar	A/R
<p>Note: For additional tire options that may be available, please contact your local Club Car dealer or distributor.</p>			

2

G

E

2
G
E



G-090099-000004

WHEELS – ONWARD

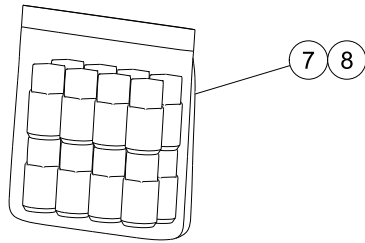
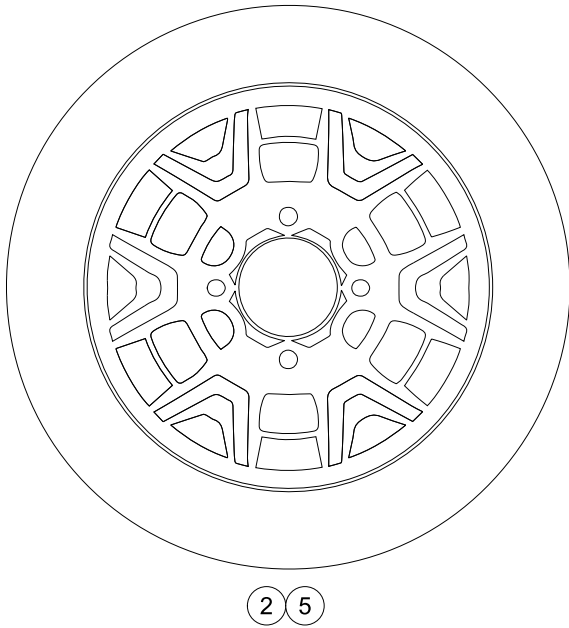
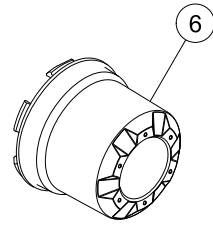
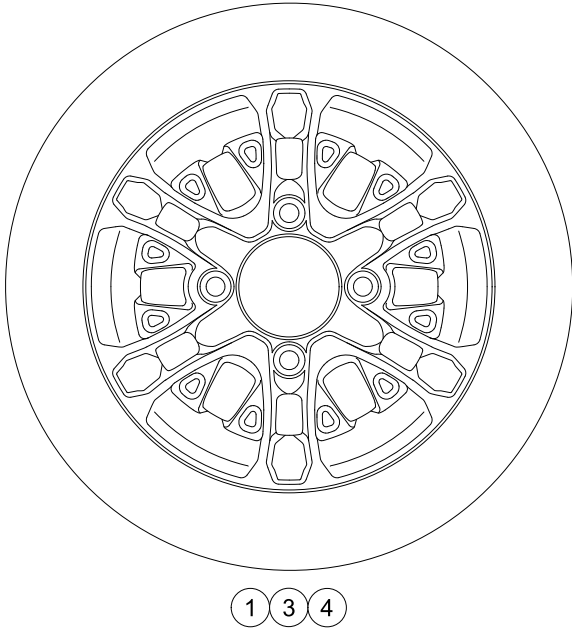
ITEM	PART NO.	DESCRIPTION	QTY
		1 2 3 4	
1	<u>102540701</u>	Lug Nut, 1/2" Closed End	A/R
2	<u>103832401</u>	Valve Stem With Cap, Chrome	A/R
3	<u>103934901</u>	Wheel, Aluminum 10x6, 8 Spoke	A/R
4	<u>47561638001</u>	Wheel, Mercury, 10", Gloss Blk	A/R
5	<u>47561640001</u>	Wheel, Mercury, 14", Gloss Blk	A/R
6	<u>47561641001</u>	Wheel, Atlas, 10", Gloss Blk	A/R
7	<u>47561643001</u>	Wheel, Atlas, 14", Gloss Blk	A/R
8	<u>47562949001</u>	Cap, Center, Chrome	A/R
9	<u>47590808001</u>	Kit, Lugnut, Csmr (includes item 10)	A/R
10	<u>47562951001</u>	Nut, Lug, 17x1/2-20, Chrome	16
<p>Note: For additional wheel options that may be available, please contact your local Club Car dealer or distributor.</p>			

2

G

E

2
G
E



G-090099-000003

WHEEL AND TIRE ASSEMBLIES – ONWARD, STANDARD HEIGHT

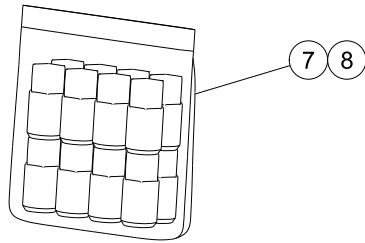
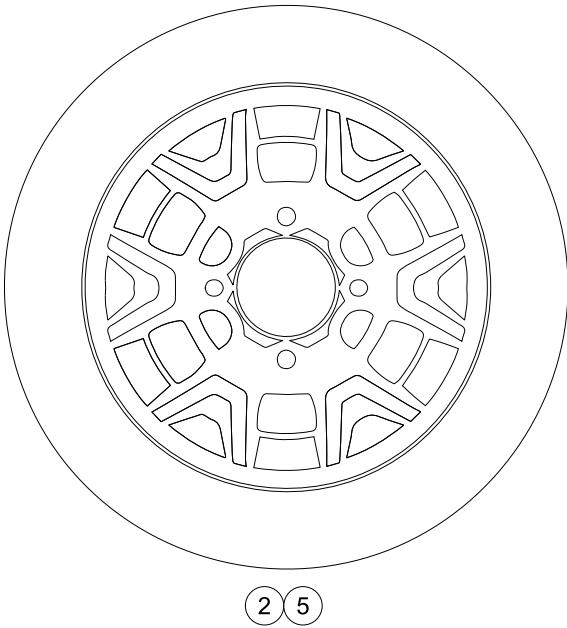
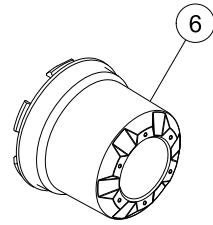
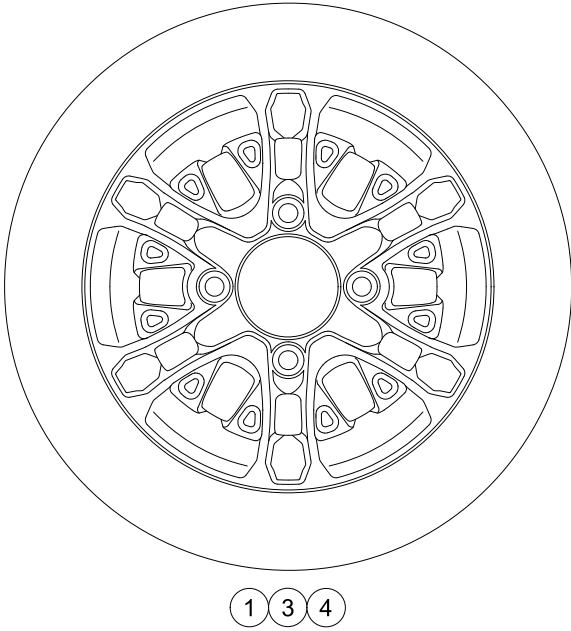
ITEM	PART NO.	DESCRIPTION	QTY
		1 2 3 4	
1	<u>102540701</u>	Lug Nut, 1/2" Closed End	16
2	<u>103935001</u>	Tire and Wheel, 10", 8 Spoke, Alum. (includes items 3 through 5)	4
3	<u>102556701</u>	Tire, Pro Tour, 205-50 X 10	1
4	<u>103832401</u>	Valve Stem With Cap, Chrome	1
5	<u>103934901</u>	Wheel, Aluminum 10x6, 8 Spoke	1
6	<u>47561646004</u>	Asm, 205/55-10, Ls, Mer,gb,cc	4
7	<u>47561647004</u>	Asm, 205/55-10, Ls, Atl,gb,cc	4
8	<u>47562949001</u>	Cap, Center, Chrome	4
9	<u>47590808001</u>	Kit, Lugnut, Csmr (includes item 10)	1
10	<u>47562951001</u>	Nut, Lug, 17x1/2-20, Chrome	16
<p>Note: For additional wheel and tire options that may be available, please contact your local Club Car dealer or distributor.</p>			

2

G

E

2
G
E



G-090099-000003

WHEEL AND TIRE ASSEMBLIES – ONWARD, LIFTED

ITEM	PART NO.	DESCRIPTION	QTY
		1 2 3 4	
1	47561644004	Asm, 22x10-10 Krkn, Mer,gb,cc	4
2	47561645004	Asm, 22x10-10 Krkn, Atl,gb,cc	4
3	47562947002	Asm, 23x10-14 Kraken, Mercury 14" Matte Black	4
4	47562947004	Asm, 23x10-14 Krkn, Mer,gb,cc	4
5	47562948004	Asm, 23x10-14 Krkn, Atl,gb,cc	4
6	47562949001	Cap, Center, Chrome	4
7	47590808001	Kit, Lugnut, Csmr (includes item 8)	1
8	47562951001	Nut, Lug, 17x1/2-20, Chrome	16
<p>Note: For additional wheel and tire options that may be available, please contact your local Club Car dealer or distributor.</p>			

2
G
E

2

G

E

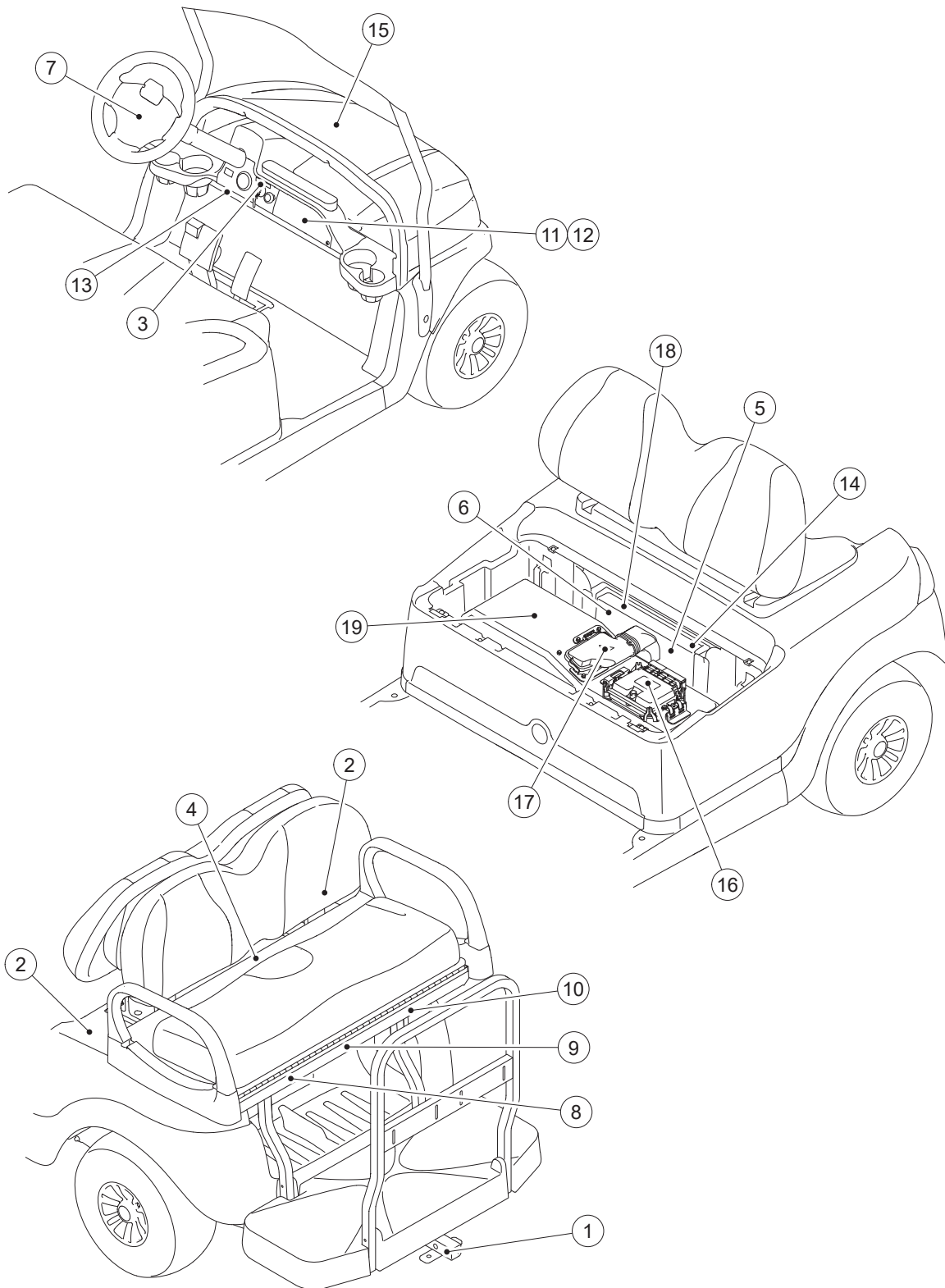
DECALS

3

E

3

E



G-160299-000010

DECALS

ITEM	PART NO.	DESCRIPTION	QTY
		1 2 3 4	
1	<u>1011553</u>	Decal, Trailer Hitch	1
2	<u>101609401</u>	Decal, Crush Area Warning	2
3	<u>101825104</u>	Decal, Keyswitch, Acc	1
4	<u>101972001</u>	Decal, D.s. Box Bed Warning (for vehicles with bed box option)	1
5	<u>103384601</u>	Decal-water Exposure	1
6	<u>103384701</u>	Decal-warning, Short	1
7	<u>103783001</u>	Decal, Op Instr, Ele	1
8	105267301	Decal, Warn, Fld L	1
9	105267401	Decal, Warn, Fld M	1
10	105267501	Decal, Warn, Fld R	1
11	47574958001	Decal, Warning	A/R
12	47574958004	Decal, Warning Ptv, 500	A/R
13	47586040001	Decal, Warn	1
14	47586191001	Decal, Compliance, Mirrors	1
15	47592393001	Decal, Warn, Windshield	1
16	<u>47620652001</u>	Controller, Vcm, Li, Ev2106b01	1
17	47624328001	Decal, Hazard, Cvr	1
18	47624651001	Decal, Warning, Li, Run Tow	1
19	<u>47628717001</u>	Decal, Hazard, Battery, Li	1
		Note: Item 12 is for four passenger vehicles only. Item 13 is for two passenger vehicles only.	

3

E

3

E



①



②

G-160299-000009

DECALS – BADGING

ITEM	PART NO.	DESCRIPTION	QTY
		1 2 3 4	
1	<u>102883602</u>	Decal, Nameplate, Csmr	1
2	47594888002	Decal, Branding, Onward Li-in	2

3

E

3

E

LIGHTS, CONTROLS AND INDICATORS

4

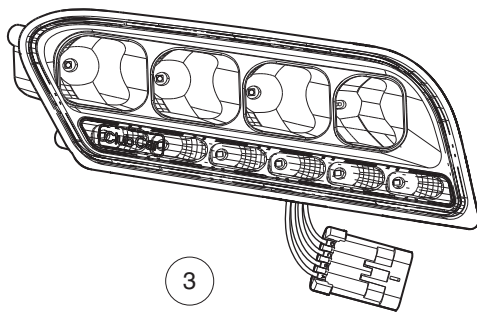
E

4

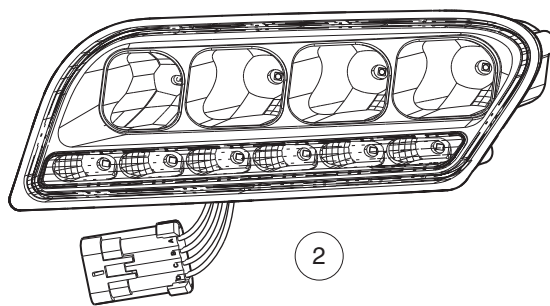
E



1



3



2

001341-001

HEADLIGHTS – ONWARD

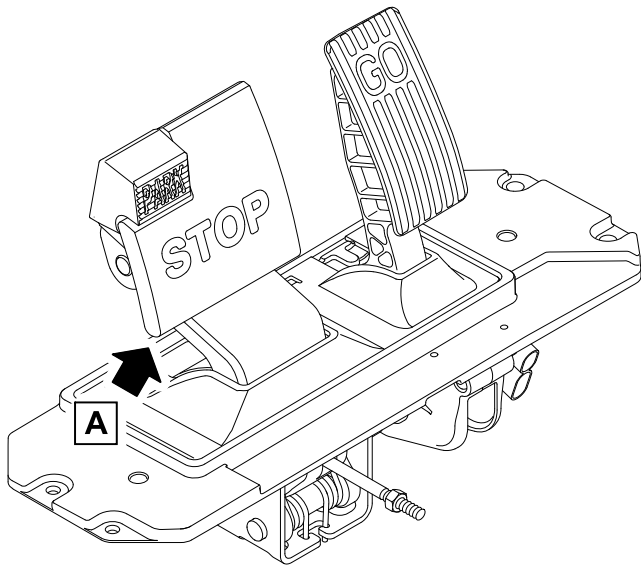
ITEM	PART NO.	DESCRIPTION	QTY
		1 2 3 4	
1	<u>102296020</u>	Screw-torx Pan Head Pt, M6x20	8
2	<u>47565234007</u>	Asm, Headlight, Led, Lh, Sp	1
3	<u>47565234008</u>	Asm, Headlight, Led, Rh, Sp	1

4

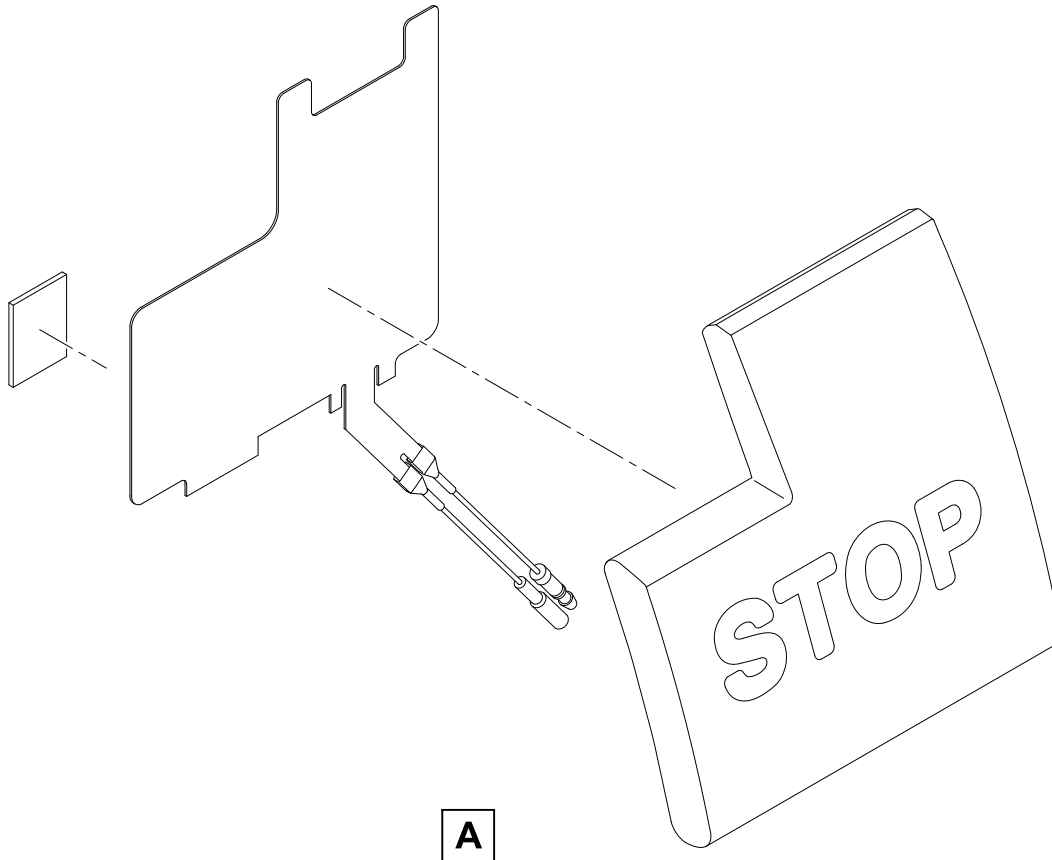
E

4

E



1



G-080099-000001

BRAKE LIGHT SWITCH KIT

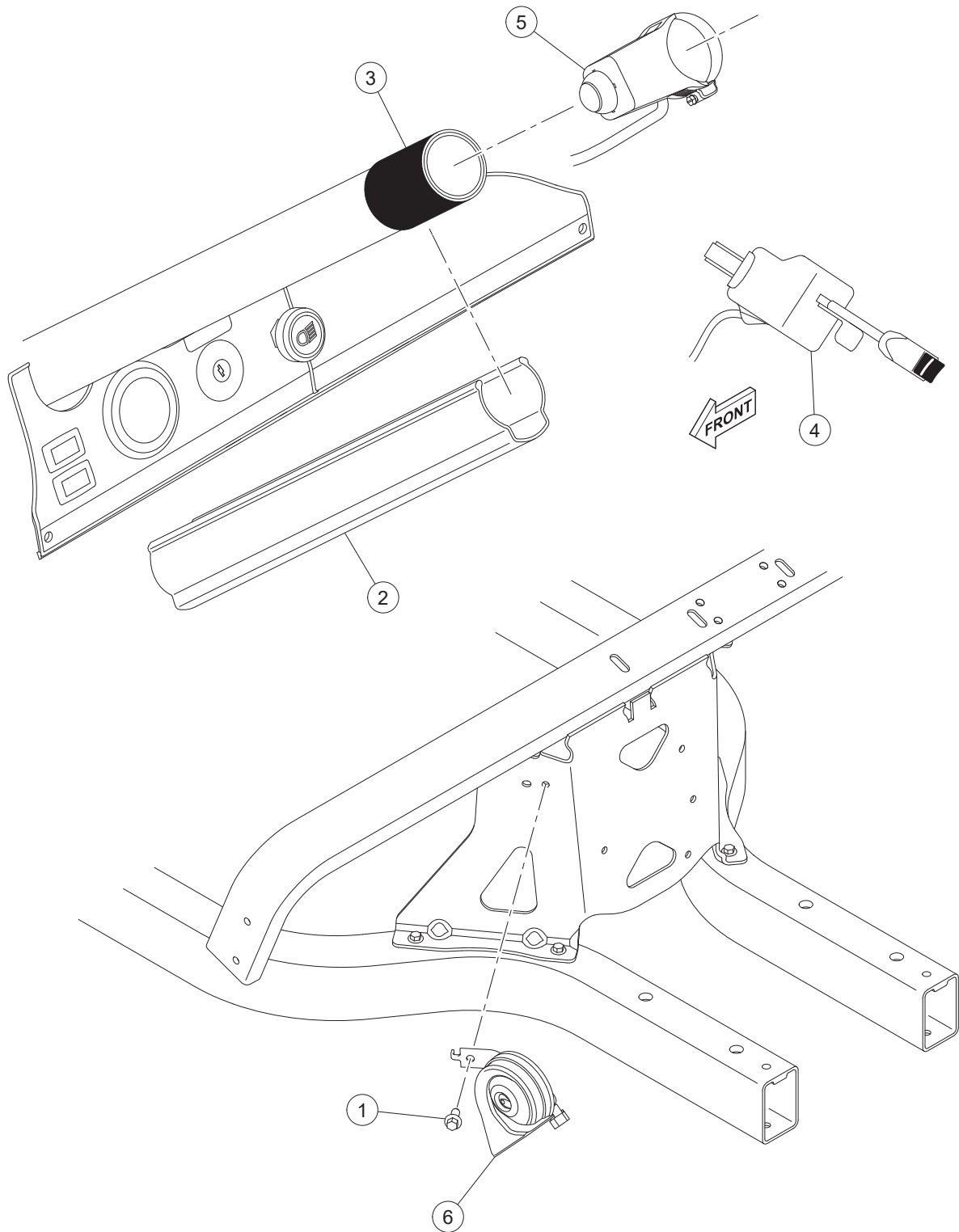
ITEM	PART NO.	DESCRIPTION	QTY
1	<u>103597101</u>	<div style="display: flex; justify-content: space-between; margin-bottom: 5px;"> 1 2 3 4 </div> Kit, Brake Light Switch	1

4

E

4

E



G-130599-000010

TURN SIGNAL LEVER AND HORN

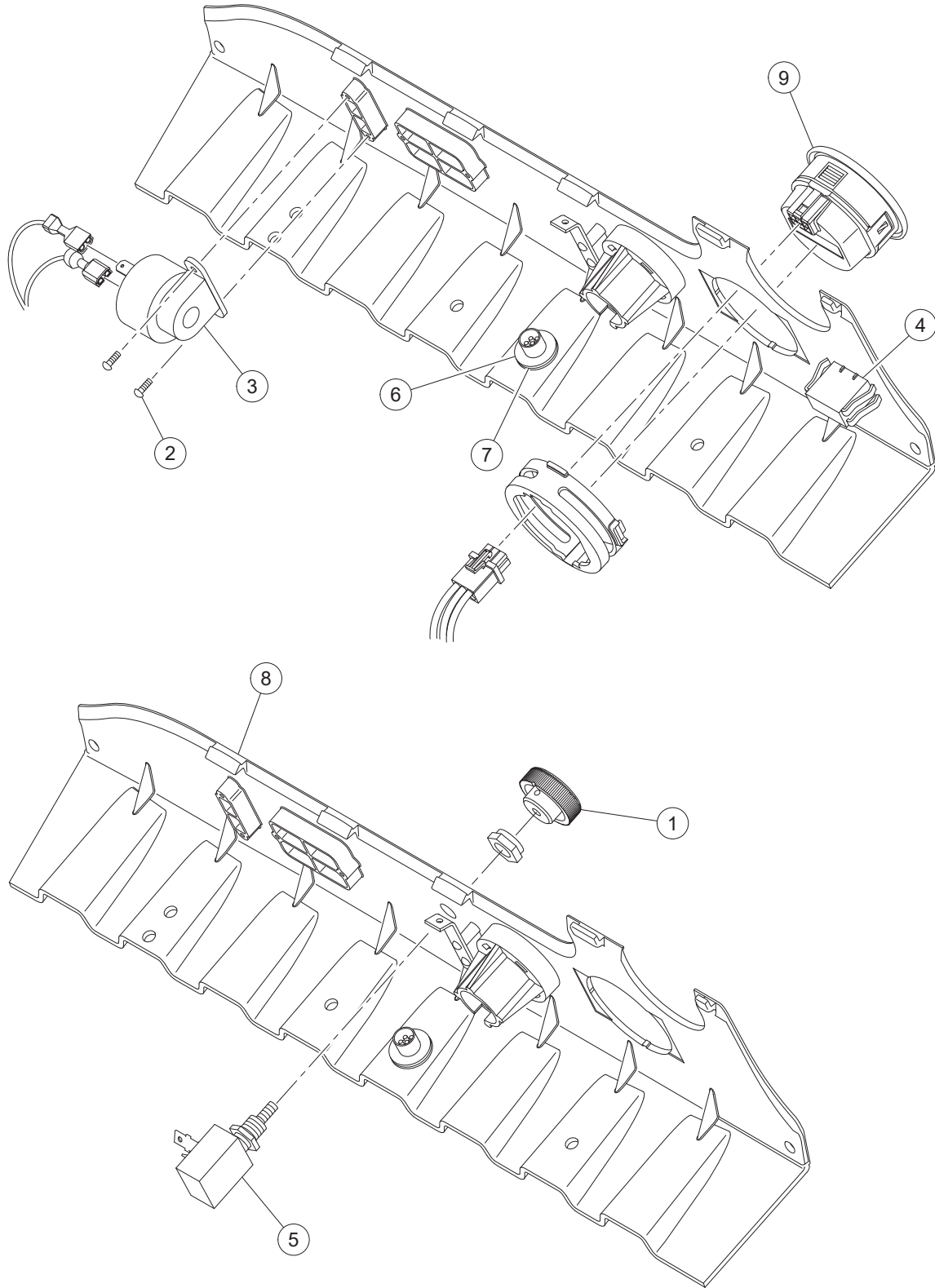
ITEM	PART NO.	DESCRIPTION	QTY
		1 2 3 4	
1	<u>102298720</u>	Screw, M8-1.25x20, Taptite	1
2	<u>102529201</u>	Wire Cover, Steering Column	1
3	103531101	Isolator, Turn Signal	1
4	<u>103803101</u>	Asm, Turn Signal Switch, Homol	1
5	<u>47629428001</u>	Horn Button, Harness, 6 Pin	1
6	<u>47633955001</u>	Asm, Horn, Am80sx	1

4

E

4

E



G-130599-000016

INSTRUMENT PANELS

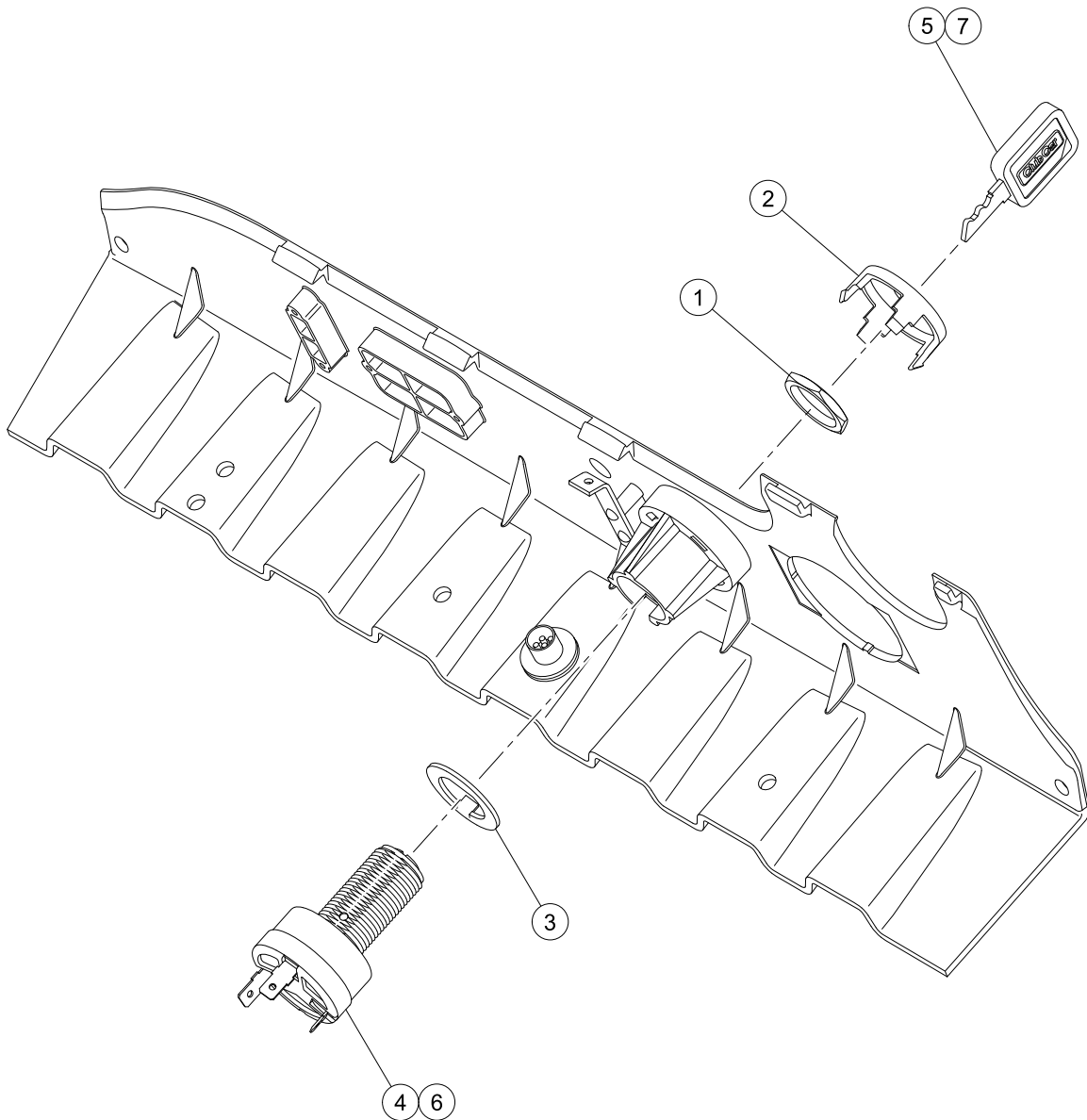
ITEM	PART NO.	DESCRIPTION	QTY
		1 2 3 4	
1	<u>1013857</u>	Knob, Light Switch	1
2	<u>1016849</u>	Screw, #4-24 X 0.33, Pan-Head, Machine	2
3	<u>1016851</u>	Multi-Purpose Buzzer (9-48 VDC)	1
4	<u>101802602</u>	Plug, Hole, Matte	1
5	<u>102051901</u>	Switch, Light	1
6	<u>102196901</u>	Dust Cap	1
7	<u>102572401</u>	Nut, Diagnostic Port	1
8	47613414011	Panel, Punched,can Ind Hdlt	1
9	<u>47614736001</u>	Gauge, Can, Model 3140	1

4

E

4

E



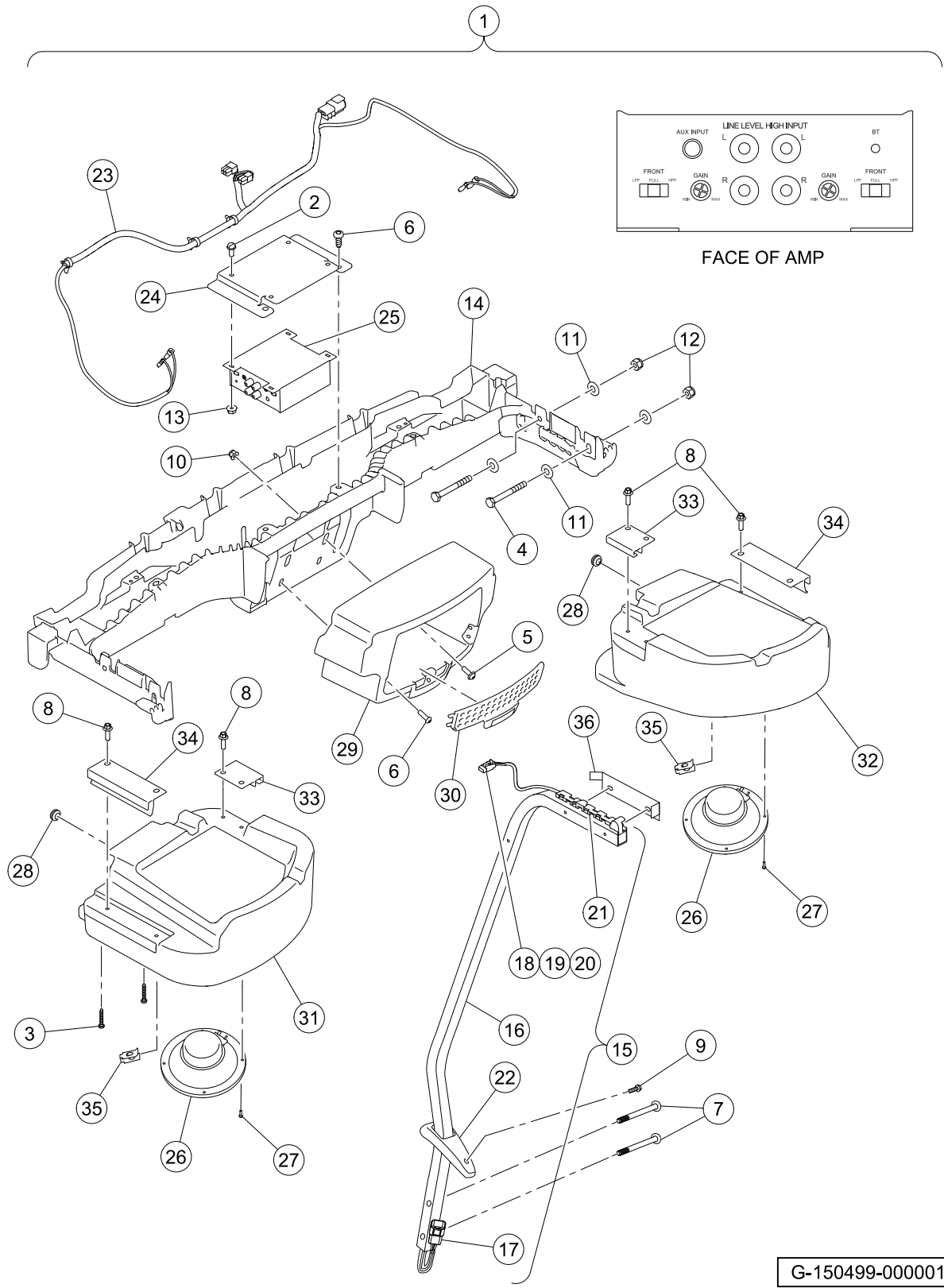
G-130499-000001

KEYSWITCHES

ITEM	PART NO.	DESCRIPTION	QTY
		1 2 3 4	
1	<u>101830701</u>	Nut, Key Switch	1
2	<u>101834502</u>	Cap, Black Key Switch	1
3	<u>101851101</u>	Washer, Key Switch	1
4	<u>105082001</u>	Keysw, Uncom, 4t, Off/p2/p3 1a (includes item 5)	1
5	<u>105068001</u>	Key, Uncommon, Padded 1a	1
6	<u>105082002</u>	Keysw, Uncom, 4t, Off/p2/p3 1b (includes item 7)	1
7	<u>105068002</u>	Key, Uncommon, Padded 1b	1

4

E



G-150499-000001

BLUETOOTH SOUND SYSTEM

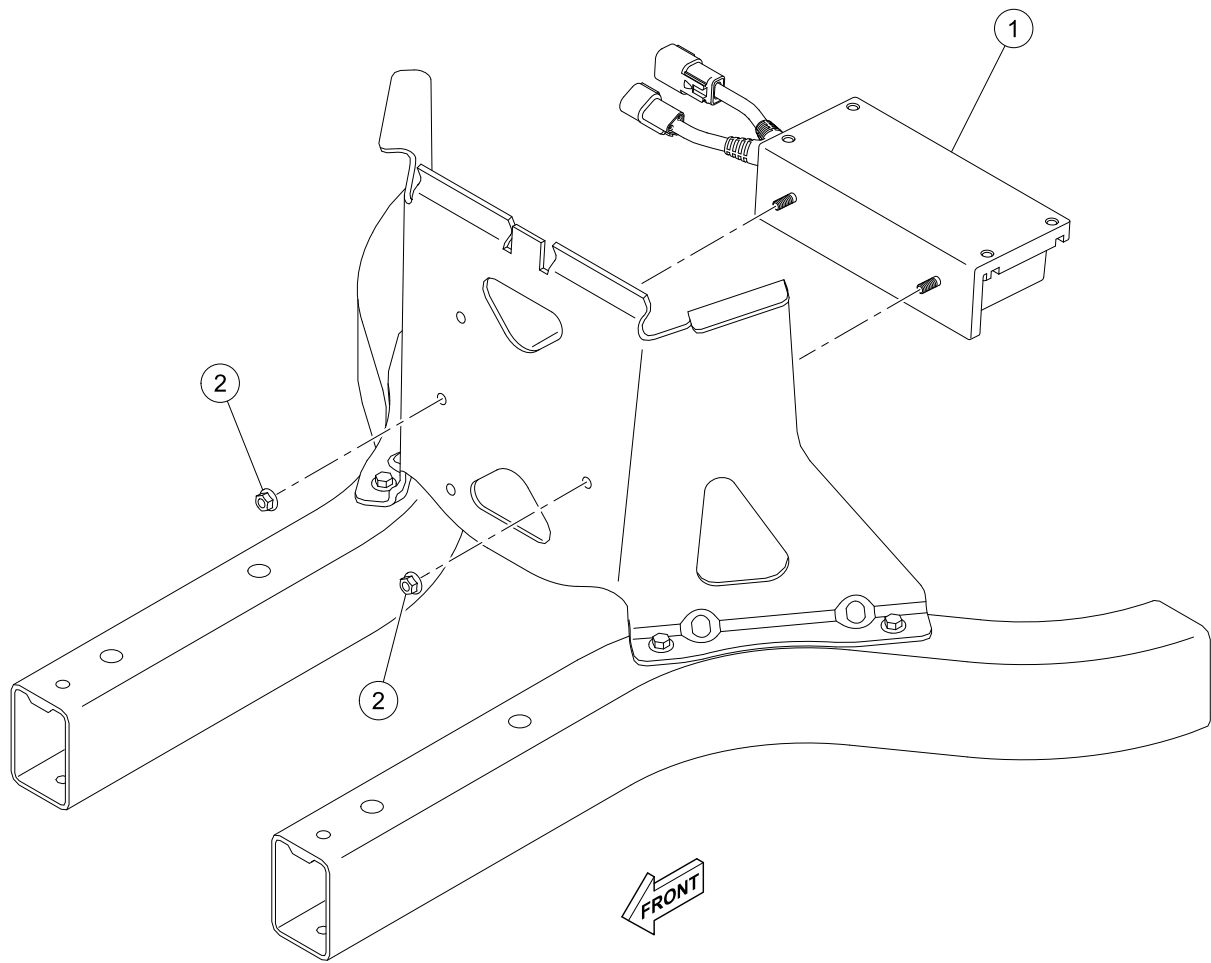
ITEM	PART NO.	DESCRIPTION	QTY
		1 2 3 4	
1	<u>47581430001</u>	Kit, Bt Sound System (includes items 2 through 36)	1
2	<u>1011017</u>	Screw, #8-32 X 0.375	4
3	<u>102296040</u>	Screw, Torx Pan Hd Pt, M6 X 40	4
4	<u>102296150</u>	Bolt - M6x1.0x50 Hex Flng Hd	4
5	<u>102296920</u>	Screw, M6, Torx Button Head, Sems	2
6	<u>102298020</u>	Screw, K80x20, Torx Pn Hd Pt	4
7	<u>102299065</u>	M8-1.25 X 65 Tx Bttm Hd Bolt	2
8	<u>102541401</u>	Bolt-m6x1.0x20 Hex Flhd Blk-l	8
9	<u>102544201</u>	Screw, M6 Hex	1
10	<u>102621501</u>	Nut, Flange, M6 X 1.0, Nylon	2
11	<u>103196001</u>	Washer, Conical Spring, Canopy	8
12	<u>103200301</u>	Nut, M6 x 1.00	4
13	<u>105190701</u>	Nut, Flanged, #8-32, Serrated	4
14	<u>47559265002</u>	Support, Display Unit, Bt	1
15	<u>47561477002</u>	Asm, Strut, Visage,onward, R.h (includes items 16 through 22)	1
16	<u>103750001</u>	Strut, Canopy Front, Passenger-side	1
17	N/A	Brkt, Tree-stud Mount, Dt/dtm	1
18	N/A	Conn, Plug, Dtm, 3 Pin, Blk	1
19	N/A	Lock, Wedge, Dtm, Plug	1
20	<u>47554736001</u>	Harness, Visage, Strut, G/e	1
21	<u>47559268001</u>	Retainer, Wire Harness	1
22	<u>47631793002</u>	Cover, Canopy Support, RH	1
23	<u>47562748001</u>	Harness, Sound Mil200bt, Csmr	1
24	<u>47581126001</u>	Bracket, Amp, Mil200bt	1
25	<u>47581127001</u>	Amp, Bluetooth, Mil200bt	1
26	<u>47581128001</u>	Speaker, 5.25", Blk	1
27	<u>47581129001</u>	Screw, 6-32 X 5/8 Torx Ph Blk	8
28	<u>47581130001</u>	Grommet, Sbr, .38 Id	2
29	<u>47581131001</u>	Storage Unit, Center, Csmr	1
30	<u>47581132001</u>	Closeout, Plastic, Perforated	1
31	<u>47581133001</u>	Enclosure, Speaker, Ds, 2p	1
32	<u>47581133002</u>	Enclosure, Speaker, Ps, 2p	1
33	<u>47581134001</u>	Extrusion, Alum, Spkr Outer	2
34	<u>47581135001</u>	Extrusion, Alum, Spkr Inner	2
35	<u>47584406001</u>	U-nut, 6-32	8
36	<u>47589609001</u>	Cover, Strut, Bt Sound	1

4

E

4

E



G-130299-000001

DC/DC CONVERTER – ELECTRIC VEHICLE

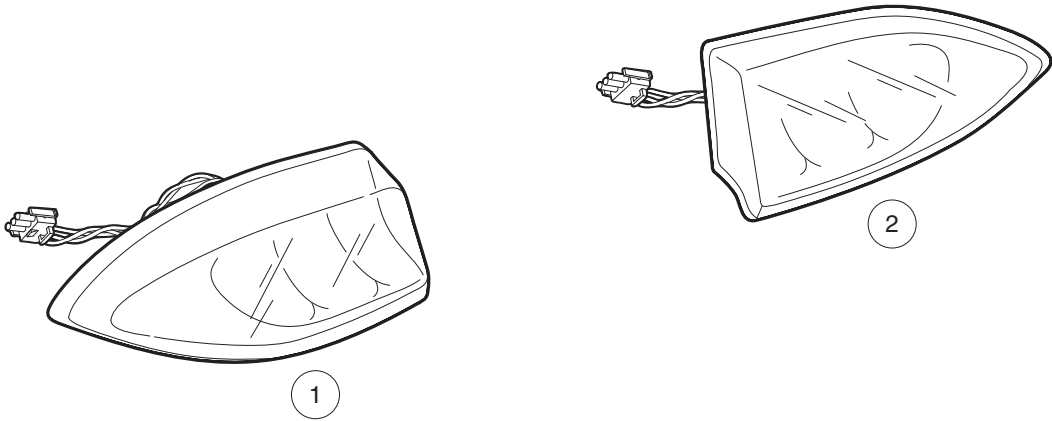
ITEM	PART NO.	DESCRIPTION	QTY
1	<u>47594727001</u>	1 2 3 4 Converter, Dc/dc	1
2	<u>96704176</u>	Nut, Flanged, M6 X 1, Serrated	2

4

E

4

E



001340-001

TAILLIGHTS

ITEM	PART NO.	DESCRIPTION	QTY
1	<u>47643352001</u>	1 2 3 4 Assembly, Taillight, LH	1
2	<u>47643352002</u>	Assembly, Taillight, RH	1

4

E

4

E

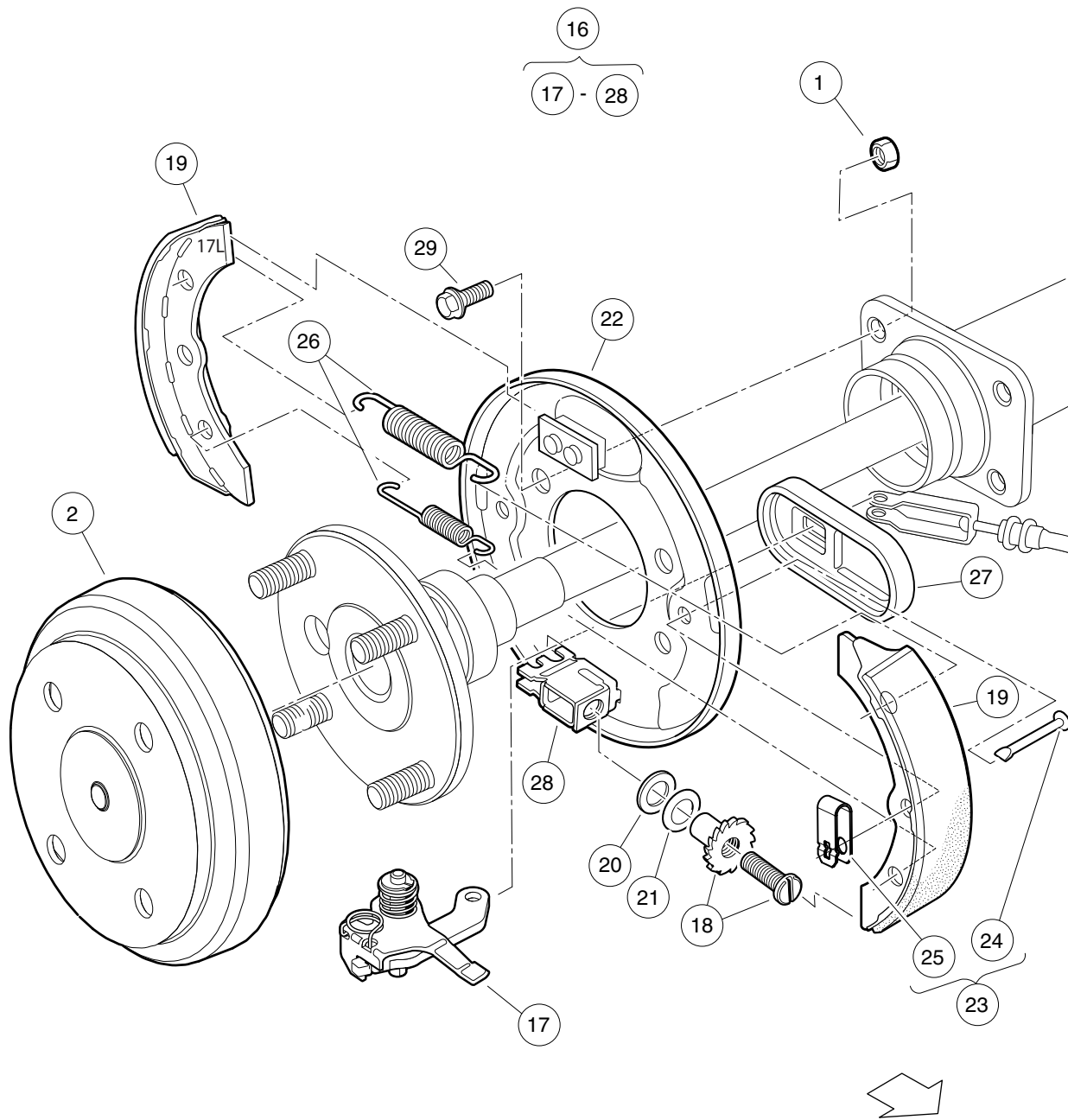
BRAKES AND PEDAL GROUP ASSEMBLIES

5

E

5

E



000186-006

REAR BRAKES, SELF-ADJUSTING

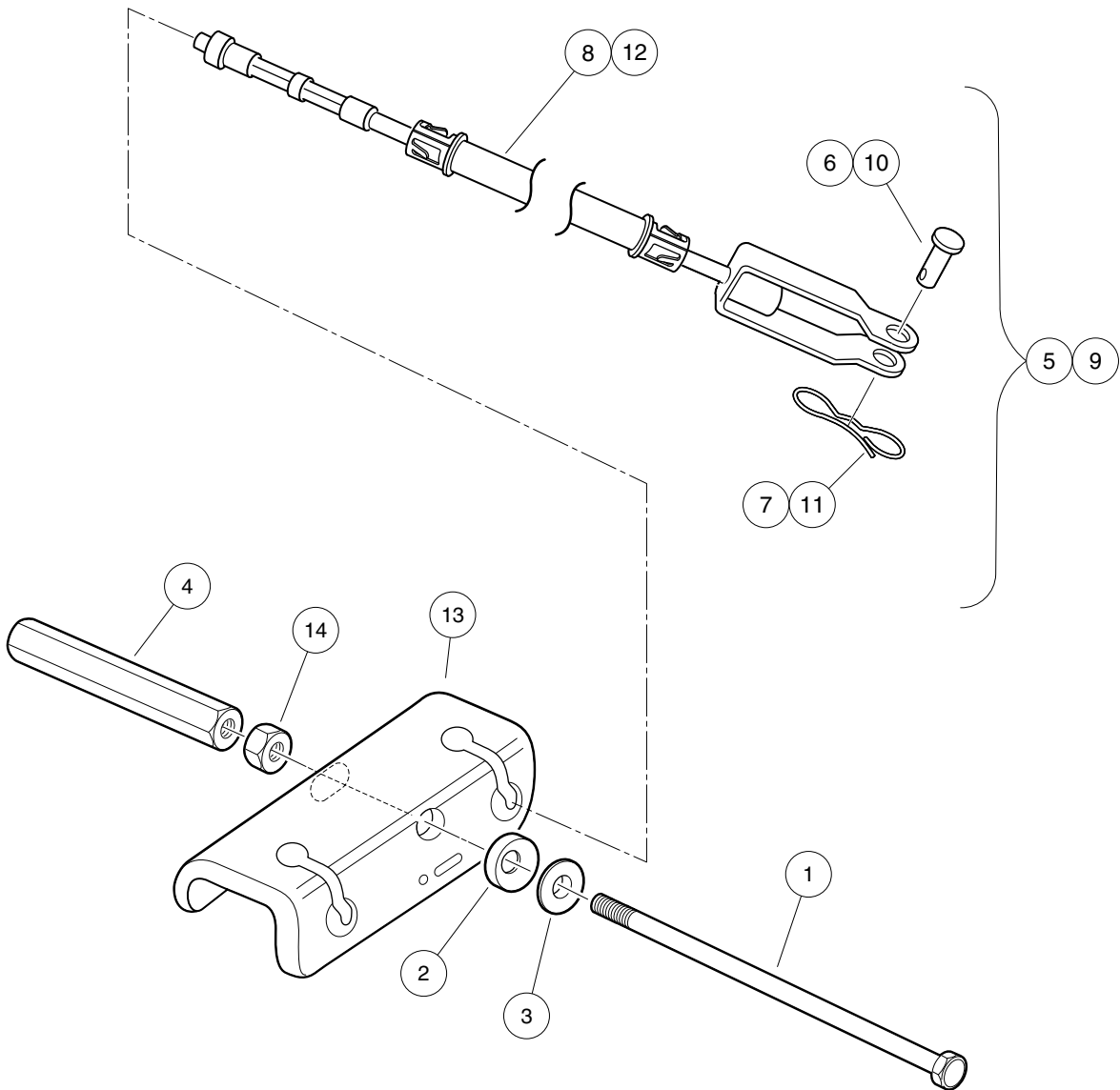
ITEM	PART NO.	DESCRIPTION	QTY
		1 2 3 4	
1	<u>1013924</u>	Nut, 5/16-24, Hex Head Cone	8
2	<u>101791101</u>	Drum without Center Hole, Brake	2
3	<u>103380201</u>	Asm, Brake Cluster, Mech, Drvr (includes items 4 through 15)	1
4	<u>101815502</u>	Lever Assembly, Self-Adjusting Brake, Left	1
5	<u>101816502</u>	Adjusting Mechanism, Self-Adjusting Brake, Left	1
6	<u>101823201</u>	Package, Brake Shoe, Self-Adjusting	1
7	<u>101823801</u>	Plate, Washer, Brake, Self-Adjusting	1
8	<u>101823901</u>	Washer, Brake, Self-Adjusting	1
9	<u>103483102</u>	Backing Plate, Driver-side	1
10	<u>103483201</u>	Kit, Shoe Retainer (includes items 11 and 12)	1
11	N/A	Pin	2
12	N/A	Spring, Shoe, Clamp	2
13	<u>103483401</u>	Package Brake Spring Self Adj	1
14	<u>103483601</u>	Cover, Dust	1
15	<u>103483701</u>	Brake Block	1
16	<u>103380202</u>	Asm, Brake Cluster, Mech, Pass (includes items 17 through 28)	1
17	<u>101815501</u>	Lever Assembly, Self-Adjusting Brake, Right (Passenger)	1
18	<u>101816501</u>	Adj Mechanism, S.A. Brakes, Right (Passenger)	1
19	<u>101823201</u>	Package, Brake Shoe, Self-Adjusting	1
20	<u>101823801</u>	Plate, Washer, Brake, Self-Adjusting	1
21	<u>101823901</u>	Washer, Brake, Self-Adjusting	1
22	<u>103483101</u>	Backing Plate, Passenger-side	1
23	<u>103483201</u>	Kit, Shoe Retainer (includes items 24 and 25)	1
24	N/A	Pin	2
25	N/A	Spring, Shoe, Clamp	2
26	<u>103483401</u>	Package Brake Spring Self Adj	1
27	<u>103483601</u>	Cover, Dust	1
28	<u>103483701</u>	Brake Block	1
29	<u>47542195001</u>	Bolt, Brake Cluster Mnt	8
		Note: Driver-side brake cluster items are not illustrated. Components have a similar appearance to passenger-side brake cluster.	

5

E

5

E



000467-006

BRAKE CABLES AND EQUALIZER BRACKET

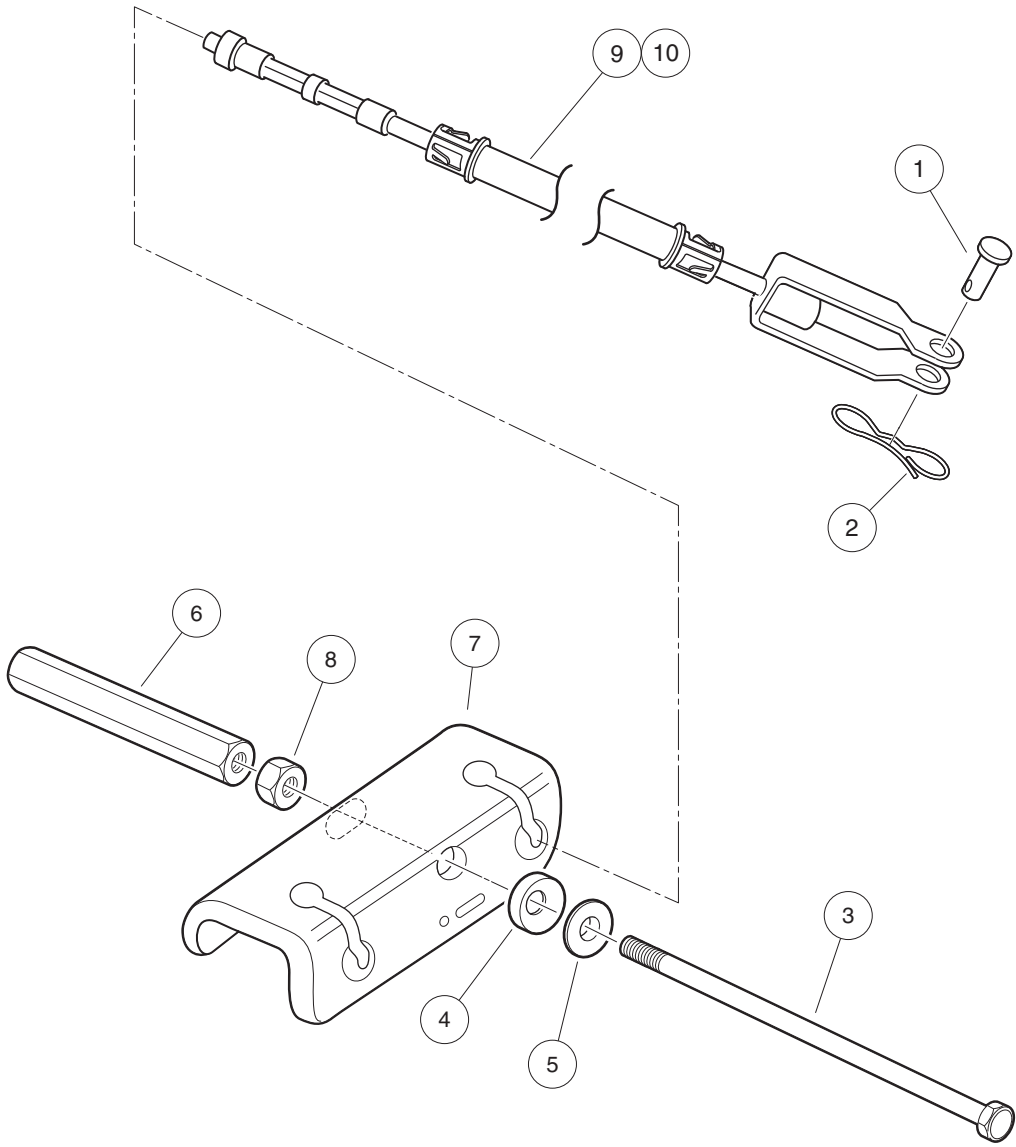
ITEM	PART NO.	DESCRIPTION	QTY
		1 2 3 4	
1	<u>102297901</u>	Bolt, 5/16-18 X 7.375, Hex	1
2	<u>102551901</u>	Washer, 5/16, Self Comp, Cup	1
3	<u>102552001</u>	Washer, 5/16, Self Comp, Cone	1
4	<u>102594301</u>	Nut, 5/16-18, Hex Adjusting -l	1
5	<u>103528701</u>	Kit, Brake Cable, Passenger-side (includes items 6 through 8)	1
6	<u>1010829</u>	Pin, Clevis, 5/16 X 3/4	1
7	<u>102292801</u>	Pin, Bow Tie Locking - .072	1
8	N/A	Cable, Brake, Right	1
9	<u>103528702</u>	Kit, Brake Cable, Driver-side (includes items 10 through 12)	1
10	<u>1010829</u>	Pin, Clevis, 5/16 X 3/4	1
11	<u>102292801</u>	Pin, Bow Tie Locking - .072	1
12	N/A	Cable, Brake, Left	1
13	<u>103535001</u>	Bracket, Equalizer	1
14	<u>1242</u>	Nut, 5/16-18 Hex	1

5

E

5

E



000467-007

BRAKE CABLES AND EQUALIZER BRACKET – LIFTED VEHICLE

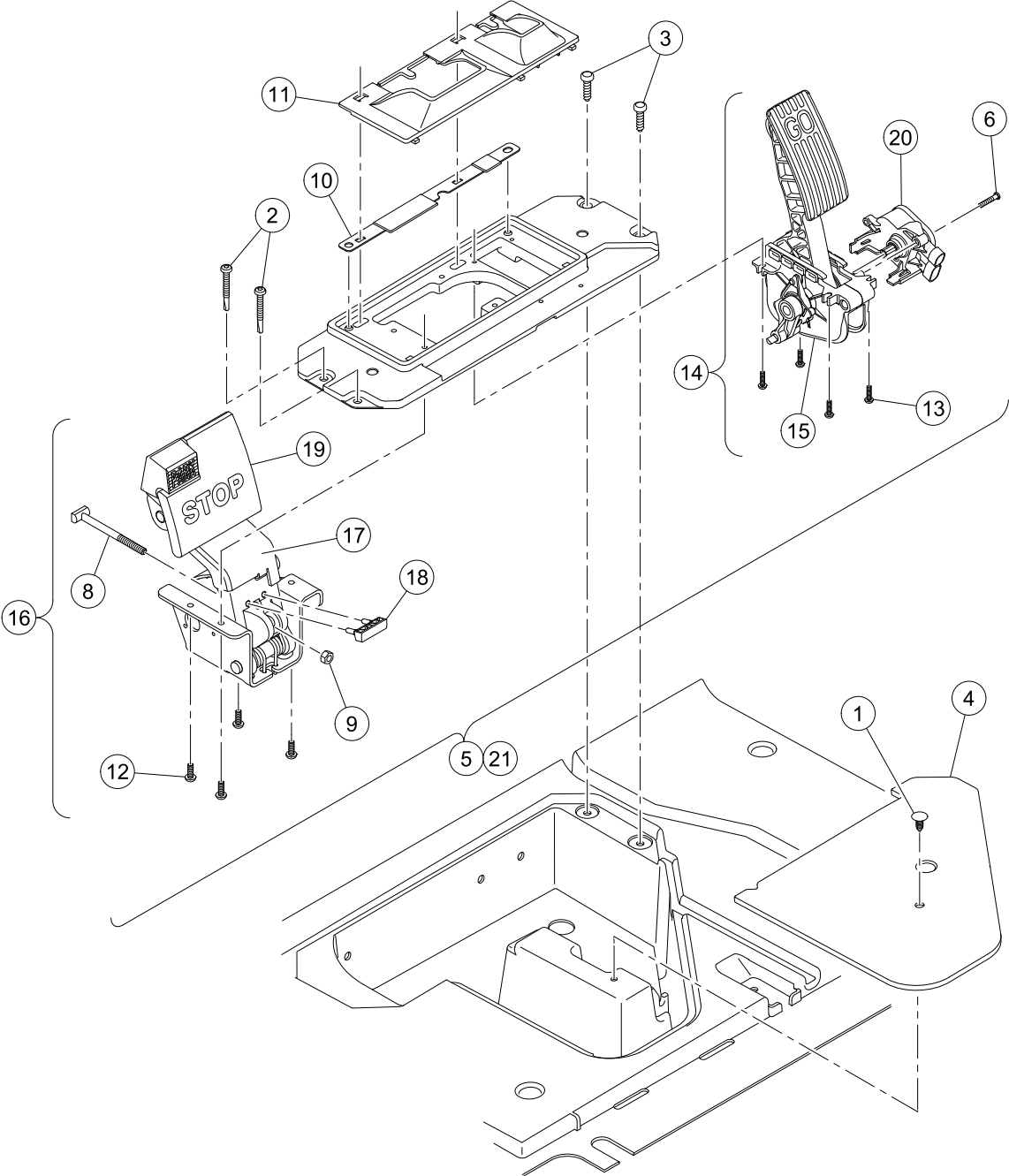
ITEM	PART NO.	DESCRIPTION	QTY
		1 2 3 4	
1	<u>1010829</u>	Pin, Clevis, 5/16 X 3/4	2
2	<u>102292801</u>	Pin, Bow Tie Locking - .072	2
3	<u>102297901</u>	Bolt, 5/16-18 X 7.375, Hex	1
4	<u>102551901</u>	Washer, 5/16, Self Comp, Cup	1
5	<u>102552001</u>	Washer, 5/16, Self Comp, Cone	1
6	<u>102594301</u>	Nut, 5/16-18, Hex Adjusting -l	1
7	<u>103535001</u>	Bracket, Equalizer	1
8	<u>1242</u>	Nut, 5/16-18 Hex	1
9	<u>47562652001</u>	Cable, Brake, Csmr, Lifted, Driver-side	1
10	<u>47582091001</u>	Cable, Brake, Csmr, Lifted, Passenger-side	1

5

E

5

E



G-131199-00002

PEDAL GROUPS WITH MCOR

ITEM	PART NO.	DESCRIPTION	QTY
		1 2 3 4	
1	<u>1010434</u>	Barrel - Plastic	1
2	102292201	Screw-1/4-20x2.20 Tx Pn Hd Sd	2
3	102298030	Screw, K80x30, Torx Pn Hd Pt	2
4	<u>102500801</u>	Plate - Floor Cover	1
5	<u>103874111</u>	Asm, Pedal Set, No Switch, w/MCOR, Service (includes items 6 through 20)	1
6	<u>103943401</u>	Screw, Pan, #10 X 1.00 Hi-lo	1
7	<u>103975011</u>	Asm, Pedal Set, No Switch, Service (includes items 8 through 16)	1
8	<u>102559401</u>	Rod, Brake	1
9	<u>102559701</u>	Nut, Brake Rod	1
10	<u>102594801</u>	Shield, Debris Aux	1
11	<u>102594901</u>	Shield, Debris Primary	1
12	<u>102595901</u>	Screw, M6x1.0x17 Ph, Taptite	4
13	<u>102596001</u>	Screw, M5x0.8x18 Ph, Taptite	4
14	<u>102596301</u>	Pedal, Accelerator, Anodized (includes item 15)	1
15	<u>103777601</u>	Asm, Park Brake Release, Anodized	1
16	<u>103974901</u>	Asm, Brake Pedal, Anodized (includes items 17 through 19)	1
17	<u>102595201</u>	Cover, Brake	1
18	<u>102595301</u>	Upstop, Brake	1
19	<u>102595401</u>	Pad, Brake	1
20	<u>105116301</u>	MCOR4, Type 16 Switch	1
21	103874112	Pedal Assy Mcor3 W/switch Sp	1
22	103975012	Pedal Set, Mech, Anod W/sw Sp	1
Note: Item 7 and 22 are not illustrated. All detail parts for the Pedal Sets are identical. Reference the Electrical Section for detailed MCOR information.			

5

E

5

E

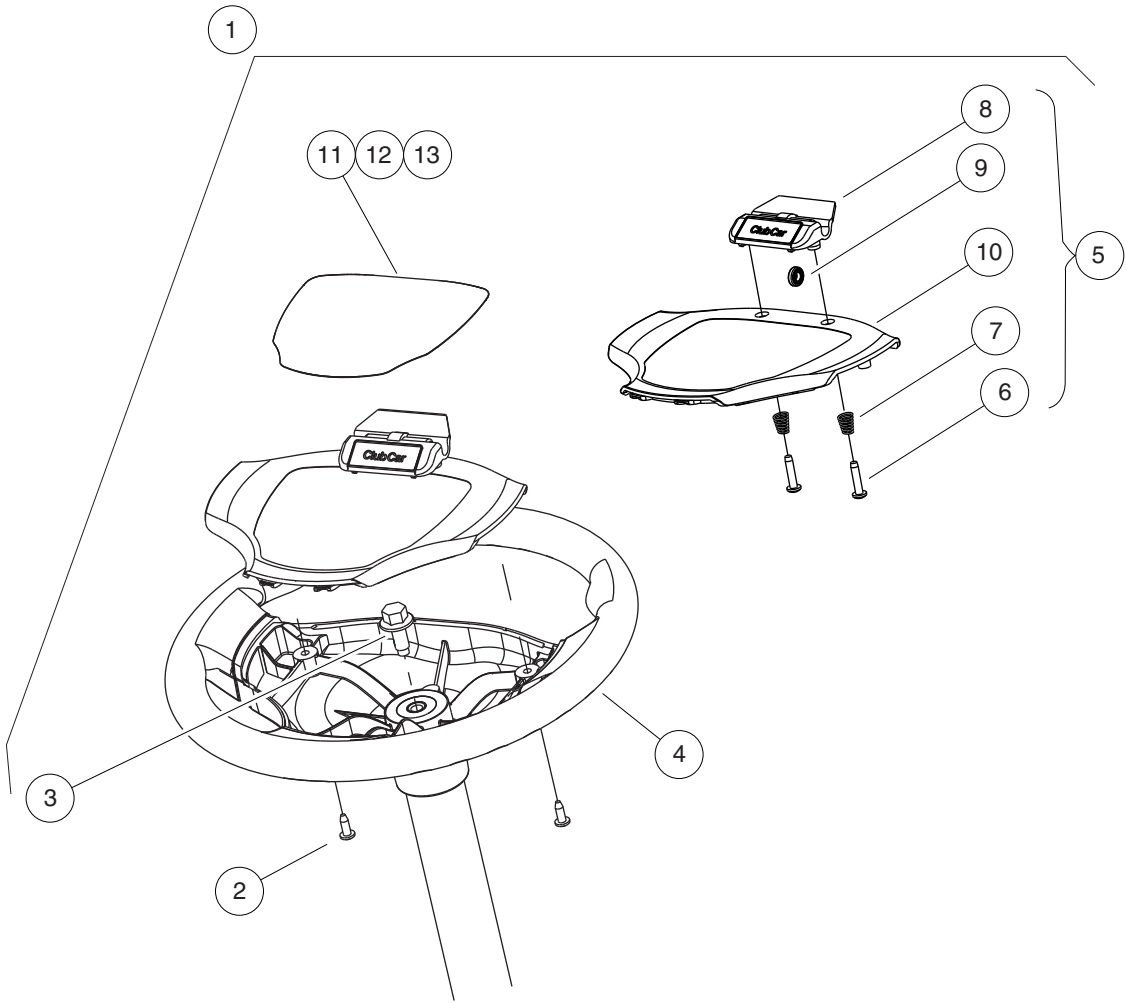
STEERING, FRONT AND REAR SUSPENSION – STANDARD HEIGHT

6

E

6

E



000470-002

STEERING WHEEL, COMFORT GRIP WITH CLIP

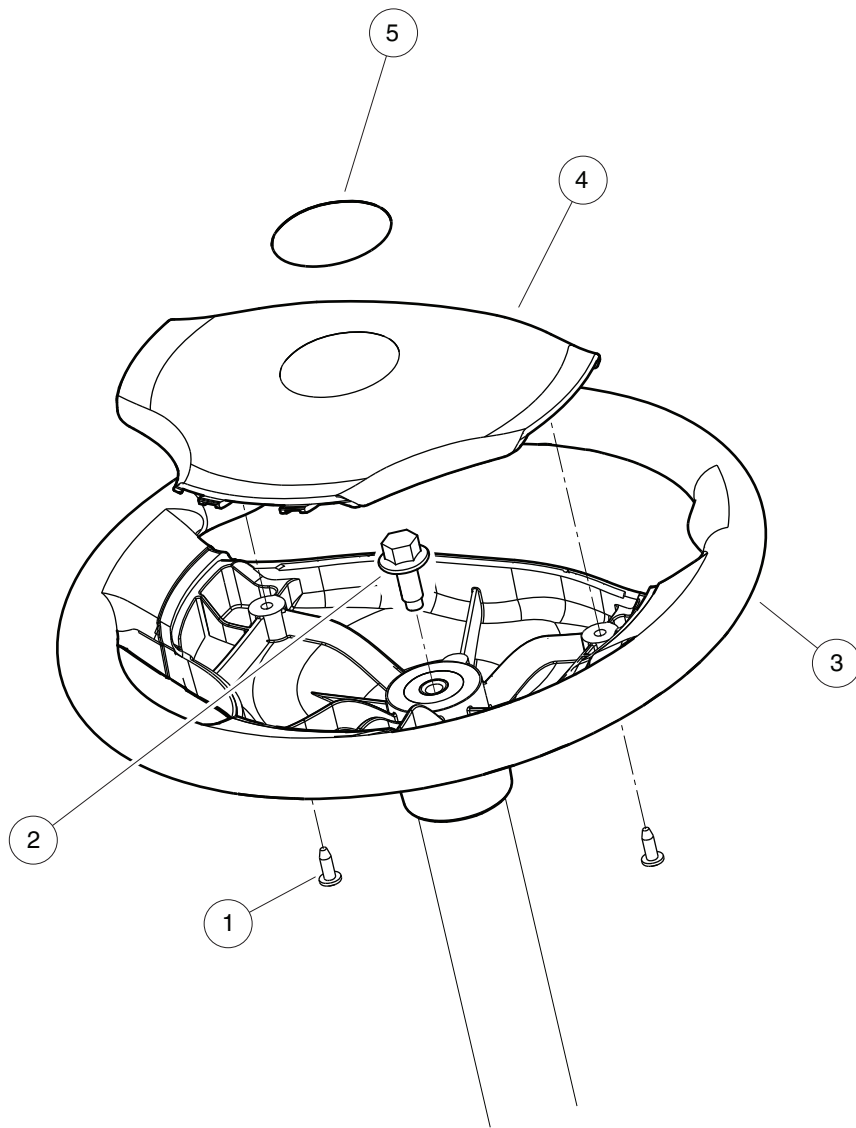
ITEM	PART NO.	DESCRIPTION	QTY
		1 2 3 4	
1	<u>103796701</u>	Kit, Hex, Steering Wheel (includes items 2 through 13)	1
2	<u>101850301</u>	Screw, #12-16 X 0.50 Washer-Head Hi-Lo	2
3	<u>102290120</u>	Bolt, M10 X 20 Hex Washer Hd	1
4	<u>103724503</u>	Steering Wheel, Soft Grip, Hex	1
5	<u>103724901</u>	Asm, Scorecard, Clip (includes items 6 through 10)	1
6	<u>1012565</u>	Screw, #12 Phillips Round Head	2
7	<u>1012566</u>	Tapered Compression Spring	2
8	<u>1016154</u>	Clip, Scorecard	1
9	<u>1016214</u>	Pencil Grip	1
10	<u>103724601</u>	Cover, Steering Wheel, Clip	1
11	<u>103783001</u>	Decal, Op Instr, Ele	1
12	<u>103783002</u>	Decal, Op Instr, Gas Ps	1
13	<u>103783003</u>	Decal, Op Instr, Gas Ks	1
<p>Note: Refer to the Decal section of this manual or to the applicable Operator Manual for this vehicle to make sure which Operating Instructions Decal applies.</p>			

6

E

6

E



001389-001

STEERING WHEEL, COMFORT GRIP WITH LOGO

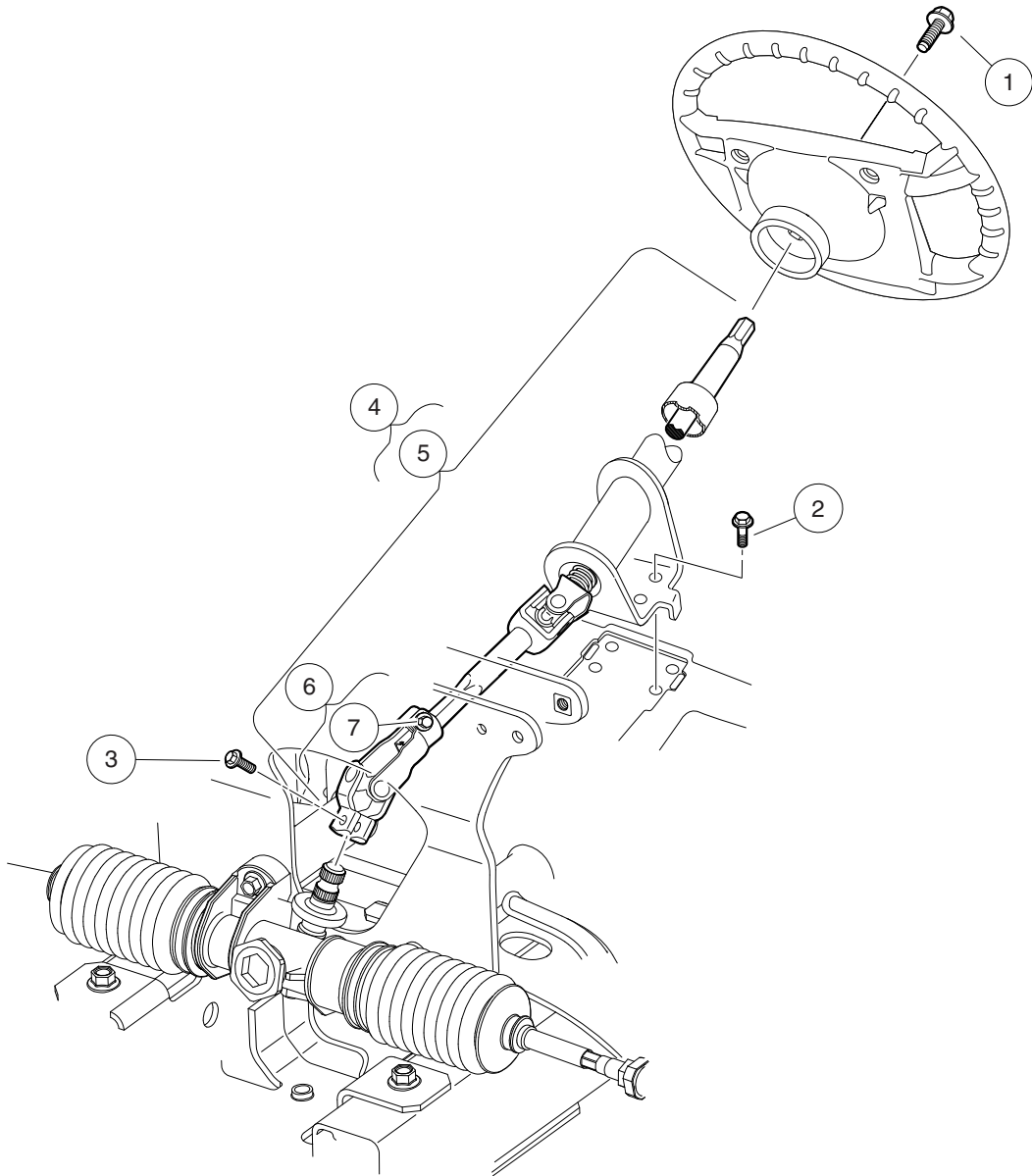
ITEM	PART NO.	DESCRIPTION	QTY
		1 2 3 4	
1	<u>101850301</u>	Screw, #12-16 X 0.50 Washer-Head Hi-Lo	2
2	102290120	Bolt, M10 X 20 Hex Washer Hd	1
3	<u>103724503</u>	Steering Wheel, Soft Grip, Hex	1
4	<u>103724602</u>	Cover, Steering Wheel, Generic	1
5	<u>103829401</u>	Logo, Cci, Steer Wheel	1

6

E

6

E



000469-007

STEERING COLUMN

ITEM	PART NO.	DESCRIPTION	QTY
		1 2 3 4	
1	102290120	Bolt, M10 X 20 Hex Washer Hd	1
2	<u>102298116</u>	Bolt, Flanged Head, M8 X 16.0	4
3	<u>102298130</u>	Bolt, Flange Head, M8 X 30.0	1
4	<u>105049001</u>	Kit, Inner Steering Clmn (includes item 5)	1
5	105068601	Asm, Column, Inner (includes item 6)	1
6	<u>103810201</u>	Kit, Lower Yoke, Wanda (includes item 7)	1
7	<u>102298130</u>	Bolt, Flange Head, M8 X 30.0	1

6

E

STEERING GEAR ASSEMBLY

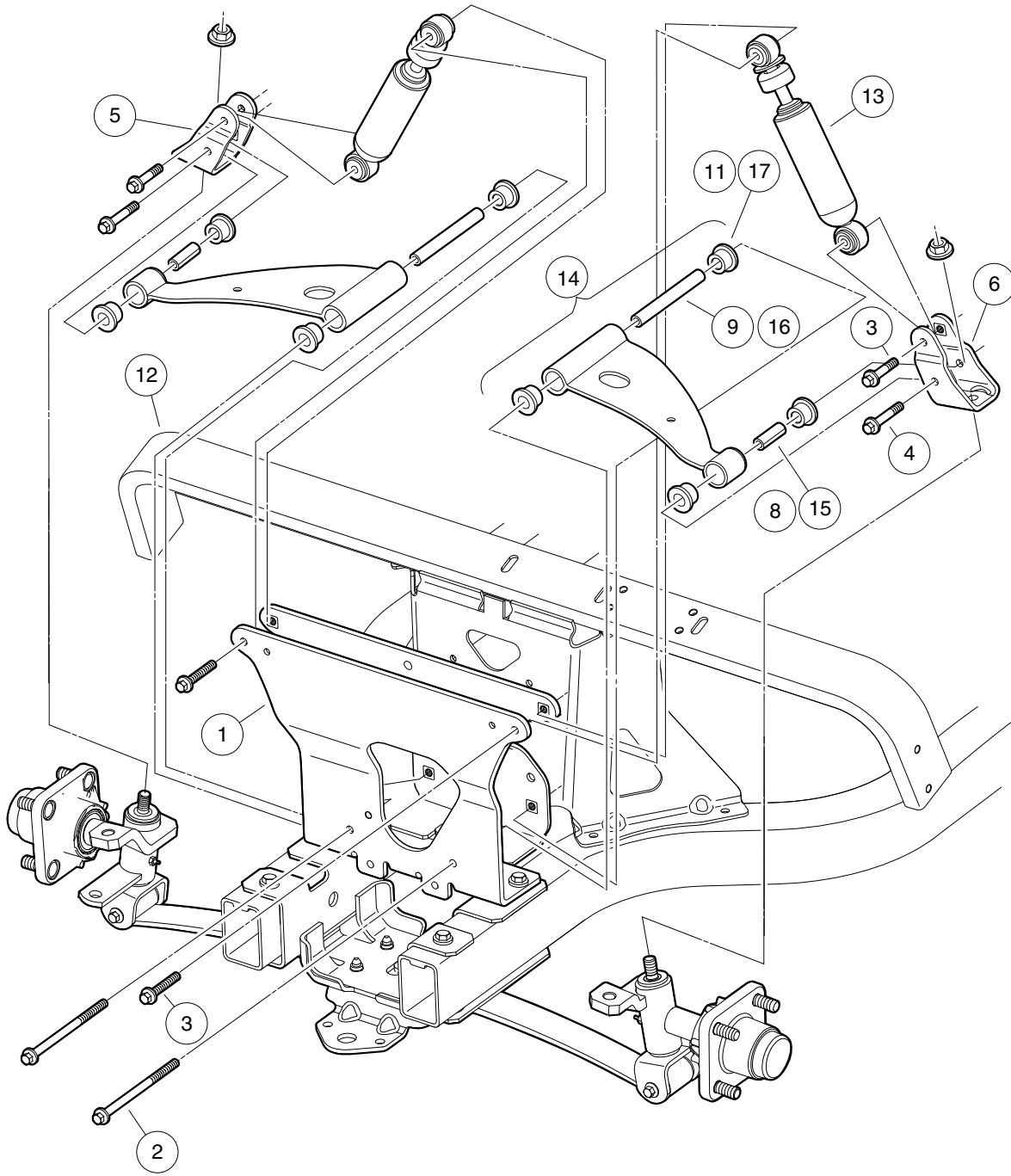
ITEM	PART NO.	DESCRIPTION	QTY
		1 2 3 4	
1	<u>102022601</u>	End, Tie Rod M12 X 1.25 Rh	2
2	<u>102289001</u>	Screw, M8X1.25X30, Hex	3
3	<u>103679701</u>	Asm, Rack & Pinion (includes items 4 through 9)	1
4	<u>102565201</u>	Seal, Dust, Steering Pinion	1
5	<u>103826201</u>	Bellow Kit, Steering-sona (includes items 6 through 8)	2
6	<u>102566001</u>	Clip, Steering	1
7	<u>8990</u>	Tie Wrap, 8" Nylon	1
8	N/A	Bellows	1
9	<u>103826301</u>	Kit, IBJ (Inner Ball Joint), Steering-sona (includes items 10 and 11)	2
10	1013042	Nut, 12mm Hex	1
11	N/A	Inner Ball Joint	1

6

E

6

E



000445-005

FRONT SUSPENSION, UPPER

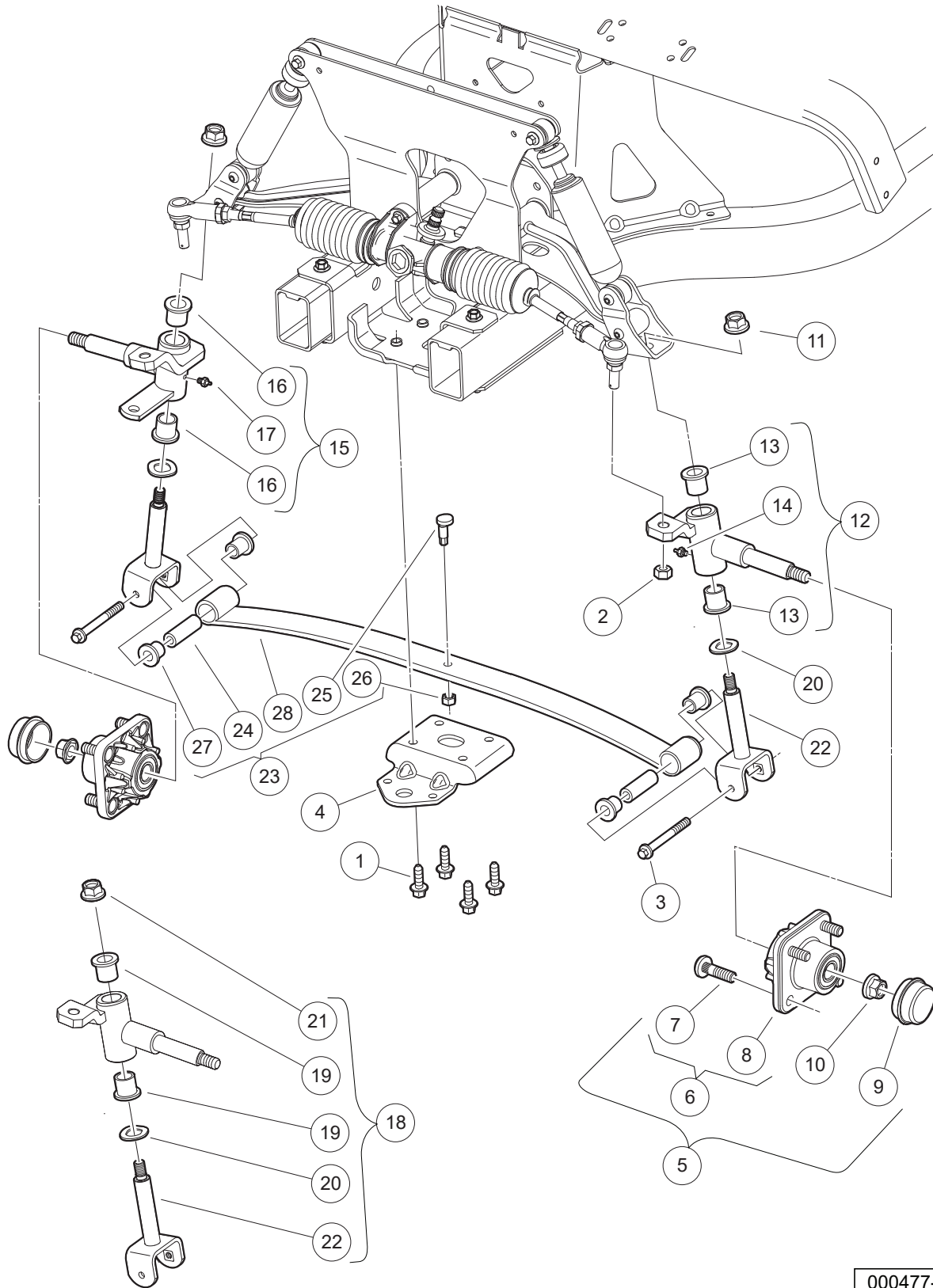
ITEM	PART NO.	DESCRIPTION	QTY
		1 2 3 4	
1	<u>102287101</u>	Assembly - Front Structure	1
2	<u>102288901</u>	Bolt, Hex, M8x1.25 X 135	2
3	<u>102289401</u>	Screw- Hex Cap, M8 X 1.25 X 45	4
4	<u>102289501</u>	Screw- Hex Cap, M8 X 1.25 X 70	2
5	<u>102289601</u>	Upper Clevis Assembly, Passenger-side	1
6	<u>102289701</u>	Upper Clevis Assembly, Driver-side	1
7	<u>102289901</u>	Kit, Susp, Bushing Joints (includes items 8 through 11)	1
8	<u>102287601</u>	Sleeve - Rolled, Outer	2
9	<u>102287701</u>	Sleeve - Rolled, Inner	2
10	<u>102288101</u>	Sleeve - Rolled, Spring	2
11	<u>102956201</u>	Bushing, Urethane, Short	12
12	<u>102505701</u>	Assembly, Dash Support	1
13	<u>102588601</u>	Shock Absorber Front	2
14	<u>103388501</u>	Asm, 3 Piece A-arm, Bushings (includes items 15 through 17)	2
15	<u>102287601</u>	Sleeve - Rolled, Outer	1
16	<u>102287701</u>	Sleeve - Rolled, Inner	1
17	<u>102956201</u>	Bushing, Urethane, Short	4
		Note: Item 7 (not shown) includes bushings and sleeves for control arms and front suspension leaf spring. See lower suspension page for illustration of item 10 (not shown).	

6

E

6

E



000477-009

FRONT SUSPENSION, LOWER

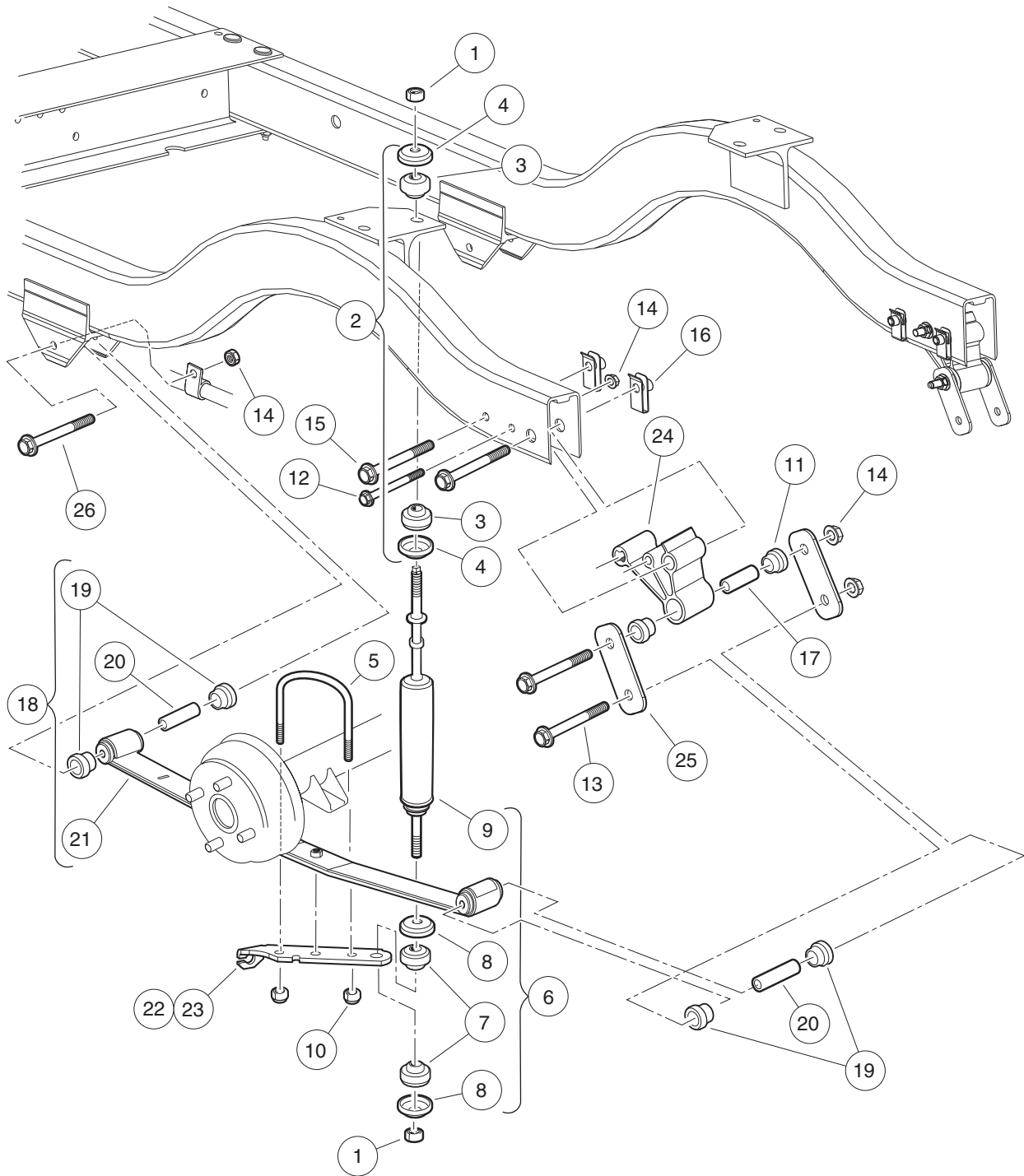
ITEM	PART NO.	DESCRIPTION	QTY
		1 2 3 4	
1	<u>102289101</u>	Screw-m10x1.5, Trilob, Hex Fl	4
2	<u>102289201</u>	Nut - Hex Locking, M12 X 1.25	2
3	<u>102289501</u>	Screw- Hex Cap, M8 X 1.25 X 70	2
4	<u>102289801</u>	Clamp - Leaf Spring	1
5	<u>102357701</u>	Replacement Kit, Front Hub (includes items 6 through 10)	1
6	N/A	Front Hub Assembly, Ball Bearing (includes items 7 and 8)	1
7	<u>102353401</u>	Lug Stud, 1/2-20 UNF, 4037 Stl	4
8	N/A	Hub, Front	1
9	<u>102353201</u>	Cap, Front Hub	1
10	<u>102353301</u>	Hex Nut, Locking Flange, M14x2	1
11	<u>102878201</u>	Nut, Lock,m12,washer,conical	2
12	<u>103638701</u>	Asm, Spindle, with Bushings, Driver-side (includes items 13 and 14)	1
13	<u>102288201</u>	Bushing - Flanged	2
14	N/A	Fitting, Grease, Knuckle Spindle Asym	1
15	<u>103638702</u>	Asm, Spindle, with Bushings, Passenger-side (includes items 16 and 17)	1
16	<u>102288201</u>	Bushing - Flanged	2
17	N/A	Fitting, Grease, Knuckle Spindle Asym	1
18	<u>103638801</u>	Kit, King Pin Joints (includes items 19 through 22)	1
19	<u>102288201</u>	Bushing - Flanged	4
20	<u>102288401</u>	Wave Washer - Kingpin	2
21	<u>102878201</u>	Nut, Lock,m12,washer,conical	2
22	<u>103638601</u>	Asm, King Pin, M12	2
23	<u>103935601</u>	Asm, Spring, Leaf, Front, 50.4 (includes items 24 through 28)	1
24	<u>102288101</u>	Sleeve - Rolled, Spring	2
25	102288701	Eccentric Bolt	1
26	102288801	Nut-hex, 3/8-16	1
27	<u>102956201</u>	Bushing, Urethane, Short	2
28	105187901	Spring, Leaf, Front, 50.4	1

6

E

6

E



000446-005

REAR SUSPENSION, ELECTRIC VEHICLE

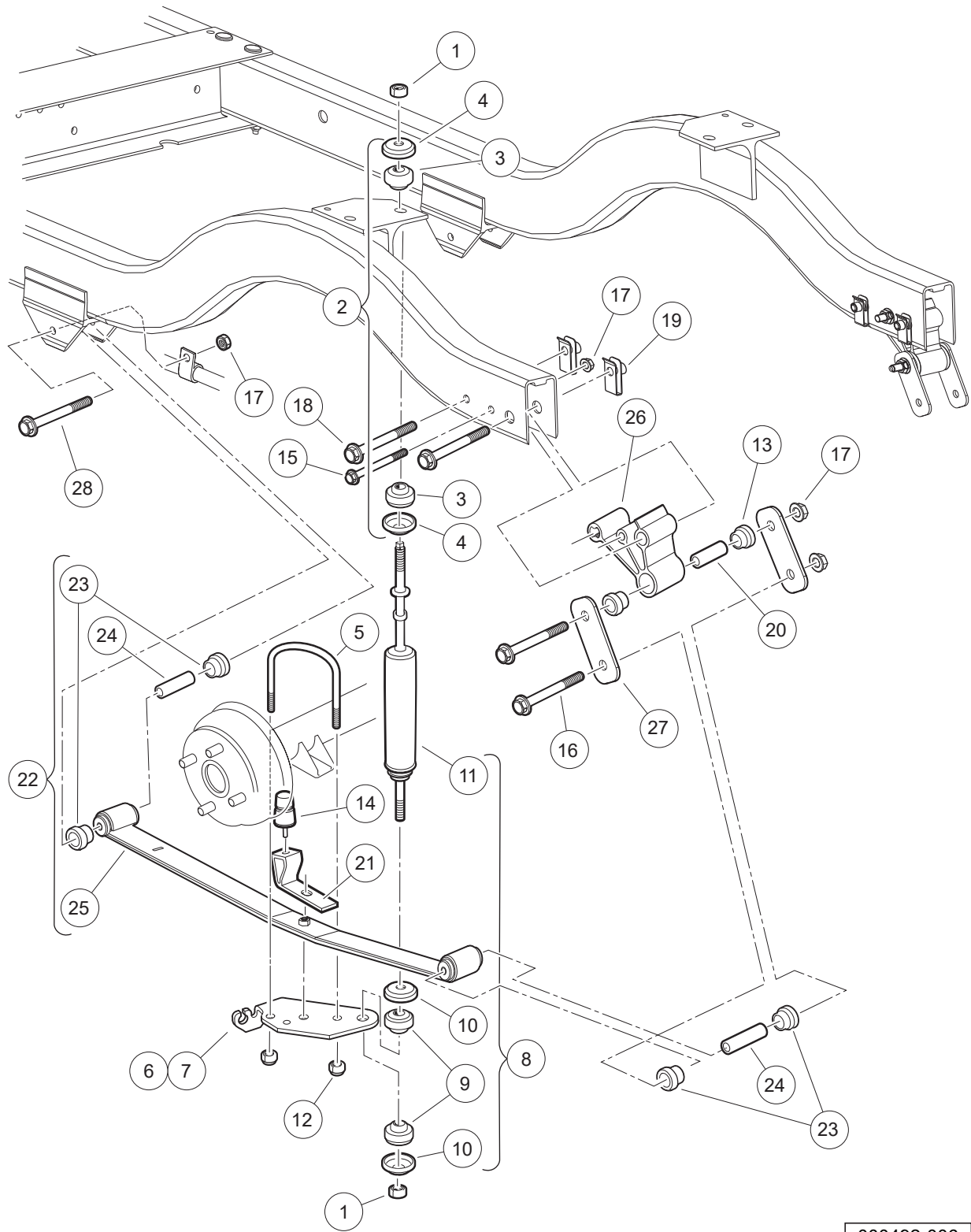
ITEM	PART NO.	DESCRIPTION	QTY
		1 2 3 4	
1	<u>1010145</u>	Nut, 3/8-24 Hex	4
2	<u>1011415</u>	Kit, Shock Absorber Cushion (includes items 3 and 4)	2
3	N/A	Retainer, Shock Absorber Cushion	2
4	<u>47579096001</u>	Isolator, Shock Damper	2
5	<u>1012180</u>	U-Bolt	2
6	<u>1013164</u>	Shock Absorber Kit (includes items 7 through 9)	1
7	N/A	Cushion, Shock Absorber	8
8	N/A	Retainer, Shock Absorber Cushion	8
9	<u>102588501</u>	Shock Absorber, Rear	2
10	<u>1014555</u>	Locknut, 7/16-14 Nylon Hex	4
11	<u>1015583</u>	Bushing, Urethane	4
12	<u>102298170</u>	Bolt - Flange Hd, M8 X 70.0	2
13	<u>102298175</u>	Bolt - Flange Hd, M8 X 75.0	2
14	<u>102298401</u>	Nut,m8,all Metal Lock	8
15	<u>102298580</u>	M8-1.25 X 80 Sems	4
16	<u>102298601</u>	J-clip - M8 X 1.25	4
17	<u>102506401</u>	Sleeve - Spring Eye Mounts	2
18	<u>103742304</u>	Asm, Rear Leaf Spring, Std (includes items 19 through 21)	2
19	<u>101558302</u>	Bushing, Urethane, Soft	4
20	<u>102506401</u>	Sleeve - Spring Eye Mounts	2
21	N/A	Leaf Spring, Rear, Std	1
22	<u>103921601</u>	Bracket, Shock Mounting, Drv	1
23	<u>103921602</u>	Bracket, Shock Mounting, Pas	1
24	<u>103964901</u>	Spacer, Rail, Shackle	2
25	<u>103965001</u>	Brkt, Shackle, Rear	4
26	<u>105188185</u>	Bolt, M8 X 85mm, 10.9 Grade	4

6

E

6

E



000492-006

REAR SUSPENSION, FOUR PASSENGER ELECTRIC, OPTIONAL TWO OR FOUR PASSENGER HD

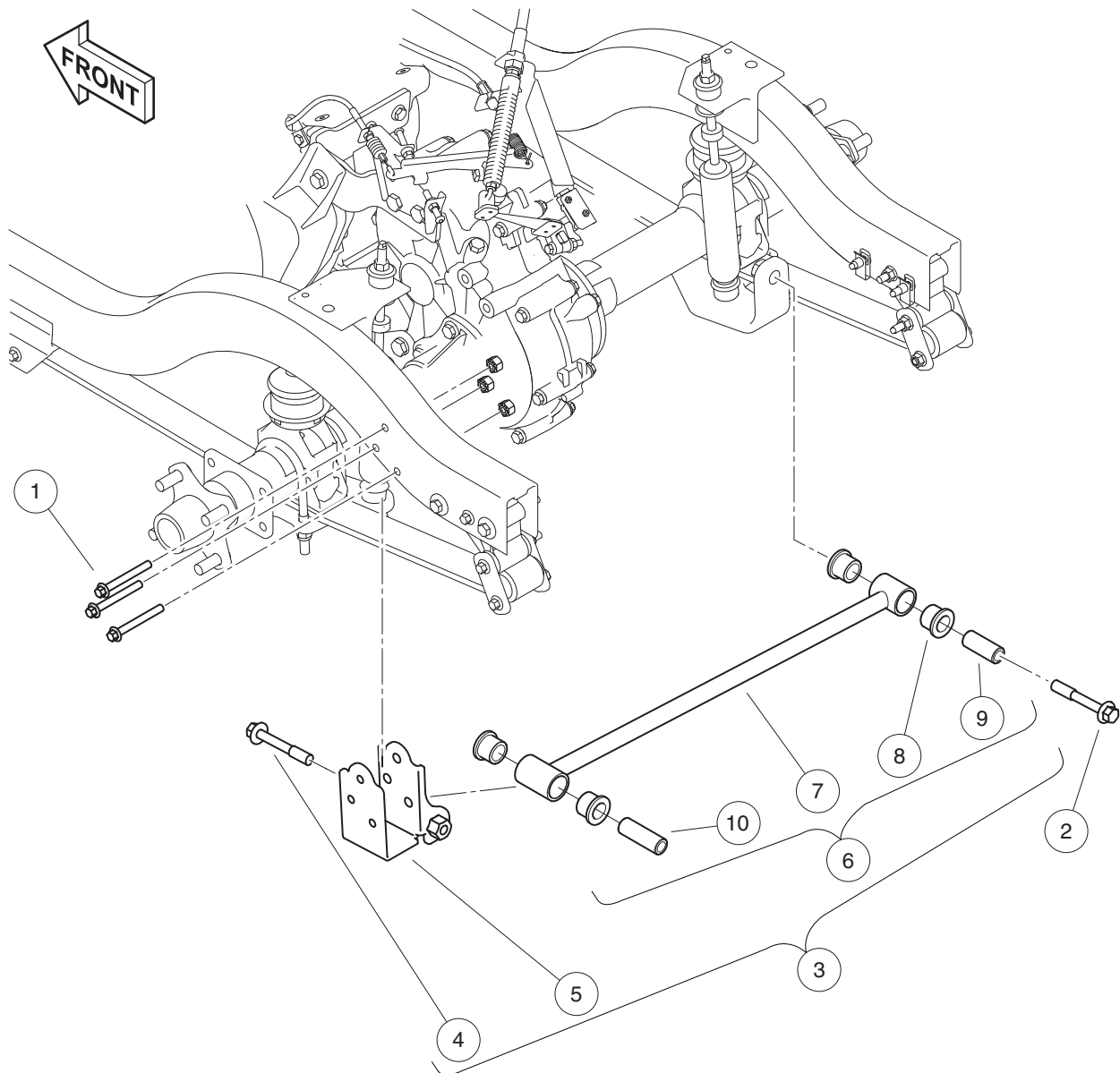
ITEM	PART NO.	DESCRIPTION	QTY
		1 2 3 4	
1	<u>1010145</u>	Nut, 3/8-24 Hex	4
2	<u>1011415</u>	Kit, Shock Absorber Cushion (includes items 3 and 4)	2
3	N/A	Retainer, Shock Absorber Cushion	2
4	<u>47579096001</u>	Isolator, Shock Damper	2
5	<u>1012180</u>	U-Bolt	2
6	<u>1012181</u>	Bracket, Shock Mounting, Right (Passenger)	1
7	<u>1012182</u>	Bracket, Shock Mounting, Left (Driver)	1
8	<u>1013164</u>	Shock Absorber Kit (includes items 9 through 11)	1
9	N/A	Cushion, Shock Absorber	8
10	N/A	Retainer, Shock Absorber Cushion	8
11	<u>102588501</u>	Shock Absorber, Rear	2
12	<u>1014555</u>	Locknut, 7/16-14 Nylon Hex	4
13	<u>1015583</u>	Bushing, Urethane	4
14	<u>1017235</u>	Bumper, Jounce	2
15	<u>102298170</u>	Bolt - Flange Hd, M8 X 70.0	2
16	<u>102298175</u>	Bolt - Flange Hd, M8 X 75.0	2
17	<u>102298401</u>	Nut,m8,all Metal Lock	8
18	<u>102298580</u>	M8-1.25 X 80 Sems	4
19	<u>102298601</u>	J-clip - M8 X 1.25	4
20	<u>102506401</u>	Sleeve - Spring Eye Mounts	2
21	<u>102534801</u>	Jounce Bumper Bracket	2
22	<u>103742306</u>	Asm, Rear Leaf Spring (includes items 23 through 25)	2
23	<u>101558302</u>	Bushing, Urethane, Soft	4
24	<u>102506401</u>	Sleeve - Spring Eye Mounts	2
25	N/A	Leaf Spring, Rear	1
26	<u>103964901</u>	Spacer, Rail, Shackle	2
27	<u>103965001</u>	Brkt, Shackle, Rear	4
28	<u>105188185</u>	Bolt, M8 X 85mm, 10.9 Grade	4

6

E

6

E



001392-001

PANHARD ROD

ITEM	PART NO.	DESCRIPTION	QTY
		1 2 3 4	
1	<u>102298170</u>	Bolt - Flange Hd, M8 X 70.0	3
2	<u>103146501</u>	Bolt, Flg, M12 X 1.75 X 80	1
3	47577865001	Assy, Panhard and Frame Rail Bracket (includes items 4 through 6)	1
4	<u>103146501</u>	Bolt, Flg, M12 X 1.75 X 80	1
5	47576649001	Bkt, Frame Rail, Panhard	1
6	47577864001	Asm, Rod, Panhard (includes items 7 through 10)	1
7	47576650001	Assy, Weldment, Panhard	1
8	47576651001	Bushing, Slip, 3390000-160802	4
9	47576652001	Sleeve, Bushing, Panhard, Short	1
10	47576652002	Sleeve, Bushing, Panhard, Long	1

6

E

6

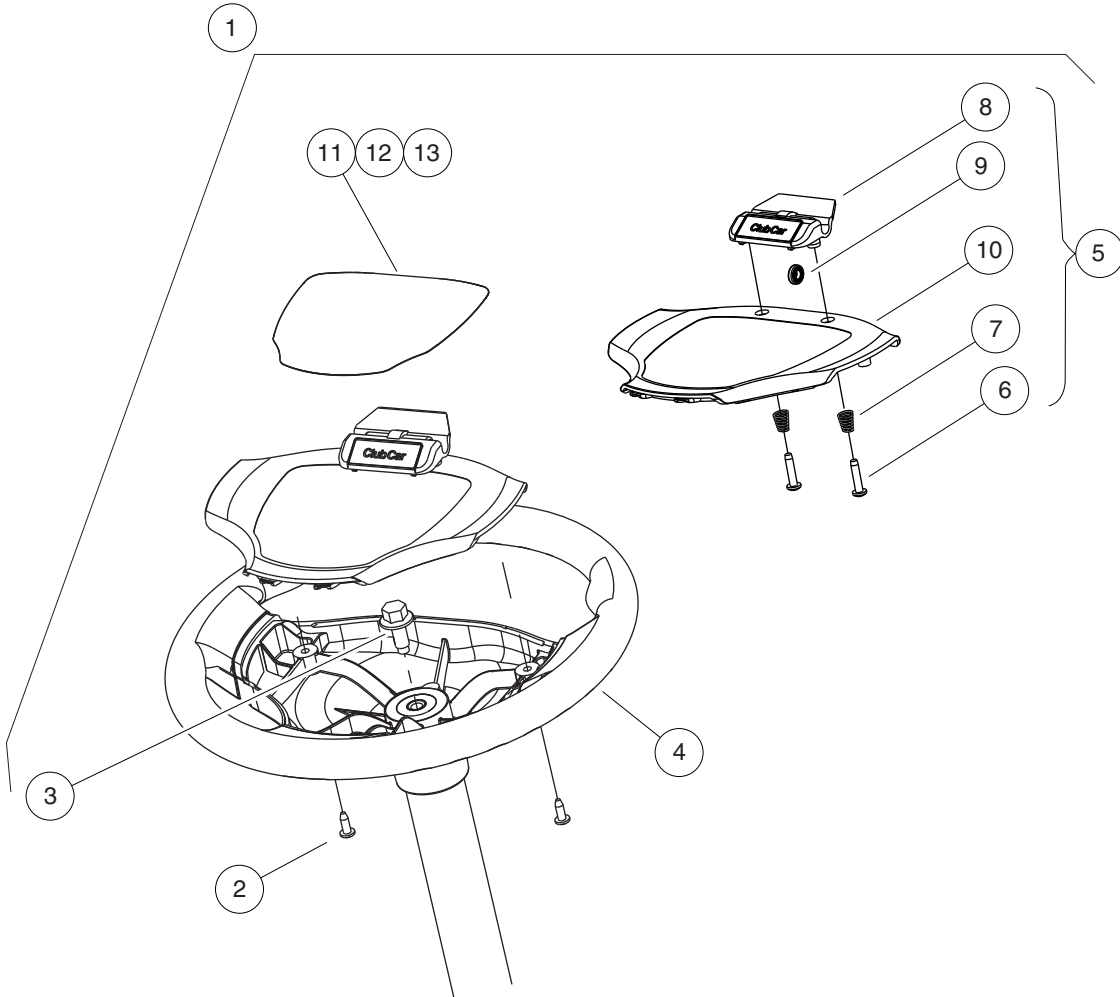
E

STEERING, FRONT AND REAR SUSPENSION – LIFTED

7

G

E

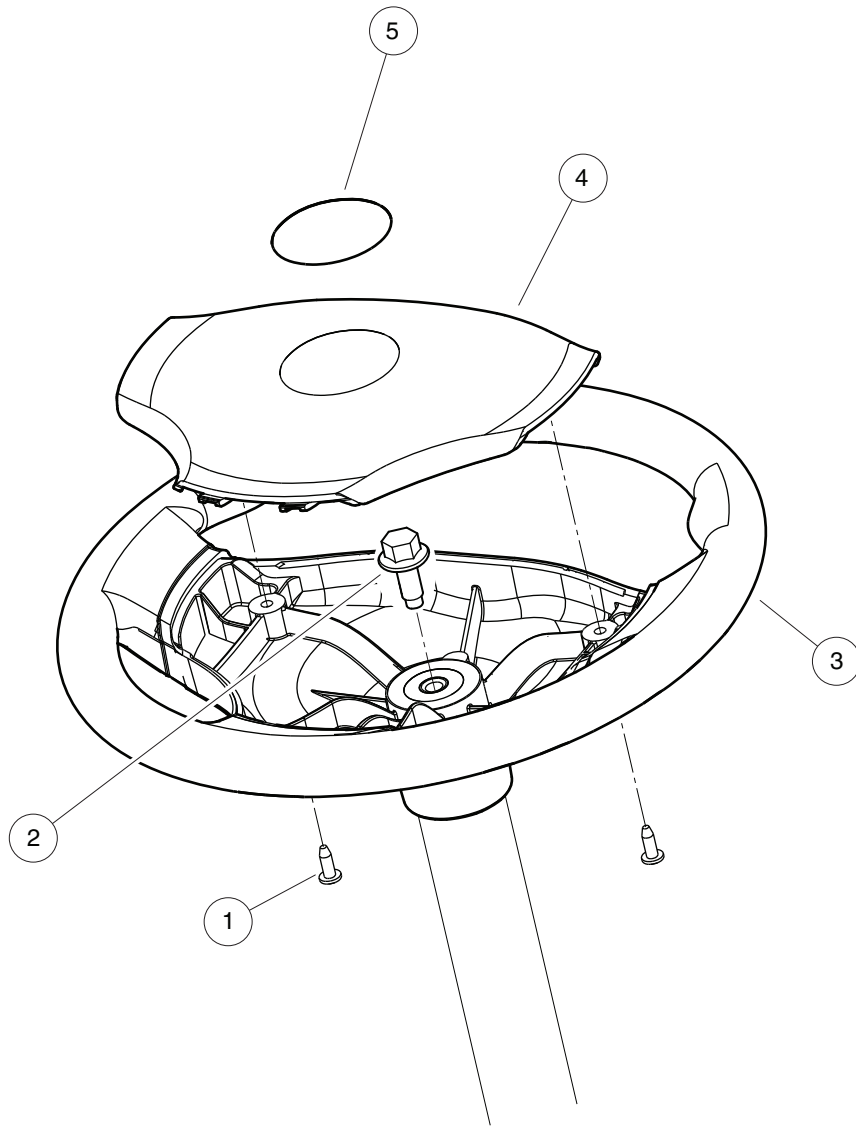


000470-002

STEERING WHEEL, COMFORT GRIP WITH CLIP

ITEM	PART NO.	DESCRIPTION	QTY
		1 2 3 4	
1	<u>103796701</u>	Kit, Hex, Steering Wheel (includes items 2 through 13)	1
2	<u>101850301</u>	Screw, #12-16 X 0.50 Washer-Head Hi-Lo	2
3	<u>102290120</u>	Bolt, M10 X 20 Hex Washer Hd	1
4	<u>103724503</u>	Steering Wheel, Soft Grip, Hex	1
5	<u>103724901</u>	Asm, Scorecard, Clip (includes items 6 through 10)	1
6	<u>1012565</u>	Screw, #12 Phillips Round Head	2
7	<u>1012566</u>	Tapered Compression Spring	2
8	<u>1016154</u>	Clip, Scorecard	1
9	<u>1016214</u>	Pencil Grip	1
10	<u>103724601</u>	Cover, Steering Wheel, Clip	1
11	<u>103783001</u>	Decal, Op Instr, Ele	1
12	<u>103783002</u>	Decal, Op Instr, Gas Ps	1
13	<u>103783003</u>	Decal, Op Instr, Gas Ks	1
<p>Note: Refer to the Decal section of this manual or to the applicable Operator Manual for this vehicle to make sure which Operating Instructions Decal applies.</p>			

7
G
E

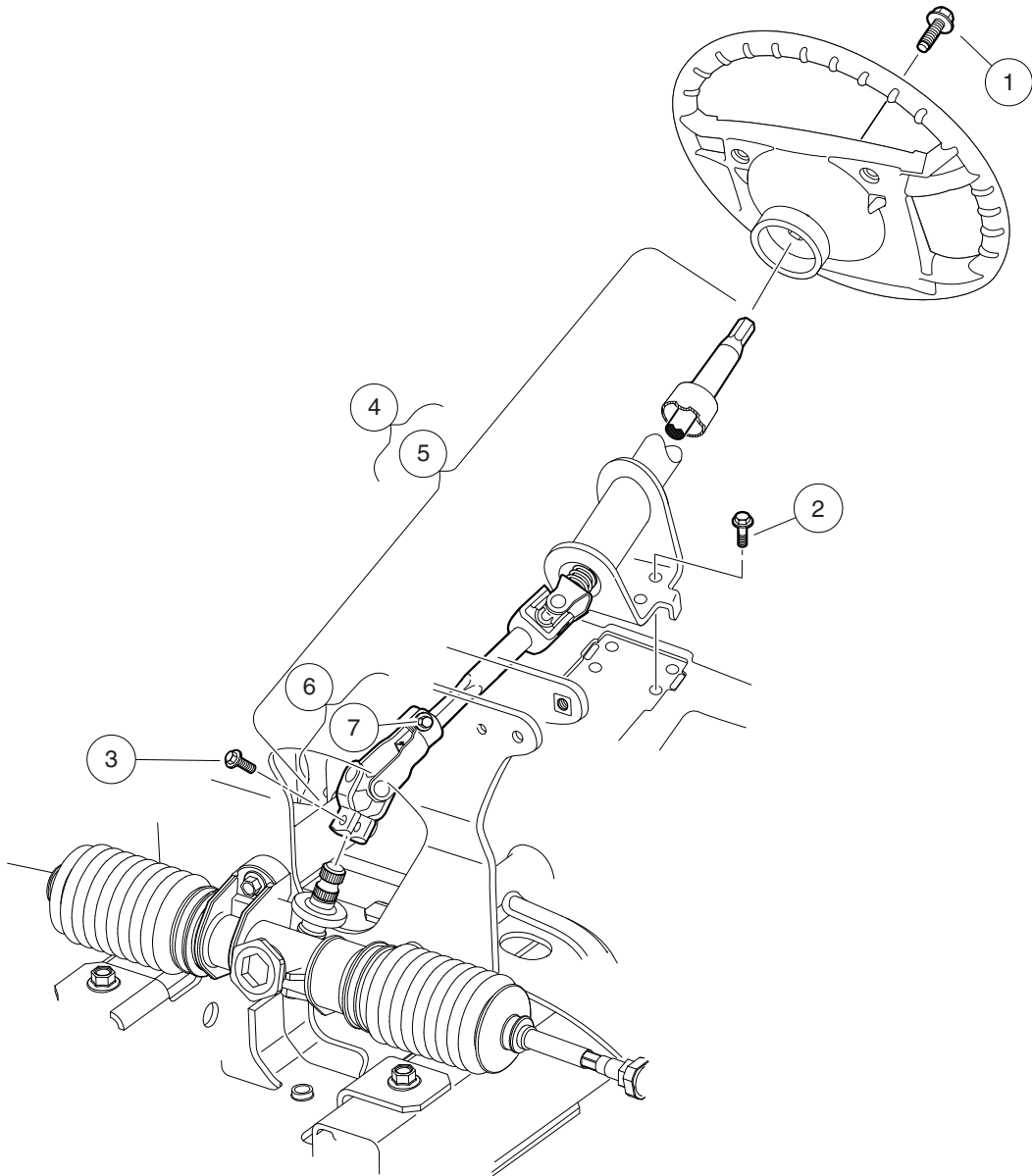


001389-001

STEERING WHEEL, COMFORT GRIP WITH LOGO

ITEM	PART NO.	DESCRIPTION	QTY
		1 2 3 4	
1	<u>101850301</u>	Screw, #12-16 X 0.50 Washer-Head Hi-Lo	2
2	102290120	Bolt, M10 X 20 Hex Washer Hd	1
3	<u>103724503</u>	Steering Wheel, Soft Grip, Hex	1
4	<u>103724602</u>	Cover, Steering Wheel, Generic	1
5	<u>103829401</u>	Logo, Cci, Steer Wheel	1

7
G
E

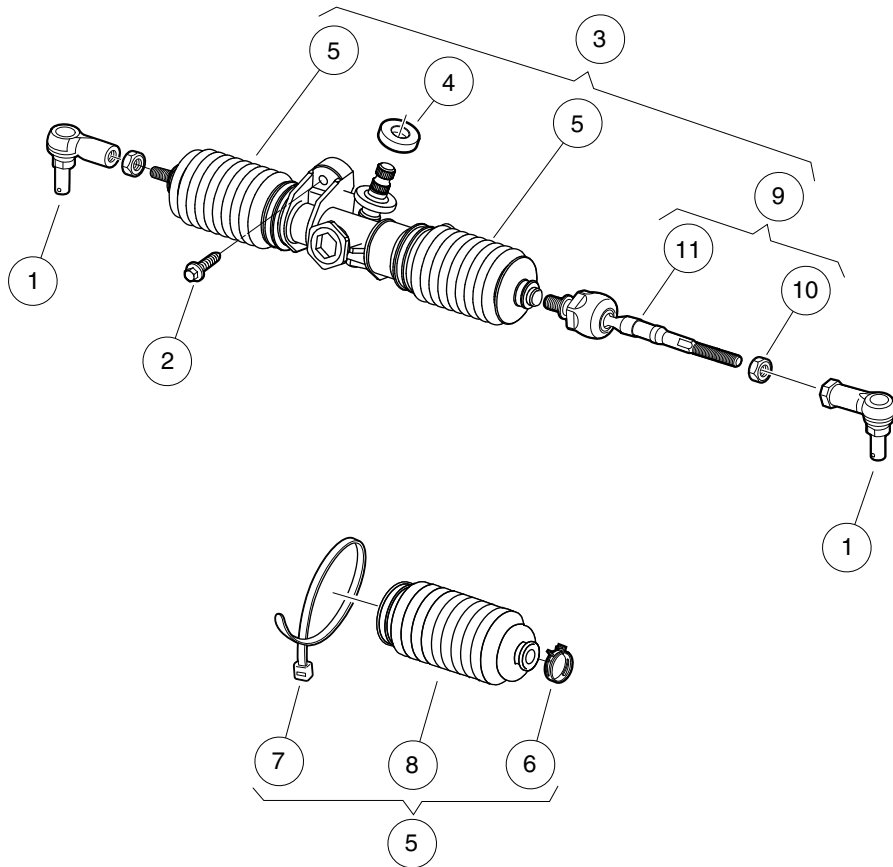


000469-007

STEERING COLUMN

ITEM	PART NO.	DESCRIPTION	QTY
		1 2 3 4	
1	102290120	Bolt, M10 X 20 Hex Washer Hd	1
2	<u>102298116</u>	Bolt, Flanged Head, M8 X 16.0	4
3	<u>102298130</u>	Bolt, Flange Head, M8 X 30.0	1
4	<u>105049001</u>	Kit, Inner Steering Clmn (includes item 5)	1
5	105068601	Asm, Column, Inner (includes item 6)	1
6	<u>103810201</u>	Kit, Lower Yoke, Wanda (includes item 7)	1
7	<u>102298130</u>	Bolt, Flange Head, M8 X 30.0	1

7
G
E



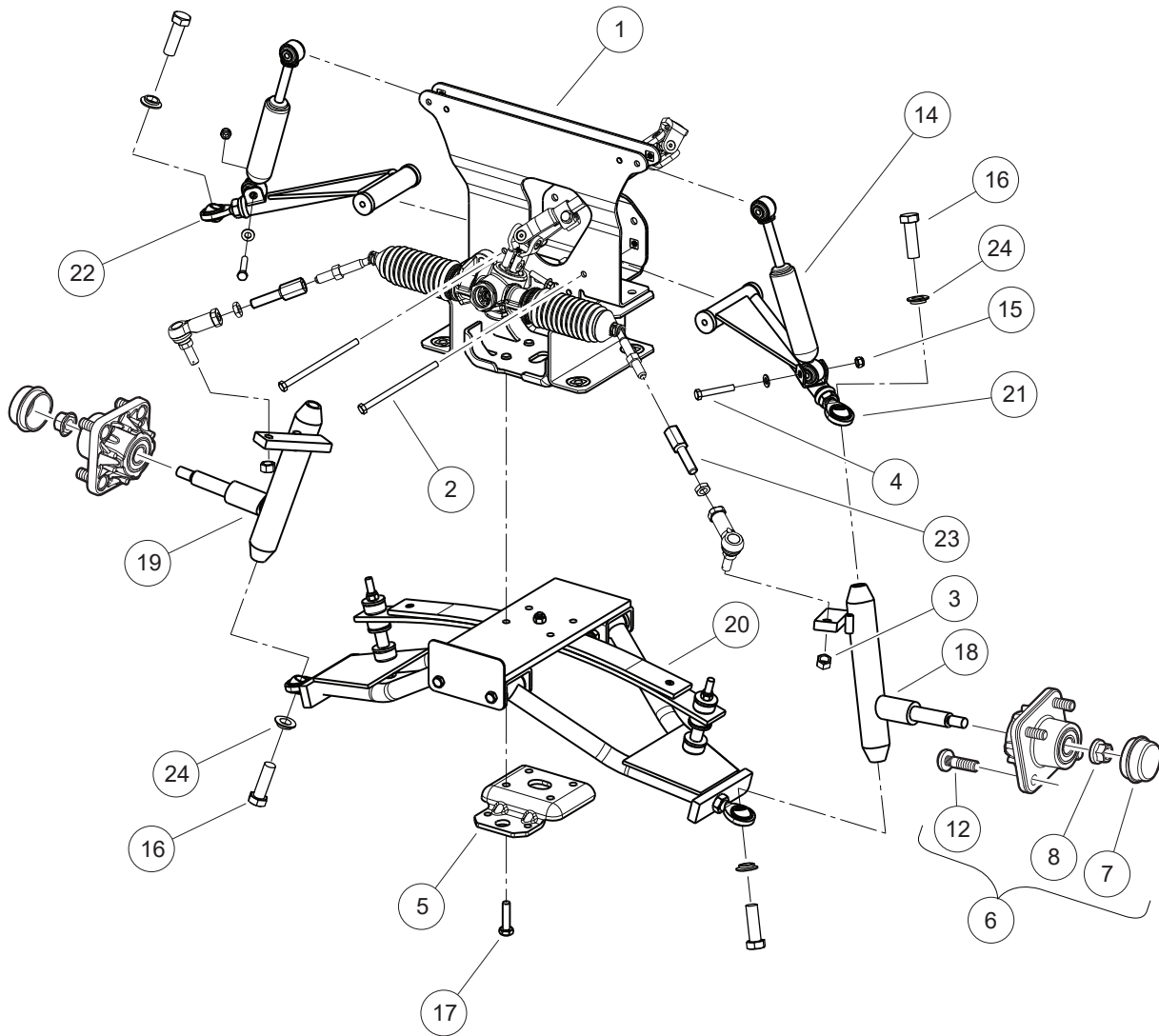
000476-005

STEERING GEAR ASSEMBLY

ITEM	PART NO.	DESCRIPTION	QTY
		1 2 3 4	
1	<u>102022601</u>	End, Tie Rod M12 X 1.25 Rh	2
2	<u>102289001</u>	Screw, M8X1.25X30, Hex	3
3	<u>103679701</u>	Asm, Rack & Pinion (includes items 4 through 9)	1
4	<u>102565201</u>	Seal, Dust, Steering Pinion	1
5	<u>103826201</u>	Bellow Kit, Steering-sona (includes items 6 through 8)	2
6	<u>102566001</u>	Clip, Steering	1
7	<u>8990</u>	Tie Wrap, 8" Nylon	1
8	N/A	Bellows	1
9	<u>103826301</u>	Kit, IBJ (Inner Ball Joint), Steering-sona (includes items 10 and 11)	2
10	1013042	Nut, 12mm Hex	1
11	N/A	Inner Ball Joint	1

7
G
E

7
G
E



001390-001

FRONT SUSPENSION, LIFTED

ITEM	PART NO.	DESCRIPTION	QTY
		1 2 3 4	
1	<u>102287101</u>	Assembly - Front Structure	1
2	<u>102288901</u>	Bolt, Hex, M8x1.25 X 135	2
3	<u>102289201</u>	Nut - Hex Locking, M12 X 1.25	2
4	<u>102289401</u>	Screw- Hex Cap, M8 X 1.25 X 45	4
5	<u>102289801</u>	Clamp - Leaf Spring	1
6	<u>102357701</u>	Replacement Kit, Front Hub (includes items 7 through 9)	2
7	<u>102353201</u>	Cap, Front Hub	1
8	<u>102353301</u>	Hex Nut, Locking Flange, M14x2	1
9	N/A	Asm, Front Hub, Bb, Long Stud (includes items 10 through 13)	1
10	N/A	Bearing, Ball, 6204	2
11	N/A	Spacer, Bearing, Front Hub, Pm	1
12	<u>103477901</u>	Lug Stud, 1/2-20 Unf, 4037	4
13	N/A	Front Hub, Ball Brg, Long Stud	1
14	<u>102588601</u>	Shock Absorber Front	2
15	<u>102618601</u>	Lock Nut, Flange, M8 X 1.25 Nylon	2
16	<u>47566405001</u>	Screw, Hex 5/8"-18 X 2" Gr5 Zn	4
17	<u>47566411001</u>	Screw, Hhf M10-1.5 X 50 Trilob	4
18	<u>AM1289701</u>	Spindle, Driver-side	1
19	<u>AM1289801</u>	Spindle, Passenger-side	1
20	<u>AM1289901</u>	Lower A-arm Assembly	1
21	<u>AM1290001</u>	A-arm Assembly, Driver-side	1
22	<u>AM1290101</u>	A-arm Assembly, Passenger-side	1
23	<u>AM1290201</u>	Tie Rod Extension	2
24	<u>AM1290501</u>	Washer, Tapered, 5/8"	4
Note: Item 6 contains items 7 through 13. Detail items not shown for clarity.			

7
G
E

REAR SUSPENSION, LIFTED

ITEM	PART NO.	DESCRIPTION	QTY
		1 2 3 4	
1	N/A	Retainer, Shock Absorber Cushion	8
2	<u>1010145</u>	Nut, 3/8-24 Hex	4
3	<u>102298175</u>	Bolt - Flange Hd, M8 X 75.0	4
4	<u>102298401</u>	Nut,m8,all Metal Lock	4
5	<u>102588501</u>	Shock Absorber, Rear	2
6	<u>102670701</u>	Nut, Flange, M10 X 1.5 Nylon	8
7	<u>103742304</u>	Asm, Rear Leaf Spring, Std (includes items 8 through 10)	2
8	<u>101558302</u>	Bushing, Urethane, Soft	4
9	<u>102506401</u>	Sleeve - Spring Eye Mounts	2
10	N/A	Leaf Spring, Rear, Std	1
11	<u>103742307</u>	Asm, Rear Leaf Spring, HD (includes items 12 through 14)	2
12	<u>101558302</u>	Bushing, Urethane, Soft	4
13	<u>102506401</u>	Sleeve - Spring Eye Mounts	2
14	<u>103742207</u>	Leaf Spring, Rear, HD	1
15	<u>105188185</u>	Bolt, M8 X 85mm, 10.9 Grade	4
16	<u>105188701</u>	U-bolt, M10x1.5x58	4
17	<u>47576196001</u>	Bumper, Jounce, D-255828	2
18	<u>47576197001</u>	Bracket, Bumper, Jounce, Driver-side	1
19	<u>47576198001</u>	Bracket, Bumper, Jounce, Passenger-side	1
20	<u>47576648001</u>	Sleeve, Perch, Spring	4
21	<u>47579096001</u>	Isolator, Shock Damper	8
22	<u>47603899001</u>	Brkt, Perch, Spring, Lh	1
23	<u>47603900001</u>	Brkt, Perch, Spring, Rh	1

7
G
E

PANHARD ROD

ITEM	PART NO.	DESCRIPTION	QTY
		1 2 3 4	
1	<u>102298170</u>	Bolt - Flange Hd, M8 X 70.0	3
2	<u>103146501</u>	Bolt, Flg, M12 X 1.75 X 80	1
3	47577865001	Assy, Panhard and Frame Rail Bracket (includes items 4 through 6)	1
4	<u>103146501</u>	Bolt, Flg, M12 X 1.75 X 80	1
5	47576649001	Bkt, Frame Rail, Panhard	1
6	47577864001	Asm, Rod, Panhard (includes items 7 through 10)	1
7	47576650001	Assy, Weldment, Panhard	1
8	47576651001	Bushing, Slip, 3390000-160802	4
9	47576652001	Sleeve, Bushing, Panhard, Short	1
10	47576652002	Sleeve, Bushing, Panhard, Long	1

7
G
E

7

G

E

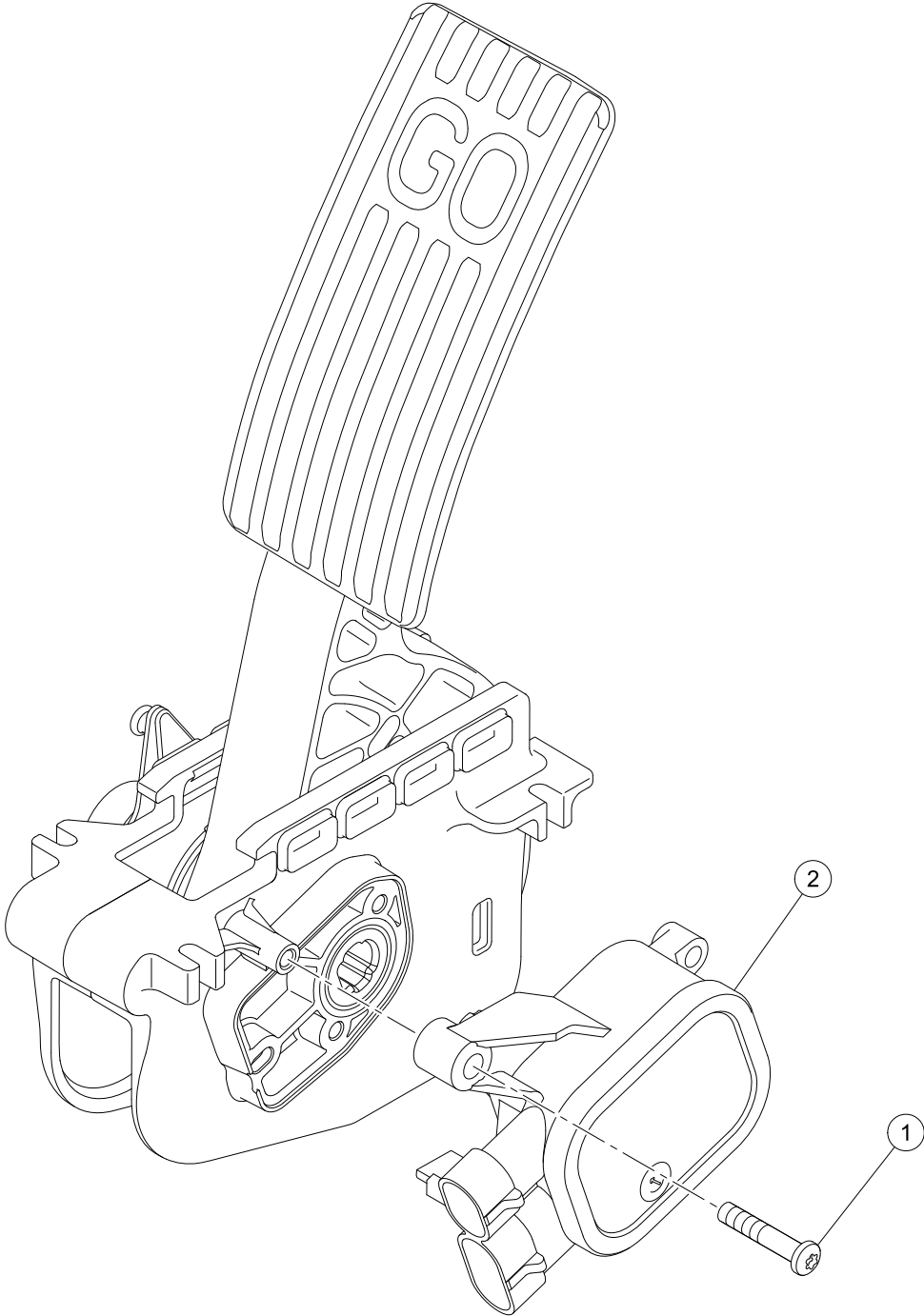
ELECTRICAL SYSTEM – LITHIUM-ION

8

E

8

E



G-131199-000003

MOTOR CONTROLLER OUTPUT REGULATOR (MCOR)

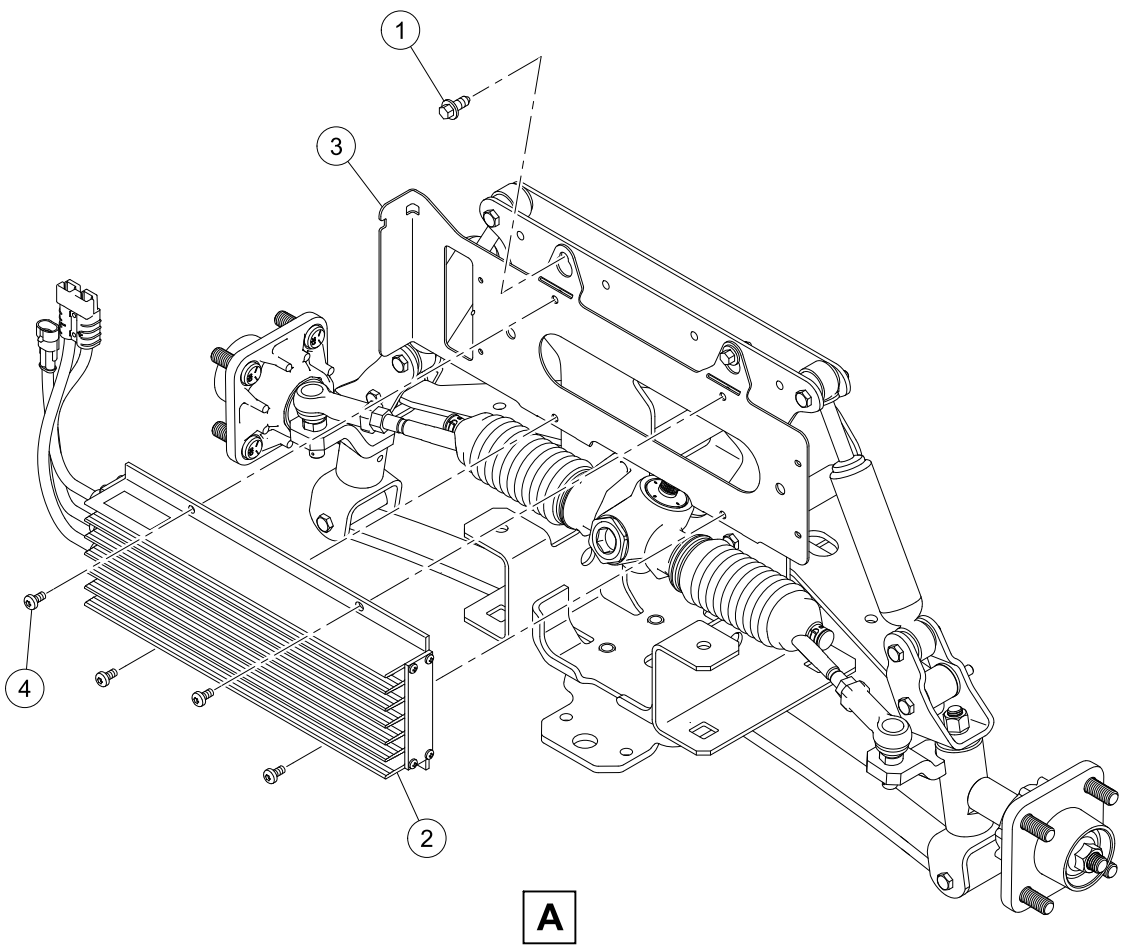
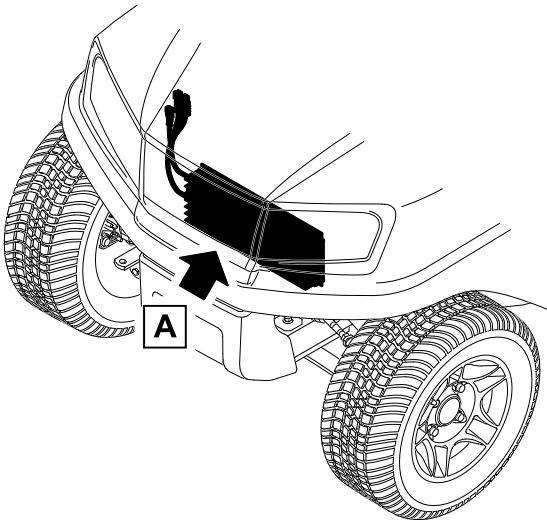
ITEM	PART NO.	DESCRIPTION	QTY
1	<u>103943401</u>	1 2 3 4 Screw, Pan, #10 X 1.00 Hi-lo	1
2	<u>105116301</u>	MCOR4, Type 16 Switch	1

8

E

8

E



G-130299-000004

DYNAMIC BRAKING RESISTOR

ITEM	PART NO.	DESCRIPTION	QTY
		1 2 3 4	
1	<u>102298720</u>	Screw, M8-1.25x20, Taptite	4
2	<u>47631086001</u>	Resistor, DBR	1
3	<u>47636253001</u>	Bracket, DBR	1
4	<u>47644702001</u>	Screw, M6 X 1.0 X 12, Torx	4

8

E

WIRING HARNESSES AND PDM

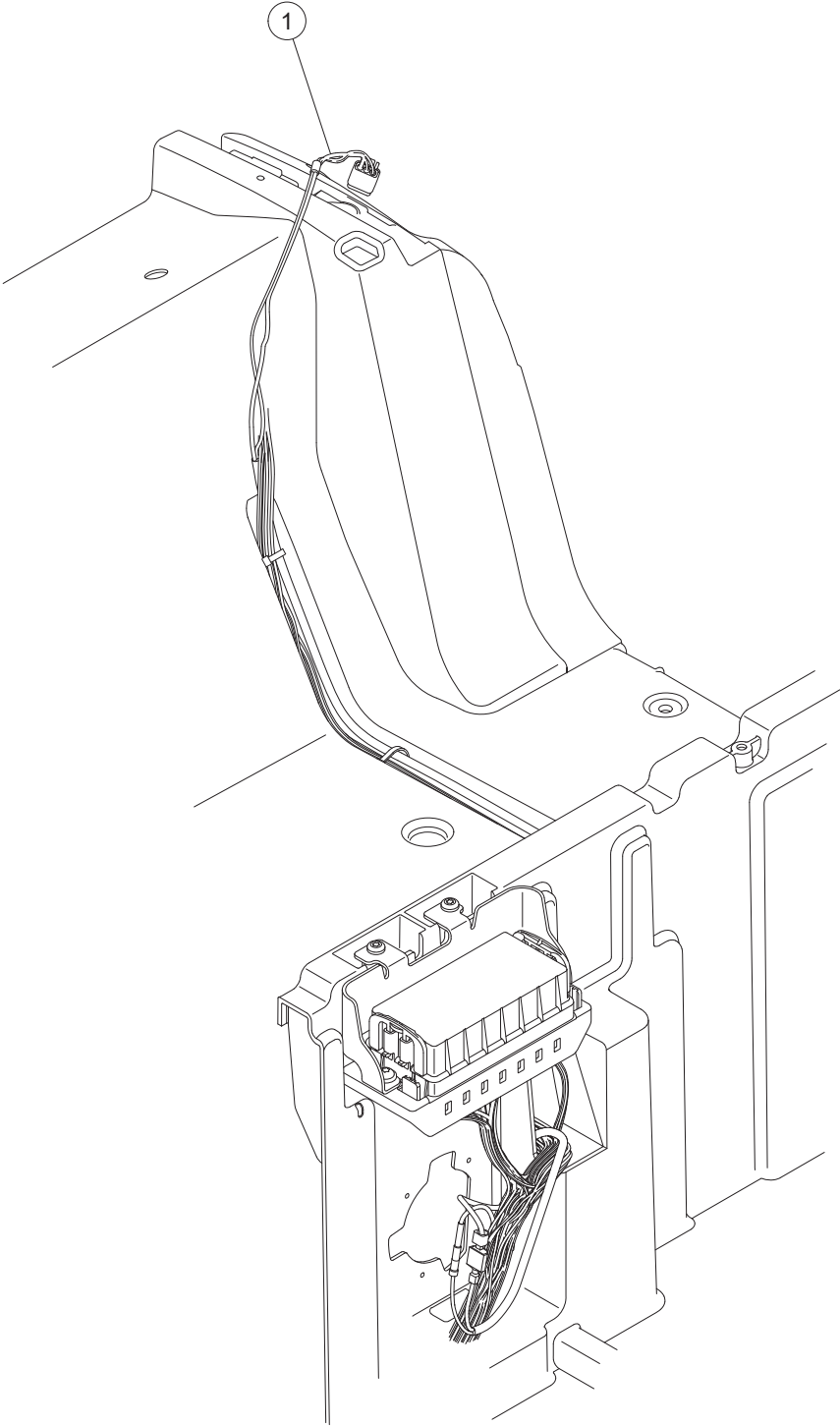
ITEM	PART NO.	DESCRIPTION	QTY
		1 2 3 4	
1	<u>102296920</u>	Screw, M6, Torx Button Head, Sems	2
2	47605992001	Base, PDM, 84 Way (includes items 3 through 7)	1
3	<u>105114804</u>	Fuse, Mini, Atm, 5 Amp	1
4	<u>105114807</u>	Fuse, Mini, Atm, 15 Amp	1
5	<u>47616158001</u>	Diode, 1.0a, Atm	2
6	<u>47618753001</u>	Diode, 3.0a, Atm	1
7	47619337001	Diode, Key, PDM	3
8	47605993001	Asm, PDM Cover	1
9	47614268001	Bracket, Fuse Block	1
10	<u>47614743001</u>	Harness, Ip, Lio, Prec, El	1
11	<u>47614744001</u>	Harness, Motor, Ac, Lio	1
12	<u>47614807001</u>	Harness, Lgt, Cntrl, Lio, Prec	1
13	47660254001	Harness, Lighting, Li-Ion	1
14	47675944001	Harness, Main, Li, Ac	1
Note: Item 2 is part of the main harness assembly and is not procurable.			

8

E

8

E



G-131099-000006

BLUETOOTH AND ACC HARNESSSES

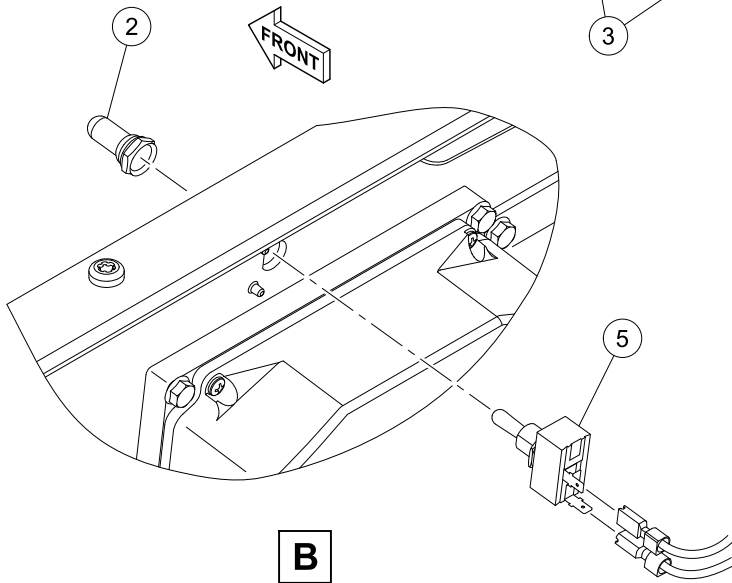
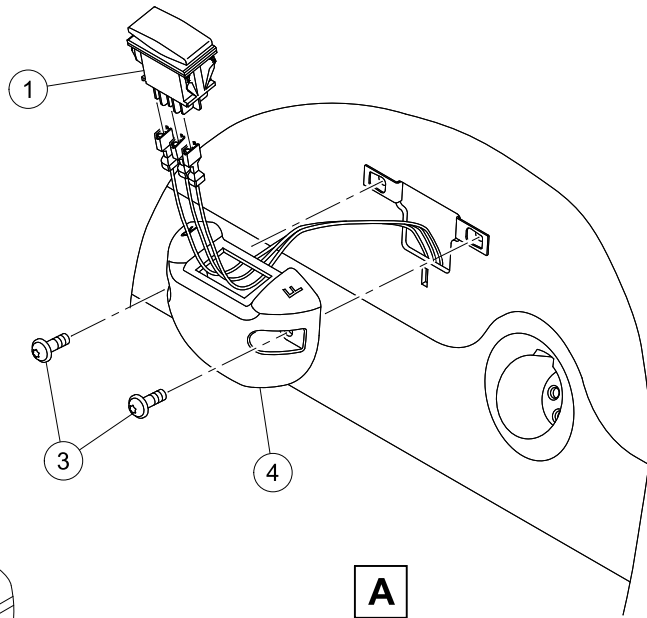
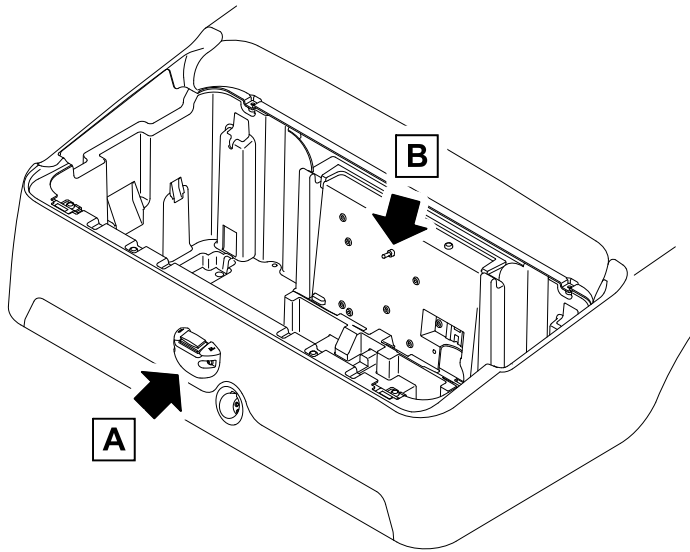
ITEM	PART NO.	DESCRIPTION	QTY
1	47672583001	1 2 3 4 Harness, 12v, Acc, Bt	1

8

E

8

E



G-130499-000002

FORWARD/REVERSE SWITCH AND TOW/RUN SWITCH

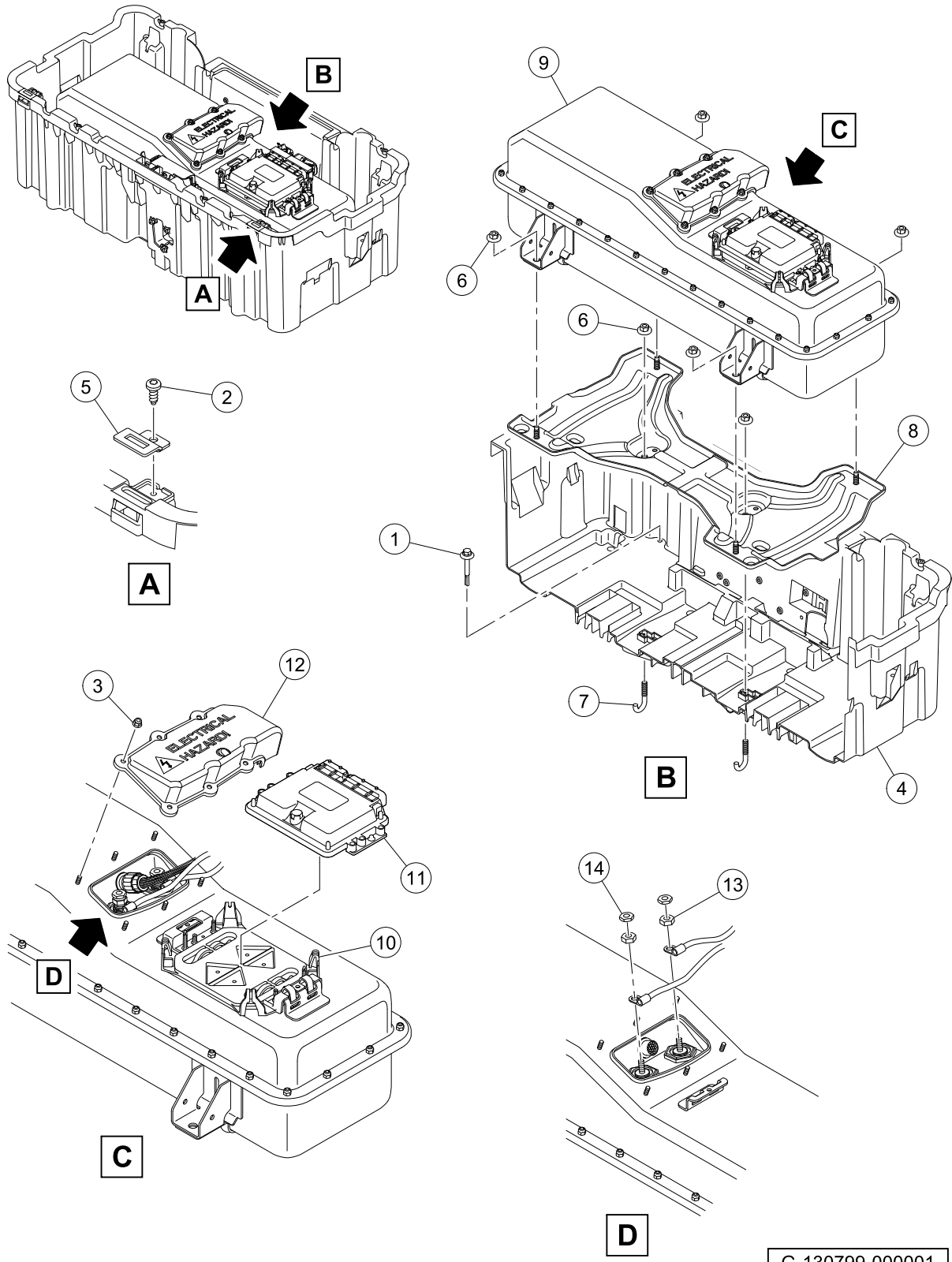
ITEM	PART NO.	DESCRIPTION	QTY
		1 2 3 4	
1	<u>101856002</u>	Switch, Rocker, Single-Pole	1
2	<u>101908401</u>	Boot, Switch	1
3	<u>102296920</u>	Screw, M6, Torx Button Head, Sems	2
4	<u>102508401</u>	Housing, FNR Electric	1
5	<u>102511101</u>	Switch, Tow/Run	1

8

E

8

E



G-130799-000001

BATTERY AND BATTERY BUCKET

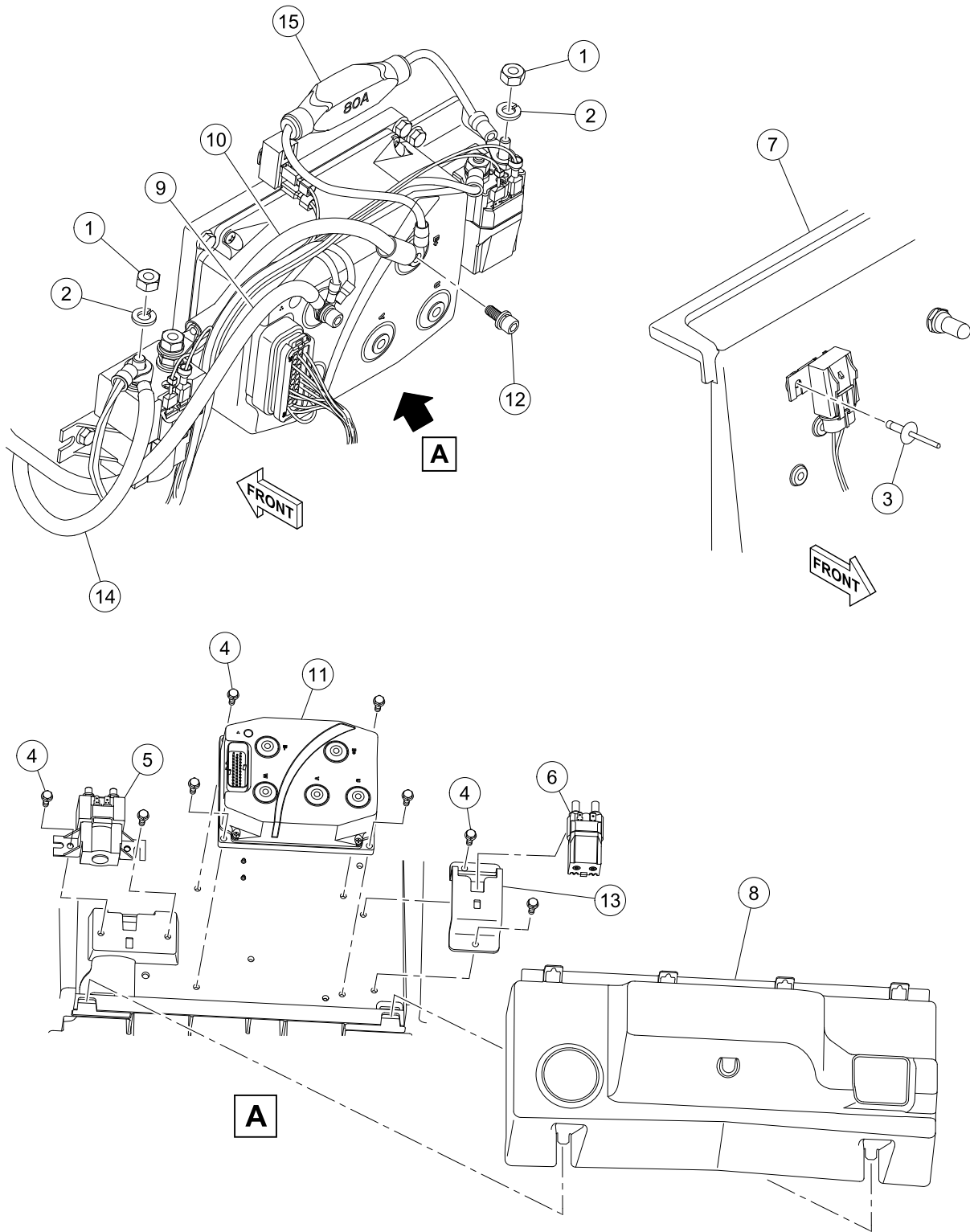
ITEM	PART NO.	DESCRIPTION	QTY
		1 2 3 4	
1	<u>102292356</u>	Screw-1/4-20x56 Hwh Self Drill	4
2	<u>102298020</u>	Screw, K80x20, Torx Pn Hd Pt	2
3	<u>102621501</u>	Nut, Flange, M6 X 1.0, Nylon	6
4	103350802	Bucket, Batt, Elec	1
5	<u>103368301</u>	Hinge - Nested	2
6	<u>47609833001</u>	Nut, Locking Washer, M10	8
7	<u>47609834001</u>	Hook, Retention, Batt Support	2
8	<u>47609836001</u>	Asm, Support, Battery	1
9	<u>47610465001</u>	Battery, Lithium, 1p	1
10	<u>47610843001</u>	Mount, Vcm, Lith	1
11	<u>47620652001</u>	Controller, Vcm, Li, Ev2106b01	1
12	<u>47624755001</u>	Asm, Cover, Terminal	1
13	<u>47630830001</u>	Spacer, 3/8-16, Brass	2
14	<u>47634258001</u>	Nut, 3/8-16 Zinc, K-lock	2

8

E

8

E



G-130499-000003

MODULE, CONTROLLER AND SOLENOIDS

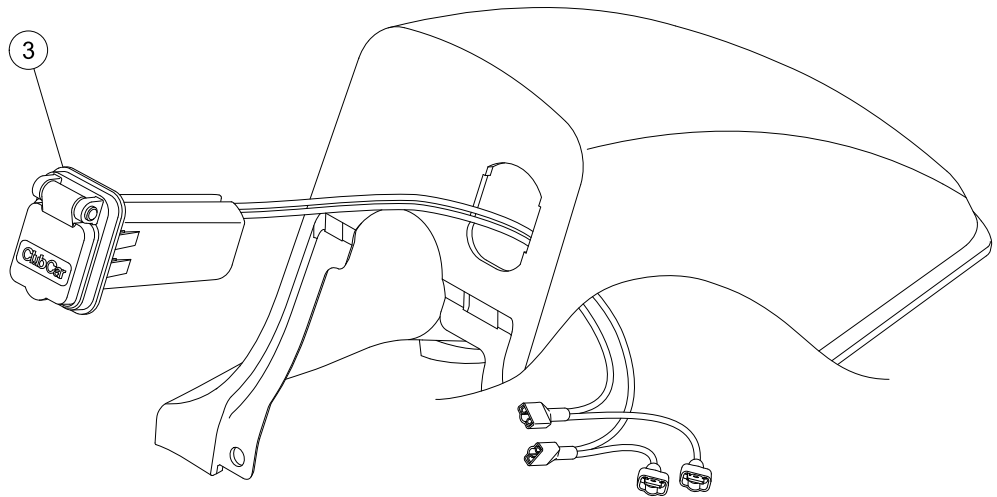
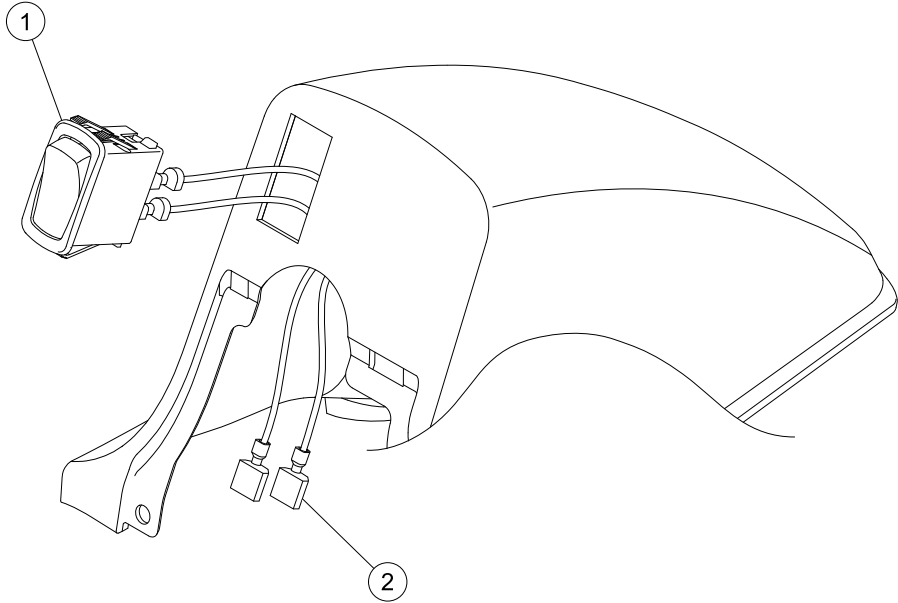
ITEM	PART NO.	DESCRIPTION	QTY
		1 2 3 4	
1	<u>1012528</u>	Nut, M8-1.25 Hex	4
2	<u>1013734</u>	Lockwasher, 8mm Split	4
3	<u>1015392</u>	Rivet, 3/16 Pop	1
4	<u>102296720</u>	Screw, M6 X 20 Tt Hx Fl Hd	8
5	<u>102774701</u>	Solenoid, 48v	1
6	<u>102865901</u>	Solenoid 48v Slot Mt No Diode	1
7	<u>105005001</u>	Component Mounting Plate	1
8	<u>47610889001</u>	Cover, Cmp, Extended	1
9	<u>47614748001</u>	Wire, Batt, Neg, Lio	1
10	<u>47614749001</u>	Wire, Sol-controller (b+)	1
11	<u>47620653001</u>	Controller, Mtr, Ac, Li, 1532	1
12	<u>47624326001</u>	Scr, M6, Stl Zn, Int Hex, Sems	5
13	<u>47624985001</u>	Bkt, Solenoid, Su60-2122p	1
14	<u>47632305001</u>	Wire, B+, Li, 4ga	1
15	<u>47642666001</u>	Fuse, Inline, 80A, DBR	1

8

E

8

E



G-130599-000002

HAZARD SWITCH AND USB PORT

ITEM	PART NO.	DESCRIPTION	QTY
1	<u>105146701</u>	1 2 3 4 Switch, Hazard, 12vdc (includes item 2)	1
2	<u>47614753001</u>	Harness, Sub, Hazard Sw	1
3	<u>47560030001</u>	USB Port	1

8

E

8

E

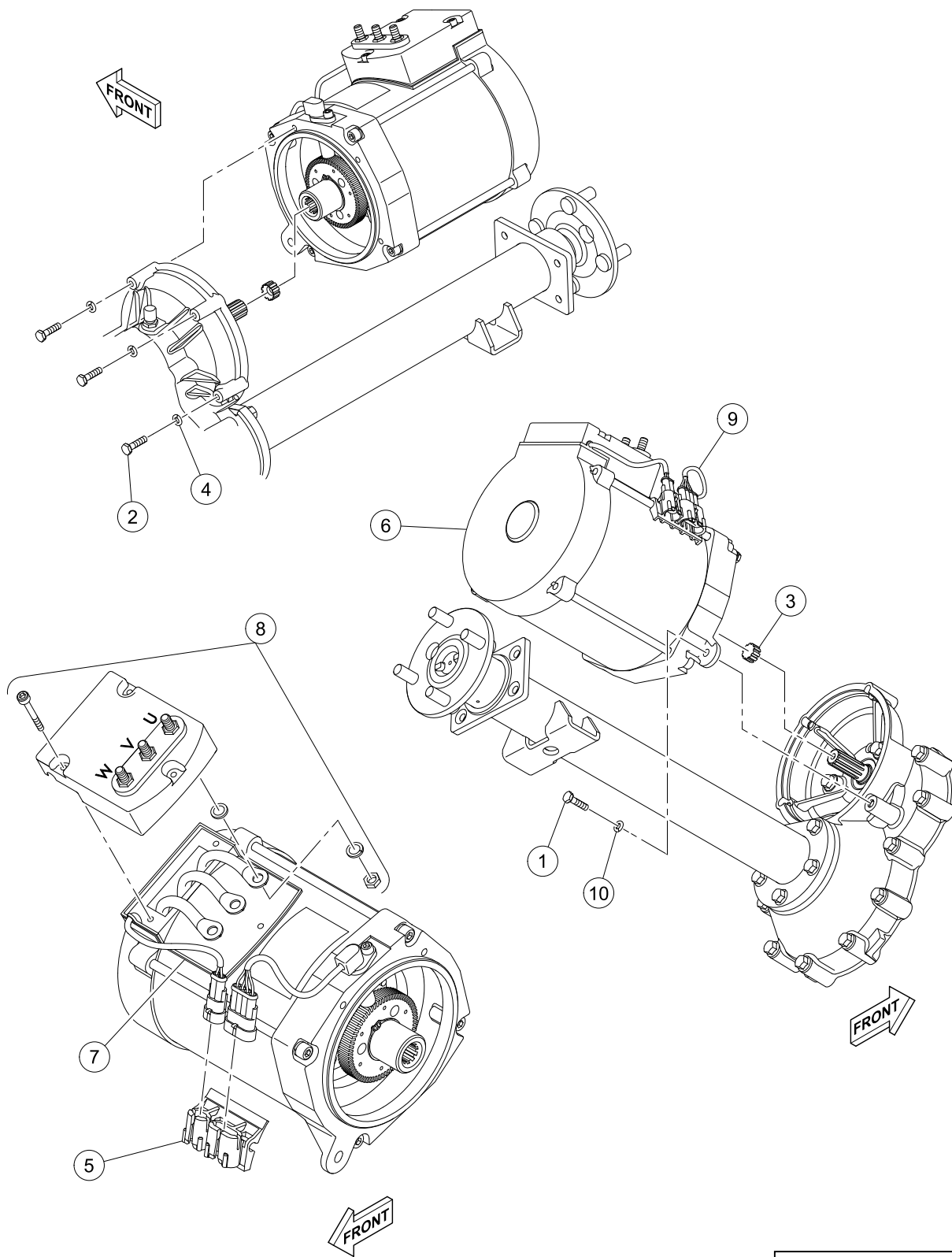
ELECTRIC MOTOR

9

E

9

E



G-130399-000001

ELECTRIC MOTOR

ITEM	PART NO.	DESCRIPTION	QTY
		1 2 3 4	
1	<u>1010934</u>	Screw, 5/16-18 X 1.00 Hex Cap	1
2	1014201	Screw, 1/4-20 X 2.25 Hex Cap	3
3	<u>102235201</u>	Bumper, Drive Unit	1
4	<u>451</u>	Lockwasher, 1/4 Split	3
5	<u>47622766001</u>	Clip, Motor Harness	1
6	<u>47637882001</u>	Motor, Elec, Acx-3381, W/clip	1
7	47653176001	Gasket, Terminal Block	1
8	47653176002	Kit, Terminal Block	1
9	<u>47653176003</u>	Kit, Speed Sensor Service	1
10	<u>7174</u>	Lockwasher, 5/16 Split	1

9

E

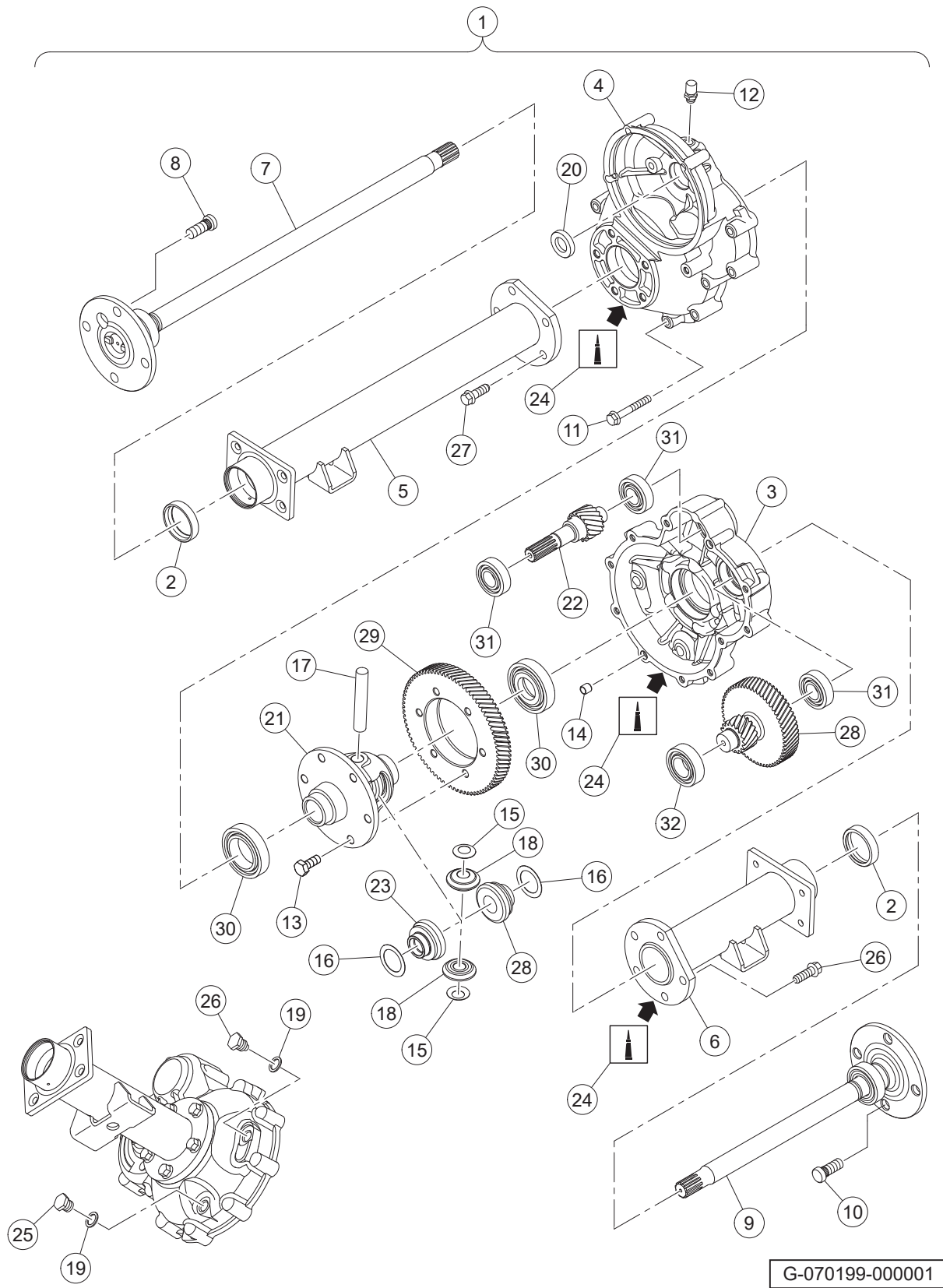
9

E

TRANSAXLE

10

E



TRANSAXLE

10

E

ITEM	PART NO.	DESCRIPTION	QTY
		1 2 3 4	
1	<u>47609838001</u>	Transaxle, Electric, 16:1 (includes items 2 through 32)	1
2	<u>1013794</u>	Axle Shaft Oil Seal	2
3	<u>101895401</u>	Gear Case, Driver-Side	1
4	<u>101895501</u>	Gear Case, Passenger-Side	1
5	<u>101895601</u>	Tube, Axle, Passenger-Side	1
6	<u>101895701</u>	Tube, Axle, Driver-Side	1
7	<u>101895801</u>	Axle Assembly, Passenger-Side (includes item 8)	1
8	<u>101922201</u>	Lug Stud	4
9	<u>101895901</u>	Axle Assembly, Driver-Side (includes item 10)	1
10	<u>101922201</u>	Lug Stud	4
11	<u>101897001</u>	Screw, M8-1.25 X 60mm Hex-Head	11
12	<u>101897201</u>	Breather	1
13	<u>101897401</u>	Screw, M10-1.25 X 25mm	6
14	<u>101897601</u>	Pin, 11mm OD X 8.5mm ID X 10mm	2
15	<u>101903601</u>	Washer, Thrust	2
16	<u>101903701</u>	Washer, Thrust	2
17	<u>101922101</u>	Pin, 15.99mm X 88.7mm Dowel	1
18	<u>101923001</u>	Gear, Differential Idler	2
19	<u>101923201</u>	Gasket	2
20	<u>101923501</u>	Seal, Lip	1
21	<u>101923601</u>	Differential Housing	1
22	N/A	Shaft, Input	1
23	<u>101923901</u>	Gear, Differential	2
24	<u>101928701</u>	Liquid Gasket (Transaxle case)	1
25	<u>101972101</u>	Plug, M14-1.5 X 12mm Magnetic	1
26	<u>101972201</u>	Plug, M14-1.5 X 12mm Hex	1
27	<u>101976001</u>	Screw, M10-1.50 X 35mm Hex Cap	10
28	<u>47649348001</u>	Shaft Assy, Intermediate	1
29	<u>47649352001</u>	Gear, Differential Output	1
30	<u>47649353001</u>	Bearing, Inner Axle Tube	2
31	<u>47649354001</u>	Bearing	3
32	<u>47649355001</u>	Bearing	1

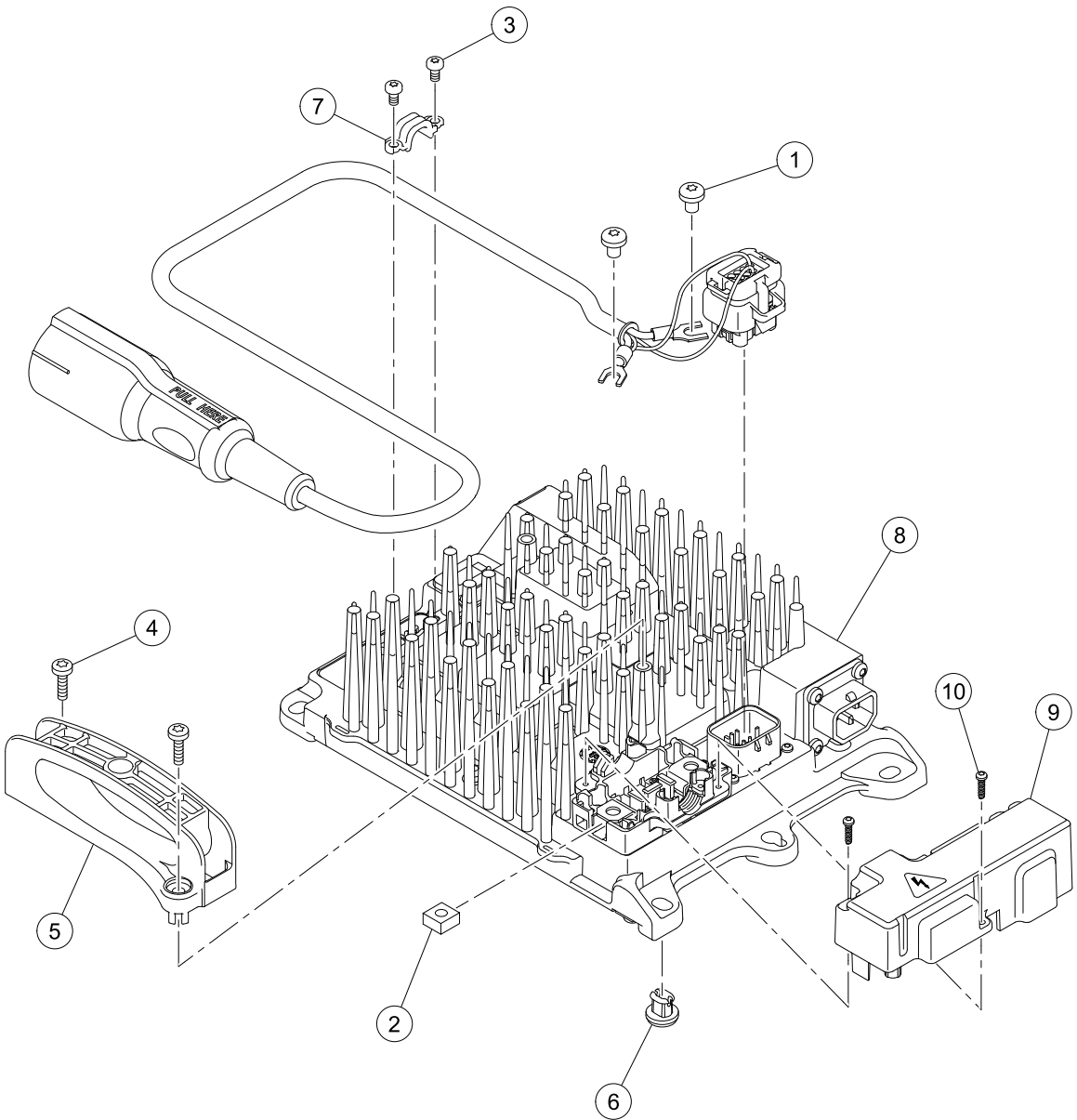
10

E

BATTERY CHARGERS

11

E



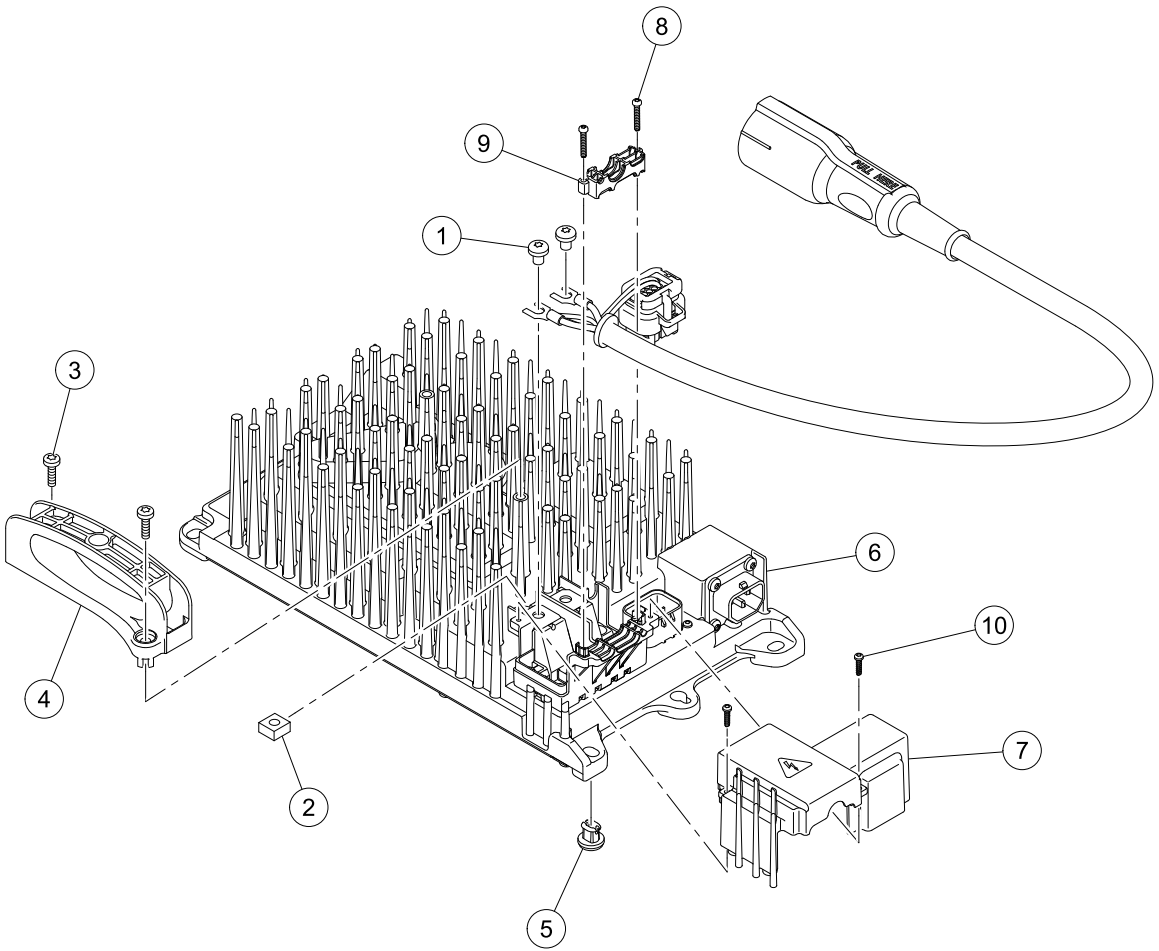
G-130899-000001

IC-650 BATTERY CHARGER – SHELF

ITEM	PART NO.	DESCRIPTION	QTY
		1 2 3 4	
1	<u>104024501</u>	Screw, M6, Torx Head	2
2	<u>104024601</u>	Nut, M6, Square, Captured	2
3	<u>104028901</u>	Screw, M4 X .70, Pan Hd, Torx	2
4	<u>104029001</u>	Screw, M5 X .80, Pan Hd, Torx	2
5	<u>105003601</u>	Handle, Charger, High-Freq	1
6	<u>105003701</u>	Foot, Charger, High-Freq	4
7	<u>105093101</u>	Strain Relief, High-Freq, External, Charger	1
8	<u>47617894001</u>	Charger, 650w Hf Li-ion	A/R
9	<u>47637608001</u>	Cover, Chgr, IC650, Front Exit	1
10	<u>47639168001</u>	Screw M3 X 12 Delta Point	2
		<p>Note: For applicable charger cords, reference the Battery Charger Cords section.</p>	

11

E



G-130899-000005

IC-900 BATTERY CHARGER – SHELF

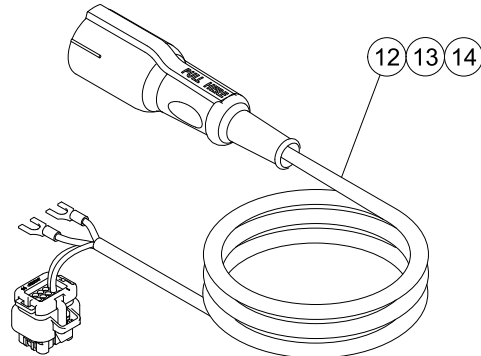
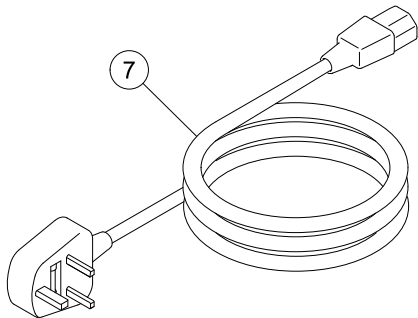
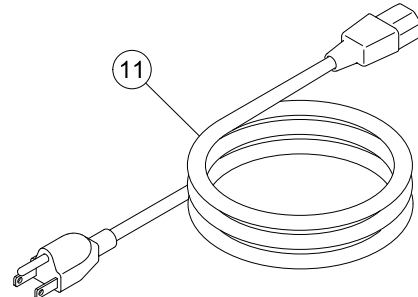
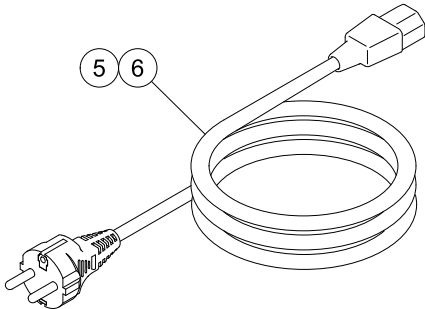
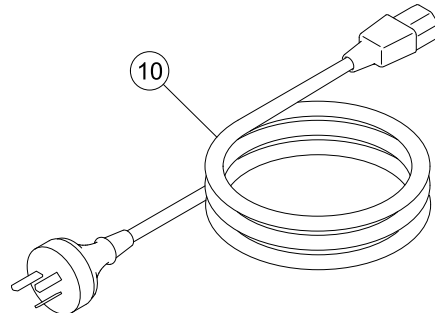
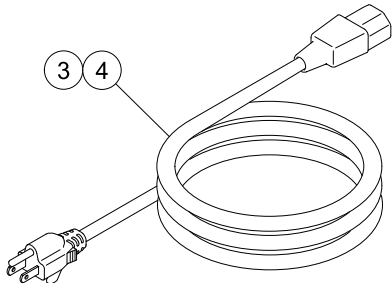
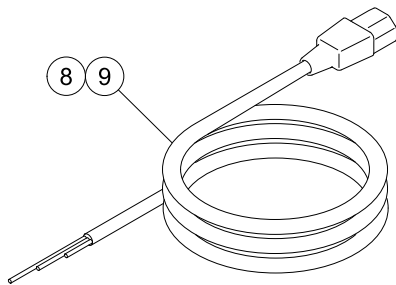
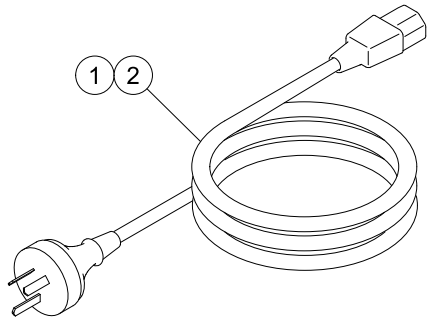
ITEM	PART NO.	DESCRIPTION	QTY
		1 2 3 4	
1	<u>104024501</u>	Screw, M6, Torx Head	2
2	<u>104024601</u>	Nut, M6, Square, Captured	2
3	<u>104029001</u>	Screw, M5 X .80, Pan Hd, Torx	2
4	<u>105003601</u>	Handle, Charger, High-Freq	1
5	<u>105003701</u>	Foot, Charger, High-Freq	4
6	<u>47617895001</u>	Charger, 900w Hf Li-ion	A/R
7	<u>47618743002</u>	Cover, Charger, Ic900	1
8	<u>47628552001</u>	Screw M3 X 18	2
9	<u>47628868001</u>	Dc Cord Clamp Ic900 Chgr	1
10	<u>47639168001</u>	Screw M3 X 12 Delta Point	2
		<p>Note: For applicable charger cords, reference the Battery Charger Cords section.</p>	

11

E

11

E



G-130899-000013

CORDS – BATTERY CHARGER, HIGH-FREQUENCY

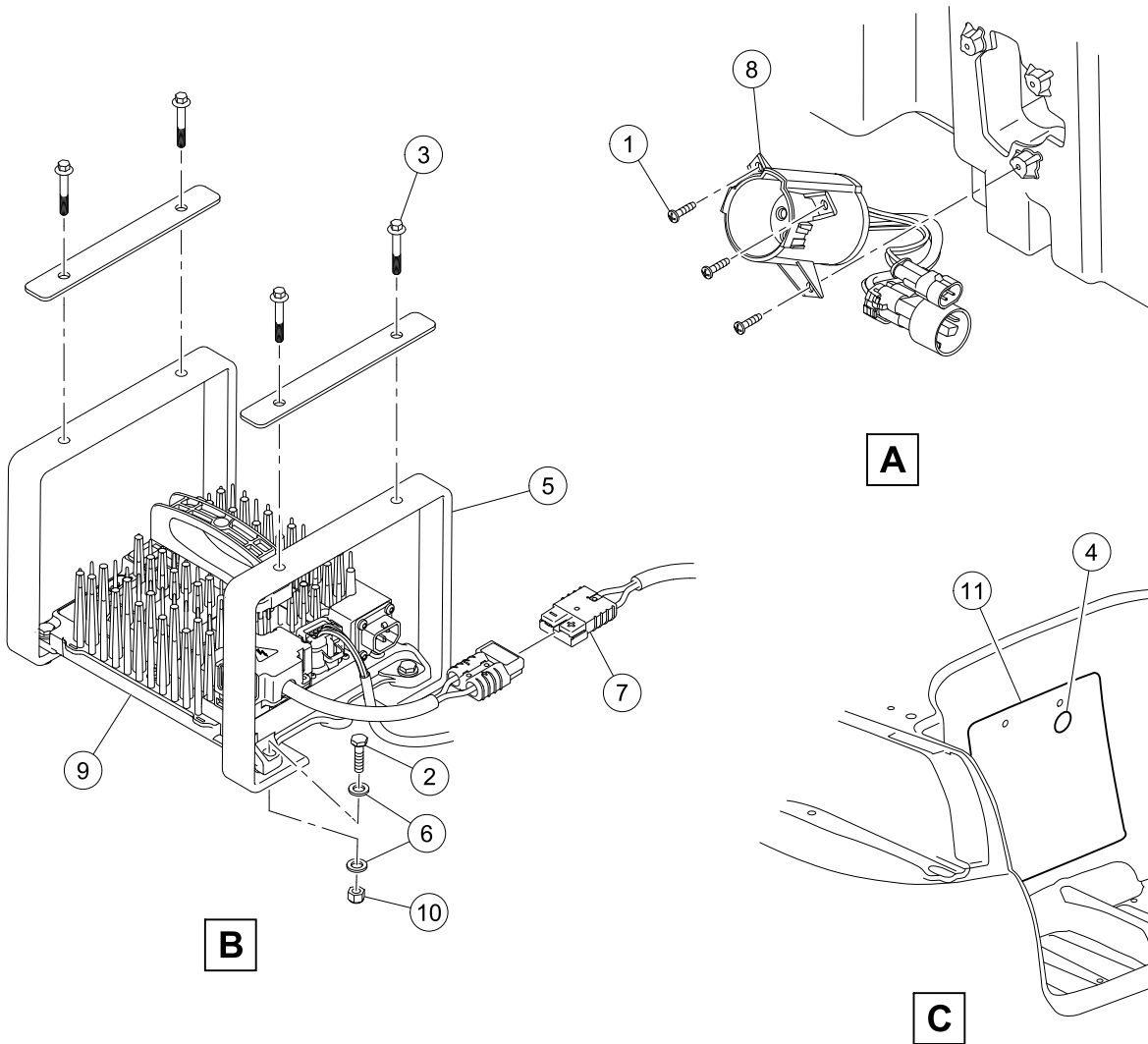
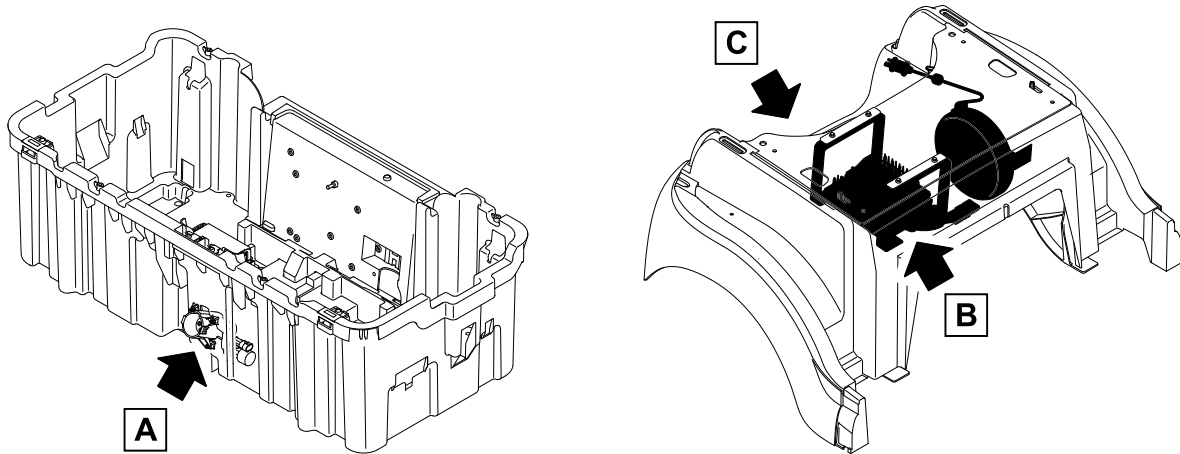
ITEM	PART NO.	DESCRIPTION	QTY
		1 2 3 4	
1	105068201	Cord, AC, lec320, 6ft (1.83 m), China	A/R
2	105068202	Cord, AC, lec320, 9ft (2.74 m), China	A/R
3	47606837001	Cord, Ac, lec320, 9Us'	A/R
4	47606837002	Cord, Ac, lec320, 6Us'	A/R
5	<u>47612314001</u>	Cord, Ac, lec320, 6, Eu'	A/R
6	<u>47612314002</u>	Cord, Ac, lec320, 9, Eu'	A/R
7	47612315002	Cord, Ac, lec320, 9, Gb'	A/R
8	47612316001	Cord, Ac, lec320, 6, Non-term'	A/R
9	47612316002	Cord, Ac, lec320, 9, Non-term'	A/R
10	47612317002	Cord, Ac, lec320, 9, Australi'	A/R
11	47612318002	Cord, ac, lec320, 9, Japan'	A/R
12	<u>47617178001</u>	Plug, Cord, Dc Lester, 9'	A/R
13	<u>47617178002</u>	Plug, Cord, Dc Lester, 12'	A/R
14	<u>47617178003</u>	Plug, Cord, Dc Lester, 20'	A/R

11

E

11

E



G-130899-000002

IC-650 BATTERY CHARGER – ONBOARD

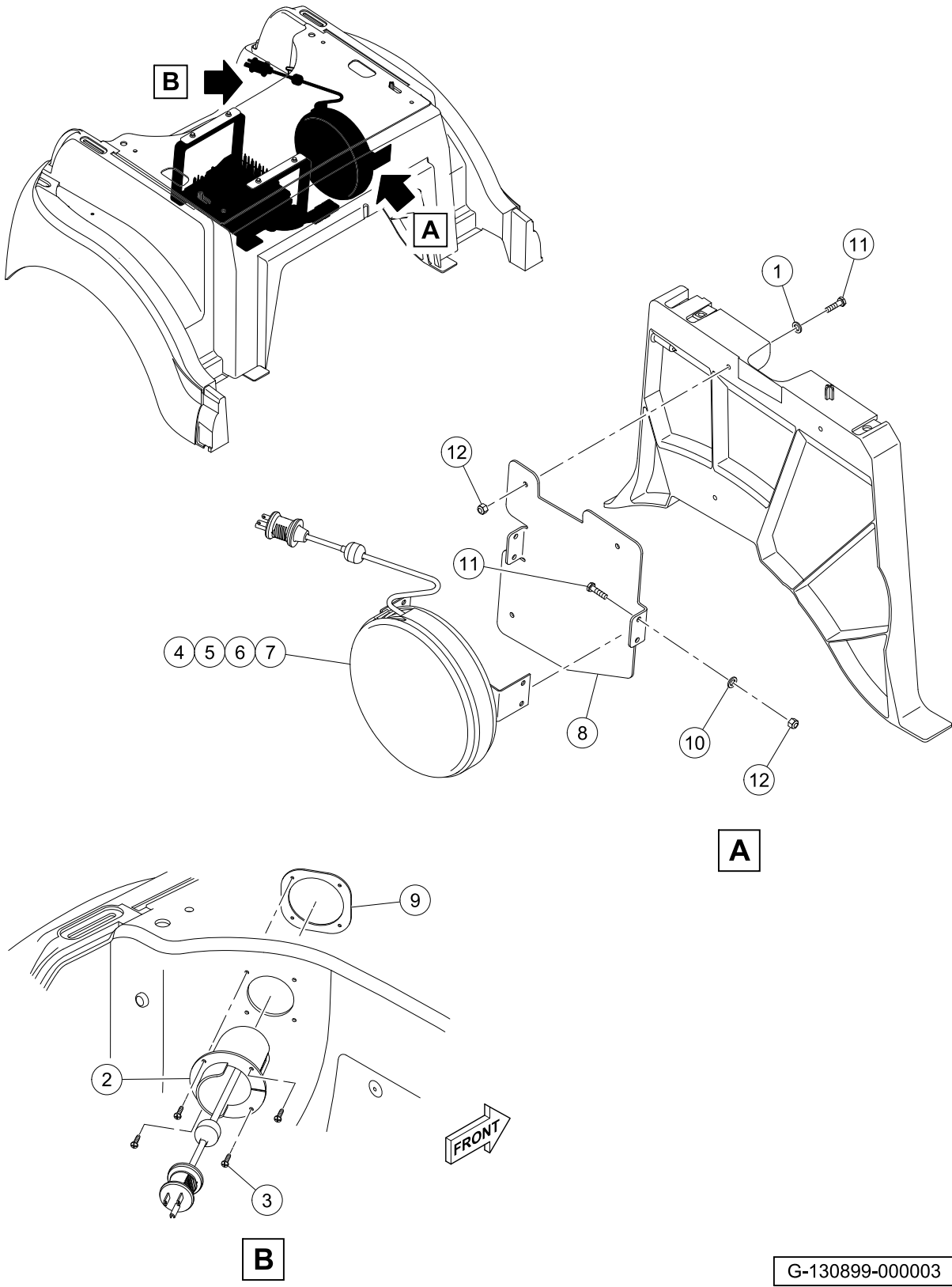
ITEM	PART NO.	DESCRIPTION	QTY
		1 2 3 4	
1	<u>101832001</u>	Screw, #7-19 X 0.625 Phillips Pan-Head Tap	3
2	<u>101861901</u>	Screw, 1/4-20 X 1.125 Hex Cap	4
3	<u>102541401</u>	Bolt-m6x1.0x20 Hex Flhd Blk-l	4
4	<u>105300801</u>	Plug, Push In, 61/64" Diameter	1
5	<u>105315201</u>	Asm, Bracket, Obc Eric Mount	1
6	<u>332</u>	Washer, 1/4 Type A Narrow Flat	8
7	<u>47616156001</u>	Harness, Chg, Ob, Lio	1
8	<u>47622531001</u>	Receptacle, Chrg, Lio, Les	1
9	<u>47639251001</u>	Asm, Chrgr, Ic650, Ob	1
10	<u>8233</u>	Locknut, 1/4-20, Nylon Insert	4
11	<u>SVP915201</u>	Panel-access-lite Hole Cut Out	1
		<p>Note: For applicable battery charger cord reels, reference the Battery Charger Cord Reels section.</p>	

11

E

11

E



G-130899-000003

BATTERY CHARGER CORD REELS – ONBOARD

ITEM	PART NO.	DESCRIPTION	QTY
		1 2 3 4	
1	<u>1014306</u>	Washer, 1/4" Type B Flat	3
2	<u>1016673</u>	Housing, Cord Reel	1
3	<u>101832001</u>	Screw, #7-19 X 0.625 Phillips Pan-Head Tap	4
4	<u>103872701</u>	Cord Reel, Hf Charger	A/R
5	<u>103872702</u>	Cord Reel, Hf Chgr, Uk	A/R
6	<u>103872703</u>	Cord Reel, Hf Charger, Eu	A/R
7	<u>103872704</u>	Cord Reel, Hf Charger, Aus	A/R
8	<u>105299101</u>	Plate, Cord Reel, Mtg, Unbody	1
9	<u>105299601</u>	Plate, Backing, Charge Port	1
10	<u>332</u>	Washer, 1/4 Type A Narrow Flat	4
11	<u>7847</u>	Screw, 1/4-20 X 0.75 Hex-Head Cap	7
12	<u>8233</u>	Locknut, 1/4-20, Nylon Insert	7

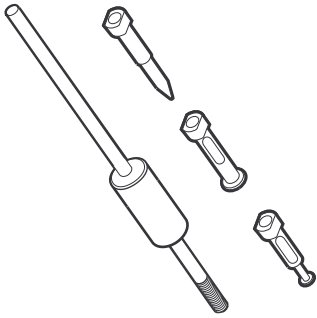
11

E

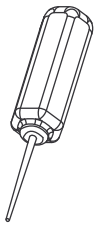
11

E

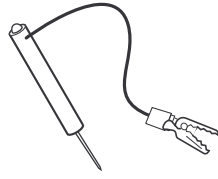
MAINTENANCE AND SERVICE TOOLS



1



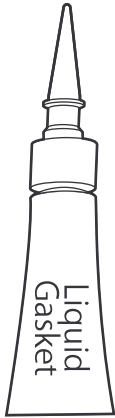
2



3



4



5



6



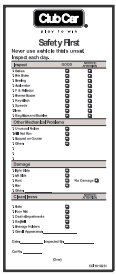
7



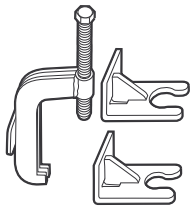
8



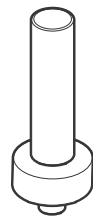
9



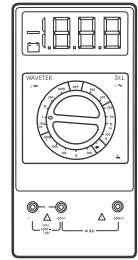
10



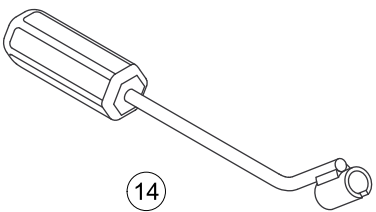
11



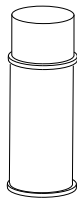
12



13



14

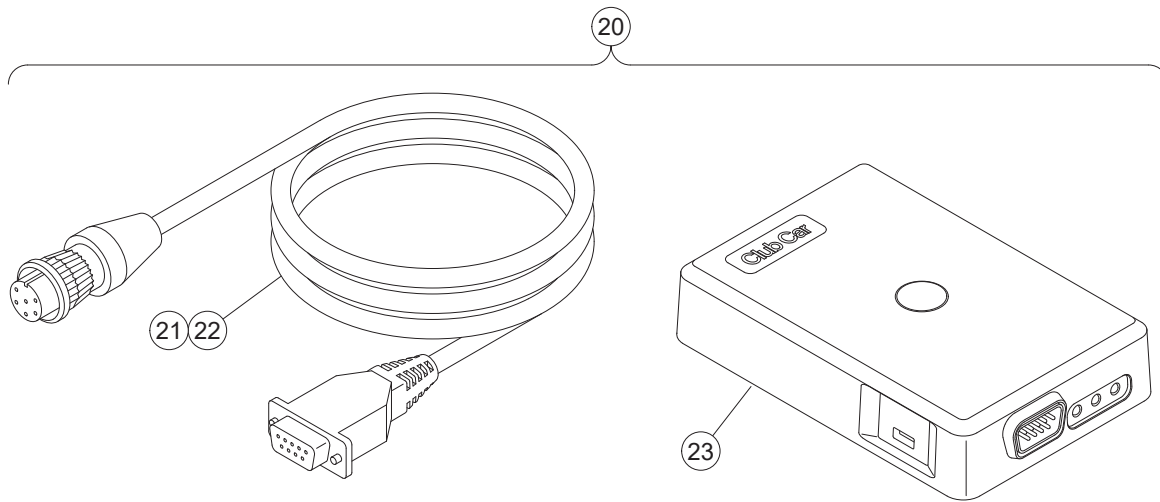


15 - 19

G-150199-000003

MAINTENANCE AND SERVICE TOOLS

ITEM	PART NO.	DESCRIPTION	QUANTITY
		<p>1 2 3 4</p> <p>The following list includes all tools and detailing products available from Club Car for your vehicle. Make sure to carefully examine the tool list for applicability to your vehicle before ordering.</p>	
1	<u>1016417</u>	Bearing and Oil Seal Remover Assembly	1
2	<u>102562401</u>	Charger Bezel Tool	1
3	1011273	Continuity Tester	1
4	<u>1013593</u>	Internal Retaining Ring Pliers	1
5	<u>101928701</u>	Liquid Gasket (transaxle case)	1
6	<u>102243402</u>	Moly-Teflon Lubricant (4-oz. (113-gram) tube)	1
7	<u>102587201</u>	Paint Pen, Touch-Up, Underbody , Black	1
8	<u>1012549</u>	Retaining Ring Pliers, 45 Degree External	1
9	<u>1012560</u>	Retaining Ring Pliers, 90 Degree Internal	1
10	<u>101823101</u>	Safety First Card (50 per pack)	1
11	102061201	Steering Wheel Puller Tool	1
12	1014161	Transaxle Pinion Seal Tool.....	1
13	1011480	Volt Ohm Meter	1
14	<u>102555501</u>	Brake Cable Release Tool.....	1
15	<u>1012151</u>	Dry Moly Lubricant	1
16	AM1250001	Windshield Cleaner and Protectant, 14oz.....	1
17	<u>AM1250101</u>	Re-Black, 10oz	1
18	<u>AM1250201</u>	Wax-All, 12oz.	1
19	AM1250301	Finiah Restore, 16oz.	1
		<p>Please refer to the maintenance and service manual for proper applications.</p>	



G-150199-000002

ITEM	PART NO.	DESCRIPTION	QUANTITY
		1 2 3 4	
20	47642187001	Kit, Diagnostic Box Tool (includes items 21, 22, 23 and 24).....	1
21	47630785001	Cable, Diagnostic Interface (LG Battery).....	1
22	47689731001	Cable, Diagnostic Interface (Vanguard Battery)	1
23	47631040001	Diagnostic Control Box Assy	1
24	47642168001	User Manual, Diagnostic Box Tool Kit	1
<p>Please refer to the maintenance and service manual for proper applications.</p>			

INDEX

Part Number and Page

AM10092	1-67	1015392	8-15	101976001	10-3
AM1289701	7-11	1015583	6-15, 6-17	101998501	1-23
AM1289801	7-11	101558302	6-15, 6-17, 7-13	102022601	6-9, 7-9
AM1289901	7-11	1015727	1-29	102051901	4-9
AM1290001	7-11	101609401	3-3	102061201	12-3
AM1290101	7-11	1016154	6-3, 7-3	102163001	1-53, 1-55
AM1290201	7-11	1016214	6-3, 7-3	102196901	4-9
AM1290501	7-11	1016417	12-3	102235201	9-3
AM15028001	1-67	1016673	11-11	102243402	12-3
SVP915201	1-27, 11-9	1016849	4-9	102278802	1-49
332	1-67, 11-9, 11-11	1016851	4-9	102279106	1-27
451	9-3	1017235	6-17	102287101	6-11, 7-11
1218	1-33	101791101	5-3	102287601	6-11
1242	5-5, 5-7	101802602	4-9	102287701	6-11
7174	9-3	101815501	5-3	102288101	6-11, 6-13
7311	1-67	101815502	5-3	102288201	6-13
7473	1-33	101816501	5-3	102288401	6-13
7847	11-11	101816502	5-3	102288701	6-13
8233	1-67, 11-9, 11-11	101823101	12-3	102288801	6-13
8990	6-9, 7-9	101823201	5-3	102288901	6-11, 7-11
1010145	6-15, 6-17, 7-13	101823801	5-3	102289001	6-9, 7-9
1010434	1-11, 1-13, 1-25, 1-31, 1-49, 5-9	101823901	5-3	102289101	6-13
1010436	1-29	101825104	3-3	102289201	6-13, 7-11
1010829	5-5, 5-7	101830701	4-11	102289401	6-11, 7-11
1010921	1-33	101832001	11-9, 11-11	102289501	6-11, 6-13
1010934	9-3	101834502	4-11	102289601	6-11
1011017	4-13	101835601	1-49	102289701	6-11
1011273	12-3	101850301	6-3, 6-5, 7-3, 7-5	102289801	6-13, 7-11
1011415	6-15, 6-17	101851101	4-11	102289901	6-11
1011480	12-3, 12-5	101856002	8-11	102290120	6-3, 6-5, 6-7, 7-3, 7-5, 7-7
1011553	1-33, 3-3	101861901	11-9	102292101	1-3
1011578	1-49	101895401	10-3	102292201	5-9
1011697	1-33	101895501	10-3	102292356	1-15, 1-17, 8-13
1012151	12-3	101895601	10-3	102292701	1-17, 1-27
1012180	6-15, 6-17	101895701	10-3	102292801	5-5, 5-7
1012181	6-17	101895801	10-3	102296020	1-13, 4-3
1012182	6-17	101895901	10-3	102296040	4-13
1012528	8-15	101897001	10-3	102296140	1-35
1012549	12-3	101897201	10-3	102296150	1-65, 4-13
1012560	12-3	101897401	10-3	102296301	1-53, 1-55
1012565	6-3, 7-3	101897601	10-3	102296401	1-35
1012566	6-3, 7-3	101903601	10-3	102296530	1-25
1012571	1-19	101903701	10-3	102296601	1-27
1013042	6-9, 7-9	101908401	8-11	102296720	8-15
1013164	6-15, 6-17	101922101	10-3	102296819	1-15
1013593	12-3	101922201	10-3	102296920	1-65, 4-13, 8-7, 8-11
1013734	8-15	101923001	10-3	102297001	1-15
1013794	10-3	101923201	10-3	102297230	1-25, 1-27
1013857	4-9	101923501	10-3	102297901	5-5, 5-7
1013924	5-3	101923601	10-3	102298020	1-17, 1-19, 1-21, 4-13, 8-13
1014161	12-3, 12-5	101923901	10-3	102298030	1-27, 1-29, 5-9
1014201	9-3	101928701	10-3, 12-3	102298116	6-7, 7-7
1014306	11-11	101954301	1-23	102298130	6-7, 7-7
1014555	6-15, 6-17	101972001	3-3	102298170	6-15, 6-17, 6-19, 7-15
		101972101	10-3	102298175	6-15, 6-17, 7-13
		101972201	10-3	102298240	1-49

INDEX

102298250	1-25	102565201	6-9, 7-9	103535001	5-5, 5-7
102298401	1-3, 1-5, 1-9, 1-37, 6-15, 6-17, 7-13	102566001	6-9, 7-9	103597101	4-5
102298580	1-3, 6-15, 6-17	102572401	4-9	103635201	1-17
102298601	1-3, 6-15, 6-17	102581201	1-39	103638601	6-13
102298716	1-27	102582401	1-53, 1-55, 1-61	103638701	6-13
102298720	1-5, 1-17, 4-7, 8-5	102587201	12-3	103638702	6-13
102298995	1-3	102588501	6-15, 6-17, 7-13	103638801	6-13
102299065	1-37, 1-39, 4-13	102588601	6-11, 7-11	103638901	1-3
102299360	1-37	102594301	5-5, 5-7	103677101	1-53, 1-55
102299601	1-37	102594801	5-9	103679701	6-9, 7-9
102324901	1-61	102594901	5-9	103699401	1-25
102353201	6-13, 7-11	102595201	5-9	103724503	6-3, 6-5, 7-3, 7-5
102353301	6-13, 7-11	102595301	5-9	103724601	6-3, 7-3
102353401	6-13	102595401	5-9	103724602	6-5, 7-5
102357701	6-13, 7-11	102595901	5-9	103724901	6-3, 7-3
102500801	5-9	102596001	5-9	103742207	7-13
102501402	1-27	102596301	5-9	103742304	6-15, 7-13
102501403	1-27	102618601	7-11	103742306	6-17
102501501	1-13	102621501	1-65, 4-13, 8-13	103742307	7-13
102502501	1-13	102670701	7-13	103750001	1-37, 1-39, 4-13
102504001	1-25	102774701	8-15	103750101	1-37, 1-39
102504201	1-25	102865901	8-15	103754901	1-53, 1-55
102504301	1-25	102878201	6-13	103777601	5-9
102504802	1-17	102883602	1-13, 3-5	103783001	3-3, 6-3, 7-3
102505401	1-3	102915601	1-15	103783002	6-3, 7-3
102505701	1-3, 6-11	102947601	1-53, 1-55	103783003	6-3, 7-3
102506401	6-15, 6-17, 7-13	102956201	6-11, 6-13	103796701	6-3, 7-3
102508202	1-21	102967901	1-27, 1-29	103803101	4-7
102508401	8-11	103146501	6-19, 7-15	103810201	6-7, 7-7
102508901	1-35	103182702	1-29	103812901	1-27
102508902	1-35	103196001	1-37, 1-65, 4-13	103813001	1-27
102508903	1-35	103199301	1-37	103826201	6-9, 7-9
102511101	8-11	103200301	1-37, 1-65, 4-13	103826301	6-9, 7-9
102511601	1-35	103205101	1-35	103829401	6-5, 7-5
102511602	1-35	103210101	1-35	103832401	2-5, 2-7
102511603	1-35, 1-41	103325001	1-9	103832901	1-23
102513501	1-37	103327601	1-25	103833601	1-23
102516902	1-21	103350802	8-13	103833701	1-23
102517001	1-25	103368301	8-13	103833801	1-23
102521901	1-17	103380201	5-3	103833901	1-23
102529201	4-7	103380202	5-3	103853121	1-25
102534201	1-5, 1-9	103384601	3-3	103853122	1-25
102534801	6-17	103384701	3-3	103853125	1-25
102540701	2-5, 2-7	103388501	6-11	103872701	11-11
102541401	4-13, 11-9	103402701	1-15	103872702	11-11
102541440	1-41	103423701	1-5	103872703	11-11
102541465	1-41	103477901	7-11	103872704	11-11
102541501	1-41	103483101	5-3	103874111	5-9
102544201	1-37, 1-39, 4-13	103483102	5-3	103874112	5-9
102551901	5-5, 5-7	103483201	5-3	103921601	6-15
102552001	5-5, 5-7	103483401	5-3	103921602	6-15
102556701	2-3, 2-7	103483601	5-3	103923601	1-9
102557201	1-15	103483701	5-3	103926603	1-3
102559401	5-9	103528701	5-5	103929301	1-25
102559701	5-9	103528702	5-5	103929302	1-25
102562401	12-3	103531101	4-7	103934901	2-5, 2-7

INDEX

103935001	2-7	105223425	1-25	47564783001	1-49
103935601	6-13	105223427	1-25	47564784001	1-49
103943401	5-9, 8-3	105223428	1-25	47564785001	1-49
103952901	1-25	105223429	1-25	47564786001	1-49
103964901	6-15, 6-17	105267301	3-3	47564787001	1-49
103965001	6-15, 6-17	105267401	3-3	47564787002	1-49
103974901	5-9	105267501	3-3	47564886021	1-51
103975011	5-9	105288901	1-67	47564886022	1-51
103975012	5-9	105289701	1-53, 1-55	47564886024	1-51
103978801	1-25	105291501	1-17	47564886025	1-51
103990503	1-3	105299101	11-11	47564887021	1-51
103990601	1-3	105299601	11-11	47564887022	1-51
104008001	1-35	105300801	11-9	47564887024	1-51
104008002	1-35	105307701	1-5	47564887025	1-51
104008003	1-35	105313801	1-67	47564888021	1-51
104008501	1-37	105314001	1-17	47564888022	1-51
104023421	1-23	105314101	1-17	47564888023	1-51
104023422	1-23	105315201	11-9	47564888024	1-51
104023424	1-23	47542195001	5-3	47564888025	1-51
104023425	1-23	47554725001	1-31	47564888026	1-51
104024501	11-3, 11-5	47554736001	4-13	47564888027	1-51
104024601	11-3, 11-5	47555159001	1-31	47564888028	1-51
104028901	11-3	47555159002	1-31	47564888029	1-51
104029001	11-3, 11-5	47559264001	1-65	47564889021	1-51
105003601	11-3, 11-5	47559264002	1-65	47564889022	1-51
105003701	11-3, 11-5	47559265002	1-65, 4-13	47564889023	1-51
105005001	8-15	47559268001	4-13	47564889024	1-51
105005402	1-19	47560030001	8-17	47564889025	1-51
105049001	6-7, 7-7	47561477002	4-13	47564889026	1-51
105068001	4-11	47561633001	2-3	47564889027	1-51
105068002	4-11	47561635001	2-3	47564889028	1-51
105068201	11-7	47561636001	2-3	47564889029	1-51
105068202	11-7	47561638001	2-5	47565234007	4-3
105068601	6-7, 7-7	47561640001	2-5	47565234008	4-3
105082001	4-11	47561641001	2-5	47566405001	7-11
105082002	4-11	47561643001	2-5	47566411001	7-11
105093101	11-3	47561644004	2-9	47568672001	1-49
105114804	8-7	47561645004	2-9	47568673001	1-49
105114807	8-7	47561646004	2-7	47568674001	1-49
105116301	5-9, 8-3	47561647004	2-7	47568674002	1-49
105146701	8-17	47562652001	5-7	47568675001	1-49
105187901	6-13	47562748001	4-13	47568676001	1-49
105188185	6-15, 6-17, 7-13	47562947002	2-9	47568677001	1-49
105188701	7-13	47562947004	2-9	47570463001	1-63
105190701	4-13	47562948004	2-9	47570464001	1-43
105223321	1-23	47562949001	2-5, 2-7, 2-9	47570464002	1-45
105223322	1-23	47562951001	2-5, 2-7, 2-9	47570464003	1-47
105223323	1-23	47563300001	1-49	47574958001	3-3
105223324	1-23	47563300002	1-49	47574958004	3-3
105223325	1-23	47563301001	1-49	47575464001	1-33
105223327	1-23	47563302001	1-49	47576196001	7-13
105223328	1-23	47563304001	1-49	47576197001	7-13
105223329	1-23	47563305001	1-49	47576198001	7-13
105223421	1-25	47563306001	1-51	47576648001	7-13
105223422	1-25	47563307001	1-51	47576649001	6-19, 7-15
105223423	1-25	47564782001	1-49	47576650001	6-19, 7-15

INDEX

47576651001	6-19, 7-15	47584406001	4-13	47618743002	11-5
47576652001	6-19, 7-15	47586040001	3-3	47618753001	8-7
47576652002	6-19, 7-15	47586191001	3-3	47619337001	8-7
47576796001	1-53, 1-55	47589609001	4-13	47620652001	3-3, 8-13
47576797001	1-53	47589919301	1-27	47620653001	8-15
47576798001	1-53	47589919302	1-27	47622531001	11-9
47577554001	1-61	47589919303	1-27	47622766001	9-3
47577555001	1-61	47589919304	1-27	47624326001	8-15
47577556001	1-61	47589919306	1-27	47624328001	3-3
47577557001	1-61	47589919308	1-27	47624651001	3-3
47577558001	1-61	47589919311	1-27	47624755001	8-13
47577561002	1-5	47589919320	1-27	47624766001	1-49
47577561004	1-5	47589919324	1-27	47624985001	8-15
47577864001	6-19, 7-15	47589919326	1-27	47627633002	1-13
47577865001	6-19, 7-15	47590808001	2-5, 2-7, 2-9	47627633003	1-13
47578016001	1-5	47592393001	3-3	47627633004	1-13
47578327001	1-49	47592811001	1-49	47627633005	1-13
47578437001	1-33	47592812003	1-39	47627633006	1-13
47579059001	1-29	47594727001	4-15	47627633011	1-13
47579060001	1-29	47594888002	3-5	47627633058	1-13
47579061001	1-29	47603899001	7-13	47627633064	1-13
47579062001	1-29	47603900001	7-13	47627633068	1-13
47579065001	1-29	47605992001	8-7	47627633070	1-13
47579066001	1-29	47605993001	8-7	47628552001	11-5
47579068001	1-29	47606837001	11-7	47628717001	3-3
47579096001	6-15, 6-17, 7-13	47606837002	11-7	47628868001	11-5
47579669001	1-9	47609833001	8-13	47628936001	1-11
47579759001	1-55	47609834001	8-13	47628936002	1-11
47579760001	1-55	47609836001	8-13	47629428001	4-7
47579985001	1-57	47609838001	10-3	47630830001	8-13
47579986001	1-59	47610465001	8-13	47631086001	8-5
47581051001	1-49	47610843001	8-13	47631793001	1-37, 1-39
47581126001	4-13	47610889001	8-15	47631793002	1-37, 1-39, 4-13
47581127001	4-13	47612314001	11-7	47632116001	1-11
47581128001	4-13	47612314002	11-7	47632305001	8-15
47581129001	4-13	47612315002	11-7	47633955001	4-7
47581130001	4-13	47612316001	11-7	47634203001	1-41
47581131001	1-65, 4-13	47612316002	11-7	47634205001	1-41
47581132001	1-65, 4-13	47612317002	11-7	47634205002	1-41
47581133001	4-13	47612318002	11-7	47634258001	8-13
47581133002	4-13	47613414011	4-9	47636253001	8-5
47581134001	4-13	47614268001	8-7	47637608001	11-3
47581135001	4-13	47614736001	4-9	47637882001	9-3
47581430001	4-13	47614743001	8-7	47639168001	11-3, 11-5
47582091001	5-7	47614744001	8-7	47639251001	11-9
47582268001	1-63	47614748001	8-15	47642666001	8-15
47582270001	1-57	47614749001	8-15	47643352001	4-17
47582271001	1-59	47614753001	8-17	47643352002	4-17
47582821001	1-43, 1-45, 1-47	47614807001	8-7	47644702001	8-5
47582821002	1-43, 1-45, 1-47	47616156001	11-9	47649254001	1-7
47582822001	1-65	47616158001	8-7	47649348001	10-3
47583112001	1-43, 1-45, 1-47	47617178001	11-7	47649352001	10-3
47583296001	1-13	47617178002	11-7	47649353001	10-3
47583296002	1-13	47617178003	11-7	47649354001	10-3
47583297001	1-27	47617894001	11-3	47649355001	10-3
47583297002	1-27	47617895001	11-5	47652014001	1-17

INDEX

47653176001 9-3
47653176002 9-3
47653176003 9-3
47653531001 1-49
47660254001 8-7
47672583001 8-9
47675944001 8-7
47680239001 1-5
96704176 4-15

A

A-arm, lower 7-11
A-arm, three-piece 6-11
A-arm, upper 7-11
absorber, front shock 6-11, 7-11
absorber, rear shock 6-15, 6-17, 7-13
AC cord 11-7
accelerator pedal 5-9
access panel 1-27
armrest 1-23
assembly
 brake lever 5-3
axle 10-3
axle shaft oil seal 10-3
axle tube 10-3

B

backing plate, brake 5-3
backrest 1-51
backrest, beige 1-25
backrest, black 1-25
backrest, white 1-25
bag hoop 1-25
bag strap 1-25
bag strap buckle 1-25
ball joint, inner 6-9, 7-9
ball, bearing 7-11
barrel, plastic 1-11, 1-13, 1-25, 1-31, 1-49, 5-9
Base, PDM 8-7
basket 1-65
Bearing 10-3
bearing
 ball 7-11
bearing and oil seal remover 12-3
bellows, steering 6-9, 7-9
body
 under 1-17
body kick plate 1-19
body kick plate (ele) 1-21
boot, switch 8-11
bottom, seat 1-51
bracket
 canopy support 1-37
 clamshell 1-17
 equalizer 5-5, 5-7

 jounce bumper 6-17, 7-13
 shock mounting, drv 6-15, 6-17
 shock mounting, pas 6-15, 6-17
Bracket, DBR 8-5
Bracket, Seat Back, Front, Top, CSMR 1-49
brake adjusting mechanism 5-3
brake backing plate 5-3
brake cable 5-5, 5-7
brake cluster 5-3
brake drum 5-3
brake lever 5-3
brake pedal 5-9
brake rod 5-9
brake self-adjusting mechanism 5-3
brake shoe 5-3
brake spring 5-3
breather 10-3
brow 1-13
brow cap 1-13
buckle, bag strap 1-25
bumper
 drive unit (motor) 9-3
 jounce 6-17, 7-13
 rubber 1-29
Bumper, Shock Plug 1-9
bushing 6-11, 6-13, 6-19, 7-15
 urethane 6-15, 6-17, 7-13
buzzer, reverse 4-9

C

cable
 brake 5-5, 5-7
canopy 1-35, 1-43, 1-47
canopy drain cover 1-35
canopy handle 1-35
canopy strut, front, lh 1-37, 1-39
canopy strut, front, rh 1-37, 1-39, 4-13
canopy support 1-37
canopy support bracket, drv 1-25
canopy support bracket, pas 1-25
cap
 center 2-5, 2-7, 2-9
 dust 4-9
 front hub 6-13, 7-11
 key switch 4-11
card, safety first 12-3
case
 gear 10-3
center cap 2-5, 2-7, 2-9
charger bezel tool 12-3
clamp
 leaf spring 6-13, 7-11
clamshell bracket 1-17
clip
 body trim 1-17, 1-27
clip, score card 6-3, 7-3

cluster, brake 5-3
comfort grip steering wheel 6-3, 7-3
comfort grip steering wheel kit 6-3, 7-3
component mounting plate 8-15
continuity tester 12-3
cord reel 11-11
cord, AC 11-7
Cover 11-3
cover
 canopy drain 1-35
 dust 5-3
Cover, Canopy Support 1-37, 1-39, 4-13
Cover, PDM 8-7
cover, steering column 4-7
cushion, shock absorber 6-15, 6-17, 7-13

D

dash 1-15
dash support assembly 1-3, 6-11
decals 3-3
 box bed warning 3-3
 crush area warning 3-3
 operating instructions 3-3, 6-3, 7-3
 trailer hitch 1-33, 3-3
 warning 3-3
 water exposure 3-3
differential gear 10-3
differential housing 10-3
drain channel 1-15
drive unit bumper 9-3
drum, brake 5-3
dry moly lubricant 12-3
dust cap 4-9
dust cover 5-3
dust seal 6-9, 7-9

E

end, tie rod 6-9, 7-9
equalizer 5-5, 5-7

F

Fender 1-11
fender
 rear 1-31
Fender, Front 1-11
floor cover plate 5-9
floor mat 1-17
FNR housing 8-11
fold down seat 1-49
front hub 6-13
front suspension structure 6-11, 7-11
fuse, mini, 15A 8-7

G

Gasket 9-3

INDEX

gasket
 liquid 10-3, 12-3
 plug 10-3
 seat 1-23
Gear 10-3
gear
 differential 10-3
 differential idler 10-3
gearcase 10-3
grip, pencil 6-3, 7-3

H

handle, canopy 1-35
harness
 Visage strut 4-13
Harness, Lighting, Li-Ion 8-7
hinge 8-13
 seat bottom 1-23
hinge, seat bottom 1-23
hip restraint 1-23
hoop, bag 1-25
housing
 differential 10-3
hub 6-13, 7-11
hub cap 6-13, 7-11
hub, front 6-13

I

idler gear, differential 10-3
inner ball joint 6-9, 7-9
input shaft 10-3
Insulation 1-17
internal retaining ring pliers 12-3
isolator, shock damper 6-15, 6-17, 7-13

J

J-clip 1-3, 6-15, 6-17
jounce bumper 6-17, 7-13
jounce bumper bracket 6-17, 7-13

K

key switch cap 4-11
kick plate 1-19
kick plate (ele) 1-21
king pin 6-13
Kit 1-5
kit
 ball joint, inner 6-9, 7-9
 bellows, steering, sona 6-9, 7-9
 brake cable 5-5
 brake shoe retainer 5-3
 canopy hardware 1-43, 1-45, 1-47
 comfort grip steering wheel 6-3, 7-3
 fenders, rear 1-31
 front hub replacement 6-13, 7-11

SAM assembly 1-25
seat bottom 1-23
shock absorber 6-15, 6-17
shock absorber cushion 6-15, 6-17
shoe retainer 5-3
Kit, Fenders 1-11
Kit, Grill 1-7
Kit, Speed Sensor 9-3
Kit, Terminal Block 9-3
knob, light switch 4-9

L

leaf spring, rear 6-15, 6-17, 7-13
light switch 4-9
light switch knob 4-9
liquid gasket 10-3, 12-3
lower A-arm 7-11
lubricant, dry moly 12-3
lubricant, moly-teflon 12-3
lug nut 2-5, 2-7, 2-9
lug stud 6-13, 10-3

M

mat, floor 1-17
MCOR 5-9, 8-3
mechanism, brake adjusting 5-3
meter, volt ohm 12-3, 12-5
mirror 1-67
moly-teflon lubricant 12-3
motor bumper 9-3
mounting plate, component 8-15

N

nut
 push 1-29
nut, lug 2-5, 2-7

P

paint, underbody (black) 12-3
panel
 access 1-27
 SAM 1-25
panhard 6-19, 7-15
park brake release, anod 5-9
pedal, accelerator 5-9
pedal, brake 5-9
pencil grip 6-3, 7-3
pin
 bow tie locking 5-5, 5-7
 clevis 5-5, 5-7
 king 6-13
plate
 backing (brake) 5-3
 component mounting 8-15
 floor cover 5-9

kick 1-19
kick(ele) 1-21
pliers
 internal retaining ring 12-3
 retaining ring 12-3
push nut 1-29

R

rack and pinion 6-9, 7-9
rear fenders 1-31
rear underbody support 1-25
reel cord 11-11
reflector 1-13, 1-27, 1-49
release, anod park brake 5-9
remover, bearing and oil seal 12-3
Resistor, DBR 8-5
retainer
 brake shoe 5-3
 shock absorber cushion 6-15, 6-17, 7-13
retaining ring pliers 12-3
reverse buzzer 4-9
rim (wheel) 2-7
Rivet, Removable 1-27, 1-29
rocker switch 8-11
rod
 brake 5-9
rubber bumper 1-29

S

safety first card 12-3
SAM (structural accessory module) 1-25
SAM assembly kit 1-25
SAM panel 1-25
score card clip 6-3, 7-3
score card plate 6-3, 7-3
seal
 dust 6-9, 7-9
 lip 10-3
 oil 10-3
seal, bulb 1-53, 1-55
sealant 10-3
seat back 1-51
seat back, beige 1-25
seat back, black 1-25
seat back, white 1-25
seat bottom 1-51
seat bottom kit 1-23
seat gasket 1-23
seat hinge 1-23
shaft
 input 10-3
Shaft Assy 10-3
shield, debris aux 5-9
shield, debris primary 5-9
shock absorber (front) 6-11, 7-11

INDEX

shock absorber (rear) 6-15, 6-17, 7-13
shock absorber cushion 6-15, 6-17, 7-13
shock absorber cushion retainer 6-15, 6-17, 7-13
shock damper isolator 6-15, 6-17, 7-13
shock mounting bracket, drv 6-15, 6-17
shock mounting bracket, pas 6-15, 6-17
shoe retainer kit 5-3
shoe, brake 5-3
sleeve 6-11, 6-13, 6-15, 6-17, 6-19, 7-13, 7-15
solenoid 8-15
spindle 6-13, 7-11
spring
 brake 5-3
 compression 6-3, 7-3
spring, leaf, rear 6-15, 7-13
spring, leaf, rear, 4-pass 6-17
steering column cover 4-7
steering wheel 6-3, 6-5, 7-3, 7-5
steering wheel (comfort grip) kit 6-3, 7-3
steering wheel puller tool 12-3, 12-5
strap, bag 1-25
strut, front canopy, lh 1-37, 1-39
strut, front canopy, rh 1-37, 1-39, 4-13
stud
 lug 6-13, 10-3
support, canopy 1-37
support, underbody, rear 1-25
suspension, front structure 6-11, 7-11
switch
 light 4-9
 rocker 8-11
 Tow/Run 8-11
switch rubber boot 8-11
switch, hazzard 8-17

T

Taillight 4-17
tester, continuity 12-3
three-piece A-arm 6-11
throttle, Gen2, no sensor 5-9
tie rod end 6-9, 7-9
tie rod extension 7-11
tie wrap 6-9, 7-9
tire 2-9
tire, pro tour, 205-50 x 10 2-3, 2-7
tool
 charger bezel 12-3
 steering wheel puller 12-3, 12-5
 transaxle pinion seal 12-3, 12-5
touch-up paint 12-3
Tow/Run switch 8-11
transaxle pinion seal tool 12-3, 12-5
trunk 1-29
Tuflok 1-27, 1-29

U

U-bolt 6-15, 6-17, 7-13
underbody 1-17
underbody support, rear 1-25
upper A-arm 7-11
urethane bushing 6-15, 6-17, 7-13
USB
 port 8-17
USB port 8-17

V

valance 1-29
volt ohm meter 12-3, 12-5

W

wheel 2-7, 2-9
 center cap 2-5, 2-7, 2-9
 steering 6-3, 6-5, 7-3, 7-5
windshield channel 1-53, 1-55
wrap, tie 6-9, 7-9



Club Car, Inc.
P.O. Box 204658
Augusta, GA 30917-4658
USA

Web www.clubcar.com
Phone 1.706.863.3000
1.800.ClubCar
Int'l +1 706.863.3000
Fax 1.706.863.5808