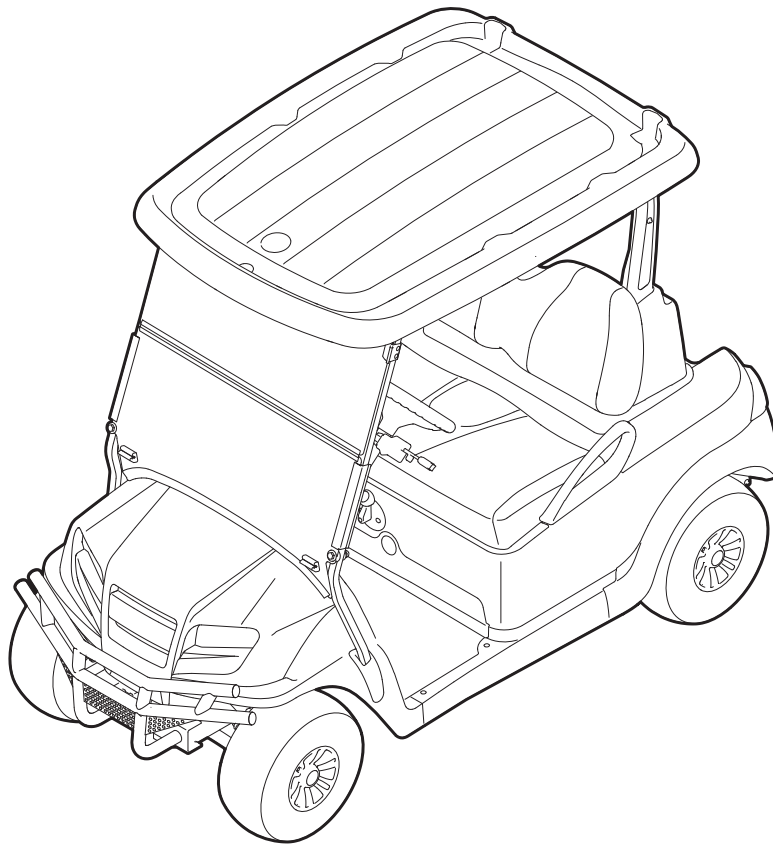




2020 Onward AC Electric Illustrated Parts List



AC Electric Vehicle

Manual Number 86753090049

Edition Code B

USING THE ILLUSTRATED PARTS LIST

⚠ WARNING

- **This manual is to be used only for identification and ordering of service parts. Be sure to read and use the maintenance and service manual before attempting any vehicle repairs.**

The manual is divided into sections. Note that there are two or three flags on the outside edge of each page. The first flag contains the section number of which that page is a part. The other flag (or flags) contains the letter E or G, signifying that the page pertains to electric or gasoline vehicles.

Use the Table of Contents to find the sections and pages that contain the parts and assemblies you seek. The Table of Contents lists section numbers, and under them, the individual page titles and numbers to be found in that section. The index can be used to find specific parts and assemblies. The index is divided into numerical and alphabetical listings with the page numbers in italic text.

There is a two-page spread for each individual page title in the Table of Contents. On the left-hand page is an illustration showing the parts in their relative positions; the parts are each tagged with an item number in a balloon. The right-hand page is the parts list page, and gives the page title at the top, then the item numbers (corresponding to the numbers on the illustration), part descriptions, and quantity of parts used. Some item numbers have more than one part number because several configurations of a component are represented together on one spread.

Note that a part description may be indented. This indentation corresponds to a parts assembly level indicated by the numbers 1, 2, 3, and 4 at the top left corner of the parts description area of the parts list page. A part that is indented to *level 2* is a component of the *level 1* part (assembly) that it is listed under. A *level 3* part is a component of the *level 2* part that it is listed under, and a *level 4* part is a component of the *level 3* part preceding it. In each case, the part quantity given for a level 2, 3, or 4 part is *the quantity used per next higher level assembly of which it is a component*. A part that is not indented is a *level 1* part. This means that the quantity given is the quantity used per the portion of the vehicle illustrated on that particular spread.



P. O. Box 204658
Augusta, Georgia 30917-4658 USA
Telephone 706-863-3000
Service Parts Fax 706-855-7413
www.clubcar.com

HOW TO ORDER PARTS

Replacement parts and accessories can be obtained from our network of authorized dealers and distributors. You can obtain the name and phone number of your closest authorized Club Car dealer or distributor by visiting our web site at www.clubcardealer.com, by calling our toll-free Service Parts and Technical Assistance hotline at (800) 872-2246 or (706) 863-3000, extension 3887, or by scanning this Quick Response (QR) code to be taken to the Club Car dealer locator. **Refer to Figure 1.** Download a QR code reader such as RedLaser or Barcode Scanner to your cell phone or tablet.



Figure 1 Dealer Locator QR Code

CUSTOMER SATISFACTION SURVEY

Let your voice be heard!

Please take time to participate in the Technical Publications satisfaction survey. Obtaining feedback from our customers is important to the department's continuous improvement process. The online survey takes less than five minutes and responses will help the department to examine current performance as well as identify areas for future improvement.

Our top priority is to provide timely, accurate, and user friendly manuals.

The online satisfaction survey can be found at: <http://bit.ly/1w9uFMh>



Figure 2 Survey QR Code

NOTE: *This illustrated parts list represents the most current information at the time of publication. Club Car, LLC is continually working to further improve its vehicles and other products. These improvements may affect the parts used to service the vehicle. Any modification and/or significant change in specifications will be forwarded to all Club Car and Carryall distributors/dealers and will, when applicable, appear in future editions of this illustrated parts list.*

Club Car, LLC reserves the right to change specifications and designs at any time without notice and without the obligation of making changes to units previously sold.

Copyright © 2019 Club Car, LLC
Club Car, Onward, and Surlyn
are registered trademarks of Club Car, LLC
This manual effective July 1, 2020.

CONTENTS

SECTION 1 – BODY AND TRIM

Frame	1-3
Brush Guards	1-5
Grill Inserts	1-7
Front Bumper	1-9
Front Fenders	1-11
Front Body	1-13
Dash	1-15
Floor Mat, Retainers, and Front Underbody	1-17
Kick Plate – On-Board Charger	1-19
Kick Plate – Shelf Charger	1-21
Seat Bottom with Hip Restraints	1-23
Seat Back, Backrest, and Structural Accessory Module (SAM)	1-25
Rear Body	1-27
Rear Valance	1-29
Rear Fenders	1-31
Receiver Hitch	1-33
Canopies	1-35
Canopy Struts	1-37
Front Strut Kit, Four-Passenger Canopy	1-39
Grab Handle Kits	1-41
Four-Passenger Canopy with Rear Struts – Black	1-43
Four-Passenger Canopy with Rear Struts – White	1-45
Four-Passenger Canopy with Rear Struts – Beige	1-47
Rear-Facing Seat Frame and Foot Deck – Consumer Car	1-49
Rear-Facing Seat	1-51
Hinged Windshield, Clear	1-53
Hinged Windshield, Tinted	1-55
Beverage Holder	1-57
Mirrors, Side	1-59
Golf Bag Holder	1-61
Overhead Storage	1-63
Mirror, 5-Panel	1-65

SECTION 2 – WHEELS AND TIRES

Wheel and Tire Assemblies – 12 Inch	2-3
Wheel and Tire Assemblies – 14 Inch	2-5

CONTENTS

SECTION 3 – DECALS

AC Decals	3-3
Decals – Badging	3-5

SECTION 4 – LIGHTS, CONTROLS AND INDICATORS

Headlights – Onward	4-3
Lighting System Components	4-5
Horn	4-7
Instrument Panel	4-9
Bluetooth Sound System	4-11
DC/DC Converter – Electric Vehicle	4-13
Taillights	4-15

SECTION 5 – BRAKES AND PEDAL GROUP ASSEMBLIES

Rear Brakes, Self-Adjusting	5-3
Brake Cables and Equalizer Bracket	5-5
Brake Cables and Equalizer Bracket – Lifted Vehicle	5-7
Pedal Groups with MCOR	5-9

SECTION 6 – STEERING, FRONT AND REAR SUSPENSION – STANDARD HEIGHT

Steering Wheel, Comfort Grip with Logo	6-3
Steering Wheel, Comfort Grip with Clip	6-5
Steering Column	6-7
Steering Gear Assembly	6-9
Front Suspension, Upper	6-11
Front Suspension, Lower	6-13
Rear Suspension, Electric Vehicle	6-15
Rear Suspension, Heavy Duty	6-17
Panhard Rod	6-19

SECTION 7 – STEERING, FRONT AND REAR SUSPENSION – LIFTED

Steering Wheel, Comfort Grip with Logo	7-3
Steering Wheel, Comfort Grip with Clip	7-5
Steering Column	7-7
Steering Gear Assembly	7-9
Front Suspension, Lifted	7-11
Rear Suspension, Lifted	7-13
Panhard Rod	7-15

CONTENTS

SECTION 8 – AC ELECTRICAL SYSTEM

Motor Controller Output Regulator (MCOR)	8-3
Wiring Harnesses and PDM	8-5
Forward/Reverse Switch and Tow/Run Switch	8-7
Batteries and Battery Bucket	8-9
Hand Pump and Deionizer (Battery-Powered Quality Light)	8-11
Module, Controller and Solenoid	8-13
VCM and Brackets	8-15
Hazard Switch and USB Port	8-17

SECTION 9 – ELECTRIC MOTOR

Electric Motor	9-3
----------------------	-----

SECTION 10 – TRANSAXLE – AC ELECTRIC

Transaxle	10-3
Differential Guard – Electric Vehicles	10-5

SECTION 11 – AC BATTERY CHARGERS

Trojan Battery Charger, High-Frequency – U.S./Canada	11-3
Cords – Battery Charger, High-Frequency	11-5
Trojan Battery Charger, High-Frequency – Onboard – Fixed Rear Seat	11-7
Trojan Battery Charger, High-Frequency – Onboard (Fold-Down Rear Facing Seat)	11-9

SECTION 12 – MAINTENANCE AND SERVICE TOOLS

Maintenance and Service Tools	12-3
Maintenance and Service Tools, Continued	12-5

SECTION i – INDEX

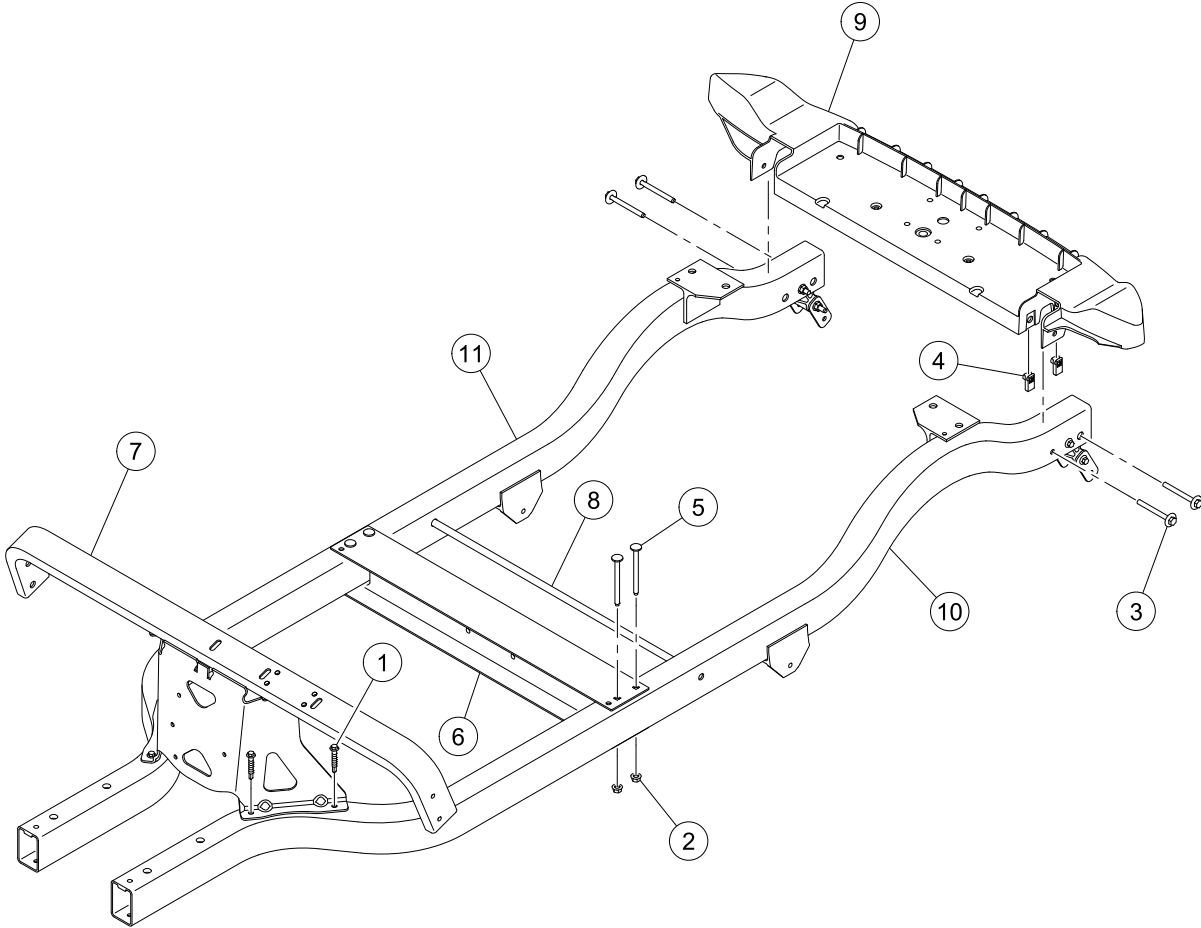
BODY AND TRIM

1

E

1

E



G-010099-000004

FRAME

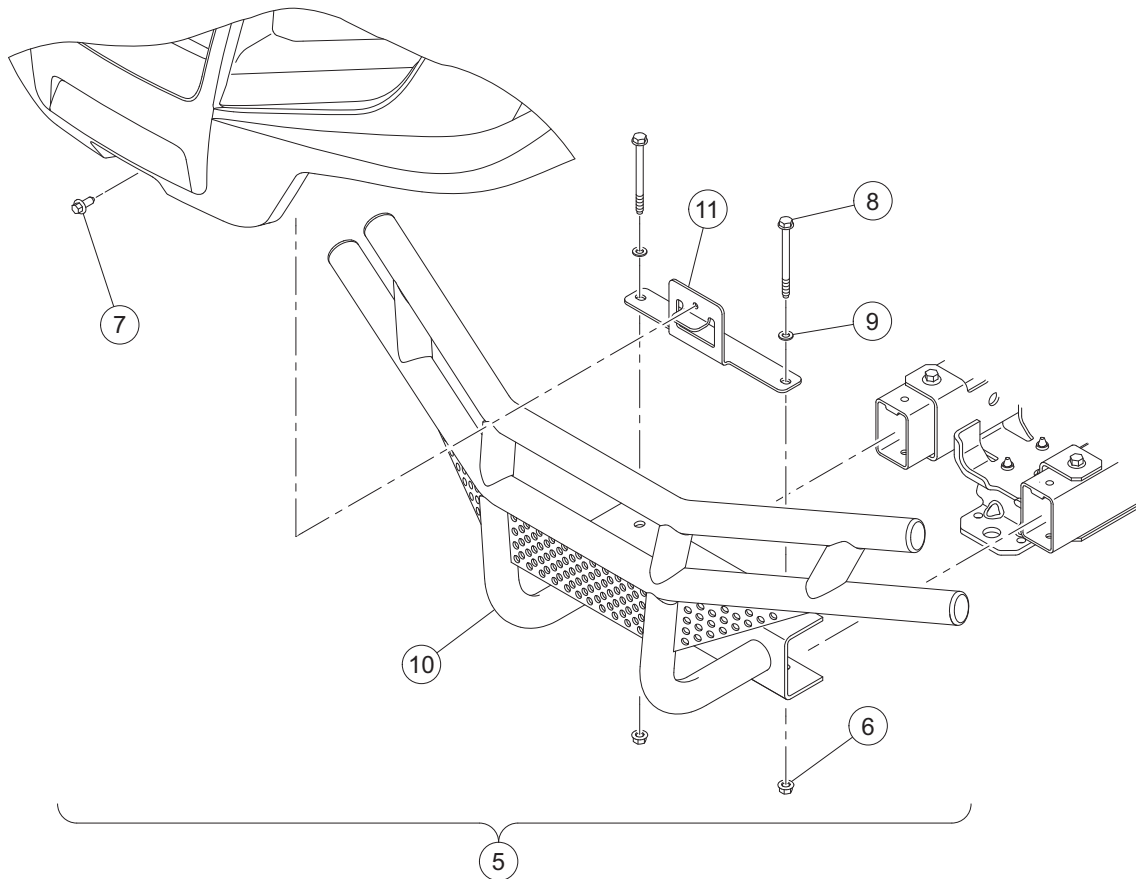
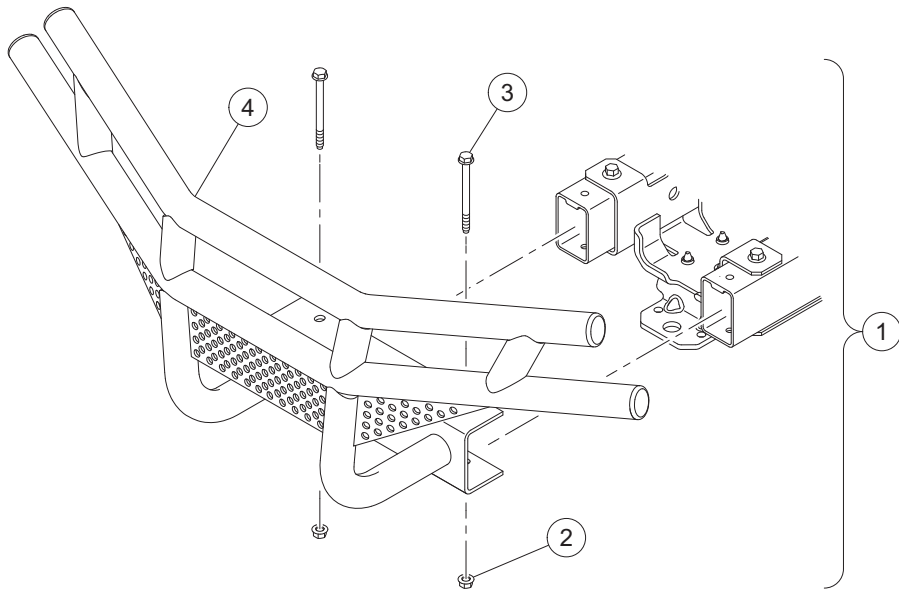
ITEM	PART NO.	DESCRIPTION	QTY
		1 2 3 4	
1	<u>102292101</u>	Screw-5/16 X 1.5 Tek	4
2	<u>102298401</u>	Nut,m8,all Metal Lock	4
3	<u>102298580</u>	M8-1.25 X 80 Sems	4
4	<u>102298601</u>	J-clip - M8 X 1.25	4
5	<u>102298995</u>	Bolt, Wafer Head, M8-1.25x95	4
6	<u>102505401</u>	Xmbr-middle	1
7	<u>102505701</u>	Assembly, Dash Support	1
8	<u>103638901</u>	Rod, .5 Od X 26.26	1
9	<u>103926603</u>	Rear Cross Member, Csmr, Sp	1
10	<u>103990503</u>	Weldment, Frame, Csmr, Driver-side	1
11	<u>103990601</u>	Weldment, Frame, Passenger-side	1
		Note: Item 8 applies to electric vehicles only.	

1

E

1

E



G-140199-000015

BRUSH GUARDS

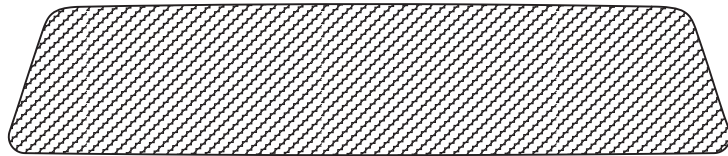
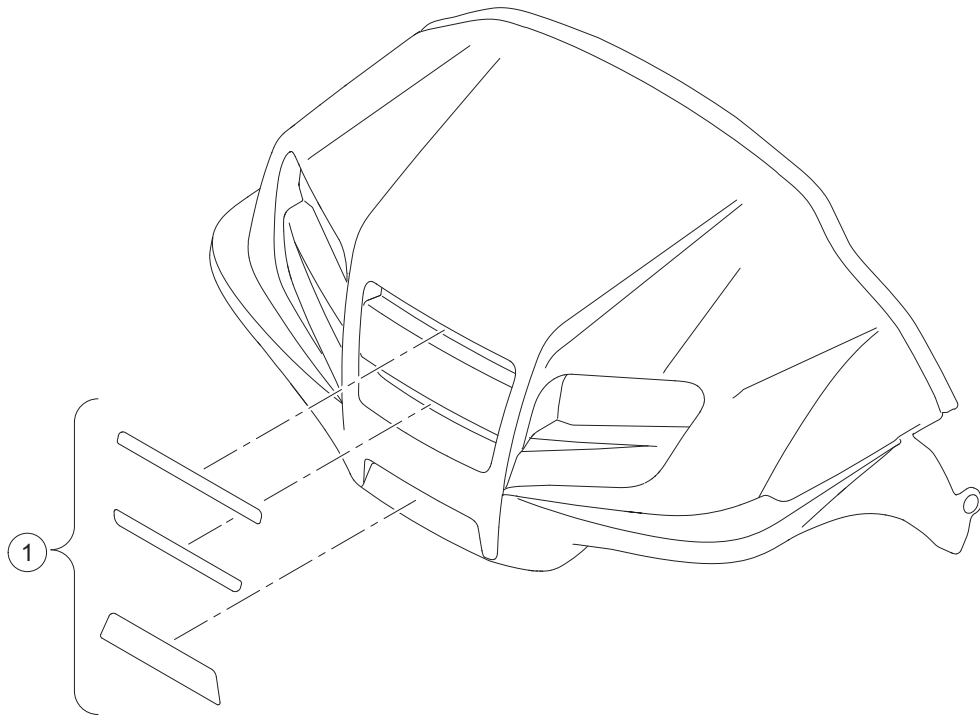
ITEM	PART NO.	DESCRIPTION	QTY
		1 2 3 4	
1	<u>47577561002</u>	Kit, Brush Guard, Lifted (includes items 2 through 4)	1
2	<u>102298401</u>	Nut, M8, All Metal Lock	2
3	<u>102534201</u>	Bolt - Fl Hd, M8 X 95	2
4	<u>47578016001</u>	Asm, Brush Guard Res	1
5	<u>47577561004</u>	Kit, Brush Guard, NI (includes items 6 through 11)	1
6	<u>102298401</u>	Nut, M8, All Metal Lock	2
7	<u>102298720</u>	Screw, M8-1.25x20, Taptite	1
8	<u>103423701</u>	Bolt, M8 X 1.25 X 110	2
9	<u>105307701</u>	Washer, Flat, Ss, M8	2
10	<u>47578016001</u>	Asm, Brush Guard Res	1
11	<u>47680239001</u>	Bracket, Cowl Support	1

1

E

1

E



①

G-160299-000008

GRILL INSERTS

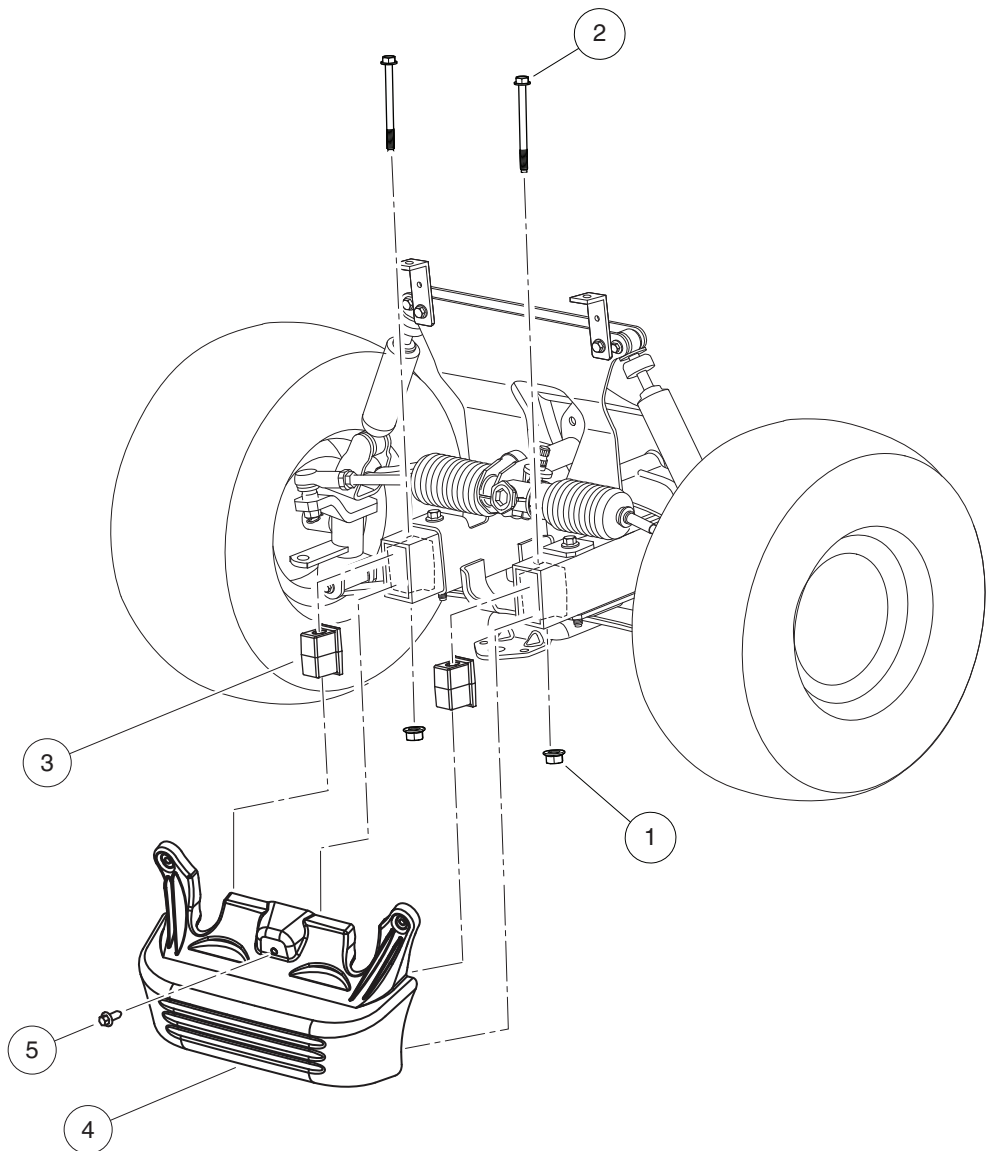
ITEM	PART NO.	DESCRIPTION	QTY
1	<u>47649254001</u>	1 2 3 4 Kit, Grill Insert	1

1

E

1

E



001299-001

FRONT BUMPER

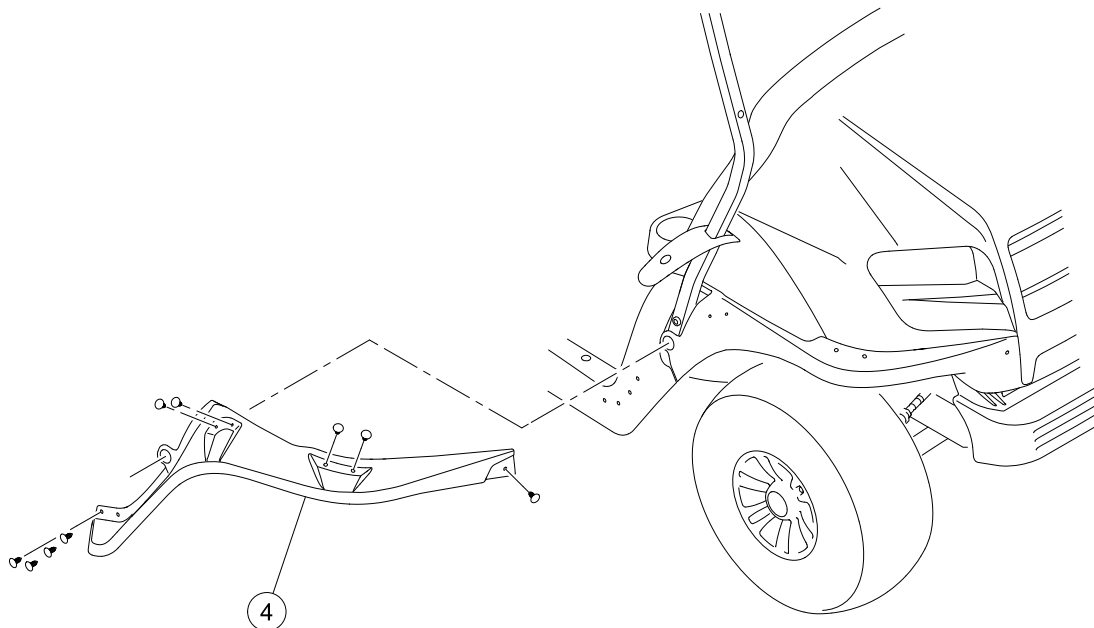
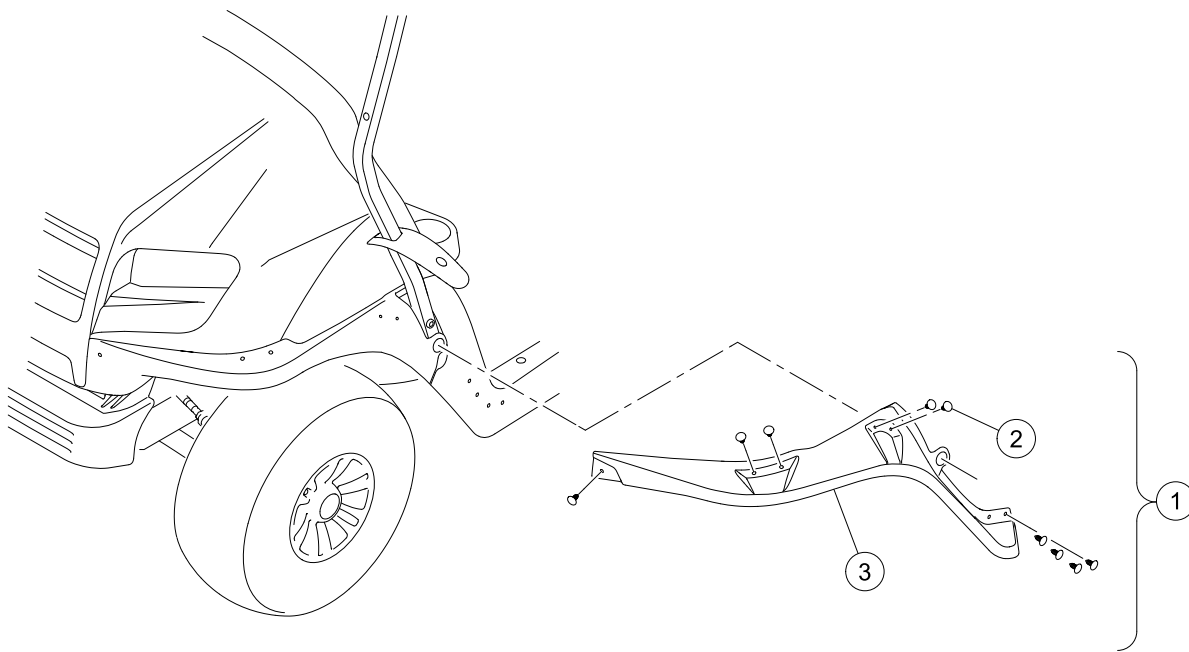
ITEM	PART NO.	DESCRIPTION	QTY
		1 2 3 4	
1	<u>102298401</u>	Nut,m8,all Metal Lock	2
2	<u>102534201</u>	Bolt - Fl Hd, M8 X 95	2
3	<u>103325001</u>	Plug, Shock, Bumper	2
4	<u>103923601</u>	Bumper, Prec Fleet, W/light	1
5	<u>47579669001</u>	Screw, 3/8 Hex & Hex Washer Hd	1

1

E

1

E



G-140699-000006

FRONT FENDERS

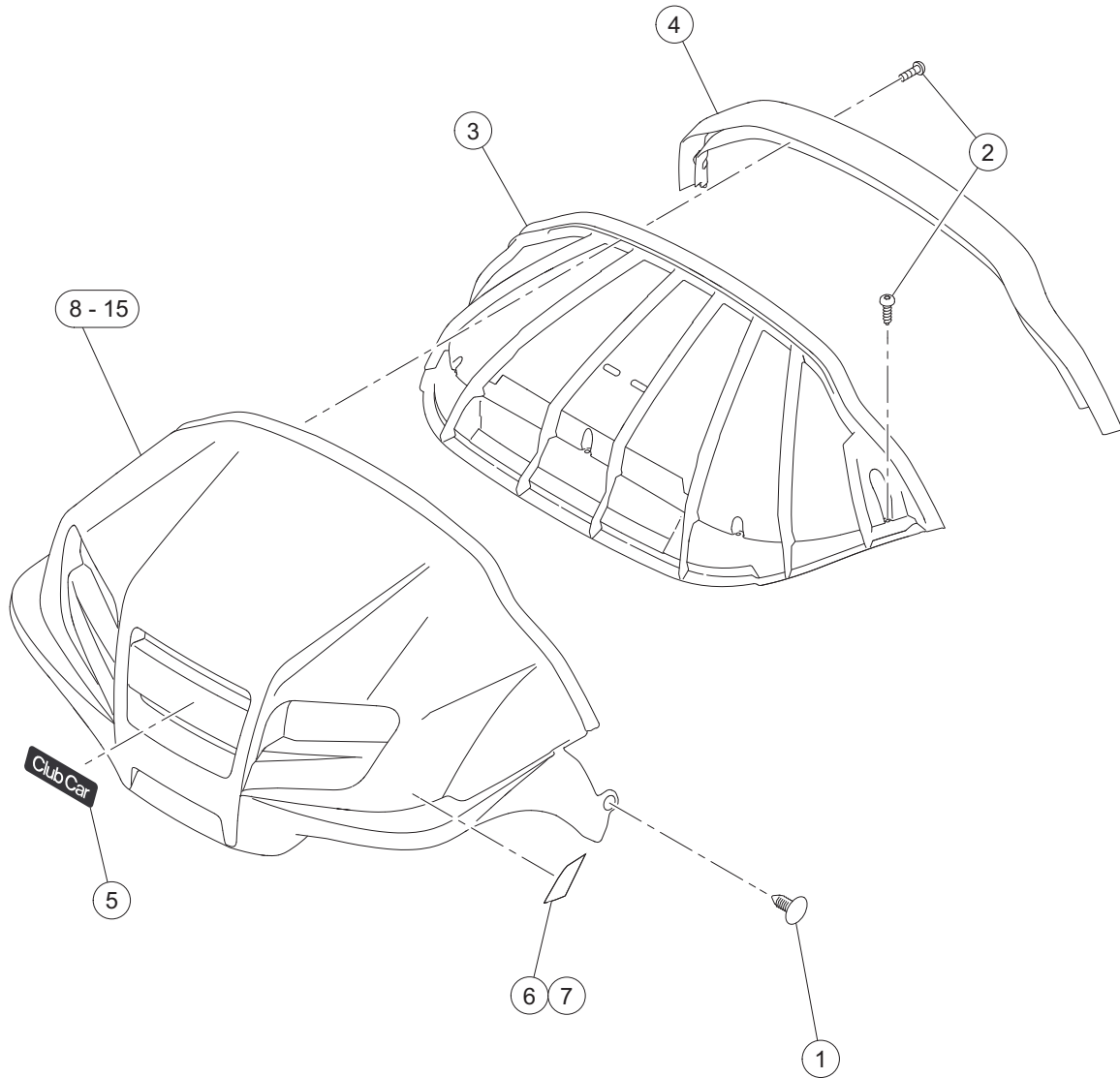
ITEM	PART NO.	DESCRIPTION	QTY
		1 2 3 4	
1	<u>47632116001</u>	Kit, Fenders, Front (includes items 2 through 4)	1
2	<u>1010434</u>	Barrel - Plastic	18
3	47628936001	Fender, Front, LH	1
4	47628936002	Fender, Front, RH	1

1

E

1

E



G-140299-000005

FRONT BODY

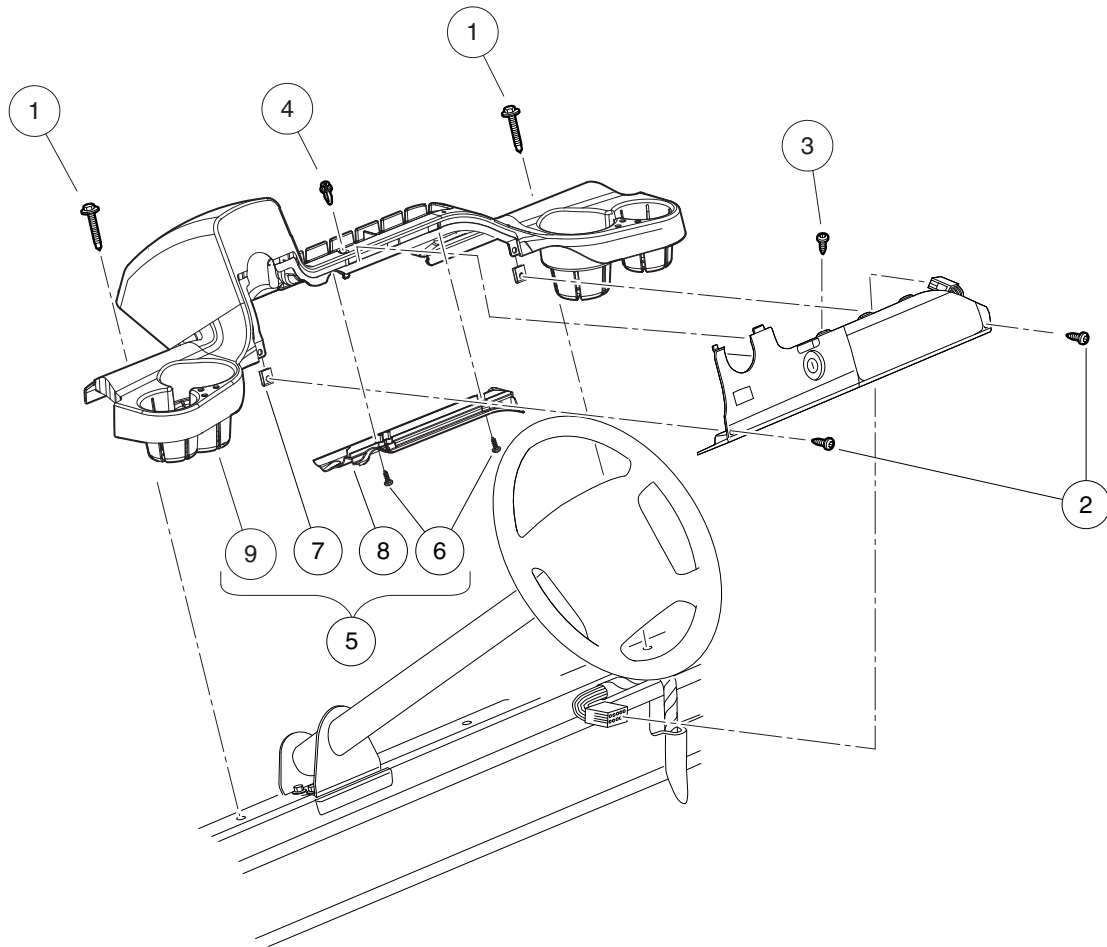
ITEM	PART NO.	DESCRIPTION	QTY
		1 2 3 4	
1	<u>1010434</u>	Barrel - Plastic	4
2	<u>102296020</u>	Screw, Torx Pan Hd Pt, M6 X 20	9
3	<u>102501501</u>	Brow	1
4	102502501	Brow Cap	1
5	<u>102883602</u>	Decal, Nameplate, Csmr	1
6	47583296001	Reflector, Front, Csmr, Driver-side	1
7	47583296002	Reflector, Front, Csmr, Passenger-side	1
8	47627633002	Panel Frt, Met Prl Blue	1
9	47627633003	Panel Frt, Met Green	1
10	47627633004	Panel Frt, Met Black	1
11	47627633005	Panel Frt, Met Platinum	1
12	47627633006	Panel Frt, Cdy Apple Red	1
13	47627633011	Panel Frt, Met Glacier	1
14	47627633058	Panel Frt, Met Beige, Sp	1
15	47627633099	Panel Frt, No Paint	1
		<p>Note: For current or additional color options, contact your local Club Car dealer or distributor.</p>	

1

E

1

E



000438-003

DASH

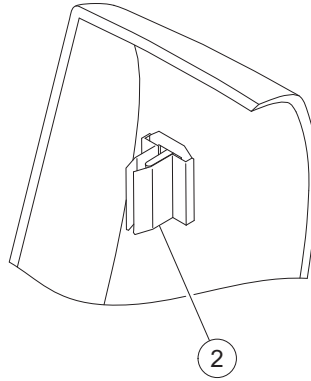
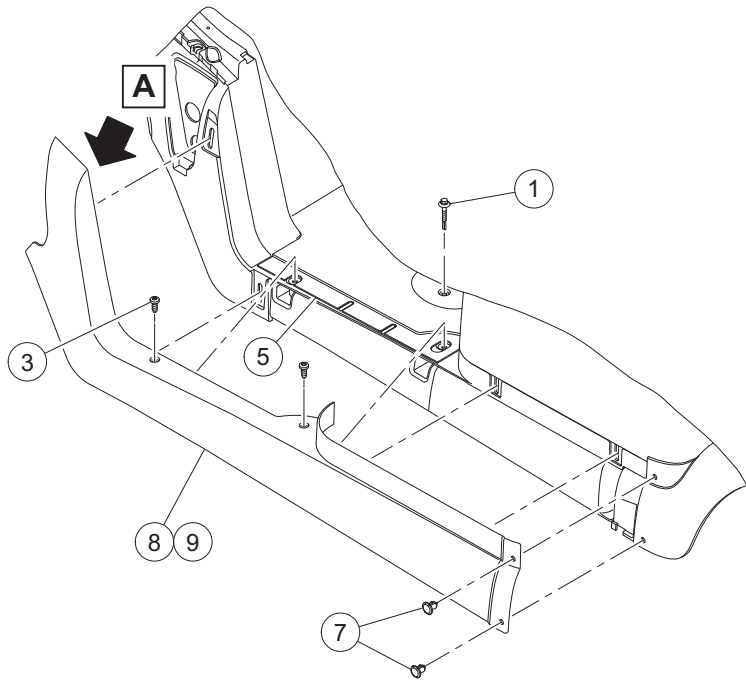
ITEM	PART NO.	DESCRIPTION	QTY
		1 2 3 4	
1	<u>102292356</u>	Screw-1/4-20x56 Hwh Self Drill	2
2	<u>102296819</u>	Screw-M6 x 19	2
3	<u>102557201</u>	Screw, #6-20 Type Abx1.00 Pan	1
4	<u>102915601</u>	Plastic Rivet - Tuflock	1
5	<u>103402701</u>	Dash Assembly (includes items 6 through 9)	1
6	N/A	Screw-torx Pan Hd Pt,m6 X 16	2
7	<u>102297001</u>	U-nut, 1/4" Type Ab	2
8	N/A	Drain Channel - Dash	1
9	N/A	Dash	1

1

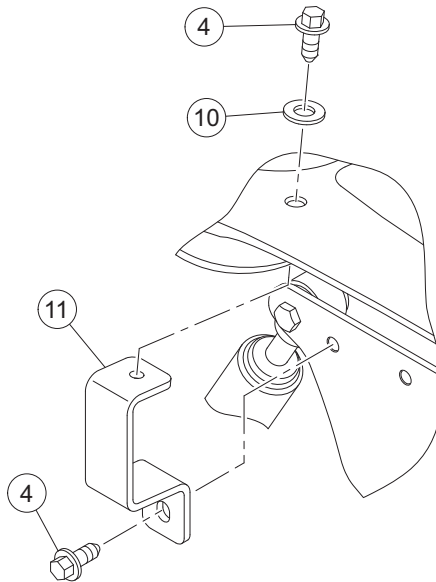
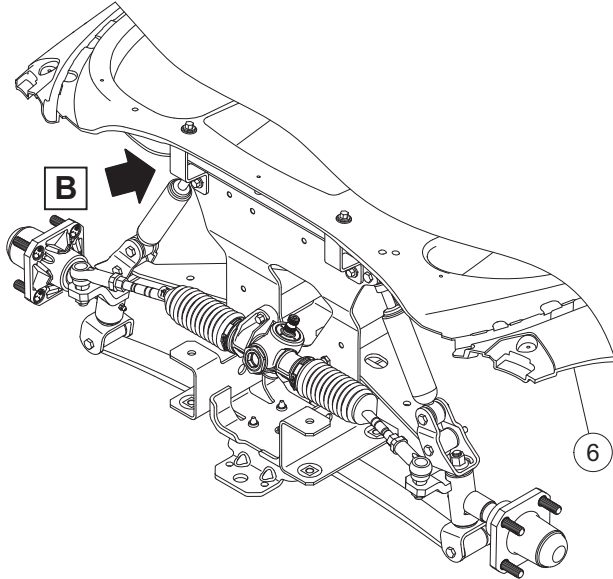
E

1

E



A



B

G-140599-000005

FLOOR MAT, RETAINERS, AND FRONT UNDERBODY

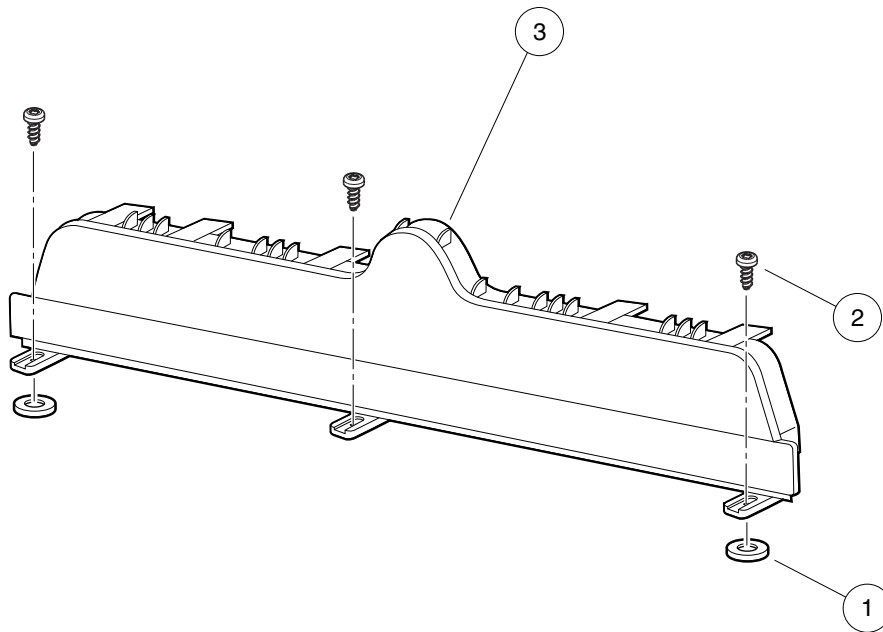
ITEM	PART NO.	DESCRIPTION	QTY
		1 2 3 4	
1	<u>102292356</u>	Screw-1/4-20x56 Hwh Self Drill	3
2	<u>102292701</u>	Clip-body-trim	8
3	<u>102298020</u>	Screw, K80x20, Torx Pn Hd Pt	4
4	<u>102298720</u>	Screw, M8-1.25x20, Taptite	4
5	<u>102504802</u>	Floormat	1
6	<u>103635201</u>	Underbody, Front, One Piece	1
7	<u>105291501</u>	Rivet, Plastic Tuflok, 8mm	4
8	<u>105314001</u>	Floormat Retainer, Passenger-side, Black	1
9	<u>105314101</u>	Floormat Retainer, Driver-side, Black	1
10	<u>334</u>	Washer, 3/8, Type A, Flat	2
11	47678150001	Bracket, Dash Support, Ac Fla	2
<p>Note: The front underbody is a special order item available upon request. It will require some trimming for use on the Onward vehicle.</p>			

1

E

1

E



001059-001

KICK PLATE – ON-BOARD CHARGER

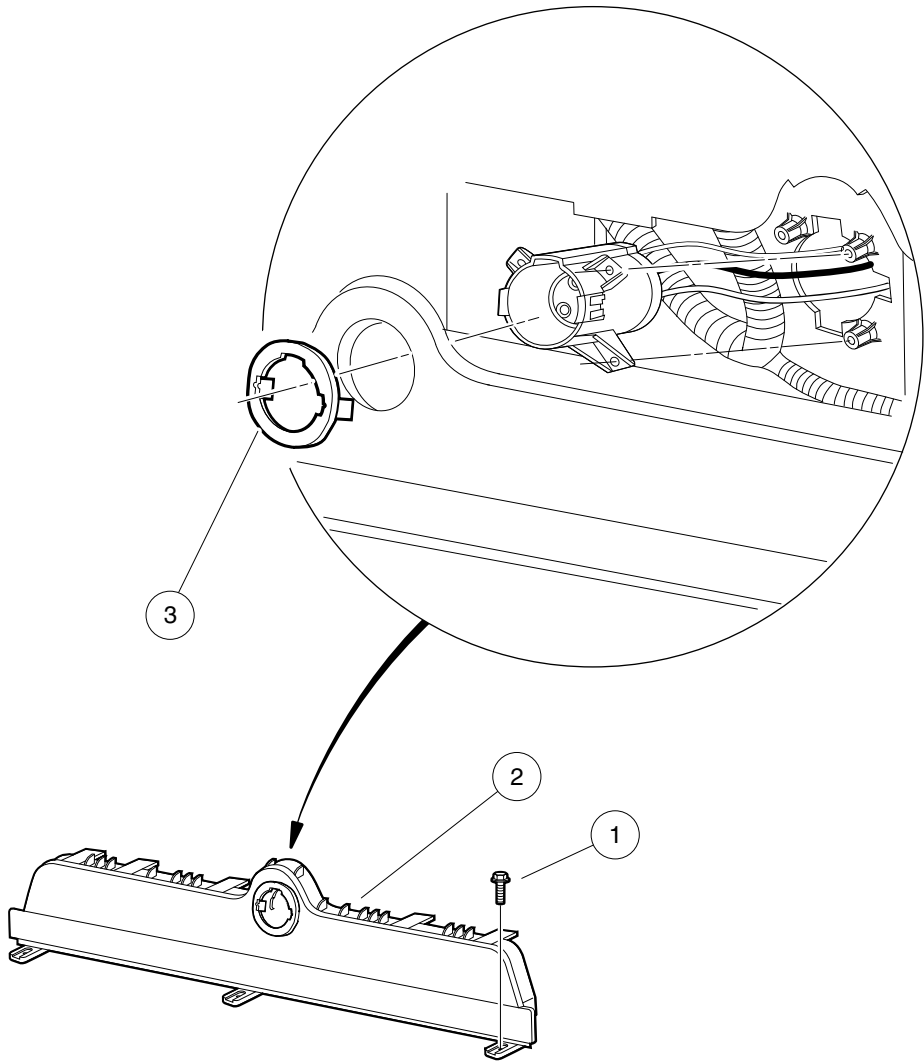
ITEM	PART NO.	DESCRIPTION	QTY
		1 2 3 4	
1	1012571	Washer, 5/16 Extra Thick Flat	2
2	<u>102298020</u>	Screw, K80x20, Torx Pn Hd Pt	3
3	<u>105005402</u>	Plate, Kick, Black	1

1

E

1

E



000500-003

KICK PLATE – SHELF CHARGER

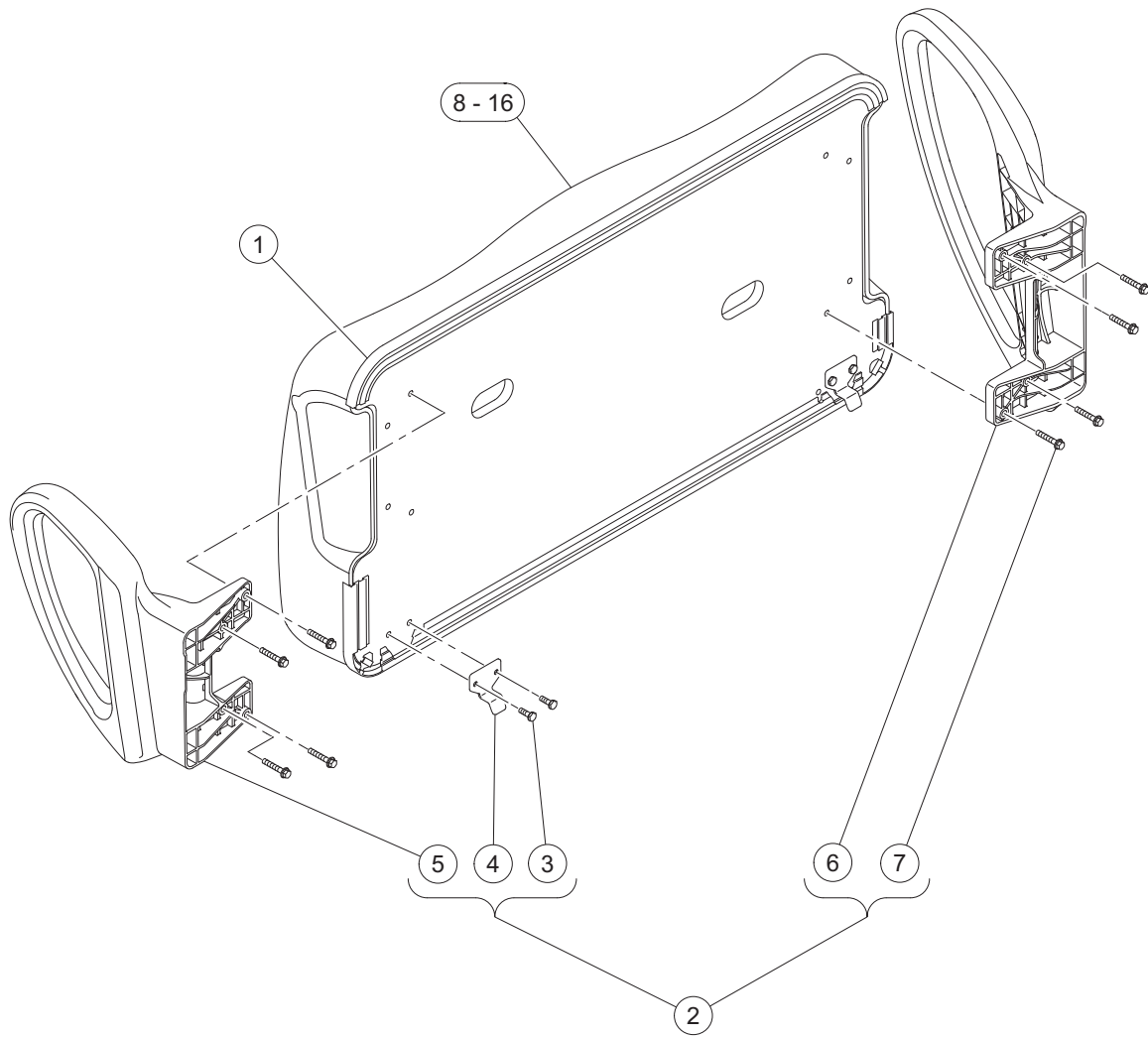
ITEM	PART NO.	DESCRIPTION	QTY
1	<u>102298020</u>	1 2 3 4 Screw, K80x20, Torx Pn Hd Pt	3
2	<u>102508202</u>	Plate - Electric Kick Blk	1
3	<u>102516902</u>	Socket Trim, Charger	1

1

E

1

E



G-140699-000023

SEAT BOTTOM WITH HIP RESTRAINTS

ITEM	PART NO.	DESCRIPTION	QTY
		1 2 3 4	
1	<u>101998501</u>	Gasket, Seat	1
2	<u>103833901</u>	Kit, Seat Bottom (includes items 3 through 7)	1
3	<u>101954301</u>	Screw, 1/4-20 X 0.75 Hex-Head Cap	4
4	<u>103832901</u>	Hinge, Seat Bottom	2
5	<u>103833601</u>	Hip Restraint, Drv	1
6	<u>103833701</u>	Hip Restraint, Pas	1
7	<u>103833801</u>	1/4-20 X 1.5 Hex Flg Patch	8
8	<u>104023421</u>	Seat Bottom Asm, Beige, Service Replacement	1
9	<u>104023422</u>	Seat Bottom Asm, White, Service Replacement	1
10	<u>104023425</u>	Seat Bottom Asm, Black, Service Replacement	1
11	<u>105223321</u>	Seat Bottom Asm, Premium, Light Beige, Service Replacement	1
12	<u>105223322</u>	Seat Bottom Asm, Premium, Camello, Service Replacement	1
13	<u>105223323</u>	Seat Bottom Asm, Premium, Off-White, Service Replacement	1
14	<u>105223327</u>	Seat Bottom Asm, Premium, Black, Service Replacement	1
15	<u>105223328</u>	Seat Bottom Asm, Premium, Black/Gray, Service Replacement	1
16	<u>105223329</u>	Seat Bottom Asm, Premium, Gray, Service Replacement	1
<p>Note: Item 1 is supplied with all seat bottom assemblies and can be procured individually. For current or additional color options, contact your local Club Car dealer or distributor.</p>			

1

E

SEAT BACK, BACKREST, AND STRUCTURAL ACCESSORY MODULE (SAM)

ITEM	PART NO.	DESCRIPTION	QTY
		1 2 3 4	
1	<u>102296530</u>	Screw - M6 X 1.0 X 30 Sems	2
2	<u>102298250</u>	Bolt-flange Hd, M8 X 50.0	6
3	<u>103853121</u>	Asm, Seat Back, Beige, Service Replacement	1
4	<u>103853122</u>	Asm, Seat Back, White, Service Replacement	1
5	<u>103853125</u>	Asm, Seat Back, Black, Service Replacement	1
6	<u>103952901</u>	Kit, S.A.M. Assembly (includes items 7 through 10)	1
7	<u>102297230</u>	Screw, M6, Torx, Interlock Thread	4
8	<u>103929301</u>	Support- Canopy, Drv	1
9	<u>103929302</u>	Support- Canopy, Pass	1
10	N/A	Asm, S.A.M. (includes items 11 through 19)	1
11	<u>102297230</u>	Screw, M6, Torx, Interlock Thread	3
12	<u>102504001</u>	Asm, Bag Hoop (includes items 13 through 16)	1
13	<u>1010434</u>	Barrel - Plastic	2
14	<u>102504201</u>	Hoop-bag	1
15	<u>102504301</u>	Strap, Bag	1
16	<u>102517001</u>	Buckle-bag Strap	2
17	N/A	Structural Accessory Module (S.A.M.)	1
18	<u>103327601</u>	Screw, 5/16, Torx, Bosscrew	2
19	<u>103699401</u>	Panel, S.A.M., Prec	1
20	<u>103978801</u>	Barrel-push 6mm	4
21	47671439021	Asm,prem Seat Bck,lt Beige, Sp	1
22	47671439022	Asm,prem Seat Bck,camello, Sp	1
23	47671439023	Asm,prem Seat Bck,off Wht, Sp	1
24	47671439027	Asm,prem St Bck,black, Sp	1
25	47671439028	Asm,prem St Bck,black/gray, Sp	1
26	47671439029	Asm,prem Seat Back,gray, Sp	1
		Note: Screws (item 7) not shown. These are four new screws to replace those used to attach accessory mounting brackets to SAM (item 17). For current or additional color options, contact your local Club Car dealer or distributor.	

1

E

REAR BODY

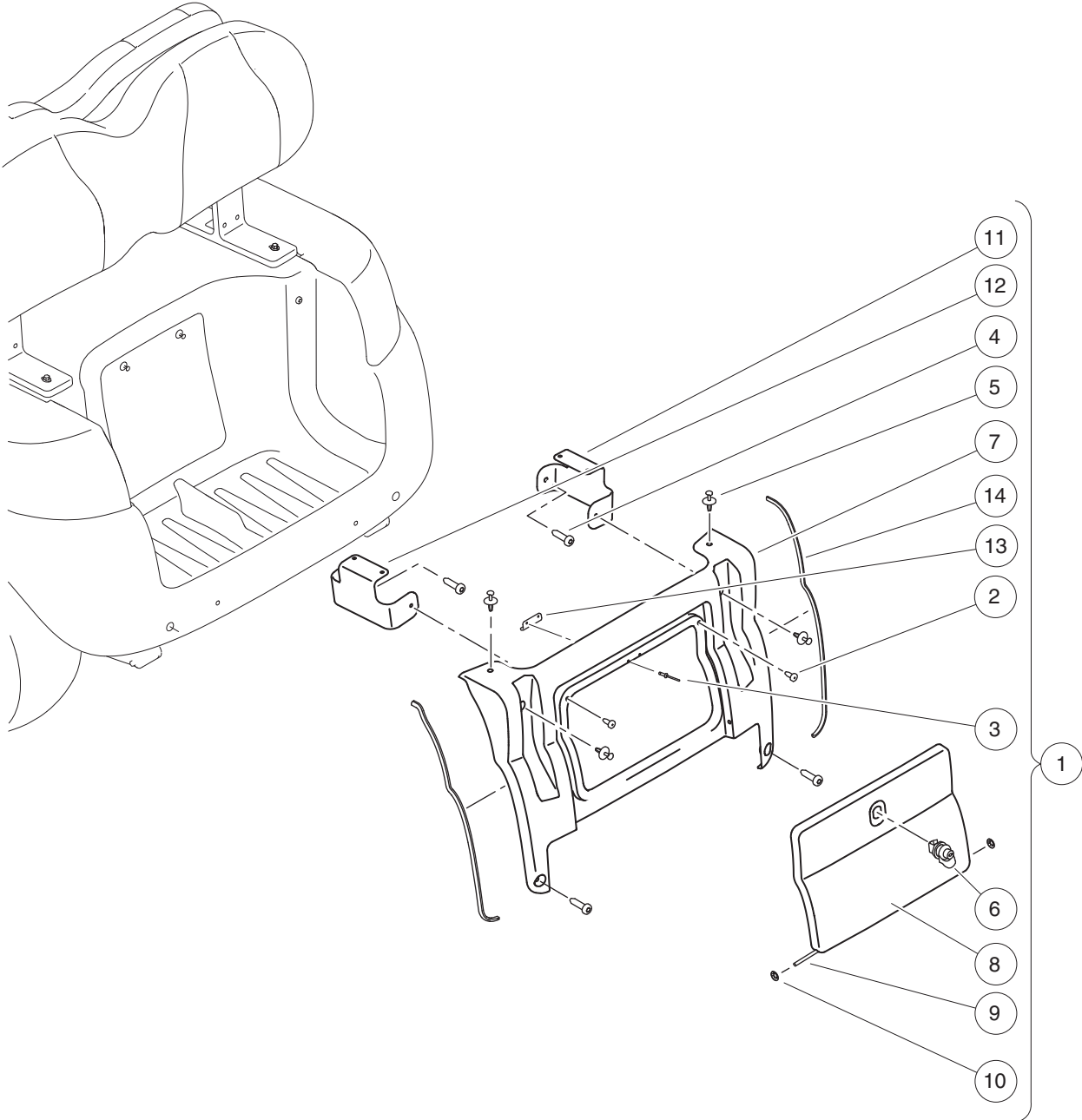
ITEM	PART NO.	DESCRIPTION	QTY
		1 2 3 4	
1	102279106	Underbody, Rear, Common	1
2	<u>102292701</u>	Clip-body-trim	2
3	<u>102296601</u>	U-Nut, M6-1.0, Prevailing Torque	2
4	<u>102297230</u>	Screw, M6, Torx, Interlock Thread	4
5	102298030	Screw, K80x30, Torx Pn Hd Pt	4
6	102298716	M8-1.25x16 Taptite	2
7	<u>102501402</u>	Panel, Access, Black	1
8	<u>102501403</u>	Panel, Access, Black, with Punched Hole	1
9	<u>102967901</u>	Rivet, Removable, Tuflok 1/4"	2
10	<u>103812901</u>	Asm, Rear Underbody Support, Passenger-side	1
11	<u>103813001</u>	Asm, Rear Underbody Support, Driver-side	1
12	47583297001	Reflector, Rear, Csmr, Driver-side	1
13	47583297002	Reflector, Rear, Csmr, Passenger-side	1
14	<u>47589919301</u>	Pnl, Bty, Rr, Mt Glacier, Sp	1
15	<u>47589919302</u>	Pnl, Bty, Rr, Mt Platinum, Sp	1
16	<u>47589919303</u>	Pnl, Bty, Rr, Mt Cndy Apl, Sp	1
17	<u>47589919304</u>	Pnl, Bty, Rr, Mt Green, Sp	1
18	<u>47589919306</u>	Pnl, Bty, Rr, Mt Black, Sp	1
19	<u>47589919308</u>	Pnl, Bty, Rr, Mt Prl Blue, Sp	1
20	<u>47589919311</u>	Pnl, Bty, Rr, Mt Beige, Sp	1
21	<u>SVP915201</u>	Panel-access-lite Hole Cut Out	1
		 Note: For current or additional color options, contact your local Club Car dealer or distributor.	

1

E

1

E



001327-001

REAR VALANCE

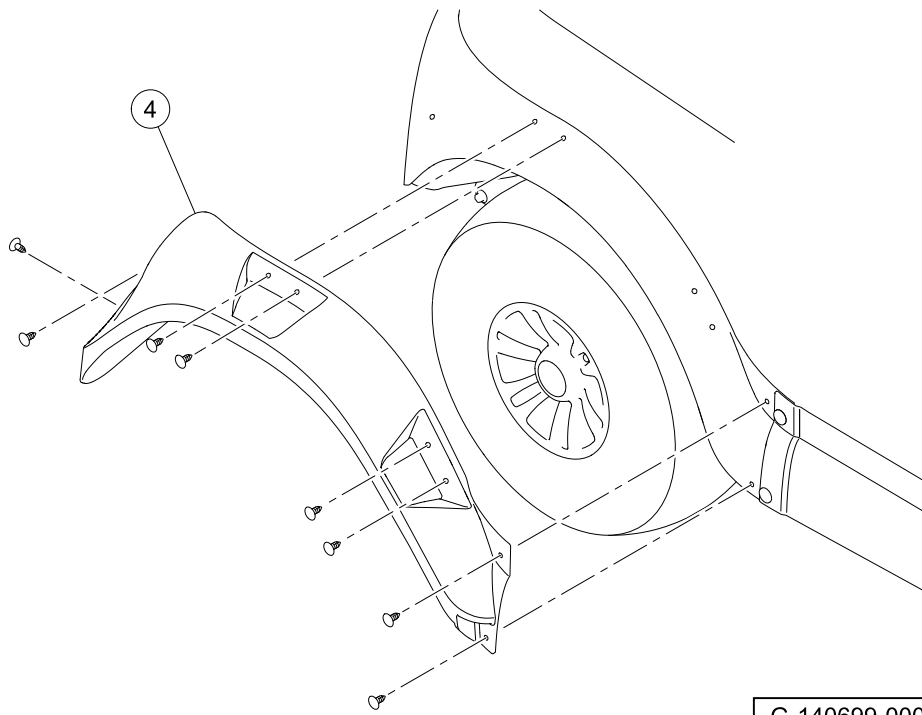
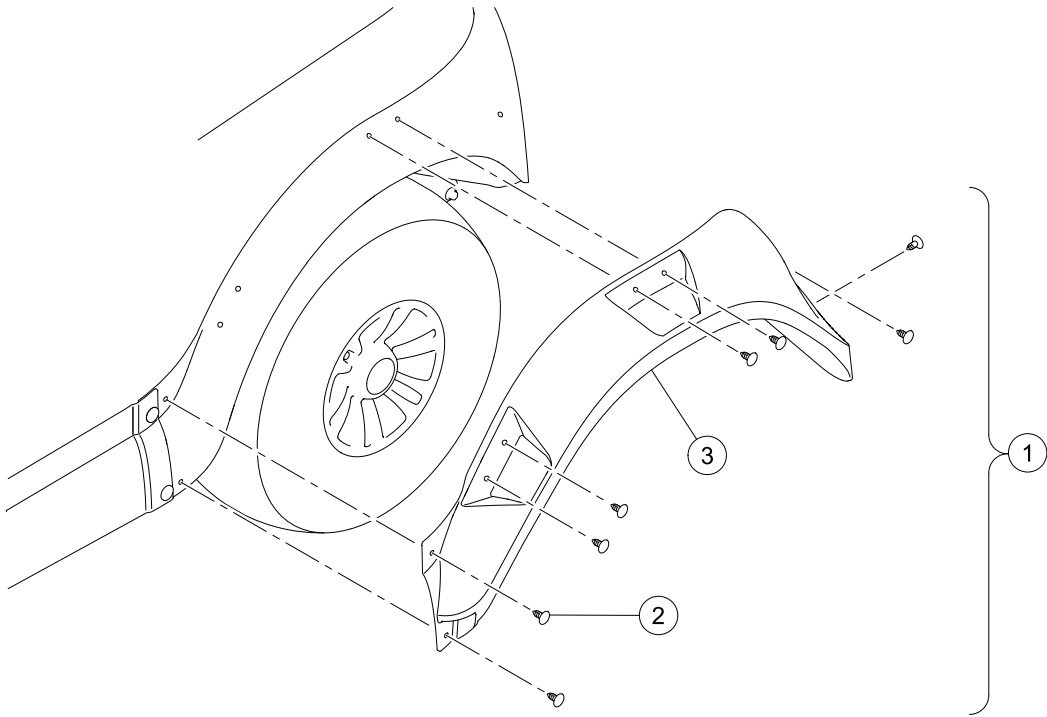
ITEM	PART NO.	DESCRIPTION	QTY
		1 2 3 4	
1	<u>47579068001</u>	Kit, Rear Valance (includes items 2 through 14)	1
2	<u>1010436</u>	Bumper, Rubber	2
3	<u>1015727</u>	Rivet, 1/8	2
4	102298030	Screw, K80x30, Torx Pn Hd Pt	2
5	<u>102967901</u>	Rivet, Removable, Tuflok 1/4"	4
6	<u>103182702</u>	Latch, Push Close W/ Key	1
7	<u>47579059001</u>	Body, Rear Valance	1
8	<u>47579060001</u>	Door, Rear Valance	1
9	47579061001	Hinge Rod, Rear Valance	1
10	47579062001	Push Nut, Smooth Shaft, 1/4	2
11	N/A	Bracket, Rear Valance, Driver-Side	1
12	N/A	Bracket, Rear Valance, Passenger-Side	1
13	47579065001	Keeper, Latch, Rear Valance	1
14	47579066001	Edge Trim, Rear Valance	2

1

E

1

E



G-140699-000005

REAR FENDERS

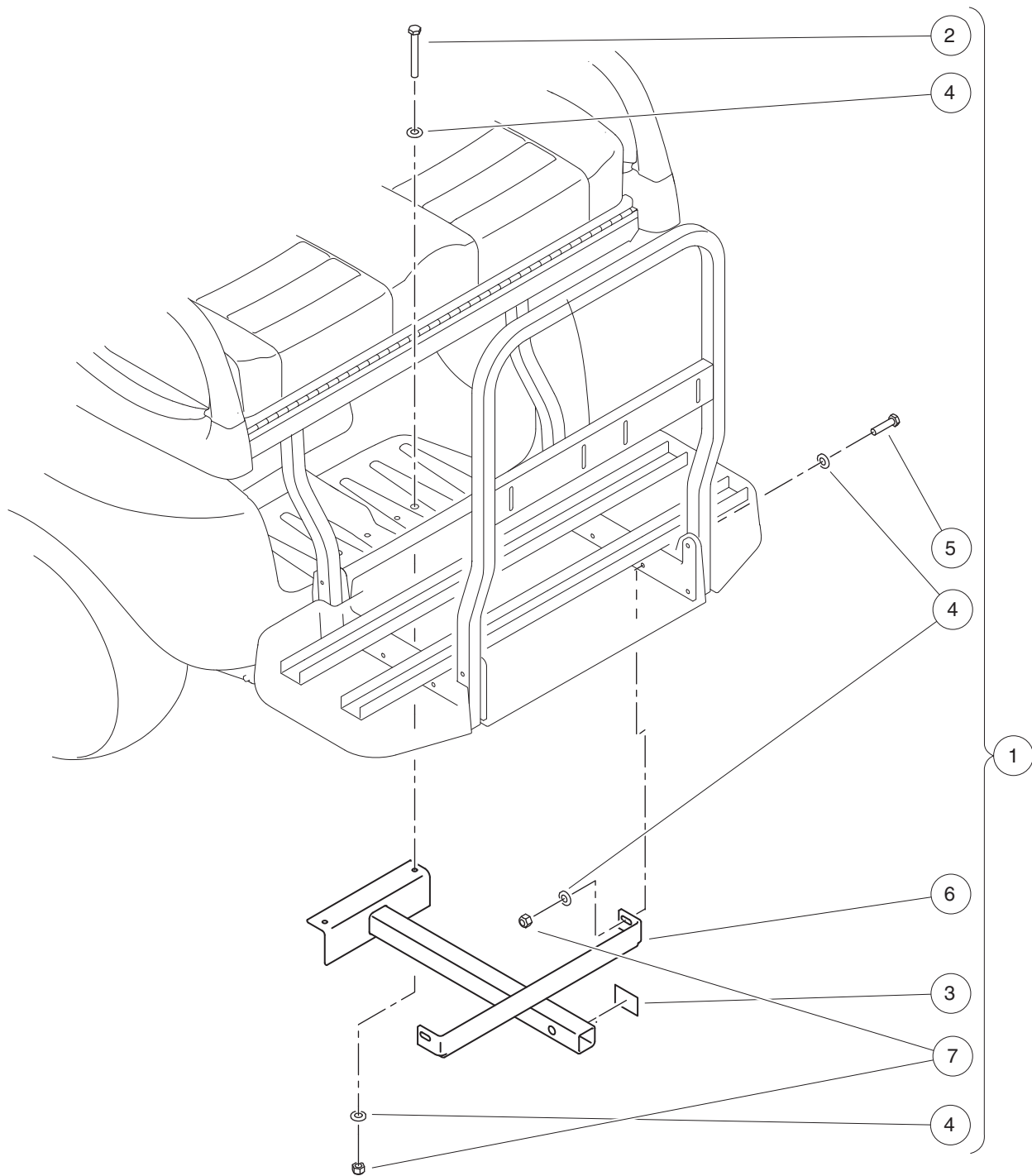
ITEM	PART NO.	DESCRIPTION	QTY
		1 2 3 4	
1	47554725001	Kit, Fenders, Rear, CSMR (includes items 2 through 4)	1
2	<u>1010434</u>	Barrel - Plastic	16
3	47555159001	Fender, Rear, Csmr, Driver-side	1
4	47555159002	Fender, Rear, Csmr, Passenger-side	1

1

E

1

E



001328-001

RECEIVER HITCH

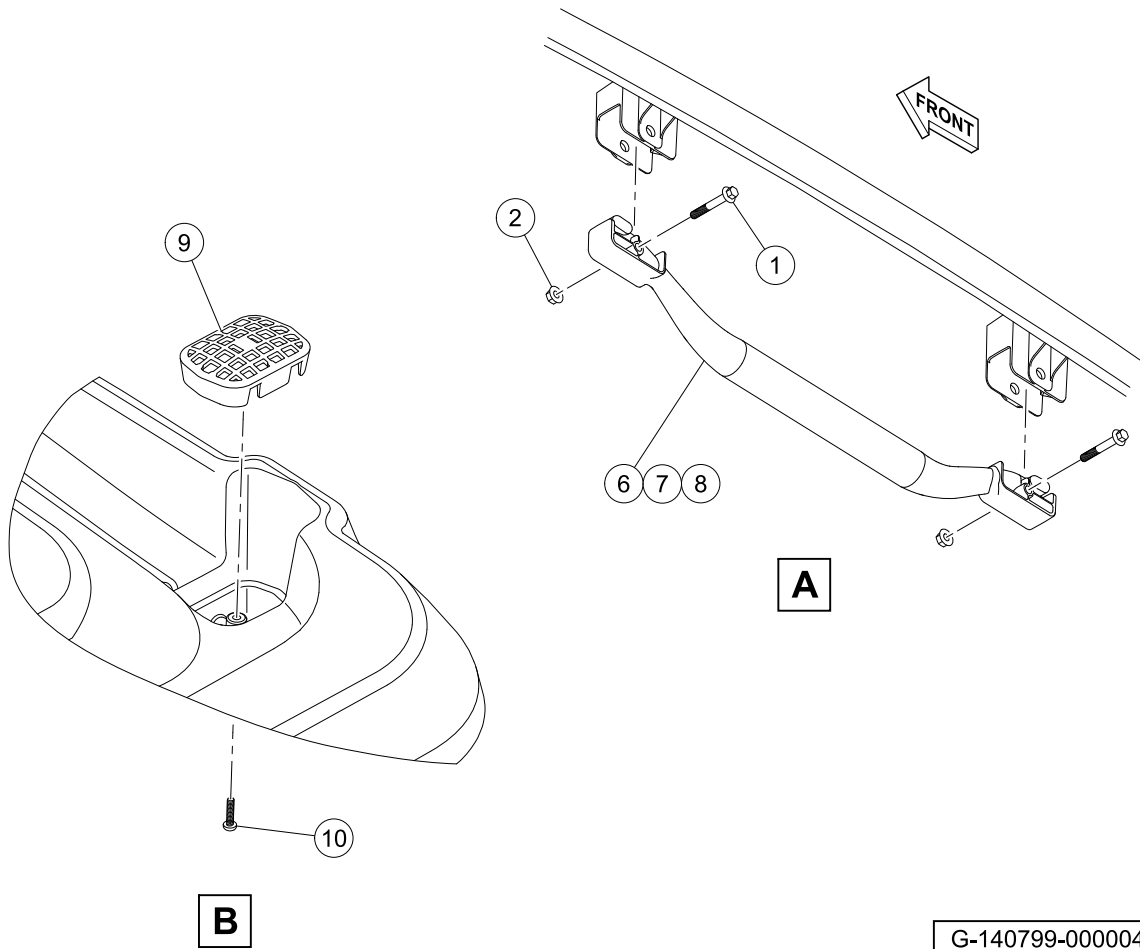
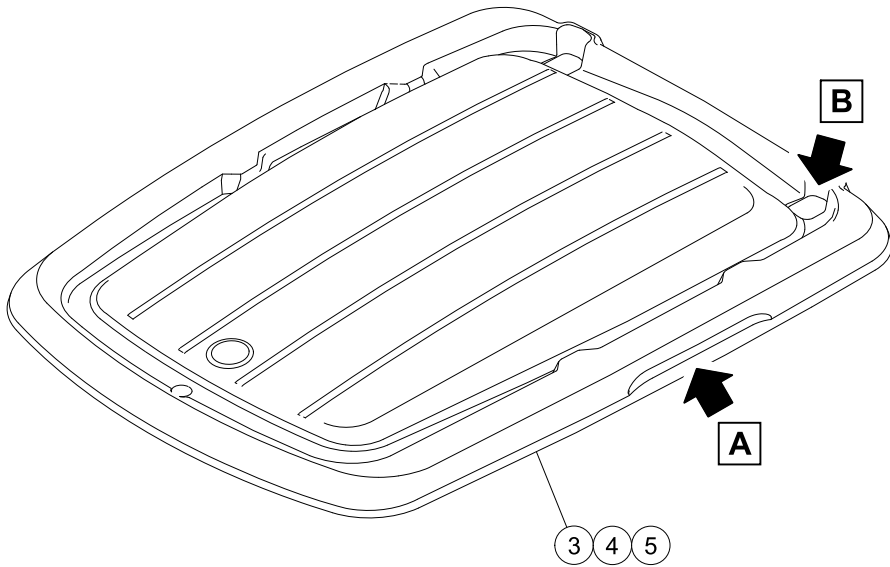
ITEM	PART NO.	DESCRIPTION	QTY
		1 2 3 4	
1	<u>47578437001</u>	Kit, Receiver Hitch, Csmr (includes items 2 through 7)	1
2	<u>1010921</u>	Screw, 5/16-18 X 2.50 Hex Cap	2
3	<u>1011553</u>	Decal, Trailer Hitch	1
4	<u>1011697</u>	Washer, 5/16 Flat	8
5	1218	Screw, 5/16-18 X 1.25 Hex-Head Cap	2
6	47575464001	Asm Receiver Hitch Weldment	1
7	<u>7473</u>	Locknut, 5/16-18 Nylon Insert	4

1

E

1

E



G-140799-000004

CANOPIES

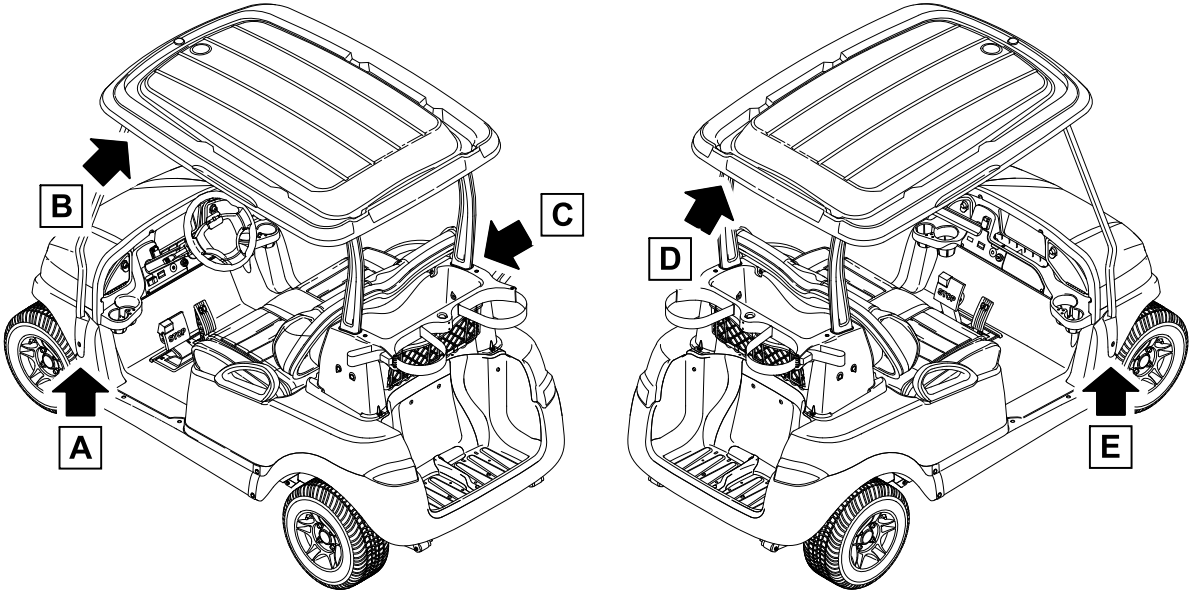
ITEM	PART NO.	DESCRIPTION	QTY
		1 2 3 4	
1	<u>102296140</u>	Bolt, Flanged Head, M6x1.0x40	4
2	<u>102296401</u>	Nut, M6x1.0, Flange, Metal Lock	4
3	<u>102508901</u>	Canopy-white	1
4	<u>102508902</u>	Canopy-beige	1
5	<u>102508903</u>	Canopy-black	1
6	<u>102511601</u>	Handle, Canopy (White)	2
7	<u>102511602</u>	Handle, Canopy (Beige)	2
8	<u>102511603</u>	Handle-canopy (black)	2
9	<u>103205101</u>	Cover, Drain, Canopy	2
10	<u>103210101</u>	Screw, #8 X.75, Torx, Tapping	2
11	<u>104008001</u>	Asm, Canopy W/handles, White	A/R
12	<u>104008002</u>	Asm, Canopy W/handles, Beige	A/R
13	<u>104008003</u>	Asm, Canopy W/handles, Black	A/R
		<p>Note: Items 11, 12 and 13 are not illustrated. If ordered, the canopy assembly will be supplied with all applicable detail parts.</p>	

1

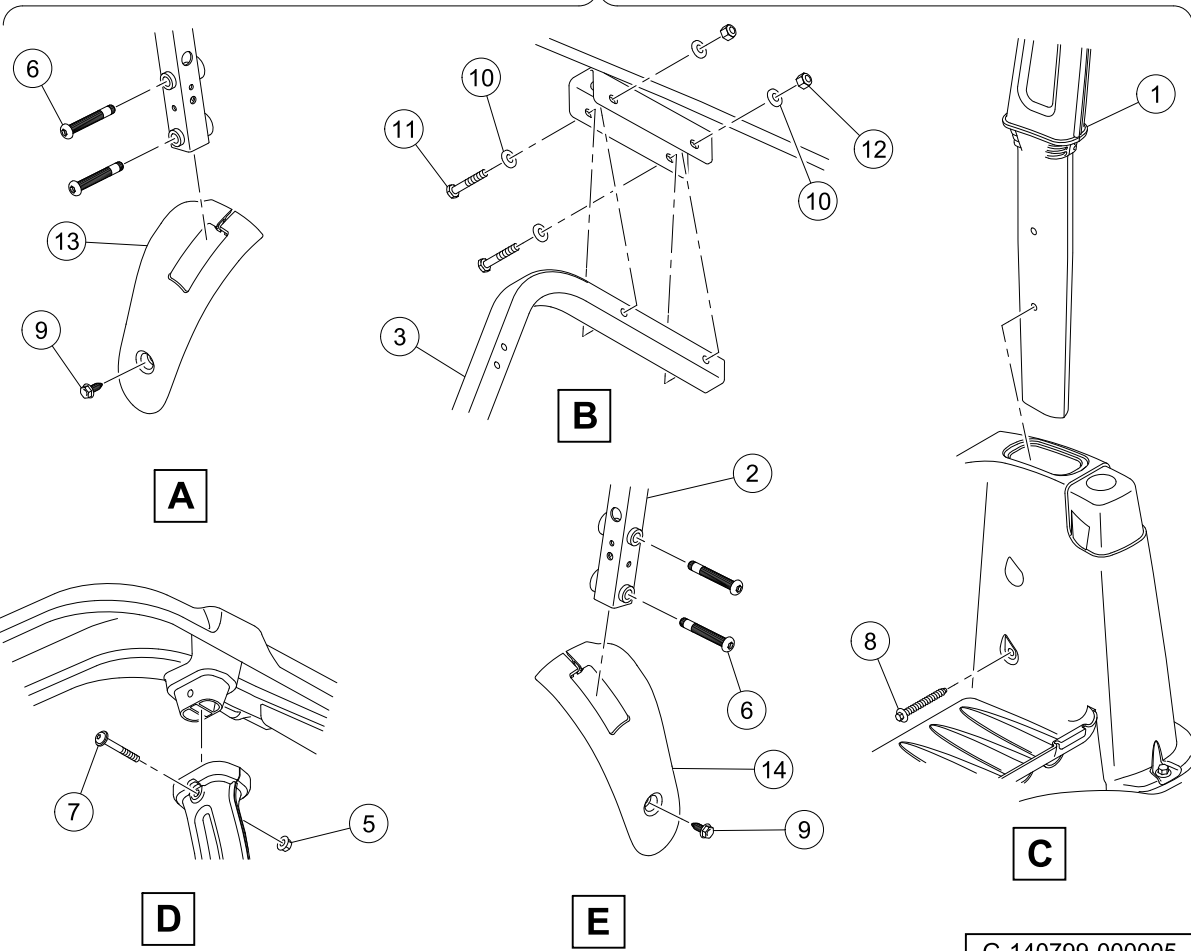
E

1

E



4



G-140799-000005

CANOPY STRUTS

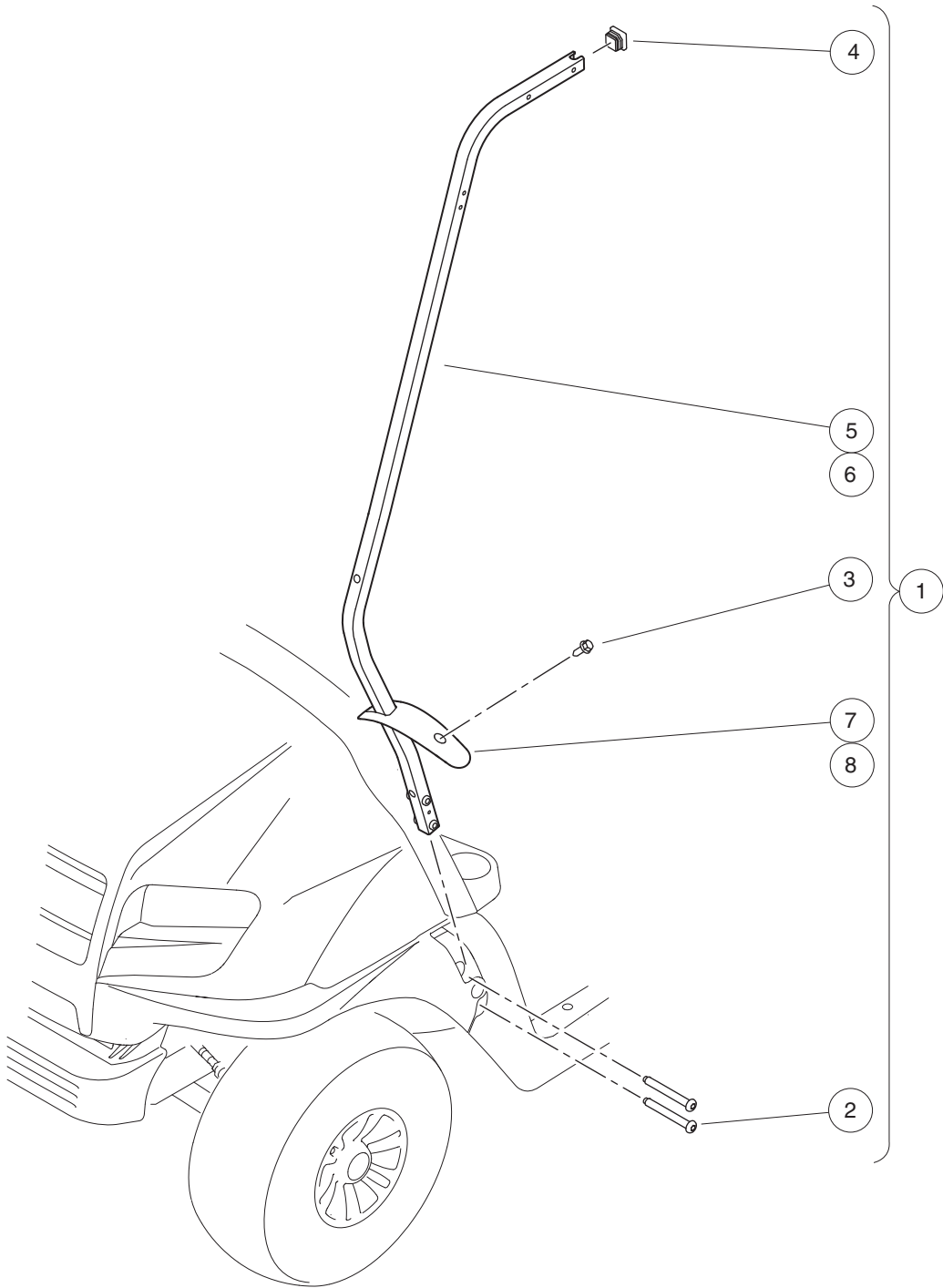
ITEM	PART NO.	DESCRIPTION	QTY
		1 2 3 4	
1	<u>102513501</u>	Asm-rear Canopy Support	2
2	<u>103750001</u>	Strut, Canopy Front, Passenger-side	1
3	<u>103750101</u>	Strut, Canopy Front, Driver-side	1
4	<u>104008501</u>	Kit, Hardware, Canopy, Std (includes items 5 through 12)	1
5	<u>102298401</u>	Nut, M8, All Metal Lock	2
6	<u>102299065</u>	M8-1.25 X 65 Tx Bttm Hd Bolt	4
7	<u>102299360</u>	Screw, M8-1.25 X 60, Sems, Tx	2
8	<u>102299601</u>	Screw, Pt, K80x70 Hex Flg Hd	2
9	<u>102544201</u>	Screw, M6 Hex	2
10	<u>103196001</u>	Washer, Conical Spring, Canopy	8
11	<u>103199301</u>	Bolt - M6 X 1 X 45 Hh Grey	4
12	<u>103200301</u>	Nut, M6 x 1.00	4
13	<u>47631793001</u>	Cover, Canopy Support, LH	1
14	<u>47631793002</u>	Cover, Canopy Support, RH	1

1

E

1

E



001397-002

FRONT STRUT KIT, FOUR-PASSENGER CANOPY

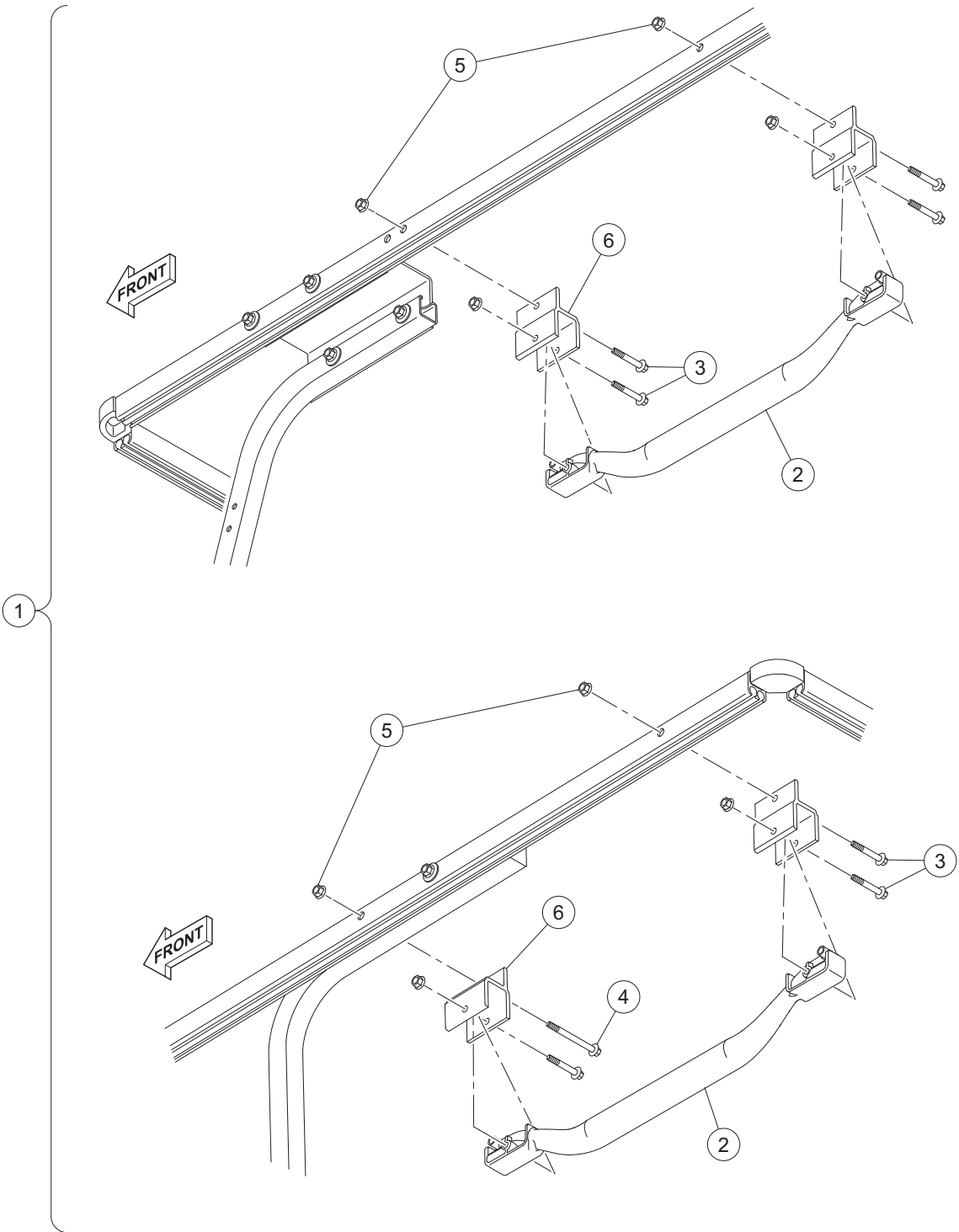
ITEM	PART NO.	DESCRIPTION	QTY
		1 2 3 4	
1	<u>47592812003</u>	Kit, Front Struts, Onward (includes items 2 through 8)	1
2	<u>102299065</u>	M8-1.25 X 65 Tx Bttn Hd Bolt	4
3	<u>102544201</u>	Screw, M6 Hex	2
4	<u>102581201</u>	Plug, Square - 25.4 mm	2
5	<u>103750001</u>	Strut, Canopy Front, Passenger-side	1
6	<u>103750101</u>	Strut, Canopy Front, Driver-side	1
7	<u>47631793001</u>	Cover, Canopy Support, LH	1
8	<u>47631793002</u>	Cover, Canopy Support, RH	1

1

E

1

E



G-140799-000006

GRAB HANDLE KITS

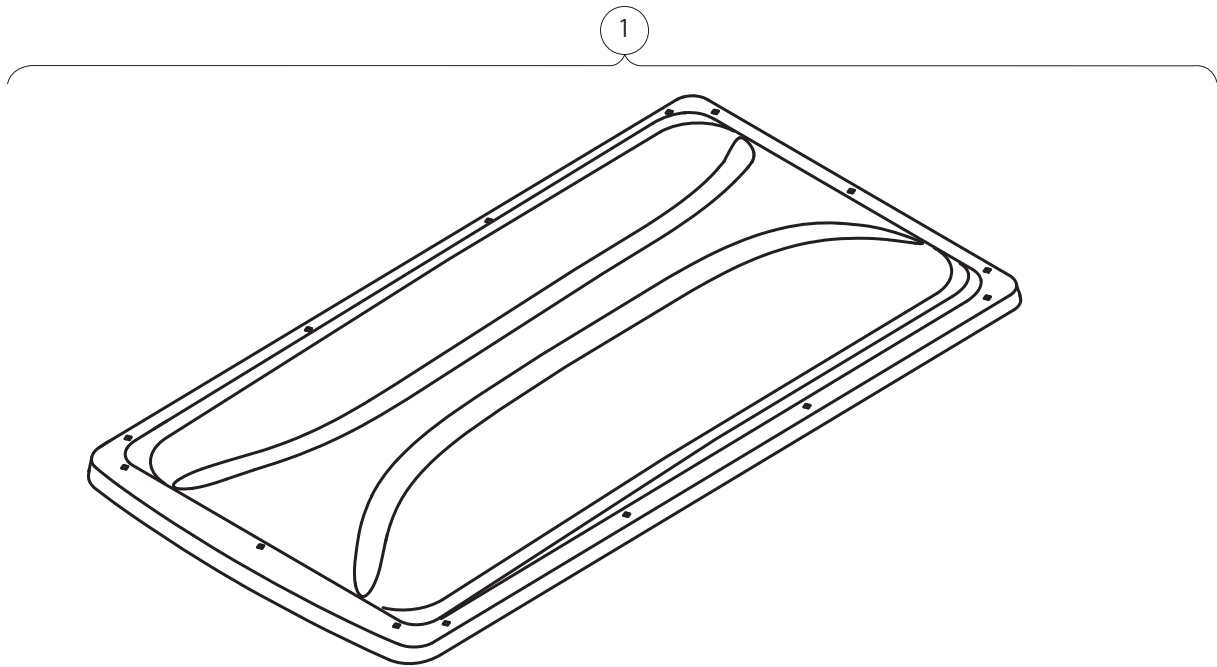
ITEM	PART NO.	DESCRIPTION	QTY
		1 2 3 4	
1	<u>47634205001</u>	Kit, Grab Handles (includes items 2 through 6)	1
2	<u>102511603</u>	Handle-canopy (black)	2
3	<u>102541440</u>	Bolt-m6x1.0x40 Hex Flhd, Blk	8
4	<u>102541465</u>	Bolt, M 6 X 1.0 X 65 Hex, Flange, Head, Black	2
5	<u>102541501</u>	Nut-m6x1.0 Fl Mtl Lock,blk	8
6	47634203001	Bracket, Grab Handle	4
7	47634205002	Kit, Grab Handle (includes items 8 through 11)	1
8	<u>102511603</u>	Handle-canopy (black)	1
9	<u>102541440</u>	Bolt-m6x1.0x40 Hex Flhd, Blk	4
10	<u>102541501</u>	Nut-m6x1.0 Fl Mtl Lock,blk	4
11	47634203001	Bracket, Grab Handle	2
<p style="text-align: center;">Note: Items 7 through 11 are not illustrated.</p>			

1

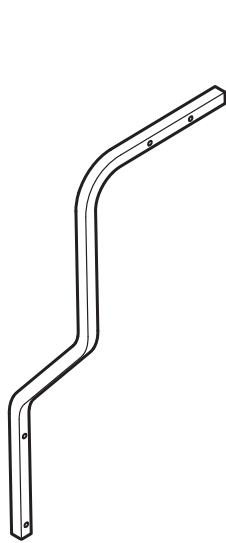
E

1

E



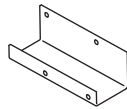
2



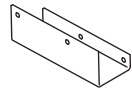
3



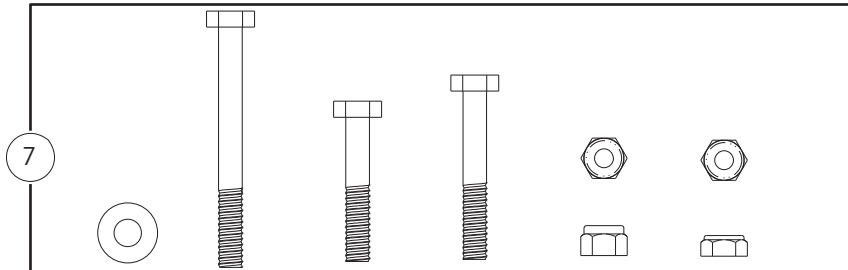
4



5



6



7

001329-001

FOUR-PASSENGER CANOPY WITH REAR STRUTS – BLACK

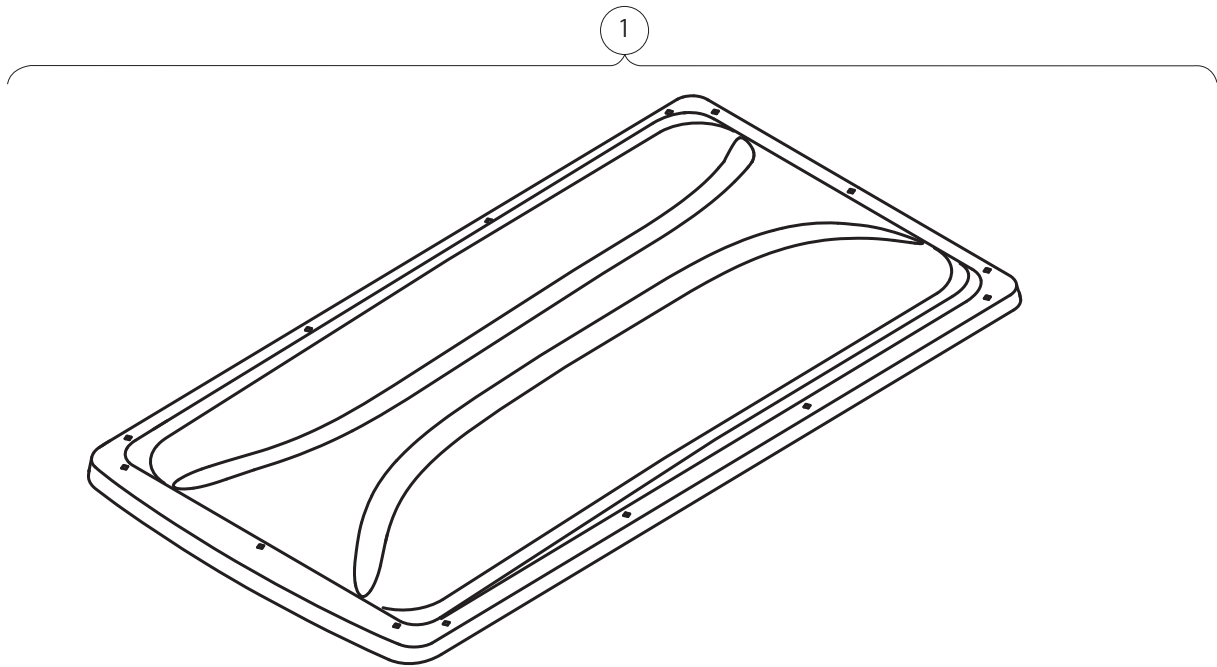
ITEM	PART NO.	DESCRIPTION	QTY
		1 2 3 4	
1	<u>47570464001</u>	Kit, Canopy, Phantom, Blk (includes items 2 through 7)	1
2	N/A	Top, Canopy, Phantom Blk	1
3	N/A	Strut, Canopy, Phantom Ds	1
4	N/A	Strut, Canopy, Phantom Ps	1
5	<u>47582821001</u>	Bracket, Canopy, Phantom Ds	1
6	<u>47582821002</u>	Bracket, Canopy, Phantom Ps	1
7	<u>47583112001</u>	Kit, Hardware, Canopy Phantom	1

1

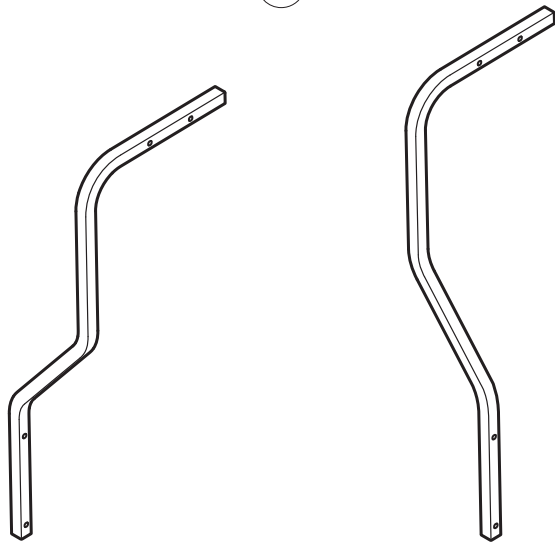
E

1

E

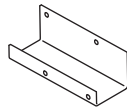


2

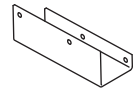


3

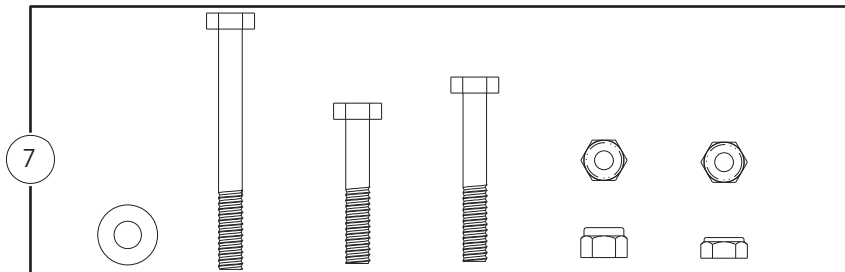
4



5



6



7

001329-001

FOUR-PASSENGER CANOPY WITH REAR STRUTS – WHITE

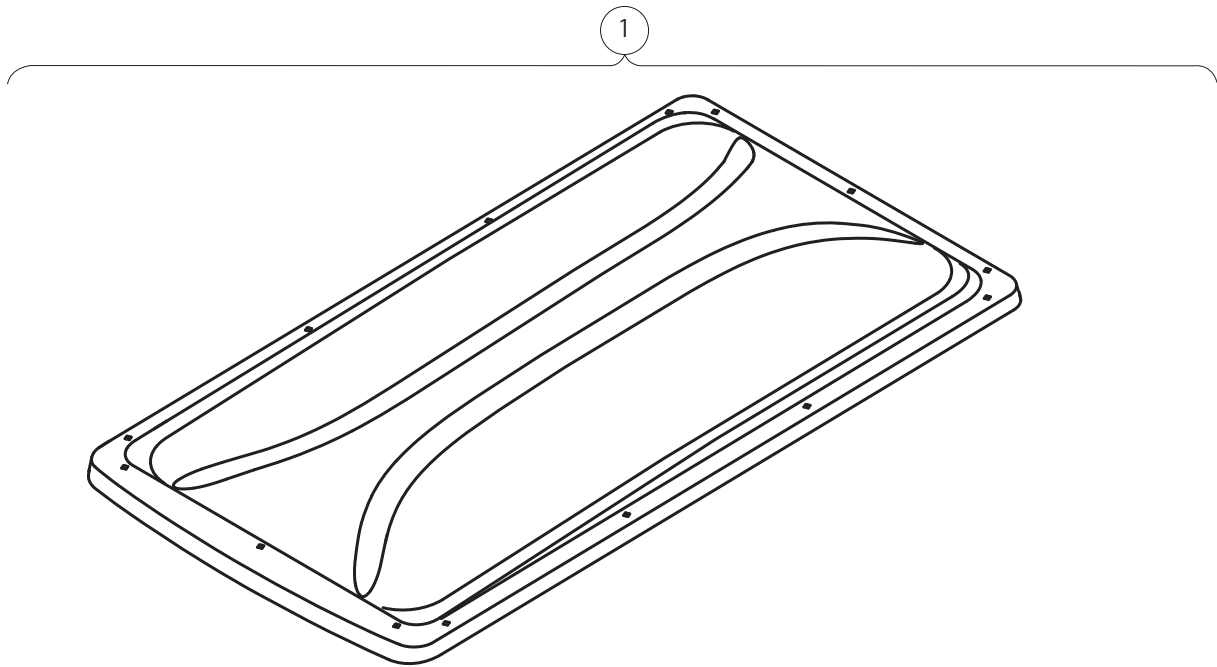
ITEM	PART NO.	DESCRIPTION	QTY
		1 2 3 4	
1	<u>47570464002</u>	Kit, Canopy, Phantom, Wht (includes items 2 through 7)	1
2	N/A	Top, Canopy, Phantom Wht	1
3	N/A	Strut, Canopy, Phantom Ds	1
4	N/A	Strut, Canopy, Phantom Ps	1
5	<u>47582821001</u>	Bracket, Canopy, Phantom Ds	1
6	<u>47582821002</u>	Bracket, Canopy, Phantom Ps	1
7	<u>47583112001</u>	Kit, Hardware, Canopy Phantom	1

1

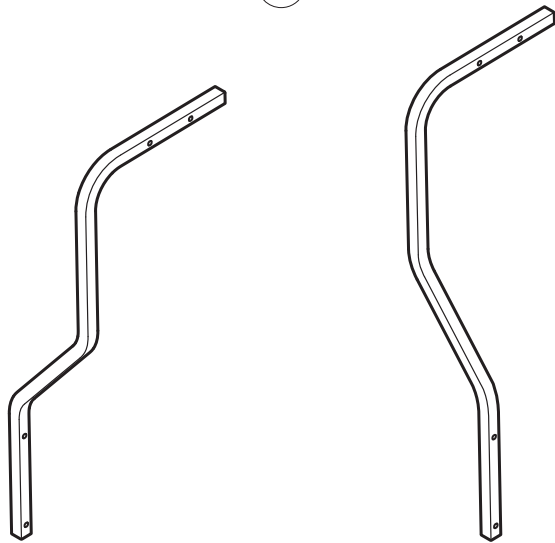
E

1

E

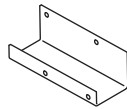


2

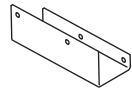


3

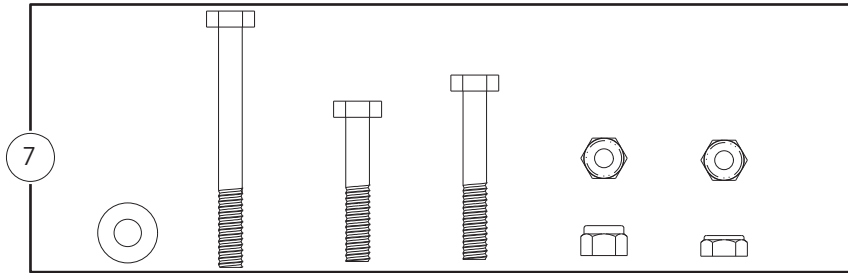
4



5



6



7

001329-001

FOUR-PASSENGER CANOPY WITH REAR STRUTS – BEIGE

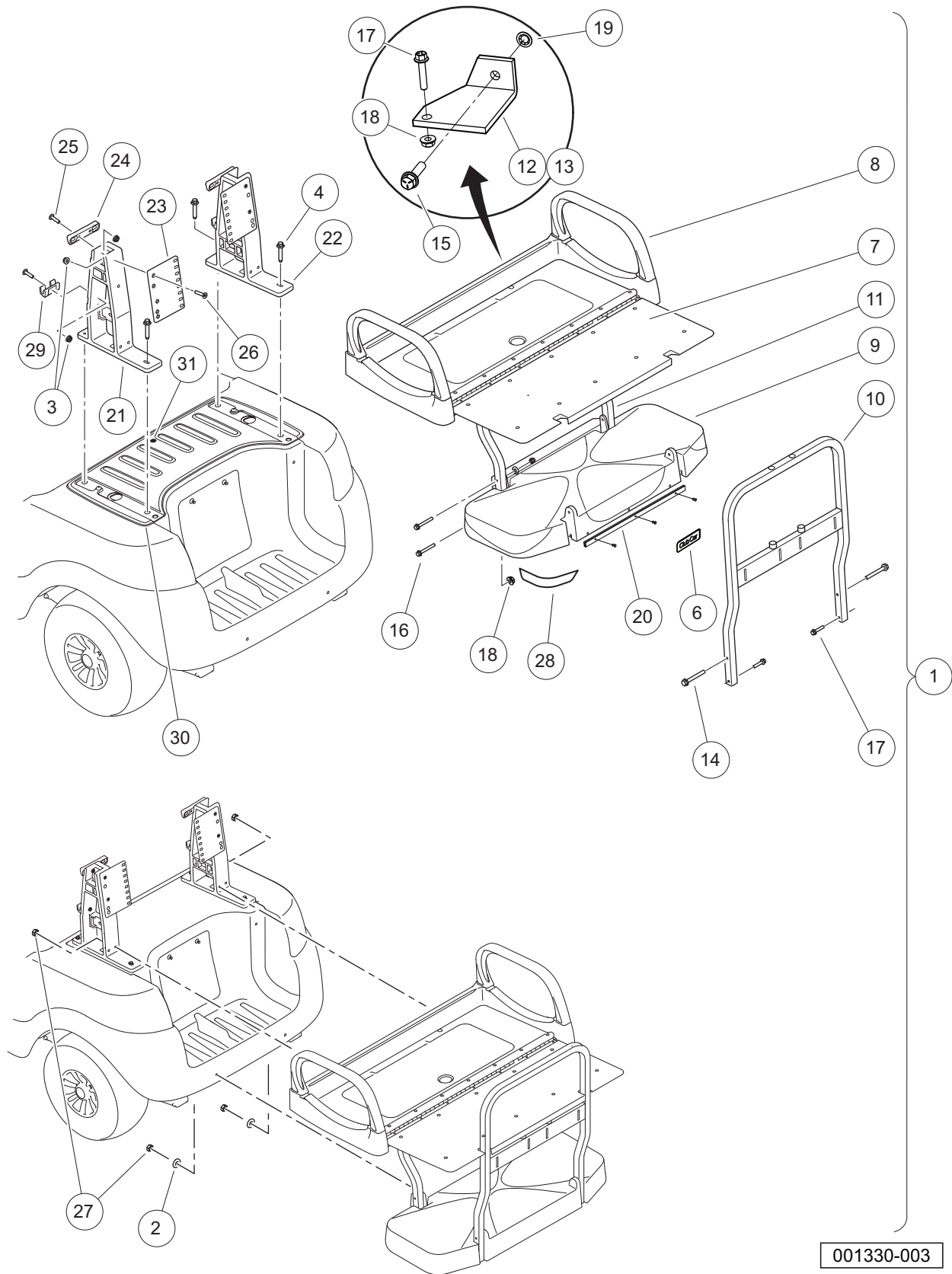
ITEM	PART NO.	DESCRIPTION	QTY
		1 2 3 4	
1	<u>47570464003</u>	Kit, Canopy, Phantom, Beige (includes items 2 through 7)	1
2	N/A	Top, Canopy, Phantom Beige	1
3	N/A	Strut, Canopy, Phantom Ds	1
4	N/A	Strut, Canopy, Phantom Ps	1
5	<u>47582821001</u>	Bracket, Canopy, Phantom Ds	1
6	<u>47582821002</u>	Bracket, Canopy, Phantom Ps	1
7	<u>47583112001</u>	Kit, Hardware, Canopy Phantom	1

1

E

1

E



001330-003

REAR-FACING SEAT FRAME AND FOOT DECK – CONSUMER CAR

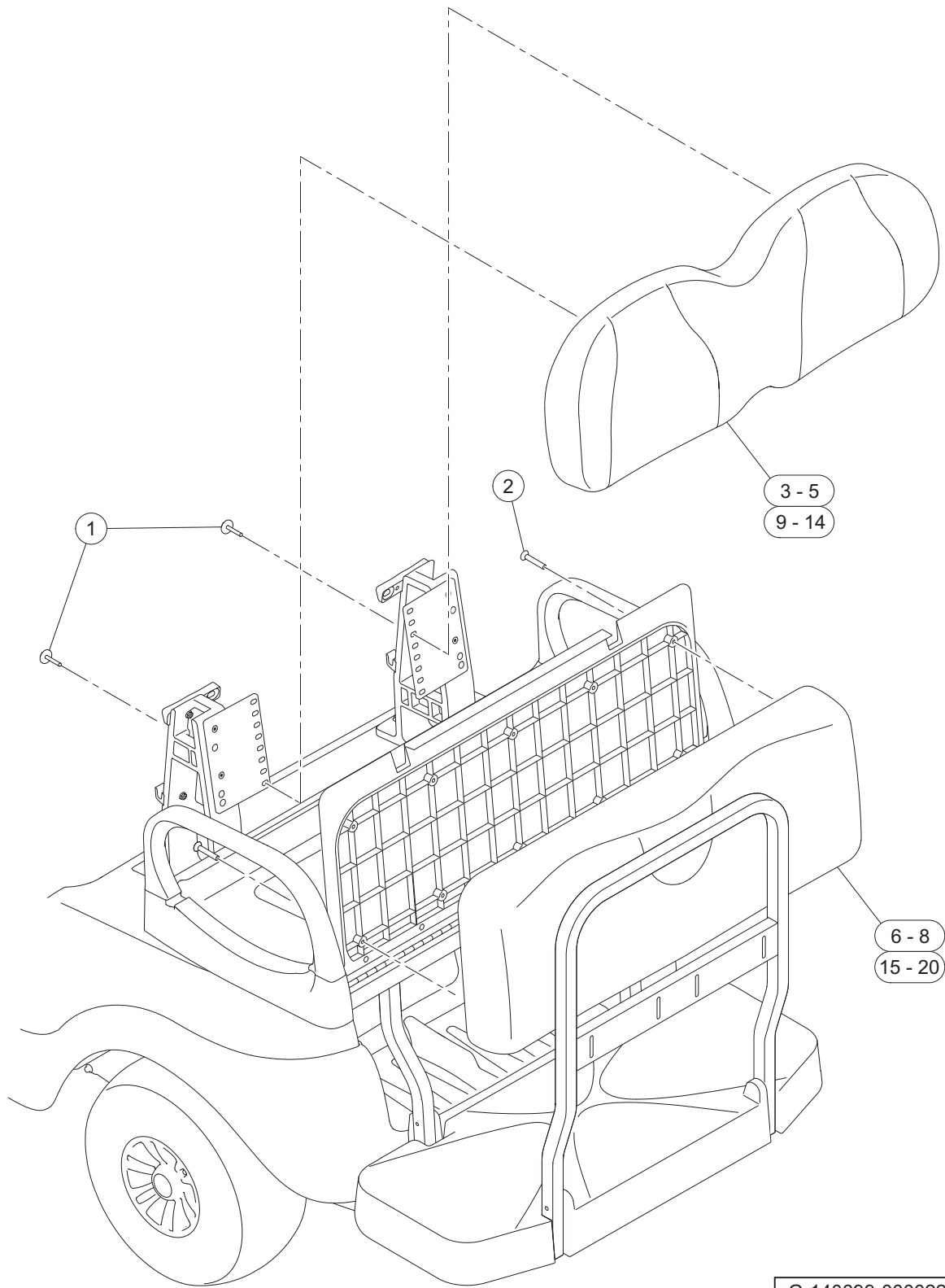
ITEM	PART NO.	DESCRIPTION	QTY
		1 2 3 4	
1	<u>47592811001</u>	Kit, Folddown, Seatback, 4-Passenger (includes items 2 through 29)	1
2	<u>1011578</u>	Washer, 5/16 Type B Flat	2
3	<u>101835601</u>	Locknut, 1/4-20 Hex Whiz	8
4	<u>102298240</u>	Bolt, Flange Head, M8-1.25 X 40	4
5	N/A	Asm, Fold Down Seat, Csmr, MX5 (includes items 6 through 20)	1
6	<u>102278802</u>	Decal, Club Car, Silver	1
7	<u>47564782001</u>	Assy, Seat Base, Dmd, Mx5	1
8	<u>47564783001</u>	Arm Rest, Mx5	2
9	<u>47564784001</u>	Assy, Foot Rest, Mx5	1
10	<u>47564785001</u>	Grab Bar, Rear, Mx5	1
11	<u>47564786001</u>	Support, Bumper Mount, MX5	1
12	<u>47564787001</u>	Bracket, Seat Base Mount, Driver-side, MX5	1
13	<u>47564787002</u>	Bracket, Seat Base Mount, Passenger-side, MX5	1
14	<u>47568672001</u>	Bolt, 5/16-18x2.5 Hx Flg Zn G8	4
15	<u>47568673001</u>	Bolt, 5/16-18x1.25 Hx Flg Zn G5	2
16	<u>47568674001</u>	Bolt, 1/4-20x2.0 Hx Flg Zn G5	6
17	<u>47568674002</u>	Bolt, 1/4-20x1.25 Hx Flg Zn G5	4
18	<u>47568676001</u>	Nut, 1/4-20 Hx Flg Zn Nyloc	10
19	<u>47568677001</u>	Nut, 5/16, Push, Ps	4
20	<u>47581051001</u>	Stiffener, Foot Rest, Mx5	1
21	<u>47563300001</u>	Support, Seat Back, Driver-side, MX5, Csmr	1
22	<u>47563300002</u>	Support, Seat Back, Passenger-side, MX5, Csmr	1
23	<u>47563301001</u>	Bracket, Seat Back, Rear, Csmr	2
24	<u>47563302001</u>	Brkt, St Bk, Frnt, Top, Csmr	2
25	<u>47563304001</u>	Screw, Trshd, 1/4-20x1.00, Lp	4
26	<u>47563305001</u>	Screw, Flthd, 1/4-20x1.25, Lp	4
27	<u>47568675001</u>	Nut, 5/16-18 Hx Flg Zn Nyloc	4
28	<u>47578327001</u>	Reflector, Reflex, Red, Mx5	2
29	<u>47624766001</u>	Bracket, Seat Back, Front, Btm	2
30	<u>47653531001</u>	Cover, Underbody, 4-6 Pass (includes item 31)	1
31	<u>1010434</u>	Barrel - Plastic	1
		Note: Item 5 is not illustrated.	

1

E

1

E



G-140699-000022

REAR-FACING SEAT

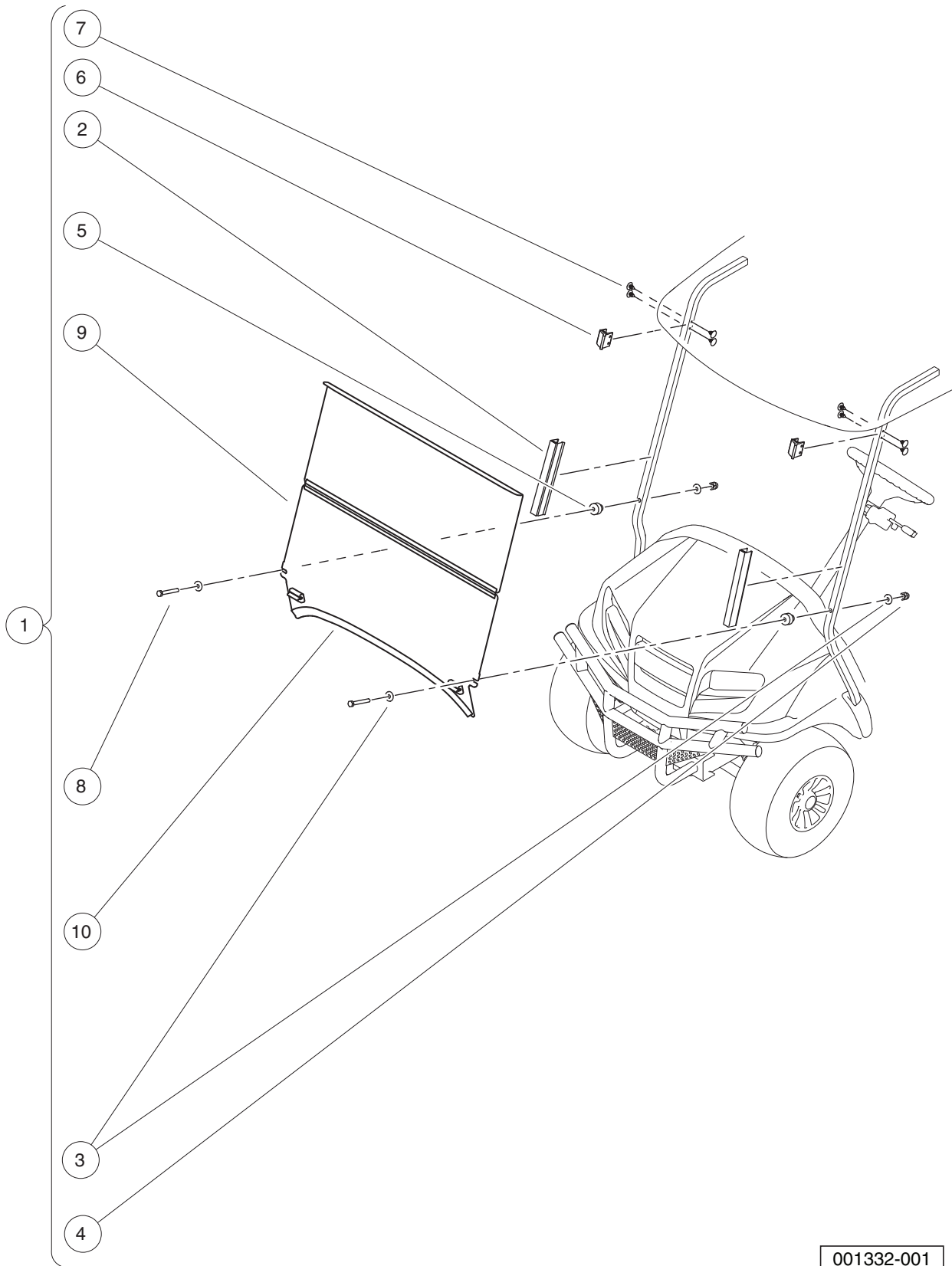
ITEM	PART NO.	DESCRIPTION	QTY
		1 2 3 4	
1	<u>47563306001</u>	Screw, M6x1.0x30, Sems, Lp	4
2	<u>47563307001</u>	Screw, Flthd, 1/4-20x1.50, Ss	10
3	<u>47564886021</u>	Asm, Seat Back, Rear, Beige, Service Replacement	1
4	<u>47564886022</u>	Asm, Seat Back, Rear, White, Service Replacement	1
5	<u>47564886025</u>	Asm, Seat Back, Rear, Black, Service Replacement	1
6	<u>47564887021</u>	Asm, Seat Bottom, Rear, Beige, Service Replacement	1
7	<u>47564887022</u>	Asm, Seat Bottom, Rear, White, Service Replacement	1
8	<u>47564887025</u>	Asm, Seat Bottom, Rear, Black, Service Replacement	1
9	<u>47564888021</u>	Asm, Seat Back, Rear, Lt. Beige, Service Replacement	1
10	<u>47564888022</u>	Asm, Seat Back, Rear, Camello, Service Replacement	1
11	<u>47564888023</u>	Asm, Seat Back, Rear, Off-White, Service Replacement	1
12	<u>47564888027</u>	Asm, Seat Back, Rear, Black, Service Replacement	1
13	<u>47564888028</u>	Asm, Seat Back, Rear, Black/Gray, Service Replacement	1
14	<u>47564888029</u>	Asm,bk,rr,gray,srv,prem	1
15	<u>47564889021</u>	Asm, Seat Bottom, Rear, Lt. Beige, Service Replacement	1
16	<u>47564889022</u>	Asm, Seat Bottom, Rear, Camello, Service Replacement	1
17	<u>47564889023</u>	Asm, Seat Bottom, Rear, Off-White, Service Replacement	1
18	<u>47564889027</u>	Asm, Seat Bottom, Rear, Black, Service Replacement	1
19	<u>47564889028</u>	Asm, Seat Bottom, Rear, Black/Gray, Service Replacement	1
20	<u>47564889029</u>	Asm,btm,rr,gray,srv,prem	1
		<p>Note: For current or additional color options, contact your local Club Car dealer or distributor.</p>	

1

E

1

E



001332-001

HINGED WINDSHIELD, CLEAR

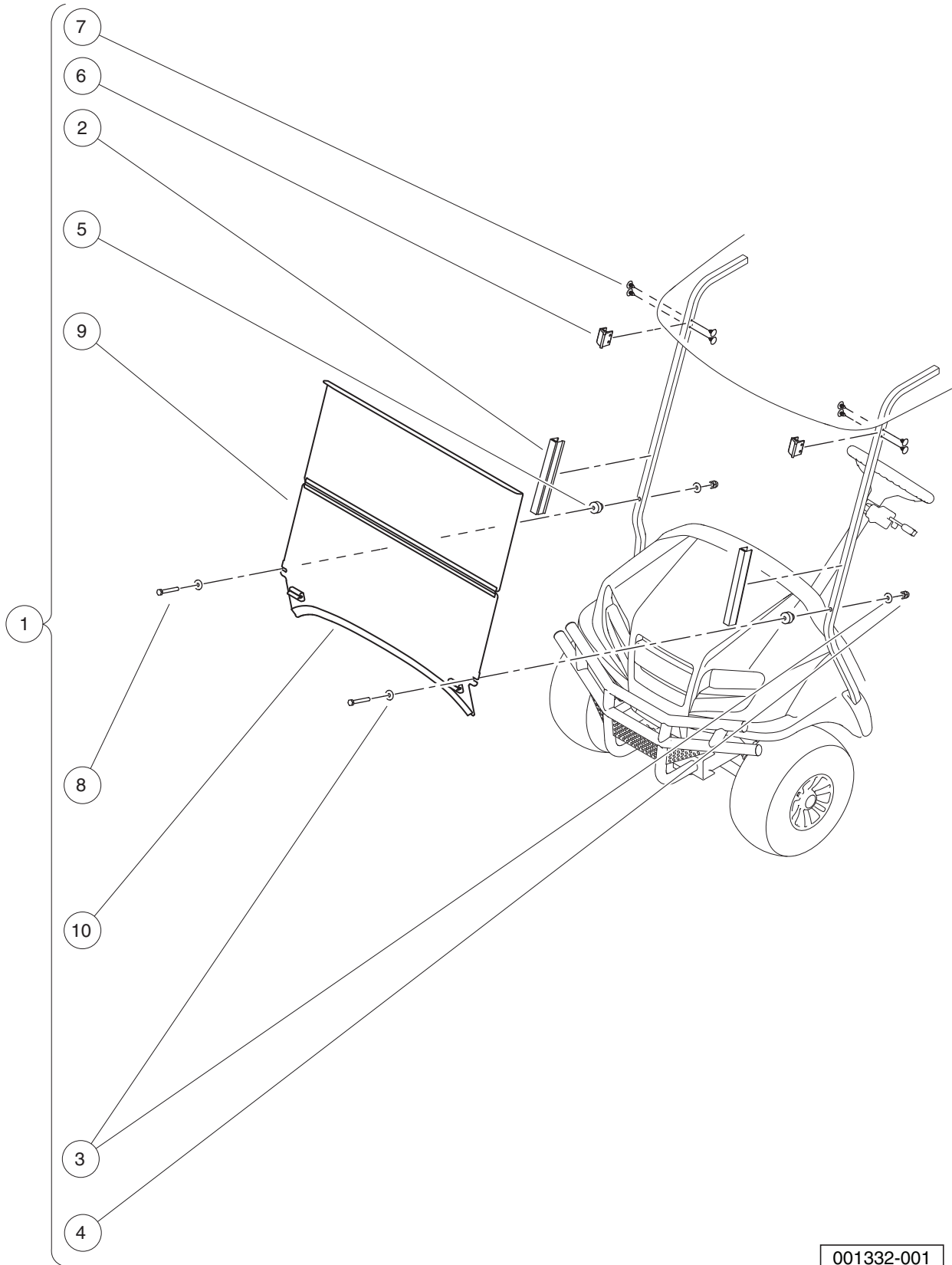
ITEM	PART NO.	DESCRIPTION	QTY
		1 2 3 4	
1	<u>47576798001</u>	Kit, Std Hinged W/s, Csmr (includes items 2 through 9)	1
2	<u>102163001</u>	Windshield Channel	2
3	<u>102296301</u>	Washer, M6x18x1.6 Flat	4
4	<u>102582401</u>	Cap Nut M6, Sp	2
5	<u>102947601</u>	Grommet, Windshield	2
6	<u>103677101</u>	W/s, Rubber, Clip Retainer	2
7	<u>103754901</u>	Fastener, Barrel - .610 X .25	8
8	<u>105289701</u>	M6x1.0x48 Hex Hd Bolt-blk	2
9	47576797001	Asm Hinged/windshield Consumer (includes item 10)	1
10	47576796001	Bulb Seal, Windshield	1

1

E

1

E



001332-001

HINGED WINDSHIELD, TINTED

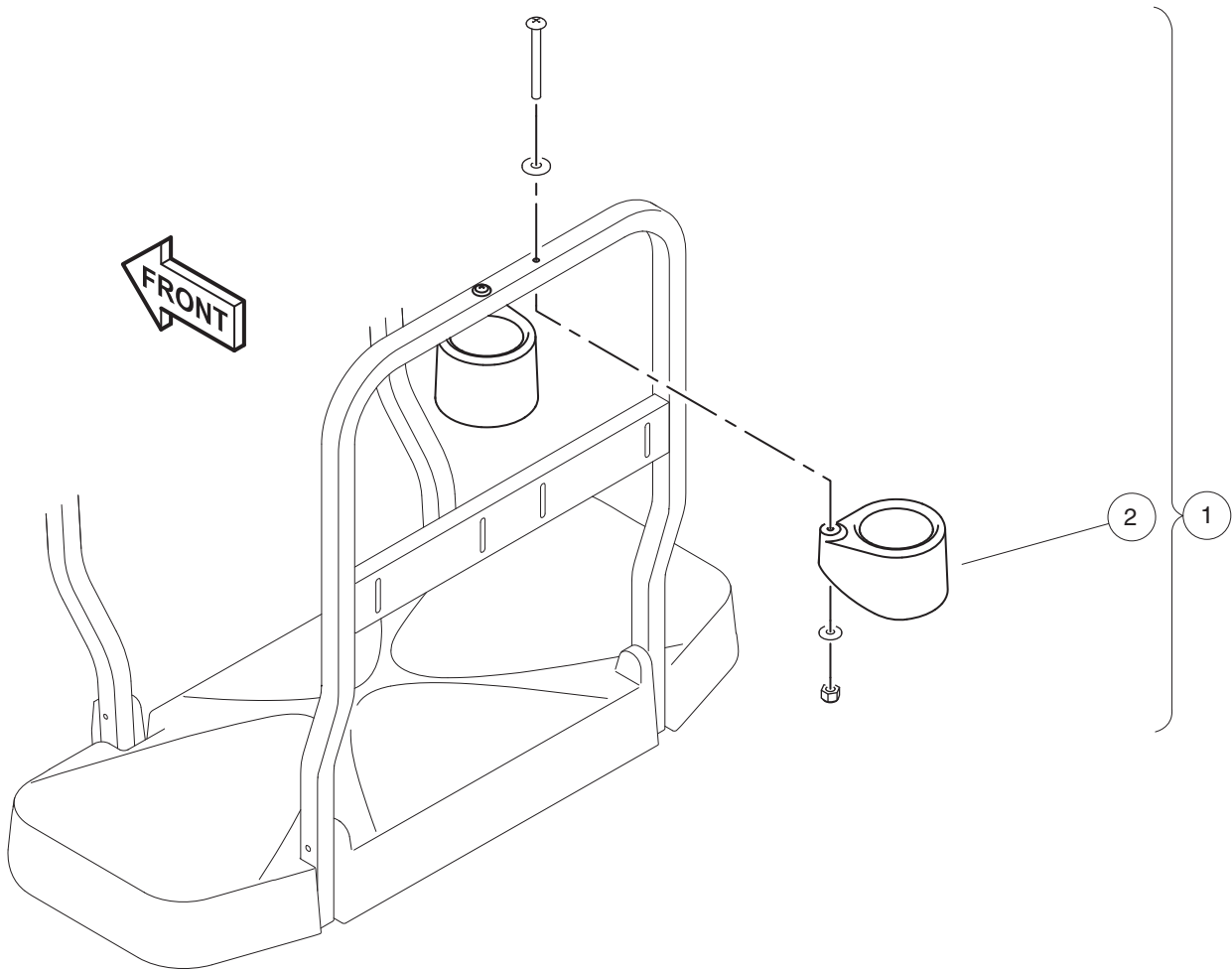
ITEM	PART NO.	DESCRIPTION	QTY
		1 2 3 4	
1	<u>47579760001</u>	Kit, Hinged W/s Tinted, Cnsmr (includes items 2 through 9)	1
2	<u>102163001</u>	Windshield Channel	2
3	<u>102296301</u>	Washer, M6x18x1.6 Flat	4
4	<u>102582401</u>	Cap Nut M6, Sp	2
5	<u>102947601</u>	Grommet, Windshield	2
6	<u>103677101</u>	W/s, Rubber, Clip Retainer	2
7	<u>103754901</u>	Fastener, Barrel - .610 X .25	8
8	<u>105289701</u>	M6x1.0x48 Hex Hd Bolt-blk	2
9	47579759001	Asm Hinged/ws Tinted Cnsmr (includes item 10)	1
10	47576796001	Bulb Seal, Windshield	1

1

E

1

E



001333-001

BEVERAGE HOLDER

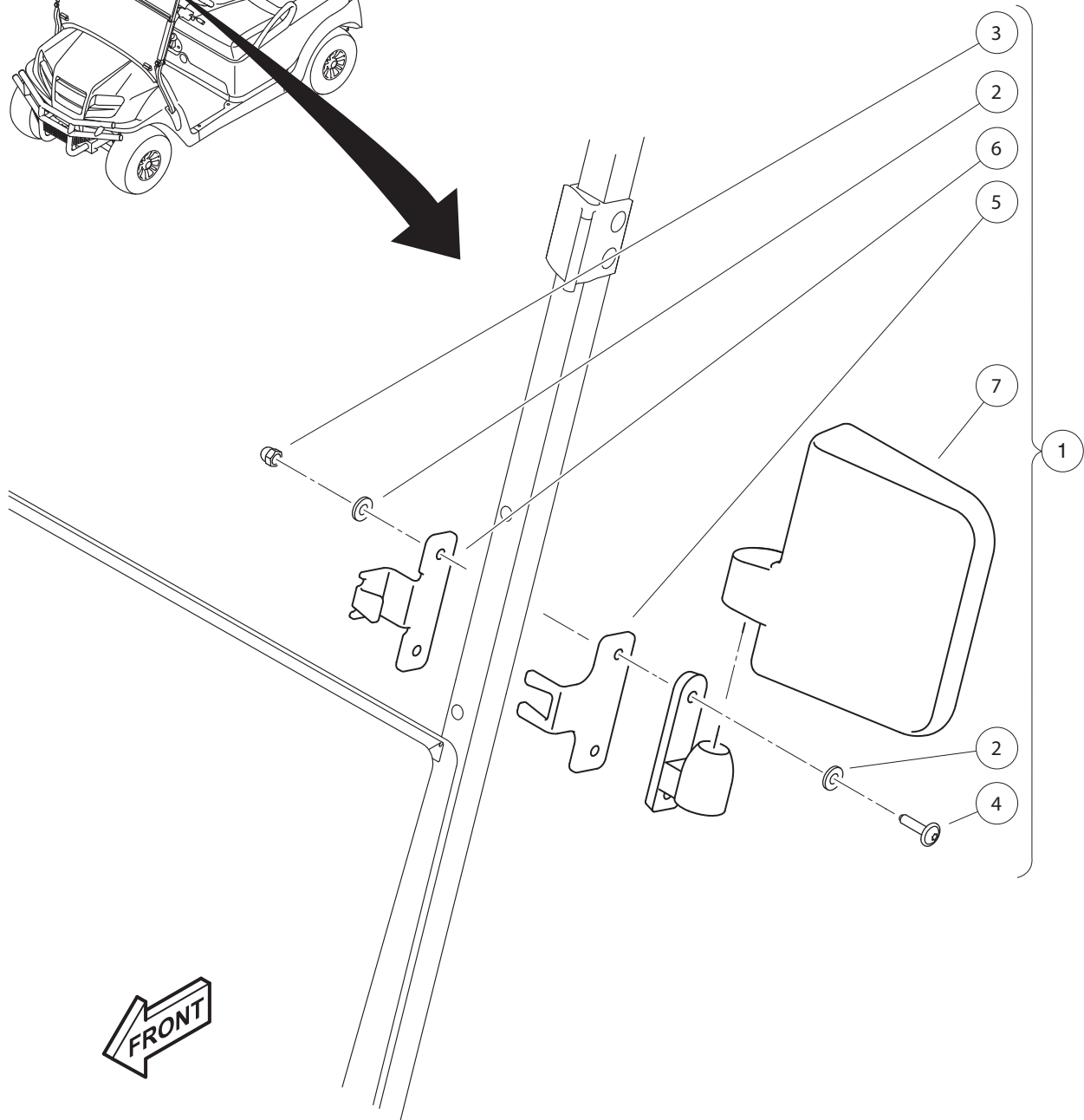
ITEM	PART NO.	DESCRIPTION	QTY
		1 2 3 4	
1	<u>47579985001</u>	Kit, Holder, Beverage, Mx5 (includes item 2)	1
2	47582270001	Assy, Holder, Beverage, Mx5	2

1

E

1

E



001336-001

MIRRORS, SIDE

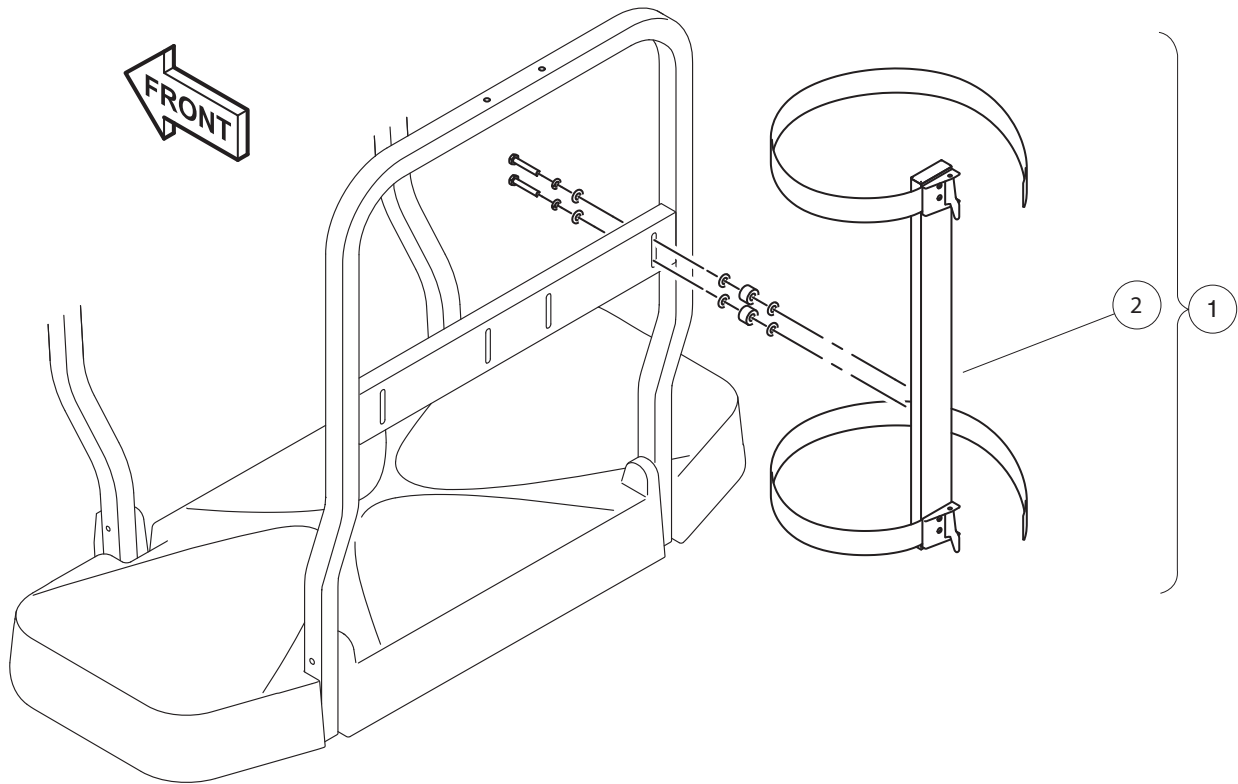
ITEM	PART NO.	DESCRIPTION	QTY
		1 2 3 4	
1	<u>47577558001</u>	Kit, Side Mirrors, Csmr (includes items 2 through 7)	1
2	<u>102324901</u>	Washer, Flat, 1/4", Blk	8
3	<u>102582401</u>	Cap Nut M6, Sp	4
4	<u>47577554001</u>	Screw, M6, Torx T30 Recess	4
5	<u>47577555001</u>	Mirror Bracket, Mnt, Outer	2
6	<u>47577556001</u>	Mirror Bracket, Mnt, Inner	2
7	<u>47577557001</u>	Asm Side Mirrors, Res	1

1

E

1

E



001337-001

GOLF BAG HOLDER

ITEM	PART NO.	DESCRIPTION	QTY
1	<u>47570463001</u>	1 2 3 4 Kit, Holder, Golf Bag, Mx5 (includes item 2)	1
2	47582268001	Assy, Holder, Golf Bag, Mx5	1

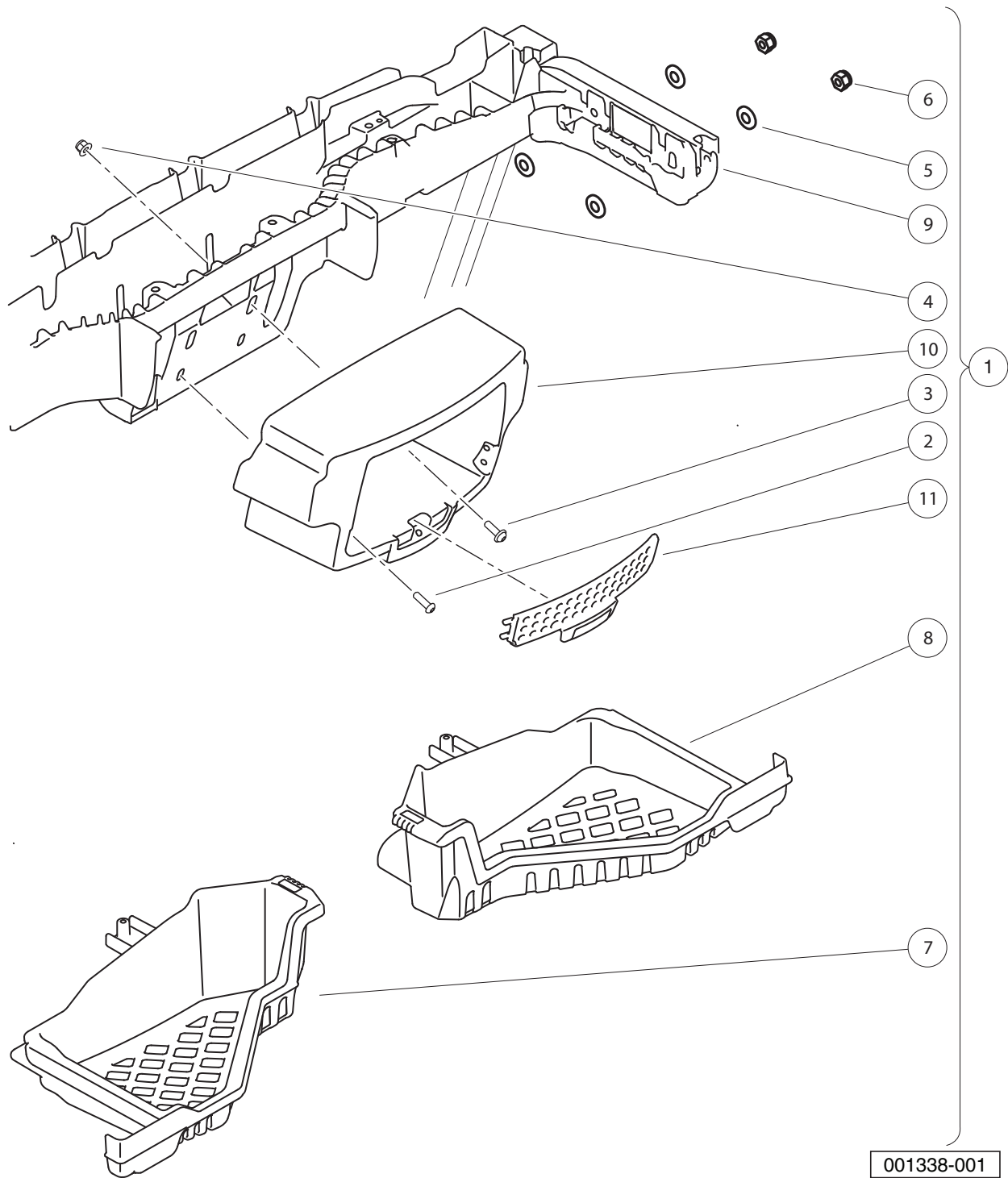
1

E

1



E



OVERHEAD STORAGE

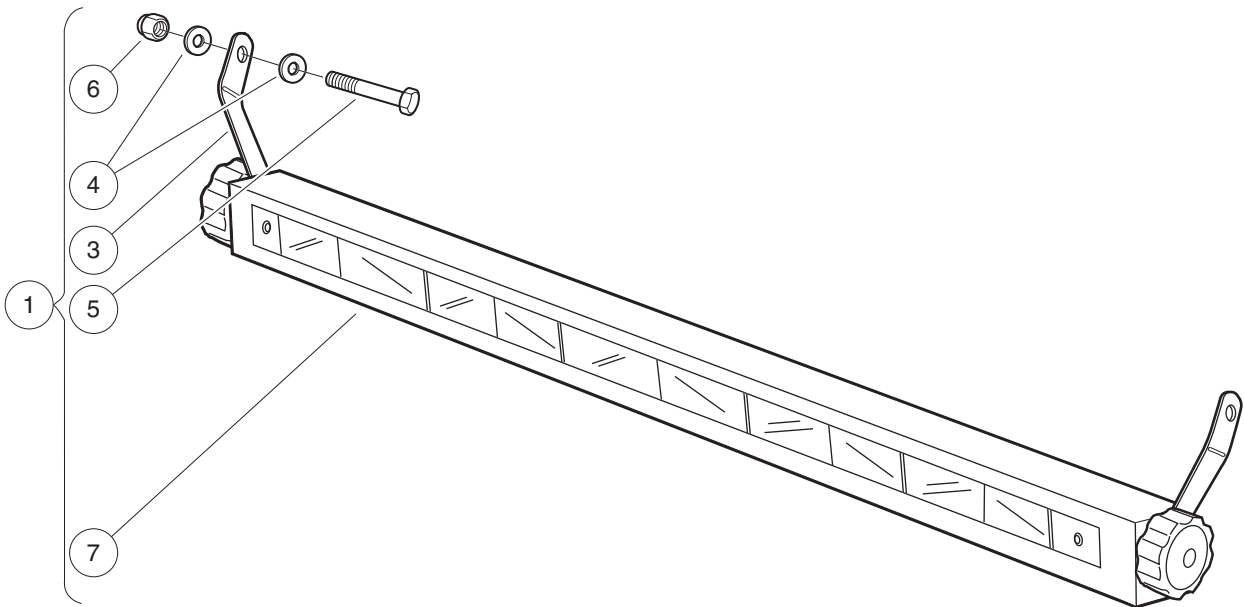
ITEM	PART NO.	DESCRIPTION	QTY
		1 2 3 4	
1	<u>47582822001</u>	Kit, Ovh Storage System (includes items 2 through 11)	1
2	<u>102296150</u>	Bolt - M6x1.0x50 Hex Flng Hd	4
3	<u>102296920</u>	Screw, M6, Torx Button Head, Sems	2
4	<u>102621501</u>	Nut, Flange, M6 X 1.0, Nylon	2
5	<u>103196001</u>	Washer, Conical Spring, Canopy	8
6	<u>103200301</u>	Nut, M6 x 1.00	4
7	<u>47559264001</u>	Basket, Overhead, Driver-side	1
8	<u>47559264002</u>	Basket, Overhead, Passenger-side	1
9	<u>47559265002</u>	Support, Display Unit, Bt	1
10	<u>47581131001</u>	Storage Unit, Center, Csmr	1
11	<u>47581132001</u>	Closeout, Plastic, Perforated	1

1

E

1

E



000720-005

MIRROR, 5-PANEL

ITEM	PART NO.	DESCRIPTION	QTY
		1 2 3 4	
1	<u>AM15028001</u>	Kit, Mirror 5 Panel, Csmr Pack (includes item 2)	1
2	<u>105288901</u>	Mirror Kit, Wink (includes items 3 through 7)	1
3	<u>105313801</u>	Brkt, Mirror, 5 Panel, Mtg	2
4	<u>332</u>	Washer, 1/4 Type A Narrow Flat	8
5	<u>7311</u>	Screw, 1/4-20 X 2.00 Hex-Head Cap	2
6	<u>8233</u>	Locknut, 1/4-20, Nylon Insert	2
7	<u>AM10092</u>	ICS 5-Panel Mirror	1
		Note: Item 2 is not illustrated.	

1

E

1

E

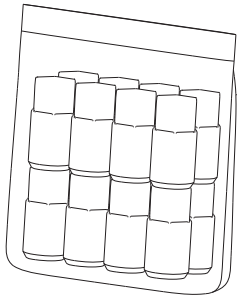
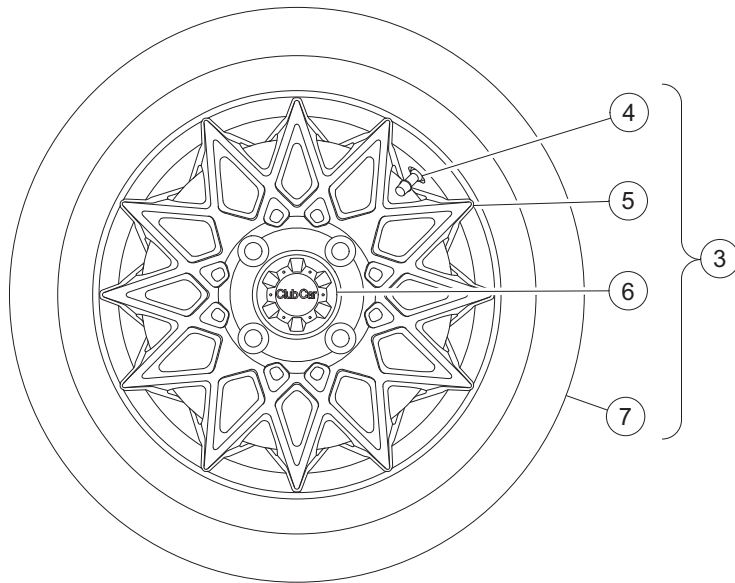
WHEELS AND TIRES

2

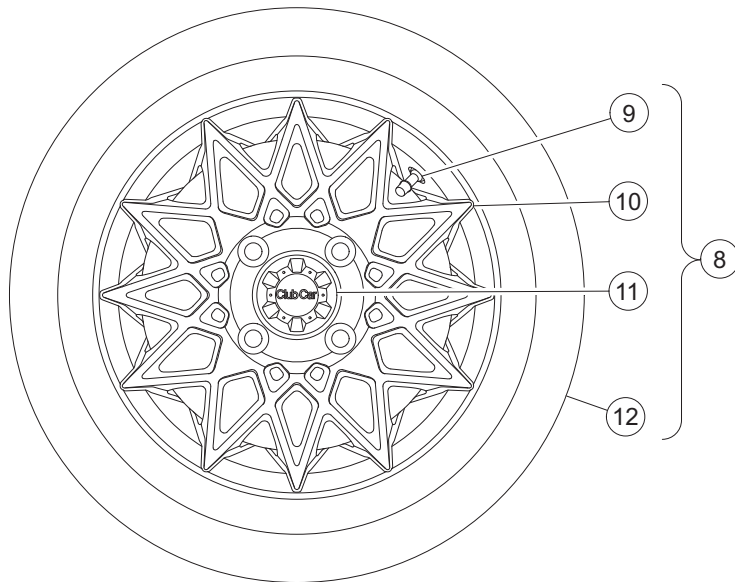
E

2

E



1 2



G-090099-000013

WHEEL AND TIRE ASSEMBLIES – 12 INCH

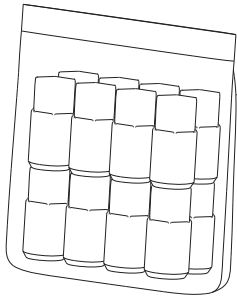
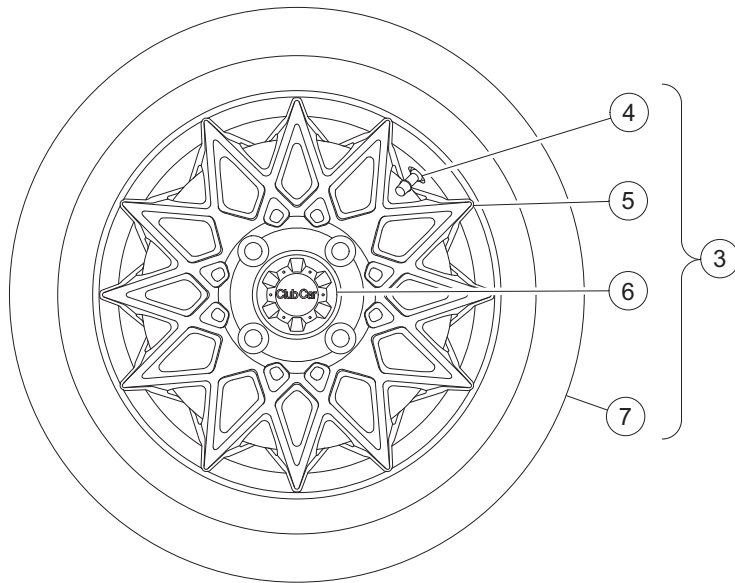
ITEM	PART NO.	DESCRIPTION	QTY
		1 2 3 4	
1	47590808001	Kit, Lugnut, Csmr (includes item 2)	1
2	<u>47562951001</u>	Nut, Lug, 17x1/2-20, Chrome	16
3	47678899001	Asm, 205/40-r12 Sb,athena,gbms (includes items 4 through 7)	A/R
4	<u>103832401</u>	Valve Stem With Cap, Chrome	1
5	47678898001	Wheel, Athena, 12", Gls Blk Ms (includes item 6)	1
6	47625132002	Cap, Cntr, Gloss Blk, Club Car	1
7	47678900001	Tire, Kruizer, 205/40-r12	1
8	47678899010	Asm, 205/40-r12 Sb,athena,ch (includes items 9 through 12)	A/R
9	<u>103832401</u>	Valve Stem With Cap, Chrome	1
10	47678898010	Wheel, Athena, 12", Brt Chrome (includes item 11)	1
11	47625132001	Cap, Cntr, Chrome, Club Car	1
12	47678900001	Tire, Kruizer, 205/40-r12	1
<p>Note: For additional wheel and tire options that may be available, please contact your local Club Car dealer or distributor.</p>			

2

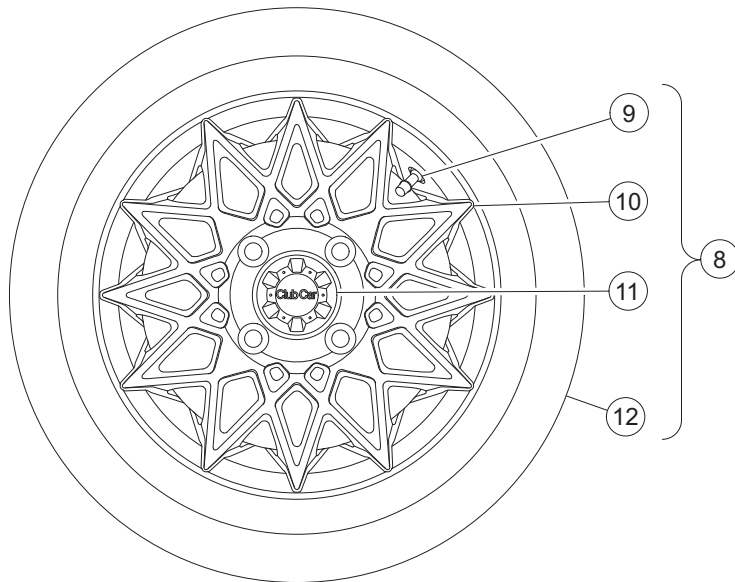
E

2

E



1 2



G-090099-000013

WHEEL AND TIRE ASSEMBLIES – 14 INCH

ITEM	PART NO.	DESCRIPTION	QTY
		1 2 3 4	
1	<u>47561635001</u>	Tire, 23x10-14 Kraken	A/R
2	<u>47562947002</u>	Asm, 23x10-14 Kraken, Mercury 14" Matte Black	4
3	<u>47562947004</u>	Asm, 23x10-14 Krkn, Mer,gb,cc	4
4	<u>47590808001</u>	Kit, Lugnut, Csmr (includes item 5)	1
5	<u>47562951001</u>	Nut, Lug, 17x1/2-20, Chrome	16
6	<u>47625132001</u>	Cap, Cntr, Chrome, Club Car	A/R
7	<u>47625132002</u>	Cap, Cntr, Gloss Blk, Club Car	A/R
8	<u>47625132003</u>	Cap, Cntr, Matte Blk, Club Car	A/R
9	<u>47641038001</u>	Asm, 23x10-14 Krkn, Zeus,gb,cc	4
10	<u>47641039003</u>	Asm,23x10-14 Krkn,aerion,bc,cc	4
11	<u>47659723010</u>	Asm, 23x10-14 Krkn,athena,ch	4
		Note: For additional wheel and tire options that may be available, please contact your local Club Car dealer or distributor.	

2

E

2

E

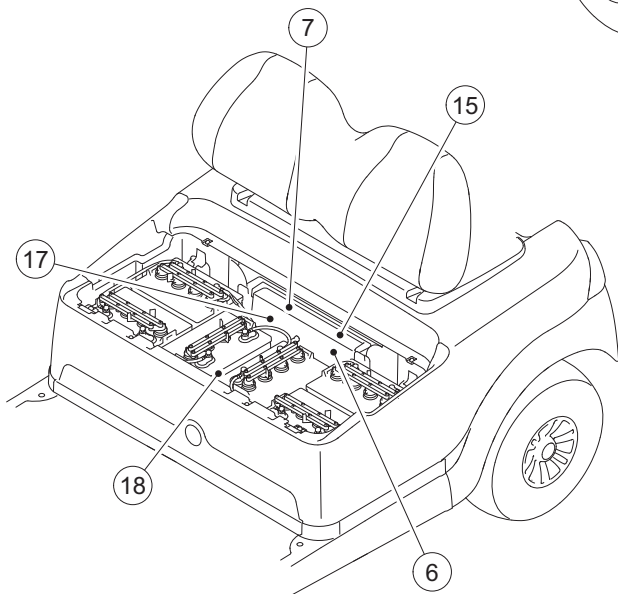
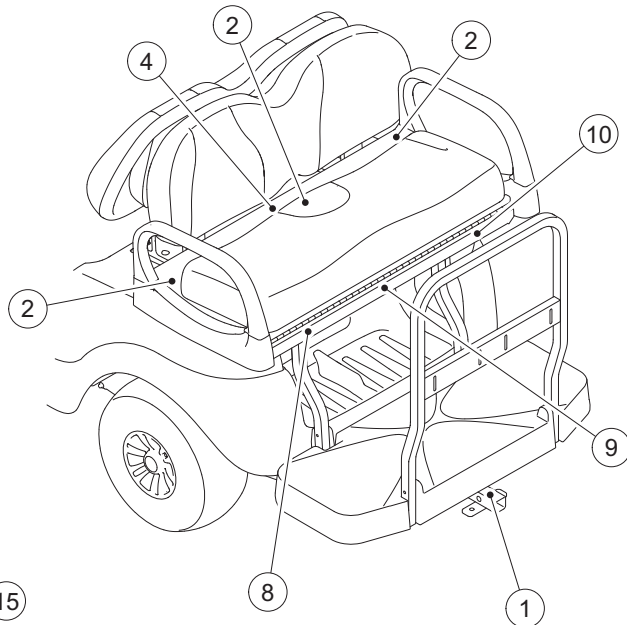
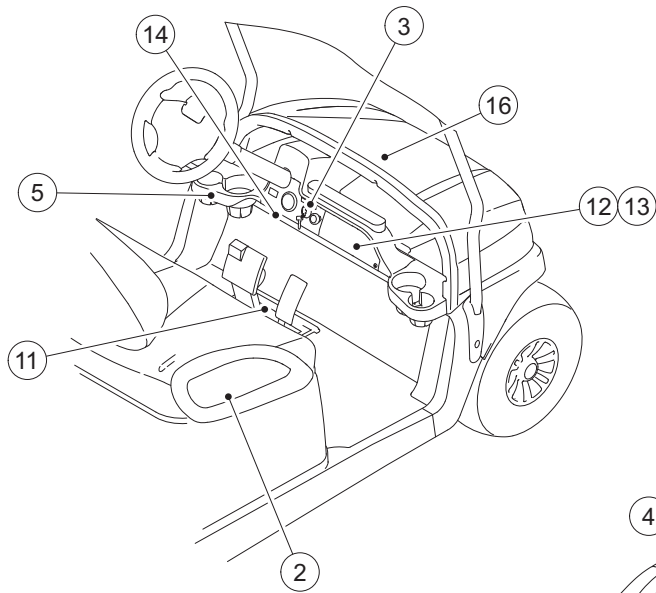
DECALS

3

E

3

E



G-160199-00007

AC DECALS

ITEM	PART NO.	DESCRIPTION	QTY
		1 2 3 4	
1	<u>1011553</u>	Decal, Trailer Hitch	1
2	<u>101609401</u>	Decal, Crush Area Warning	4
3	<u>101825101</u>	Decal, Off/On	1
4	<u>101972001</u>	Decal, D.s. Box Bed Warning (for vehicles with bed box option)	1
5	<u>102555901</u>	Decal, Private Speed	A/R
6	<u>103384601</u>	Decal-water Exposure	1
7	<u>103384701</u>	Decal-warning, Short	1
8	105267301	Decal, Warn, Fld L	1
9	105267401	Decal, Warn, Fld M	1
10	105267501	Decal, Warn, Fld R	1
11	47561033001	Decal, Warning, Speed	1
12	47574958001	Decal, Warning	A/R
13	47574958004	Decal, Warning Ptv, 500	A/R
14	47586040001	Decal, Warn	1
15	47586191001	Decal, Compliance, Mirrors	1
16	47592393001	Decal, Warn, Windshield	1
17	<u>47621652001</u>	Decal, Warning, Run/Tow	1
18	<u>47677215001</u>	Decal, Notice, Fuse Block	1
		Note: Items 5 and 13 are for 2 passenger vehicles only. Item 12 is for 4 passenger vehicles only.	

3

E

3

E

Club Car

①

onward
HP

②

G-160299-000013

DECALS – BADGING

ITEM	PART NO.	DESCRIPTION	QTY
		1 2 3 4	
1	<u>102883602</u>	Decal, Nameplate, Csmr	1
2	47594888003	Decal, Branding, Onward Hp	2

3

E

3

E

LIGHTS, CONTROLS AND INDICATORS

4

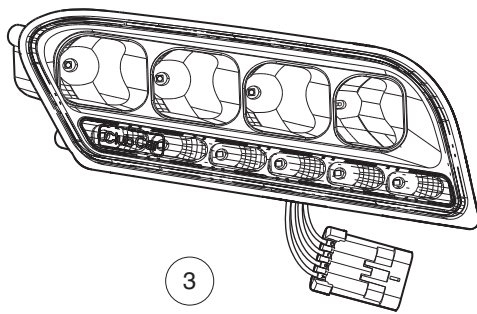
E

4

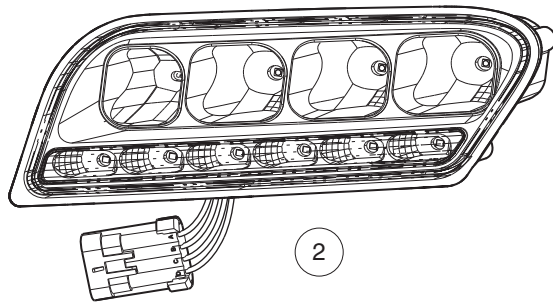
E



1



3



2

001341-001

HEADLIGHTS – ONWARD

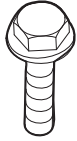
ITEM	PART NO.	DESCRIPTION	QTY
		1 2 3 4	
1	<u>102296020</u>	Screw-torx Pan Head Pt, M6x20	8
2	<u>47565234007</u>	Asm, Headlight, Led, Lh, Sp	1
3	<u>47565234008</u>	Asm, Headlight, Led, Rh, Sp	1

4

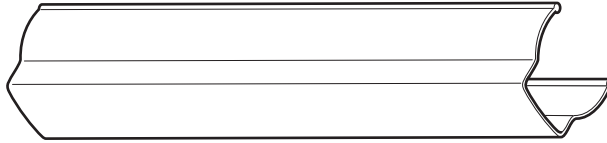
E

4

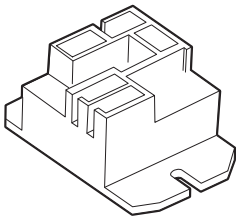
E



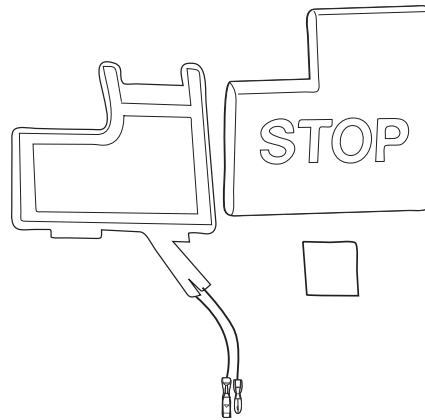
1



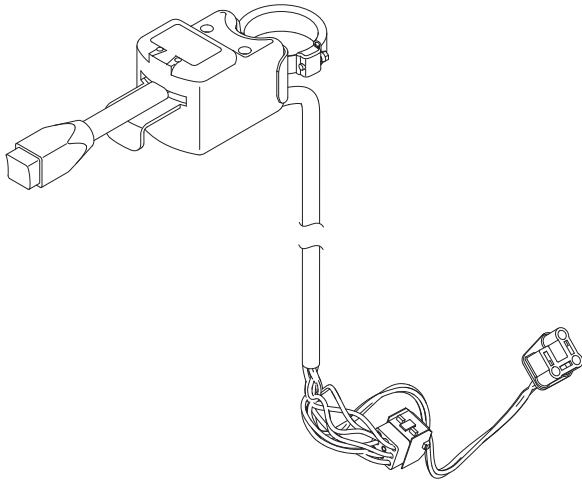
2



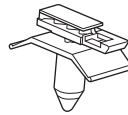
3 4



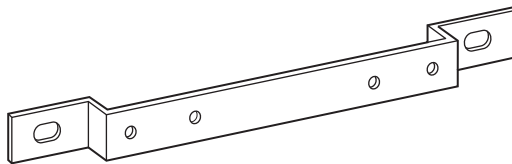
5



6



7



8

001387-004

LIGHTING SYSTEM COMPONENTS

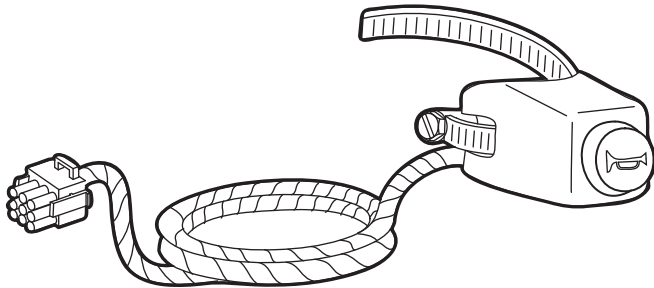
ITEM	PART NO.	DESCRIPTION	QTY
		1 2 3 4	
1	<u>102298720</u>	Screw, M8-1.25x20, Taptite	3
2	<u>102529201</u>	Wire Cover, Steering Column	1
3	<u>103414901</u>	Kit, Relay, 48v 30a W/instr (includes item 4)	1
4	<u>103397901</u>	Relay, Spst No, 48v 30a, Pmt	1
5	<u>103597101</u>	Kit, Brake Light Switch	1
6	<u>103803101</u>	Asm, Turn Signal Switch, Homol	1
7	N/A	Clip, Mount, Conn	2
8	<u>47580172001</u>	Bracket, Mount, Fuse	1
Note: For lighting harnesses refer to section 8.			

4

E

4

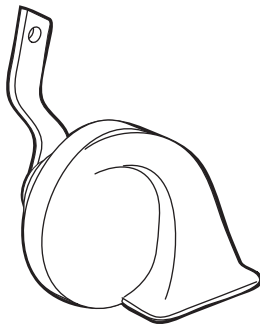
E



1



2



3

001343-001

HORN

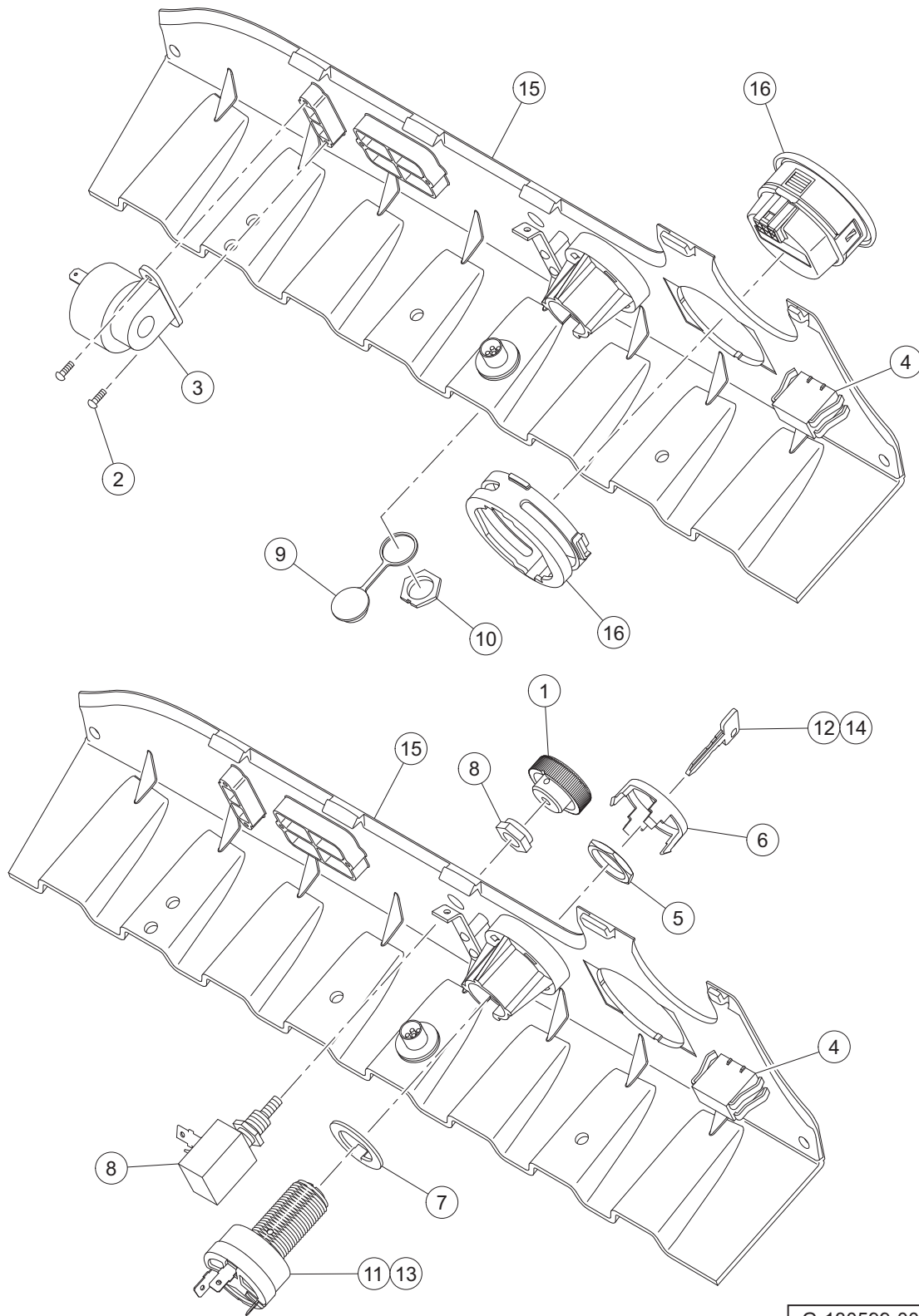
ITEM	PART NO.	DESCRIPTION	QTY
		1 2 3 4	
1	102517601	Subasm, Horn Button Harness	1
2	<u>102529201</u>	Wire Cover, Steering Column	1
3	<u>102535401</u>	Horn	1

4

E

4

E



G-130599-000013

INSTRUMENT PANEL

ITEM	PART NO.	DESCRIPTION	QTY
		1 2 3 4	
1	<u>1013857</u>	Knob, Light Switch	1
2	<u>1016849</u>	Screw, #4-24 X 0.33, Pan-Head, Machine	2
3	<u>1016851</u>	Multi-Purpose Buzzer (9-48 VDC)	1
4	<u>101802602</u>	Plug, Hole, Matte	1
5	<u>101830701</u>	Nut, Key Switch	1
6	<u>101834502</u>	Cap, Black Key Switch	1
7	<u>101851101</u>	Washer, Key Switch	1
8	<u>102051901</u>	Switch, Light	1
9	<u>102196901</u>	Dust Cap	1
10	<u>102572401</u>	Nut, Diagnostic Port	1
11	<u>105082001</u>	Keysw, Uncom, 4t, Off/p2/p3 1a (includes item 12)	A/R
12	<u>105068001</u>	Key, Uncommon, Padded 1a	1
13	<u>105082002</u>	Keysw, Uncom, 4t, Off/p2/p3 1b (includes item 14)	A/R
14	<u>105068002</u>	Key, Uncommon, Padded 1b	1
15	<u>47613414011</u>	Panel, Punched,can Ind Hdlt	1
16	<u>47614736001</u>	Gauge, Can, Model 3140	1
		<p>Note: For ordering bulk keys (p/n AM10079 in quantities of 50) or keyswitches make sure the key codes are properly matched.</p>	

4

E

BLUETOOTH SOUND SYSTEM

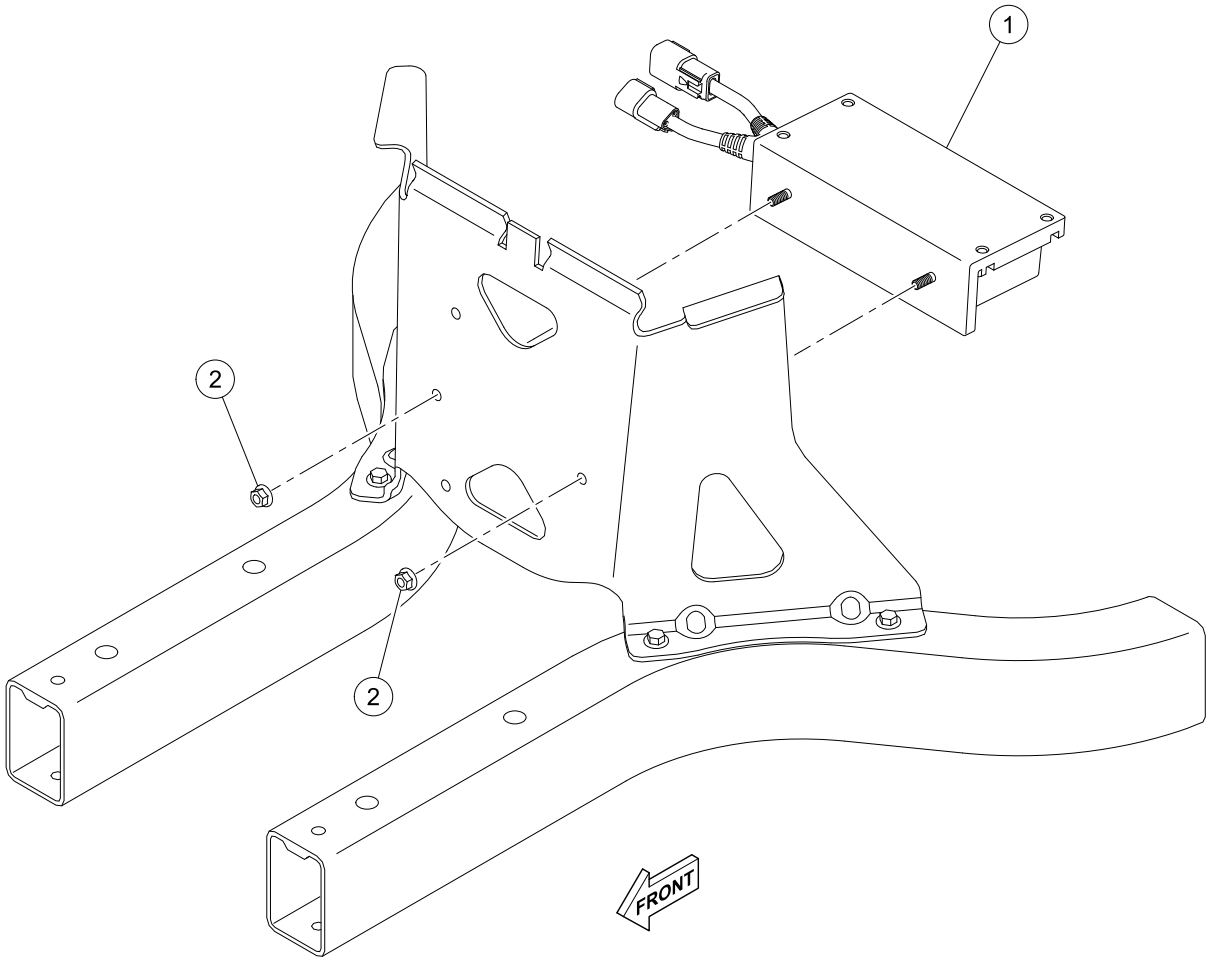
ITEM	PART NO.	DESCRIPTION	QTY
		1 2 3 4	
1	<u>47581430001</u>	Kit, Bt Sound System (includes items 2 through 36)	1
2	<u>1011017</u>	Screw, #8-32 X 0.375	4
3	<u>102296040</u>	Screw, Torx Pan Hd Pt, M6 X 40	4
4	<u>102296150</u>	Bolt - M6x1.0x50 Hex Flng Hd	4
5	<u>102296920</u>	Screw, M6, Torx Button Head, Sems	2
6	<u>102298020</u>	Screw, K80x20, Torx Pn Hd Pt	4
7	<u>102299065</u>	M8-1.25 X 65 Tx Bttm Hd Bolt	2
8	<u>102541401</u>	Bolt-m6x1.0x20 Hex Flhd Blk-l	8
9	<u>102544201</u>	Screw, M6 Hex	1
10	<u>102621501</u>	Nut, Flange, M6 X 1.0, Nylon	2
11	<u>103196001</u>	Washer, Conical Spring, Canopy	8
12	<u>103200301</u>	Nut, M6 x 1.00	4
13	<u>105190701</u>	Nut, Flanged, #8-32, Serrated	4
14	<u>47559265002</u>	Support, Display Unit, Bt	1
15	<u>47561477002</u>	Asm, Strut, Visage,onward, R.h (includes items 16 through 22)	1
16	<u>103750001</u>	Strut, Canopy Front, Passenger-side	1
17	N/A	Brkt, Tree-stud Mount, Dt/dtm	1
18	N/A	Conn, Plug, Dtm, 3 Pin, Blk	1
19	N/A	Lock, Wedge, Dtm, Plug	1
20	<u>47554736001</u>	Harness, Visage, Strut, G/e	1
21	<u>47559268001</u>	Retainer, Wire Harness	1
22	<u>47631793002</u>	Cover, Canopy Support, RH	1
23	<u>47562748001</u>	Harness, Sound Mil200bt, Csmr	1
24	<u>47581126001</u>	Bracket, Amp, Mil200bt	1
25	<u>47581127001</u>	Amp, Bluetooth, Mil200bt	1
26	<u>47581128001</u>	Speaker, 5.25", Blk	1
27	<u>47581129001</u>	Screw, 6-32 X 5/8 Torx Ph Blk	8
28	<u>47581130001</u>	Grommet, Sbr, .38 Id	2
29	<u>47581131001</u>	Storage Unit, Center, Csmr	1
30	<u>47581132001</u>	Closeout, Plastic, Perforated	1
31	<u>47581133001</u>	Enclosure, Speaker, Ds, 2p	1
32	<u>47581133002</u>	Enclosure, Speaker, Ps, 2p	1
33	<u>47581134001</u>	Extrusion, Alum, Spkr Outer	2
34	<u>47581135001</u>	Extrusion, Alum, Spkr Inner	2
35	<u>47584406001</u>	U-nut, 6-32	8
36	<u>47589609001</u>	Cover, Strut, Bt Sound	1

4

E

4

E



G-130299-000001

DC/DC CONVERTER – ELECTRIC VEHICLE

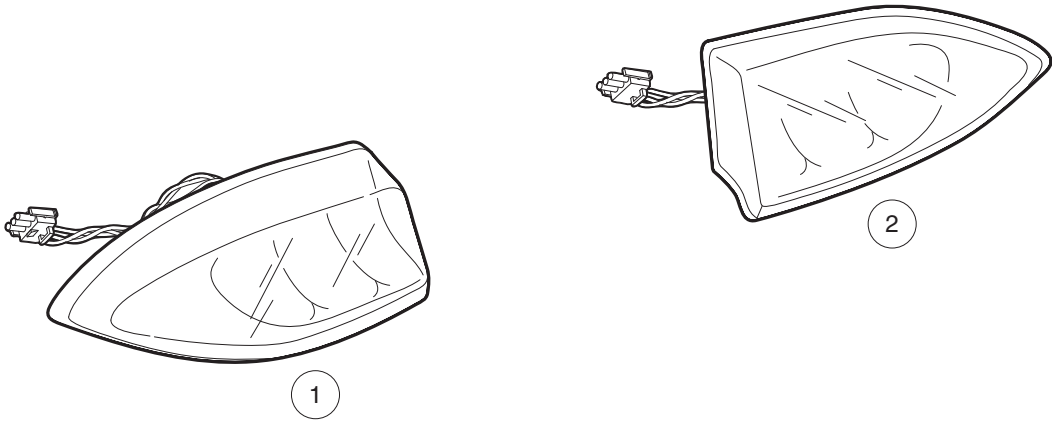
ITEM	PART NO.	DESCRIPTION	QTY
		1 2 3 4	
1	<u>47594727001</u>	Converter, Dc/dc	1
2	<u>96704176</u>	Nut, Flanged, M6 X 1, Serrated	2

4

E

4

E



001340-001

TAILLIGHTS

ITEM	PART NO.	DESCRIPTION	QTY
1	<u>47643352001</u>	1 2 3 4 Assembly, Taillight, LH	1
2	<u>47643352002</u>	Assembly, Taillight, RH	1

4

E

4

E

BRAKES AND PEDAL GROUP ASSEMBLIES

5

E

REAR BRAKES, SELF-ADJUSTING

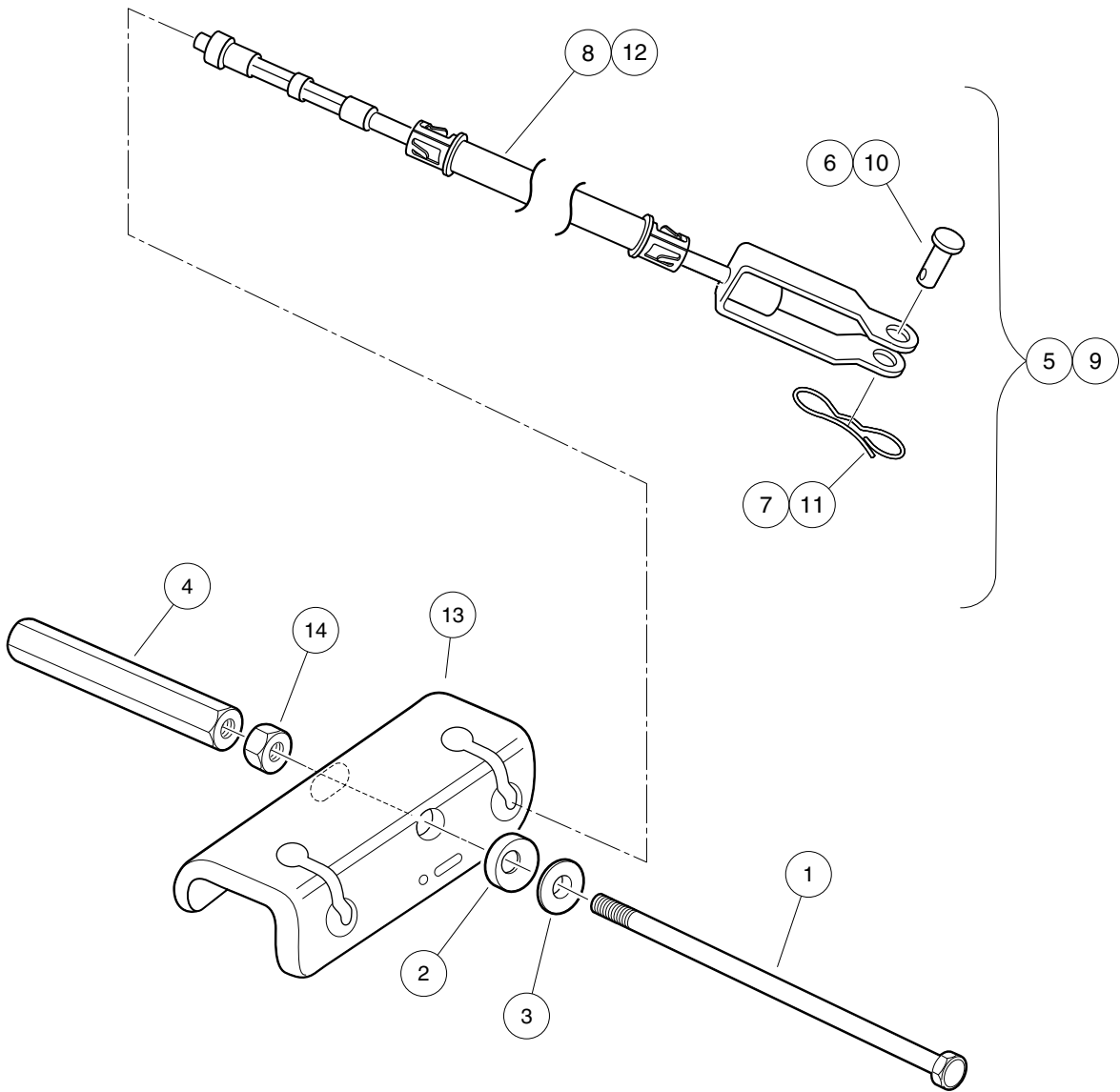
ITEM	PART NO.	DESCRIPTION	QTY
		1 2 3 4	
1	<u>1013924</u>	Nut, 5/16-24, Hex Head Cone	8
2	<u>101791101</u>	Drum without Center Hole, Brake	2
3	<u>103380201</u>	Asm, Brake Cluster, Mech, Drvr (includes items 4 through 15)	1
4	<u>101815502</u>	Lever Assembly, Self-Adjusting Brake, Left	1
5	<u>101816502</u>	Adjusting Mechanism, Self-Adjusting Brake, Left	1
6	<u>101823201</u>	Package, Brake Shoe, Self-Adjusting	1
7	<u>101823801</u>	Plate, Washer, Brake, Self-Adjusting	1
8	<u>101823901</u>	Washer, Brake, Self-Adjusting	1
9	<u>103483102</u>	Backing Plate, Driver-side	1
10	<u>103483201</u>	Kit, Shoe Retainer (includes items 11 and 12)	1
11	N/A	Pin	2
12	N/A	Spring, Shoe, Clamp	2
13	<u>103483401</u>	Package Brake Spring Self Adj	1
14	<u>103483601</u>	Cover, Dust	1
15	<u>103483701</u>	Brake Block	1
16	<u>103380202</u>	Asm, Brake Cluster, Mech, Pass (includes items 17 through 28)	1
17	<u>101815501</u>	Lever Assembly, Self-Adjusting Brake, Right (Passenger)	1
18	<u>101816501</u>	Adj Mechanism, S.A. Brakes, Right (Passenger)	1
19	<u>101823201</u>	Package, Brake Shoe, Self-Adjusting	1
20	<u>101823801</u>	Plate, Washer, Brake, Self-Adjusting	1
21	<u>101823901</u>	Washer, Brake, Self-Adjusting	1
22	<u>103483101</u>	Backing Plate, Passenger-side	1
23	<u>103483201</u>	Kit, Shoe Retainer (includes items 24 and 25)	1
24	N/A	Pin	2
25	N/A	Spring, Shoe, Clamp	2
26	<u>103483401</u>	Package Brake Spring Self Adj	1
27	<u>103483601</u>	Cover, Dust	1
28	<u>103483701</u>	Brake Block	1
29	<u>47542195001</u>	Bolt, Brake Cluster Mnt	8
		Note: Driver-side brake cluster items are not illustrated. Components have a similar appearance to passenger-side brake cluster.	

5

E

5

E



000467-006

BRAKE CABLES AND EQUALIZER BRACKET

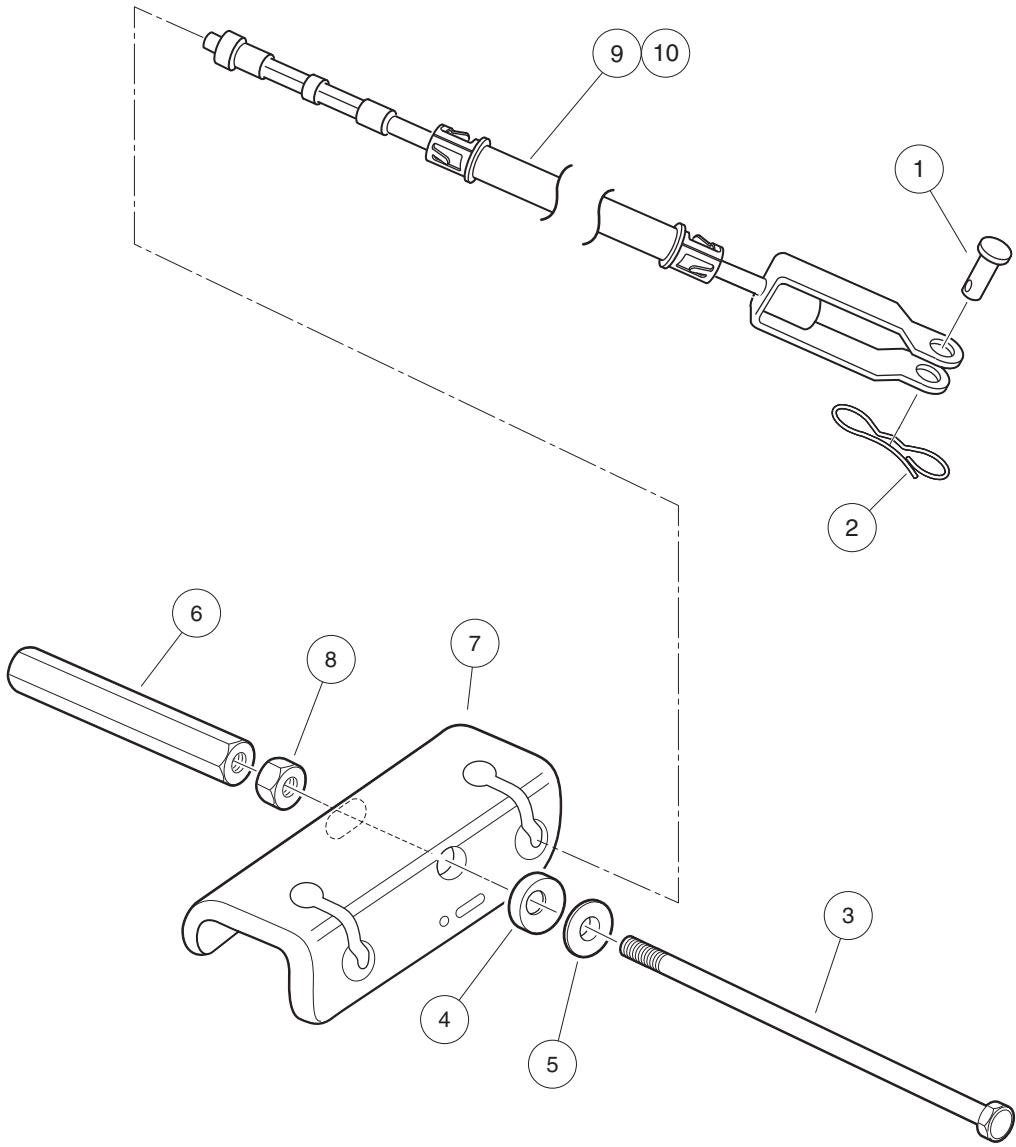
ITEM	PART NO.	DESCRIPTION	QTY
		1 2 3 4	
1	<u>102297901</u>	Bolt, 5/16-18 X 7.375, Hex	1
2	<u>102551901</u>	Washer, 5/16, Self Comp, Cup	1
3	<u>102552001</u>	Washer, 5/16, Self Comp, Cone	1
4	<u>102594301</u>	Nut, 5/16-18, Hex Adjusting -l	1
5	<u>103528701</u>	Kit, Brake Cable, Passenger-side (includes items 6 through 8)	1
6	<u>1010829</u>	Pin, Clevis, 5/16 X 3/4	1
7	<u>102292801</u>	Pin, Bow Tie Locking - .072	1
8	N/A	Cable, Brake, Right	1
9	<u>103528702</u>	Kit, Brake Cable, Driver-side (includes items 10 through 12)	1
10	<u>1010829</u>	Pin, Clevis, 5/16 X 3/4	1
11	<u>102292801</u>	Pin, Bow Tie Locking - .072	1
12	N/A	Cable, Brake, Left	1
13	<u>103535001</u>	Bracket, Equalizer	1
14	<u>1242</u>	Nut, 5/16-18 Hex	1

5

E

5

E



000467-007

BRAKE CABLES AND EQUALIZER BRACKET – LIFTED VEHICLE

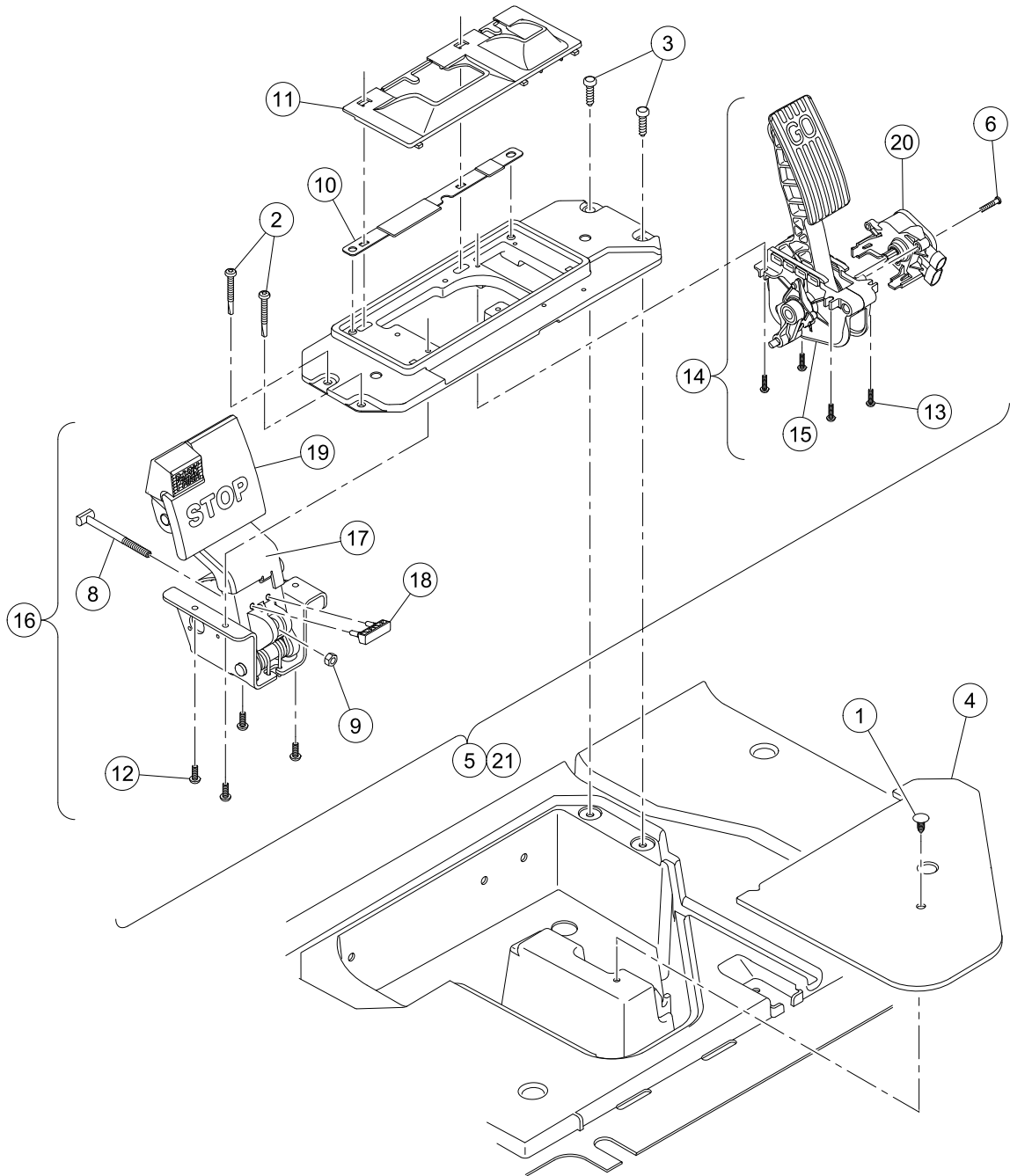
ITEM	PART NO.	DESCRIPTION	QTY
		1 2 3 4	
1	<u>1010829</u>	Pin, Clevis, 5/16 X 3/4	2
2	<u>102292801</u>	Pin, Bow Tie Locking - .072	2
3	<u>102297901</u>	Bolt, 5/16-18 X 7.375, Hex	1
4	<u>102551901</u>	Washer, 5/16, Self Comp, Cup	1
5	<u>102552001</u>	Washer, 5/16, Self Comp, Cone	1
6	<u>102594301</u>	Nut, 5/16-18, Hex Adjusting -l	1
7	<u>103535001</u>	Bracket, Equalizer	1
8	<u>1242</u>	Nut, 5/16-18 Hex	1
9	<u>47562652001</u>	Cable, Brake, Csmr, Lifted, Driver-side	1
10	<u>47582091001</u>	Cable, Brake, Csmr, Lifted, Passenger-side	1

5

E

5

E



G-131199-00002

PEDAL GROUPS WITH MCOR

ITEM	PART NO.	DESCRIPTION	QTY
		1 2 3 4	
1	<u>1010434</u>	Barrel - Plastic	1
2	<u>102292201</u>	Screw-1/4-20x2.20 Tx Pn Hd Sd	2
3	<u>102298030</u>	Screw, K80x30, Torx Pn Hd Pt	2
4	<u>102500801</u>	Plate - Floor Cover	1
5	<u>103874111</u>	Asm, Pedal Set, No Switch, w/MCOR, Service (includes items 6 through 20)	1
6	<u>103943401</u>	Screw, Pan, #10 X 1.00 Hi-lo	1
7	<u>103975011</u>	Asm, Pedal Set, No Switch, Service (includes items 8 through 16)	1
8	<u>102559401</u>	Rod, Brake	1
9	<u>102559701</u>	Nut, Brake Rod	1
10	<u>102594801</u>	Shield, Debris Aux	1
11	<u>102594901</u>	Shield, Debris Primary	1
12	<u>102595901</u>	Screw, M6x1.0x17 Ph, Taptite	4
13	<u>102596001</u>	Screw, M5x0.8x18 Ph, Taptite	4
14	<u>102596301</u>	Pedal, Accelerator, Anodized (includes item 15)	1
15	<u>103777601</u>	Asm, Park Brake Release, Anodized	1
16	<u>103974901</u>	Asm, Brake Pedal, Anodized (includes items 17 through 19)	1
17	<u>102595201</u>	Cover, Brake	1
18	<u>102595301</u>	Upstop, Brake	1
19	<u>102595401</u>	Pad, Brake	1
20	<u>105116301</u>	MCOR4, Type 16 Switch	1
21	<u>103874112</u>	Pedal Assy Mcor3 W/switch Sp	1
22	<u>103975012</u>	Pedal Set, Mech, Anod W/sw Sp	1
<p>Note: Item 7 and 22 are not illustrated. All detail parts for the Pedal Sets are identical. Reference the Electrical Section for detailed MCOR information.</p>			

5

E

5

E

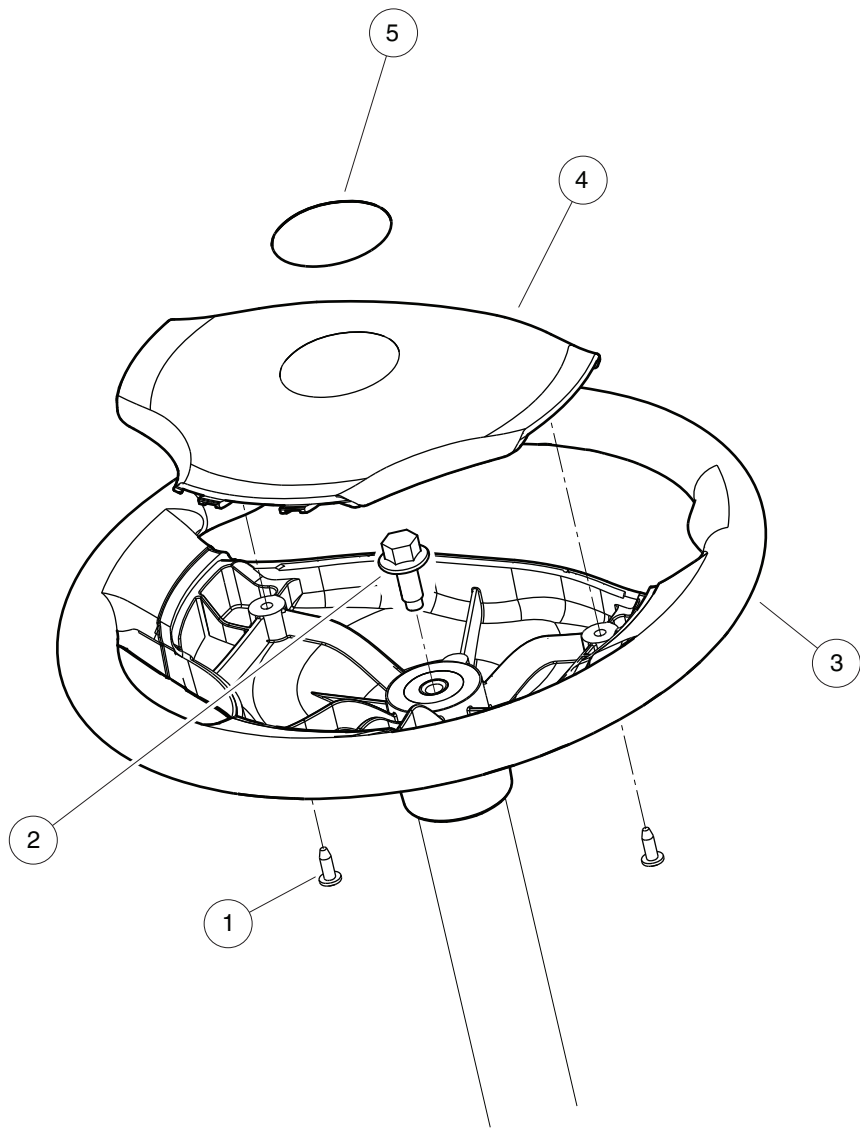
STEERING, FRONT AND REAR SUSPENSION – STANDARD HEIGHT

6

E

6

E



001389-001

STEERING WHEEL, COMFORT GRIP WITH LOGO

ITEM	PART NO.	DESCRIPTION	QTY
		1 2 3 4	
1	<u>101850301</u>	Screw, #12-16 X 0.50 Washer-Head Hi-Lo	2
2	<u>102290120</u>	Bolt, M10 X 20 Hex Washer Hd	1
3	<u>103724503</u>	Steering Wheel, Soft Grip, Hex	1
4	<u>103724602</u>	Cover, Steering Wheel, Generic	1
5	<u>103829401</u>	Logo, Cci, Steer Wheel	1

6

E

STEERING WHEEL, COMFORT GRIP WITH CLIP

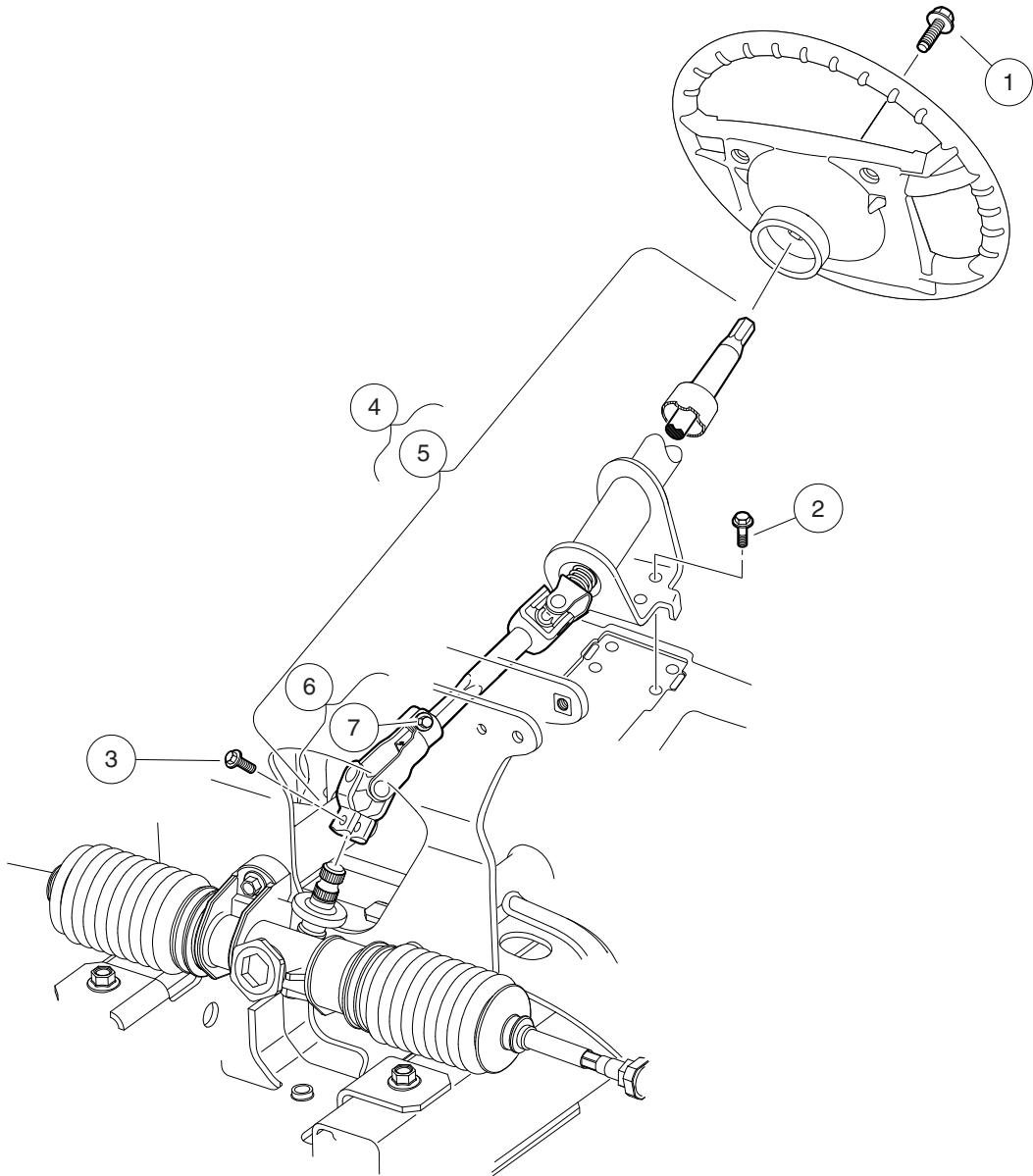
ITEM	PART NO.	DESCRIPTION	QTY
		1 2 3 4	
1	<u>103796701</u>	Kit, Hex, Steering Wheel (includes items 2 through 13)	1
2	<u>101850301</u>	Screw, #12-16 X 0.50 Washer-Head Hi-Lo	2
3	<u>102290120</u>	Bolt, M10 X 20 Hex Washer Hd	1
4	<u>103724503</u>	Steering Wheel, Soft Grip, Hex	1
5	<u>103724901</u>	Asm, Scorecard, Clip (includes items 6 through 10)	1
6	<u>1012565</u>	Screw, #12 Phillips Round Head	2
7	<u>1012566</u>	Tapered Compression Spring	2
8	<u>1016154</u>	Clip, Scorecard	1
9	<u>1016214</u>	Pencil Grip	1
10	<u>103724601</u>	Cover, Steering Wheel, Clip	1
11	<u>103783001</u>	Decal, Op Instr, Ele	1
12	<u>103783002</u>	Decal, Op Instr, Gas Ps	1
13	<u>103783003</u>	Decal, Op Instr, Gas Ks	1
		Note: Items 12 and 13 are not illustrated as they are only applicable to kits for gasoline vehicles.	

6

E

6

E



000469-007

STEERING COLUMN

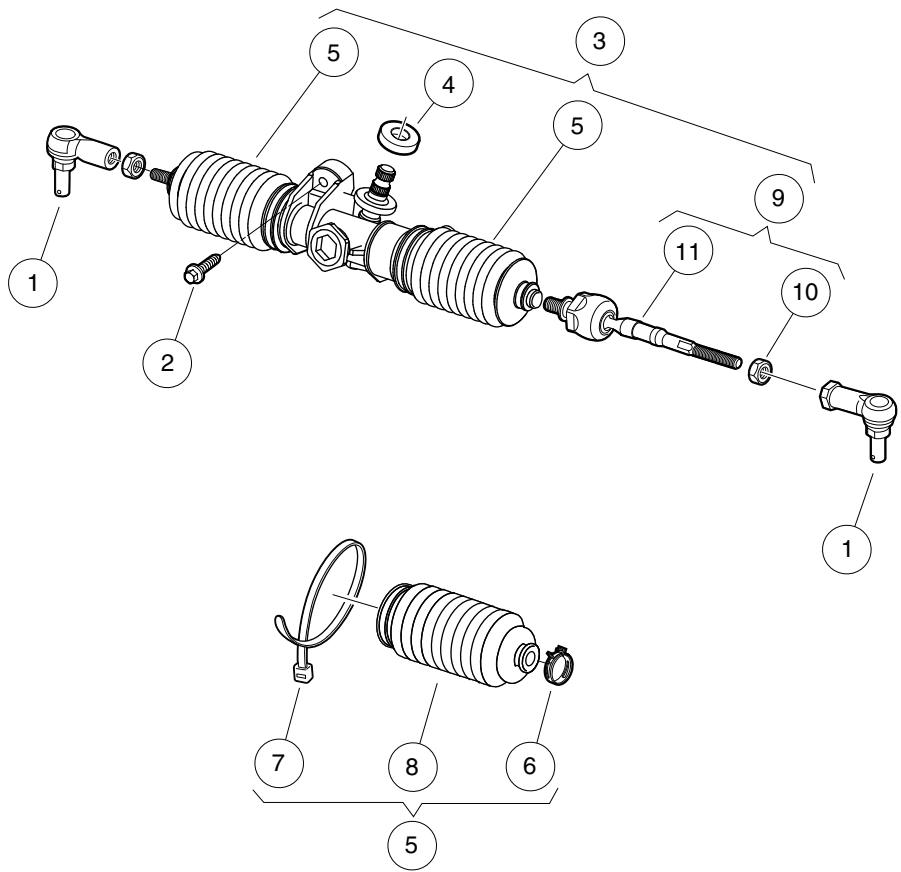
ITEM	PART NO.	DESCRIPTION	QTY
		1 2 3 4	
1	102290120	Bolt, M10 X 20 Hex Washer Hd	1
2	<u>102298116</u>	Bolt, Flanged Head, M8 X 16.0	4
3	<u>102298130</u>	Bolt, Flange Head, M8 X 30.0	1
4	<u>105049001</u>	Kit, Inner Steering Clmn (includes item 5)	1
5	105068601	Asm, Column, Inner (includes item 6)	1
6	<u>103810201</u>	Kit, Lower Yoke, Wanda (includes item 7)	1
7	<u>102298130</u>	Bolt, Flange Head, M8 X 30.0	1

6

E

6

E



000476-005

STEERING GEAR ASSEMBLY

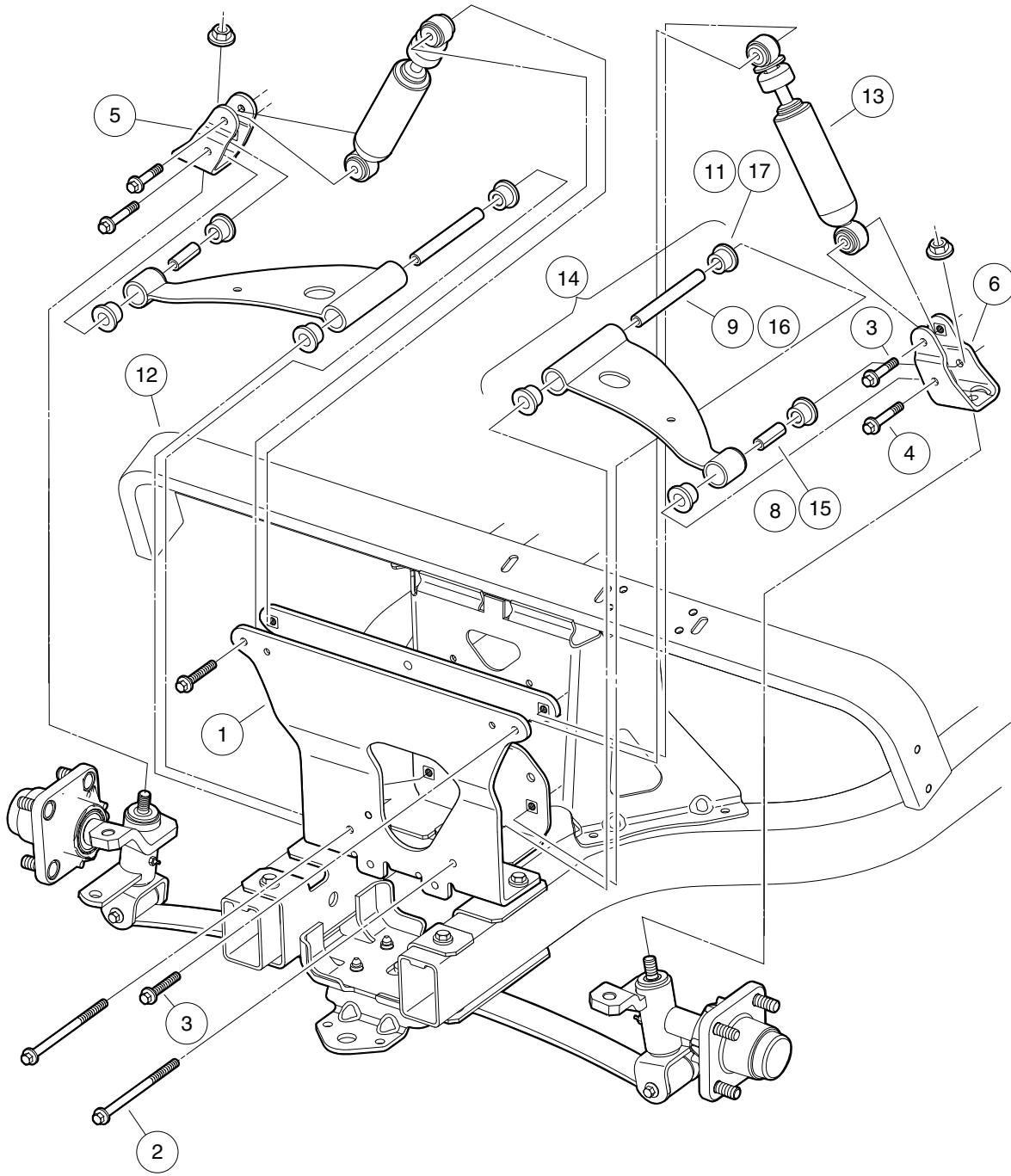
ITEM	PART NO.	DESCRIPTION	QTY
		1 2 3 4	
1	<u>102022601</u>	End, Tie Rod M12 X 1.25 Rh	2
2	<u>102289001</u>	Screw, M8X1.25X30, Hex	3
3	<u>103679701</u>	Asm, Rack & Pinion (includes items 4 through 9)	1
4	<u>102565201</u>	Seal, Dust, Steering Pinion	1
5	<u>103826201</u>	Bellow Kit, Steering-sona (includes items 6 through 8)	2
6	<u>102566001</u>	Clip, Steering	1
7	<u>8990</u>	Tie Wrap, 8" Nylon	1
8	N/A	Bellows	1
9	<u>103826301</u>	Kit, IBJ (Inner Ball Joint), Steering-sona (includes items 10 and 11)	2
10	1013042	Nut, 12mm Hex	1
11	N/A	Inner Ball Joint	1

6

E

6

E



000445-005

FRONT SUSPENSION, UPPER

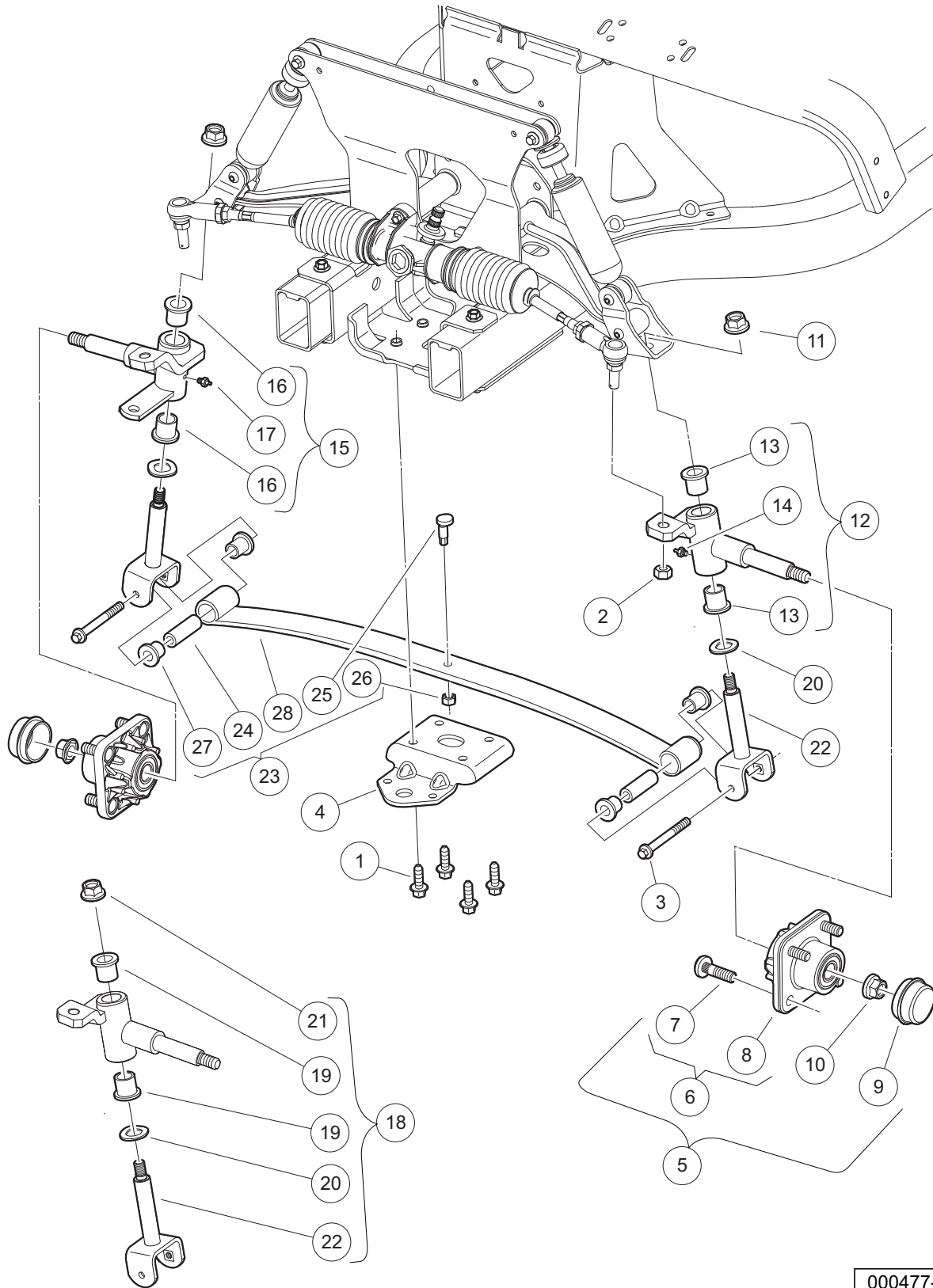
ITEM	PART NO.	DESCRIPTION	QTY
		1 2 3 4	
1	<u>102287101</u>	Assembly - Front Structure	1
2	<u>102288901</u>	Bolt, Hex, M8x1.25 X 135	2
3	<u>102289401</u>	Screw- Hex Cap, M8 X 1.25 X 45	4
4	<u>102289501</u>	Screw- Hex Cap, M8 X 1.25 X 70	2
5	<u>102289601</u>	Upper Clevis Assembly, Passenger-side	1
6	<u>102289701</u>	Upper Clevis Assembly, Driver-side	1
7	<u>102289901</u>	Kit, Susp, Bushing Joints (includes items 8 through 11)	1
8	<u>102287601</u>	Sleeve - Rolled, Outer	2
9	<u>102287701</u>	Sleeve - Rolled, Inner	2
10	<u>102288101</u>	Sleeve - Rolled, Spring	2
11	<u>102956201</u>	Bushing, Urethane, Short	12
12	<u>102505701</u>	Assembly, Dash Support	1
13	<u>102588601</u>	Shock Absorber Front	2
14	<u>103388501</u>	Asm, 3 Piece A-arm, Bushings (includes items 15 through 17)	2
15	<u>102287601</u>	Sleeve - Rolled, Outer	1
16	<u>102287701</u>	Sleeve - Rolled, Inner	1
17	<u>102956201</u>	Bushing, Urethane, Short	4
<p style="margin-left: 40px;">Note: Item 7 (not shown) includes bushings and sleeves for control arms and front suspension leaf spring. See lower suspension page for illustration of item 10 (not shown).</p>			

6

E

6

E



000477-009

FRONT SUSPENSION, LOWER

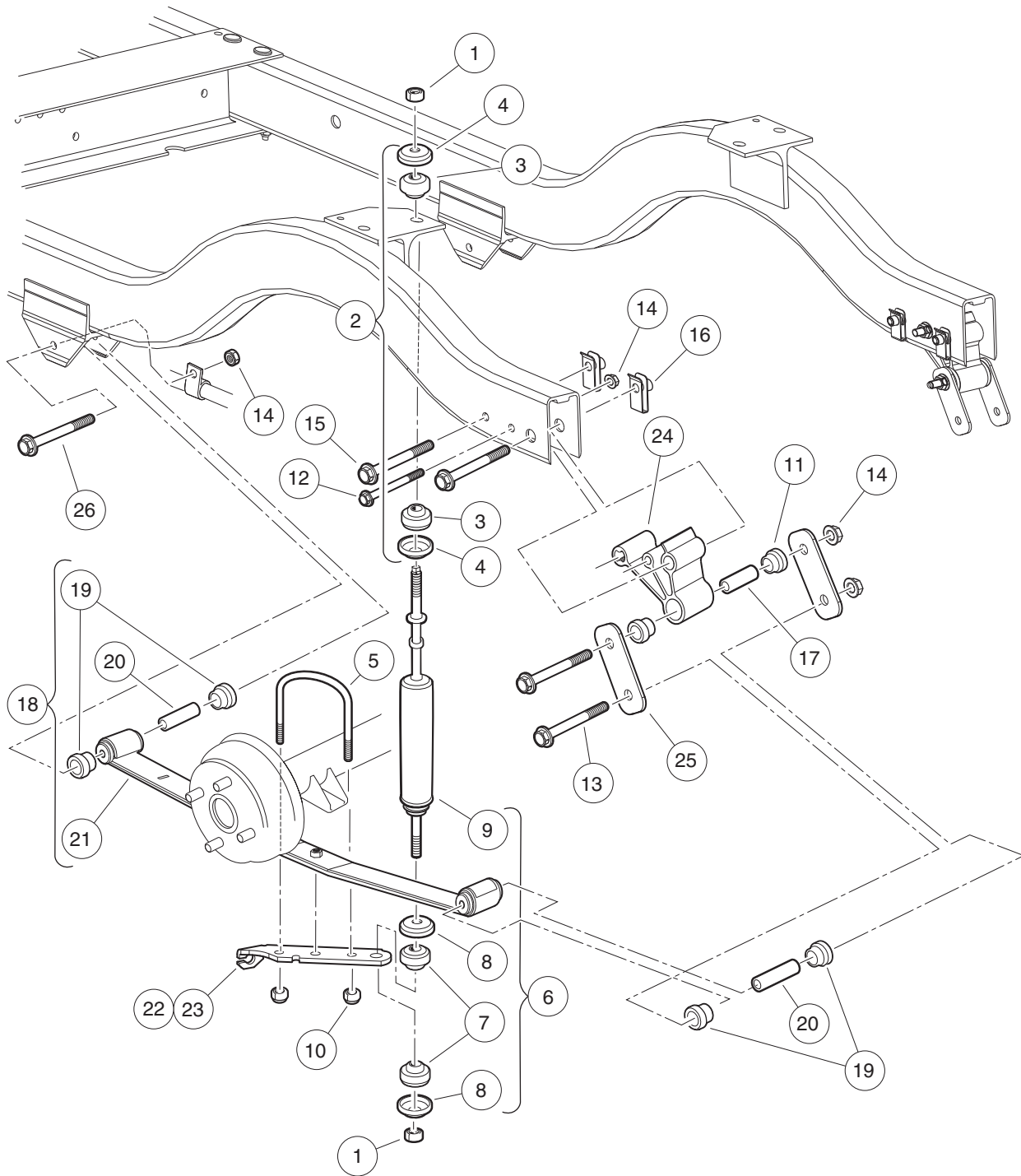
ITEM	PART NO.	DESCRIPTION	QTY
		1 2 3 4	
1	<u>102289101</u>	Screw-m10x1.5, Trilob, Hex Fl	4
2	<u>102289201</u>	Nut - Hex Locking, M12 X 1.25	2
3	<u>102289501</u>	Screw- Hex Cap, M8 X 1.25 X 70	2
4	<u>102289801</u>	Clamp - Leaf Spring	1
5	<u>102357701</u>	Replacement Kit, Front Hub (includes items 6 through 10)	1
6	N/A	Front Hub Assembly, Ball Bearing (includes items 7 and 8)	1
7	<u>102353401</u>	Lug Stud, 1/2-20 UNF, 4037 Stl	4
8	N/A	Hub, Front	1
9	<u>102353201</u>	Cap, Front Hub	1
10	<u>102353301</u>	Hex Nut, Locking Flange, M14x2	1
11	<u>102878201</u>	Nut, Lock,m12,washer,conical	2
12	<u>103638701</u>	Asm, Spindle, with Bushings, Driver-side (includes items 13 and 14)	1
13	<u>102288201</u>	Bushing - Flanged	2
14	N/A	Fitting, Grease, Knuckle Spindle Asym	1
15	<u>103638702</u>	Asm, Spindle, with Bushings, Passenger-side (includes items 16 and 17)	1
16	<u>102288201</u>	Bushing - Flanged	2
17	N/A	Fitting, Grease, Knuckle Spindle Asym	1
18	<u>103638801</u>	Kit, King Pin Joints (includes items 19 through 22)	1
19	<u>102288201</u>	Bushing - Flanged	4
20	<u>102288401</u>	Wave Washer - Kingpin	2
21	<u>102878201</u>	Nut, Lock,m12,washer,conical	2
22	<u>103638601</u>	Asm, King Pin, M12	2
23	<u>103935601</u>	Asm, Spring, Leaf, Front, 50.4 (includes items 24 through 28)	1
24	<u>102288101</u>	Sleeve - Rolled, Spring	2
25	102288701	Eccentric Bolt	1
26	102288801	Nut-hex, 3/8-16	1
27	<u>102956201</u>	Bushing, Urethane, Short	2
28	105187901	Spring, Leaf, Front, 50.4	1

6

E

6

E



000446-005

REAR SUSPENSION, ELECTRIC VEHICLE

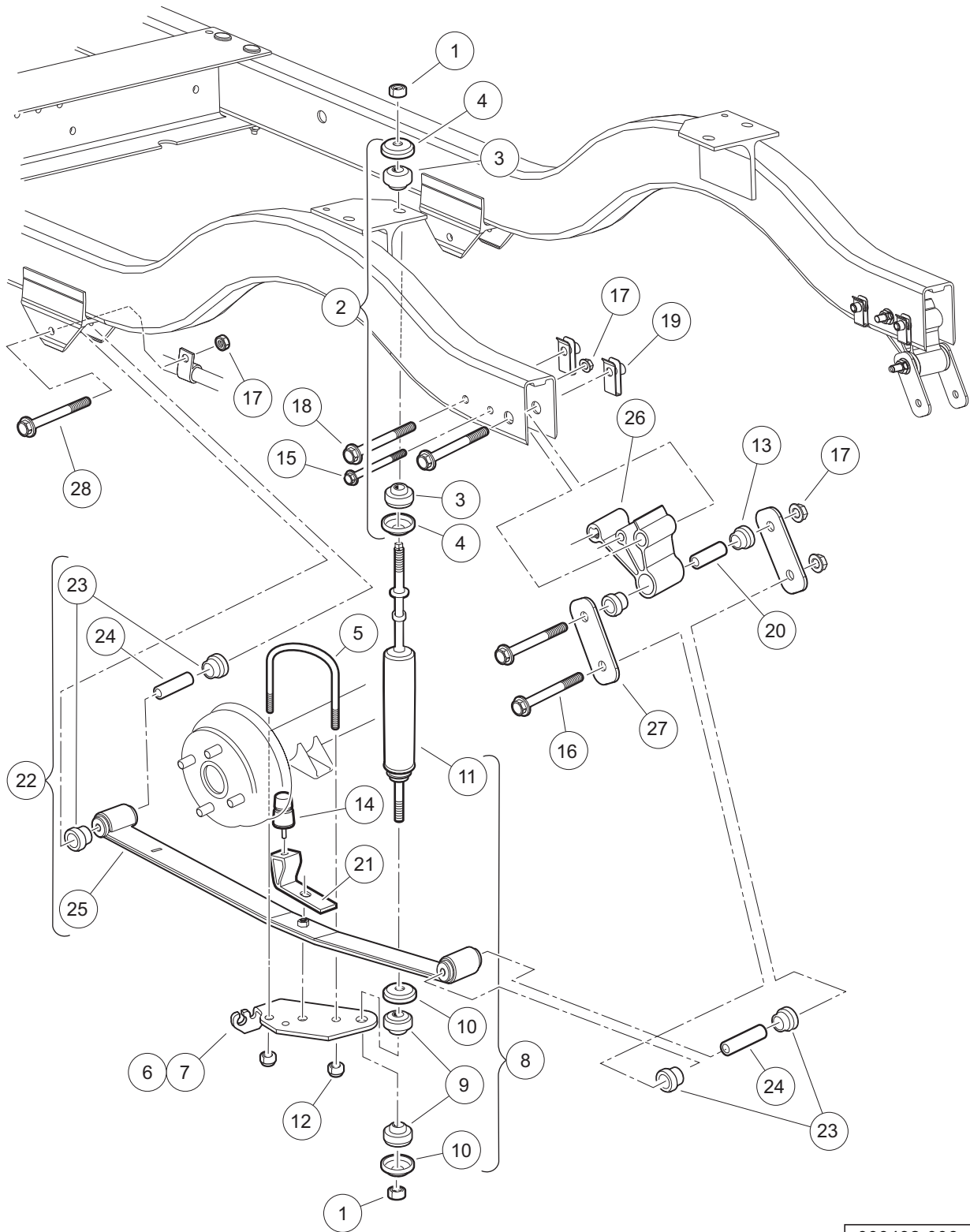
ITEM	PART NO.	DESCRIPTION	QTY
		1 2 3 4	
1	<u>1010145</u>	Nut, 3/8-24 Hex	4
2	<u>1011415</u>	Kit, Shock Absorber Cushion (includes items 3 and 4)	2
3	N/A	Retainer, Shock Absorber Cushion	2
4	<u>47579096001</u>	Isolator, Shock Damper	2
5	<u>1012180</u>	U-Bolt	2
6	<u>1013164</u>	Shock Absorber Kit (includes items 7 through 9)	1
7	N/A	Cushion, Shock Absorber	8
8	N/A	Retainer, Shock Absorber Cushion	8
9	<u>102588501</u>	Shock Absorber, Rear	2
10	<u>1014555</u>	Locknut, 7/16-14 Nylon Hex	4
11	<u>1015583</u>	Bushing, Urethane	4
12	<u>102298170</u>	Bolt - Flange Hd, M8 X 70.0	2
13	<u>102298175</u>	Bolt - Flange Hd, M8 X 75.0	2
14	<u>102298401</u>	Nut,m8,all Metal Lock	8
15	<u>102298580</u>	M8-1.25 X 80 Sems	4
16	<u>102298601</u>	J-clip - M8 X 1.25	4
17	<u>102506401</u>	Sleeve - Spring Eye Mounts	2
18	<u>103742304</u>	Asm, Rear Leaf Spring, Std (includes items 19 through 21)	2
19	<u>101558302</u>	Bushing, Urethane, Soft	4
20	<u>102506401</u>	Sleeve - Spring Eye Mounts	2
21	N/A	Leaf Spring, Rear, Std	1
22	<u>103921601</u>	Bracket, Shock Mounting, Drv	1
23	<u>103921602</u>	Bracket, Shock Mounting, Pas	1
24	<u>103964901</u>	Spacer, Rail, Shackle	2
25	<u>103965001</u>	Brkt, Shackle, Rear	4
26	<u>105188185</u>	Bolt, M8 X 85mm, 10.9 Grade	4

6

E

6

E



000492-006

REAR SUSPENSION, HEAVY DUTY

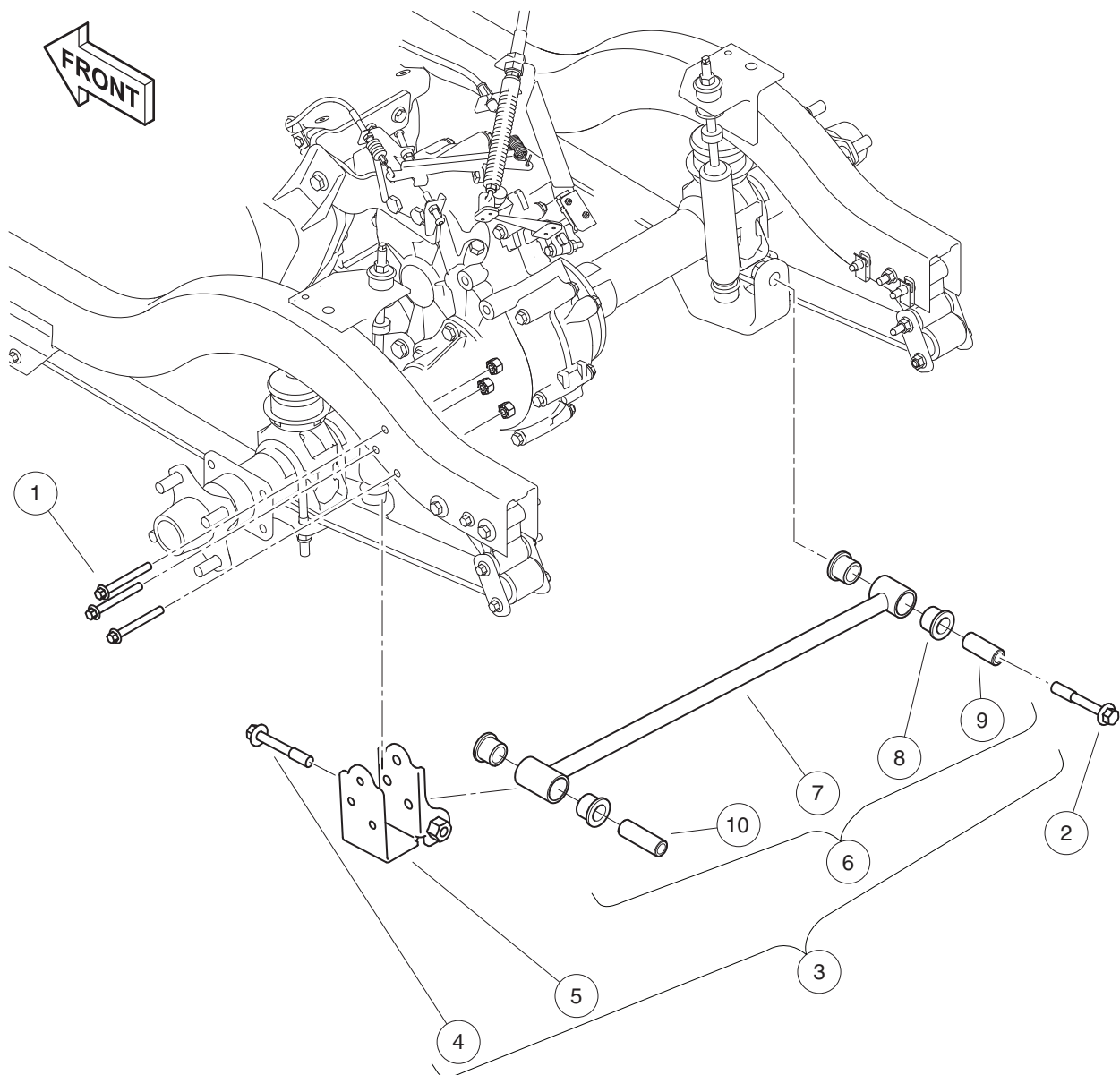
ITEM	PART NO.	DESCRIPTION	QTY
		1 2 3 4	
1	<u>1010145</u>	Nut, 3/8-24 Hex	4
2	<u>1011415</u>	Kit, Shock Absorber Cushion (includes items 3 and 4)	2
3	N/A	Retainer, Shock Absorber Cushion	2
4	<u>47579096001</u>	Isolator, Shock Damper	2
5	<u>1012180</u>	U-Bolt	2
6	<u>1012181</u>	Bracket, Shock Mounting, Right (Passenger)	1
7	<u>1012182</u>	Bracket, Shock Mounting, Left (Driver)	1
8	<u>1013164</u>	Shock Absorber Kit (includes items 9 through 11)	1
9	N/A	Cushion, Shock Absorber	8
10	N/A	Retainer, Shock Absorber Cushion	8
11	<u>102588501</u>	Shock Absorber, Rear	2
12	<u>1014555</u>	Locknut, 7/16-14 Nylon Hex	4
13	<u>1015583</u>	Bushing, Urethane	4
14	<u>1017235</u>	Bumper, Jounce	2
15	<u>102298170</u>	Bolt - Flange Hd, M8 X 70.0	2
16	<u>102298175</u>	Bolt - Flange Hd, M8 X 75.0	2
17	<u>102298401</u>	Nut,m8,all Metal Lock	8
18	<u>102298580</u>	M8-1.25 X 80 Sems	4
19	<u>102298601</u>	J-clip - M8 X 1.25	4
20	<u>102506401</u>	Sleeve - Spring Eye Mounts	2
21	<u>102534801</u>	Jounce Bumper Bracket	2
22	<u>103742306</u>	Asm, Rear Leaf Spring (includes items 23 through 25)	2
23	<u>101558302</u>	Bushing, Urethane, Soft	4
24	<u>102506401</u>	Sleeve - Spring Eye Mounts	2
25	N/A	Leaf Spring, Rear	1
26	<u>103964901</u>	Spacer, Rail, Shackle	2
27	<u>103965001</u>	Brkt, Shackle, Rear	4
28	<u>105188185</u>	Bolt, M8 X 85mm, 10.9 Grade	4

6

E

6

E



001392-001

PANHARD ROD

ITEM	PART NO.	DESCRIPTION	QTY
		1 2 3 4	
1	<u>102298170</u>	Bolt - Flange Hd, M8 X 70.0	3
2	<u>103146501</u>	Bolt, Flg, M12 X 1.75 X 80	1
3	47577865001	Assy, Panhard and Frame Rail Bracket (includes items 4 through 6)	1
4	<u>103146501</u>	Bolt, Flg, M12 X 1.75 X 80	1
5	47576649001	Bkt, Frame Rail, Panhard	1
6	47577864001	Asm, Rod, Panhard (includes items 7 through 10)	1
7	47576650001	Assy, Weldment, Panhard	1
8	47576651001	Bushing, Slip, 3390000-160802	4
9	47576652001	Sleeve, Bushing, Panhard, Short	1
10	47576652002	Sleeve, Bushing, Panhard, Long	1

6

E

6

E

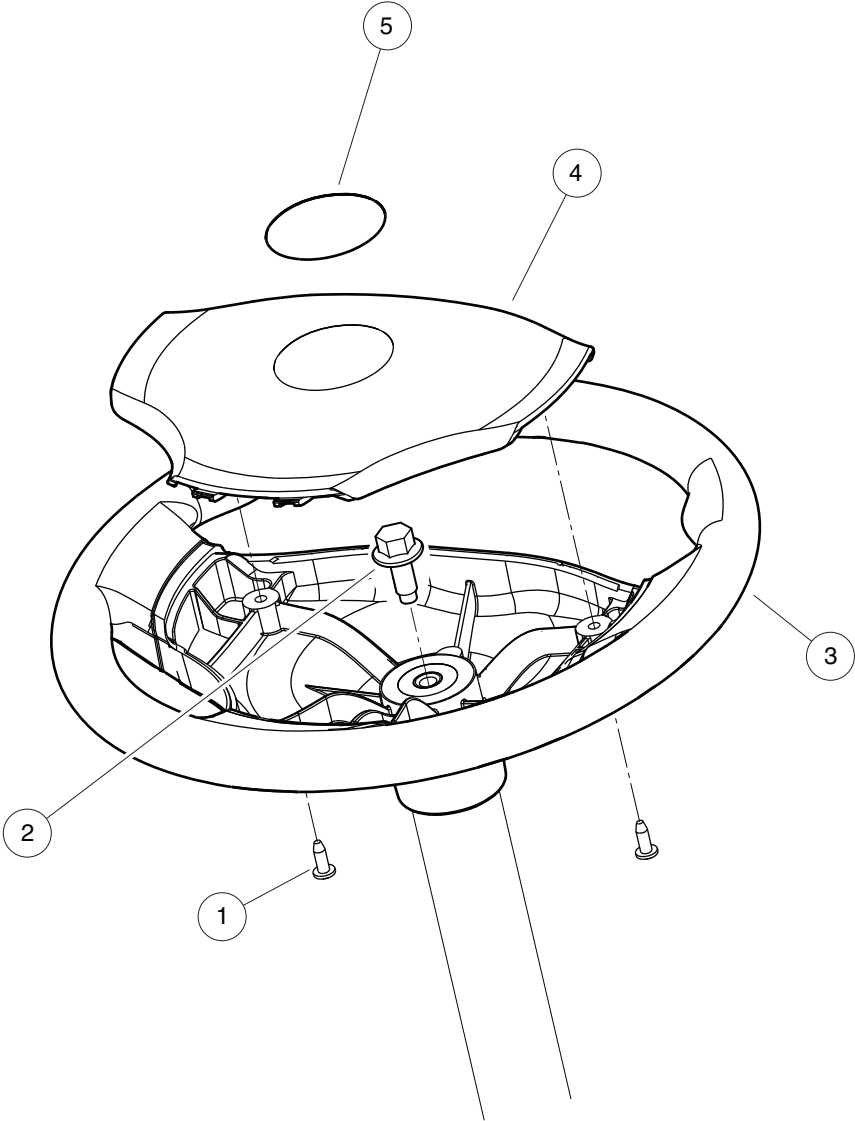
STEERING, FRONT AND REAR SUSPENSION – LIFTED

7

E

7

E



001389-001

STEERING WHEEL, COMFORT GRIP WITH LOGO

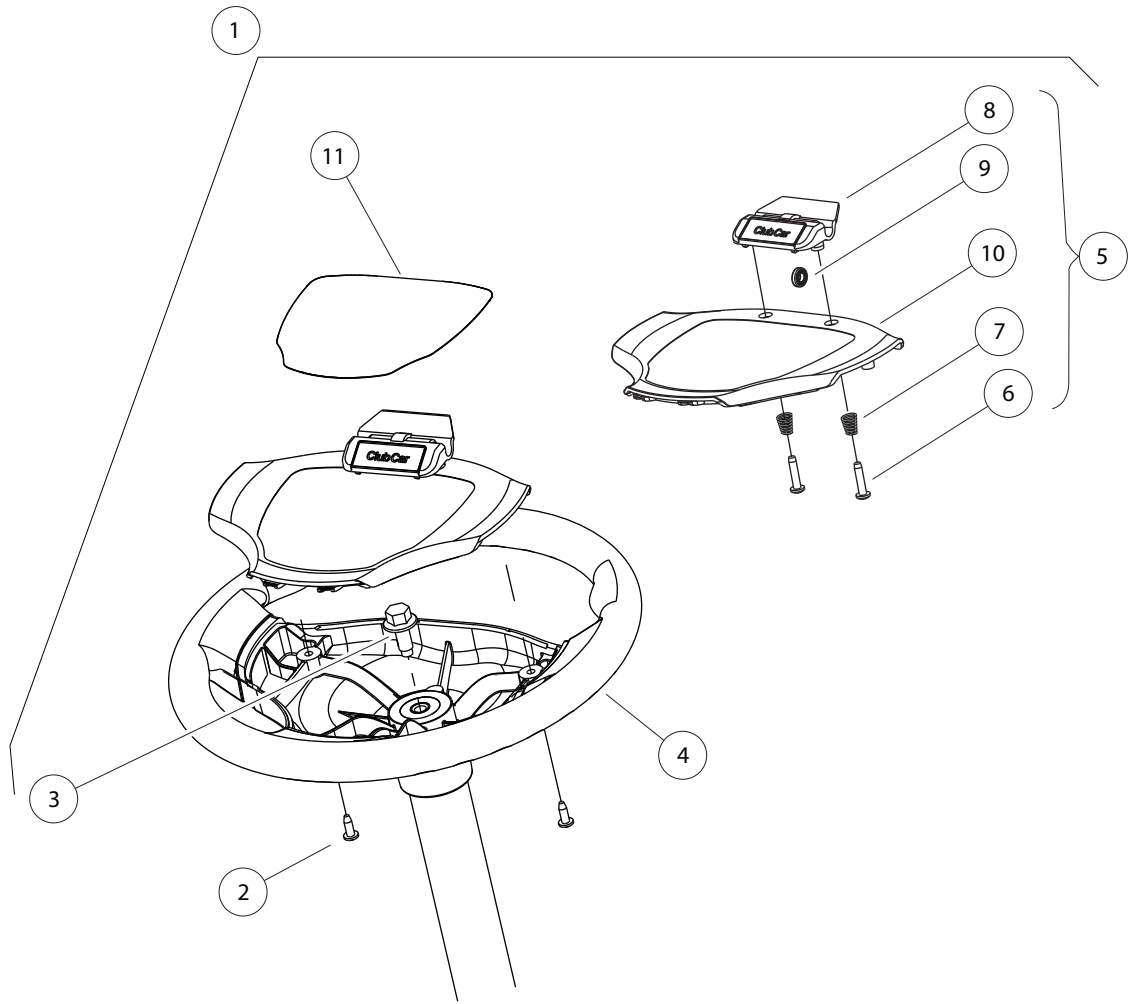
ITEM	PART NO.	DESCRIPTION	QTY
		1 2 3 4	
1	<u>101850301</u>	Screw, #12-16 X 0.50 Washer-Head Hi-Lo	2
2	<u>102290120</u>	Bolt, M10 X 20 Hex Washer Hd	1
3	<u>103724503</u>	Steering Wheel, Soft Grip, Hex	1
4	<u>103724602</u>	Cover, Steering Wheel, Generic	1
5	<u>103829401</u>	Logo, Cci, Steer Wheel	1

7

E

7

E



000470-006

STEERING WHEEL, COMFORT GRIP WITH CLIP

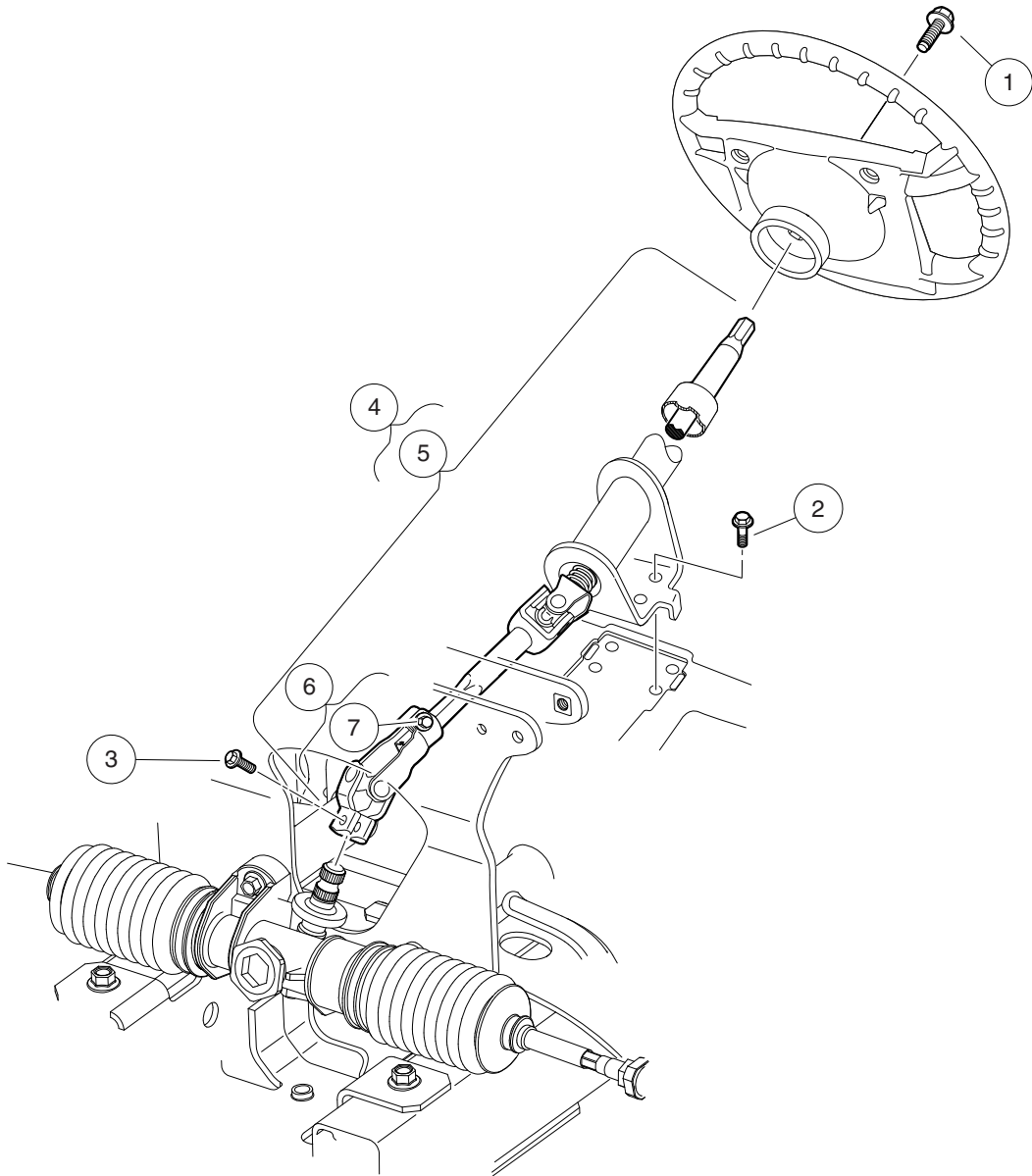
ITEM	PART NO.	DESCRIPTION	QTY
		1 2 3 4	
1	<u>103796701</u>	Kit, Hex, Steering Wheel (includes items 2 through 13)	1
2	<u>101850301</u>	Screw, #12-16 X 0.50 Washer-Head Hi-Lo	2
3	<u>102290120</u>	Bolt, M10 X 20 Hex Washer Hd	1
4	<u>103724503</u>	Steering Wheel, Soft Grip, Hex	1
5	<u>103724901</u>	Asm, Scorecard, Clip (includes items 6 through 10)	1
6	<u>1012565</u>	Screw, #12 Phillips Round Head	2
7	<u>1012566</u>	Tapered Compression Spring	2
8	<u>1016154</u>	Clip, Scorecard	1
9	<u>1016214</u>	Pencil Grip	1
10	<u>103724601</u>	Cover, Steering Wheel, Clip	1
11	<u>103783001</u>	Decal, Op Instr, Ele	1
12	<u>103783002</u>	Decal, Op Instr, Gas Ps	1
13	<u>103783003</u>	Decal, Op Instr, Gas Ks	1
<p style="margin-left: 40px;">Note: Items 12 and 13 are not illustrated as they are only applicable to kits for gasoline vehicles.</p>			

7

E

7

E



000469-007

STEERING COLUMN

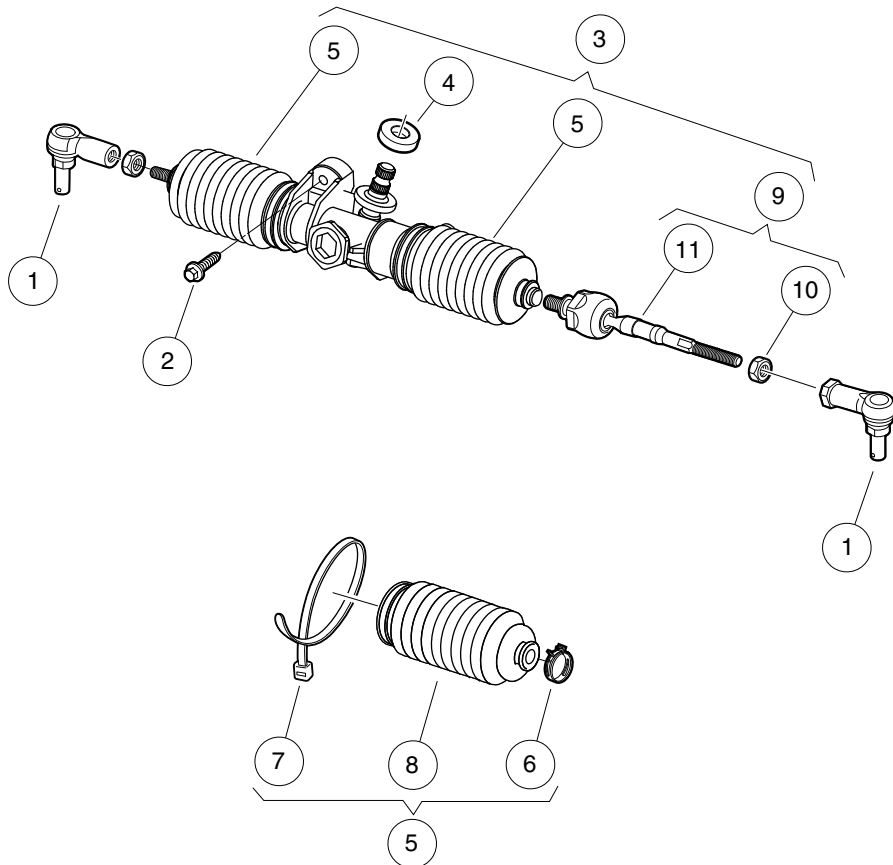
ITEM	PART NO.	DESCRIPTION	QTY
		1 2 3 4	
1	102290120	Bolt, M10 X 20 Hex Washer Hd	1
2	<u>102298116</u>	Bolt, Flanged Head, M8 X 16.0	4
3	<u>102298130</u>	Bolt, Flange Head, M8 X 30.0	1
4	<u>105049001</u>	Kit, Inner Steering Clmn (includes item 5)	1
5	105068601	Asm, Column, Inner (includes item 6)	1
6	<u>103810201</u>	Kit, Lower Yoke, Wanda (includes item 7)	1
7	<u>102298130</u>	Bolt, Flange Head, M8 X 30.0	1

7

E

7

E



000476-005

STEERING GEAR ASSEMBLY

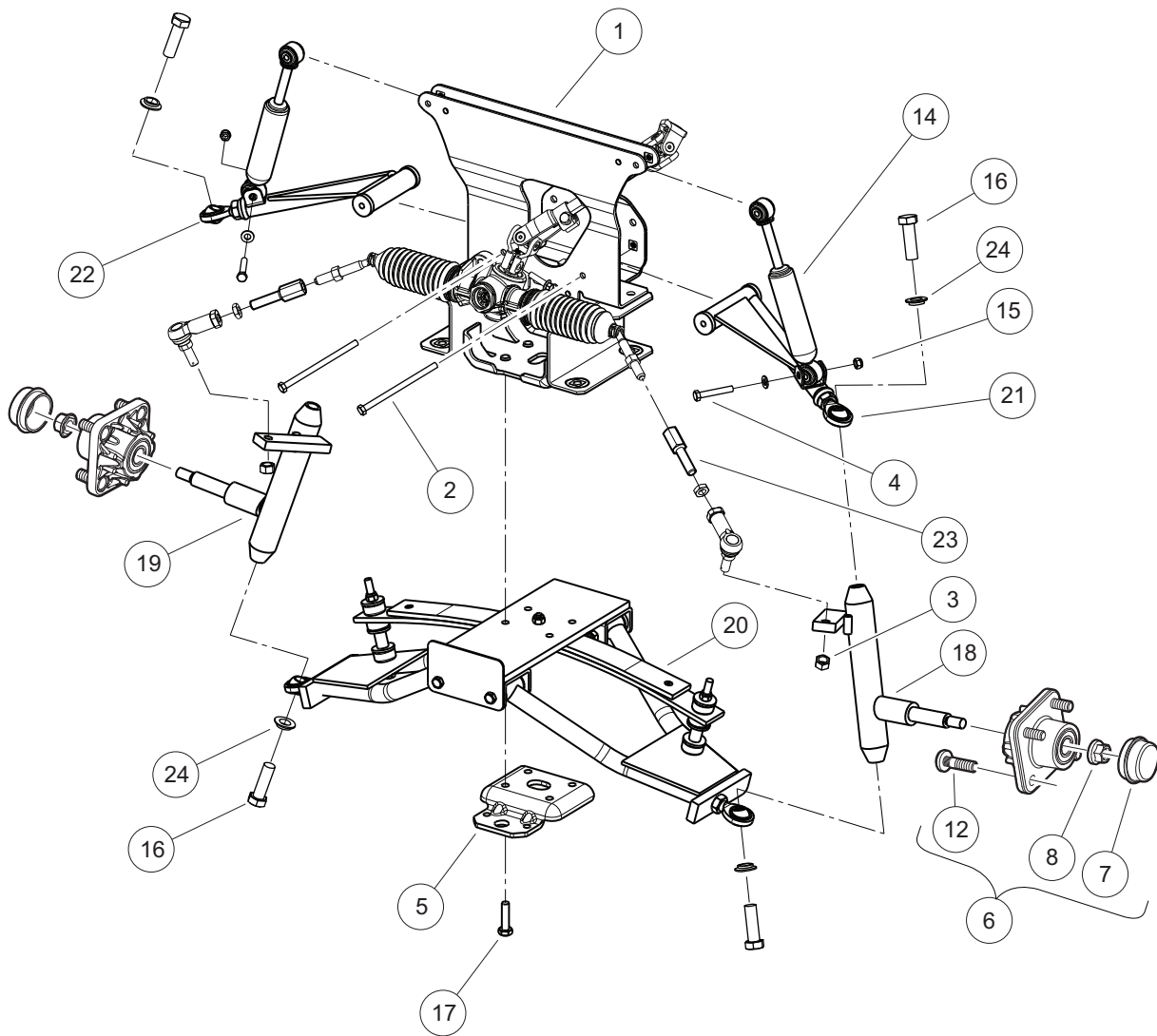
ITEM	PART NO.	DESCRIPTION	QTY
		1 2 3 4	
1	<u>102022601</u>	End, Tie Rod M12 X 1.25 Rh	2
2	<u>102289001</u>	Screw, M8X1.25X30, Hex	3
3	<u>103679701</u>	Asm, Rack & Pinion (includes items 4 through 9)	1
4	<u>102565201</u>	Seal, Dust, Steering Pinion	1
5	<u>103826201</u>	Bellow Kit, Steering-sona (includes items 6 through 8)	2
6	<u>102566001</u>	Clip, Steering	1
7	<u>8990</u>	Tie Wrap, 8" Nylon	1
8	N/A	Bellows	1
9	<u>103826301</u>	Kit, IBJ (Inner Ball Joint), Steering-sona (includes items 10 and 11)	2
10	1013042	Nut, 12mm Hex	1
11	N/A	Inner Ball Joint	1

7

E

7

E



001390-001

FRONT SUSPENSION, LIFTED

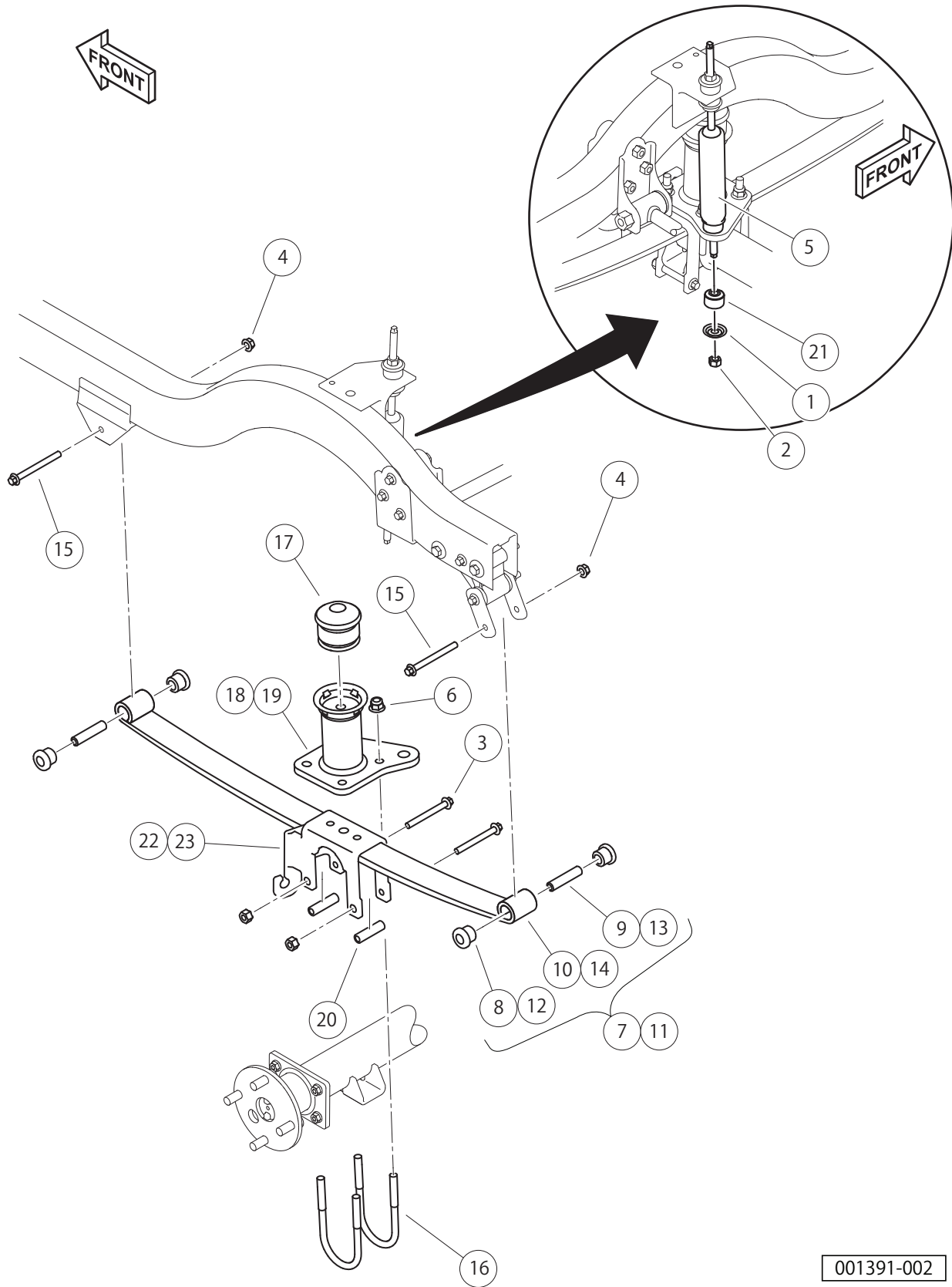
ITEM	PART NO.	DESCRIPTION	QTY
		1 2 3 4	
1	<u>102287101</u>	Assembly - Front Structure	1
2	<u>102288901</u>	Bolt, Hex, M8x1.25 X 135	2
3	<u>102289201</u>	Nut - Hex Locking, M12 X 1.25	2
4	<u>102289401</u>	Screw- Hex Cap, M8 X 1.25 X 45	4
5	<u>102289801</u>	Clamp - Leaf Spring	1
6	<u>102357701</u>	Replacement Kit, Front Hub (includes items 7 through 9)	2
7	<u>102353201</u>	Cap, Front Hub	1
8	<u>102353301</u>	Hex Nut, Locking Flange, M14x2	1
9	N/A	Asm, Front Hub, Bb, Long Stud (includes items 10 through 13)	1
10	N/A	Bearing, Ball, 6204	2
11	N/A	Spacer, Bearing, Front Hub, Pm	1
12	<u>103477901</u>	Lug Stud, 1/2-20 Unf, 4037	4
13	N/A	Front Hub, Ball Brg, Long Stud	1
14	<u>102588601</u>	Shock Absorber Front	2
15	<u>102618601</u>	Lock Nut, Flange, M8 X 1.25 Nylon	2
16	<u>47566405001</u>	Screw, Hex 5/8"-18 X 2" Gr5 Zn	4
17	<u>47566411001</u>	Screw, Hhf M10-1.5 X 50 Trilob	4
18	<u>AM1289701</u>	Spindle, Driver-side	1
19	<u>AM1289801</u>	Spindle, Passenger-side	1
20	<u>AM1289901</u>	Lower A-arm Assembly	1
21	<u>AM1290001</u>	A-arm Assembly, Driver-side	1
22	<u>AM1290101</u>	A-arm Assembly, Passenger-side	1
23	<u>AM1290201</u>	Tie Rod Extension	2
24	<u>AM1290501</u>	Washer, Tapered, 5/8"	4
		Note: Item 6 contains items 7 through 13. Detail items not shown for clarity.	

7

E

7

E



001391-002

REAR SUSPENSION, LIFTED

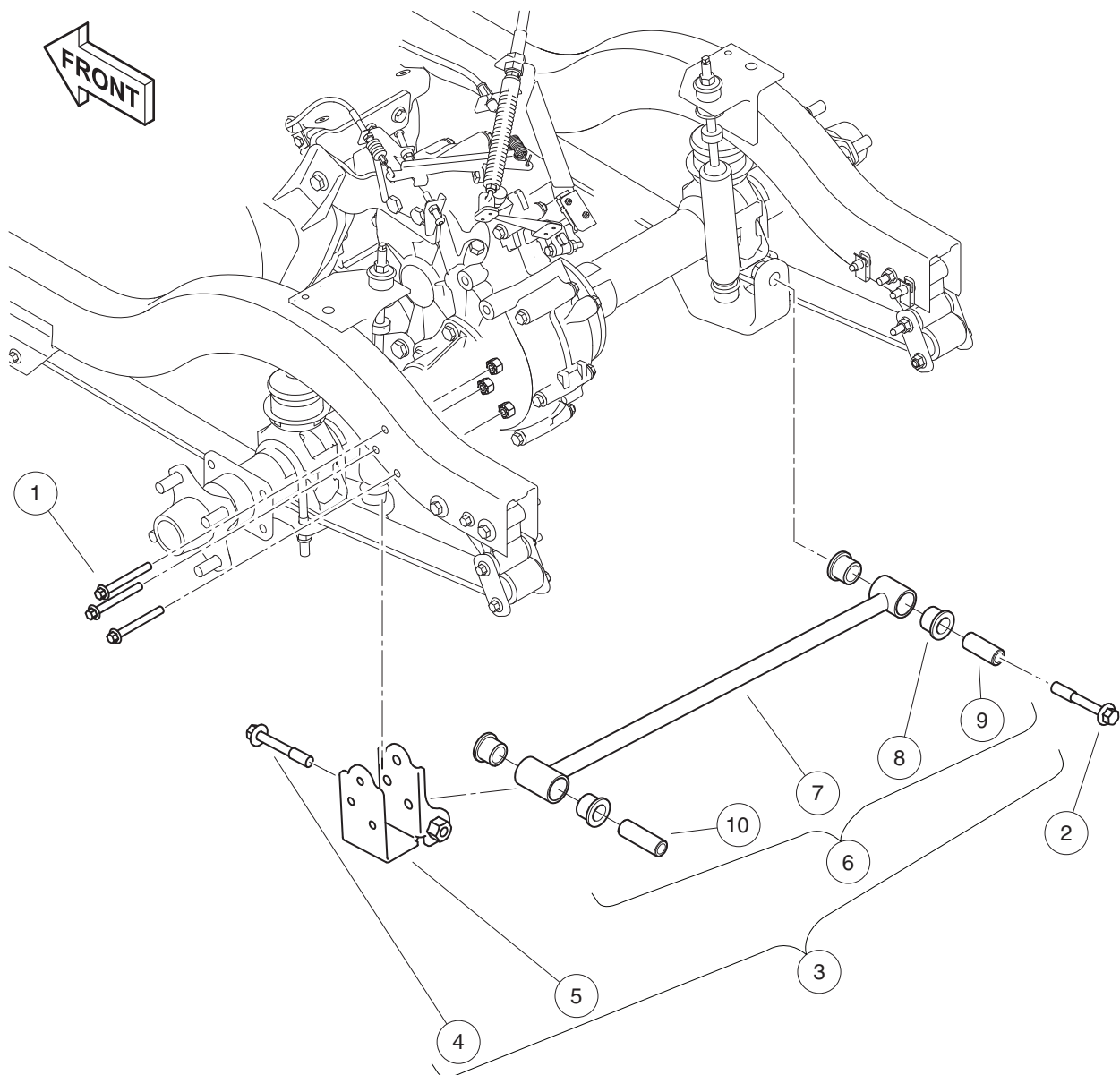
ITEM	PART NO.	DESCRIPTION	QTY
		1 2 3 4	
1	N/A	Retainer, Shock Absorber Cushion	8
2	<u>1010145</u>	Nut, 3/8-24 Hex	4
3	<u>102298175</u>	Bolt - Flange Hd, M8 X 75.0	4
4	<u>102298401</u>	Nut,m8,all Metal Lock	4
5	<u>102588501</u>	Shock Absorber, Rear	2
6	<u>102670701</u>	Nut, Flange, M10 X 1.5 Nylon	8
7	<u>103742304</u>	Asm, Rear Leaf Spring, Std (includes items 8 through 10)	2
8	<u>101558302</u>	Bushing, Urethane, Soft	4
9	<u>102506401</u>	Sleeve - Spring Eye Mounts	2
10	N/A	Leaf Spring, Rear, Std	1
11	<u>103742307</u>	Asm, Rear Leaf Spring, HD (includes items 12 through 14)	2
12	<u>101558302</u>	Bushing, Urethane, Soft	4
13	<u>102506401</u>	Sleeve - Spring Eye Mounts	2
14	<u>103742207</u>	Leaf Spring, Rear, HD	1
15	<u>105188185</u>	Bolt, M8 X 85mm, 10.9 Grade	4
16	<u>105188701</u>	U-bolt, M10x1.5x58	4
17	<u>47576196001</u>	Bumper, Jounce, D-255828	2
18	<u>47576197001</u>	Bracket, Bumper, Jounce, Driver-side	1
19	<u>47576198001</u>	Bracket, Bumper, Jounce, Passenger-side	1
20	<u>47576648001</u>	Sleeve, Perch, Spring	4
21	<u>47579096001</u>	Isolator, Shock Damper	8
22	<u>47603899001</u>	Brkt, Perch, Spring, Lh	1
23	<u>47603900001</u>	Brkt, Perch, Spring, Rh	1

7

E

7

E



001392-001

PANHARD ROD

ITEM	PART NO.	DESCRIPTION	QTY
		1 2 3 4	
1	<u>102298170</u>	Bolt - Flange Hd, M8 X 70.0	3
2	<u>103146501</u>	Bolt, Flg, M12 X 1.75 X 80	1
3	47577865001	Assy, Panhard and Frame Rail Bracket (includes items 4 through 6)	1
4	<u>103146501</u>	Bolt, Flg, M12 X 1.75 X 80	1
5	47576649001	Bkt, Frame Rail, Panhard	1
6	47577864001	Asm, Rod, Panhard (includes items 7 through 10)	1
7	47576650001	Assy, Weldment, Panhard	1
8	47576651001	Bushing, Slip, 3390000-160802	4
9	47576652001	Sleeve, Bushing, Panhard, Short	1
10	47576652002	Sleeve, Bushing, Panhard, Long	1

7

E

7

E

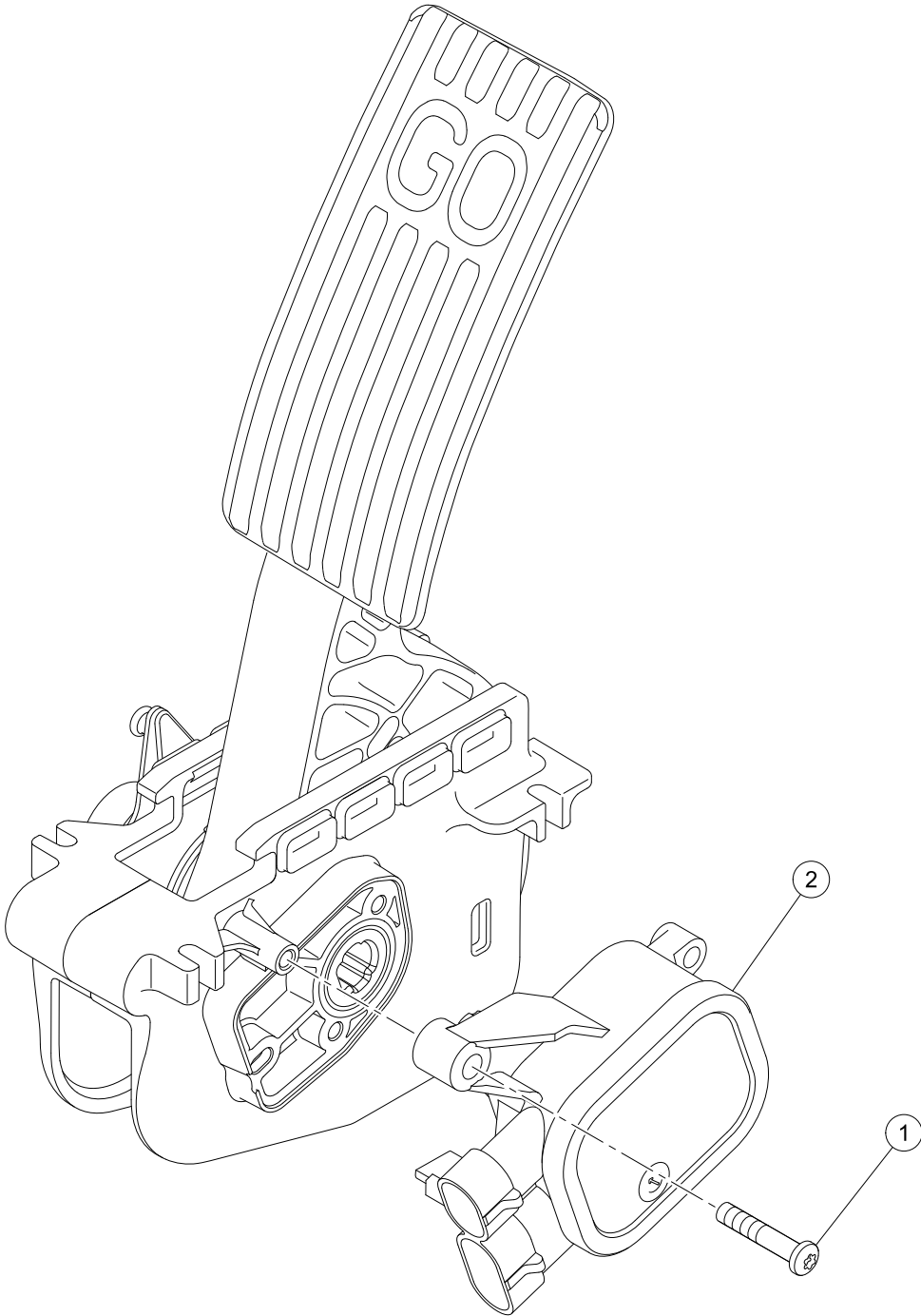
AC ELECTRICAL SYSTEM

8

E

8

E



G-131199-000003

MOTOR CONTROLLER OUTPUT REGULATOR (MCOR)

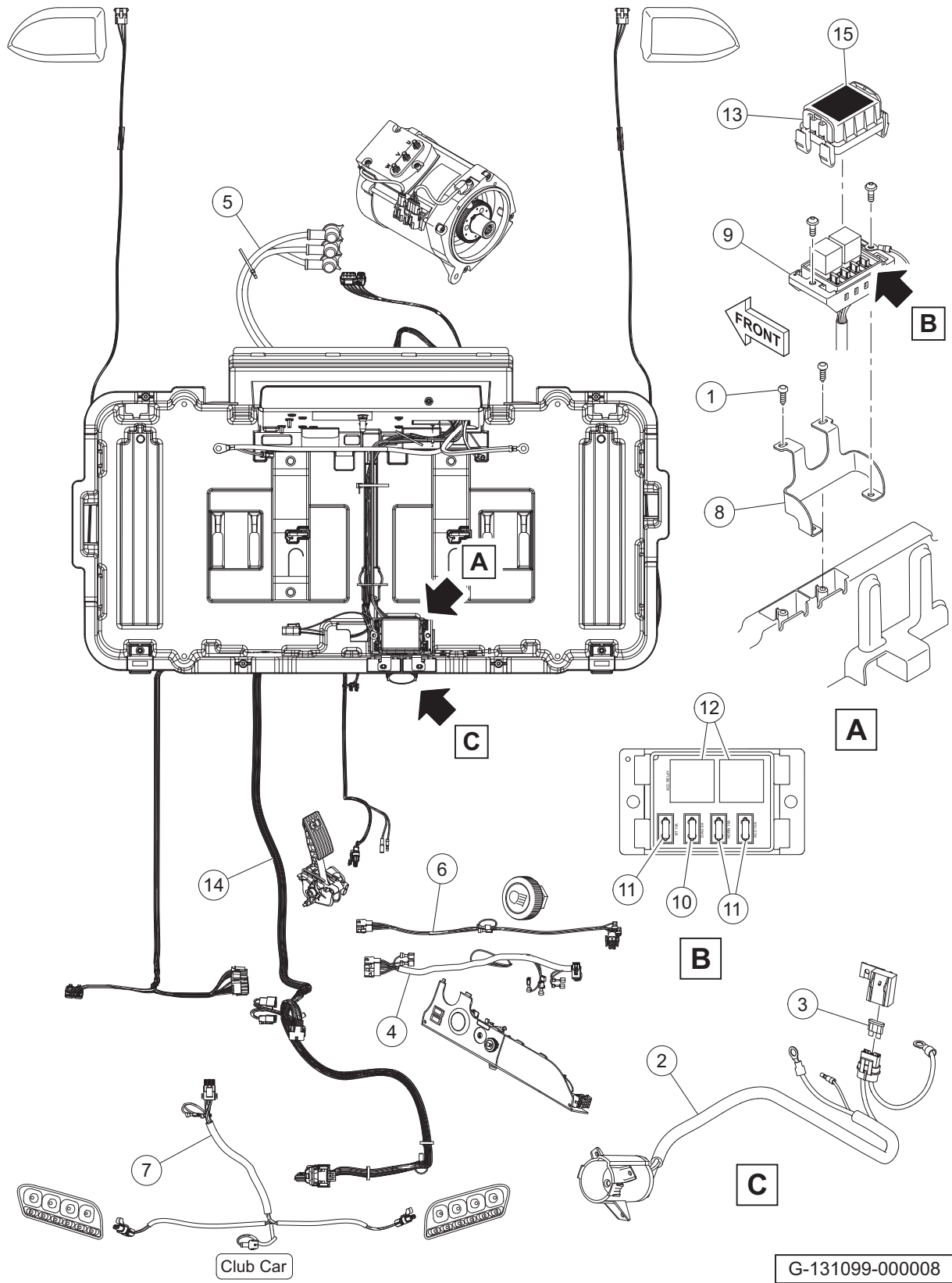
ITEM	PART NO.	DESCRIPTION	QTY
1	<u>103943401</u>	1 2 3 4 Screw, Pan, #10 X 1.00 Hi-lo	1
2	<u>105116301</u>	MCOR4, Type 16 Switch	1

8

E

8

E



WIRING HARNESSES AND PDM

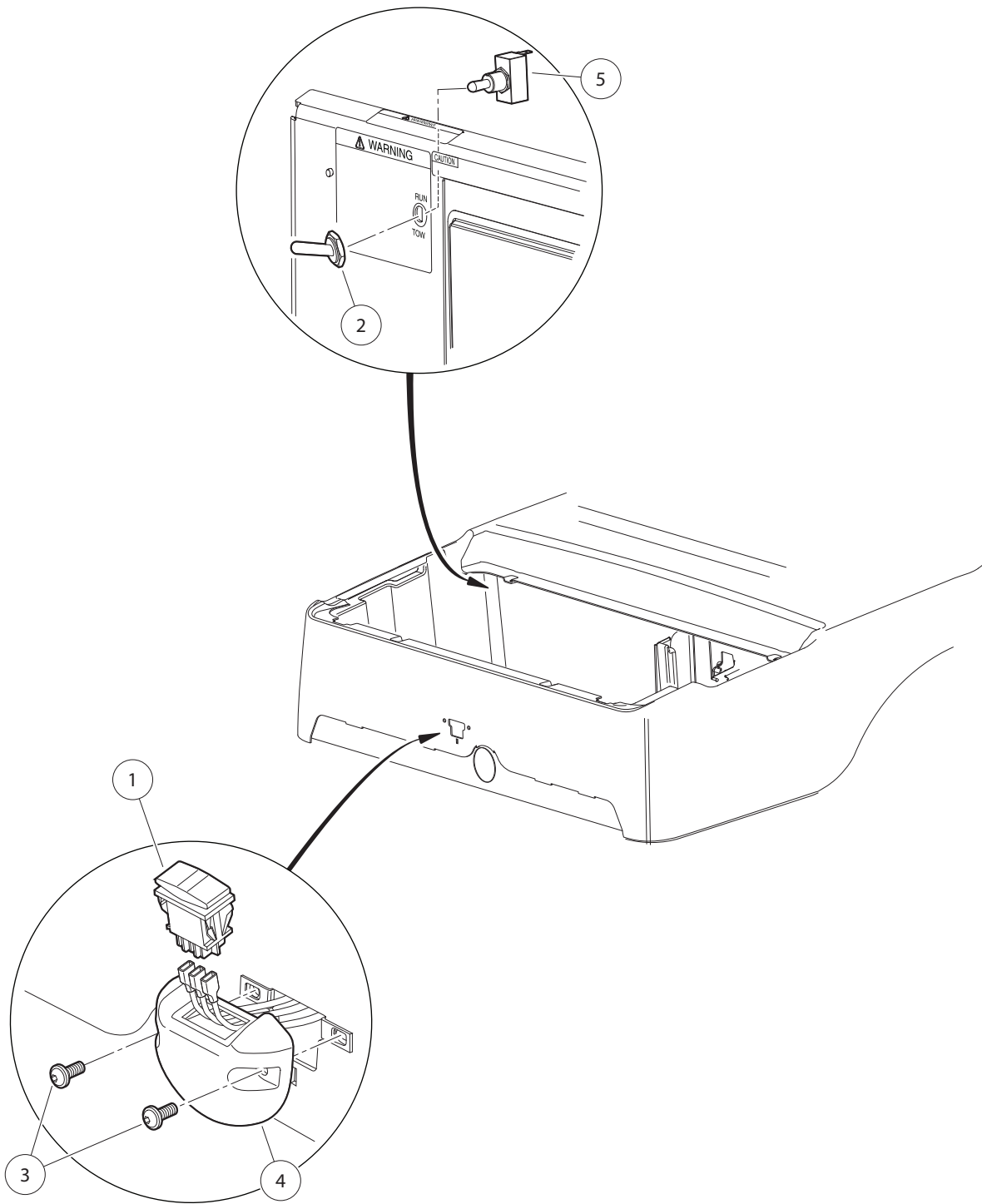
ITEM	PART NO.	DESCRIPTION	QTY
		1 2 3 4	
1	<u>102296020</u>	Screw-torx Pan Head Pt, M6x20	2
2	<u>105137401</u>	Harness, Wire, Charger Receptacle (for Yellow DC Cord) (includes item 3)	1
3	<u>102492301</u>	Fuse, 30-Amp	1
4	<u>47614743001</u>	Harness, Ip, Lio, Prec, El	1
5	<u>47614744001</u>	Harness, Motor, Ac, Lio	1
6	<u>47614807001</u>	Harness, Lgt, Cntrl, Lio, Prec	1
7	<u>47660254001</u>	Harness, Lighting, Li-Ion	1
8	N/A	Bracket, Fuse Block	1
9	<u>47664078001</u>	Fuse Block, 48 Way (includes items 10 through 12)	1
10	<u>105114804</u>	Fuse, Mini, Atm, 5 Amp	1
11	<u>105114806</u>	Fuse, Mini, Atm, 10 Amp	3
12	<u>47616611003</u>	Relay, Mini 280 Spst, 50a	2
13	<u>47664079001</u>	Cover, Fuse Block, 48 Way	1
14	<u>47665123001</u>	Harness, Main, Ac-fla, Csmr	1
15	<u>47677215001</u>	Decal, Notice, Fuse Block	1
<p>Note: Item 9 is part of the main wiring harness and is not procureable. Items 10 through 12 are contained within item 9 and are procureable.</p>			

8

E

8

E



000462-004

FORWARD/REVERSE SWITCH AND TOW/RUN SWITCH

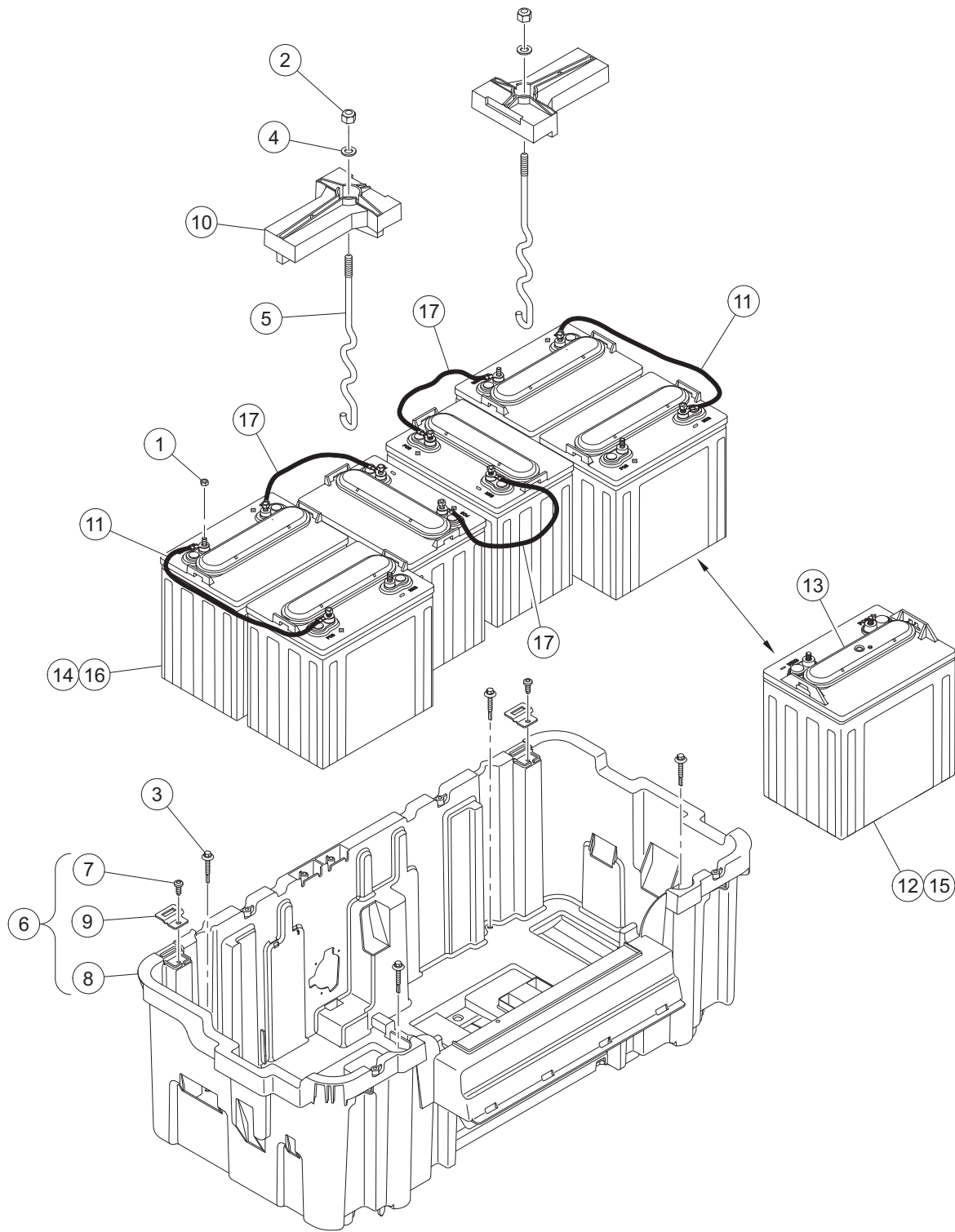
ITEM	PART NO.	DESCRIPTION	QTY
		1 2 3 4	
1	<u>101856001</u>	Switch, Rocker, Double-Pole	1
2	<u>101908401</u>	Boot, Switch	1
3	<u>102296920</u>	Screw, M6, Torx Button Head, Sems	2
4	<u>102508401</u>	Housing, FNR Electric	1
5	<u>102511101</u>	Switch, Tow/Run	1

8

E

8

E



G-130799-000013

BATTERIES AND BATTERY BUCKET

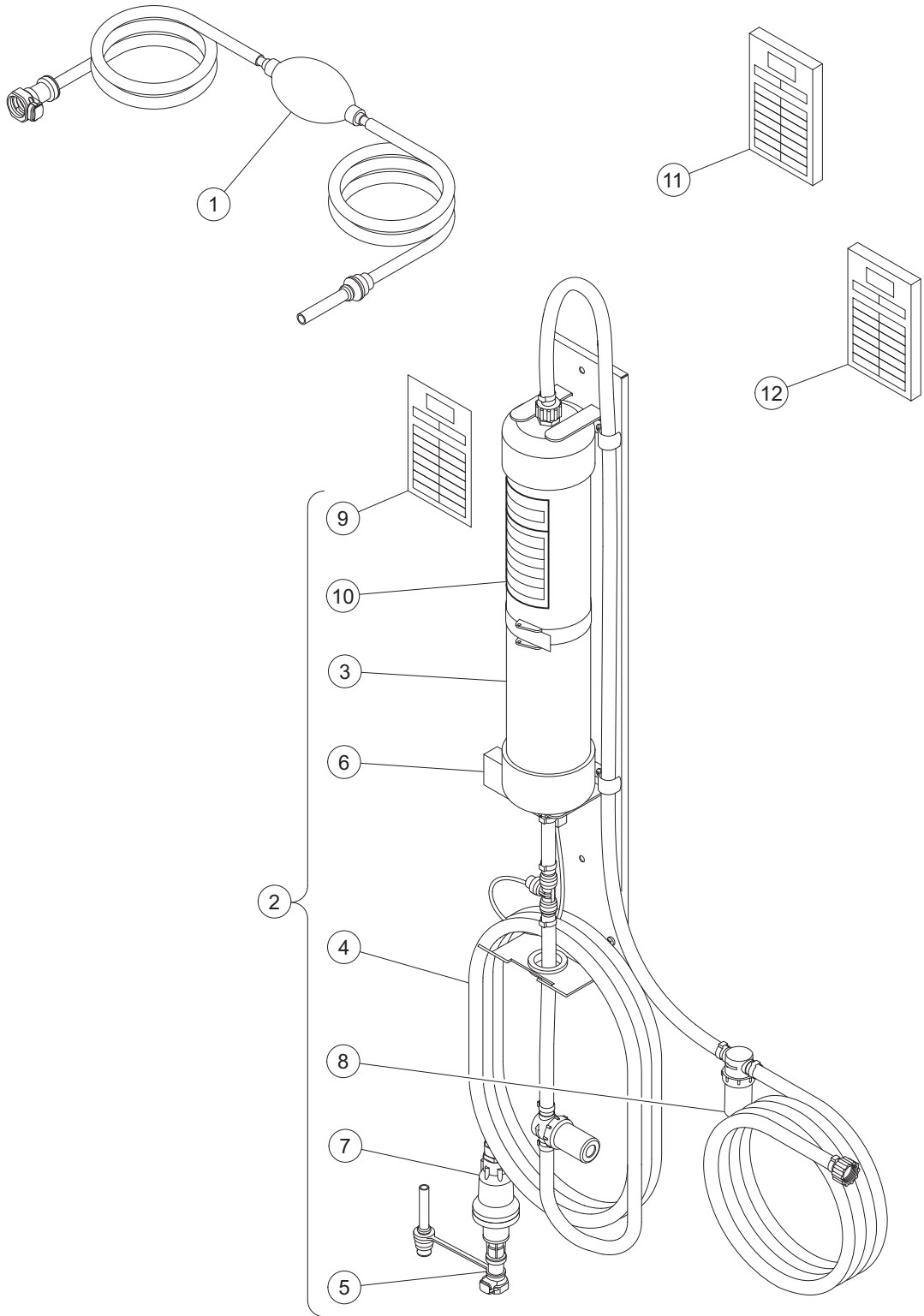
ITEM	PART NO.	DESCRIPTION	QTY
		1 2 3 4	
1	<u>1014304</u>	Nut, 5/16-18 Stainless-Steel Hex	12
2	<u>1014555</u>	Locknut, 7/16-14 Nylon Hex	2
3	<u>102292356</u>	Screw-1/4-20x56 Hwh Self Drill	4
4	<u>102491501</u>	Washer, Hard, M10	2
5	<u>103357701</u>	Bolt, Battery, "s" Hold-down	2
6	<u>103368403</u>	Asm, Bucket, Batt, Elec (includes items 7 through 9)	1
7	<u>102298020</u>	Screw, K80x20, Torx Pn Hd Pt	2
8	<u>103350802</u>	Bucket, Batt, Elec	1
9	<u>103368301</u>	Hinge - Nested	2
10	<u>103374801</u>	Hold Down, Battery	2
11	<u>103508501</u>	Asm, Wire #4 Blk, 13 In	2
12	<u>103971798</u>	Battery,8v Trojan T875,spws,sp (includes item 13)	6
13	47689303001	Cap,hydrolink,trojan,8v,svc	1
14	<u>103971799</u>	Battery,8v Trojan T875, Wet,sp	6
15	<u>103971803</u>	Battery, 8v Trojan T890, Spws	6
16	<u>103971899</u>	Battery,8v Trojan T890, Wet,sp	6
17	47677930001	Wire, Blk, 4 Ga, 10.50"	3
		<p>Note: Items 12 and 15 are for Single Point Watering Systems only. Items 14 and 16 are for non Single Point Watering Systems only. Items 15 and 16 are for heavy-duty use.</p>	

8

E

8

E



002523-003

HAND PUMP AND DEIONIZER (BATTERY-POWERED QUALITY LIGHT)

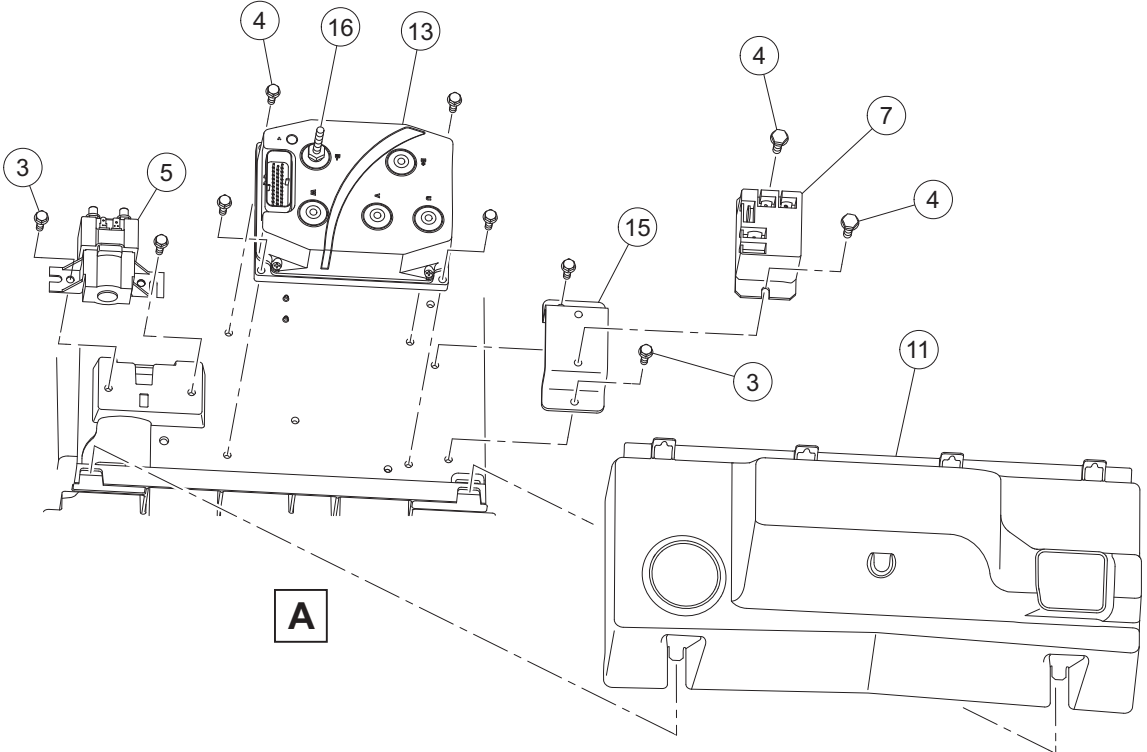
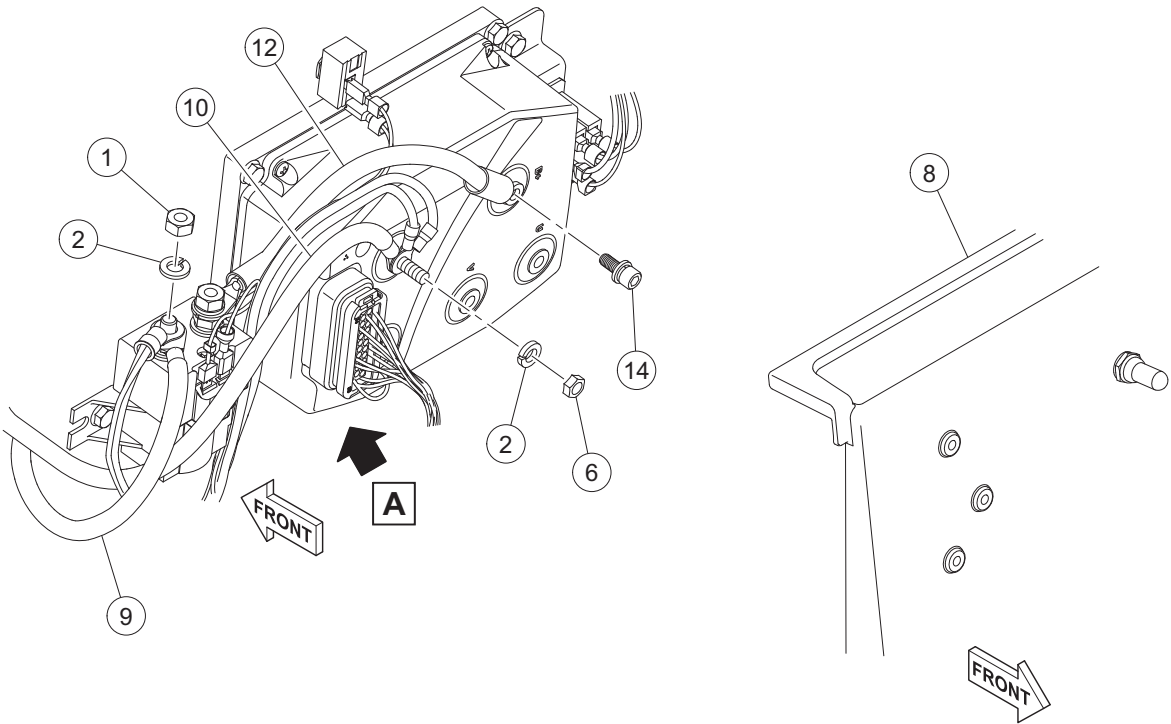
ITEM	PART NO.	DESCRIPTION	QTY
		1 2 3 4	
1	<u>104006101</u>	Kit, Hand Pump, Spws	1
2	<u>105166801</u>	Deionizer, w/Battery-Powered Water Quality Light (includes items 3 through 10)	1
3	<u>104005901</u>	Cartridge, Deionizer	1
4	<u>105166901</u>	Hose,outlet,deionizer	1
5	<u>105167001</u>	Flow Ind, W/coupler, Deionizer	1
6	<u>105167101</u>	Light, Quality, Battery-Powered, w/T-Fitting	1
7	<u>105168501</u>	Regulator, Pressure, Deionizer	1
8	<u>105168601</u>	Strainer, In-line, Deionizer	1
9	<u>AM1300001</u>	Decal, Filter Log, Blue	1
10	<u>AM1300201</u>	Decal, Inspect Log, Yellow	1
11	AM1300101	Decal, Filter Log, Blue, Pack of 100	A/R
12	AM1300301	Decal, Inspect Log, Yellow, Pack of 100	A/R

8

E

8

E



G-130499-000011

MODULE, CONTROLLER AND SOLENOID

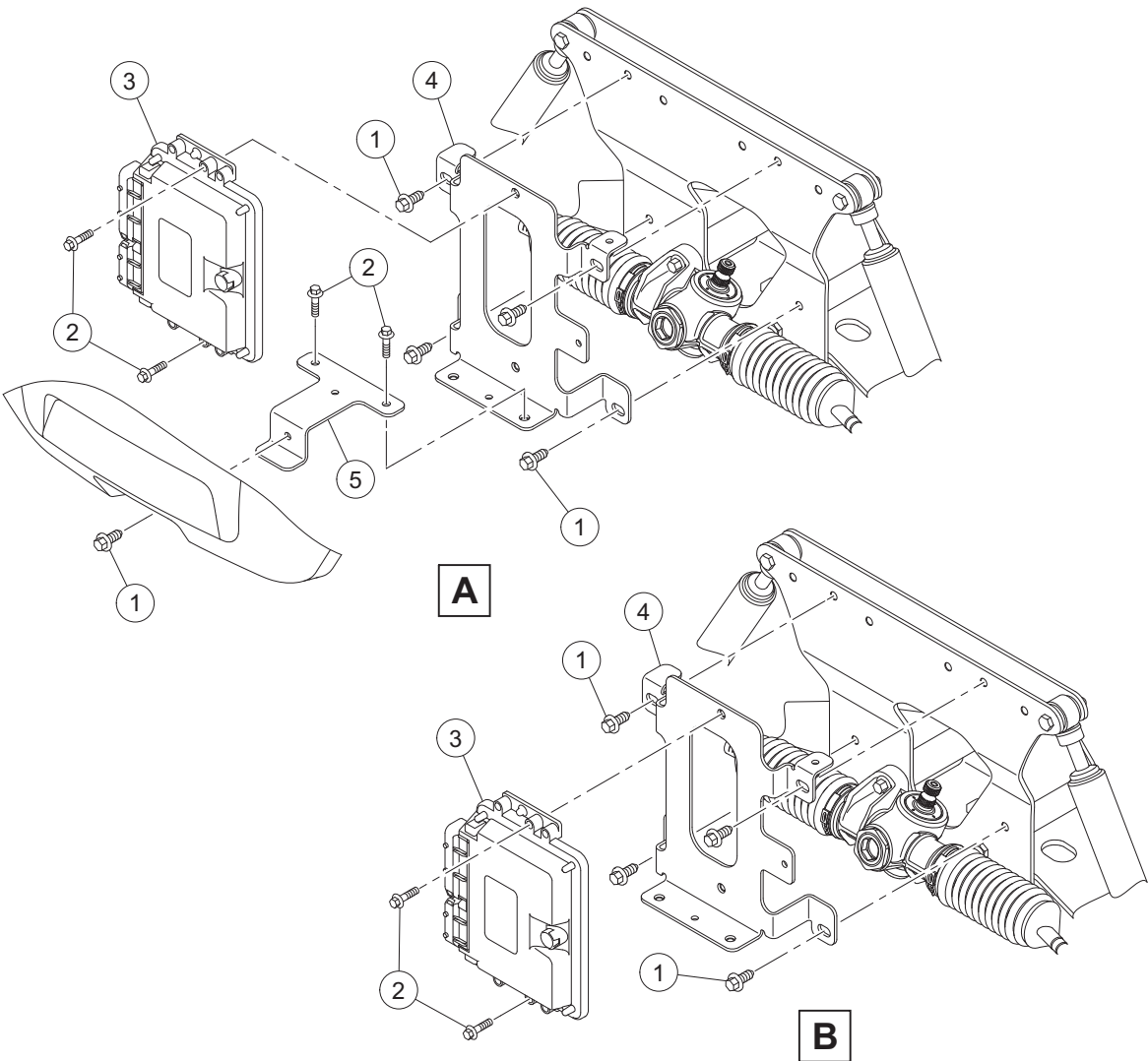
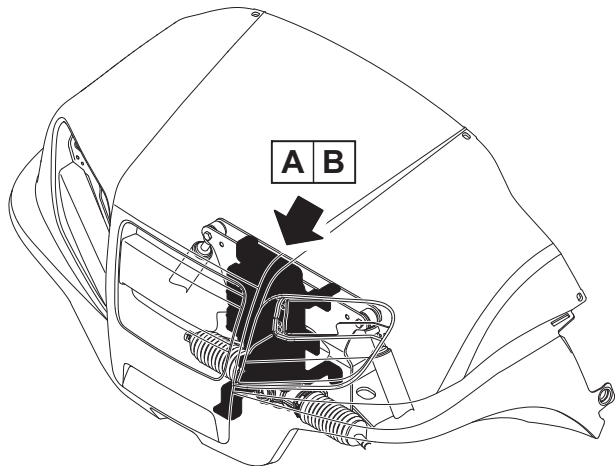
ITEM	PART NO.	DESCRIPTION	QTY
		1 2 3 4	
1	<u>1012528</u>	Nut, M8-1.25 Hex	2
2	<u>1013734</u>	Lockwasher, 8mm Split	3
3	<u>1015720</u>	Screw, #6-32 X 1/2 Hex Washer-Head	2
4	<u>102296720</u>	Screw, M6 X 20 Tt Hx Fl Hd	8
5	<u>102774701</u>	Solenoid, 48v	1
6	<u>102873401</u>	5/16-18 Heavy Hex Nut	1
7	<u>103397901</u>	Relay, Spst No, 48v 30a, Pmt	1
8	<u>105005001</u>	Component Mounting Plate	1
9	<u>105065601</u>	Asm, Ev Batt Pos 4 Awg	1
10	105065702	Wire, B-, W/ Acc Gnd, 4ga, 750	1
11	<u>47610889001</u>	Cover, Cmp, Extended	1
12	<u>47614749001</u>	Wire, Sol-controller (b+)	1
13	<u>47620653001</u>	Controller, Mtr, Ac, Li, 1532	1
14	47624326001	Scr, M6, Stl Zn, Int Hex, Sems	4
15	47664076001	Bracket, Relay	1
16	47671664001	Standoff, Hex, M6, 5/16" Unc	1

8

E

8

E



G-130499-000012

VCM AND BRACKETS

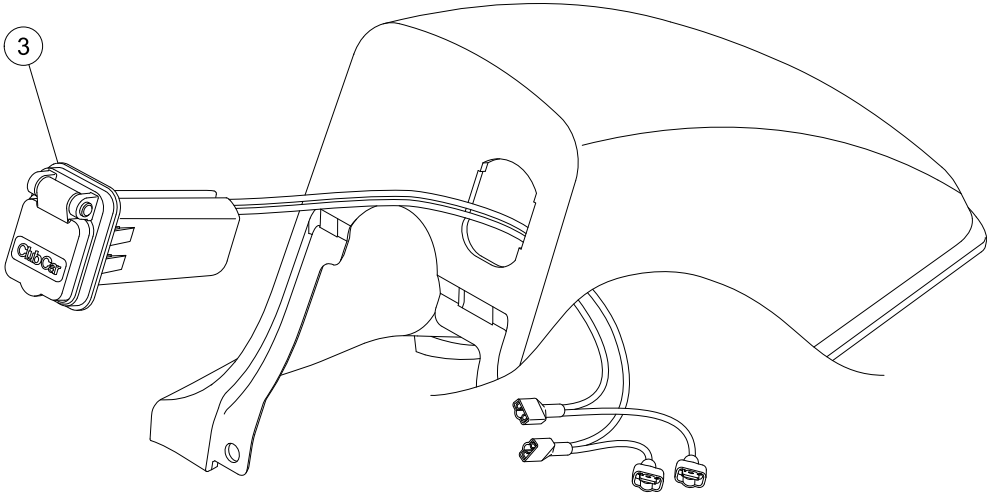
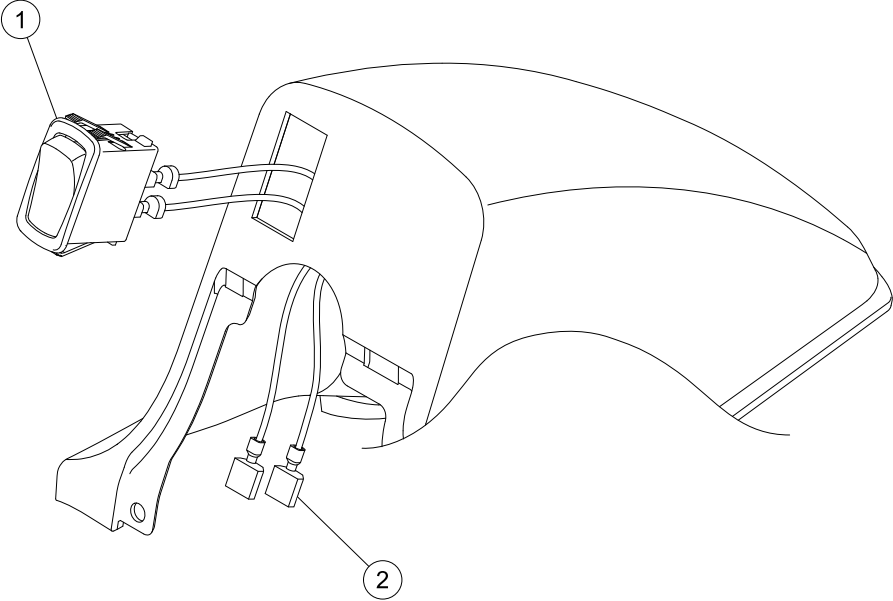
ITEM	PART NO.	DESCRIPTION	QTY
		1 2 3 4	
1	<u>102298720</u>	Screw, M8-1.25x20, Taptite	A/R
2	<u>102541425</u>	Bolt, M6x1.0x25, Hex Flhd, Blk-l	4
3	<u>47620652001</u>	Controller, Vcm, Li, Ev2106b01	1
4	<u>47664080001</u>	Bracket, Vcm	1
5	<u>47664081001</u>	Bracket, Cowl/bumper, Brushgrd	A/R
<p>Note: Detail A is for lifted vehicles only. Detail B is for non-lifted vehicles only.</p>			

8

E

8

E



G-130599-000002

HAZARD SWITCH AND USB PORT

ITEM	PART NO.	DESCRIPTION	QTY
		1 2 3 4	
1	<u>105146701</u>	Switch, Hazard, 12vdc (includes item 2)	1
2	<u>47614753001</u>	Harness, Sub, Hazard Sw	1
3	<u>47560030001</u>	USB Port	1

8

E

8

E

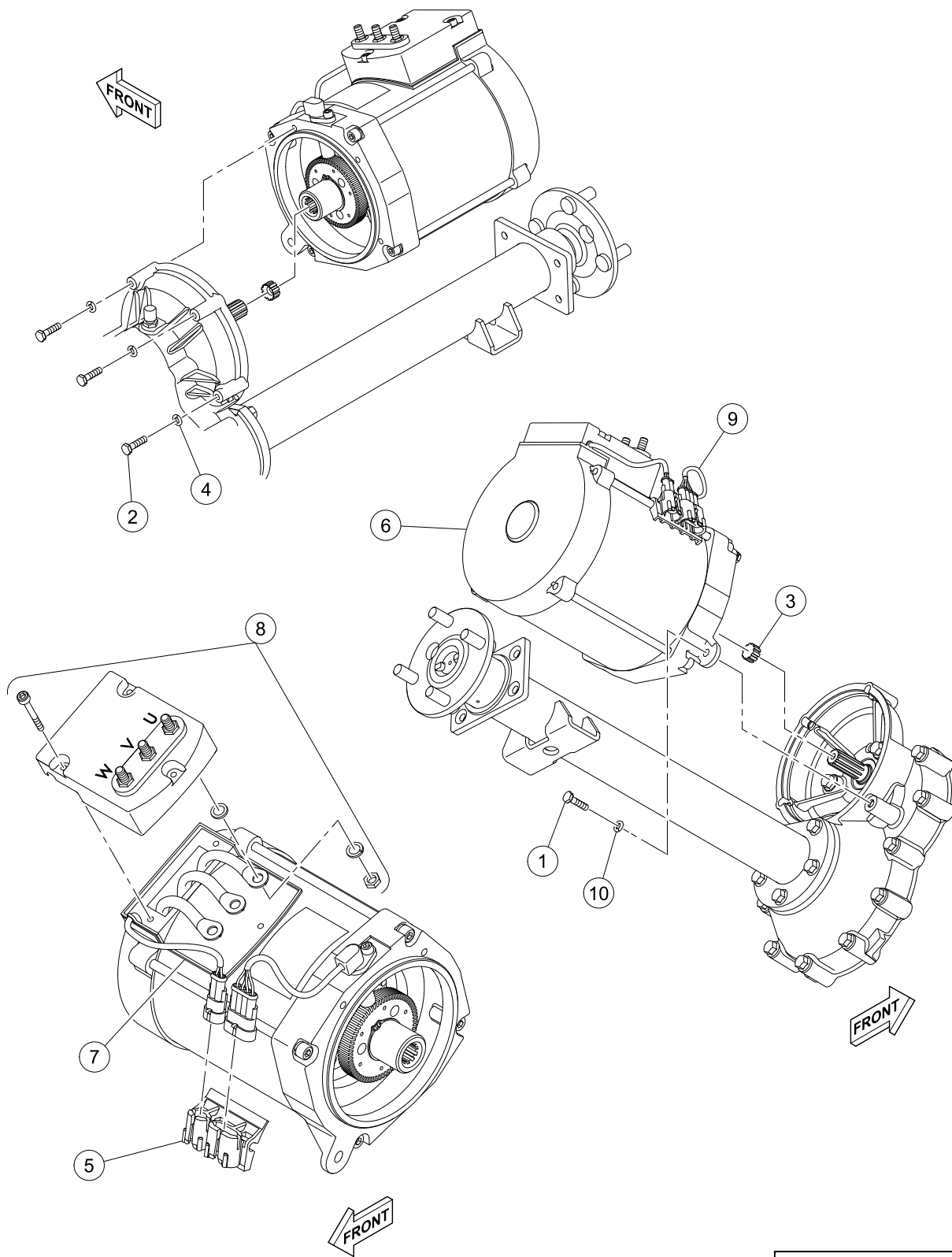
ELECTRIC MOTOR

9

E

9

E



G-130399-000001

ELECTRIC MOTOR

ITEM	PART NO.	DESCRIPTION	QTY
		1 2 3 4	
1	<u>1010934</u>	Screw, 5/16-18 X 1.00 Hex Cap	1
2	<u>1014201</u>	Screw, 1/4-20 X 2.25 Hex Cap	3
3	<u>102235201</u>	Bumper, Drive Unit	1
4	<u>451</u>	Lockwasher, 1/4 Split	3
5	<u>47622766001</u>	Clip, Motor Harness	1
6	<u>47637882001</u>	Motor, Elec, Acx-3381, W/clip	1
7	<u>47653176001</u>	Gasket, Terminal Block	1
8	<u>47653176002</u>	Kit, Terminal Block	1
9	<u>47653176003</u>	Kit, Speed Sensor Service	1
10	<u>7174</u>	Lockwasher, 5/16 Split	1

9

E

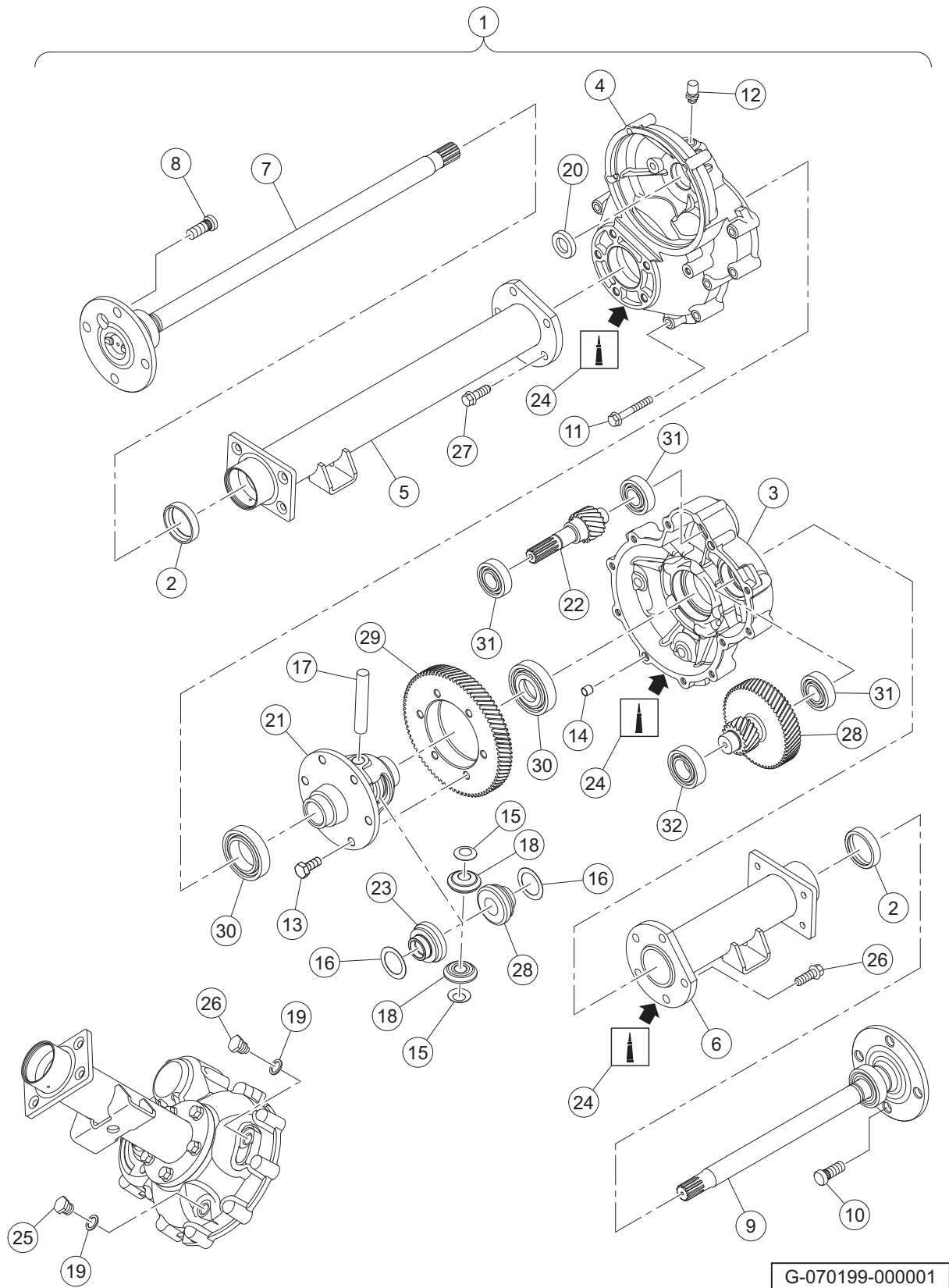
9

E

TRANSAXLE – AC ELECTRIC

10

E



TRANSAXLE

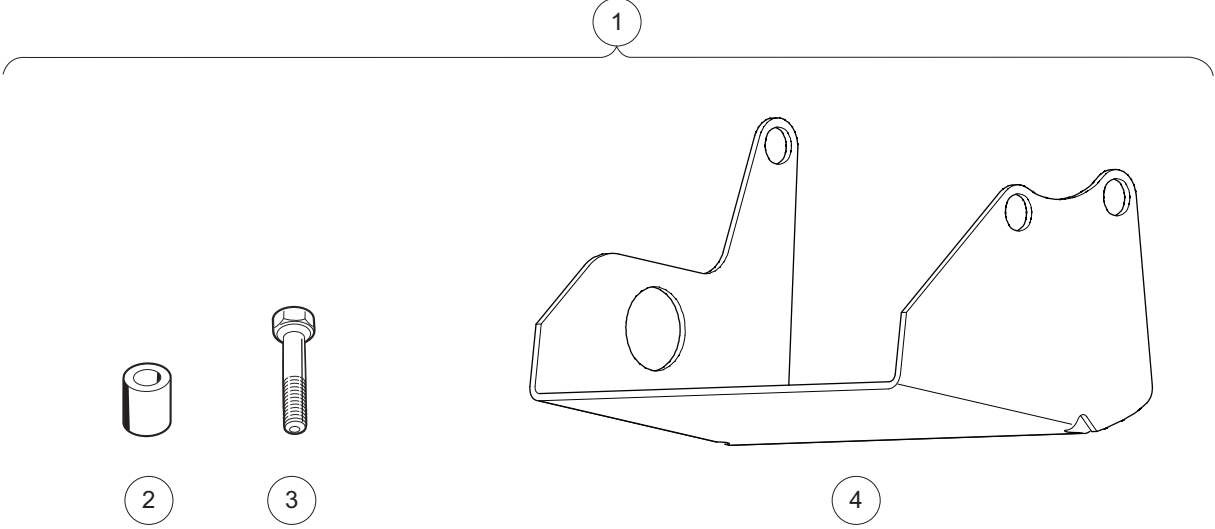
10

E

ITEM	PART NO.	DESCRIPTION	QTY
		1 2 3 4	
1	<u>47609838001</u>	Transaxle, Electric, 16:1 (includes items 2 through 32)	1
2	<u>1013794</u>	Axle Shaft Oil Seal	2
3	<u>101895401</u>	Gear Case, Driver-Side	1
4	<u>101895501</u>	Gear Case, Passenger-Side	1
5	<u>101895601</u>	Tube, Axle, Passenger-Side	1
6	<u>101895701</u>	Tube, Axle, Driver-Side	1
7	<u>101895801</u>	Axle Assembly, Passenger-Side (includes item 8)	1
8	<u>101922201</u>	Lug Stud	4
9	<u>101895901</u>	Axle Assembly, Driver-Side (includes item 10)	1
10	<u>101922201</u>	Lug Stud	4
11	<u>101897001</u>	Screw, M8-1.25 X 60mm Hex-Head	11
12	<u>101897201</u>	Breather	1
13	<u>101897401</u>	Screw, M10-1.25 X 25mm	6
14	<u>101897601</u>	Pin, 11mm OD X 8.5mm ID X 10mm	2
15	<u>101903601</u>	Washer, Thrust	2
16	<u>101903701</u>	Washer, Thrust	2
17	<u>101922101</u>	Pin, 15.99mm X 88.7mm Dowel	1
18	<u>101923001</u>	Gear, Differential Idler	2
19	<u>101923201</u>	Gasket	2
20	<u>101923501</u>	Seal, Lip	1
21	<u>101923601</u>	Differential Housing	1
22	N/A	Shaft, Input	1
23	<u>101923901</u>	Gear, Differential	2
24	<u>101928701</u>	Liquid Gasket (Transaxle case)	1
25	<u>101972101</u>	Plug, M14-1.5 X 12mm Magnetic	1
26	<u>101972201</u>	Plug, M14-1.5 X 12mm Hex	1
27	<u>101976001</u>	Screw, M10-1.50 X 35mm Hex Cap	10
28	<u>47649348001</u>	Shaft Assy, Intermediate	1
29	<u>47649352001</u>	Gear, Differential Output	1
30	<u>47649353001</u>	Bearing, Inner Axle Tube	2
31	<u>47649354001</u>	Bearing	3
32	<u>47649355001</u>	Bearing	1

10

E



000365-002

DIFFERENTIAL GUARD – ELECTRIC VEHICLES

ITEM	PART NO.	DESCRIPTION	QTY
		1 2 3 4	
1	<u>101611402</u>	Kit, Differential Guard, Elec Vehicles (includes items 2 through 4)	1
2	<u>101914001</u>	Spacer, Steel	2
3	<u>101936101</u>	Screw, M10-1.50 X 60mm Hex Cap	2
4	<u>101978601</u>	Guard, Differential, Electric Vehicle Transaxle	1

10

E

10

E

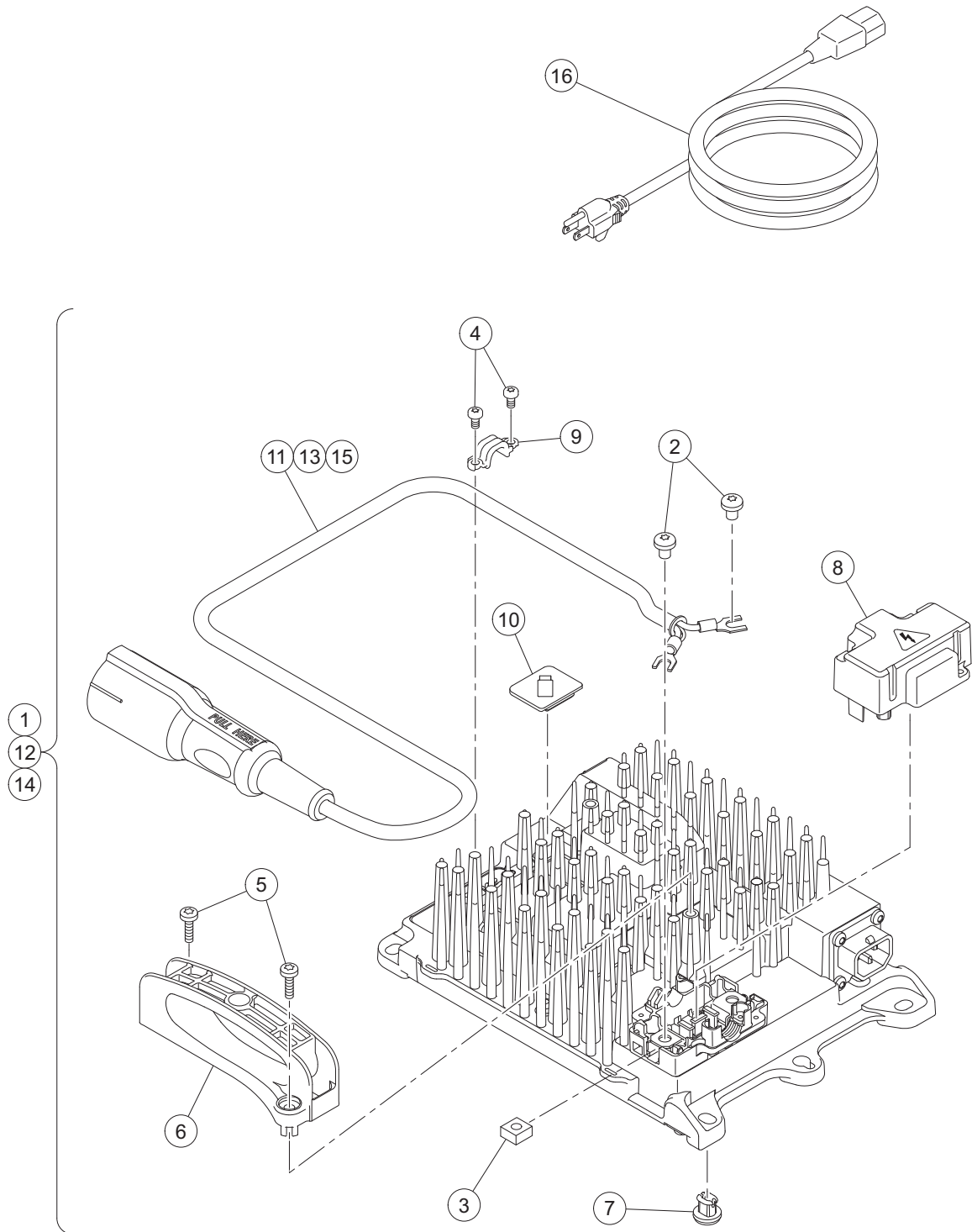
AC BATTERY CHARGERS

11

E

11

E



G-130899-000016

TROJAN BATTERY CHARGER, HIGH-FREQUENCY – U.S./CANADA

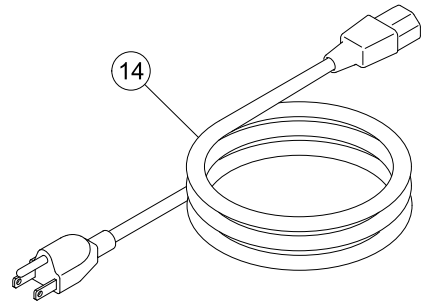
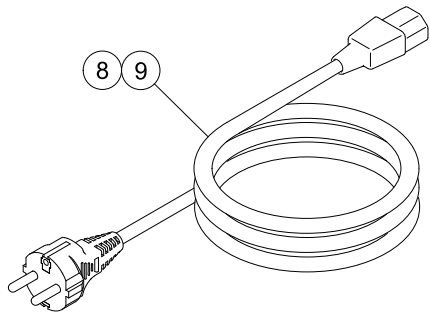
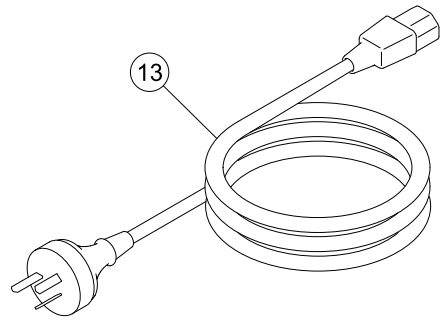
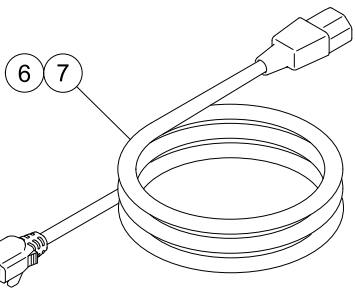
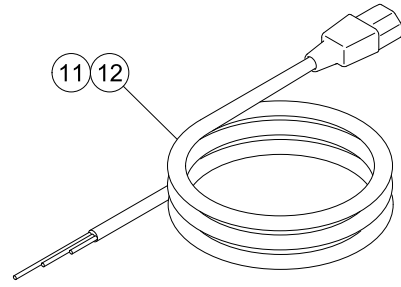
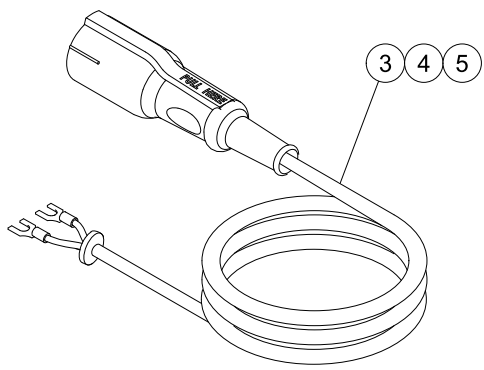
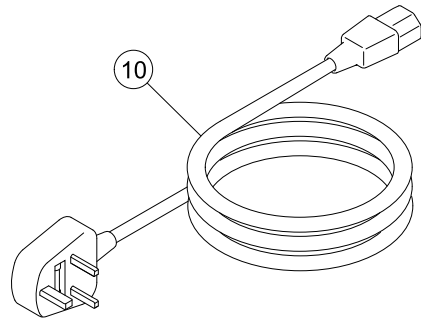
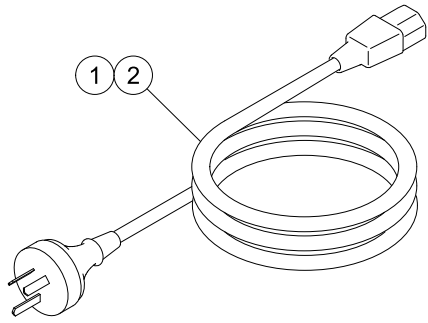
ITEM	PART NO.	DESCRIPTION	QTY
		1 2 3 4	
1	104029604	Charger, Asm, High-Freq, 9ft (2.74 m) DC Cord (includes items 2 through 11)	1
2	<u>104024501</u>	Screw, M6, Torx Head	2
3	<u>104024601</u>	Nut, M6, Square, Captured	2
4	<u>104028901</u>	Screw, M4 X .70, Pan Hd, Torx	2
5	<u>104029001</u>	Screw, M5 X .80, Pan Hd, Torx	2
6	<u>105003601</u>	Handle, Charger, High-Freq	1
7	<u>105003701</u>	Foot, Charger, High-Freq	4
8	<u>105092301</u>	Cover, DC Terminal Block, High-Freq Charger	1
9	<u>105093101</u>	Strain Relief, High-Freq, External, Charger	1
10	<u>105123801</u>	Cover, USB	1
11	47655301001	Harness, PWR, Charger, Blk, 9'	1
12	104029605	Charger, Asm, High-Freq, 12ft (3.66 m) DC Cord (includes item 13)	1
13	47655301002	Harness, PWR, Charger, Blk, 12'	1
14	104029606	Charger, Asm, High-Freq, 20ft (6.1 m) DC Cord (includes item 15)	1
15	47655301003	Harness, PWR, Charger, Blk, 20'	1
16	47606837002	Cord, Ac, lec320, 6Us'	1
		<p>Note: Items 2 through 10 apply to all chargers. These chargers include both an AC cord and DC cords. For additional cord lengths that may be used, see the Battery Charger Cords pages.</p>	

11

E

11

E



G-130899-000012

CORDS – BATTERY CHARGER, HIGH-FREQUENCY

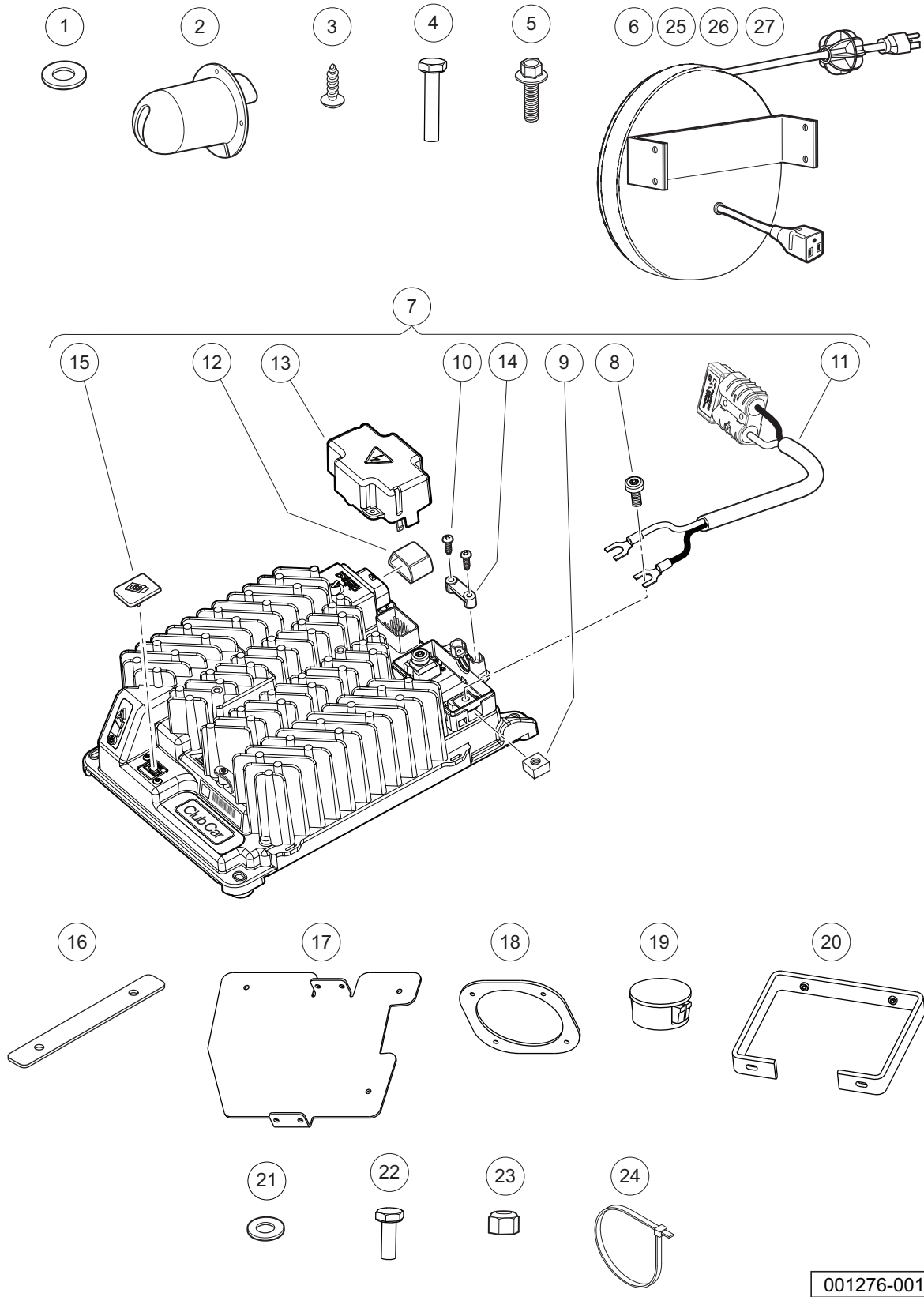
ITEM	PART NO.	DESCRIPTION	QTY
		1 2 3 4	
1	105068201	Cord, AC, lec320, 6ft (1.83 m), China	A/R
2	105068202	Cord, AC, lec320, 9ft (2.74 m), China	A/R
3	<u>105070101</u>	Cord, DC, Yellow, 9ft (2.74 m)	A/R
4	<u>105070102</u>	Cord, DC, Yellow, 12ft (3.66 m)	A/R
5	<u>105070103</u>	Cord, DC, Yellow, 20ft (6.1 m)	A/R
6	47606837001	Cord, Ac, lec320, 9Us'	A/R
7	47606837002	Cord, Ac, lec320, 6Us'	A/R
8	<u>47612314001</u>	Cord, Ac, lec320, 6, Eu'	A/R
9	<u>47612314002</u>	Cord, Ac, lec320, 9, Eu'	A/R
10	47612315002	Cord, Ac, lec320, 9, Gb'	A/R
11	47612316001	Cord, Ac, lec320, 6, Non-term'	A/R
12	47612316002	Cord, Ac, lec320, 9, Non-term'	A/R
13	47612317002	Cord, Ac, lec320, 9, Australi'	A/R
14	47612318002	Cord, ac, lec320, 9, Japan'	A/R

11

E

11

E



001276-001

TROJAN BATTERY CHARGER, HIGH-FREQUENCY – ONBOARD – FIXED REAR SEAT

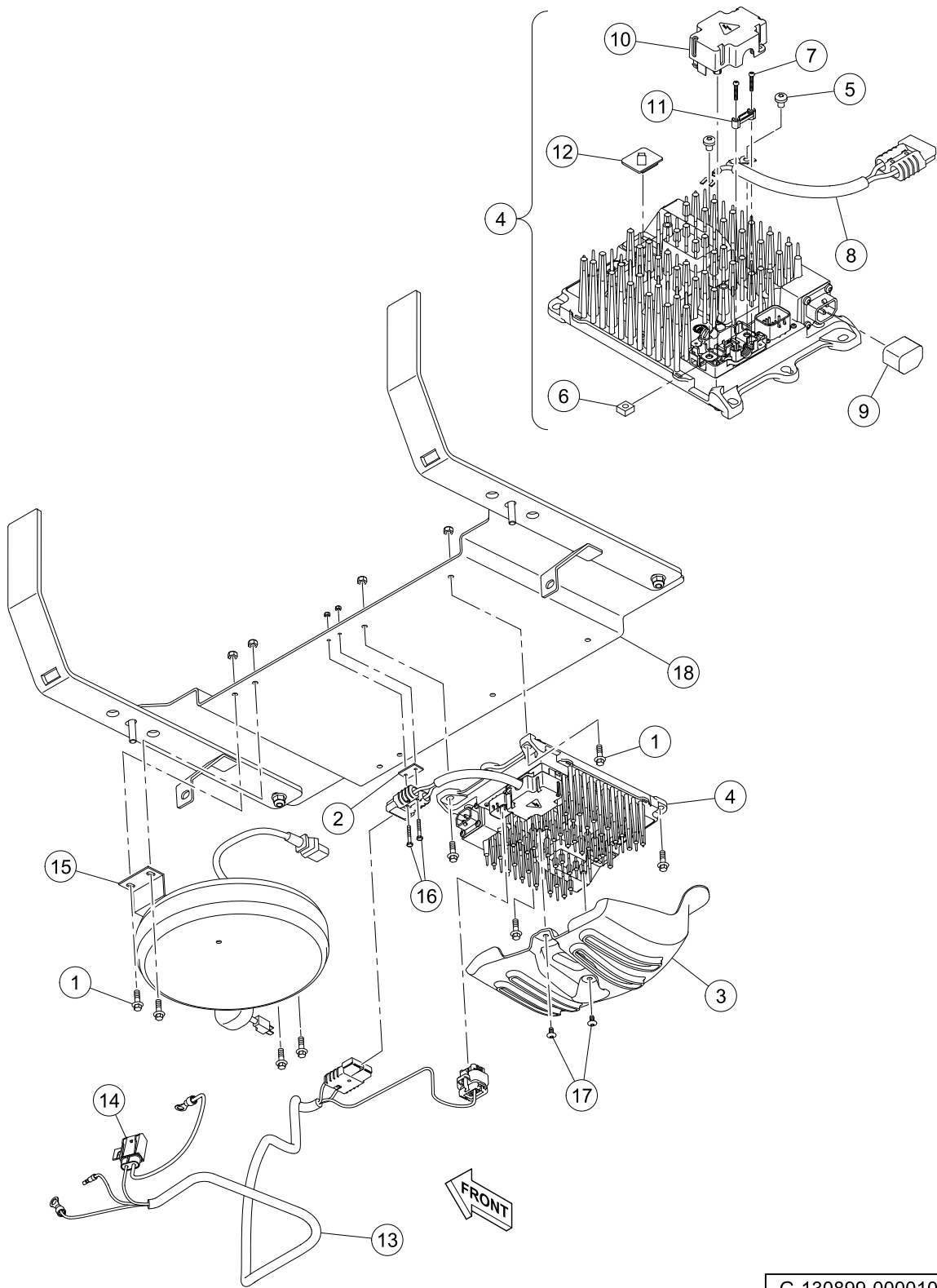
ITEM	PART NO.	DESCRIPTION	QTY
		1 2 3 4	
1	<u>1014306</u>	Washer, 1/4" Type B Flat	3
2	<u>1016673</u>	Housing, Cord Reel	1
3	<u>101832001</u>	Screw, #7-19 X 0.625 Phillips Pan-Head Tap	4
4	<u>103872701</u>	Cord Reel, Hf Charger	1
5	<u>105083002</u>	Charger Asm, Hf, Onboard, Trojan (includes items 6 through 13)	1
6	<u>104024501</u>	Screw, M6, Torx Head	2
7	<u>104024601</u>	Nut, M6, Square, Captured	2
8	<u>104029301</u>	Screw, M3x1.5, Plastic Tapping	2
9	<u>105084402</u>	Harness, Chgr, Pwr	1
10	<u>105086801</u>	Sleeve, lec 320 C14	1
11	<u>105092301</u>	Cover, DC Terminal Block, High-Freq Charger	1
12	<u>105094101</u>	Strain Relief, DC Block, High-Freq, Onboard, Charger	1
13	<u>105123801</u>	Cover, USB	1
14	<u>105299101</u>	Plate, Cord Reel, Mtg, Unbody	1
15	<u>105299601</u>	Plate, Backing, Charge Port	1
16	<u>105300801</u>	Plug, Push In, 61/64" Diameter	1
17	<u>105315201</u>	Asm, Bracket, Obc Eric Mount	2
18	<u>47563306001</u>	Screw, M6x1.0x30, Sems, Lp	4
19	<u>47568674002</u>	Bolt, 1/4-20x1.25 Hx Flg Zn G5	4
20	<u>47568676001</u>	Nut, 1/4-20 Hx Flg Zn Nyloc	4
21	<u>7847</u>	Screw, 1/4-20 X 0.75 Hex-Head Cap	7
22	<u>SVP738601</u>	Cord Reel Retract 3ft 14ga Uk	1
23	<u>SVP738701</u>	Cord Reel Retract 3ft 14ga Eu	1
24	<u>SVP738801</u>	Cord Reel Retract 3ft 14ga Aus	1

11

E

11

E



G-130899-000010

TROJAN BATTERY CHARGER, HIGH-FREQUENCY – ONBOARD (FOLD-DOWN REAR FACING SEAT)

ITEM	PART NO.	DESCRIPTION	QTY
		1 2 3 4	
1	<u>102541401</u>	Bolt-m6x1.0x20 Hex Flhd Blk-I	8
2	<u>105082601</u>	Insulation, Thermal	1
3	<u>105082801</u>	Shield, Charger, High-Freq	1
4	<u>105083002</u>	Charger Asm, Hf, Onboard, Trojan (includes items 5 through 12)	1
5	<u>104024501</u>	Screw, M6, Torx Head	2
6	<u>104024601</u>	Nut, M6, Square, Captured	2
7	<u>104029301</u>	Screw, M3x1.5, Plastic Tapping	2
8	<u>105084402</u>	Harness, Chgr, Pwr	1
9	<u>105086801</u>	Sleeve, lec 320 C14	1
10	<u>105092301</u>	Cover, DC Terminal Block, High-Freq Charger	1
11	<u>105094101</u>	Strain Relief, DC Block, High-Freq, Onboard, Charger	1
12	<u>105123801</u>	Cover, USB	1
13	<u>105084301</u>	Harness, Wire, High-Freq Onboard Charger, 4-Pass (includes item 14)	1
14	<u>102492301</u>	Fuse, 30-Amp	1
15	<u>105084501</u>	Cord Reel, AC, Retractable, High-Freq Charger, Onboard	1
16	<u>105086901</u>	Screw, #6-20 Type Abx1.25 Pan	2
17	<u>105101001</u>	Screw, M5-0.8x10, Torx, Trs	2
18	<u>105298501</u>	Bracket Adapter	1
		Note: Item 13 used on 4-passenger vehicle with fold-down rear-facing back seat only.	

11

E

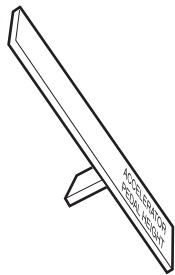
11

E

MAINTENANCE AND SERVICE TOOLS

12

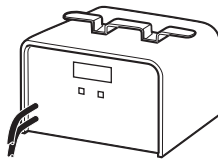
E



1



2



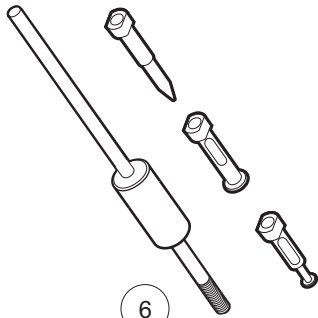
3



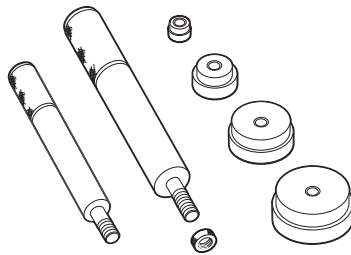
4



5



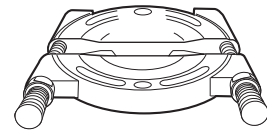
6



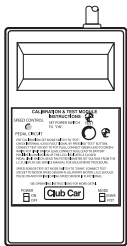
7



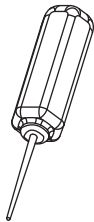
8



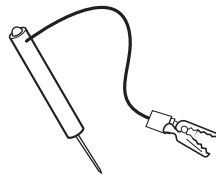
9



10



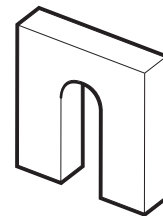
11



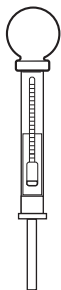
12



13



14



15



16



17



18



19

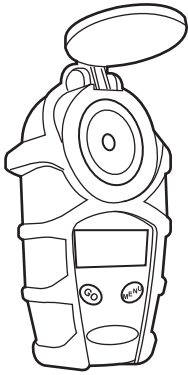
ACTOOLS-001

MAINTENANCE AND SERVICE TOOLS

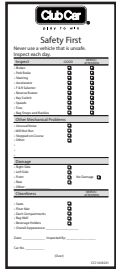
12

E

ITEM	PART NO.	DESCRIPTION	QTY ELEC
		<p>1 2 3 4</p> <p>The following tool list includes all tools available from Club Car for maintenance and service procedures for AC flooded lead-acid electric golf and utility vehicles. Be sure to carefully examine the tool list for applicability to your vehicle before ordering.</p>	
1	<u>101871001</u>	Accelerator Pedal Adjustment Tool (Utility Vehicles).....	1
2	<u>101813202</u>	Adhesive, Guide Ring, 3-Gram Tube	1
3	<u>101831901</u>	Battery Discharge Machine, 36/48 Volt	1
4	<u>1014305</u>	Battery Terminal Protector Spray	1
5	<u>1011767</u>	Battery Thermometer	1
6	<u>1016417</u>	Bearing and Oil Seal Remover Assembly	1
7	<u>1016416</u>	Bearing Driver Set	1
8	<u>1012811</u>	Bearing Puller	1
9	<u>1012812</u>	Bearing Puller Wedge Attachment	1
10	<u>101887101</u>	Calibration Test Module	1
11	<u>102562401</u>	Charger Bezel Tool	1
12	<u>1011273</u>	Continuity Tester	1
13	<u>1012151</u>	Dry Moly Lubricant	1
14	<u>1016418</u>	Gear Yoke	1
15	<u>1011478</u>	Hydrometer	1
16	<u>1013593</u>	Internal Retaining Ring Pliers	1
17	<u>101928701</u>	Liquid Gasket (transaxle case)	1
18	<u>102243402</u>	Moly-Teflon Lubricant (4-oz. (113-gram) tube)	1
19	<u>102587201</u>	Paint Pen, Touch-Up, Underbody ,Black	1
		<p>Please refer to the maintenance and service manual for proper tool application.</p>	



20



21



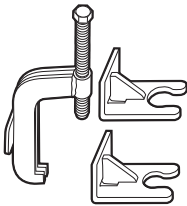
22



23



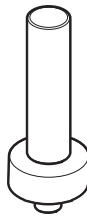
24



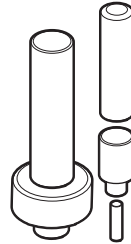
25



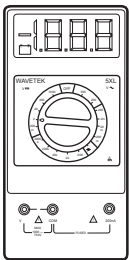
26



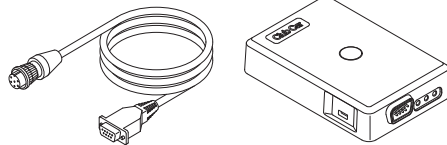
27



28



29

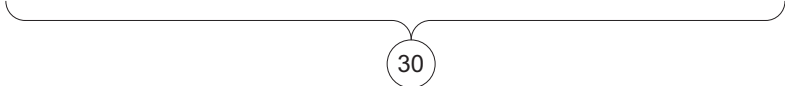


31

32



33



30

ACTOOLS-002

MAINTENANCE AND SERVICE TOOLS, CONTINUED

ITEM	PART NO.	DESCRIPTION	QTY ELEC
		1 2 3 4	
20	<u>AM1285701</u>	Refractometer	1
21	<u>101823101</u>	Safety First Card (50 per pack)	1
22	<u>1012809</u>	Seal Puller	1
23	<u>1014264</u>	Steering Column Bearing Press Tool	1
24	<u>1014259</u>	Steering Column Retaining Ring Tool	1
25	102061201	Steering Wheel Puller Tool	1
26	<u>1014162</u>	Transaxle Axle Seal Tool	1
27	1014161	Transaxle Pinion Seal Tool	1
28	<u>1014115</u>	Transmission Tool Kit	1
29	1011480	Volt Ohm Meter	1
30	<u>47642187001</u>	Kit, Diagnostic Box Tool (Contains items 31 through 33)	1
31	<u>47630785001</u>	Cable, Diagnostic Interface	1
32	47631040001	Diagnostic Control Box Assembly.....	1
33	47642168001	Kit Instructions, Diagnostic Box Tool	1
		Please refer to the maintenance and service manual for proper tool application.	

12

E

INDEX

Part Number and Page

AM10092	1-65	1013042	6-9, 7-9	101895601	10-3
AM1289701	7-11	1013164	6-15, 6-17	101895701	10-3
AM1289801	7-11	1013593	12-3	101895801	10-3
AM1289901	7-11	1013734	8-13	101895901	10-3
AM1290001	7-11	1013794	10-3	101897001	10-3
AM1290101	7-11	1013857	4-9	101897201	10-3
AM1290201	7-11	1013924	5-3	101897401	10-3
AM1290501	7-11	1014115	12-5	101897601	10-3
AM1300001	8-11	1014161	12-5	101903601	10-3
AM1300101	8-11	1014162	12-5	101903701	10-3
AM1300201	8-11	1014201	9-3	101908401	8-7
AM1300301	8-11	1014259	12-5	101914001	10-5
AM15028001	1-65	1014264	12-5	101922101	10-3
SVP738601	11-7	1014304	8-9	101922201	10-3
SVP738701	11-7	1014305	12-3	101923001	10-3
SVP738801	11-7	1014306	11-7	101923201	10-3
SVP915201	1-27	1014555	6-15, 6-17, 8-9	101923501	10-3
332	1-65	1015583	6-15, 6-17	101923601	10-3
334	1-17	101558302	6-15, 6-17, 7-13	101923901	10-3
451	9-3	1015720	8-13	101928701	10-3, 12-3
1218	1-33	1015727	1-29	101936101	10-5
1242	5-5, 5-7	101609401	3-3	101954301	1-23
7174	9-3	101611402	10-5	101972001	3-3
7311	1-65	1016154	6-5, 7-5	101972101	10-3
7473	1-33	1016214	6-5, 7-5	101972201	10-3
7847	11-7	1016416	12-3	101976001	10-3
8233	1-65	1016417	12-3	101978601	10-5
8990	6-9, 7-9	1016418	12-3	101998501	1-23
1010145	6-15, 6-17, 7-13	1016673	11-7	102022601	6-9, 7-9
1010434	1-11, 1-13, 1-25, 1-31, 1-49, 5-9	1016849	4-9	102051901	4-9
1010436	1-29	1016851	4-9	102061201	12-5
1010829	5-5, 5-7	1017235	6-17	102163001	1-53, 1-55
1010921	1-33	101791101	5-3	102196901	4-9
1010934	9-3	101802602	4-9	102235201	9-3
1011017	4-11	101813202	12-3	102243402	12-3
1011273	12-3	101815501	5-3	102278802	1-49
1011415	6-15, 6-17	101815502	5-3	102279106	1-27
1011478	12-3	101816501	5-3	102287101	6-11, 7-11
1011480	12-5	101816502	5-3	102287601	6-11
1011553	1-33, 3-3	101823101	12-5	102287701	6-11
1011578	1-49	101823201	5-3	102288101	6-11, 6-13
1011697	1-33	101823801	5-3	102288201	6-13
1011767	12-3	101823901	5-3	102288401	6-13
1012151	12-3	101825101	3-3	102288701	6-13
1012180	6-15, 6-17	101830701	4-9	102288801	6-13
1012181	6-17	101831901	12-3	102288901	6-11, 7-11
1012182	6-17	101832001	11-7	102289001	6-9, 7-9
1012528	8-13	101834502	4-9	102289101	6-13
1012565	6-5, 7-5	101835601	1-49	102289201	6-13, 7-11
1012566	6-5, 7-5	101850301	6-3, 6-5, 7-3, 7-5	102289401	6-11, 7-11
1012571	1-19	101851101	4-9	102289501	6-11, 6-13
1012809	12-5	101856001	8-7	102289601	6-11
1012811	12-3	101871001	12-3	102289701	6-11
1012812	12-3	101887101	12-3	102289801	6-13, 7-11
		101895401	10-3	102289901	6-11
		101895501	10-3	102290120	6-3, 6-5, 6-7, 7-3, 7-5, 7-7

INDEX

102292101	1-3	102508401	8-7	102967901	1-27, 1-29
102292201	5-9	102508901	1-35	103146501	6-19, 7-15
102292356	1-15, 1-17, 8-9	102508902	1-35	103182702	1-29
102292701	1-17, 1-27	102508903	1-35	103196001	1-37, 1-63, 4-11
102292801	5-5, 5-7	102511101	8-7	103199301	1-37
102296020	1-13, 4-3, 8-5	102511601	1-35	103200301	1-37, 1-63, 4-11
102296040	4-11	102511602	1-35	103205101	1-35
102296140	1-35	102511603	1-35, 1-41	103210101	1-35
102296150	1-63, 4-11	102513501	1-37	103325001	1-9
102296301	1-53, 1-55	102516902	1-21	103327601	1-25
102296401	1-35	102517001	1-25	103350802	8-9
102296530	1-25	102517601	4-7	103357701	8-9
102296601	1-27	102529201	4-5, 4-7	103368301	8-9
102296720	8-13	102534201	1-5, 1-9	103368403	8-9
102296819	1-15	102534801	6-17	103374801	8-9
102296920	1-63, 4-11, 8-7	102535401	4-7	103380201	5-3
102297001	1-15	102541401	4-11, 11-9	103380202	5-3
102297230	1-25, 1-27	102541425	8-15	103384601	3-3
102297901	5-5, 5-7	102541440	1-41	103384701	3-3
102298020	1-17, 1-19, 1-21, 4-11, 8-9	102541465	1-41	103388501	6-11
102298030	1-27, 1-29, 5-9	102541501	1-41	103397901	4-5, 8-13
102298116	6-7, 7-7	102544201	1-37, 1-39, 4-11	103402701	1-15
102298130	6-7, 7-7	102551901	5-5, 5-7	103414901	4-5
102298170	6-15, 6-17, 6-19, 7-15	102552001	5-5, 5-7	103423701	1-5
102298175	6-15, 6-17, 7-13	102555901	3-3	103477901	7-11
102298240	1-49	102557201	1-15	103483101	5-3
102298250	1-25	102559401	5-9	103483102	5-3
102298401	1-3, 1-5, 1-9, 1-37, 6-15, 6-17, 7-13	102559701	5-9	103483201	5-3
102298580	1-3, 6-15, 6-17	102562401	12-3	103483401	5-3
102298601	1-3, 6-15, 6-17	102565201	6-9, 7-9	103483601	5-3
102298716	1-27	102566001	6-9, 7-9	103483701	5-3
102298720	1-5, 1-17, 4-5, 8-15	102572401	4-9	103508501	8-9
102298995	1-3	102581201	1-39	103528701	5-5
102299065	1-37, 1-39, 4-11	102582401	1-53, 1-55, 1-59	103528702	5-5
102299360	1-37	102587201	12-3	103535001	5-5, 5-7
102299601	1-37	102588501	6-15, 6-17, 7-13	103597101	4-5
102324901	1-59	102588601	6-11, 7-11	103635201	1-17
102353201	6-13, 7-11	102594301	5-5, 5-7	103638601	6-13
102353301	6-13, 7-11	102594801	5-9	103638701	6-13
102353401	6-13	102594901	5-9	103638702	6-13
102357701	6-13, 7-11	102595201	5-9	103638801	6-13
102491501	8-9	102595301	5-9	103638901	1-3
102492301	8-5, 11-9	102595401	5-9	103677101	1-53, 1-55
102500801	5-9	102595901	5-9	103679701	6-9, 7-9
102501402	1-27	102596001	5-9	103699401	1-25
102501403	1-27	102596301	5-9	103724503	6-3, 6-5, 7-3, 7-5
102501501	1-13	102618601	7-11	103724601	6-5, 7-5
102502501	1-13	102621501	1-63, 4-11	103724602	6-3, 7-3
102504001	1-25	102670701	7-13	103724901	6-5, 7-5
102504201	1-25	102774701	8-13	103742207	7-13
102504301	1-25	102873401	8-13	103742304	6-15, 7-13
102504802	1-17	102878201	6-13	103742306	6-17
102505401	1-3	102883602	1-13, 3-5	103742307	7-13
102505701	1-3, 6-11	102915601	1-15	103750001	1-37, 1-39, 4-11
102506401	6-15, 6-17, 7-13	102947601	1-53, 1-55	103750101	1-37, 1-39
102508202	1-21	102956201	6-11, 6-13	103754901	1-53, 1-55

INDEX

103777601	5-9	104028901	11-3	105223329	1-23
103783001	6-5, 7-5	104029001	11-3	105267301	3-3
103783002	6-5, 7-5	104029301	11-7, 11-9	105267401	3-3
103783003	6-5, 7-5	104029604	11-3	105267501	3-3
103796701	6-5, 7-5	104029605	11-3	105288901	1-65
103803101	4-5	104029606	11-3	105289701	1-53, 1-55
103810201	6-7, 7-7	105003601	11-3	105291501	1-17
103812901	1-27	105003701	11-3	105298501	11-9
103813001	1-27	105005001	8-13	105299101	11-7
103826201	6-9, 7-9	105005402	1-19	105299601	11-7
103826301	6-9, 7-9	105049001	6-7, 7-7	105300801	11-7
103829401	6-3, 7-3	105065601	8-13	105307701	1-5
103832401	2-3	105065702	8-13	105313801	1-65
103832901	1-23	105068001	4-9	105314001	1-17
103833601	1-23	105068002	4-9	105314101	1-17
103833701	1-23	105068201	11-5	105315201	11-7
103833801	1-23	105068202	11-5	47542195001	5-3
103833901	1-23	105068601	6-7, 7-7	47554725001	1-31
103853121	1-25	105070101	11-5	47554736001	4-11
103853122	1-25	105070102	11-5	47555159001	1-31
103853125	1-25	105070103	11-5	47555159002	1-31
103872701	11-7	105082001	4-9	47559264001	1-63
103874111	5-9	105082002	4-9	47559264002	1-63
103874112	5-9	105082601	11-9	47559265002	1-63, 4-11
103921601	6-15	105082801	11-9	47559268001	4-11
103921602	6-15	105083002	11-7, 11-9	47560030001	8-17
103923601	1-9	105084301	11-9	47561033001	3-3
103926603	1-3	105084402	11-7, 11-9	47561477002	4-11
103929301	1-25	105084501	11-9	47561635001	2-5
103929302	1-25	105086801	11-7, 11-9	47562652001	5-7
103935601	6-13	105086901	11-9	47562748001	4-11
103943401	5-9, 8-3	105092301	11-3, 11-7, 11-9	47562947002	2-5
103952901	1-25	105093101	11-3	47562947004	2-5
103964901	6-15, 6-17	105094101	11-7, 11-9	47562951001	2-3, 2-5
103965001	6-15, 6-17	105101001	11-9	47563300001	1-49
103971798	8-9	105114804	8-5	47563300002	1-49
103971799	8-9	105114806	8-5	47563301001	1-49
103971803	8-9	105116301	5-9, 8-3	47563302001	1-49
103971899	8-9	105123801	11-3, 11-7, 11-9	47563304001	1-49
103974901	5-9	105137401	8-5	47563305001	1-49
103975011	5-9	105146701	8-17	47563306001	1-51, 11-7
103975012	5-9	105166801	8-11	47563307001	1-51
103978801	1-25	105166901	8-11	47564782001	1-49
103990503	1-3	105167001	8-11	47564783001	1-49
103990601	1-3	105167101	8-11	47564784001	1-49
104005901	8-11	105168501	8-11	47564785001	1-49
104006101	8-11	105168601	8-11	47564786001	1-49
104008001	1-35	105187901	6-13	47564787001	1-49
104008002	1-35	105188185	6-15, 6-17, 7-13	47564787002	1-49
104008003	1-35	105188701	7-13	47564886021	1-51
104008501	1-37	105190701	4-11	47564886022	1-51
104023421	1-23	105223321	1-23	47564886025	1-51
104023422	1-23	105223322	1-23	47564887021	1-51
104023425	1-23	105223323	1-23	47564887022	1-51
104024501	11-3, 11-7, 11-9	105223327	1-23	47564887025	1-51
104024601	11-3, 11-7, 11-9	105223328	1-23	47564888021	1-51

INDEX

47564888022	1-51	47579062001	1-29	47610889001	8-13
47564888023	1-51	47579065001	1-29	47612314001	11-5
47564888027	1-51	47579066001	1-29	47612314002	11-5
47564888028	1-51	47579068001	1-29	47612315002	11-5
47564888029	1-51	47579096001	6-15, 6-17, 7-13	47612316001	11-5
47564889021	1-51	47579669001	1-9	47612316002	11-5
47564889022	1-51	47579759001	1-55	47612317002	11-5
47564889023	1-51	47579760001	1-55	47612318002	11-5
47564889027	1-51	47579985001	1-57	47613414011	4-9
47564889028	1-51	47580172001	4-5	47614736001	4-9
47564889029	1-51	47581051001	1-49	47614743001	8-5
47565234007	4-3	47581126001	4-11	47614744001	8-5
47565234008	4-3	47581127001	4-11	47614749001	8-13
47566405001	7-11	47581128001	4-11	47614753001	8-17
47566411001	7-11	47581129001	4-11	47614807001	8-5
47568672001	1-49	47581130001	4-11	47616611003	8-5
47568673001	1-49	47581131001	1-63, 4-11	47620652001	8-15
47568674001	1-49	47581132001	1-63, 4-11	47620653001	8-13
47568674002	1-49, 11-7	47581133001	4-11	47621652001	3-3
47568675001	1-49	47581133002	4-11	47622766001	9-3
47568676001	1-49, 11-7	47581134001	4-11	47624326001	8-13
47568677001	1-49	47581135001	4-11	47624766001	1-49
47570463001	1-61	47581430001	4-11	47625132001	2-3, 2-5
47570464001	1-43	47582091001	5-7	47625132002	2-3, 2-5
47570464002	1-45	47582268001	1-61	47625132003	2-5
47570464003	1-47	47582270001	1-57	47627633002	1-13
47574958001	3-3	47582821001	1-43, 1-45, 1-47	47627633003	1-13
47574958004	3-3	47582821002	1-43, 1-45, 1-47	47627633004	1-13
47575464001	1-33	47582822001	1-63	47627633005	1-13
47576196001	7-13	47583112001	1-43, 1-45, 1-47	47627633006	1-13
47576197001	7-13	47583296001	1-13	47627633011	1-13
47576198001	7-13	47583296002	1-13	47627633058	1-13
47576648001	7-13	47583297001	1-27	47627633099	1-13
47576649001	6-19, 7-15	47583297002	1-27	47628936001	1-11
47576650001	6-19, 7-15	47584406001	4-11	47628936002	1-11
47576651001	6-19, 7-15	47586040001	3-3	47631793001	1-37, 1-39
47576652001	6-19, 7-15	47586191001	3-3	47631793002	1-37, 1-39, 4-11
47576652002	6-19, 7-15	47589609001	4-11	47632116001	1-11
47576796001	1-53, 1-55	47589919301	1-27	47634203001	1-41
47576797001	1-53	47589919302	1-27	47634205001	1-41
47576798001	1-53	47589919303	1-27	47634205002	1-41
47577554001	1-59	47589919304	1-27	47637882001	9-3
47577555001	1-59	47589919306	1-27	47641038001	2-5
47577556001	1-59	47589919308	1-27	47641039003	2-5
47577557001	1-59	47589919311	1-27	47643352001	4-15
47577558001	1-59	47590808001	2-3, 2-5	47643352002	4-15
47577561002	1-5	47592393001	3-3	47649254001	1-7
47577561004	1-5	47592811001	1-49	47649348001	10-3
47577864001	6-19, 7-15	47592812003	1-39	47649352001	10-3
47577865001	6-19, 7-15	47594727001	4-13	47649353001	10-3
47578016001	1-5	47594888003	3-5	47649354001	10-3
47578327001	1-49	47603899001	7-13	47649355001	10-3
47578437001	1-33	47603900001	7-13	47653176001	9-3
47579059001	1-29	47606837001	11-5	47653176002	9-3
47579060001	1-29	47606837002	11-3, 11-5	47653176003	9-3
47579061001	1-29	47609838001	10-3	47653531001	1-49

INDEX

47655301001 11-3
47655301002 11-3
47655301003 11-3
47659723010 2-5
47660254001 8-5
47664076001 8-13
47664078001 8-5
47664079001 8-5
47664080001 8-15
47664081001 8-15
47665123001 8-5
47671439021 1-25
47671439022 1-25
47671439023 1-25
47671439027 1-25
47671439028 1-25
47671439029 1-25
47671664001 8-13
47677215001 3-3, 8-5
47677930001 8-9
47678150001 1-17
47678898001 2-3
47678898010 2-3
47678899001 2-3
47678899010 2-3
47678900001 2-3
47680239001 1-5
47689303001 8-9
96704176 4-13

A

A-arm, lower 7-11
A-arm, three-piece 6-11
A-arm, upper 7-11
absorber, front shock 6-11, 7-11
absorber, rear shock 6-15, 6-17, 7-13
AC cord 11-5
accelerator pedal 5-9
accelerator pedal adjustment tool 12-3
access panel 1-27
adhesive, guide ring 12-3
AM1285701 12-5
armrest 1-23
assembly
 brake lever 5-3
axle 10-3
axle guard 10-5
axle shaft oil seal 10-3
axle tube 10-3

B

backing plate, brake 5-3
backrest 1-51
backrest, beige 1-25
backrest, black 1-25

backrest, white 1-25
bag hoop 1-25
bag strap 1-25
bag strap buckle 1-25
ball joint, inner 6-9, 7-9
ball, bearing 7-11
barrel, plastic 1-11, 1-13, 1-25, 1-31, 1-49, 5-9
basket 1-63
battery charger 11-3
battery charger wire harness
 onboard 11-9
battery discharge machine 12-3
battery hold-down 8-9
battery terminal protector spray 12-3
battery thermometer 12-3
Bearing 10-3
bearing
 ball 7-11
bearing and oil seal remover 12-3
bearing driver set 12-3
bearing puller 12-3
bearing puller wedge 12-3
bellows, steering 6-9, 7-9
body
 under 1-17
body kick plate 1-19
body kick plate (ele) 1-21
bolt
 battery, "S" hold-down 8-9
boot, switch 8-7
bottom, seat 1-51
bracket
 canopy support 1-37
 equalizer 5-5, 5-7
 jounce bumper 6-17, 7-13
 shock mounting, drv 6-15, 6-17
 shock mounting, pas 6-15, 6-17
Bracket, Seat Back, Front, Top, CSMR 1-49
brake adjusting mechanism 5-3
brake backing plate 5-3
brake cable 5-5, 5-7
brake cluster 5-3
brake drum 5-3
brake lever 5-3
brake pedal 5-9
brake rod 5-9
brake self-adjusting mechanism 5-3
brake shoe 5-3
brake spring 5-3
breather 10-3
brow 1-13
brow cap 1-13
buckle, bag strap 1-25
bumper
 drive unit (motor) 9-3
 jounce 6-17, 7-13

 rubber 1-29
Bumper, Shock Plug 1-9
bushing 6-11, 6-13, 6-19, 7-15
 urethane 6-15, 6-17, 7-13
buzzer, reverse 4-9

C

cable
 brake 5-5, 5-7
calibration test module 12-3
canopy 1-35, 1-43, 1-47
canopy drain cover 1-35
canopy handle 1-35
canopy strut, front, lh 1-37, 1-39
canopy strut, front, rh 1-37, 1-39, 4-11
canopy support 1-37
canopy support bracket, drv 1-25
canopy support bracket, pas 1-25
cap
 dust 4-9
 front hub 6-13, 7-11
 key switch 4-9
card, safety first 12-5
case
 gear 10-3
charger bezel tool 12-3
charger receptacle 8-5
charger, battery, Hi-Freq 11-3
clamp
 leaf spring 6-13, 7-11
clip 4-5
 body trim 1-17, 1-27
clip, score card 6-5, 7-5
cluster, brake 5-3
comfort grip steering wheel 6-5, 7-5
comfort grip steering wheel kit 6-5, 7-5
component mounting plate 8-13
continuity tester 12-3
cord reel 11-7, 11-9
cord set, DC 11-5
cord, AC 11-5
cover
 canopy drain 1-35
 DC terminal block 11-3, 11-7, 11-9
 dust 5-3
 USB 11-3, 11-7, 11-9
Cover, Canopy Support 1-37, 1-39, 4-11
cover, steering column 4-5, 4-7
cushion, shock absorber 6-15, 6-17, 7-13

D

dash 1-15
dash support assembly 1-3, 6-11
DC cord set 11-5
decal 3-3

INDEX

box bed warning 3-3
crush area warning 3-3
filter log 8-11
inspect log 8-11
on/off 3-3
operating instructions 6-5, 7-5
private speed mode 3-3
trailer hitch 1-33, 3-3
warning 3-3
water exposure 3-3
deionizer 8-11
 cartridge 8-11
differential gear 10-3
differential guard 10-5
differential housing 10-3
drain channel 1-15
drive unit bumper 9-3
drive unit guard 10-5
drum, brake 5-3
dry moly lubricant 12-3
dust cap 4-9
dust cover 5-3
dust seal 6-9, 7-9

E

end, tie rod 6-9, 7-9
equalizer 5-5, 5-7

F

Fender 1-11
fender
 rear 1-31
Fender, Front 1-11
floor cover plate 5-9
floor mat 1-17
FNR housing 8-7
fold down seat 1-49
front hub 6-13
front suspension structure 6-11, 7-11
fuse
 30-amp 8-5, 11-9
fuse, mini, 10A 8-5

G

Gasket 9-3
gasket
 liquid 10-3, 12-3
 plug 10-3
 seat 1-23
Gear 10-3
gear
 differential 10-3
 differential idler 10-3
gear yoke 12-3
gearcase 10-3

grip, pencil 6-5, 7-5
guard, differential 10-5
guide ring adhesive 12-3

H

handle, canopy 1-35
Harness 11-3
harness
 Visage strut 4-11
Harness, Chgr 11-7, 11-9
Harness, Lighting, Li-Ion 8-5
harness, wire 4-7
harness, wire, onboard battery charger 11-9
hinge 8-9
 seat bottom 1-23
hinge, seat bottom 1-23
hip restraint 1-23
hold-down, battery 8-9
hoop, bag 1-25
horn 4-7
housing
 differential 10-3
hub 6-13, 7-11
hub cap 6-13, 7-11
hub, front 6-13
hydrometer 12-3

I

idler gear, differential 10-3
inner ball joint 6-9, 7-9
input shaft 10-3
internal retaining ring pliers 12-3
isolator, shock damper 6-15, 6-17, 7-13

J

J-clip 1-3, 6-15, 6-17
jounce bumper 6-17, 7-13
jounce bumper bracket 6-17, 7-13

K

key switch cap 4-9
kick plate 1-19
kick plate (ele) 1-21
king pin 6-13
Kit 1-5
kit
 ball joint, inner 6-9, 7-9
 bellows, steering, sona 6-9, 7-9
 brake cable 5-5
 brake shoe retainer 5-3
 canopy hardware 1-43, 1-45, 1-47
 comfort grip steering wheel 6-5, 7-5
 fenders, rear 1-31
 front hub replacement 6-13, 7-11
 hand pump, SPWS 8-11

relay, 48V 4-5
SAM assembly 1-25
seat bottom 1-23
shock absorber 6-15, 6-17
shock absorber cushion 6-15, 6-17
shoe retainer 5-3
Kit, Fenders 1-11
Kit, Grill 1-7
Kit, Speed Sensor 9-3
Kit, Terminal Block 9-3
knob, light switch 4-9

L

leaf spring, rear 6-15, 6-17, 7-13
light
 water quality 8-11
light switch 4-9
light switch knob 4-9
liquid gasket 10-3, 12-3
lower A-arm 7-11
lubricant, dry moly 12-3
lubricant, moly-teflon 12-3
lug nut 2-3, 2-5
lug stud 6-13, 10-3

M

mat, floor 1-17
MCOR 5-9, 8-3
mechanism, brake adjusting 5-3
meter, volt ohm 12-5
mirror 1-65
module
 calibration test 12-3
moly-teflon lubricant 12-3
motor bumper 9-3
mounting plate, component 8-13

N

nut
 push 1-29

P

paint, underbody (black) 12-3
panel
 access 1-27
 SAM 1-25
panhard 6-19, 7-15
park brake release, anod 5-9
pedal, accelerator 5-9
pedal, brake 5-9
pencil grip 6-5, 7-5
pin
 bow tie locking 5-5, 5-7
 clevis 5-5, 5-7
 king 6-13

INDEX

plate
backing (brake) 5-3
component mounting 8-13
floor cover 5-9
kick 1-19
kick(ele) 1-21

pliers
internal retaining ring 12-3

protector spray, battery terminal 12-3

puller
bearing 12-3
seal 12-5

push nut 1-29

R

rack and pinion 6-9, 7-9
rear fenders 1-31
rear underbody support 1-25
receptacle 8-5
reel cord 11-7, 11-9
reflector 1-13, 1-27, 1-49
refractometer 12-5
Relay 8-5
relay 4-5, 8-13
relay, 48V 4-5
release, anod park brake 5-9
remover, bearing and oil seal 12-3
retainer
brake shoe 5-3
shock absorber cushion 6-15, 6-17, 7-13
reverse buzzer 4-9
Rivet, Removable 1-27, 1-29
rock guard 10-5
rocker switch 8-7
rod
brake 5-9
rubber bumper 1-29

S

safety first card 12-5
SAM (structural accessory module) 1-25
SAM assembly kit 1-25
SAM panel 1-25
score card clip 6-5, 7-5
score card plate 6-5, 7-5
seal
dust 6-9, 7-9
lip 10-3
oil 10-3
seal puller 12-5
seal, bulb 1-53, 1-55
sealant 10-3
seat back 1-51
seat back, beige 1-25
seat back, black 1-25

seat back, white 1-25
seat bottom 1-51
seat bottom kit 1-23
seat gasket 1-23
seat hinge 1-23
shaft
input 10-3
Shaft Assy 10-3
shield, charger 11-9
shield, debris aux 5-9
shield, debris primary 5-9
shock absorber (front) 6-11, 7-11
shock absorber (rear) 6-15, 6-17, 7-13
shock absorber cushion 6-15, 6-17, 7-13
shock absorber cushion retainer 6-15, 6-17, 7-13
shock damper isolator 6-15, 6-17, 7-13
shock mounting bracket, drv 6-15, 6-17
shock mounting bracket, pas 6-15, 6-17
shoe retainer kit 5-3
shoe, brake 5-3
sleeve 6-11, 6-13, 6-15, 6-17, 6-19, 7-13, 7-15
solenoid 8-13
spindle 6-13, 7-11
spray, battery terminal protector 12-3
spring
brake 5-3
compression 6-5, 7-5
spring, leaf, rear 6-15, 7-13
spring, leaf, rear, 4-pass 6-17
steering column bearing press tool 12-5
steering column cover 4-5, 4-7
steering column retaining ring tool 12-5
steering wheel 6-3, 6-5, 7-3, 7-5
steering wheel (comfort grip) kit 6-5, 7-5
steering wheel puller tool 12-5
strap, bag 1-25
strut, front canopy, lh 1-37, 1-39
strut, front canopy, rh 1-37, 1-39, 4-11
stud
lug 6-13, 10-3
support, canopy 1-37
support, underbody, rear 1-25
suspension, front structure 6-11, 7-11
switch
light 4-9
rocker 8-7
Tow/Run 8-7
switch rubber boot 8-7
switch, hazzard 8-17

T

Taillight 4-15
tester, continuity 12-3
thermometer, battery 12-3
three-piece A-arm 6-11

throttle, Gen2, no sensor 5-9
tie rod end 6-9, 7-9
tie rod extension 7-11
tie wrap 6-9, 7-9
tire 2-5
tool
accelerator pedal adjustment 12-3
charger bezel 12-3
steering column bearing press 12-5
steering column retaining ring 12-5
steering wheel puller 12-5
transaxle axle seal 12-5
transaxle pinion seal 12-5
transmission 12-5
touch-up paint 12-3
Tow/Run switch 8-7
transaxle axle seal tool 12-5
transaxle guard 10-5
transaxle pinion seal tool 12-5
transmission tool 12-5
trunk 1-29
Tuflok 1-27, 1-29

U

U-bolt 6-15, 6-17, 7-13
underbody 1-17
underbody support, rear 1-25
upper A-arm 7-11
urethane bushing 6-15, 6-17, 7-13
USB
cover 11-3, 11-7, 11-9
port 8-17
USB cover 11-3, 11-7, 11-9
USB port 8-17

V

valance 1-29
volt ohm meter 12-5

W

water quality light 8-11
wedge, bearing puller 12-3
wheel 2-5
steering 6-3, 6-5, 7-3, 7-5
windshield channel 1-53, 1-55
wire harness 4-7
wire harness, onboard battery charger 11-9
wrap, tie 6-9, 7-9

Y

yoke, gear 12-3



Club Car, Inc.
P.O. Box 204658
Augusta, GA 30917-4658
USA

Web www.clubcar.com
Phone 1.706.863.3000
1.800.ClubCar
Int'l +1 706.863.3000
Fax 1.706.863.5808