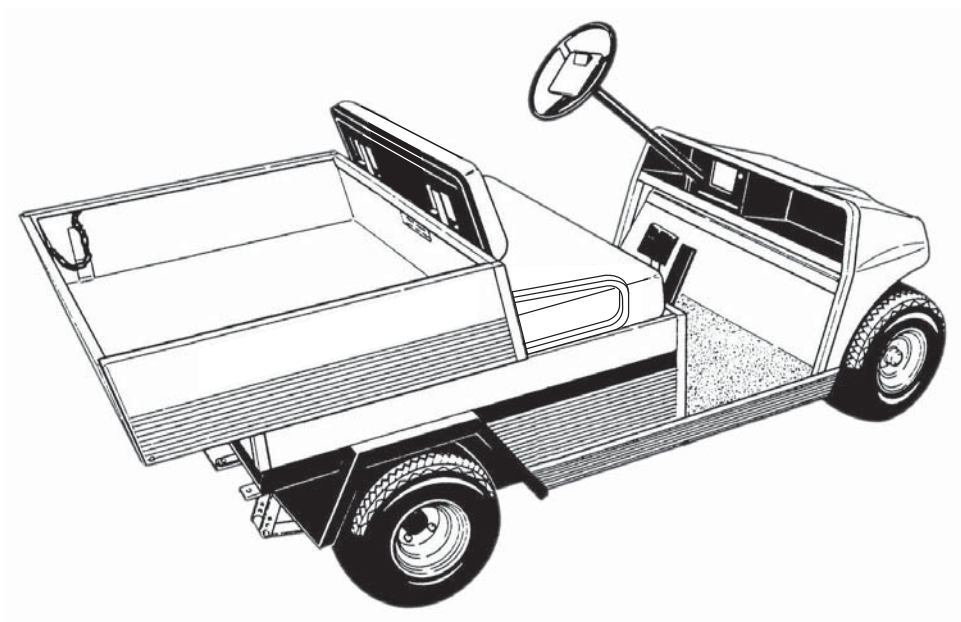




**2010**  
**Turf 1 and Carryall 1**  
**Illustrated Parts List**



**Gasoline and Electric Vehicles**

Manual Number 103700508  
Edition Code 0316B0616A



# USING THE ILLUSTRATED PARTS LIST

---

## **⚠ WARNING**

- **This manual is to be used only for identification and ordering of service parts. Be sure to read and use the maintenance and service manual before attempting any vehicle repairs.**

This manual covers all Turf/Carryall 1 vehicles built during the 2010 model year.

The manual is divided into sections. Note that there are two or three flags on the outside edge of each page. The first flag contains the section number of which that page is a part. The other flag (or flags) contains the letter G or E, signifying that the page pertains to the electric or gasoline vehicles only.

Use the Table of Contents to find the sections and pages that contain the parts and assemblies you seek. The Table of Contents lists section numbers, and under them, the individual page titles and numbers to be found in that section. The index can be used to find specific parts and assemblies. The index is divided into numerical and alphabetical listings with the page numbers in italic text.

There is a two-page spread for each individual page title in the Table of Contents. On the left-hand page is an illustration showing the parts in their relative positions; the parts are each tagged with an item number in a balloon. The right-hand page is the parts list page, and gives the page title at the top, then the item numbers (corresponding to the numbers on the illustration), part descriptions, and quantity of parts used.

Note that a part description may be indented. This indentation corresponds to a parts assembly level indicated by the numbers 1, 2, 3, and 4 at the top left corner of the parts description area of the parts list page. A part that is indented to *level 2* is a component of the *level 1* part (assembly) that it is listed under. A *level 3* part is a component of the *level 2* part that it is listed under, and a *level 4* part is a component of the *level 3* part preceding it. In each case, the part quantity given for a level 2, 3, or 4 part is the quantity used per next higher level assembly of which it is a component. A part that is not indented is a *level 1* part. This means that the quantity given is the quantity used per the portion of the vehicle illustrated on that particular spread.



P. O. Box 204658  
Augusta, Georgia 30917-4658 USA  
Telephone 706-863-3000  
Service Parts Fax 706-855-7413  
[www.clubcar.com](http://www.clubcar.com)

## HOW TO ORDER PARTS

Replacement parts and accessories can be obtained from our network of authorized dealers and distributors. You can obtain the name and phone number of your closest authorized Club Car dealer or distributor by visiting our web site at [www.clubcardealer.com](http://www.clubcardealer.com), by calling our toll-free Service Parts and Technical Assistance hotline at (800) 872-2246 or (706) 863-3000, extension 3887, or by scanning this Quick Response (QR) code to be taken to the Club Car dealer locator. **Refer to Figure 1.** Download a QR code reader such as RedLaser or Barcode Scanner to your cell phone or tablet.



Figure 1 Dealer Locator QR Code

## CUSTOMER SATISFACTION SURVEY

Let your voice be heard!

Please take time to participate in the Technical Publications satisfaction survey. Obtaining feedback from our customers is important to the department's continuous improvement process. The online survey takes less than five minutes and responses will help the department to examine current performance as well as identify areas for future improvement.

Our top priority is to provide timely, accurate, and user friendly manuals.

The online satisfaction survey can be found at: <http://bit.ly/1w9uFMh>



Figure 2 Survey QR Code

**NOTE:** *This illustrated parts list represents the most current information at the time of publication. Club Car, Inc. is continually working to further improve its vehicles and other products. These improvements may affect the parts used to service the vehicle. Any modification and/or significant change in specifications will be forwarded to all Club Car and Carryall distributors/dealers and will, when applicable, appear in future editions of this illustrated parts list.*

*Club Car, Inc. reserves the right to change specifications and designs at any time without notice and without the obligation of making changes to units previously sold.*

Copyright © 2009 Club Car, Inc.  
Club Car and ArmorFlex  
are registered trademarks of Club Car, Inc.  
This manual effective August 1, 2009.

2010 Turf 1 and Carryall 1 Vehicles Illustrated Part

# CONTENTS

## SECTION 1 – BODY AND TRIM

Front Body and Trim – Turf, Utility, & Transportation .....	1-3
Splash Guard – Gasoline Vehicles Only .....	1-5
Dash Pockets and Floormat .....	1-7
Beverage Holder .....	1-9
Mirror, Rear-View – without Cab .....	1-11
Grommets, Chassis .....	1-13
Seat Bottom .....	1-15
Seat Back Assembly .....	1-17
Windshield, Hinged .....	1-19
Windshield, Non-Hinged .....	1-21
Canopy Kit, White – To Mid-2010 Model Year .....	1-23
Canopy Kit, White – From Mid-2010 Model Year .....	1-25
Canopy Kit, Beige – To Mid-2010 Model Year .....	1-27
Canopy Kit, Beige – From Mid-2010 Model Year .....	1-29
Canopy Kit, Black – To Mid-2010 Model Year .....	1-31
Canopy Kit, Black – From Mid-2010 Model Year .....	1-33
Hip Restraints and Seat Back Mounting .....	1-35
Tilt Bed, Extruded Hinge, and Latch .....	1-37
Latch Plate .....	1-39
Cargo Box .....	1-41
Cargo Box Mounting .....	1-43
Stake Side Kit – Turf/CA 1 and TransPorter 4 .....	1-45
Bed Mat .....	1-47
Portable Refreshment Center .....	1-49
Toolboxes .....	1-51
Trailer Hitch .....	1-53
Trailer Hitch Ball .....	1-55
Rear Body Trim – Turf/Carryall 1, 2, 2 Plus, and 6 .....	1-57
Cab, Curtis – Turf/Carryall 1, 2, 2 Plus, 252 and XRT 900 .....	1-59
Mirror, Inside Rear-View – Curtis Cab .....	1-61
Mirror, Side-View – Curtis Cab .....	1-63
Accessory Switch Panel – Curtis Cab .....	1-65
Strobe Light – Curtis Cab .....	1-67
Work Lights – Curtis Cab .....	1-69
Fan/Defogger – Curtis Cab .....	1-71
Heater – Curtis Cab .....	1-73
Van Box – Turf/CA 1 .....	1-75

# CONTENTS

---

## SECTION 2 – WHEELS AND TIRES

---

Wheels and Tires – Turf/Carryall 1 – To Late 2010 Model Year .....	2-3
Wheels and Tires – Turf/Carryall 1 – From Late 2010 Model Year .....	2-5
Wheel Covers .....	2-7

## SECTION 3 – DECALS

---

Decals – Gas and Electric Vehicles .....	3-3
Decals – Turf/Carryall 1 Electric .....	3-5
Decals – Turf/Carryall 1 Gasoline .....	3-7
Decals, Badging – Turf/Carryall 1 .....	3-9

## SECTION 4 – LIGHTS, CONTROLS, AND INDICATORS

---

Headlights .....	4-3
Light Kit, Standard – Turf/CA 1 Gasoline Vehicles .....	4-5
Light Kit, Standard – Turf/CA 1 IQ System Electric Vehicles .....	4-7
Turn Signal Kit – DS and Utility Gasoline and Electric Vehicles .....	4-9
Turn Signal (with Horn Button) Kit – DS and Utility Gas and Electric Vehicles .....	4-11
Instrument Panel and Electrical Components – Turf/Carryall 1, 2, and 252 Gas .....	4-13
Instrument Panel and Electrical Components – Turf/CA 1 and 2 Electric .....	4-15
Battery Condition Indicator – Electric Vehicles .....	4-17
DC Converter – IQ System Electric Vehicle, to Early-2010 Model Year .....	4-19
DC Converter (Isolated) – IQ System Electric Vehicle, from Early-2010 Model Year .....	4-21
Voltage Limiter – Gasoline Vehicle .....	4-23
Strobe Light, Post-Mounted – Gasoline Vehicles .....	4-25
Strobe Light, Post-Mounted – Electric Vehicles .....	4-27
Strobe Light, Canopy-Mounted .....	4-29
Horn .....	4-31
Horn with Column-Mounted Button .....	4-33
Hour Meter – IQ System and IQ Plus Electric Vehicles .....	4-35
Taillights .....	4-37

## SECTION 5 – BRAKES, PEDALS, AND CABLE ASSEMBLIES

---

Brake Pedal Assembly .....	5-3
Accelerator Pedal Assembly – Electric Vehicles with MCOR .....	5-5
Accelerator Pedal Assembly – Gasoline Vehicles .....	5-7
Accelerator Rod – Turf/Carryall 1 Gasoline Vehicles .....	5-9
Rear Brake Assembly, Self-Adjusting – Vehicle with 2-Wheel Brakes .....	5-11
Rear Brake Cables and Equalizer .....	5-13

# CONTENTS

---

## SECTION 6 – STEERING AND SUSPENSION – CONVENTIONAL BALL JOINTS

---

Steering Gear Assembly (Mando) – Conventional Ball Joint .....	6-3
Steering Column – Utility .....	6-5
Intermediate Steering Shaft (Mando) – Turf/CA 1/2/6 .....	6-7
Steering Wheel .....	6-9
Steering Wheel with Clip .....	6-11
Front Spindles and Hubs – Vehicles with Two-Wheel Brakes and Conventional Ball Joints .....	6-13
Front Suspension, Upper – Vehicles with Two-Wheel Brakes and Conventional Ball Joints .....	6-15
Front Suspension, Lower – Vehicles with Two-Wheel Brakes and Conventional Ball Joints .....	6-17
Heavy Duty Front Susp. Components for Conventional Ball Joints .....	6-19
Rear Suspension – Gasoline Turf/CA 1 .....	6-21
Rear Suspension – Electric Turf/CA 1 .....	6-23

---

## SECTION 7 – STEERING AND SUSPENSION – MAINTENANCE-FREE BALL JOINTS

---

Steering Gear Assembly (Wanda) – Maint.-Free Ball Joint .....	7-3
Steering Column – Utility .....	7-5
Intermediate Steering Shaft (Wanda) – Turf/CA 1/2/6 .....	7-7
Steering Wheel .....	7-9
Steering Wheel with Clip .....	7-11
Front Spindles and Hubs – Vehicles with Two-Wheel Brakes and Maintenance-Free Ball Joints .....	7-13
Front Suspension, Upper – Vehicles with Two-Wheel Brakes and Maintenance-Free Ball Joints .....	7-15
Front Suspension, Lower – Vehicles with Two-Wheel Brakes and Maintenance-Free Ball Joints .....	7-17
Heavy Duty Front Spindles for Maint.-Free Balljoints .....	7-19
Heavy Duty Front Springs .....	7-21
Rear Suspension – Gasoline Turf/CA 1 .....	7-23
Rear Suspension – Electric Turf/CA 1 .....	7-25

---

## SECTION 8 – ELECTRICAL SYSTEM – GASOLINE VEHICLE

---

Wiring – Turf/Carryall 1 Gas with G425419 Starter/Gen .....	8-3
Wiring – Turf/Carryall 1 Gas with AMD Starter/Gen .....	8-5
Starter/Generator Assembly, Model G425419 .....	8-7
Starter/Generator Mounting – Model G425419 .....	8-9
Starter/Generator Assembly (Pedal-Start), Model 114-01-4009A .....	8-11
Starter/Generator Mounting – 114-0x-400xx Models .....	8-13
Operation and Maintenance Switch .....	8-15
Electrical Component Box – Turf/Carryall 1, 2, and 252 .....	8-17
Forward/Reverse Shifter Switches – Dash Mounted Shifter .....	8-19
Battery – Gasoline Utility Vehicles .....	8-21

# CONTENTS

---

## SECTION 9 – ENGINE (S27) W/O ACR, 50-STATE

---

FE350 Engine (S27) w/o ACR, Shrouds, and Brackets; 50-State .....	9-3
FE350 Engine (S27) – Ignition Components and Flywheel .....	9-5
FE350 Engine (S27) – Oil Circulation .....	9-7
FE350 Engine (S27) – Cylinder Head .....	9-9
FE350 Engine (S27) – Crankcase, Camshaft, and Oil Sensor .....	9-11
FE350 Engine (S27) – Crankcase and Crankshaft .....	9-13
FE350 Engine (S27) – Mounting .....	9-15

---

## SECTION 10 – FUEL, INTAKE, AND GOVERNOR SYSTEMS

---

Fuel System – 49 State, with Metal Fuel Pump .....	10-3
Fuel System – 49 State, with Plastic Fuel Pump .....	10-5
Fuel System – California Only, with Metal Fuel Pump .....	10-7
Fuel System – California Only, with Plastic Fuel Pump .....	10-9
Carbon Canister – California Only .....	10-11
Carburetor Assembly – FE350 S27 .....	10-13
Carburetor Mounting, Utility, FE350 S23 S24 S27 .....	10-15
Governor and Accelerator Cables .....	10-17
Air Intake Duct and Choke Button – Turf/Carryall 1 .....	10-19
Air Filter and Intake Hose .....	10-21

---

## SECTION 11 – EXHAUST SYSTEM

---

Exhaust System – FE350 Engine .....	11-3
-------------------------------------	------

---

## SECTION 12 – DRIVE BELT AND CLUTCHES

---

Drive Belt .....	12-3
Drive Clutch – Turf/Carryall 1, 2, and 252 .....	12-5
Driven Clutch – Turf/Carryall 1, 2, and 252 .....	12-7

---

## SECTION 13 – UNITIZED TRANSAXLE – GASOLINE VEHICLES

---

Forward/Reverse Shifter .....	13-3
Shifter Cable – Turf/Carryall 1 .....	13-5
Kawasaki Transaxle – Gear Cases and Brackets .....	13-7
Kawasaki Transaxle – F&R Transmission and Gear Reduction .....	13-9
Kawasaki Transaxle – Differential and Axles .....	13-11
Graziano Transaxle – Gear Cases and Levers .....	13-13
Graziano Transaxle – F&R Transmission and Gear Reduction .....	13-15
Graziano Transaxle -Differential and Axles .....	13-17



# CONTENTS

---

## SECTION 14 – ELECTRICAL SYSTEM – ELECTRIC VEHICLES

---

Motor Controller Output Regulator (MCOR) .....	14-3
Wiring – Turf/CA 1 Electric .....	14-5
Battery Charger Receptacle .....	14-7
Tow/Run Switch – IQ System .....	14-9
Batteries, 8-Volt, Trojan T890 .....	14-11
Batteries, 8-Volt, Crown .....	14-13
Computer, Controller, and Solenoid – For Trojan Batteries Only .....	14-15
Computer, Controller, and Solenoid – For Trojan & Crown Batteries .....	14-17
CE Compliance Kit – Turf and Carryall 1 .....	14-19

---

## SECTION 15 – ELECTRIC MOTOR

---

Motor (Model EJ8-4001A) – Electric Vehicle .....	15-3
--	------

---

## SECTION 16 – TRANSAXLE – ELECTRIC VEHICLES

---

Transaxle – Electric Vehicles .....	16-3
Differential Guard – Electric Vehicles .....	16-5

---

## SECTION 17 – BATTERY CHARGERS

---

PowerDrive 3 Battery Charger (Model 26580-11,-12,-18,-19), Domestic .....	17-3
PowerDrive 3 Battery Charger (Model 26580-31,-38,-39), Domestic .....	17-5
PowerDrive Battery Charger (Model 17930), Domestic .....	17-7
PowerDrive Battery Charger (Model 18780), Export .....	17-9
PowerDrive Battery Charger (Model 20310), European .....	17-11
Onboard PowerDrive Battery Charger (Model 19770-98), Domestic .....	17-13
Onboard PowerDrive Battery Charger (Model 19710), International .....	17-15

---

## SECTION 18 – MAINTENANCE AND SERVICE TOOLS

---

Maintenance and Service Tools .....	18-3
Maintenance and Service Tools, Continued .....	18-5
Maintenance and Service Tools, Continued .....	18-7

---

## SECTION i – INDEX

---



# BODY AND TRIM

---

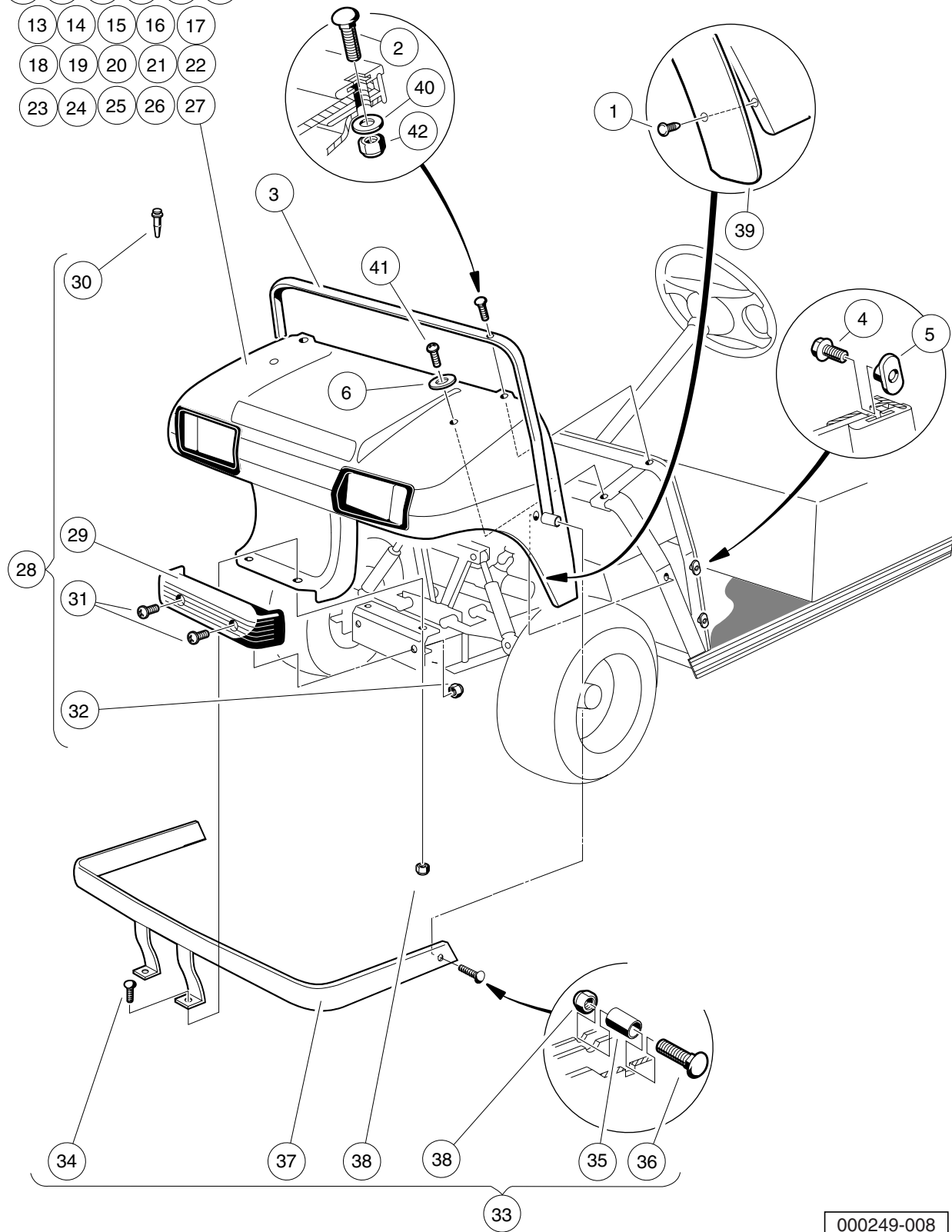
1

G

E

**1**  
**G**  
**E**

- 7 8 9 10 11 12
- 13 14 15 16 17
- 18 19 20 21 22
- 23 24 25 26 27



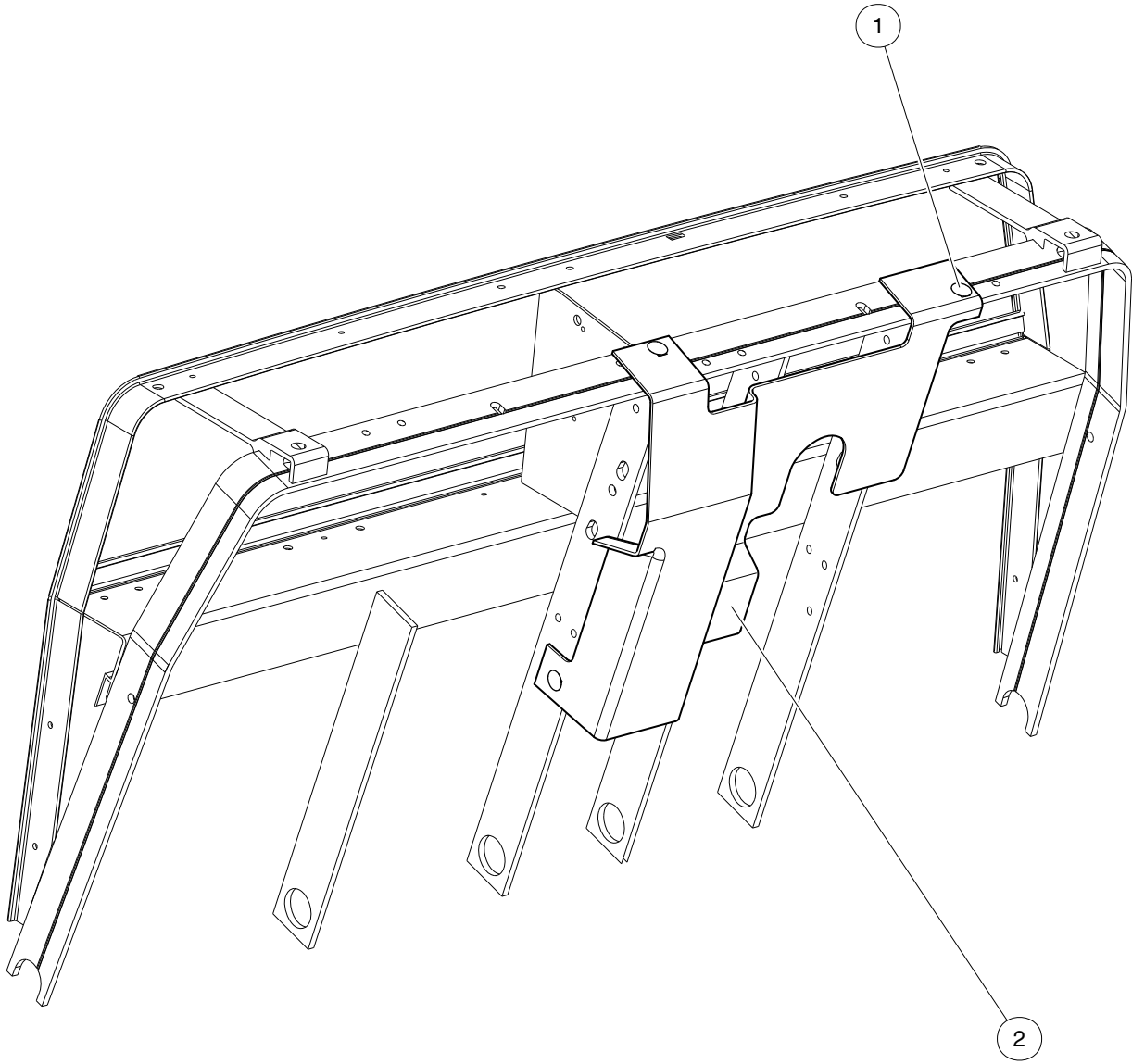
000249-008

# FRONT BODY AND TRIM – TURF, UTILITY, & TRANSPORTATION

ITEM	PART NO.	DESCRIPTION	QTY
		<b>1 2 3 4</b>	
1	<u>1010434</u>	Barrel - Plastic .....	12
2	<u>1010435</u>	Bolt, Carriage, 5/16-18 X 1.00 .....	2
3	<u>1011014</u>	Trim, Cowl .....	1
4	<u>1011017</u>	Screw, #8-32 X 0.375 .....	6
5	<u>1011394</u>	T-Nut Package (Set of 4) .....	1
6	<u>1015075</u>	Washer, 5/16 Flat Type A .....	2
7	<u>101692501</u>	Cowl, TPO, Beige .....	1
8	<u>101692502</u>	Cowl, TPO, White .....	1
9	<u>101692504</u>	Cowl, Tpo -gray .....	1
10	<u>101692506</u>	Cowl, TPO, Red .....	1
11	<u>101692509</u>	Cowl, TPO, Pacific Blue (Royal Blue) .....	1
12	<u>101692510</u>	Cowl, TPO, Dark Green .....	1
13	<u>101692511</u>	Cowl, TPO, Black .....	1
14	<u>101692512</u>	Cowl, TPO, Classic Blue (Navy) .....	1
15	<u>101692513</u>	Cowl, TPO, Burgundy .....	1
16	<u>101692514</u>	Cowl, TPO, Dark Gray .....	1
17	<u>101692515</u>	Cowl, TPO, Safety Yellow .....	1
18	<u>101693901</u>	Cowl with Headlight Opening, TPO, Beige .....	1
19	<u>101693902</u>	Cowl with Headlight Opening, TPO, White .....	1
20	<u>101693904</u>	Cowl with Headlight Opening, TPO, Gray .....	1
21	<u>101693906</u>	Cowl with Headlight Opening, TPO, Red .....	1
22	<u>101693909</u>	Cowl with Headlight Opening, TPO, Dark Green .....	1
23	<u>101693910</u>	Cowl with Headlight Opening, TPO, Black .....	1
24	<u>101693911</u>	Cowl with Headlight Opening, TPO, Classic Blue (Navy) .....	1
25	<u>101693912</u>	Cowl with Headlight Opening, TPO, Burgundy .....	1
26	<u>101693913</u>	Cowl with Headlight Opening, TPO, Dark Gray .....	1
27	<u>101693914</u>	Cowl with Headlight Opening, TPO, Safety Yellow .....	1
28	<u>1017080</u>	Kit, Front Bumper (includes items 29 through 32) .....	1
29	<u>1016868</u>	Front Bumper .....	1
30	<u>1016967</u>	Blind Rivet, Push Type .....	2
31	<u>7251</u>	Screw, 5/16-18 x 1.0 Truss-Head .....	2
32	<u>7473</u>	Locknut, 5/16-18 Nylon Insert .....	2
33	<u>101734802</u>	Kit, Heavy-Duty Bumper (includes items 34 through 38) .....	1
34	<u>1010435</u>	Bolt, Carriage, 5/16-18 X 1.00 .....	2
35	<u>1010546</u>	Spacer .....	2
36	<u>1015405</u>	Bolt, Carriage, 5/16-18 X 2.0 .....	2
37	N/A	Weldment, Heavy Duty Bumper .....	1
38	<u>7473</u>	Locknut, 5/16-18 Nylon Insert .....	4
39	<u>101870401</u>	Fender Extrusion .....	2
40	<u>1241</u>	Washer, 5/16 Type A Flat .....	2
41	<u>7251</u>	Screw, 5/16-18 x 1.0 Truss-Head .....	2
42	<u>7473</u>	Locknut, 5/16-18 Nylon Insert .....	2

**1**  
**G**  
**E**

**1**  
**G**  
**E**



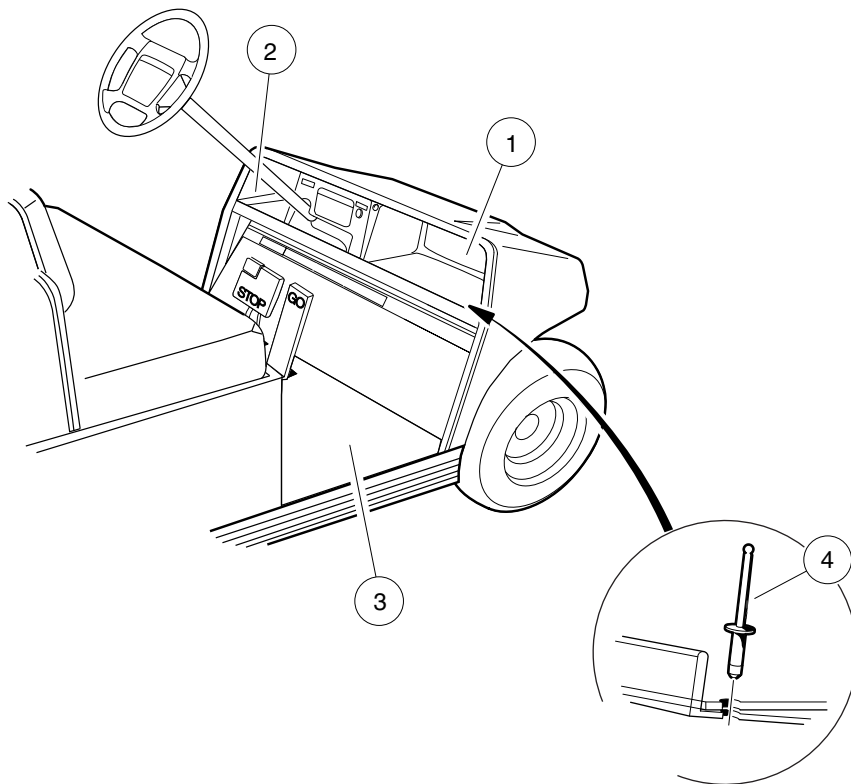
000593-002

# SPLASH GUARD – GASOLINE VEHICLES ONLY

ITEM	PART NO.	DESCRIPTION	QTY
1	<u>1010434</u>	1 2 3 4 Barrel - Plastic .....	3
2	<u>103174401</u>	Splash Guard .....	1

1  
G  
E

**1**  
**G**  
**E**



000252-002

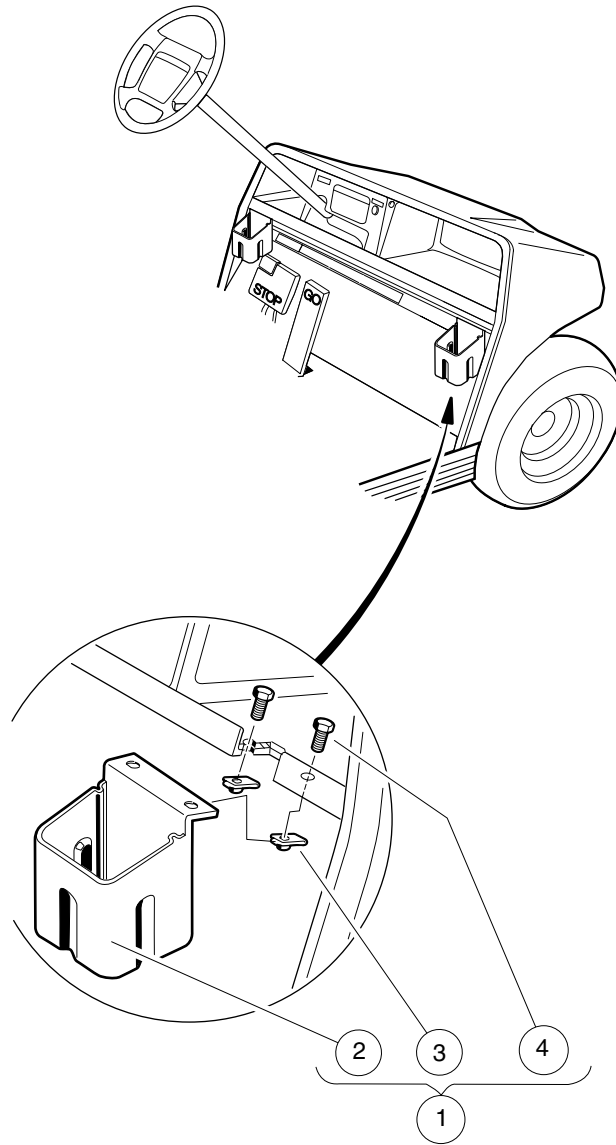


# DASH POCKETS AND FLOORMAT

ITEM	PART NO.	DESCRIPTION	QTY
		<b>1 2 3 4</b>	
1	<u>1013343</u>	Dash Component, Passenger-Side, Black .....	1
2	1013344	Dash Component, Driver-Side .....	1
3	<u>101503202</u>	Floormat .....	1
4	<u>7973</u>	Rivet, 3/16 X .400 Blind .....	5

1  
G  
E

**1**  
**G**  
**E**



000253-001

# BEVERAGE HOLDER

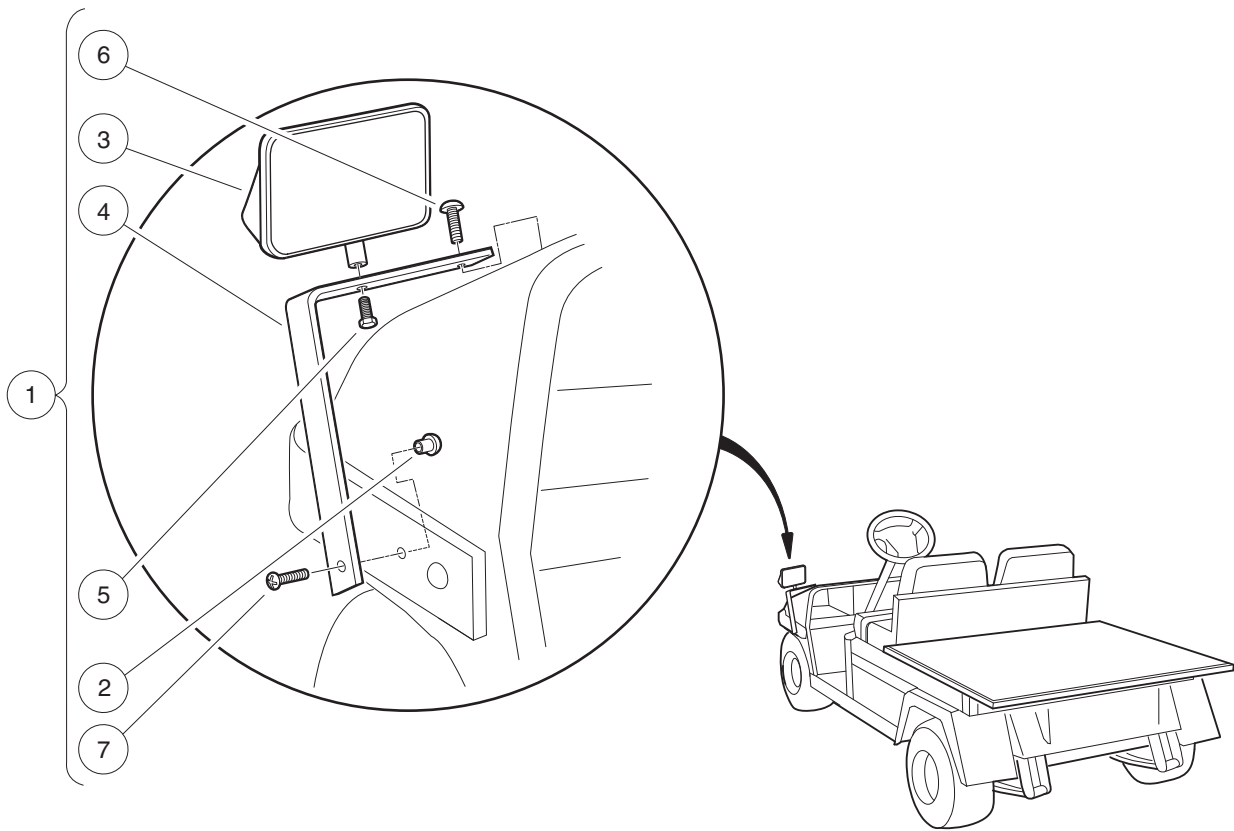
ITEM	PART NO.	DESCRIPTION	QTY
		1 2 3 4	
1	1013422	Cup Holder Kit (includes items 2 through 4) .....	2
2	1013420	Holder, Single Cup .....	1
3	1016952	U-Nut, 1/4-20 .....	2
4	<u>7847</u>	Screw, 1/4-20 X 0.75 Hex-Head Cap .....	2

1

G

E

**1**  
**G**  
**E**



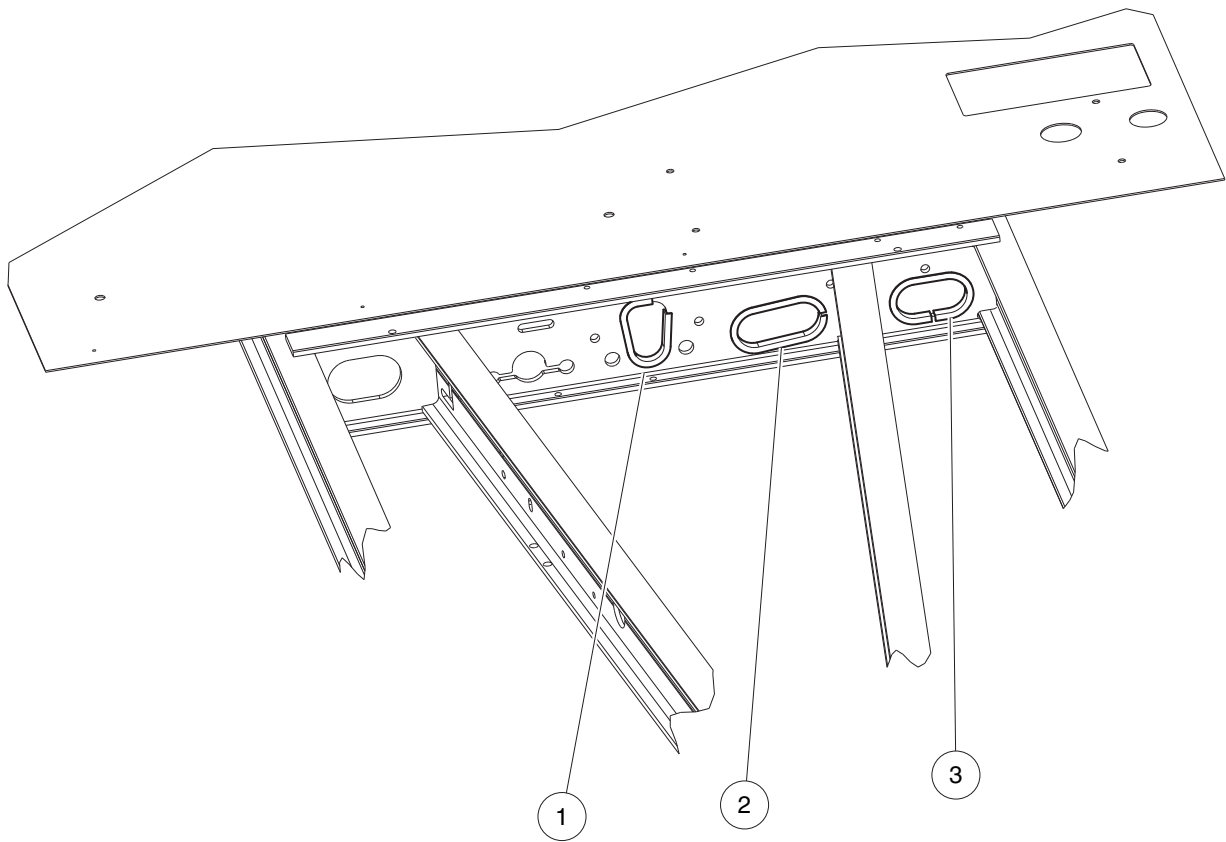
001211-001

## MIRROR, REAR-VIEW – WITHOUT CAB

ITEM	PART NO.	DESCRIPTION	QTY
		1 2 3 4	
1	<u>1013846</u>	Kit, Rear Mirror, West Coast (includes items 2 through 7) .....	1
2	1011878	T-nut, 1/4-20 X .310 Capped .....	1
3	1013824	Rear View Mirror .....	1
4	<u>1013825</u>	Mirror Mounting Bracket .....	1
5	<u>7173</u>	Screw, 5/16-18 X 0.75, Hex-Head Cap .....	1
6	<u>7251</u>	Screw, 5/16-18 x 1.0 Truss-Head .....	1
7	<u>8248</u>	Screw, 1/4-20 X 0.75, Truss-Head Machine .....	1
		Note: To install this kit, vehicle must be equipped with a heavy-duty front bumper.	

1  
G  
E

**1**  
**G**  
**E**



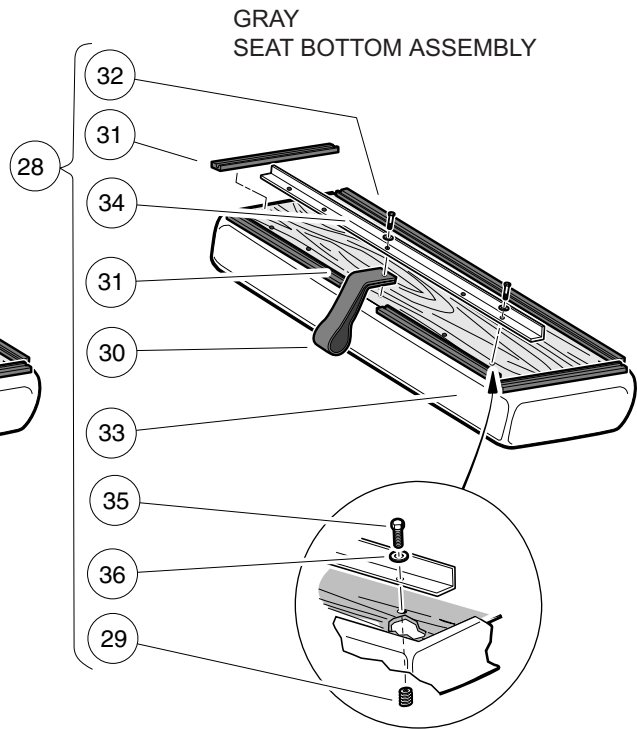
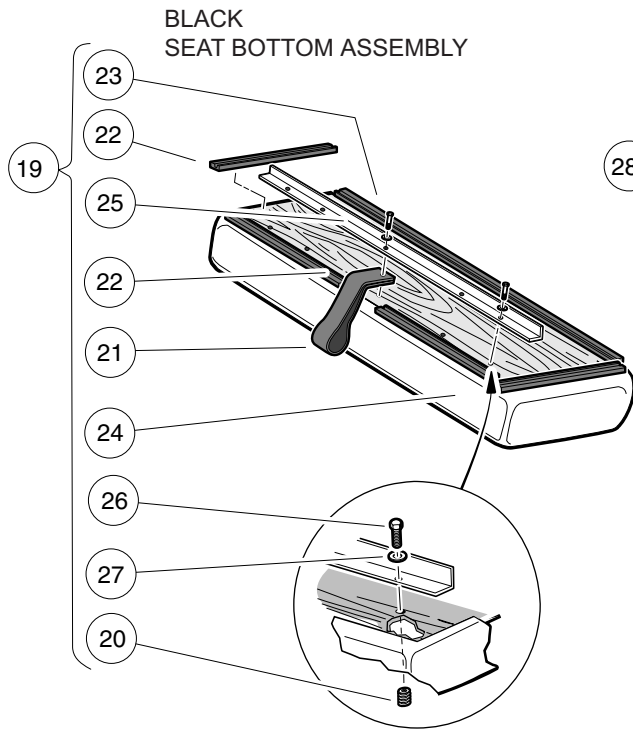
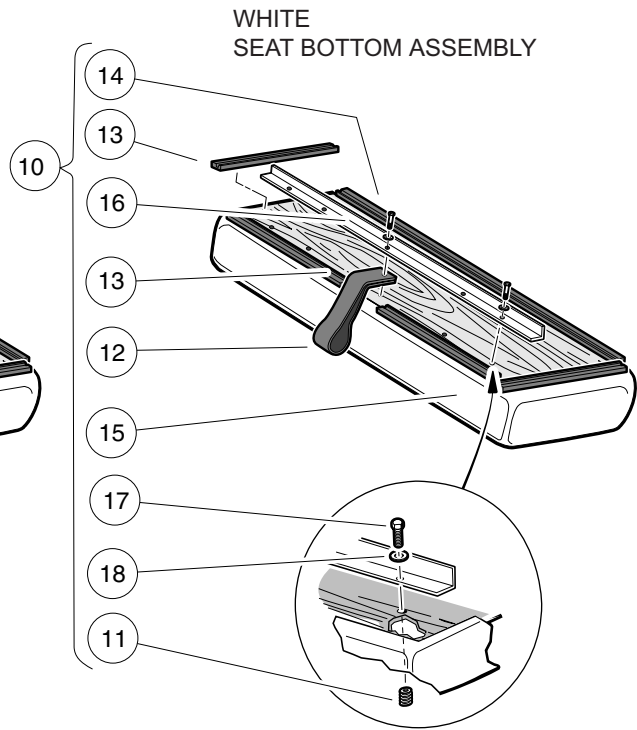
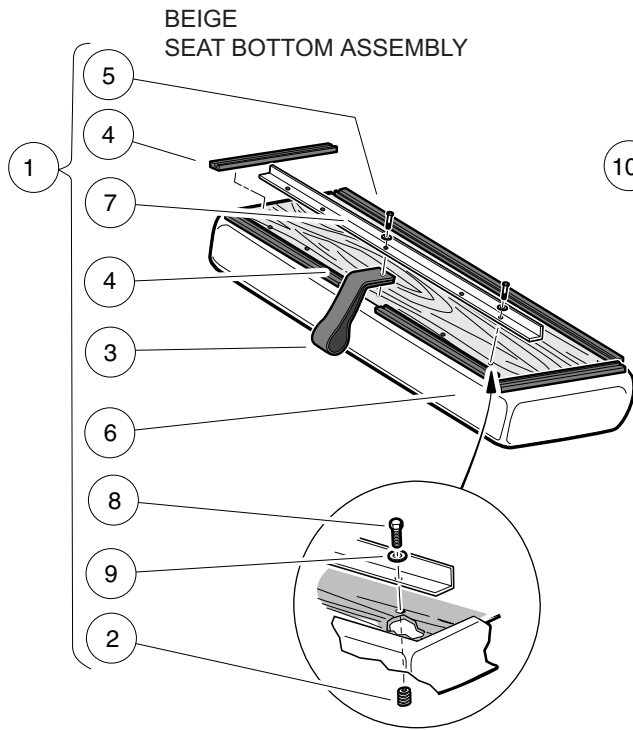
001221-001

# GROMMETS, CHASSIS

ITEM	PART NO.	DESCRIPTION	QTY
1	<u>101806001</u>	1 2 3 4 I-beam Grommet - 5.5 .....	A/R
2	<u>101806002</u>	I-beam Grommet - 7.5 .....	A/R
3	<u>101806005</u>	I-beam Grommet - 6.75 .....	A/R

**1**  
**G**  
**E**

**1**  
**G**  
**E**



000254-001

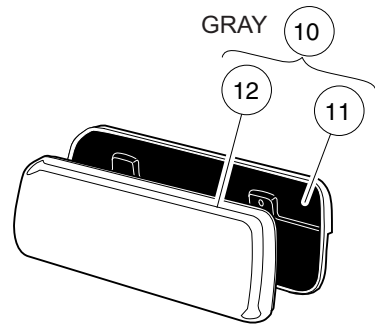
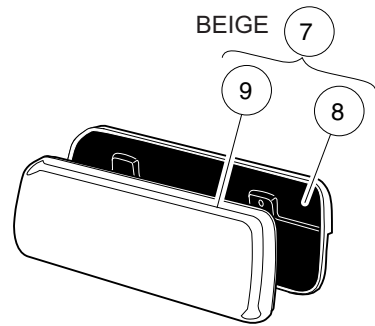
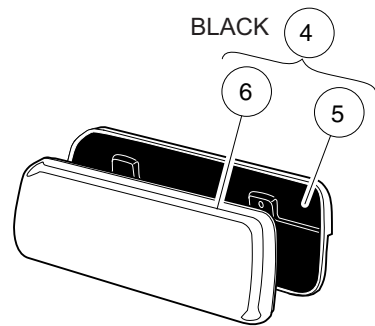
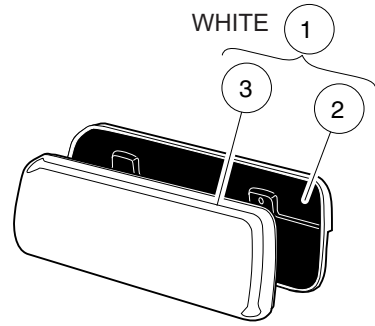


# SEAT BOTTOM

ITEM	PART NO.	DESCRIPTION	QTY
		1 2 3 4	
1	<u>101564501</u>	Seat Bottom Assembly, Beige (includes items 2 through 9) .....	1
2	<u>1010543</u>	Insert - Wood .....	5
3	<u>1013309</u>	Strap, Utility Seat .....	1
4	<u>1013311</u>	Bumper, Seat, Short .....	4
5	<u>1013312</u>	Bumper, Seat, Long .....	1
6	<u>101562711</u>	Vinyl Cover, Seat Bottom, Buff .....	1
7	<u>101894303</u>	Stiffener .....	1
8	<u>101954301</u>	Screw, 1/4-20 X 0.75 Hex-Head Cap .....	5
9	<u>332</u>	Washer, 1/4 Type A Narrow Flat .....	5
10	<u>101564502</u>	Seat Bottom Assembly, White (includes items 11 through 18) .....	1
11	<u>1010543</u>	Insert - Wood .....	5
12	<u>1013309</u>	Strap, Utility Seat .....	1
13	<u>1013311</u>	Bumper, Seat, Short .....	4
14	<u>1013312</u>	Bumper, Seat, Long .....	1
15	<u>101562712</u>	Vinyl Cover, Seat Bottom, White .....	1
16	<u>101894303</u>	Stiffener .....	1
17	<u>101954301</u>	Screw, 1/4-20 X 0.75 Hex-Head Cap .....	5
18	<u>332</u>	Washer, 1/4 Type A Narrow Flat .....	5
19	<u>101564503</u>	Seat Bottom Assembly, Black (includes items 20 through 27) .....	1
20	<u>1010543</u>	Insert - Wood .....	5
21	<u>1013309</u>	Strap, Utility Seat .....	1
22	<u>1013311</u>	Bumper, Seat, Short .....	4
23	<u>1013312</u>	Bumper, Seat, Long .....	1
24	<u>101562714</u>	Vinyl Cover, Seat Bottom, Black .....	1
25	<u>101894303</u>	Stiffener .....	1
26	<u>101954301</u>	Screw, 1/4-20 X 0.75 Hex-Head Cap .....	5
27	<u>332</u>	Washer, 1/4 Type A Narrow Flat .....	5
28	<u>101564505</u>	Seat Bottom Assembly, Gray (includes items 29 through 36) .....	1
29	<u>1010543</u>	Insert - Wood .....	5
30	<u>1013309</u>	Strap, Utility Seat .....	1
31	<u>1013311</u>	Bumper, Seat, Short .....	4
32	<u>1013312</u>	Bumper, Seat, Long .....	1
33	<u>101562715</u>	Vinyl Cover, Seat Bottom, Gray .....	2
34	<u>101894303</u>	Stiffener .....	1
35	<u>101954301</u>	Screw, 1/4-20 X 0.75 Hex-Head Cap .....	5
36	<u>332</u>	Washer, 1/4 Type A Narrow Flat .....	5

1  
G  
E

**1**  
**G**  
**E**

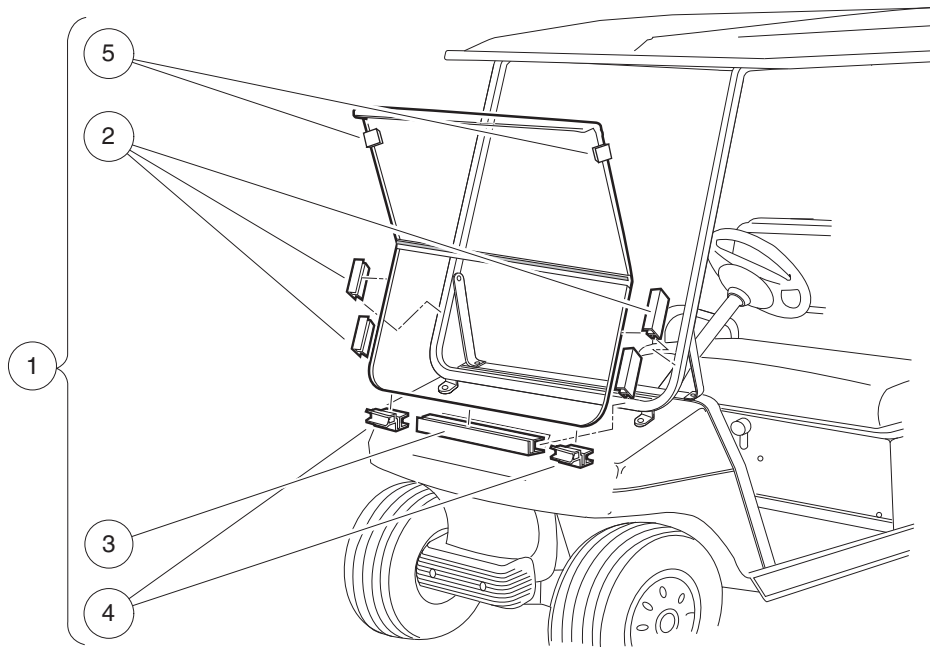


000608-001

# SEAT BACK ASSEMBLY

ITEM	PART NO.	DESCRIPTION	QTY
		1 2 3 4	
1	<u>101677701</u>	Seat Back Assembly, White (includes items 2 and 3) .....	1
2	1016751	Cap, Seat Back .....	1
3	<u>101675512</u>	Vinyl Seat Back, White .....	1
4	<u>101677702</u>	Seat Back Assembly, Black (includes items 5 and 6) .....	1
5	1016751	Cap, Seat Back .....	1
6	<u>101675514</u>	Vinyl Seat Back, Black .....	1
7	<u>101677703</u>	Seat Back Assembly, Beige (includes items 8 and 9) .....	1
8	1016751	Cap, Seat Back .....	1
9	<u>101675511</u>	Vinyl Seat Back, Beige .....	1
10	<u>101677705</u>	Seat Back Assembly, Gray (includes items 11 and 12) .....	1
11	1016751	Cap, Seat Back .....	1
12	<u>101675515</u>	Vinyl Seat Back-nstd Svc .....	1

1  
G  
E



001205-001

# WINDSHIELD, HINGED

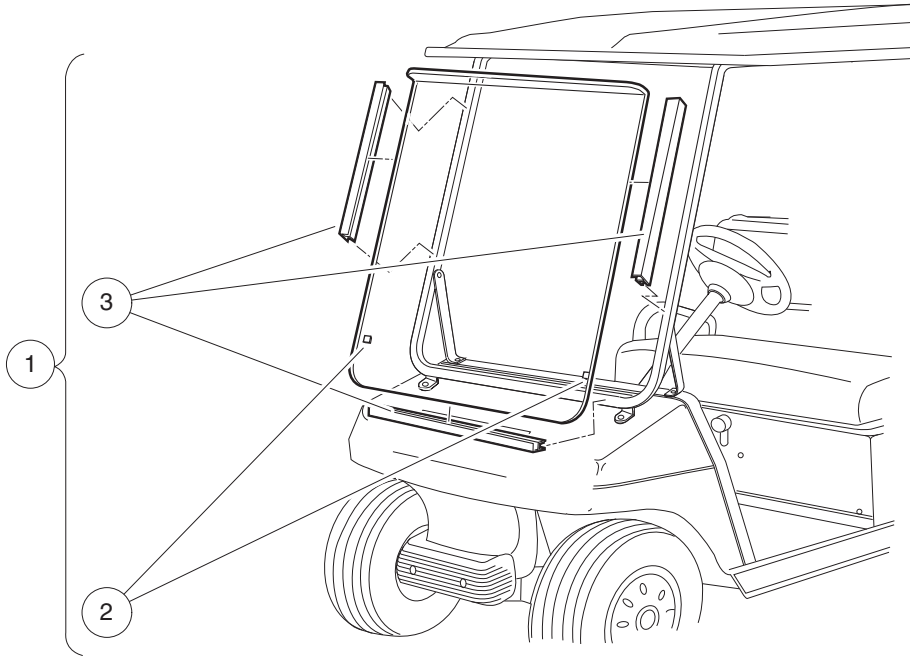
ITEM	PART NO.	DESCRIPTION	QTY
		1 2 3 4	
1	<u>101728602</u>	Hinged Windshield Kit (includes items 2 through 5) .....	1
2	<u>102005701</u>	5" Plastic Extrusion .....	4
3	<u>102163001</u>	Windshield Channel .....	1
4	<u>102163101</u>	Channel with Receiver Clip .....	2
5	N/A	Clip, Release .....	2

1  
G  
E

1

G

E

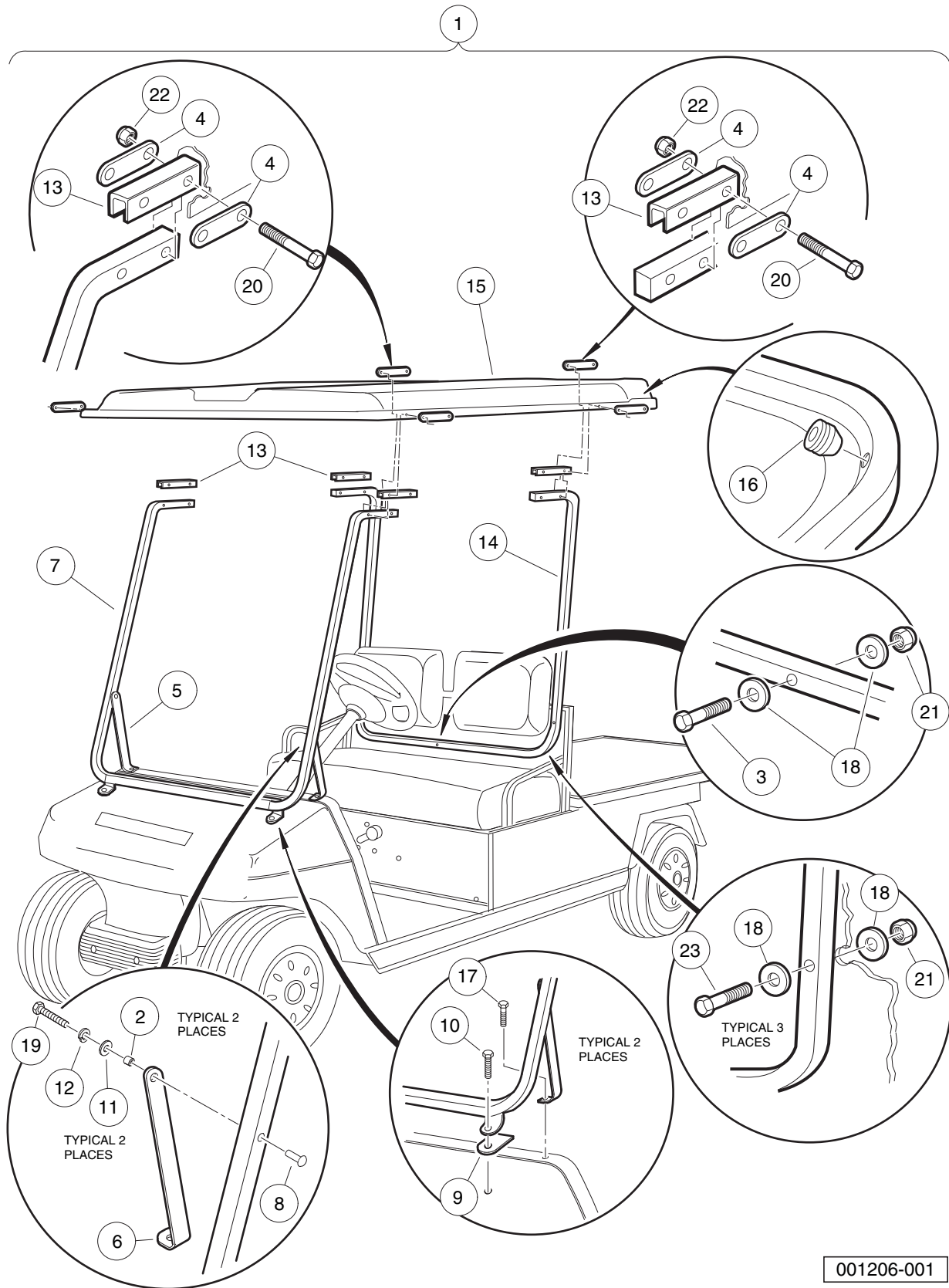


001204-001

# WINDSHIELD, NON-HINGED

ITEM	PART NO.	DESCRIPTION	QTY
		<b>1 2 3 4</b>	
1	1014435	Windshield Tinted One-Piece (includes items 2 and 3) .....	1
2	<u>1011897</u>	Bumper, Protective .....	2
3	<u>101444101</u>	21" Plastic Extrusion .....	3



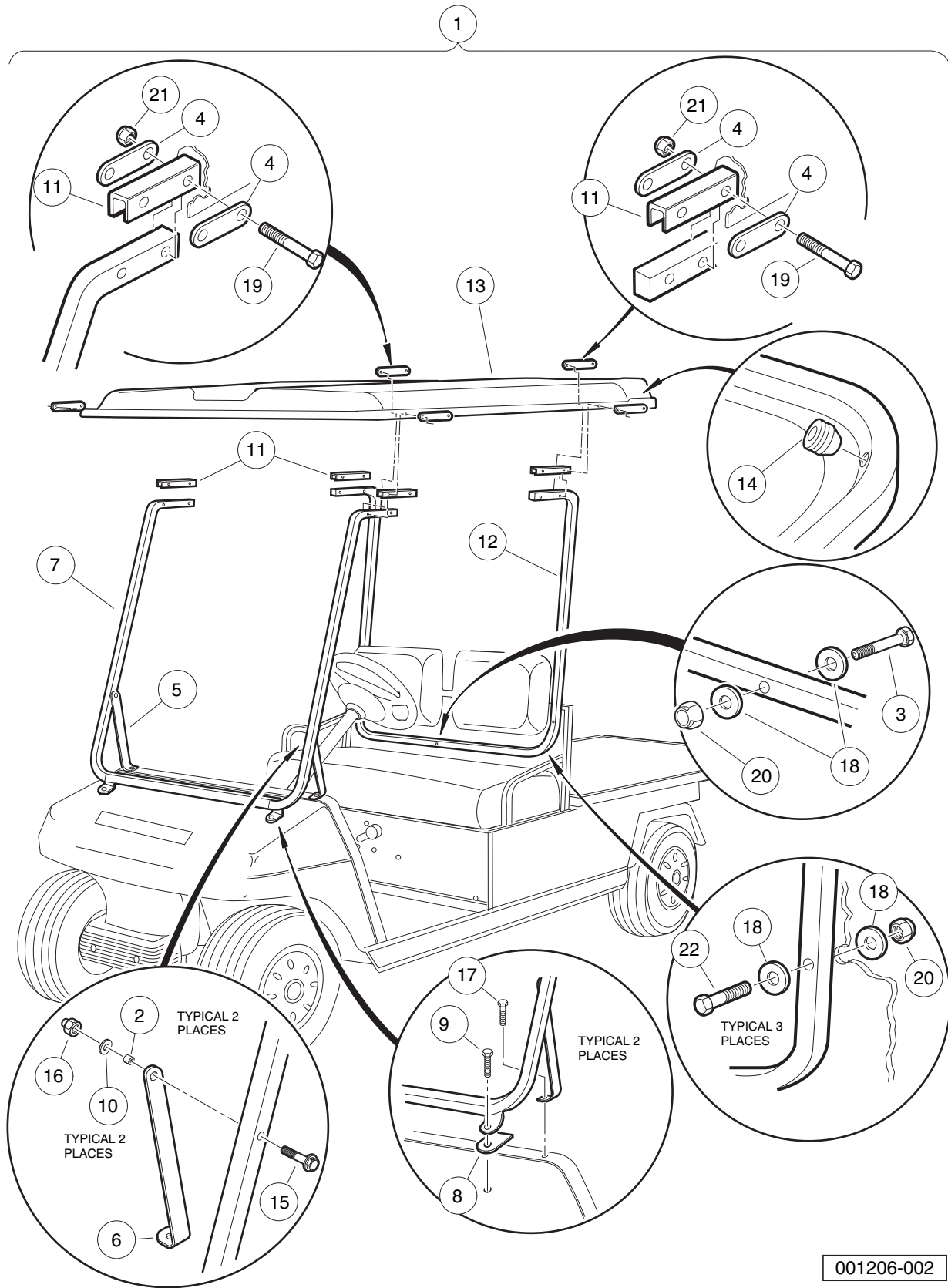




## CANOPY KIT, WHITE – TO MID-2010 MODEL YEAR

ITEM	PART NO.	DESCRIPTION	QTY
		1 2 3 4	
1	<u>1014506</u>	Kit, Canopy, White (includes items 2 through 23) .....	1
2	<u>1010237</u>	Bushing .....	2
3	<u>1010921</u>	Screw, 5/16-18 X 2.50 Hex Cap .....	1
4	1011852	Plate, Canopy Trim .....	8
5	<u>1011862</u>	Brace, Right-Hand Canopy Mount Knee .....	1
6	<u>1011865</u>	Brace, Left-Hand Canopy Mount Knee .....	1
7	<u>1011868</u>	Weldment, Windshield Frame .....	1
8	1011878	T-nut, 1/4-20 X .310 Capped .....	2
9	<u>1011883</u>	Pad, Windshield Frame Mounting .....	2
10	<u>1011937</u>	Bolt, 5/16-18 X 1.25 Hex Head .....	2
11	1011964	Washer, 1/4 Flat .....	2
12	<u>1011965</u>	Lockwasher, 1/4 Split Ss .....	2
13	1012008	Support, Side Canopy .....	4
14	<u>1014503</u>	Brace, Rear Canopy .....	1
15	1014509	Canopy, White (includes item 16) .....	1
16	1011942	Modified Grommet .....	2
17	1218	Screw, 5/16-18 X 1.25 Hex-Head Cap .....	2
18	<u>1241</u>	Washer, 5/16 Type A Flat .....	6
19	<u>1703</u>	Screw, 1/4-20 X 1.50 Hx Hd Cap .....	2
20	<u>7311</u>	Screw, 1/4-20 X 2.00 Hex-Head Cap .....	8
21	<u>7473</u>	Locknut, 5/16-18 Nylon Insert .....	3
22	<u>8233</u>	Locknut, 1/4-20, Nylon Insert .....	8
23	<u>8963</u>	Screw, 5/16-18 X 1.75 Hex-Head Cap .....	3

**1**  
**G**  
**E**

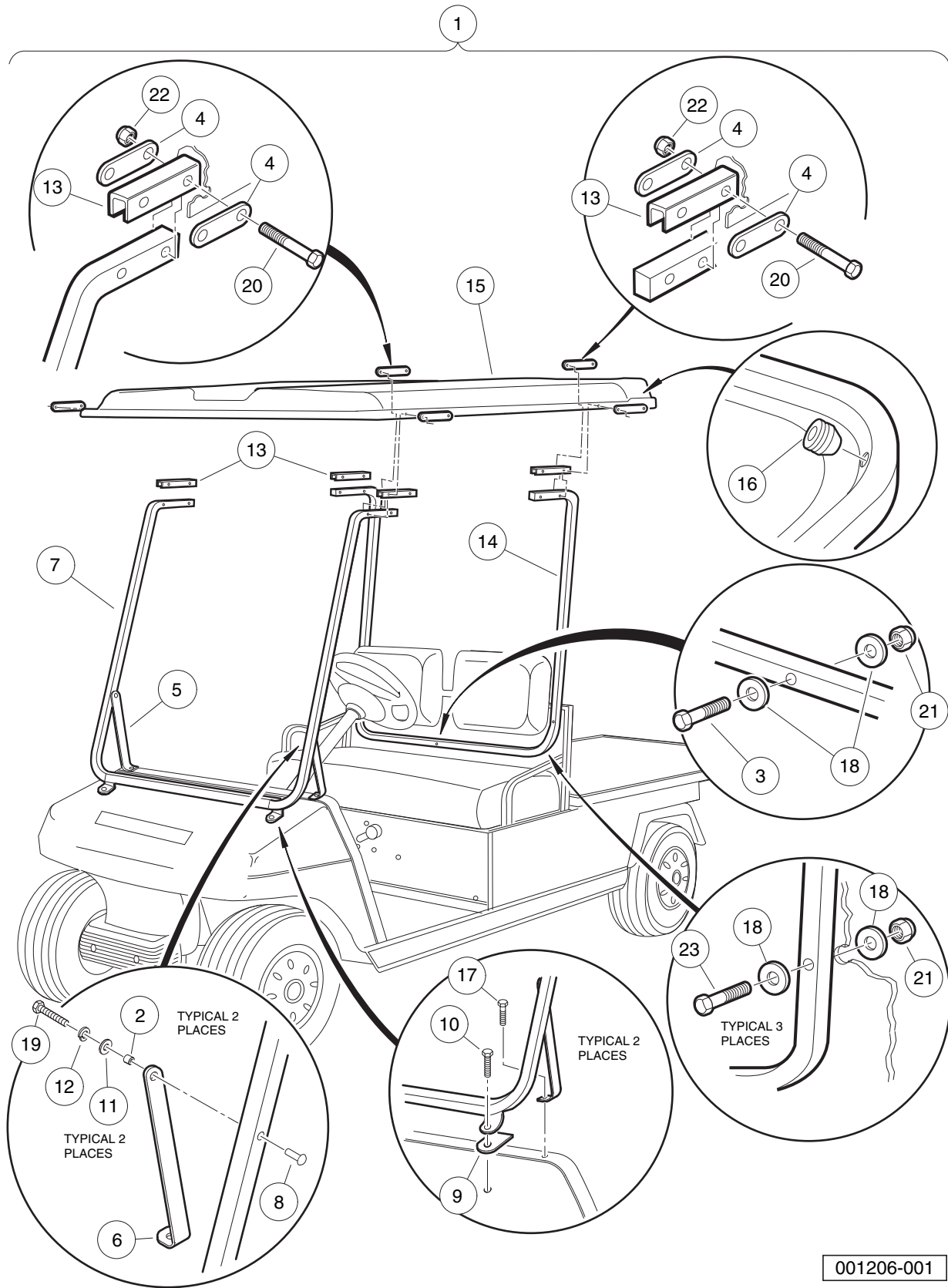


001206-002

## CANOPY KIT, WHITE – FROM MID-2010 MODEL YEAR

ITEM	PART NO.	DESCRIPTION	QTY
		1 2 3 4	
1	<u>1014506</u>	Kit, Canopy, White (includes items 2 through 22) .....	1
2	<u>1010237</u>	Bushing .....	2
3	<u>1010921</u>	Screw, 5/16-18 X 2.50 Hex Cap .....	1
4	1011852	Plate, Canopy Trim .....	8
5	<u>1011862</u>	Brace, Right-Hand Canopy Mount Knee .....	1
6	<u>1011865</u>	Brace, Left-Hand Canopy Mount Knee .....	1
7	<u>1011868</u>	Weldment, Windshield Frame .....	1
8	<u>1011883</u>	Pad, Windshield Frame Mounting .....	2
9	<u>1011937</u>	Bolt, 5/16-18 X 1.25 Hex Head .....	2
10	1011964	Washer, 1/4 Flat .....	2
11	1012008	Support, Side Canopy .....	4
12	<u>1014503</u>	Brace, Rear Canopy .....	1
13	1014509	Canopy, White (includes item 14) .....	1
14	1011942	Modified Grommet .....	2
15	<u>102076702</u>	1/4-20 X 1.75 Hex Sems Blk .....	2
16	<u>102242401</u>	Nut - Nylon Insert W/cap .....	2
17	1218	Screw, 5/16-18 X 1.25 Hex-Head Cap .....	2
18	<u>1241</u>	Washer, 5/16 Type A Flat .....	6
19	<u>7311</u>	Screw, 1/4-20 X 2.00 Hex-Head Cap .....	8
20	<u>7473</u>	Locknut, 5/16-18 Nylon Insert .....	3
21	<u>8233</u>	Locknut, 1/4-20, Nylon Insert .....	8
22	<u>8963</u>	Screw, 5/16-18 X 1.75 Hex-Head Cap .....	3

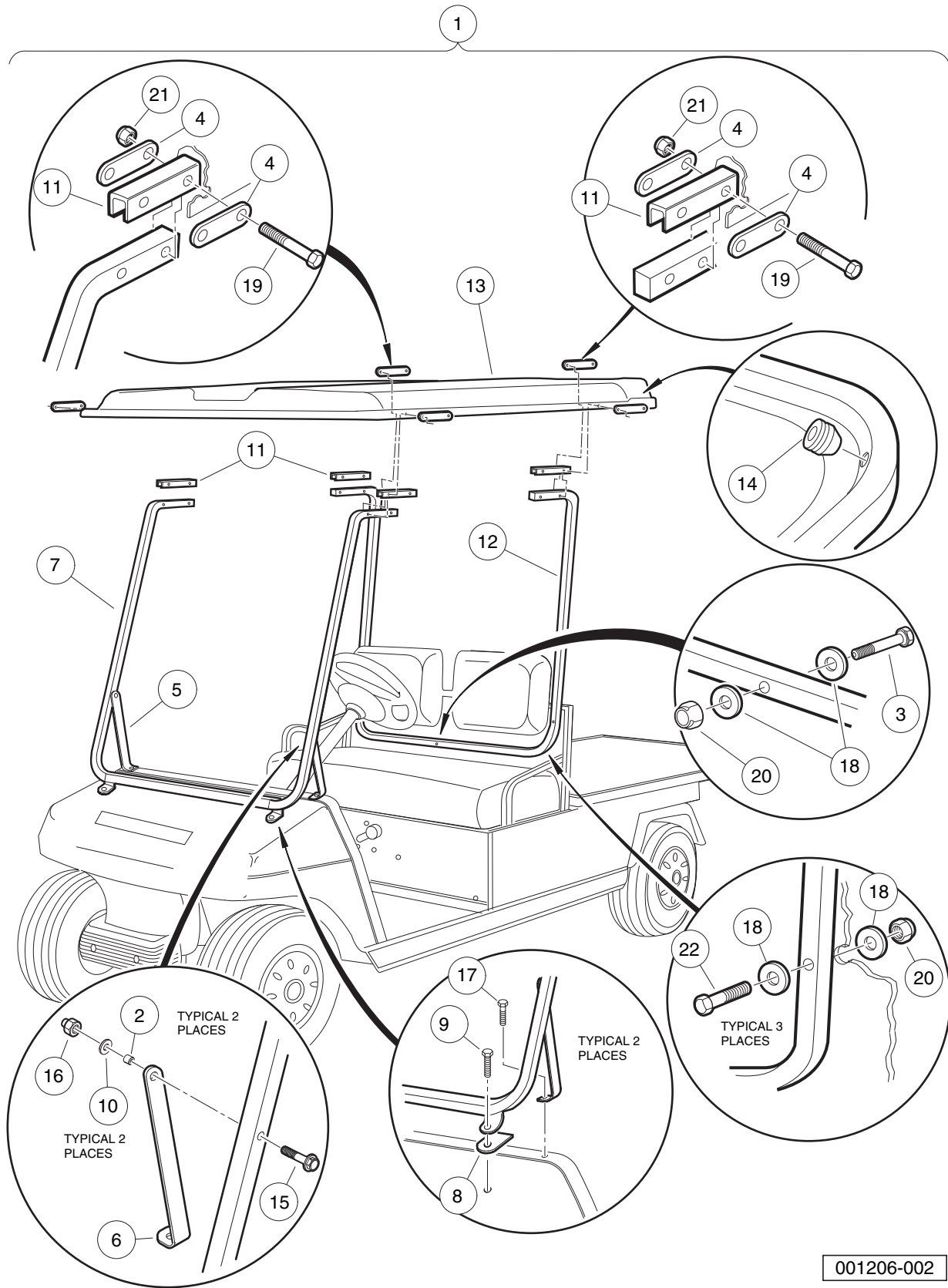
1  
G  
E



## CANOPY KIT, BEIGE – TO MID-2010 MODEL YEAR

ITEM	PART NO.	DESCRIPTION	QTY
		1 2 3 4	
1	<u>101450698</u>	Kit, Canopy, Beige, Ca1/2 (includes items 2 through 23) .....	1
2	<u>1010237</u>	Bushing .....	2
3	<u>1010921</u>	Screw, 5/16-18 X 2.50 Hex Cap .....	1
4	1011852	Plate, Canopy Trim .....	8
5	<u>1011862</u>	Brace, Right-Hand Canopy Mount Knee .....	1
6	<u>1011865</u>	Brace, Left-Hand Canopy Mount Knee .....	1
7	<u>1011868</u>	Weldment, Windshield Frame .....	1
8	1011878	T-nut, 1/4-20 X .310 Capped .....	2
9	<u>1011883</u>	Pad, Windshield Frame Mounting .....	2
10	<u>1011937</u>	Bolt, 5/16-18 X 1.25 Hex Head .....	2
11	1011964	Washer, 1/4 Flat .....	2
12	<u>1011965</u>	Lockwasher, 1/4 Split Ss .....	2
13	1012008	Support, Side Canopy .....	4
14	<u>1014503</u>	Brace, Rear Canopy .....	1
15	<u>101450903</u>	Asm, Canopy, Beige (includes item 16) .....	1
16	1011942	Modified Grommet .....	2
17	1218	Screw, 5/16-18 X 1.25 Hex-Head Cap .....	2
18	<u>1241</u>	Washer, 5/16 Type A Flat .....	6
19	<u>1703</u>	Screw, 1/4-20 X 1.50 Hx Hd Cap .....	2
20	<u>7311</u>	Screw, 1/4-20 X 2.00 Hex-Head Cap .....	8
21	<u>7473</u>	Locknut, 5/16-18 Nylon Insert .....	3
22	<u>8233</u>	Locknut, 1/4-20, Nylon Insert .....	8
23	<u>8963</u>	Screw, 5/16-18 X 1.75 Hex-Head Cap .....	3

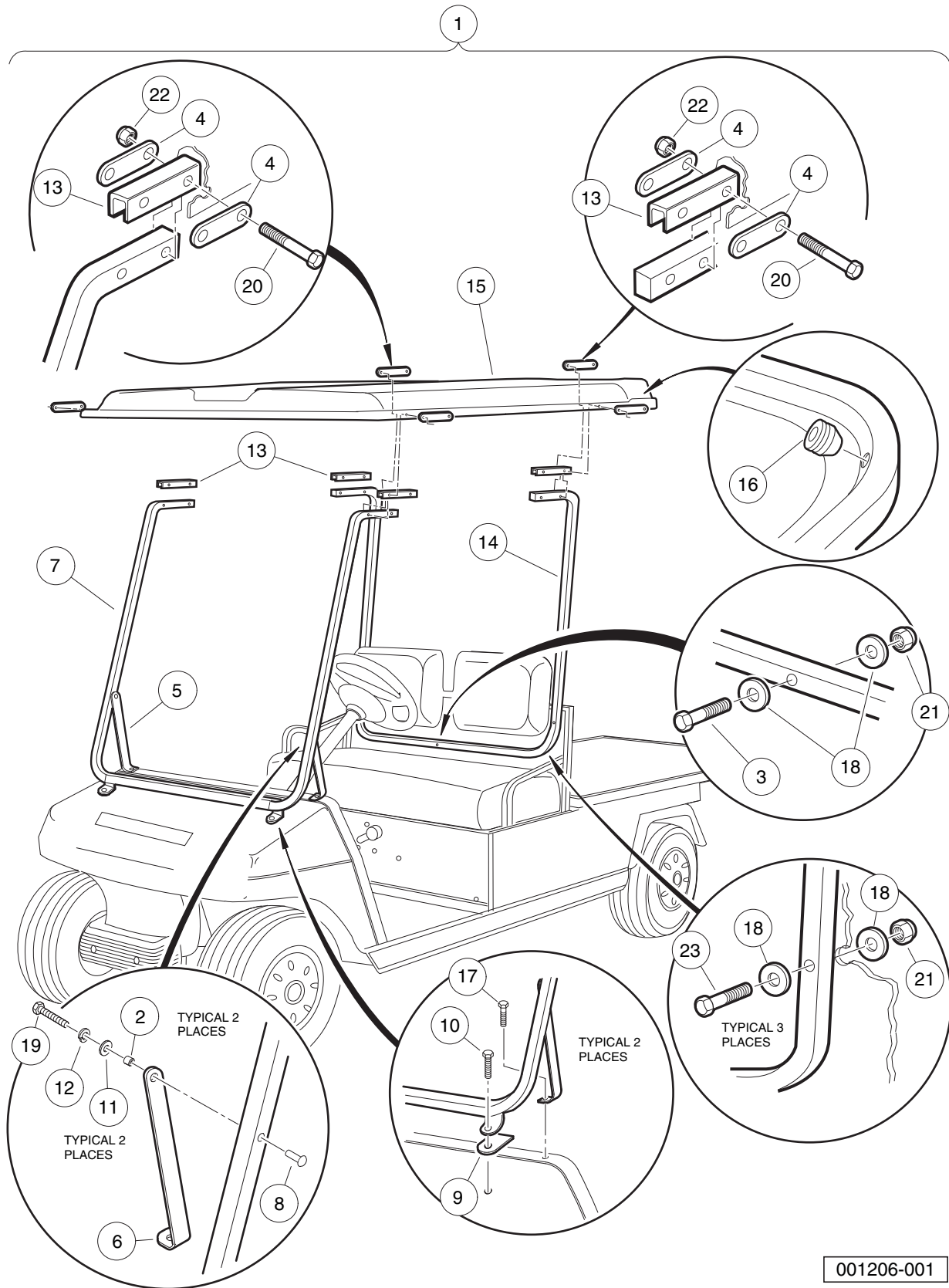
**1**  
**G**  
**E**



001206-002

## CANOPY KIT, BEIGE – FROM MID-2010 MODEL YEAR

ITEM	PART NO.	DESCRIPTION	QTY	
		1 2 3 4		<b>1</b>
1	<u>101450698</u>	Kit, Canopy, Beige, Ca1/2 (includes items 2 through 22) .....	1	<b>G</b>
2	<u>1010237</u>	Bushing .....	2	<b>E</b>
3	<u>1010921</u>	Screw, 5/16-18 X 2.50 Hex Cap .....	1	
4	<u>1011852</u>	Plate, Canopy Trim .....	8	
5	<u>1011862</u>	Brace, Right-Hand Canopy Mount Knee .....	1	
6	<u>1011865</u>	Brace, Left-Hand Canopy Mount Knee .....	1	
7	<u>1011868</u>	Weldment, Windshield Frame .....	1	
8	<u>1011883</u>	Pad, Windshield Frame Mounting .....	2	
9	<u>1011937</u>	Bolt, 5/16-18 X 1.25 Hex Head .....	2	
10	<u>1011964</u>	Washer, 1/4 Flat .....	2	
11	<u>1012008</u>	Support, Side Canopy .....	4	
12	<u>1014503</u>	Brace, Rear Canopy .....	1	
13	<u>101450903</u>	Asm, Canopy, Beige (includes item 14) .....	1	
14	<u>1011942</u>	Modified Grommet .....	2	
15	<u>102076702</u>	1/4-20 X 1.75 Hex Sems Blk .....	2	
16	<u>102242401</u>	Nut - Nylon Insert W/cap .....	2	
17	<u>1218</u>	Screw, 5/16-18 X 1.25 Hex-Head Cap .....	2	
18	<u>1241</u>	Washer, 5/16 Type A Flat .....	6	
19	<u>7311</u>	Screw, 1/4-20 X 2.00 Hex-Head Cap .....	8	
20	<u>7473</u>	Locknut, 5/16-18 Nylon Insert .....	3	
21	<u>8233</u>	Locknut, 1/4-20, Nylon Insert .....	8	
22	<u>8963</u>	Screw, 5/16-18 X 1.75 Hex-Head Cap .....	3	

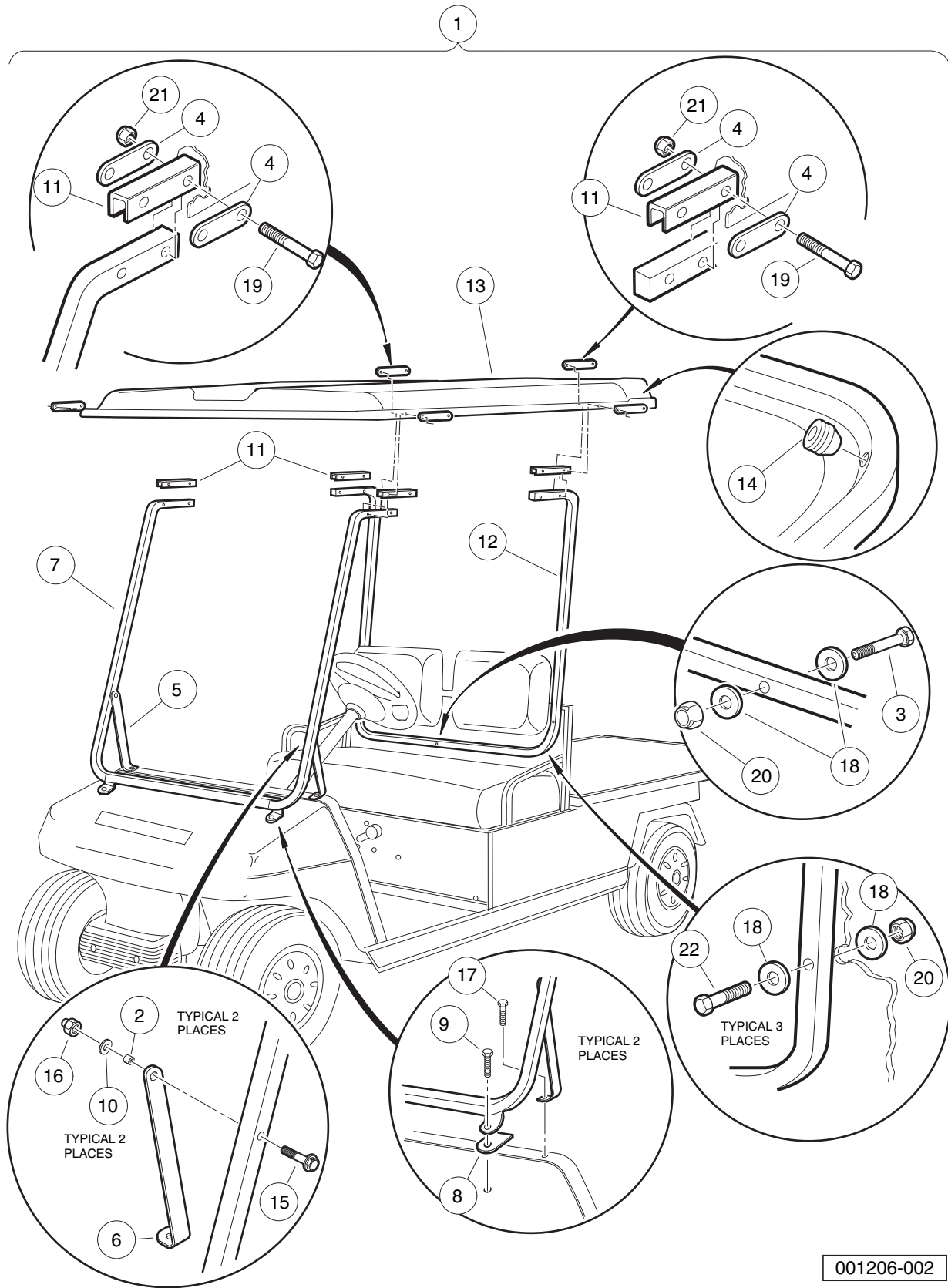




## CANOPY KIT, BLACK – TO MID-2010 MODEL YEAR

ITEM	PART NO.	DESCRIPTION	QTY
		1 2 3 4	
1	<u>102198501</u>	Canopy Top Kit, Black (includes items 2 through 23) .....	1
2	<u>1010237</u>	Bushing .....	2
3	<u>1010921</u>	Screw, 5/16-18 X 2.50 Hex Cap .....	1
4	1011852	Plate, Canopy Trim .....	8
5	<u>1011862</u>	Brace, Right-Hand Canopy Mount Knee .....	1
6	<u>1011865</u>	Brace, Left-Hand Canopy Mount Knee .....	1
7	<u>1011868</u>	Weldment, Windshield Frame .....	1
8	1011878	T-nut, 1/4-20 X .310 Capped .....	2
9	<u>1011883</u>	Pad, Windshield Frame Mounting .....	2
10	<u>1011937</u>	Bolt, 5/16-18 X 1.25 Hex Head .....	2
11	1011964	Washer, 1/4 Flat .....	4
12	<u>1011965</u>	Lockwasher, 1/4 Split Ss .....	2
13	1012008	Support, Side Canopy .....	4
14	<u>1014503</u>	Brace, Rear Canopy .....	1
15	<u>101450902</u>	Asm, Canopy, Black (includes item 16) .....	1
16	1011942	Modified Grommet .....	2
17	1218	Screw, 5/16-18 X 1.25 Hex-Head Cap .....	2
18	<u>1241</u>	Washer, 5/16 Type A Flat .....	6
19	<u>1703</u>	Screw, 1/4-20 X 1.50 Hx Hd Cap .....	2
20	<u>7311</u>	Screw, 1/4-20 X 2.00 Hex-Head Cap .....	8
21	<u>7473</u>	Locknut, 5/16-18 Nylon Insert .....	3
22	<u>8233</u>	Locknut, 1/4-20, Nylon Insert .....	8
23	<u>8963</u>	Screw, 5/16-18 X 1.75 Hex-Head Cap .....	3

**1**  
**G**  
**E**

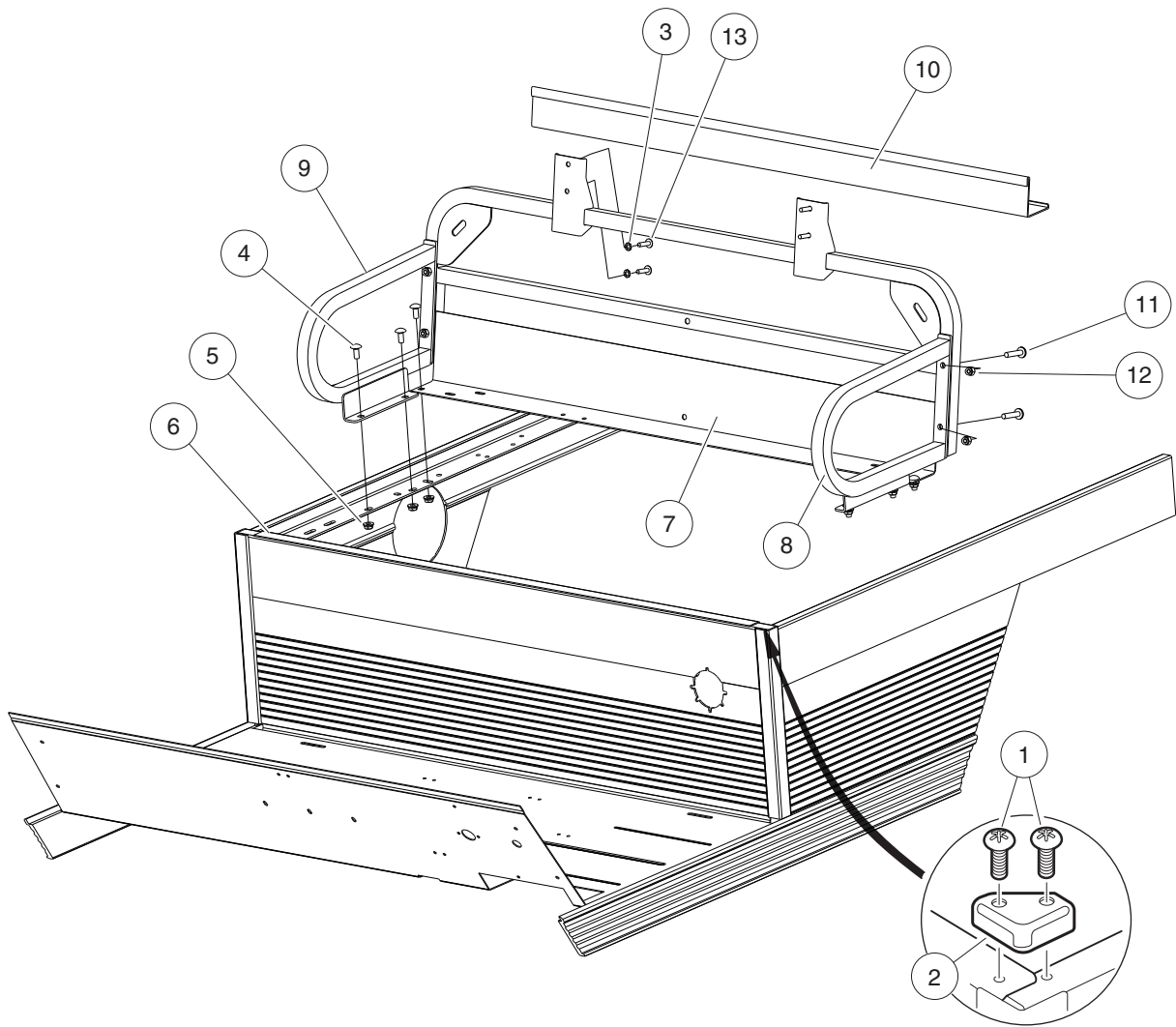


001206-002

## CANOPY KIT, BLACK – FROM MID-2010 MODEL YEAR

ITEM	PART NO.	DESCRIPTION	QTY
		1 2 3 4	
1	<u>102198501</u>	Canopy Top Kit, Black (includes items 2 through 22) .....	1
2	<u>1010237</u>	Bushing .....	2
3	<u>1010921</u>	Screw, 5/16-18 X 2.50 Hex Cap .....	1
4	1011852	Plate, Canopy Trim .....	8
5	<u>1011862</u>	Brace, Right-Hand Canopy Mount Knee .....	1
6	<u>1011865</u>	Brace, Left-Hand Canopy Mount Knee .....	1
7	<u>1011868</u>	Weldment, Windshield Frame .....	1
8	<u>1011883</u>	Pad, Windshield Frame Mounting .....	2
9	<u>1011937</u>	Bolt, 5/16-18 X 1.25 Hex Head .....	2
10	1011964	Washer, 1/4 Flat .....	2
11	1012008	Support, Side Canopy .....	4
12	<u>1014503</u>	Brace, Rear Canopy .....	1
13	<u>101450902</u>	Asm, Canopy, Black (includes item 14) .....	1
14	1011942	Modified Grommet .....	2
15	<u>102076702</u>	1/4-20 X 1.75 Hex Sems Blk .....	2
16	<u>102242401</u>	Nut - Nylon Insert W/cap .....	2
17	1218	Screw, 5/16-18 X 1.25 Hex-Head Cap .....	2
18	<u>1241</u>	Washer, 5/16 Type A Flat .....	6
19	<u>7311</u>	Screw, 1/4-20 X 2.00 Hex-Head Cap .....	8
20	<u>7473</u>	Locknut, 5/16-18 Nylon Insert .....	3
21	<u>8233</u>	Locknut, 1/4-20, Nylon Insert .....	8
22	<u>8963</u>	Screw, 5/16-18 X 1.75 Hex-Head Cap .....	3

**1**  
**G**  
**E**



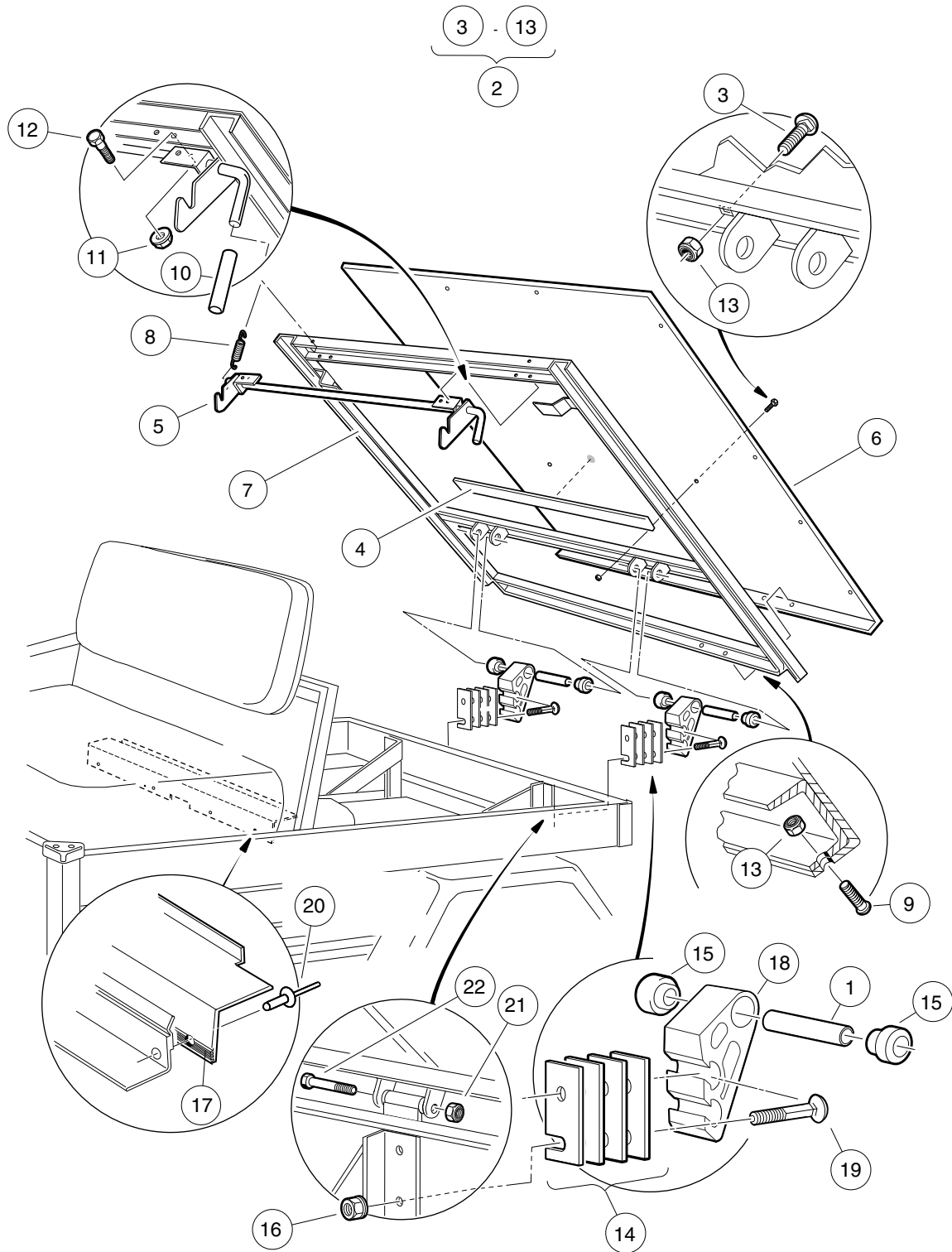
000603-004

# HIP RESTRAINTS AND SEAT BACK MOUNTING

ITEM	PART NO.	DESCRIPTION	QTY
		1 2 3 4	
1	<u>1014321</u>	Screw, #10 Truss-Head Torx .....	4
2	<u>1014387</u>	Cap, Corner .....	2
3	<u>101946201</u>	Washer, Lock, 0.250 External-Tooth .....	4
4	<u>101963301</u>	Bolt, 5/16-18 X 0.75 Round-Head .....	6
5	<u>101963401</u>	Locknut, 5/16-18 Hex Flange .....	6
6	<u>101964001</u>	Trim, Seat Bottom Front .....	1
7	<u>102966401</u>	Seat Back, Tube .....	1
8	<u>102966501</u>	Hip Restraint, Left .....	1
9	<u>102966502</u>	Hip Restraint, Right .....	1
10	<u>102989501</u>	Seal, Bed, 41-Inch .....	1
11	<u>103245201</u>	Screw, 5/16-18 X 1.5, Tr Tx Hd .....	4
12	<u>103245301</u>	Nut, Hex, Cp, Mech Def, 5/16-1 .....	4
13	<u>8251</u>	Screw, 1/4-20 X 1.0 Truss-Head Machine .....	4

**1**  
**G**  
**E**

**1**  
**G**  
**E**



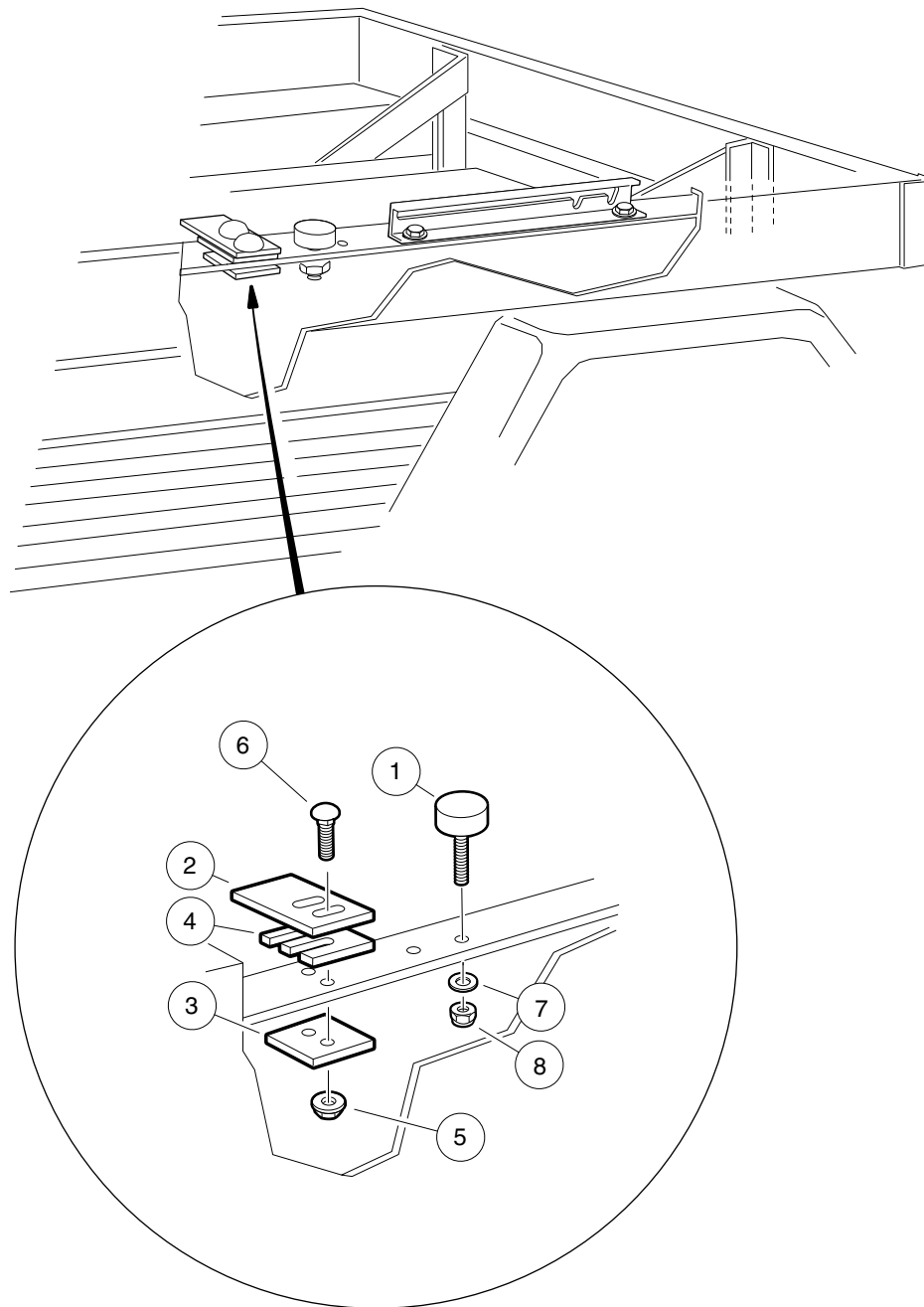
000256-003

# TILT BED, EXTRUDED HINGE, AND LATCH

ITEM	PART NO.	DESCRIPTION	QTY
		<b>1 2 3 4</b>	
1	<u>1012303</u>	Bushing, Steel .....	2
2	1015427	Tilt Bed, Carryall 1 (includes items 3 through 13) .....	1
3	<u>1010435</u>	Bolt, Carriage, 5/16-18 X 1.00 .....	2
4	<u>1014471</u>	Tape, Vinyl Foam 1/8" x 3/4" .....	1
5	1015252	Latch Weld Assembly .....	1
6	N/A	Plate, Floor, Carryall 1 Flat bed .....	1
7	N/A	Frame Assembly, Tilt Bed .....	1
8	<u>1015391</u>	Extension, Spring Latch .....	2
9	1015399	Screw, 5/16-18 X 0.88 Torx Truss-Head .....	4
10	<u>1015400</u>	Grip, Tilt Latch Hand .....	1
11	<u>101835601</u>	Locknut, 1/4-20 Hex Whiz .....	4
12	<u>403</u>	Screw, 1/4-20 X 0.625 Hex-Head Cap .....	4
13	<u>7473</u>	Locknut, 5/16-18 Nylon Insert .....	6
14	<u>1015507</u>	Shim, Tilt Bed Pivot .....	1
15	<u>1015583</u>	Bushing, Urethane .....	4
16	<u>102065901</u>	Locknut, 3/8-16 Flanged Dimple .....	4
17	<u>102989501</u>	Seal, Bed, 41-Inch .....	1
18	<u>103538701</u>	Bracket, Bed Hinge, Extruded .....	2
19	<u>103538901</u>	Bolt, Carriage, 3/8-16 x 3.5" Grade 5 .....	4
20	7532	Rivet, 3/16 X 0.3125, Pop .....	4
21	<u>8754</u>	Locknut, 3/8-16 Hex .....	2
22	<u>8755</u>	Screw, 3/8-16 X 3.375 Hex Cap .....	2

**1**  
**G**  
**E**

**1**  
**G**  
**E**



000258-002



# LATCH PLATE

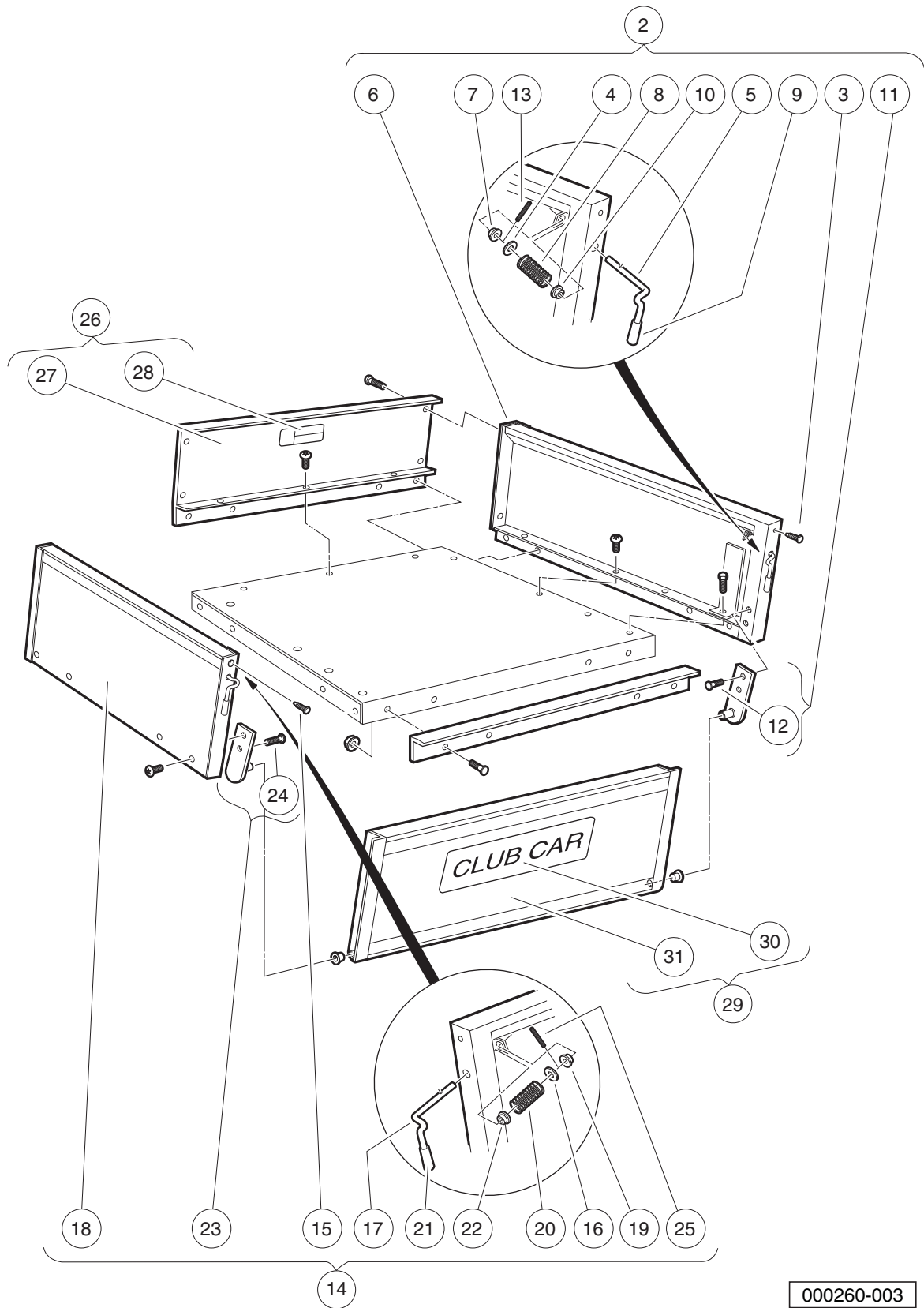
ITEM	PART NO.	DESCRIPTION	QTY
		<b>1 2 3 4</b>	
1	<u>1010878</u>	Bumper, Rubber .....	2
2	<u>1015277</u>	Latch Plate, Tilt Bed .....	2
3	<u>1016060</u>	Plate, Latch Support .....	2
4	<u>1016078</u>	Latch Plate Shim .....	A/R
5	<u>101835601</u>	Locknut, 1/4-20 Hex Whiz .....	4
6	<u>101958601</u>	Carriage Bolt, 1/4-20 X 0.75 .....	4
7	<u>332</u>	Washer, 1/4 Type A Narrow Flat .....	4
8	<u>8233</u>	Locknut, 1/4-20, Nylon Insert .....	4

**1**

**G**

**E**

**1**  
**G**  
**E**



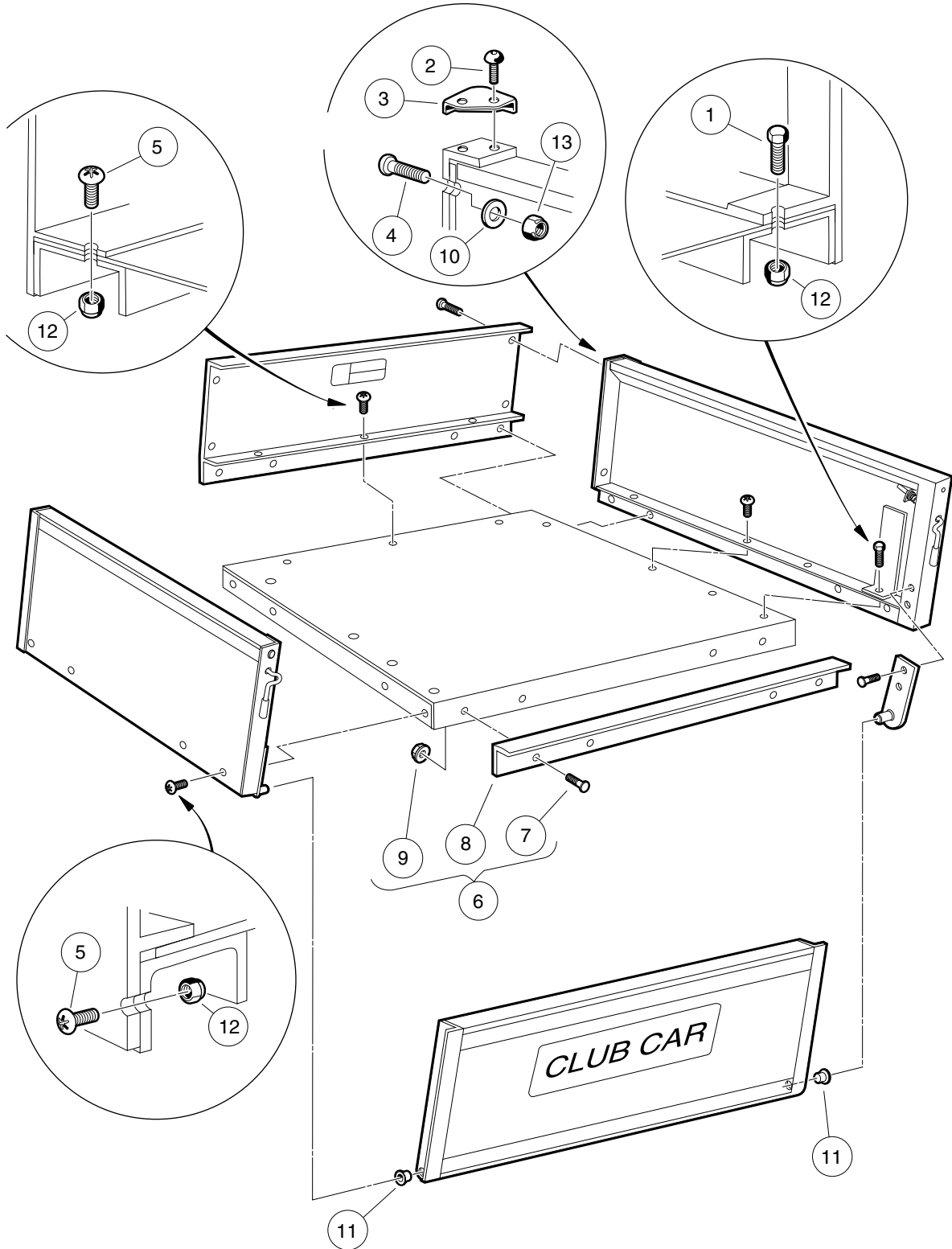
000260-003

# CARGO BOX

ITEM	PART NO.	DESCRIPTION	QTY
		1 2 3 4	
1	<u>1015606</u>	Kit, Cargo Box (includes items 2 through 29) .....	1
2	<u>1015365</u>	Side Panel Assembly, Right-Hand (includes items 3 through 13) .....	1
3	<u>1010434</u>	Barrel - Plastic .....	1
4	<u>1011990</u>	Washer, 3/8 Flat .....	1
5	<u>1015245</u>	Latch, Tailgate, Right-Hand .....	1
6	N/A	Side-Panel Weldment, Right-Hand .....	1
7	<u>1015363</u>	Bushing, Snap-In .....	1
8	<u>1015390</u>	Compression Spring Latch Tilt .....	1
9	<u>1015400</u>	Grip, Tilt Latch Hand .....	1
10	<u>1032</u>	Bushing, Nylon .....	1
11	<u>103406502</u>	Kit, Tailgate Mounting Bracket, CA, RH (includes item 12) .....	1
12	<u>103406601</u>	Stud, 1/4 Self-clnchg Flush .....	2
13	1231	Pin, 1/8 X 1.00 Split Roll .....	1
14	<u>1015367</u>	Side Panel Assembly, Left-Hand (includes items 15 through 25) .....	1
15	<u>1010434</u>	Barrel - Plastic .....	1
16	<u>1011990</u>	Washer, 3/8 Flat .....	1
17	<u>1015313</u>	Latch, Tailgate, Left-Hand .....	1
18	N/A	Side-Panel Weldment .....	1
19	<u>1015363</u>	Bushing, Snap-In .....	1
20	<u>1015390</u>	Compression Spring Latch Tilt .....	1
21	<u>1015400</u>	Grip, Tilt Latch Hand .....	1
22	<u>1032</u>	Bushing, Nylon .....	1
23	<u>103406501</u>	Kit, Tailgate Mounting Bracket, CA, LH (includes item 24) .....	1
24	<u>103406601</u>	Stud, 1/4 Self-clnchg Flush .....	2
25	1231	Pin, 1/8 X 1.00 Split Roll .....	1
26	<u>1015413</u>	Assembly, Front Panel (includes items 27 and 28) .....	1
27	N/A	Front Panel Box .....	1
28	<u>101553901</u>	Decal, Bed Load Warning .....	1
29	1015414	Assembly, Tailgate (includes items 30 and 31) .....	1
30	<u>1013317</u>	Decal, Logo, Tailgate .....	1
31	N/A	Tailgate Weldment .....	1
<p>Note: Additional components in kit <u>1015606</u> are shown on the following two pages.</p>			



**1**  
**G**  
**E**



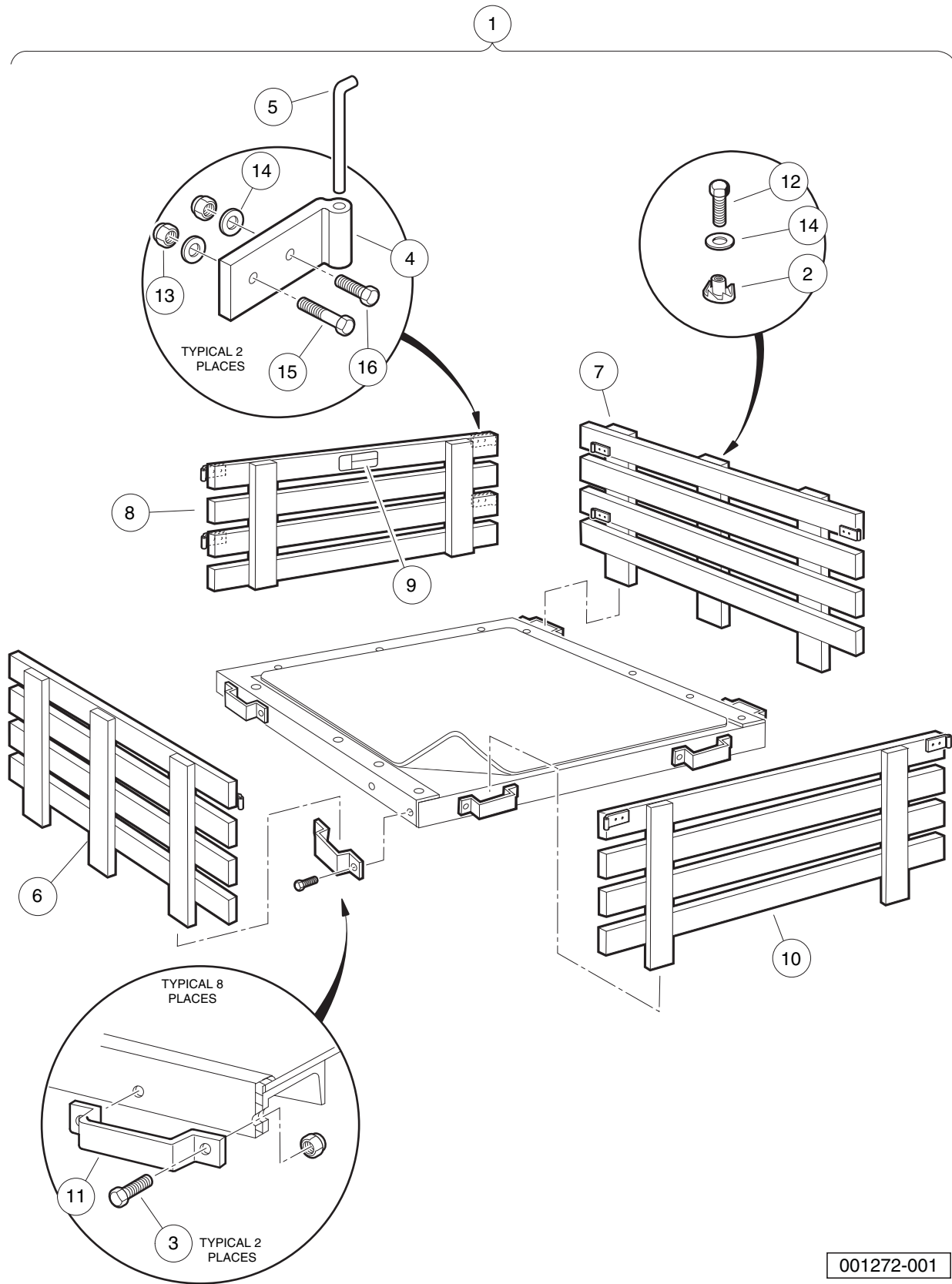
000261-001

# CARGO BOX MOUNTING

ITEM	PART NO.	DESCRIPTION	QTY
		1 2 3 4	
1	<u>1010934</u>	Screw, 5/16-18 X 1.00 Hex Cap .....	2
2	<u>1014321</u>	Screw, #10 Truss-Head Torx .....	4
3	<u>1014387</u>	Cap, Corner .....	2
4	<u>1014415</u>	Screw, 1/4-20 X 0.75 Torx Truss-Head .....	4
5	1015399	Screw, 5/16-18 X 0.88 Torx Truss-Head .....	17
6	****	Kit, Tailgate Angle (includes items 7 through 9) .....	1
7	<u>1014537</u>	Stud, Self-Clinching Flush Head .....	4
8	N/A	Box Bed Tailgate Angle .....	1
9	<u>101963401</u>	Locknut, 5/16-18 Hex Flange .....	4
10	<u>332</u>	Washer, 1/4 Type A Narrow Flat .....	4
11	<u>7049</u>	Bushing, Nylon .....	2
12	<u>7473</u>	Locknut, 5/16-18 Nylon Insert .....	19
13	<u>8233</u>	Locknut, 1/4-20, Nylon Insert .....	4
<p style="text-align: center;">**** Special order item available upon request.</p> <p style="text-align: center;">Note: All parts listed on this page are included in kit 1015606.</p>			

1  
G  
E

**1**  
**G**  
**E**



# STAKE SIDE KIT – TURF/CA 1 AND TRANSPORTER 4

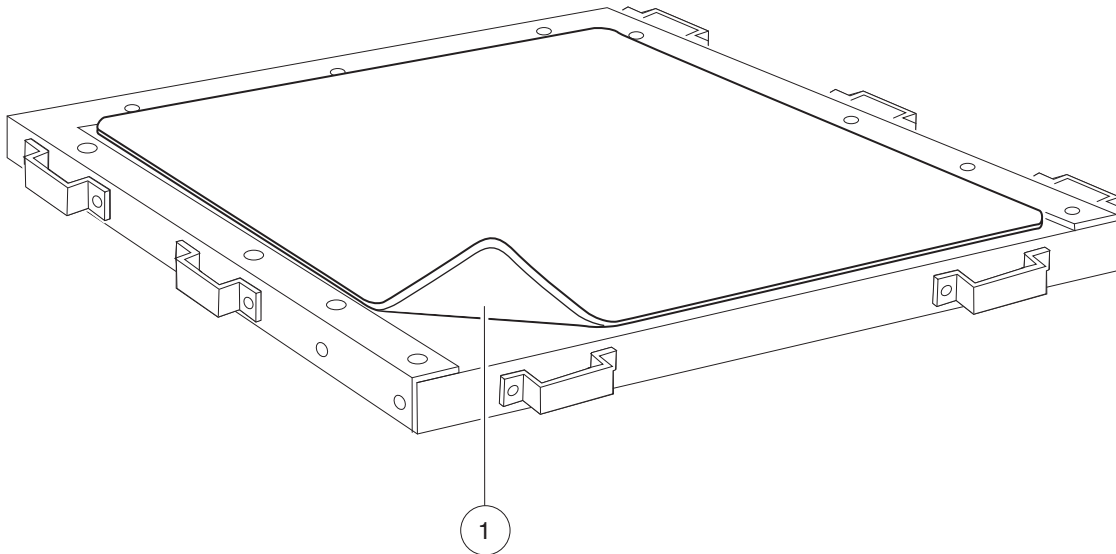
ITEM	PART NO.	DESCRIPTION	QTY
		1 2 3 4	
1	<u>1015660</u>	Stake Side Kit (includes items 2 through 16) .....	1
2	1010086	T-Nut .....	58
3	<u>1010934</u>	Screw, 5/16-18 X 1.00 Hex Cap .....	16
4	<u>1015654</u>	Stake Side Hinge .....	12
5	<u>1015656</u>	Pin, hinge .....	6
6	101565701	Stake Side, Driver-Side .....	1
7	101565702	Stake Side, Passenger-Side .....	1
8	101565703	Stake Side, Front (includes item 9) .....	1
9	<u>101553901</u>	Decal, Bed Load Warning .....	1
10	101565704	Stake Side, Rear .....	1
11	<u>1016077</u>	Bracket, Stake Side .....	6
12	1016916	Screw, 1/4-20 X 1.50 Hex-Head Cap .....	58
13	<u>1108</u>	Locknut, 1/4-20 Dimpled .....	24
14	<u>332</u>	Washer, 1/4 Type A Narrow Flat .....	82
15	<u>7311</u>	Screw, 1/4-20 X 2.00 Hex-Head Cap .....	6
16	<u>7479</u>	Screw, 1/4-20 X 1.25 Hex-Head Cap .....	18

**1**  
**G**  
**E**

1

G

E



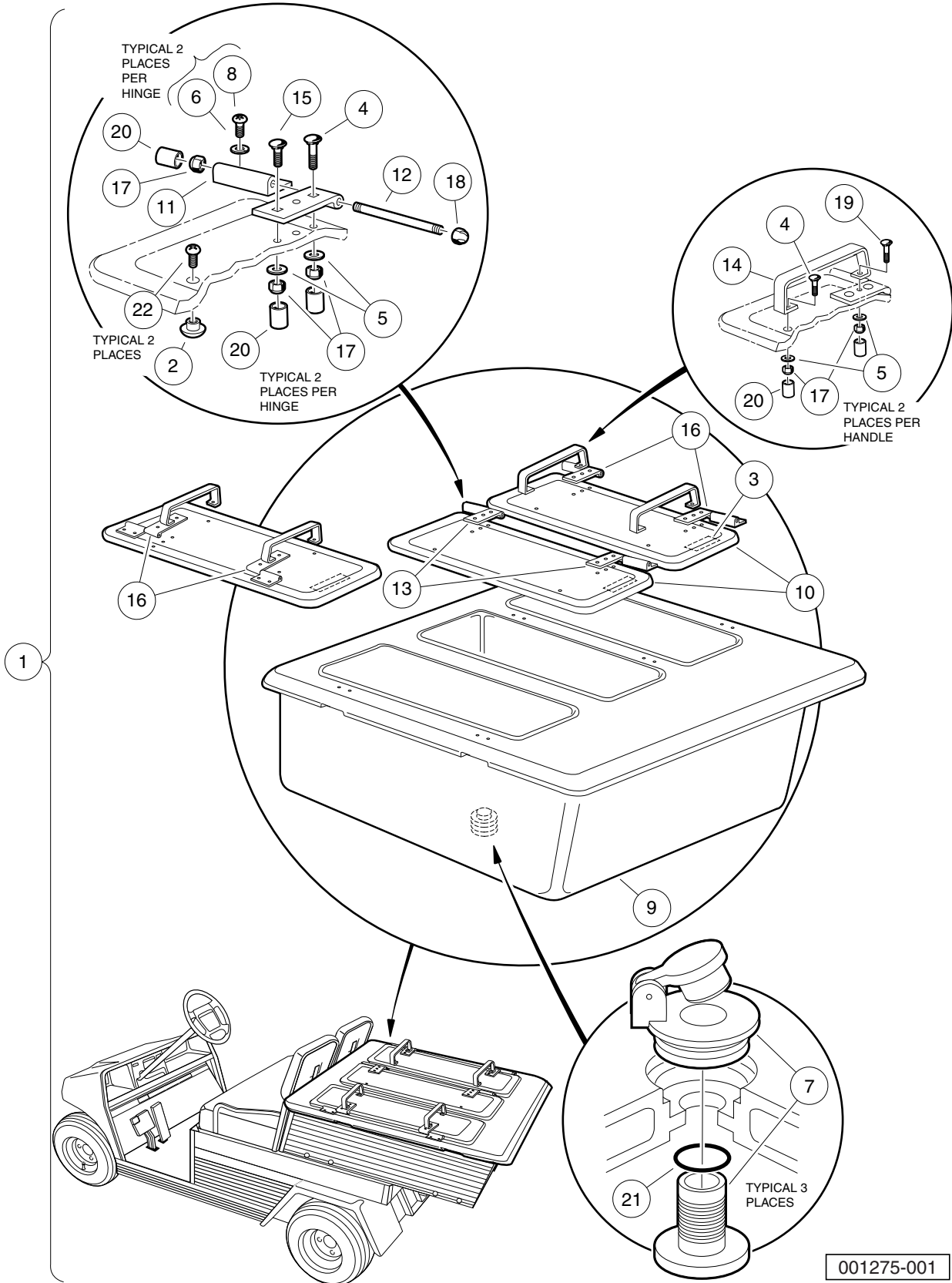
001207-001



# BED MAT

ITEM	PART NO.	DESCRIPTION	QTY
1	<u>101770203</u>	1 2 3 4 Bed Mat - Turf/Carryall 1 .....	1

**1**  
**G**  
**E**



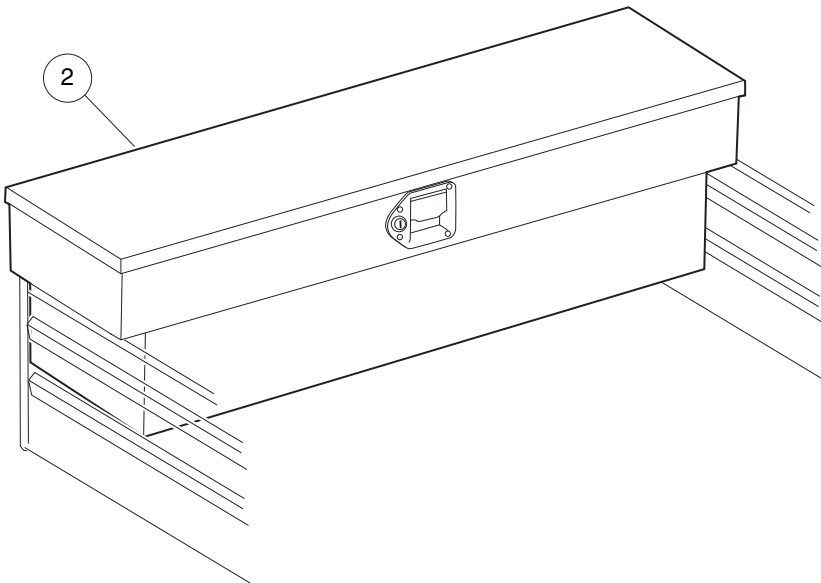
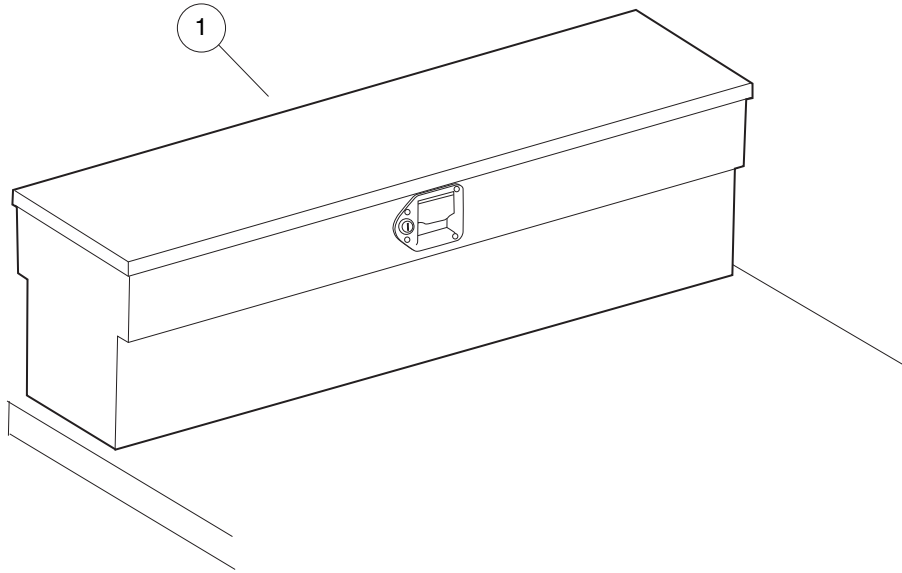
001275-001

# PORTABLE REFRESHMENT CENTER

ITEM	PART NO.	DESCRIPTION	QTY
		1 2 3 4	
1	1014556	Portable Refreshment Center (includes items 2 through 22) .....	1
2	1011878	T-nut, 1/4-20 X .310 Capped .....	2
3	<u>1011962</u>	Decal, Refreshment Center .....	3
4	<u>1011963</u>	Bolt, 1/4-20 X 1.50 Rd Hd Sq N .....	10
5	1011964	Washer, 1/4 Flat .....	20
6	<u>1011965</u>	Lockwasher, 1/4 Split Ss .....	12
7	<u>1011972</u>	Drain Plug (port Refresh Ctr) .....	3
8	<u>1014415</u>	Screw, 1/4-20 X 0.75 Torx Truss-Head .....	12
9	1014490	Refreshment Unit Carryall I .....	1
10	<u>1014517</u>	Refreshment Unit Door Ca I .....	3
11	<u>1014521</u>	Bar Unit Hinge Ca I .....	6
12	<u>1014548</u>	Rod, Refreshment Center Hinge .....	6
13	<u>1014559</u>	Bar Unit Center Door Hinge Cai .....	2
14	<u>1014942</u>	Bar Unit Handle .....	4
15	<u>1014943</u>	Bolt, 1/4-20 X 1.25 Stainless .....	6
16	<u>1014944</u>	Bar Unit Side Door Hinge Ca I .....	4
17	1015068	Locknut, 1/4-20 Nylon .....	26
18	<u>1015091</u>	Nut, 1/4-20 Stainless-Steel Center-Lock Cap .....	6
19	<u>1015148</u>	Bolt, 1/4-20 X 1.75 Carriage .....	4
20	<u>101885601</u>	Cap .....	26
21	<u>101918101</u>	O-ring, Prc .....	3
22	<u>8251</u>	Screw, 1/4-20 X 1.0 Truss-Head Machine .....	2

1  
G  
E

**1**  
**G**  
**E**



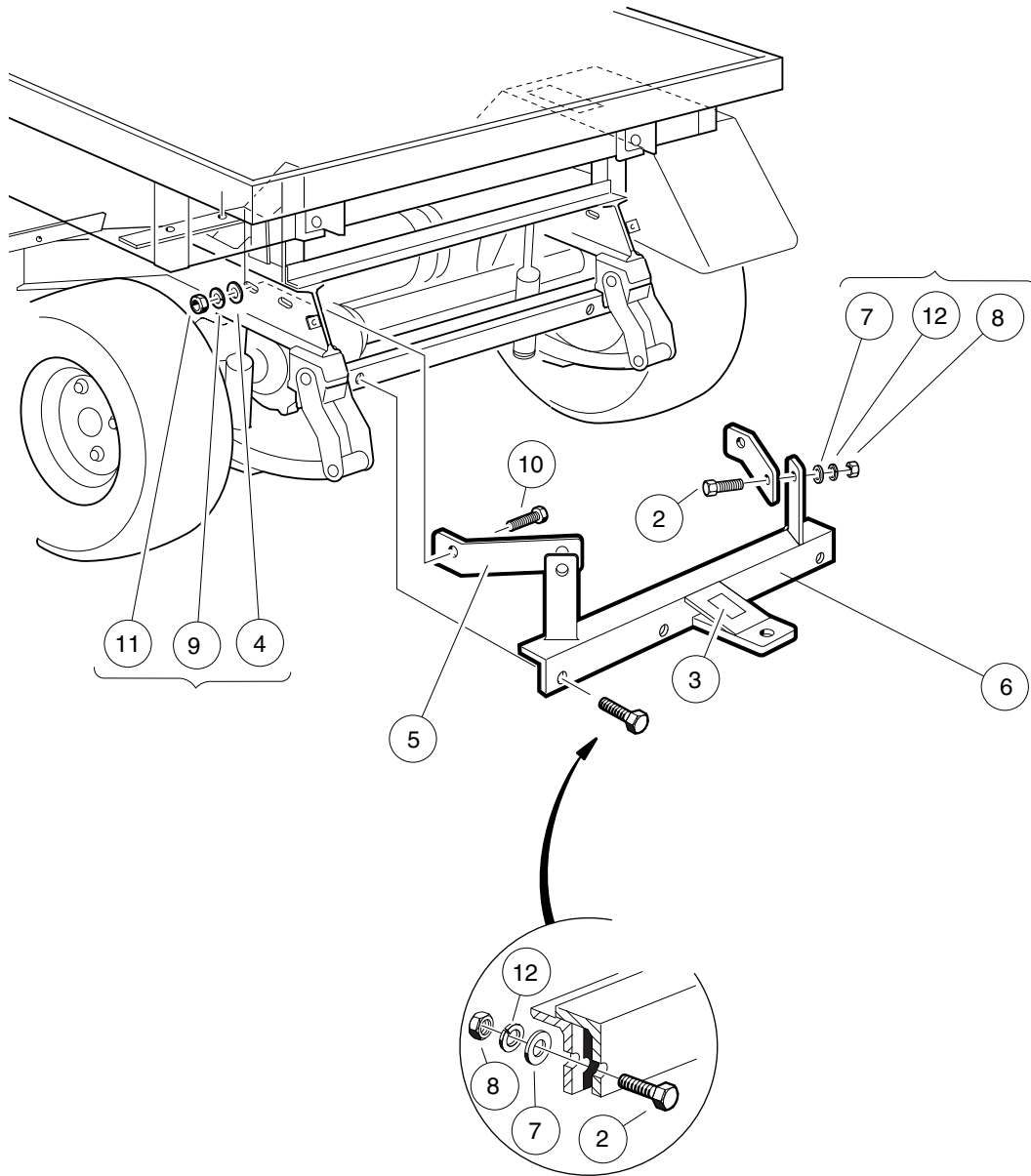
001157-001

# TOOLBOXES

ITEM	PART NO.	DESCRIPTION	QTY
1	<u>101837401</u>	1 2 3 4 Toolbox, Flat Bed .....	1
2	<u>101837501</u>	Tool Box, Box Bed .....	1

**1**  
**G**  
**E**

**1**  
**G**  
**E**

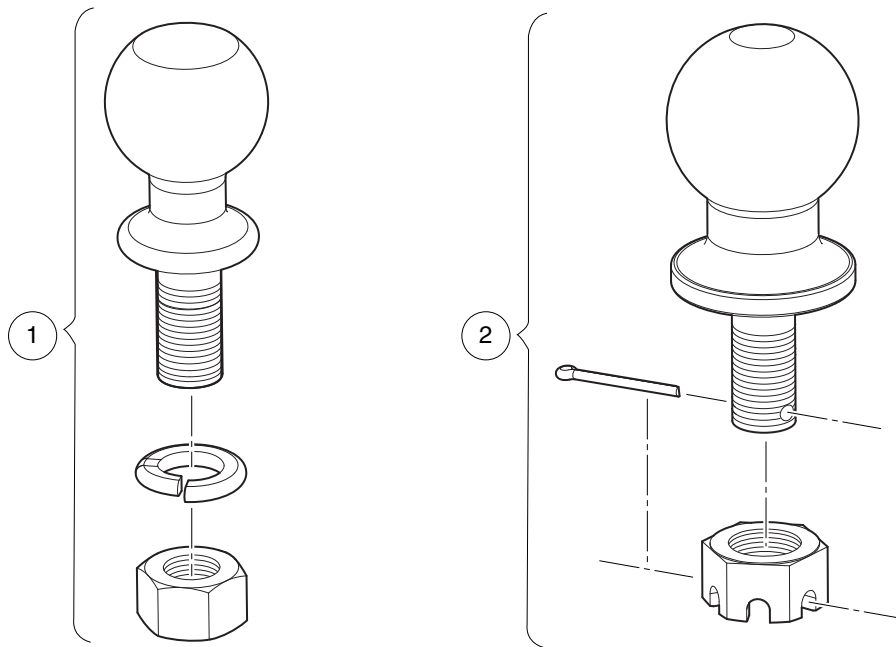


000265-001

# TRAILER HITCH

ITEM	PART NO.	DESCRIPTION	QTY
		<b>1 2 3 4</b>	
1	<u>1015445</u>	Kit, Trailer Hitch (includes items 2 through 12) .....	1
2	<u>1010934</u>	Screw, 5/16-18 X 1.00 Hex Cap .....	4
3	<u>1011553</u>	Decal, Trailer Hitch .....	1
4	<u>1011990</u>	Washer, 3/8 Flat .....	2
5	<u>1013483</u>	Brace, Trailer Hitch .....	2
6	N/A	Asm, Trailer Hitch .....	1
7	<u>1241</u>	Washer, 5/16 Type A Flat .....	4
8	<u>1242</u>	Nut, 5/16-18 Hex .....	4
9	<u>357</u>	Lockwasher, 3/8 Split .....	2
10	705	Screw, Cap-hex Hd 3/8-16x1.25 .....	2
11	<u>706</u>	Nut, Hex 3/8-16 .....	2
12	<u>7174</u>	Lockwasher, 5/16 Split .....	4

**1**  
**G**  
**E**



001137-001

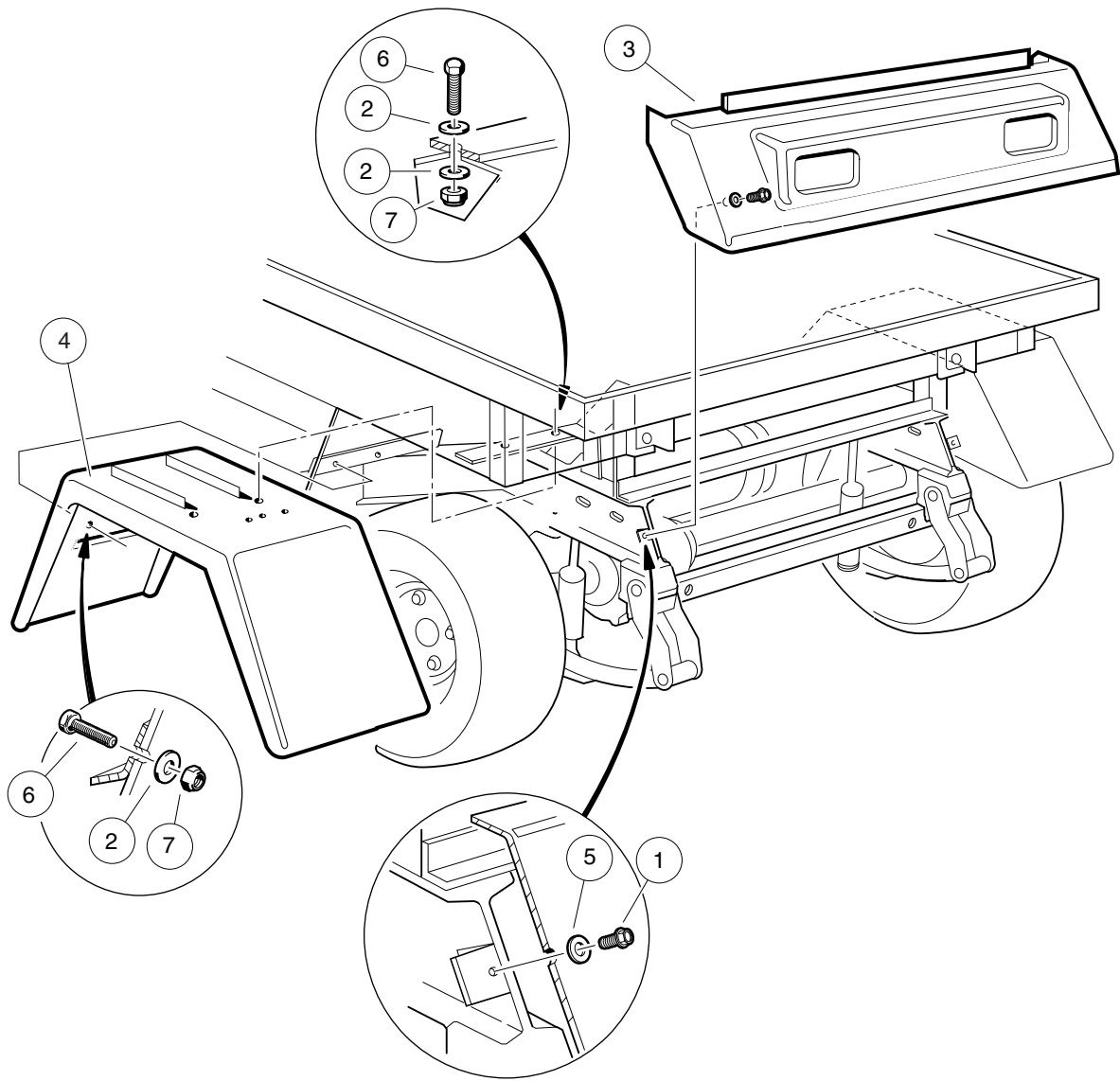


# TRAILER HITCH BALL

ITEM	PART NO.	DESCRIPTION	QTY
1	<u>1011546</u>	1 2 3 4 Trailer Hitch Ball - 1 7/8" .....	1
2	<u>AM1264001</u>	Chrome Hitch Ball, 2" .....	1

**1**  
**G**  
**E**

**1**  
**G**  
**E**



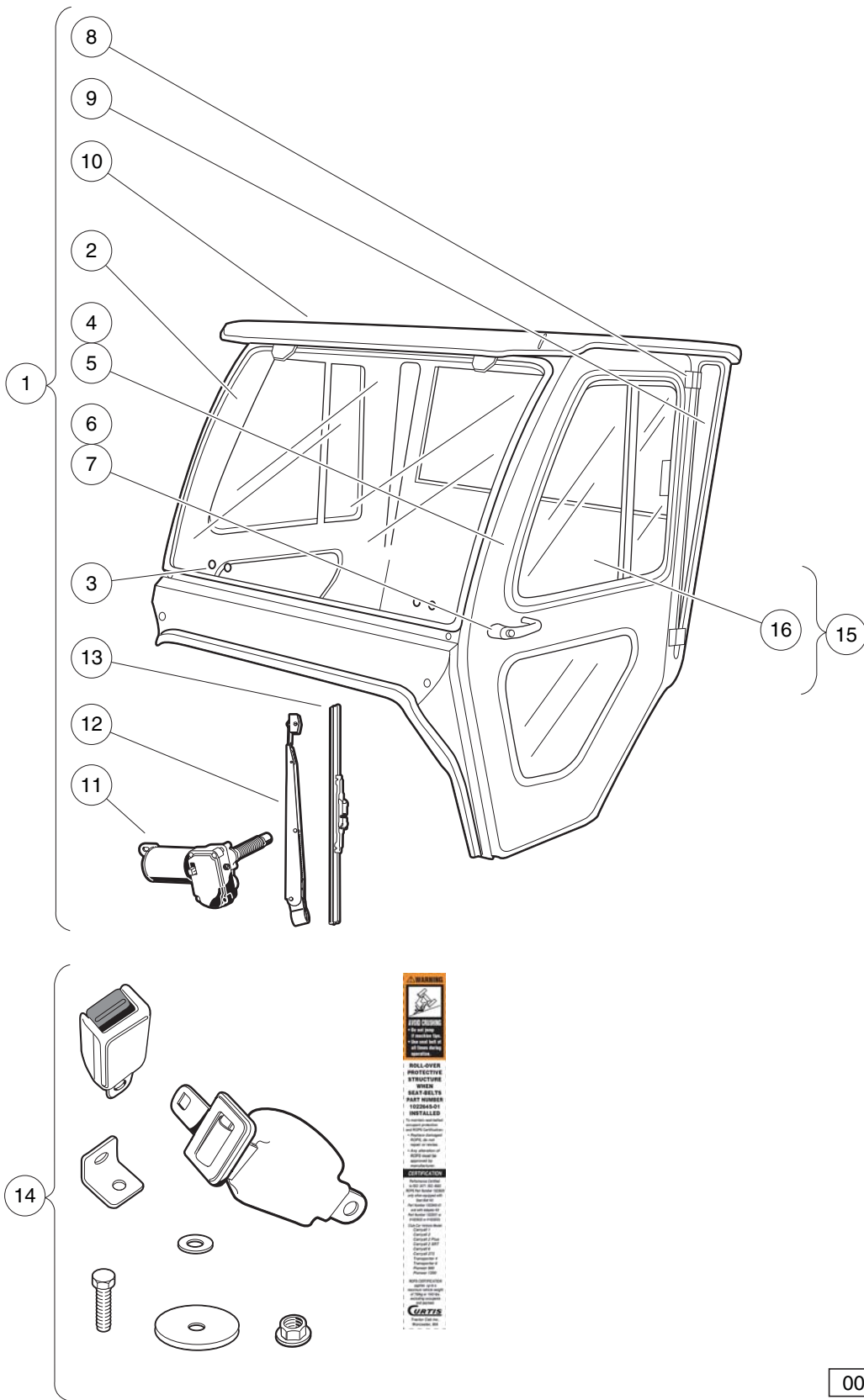
000266-001

## REAR BODY TRIM – TURF/CARRYALL 1, 2, 2 PLUS, AND 6

ITEM	PART NO.	DESCRIPTION	QTY
		1 2 3 4	
1	<u>1012285</u>	Screw, 1/4 X 0.625 Hex-Head .....	2
2	<u>1014306</u>	Washer, 1/4" Type B Flat .....	12
3	<u>1015530</u>	Tailskirt .....	1
4	<u>1016679</u>	Rear Fender .....	2
5	<u>332</u>	Washer, 1/4 Type A Narrow Flat .....	2
6	<u>7847</u>	Screw, 1/4-20 X 0.75 Hex-Head Cap .....	8
7	<u>8233</u>	Locknut, 1/4-20, Nylon Insert .....	8

1  
G  
E

**1**  
**G**  
**E**



001098-001

# CAB, CURTIS – TURF/CARRYALL 1, 2, 2 PLUS, 252 AND XRT 900

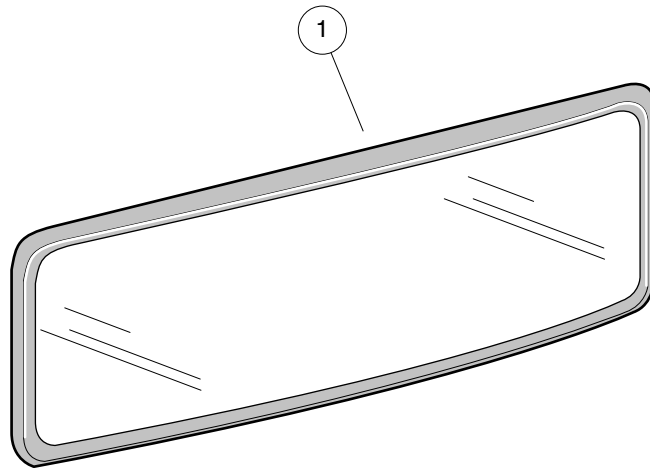
ITEM	PART NO.	DESCRIPTION	QTY
		<b>1 2 3 4</b>	
1	<u>102262901</u>	Asm, Cab (includes items 2 through 13) .....	1
2	AM1304001	CTC-Windshield Assembly .....	1
3	AM1304101	CTC-Windshield Latches .....	A/R
4	AM1304201	CTC-Drivers Side Door .....	1
5	AM1304301	CTC-Passenger Side Door .....	1
6	AM1304401	CTC-Inside Door Latches .....	2
7	AM1304501	CTC-Outside Door Latches .....	2
8	AM1304601	CTC-Door Hinge Kit .....	A/R
9	AM1304801	CTC-Side Frame Rear Window .....	1
10	AM1304901	CTC-Roof (White Plastic) .....	1
11	AM1305001	CTC-Wiper Motor .....	1
12	AM1305101	CTC-Wiper Arm .....	1
13	AM1305201	CTC-Wiper Blade .....	1
14	102264501	Kit, Seat Belt (required for ROPS certification, includes mounting hardware) .....	1
15	<u>103274401</u>	Kit, Adapter, Cab, Carryall (includes item 16) .....	1
16	AM1304701	CTC-Rear Panel .....	1

**1**  
**G**  
**E**

1

G

E



APM-000214-001

## MIRROR, INSIDE REAR-VIEW – CURTIS CAB

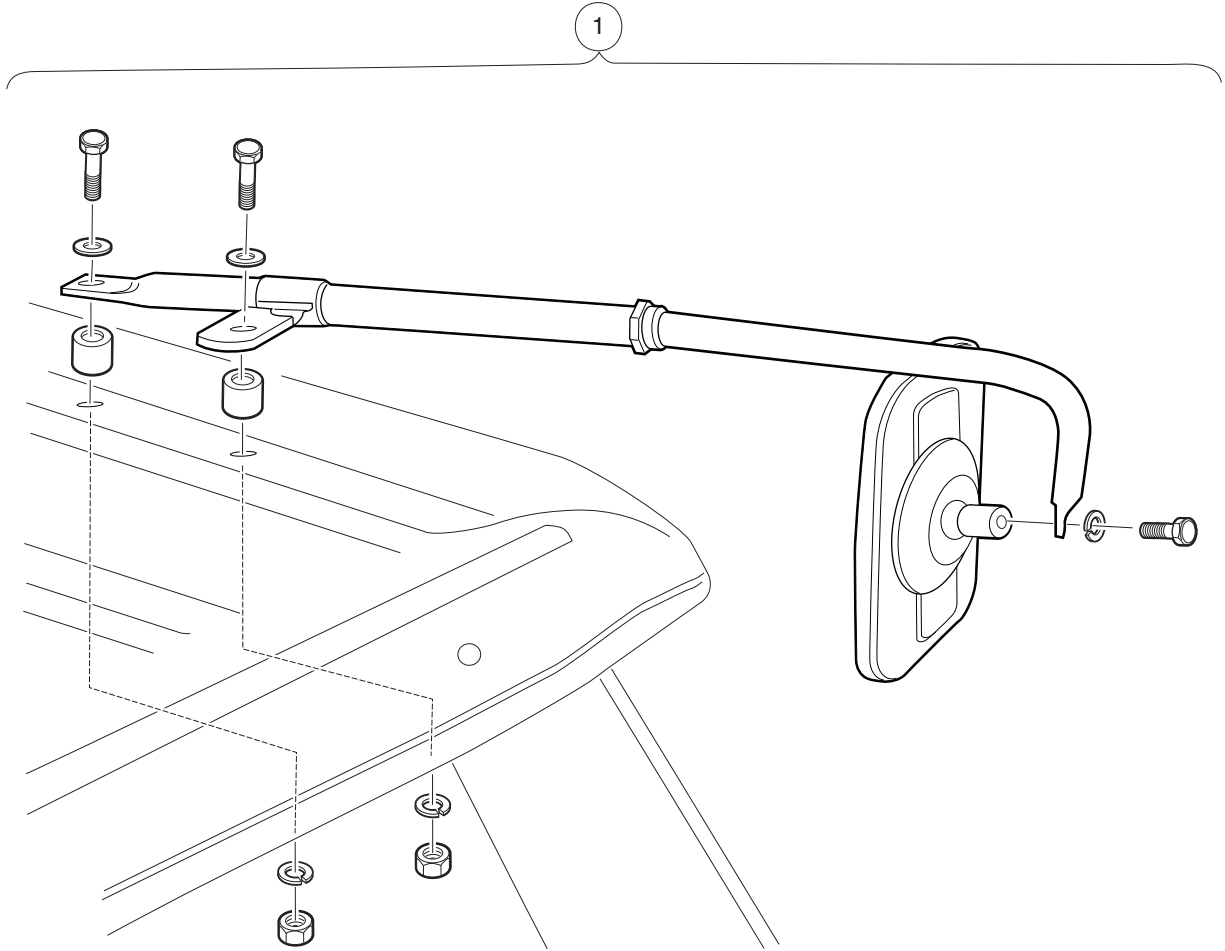
ITEM	PART NO.	DESCRIPTION	QTY
1	101995101	<p>1 2 3 4</p> <p>Kit, Rear-View Mirror (includes mounting hardware) .....</p> <p style="margin-left: 40px;">Note: For installation on vehicles equipped with a Curtis cab.</p>	1

1

G

E

**1**  
**G**  
**E**



001202-001



# MIRROR, SIDE-VIEW – CURTIS CAB

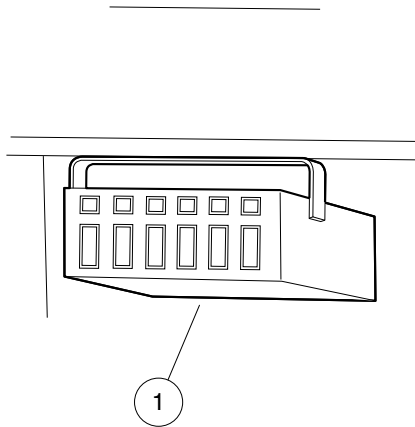
ITEM	PART NO.	DESCRIPTION	QTY
1	<u>102272601</u>	<p>1 2 3 4            Kit, Mirror .....</p> <p>Note: For installation on vehicles equipped with a Curtis cab.</p>	1

**1**  
**G**  
**E**

1

G

E

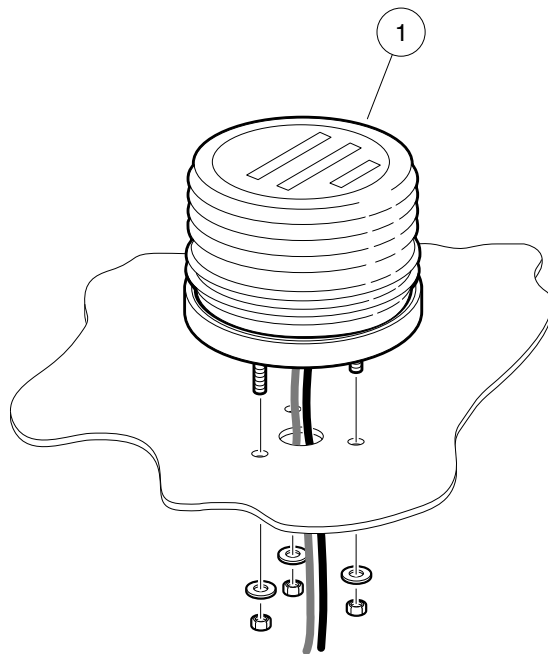


APM-000264-002

## ACCESSORY SWITCH PANEL – CURTIS CAB

ITEM	PART NO.	DESCRIPTION	QTY
1	<u>101994601</u>	<p>1 2 3 4                      Panel, Accessory Switch .....</p> <p>Note: For installation on vehicles equipped with a Curtis cab.</p>	1

**1**  
**G**  
**E**



APM-000212-001

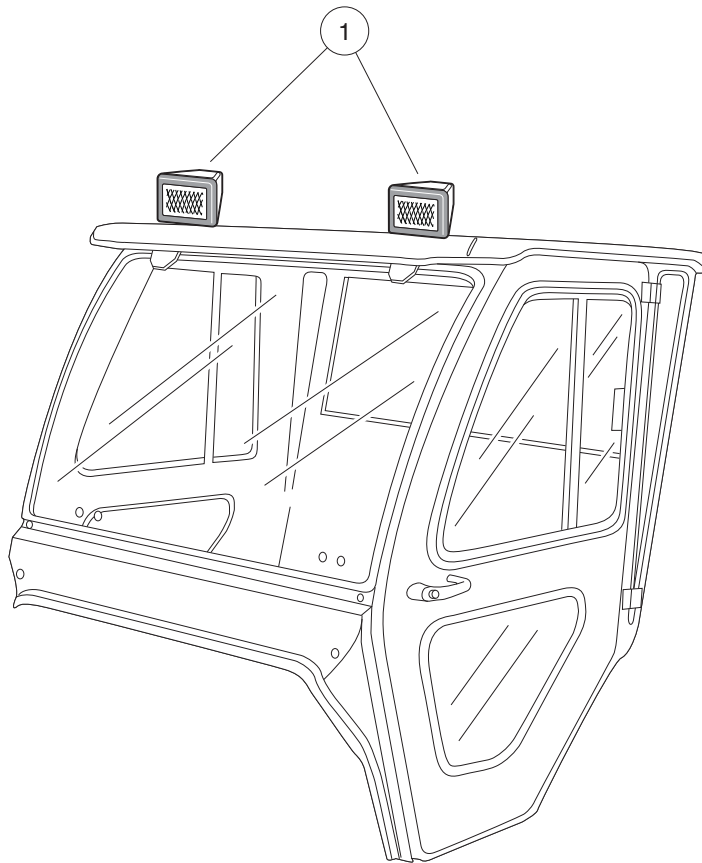
# STROBE LIGHT – CURTIS CAB

ITEM	PART NO.	DESCRIPTION	QTY
1	<u>101994301</u>	<p>1 2 3 4</p> <p>Kit, Strobe Light (includes mounting hardware and wire harness) .....</p> <p style="margin-left: 40px;">Note: For installation on vehicles equipped with a Curtis cab.</p>	1

1

G

E



001201-001

# WORK LIGHTS – CURTIS CAB

ITEM	PART NO.	DESCRIPTION	QTY
1	<u>101994801</u>	<p>1 2 3 4</p> <p>Kit, Work Light (includes mounting hardware and wire harness) .....</p> <p style="margin-left: 40px;">Note: For installation on vehicles equipped with a Curtis cab.</p>	1

1

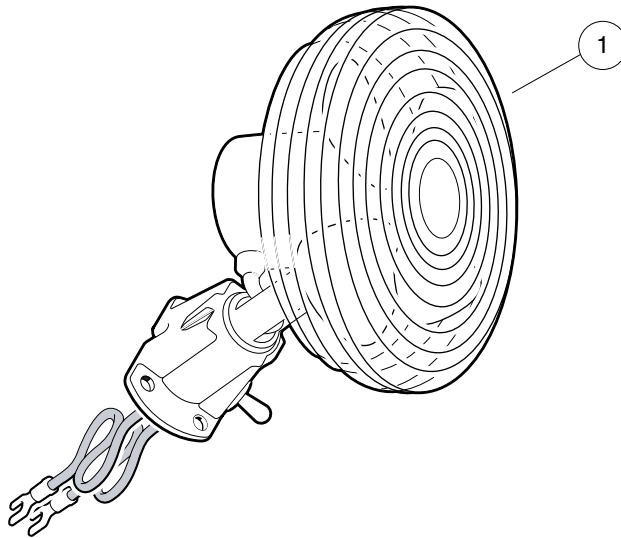
G

E

1

G

E



APM-000215-001



# FAN/DEFOGGER – CURTIS CAB

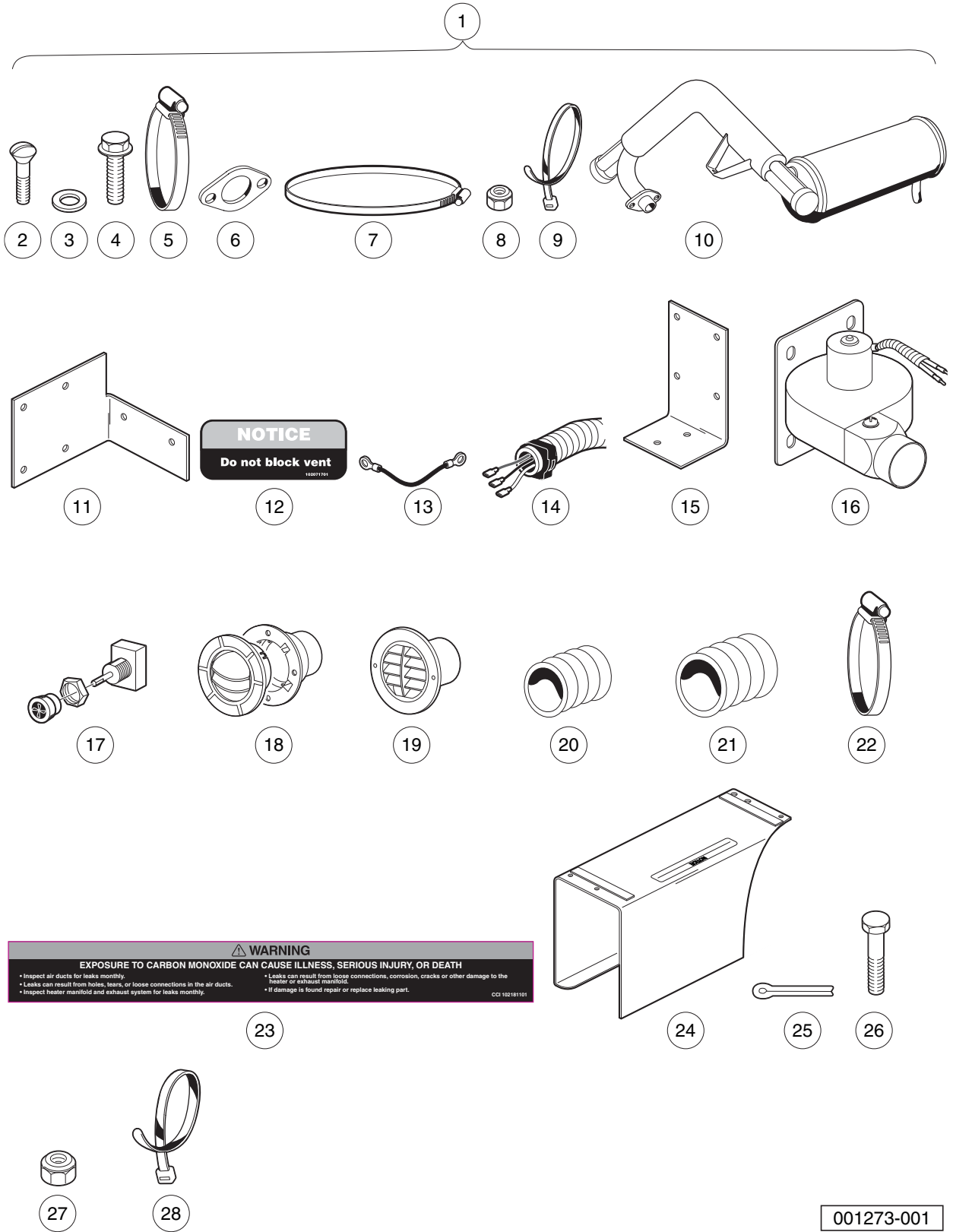
ITEM	PART NO.	DESCRIPTION	QTY
1	<u>101994401</u>	<p>1 2 3 4</p> <p>Kit, Fan/Defogger (includes mounting hardware and wire harness) .....</p> <p style="margin-left: 40px;">Note: For installation on vehicles equipped with a Curtis cab.</p>	1

1

G

E

**1**  
**G**  
**E**



001273-001

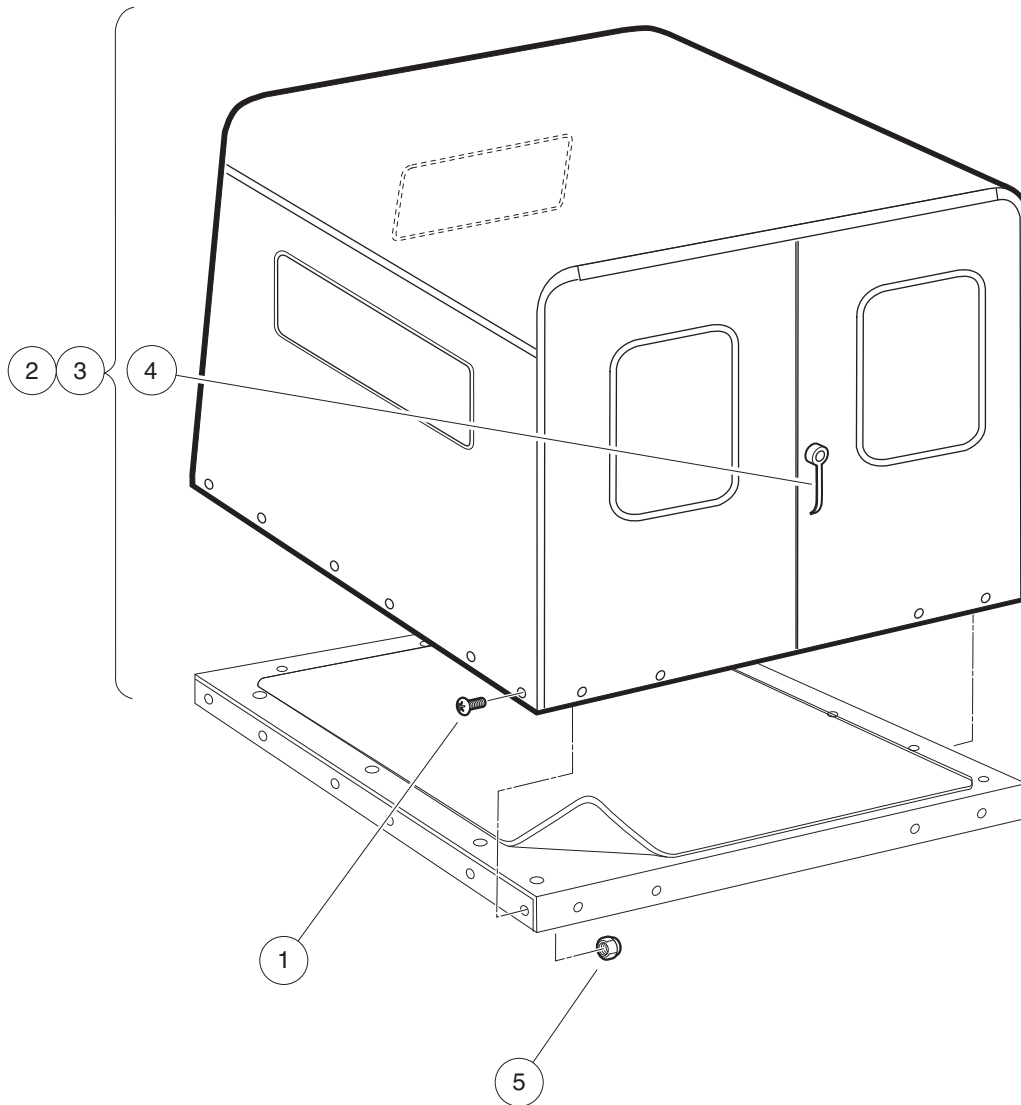
# HEATER – CURTIS CAB

ITEM	PART NO.	DESCRIPTION	QTY
		<b>1 2 3 4</b>	
1	<u>102056503</u>	Comfort Cab Heater Kit, Turf/CA1 w/FE350 (includes items 2 through 28) .....	1
2	<u>1011226</u>	Screw, #6-32 X .62 Cs Oval Hd .....	4
3	<u>1011964</u>	Washer, 1/4 Flat .....	12
4	<u>1012285</u>	Screw, 1/4 X 0.625 Hex-Head .....	3
5	<u>1012349</u>	Clamp, Air Intake Hose, 2" .....	2
6	<u>1016904</u>	Gasket, Exhaust .....	1
7	<u>1017689</u>	Clamp, 5" Muffler Hose .....	1
8	<u>101932201</u>	Locknut, #6-32 Nylon .....	4
9	<u>102025401</u>	Tie Wrap, Heavy Duty .....	2
10	<u>102070601</u>	Header Heater, FE350 .....	1
11	<u>102071401</u>	Mounting Bracket, Blower .....	1
12	<u>102071701</u>	Decal - Header Heater Kit .....	2
13	N/A	Wire Asm #16 Black .....	1
14	N/A	Wire Harness, Header Heater .....	1
15	N/A	Mounting Bracket, Blower .....	1
16	<u>102074101</u>	Centrifugal Blower Asm .....	1
17	<u>102074201</u>	Heater Switch .....	1
18	<u>102074501</u>	Outlet Vent .....	1
19	<u>102074601</u>	Inlet Vent .....	1
20	<u>102074701</u>	Duct Hose .....	1
21	<u>102074801</u>	Duct Hose .....	1
22	<u>102074901</u>	Clamp, Air Intake Hose, 2-1/2" .....	4
23	<u>102181101</u>	Decal Inspection Heater .....	1
24	<u>102182101</u>	Cover, Blower .....	1
25	<u>1035</u>	Cotter Pin, 3/32 x 1 .....	2
26	<u>304</u>	Screw, 1/4-20 X 1.0 Hex-Head Cap .....	6
27	<u>8233</u>	Locknut, 1/4-20, Nylon Insert .....	6
28	<u>8639</u>	Tie Wrap, 11" Nylon .....	6
Note: For installation on vehicles equipped with a Curtis cab.			

1

G

E



001208-001

# VAN BOX – TURF/CA 1

ITEM	PART NO.	DESCRIPTION	QTY
		1 2 3 4	
1	1015399	Screw, 5/16-18 X 0.88 Torx Truss-Head .....	20
2	<u>101754203</u>	Custom Van Box, Gray .....	1
3	<u>101754206</u>	Custom Van Box Kit, White (includes item 4) .....	1
4	<u>102006201</u>	Handle, Van Box Door .....	1
5	<u>7473</u>	Locknut, 5/16-18 Nylon Insert .....	20
<p>Note: Item 2, Van Box Gray, includes item 4, Door Handle.</p>			

1

G

E

**1**

**G**

**E**

# WHEELS AND TIRES

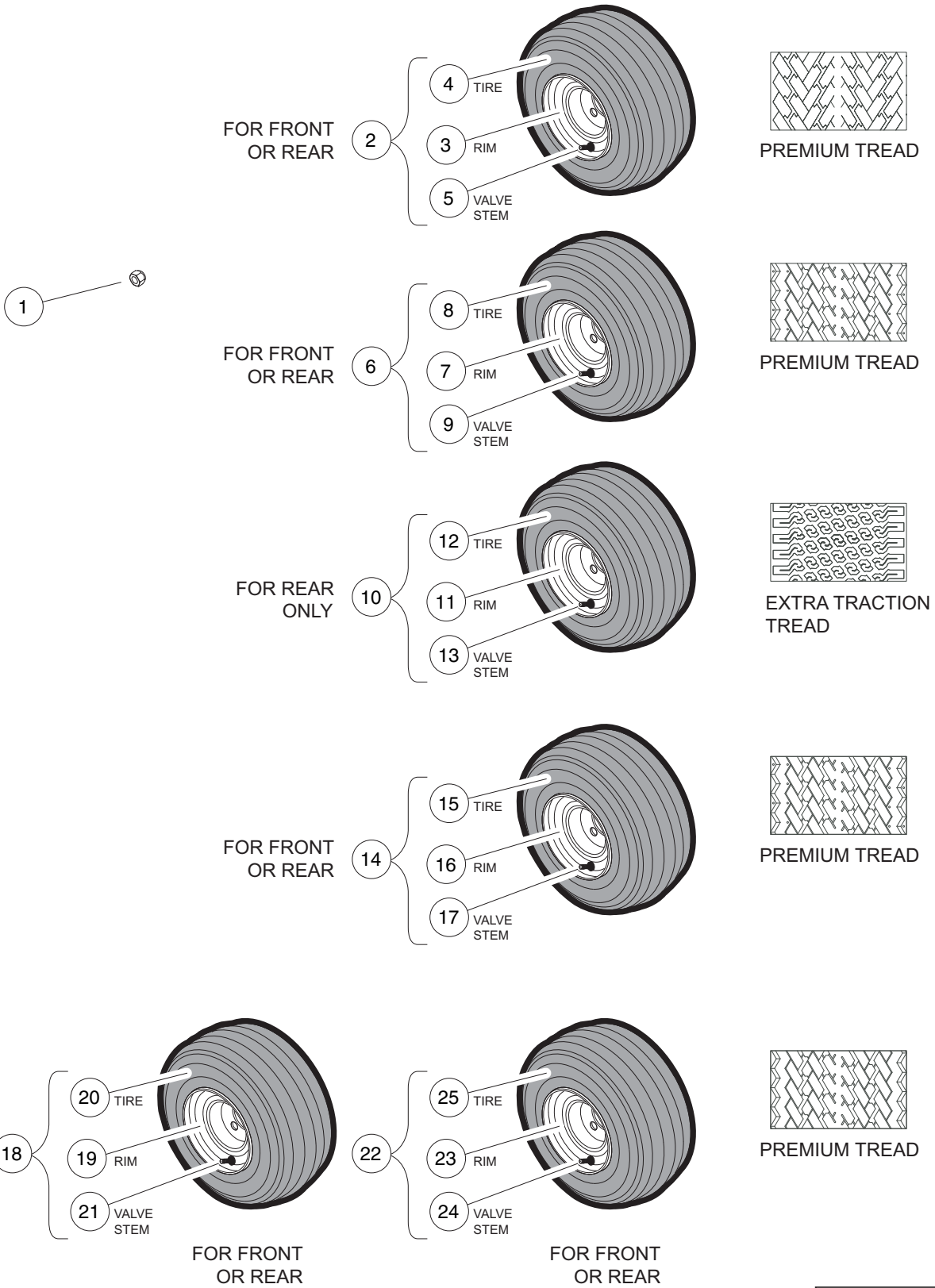
---

2

G

E

**2**  
**G**  
**E**



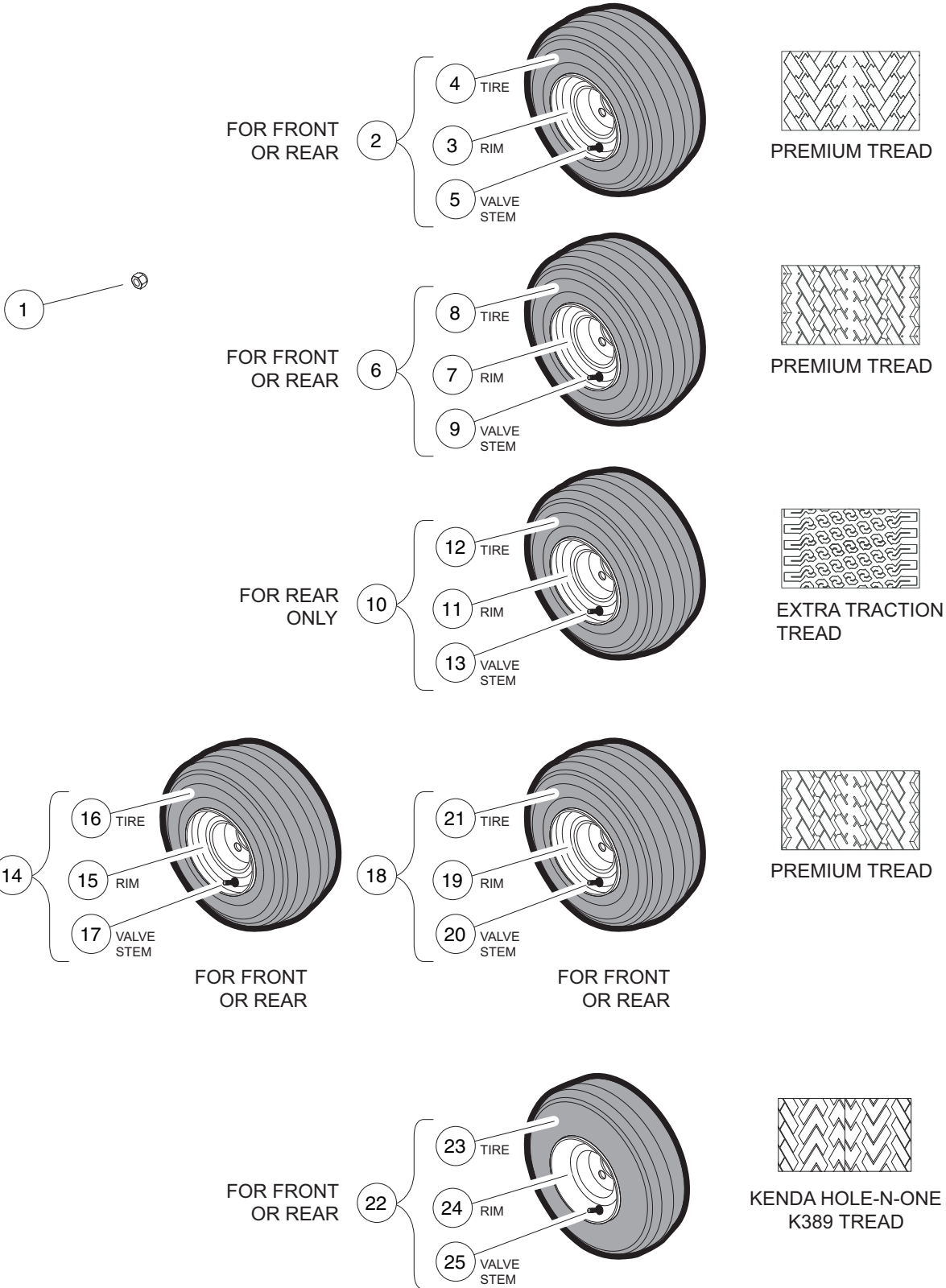
000269-001



# WHEELS AND TIRES – TURF/CARRYALL 1 – TO LATE 2010 MODEL YEAR

ITEM	PART NO.	DESCRIPTION	QTY
		1 2 3 4	
1	<u>1010984</u>	.500-20 Unf Lug Nut .....	16
2	<u>101651402</u>	Tire/Wheel Asm, White, Premium Tread (includes items 3 through 5) .....	4
3	<u>1014771</u>	Wheel Rim, White .....	1
4	<u>101567202</u>	Tire, Unmounted, Links 18 x 8.50-8 .....	1
5	<u>7310</u>	Valve Stem, Black Plastic .....	1
6	<u>101651406</u>	Tire/Wheel Asm, White, Premium Tread, 6-Ply (includes items 7 through 9) .....	4
7	<u>1014771</u>	Wheel Rim, White .....	1
8	<u>101737002</u>	Tire, Unmounted .....	1
9	<u>7310</u>	Valve Stem, Black Plastic .....	1
10	<u>101651407</u>	Tire/Wheel Asm, White, Extra-Traction, 6-Ply (includes items 11 through 13) .....	2
11	<u>1014771</u>	Wheel Rim, White .....	1
12	<u>101769302</u>	Tire, Unmounted Xtrac 18 x 8.50-8 .....	1
13	<u>7310</u>	Valve Stem, Black Plastic .....	1
14	<u>101651409</u>	Tire/Wheel Asm, White, Premium Tread, 6.5-inch (includes items 15 through 17) .....	4
15	<u>101884901</u>	Tire, Unmounted, Power Rib 18 x 6.50-8 .....	1
16	<u>101918402</u>	Wheel Rim, White .....	1
17	<u>7310</u>	Valve Stem, Black Plastic .....	1
18	<u>101651412</u>	Tire/Wheel Asm, White, Duro Premium Tread (includes items 19 through 21) .....	4
19	<u>1014771</u>	Wheel Rim, White .....	1
20	<u>102569304</u>	Duro 18 X 8.5 X 8, 4-Ply .....	1
21	<u>7310</u>	Valve Stem, Black Plastic .....	1
22	<u>101651413</u>	Tire/Wheel Asm, White, Kenda Premium Tread (includes items 23 through 25) .....	4
23	<u>1014771</u>	Wheel Rim, White .....	1
24	<u>7310</u>	Valve Stem, Black Plastic .....	1
25	<u>AM10682</u>	Unmounted Prem Tire 18x8.50x8 .....	1

**2**  
**G**  
**E**



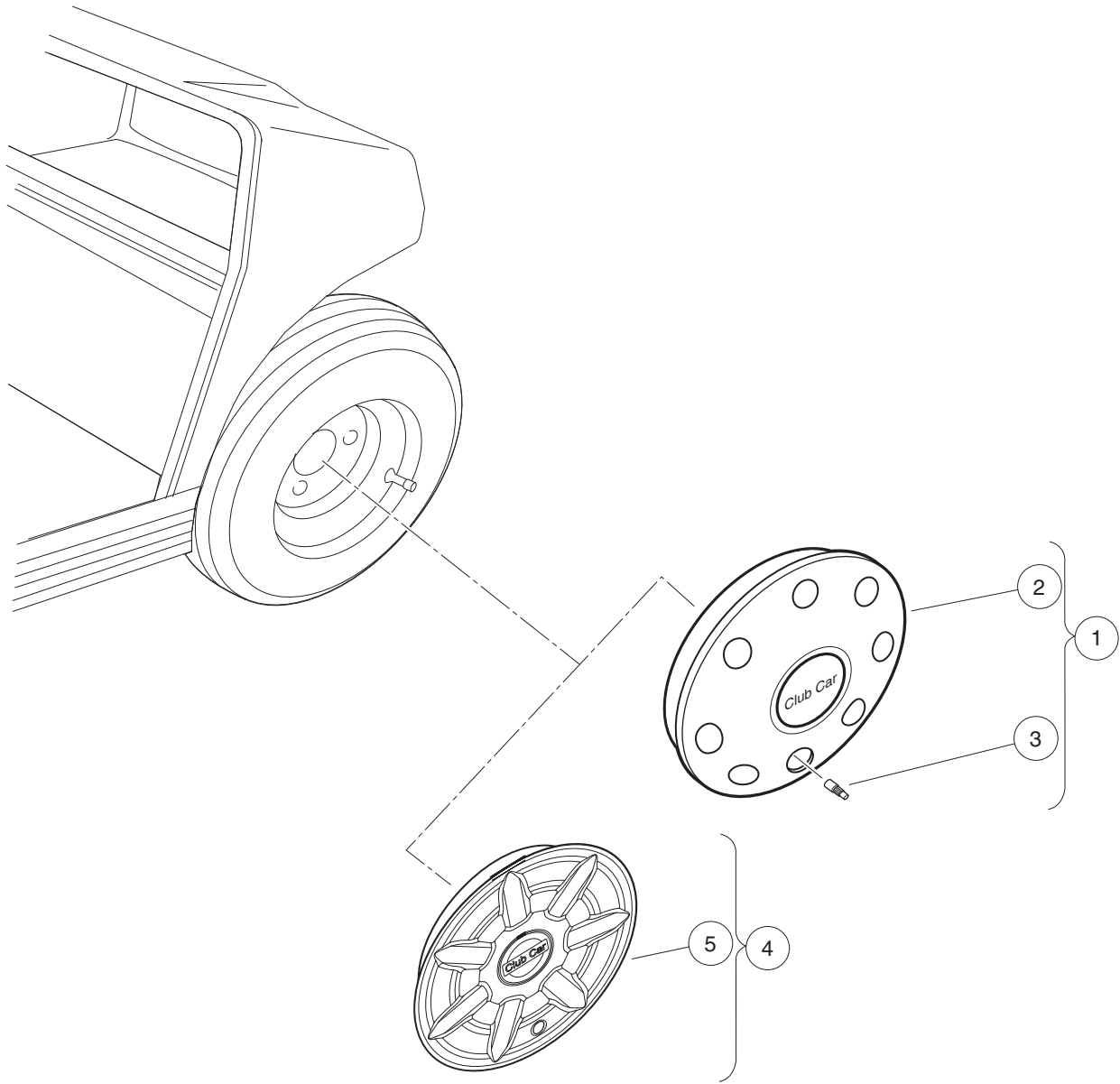
000269-019

# WHEELS AND TIRES – TURF/CARRYALL 1 – FROM LATE 2010 MODEL YEAR

ITEM	PART NO.	DESCRIPTION	QTY
		<b>1 2 3 4</b>	
1	<u>1010984</u>	.500-20 Unf Lug Nut .....	16
2	<u>101651402</u>	Tire/Wheel Asm, White, Premium Tread (includes items 3 through 5) .....	4
3	<u>1014771</u>	Wheel Rim, White .....	1
4	<u>101567202</u>	Tire, Unmounted, Links 18 x 8.50-8 .....	1
5	<u>7310</u>	Valve Stem, Black Plastic .....	1
6	<u>101651406</u>	Tire/Wheel Asm, White, Premium Tread, 6-Ply (includes items 7 through 9) .....	4
7	<u>1014771</u>	Wheel Rim, White .....	1
8	<u>101737002</u>	Tire, Unmounted .....	1
9	<u>7310</u>	Valve Stem, Black Plastic .....	1
10	<u>101651407</u>	Tire/Wheel Asm, White, Extra-Traction, 6-Ply (includes items 11 through 13) .....	2
11	<u>1014771</u>	Wheel Rim, White .....	1
12	<u>101769302</u>	Tire, Unmounted Xtrac 18 x 8.50-8 .....	1
13	<u>7310</u>	Valve Stem, Black Plastic .....	1
14	<u>101651412</u>	Tire/Wheel Asm, White, Duro Premium Tread (includes items 15 through 17) .....	4
15	<u>1014771</u>	Wheel Rim, White .....	1
16	<u>102569304</u>	Duro 18 X 8.5 X 8, 4-Ply .....	1
17	<u>7310</u>	Valve Stem, Black Plastic .....	1
18	<u>101651413</u>	Tire/Wheel Asm, White, Kenda Premium Tread (includes items 19 through 21) .....	4
19	<u>1014771</u>	Wheel Rim, White .....	1
20	<u>7310</u>	Valve Stem, Black Plastic .....	1
21	<u>AM10682</u>	Unmounted Prem Tire 18x8.50x8 .....	1
22	<u>101651419</u>	Tire/Wheel Asm, White, Kenda Hole-N-One, 6-Ply, Narrow (includes items 23 through 25) .....	2
23	<u>103722901</u>	Tire, Kenda Hole-N-One, 18x6.5 - 8, Prem, 6-Ply .....	1
24	<u>103723002</u>	Wheel Rim, 8 X 5.375, White .....	1
25	<u>7310</u>	Valve Stem, Black Plastic .....	1

**2**  
**G**  
**E**

**2**  
**G**  
**E**



001203-001

# WHEEL COVERS

ITEM	PART NO.	DESCRIPTION	QTY
		<b>1 2 3 4</b>	
1	<u>1012642</u>	Sport Wheel Cover Kit (each) (includes items 2 and 3) .....	4
2	1012640	Hubcap .....	1
3	<u>1012641</u>	Valve Extension .....	1
4	<u>102559901</u>	Hub Cap Kit, Prec (includes item 5) .....	1
5	<u>103694501</u>	Hub Cap, 7 Prong .....	4

2  
G  
E

**2**

**G**

**E**

# DECALS

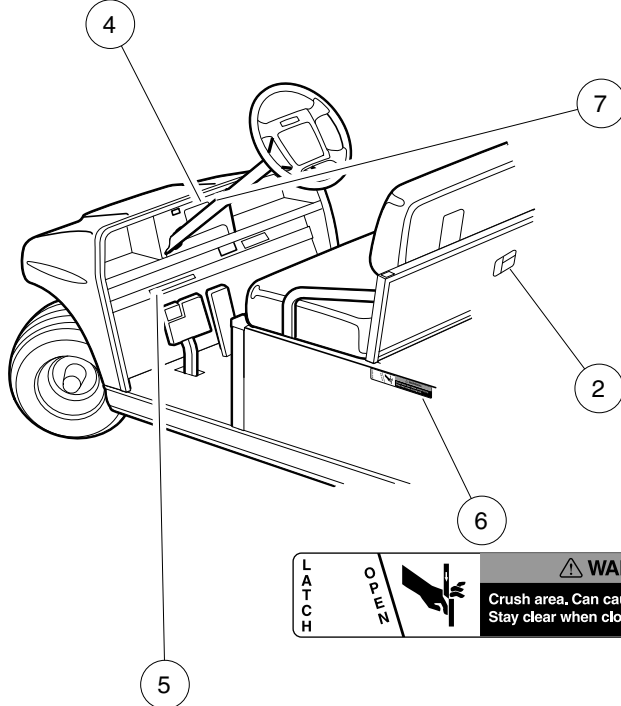
---

3

G

E

**OFF | ON**



**⚠ WARNING**

**ROLLOVER OR FALLING OFF MAY CAUSE DEATH.**

- Before using vehicle, read operating instructions.
- Remain seated and hold on to seat handle while moving.
- Do not start vehicle until all occupants are seated.
- Two (2) persons per seat maximum.
- Operate from driver side only and not on public roads.
- Keep entire body inside vehicle while moving.
- Drive slowly in turns and straight up and down slopes.
- Do not leave children unattended on vehicle.
- Never operate under the influence of alcohol or drugs.
- Use brakes to reduce speed when coasting downhill.
- Never stand in front of or behind vehicle.

CCI 103205401

**⚠ WARNING**

**Riding in cargo bed can cause severe injury or death. Do not ride in cargo bed.**

CCI 1015339-01

**LATCH** / **OPEN**

**⚠ WARNING**

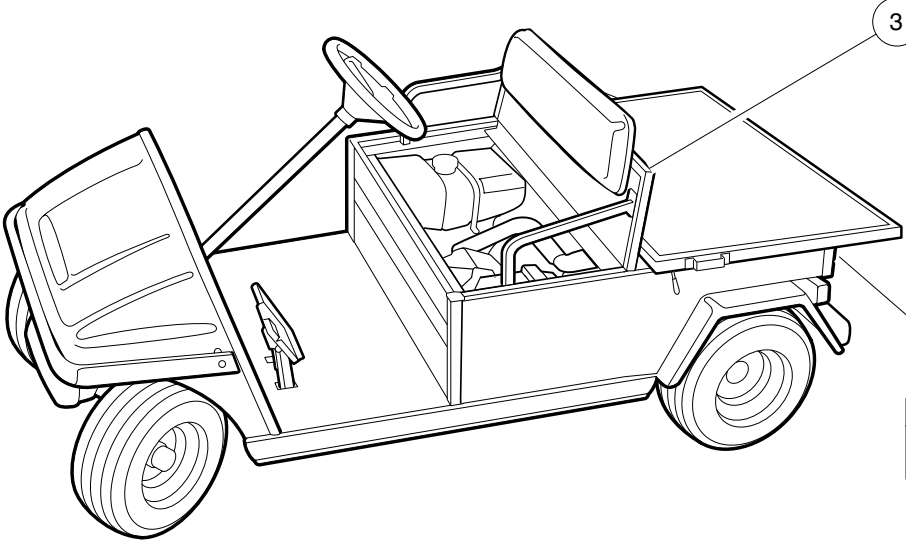
**Crush area. Can cause severe injury. Stay clear when closing bed.**

**VEHICLE LOADING**

Read owner's manual and warnings on dash.

- Vehicle rated capacity - 800 lb on level surface only. Weight to include passengers, cargo bed load, and gross trailer weight. See owner's manual.
- Maximum cargo load - 300 lb. Weight to include cargo bed load and gross trailer weight.
- Maximum trailer hitch tongue weight - 150 lbs.

- Cargo should be evenly spread over the floor of the cargo bed as far forward as possible and secured.
  - For vehicle stability, when fully loaded, drive slowly and avoid stopping on or backing down steep hills.
  - Avoid top heavy loads. See owner's manual.
  - When driving on uneven terrain or down steep hills, reduce speed and load.
- CCI 101960101



**⚠ WARNING**

**CRUSH AREA**

**STAY CLEAR**

CCI 1016094-01

**NOTICE**

**MAXIMUM TONGUE WEIGHT - 150 lb. (667 N)**

CCI 1011553

000270-002



## DECALS – GAS AND ELECTRIC VEHICLES

ITEM	PART NO.	DESCRIPTION	QTY
		1 2 3 4	
1	<u>1011553</u>	Decal, Trailer Hitch .....	1
2	<u>101553901</u>	Decal, Bed Load Warning .....	1
3	<u>101609401</u>	Decal, Crush Area Warning .....	2
4	<u>101825101</u>	Decal, Off/On .....	1
5	<u>101960101</u>	Decal, Vehicle Loading .....	1
6	<u>102459301</u>	Decal, Bed Crush Area Warning .....	1
7	<u>103205401</u>	Decal, Warning, Rollover, Utl .....	1

3  
G  
E

### OPERATING INSTRUCTIONS

- Read owner's manual and dash-mounted safety warnings prior to driving.
- Study and understand controls.

**TO OPERATE**

- Turn wheels to desired direction and ensure path is clear.
- Turn key to ON position.
- While stopped, place Forward/Reverse switch in desired position:  
F=Forward N=Neutral R=Reverse (buzzer will sound)
- Park brake will release and vehicle will start moving when accelerator pedal is pressed.
- Slowly press accelerator pedal to increase speed.
- To stop, release accelerator pedal and press brake pedal.

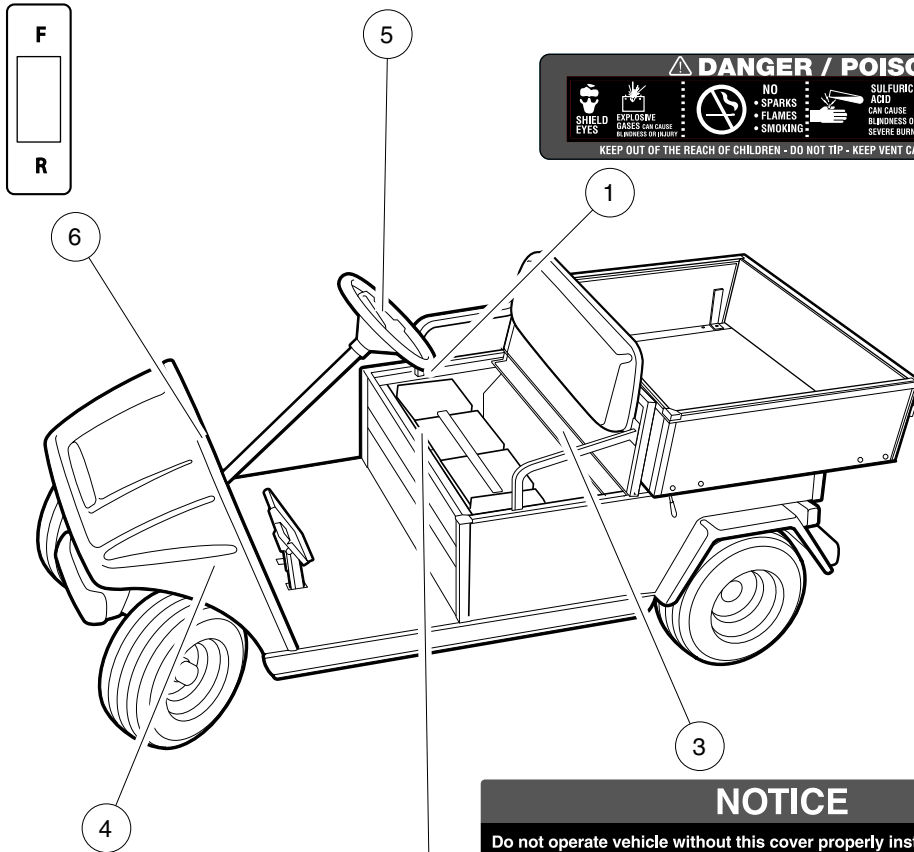
**BEFORE LEAVING**

- Press park brake pedal until it locks and holds vehicle.
- Place Forward/Reverse switch in NEUTRAL position.
- Turn key OFF and remove key when not in use.

**MOTOR BRAKING**

- Electric motor braking provides speed regulation functions.
- For parked vehicle, beeping alarm indicates vehicle roll away.
- In operation, beeping alarm indicates reduction in motor braking.
- Apply brakes to further reduce vehicle speed as required.
- System is activated only when tow switch is in the RUN position.
- When towing this vehicle, tow switch must be in the TOW position.

CCJ 102518001



**⚠ DANGER / POISON**

 SHIELD EYES	 EXPLOSIVE GASES CAN CAUSE BLINDNESS OR INJURY	 NO SPARKS • FLAMES • SMOKING	 SULFURIC ACID CAN CAUSE BLINDNESS OR SEVERE BURNING	 FLUSH EYES IMMEDIATELY WITH WATER GET MEDICAL HELP FAST
-----------------	---	--	---	--

KEEP OUT OF THE REACH OF CHILDREN - DO NOT TIP - KEEP VENT CAPS TIGHT AND LEVEL

**IMPORTANT NOTICE**

- Maximum vehicle speed is limited by motor braking during downhill operation with accelerator pedal depressed.
- If motor brake enabled, vehicle motor will brake when accelerator pedal is released.
- Beeping alarm indicates reduction in motor braking. Apply brakes to reduce speed.
- System is activated only when tow switch is in the "RUN" position.
- When towing vehicle, tow switch must be in the "TOW" position.

101929902

**NOTICE**

Do not operate vehicle without this cover properly installed. Do not direct water stream in this area; will cause damage to components. See vehicle maintenance and service manual before servicing.

CCJ 101931501

**⚠ WARNING TOW RUN**

Place Tow/Run switch in TOW position before:

- Disconnecting or connecting batteries
- Towing
- Extended storage
- Servicing

**FAILURE TO HEED THIS WARNING COULD RESULT IN A BATTERY EXPLOSION OR SEVERE PERSONAL INJURY.**

CCJ 101908601

000272-002

## DECALS – TURF/CARRYALL 1 ELECTRIC

ITEM	PART NO.	DESCRIPTION	QTY
		1 2 3 4	
1	<u>1013677</u>	Decal, Battery Danger .....	6
2	<u>101908601</u>	Decal, Tow/Run Switch Warning .....	1
3	<u>101931501</u>	Decal, Component Cover .....	1
4	<u>101959902</u>	Decal, IQ System Motor Braking .....	1
5	102518001	Decal, Operating Instr, Elec .....	1
6	<u>103210301</u>	Decal, Forward/Reverse, Electric .....	1

**3**  
**G**  
**E**

### OPERATING INSTRUCTIONS

- Read owner's manual and safety warnings located on dash panel prior to driving.
- Study and understand controls.

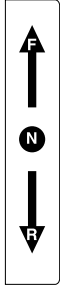
**TO OPERATE**

- Turn wheels to desired direction and ensure path is clear.
- Turn key to ON position.
- While stopped, place shift lever in desired position:  
F – Forward N – Neutral R – Reverse (Buzzer will sound)
- Park brake will release and vehicle will start moving when accelerator pedal is pressed.
- Slowly press accelerator pedal to increase speed.
- To stop, release accelerator pedal and press brake pedal.

**BEFORE LEAVING**

- Press park brake pedal until it locks and holds vehicle.
- Place Forward/Reverse switch in NEUTRAL position.
- Turn key OFF and remove key when not in use.

CCI 102519201

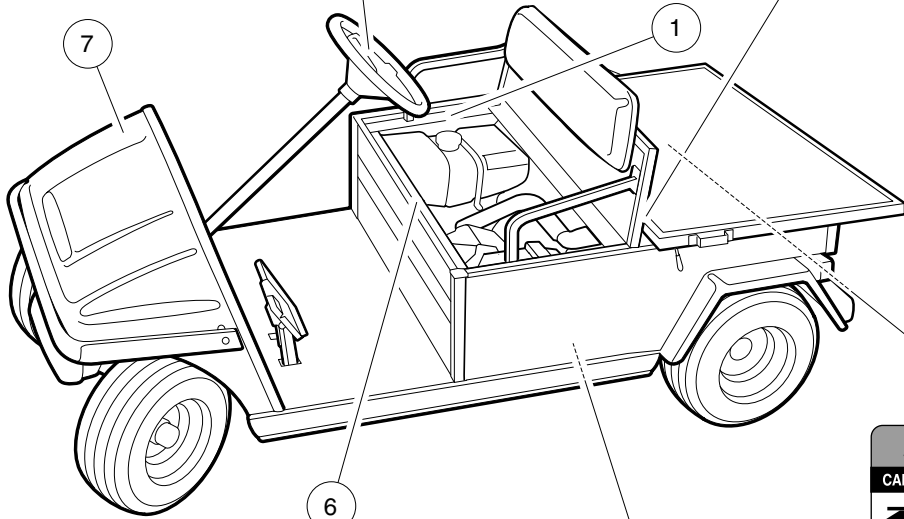


**WARNING**  
CAN CAUSE SEVERE BURNS  
Hot Surface  
CCI 102458901

**WARNING**  
**GASOLINE EXPLOSION / FIRE.**

- Can cause severe injury or death.
- No smoking, sparks, or open flame.
- Stop engine, allow to cool before refueling.
- Turn fuel valve (↔) on during operation, (↔) off during storage or transport.

CCI 101547601



Maintenance      Operate

**WARNING**

**VEHICLE MOVEMENT MAY CAUSE SERIOUS INJURY**  
When switch is in Maintenance position, chock wheels and firmly set park brake.

CCI 103205501

**WARNING**  
CAN CAUSE SEVERE INJURY

**Rotating parts**

**HOT manifold & muffler**

**KEEP CLEAR**  
CCI 101960501

	<b>WARNING</b>		<b>WARNING</b>
	<p>Negative frame ground. Can cause severe injury. Do not contact positive (+) battery post or cable to frame. Disconnect negative battery cable first.</p>		<p>Excessive speed can cause severe injury or death. Do not tamper with engine governor adjustment.</p>
			CCI 101915201

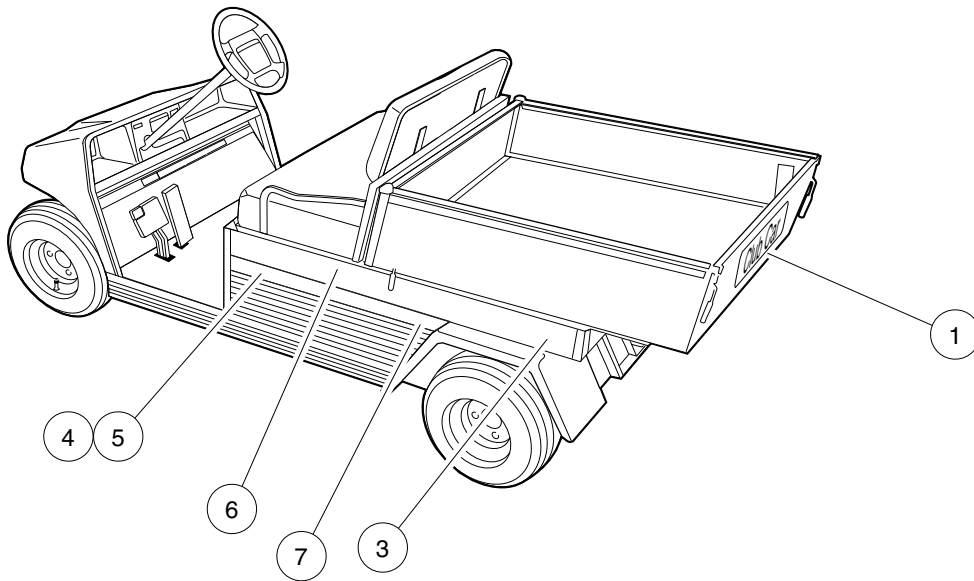
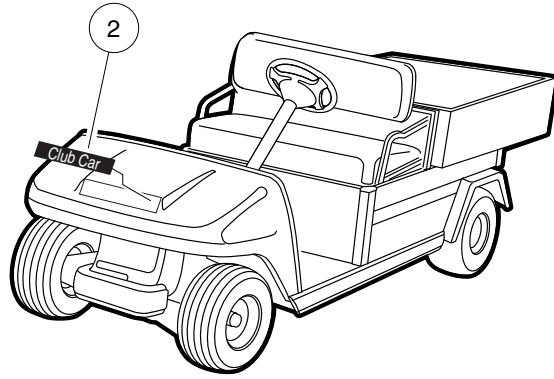
000273-002

## DECALS – TURF/CARRYALL 1 GASOLINE

ITEM	PART NO.	DESCRIPTION	QTY
		<b>1 2 3 4</b>	
1	<u>101547601</u>	Decal, Gasoline Explosion/Fire Warning .....	1
2	<u>101915201</u>	Decal, Frame Ground and Governor Warning .....	1
3	<u>101960501</u>	Decal, Rotating Parts/Hot Manifold .....	2
4	<u>102458901</u>	Decal, Hot Surface Warning .....	2
5	<u>102519201</u>	Decal, Operating Instr, Gas .....	1
6	<u>103205501</u>	Decal, Run/Service Switch .....	1
7	<u>103210201</u>	Decal, Forward/Reverse, Gas .....	1

3  
G  
E

**3**  
**G**  
**E**



000287-008

# DECALS, BADGING – TURF/CARRYALL 1

ITEM	PART NO.	DESCRIPTION	QTY
		<b>1 2 3 4</b>	
1	<u>1013317</u>	Decal, Logo, Tailgate .....	1
2	<u>101670201</u>	Nameplate Kit (silver) .....	1
3	<u>103234301</u>	Decal, Badge, IR .....	2
4	<u>103260001</u>	Decal Turf 1 Side Panel .....	2
5	<u>103260701</u>	Decal Ca 1 Side Panel .....	2
6	<u>103284001</u>	Decal Ca1 Black Bar .....	1
7	<u>103464901</u>	Decal, Zev .....	2

**3**  
**G**  
**E**

**3**

**G**

**E**



# LIGHTS, CONTROLS, AND INDICATORS

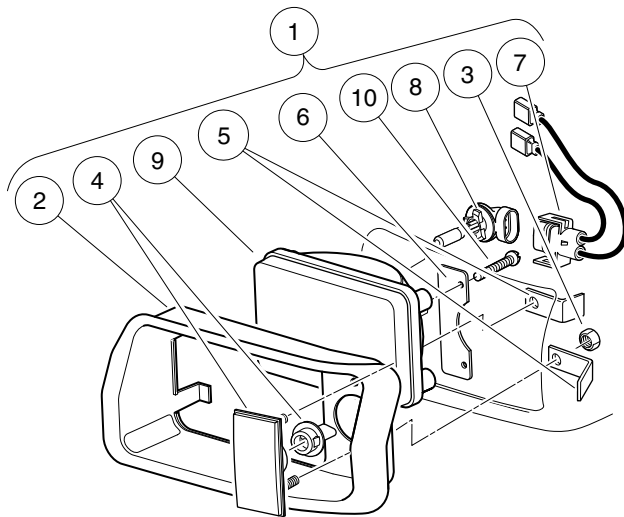
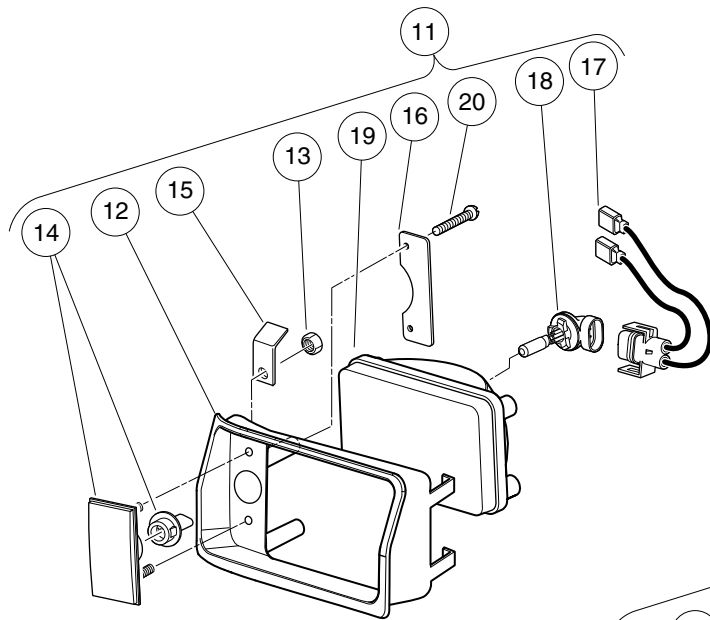
---

4

G

E

**4**  
**G**  
**E**



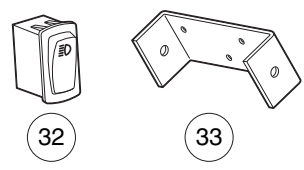
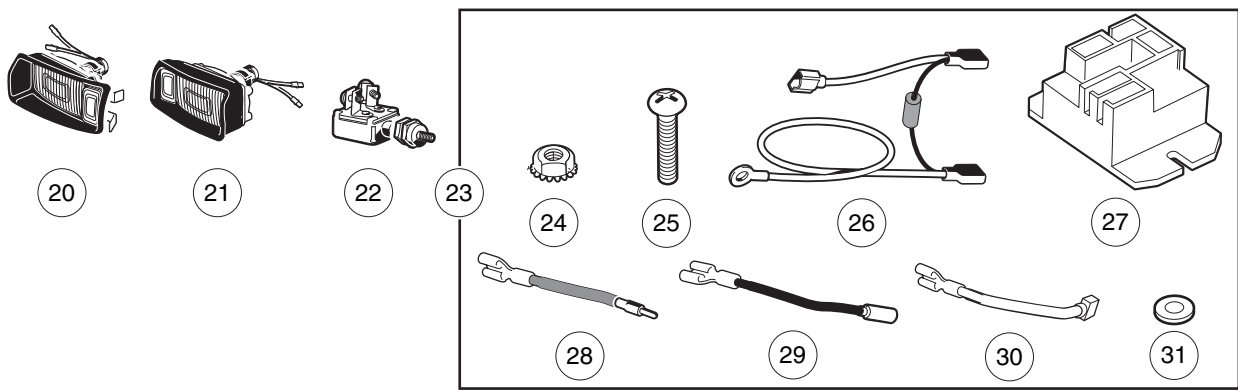
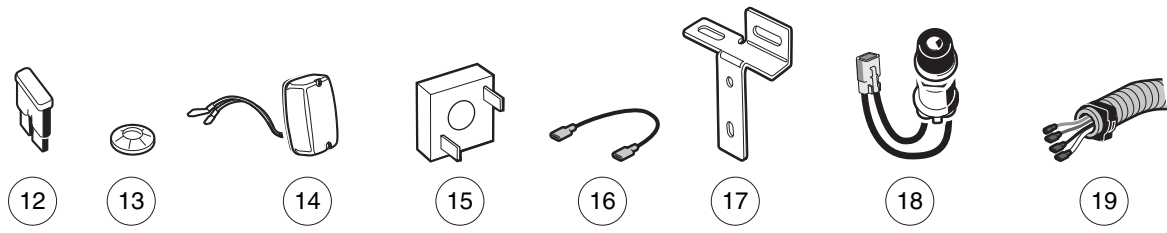
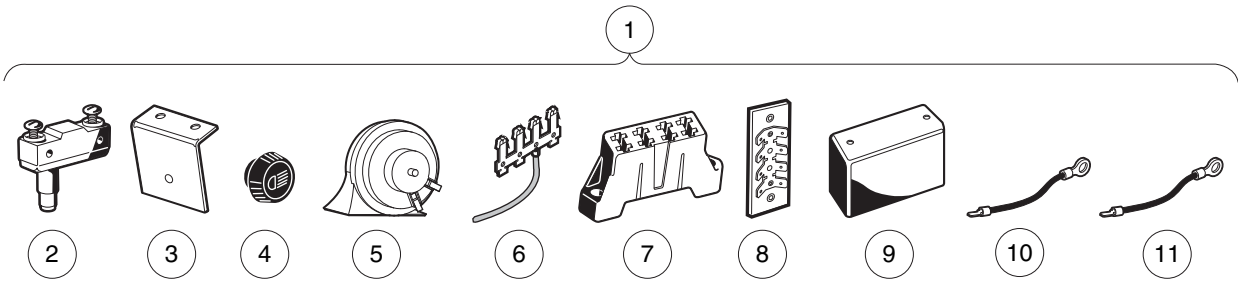
001097-001

# HEADLIGHTS

ITEM	PART NO.	DESCRIPTION	QTY
		<b>1 2 3 4</b>	
1	<u>101988001</u>	Headlight Assembly, Driver-Side Single Beam (includes items 2 through 10) .....	1
2	<u>1016880</u>	Headlight Bezel, Left .....	1
3	<u>1017</u>	Nut, #10-24 Stainless-Steel Hex Machine .....	2
4	<u>1017062</u>	Turn Signal Lens Assy .....	1
5	<u>1017064</u>	Mounting Bracket .....	2
6	<u>1017065</u>	Retainer, Headlight .....	1
7	<u>101987901</u>	Connector, Harness Assembly, Headlight .....	1
8	<u>101988101</u>	Bulb, Headlight .....	1
9	<u>101988201</u>	Lens, Headlight .....	1
10	1620	Screw, #10-16 X 0.75 Pan-Head Tap .....	2
11	<u>101988002</u>	Headlight Assy, Passenger-Side Single Beam (includes items 12 through 20) .....	1
12	<u>1016879</u>	Headlight Bezel, Right .....	1
13	<u>1017</u>	Nut, #10-24 Stainless-Steel Hex Machine .....	2
14	<u>1017062</u>	Turn Signal Lens Assy .....	1
15	<u>1017064</u>	Mounting Bracket .....	2
16	<u>1017065</u>	Retainer, Headlight .....	1
17	<u>101987901</u>	Connector, Harness Assembly, Headlight .....	1
18	<u>101988101</u>	Bulb, Headlight .....	1
19	<u>101988201</u>	Lens, Headlight .....	1
20	1620	Screw, #10-16 X 0.75 Pan-Head Tap .....	2

**4**  
**G**  
**E**

**4**  
**G**  
**E**



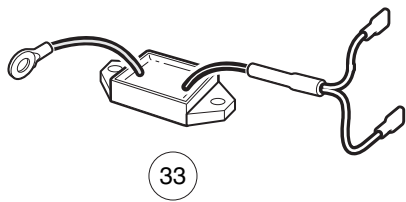
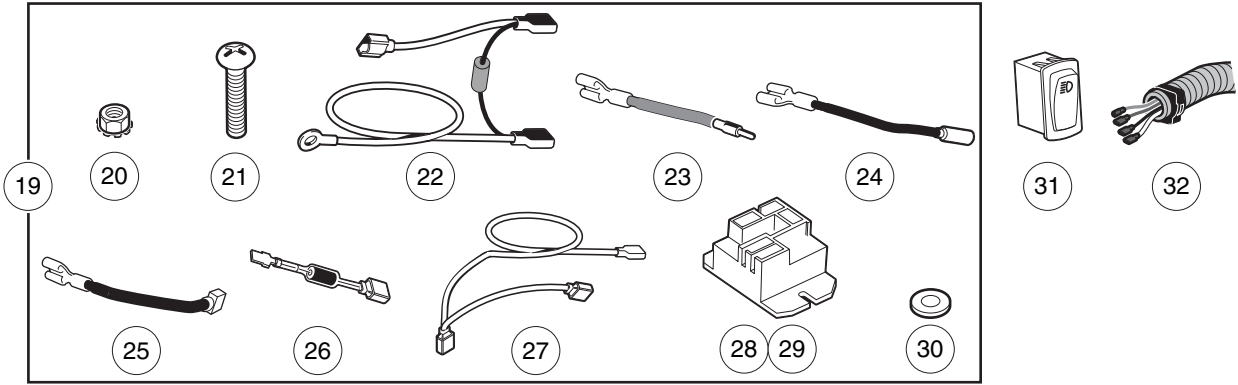
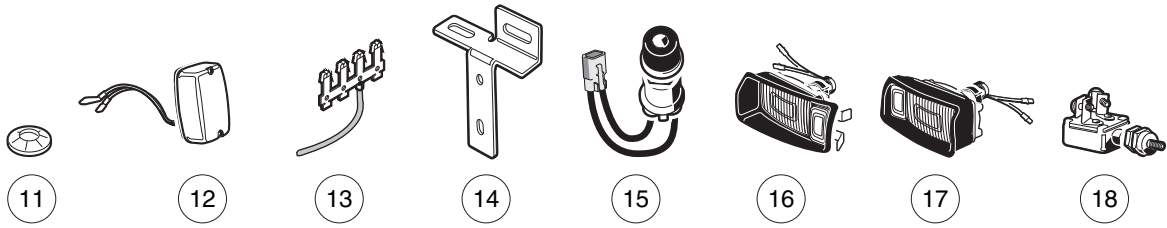
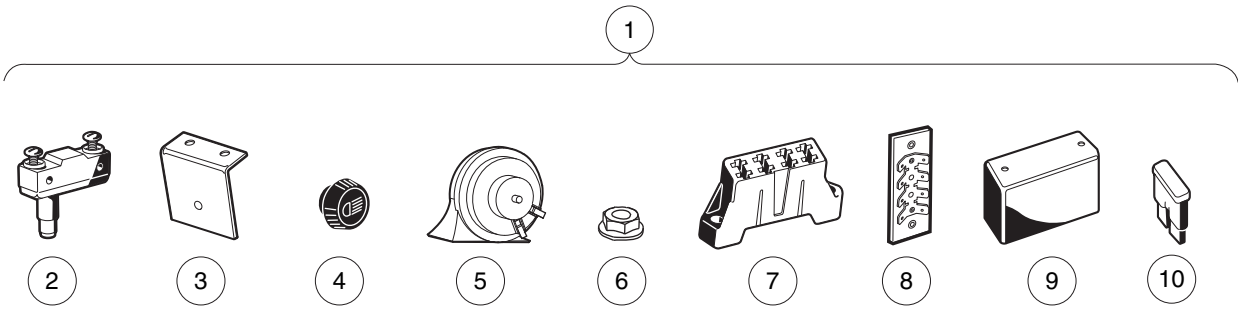
001277-001

# LIGHT KIT, STANDARD – TURF/CA 1 GASOLINE VEHICLES

ITEM	PART NO.	DESCRIPTION	QTY
		1 2 3 4	
1	101705608	Light Pkg, Std, CA 1, Gas, Field (includes items 2 through 33) .....	1
2	<u>1011439</u>	Switch, Limit .....	2
3	<u>1011825</u>	Horn Bracket .....	1
4	<u>1013857</u>	Knob, Light Switch .....	1
5	<u>1014530</u>	Horn, 12-VDC .....	1
6	<u>1015737</u>	Wire Assy, #10 Red .....	1
7	<u>1015741</u>	Fuse Block .....	1
8	<u>1016356</u>	Terminal Block with Insulator .....	1
9	1016363	Fuse Block Cover .....	1
10	<u>1016364</u>	Wire Assembly #10 Black .....	1
11	<u>1016367</u>	Wire Assy, #10 Black .....	1
12	<u>1016423</u>	Fuse, 20-Amp .....	3
13	<u>1016631</u>	Push Nut .....	2
14	1017035	Taillight Assembly .....	2
15	<u>1017721</u>	Limiter, Voltage .....	1
16	1017722	Wire Assy, #16 Black .....	1
17	<u>101957101</u>	Bracket, Brake Light Switch .....	1
18	<u>101969701</u>	Horn Button and Wire Assembly .....	1
19	101987801	Lighting Harness Assembly .....	1
20	<u>101988001</u>	Headlight Assembly, Driver-Side Single Beam .....	1
21	<u>101988002</u>	Headlight Assy, Passenger-Side Single Beam .....	1
22	<u>102051901</u>	Switch, Light .....	1
23	102198701	Brake Relay Kit - 12v (includes items 24 through 31) .....	1
24	<u>1011229</u>	Locknut, #6-32 Whiz .....	2
25	<u>1017853</u>	Screw, #6-32 X 0.75 Hex-Head Machine .....	2
26	101914401	Assembly, Voltage Suppressor .....	1
27	<u>102199001</u>	Relay, 12-Volt .....	1
28	<u>102199201</u>	Wire Asm #18 Brown .....	1
29	<u>102199301</u>	Wire Asm #18 Black .....	1
30	<u>102199401</u>	Wire Asm #18 Black .....	1
31	<u>7591</u>	Washer, #6, Flat .....	2
32	<u>102869401</u>	Switch, Rocker, Light .....	1
33	<u>103254101</u>	Bracket, Mtg, Power Relay .....	1

4  
G  
E

**4**  
**G**  
**E**



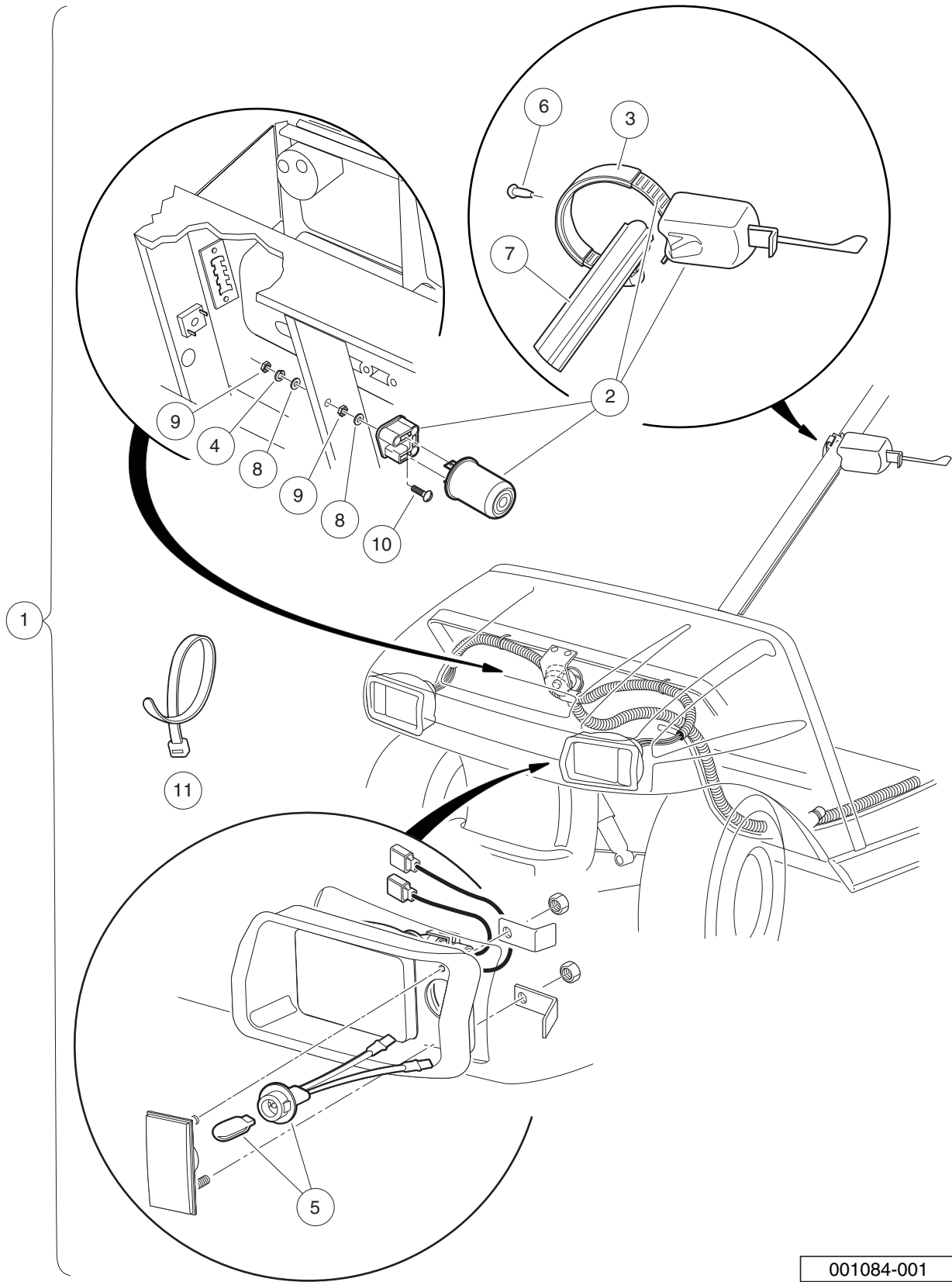
001278-002

# LIGHT KIT, STANDARD – TURF/CA 1 IQ SYSTEM ELECTRIC VEHICLES

ITEM	PART NO.	DESCRIPTION	QTY
		1 2 3 4	
1	<u>101814011</u>	Light Pkg, Std, CA 1, Elec, Field (includes items 2 through 33) .....	1
2	<u>1011439</u>	Switch, Limit .....	2
3	<u>1011825</u>	Horn Bracket .....	1
4	<u>1013857</u>	Knob, Light Switch .....	1
5	<u>1014530</u>	Horn, 12-VDC .....	1
6	<u>1015661</u>	Nut, Lock Hx Flanged 1/4-20 .....	2
7	<u>1015741</u>	Fuse Block .....	1
8	<u>1016356</u>	Terminal Block with Insulator .....	2
9	<u>1016363</u>	Fuse Block Cover .....	1
10	<u>1016423</u>	Fuse, 20-Amp .....	3
11	<u>1016631</u>	Push Nut .....	2
12	<u>1017035</u>	Taillight Assembly .....	2
13	<u>101810601</u>	Wire Assy, #10 Red .....	1
14	<u>101957101</u>	Bracket, Brake Light Switch .....	1
15	<u>101969701</u>	Horn Button and Wire Assembly .....	1
16	<u>101988001</u>	Headlight Assembly, Driver-Side Single Beam .....	1
17	<u>101988002</u>	Headlight Assy, Passenger-Side Single Beam .....	1
18	<u>102051901</u>	Switch, Light .....	1
19	<u>102267501</u>	Brake Relay Kit - 48v Series (includes items 20 through 30) .....	1
20	<u>1011229</u>	Locknut, #6-32 Whiz .....	2
21	<u>1017853</u>	Screw, #6-32 X 0.75 Hex-Head Machine .....	2
22	<u>101914402</u>	Asm, Pd Volt. Supp. W/o Instr. ....	1
23	<u>102199201</u>	Wire Asm #18 Brown .....	1
24	<u>102199301</u>	Wire Asm #18 Black .....	1
25	<u>102199401</u>	Wire Asm #18 Black .....	1
26	<u>102273101</u>	Diode Assembly .....	1
27	<u>102569101</u>	Wire Asm #18 Yellow .....	1
28	<u>103414901</u>	Kit, Relay, 48v 30a W/instr (includes item 29) .....	1
29	<u>103397901</u>	Relay, Spst No, 48v 30a, Pmt .....	1
30	<u>7591</u>	Washer, #6, Flat .....	2
31	<u>102869401</u>	Switch, Rocker, Light .....	1
32	<u>103257001</u>	Wire Harness, Lighting .....	1
33	<u>103470902</u>	Limiter, Voltage, Post Mnt .....	1

**4**  
**G**  
**E**

**4**  
**G**  
**E**



001084-001

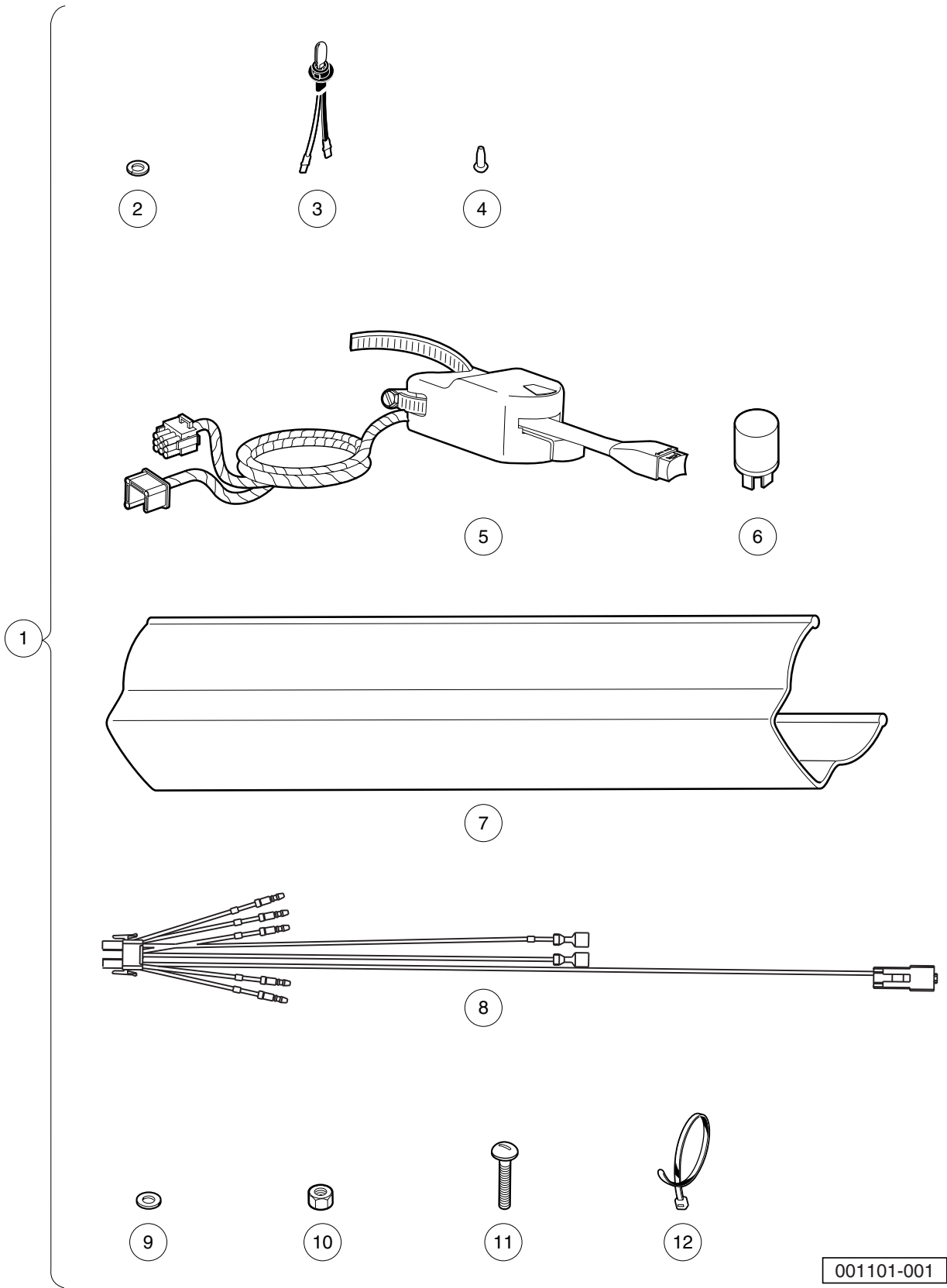


# TURN SIGNAL KIT – DS AND UTILITY GASOLINE AND ELECTRIC VEHICLES

ITEM	PART NO.	DESCRIPTION	QTY
		1 2 3 4	
1	101707402	Turn Signal Conversion Kit (includes items 2 through 11) .....	1
2	<u>1011590</u>	Switch Sub-assy, Turn Signal .....	1
3	N/A	Strap, Extrusion .....	1
4	<u>1016</u>	Lockwasher, #10 Split .....	1
5	<u>1017075</u>	Socket & Lamp Assembly .....	2
6	<u>1017724</u>	Rivet, Plastic .....	1
7	<u>102529201</u>	Wire Cover, Steering Column .....	1
8	<u>183</u>	Washer, #10, Type A, Flat .....	2
9	<u>7893</u>	Nut, #10-32 Hex .....	2
10	8104	Screw, #10-32 X .75 Rd Hd Mach .....	1
11	<u>8990</u>	Tie Wrap, 8" Nylon .....	1

**4**  
**G**  
**E**

**4**  
**G**  
**E**



# TURN SIGNAL (WITH HORN BUTTON) KIT – DS AND UTILITY GAS AND ELECTRIC VEHICLES

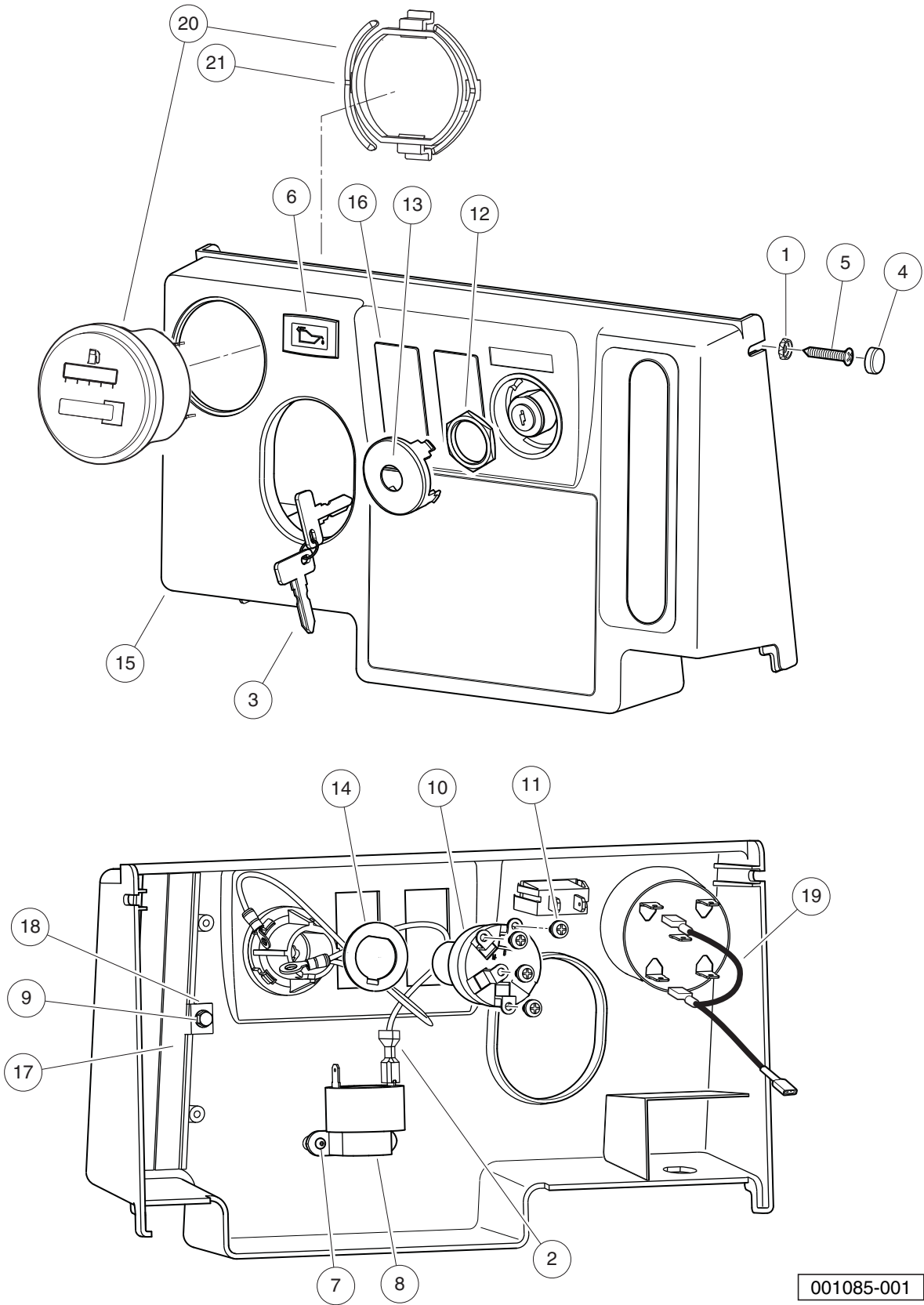
ITEM	PART NO.	DESCRIPTION	QTY
		1 2 3 4	
1	101707405	Kit, Turn Signal-horn (includes items 2 through 12) .....	1
2	<u>1016</u>	Lockwasher, #10 Split .....	1
3	<u>1017075</u>	Socket & Lamp Assembly .....	2
4	<u>1017724</u>	Rivet, Plastic .....	1
5	<u>102517501</u>	Turn Signal Asm (includes item 6) .....	1
6	<u>102546401</u>	Flasher Unit, Prec .....	1
7	<u>102529201</u>	Wire Cover, Steering Column .....	1
8	<u>103618001</u>	Harness, Jumper, Turn Signal .....	1
9	<u>183</u>	Washer, #10, Type A, Flat .....	2
10	<u>7893</u>	Nut, #10-32 Hex .....	2
11	8104	Screw, #10-32 X .75 Rd Hd Mach .....	1
12	<u>8990</u>	Tie Wrap, 8" Nylon .....	1

4

G

E

**4**  
**G**  
**E**



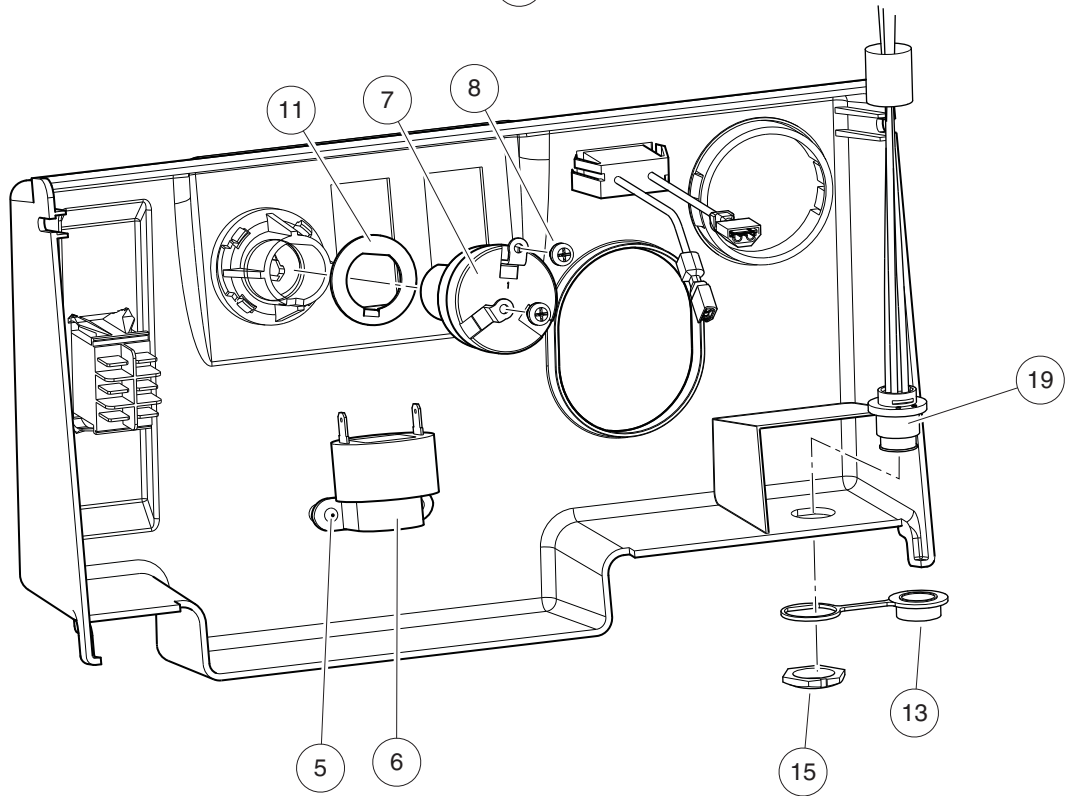
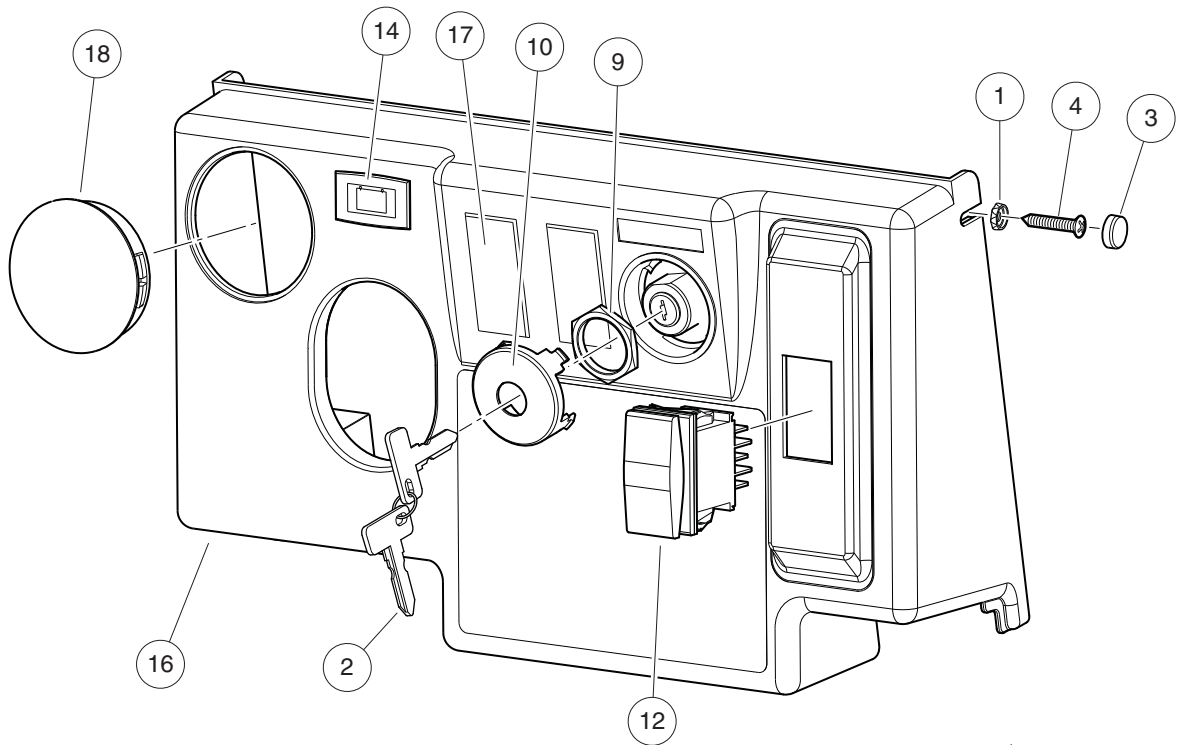
001085-001

# INSTRUMENT PANEL AND ELECTRICAL COMPONENTS – TURF/ CARRYALL 1, 2, AND 252 GAS

ITEM	PART NO.	DESCRIPTION	QTY
		<b>1 2 3 4</b>	
1	1011382	Washer, #10 Pan-Head Screw .....	2
2	1012396	Wire Assy #18 Black .....	1
3	<u>1012505</u>	Keys (set of 2) .....	1
4	<u>1013494</u>	Cover, Screw Head .....	2
5	<u>1015528</u>	Screw, #10 x 1-1/4 Phillips Head .....	2
6	<u>1016630</u>	Light, Oil .....	1
7	<u>1016849</u>	Screw, #4-24 X 0.33, Pan-Head, Machine .....	2
8	<u>1016851</u>	Buzzer, Reverse (9-48 VDC) .....	1
9	<u>101804301</u>	Screw, #8 X 0.500, Hex-Head Hi-Lo .....	2
10	<u>101826301</u>	Key Switch, 12-Volt, Off/On .....	1
11	101830601	Screw and Washer Assembly .....	4
12	<u>101830701</u>	Nut, Key Switch .....	1
13	<u>101834502</u>	Cap, Black Key Switch .....	1
14	<u>101851101</u>	Washer, Key Switch .....	1
15	<u>102977001</u>	Panel, Dash, Center, Gas (Instrument Panel) .....	1
16	<u>103180101</u>	Cover, Hole, Switch, Rocker .....	2
17	<u>103199001</u>	Brush, Closeout, FNR .....	2
18	<u>103199101</u>	Washer, Retaining, Brush, FNR .....	2
19	<u>103348501</u>	Asm, Wire Meter, F-h Jumper .....	1
20	<u>103348601</u>	Gauge, Fuel-hour,sep Gnd,utl (includes item 21) .....	1
21	<u>103348201</u>	Clip, Meter, Round .....	1

**4**  
**G**  
**E**

**4**  
**G**  
**E**



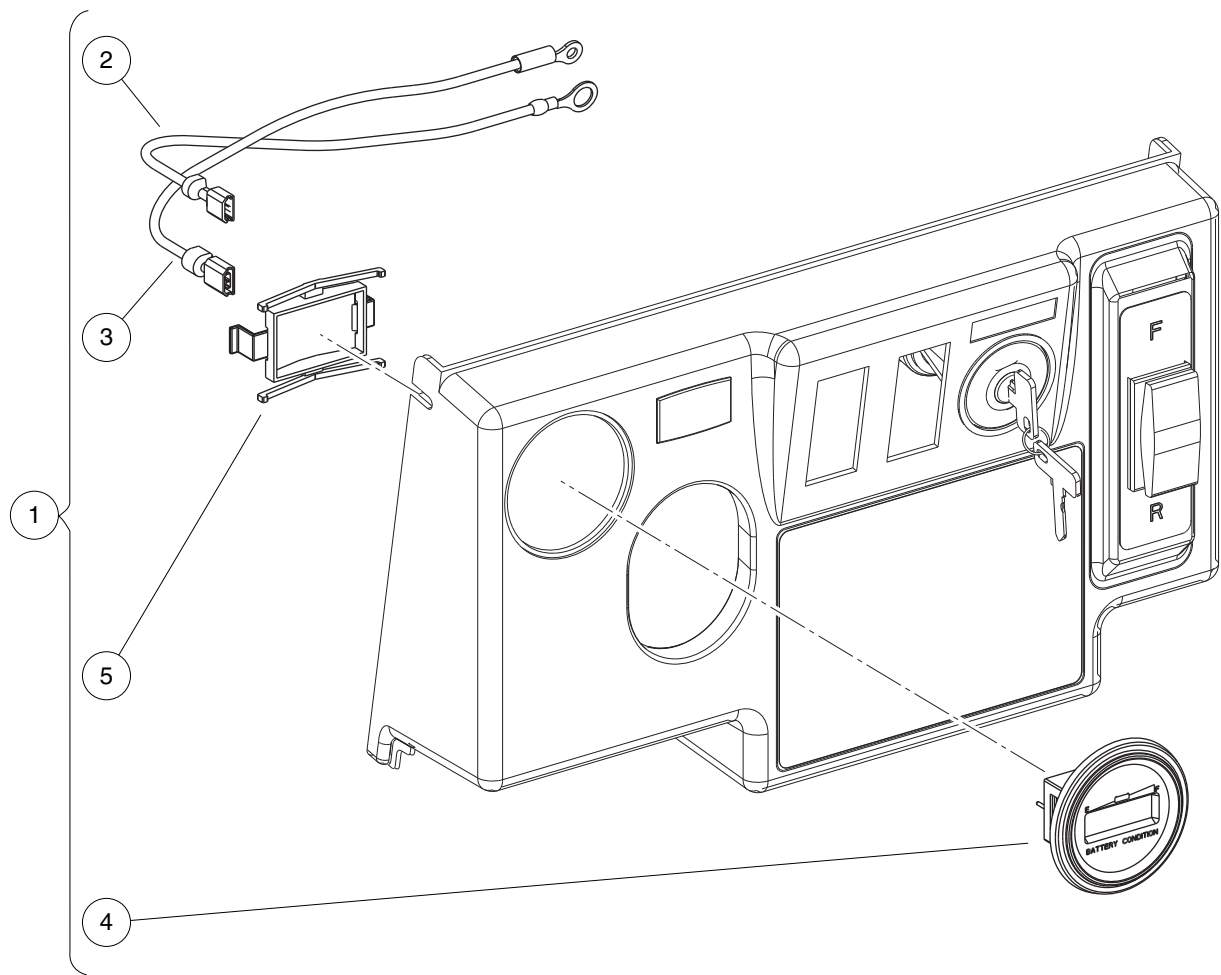
001087-001

# INSTRUMENT PANEL AND ELECTRICAL COMPONENTS – TURF/ CA 1 AND 2 ELECTRIC

ITEM	PART NO.	DESCRIPTION	QTY
		<b>1 2 3 4</b>	
1	1011382	Washer, #10 Pan-Head Screw .....	2
2	<u>1012505</u>	Keys (set of 2) .....	1
3	<u>1013494</u>	Cover, Screw Head .....	2
4	<u>1015528</u>	Screw, #10 x 1-1/4 Phillips Head .....	2
5	<u>1016849</u>	Screw, #4-24 X 0.33, Pan-Head, Machine .....	2
6	<u>1016851</u>	Buzzer, Reverse (9-48 VDC) .....	1
7	<u>101826201</u>	Key Switch, On/Off .....	1
8	101830601	Screw and Washer Assembly .....	2
9	<u>101830701</u>	Nut, Key Switch .....	1
10	<u>101834502</u>	Cap, Black Key Switch .....	1
11	<u>101851101</u>	Washer, Key Switch .....	1
12	<u>101856002</u>	Switch, Rocker, Single-Pole .....	1
13	<u>102196901</u>	Dust Cap .....	1
14	<u>102508701</u>	Light, Battery .....	1
15	<u>102572401</u>	Nut, Diagnostic Port, Prec .....	1
16	<u>102977002</u>	Panel, Dash, Center, Elec (Instrument Panel) .....	1
17	<u>103180101</u>	Cover, Hole, Switch, Rocker .....	2
18	<u>103198301</u>	Plug, Hole, Round, 2.0 In .....	1
19	<u>103218601</u>	Harness, Diagnostic Port .....	1

**4**  
**G**  
**E**

**4**  
**G**  
**E**



000817-002



# BATTERY CONDITION INDICATOR – ELECTRIC VEHICLES

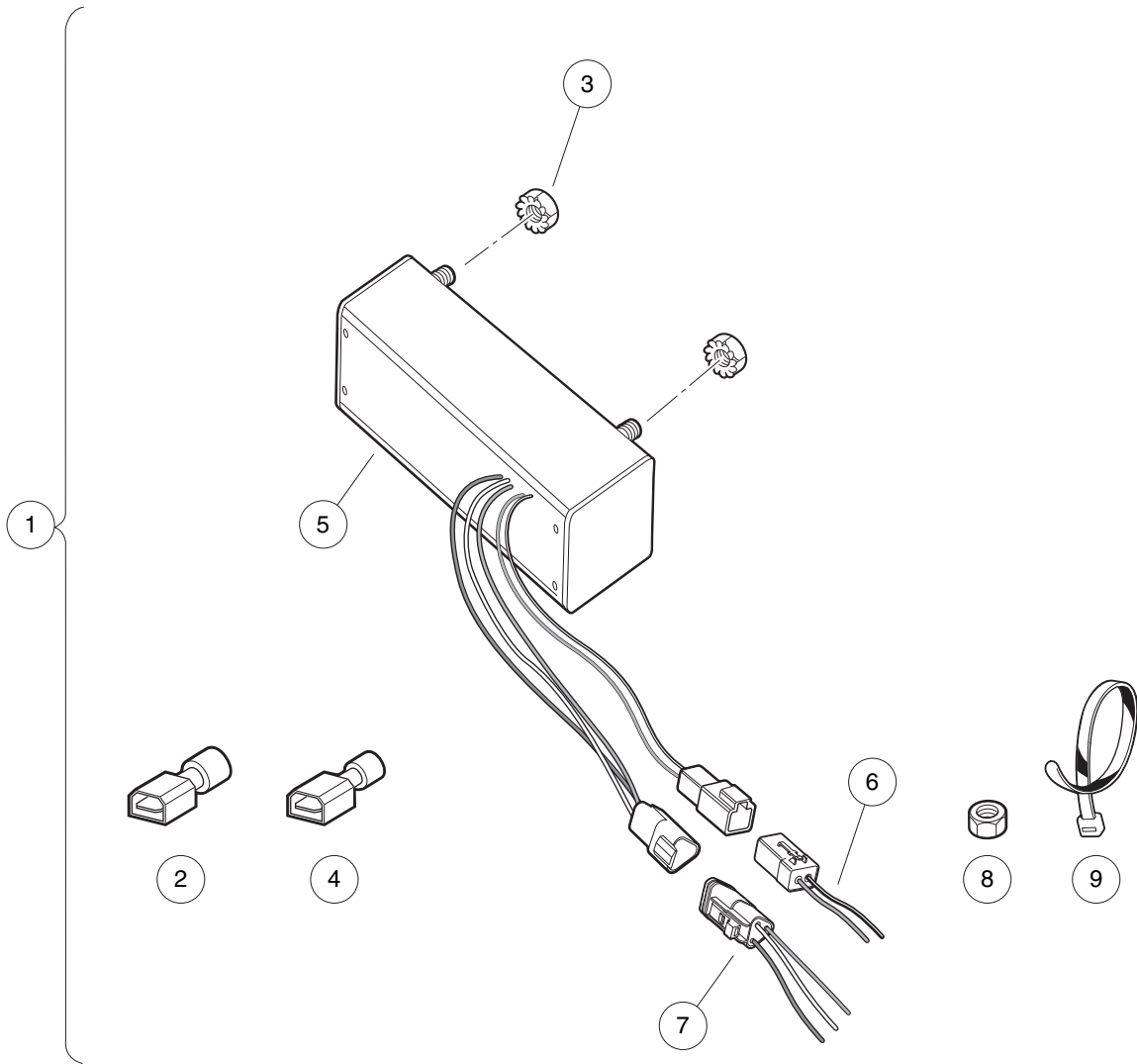
ITEM	PART NO.	DESCRIPTION	QTY
		1 2 3 4	
1	<u>103257603</u>	Kit, Gauge, Battery Condition Indicator (includes items 2 through 4) .....	1
2	<u>103257701</u>	Wire Asm, #18 Black, 2565mm .....	1
3	<u>103257801</u>	Wire Asm, #16 Red, 330mm .....	1
4	<u>103354401</u>	Gauge, Battery Cond Ind, Rnd (includes item 5) .....	1
5	<u>103348202</u>	Clip, Bci, Round .....	1

4

G

E

**4**  
**G**  
**E**



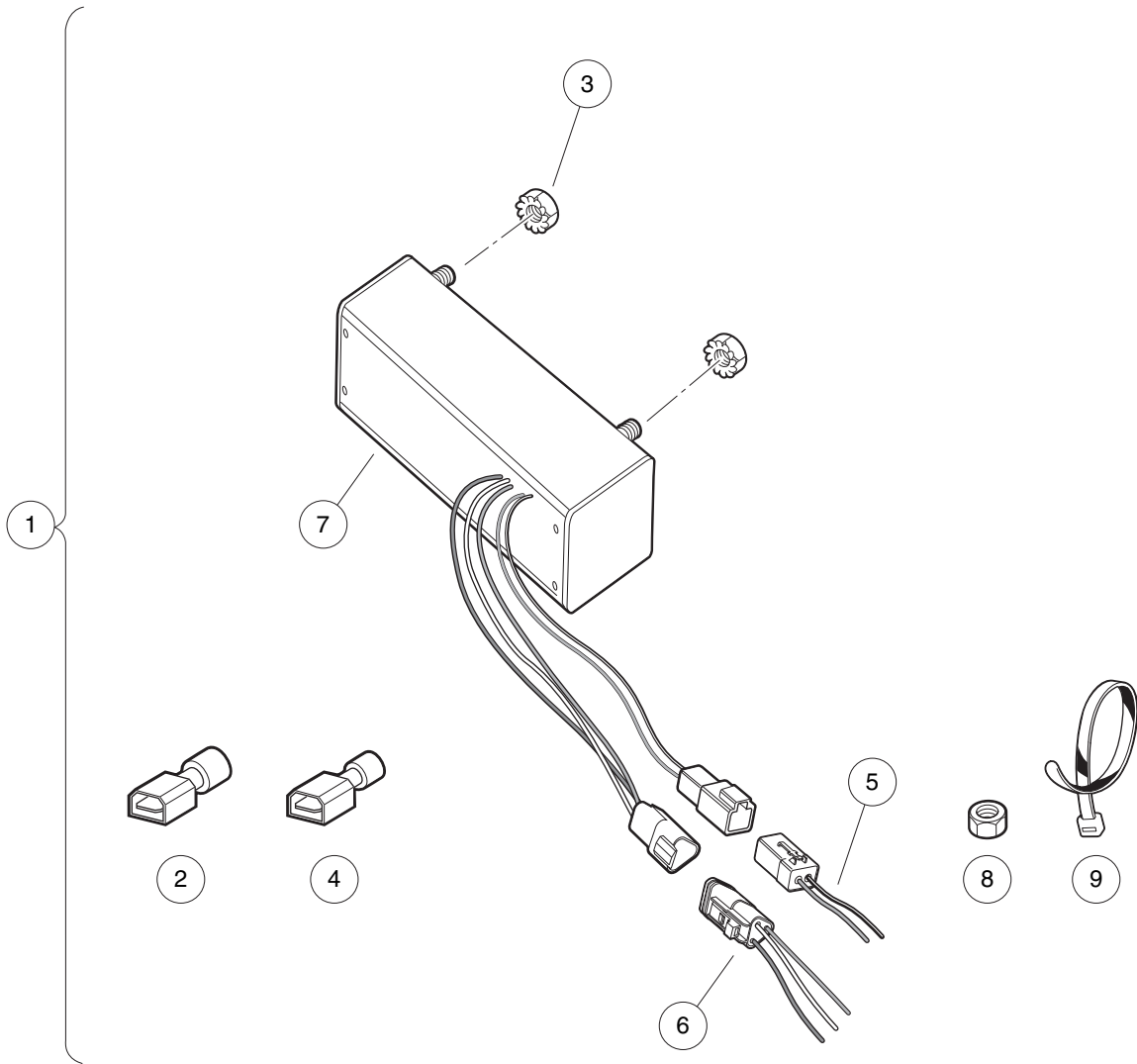
001271-001

# DC CONVERTER – IQ SYSTEM ELECTRIC VEHICLE, TO EARLY- 2010 MODEL YEAR

ITEM	PART NO.	DESCRIPTION	QTY
		1 2 3 4	
1	<u>102357501</u>	Kit, DC/DC Converter (includes items 2 through 9) .....	1
2	<u>1016365</u>	Terminal, 1/4" Male Quick Disconnect .....	1
3	<u>101835601</u>	Locknut, 1/4-20 Hex Whiz .....	2
4	N/A	Terminal, 1/4" Male Quick Disconnect .....	1
5	102352201	Converter , Dc -non Isolated .....	1
6	<u>102354901</u>	Harness, Dc Converter - 12v .....	1
7	<u>102355001</u>	Harness, Dc Converter - 48v .....	1
8	<u>1242</u>	Nut, 5/16-18 Hex .....	1
9	<u>8990</u>	Tie Wrap, 8" Nylon .....	4

**4**  
**G**  
**E**

**4**  
**G**  
**E**



001271-002

# DC CONVERTER (ISOLATED) – IQ SYSTEM ELECTRIC VEHICLE, FROM EARLY-2010 MODEL YEAR

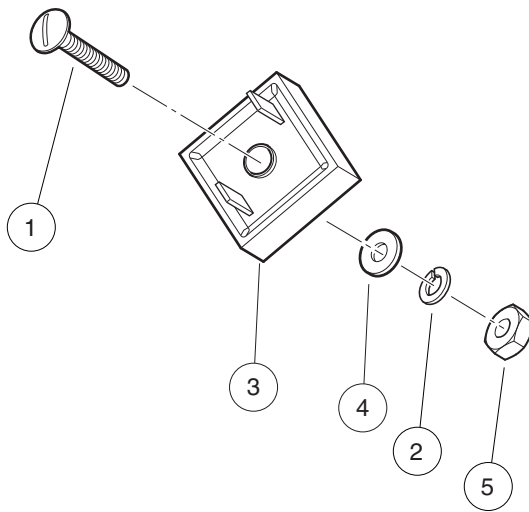
ITEM	PART NO.	DESCRIPTION	QTY
		1 2 3 4	
1	<u>102357501</u>	Kit, DC/DC Converter (includes items 2 through 9) .....	1
2	<u>1016365</u>	Terminal, 1/4" Male Quick Disconnect .....	1
3	<u>101835601</u>	Locknut, 1/4-20 Hex Whiz .....	2
4	N/A	Terminal, 1/4" Male Quick Disconnect .....	1
5	<u>102354901</u>	Harness, Dc Converter - 12v .....	1
6	<u>102355001</u>	Harness, Dc Converter - 48v .....	1
7	<u>103700301</u>	Converter, Dc/dc, Isoltd .....	1
8	<u>1242</u>	Nut, 5/16-18 Hex .....	1
9	<u>8990</u>	Tie Wrap, 8" Nylon .....	4

**4**  
**G**  
**E**

4

G

E



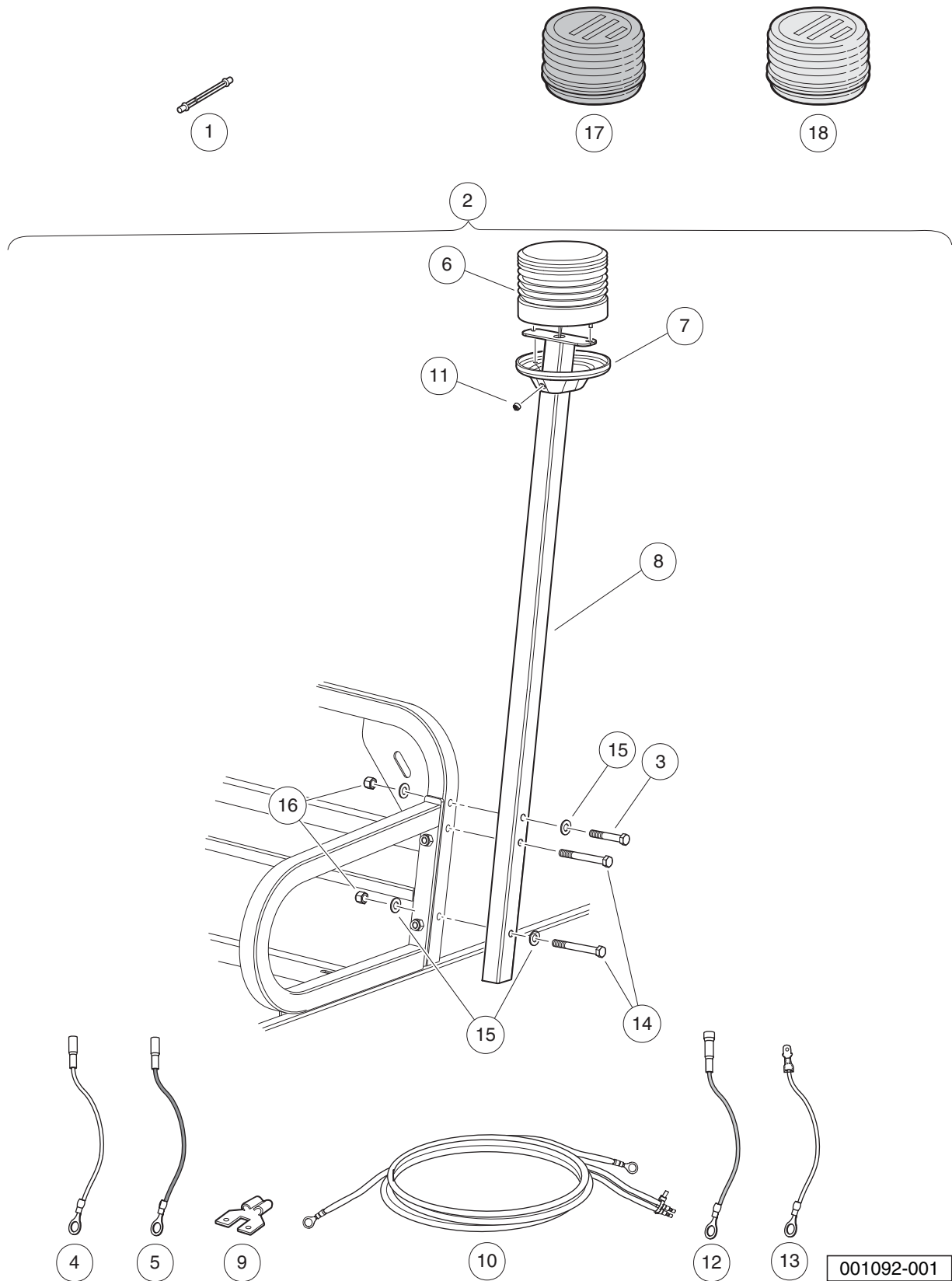
001091-001

## VOLTAGE LIMITER – GASOLINE VEHICLE

ITEM	PART NO.	DESCRIPTION	QTY
		1 2 3 4	
1	<u>1010909</u>	Screw, #10-32 X 1.25 Rd Hd Mch .....	1
2	<u>1016</u>	Lockwasher, #10 Split .....	1
3	<u>1017721</u>	Limiter, Voltage .....	1
4	<u>183</u>	Washer, #10, Type A, Flat .....	1
5	<u>7893</u>	Nut, #10-32 Hex .....	1

4  
G  
E

**4**  
**G**  
**E**



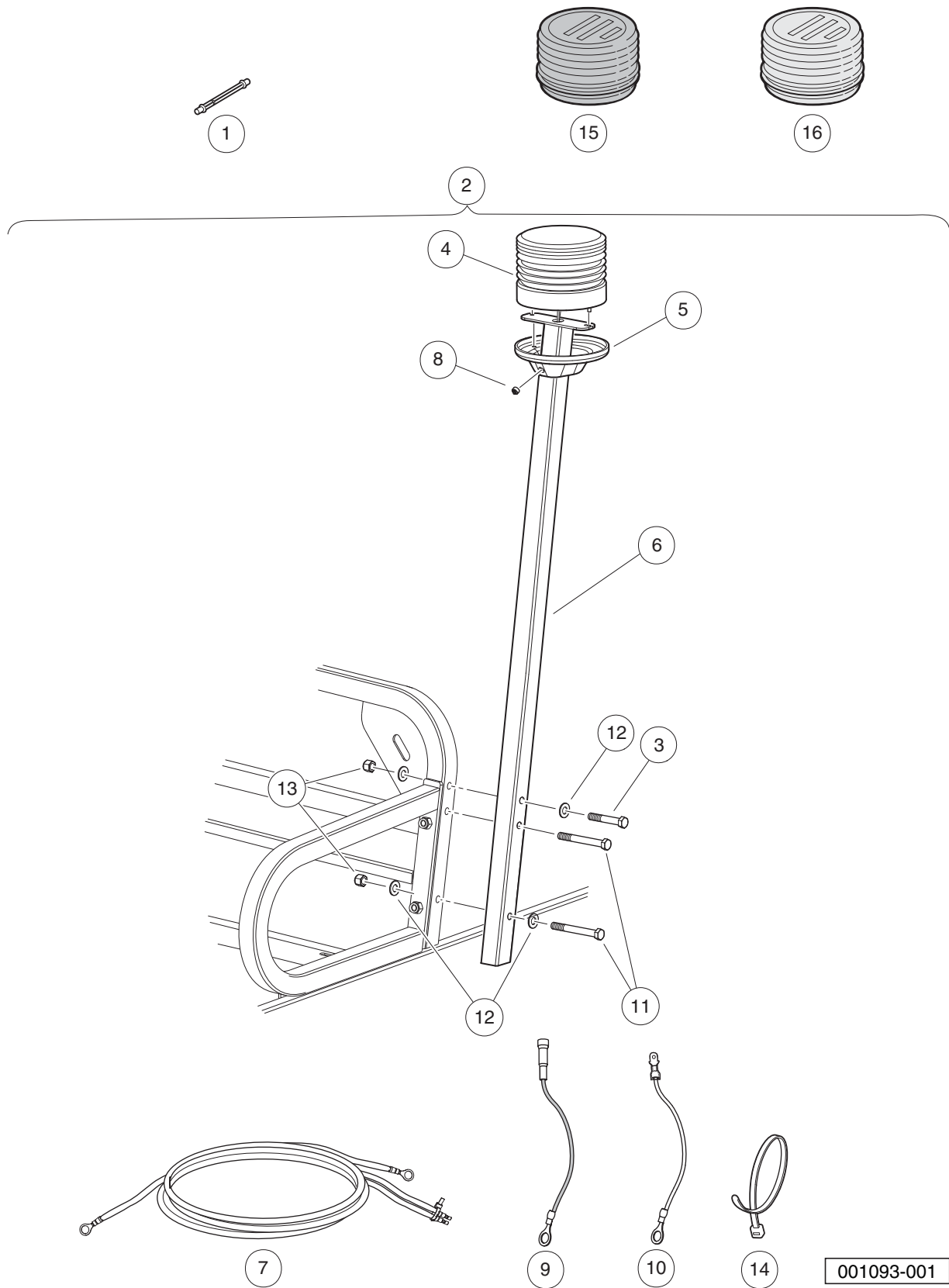


# STROBE LIGHT, POST-MOUNTED – GASOLINE VEHICLES

ITEM	PART NO.	DESCRIPTION	QTY
		1 2 3 4	
1	<u>1015526</u>	Bulb, Replacement, for Strobe Light .....	1
2	<u>1015765</u>	Safety Strobe Lht Post Mnt Gas (includes items 3 through 16) .....	1
3	<u>1013509</u>	Screw, 1/4-20 X 1.75 Hx Hd Cap .....	2
4	1015153	Wire Assembly #16 Yellow .....	1
5	1015154	Wire Assembly Blue Ca #16 .....	1
6	<u>1015156</u>	Light Assembly, Strobe .....	1
7	1015157	Cover Plate Switch - Pole Ca .....	1
8	<u>1015160</u>	Pole Weldment Carryall .....	1
9	<u>1015162</u>	3/16 Tab Adapter Non-insul .....	1
10	<u>1015172</u>	Wire Harness Assy, Strobe Lght .....	1
11	<u>1015187</u>	Switch Assembly .....	1
12	1016837	Wire Assembly Red #18 .....	1
13	1016929	Wire Assembly Black #16 .....	1
14	<u>324</u>	Screw, 1/4-20 X 2.50 Hx Hd Cap .....	2
15	<u>332</u>	Washer, 1/4 Type A Narrow Flat .....	4
16	<u>8233</u>	Locknut, 1/4-20, Nylon Insert .....	2
17	<u>AM1243701</u>	Lens, Blue, for Strobe Light .....	1
18	<u>AM1243801</u>	Lens, Red, for Strobe Light .....	1

**4**  
**G**  
**E**

**4**  
**G**  
**E**



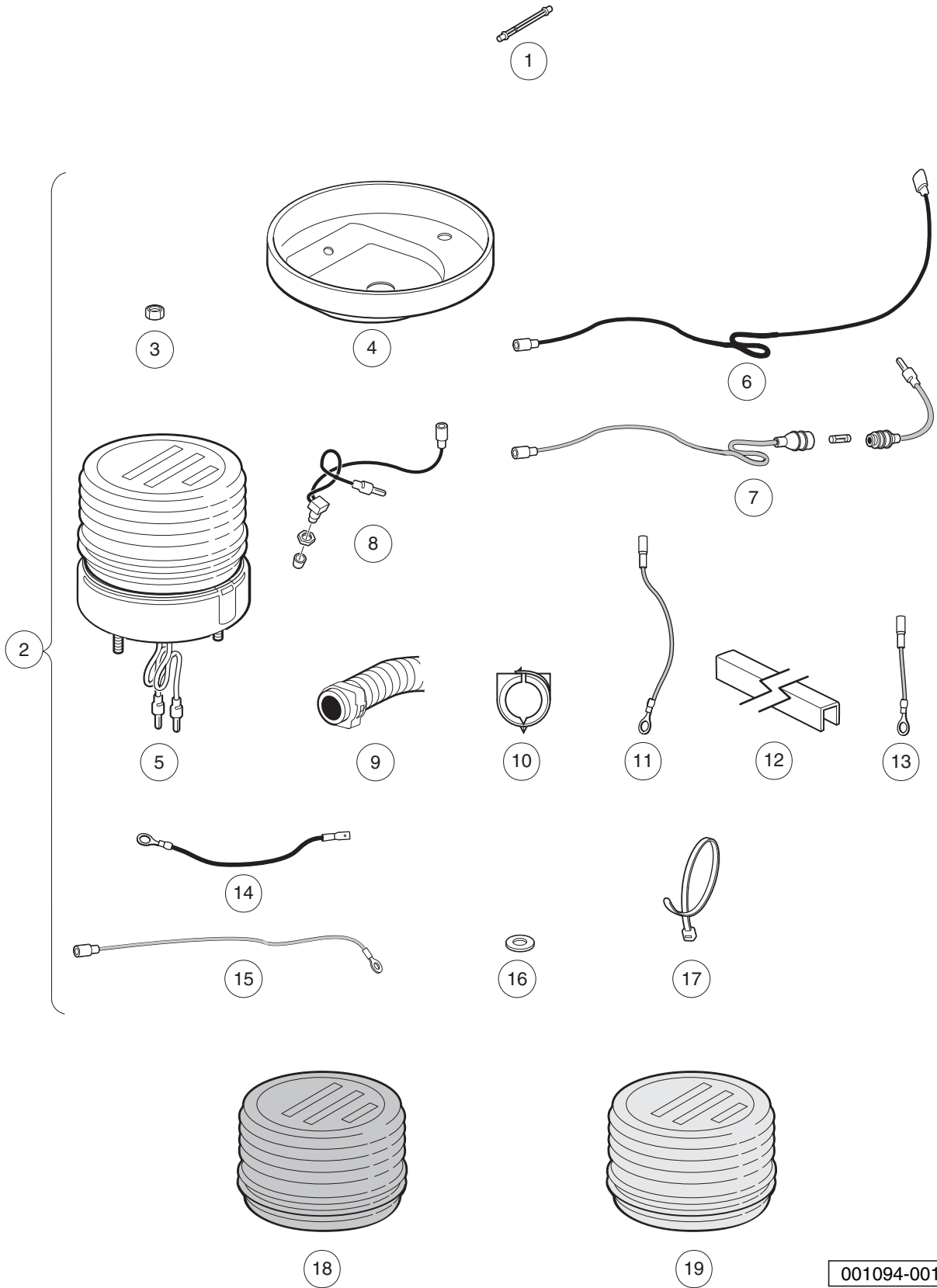
001093-001

## STROBE LIGHT, POST-MOUNTED – ELECTRIC VEHICLES

ITEM	PART NO.	DESCRIPTION	QTY
		1 2 3 4	
1	<u>1015526</u>	Bulb, Replacement, for Strobe Light .....	1
2	<u>101814601</u>	Safety Strobe Lht & Post Mt El (includes items 3 through 14) .....	1
3	<u>1013509</u>	Screw, 1/4-20 X 1.75 Hx Hd Cap .....	2
4	<u>1015156</u>	Light Assembly, Strobe .....	1
5	1015157	Cover Plate Switch - Pole Ca .....	1
6	<u>1015160</u>	Pole Weldment Carryall .....	1
7	<u>1015172</u>	Wire Harness Assy, Strobe Lght .....	1
8	<u>1015187</u>	Switch Assembly .....	1
9	1016837	Wire Assembly Red #18 .....	1
10	1016929	Wire Assembly Black #16 .....	1
11	<u>324</u>	Screw, 1/4-20 X 2.50 Hx Hd Cap .....	2
12	<u>332</u>	Washer, 1/4 Type A Narrow Flat .....	4
13	<u>8233</u>	Locknut, 1/4-20, Nylon Insert .....	2
14	<u>8990</u>	Tie Wrap, 8" Nylon .....	4
15	<u>AM1243701</u>	Lens, Blue, for Strobe Light .....	1
16	<u>AM1243801</u>	Lens, Red, for Strobe Light .....	1

**4**  
**G**  
**E**

**4**  
**G**  
**E**



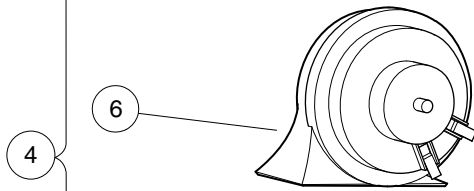
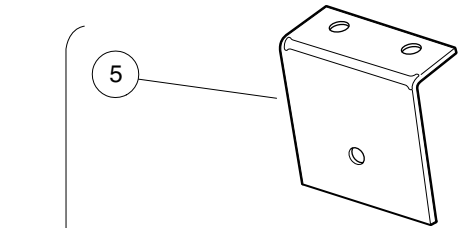
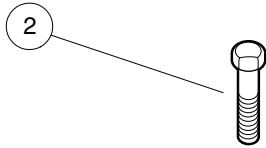
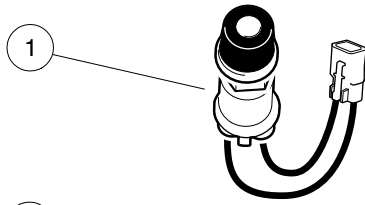
001094-001

## STROBE LIGHT, CANOPY-MOUNTED

ITEM	PART NO.	DESCRIPTION	QTY
		1 2 3 4	
1	<u>1015526</u>	Bulb, Replacement, for Strobe Light .....	1
2	<u>AM1243501</u>	Kit, Roof Mounted Strobe Fd (includes items 3 through 17) .....	A/R
3	<u>1012438</u>	Locknut, #10-24 Nylon Insert .....	2
4	<u>1015010</u>	Cover Plate Switch .....	1
5	<u>1015156</u>	Light Assembly, Strobe .....	1
6	<u>1015167</u>	#16 Black Wire Asm .....	1
7	<u>1015170</u>	Wire Assembly #16 .....	1
8	<u>1015187</u>	Switch Assembly .....	1
9	<u>1015768</u>	Split Convoluted Elec Conduit .....	11
10	<u>1015770</u>	Outlet Ring - .5 Diameter .....	5
11	<u>1016230</u>	Wire Asm #16 Red .....	1
12	<u>1016267</u>	Snap On Conduit Vert. ....	1
13	<u>1016287</u>	Wire Asm #16 Red .....	1
14	<u>1016929</u>	Wire Assembly Black #16 .....	1
15	<u>101821601</u>	#18 Red Wire Assembly .....	1
16	<u>183</u>	Washer, #10, Type A, Flat .....	2
17	<u>8639</u>	Tie Wrap, 11" Nylon .....	8
18	<u>AM1243701</u>	Lens, Blue, for Strobe Light .....	A/R
19	<u>AM1243801</u>	Lens, Red, for Strobe Light .....	A/R

4  
G  
E

**4**  
**G**  
**E**



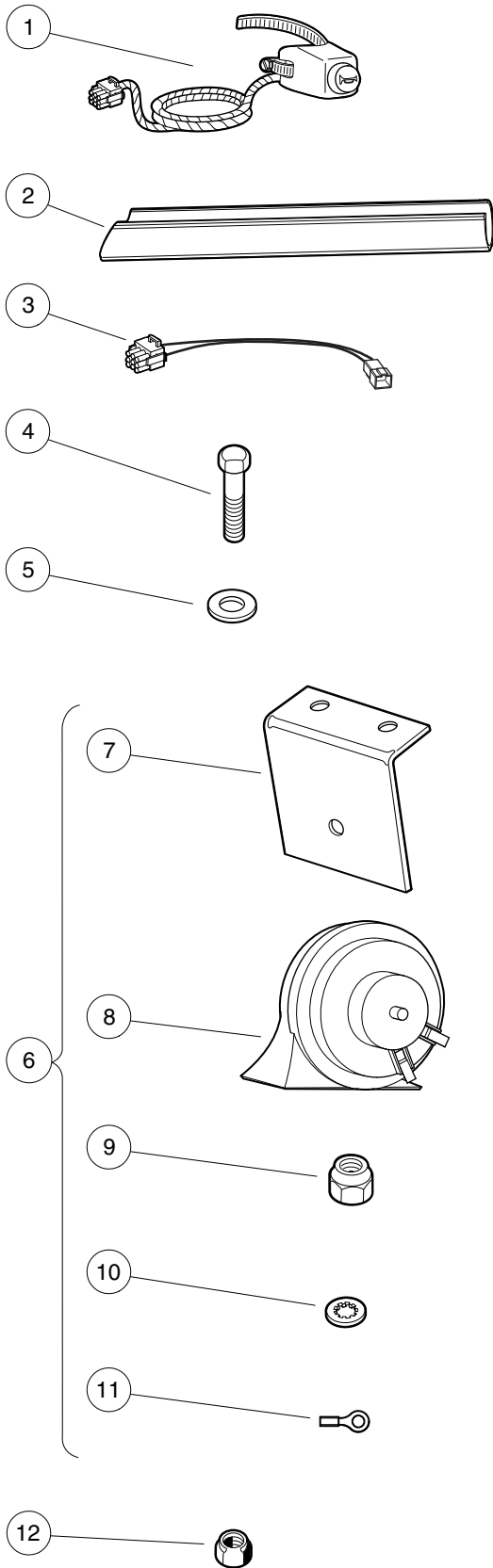
001095-001

# HORN

ITEM	PART NO.	DESCRIPTION	QTY
		<b>1 2 3 4</b>	
1	<u>101969701</u>	Horn Button and Wire Assembly .....	1
2	304	Screw, 1/4-20 X 1.0 Hex-Head Cap .....	2
3	<u>332</u>	Washer, 1/4 Type A Narrow Flat .....	2
4	<u>4029</u>	Horn (includes items 5 through 9) .....	1
5	<u>1011825</u>	Horn Bracket .....	1
6	<u>1014530</u>	Horn, 12-VDC .....	1
7	<u>101955101</u>	Nut, M6 Hex .....	1
8	<u>7820</u>	Washer, 5/16 Internal-Tooth .....	1
9	8294	5/16 Ring Term. ....	1
10	<u>8233</u>	Locknut, 1/4-20, Nylon Insert .....	2

**4**  
**G**  
**E**

**4**  
**G**  
**E**



001095-002

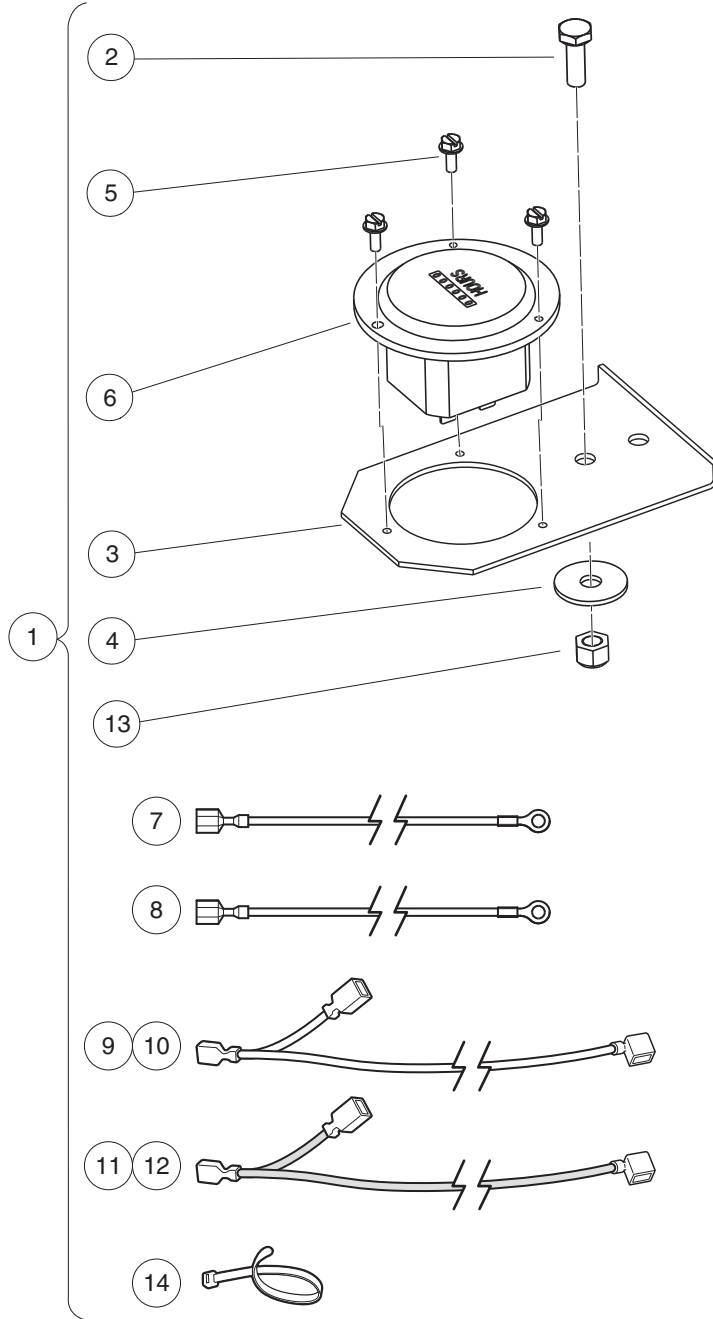


# HORN WITH COLUMN-MOUNTED BUTTON

ITEM	PART NO.	DESCRIPTION	QTY
		<b>1 2 3 4</b>	
1	102517601	Subasm, Horn Button Harness .....	1
2	<u>102529203</u>	Wire Cover-steer Column 304 Mm .....	1
3	<u>103618101</u>	Harness, Jumper, Horn .....	1
4	304	Screw, 1/4-20 X 1.0 Hex-Head Cap .....	2
5	<u>332</u>	Washer, 1/4 Type A Narrow Flat .....	2
6	<u>4029</u>	Horn (includes items 7 through 11) .....	1
7	<u>1011825</u>	Horn Bracket .....	1
8	<u>1014530</u>	Horn, 12-VDC .....	1
9	<u>101955101</u>	Nut, M6 Hex .....	1
10	<u>7820</u>	Washer, 5/16 Internal-Tooth .....	1
11	8294	5/16 Ring Term. ....	1
12	<u>8233</u>	Locknut, 1/4-20, Nylon Insert .....	2

**4**  
**G**  
**E**

**4**  
**G**  
**E**



001096-001

# HOUR METER – IQ SYSTEM AND IQ PLUS ELECTRIC VEHICLES

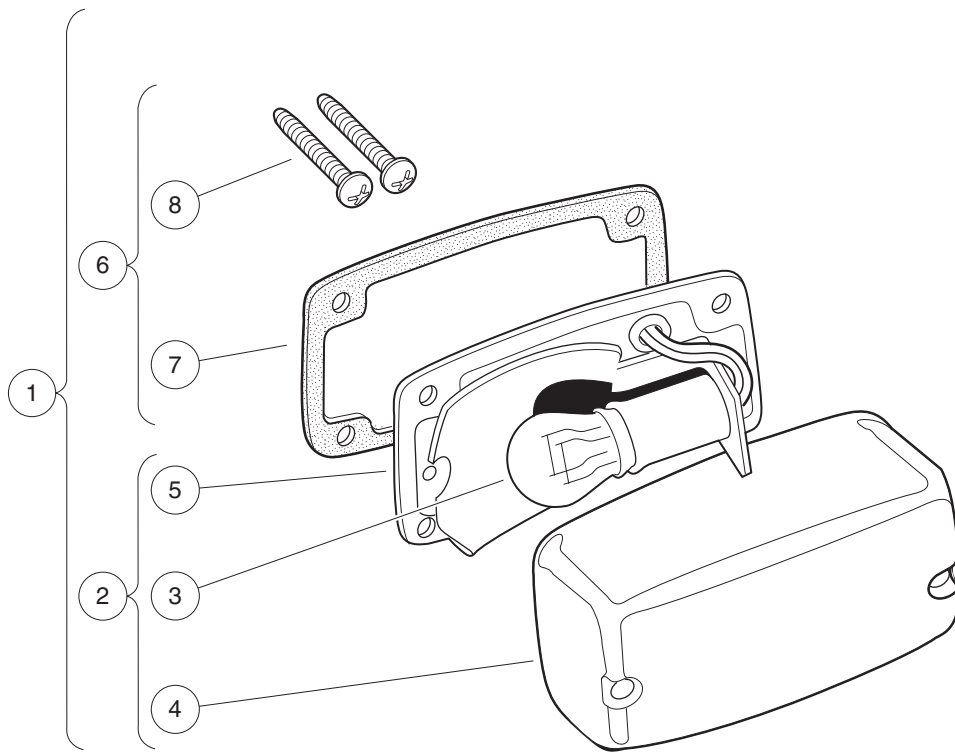
ITEM	PART NO.	DESCRIPTION	QTY
		1 2 3 4	
1	<u>1013579</u>	Kit, Hour Meter (includes items 2 through 14) .....	1
2	<u>1012285</u>	Screw, 1/4 X 0.625 Hex-Head .....	1
3	<u>1013547</u>	Hour Meter Bracket .....	1
4	<u>1014306</u>	Washer, 1/4" Type B Flat .....	1
5	<u>1014540</u>	Screw, #6-32 X 3/8 Taptite .....	3
6	N/A	Hour Meter .....	1
7	101881501	Wire Assembly Black #18 .....	1
8	101881601	Wire Assembly Red #18 .....	1
9	<u>101997802</u>	Wire Assembly #18 Yellow .....	1
10	<u>101997803</u>	Wire Asm #18 Yellow 31" .....	1
11	<u>101997902</u>	Wire Assembly #18 Red .....	1
12	<u>101997903</u>	Wire Asm # 18 Red 31" .....	1
13	<u>8233</u>	Locknut, 1/4-20, Nylon Insert .....	1
14	<u>8990</u>	Tie Wrap, 8" Nylon .....	1
<p>Note: The kit includes components that apply to multiple vehicles. The installation instructions will specify which components are required for a specific model. After installation, discard components not used.</p>			

4  
G  
E

4

G

E



001081-001

# TAILLIGHTS

ITEM	PART NO.	DESCRIPTION	QTY
		<b>1 2 3 4</b>	
1	1017035	Taillight Assembly (includes items 2 through 6) .....	2
2	N/A	Light, Tail (includes items 3 through 5) .....	1
3	<u>1011582</u>	Taillight Bulb .....	1
4	<u>1011843</u>	Taillight Lens .....	1
5	N/A	Base, Taillight .....	1
6	<u>1017699</u>	Hardware Kit, Tail Light (includes items 7 and 8) .....	1
7	N/A	Gasket .....	1
8	N/A	Screw, Tapered .....	2

**4**  
**G**  
**E**

**4**

**G**

**E**

# **BRAKES, PEDALS, AND CABLE ASSEMBLIES**

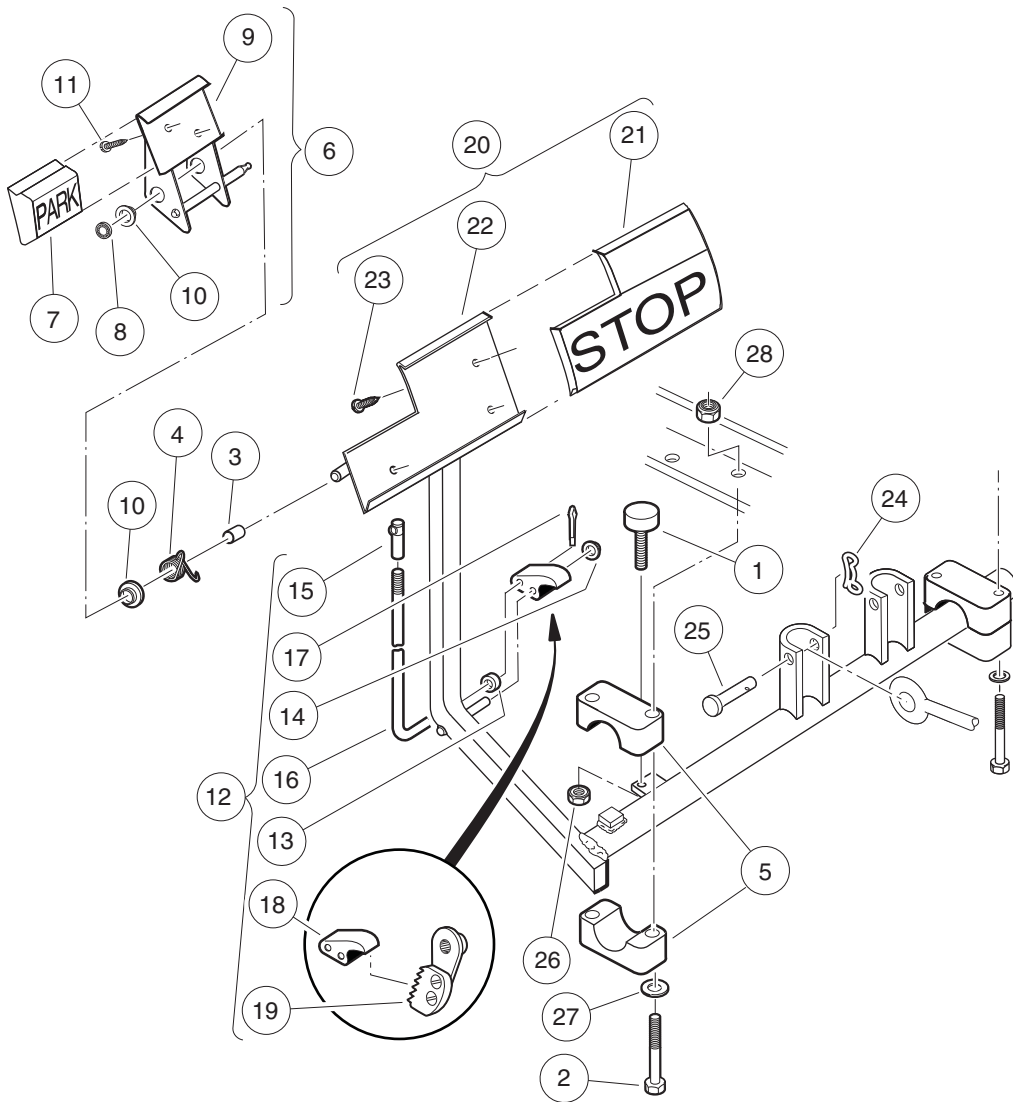
---

**5**

**G**

**E**

**5**  
**G**  
**E**



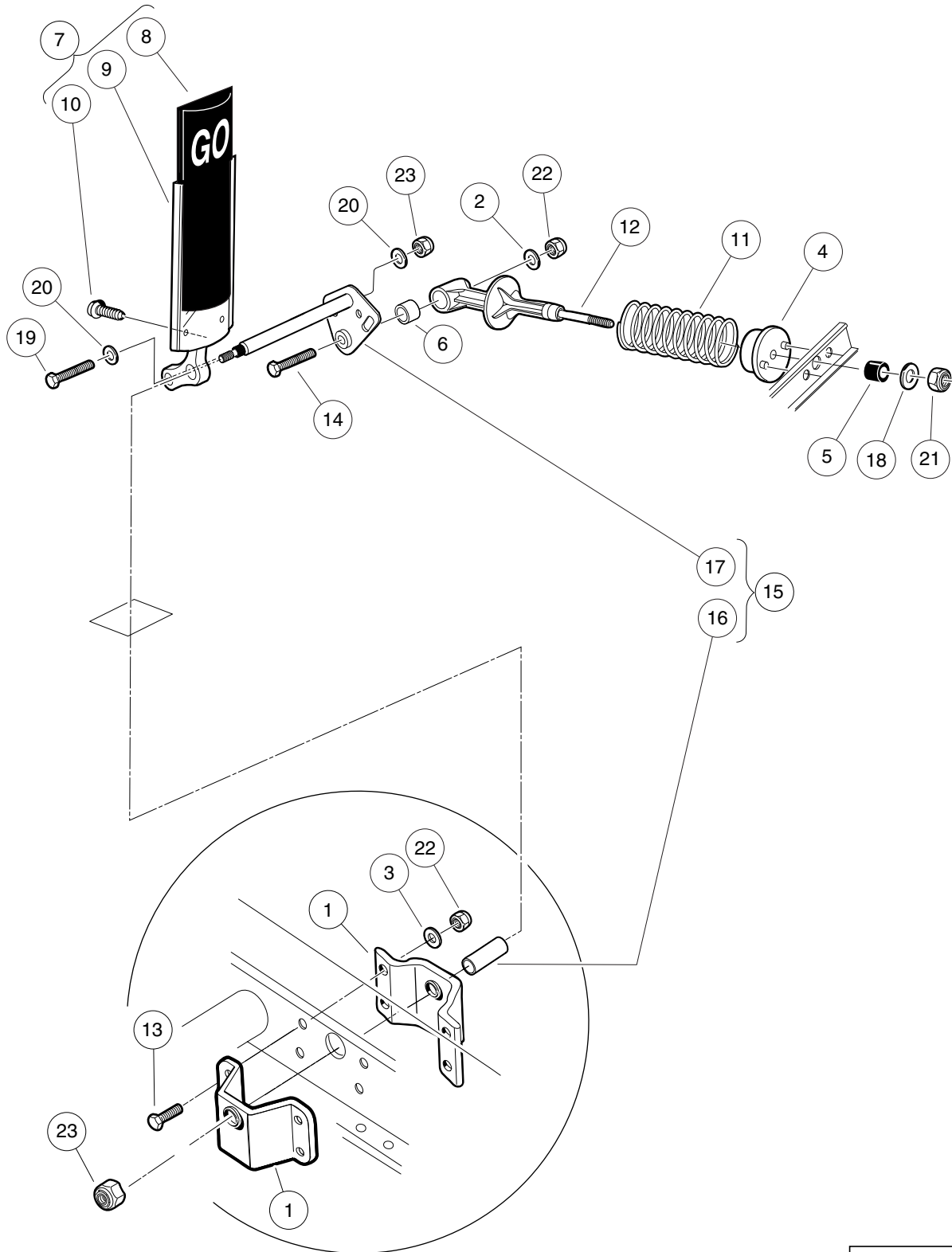
000187-001



# BRAKE PEDAL ASSEMBLY

ITEM	PART NO.	DESCRIPTION	QTY	
		<b>1 2 3 4</b>		<b>5</b>
1	<u>1010878</u>	Bumper, Rubber .....	1	<b>G</b>
2	<u>1010921</u>	Screw, 5/16-18 X 2.50 Hex Cap .....	4	<b>E</b>
3	<u>1010927</u>	Hill Brake Spacer .....	1	
4	<u>1010933</u>	Spring, Hill Brake Torsion .....	1	
5	<u>1011402</u>	Package, Brake Mounting Block .....	1	
6	<u>1011418</u>	Kit, Hill Brake Pedal (includes items 7 through 11) .....	1	
7	<u>1013870</u>	Pad, Hill Brake .....	1	
8	<u>1013876</u>	Pushnut, 3/8 .....	1	
9	N/A	Hill Brake Weld Assembly .....	1	
10	<u>1032</u>	Bushing, Nylon .....	2	
11	7716	Screw, #10-16 Type AB, Sheet Metal .....	2	
12	<u>101187702</u>	Kit, Hill Brake Latch (includes items 13 through 19) .....	1	
13	<u>1010805</u>	Sleeve, Hill Brake Rod .....	1	
14	<u>1010877</u>	Pushnut, 3/8 .....	1	
15	1010932	Ball Joint, 1/4-28 .....	1	
16	N/A	Rod, Hill Brake .....	1	
17	<u>1017029</u>	Pin, Cotter, 7/64 x 1/2 Stainless-Steel .....	1	
18	N/A	Pawl, Hill Brake .....	1	
19	101918501	Ratchet Assembly .....	1	
20	<u>101878201</u>	Brake Pedal Kit (includes items 21 through 23) .....	1	
21	<u>1013869</u>	Pad, Brake Pedal .....	1	
22	N/A	Weldment, Brake Pedal, 2wr Std .....	1	
23	7716	Screw, #10-16 Type AB, Sheet Metal .....	3	
24	<u>102323101</u>	Pin, Bow Tie Locking .....	1	
25	<u>102323201</u>	Pin, 3/8 X 1-5/16 Clevis .....	1	
26	<u>1028</u>	Nut, 1/4-20 Hex .....	1	
27	<u>1241</u>	Washer, 5/16 Type A Flat .....	4	
28	<u>7473</u>	Locknut, 5/16-18 Nylon Insert .....	4	

**5**  
**G**  
**E**



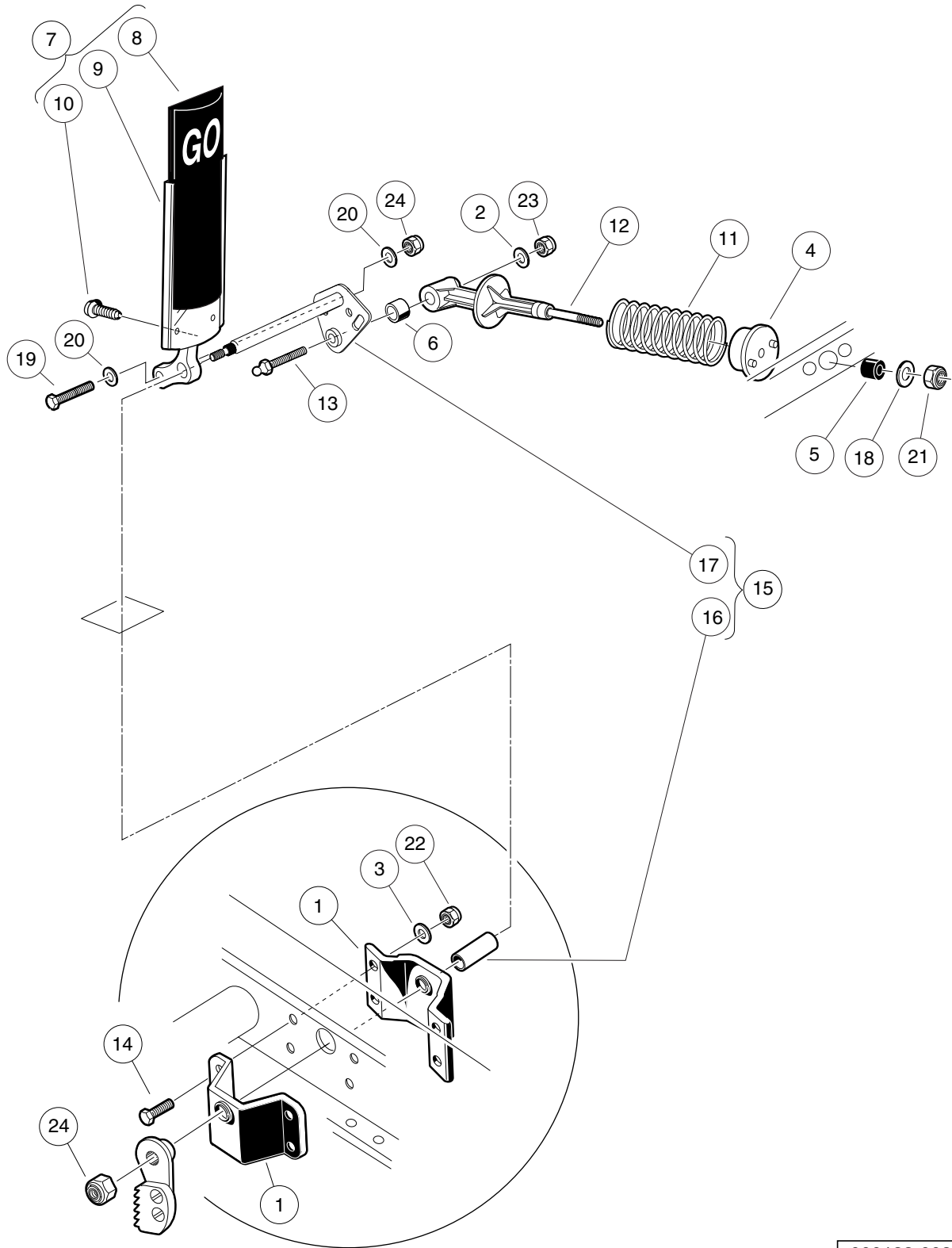
000188-007

# ACCELERATOR PEDAL ASSEMBLY – ELECTRIC VEHICLES WITH MCOR

ITEM	PART NO.	DESCRIPTION	QTY
		1 2 3 4	
1	<u>1011694</u>	Accelerator Bracket and Bearing Assembly .....	2
2	<u>1011931</u>	Washer, 1/4 Flat .....	1
3	<u>1014007</u>	Washer, 1/4, Flat .....	4
4	<u>1017378</u>	Cup, Spring .....	1
5	<u>1017380</u>	Bumper, Spring Return .....	1
6	<u>1017424</u>	Bearing, Pivot Support .....	1
7	<u>1017696</u>	Sub Asm, Accelerator Pedal (includes items 8 through 10) .....	1
8	1013871	Pad, Accelerator Pedal .....	1
9	N/A	Accelerator Pedal Weldment .....	1
10	7716	Screw, #10-16 Type AB, Sheet Metal .....	4
11	101796201	Spring, Accelerator Return .....	1
12	<u>101817401</u>	Retainer, Spring .....	1
13	<u>101861901</u>	Screw, 1/4-20 X 1.125 Hex Cap .....	4
14	<u>101862001</u>	Screw, 1/4-20 X 1.500 Flange .....	1
15	<u>102026001</u>	Kit, Accelerator Pivot Rod Assembly (includes items 16 and 17) .....	1
16	101919801	Spacer, Accelerator .....	1
17	<u>102158901</u>	Pivot Rod Weldment .....	1
18	<u>1241</u>	Washer, 5/16 Type A Flat .....	1
19	<u>1624</u>	Screw, 3/8-16 X 1.50, Hex-Head Cap .....	1
20	<u>334</u>	Washer, 3/8, Type A, Flat .....	2
21	<u>7473</u>	Locknut, 5/16-18 Nylon Insert .....	1
22	<u>8233</u>	Locknut, 1/4-20, Nylon Insert .....	5
23	<u>8754</u>	Locknut, 3/8-16 Hex .....	2

5  
G  
E

**5**  
**G**  
**E**



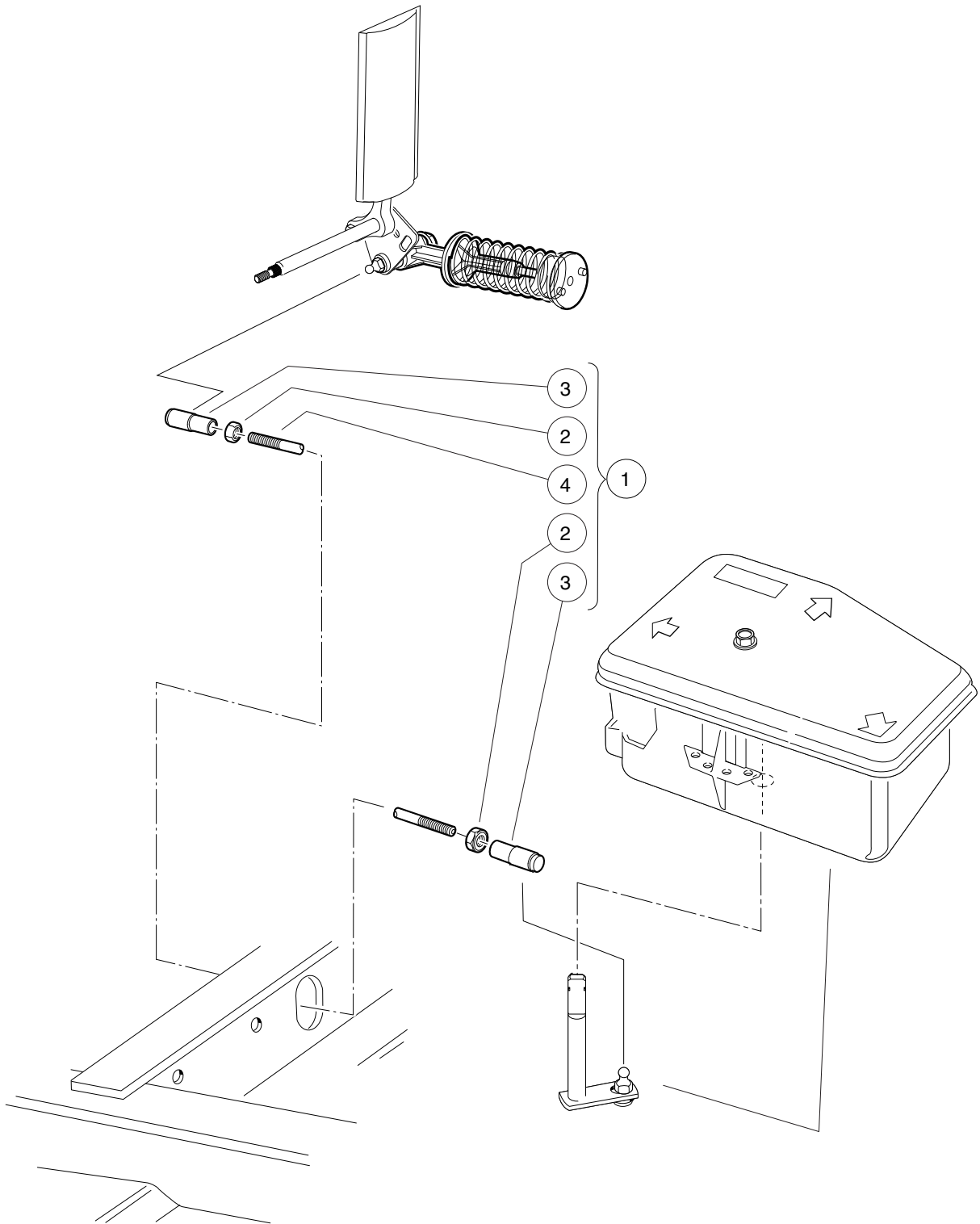
000188-008

# ACCELERATOR PEDAL ASSEMBLY – GASOLINE VEHICLES

ITEM	PART NO.	DESCRIPTION	QTY
		1 2 3 4	
1	<u>1011694</u>	Accelerator Bracket and Bearing Assembly .....	2
2	<u>1011931</u>	Washer, 1/4 Flat .....	1
3	<u>1014007</u>	Washer, 1/4, Flat .....	4
4	<u>1017378</u>	Cup, Spring .....	1
5	<u>1017380</u>	Bumper, Spring Return .....	1
6	<u>1017424</u>	Bearing, Pivot Support .....	1
7	<u>1017696</u>	Sub Asm, Accelerator Pedal (includes items 8 through 10) .....	1
8	1013871	Pad, Accelerator Pedal .....	1
9	N/A	Accelerator Pedal Weldment .....	1
10	7716	Screw, #10-16 Type AB, Sheet Metal .....	4
11	101796201	Spring, Accelerator Return .....	1
12	<u>101817401</u>	Retainer, Spring .....	1
13	101818801	Stud, 1/4-28 X 1.35 Ball .....	1
14	<u>101861901</u>	Screw, 1/4-20 X 1.125 Hex Cap .....	4
15	<u>102026001</u>	Kit, Accelerator Pivot Rod Assembly (includes items 16 and 17) .....	1
16	101919801	Spacer, Accelerator .....	1
17	<u>102158901</u>	Pivot Rod Weldment .....	1
18	<u>1241</u>	Washer, 5/16 Type A Flat .....	1
19	<u>1624</u>	Screw, 3/8-16 X 1.50, Hex-Head Cap .....	1
20	<u>334</u>	Washer, 3/8, Type A, Flat .....	2
21	<u>7473</u>	Locknut, 5/16-18 Nylon Insert .....	1
22	<u>8233</u>	Locknut, 1/4-20, Nylon Insert .....	4
23	<u>8717</u>	Locknut, Nylon Insert, 1/4-28 .....	1
24	<u>8754</u>	Locknut, 3/8-16 Hex .....	2

5  
G  
E

**5**  
**G**  
**E**



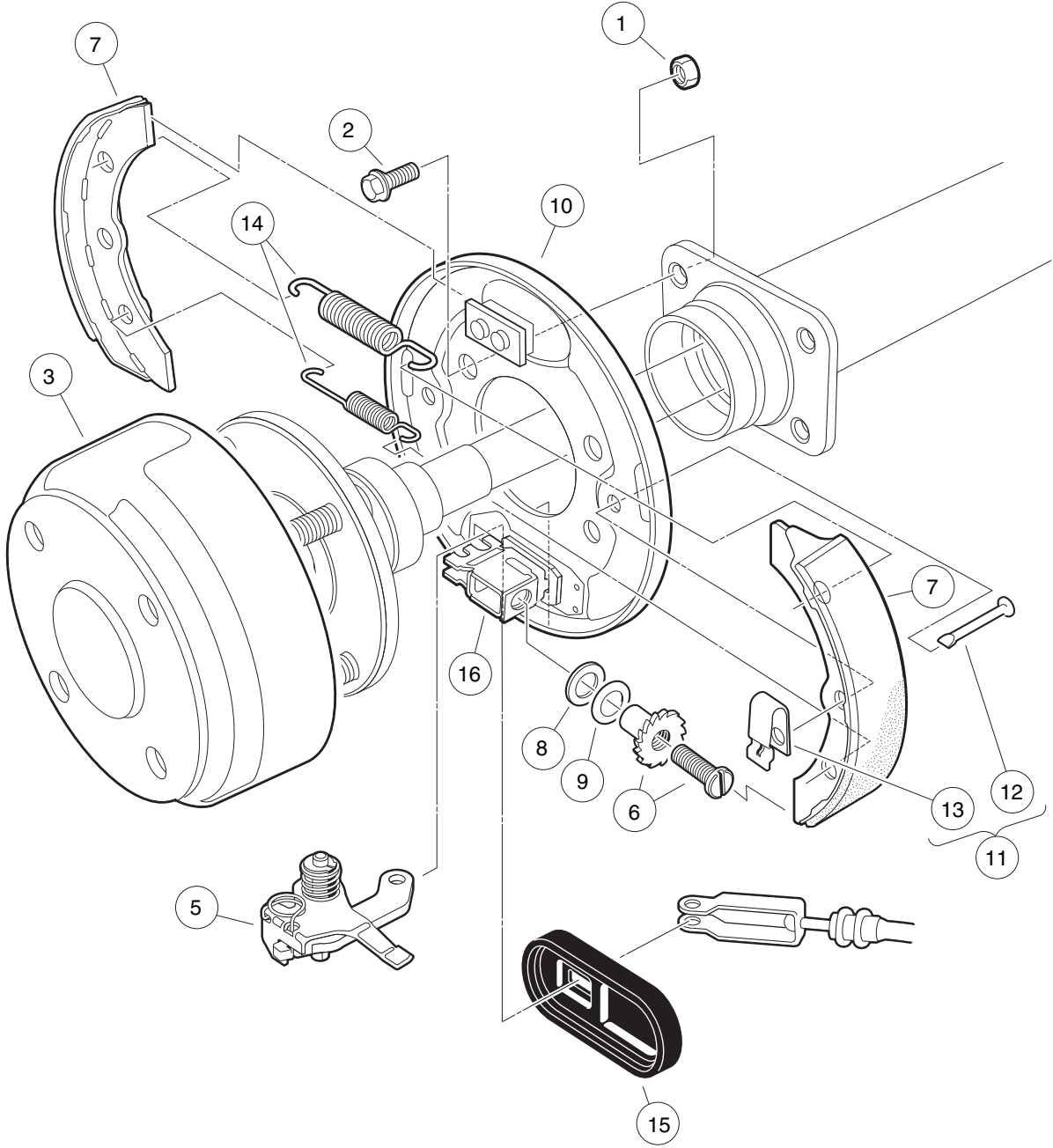
000362-001

# ACCELERATOR ROD – TURF/CARRYALL 1 GASOLINE VEHICLES

ITEM	PART NO.	DESCRIPTION	QTY
		<b>1 2 3 4</b>	
1	101912401	Rod, Accelerator (includes items 2 through 4) .....	1
2	<u>1011084</u>	Nut, 1/4-28 Hex Jam .....	2
3	<u>1011734</u>	Joint, Ball .....	2
4	N/A	Accelerator Rod .....	1

**5**  
**G**  
**E**

**5**  
**G**  
**E**



000186-003

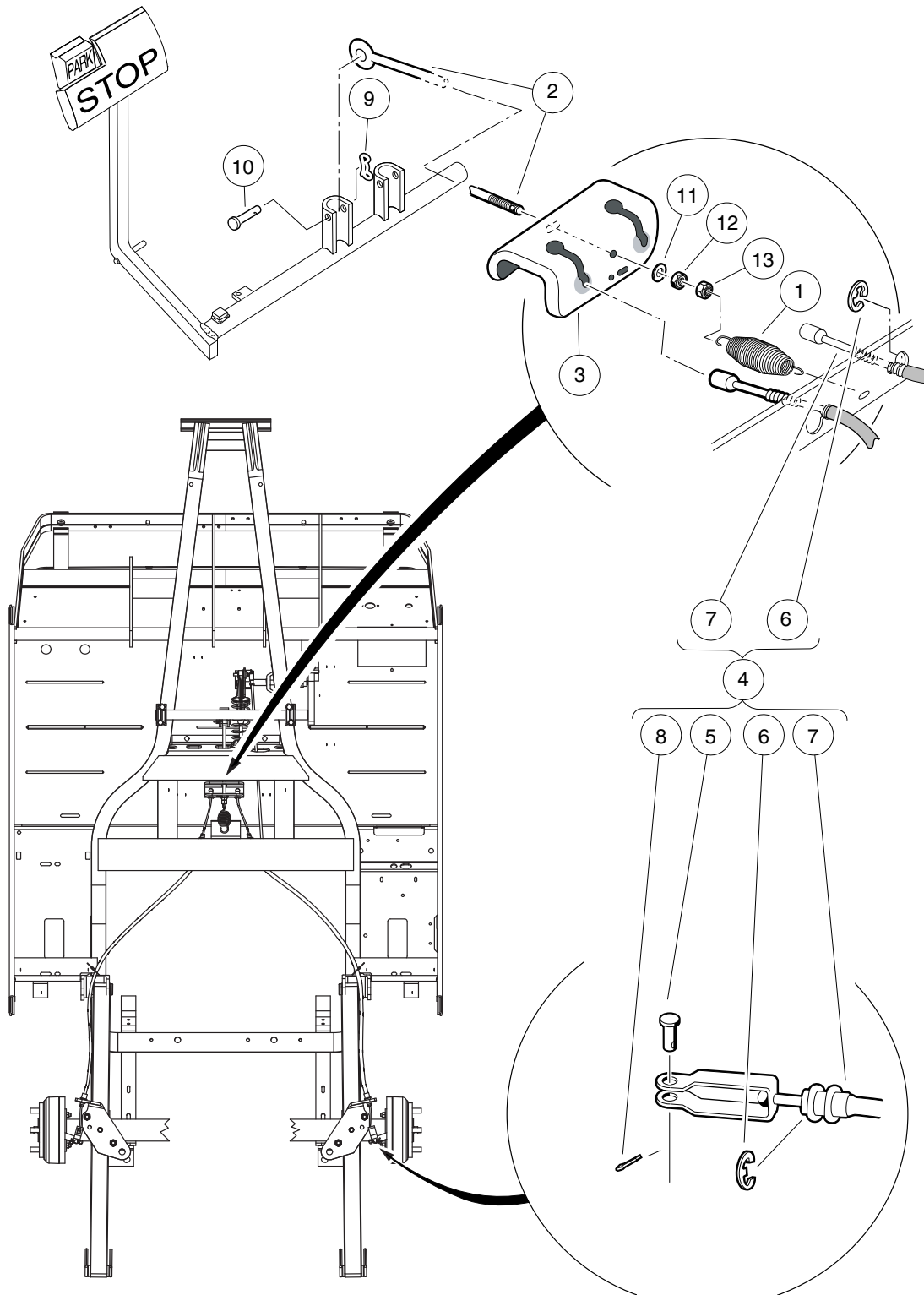


# REAR BRAKE ASSEMBLY, SELF-ADJUSTING – VEHICLE WITH 2-WHEEL BRAKES

ITEM	PART NO.	DESCRIPTION	QTY
		1 2 3 4	
1	<u>1013924</u>	Nut, 5/16-24, Hex Head Cone .....	8
2	<u>1014153</u>	Bolt, Brake Cluster Mounting .....	8
3	<u>101791101</u>	Drum without Center Hole, Brake .....	2
4	<u>103380201</u>	Asm, Brake Cluster, Mech, Drvr (includes items 5 through 16) .....	1
5	<u>101815502</u>	Lever Assembly, Self-Adjusting Brake, Left .....	1
6	<u>101816502</u>	Adjusting Mechanism, Self-Adjusting Brake, Left .....	1
7	<u>101823201</u>	Package, Brake Shoe, Self-Adjusting .....	1
8	<u>101823801</u>	Plate, Washer, Brake, Self-Adjusting .....	1
9	<u>101823901</u>	Washer, Brake, Self-Adjusting .....	1
10	<u>103483102</u>	Back Plate, Lh .....	1
11	<u>103483201</u>	Kit, Shoe Retainer (includes items 12 and 13) .....	1
12	N/A	Pin .....	2
13	N/A	Spring, Shoe, Clamp .....	2
14	<u>103483401</u>	Package Brake Spring Self Adj .....	1
15	<u>103483601</u>	Cover, Dust .....	1
16	<u>103483701</u>	Brake Block .....	1
17	<u>103380202</u>	Asm, Brake Cluster, Mech, Pass (includes items 18 through 29) .....	1
18	<u>101815501</u>	Lever Assembly, Self-Adjusting Brake, Right (Passenger) .....	1
19	<u>101816501</u>	Adj Mechanism, S.A. Brakes, Right (Passenger) .....	1
20	<u>101823201</u>	Package, Brake Shoe, Self-Adjusting .....	1
21	<u>101823801</u>	Plate, Washer, Brake, Self-Adjusting .....	1
22	<u>101823901</u>	Washer, Brake, Self-Adjusting .....	1
23	<u>103483101</u>	Back Plate, Rh .....	1
24	<u>103483201</u>	Kit, Shoe Retainer (includes items 25 and 26) .....	1
25	N/A	Pin .....	2
26	N/A	Spring, Shoe, Clamp .....	2
27	<u>103483401</u>	Package Brake Spring Self Adj .....	1
28	<u>103483601</u>	Cover, Dust .....	1
29	<u>103483701</u>	Brake Block .....	1
<p>Note: Passenger-side brake cluster not shown. Components have a similar appearance to driver-side brake cluster components. 1033802 brake cluster assemblies are backward compatible but individual parts that do not share part numbers with 1018233 are not.</p>			

5  
G  
E

**5**  
**G**  
**E**



000296-001

## REAR BRAKE CABLES AND EQUALIZER

ITEM	PART NO.	DESCRIPTION	QTY
		1 2 3 4	
1	<u>1013531</u>	Spring, Brake Return .....	1
2	<u>101953101</u>	Rod, Equalizer, 8.91" .....	1
3	<u>101990801</u>	Equalizer Bracket .....	1
4	<u>102022101</u>	Brake Cable Kit (includes items 5 through 8) .....	2
5	<u>1010829</u>	Pin, Clevis, 5/16 X 3/4 .....	1
6	<u>1011779</u>	E-Clip, 1/2 .....	2
7	N/A	Cable, Brake, 41" .....	1
8	<u>102292801</u>	Pin, Bow Tie Locking - .072 .....	1
9	<u>102323101</u>	Pin, Bow Tie Locking .....	1
10	<u>102323201</u>	Pin, 3/8 X 1-5/16 Clevis .....	1
11	<u>1241</u>	Washer, 5/16 Type A Flat .....	1
12	<u>1242</u>	Nut, 5/16-18 Hex .....	1
13	<u>7473</u>	Locknut, 5/16-18 Nylon Insert .....	1

**5**  
**G**  
**E**

**5**

**G**

**E**

# STEERING AND SUSPENSION – CONVENTIONAL BALL JOINTS

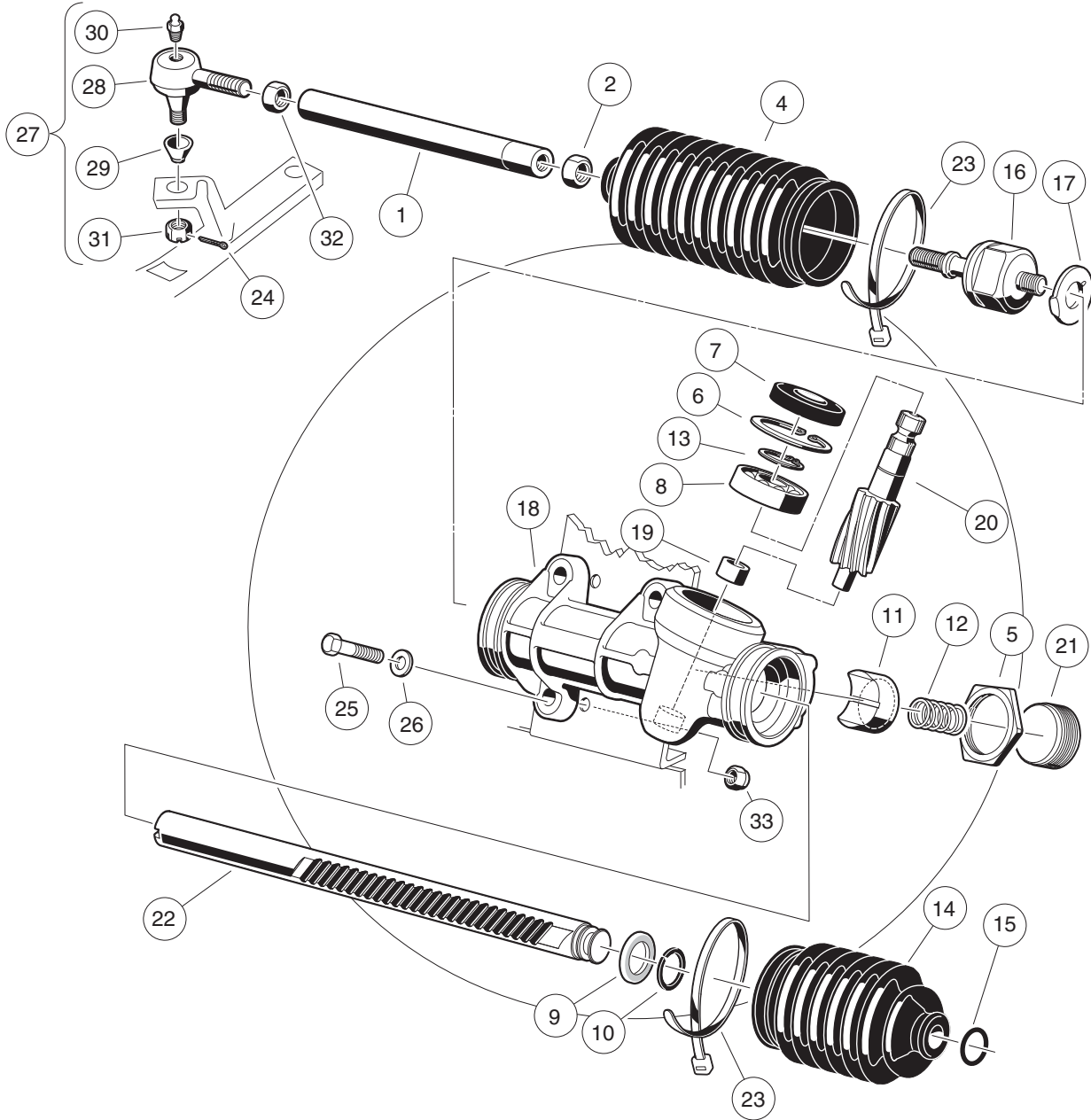
---

6

G

E

**6**  
**G**  
**E**



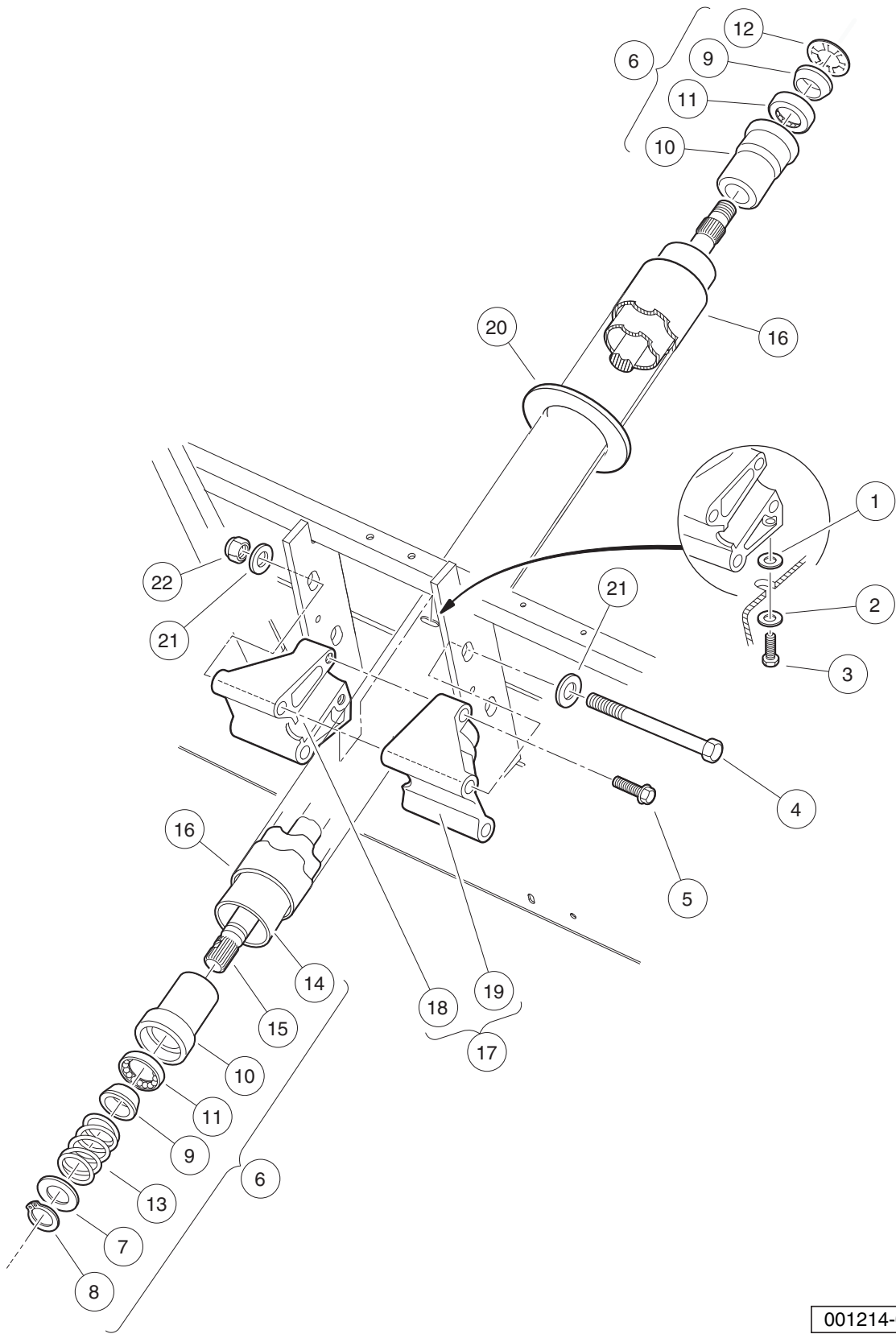
001213-001

# STEERING GEAR ASSEMBLY (MANDO) – CONVENTIONAL BALL JOINT

ITEM	PART NO.	DESCRIPTION	QTY
		<b>1 2 3 4</b>	
1	<u>1012467</u>	Link, Rack and Pinion Drag .....	1
2	<u>1013042</u>	Nut, 12mm Hex .....	1
3	<u>101878302</u>	Steering Gear Assembly (without yoke) (includes items 4 through 23) .....	1
4	<u>1013035</u>	Bellows, Long .....	1
5	<u>1013044</u>	Rack Screw Locknut .....	1
6	N/A	Snap Ring .....	1
7	<u>1013052</u>	Seal, Steering Pinion Dust .....	1
8	<u>101879401</u>	Bearing, Ball .....	1
9	<u>101879501</u>	Stop Washer .....	1
10	<u>101879601</u>	Stop Ring, C-Type .....	1
11	<u>101879701</u>	Support Yoke .....	1
12	<u>101879801</u>	Rack Guide Pressure Spring .....	1
13	<u>101879901</u>	Ring, Stop, C-Type .....	1
14	<u>101880001</u>	Bellows, Short .....	1
15	<u>101880101</u>	Dust Seal Retaining Ring .....	1
16	<u>101880201</u>	Inner Ball Joint Asm .....	1
17	<u>101880301</u>	Washer, Tab .....	1
18	N/A	Box, Steering Gear .....	1
19	N/A	Bearing, Lower Pinion .....	1
20	N/A	Pinion, Steering .....	1
21	N/A	Screw, Rack Guide .....	1
22	N/A	Rack, Steering .....	1
23	<u>8990</u>	Tie Wrap, 8" Nylon .....	2
24	<u>1035</u>	Cotter Pin, 3/32 x 1 .....	1
25	<u>1624</u>	Screw, 3/8-16 X 1.50, Hex-Head Cap .....	3
26	<u>334</u>	Washer, 3/8, Type A, Flat .....	3
27	<u>7540</u>	Ball Joint, Left (includes items 28 through 31) .....	1
28	<u>1011895</u>	Socket, LH Vertical .....	1
29	<u>1011930</u>	Seal, Vertical Socket Dust .....	1
30	<u>1015597</u>	Fitting, 1/4-28 Thread-Forming Grease .....	1
31	<u>7602</u>	Nut, 3/8-24 UNF Hex .....	1
32	<u>7555</u>	Nut, 1/2-20 Hex, Left-Hand Thread .....	1
33	<u>8754</u>	Locknut, 3/8-16 Hex .....	3

**6**  
**G**  
**E**

**6**  
**G**  
**E**



001214-001



## STEERING COLUMN – UTILITY

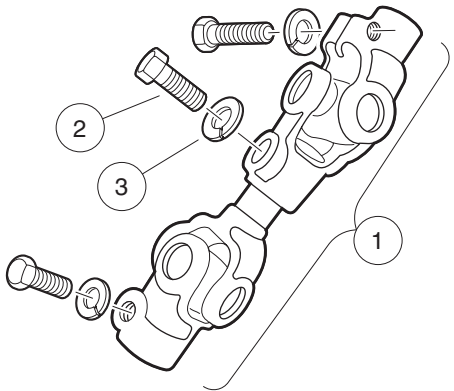
ITEM	PART NO.	DESCRIPTION	QTY
		1 2 3 4	
1	<u>1011578</u>	Washer, 5/16 Type B Flat .....	1
2	<u>1011697</u>	Washer, 5/16 Flat .....	1
3	<u>1014288</u>	Screw, 5/16-18 X 0.75, Thread-Forming .....	1
4	<u>1016183</u>	Screw, 3/8-16 X 7.00 Hex Cap .....	2
5	<u>1016269</u>	Screw, 5/16-18 Thrd Forming .....	2
6	<u>1017313</u>	Steering Shaft Assembly (includes items 7 through 15) .....	1
7	<u>1012604</u>	Washer, 0.675 ID X 1.19 OD .....	1
8	<u>1012605</u>	Ring, 0.579 Internal Retaining .....	1
9	1014125	Wedge, Molded .....	2
10	<u>1014126</u>	Seat, Plastic Bearing .....	2
11	<u>1014213</u>	Bearing, Ball .....	2
12	1014214	Ring, Retaining .....	1
13	<u>1014217</u>	Spring, Steering Shaft .....	1
14	<u>1017314</u>	Column, Aluminum Steering .....	1
15	<u>1017315</u>	Shaft Steering Column .....	1
16	<u>1017317</u>	Tube Cover, Steering Column .....	1
17	101984801	Kit, Steering Column Mounting Bracket (includes items 18 and 19) .....	1
18	N/A	Bracket, RH Steering Column Mount .....	1
19	N/A	Bracket, LH Steering column mount .....	1
20	<u>102278001</u>	Boot, Steering Column Round .....	1
21	<u>334</u>	Washer, 3/8, Type A, Flat .....	4
22	<u>8754</u>	Locknut, 3/8-16 Hex .....	2

**6**  
**G**  
**E**

6

G

E



001217-001

# INTERMEDIATE STEERING SHAFT (MANDO) – TURF/CA 1/2/6

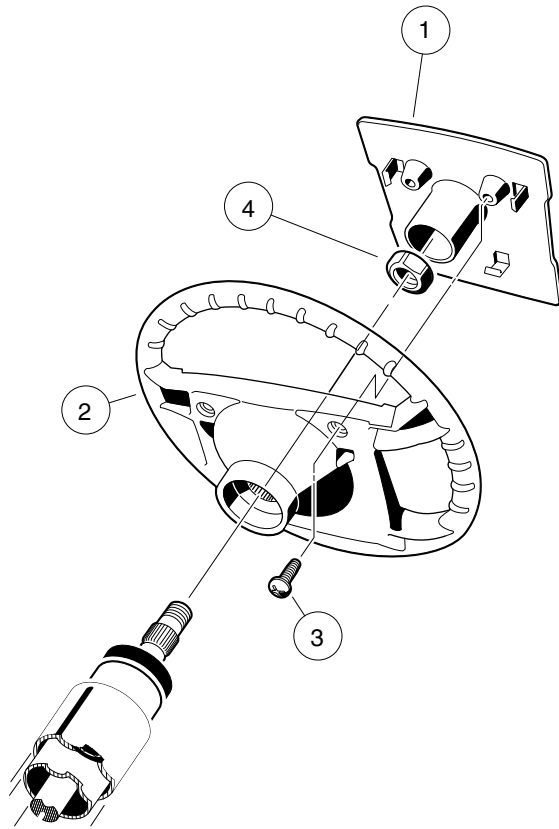
ITEM	PART NO.	DESCRIPTION	QTY
		1 2 3 4	
1	<u>1013861</u>	Intermediate Steering Shaft (includes items 2 and 3) .....	1
2	<u>1017226</u>	Bolt, Hex-Head, 8mm X 1.25 - 30 .....	3
3	<u>7174</u>	Lockwasher, 5/16 Split .....	3

6

G

E

**6**  
**G**  
**E**



000246-003

# STEERING WHEEL

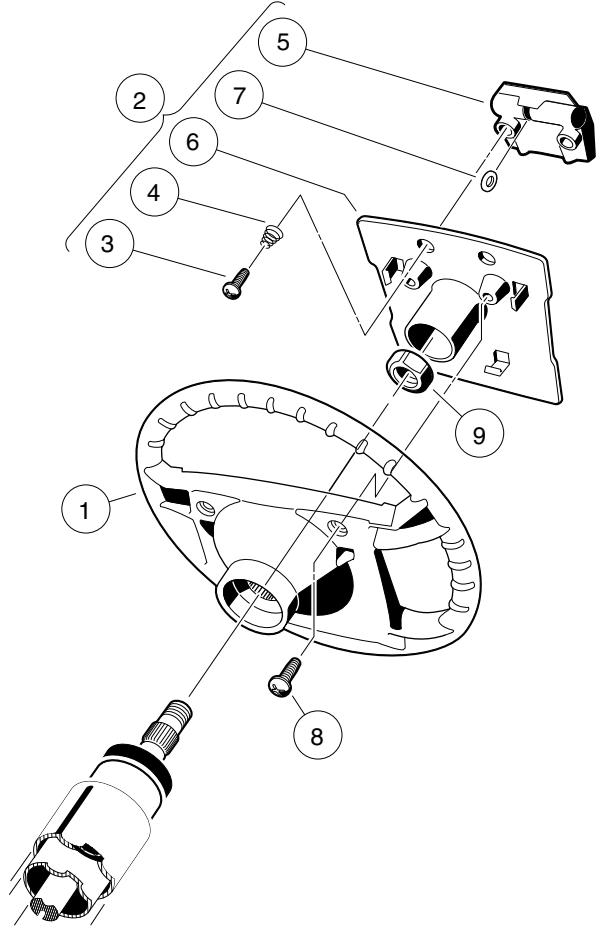
ITEM	PART NO.	DESCRIPTION	QTY
		1 2 3 4	
1	<u>101615504</u>	Plate, Scorecard .....	1
2	<u>1016156</u>	Wheel, Steering .....	1
3	<u>1016663</u>	Screw, #12-14 X 0.625 .....	2
4	<u>1017273</u>	Nut, 5/8-18 Nylon Insert Jam .....	1

6

G

E

**6**  
**G**  
**E**



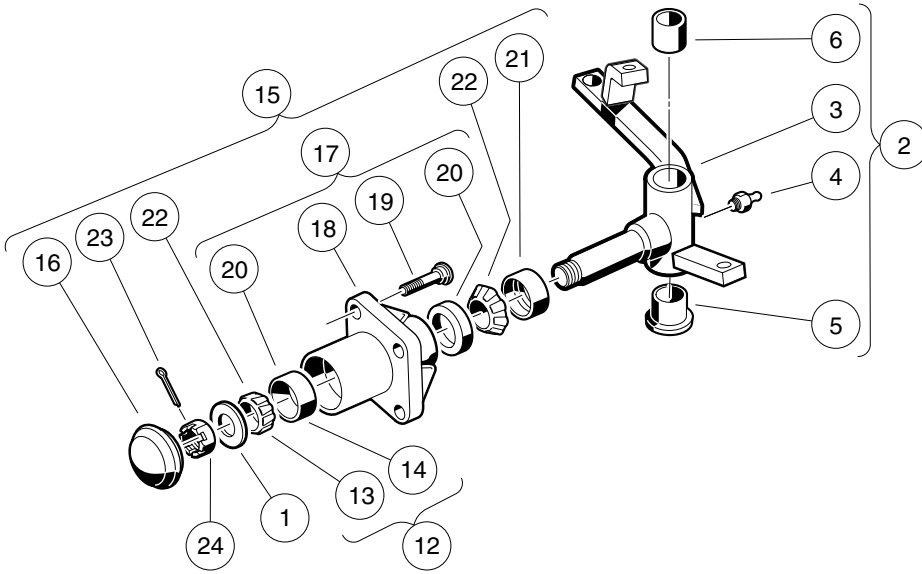
000246-002

# STEERING WHEEL WITH CLIP

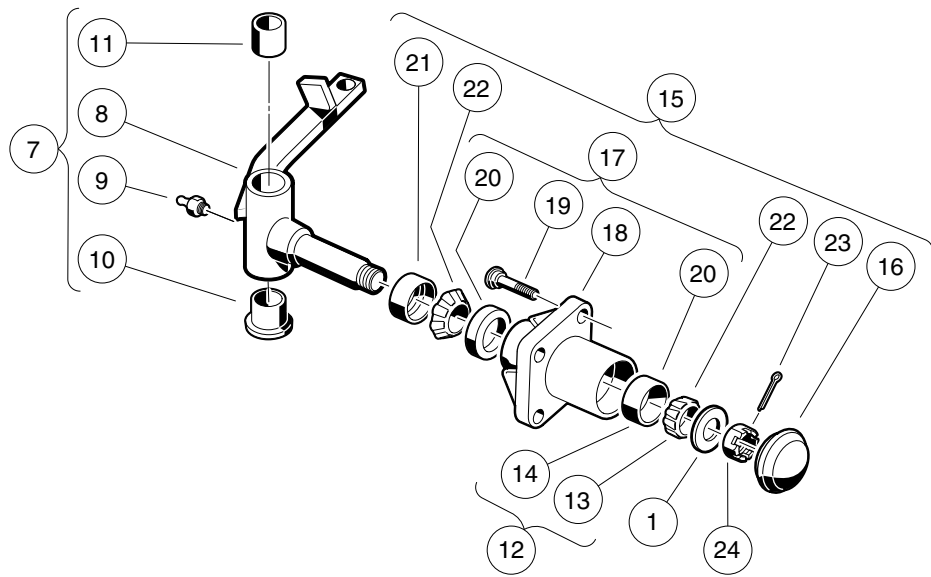
ITEM	PART NO.	DESCRIPTION	QTY
		1 2 3 4	
1	<u>1016156</u>	Wheel, Steering .....	1
2	1016219	Plate, Scorecard (includes items 3 through 7) .....	1
3	<u>1012565</u>	Screw, #12 Phillips Round Head .....	2
4	<u>1012566</u>	Tapered Compression Spring .....	2
5	1016154	Clip, Scorecard .....	1
6	N/A	Plate, Score Card .....	1
7	<u>1016214</u>	Pencil Grip .....	1
8	<u>1016663</u>	Screw, #12-14 X 0.625 .....	2
9	<u>1017273</u>	Nut, 5/8-18 Nylon Insert Jam .....	1

**6**  
**G**  
**E**

PASSENGER SIDE



DRIVER SIDE



000310-001

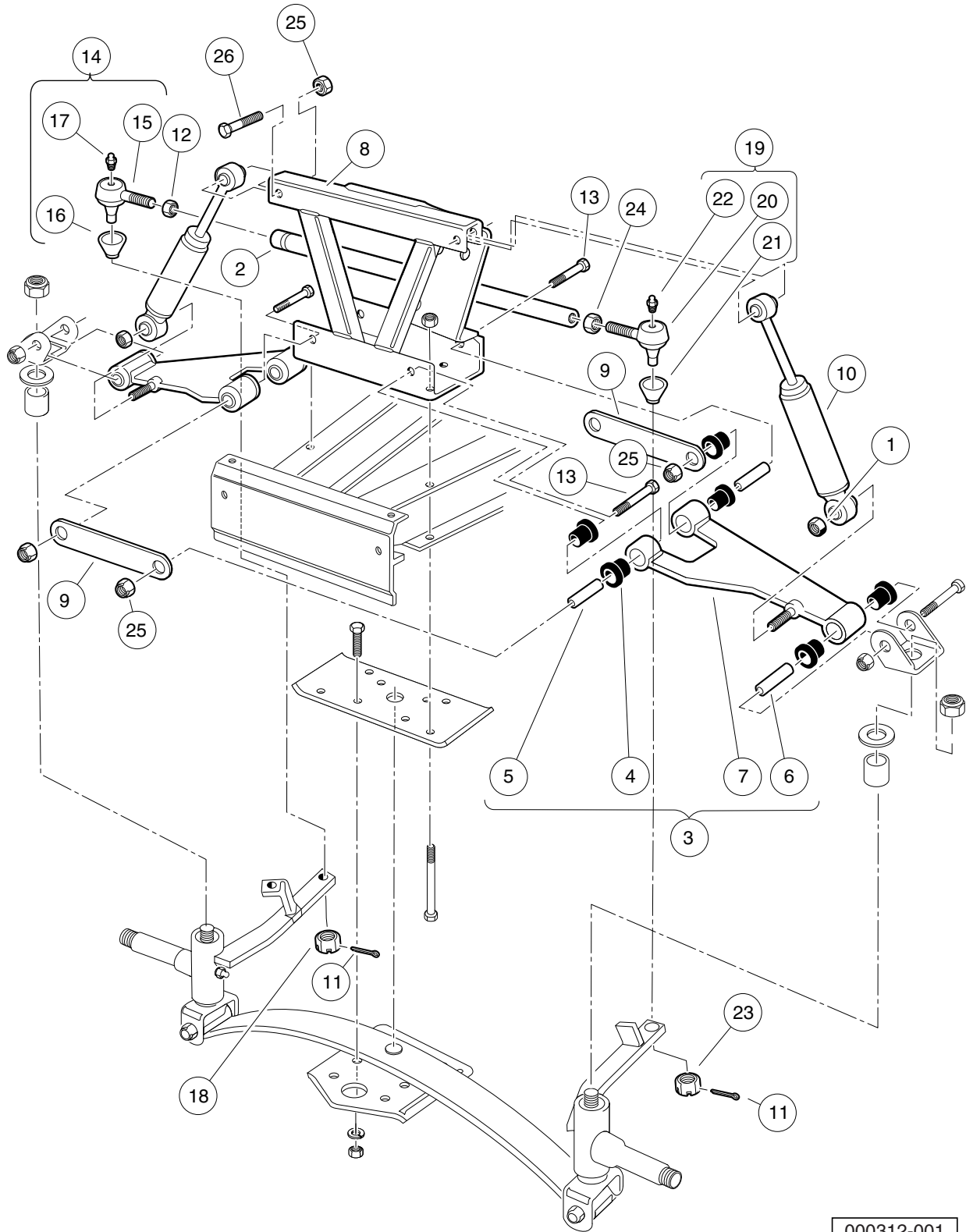


# FRONT SPINDLES AND HUBS – VEHICLES WITH TWO-WHEEL BRAKES AND CONVENTIONAL BALL JOINTS

ITEM	PART NO.	DESCRIPTION	QTY
		<b>1 2 3 4</b>	
1	<u>1010005</u>	Washer, 3/4 Flat .....	2
2	<u>1010347</u>	Spindle Assembly, Right (includes items 3 through 6) .....	1
3	1010344	Spindle Sub-Assembly, Right-Hand .....	1
4	<u>1015597</u>	Fitting, 1/4-28 Thread-Forming Grease .....	1
5	<u>7048</u>	Bushing, Flanged Bronze .....	1
6	<u>8067</u>	Bushing, Bronze Spindle .....	1
7	<u>1010348</u>	Spindle Assembly, Left (includes items 8 through 11) .....	1
8	1010342	Spindle Sub-Assembly, Left-Hand .....	1
9	<u>1015597</u>	Fitting, 1/4-28 Thread-Forming Grease .....	1
10	<u>7048</u>	Bushing, Flanged Bronze .....	1
11	<u>8067</u>	Bushing, Bronze Spindle .....	1
12	<u>1011393</u>	Hub Bearing Package (includes items 13 and 14) .....	4
13	7274	Bearing, Front Hub Wheel .....	1
14	7308	Race, Front Hub Bearing .....	1
15	<u>1011892</u>	Hub Assembly (includes items 16 through 23) .....	2
16	<u>1011887</u>	Dust Cover .....	1
17	N/A	Hub (includes items 18 through 20) .....	1
18	N/A	Front Hub .....	1
19	<u>103477901</u>	Lug Stud, 1/2-20 Unf, 4037 .....	4
20	7308	Race, Front Hub Bearing .....	2
21	<u>1013135</u>	Seal, Double Lip .....	1
22	7274	Bearing, Front Hub Wheel .....	2
23	<u>7910</u>	Pin, 5/32 X 1.00 Cotter .....	1
24	<u>7840</u>	Nut, 3/4-16 Hex Slotted .....	2

**6**  
**G**  
**E**

**6**  
**G**  
**E**



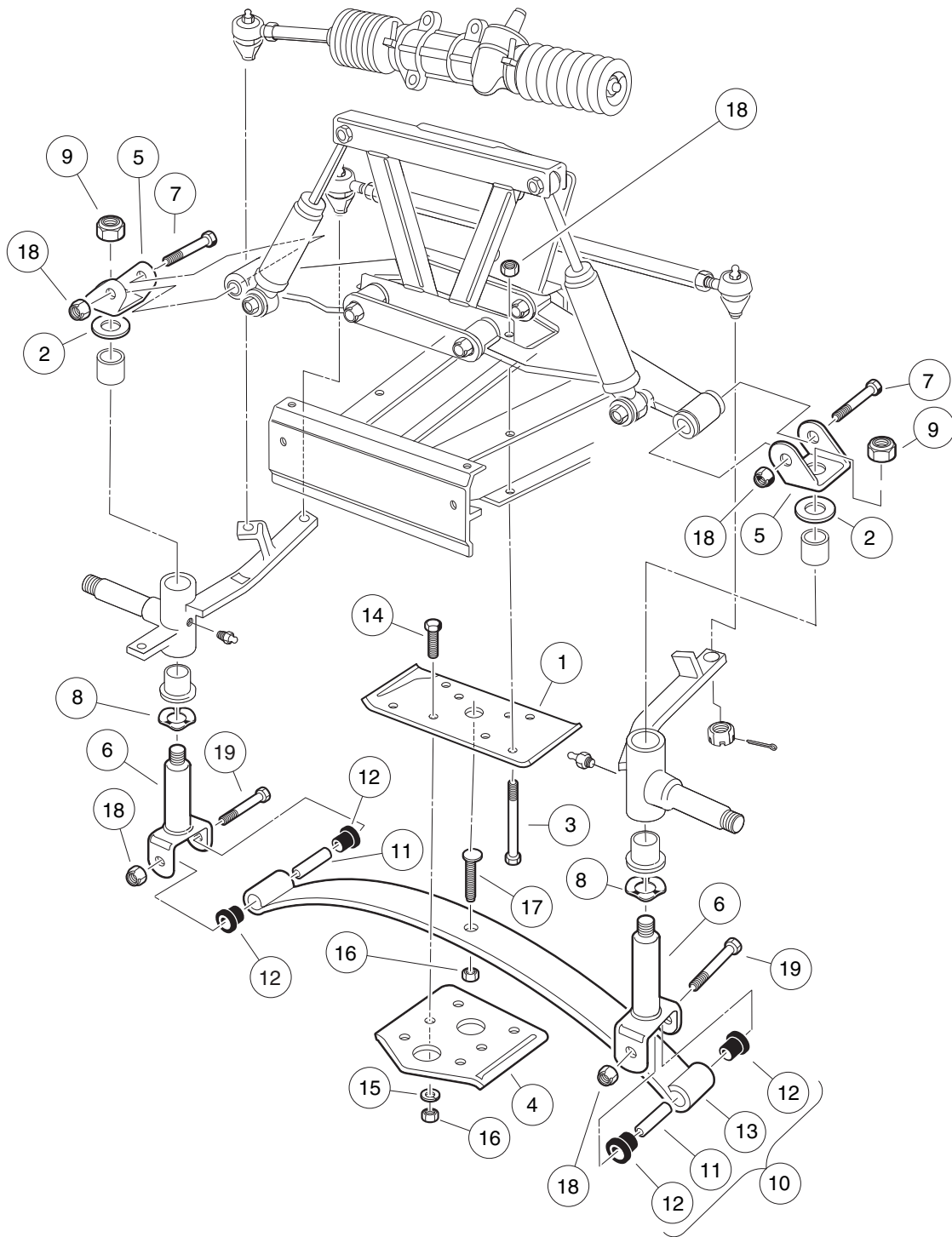
000312-001

# FRONT SUSPENSION, UPPER – VEHICLES WITH TWO-WHEEL BRAKES AND CONVENTIONAL BALL JOINTS

ITEM	PART NO.	DESCRIPTION	QTY
		<b>1 2 3 4</b>	
1	<u>1010138</u>	Locknut, 3/8-16 Dimpled .....	2
2	<u>1010219</u>	Tie Rod .....	1
3	<u>1016353</u>	Sub-Assembly, Delta A-Plate (includes items 4 through 7) .....	2
4	<u>1016346</u>	Bushing, Urethane .....	6
5	<u>1016349</u>	Sleeve, Delta Inner .....	2
6	<u>1016350</u>	Sleeve, Delta Outer .....	1
7	<u>1016351</u>	Delta A-Plate .....	1
8	<u>1016385</u>	Delta Shock and Gear Support Assembly .....	1
9	<u>1017266</u>	A-Plate Strap .....	2
10	<u>103351001</u>	Shock Absorber, Front, Common .....	2
11	<u>1035</u>	Cotter Pin, 3/32 x 1 .....	2
12	<u>1308</u>	Nut, 1/2-20 Hex .....	1
13	<u>2402</u>	Screw, 3/8-16 X 2.25 Hx Hd Cap .....	4
14	<u>7539</u>	Ball Joint, Right-Hand (includes items 15 through 18) .....	1
15	1011893	Socket, RH Vertical .....	1
16	<u>1011930</u>	Seal, Vertical Socket Dust .....	1
17	<u>1015597</u>	Fitting, 1/4-28 Thread-Forming Grease .....	1
18	7602	Nut, 3/8-24 UNF Hex .....	1
19	<u>7540</u>	Ball Joint, Left (includes items 20 through 23) .....	1
20	1011895	Socket, LH Vertical .....	1
21	<u>1011930</u>	Seal, Vertical Socket Dust .....	1
22	<u>1015597</u>	Fitting, 1/4-28 Thread-Forming Grease .....	1
23	7602	Nut, 3/8-24 UNF Hex .....	1
24	<u>7555</u>	Nut, 1/2-20 Hex, Left-Hand Thread .....	1
25	<u>8754</u>	Locknut, 3/8-16 Hex .....	6
26	<u>8861</u>	Bolt, 3/8-16 X 1.75 Hex .....	2

**6**  
**G**  
**E**

**6**  
**G**  
**E**



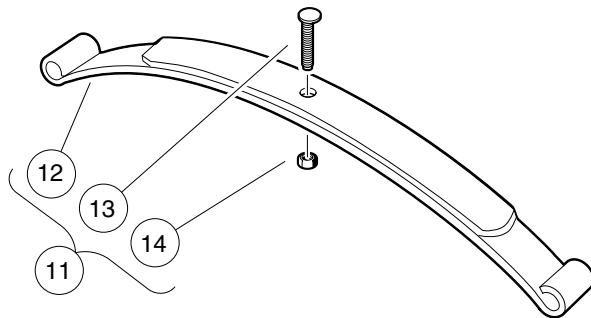
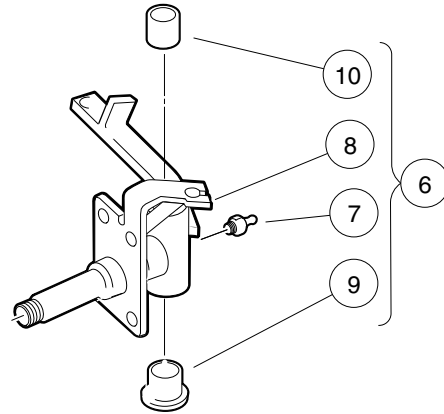
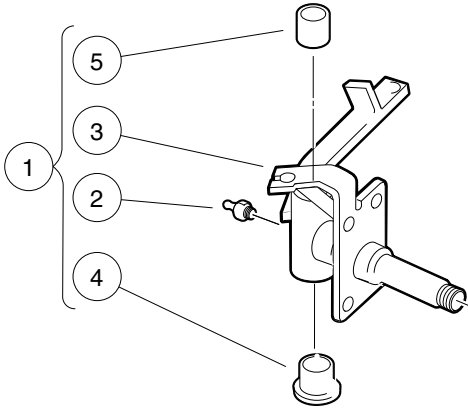
001102-001

# FRONT SUSPENSION, LOWER – VEHICLES WITH TWO-WHEEL BRAKES AND CONVENTIONAL BALL JOINTS

ITEM	PART NO.	DESCRIPTION	QTY
		<b>1 2 3 4</b>	
1	<u>1010124</u>	Plate, Spring Mount .....	1
2	<u>1010150</u>	Bearing, Thrust .....	2
3	<u>1010200</u>	Bolt, 3/8-16 X 4.25 Hex Head .....	4
4	<u>1014276</u>	Plate, Front Spring Retainer .....	1
5	<u>1016384</u>	Clevis, Delta Upper .....	2
6	<u>1016386</u>	King Pin Assembly .....	2
7	<u>1016387</u>	Screw, 3/8-16 X 2.75 Hx Hd Cap .....	2
8	<u>1016389</u>	Washer, 1.125 Od Wave .....	2
9	<u>101903101</u>	Locknut, 1/2-20 Nylon Insert .....	2
10	<u>103628701</u>	Spring Asm, Front, 1 Leaf (includes items 11 through 13) .....	1
11	<u>1012303</u>	Bushing, Steel .....	2
12	<u>101558302</u>	Bushing, Urethane, Soft .....	4
13	<u>103502601</u>	Spring, Front, 1 Leaf .....	1
14	<u>1624</u>	Screw, 3/8-16 X 1.50, Hex-Head Cap .....	4
15	<u>357</u>	Lockwasher, 3/8 Split .....	4
16	<u>706</u>	Nut, Hex 3/8-16 .....	5
17	<u>8745</u>	Screw, Eccentric Adjustment .....	1
18	<u>8754</u>	Locknut, 3/8-16 Hex .....	8
19	<u>8755</u>	Screw, 3/8-16 X 3.375 Hex Cap .....	2

**6**  
**G**  
**E**

**6**  
**G**  
**E**



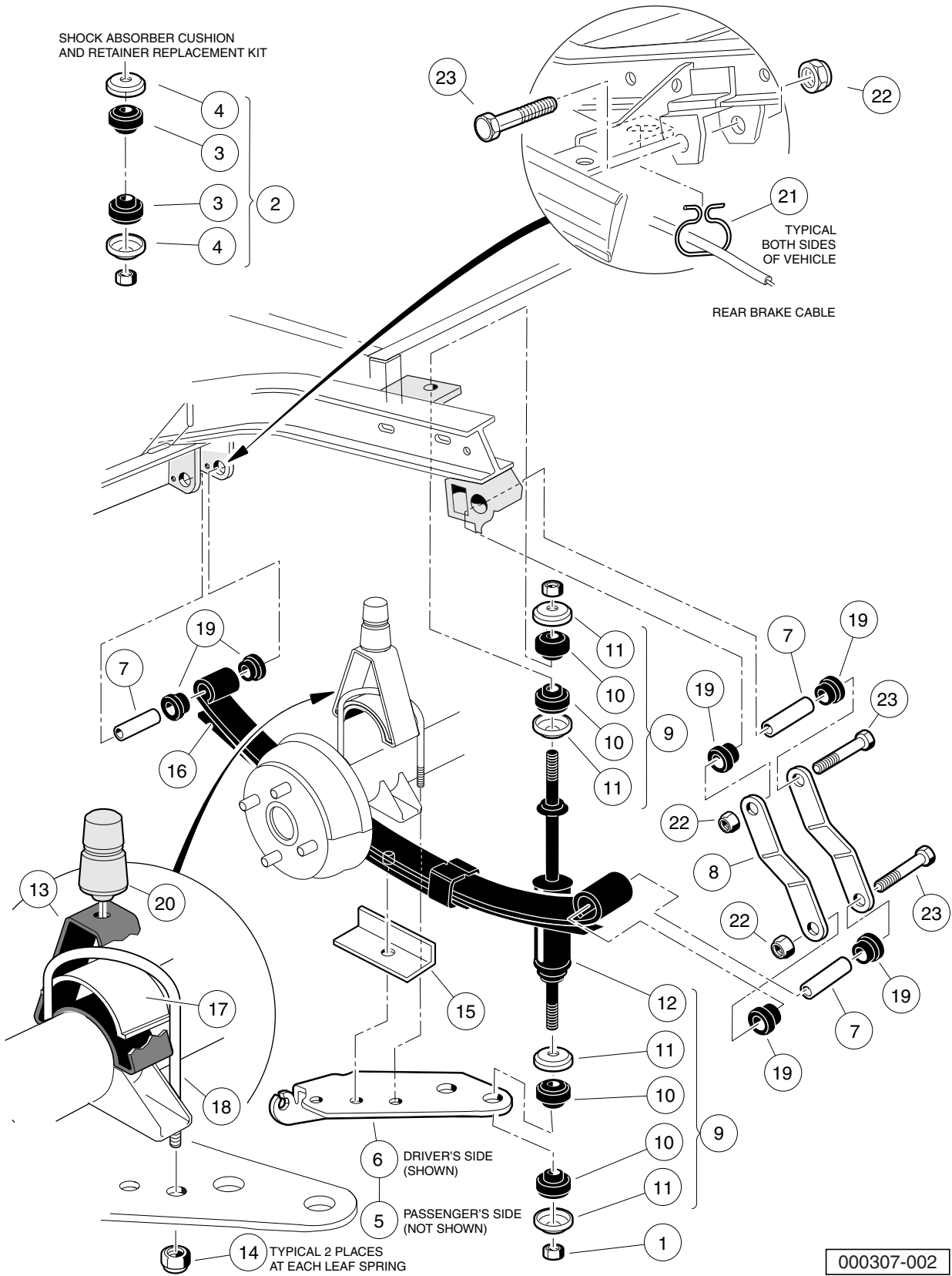
001274-001

# HEAVY DUTY FRONT SUSP. COMPONENTS FOR CONVENTIONAL BALL JOINTS

ITEM	PART NO.	DESCRIPTION	QTY
		1 2 3 4	
1	101876901	Spindle Assy, Driver Side (includes items 2 through 5) .....	1
2	<u>1015597</u>	Fitting, 1/4-28 Thread-Forming Grease .....	1
3	N/A	Spindle Assembly, Left .....	1
4	<u>7048</u>	Bushing, Flanged Bronze .....	1
5	<u>8067</u>	Bushing, Bronze Spindle .....	1
6	<u>101877001</u>	Spindle Assy, Passenger Side (includes items 7 through 10) .....	1
7	<u>1015597</u>	Fitting, 1/4-28 Thread-Forming Grease .....	1
8	N/A	Spindle Assembly, Right .....	1
9	<u>7048</u>	Bushing, Flanged Bronze .....	1
10	<u>8067</u>	Bushing, Bronze Spindle .....	1
11	<u>102004001</u>	Spring, Front, 2-Leaf (includes items 12 through 14) .....	1
12	N/A	Spring, Front Leaf .....	1
13	<u>103507001</u>	Eccentric Bolt Common .....	1
14	<u>706</u>	Nut, Hex 3/8-16 .....	1

**6**  
**G**  
**E**

**6**  
**G**  
**E**

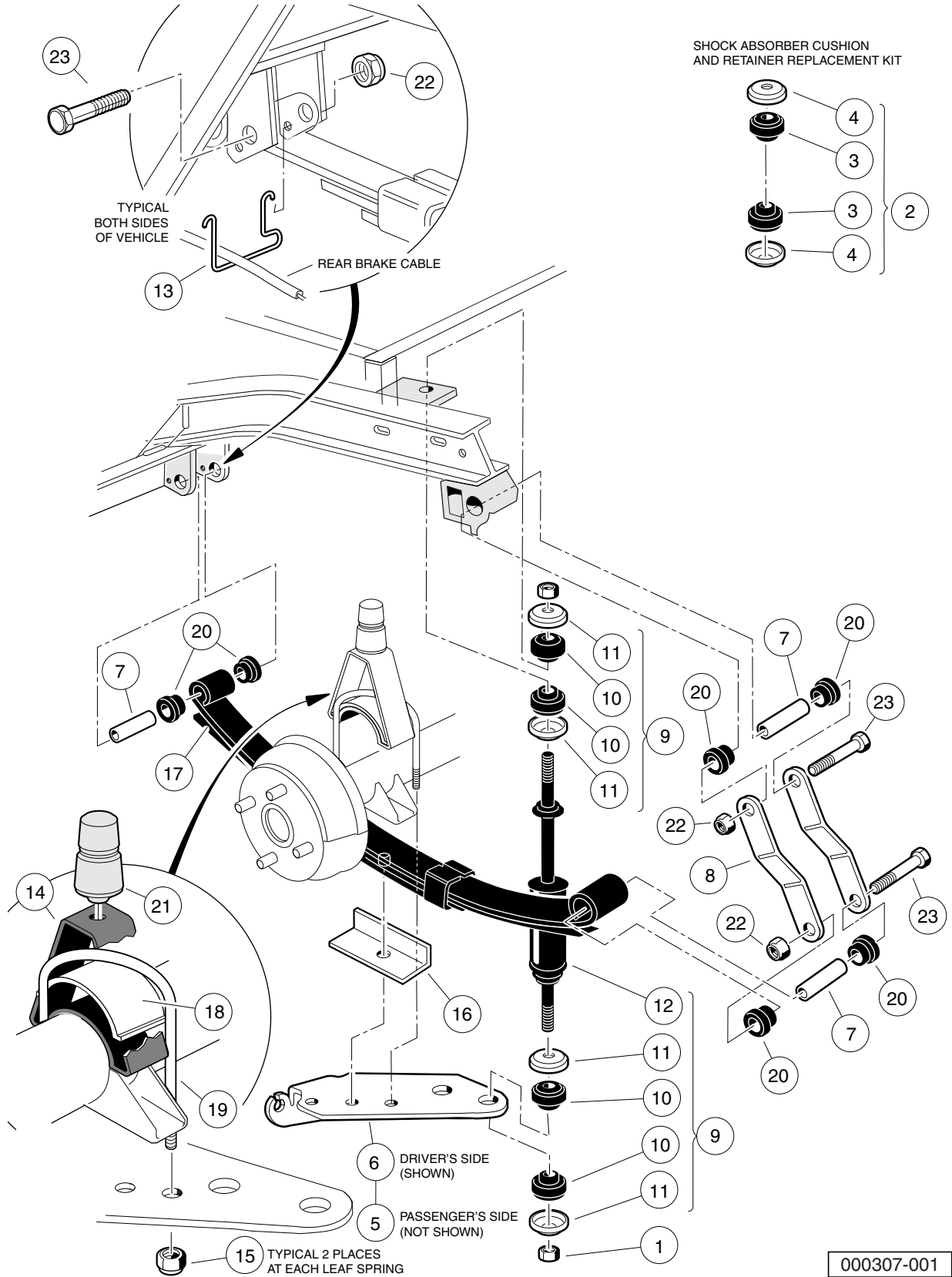




# REAR SUSPENSION – GASOLINE TURF/CA 1

ITEM	PART NO.	DESCRIPTION	QTY
		1 2 3 4	
1	<u>1010145</u>	Nut, 3/8-24 Hex .....	4
2	<u>1011415</u>	Kit, Shock Absorber Cushion (includes items 3 and 4) .....	4
3	N/A	Cushion, Shock Absorber .....	2
4	N/A	Retainer, Shock Absorber Cushion .....	2
5	1012181	Bracket, Shock Mounting, Right (Passenger) .....	1
6	1012182	Bracket, Shock Mounting, Left (Driver) .....	1
7	<u>1012303</u>	Bushing, Steel .....	6
8	<u>1012304</u>	Shackle, Rear Spring .....	4
9	<u>1013164</u>	Shock Absorber Kit (includes items 10 through 12) .....	1
10	N/A	Cushion, Shock Absorber .....	8
11	N/A	Retainer, Shock Absorber Cushion .....	8
12	<u>102588501</u>	Shock Absorber Rear Prv Spd .....	2
13	101454602	Bumper Mount .....	2
14	<u>1014555</u>	Locknut, 7/16-14 Nylon Hex .....	4
15	1014573	Spring Retainer .....	2
16	<u>1014675</u>	Rear Leaf Spring .....	2
17	<u>1014901</u>	Spacer, Overload Bumper .....	2
18	<u>1014902</u>	U-Bolt .....	2
19	<u>1015583</u>	Bushing, Urethane .....	12
20	<u>1017235</u>	Bumper, Jounce .....	2
21	101900801	Hanger, Brake Cable .....	2
22	<u>8754</u>	Locknut, 3/8-16 Hex .....	6
23	<u>8755</u>	Screw, 3/8-16 X 3.375 Hex Cap .....	6
<p>Note: Only the driver-side rear suspension is shown. Parts for the passenger-side rear suspension are identical except for the leaf spring/shock mounting plate.</p>			

6  
G  
E



## REAR SUSPENSION – ELECTRIC TURF/CA 1

ITEM	PART NO.	DESCRIPTION	QTY
		1 2 3 4	
1	<u>1010145</u>	Nut, 3/8-24 Hex .....	4
2	<u>1011415</u>	Kit, Shock Absorber Cushion (includes items 3 and 4) .....	4
3	N/A	Cushion, Shock Absorber .....	2
4	N/A	Retainer, Shock Absorber Cushion .....	2
5	1012181	Bracket, Shock Mounting, Right (Passenger) .....	1
6	1012182	Bracket, Shock Mounting, Left (Driver) .....	1
7	<u>1012303</u>	Bushing, Steel .....	6
8	<u>1012304</u>	Shackle, Rear Spring .....	4
9	<u>1013164</u>	Shock Absorber Kit (includes items 10 through 12) .....	1
10	N/A	Cushion, Shock Absorber .....	8
11	N/A	Retainer, Shock Absorber Cushion .....	8
12	<u>102588501</u>	Shock Absorber Rear Prv Spd .....	2
13	<u>1013207</u>	Hanger, Brake Cable .....	2
14	<u>101454902</u>	Bumper Mount, Angled .....	2
15	<u>1014555</u>	Locknut, 7/16-14 Nylon Hex .....	4
16	1014573	Spring Retainer .....	2
17	<u>1014675</u>	Rear Leaf Spring .....	2
18	<u>1014901</u>	Spacer, Overload Bumper .....	2
19	<u>1014902</u>	U-Bolt .....	2
20	<u>1015583</u>	Bushing, Urethane .....	12
21	<u>1017235</u>	Bumper, Jounce .....	2
22	<u>8754</u>	Locknut, 3/8-16 Hex .....	6
23	<u>8755</u>	Screw, 3/8-16 X 3.375 Hex Cap .....	6
<p>Note: Only the driver-side rear suspension is shown. Parts for the passenger-side rear suspension are identical except for the leaf spring/shock mounting plate.</p>			

6  
G  
E

**6**

**G**

**E**

# STEERING AND SUSPENSION – MAINTENANCE-FREE BALL JOINTS

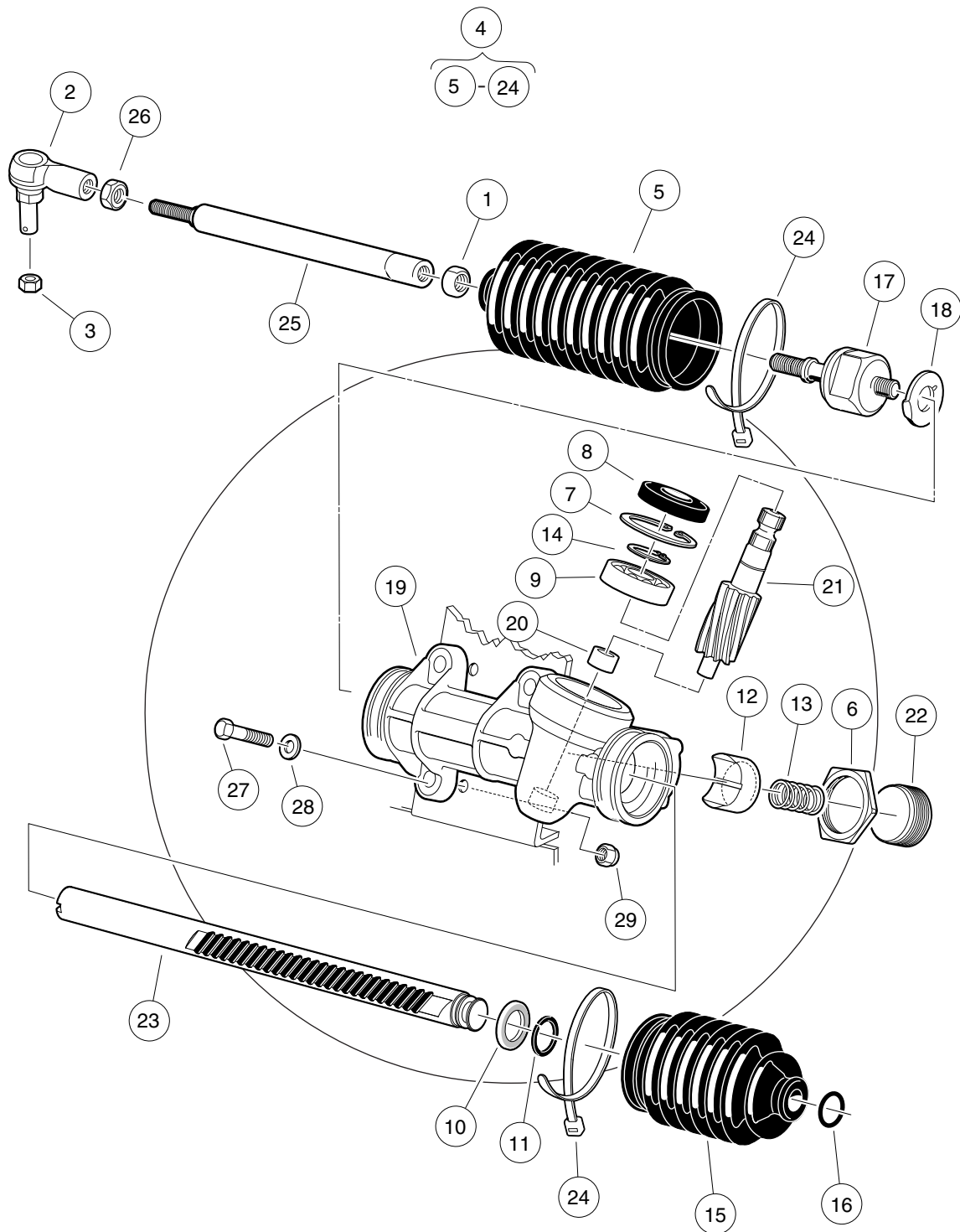
---

7

G

E

**7**  
**G**  
**E**



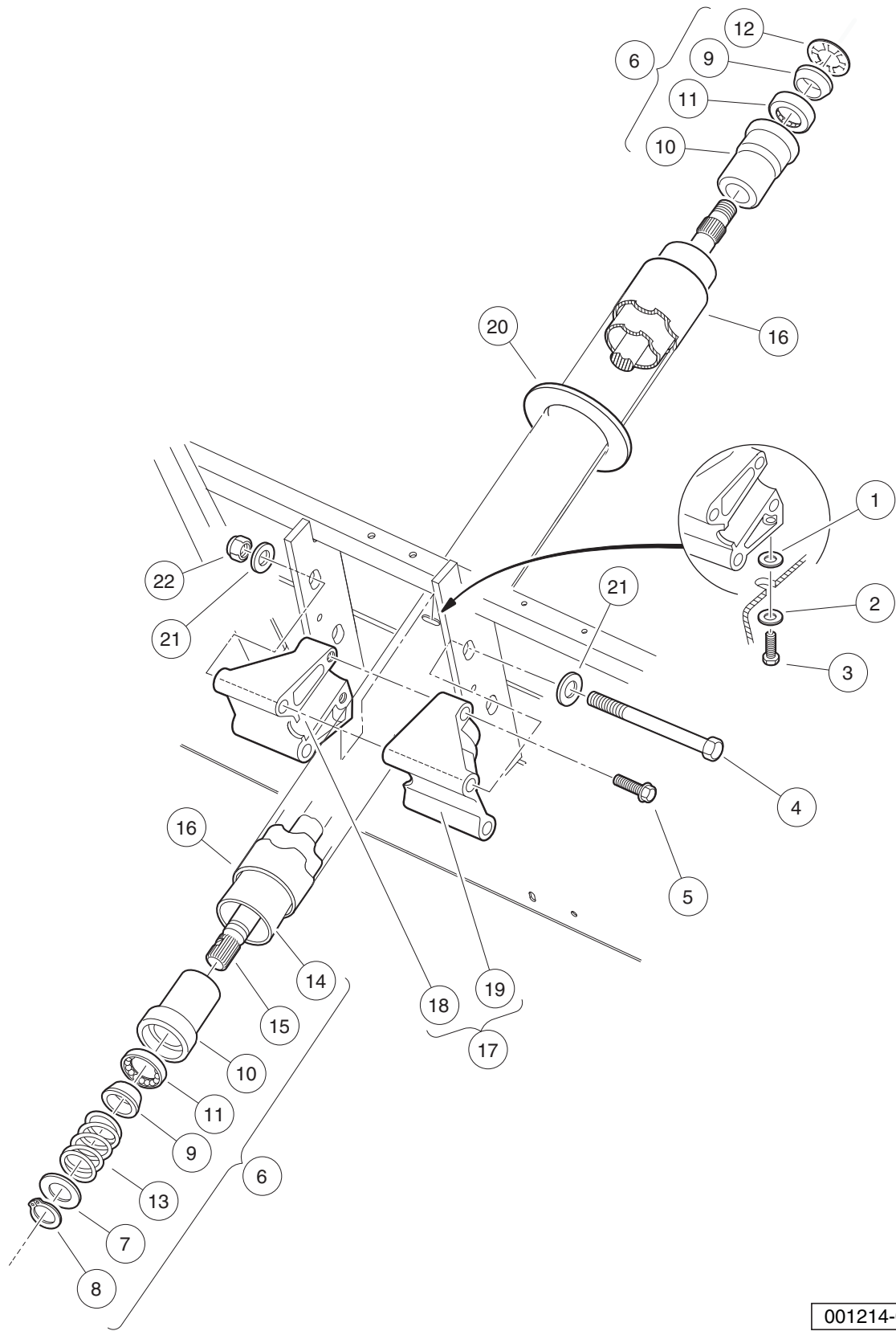
001500-002

# STEERING GEAR ASSEMBLY (WANDA) – MAINT.-FREE BALL JOINT

ITEM	PART NO.	DESCRIPTION	QTY
		<b>1 2 3 4</b>	
1	1013042	Nut, 12mm Hex .....	1
2	<u>102022602</u>	End, Tie Rod, M12 X 1.25, Lh .....	1
3	<u>102289201</u>	Nut - Hex Locking, M12 X 1.25 .....	1
4	<u>103601501</u>	Asm, Steering Rack And Pinion (includes items 5 through 24) .....	1
5	<u>1013035</u>	Bellows, Long .....	1
6	<u>1013044</u>	Rack Screw Locknut .....	1
7	N/A	Snap Ring .....	1
8	<u>1013052</u>	Seal, Steering Pinion Dust .....	1
9	<u>101879401</u>	Bearing, Ball .....	1
10	<u>101879501</u>	Stop Washer .....	1
11	101879601	Stop Ring, C-Type .....	1
12	<u>101879701</u>	Support Yoke .....	1
13	<u>101879801</u>	Rack Guide Pressure Spring .....	1
14	<u>101879901</u>	Ring, Stop, C-Type .....	1
15	<u>101880001</u>	Bellows, Short .....	1
16	101880101	Dust Seal Retaining Ring .....	1
17	<u>101880201</u>	Inner Ball Joint Asm .....	1
18	101880301	Washer, Tab .....	1
19	N/A	Box, Steering Gear .....	1
20	N/A	Bearing, Lower Pinion .....	1
21	N/A	Pinion, Steering .....	1
22	N/A	Screw, Rack Guide .....	1
23	N/A	Rack, Steering .....	1
24	<u>8990</u>	Tie Wrap, 8" Nylon .....	2
25	<u>103653401</u>	Link, Drag, Male Thd .....	1
26	<u>103653501</u>	Nut, Jam, M12-1.25, Lh .....	1
27	<u>1624</u>	Screw, 3/8-16 X 1.50, Hex-Head Cap .....	3
28	<u>334</u>	Washer, 3/8, Type A, Flat .....	3
29	<u>8754</u>	Locknut, 3/8-16 Hex .....	3

**7**  
**G**  
**E**

**7**  
**G**  
**E**



001214-001



## STEERING COLUMN – UTILITY

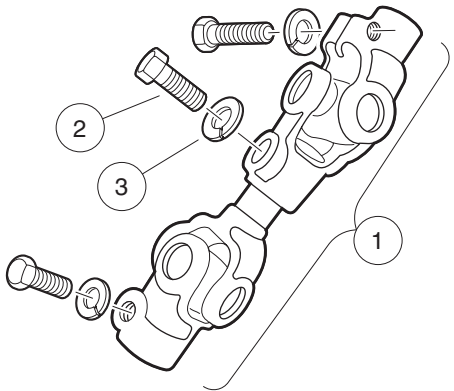
ITEM	PART NO.	DESCRIPTION	QTY
		1 2 3 4	
1	<u>1011578</u>	Washer, 5/16 Type B Flat .....	1
2	<u>1011697</u>	Washer, 5/16 Flat .....	1
3	<u>1014288</u>	Screw, 5/16-18 X 0.75, Thread-Forming .....	1
4	<u>1016183</u>	Screw, 3/8-16 X 7.00 Hex Cap .....	2
5	<u>1016269</u>	Screw, 5/16-18 Thrd Forming .....	2
6	<u>1017313</u>	Steering Shaft Assembly (includes items 7 through 15) .....	1
7	<u>1012604</u>	Washer, 0.675 ID X 1.19 OD .....	1
8	<u>1012605</u>	Ring, 0.579 Internal Retaining .....	1
9	1014125	Wedge, Molded .....	2
10	<u>1014126</u>	Seat, Plastic Bearing .....	2
11	<u>1014213</u>	Bearing, Ball .....	2
12	1014214	Ring, Retaining .....	1
13	<u>1014217</u>	Spring, Steering Shaft .....	1
14	<u>1017314</u>	Column, Aluminum Steering .....	1
15	<u>1017315</u>	Shaft Steering Column .....	1
16	<u>1017317</u>	Tube Cover, Steering Column .....	1
17	101984801	Kit, Steering Column Mounting Bracket (includes items 18 and 19) .....	1
18	N/A	Bracket, RH Steering Column Mount .....	1
19	N/A	Bracket, LH Steering column mount .....	1
20	<u>102278001</u>	Boot, Steering Column Round .....	1
21	<u>334</u>	Washer, 3/8, Type A, Flat .....	4
22	<u>8754</u>	Locknut, 3/8-16 Hex .....	2

**7**  
**G**  
**E**

7

G

E



001217-001

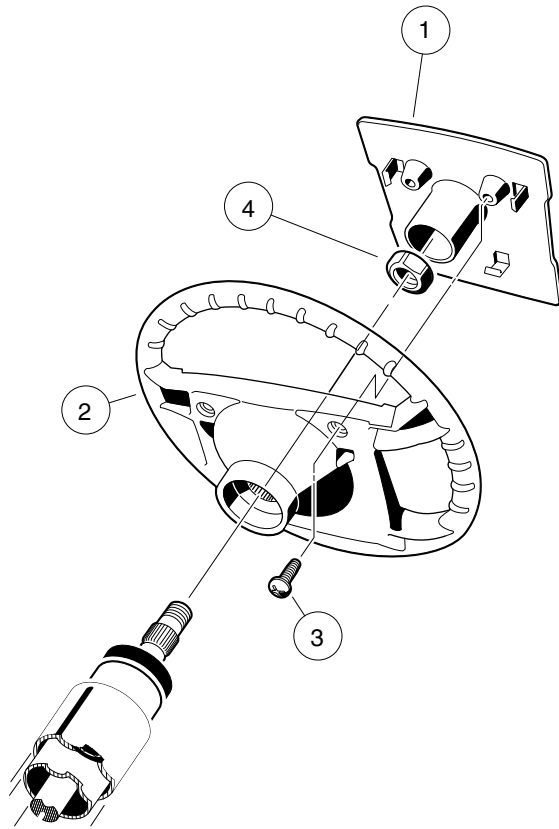
# INTERMEDIATE STEERING SHAFT (WANDA) – TURF/CA 1/2/6

ITEM	PART NO.	DESCRIPTION	QTY
		1 2 3 4	
1	<u>103601601</u>	Shaft, Intermediate Steering (includes items 2 and 3) .....	1
2	<u>1017226</u>	Bolt, Hex-Head, 8mm X 1.25 - 30 .....	3
3	<u>7174</u>	Lockwasher, 5/16 Split .....	3

7

G

E



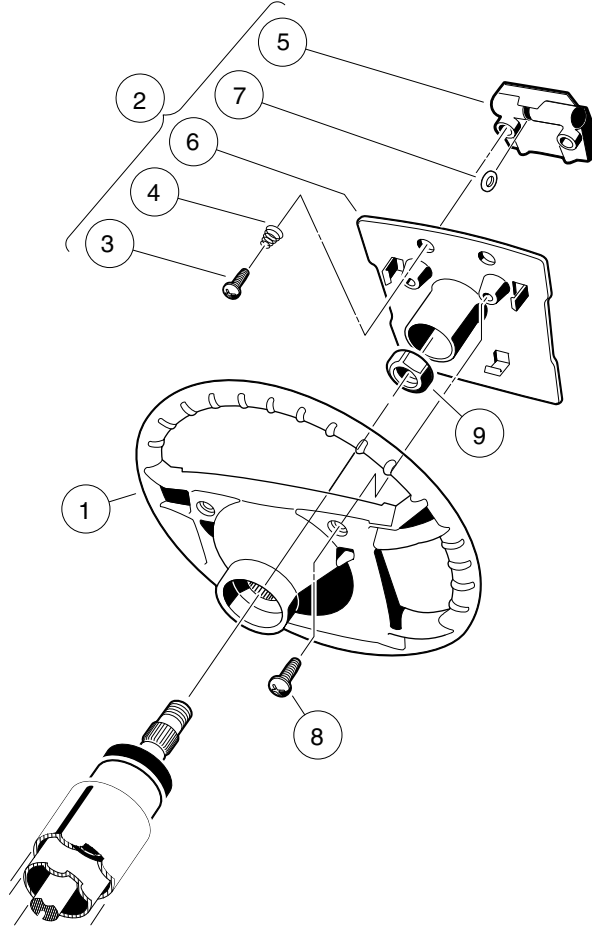
000246-003

# STEERING WHEEL

ITEM	PART NO.	DESCRIPTION	QTY
		1 2 3 4	
1	<u>101615504</u>	Plate, Scorecard .....	1
2	<u>1016156</u>	Wheel, Steering .....	1
3	<u>1016663</u>	Screw, #12-14 X 0.625 .....	2
4	<u>1017273</u>	Nut, 5/8-18 Nylon Insert Jam .....	1

7  
G  
E

**7**  
**G**  
**E**



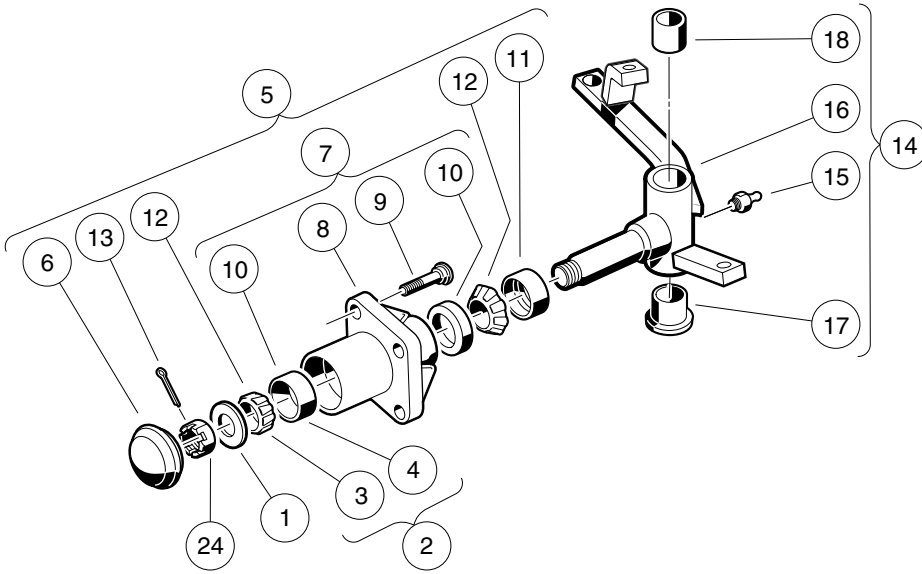
000246-002

# STEERING WHEEL WITH CLIP

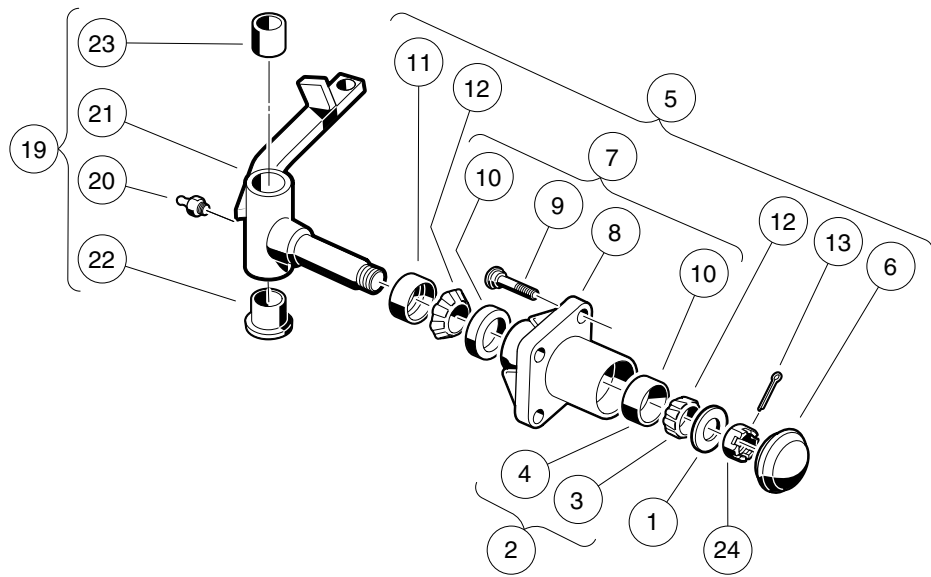
ITEM	PART NO.	DESCRIPTION	QTY
		<b>1 2 3 4</b>	
1	<u>1016156</u>	Wheel, Steering .....	1
2	1016219	Plate, Scorecard (includes items 3 through 7) .....	1
3	<u>1012565</u>	Screw, #12 Phillips Round Head .....	2
4	<u>1012566</u>	Tapered Compression Spring .....	2
5	1016154	Clip, Scorecard .....	1
6	N/A	Plate, Score Card .....	1
7	<u>1016214</u>	Pencil Grip .....	1
8	<u>1016663</u>	Screw, #12-14 X 0.625 .....	2
9	<u>1017273</u>	Nut, 5/8-18 Nylon Insert Jam .....	1

**7**  
**G**  
**E**

PASSENGER SIDE



DRIVER SIDE



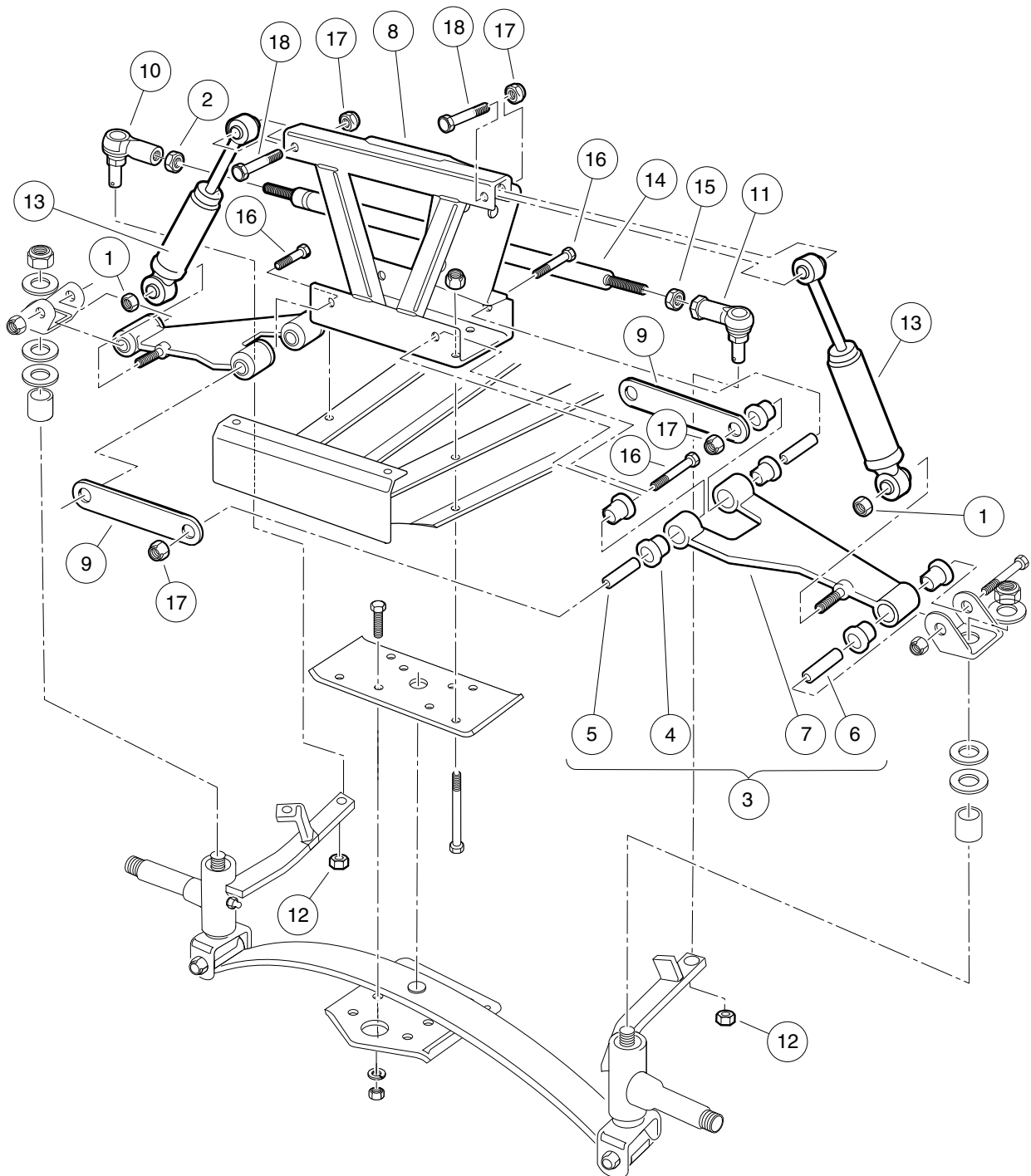
001104-001



# FRONT SPINDLES AND HUBS – VEHICLES WITH TWO-WHEEL BRAKES AND MAINTENANCE-FREE BALL JOINTS

ITEM	PART NO.	DESCRIPTION	QTY
		<b>1 2 3 4</b>	
1	<u>1010005</u>	Washer, 3/4 Flat .....	2
2	<u>1011393</u>	Hub Bearing Package (includes items 3 and 4) .....	4
3	<u>7274</u>	Bearing, Front Hub Wheel .....	1
4	<u>7308</u>	Race, Front Hub Bearing .....	1
5	<u>1011892</u>	Hub Assembly (includes items 6 through 13) .....	2
6	<u>1011887</u>	Dust Cover .....	1
7	N/A	Hub (includes items 8 through 10) .....	1
8	N/A	Front Hub .....	1
9	<u>103477901</u>	Lug Stud, 1/2-20 Unf, 4037 .....	4
10	<u>7308</u>	Race, Front Hub Bearing .....	2
11	<u>1013135</u>	Seal, Double Lip .....	1
12	<u>7274</u>	Bearing, Front Hub Wheel .....	2
13	<u>7910</u>	Pin, 5/32 X 1.00 Cotter .....	1
14	<u>103665902</u>	Asm, Spindle, Rh, 2wb, Sp (includes items 15 through 18) .....	1
15	<u>1015597</u>	Fitting, 1/4-28 Thread-Forming Grease .....	1
16	N/A	Subasm, Spndle, Rh, 2wb .....	1
17	<u>7048</u>	Bushing, Flanged Bronze .....	1
18	<u>8067</u>	Bushing, Bronze Spindle .....	1
19	<u>103666002</u>	Asm, Spindle, Lh, 2wb, Sp (includes items 20 through 23) .....	1
20	<u>1015597</u>	Fitting, 1/4-28 Thread-Forming Grease .....	1
21	N/A	Subasm, Spndle, Lh, 2wb .....	1
22	<u>7048</u>	Bushing, Flanged Bronze .....	1
23	<u>8067</u>	Bushing, Bronze Spindle .....	1
24	<u>7840</u>	Nut, 3/4-16 Hex Slotted .....	2

**7**  
**G**  
**E**



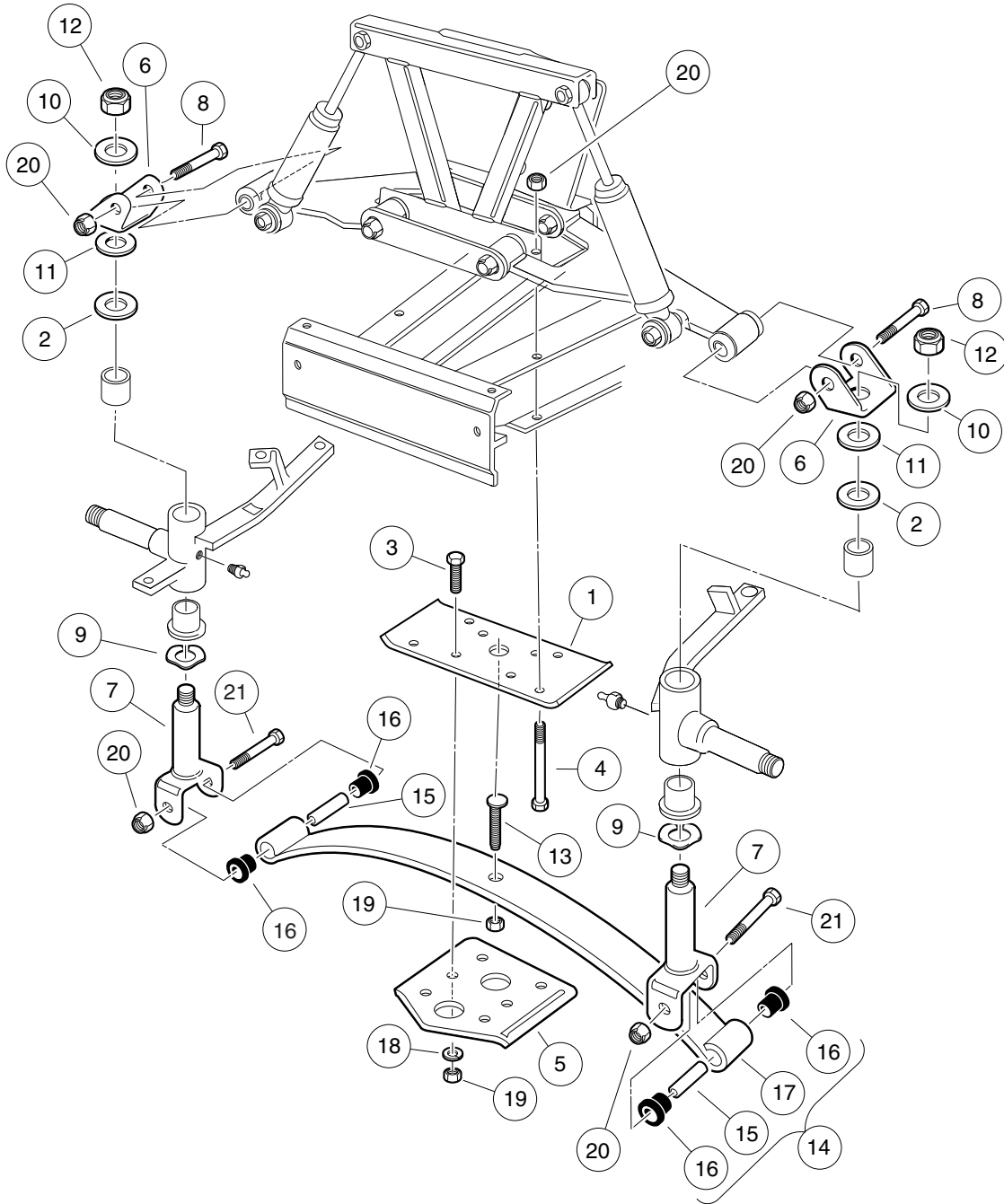
001105-001

# FRONT SUSPENSION, UPPER – VEHICLES WITH TWO-WHEEL BRAKES AND MAINTENANCE-FREE BALL JOINTS

ITEM	PART NO.	DESCRIPTION	QTY
		<b>1 2 3 4</b>	
1	<u>1010138</u>	Locknut, 3/8-16 Dimpled .....	2
2	<u>1013042</u>	Nut, 12mm Hex .....	1
3	<u>1016353</u>	Sub-Assembly, Delta A-Plate (includes items 4 through 7) .....	2
4	<u>1016346</u>	Bushing, Urethane .....	6
5	<u>1016349</u>	Sleeve, Delta Inner .....	2
6	<u>1016350</u>	Sleeve, Delta Outer .....	1
7	<u>1016351</u>	Delta A-Plate .....	1
8	<u>1016385</u>	Delta Shock and Gear Support Assembly .....	1
9	<u>1017266</u>	A-Plate Strap .....	2
10	<u>102022601</u>	End, Tie Rod M12 X 1.25 Rh .....	1
11	<u>102022602</u>	End, Tie Rod, M12 X 1.25, Lh .....	1
12	<u>102289201</u>	Nut - Hex Locking, M12 X 1.25 .....	2
13	<u>103351001</u>	Shock Absorber, Front, Common .....	2
14	<u>103354701</u>	Rod, Tie, Male Thd .....	1
15	<u>103653501</u>	Nut, Jam, M12-1.25, Lh .....	1
16	<u>2402</u>	Screw, 3/8-16 X 2.25 Hx Hd Cap .....	4
17	<u>8754</u>	Locknut, 3/8-16 Hex .....	6
18	<u>8861</u>	Bolt, 3/8-16 X 1.75 Hex .....	2

**7**  
**G**  
**E**

**7**  
**G**  
**E**



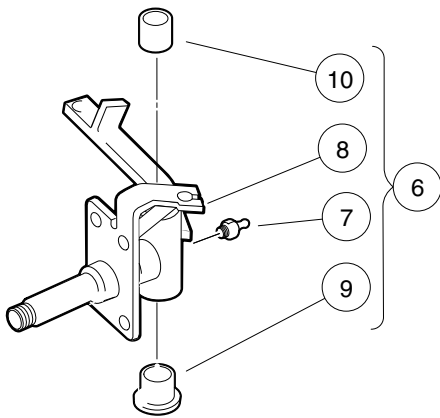
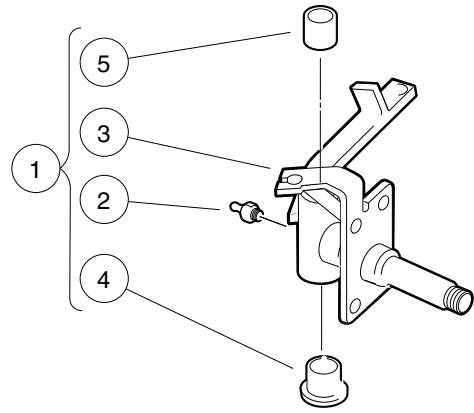
001106-001

# FRONT SUSPENSION, LOWER – VEHICLES WITH TWO-WHEEL BRAKES AND MAINTENANCE-FREE BALL JOINTS

ITEM	PART NO.	DESCRIPTION	QTY
		<b>1 2 3 4</b>	
1	<u>1010124</u>	Plate, Spring Mount .....	1
2	<u>1010150</u>	Bearing, Thrust .....	2
3	<u>1010177</u>	Bolt, 3/8-16 X 2.00 Hex Head .....	4
4	<u>1010200</u>	Bolt, 3/8-16 X 4.25 Hex Head .....	4
5	<u>1014276</u>	Plate, Front Spring Retainer .....	1
6	<u>1016384</u>	Clevis, Delta Upper .....	2
7	<u>1016386</u>	King Pin Assembly .....	2
8	<u>1016387</u>	Screw, 3/8-16 X 2.75 Hx Hd Cap .....	2
9	<u>1016389</u>	Washer, 1.125 Od Wave .....	2
10	<u>102564002</u>	Washer-1/2 Conical, Yellow .....	2
11	<u>102684501</u>	Washer, M12 Hard Regular .....	2
12	<u>102766301</u>	Nut, 1/2-20, Center Lock .....	2
13	<u>103507001</u>	Eccentric Bolt Common .....	1
14	<u>103628701</u>	Spring Asm, Front, 1 Leaf (includes items 15 through 17) .....	1
15	<u>1012303</u>	Bushing, Steel .....	2
16	<u>101558302</u>	Bushing, Urethane, Soft .....	4
17	103502601	Spring, Front, 1 Leaf .....	1
18	<u>357</u>	Lockwasher, 3/8 Split .....	4
19	<u>706</u>	Nut, Hex 3/8-16 .....	5
20	<u>8754</u>	Locknut, 3/8-16 Hex .....	8
21	<u>8755</u>	Screw, 3/8-16 X 3.375 Hex Cap .....	2

**7**  
**G**  
**E**

**7**  
**G**  
**E**



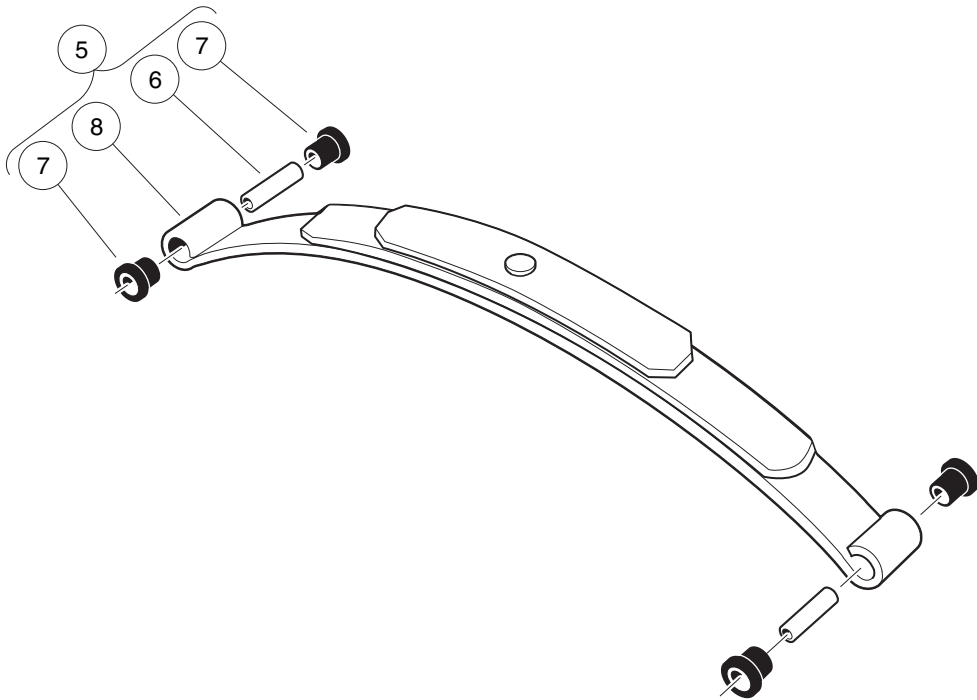
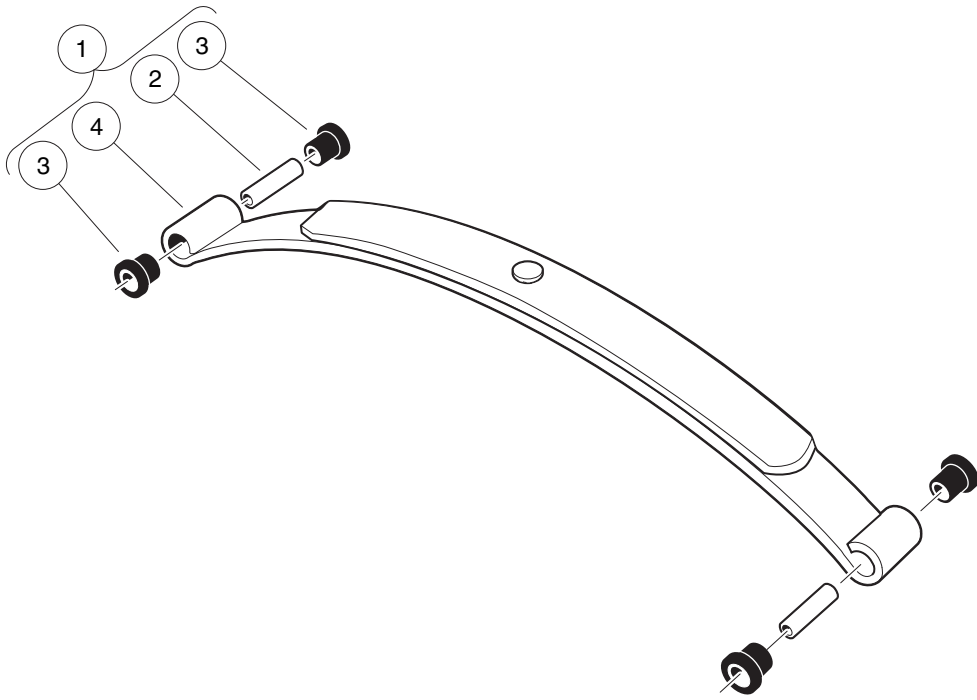
001280-001

# HEAVY DUTY FRONT SPINDLES FOR MAINT.-FREE BALLJOINTS

ITEM	PART NO.	DESCRIPTION	QTY
		<b>1 2 3 4</b>	
1	<u>103717302</u>	Asm, Spindle, Lh, 4wb, Sp (includes items 2 through 5) .....	1
2	<u>1015597</u>	Fitting, 1/4-28 Thread-Forming Grease .....	1
3	N/A	Subasm, Spindle, Lh, 4wb .....	1
4	<u>7048</u>	Bushing, Flanged Bronze .....	1
5	<u>8067</u>	Bushing, Bronze Spindle .....	1
6	<u>103717402</u>	Asm, Spindle, Rh, 4wb, Sp (includes items 7 through 10) .....	1
7	<u>1015597</u>	Fitting, 1/4-28 Thread-Forming Grease .....	1
8	N/A	Subasm, Spindle, Rh, 4wb .....	1
9	<u>7048</u>	Bushing, Flanged Bronze .....	1
10	<u>8067</u>	Bushing, Bronze Spindle .....	1

**7**  
**G**  
**E**

**7**  
**G**  
**E**



001225-001

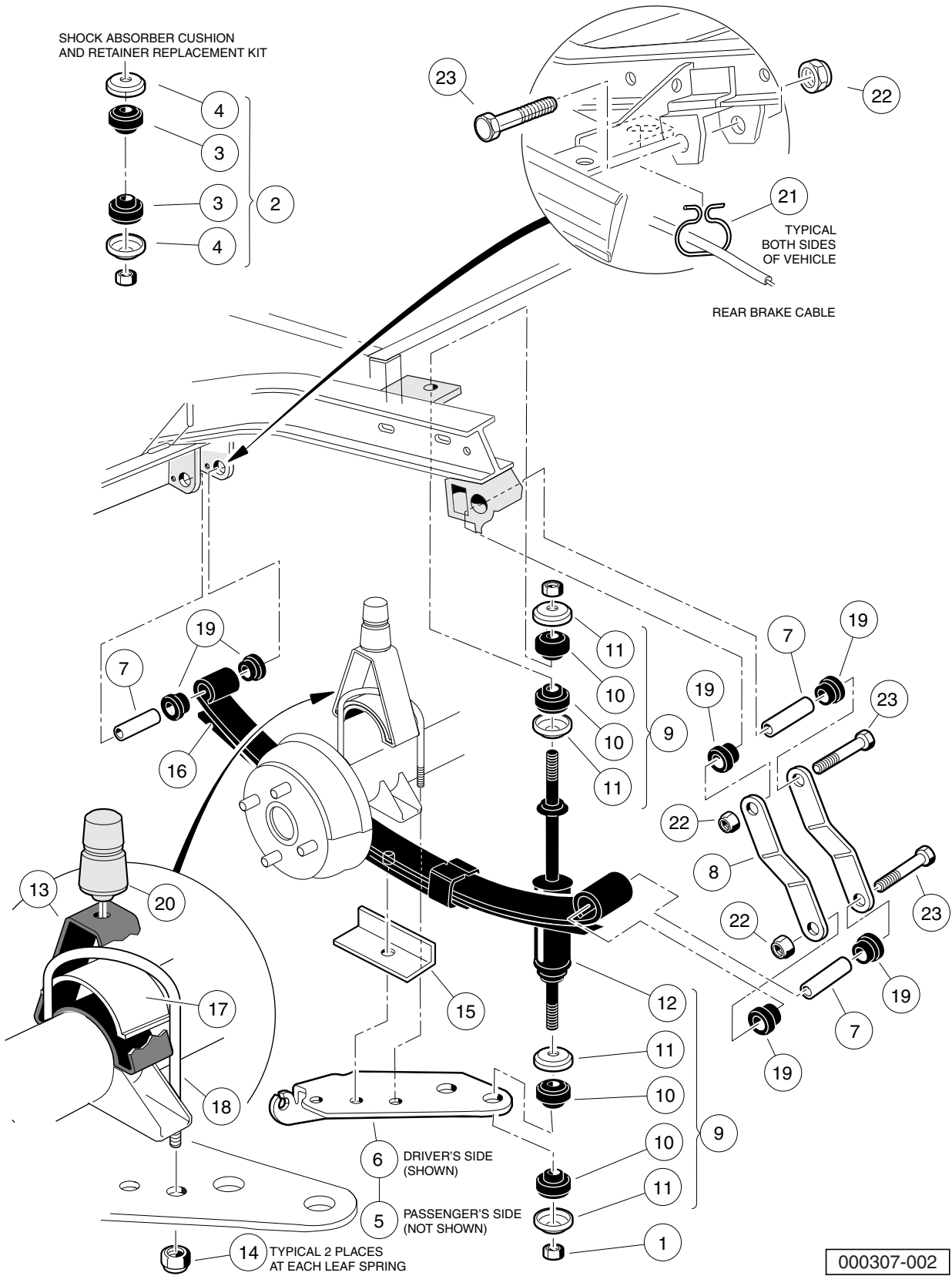


# HEAVY DUTY FRONT SPRINGS

ITEM	PART NO.	DESCRIPTION	QTY
		<b>1 2 3 4</b>	
1	<u>103628801</u>	Spring Asm, Front, 2 Leaf (includes items 2 through 4) .....	1
2	<u>1012303</u>	Bushing, Steel .....	2
3	<u>1015583</u>	Bushing, Urethane .....	4
4	<u>103502701</u>	Spring, Front, 2 Leaf .....	1
5	<u>103628901</u>	Spring Asm, Front, 3 Leaf (includes items 6 through 8) .....	1
6	<u>1012303</u>	Bushing, Steel .....	2
7	<u>1015583</u>	Bushing, Urethane .....	4
8	103502801	Spring, Front, 3 Leaf .....	1

7  
G  
E

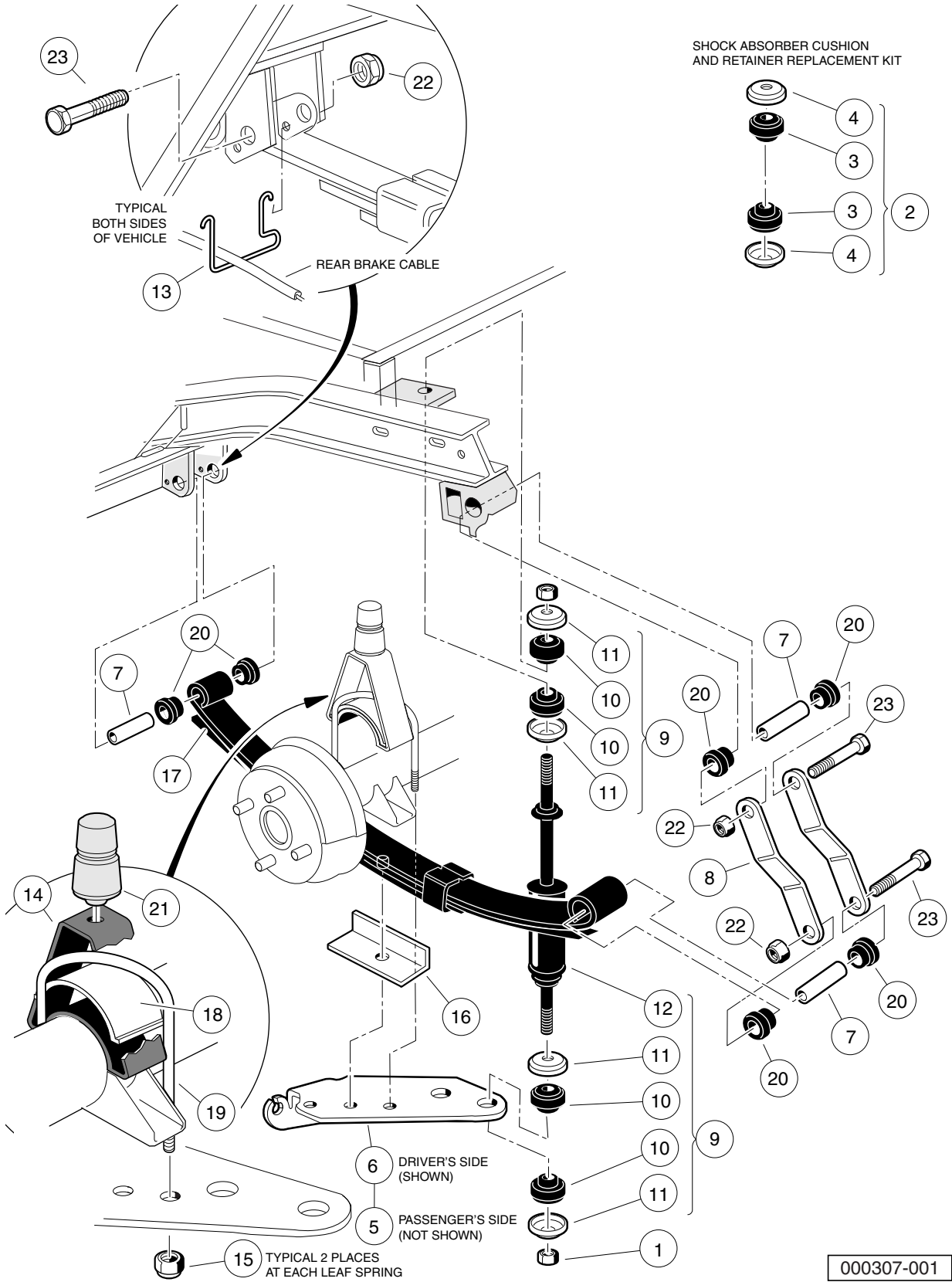
**7**  
**G**  
**E**



## REAR SUSPENSION – GASOLINE TURF/CA 1

ITEM	PART NO.	DESCRIPTION	QTY
		1 2 3 4	
1	<u>1010145</u>	Nut, 3/8-24 Hex .....	4
2	<u>1011415</u>	Kit, Shock Absorber Cushion (includes items 3 and 4) .....	4
3	N/A	Cushion, Shock Absorber .....	2
4	N/A	Retainer, Shock Absorber Cushion .....	2
5	1012181	Bracket, Shock Mounting, Right (Passenger) .....	1
6	1012182	Bracket, Shock Mounting, Left (Driver) .....	1
7	<u>1012303</u>	Bushing, Steel .....	6
8	<u>1012304</u>	Shackle, Rear Spring .....	4
9	<u>1013164</u>	Shock Absorber Kit (includes items 10 through 12) .....	1
10	N/A	Cushion, Shock Absorber .....	8
11	N/A	Retainer, Shock Absorber Cushion .....	8
12	<u>102588501</u>	Shock Absorber Rear Prv Spd .....	2
13	101454602	Bumper Mount .....	2
14	<u>1014555</u>	Locknut, 7/16-14 Nylon Hex .....	4
15	1014573	Spring Retainer .....	2
16	<u>1014675</u>	Rear Leaf Spring .....	2
17	<u>1014901</u>	Spacer, Overload Bumper .....	2
18	<u>1014902</u>	U-Bolt .....	2
19	<u>1015583</u>	Bushing, Urethane .....	12
20	<u>1017235</u>	Bumper, Jounce .....	2
21	101900801	Hanger, Brake Cable .....	2
22	<u>8754</u>	Locknut, 3/8-16 Hex .....	6
23	<u>8755</u>	Screw, 3/8-16 X 3.375 Hex Cap .....	6
<p>Note: Only the driver-side rear suspension is shown. Parts for the passenger-side rear suspension are identical except for the leaf spring/shock mounting plate.</p>			

7  
G  
E



000307-001

## REAR SUSPENSION – ELECTRIC TURF/CA 1

ITEM	PART NO.	DESCRIPTION	QTY
		1 2 3 4	
1	<u>1010145</u>	Nut, 3/8-24 Hex .....	4
2	<u>1011415</u>	Kit, Shock Absorber Cushion (includes items 3 and 4) .....	4
3	N/A	Cushion, Shock Absorber .....	2
4	N/A	Retainer, Shock Absorber Cushion .....	2
5	1012181	Bracket, Shock Mounting, Right (Passenger) .....	1
6	1012182	Bracket, Shock Mounting, Left (Driver) .....	1
7	<u>1012303</u>	Bushing, Steel .....	6
8	<u>1012304</u>	Shackle, Rear Spring .....	4
9	<u>1013164</u>	Shock Absorber Kit (includes items 10 through 12) .....	1
10	N/A	Cushion, Shock Absorber .....	8
11	N/A	Retainer, Shock Absorber Cushion .....	8
12	<u>102588501</u>	Shock Absorber Rear Prv Spd .....	2
13	<u>1013207</u>	Hanger, Brake Cable .....	2
14	<u>101454902</u>	Bumper Mount, Angled .....	2
15	<u>1014555</u>	Locknut, 7/16-14 Nylon Hex .....	4
16	1014573	Spring Retainer .....	2
17	<u>1014675</u>	Rear Leaf Spring .....	2
18	<u>1014901</u>	Spacer, Overload Bumper .....	2
19	<u>1014902</u>	U-Bolt .....	2
20	<u>1015583</u>	Bushing, Urethane .....	12
21	<u>1017235</u>	Bumper, Jounce .....	2
22	<u>8754</u>	Locknut, 3/8-16 Hex .....	6
23	<u>8755</u>	Screw, 3/8-16 X 3.375 Hex Cap .....	6
<p>Note: Only the driver-side rear suspension is shown. Parts for the passenger-side rear suspension are identical except for the leaf spring/shock mounting plate.</p>			

**7**  
**G**  
**E**

**7**

**G**

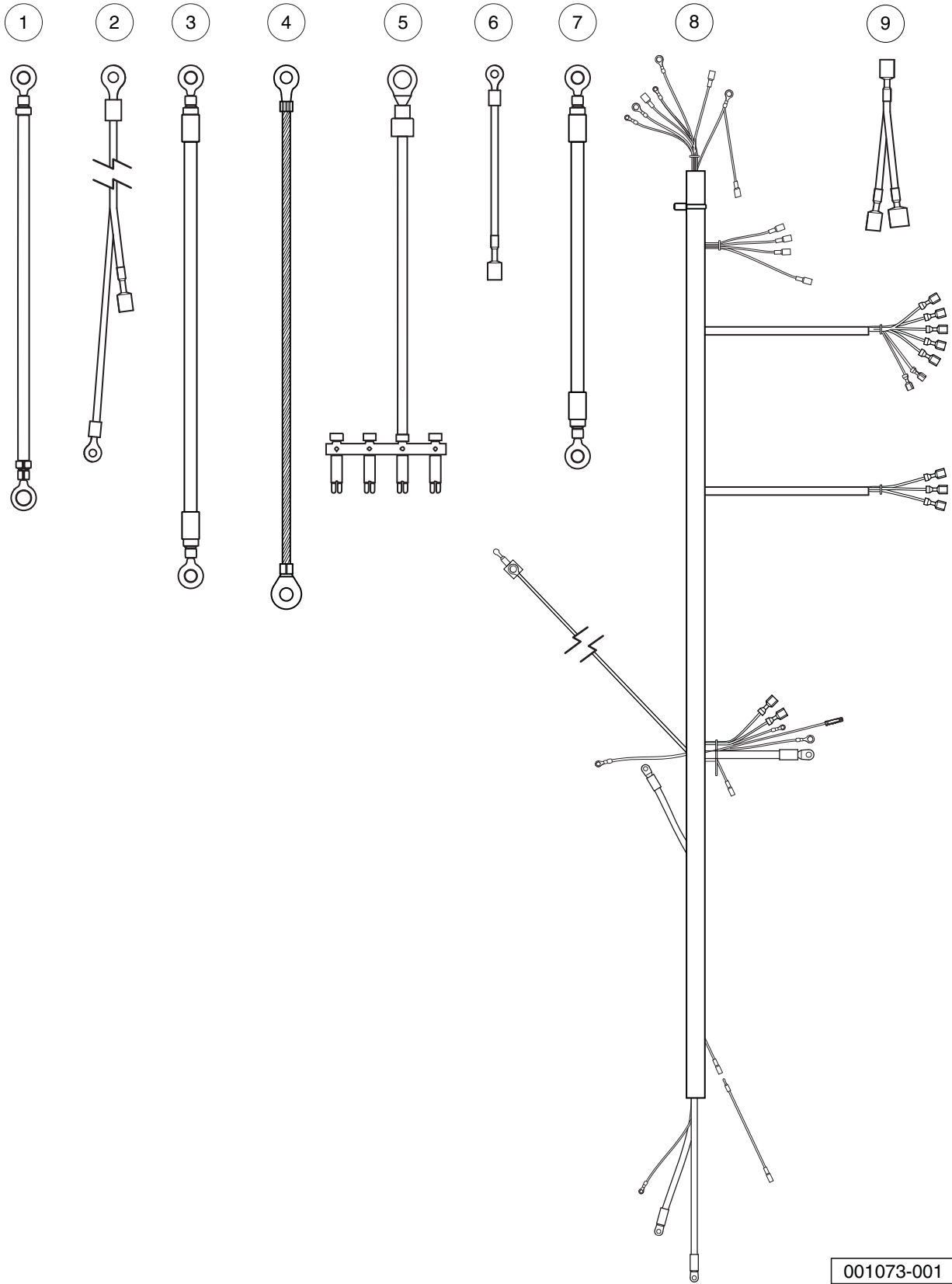
**E**

# ELECTRICAL SYSTEM – GASOLINE VEHICLE

---

8

G



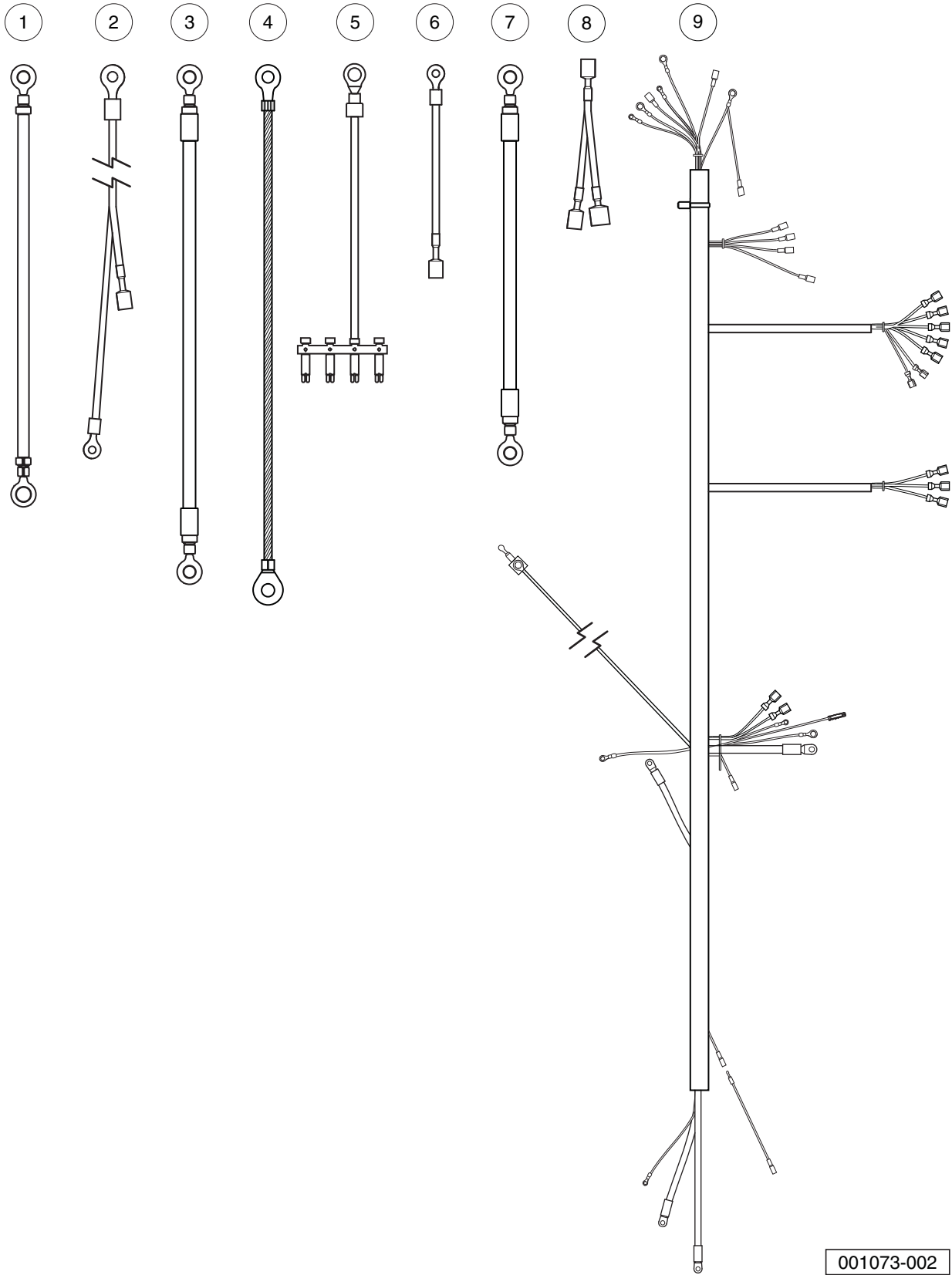
001073-001



# WIRING – TURF/CARRYALL 1 GAS WITH G425419 STARTER/GEN

ITEM	PART NO.	DESCRIPTION	QTY
		1 2 3 4	
1	<u>1012382</u>	Wire Assy, #6 Black .....	1
2	<u>1012396</u>	Wire Assy #18 Black .....	1
3	<u>1014119</u>	Wire Assembly #6 Red .....	1
4	<u>1015332</u>	Wire, Ground, #10, Uninsulated .....	1
5	<u>1015737</u>	Wire Assy, #10 Red .....	1
6	<u>1016401</u>	Wire Assy, #16 Orange .....	1
7	<u>101837301</u>	Wire Assy, #6 Green .....	1
8	<u>103197001</u>	Asm, Wire Harness, CA 1, Gas .....	1
9	<u>103348501</u>	Asm, Wire Meter, F-h Jumper .....	1

**8**  
**G**



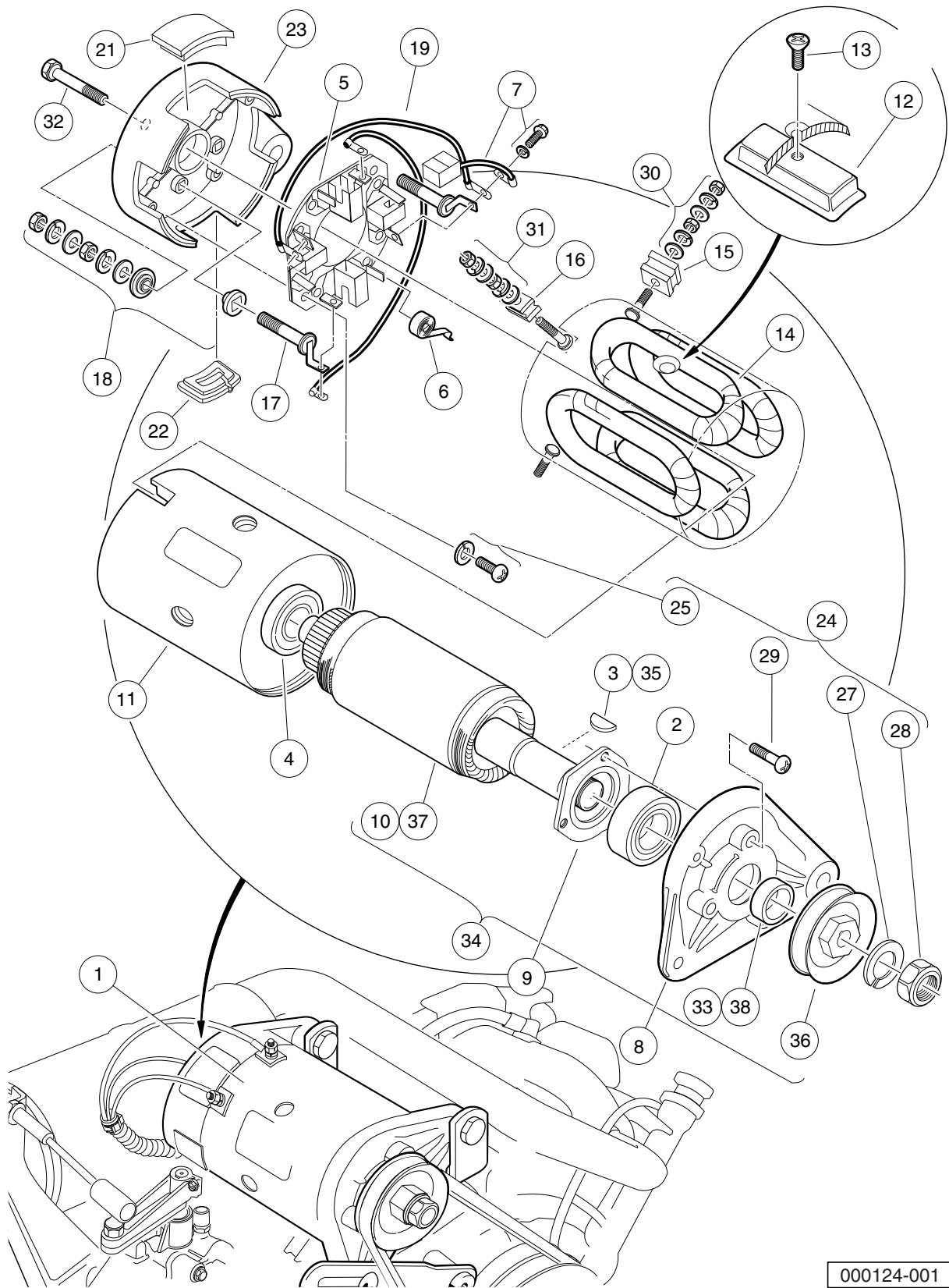
001073-002

# WIRING – TURF/CARRYALL 1 GAS WITH AMD STARTER/GEN

ITEM	PART NO.	DESCRIPTION	QTY
		1 2 3 4	
1	<u>1012382</u>	Wire Assy, #6 Black .....	1
2	<u>1012396</u>	Wire Assy #18 Black .....	1
3	<u>1014119</u>	Wire Assembly #6 Red .....	1
4	<u>1015332</u>	Wire, Ground, #10, Uninsulated .....	1
5	<u>1015737</u>	Wire Assy, #10 Red .....	1
6	<u>1016401</u>	Wire Assy, #16 Orange .....	1
7	<u>101837301</u>	Wire Assy, #6 Green .....	1
8	<u>103348501</u>	Asm, Wire Meter, F-h Jumper .....	1
9	<u>103687001</u>	Asm, Harn, Ca1, Gas, Amd S/g .....	1

**8**

**G**

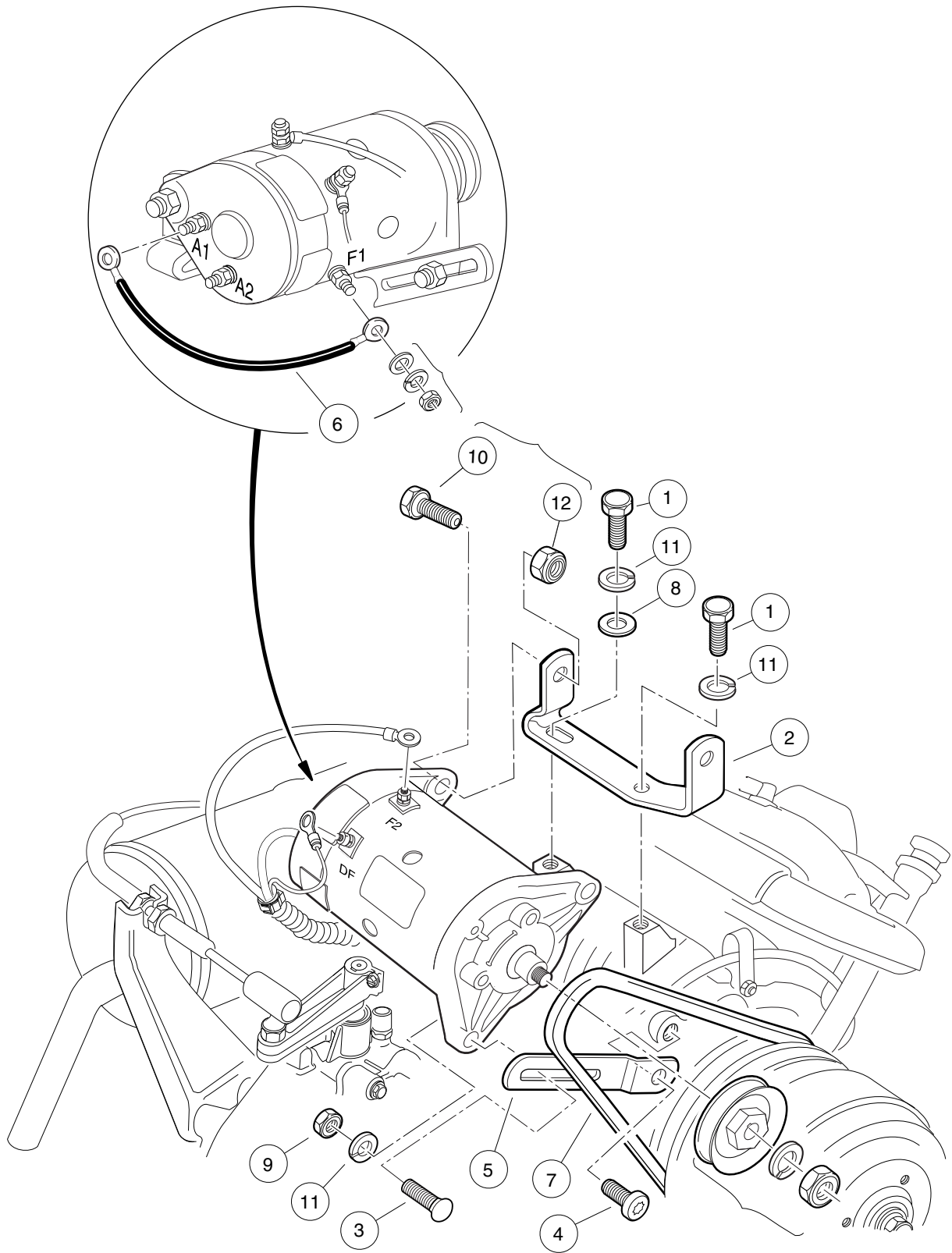


000124-001

# STARTER/GENERATOR ASSEMBLY, MODEL G425419

ITEM	PART NO.	DESCRIPTION	QTY
		1 2 3 4	
1	<u>101833701</u>	Starter/Generator (cw) (includes items 2 through 33) .....	1
2	<u>1013001</u>	Bearing, Output Shaft Ball .....	1
3	<u>1013003</u>	Key, Starter/Generator .....	1
4	<u>1013005</u>	Bearing, Ball .....	1
5	<u>101301102</u>	Brush Holder Assembly (cw) (includes item 6) .....	1
6	<u>101878101</u>	Brush Spring Set .....	4
7	<u>101869302</u>	Brush and Screw Set (cw) .....	1
8	<u>101874901</u>	Front Bracket .....	1
9	<u>101875001</u>	Retainer .....	1
10	<u>101875101</u>	Armature .....	1
11	<u>101875201</u>	Field Coil Housing .....	1
12	<u>101875301</u>	Pole Set .....	1
13	<u>101875401</u>	Screw Set .....	1
14	<u>101875501</u>	Field Stator Coil Assembly .....	1
15	<u>101875601</u>	F Insulator Set .....	2
16	<u>101875701</u>	DF Insulator .....	1
17	<u>101875802</u>	A Connector (cw) .....	1
18	<u>101876001</u>	Screw and Mold Assembly .....	2
19	<u>101876202</u>	Brush Connector Assembly (cw) .....	2
20	<u>101876301</u>	Cover Set (includes items 21 and 22) .....	1
21	N/A	Brush Inspection Port Cover .....	3
22	<u>1017653</u>	Brush Port Cover w/Drain .....	1
23	<u>101876402</u>	End Bell, Commutator, Rear Bracket (cw) .....	1
24	<u>101876501</u>	Nut and Screw Set (includes items 25 through 29) .....	1
25	<u>101896501</u>	Brush Holder Asm Screw .....	2
26	N/A	Washer, M5 Flat .....	1
27	N/A	Washer, M14 Lock .....	1
28	N/A	Nut, Hex, M14 x 2 .....	1
29	N/A	Screw, M5 x 0.8 x 18mm .....	3
30	<u>101877601</u>	Nut and Washer Set .....	2
31	<u>101877701</u>	Nut and Washer Set .....	1
32	<u>101879001</u>	Through Bolt Set .....	2
33	<u>101939901</u>	Spacer .....	1
34	<u>101875102</u>	Armature Asm Conversion Kit (includes items 35 through 38) .....	1
35	<u>1013003</u>	Key, Starter/Generator .....	1
36	<u>1014289</u>	Pulley, Starter/Generator .....	1
37	<u>101875101</u>	Armature .....	1
38	<u>101939901</u>	Spacer .....	1
		Note: Item 36 will ONLY fit Model G425419 Starter/Generator.	

**8**  
**G**



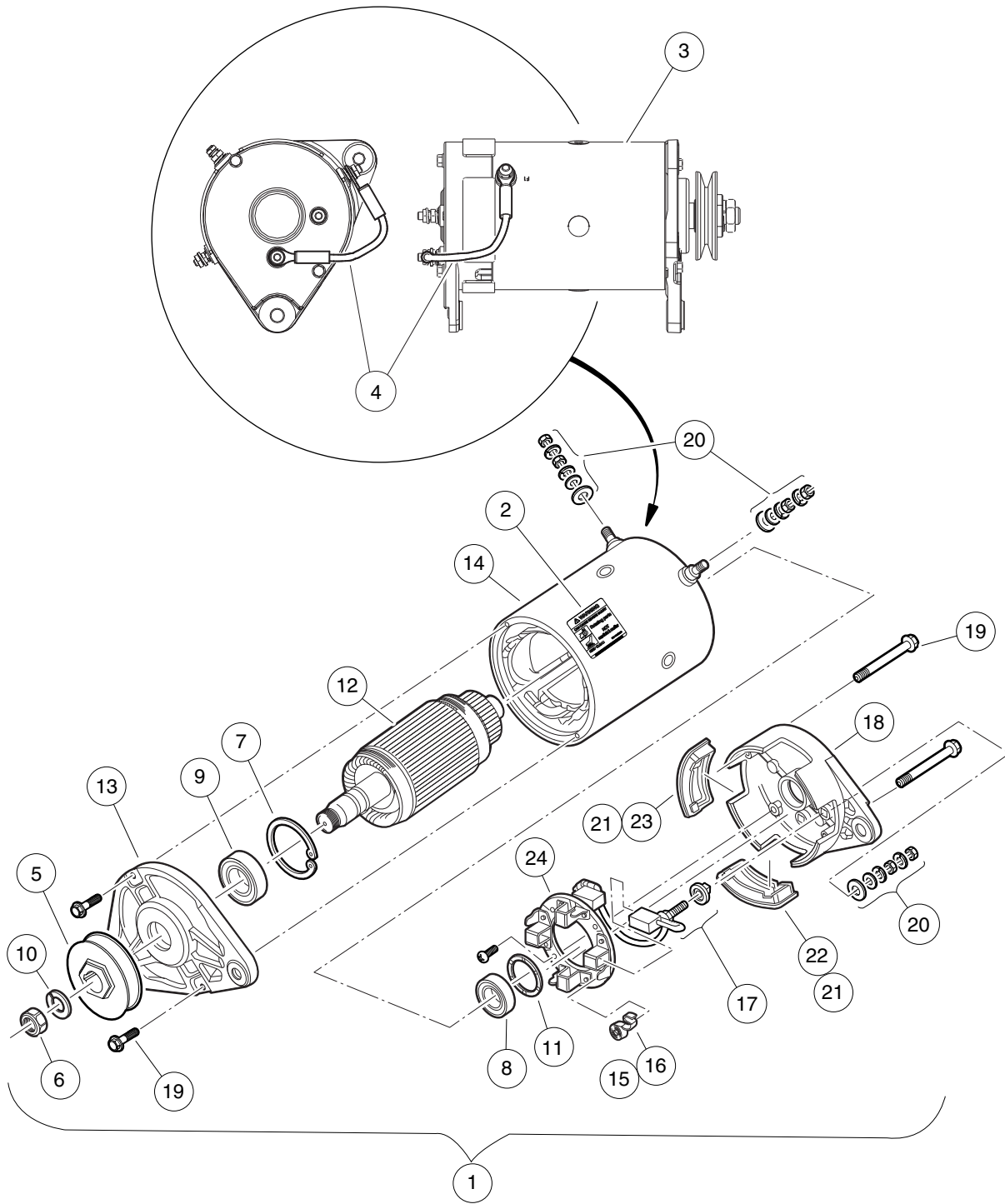
000239-001

# STARTER/GENERATOR MOUNTING – MODEL G425419

ITEM	PART NO.	DESCRIPTION	QTY
		1 2 3 4	
1	<u>1012830</u>	Screw, M8-125 X 22 Hex-Head .....	2
2	<u>101524002</u>	Bracket, Starter/Generator Mounting .....	1
3	<u>1015932</u>	Bolt, Carriage, 5/16-18 .....	1
4	<u>1016074</u>	Screw, M8-1.25 X 18mm Torx .....	1
5	<u>1016883</u>	Bracket, Starter/Generator Adjustment .....	1
6	<u>101837301</u>	Wire Assy, #6 Green .....	1
7	<u>101916701</u>	V-Belt .....	1
8	<u>1241</u>	Washer, 5/16 Type A Flat .....	1
9	<u>1242</u>	Nut, 5/16-18 Hex .....	1
10	705	Screw, Cap-hex Hd 3/8-16x1.25 .....	2
11	<u>7174</u>	Lockwasher, 5/16 Split .....	3
12	<u>8754</u>	Locknut, 3/8-16 Hex .....	2

**8**

**G**



000124-005

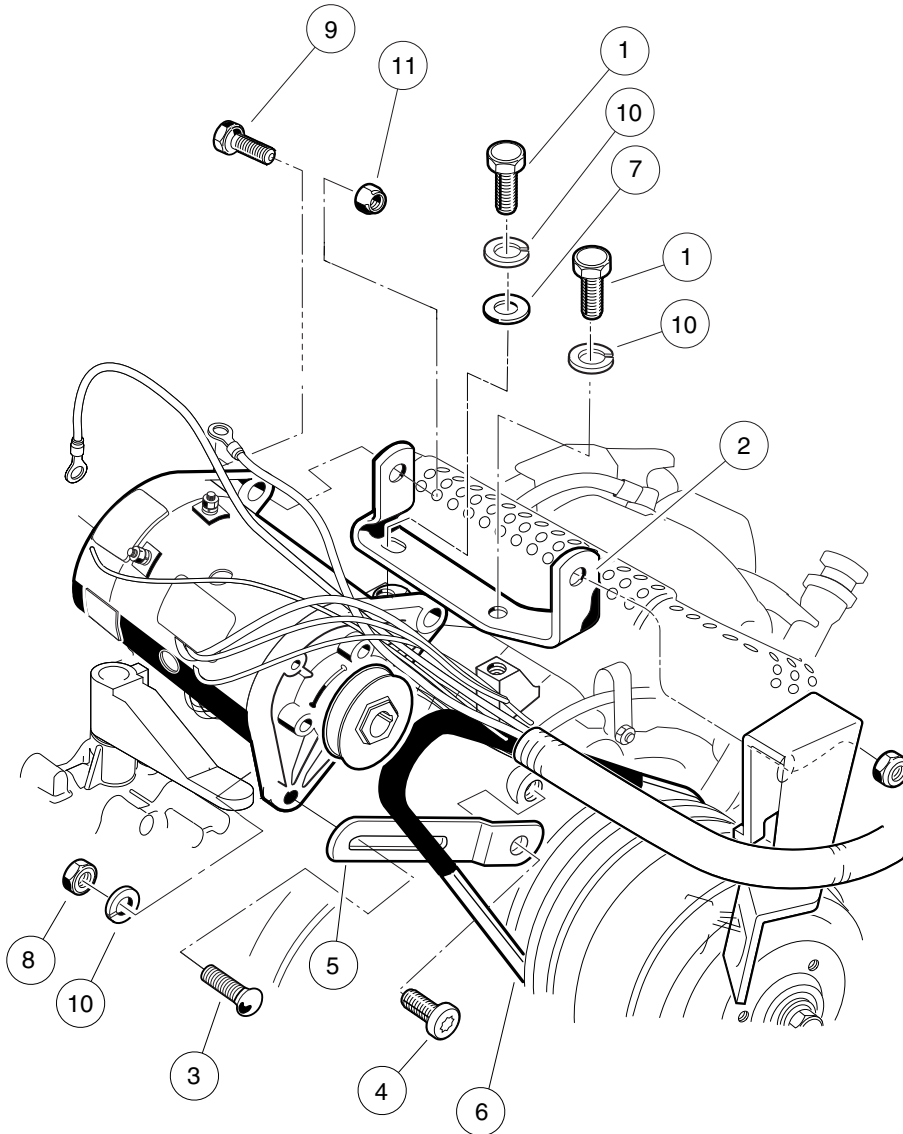


# STARTER/GENERATOR ASSEMBLY (PEDAL-START), MODEL 114-01-4009A

ITEM	PART NO.	DESCRIPTION	QTY
		1 2 3 4	
1	103678402	Asm, St/gen, Bi-rot, Ps, Svc (includes items 2 and 3) .....	1
2	<u>101960501</u>	Decal, Rotating Parts/Hot Manifold .....	1
3	103718702	St/gen, Bi-rot, Util,ps W/wire (includes items 4 through 24) .....	1
4	<u>101837301</u>	Wire Assy, #6 Green .....	1
5	<u>102711001</u>	Pulley, V-Belt .....	1
6	<u>102838701</u>	Nut, Hex, M14x2, S/G .....	1
7	<u>102838801</u>	Retainer, Front, S/G .....	1
8	<u>102838901</u>	Bearing, Ball, Rear, S-g .....	1
9	<u>102839001</u>	Bearing, Ball, Front, S-g .....	1
10	<u>102839301</u>	Washer, Lock M14x2, S-g .....	1
11	<u>102841101</u>	Washer, Wave, S-g .....	1
12	N/A	Asm, Armature, Starter/Generator .....	1
13	102844601	Head, Drive End, S-g .....	1
14	<u>102844701</u>	Asm, Frame and Field, Starter/Generator .....	1
15	<u>103347101</u>	Kit, Spring Brush, Starter/Generator (includes item 16) .....	1
16	N/A	Spring, Brush, S-g .....	4
17	<u>103347301</u>	Set, Brush Term, S-g .....	1
18	<u>103347601</u>	Head, Comm End, S-g .....	1
19	<u>103347701</u>	Set, Fast, Ceh Deh, S-g .....	1
20	<u>103347801</u>	Set, Term Hardware, S/G .....	1
21	<u>103347901</u>	Kit, Cover, Brush Insp, Starter/Generator (includes items 22 and 23) .....	1
22	N/A	Plug, Rubber Drain, Start/Generator .....	3
23	N/A	Cover, Inspection, S-g .....	1
24	<u>103953301</u>	Kit, Brush And Brush Holder .....	1

**8**

**G**

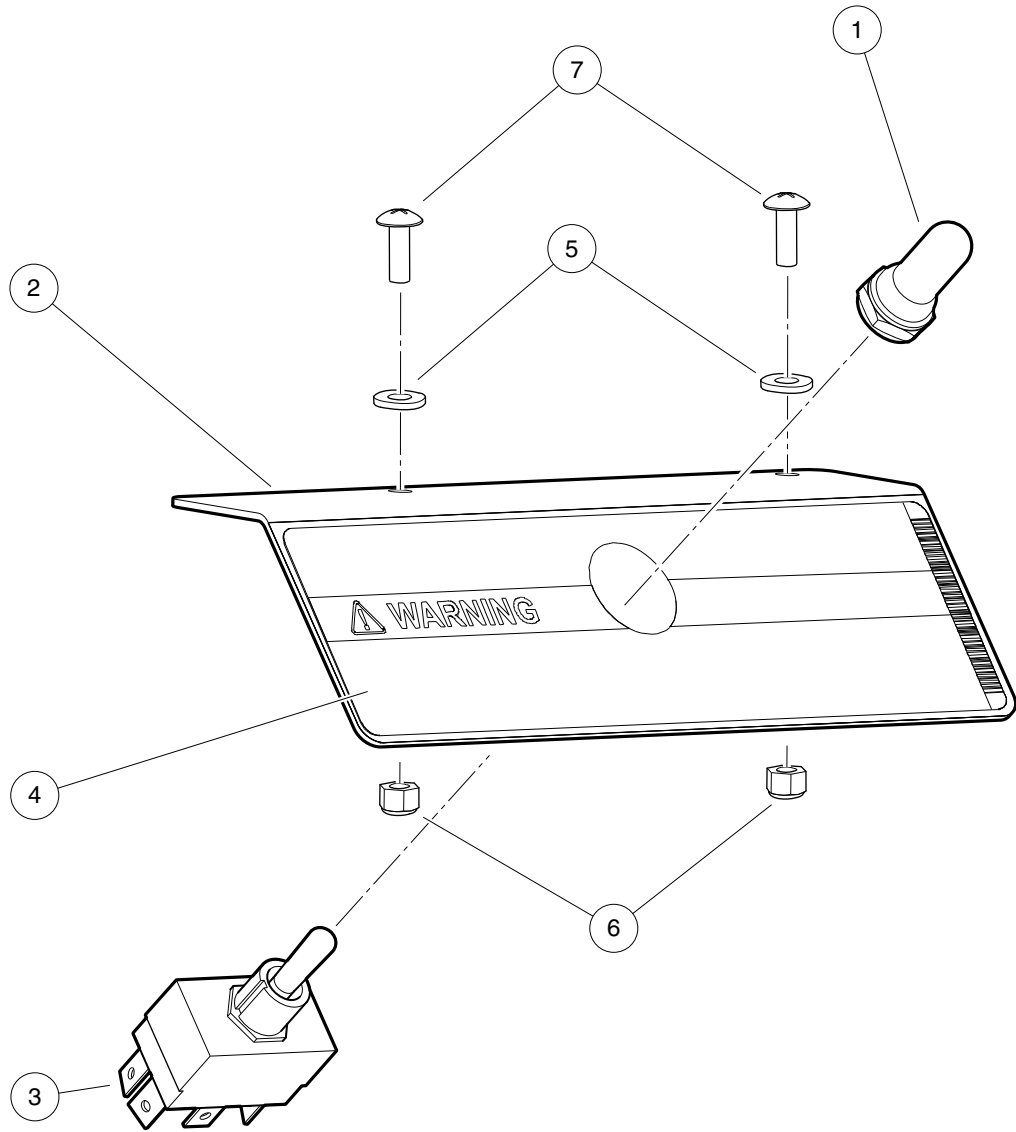


000238-005

# STARTER/GENERATOR MOUNTING – 114-0X-400XX MODELS

ITEM	PART NO.	DESCRIPTION	QTY
		1 2 3 4	
1	<u>1012830</u>	Screw, M8-125 X 22 Hex-Head .....	2
2	<u>101524002</u>	Bracket, Starter/Generator Mounting .....	1
3	<u>1015932</u>	Bolt, Carriage, 5/16-18 .....	1
4	<u>1016074</u>	Screw, M8-1.25 X 18mm Torx .....	1
5	<u>1016883</u>	Bracket, Starter/Generator Adjustment .....	1
6	<u>101916701</u>	V-Belt .....	1
7	<u>1241</u>	Washer, 5/16 Type A Flat .....	1
8	<u>1242</u>	Nut, 5/16-18 Hex .....	1
9	<u>1624</u>	Screw, 3/8-16 X 1.50, Hex-Head Cap .....	2
10	<u>7174</u>	Lockwasher, 5/16 Split .....	3
11	<u>8754</u>	Locknut, 3/8-16 Hex .....	2

**8**  
**G**

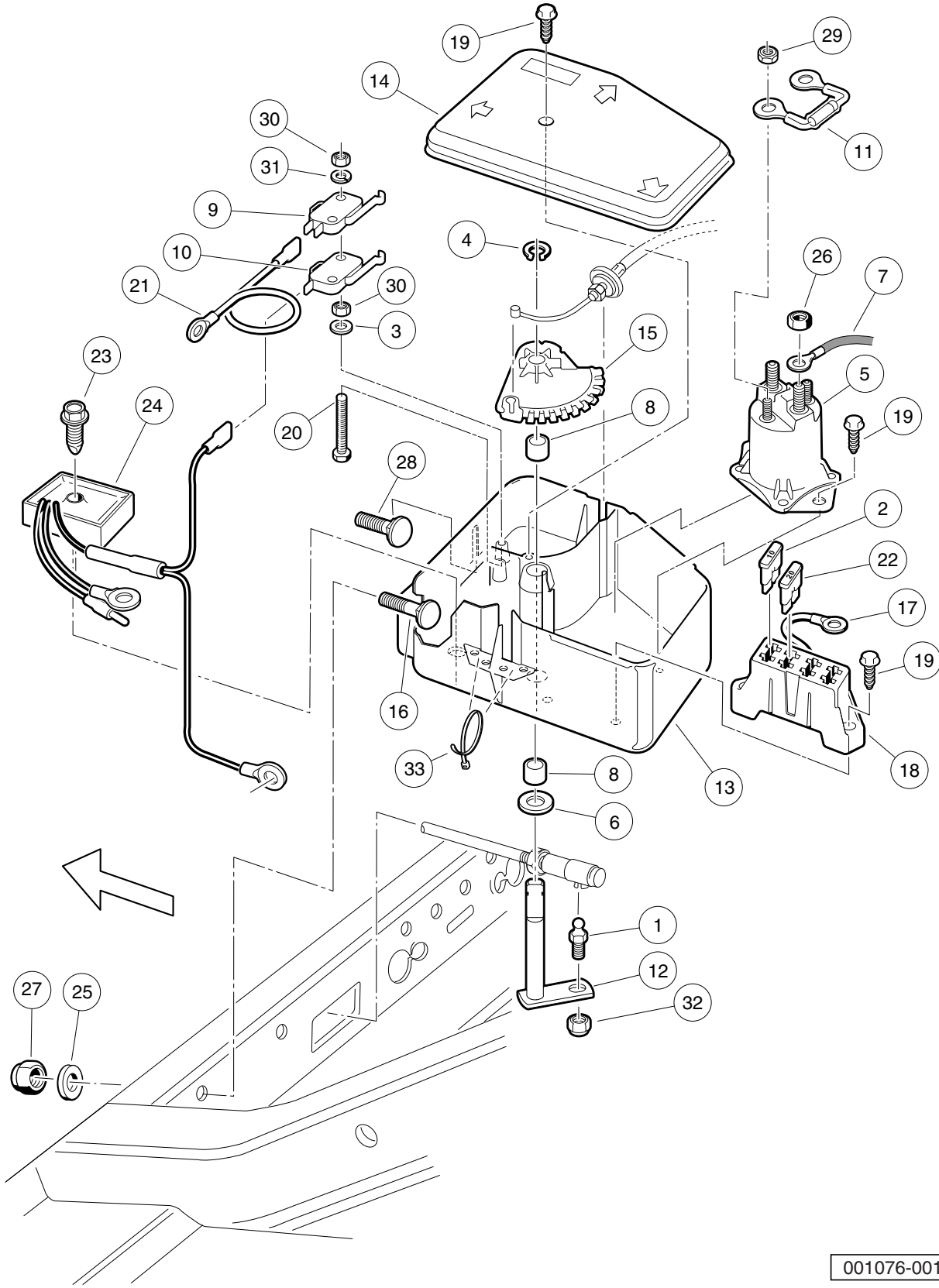


000755-003

# OPERATION AND MAINTENANCE SWITCH

ITEM	PART NO.	DESCRIPTION	QTY
		1 2 3 4	
1	<u>101908401</u>	Boot, Switch .....	1
2	<u>101922501</u>	Bracket, Tow/Run Switch Mounting .....	1
3	<u>103198401</u>	Switch, Toggle, SPDT .....	1
4	<u>103205501</u>	Decal, Run/Service Switch .....	1
5	<u>332</u>	Washer, 1/4 Type A Narrow Flat .....	2
6	<u>8233</u>	Locknut, 1/4-20, Nylon Insert .....	2
7	<u>8248</u>	Screw, 1/4-20 X 0.75, Truss-Head Machine .....	2

**8**  
**G**

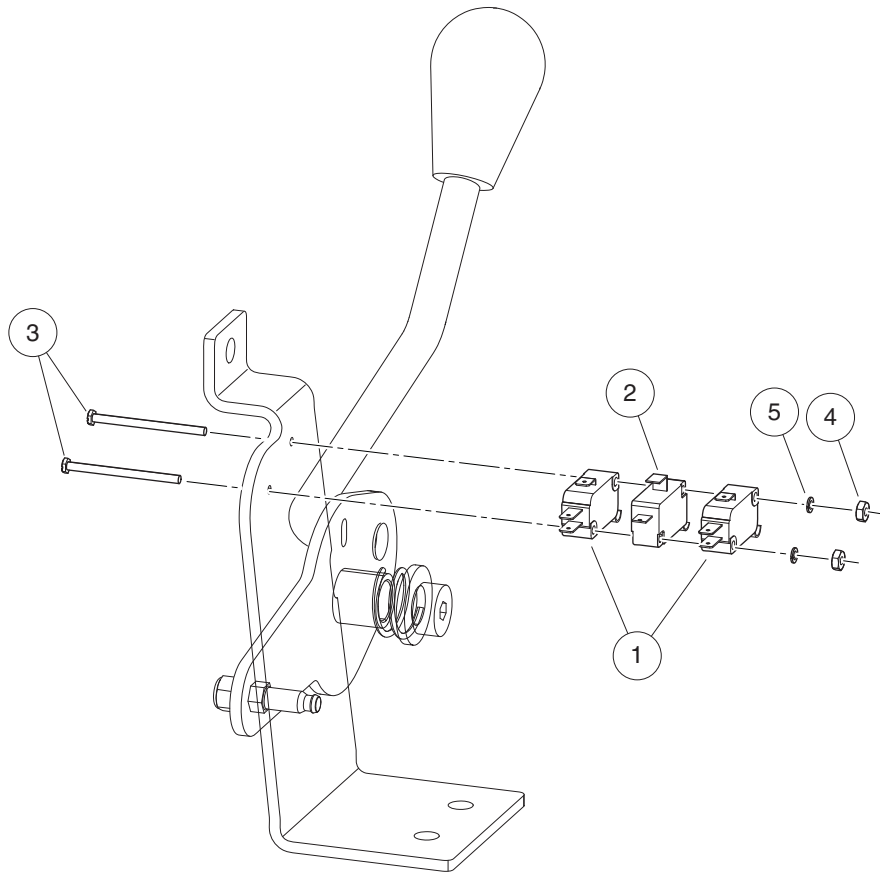


001076-001

# ELECTRICAL COMPONENT BOX – TURF/CARRYALL 1, 2, AND 252

**8**  
**G**

ITEM	PART NO.	DESCRIPTION	QTY
		<b>1 2 3 4</b>	
1	<u>1010954</u>	Stud, Ball, 1/4-28 X 0.560 .....	1
2	<u>1012295</u>	Fuse, 10-Amp .....	1
3	<u>1012431</u>	Washer, #4 Flat .....	2
4	<u>1013589</u>	Ring, Retaining, 0.338" Internal .....	1
5	<u>1013609</u>	Solenoid, 12-Volt .....	1
6	<u>1014065</u>	Washer, Flat, 0.38" ID, Delrin .....	1
7	<u>1014119</u>	Wire Assembly #6 Red .....	1
8	<u>1014145</u>	Bushing, Secondary Weight, Split .....	2
9	<u>1014807</u>	Switch, Limit .....	1
10	<u>1014808</u>	Switch, Limit .....	1
11	<u>1014948</u>	Diode .....	1
12	<u>1015345</u>	Bell Crank and Shaft Assembly .....	1
13	<u>1015371</u>	Box, Electrical Component .....	1
14	<u>1015372</u>	Cover, Electric Box .....	1
15	<u>1015373</u>	Cam, Electric Box .....	1
16	<u>1015405</u>	Bolt, Carriage, 5/16-18 X 2.0 .....	1
17	<u>1015737</u>	Wire Assy, #10 Red .....	1
18	<u>1015741</u>	Fuse Block .....	1
19	<u>1015752</u>	Screw, #12-16 X 0.625, Hi-Lo .....	5
20	<u>1015878</u>	Screw, #4-40 Hex Head Machine .....	2
21	<u>1016401</u>	Wire Assy, #16 Orange .....	1
22	<u>1016423</u>	Fuse, 20-Amp .....	1
23	<u>101856102</u>	Screw, 1/4-15 X 1.50, Hi-lo, Hex .....	1
24	<u>102711201</u>	Voltage Regulator .....	1
25	<u>1241</u>	Washer, 5/16 Type A Flat .....	2
26	<u>1242</u>	Nut, 5/16-18 Hex .....	2
27	<u>7473</u>	Locknut, 5/16-18 Nylon Insert .....	2
28	<u>7818</u>	Bolt, Carriage, 5/16-18 X 1.5 .....	1
29	<u>7893</u>	Nut, #10-32 Hex .....	2
30	<u>8057</u>	Nut, #4-40 Hex Machine .....	4
31	<u>8058</u>	Lockwasher, #4 Split .....	2
32	<u>8717</u>	Locknut, Nylon Insert, 1/4-28 .....	1
33	<u>8990</u>	Tie Wrap, 8" Nylon .....	2



001080-001

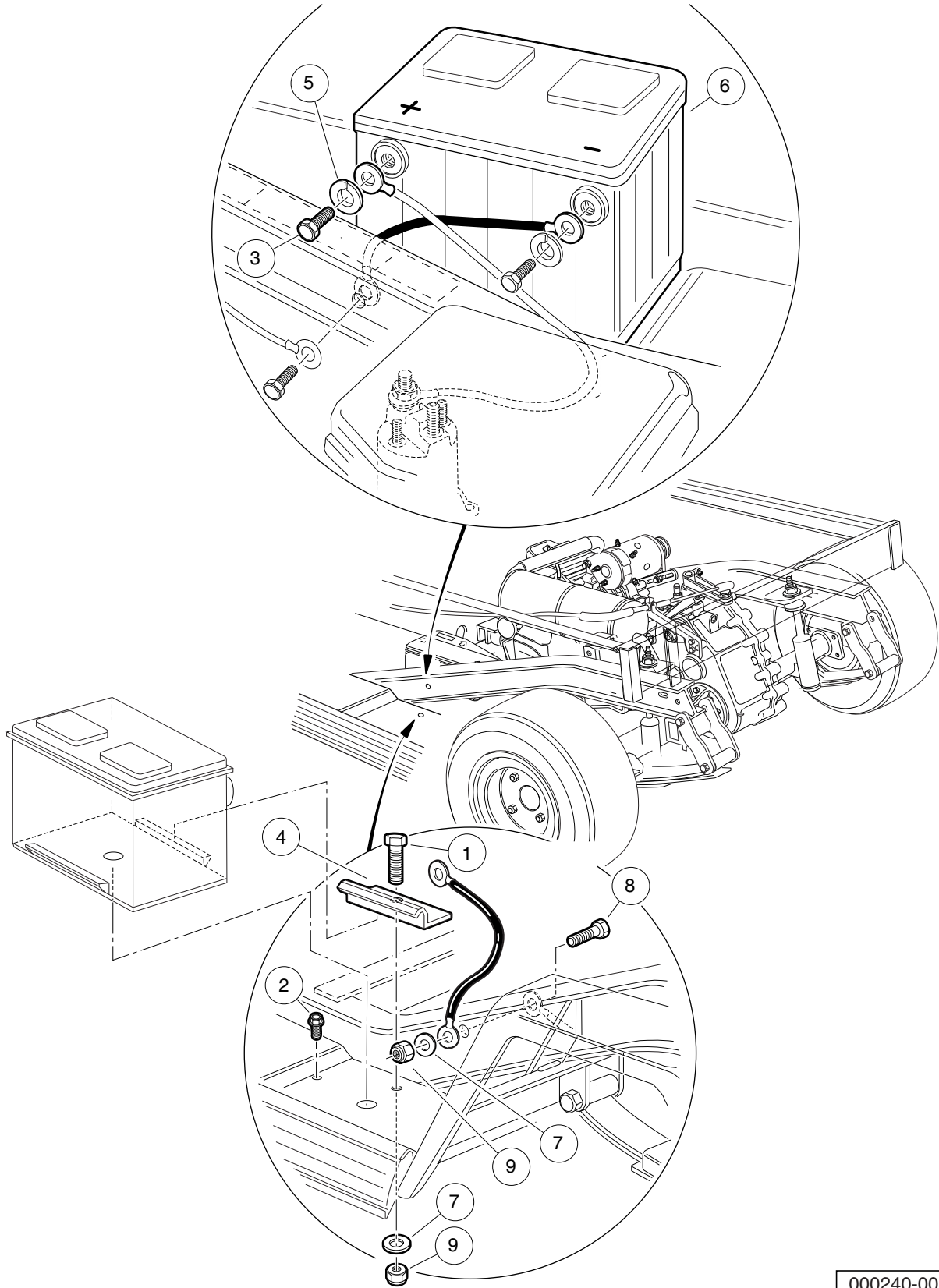


# FORWARD/REVERSE SHIFTER SWITCHES – DASH MOUNTED SHIFTER

ITEM	PART NO.	DESCRIPTION	QTY
		1 2 3 4	
1	<u>1014807</u>	Switch, Limit .....	2
2	<u>1014808</u>	Switch, Limit .....	1
3	<u>1015878</u>	Screw, #4-40 Hex Head Machine .....	2
4	<u>8057</u>	Nut, #4-40 Hex Machine .....	2
5	<u>8058</u>	Lockwasher, #4 Split .....	2

**8**

**G**



000240-001

## BATTERY – GASOLINE UTILITY VEHICLES

ITEM	PART NO.	DESCRIPTION	QTY
		1 2 3 4	
1	<u>1010934</u>	Screw, 5/16-18 X 1.00 Hex Cap .....	1
2	<u>1014288</u>	Screw, 5/16-18 X 0.75, Thread-Forming .....	1
3	<u>1014375</u>	Screw, 3/8-16 X 0.50, Stainless Steel, Hex-Head .....	2
4	<u>101898001</u>	Clamp, Battery .....	1
5	<u>102355301</u>	Lockwasher, 3/8 Split Ss .....	2
6	<u>103496801</u>	Battery, Start, 12v .....	1
7	<u>1241</u>	Washer, 5/16 Type A Flat .....	2
8	<u>7173</u>	Screw, 5/16-18 X 0.75, Hex-Head Cap .....	1
9	<u>7473</u>	Locknut, 5/16-18 Nylon Insert .....	2

**8**  
**G**

8

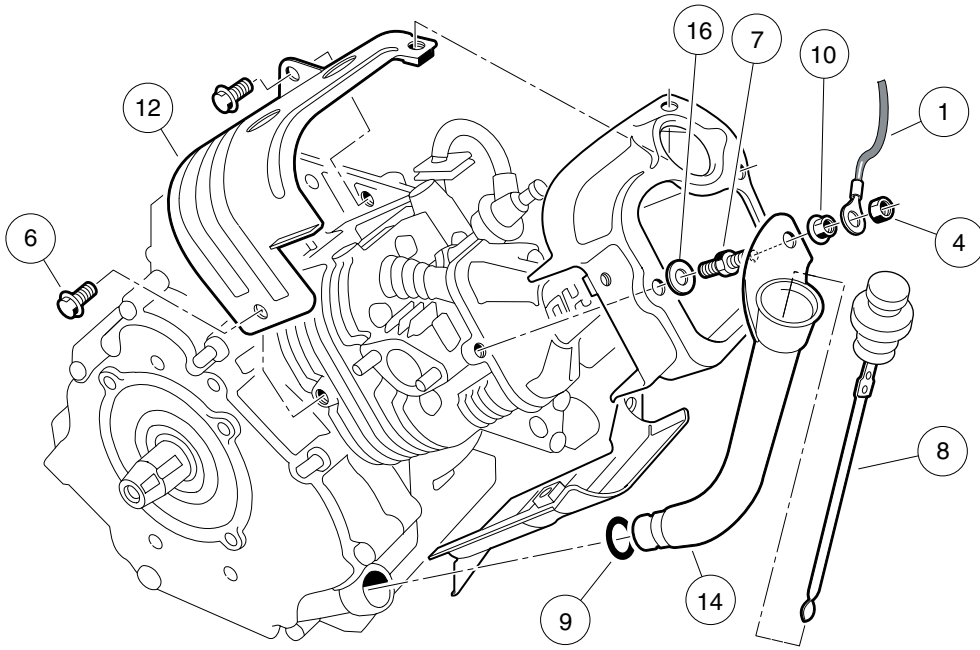
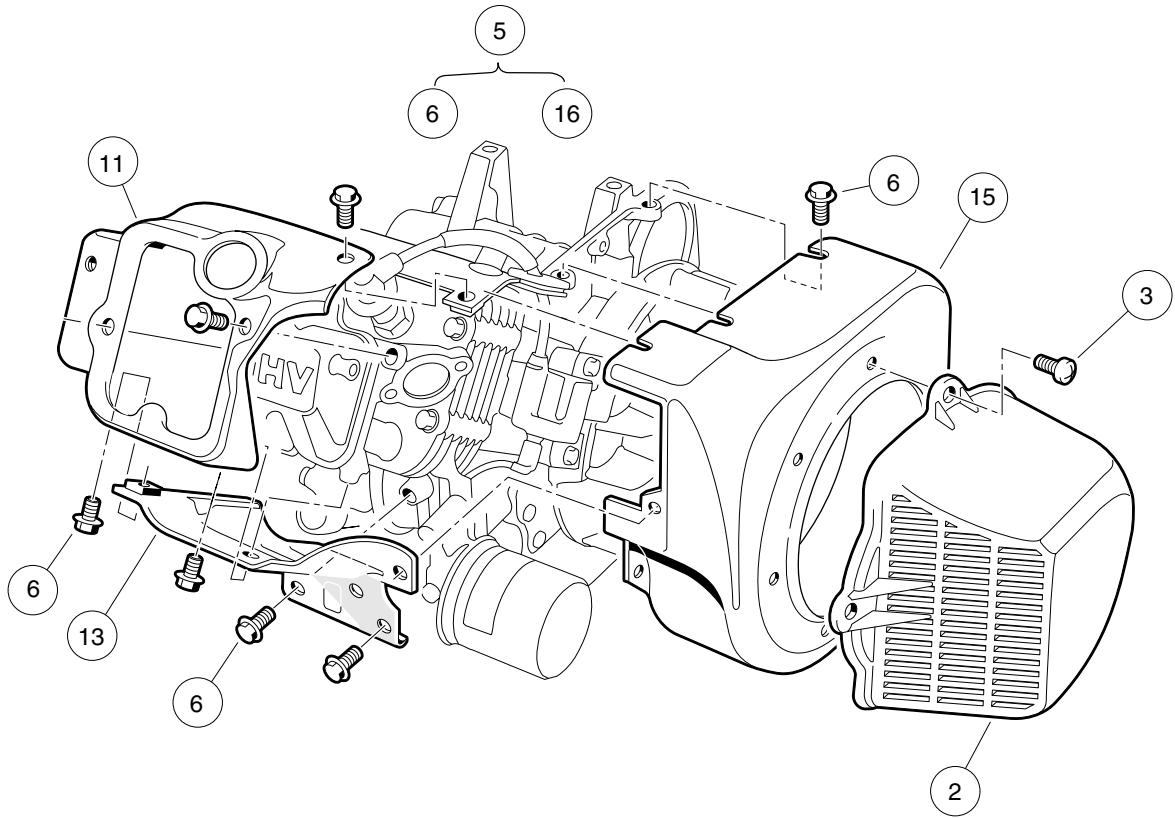
G

# ENGINE (S27) W/O ACR, 50-STATE

---

9

G



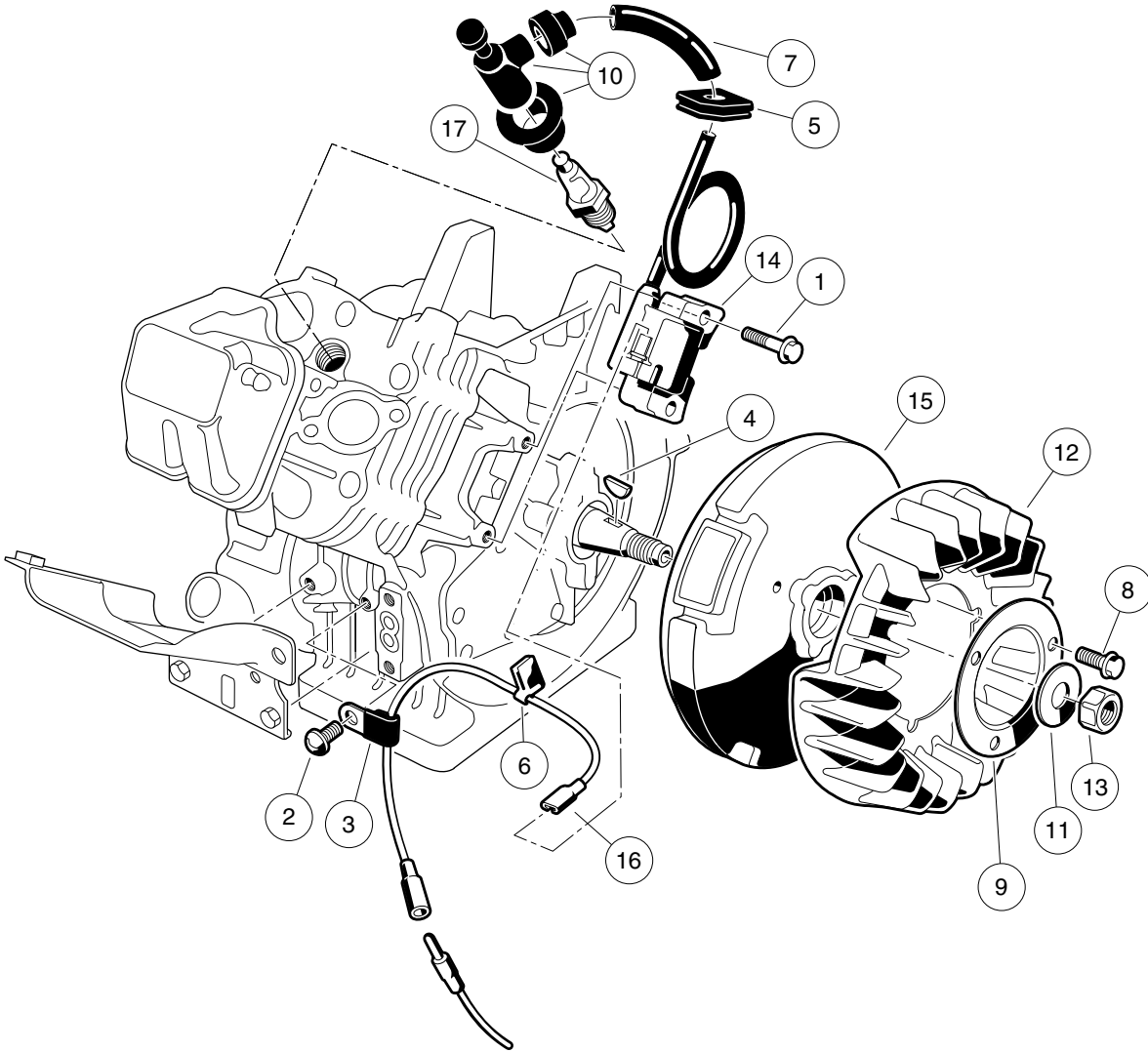
000201-002

# FE350 ENGINE (S27) W/O ACR, SHROUDS, AND BRACKETS; 50-STATE

ITEM	PART NO.	DESCRIPTION	QTY
		1 2 3 4	
1	<u>1015332</u>	Wire, Ground, #10, Uninsulated .....	1
2	<u>1015649</u>	Shroud, Fan .....	1
3	<u>1015969</u>	Screw, M6-1.00 X 10mm, Pan Hd .....	4
4	<u>101887601</u>	Locknut, M6-1.00 Nylon Insert .....	1
5	<u>103386202</u>	Engine, FE350 S27 (includes items 6 through 16) .....	1
6	1016456	Bolt, Flange Head, M6 x 1 x 12 mm .....	16
7	<u>1016507</u>	Bolt, Two-Ended .....	1
8	1016531	Dipstick .....	1
9	<u>1016539</u>	O-Ring .....	1
10	1016547	Nut, M6 Flange .....	1
11	<u>1017474</u>	Shroud, Engine .....	1
12	<u>1017475</u>	Shroud, Engine .....	1
13	<u>1017476</u>	Shroud, Engine .....	1
14	<u>1017486</u>	Tube, Oil Filler .....	1
15	<u>101916101</u>	Housing, FE350 Fan .....	1
16	N/A	Washer, 6mm Flat .....	1
Note: The S27 engine meets emission requirements for all 50 states.			

9

G



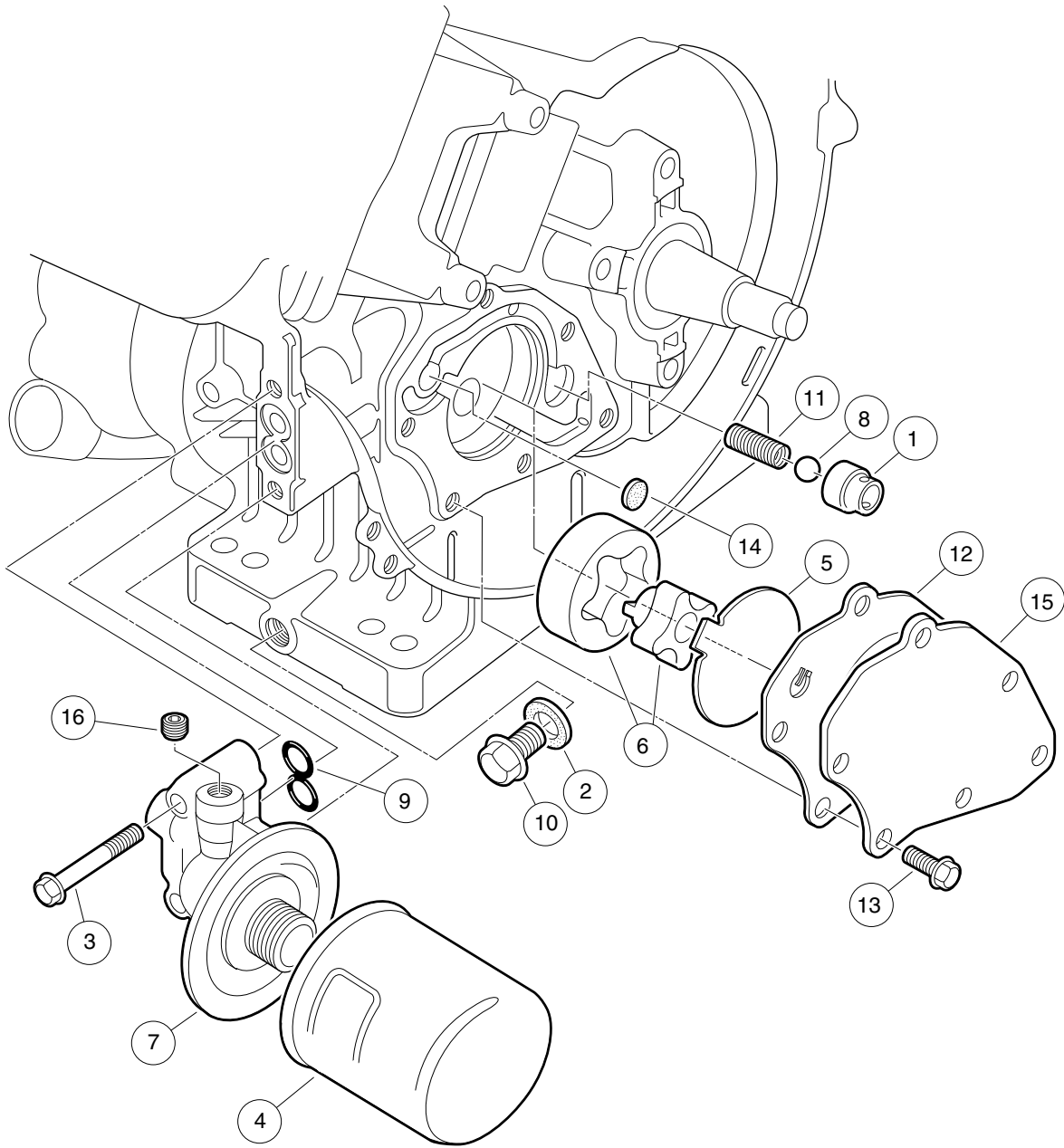
000202-004



# FE350 ENGINE (S27) – IGNITION COMPONENTS AND FLYWHEEL

ITEM	PART NO.	DESCRIPTION	QTY
		1 2 3 4	
1	<u>1016455</u>	Bolt, Flange Head .....	2
2	<u>1016544</u>	Screw .....	1
3	<u>1016561</u>	Clamp .....	1
4	<u>1016562</u>	Key .....	1
5	<u>1016578</u>	Grommet, Ignition .....	1
6	<u>1016587</u>	Clamp .....	1
7	<u>1016588</u>	Tube, 7mm X 10mm X 70mm .....	1
8	<u>1017448</u>	Bolt, Flanged .....	3
9	<u>1017455</u>	Plate, Flywheel Fan .....	1
10	<u>1017463</u>	Cap Asm, Plug .....	1
11	<u>1017490</u>	Washer, Flat .....	1
12	<u>101916301</u>	Fan (cw) .....	1
13	<u>102838401</u>	Nut, Hex, 18 mm Fine .....	1
14	<u>103616501</u>	Coil Asm, Ignition .....	1
15	<u>103616601</u>	Flywheel, Complete .....	1
16	<u>103616701</u>	Wire Lead, Ignition .....	1
17	<u>AM1232301</u>	Spark Plug, BPR2ES .....	1

**9**  
**G**



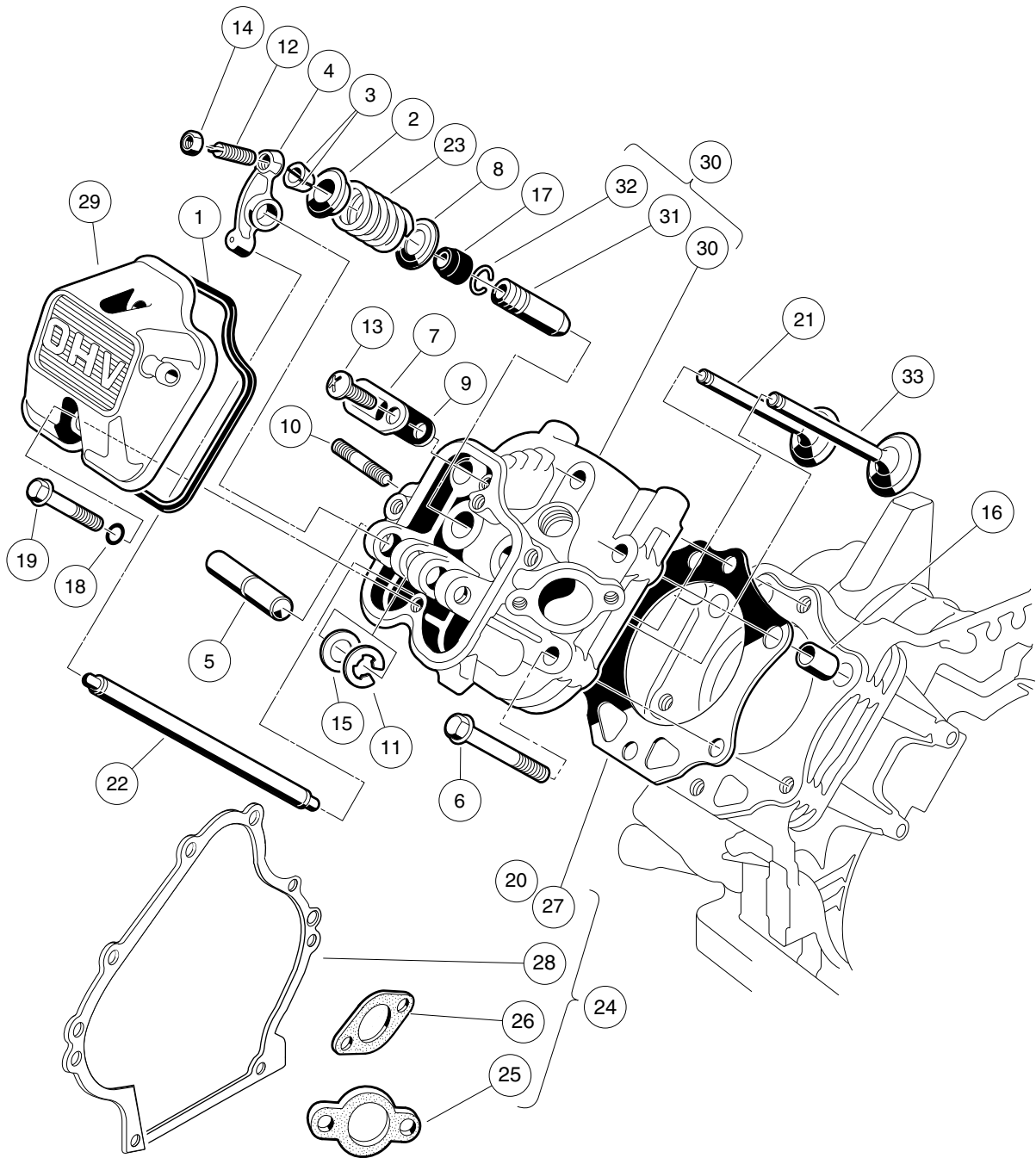
000203-001

## FE350 ENGINE (S27) – OIL CIRCULATION

ITEM	PART NO.	DESCRIPTION	QTY
		1 2 3 4	
1	1016429	Seat, Valve Oil Pressure Relief .....	1
2	<u>1016432</u>	Gasket, Drain Plug .....	1
3	<u>1016457</u>	Bolt, Flange Head .....	2
4	<u>1016467</u>	Filter, Oil .....	1
5	<u>1016473</u>	Plate, Oil Pump .....	1
6	<u>101648203</u>	Oil Pump And Rotor .....	1
7	<u>1016502</u>	Bracket, Oil Filter Mount .....	1
8	<u>1016537</u>	Ball, Steel, Press, Relief .....	1
9	<u>1016570</u>	O-Ring .....	1
10	1016576	Plug, Drain .....	1
11	<u>1016581</u>	Spring .....	1
12	<u>1017442</u>	Gasket .....	1
13	<u>1017456</u>	Bolt, Flanged .....	6
14	<u>1017458</u>	Filter .....	1
15	<u>1017460</u>	Cover, Pump .....	1
16	<u>1017507</u>	Plug .....	2

9

G



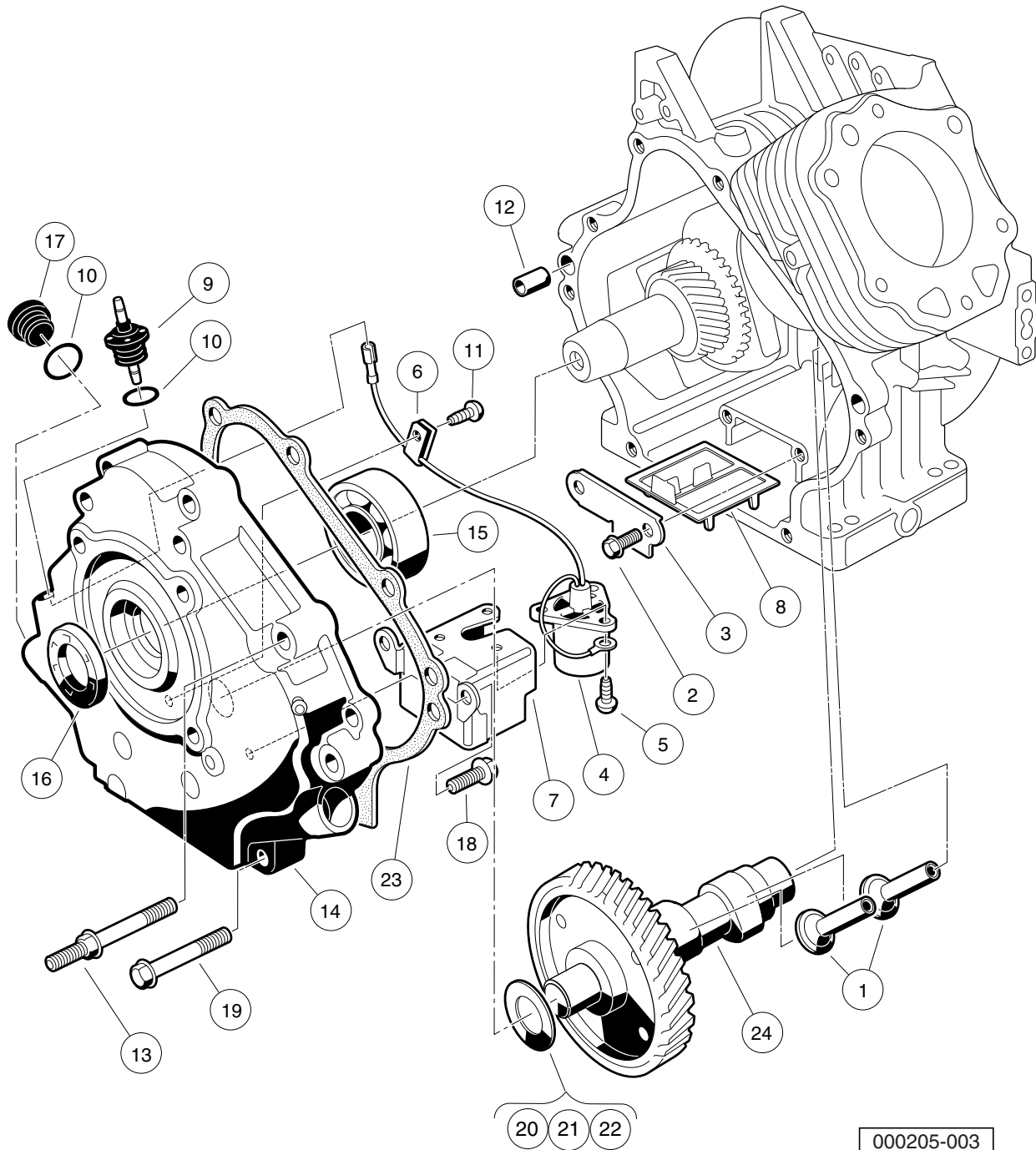
000204-007

## FE350 ENGINE (S27) – CYLINDER HEAD

ITEM	PART NO.	DESCRIPTION	QTY
		1 2 3 4	
1	<u>1016436</u>	Gasket, Rocker Case .....	1
2	<u>1016449</u>	Retainer, Valve Spring .....	2
3	<u>1016450</u>	Collet .....	4
4	<u>1016451</u>	Arm, Rocker .....	2
5	<u>1016452</u>	Shaft, Rocker .....	1
6	<u>1016458</u>	Bolt, Flange Head, M8 x 1.25 x 45 mm .....	6
7	<u>1016474</u>	Plate .....	1
8	<u>1016479</u>	Seat, Spring .....	2
9	<u>1016483</u>	Valve .....	1
10	<u>1016489</u>	Stud, Two-Ended, M8-1.25 .....	2
11	<u>1016517</u>	Circlip, Type-E .....	1
12	<u>1016542</u>	Screw .....	2
13	<u>1016544</u>	Screw .....	1
14	<u>1016545</u>	Nut .....	2
15	<u>1016549</u>	Washer, 12.1x19x1.8 .....	1
16	<u>1016563</u>	Pin .....	2
17	<u>1016566</u>	Seal, Oil .....	2
18	<u>1016569</u>	O-Ring .....	2
19	<u>1016583</u>	Bolt, 6x35 .....	2
20	<u>1017434</u>	Gasket, Head .....	1
21	<u>1017445</u>	Valve, Exhaust .....	1
22	<u>1017454</u>	Rod, Push .....	2
23	<u>1017473</u>	Spring, Engine Valve .....	2
24	<u>102304801</u>	Kit, Gasket, FE350 (includes items 25 through 28) .....	1
25	<u>1016440</u>	Gasket, Engine to Insulator .....	1
26	<u>1016904</u>	Gasket, Exhaust .....	1
27	<u>1017434</u>	Gasket, Head .....	1
28	<u>1017443</u>	Gasket, Crankcase Cover .....	1
29	<u>102753401</u>	Case, Rocker, Fe .....	1
30	<u>103615601</u>	Cylinder Head (includes items 31 and 32) .....	1
31	<u>1016519</u>	Guide, Valve, Intake, Exhaust .....	2
32	<u>1016560</u>	Snap Ring .....	2
33	<u>103616301</u>	Valve, Intake, Hard Tip .....	1
		Note: Item 25 is not a component of the FE350 engine.	

**9**

**G**

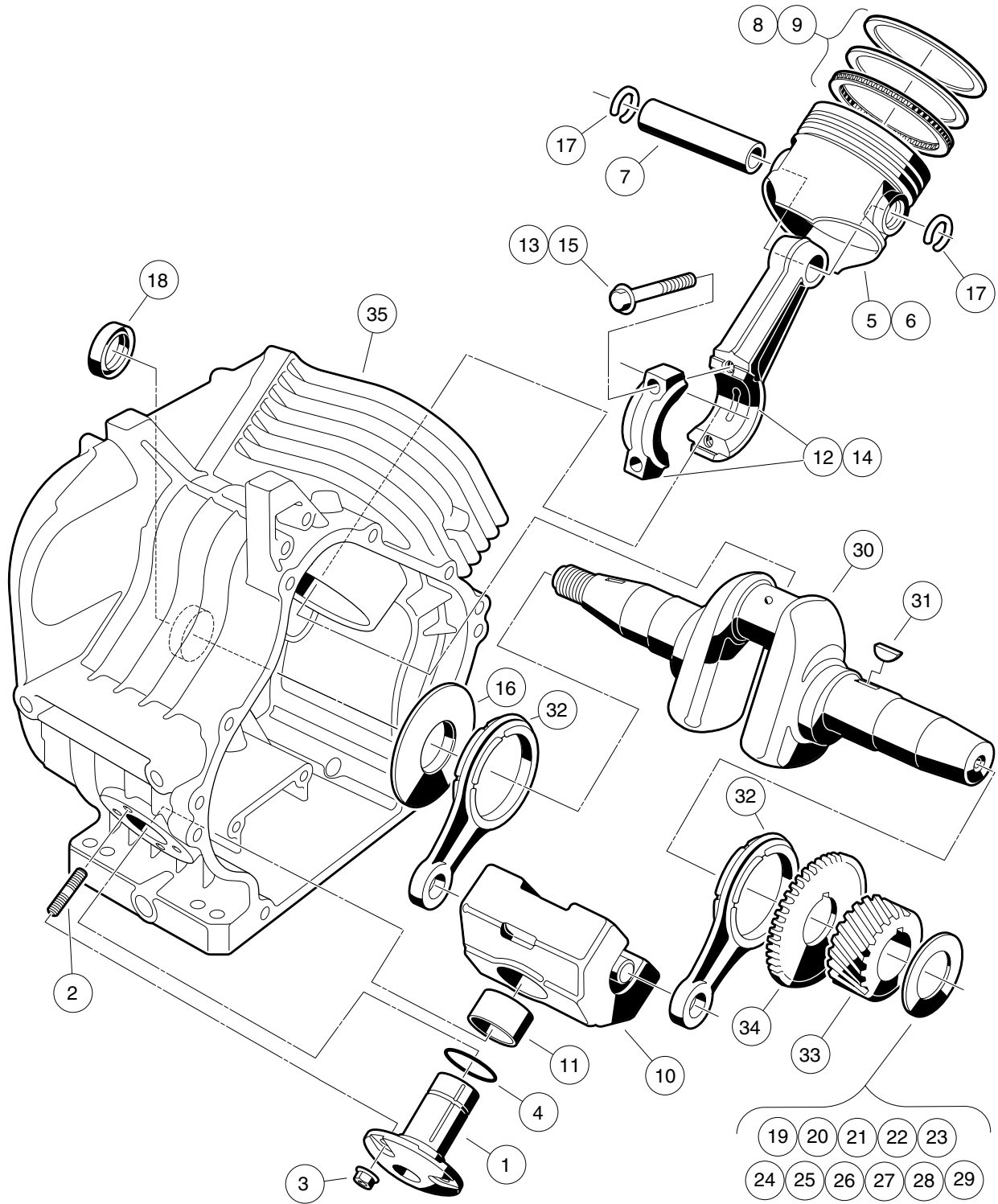


000205-003

# FE350 ENGINE (S27) – CRANKCASE, CAMSHAFT, AND OIL SENSOR

ITEM	PART NO.	DESCRIPTION	QTY
		1 2 3 4	
1	1016453	Tapet .....	2
2	<u>1016454</u>	Bolt, Flange Head, M5 x 0.8 x 8 mm .....	2
3	<u>1016472</u>	Plate, Oil Filter Screen .....	1
4	1016494	Sensor, Oil Level .....	1
5	<u>1016496</u>	Screw, Cross Pan-Head, M4 x 0.7 x 8 mm .....	3
6	<u>1016506</u>	Clamp .....	1
7	<u>1016510</u>	Bracket, Switch, Oil Level .....	1
8	<u>1016521</u>	Screen, Oil Filter .....	1
9	<u>1016535</u>	Connector, Cord .....	1
10	<u>1016538</u>	O-Ring .....	2
11	<u>1016544</u>	Screw .....	1
12	<u>1016564</u>	Pin .....	2
13	<u>1016584</u>	Bolt, Two-Ended, M8 x 1.25 x 69 mm .....	2
14	<u>1017472</u>	Cover Crankcase .....	1
15	<u>1017487</u>	Bearing, Ball .....	1
16	<u>1017504</u>	Seal, Oil .....	1
17	1017508	Plug .....	1
18	<u>1017513</u>	Bolt Switch Bracket .....	2
19	<u>1017514</u>	Screw, M8-1.25 X 45mm Hex .....	6
20	<u>101751801</u>	Shim, 0.3 .....	1
21	<u>101751802</u>	Shim, 0.4 .....	1
22	<u>101751803</u>	Shim, 0.5 .....	1
23	<u>103615901</u>	Gasket, Crankcase Cover .....	1
24	<u>103616401</u>	Camshaft, Complete .....	1

**9**  
**G**



000206-003

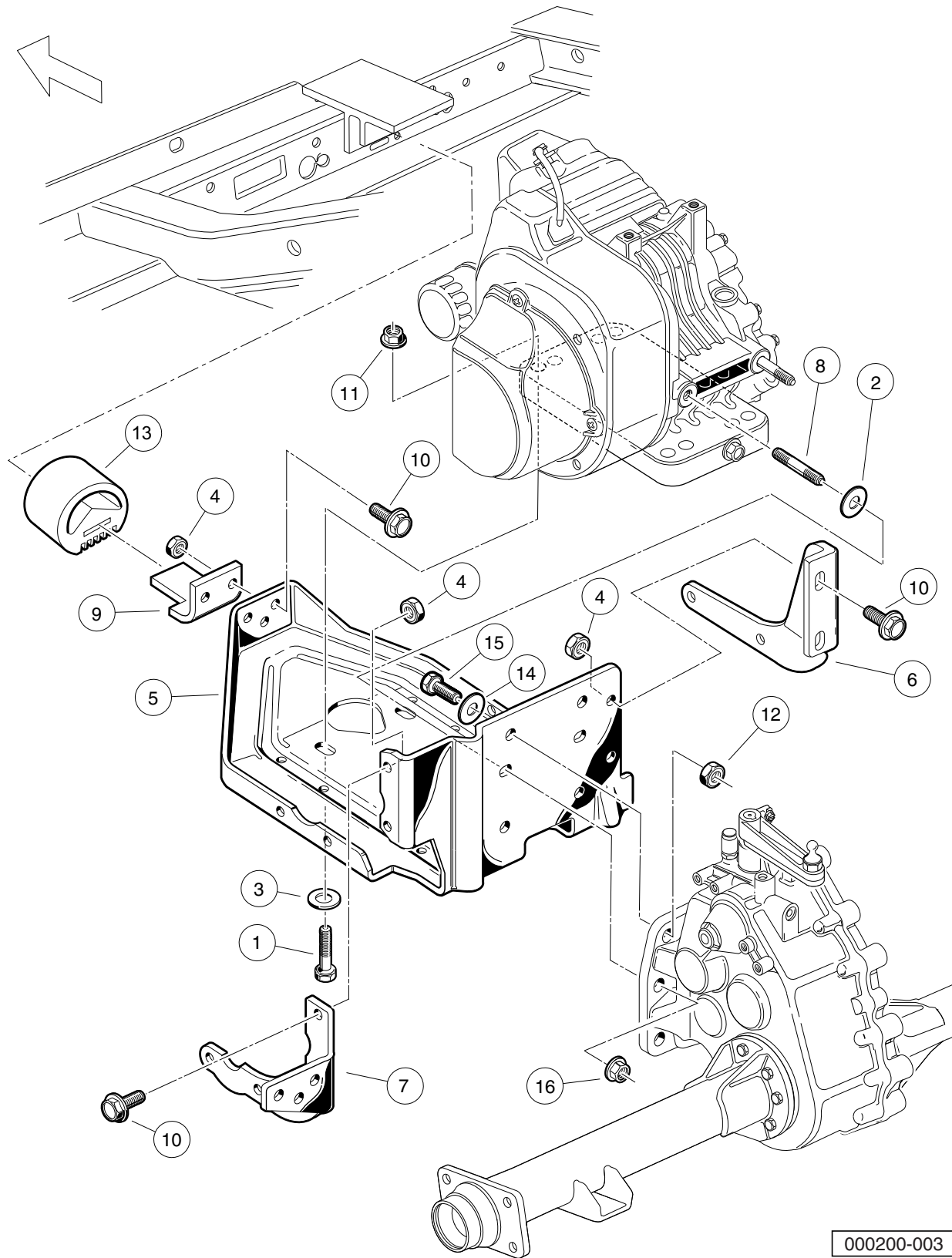


## FE350 ENGINE (S27) – CRANKCASE AND CRANKSHAFT

ITEM	PART NO.	DESCRIPTION	QTY
		1 2 3 4	
1	1016470	Shaft, Guide, Counterbalance .....	1
2	<u>1016541</u>	Stud, 6x14 .....	4
3	1016547	Nut, Flanged, M6 X 1.00 .....	4
4	<u>1016571</u>	O-Ring .....	1
5	<u>101744901</u>	Piston, Standard .....	1
6	<u>101744902</u>	Piston, 0.50 mm Oversize .....	1
7	1017450	Pin, Piston .....	1
8	<u>101745101</u>	Ring Set, Standard Piston .....	1
9	<u>101745102</u>	Ring Set, Piston, 0.50 mm Oversize .....	1
10	<u>1017453</u>	Counterbalance Weight (includes item 11) .....	1
11	1017510	Bearing, Plain .....	1
12	101745701	Asm, Con. Rod Std (includes item 13) .....	1
13	<u>1017512</u>	Bolt .....	2
14	<u>101745702</u>	Asm,Con.Rod 0.5mm U/s (includes item 15) .....	1
15	<u>1017512</u>	Bolt .....	2
16	1017501	Spacer .....	1
17	<u>1017502</u>	Snap Ring .....	2
18	<u>1017503</u>	Seal, Oil .....	1
19	<u>101773301</u>	Shim, Crankshaft, 1.18mm .....	1
20	<u>101773302</u>	Shim, Crankshaft, 1.25mm .....	1
21	<u>101773303</u>	Shim, Crankshaft, 1.32mm .....	1
22	<u>101773304</u>	Shim, Crankshaft, 1.39mm .....	1
23	<u>101773305</u>	Shim, Crankshaft, 1.46mm .....	1
24	<u>101773306</u>	Shim, Crankshaft, 1.53mm .....	1
25	<u>101773307</u>	Shim, Crankshaft, 1.60mm .....	1
26	<u>101773308</u>	Shim, Crankshaft, 1.67mm .....	1
27	<u>101773309</u>	Shim, Crankshaft, 1.74mm .....	1
28	<u>101773310</u>	Shim, Crankshaft, 1.11 mm .....	1
29	<u>101773311</u>	Shim, Crankshaft, 1.81mm .....	1
30	<u>102430901</u>	Crankshaft, FE350 Left-Hand, 22-Tooth (includes items 31 through 34) .....	1
31	<u>1016562</u>	Key .....	1
32	<u>1017471</u>	Rod .....	2
33	N/A	Gear, Helical .....	1
34	N/A	Gear, Spur .....	1
35	<u>103615801</u>	Crankcase, FE350 .....	1

**9**  
**G**

9  
G



000200-003

## FE350 ENGINE (S27) – MOUNTING

ITEM	PART NO.	DESCRIPTION	QTY
		1 2 3 4	
1	<u>1010577</u>	Bolt, Hex-Head, 5/16-18 X 1.50 .....	4
2	<u>1011697</u>	Washer, 5/16 Flat .....	2
3	1012571	Washer, 5/16 Extra Thick Flat .....	4
4	<u>1013924</u>	Nut, 5/16-24, Hex Head Cone .....	10
5	<u>101827101</u>	Plate, Engine Mounting .....	1
6	<u>101832601</u>	Stiffener (PTO Side) .....	1
7	<u>101832701</u>	Stiffener (Flywheel Side) .....	1
8	<u>101833101</u>	Stud, M8-1.25 X 50 mm Two-Ended .....	2
9	<u>101834601</u>	Bracket, Snubber .....	1
10	<u>101884801</u>	Screw, 5/16-24 X 0.875, Grade-8 .....	10
11	<u>101963401</u>	Locknut, 5/16-18 Hex Flange .....	4
12	<u>102065901</u>	Locknut, 3/8-16 Flanged Dimple .....	4
13	<u>102540301</u>	Snubber, Inner Frame .....	1
14	<u>334</u>	Washer, 3/8, Type A, Flat .....	4
15	705	Screw, Cap-hex Hd 3/8-16x1.25 .....	4
16	<u>96704416</u>	Nut, Flange, M8 X 1.25 Serrated .....	2

9

G

9

G

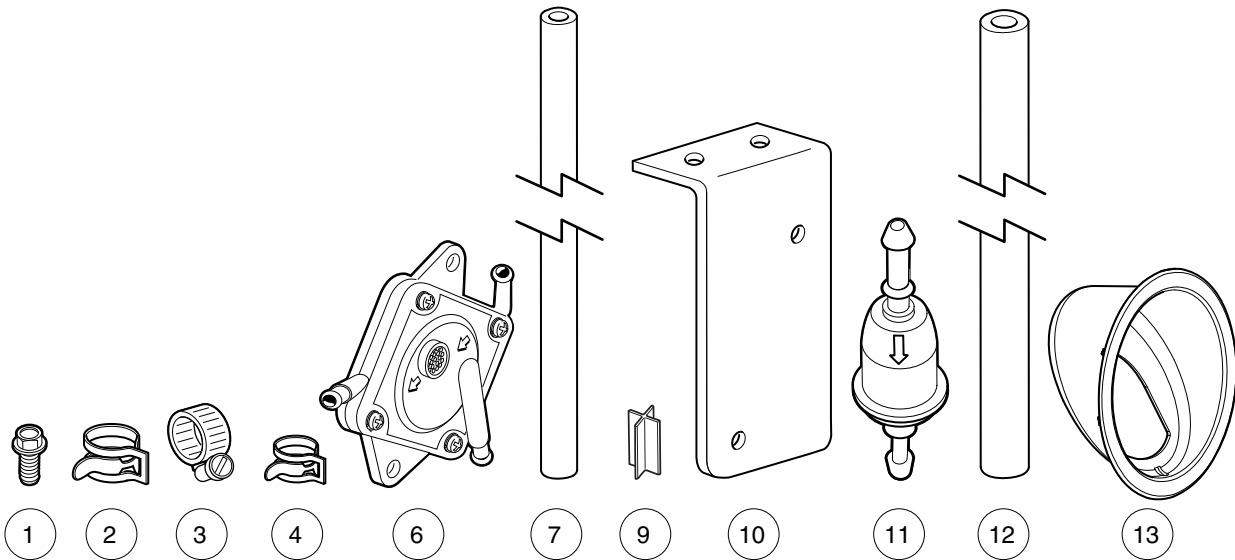
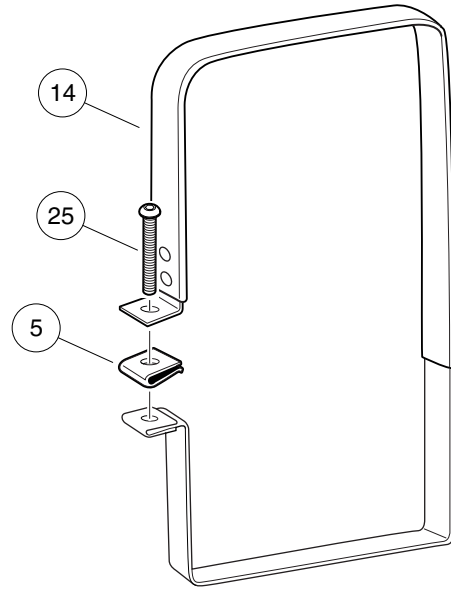
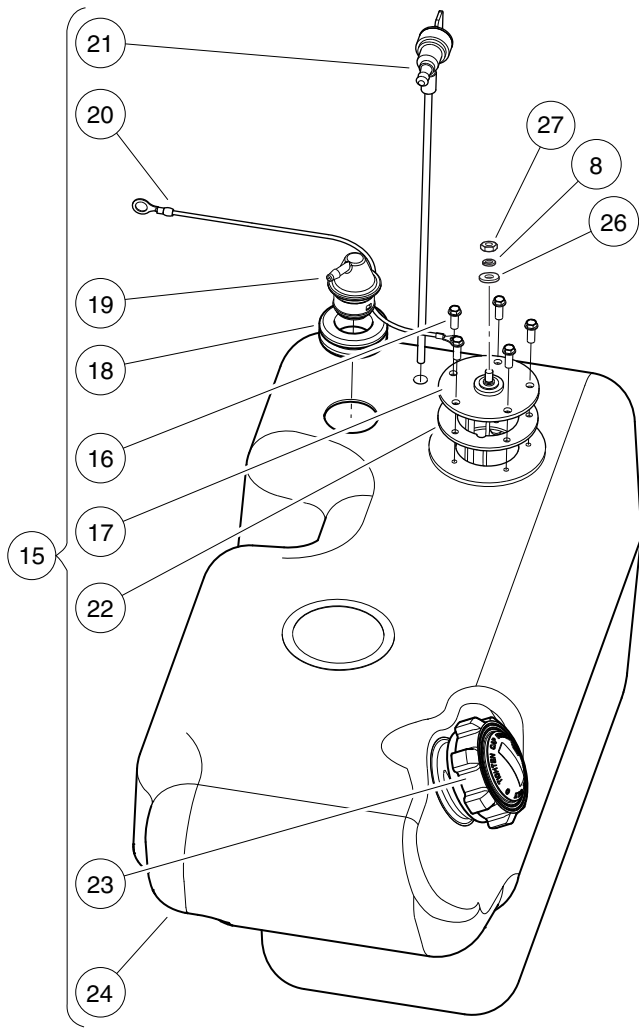
# FUEL, INTAKE, AND GOVERNOR SYSTEMS

---

10

G

**10**  
**G**



001072-001

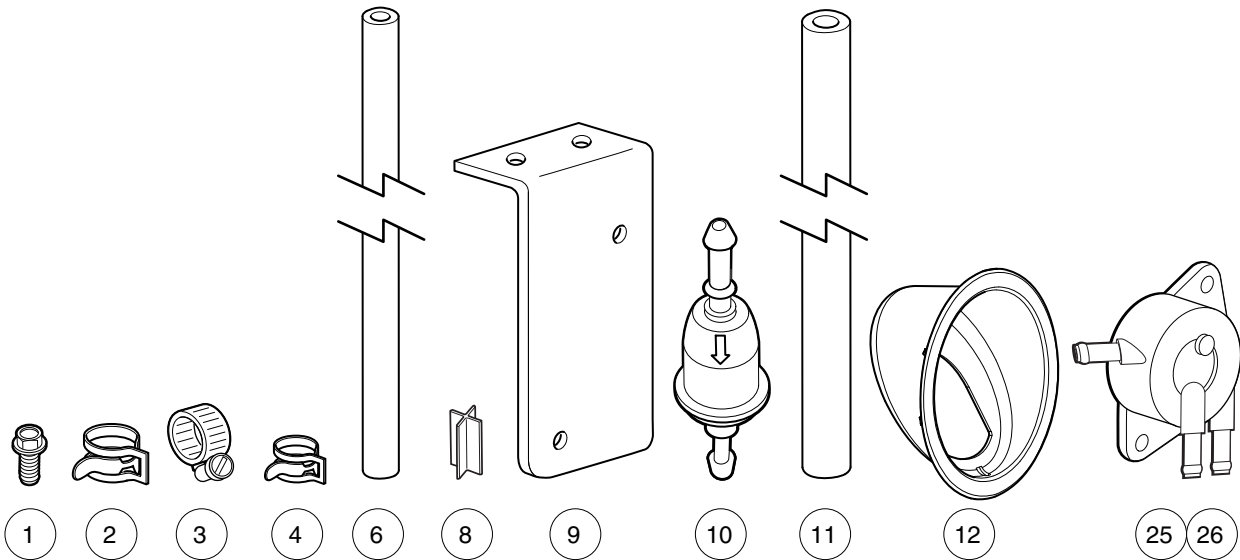
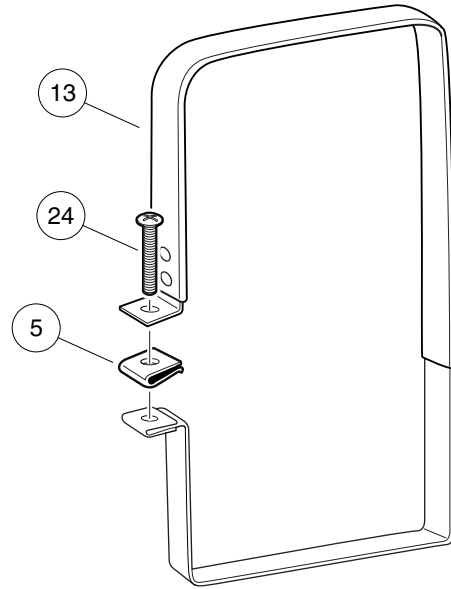
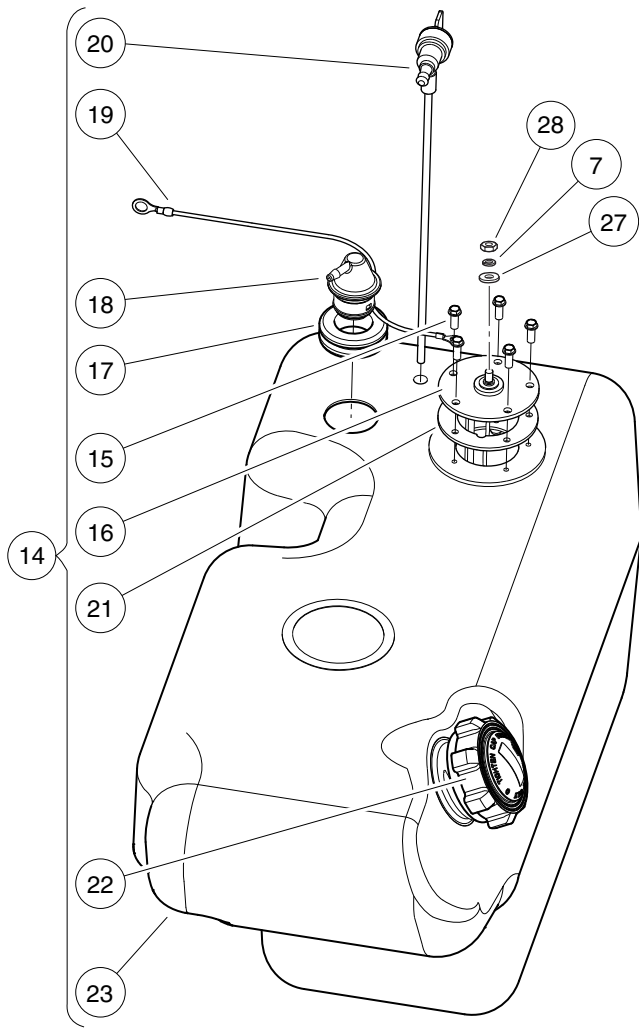
## FUEL SYSTEM – 49 STATE, WITH METAL FUEL PUMP

ITEM	PART NO.	DESCRIPTION	QTY
		1 2 3 4	
1	<u>1012285</u>	Screw, 1/4 X 0.625 Hex-Head .....	4
2	<u>1012649</u>	Clamp, 0.460 Red Hose .....	8
3	<u>1013687</u>	Clamp, 3/8" Hose (screw type) .....	1
4	<u>1013746</u>	Clamp, 0.301 ID Hose .....	2
5	<u>1014116</u>	Nut, 1/4-20 Speed .....	1
6	<u>1014523</u>	Pump, Impulse Fuel .....	1
7	<u>1015137</u>	Fuel Line, 3/16 (available by the foot) .....	A/R
8	<u>1016</u>	Lockwasher, #10 Split .....	1
9	<u>101824401</u>	Vent Barb .....	1
10	<u>101929501</u>	Mount Fuel Pump .....	1
11	<u>102003201</u>	Filter, Fuel, 30 Micron .....	2
12	<u>102865101</u>	Fuel Line, 1/4 (available by the foot) .....	A/R
13	<u>102977901</u>	Bezel, Fuel Fill, 5.0 Dia .....	1
14	<u>102978001</u>	Strap, Fuel Tank, Side Fill .....	1
15	<u>103187601</u>	Asm, Fuel Tank, Side Fill, Su (includes items 16 through 24) .....	1
16	<u>1013461</u>	Screw, #10-16 Hex-Head Hi-Lo .....	5
17	<u>1013462</u>	Sending Unit, Fuel Level * .....	1
18	<u>1015139</u>	Insulation Grommet .....	1
19	<u>1015143</u>	Vent, Fuel Tank .....	1
20	<u>1015921</u>	Wire Assembly #16 Black .....	1
21	<u>102513701</u>	Valve - Fuel Pickup Tube .....	1
22	<u>102522001</u>	Gasket, Rubber .....	1
23	<u>102751601</u>	Cap, Fuel Tank, Gasoline .....	1
24	<u>102974201</u>	Tank, Fuel, Side Fill .....	1
25	<u>103306301</u>	Screw, Bhsc, 1/4-20 X 2.0 .....	1
26	<u>183</u>	Washer, #10, Type A, Flat .....	1
27	<u>8797</u>	Nut, #10-32 Brass Hex .....	1
		* Note: Must replace fuel sending unit gasket when servicing this component.	

10

G

**10**  
**G**



001072-003



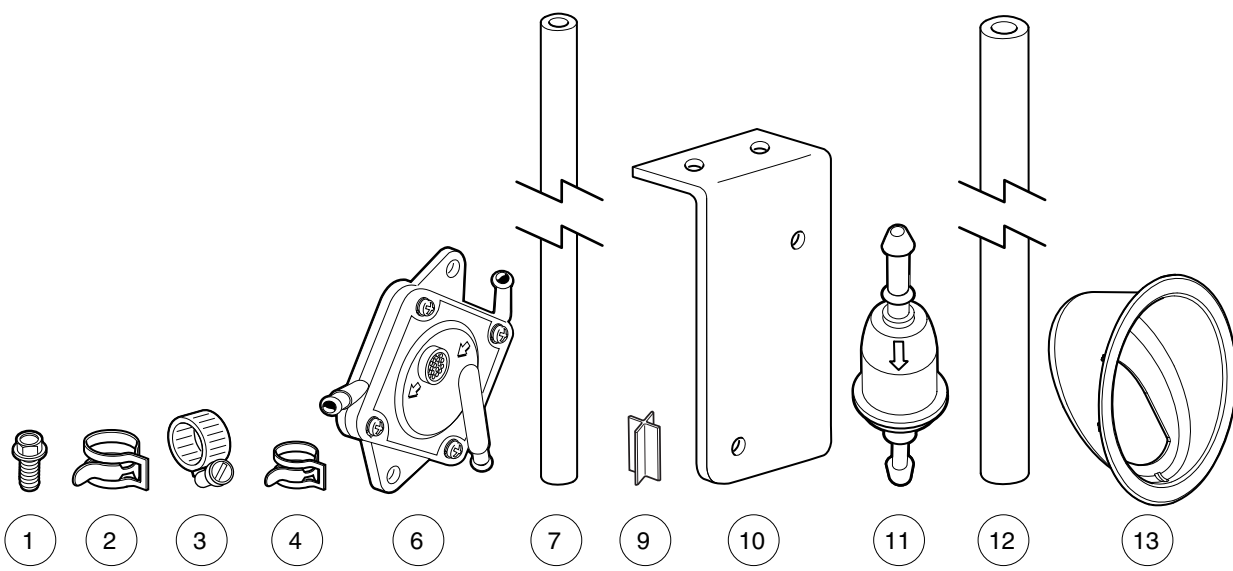
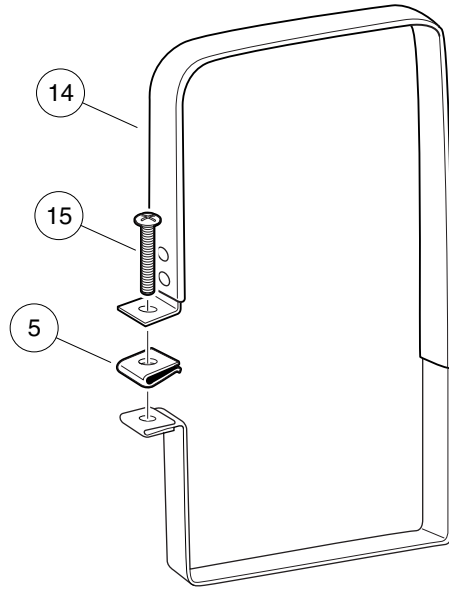
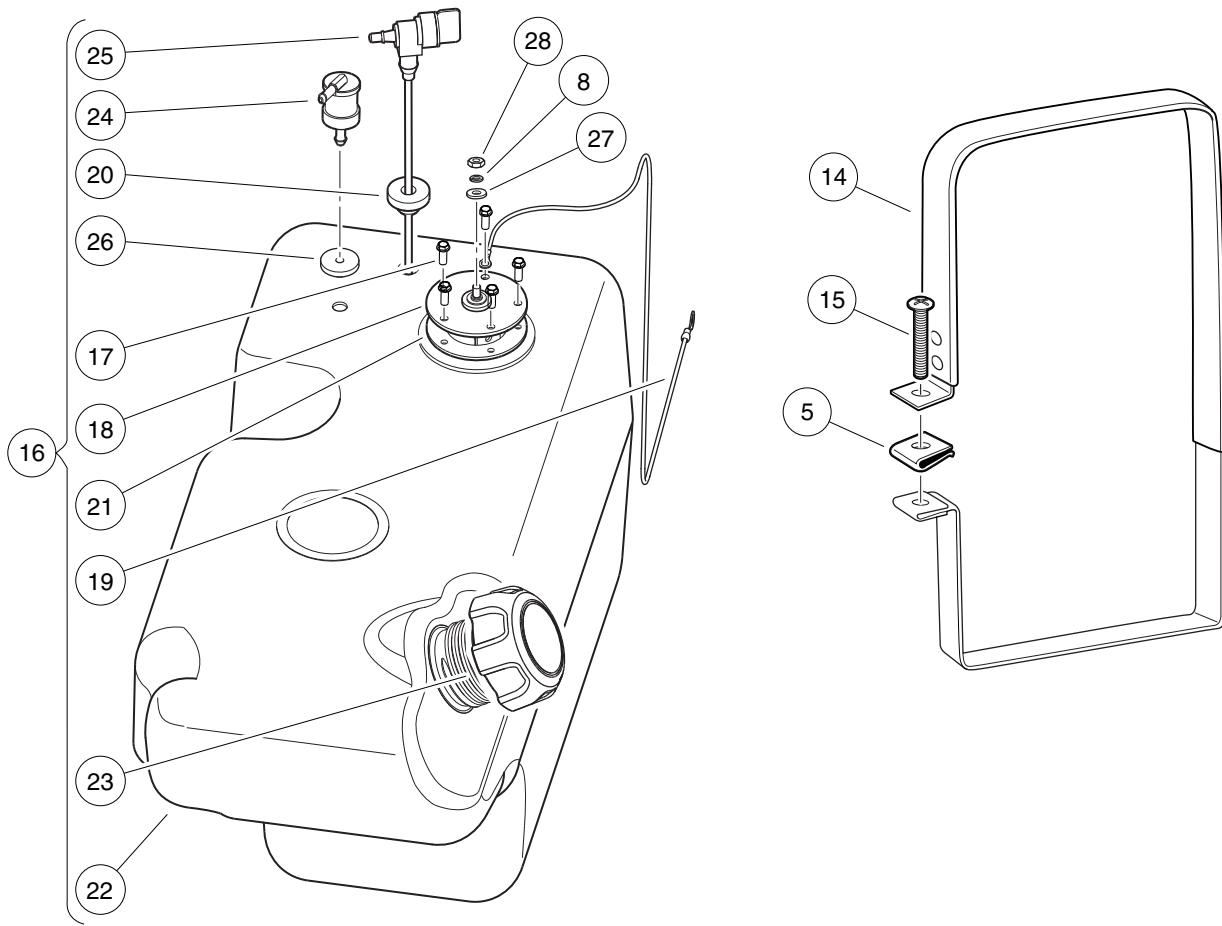
# FUEL SYSTEM – 49 STATE, WITH PLASTIC FUEL PUMP

ITEM	PART NO.	DESCRIPTION	QTY
		1 2 3 4	
1	<u>1012285</u>	Screw, 1/4 X 0.625 Hex-Head .....	4
2	<u>1012649</u>	Clamp, 0.460 Red Hose .....	8
3	<u>1013687</u>	Clamp, 3/8" Hose (screw type) .....	1
4	<u>1013746</u>	Clamp, 0.301 ID Hose .....	2
5	<u>1014116</u>	Nut, 1/4-20 Speed .....	1
6	<u>1015137</u>	Fuel Line, 3/16 (available by the foot) .....	A/R
7	<u>1016</u>	Lockwasher, #10 Split .....	1
8	<u>101824401</u>	Vent Barb .....	1
9	<u>101929501</u>	Mount Fuel Pump .....	1
10	<u>102003201</u>	Filter, Fuel, 30 Micron .....	2
11	<u>102865101</u>	Fuel Line, 1/4 (available by the foot) .....	A/R
12	<u>102977901</u>	Bezel, Fuel Fill, 5.0 Dia .....	1
13	<u>102978001</u>	Strap, Fuel Tank, Side Fill .....	1
14	<u>103187601</u>	Asm, Fuel Tank, Side Fill, Su (includes items 15 through 23) .....	1
15	<u>1013461</u>	Screw, #10-16 Hex-Head Hi-Lo .....	5
16	<u>1013462</u>	Sending Unit, Fuel Level * .....	1
17	<u>1015139</u>	Insulation Grommet .....	1
18	<u>1015143</u>	Vent, Fuel Tank .....	1
19	<u>1015921</u>	Wire Assembly #16 Black .....	1
20	<u>102513701</u>	Valve - Fuel Pickup Tube .....	1
21	<u>102522001</u>	Gasket, Rubber .....	1
22	<u>102751601</u>	Cap, Fuel Tank, Gasoline .....	1
23	<u>102974201</u>	Tank, Fuel, Side Fill .....	1
24	<u>103306301</u>	Screw, Bhsc, 1/4-20 X 2.0 .....	1
25	<u>103781101</u>	Kit, Fuel Pump Retrofit (includes item 26) .....	1
26	<u>103010101</u>	Pump, Fuel, Impulse, Fh .....	1
27	<u>183</u>	Washer, #10, Type A, Flat .....	1
28	<u>8797</u>	Nut, #10-32 Brass Hex .....	1
		* Note: Must replace fuel sending unit gasket when servicing this component.	

10

G

**10**  
**G**



001072-002

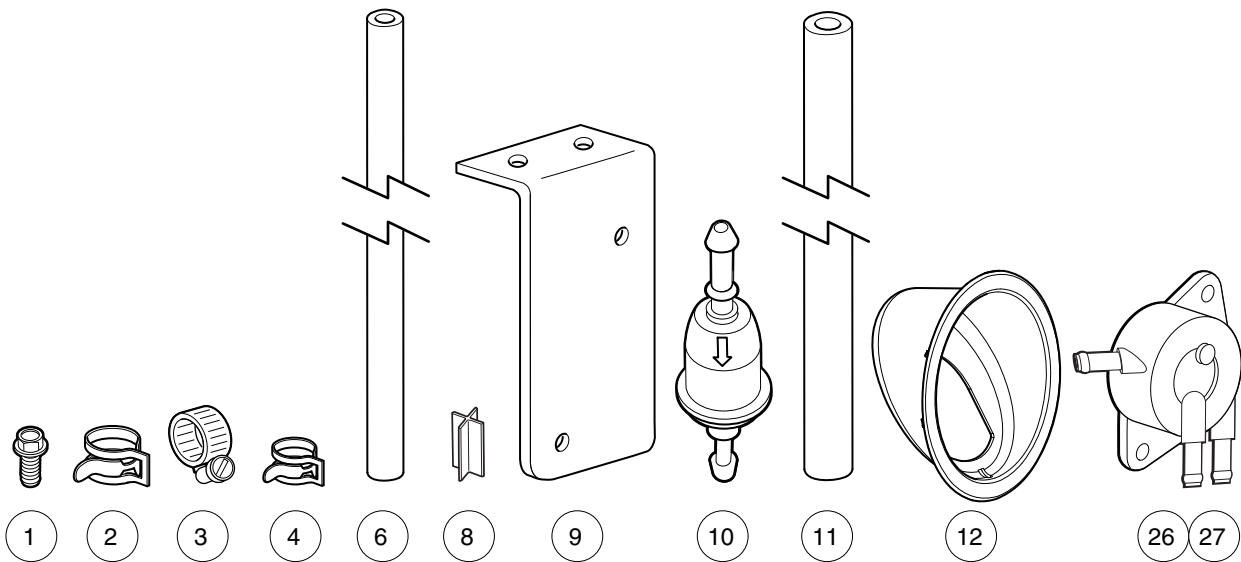
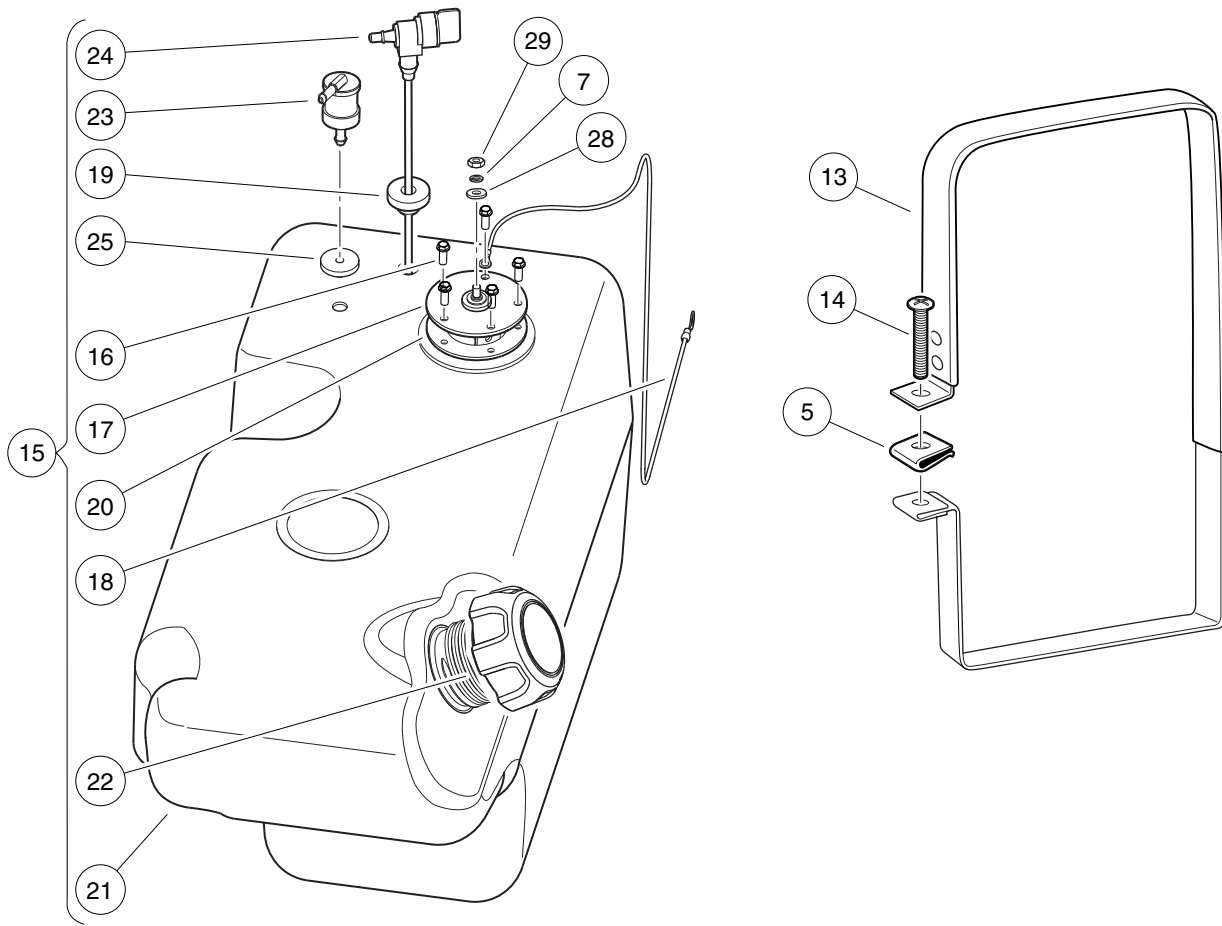
# FUEL SYSTEM – CALIFORNIA ONLY, WITH METAL FUEL PUMP

ITEM	PART NO.	DESCRIPTION	QTY
		1 2 3 4	
1	<u>1012285</u>	Screw, 1/4 X 0.625 Hex-Head .....	4
2	<u>1012649</u>	Clamp, 0.460 Red Hose .....	8
3	<u>1013687</u>	Clamp, 3/8" Hose (screw type) .....	1
4	<u>1013746</u>	Clamp, 0.301 ID Hose .....	2
5	<u>1014116</u>	Nut, 1/4-20 Speed .....	1
6	<u>1014523</u>	Pump, Impulse Fuel .....	1
7	<u>1015137</u>	Fuel Line, 3/16 (available by the foot) .....	A/R
8	<u>1016</u>	Lockwasher, #10 Split .....	1
9	<u>101824401</u>	Vent Barb .....	1
10	<u>101929501</u>	Mount Fuel Pump .....	1
11	<u>102003201</u>	Filter, Fuel, 30 Micron .....	2
12	<u>102865101</u>	Fuel Line, 1/4 (available by the foot) .....	A/R
13	<u>102977901</u>	Bezel, Fuel Fill, 5.0 Dia .....	1
14	<u>102978001</u>	Strap, Fuel Tank, Side Fill .....	1
15	<u>103306301</u>	Screw, Bhsc, 1/4-20 X 2.0 .....	1
16	<u>103369101</u>	Asm, Fuel Tank,side Fill,nano (includes items 17 through 26) .....	1
17	<u>1013461</u>	Screw, #10-16 Hex-Head Hi-Lo .....	5
18	<u>1013462</u>	Sending Unit, Fuel Level * .....	1
19	<u>1015921</u>	Wire Assembly #16 Black .....	1
20	<u>102406701</u>	Bushing, Line, Return .....	1
21	<u>102522001</u>	Gasket, Rubber .....	1
22	N/A	Tank, Fuel,side Fill,nano .....	1
23	<u>103372101</u>	Cap, Fuel Tank, Gas, Ratchet .....	1
24	<u>103372201</u>	Vent, Fuel Tank, W/ Valve .....	1
25	<u>103372301</u>	Valve, Fuel, 259mm .....	1
26	<u>103374701</u>	Grommet, Fuel Tank Vent .....	1
27	<u>183</u>	Washer, #10, Type A, Flat .....	1
28	<u>8797</u>	Nut, #10-32 Brass Hex .....	1
		* Note: Must replace fuel sending unit gasket when servicing this component.	

10

G

**10**  
**G**



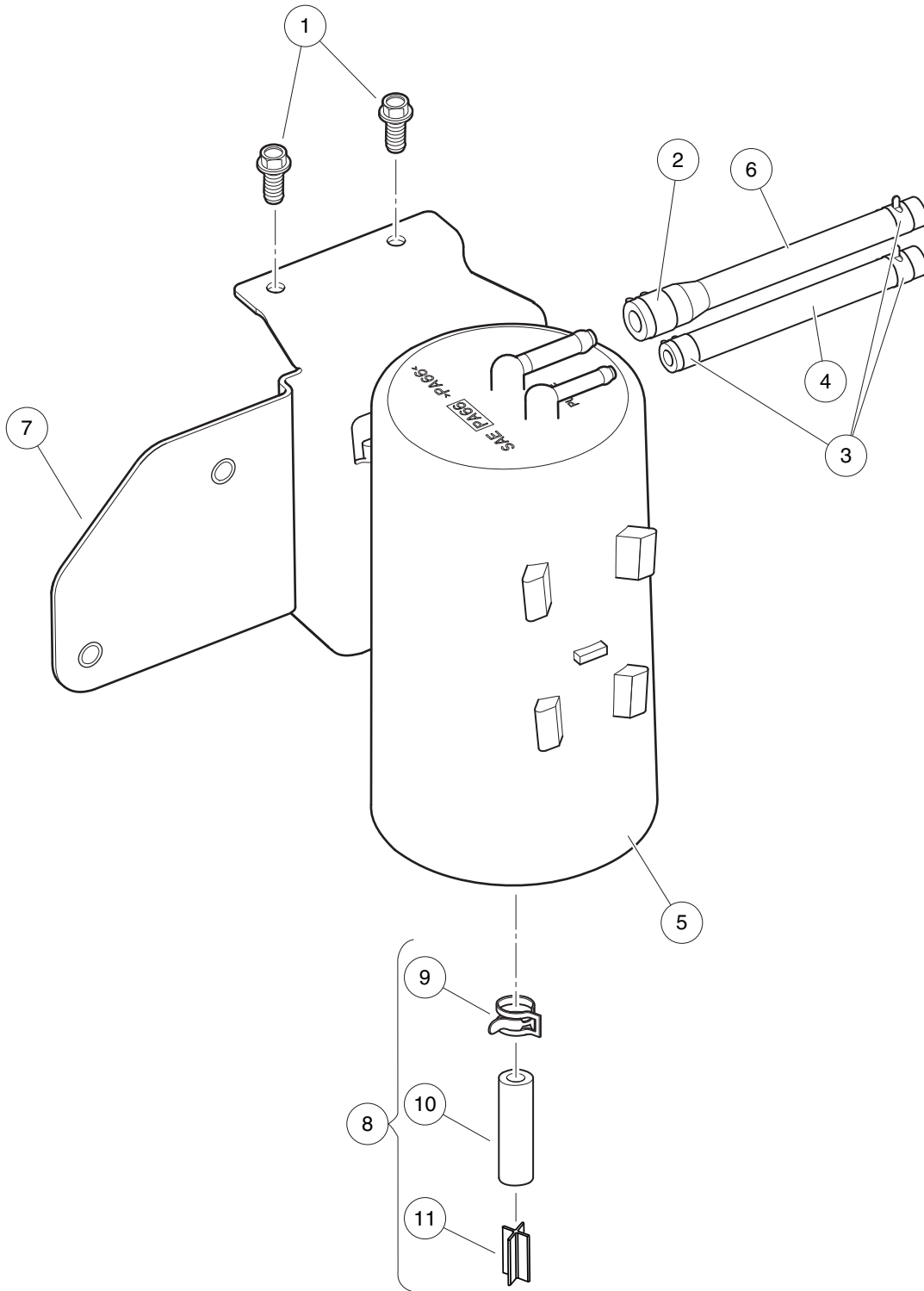
001072-004

# FUEL SYSTEM – CALIFORNIA ONLY, WITH PLASTIC FUEL PUMP

**10**  
**G**

ITEM	PART NO.	DESCRIPTION	QTY
		<b>1 2 3 4</b>	
1	<u>1012285</u>	Screw, 1/4 X 0.625 Hex-Head .....	4
2	<u>1012649</u>	Clamp, 0.460 Red Hose .....	8
3	<u>1013687</u>	Clamp, 3/8" Hose (screw type) .....	1
4	<u>1013746</u>	Clamp, 0.301 ID Hose .....	2
5	<u>1014116</u>	Nut, 1/4-20 Speed .....	1
6	<u>1015137</u>	Fuel Line, 3/16 (available by the foot) .....	A/R
7	<u>1016</u>	Lockwasher, #10 Split .....	1
8	<u>101824401</u>	Vent Barb .....	1
9	<u>101929501</u>	Mount Fuel Pump .....	1
10	<u>102003201</u>	Filter, Fuel, 30 Micron .....	2
11	<u>102865101</u>	Fuel Line, 1/4 (available by the foot) .....	A/R
12	<u>102977901</u>	Bezel, Fuel Fill, 5.0 Dia .....	1
13	<u>102978001</u>	Strap, Fuel Tank, Side Fill .....	1
14	<u>103306301</u>	Screw, Bhsc, 1/4-20 X 2.0 .....	1
15	<u>103369101</u>	Asm, Fuel Tank,side Fill,nano (includes items 16 through 25) .....	1
16	<u>1013461</u>	Screw, #10-16 Hex-Head Hi-Lo .....	5
17	<u>1013462</u>	Sending Unit, Fuel Level * .....	1
18	<u>1015921</u>	Wire Assembly #16 Black .....	1
19	<u>102406701</u>	Bushing, Line, Return .....	1
20	<u>102522001</u>	Gasket, Rubber .....	1
21	N/A	Tank, Fuel,side Fill,nano .....	1
22	<u>103372101</u>	Cap, Fuel Tank, Gas, Ratchet .....	1
23	<u>103372201</u>	Vent, Fuel Tank, W/ Valve .....	1
24	<u>103372301</u>	Valve, Fuel, 259mm .....	1
25	<u>103374701</u>	Grommet, Fuel Tank Vent .....	1
26	<u>103781101</u>	Kit, Fuel Pump Retrofit (includes item 27) .....	1
27	<u>103010101</u>	Pump, Fuel, Impulse, Fh .....	1
28	<u>183</u>	Washer, #10, Type A, Flat .....	1
29	<u>8797</u>	Nut, #10-32 Brass Hex .....	1
		* Note: Must replace fuel sending unit gasket when servicing this component.	

**10**  
**G**

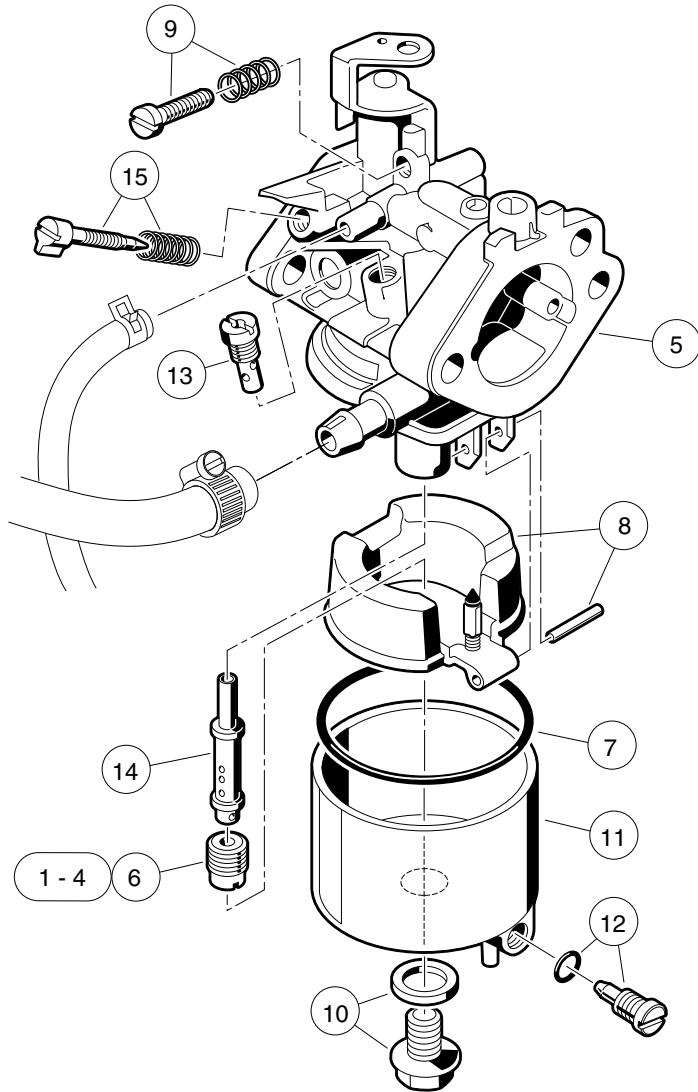


000980-007

## CARBON CANISTER – CALIFORNIA ONLY

ITEM	PART NO.	DESCRIPTION	QTY
		1 2 3 4	
1	<u>1012285</u>	Screw, 1/4 X 0.625 Hex-Head .....	2
2	<u>101313402</u>	Clamp, Green Hose .....	1
3	<u>1013746</u>	Clamp, 0.301 ID Hose .....	3
4	<u>1015137</u>	Fuel Line, 3/16 (available by the foot) .....	A/R
5	<u>103372401</u>	Canister, Carbon .....	1
6	<u>103372504</u>	Hose, Vent, Flare, 9" .....	1
7	<u>103372801</u>	Bracket, Carbon Canister, Sw .....	1
8	<u>103418601</u>	Asm, Vent Line, Utility (includes items 9 through 11) .....	1
9	<u>1012649</u>	Clamp, 0.460 Red Hose .....	1
10	N/A	Hose, Vent, 5/16 I.D., Bulk .....	A/R
11	N/A	Vent, Barb, 5/16 I.D. Hose .....	1

**10**  
**G**



000212-002

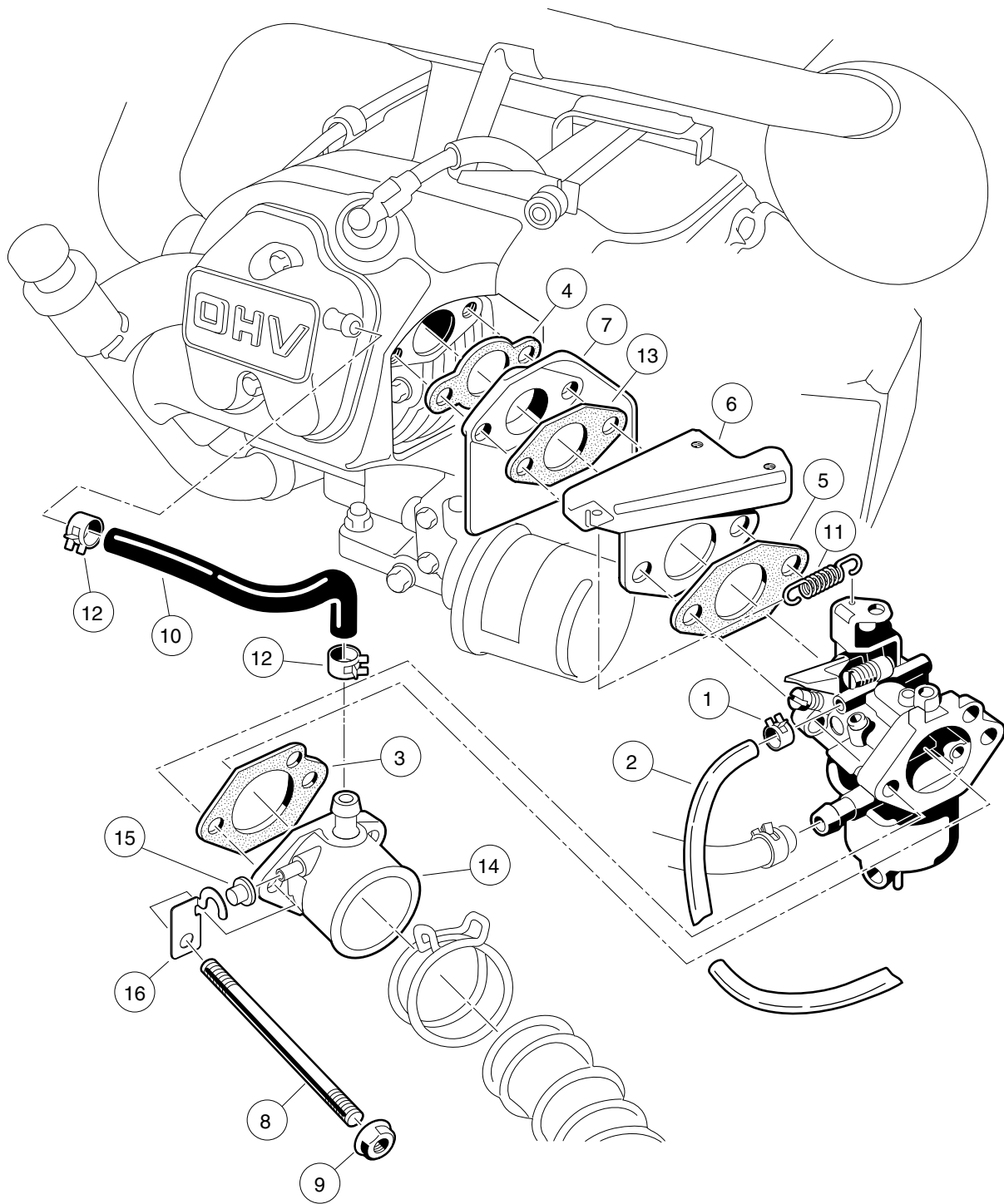


## CARBURETOR ASSEMBLY – FE350 S27

ITEM	PART NO.	DESCRIPTION	QTY
		1 2 3 4	
1	<u>101642575</u>	Jet, Altitude, # 75 .....	1
2	<u>101642578</u>	Jet, Altitude, # 78 .....	1
3	<u>101642580</u>	Jet, Altitude, # 80 .....	1
4	<u>101642582</u>	Jet, Altitude, # 82 .....	1
5	<u>103617101</u>	Carburetor, FE350 S27 (includes items 6 through 15) .....	1
6	<u>101642585</u>	Jet, Altitude, # 85 .....	1
7	<u>1016437</u>	Gasket, Carburetor Bowl OHV .....	1
8	<u>1016486</u>	Float Assembly .....	1
9	<u>1016501</u>	Screw Assembly .....	1
10	<u>1016585</u>	Bolt .....	1
11	<u>1017461</u>	Chamber Assembly, Float (includes item 12) .....	1
12	<u>1016499</u>	Screw Assembly .....	1
13	<u>101973101</u>	Jet, #40 Pilot .....	1
14	<u>101973301</u>	Nozzle, Main .....	1
15	N/A	Assembly, Pilot Air Screw .....	1
Note: <u>101642585</u> for 0 - 3,200 feet; <u>101642582</u> for 3,200 - 6,500 feet; <u>101642580</u> for 6,500 - 9,800 feet; <u>101642578</u> for 9,800 feet and above.			

10

G



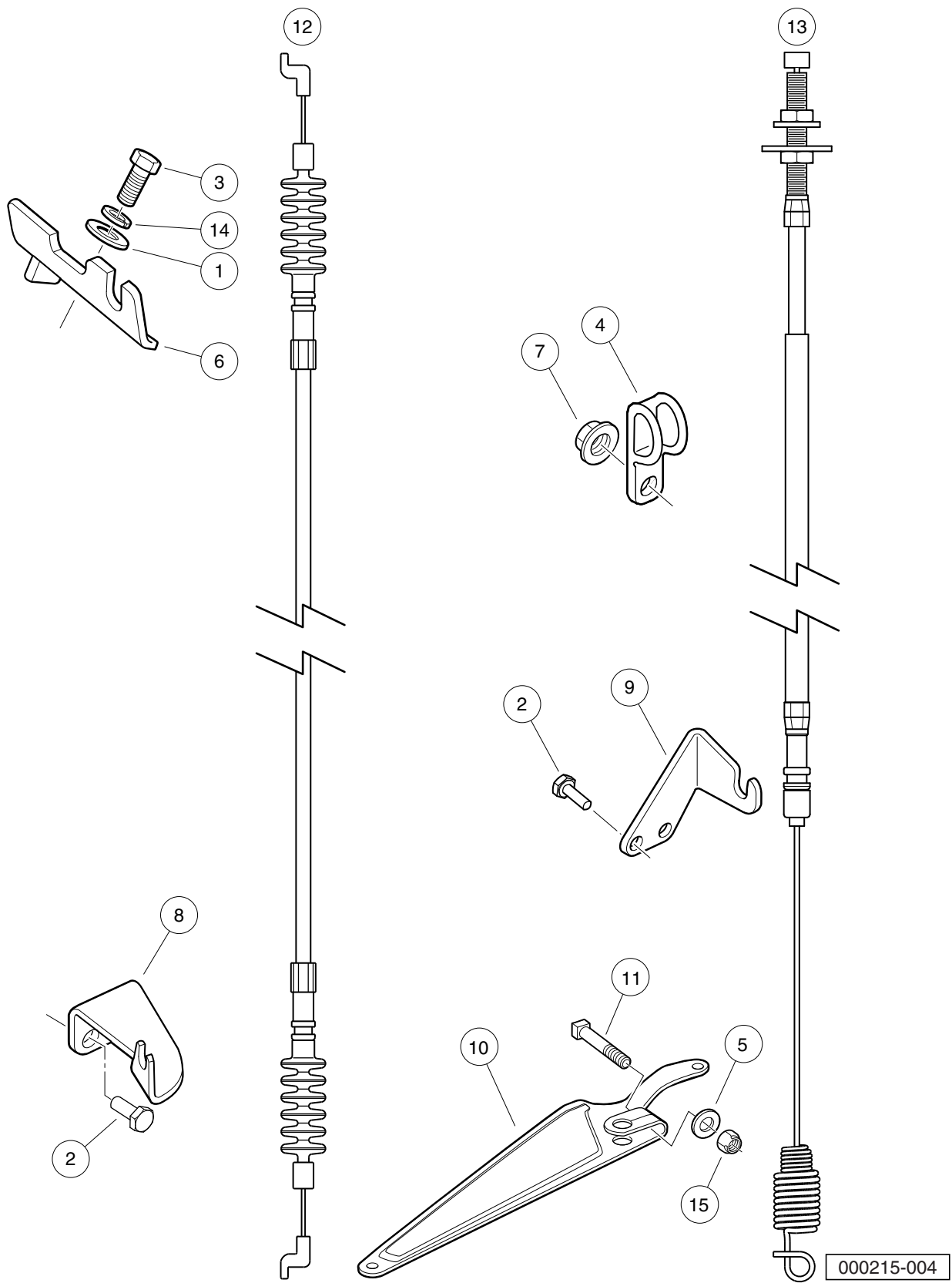
000214-002

## CARBURETOR MOUNTING, UTILITY, FE350 S23 S24 S27

ITEM	PART NO.	DESCRIPTION	QTY
		1 2 3 4	
1	<u>1013746</u>	Clamp, 0.301 ID Hose .....	1
2	<u>1015137</u>	Fuel Line, 3/16 (available by the foot) .....	1
3	<u>1016438</u>	Gasket, Carb To Intake Manifold .....	1
4	<u>1016440</u>	Gasket, Engine to Insulator .....	1
5	<u>1016441</u>	Gasket, Sprg Brkt To Carb OHV .....	1
6	<u>1016444</u>	Bracket, Throttle Spring Return .....	1
7	101648102	Insulator, Carburetor .....	1
8	<u>101649002</u>	Stud, M6-1.00 Two-Ended .....	2
9	1016547	Nut, M6 Flange .....	2
10	<u>1016572</u>	Tube, Crankcase Vent .....	1
11	<u>1016582</u>	Spring, Throttle Return .....	1
12	<u>1017466</u>	Clamp .....	2
13	<u>101973401</u>	Gasket, Insulator To Bracket .....	1
14	103507101	Carburetor Adapter w/ Tap .....	1
15	103507201	Plug, Intake Manifold, Carb .....	1
16	103507301	Bracket, Intake Manifold, Carb .....	1

**10**  
**G**

**10**  
**G**

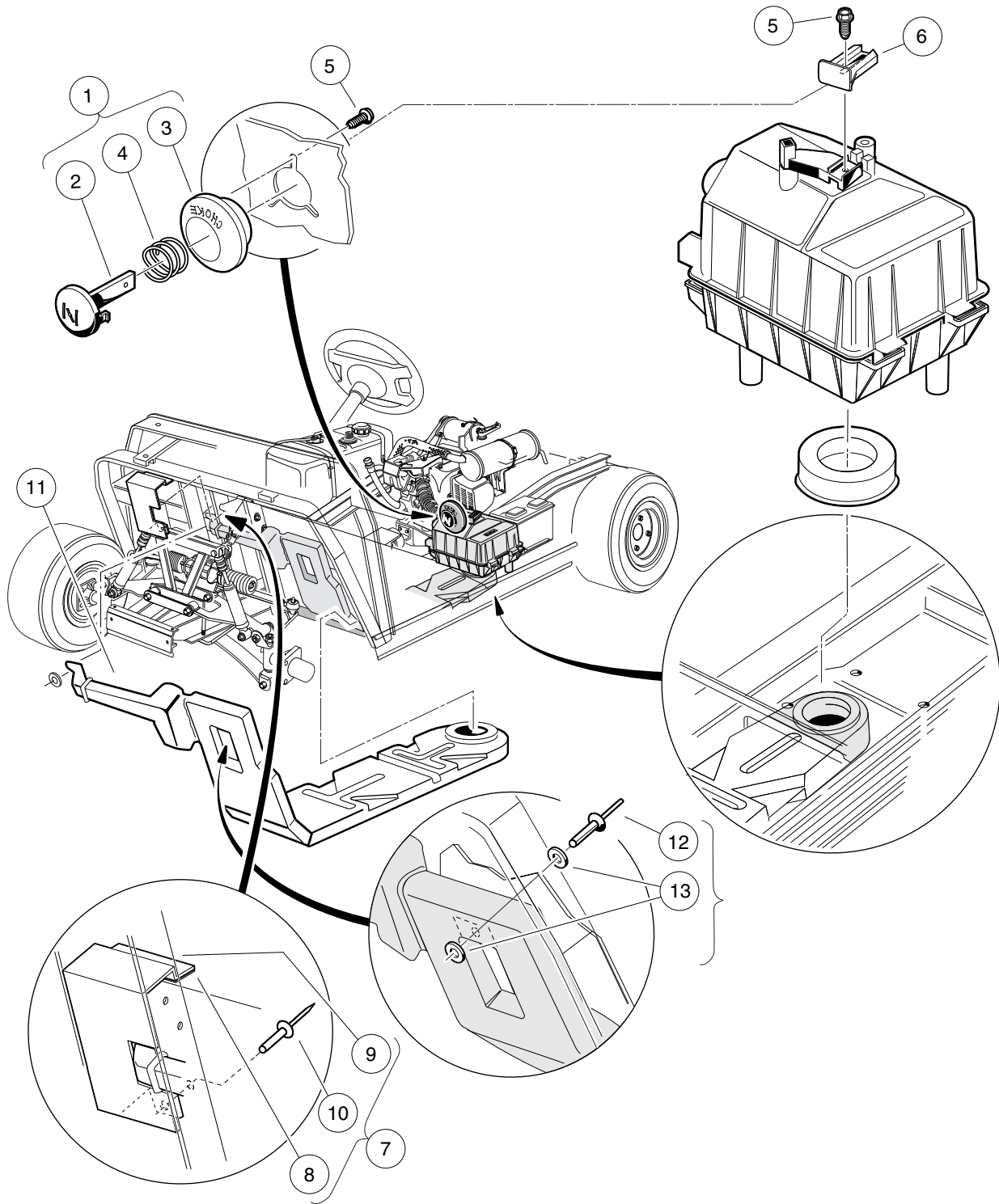


# GOVERNOR AND ACCELERATOR CABLES

ITEM	PART NO.	DESCRIPTION	QTY
		1 2 3 4	
1	<u>1011697</u>	Washer, 5/16 Flat .....	1
2	<u>1012285</u>	Screw, 1/4 X 0.625 Hex-Head .....	4
3	<u>1012830</u>	Screw, M8-125 X 22 Hex-Head .....	1
4	<u>1013700</u>	Clamp .....	2
5	<u>1014007</u>	Washer, 1/4, Flat .....	1
6	<u>101584502</u>	Bracket, Governor Cable Snap-In .....	1
7	<u>1016546</u>	Nut .....	2
8	<u>101832202</u>	Bracket, Rear Governor Cable Snap-In .....	1
9	<u>101832302</u>	Bracket, Rear Accelerator Cable Snap-In .....	1
10	<u>101834801</u>	Arm, Governor .....	1
11	<u>101886101</u>	Screw, 1/4-20 X 1.00, Square-Head .....	1
12	<u>102336001</u>	Cable, Governor, Snap-In .....	1
13	<u>102336101</u>	Cable, Accelerator, Snap-In .....	1
14	<u>7174</u>	Lockwasher, 5/16 Split .....	1
15	<u>8233</u>	Locknut, 1/4-20, Nylon Insert .....	1

10

G

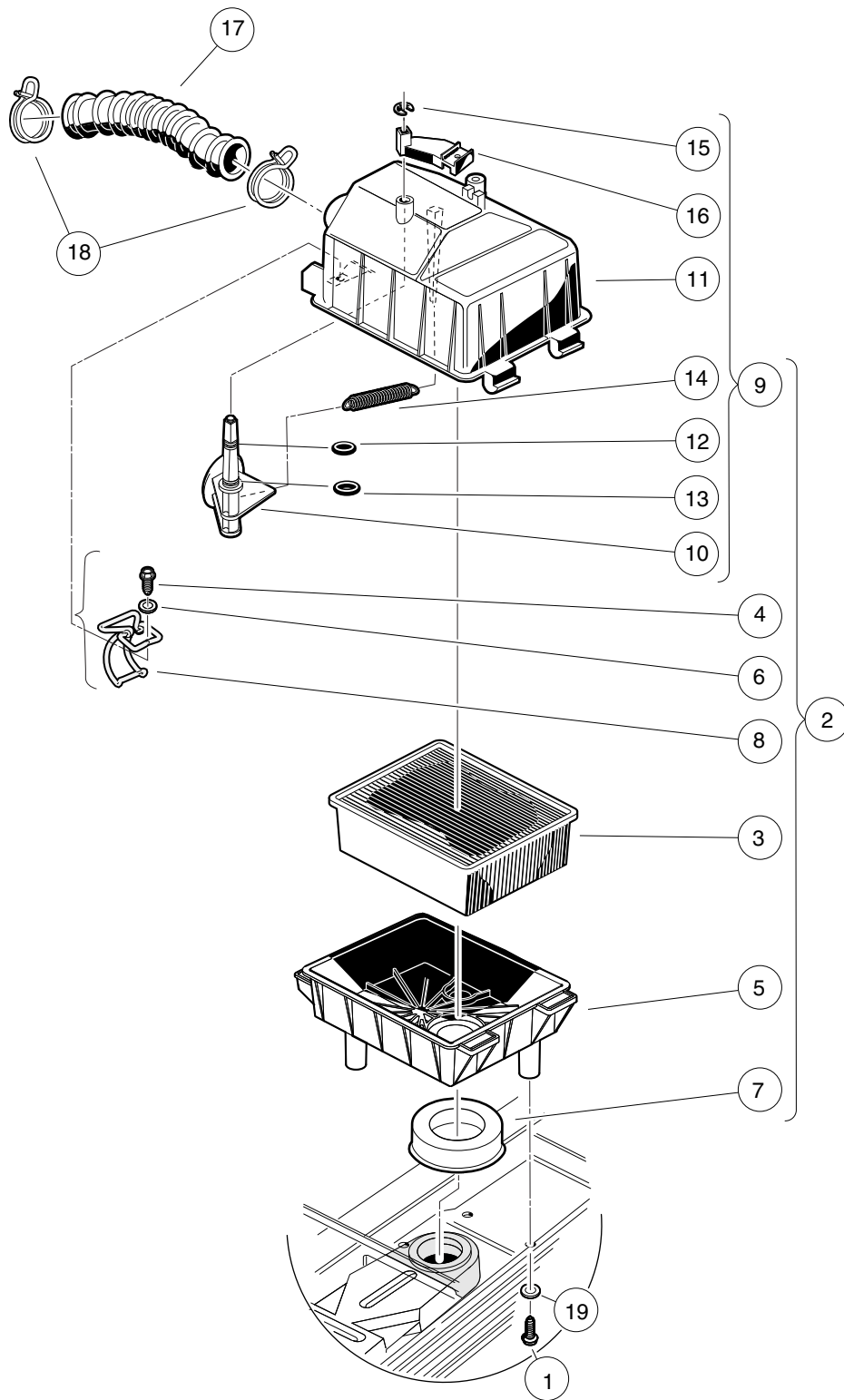


000338-006

# AIR INTAKE DUCT AND CHOKE BUTTON – TURF/CARRYALL 1

ITEM	PART NO.	DESCRIPTION	QTY
		1 2 3 4	
1	<u>101805701</u>	Button Assembly, Choke (includes items 2 through 4) .....	1
2	<u>101811401</u>	Lever, Choke .....	1
3	<u>101811501</u>	Guide, Choke Lever .....	1
4	<u>101856201</u>	Compression Spring .....	1
5	<u>101850301</u>	Screw, #12-16 X 0.50 Washer-Head Hi-Lo .....	4
6	<u>101917701</u>	Choke Positioner .....	1
7	<u>102190702</u>	Kit, Air Duct Shield (includes items 8 through 10) .....	1
8	<u>102185401</u>	Tape, 3M VHB 4950 .....	1
9	N/A	Shield, Air Duct .....	1
10	<u>7973</u>	Rivet, 3/16 X .400 Blind .....	1
11	<u>103520301</u>	Duct, Air Intake, Ds .....	1
12	<u>1606</u>	Rivet, 3/16 X .500 Alum Pop .....	2
13	<u>183</u>	Washer, #10, Type A, Flat .....	4

**10**  
**G**



000332-001



## AIR FILTER AND INTAKE HOSE

ITEM	PART NO.	DESCRIPTION	QTY
		1 2 3 4	
1	<u>1015752</u>	Screw, #12-16 X 0.625, Hi-Lo .....	3
2	<u>101821501</u>	Assembly, Air Box (includes items 3 through 9) .....	1
3	<u>1015426</u>	Filter, Air .....	1
4	<u>101804301</u>	Screw, #8 X 0.500, Hex-Head Hi-Lo .....	2
5	<u>101811901</u>	Bottom, Air Box .....	1
6	<u>101881701</u>	Washer, #8 Stainless-Steel Flat .....	2
7	<u>101921501</u>	Seal, Intake .....	1
8	<u>101925701</u>	Latch, Wireform .....	2
9	<u>101972801</u>	Top Assy, Air Box (includes items 10 through 16) .....	1
10	N/A	Valve, Choke .....	1
11	N/A	Top, Air Box .....	1
12	N/A	O-Ring, 5/16 .....	1
13	N/A	O-Ring, 3/8 .....	1
14	<u>101812301</u>	Spring, Extension Return .....	1
15	<u>101813001</u>	Retaining Ring 0.25, Shaft .....	1
16	<u>101917601</u>	Lever, Choke .....	1
17	<u>101837101</u>	Hose, Air Intake .....	1
18	<u>101971301</u>	Clamp, 1.58" ID Hose .....	2
19	<u>332</u>	Washer, 1/4 Type A Narrow Flat .....	3

10

G

**10**

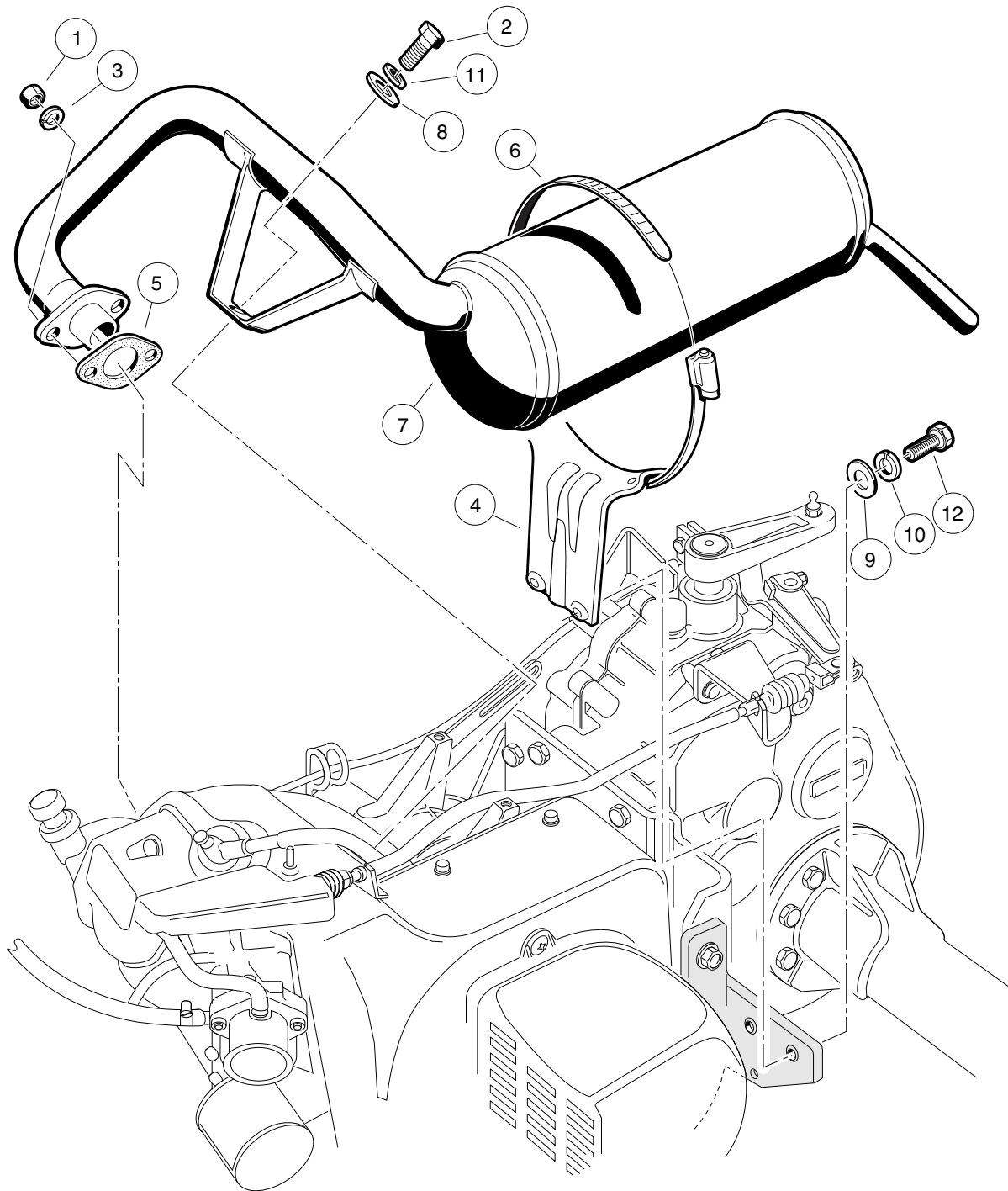
**G**

# EXHAUST SYSTEM

---

11

G



000209-001

## EXHAUST SYSTEM – FE350 ENGINE

ITEM	PART NO.	DESCRIPTION	QTY
		1 2 3 4	
1	<u>1012528</u>	Nut, M8-1.25 Hex .....	2
2	<u>1012830</u>	Screw, M8-125 X 22 Hex-Head .....	1
3	<u>1013734</u>	Lockwasher, 8mm Split .....	2
4	<u>1015814</u>	Bracket, Muffler Mounting .....	1
5	<u>1016904</u>	Gasket, Exhaust .....	1
6	1017689	Clamp, 5" Muffler Hose .....	1
7	<u>101859401</u>	Exhaust System, FE350 .....	1
8	<u>1241</u>	Washer, 5/16 Type A Flat .....	1
9	<u>332</u>	Washer, 1/4 Type A Narrow Flat .....	2
10	<u>451</u>	Lockwasher, 1/4 Split .....	2
11	<u>7174</u>	Lockwasher, 5/16 Split .....	1
12	<u>7847</u>	Screw, 1/4-20 X 0.75 Hex-Head Cap .....	2

**11**  
**G**

11

G

# DRIVE BELT AND CLUTCHES

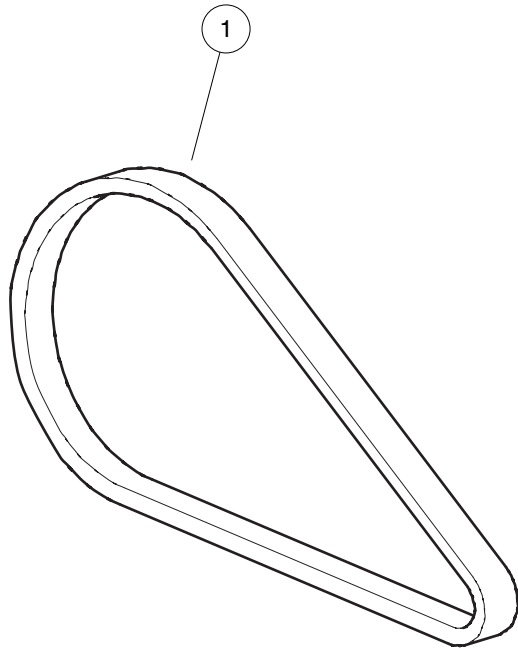
---

12

G

12

G



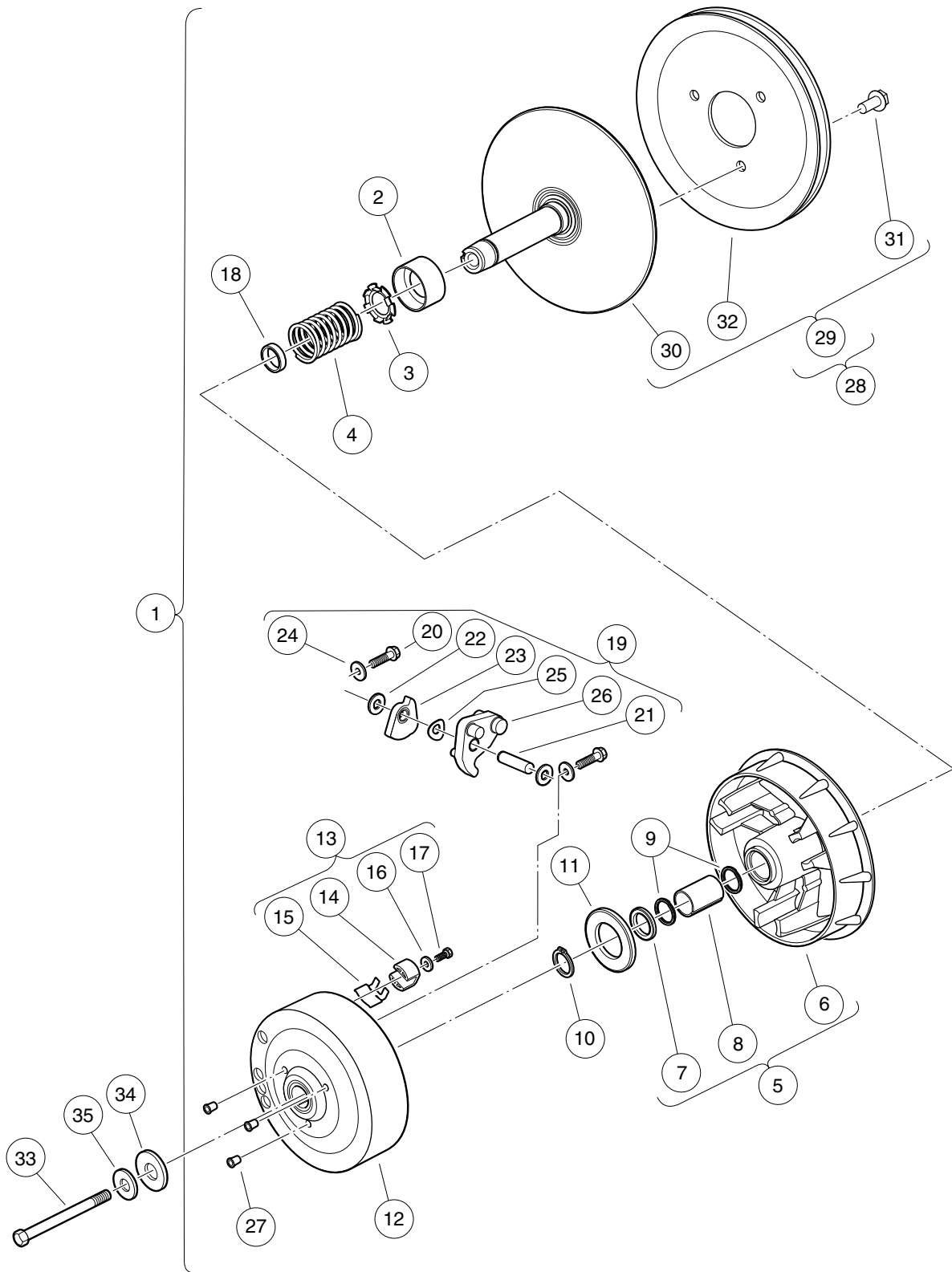
000918-001



# DRIVE BELT

ITEM	PART NO.	DESCRIPTION	QTY
1	<u>1017188</u>	1 2 3 4 Belt, Drive (FE350) .....	1

**12**  
**G**

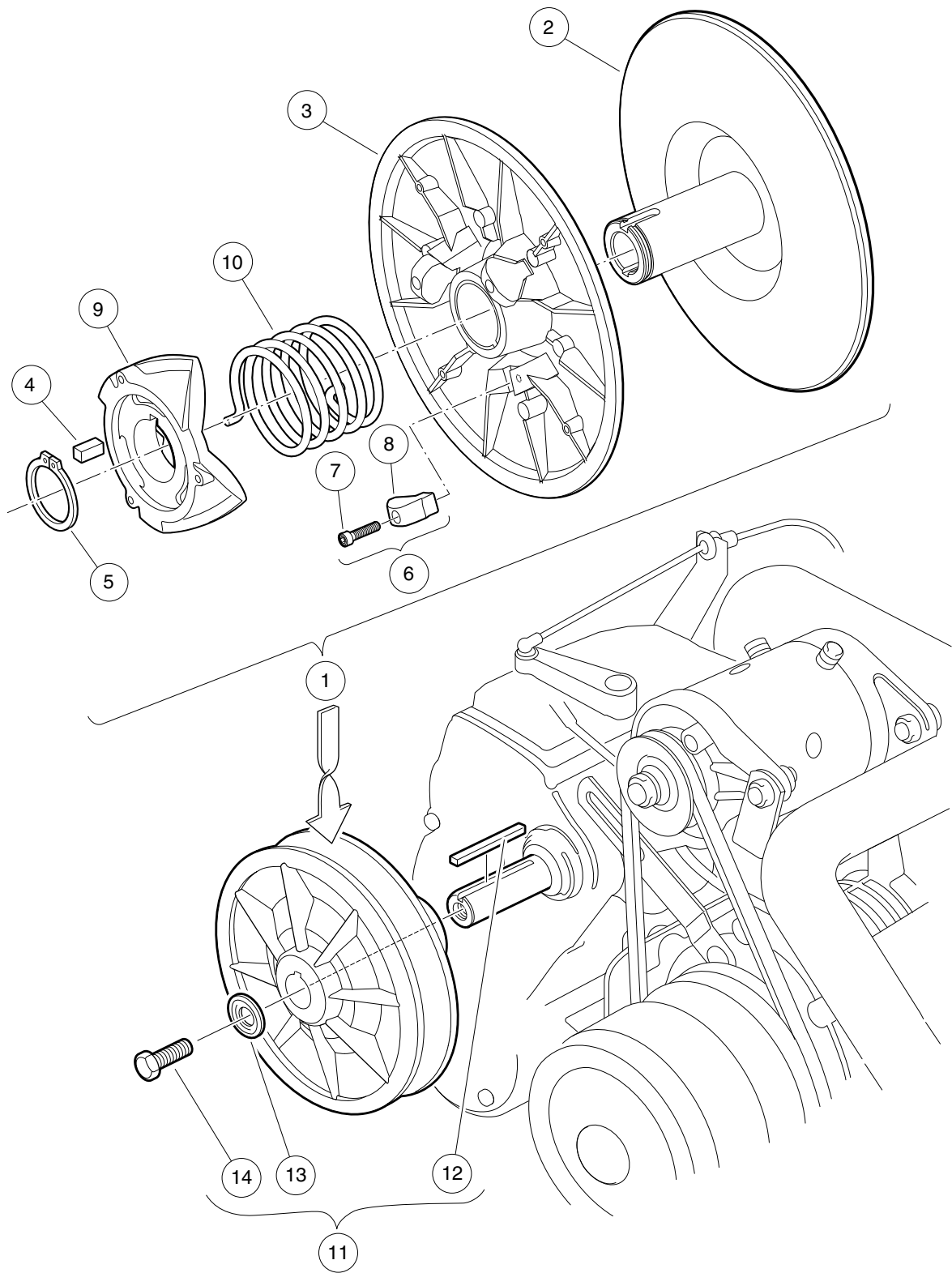


000217-006

## DRIVE CLUTCH – TURF/CARRYALL 1, 2, AND 252

ITEM	PART NO.	DESCRIPTION	QTY
		1 2 3 4	
1	<u>101833902</u>	Clutch, Drive (includes items 2 through 28) .....	1
2	1014049	Bearing, Idler .....	1
3	<u>1014050</u>	Retainer, Spring .....	1
4	<u>1014051</u>	Spring, Drive Clutch .....	1
5	1014052	Movable-Face Assembly (includes items 6 through 8) .....	1
6	N/A	Drive Clutch Movable Face .....	1
7	<u>1014055</u>	Retainer .....	1
8	N/A	Bushing, Split, Drive Clutch .....	1
9	<u>1014056</u>	Ring, Spiral Backup .....	2
10	<u>1014057</u>	Ring, 0.810" Internal Retaining .....	1
11	1014058	Thrust Washer .....	1
12	1014059	Drive Hub Assy, Drive Clutch .....	1
13	<u>1014453</u>	Kit, Drive Clutch Button (includes items 14 through 17) .....	1
14	<u>1014062</u>	Driver, Drive Clutch .....	3
15	<u>1014287</u>	Spring, Drive Button .....	3
16	<u>183</u>	Washer, #10, Type A, Flat .....	3
17	<u>8450</u>	Screw, #10-24 X 0.50, Hex-Head .....	3
18	<u>1016289</u>	Spacer, Fixed Face Shaft .....	1
19	<u>1016801</u>	Kit, Drive Clutch Weight (includes items 20 through 26) .....	1
20	<u>1014063</u>	Screw, 1/4-20 X 1.00, Hex Head .....	6
21	N/A	Pin, Dowel, 0.3752 x 1.50 .....	3
22	<u>1014065</u>	Washer, Flat, 0.38" ID, Delrin .....	6
23	N/A	Clutch Weight, Secondary .....	3
24	N/A	Washer .....	6
25	<u>1016201</u>	Washer, Wave .....	3
26	N/A	Weight, Primary .....	3
27	<u>101925601</u>	Plug, Drive Clutch .....	3
28	<u>101929802</u>	Kit, Fxd Face Dr Asm Fe290/350 (includes item 29) .....	1
29	N/A	Assembly, Fixed-Face Drive (includes items 30 through 32) .....	1
30	N/A	Fixed Face Assembly, Drive Clutch .....	1
31	<u>1014288</u>	Screw, 5/16-18 X 0.75, Thread-Forming .....	3
32	N/A	Pulley, Clutch .....	1
33	<u>103345701</u>	Screw 3/8-24x5.5 Hex Loc Ptch .....	1
34	<u>334</u>	Washer, 3/8, Type A, Flat .....	1
35	<u>808</u>	Washer, 3/8 Type B Flat .....	1

**12**  
**G**



000219-001

## DRIVEN CLUTCH – TURF/CARRYALL 1, 2, AND 252

ITEM	PART NO.	DESCRIPTION	QTY
		1 2 3 4	
1	<u>101834001</u>	Assembly, Driven Clutch (includes items 2 through 10) .....	1
2	<u>1014070</u>	Fixed Face Assy, Driven Clutch .....	1
3	<u>1014072</u>	Movable-Face Assembly with Bushing .....	1
4	<u>1014078</u>	Key, Driven Clutch .....	1
5	<u>1014080</u>	Ring, Retaining .....	1
6	<u>1014454</u>	Kit, Driven Clutch Button (includes items 7 and 8) .....	1
7	<u>1012836</u>	Screw, #8-32 X 3/4, Socket-Head Cap .....	3
8	N/A	Button, Drive .....	3
9	<u>1017686</u>	Cam, Driven Clutch .....	1
10	<u>101836201</u>	Spring, Driven Clutch, Reversed .....	1
11	<u>AM10419</u>	Kit, Clutch Repair (includes items 12 through 14) .....	1
12	<u>101833401</u>	Key, 3/16 Sq X 1.50" .....	1
13	<u>102155801</u>	Washer, Driven Clutch .....	1
14	<u>102242101</u>	Screw, 5/16-18 X 3/4 Hex-Head with Patch .....	1

**12**

**G**

12

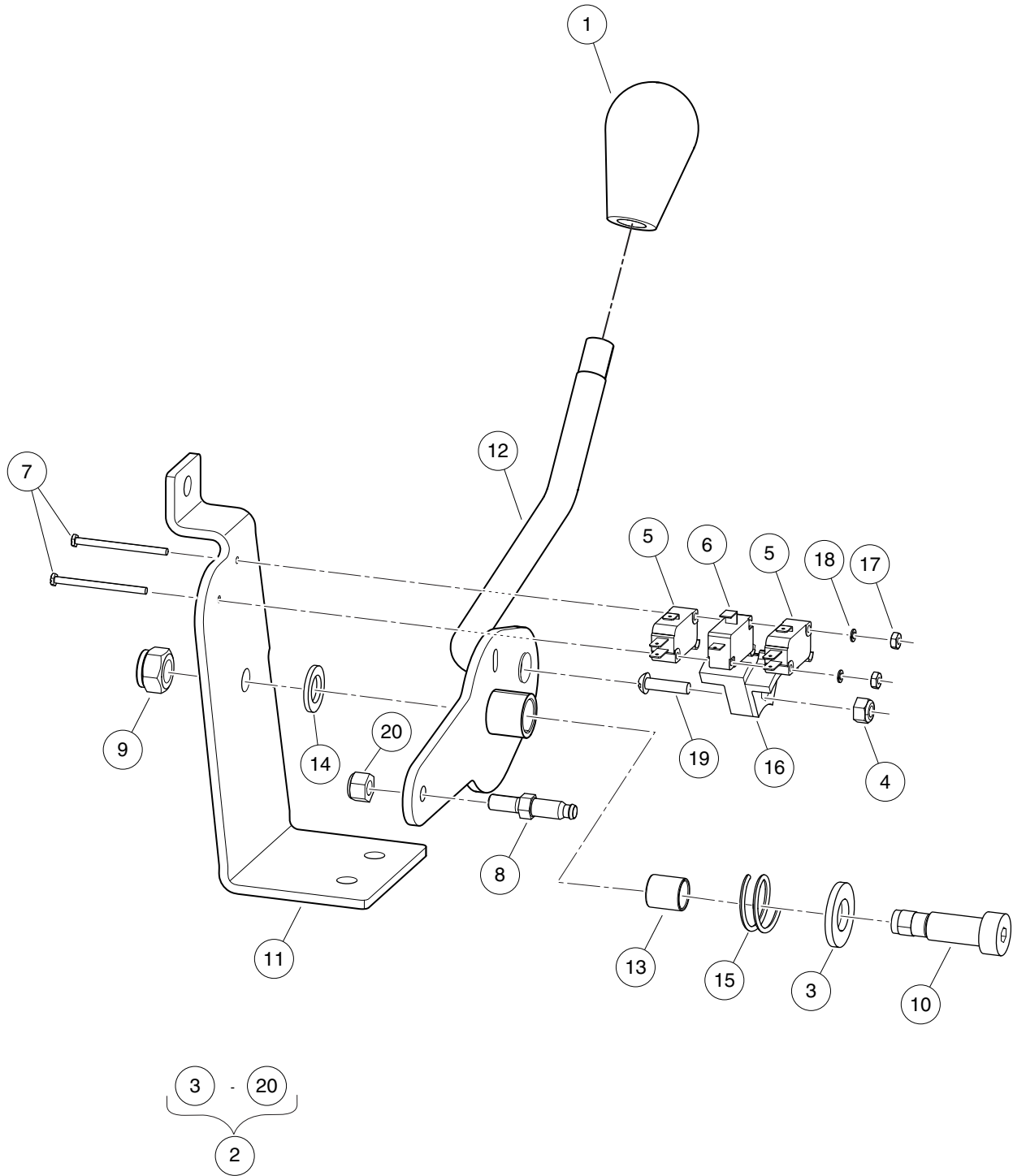
G

# UNITIZED TRANSAXLE – GASOLINE VEHICLES

---

13

G



000563-001

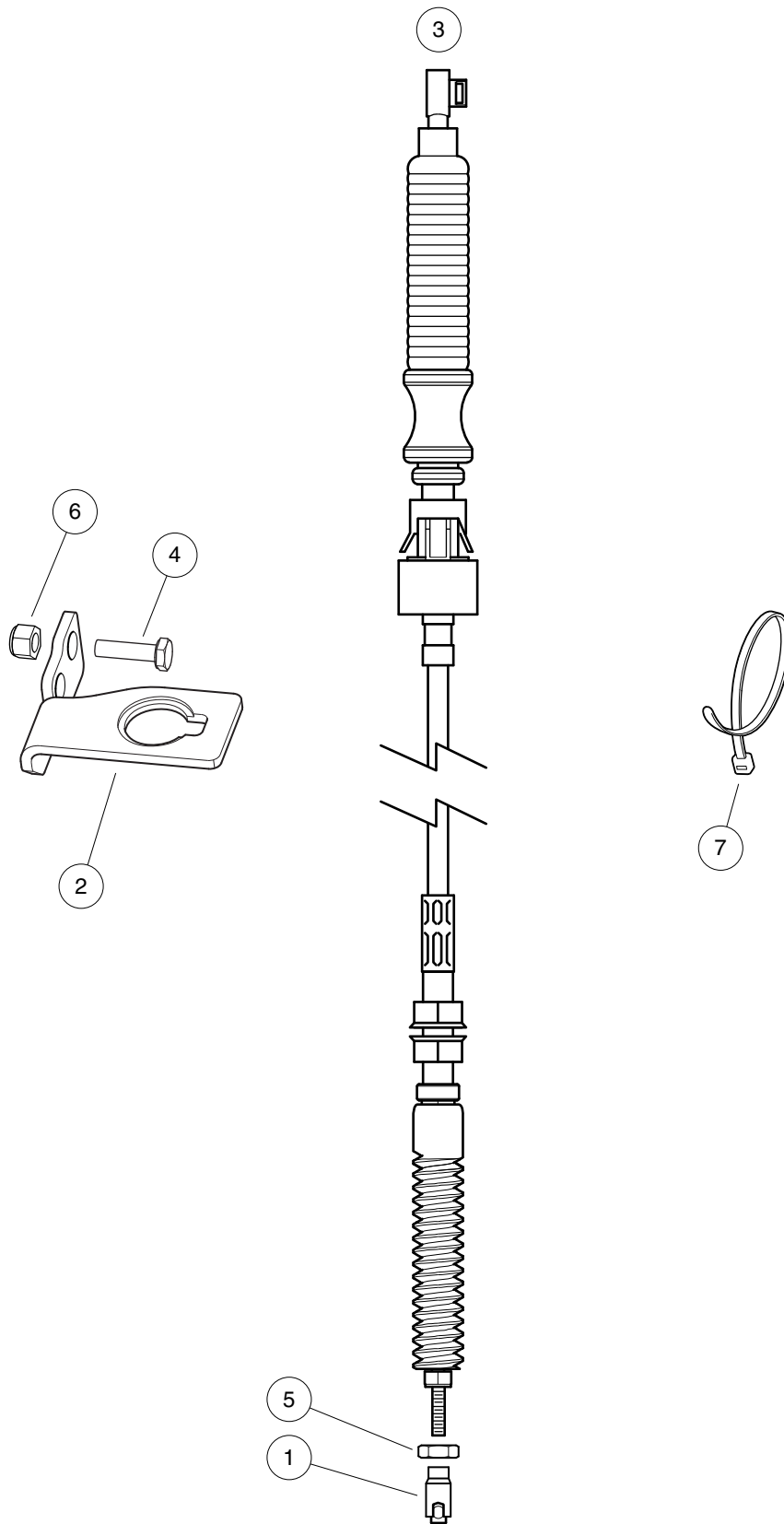


# FORWARD/REVERSE SHIFTER

ITEM	PART NO.	DESCRIPTION	QTY
		1 2 3 4	
1	<u>102376001</u>	Knob, FNR, Shifter .....	1
2	<u>102969901</u>	Asm, Shifter, FNR (includes items 3 through 20) .....	1
3	<u>1010028</u>	Washer, 1/2 Type A Flat .....	1
4	<u>1013061</u>	Locknut, #10-32 Nylon Insert .....	1
5	<u>1014807</u>	Switch, Limit .....	2
6	<u>1014808</u>	Switch, Limit .....	1
7	<u>1015878</u>	Screw, #4-40 Hex Head Machine .....	2
8	<u>102526201</u>	Stud, Thread, 1/4-28 .....	1
9	<u>102616701</u>	Locknut, M10x1.5 Nylon Insert .....	1
10	<u>102684602</u>	Shoulder Bolt, M12 X 25.0 .....	1
11	<u>102969401</u>	Bracket, Shifter, FNR .....	1
12	<u>102969801</u>	Weldment, Shift Lever, FNR .....	1
13	<u>103173301</u>	Bushing, Greaseless, 12mm Id .....	1
14	<u>103177401</u>	Washer, Thrust, Shifter, FNR .....	1
15	<u>103192701</u>	Spring, Comp, .97 Od X.75 L .....	1
16	<u>103369501</u>	Cam, Limit Switch, Fnr Shifter .....	1
17	<u>8057</u>	Nut, #4-40 Hex Machine .....	2
18	<u>8058</u>	Lockwasher, #4 Split .....	2
19	8104	Screw, #10-32 X .75 Rd Hd Mach .....	1
20	<u>8717</u>	Locknut, Nylon Insert, 1/4-28 .....	1

13

G



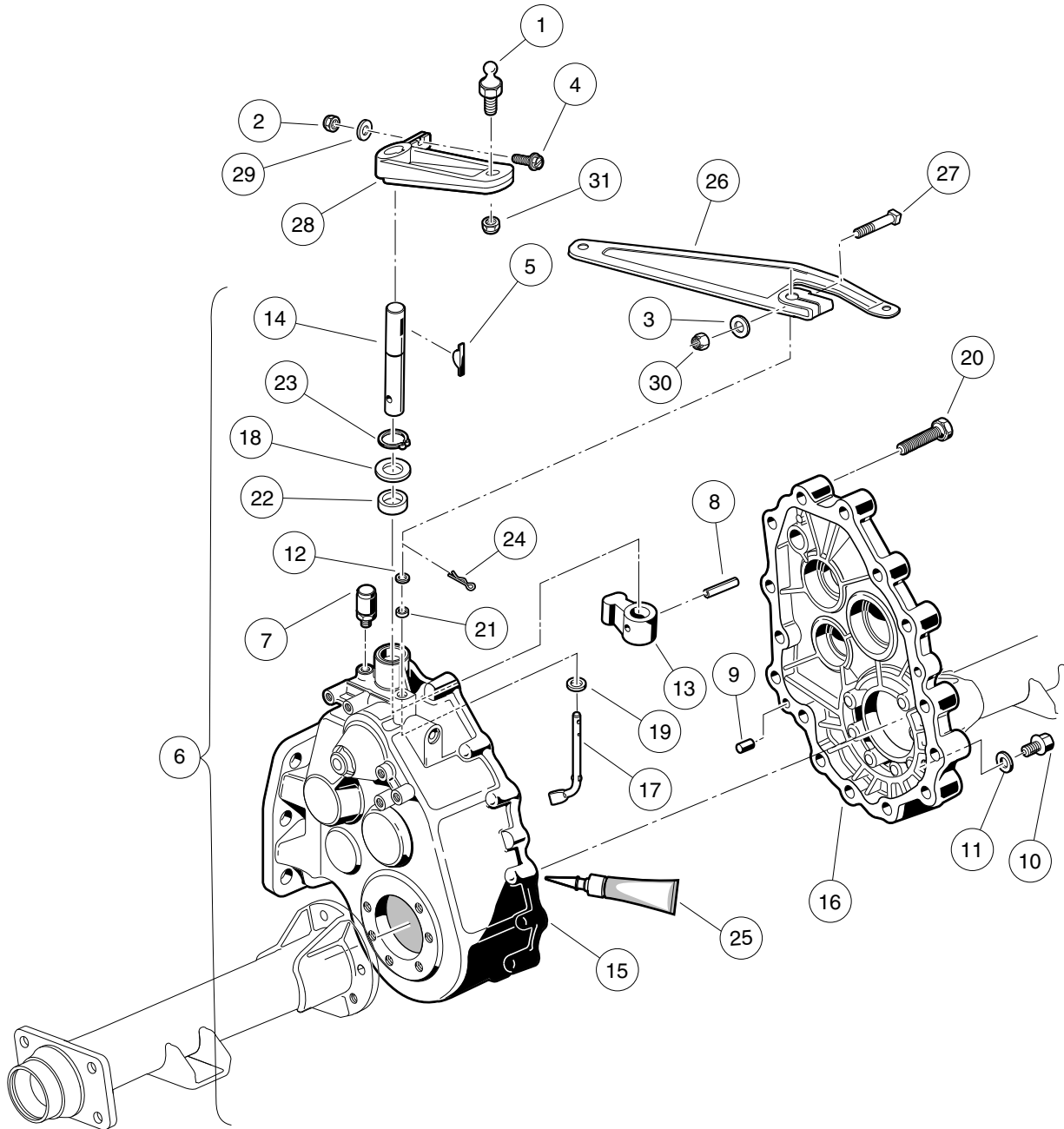
001071-001

# SHIFTER CABLE – TURF/CARRYALL 1

ITEM	PART NO.	DESCRIPTION	QTY
		1 2 3 4	
1	<u>1012333</u>	Joint, #10-32 Ball .....	1
2	<u>103295101</u>	Brkt, Spt, Cable End, Fnr .....	1
3	<u>103295201</u>	Cable, Trans, Ball End, 1550mm .....	1
4	304	Screw, 1/4-20 X 1.0 Hex-Head Cap .....	2
5	<u>7893</u>	Nut, #10-32 Hex .....	1
6	<u>8233</u>	Locknut, 1/4-20, Nylon Insert .....	2
7	<u>8639</u>	Tie Wrap, 11" Nylon .....	A/R

13

G



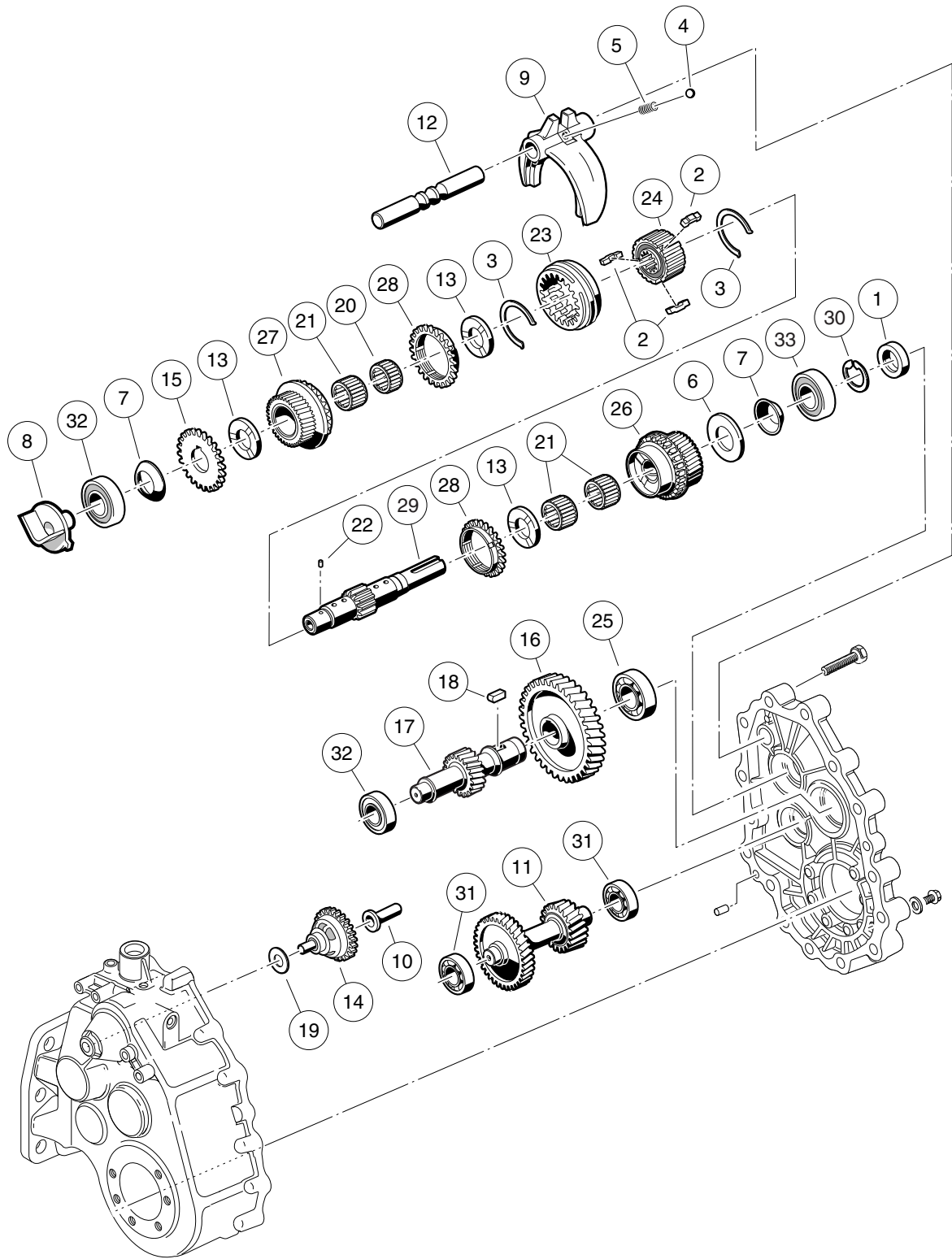
000220-005

# KAWASAKI TRANSAXLE – GEAR CASES AND BRACKETS

13

G

ITEM	PART NO.	DESCRIPTION	QTY
		1 2 3 4	
1	<u>1010954</u>	Stud, Ball, 1/4-28 X 0.560 .....	1
2	<u>1013061</u>	Locknut, #10-32 Nylon Insert .....	1
3	<u>1014007</u>	Washer, 1/4, Flat .....	1
4	<u>1017082</u>	Screw, #10-32 X 0.75, Hex-Head Machine .....	1
5	<u>1017231</u>	Key, Woodruff .....	1
6	<u>101833601</u>	Transaxle, 11.77 Ratio (includes items 7 through 25) .....	1
7	<u>1012711</u>	Breather .....	1
8	<u>1012752</u>	Roll Pin .....	1
9	<u>1012896</u>	Pin, Dowel .....	2
10	<u>1013760</u>	Fill Plug .....	2
11	<u>1016432</u>	Gasket, Drain Plug .....	1
12	<u>1016513</u>	Washer, M6 Flat .....	1
13	<u>101890101</u>	Lever, Drive Selector .....	1
14	<u>101890201</u>	Shaft, Drive Selector .....	1
15	<u>101890501</u>	Gear Case (driver side) .....	1
16	<u>101890601</u>	Gear Case (passenger side) .....	1
17	<u>101891301</u>	Arm Pivot .....	1
18	<u>101892901</u>	Washer .....	1
19	<u>101893801</u>	Washer .....	1
20	<u>101926901</u>	Screw, M8-1.25 X 40mm Hex-Head .....	15
21	<u>101927101</u>	Seal, Oil .....	1
22	<u>101927201</u>	Seal, Oil .....	1
23	<u>101927301</u>	Snap Ring .....	1
24	<u>101928601</u>	Pin, Cotter .....	1
25	<u>101928701</u>	Liquid Gasket (Transaxle case) .....	1
26	<u>101834801</u>	Arm, Governor .....	1
27	<u>101886101</u>	Screw, 1/4-20 X 1.00, Square-Head .....	1
28	<u>102515401</u>	Lever, Transmission Shift .....	1
29	<u>183</u>	Washer, #10, Type A, Flat .....	1
30	<u>8233</u>	Locknut, 1/4-20, Nylon Insert .....	1
31	<u>8717</u>	Locknut, Nylon Insert, 1/4-28 .....	1
		<p>Note: Kawasaki transaxle component listings span three pages. To identify your transaxle, locate the serial number decal on the axle tube.</p>	



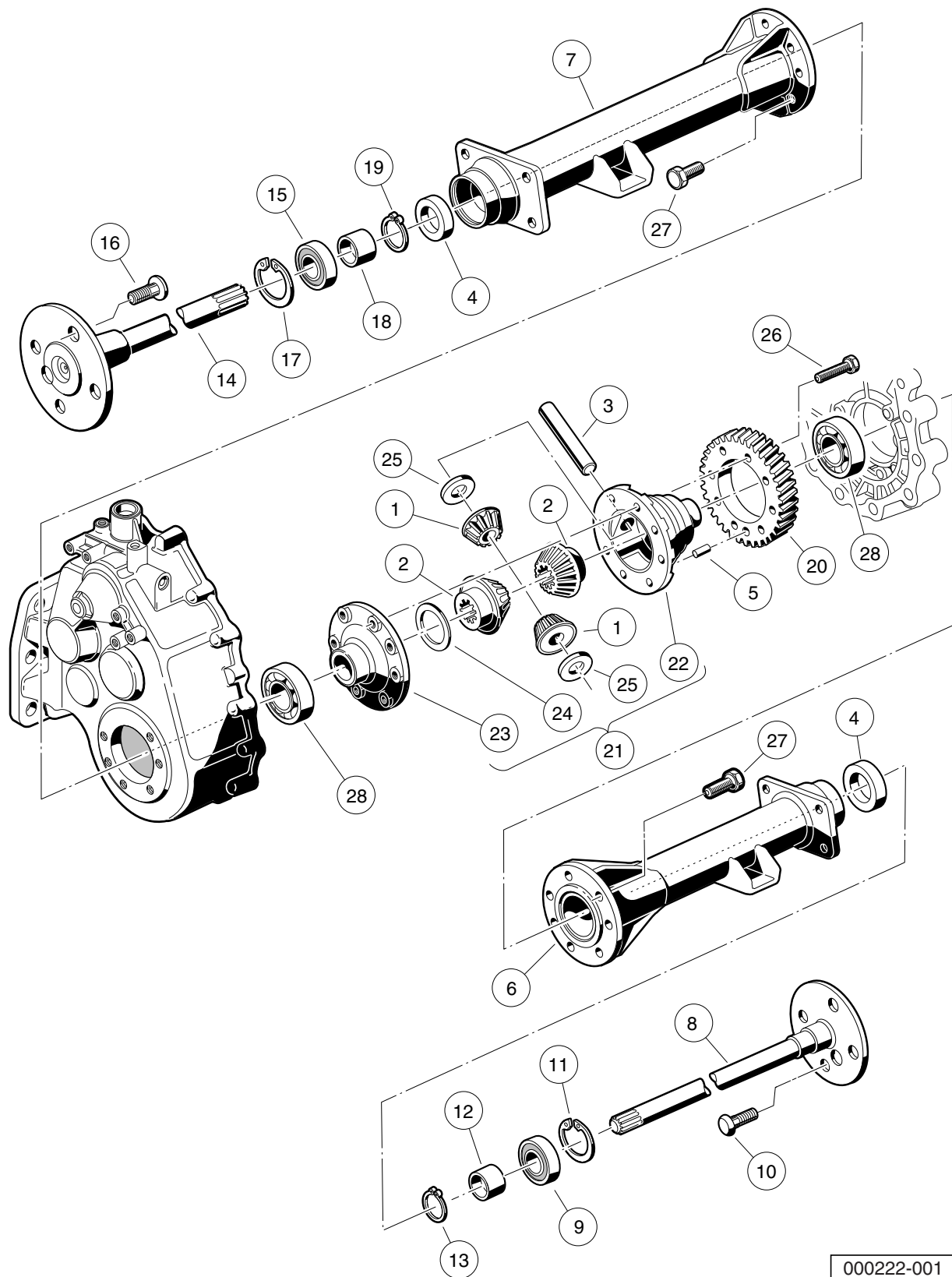
000221-001

# KAWASAKI TRANSAXLE – F&R TRANSMISSION AND GEAR REDUCTION

13

G

ITEM	PART NO.	DESCRIPTION	QTY
		1 2 3 4	
1	<u>1012714</u>	Oil Seal .....	1
2	<u>1012740</u>	Synchro Insert .....	3
3	<u>1012741</u>	Synchro Spring .....	2
4	<u>1012747</u>	Shifter Ball .....	1
5	<u>1012748</u>	Shifter Spring .....	1
6	<u>1016337</u>	Washer, Thrust .....	1
7	<u>1016338</u>	Washer, Spring .....	2
8	<u>101889401</u>	Guide .....	1
9	<u>101890001</u>	Fork - Shift .....	1
10	<u>101891601</u>	Sleeve, Governor .....	1
11	<u>101891901</u>	Gear, Cluster .....	1
12	<u>101892001</u>	Rod, Shift .....	1
13	<u>101892201</u>	Plate, Thrust .....	3
14	<u>101892301</u>	Governor Assembly .....	1
15	<u>101892401</u>	Gear, Spur .....	1
16	<u>101892501</u>	Gear, Helical (61 Tooth) .....	1
17	<u>101892601</u>	Gear, Helical (17 Tooth) .....	1
18	<u>101893201</u>	Key Sunk .....	1
19	<u>101893901</u>	Washer .....	1
20	<u>101927501</u>	Needle Bearing .....	1
21	<u>101927601</u>	Needle Bearing .....	3
22	<u>101927701</u>	Pin, .116" Dia X 0.264 Dowel .....	1
23	<u>101927901</u>	Sleeve, Synchro .....	1
24	<u>101928001</u>	Hub, Synchro Clutch .....	1
25	<u>101928101</u>	Bearing, Ball .....	1
26	<u>101980801</u>	Gear Assembly, 16-Degree Synchro (25 Tooth) .....	1
27	<u>101980901</u>	Gear Assembly, 16-Degree Rear Synchro (28 Tooth) .....	1
28	<u>101981001</u>	Ring, 16-Degree Synchronizer .....	2
29	<u>102453001</u>	Shaft, Trans, with Circlip .....	1
30	<u>102453101</u>	Circlip .....	1
31	<u>7335</u>	Bearing .....	2
32	<u>AM10080</u>	Bearing, Ball, Sealed .....	2
33	<u>AM10081</u>	Bearing, Ball, Sealed .....	1
<p>Note: To identify your transaxle, locate the serial number decal on the axle</p>			



000222-001



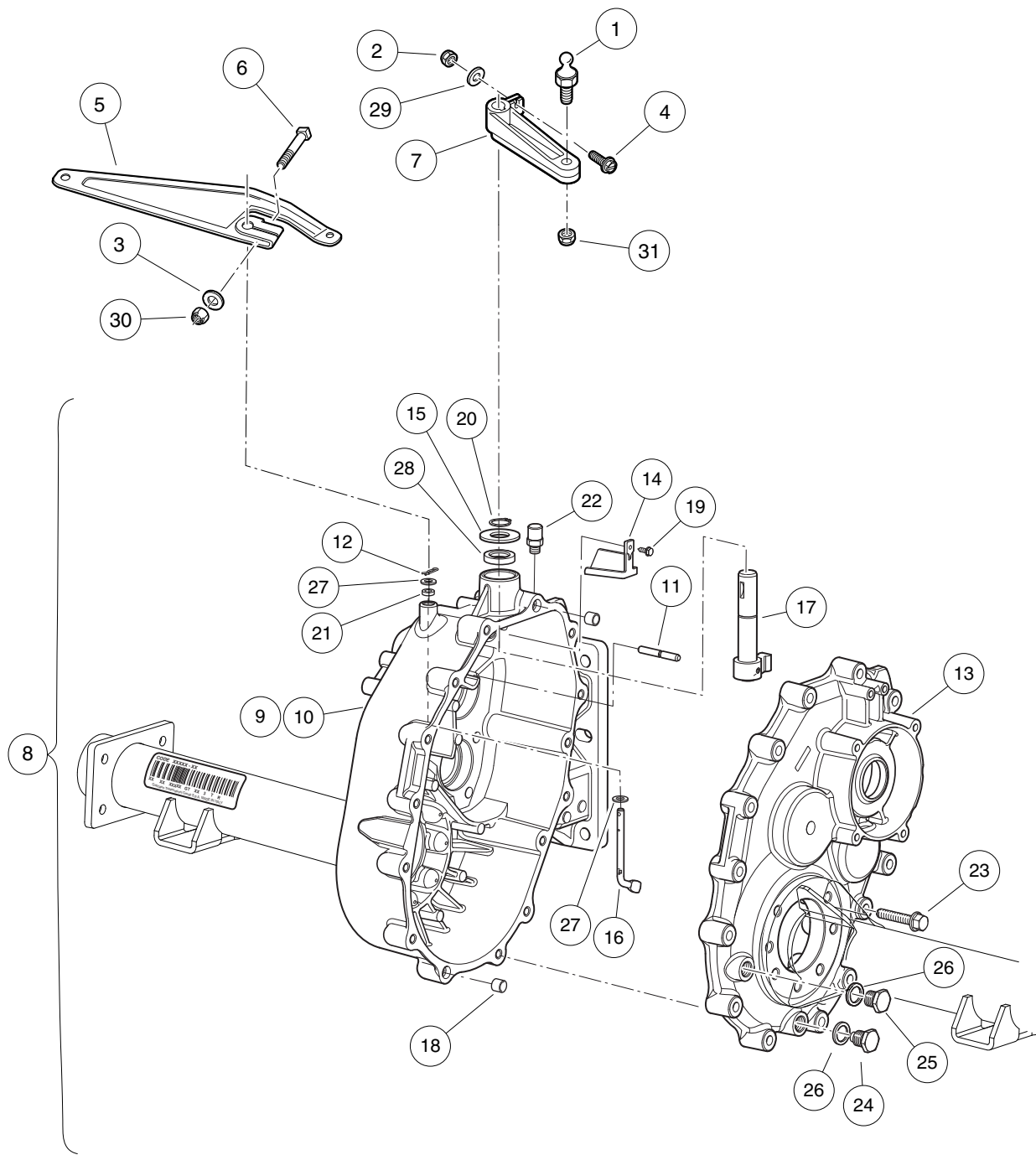
# KAWASAKI TRANSAXLE – DIFFERENTIAL AND AXLES

ITEM	PART NO.	DESCRIPTION	QTY
		1 2 3 4	
1	<u>1013770</u>	Differential Idler Gear .....	2
2	<u>1013771</u>	Gear, Differential .....	2
3	<u>1013772</u>	Pin, Differential .....	1
4	<u>1013794</u>	Axle Shaft Oil Seal .....	2
5	N/A	Dowel Pin .....	1
6	<u>101890901</u>	Axle Tube (Passenger Side) .....	1
7	<u>101891001</u>	Axle Tube (Driver Side) .....	1
8	<u>101891401</u>	Axle Assembly, Passenger Side (includes items 9 through 13) .....	1
9	<u>1011291</u>	Outer Axle, Tube Bearing .....	1
10	<u>1013787</u>	Lug Stud .....	4
11	<u>1013792</u>	Circlip Type C .....	1
12	<u>1014207</u>	Bushing .....	1
13	<u>1016672</u>	Retaining Ring .....	1
14	<u>101891501</u>	Axle Assembly, Driver-Side (includes items 15 through 19) .....	1
15	<u>1011291</u>	Outer Axle, Tube Bearing .....	1
16	<u>1013787</u>	Lug Stud .....	4
17	<u>1013792</u>	Circlip Type C .....	1
18	<u>1014207</u>	Bushing .....	1
19	<u>1016672</u>	Retaining Ring .....	1
20	<u>101892701</u>	Gear, Helical .....	1
21	<u>101910501</u>	Kit, Differential Gear Case (includes items 22 through 25) .....	1
22	<u>1013768</u>	Differential Gear Case, Left-Hand .....	1
23	<u>1013769</u>	Differential Gear Case, Right-Hand .....	1
24	<u>1013773</u>	Plate, Thrust (Differential Gear) .....	1
25	<u>1013774</u>	Plate, Thrust (Idler Gear) .....	2
26	<u>101928301</u>	Screw, M8-1.25 X 35mm Hex Head .....	8
27	<u>102031901</u>	Bolt, M10 X 1.5 X 30mm .....	14
28	<u>7330</u>	Inner Axle Tube Bearing .....	2
Note: To identify your transaxle, locate the serial number decal on the axle			

13

G

**13**  
**G**



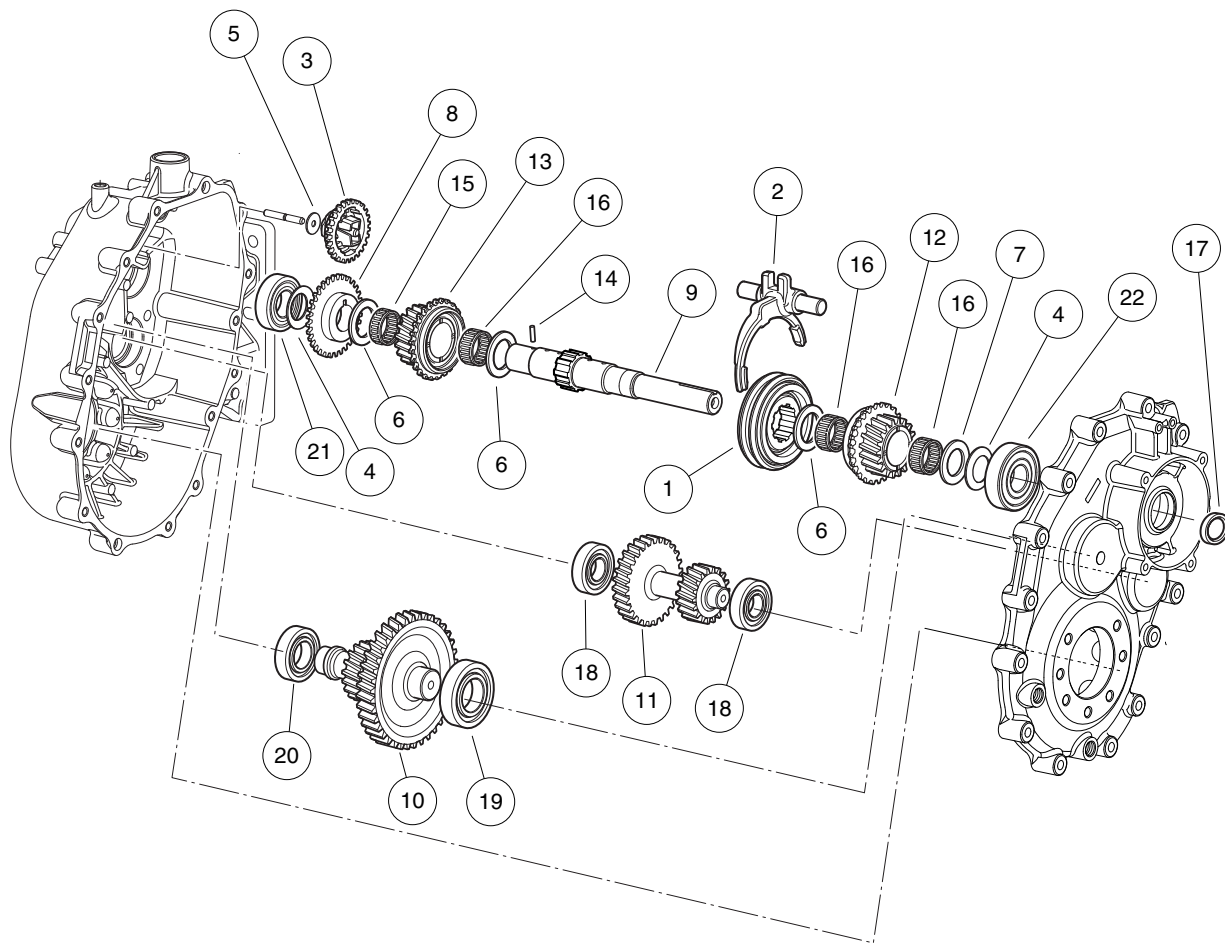
000680-009

# GRAZIANO TRANSAXLE – GEAR CASES AND LEVERS

ITEM	PART NO.	DESCRIPTION	QTY
		1 2 3 4	
1	<u>1010954</u>	Stud, Ball, 1/4-28 X 0.560 .....	1
2	<u>1013061</u>	Locknut, #10-32 Nylon Insert .....	1
3	<u>1014007</u>	Washer, 1/4, Flat .....	1
4	<u>1017082</u>	Screw, #10-32 X 0.75, Hex-Head Machine .....	1
5	<u>101834801</u>	Arm, Governor .....	1
6	<u>101886101</u>	Screw, 1/4-20 X 1.00, Square-Head .....	1
7	<u>102515401</u>	Lever, Transmission Shift .....	1
8	<u>102896801</u>	Transaxle, Unitized, Graziano (includes items 9 through 28) .....	1
9	<u>102896901</u>	Gear Box (Driver-Side) (includes items 10 and 11) .....	1
10	N/A	Gear Box .....	1
11	N/A	Pin, Speed Governor .....	1
12	<u>102897401</u>	Pin, Split .....	1
13	<u>102897501</u>	Cover, Gear Box (Passenger-Side) .....	1
14	<u>102897601</u>	Conveyor, Oil .....	1
15	<u>102897801</u>	Washer, Thrust .....	1
16	<u>102897901</u>	Lever, Speed Governor .....	1
17	<u>102898201</u>	Unit, Drive Selector .....	1
18	<u>102899101</u>	Dowel .....	2
19	<u>102899201</u>	Screw .....	1
20	<u>102899401</u>	Ring, Snap .....	1
21	<u>102899701</u>	Grommet .....	1
22	<u>102899801</u>	Breather .....	1
23	<u>102900001</u>	Screw .....	15
24	<u>102900101</u>	Drain Plug, Magnetic .....	1
25	<u>102900201</u>	Fill Plug .....	1
26	<u>102900301</u>	Seal .....	2
27	<u>102900601</u>	Washer .....	2
28	<u>102900901</u>	Grommet .....	1
29	<u>183</u>	Washer, #10, Type A, Flat .....	1
30	<u>8233</u>	Locknut, 1/4-20, Nylon Insert .....	1
31	<u>8717</u>	Locknut, Nylon Insert, 1/4-28 .....	1
		<p>Note: Graziano transaxle component listings span three pages. To identify your transaxle, locate the serial number decal on the axle tube.</p>	

13

G



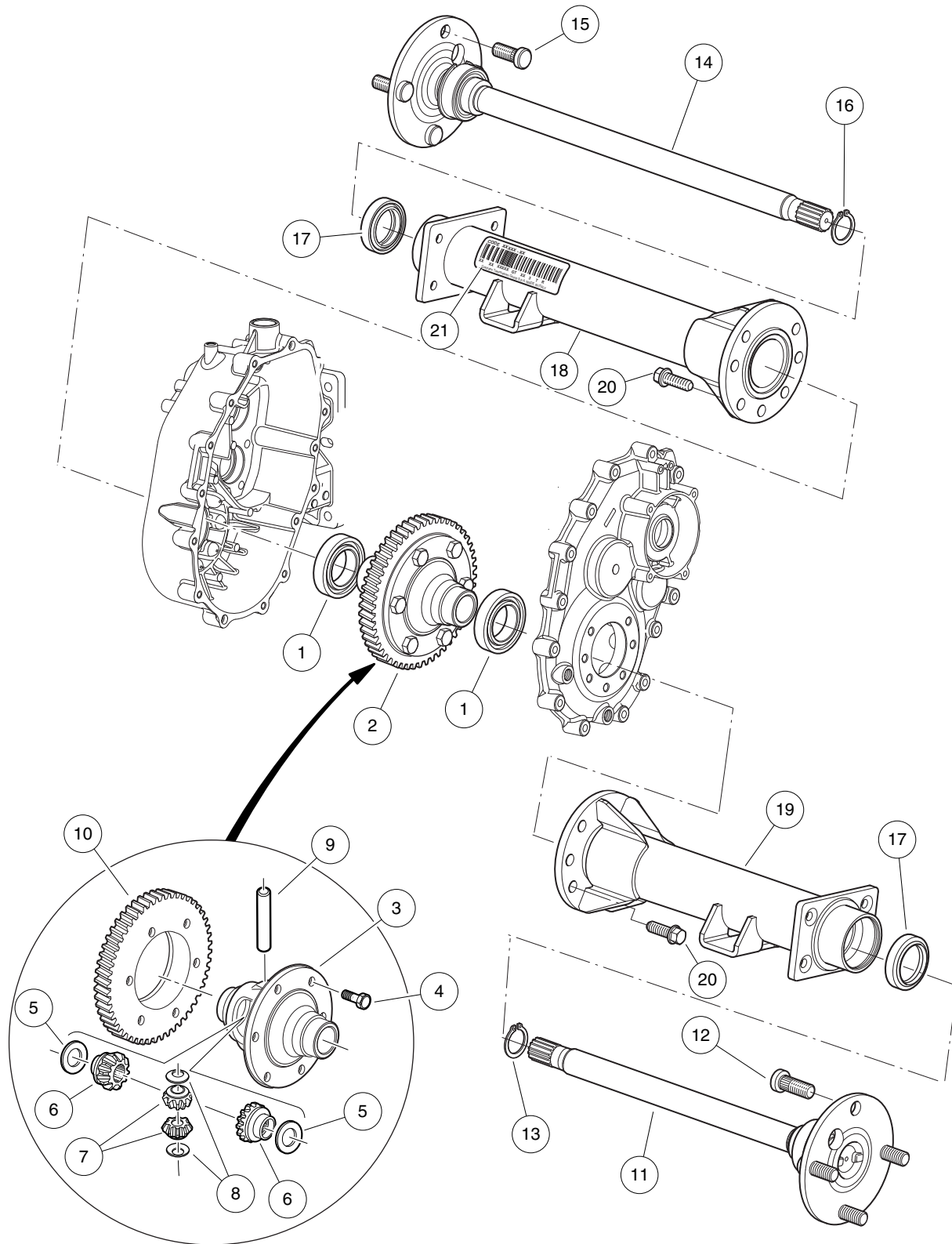
000680-006

# GRAZIANO TRANSAXLE – F&R TRANSMISSION AND GEAR REDUCTION

13

G

ITEM	PART NO.	DESCRIPTION	QTY
		1 2 3 4	
1	<u>102897201</u>	Synchronizer, Complete .....	1
2	<u>102897301</u>	Fork, Complete .....	1
3	<u>102897701</u>	Assembly, Speed Governor .....	1
4	<u>102898001</u>	Washer, Belleville .....	2
5	<u>102898101</u>	Bearing, Thrust .....	1
6	<u>102898301</u>	Bearing, Thrust .....	3
7	<u>102898401</u>	Washer, Thrust .....	1
8	<u>102898501</u>	Gear, Speed Governor .....	1
9	<u>102898601</u>	Shaft, Main .....	1
10	<u>102898701</u>	Shaft, Secondary .....	1
11	<u>102898801</u>	Shaft, Reverse Gear .....	1
12	<u>102898901</u>	Gear, Complete, 25t .....	1
13	<u>102899001</u>	Gear, Complete, 28t .....	1
14	<u>102899301</u>	Pin .....	1
15	<u>102899501</u>	Cage, Roller .....	1
16	<u>102899601</u>	Cage, Roller .....	3
17	<u>102899901</u>	Grommet .....	1
18	<u>102900401</u>	Bearing .....	2
19	<u>102900501</u>	Bearing, 62 Od X 30 Id X 16 .....	1
20	<u>102900701</u>	Bearing .....	1
21	<u>102901001</u>	Bearing .....	1
22	<u>102901101</u>	Bearing .....	1
<p>Note: To identify your transaxle, locate the serial number decal on the axle tube.</p>			



000681-002

# GRAZIANO TRANSAXLE -DIFFERENTIAL AND AXLES

ITEM	PART NO.	DESCRIPTION	QTY
		1 2 3 4	
1	<u>102900801</u>	Bearing, 68 Od X 40 Id X 15 .....	2
2	<u>102902001</u>	Assembly, Differential (includes items 3 through 10) .....	1
3	<u>102901201</u>	Box, Differential .....	1
4	<u>102901301</u>	Screw, M10 X 25 .....	6
5	<u>102901401</u>	Ring, Sleeve .....	2
6	<u>102901501</u>	Gear, Sun .....	2
7	<u>102901601</u>	Gear, Planetary .....	2
8	<u>102901701</u>	Ring, Sleeve .....	2
9	<u>102901801</u>	Pin .....	1
10	<u>102901901</u>	Gear .....	1
11	<u>102902101</u>	Shaft, Axle, Short, Complete (Passenger-Side) (includes items 12 and 13) .....	1
12	<u>102902301</u>	Bolt, Stud .....	4
13	<u>102902401</u>	Snap Ring .....	1
14	<u>102902201</u>	Shaft, Axle, Long, Complete (Driver-Side) (includes items 15 and 16) .....	1
15	<u>102902301</u>	Bolt, Stud .....	4
16	<u>102902401</u>	Snap Ring .....	1
17	<u>102902501</u>	Seal, Lip .....	2
18	<u>102902601</u>	Axle Tube, (Driver-Side) .....	1
19	<u>102902701</u>	Axle Tube, (Passenger-Side) .....	1
20	<u>102902801</u>	Screw, M10 X 30 .....	14
21	N/A	Tag, Serial .....	1
Note: To identify your transaxle, locate the serial number decal on the axle tube.			

13

G

13

G

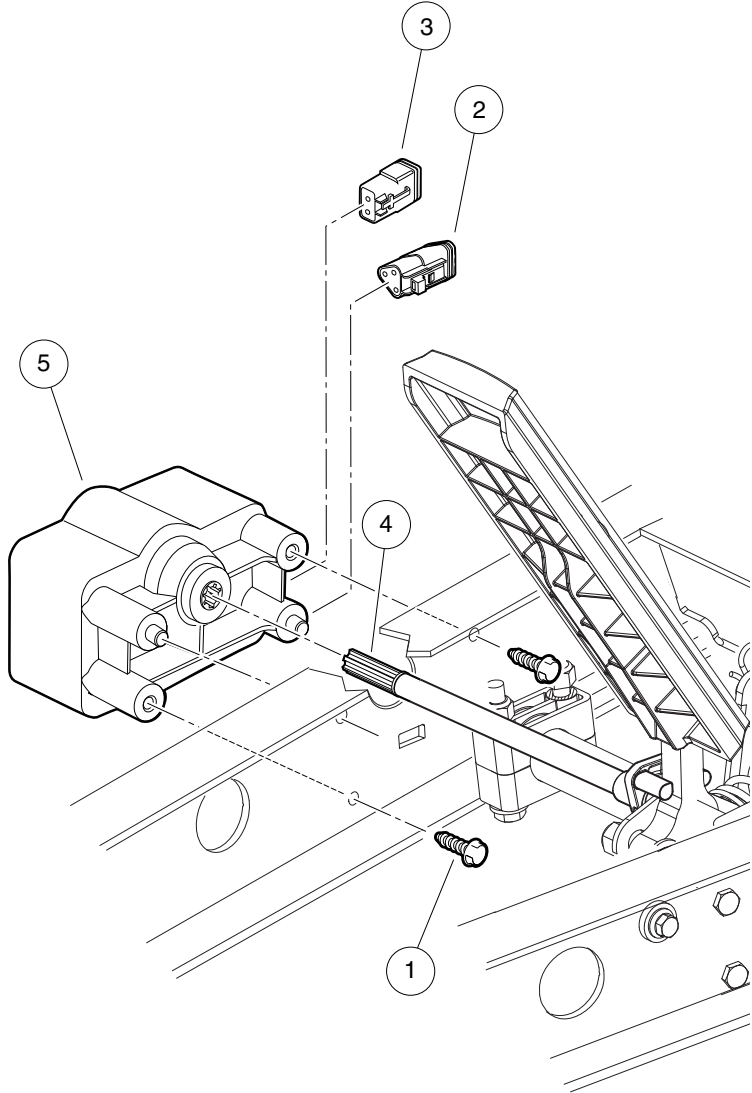


# ELECTRICAL SYSTEM – ELECTRIC VEHICLES

---

14

E



001070-001

# MOTOR CONTROLLER OUTPUT REGULATOR (MCOR)

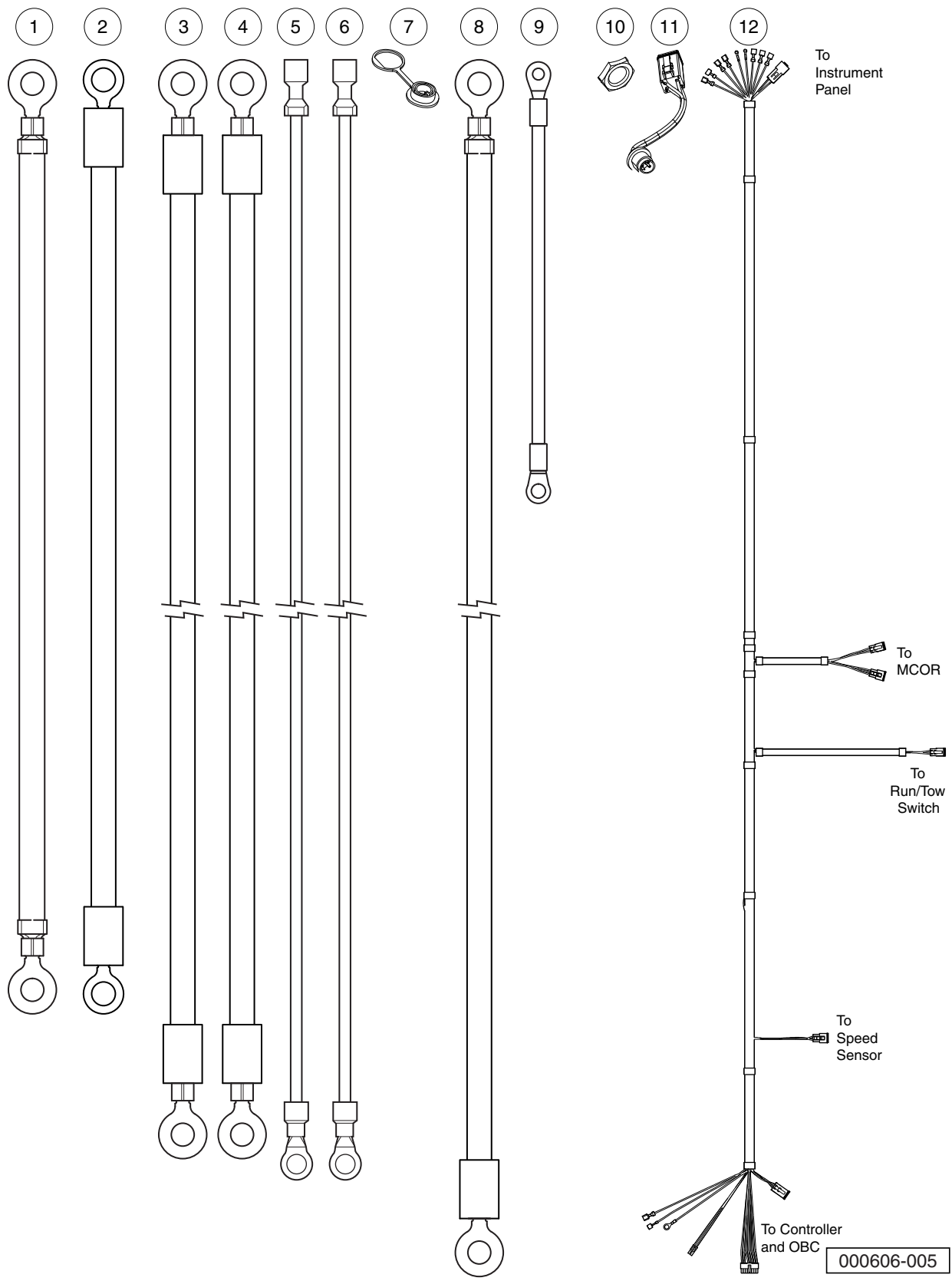
ITEM	PART NO.	DESCRIPTION	QTY
		1 2 3 4	
1	<u>1015752</u>	Screw, #12-16 X 0.625, Hi-Lo .....	2
2	<u>101920101</u>	Kit, 3-Pin Wedge Lock .....	1
3	<u>101936801</u>	Kit, 2-Pin Wedge Lock .....	1
4	102101001	Bar, Drive, Cast .....	1
5	<u>102101101</u>	MCOR .....	1

14

E

14

E



# WIRING – TURF/CA 1 ELECTRIC

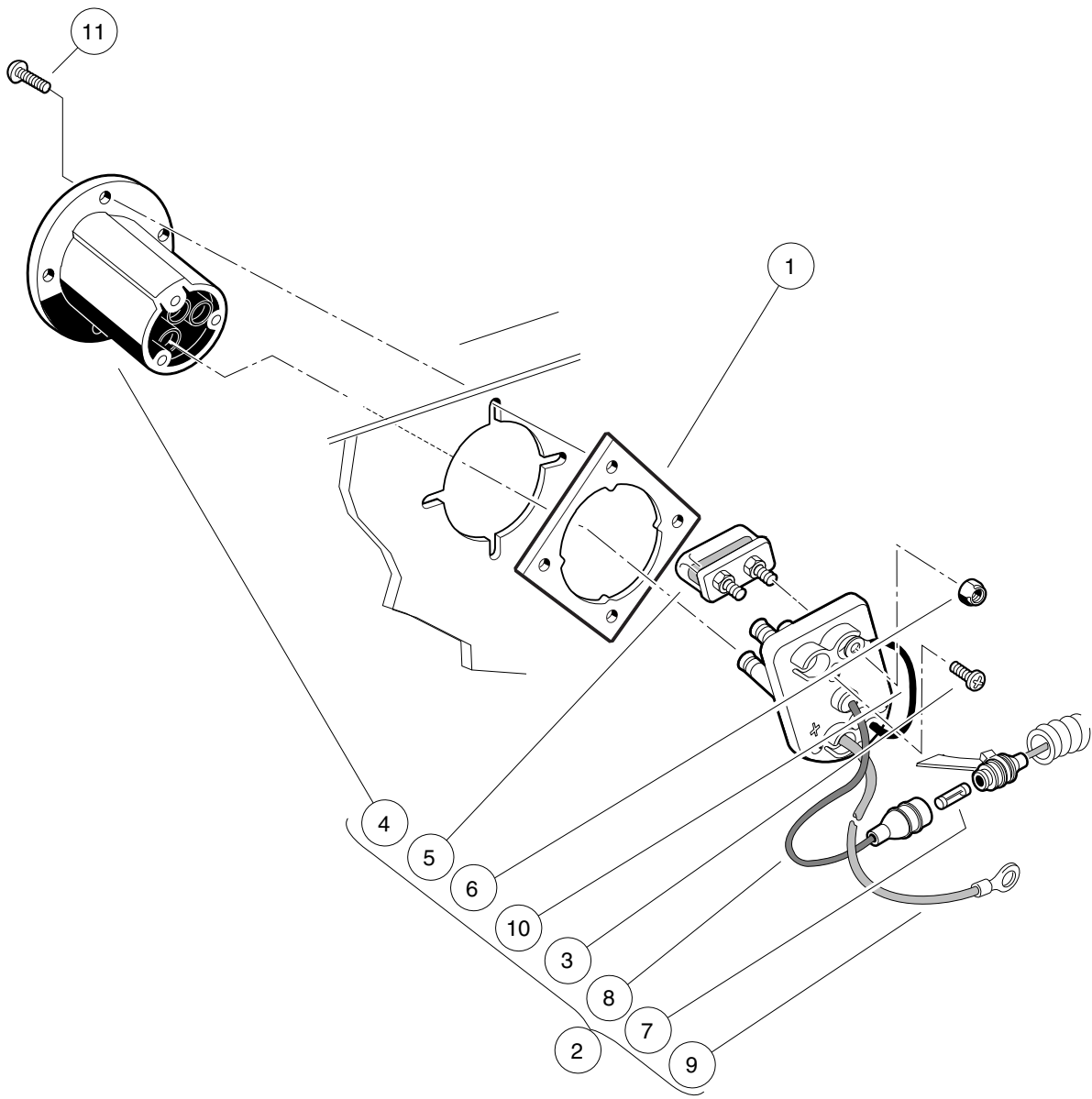
ITEM	PART NO.	DESCRIPTION	QTY
		1 2 3 4	
1	<u>101795701</u>	Asm, Wire, #6blk, 15 In .....	5
2	<u>101903001</u>	Wire Assembly #6 Yellow .....	1
3	<u>101968701</u>	Wire Assy, #6 White .....	1
4	<u>101978001</u>	Wire Assy, #6 Green .....	1
5	<u>101978102</u>	Asm, Wire, #10 Orange 1/4 .....	1
6	<u>101978202</u>	Asm, Wire, #10 Blue 1/4 .....	1
7	<u>102196901</u>	Dust Cap .....	1
8	<u>102199601</u>	Wire Asm, #6 Red, 37.7 .....	1
9	<u>102263601</u>	Wire Assy, #10 Black .....	1
10	<u>102572401</u>	Nut, Diagnostic Port, Prec .....	1
11	<u>103218601</u>	Harness, Diagnostic Port .....	1
12	<u>103221801</u>	Asm, Wire Harness, Electric .....	1

14

E

14

E



000369-001

# BATTERY CHARGER RECEPTACLE

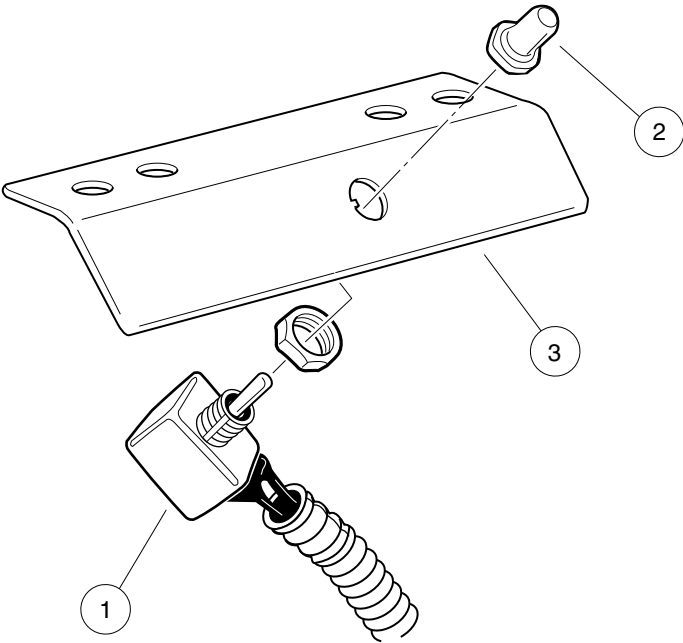
ITEM	PART NO.	DESCRIPTION	QTY
		1 2 3 4	
1	<u>101801001</u>	Plate, Receptacle Backing .....	1
2	<u>101802101</u>	Fuse and Receptacle Assembly (includes items 3 through 10) .....	1
3	<u>1017705</u>	Screw, #8 X 5/8 Phillips Pan-Head Type AB .....	3
4	<u>101796501</u>	Receptacle .....	1
5	<u>101796801</u>	Fuse Assembly (includes item 6) .....	1
6	<u>1013061</u>	Locknut, #10-32 Nylon Insert .....	2
7	<u>101894901</u>	Fuse, 3/8-Amp .....	1
8	N/A	Wire Assembly, Sense Lead, Gray .....	1
9	N/A	Wire Assembly, #10 Red .....	1
10	N/A	Wire Assembly, #10 Black .....	1
11	<u>101832001</u>	Screw, #7-19 X 0.625 Phillips Pan-Head Tap .....	4

14

E

14

E



000605-002

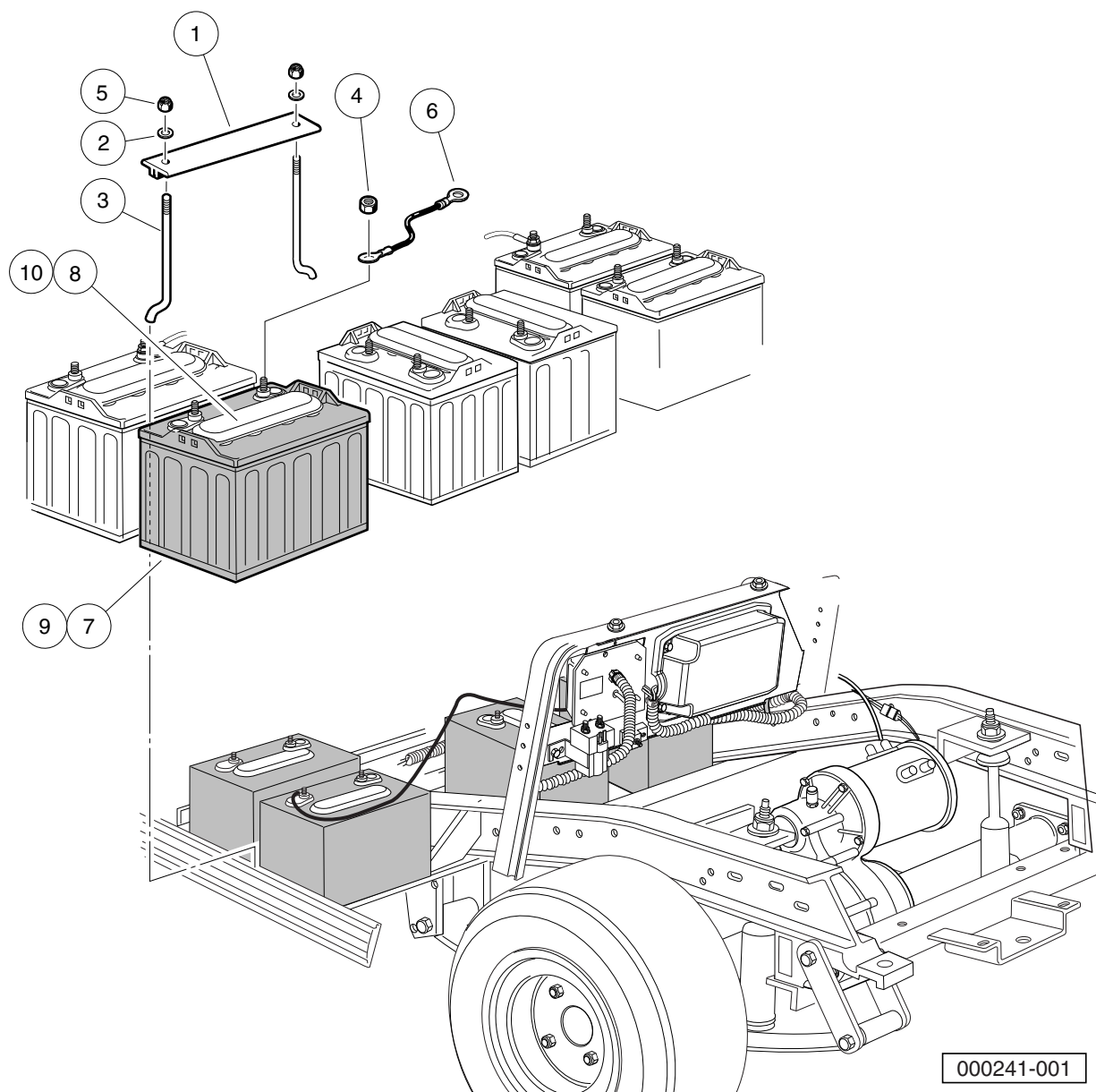


# TOW/RUN SWITCH – IQ SYSTEM

ITEM	PART NO.	DESCRIPTION	QTY
		1 2 3 4	
1	<u>101908101</u>	Switch Assembly, Tow/Run .....	1
2	<u>101908401</u>	Boot, Switch .....	1
3	<u>101922501</u>	Bracket, Tow/Run Switch Mounting .....	1

14

E

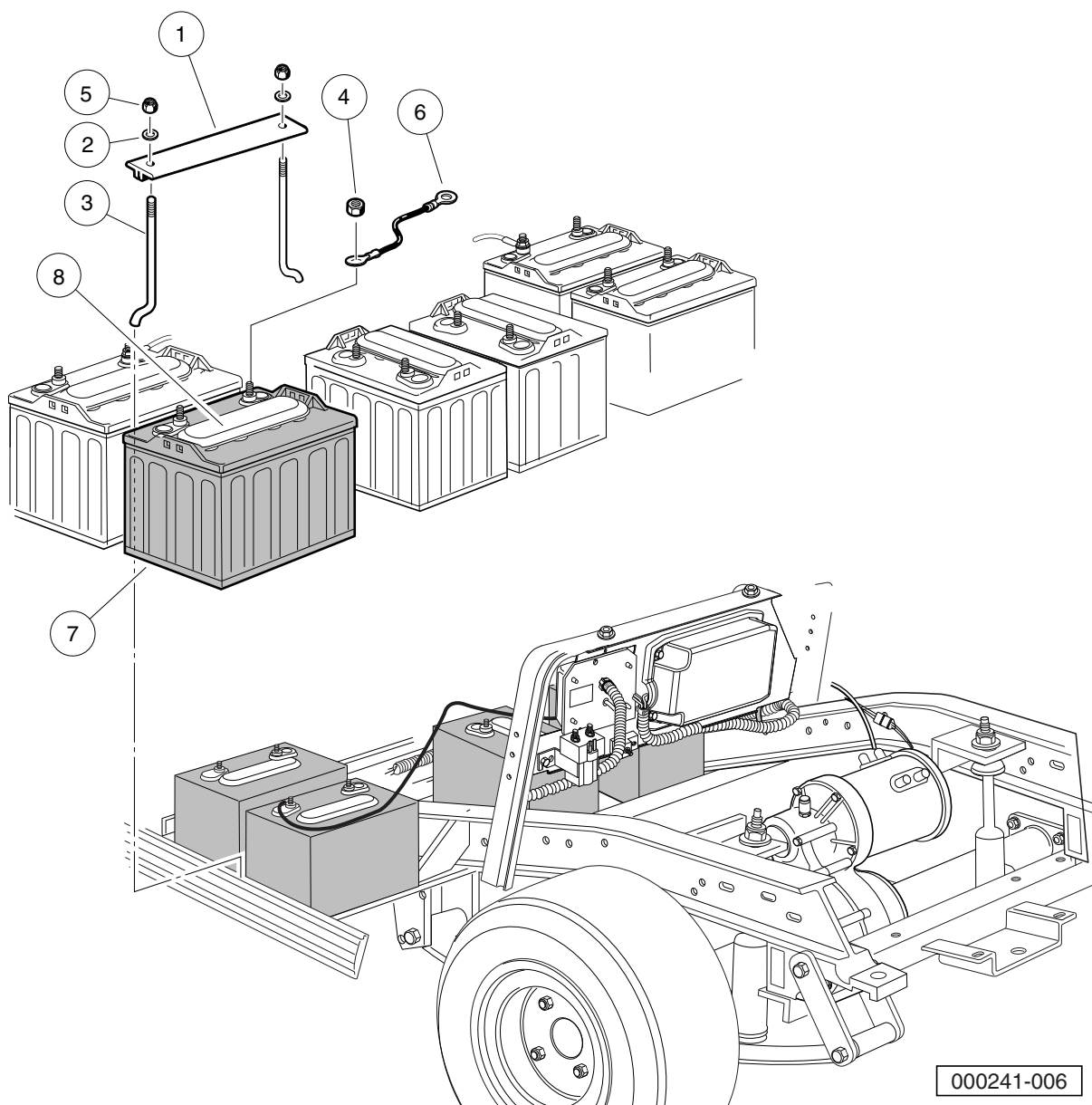


## BATTERIES, 8-VOLT, TROJAN T890

ITEM	PART NO.	DESCRIPTION	QTY
		1 2 3 4	
1	<u>101090801</u>	Hold-Down, Battery .....	3
2	1012571	Washer, 5/16 Extra Thick Flat .....	6
3	1013683	J-Bolt .....	6
4	<u>1014304</u>	Nut, 5/16-18 Stainless-Steel Hex .....	12
5	1015072	Locknut, 5/16-18 Nylon Insert .....	6
6	<u>101795701</u>	Asm, Wire, #6blk, 15 In .....	5
7	<u>101964201</u>	Battery, 8v Trojan T890 (Wet) (includes item 8) .....	6
8	<u>101797801</u>	Cap, 4-Gang Battery .....	1
9	<u>101964202</u>	Battery, 8v Trojan T890 (Dry, also known as moist) (includes item 10) .....	6
10	<u>101797801</u>	Cap, 4-Gang Battery .....	1

14

E

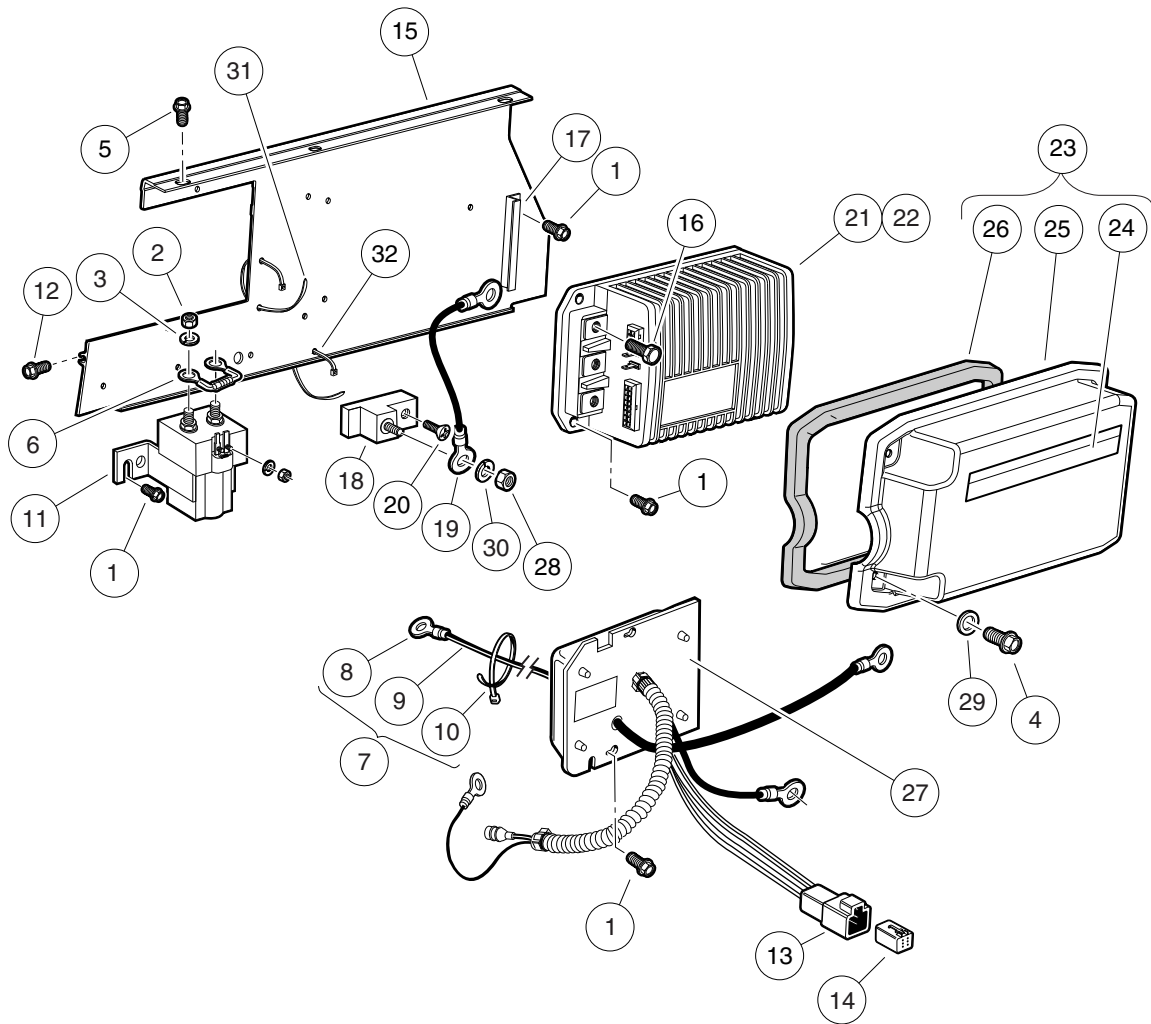


# BATTERIES, 8-VOLT, CROWN

ITEM	PART NO.	DESCRIPTION	QTY
		<b>1 2 3 4</b>	
1	<u>101090801</u>	Hold-Down, Battery .....	3
2	1012571	Washer, 5/16 Extra Thick Flat .....	6
3	1013683	J-Bolt .....	6
4	<u>1014304</u>	Nut, 5/16-18 Stainless-Steel Hex .....	12
5	1015072	Locknut, 5/16-18 Nylon Insert .....	6
6	<u>101795701</u>	Asm, Wire, #6blk, 15 In .....	5
7	<u>103719801</u>	Battery, 8-Volt, Crown CR190 (includes item 8) .....	6
8	<u>103878401</u>	Cap, Batt, 8v, Crown, Svc .....	1

**14**

**E**



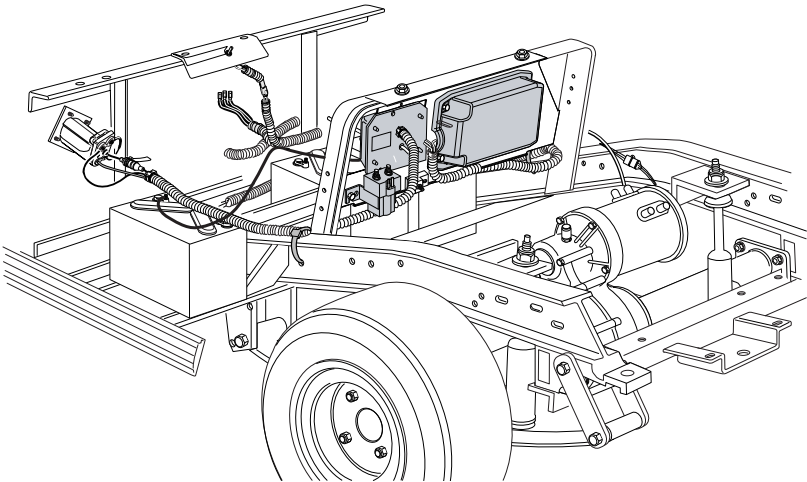
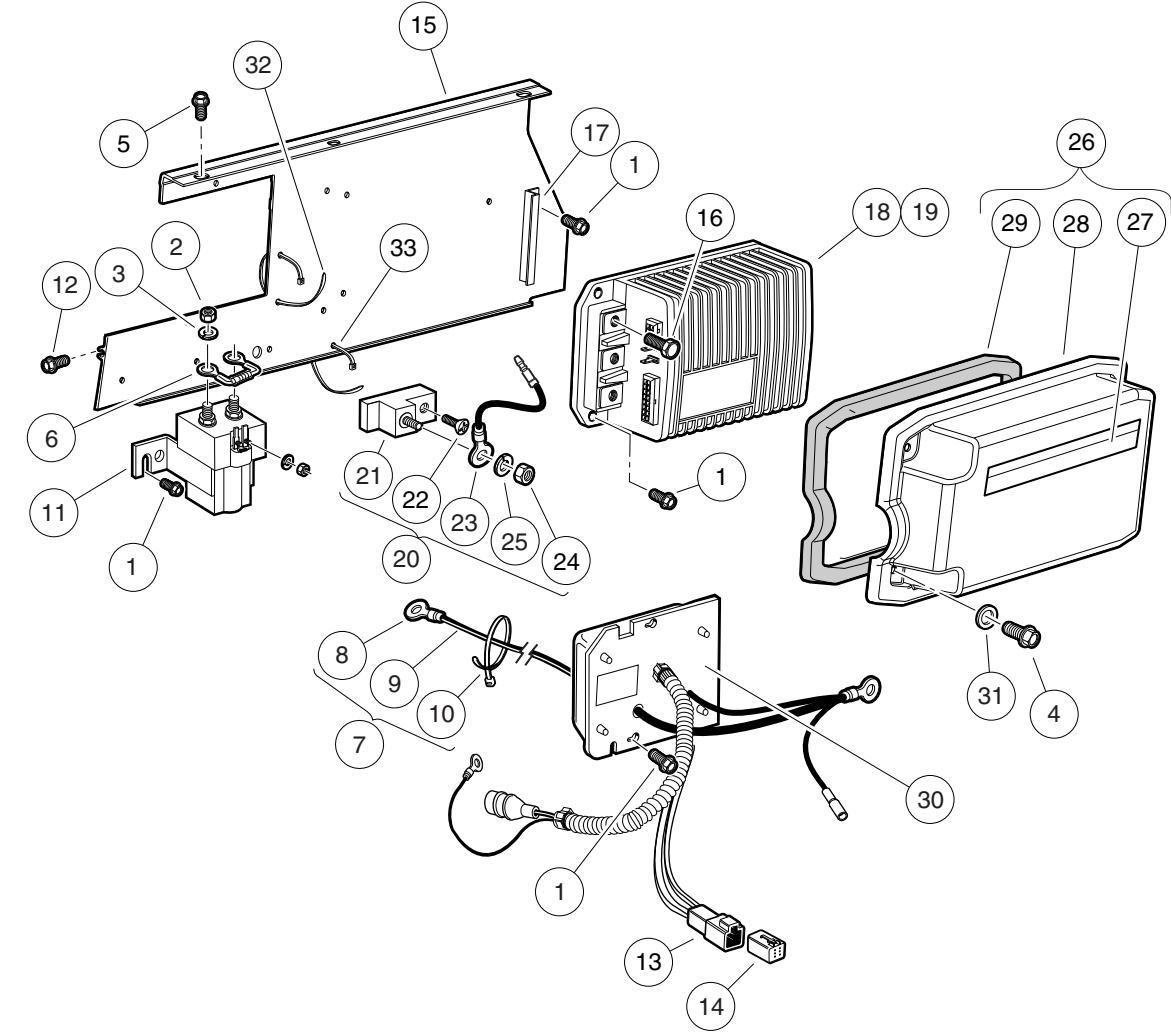
000607-003

# COMPUTER, CONTROLLER, AND SOLENOID – FOR TROJAN BATTERIES ONLY

ITEM	PART NO.	DESCRIPTION	QTY
		<b>1 2 3 4</b>	
1	<u>1012285</u>	Screw, 1/4 X 0.625 Hex-Head .....	14
2	<u>1012528</u>	Nut, M8-1.25 Hex .....	2
3	<u>1013734</u>	Lockwasher, 8mm Split .....	2
4	<u>1014063</u>	Screw, 1/4-20 X 1.00, Hex Head .....	2
5	<u>1014288</u>	Screw, 5/16-18 X 0.75, Thread-Forming .....	2
6	<u>1014947</u>	Resistor Assembly .....	1
7	101827801	Ground Wire Kit, 48-Volt (includes items 8 through 10) .....	1
8	101826801	Compression Lug .....	1
9	N/A	Wire Assembly, Black .....	1
10	<u>8990</u>	Tie Wrap, 8" Nylon .....	3
11	<u>101908703</u>	Solenoid, 48v W/ Diode .....	1
12	<u>101910401</u>	Screw, 5/16-18 X 1.25 Thrd Frm .....	2
13	<u>101932601</u>	Kit, 6-Pin Wedge Lock .....	1
14	<u>101932701</u>	Kit, 6-Pin Receptacle and Wedge Lock .....	1
15	<u>101965202</u>	Plate, Component Mounting .....	1
16	<u>102240501</u>	Bolt, Controller, Terminal .....	3
17	<u>102243101</u>	Extrusion, Cover Support .....	1
18	<u>102259801</u>	Terminal Block .....	1
19	<u>102263601</u>	Wire Assy, #10 Black .....	1
20	<u>102263701</u>	Screw, #10-24 X 0.75 Phillips, Thread-Forming .....	1
21	<u>102806201</u>	Controller, IQ, 48-volt .....	1
22	<u>102806203</u>	Controller, IQ, 48-volt, CE .....	1
23	<u>103316901</u>	Cover Asm - Controller (includes items 24 through 26) .....	1
24	<u>101931501</u>	Decal, Component Cover .....	1
25	<u>103316701</u>	Cover - Controller, Deep .....	1
26	<u>103316801</u>	Gasket - Controller Cover .....	1
27	103403101	Asm, Obc, Iq, V3.0 .....	1
28	<u>1242</u>	Nut, 5/16-18 Hex .....	1
29	<u>332</u>	Washer, 1/4 Type A Narrow Flat .....	2
30	<u>7174</u>	Lockwasher, 5/16 Split .....	1
31	<u>8639</u>	Tie Wrap, 11" Nylon .....	1
32	<u>8990</u>	Tie Wrap, 8" Nylon .....	1

**14**

**E**



000607-004



# COMPUTER, CONTROLLER, AND SOLENOID – FOR TROJAN & CROWN BATTERIES

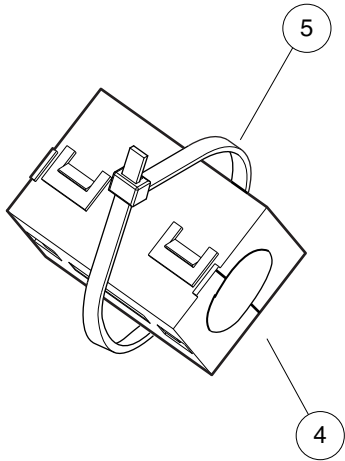
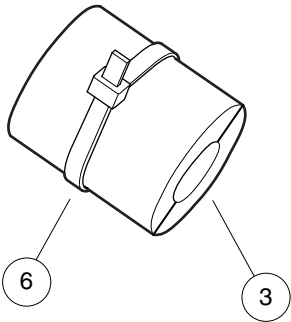
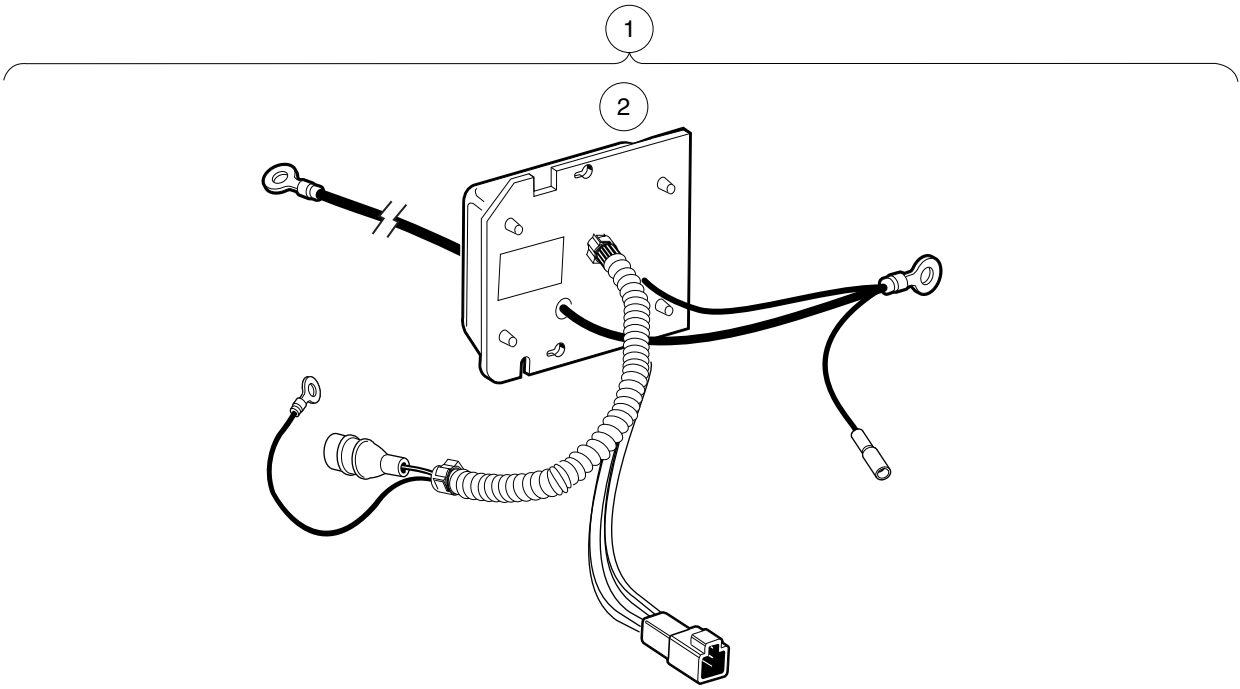
ITEM	PART NO.	DESCRIPTION	QTY
		1 2 3 4	
1	<u>1012285</u>	Screw, 1/4 X 0.625 Hex-Head .....	9
2	<u>1012528</u>	Nut, M8-1.25 Hex .....	2
3	<u>1013734</u>	Lockwasher, 8mm Split .....	2
4	<u>1014063</u>	Screw, 1/4-20 X 1.00, Hex Head .....	2
5	<u>1014288</u>	Screw, 5/16-18 X 0.75, Thread-Forming .....	2
6	<u>1014947</u>	Resistor Assembly .....	1
7	101827801	Ground Wire Kit, 48-Volt (includes items 8 through 10) .....	1
8	101826801	Compression Lug .....	1
9	N/A	Wire Assembly, Black .....	1
10	<u>8990</u>	Tie Wrap, 8" Nylon .....	3
11	<u>101908703</u>	Solenoid, 48v W/ Diode .....	1
12	<u>101910401</u>	Screw, 5/16-18 X 1.25 Thrd Frm .....	2
13	<u>101932601</u>	Kit, 6-Pin Wedge Lock .....	1
14	<u>101932701</u>	Kit, 6-Pin Receptacle and Wedge Lock .....	1
15	<u>101965202</u>	Plate, Component Mounting .....	1
16	<u>102240501</u>	Bolt, Controller, Terminal .....	3
17	<u>102243101</u>	Extrusion, Cover Support .....	1
18	<u>102806201</u>	Controller, IQ, 48-volt .....	1
19	<u>102806203</u>	Controller, IQ, 48-volt, CE .....	1
20	<u>103282701</u>	Kit, Terminal Block Ground (includes items 21 through 25) .....	1
21	<u>102259801</u>	Terminal Block .....	1
22	<u>102263701</u>	Screw, #10-24 X 0.75 Phillips, Thread-Forming .....	1
23	<u>103282601</u>	Wire Assembly Black #10 .....	1
24	<u>1242</u>	Nut, 5/16-18 Hex .....	1
25	<u>7174</u>	Lockwasher, 5/16 Split .....	1
26	<u>103316901</u>	Cover Asm - Controller (includes items 27 through 29) .....	1
27	<u>101931501</u>	Decal, Component Cover .....	1
28	<u>103316701</u>	Cover - Controller, Deep .....	1
29	<u>103316801</u>	Gasket - Controller Cover .....	1
30	<u>103697301</u>	Obc, Iq, A1, #6 .....	1
31	<u>332</u>	Washer, 1/4 Type A Narrow Flat .....	2
32	<u>8639</u>	Tie Wrap, 11" Nylon .....	1
33	<u>8990</u>	Tie Wrap, 8" Nylon .....	1

14

E

14

E



001279-001

# CE COMPLIANCE KIT – TURF AND CARRYALL 1

ITEM	PART NO.	DESCRIPTION	QTY
		1 2 3 4	
1	<u>103584801</u>	Kit, IQ EMC Compliance (includes items 2 through 6) .....	1
2	<u>102806203</u>	Controller, IQ, 48-volt, CE .....	1
3	<u>103449501</u>	Bead, Ferrite, Tdk .....	2
4	<u>103449601</u>	Bead, Ferrite, Fair-rite .....	3
5	<u>8639</u>	Tie Wrap, 11" Nylon .....	4
6	<u>8990</u>	Tie Wrap, 8" Nylon .....	4

14

E

**14**

***E***

# ELECTRIC MOTOR

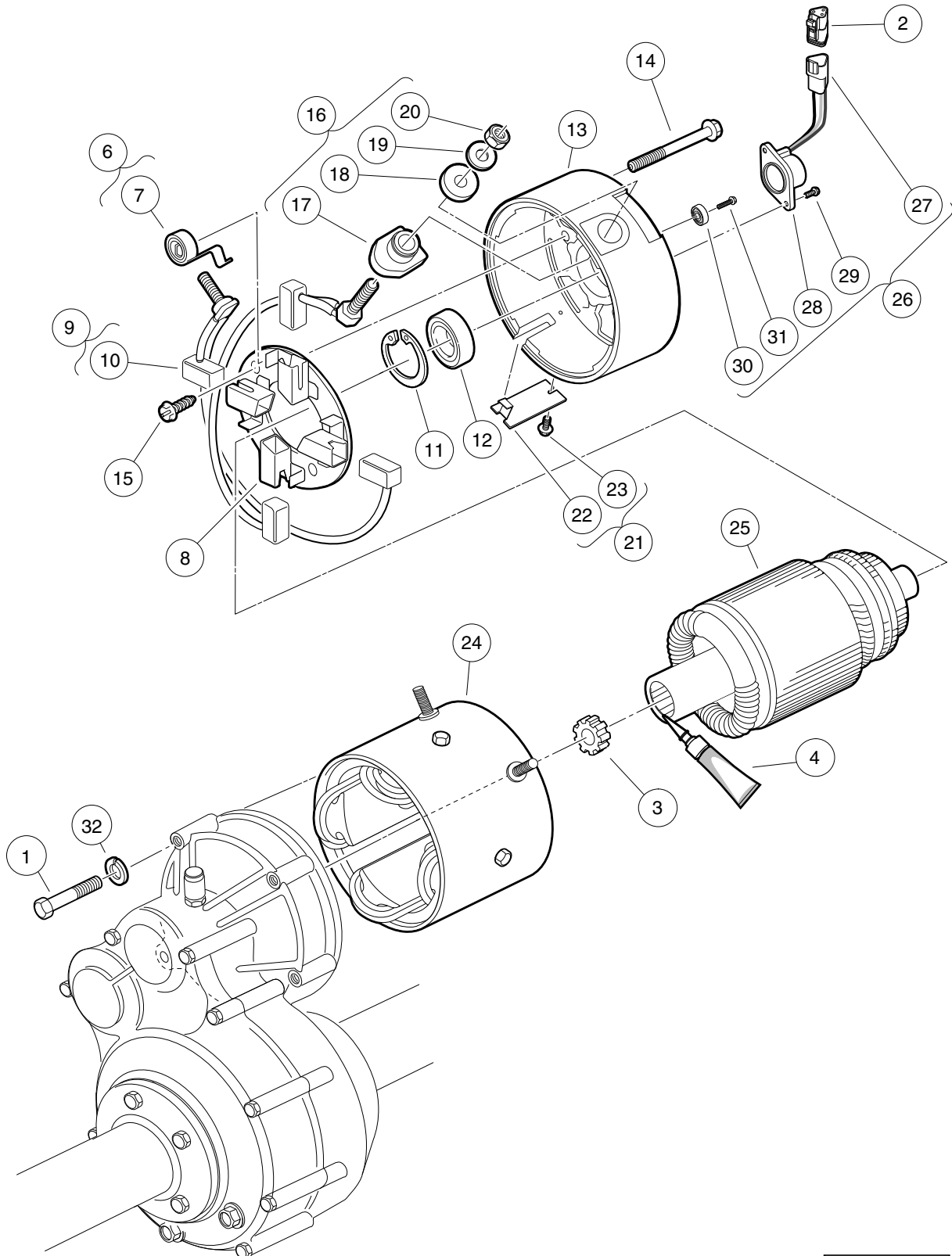
---

15

*E*

15

E



000185-002

## MOTOR (MODEL EJ8-4001A) – ELECTRIC VEHICLE

ITEM	PART NO.	DESCRIPTION	QTY
		<b>1 2 3 4</b>	
1	1014201	Screw, 1/4-20 X 2.25 Hex Cap .....	3
2	<u>101920101</u>	Kit, 3-Pin Wedge Lock .....	1
3	<u>102235201</u>	Bumper, Drive Unit .....	1
4	<u>102243403</u>	Lubricant, Moly-Teflon (Single-Use Tube) .....	1
5	<u>103572501</u>	IQ Electric Motor, 48-VDC 3.3 hp (includes items 6 through 26) .....	1
6	<u>102186001</u>	Spring Kit, Motor Brush (includes item 7) .....	1
7	N/A	Spring, Brush, S-g .....	4
8	<u>102186101</u>	Brush Box Assembly .....	1
9	<u>102186201</u>	Brush Kit, Motor (includes item 10) .....	1
10	N/A	Assembly, Brush and Terminal .....	2
11	N/A	Ring, 2.24" Internal Retaining .....	1
12	<u>102186401</u>	Bearing, Ball .....	1
13	<u>102186701</u>	End Cap, Motor .....	1
14	N/A	Screw, 1/4-20 X 2.25 Hex-Head Washer .....	2
15	<u>102186901</u>	Screw, #8-32 X .5 Hex-Head .....	2
16	<u>102187101</u>	Hardware Kit, Motor Terminal (includes items 17 through 20) .....	2
17	N/A	Bushing, Nylon .....	2
18	N/A	Washer, Nylon Flat .....	2
19	N/A	Washer, Flat, 5/16 Steel .....	2
20	N/A	Nut, Brass Hex, 5/16 - 18 .....	2
21	<u>102187201</u>	Plate Kit, Motor Cover (includes items 22 and 23) .....	1
22	N/A	Assembly, Cover Plate .....	1
23	N/A	Screw, #8-32 x 0.375, Taptite Thread .....	1
24	<u>102704701</u>	Frame and Field Assembly .....	1
25	<u>102704801</u>	Armature Assembly .....	1
26	<u>102704901</u>	Kit, Speed Sensor (includes items 27 through 31) .....	1
27	<u>101942301</u>	Kit, 3-Pin Wedge Lock .....	1
28	N/A	Sensor, Motor Speed, ADC .....	1
29	N/A	Screw, #8-32, Taptite Thread .....	2
30	N/A	Magnet, ADC Motor .....	1
31	N/A	Screw, 1/4-20 x 0.5 .....	1
32	<u>451</u>	Lockwasher, 1/4 Split .....	3
<p style="margin-left: 40px;">Note: The F1 and F2 terminal posts on the EJ8-4001A motor have 1/4 - 20 thread.</p>			

15

E

**15**

***E***

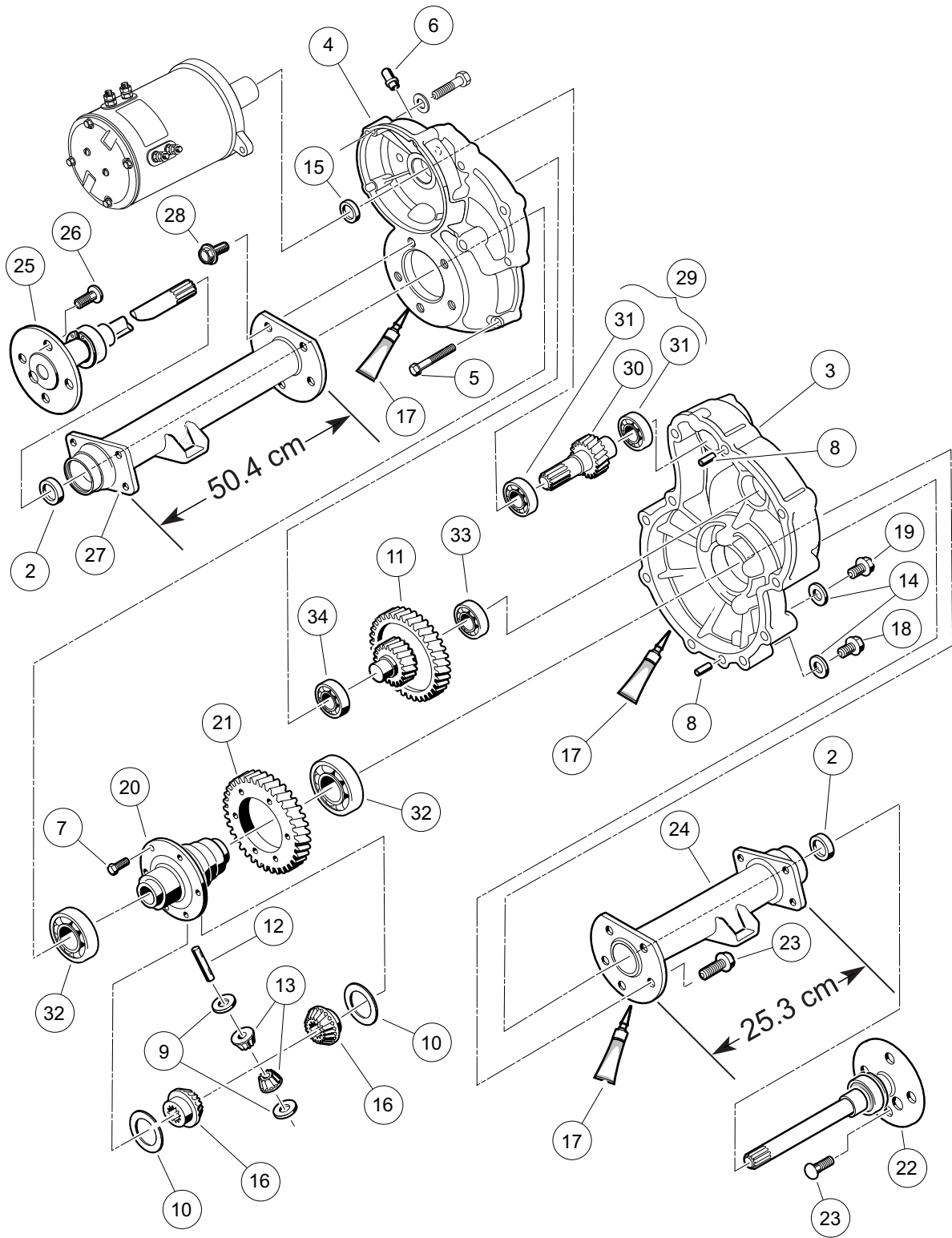


# TRANSAXLE – ELECTRIC VEHICLES

---

16

E



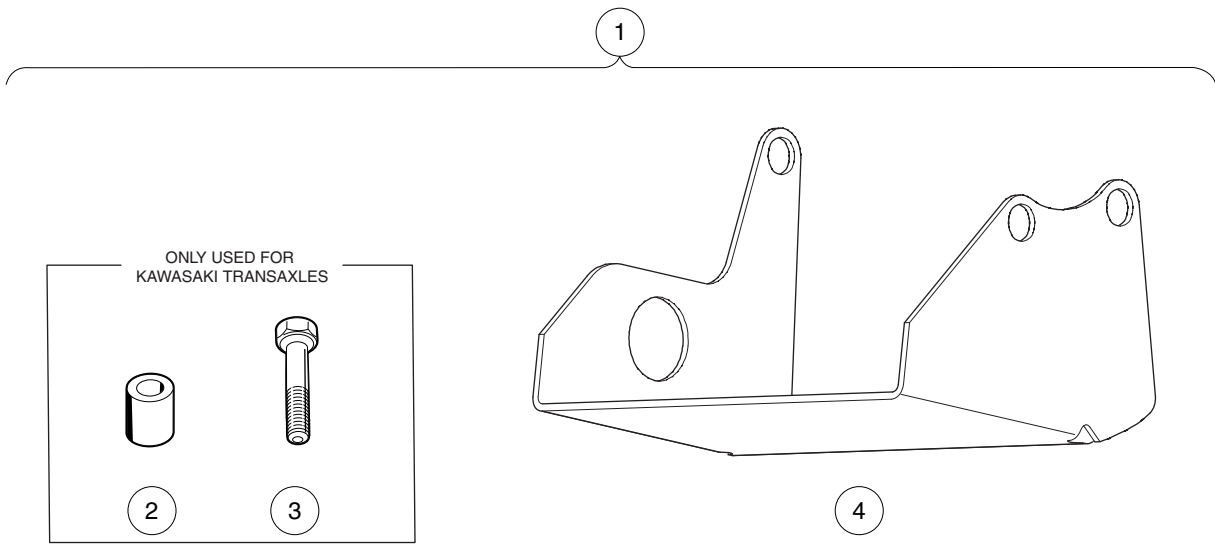
000223-005

# TRANSAXLE – ELECTRIC VEHICLES

ITEM	PART NO.	DESCRIPTION	QTY
		<b>1 2 3 4</b>	
1	<u>102771701</u>	Transaxle, Electric (includes items 2 through 34) .....	1
2	<u>1013794</u>	Axle Shaft Oil Seal .....	2
3	<u>101895401</u>	Gear Case, Driver-Side .....	1
4	<u>101895501</u>	Gear Case, Passenger-Side .....	1
5	<u>101897001</u>	Screw, M8-1.25 X 60mm Hex-Head .....	11
6	<u>101897201</u>	Breather .....	1
7	<u>101897401</u>	Screw, M10-1.25 X 25mm .....	6
8	<u>101897601</u>	Pin, 11mm OD X 8.5mm ID X 10mm .....	2
9	<u>101903601</u>	Washer, Thrust .....	2
10	<u>101903701</u>	Washer, Thrust .....	2
11	<u>101906901</u>	Intermediate Shaft Assembly .....	1
12	<u>101922101</u>	Pin, 15.99mm X 88.7mm Dowel .....	1
13	<u>101923001</u>	Gear, Differential Idler .....	2
14	<u>101923201</u>	Gasket .....	2
15	<u>101923501</u>	Seal, Lip .....	1
16	<u>101923901</u>	Gear, Differential .....	2
17	<u>101928701</u>	Liquid Gasket (Transaxle case) .....	1
18	<u>101972101</u>	Plug, M14-1.5 X 12mm Magnetic .....	1
19	<u>101972201</u>	Plug, M14-1.5 X 12mm Hex .....	1
20	<u>102356601</u>	Housing, Differential, 6 Bolt .....	6
21	<u>102356801</u>	Gear, Differential Output, 6-Bolt .....	6
22	<u>102886301</u>	Axle Assembly, Driver-Side (includes item 23) .....	1
23	<u>101922201</u>	Lug Stud .....	4
24	<u>102886401</u>	Tube, Axle, Driver-Side .....	1
25	<u>102886501</u>	Axle Assembly, Passenger-Side (includes item 26) .....	1
26	<u>101922201</u>	Lug Stud .....	4
27	<u>102886601</u>	Tube, Axle, Passenger-Side .....	1
28	<u>102902801</u>	Screw, M10 X 30 .....	10
29	<u>103582801</u>	Asm, E Trans Shaft/bearing (includes items 30 and 31) .....	1
30	N/A	Shaft, Input .....	1
31	<u>7335</u>	Bearing .....	2
32	<u>7330</u>	Inner Axle Tube Bearing .....	2
33	<u>7335</u>	Bearing .....	1
34	<u>7336</u>	Bearing .....	1

16

E



000365-002

# DIFFERENTIAL GUARD – ELECTRIC VEHICLES

ITEM	PART NO.	DESCRIPTION	QTY
		1 2 3 4	
1	<u>101611402</u>	Kit, Differential Guard, Elec Vehicles (includes items 2 through 4) .....	1
2	<u>101914001</u>	Spacer, Steel .....	2
3	<u>101936101</u>	Screw, M10-1.50 X 60mm Hex Cap .....	2
4	<u>101978601</u>	Guard, Differential, Electric Vehicle Transaxle .....	1

16

E

**16**

***E***

# BATTERY CHARGERS

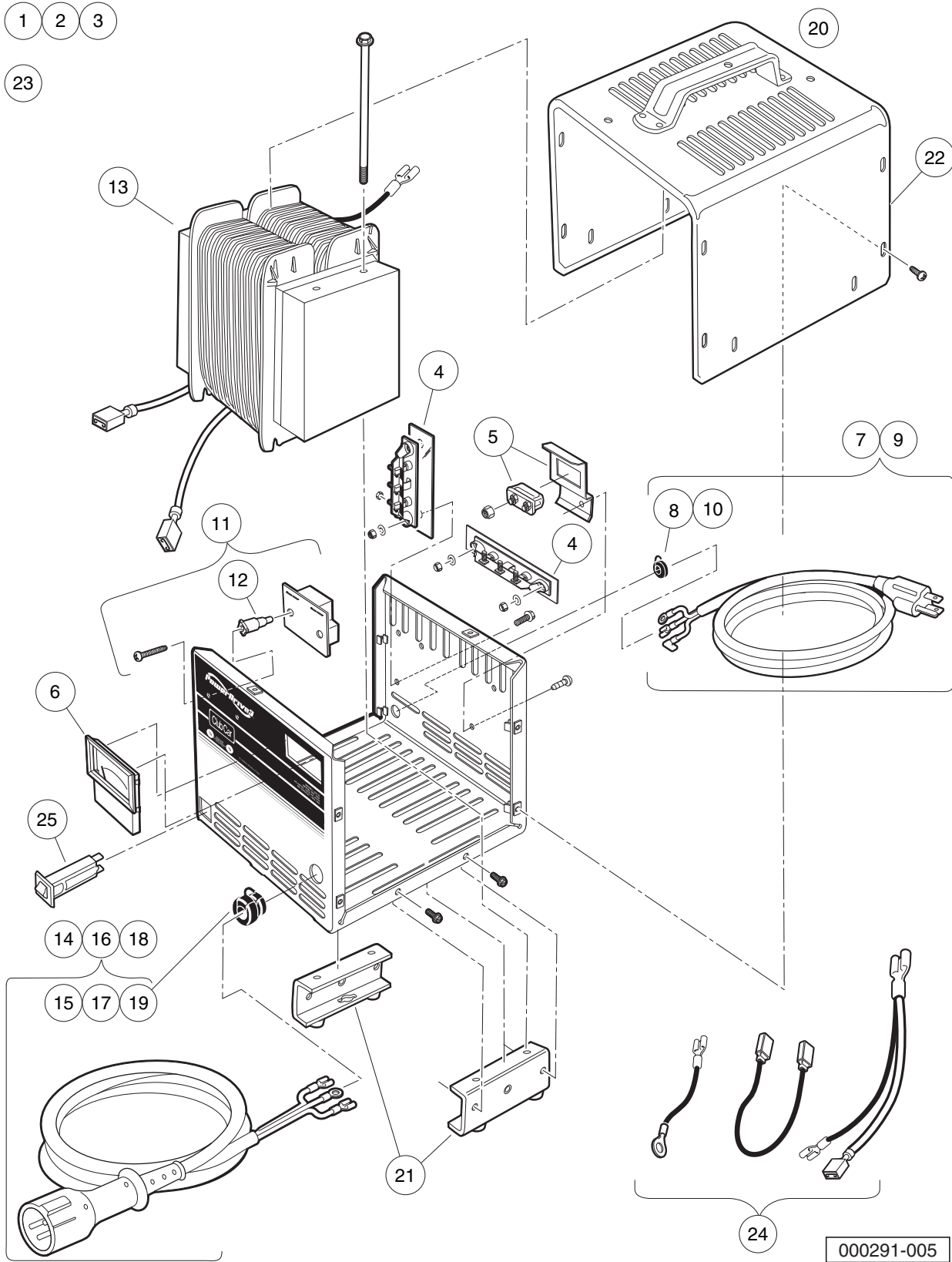
---

17

*E*

- 1
- 2
- 3

- 23



000291-005



# POWERDRIVE 3 BATTERY CHARGER (MODEL 26580-11,-12,-18,-19), DOMESTIC

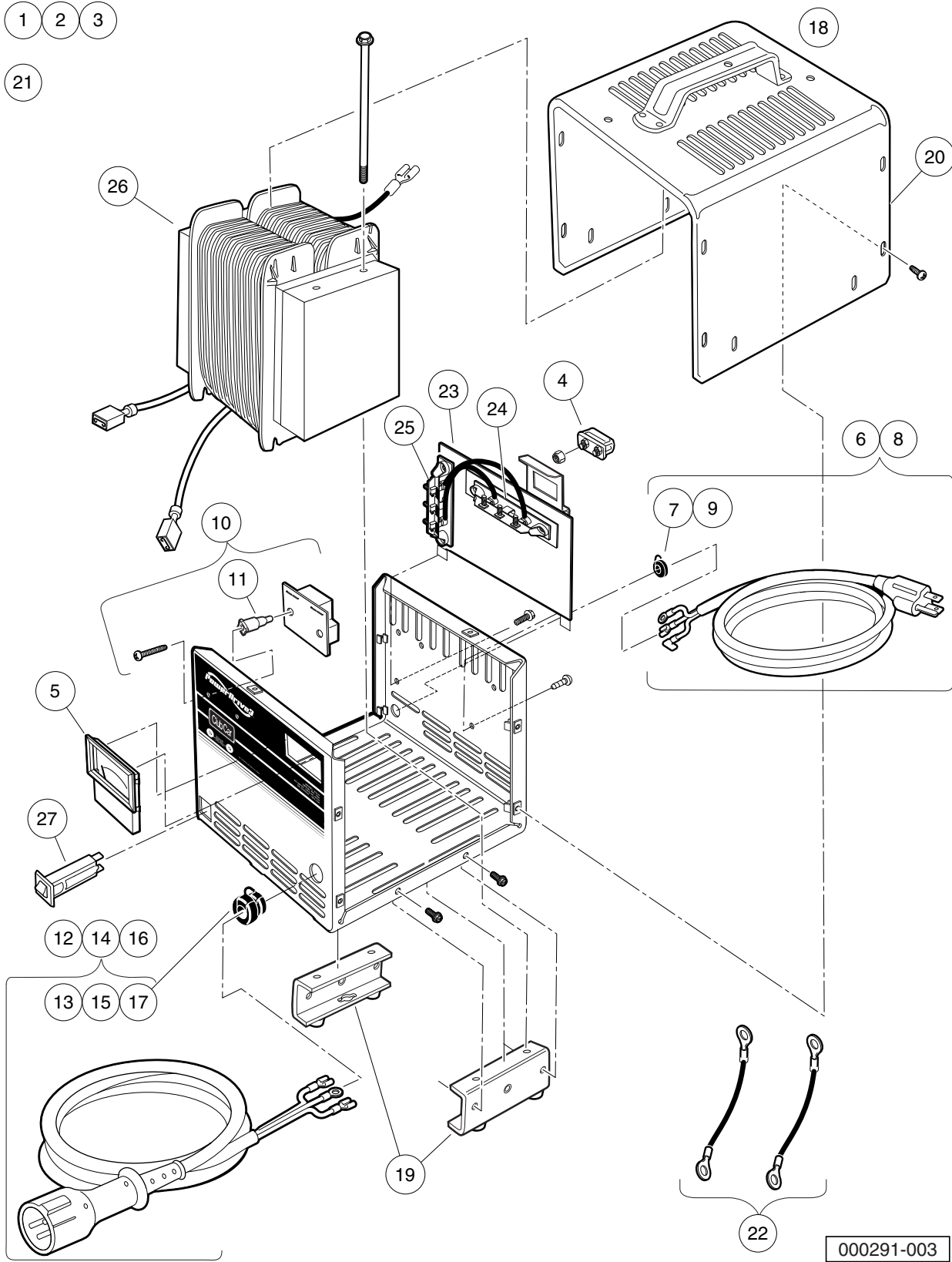
ITEM	PART NO.	DESCRIPTION	QTY
		1 2 3 4	
1	103499101	Charger, PowerDrive 3, 9ft DC, 6ft AC .....	1
2	<u>103499102</u>	Charger, PowerDrive 3, 12ft DC, 9ft AC .....	1
3	<u>103499103</u>	Charger, PowerDrive 3, 20ft DC, 9ft AC (includes items 4 through 25) .....	1
4	<u>1015914</u>	Rectifier with Heatsink Assembly .....	2
5	<u>102273701</u>	PD2 Fuse Asm .....	1
6	<u>102273801</u>	PD2 Ammeter .....	1
7	<u>103428501</u>	Kit, PD3 Cordset - AC 80" (includes item 8) .....	1
8	<u>102273901</u>	PD2 AC Cord Bushing .....	1
9	<u>103428601</u>	Kit, PD3 Cordset, - AC 114" (includes item 10) .....	1
10	<u>102273901</u>	PD2 AC Cord Bushing .....	1
11	<u>103428701</u>	Asm, PD3 Board Relay (includes item 12) .....	1
12	<u>103429701</u>	PD3 Plastic Stand-Offs .....	2
13	<u>103428801</u>	PD3 Transformer .....	1
14	<u>103429001</u>	PD3 Cordset - DC 113" (includes item 15) .....	1
15	<u>1012098</u>	Bushing, DC Cord .....	1
16	<u>103429101</u>	PD3 Cordset - DC 154" (includes item 17) .....	1
17	<u>1012098</u>	Bushing, DC Cord .....	1
18	<u>103429201</u>	PD3 Cordset - DC 205" (includes item 19) .....	1
19	<u>1012098</u>	Bushing, DC Cord .....	1
20	<u>103429301</u>	Asm, PD3 Case (includes items 21 and 22) .....	1
21	<u>103434001</u>	Asm, PD3 Legs .....	1
22	<u>103439901</u>	PD3Case Top (Includes Handle) .....	1
23	<u>103429501</u>	Kit, PD3 Hardware .....	1
24	<u>103429601</u>	Kit, PD3 Wires .....	1
25	<u>CCX8506</u>	Circuit Breaker, 15-Amp/120-Volt .....	1
		Note: Level 1 Battery Charger part numbers include one AC and one DC cord. They do not include all of the level 2 cords listed.	

17

E

1 2 3

21



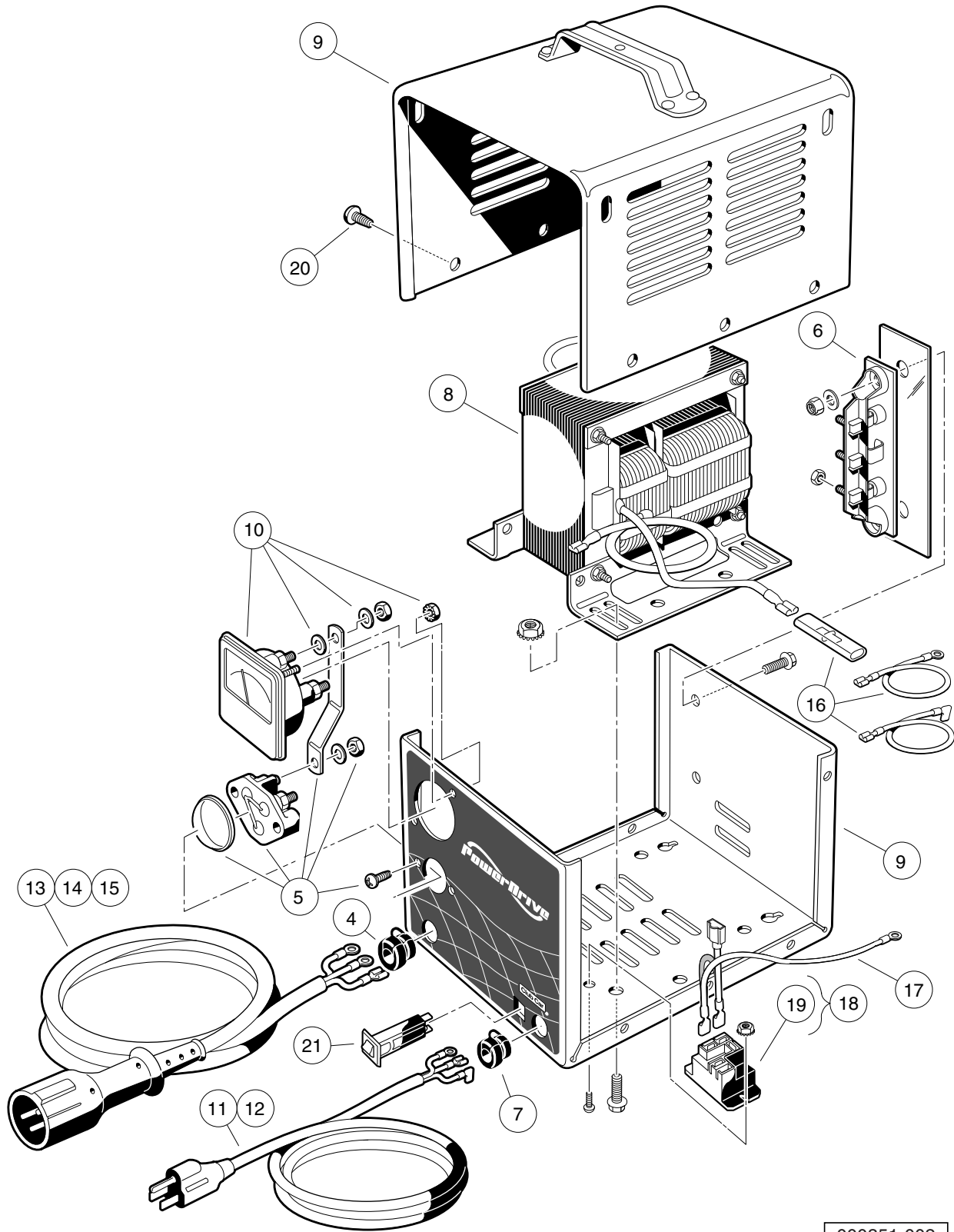
000291-003

# POWERDRIVE 3 BATTERY CHARGER (MODEL 26580-31,-38,-39), DOMESTIC

17

E

ITEM	PART NO.	DESCRIPTION	QTY
		1 2 3 4	
1	<u>103717001</u>	Charger, PowerDrive 3, 9ft DC, 6ft AC .....	1
2	<u>103717002</u>	Charger, PowerDrive 3, 12ft DC, 9ft AC .....	1
3	<u>103717003</u>	Charger, PowerDrive 3, 20ft DC, 9ft AC (includes items 4 through 27) .....	1
4	<u>102273701</u>	PD2 Fuse Asm .....	1
5	<u>102273801</u>	PD2 Ammeter .....	1
6	<u>103428501</u>	Kit, PD3 Cordset - AC 80" (includes item 7) .....	1
7	<u>102273901</u>	PD2 AC Cord Bushing .....	1
8	<u>103428601</u>	Kit, PD3 Cordset, - AC 114" (includes item 9) .....	1
9	<u>102273901</u>	PD2 AC Cord Bushing .....	1
10	<u>103428701</u>	Asm, PD3 Board Relay (includes item 11) .....	1
11	<u>103429701</u>	PD3 Plastic Stand-Offs .....	2
12	<u>103429001</u>	PD3 Cordset - DC 113" (includes item 13) .....	1
13	<u>1012098</u>	Bushing, DC Cord .....	1
14	<u>103429101</u>	PD3 Cordset - DC 154" (includes item 15) .....	1
15	<u>1012098</u>	Bushing, DC Cord .....	1
16	<u>103429201</u>	PD3 Cordset - DC 205" (includes item 17) .....	1
17	<u>1012098</u>	Bushing, DC Cord .....	1
18	<u>103429301</u>	Asm, PD3 Case (includes items 19 and 20) .....	1
19	<u>103434001</u>	Asm, PD3 Legs .....	1
20	<u>103439901</u>	PD3Case Top (Includes Handle) .....	1
21	<u>103429501</u>	Kit, PD3 Hardware .....	1
22	<u>103513001</u>	Wire Asm Kit Blk Pd3 .....	1
23	<u>103517401</u>	Kit Pd3 Button Diode (includes items 24 and 25) .....	1
24	N/A	Asm Diode Top .....	1
25	N/A	Asm Diode Side .....	1
26	<u>103779601</u>	Transformer, Pd3, AI .....	1
27	<u>CCX8506</u>	Circuit Breaker, 15-Amp/120-Volt .....	1
<p>Note: Level 1 Battery Charger part numbers include one AC and one DC cord. They do not include all of the level 2 cords listed.</p>			



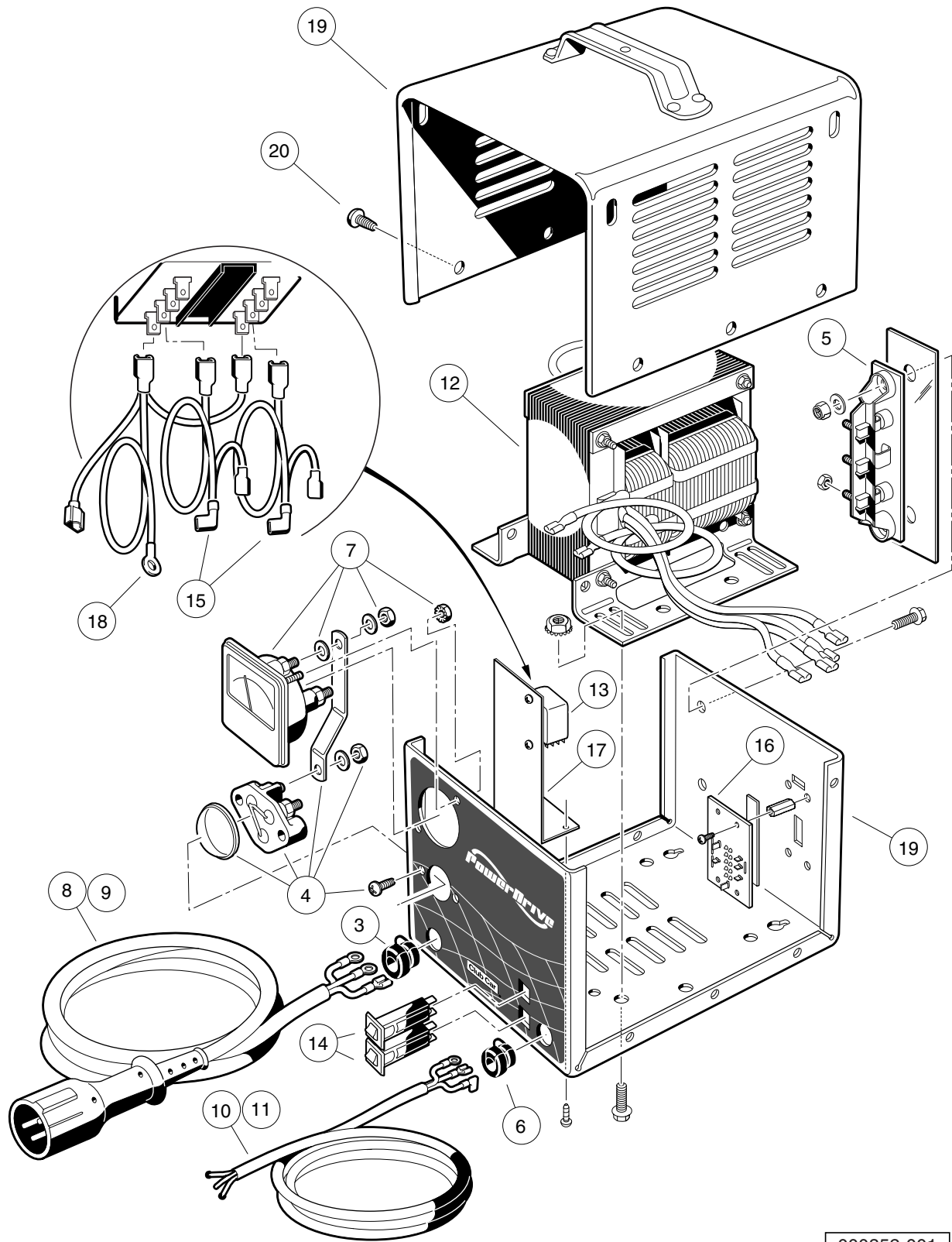
000351-002

# POWERDRIVE BATTERY CHARGER (MODEL 17930), DOMESTIC

ITEM	PART NO.	DESCRIPTION	QTY
		<b>1 2 3 4</b>	
1	<u>101802201</u>	Charger, PowerDrive, 48V/17A, 9ft DC, 6ft AC Cord .....	1
2	<u>101802202</u>	Charger, PowerDrive, 48V/17A, 12ft DC, 9ft AC Cord .....	1
3	<u>101802203</u>	Charger, PowerDrive, 48V/17A, 20ft DC, 9ft AC Cord (includes items 4 through 21) .....	1
4	<u>1012098</u>	Bushing, DC Cord .....	1
5	<u>1012101</u>	Fuse Assembly .....	1
6	<u>1015914</u>	Rectifier with Heatsink Assembly .....	1
7	<u>1015917</u>	Bushing, AC Cord .....	1
8	<u>101819701</u>	Transformer, Battery Charger .....	1
9	<u>101828301</u>	Case Assembly .....	1
10	<u>101828501</u>	Ammeter .....	1
11	<u>101828801</u>	Cord, AC, 80-Inch (203 cm) .....	1
12	<u>101828802</u>	Cord, AC, 108-Inch (274 cm) .....	1
13	<u>101828901</u>	Cord, DC, 113-Inch (287 cm) .....	1
14	<u>101828902</u>	Cord, DC, 154-Inch (391 cm) .....	1
15	<u>101828903</u>	Cord, DC, 250-Inch (635 cm) .....	1
16	<u>101831101</u>	Wire Assembly Kit .....	1
17	101914401	Assembly, Voltage Suppressor .....	1
18	<u>103414901</u>	Kit, Relay, 48v 30a W/instr (includes item 19) .....	1
19	<u>103397901</u>	Relay, Spst No, 48v 30a, Pmt .....	1
20	7577	Screw, #10 X 0.50 Phillips Pan-Head .....	10
21	<u>CCX8506</u>	Circuit Breaker, 15-Amp/120-Volt .....	1
<p>Note: Level 1 Battery Charger part numbers include one AC and one DC cord. They do not include all of the level 2 cords listed.</p>			

**17**

**E**



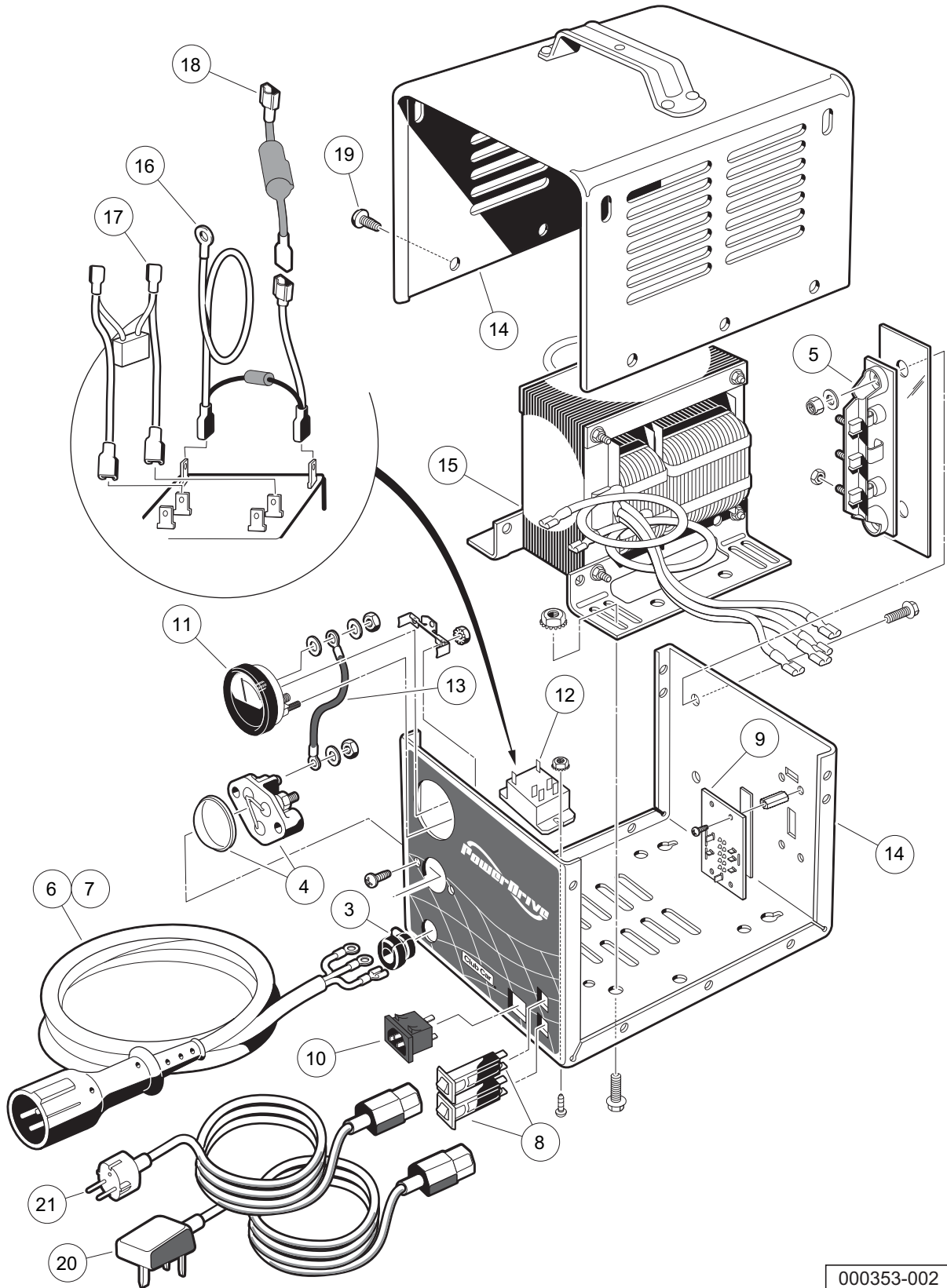
000352-001

# POWERDRIVE BATTERY CHARGER (MODEL 18780), EXPORT

ITEM	PART NO.	DESCRIPTION	QTY
		1 2 3 4	
1	101831503	Battery Charger, 48-Volt DC (8.5-ft DC, 6-ft AC) .....	1
2	101831504	Battery Charger, 48-Volt DC (12-ft DC, 9-ft AC) (includes items 3 through 20) .....	1
3	<u>1012098</u>	Bushing, DC Cord .....	1
4	<u>1012101</u>	Fuse Assembly .....	1
5	<u>1015914</u>	Rectifier with Heatsink Assembly .....	1
6	<u>1015917</u>	Bushing, AC Cord .....	1
7	<u>101828501</u>	Ammeter .....	1
8	<u>101828901</u>	Cord, DC, 113-Inch (287 cm) .....	1
9	<u>101828902</u>	Cord, DC, 154-Inch (391 cm) .....	1
10	<u>101831701</u>	Cord, AC, 80-Inch (203 cm), without Plug .....	1
11	<u>101831702</u>	Cord, AC, 118-Inch (300 cm), without Plug .....	1
12	<u>101838201</u>	Transformer, Export Battery Charger .....	1
13	<u>101838301</u>	Relay, Export Charger .....	1
14	<u>101838401</u>	Circuit Breaker .....	2
15	<u>101838501</u>	Kit, Wire Assembly .....	1
16	<u>101838601</u>	Four-Position Switch .....	1
17	<u>101838701</u>	Mounting Bracket, Relay .....	1
18	<u>101914401</u>	Assembly, Voltage Suppressor .....	1
19	N/A	Case, Charger .....	1
20	7577	Screw, #10 X 0.50 Phillips Pan-Head .....	10
<p style="margin-left: 40px;">Note: Level 1 Battery Charger part numbers include one AC and one DC cord. They do not include all of the level 2 cords listed.</p>			

17

E



000353-002

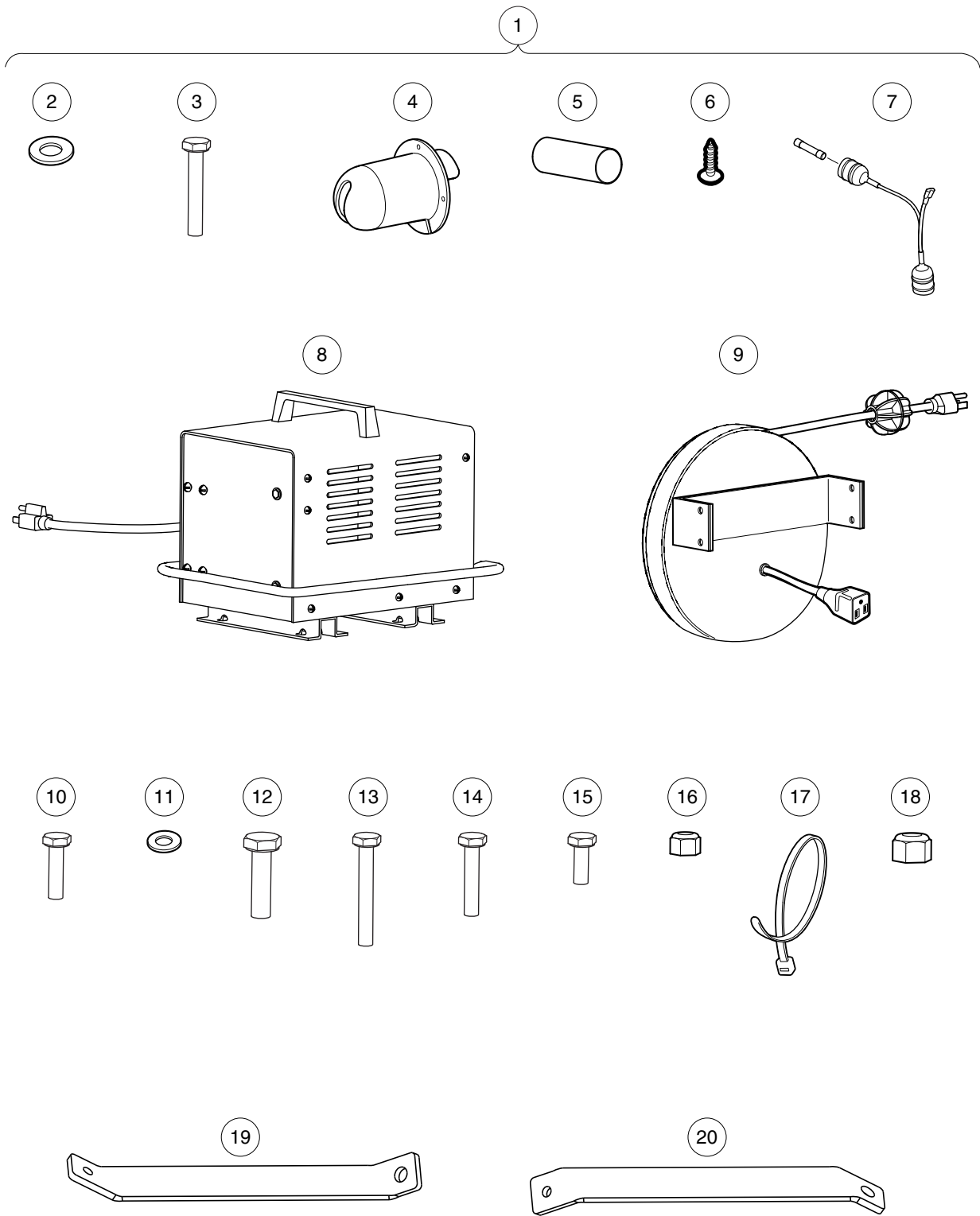


# POWERDRIVE BATTERY CHARGER (MODEL 20310), EUROPEAN

**17**

**E**

ITEM	PART NO.	DESCRIPTION	QTY
		<b>1 2 3 4</b>	
1	<u>101956201</u>	Battery Charger, 48-Volt w/ 4-Position Switch (8.5-ft DC) .....	1
2	<u>101956202</u>	Battery Charger, 48-Volt w/ 4-Pos. Switch (12-ft DC) (includes items 3 through 19) .....	1
3	<u>1012098</u>	Bushing, DC Cord .....	1
4	<u>1012101</u>	Fuse Assembly .....	1
5	<u>1015914</u>	Rectifier with Heatsink Assembly .....	1
6	<u>101828901</u>	Cord, DC, 113-Inch (287 cm) .....	1
7	<u>101828902</u>	Cord, DC, 154-Inch (391 cm) .....	1
8	101838401	Circuit Breaker .....	2
9	101838601	Four-Position Switch .....	1
10	101973501	Receptacle, AC Cord .....	1
11	101976601	Ammeter with Mounting Bracket .....	1
12	<u>101987501</u>	Relay .....	1
13	N/A	Wire, Jumper .....	1
14	N/A	Case, Charger .....	1
15	****	Transformer, European Battery Charger .....	1
16	****	Suppressor, AC Voltage .....	1
17	****	Assembly, Wire .....	1
18	N/A	Limiter, Current .....	1
19	7577	Screw, #10 X 0.50 Phillips Pan-Head .....	10
20	<u>101958201</u>	Cord, UK, AC, Battery Charger .....	1
21	101958301	Cord, European AC, Battery Charger .....	1
		**** Special order item available upon request.	
		Note: Level 1 Battery Charger part numbers include one AC and one DC cord. They do not include all of the level 2 cords listed.	



001269-001

# ONBOARD POWERDRIVE BATTERY CHARGER (MODEL 19770-98), DOMESTIC

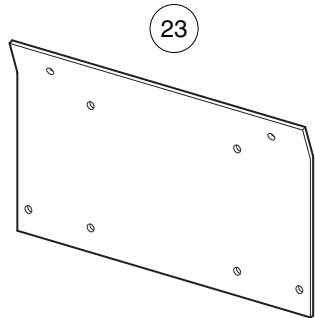
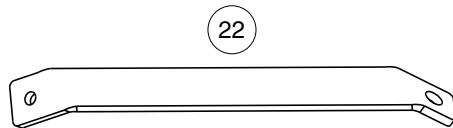
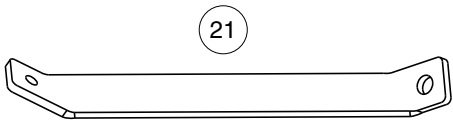
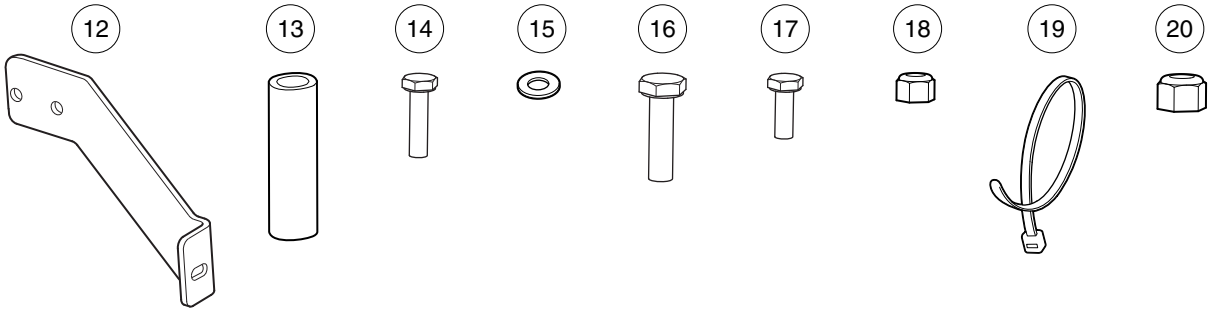
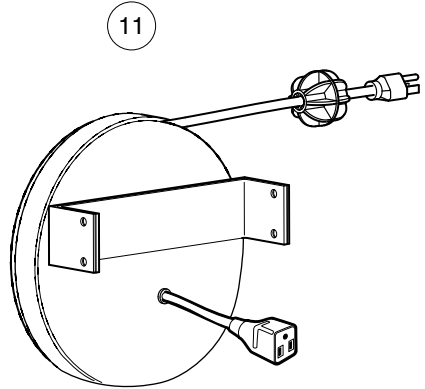
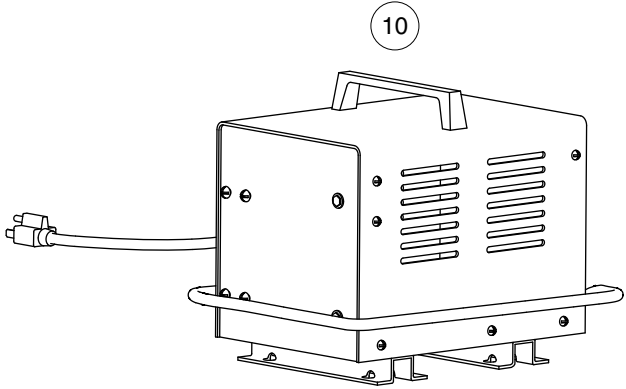
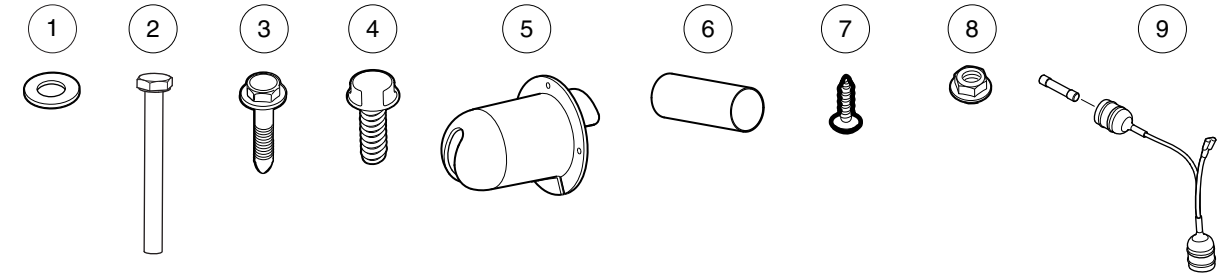
ITEM	PART NO.	DESCRIPTION	QTY
		1 2 3 4	
1	SVP150002	Kit, Charger, Onboard, CA1, Domestic, Field-Installed (includes items 2 through 20) .....	1
2	<u>1011990</u>	Washer, 3/8 Flat .....	4
3	<u>1013509</u>	Screw, 1/4-20 X 1.75 Hx Hd Cap .....	1
4	<u>1016673</u>	Housing, Cord Reel .....	1
5	<u>1017189</u>	Heat Shrink Tube 1.5" X 3" .....	1
6	<u>101832001</u>	Screw, #7-19 X 0.625 Phillips Pan-Head Tap .....	4
7	<u>101896801</u>	Fuse Holder Assembly .....	1
8	<u>101939701</u>	Batt.charger, O/b 120vac 48vdc .....	1
9	<u>101965401</u>	Reel Assy, Retractable Cord .....	1
10	304	Screw, 1/4-20 X 1.0 Hex-Head Cap .....	4
11	<u>332</u>	Washer, 1/4 Type A Narrow Flat .....	20
12	705	Screw, Cap-hex Hd 3/8-16x1.25 .....	2
13	<u>7311</u>	Screw, 1/4-20 X 2.00 Hex-Head Cap .....	1
14	<u>7479</u>	Screw, 1/4-20 X 1.25 Hex-Head Cap .....	4
15	<u>7847</u>	Screw, 1/4-20 X 0.75 Hex-Head Cap .....	4
16	<u>8233</u>	Locknut, 1/4-20, Nylon Insert .....	14
17	<u>8639</u>	Tie Wrap, 11" Nylon .....	6
18	<u>8754</u>	Locknut, 3/8-16 Hex .....	2
19	SVP148901	Charger Mount Leg Rh .....	1
20	SVP148902	Charger Mount Leg Lh .....	1

17

E

17

E



001270-001

# ONBOARD POWERDRIVE BATTERY CHARGER (MODEL 19710), INTERNATIONAL

ITEM	PART NO.	DESCRIPTION	QTY
		1 2 3 4	
1	<u>1011990</u>	Washer, 3/8 Flat .....	4
2	<u>1012159</u>	Bolt, 1/4-20 X 2.75 Hex-Head .....	2
3	<u>1014063</u>	Screw, 1/4-20 X 1.00, Hex Head .....	2
4	<u>1014288</u>	Screw, 5/16-18 X 0.75, Thread-Forming .....	5
5	<u>1016673</u>	Housing, Cord Reel .....	1
6	<u>1017189</u>	Heat Shrink Tube 1.5" X 3" .....	1
7	<u>101832001</u>	Screw, #7-19 X 0.625 Phillips Pan-Head Tap .....	4
8	<u>101835601</u>	Locknut, 1/4-20 Hex Whiz .....	2
9	<u>101896801</u>	Fuse Holder Assembly .....	1
10	<u>101939801</u>	Bat.charger, O/b 48vac W/4-pos .....	1
11	<u>101965401</u>	Reel Assy, Retractable Cord .....	1
12	<u>103483801</u>	Brkt, Mtg Cord Reel, Ca2 .....	1
13	<u>103483901</u>	Spacer, Cord Reel, Ca2 .....	2
14	304	Screw, 1/4-20 X 1.0 Hex-Head Cap .....	4
15	<u>332</u>	Washer, 1/4 Type A Narrow Flat .....	12
16	705	Screw, Cap-hex Hd 3/8-16x1.25 .....	2
17	<u>7847</u>	Screw, 1/4-20 X 0.75 Hex-Head Cap .....	4
18	<u>8233</u>	Locknut, 1/4-20, Nylon Insert .....	8
19	<u>8639</u>	Tie Wrap, 11" Nylon .....	6
20	<u>8754</u>	Locknut, 3/8-16 Hex .....	2
21	SVP148901	Charger Mount Leg Rh .....	1
22	SVP148902	Charger Mount Leg Lh .....	1
23	SVP149001	Charger Mount, Rear .....	1

17

E

17

*E*

# MAINTENANCE AND SERVICE TOOLS

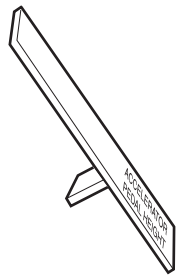
---

18

G

E

**18**  
**G**  
**E**



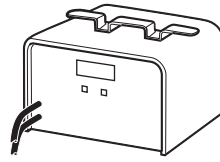
1



2



3



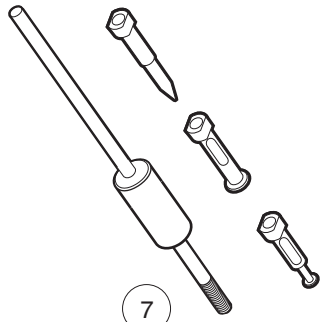
4



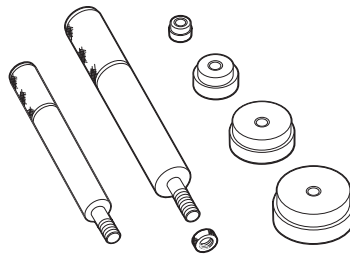
5



6



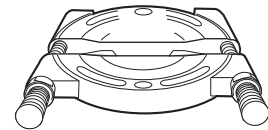
7



8



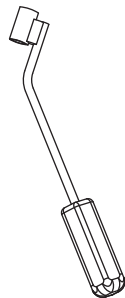
9



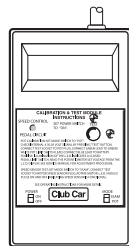
10



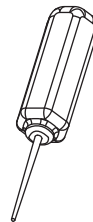
11



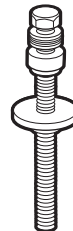
12



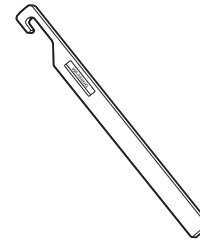
13



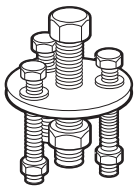
14



15



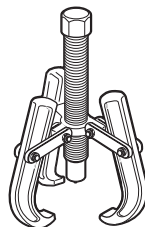
16



17



18



19



20



21

001600-001



# MAINTENANCE AND SERVICE TOOLS

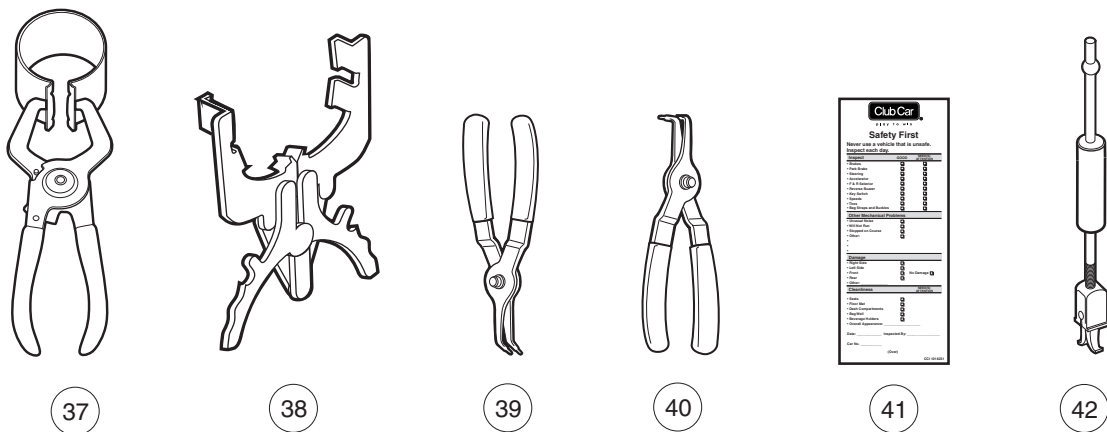
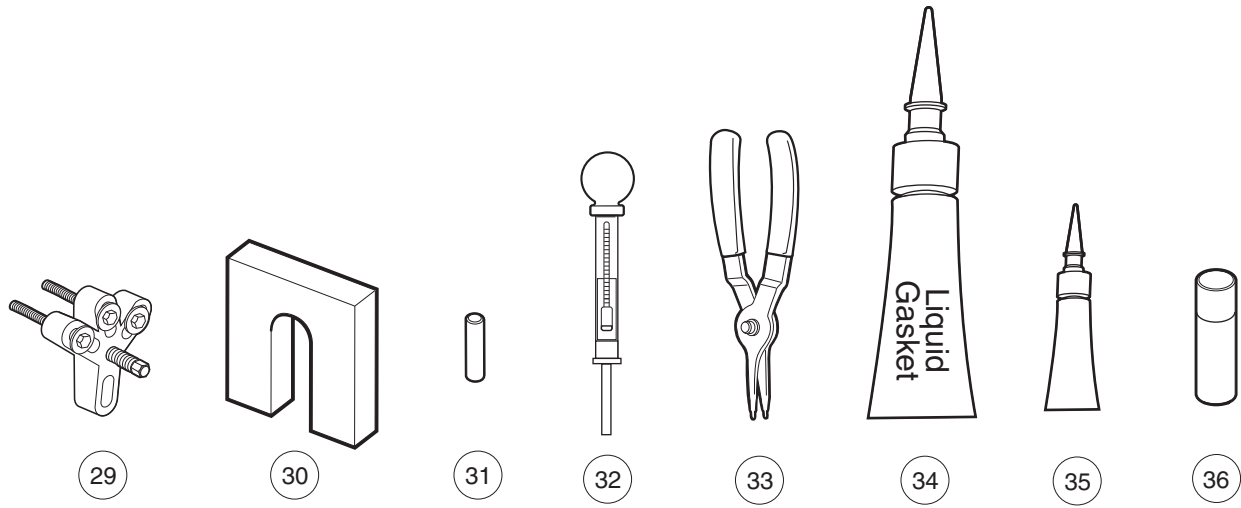
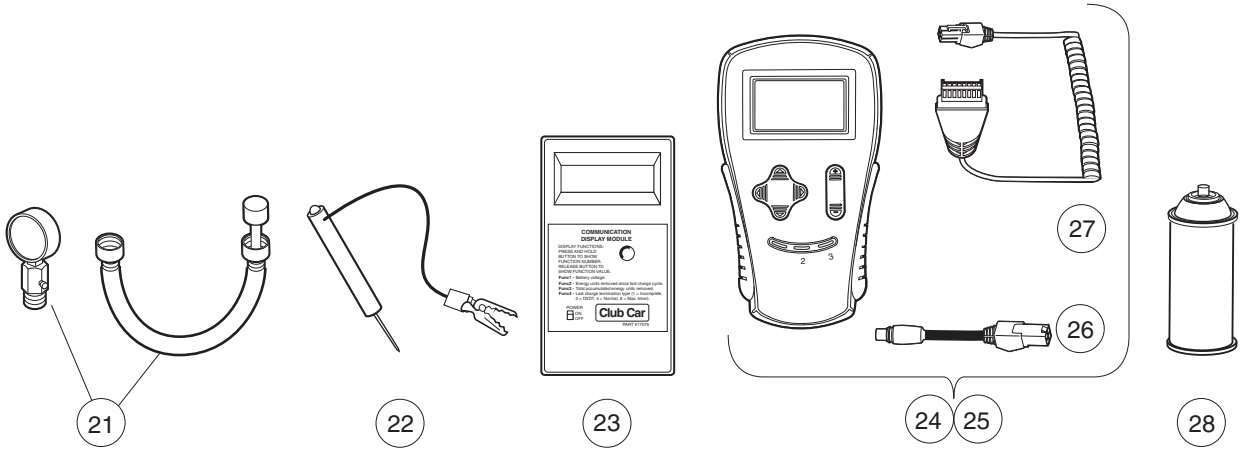
ITEM	PART NO.	DESCRIPTION	QTY GAS	QTY ELEC
		<p style="text-align: center;">1 2 3 4</p> <p>The following tool list includes all tools available from Club Car to perform maintenance and service procedures on all electric utility vehicles and all gasoline utility vehicles equipped with Kawasaki FE-series engines. Be sure to carefully examine the tool list for applicability to your vehicle before ordering.</p>		
1	<u>101871001</u>	Accelerator Pedal Adjustment Tool (Utility Vehicles).....	1	1
2	<u>101813202</u>	Adhesive, Guide Ring, 3-Gram Tube .....		1
3	<u>101641202</u>	Arbor .....	1	
4	<u>101831901</u>	Battery Discharge Machine, 36/48 Volt .....		1
5	<u>1014305</u>	Battery Terminal Protector Spray .....	1	1
6	1011767	Battery Thermometer .....	1	1
7	<u>1016417</u>	Bearing and Oil Seal Remover Assembly .....	1	1
8	<u>1016416</u>	Bearing Driver Set .....	1	1
9	<u>1012811</u>	Bearing Puller .....	1	1
10	<u>1012812</u>	Bearing Puller Wedge Attachment .....	1	1
11	1013582	Brake Adjustment Tool (used only on vehicles with manually adjusted mechanical brakes) .....	1	1
12	<u>102555501</u>	Brake Cable Release Tool .....	1	1
13	<u>101887101</u>	Calibration Test Module .....		1
14	<u>102562401</u>	Charger Bezel Tool .....		1
		Clutch Tools (items 14 - 20) .....	1	
15	<u>101808401</u>	Clutch Cam Installation Tool (for Kawasaki engines) .....	1	
16	<u>1015524</u>	Drive Clutch Holder Tool Assembly (for Kawasaki engines) .....	1	
17	<u>1014497</u>	Drive Clutch Hub Puller (for Kawasaki engines) .....	1	
18	<u>1014496</u>	Drive Clutch Puller (for Kawasaki engines) .....	1	
19	<u>1014508</u>	Driven Clutch Cam Puller (for Kawasaki engines) .....	1	
20	<u>1014507</u>	Driven Clutch Puller Plug (for Kawasaki engines) .....	1	
21	<u>101809101</u>	Press Weldment (for Kawasaki engines) .....	1	
		<p>Please refer to the maintenance and service manual for proper tool application.</p>		

**18**

**G**

**E**

**18**  
**G**  
**E**



001601-001

## MAINTENANCE AND SERVICE TOOLS, CONTINUED

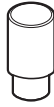
ITEM	PART NO.	DESCRIPTION	QTY GAS	QTY ELEC
		1 2 3 4		
21	101641002	Compression Gauge and Adapter .....	1	
22	1011273	Continuity Tester .....	1	1
23	101831801	Communication Display Module .....		1
24	<u>102248803</u>	IQ Display Module (IQDM) Kit (IQ System and IQ Plus vehicles) ..... (includes items 54 and 55)		1
25	102248804	IQ Display Module (IQDM-P) Kit (IQ System and IQ Plus vehicles) ..... (includes items 54 and 55)		1
26	<u>102251501</u>	Adaptor, Cable .....		1
27	<u>102241502</u>	IQDM Series 2 Cable .....		1
28	<u>1012151</u>	Dry Moly Lubricant .....	1	1
29	<u>1016627</u>	Flywheel Puller Kit (for Kawasaki Engines) .....	1	
30	<u>1016418</u>	Gear Yoke .....	1	1
31	<u>101933101</u>	Governor Shaft Installation Tool (for Kawasaki Engine Vehicles) .....	1	
32	<u>1011478</u>	Hydrometer .....	1	1
33	<u>1013593</u>	Internal Retaining Ring Pliers .....	1	1
34	<u>101928701</u>	Liquid Gasket (transaxle case) .....	1	1
35	<u>102243402</u>	Moly-Teflon Lubricant (4-oz. (113-gram) tube) .....		1
36	<u>101997201</u>	Paint, Touch-Up ,Äi Beige* .....	1	1
36	<u>101997207</u>	Paint, Touch-Up ,Äi Black* .....	1	1
36	<u>101997212</u>	Paint, Touch-Up ,Äi Burgundy* .....	1	1
36	<u>101997211</u>	Paint, Touch-Up ,Äi Classic Blue (Navy)* .....	1	1
36	<u>101997205</u>	Paint, Touch-Up ,Äi Dark Gray* .....	1	1
36	<u>101997209</u>	Paint, Touch-Up ,Äi Dark Green* .....	1	1
36	<u>101997204</u>	Paint, Touch-Up ,Äi Gray* .....	1	1
36	<u>101997203</u>	Paint, Touch-Up ,Äi Red* .....	1	1
36	<u>101997206</u>	Paint, Touch-Up ,Äi Royal Blue (Pacific Blue)* .....	1	1
36	<u>101997202</u>	Paint, Touch-Up ,Äi White* .....	1	1
37	<u>1016414</u>	Piston Ring Compressor Kit .....	1	
38	<u>1016415</u>	Piston Ring Pliers .....	1	
39	<u>1012549</u>	Retaining Ring Pliers, 45→ External .....	1	1
40	<u>1012560</u>	Retaining Ring Pliers, 90→ Internal .....	1	1
41	<u>101823101</u>	Safety First Card (50 per pack) .....	1	1
42	<u>1012809</u>	Seal Puller .....	1	1
		Please refer to the maintenance and service manual for proper tool application.		

**18**  
**G**  
**E**

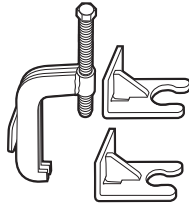
**18**  
**G**  
**E**



43



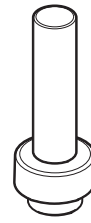
44



45



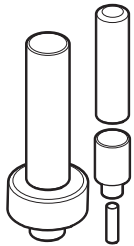
46



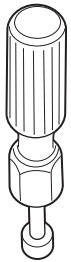
47



48



49



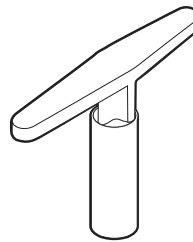
51



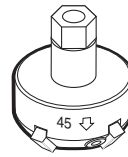
52



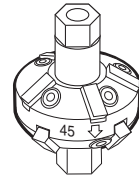
53



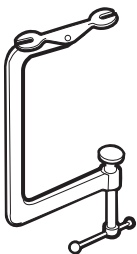
54



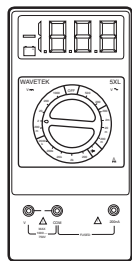
55



56



57



58

001602-001

## MAINTENANCE AND SERVICE TOOLS, CONTINUED

ITEM	PART NO.	DESCRIPTION	QTY GAS	QTY ELEC
		1 2 3 4		
43	<u>1014264</u>	Steering Column Bearing Press Tool .....	1	1
44	<u>1014259</u>	Steering Column Retaining Ring Tool .....	1	1
45	102061201	Steering Wheel Puller Tool .....	1	1
46	<u>AM10753</u>	Tachometer (includes gasoline engine pick up lead only) .....	1	
47	<u>1014162</u>	Transaxle Axle Seal Tool (for electric vehicles) .....		1
48	1014161	Transaxle Pinion Seal Tool (for electric vehicles) .....		1
49	<u>1014115</u>	Transmission Tool Kit (for electric vehicles).....		1
50	<u>101611003</u>	Tune-Up Kit, All OHV (for FE290, FE350, FE400 only) (includes air filter, spark plug, oil filter, fuel filters) (not shown) .....	1	
51	<u>1016413</u>	Valve Clearance Adjuster Screw Holder (for FE290 engines only) .....	1	
52	101641201	Valve Guide Reamer (FE290, FE350, and FE400 only).....	1	
53	<u>1016552</u>	Valve Seat Cutter Guide .....	1	
54	<u>1016551</u>	Valve Seat Cutter T-Wrench .....	1	
55	<u>1016553</u>	Valve Seat Cutter, 45→× (32 mm diameter) (for FE290 engines only) .....	1	
56	<u>1016554</u>	Valve Seat Cutter, 45→×/30→× (35 mm diameter) .....	1	
57	<u>101641101</u>	Valve Spring Compressor .....	1	
58	1011480	Volt Ohm Meter .....	1	1
		Please refer to the maintenance and service manual for proper tool application.		

**18**  
**G**  
**E**



# INDEX

## Part Number and Page

AM10753	18-7	1308	6-15	17-13, 17-15
AM10080	13-9	1606	10-19	8755
AM10081	13-9	1620	4-3	1-37, 6-17, 6-21, 6-23, 7-17, 7-23, 7-25
AM10419	12-7	1624	5-5, 5-7, 6-3, 6-17, 7-3, 8-13	8797
AM10682	2-3, 2-5	1703	1-23, 1-27, 1-31	10-3, 10-5, 10-7, 10-9
AM1232301	9-5	2402	6-15, 7-15	8861
AM1243501	4-29	4029	4-31, 4-33	6-15, 7-15
AM1243701	4-25, 4-27, 4-29	7048	6-13, 6-19, 7-13, 7-19	8963
AM1243801	4-25, 4-27, 4-29	7049	1-43	1-23, 1-25, 1-27, 1-29, 1-31, 1-33
AM1264001	1-55	7173	1-11, 8-21	8990
AM1304001	1-59	7174	1-53, 6-7, 7-7, 8-9, 8-13, 10-17, 11-3, 14-15, 14-17	4-9, 4-11, 4-19, 4-21, 4-27, 4-35, 6-3, 7-3, 8-17, 14-15, 14-17, 14-19
AM1304101	1-59	7251	1-3, 1-11	1010005
AM1304201	1-59	7274	6-13, 7-13	6-13, 7-13
AM1304301	1-59	7308	6-13, 7-13	1010028
AM1304401	1-59	7310	2-3, 2-5	13-3
AM1304501	1-59	7311	1-23, 1-25, 1-27, 1-29, 1-31, 1-33, 1-45, 17-13	1010086
AM1304601	1-59	7330	13-11, 16-3	1-45
AM1304701	1-59	7335	13-9, 16-3	1010124
AM1304801	1-59	7336	16-3	6-17, 7-17
AM1304901	1-59	7473	1-3, 1-23, 1-25, 1-27, 1-29, 1-31, 1-33, 1-37, 1-43, 1-75, 5-3, 5-5, 5-7, 5-13, 8-17, 8-21	1010138
AM1305001	1-59	7479	1-45, 17-13	6-15, 7-15
AM1305101	1-59	7532	1-37	1010145
AM1305201	1-59	7539	6-15	6-21, 6-23, 7-23, 7-25
CCX8506	17-3, 17-5, 17-7	7540	6-3, 6-15	1010150
SVP148901	17-13, 17-15	7555	6-3, 6-15	6-17, 7-17
SVP148902	17-13, 17-15	7577	17-7, 17-9, 17-11	1010177
SVP149001	17-15	7591	4-5, 4-7	7-17
SVP150002	17-13	7602	6-3, 6-15	1010200
183	4-9, 4-11, 4-23, 4-29, 10-3, 10-5, 10-7, 10-9, 10-19, 12-5, 13-7, 13-13	7602	6-3, 6-15	1010219
304	1-73, 4-31, 4-33, 13-5, 17-13, 17-15	7716	5-3, 5-5, 5-7	6-15
324	4-25, 4-27	7818	8-17	1010237
332	1-15, 1-39, 1-43, 1-45, 1-57, 4-25, 4-27, 4-31, 4-33, 8-15, 10-21, 11-3, 14-15, 14-17, 17-13, 17-15	7820	4-31, 4-33	1-23, 1-25, 1-27, 1-29, 1-31, 1-33, 1-33
334	5-5, 5-7, 6-3, 6-5, 7-3, 7-5, 9-15, 12-5	7840	6-13, 7-13	1010342
357	1-53, 6-17, 7-17	7847	1-9, 1-57, 11-3, 17-13, 17-15	6-13
403	1-37	7893	4-9, 4-11, 4-23, 8-17, 13-5	1010347
451	11-3, 15-3	7910	6-13, 7-13	6-13
705	1-53, 8-9, 9-15, 17-13, 17-15	7973	1-7, 10-19	1010348
706	1-53, 6-17, 6-19, 7-17	8057	8-17, 8-19, 13-3	1-3, 1-5, 1-41
808	12-5	8058	8-17, 8-19, 13-3	1010435
1016	4-9, 4-11, 4-23, 10-3, 10-5, 10-7, 10-9	8067	6-13, 6-19, 7-13, 7-19	1-3, 1-37
1017	4-3	8104	4-9, 4-11, 13-3	1010543
1028	5-3	8233	1-23, 1-25, 1-27, 1-29, 1-31, 1-33, 1-39, 1-43, 1-57, 1-73, 4-25, 4-27, 4-31, 4-33, 4-35, 5-5, 5-7, 8-15, 10-17, 13-5, 13-7, 13-13, 17-13, 17-15	1-15
1032	1-41, 5-3	8248	1-11, 8-15	1010546
1035	1-73, 6-3, 6-15	8251	1-35, 1-49	1-3
1108	1-45	8294	4-31, 4-33	1010577
1218	1-23, 1-25, 1-27, 1-29, 1-31, 1-33	8450	12-5	9-15
1231	1-41	8639	1-73, 4-29, 13-5, 14-15, 14-17, 14-19, 17-13, 17-15	1010805
1241	1-3, 1-23, 1-25, 1-27, 1-29, 1-31, 1-33, 1-53, 5-3, 5-5, 5-7, 5-13, 8-9, 8-13, 8-17, 8-21, 11-3	8717	5-7, 8-17, 13-3, 13-7, 13-13	5-3
1242	1-53, 4-19, 4-21, 5-13, 8-9, 8-13, 8-17, 14-15, 14-17	8745	6-17	1010829
		8754	1-37, 5-5, 5-7, 6-3, 6-5, 6-15, 6-17, 6-21, 6-23, 7-3, 7-5, 7-15, 7-17, 7-23, 7-25, 8-9, 8-13,	5-13
				1010877
				5-3
				1010878
				1-39, 5-3
				101090801
				14-11, 14-13
				1010909
				4-23
				1010921
				1-23, 1-25, 1-27, 1-29, 1-31, 1-33, 5-3
				1010927
				5-3
				1010932
				5-3
				1010933
				5-3
				1010934
				1-43, 1-45, 1-53, 8-21
				1010954
				8-17, 13-7, 13-13
				1010984
				2-3, 2-5
				1011014
				1-3
				1011017
				1-3
				1011084
				5-9
				1011226
				1-73
				1011229
				4-5, 4-7
				1011273
				18-5
				1011291
				13-11
				1011382
				4-13, 4-15
				1011393
				6-13, 7-13
				1011394
				1-3
				1011402
				5-3
				1011415
				6-21, 6-23, 7-23, 7-25
				1011418
				5-3
				1011439
				4-5, 4-7
				1011478
				18-5
				1011480
				18-7

# INDEX

1011546	1-55	1012528	11-3, 14-15, 14-17	1013593	18-5
1011553	1-53, 3-3	1012549	18-5	1013609	8-17
1011578	6-5, 7-5	1012560	18-5	1013677	3-5
1011582	4-37	1012565	6-11, 7-11	1013683	14-11, 14-13
1011590	4-9	1012566	6-11, 7-11	1013687	10-3, 10-5, 10-7, 10-9
1011694	5-5, 5-7	1012571	9-15, 14-11, 14-13	1013700	10-17
1011697	6-5, 7-5, 9-15, 10-17	1012604	6-5, 7-5	1013734	11-3, 14-15, 14-17
1011734	5-9	1012605	6-5, 7-5	1013746	10-3, 10-5, 10-7, 10-9, 10-11, 10-15
1011767	18-3	1012640	2-7	1013760	13-7
1011779	5-13	1012641	2-7	1013768	13-11
1011825	4-5, 4-7, 4-31, 4-33	1012642	2-7	1013769	13-11
1011843	4-37	1012649	10-3, 10-5, 10-7, 10-9, 10-11	1013770	13-11
1011852	1-23, 1-25, 1-27, 1-29, 1-31, 1-33	1012711	13-7	1013771	13-11
1011862	1-23, 1-25, 1-27, 1-29, 1-31, 1-33	1012714	13-9	1013772	13-11
1011865	1-23, 1-25, 1-27, 1-29, 1-31, 1-33	1012740	13-9	1013773	13-11
1011868	1-23, 1-25, 1-27, 1-29, 1-31, 1-33	1012741	13-9	1013774	13-11
101187702	5-3	1012747	13-9	1013787	13-11
1011878	1-11, 1-23, 1-27, 1-31, 1-49	1012748	13-9	1013792	13-11
1011883	1-23, 1-25, 1-27, 1-29, 1-31, 1-33	1012752	13-7	1013794	13-11, 16-3
1011887	6-13, 7-13	1012809	18-5	1013824	1-11
1011892	6-13, 7-13	1012811	18-3	1013825	1-11
1011893	6-15	1012812	18-3	1013846	1-11
1011895	6-3, 6-15	1012830	8-9, 8-13, 10-17, 11-3	1013857	4-5, 4-7
1011897	1-21	1012836	12-7	1013861	6-7
1011930	6-3, 6-15	1012896	13-7	1013869	5-3
1011931	5-5, 5-7	1013001	8-7	1013870	5-3
1011937	1-23, 1-25, 1-27, 1-29, 1-31, 1-33	1013003	8-7	1013871	5-5, 5-7
1011942	1-23, 1-25, 1-27, 1-29, 1-31, 1-33	1013005	8-7	1013876	5-3
1011962	1-49	101301102	8-7	1013924	5-11, 9-15
1011963	1-49	1013035	6-3, 7-3	1014007	5-5, 5-7, 10-17, 13-7, 13-13
1011964	1-23, 1-25, 1-27, 1-29, 1-31, 1-33, 1-49, 1-73	1013042	6-3, 7-3, 7-15	1014049	12-5
1011965	1-23, 1-27, 1-31, 1-49	1013044	6-3, 7-3	1014050	12-5
1011972	1-49	1013052	6-3, 7-3	1014051	12-5
1011990	1-41, 1-53, 17-13, 17-15	1013061	13-3, 13-7, 13-13, 14-7	1014052	12-5
1012008	1-23, 1-25, 1-27, 1-29, 1-31, 1-33	101313402	10-11	1014055	12-5
1012098	17-3, 17-5, 17-7, 17-9, 17-11	1013135	6-13, 7-13	1014056	12-5
1012101	17-7, 17-9, 17-11	1013164	6-21, 6-23, 7-23, 7-25	1014057	12-5
1012151	18-5	1013207	6-23, 7-25	1014058	12-5
1012159	17-15	1013309	1-15	1014059	12-5
1012181	6-21, 6-23, 7-23, 7-25	1013311	1-15	1014062	12-5
1012182	6-21, 6-23, 7-23, 7-25	1013312	1-15	1014063	12-5, 14-15, 14-17, 17-15
1012285	1-57, 1-73, 4-35, 10-3, 10-5, 10-7, 10-9, 10-11, 10-17, 14-15, 14-17	1013317	1-41, 3-9	1014065	8-17, 12-5
1012295	8-17	1013343	1-7	1014070	12-7
1012303	1-37, 6-17, 6-21, 6-23, 7-17, 7-21, 7-23, 7-25	1013344	1-7	1014072	12-7
1012304	6-21, 6-23, 7-23, 7-25	1013420	1-9	1014078	12-7
1012333	13-5	1013422	1-9	1014080	12-7
1012349	1-73	1013461	10-3, 10-5, 10-7, 10-9	1014115	18-7
1012382	8-3, 8-5	1013462	10-3, 10-5, 10-7, 10-9	1014116	10-3, 10-5, 10-7, 10-9
1012396	4-13, 8-3, 8-5	1013483	1-53	1014119	8-3, 8-5, 8-17
1012431	8-17	1013494	4-13, 4-15	1014125	6-5, 7-5
1012438	4-29	1013509	4-25, 4-27, 17-13	1014126	6-5, 7-5
1012467	6-3	1013531	5-13	1014145	8-17
1012505	4-13, 4-15	1013547	4-35	1014153	5-11
		1013579	4-35	1014161	18-7
		1013582	18-3	1014162	18-7
		1013589	8-17	1014201	15-3



# INDEX

1014207	13-11	1014947	14-15, 14-17	101562711	1-15
1014213	6-5, 7-5	1014948	8-17	101562712	1-15
1014214	6-5, 7-5	1015010	4-29	101562714	1-15
1014217	6-5, 7-5	101503202	1-7	101562715	1-15
1014259	18-7	1015068	1-49	101564501	1-15
1014264	18-7	1015072	14-11, 14-13	101564502	1-15
1014276	6-17, 7-17	1015075	1-3	101564503	1-15
1014287	12-5	1015091	1-49	101564505	1-15
1014288	6-5, 7-5, 8-21, 12-5, 14-15, 14-17, 17-15	1015137	10-3, 10-5, 10-7, 10-9, 10-11, 10-15	1015649	9-3
1014289	8-7	1015139	10-3, 10-5	1015654	1-45
1014304	14-11, 14-13	1015143	10-3, 10-5	1015656	1-45
1014305	18-3	1015148	1-49	101565701	1-45
1014306	1-57, 4-35	1015153	4-25	101565702	1-45
1014321	1-35, 1-43	1015154	4-25	101565703	1-45
1014375	8-21	1015156	4-25, 4-27, 4-29	101565704	1-45
1014387	1-35, 1-43	1015157	4-25, 4-27	1015660	1-45
1014415	1-43, 1-49	1015160	4-25, 4-27	1015661	4-7
1014435	1-21	1015162	4-25	101567202	2-3, 2-5
101444101	1-21	1015167	4-29	1015737	4-5, 8-3, 8-5, 8-17
1014453	12-5	1015170	4-29	1015741	4-5, 4-7, 8-17
1014454	12-7	1015172	4-25, 4-27	1015752	8-17, 10-21, 14-3
1014471	1-37	1015187	4-25, 4-27, 4-29	1015765	4-25
1014490	1-49	101524002	8-9, 8-13	1015768	4-29
1014496	18-3	1015245	1-41	1015770	4-29
1014497	18-3	1015252	1-37	1015814	11-3
1014503	1-23, 1-25, 1-27, 1-29, 1-31, 1-33	1015277	1-39	101584502	10-17
1014506	1-23, 1-25	1015313	1-41	1015878	8-17, 8-19, 13-3
101450698	1-27, 1-29	1015332	8-3, 8-5, 9-3	1015914	17-3, 17-7, 17-9, 17-11
1014507	18-3	1015345	8-17	1015917	17-7, 17-9
1014508	18-3	1015363	1-41	1015921	10-3, 10-5, 10-7, 10-9
1014509	1-23, 1-25	1015365	1-41	1015932	8-9, 8-13
101450902	1-31, 1-33	1015367	1-41	1015969	9-3
101450903	1-27, 1-29	1015371	8-17	1016060	1-39
1014517	1-49	1015372	8-17	1016074	8-9, 8-13
1014521	1-49	1015373	8-17	1016077	1-45
1014523	10-3, 10-7	1015390	1-41	1016078	1-39
1014530	4-5, 4-7, 4-31, 4-33	1015391	1-37	101609401	3-3
1014537	1-43	1015399	1-37, 1-43, 1-75	101611003	18-7
1014540	4-35	1015400	1-37, 1-41	101611402	16-5
101454602	6-21, 7-23	1015405	1-3, 8-17	1016154	6-11, 7-11
1014548	1-49	1015413	1-41	101615504	6-9, 7-9
101454902	6-23, 7-25	1015414	1-41	1016156	6-9, 6-11, 7-9, 7-11
1014555	6-21, 6-23, 7-23, 7-25	1015426	10-21	1016183	6-5, 7-5
1014556	1-49	1015427	1-37	1016201	12-5
1014559	1-49	1015445	1-53	1016214	6-11, 7-11
1014573	6-21, 6-23, 7-23, 7-25	101547601	3-7	1016219	6-11, 7-11
1014675	6-21, 6-23, 7-23, 7-25	1015507	1-37	1016230	4-29
1014771	2-3, 2-5	1015524	18-3	1016267	4-29
1014807	8-17, 8-19, 13-3	1015526	4-25, 4-27, 4-29	1016269	6-5, 7-5
1014808	8-17, 8-19, 13-3	1015528	4-13, 4-15	1016287	4-29
1014901	6-21, 6-23, 7-23, 7-25	1015530	1-57	1016289	12-5
1014902	6-21, 6-23, 7-23, 7-25	101553901	1-41, 1-45, 3-3	1016337	13-9
1014942	1-49	1015583	1-37, 6-21, 6-23, 7-21, 7-23, 7-25	1016338	13-9
1014943	1-49	101558302	6-17, 7-17	1016346	6-15, 7-15
1014944	1-49	1015597	6-3, 6-13, 6-15, 6-19, 7-13, 7-19	1016349	6-15, 7-15
		1015606	1-41	1016350	6-15, 7-15

# INDEX

1016351	6-15, 7-15	1016486	10-13	1016588	9-5
1016353	6-15, 7-15	1016489	9-9	1016627	18-5
1016356	4-5, 4-7	101649002	10-15	1016630	4-13
1016363	4-5, 4-7	1016494	9-11	1016631	4-5, 4-7
1016364	4-5	1016496	9-11	1016663	6-9, 6-11, 7-9, 7-11
1016365	4-19, 4-21	1016499	10-13	1016672	13-11
1016367	4-5	1016501	10-13	1016673	17-13, 17-15
1016384	6-17, 7-17	1016502	9-7	1016679	1-57
1016385	6-15, 7-15	1016506	9-11	101670201	3-9
1016386	6-17, 7-17	1016507	9-3	1016751	1-17
1016387	6-17, 7-17	1016510	9-11	101675511	1-17
1016389	6-17, 7-17	1016513	13-7	101675512	1-17
1016401	8-3, 8-5, 8-17	101651402	2-3, 2-5	101675514	1-17
101641002	18-5	101651406	2-3, 2-5	101675515	1-17
101641101	18-7	101651407	2-3, 2-5	101677701	1-17
101641201	18-7	101651409	2-3	101677702	1-17
101641202	18-3	101651412	2-3, 2-5	101677703	1-17
1016413	18-7	101651413	2-3, 2-5	101677705	1-17
1016414	18-5	101651419	2-5	1016801	12-5
1016415	18-5	1016517	9-9	1016837	4-25, 4-27
1016416	18-3	1016519	9-9	1016849	4-13, 4-15
1016417	18-3	1016521	9-11	1016851	4-13, 4-15
1016418	18-5	1016531	9-3	1016868	1-3
1016423	4-5, 4-7, 8-17	1016535	9-11	1016879	4-3
101642575	10-13	1016537	9-7	1016880	4-3
101642578	10-13	1016538	9-11	1016883	8-9, 8-13
101642580	10-13	1016539	9-3	1016904	1-73, 9-9, 11-3
101642582	10-13	1016541	9-13	1016916	1-45
101642585	10-13	1016542	9-9	101692501	1-3
1016429	9-7	1016544	9-5, 9-9, 9-11	101692502	1-3
1016432	9-7, 13-7	1016545	9-9	101692504	1-3
1016436	9-9	1016546	10-17	101692506	1-3
1016437	10-13	1016547	9-3, 9-13, 10-15	101692509	1-3
1016438	10-15	1016549	9-9	101692510	1-3
1016440	9-9, 10-15	1016551	18-7	101692511	1-3
1016441	10-15	1016552	18-7	101692512	1-3
1016444	10-15	1016553	18-7	101692513	1-3
1016449	9-9	1016554	18-7	101692514	1-3
1016450	9-9	1016560	9-9	101692515	1-3
1016451	9-9	1016561	9-5	1016929	4-25, 4-27, 4-29
1016452	9-9	1016562	9-5, 9-13	101693901	1-3
1016453	9-11	1016563	9-9	101693902	1-3
1016454	9-11	1016564	9-11	101693904	1-3
1016455	9-5	1016566	9-9	101693906	1-3
1016456	9-3	1016569	9-9	101693909	1-3
1016457	9-7	1016570	9-7	101693910	1-3
1016458	9-9	1016571	9-13	101693911	1-3
1016467	9-7	1016572	10-15	101693912	1-3
1016470	9-13	1016576	9-7	101693913	1-3
1016472	9-11	1016578	9-5	101693914	1-3
1016473	9-7	1016581	9-7	1016952	1-9
1016474	9-9	1016582	10-15	1016967	1-3
1016479	9-9	1016583	9-9	1017029	5-3
101648102	10-15	1016584	9-11	1017035	4-5, 4-7, 4-37
101648203	9-7	1016585	10-13	101705608	4-5
1016483	9-9	1016587	9-5	1017062	4-3

# INDEX

1017064	4-3	1017503	9-13	101811501	10-19
1017065	4-3	1017504	9-11	101811901	10-21
101707402	4-9	1017507	9-7	101812301	10-21
101707405	4-11	1017508	9-11	101813001	10-21
1017075	4-9, 4-11	1017510	9-13	101813202	18-3
1017080	1-3	1017512	9-13	101814011	4-7
1017082	13-7, 13-13	1017513	9-11	101814601	4-27
1017188	12-3	1017514	9-11	101815501	5-11
1017189	17-13, 17-15	101751801	9-11	101815502	5-11
1017226	6-7, 7-7	101751802	9-11	101816501	5-11
1017231	13-7	101751803	9-11	101816502	5-11
1017235	6-21, 6-23, 7-23, 7-25	101754203	1-75	101817401	5-5, 5-7
1017266	6-15, 7-15	101754206	1-75	101818801	5-7
1017273	6-9, 6-11, 7-9, 7-11	1017653	8-7	101819701	17-7
101728602	1-19	1017686	12-7	101821501	10-21
1017313	6-5, 7-5	1017689	1-73, 11-3	101821601	4-29
1017314	6-5, 7-5	101769302	2-3, 2-5	101823101	18-5
1017315	6-5, 7-5	1017696	5-5, 5-7	101823201	5-11
1017317	6-5, 7-5	1017699	4-37	101823801	5-11
101734802	1-3	101770203	1-47	101823901	5-11
101737002	2-3, 2-5	1017705	14-7	101824401	10-3, 10-5, 10-7, 10-9
1017378	5-5, 5-7	1017721	4-5, 4-23	101825101	3-3
1017380	5-5, 5-7	1017722	4-5	101826201	4-15
1017424	5-5, 5-7	1017724	4-9, 4-11	101826301	4-13
1017434	9-9	101773301	9-13	101826801	14-15, 14-17
1017442	9-7	101773302	9-13	101827101	9-15
1017443	9-9	101773303	9-13	101827801	14-15, 14-17
1017445	9-9	101773304	9-13	101828301	17-7
1017448	9-5	101773305	9-13	101828501	17-7, 17-9
101744901	9-13	101773306	9-13	101828801	17-7
101744902	9-13	101773307	9-13	101828802	17-7
1017450	9-13	101773308	9-13	101828901	17-7, 17-9, 17-11
101745101	9-13	101773309	9-13	101828902	17-7, 17-9, 17-11
101745102	9-13	101773310	9-13	101828903	17-7
1017453	9-13	101773311	9-13	101830601	4-13, 4-15
1017454	9-9	1017853	4-5, 4-7	101830701	4-13, 4-15
1017455	9-5	101791101	5-11	101831101	17-7
1017456	9-7	101795701	14-5, 14-11, 14-13	101831503	17-9
101745701	9-13	101796201	5-5, 5-7	101831504	17-9
101745702	9-13	101796501	14-7	101831701	17-9
1017458	9-7	101796801	14-7	101831702	17-9
1017460	9-7	101797801	14-11	101831801	18-5
1017461	10-13	101801001	14-7	101831901	18-3
1017463	9-5	101802101	14-7	101832001	14-7, 17-13, 17-15
1017466	10-15	101802201	17-7	101832202	10-17
1017471	9-13	101802202	17-7	101832302	10-17
1017472	9-11	101802203	17-7	101832601	9-15
1017473	9-9	101804301	4-13, 10-21	101832701	9-15
1017474	9-3	101805701	10-19	101833101	9-15
1017475	9-3	101806001	1-13	101833401	12-7
1017476	9-3	101806002	1-13	101833601	13-7
1017486	9-3	101806005	1-13	101833701	8-7
1017487	9-11	101808401	18-3	101833902	12-5
1017490	9-5	101809101	18-3	101834001	12-7
1017501	9-13	101810601	4-7	101834502	4-13, 4-15
1017502	9-13	101811401	10-19	101834601	9-15

# INDEX

101834801	10-17, 13-7, 13-13	101880201	6-3, 7-3	101910401	14-15, 14-17
101835601	1-37, 1-39, 4-19, 4-21, 17-15	101880301	6-3, 7-3	101910501	13-11
101836201	12-7	101881501	4-35	101912401	5-9
101837101	10-21	101881601	4-35	101914001	16-5
101837301	8-3, 8-5, 8-9, 8-11	101881701	10-21	101914401	4-5, 17-7, 17-9
101837401	1-51	101884801	9-15	101914402	4-7
101837501	1-51	101884901	2-3	101915201	3-7
101838201	17-9	101885601	1-49	101916101	9-3
101838301	17-9	101886101	10-17, 13-7, 13-13	101916301	9-5
101838401	17-9, 17-11	101887101	18-3	101916701	8-9, 8-13
101838501	17-9	101887601	9-3	101917601	10-21
101838601	17-9, 17-11	101889401	13-9	101917701	10-19
101838701	17-9	101890001	13-9	101918101	1-49
101850301	10-19	101890101	13-7	101918402	2-3
101851101	4-13, 4-15	101890201	13-7	101918501	5-3
101856002	4-15	101890501	13-7	101919801	5-5, 5-7
101856102	8-17	101890601	13-7	101920101	14-3, 15-3
101856201	10-19	101890901	13-11	101921501	10-21
101859401	11-3	101891001	13-11	101922101	16-3
101861901	5-5, 5-7	101891301	13-7	101922201	16-3
101862001	5-5	101891401	13-11	101922501	8-15, 14-9
101869302	8-7	101891501	13-11	101923001	16-3
101870401	1-3	101891601	13-9	101923201	16-3
101871001	18-3	101891901	13-9	101923501	16-3
101874901	8-7	101892001	13-9	101923901	16-3
101875001	8-7	101892201	13-9	101925601	12-5
101875101	8-7	101892301	13-9	101925701	10-21
101875102	8-7	101892401	13-9	101926901	13-7
101875201	8-7	101892501	13-9	101927101	13-7
101875301	8-7	101892601	13-9	101927201	13-7
101875401	8-7	101892701	13-11	101927301	13-7
101875501	8-7	101892901	13-7	101927501	13-9
101875601	8-7	101893201	13-9	101927601	13-9
101875701	8-7	101893801	13-7	101927701	13-9
101875802	8-7	101893901	13-9	101927901	13-9
101876001	8-7	101894303	1-15	101928001	13-9
101876202	8-7	101894901	14-7	101928101	13-9
101876301	8-7	101895401	16-3	101928301	13-11
101876402	8-7	101895501	16-3	101928601	13-7
101876501	8-7	101896501	8-7	101928701	13-7, 16-3, 18-5
101876901	6-19	101896801	17-13, 17-15	101929501	10-3, 10-5, 10-7, 10-9
101877001	6-19	101897001	16-3	101929802	12-5
101877601	8-7	101897201	16-3	101931501	3-5, 14-15, 14-17
101877701	8-7	101897401	16-3	101932201	1-73
101878101	8-7	101897601	16-3	101932601	14-15, 14-17
101878201	5-3	101898001	8-21	101932701	14-15, 14-17
101878302	6-3	101900801	6-21, 7-23	101933101	18-5
101879001	8-7	101903001	14-5	101936101	16-5
101879401	6-3, 7-3	101903101	6-17	101936801	14-3
101879501	6-3, 7-3	101903601	16-3	101939701	17-13
101879601	6-3, 7-3	101903701	16-3	101939801	17-15
101879701	6-3, 7-3	101906901	16-3	101939901	8-7
101879801	6-3, 7-3	101908101	14-9	101942301	15-3
101879901	6-3, 7-3	101908401	8-15, 14-9	101946201	1-35
101880001	6-3, 7-3	101908601	3-5	101953101	5-13
101880101	6-3, 7-3	101908703	14-15, 14-17	101954301	1-15

# INDEX

101955101	4-31, 4-33	101994601	1-65	102199401	4-5, 4-7
101956201	17-11	101994801	1-69	102199601	14-5
101956202	17-11	101995101	1-61	102235201	15-3
101957101	4-5, 4-7	101997802	4-35	102240501	14-15, 14-17
101958201	17-11	101997803	4-35	102241502	18-5
101958301	17-11	101997902	4-35	102242101	12-7
101958601	1-39	101997903	4-35	102242401	1-25, 1-29, 1-33
101959902	3-5	102003201	10-3, 10-5, 10-7, 10-9	102243101	14-15, 14-17
101960101	3-3	102004001	6-19	102243402	18-5
101960501	3-7, 8-11	102005701	1-19	102243403	15-3
101963301	1-35	102006201	1-75	102248803	18-5
101963401	1-35, 1-43, 9-15	102022101	5-13	102251501	18-5
101964001	1-35	102022601	7-15	102259801	14-15, 14-17
101964201	14-11	102022602	7-3, 7-15	102262901	1-59
101964202	14-11	102025401	1-73	102263601	14-5, 14-15
101965202	14-15, 14-17	102026001	5-5, 5-7	102263701	14-15, 14-17
101965401	17-13, 17-15	102031901	13-11	102264501	1-59
101968701	14-5	102051901	4-5, 4-7	102267501	4-7
101969701	4-5, 4-7, 4-31	102056503	1-73	102272601	1-63
101971301	10-21	102061201	18-7	102273101	4-7
101972001	18-5	102065901	1-37, 9-15	102273701	17-3, 17-5
101972002	18-5	102070601	1-73	102273801	17-3, 17-5
101972003	18-5	102071401	1-73	102273901	17-3, 17-5
101972004	18-5	102071701	1-73	102278001	6-5, 7-5
101972005	18-5	102074101	1-73	102289201	7-3, 7-15
101972006	18-5	102074201	1-73	102292801	5-13
101972007	18-5	102074501	1-73	102304801	9-9
101972009	18-5	102074601	1-73	102323101	5-3, 5-13
101972011	18-5	102074701	1-73	102323201	5-3, 5-13
101972012	18-5	102074801	1-73	102336001	10-17
101972101	16-3	102074901	1-73	102336101	10-17
101972201	16-3	102076702	1-25, 1-29, 1-33	102352201	4-19
101972801	10-21	102101001	14-3	102354901	4-19, 4-21
101973101	10-13	102101101	14-3	102355001	4-19, 4-21
101973301	10-13	102155801	12-7	102355301	8-21
101973401	10-15	102158901	5-5, 5-7	102356601	16-3
101973501	17-11	102163001	1-19	102356801	16-3
101976601	17-11	102163101	1-19	102357501	4-19, 4-21
101978001	14-5	102181101	1-73	102376001	13-3
101978102	14-5	102182101	1-73	102406701	10-7, 10-9
101978202	14-5	102185401	10-19	102430901	9-13
101978601	16-5	102186001	15-3	102453001	13-9
101980801	13-9	102186101	15-3	102453101	13-9
101980901	13-9	102186201	15-3	102458901	3-7
101981001	13-9	102186401	15-3	102459301	3-3
101984801	6-5, 7-5	102186701	15-3	102508701	4-15
101987501	17-11	102186901	15-3	102513701	10-3, 10-5
101987801	4-5	102187101	15-3	102515401	13-7, 13-13
101987901	4-3	102187201	15-3	102517501	4-11
101988001	4-3, 4-5, 4-7	102190702	10-19	102517601	4-33
101988002	4-3, 4-5, 4-7	102196901	4-15, 14-5	102518001	3-5
101988101	4-3	102198501	1-31, 1-33	102519201	3-7
101988201	4-3	102198701	4-5	102522001	10-3, 10-5, 10-7, 10-9
101990801	5-13	102199001	4-5	102526201	13-3
101994301	1-67	102199201	4-5, 4-7	102529201	4-9, 4-11
101994401	1-71	102199301	4-5, 4-7	102529203	4-33

# INDEX

102540301	9-15	102898701	13-15	103174401	1-5
102546401	4-11	102898801	13-15	103177401	13-3
102555501	18-3	102898901	13-15	103180101	4-13, 4-15
102559901	2-7	102899001	13-15	103187601	10-3, 10-5
102562401	18-3	102899101	13-13	103192701	13-3
102564002	7-17	102899201	13-13	103197001	8-3
102569101	4-7	102899301	13-15	103198301	4-15
102569304	2-3, 2-5	102899401	13-13	103198401	8-15
102572401	4-15, 14-5	102899501	13-15	103199001	4-13
102588501	6-21, 6-23, 7-23, 7-25	102899601	13-15	103199101	4-13
102616701	13-3	102899701	13-13	103205401	3-3
102684501	7-17	102899801	13-13	103205501	3-7, 8-15
102684602	13-3	102899901	13-15	103210201	3-7
102704701	15-3	102900001	13-13	103210301	3-5
102704801	15-3	102900101	13-13	103218601	4-15, 14-5
102704901	15-3	102900201	13-13	103221801	14-5
102711001	8-11	102900301	13-13	103234301	3-9
102711201	8-17	102900401	13-15	103245201	1-35
102751601	10-3, 10-5	102900501	13-15	103245301	1-35
102753401	9-9	102900601	13-13	103254101	4-5
102766301	7-17	102900701	13-15	103257001	4-7
102771701	16-3	102900801	13-17	103257603	4-17
102806201	14-15, 14-17	102900901	13-13	103257701	4-17
102806203	14-15, 14-17, 14-19	102901001	13-15	103257801	4-17
102838401	9-5	102901101	13-15	103260001	3-9
102838701	8-11	102901201	13-17	103260701	3-9
102838801	8-11	102901301	13-17	103274401	1-59
102838901	8-11	102901401	13-17	103282601	14-17
102839001	8-11	102901501	13-17	103282701	14-17
102839301	8-11	102901601	13-17	103284001	3-9
102841101	8-11	102901701	13-17	103295101	13-5
102844601	8-11	102901801	13-17	103295201	13-5
102844701	8-11	102901901	13-17	103306301	10-3, 10-5, 10-7, 10-9
102865101	10-3, 10-5, 10-7, 10-9	102902001	13-17	103316701	14-15, 14-17
102869401	4-5, 4-7	102902101	13-17	103316801	14-15, 14-17
102886301	16-3	102902201	13-17	103316901	14-15, 14-17
102886401	16-3	102902301	13-17	103345701	12-5
102886501	16-3	102902401	13-17	103347101	8-11
102886601	16-3	102902501	13-17	103347301	8-11
102896801	13-13	102902601	13-17	103347601	8-11
102896901	13-13	102902701	13-17	103347701	8-11
102897201	13-15	102902801	13-17, 16-3	103347801	8-11
102897301	13-15	102966401	1-35	103347901	8-11
102897401	13-13	102966501	1-35	103348201	4-13
102897501	13-13	102966502	1-35	103348202	4-17
102897601	13-13	102969401	13-3	103348501	4-13, 8-3, 8-5
102897701	13-15	102969801	13-3	103348601	4-13
102897801	13-13	102969901	13-3	103351001	6-15, 7-15
102897901	13-13	102974201	10-3, 10-5	103354401	4-17
102898001	13-15	102977001	4-13	103354701	7-15
102898101	13-15	102977002	4-15	103369101	10-7, 10-9
102898201	13-13	102977901	10-3, 10-5, 10-7, 10-9	103369501	13-3
102898301	13-15	102978001	10-3, 10-5, 10-7, 10-9	103372101	10-7, 10-9
102898401	13-15	102989501	1-35, 1-37	103372201	10-7, 10-9
102898501	13-15	103010101	10-5, 10-9	103372301	10-7, 10-9
102898601	13-15	103173301	13-3	103372401	10-11

# INDEX

- 103372504 10-11  
103372801 10-11  
103374701 10-7, 10-9  
103380201 5-11  
103380202 5-11  
103386202 9-3  
103397901 4-7, 17-7  
103403101 14-15  
103406501 1-41  
103406502 1-41  
103406601 1-41  
103414901 4-7, 17-7  
103418601 10-11  
103428501 17-3, 17-5  
103428601 17-3, 17-5  
103428701 17-3, 17-5  
103428801 17-3  
103429001 17-3, 17-5  
103429101 17-3, 17-5  
103429201 17-3, 17-5  
103429301 17-3, 17-5  
103429501 17-3, 17-5  
103429601 17-3  
103429701 17-3, 17-5  
103434001 17-3, 17-5  
103439901 17-3, 17-5  
103449501 14-19  
103449601 14-19  
103464901 3-9  
103470902 4-7  
103477901 6-13, 7-13  
103483101 5-11  
103483102 5-11  
103483201 5-11  
103483401 5-11  
103483601 5-11  
103483701 5-11  
103483801 17-15  
103483901 17-15  
103496801 8-21  
103499101 17-3  
103499102 17-3  
103499103 17-3  
103502601 6-17, 7-17  
103502701 7-21  
103502801 7-21  
103507001 6-19, 7-17  
103507101 10-15  
103507201 10-15  
103507301 10-15  
103513001 17-5  
103517401 17-5  
103520301 10-19  
103538701 1-37  
103538901 1-37  
103572501 15-3
- 103582801 16-3  
103584801 14-19  
103601501 7-3  
103601601 7-7  
103615601 9-9  
103615801 9-13  
103615901 9-11  
103616301 9-9  
103616401 9-11  
103616501 9-5  
103616601 9-5  
103616701 9-5  
103617101 10-13  
103618001 4-11  
103618101 4-33  
103628701 6-17, 7-17  
103628801 7-21  
103628901 7-21  
103653401 7-3  
103653501 7-3, 7-15  
103665902 7-13  
103666002 7-13  
103678402 8-11  
103687001 8-5  
103694501 2-7  
103697301 14-17  
103700301 4-21  
103717001 17-5  
103717002 17-5  
103717003 17-5  
103717302 7-19  
103717402 7-19  
103718702 8-11  
103719801 14-13  
103722901 2-5  
103723002 2-5  
103779601 17-5  
103781101 10-5, 10-9  
103878401 14-13  
103953301 8-11  
96704416 9-15
- A**  
absorber, rear shock 6-21, 6-23, 7-23, 7-25  
AC cord 17-3, 17-5, 17-7, 17-9, 17-11  
AC cord bushing 17-3, 17-5  
AC cord receptacle 17-11  
accelerator bracket and bearing assembly 5-5, 5-7  
accelerator cable 10-17  
accelerator pedal 5-5, 5-7  
accelerator pedal adjustment tool 18-3  
accelerator pivot rod 5-5, 5-7  
accelerator return spring 5-5, 5-7  
accelerator rod 5-9  
accessory switch panel 1-65
- adapter  
cable (IQDM) 18-5  
adhesive, guide ring 18-3  
air box 10-21  
air box top 10-21  
air duct shield 10-19  
air filter 10-21  
air intake hose 10-21  
ammeter 17-3, 17-5, 17-7, 17-9, 17-11  
angled bumper mount 6-23, 7-25  
A-plate strap 6-15, 7-15  
A-plate, delta 6-15, 7-15  
arbor 18-3  
arm  
governor 10-17, 13-7, 13-13  
pivot 13-7  
rocker 9-9  
wiper 1-59  
armature 8-7, 15-3  
armature conversion kit 8-7  
assembly  
accelerator bracket and bearing 5-5, 5-7  
accelerator pivot rod 5-5, 5-7  
air box 10-21  
air box top 10-21  
armature 8-7  
axle 13-11  
bearing, steering shaft 6-5, 7-5  
bell crank and shaft 8-17  
brake lever 5-11  
brush connector 8-7  
brush holder 8-7  
cab 1-59  
connecting rod 9-13  
cylinder head 9-9  
delta A-plate 6-15, 7-15  
delta shock and gear support 6-15, 7-15  
diode 4-7  
drive hub 12-5  
driven clutch 12-7  
driven clutch fixed-face 12-7  
field coil 8-7  
float 10-13  
frame and field (motor) 15-3  
front panel 1-41  
fuel cap 10-7, 10-9  
fuel pump 10-5, 10-9  
fuel tank vent 10-3, 10-5  
governor 13-9, 13-15  
headlight 4-3, 4-5, 4-7  
headlight harness 4-3  
idle screw 10-13  
inner ball joint 6-3, 7-3  
kingpin 6-17, 7-17  
latch weld 1-37  
moveable-face 12-5, 12-7

# INDEX

- pilot air screw 10-13
  - plug cap 9-5
  - ratchet 5-3
  - score card plate 6-11, 7-11
  - secondary clutch weight 12-5
  - side panel 1-41
  - steering shaft 6-5, 7-5
  - steering wheel 6-9, 6-11, 7-9, 7-11
  - tailgate 1-41
  - turn signal lens 4-3
  - axle 13-7, 13-11, 13-17, 16-3
  - axle guard 16-5
  - axle shaft oil seal 13-11, 13-17, 16-3
  - axle tube 13-11, 13-17, 16-3
- ## B
- backing plate, brake 5-11
  - ball bearing 8-11, 9-11
  - ball joint 5-3, 5-9, 6-3, 6-15, 13-5
  - ball joint, left-hand thread 6-3, 6-15
  - ball stud 8-17, 13-7, 13-13
  - ball, shifter 13-9
  - ball, steel pressure relief 9-7
  - ball, trailer hitch 1-55
  - bar, drive 14-3
  - barb, vent 10-3, 10-5, 10-7, 10-9
  - barrel, plastic 1-3, 1-5, 1-41
  - battery
    - 12-volt, side-post 8-21
    - 8-volt, CR190 14-13
    - 8-volt, Trojan T890 14-11
  - battery cap, 8-volt 14-11
  - battery charger 17-3, 17-5, 17-7, 17-9, 17-11
  - battery charger case 17-3, 17-5, 17-7, 17-9, 17-11
  - battery charger receptacle 14-7
  - battery charger retractable cord assembly 17-13, 17-15
  - battery charger transformer 17-5, 17-7, 17-9, 17-11
  - battery charger, onboard 17-13, 17-15
  - battery clamp 8-21
  - battery condition indicator 4-17
  - battery condition indicator kit 4-17
  - battery discharge machine 18-3
  - battery hold-down 14-11, 14-13
  - battery light 4-15
  - battery terminal protector spray 18-3
  - battery thermometer 18-3
  - battery, 8-volt, Trojan T890, moist 14-11
  - bead, ferrite 14-19
  - bearing 16-3
    - ball 8-11, 9-11
    - ball (motor) 15-3
    - ball (steering pinion) 6-3, 7-3
    - cage roller 13-15
    - front wheel hub 6-13, 7-13
    - hub 6-13, 7-13
    - idler 12-5
    - inner axle tube 13-11, 16-3
    - lower pinion (steering) 6-3, 7-3
    - needle 13-9
    - outer axle tube 13-11
    - pivot support 5-5, 5-7
    - steering shaft 6-5, 7-5
    - thrust 6-17, 7-17
  - bearing and oil seal remover 18-3
  - bearing driver set 18-3
  - bearing puller 18-3
  - bearing puller wedge 18-3
  - bearing seat 6-5, 7-5
  - bed frame assembly 1-37
  - bed latch 1-41
  - bed latch spring 1-41
  - bed mat 1-47
  - bed seal 1-35, 1-37
  - bed, floor plate 1-37
  - bed, tilt 1-37
  - bell crank and shaft 8-17
  - bellows 6-3, 7-3
  - belt, drive 12-3
  - belt, seat 1-59
  - belt, starter/generator 8-9, 8-13
  - belt, V 8-9, 8-13
  - bezel, headlight 4-3
  - block, brake-mounting 5-3
  - block, fuse 4-5, 4-7, 8-17
  - block, terminal 4-5, 4-7
  - blower cover 1-73
  - blower mounting bracket 1-73
  - blower, centrifugal 1-73
  - body, front 1-3
  - bolt, J- 14-11, 14-13
  - bolt, U- 6-21, 6-23, 7-23, 7-25
  - boot, steering column 6-5, 7-5
  - boot, switch 8-15, 14-9
  - bottom, air box 10-21
  - box
    - air 10-21
    - cargo 1-41
    - differential 13-17
    - electrical component 8-17
    - steering gear 6-3, 7-3
    - tool 1-51
  - box, tool 1-51
  - box, van 1-75
  - brace, trailer hitch 1-53
  - bracket
    - accelerator cable 10-17
    - adjustable starter/generator 8-9, 8-13
    - brake light switch 4-5, 4-7
    - FNR shifter 13-3
    - governor cable 10-17
    - headlight mounting 4-3
    - horn 4-5, 4-7, 4-31, 4-33
    - hour meter 4-35
    - muffler mounting 11-3
    - oil filter mount 9-7
    - oil level switch 9-11
    - relay mounting 17-9
    - shock mounting, drv 6-21, 6-23, 7-23, 7-25
    - shock mounting, pas 6-21, 6-23, 7-23, 7-25
    - snubber 9-15
    - stake side 1-45
    - starter/generator mounting 8-9, 8-13
    - steering column 6-5, 7-5
    - steering column mounting 6-5, 7-5
    - throttle spring return 10-15
    - Tow/Run switch 8-15, 14-9
  - bracket, carburetor intake manifold 10-15
  - bracket, hinge, bed 1-37
  - brake adjusting mechanism 5-11
  - brake adjustment tool 18-3
  - brake backing plate 5-11
  - brake cable 5-13
  - brake cable equalizer 5-13
  - brake cable hanger 6-21, 6-23, 7-23, 7-25
  - brake cable release tool 18-3
  - brake cluster 5-11
  - brake drum 5-11
  - brake lever 5-11
  - brake light switch bracket 4-5, 4-7
  - brake mounting block 5-3
  - brake pedal 5-3
  - brake pedal pad 5-3
  - brake relay kit, 12-volt 4-5
  - brake relay kit, 48-volt 4-7
  - brake return spring 5-13
  - brake self-adjusting mechanism 5-11
  - brake shoe 5-11
  - brake spring 5-11
  - breaker, circuit 17-3, 17-5, 17-7, 17-9, 17-11
  - breather 13-7, 13-13, 16-3
  - brush 15-3
  - brush and screw set 8-7
  - brush box assembly 15-3
  - brush connector 8-7
  - brush cover kit, starter/generator 8-7, 8-11
  - brush holder 8-7
  - brush inspection port cover 8-7, 8-11
  - brush plate
    - starter/generator 8-7
  - brush port cover 8-7
  - brush rigging 15-3
  - brush spring 8-11, 15-3
  - brush spring set 8-7, 8-11
  - brush spring, starter/generator 8-7, 8-11
  - brush terminal, starter/generator 8-7, 8-11



# INDEX

- bulb, headlight 4-3
- bulb, strobe light 4-25, 4-27, 4-29
- bulb, tail light 4-37
- bumper 1-21
  - drive unit (motor) 15-3
  - front 1-3
  - front, heavy duty 1-3
  - front, kit 1-3
  - jounce 6-21, 6-23, 7-23, 7-25
  - rubber 1-39, 5-3
  - seal, long 1-15
  - spring return 5-5, 5-7
- bumper mount 6-21, 7-23
- bumper mount, angled 6-23, 7-25
- bumper, heavy-duty 1-3
- bumper, seat 1-15
- bushing 8-17, 12-5, 13-3
  - AC cord 17-3, 17-5
  - bronze 6-13, 6-19, 7-13, 7-19
  - nylon 1-41, 1-43, 5-3
  - return line 10-7, 10-9
  - snap-in 1-41
  - spindle 6-13, 6-19, 7-13, 7-19
  - steel 1-37, 6-17, 6-21, 6-23, 7-17, 7-21, 7-23, 7-25
  - urethane 1-37, 6-15, 6-17, 6-21, 6-23, 7-15, 7-17, 7-21, 7-23, 7-25
- button, choke 10-19
- button, drive 12-7
- buzzer, reverse 4-13, 4-15
- C**
- cab 1-59
  - door 1-59
  - door hinge 1-59
  - door latch 1-59
  - heater 1-73
  - roof 1-59
  - side rear window 1-59
  - windshield 1-59
  - windshield latches 1-59
  - wiper arm 1-59
  - wiper blade 1-59
  - wiper motor 1-59
- cable
  - accelerator 10-17
  - brake 5-13
  - FNR shifter 13-5
  - governor 10-17
- calibration test module 18-3
- cam
  - driven clutch 12-7
  - electrical component box 8-17
- cam, FNR shifter 13-3
- camshaft 9-11
- camshaft shim 9-11
- canister, carbon, fuel tank 10-11
- canopy 1-23, 1-25, 1-27, 1-29, 1-31, 1-33
- canopy brace 1-23, 1-25, 1-27, 1-29, 1-31, 1-33
- canopy support 1-23, 1-25, 1-27, 1-29, 1-31, 1-33
- canopy trim plate 1-23, 1-25, 1-27, 1-29, 1-31, 1-33
- cap 1-49
  - battery, 8-volt 14-11
  - corner 1-35, 1-43
  - dust 4-15, 14-5
  - fuel tank 10-3, 10-5
  - fuel, gas, ratchet 10-7, 10-9
  - key switch 4-13, 4-15
  - plug 9-5
  - seat back 1-17
- cap, hub, 7 prong 2-7
- carbon canister 10-11
- carburetor adapter 10-15
- carburetor gasket 10-15
- carburetor insulator 10-15
- carburetor mounting gasket 10-15
- carburetor, FE350 S27 10-13
- card, safety first 18-5
- cargo bed, side panel 1-41
- cargo box 1-41
- case
  - battery charger 17-3, 17-5, 17-7, 17-9, 17-11
  - differential gear 13-11
  - gear 13-7, 13-13, 16-3
  - rocker 9-9
- CE compliance kit 14-19
- CE mark controller 14-15, 14-17, 14-19
- CE mark ferrite bead, Fair-rite 14-19
- CE mark ferrite bead, TDK 14-19
- centrifugal blower 1-73
- charger
  - wire assembly kit 17-7
- charger bezel tool 18-3
- charger hardware kit 17-3, 17-5
- charger receptacle 14-7
- charger wires 17-3
- charger, battery, onboard 17-13, 17-15
- charger, battery, PD3 17-3
- charger, battery, PowerDrive 17-7
- charger, battery, PowerDrive 3 17-5
- charger, battery, PowerDrive European 17-11
- charger, battery, PowerDrive Export 17-9
- charger, onboard 17-13
- choke button 10-19
- choke lever 10-19
- choke lever guide 10-19
- choke positioner 10-19
- choke valve 10-21
- circuit breaker 17-3, 17-5, 17-7, 17-9, 17-11
- clamp
  - battery 8-21
  - cable retaining 10-17
  - hose 10-3, 10-5, 10-7, 10-9, 10-11, 10-15, 10-21
  - hose, green 10-11
  - muffler hose 1-73, 11-3
- clevis, upper delta 6-17, 7-17
- clip
  - meter 4-13
- clip, score card 6-11, 7-11
- cluster idler gear 13-9
- cluster, brake 5-11
- clutch cam installation tool 18-3
- clutch pulley 12-5
- clutch repair kit 12-7
- clutch tool kit 18-3
- clutch weight 12-5
- clutch, drive 12-5
- clutch, driven 12-7
- coil, field 8-7
- collet 9-9
- column, steering 6-5, 7-5
- communication display module 18-5
- component box, electrical 8-17
- component mounting plate 14-15, 14-17
- compression gauge 18-5
- compression lug 14-15, 14-17
- compression spring 10-19
- compressor, piston ring 18-5
- compressor, valve spring 18-7
- computer, onboard 14-15
- conduit 4-29
- connecting rod 9-13
- connector, a- 8-7
- continuity tester 18-5
- controller cover 14-15, 14-17
- controller cover gasket 14-15, 14-17
- controller, motor speed
  - IQ 14-15, 14-17
- controller, motor speed (CE) 14-15, 14-17, 14-19
- converter, DC/DC 4-19, 4-21
- cord connector 9-11
- cord reel 17-13, 17-15
- cord set, DC 17-3, 17-5
- cord, AC 17-3, 17-5, 17-7, 17-9, 17-11
- cord, DC 17-7, 17-9, 17-11
- cord, retractable, assembly 17-13, 17-15
- counterbalance guide shaft 9-13
- counterbalance weight 9-13
- cover
  - brush inspection port 8-7, 8-11
  - brush port 8-7
  - crankcase 9-11
  - dust 5-11, 6-13, 7-13

# INDEX

electrical box 8-17  
fuse block 4-5, 4-7  
oil pump 9-7  
rocker switch hole 4-13, 4-15  
screw head 4-13, 4-15  
steering column 6-5, 7-5  
wheel 2-7  
cover gasket, controller 14-15, 14-17  
cover plate 15-3  
cover, controller 14-15, 14-17  
cover, speed controller 14-15, 14-17  
cover, steering column 4-9, 4-11  
cowl 1-3  
crankcase 9-13  
crankcase cover 9-11  
crankcase vent tube 10-15  
crankshaft 9-13  
crankshaft rod 9-13  
crankshaft shim 9-13  
C-type stop ring 6-3, 7-3  
cup holder 1-9  
cup, spring 5-5, 5-7  
current limiter 17-11  
cushion, shock absorber 6-21, 6-23, 7-23, 7-25  
cutter, valve seat 18-7  
cylinder head 9-9

## D

dash component 1-7  
dash panel 4-13, 4-15  
dc converter, 15A 4-21  
DC cord 17-7, 17-9, 17-11  
DC cord set 17-3, 17-5  
DC/DC converter 4-19, 4-21  
decal  
battery danger 3-5  
bed load warning 1-41, 1-45, 3-3  
Carryall 1 3-9  
Club Car name plate 3-9  
component cover 3-5, 14-15, 14-17  
crush area warning 3-3  
driver/passenger 3-7  
FNR 3-5, 3-7  
frame ground 3-7  
header heater 1-73  
heater inspection 1-73  
hot surface warning 3-7  
IR 3-9  
motor braking 3-5  
on/off 3-3  
operating instructions (electric) 3-5  
operating instructions (gas) 3-7  
refreshment center 1-49  
rollover warning 3-3  
rotating parts 3-7, 8-11  
run/service switch 3-7, 8-15

tailgate 1-41, 3-9  
Tow/Run switch warning 3-5  
trailer hitch 1-53, 3-3  
Turf 1 3-9  
vehicle loading 3-3  
defogger fan 1-71  
delta A-plate 6-15, 7-15  
delta A-plate sub-assembly 6-15, 7-15  
delta shock and gear support 6-15, 7-15  
DF-terminal insulator 8-7  
diagnostic port 4-15, 14-5  
differential drive unit 13-7, 16-3  
differential gear 13-11, 16-3  
differential gear case 13-11, 13-17  
differential guard 16-5  
differential housing 16-3  
differential idler gear 13-11  
differential pin 13-11  
diode 4-7, 8-17  
dipstick 9-3  
door 1-59  
door latch 1-59  
drain plug 1-49, 9-7, 13-13  
drain plug gasket 9-7, 13-7, 13-13  
drain plug, rubber 8-11  
drive bar 14-3  
drive belt 12-3  
drive button 12-7  
drive clutch 12-5  
drive clutch button 12-5  
drive clutch fixed-face 12-5  
drive clutch holder tool 18-3  
drive clutch hub puller 18-3  
drive clutch puller 18-3  
drive clutch spring 12-5  
drive clutch weight 12-5  
drive hub 12-5  
drive selector shaft 13-7, 13-13  
drive unit bumper 15-3  
drive unit guard 16-5  
driven clutch 12-7  
driven clutch button 12-7  
driven clutch cam 12-7  
driven clutch cam puller 18-3  
driven clutch fixed-face assembly 12-7  
driven clutch puller plug 18-3  
driver, drive clutch 12-5  
drum, brake 5-11  
dry moly lubricant 18-5  
duct hose 1-73  
dust cap 4-15, 14-5  
dust cover 5-11, 6-13, 7-13

## E

eccentric adjustment screw 6-17  
eccentric bolt 6-19, 7-17

E-clip 5-13  
electrical box cover 8-17  
electrical component box 8-17  
end bell, commutator 8-7  
end bell, output shaft 8-7  
end cap, motor 15-3  
end, tie rod 7-15  
engine mounting plate 9-15  
engine shroud 9-3  
engine, FE350 S27 9-3  
equalizer rod 5-13  
equalizer, brake cable 5-13  
exhaust system 11-3  
exhaust valve 9-9  
extension, spring latch 1-37  
extrusion, cover support 14-15, 14-17  
extrusion, fender 1-3  
extrusion, plastic 1-21

## F

face, moveable 12-5, 12-7  
fan housing 9-3  
fan shroud 9-3  
fan, defogger 1-71  
fan, flywheel 9-5  
fender extrusion 1-3  
fender, rear 1-57  
ferrite bead (CE), Fair-rite 14-19  
ferrite bead (CE), TDK 14-19  
field coil 8-7  
field coil housing 8-7, 8-11  
fill plug 13-7, 13-13  
fill plug gasket 13-13  
filter  
air 10-21  
fuel 10-3, 10-5, 10-7, 10-9  
oil 9-7  
oil pump 9-7  
fitting, thread-forming grease 6-3, 6-13, 6-15, 6-19, 7-13, 7-19  
fixed-face, drive clutch 12-5  
fixed-face, driven clutch 12-7  
flasher, turn signal, 12-volt 4-11  
float 10-13  
floor mat 1-7  
flywheel 9-5  
flywheel fan 9-5  
flywheel fan plate 9-5  
flywheel puller 18-5  
FNR closeout brush 4-13  
FNR shift lever 13-7, 13-13  
FNR shifter 13-3  
FNR shifter bracket 13-3  
FNR shifter cable 13-5  
FNR shifter cam 13-3  
fork, shift 13-9, 13-15

# INDEX

frame and field assembly (motor) 15-3  
frame and field, starter/generator 8-7, 8-11  
front body 1-3  
front bumper 1-3  
front bumper kit 1-3  
front panel 1-41  
front spring retainer plate 6-17, 7-17  
F-terminal hardware 8-7  
f-terminal insulator 8-7  
fuel filter 10-3, 10-5, 10-7, 10-9  
fuel gauge sending unit 10-3, 10-5, 10-7, 10-9  
fuel line 10-3, 10-5, 10-7, 10-9, 10-11, 10-15  
fuel meter 4-13  
fuel pickup tube 10-3, 10-5  
fuel pump 10-5, 10-9  
fuel pump mount 10-3, 10-5, 10-7, 10-9  
fuel pump, impulse 10-3, 10-7  
fuel tank 10-3, 10-5  
fuel tank cap 10-3, 10-5  
fuel tank strap 10-3, 10-5, 10-7, 10-9  
fuel tank vent 10-3, 10-5  
fuel tank vent grommet 10-7, 10-9  
fuse 14-7, 17-7, 17-9, 17-11  
    10-amp 8-17  
    20-amp 4-5, 4-7, 8-17  
    3/8-amp 14-7  
    charger 17-3, 17-5  
fuse block 4-5, 4-7, 8-17  
fuse block cover 4-5, 4-7  
fuse holder 17-13, 17-15

## G

gasket  
    carburetor 10-15  
    carburetor mounting 10-13, 10-15  
    crankcase cover 9-9, 9-11  
    drain plug 9-7, 13-7  
    drain plug, fill plug 13-13  
    exhaust 1-73, 9-9, 11-3  
    head 9-9  
    insulator 9-9, 10-15  
    liquid 13-7, 16-3, 18-5  
    plug 16-3  
    rocker case 9-9  
    sending unit 10-3, 10-5, 10-7, 10-9  
    taillight 4-37  
gasket kit, FE350 9-9  
gasket, controller cover 14-15, 14-17  
gauge, battery condition 4-17  
gauge, compression 18-5  
gauge, fuel-hour 4-13  
gear  
    25 tooth 13-15  
    28 tooth 13-15  
    case 13-13  
    cluster idler 13-9

differential 13-11, 13-17, 16-3  
differential idler 13-11, 16-3  
differential output 16-3  
helical 9-13, 13-9, 13-11  
planetary 13-17  
speed governor 13-15  
spur 9-13, 13-9  
sun 13-17  
synchro 13-9  
gear yoke 18-5  
gearcase 13-7, 16-3  
governor 13-9, 13-15  
governor arm 10-17, 13-7, 13-13  
governor cable 10-17  
governor cable bracket 10-17  
governor shaft installation tool 18-5  
grip, pencil 6-11, 7-11  
grip, tilt latch hand 1-37, 1-41  
grommet 1-13, 1-23, 1-25, 1-27, 1-29, 1-31, 1-33, 10-3, 10-5  
    fuel tank vent 10-7, 10-9  
    ignition 9-5  
guard, differential 16-5  
guard, splash 1-5  
guide  
    choke lever 10-19  
    intake valve 9-9  
    valve seat cutter 18-7  
guide ring adhesive 18-3

## H

handle 1-75  
handle, bar unit 1-49  
hanger, brake cable 6-21, 6-23, 7-23, 7-25  
hardware kit, charger 17-3, 17-5  
hardware, F-terminal 8-7  
harness  
    wire 4-33  
harness, wire 1-73, 4-5, 4-19, 4-21, 4-25, 4-27, 4-33, 8-3, 14-5  
harness, wire, lighting 4-7  
head gasket 9-9  
head, cylinder 9-9  
headlight 4-3  
headlight assembly 4-3, 4-5, 4-7  
headlight bulb 4-3  
headlight harness 4-3  
headlight retainer 4-3  
heat shrink tube 17-13, 17-15  
heater 1-73  
heatsink and rectifier 17-3, 17-7, 17-9, 17-11  
heavy-duty bumper 1-3  
helical gear 9-13, 13-9, 13-11  
hill brake rod 5-3  
hill brake weld assembly 5-3  
hinge kit, door 1-59

hinge pin 1-45  
hinge, bar unit side door 1-49  
hinge, stake side 1-45  
hitch, trailer 1-53  
hitch, trailer, ball 1-55  
hold-down, battery 14-11, 14-13  
holder, cup 1-9  
hole plug 4-15  
horn 4-5, 4-7, 4-31, 4-33  
horn bracket 4-5, 4-7, 4-31, 4-33  
horn button and wire assembly 4-5, 4-7, 4-31  
hose  
    fuel 10-3, 10-5, 10-7, 10-9  
    vent 10-11  
    vent flare 10-11  
hose clamp, green 10-11  
hose, air intake 10-21  
hose, duct 1-73  
hour meter 4-13, 4-35  
hour meter, 36-48 volt 4-35  
housing  
    2-pin 14-3  
    3-pin 14-3, 15-3  
    6-pin 14-15, 14-17  
    differential 16-3  
    fan 9-3  
    field coil 8-7, 8-11  
hub 6-13, 7-13  
hub bearing 6-13, 7-13  
hub cap 2-7  
hub cap, 7 prong 2-7  
hub, synchronizer clutch 13-9  
hydrometer 18-5

## I

idle screw assembly 10-13  
idler bearing 12-5  
idler gear, differential 16-3  
ignition coil 9-5  
indicator, battery condition 4-17  
inlet valve 1-73  
inner frame snubber 9-15  
input shaft 16-3  
insert, synchronizer 13-9  
instrument panel 4-13, 4-15  
insulator gasket 9-9, 10-15  
insulator, carburetor 10-15  
intake valve 9-9  
intermediate shaft 16-3  
intermediate steering shaft 6-7  
internal retaining ring pliers 18-5  
IQ display module (IQDM) 18-5

## J

J-bolt 14-11, 14-13

# INDEX

jet, main 10-13  
jet, pilot 10-13  
joint  
    ball 5-3, 5-9, 6-15, 13-5  
    left-hand thread ball 6-3, 6-15  
jounce bumper 6-21, 6-23, 7-23, 7-25

## K

key  
    crankshaft 9-5, 9-13  
    driven clutch 12-7  
    On/Off 4-13, 4-15  
    square 12-7  
    starter/generator 8-7  
    woodruff 13-7  
key switch 4-13  
key switch cap 4-13, 4-15  
key switch, On/Off 4-15  
kingpin 6-17, 7-17  
kit  
    2-pin housing 14-3  
    3-pin housing 14-3, 15-3  
    6-pin housing 14-15, 14-17  
    accelerator pivot rod 5-5, 5-7  
    air duct shield 10-19  
    armature conversion 8-7  
    battery condition indicator 4-17  
    brake cable 5-13  
    brake pedal 5-3  
    brake relay 4-5  
    brake shoe retainer 5-11  
    cab adapter 1-59  
    canopy 1-23, 1-25, 1-27, 1-29, 1-31, 1-33  
    CE compliance 14-19  
    clutch repair 12-7  
    cup holder 1-9  
    differential gear case 13-11  
    door hinge 1-59  
    drive clutch button 12-5  
    drive clutch weight 12-5  
    driven clutch button 12-7  
    fan/defogger 1-71  
    fixed-face drive 12-5  
    flywheel puller 18-5  
    front bumper 1-3  
    gasket, FE350 9-9  
    heater, cab 1-73  
    heavy-duty front bumper 1-3  
    hour meter 4-35  
    hub cap 2-7  
    IQ display module (IQDM) 18-5  
    light 4-5, 4-7  
    mirror 1-11  
    mirror, inside rear-view 1-61  
    mirror, side-view 1-63  
    motor brush 15-3

motor brush spring 15-3  
motor cover plate 15-3  
motor speed sensor 15-3  
motor terminal hardware 15-3  
name plate 3-9  
onboard charger 17-13  
park brake latch 5-3  
park brake pedal 5-3  
PD3 hardware 17-3, 17-5  
PD3 wiring 17-3  
piston ring compressor 18-5  
relay, 48V 4-7, 17-7  
seat belt 1-59  
shock absorber 6-21, 6-23, 7-23, 7-25  
shock absorber cushion 6-21, 6-23, 7-23, 7-25  
shoe retainer 5-11  
steering column mounting bracket 6-5, 7-5  
strobe light 1-67, 4-25, 4-27, 4-29  
tailgate mounting 1-41  
taillight hardware 4-37  
trailer hitch 1-53  
transmission tool 18-7  
tune-up 18-7  
turn signal 4-9  
wheel cover 2-7  
windshield, hinged 1-19  
windshield, one-piece 1-21  
wire assembly, charger 17-7  
work light 1-69  
knob, forward/reverse 13-3  
knob, light switch 4-5, 4-7

## L

lamp, strobe light 4-25, 4-27, 4-29  
lamp, turn signal and socket 4-9, 4-11  
latch plate, tilt bed 1-39  
latch weld 1-37  
latch, air box 10-21  
latch, bed 1-41  
latch, park brake 5-3  
leaf spring 6-19, 6-21, 6-23, 7-23, 7-25  
lens, headlight 4-3  
lens, strobe light 4-25, 4-27, 4-29  
lens, taillight 4-37  
lever  
    choke 10-19, 10-21  
    drive selector 13-7  
    speed governor 13-13  
    transmission shift 13-7, 13-13  
light  
    battery 4-15  
    oil 4-13  
light switch 4-5, 4-7  
light switch knob 4-5, 4-7

light, strobe 1-67, 4-25, 4-27, 4-29  
lighting package 4-5, 4-7  
limit switch 4-5, 4-7, 8-17, 8-19, 13-3  
limiter  
    current 17-11  
    voltage 4-5, 4-23  
line, fuel 10-3, 10-5, 10-7, 10-9, 10-11, 10-15  
link, rack and pinion drag 6-3  
liquid gasket 13-7, 16-3, 18-5  
low oil warning light 4-13  
lubricant, dry moly 18-5  
lubricant, moly-teflon 15-3, 18-5  
lug nut 2-3, 2-5  
lug stud 13-11, 13-17, 16-3  
lug, compression 14-15, 14-17

## M

magnet, speed sensor 15-3  
main jet 10-13  
mat, bed 1-47  
mat, floor 1-7  
MCOR 14-3  
mechanism, brake adjusting 5-11  
meter clip 4-13  
meter, hour 4-35  
meter, volt ohm 18-7  
mirror 1-11  
mirror, inside rear-view 1-61  
mirror, rear view 1-11  
mirror, side-view 1-63  
module  
    calibration test 18-3  
    communication display 18-5  
moly-teflon lubricant 18-5  
motor  
    48-volt IQ 15-3  
    wiper 1-59  
motor brush kit 15-3  
motor brush spring kit 15-3  
motor bumper 15-3  
motor end cap 15-3  
motor magnet, speed sensor 15-3  
motor speed controller  
    CE 14-15, 14-17, 14-19  
    IQ 14-15, 14-17  
motor speed sensor 15-3  
motor speed sensor kit 15-3  
motor terminal hardware kit 15-3  
mount, bumper 6-21, 7-23  
mount, fuel pump 10-3, 10-5, 10-7, 10-9  
mounting block, brake 5-3  
moveable-face 12-5, 12-7  
muffler hose clamp 1-73, 11-3

# INDEX

## N

name plate 3-9  
needle bearing 13-9  
nozzle, main 10-13  
nut, lug 2-3, 2-5

## O

OBC 14-15  
oil conveyor 13-13  
oil filler tube 9-3  
oil filter 9-7  
oil filter mount bracket 9-7  
oil filter screen 9-11  
oil filter screen plate 9-11  
oil level sensor 9-11  
oil level switch bracket 9-11  
oil pump and rotor 9-7  
oil pump cover 9-7  
oil pump filter 9-7  
oil pump plate 9-7  
oil seal 9-9, 9-11, 9-13, 13-7, 13-9  
oil warning light, low 4-13  
onboard battery charger 17-13, 17-15  
onboard computer 14-15  
O-ring 1-49, 9-3, 9-9, 9-11, 9-13  
overload bumper spacer 6-21, 6-23, 7-23, 7-25

## P

pad  
accelerator pedal 5-5, 5-7  
brake pedal 5-3  
park brake 5-3  
paint, touch-up 18-5  
panel box 1-41  
panel, front 1-41  
panel, instrument 4-13, 4-15  
panel, side 1-41  
park brake latch 5-3  
park brake pedal 5-3  
park brake rod sleeve 5-3  
park brake spacer 5-3  
park brake torsion spring 5-3  
pawl 5-3  
pedal, accelerator 5-5, 5-7  
pedal, brake 5-3  
pedal, park brake 5-3  
pencil grip 6-11, 7-11  
pilot air screw assembly 10-13  
pilot jet 10-13  
pin  
bow tie locking 5-13  
clevis 5-13  
differential 13-11  
piston 9-13  
pin, hinge 1-45

pinion, steering 6-3, 7-3  
piston 9-13  
piston pin 9-13  
piston ring 9-13  
piston ring compressor 18-5  
piston ring pliers 18-5  
piston ring set 9-13  
pivot arm 13-7  
pivot support bearing 5-5, 5-7  
plate  
backing (brake) 5-11  
bed floor 1-37  
component mounting 14-15, 14-17  
cover 15-3  
engine mounting 9-15  
flywheel fan 9-5  
front spring retainer 6-17, 7-17  
latch 1-39  
name 3-9  
oil filter screen 9-11  
oil pump 9-7  
receptacle backing 14-7  
score card 6-9, 6-11, 7-9, 7-11  
spring mounting 6-17, 7-17  
steering wheel 6-9, 7-9  
thrust 13-9, 13-11  
plate, canopy trim 1-23, 1-25, 1-27, 1-29, 1-31, 1-33  
pliers  
internal retaining ring 18-5  
piston ring 18-5  
retaining ring 18-5  
plug  
6-pin 14-15, 14-17  
drain 1-49, 9-7, 13-13  
drive clutch 12-5  
driven clutch puller 18-3  
fill 13-7, 13-13  
hole 4-15  
rubber drain 8-11  
spark 9-5  
plug cap 9-5  
plug, carburetor intake manifold 10-15  
pole set 8-7  
port, diagnostic 4-15, 14-5  
portable refreshment center 1-49  
positioner, choke 10-19  
PRC 1-49  
press weldment 18-3  
protector spray, battery terminal 18-3  
puller  
bearing 18-3  
drive clutch 18-3  
drive clutch hub 18-3  
driven clutch cam 18-3  
flywheel 18-5

seal 18-5  
pulley  
clutch 12-5  
starter-generator 8-7, 8-11  
v-belt 8-7, 8-11  
pump  
fuel 10-5, 10-9  
pump, impulse fuel 10-3, 10-7  
push rod 9-9

## R

race, front hub bearing 6-13, 7-13  
rack and pinion drag link 6-3  
rack guide pressure spring 6-3, 7-3  
rack, steering 6-3, 7-3  
ratchet, park brake 5-3  
reamer, valve guide 18-7  
rear fender 1-57  
rear spring shackle 6-21, 6-23, 7-23, 7-25  
rear view mirror 1-11  
rear-view mirror, inside 1-61  
receptacle 14-7  
receptacle backing plate 14-7  
receptacle, AC cord 17-11  
receptacle, battery charger 14-7  
rectifier with heatsink 17-3, 17-7, 17-9, 17-11  
reel assembly, retractable 17-13, 17-15  
reel cord 17-13, 17-15  
refreshment center 1-49  
refreshment center, portable 1-49  
regulator, voltage 8-17  
relay 4-7, 17-3, 17-5, 17-7, 17-9, 17-11  
relay mounting bracket 17-9  
relay, 12-volt 4-5  
relay, 48V 4-7, 17-7  
relay, brake, kit, 12-volt 4-5  
relay, brake, kit, 48-volt 4-7  
remover, bearing and oil seal 18-3  
resistor assembly 14-15, 14-17  
retainer  
accelerator pedal spring 5-5, 5-7  
brake shoe 5-11  
headlight 4-3  
shock absorber cushion 6-21, 6-23, 7-23, 7-25  
spring 6-21, 6-23, 7-23, 7-25  
spring (drive clutch) 12-5  
valve spring 9-9  
retaining ring 6-5, 7-5  
retaining ring pliers 18-5  
return spring bumper 5-5, 5-7  
reverse buzzer 4-13, 4-15  
rim, wheel, white 2-3, 2-5  
ring  
C-type stop 6-3, 7-3  
piston 9-13

# INDEX

- retaining 6-5, 7-5, 8-17, 12-5, 12-7
- snap 6-3, 7-3, 9-9, 9-13
- spiral backup 12-5
- synchronizer 13-9
- rivet, blind push 1-3
- rock guard 16-5
- rocker arm 9-9
- rocker case 9-9
- rocker case gasket 9-9
- rocker shaft 9-9
- rocker switch 4-15
- rocker switch (lights) 4-5, 4-7
- rod
  - accelerator 5-9
  - accelerator pivot 5-5, 5-7
  - connecting 9-13
  - crankshaft 9-13
  - equalizer 5-13
  - hill brake 5-3
  - push 9-9
  - shift 13-9
  - tie 6-15
- roof 1-59
- S**
  - safety first card 18-5
  - score card clip 6-11, 7-11
  - score card plate 6-11, 7-11
  - screen, oil filter 9-11
  - screw, eccentric adjustment 6-17
  - screw, valve clearance adjuster 18-7
  - seal
    - intake 10-21
    - lip 16-3
    - oil 9-9, 9-11, 9-13, 13-7, 13-9, 13-11, 13-17, 16-3
    - steering pinion dust 6-3, 7-3
    - vertical socket dust 6-3, 6-15
  - seal puller 18-5
  - seal, bed 1-35, 1-37
  - sealant 13-7, 16-3
  - seat
    - spring 9-9
    - valve 9-7
  - seat back 1-17
  - seat back assembly 1-17
  - seat back cap 1-17
  - seat back tube 1-35
  - seat back, white 1-17
  - seat belt 1-59
  - seat bottom assembly 1-15
  - seat bumper 1-15
  - seat cover, vinyl 1-15
  - seat strap 1-15
  - seat, bearing 6-5, 7-5
  - sending unit, fuel gauge 10-3, 10-5, 10-7, 10-9
  - sensor, motor speed 15-3
  - sensor, oil level 9-11
  - set, brush and screw 8-7
  - set, pole 8-7
  - shackle, rear spring 6-21, 6-23, 7-23, 7-25
  - shaft
    - counterbalance guide 9-13
    - drive selector 13-7, 13-13
    - input 16-3
    - intermediate 16-3
    - intermediate steering 6-7
    - rocker 9-9
    - steering column 6-5, 7-5
    - transmission 13-9, 13-15
  - shaft,reverse gear 13-15
  - shaft,secondary
    - transmission 13-15
  - shield, air duct 10-19
  - shift fork 13-9, 13-15
  - shift lever 13-7, 13-13
  - shift rod 13-9
  - shifter, FNR 13-3
  - shim, camshaft 9-11
  - shim, crankshaft 9-13
  - shim, latch plate 1-39
  - shim, tilt bed pivot 1-37
  - shock absorber 6-15, 7-15
  - shock absorber (rear) 6-21, 6-23, 7-23, 7-25
  - shock absorber cushion 6-21, 6-23, 7-23, 7-25
  - shock absorber cushion retainer 6-21, 6-23, 7-23, 7-25
  - shock mounting bracket, drv 6-21, 6-23, 7-23, 7-25
  - shock mounting bracket, pas 6-21, 6-23, 7-23, 7-25
  - shoe retainer kit 5-11
  - shoe, brake 5-11
  - shroud 9-3
  - shroud, engine 9-3
  - shroud, fan 9-3
  - side panel 1-41
  - side-view mirror 1-63
  - signal, turn 4-9
  - sleeve
    - delta A-plate 6-15, 7-15
    - governor 13-9
    - park brake rod 5-3
    - synchronizer 13-9
  - snap ring 6-3, 7-3, 9-9, 9-13
  - snubber bracket 9-15
  - snubber, inner frame 9-15
  - socket 6-3, 6-15
  - solenoid 14-15, 14-17
  - solenoid, 12-volt 8-17
  - spacer
    - accelerator pivot rod 5-5, 5-7
    - overload bumper 6-21, 6-23, 7-23, 7-25
    - park brake 5-3
  - spark plug 9-5
  - speed controller
    - CE 14-15, 14-17, 14-19
    - IQ 14-15, 14-17
  - speed controller cover 14-15, 14-17
  - speed sensor 15-3
  - speed sensor magnet 15-3
  - speed sensor, motor 15-3
  - spindle 6-13, 6-19, 7-13
  - spindle assembly 7-19
  - spiral backup ring 12-5
  - splash guard 1-5
  - spray, battery terminal protector 18-3
  - spring
    - accelerator return 5-5, 5-7
    - brake 5-11
    - brake return 5-13
    - brush 8-7, 8-11, 15-3
    - compression 6-11, 7-11, 10-19
    - drive button 12-5
    - drive clutch 12-5
    - driven clutch 12-7
    - extension 1-37
    - extension return 10-21
    - latch tilt 1-41
    - leaf 6-19, 6-21, 6-23, 7-23, 7-25
    - park brake torsion 5-3
    - rack guide pressure 6-3, 7-3
    - shifter 13-9
    - steering shaft compression 6-5, 7-5
    - synchronizer 13-9
    - throttle return 10-15
    - valve 9-9
  - spring cup 5-5, 5-7
  - spring mounting plate 6-17, 7-17
  - spring retainer 6-21, 6-23, 7-23, 7-25
  - spring,leaf 6-17, 7-17
  - spur gear 9-13, 13-9
  - stake side 1-45
  - stake side bracket 1-45
  - stake side hinge 1-45
  - stake side kit 1-45
  - stand-offs, plastic 17-3, 17-5
  - starter/generator (cw) (model G425419) 8-7
  - starter/generator belt 8-9, 8-13
  - starter/generator brush cover kit 8-7, 8-11
  - starter/generator brush plate 8-7
  - starter/generator brush spring 8-7, 8-11
  - starter/generator brush terminal 8-7, 8-11
  - starter/generator frame and field 8-7, 8-11
  - starter/generator pulley 8-7, 8-11
  - steel bushing 1-37, 6-17, 6-21, 6-23, 7-17, 7-21, 7-23, 7-25
  - steel pressure relief ball 9-7

# INDEX

- steering column 6-5, 7-5
  - steering column bearing press tool 18-7
  - steering column cover 4-9, 4-11
  - steering column retaining ring tool 18-7
  - steering gear box 6-3, 7-3
  - steering pinion 6-3, 7-3
  - steering pinion dust seal 6-3, 7-3
  - steering rack 6-3, 7-3
  - steering shaft assembly 6-5, 7-5
  - steering shaft compression spring 6-5, 7-5
  - steering wheel 6-9, 6-11, 7-9, 7-11
  - steering wheel plate 6-9, 7-9
  - steering wheel puller tool 18-7
  - stem, valve 2-3, 2-5
  - stiffener 1-15
  - stiffener, flywheel side 9-15
  - stiffener, PTO side 9-15
  - strap, A-plate 6-15, 7-15
  - strap, fuel tank 10-3, 10-5, 10-7, 10-9
  - strap, seat 1-15
  - strobe light 1-67, 4-25, 4-27, 4-29
  - strobe light lens 4-25, 4-27, 4-29
  - stud 9-15
    - lug 13-11, 13-17, 16-3
    - self-clinching 1-43
  - stud, ball 8-17, 13-7, 13-13
  - support yoke (steering) 6-3, 7-3
  - suppressor, voltage 4-5, 17-7, 17-9, 17-11
  - switch plate cover 4-25, 4-27, 4-29
  - switch 1-73
    - four-position 17-9, 17-11
    - key 4-13, 4-15
    - light 4-5, 4-7
    - light rocker 4-5, 4-7
    - limit 4-5, 4-7, 8-17, 8-19, 13-3
    - rocker 4-15
    - Tow/Run 14-9
    - turn signal 4-9, 4-11
  - switch assembly 4-25, 4-27, 4-29
  - switch panel, accessory 1-65
  - switch rubber boot 8-15, 14-9
  - switch, toggle 8-15
  - synchro gear 13-9
  - synchronizer clutch hub 13-9
  - synchronizer insert 13-9
  - synchronizer sleeve 13-9
  - synchronizer spring 13-9
  - synchronizer, complete 13-15
  - system, exhaust 11-3
- T**
- 12-volt solenoid 8-17
  - tachometer 18-7
  - tail light bulb 4-37
  - tailgate 1-41
  - tailgate angle 1-43
  - tailgate mounting kit 1-41
  - taillight 4-37
  - taillight assembly 4-5, 4-7, 4-37
  - taillight base 4-37
  - taillight gasket 4-37
  - taillight hardware kit 4-37
  - taillight lens 4-37
  - tailskirt 1-57
  - tank, fuel 10-3, 10-5
  - tape 10-19
  - tape, vinyl foam 1-37
  - tappet 9-11
  - terminal block 4-5, 4-7, 14-15, 14-17
  - terminal, 1/4 quick-disconnect 4-19, 4-21
  - tester, continuity 18-5
  - thermometer, battery 18-3
  - thread-forming grease fitting 6-3, 6-13, 6-15, 6-19, 7-13, 7-19
  - throttle return spring 10-15
  - throttle spring return bracket 10-15
  - thrust bearing 6-17, 7-17
  - thrust plate 13-9, 13-11
  - tie rod 6-15, 7-15
  - tie rod end 7-15
  - tie wrap 1-73, 4-9, 4-11, 4-19, 4-21, 4-27, 4-29, 4-35, 6-3, 7-3, 8-17, 13-5, 14-15, 14-17, 14-19, 17-13, 17-15
  - tilt bed 1-37
  - tilt latch hand grip 1-37, 1-41
  - tire 2-3, 2-5
  - tire and wheel assembly 2-3, 2-5
  - toggle switch 8-15
  - tool
    - accelerator pedal adjustment 18-3
    - brake adjustment 18-3
    - brake cable release 18-3
    - charger bezel 18-3
    - clutch cam installation 18-3
    - drive clutch holder 18-3
    - governor shaft installation 18-5
    - steering column bearing press 18-7
    - steering column retaining ring 18-7
    - steering wheel puller 18-7
    - transaxle axle seal 18-7
    - transaxle pinion seal 18-7
    - transmission 18-7
  - tool box 1-51
  - tool kit, clutch 18-3
  - toolbox 1-51
  - touch-up paint 18-5
  - Tow/Run switch 14-9
  - Tow/Run switch bracket 8-15, 14-9
  - trailer hitch 1-53
  - trailer hitch ball 1-55
  - trailer hitch brace 1-53
  - transaxle (Electric Vehicle) 16-3
  - transaxle axle seal tool 18-7
  - transaxle Graziano (gasoline vehicle), unitized 13-13
  - transaxle guard 16-5
  - transaxle pinion seal tool 18-7
  - transaxle, Kawasaki (Gasoline Vehicle) 13-7
  - transformer 17-3
  - transformer, battery charger 17-5, 17-7, 17-9, 17-11
  - transmission secondary shaft 13-15
  - transmission shaft 13-9, 13-15
  - transmission tool 18-7
  - trim
    - cowl 1-3
    - seat bottom 1-35
  - tube
    - axle 13-11, 13-17, 16-3
    - crankcase vent 10-15
    - fuel pickup 10-3, 10-5
    - oil filler 9-3
    - seat back 1-35
  - tune-up kit 18-7
  - turn signal 4-9
  - turn signal conversion kit 4-9
  - turn signal lens 4-3
  - turn signal socket and lamp 4-9, 4-11
  - turn signal switch 4-11
- U**
- U-bolt 6-21, 6-23, 7-23, 7-25
  - unitized transaxle Graziano 13-13
  - upper delta clevis 6-17, 7-17
  - urethane bushing 1-37, 6-15, 6-17, 6-21, 6-23, 7-15, 7-17, 7-21, 7-23, 7-25
- V**
- valve
    - choke 10-21
    - exhaust 9-9
    - reed 9-9
  - valve clearance adjuster screw 18-7
  - valve guide reamer 18-7
  - valve guide, intake 9-9
  - valve seat 9-7
  - valve seat cutter 18-7
  - valve seat cutter guide 18-7
  - valve seat t-wrench 18-7
  - valve spring 9-9
  - valve spring compressor 18-7
  - valve spring retainer 9-9
  - valve stem 2-3, 2-5
  - valve stem extension 2-7
  - valve, inlet 1-73
  - van box 1-75
  - v-belt 8-9, 8-13
  - vent barb 10-3, 10-5, 10-7, 10-9

# INDEX

vent, barb 10-11  
vent, fuel tank, w/ valve 10-7, 10-9  
vertical socket dust seal 6-3, 6-15  
volt ohm meter 18-7  
voltage limiter 4-5, 4-23  
voltage regulator 8-17  
voltage suppressor 4-5, 17-7, 17-9, 17-11

## W

warning light, low oil 4-13  
wedge, bearing puller 18-3  
weight  
    clutch 12-5  
    counterbalance 9-13  
    secondary clutch 12-5  
weldment  
    press 18-3  
wheel 2-3  
wheel and tire assembly 2-3, 2-5  
wheel cover 2-7  
wheel rim, white 2-3, 2-5  
wheel, steering 6-9, 6-11, 7-9, 7-11  
window 1-59  
windshield 1-59  
    hinged 1-19  
    one-piece 1-21  
windshield channel 1-19  
windshield frame 1-23, 1-25, 1-27, 1-29, 1-31,  
    1-33  
windshield frame pad 1-23, 1-25, 1-27, 1-29,  
    1-31, 1-33  
windshield latches 1-59  
wiper arm 1-59  
wiper blade 1-59  
wiper motor 1-59  
wire harness 1-73, 4-5, 4-19, 4-21, 4-25, 4-27,  
    4-33, 8-3, 14-5  
wire harness, lighting 4-7  
wire lead, ignition 9-5  
wiring, charger 17-3  
woodruff key 13-7  
work lights, light, work 1-69  
wrap, tie 1-73, 4-9, 4-11, 4-19, 4-21, 4-27, 4-29,  
    4-35, 6-3, 7-3, 8-17, 13-5, 14-15, 14-17, 14-19,  
    17-13, 17-15

## Y

yoke, gear 18-5  
yoke, support (steering) 6-3, 7-3











**Club Car, Inc.**  
P.O. Box 204658  
Augusta, GA 30917-4658  
USA

**Web** [www.clubcar.com](http://www.clubcar.com)  
**Phone** 1.706.863.3000  
1.800.ClubCar  
**Int'l** +1 706.863.3000  
**Fax** 1.706.863.5808