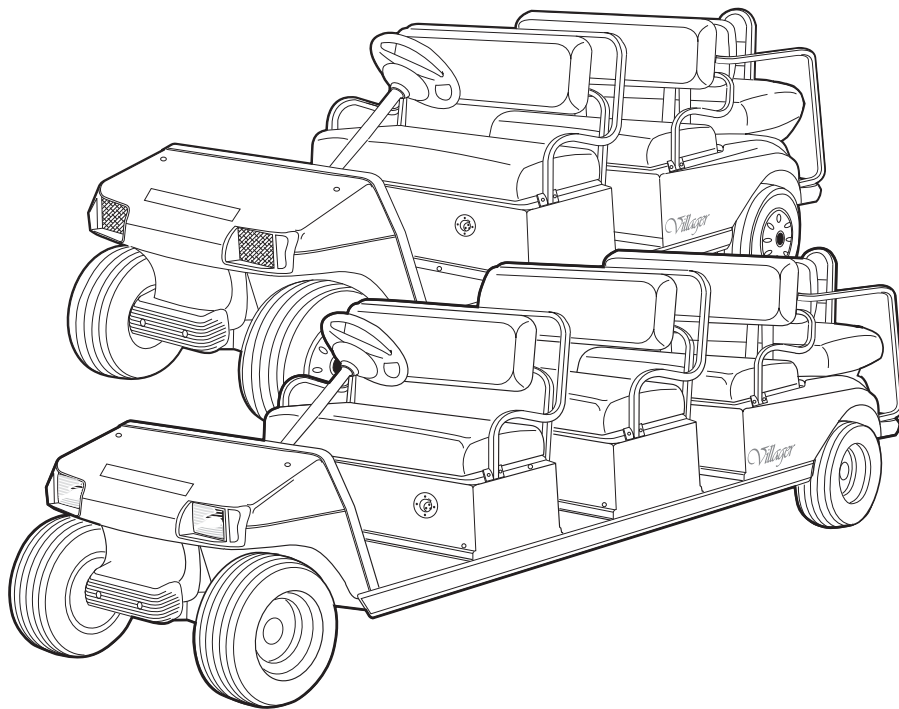




2016
Villager 6 and 8
Illustrated Parts List



Gasoline and Electric Vehicles

Manual Number 105334617
Edition Code _A

USING THE ILLUSTRATED PARTS LIST

⚠ WARNING

- **This manual is to be used only for identification and ordering of service parts. Be sure to read and use the maintenance and service manual before attempting any vehicle repairs.**

This manual covers all 2016 Villager 6 and 8 gasoline and electric vehicles.

The manual is divided into sections. Note that there are two or three flags on the outside edge of each page. The first flag contains the section number of which that page is a part. The other flag (or flags) contains the letter D, E, or G, signifying that the page pertains to the diesel, electric, or gasoline vehicles only.

Use the Table of Contents to find the sections and pages that contain the parts and assemblies you seek. The Table of Contents lists section numbers, and under them, the individual page titles and numbers to be found in that section. The index can be used to find specific parts and assemblies. The index is divided into numerical and alphabetical listings with the page numbers in italic text.

There is a two-page spread for each individual page title in the Table of Contents. On the left-hand page is an illustration showing the parts in their relative positions; the parts are each tagged with an item number in a balloon. The right-hand page is the parts list page, and gives the page title at the top, then the item numbers (corresponding to the numbers on the illustration), part descriptions, and quantity of parts used.

Note that a part description may be indented. This indention corresponds to a parts assembly level indicated by the numbers 1, 2, 3, and 4 at the top left corner of the parts description area of the parts list page. A part that is indented to *level 2* is a component of the *level 1* part (assembly) that it is listed under. A *level 3* part is a component of the *level 2* part that it is listed under, and a *level 4* part is a component of the *level 3* part preceding it. In each case, the part quantity given for a level 2, 3, or 4 part is the quantity used per next higher level assembly of which it is a component. A part that is not indented is a *level 1* part. This means that the quantity given is the quantity used per the portion of the vehicle illustrated on that particular spread.



P. O. Box 204658
Augusta, Georgia 30917-4658 USA
Telephone 706-863-3000
Service Parts Fax 706-855-7413
www.clubcar.com

HOW TO ORDER PARTS

Replacement parts and accessories can be obtained from our network of authorized dealers and distributors. You can obtain the name and phone number of your closest authorized Club Car dealer or distributor by visiting our web site at www.clubcardealer.com, by calling our toll-free Service Parts and Technical Assistance hotline at (800) 872-2246 or (706) 863-3000, extension 3887, or by scanning this Quick Response (QR) code to be taken to the Club Car dealer locator. **Refer to Figure 1.** Download a QR code reader such as RedLaser or Barcode Scanner to your cell phone or tablet.



Figure 1 Dealer Locator QR Code

CUSTOMER SATISFACTION SURVEY

Let your voice be heard!

Please take time to participate in the Technical Publications satisfaction survey. Obtaining feedback from our customers is important to the department's continuous improvement process. The online survey takes less than five minutes and responses will help the department to examine current performance as well as identify areas for future improvement.

Our top priority is to provide timely, accurate, and user friendly manuals.

The online satisfaction survey can be found at: <http://bit.ly/1w9uFMh>



Figure 2 Survey QR Code

NOTE: *This illustrated parts list represents the most current information at the time of publication. Club Car, LLC is continually working to further improve its vehicles and other products. These improvements may affect the parts used to service the vehicle. Any modification and/or significant change in specifications will be forwarded to all Club Car and Carryall distributors/dealers and will, when applicable, appear in future editions of this illustrated parts list.*

Club Car, LLC reserves the right to change specifications and designs at any time without notice and without the obligation of making changes to units previously sold.

Copyright © 2015 Club Car, LLC.

Club Car is a registered trademark of Club Car, LLC.

This manual effective July 7, 2015.

CONTENTS

SECTION 1 – BODY AND TRIM

Front Body and Trim – Turf, Utility, & Transportation	1-3
Brush Guard Kit – DS, Utility, & Villager	1-5
Splash Guard – Gasoline Vehicles Only	1-7
Dash Pockets and Floormat	1-9
Floormat, Rear – Villager & Transportation Vehicles	1-11
Beverage Holder – Dual	1-13
Mirror, Rear-View – without Cab	1-15
Grommets, Chassis	1-17
Front and Center Seat Bottoms	1-19
Seat Back Assembly	1-21
Armrests, Front – Villager 6 & 8 Vehicles	1-23
Windshield, Hinged	1-25
Windshield, Non-Hinged	1-27
Center Body – Villager 6 Gasoline Vehicle	1-29
Center Body – Villager 6 IQ Plus Vehicle	1-31
Center Bodies – Villager 8 Gasoline Vehicle	1-33
Center Bodies – Villager 8 IQ Plus Vehicle	1-35
Rear, Forward-Facing Seat Bottom	1-37
Armrests, Rear, Forward-Facing – Villager 6 & 8 Vehicles	1-39
Rear Body and Fender – Villager 6 & 8	1-41
Heat Insulation, Foam – EFI Gasoline Vehicle	1-43
Heat Shield, Transporter, Vill 6 & 8, XRT800/850 Rear Body – Gas	1-45
Battery Insulator, Transporter, Vill 6 & 8, XRT850 Rear Body – Electric	1-47
Rear Access Door	1-49
Rear-Facing Seat Bottom – Villager Vehicles	1-51
Rear Footrest, Armrests and Handrails – DS Villager 4, Villager 6 and 8	1-53
Canopy Kit, White – Vill. 6 with Rear-Facing Seats	1-55
Canopy Kit, Beige – Vill. 6 with Rear-Facing Seats	1-57
Canopy Kit, White – Vill. 6 with Flat Bed	1-59
Canopy Kit, Beige – Vill. 6 with Flat Bed	1-61
Canopy Kit, White – Vill. 8 with Rear-Facing Seats	1-63
Canopy Kit, Beige – Vill. 8 with Rear-Facing Seats	1-65
Canopy Kit, White – Vill. 8 with Flat Bed	1-67
Canopy Kit, Beige – Vill. 8 with Flat Bed	1-69

SECTION 2 – WHEELS AND TIRES

Wheels (Silver) and Tires	2-3
Wheel Covers	2-5

CONTENTS

SECTION 3 – DECALS

Decals – Villager 6 Gas and IQ Plus	3-3
Decals – Villager 6 IQ Plus Vehicle Only	3-5
Decals – Villager 6 Gasoline Vehicle Only	3-7
Decals – Villager 8 Gas and IQ Plus	3-9
Decals – Villager 8 IQ Plus Vehicle Only	3-11
Decals – Villager 8 Gasoline Vehicle Only	3-13
Badging Decals – Villager	3-15
IQ Plus Logo Decal – IQ Plus Vehicles Only	3-17

SECTION 4 – LIGHTS, CONTROLS, AND INDICATORS

Headlights	4-3
Lighting System Components – Transportation Gasoline Vehicles	4-5
Lighting System Components – CA 6 and Vill. 6 Elec. with IQ Plus Charger	4-7
Lighting System Components – Villager 8 Elec. with IQ Plus Charger	4-9
Turn Signal Kit – DS and Utility Gasoline and Electric Vehicles	4-11
Turn Signal (with Horn Button) Kit – DS and Utility Gas and Electric Vehicles	4-13
Instrument Panel and Electrical Components – CA6/Vill 6 & 8 Gas	4-15
Instrument Panel with Electrical Components – CA6/Vill 6/8 Elec. w/Lester Charger	4-17
Keys and Keyswitches, SmartKey Kit – Electric Vehicle	4-19
Keys and Keyswitches, Uncommon – Gas Vehicle	4-21
DC Converter (Isolated) – Electric Vehicle	4-23
DC Converter (Isolated) – CE Electric Vehicle	4-25
Voltage Limiter – Gasoline Vehicle	4-27
Strobe Light, Roof-Mounted	4-29
Horn with Column-Mounted Button	4-31
Hour Meter – IQ System and IQ Plus Electric Vehicles	4-33
Rear Reverse Buzzer	4-35
Tail Lights	4-37

SECTION 5 – BRAKES, PEDALS, AND CABLES

Brake Pedal Assembly	5-3
Accelerator Pedal Assembly – Electric Vehicles	5-5
Accelerator Pedal Assembly – Gasoline Vehicles	5-7
Accelerator Rod – Turf/CA 6 & Villager 6 Gas Vehicles	5-9
Accelerator Rod – Villager 8 Gas Vehicles	5-11
Front Brake Assembly – Vehicles with Four-Wheel Brakes	5-13
Front Brake Cables and Equalizer – Vehicles with Four-Wheel Brakes	5-15

CONTENTS

Rear Brakes, Manually-Adjusted – Elec. Vehicles with 4-Wheel Brakes	5-17
Rear Brakes, Manually-Adjusted – Gas Vehicles with 4-Wheel Brakes	5-19
Rear Brake Cables and Equalizer – Turf/Carryall 6 & Villager 6	5-21
Rear Brake Cables and Equalizer – Villager 8	5-23

SECTION 6 – STEERING AND SUSPENSIONS

Steering Gear Assembly (Wanda) – Maint.-Free Ball Joint	6-3
Steering Column – Utility	6-5
Intermediate Steering Shaft (Wanda) – Turf/CA/Villager	6-7
Steering Wheel	6-9
Steering Wheel with Clip	6-11
Front Spindles and Hubs – Vehicles with Four-Wheel Brakes and Maintenance-Free Ball Joints	6-13
Front Suspension, Upper – Villager 6 and 8 with Maintenance-Free Ball Joints	6-15
Front Suspension, Lower – Villager 6 with Maintenance-Free Ball Joints	6-17
Front Suspension, Lower – Villager 8 with Maintenance-Free Ball Joints	6-19
Rear Suspension – Turf/CA 2, 2 Plus, 6, and Villager Gasoline	6-21
Rear Suspension – Turf/CA 2, 6, and Villager IQ Plus Electric	6-23
Stabilizer Bar – Turf/CA 2, 2 Plus, 6, and Villager Gas	6-25

SECTION 7 – ELECTRICAL SYSTEM – EFI GASOLINE VEHICLES

Wiring, Fuses, and Diodes, Key-Start – EFI, Villager 6, XRT850 SE	7-3
Wiring, Fuses, and Diodes, Key-Start – EFI, Villager 8	7-5
Starter/Generator (Model 114-04-4006), Key-Start – EFI	7-7
Starter/Generator Mounting – EX40	7-9
Kit, Battery Terminal Adapter (Side-Post to Top-Post) – EFI	7-11
Electrical Component Box, Key-Start – EX40	7-13
Charging Diode, Key-Start – EFI	7-15
Forward/Reverse Shifter Switches, Key-Start – EFI, Villager 6, 8, 850, 850SE	7-17
Forward/Reverse Shifter Switches, Pedal-Start – EFI, Villager 6, 8, 850, 850SE	7-19
Top-Post Battery – Gasoline Utility Vehicles	7-21

SECTION 8 – ENGINE (SUBARU EX40)

Tune-Up Parts – Subaru EX40	8-3
Engine and Engine Mounting, Utility – EX40	8-5
Fan and Shroud – EX40	8-7
Air Deflector – EX40	8-9
Ignition Components and Flywheel – EX40	8-11
Sensors – EX40	8-13
Cylinder Head – EX40	8-15

CONTENTS

Valvetrain and Timing Chain – EX40	8-17
Crankcase – EX40	8-19
Crankshaft and Piston – EX40	8-21

SECTION 9 – FUEL SYSTEM – EFI

Fuel System with Sending Unit, Top Fill – EFI	9-3
Fuel Tank Kits – EFI	9-5
Carbon Canister – EFI	9-7
Throttle Body and ECU – EFI	9-9
Throttle Body Mounting – EFI	9-11
Governor and Accelerator Cables – EFI	9-13
Air Filter System and Intake Hose – EFI, LWB Utility/Trans	9-15

SECTION 10 – EXHAUST SYSTEM, UTILITY – EX40 ENGINE

Exhaust System – Utility	10-3
--------------------------------	------

SECTION 11 – DRIVE BELT AND CLUTCHES – EFI GASOLINE VEHICLES

Drive Belt – Key-Start Vehicles with EFI	11-3
Drive Clutch – Key-Start Vehicles	11-5
Driven Clutch (Standard Speed) – Key Start and Pedal Start	11-7

SECTION 12 – TRANSAXLE (FUJI ED65) – EFI GASOLINE VEHICLES

Forward/Reverse Shifter – EFI Villager 6, 8, 850, 850SE	12-3
Shifter Cable – Villager 6, XRT850SE	12-5
Shifter Cable – Villager 8	12-7
Shift Lever and Bracket – Key-Start Engines	12-9
Governor Arm and Brackets – Utility Vehicles	12-11
Transaxle (ED65), Limited Slip – Page 1 of 3	12-13
Transaxle (ED65), Open – Page 1 of 3	12-15
Transaxle (ED65), Limited Slip and Open – Page 2 of 3	12-17
Transaxle (ED65), Limited Slip – Page 3 of 3	12-19
Transaxle (ED65), Open – Page 3 of 3	12-21
Hub, Rear	12-23

SECTION 13 – ELECTRICAL SYSTEM, ELECTRIC VEHICLES

Motor Controller Output Regulator (MCOR)	13-3
Wiring – Villager 6 IQ Plus Electric	13-5
Wiring – Villager 8 IQ Plus Electric	13-7

CONTENTS

Battery Charger Receptacle	13-9
Tow/Run Switch – IQ Plus Vehicles	13-11
Batteries, 6-Volt, Standard Duty, JCI	13-13
Batteries, 6-Volt, Heavy Duty, Trojan	13-15
Single Point Watering System (SPWS)	13-17
Hand Pump and Deionizer (Battery-Powered Quality Light)	13-19
Computer, Controller, and Solenoid – for Trojan Batteries	13-21
Ferrite Beads, CE	13-23

SECTION 14 – MOTOR (MODEL DA5-4006) – IQ PLUS

Motor (Model DA5-4006) – IQ Plus	14-3
--	------

SECTION 15 – TRANSAXLE – ELECTRIC VEHICLES

Transaxle – Electric Vehicles	15-3
Differential Guard – Electric Vehicles	15-5

SECTION 16 – BATTERY CHARGERS

IQ Plus Battery Charger (Models 25730-11,-18,-19), Domestic	16-3
IQ Plus Battery Charger (Models 25880-11 and -18), International	16-5
Onboard IQ Plus Battery Charger (Model 25260-50), Domestic	16-7
Onboard IQ Plus Battery Charger (Model 25660-50), International	16-9
Onboard IQ Plus Charger and Cord Reel Mounting	16-11

SECTION 17 – MAINTENANCE AND SERVICE TOOLS

Maintenance and Service Tools	17-3
Maintenance and Service Tools, Continued	17-5
Maintenance and Service Tools, Continued	17-7
Maintenance and Service Tools, Continued	17-9
Maintenance and Service Tools, Continued	17-11

SECTION i – INDEX

BODY AND TRIM

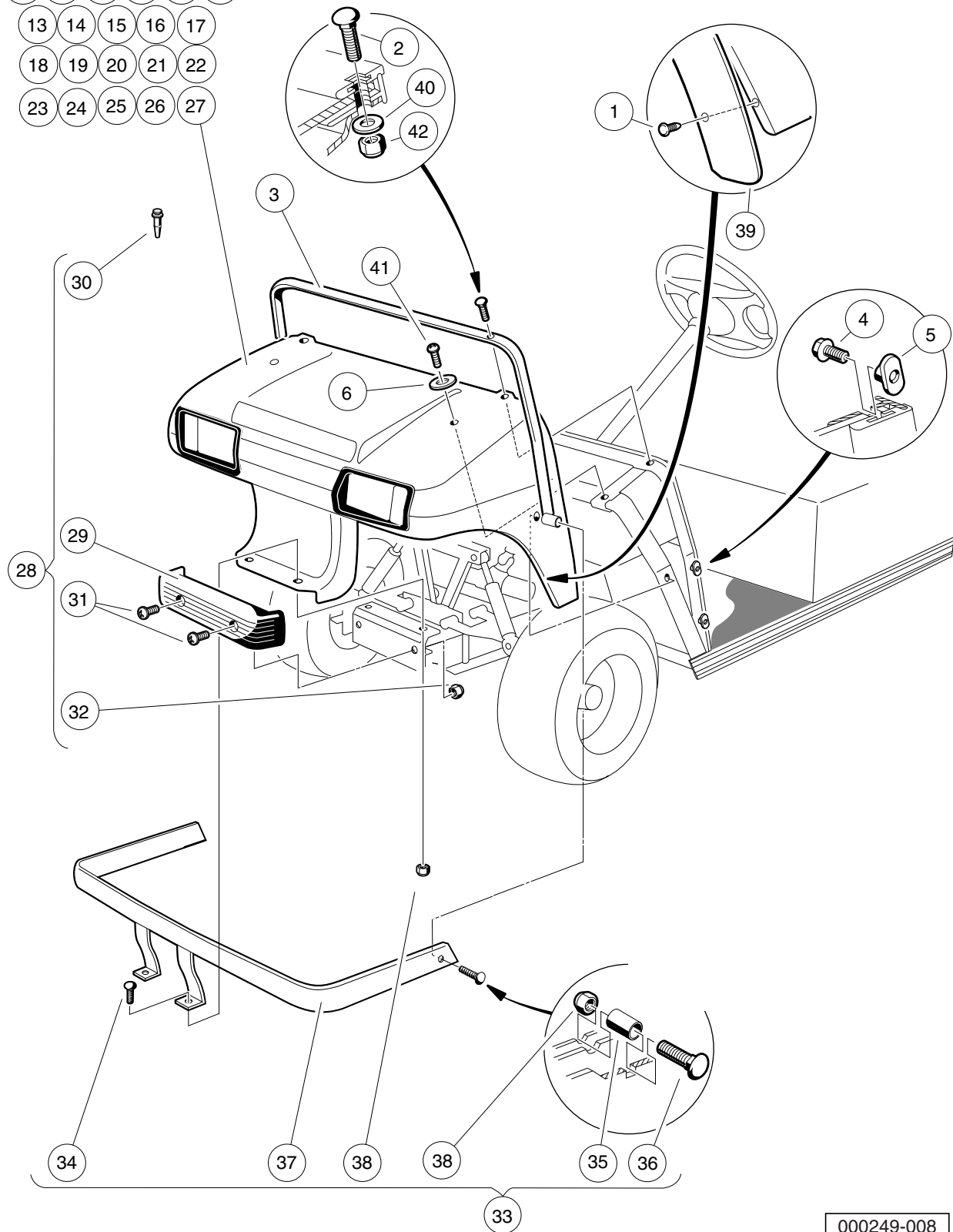
1

G

E

1
G
E

- 7 8 9 10 11 12
- 13 14 15 16 17
- 18 19 20 21 22
- 23 24 25 26 27



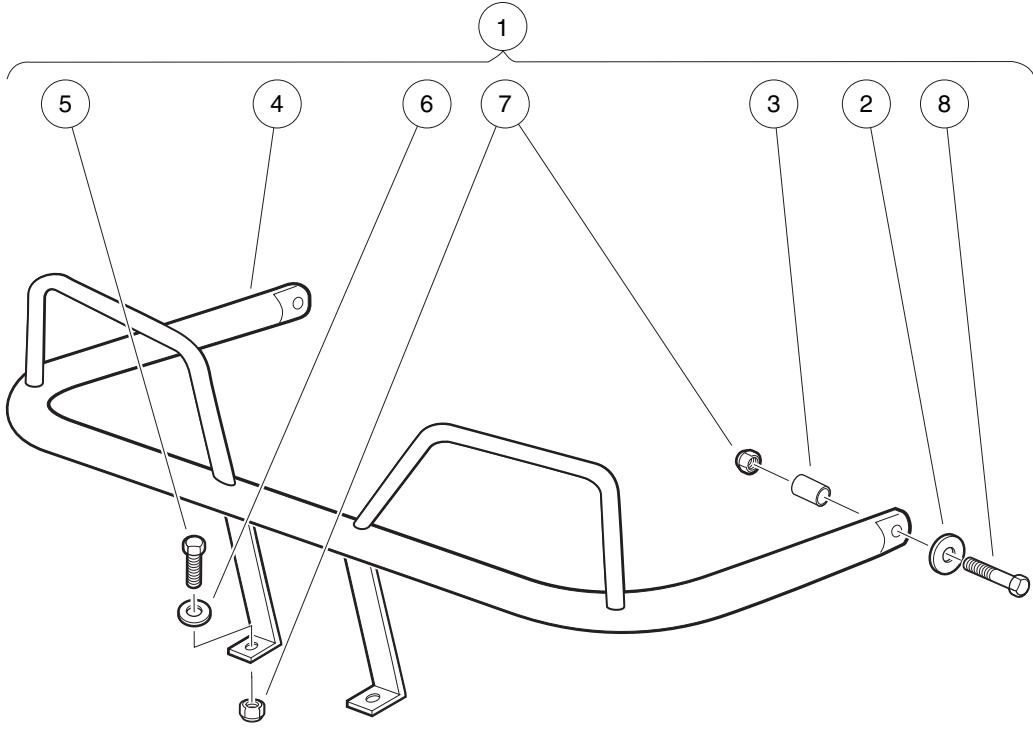
000249-008

FRONT BODY AND TRIM – TURF, UTILITY, & TRANSPORTATION

ITEM	PART NO.	DESCRIPTION	QTY
		1 2 3 4	
1	<u>1010434</u>	Barrel - Plastic	12
2	<u>1010435</u>	Bolt, Carriage, 5/16-18 X 1.00	2
3	<u>1011014</u>	Trim, Cowl	1
4	<u>1011017</u>	Screw, #8-32 X 0.375	6
5	<u>1011394</u>	T-Nut Package (Set of 4)	1
6	<u>1015075</u>	Washer, 5/16 Flat Type A	2
7	<u>101692501</u>	Cowl, TPO, Beige	1
8	<u>101692502</u>	Cowl, TPO, White	1
9	<u>101692504</u>	Cowl, Tpo -gray	1
10	<u>101692506</u>	Cowl, TPO, Red	1
11	<u>101692509</u>	Cowl, TPO, Pacific Blue (Royal Blue)	1
12	<u>101692510</u>	Cowl, TPO, Dark Green	1
13	<u>101692511</u>	Cowl, TPO, Black	1
14	<u>101692512</u>	Cowl, TPO, Classic Blue (Navy)	1
15	<u>101692513</u>	Cowl, TPO, Burgundy	1
16	<u>101692514</u>	Cowl, TPO, Dark Gray	1
17	<u>101692515</u>	Cowl, TPO, Safety Yellow	1
18	<u>101693901</u>	Cowl with Headlight Opening, TPO, Beige	1
19	<u>101693902</u>	Cowl with Headlight Opening, TPO, White	1
20	<u>101693904</u>	Cowl with Headlight Opening, TPO, Gray	1
21	<u>101693906</u>	Cowl with Headlight Opening, TPO, Red	1
22	<u>101693909</u>	Cowl with Headlight Opening, TPO, Dark Green	1
23	<u>101693910</u>	Cowl with Headlight Opening, TPO, Black	1
24	<u>101693911</u>	Cowl with Headlight Opening, TPO, Classic Blue (Navy)	1
25	<u>101693912</u>	Cowl with Headlight Opening, TPO, Burgundy	1
26	<u>101693913</u>	Cowl with Headlight Opening, TPO, Dark Gray	1
27	<u>101693914</u>	Cowl with Headlight Opening, TPO, Safety Yellow	1
28	<u>1017080</u>	Kit, Front Bumper (includes items 29 through 32)	1
29	<u>1016868</u>	Front Bumper	1
30	<u>1016967</u>	Blind Rivet, Push Type	2
31	<u>7251</u>	Screw, 5/16-18 x 1.0 Truss-Head	2
32	<u>7473</u>	Locknut, 5/16-18 Nylon Insert	2
33	<u>101734802</u>	Kit, Heavy-Duty Bumper (includes items 34 through 38)	1
34	<u>1010435</u>	Bolt, Carriage, 5/16-18 X 1.00	2
35	<u>1010546</u>	Spacer	2
36	<u>1015405</u>	Bolt, Carriage, 5/16-18 X 2.0	2
37	N/A	Weldment, Heavy Duty Bumper	1
38	<u>7473</u>	Locknut, 5/16-18 Nylon Insert	4
39	<u>101870401</u>	Fender Extrusion	2
40	<u>1241</u>	Washer, 5/16 Type A Flat	2
41	<u>7251</u>	Screw, 5/16-18 x 1.0 Truss-Head	2
42	<u>7473</u>	Locknut, 5/16-18 Nylon Insert	2

1
G
E

1
G
E



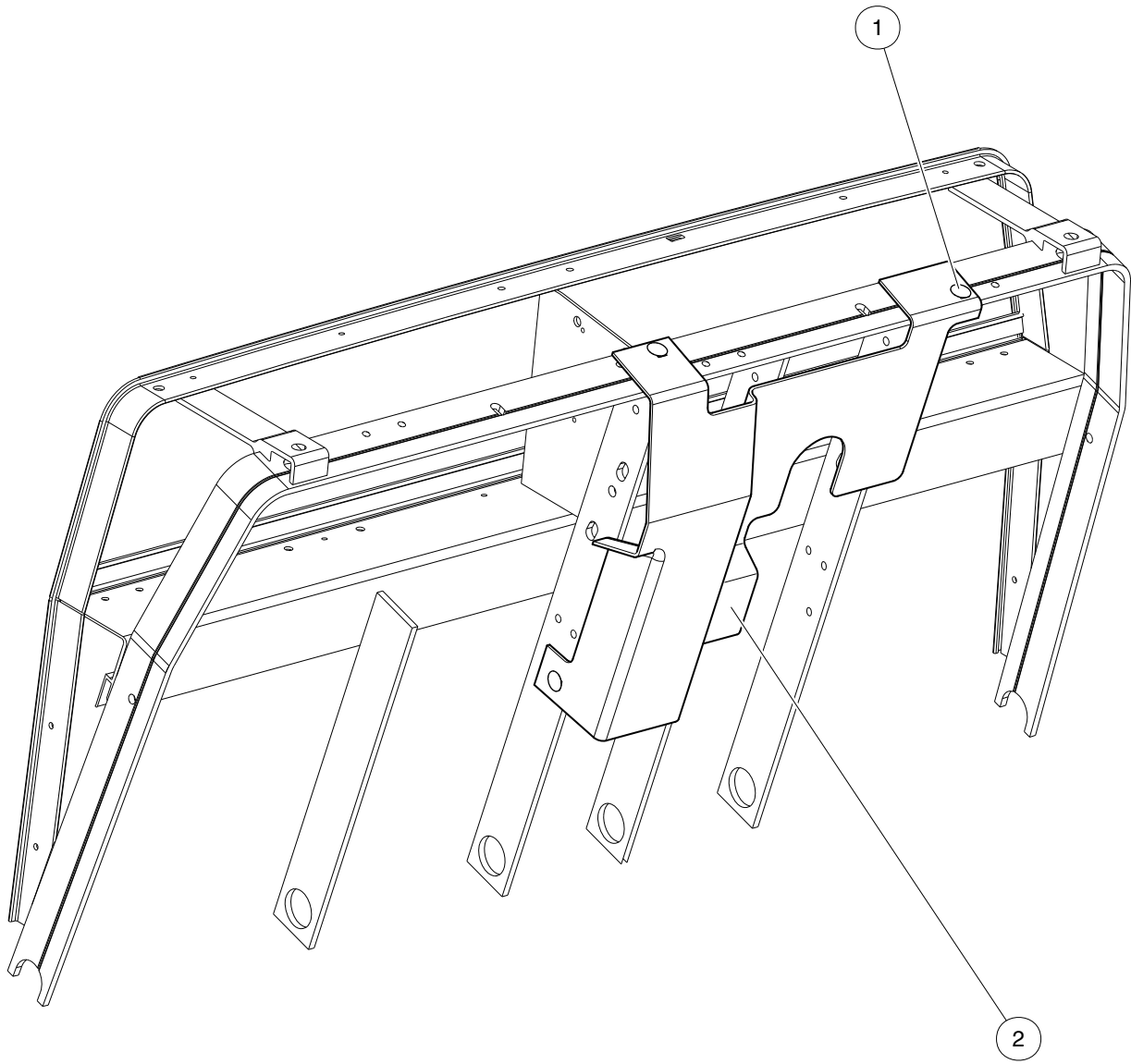
001238-001

BRUSH GUARD KIT – DS, UTILITY, & VILLAGER

ITEM	PART NO.	DESCRIPTION	QTY
		1 2 3 4	
1	SVP143902	Kit, Brush Guard, Heavy-Duty, DS/Utility/Villager (includes items 2 through 8)	1
2	<u>1011578</u>	Washer, 5/16 Type B Flat	2
3	<u>1015608</u>	Tube Spacer, Hydraulic Cylinder	2
4	103895401	Weldment, Brush Guard, Hd	1
5	1218	Screw, 5/16-18 X 1.25 Hex-Head Cap	2
6	<u>1241</u>	Washer, 5/16 Type A Flat	2
7	<u>7473</u>	Locknut, 5/16-18 Nylon Insert	4
8	<u>8935</u>	Screw, 5/16-18 X 2.25 Hex-Head Cap	2

1
G
E

1
G
E



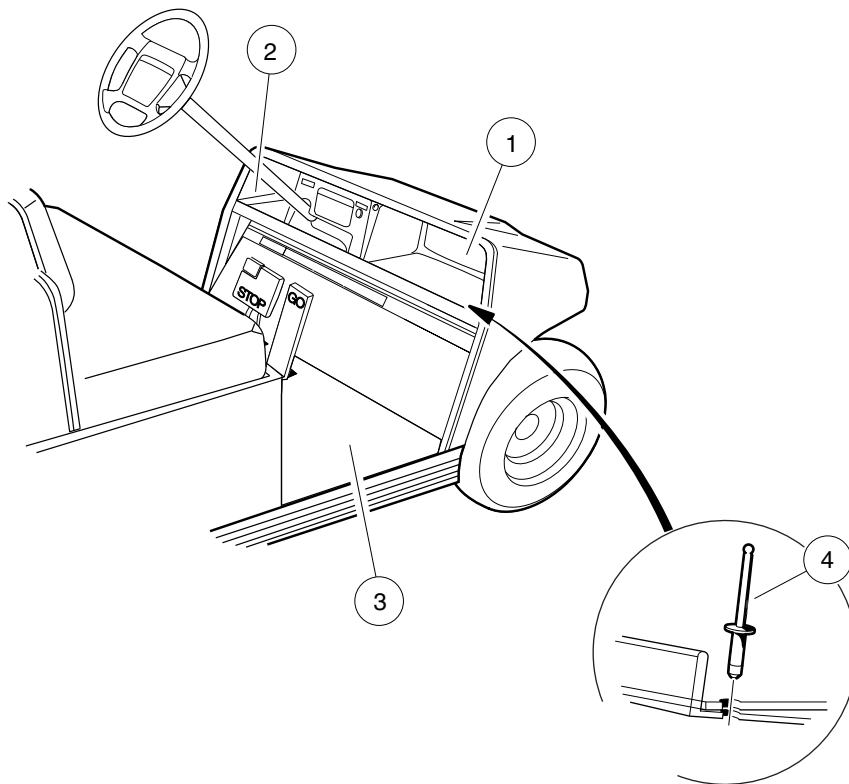
000593-002

SPLASH GUARD – GASOLINE VEHICLES ONLY

ITEM	PART NO.	DESCRIPTION	QTY
1	<u>1010434</u>	1 2 3 4 Barrel - Plastic	3
2	<u>103174401</u>	Splash Guard	1

1
G
E

1
G
E



000252-002

DASH POCKETS AND FLOORMAT

ITEM	PART NO.	DESCRIPTION	QTY
		1 2 3 4	
1	<u>1013343</u>	Dash Component, Passenger-Side, Black	1
2	1013344	Dash Component, Driver-Side	1
3	<u>101503202</u>	Floormat	1
4	<u>7973</u>	Rivet, 3/16 X .400 Blind	5

1
G
E

1

G

E



1

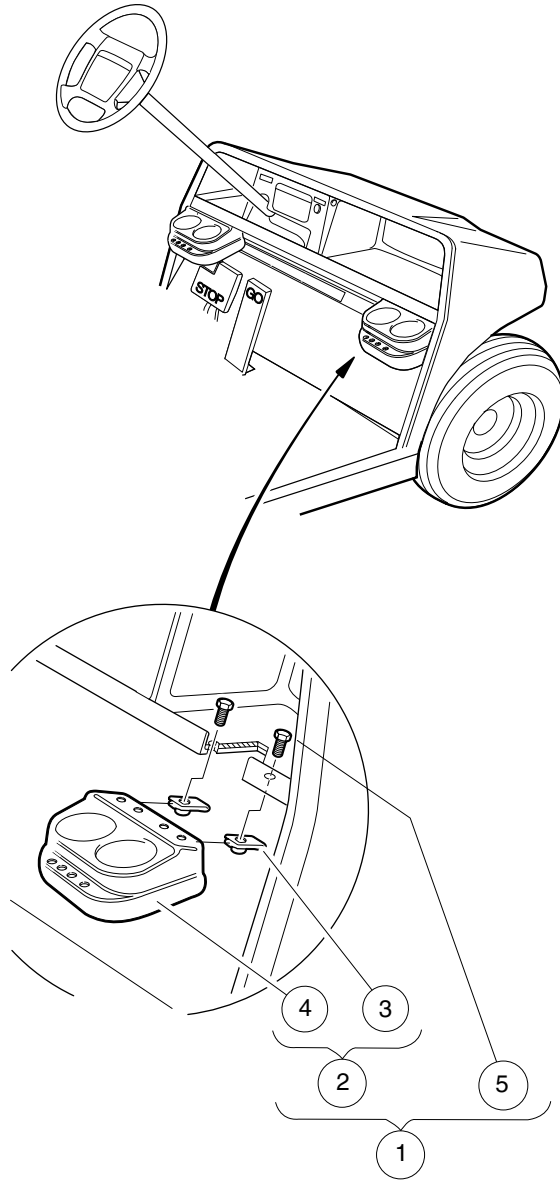
001281-001

FLOORMAT, REAR – VILLAGER & TRANSPORTATION VEHICLES

ITEM	PART NO.	DESCRIPTION	QTY
1	103952201	1 2 3 4 Floor Mat, Ds/utl, Rear, Limo	A/R

1
G
E

1
G
E



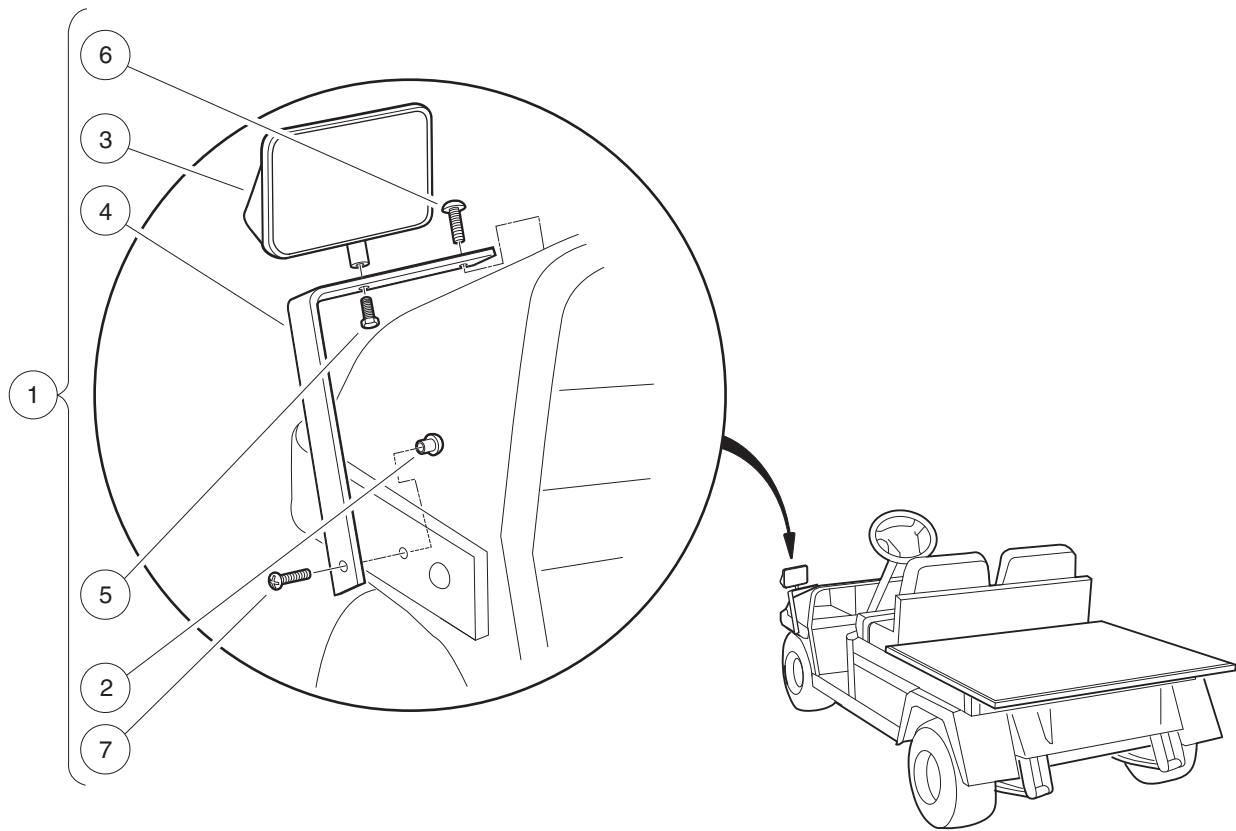
000253-002

BEVERAGE HOLDER – DUAL

ITEM	PART NO.	DESCRIPTION	QTY
		1 2 3 4	
1	<u>101708301</u>	Drink Holder Kit (includes items 2 through 5)	2
2	<u>1016811</u>	Holder, Dual Cup (includes items 3 and 4)	1
3	1016952	U-Nut, 1/4-20	2
4	N/A	Cup Holder, Dual	1
5	<u>7847</u>	Screw, 1/4-20 X 0.75 Hex-Head Cap	2

1
G
E

1
G
E



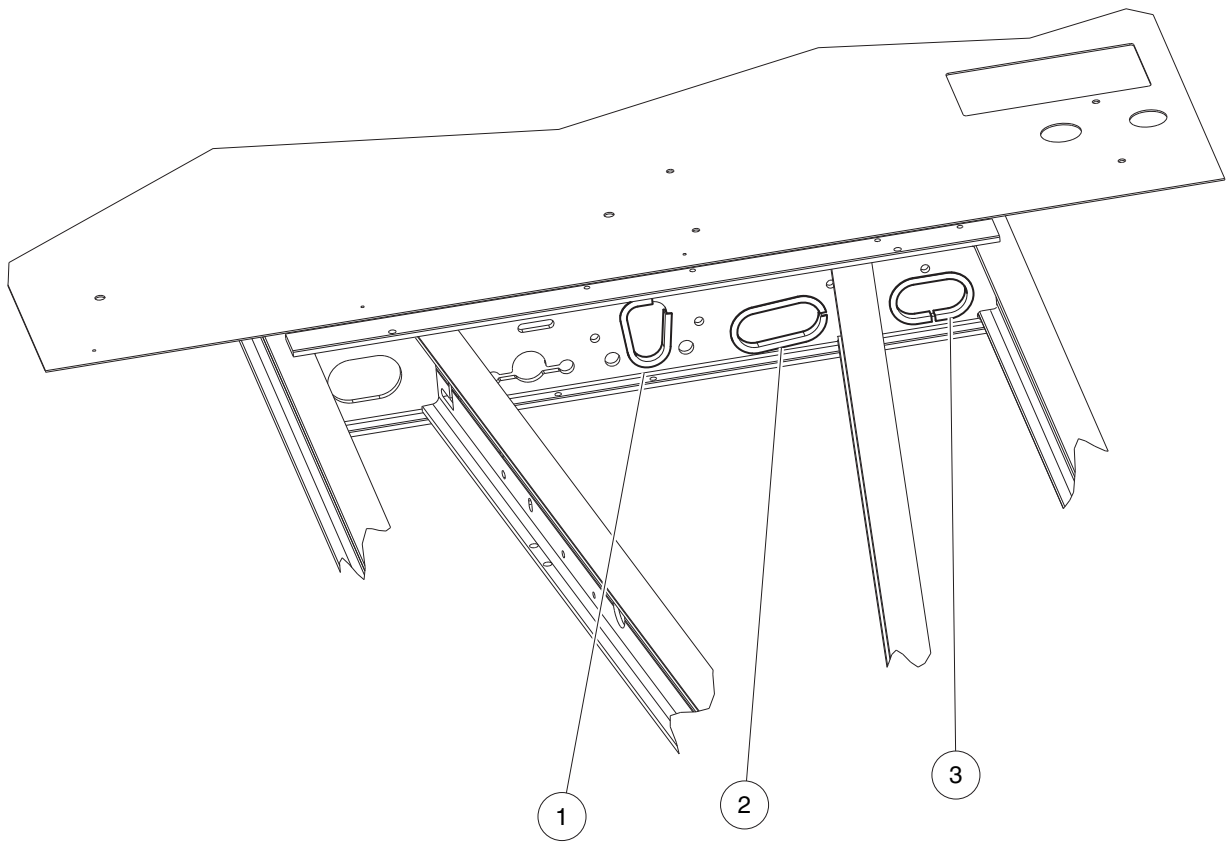
001211-001

MIRROR, REAR-VIEW – WITHOUT CAB

ITEM	PART NO.	DESCRIPTION	QTY
		1 2 3 4	
1	<u>1013846</u>	Kit, Rear Mirror, West Coast (includes items 2 through 7)	1
2	1011878	T-nut, 1/4-20 X .310 Capped	1
3	1013824	Rear View Mirror	1
4	<u>1013825</u>	Mirror Mounting Bracket	1
5	<u>7173</u>	Screw, 5/16-18 X 0.75, Hex-Head Cap	1
6	<u>7251</u>	Screw, 5/16-18 x 1.0 Truss-Head	1
7	<u>8248</u>	Screw, 1/4-20 X 0.75, Truss-Head Machine	1
<p style="margin-left: 40px;">Note: To install this kit, vehicle must be equipped with a heavy-duty front bumper.</p>			

1
G
E

1
G
E



001221-001

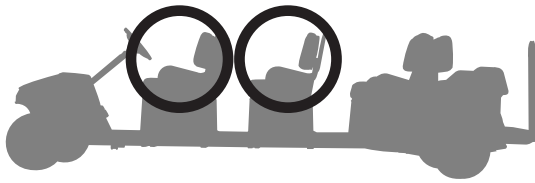
GROMMETS, CHASSIS

ITEM	PART NO.	DESCRIPTION	QTY
		1 2 3 4	
1	<u>101806001</u>	I-beam Grommet - 5.5	A/R
2	<u>101806002</u>	I-beam Grommet - 7.5	A/R
3	<u>101806005</u>	I-beam Grommet - 6.75	A/R

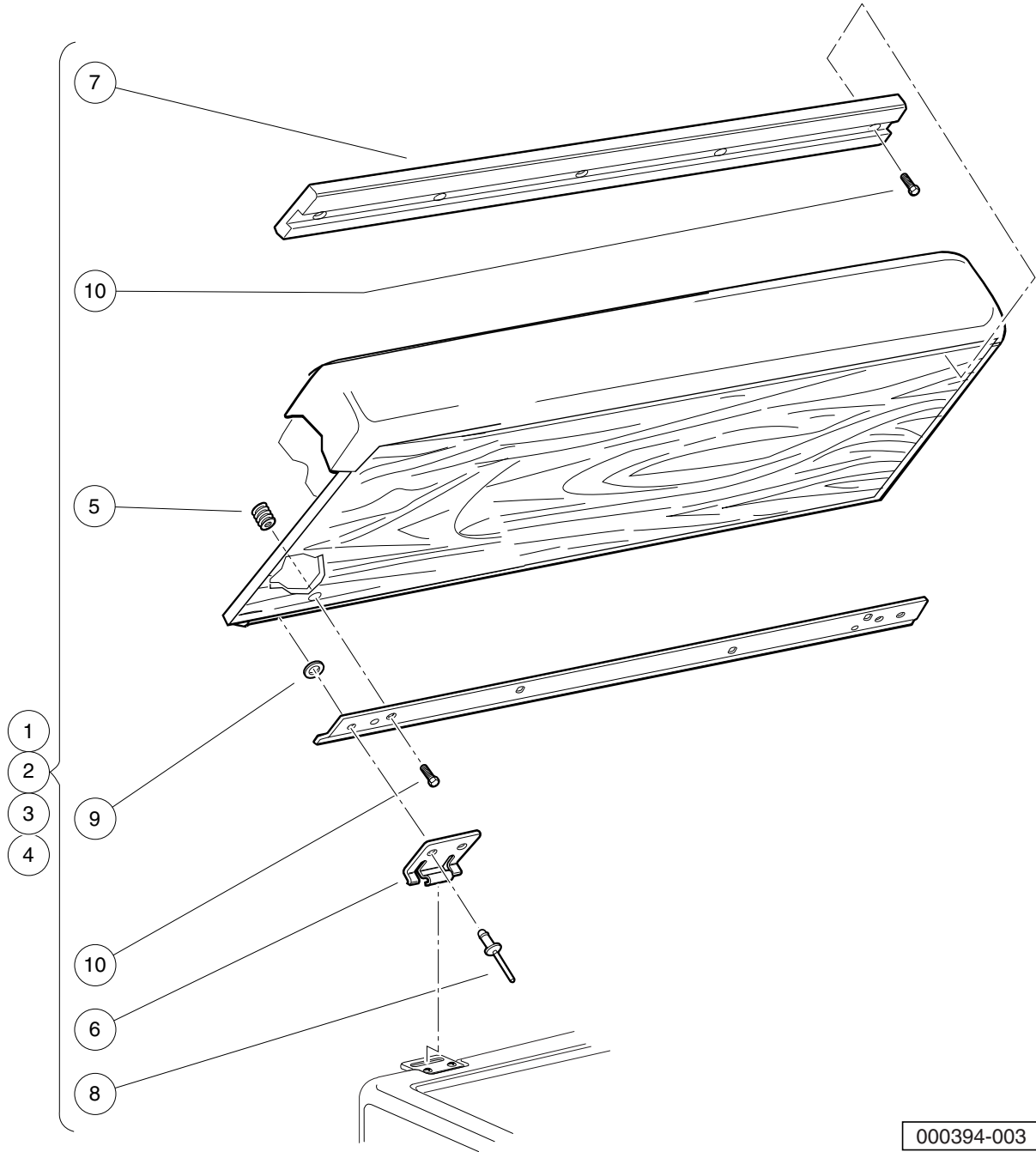
1
G
E

1
G
E

VILLAGER 8



VILLAGER 6

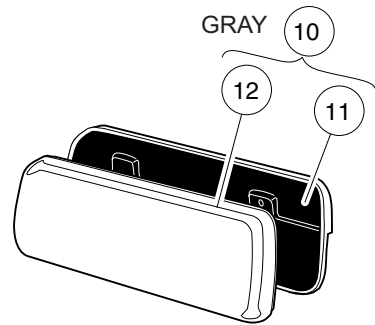
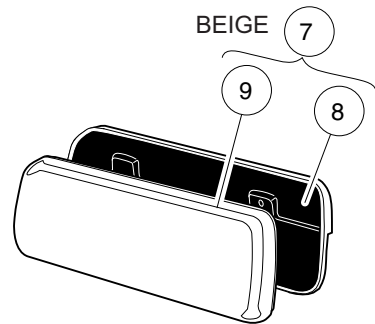
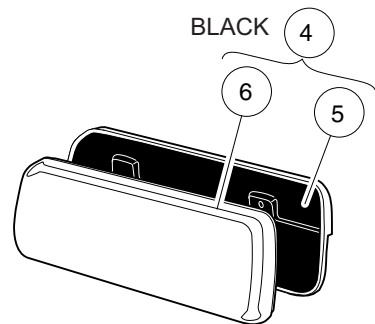
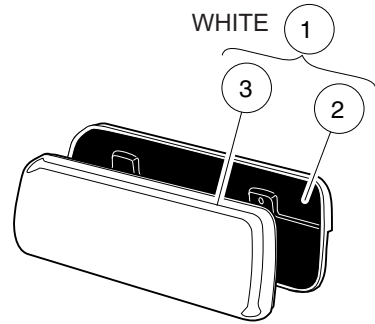


000394-003

FRONT AND CENTER SEAT BOTTOMS

ITEM	PART NO.	DESCRIPTION	QTY	1
		1 2 3 4		
1	<u>101728201</u>	Seat Bottom Assembly, Front, White	1	G
2	<u>101728203</u>	Seat Bottom Assembly, Front, Beige	1	
3	<u>101728210</u>	Seat Bottom Assembly, Front, Black	1	E
4	<u>101728213</u>	Seat Bottom Assembly, Rear, Gray (includes items 5 through 10)	1	
5	1010543	Insert - Wood	8	
6	<u>1011652</u>	Hinge Plate	2	
7	<u>1013312</u>	Bumper, Seat, Long	1	
8	<u>101880901</u>	Rivet, 3/16, Stainless-Steel, Pop	4	
9	<u>101881701</u>	Washer, #8 Stainless-Steel Flat	4	
10	<u>101954301</u>	Screw, 1/4-20 X 0.75 Hex-Head Cap	8	

1
G
E



000608-001

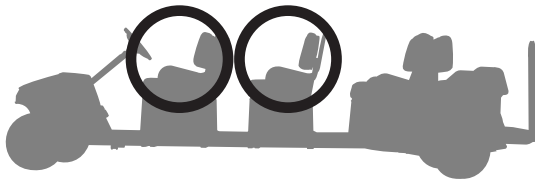
SEAT BACK ASSEMBLY

ITEM	PART NO.	DESCRIPTION	QTY
		1 2 3 4	
1	<u>101677701</u>	Seat Back Assembly, White (includes items 2 and 3)	1
2	1016751	Cap, Seat Back	1
3	<u>101675512</u>	Vinyl Seat Back, White	1
4	<u>101677702</u>	Seat Back Assembly, Black (includes items 5 and 6)	1
5	1016751	Cap, Seat Back	1
6	<u>101675514</u>	Vinyl Seat Back, Black	1
7	<u>101677703</u>	Seat Back Assembly, Beige (includes items 8 and 9)	1
8	1016751	Cap, Seat Back	1
9	<u>101675511</u>	Vinyl Seat Back, Beige	1
10	<u>101677705</u>	Seat Back Assembly, Gray (includes items 11 and 12)	1
11	1016751	Cap, Seat Back	1
12	<u>101675515</u>	Vinyl Seat Back-nstd Svc	1

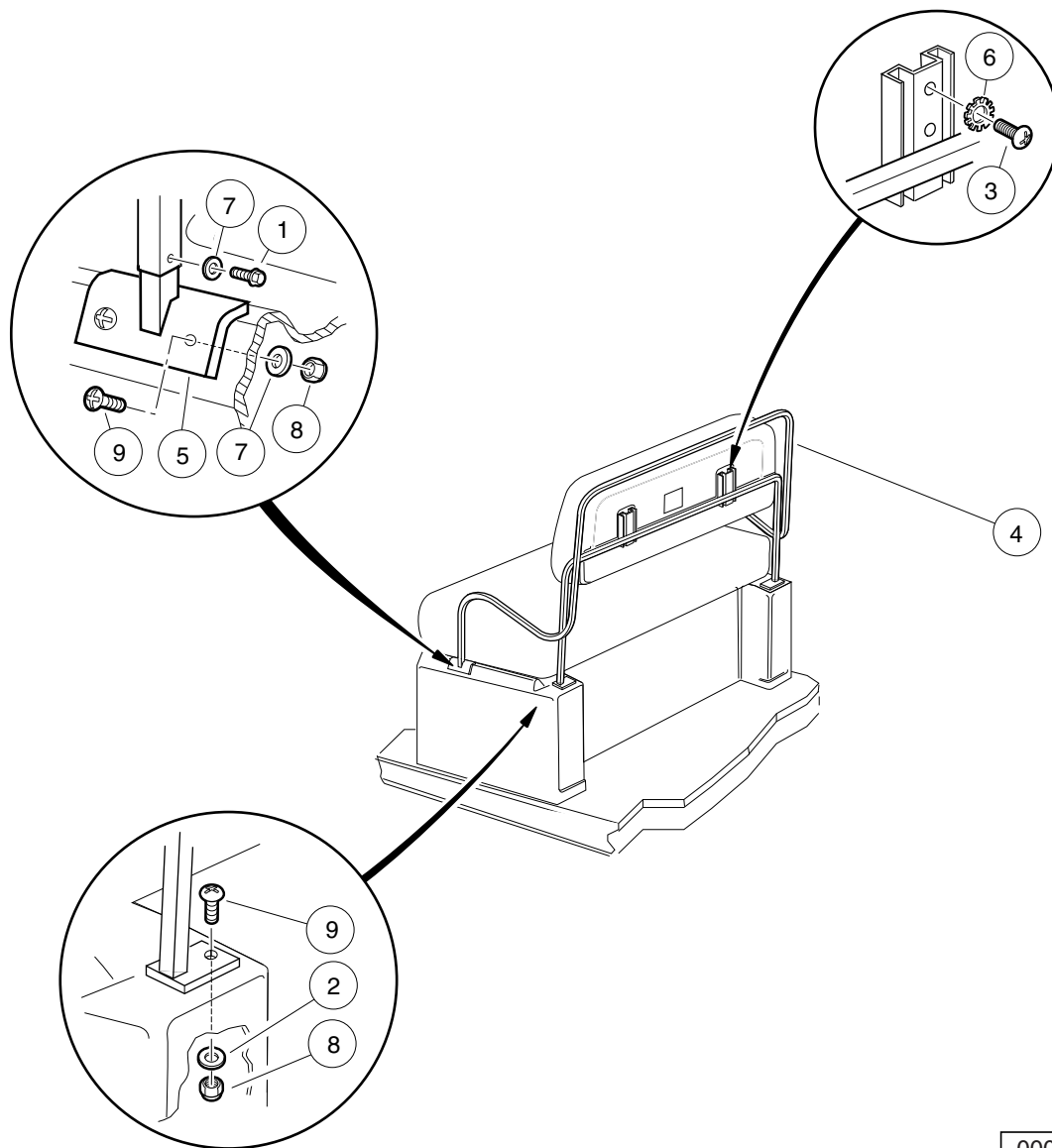
1
G
E

1
G
E

VILLAGER 8



VILLAGER 6



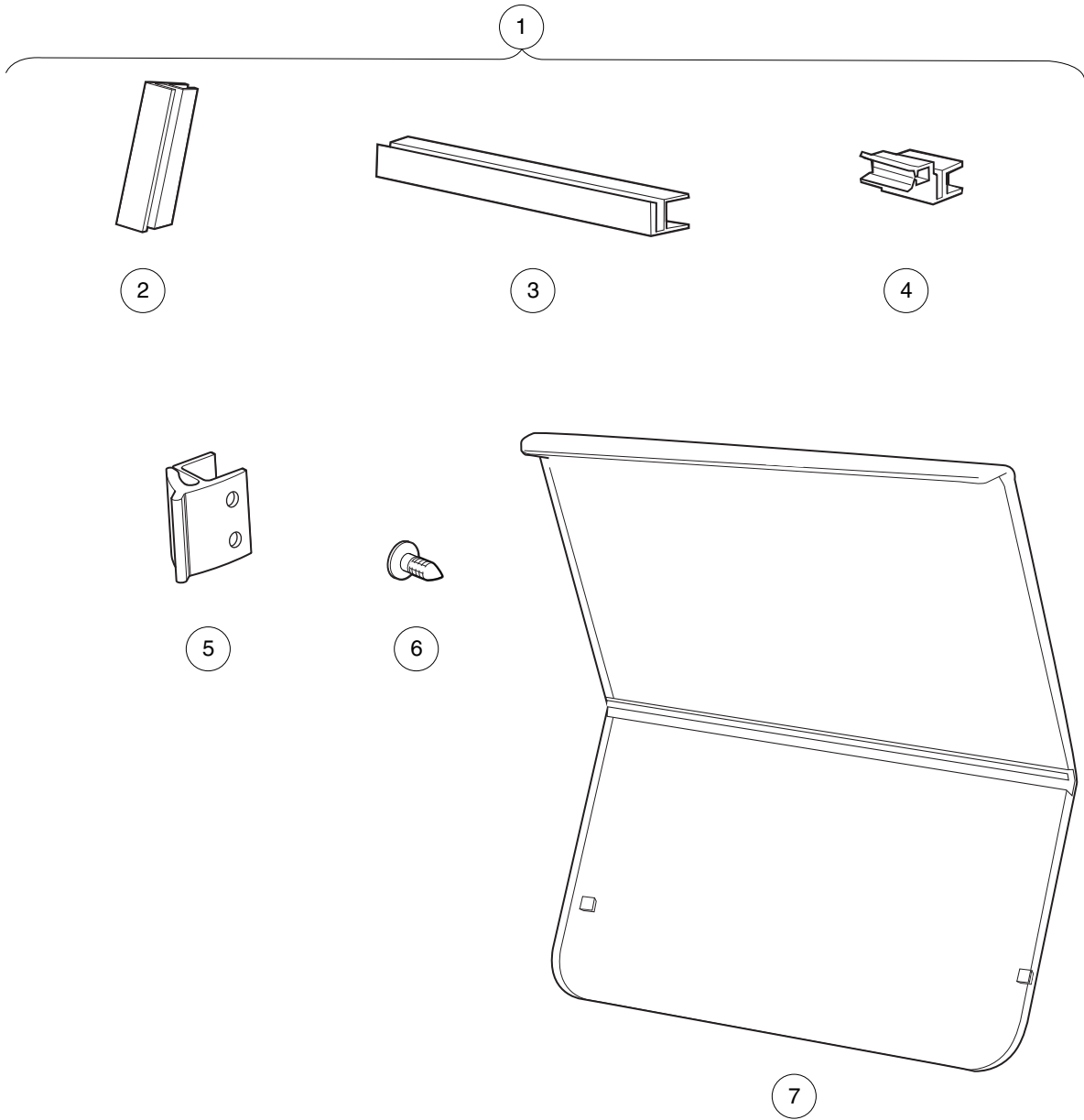
000396-003

ARMRESTS, FRONT – VILLAGER 6 & 8 VEHICLES

ITEM	PART NO.	DESCRIPTION	QTY
		1 2 3 4	
1	<u>1012285</u>	Screw, 1/4 X 0.625 Hex-Head	4
2	<u>1014306</u>	Washer, 1/4" Type B Flat	2
3	<u>1015902</u>	Screw, 1/4-20 X 1.25 Truss-Head	4
4	<u>1017259</u>	Armrest Weld Asm Front	1
5	<u>1017310</u>	Armrest Mounting Weldment	2
6	<u>101946201</u>	Washer, Lock, 0.250 External-Tooth	4
7	<u>332</u>	Washer, 1/4 Type A Narrow Flat	6
8	<u>8233</u>	Locknut, 1/4-20, Nylon Insert	6
9	<u>8251</u>	Screw, 1/4-20 X 1.0 Truss-Head Machine	6

1
G
E

1
G
E



001257-001

WINDSHIELD, HINGED

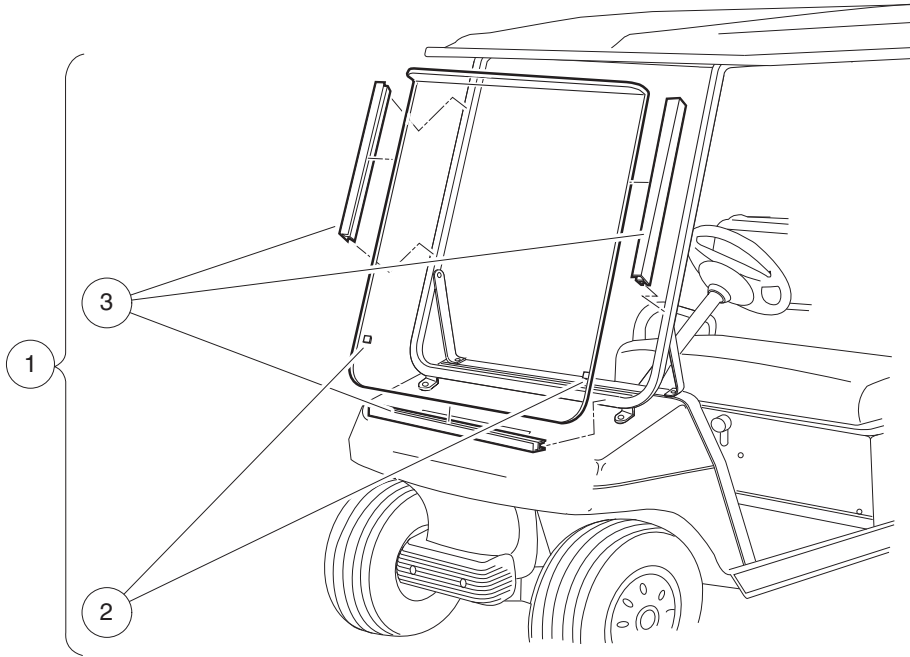
ITEM	PART NO.	DESCRIPTION	QTY
		1 2 3 4	
1	<u>105077801</u>	Kit, Hinged Ws, Util, Clear (includes items 2 through 7)	1
2	<u>102005701</u>	5" Plastic Extrusion	4
3	<u>102163001</u>	Windshield Channel	1
4	<u>102163101</u>	Channel with Receiver Clip	2
5	<u>103677101</u>	W/s, Rubber, Clip Retainer	2
6	<u>103754901</u>	Fastener, Barrel - .610 X .25	8
7	105077701	Ws, Hinged, Utility, Clear	1

1
G
E

1

G

E



001204-001

WINDSHIELD, NON-HINGED

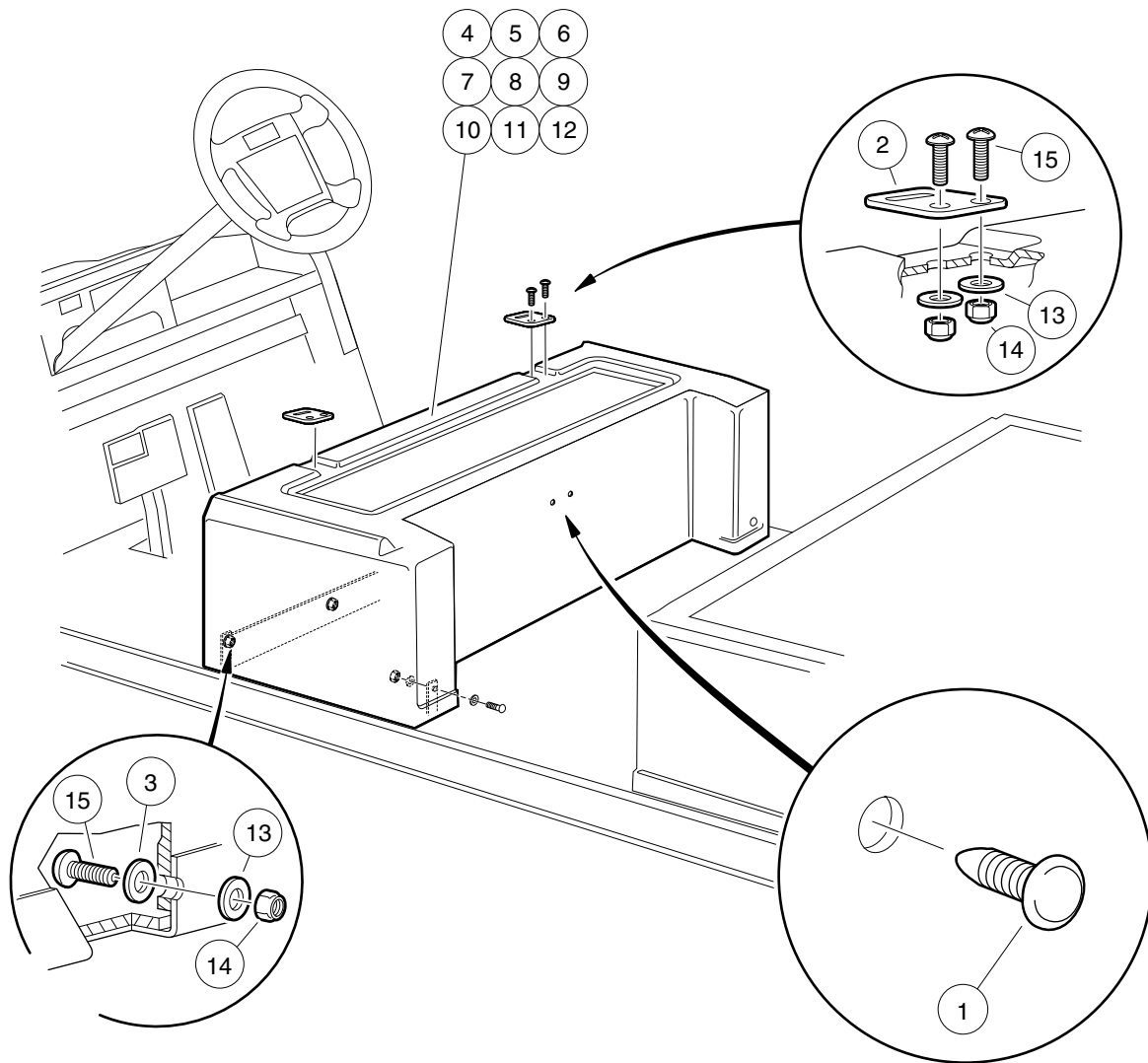
ITEM	PART NO.	DESCRIPTION	QTY
		1 2 3 4	
1	<u>105074901</u>	Windshield One-piece (includes items 2 and 3)	1
2	<u>1011897</u>	Bumper, Protective	2
3	<u>101444101</u>	21" Plastic Extrusion	3

1

G

E

1
G
E



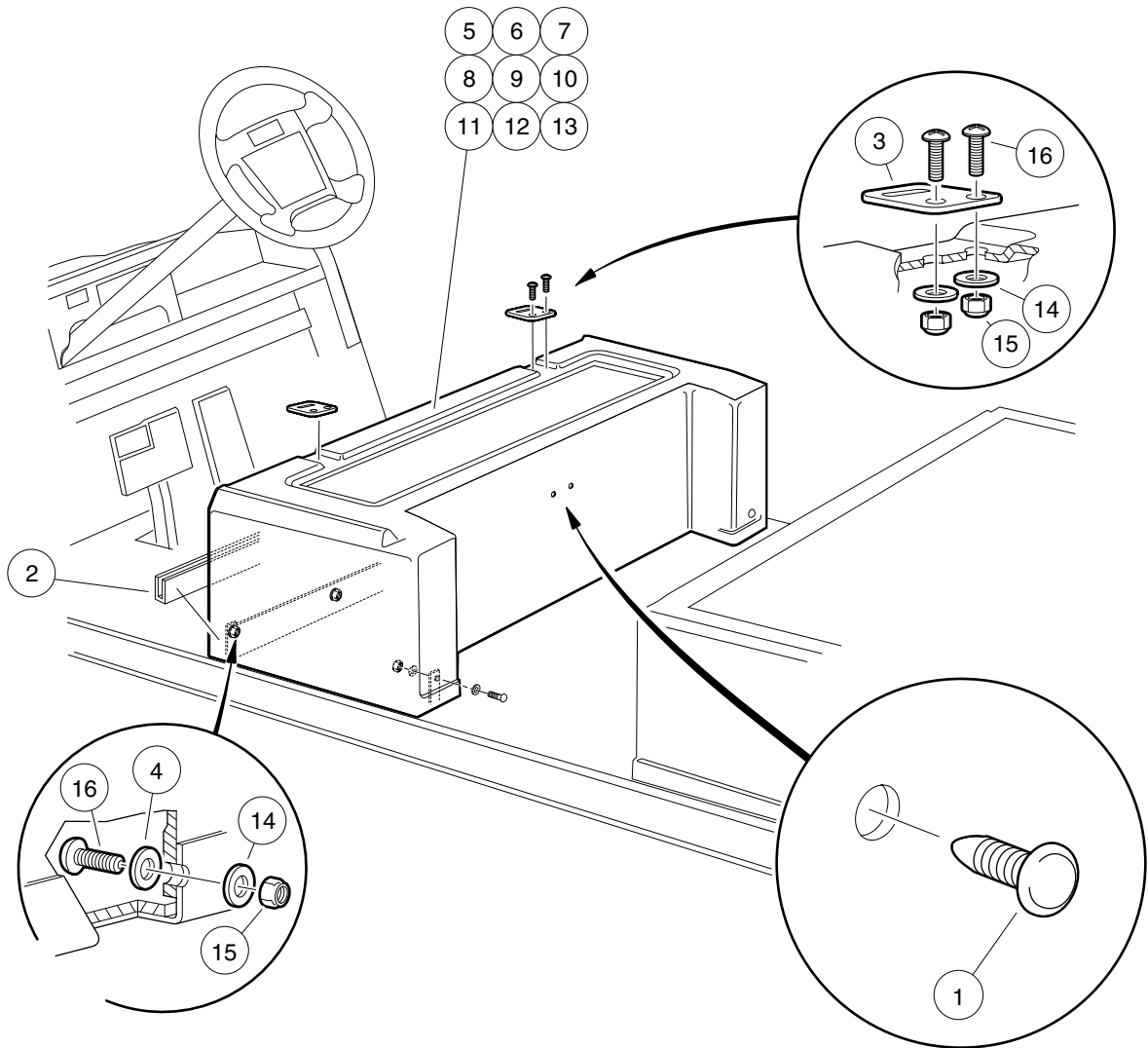
000389-004

CENTER BODY – VILLAGER 6 GASOLINE VEHICLE

ITEM	PART NO.	DESCRIPTION	QTY
		1 2 3 4	
1	<u>1010434</u>	Barrel - Plastic	2
2	<u>1012412</u>	Body, Hinge Plate	2
3	<u>1012581</u>	Washer, 0.609-inch OD, Nylon Cup	6
4	<u>103274101</u>	Body, Center, Gas, Beige	1
5	<u>103274102</u>	Body, Center, Gas, Wht	1
6	<u>103274104</u>	Body, Center, Gas, Gray	1
7	<u>103274106</u>	Body, Center, Gas, Red	1
8	<u>103274108</u>	Body, Center, Gas, Pacific Bl	1
9	<u>103274109</u>	Body, Center, Gas, Dk Green	1
10	<u>103274110</u>	Body, Center, Gas, Black	1
11	<u>103274111</u>	Body, Center, Gas, C/blu	1
12	<u>103274112</u>	Body, Center, Gas, Burgundy	1
13	<u>332</u>	Washer, 1/4 Type A Narrow Flat	10
14	<u>8233</u>	Locknut, 1/4-20, Nylon Insert	10
15	<u>8251</u>	Screw, 1/4-20 X 1.0 Truss-Head Machine	10

1
G
E

1
G
E



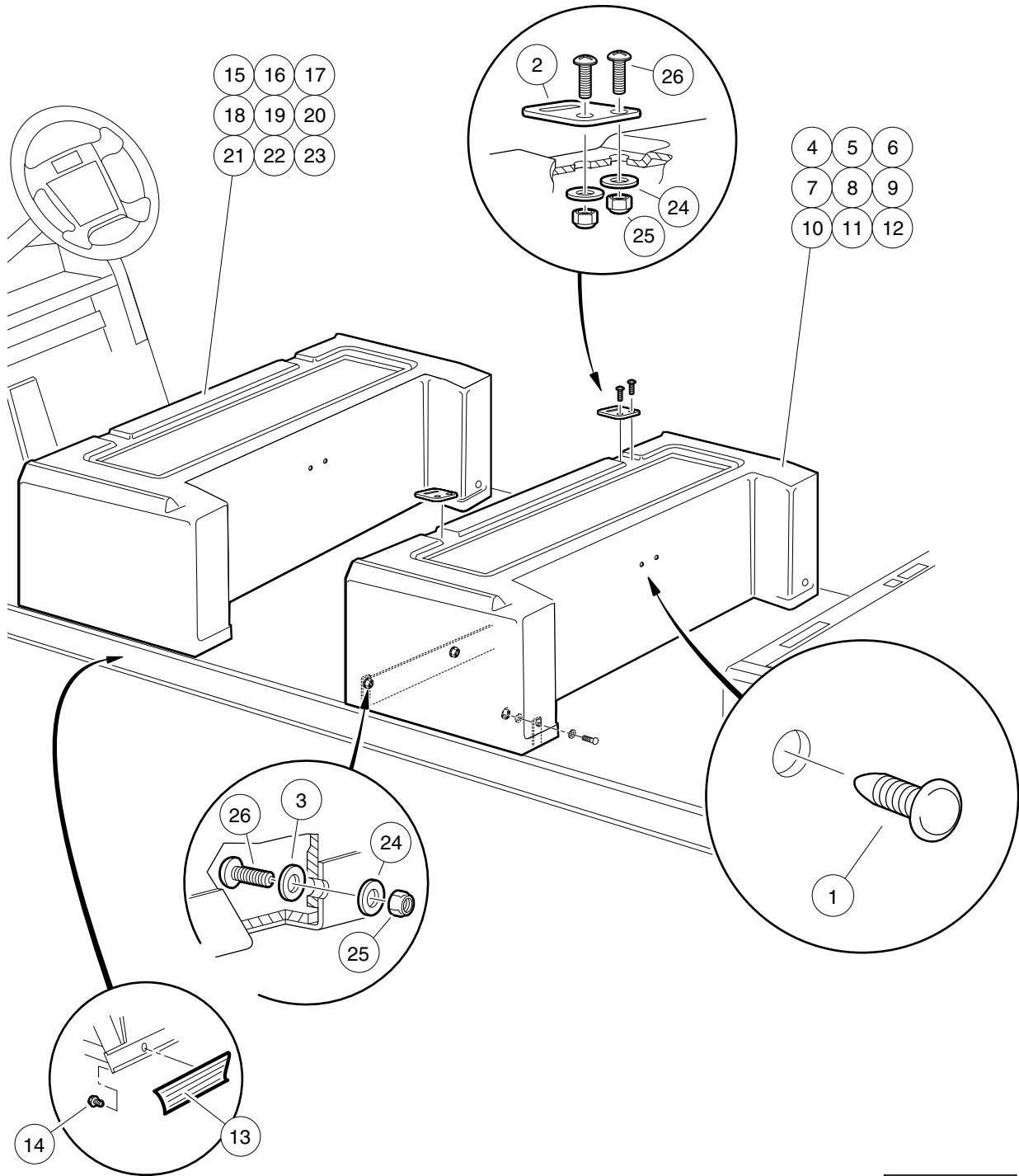
000389-005

CENTER BODY – VILLAGER 6 IQ PLUS VEHICLE

ITEM	PART NO.	DESCRIPTION	QTY
		1 2 3 4	
1	<u>1010434</u>	Barrel - Plastic	2
2	<u>1010993</u>	Body Kick Plate	1
3	<u>1012412</u>	Body, Hinge Plate	2
4	<u>1012581</u>	Washer, 0.609-inch OD, Nylon Cup	4
5	<u>103274001</u>	Body, Center, Elec, Beige	1
6	<u>103274002</u>	Body, Center, Elec, Wht	1
7	<u>103274004</u>	Body, Center, Elec, Gray	1
8	<u>103274006</u>	Body, Center, Elec, Red	1
9	<u>103274008</u>	Body, Center, Elec, Pacific Bl	1
10	<u>103274009</u>	Body, Center, Elec, Dk Green	1
11	<u>103274010</u>	Body, Center, Elec, Black	1
12	<u>103274011</u>	Body, Center, Elec, C/blu	1
13	<u>103274012</u>	Body, Center, Elec, Burgundy	1
14	<u>332</u>	Washer, 1/4 Type A Narrow Flat	8
15	<u>8233</u>	Locknut, 1/4-20, Nylon Insert	8
16	<u>8251</u>	Screw, 1/4-20 X 1.0 Truss-Head Machine	8

1
G
E

1
G
E



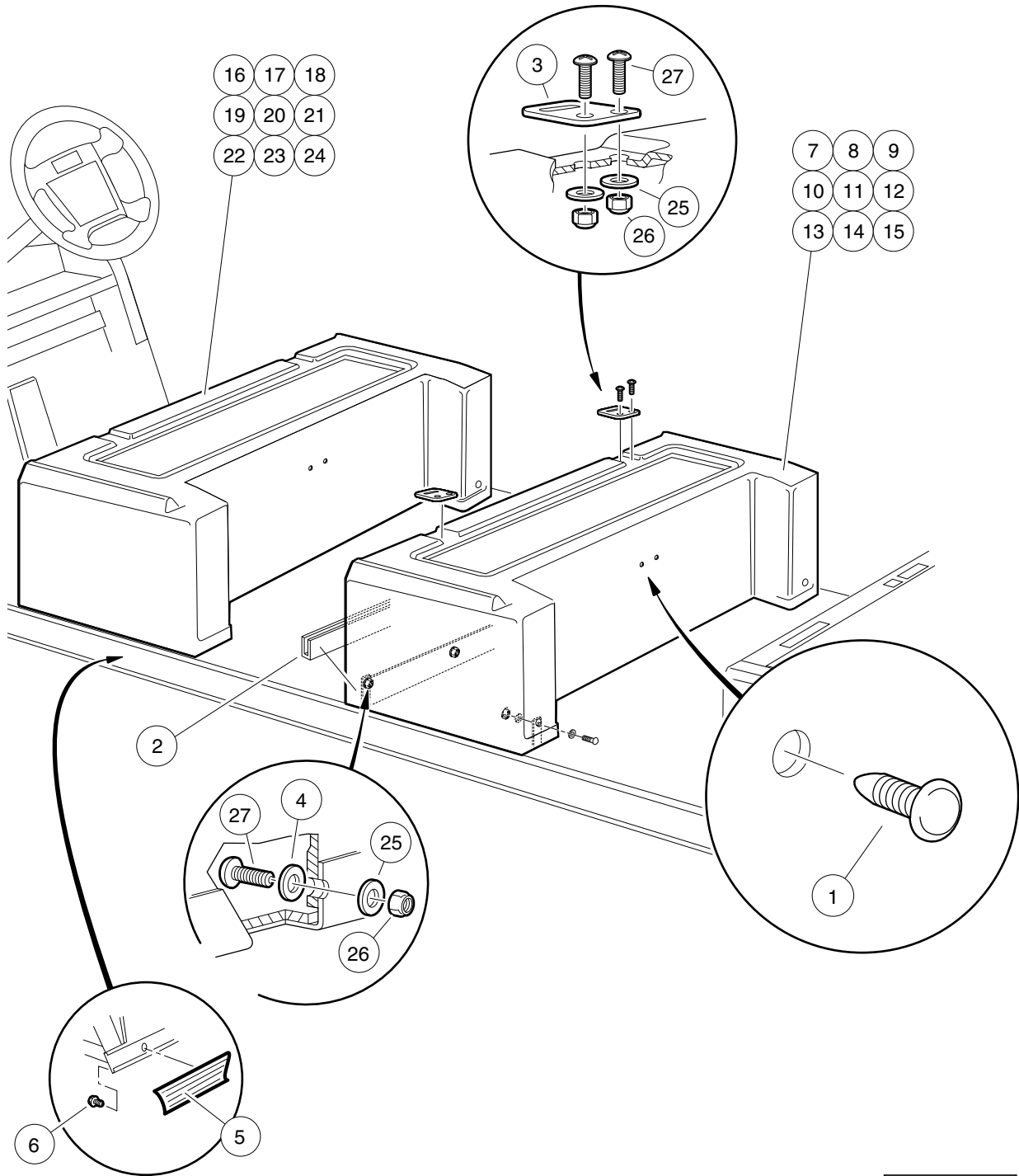
000390-003

CENTER BODIES – VILLAGER 8 GASOLINE VEHICLE

ITEM	PART NO.	DESCRIPTION	QTY
		1 2 3 4	
1	<u>1010434</u>	Barrel - Plastic	2
2	<u>1012412</u>	Body, Hinge Plate	2
3	<u>1012581</u>	Washer, 0.609-inch OD, Nylon Cup	6
4	<u>101788201</u>	Body, Beige, Center	1
5	<u>101788202</u>	Body, White, Center	1
6	<u>101788204</u>	Body, Gray, Center	1
7	<u>101788206</u>	Body, Red, Center	1
8	<u>101788208</u>	Body, Pacific Blue, Center	1
9	<u>101788209</u>	Body, Dark Green, Center	1
10	<u>101788210</u>	Body, Black, Center	1
11	<u>101788211</u>	Body, Classic Blue, Center	1
12	<u>101788212</u>	Body, Burgundy, Center	1
13	<u>101791901</u>	Bumper Guard Vinyl Trim	2
14	<u>102310701</u>	Screw, #8-18 x 0.375, Hex-Head Washer	8
15	<u>103274101</u>	Body, Center, Gas, Beige	1
16	<u>103274102</u>	Body, Center, Gas, Wht	1
17	<u>103274104</u>	Body, Center, Gas, Gray	1
18	<u>103274106</u>	Body, Center, Gas, Red	1
19	<u>103274108</u>	Body, Center, Gas, Pacific Bl	1
20	<u>103274109</u>	Body, Center, Gas, Dk Green	1
21	<u>103274110</u>	Body, Center, Gas, Black	1
22	<u>103274111</u>	Body, Center, Gas, C/blu	1
23	<u>103274112</u>	Body, Center, Gas, Burgundy	1
24	<u>332</u>	Washer, 1/4 Type A Narrow Flat	10
25	<u>8233</u>	Locknut, 1/4-20, Nylon Insert	10
26	<u>8251</u>	Screw, 1/4-20 X 1.0 Truss-Head Machine	10

1
G
E

1
G
E



000390-004

CENTER BODIES – VILLAGER 8 IQ PLUS VEHICLE

ITEM	PART NO.	DESCRIPTION	QTY	1
		1 2 3 4		
1	<u>1010434</u>	Barrel - Plastic	2	G
2	<u>1010993</u>	Body Kick Plate	2	E
3	<u>1012412</u>	Body, Hinge Plate	2	
4	<u>1012581</u>	Washer, 0.609-inch OD, Nylon Cup	4	
5	<u>101791901</u>	Bumper Guard Vinyl Trim	2	
6	<u>102310701</u>	Screw, #8-18 x 0.375, Hex-Head Washer	8	
7	<u>102945501</u>	Body, Beige, Center	1	
8	<u>102945502</u>	Body, White, Center	1	
9	<u>102945504</u>	Body, Gray, Center	1	
10	<u>102945506</u>	Body, Red, Center	1	
11	<u>102945508</u>	Body, Pacific Blue, Center	1	
12	<u>102945509</u>	Body, Dark Green, Center	1	
13	<u>102945510</u>	Body, Black, Center	1	
14	<u>102945511</u>	Body, Classic Blue, Center	1	
15	<u>102945512</u>	Body, Burgundy, Center	1	
16	<u>103274001</u>	Body, Center, Elec, Beige	1	
17	<u>103274002</u>	Body, Center, Elec, Wht	1	
18	<u>103274004</u>	Body, Center, Elec, Gray	1	
19	<u>103274006</u>	Body, Center, Elec, Red	1	
20	<u>103274008</u>	Body, Center, Elec, Pacific Bl	1	
21	<u>103274009</u>	Body, Center, Elec, Dk Green	1	
22	<u>103274010</u>	Body, Center, Elec, Black	1	
23	<u>103274011</u>	Body, Center, Elec, C/blu	1	
24	<u>103274012</u>	Body, Center, Elec, Burgundy	1	
25	<u>332</u>	Washer, 1/4 Type A Narrow Flat	8	
26	<u>8233</u>	Locknut, 1/4-20, Nylon Insert	8	
27	<u>8251</u>	Screw, 1/4-20 X 1.0 Truss-Head Machine	8	

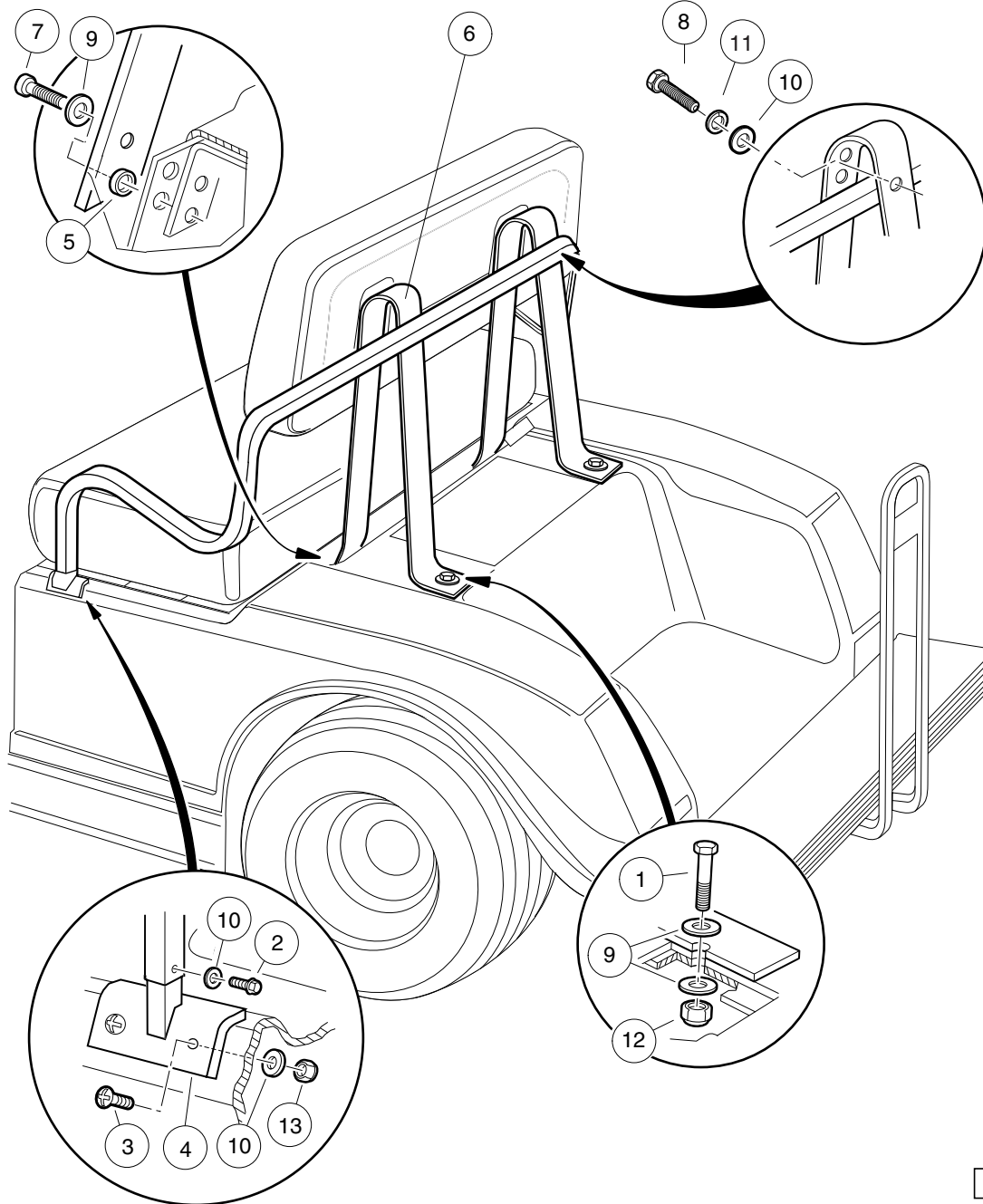
REAR, FORWARD-FACING SEAT BOTTOM

ITEM	PART NO.	DESCRIPTION	QTY
		1 2 3 4	
1	<u>101728202</u>	Seat Bottom Assembly, Rear, White	1
2	<u>101728204</u>	Seat Bottom Assembly, Rear, Beige	1
3	<u>101728211</u>	Seat Bottom Assembly, Rear, Black	1
4	<u>101728214</u>	Seat Bottom Assembly, Rear, Gray (includes items 5 through 12)	1
5	<u>1011652</u>	Hinge Plate	2
6	N/A	Plywood Assy	1
7	<u>1017384</u>	Screw, #12 X .50 Hex, Washer-Head	6
8	<u>101880901</u>	Rivet, 3/16, Stainless-Steel, Pop	4
9	<u>101881701</u>	Washer, #8 Stainless-Steel Flat	4
10	<u>101954301</u>	Screw, 1/4-20 X 0.75 Hex-Head Cap	8
11	105064802	Seat, Bumper, Hole, 13.78in	2
12	<u>105216301</u>	Bracket, Seat Support	2

1
G
E

VILLAGER 8

VILLAGER 6



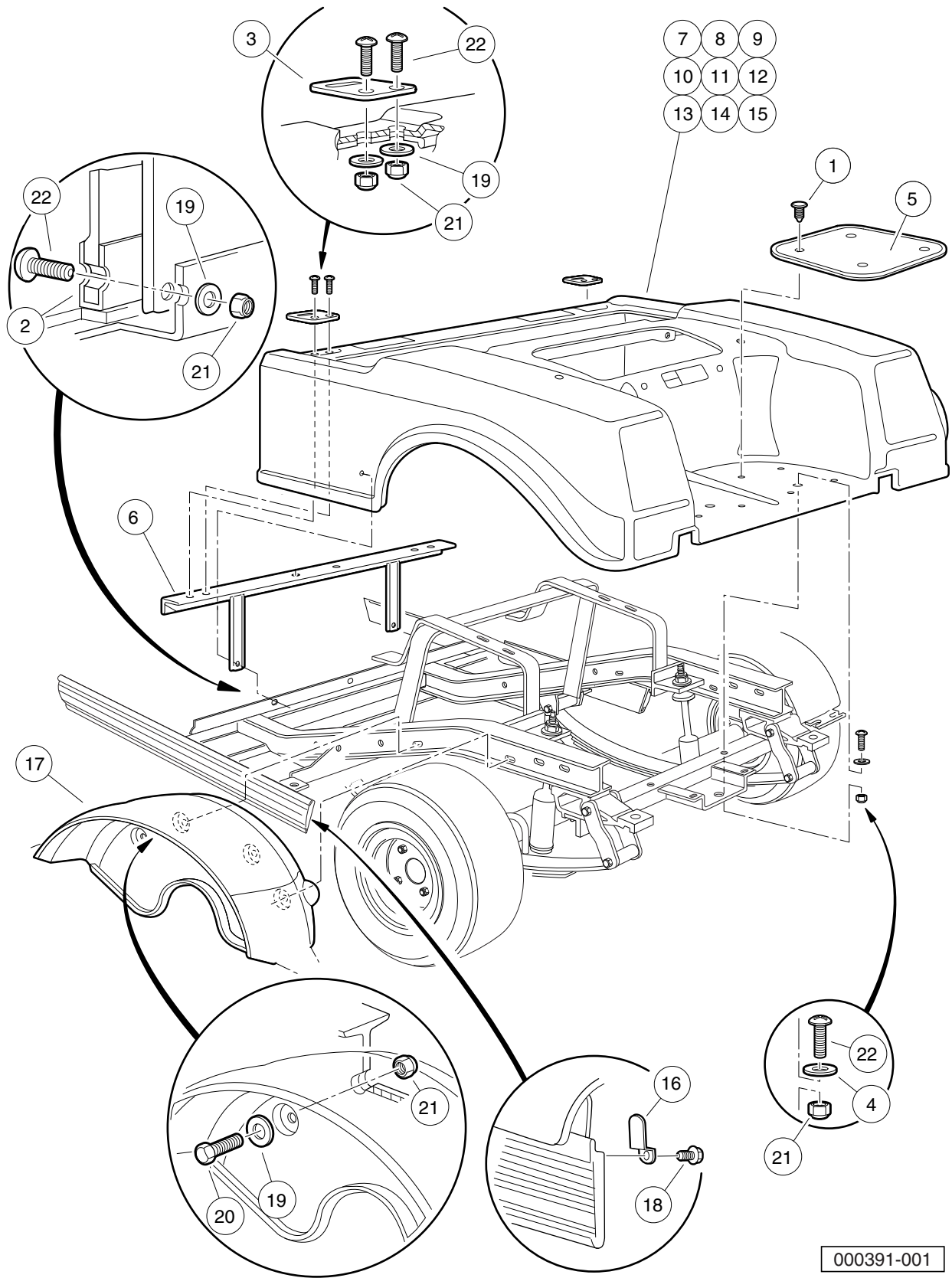
000397-002

ARMRESTS, REAR, FORWARD-FACING – VILLAGER 6 & 8 VEHICLES

ITEM	PART NO.	DESCRIPTION	QTY
		1 2 3 4	
1	<u>1010577</u>	Bolt, Hex-Head, 5/16-18 X 1.50	2
2	<u>1012285</u>	Screw, 1/4 X 0.625 Hex-Head	10
3	<u>1015902</u>	Screw, 1/4-20 X 1.25 Truss-Head	4
4	<u>1017310</u>	Armrest Mounting Weldment	2
5	1017774	Body Spacer	4
6	<u>101799201</u>	Armrest Weldment Rear	1
7	<u>101910401</u>	Screw, 5/16-18 X 1.25 Thrd Frm	4
8	<u>101954301</u>	Screw, 1/4-20 X 0.75 Hex-Head Cap	8
9	<u>1241</u>	Washer, 5/16 Type A Flat	6
10	<u>332</u>	Washer, 1/4 Type A Narrow Flat	14
11	<u>451</u>	Lockwasher, 1/4 Split	8
12	<u>7473</u>	Locknut, 5/16-18 Nylon Insert	2
13	<u>8233</u>	Locknut, 1/4-20, Nylon Insert	4

1
G
E

1
G
E



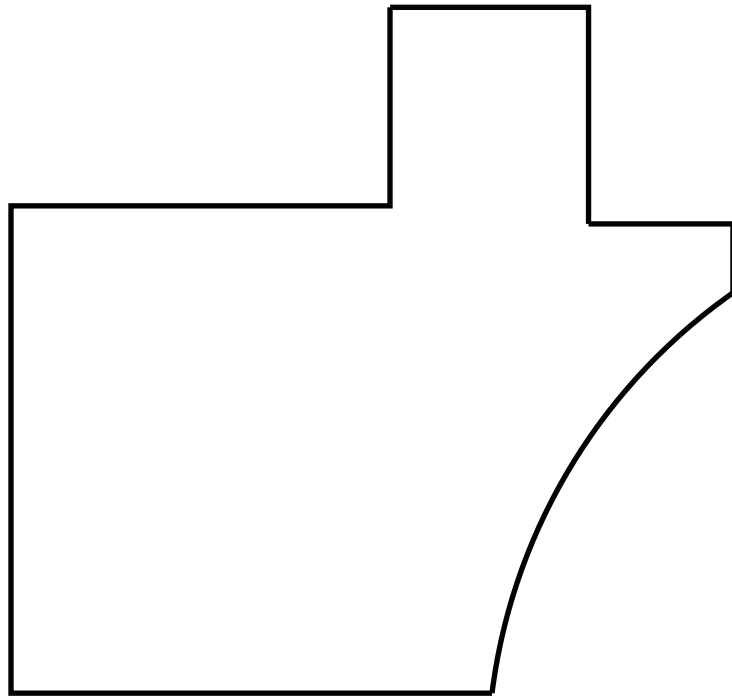
000391-001

REAR BODY AND FENDER – VILLAGER 6 & 8

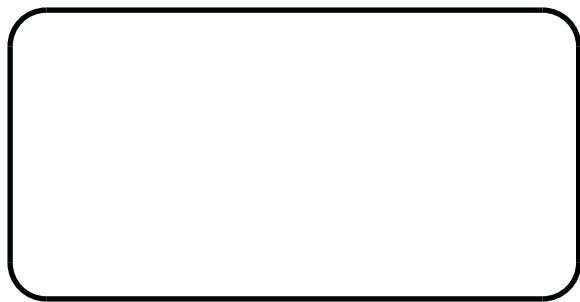
ITEM	PART NO.	DESCRIPTION	QTY
		1 2 3 4	
1	<u>1010434</u>	Barrel - Plastic	8
2	<u>1010993</u>	Body Kick Plate	1
3	<u>1012412</u>	Body, Hinge Plate	2
4	<u>1014306</u>	Washer, 1/4" Type B Flat	2
5	<u>1014392</u>	Bag Rest Mat	2
6	<u>1017141</u>	Body Support Weldment	1
7	<u>101728701</u>	Body, Beige, TPO, Rear	1
8	<u>101728702</u>	Body, White, TPO, Rear	1
9	<u>101728704</u>	Body, Gray, TPO, Rear	1
10	<u>101728706</u>	Body, Red, TPO, Rear	1
11	<u>101728708</u>	Body, Royal Blue, TPO, Rear	1
12	<u>101728709</u>	Body, Dark Green, TPO, Rear	1
13	<u>101728710</u>	Body, Black, TPO, Rear	1
14	<u>101728711</u>	Body, Classic Blue, TPO, Rear	1
15	<u>101728712</u>	Body, Burgundy, TPO, Rear	1
16	<u>1017748</u>	Body Keeper Clip	2
17	<u>1017936</u>	Fender, Inner	2
18	<u>102310701</u>	Screw, #8-18 x 0.375, Hex-Head Washer	2
19	<u>332</u>	Washer, 1/4 Type A Narrow Flat	10
20	<u>7847</u>	Screw, 1/4-20 X 0.75 Hex-Head Cap	4
21	<u>8233</u>	Locknut, 1/4-20, Nylon Insert	12
22	<u>8251</u>	Screw, 1/4-20 X 1.0 Truss-Head Machine	8

1
G
E

1
G
E



1



2



3

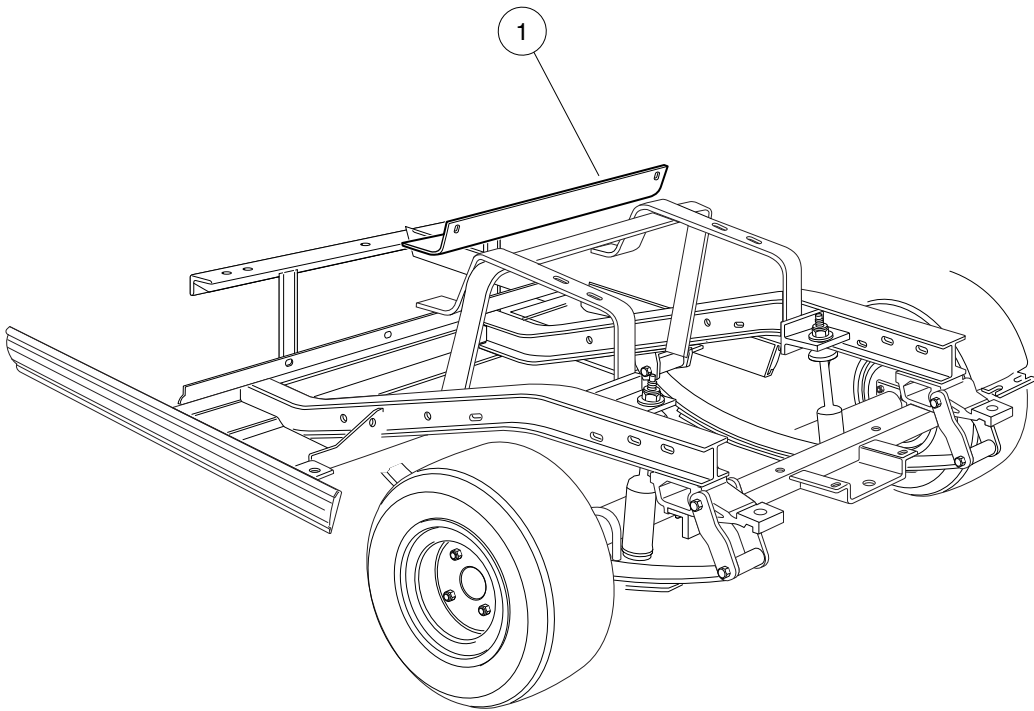
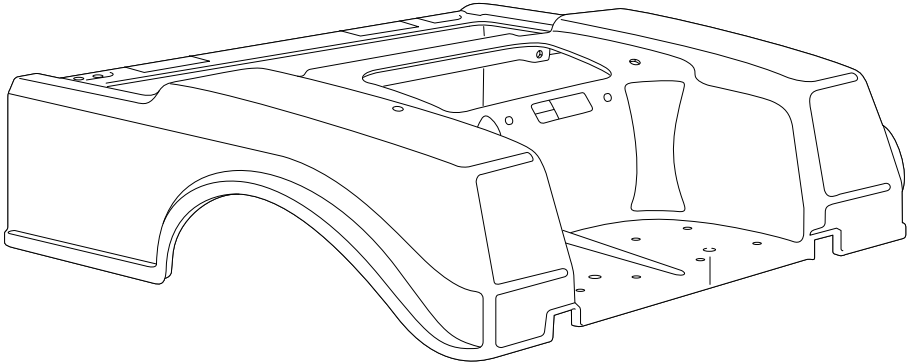
001603-001

HEAT INSULATION, FOAM – EFI GASOLINE VEHICLE

ITEM	PART NO.	DESCRIPTION	QTY
		1 2 3 4	
1	105280201	Foam, Poly, Alum, 1", Style A	1
2	105280202	Foam, Poly, Alum, 1", Style B	1
3	105280203	Foam, Poly, Alum, 1", Style C	1
		Note: Foil lining over foam.	

1
G
E

1
G
E



000392-001

HEAT SHIELD, TRANSPORTER, VILL 6 & 8, XRT800/850 REAR BODY – GAS

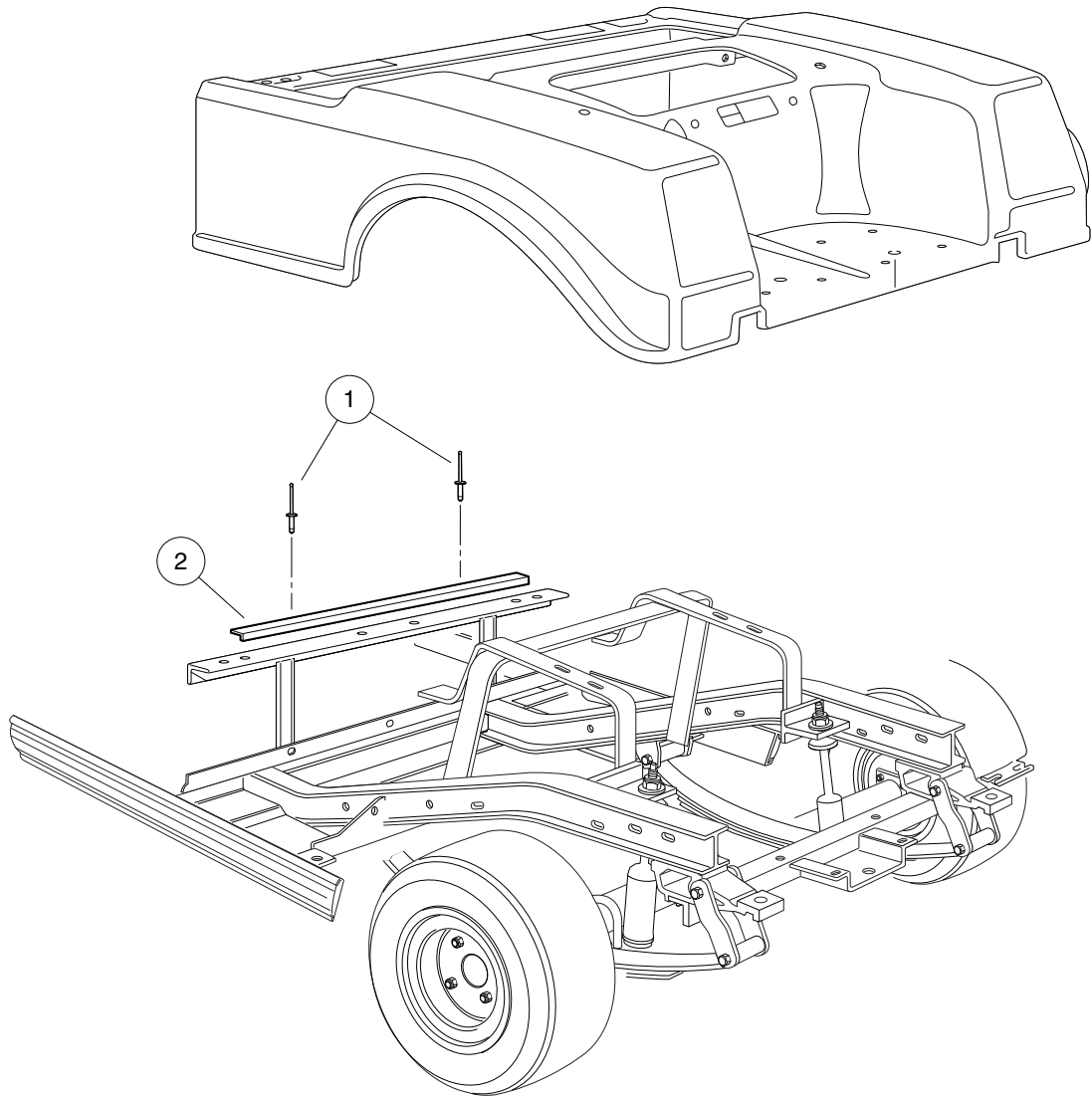
ITEM	PART NO.	DESCRIPTION	QTY
1	<u>101806901</u>	<div style="display: flex; justify-content: space-between; margin-bottom: 5px;"> 1 2 3 4 </div> Shield, Heat	1

1

G

E

1
G
E



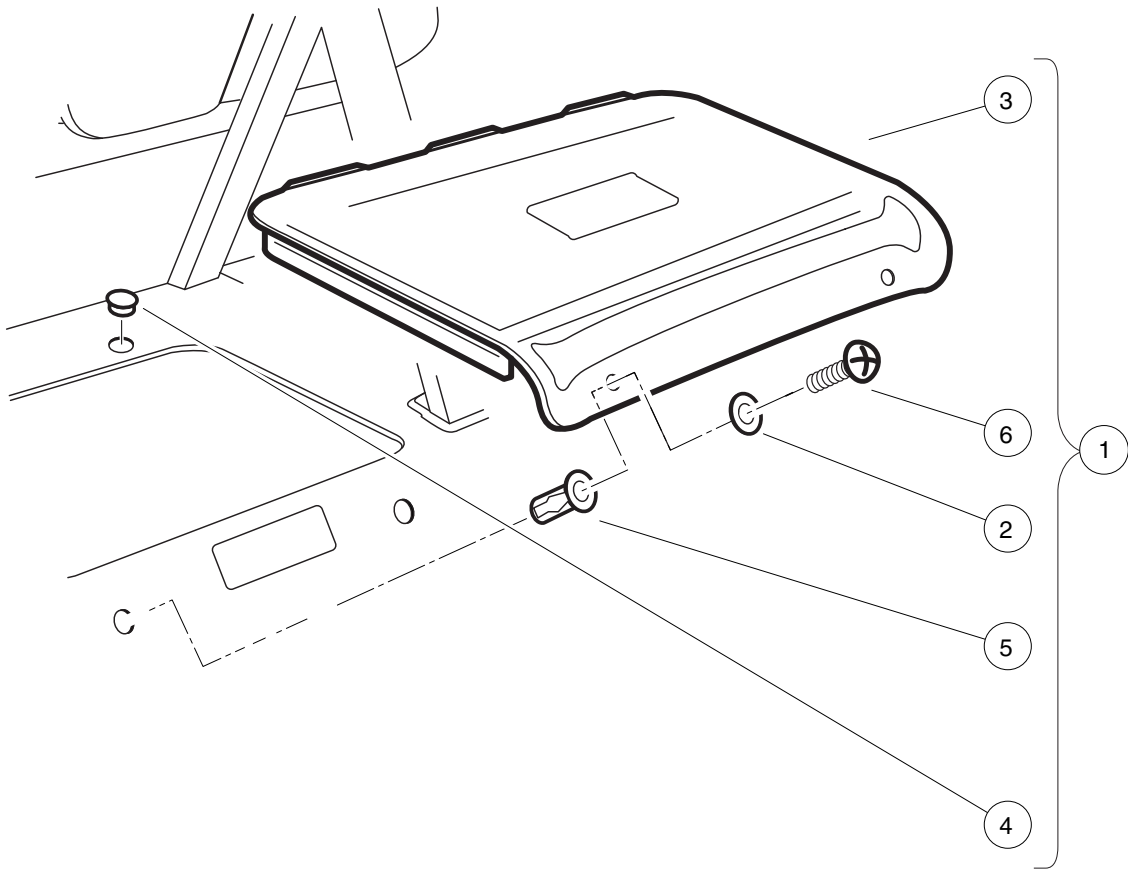
000393-001

BATTERY INSULATOR, TRANSPORTER, VILL 6 & 8, XRT850 REAR BODY – ELECTRIC

ITEM	PART NO.	DESCRIPTION	QTY
		1 2 3 4	
1	<u>1013357</u>	Rivet, 5/32 Aluminum Pop	2
2	<u>101837001</u>	Battery Insulator	1

1
G
E

1
G
E



000783-002

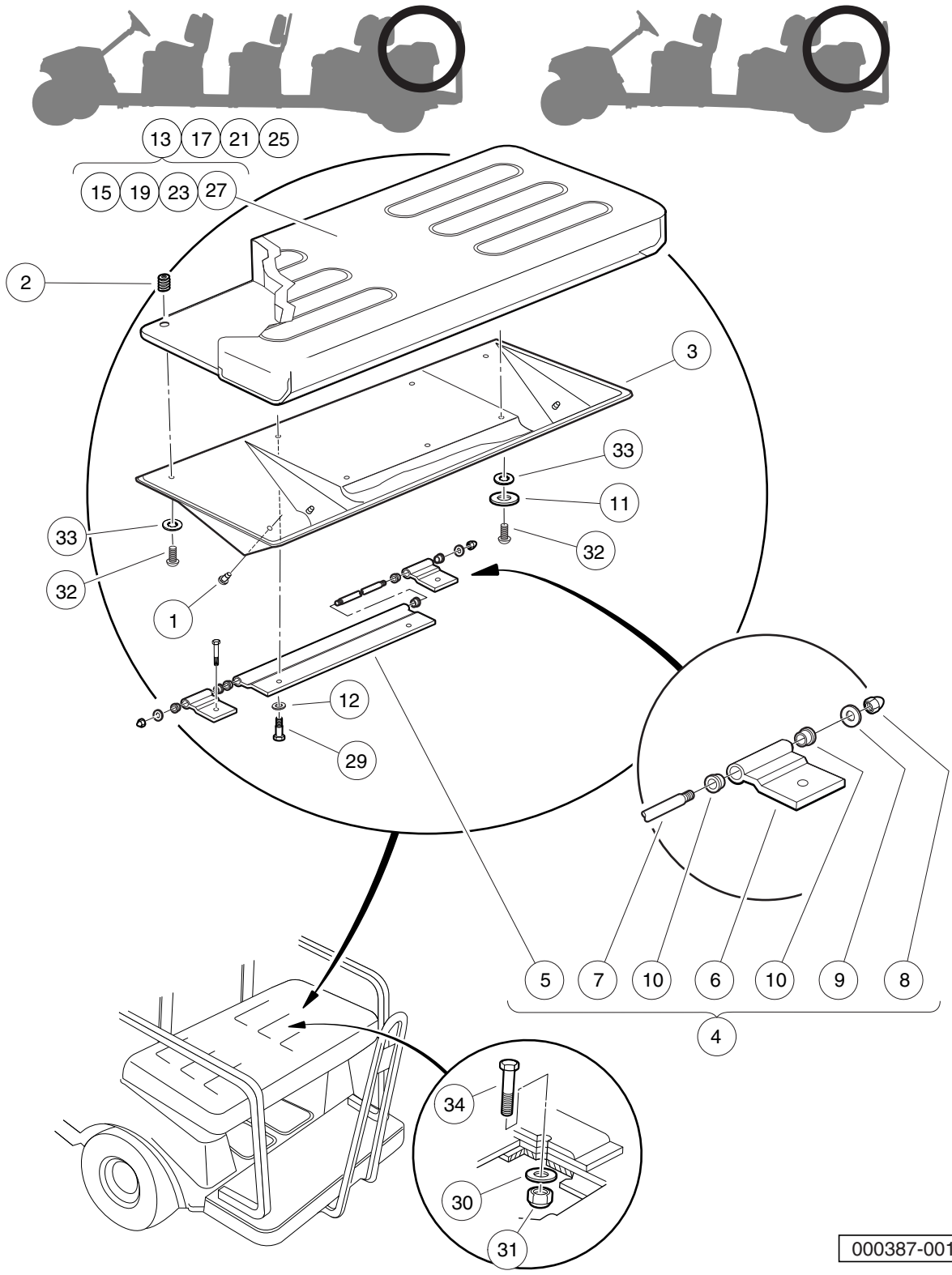
REAR ACCESS DOOR

ITEM	PART NO.	DESCRIPTION	QTY
		1 2 3 4	
1	<u>1013218</u>	Kit, Access Door Black (includes items 2 through 6)	1
2	<u>1012581</u>	Washer, 0.609-inch OD, Nylon Cup	2
3	<u>1013032</u>	Molded Access Door Black	1
4	<u>1013216</u>	Plug, Button	2
5	<u>1015525</u>	Nut, 1/4-20 Blind	2
6	<u>8251</u>	Screw, 1/4-20 X 1.0 Truss-Head Machine	2

1
G
E

VILLAGER 8

VILLAGER 6



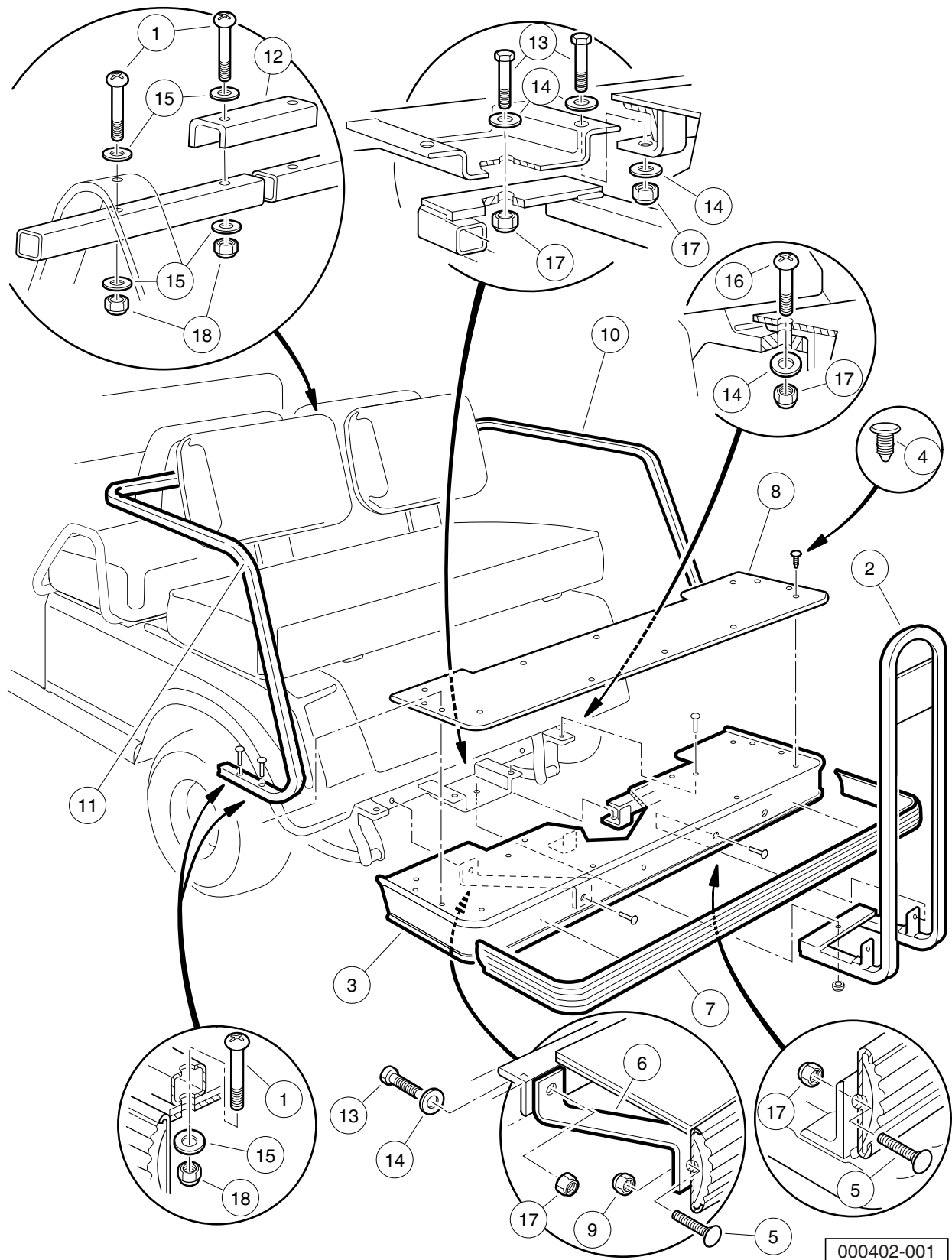
000387-001

REAR-FACING SEAT BOTTOM – VILLAGER VEHICLES

ITEM	PART NO.	DESCRIPTION	QTY
		1 2 3 4	
1	<u>1010436</u>	Bumper, Rubber	4
2	<u>1010543</u>	Insert - Wood	7
3	<u>1011210</u>	Seat Support 4-Passenger	1
4	<u>1011219</u>	Hinge Assembly 4 Passenger (includes items 5 through 10)	1
5	<u>1011220</u>	Hinge Long 4 Passenger	1
6	<u>1011221</u>	Hinge Short 4 Passenger	2
7	<u>1011222</u>	Pin, Hinge, Long, 4-Pass	1
8	<u>1015091</u>	Nut, 1/4-20 Stainless-Steel Center-Lock Cap	2
9	<u>332</u>	Washer, 1/4 Type A Narrow Flat	2
10	<u>8028</u>	Rotor Stop, FNR	6
11	<u>1011578</u>	Washer, 5/16 Type B Flat	3
12	<u>1014007</u>	Washer, 1/4, Flat	2
13	<u>101564804</u>	Seat Bottom Assembly, Buff (includes items 14 through 16)	1
14	N/A	Foam, Seat	1
15	<u>101562711</u>	Vinyl Cover, Seat Bottom, Buff	1
16	N/A	Plywood Assy	1
17	<u>101564805</u>	Seat Bottom Assembly, White (includes items 18 through 20)	1
18	N/A	Foam, Seat	1
19	<u>101562712</u>	Vinyl Cover, Seat Bottom, White	1
20	N/A	Plywood Assy	1
21	<u>101564807</u>	Seat Bottom Assembly, Gray (includes items 22 through 24)	1
22	N/A	Foam, Seat	1
23	<u>101562715</u>	Vinyl Cover, Seat Bottom, Gray	1
24	N/A	Plywood Assy	1
25	<u>101564808</u>	Seat Bottom Assembly, Black (includes items 26 through 28)	1
26	N/A	Foam, Seat	1
27	<u>101562714</u>	Vinyl Cover, Seat Bottom, Black	1
28	N/A	Plywood Assy	1
29	<u>1016916</u>	Screw, 1/4-20 X 1.50 Hex-Head Cap	2
30	<u>1241</u>	Washer, 5/16 Type A Flat	2
31	<u>7473</u>	Locknut, 5/16-18 Nylon Insert	2
32	<u>8251</u>	Screw, 1/4-20 X 1.0 Truss-Head Machine	5
33	<u>8304</u>	Lockwasher, 1/4 Type A Int.tth	5
34	<u>8963</u>	Screw, 5/16-18 X 1.75 Hex-Head Cap	2
		Note: Sub-components contained in items 17, 21, and 25 are the same as those shown for item 13, except for the vinyl seat covers.	

1
G
E

1
G
E



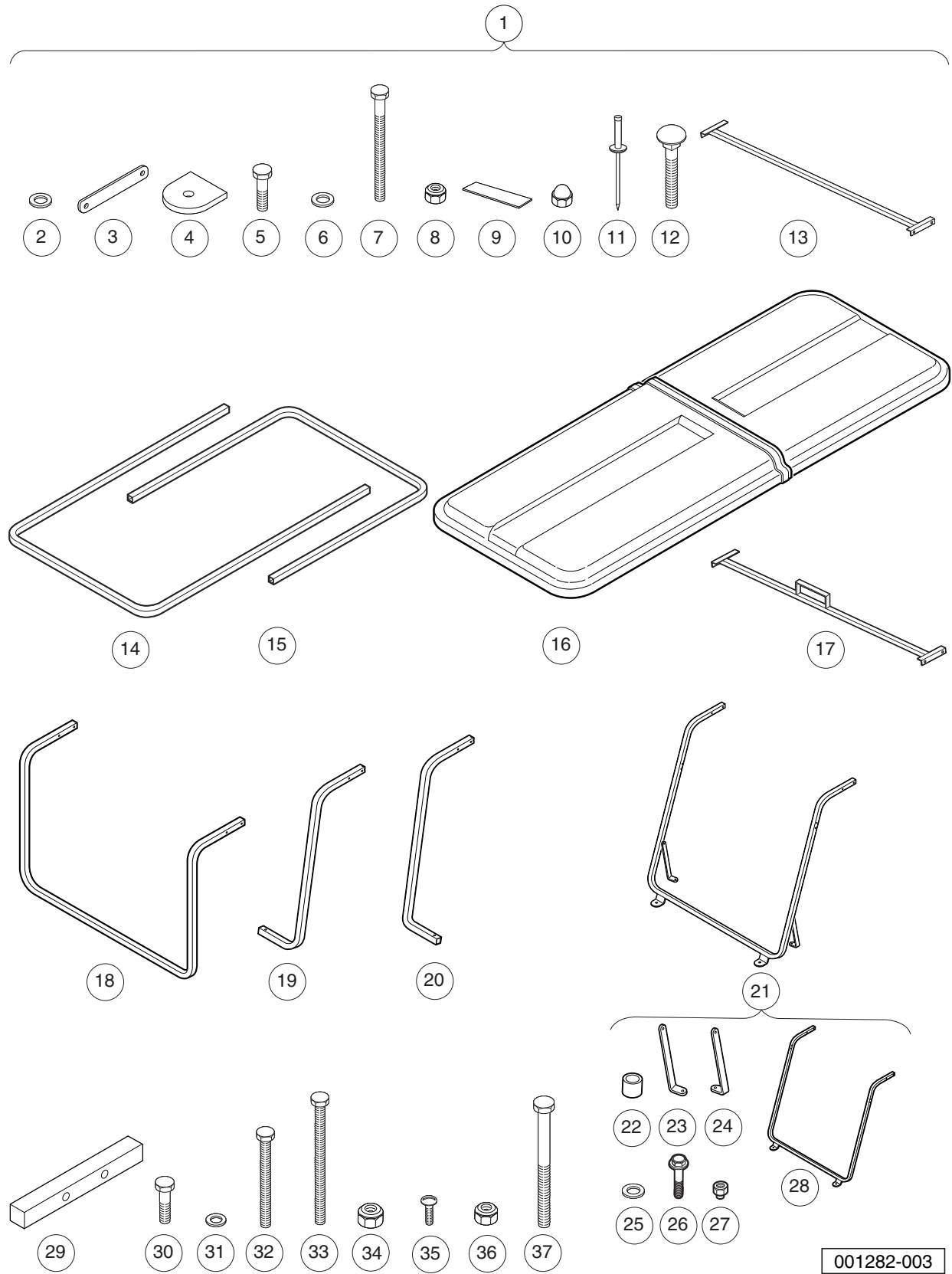
000402-001

REAR FOOTREST, ARMRESTS AND HANDRAILS – DS VILLAGER 4, VILLAGER 6 AND 8

ITEM	PART NO.	DESCRIPTION	QTY
		1 2 3 4	
1	<u>1011988</u>	Screw, 1/4-20 X 2.00 Phillips Truss-Head	8
2	<u>1016842</u>	Rear Seat Handrail Weldment	1
3	<u>101841101</u>	Rear Foot Rest Asm (includes items 4 through 9)	1
4	<u>1010434</u>	Barrel - Plastic	8
5	<u>1010435</u>	Bolt, Carriage, 5/16-18 X 1.00	4
6	<u>1016668</u>	Connecting Bar	2
7	<u>1016835</u>	Bumper, Side Trim	1
8	<u>101840901</u>	Foot Rest Mat	1
9	<u>7473</u>	Locknut, 5/16-18 Nylon Insert	2
10	<u>101841201</u>	Armrest, Seat, Rear, Right-Hand	1
11	<u>101841202</u>	Armrest, Seat, Rear, Left-Hand	1
12	<u>101841301</u>	Armrest Bracket	1
13	<u>1218</u>	Screw, 5/16-18 X 1.25 Hex-Head Cap	5
14	<u>1241</u>	Washer, 5/16 Type A Flat	9
15	<u>332</u>	Washer, 1/4 Type A Narrow Flat	8
16	<u>7410</u>	Screw, 5/16-18 X 1.25 Truss Hd	2
17	<u>7473</u>	Locknut, 5/16-18 Nylon Insert	9
18	<u>8233</u>	Locknut, 1/4-20, Nylon Insert	8

1
G
E

1
G
E

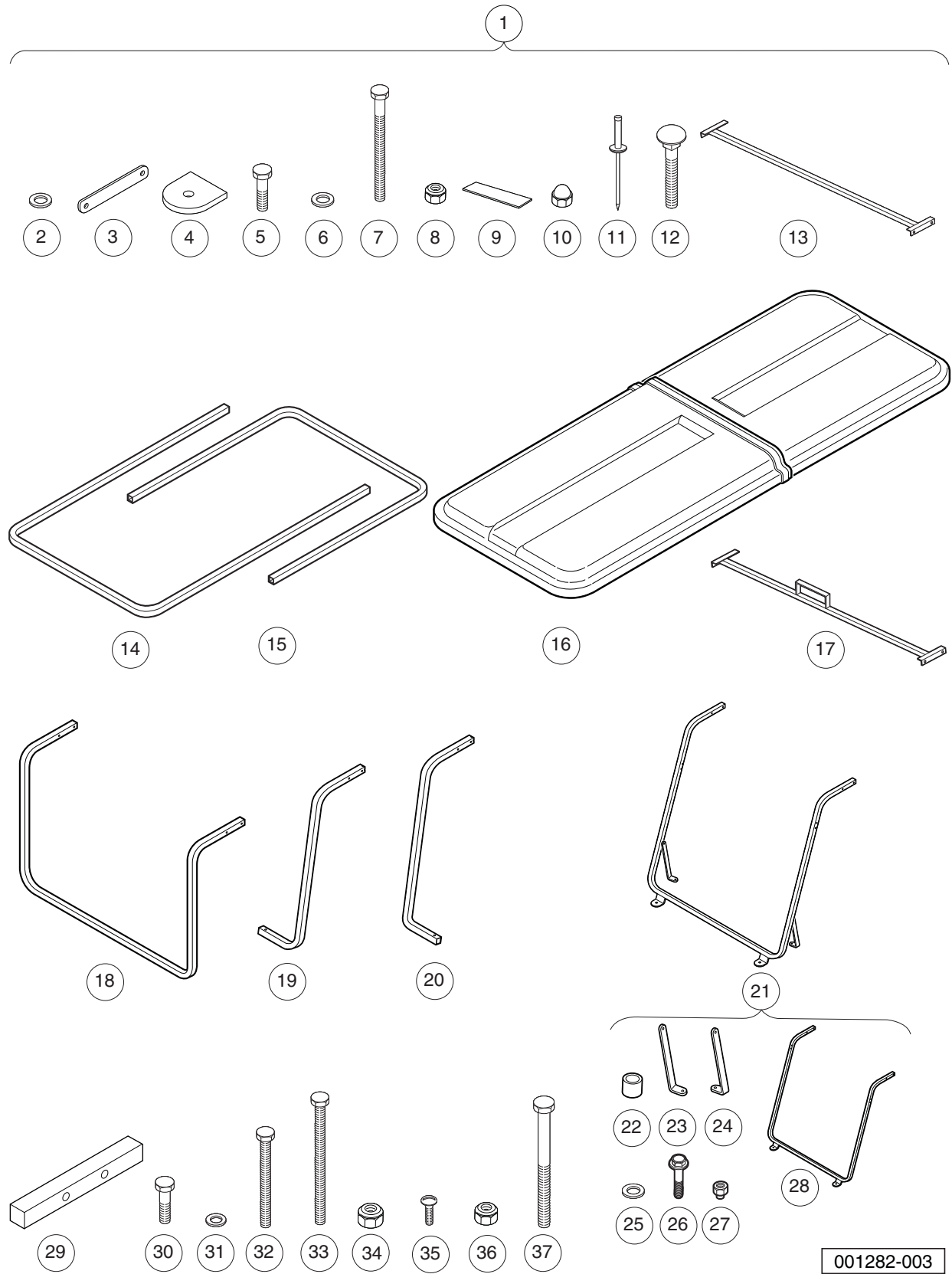


CANOPY KIT, WHITE – VILL. 6 WITH REAR-FACING SEATS

ITEM	PART NO.	DESCRIPTION	QTY
		1 2 3 4	
1	<u>101816701</u>	Canopy Top Wht Vill W/rear St (includes items 2 through 37)	1
2	<u>1011697</u>	Washer, 5/16 Flat	2
3	<u>1011852</u>	Plate, Canopy Trim	10
4	<u>1011883</u>	Pad, Windshield Frame Mounting	2
5	<u>1011937</u>	Bolt, 5/16-18 X 1.25 Hex Head	2
6	<u>1011964</u>	Washer, 1/4 Flat	14
7	<u>1012159</u>	Bolt, 1/4-20 X 2.75 Hex-Head	8
8	<u>1013061</u>	Locknut, #10-32 Nylon Insert	8
9	<u>1014471</u>	Tape, Vinyl Foam 1/8" x 3/4"	20
10	<u>1015091</u>	Nut, 1/4-20 Stainless-Steel Center-Lock Cap	4
11	<u>1015392</u>	Rivet, 3/16 Pop	8
12	<u>1015405</u>	Bolt, Carriage, 5/16-18 X 2.0	2
13	<u>1016781</u>	Hanger Weldment	1
14	<u>1016793</u>	Top Front Support	1
15	<u>1016794</u>	Top Rear Support	1
16	<u>101679902</u>	Canopy Front & Rear White	1
17	<u>1017185</u>	Hanger Weldment Front	1
18	<u>101815301</u>	Brace, Rear Canopy	1
19	<u>101815401</u>	Canopy Side Brace Lh	1
20	<u>101815402</u>	Canopy Side Brace Rh	1
21	<u>103789601</u>	W/s Fr / Knee Br, Aluminum (includes items 22 through 28)	1
22	<u>1010237</u>	Bushing	2
23	<u>1011862</u>	Brace, Right-Hand Canopy Mount Knee	1
24	<u>1011865</u>	Brace, Left-Hand Canopy Mount Knee	1
25	<u>1011964</u>	Washer, 1/4 Flat	2
26	<u>102076701</u>	Screw, 1/4-20 X 1.75 Hex Sems	2
27	<u>102242401</u>	Nut - Nylon Insert W/cap	2
28	<u>103787401</u>	Asm, Windshield Frame, Alum	1
29	<u>103954301</u>	Splice Bar 10.5"	2
30	<u>1218</u>	Screw, 5/16-18 X 1.25 Hex-Head Cap	2
31	<u>183</u>	Washer, #10, Type A, Flat	16
32	<u>324</u>	Screw, 1/4-20 X 2.50 Hx Hd Cap	4
33	<u>343</u>	Screw, 1/4-20 X 3.00 Hx Hd Cap	4
34	<u>7473</u>	Locknut, 5/16-18 Nylon Insert	2
35	<u>8104</u>	Screw, #10-32 X .75 Rd Hd Mach	8
36	<u>8233</u>	Locknut, 1/4-20, Nylon Insert	12
37	<u>8915</u>	Screw, 5/16-18 X 3.0 Hx Hd Cap	2

1
G
E

1
G
E

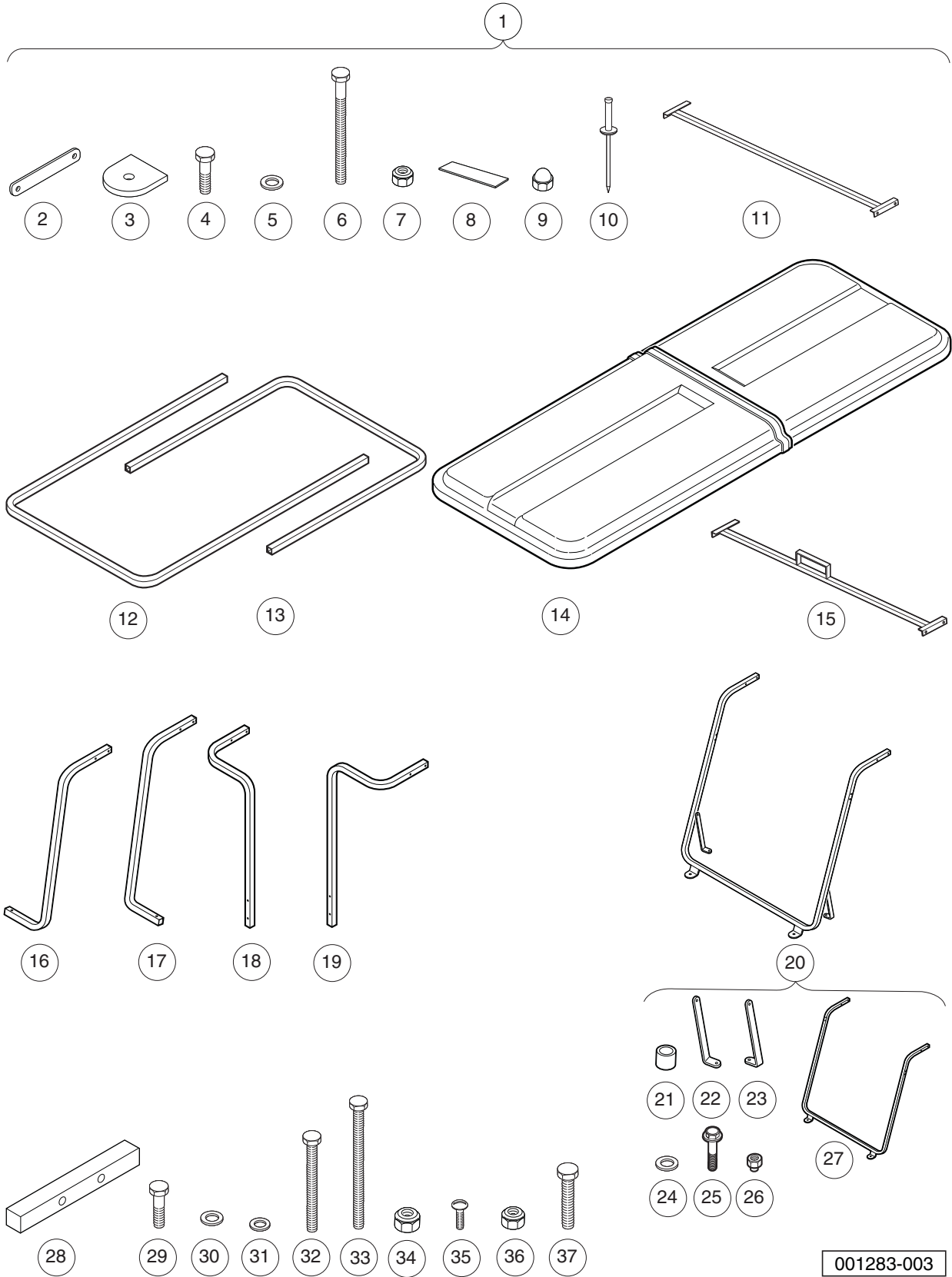


CANOPY KIT, BEIGE – VILL. 6 WITH REAR-FACING SEATS

ITEM	PART NO.	DESCRIPTION	QTY
		1 2 3 4	
1	<u>101816702</u>	Canopy Beige Vill W/rear St (includes items 2 through 37)	1
2	<u>1011697</u>	Washer, 5/16 Flat	2
3	<u>1011852</u>	Plate, Canopy Trim	10
4	<u>1011883</u>	Pad, Windshield Frame Mounting	2
5	<u>1011937</u>	Bolt, 5/16-18 X 1.25 Hex Head	2
6	<u>1011964</u>	Washer, 1/4 Flat	14
7	<u>1012159</u>	Bolt, 1/4-20 X 2.75 Hex-Head	8
8	<u>1013061</u>	Locknut, #10-32 Nylon Insert	8
9	<u>1014471</u>	Tape, Vinyl Foam 1/8" x 3/4"	20
10	<u>1015091</u>	Nut, 1/4-20 Stainless-Steel Center-Lock Cap	4
11	<u>1015392</u>	Rivet, 3/16 Pop	8
12	<u>1015405</u>	Bolt, Carriage, 5/16-18 X 2.0	2
13	<u>1016781</u>	Hanger Weldment	1
14	<u>1016793</u>	Top Front Support	1
15	<u>1016794</u>	Top Rear Support	1
16	<u>101679901</u>	Canopy Front & Rear Beige	1
17	<u>1017185</u>	Hanger Weldment Front	1
18	<u>101815301</u>	Brace, Rear Canopy	1
19	<u>101815401</u>	Canopy Side Brace Lh	1
20	<u>101815402</u>	Canopy Side Brace Rh	1
21	<u>103789601</u>	W/s Fr / Knee Br, Aluminum (includes items 22 through 28)	1
22	<u>1010237</u>	Bushing	2
23	<u>1011862</u>	Brace, Right-Hand Canopy Mount Knee	1
24	<u>1011865</u>	Brace, Left-Hand Canopy Mount Knee	1
25	<u>1011964</u>	Washer, 1/4 Flat	2
26	<u>102076701</u>	Screw, 1/4-20 X 1.75 Hex Sems	2
27	<u>102242401</u>	Nut - Nylon Insert W/cap	2
28	<u>103787401</u>	Asm, Windshield Frame, Alum	1
29	<u>103954301</u>	Splice Bar 10.5"	2
30	<u>1218</u>	Screw, 5/16-18 X 1.25 Hex-Head Cap	2
31	<u>183</u>	Washer, #10, Type A, Flat	16
32	<u>324</u>	Screw, 1/4-20 X 2.50 Hx Hd Cap	4
33	<u>343</u>	Screw, 1/4-20 X 3.00 Hx Hd Cap	4
34	<u>7473</u>	Locknut, 5/16-18 Nylon Insert	2
35	<u>8104</u>	Screw, #10-32 X .75 Rd Hd Mach	8
36	<u>8233</u>	Locknut, 1/4-20, Nylon Insert	12
37	<u>8915</u>	Screw, 5/16-18 X 3.0 Hx Hd Cap	2

1
G
E

1
G
E

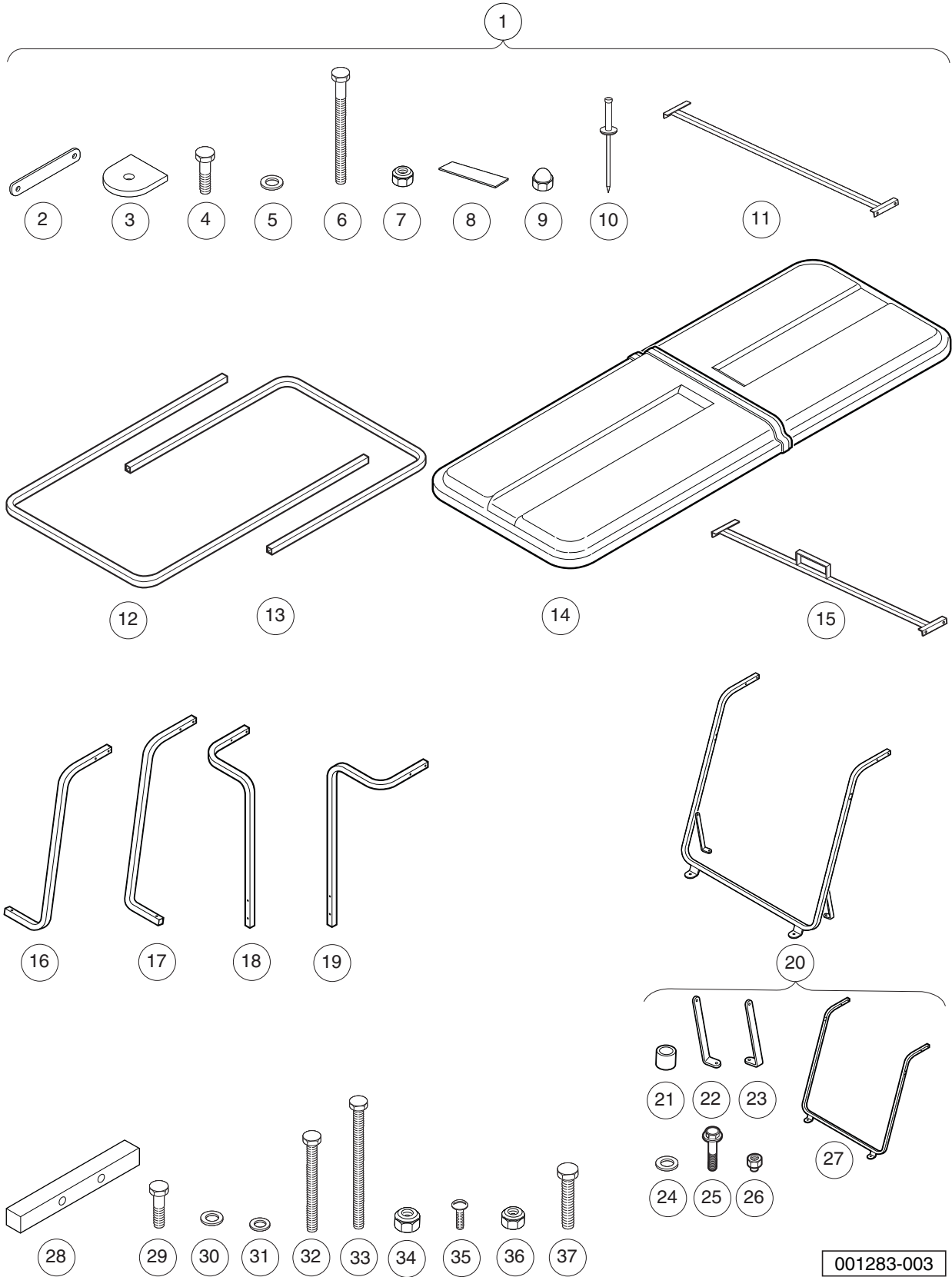


CANOPY KIT, WHITE – VILL. 6 WITH FLAT BED

ITEM	PART NO.	DESCRIPTION	QTY
		1 2 3 4	
1	<u>101838001</u>	Canopy Top Wht Vill W/cargo Bd (includes items 2 through 37)	1
2	<u>1011852</u>	Plate, Canopy Trim	10
3	<u>1011883</u>	Pad, Windshield Frame Mounting	2
4	<u>1011937</u>	Bolt, 5/16-18 X 1.25 Hex Head	2
5	<u>1011964</u>	Washer, 1/4 Flat	14
6	<u>1012159</u>	Bolt, 1/4-20 X 2.75 Hex-Head	8
7	<u>1013061</u>	Locknut, #10-32 Nylon Insert	8
8	<u>1014471</u>	Tape, Vinyl Foam 1/8" x 3/4"	20
9	<u>1015091</u>	Nut, 1/4-20 Stainless-Steel Center-Lock Cap	4
10	<u>1015392</u>	Rivet, 3/16 Pop	8
11	<u>1016781</u>	Hanger Weldment	1
12	<u>1016793</u>	Top Front Support	1
13	<u>1016794</u>	Top Rear Support	1
14	<u>101679902</u>	Canopy Front & Rear White	1
15	<u>1017185</u>	Hanger Weldment Front	1
16	<u>101815401</u>	Canopy Side Brace Lh	1
17	<u>101815402</u>	Canopy Side Brace Rh	1
18	<u>101837801</u>	Rear Canopy Brace Rh	1
19	<u>101837802</u>	Rear Canopy Brace Lh	1
20	<u>103789601</u>	W/s Fr / Knee Br, Aluminum (includes items 21 through 27)	1
21	<u>1010237</u>	Bushing	2
22	<u>1011862</u>	Brace, Right-Hand Canopy Mount Knee	1
23	<u>1011865</u>	Brace, Left-Hand Canopy Mount Knee	1
24	<u>1011964</u>	Washer, 1/4 Flat	2
25	<u>102076701</u>	Screw, 1/4-20 X 1.75 Hex Sems	2
26	<u>102242401</u>	Nut - Nylon Insert W/cap	2
27	<u>103787401</u>	Asm, Windshield Frame, Alum	1
28	<u>103954301</u>	Splice Bar 10.5"	2
29	<u>1218</u>	Screw, 5/16-18 X 1.25 Hex-Head Cap	2
30	<u>1241</u>	Washer, 5/16 Type A Flat	4
31	<u>183</u>	Washer, #10, Type A, Flat	16
32	<u>324</u>	Screw, 1/4-20 X 2.50 Hx Hd Cap	4
33	<u>343</u>	Screw, 1/4-20 X 3.00 Hx Hd Cap	4
34	<u>7473</u>	Locknut, 5/16-18 Nylon Insert	4
35	<u>8104</u>	Screw, #10-32 X .75 Rd Hd Mach	8
36	<u>8233</u>	Locknut, 1/4-20, Nylon Insert	12
37	<u>8963</u>	Screw, 5/16-18 X 1.75 Hex-Head Cap	4

1
G
E

1
G
E

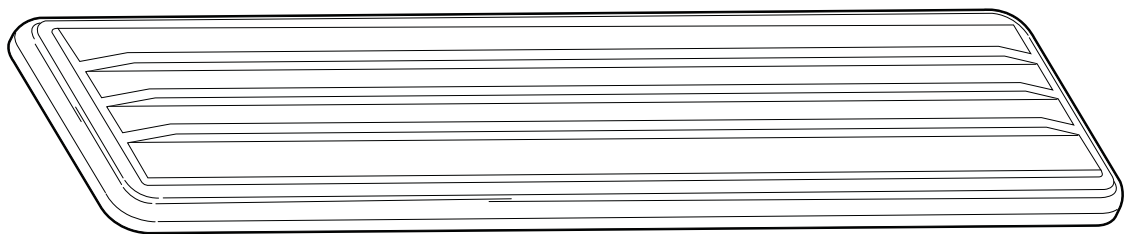
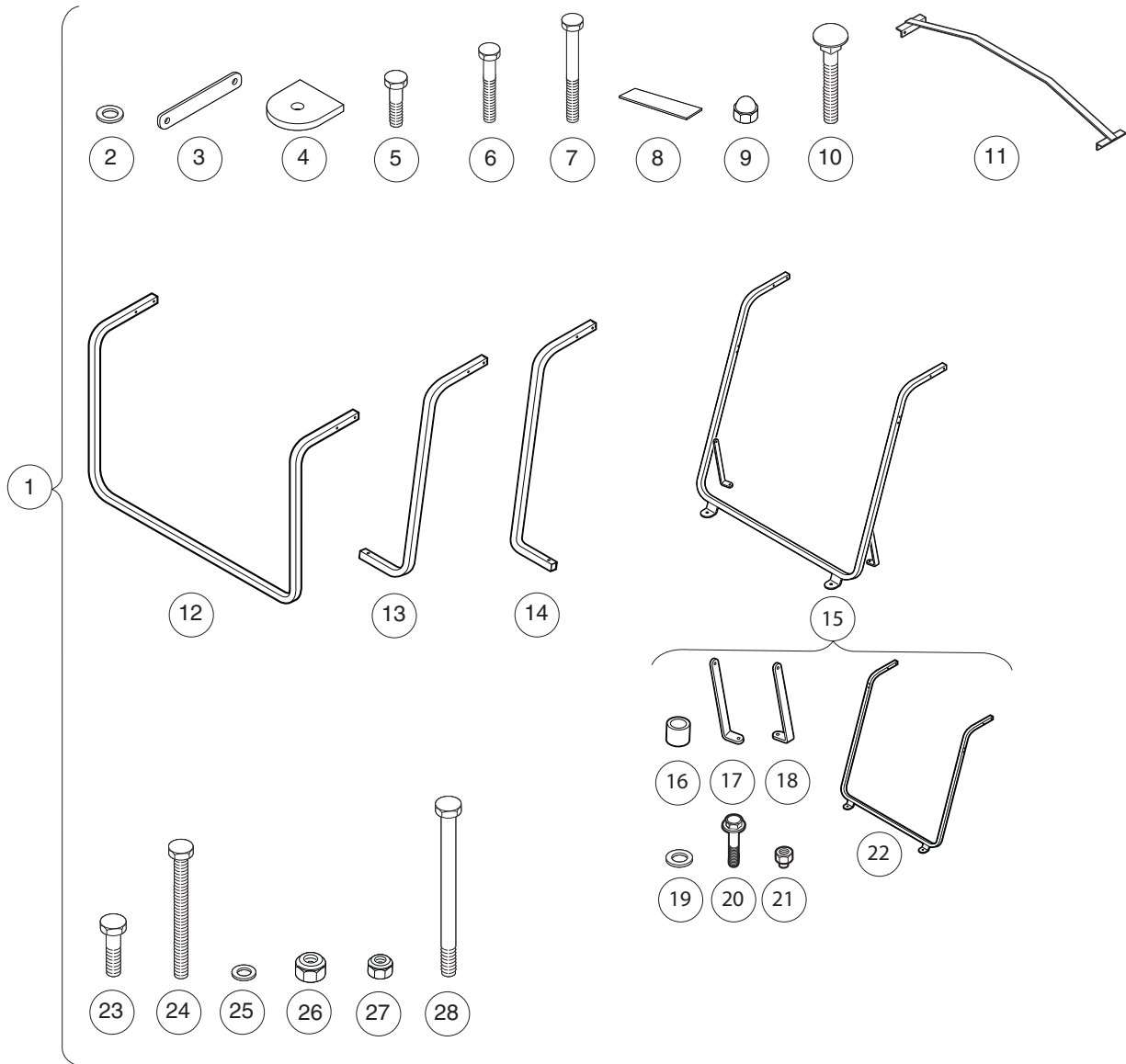


CANOPY KIT, BEIGE – VILL. 6 WITH FLAT BED

ITEM	PART NO.	DESCRIPTION	QTY
		1 2 3 4	
1	<u>101838002</u>	Canopy Beige Vill W/cargo Bd (includes items 2 through 37)	1
2	<u>1011852</u>	Plate, Canopy Trim	10
3	<u>1011883</u>	Pad, Windshield Frame Mounting	2
4	<u>1011937</u>	Bolt, 5/16-18 X 1.25 Hex Head	2
5	<u>1011964</u>	Washer, 1/4 Flat	14
6	<u>1012159</u>	Bolt, 1/4-20 X 2.75 Hex-Head	8
7	<u>1013061</u>	Locknut, #10-32 Nylon Insert	8
8	<u>1014471</u>	Tape, Vinyl Foam 1/8" x 3/4"	20
9	<u>1015091</u>	Nut, 1/4-20 Stainless-Steel Center-Lock Cap	4
10	<u>1015392</u>	Rivet, 3/16 Pop	8
11	<u>1016781</u>	Hanger Weldment	1
12	<u>1016793</u>	Top Front Support	1
13	<u>1016794</u>	Top Rear Support	1
14	<u>101679901</u>	Canopy Front & Rear Beige	1
15	<u>1017185</u>	Hanger Weldment Front	1
16	<u>101815401</u>	Canopy Side Brace Lh	1
17	<u>101815402</u>	Canopy Side Brace Rh	1
18	<u>101837801</u>	Rear Canopy Brace Rh	1
19	<u>101837802</u>	Rear Canopy Brace Lh	1
20	<u>103789601</u>	W/s Fr / Knee Br, Aluminum (includes items 21 through 27)	1
21	<u>1010237</u>	Bushing	2
22	<u>1011862</u>	Brace, Right-Hand Canopy Mount Knee	1
23	<u>1011865</u>	Brace, Left-Hand Canopy Mount Knee	1
24	<u>1011964</u>	Washer, 1/4 Flat	2
25	<u>102076701</u>	Screw, 1/4-20 X 1.75 Hex Sems	2
26	<u>102242401</u>	Nut - Nylon Insert W/cap	2
27	<u>103787401</u>	Asm, Windshield Frame, Alum	1
28	<u>103954301</u>	Splice Bar 10.5"	2
29	<u>1218</u>	Screw, 5/16-18 X 1.25 Hex-Head Cap	2
30	<u>1241</u>	Washer, 5/16 Type A Flat	4
31	<u>183</u>	Washer, #10, Type A, Flat	16
32	<u>324</u>	Screw, 1/4-20 X 2.50 Hx Hd Cap	4
33	<u>343</u>	Screw, 1/4-20 X 3.00 Hx Hd Cap	4
34	<u>7473</u>	Locknut, 5/16-18 Nylon Insert	4
35	<u>8104</u>	Screw, #10-32 X .75 Rd Hd Mach	8
36	<u>8233</u>	Locknut, 1/4-20, Nylon Insert	12
37	<u>8963</u>	Screw, 5/16-18 X 1.75 Hex-Head Cap	4

1
G
E

1
G
E



29

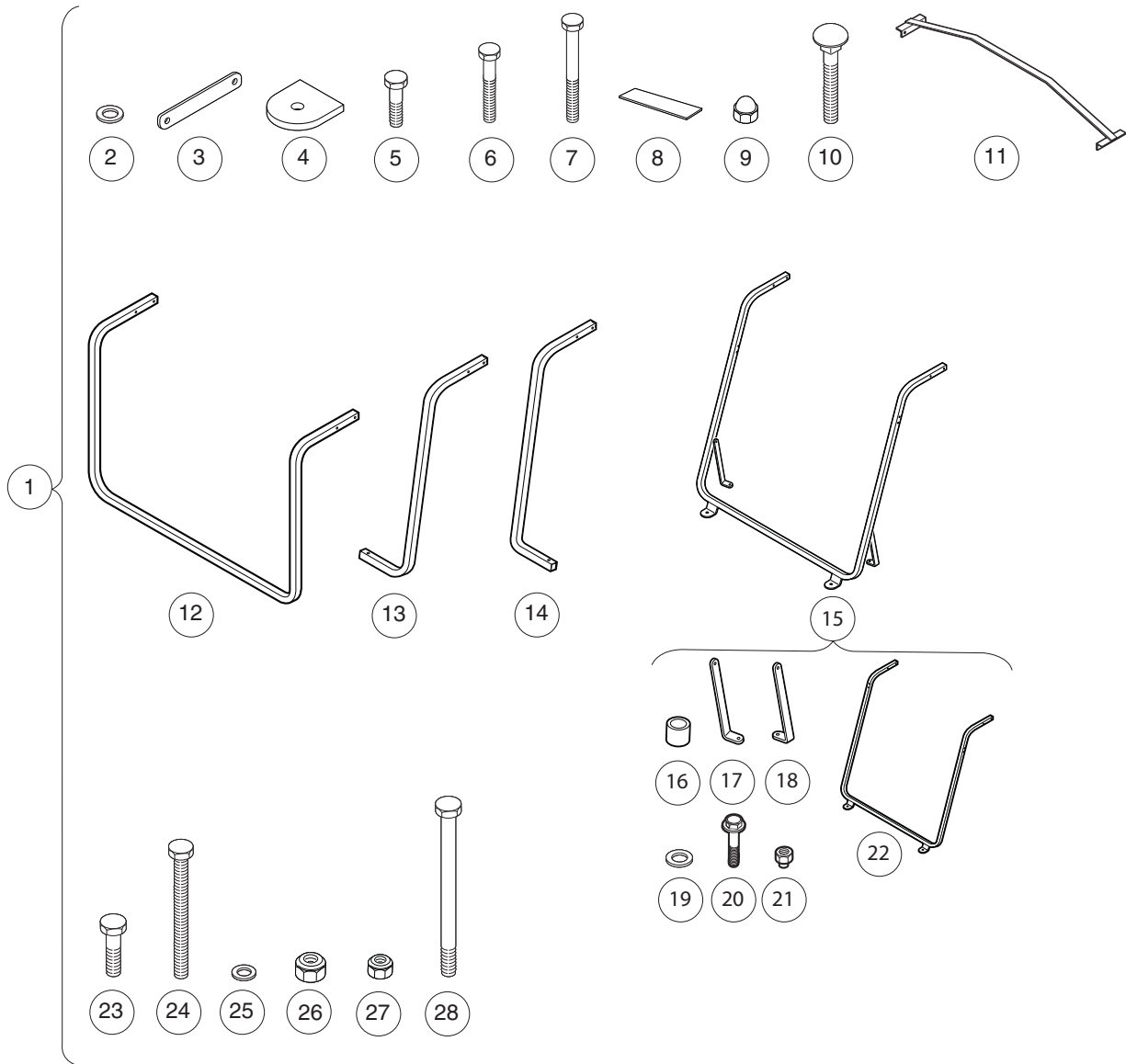
001284-003

CANOPY KIT, WHITE – VILL. 8 WITH REAR-FACING SEATS

ITEM	PART NO.	DESCRIPTION	QTY
		1 2 3 4	
1	<u>101805801</u>	Canopy Hardware Kit (includes items 2 through 28)	1
2	<u>1011697</u>	Washer, 5/16 Flat	2
3	<u>1011852</u>	Plate, Canopy Trim	4
4	<u>1011883</u>	Pad, Windshield Frame Mounting	2
5	<u>1011937</u>	Bolt, 5/16-18 X 1.25 Hex Head	2
6	<u>1013509</u>	Screw, 1/4-20 X 1.75 Hx Hd Cap	4
7	<u>1014201</u>	Screw, 1/4-20 X 2.25 Hex Cap	16
8	<u>1014471</u>	Tape, Vinyl Foam 1/8" x 3/4"	20
9	<u>1015091</u>	Nut, 1/4-20 Stainless-Steel Center-Lock Cap	8
10	<u>1015405</u>	Bolt, Carriage, 5/16-18 X 2.0	2
11	<u>101800201</u>	Canopy Top Brace Weldment	2
12	<u>101805601</u>	Rear Brace XI Canopy	1
13	<u>101815401</u>	Canopy Side Brace Lh	2
14	<u>101815402</u>	Canopy Side Brace Rh	2
15	<u>103789601</u>	W/s Fr / Knee Br, Aluminum (includes items 16 through 22)	1
16	<u>1010237</u>	Bushing	2
17	<u>1011862</u>	Brace, Right-Hand Canopy Mount Knee	1
18	<u>1011865</u>	Brace, Left-Hand Canopy Mount Knee	1
19	<u>1011964</u>	Washer, 1/4 Flat	2
20	<u>102076701</u>	Screw, 1/4-20 X 1.75 Hex Sems	2
21	<u>102242401</u>	Nut - Nylon Insert W/cap	2
22	<u>103787401</u>	Asm, Windshield Frame, Alum	1
23	<u>1218</u>	Screw, 5/16-18 X 1.25 Hex-Head Cap	2
24	<u>324</u>	Screw, 1/4-20 X 2.50 Hx Hd Cap	12
25	<u>332</u>	Washer, 1/4 Type A Narrow Flat	56
26	<u>7473</u>	Locknut, 5/16-18 Nylon Insert	2
27	<u>8233</u>	Locknut, 1/4-20, Nylon Insert	24
28	<u>8915</u>	Screw, 5/16-18 X 3.0 Hx Hd Cap	2
29	<u>101835501</u>	XI Canopy - White	1

1
G
E

1
G
E



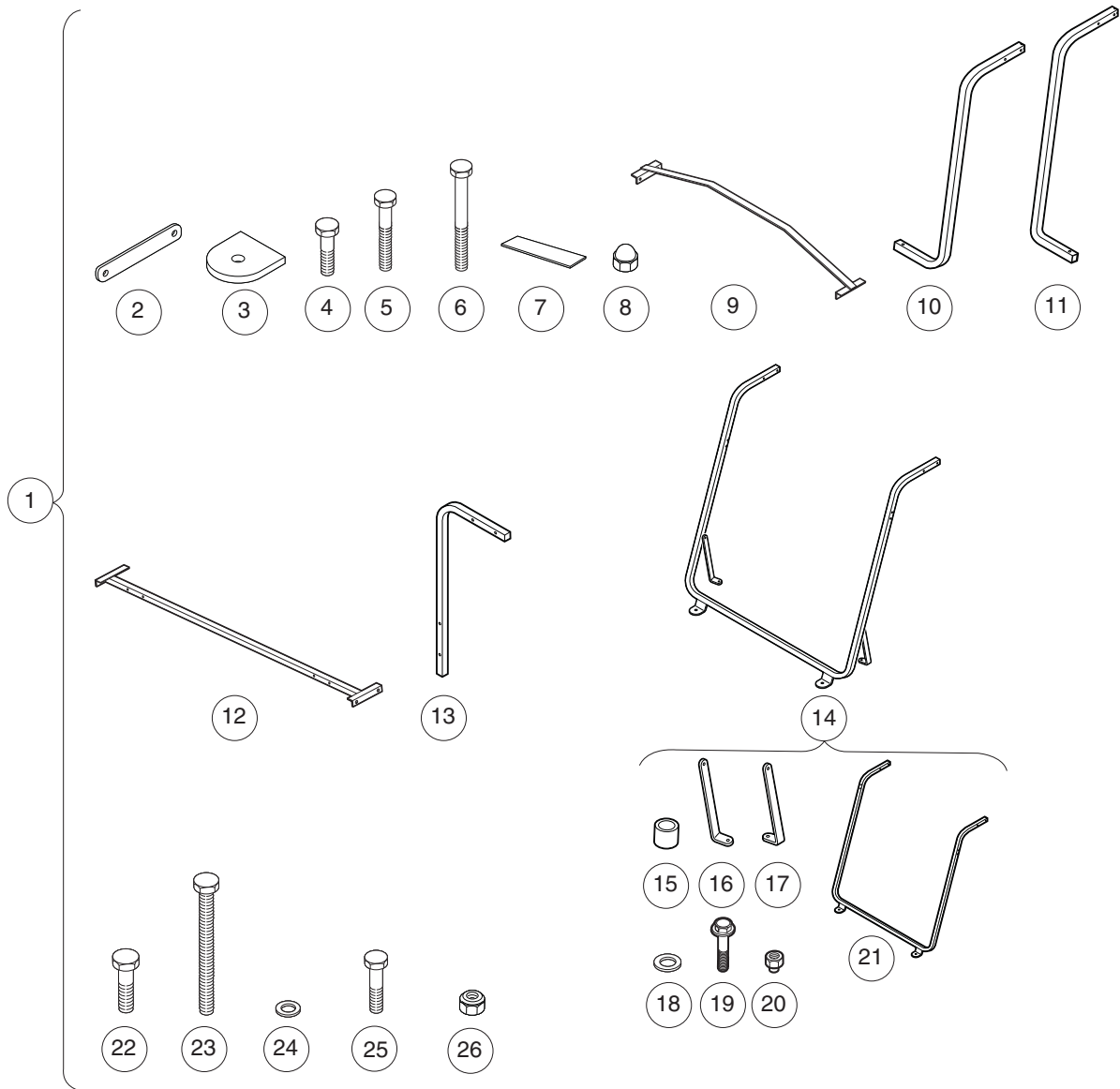
001284-003

CANOPY KIT, BEIGE – VILL. 8 WITH REAR-FACING SEATS

ITEM	PART NO.	DESCRIPTION	QTY
		1 2 3 4	
1	<u>101805801</u>	Canopy Hardware Kit (includes items 2 through 28)	1
2	<u>1011697</u>	Washer, 5/16 Flat	2
3	<u>1011852</u>	Plate, Canopy Trim	4
4	<u>1011883</u>	Pad, Windshield Frame Mounting	2
5	<u>1011937</u>	Bolt, 5/16-18 X 1.25 Hex Head	2
6	<u>1013509</u>	Screw, 1/4-20 X 1.75 Hx Hd Cap	4
7	<u>1014201</u>	Screw, 1/4-20 X 2.25 Hex Cap	16
8	<u>1014471</u>	Tape, Vinyl Foam 1/8" x 3/4"	20
9	<u>1015091</u>	Nut, 1/4-20 Stainless-Steel Center-Lock Cap	8
10	<u>1015405</u>	Bolt, Carriage, 5/16-18 X 2.0	2
11	<u>101800201</u>	Canopy Top Brace Weldment	2
12	<u>101805601</u>	Rear Brace XI Canopy	1
13	<u>101815401</u>	Canopy Side Brace Lh	2
14	<u>101815402</u>	Canopy Side Brace Rh	2
15	<u>103789601</u>	W/s Fr / Knee Br, Aluminum (includes items 16 through 22)	1
16	<u>1010237</u>	Bushing	2
17	<u>1011862</u>	Brace, Right-Hand Canopy Mount Knee	1
18	<u>1011865</u>	Brace, Left-Hand Canopy Mount Knee	1
19	<u>1011964</u>	Washer, 1/4 Flat	2
20	<u>102076701</u>	Screw, 1/4-20 X 1.75 Hex Sems	2
21	<u>102242401</u>	Nut - Nylon Insert W/cap	2
22	<u>103787401</u>	Asm, Windshield Frame, Alum	1
23	<u>1218</u>	Screw, 5/16-18 X 1.25 Hex-Head Cap	2
24	<u>324</u>	Screw, 1/4-20 X 2.50 Hx Hd Cap	12
25	<u>332</u>	Washer, 1/4 Type A Narrow Flat	56
26	<u>7473</u>	Locknut, 5/16-18 Nylon Insert	2
27	<u>8233</u>	Locknut, 1/4-20, Nylon Insert	24
28	<u>8915</u>	Screw, 5/16-18 X 3.0 Hx Hd Cap	2
29	<u>101835502</u>	XI Canopy - Beige	1

1
G
E

1
G
E



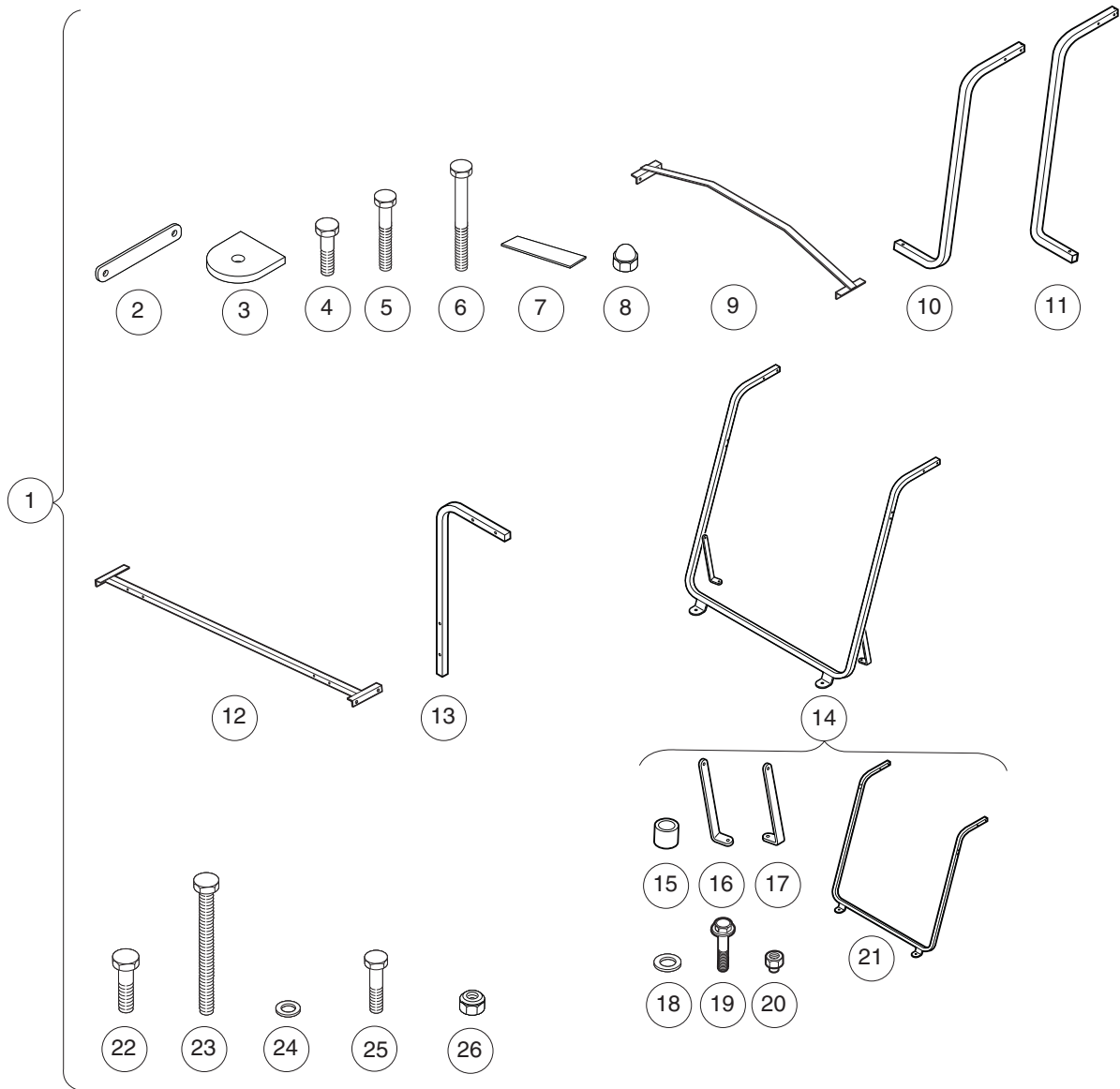
001285-003

CANOPY KIT, WHITE – VILL. 8 WITH FLAT BED

ITEM	PART NO.	DESCRIPTION	QTY
		1 2 3 4	
1	<u>101835001</u>	Kit, Rv XI Canopy Hardware (includes items 2 through 26)	1
2	1011852	Plate, Canopy Trim	4
3	<u>1011883</u>	Pad, Windshield Frame Mounting	2
4	<u>1011937</u>	Bolt, 5/16-18 X 1.25 Hex Head	2
5	<u>1013509</u>	Screw, 1/4-20 X 1.75 Hx Hd Cap	4
6	1014201	Screw, 1/4-20 X 2.25 Hex Cap	8
7	<u>1014471</u>	Tape, Vinyl Foam 1/8" x 3/4"	20
8	<u>1015091</u>	Nut, 1/4-20 Stainless-Steel Center-Lock Cap	8
9	<u>101800201</u>	Canopy Top Brace Weldment	2
10	<u>101805501</u>	Side Brace XI Canopy L.h.	2
11	<u>101805502</u>	Side Brace XI Canopy R.h.	2
12	<u>101835101</u>	Rear Cross Brace XI Canopy	1
13	<u>101835401</u>	Rear Brace XI Canopy	2
14	<u>103789601</u>	W/s Fr / Knee Br, Aluminum (includes items 15 through 21)	1
15	<u>1010237</u>	Bushing	2
16	<u>1011862</u>	Brace, Right-Hand Canopy Mount Knee	1
17	<u>1011865</u>	Brace, Left-Hand Canopy Mount Knee	1
18	1011964	Washer, 1/4 Flat	2
19	<u>102076701</u>	Screw, 1/4-20 X 1.75 Hex Sems	2
20	<u>102242401</u>	Nut - Nylon Insert W/cap	2
21	<u>103787401</u>	Asm, Windshield Frame, Alum	1
22	1218	Screw, 5/16-18 X 1.25 Hex-Head Cap	2
23	<u>324</u>	Screw, 1/4-20 X 2.50 Hx Hd Cap	16
24	<u>332</u>	Washer, 1/4 Type A Narrow Flat	56
25	<u>7479</u>	Screw, 1/4-20 X 1.25 Hex-Head Cap	4
26	<u>8233</u>	Locknut, 1/4-20, Nylon Insert	24
27	<u>101835501</u>	XI Canopy - White	1

1
G
E

1
G
E



001285-003

CANOPY KIT, BEIGE – VILL. 8 WITH FLAT BED

ITEM	PART NO.	DESCRIPTION	QTY
		1 2 3 4	
1	<u>101835001</u>	Kit, Rv XI Canopy Hardware (includes items 2 through 26)	1
2	1011852	Plate, Canopy Trim	4
3	<u>1011883</u>	Pad, Windshield Frame Mounting	2
4	<u>1011937</u>	Bolt, 5/16-18 X 1.25 Hex Head	2
5	<u>1013509</u>	Screw, 1/4-20 X 1.75 Hx Hd Cap	4
6	1014201	Screw, 1/4-20 X 2.25 Hex Cap	8
7	<u>1014471</u>	Tape, Vinyl Foam 1/8" x 3/4"	20
8	<u>1015091</u>	Nut, 1/4-20 Stainless-Steel Center-Lock Cap	8
9	<u>101800201</u>	Canopy Top Brace Weldment	2
10	<u>101805501</u>	Side Brace XI Canopy L.h.	2
11	<u>101805502</u>	Side Brace XI Canopy R.h.	2
12	<u>101835101</u>	Rear Cross Brace XI Canopy	1
13	<u>101835401</u>	Rear Brace XI Canopy	2
14	<u>103789601</u>	W/s Fr / Knee Br, Aluminum (includes items 15 through 21)	1
15	<u>1010237</u>	Bushing	2
16	<u>1011862</u>	Brace, Right-Hand Canopy Mount Knee	1
17	<u>1011865</u>	Brace, Left-Hand Canopy Mount Knee	1
18	1011964	Washer, 1/4 Flat	2
19	<u>102076701</u>	Screw, 1/4-20 X 1.75 Hex Sems	2
20	<u>102242401</u>	Nut - Nylon Insert W/cap	2
21	<u>103787401</u>	Asm, Windshield Frame, Alum	1
22	1218	Screw, 5/16-18 X 1.25 Hex-Head Cap	2
23	<u>324</u>	Screw, 1/4-20 X 2.50 Hx Hd Cap	16
24	<u>332</u>	Washer, 1/4 Type A Narrow Flat	56
25	<u>7479</u>	Screw, 1/4-20 X 1.25 Hex-Head Cap	4
26	<u>8233</u>	Locknut, 1/4-20, Nylon Insert	24
27	<u>101835502</u>	XI Canopy - Beige	1

1
G
E

1

G

E

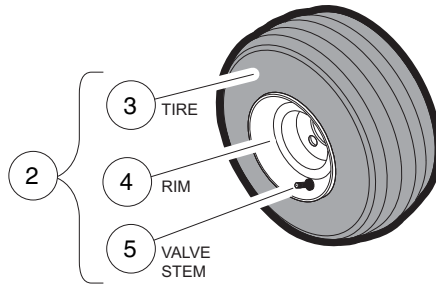
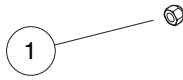
WHEELS AND TIRES

2

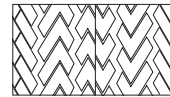
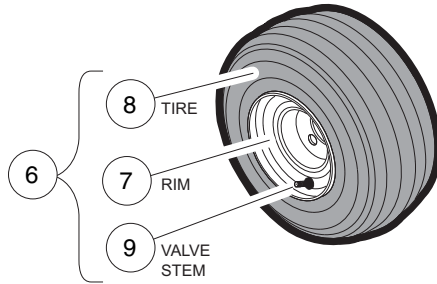
G

E

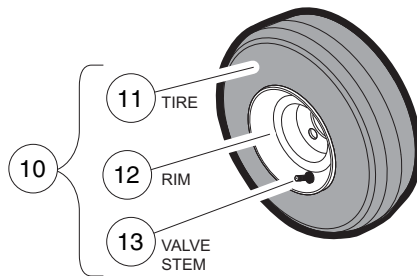
2
G
E



EXTRA TRACTION
TREAD



KENDA HOLE-N-ONE
K389 TREAD



KENDA HOLE-N-ONE
K389 TREAD

000269-018

WHEELS (SILVER) AND TIRES

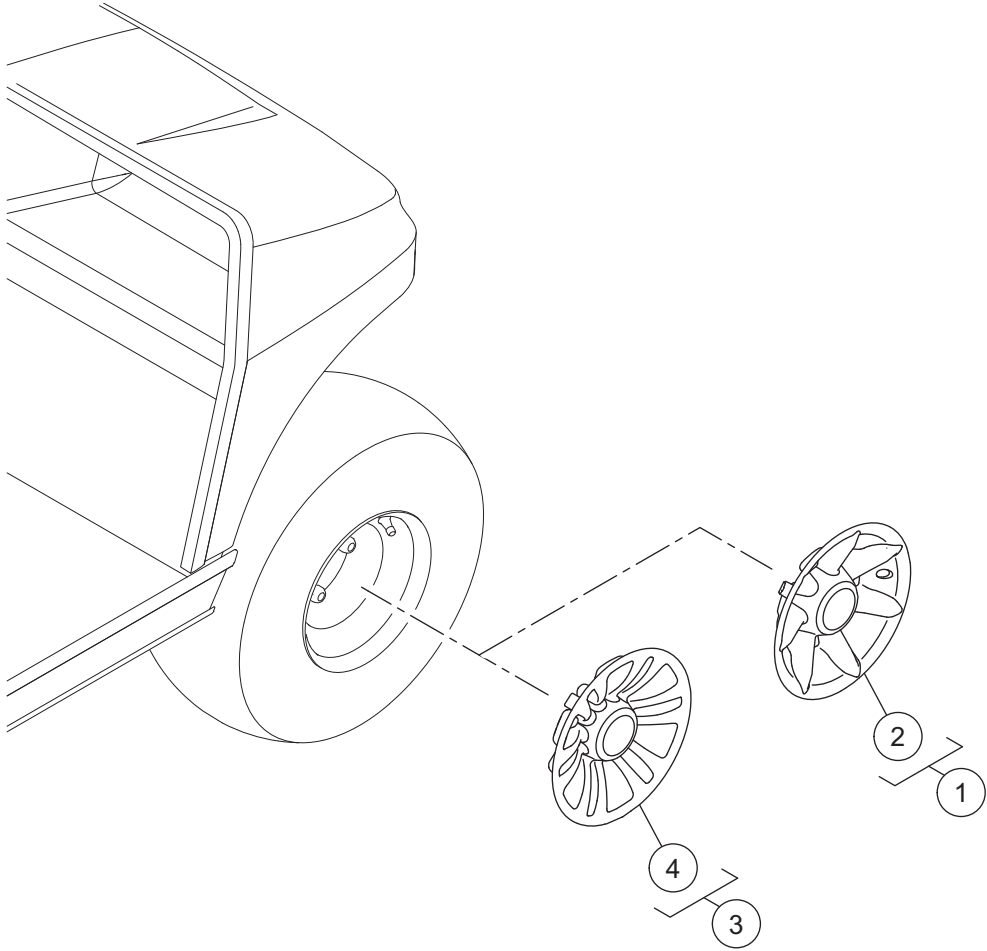
ITEM	PART NO.	DESCRIPTION	QTY
		1 2 3 4	
1	<u>1010984</u>	.500-20 Unf Lug Nut	16
2	<u>103951002</u>	Assembly, Silver Wheel Kenda, X/t 6ply (includes items 3 through 5)	A/R
3	<u>102569302</u>	Tire, Kenda, 18x8.5-8, 6-ply Xtr	1
4	<u>103459104</u>	Wheel Rim, 8"x7", Silver, Std	1
5	<u>7310</u>	Valve Stem, Black Plastic	1
6	<u>103951003</u>	Asm,silver Whl Kenda, Hn1 6pl (includes items 7 through 9)	A/R
7	<u>103459104</u>	Wheel Rim, 8"x7", Silver, Std	1
8	<u>103658601</u>	Tire, Kenda Hn1, 6pl	1
9	<u>7310</u>	Valve Stem, Black Plastic	1
10	<u>103951004</u>	Asm,silver Whl Kenda,6.5" 6pl (includes items 11 through 13)	A/R
11	<u>103722901</u>	Tire, Kenda Hole-N-One, 18x6.5 - 8, Prem, 6-Ply	1
12	<u>103723003</u>	Wheel Rim, 8 X 5.375, Silver	1
13	<u>7310</u>	Valve Stem, Black Plastic	1

2
G
E

2

G

E



001203-002

WHEEL COVERS

ITEM	PART NO.	DESCRIPTION	QTY
		1 2 3 4	
1	<u>102559901</u>	Hub Cap Kit, Prec (includes item 2)	1
2	<u>103694501</u>	Hub Cap, 7 Prong	4
3	<u>102559902</u>	Kit, Wheel Cover, 12 Spk (includes item 4)	1
4	<u>105142401</u>	Wheel Cover, 12 Spk, 8", Slvr	4

2

G

E

2

G

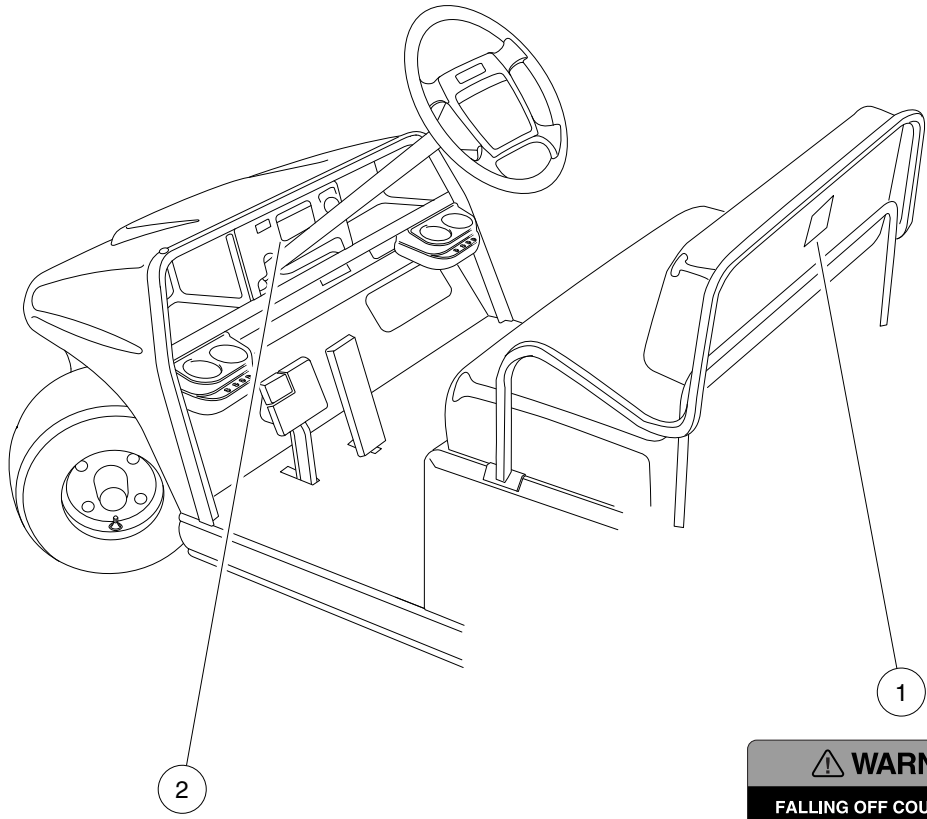
E

DECALS

3

G

E



⚠ WARNING

ROLLOVER OR FALLING OFF MAY CAUSE DEATH.

- Before using vehicle, read operating instructions.
- Remain seated and hold on to seat handle while moving.
- Do not start vehicle until all occupants are seated.
- Two (2) persons per seat maximum.
- Operate from driver side only and not on public roads.
- Keep entire body inside vehicle while moving.
- Drive slowly in turns and straight up and down slopes.
- Do not leave children unattended on vehicle.
- Never operate under the influence of alcohol or drugs.
- Use brakes to reduce speed when coasting downhill.
- Never stand in front of or behind vehicle.

CC# 103205401

⚠ WARNING

FALLING OFF COULD RESULT IN SEVERE INJURY OR DEATH

- Remain seated with entire body inside vehicle and hold on to seat handle or handrail at all times.
- Two (2) persons per bench seat maximum.
- One (1) person per bucket seat maximum.
- Do not leave children unattended on vehicle at anytime.
- Never stand in front of or behind vehicle.

CC# 101705701

000374-002

DECALS – VILLAGER 6 GAS AND IQ PLUS

ITEM	PART NO.	DESCRIPTION	QTY
		1 2 3 4	
1	<u>101705701</u>	Decal, Warning	1
2	<u>103961601</u>	Decal, Warn, Rollover, Ds Utl	1

3
G
E

OPERATING INSTRUCTIONS

Before using vehicle, read owner's manual and vehicle safety warnings. Study and understand controls.

TO OPERATE

- Ensure wheels are turned in desired direction and path is clear.
- Turn key to ON position.
- Select FORWARD or REVERSE only when stopped.
- Release park brake fully.
- Vehicle will start moving when accelerator pedal is pressed.
- Slowly press accelerator pedal to increase speed.
- During operation, beeping alarm indicates reduction in motor braking.
- To stop, release accelerator pedal and press brake pedal.

WARNING

Unintended vehicle movement may cause severe injury or death. Before leaving vehicle:

- Engage park brake to lock wheels.
- Place vehicle in NEUTRAL.
- Turn key to OFF and remove key.

103783001

DANGER / POISON

SHIELD EYES
EXPLOSIVE GASES CAN CAUSE BLINDNESS OR INJURY

NO SPARKS
FLAMES
SMOKING

SULFURIC ACID CAN CAUSE BLINDNESS OR SEVERE BURNS

FLUSH EYES IMMEDIATELY WITH WATER
GET MEDICAL HELP FAST

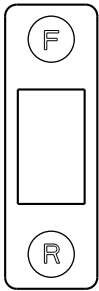
KEEP OUT OF THE REACH OF CHILDREN - DO NOT TIP - KEEP VENT CAPS TIGHT AND LEVEL

CAUTION

EXPOSURE TO WATER MAY DAMAGE ELECTRONIC COMPONENTS

- Do not operate vehicle without this cover properly installed.
- Do not direct water stream in the area of the cover without cover securely in place.
- See vehicle maintenance and service manual before servicing.

CCI 102518301



WARNING

AVOID FIRE HAZARD

- Replacement battery wires must be 4-gauge (AWG) with low-resistance terminals equivalent to factory-installed wires.
- Ensure that battery connections are clean and properly tightened. See owner's manual.

CCI 102967601

WARNING

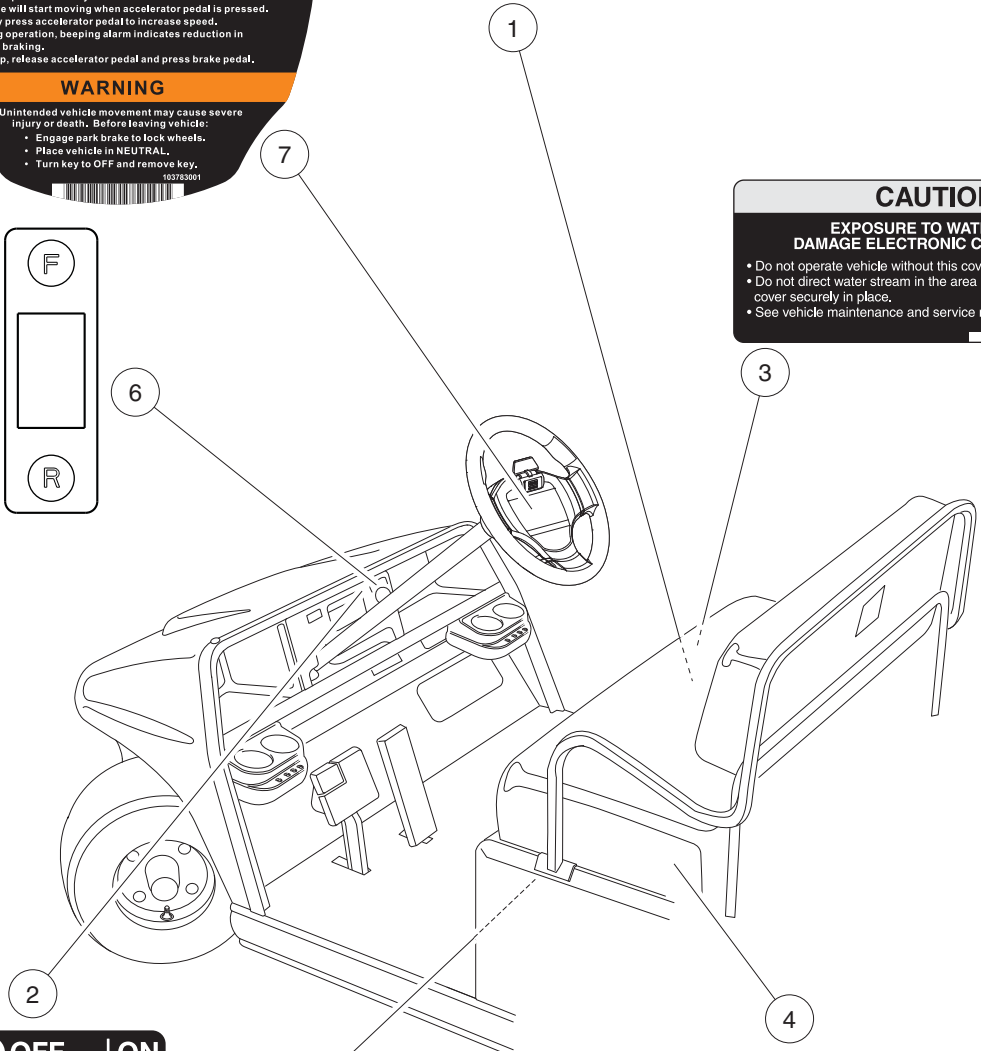
BATTERY EXPLOSION COULD RESULT IN SEVERE PERSONAL INJURY.

- Do not store items in battery compartment.
- Place Run/Tow switch in TOW position before:
 - Disconnecting or connecting battery cables
 - Towing this vehicle
 - Extended storage
 - Servicing the vehicle

NORMAL TRIPPED

TOW RUN

CCI 102845101



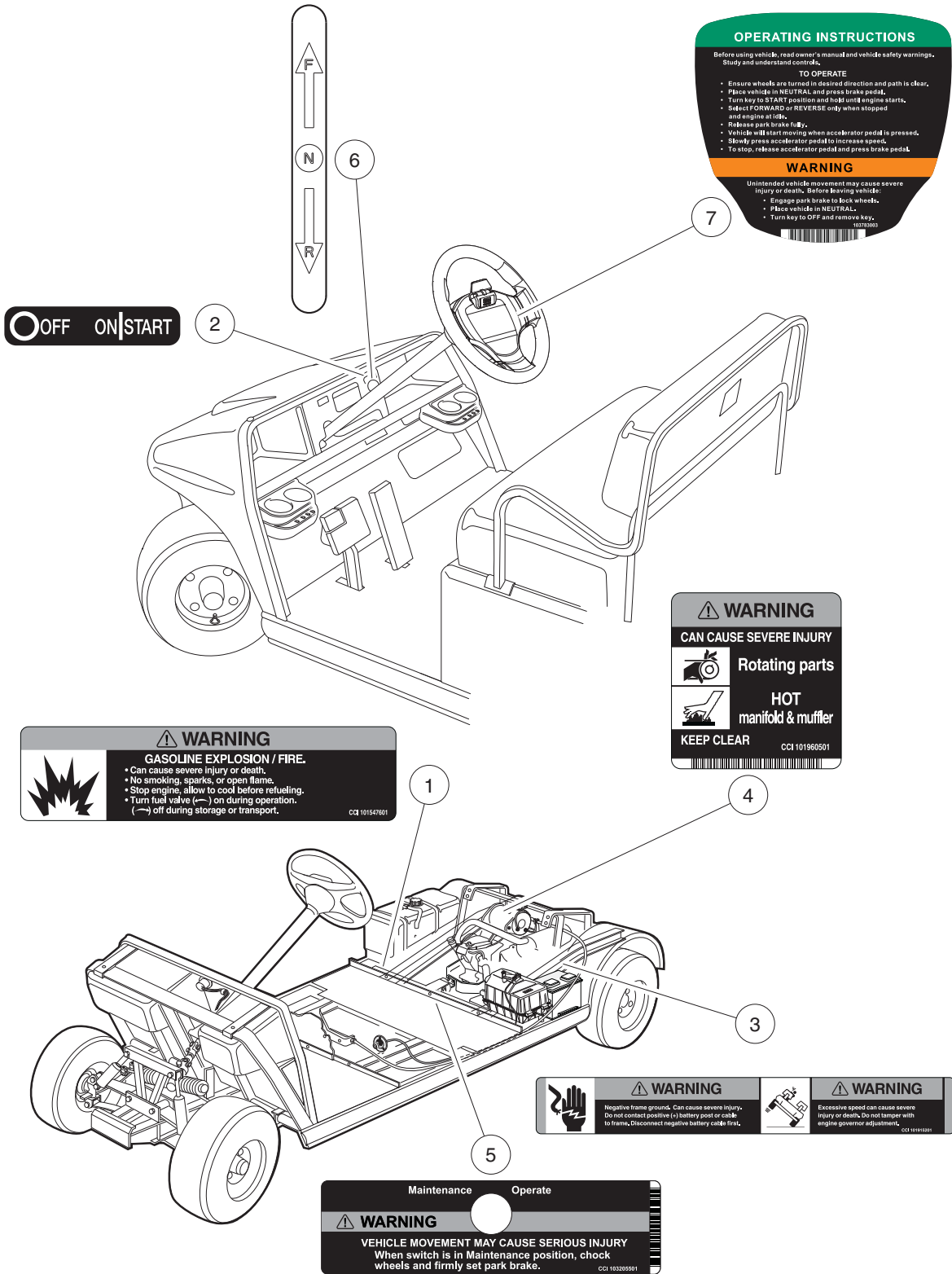
001292-001

DECALS – VILLAGER 6 IQ PLUS VEHICLE ONLY

ITEM	PART NO.	DESCRIPTION	QTY
		1 2 3 4	
1	<u>1013677</u>	Decal, Battery Danger	1
2	<u>101825101</u>	Decal, Off/On	1
3	<u>102518301</u>	Decal, Caution, Electrical Component Cover	1
4	<u>102845101</u>	Decal, Tow Switch	1
5	<u>102967601</u>	Decal, Warning, 4 Gauge Wire	1
6	<u>103210301</u>	Decal, Forward/Reverse, Electric	1
7	<u>103783001</u>	Decal, Op Instr, Ele	1

3
G
E

3
G
E



001293-001

DECALS – VILLAGER 6 GASOLINE VEHICLE ONLY

ITEM	PART NO.	DESCRIPTION	QTY
		1 2 3 4	
1	<u>101547601</u>	Decal, Gasoline Explosion/Fire Warning	1
2	<u>101825102</u>	Decal, Off/On/Start	1
3	<u>101915201</u>	Decal, Frame Ground and Governor Warning	1
4	<u>101960501</u>	Decal, Rotating Parts/Hot Manifold	1
5	<u>103205501</u>	Decal, Run/Service Switch	1
6	<u>103210201</u>	Decal, Forward/Reverse, Gas	1
7	<u>103783003</u>	Decal, Op Instr, Gas Ks	1

3
G
E

⚠ WARNING

- ROLLOVER OR FALLING OFF MAY CAUSE DEATH.**
- Before using vehicle, read operating instructions.
 - Remain seated and hold on to seat handle while moving.
 - Do not start vehicle until all occupants are seated.
 - Two (2) persons per seat maximum.
 - Operate from driver side only and not on public roads.
 - Keep entire body inside vehicle while moving.
 - Drive slowly in turns and straight up and down slopes.
 - Do not leave children unattended on vehicle.
 - Never operate under the influence of alcohol or drugs.
 - Use brakes to reduce speed when coasting downhill.
 - Never stand in front of or behind vehicle.

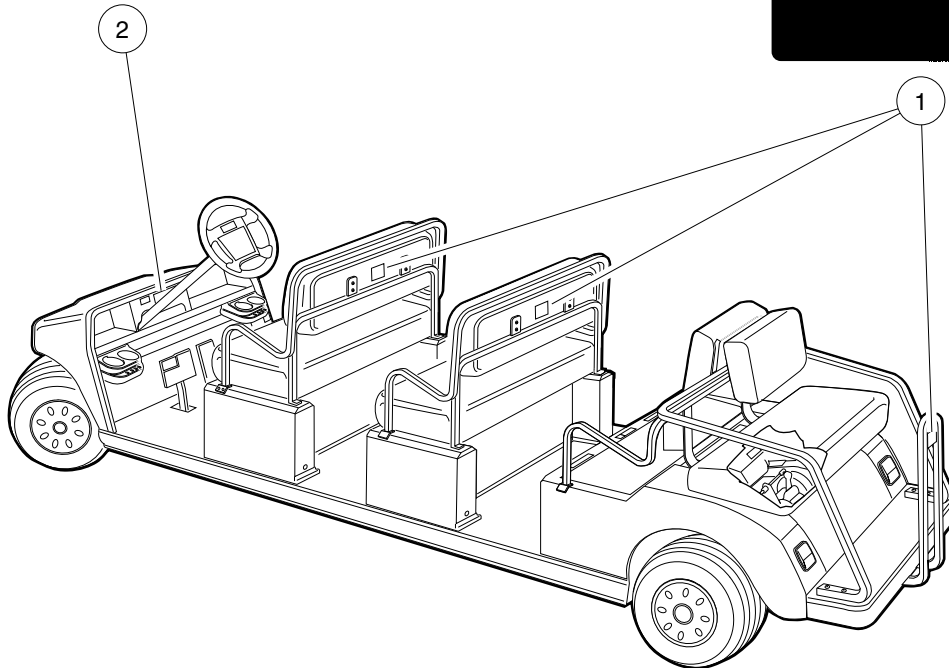
CCJ 103205401

⚠ WARNING

FALLING OFF COULD RESULT IN SEVERE INJURY OR DEATH

- Remain seated with entire body inside vehicle and hold on to seat handle or handrail at all times.
- Two (2) persons per bench seat maximum.
- One (1) person per bucket seat maximum.
- Do not leave children unattended on vehicle at anytime.
- Never stand in front of or behind vehicle.

CCJ 101705701

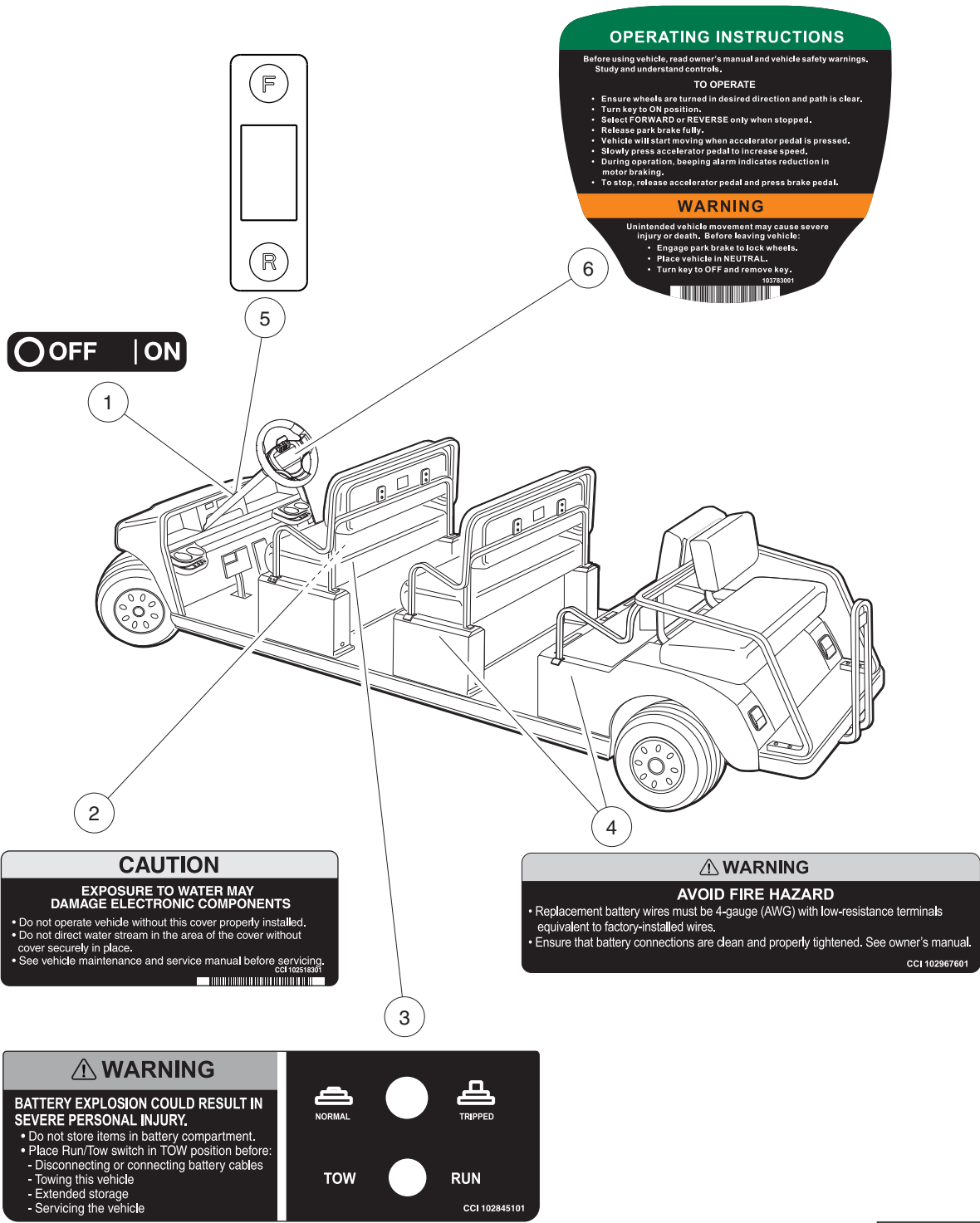


000377-002

DECALS – VILLAGER 8 GAS AND IQ PLUS

ITEM	PART NO.	DESCRIPTION	QTY
		1 2 3 4	
1	<u>101705701</u>	Decal, Warning	3
2	<u>103961601</u>	Decal, Warn, Rollover, Ds Utl	1

3
G
E



OPERATING INSTRUCTIONS

Before using vehicle, read owner's manual and vehicle safety warnings. Study and understand controls.

TO OPERATE

- Ensure wheels are turned in desired direction and path is clear.
- Turn key to ON position.
- Select FORWARD or REVERSE only when stopped.
- Release park brake fully.
- Vehicle will start moving when accelerator pedal is pressed.
- Slowly press accelerator pedal to increase speed.
- During operation, beeping alarm indicates reduction in motor braking.
- To stop, release accelerator pedal and press brake pedal.

WARNING

Unintended vehicle movement may cause severe injury or death. Before leaving vehicle:

- Engage park brake to lock wheels.
- Place vehicle in NEUTRAL.
- Turn key to OFF and remove key.

103763001

OFF | ON

CAUTION

EXPOSURE TO WATER MAY DAMAGE ELECTRONIC COMPONENTS

- Do not operate vehicle without this cover properly installed.
- Do not direct water stream in the area of the cover without cover securely in place.
- See vehicle maintenance and service manual before servicing.

CCI 102518301

WARNING

AVOID FIRE HAZARD

- Replacement battery wires must be 4-gauge (AWG) with low-resistance terminals equivalent to factory-installed wires.
- Ensure that battery connections are clean and properly tightened. See owner's manual.

CCI 102967601

WARNING

BATTERY EXPLOSION COULD RESULT IN SEVERE PERSONAL INJURY.

- Do not store items in battery compartment.
- Place Run/Tow switch in TOW position before:
 - Disconnecting or connecting battery cables
 - Towing this vehicle
 - Extended storage
 - Servicing the vehicle

NORMAL	TRIPPED
TOW	RUN

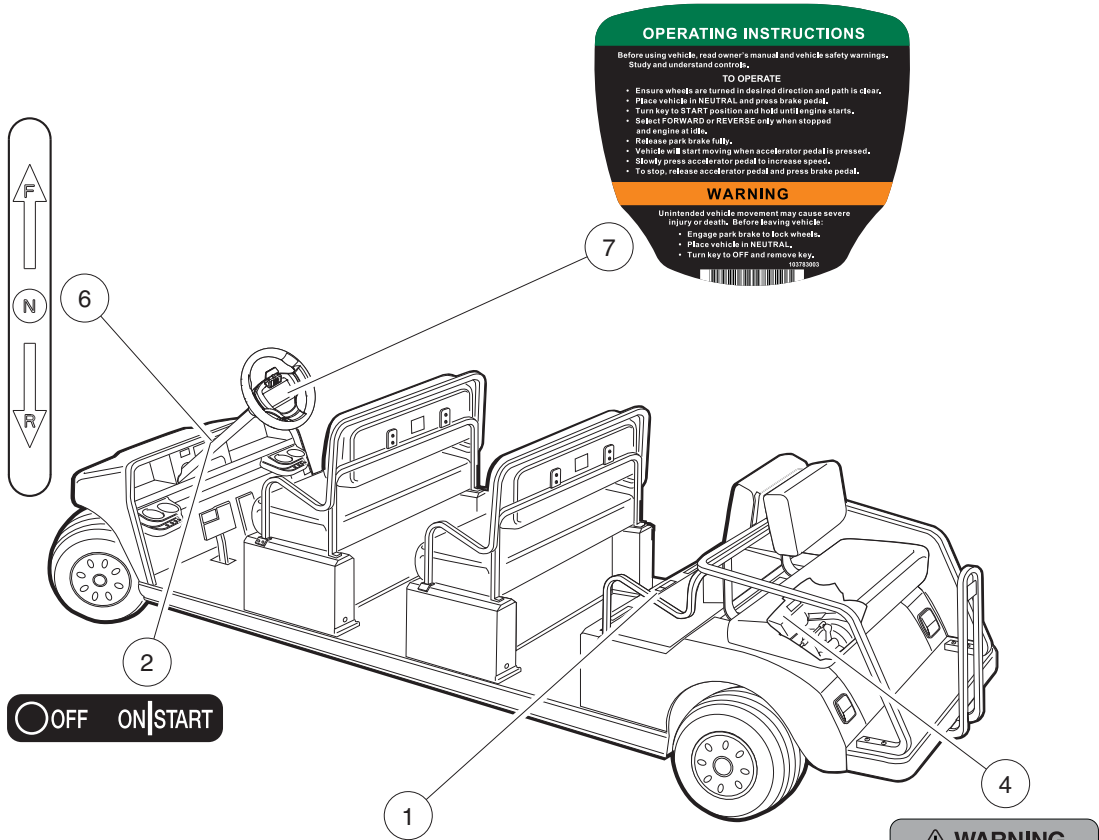
CCI 102845101

001294-001

DECALS – VILLAGER 8 IQ PLUS VEHICLE ONLY

ITEM	PART NO.	DESCRIPTION	QTY
		1 2 3 4	
1	<u>101825101</u>	Decal, Off/On	1
2	<u>102518301</u>	Decal, Caution, Electrical Component Cover	1
3	<u>102845101</u>	Decal, Tow Switch	1
4	<u>102967601</u>	Decal, Warning, 4 Gauge Wire	2
5	<u>103210301</u>	Decal, Forward/Reverse, Electric	1
6	<u>103783001</u>	Decal, Op Instr, Ele	1

3
G
E



OPERATING INSTRUCTIONS

Before using vehicle, read owner's manual and vehicle safety warnings. Study and understand controls.

TO OPERATE

- Ensure wheels are turned in desired direction and path is clear.
- Place vehicle in NEUTRAL and press brake pedal.
- Turn key to START position and hold until engine starts.
- Select FORWARD or REVERSE only when stopped and engine at idle.
- Release park brake fully.
- Vehicle will start moving when accelerator pedal is pressed.
- Slowly press accelerator pedal to increase speed.
- To stop, release accelerator pedal and press brake pedal.

WARNING

Unintended vehicle movement may cause severe injury or death. Before leaving vehicle:

- Engage park brake to lock wheels.
- Place vehicle in NEUTRAL.
- Turn key to OFF and remove key.

103793003

WARNING

GASOLINE EXPLOSION / FIRE.

- Can cause severe injury or death.
- No smoking, sparks, or open flame.
- Stop engine, allow to cool before refueling.
- Turn fuel valve (←) on during operation. (→) off during storage or transport.

CC1 101547601

WARNING

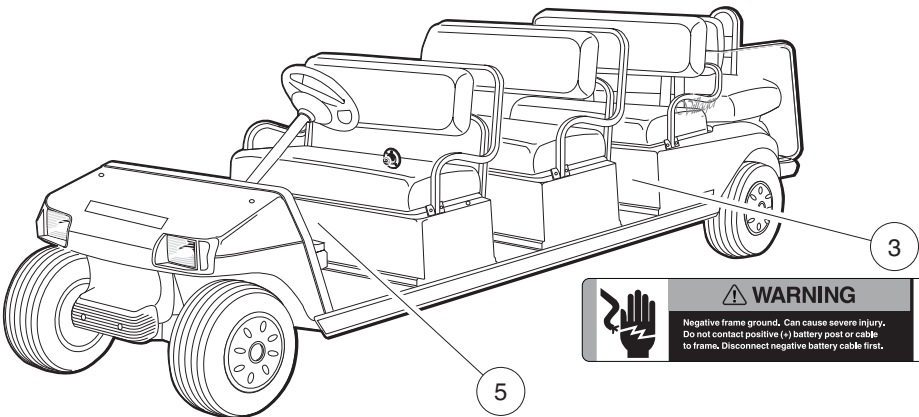
CAN CAUSE SEVERE INJURY

Rotating parts

HOT manifold & muffler

KEEP CLEAR

CC1 101960501



WARNING

Negative frame ground. Can cause severe injury. Do not contact positive (+) battery post or cable to frame. Disconnect negative battery cable first.

WARNING

Excessive speed can cause severe injury or death. Do not tamper with engine governor adjustment.

CC1 101915201

Maintenance Operate

WARNING

VEHICLE MOVEMENT MAY CAUSE SERIOUS INJURY

When switch is in Maintenance position, chock wheels and firmly set park brake.

CC1 103205501

001295-001

DECALS – VILLAGER 8 GASOLINE VEHICLE ONLY

ITEM	PART NO.	DESCRIPTION	QTY
		1 2 3 4	
1	<u>101547601</u>	Decal, Gasoline Explosion/Fire Warning	1
2	<u>101825102</u>	Decal, Off/On/Start	1
3	<u>101915201</u>	Decal, Frame Ground and Governor Warning	1
4	<u>101960501</u>	Decal, Rotating Parts/Hot Manifold	2
5	<u>103205501</u>	Decal, Run/Service Switch	1
6	<u>103210201</u>	Decal, Forward/Reverse, Gas	1
7	<u>103783003</u>	Decal, Op Instr, Gas Ks	1

3
G
E



1

(ON FRONT OF COWL)



2

(ON REAR BODY)



3

(ON REAR BODY)

000380-001

BADGING DECALS – VILLAGER

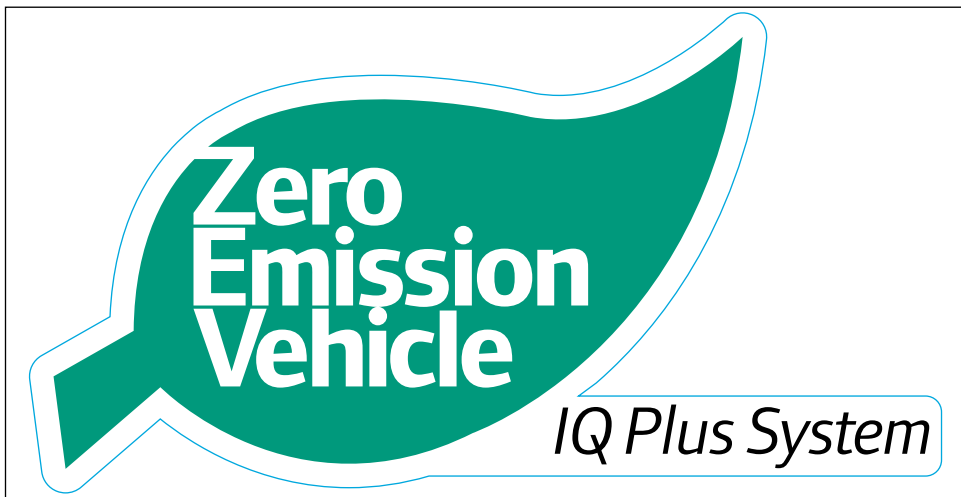
ITEM	PART NO.	DESCRIPTION	QTY
		1 2 3 4	
1	<u>1014198</u>	Nameplate Kit (gold)	1
2	<u>102158701</u>	Decal, Villager	2
3	<u>103234303</u>	Decal, Badge, Ir Black	2

3
G
E

3

G

E



1

000422-003

IQ PLUS LOGO DECAL – IQ PLUS VEHICLES ONLY

ITEM	PART NO.	DESCRIPTION	QTY
1	<u>103464801</u>	1 2 3 4 Decal, Iq Plus, Zev	2

3
G
E

3

G

E

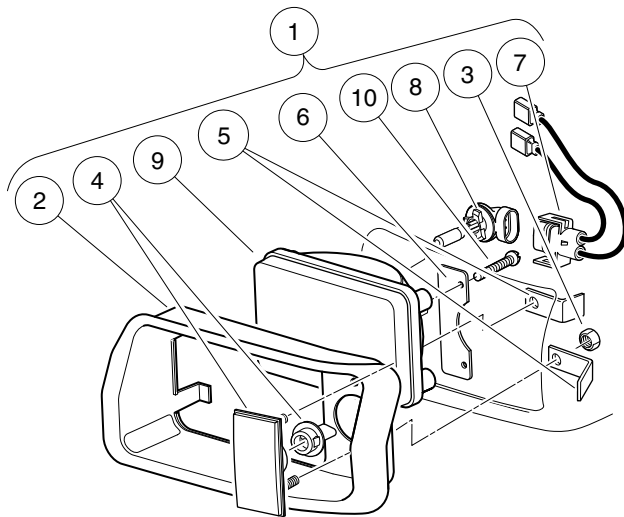
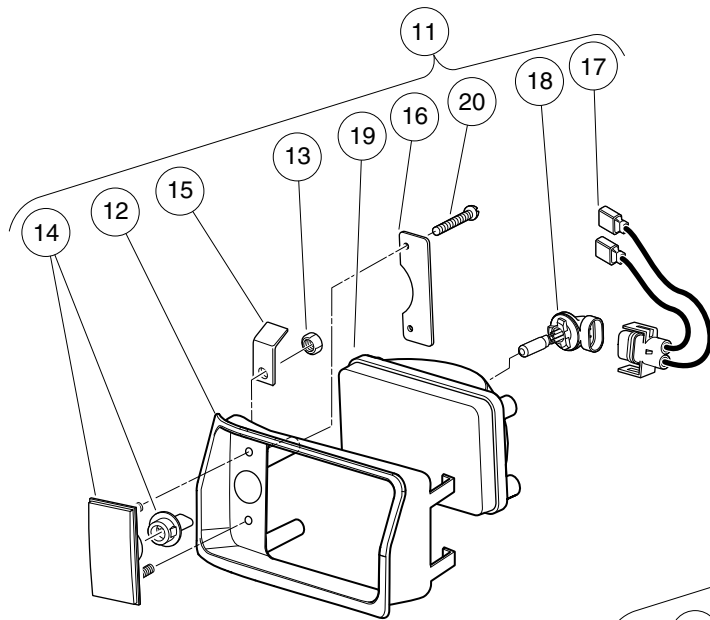
LIGHTS, CONTROLS, AND INDICATORS

4

G

E

4
G
E



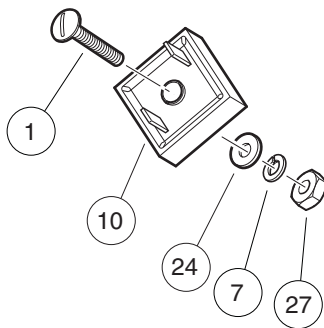
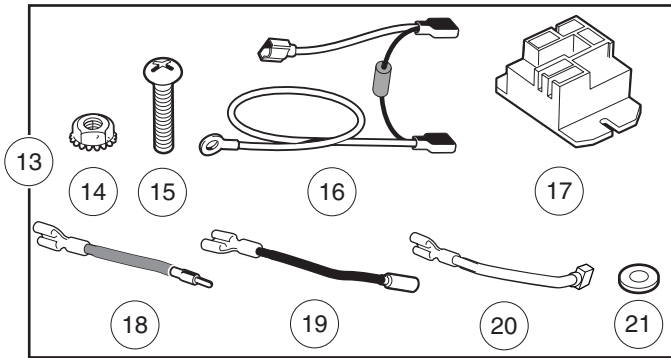
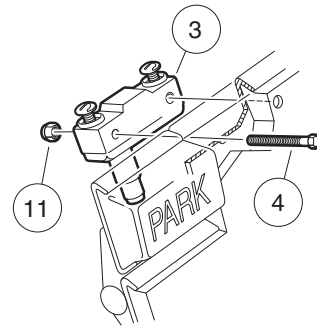
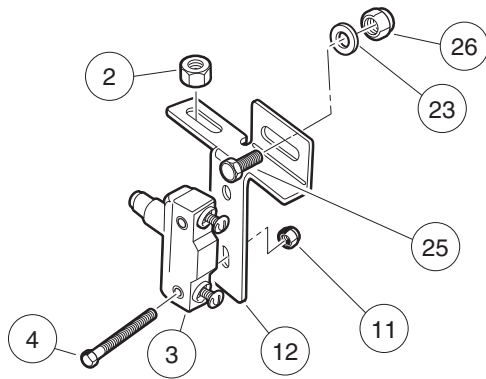
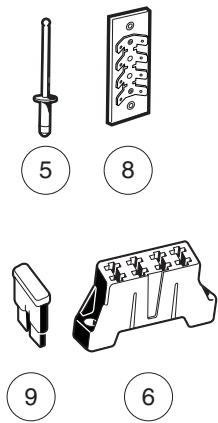
001097-001

HEADLIGHTS

ITEM	PART NO.	DESCRIPTION	QTY
		1 2 3 4	
1	<u>101988001</u>	Headlight Assembly, Driver-Side Single Beam (includes items 2 through 10)	1
2	<u>1016880</u>	Headlight Bezel, Left	1
3	<u>1017</u>	Nut, #10-24 Stainless-Steel Hex Machine	2
4	<u>1017062</u>	Turn Signal Lens Assy	1
5	<u>1017064</u>	Mounting Bracket	2
6	<u>1017065</u>	Retainer, Headlight	1
7	<u>101987901</u>	Connector, Harness Assembly, Headlight	1
8	<u>101988101</u>	Bulb, Headlight	1
9	<u>101988201</u>	Lens, Headlight	1
10	1620	Screw, #10-16 X 0.75 Pan-Head Tap	2
11	<u>101988002</u>	Headlight Assy, Passenger-Side Single Beam (includes items 12 through 20)	1
12	<u>1016879</u>	Headlight Bezel, Right	1
13	<u>1017</u>	Nut, #10-24 Stainless-Steel Hex Machine	2
14	<u>1017062</u>	Turn Signal Lens Assy	1
15	<u>1017064</u>	Mounting Bracket	2
16	<u>1017065</u>	Retainer, Headlight	1
17	<u>101987901</u>	Connector, Harness Assembly, Headlight	1
18	<u>101988101</u>	Bulb, Headlight	1
19	<u>101988201</u>	Lens, Headlight	1
20	1620	Screw, #10-16 X 0.75 Pan-Head Tap	2

4
G
E

4
G
E



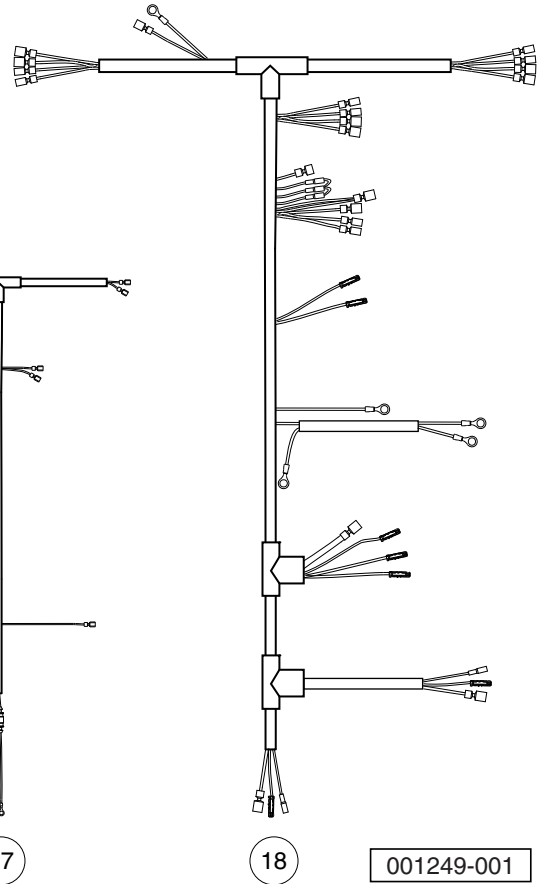
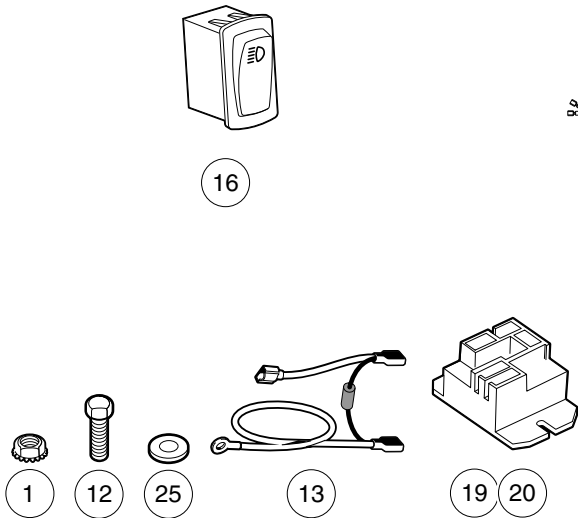
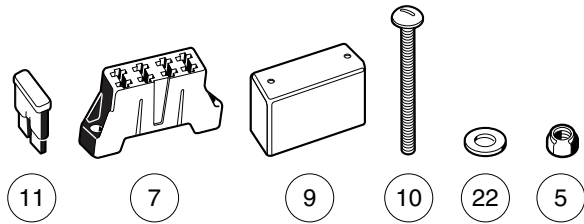
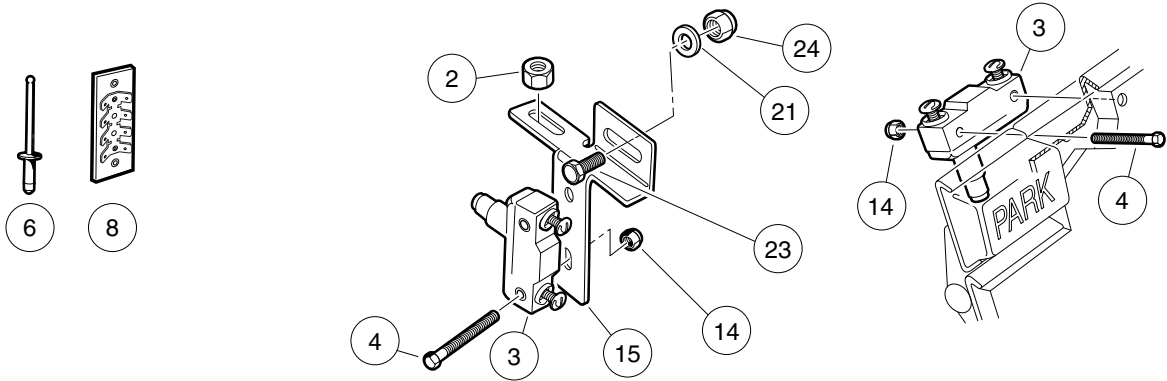
001291-001

LIGHTING SYSTEM COMPONENTS – TRANSPORTATION GASOLINE VEHICLES

ITEM	PART NO.	DESCRIPTION	QTY
		1 2 3 4	
1	<u>1010909</u>	Screw, #10-32 X 1.25 Rd Hd Mch	1
2	<u>1011280</u>	Locknut, 5/16-18	1
3	<u>1011439</u>	Switch, Limit	2
4	<u>1011557</u>	Screw, #6-32 X 1.00 Hex-Head Machine	4
5	<u>1013357</u>	Rivet, 5/32 Aluminum Pop	2
6	<u>1015741</u>	Fuse Block	1
7	<u>1016</u>	Lockwasher, #10 Split	1
8	<u>1016356</u>	Terminal Block with Insulator	1
9	<u>1016423</u>	Fuse, 20-Amp	3
10	<u>1017721</u>	Limiter, Voltage	1
11	<u>101932201</u>	Locknut, #6-32 Nylon	4
12	<u>101957101</u>	Bracket, Brake Light Switch	1
13	<u>102198701</u>	Brake Relay Kit - 12v (includes items 14 through 21)	1
14	<u>1011229</u>	Locknut, #6-32 Whiz	2
15	<u>1017853</u>	Screw, #6-32 X 0.75 Hex-Head Machine	2
16	<u>101914401</u>	Assembly, Voltage Suppressor	1
17	<u>102199001</u>	Relay, 12-Volt	1
18	<u>102199201</u>	Wire Asm #18 Brown	1
19	<u>102199301</u>	Wire Asm #18 Black	1
20	<u>102199401</u>	Wire Asm #18 Black	1
21	<u>7591</u>	Washer, #6, Flat	2
22	<u>102869401</u>	Switch, Rocker, Light	1
23	<u>1241</u>	Washer, 5/16 Type A Flat	1
24	<u>183</u>	Washer, #10, Type A, Flat	1
25	<u>7173</u>	Screw, 5/16-18 X 0.75, Hex-Head Cap	1
26	<u>7473</u>	Locknut, 5/16-18 Nylon Insert	1
27	<u>7893</u>	Nut, #10-32 Hex	1
<p>Note: The Villager 6 and 8 gasoline models have wiring for lights built into the main wire harness.</p>			

4
G
E

4
G
E



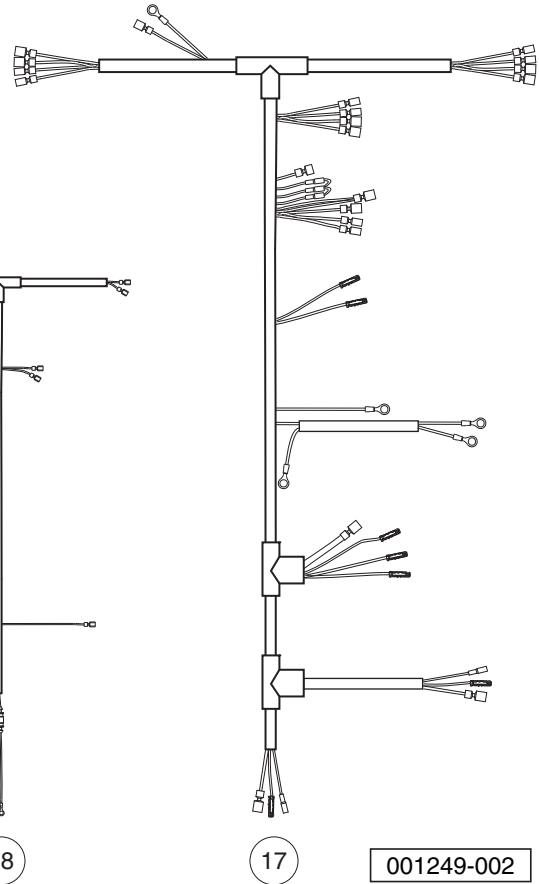
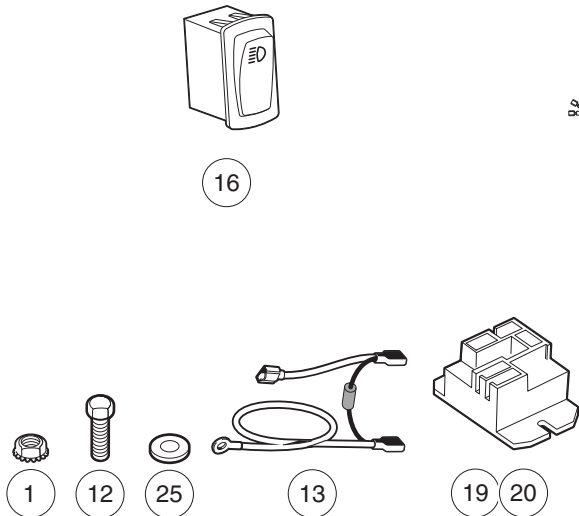
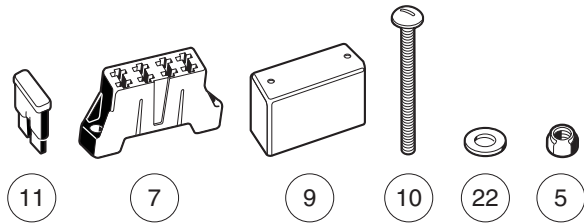
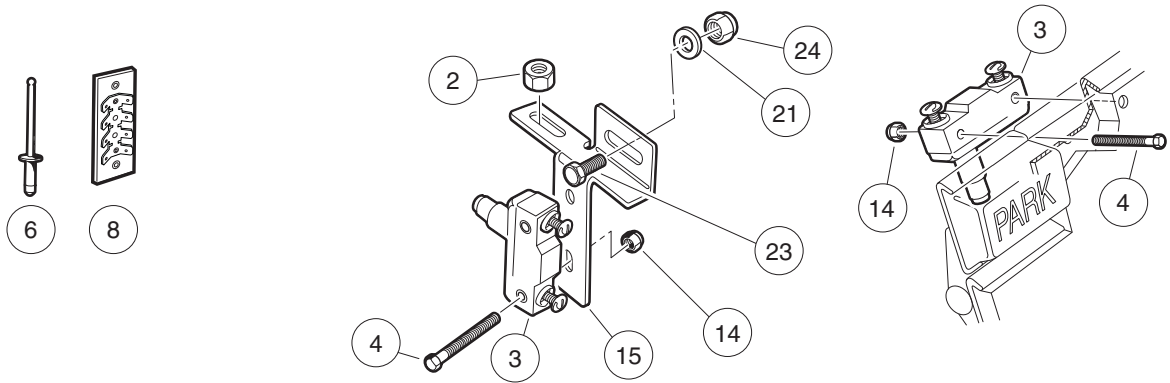
001249-001

LIGHTING SYSTEM COMPONENTS – CA 6 AND VILL. 6 ELEC. WITH IQ PLUS CHARGER

ITEM	PART NO.	DESCRIPTION	QTY
		1 2 3 4	
1	<u>1011229</u>	Locknut, #6-32 Whiz	2
2	<u>1011280</u>	Locknut, 5/16-18	1
3	<u>1011439</u>	Switch, Limit	2
4	<u>1011557</u>	Screw, #6-32 X 1.00 Hex-Head Machine	4
5	<u>1012438</u>	Locknut, #10-24 Nylon Insert	2
6	<u>1013357</u>	Rivet, 5/32 Aluminum Pop	2
7	<u>1015741</u>	Fuse Block	1
8	<u>1016356</u>	Terminal Block with Insulator	1
9	<u>1016363</u>	Fuse Block Cover	1
10	<u>1016366</u>	Screw, #10-24 X 3.0 Pan-Head Machine	2
11	<u>1016423</u>	Fuse, 20-Amp	3
12	<u>1017853</u>	Screw, #6-32 X 0.75 Hex-Head Machine	2
13	<u>101914401</u>	Assembly, Voltage Suppressor	1
14	<u>101932201</u>	Locknut, #6-32 Nylon	4
15	<u>101957101</u>	Bracket, Brake Light Switch	1
16	<u>102869401</u>	Switch, Rocker, Light	1
17	<u>103255701</u>	Wire Harness, Headlights-Only, CA, Electric	1
18	<u>103257101</u>	Wire Harness, Lighting Package, Stretch, Electric	1
19	<u>103414901</u>	Kit, Relay, 48v 30a W/instr (includes item 20)	1
20	<u>103397901</u>	Relay, Spst No, 48v 30a, Pmt	1
21	<u>1241</u>	Washer, 5/16 Type A Flat	1
22	<u>183</u>	Washer, #10, Type A, Flat	4
23	<u>7173</u>	Screw, 5/16-18 X 0.75, Hex-Head Cap	1
24	<u>7473</u>	Locknut, 5/16-18 Nylon Insert	1
25	<u>7591</u>	Washer, #6, Flat	2
		Note: Use item 17 for headlights only. NOTE 2: Use item 18 for headlights and taillights.	

4
G
E

4
G
E



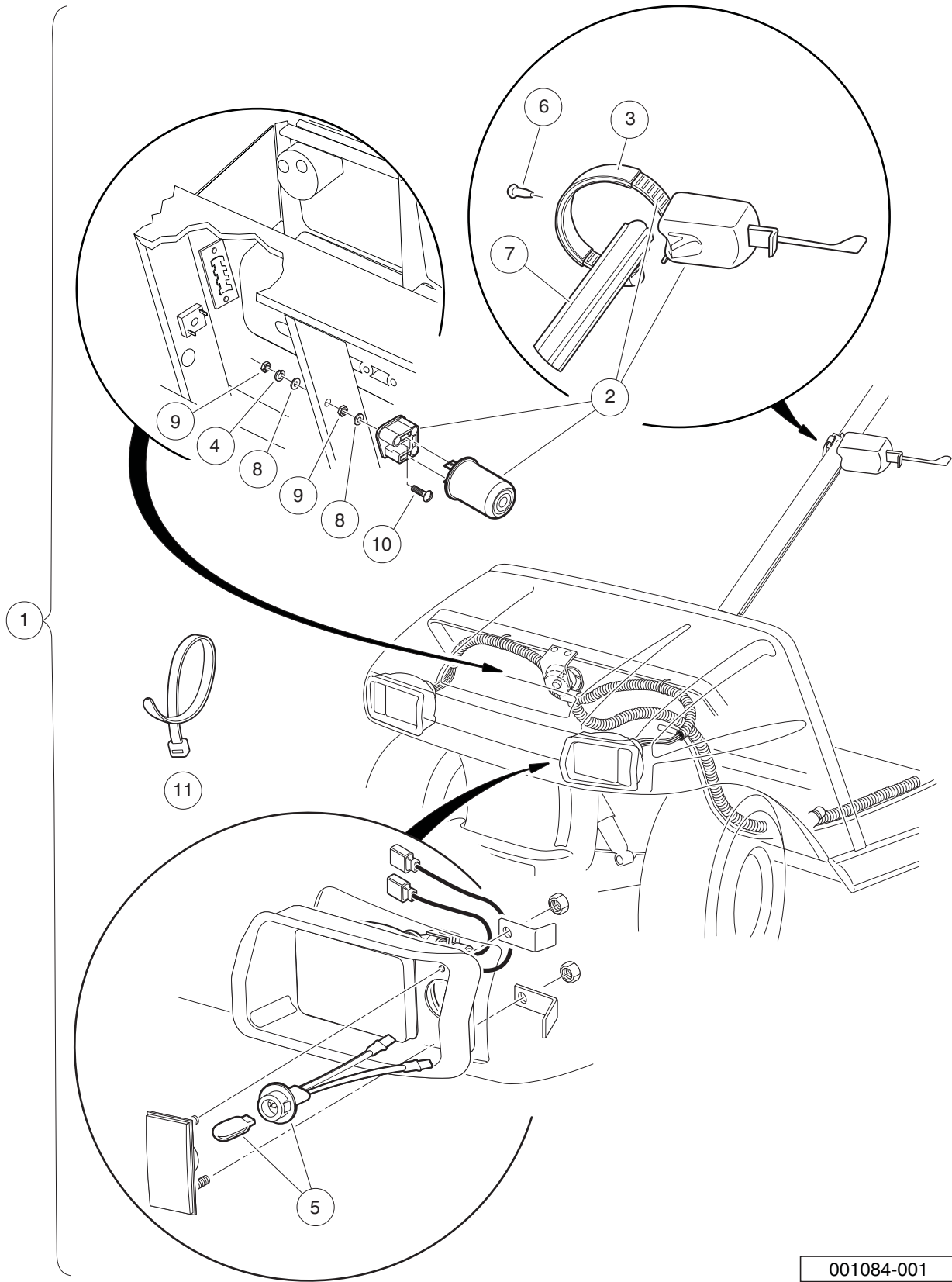
001249-002

LIGHTING SYSTEM COMPONENTS – VILLAGER 8 ELEC. WITH IQ PLUS CHARGER

ITEM	PART NO.	DESCRIPTION	QTY
		1 2 3 4	
1	<u>1011229</u>	Locknut, #6-32 Whiz	2
2	<u>1011280</u>	Locknut, 5/16-18	1
3	<u>1011439</u>	Switch, Limit	2
4	<u>1011557</u>	Screw, #6-32 X 1.00 Hex-Head Machine	4
5	<u>1012438</u>	Locknut, #10-24 Nylon Insert	2
6	<u>1013357</u>	Rivet, 5/32 Aluminum Pop	2
7	<u>1015741</u>	Fuse Block	1
8	<u>1016356</u>	Terminal Block with Insulator	1
9	<u>1016363</u>	Fuse Block Cover	1
10	<u>1016366</u>	Screw, #10-24 X 3.0 Pan-Head Machine	2
11	<u>1016423</u>	Fuse, 20-Amp	3
12	<u>1017853</u>	Screw, #6-32 X 0.75 Hex-Head Machine	2
13	<u>101914401</u>	Assembly, Voltage Suppressor	1
14	<u>101932201</u>	Locknut, #6-32 Nylon	4
15	<u>101957101</u>	Bracket, Brake Light Switch	1
16	<u>102869401</u>	Switch, Rocker, Light	1
17	<u>103254401</u>	Wire Harness, Lght Pkg, V8, El	1
18	<u>103255701</u>	Wire Harness, Headlights-Only, CA, Electric	1
19	<u>103414901</u>	Kit, Relay, 48v 30a W/instr (includes item 20)	1
20	<u>103397901</u>	Relay, Spst No, 48v 30a, Pmt	1
21	<u>1241</u>	Washer, 5/16 Type A Flat	1
22	<u>183</u>	Washer, #10, Type A, Flat	4
23	<u>7173</u>	Screw, 5/16-18 X 0.75, Hex-Head Cap	1
24	<u>7473</u>	Locknut, 5/16-18 Nylon Insert	1
25	<u>7591</u>	Washer, #6, Flat	2
		Note: Use item 18 for headlights only. NOTE 2: Use item 17 for headlights and taillights.	

4
G
E

4
G
E



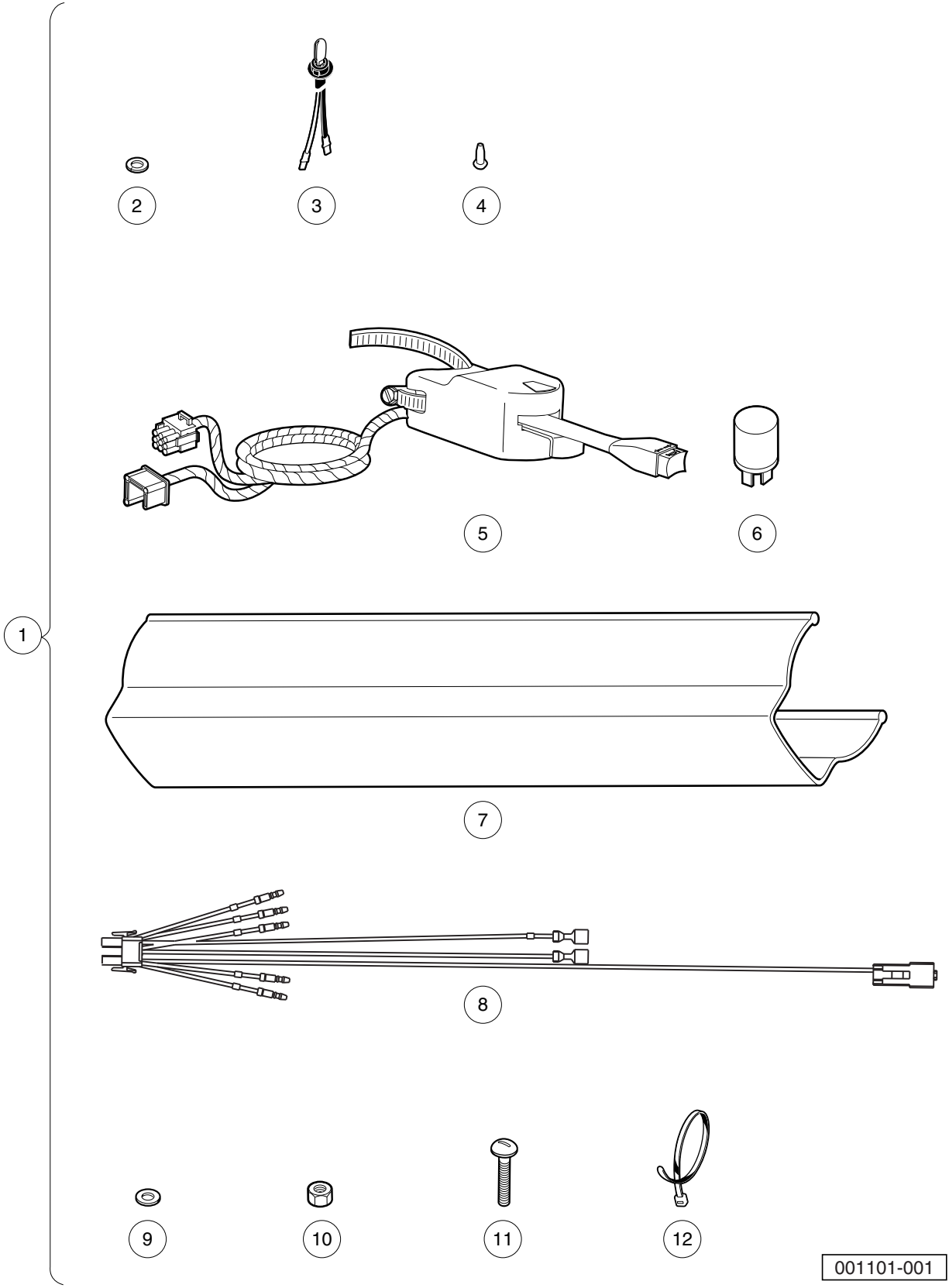
001084-001

TURN SIGNAL KIT – DS AND UTILITY GASOLINE AND ELECTRIC VEHICLES

ITEM	PART NO.	DESCRIPTION	QTY
		1 2 3 4	
1	101707402	Turn Signal Conversion Kit (includes items 2 through 11)	1
2	<u>1011590</u>	Switch Sub-assy, Turn Signal	1
3	N/A	Strap, Extrusion	1
4	<u>1016</u>	Lockwasher, #10 Split	1
5	<u>1017075</u>	Socket & Lamp Assembly	2
6	<u>1017724</u>	Rivet, Plastic	1
7	<u>102529201</u>	Wire Cover, Steering Column	1
8	<u>183</u>	Washer, #10, Type A, Flat	2
9	<u>7893</u>	Nut, #10-32 Hex	2
10	8104	Screw, #10-32 X .75 Rd Hd Mach	1
11	<u>8990</u>	Tie Wrap, 8" Nylon	1

4
G
E

4
G
E



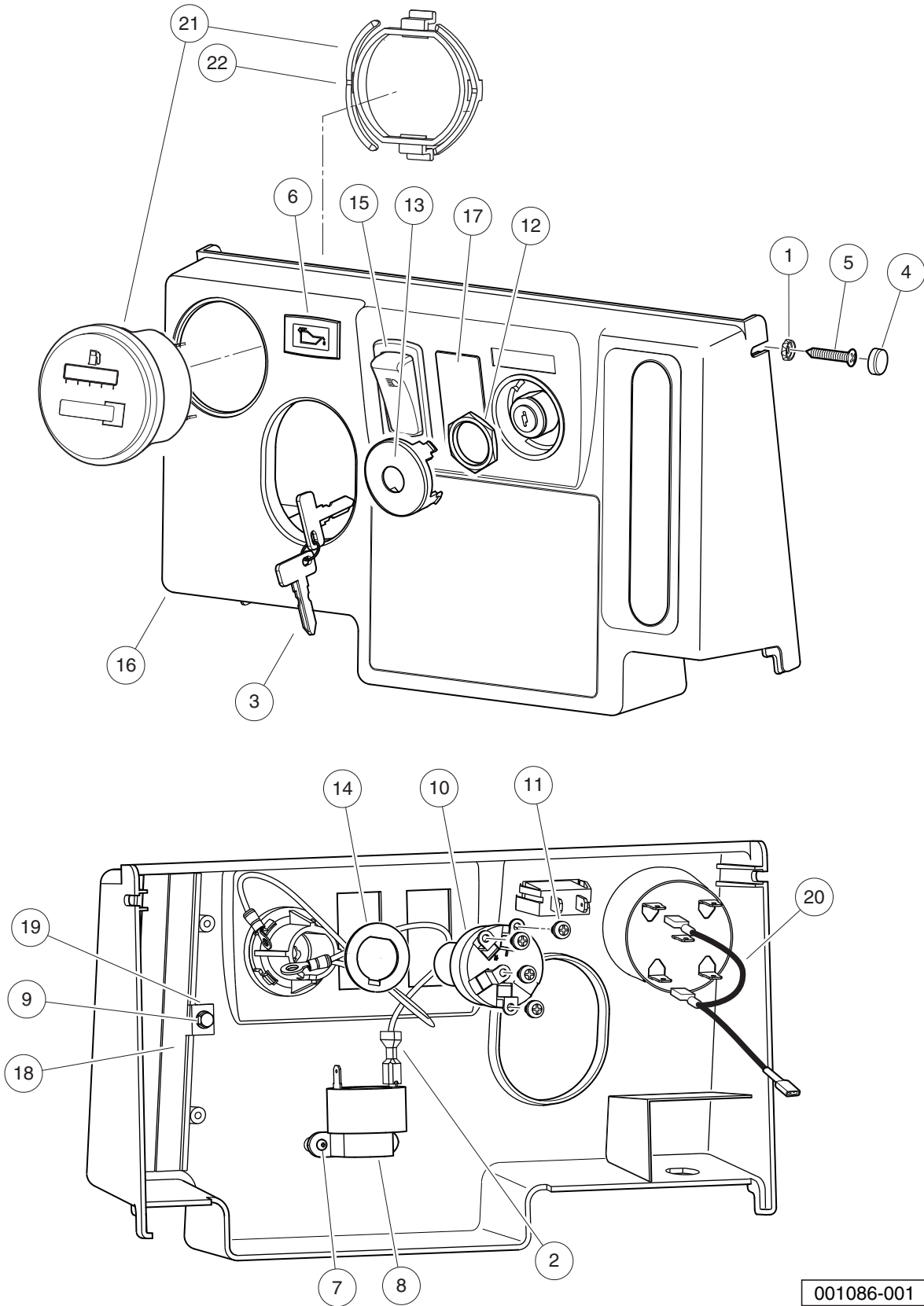
001101-001

TURN SIGNAL (WITH HORN BUTTON) KIT – DS AND UTILITY GAS AND ELECTRIC VEHICLES

ITEM	PART NO.	DESCRIPTION	QTY
		1 2 3 4	
1	101707405	Kit, Turn Signal-horn (includes items 2 through 12)	1
2	<u>1016</u>	Lockwasher, #10 Split	1
3	<u>1017075</u>	Socket & Lamp Assembly	2
4	<u>1017724</u>	Rivet, Plastic	1
5	<u>102517501</u>	Turn Signal Asm (includes item 6)	1
6	<u>102546401</u>	Flasher Unit, Prec	1
7	<u>102529201</u>	Wire Cover, Steering Column	1
8	<u>103618001</u>	Harness, Jumper, Turn Signal	1
9	<u>183</u>	Washer, #10, Type A, Flat	2
10	<u>7893</u>	Nut, #10-32 Hex	2
11	8104	Screw, #10-32 X .75 Rd Hd Mach	1
12	<u>8990</u>	Tie Wrap, 8" Nylon	1

4
G
E

4
G
E



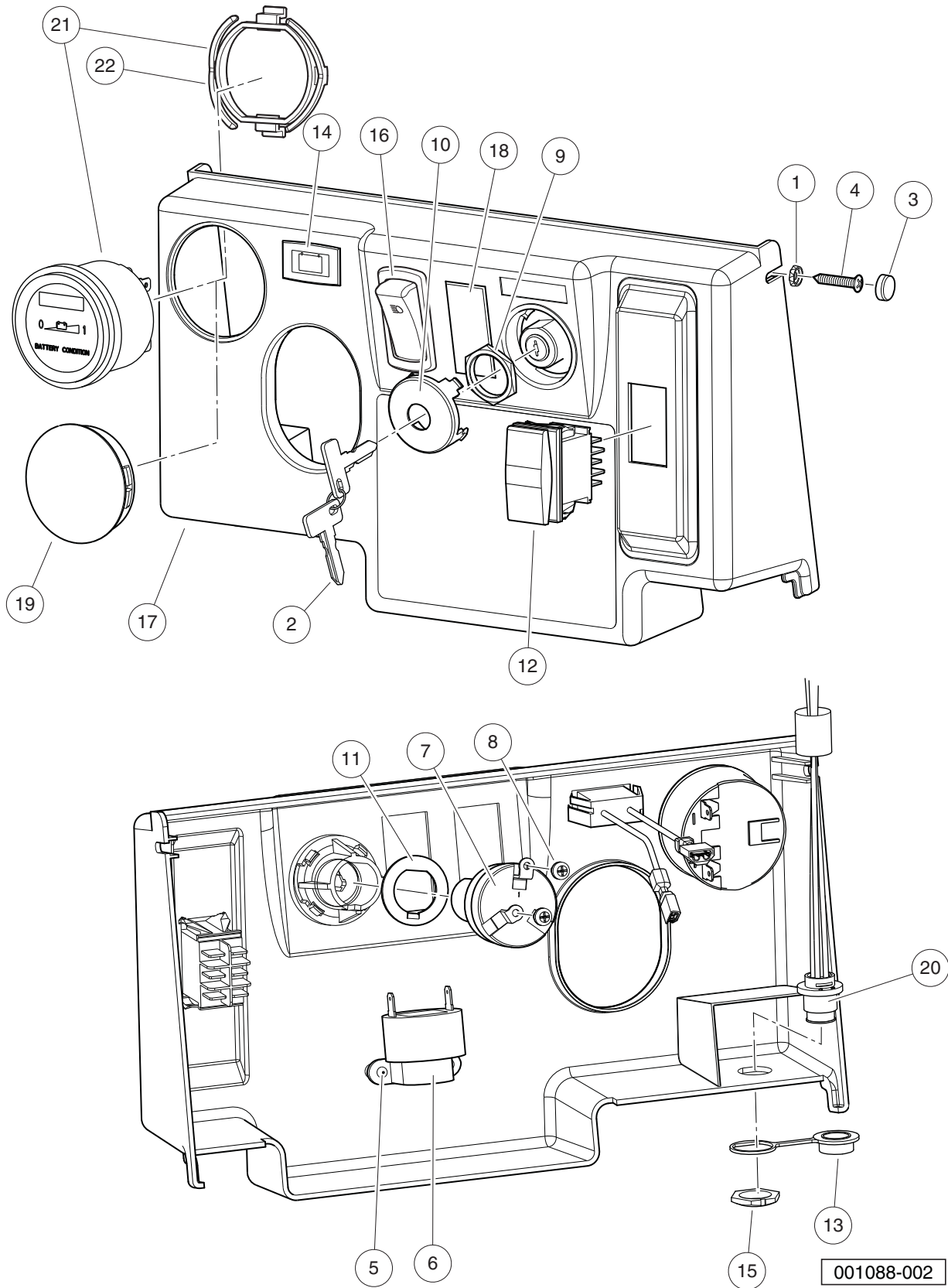
001086-001

INSTRUMENT PANEL AND ELECTRICAL COMPONENTS – CA6/ VILL 6 & 8 GAS

ITEM	PART NO.	DESCRIPTION	QTY
		1 2 3 4	
1	1011382	Washer, #10 Pan-Head Screw	2
2	1012396	Wire Assy #18 Black	1
3	<u>1012505</u>	Keys (set of 2)	1
4	<u>1013494</u>	Cover, Screw Head	2
5	<u>1015528</u>	Screw, #10 x 1-1/4 Phillips Head	2
6	<u>1016630</u>	Light, Oil	1
7	<u>1016849</u>	Screw, #4-24 X 0.33, Pan-Head, Machine	2
8	<u>1016851</u>	Buzzer, Reverse (9-48 VDC)	1
9	<u>101804301</u>	Screw, #8 X 0.500, Hex-Head Hi-Lo	2
10	101826401	Key Switch, 12-Volt, Off/On/Start	1
11	101830601	Screw and Washer Assembly	5
12	<u>101830701</u>	Nut, Key Switch	1
13	<u>101834502</u>	Cap, Black Key Switch	1
14	<u>101851101</u>	Washer, Key Switch	1
15	<u>102869401</u>	Switch, Rocker, Light	1
16	<u>102977001</u>	Panel, Dash, Center, Gas (Instrument Panel)	1
17	<u>103180101</u>	Cover, Hole, Switch, Rocker	1
18	<u>103199001</u>	Brush, Closeout, FNR	2
19	<u>103199101</u>	Washer, Retaining, Brush, FNR	2
20	<u>103348501</u>	Asm, Wire Meter, F-h Jumper	1
21	<u>103348601</u>	Gauge, Fuel-hour, sep Gnd, utl (includes item 22)	1
22	<u>103348201</u>	Clip, Meter, Round	1

4
G
E

4
G
E

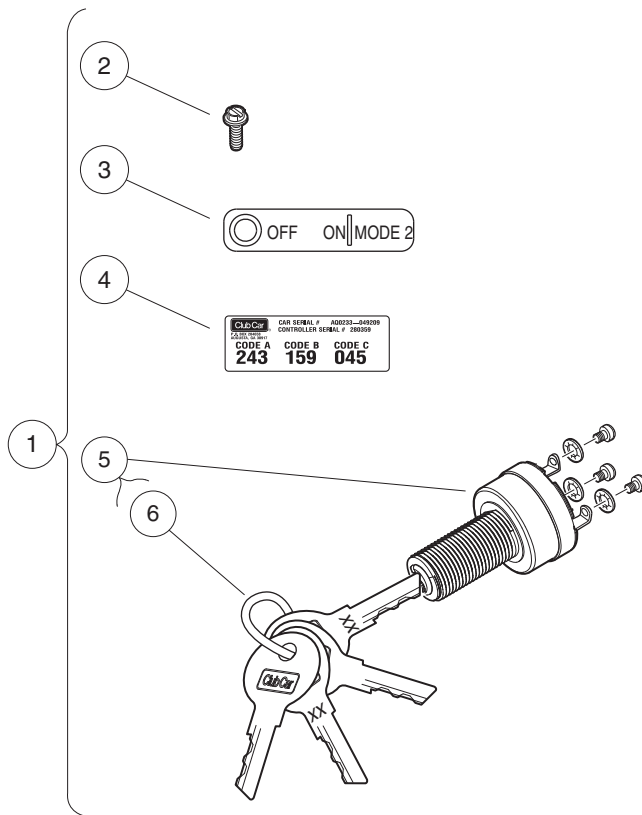


INSTRUMENT PANEL WITH ELECTRICAL COMPONENTS – CA6/ VILL 6/8 ELEC. W/LESTER CHARGER

ITEM	PART NO.	DESCRIPTION	QTY
		1 2 3 4	
1	1011382	Washer, #10 Pan-Head Screw	2
2	<u>1012505</u>	Keys (set of 2)	1
3	<u>1013494</u>	Cover, Screw Head	2
4	<u>1015528</u>	Screw, #10 x 1-1/4 Phillips Head	2
5	<u>1016849</u>	Screw, #4-24 X 0.33, Pan-Head, Machine	2
6	<u>1016851</u>	Buzzer, Reverse (9-48 VDC)	1
7	<u>101826201</u>	Key Switch, On/Off	1
8	101830601	Screw and Washer Assembly	2
9	<u>101830701</u>	Nut, Key Switch	1
10	<u>101834502</u>	Cap, Black Key Switch	1
11	<u>101851101</u>	Washer, Key Switch	1
12	<u>101856002</u>	Switch, Rocker, Single-Pole	1
13	<u>102196901</u>	Dust Cap	1
14	<u>102508701</u>	Light, Battery	1
15	<u>102572401</u>	Nut, Diagnostic Port, Prec	1
16	<u>102869401</u>	Switch, Rocker, Light	1
17	<u>102977002</u>	Panel, Dash, Center, Elec (Instrument Panel)	1
18	<u>103180101</u>	Cover, Hole, Switch, Rocker	1
19	<u>103198301</u>	Plug, Hole, Round, 2.0 In	1
20	<u>103218601</u>	Harness, Diagnostic Port	1
21	<u>103354401</u>	Gauge, Battery Cond Ind, Rnd (includes item 22)	1
22	<u>103348202</u>	Clip, Bci, Round	1

4
G
E

4
G
E



001212-001

KEYS AND KEYSWITCHES, SMARTKEY KIT – ELECTRIC VEHICLE

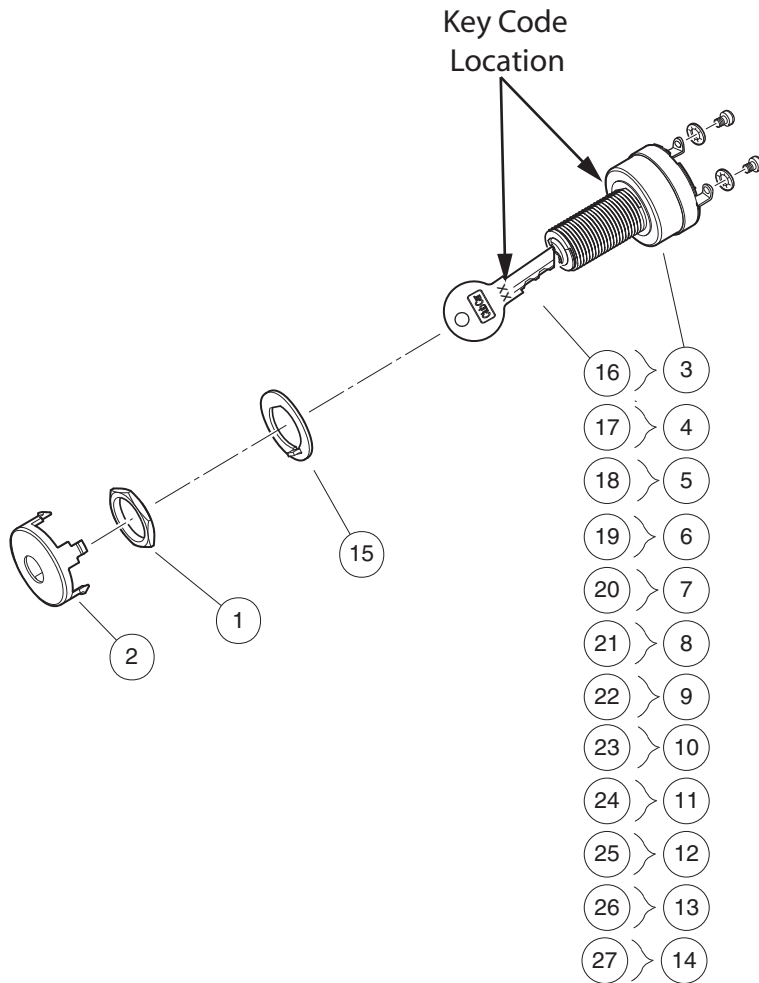
ITEM	PART NO.	DESCRIPTION	QTY
		1 2 3 4	
1	<u>102962602</u>	Kit, Field, Smartkey (includes items 2 through 5)	1
2	<u>1011017</u>	Screw, #8-32 X 0.375	1
3	<u>101825103</u>	Decal, Keyswitch, Iq Plus Mode	1
4	N/A	Decal, Passcode	1
5	<u>102950301</u>	Key Switch, Mode B, Iq Plus (includes item 6)	1
6	<u>102962303</u>	Keys, Set Of 4, Iq Plus Mode	1
		 Note: Not available in the EU.	

4
G
E

4

G

E



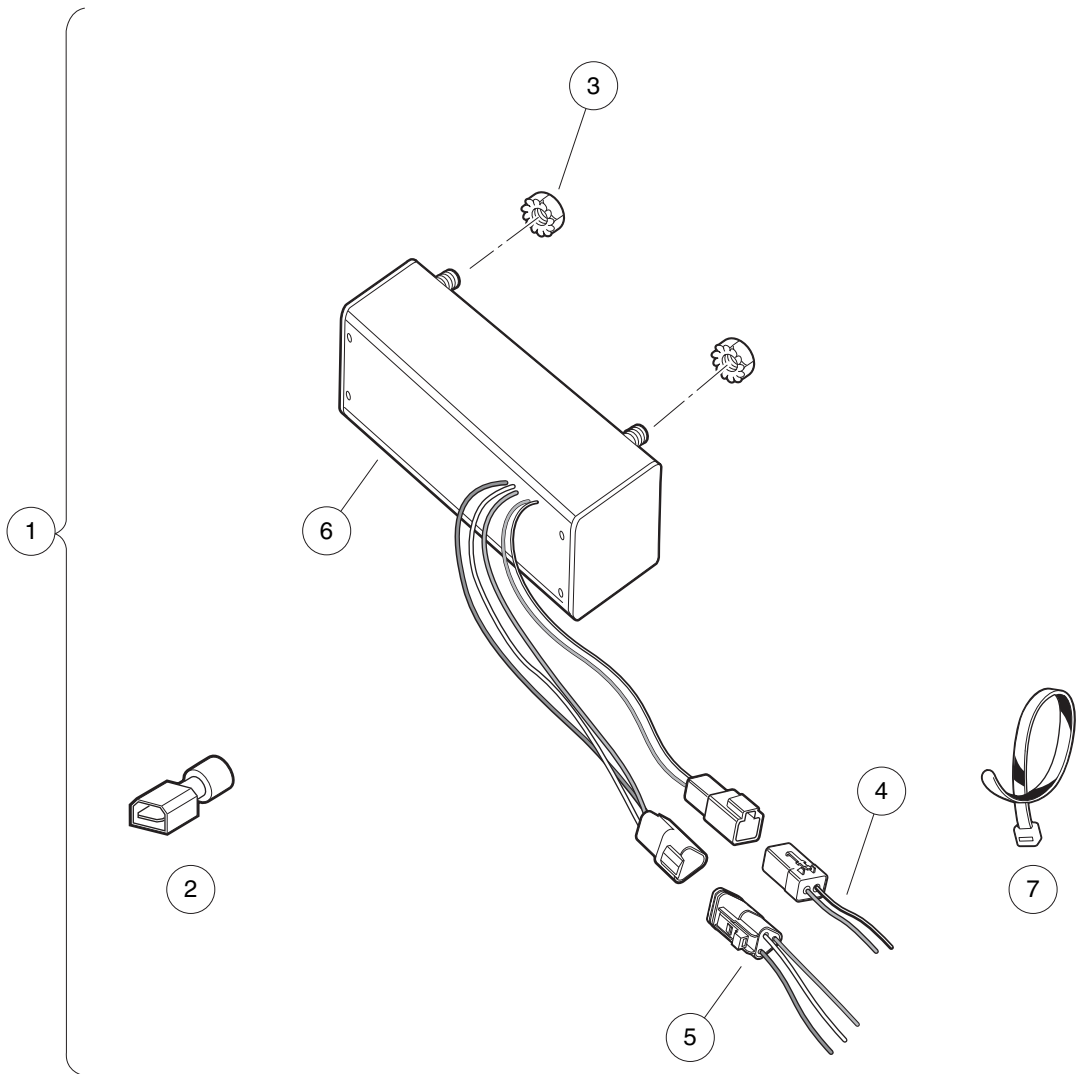
001089-001

KEYS AND KEYSWITCHES, UNCOMMON – GAS VEHICLE

ITEM	PART NO.	DESCRIPTION	QTY
		1 2 3 4	
1	<u>101830701</u>	Nut, Key Switch	1
2	<u>101834502</u>	Cap, Black Key Switch	1
3	<u>101839801</u>	Keyswtch Uncom A408 On/off/st	1
4	<u>101839802</u>	Keyswtch Uncom B408 On/off/st	1
5	<u>101839803</u>	Keyswtch Uncom C408 On/off/st	1
6	<u>101839804</u>	Keyswtch Uncom D408 On/off/st	1
7	<u>101839805</u>	Keyswtch Uncom 2a408 On/off/st	1
8	<u>101839806</u>	Keyswtch Uncom 2b408 On/off/st	1
9	<u>101839807</u>	Keyswtch Uncom 2c408 On/off/st	1
10	<u>101839808</u>	Keyswtch Uncom 2d408 On/off/st	1
11	<u>101839809</u>	Keyswtch Uncom E408 On/off/st	1
12	<u>101839810</u>	Keyswtch Uncom F408 On/off/st	1
13	<u>101839811</u>	Keyswtch Uncom 2e408 On/off/st	1
14	<u>101839812</u>	Keyswtch Uncom 2f408 On/off/st	1
15	<u>101851101</u>	Washer, Key Switch	1
16	<u>101974701</u>	Key, Uncommon 1a	1
17	<u>101974702</u>	Key, Uncommon 1b	1
18	<u>101974703</u>	Key, Uncommon 1c	1
19	<u>101974704</u>	Key, Uncommon 1d	1
20	<u>101974705</u>	Key, Uncommon 2a	1
21	<u>101974706</u>	Key, Uncommon 2b	1
22	<u>101974707</u>	Key, Uncommon 2c	1
23	<u>101974708</u>	Key, Uncommon 2d	1
24	<u>101974709</u>	Key, Uncommon 1e	1
25	<u>101974710</u>	Key, Uncommon 1f	1
26	<u>101974711</u>	Key, Uncommon 2e	1
27	<u>101974712</u>	Key, Uncommon 2f	1
		Note: Keyswitches <u>101839801</u> through <u>101839812</u> are for key-start, gasoline vehicles ONLY.	

4
G
E

4
G
E



001090-002

DC CONVERTER (ISOLATED) – ELECTRIC VEHICLE

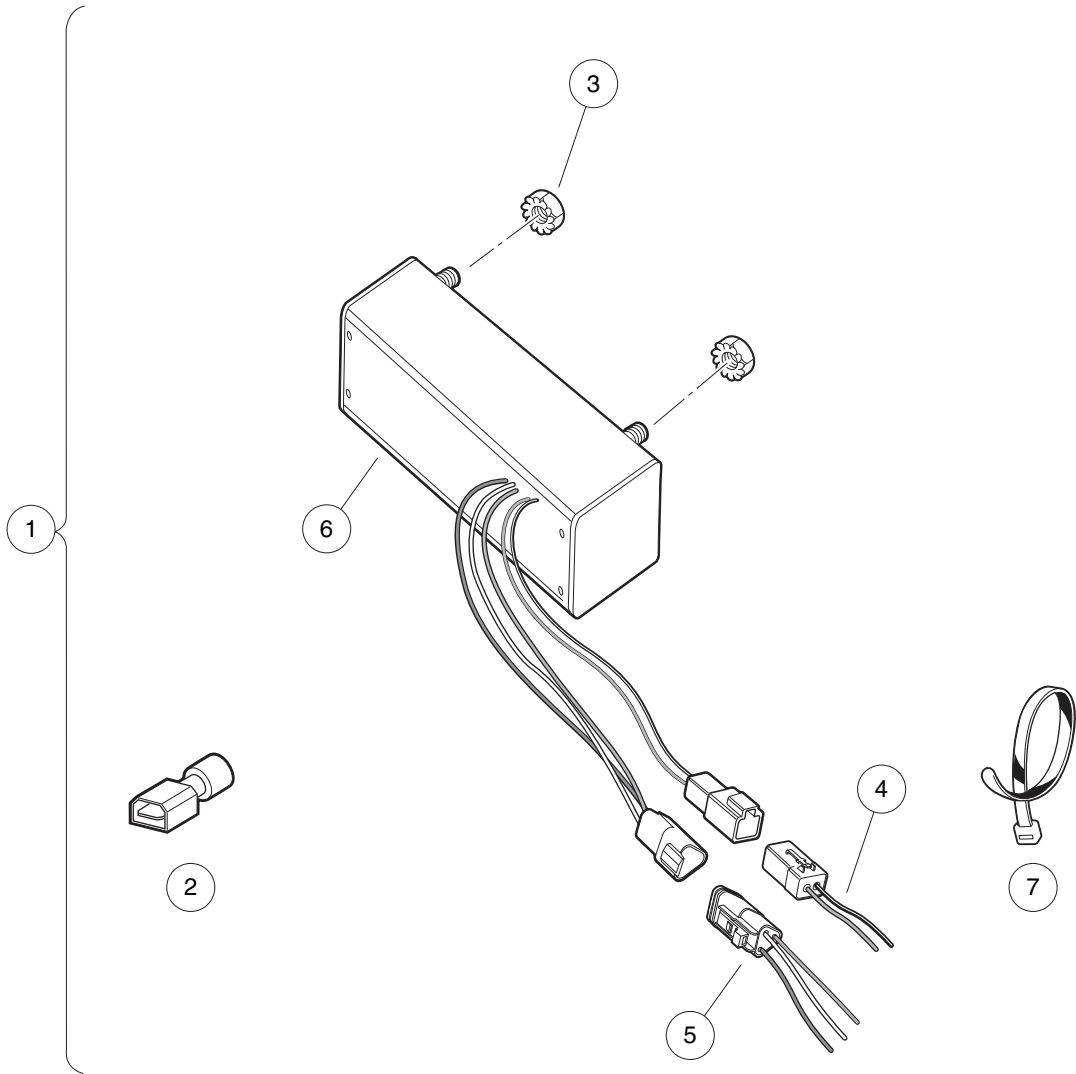
ITEM	PART NO.	DESCRIPTION	QTY
		1 2 3 4	
1	<u>102918701</u>	Kit, DC/DC Converter, IQ Plus (includes items 2 through 7)	1
2	<u>1016365</u>	Terminal, 1/4" Male Quick Disconnect	1
3	<u>101835601</u>	Locknut, 1/4-20 Hex Whiz	2
4	<u>102354901</u>	Harness, Dc Converter - 12v	1
5	<u>102890201</u>	Harness, Dc Converter, 48v	1
6	<u>103700301</u>	Converter, Dc/dc, Isoldt	1
7	<u>8990</u>	Tie Wrap, 8" Nylon	10

4

G

E

4
G
E



001090-002

DC CONVERTER (ISOLATED) – CE ELECTRIC VEHICLE

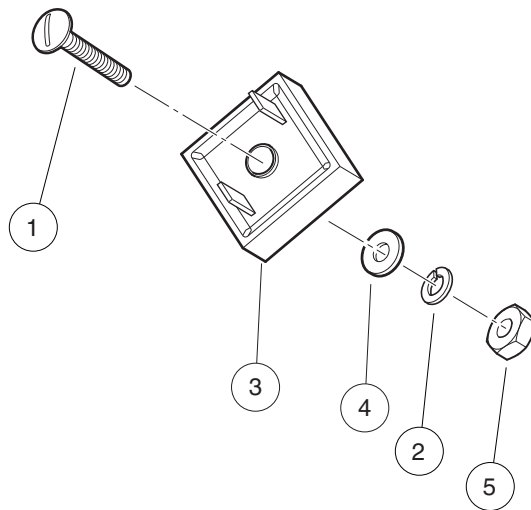
ITEM	PART NO.	DESCRIPTION	QTY
		1 2 3 4	
1	<u>102918702</u>	Kit, Dc Conv. Iq Plus Ce (includes items 2 through 7)	1
2	<u>1016365</u>	Terminal, 1/4" Male Quick Disconnect	1
3	<u>101835601</u>	Locknut, 1/4-20 Hex Whiz	2
4	<u>102354901</u>	Harness, Dc Converter - 12v	1
5	<u>102890201</u>	Harness, Dc Converter, 48v	1
6	<u>103802401</u>	Converter, Dc/dc, Ce	1
7	<u>8990</u>	Tie Wrap, 8" Nylon	10

4
G
E

4

G

E



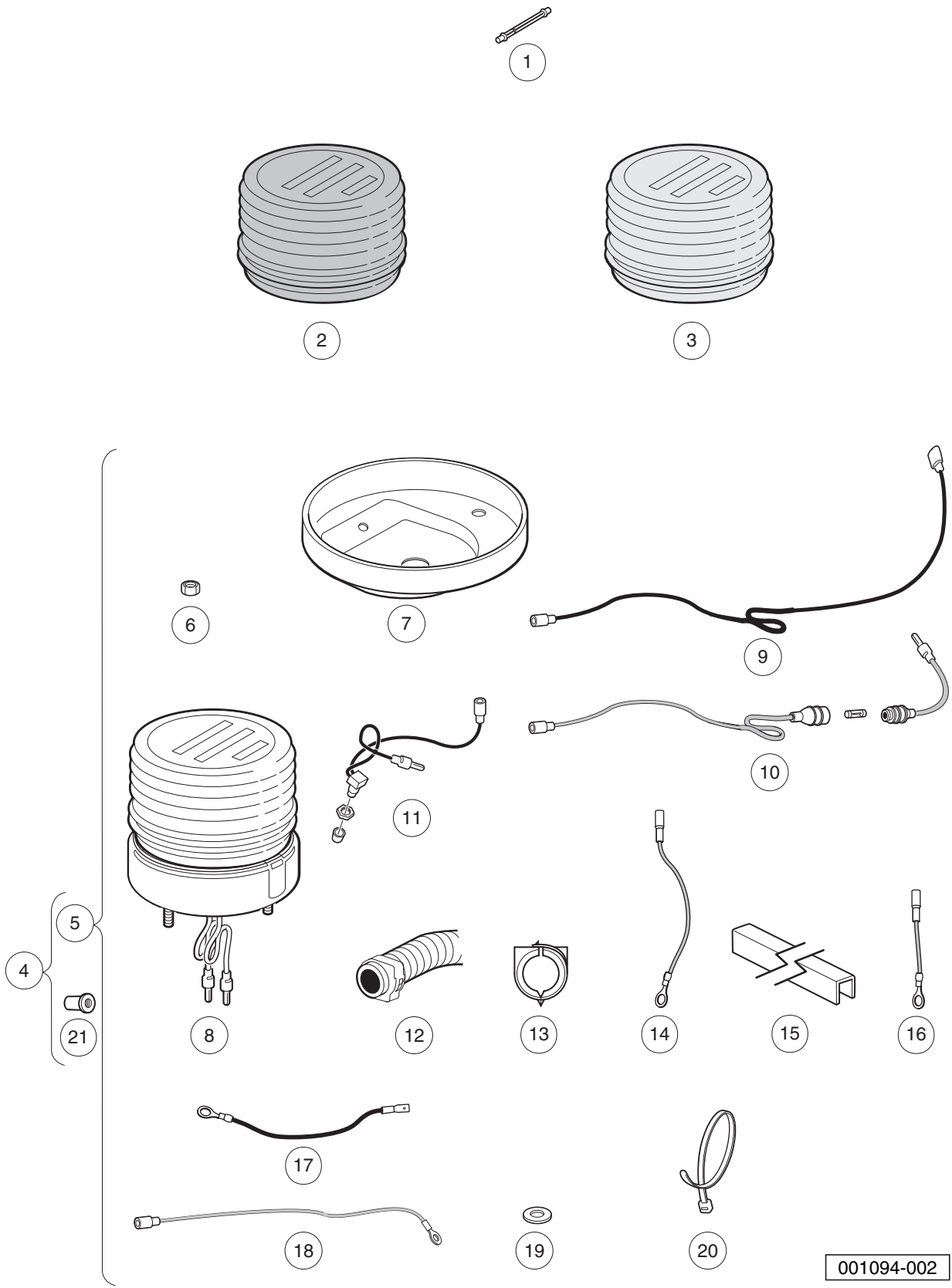
001091-001

VOLTAGE LIMITER – GASOLINE VEHICLE

ITEM	PART NO.	DESCRIPTION	QTY
		1 2 3 4	
1	<u>1010909</u>	Screw, #10-32 X 1.25 Rd Hd Mch	1
2	<u>1016</u>	Lockwasher, #10 Split	1
3	<u>1017721</u>	Limitter, Voltage	1
4	<u>183</u>	Washer, #10, Type A, Flat	1
5	<u>7893</u>	Nut, #10-32 Hex	1

4
G
E

4
G
E



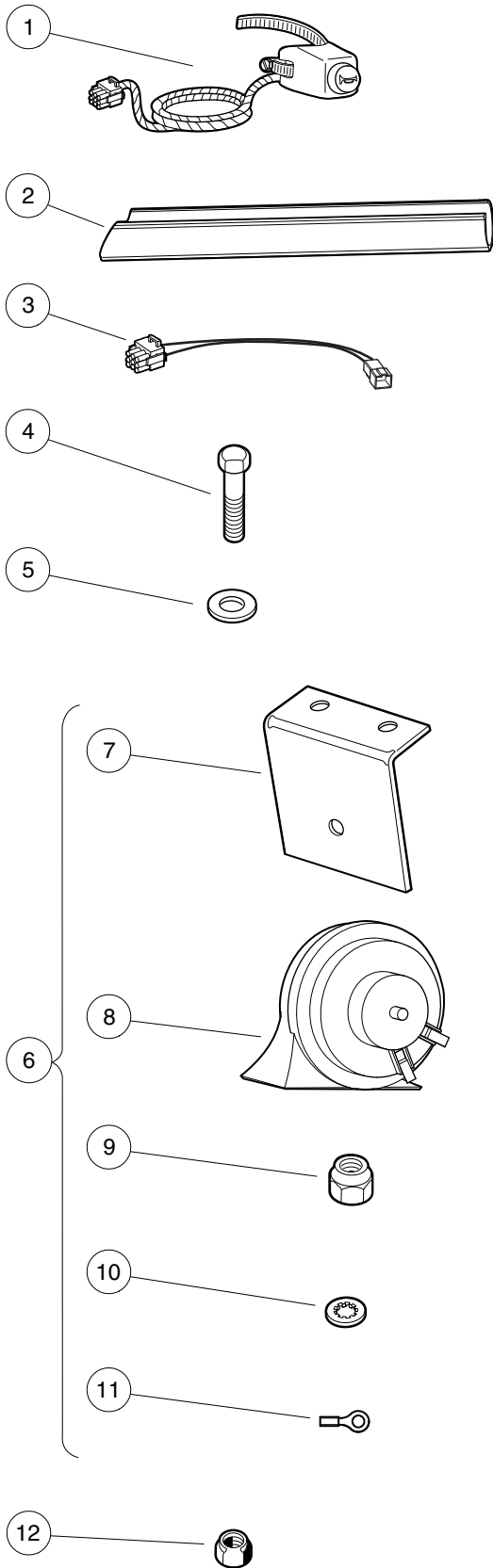
001094-002

STROBE LIGHT, ROOF-MOUNTED

ITEM	PART NO.	DESCRIPTION	QTY
		1 2 3 4	
1	<u>1015526</u>	Bulb, Replacement, for Strobe Light	1
2	<u>AM1243701</u>	Lens, Blue, for Strobe Light	A/R
3	<u>AM1243801</u>	Lens, Red, for Strobe Light	A/R
4	<u>SVP119201</u>	Light, Roof-Mounted Strobe, Field (includes items 5 through 21)	A/R
5	<u>AM1243501</u>	Kit, Roof Mounted Strobe Fd (includes items 6 through 20)	1
6	<u>1012438</u>	Locknut, #10-24 Nylon Insert	2
7	<u>1015010</u>	Cover Plate Switch	1
8	<u>1015156</u>	Light Assembly, Strobe	1
9	<u>1015167</u>	#16 Black Wire Asm	1
10	<u>1015170</u>	Wire Assembly #16	1
11	<u>1015187</u>	Switch Assembly	1
12	<u>1015768</u>	Split Convolute Elec Conduit	11
13	<u>1015770</u>	Outlet Ring - .5 Diameter	5
14	<u>1016230</u>	Wire Asm #16 Red	1
15	<u>1016267</u>	Snap On Conduit Vert.	1
16	<u>1016287</u>	Wire Asm #16 Red	1
17	<u>1016929</u>	Wire Assembly Black #16	1
18	<u>101821601</u>	#18 Red Wire Assembly	1
19	<u>183</u>	Washer, #10, Type A, Flat	2
20	<u>8639</u>	Tie Wrap, 11" Nylon	8
21	<u>SVP493201</u>	Well Nut, 10-32	3

4
G
E

4
G
E



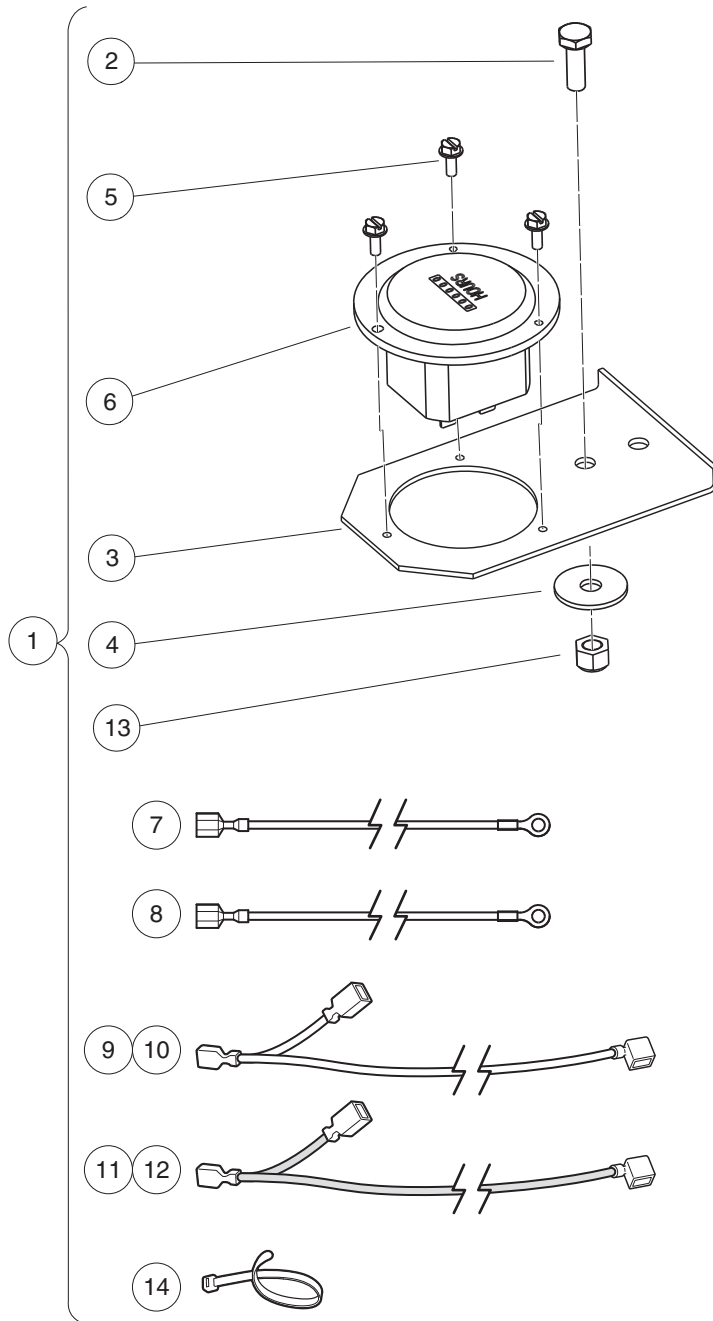
001095-002

HORN WITH COLUMN-MOUNTED BUTTON

ITEM	PART NO.	DESCRIPTION	QTY
		1 2 3 4	
1	102517601	Subasm, Horn Button Harness	1
2	<u>102529203</u>	Wire Cover-steer Column 304 Mm	1
3	<u>103618101</u>	Harness, Jumper, Horn	1
4	304	Screw, 1/4-20 X 1.0 Hex-Head Cap	2
5	<u>332</u>	Washer, 1/4 Type A Narrow Flat	2
6	<u>4029</u>	Horn (includes items 7 through 11)	1
7	<u>1011825</u>	Horn Bracket	1
8	<u>1014530</u>	Horn, 12-VDC	1
9	<u>101955101</u>	Nut, M6 Hex	1
10	<u>7820</u>	Washer, 5/16 Internal-Tooth	1
11	8294	5/16 Ring Term.	1
12	<u>8233</u>	Locknut, 1/4-20, Nylon Insert	2

4
G
E

4
G
E



001096-001

HOUR METER – IQ SYSTEM AND IQ PLUS ELECTRIC VEHICLES

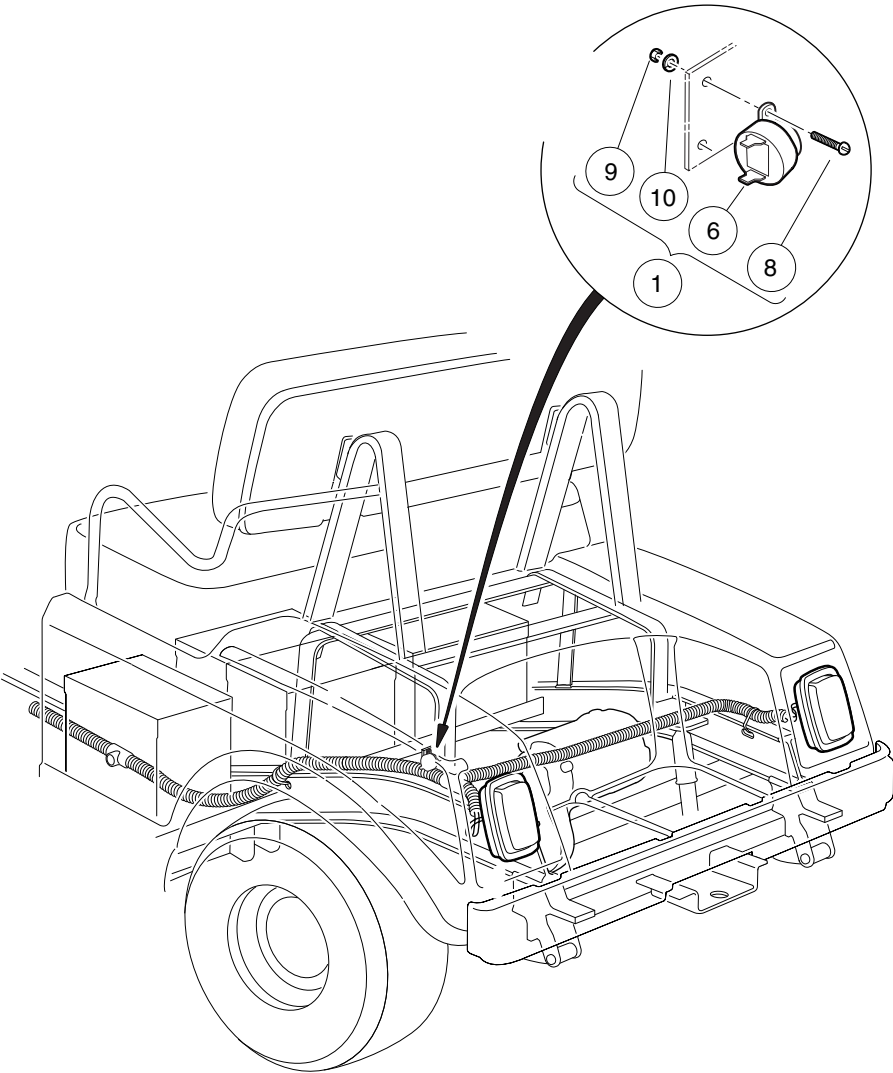
ITEM	PART NO.	DESCRIPTION	QTY
		1 2 3 4	
1	<u>1013579</u>	Kit, Hour Meter (includes items 2 through 14)	1
2	<u>1012285</u>	Screw, 1/4 X 0.625 Hex-Head	1
3	<u>1013547</u>	Hour Meter Bracket	1
4	<u>1014306</u>	Washer, 1/4" Type B Flat	1
5	<u>1014540</u>	Screw, #6-32 X 3/8 Taptite	3
6	N/A	Hour Meter	1
7	101881501	Wire Assembly Black #18	1
8	101881601	Wire Assembly Red #18	1
9	<u>101997802</u>	Wire Assembly #18 Yellow	1
10	<u>101997803</u>	Wire Asm #18 Yellow 31"	1
11	<u>101997902</u>	Wire Assembly #18 Red	1
12	<u>101997903</u>	Wire Asm # 18 Red 31"	1
13	<u>8233</u>	Locknut, 1/4-20, Nylon Insert	1
14	<u>8990</u>	Tie Wrap, 8" Nylon	1
<p>Note: The kit includes components that apply to multiple vehicles. The installation instructions will specify which components are required for a specific model. After installation, discard components not used.</p>			

4
G
E

4

G

E



000433-001

REAR REVERSE BUZZER

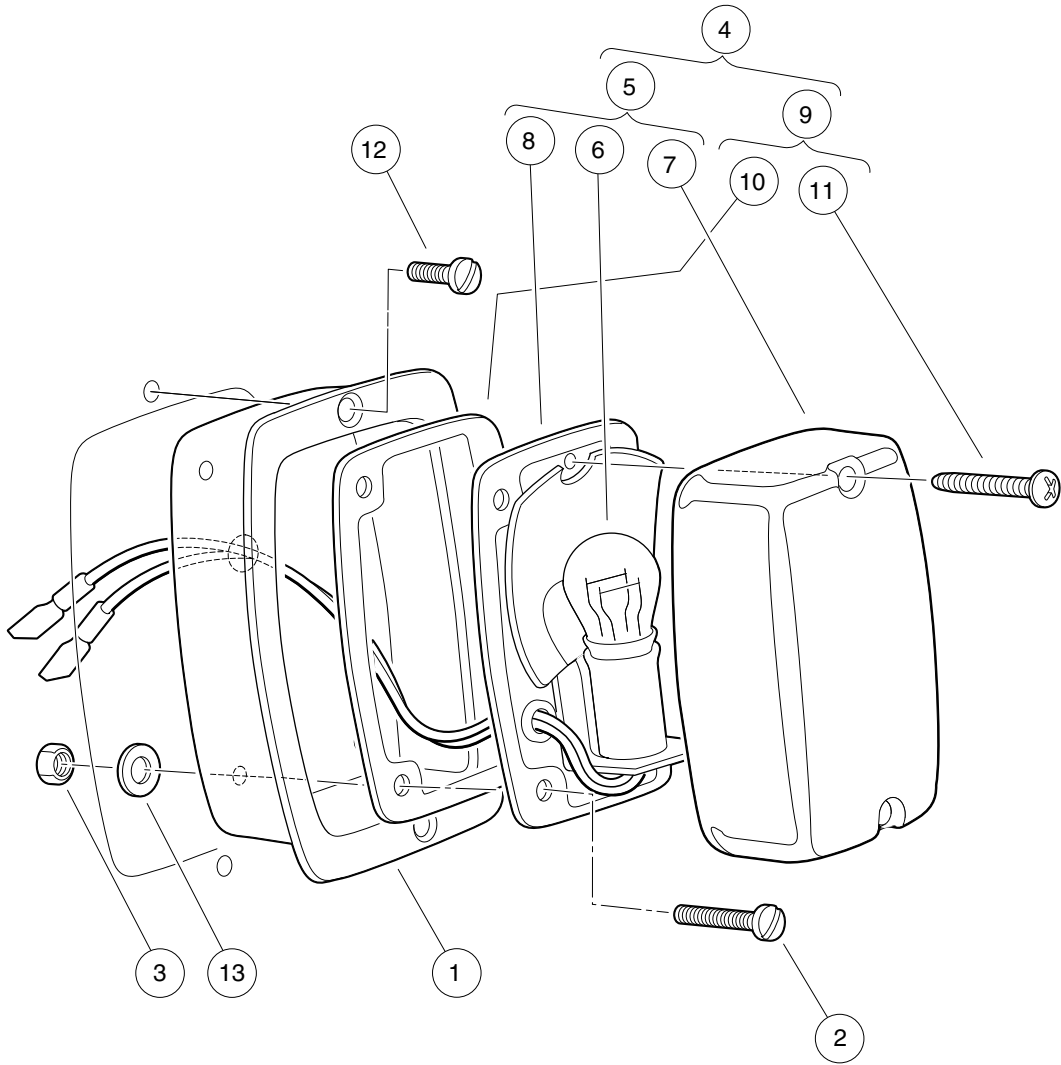
ITEM	PART NO.	DESCRIPTION	QTY
		1 2 3 4	
1	<u>1016859</u>	Kit, Reverse Buzzer (includes items 2 through 10)	1
2	<u>1011229</u>	Locknut, #6-32 Whiz	1
3	1012431	Washer, #4 Flat	2
4	<u>1015720</u>	Screw, #6-32 X 1/2 Hex Washer-Head	1
5	<u>1016849</u>	Screw, #4-24 X 0.33, Pan-Head, Machine	2
6	<u>1016851</u>	Buzzer, Reverse (9-48 VDC)	1
7	1016857	Wire Assembly Black #18	1
8	<u>8056</u>	Screw, #4-40 X 0.75 Round-Head Machine	2
9	<u>8057</u>	Nut, #4-40 Hex Machine	2
10	<u>8058</u>	Lockwasher, #4 Split	2
<p style="text-align: center;">Note: Note: Items 2 through 5 and 7 are included in the kit, but are not used in this application.</p>			

4

G

E

4
G
E



000348-006

TAIL LIGHTS

ITEM	PART NO.	DESCRIPTION	QTY
		1 2 3 4	
1	<u>1011497</u>	Bezel, Taillight	1
2	<u>1011557</u>	Screw, #6-32 X 1.00 Hex-Head Machine	1
3	<u>1011558</u>	Nut, #6-32 Hex	1
4	1017035	Taillight Assembly (includes items 5 through 9)	1
5	N/A	Light, Tail (includes items 6 through 8)	1
6	<u>1011582</u>	Taillight Bulb	1
7	<u>1011843</u>	Taillight Lens	1
8	N/A	Base, Taillight	1
9	<u>1017699</u>	Hardware Kit, Tail Light (includes items 10 and 11)	1
10	N/A	Gasket	1
11	N/A	Screw, Tapered	2
12	<u>102915601</u>	Plastic Rivet - Tuflock	1
13	<u>7591</u>	Washer, #6, Flat	1

4
G
E

4

G

E

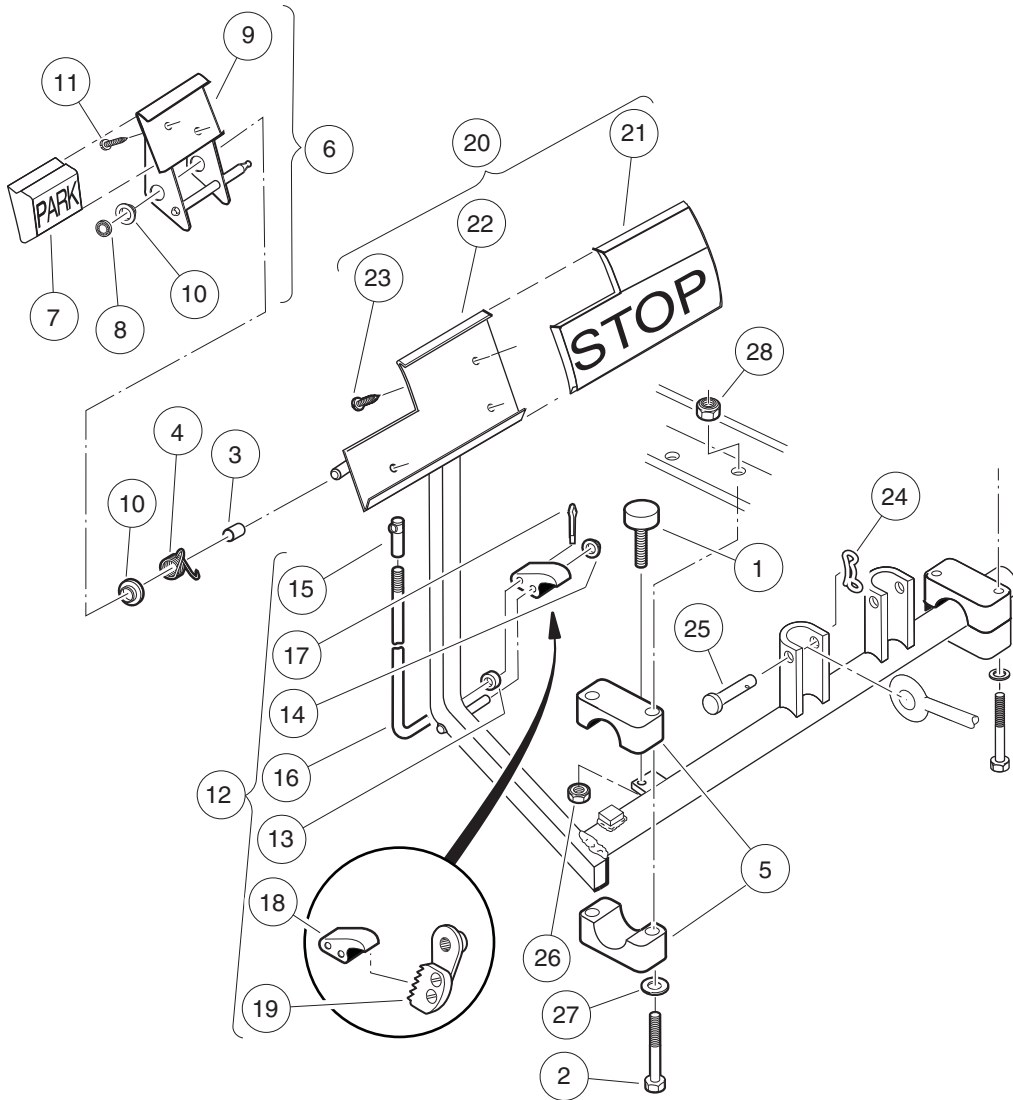
BRAKES, PEDALS, AND CABLES

5

G

E

5
G
E



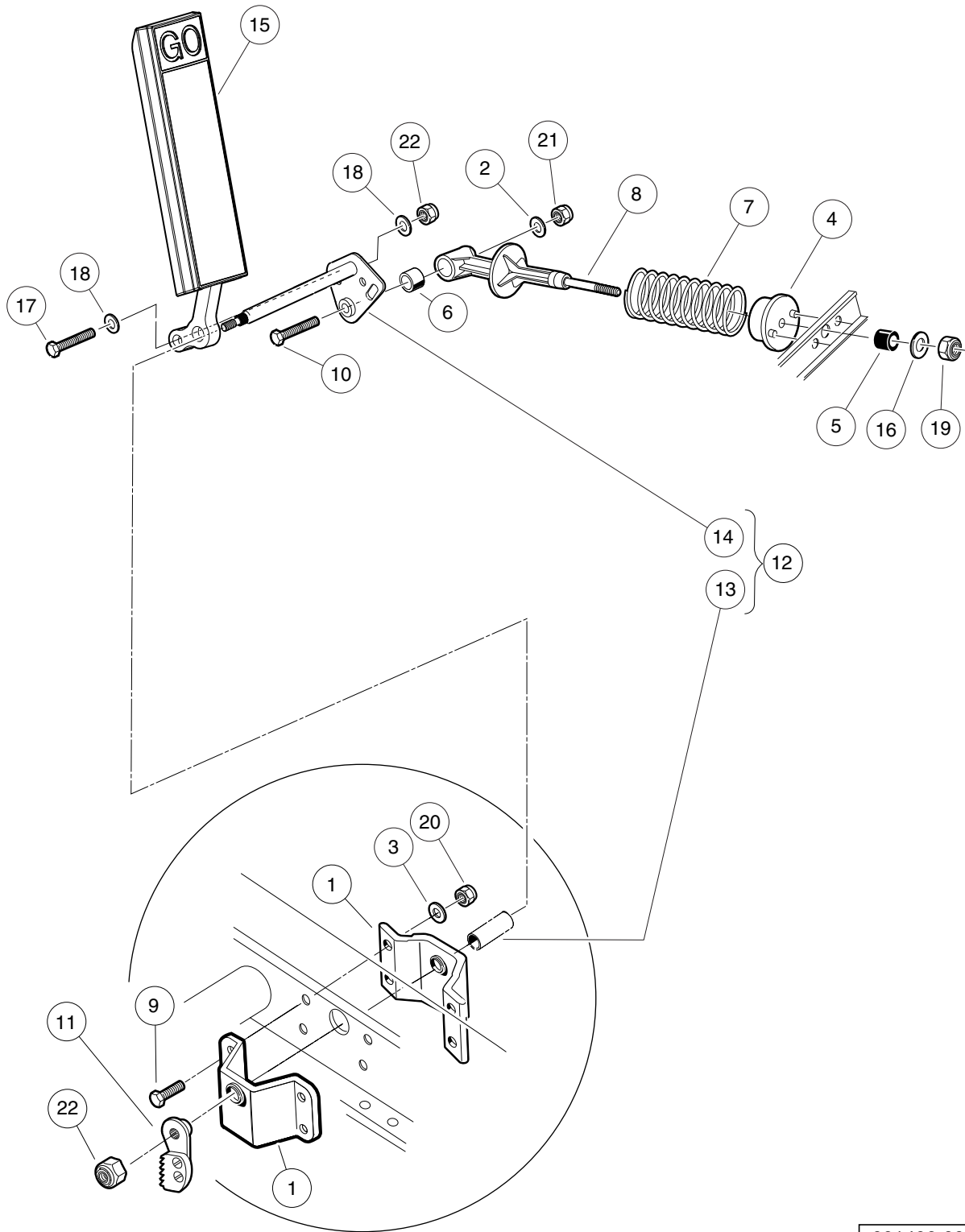
000187-001

BRAKE PEDAL ASSEMBLY

ITEM	PART NO.	DESCRIPTION	QTY
		1 2 3 4	
1	<u>1010878</u>	Bumper, Rubber	1
2	<u>1010921</u>	Screw, 5/16-18 X 2.50 Hex Cap	4
3	<u>1010927</u>	Hill Brake Spacer	1
4	<u>1010933</u>	Spring, Hill Brake Torsion	1
5	<u>1011402</u>	Package, Brake Mounting Block	1
6	<u>1011418</u>	Kit, Hill Brake Pedal (includes items 7 through 11)	1
7	<u>1013870</u>	Pad, Hill Brake	1
8	<u>1013876</u>	Pushnut, 3/8	1
9	N/A	Hill Brake Weld Assembly	1
10	<u>1032</u>	Bushing, Nylon	2
11	7716	Screw, #10-16 Type AB, Sheet Metal	2
12	<u>101187702</u>	Kit, Hill Brake Latch (includes items 13 through 19)	1
13	<u>1010805</u>	Sleeve, Hill Brake Rod	1
14	<u>1010877</u>	Pushnut, 3/8	1
15	1010932	Ball Joint, 1/4-28	1
16	N/A	Rod, Hill Brake	1
17	<u>1017029</u>	Pin, Cotter, 7/64 x 1/2 Stainless-Steel	1
18	N/A	Pawl, Hill Brake	1
19	101918501	Ratchet Assembly	1
20	<u>101878201</u>	Brake Pedal Kit (includes items 21 through 23)	1
21	<u>1013869</u>	Pad, Brake Pedal	1
22	N/A	Weldment, Brake Pedal, 2wr Std	1
23	7716	Screw, #10-16 Type AB, Sheet Metal	3
24	<u>102323101</u>	Pin, Bow Tie Locking	1
25	<u>102323201</u>	Pin, 3/8 X 1-5/16 Clevis	1
26	<u>1028</u>	Nut, 1/4-20 Hex	1
27	<u>1241</u>	Washer, 5/16 Type A Flat	4
28	<u>7473</u>	Locknut, 5/16-18 Nylon Insert	4

5
G
E

5
G
E



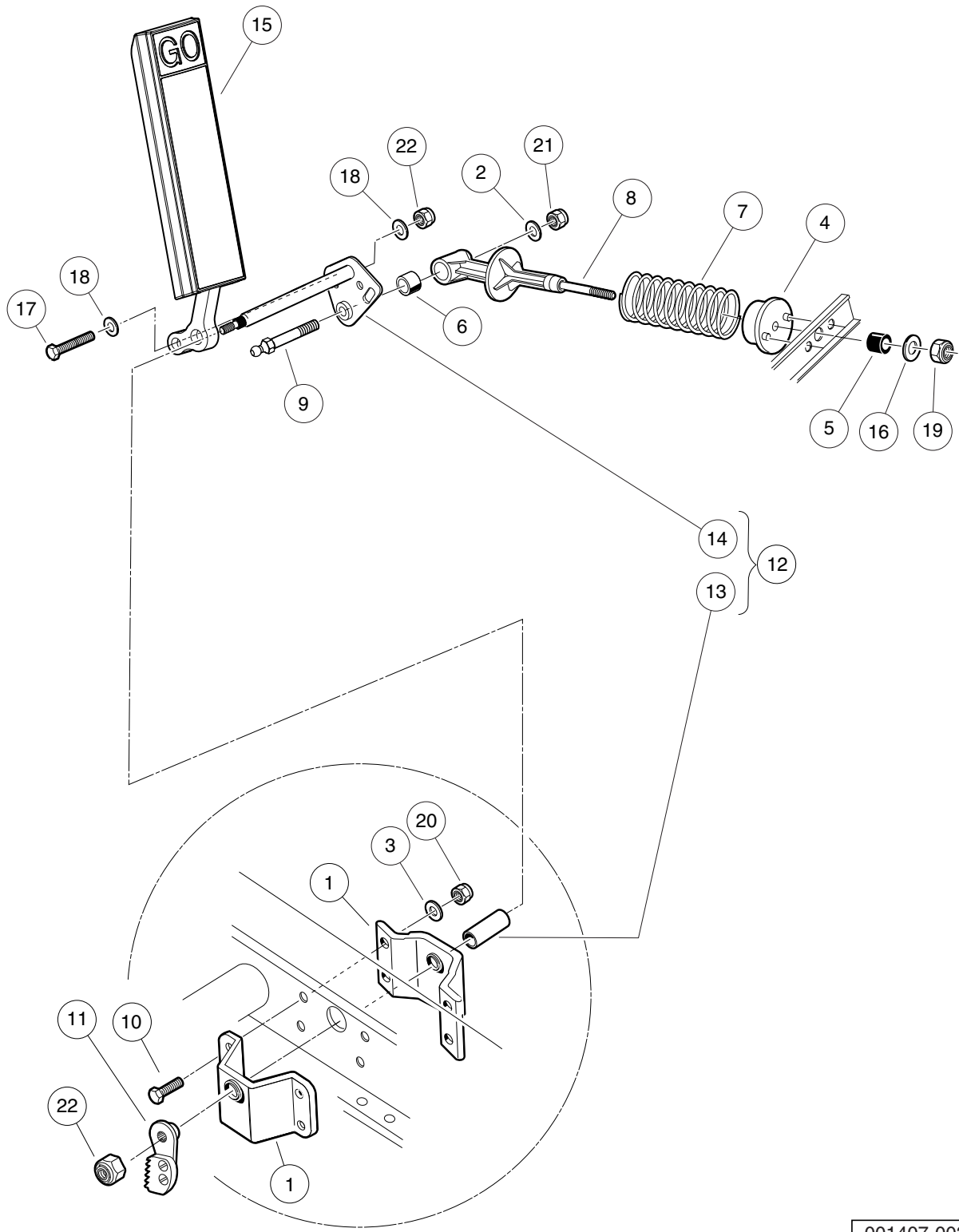
001406-001

ACCELERATOR PEDAL ASSEMBLY – ELECTRIC VEHICLES

ITEM	PART NO.	DESCRIPTION	QTY
		1 2 3 4	
1	<u>1011694</u>	Accelerator Bracket and Bearing Assembly	2
2	<u>1011931</u>	Washer, 1/4 Flat	1
3	<u>1014007</u>	Washer, 1/4, Flat	4
4	<u>1017378</u>	Cup, Spring	1
5	<u>1017380</u>	Bumper, Spring Return	1
6	<u>1017424</u>	Bearing, Pivot Support	1
7	101796201	Spring, Accelerator Return	1
8	<u>101817401</u>	Retainer, Spring	1
9	<u>101861901</u>	Screw, 1/4-20 X 1.125 Hex Cap	4
10	<u>101862001</u>	Screw, 1/4-20 X 1.500 Flange	1
11	101918501	Ratchet Assembly	1
12	<u>102026001</u>	Kit, Accelerator Pivot Rod Assembly (includes items 13 and 14)	1
13	101919801	Spacer, Accelerator	1
14	<u>102158901</u>	Pivot Rod Weldment	1
15	<u>103865101</u>	Pedal, Accel, Insert	A/R
16	<u>1241</u>	Washer, 5/16 Type A Flat	1
17	<u>1624</u>	Screw, 3/8-16 X 1.50, Hex-Head Cap	1
18	<u>334</u>	Washer, 3/8, Type A, Flat	2
19	<u>7473</u>	Locknut, 5/16-18 Nylon Insert	1
20	<u>8233</u>	Locknut, 1/4-20, Nylon Insert	4
21	<u>8717</u>	Locknut, Nylon Insert, 1/4-28	1
22	<u>8754</u>	Locknut, 3/8-16 Hex	2

5
G
E

5
G
E



001407-003

ACCELERATOR PEDAL ASSEMBLY – GASOLINE VEHICLES

ITEM	PART NO.	DESCRIPTION	QTY
		1 2 3 4	
1	<u>1011694</u>	Accelerator Bracket and Bearing Assembly	2
2	<u>1011931</u>	Washer, 1/4 Flat	1
3	<u>1014007</u>	Washer, 1/4, Flat	4
4	<u>1017378</u>	Cup, Spring	1
5	<u>1017380</u>	Bumper, Spring Return	1
6	<u>1017424</u>	Bearing, Pivot Support	1
7	101796201	Spring, Accelerator Return	1
8	<u>101817401</u>	Retainer, Spring	1
9	101818801	Stud, 1/4-28 X 1.35 Ball	1
10	<u>101861901</u>	Screw, 1/4-20 X 1.125 Hex Cap	4
11	101918501	Ratchet Assembly	1
12	<u>102026001</u>	Kit, Accelerator Pivot Rod Assembly (includes items 13 and 14)	1
13	101919801	Spacer, Accelerator	1
14	<u>102158901</u>	Pivot Rod Weldment	1
15	<u>103865101</u>	Pedal, Accel, Insert	1
16	<u>1241</u>	Washer, 5/16 Type A Flat	1
17	<u>1624</u>	Screw, 3/8-16 X 1.50, Hex-Head Cap	1
18	<u>334</u>	Washer, 3/8, Type A, Flat	2
19	<u>7473</u>	Locknut, 5/16-18 Nylon Insert	1
20	<u>8233</u>	Locknut, 1/4-20, Nylon Insert	4
21	<u>8717</u>	Locknut, Nylon Insert, 1/4-28	1
22	<u>8754</u>	Locknut, 3/8-16 Hex	2

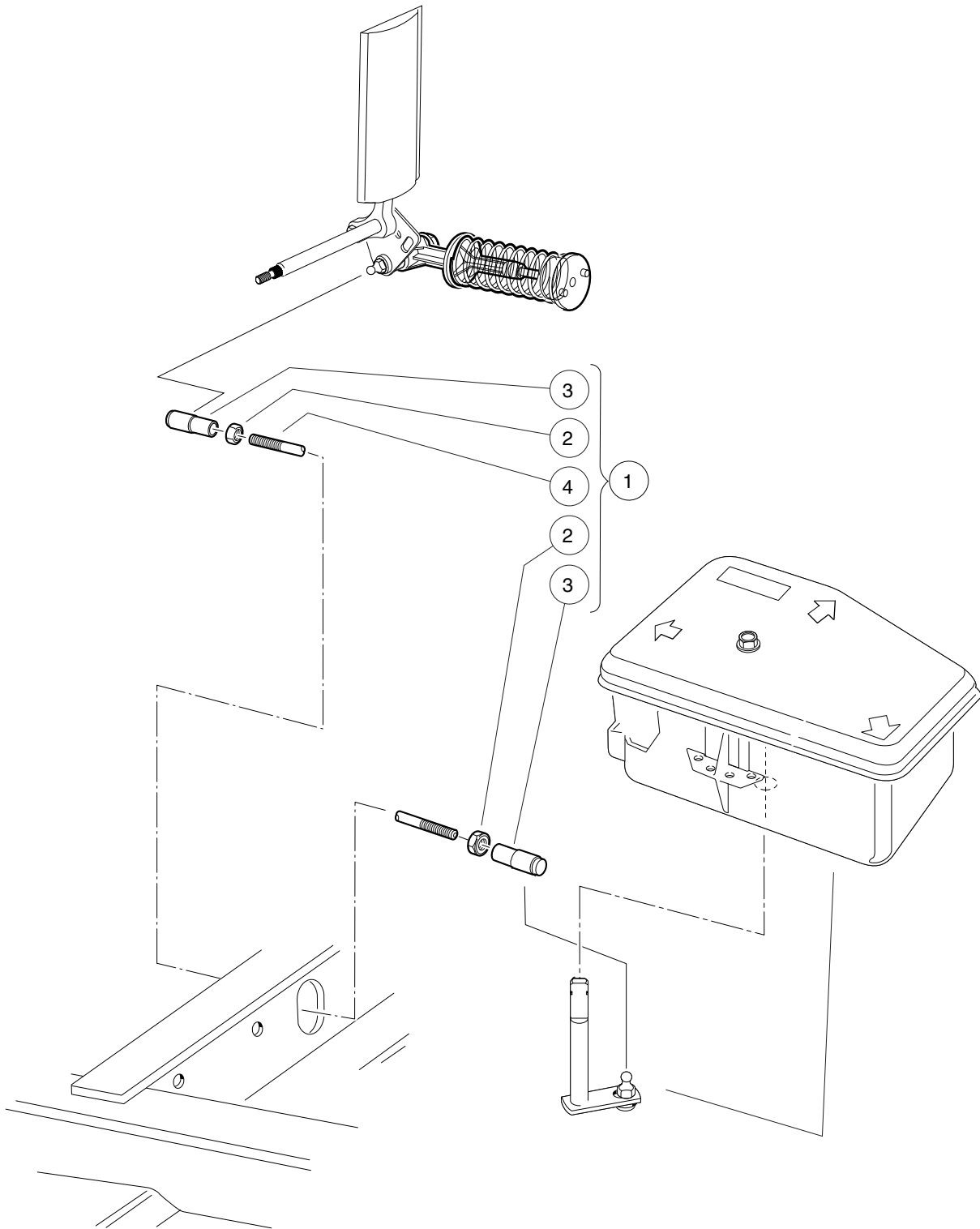
5
G
E

ACCELERATOR ROD – TURF/CA 6 & VILLAGER 6 GAS VEHICLES

ITEM	PART NO.	DESCRIPTION	QTY
		1 2 3 4	
1	<u>101674702</u>	Rod, Accelerator (includes items 2 through 4)	1
2	<u>1011084</u>	Nut, 1/4-28 Hex Jam	2
3	<u>1011734</u>	Joint, Ball	2
4	N/A	Accelerator Rod Elec Stretch	1

5
G
E

5
G
E



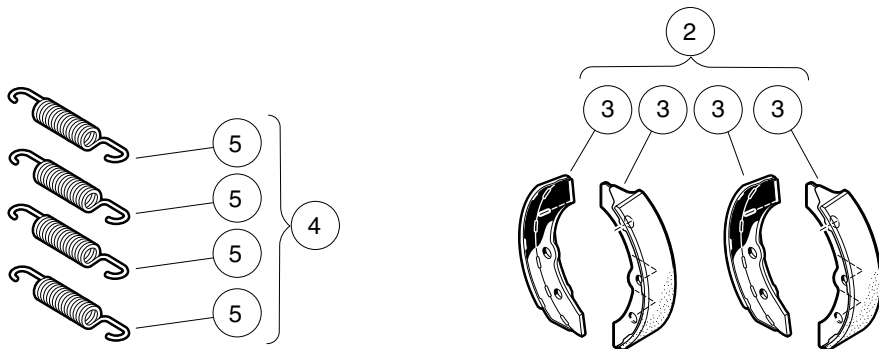
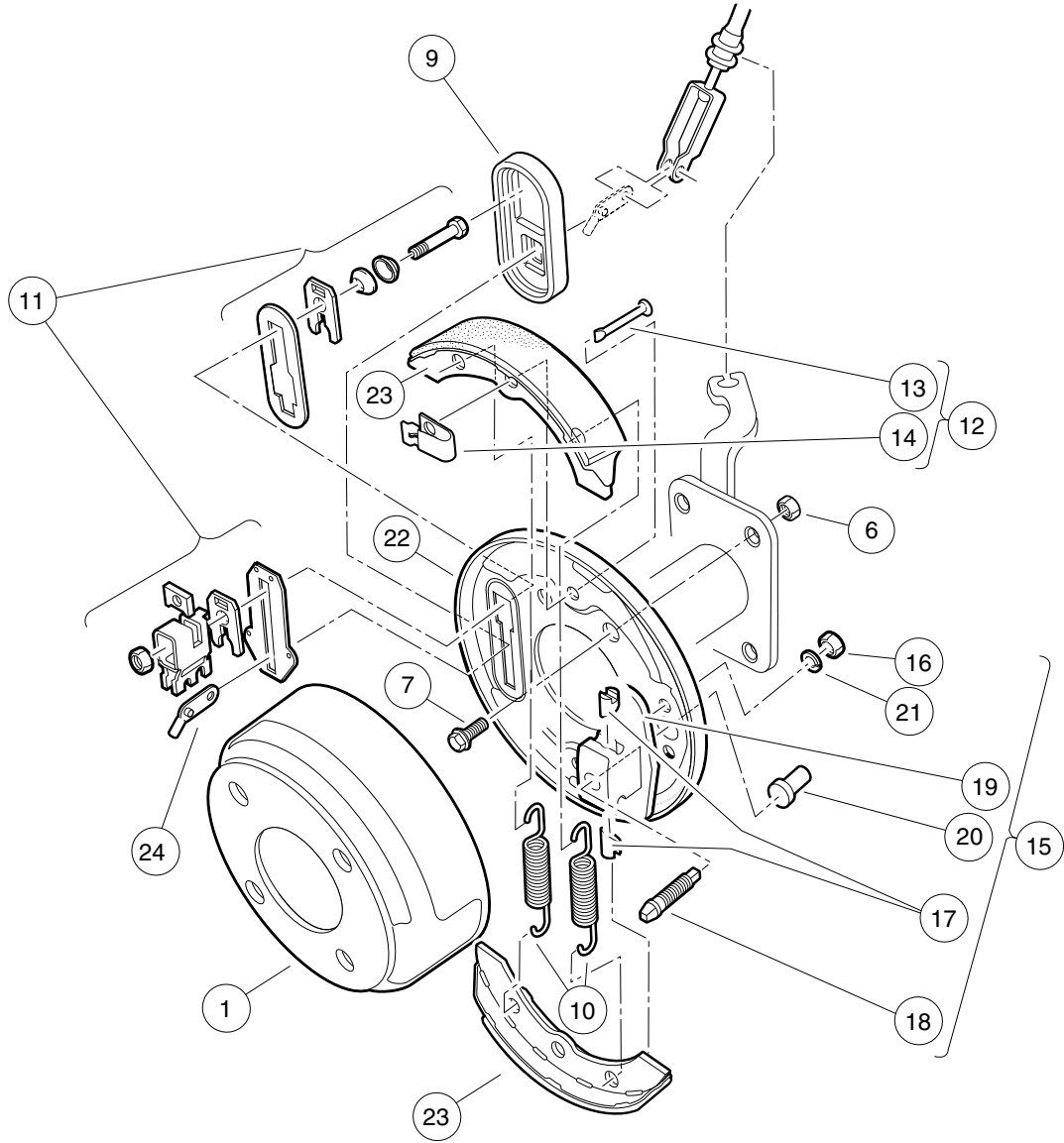
000362-001

ACCELERATOR ROD – VILLAGER 8 GAS VEHICLES

ITEM	PART NO.	DESCRIPTION	QTY
		1 2 3 4	
1	<u>101674704</u>	Accelerator Rod Assembly, RV XL (includes items 2 through 4)	1
2	<u>1011084</u>	Nut, 1/4-28 Hex Jam	2
3	<u>1011734</u>	Joint, Ball	2
4	N/A	Accelerator Rod, RV XL	1

5
G
E

5
G
E



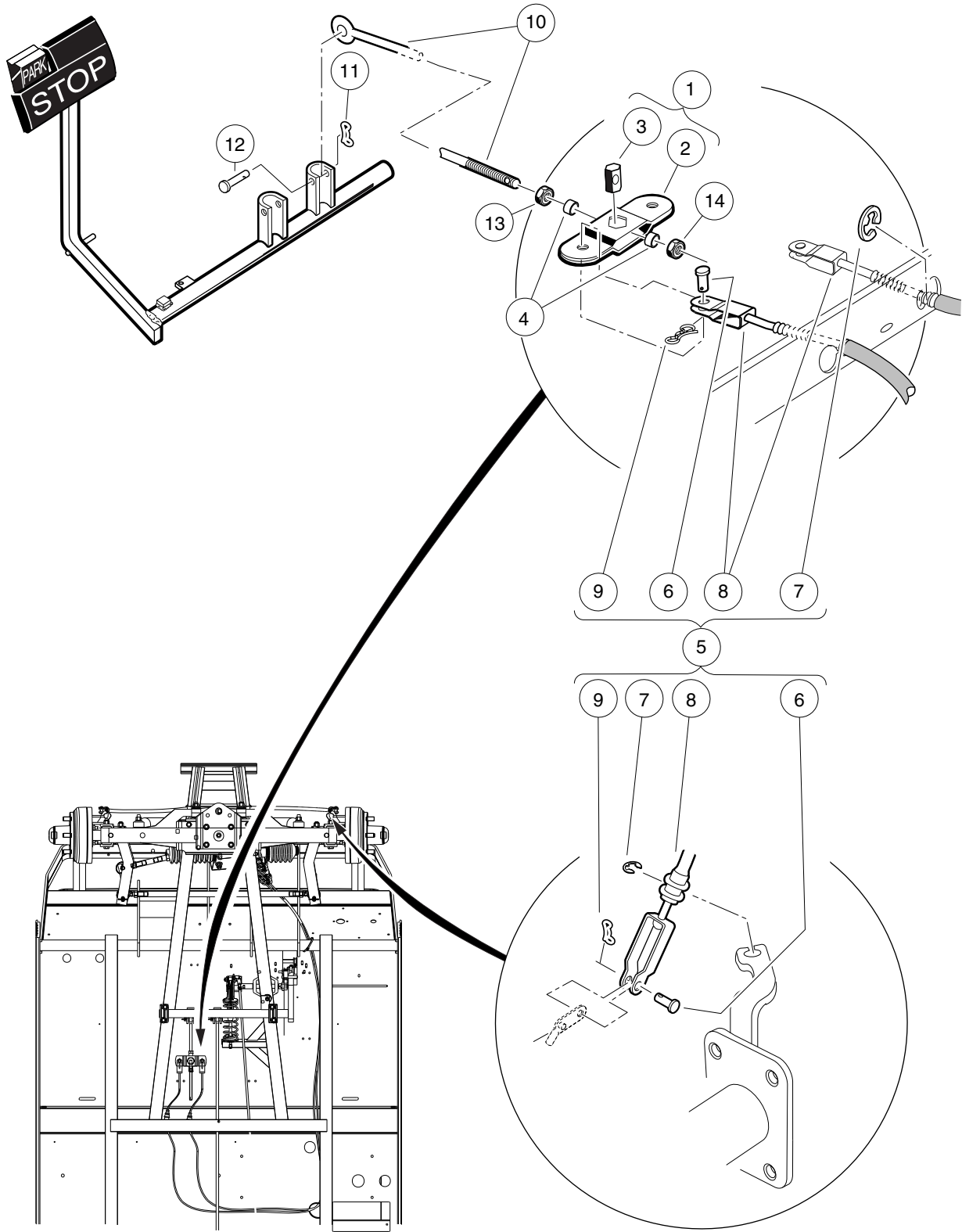
000298-001

FRONT BRAKE ASSEMBLY – VEHICLES WITH FOUR-WHEEL BRAKES

ITEM	PART NO.	DESCRIPTION	QTY
		1 2 3 4	
1	<u>1011137</u>	Drum, Brake	2
2	<u>101146302</u>	Kit, Non-Asbestos Brake Shoe (includes item 3)	1
3	101880701	Shoe Brake Manual Adj (Available in Kit, Non-Asbestos Brake Shoe)	4
4	<u>1011464</u>	Package, Brake Spring (includes item 5)	1
5	1011314	Brake Spring	4
6	<u>1013924</u>	Nut, 5/16-24, Hex Head Cone	8
7	<u>1014153</u>	Bolt, Brake Cluster Mounting	8
8	<u>1016557</u>	Cluster, Brake, Driver-Side (includes items 9 through 24)	1
9	<u>1010850</u>	Dust Cover	1
10	1011314	Brake Spring	2
11	<u>1011465</u>	Kit, Brake Actuator	1
12	<u>1011466</u>	Kit, Shoe Retainer (includes items 13 and 14)	1
13	N/A	Pin	2
14	N/A	Shoe Clamp Spring	2
15	<u>1011467</u>	Kit, Anchor Body (includes items 16 through 21)	1
16	<u>1011114</u>	Nut, M6-1.00 Hex	2
17	1011298	Anchor Piston	2
18	N/A	Adjustment Bolt	1
19	N/A	Anchor Body Component	1
20	<u>1011303</u>	Adjustment Bolt Cap	1
21	<u>451</u>	Lockwasher, 1/4 Split	2
22	1011494	Backing Plate, Left-Hand	1
23	101880701	Shoe Brake Manual Adj (Available in Kit, Non-Asbestos Brake Shoe)	2
24	N/A	Arm, Brake Lever	1
25	<u>1016573</u>	Cluster, Brake, Passenger-Side (includes items 26 through 41)	1
26	<u>1010850</u>	Dust Cover	1
27	<u>1011154</u>	Backing Plate, Right-Hand	1
28	1011314	Brake Spring	2
29	<u>1011465</u>	Kit, Brake Actuator	1
30	<u>1011466</u>	Kit, Shoe Retainer (includes items 31 and 32)	1
31	N/A	Pin	2
32	N/A	Shoe Clamp Spring	2
33	<u>1011467</u>	Kit, Anchor Body (includes items 34 through 39)	1
34	<u>1011114</u>	Nut, M6-1.00 Hex	2
35	1011298	Anchor Piston	2
36	N/A	Adjustment Bolt	1
37	N/A	Anchor Body Component	1
38	<u>1011303</u>	Adjustment Bolt Cap	1
39	<u>451</u>	Lockwasher, 1/4 Split	2
40	101880701	Shoe Brake Manual Adj (Available in Kit, Non-Asbestos Brake Shoe)	2
41	N/A	Arm, Brake Lever	1
<p>Note: Passenger-side brake cluster not shown. Components have a similar appearance to driver-side brake cluster components.</p>			

5
G
E

5
G
E



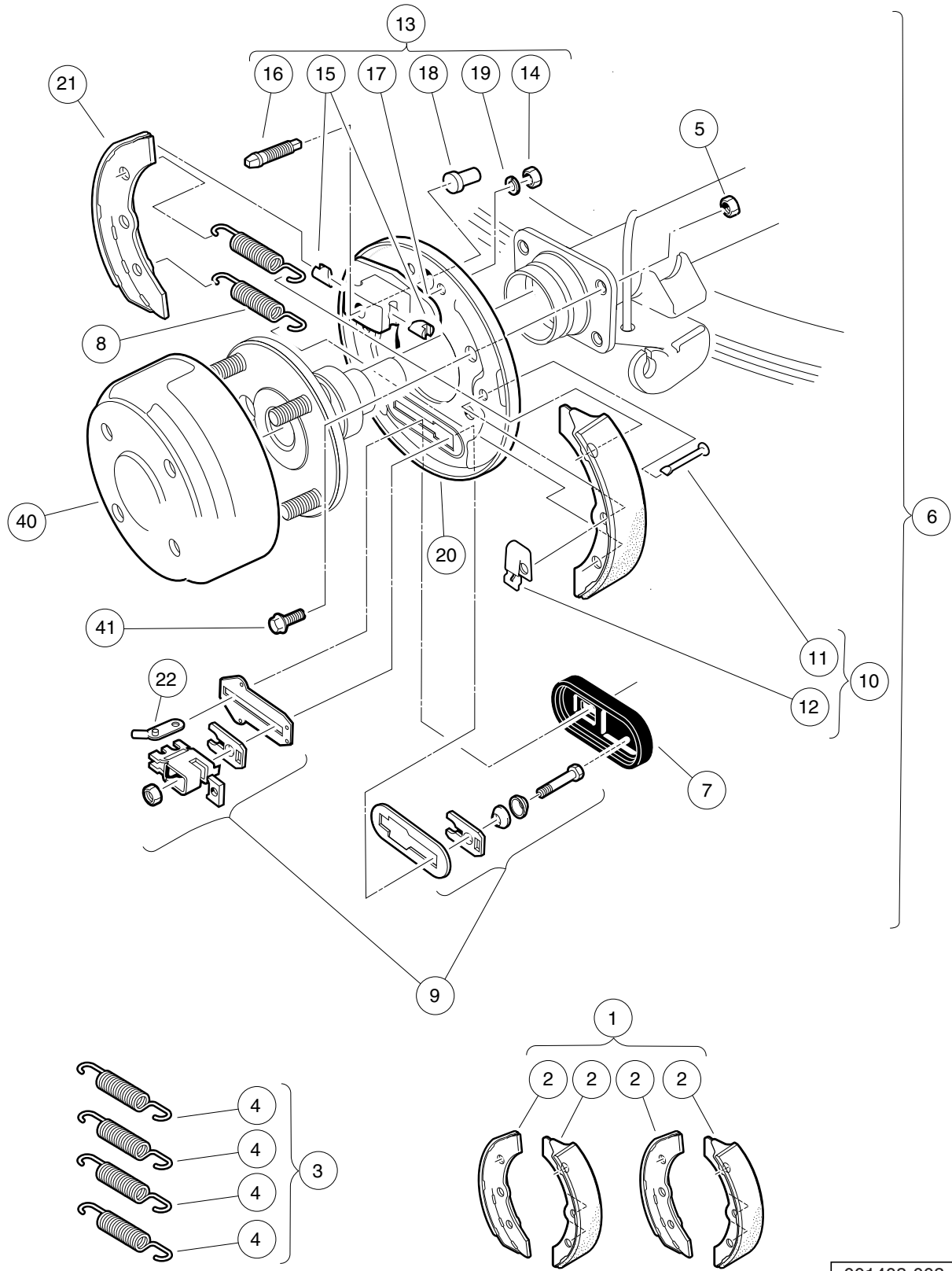
000294-001

FRONT BRAKE CABLES AND EQUALIZER – VEHICLES WITH FOUR-WHEEL BRAKES

ITEM	PART NO.	DESCRIPTION	QTY
		1 2 3 4	
1	<u>1017211</u>	Kit, Equalizer and Pivot Limiter (includes items 2 and 3)	1
2	1016319	Equalizer Weld Assembly	1
3	1016320	Equalizer, Pivot Limiter	1
4	<u>101865301</u>	Spacer	2
5	<u>101874601</u>	Kit, Brake Cable (includes items 6 through 9)	1
6	<u>1010829</u>	Pin, Clevis, 5/16 X 3/4	4
7	<u>1011779</u>	E-Clip, 1/2	4
8	N/A	Brake Cable	2
9	<u>102292801</u>	Pin, Bow Tie Locking - .072	4
10	<u>101953106</u>	Rod, Equalizer, 9.75"	1
11	<u>102323101</u>	Pin, Bow Tie Locking	1
12	<u>102323201</u>	Pin, 3/8 X 1-5/16 Clevis	1
13	<u>1242</u>	Nut, 5/16-18 Hex	1
14	<u>7473</u>	Locknut, 5/16-18 Nylon Insert	1

5
G
E

5
G
E



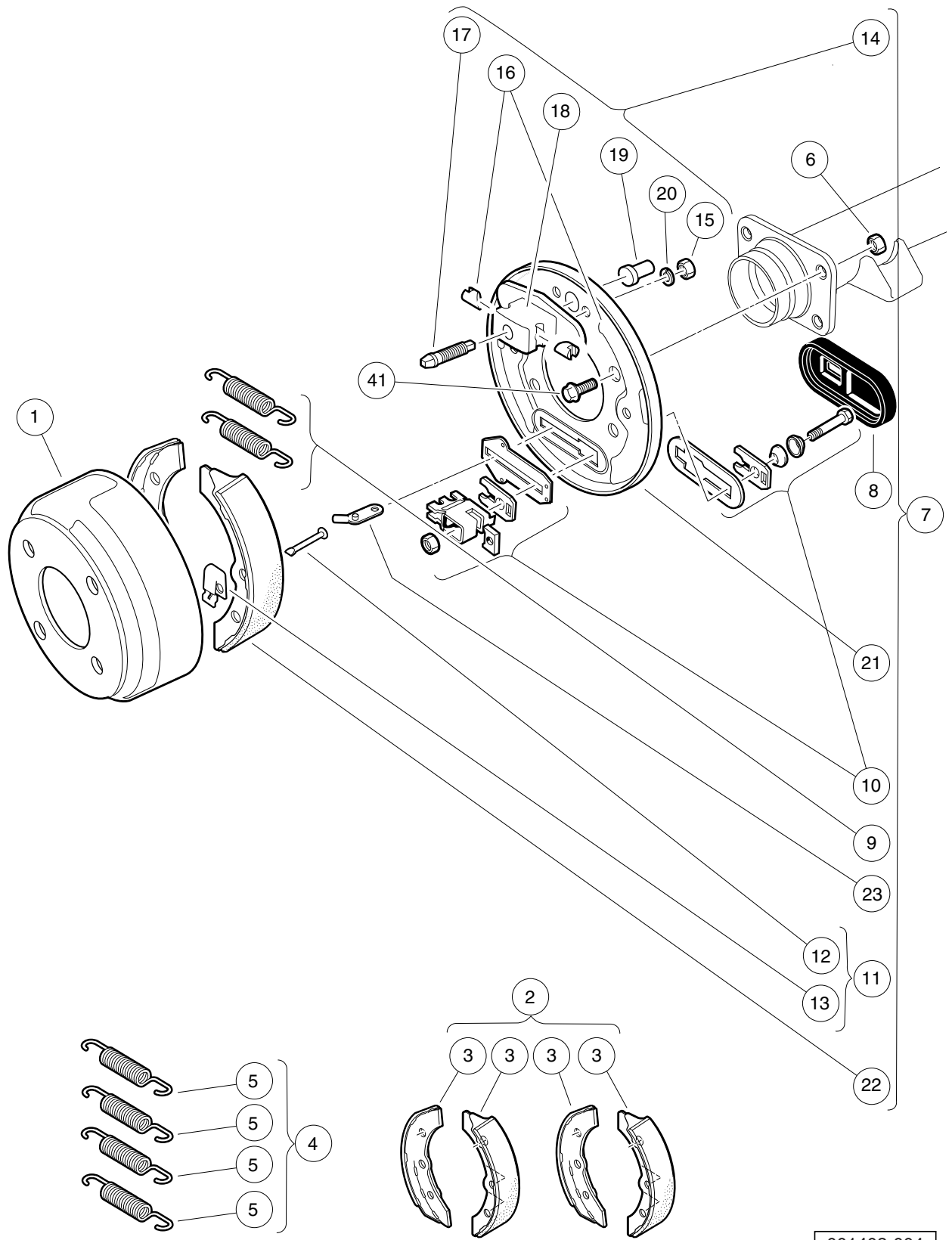
001403-003

REAR BRAKES, MANUALLY-ADJUSTED – ELEC. VEHICLES WITH 4-WHEEL BRAKES

ITEM	PART NO.	DESCRIPTION	QTY
		1 2 3 4	
1	<u>101146302</u>	Kit, Non-Asbestos Brake Shoe (includes item 2)	1
2	101880701	Shoe Brake Manual Adj (Available in Kit, Non-Asbestos Brake Shoe)	4
3	<u>1011464</u>	Package, Brake Spring (includes item 4)	1
4	1011314	Brake Spring	4
5	<u>1013924</u>	Nut, 5/16-24, Hex Head Cone	8
6	<u>1016557</u>	Cluster, Brake, Driver-Side (includes items 7 through 22)	1
7	<u>1010850</u>	Dust Cover	1
8	1011314	Brake Spring	2
9	<u>1011465</u>	Kit, Brake Actuator	1
10	<u>1011466</u>	Kit, Shoe Retainer (includes items 11 and 12)	1
11	N/A	Pin	2
12	N/A	Shoe Clamp Spring	2
13	<u>1011467</u>	Kit, Anchor Body (includes items 14 through 19)	1
14	<u>1011114</u>	Nut, M6-1.00 Hex	2
15	1011298	Anchor Piston	2
16	N/A	Adjustment Bolt	1
17	N/A	Anchor Body Component	1
18	<u>1011303</u>	Adjustment Bolt Cap	1
19	<u>451</u>	Lockwasher, 1/4 Split	2
20	1011494	Backing Plate, Left-Hand	1
21	101880701	Shoe Brake Manual Adj (Available in Kit, Non-Asbestos Brake Shoe)	2
22	N/A	Arm, Brake Lever	1
23	<u>1016573</u>	Cluster, Brake, Passenger-Side (includes items 24 through 39)	1
24	<u>1010850</u>	Dust Cover	1
25	<u>1011154</u>	Backing Plate, Right-Hand	1
26	1011314	Brake Spring	2
27	<u>1011465</u>	Kit, Brake Actuator	1
28	<u>1011466</u>	Kit, Shoe Retainer (includes items 29 and 30)	1
29	N/A	Pin	2
30	N/A	Shoe Clamp Spring	2
31	<u>1011467</u>	Kit, Anchor Body (includes items 32 through 37)	1
32	<u>1011114</u>	Nut, M6-1.00 Hex	2
33	1011298	Anchor Piston	2
34	N/A	Adjustment Bolt	1
35	N/A	Anchor Body Component	1
36	<u>1011303</u>	Adjustment Bolt Cap	1
37	<u>451</u>	Lockwasher, 1/4 Split	2
38	101880701	Shoe Brake Manual Adj (Available in Kit, Non-Asbestos Brake Shoe)	2
39	N/A	Arm, Brake Lever	1
40	<u>101791101</u>	Drum without Center Hole, Brake	2
41	<u>47542195001</u>	Bolt, Brake Cluster Mnt	8
		Note: Passenger-side brake cluster (items 24-40) not shown. Components have a similar appearance to driver-side brake cluster components.	

5
G
E

5
G
E

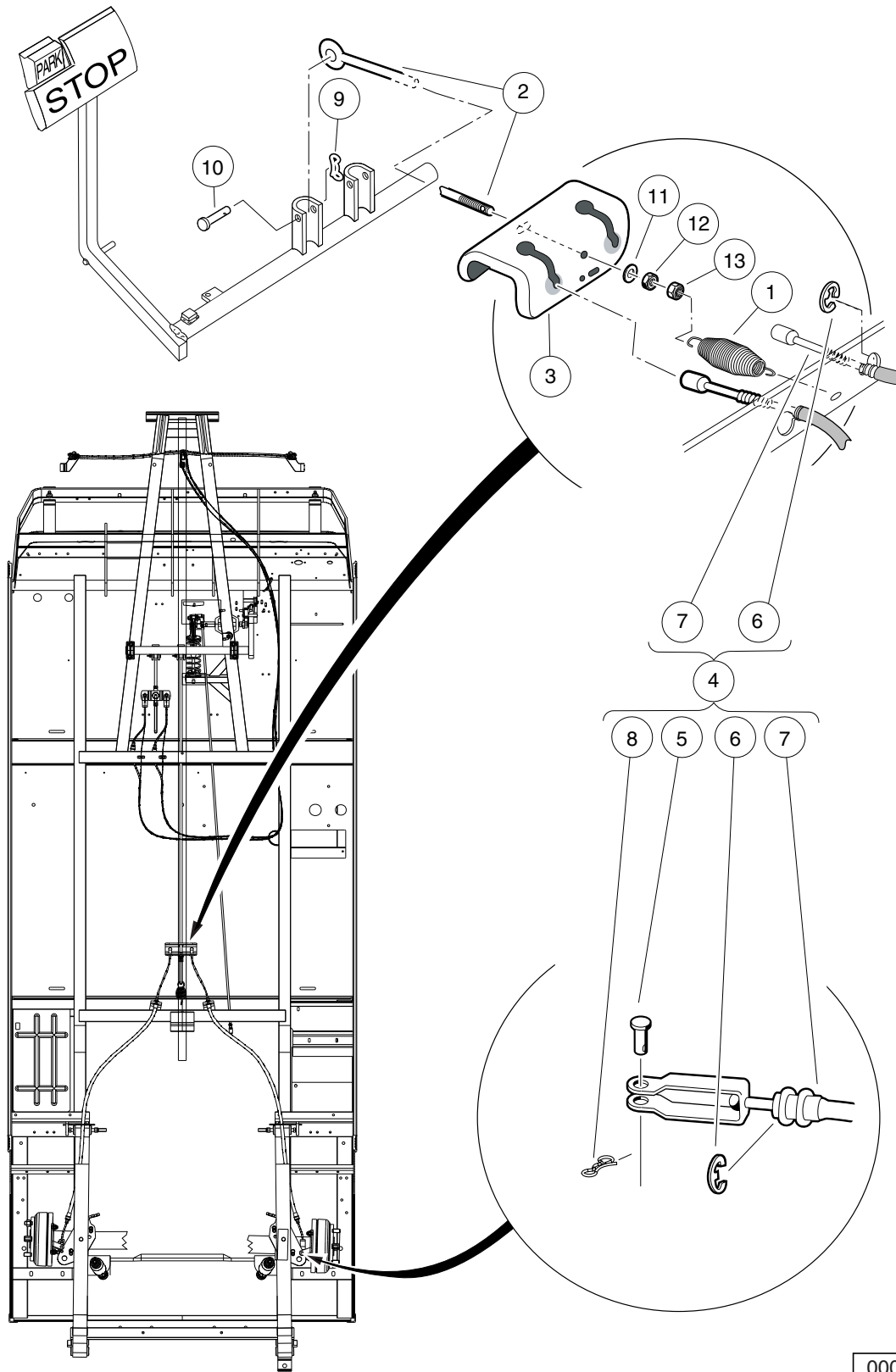


001403-004

REAR BRAKES, MANUALLY-ADJUSTED – GAS VEHICLES WITH 4-WHEEL BRAKES

ITEM	PART NO.	DESCRIPTION	QTY	
		1 2 3 4		5
1	<u>1011137</u>	Drum, Brake	2	G
2	<u>101146302</u>	Kit, Non-Asbestos Brake Shoe (includes item 3)	1	E
3	101880701	Shoe Brake Manual Adj (Available in Kit, Non-Asbestos Brake Shoe)	4	
4	<u>1011464</u>	Package, Brake Spring (includes item 5)	1	
5	1011314	Brake Spring	4	
6	<u>1013924</u>	Nut, 5/16-24, Hex Head Cone	8	
7	<u>1016557</u>	Cluster, Brake, Driver-Side (includes items 8 through 23)	1	
8	<u>1010850</u>	Dust Cover	1	
9	1011314	Brake Spring	2	
10	<u>1011465</u>	Kit, Brake Actuator	1	
11	<u>1011466</u>	Kit, Shoe Retainer (includes items 12 and 13)	1	
12	N/A	Pin	2	
13	N/A	Shoe Clamp Spring	2	
14	<u>1011467</u>	Kit, Anchor Body (includes items 15 through 20)	1	
15	<u>1011114</u>	Nut, M6-1.00 Hex	2	
16	1011298	Anchor Piston	2	
17	N/A	Adjustment Bolt	1	
18	N/A	Anchor Body Component	1	
19	<u>1011303</u>	Adjustment Bolt Cap	1	
20	<u>451</u>	Lockwasher, 1/4 Split	2	
21	1011494	Backing Plate, Left-Hand	1	
22	101880701	Shoe Brake Manual Adj (Available in Kit, Non-Asbestos Brake Shoe)	2	
23	N/A	Arm, Brake Lever	1	
24	<u>1016573</u>	Cluster, Brake, Passenger-Side (includes items 25 through 40)	1	
25	<u>1010850</u>	Dust Cover	1	
26	<u>1011154</u>	Backing Plate, Right-Hand	1	
27	1011314	Brake Spring	2	
28	<u>1011465</u>	Kit, Brake Actuator	1	
29	<u>1011466</u>	Kit, Shoe Retainer (includes items 30 and 31)	1	
30	N/A	Pin	2	
31	N/A	Shoe Clamp Spring	2	
32	<u>1011467</u>	Kit, Anchor Body (includes items 33 through 38)	1	
33	<u>1011114</u>	Nut, M6-1.00 Hex	2	
34	1011298	Anchor Piston	2	
35	N/A	Adjustment Bolt	1	
36	N/A	Anchor Body Component	1	
37	<u>1011303</u>	Adjustment Bolt Cap	1	
38	<u>451</u>	Lockwasher, 1/4 Split	2	
39	101880701	Shoe Brake Manual Adj (Available in Kit, Non-Asbestos Brake Shoe)	2	
40	N/A	Arm, Brake Lever	1	
41	<u>47542195001</u>	Bolt, Brake Cluster Mnt	8	
		Note: Passenger-side brake cluster (items 25-41) not shown. Components have a similar appearance to driver-side brake cluster components.		

5
G
E



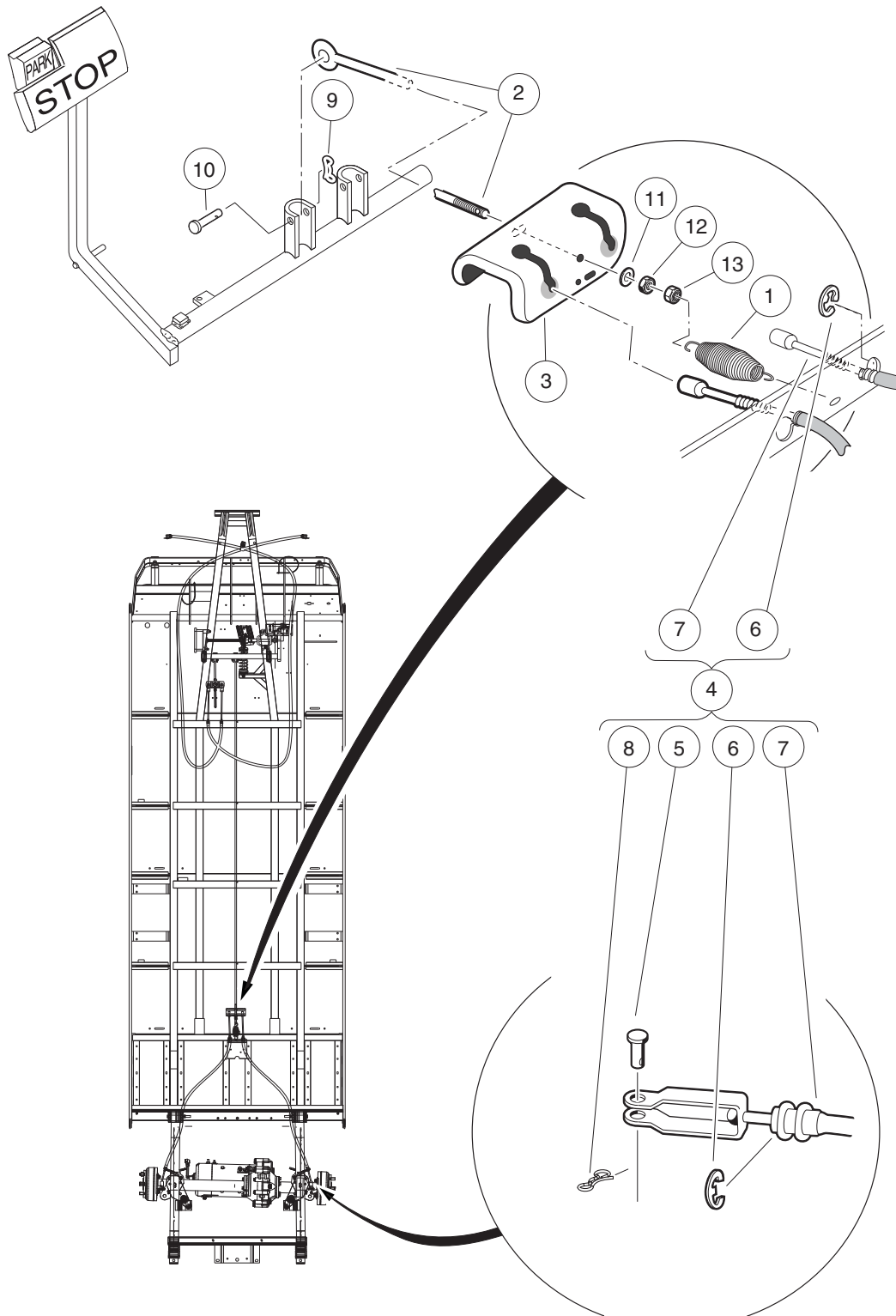
000296-004

REAR BRAKE CABLES AND EQUALIZER – TURF/CARRYALL 6 & VILLAGER 6

ITEM	PART NO.	DESCRIPTION	QTY
		1 2 3 4	
1	<u>1013531</u>	Spring, Brake Return	1
2	101953103	Rod, Equalizer, 41.91"	1
3	<u>101990801</u>	Equalizer Bracket	1
4	<u>102166901</u>	Kit, Brake Cable Rear (includes items 5 through 8)	1
5	<u>1010829</u>	Pin, Clevis, 5/16 X 3/4	2
6	<u>1011779</u>	E-Clip, 1/2	4
7	102162601	Cable, Brake	2
8	<u>102292801</u>	Pin, Bow Tie Locking - .072	2
9	<u>102323101</u>	Pin, Bow Tie Locking	1
10	<u>102323201</u>	Pin, 3/8 X 1-5/16 Clevis	1
11	<u>1241</u>	Washer, 5/16 Type A Flat	1
12	<u>1242</u>	Nut, 5/16-18 Hex	1
13	<u>7473</u>	Locknut, 5/16-18 Nylon Insert	1

5
G
E

5
G
E



000296-003

REAR BRAKE CABLES AND EQUALIZER – VILLAGER 8

ITEM	PART NO.	DESCRIPTION	QTY	
		1 2 3 4		5
1	<u>1013531</u>	Spring, Brake Return	1	G
2	<u>101953104</u>	Rod, Equalizer	1	E
3	<u>101990801</u>	Equalizer Bracket	1	
4	<u>102166901</u>	Kit, Brake Cable Rear (includes items 5 through 8)	1	
5	<u>1010829</u>	Pin, Clevis, 5/16 X 3/4	2	
6	<u>1011779</u>	E-Clip, 1/2	4	
7	<u>102162601</u>	Cable, Brake	2	
8	<u>102292801</u>	Pin, Bow Tie Locking - .072	2	
9	<u>102323101</u>	Pin, Bow Tie Locking	1	
10	<u>102323201</u>	Pin, 3/8 X 1-5/16 Clevis	1	
11	<u>1241</u>	Washer, 5/16 Type A Flat	1	
12	<u>1242</u>	Nut, 5/16-18 Hex	1	
13	<u>7473</u>	Locknut, 5/16-18 Nylon Insert	1	

5

G

E

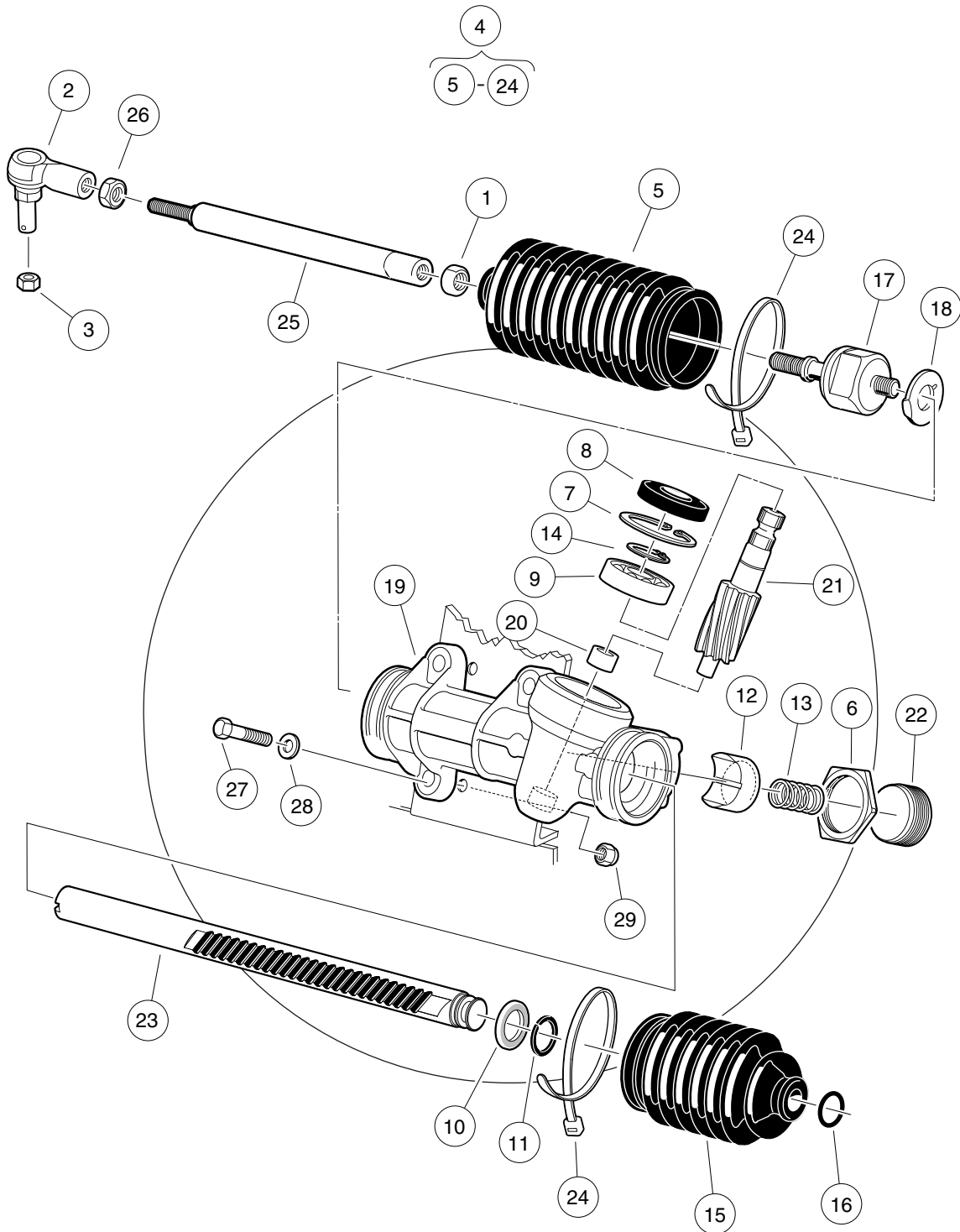
STEERING AND SUSPENSIONS

6

G

E

6
G
E



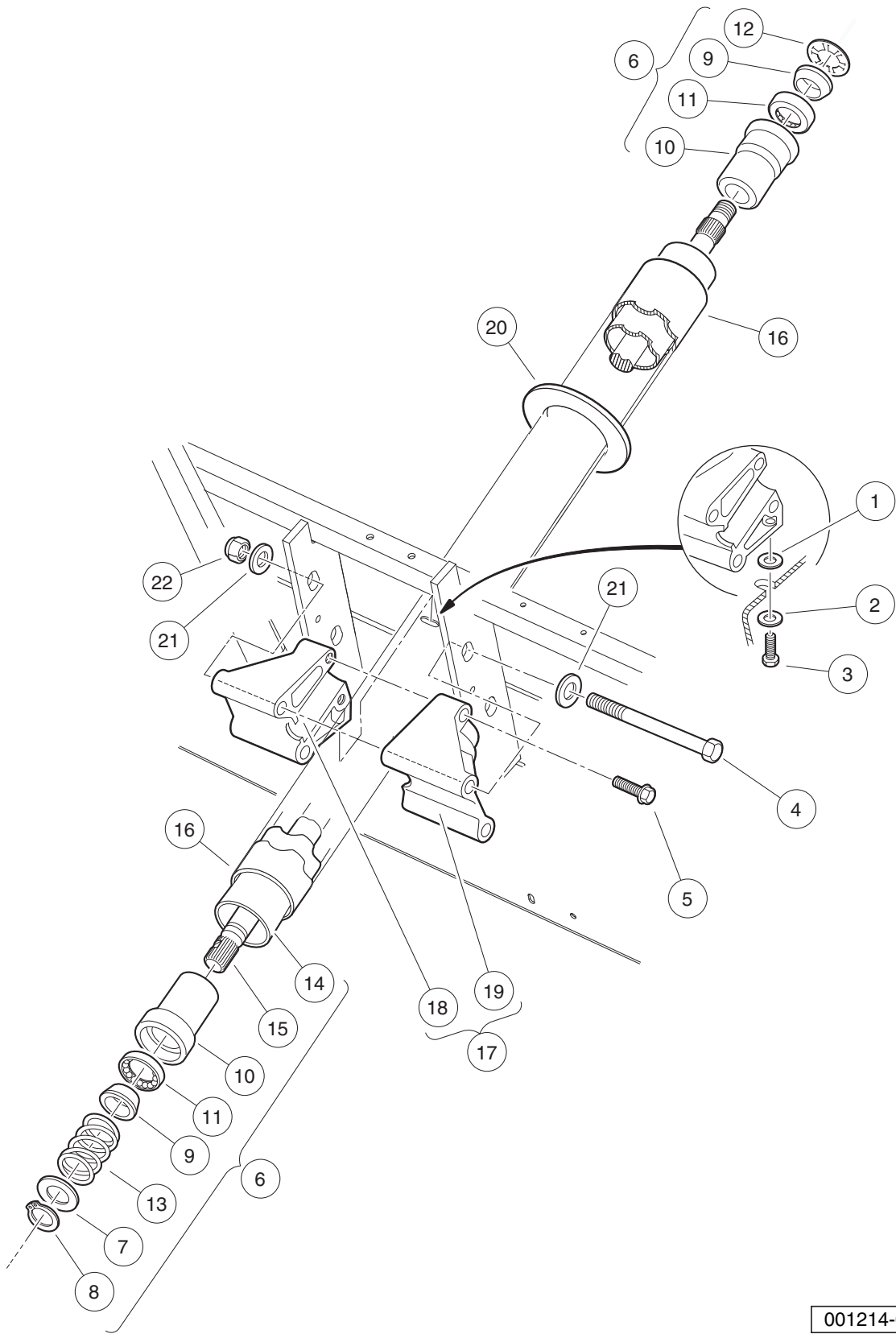
001500-002

STEERING GEAR ASSEMBLY (WANDA) – MAINT.-FREE BALL JOINT

ITEM	PART NO.	DESCRIPTION	QTY
		1 2 3 4	
1	1013042	Nut, 12mm Hex	1
2	<u>102022602</u>	End, Tie Rod, M12 X 1.25, Lh	1
3	<u>102289201</u>	Nut - Hex Locking, M12 X 1.25	1
4	<u>103601501</u>	Asm, Steering Rack And Pinion (includes items 5 through 24)	1
5	<u>1013035</u>	Bellows, Long	1
6	<u>1013044</u>	Rack Screw Locknut	1
7	N/A	Snap Ring	1
8	<u>1013052</u>	Seal, Steering Pinion Dust	1
9	<u>101879401</u>	Bearing, Ball	1
10	<u>101879501</u>	Stop Washer	1
11	101879601	Stop Ring, C-Type	1
12	<u>101879701</u>	Support Yoke	1
13	<u>101879801</u>	Rack Guide Pressure Spring	1
14	<u>101879901</u>	Ring, Stop, C-Type	1
15	<u>101880001</u>	Bellows, Short	1
16	101880101	Dust Seal Retaining Ring	1
17	<u>101880201</u>	Inner Ball Joint Asm	1
18	101880301	Washer, Tab	1
19	N/A	Box, Steering Gear	1
20	N/A	Bearing, Lower Pinion	1
21	N/A	Pinion, Steering	1
22	N/A	Screw, Rack Guide	1
23	N/A	Rack, Steering	1
24	<u>8990</u>	Tie Wrap, 8" Nylon	2
25	<u>103653401</u>	Link, Drag, Male Thd	1
26	<u>103653501</u>	Nut, Jam, M12-1.25, Lh	1
27	<u>1624</u>	Screw, 3/8-16 X 1.50, Hex-Head Cap	3
28	<u>334</u>	Washer, 3/8, Type A, Flat	3
29	<u>8754</u>	Locknut, 3/8-16 Hex	3

6
G
E

6
G
E



001214-001

STEERING COLUMN – UTILITY

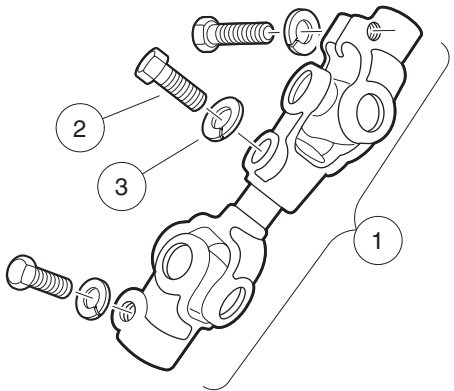
ITEM	PART NO.	DESCRIPTION	QTY
		1 2 3 4	
1	<u>1011578</u>	Washer, 5/16 Type B Flat	1
2	<u>1011697</u>	Washer, 5/16 Flat	1
3	<u>1014288</u>	Screw, 5/16-18 X 0.75, Thread-Forming	1
4	<u>1016183</u>	Screw, 3/8-16 X 7.00 Hex Cap	2
5	<u>1016269</u>	Screw, 5/16-18 Thrd Forming	2
6	<u>1017313</u>	Steering Shaft Assembly (includes items 7 through 15)	1
7	<u>1012604</u>	Washer, 0.675 ID X 1.19 OD	1
8	<u>1012605</u>	Ring, 0.579 Internal Retaining	1
9	1014125	Wedge, Molded	2
10	<u>1014126</u>	Seat, Plastic Bearing	2
11	<u>1014213</u>	Bearing, Ball	2
12	1014214	Ring, Retaining	1
13	<u>1014217</u>	Spring, Steering Shaft	1
14	<u>1017314</u>	Column, Aluminum Steering	1
15	<u>1017315</u>	Shaft Steering Column	1
16	<u>1017317</u>	Tube Cover, Steering Column	1
17	101984801	Kit, Steering Column Mounting Bracket (includes items 18 and 19)	1
18	N/A	Bracket, RH Steering Column Mount	1
19	N/A	Bracket, LH Steering column mount	1
20	<u>102278001</u>	Boot, Steering Column Round	1
21	<u>334</u>	Washer, 3/8, Type A, Flat	4
22	<u>8754</u>	Locknut, 3/8-16 Hex	2

6
G
E

6

G

E



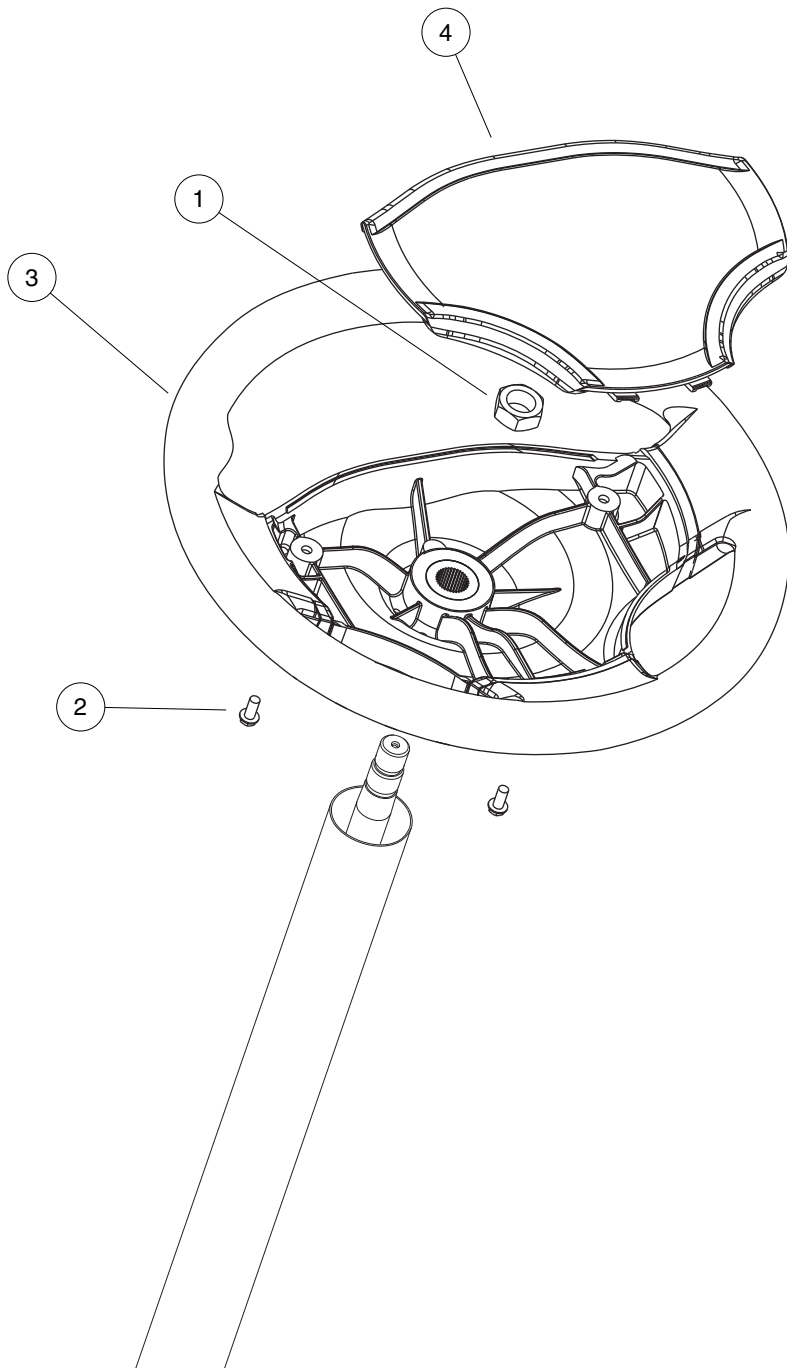
001217-001

INTERMEDIATE STEERING SHAFT (WANDA) – TURF/CA/ VILLAGER

ITEM	PART NO.	DESCRIPTION	QTY
		1 2 3 4	
1	<u>103601601</u>	Shaft, Intermediate Steering (includes items 2 and 3)	1
2	<u>1017226</u>	Bolt, Hex-Head, 8mm X 1.25 - 30	3
3	<u>7174</u>	Lockwasher, 5/16 Split	3

6
G
E

6
G
E



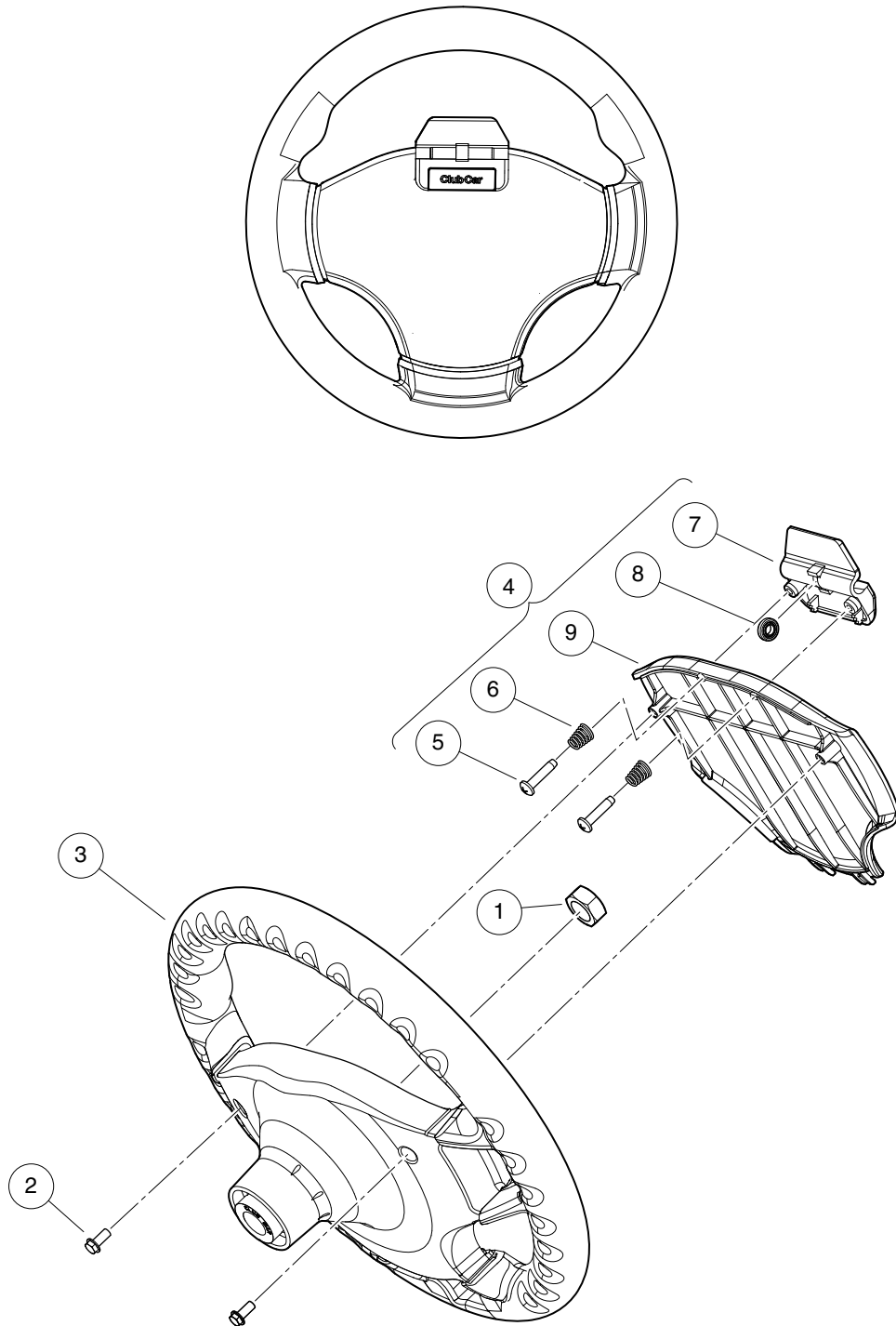
000246-007

STEERING WHEEL

ITEM	PART NO.	DESCRIPTION	QTY
		1 2 3 4	
1	<u>1017273</u>	Nut, 5/8-18 Nylon Insert Jam	1
2	<u>101850301</u>	Screw, #12-16 X 0.50 Washer-Head Hi-Lo	2
3	<u>103724502</u>	Wheel, Steering, Splined	1
4	<u>103724602</u>	Cover, Steering Wheel, Generic	1

6
G
E

6
G
E



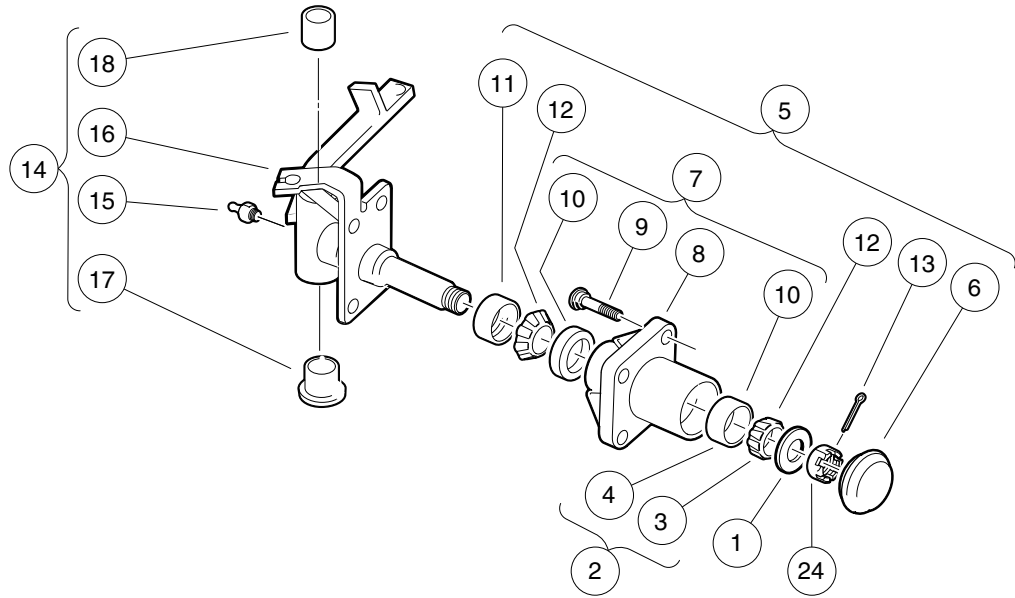
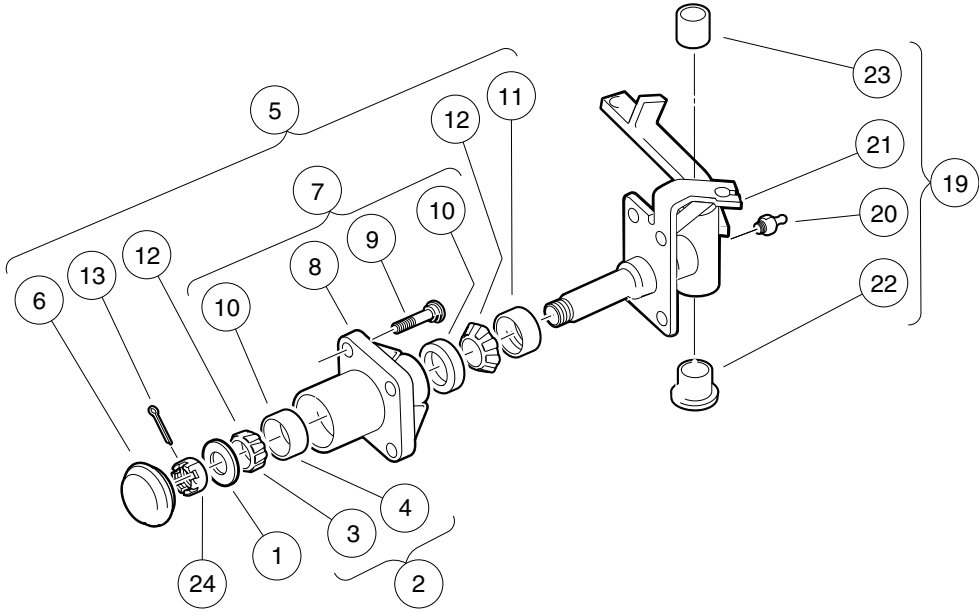
001504-001

STEERING WHEEL WITH CLIP

ITEM	PART NO.	DESCRIPTION	QTY
		1 2 3 4	
1	<u>1017273</u>	Nut, 5/8-18 Nylon Insert Jam	1
2	<u>101850301</u>	Screw, #12-16 X 0.50 Washer-Head Hi-Lo	2
3	<u>103724502</u>	Wheel, Steering, Splined	1
4	<u>103724901</u>	Asm, Scorecard, Clip (includes items 5 through 9)	1
5	<u>1012565</u>	Screw, #12 Phillips Round Head	2
6	<u>1012566</u>	Tapered Compression Spring	2
7	1016154	Clip, Scorecard	1
8	<u>1016214</u>	Pencil Grip	1
9	103724601	Cover, Steering Wheel, Clip	1

6
G
E

6
G
E



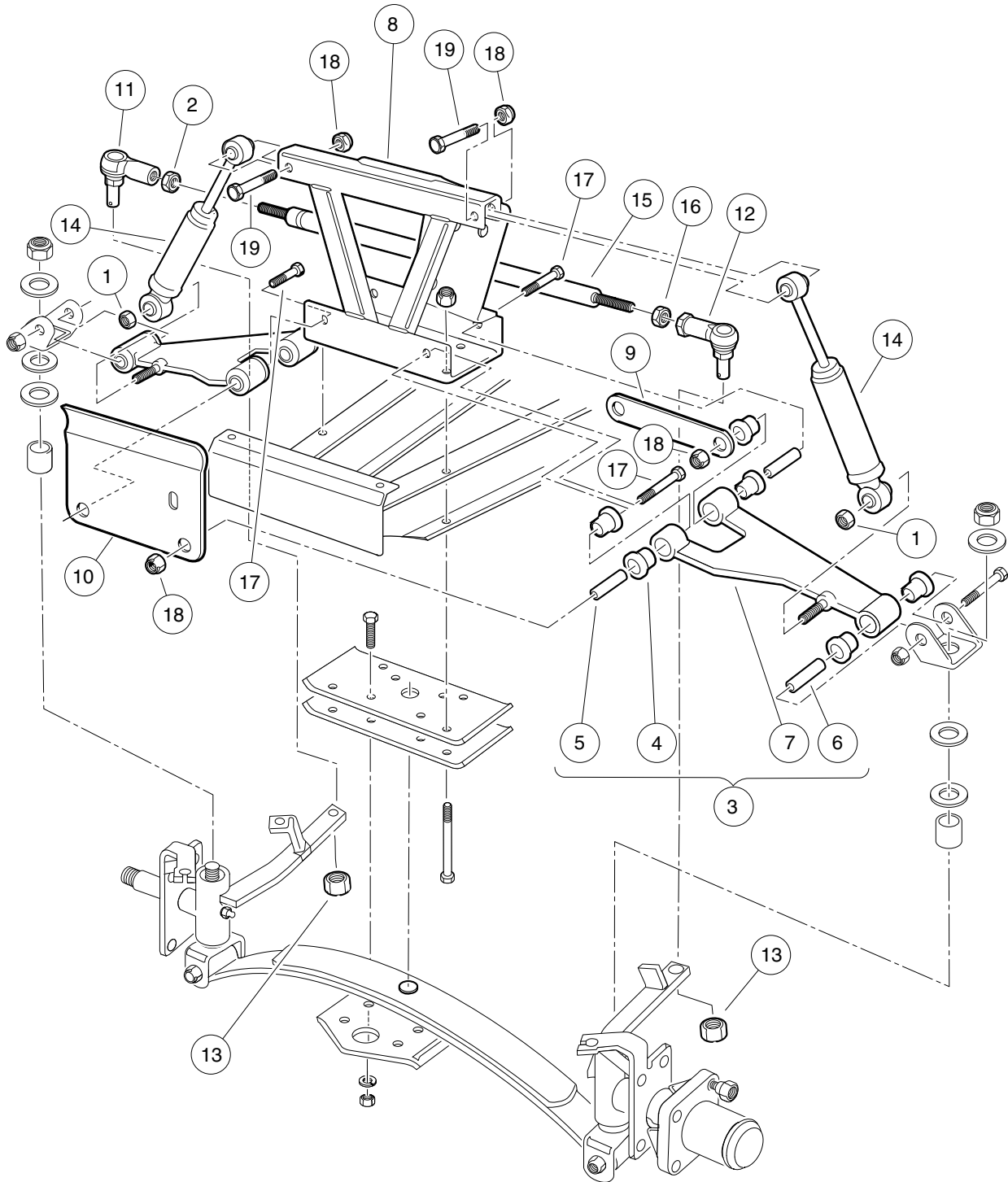
000310-002

FRONT SPINDLES AND HUBS – VEHICLES WITH FOUR-WHEEL BRAKES AND MAINTENANCE-FREE BALL JOINTS

ITEM	PART NO.	DESCRIPTION	QTY
		1 2 3 4	
1	<u>1010005</u>	Washer, 3/4 Flat	2
2	<u>1011393</u>	Hub Bearing Package (includes items 3 and 4)	4
3	<u>7274</u>	Bearing, Front Hub Wheel	1
4	<u>7308</u>	Race, Front Hub Bearing	1
5	<u>1011892</u>	Hub Assembly (includes items 6 through 13)	2
6	<u>1011887</u>	Dust Cover	1
7	N/A	Hub (includes items 8 through 10)	1
8	N/A	Front Hub	1
9	<u>103477901</u>	Lug Stud, 1/2-20 Unf, 4037	4
10	<u>7308</u>	Race, Front Hub Bearing	2
11	<u>1013135</u>	Seal, Double Lip	1
12	<u>7274</u>	Bearing, Front Hub Wheel	2
13	<u>7910</u>	Pin, 5/32 X 1.00 Cotter	1
14	<u>103717302</u>	Asm, Spindle, Lh, 4wb, Sp (includes items 15 through 18)	1
15	<u>1015597</u>	Fitting, 1/4-28 Thread-Forming Grease	1
16	N/A	Subasm, Spindle, Lh, 4wb	1
17	<u>7048</u>	Bushing, Flanged Bronze	1
18	<u>8067</u>	Bushing, Bronze Spindle	1
19	<u>103717402</u>	Asm, Spindle, Rh, 4wb, Sp (includes items 20 through 23)	1
20	<u>1015597</u>	Fitting, 1/4-28 Thread-Forming Grease	1
21	N/A	Subasm, Spindle, Rh, 4wb	1
22	<u>7048</u>	Bushing, Flanged Bronze	1
23	<u>8067</u>	Bushing, Bronze Spindle	1
24	<u>7840</u>	Nut, 3/4-16 Hex Slotted	2

6
G
E

6
G
E



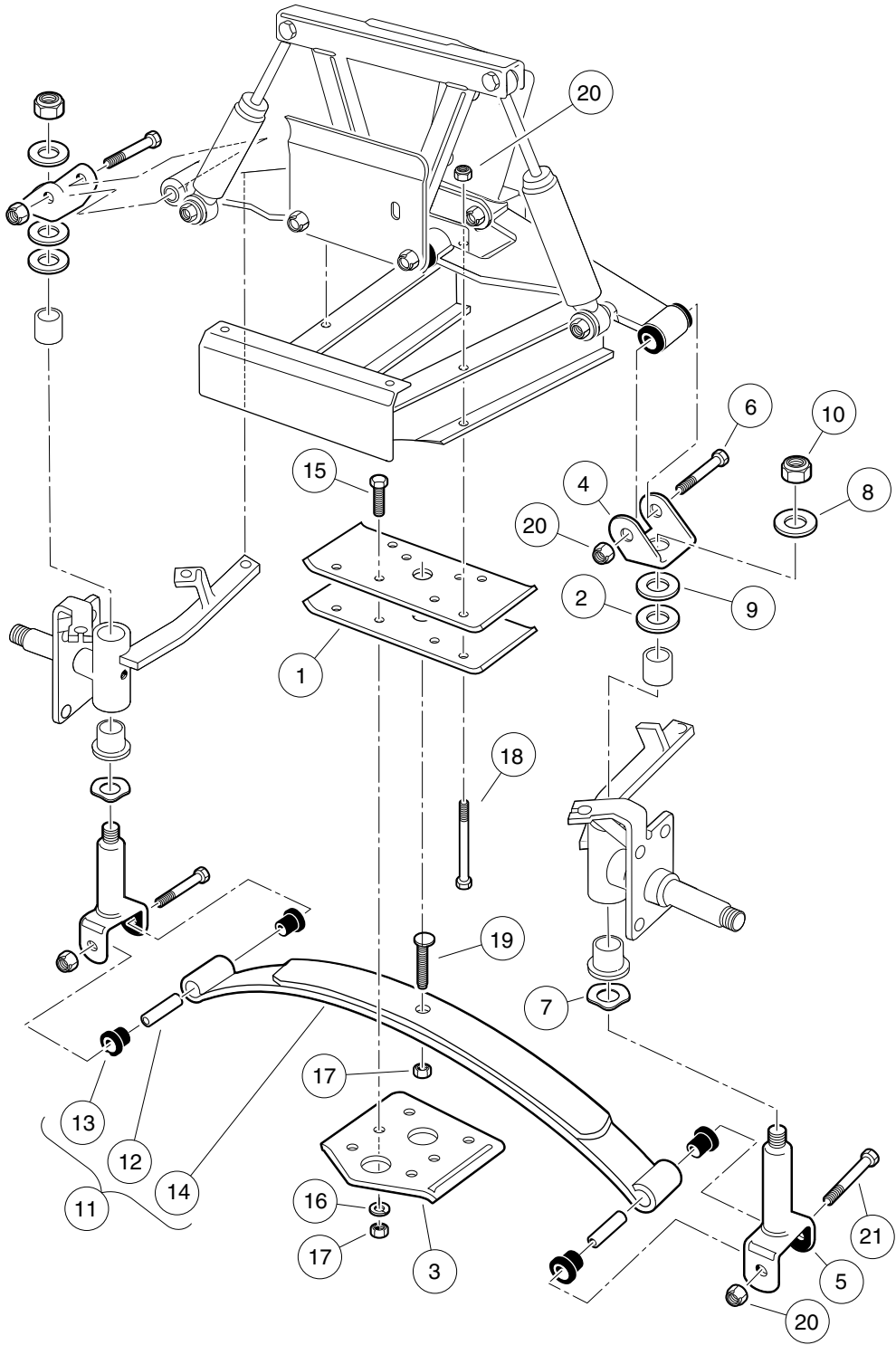
001265-001

FRONT SUSPENSION, UPPER – VILLAGER 6 AND 8 WITH MAINTENANCE-FREE BALL

ITEM	PART NO.	DESCRIPTION	QTY
		1 2 3 4	
1	<u>1010138</u>	Locknut, 3/8-16 Dimpled	2
2	<u>1013042</u>	Nut, 12mm Hex	1
3	<u>1016353</u>	Sub-Assembly, Delta A-Plate (includes items 4 through 7)	2
4	<u>1016346</u>	Bushing, Urethane	6
5	<u>1016349</u>	Sleeve, Delta Inner	2
6	<u>1016350</u>	Sleeve, Delta Outer	1
7	<u>1016351</u>	Delta A-Plate	1
8	<u>1016385</u>	Delta Shock and Gear Support Assembly	1
9	<u>1017266</u>	A-Plate Strap	1
10	<u>101955001</u>	Brake Cable Guide Bracket	1
11	<u>102022601</u>	End, Tie Rod M12 X 1.25 Rh	1
12	<u>102022602</u>	End, Tie Rod, M12 X 1.25, Lh	1
13	<u>102289201</u>	Nut - Hex Locking, M12 X 1.25	3
14	<u>103351001</u>	Shock Absorber, Front, Common	2
15	<u>103354701</u>	Rod, Tie, Male Thd	1
16	<u>103653501</u>	Nut, Jam, M12-1.25, Lh	1
17	<u>2402</u>	Screw, 3/8-16 X 2.25 Hx Hd Cap	4
18	<u>8754</u>	Locknut, 3/8-16 Hex	13
19	<u>8861</u>	Bolt, 3/8-16 X 1.75 Hex	2

6
G
E

6
G
E

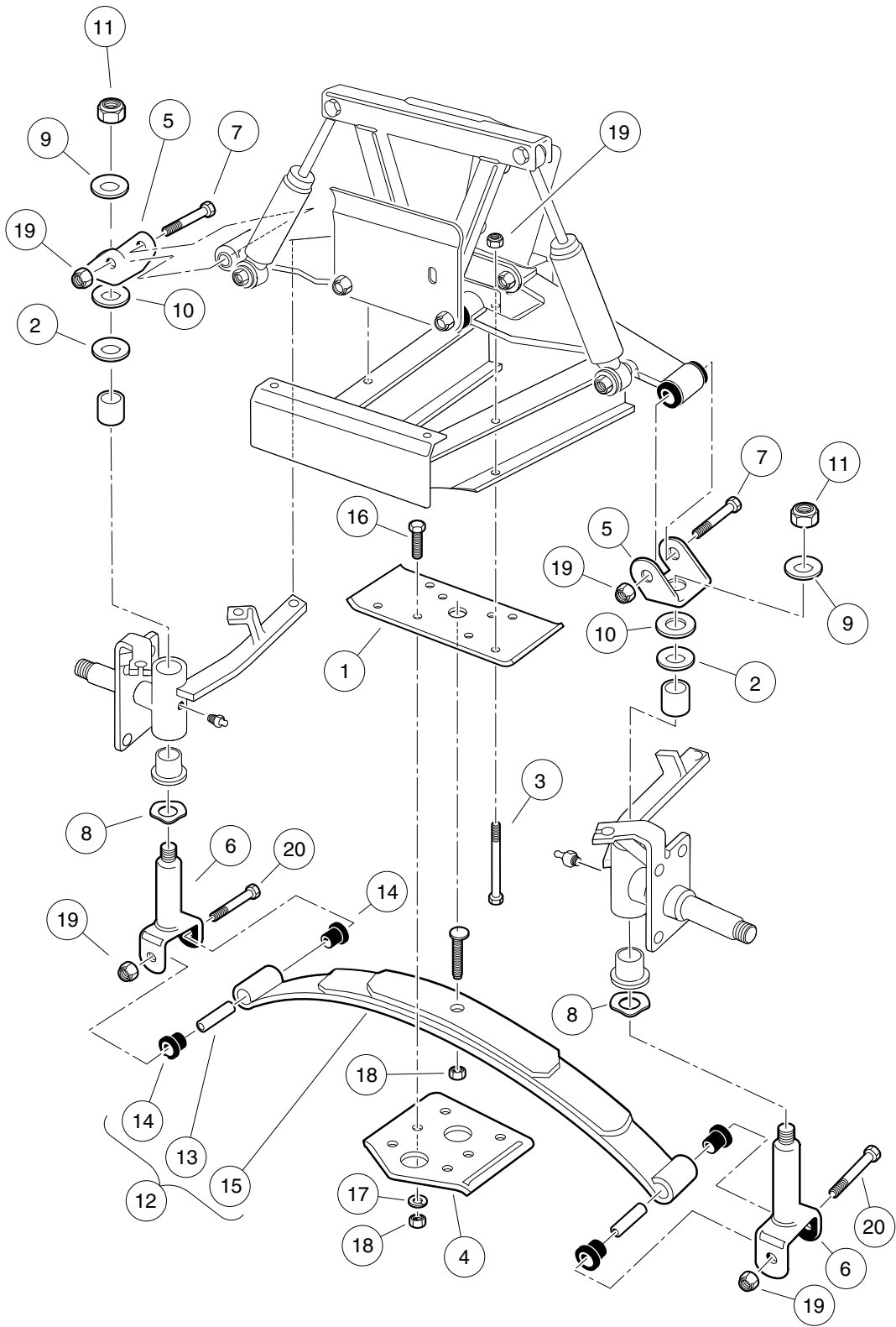


001266-001

FRONT SUSPENSION, LOWER – VILLAGER 6 WITH MAINTENANCE-FREE BALL

ITEM	PART NO.	DESCRIPTION	QTY	6
		1 2 3 4		G
1	<u>1010124</u>	Plate, Spring Mount	2	E
2	<u>1010150</u>	Bearing, Thrust	2	
3	<u>1014276</u>	Plate, Front Spring Retainer	1	
4	<u>1016384</u>	Clevis, Delta Upper	2	
5	<u>1016386</u>	King Pin Assembly	2	
6	<u>1016387</u>	Screw, 3/8-16 X 2.75 Hx Hd Cap	2	
7	<u>1016389</u>	Washer, 1.125 Od Wave	2	
8	<u>102564002</u>	Washer-1/2 Conical, Yellow	2	
9	<u>102684501</u>	Washer, M12 Hard Regular	2	
10	<u>102766301</u>	Nut, 1/2-20, Center Lock	2	
11	<u>103628801</u>	Spring Asm, Front, 2 Leaf (includes items 12 through 14)	1	
12	<u>1012303</u>	Bushing, Steel	2	
13	<u>1015583</u>	Bushing, Urethane	4	
14	<u>103502701</u>	Spring, Front, 2 Leaf	1	
15	<u>2402</u>	Screw, 3/8-16 X 2.25 Hx Hd Cap	4	
16	<u>357</u>	Lockwasher, 3/8 Split	4	
17	<u>706</u>	Nut, Hex 3/8-16	5	
18	<u>7270</u>	Bolt, 3/8-16 X 4.50 Hex Head	4	
19	<u>8745</u>	Screw, Eccentric Adjustment	1	
20	<u>8754</u>	Locknut, 3/8-16 Hex	8	
21	<u>8755</u>	Screw, 3/8-16 X 3.375 Hex Cap	2	

6
G
E



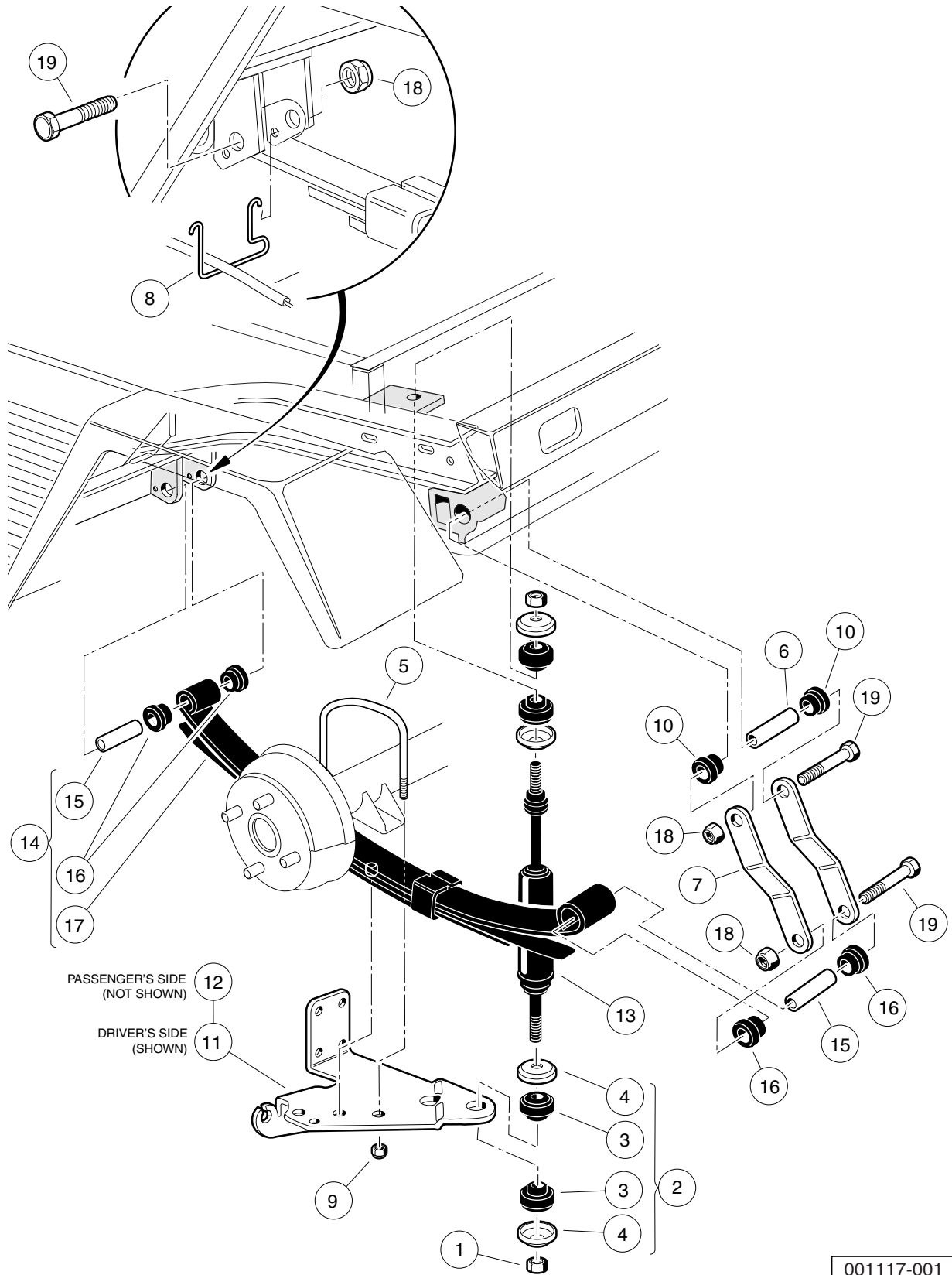
000313-005

FRONT SUSPENSION, LOWER – VILLAGER 8 WITH MAINTENANCE-FREE BALL JOINTS

ITEM	PART NO.	DESCRIPTION	QTY
		1 2 3 4	
1	<u>1010124</u>	Plate, Spring Mount	1
2	<u>1010150</u>	Bearing, Thrust	2
3	<u>1010200</u>	Bolt, 3/8-16 X 4.25 Hex Head	4
4	<u>1014276</u>	Plate, Front Spring Retainer	1
5	<u>1016384</u>	Clevis, Delta Upper	2
6	<u>1016386</u>	King Pin Assembly	2
7	<u>1016387</u>	Screw, 3/8-16 X 2.75 Hx Hd Cap	2
8	<u>1016389</u>	Washer, 1.125 Od Wave	2
9	<u>102564002</u>	Washer-1/2 Conical, Yellow	2
10	<u>102684501</u>	Washer, M12 Hard Regular	2
11	<u>102766301</u>	Nut, 1/2-20, Center Lock	2
12	<u>103628901</u>	Spring Asm, Front, 3 Leaf (includes items 13 through 15)	1
13	<u>1012303</u>	Bushing, Steel	2
14	<u>1015583</u>	Bushing, Urethane	4
15	103502801	Spring, Front, 3 Leaf	1
16	<u>2402</u>	Screw, 3/8-16 X 2.25 Hx Hd Cap	4
17	<u>357</u>	Lockwasher, 3/8 Split	4
18	<u>706</u>	Nut, Hex 3/8-16	5
19	<u>8754</u>	Locknut, 3/8-16 Hex	8
20	<u>8755</u>	Screw, 3/8-16 X 3.375 Hex Cap	2

6
G
E

6
G
E



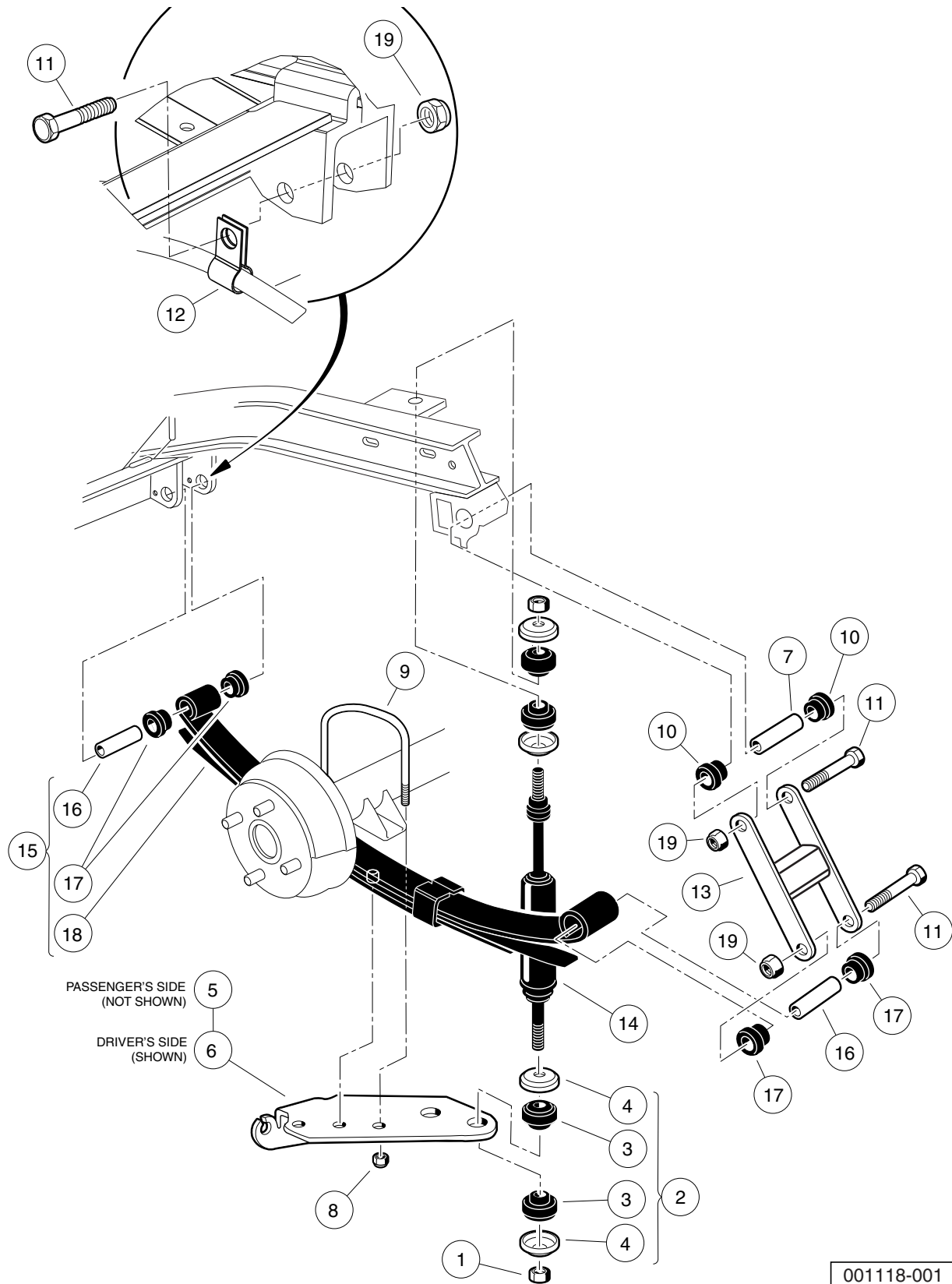
001117-001

REAR SUSPENSION – TURF/CA 2, 2 PLUS, 6, AND VILLAGER GASOLINE

ITEM	PART NO.	DESCRIPTION	QTY
		1 2 3 4	
1	<u>1010145</u>	Nut, 3/8-24 Hex	4
2	<u>1011415</u>	Kit, Shock Absorber Cushion (includes items 3 and 4)	4
3	N/A	Cushion, Shock Absorber	2
4	N/A	Retainer, Shock Absorber Cushion	2
5	<u>1012180</u>	U-Bolt	2
6	<u>1012303</u>	Bushing, Steel	2
7	<u>1012304</u>	Shackle, Rear Spring	4
8	<u>1013207</u>	Hanger, Brake Cable	2
9	<u>1014555</u>	Locknut, 7/16-14 Nylon Hex	4
10	<u>101558302</u>	Bushing, Urethane, Soft	4
11	<u>101926501</u>	Bracket, Left-Hand	1
12	<u>101929401</u>	Bracket, Right	1
13	<u>103350901</u>	Shock Absorber, Rear, Utility	2
14	<u>103657301</u>	Asm-rear 3leaf Spring, 600 Lb (includes items 15 through 17)	2
15	<u>1012303</u>	Bushing, Steel	2
16	<u>101558302</u>	Bushing, Urethane, Soft	4
17	<u>102871801</u>	Rear Spring, 3leaf, 600 Lb/in	1
18	<u>8754</u>	Locknut, 3/8-16 Hex	6
19	<u>8755</u>	Screw, 3/8-16 X 3.375 Hex Cap	6
<p>Note: Only the driver-side rear suspension is shown. Parts for the passenger-side rear suspension are identical except for the leaf spring/shock mounting plate.</p>			

6
G
E

6
G
E



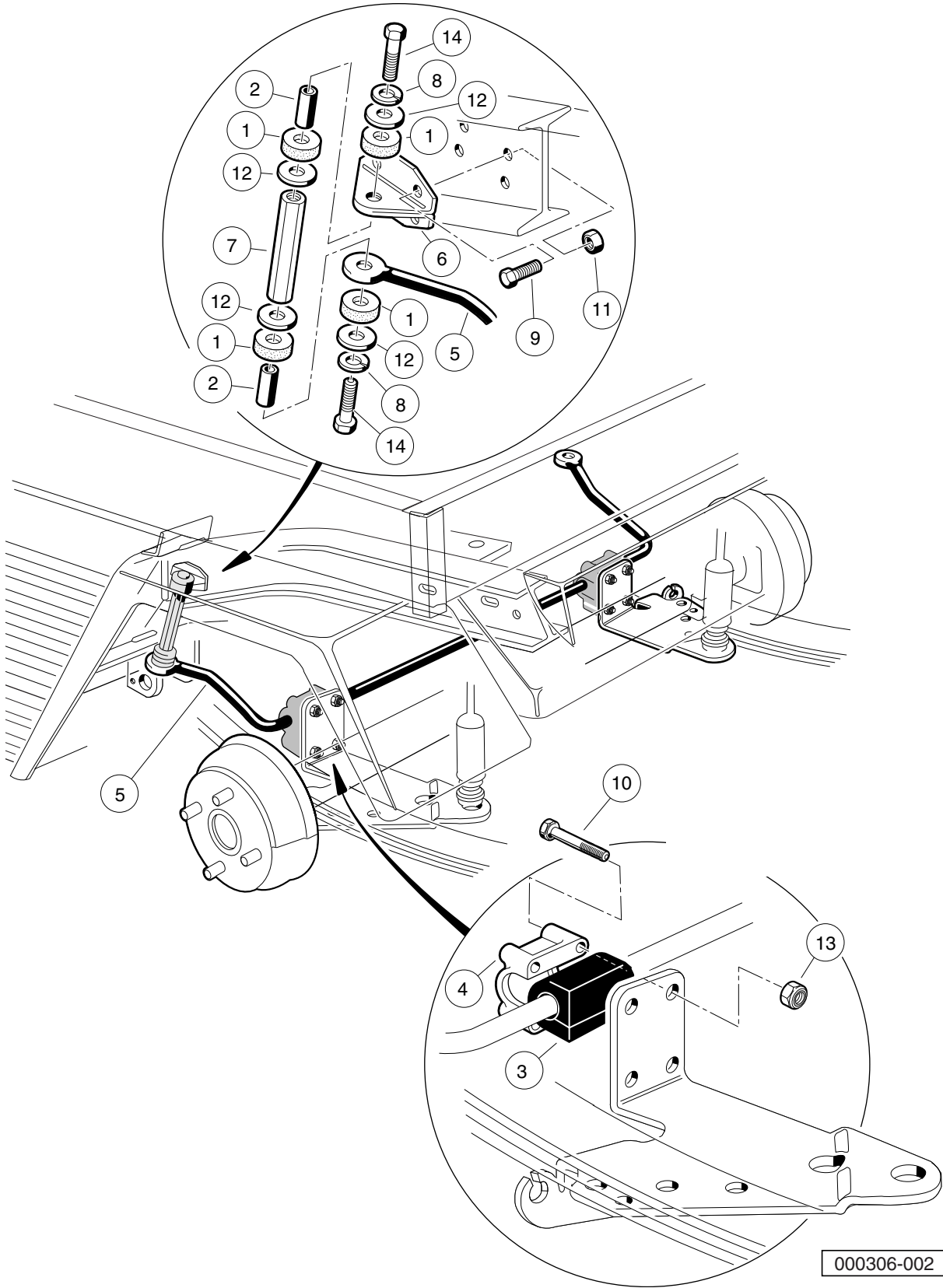
001118-001

REAR SUSPENSION – TURF/CA 2, 6, AND VILLAGER IQ PLUS ELECTRIC

ITEM	PART NO.	DESCRIPTION	QTY
		1 2 3 4	
1	<u>1010145</u>	Nut, 3/8-24 Hex	4
2	<u>1011415</u>	Kit, Shock Absorber Cushion (includes items 3 and 4)	4
3	N/A	Cushion, Shock Absorber	2
4	N/A	Retainer, Shock Absorber Cushion	2
5	1012181	Bracket, Shock Mounting, Right (Passenger)	1
6	1012182	Bracket, Shock Mounting, Left (Driver)	1
7	<u>1012303</u>	Bushing, Steel	2
8	<u>1014555</u>	Locknut, 7/16-14 Nylon Hex	4
9	<u>1014902</u>	U-Bolt	2
10	<u>101558302</u>	Bushing, Urethane, Soft	4
11	<u>102066201</u>	Screw, 3/8-16 X 3.50 Hex Cap	6
12	<u>102891101</u>	Clamp, Cable, Brake, Sym	2
13	<u>102917101</u>	Weldment, Shackle	2
14	<u>103351101</u>	Shock, Absorber, Utility	2
15	<u>103657301</u>	Asm-rear 3leaf Spring, 600 Lb (includes items 16 through 18)	2
16	<u>1012303</u>	Bushing, Steel	2
17	<u>101558302</u>	Bushing, Urethane, Soft	4
18	<u>102871801</u>	Rear Spring, 3leaf, 600 Lb/in	1
19	<u>8754</u>	Locknut, 3/8-16 Hex	6
<p>Note: Only the driver-side rear suspension is shown. Parts for the passenger-side rear suspension are identical except for the leaf spring/shock mounting plate.</p>			

6
G
E

6
G
E



000306-002

STABILIZER BAR – TURF/CA 2, 2 PLUS, 6, AND VILLAGER GAS

ITEM	PART NO.	DESCRIPTION	QTY
		1 2 3 4	
1	<u>1015453</u>	Compression Mount	8
2	<u>1015457</u>	Spacer, 0.720"	4
3	<u>1015613</u>	Bushing, Stabilizer Bar	2
4	<u>1015614</u>	Support, Bushing	2
5	<u>1015760</u>	Stabilizer Bar	1
6	<u>1016813</u>	Mounting Bracket, Stabilizer Bar	2
7	<u>1016814</u>	Link, Stabilizer Bar	2
8	<u>357</u>	Lockwasher, 3/8 Split	4
9	<u>7173</u>	Screw, 5/16-18 X 0.75, Hex-Head Cap	8
10	<u>7311</u>	Screw, 1/4-20 X 2.00 Hex-Head Cap	8
11	<u>7473</u>	Locknut, 5/16-18 Nylon Insert	8
12	<u>808</u>	Washer, 3/8 Type B Flat	8
13	<u>8233</u>	Locknut, 1/4-20, Nylon Insert	8
14	<u>8861</u>	Bolt, 3/8-16 X 1.75 Hex	4

6
G
E

6

G

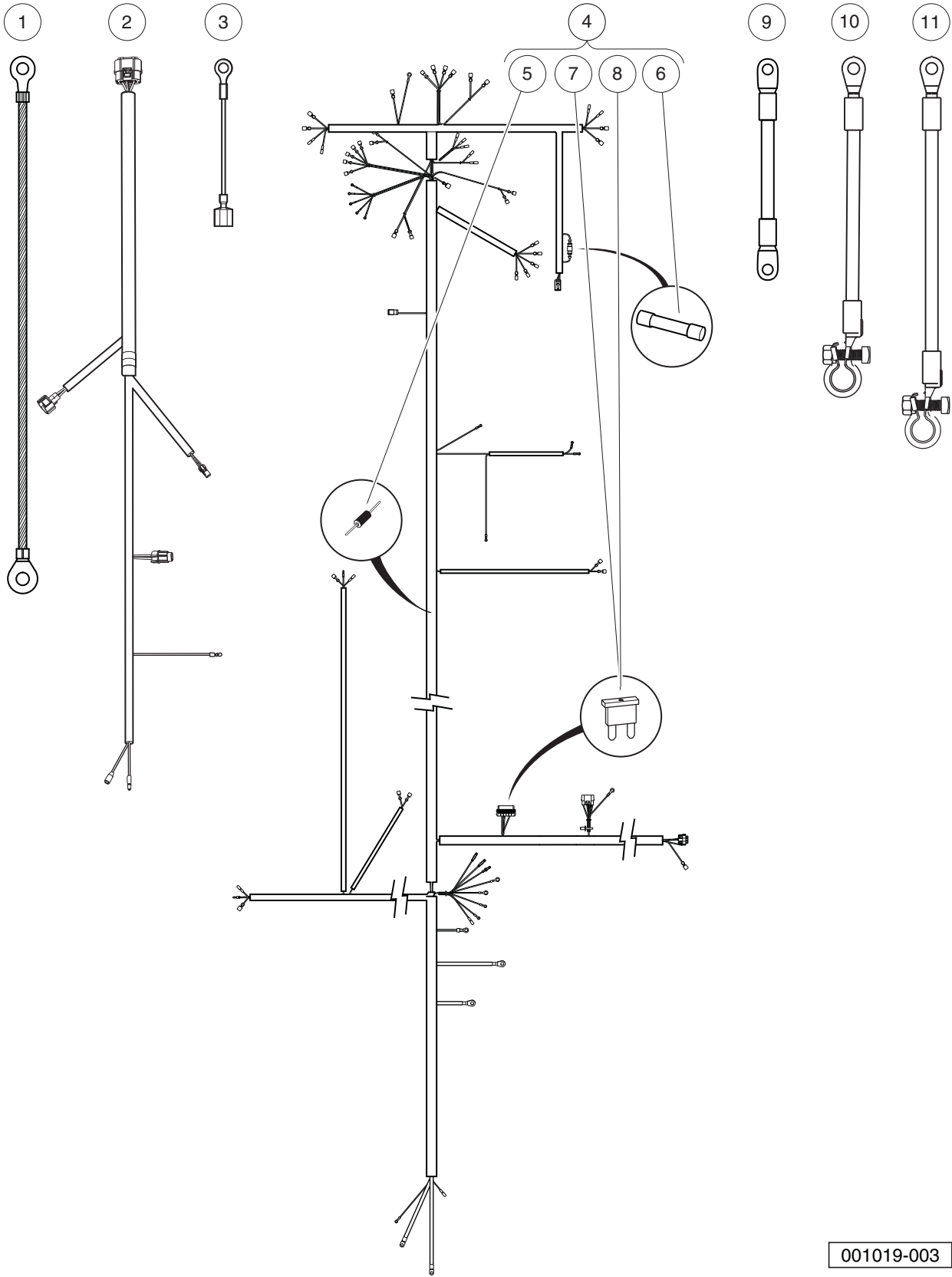
E

ELECTRICAL SYSTEM – EFI GASOLINE VEHICLES

7

G

7
G



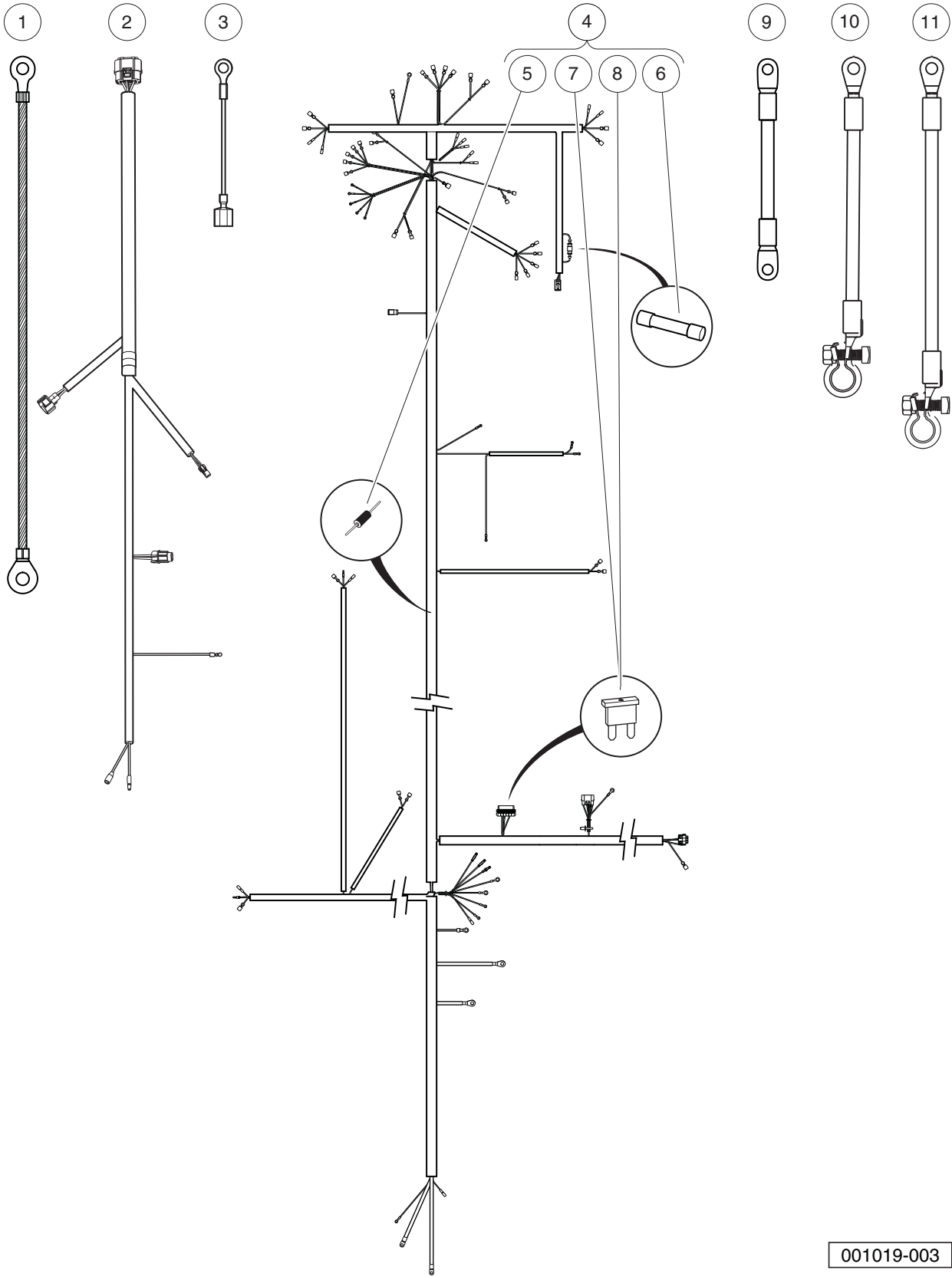
001019-003

WIRING, FUSES, AND DIODES, KEY-START – EFI, VILLAGER 6, XRT850 SE

ITEM	PART NO.	DESCRIPTION	QTY
		1 2 3 4	
1	<u>1015332</u>	Wire, Ground, #10, Uninsulated	1
2	<u>105008101</u>	Harness, Wire, ECU/Engine	1
3	<u>105143301</u>	Wire, Ground, Fuel Tank	1
4	105151201	Harness, Main, Vill6, Ks (includes items 5 through 8)	1
5	<u>1014789</u>	Diode, General Purpose, 3.0-Amp	1
6	<u>103924801</u>	Fuse, Glass, 2-Amp	1
7	105081501	Fuse, ATM, 5-Amp	1
8	105081601	Fuse, ATM, 10-Amp	1
9	<u>105161701</u>	Wire, 4-Ga, Green, Starter/Generator	1
10	105256701	Wire Assy, 4ga, Battery, (top-post) B-, Gas	1
11	<u>105256801</u>	Wire Assy, 4ga, Battery, (top-post) B+, Gas	1
		Note: For ECU, see Throttle Body in Fuel System section.	

7
G

7
G

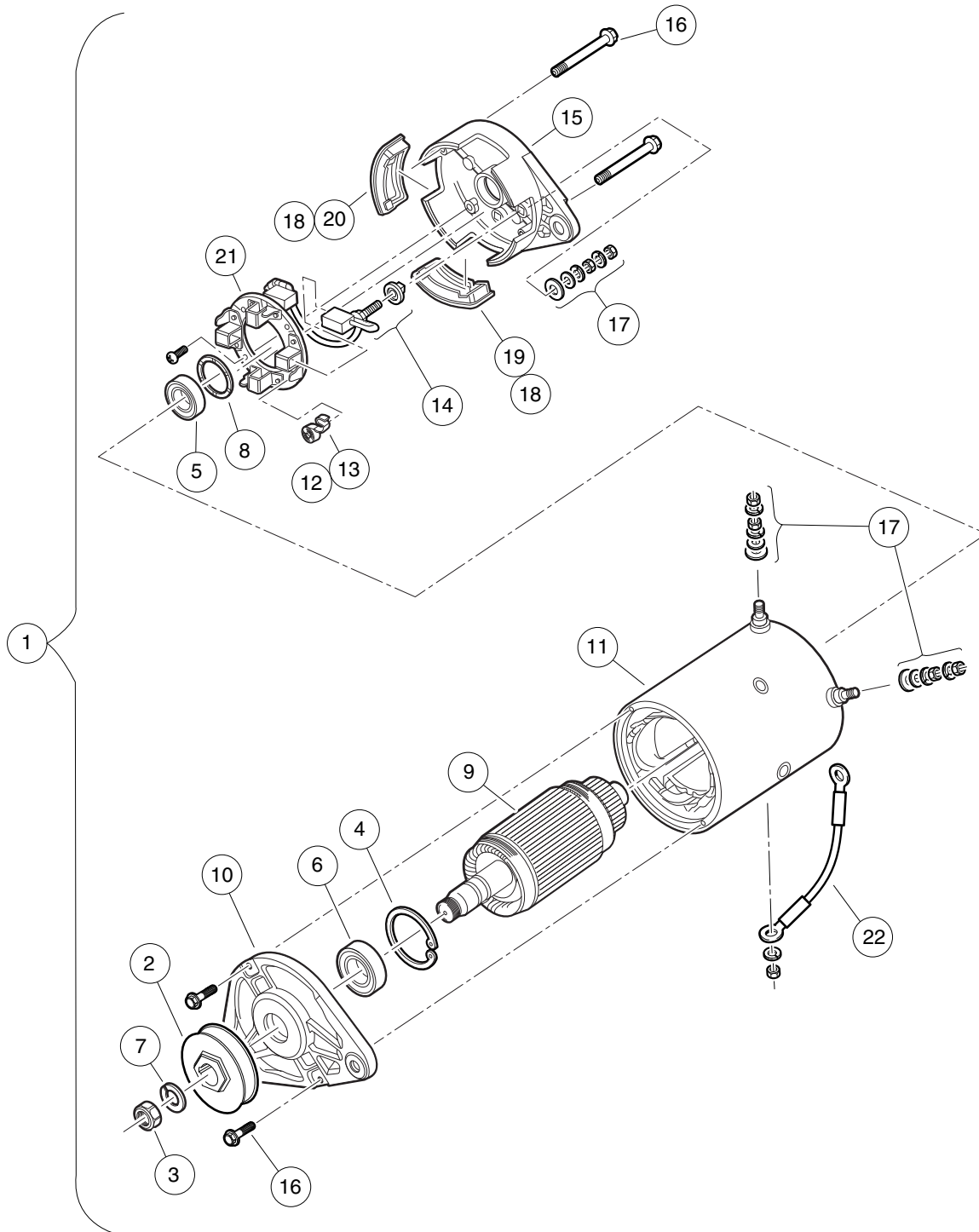


001019-003

WIRING, FUSES, AND DIODES, KEY-START – EFI, VILLAGER 8

ITEM	PART NO.	DESCRIPTION	QTY
		1 2 3 4	
1	<u>1015332</u>	Wire, Ground, #10, Uninsulated	1
2	<u>105008101</u>	Harness, Wire, ECU/Engine	1
3	<u>105143301</u>	Wire, Ground, Fuel Tank	1
4	<u>105151301</u>	Harness, Main, Vill8, Ks (includes items 5 through 8)	1
5	<u>1014789</u>	Diode, General Purpose, 3.0-Amp	1
6	<u>103924801</u>	Fuse, Glass, 2-Amp	1
7	105081501	Fuse, ATM, 5-Amp	1
8	105081601	Fuse, ATM, 10-Amp	1
9	<u>105161701</u>	Wire, 4-Ga, Green, Starter/Generator	1
10	105256701	Wire Assy, 4ga, Battery, (top-post) B-, Gas	1
11	<u>105256801</u>	Wire Assy, 4ga, Battery, (top-post) B+, Gas	1
		Note: For ECU, see Throttle Body in Fuel System section.	

7
G

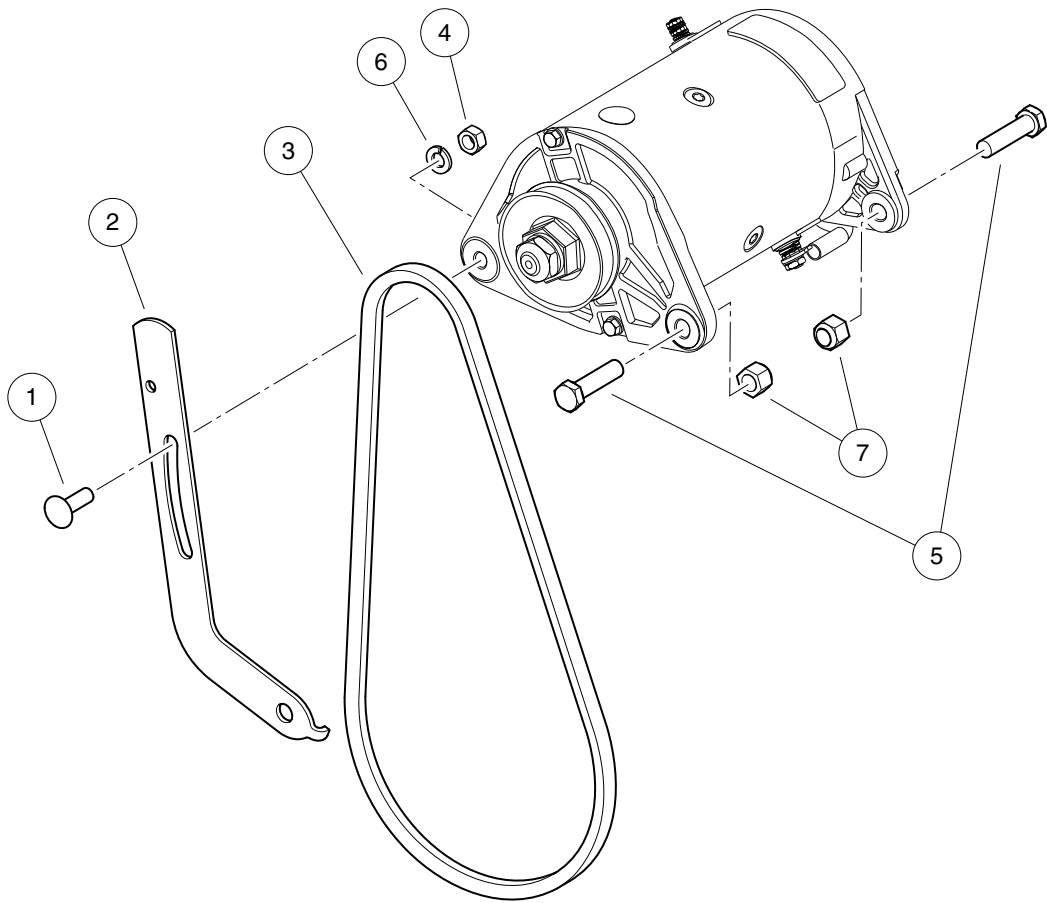


001016-001

STARTER/GENERATOR (MODEL 114-04-4006), KEY-START – EFI

ITEM	PART NO.	DESCRIPTION	QTY
		1 2 3 4	
1	<u>105190102</u>	Starter/Generator, Bi-Rotational, Utility, Key-Start (includes items 2 through 22)	1
2	<u>1014289</u>	Pulley, Starter/Generator	1
3	<u>102838701</u>	Nut, Hex, M14x2, S/G	1
4	<u>102838801</u>	Retainer, Front, S/G	1
5	<u>102838901</u>	Bearing, Ball, Front, S-g	1
6	<u>102839001</u>	Bearing, Ball, Front, S-g	1
7	<u>102839301</u>	Washer, Lock M14x2, S-g	1
8	<u>102841101</u>	Washer, Wave, S-g	1
9	N/A	Asm, Armature, Starter/Generator	1
10	<u>102844601</u>	Head, Drive End, S-g	1
11	<u>102844701</u>	Asm, Frame and Field, Starter/Generator	1
12	<u>103347101</u>	Kit, Spring Brush, Starter/Generator (includes item 13)	1
13	N/A	Spring, Brush, S-g	4
14	<u>103347301</u>	Set, Brush Term, S-g	1
15	<u>103347601</u>	Head, Comm End, S-g	1
16	<u>103347701</u>	Set, Fastener, Ceh Deh, S-g	1
17	<u>103347801</u>	Set, Term Hardware, S/G	1
18	<u>103347901</u>	Kit, Cover, Brush Insp, Starter/Generator (includes items 19 and 20)	1
19	N/A	Plug, Rubber Drain, Start/Generator	3
20	N/A	Cover, Inspection, S-g	1
21	<u>103953301</u>	Kit, Brush And Brush Holder	1
22	<u>105161701</u>	Wire, 4-Ga, Green, Starter/Generator	1

7
G



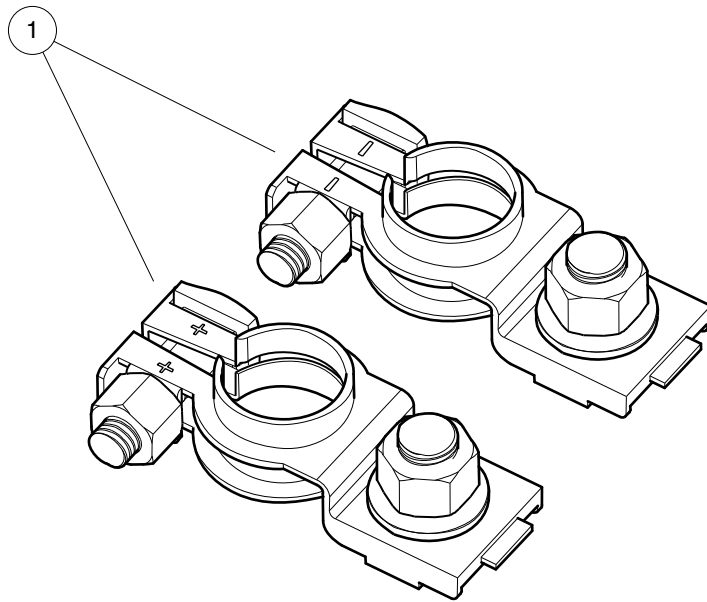
001009-001

STARTER/GENERATOR MOUNTING – EX40

ITEM	PART NO.	DESCRIPTION	QTY
		1 2 3 4	
1	<u>1015932</u>	Bolt, Carriage, 5/16-18	1
2	<u>104005301</u>	Bracket, Adjustable, Starter/Generator, EX40	1
3	<u>105205401</u>	Belt, Sg, 871, Ex40	1
4	<u>1242</u>	Nut, 5/16-18 Hex	1
5	<u>1624</u>	Screw, 3/8-16 X 1.50, Hex-Head Cap	2
6	<u>7174</u>	Lockwasher, 5/16 Split	1
7	<u>8754</u>	Locknut, 3/8-16 Hex	2

7

G



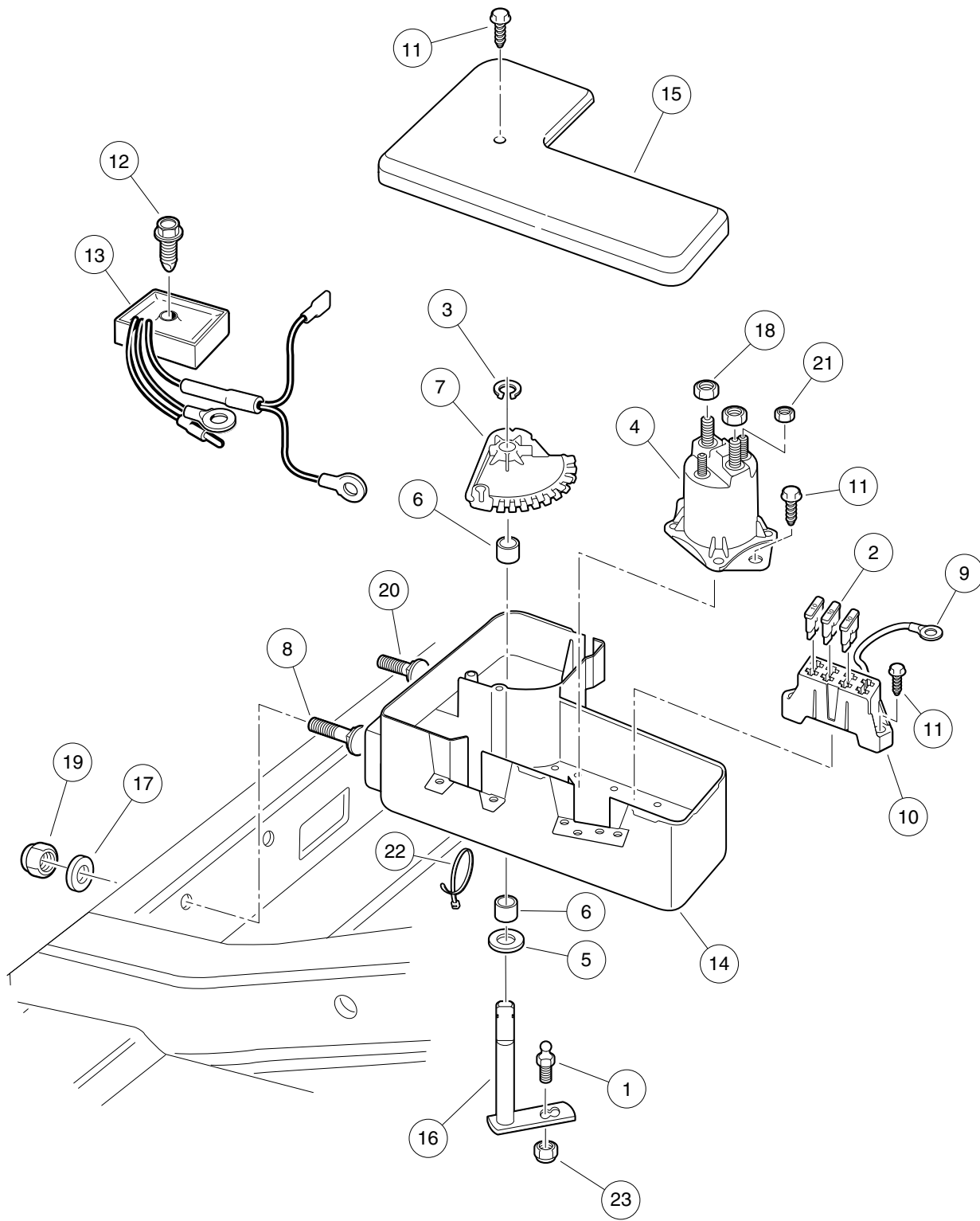
001066-001

KIT, BATTERY TERMINAL ADAPTER (SIDE-POST TO TOP-POST) – EFI

ITEM	PART NO.	DESCRIPTION	QTY
1	105266401	1 2 3 4 Kit, Term Adaptor, G26 Batt	A/R

7

G

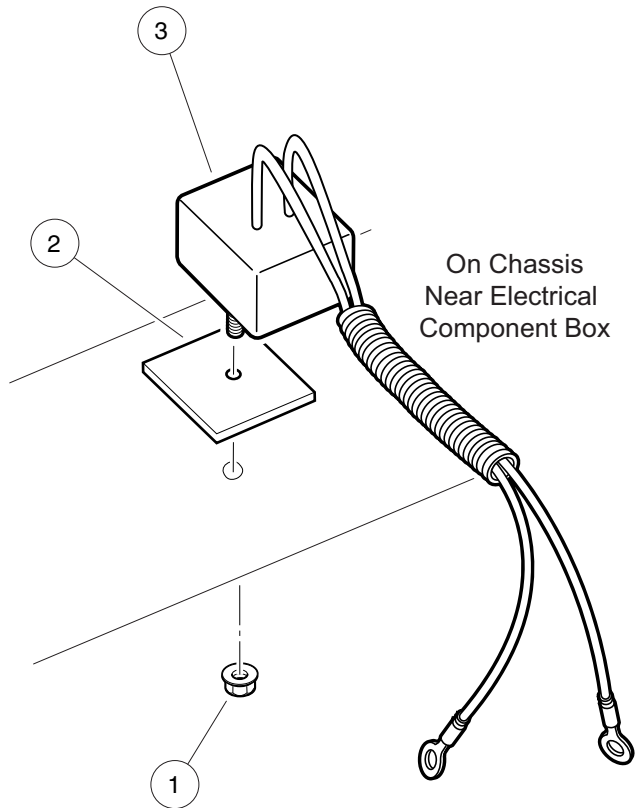


001014-002

ELECTRICAL COMPONENT BOX, KEY-START – EX40

ITEM	PART NO.	DESCRIPTION	QTY
		1 2 3 4	
1	<u>1010954</u>	Stud, Ball, 1/4-28 X 0.560	1
2	<u>1012295</u>	Fuse, 10-Amp	3
3	<u>1013589</u>	Ring, Retaining, 0.338" Internal	1
4	<u>1013609</u>	Solenoid, 12-Volt	1
5	<u>1014065</u>	Washer, Flat, 0.38" ID, Delrin	1
6	<u>1014145</u>	Bushing, Secondary Weight, Split	2
7	<u>1015373</u>	Cam, Electric Box	1
8	<u>1015405</u>	Bolt, Carriage, 5/16-18 X 2.0	1
9	<u>1015737</u>	Wire Assy, #10 Red	1
10	<u>1015741</u>	Fuse Block	1
11	<u>1015752</u>	Screw, #12-16 X 0.625, Hi-Lo	5
12	<u>101856102</u>	Screw, 1/4-15 X 1.50, Hi-lo, Hex	1
13	<u>102711201</u>	Voltage Regulator	1
14	<u>105000301</u>	Box, Component, Electrical	1
15	<u>105000401</u>	Cover, Box, Component, Elec	1
16	<u>105037401</u>	Weldment, Bellcrank, Comp Box	1
17	<u>1241</u>	Washer, 5/16 Type A Flat	2
18	<u>1242</u>	Nut, 5/16-18 Hex	2
19	<u>7473</u>	Locknut, 5/16-18 Nylon Insert	2
20	<u>7818</u>	Bolt, Carriage, 5/16-18 X 1.5	1
21	<u>7893</u>	Nut, #10-32 Hex	2
22	<u>8639</u>	Tie Wrap, 11" Nylon	6
23	<u>8717</u>	Locknut, Nylon Insert, 1/4-28	1

7
G



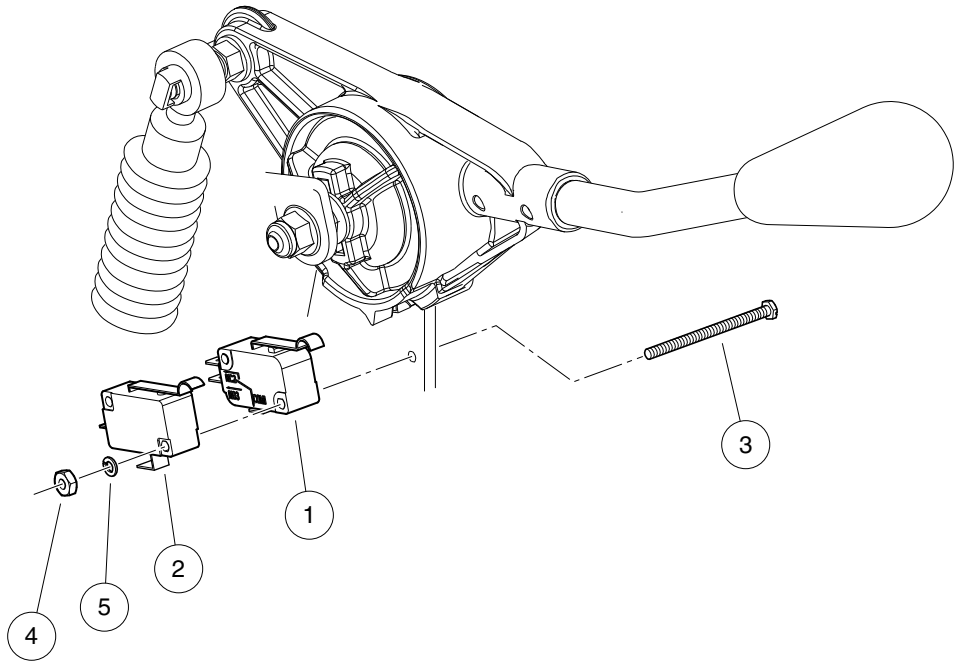
001015-001

CHARGING DIODE, KEY-START – EFI

ITEM	PART NO.	DESCRIPTION	QTY
		1 2 3 4	
1	<u>101963401</u>	Locknut, 5/16-18 Hex Flange	1
2	<u>102269701</u>	Thermal Pad	1
3	<u>105037201</u>	Diode, Charging	1

7

G



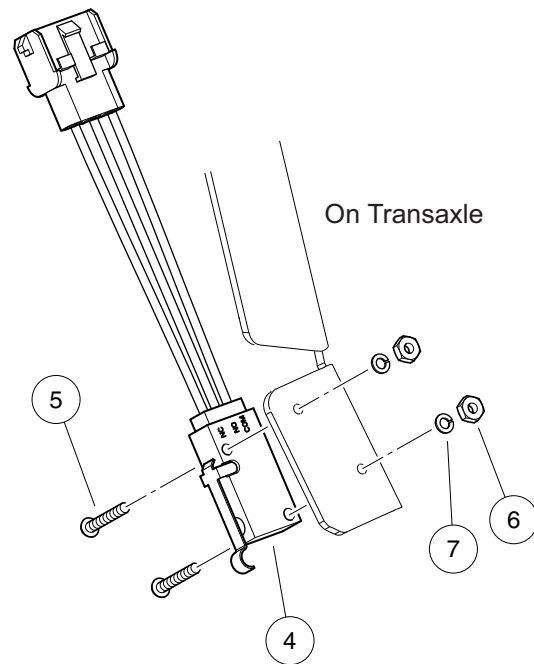
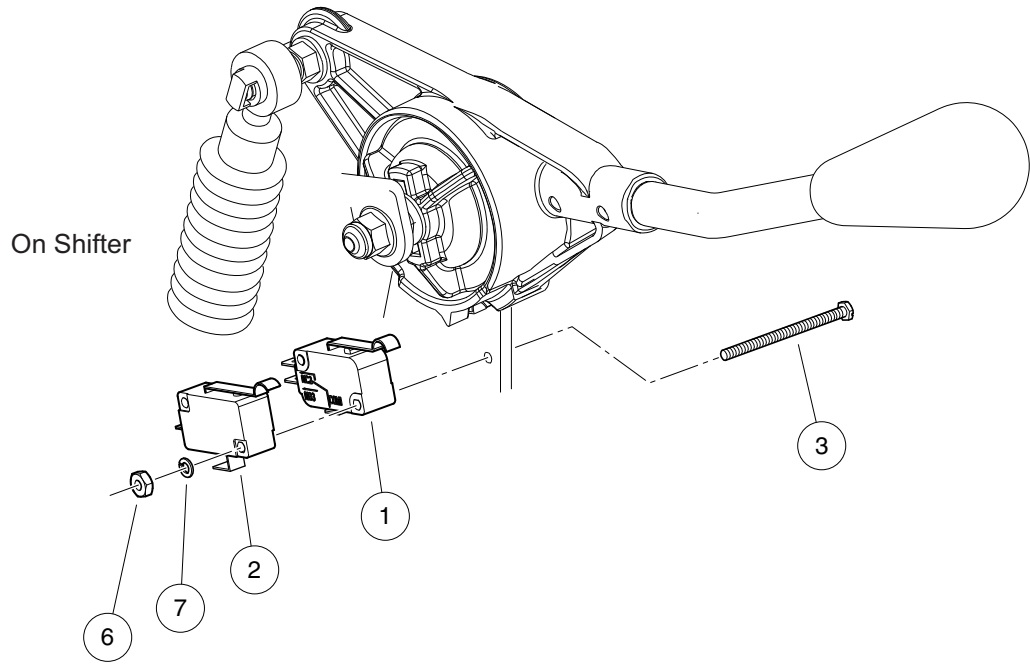
001010-002

FORWARD/REVERSE SHIFTER SWITCHES, KEY-START – EFI, VILLAGER 6, 8, 850, 850SE

ITEM	PART NO.	DESCRIPTION	QTY
		1 2 3 4	
1	<u>1014807</u>	Switch, Limit	1
2	<u>1014808</u>	Switch, Limit	1
3	<u>1015878</u>	Screw, #4-40 Hex Head Machine	2
4	<u>8057</u>	Nut, #4-40 Hex Machine	2
5	<u>8058</u>	Lockwasher, #4 Split	2

7
G

7
G



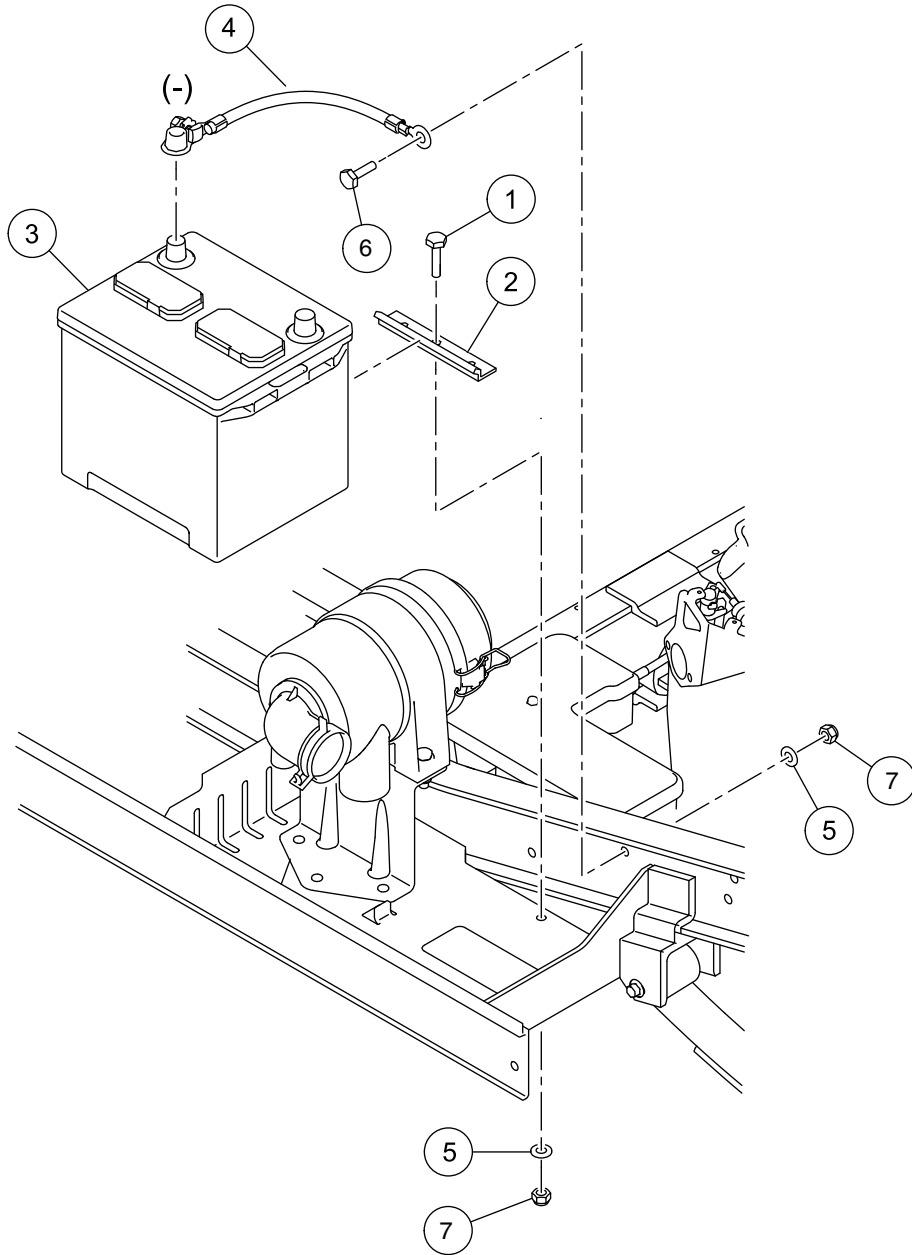
001010-001

FORWARD/REVERSE SHIFTER SWITCHES, PEDAL-START – EFI, VILLAGER 6, 8, 850, 850SE

ITEM	PART NO.	DESCRIPTION	QTY
		1 2 3 4	
1	<u>1014807</u>	Switch, Limit	1
2	<u>1014808</u>	Switch, Limit	1
3	<u>1015878</u>	Screw, #4-40 Hex Head Machine	2
4	<u>105102601</u>	Switch, Limit, Sealed, with 3-Wire Lead	1
5	<u>8056</u>	Screw, #4-40 X 0.75 Round-Head Machine	2
6	<u>8057</u>	Nut, #4-40 Hex Machine	4
7	<u>8058</u>	Lockwasher, #4 Split	4

7
G

7
G



000250-001

TOP-POST BATTERY – GASOLINE UTILITY VEHICLES

ITEM	PART NO.	DESCRIPTION	QTY
		1 2 3 4	
1	<u>1010934</u>	Screw, 5/16-18 X 1.00 Hex Cap	1
2	<u>101898001</u>	Clamp, Battery	1
3	<u>105237301</u>	Battery, Start, 12v, Type 26	1
4	105256701	Wire Assy, 4ga, Battery, (top-post) B-, Gas	1
5	<u>1241</u>	Washer, 5/16 Type A Flat	2
6	<u>7173</u>	Screw, 5/16-18 X 0.75, Hex-Head Cap	1
7	<u>7473</u>	Locknut, 5/16-18 Nylon Insert	2

7

G

7

G

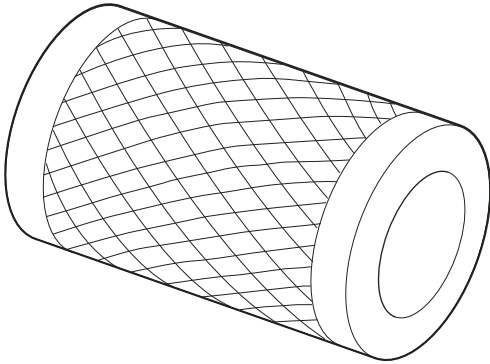
ENGINE (SUBARU EX40)

8

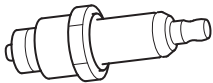
G

8

G



1



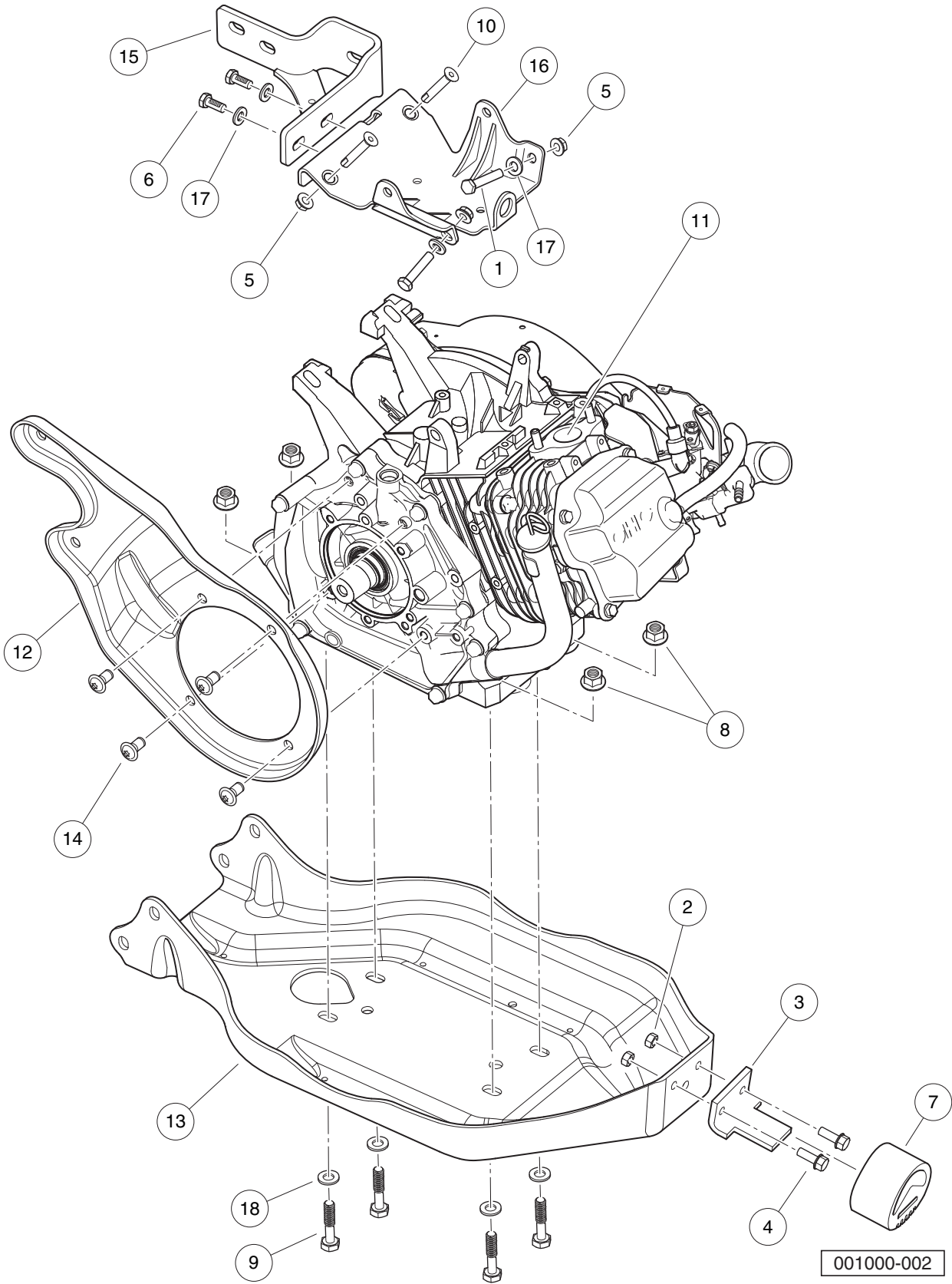
2

000992-003

TUNE-UP PARTS – SUBARU EX40

ITEM	PART NO.	DESCRIPTION	QTY
1	<u>102558201</u>	1 2 3 4 Air Filter, 4 Inch	1
2	105017801	Spark Plug, Subaru EX40	1

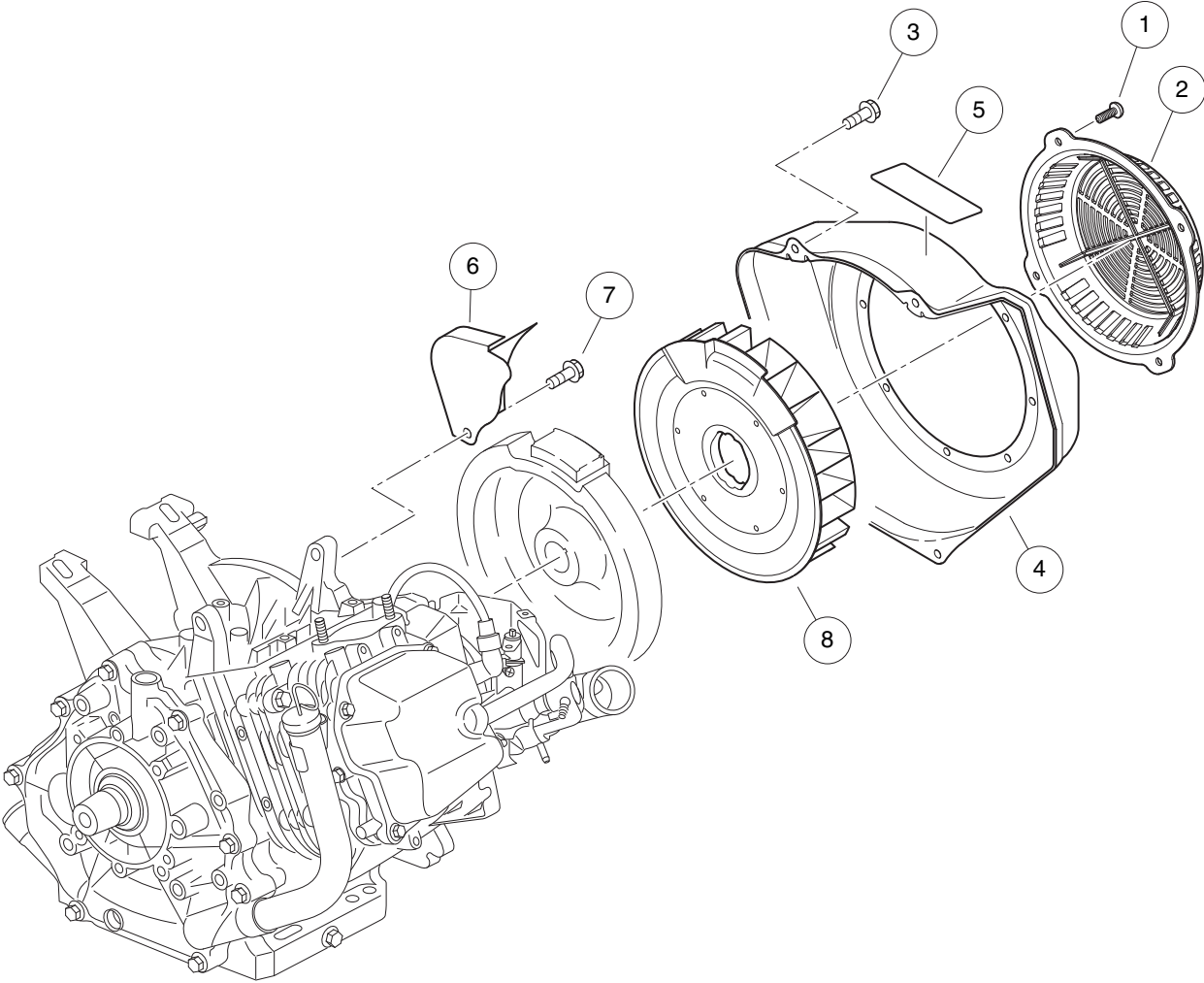
8
G



ENGINE AND ENGINE MOUNTING, UTILITY – EX40

ITEM	PART NO.	DESCRIPTION	QTY
		1 2 3 4	
1	<u>1010577</u>	Bolt, Hex-Head, 5/16-18 X 1.50	2
2	<u>1013924</u>	Nut, 5/16-24, Hex Head Cone	2
3	<u>101834602</u>	Bracket, Snubber, Tall	1
4	<u>101884801</u>	Screw, 5/16-24 X 0.875, Grade-8	2
5	<u>101963401</u>	Locknut, 5/16-18 Hex Flange	4
6	<u>102242101</u>	Screw, 5/16-18 X 3/4 Hex-Head with Patch	2
7	<u>102540301</u>	Snubber, Inner Frame	1
8	<u>102617201</u>	Nut, Flanged, M10 X 1.5, Mechanically Deformed	4
9	<u>102732401</u>	Bolt, M10 X 45, Zn-Ni (Black)	4
10	<u>103196202</u>	5/16-18x1.75, Bolt, Loctite	2
11	<u>103882801</u>	Engine, Gas, Subaru EX40, EFI	1
12	<u>103979401</u>	Plate, Mounting, CVT, Center	1
13	<u>103982201</u>	Plate, Engine/Axle Mounting	1
14	<u>103996201</u>	Screw, 3/8-16 X .75, Btn Hd Cap	4
15	<u>105134601</u>	Bracket, Mounting, Transaxle/Exhaust,†EX40	1
16	<u>105149301</u>	Bracket,†Mounting, Starter/Generator,†EX40	1
17	<u>1241</u>	Washer, 5/16 Type A Flat	4
18	<u>96741046</u>	Washer, M10, Hard	4

8
G



001001-001

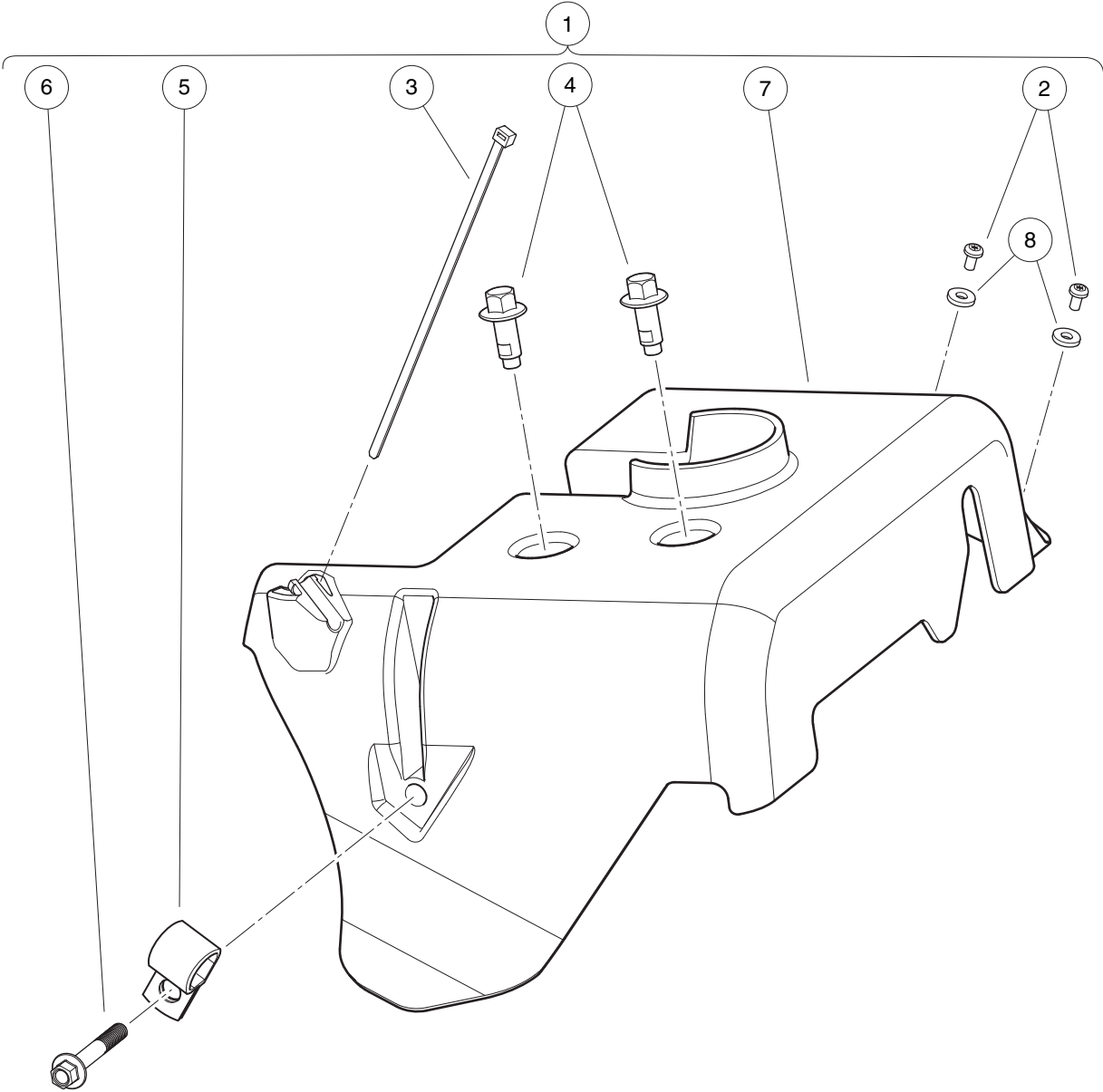
FAN AND SHROUD – EX40

ITEM	PART NO.	DESCRIPTION	QTY
		1 2 3 4	
1	<u>1015969</u>	Screw, M6-1.00 X 10mm, Pan Hd	4
2	<u>103995901</u>	Cover, Fan, EX40	1
3	<u>105012601</u>	Bolt, Flange, M6x1.0x12, EX40	4
4	<u>105016701</u>	Housing, Fan, EX40	1
5	<u>105016801</u>	Label, Engine Warning, EX40	1
6	<u>105016901</u>	Baffle, Crankcase, EX40	1
7	<u>105017001</u>	Bolt, Baffle, M8x1.25x12 Ex40	1
8	<u>105017101</u>	Fan, Cooling, EX40	1

8

G

8
G



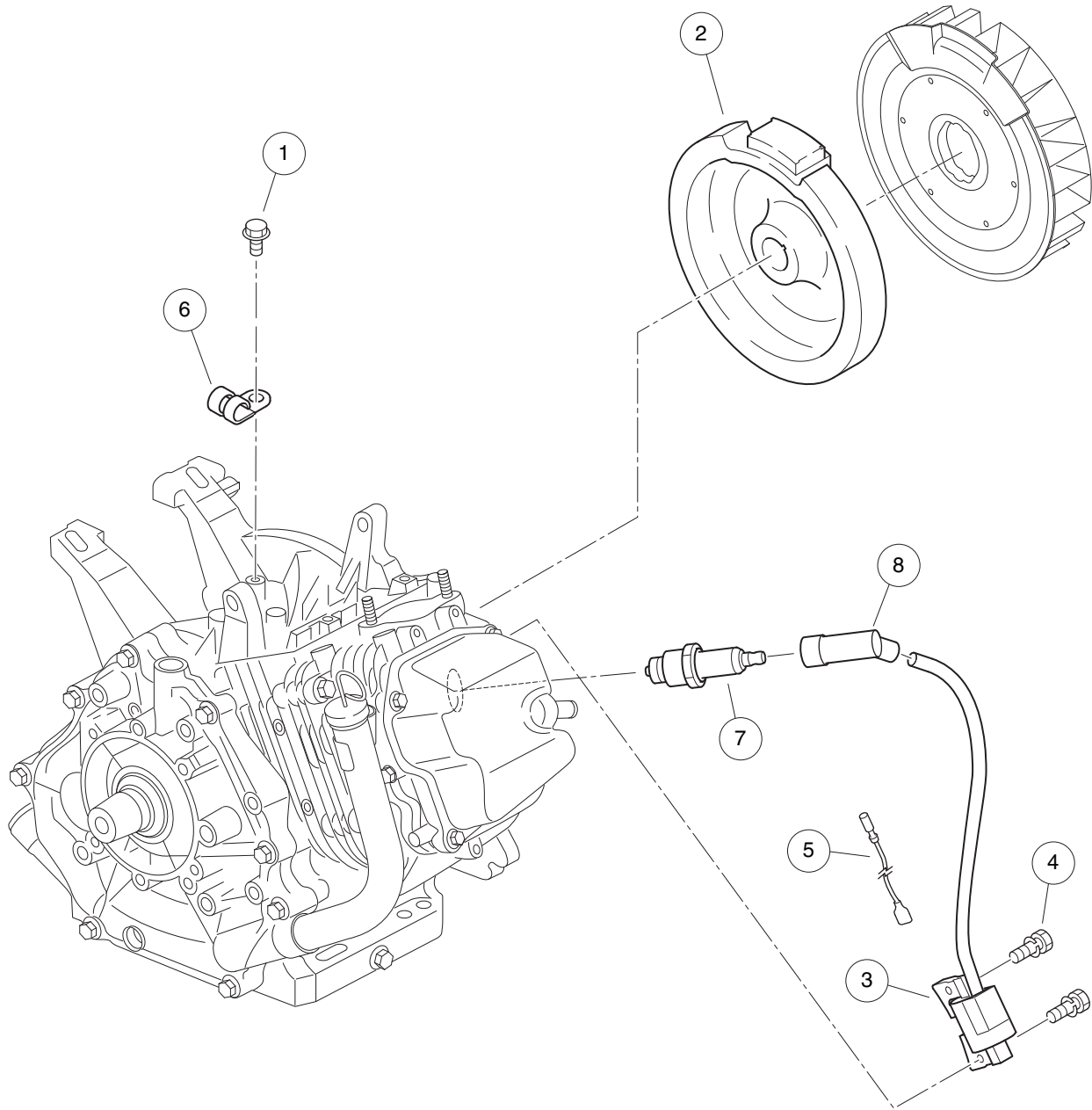
001002-001

AIR DEFLECTOR – EX40

ITEM	PART NO.	DESCRIPTION	QTY
		1 2 3 4	
1	<u>105084801</u>	Kit, Air Deflector, Subaru EX40 (includes items 2 through 8)	1
2	<u>1016103</u>	Screw, Pan Hd Tx, Taptite 6-32	2
3	101824101	Tie Wrap, Black	1
4	<u>102298116</u>	Bolt, Flanged Head, M8 X 16.0	2
5	<u>102410604</u>	P-clamp, Insulated, 0.625 Inch	1
6	<u>102541402</u>	Bolt, M6x1.0x40, Hex Flange Head, Blk-l	1
7	105075301	Deflector, Air, Subaru EX40	1
8	<u>7591</u>	Washer, #6, Flat	2

8

G



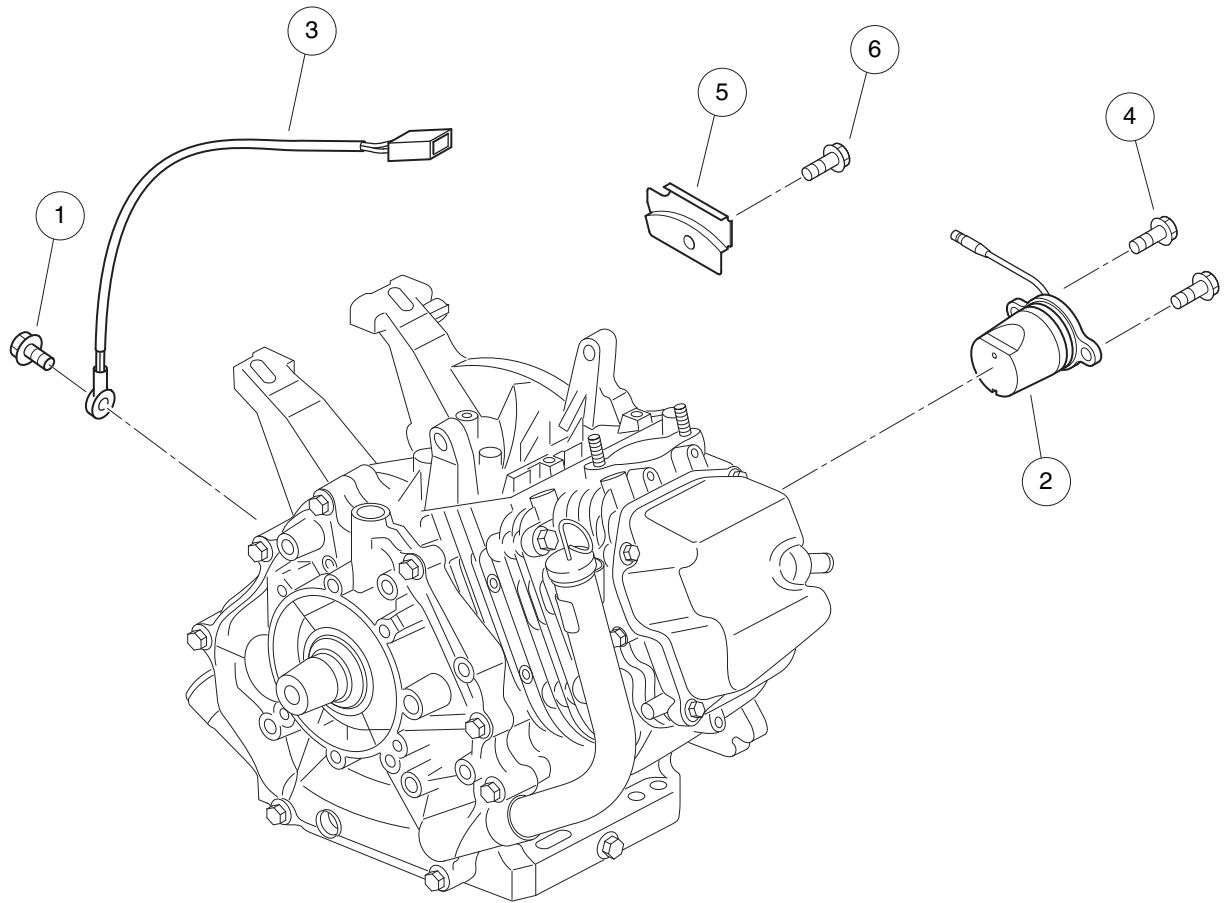
001003-001

IGNITION COMPONENTS AND FLYWHEEL – EX40

ITEM	PART NO.	DESCRIPTION	QTY
		1 2 3 4	
1	<u>105016001</u>	Bolt, Flange, M6x1.0x8, EX40	1
2	<u>105017301</u>	Flywheel, EX40	1
3	<u>105017401</u>	Coil, Ignition, CDI, EX40	1
4	<u>105017501</u>	Asm, Bolt-Washer, Coil, EX40	2
5	<u>105017601</u>	Asm, Wire, Coil Control, EX40	1
6	<u>105017701</u>	Clamp, Coil Control Wire, EX40	1
7	105017801	Spark Plug, Subaru EX40	1
8	<u>105017901</u>	Cap, Spark Plug, EX40	1

8

G



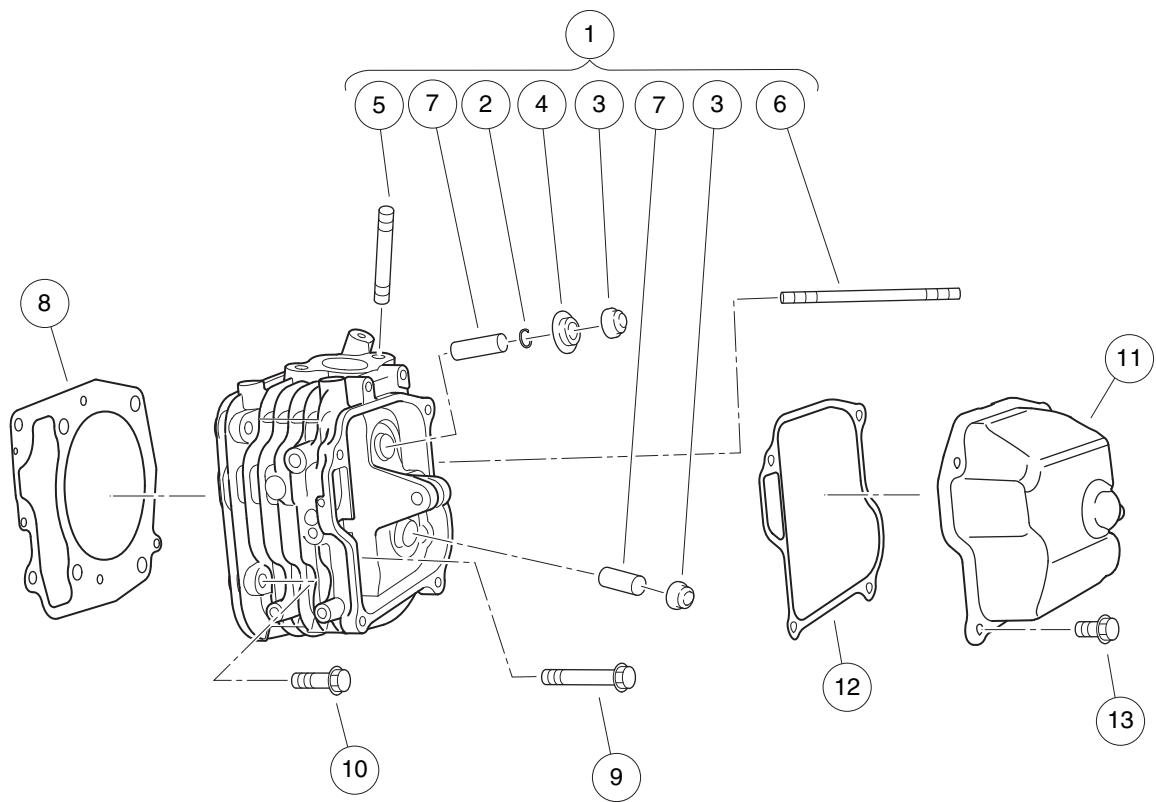
001004-001

SENSORS – EX40

ITEM	PART NO.	DESCRIPTION	QTY
		1 2 3 4	
1	<u>105012601</u>	Bolt, Flange, M6x1.0x12, EX40	1
2	<u>105018001</u>	Sensor, Oil Level, EX40	1
3	<u>105018101</u>	Sensor, Temperature, EX40	1
4	<u>105018201</u>	Bolt, Oil Sensor, M6x1.0x14, EX40	2
5	<u>105018301</u>	Clamp, Oil Sensor Wire, EX40	1
6	<u>105018401</u>	Bolt, Tap, Oil Wire Clamp, EX40	1

8

G



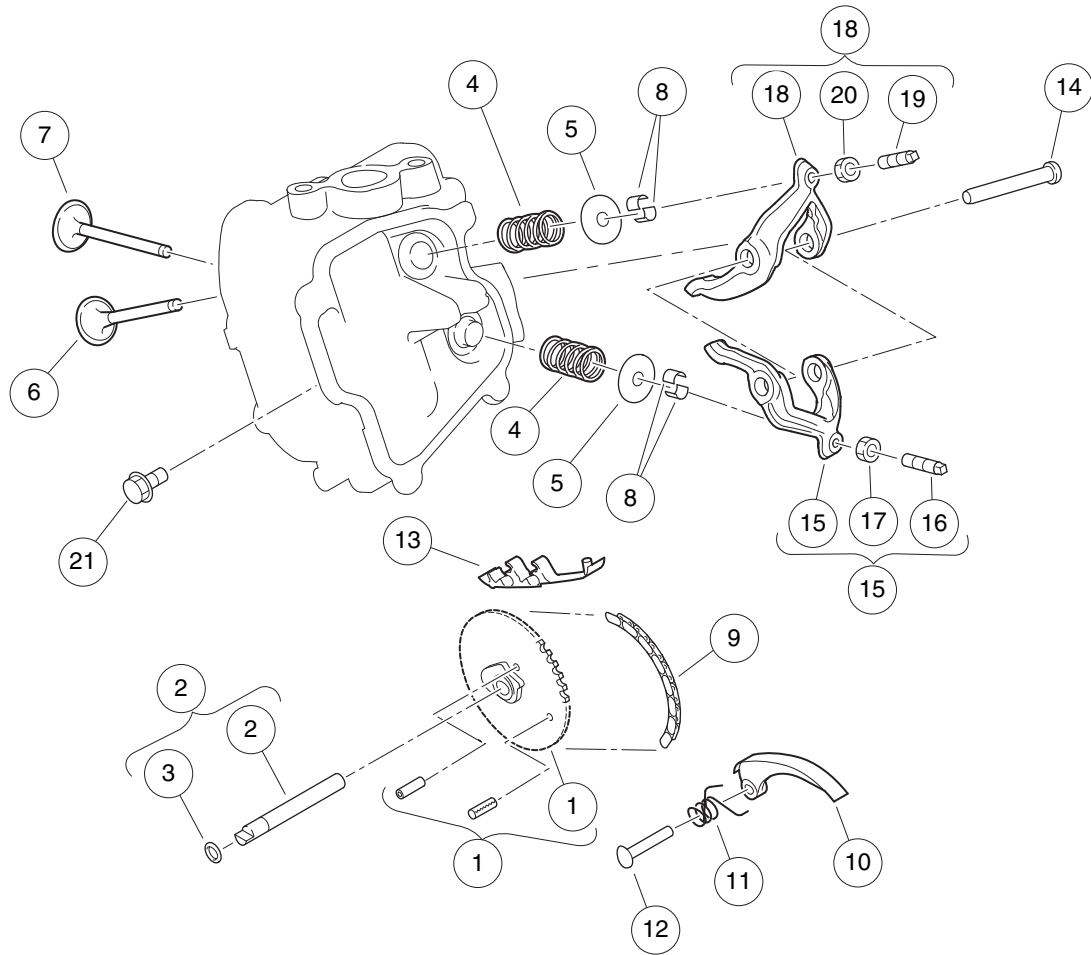
001005-001

CYLINDER HEAD – EX40

ITEM	PART NO.	DESCRIPTION	QTY
		1 2 3 4	
1	<u>105011901</u>	Asm, Cylinder Head, EX40 (includes items 2 through 7)	1
2	<u>105010101</u>	Clip, Retainer Plate, EX40	1
3	<u>105010201</u>	Seal, Valve, EX40	2
4	<u>105010301</u>	Plate, Retainer, EX40	1
5	<u>105010801</u>	Stud, Mounting, Exhaust, EX40	2
6	<u>105010901</u>	Stud, Mounting, Intake, EX40	2
7	<u>105018501</u>	Guide, Valve, EX40	2
8	<u>105012001</u>	Gasket, Head, EX40	1
9	<u>105012101</u>	Bolt, Head, M10x1.25x75, EX40	4
10	<u>105012201</u>	Bolt, Head, M8x1.25x35, EX40	2
11	<u>105012301</u>	Cover, Rocker, EX40	1
12	<u>105012401</u>	Gasket, Rocker Cover, EX40	1
13	<u>105012601</u>	Bolt, Flange, M6x1.0x12, EX40	4

8

G

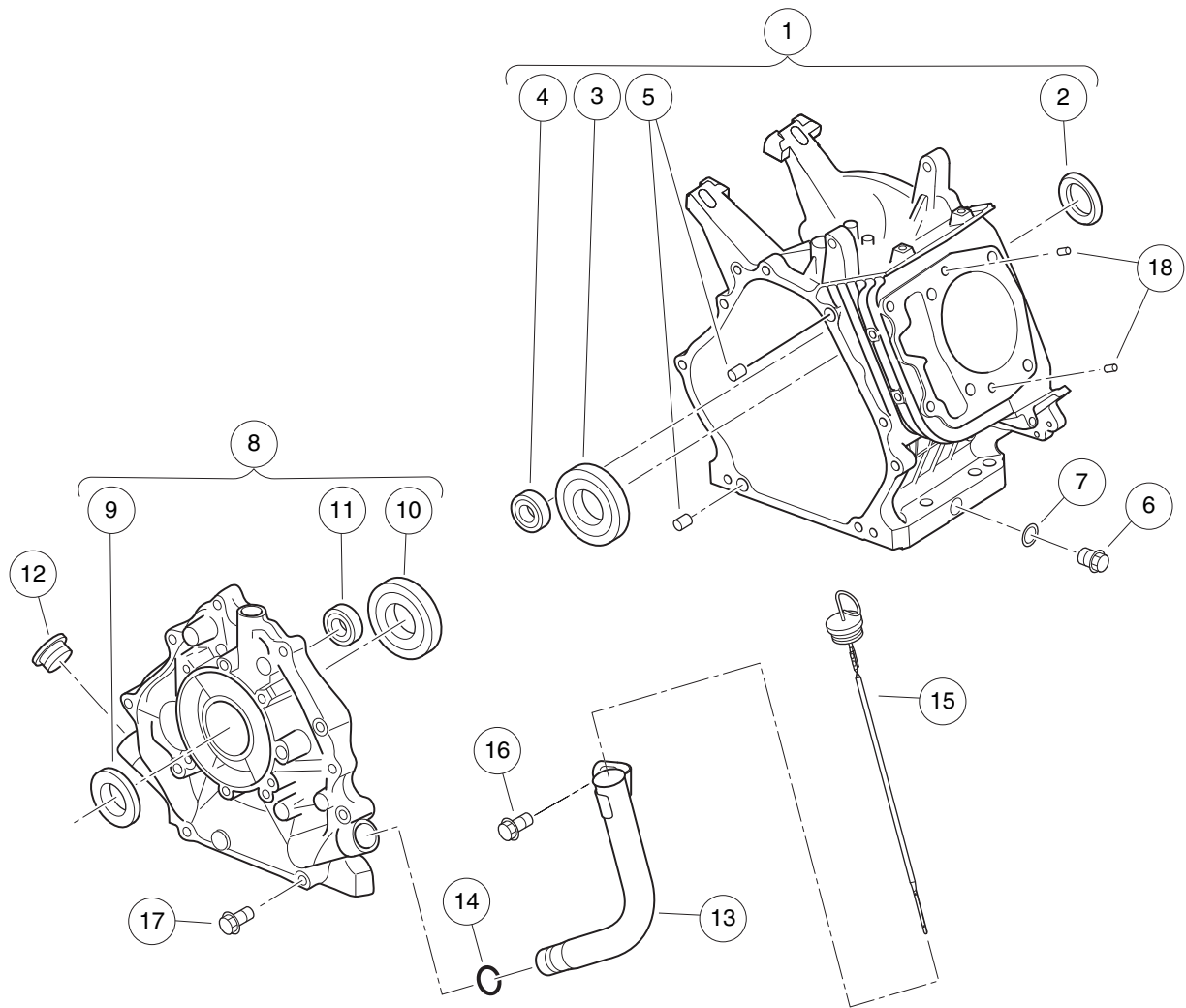


001006-001

VALVETRAIN AND TIMING CHAIN – EX40

ITEM	PART NO.	DESCRIPTION	QTY
		1 2 3 4	
1	<u>105014201</u>	Asm, Cam/Chain Sprocket, EX40	1
2	<u>105014301</u>	Asm, Camshaft and O-ring, EX40 (includes item 3)	1
3	<u>105014401</u>	O-ring, Camshaft, EX40	1
4	<u>105014501</u>	Spring, Valve, EX40	2
5	<u>105014601</u>	Retainer, Spring, EX40	2
6	<u>105014701</u>	Valve, Intake, EX40	1
7	<u>105014801</u>	Valve, Exhaust, EX40	1
8	<u>105014901</u>	Collet, Valve, EX40	4
9	<u>105015001</u>	Chain, Timing, EX40	1
10	<u>105015101</u>	Tensioner, Chain, EX40	1
11	<u>105015201</u>	Spring, Tension, EX40	1
12	<u>105015301</u>	Pin, Tensioner, EX40	1
13	<u>105015401</u>	Guide, Chain, EX40	1
14	<u>105015501</u>	Shaft, Rocker, EX40	1
15	<u>105015601</u>	Asm, Rocker Arm, Intake, EX40 (includes items 16 and 17)	1
16	<u>105015801</u>	Screw, Adjust, Valve, EX40	1
17	<u>105015901</u>	Nut, Adjust, Valve, EX40	1
18	<u>105015701</u>	Asm, Rocker Arm, Exhaust, EX40 (includes items 19 and 20)	1
19	<u>105015801</u>	Screw, Adjust, Valve, EX40	1
20	<u>105015901</u>	Nut, Adjust, Valve, EX40	1
21	<u>105016001</u>	Bolt, Flange, M6x1.0x8, EX40	1

8
G



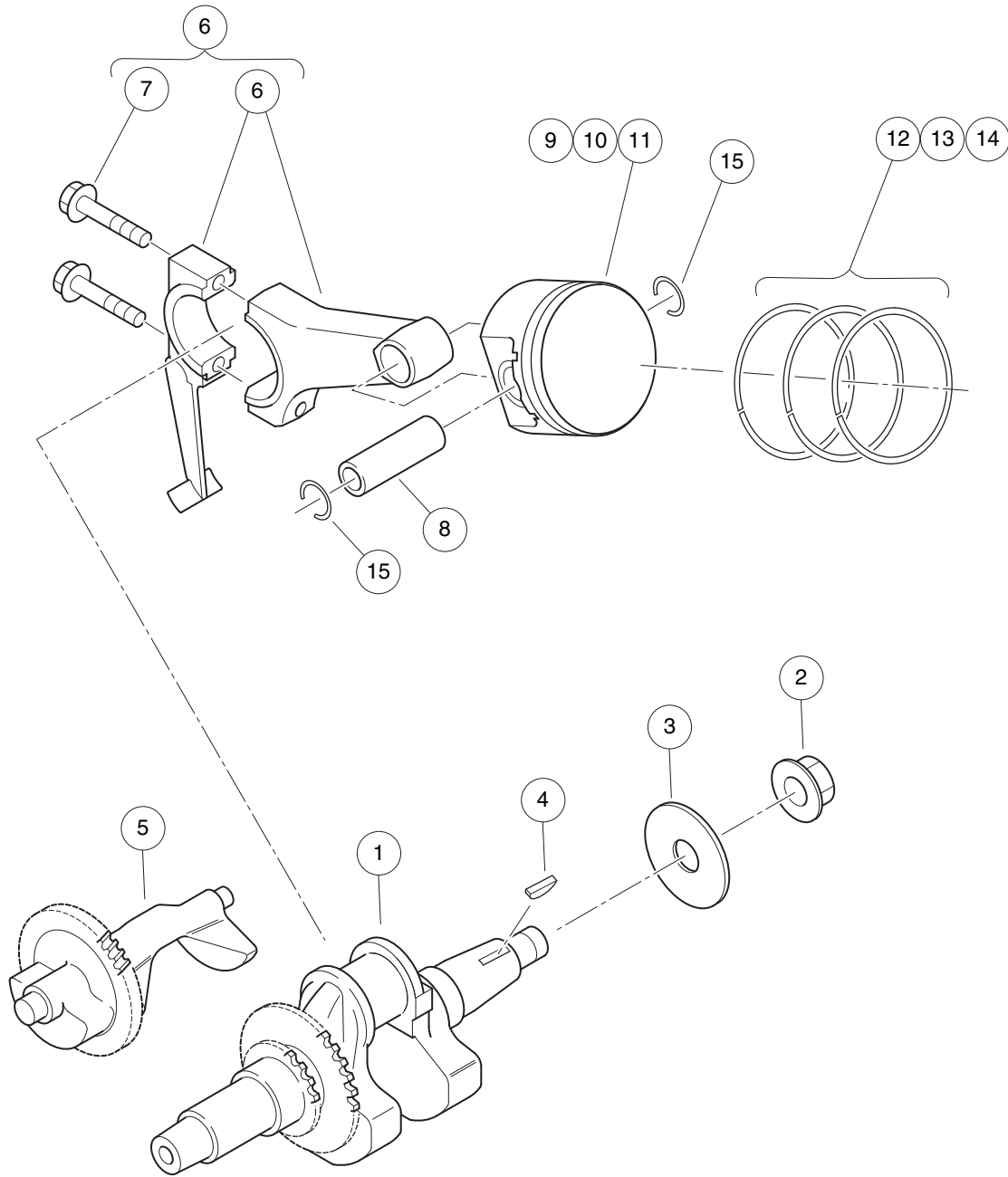
001007-001

CRANKCASE – EX40

ITEM	PART NO.	DESCRIPTION	QTY
		1 2 3 4	
1	105010001	Crankcase, EX40 (includes items 2 through 5)	1
2	<u>105010401</u>	Seal, Oil, Crankshaft, EX40	1
3	<u>105010501</u>	Bearing, Crankshaft, EX40	1
4	105010601	Bearing, Balance Shaft, EX40	1
5	<u>105010701</u>	Pin, Guide, Crankcase, EX40	2
6	105011001	Plug, Oil Drain, EX40	2
7	<u>105011101</u>	Gasket, Oil Drain Plug, EX40	2
8	105011201	Asm, Cover, Crankcase, EX40 (includes items 9 through 11)	1
9	<u>105010401</u>	Seal, Oil, Crankshaft, EX40	1
10	<u>105010501</u>	Bearing, Crankshaft, EX40	1
11	105010601	Bearing, Balance Shaft, EX40	1
12	<u>105011301</u>	Plug, Rubber, Crankcase, EX40	1
13	<u>105011401</u>	Tube, Oil Filler, EX40	1
14	<u>105011501</u>	O-ring, Oil Filler Tube, EX40	1
15	<u>105011601</u>	Dipstick, EX40	1
16	<u>105011701</u>	Bolt, Filler Tube, M8x1.25x12, EX40	1
17	<u>105011801</u>	Bolt, Case Cover, M8x1.25x38, EX40	8
18	<u>105012501</u>	Pin, Guide, Head, EX40	2

8

G



001008-001

CRANKSHAFT AND PISTON – EX40

ITEM	PART NO.	DESCRIPTION	QTY
		1 2 3 4	
1	105012701	Crankshaft, EX40	1
2	<u>105012801</u>	Nut, Crankshaft M18x1.5 Ex40	1
3	<u>105012901</u>	Washer, Crankshaft Ex40	1
4	<u>105013001</u>	Key, Woodruff, Crankshaft, EX40	1
5	<u>105013101</u>	Shaft, Balance, EX40	1
6	<u>105013201</u>	Asm, Rod, Connecting, EX40 (includes item 7)	1
7	<u>105013301</u>	Bolt, Rod M8x1.25x40 Ex40	2
8	<u>105013401</u>	Pin, Piston, EX40	1
9	<u>105013501</u>	Piston, Standard, EX40	1
10	<u>105013601</u>	Piston, 0.25 mm Oversize, EX40	1
11	<u>105013701</u>	Piston, 0.50 mm Oversize, EX40	1
12	<u>105013801</u>	Set, Piston Ring, Standard, EX40	1
13	<u>105013901</u>	Set, Piston Ring, 0.25 mm Oversize, EX40	1
14	<u>105014001</u>	Set, Piston Ring, 0.50 mm Oversize, EX40	1
15	<u>105014101</u>	Clip, Piston Pin, EX40	2

8

G

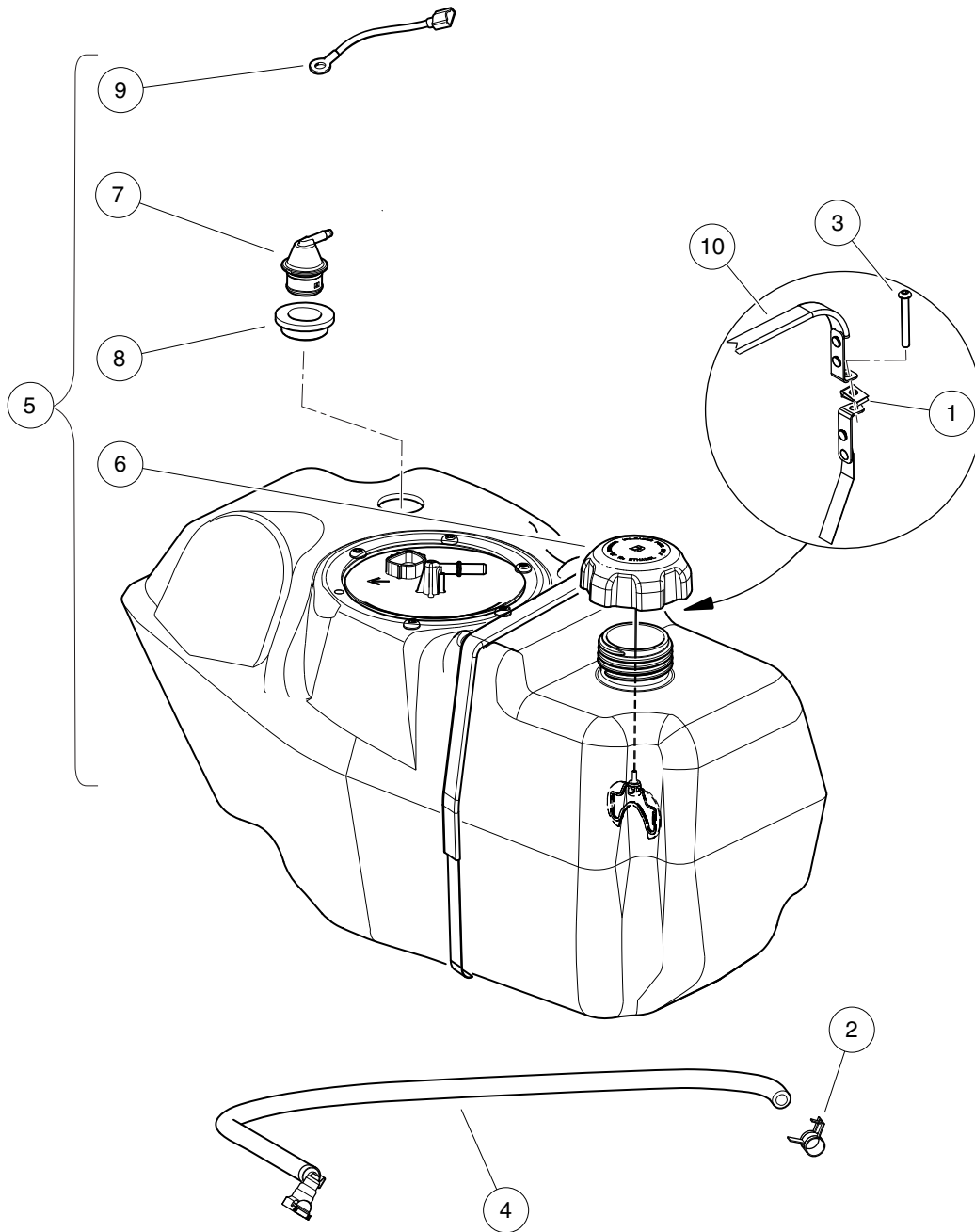
8

G

FUEL SYSTEM – EFI

9

G

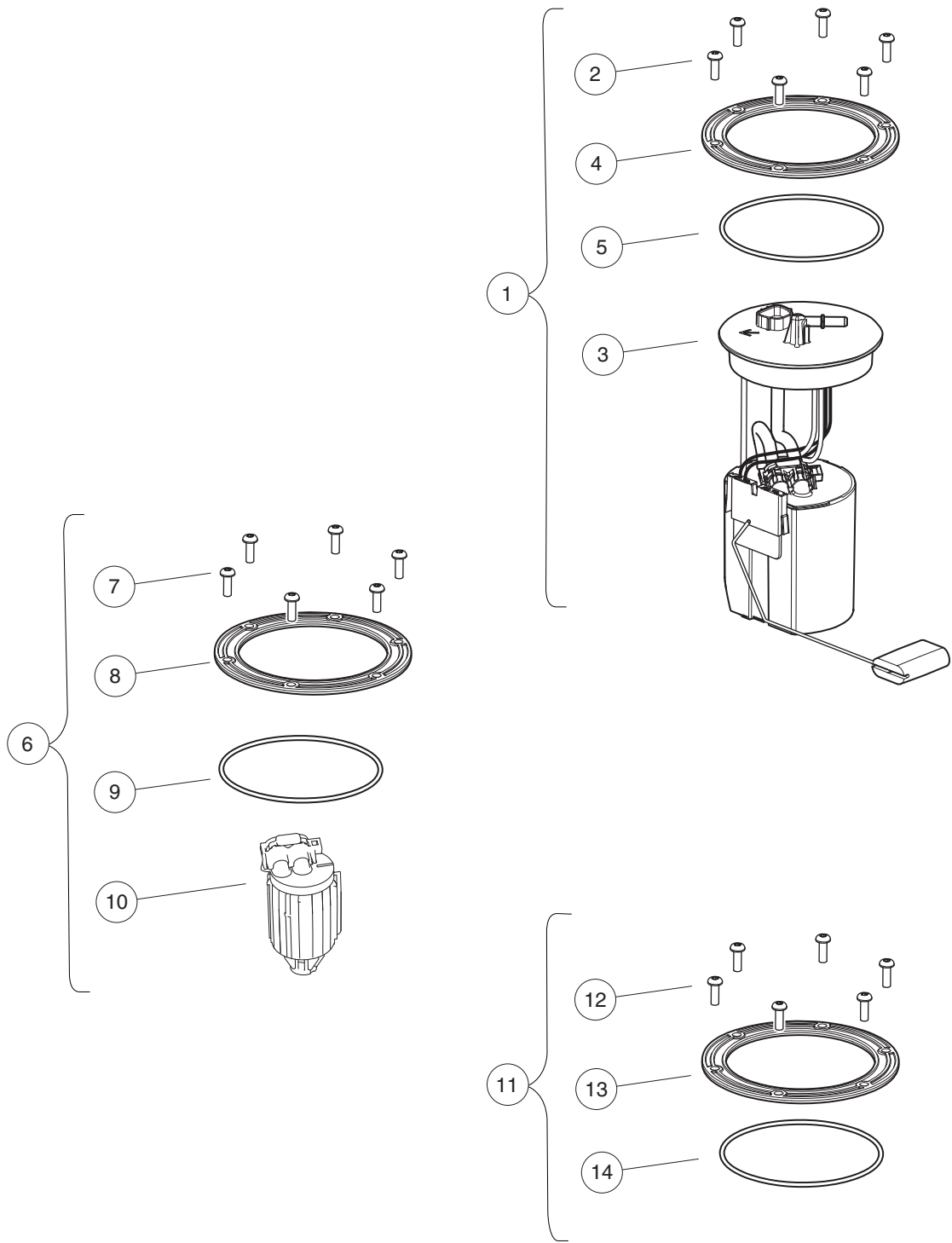


000975-004

FUEL SYSTEM WITH SENDING UNIT, TOP FILL – EFI

ITEM	PART NO.	DESCRIPTION	QTY
		1 2 3 4	
1	<u>1014116</u>	Nut, 1/4-20 Speed	1
2	<u>102411203</u>	Clamp, Hose, Ctb 14mm Dia.	1
3	<u>103306301</u>	Screw, Bhsc, 1/4-20 X 2.0	1
4	<u>105043501</u>	Asm, Fuel Line, Utility	1
5	<u>105215401</u>	Asm, Tank, Fuel, Top, Complete, w/Sending Unit (includes items 6 through 9)	1
6	<u>103372101</u>	Cap, Fuel Tank, Gas, Ratchet	1
7	<u>103905201</u>	Assembly, Vent, Fuel, 1/4 Inch O.D.	1
8	<u>103944301</u>	Grommet, Fuel Tank, Vent	1
9	<u>105143301</u>	Wire, Ground, Fuel Tank	1
10	<u>105245401</u>	Strap, Tank, Utility	1

9
G

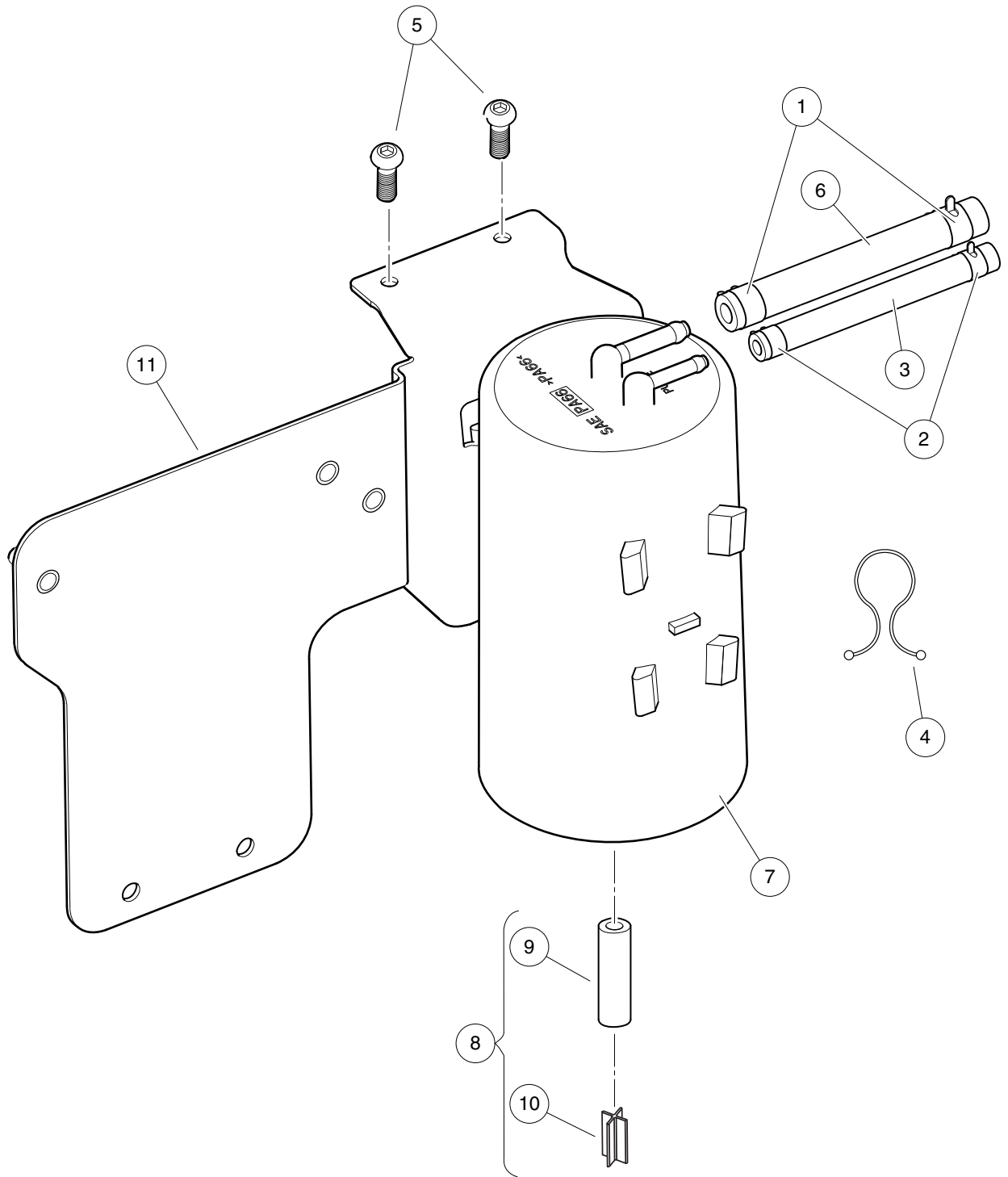


000977-005

FUEL TANK KITS – EFI

ITEM	PART NO.	DESCRIPTION	QTY
		1 2 3 4	
1	<u>105282901</u>	Kit, Fuel Pump Module (includes items 2 through 5)	1
2	<u>102025801</u>	Screw, 1/4-20 X .75 Torx Pn Hd	6
3	<u>105043401</u>	Fuel Pump Module, with Sending Unit	1
4	<u>105043801</u>	Fuel Module, Hold Down Ring	1
5	<u>105043901</u>	O-Ring, Fuel Module	1
6	<u>105282902</u>	Kit, Fuel Filter (includes items 7 through 10)	1
7	<u>102025801</u>	Screw, 1/4-20 X .75 Torx Pn Hd	6
8	<u>105043801</u>	Fuel Module, Hold Down Ring	1
9	<u>105043901</u>	O-Ring, Fuel Module	1
10	<u>105073001</u>	Fuel Filter, EX40, EFI	1
11	<u>105282903</u>	Kit, O-ring (includes items 12 through 14)	1
12	<u>102025801</u>	Screw, 1/4-20 X .75 Torx Pn Hd	6
13	<u>105043801</u>	Fuel Module, Hold Down Ring	1
14	<u>105043901</u>	O-Ring, Fuel Module	1

9
G



000980-006

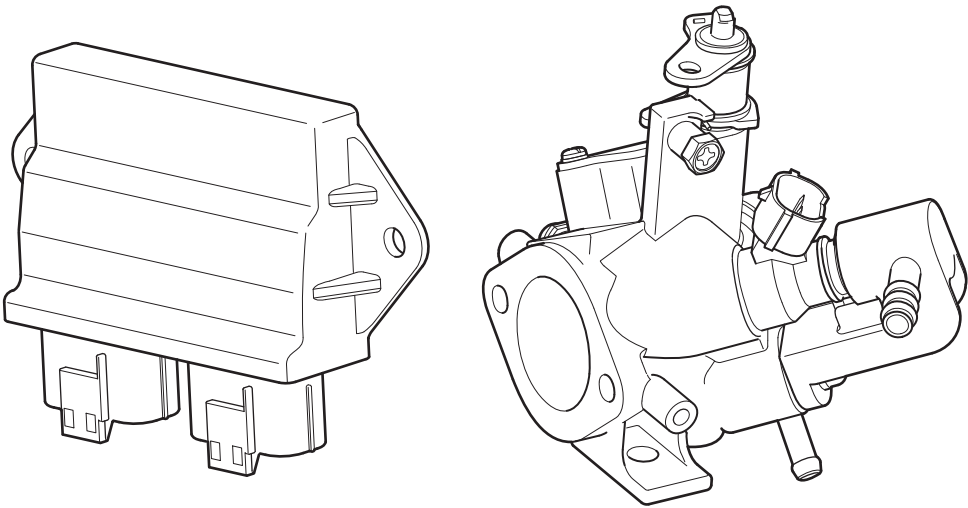
CARBON CANISTER – EFI

ITEM	PART NO.	DESCRIPTION	QTY
		1 2 3 4	
1	<u>1012649</u>	Clamp, 0.460 Red Hose	2
2	<u>1013746</u>	Clamp, 0.301 ID Hose	2
3	<u>1015137</u>	Fuel Line, 3/16 (available by the foot)	A/R
4	<u>101987701</u>	Clamp, Plastic Tie	2
5	<u>102025801</u>	Screw, 1/4-20 X .75 Torx Pn Hd	2
6	<u>102865101</u>	Fuel Line, 1/4 (available by the foot)	A/R
7	<u>103372401</u>	Canister, Carbon	1
8	<u>103756401</u>	Asm, Vent Line, Carbon Canister (includes items 9 and 10)	1
9	N/A	Hose, Vent, 5/16 I.D., Bulk	1
10	N/A	Vent, Barb, 5/16 I.D. Hose	1
11	<u>105044901</u>	Bracket, Carbon Canister/ECU	1

9

G

1



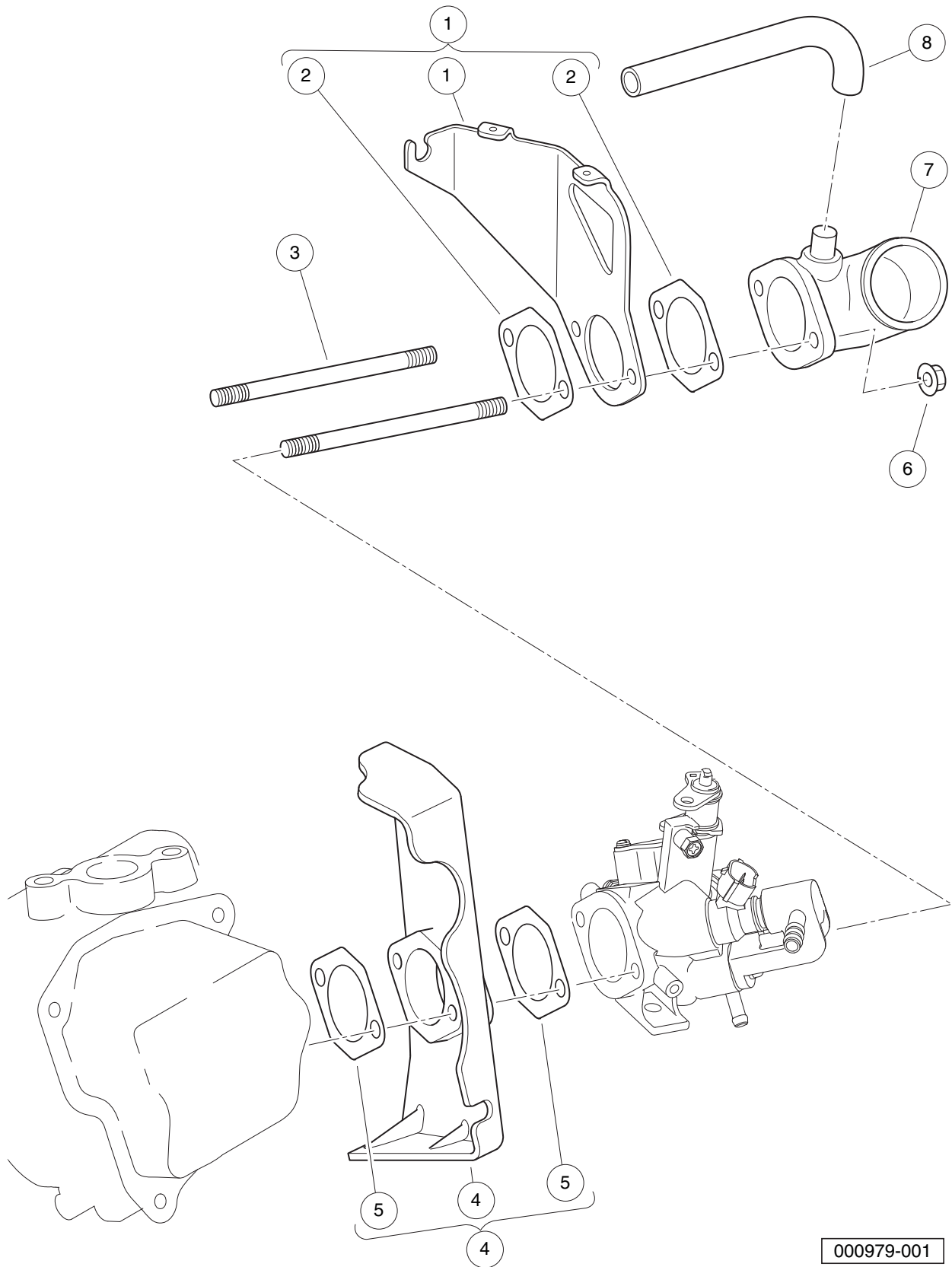
000964-001

THROTTLE BODY AND ECU – EFI

ITEM	PART NO.	DESCRIPTION	QTY
1	<u>105017201</u>	<p>1 2 3 4</p> <p>Asm, Throttle Body/Fuel Injector with ECU, EX40</p>	1

9

G



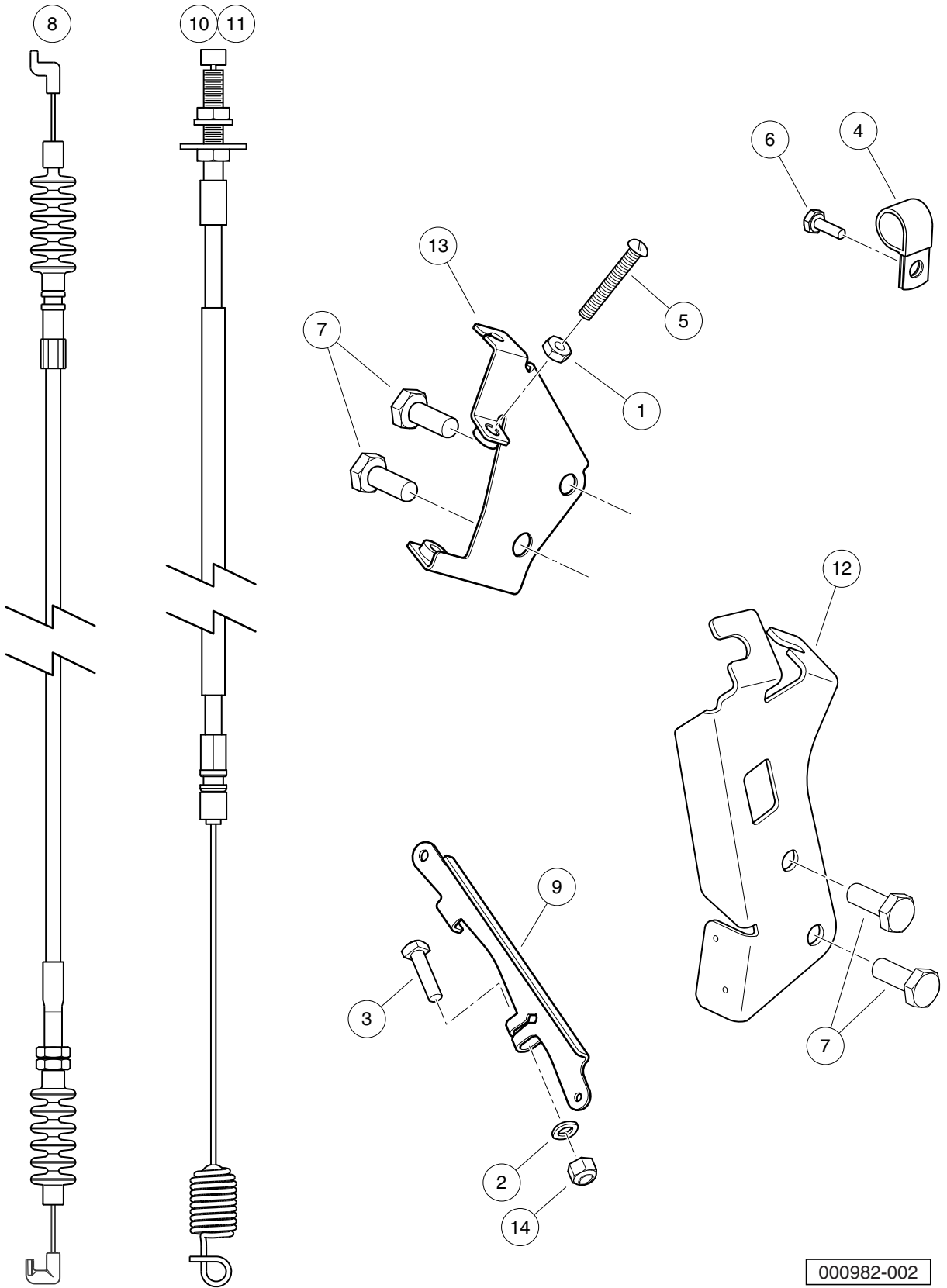
000979-001

THROTTLE BODY MOUNTING – EFI

ITEM	PART NO.	DESCRIPTION	QTY
		1 2 3 4	
1	<u>103983501</u>	Bracket, Operation, EX40 (includes item 2)	1
2	<u>105016201</u>	Gasket, Insulator, EX40	2
3	<u>105010901</u>	Stud, Mounting, Intake, EX40	2
4	<u>105016101</u>	Insulator, EX40 (includes item 5)	1
5	<u>105016201</u>	Gasket, Insulator, EX40	2
6	<u>105016301</u>	Nut, Intake Adapter, M6x1.0, EX40	2
7	<u>105016401</u>	Adapter, Air Intake, EX40	1
8	<u>105016501</u>	Hose, Breather, EX40	1

9

G



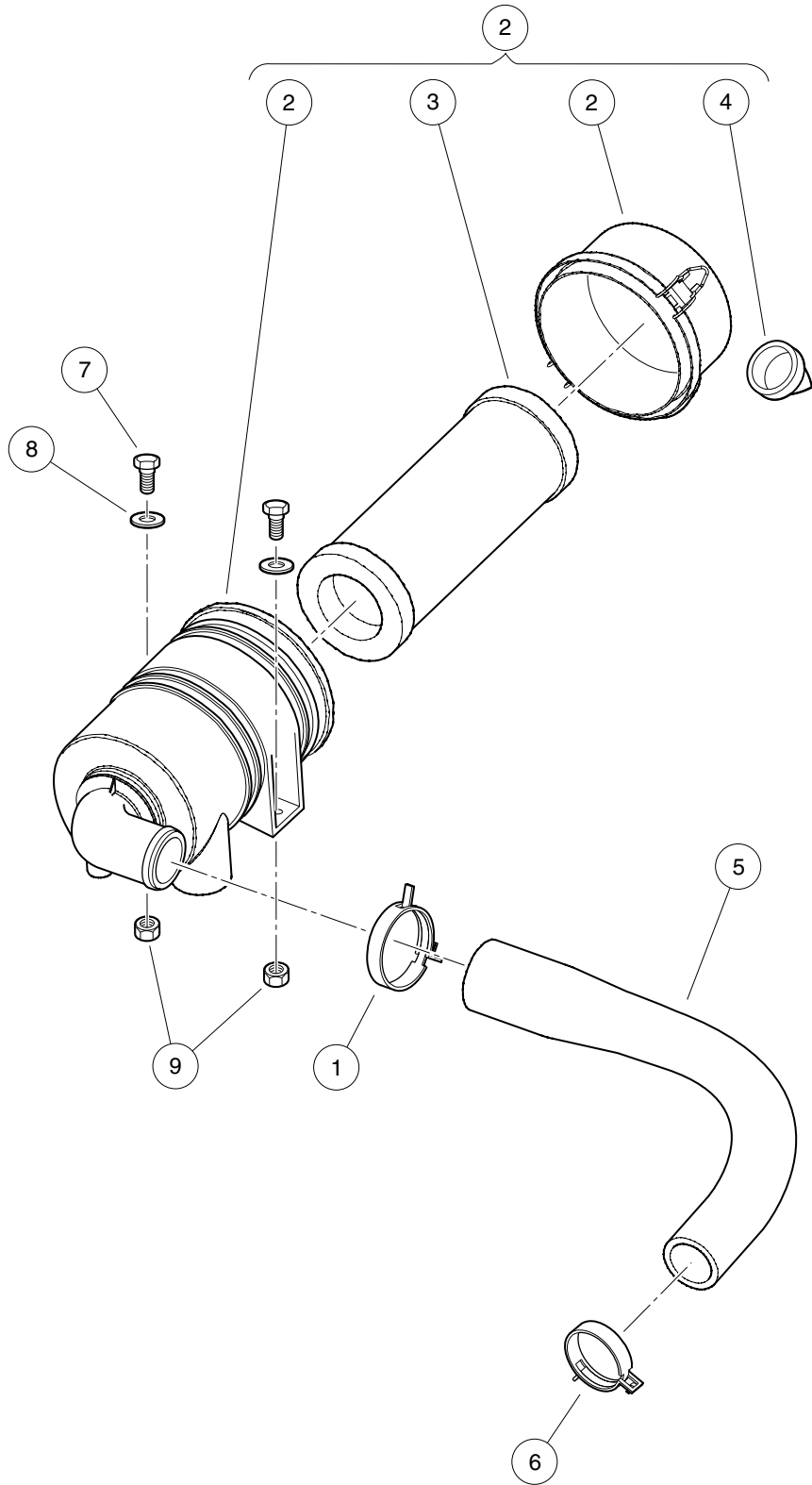
000982-002

GOVERNOR AND ACCELERATOR CABLES – EFI

ITEM	PART NO.	DESCRIPTION	QTY
		1 2 3 4	
1	<u>1011114</u>	Nut, M6-1.00 Hex	1
2	<u>1014007</u>	Washer, 1/4, Flat	1
3	<u>101886101</u>	Screw, 1/4-20 X 1.00, Square-Head	1
4	<u>102410604</u>	P-clamp, Insulated, 0.625 Inch	1
5	<u>102476401</u>	Bolt, Stop, Pedal	1
6	<u>102490301</u>	Bolt, M6 X 1 X 16, Loctite	1
7	<u>102498201</u>	Bolt, M10 X 1.25 X 25, Loctite	4
8	<u>103978001</u>	Cable, Governor, EX40	1
9	<u>104023501</u>	Arm, Governor, ED65	1
10	<u>105007402</u>	Cable, Accelerator, Utility, Low-Speed	1
11	<u>105007403</u>	Cable, Accelerator, Utility, Std-Speed	1
12	<u>105135101</u>	Bracket, Cable, FNR/Accelerator, ED65	1
13	<u>105144401</u>	Weldment, Governor Bracket	1
14	<u>8233</u>	Locknut, 1/4-20, Nylon Insert	1

9

G



000984-001

AIR FILTER SYSTEM AND INTAKE HOSE – EFI, LWB UTILITY/ TRANS

ITEM	PART NO.	DESCRIPTION	QTY
		1 2 3 4	
1	<u>102411209</u>	Clamp, Hose, Ctb 55mm Dia.	1
2	<u>105009101</u>	Air Cleaner, Utility with EFI (includes items 3 and 4)	1
3	<u>102558201</u>	Air Filter, 4 Inch	1
4	<u>102725501</u>	Valve, Evacuator, Filter Air	1
5	<u>105009401</u>	Hose, Air Intake, LWB Utility with EFI	1
6	<u>105088501</u>	Clamp, Ctb, 49mm Dia, W/clip	1
7	1218	Screw, 5/16-18 X 1.25 Hex-Head Cap	2
8	<u>1241</u>	Washer, 5/16 Type A Flat	2
9	<u>7473</u>	Locknut, 5/16-18 Nylon Insert	2

9
G

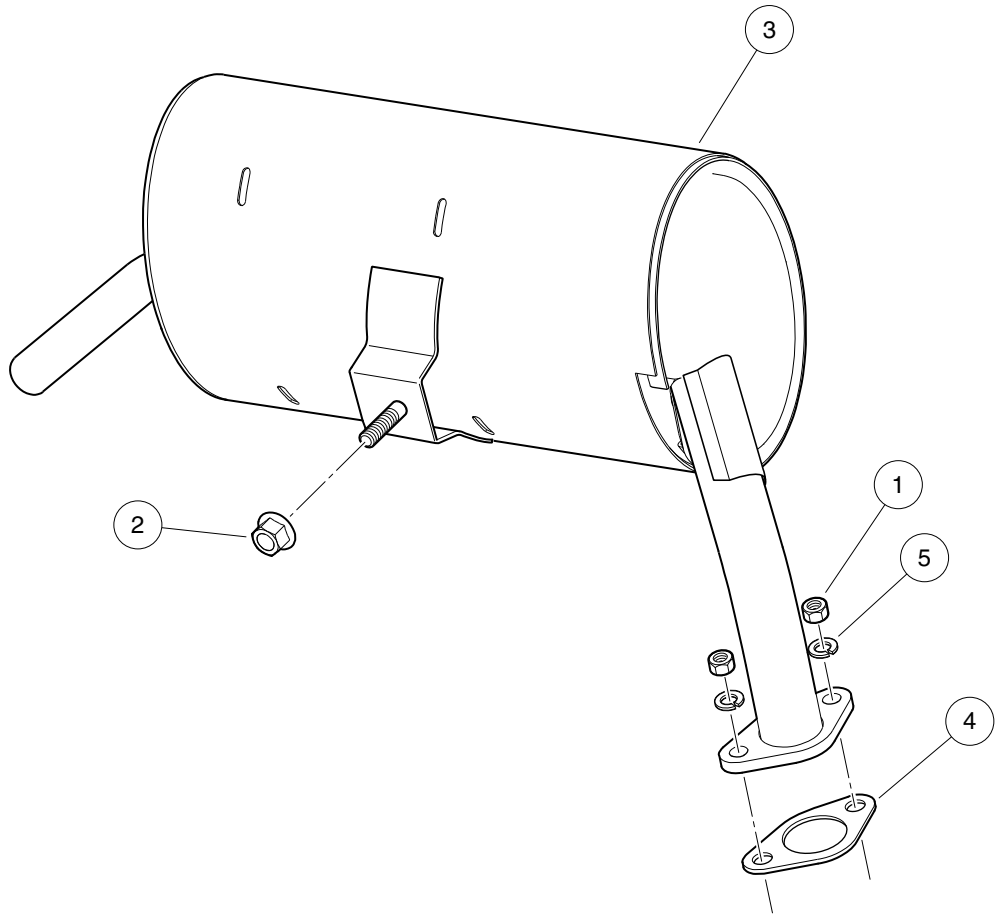
9

G

EXHAUST SYSTEM, UTILITY – EX40 ENGINE

10

G



000948-001

EXHAUST SYSTEM – UTILITY

ITEM	PART NO.	DESCRIPTION	QTY
		1 2 3 4	
1	<u>1012528</u>	Nut, M8-1.25 Hex	2
2	<u>102617201</u>	Nut, Flanged, M10 X 1.5, Mechanically Deformed	1
3	103980001	Exhaust System, EX40	1
4	<u>103993601</u>	Gasket, Exhaust, EX40	1
5	<u>7174</u>	Lockwasher, 5/16 Split	2

10

G

10

G

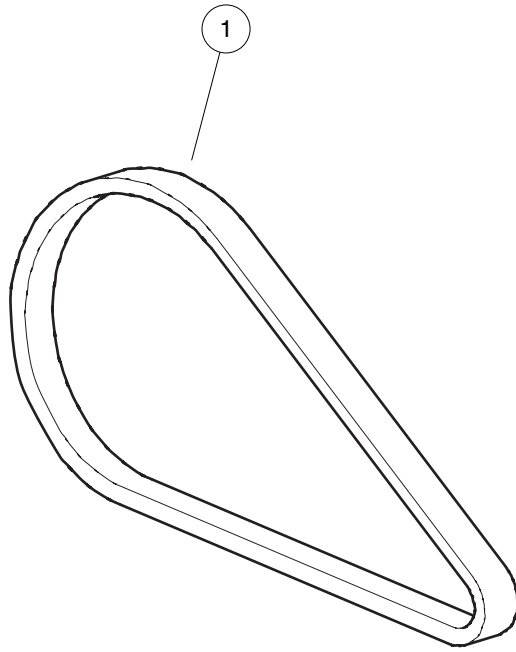
DRIVE BELT AND CLUTCHES – EFI GASOLINE VEHICLES

11

G

11

G



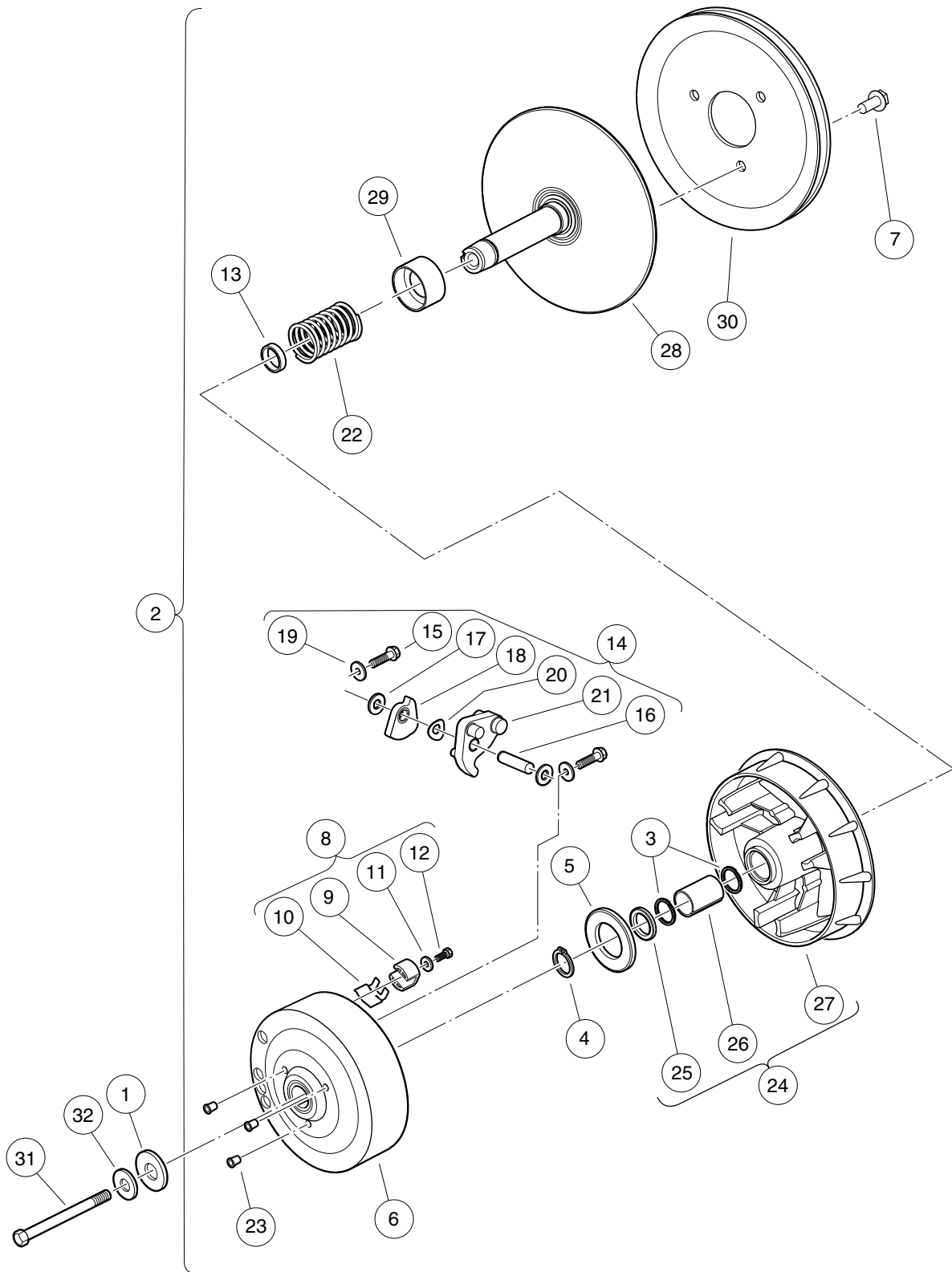
000918-001

DRIVE BELT – KEY-START VEHICLES WITH EFI

ITEM	PART NO.	DESCRIPTION	QTY
1	<u>103974102</u>	1 2 3 4 Belt, Drive, Key-Start	1

11

G



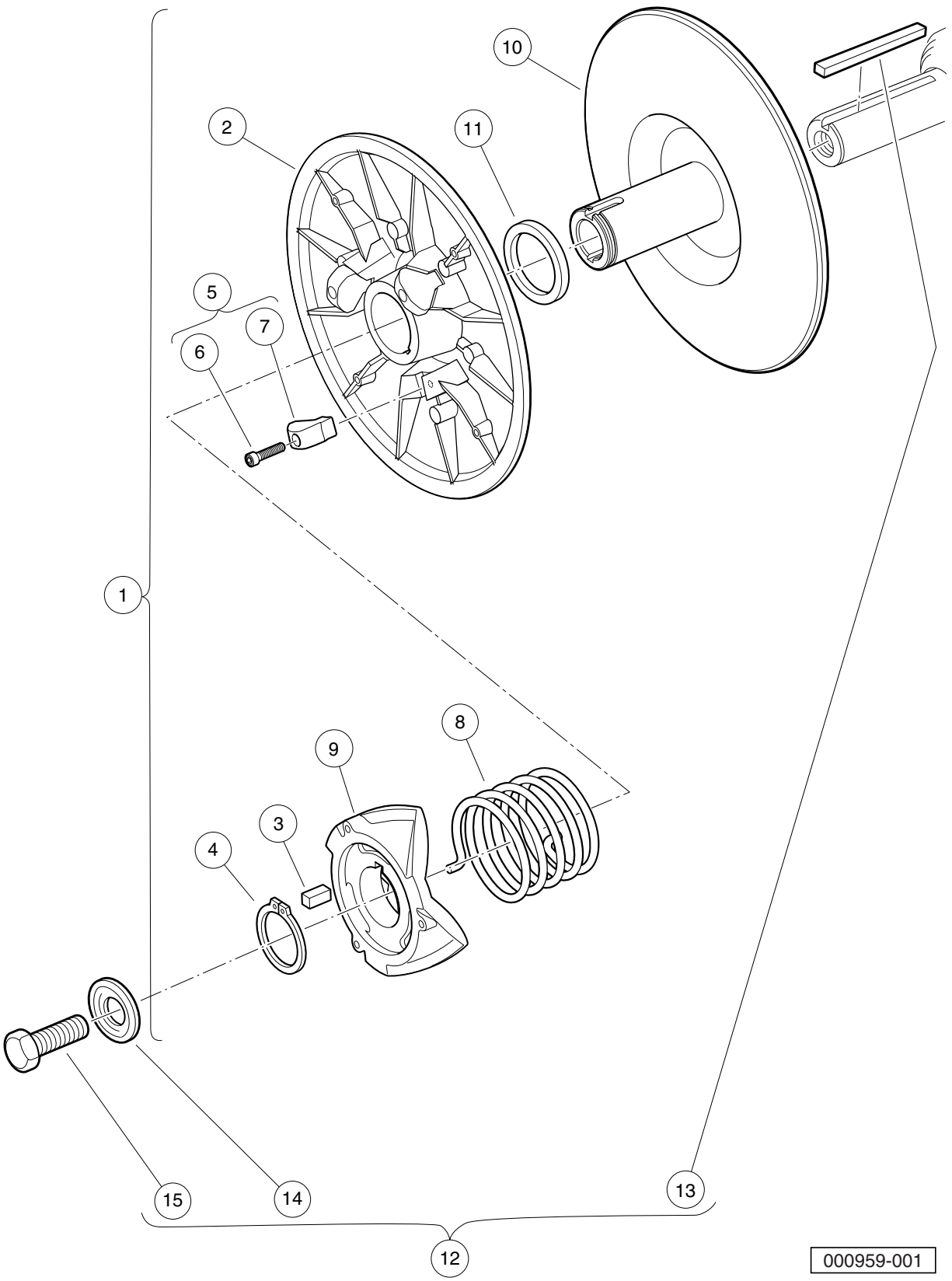
000958-002

DRIVE CLUTCH – KEY-START VEHICLES

ITEM	PART NO.	DESCRIPTION	QTY
		1 2 3 4	
1	<u>102491501</u>	Washer, Hard, M10	1
2	<u>103973902</u>	Clutch, Drive, Key-Start (includes items 3 through 30)	1
3	<u>1014056</u>	Ring, Spiral Backup	2
4	<u>1014057</u>	Ring, 0.810" Internal Retaining	1
5	<u>1014058</u>	Thrust Washer	1
6	<u>1014059</u>	Drive Hub Assy, Drive Clutch	1
7	<u>1014288</u>	Screw, 5/16-18 X 0.75, Thread-Forming	3
8	<u>1014453</u>	Kit, Drive Clutch Button (includes items 9 through 12)	1
9	<u>1014062</u>	Driver, Drive Clutch	3
10	<u>1014287</u>	Spring, Drive Button	3
11	<u>183</u>	Washer, #10, Type A, Flat	3
12	<u>8450</u>	Screw, #10-24 X 0.50, Hex-Head	3
13	<u>1016289</u>	Spacer, Fixed Face Shaft	1
14	<u>1016801</u>	Kit, Drive Clutch Weight (includes items 15 through 21)	1
15	<u>1014063</u>	Screw, 1/4-20 X 1.00, Hex Head	6
16	N/A	Pin, Dowel, 0.3752 x 1.50	3
17	<u>1014065</u>	Washer, Flat, 0.38" ID, Delrin	6
18	N/A	Clutch Weight, Secondary	3
19	N/A	Washer	6
20	<u>1016201</u>	Washer, Wave	3
21	N/A	Weight, Primary	3
22	<u>1016901</u>	Spring, Drive Clutch	1
23	N/A	Cap Plug	3
24	<u>103974201</u>	Asm, Sheave, Moveable, Drive, Wr (includes items 25 through 27)	1
25	<u>1014055</u>	Retainer	1
26	N/A	Bushing, Split, Drive Clutch	1
27	N/A	Sheave, Moveable, Drive, Wr	1
28	<u>103974401</u>	Sheave, Fixed, Drive, Wr	1
29	<u>103984601</u>	Spacer, Idler, Drive	1
30	<u>105096101</u>	Pulley, 7.3 Inch Effective Dia	1
31	<u>103976101</u>	Screw, 3/8-24x5.75, Patch	1
32	<u>334</u>	Washer, 3/8, Type A, Flat	1

11
G

11
G



000959-001

DRIVEN CLUTCH (STANDARD SPEED) – KEY START AND PEDAL START

ITEM	PART NO.	DESCRIPTION	QTY
		1 2 3 4	
1	<u>103974002</u>	Clutch, Driven, Std-Speed, Key and Pedal Start (includes items 2 through 11)	1
2	<u>1014072</u>	Movable-Face Assembly with Bushing	1
3	<u>1014078</u>	Key, Driven Clutch	1
4	<u>1014080</u>	Ring, Retaining	1
5	<u>1014454</u>	Kit, Driven Clutch Button (includes items 6 and 7)	1
6	<u>1012836</u>	Screw, #8-32 X 3/4, Socket-Head Cap	3
7	N/A	Button, Drive	3
8	<u>1017145</u>	Spring, Driven Clutch, 55 Degree	1
9	<u>1017686</u>	Cam, Driven Clutch	1
10	<u>103975301</u>	Sheave, Fixed, Driven, Wr	1
11	<u>104025101</u>	Washer, Acetal, Driven Clutch	1
12	<u>AM10419</u>	Kit, Clutch Repair (includes items 13 through 15)	1
13	<u>101833401</u>	Key, 3/16 Sq X 1.50"	1
14	<u>102155801</u>	Washer, Driven Clutch	1
15	<u>102242101</u>	Screw, 5/16-18 X 3/4 Hex-Head with Patch	1

11

G

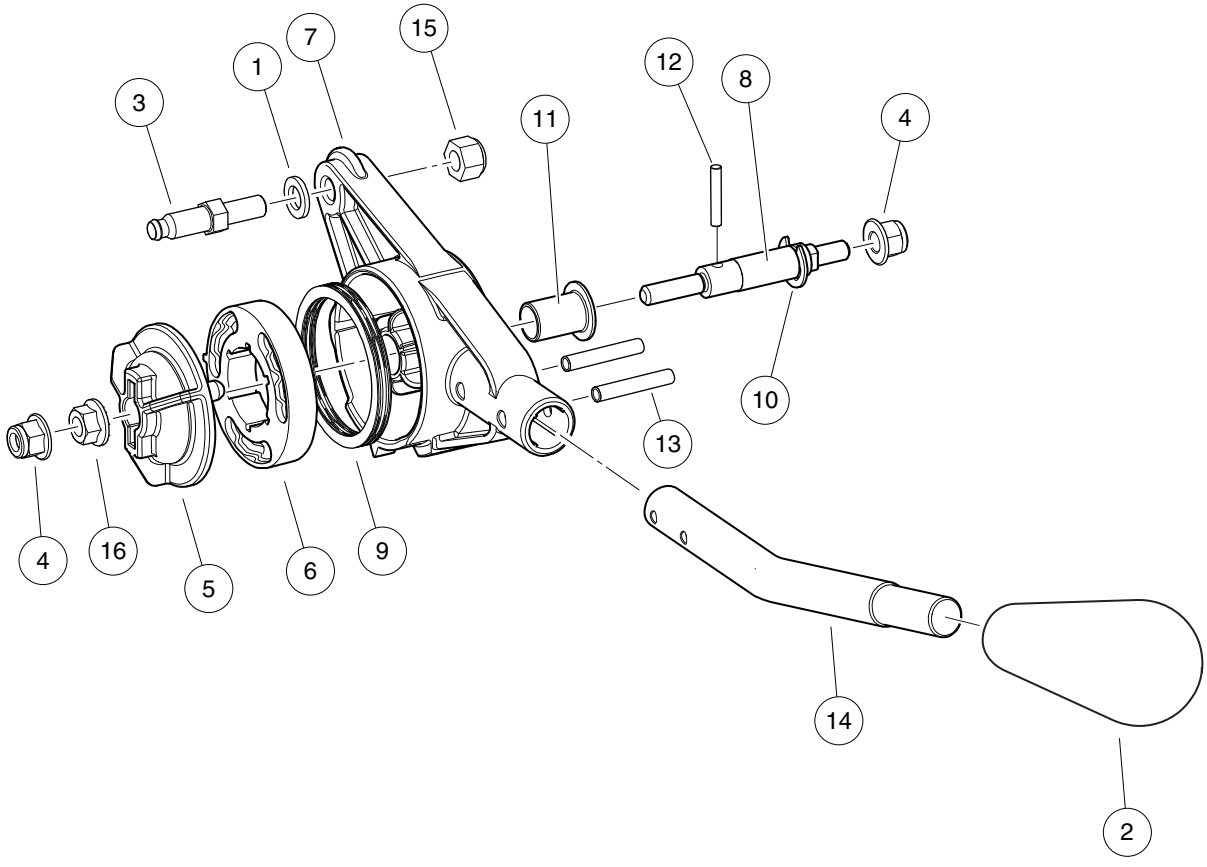
11

G

TRANSAXLE (FUJI ED65) – EFI GASOLINE VEHICLES

12

G



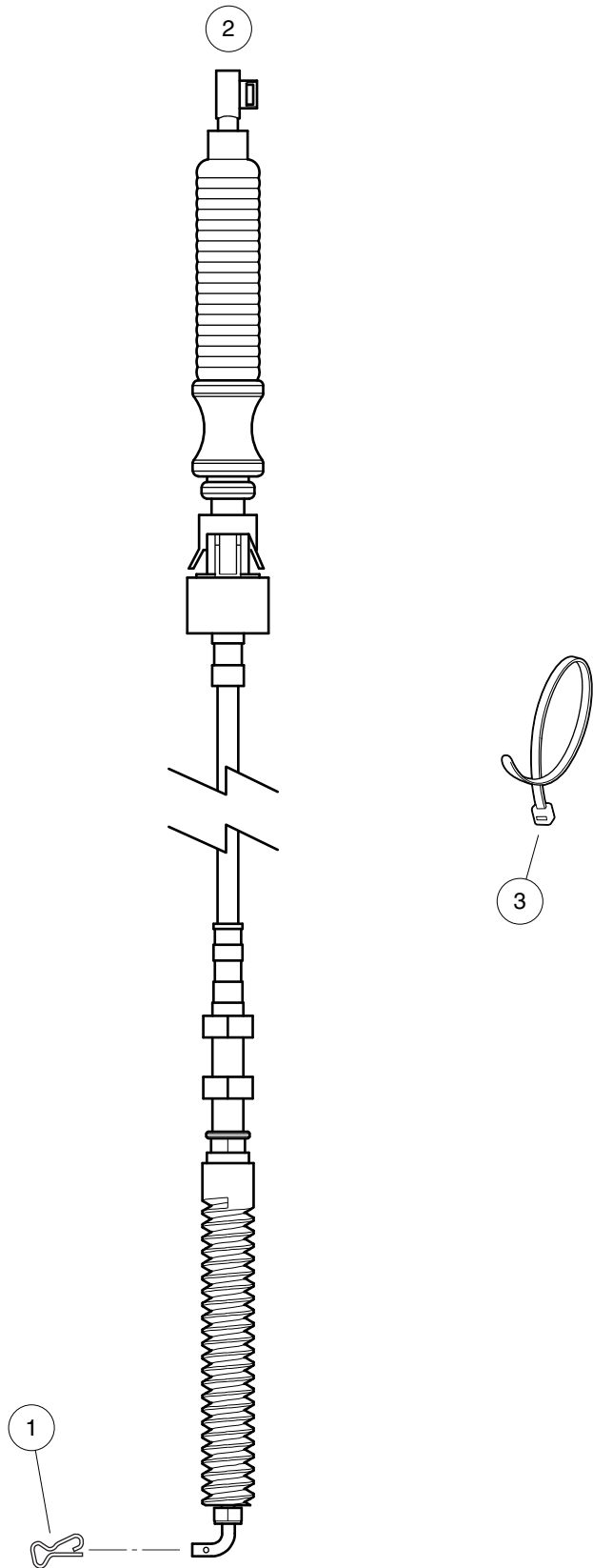
001011-001

FORWARD/REVERSE SHIFTER – EFI VILLAGER 6, 8, 850, 850SE

ITEM	PART NO.	DESCRIPTION	QTY
		1 2 3 4	
1	<u>1014007</u>	Washer, 1/4, Flat	1
2	<u>102376001</u>	Knob, FNR, Shifter	1
3	<u>102526201</u>	Stud, Thread, 1/4-28	1
4	<u>102621501</u>	Nut, Flange, M6 X 1.0, Nylon	2
5	<u>105037701</u>	Follower, FNR Detent	1
6	<u>105038001</u>	Cam, FNR Detent, Alternate	1
7	<u>105038101</u>	Housing, FNR, Gas, CA300-700	1
8	<u>105038201</u>	Shaft, FNR, Dash	1
9	<u>105038501</u>	Spring, Wave, Gas FNR Shifter	1
10	<u>105039801</u>	E-Clip, External, 8mm Groove	1
11	<u>105039901</u>	Bushing, Dash Shifter, Gas	1
12	<u>105040401</u>	Pin, Round, 0.125 Dia x 0.625	1
13	<u>105040402</u>	Pin, Grooved, 0.187 x 0.75	2
14	<u>105060601</u>	Handle, Shift, EX40, Villager	1
15	<u>8717</u>	Locknut, Nylon Insert, 1/4-28	1
16	<u>96704176</u>	Nut, Flanged, M6 X 1, Serrated	1

12
G

12
G



000988-001

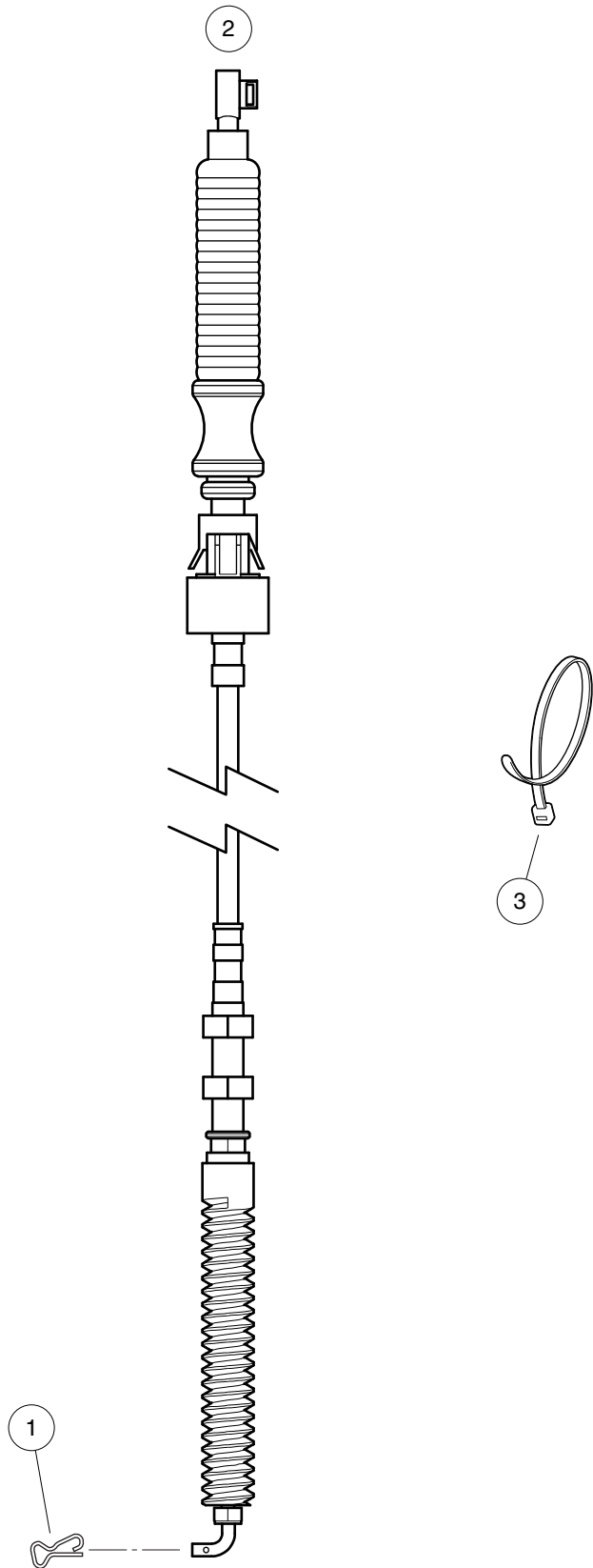
SHIFTER CABLE – VILLAGER 6, XRT850SE

ITEM	PART NO.	DESCRIPTION	QTY
		1 2 3 4	
1	<u>103886601</u>	Clip, Bowtie	1
2	<u>105038805</u>	Cable, Shifter, Villager 6/850 SE	1
3	<u>8990</u>	Tie Wrap, 8" Nylon	A/R

12

G

12
G



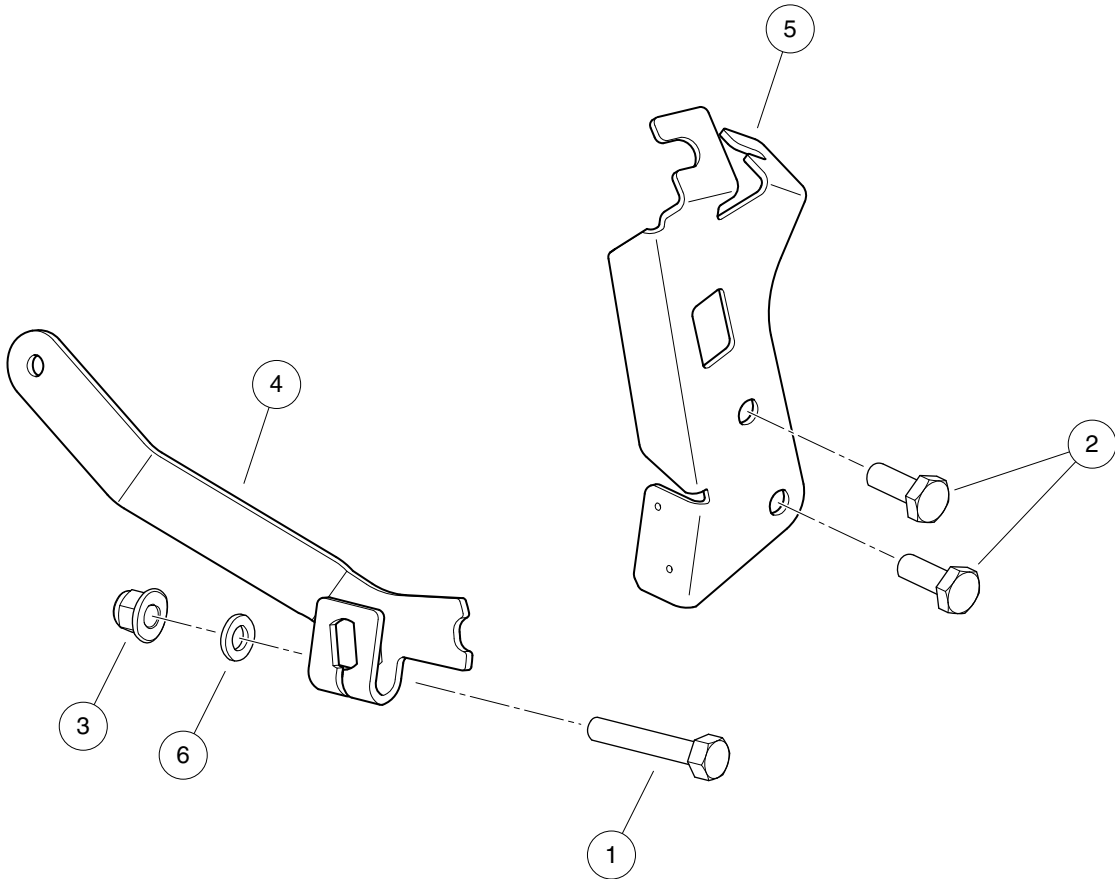
000988-001

SHIFTER CABLE – VILLAGER 8

ITEM	PART NO.	DESCRIPTION	QTY
		1 2 3 4	
1	<u>103886601</u>	Clip, Bowtie	1
2	<u>105038806</u>	Cable, Shifter, Villager 8	1
3	<u>8990</u>	Tie Wrap, 8" Nylon	A/R

12

G

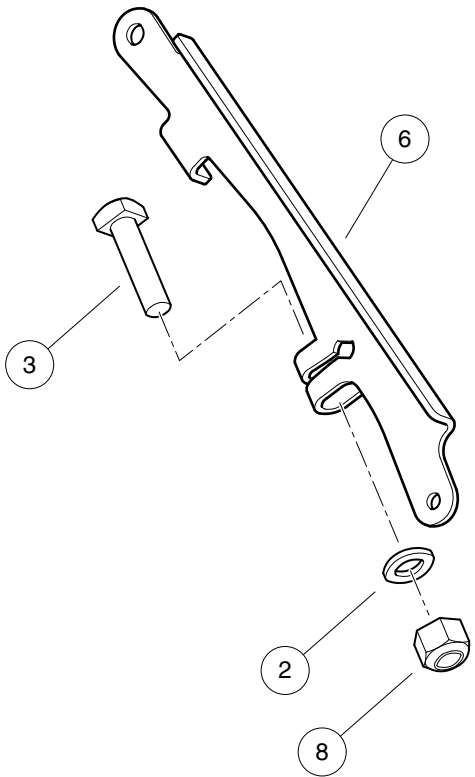
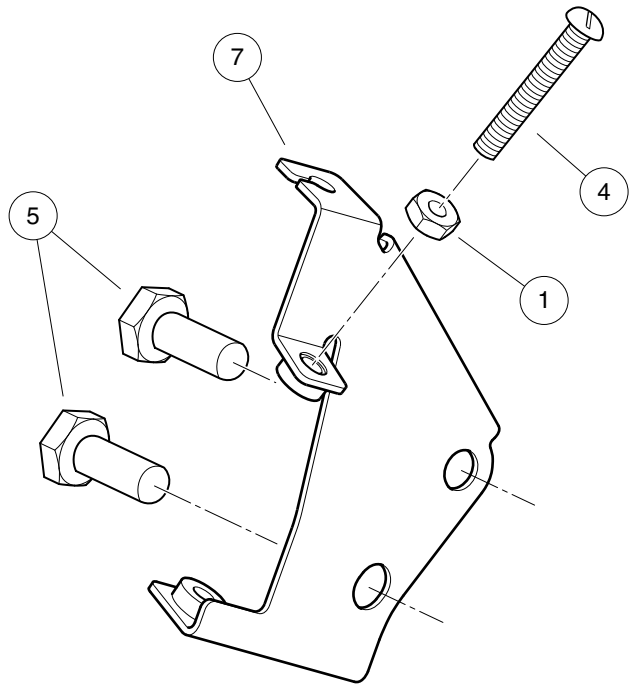


000965-002

SHIFT LEVER AND BRACKET – KEY-START ENGINES

ITEM	PART NO.	DESCRIPTION	QTY
		1 2 3 4	
1	<u>102059501</u>	Screw, 6M-1.00 X 35mm, Hex Head	1
2	<u>102498201</u>	Bolt, M10 X 1.25 X 25, Loctite	2
3	<u>102621501</u>	Nut, Flange, M6 X 1.0, Nylon	1
4	<u>105134901</u>	Lever, Shift, Transaxle, Key-Start	1
5	<u>105135101</u>	Bracket, Cable, FNR/Accelerator, ED65	1
6	<u>96705199</u>	Washer, M6	1

12
G

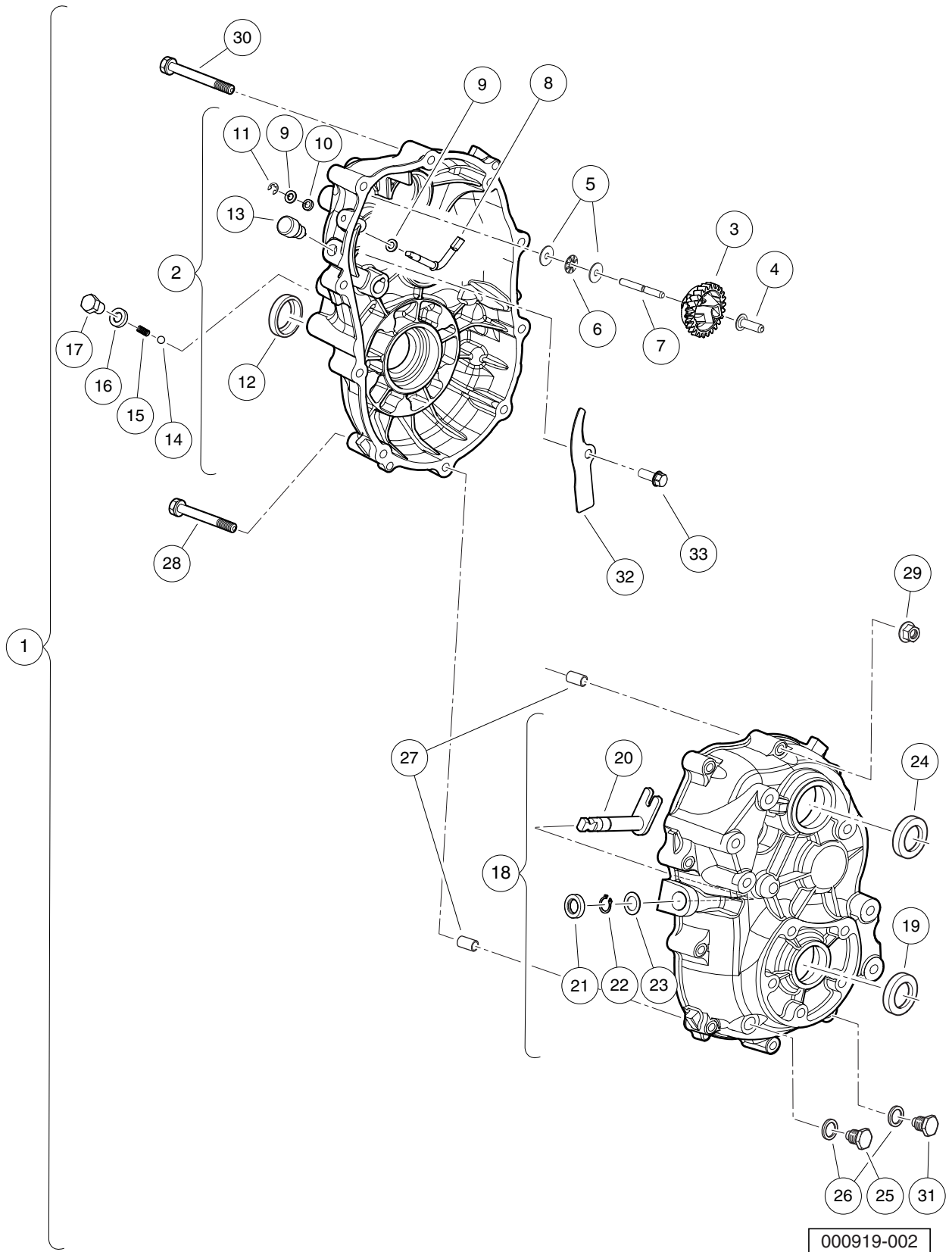


000966-002

GOVERNOR ARM AND BRACKETS – UTILITY VEHICLES

ITEM	PART NO.	DESCRIPTION	QTY
		1 2 3 4	
1	<u>1011114</u>	Nut, M6-1.00 Hex	1
2	<u>1014007</u>	Washer, 1/4, Flat	1
3	<u>101886101</u>	Screw, 1/4-20 X 1.00, Square-Head	1
4	<u>102476401</u>	Bolt, Stop, Pedal	1
5	<u>102498201</u>	Bolt, M10 X 1.25 X 25, Loctite	2
6	<u>104023501</u>	Arm, Governor, ED65	1
7	<u>105144401</u>	Weldment, Governor Bracket	1
8	<u>8233</u>	Locknut, 1/4-20, Nylon Insert	1

12
G



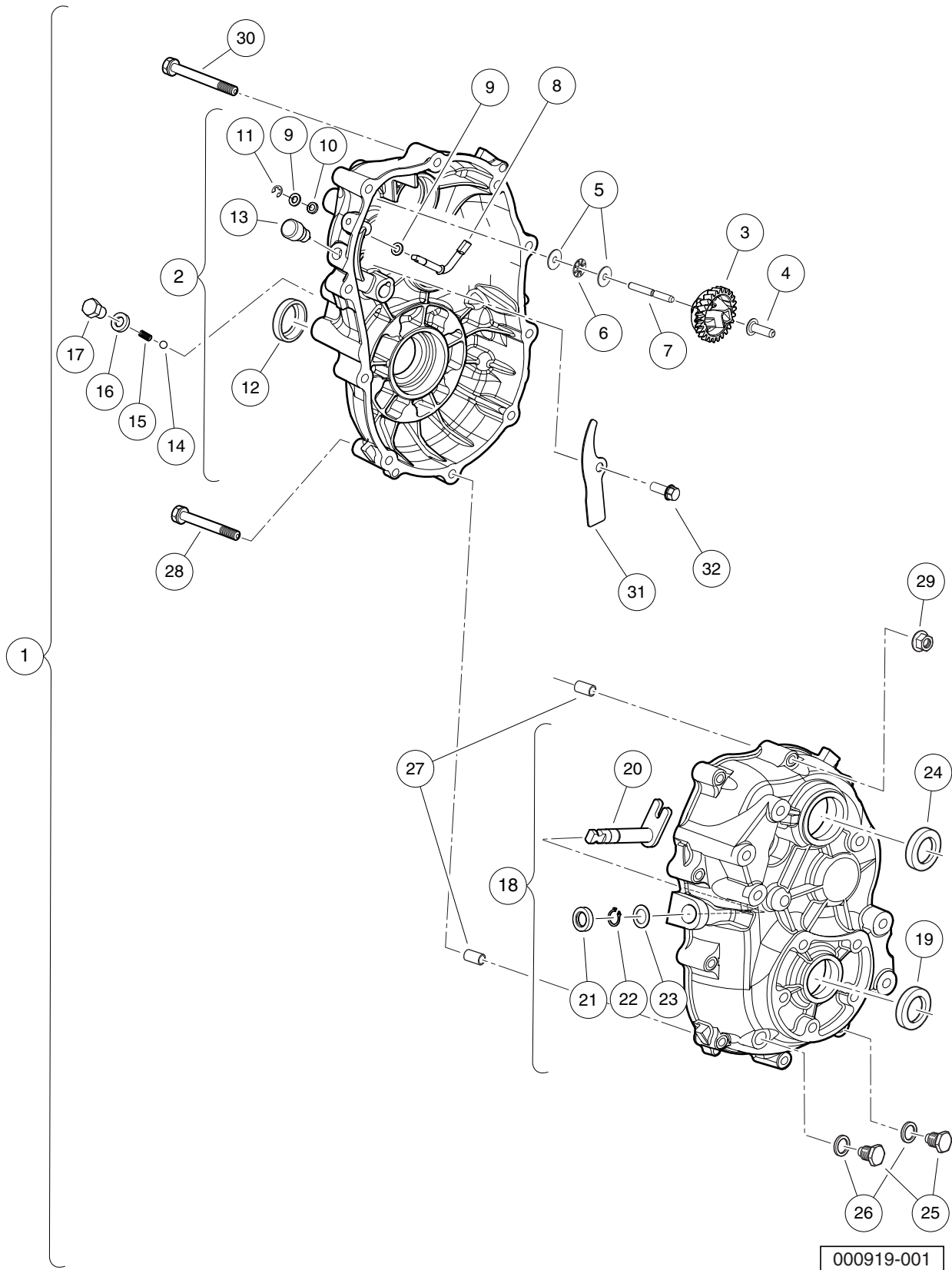
000919-002

TRANSAXLE (ED65), LIMITED SLIP – PAGE 1 OF 3

ITEM	PART NO.	DESCRIPTION	QTY
		1 2 3 4	
1	<u>103879702</u>	Transaxle, ED65, Limited-Slip Differential (includes items 2 through 33)	1
2	<u>105025001</u>	Case, Transaxle, Left, Complete, ED65 (includes items 3 through 13)	1
3	<u>105025101</u>	Gear, Governor, Complete, ED65	1
4	<u>105025201</u>	Sleeve, Governor, ED65	1
5	<u>105025301</u>	Washer, ED65	2
6	<u>105025401</u>	Bearing, Thrust, ED65	1
7	<u>105025501</u>	Shaft, Governor Gear, ED65	1
8	<u>105025601</u>	Shaft, Governor, ED65	1
9	<u>105025701</u>	Washer, 6mm, ED65	2
10	<u>105025801</u>	Seal, Oil, 6x10x2.5, ED65	1
11	<u>105025901</u>	Retaining Ring, E5, ED65	1
12	<u>105026001</u>	Seal, Oil, 24x40x9, ED65	1
13	<u>105027101</u>	Vent, Breather, ED65	1
14	<u>105026101</u>	Ball, Steel, ED65	1
15	<u>105026201</u>	Spring, ED65	1
16	<u>105026301</u>	Gasket, 10, ED65	1
17	<u>105026401</u>	Bolt, M10-1.25x12mm Lg, ED65	1
18	<u>105026501</u>	Case, Transaxle, Right, Complete, ED65 (includes items 19 through 24)	1
19	<u>105026001</u>	Seal, Oil, 24x40x9, ED65	1
20	<u>105026601</u>	Shaft, Select, ED65	1
21	<u>105026701</u>	Seal, Oil, 13x22x5, ED65	1
22	<u>105026801</u>	Snap Ring, 13mm, ED65	1
23	<u>105026901</u>	Spacer, 13x1, ED65	1
24	<u>105027001</u>	Seal, Oil, 25x45x7, ED65	1
25	<u>105027201</u>	Plug, Oil Drain, ED65	1
26	<u>105027301</u>	Gasket, 14, ED65	2
27	<u>105028301</u>	Pin, Guide, ED65	2
28	<u>105028501</u>	Bolt, Flange, M8-1.25x65mm, ED65	1
29	<u>105030001</u>	Nut, Flange, M8-1.25, ED65	10
30	<u>105030701</u>	Bolt, Flanged, M8-1.25x80mm, ED65	9
31	<u>105063501</u>	Plug, Oil Drain, Magnetic, ED65	1
32	<u>105234801</u>	Plate, Ed65 Splash	1
33	<u>105234901</u>	Bolt, M6-1 X 12mm Lg, Ed65	1
<p>Note: Fuji transaxle component listings span three pages. To identify your transaxle, locate the serial number decal on the axle tube.</p>			

12

G

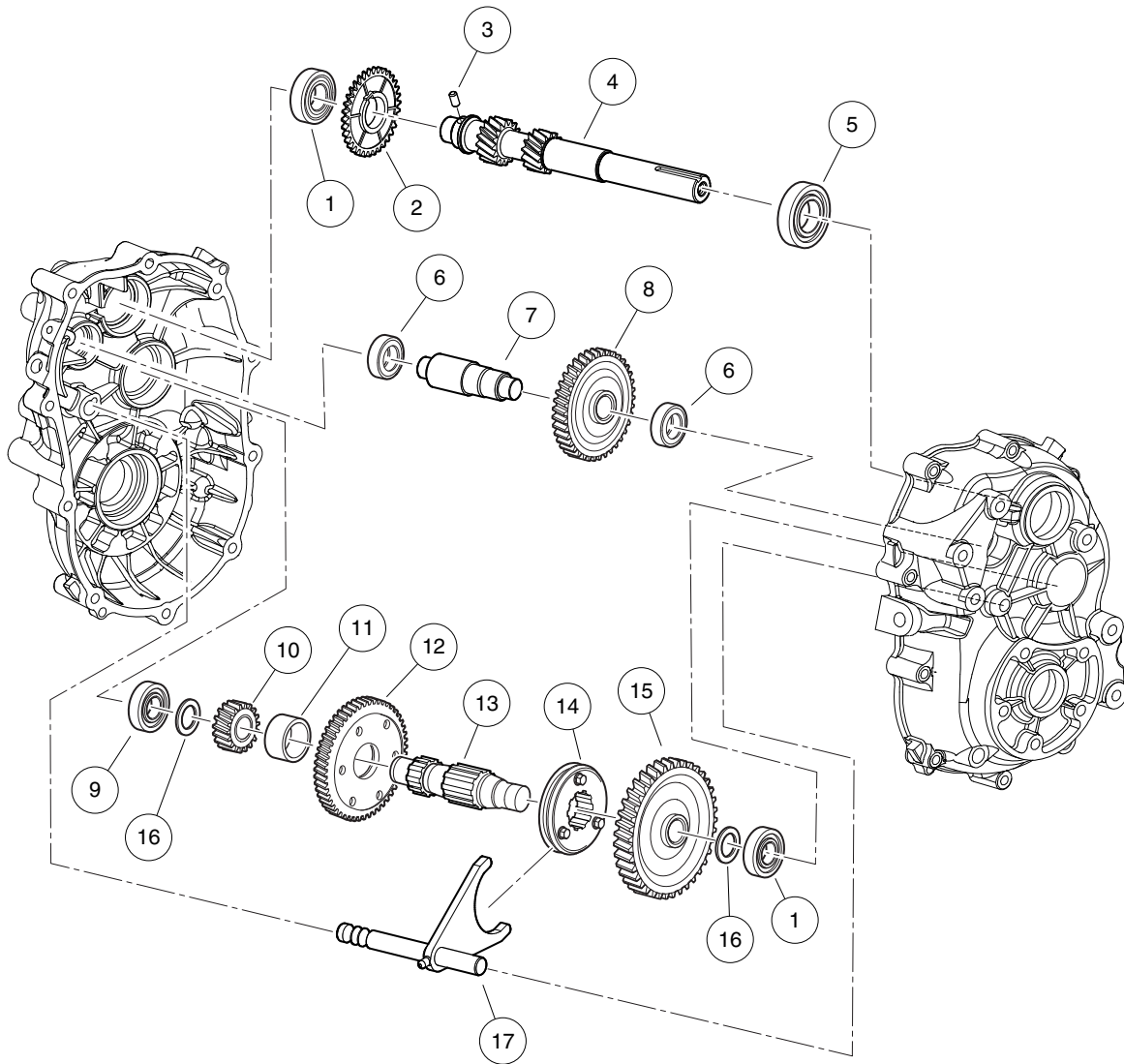


TRANSAXLE (ED65), OPEN – PAGE 1 OF 3

ITEM	PART NO.	DESCRIPTION	QTY
		1 2 3 4	
1	<u>103879701</u>	Transaxle, ED65, Open Differential (includes items 2 through 32)	1
2	<u>105025001</u>	Case, Transaxle, Left, Complete, ED65 (includes items 3 through 13)	1
3	<u>105025101</u>	Gear, Governor, Complete, ED65	1
4	<u>105025201</u>	Sleeve, Governor, ED65	1
5	<u>105025301</u>	Washer, ED65	2
6	<u>105025401</u>	Bearing, Thrust, ED65	1
7	<u>105025501</u>	Shaft, Governor Gear, ED65	1
8	<u>105025601</u>	Shaft, Governor, ED65	1
9	<u>105025701</u>	Washer, 6mm, ED65	2
10	<u>105025801</u>	Seal, Oil, 6x10x2.5, ED65	1
11	<u>105025901</u>	Retaining Ring, E5, ED65	1
12	<u>105026001</u>	Seal, Oil, 24x40x9, ED65	1
13	<u>105027101</u>	Vent, Breather, ED65	1
14	<u>105026101</u>	Ball, Steel, ED65	1
15	<u>105026201</u>	Spring, ED65	1
16	<u>105026301</u>	Gasket, 10, ED65	1
17	<u>105026401</u>	Bolt, M10-1.25x12mm Lg, ED65	1
18	<u>105026501</u>	Case, Transaxle, Right, Complete, ED65 (includes items 19 through 24)	1
19	<u>105026001</u>	Seal, Oil, 24x40x9, ED65	1
20	<u>105026601</u>	Shaft, Select, ED65	1
21	<u>105026701</u>	Seal, Oil, 13x22x5, ED65	1
22	<u>105026801</u>	Snap Ring, 13mm, ED65	1
23	<u>105026901</u>	Spacer, 13x1, ED65	1
24	<u>105027001</u>	Seal, Oil, 25x45x7, ED65	1
25	<u>105027201</u>	Plug, Oil Drain, ED65	2
26	<u>105027301</u>	Gasket, 14, ED65	2
27	<u>105028301</u>	Pin, Guide, ED65	2
28	<u>105028501</u>	Bolt, Flange, M8-1.25x65mm, ED65	1
29	<u>105030001</u>	Nut, Flange, M8-1.25, ED65	10
30	<u>105030701</u>	Bolt, Flanged, M8-1.25x80mm, ED65	9
31	<u>105234801</u>	Plate, Ed65 Splash	1
32	<u>105234901</u>	Bolt, M6-1 X 12mm Lg, Ed65	1
<p>Note: Fuji transaxle component listings span three pages. To identify your transaxle, locate the serial number decal on the axle tube.</p>			

12

G



000919-003

TRANSAXLE (ED65), LIMITED SLIP AND OPEN – PAGE 2 OF 3

ITEM	PART NO.	DESCRIPTION	QTY
		1 2 3 4	
1	<u>105027401</u>	Bearing, Ball (6204)	2
2	<u>105027501</u>	Gear, Governor, 34 Tooth, ED65	1
3	<u>105027601</u>	Pin, 6x12 Long, ED65	1
4	105027701	Shaft, Input, ED65	1
5	105027801	Bearing, Ball (6205 seal)	1
6	<u>105027901</u>	Bearing, Ball (6202)	2
7	105028001	Shaft, Counter, ED65	1
8	105028201	Gear, 34 Tooth, ED65	1
9	<u>105028401</u>	Bearing, Ball (6304)	1
10	105028601	Gear, 17 Tooth, ED65	1
11	<u>105028701</u>	Collar, 24 x 12, ED65	1
12	<u>105028801</u>	Gear, 52 Tooth, ED65	1
13	105028901	Shaft, Center, ED65	1
14	<u>105029001</u>	Clutch, Pin, ED65	1
15	105029101	Gear, 62 Tooth, ED65	1
16	<u>105029201</u>	Spacer, 20x2, ED65	2
17	<u>105030901</u>	Shaft, Shift, ED65	1
		<p>Note: To identify your transaxle, locate the serial number decal on the axle tube.</p>	

12

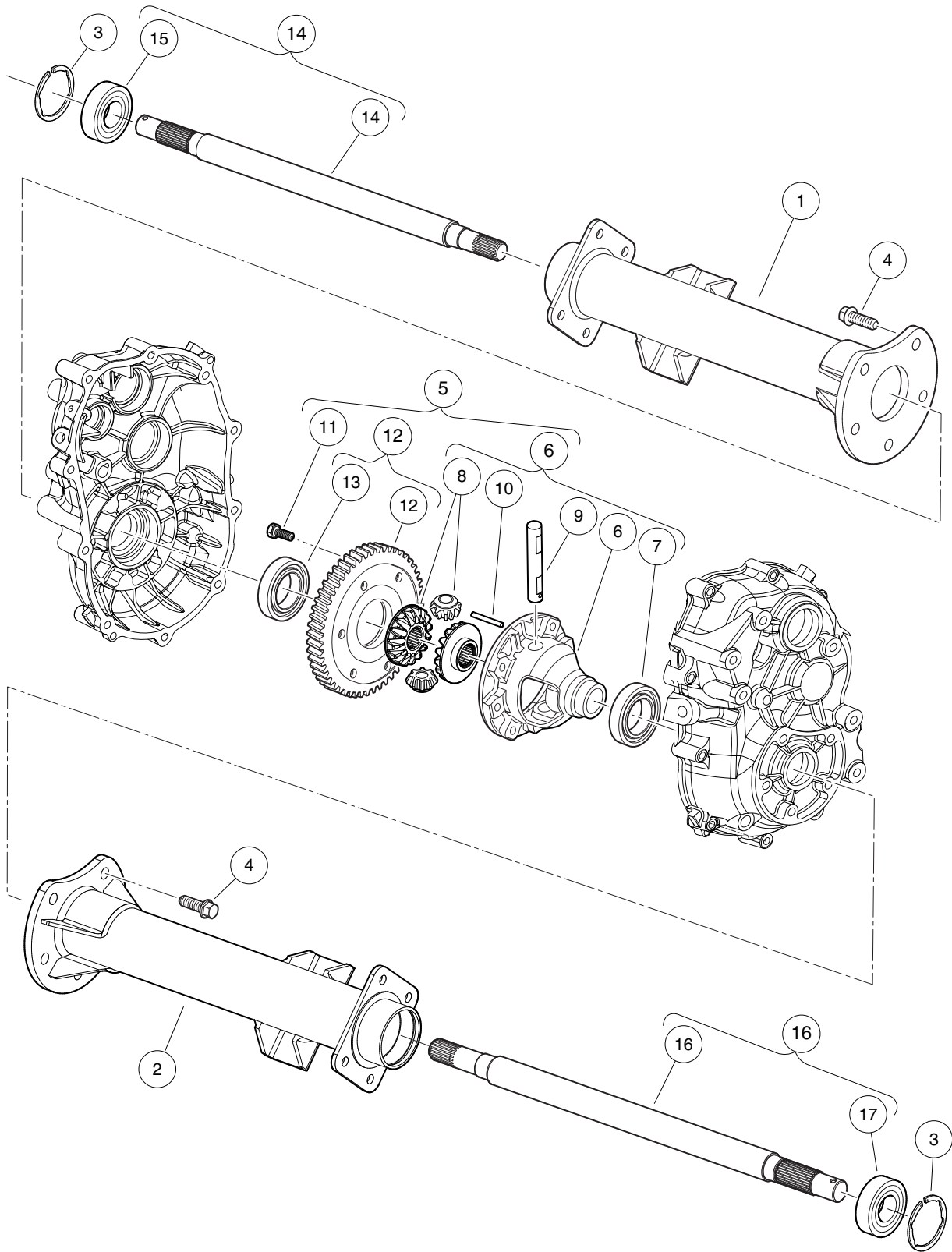
G

TRANSAXLE (ED65), LIMITED SLIP – PAGE 3 OF 3

ITEM	PART NO.	DESCRIPTION	QTY
		1 2 3 4	
1	105029901	Gear, 60 Tooth, Complete, ED65 (includes item 2)	1
2	<u>105029801</u>	Bearing, Ball (6007)	1
3	105030401	Axle Tube, Driver-Side, ED65	1
4	105030501	Axle Tube, Passenger-Side, ED65	1
5	<u>105030601</u>	Snap Ring, 52mm, ED65	2
6	<u>105030801</u>	Bolt, Flange, M10-1.25x25, ED65	10
7	<u>105063601</u>	Differential, Limited-Slip, ED65 (includes items 8 through 10)	1
8	<u>105028101</u>	Bearing, Ball (6006)	1
9	<u>105029501</u>	Bolt, M10-1.25x26mm Lg, ED65	6
10	<u>105029801</u>	Bearing, Ball (6007)	1
11	<u>105066001</u>	Axle Shaft, Driver-Side, Complete, ED65 (includes item 12)	1
12	<u>105030301</u>	Bearing, Ball (6205DD)	1
13	<u>105066101</u>	Axle Shaft, Passenger-Side, Complete, ED65 (includes item 14)	1
14	<u>105030301</u>	Bearing, Ball (6205DD)	1
<p style="margin-left: 40px;">Note: To identify your transaxle, locate the serial number decal on the axle tube.</p>			

12

G



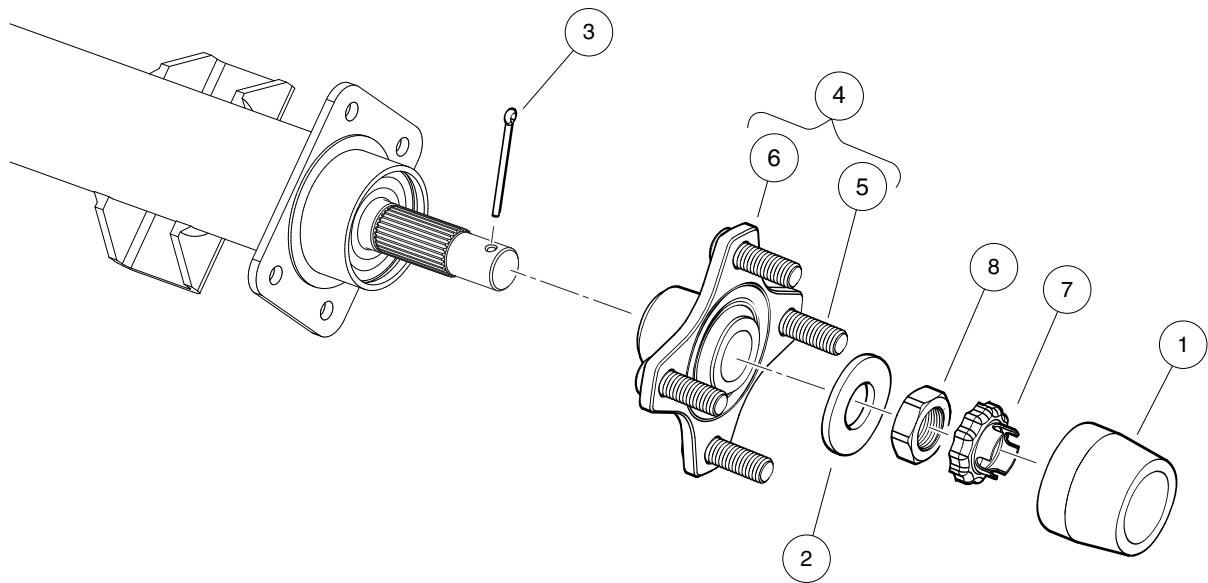
000919-004

TRANSAXLE (ED65), OPEN – PAGE 3 OF 3

ITEM	PART NO.	DESCRIPTION	QTY
		1 2 3 4	
1	105030401	Axle Tube, Driver-Side, ED65	1
2	105030501	Axle Tube, Passenger-Side, ED65	1
3	<u>105030601</u>	Snap Ring, 52mm, ED65	2
4	<u>105030801</u>	Bolt, Flange, M10-1.25x25, ED65	10
5	<u>105031001</u>	Differential, Open, ED65 (includes items 6 through 12)	1
6	<u>105029301</u>	Case, Differential, Complete, ED65 (includes items 7 through 10)	1
7	<u>105028101</u>	Bearing, Ball (6006)	1
8	105029401	Gear Set, Differential, ED65	1
9	<u>105029601</u>	Shaft, Differential, ED65	1
10	<u>105029701</u>	Pin, 4x40 Long, ED65	1
11	<u>105029501</u>	Bolt, M10-1.25x26mm Lg, ED65	6
12	105029901	Gear, 60 Tooth, Complete, ED65 (includes item 13)	1
13	<u>105029801</u>	Bearing, Ball (6007)	1
14	<u>105066001</u>	Axle Shaft, Driver-Side, Complete, ED65 (includes item 15)	1
15	<u>105030301</u>	Bearing, Ball (6205DD)	1
16	<u>105066101</u>	Axle Shaft, Passenger-Side, Complete, ED65 (includes item 17)	1
17	<u>105030301</u>	Bearing, Ball (6205DD)	1
		Note: To identify your transaxle, locate the serial number decal on the axle tube.	

12

G



000919-006

HUB, REAR

ITEM	PART NO.	DESCRIPTION	QTY
		1 2 3 4	
1	102274101	Center Cap, Rubber	2
2	<u>102617801</u>	Washer, Hard, M22	2
3	<u>103989501</u>	Pin, Cotter, 9/64 X 1.75"	2
4	<u>103995001</u>	Asm, Hub, Machined, Golf/Utility (includes items 5 and 6)	2
5	<u>103951501</u>	Lug Stud, 1/2-20 UNF, SAE J1102	4
6	<u>103979301</u>	Hub, Machined, Golf/Utility	1
7	<u>104021701</u>	Retaining Ring, Hex Nut, M22	2
8	<u>104027101</u>	Nut, Hex, M22x1.5, Thin	2

12
G

12

G

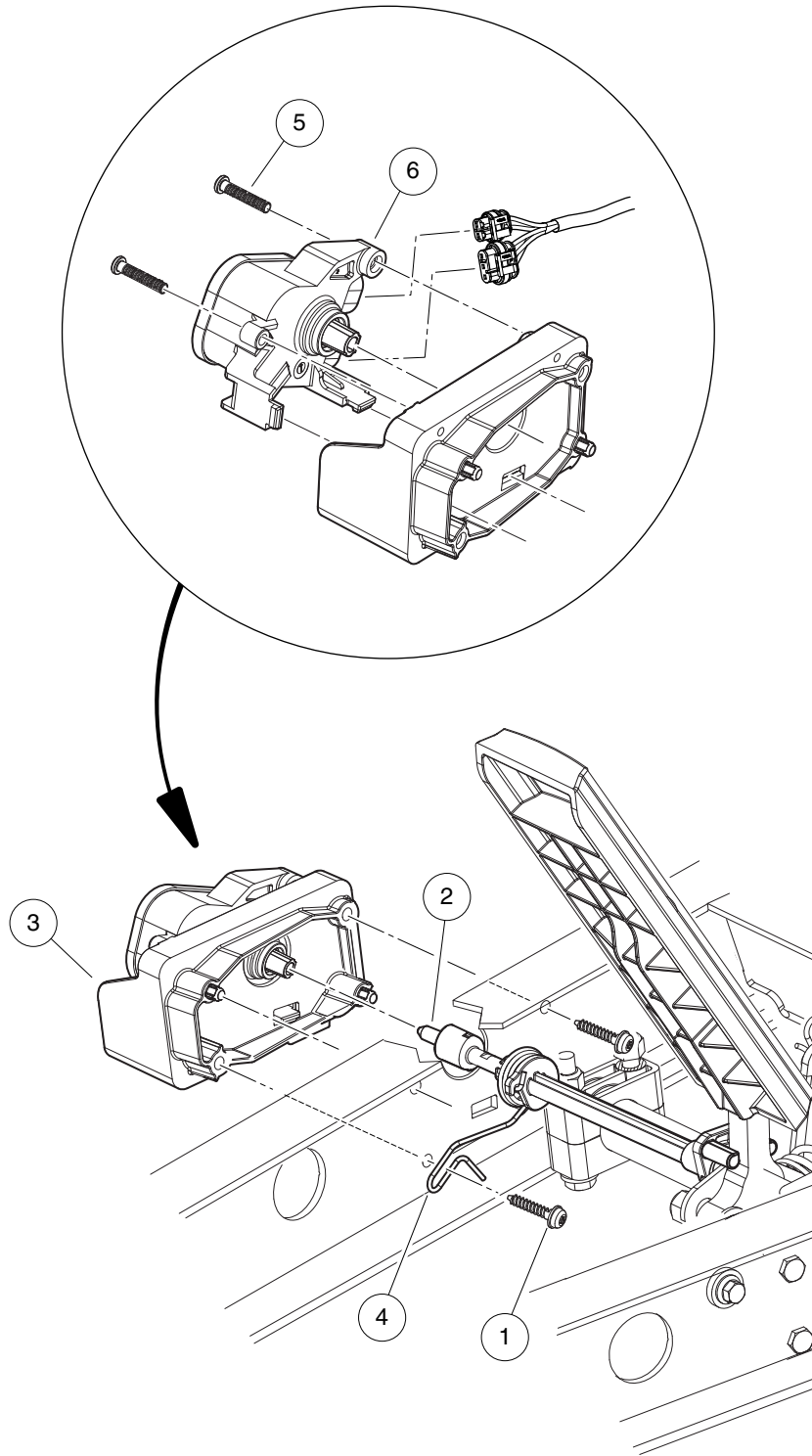
ELECTRICAL SYSTEM, ELECTRIC VEHICLES

13

E

13

E



002522-001

MOTOR CONTROLLER OUTPUT REGULATOR (MCOR)

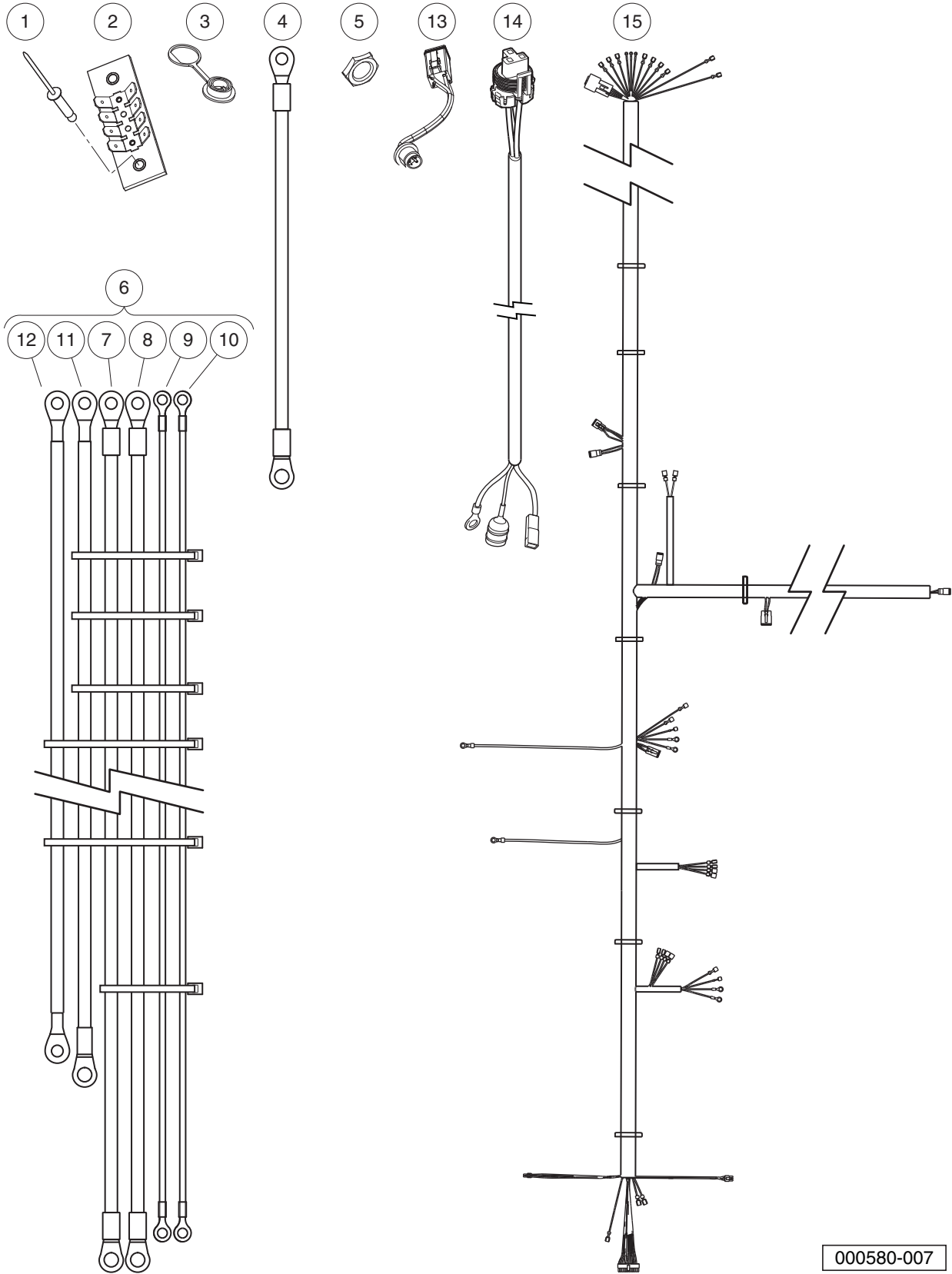
ITEM	PART NO.	DESCRIPTION	QTY
		1 2 3 4	
1	<u>102297230</u>	Screw, M6, Torx, Interlock Thread	2
2	<u>103902101</u>	Bar, Drive, Cast	1
3	<u>103902301</u>	Housing, Mcor	1
4	<u>103902401</u>	Spring, Torsion	1
5	<u>103943401</u>	Screw, Pan, #10 X 1.00 Hi-lo	2
6	<u>105116301</u>	MCOR4, Type 16 Switch	1

13

E

13

E



000580-007

WIRING – VILLAGER 6 IQ PLUS ELECTRIC

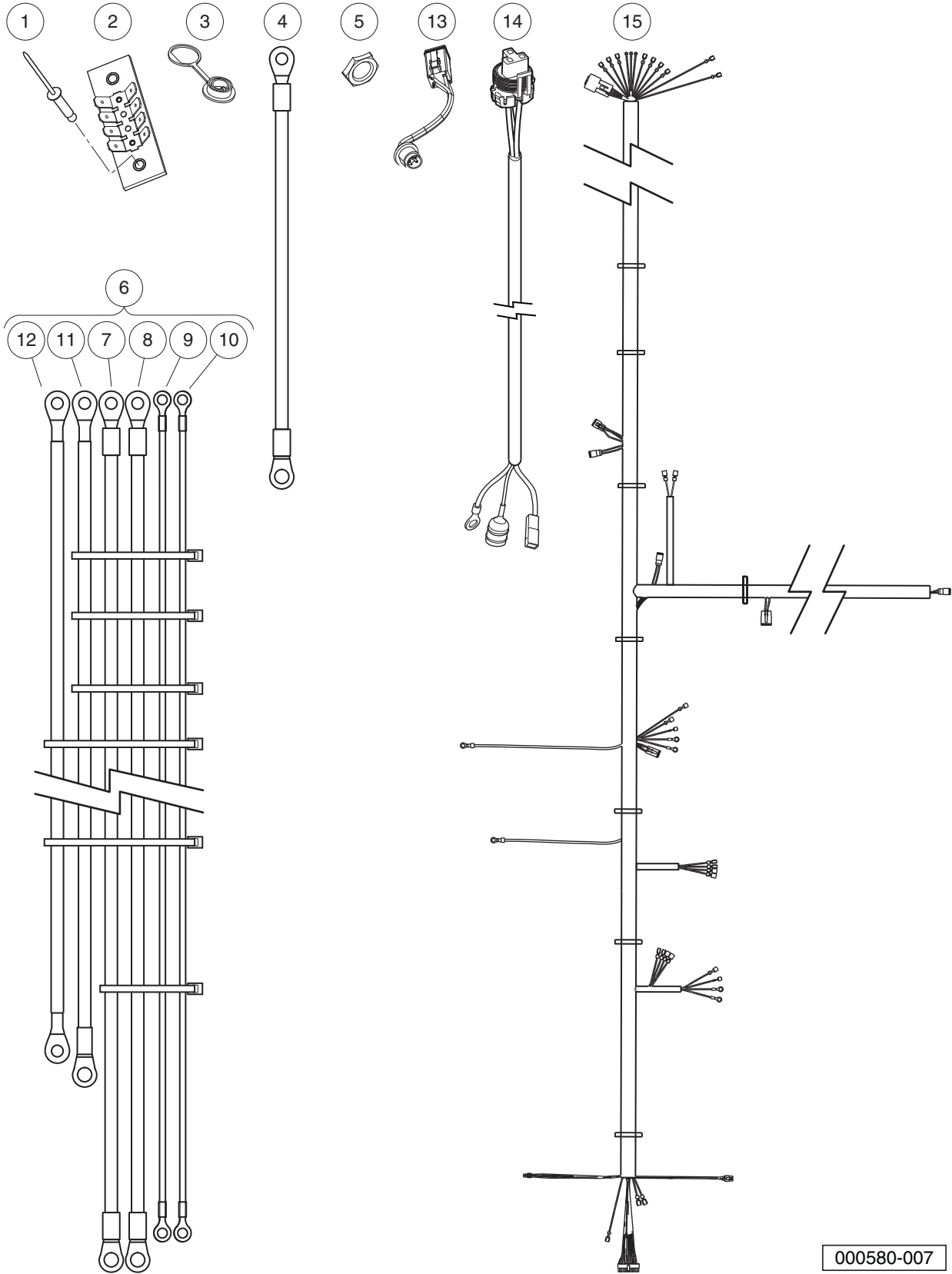
ITEM	PART NO.	DESCRIPTION	QTY
		1 2 3 4	
1	<u>1013357</u>	Rivet, 5/32 Aluminum Pop	2
2	<u>1016356</u>	Terminal Block with Insulator	1
3	<u>102196901</u>	Dust Cap	1
4	<u>102440901</u>	Wire Asm, #4 Yellow, 13"	1
5	<u>102572401</u>	Nut, Diagnostic Port, Prec	1
6	<u>102845501</u>	Harness, Power, Stretch IQ Plus (includes items 7 through 12)	1
7	N/A	Asm, #4 Grn Wire, 89"	1
8	N/A	Asm, #4 Wht Wire, 88.5"	1
9	N/A	Asm, #10 Org Wire, 89.5"	1
10	N/A	Asm, #10 Blu Wire, 95.5"	1
11	N/A	Asm, #4 Red Wire, 67.5"	1
12	N/A	Asm, #4 Blk Wire, 57.5"	1
13	<u>103218601</u>	Harness, Diagnostic Port	1
14	<u>103772101</u>	Charg Harness lqplus,shelf 480	1
15	<u>103940701</u>	Harness, Wire, CA6, Vill 6, IQ Plus, MCOR3/4	1
Note: Wire Harness (item 15) is for use with MCOR3 and MCOR4.			

13

E

13

E



000580-007

WIRING – VILLAGER 8 IQ PLUS ELECTRIC

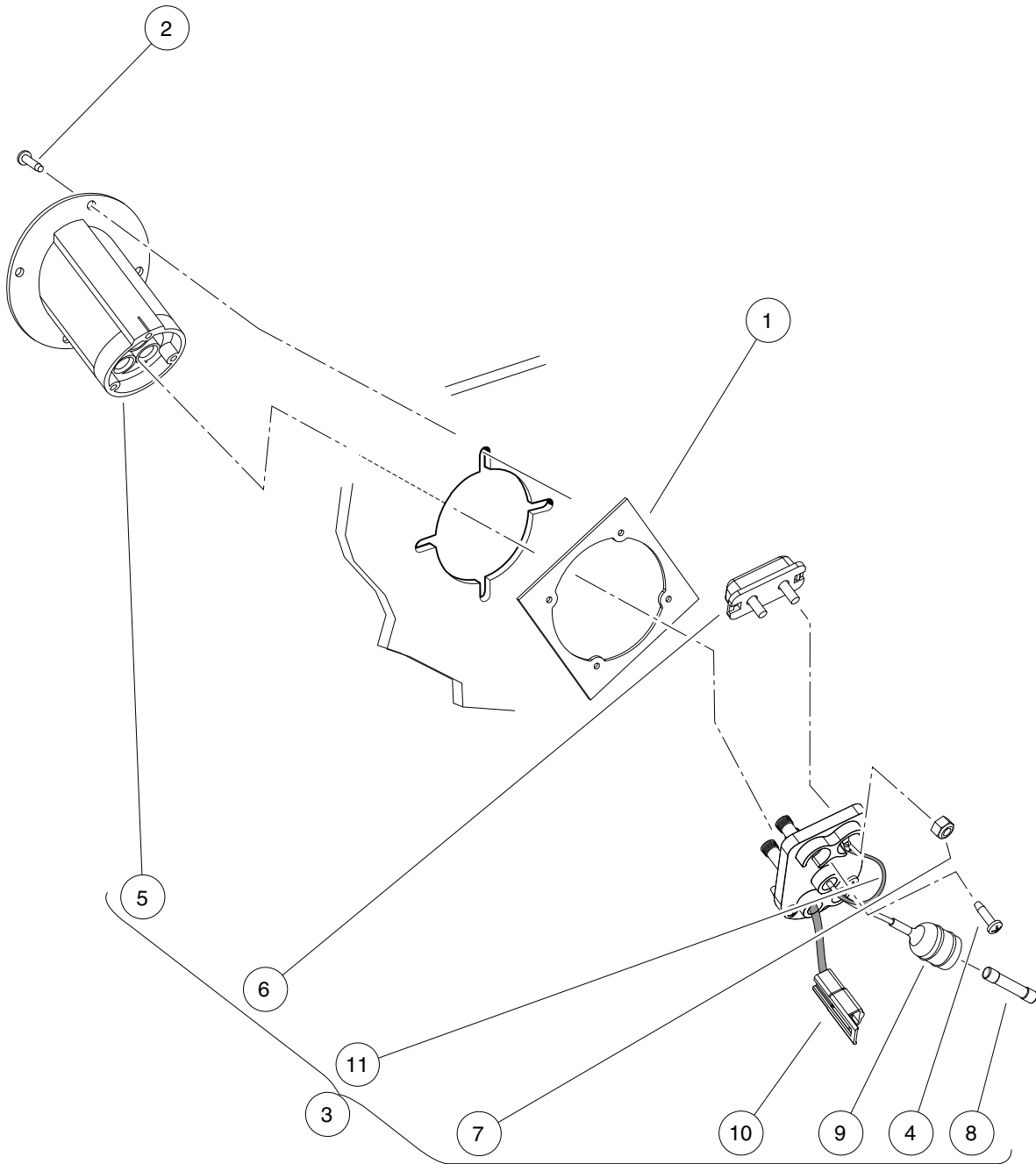
ITEM	PART NO.	DESCRIPTION	QTY
		1 2 3 4	
1	<u>1013357</u>	Rivet, 5/32 Aluminum Pop	2
2	<u>1016356</u>	Terminal Block with Insulator	1
3	<u>102196901</u>	Dust Cap	1
4	<u>102440901</u>	Wire Asm, #4 Yellow, 13"	1
5	<u>102572401</u>	Nut, Diagnostic Port, Prec	1
6	<u>102845501</u>	Harness, Power, Stretch IQ Plus (includes items 7 through 12)	1
7	N/A	Asm, #4 Grn Wire, 89"	1
8	N/A	Asm, #4 Wht Wire, 88.5"	1
9	N/A	Asm, #10 Org Wire, 89.5"	1
10	N/A	Asm, #10 Blu Wire, 95.5"	1
11	N/A	Asm, #4 Red Wire, 67.5"	1
12	N/A	Asm, #4 Blk Wire, 57.5"	1
13	<u>103218601</u>	Harness, Diagnostic Port	1
14	<u>103772101</u>	Charg Harness Iqplus,shelf 480	1
15	<u>103940801</u>	Harness, Vill 8, Iq Plus, Mc3	1
		Note: Wire Harness (item 15) is for use with MCOR3 and MCOR4.	

13

E

13

E



000369-002

BATTERY CHARGER RECEPTACLE

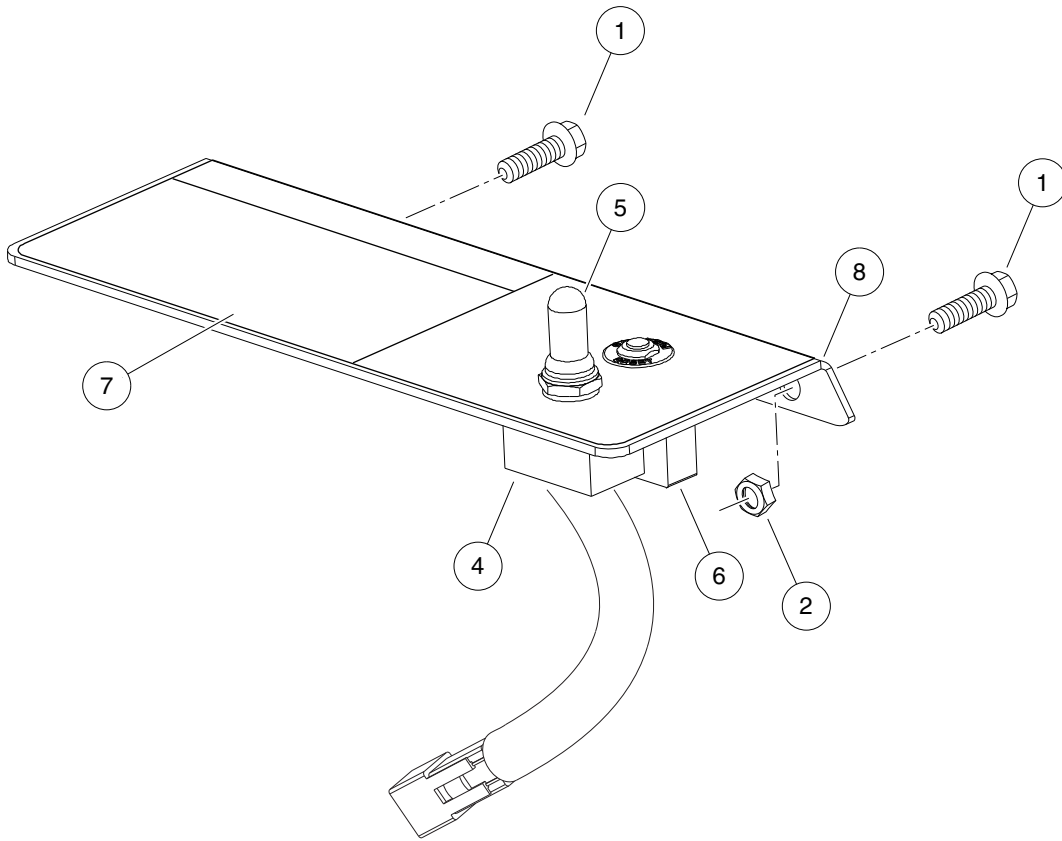
ITEM	PART NO.	DESCRIPTION	QTY
		1 2 3 4	
1	<u>101801001</u>	Plate, Receptacle Backing	1
2	<u>101832001</u>	Screw, #7-19 X 0.625 Phillips Pan-Head Tap	4
3	<u>103771901</u>	Asm, Fuse & Receptacle, 480 (includes items 4 through 11)	1
4	<u>1017705</u>	Screw, #8 X 5/8 Phillips Pan-Head Type AB	3
5	<u>101796501</u>	Receptacle	1
6	<u>101796801</u>	Fuse Assembly (includes item 7)	1
7	<u>1013061</u>	Locknut, #10-32 Nylon Insert	2
8	<u>101894901</u>	Fuse, 3/8-Amp	1
9	N/A	Wire Assembly, Sense Lead, Gray	1
10	N/A	Wire Assembly, #10 Red	1
11	N/A	Wire Assembly, #10 Black	1

13

E

13

E



000425-001

TOW/RUN SWITCH – IQ PLUS VEHICLES

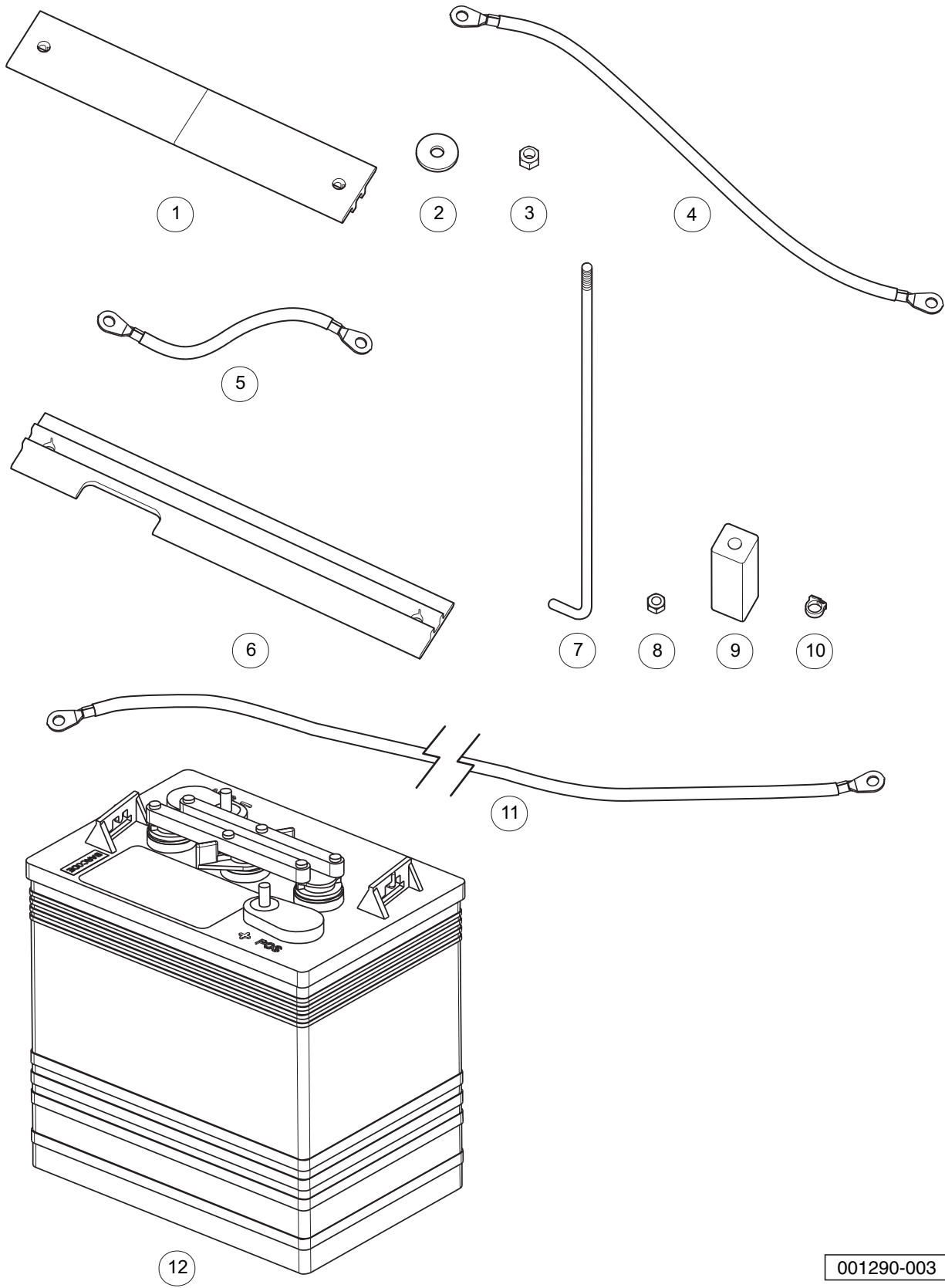
ITEM	PART NO.	DESCRIPTION	QTY
		1 2 3 4	
1	<u>1012126</u>	Screw, #10-32 X .625 Hx Washer	1
2	<u>1013061</u>	Locknut, #10-32 Nylon Insert	2
3	N/A	Tow/Run Switch Assembly (includes items 4 through 8)	1
4	<u>101908101</u>	Switch Assembly, Tow/Run	1
5	<u>101908401</u>	Boot, Switch	1
6	<u>102838101</u>	Circuit Breaker 250vac-50vdc	1
7	<u>102845101</u>	Decal, Tow Switch	1
8	<u>102915701</u>	Plate, Switch, Run Tow, Mode	1

13

E

13

E



001290-003

BATTERIES, 6-VOLT, STANDARD DUTY, JCI

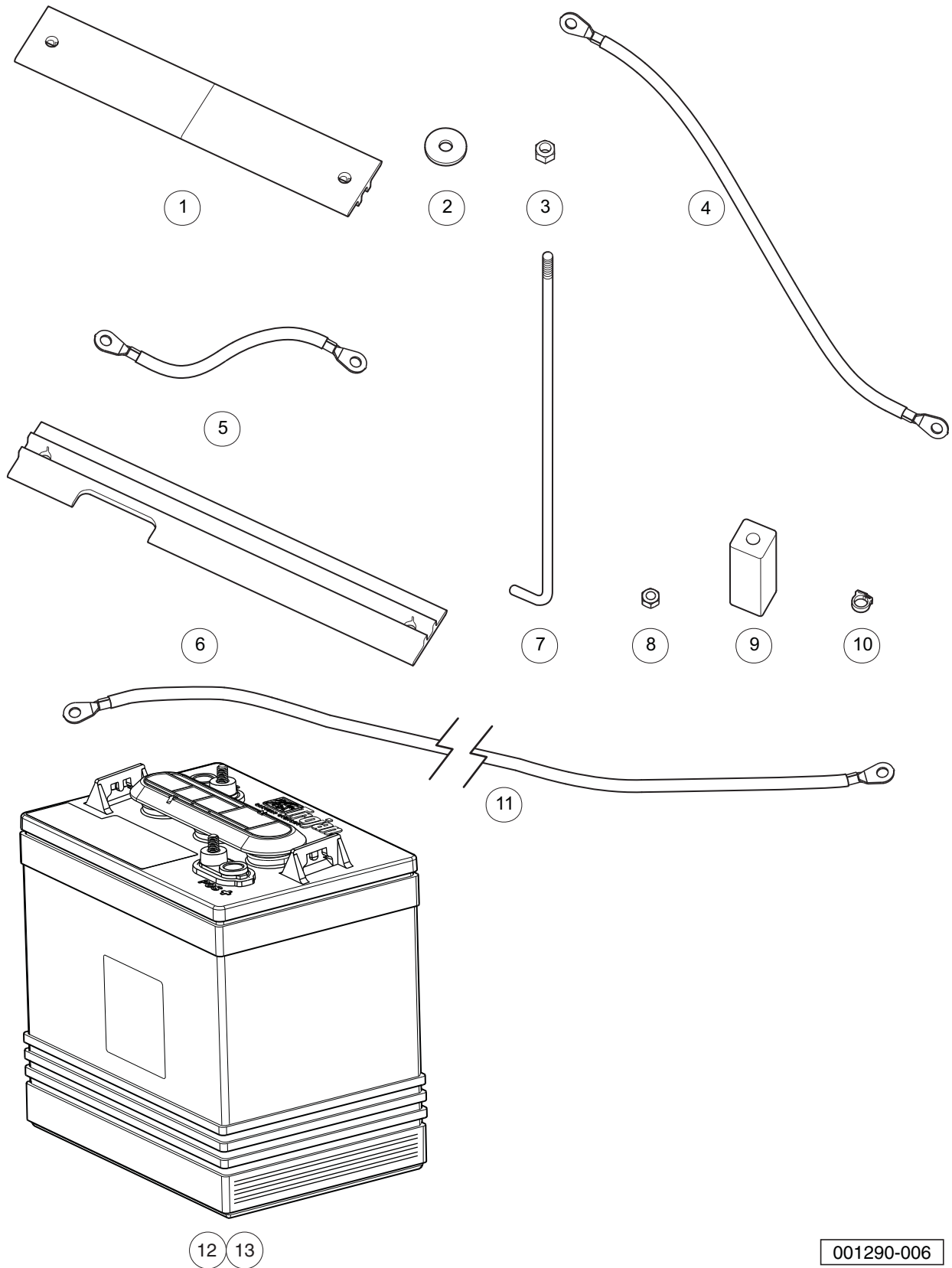
ITEM	PART NO.	DESCRIPTION	QTY
		1 2 3 4	
1	<u>101090801</u>	Hold-Down, Battery	2
2	<u>1011578</u>	Washer, 5/16 Type B Flat	12
3	1015072	Locknut, 5/16-18 Nylon Insert	12
4	<u>102002801</u>	Wire Assy, #4 Black	2
5	<u>102002901</u>	Wire Assy, #4 Black	3
6	<u>102766201</u>	Hold Down, Outside	4
7	<u>102845203</u>	Rod, Battery Hold Down 10.7"	12
8	<u>102873401</u>	5/16-18 Heavy Hex Nut	16
9	<u>102980801</u>	Extr, Plastic, 1 X 1 X 3	4
10	<u>102980901</u>	Clamp, Hose, Nylon, .25	1
11	<u>103198201</u>	Asm, #4 Blk Wire, 42"	1
12	<u>105210299</u>	Battery, 6v, Type E, Gc2, Wet	8

13

E

13

E



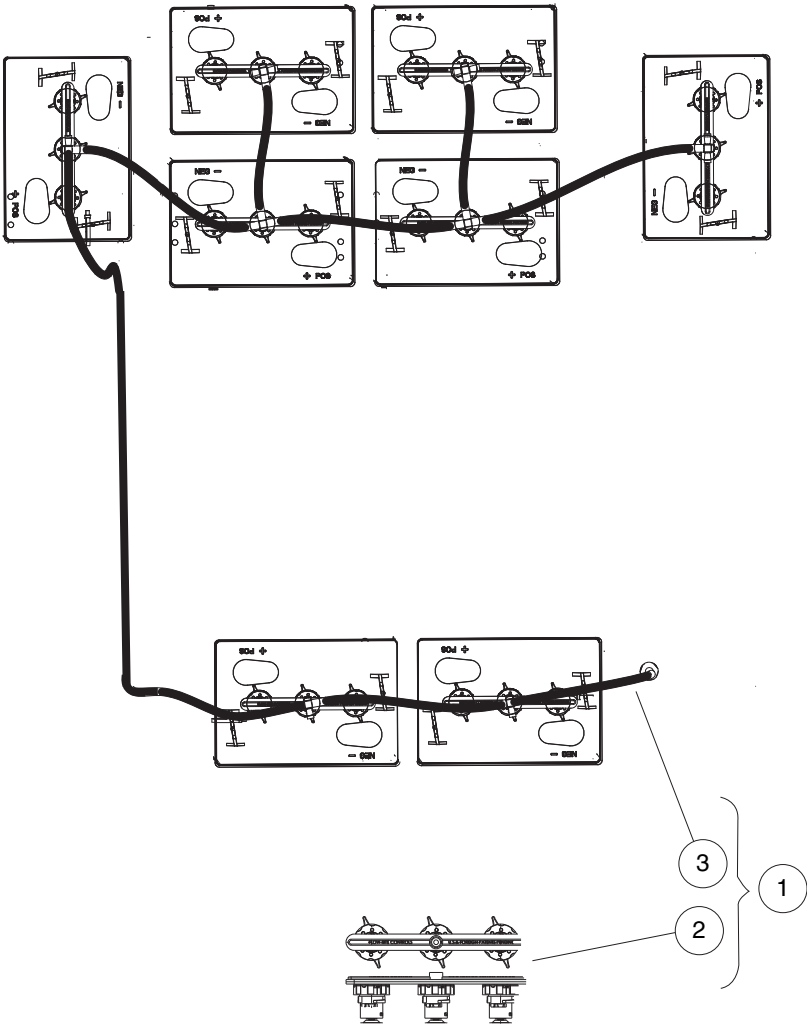
001290-006

BATTERIES, 6-VOLT, HEAVY DUTY, TROJAN

ITEM	PART NO.	DESCRIPTION	QTY
		1 2 3 4	
1	<u>101090801</u>	Hold-Down, Battery	2
2	<u>1011578</u>	Washer, 5/16 Type B Flat	12
3	1015072	Locknut, 5/16-18 Nylon Insert	12
4	<u>102002801</u>	Wire Assy, #4 Black	2
5	<u>102002901</u>	Wire Assy, #4 Black	3
6	<u>102766201</u>	Hold Down, Outside	4
7	<u>102845204</u>	Rod, Battery Hold Down 12"	12
8	<u>102873401</u>	5/16-18 Heavy Hex Nut	16
9	<u>102980801</u>	Extr, Plastic, 1 X 1 X 3	4
10	<u>102980901</u>	Clamp, Hose, Nylon, .25	4
11	<u>103198201</u>	Asm, #4 Blk Wire, 42"	1
12	<u>103969701</u>	Battery, 6-Volt, Trojan T145 (Wet) (includes item 13)	8
13	<u>101831401</u>	Battery Cap 6 Volt	1

13

E



002525-001

SINGLE POINT WATERING SYSTEM (SPWS)

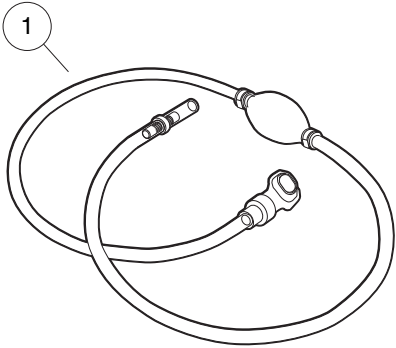
ITEM	PART NO.	DESCRIPTION	QTY
		1 2 3 4	
1	<u>103942902</u>	Kit, Spws, Villager 6, 8 (includes items 2 and 3)	1
2	<u>103510501</u>	Manifold, Lpr, 3 Vlve, Spw	8
3	103942101	Spws, Villager 6, 8	1

13

E

13

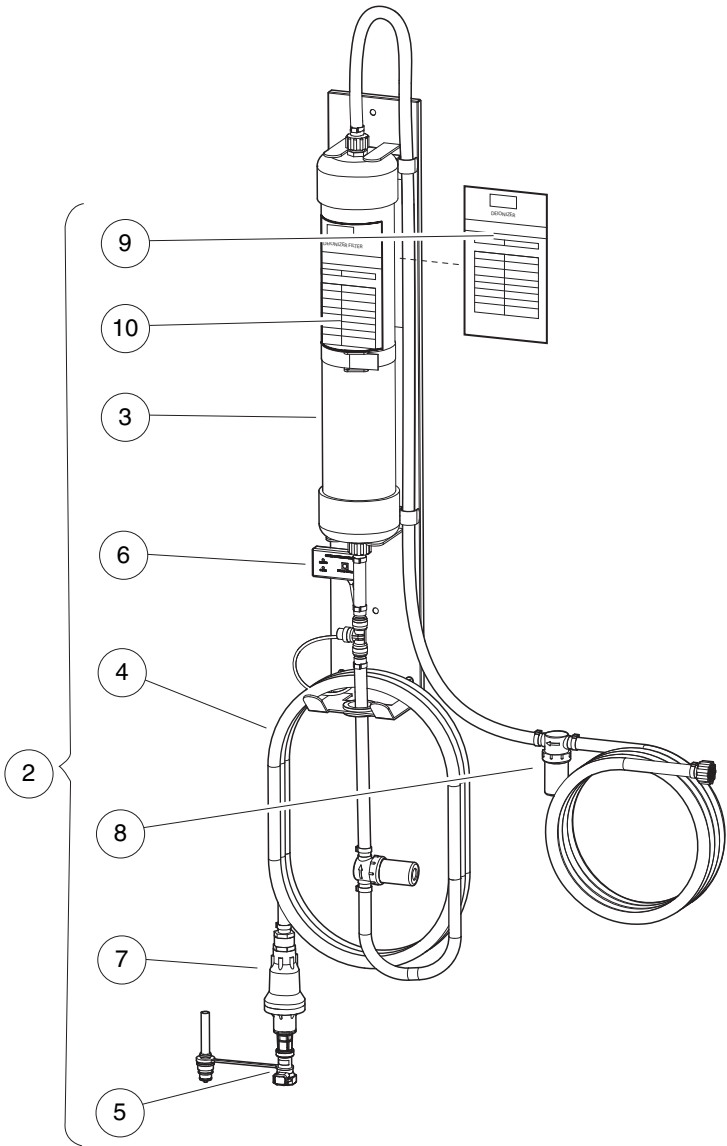
E



11



12



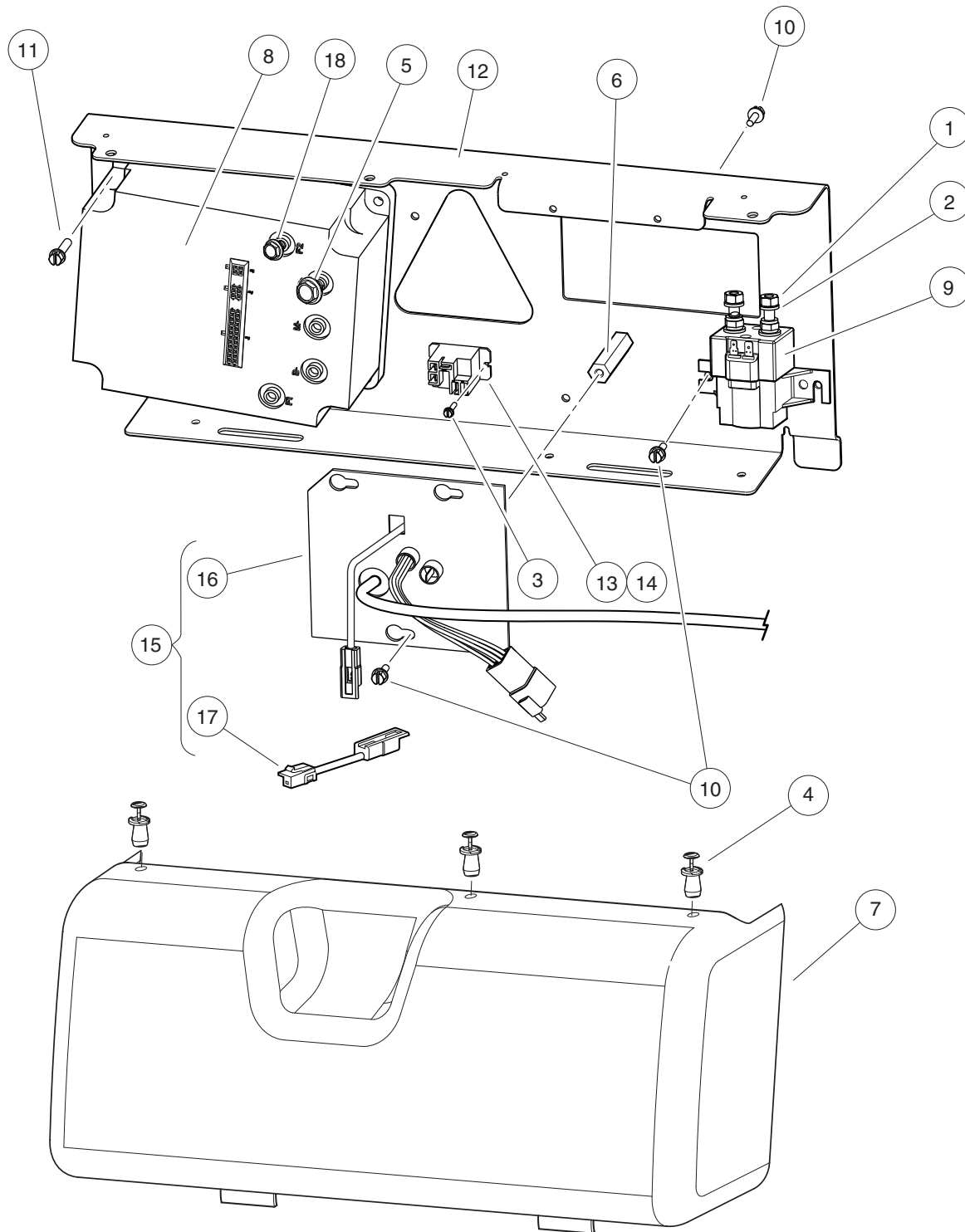
002523-003

HAND PUMP AND DEIONIZER (BATTERY-POWERED QUALITY LIGHT)

ITEM	PART NO.	DESCRIPTION	QTY
		1 2 3 4	
1	<u>104006101</u>	Kit, Hand Pump, Spws	1
2	<u>105166801</u>	Deionizer, w/Battery-Powered Water Quality Light (includes items 3 through 10)	1
3	<u>104005901</u>	Cartridge, Deionizer	1
4	<u>105166901</u>	Hose,outlet,deionizer	1
5	<u>105167001</u>	Flow Ind, W/coupler, Deionizer	1
6	<u>105167101</u>	Light, Quality, Battery-Powered, w/T-Fitting	1
7	<u>105168501</u>	Regulator, Pressure, Deionizer	1
8	<u>105168601</u>	Strainer, In-line, Deionizer	1
9	<u>AM1300001</u>	Decal, Filter Log, Blue	1
10	<u>AM1300201</u>	Decal, Inspect Log, Yellow	1
11	AM1300101	Decal, Filter Log, Blue, Pack of 100	A/R
12	AM1300301	Decal, Inspect Log, Yellow, Pack of 100	A/R

13

E



001246-004

COMPUTER, CONTROLLER, AND SOLENOID – FOR TROJAN BATTERIES

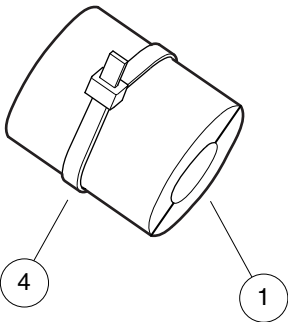
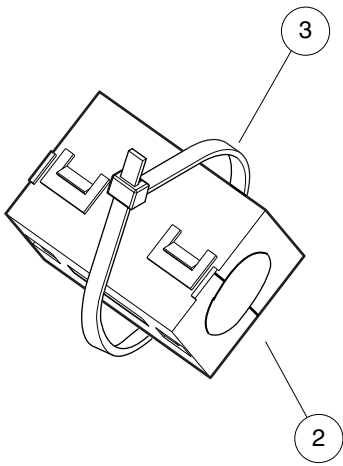
ITEM	PART NO.	DESCRIPTION	QTY
		1 2 3 4	
1	<u>1012528</u>	Nut, M8-1.25 Hex	2
2	<u>1013734</u>	Lockwasher, 8mm Split	2
3	<u>1015720</u>	Screw, #6-32 X 1/2 Hex Washer-Head	2
4	<u>1016967</u>	Blind Rivet, Push Type	3
5	<u>102240501</u>	Bolt, Controller, Terminal	3
6	<u>102769701</u>	Spacer, 2", 1/4-20, Hex	1
7	<u>102772402</u>	Cover, Electrical Component, Carryall 6	1
8	<u>102774501</u>	Controller, 500 Amp	1
9	<u>102774701</u>	Solenoid, 48v	1
10	<u>102817101</u>	Screw, 1/4-20 X .50 Hex Wsh Hd	6
11	<u>102817201</u>	Screw, 1/4-20 X .88 Hex Wsh Hd	4
12	<u>102912801</u>	Plate, Component, Front	1
13	<u>103414901</u>	Kit, Relay, 48v 30a W/instr (includes item 14)	1
14	<u>103397901</u>	Relay, Spst No, 48v 30a, Pmt	1
15	<u>103697109</u>	Kit, Obc, Iqplus, A1, 64" (includes items 16 and 17)	1
16	103709201	Obc, Iqplus, A1, 64", 480	1
17	<u>103822101</u>	Adapter, 480 Obc To 56 Harn	1
18	105000501	Screw, M6 X 1 X 12 Ser Hex Flg	2

13

E

13

E



001055-001

FERRITE BEADS, CE

ITEM	PART NO.	DESCRIPTION	QTY
		1 2 3 4	
1	<u>103449501</u>	Bead, Ferrite, Tdk	A/R
2	<u>103449601</u>	Bead, Ferrite, Fair-rite	A/R
3	<u>8639</u>	Tie Wrap, 11" Nylon	A/R
4	<u>8990</u>	Tie Wrap, 8" Nylon	A/R

13

E

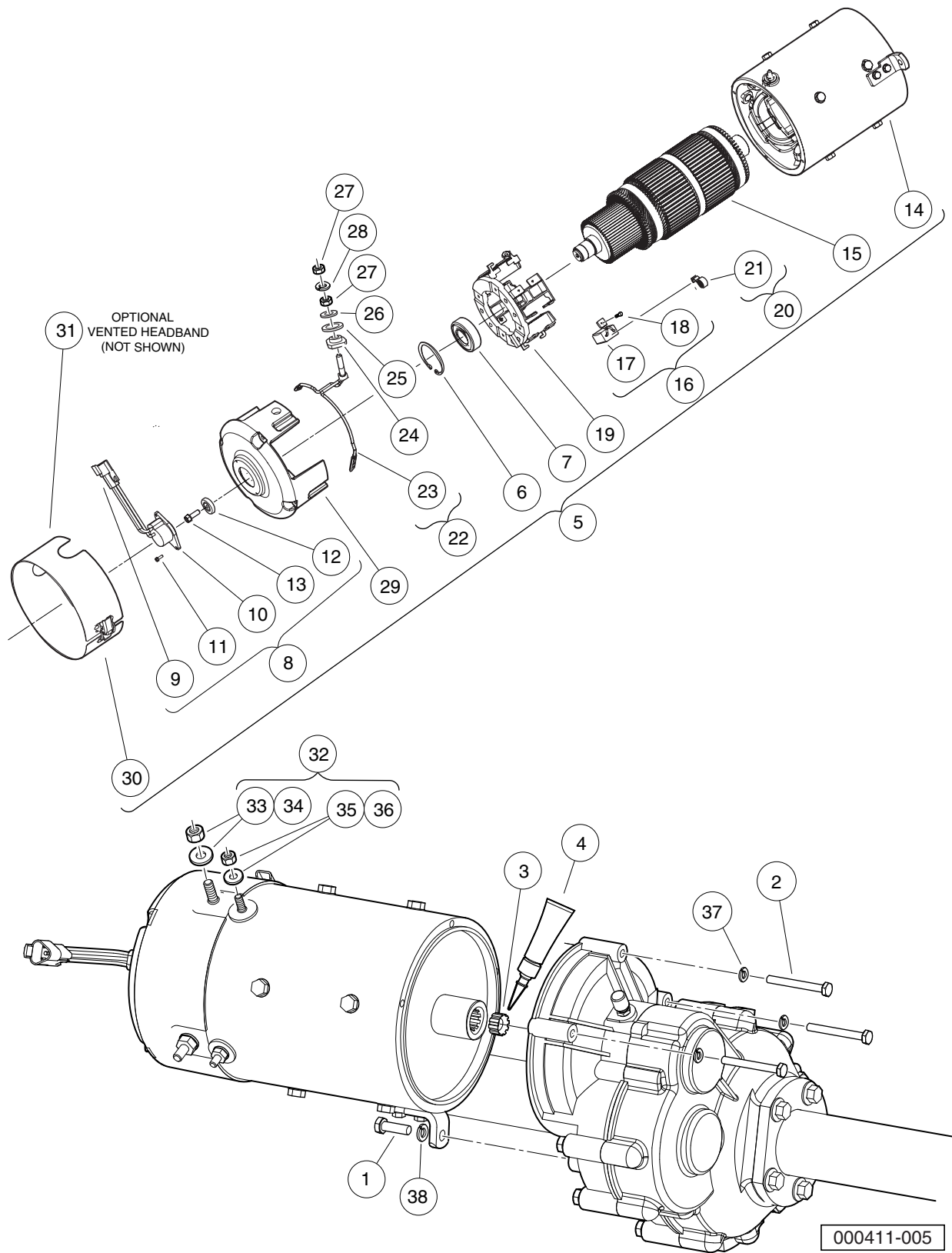
13

E

MOTOR (MODEL DA5-4006) – IQ PLUS

14

E



MOTOR (MODEL DA5-4006) – IQ PLUS

ITEM	PART NO.	DESCRIPTION	QTY
		1 2 3 4	
1	<u>1010934</u>	Screw, 5/16-18 X 1.00 Hex Cap	1
2	1014201	Screw, 1/4-20 X 2.25 Hex Cap	3
3	<u>102235201</u>	Bumper, Drive Unit	1
4	<u>102243403</u>	Lubricant, Moly-Teflon (Single-Use Tube)	1
5	<u>102775101</u>	IQ Plus Electric Motor, 48-VDC 3.7 hp (includes items 6 through 30)	1
6	N/A	Ring, 2.24" Internal Retaining	1
7	<u>102186401</u>	Bearing, Ball	1
8	<u>102704901</u>	Kit, Speed Sensor (includes items 9 through 13)	1
9	<u>101942301</u>	Kit, 3-Pin Wedge Lock	1
10	N/A	Sensor, Motor Speed, ADC	1
11	N/A	Screw, #8-32, Taptite Thread	2
12	N/A	Magnet, ADC Motor	1
13	N/A	Screw, 1/4-20 x 0.5	1
14	N/A	Asm, Frame And Field, 3.7 Hp	1
15	N/A	Armature (Includes external hardware not shown)	1
16	<u>102938601</u>	Kit, Brush, 3.7 Hp (includes items 17 and 18)	1
17	N/A	Brush, Motor	8
18	N/A	Screw, Taptite	8
19	<u>102938701</u>	Asm, Brush Box, 3.7 Hp	1
20	<u>102938801</u>	Kit, Brush Spring, 3.7 Hp (includes item 21)	1
21	N/A	Brush Spring	8
22	<u>102938901</u>	Kit, Brush Lead Asm, 3.7 Hp (includes items 23 through 28)	1
23	N/A	Terminal and Lead Assembly	2
24	N/A	Insulator, Terminal	2
25	N/A	Washer, Insulating	2
26	N/A	Washer, Flat, 5/16, Brass/Bronze	2
27	N/A	Nut, 5/16, Steel	4
28	N/A	Lockwasher, 5/16, Steel	2
29	<u>102939001</u>	Commutator End Head, 3.7 Hp	1
30	<u>102939101</u>	Sealed Headband, 3.7 Hp	1
31	<u>102939102</u>	Vented Headband, 3.7 HP (optional - not shown)	1
32	<u>102951701</u>	Pkg, Terminal Hardware, 3.7hp (includes items 33 through 36)	1
33	N/A	Nut, 5/16, Steel	2
34	N/A	Lockwasher, 5/16, Steel	2
35	N/A	Nut, 1/4-20, Steel	2
36	N/A	Lockwasher, 1/4-20, Steel	2
37	<u>451</u>	Lockwasher, 1/4 Split	3
38	<u>7174</u>	Lockwasher, 5/16 Split	1

14

E

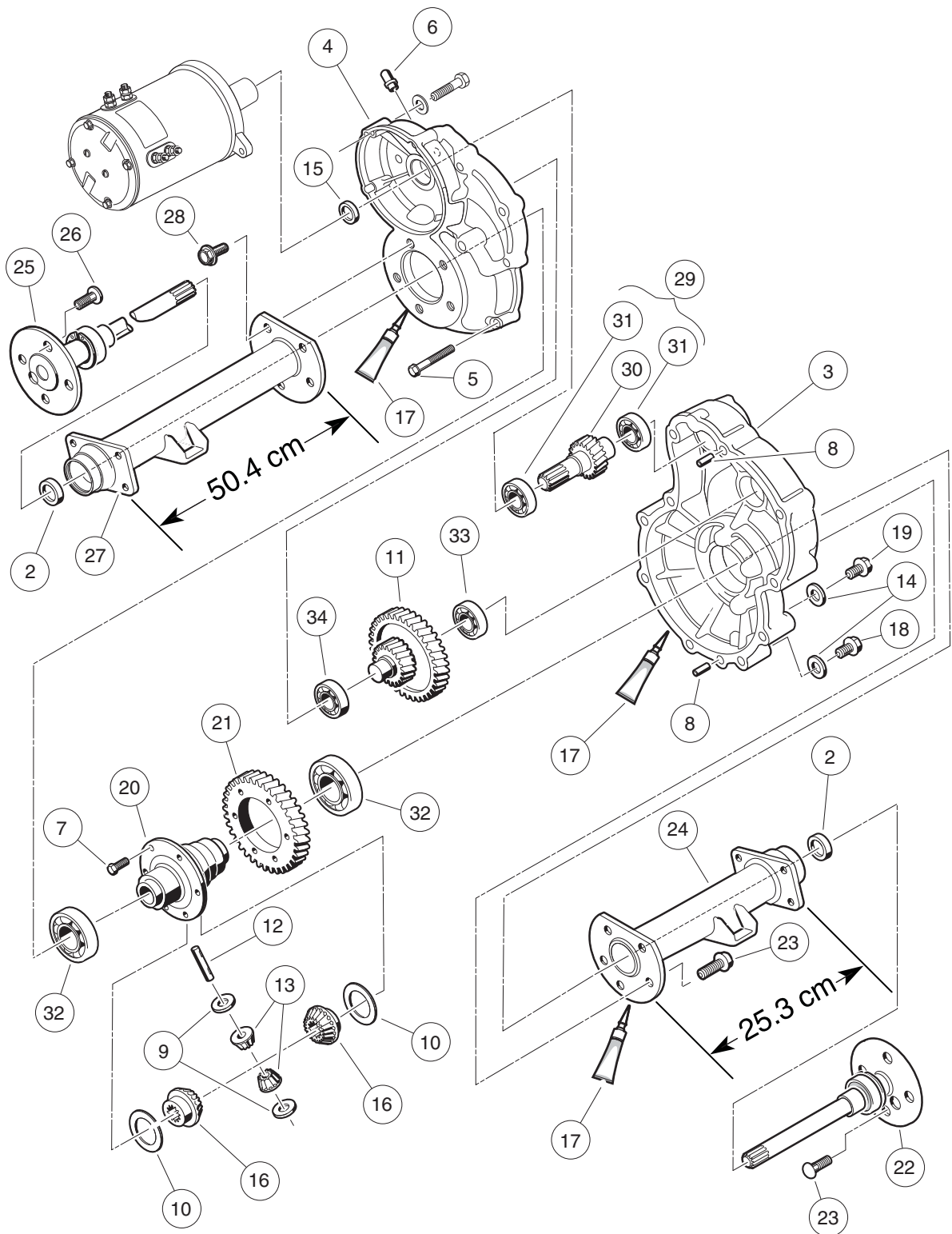
14

E

TRANSAXLE – ELECTRIC VEHICLES

15

E



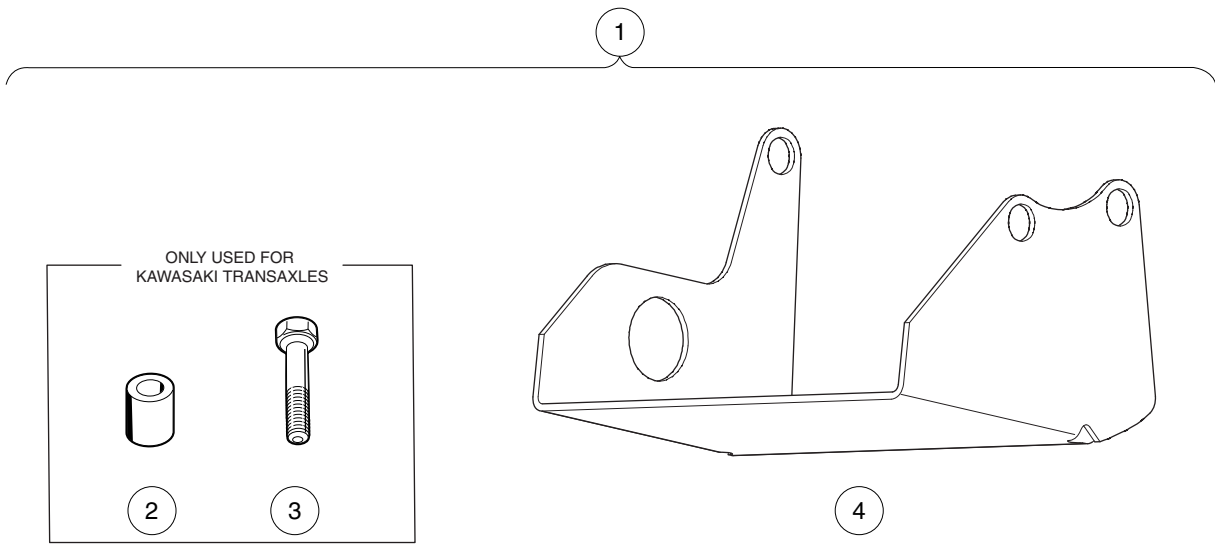
000223-005

TRANSAXLE – ELECTRIC VEHICLES

ITEM	PART NO.	DESCRIPTION	QTY
		1 2 3 4	
1	<u>102771701</u>	Transaxle, Electric (includes items 2 through 34)	1
2	<u>1013794</u>	Axle Shaft Oil Seal	2
3	<u>101895401</u>	Gear Case, Driver-Side	1
4	<u>101895501</u>	Gear Case, Passenger-Side	1
5	<u>101897001</u>	Screw, M8-1.25 X 60mm Hex-Head	11
6	<u>101897201</u>	Breather	1
7	<u>101897401</u>	Screw, M10-1.25 X 25mm	6
8	<u>101897601</u>	Pin, 11mm OD X 8.5mm ID X 10mm	2
9	<u>101903601</u>	Washer, Thrust	2
10	<u>101903701</u>	Washer, Thrust	2
11	<u>101906901</u>	Intermediate Shaft Assembly	1
12	<u>101922101</u>	Pin, 15.99mm X 88.7mm Dowel	1
13	<u>101923001</u>	Gear, Differential Idler	2
14	<u>101923201</u>	Gasket	2
15	<u>101923501</u>	Seal, Lip	1
16	<u>101923901</u>	Gear, Differential	2
17	<u>101928701</u>	Liquid Gasket (Transaxle case)	1
18	<u>101972101</u>	Plug, M14-1.5 X 12mm Magnetic	1
19	<u>101972201</u>	Plug, M14-1.5 X 12mm Hex	1
20	<u>102356601</u>	Housing, Differential, 6 Bolt	6
21	<u>102356801</u>	Gear, Differential Output, 6-Bolt	6
22	<u>102886301</u>	Axle Assembly, Driver-Side (includes item 23)	1
23	<u>101922201</u>	Lug Stud	4
24	<u>102886401</u>	Tube, Axle, Driver-Side	1
25	<u>102886501</u>	Axle Assembly, Passenger-Side (includes item 26)	1
26	<u>101922201</u>	Lug Stud	4
27	<u>102886601</u>	Tube, Axle, Passenger-Side	1
28	<u>102902801</u>	Screw, M10 X 30	10
29	<u>103582801</u>	Asm, E Trans Shaft/bearing (includes items 30 and 31)	1
30	N/A	Shaft, Input	1
31	<u>7335</u>	Bearing	2
32	<u>7330</u>	Inner Axle Tube Bearing	2
33	<u>7335</u>	Bearing	1
34	<u>7336</u>	Bearing	1

15

E



000365-002

DIFFERENTIAL GUARD – ELECTRIC VEHICLES

ITEM	PART NO.	DESCRIPTION	QTY
		1 2 3 4	
1	<u>101611402</u>	Kit, Differential Guard, Elec Vehicles (includes items 2 through 4)	1
2	<u>101914001</u>	Spacer, Steel	2
3	<u>101936101</u>	Screw, M10-1.50 X 60mm Hex Cap	2
4	<u>101978601</u>	Guard, Differential, Electric Vehicle Transaxle	1

15

E

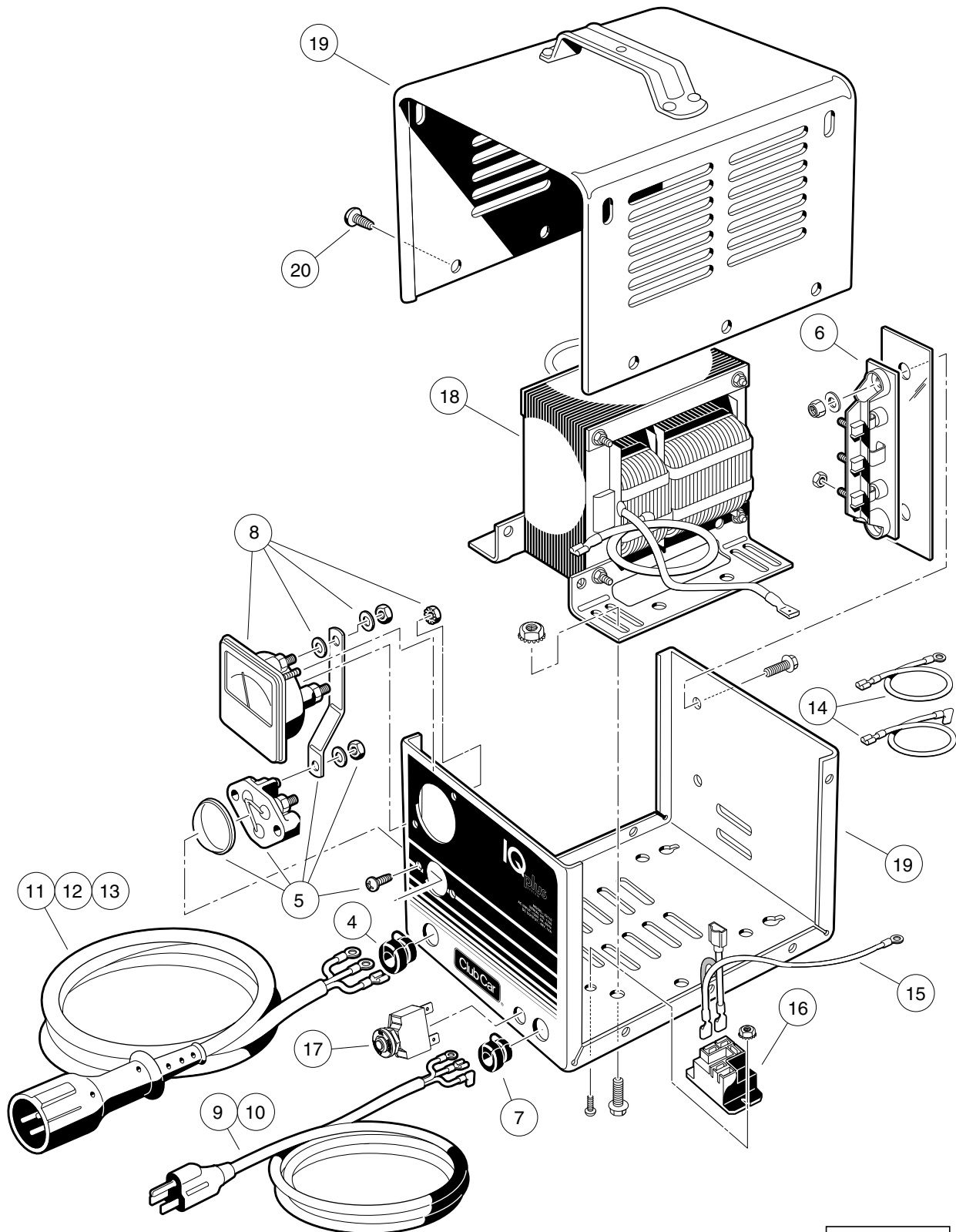
15

E

BATTERY CHARGERS

16

E



000414-001

IQ PLUS BATTERY CHARGER (MODELS 25730-11,-18,-19), DOMESTIC

ITEM	PART NO.	DESCRIPTION	QTY
		1 2 3 4	
1	<u>102847801</u>	Charger, IQ Plus, Domestic (9-ft. DC Cord, 6-ft. AC Cord)	1
2	<u>102847802</u>	Charger, IQ Plus, Domestic (12-ft. DC Cord, 9-ft. AC Cord)	1
3	<u>102847803</u>	Charger, IQ Plus, Domestic (20-ft. DC Cord, 9-ft. AC Cord) (includes items 4 through 20)	1
4	<u>1012098</u>	Bushing, DC Cord	1
5	<u>1012101</u>	Fuse Assembly	1
6	<u>1015914</u>	Rectifier with Heatsink Assembly	1
7	<u>1015917</u>	Bushing, AC Cord	1
8	<u>101828501</u>	Ammeter	1
9	<u>101828801</u>	Cord, AC, 80-Inch (203 cm)	1
10	<u>101828802</u>	Cord, AC, 108-Inch (274 cm)	1
11	<u>101828901</u>	Cord, DC, 113-Inch (287 cm)	1
12	<u>101828902</u>	Cord, DC, 154-Inch (391 cm)	1
13	<u>101828903</u>	Cord, DC, 250-Inch (635 cm)	1
14	<u>101831101</u>	Wire Assembly Kit	1
15	101914401	Assembly, Voltage Suppressor	1
16	<u>102275401</u>	Relay, 48-VDC	1
17	<u>102838101</u>	Circuit Breaker 250vac-50vdc	1
18	N/A	Transformer, Battery Charger	1
19	N/A	Case, Battery Charger	1
20	7577	Screw, #10 X 0.50 Phillips Pan-Head	10

16

E

IQ PLUS BATTERY CHARGER (MODELS 25880-11 AND -18), INTERNATIONAL

ITEM	PART NO.	DESCRIPTION	QTY
		1 2 3 4	
1	<u>101958201</u>	Cord, UK, AC, Battery Charger	1
2	<u>101958301</u>	Cord, European AC, Battery Charger	1
3	<u>102892901</u>	Charger, IQ Plus, International (9-ft. DC Cord)	1
4	<u>102892902</u>	Charger, IQ Plus, International (12-ft. DC Cord) (includes items 5 through 21)	1
5	<u>1012098</u>	Bushing, DC Cord	1
6	<u>1012101</u>	Fuse Assembly	1
7	<u>1015914</u>	Rectifier with Heatsink Assembly	1
8	<u>101828501</u>	Ammeter	1
9	<u>101828901</u>	Cord, DC, 113-Inch (287 cm)	1
10	<u>101828902</u>	Cord, DC, 154-Inch (391 cm)	1
11	<u>101828903</u>	Cord, DC, 250-Inch (635 cm)	1
12	<u>101838401</u>	Circuit Breaker	2
13	<u>101838601</u>	Four-Position Switch	1
14	<u>101914401</u>	Assembly, Voltage Suppressor	1
15	<u>101973501</u>	Receptacle, AC Cord	1
16	<u>102275401</u>	Relay, 48-VDC	1
17	N/A	Limiter, Current	1
18	N/A	Wire Assembly, Battery Charger	1
19	N/A	Transformer, Battery Charger	1
20	N/A	Case, Battery Charger	1
21	7577	Screw, #10 X 0.50 Phillips Pan-Head	10
22	<u>102939501</u>	Cord, European AC, Battery Charger	1

16

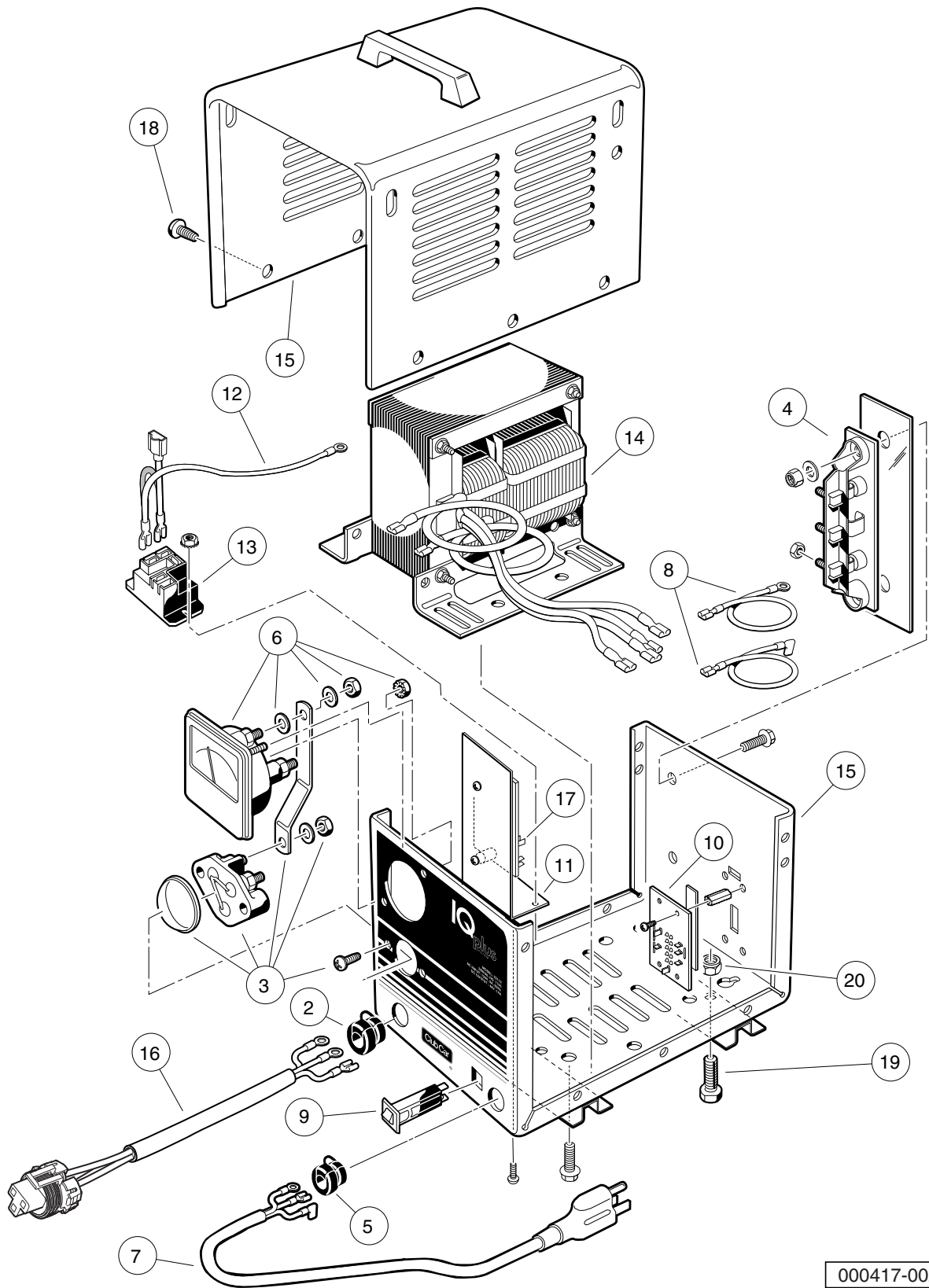
E

ONBOARD IQ PLUS BATTERY CHARGER (MODEL 25260-50), DOMESTIC

ITEM	PART NO.	DESCRIPTION	QTY
		1 2 3 4	
1	<u>103772401</u>	Charger, IQ Plus, Onboard, Domestic (includes items 2 through 19)	1
2	<u>1012098</u>	Bushing, DC Cord	1
3	<u>1012101</u>	Fuse Assembly	1
4	<u>1015914</u>	Rectifier with Heatsink Assembly	1
5	<u>1015917</u>	Bushing, AC Cord	1
6	<u>101828501</u>	Ammeter	1
7	<u>101829001</u>	Cord, AC, 22-Inch (56 cm)	1
8	<u>101831101</u>	Wire Assembly Kit	1
9	<u>101838701</u>	Mounting Bracket, Relay	1
10	<u>101914401</u>	Assembly, Voltage Suppressor	1
11	<u>102275401</u>	Relay, 48-VDC	1
12	<u>102838101</u>	Circuit Breaker, 20 Amp	1
13	N/A	Transformer, Battery Charger	1
14	N/A	Case, Battery Charger	1
15	<u>103832001</u>	Cord, DC, 20", Charger	1
16	<u>103869401</u>	Control Board, Potted	1
17	7577	Screw, #10 X 0.50 Phillips Pan-Head	12
18	<u>7847</u>	Screw, 1/4-20 X 0.75 Hex-Head Cap	4
19	<u>8233</u>	Locknut, 1/4-20, Nylon Insert	4
Note: DC Cord (item 15) uses the Packard 480 Connector.			

16

E



000417-002

ONBOARD IQ PLUS BATTERY CHARGER (MODEL 25660-50), INTERNATIONAL

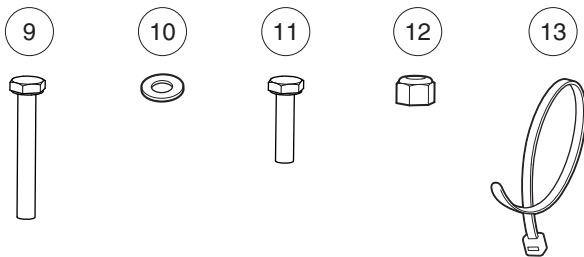
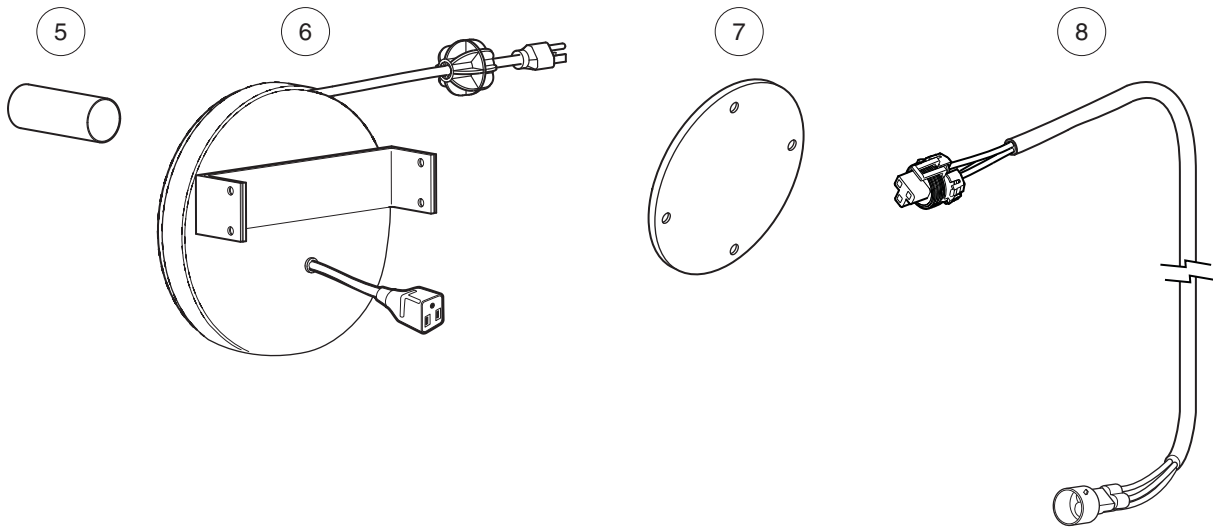
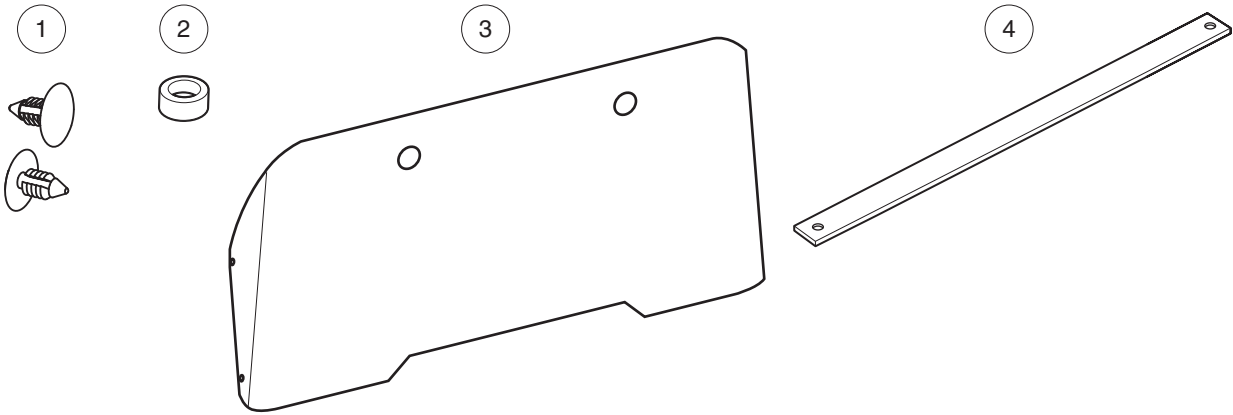
ITEM	PART NO.	DESCRIPTION	QTY
		1 2 3 4	
1	<u>103771601</u>	Charger, IQ Plus, Onboard, International (includes items 2 through 20)	1
2	<u>1012098</u>	Bushing, DC Cord	1
3	<u>1012101</u>	Fuse Assembly	1
4	<u>1015914</u>	Rectifier with Heatsink Assembly	1
5	<u>1015917</u>	Bushing, AC Cord	1
6	<u>101828501</u>	Ammeter	1
7	<u>101829001</u>	Cord, AC, 22-Inch (56 cm)	1
8	<u>101831101</u>	Wire Assembly Kit	1
9	<u>101838401</u>	Circuit Breaker	1
10	<u>101838601</u>	Four-Position Switch	1
11	<u>101838701</u>	Mounting Bracket, Relay	1
12	<u>101914401</u>	Assembly, Voltage Suppressor	1
13	<u>102275401</u>	Relay, 48-VDC	1
14	N/A	Transformer, Battery Charger	1
15	N/A	Case, Battery Charger	1
16	<u>103832001</u>	Cord, DC, 20", Charger	1
17	<u>103869401</u>	Control Board, Potted	1
18	<u>7577</u>	Screw, #10 X 0.50 Phillips Pan-Head	12
19	<u>7847</u>	Screw, 1/4-20 X 0.75 Hex-Head Cap	4
20	<u>8233</u>	Locknut, 1/4-20, Nylon Insert	4
<p style="text-align: center;">Note: DC Cord (item 16) uses the Packard 480 Connector.</p>			

16

E

16

E



001289-002

ONBOARD IQ PLUS CHARGER AND CORD REEL MOUNTING

ITEM	PART NO.	DESCRIPTION	QTY
		1 2 3 4	
1	<u>1010434</u>	Barrel - Plastic	4
2	<u>1010927</u>	Hill Brake Spacer	4
3	1011348	Rear Panel 4 Passenger	1
4	<u>1011707</u>	Bracket, Mounting, Battery Charger	2
5	<u>1017189</u>	Heat Shrink Tube 1.5"x 4'	1
6	<u>101965401</u>	Reel Assy, Retractable Cord	1
7	<u>103218001</u>	Cover Plate, Receptacle	1
8	103772201	Harness, Ob Charg, Vill, 480	1
9	<u>1703</u>	Screw, 1/4-20 X 1.50 Hx Hd Cap	4
10	<u>332</u>	Washer, 1/4 Type A Narrow Flat	4
11	<u>7847</u>	Screw, 1/4-20 X 0.75 Hex-Head Cap	4
12	<u>8233</u>	Locknut, 1/4-20, Nylon Insert	8
13	<u>8990</u>	Tie Wrap, 8" Nylon	4
Note: Charger Harness (item 8) uses the Packard 480 Connector.			

16

E

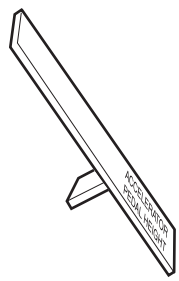
16

E

MAINTENANCE AND SERVICE TOOLS

17
G
E
D

17
G
E
D



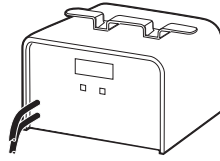
1



2



3



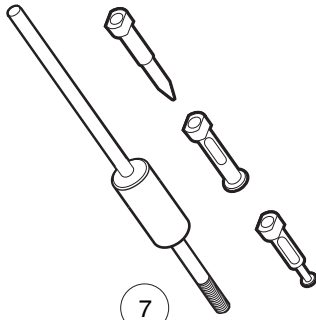
4



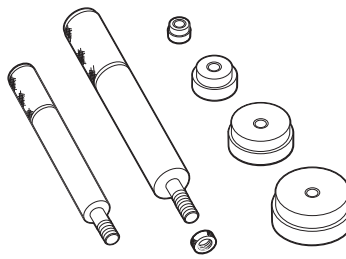
5



6



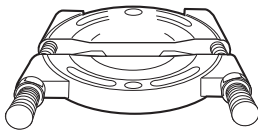
7



8



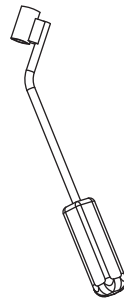
9



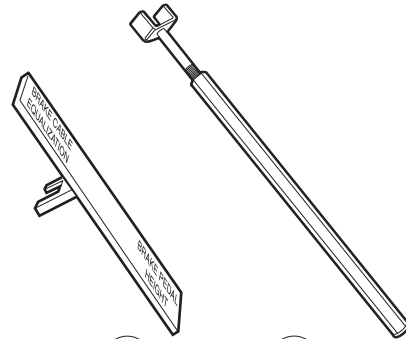
10



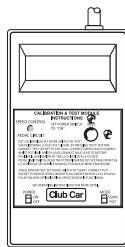
11



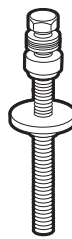
12



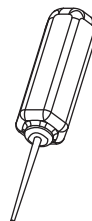
13



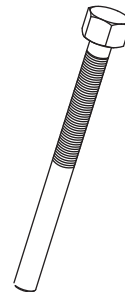
16



17



18



19

MAINTENANCE AND SERVICE TOOLS

ITEM	PART NO.	DESCRIPTION	QTY DIESEL	QTY GAS	QTY ELEC
		<p style="text-align: center;">1 2 3 4</p> <p>The following tool list includes all tools available from Club Car for maintenance and service procedures for gasoline, electric, and/or diesel vehicles, both past and present models. Be sure to carefully examine the tool list for applicability to your vehicle before ordering.</p>			
1	<u>101871001</u>	Accelerator Pedal Adjustment Tool		1	1
2	<u>101813202</u>	Adhesive, Guide Ring, 3-Gram Tube			1
3	<u>101641202</u>	Arbor		1	
4	<u>101831901</u>	Battery Discharge Machine, 36/48 Volt			1
5	<u>1014305</u>	Battery Terminal Protector Spray	1	1	1
6	1011767	Battery Thermometer	1	1	1
7	<u>1016417</u>	Bearing and Oil Seal Remover Assembly	1	1	1
8	<u>1016416</u>	Bearing Driver Set	1	1	1
9	<u>1012811</u>	Bearing Puller	1	1	1
10	<u>1012812</u>	Bearing Puller Wedge Attachment	1	1	1
11	1013582	Brake Adjustment Tool (used only on vehicles with manually adjusted mechanical brakes)			
12	<u>102555501</u>	Brake Cable Release Tool	1	1	1
13	102249901	Brake Pedal Adjustment Tool Kit (used for the Carryall Electric Industrial Truck only) (includes items 14 and 15).....			1
14	****	Brake Pedal Adjustment Tool			1
15	****	Brake Pedal Tension Tool			1
16	<u>101887101</u>	Calibration Test Module			1
17	<u>101808401</u>	Cam Installation Tool		1	
18	<u>102562401</u>	Charger Bezel Tool			1
19	<u>102686101</u>	Clutch Removal Tool (for 4x4 vehicles)	1	1	
		Please refer to the maintenance and service manual for proper tool application.			
	****	Special order item available upon request			

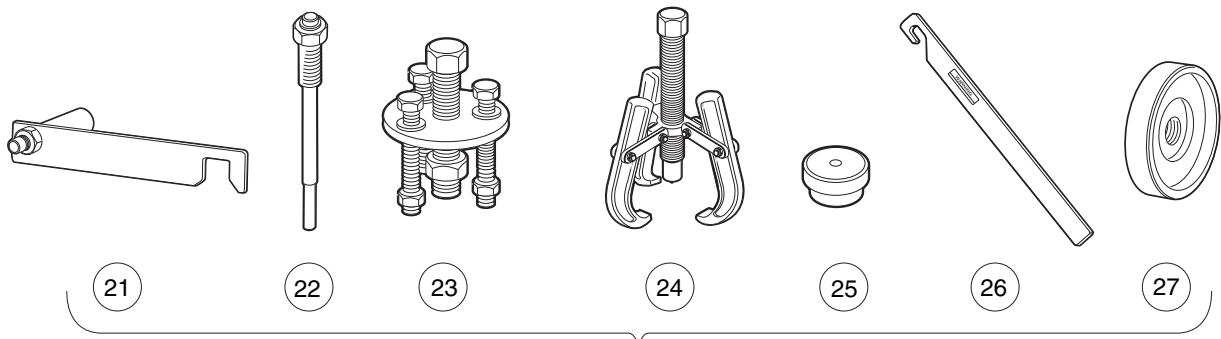
17

G

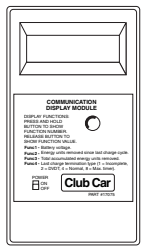
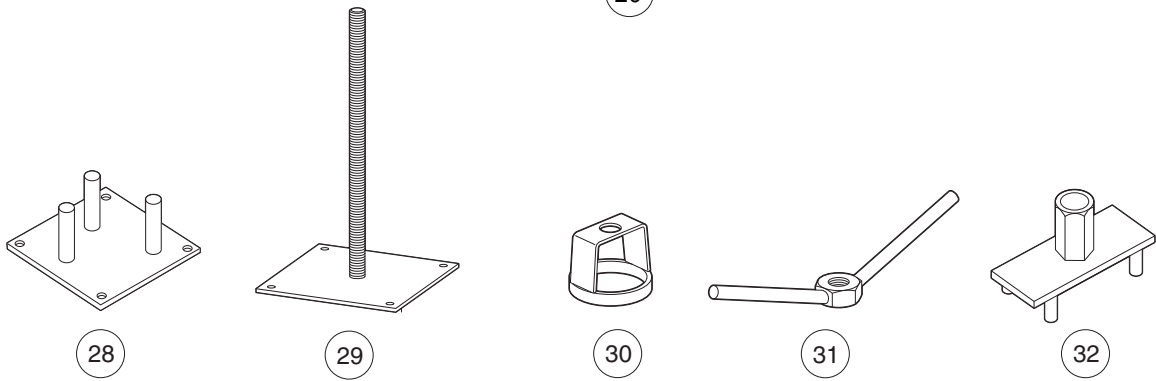
E

D

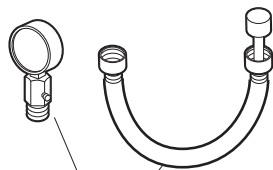
17
G
E
D



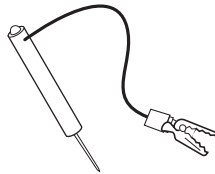
20



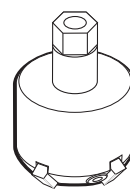
33



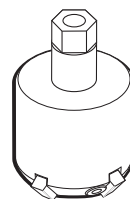
34



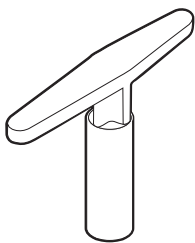
35



36



37



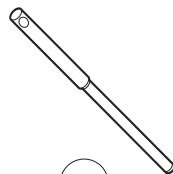
38



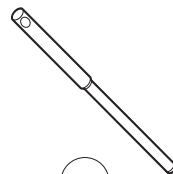
39



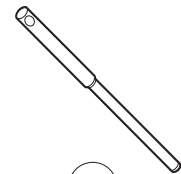
40



41



42



43

MAINTENANCE AND SERVICE TOOLS, CONTINUED

ITEM	PART NO.	DESCRIPTION	QTY DIESEL	QTY GAS	QTY ELEC
		1 2 3 4			
20	<u>1014510</u>	Clutch Tool Kit (includes items 21 - 27)		1	
21	<u>1014498</u>	Clutch Alignment Tool (for pre-unitized transaxle vehicles built prior to 1997 model year)		1	
22	<u>1014496</u>	Drive Clutch Puller (for Kawasaki engines only)		1	
23	<u>1014497</u>	Drive Clutch Hub Puller (for Kawasaki engines only)		1	
24	<u>1014508</u>	Driven Clutch Cam Puller (for Kawasaki engines only)		1	
25	<u>1014507</u>	Driven Clutch Puller Plug (for Kawasaki engines only)		1	
26	<u>1015524</u>	Drive Clutch Holder Tool Assembly (for Kawasaki engines only)		1	
27	<u>101809101</u>	Press Weldment (for Kawasaki engines only)		1	
28	<u>102601501</u>	Drive ClutchFixed Sheave Tool (for 4x4 vehicles)	1	1	
29	<u>102603501</u>	Driven Clutch Spring Compression Base (for use with items 30 and 31) (for 4x4 vehicles)	1	1	
30	<u>102605201</u>	Driven Clutch Spring Compression Collar (for use with items 29 and 31) (for 4x4 vehicles)	1	1	
31	<u>102606101</u>	Driven Clutch Spring Compression Nut (for use with items 29 and 30) (for 4x4 vehicles)	1	1	
32	<u>102607501</u>	Drive Clutch Spider Removal Tool (for 4x4 vehicles)	1	1	
33	101831801	Communication Display Module			1
34	101641002	Compression Gauge and Adapter		1	
35	1011273	Continuity Tester		1	1
36	<u>102773801</u>	Cutter, Valve Seat, #122		1	
37	<u>102773901</u>	Cutter, Valve Seat #115		1	
38	<u>102774101</u>	Wrench, T, #505.....		1	
39	<u>102774101</u>	Adapter, T-Wrench.....		1	
40	102675401	Cutter, Valve Seat, 60 Degree (requires item 51) (for Honda GX620 Gasoline Engines)		1	
41	<u>102774201</u>	Pilot, 6.6 MM		1	
42	<u>102774301</u>	Pilot, 6.62 MM.....		1	
43	<u>102774401</u>	Pilot, 6.65 MM.....		1	
		Please refer to the maintenance and service manual for proper tool application.			

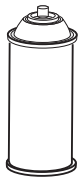
17

G

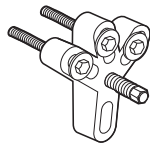
E

D

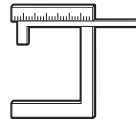
17
G
E
D



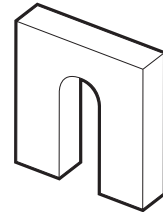
44



45



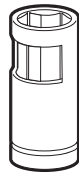
46



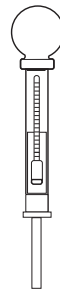
47



48



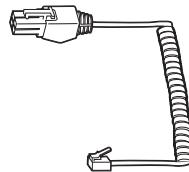
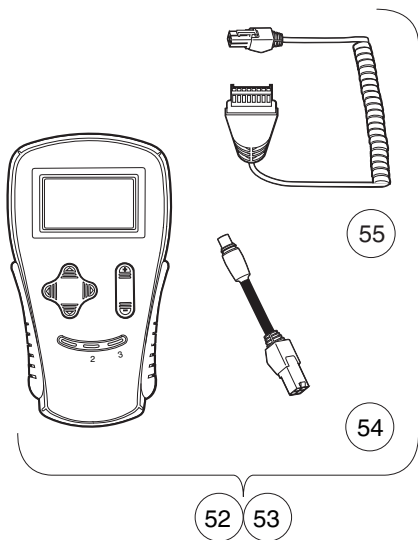
49



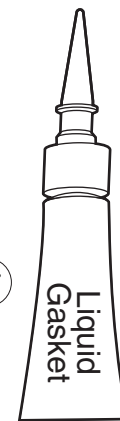
50



51



56



57



58



59 60



61

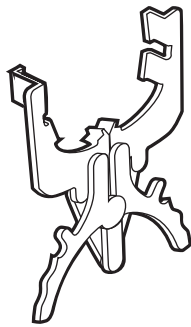
MAINTENANCE AND SERVICE TOOLS, CONTINUED

ITEM	PART NO.	DESCRIPTION	QTY DIESEL	QTY GAS	QTY ELEC	17
		1 2 3 4				
44	<u>1012151</u>	Dry Moly Lubricant	1	1	1	G E D
45	<u>1016627</u>	Flywheel Puller Kit (for Kawasaki Engines)		1		
46	<u>102669901</u>	Gauge, Carburetor Float Level (for Honda GX620 Gasoline Engines)		1		
47	<u>1016418</u>	Gear Yoke	1	1	1	
48	<u>101933101</u>	Governor Shaft Installation Tool (for Kawasaki Engine Vehicles)		1		
49	<u>102169401</u>	Hydraulic Brake Adjuster (for Turf/CA 272/472, Pioneer/XRT 1200, Bobcat 2100, HUV 4213)			1	
50	<u>1011478</u>	Hydrometer	1	1	1	
51	<u>1013593</u>	Internal Retaining Ring Pliers	1	1	1	
52	<u>102248803</u>	IQ Display Module (IQDM) Kit (IQ System and IQ Plus vehicles)			1	
		(includes items 54 and 55)				
53	<u>102248804</u>	IQ Display Module (IQDM-P) Kit (IQ System and IQ Plus vehicles)			1	
		(includes items 54 and 55)				
54	<u>102251501</u>	Adaptor, Cable			1	
55	<u>102241502</u>	IQDM Series 2 Cable			1	
56	<u>102241501</u>	IQDM Series 1 Cable (replacement)			1	
57	<u>101928701</u>	Liquid Gasket (transaxle case)	1	1	1	
58	<u>102243402</u>	Moly-Teflon Lubricant (4-oz. (113-gram) tube)			1	
59	<u>101997201</u>	Paint, Touch-Up – Beige*		1	1	
59	<u>101997207</u>	Paint, Touch-Up – Black*		1	1	
59	<u>101997212</u>	Paint, Touch-Up – Burgundy*		1	1	
59	<u>101997211</u>	Paint, Touch-Up – Classic Blue (Navy)*		1	1	
59	<u>101997205</u>	Paint, Touch-Up – Dark Gray*	1	1	1	
59	<u>101997209</u>	Paint, Touch-Up – Dark Green*	1	1	1	
59	<u>101997204</u>	Paint, Touch-Up – Gray*	1	1	1	
59	<u>101997203</u>	Paint, Touch-Up – Red*	1	1	1	
59	<u>101997206</u>	Paint, Touch-Up – Royal Blue (Pacific Blue)*		1	1	
59	<u>101997202</u>	Paint, Touch-Up – White*	1	1	1	
60	<u>102562301</u>	Paint, Precedent Underbody – Gray		1	1	
61	<u>102587201</u>	Paint Pen, Touch-Up, Precedent Underbody – Black		1	1	
		Please refer to the maintenance and service manual for proper tool application.				
		* Item 59 is not for use on Surlyn [®] body material, which is used on Precedent vehicles.				

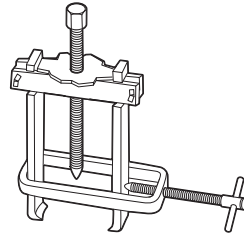
17
G
E
D



62



63



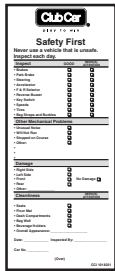
64



65



66



67



68



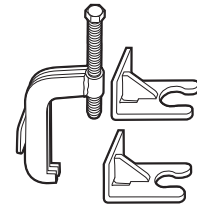
69



70



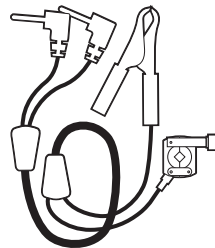
71



72



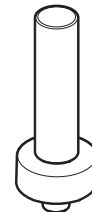
73



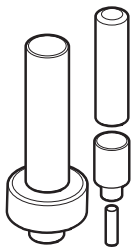
74



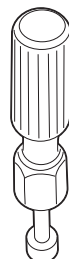
75



76



77



83



84



85



86

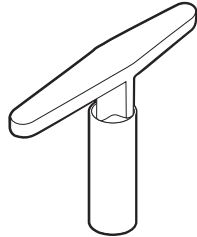
MAINTENANCE AND SERVICE TOOLS, CONTINUED

ITEM	PART NO.	DESCRIPTION	QTY	QTY	QTY	17
			DIESEL	GAS	ELEC	
		1 2 3 4				G
62	<u>1016414</u>	Piston Ring Compressor Kit (FE290, FE350 and FE400 engines)		1		E
63	<u>1016415</u>	Piston Ring Pliers (for Kawasaki Engines)		1		D
64	<u>102668801</u>	Puller, Special Use (for Kubota D722 Diesel Engines)	1			
65	<u>1012549</u>	Retaining Ring Pliers, 45° External	1	1	1	
66	<u>1012560</u>	Retaining Ring Pliers, 90° Internal	1	1	1	
67	<u>101823101</u>	Safety First Card (50 per pack)	1	1	1	
68	<u>1012809</u>	Seal Puller	1	1	1	
69	<u>102330901</u>	Spanner Wrench (for coil over shock front suspension vehicles only)	1	1		
70	<u>1014264</u>	Steering Column Bearing Press Tool		1	1	
71	<u>1014259</u>	Steering Column Retaining Ring Tool		1	1	
72	<u>102061201</u>	Steering Wheel Puller Tool	1	1	1	
73	<u>AM10753</u>	Tachometer (includes gasoline engine pick up lead only)	1	1		
74	<u>AM10771</u>	Tachometer Diesel Probe (for use with item 73)	1			
75	<u>1014162</u>	Transaxle Axle Seal Tool		1		
76	<u>1014161</u>	Transaxle Pinion Seal Tool		1		
77	<u>1014115</u>	Transmission Tool Kit		1		
78	<u>101611003</u>	Tune-Up Kit, All OHV (for FE290, FE350, FE400 only) (includes air filter, spark plug, oil filter, fuel filters) (not shown)		1		
79	<u>AM11804</u>	Tune-Up Kit, Gx620 (for Honda Engines) (includes air filter, spark plug, oil filter, fuel filters) (not shown)		1		
80	<u>AM11805</u>	Tune-Up Kit, D722 (for Kubota Engines) (includes air filter, oil filter, fuel filters, water separator filter) (not shown)	1			
81	<u>AM1220301</u>	Tune-Up Kit, Precedent (for FE290/350 Engines) (includes air filter, spark plug, oil filter, fuel filters) (not shown)		1		
82	<u>AM1232401</u>	Tune-Up Kit, FH680D (for Kawasaki V-Twin Engines) (includes oil filter, fuel filter, air filter, and spark plugs) (not shown).....		1		
83	<u>1016413</u>	Valve Clearance Adjuster Screw Holder (for FE290 engines only)		1		
84	<u>102674601</u>	Valve Guide Driver (for Honda GX620 Gasoline Engines)		1		
85	<u>101641201</u>	Valve Guide Reamer (FE290, FE350, and FE400 only)		1		
86	<u>102674401</u>	Valve Guide Reamer, 6.6 mm (for Honda GX620 Gasoline Engines)		1		

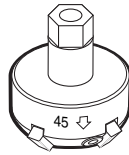
17
G
E
D



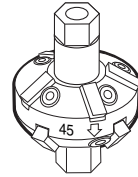
87



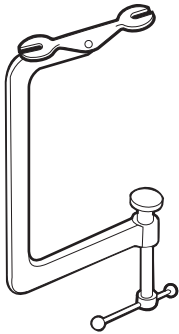
88



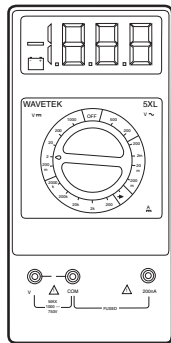
89



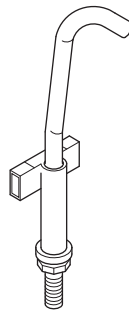
90



91



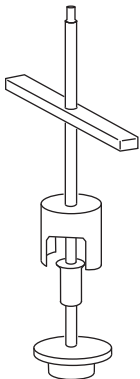
92



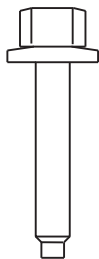
93



94



95



96

MAINTENANCE AND SERVICE TOOLS, CONTINUED

ITEM	PART NO.	DESCRIPTION	QTY DIESEL	QTY GAS	QTY ELEC
		1 2 3 4			
87	<u>1016552</u>	Valve Seat Cutter Guide		1	
88	<u>1016551</u>	Valve Seat Cutter T-Wrench		1	
89	<u>1016553</u>	Valve Seat Cutter, 45° (32 mm diameter) (for FE290 engines only)		1	
90	<u>1016554</u>	Valve Seat Cutter, 45°/30° (35 mm diameter)		1	
91	<u>101641101</u>	Valve Spring Compressor		1	
92	1011480	Volt Ohm Meter	1	1	1
93	<u>102570401</u>	Tool, Tensioning, Starter Generator (For Precedent vehicles)		1	
94	<u>103601401</u>	Puller, Drive Clutch, XRT 950*		1	
95	<u>103601701</u>	Tool, Disassembly, Driven Clutch, XRT 950		1	
96	<u>103600501</u>	Screw, Driven Clutch Disassembly, M6, XRT 950		1	
<p>*Note: The XRT 950 Drive Clutch Puller requires the use of Screw, Driven Clutch Disassembly, CCI Part Number <u>103600501</u>.</p>					

17

G

E

D

INDEX

Part Number and Page

AM10753	17-9	7479	1-67, 1-69	1010877	5-3
AM10771	17-9	7577	16-3, 16-5, 16-7, 16-9	1010878	5-3
AM10419	11-7	7591	4-5, 4-7, 4-9, 4-37, 8-9	101090801	13-13, 13-15
AM1243501	4-29	7716	5-3	1010909	4-5, 4-27
AM1243701	4-29	7818	7-13	1010921	5-3
AM1243801	4-29	7820	4-31	1010927	5-3, 16-11
AM1300001	13-19	7840	6-13	1010932	5-3
AM1300101	13-19	7847	1-13, 1-41, 16-7, 16-9, 16-11	1010933	5-3
AM1300201	13-19	7893	4-5, 4-11, 4-13, 4-27, 7-13	1010934	7-21, 14-3
AM1300301	13-19	7910	6-13	1010954	7-13
SVP119201	4-29	7973	1-9	1010984	2-3
SVP143902	1-5	8028	1-51	1010993	1-31, 1-35, 1-41
SVP493201	4-29	8056	4-35, 7-19	1011014	1-3
183	1-55, 1-57, 1-59, 1-61, 4-5, 4-7, 4-9, 4-11, 4-13, 4-27, 4-29, 11-5	8057	4-35, 7-17, 7-19	1011017	1-3, 4-19
304	4-31	8058	4-35, 7-17, 7-19	1011084	5-9, 5-11
324	1-55, 1-57, 1-59, 1-61, 1-63, 1-65, 1-67, 1-69	8067	6-13	1011114	5-13, 5-17, 5-19, 9-13, 12-11
332	1-23, 1-29, 1-31, 1-33, 1-35, 1-39, 1-41, 1-51, 1-53, 1-63, 1-65, 1-67, 1-69, 4-31, 16-11	8104	1-55, 1-57, 1-59, 1-61, 4-11, 4-13	1011137	5-13, 5-19
334	5-5, 5-7, 6-3, 6-5, 11-5	8233	1-23, 1-29, 1-31, 1-33, 1-35, 1-39, 1-41, 1-53, 1-55, 1-57, 1-59, 1-61, 1-63, 1-65, 1-67, 1-69, 4-31, 4-33, 5-5, 5-7, 6-25, 9-13, 12-11, 16-7, 16-9, 16-11	1011154	5-13, 5-17, 5-19
343	1-55, 1-57, 1-59, 1-61	8248	1-15	1011210	1-51
357	6-17, 6-19, 6-25	8251	1-23, 1-29, 1-31, 1-33, 1-35, 1-41, 1-49, 1-51	1011219	1-51
451	1-39, 5-13, 5-17, 5-19, 14-3	8294	4-31	1011220	1-51
706	6-17, 6-19	8304	1-51	1011221	1-51
808	6-25	8450	11-5	1011222	1-51
1016	4-5, 4-11, 4-13, 4-27	8639	4-29, 7-13, 13-23	1011229	4-5, 4-7, 4-9, 4-35
1017	4-3	8717	5-5, 5-7, 7-13, 12-3	1011273	17-5
1028	5-3	8745	6-17	1011280	4-5, 4-7, 4-9
1032	5-3	8754	5-5, 5-7, 6-3, 6-5, 6-15, 6-17, 6-19, 6-21, 6-23, 7-9	1011298	5-13, 5-17, 5-19
1218	1-5, 1-53, 1-55, 1-57, 1-59, 1-61, 1-63, 1-65, 1-67, 1-69, 9-15	8755	6-17, 6-19, 6-21	1011303	5-13, 5-17, 5-19
1241	1-3, 1-5, 1-39, 1-51, 1-53, 1-59, 1-61, 4-5, 4-7, 4-9, 5-3, 5-5, 5-7, 5-21, 5-23, 7-13, 7-21, 8-5, 9-15	8861	6-15, 6-25	1011314	5-13, 5-17, 5-19
1242	5-15, 5-21, 5-23, 7-9, 7-13	8915	1-55, 1-57, 1-63, 1-65	1011348	16-11
1620	4-3	8935	1-5	1011382	4-15, 4-17
1624	5-5, 5-7, 6-3, 7-9	8963	1-51, 1-59, 1-61	1011393	6-13
1703	16-11	8990	4-11, 4-13, 4-23, 4-25, 4-33, 6-3, 12-5, 12-7, 13-23, 16-11	1011394	1-3
2402	6-15, 6-17, 6-19	1010005	6-13	1011402	5-3
4029	4-31	1010124	6-17, 6-19	1011415	6-21, 6-23
7048	6-13	1010138	6-15	1011418	5-3
7173	1-15, 4-5, 4-7, 4-9, 6-25, 7-21	1010145	6-21, 6-23	1011439	4-5, 4-7, 4-9
7174	6-7, 7-9, 10-3, 14-3	1010150	6-17, 6-19	101146302	5-13, 5-17, 5-19
7251	1-3, 1-15	1010200	6-19	1011464	5-13, 5-17, 5-19
7270	6-17	1010237	1-55, 1-57, 1-59, 1-61, 1-63, 1-65, 1-67, 1-69	1011465	5-13, 5-17, 5-19
7274	6-13	1010434	1-3, 1-7, 1-29, 1-31, 1-33, 1-35, 1-41, 1-53, 16-11	1011466	5-13, 5-17, 5-19
7308	6-13	1010435	1-3, 1-53	1011467	5-13, 5-17, 5-19
7310	2-3	1010436	1-51	1011478	17-7
7311	6-25	1010543	1-19, 1-51	1011480	17-11
7330	15-3	1010546	1-3	1011494	5-13, 5-17, 5-19
7335	15-3	1010577	1-39, 8-5	1011497	4-37
7336	15-3	1010805	5-3	1011557	4-5, 4-7, 4-9, 4-37
7410	1-53	1010829	5-15, 5-21, 5-23	1011558	4-37
7473	1-3, 1-5, 1-39, 1-51, 1-53, 1-55, 1-57, 1-59, 1-61, 1-63, 1-65, 4-5, 4-7, 4-9, 5-3, 5-5, 5-7, 5-15, 5-21, 5-23, 6-25, 7-13, 7-21, 9-15	1010850	5-13, 5-17, 5-19	1011578	1-5, 1-51, 6-5, 13-13, 13-15

INDEX

1011767	17-3	1013052	6-3	1014264	17-9
1011779	5-15, 5-21, 5-23	1013061	1-55, 1-57, 1-59, 1-61, 13-9, 13-11	1014276	6-17, 6-19
1011825	4-31	1013135	6-13	1014287	11-5
1011843	4-37	1013207	6-21	1014288	6-5, 11-5
1011852	1-55, 1-57, 1-59, 1-61, 1-63, 1-65, 1-67, 1-69	1013216	1-49	1014289	7-7
1011862	1-55, 1-57, 1-59, 1-61, 1-63, 1-65, 1-67, 1-69	1013218	1-49	1014305	17-3
1011865	1-55, 1-57, 1-59, 1-61, 1-63, 1-65, 1-67, 1-69	1013312	1-19	1014306	1-23, 1-41, 4-33
101187702	5-3	1013343	1-9	1014392	1-41
1011878	1-15	1013344	1-9	101444101	1-27
1011883	1-55, 1-57, 1-59, 1-61, 1-63, 1-65, 1-67, 1-69	1013357	1-47, 4-5, 4-7, 4-9, 13-5, 13-7	1014453	11-5
1011887	6-13	1013494	4-15, 4-17	1014454	11-7
1011892	6-13	1013509	1-63, 1-65, 1-67, 1-69	1014471	1-55, 1-57, 1-59, 1-61, 1-63, 1-65, 1-67, 1-69
1011897	1-27	1013531	5-21, 5-23	1014496	17-5
1011931	5-5, 5-7	1013547	4-33	1014497	17-5
1011937	1-55, 1-57, 1-59, 1-61, 1-63, 1-65, 1-67, 1-69	1013579	4-33	1014498	17-5
1011964	1-55, 1-57, 1-59, 1-61, 1-63, 1-65, 1-67, 1-69	1013582	17-3	1014507	17-5
1011988	1-53	1013589	7-13	1014508	17-5
1012098	16-3, 16-5, 16-7, 16-9	1013593	17-7	1014510	17-5
1012101	16-3, 16-5, 16-7, 16-9	1013609	7-13	1014530	4-31
1012126	13-11	1013677	3-5	1014540	4-33
1012151	17-7	1013734	13-21	1014555	6-21, 6-23
1012159	1-55, 1-57, 1-59, 1-61	1013746	9-7	1014789	7-3, 7-5
1012180	6-21	1013794	15-3	1014807	7-17, 7-19
1012181	6-23	1013824	1-15	1014808	7-17, 7-19
1012182	6-23	1013825	1-15	1014902	6-23
1012285	1-23, 1-39, 4-33	1013846	1-15	1015010	4-29
1012295	7-13	1013869	5-3	101503202	1-9
1012303	6-17, 6-19, 6-21, 6-23	1013870	5-3	1015072	13-13, 13-15
1012304	6-21	1013876	5-3	1015075	1-3
1012396	4-15	1013924	5-13, 5-17, 5-19, 8-5	1015091	1-51, 1-55, 1-57, 1-59, 1-61, 1-63, 1-65, 1-67, 1-69
1012412	1-29, 1-31, 1-33, 1-35, 1-41	1014007	1-51, 5-5, 5-7, 9-13, 12-3, 12-11	1015137	9-7
1012431	4-35	1014055	11-5	1015156	4-29
1012438	4-7, 4-9, 4-29	1014056	11-5	1015167	4-29
1012505	4-15, 4-17	1014057	11-5	1015170	4-29
1012528	10-3, 13-21	1014058	11-5	1015187	4-29
1012549	17-9	1014059	11-5	1015332	7-3, 7-5
1012560	17-9	1014062	11-5	1015373	7-13
1012565	6-11	1014063	11-5	1015392	1-55, 1-57, 1-59, 1-61
1012566	6-11	1014065	7-13, 11-5	1015405	1-3, 1-55, 1-57, 1-63, 1-65, 7-13
1012581	1-29, 1-31, 1-33, 1-35, 1-49	1014072	11-7	1015453	6-25
1012604	6-5	1014078	11-7	1015457	6-25
1012605	6-5	1014080	11-7	101547601	3-7, 3-13
1012649	9-7	1014115	17-9	1015524	17-5
1012809	17-9	1014116	9-3	1015525	1-49
1012811	17-3	1014125	6-5	1015526	4-29
1012812	17-3	1014126	6-5	1015528	4-15, 4-17
1012836	11-7	1014145	7-13	1015583	6-17, 6-19
1013032	1-49	1014153	5-13	101558302	6-21, 6-23
1013035	6-3	1014161	17-9	1015597	6-13
1013042	6-3, 6-15	1014162	17-9	1015608	1-5
1013044	6-3	1014198	3-15	1015613	6-25
		1014201	1-63, 1-65, 1-67, 1-69, 14-3	1015614	6-25
		1014213	6-5	101562711	1-51
		1014214	6-5	101562712	1-51
		1014217	6-5		
		1014259	17-9		

INDEX

101562714	1-51	1016418	17-7	101693904	1-3
101562715	1-51	1016423	4-5, 4-7, 4-9	101693906	1-3
101564804	1-51	1016551	17-11	101693909	1-3
101564805	1-51	1016552	17-11	101693910	1-3
101564807	1-51	1016553	17-11	101693911	1-3
101564808	1-51	1016554	17-11	101693912	1-3
1015720	4-35, 13-21	1016557	5-13, 5-17, 5-19	101693913	1-3
1015737	7-13	1016573	5-13, 5-17, 5-19	101693914	1-3
1015741	4-5, 4-7, 4-9, 7-13	1016627	17-7	1016952	1-13
1015752	7-13	1016630	4-15	1016967	1-3, 13-21
1015760	6-25	1016668	1-53	1017029	5-3
1015768	4-29	101674702	5-9	1017035	4-37
1015770	4-29	101674704	5-11	101705701	3-3, 3-9
1015878	7-17, 7-19	1016751	1-21	1017062	4-3
1015902	1-23, 1-39	101675511	1-21	1017064	4-3
1015914	16-3, 16-5, 16-7, 16-9	101675512	1-21	1017065	4-3
1015917	16-3, 16-7, 16-9	101675514	1-21	101707402	4-11
1015932	7-9	101675515	1-21	101707405	4-13
1015969	8-7	101677701	1-21	1017075	4-11, 4-13
1016103	8-9	101677702	1-21	1017080	1-3
101611003	17-9	101677703	1-21	101708301	1-13
101611402	15-5	101677705	1-21	1017141	1-41
1016154	6-11	1016781	1-55, 1-57, 1-59, 1-61	1017145	11-7
1016183	6-5	1016793	1-55, 1-57, 1-59, 1-61	1017185	1-55, 1-57, 1-59, 1-61
1016201	11-5	1016794	1-55, 1-57, 1-59, 1-61	1017189	16-11
1016214	6-11	101679901	1-57, 1-61	1017211	5-15
1016230	4-29	101679902	1-55, 1-59	1017226	6-7
1016267	4-29	1016801	11-5	1017259	1-23
1016269	6-5	1016811	1-13	1017266	6-15
1016287	4-29	1016813	6-25	1017273	6-9, 6-11
1016289	11-5	1016814	6-25	101728201	1-19
1016319	5-15	1016835	1-53	101728202	1-37
1016320	5-15	1016842	1-53	101728203	1-19
1016346	6-15	1016849	4-15, 4-17, 4-35	101728204	1-37
1016349	6-15	1016851	4-15, 4-17, 4-35	101728210	1-19
1016350	6-15	1016857	4-35	101728211	1-37
1016351	6-15	1016859	4-35	101728213	1-19
1016353	6-15	1016868	1-3	101728214	1-37
1016356	4-5, 4-7, 4-9, 13-5, 13-7	1016879	4-3	101728701	1-41
1016363	4-7, 4-9	1016880	4-3	101728702	1-41
1016365	4-23, 4-25	1016901	11-5	101728704	1-41
1016366	4-7, 4-9	1016916	1-51	101728706	1-41
1016384	6-17, 6-19	101692501	1-3	101728708	1-41
1016385	6-15	101692502	1-3	101728709	1-41
1016386	6-17, 6-19	101692504	1-3	101728710	1-41
1016387	6-17, 6-19	101692506	1-3	101728711	1-41
1016389	6-17, 6-19	101692509	1-3	101728712	1-41
101641002	17-5	101692510	1-3	1017310	1-23, 1-39
101641101	17-11	101692511	1-3	1017313	6-5
101641201	17-9	101692512	1-3	1017314	6-5
101641202	17-3	101692513	1-3	1017315	6-5
1016413	17-9	101692514	1-3	1017317	6-5
1016414	17-9	101692515	1-3	101734802	1-3
1016415	17-9	1016929	4-29	1017378	5-5, 5-7
1016416	17-3	101693901	1-3	1017380	5-5, 5-7
1016417	17-3	101693902	1-3	1017384	1-37

INDEX

1017424	5-5, 5-7	101828802	16-3	101878201	5-3
1017686	11-7	101828901	16-3, 16-5	101879401	6-3
1017699	4-37	101828902	16-3, 16-5	101879501	6-3
1017705	13-9	101828903	16-3, 16-5	101879601	6-3
1017721	4-5, 4-27	101829001	16-7, 16-9	101879701	6-3
1017724	4-11, 4-13	101830601	4-15, 4-17	101879801	6-3
1017748	1-41	101830701	4-15, 4-17, 4-21	101879901	6-3
1017774	1-39	101831101	16-3, 16-7, 16-9	101880001	6-3
1017853	4-5, 4-7, 4-9	101831401	13-15	101880101	6-3
101788201	1-33	101831801	17-5	101880201	6-3
101788202	1-33	101831901	17-3	101880301	6-3
101788204	1-33	101832001	13-9	101880701	5-13, 5-17, 5-19
101788206	1-33	101833401	11-7	101880901	1-19, 1-37
101788208	1-33	101834502	4-15, 4-17, 4-21	101881501	4-33
101788209	1-33	101834602	8-5	101881601	4-33
101788210	1-33	101835001	1-67, 1-69	101881701	1-19, 1-37
101788211	1-33	101835101	1-67, 1-69	101884801	8-5
101788212	1-33	101835401	1-67, 1-69	101886101	9-13, 12-11
101791101	5-17	101835501	1-63, 1-67	101887101	17-3
101791901	1-33, 1-35	101835502	1-65, 1-69	101894901	13-9
1017936	1-41	101835601	4-23, 4-25	101895401	15-3
101796201	5-5, 5-7	101837001	1-47	101895501	15-3
101796501	13-9	101837801	1-59, 1-61	101897001	15-3
101796801	13-9	101837802	1-59, 1-61	101897201	15-3
101799201	1-39	101838001	1-59	101897401	15-3
101800201	1-63, 1-65, 1-67, 1-69	101838002	1-61	101897601	15-3
101801001	13-9	101838401	16-5, 16-9	101898001	7-21
101804301	4-15	101838601	16-5, 16-9	101903601	15-3
101805501	1-67, 1-69	101838701	16-7, 16-9	101903701	15-3
101805502	1-67, 1-69	101839801	4-21	101906901	15-3
101805601	1-63, 1-65	101839802	4-21	101908101	13-11
101805801	1-63, 1-65	101839803	4-21	101908401	13-11
101806001	1-17	101839804	4-21	101910401	1-39
101806002	1-17	101839805	4-21	101914001	15-5
101806005	1-17	101839806	4-21	101914401	4-5, 4-7, 4-9, 16-3, 16-5, 16-7, 16-9
101806901	1-45	101839807	4-21	101915201	3-7, 3-13
101808401	17-3	101839808	4-21	101918501	5-3, 5-5, 5-7
101809101	17-5	101839809	4-21	101919801	5-5, 5-7
101813202	17-3	101839810	4-21	101922101	15-3
101815301	1-55, 1-57	101839811	4-21	101922201	15-3
101815401	1-55, 1-57, 1-59, 1-61, 1-63, 1-65	101839812	4-21	101923001	15-3
101815402	1-55, 1-57, 1-59, 1-61, 1-63, 1-65	101840901	1-53	101923201	15-3
101816701	1-55	101841101	1-53	101923501	15-3
101816702	1-57	101841201	1-53	101923901	15-3
101817401	5-5, 5-7	101841202	1-53	101926501	6-21
101818801	5-7	101841301	1-53	101928701	15-3, 17-7
101821601	4-29	101850301	6-9, 6-11	101929401	6-21
101823101	17-9	101851101	4-15, 4-17, 4-21	101932201	4-5, 4-7, 4-9
101824101	8-9	101856002	4-17	101933101	17-7
101825101	3-5, 3-11	101856102	7-13	101936101	15-5
101825102	3-7, 3-13	101861901	5-5, 5-7	101942301	14-3
101825103	4-19	101862001	5-5	101946201	1-23
101826201	4-17	101865301	5-15	101953103	5-21
101826401	4-15	101870401	1-3	101953104	5-23
101828501	16-3, 16-5, 16-7, 16-9	101871001	17-3	101953106	5-15
101828801	16-3	101874601	5-15	101954301	1-19, 1-37, 1-39

INDEX

101955001	6-15	102076701	1-55, 1-57, 1-59, 1-61, 1-63, 1-65, 1-67, 1-69	102518301	3-5, 3-11
101955101	4-31	102155801	11-7	102526201	12-3
101957101	4-5, 4-7, 4-9	102158701	3-15	102529201	4-11, 4-13
101958201	16-5	102158901	5-5, 5-7	102529203	4-31
101958301	16-5	102162601	5-21, 5-23	102540301	8-5
101960501	3-7, 3-13	102163001	1-25	102541402	8-9
101963401	7-15, 8-5	102163101	1-25	102546401	4-13
101965401	16-11	102166901	5-21, 5-23	102555501	17-3
101972001	17-7	102169401	17-7	102558201	8-3, 9-15
101972002	17-7	102186401	14-3	102559901	2-5
101972003	17-7	102196901	4-17, 13-5, 13-7	102559902	2-5
101972004	17-7	102198701	4-5	102562401	17-3
101972005	17-7	102199001	4-5	102564002	6-17, 6-19
101972006	17-7	102199201	4-5	102569302	2-3
101972007	17-7	102199301	4-5	102570401	17-11
101972009	17-7	102199401	4-5	102572401	4-17, 13-5, 13-7
101972011	17-7	102235201	14-3	102601501	17-5
101972012	17-7	102240501	13-21	102603501	17-5
101972101	15-3	102241501	17-7	102605201	17-5
101972201	15-3	102241502	17-7	102606101	17-5
101973501	16-5	102242101	8-5, 11-7	102607501	17-5
101974701	4-21	102242401	1-55, 1-57, 1-59, 1-61, 1-63, 1-65, 1-67, 1-69	102617201	8-5, 10-3
101974702	4-21	102243402	17-7	102617801	12-23
101974703	4-21	102243403	14-3	102621501	12-3, 12-9
101974704	4-21	102248803	17-7	102668801	17-9
101974705	4-21	102249901	17-3	102669901	17-7
101974706	4-21	102251501	17-7	102674001	17-5
101974707	4-21	102269701	7-15	102674101	17-5
101974708	4-21	102274101	12-23	102674201	17-5
101974709	4-21	102275401	16-3, 16-5, 16-7, 16-9	102674401	17-9
101974710	4-21	102278001	6-5	102674601	17-9
101974711	4-21	102289201	6-3, 6-15	102675001	17-5
101974712	4-21	102292801	5-15, 5-21, 5-23	102675101	17-5
101978601	15-5	102297230	13-3	102675201	17-5
101984801	6-5	102298116	8-9	102675301	17-5
101987701	9-7	102310701	1-33, 1-35, 1-41	102675401	17-5
101987901	4-3	102323101	5-3, 5-15, 5-21, 5-23	102684501	6-17, 6-19
101988001	4-3	102323201	5-3, 5-15, 5-21, 5-23	102686101	17-3
101988002	4-3	102330901	17-9	102704901	14-3
101988101	4-3	102354901	4-23, 4-25	102711201	7-13
101988201	4-3	102356601	15-3	102725501	9-15
101990801	5-21, 5-23	102356801	15-3	102732401	8-5
101997802	4-33	102376001	12-3	102766201	13-13, 13-15
101997803	4-33	102410604	8-9, 9-13	102766301	6-17, 6-19
101997902	4-33	102411203	9-3	102769701	13-21
101997903	4-33	102411209	9-15	102771701	15-3
102002801	13-13, 13-15	102440901	13-5, 13-7	102772402	13-21
102002901	13-13, 13-15	102476401	9-13, 12-11	102774501	13-21
102005701	1-25	102490301	9-13	102774701	13-21
102022601	6-15	102491501	11-5	102775101	14-3
102022602	6-3, 6-15	102498201	9-13, 12-9, 12-11	102817101	13-21
102025801	9-5, 9-7	102508701	4-17	102817201	13-21
102026001	5-5, 5-7	102517501	4-13	102838101	13-11, 16-3, 16-7
102059501	12-9	102517601	4-31	102838701	7-7
102061201	17-9			102838801	7-7
102066201	6-23			102838901	7-7

INDEX

102839001	7-7	102980901	13-13, 13-15	103449601	13-23
102839301	7-7	103174401	1-7	103459104	2-3
102841101	7-7	103180101	4-15, 4-17	103464801	3-17
102844601	7-7	103196202	8-5	103477901	6-13
102844701	7-7	103198201	13-13, 13-15	103502701	6-17
102845101	3-5, 3-11, 13-11	103198301	4-17	103502801	6-19
102845203	13-13	103199001	4-15	103510501	13-17
102845204	13-15	103199101	4-15	103582801	15-3
102845501	13-5, 13-7	103205501	3-7, 3-13	103601501	6-3
102847801	16-3	103210201	3-7, 3-13	103601601	6-7
102847802	16-3	103210301	3-5, 3-11	103618001	4-13
102847803	16-3	103218001	16-11	103618101	4-31
102865101	9-7	103218601	4-17, 13-5, 13-7	103628801	6-17
102869401	4-5, 4-7, 4-9, 4-15, 4-17	103234303	3-15	103628901	6-19
102871801	6-21, 6-23	103254401	4-9	103653401	6-3
102873401	13-13, 13-15	103255701	4-7, 4-9	103653501	6-3, 6-15
102886301	15-3	103257101	4-7	103657301	6-21, 6-23
102886401	15-3	103274001	1-31, 1-35	103658601	2-3
102886501	15-3	103274002	1-31, 1-35	103677101	1-25
102886601	15-3	103274004	1-31, 1-35	103694501	2-5
102890201	4-23, 4-25	103274006	1-31, 1-35	103697109	13-21
102891101	6-23	103274008	1-31, 1-35	103700301	4-23
102892901	16-5	103274009	1-31, 1-35	103709201	13-21
102892902	16-5	103274010	1-31, 1-35	103717302	6-13
102902801	15-3	103274011	1-31, 1-35	103717402	6-13
102912801	13-21	103274012	1-31, 1-35	103722901	2-3
102915601	4-37	103274101	1-29, 1-33	103723003	2-3
102915701	13-11	103274102	1-29, 1-33	103724502	6-9, 6-11
102917101	6-23	103274104	1-29, 1-33	103724601	6-11
102918701	4-23	103274106	1-29, 1-33	103724602	6-9
102918702	4-25	103274108	1-29, 1-33	103724901	6-11
102938601	14-3	103274109	1-29, 1-33	103754901	1-25
102938701	14-3	103274110	1-29, 1-33	103756401	9-7
102938801	14-3	103274111	1-29, 1-33	103771601	16-9
102938901	14-3	103274112	1-29, 1-33	103771901	13-9
102939001	14-3	103306301	9-3	103772101	13-5, 13-7
102939101	14-3	103347101	7-7	103772201	16-11
102939102	14-3	103347301	7-7	103772401	16-7
102939501	16-5	103347601	7-7	103783001	3-5, 3-11
102945501	1-35	103347701	7-7	103783003	3-7, 3-13
102945502	1-35	103347801	7-7	103787401	1-55, 1-57, 1-59, 1-61, 1-63, 1-65, 1-67, 1-69
102945504	1-35	103347901	7-7	103789601	1-55, 1-57, 1-59, 1-61, 1-63, 1-65, 1-67, 1-69
102945506	1-35	103348201	4-15	103802401	4-25
102945508	1-35	103348202	4-17	103822101	13-21
102945509	1-35	103348501	4-15	103832001	16-7, 16-9
102945510	1-35	103348601	4-15	103865101	5-5, 5-7
102945511	1-35	103350901	6-21	103869401	16-7, 16-9
102945512	1-35	103351001	6-15	103879701	12-15
102950301	4-19	103351101	6-23	103879702	12-13
102951701	14-3	103354401	4-17	103882801	8-5
102962303	4-19	103354701	6-15	103886601	12-5, 12-7
102962602	4-19	103372101	9-3	103895401	1-5
102967601	3-5, 3-11	103372401	9-7	103902101	13-3
102977001	4-15	103397901	4-7, 4-9, 13-21	103902301	13-3
102977002	4-17	103414901	4-7, 4-9, 13-21		
102980801	13-13, 13-15	103449501	13-23		

INDEX

103902401	13-3	105010401	8-19	105016001	8-11, 8-17
103905201	9-3	105010501	8-19	105016101	9-11
103924801	7-3, 7-5	105010601	8-19	105016201	9-11
103940701	13-5	105010701	8-19	105016301	9-11
103940801	13-7	105010801	8-15	105016401	9-11
103942101	13-17	105010901	8-15, 9-11	105016501	9-11
103942902	13-17	105011001	8-19	105016701	8-7
103943401	13-3	105011101	8-19	105016801	8-7
103944301	9-3	105011201	8-19	105016901	8-7
103951002	2-3	105011301	8-19	105017001	8-7
103951003	2-3	105011401	8-19	105017101	8-7
103951004	2-3	105011501	8-19	105017201	9-9
103951501	12-23	105011601	8-19	105017301	8-11
103952201	1-11	105011701	8-19	105017401	8-11
103953301	7-7	105011801	8-19	105017501	8-11
103954301	1-55, 1-57, 1-59, 1-61	105011901	8-15	105017601	8-11
103961601	3-3, 3-9	105012001	8-15	105017701	8-11
103969701	13-15	105012101	8-15	105017801	8-3, 8-11
103973902	11-5	105012201	8-15	105017901	8-11
103974002	11-7	105012301	8-15	105018001	8-13
103974102	11-3	105012401	8-15	105018101	8-13
103974201	11-5	105012501	8-19	105018201	8-13
103974401	11-5	105012601	8-7, 8-13, 8-15	105018301	8-13
103975301	11-7	105012701	8-21	105018401	8-13
103976101	11-5	105012801	8-21	105018501	8-15
103978001	9-13	105012901	8-21	105025001	12-13, 12-15
103979301	12-23	105013001	8-21	105025101	12-13, 12-15
103979401	8-5	105013101	8-21	105025201	12-13, 12-15
103980001	10-3	105013201	8-21	105025301	12-13, 12-15
103982201	8-5	105013301	8-21	105025401	12-13, 12-15
103983501	9-11	105013401	8-21	105025501	12-13, 12-15
103984601	11-5	105013501	8-21	105025601	12-13, 12-15
103989501	12-23	105013601	8-21	105025701	12-13, 12-15
103993601	10-3	105013701	8-21	105025801	12-13, 12-15
103995001	12-23	105013801	8-21	105025901	12-13, 12-15
103995901	8-7	105013901	8-21	105026001	12-13, 12-15
103996201	8-5	105014001	8-21	105026101	12-13, 12-15
104005301	7-9	105014101	8-21	105026201	12-13, 12-15
104005901	13-19	105014201	8-17	105026301	12-13, 12-15
104006101	13-19	105014301	8-17	105026401	12-13, 12-15
104021701	12-23	105014401	8-17	105026501	12-13, 12-15
104023501	9-13, 12-11	105014501	8-17	105026601	12-13, 12-15
104025101	11-7	105014601	8-17	105026701	12-13, 12-15
104027101	12-23	105014701	8-17	105026801	12-13, 12-15
105000301	7-13	105014801	8-17	105026901	12-13, 12-15
105000401	7-13	105014901	8-17	105027001	12-13, 12-15
105000501	13-21	105015001	8-17	105027101	12-13, 12-15
105007402	9-13	105015101	8-17	105027201	12-13, 12-15
105007403	9-13	105015201	8-17	105027301	12-13, 12-15
105008101	7-3, 7-5	105015301	8-17	105027401	12-17
105009101	9-15	105015401	8-17	105027501	12-17
105009401	9-15	105015501	8-17	105027601	12-17
105010001	8-19	105015601	8-17	105027701	12-17
105010101	8-15	105015701	8-17	105027801	12-17
105010201	8-15	105015801	8-17	105027901	12-17
105010301	8-15	105015901	8-17	105028001	12-17

INDEX

- 105028101 12-19, 12-21
105028201 12-17
105028301 12-13, 12-15
105028401 12-17
105028501 12-13, 12-15
105028601 12-17
105028701 12-17
105028801 12-17
105028901 12-17
105029001 12-17
105029101 12-17
105029201 12-17
105029301 12-21
105029401 12-21
105029501 12-19, 12-21
105029601 12-21
105029701 12-21
105029801 12-19, 12-21
105029901 12-19, 12-21
105030001 12-13, 12-15
105030301 12-19, 12-21
105030401 12-19, 12-21
105030501 12-19, 12-21
105030601 12-19, 12-21
105030701 12-13, 12-15
105030801 12-19, 12-21
105030901 12-17
105031001 12-21
105037201 7-15
105037401 7-13
105037701 12-3
105038001 12-3
105038101 12-3
105038201 12-3
105038501 12-3
105038805 12-5
105038806 12-7
105039801 12-3
105039901 12-3
105040401 12-3
105040402 12-3
105043401 9-5
105043501 9-3
105043801 9-5
105043901 9-5
105044901 9-7
105060601 12-3
105063501 12-13
105063601 12-19
105064802 1-37
105066001 12-19, 12-21
105066101 12-19, 12-21
105073001 9-5
105074901 1-27
105075301 8-9
105077701 1-25
- 105077801 1-25
105081501 7-3, 7-5
105081601 7-3, 7-5
105084801 8-9
105088501 9-15
105096101 11-5
105102601 7-19
105116301 13-3
105134601 8-5
105134901 12-9
105135101 9-13, 12-9
105142401 2-5
105143301 7-3, 7-5, 9-3
105144401 9-13, 12-11
105149301 8-5
105151201 7-3
105151301 7-5
105161701 7-3, 7-5, 7-7
105166801 13-19
105166901 13-19
105167001 13-19
105167101 13-19
105168501 13-19
105168601 13-19
105190102 7-7
105205401 7-9
105210299 13-13
105215401 9-3
105216301 1-37
105234801 12-13, 12-15
105234901 12-13, 12-15
105237301 7-21
105245401 9-3
105256701 7-3, 7-5, 7-21
105256801 7-3, 7-5
105266401 7-11
105280201 1-43
105280202 1-43
105280203 1-43
105282901 9-5
105282902 9-5
105282903 9-5
47542195001 5-17, 5-19
96704176 12-3
96705199 12-9
96741046 8-5
- A**
AC cord 16-3, 16-5, 16-7, 16-9
AC cord receptacle 16-5
accelerator bracket and bearing assembly 5-5, 5-7
accelerator cable 9-13
accelerator pedal adjustment tool 17-3
accelerator pivot rod 5-5, 5-7
accelerator return spring 5-5, 5-7
- accelerator rod 5-9, 5-11
access door 1-49
adapter
 air intake 9-11
 battery terminal 7-11
 cable (IQDM) 17-7
adhesive, guide ring 17-3
adjuster
 hydraulic brake 17-7
air cleaner assembly 9-15
air deflector 8-9
air filter 8-3, 9-15
air filter evacuator 9-15
air intake adapter 9-11
air intake hose 9-15
ammeter 16-3, 16-5, 16-7, 16-9
anchor body 5-13, 5-17, 5-19
anchor body kit 5-13, 5-17, 5-19
anchor, piston 5-13, 5-17, 5-19
anti-sway bar 6-25
A-plate strap 6-15
A-plate, delta 6-15
arbor 17-3
arm
 governor 9-13, 12-11
armature 14-3
armrest 1-23, 1-39, 1-53
assembly
 accelerator bracket and bearing 5-5, 5-7
 accelerator pivot rod 5-5, 5-7
 bearing, steering shaft 6-5
 delta A-plate 6-15
 delta shock and gear support 6-15
 drive hub 11-5
 driven clutch 11-7
 fuel cap 9-3
 fuel pump 9-5
 headlight 4-3
 headlight harness 4-3
 inner ball joint 6-3
 kingpin 6-17, 6-19
 moveable-face 11-5, 11-7
 ratchet 5-3, 5-5, 5-7
 secondary clutch weight 11-5
 steering shaft 6-5
 turn signal lens 4-3
axle 15-3
axle guard 15-5
axle shaft 12-19, 12-21
axle shaft oil seal 15-3
axle tube 12-19, 12-21, 15-3
- B**
backing plate, brake 5-13, 5-17, 5-19
baffle
 crankcase 8-7

INDEX

- bag rest mat 1-41
 - balance shaft 8-21
 - ball bearing 7-7, 12-17, 12-19, 12-21
 - ball joint 5-3, 5-9, 5-11
 - ball stud 7-13
 - bar, stabilizer 6-25
 - barrel, plastic 1-3, 1-7, 1-29, 1-31, 1-33, 1-35, 1-41, 1-53, 16-11
 - battery
 - 12-volt, top-post 7-21
 - battery cap, 6-volt 13-15
 - battery charger 16-3, 16-5
 - battery charger case 16-3, 16-5, 16-7, 16-9
 - battery charger receptacle 13-9
 - battery charger retractable cord assembly 16-11
 - battery charger transformer 16-3, 16-5, 16-7, 16-9
 - battery charger wire assembly 16-5
 - battery charger, onboard 16-7, 16-9
 - battery clamp 7-21
 - battery condition indicator 4-17
 - battery discharge machine 17-3
 - battery HD, 6-volt, Trojan T145 13-15
 - battery hold-down 13-13, 13-15
 - battery hold-down rod 13-13, 13-15
 - battery insulator 1-47
 - battery light 4-17
 - battery terminal protector spray 17-3
 - battery thermometer 17-3
 - battery, 6-volt, JCI GC2 Entek 13-13
 - battery, top-post, wire, 4ga, B+ 7-3, 7-5
 - battery, top-post, wire, B- 4ga, 7-3, 7-5, 7-21
 - bead, ferrite 13-23
 - bearing 15-3
 - balance shaft 8-19
 - ball 7-7, 12-17, 12-19, 12-21
 - ball (motor) 14-3
 - ball (steering pinion) 6-3
 - crankshaft 8-19
 - front wheel hub 6-13
 - hub 6-13
 - inner axle tube 15-3
 - lower pinion (steering) 6-3
 - pivot support 5-5, 5-7
 - steering shaft 6-5
 - thrust 6-17, 6-19, 12-13, 12-15
 - bearing and oil seal remover 17-3
 - bearing driver set 17-3
 - bearing puller 17-3
 - bearing puller wedge 17-3
 - bearing seat 6-5
 - bellows 6-3
 - belt, drive 11-3
 - belt, starter/generator 7-9
 - beverage holder 1-13
 - bezel, headlight 4-3
 - bezel, taillight 4-37
 - block, brake-mounting 5-3
 - block, fuse 4-5, 4-7, 4-9, 7-13
 - block, terminal 4-5, 4-7, 4-9, 13-5, 13-7
 - body kick plate 1-29, 1-31, 1-33, 1-35, 1-41
 - body, anchor 5-13, 5-17, 5-19
 - body, center 1-33, 1-35
 - body, front 1-3
 - body, rear 1-41
 - bolt, U- 6-23
 - boot, steering column 6-5
 - boot, switch 13-11
 - box
 - steering gear 6-3
 - brace 1-67, 1-69
 - bracket 6-21
 - accel.cable 9-13, 12-9
 - battery charger 16-11
 - brake cable guide 6-15
 - brake light switch 4-5, 4-7, 4-9
 - carbon canister/ECU 9-7
 - FNR cable 9-13, 12-9
 - governor 9-13, 12-11
 - headlight mounting 4-3
 - horn 4-31
 - hour meter 4-33
 - mounting, starter/generator 8-5
 - mounting, transaxle/exhaust 8-5
 - relay mounting 16-7, 16-9
 - shock mounting, drv 6-23
 - shock mounting, pas 6-23
 - snubber 8-5
 - stabilizer bar mounting 6-25
 - starter/generator adjusting 7-9
 - steering column 6-5
 - steering column mounting 6-5
 - brake actuator kit 5-13, 5-17, 5-19
 - brake adjustment tool 17-3
 - brake backing plate 5-13, 5-17, 5-19
 - brake cable 5-15, 5-21, 5-23
 - brake cable equalizer 5-15, 5-21, 5-23
 - brake cable hanger 6-21
 - brake cable release tool 17-3
 - brake cluster 5-13, 5-17, 5-19
 - brake drum 5-13, 5-17, 5-19
 - brake lever arm 5-13, 5-17, 5-19
 - brake light switch bracket 4-5, 4-7, 4-9
 - brake mounting block 5-3
 - brake pedal 5-3
 - brake pedal adjustment tool 17-3
 - brake pedal pad 5-3
 - brake pedal tension tool 17-3
 - brake relay kit, 12-volt 4-5
 - brake return spring 5-21, 5-23
 - brake shoe 5-13, 5-17, 5-19
 - brake spring 5-13, 5-17, 5-19
 - breaker, circuit 16-5, 16-9
 - breather 12-13, 12-15, 15-3
 - breather hose 9-11
 - brush box assembly 14-3
 - brush cover kit, starter/generator 7-7
 - brush guard kit 1-5
 - brush inspection port cover 7-7
 - brush kit, motor 14-3
 - brush rigging 14-3
 - brush spring 7-7, 14-3
 - brush spring set 7-7
 - brush spring, starter/generator 7-7
 - brush terminal, starter/generator 7-7
 - brush, motor 14-3
 - bulb, headlight 4-3
 - bulb, strobe light 4-29
 - bulb, tail light 4-37
 - bumper 1-27
 - drive unit (motor) 14-3
 - front 1-3
 - front, heavy duty 1-3
 - front, kit 1-3
 - rubber 1-51, 5-3
 - seal, long 1-19
 - side trim 1-53
 - spring return 5-5, 5-7
 - bumper guard vinyl trim 1-33, 1-35
 - bumper, heavy-duty 1-3
 - bushing 7-13, 11-5, 12-3
 - bronze 6-13
 - nylon 5-3
 - spindle 6-13
 - stabilizer bar 6-25
 - steel 6-17, 6-19, 6-21, 6-23
 - urethane 6-15, 6-17, 6-19, 6-21, 6-23
 - bushing support 6-25
 - button, drive 11-7
 - buzzer, reverse 4-15, 4-17, 4-35
- ## C
- cable
 - accelerator 9-13
 - brake 5-15, 5-21, 5-23
 - FNR shifter 12-5, 12-7
 - governor 9-13
 - IQDM 17-7
 - calibration test module 17-3
 - cam
 - driven clutch 11-7
 - electrical component box 7-13
 - cam installation tool 17-3
 - cam, engine 8-17
 - camshaft 8-17
 - camshaft o-ring 8-17
 - canister, carbon, fuel tank 9-7

INDEX

- canopy 1-55, 1-57, 1-59, 1-61
 - canopy brace 1-55, 1-57, 1-59, 1-61, 1-63, 1-65, 1-67, 1-69
 - canopy hardware 1-63, 1-65, 1-67, 1-69
 - canopy top, beige 1-65, 1-69
 - canopy top, white 1-63, 1-67
 - canopy trim plate 1-55, 1-57, 1-59, 1-61, 1-63, 1-65, 1-67, 1-69
 - cap
 - battery, 6-volt 13-15
 - dust 4-17, 13-5, 13-7
 - fuel, gas, ratchet 9-3
 - key switch 4-15, 4-17, 4-21
 - rubber 12-23
 - seat back 1-21
 - cap, hub, 7 prong 2-5
 - carbon canister 9-7
 - carburetor float level tool 17-7
 - card, safety first 17-9
 - case
 - battery charger 16-3, 16-5, 16-7, 16-9
 - gear 15-3
 - transaxle 12-13, 12-15
 - CE mark ferrite bead, Fair-rite 13-23
 - CE mark ferrite bead, TDK 13-23
 - center body 1-33, 1-35
 - center shaft 12-17
 - chain, timing 8-17
 - charger
 - wire assembly kit 16-3, 16-7, 16-9
 - charger bezel tool 17-3
 - charger receptacle 13-9
 - charger, battery 16-3, 16-5
 - charger, battery, onboard 16-7, 16-9
 - charging diode 7-15
 - circuit breaker 13-11, 16-3, 16-5, 16-7, 16-9
 - clamp
 - battery 7-21
 - hose 9-3, 9-7, 9-15
 - p- (fuel filter) 8-9, 9-13
 - clevis, upper delta 6-17, 6-19
 - clip
 - meter 4-15
 - retainer plate 8-15
 - clip, piston pin 8-21
 - clip, score card 6-11
 - cluster, brake 5-13, 5-17, 5-19
 - clutch
 - pin 12-17
 - clutch alignment tool 17-5
 - clutch removal tool 17-3
 - clutch repair kit 11-7
 - clutch tool kit 17-5
 - clutch weight 11-5
 - clutch, drive 11-5
 - clutch, driven 11-7
- coil, ignition 8-11
 - collar 12-17
 - collet 8-17
 - column, steering 6-5
 - communication display module 17-5
 - component mounting plate 13-21
 - component mounting plate cover 13-21
 - compression gauge 17-5
 - compression mount 6-25
 - compressor, piston ring 17-9
 - compressor, valve spring 17-11
 - conduit 4-29
 - connecting bar 1-53
 - connecting rod 8-21
 - continuity tester 17-5
 - control board, potted 16-7, 16-9
 - controller, speed 13-21
 - converter, DC/DC 4-23
 - cooling fan 8-7
 - cord, AC 16-3, 16-5, 16-7, 16-9
 - cord, DC 16-3, 16-5, 16-7, 16-9
 - cord, retractable, assembly 16-11
 - counter shaft 12-17
 - cover
 - brush inspection port 7-7
 - crankcase 8-19
 - dust 5-13, 5-17, 5-19, 6-13
 - fan 8-7
 - fuse block 4-7, 4-9
 - rocker switch hole 4-15, 4-17
 - screw head 4-15, 4-17
 - steering column 6-5
 - cover, rocker 8-15
 - cover, steering column 4-11, 4-13
 - cover, valve 8-15
 - cowl 1-3
 - crankcase 8-19
 - crankcase baffle 8-7
 - crankcase cover 8-19
 - crankshaft 8-21
 - cross brace 1-67, 1-69
 - C-type stop ring 6-3
 - cup holder 1-13
 - cup, spring 5-5, 5-7
 - current limiter 16-5
 - cushion, shock absorber 6-21, 6-23
 - cutter, valve seat 17-5, 17-11
 - cylinder head 8-15
- ## D
- dash component 1-9
 - dash panel 4-15, 4-17
 - dc converter, 15A 4-23
 - dc converter, CE 4-25
 - DC cord 16-3, 16-5, 16-7, 16-9
 - DC/DC converter 4-23
- decal
 - 4-gauge wire warning 3-5, 3-11
 - battery danger 3-5
 - driver/passenger 3-7, 3-13
 - electrical cover safety 3-5, 3-11
 - engine warning 8-7
 - filter log 13-19
 - FNR 3-5, 3-7, 3-11, 3-13
 - four-passenger warning 3-3, 3-9
 - frame ground 3-7, 3-13
 - inspect log 13-19
 - key switch 3-7, 3-13
 - on/off 3-5, 3-11
 - operating instructions 3-5, 3-7, 3-11, 3-13
 - passcode 4-19
 - rotating parts 3-7, 3-13
 - run/service switch 3-7, 3-13
 - Tow/Run switch 3-5, 3-11, 13-11
 - Villager 3-15
 - deflector
 - air 8-9
 - deionizer 13-19
 - cartridge 13-19
 - delta A-plate 6-15
 - delta A-plate sub-assembly 6-15
 - delta shock and gear support 6-15
 - diagnostic port 4-17, 13-5, 13-7
 - diesel tachometer probe 17-9
 - differential 12-21
 - limited-slip 12-19
 - open 12-21
 - differential drive unit 15-3
 - differential gear 15-3
 - differential gear set 12-21
 - differential guard 15-5
 - differential housing 15-3
 - differential shaft 12-21
 - diode 7-3, 7-5
 - diode, charging 7-15
 - dipstick 8-19
 - door, access 1-49
 - drain plug 8-19, 12-13, 12-15
 - drain plug gasket 8-19
 - drain plug, rubber 7-7
 - drink holder 1-13
 - drive belt 11-3
 - drive button 11-7
 - drive clutch 11-5
 - drive clutch button 11-5
 - drive clutch fixed sheave tool 17-5
 - drive clutch holder tool 17-5
 - drive clutch hub puller 17-5
 - drive clutch puller 17-5
 - drive clutch spider removal tool 17-5
 - drive clutch spring 11-5
 - drive clutch weight 11-5

INDEX

drive hub 11-5
drive unit bumper 14-3
drive unit guard 15-5
driven clutch 11-7
driven clutch button 11-7
driven clutch cam 11-7
driven clutch cam puller 17-5
driven clutch puller plug 17-5
driven clutch spring compression base tool 17-5
driven clutch spring compression collar tool 17-5
driven clutch spring compression nut tool 17-5
driver, drive clutch 11-5
drum, brake 5-13, 5-17, 5-19
dry moly lubricant 17-7
dust cap 4-17, 13-5, 13-7
dust cover 5-13, 5-17, 5-19, 6-13

E

eccentric adjustment screw 6-17
E-clip 5-15, 5-21, 5-23
ECU 9-9
end cap, motor 14-3
end, tie rod 6-15
engine
 air cleaner 9-15
 air deflector 8-9
 air filter 8-3, 9-15
 air intake hose 9-15
 balance shaft 8-21
 bearing, balance shaft 8-19
 bearing, crankshaft 8-19
 breather hose 9-11
 cam 8-17
 camshaft 8-17
 camshaft O-ring 8-17
 connecting rod 8-21
 crankcase 8-19
 crankcase baffle 8-7
 crankcase cover 8-19
 crankcase plug 8-19
 crankshaft 8-21
 crankshaft key 8-21
 cylinder head 8-15
 dipstick 8-19
 drain plug gasket 8-19
 ECU 9-9
 exhaust valve 8-17
 fan 8-7
 fan housing 8-7
 flywheel 8-11
 fuel injector 9-9
 guide pin 8-19
 head gasket 8-15

ignition coil 8-11
insulator, throttle body 9-11
intake valve 8-17
oil drain plug 8-19
oil filler tube 8-19
oil filler tube O-ring 8-19
oil level sensor 8-13
oil seal 8-19
piston 8-21
piston pin 8-21
piston pin clip 8-21
piston ring set 8-21
retainer plate 8-15
retainer plate clip 8-15
rocker arm 8-17
rocker cover 8-15
rocker cover gasket 8-15
rocker shaft 8-17
spark plug 8-3, 8-11
temperature sensor 8-13
throttle body 9-9
timing chain 8-17
timing chain guide 8-17
timing chain sprocket 8-17
timing chain tensioner 8-17
valve collet 8-17
valve guide 8-15
valve seal 8-15
valve spring 8-17
valve spring retainer 8-17
warning decal 8-7
engine warning decal 8-7
engine, EX40 8-5
equalizer pivot 5-15
equalizer rod 5-15, 5-21, 5-23
equalizer, brake cable 5-15, 5-21, 5-23
exhaust system 10-3
exhaust valve 8-17
extrusion, fender 1-3
extrusion, plastic 1-27

F

face, moveable 11-7
fan
 cooling 8-7
fan cover 8-7
fan housing 8-7
fender extrusion 1-3
fender, inner 1-41
ferrite bead (CE), Fair-rite 13-23
ferrite bead (CE), TDK 13-23
field coil housing 7-7
filter
 air 8-3, 9-15
 fuel 9-5
fitting, thread-forming grease 6-13

flasher, turn signal, 12-volt 4-13
floor mat 1-9, 1-11
flywheel 8-11
flywheel puller 17-7
FNR closeout brush 4-15
fnr shaft 12-3
FNR shift lever 12-9
FNR shifter base 12-3
FNR shifter cable 12-5, 12-7
foam, seat 1-51
foot rest 1-53
foot rest mat 1-53
frame and field, motor 14-3
frame and field, starter/generator 7-7
front body 1-3
front body support 1-41
front bumper 1-3
front bumper kit 1-3
front spring retainer plate 6-17, 6-19
fuel filter 9-5
Fuel Filter Kit 9-5
fuel injector 9-9
fuel line 9-7
fuel meter 4-15
Fuel Module, Hold-Down Ring 9-5
Fuel Pump 9-5
fuel pump 9-5
fuse 13-9, 16-3, 16-5, 16-7, 16-9
 10-amp 7-3, 7-5, 7-13
 20-amp 4-5, 4-7, 4-9
 2-amp 7-3, 7-5
 3/8-amp 13-9
 5-amp 7-3, 7-5
fuse block 4-5, 4-7, 4-9, 7-13
fuse block cover 4-7, 4-9

G

gasket 12-13, 12-15
 cover, rocker 8-15
 cover, valve 8-15
 drain plug 8-19
 exhaust 10-3
 insulator 9-11
 liquid 15-3, 17-7
 plug 15-3
 taillight 4-37
gasket, head 8-15
gauge, battery condition 4-17
gauge, compression 17-5
gauge, fuel-hour 4-15
gear
 17 tooth 12-17
 34 tooth 12-17
 52 tooth 12-17
 60 tooth 12-19, 12-21
 62 tooth 12-17

INDEX

differential 15-3
differential idler 15-3
differential output 15-3
governor 12-13, 12-15
governor, 34 tooth 12-17
set, differential 12-21
gear yoke 17-7
gearcase 15-3
governor arm 9-13, 12-11
governor cable 9-13
governor gear shaft 12-13, 12-15
governor shaft 12-13, 12-15
governor shaft installation tool 17-7
grip, pencil 6-11
grommet 1-17, 9-3
guard, differential 15-5
guard, splash 1-7
guide
valve 8-15
valve seat cutter 17-11
guide pin 8-19, 12-13, 12-15
guide ring adhesive 17-3
guide, timing chain 8-17

H

handle 12-3
handrail 1-53
hanger, brake cable 6-21
hardware, canopy 1-67, 1-69
harness
wire 4-31
harness, headlight 4-7, 4-9
harness, lighting 4-7
harness, wire 4-23, 4-25, 4-31, 13-5, 13-7
harness, wire, gas engine-ECU 7-3, 7-5
harness, wire, lighting 4-9
head gasket 8-15
head, cylinder 8-15
headband, sealed, motor 14-3
headband, vented, motor 14-3
headlight 4-3
headlight assembly 4-3
headlight bulb 4-3
headlight harness 4-3
headlight retainer 4-3
headlight wire harness 4-7, 4-9
heat shrink tube 16-11
heatsink and rectifier 16-3, 16-5, 16-7, 16-9
heavy-duty bumper 1-3
hill brake rod 5-3
hill brake weld assembly 5-3
hinge assembly 1-51
hinge pin 1-51
hinge plate 1-19, 1-29, 1-31, 1-33, 1-35, 1-37, 1-41
hinge, long 1-51

hold-down rod, battery 13-13, 13-15
hold-down, battery 13-13, 13-15
holder, cup 1-13
hole plug 4-17
horn 4-31
horn bracket 4-31
hose
air intake 9-15
engine breather 9-11
fuel 9-7
vent 9-7
hour meter 4-15, 4-33
hour meter, 36-48 volt 4-33
housing
3-pin 14-3
differential 15-3
fan 8-7
field coil 7-7
hub 6-13, 12-23
hub bearing 6-13
hub cap 2-5
hub cap, 7 prong 2-5
hydraulic brake adjuster 17-7
hydrometer 17-7

I

idler gear, differential 15-3
ignition coil 8-11
indicator, battery condition 4-17
inner frame snubber 8-5
input shaft 12-17, 15-3
instrument panel 4-15, 4-17
insulating washer 14-3
insulator 9-11
insulator gasket 9-11
insulator, battery 1-47
insulator, motor terminal 14-3
intake valve 8-17
intermediate shaft 15-3
internal retaining ring pliers 17-7
IQ display module (IQDM) 17-7

J

joint
ball 5-3, 5-9, 5-11

K

key
driven clutch 11-7
On/Off 4-15, 4-17
square 11-7
key switch 4-15
key switch cap 4-15, 4-17, 4-21
key switch, On/Off 4-17
key switch, uncommon 4-21

key,crankshaft 8-21
kick plate, body 1-29, 1-31, 1-33, 1-35, 1-41
kingpin 6-17, 6-19
kit
3-pin housing 14-3
accelerator pivot rod 5-5, 5-7
anchor body 5-13, 5-17, 5-19
battery terminal adapter 7-11
brake actuator 5-13, 5-17, 5-19
brake cable 5-15
brake pedal 5-3
brake pedal adjustment tool 17-3
brake relay 4-5
brake shoe 5-13, 5-17, 5-19
brake shoe retainer 5-13, 5-17, 5-19
brush guard 1-5
clutch repair 11-7
DC/DC converter 4-23
deflector, air 8-9
drive clutch button 11-5
drive clutch weight 11-5
driven clutch button 11-7
equalizer, brake 5-15
front bumper 1-3
hand pump, SPWS 13-19
heavy-duty front bumper 1-3
hour meter 4-33
hub cap 2-5
IQ display module (IQDM) 17-7
mirror 1-15
motor brush 14-3
motor brush lead assembly 14-3
motor brush spring 14-3
motor speed sensor 14-3
park brake latch 5-3
park brake pedal 5-3
relay, 48V 4-7, 4-9, 13-21
reverse buzzer 4-35
shock absorber cushion 6-21, 6-23
shoe retainer 5-13, 5-17, 5-19
smartkey 4-19
steering column mounting bracket 6-5
strobe light 4-29
taillight hardware 4-37
tune-up 17-9
turn signal 4-11
wire assembly, charger 16-3, 16-7, 16-9
knob, forward/reverse 12-3

L

lamp, strobe light 4-29
lamp, turn signal and socket 4-11, 4-13
latch, park brake 5-3
leaf spring 6-21, 6-23
lens, headlight 4-3
lens, strobe light 4-29

INDEX

lens, taillight 4-37
lever
 transaxle shift 12-9
light
 battery 4-17
 oil 4-15
 water quality 13-19
light, strobe 4-29
lighting wire harness 4-7
limit switch 4-5, 4-7, 4-9, 7-17, 7-19
limiter
 current 16-5
 voltage 4-5, 4-27
line, fuel 9-7
link, stabilizer bar 6-25
liquid gasket 15-3, 17-7
low oil warning light 4-15
lubricant, dry moly 17-7
lubricant, moly-teflon 14-3, 17-7
lug nut 2-3
lug stud 12-23, 15-3

M

magnet, speed sensor 14-3
mat, floor 1-9, 1-11
mat, foot rest 1-53
MCOR 13-3
meter clip 4-15
meter, hour 4-33
meter, volt ohm 17-11
mirror 1-15
mirror, rear view 1-15
module
 calibration test 17-3
 communication display 17-5
moly-teflon lubricant 17-7
motor
 48-volt IQ Plus 14-3
 motor brush 14-3
 motor brush kit 14-3
 motor brush lead assembly kit 14-3
 motor brush spring 14-3
 motor bumper 14-3
 motor controller 13-21
 motor end cap 14-3
 motor frame and field 14-3
 motor headband, sealed 14-3
 motor headband, vented 14-3
 motor magnet, speed sensor 14-3
 motor speed sensor 14-3
 motor speed sensor kit 14-3
 motor terminal and lead assembly 14-3
 motor terminal insulator 14-3
mount, compression 6-25
mounting block, brake 5-3
moveable-face 11-5, 11-7

N

nameplate kit, amber 3-15
nut, lug 2-3

O

oil filler tube 8-19
oil level sensor 8-13
oil seal 8-19, 12-13, 12-15
oil warning light, low 4-15
onboard battery charger 16-7, 16-9
O-ring 8-17, 8-19
O-ring Kit, Fuel Module 9-5
O-Ring, Fuel Module 9-5

P

pad
 brake pedal 5-3
 park brake 5-3
 thermal 7-15
paint, touch-up 17-7
panel, instrument 4-15, 4-17
panel, rear 16-11
park brake latch 5-3
park brake pedal 5-3
park brake rod sleeve 5-3
park brake spacer 5-3, 16-11
park brake torsion spring 5-3
pawl 5-3
p-clamp (fuel filter) 8-9, 9-13
pedal, brake 5-3
pedal, park brake 5-3
pencil grip 6-11
pin
 bow tie locking 5-15, 5-21, 5-23
 clevis 5-15, 5-21, 5-23
 differential 12-21
 guide 8-19, 12-13, 12-15
 input shaft 12-17
 piston 8-21
pinion, steering 6-3
piston 8-21
piston anchor 5-13, 5-17, 5-19
piston pin 8-21
piston pin clip 8-21
piston ring 8-21
piston ring compressor 17-9
piston ring pliers 17-9
piston ring set 8-21
pivot support bearing 5-5, 5-7
plate
 body kick 1-31, 1-35, 1-41
 component mounting 13-21
 front spring retainer 6-17, 6-19
 hinge 1-19, 1-29, 1-31, 1-33, 1-35, 1-37, 1-41

mounting, CVT, center 8-5
mounting, engine/axle 8-5
receptacle backing 13-9
retainer 8-15
spring mounting 6-17, 6-19
plate, canopy trim 1-55, 1-57, 1-59, 1-61, 1-63, 1-65, 1-67, 1-69
plate, Tow/Run switch 13-11
pliers
 internal retaining ring 17-7
 piston ring 17-9
 retaining ring 17-9
plug
 drain 12-13, 12-15
 driven clutch puller 17-5
 hole 4-17
 oil drain 8-19
 rubber drain 7-7
 rubber, crankcase 8-19
 spark 8-3, 8-11
port, diagnostic 4-17, 13-5, 13-7
press weldment 17-5
protector spray, battery terminal 17-3
puller
 bearing 17-3
 clutch 17-3
 drive clutch 17-5
 drive clutch hub 17-5
 driven clutch cam 17-5
 flywheel 17-7
 seal 17-9
 special use tool 17-9
pulley
 starter-generator 7-7
 v-belt 7-7
pump
 fuel 9-5

R

race, front hub bearing 6-13
rack guide pressure spring 6-3
rack, steering 6-3
ratchet, park brake 5-3, 5-5, 5-7
reamer, valve guide 17-9
rear panel 16-11
rear spring shackle 6-21
rear view mirror 1-15
receptacle backing plate 13-9
receptacle, AC cord 16-5
receptacle, battery charger 13-9
rectifier with heatsink 16-3, 16-5, 16-7, 16-9
reel assembly, retractable 16-11
regulator, voltage 7-13
relay 4-7, 4-9, 13-21
relay mounting bracket 16-7, 16-9
relay, 12-volt 4-5

INDEX

- relay, 48V 4-7, 4-9, 13-21
- relay, 48-volt 16-3, 16-5, 16-7, 16-9
- relay, brake, kit, 12-volt 4-5
- remover, bearing and oil seal 17-3
- retainer
 - accelerator pedal spring 5-5, 5-7
 - brake shoe 5-13, 5-17, 5-19
 - headlight 4-3
 - shock absorber cushion 6-21, 6-23
 - valve spring 8-17
- retainer plate 8-15
- retaining ring 6-5
- retaining ring pliers 17-9
- return spring bumper 5-5, 5-7
- reverse buzzer 4-15, 4-17, 4-35
- rim (wheel) 2-3
- ring
 - C-type stop 6-3
 - piston 8-21
 - retaining 6-5, 7-13, 11-5, 11-7, 12-13, 12-15, 12-23
 - snap 6-3
 - spiral backup 11-5
- rivet, blind push 1-3, 13-21
- rock guard 15-5
- rocker arm 8-17
- rocker cover 8-15
- rocker cover gasket 8-15
- rocker shaft 8-17
- rocker switch 4-17
- rocker switch (lights) 4-5, 4-7, 4-9, 4-15, 4-17
- rod
 - accelerator 5-9, 5-11
 - accelerator pivot 5-5, 5-7
 - battery hold-down 13-13, 13-15
 - connecting 8-21
 - equalizer 5-15, 5-21, 5-23
 - hill brake 5-3
- rubber bumper 1-51
- S**
- safety first card 17-9
- score card clip 6-11
- score card plate 6-11
- screw, eccentric adjustment 6-17
- screw, valve clearance adjuster 17-9
- seal
 - lip 15-3
 - oil 8-19, 12-13, 12-15, 15-3
 - steering pinion dust 6-3
 - valve 8-15
- seal puller 17-9
- sealant 15-3
- seat back 1-21
- seat back assembly 1-21
- seat back cap 1-21
- seat back, white 1-21
- seat bottom assembly 1-19, 1-37, 1-51
- seat cover, vinyl 1-51
- seat foam 1-51
- seat support, four-passenger 1-51
- seat, bearing 6-5
- select shaft 12-13, 12-15
- sensor
 - oil level 8-13
 - temperature 8-13
- sensor, motor speed 14-3
- shackle weldment 6-23
- shackle, rear spring 6-21
- shaft
 - axle 12-19, 12-21
 - balance 8-21
 - center 12-17
 - counter 12-17
 - differential 12-21
 - governor 12-13, 12-15
 - governor gear 12-13, 12-15
 - input 12-17, 15-3
 - intermediate 15-3
 - rocker 8-17
 - select 12-13, 12-15
 - shift 12-17
 - steering column 6-5
- shift lever 12-9
- shift shaft 12-3, 12-17
- shifter, base 12-3
- shock absorber 6-15, 6-21, 6-23
- shock absorber cushion 6-21, 6-23
- shock absorber cushion retainer 6-21, 6-23
- shock mounting bracket, drv 6-23
- shock mounting bracket, pas 6-23
- shoe retainer kit 5-13, 5-17, 5-19
- shoe, brake 5-13, 5-17, 5-19
- signal, turn 4-11
- sleeve 12-13, 12-15
 - delta A-plate 6-15
 - park brake rod 5-3
- smartkey 4-19
- snap ring 6-3
- snubber bracket 8-5
- snubber, inner frame 8-5
- solenoid 13-21
- solenoid, 12-volt 7-13
- spacer 1-5, 12-13, 12-15, 12-17
 - accelerator pivot rod 5-5, 5-7
 - park brake 5-3, 16-11
- spanner wrench 17-9
- spark plug 8-3, 8-11
- speed controller 13-21
- speed sensor 14-3
- speed sensor magnet 14-3
- speed sensor, motor 14-3
- spindle assembly 6-13
- spiral backup ring 11-5
- splash guard 1-7
- spray, battery terminal protector 17-3
- spring 12-13, 12-15
 - accelerator return 5-5, 5-7
 - brake 5-13, 5-17, 5-19
 - brake return 5-21, 5-23
 - brush 7-7, 14-3
 - compression 6-11
 - drive button 11-5
 - drive clutch 11-5
 - driven clutch 11-7
 - leaf 6-21, 6-23
 - park brake torsion 5-3
 - rack guide pressure 6-3
 - steering shaft compression 6-5
 - valve 8-17
- spring cup 5-5, 5-7
- spring mounting plate 6-17, 6-19
- spring retainer 8-17
- spring, motor brush 14-3
- SPWS manifold 13-17
- stabilizer bar 6-25
- stabilizer bar link 6-25
- stabilizer bar mounting bracket 6-25
- starter/generator 7-7
- starter/generator brush cover kit 7-7
- starter/generator brush spring 7-7
- starter/generator brush terminal 7-7
- starter/generator frame and field 7-7
- starter/generator pulley 7-7
- steel bushing 6-17, 6-19, 6-21, 6-23
- steering column 6-5
- steering column bearing press tool 17-9
- steering column cover 4-11, 4-13
- steering column retaining ring tool 17-9
- steering gear box 6-3
- steering pinion 6-3
- steering pinion dust seal 6-3
- steering rack 6-3
- steering shaft assembly 6-5
- steering shaft compression spring 6-5
- steering wheel 6-9, 6-11
- steering wheel puller tool 17-9
- stem, valve 2-3
- strap, A-plate 6-15
- strobe light 4-29
- strobe light lens 4-29
- stud
 - exhaust mounting engine exhaust mounting stud 8-15
 - intake mounting engine intake mounting stud 8-15, 9-11

INDEX

lug 12-23, 15-3
stud, ball 7-13
support yoke (steering) 6-3
support, bushing 6-25
support, front body 1-41
suppressor, voltage 4-5, 4-7, 4-9, 16-3, 16-5, 16-7, 16-9
switch plate cover 4-29
switch
 four-position 16-5, 16-9
 key 4-15, 4-17
 key, uncommon 4-21
 light rocker 4-5, 4-7, 4-9, 4-15, 4-17
 limit 4-5, 4-7, 4-9, 7-17, 7-19
 rocker 4-17
 Tow/Run 13-11
 turn signal 4-11, 4-13
switch assembly 4-29
switch plate, Tow/Run 13-11
switch rubber boot 13-11

T

12-volt solenoid 7-13
tachometer 17-9
tachometer probe, diesel 17-9
tail light bulb 4-37
taillight 4-37
taillight assembly 4-37
taillight base 4-37
taillight bezel 4-37
taillight gasket 4-37
taillight hardware kit 4-37
taillight lens 4-37
tape, vinyl foam 1-55, 1-57, 1-59, 1-61, 1-63, 1-65, 1-67, 1-69
temperature sensor 8-13
tensioner, timing chain 8-17
terminal block 4-5, 4-7, 4-9, 13-5, 13-7
tester, continuity 17-5
thermal pad 7-15
thermometer, battery 17-3
thread-forming grease fitting 6-13
throttle body 9-9
thrust bearing 6-17, 6-19
tie rod 6-15
tie rod end 6-15
tie wrap 4-11, 4-13, 4-23, 4-25, 4-29, 4-33, 6-3, 7-13, 12-5, 12-7, 13-23, 16-11
timing chain 8-17
timing chain guide 8-17
tire 2-3
tool
 accelerator pedal adjustment 17-3
 belt tensioning, starter/generator 17-11
 brake adjustment 17-3
 brake cable release 17-3

brake pedal adjustment 17-3
brake pedal tension 17-3
cam installation 17-3
carburetor float level 17-7
charger bezel 17-3
clutch alignment 17-5
cT-wrench 17-5
drive clutch fixed sheave 17-5
drive clutch holder 17-5
drive clutch spider removal 17-5
driven clutch spring compression base 17-5
driven clutch spring compression collar 17-5
driven clutch spring compression nut 17-5
governor shaft installation 17-7
puller, special use 17-9
steering column bearing press 17-9
steering column retaining ring 17-9
steering wheel puller 17-9
transaxle axle seal 17-9
transaxle pinion seal 17-9
transmission 17-9
valve guide driver 17-9
valve seat cutter 17-5
tool kit, clutch 17-5
touch-up paint 17-7
Tow/Run switch 13-11
Tow/Run switch plate 13-11
transaxle (Electric Vehicle) 15-3
transaxle axle seal tool 17-9
transaxle guard 15-5
transaxle pinion seal tool 17-9
transaxle, limited-slip (Gas Vehicle) 12-13
transaxle, open-diff (Gas Vehicle) 12-15
transformer, battery charger 16-3, 16-5, 16-7, 16-9
transmission tool 17-9
trim
 cowl 1-3
tube
 axle 12-19, 12-21, 15-3
 oil filler 8-19
tune-up kit 17-9
turn signal 4-11
turn signal conversion kit 4-11
turn signal lens 4-3
turn signal socket and lamp 4-11, 4-13
turn signal switch 4-13
T-wrench tool 17-5

U

U-bolt 6-21, 6-23
upper delta clevis 6-17, 6-19
urethane bushing 6-15, 6-17, 6-19, 6-21, 6-23

V

valve 9-15
 exhaust 8-17
 intake 8-17
valve clearance adjuster screw 17-9
valve collet 8-17
valve cover 8-15
valve cover gasket 8-15
valve guide 8-15
valve guide driver tool 17-9
valve guide reamer 17-9
valve seal 8-15
valve seat cutter 17-5, 17-11
valve seat cutter guide 17-11
valve seat cutter tool 17-5
valve seat t-wrench 17-11
valve spring 8-17
valve spring compressor 17-11
valve stem 2-3
vent
 fuel tank 9-3
 transaxle 12-13, 12-15
vent, barb 9-7
volt ohm meter 17-11
voltage limiter 4-5, 4-27
voltage regulator 7-13
voltage suppressor 4-5, 4-7, 4-9, 16-3, 16-5, 16-7, 16-9

W

warning light, low oil 4-15
washer, insulating 14-3
water quality light 13-19
wedge, bearing puller 17-3
weight
 clutch 11-5
 secondary clutch 11-5
weldment
 governor bracket 9-13, 12-11
 press 17-5
wheel 2-3
 steering 6-9, 6-11
windshield channel 1-25
windshield frame pad 1-55, 1-57, 1-59, 1-61, 1-63, 1-65, 1-67, 1-69
wire
 green, starter/generator 7-3, 7-5, 7-7
 ground, fuel tank 7-3, 7-5, 9-3
wire assembly, battery charger 16-5
wire harness 4-23, 4-25, 4-31, 7-3, 7-5, 13-5, 13-7
wire harness, headlight 4-7, 4-9
wire harness, lighting 4-7, 4-9
wrap, tie 4-11, 4-13, 4-23, 4-25, 4-29, 4-33, 6-3, 7-13, 12-5, 12-7, 13-23, 16-11
wrench, spanner 17-9

INDEX

Y

yoke, gear 17-7

yoke, support (steering) 6-3



Club Car, Inc.
P.O. Box 204658
Augusta, GA 30917-4658
USA

Web www.clubcar.com
Phone 1.706.863.3000
1.800.ClubCar
Int'l +1 706.863.3000
Fax 1.706.863.5808