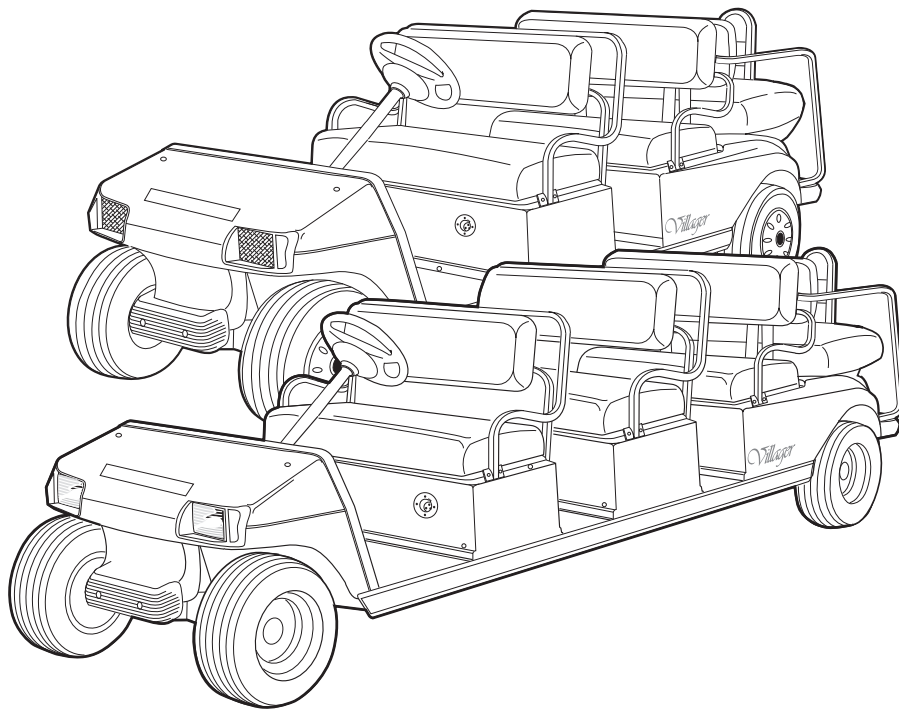




# 2019 Villager 6 and 8 Illustrated Parts List



**Gasoline and Electric Vehicles**

Manual Number 105355020  
Edition Code \_C



# USING THE ILLUSTRATED PARTS LIST

---

## **⚠ WARNING**

- **This manual is to be used only for identification and ordering of service parts. Be sure to read and use the maintenance and service manual before attempting any vehicle repairs.**

The manual is divided into sections. Note that there are two flags on the outside edge of each page. The first flag contains the section number of which that page is a part. The other flag (or flags) contains the letter E or G, signifying that the page pertains to the electric or gasoline vehicles only.

Use the Table of Contents to find the sections and pages that contain the parts and assemblies you seek. The Table of Contents lists section numbers, and under them, the individual page titles and numbers to be found in that section. The index can be used to find specific parts and assemblies. The index is divided into numerical and alphabetical listings with the page numbers in italic text.

There is a two-page spread for each individual page title in the Table of Contents. On the left-hand page is an illustration showing the parts in their relative positions; the parts are each tagged with an item number in a balloon. The right-hand page is the parts list page, and gives the page title at the top, then the item numbers (corresponding to the numbers on the illustration), part descriptions, and quantity of parts used.

Note that a part description may be indented. This indentation corresponds to a parts assembly level indicated by the numbers 1, 2, 3, and 4 at the top left corner of the parts description area of the parts list page. A part that is indented to *level 2* is a component of the *level 1* part (assembly) that it is listed under. A *level 3* part is a component of the *level 2* part that it is listed under, and a *level 4* part is a component of the *level 3* part preceding it. In each case, the part quantity given for a level 2, 3, or 4 part is *the quantity used per next higher level assembly of which it is a component*. A part that is not indented is a *level 1* part. This means that the quantity given is the quantity used per the portion of the vehicle illustrated on that particular spread.



P. O. Box 204658  
Augusta, Georgia 30917-4658 USA  
Telephone 706-863-3000  
Service Parts Fax 706-855-7413  
[www.clubcar.com](http://www.clubcar.com)

## HOW TO ORDER PARTS

Replacement parts and accessories can be obtained from our network of authorized dealers and distributors. You can obtain the name and phone number of your closest authorized Club Car dealer or distributor by visiting our web site at [www.clubcardealer.com](http://www.clubcardealer.com), by calling our toll-free Service Parts and Technical Assistance hotline at (800) 872-2246 or (706) 863-3000, extension 3887, or by scanning this Quick Response (QR) code to be taken to the Club Car dealer locator. **Refer to Figure 1.** Download a QR code reader such as RedLaser or Barcode Scanner to your cell phone or tablet.



Figure 1 Dealer Locator QR Code

## CUSTOMER SATISFACTION SURVEY

Let your voice be heard!

Please take time to participate in the Technical Publications satisfaction survey. Obtaining feedback from our customers is important to the department's continuous improvement process. The online survey takes less than five minutes and responses will help the department to examine current performance as well as identify areas for future improvement.

Our top priority is to provide timely, accurate, and user friendly manuals.

The online satisfaction survey can be found at: <http://bit.ly/1w9uFMh>



Figure 2 Survey QR Code

**NOTE:** *This illustrated parts list represents the most current information at the time of publication. Club Car, LLC is continually working to further improve its vehicles and other products. These improvements may affect the parts used to service the vehicle. Any modification and/or significant change in specifications will be forwarded to all Club Car and Carryall distributors/dealers and will, when applicable, appear in future editions of this illustrated parts list.*

*Club Car, LLC reserves the right to change specifications and designs at any time without notice and without the obligation of making changes to units previously sold.*

Copyright © 2018 Club Car, LLC.  
Club Car is a registered trademark of Club Car, LLC.  
This manual effective July 1, 2020.

2019 Villager 6 and 8 Gasoline and Electric Vehicles



# CONTENTS

## SECTION 1 – BODY AND TRIM

Front Body and Trim – Turf, Utility, & Transportation .....	1-3
Brush Guard Kit – DS, Utility, & Villager .....	1-5
Splash Guard – Gasoline Vehicles Only .....	1-7
Dash Pockets and Floormat .....	1-9
Floormat, Rear – Villager & Transportation Vehicles .....	1-11
Beverage Holder – Dual .....	1-13
Mirror, Rear-View – without Cab .....	1-15
Grommets, Chassis .....	1-17
Front and Center Seat Bottoms .....	1-19
Seat Back Assembly .....	1-21
Armrests, Front – Villager 6 & 8 Vehicles .....	1-23
Windshield, Hinged .....	1-25
Windshield, Non-Hinged .....	1-27
Center Body – Villager 6 Gasoline Vehicle .....	1-29
Center Body – Villager 6 IQ Plus Vehicle .....	1-31
Center Bodies – Villager 8 Gasoline Vehicle .....	1-33
Center Bodies – Villager 8 IQ Plus Vehicle .....	1-35
Rear, Forward-Facing Seat Bottom .....	1-37
Armrests, Rear, Forward-Facing – Villager 6 & 8 Vehicles .....	1-39
Rear Body and Fender – Villager 6 & 8 .....	1-41
Heat Insulation, Foam – EFI Gasoline Vehicle .....	1-43
Heat Shield, Transporter, Vill 6 & 8, XRT800/850 Rear Body – Gas .....	1-45
Battery Insulator, Transporter, Vill 6 & 8, XRT850 Rear Body – Electric .....	1-47
Rear Access Door .....	1-49
Rear-Facing Seat Bottom – Villager Vehicles .....	1-51
Rear Footrest, Armrests and Handrails – DS Villager 4, Villager 6 and 8 .....	1-53
Canopy Kit, White – Vill. 6 with Rear-Facing Seats .....	1-55
Canopy Kit, Beige – Vill. 6 with Rear-Facing Seats .....	1-57
Canopy Kit, White – Vill. 6 with Flat Bed .....	1-59
Canopy Kit, Beige – Vill. 6 with Flat Bed .....	1-61
Canopy Kit, White – Vill. 8 with Rear-Facing Seats .....	1-63
Canopy Kit, Beige – Vill. 8 with Rear-Facing Seats .....	1-65
Canopy Kit, White – Vill. 8 with Flat Bed .....	1-67
Canopy Kit, Beige – Vill. 8 with Flat Bed .....	1-69

## SECTION 2 – WHEELS AND TIRES

Wheels (Silver) and Tires .....	2-3
Wheel Covers .....	2-5

# CONTENTS

---

## SECTION 3 – DECALS

---

Decals – Villager 6 Gas and IQ Plus .....	3-3
Decals – Villager 6 IQ Plus Vehicle Only .....	3-5
Decals – Villager 6 Gasoline Vehicle Only .....	3-7
Decals – Villager 8 Gas and IQ Plus .....	3-9
Decals – Villager 8 IQ Plus Vehicle Only .....	3-11
Decals – Villager 8 Gasoline Vehicle Only .....	3-13
Badging Decals – Villager .....	3-15
IQ Plus Logo Decal – IQ Plus Vehicles Only .....	3-17

---

## SECTION 4 – LIGHTS, CONTROLS, AND INDICATORS

---

Headlights .....	4-3
Lighting System Components – Transportation Gasoline Vehicles .....	4-5
Lighting System Components – CA6/Vill. 6/Tporter Elec. With IQ Plus Charger .....	4-7
Lighting System Components – Villager 6 Elec. With High-Freq. Charger .....	4-9
Lighting System Components – Villager 8 Elec. with IQ Plus Charger .....	4-11
Lighting System Components – Villager 8 Elec. with High-Freq. Charger .....	4-13
Turn Signal Kit – DS and Utility Gasoline and Electric Vehicles .....	4-15
Turn Signal (with Horn Button) Kit – DS and Utility Gas and Electric Vehicles .....	4-17
Instrument Panel and Electrical Components – Key and Pedal Start – Gas .....	4-19
Instrument Panel – CA6/Vill 6 & 8/Tporter/XRT850 Elec. With Lester Charger .....	4-21
Instrument Panel with Electrical Components – Pedal Start – Electric with HFC .....	4-23
Keys and Keyswitches, SmartKey Kit – Electric Vehicle .....	4-25
Keys and Keyswitches, Uncommon – Gas Vehicle .....	4-27
DC Converter (Isolated) – Electric Vehicle .....	4-29
DC Converter (Isolated) – CE Electric Vehicle .....	4-31
Strobe Light, Roof-Mounted .....	4-33
Horn with Column-Mounted Button .....	4-35
Hour Meter – IQ System and IQ Plus Electric Vehicles .....	4-37
Rear Reverse Buzzer .....	4-39
Tail Lights .....	4-41

---

## SECTION 5 – BRAKES, PEDALS, AND CABLES

---

Brake Pedal Assembly .....	5-3
Accelerator Pedal Assembly – Electric Vehicles .....	5-5
Accelerator Pedal Assembly – Gasoline Vehicles .....	5-7
Accelerator Rod – Turf/CA6/Vill6/Tporter Gas Vehicles .....	5-9
Accelerator Rod – Villager 8 Gas Vehicles .....	5-11

# CONTENTS

Front Brake Assembly – Vehicles with Four-Wheel Brakes .....	5-13
Front Brake Cables and Equalizer – Vehicles with Four-Wheel Brakes .....	5-15
Rear Brakes, Manually-Adjusted – Elec. Vehicles with 4-Wheel Brakes .....	5-17
Rear Brakes, Manually-Adjusted – Gas Vehicles with 4-Wheel Brakes .....	5-19
Rear Brake Cables and Equalizer – Turf/CA6/Vill. 6/Tporter .....	5-21
Rear Brake Cables and Equalizer – Villager 8 .....	5-23

## SECTION 6 – STEERING AND SUSPENSIONS

Steering Gear Assembly (Wanda) – Maint.-Free Ball Joint .....	6-3
Steering Column – Utility .....	6-5
Intermediate Steering Shaft (Wanda) – Turf/CA/Villager/Tporter .....	6-7
Steering Wheel .....	6-9
Steering Wheel with Clip .....	6-11
Front Spindles and Hubs – Vehicles with Four-Wheel Brakes and Maintenance-Free Ball Joints .....	6-13
Front Susp., Upper – Vill 6/8 & TransPorter with Maintenance-Free Ball Joints .....	6-15
Front Suspension, Lower – Villager 6 with Maintenance-Free Ball Joints .....	6-17
Front Suspension, Lower – Villager 8 with Maintenance-Free Ball Joints .....	6-19
Rear Suspension – Turf/CA 2, 2 Plus, 6, and Transportation Gasoline .....	6-21
Rear Suspension – Turf/CA 2, 6, and Transportation IQ Plus Electric .....	6-23
Stabilizer Bar – Turf/CA 2, 2 Plus, 6, and Transportation Gas .....	6-25

## SECTION 7 – ELECTRICAL SYSTEM – EFI GASOLINE VEHICLES

Wiring, Fuses, and Diodes, Key and Pedal Start – Villager 6 .....	7-3
Wiring, Fuses, and Diodes, Key and Pedal Start – Villager 8 .....	7-5
Starter/Generator, Key and Pedal Start – EFI .....	7-7
Starter/Generator Mounting – ECH440 .....	7-9
Kit, Battery Terminal Adapter (Side-Post to Top-Post) – EFI .....	7-11
Electrical Component Box, Key-Start .....	7-13
Electrical Component Box, Pedal-Start .....	7-15
Forward/Reverse Shifter Switches, Key-Start – EFI, Villager 6, 8, 850, 850SE .....	7-17
Forward/Reverse Shifter Switches, Pedal-Start – EFI, Villager 6, 8, 850, 850SE .....	7-19
Top-Post Battery – Gasoline Utility Vehicles .....	7-21

## SECTION 8 – ENGINE (KOHLE ECH440)

Tune-Up Parts .....	8-3
Engine and Engine Mounting .....	8-5
Engine Pan and Snubber Mounting .....	8-7
Blower Housing and Heat Shield – ECH440 .....	8-9
Ignition Components and Flywheel – ECH440 .....	8-11

# CONTENTS

---

Cylinder Head and Valve – ECH440 .....	8-13
Crankcase and Piston – ECH440 .....	8-15
Oil Sensor and Lubrication – ECH440 .....	8-17
Crankshaft – ECH440 .....	8-19

## SECTION 9 – FUEL SYSTEM – EFI

---

Fuel Tank with Pump, Top Fill – EFI .....	9-3
Carbon Canister – EFI .....	9-5
Throttle Body and Mounting .....	9-7
Governor Bracket and Cover – EFI .....	9-9
Governor and Accelerator Cables – EFI .....	9-11
Air Intake Elbow – EFI .....	9-13
Air Filter System and Intake Hose – EFI, LWB Utility/Trans .....	9-15

## SECTION 10 – EXHAUST SYSTEM – ECH440

---

Exhaust System .....	10-3
----------------------	------

## SECTION 11 – DRIVE BELT AND CLUTCHES – EFI GASOLINE VEHICLES

---

Drive Belts – EFI .....	11-3
Drive Clutch – Key-Start Vehicles .....	11-5
Drive Clutch – Pedal-Start Vehicles .....	11-7
Driven Clutch – Key Start and Pedal Start .....	11-9

## SECTION 12 – TRANSAXLE (FUJI ED65) – EFI GASOLINE VEHICLES

---

Forward/Reverse Shifter – EFI Villager 6, 8, 850, 850SE .....	12-3
Shifter Cable – Villager 6, XRT850SE .....	12-5
Shifter Cable – Villager 8 .....	12-7
Shift Lever and Bracket – Key-Start Engines .....	12-9
Governor Arm and Brackets – Utility Vehicles .....	12-11
Transaxle (ED65), Limited Slip – Page 1 of 3 .....	12-13
Transaxle (ED65), Open – Page 1 of 3 .....	12-15
Transaxle (ED65), Limited Slip and Open – Page 2 of 3 .....	12-17
Transaxle (ED65), Limited Slip – Page 3 of 3 .....	12-19
Transaxle (ED65), Open – Page 3 of 3 .....	12-21
Hub, Rear .....	12-23

## SECTION 13 – ELECTRICAL SYSTEM, ELECTRIC VEHICLES WITH IQ PLUS CHARGER

---

Motor Controller Output Regulator (MCOR) .....	13-3
--	------

# CONTENTS

---

Wiring – Villager 6 and TransPorter IQ Plus Electric .....	13-5
Wiring – Villager 8 IQ Plus Electric .....	13-7
Battery Charger Receptacle .....	13-9
Tow/Run Switch – IQ Plus Vehicles .....	13-11
Batteries, 6-Volt, Standard Duty, JCI .....	13-13
Batteries, 6-Volt, Heavy Duty, Trojan .....	13-15
Single Point Watering System (SPWS) .....	13-17
Hand Pump and Deionizer (Battery-Powered Quality Light) .....	13-19
Computer, Controller, and Solenoid – for Trojan Batteries .....	13-21
Ferrite Beads, CE .....	13-23

## **SECTION 14 – ELECTRICAL SYSTEM, ELECTRIC VEHICLES WITH HIGH-FREQUENCY CHARGER**

---

Motor Controller Output Regulator (MCOR) .....	14-3
Wiring – Villager 6 Electric with High-Freq. Charger .....	14-5
Wiring – Villager 8 Electric with High-Freq. Charger .....	14-7
Tow/Run Switch – IQ Plus Vehicles .....	14-9
Batteries, 6-Volt, Standard Duty, JCI .....	14-11
Batteries, 6-Volt, Heavy Duty, Trojan .....	14-13
Single Point Watering System (SPWS) .....	14-15
Hand Pump and Deionizer (Battery-Powered Quality Light) .....	14-17
Computer, Controller, and Solenoid – High-Freq. Charger .....	14-19
Ferrite Beads, CE .....	14-21

## **SECTION 15 – MOTOR (MODEL DA5-4006) – IQ PLUS**

---

Motor (Model DA5-4006) – IQ Plus .....	15-3
--	------

## **SECTION 16 – TRANSAXLE – ELECTRIC VEHICLES**

---

Transaxle – Electric Vehicles .....	16-3
Differential Guard – Electric Vehicles .....	16-5

## **SECTION 17 – BATTERY CHARGERS – IQ PLUS**

---

IQ Plus Battery Charger (Models 25730-11,-18,-19), Domestic .....	17-3
IQ Plus Battery Charger (Models 25880-11 and -18), International .....	17-5
Onboard IQ Plus Battery Charger (Model 25260-50), Domestic .....	17-7
Onboard IQ Plus Battery Charger (Model 25660-50), International .....	17-9
Onboard IQ Plus Charger and Cord Reel Mounting .....	17-11

# CONTENTS

---

## SECTION 18 – BATTERY CHARGER – HIGH-FREQUENCY

---

High-Frequency Battery Charger – Onboard .....	18-3
Cord Reels, Onboard – High-Frequency Charger .....	18-5
Charger Mounting – Onboard High-Freq. ....	18-7

## SECTION 19 – MAINTENANCE AND SERVICE TOOLS

---

Maintenance and Service Tools .....	19-3
Maintenance and Service Tools, Continued .....	19-5
Maintenance and Service Tools, Continued .....	19-7
Maintenance and Service Tools, Continued .....	19-9
Maintenance and Service Tools, Continued .....	19-11

## SECTION i – INDEX

---

# BODY AND TRIM

---

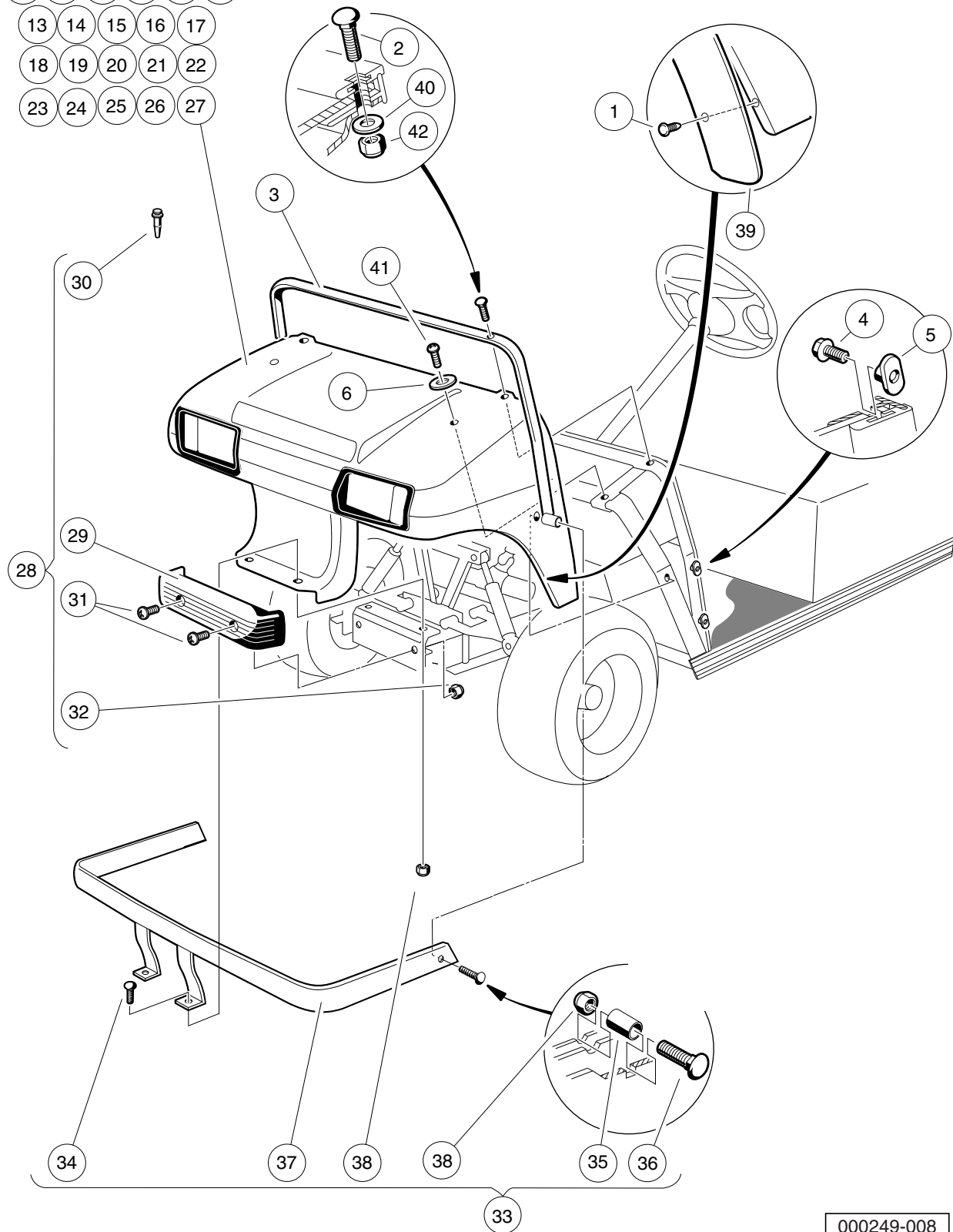
1

G

E

**1**  
**G**  
**E**

- 7 8 9 10 11 12
- 13 14 15 16 17
- 18 19 20 21 22
- 23 24 25 26 27



000249-008

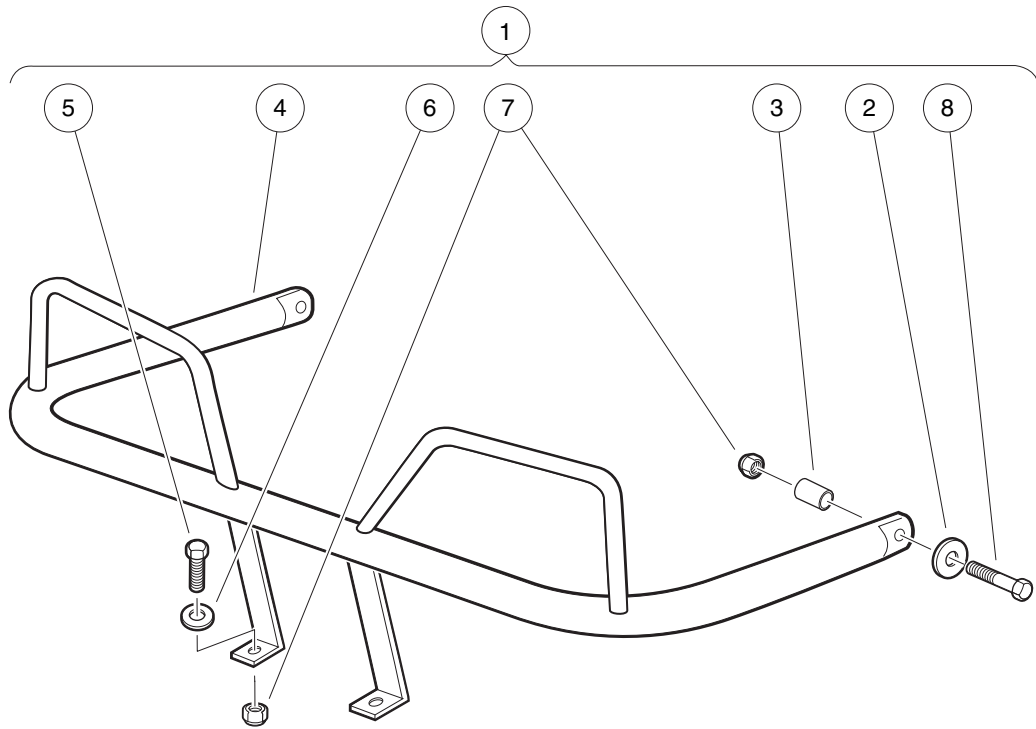


# FRONT BODY AND TRIM – TURF, UTILITY, & TRANSPORTATION

ITEM	PART NO.	DESCRIPTION	QTY
		1 2 3 4	
1	<u>1010434</u>	Barrel - Plastic .....	12
2	<u>1010435</u>	Bolt, Carriage, 5/16-18 X 1.00 .....	2
3	<u>1011014</u>	Trim, Cowl .....	1
4	<u>1011017</u>	Screw, #8-32 X 0.375 .....	6
5	<u>1011394</u>	T-Nut Package (Set of 4) .....	1
6	<u>1015075</u>	Washer, 5/16 Flat Type A .....	2
7	<u>101692501</u>	Cowl, TPO, Beige .....	1
8	<u>101692502</u>	Cowl, TPO, White .....	1
9	<u>101692504</u>	Cowl, Tpo -gray .....	1
10	<u>101692506</u>	Cowl, TPO, Red .....	1
11	<u>101692509</u>	Cowl, TPO, Pacific Blue (Royal Blue) .....	1
12	<u>101692510</u>	Cowl, TPO, Dark Green .....	1
13	<u>101692511</u>	Cowl, TPO, Black .....	1
14	<u>101692512</u>	Cowl, TPO, Classic Blue (Navy) .....	1
15	<u>101692513</u>	Cowl, TPO, Burgundy .....	1
16	<u>101692514</u>	Cowl, TPO, Dark Gray .....	1
17	<u>101692515</u>	Cowl, TPO, Safety Yellow .....	1
18	<u>101693901</u>	Cowl with Headlight Opening, TPO, Beige .....	1
19	<u>101693902</u>	Cowl with Headlight Opening, TPO, White .....	1
20	<u>101693904</u>	Cowl with Headlight Opening, TPO, Gray .....	1
21	<u>101693906</u>	Cowl with Headlight Opening, TPO, Red .....	1
22	<u>101693909</u>	Cowl with Headlight Opening, TPO, Dark Green .....	1
23	<u>101693910</u>	Cowl with Headlight Opening, TPO, Black .....	1
24	<u>101693911</u>	Cowl with Headlight Opening, TPO, Classic Blue (Navy) .....	1
25	<u>101693912</u>	Cowl with Headlight Opening, TPO, Burgundy .....	1
26	<u>101693913</u>	Cowl with Headlight Opening, TPO, Dark Gray .....	1
27	<u>101693914</u>	Cowl with Headlight Opening, TPO, Safety Yellow .....	1
28	<u>1017080</u>	Kit, Front Bumper (includes items 29 through 32) .....	1
29	<u>1016868</u>	Front Bumper .....	1
30	<u>1016967</u>	Blind Rivet, Push Type .....	2
31	<u>7251</u>	Screw, 5/16-18 x 1.0 Truss-Head .....	2
32	<u>7473</u>	Locknut, 5/16-18 Nylon Insert .....	2
33	<u>101734802</u>	Kit, Heavy-Duty Bumper (includes items 34 through 38) .....	1
34	<u>1010435</u>	Bolt, Carriage, 5/16-18 X 1.00 .....	2
35	<u>1010546</u>	Spacer .....	2
36	<u>1015405</u>	Bolt, Carriage, 5/16-18 X 2.0 .....	2
37	N/A	Weldment, Heavy Duty Bumper .....	1
38	<u>7473</u>	Locknut, 5/16-18 Nylon Insert .....	4
39	<u>101870401</u>	Fender Extrusion .....	2
40	<u>1241</u>	Washer, 5/16 Type A Flat .....	2
41	<u>7251</u>	Screw, 5/16-18 x 1.0 Truss-Head .....	2
42	<u>7473</u>	Locknut, 5/16-18 Nylon Insert .....	2

**1**  
**G**  
**E**

**1**  
**G**  
**E**



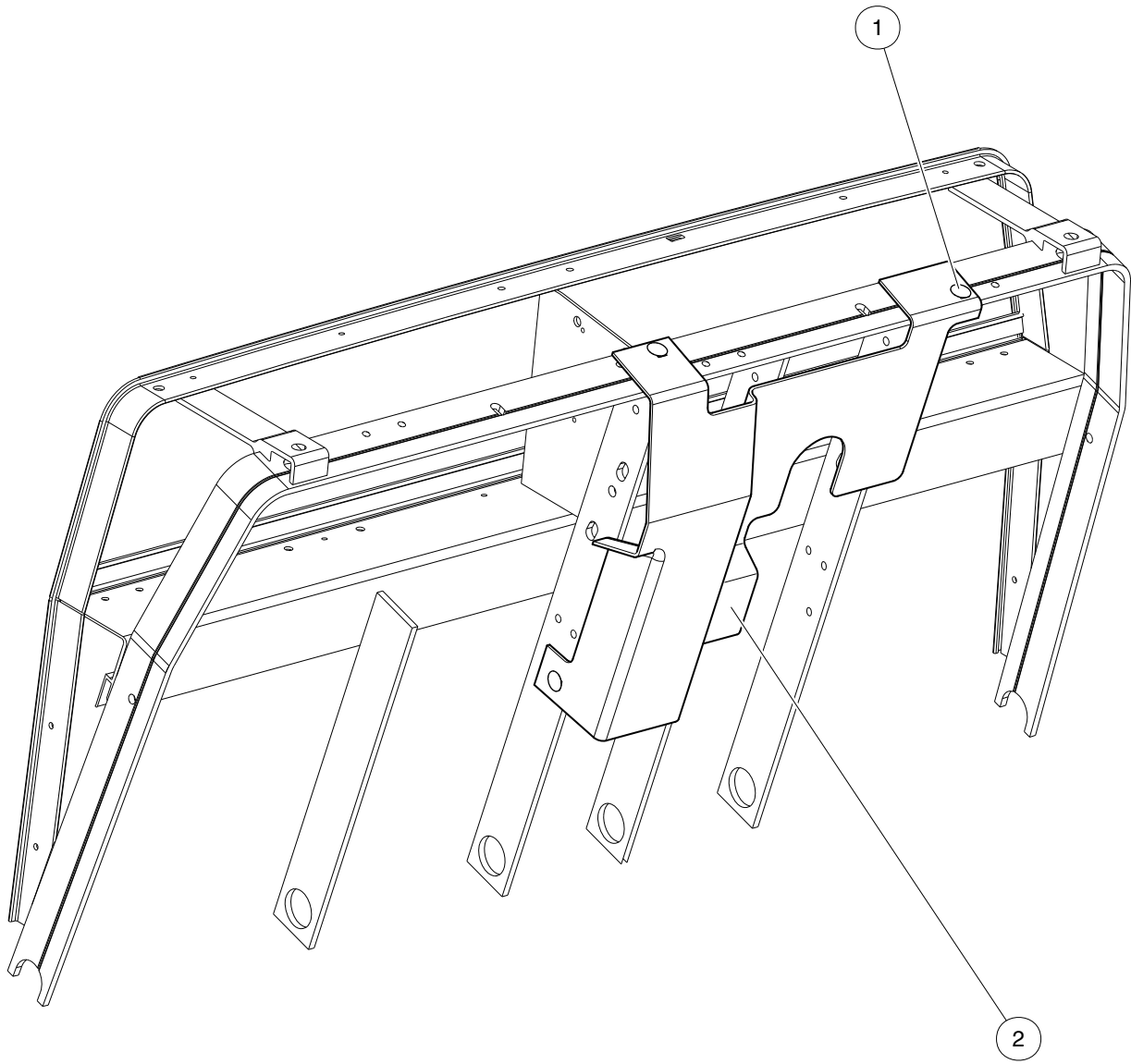
001238-001

# BRUSH GUARD KIT – DS, UTILITY, & VILLAGER

ITEM	PART NO.	DESCRIPTION	QTY
		<b>1 2 3 4</b>	
1	SVP143902	Kit, Brush Guard, Heavy-Duty, DS/Utility/Villager (includes items 2 through 8) .....	1
2	<u>1011578</u>	Washer, 5/16 Type B Flat .....	2
3	<u>1015608</u>	Tube Spacer, Hydraulic Cylinder .....	2
4	103895401	Weldment, Brush Guard, Hd .....	1
5	1218	Screw, 5/16-18 X 1.25 Hex-Head Cap .....	2
6	<u>1241</u>	Washer, 5/16 Type A Flat .....	2
7	<u>7473</u>	Locknut, 5/16-18 Nylon Insert .....	4
8	<u>8935</u>	Screw, 5/16-18 X 2.25 Hex-Head Cap .....	2

**1**  
**G**  
**E**

**1**  
**G**  
**E**

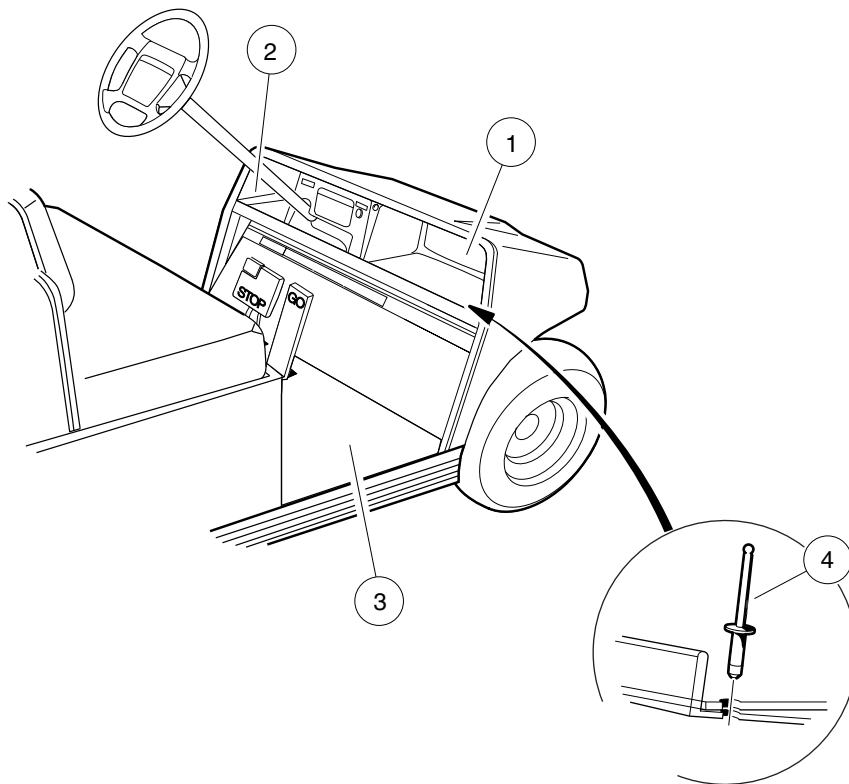


000593-002

## SPLASH GUARD – GASOLINE VEHICLES ONLY

ITEM	PART NO.	DESCRIPTION	QTY
1	<u>1010434</u>	1 2 3 4 Barrel - Plastic .....	3
2	<u>103174401</u>	Splash Guard .....	1

1  
G  
E



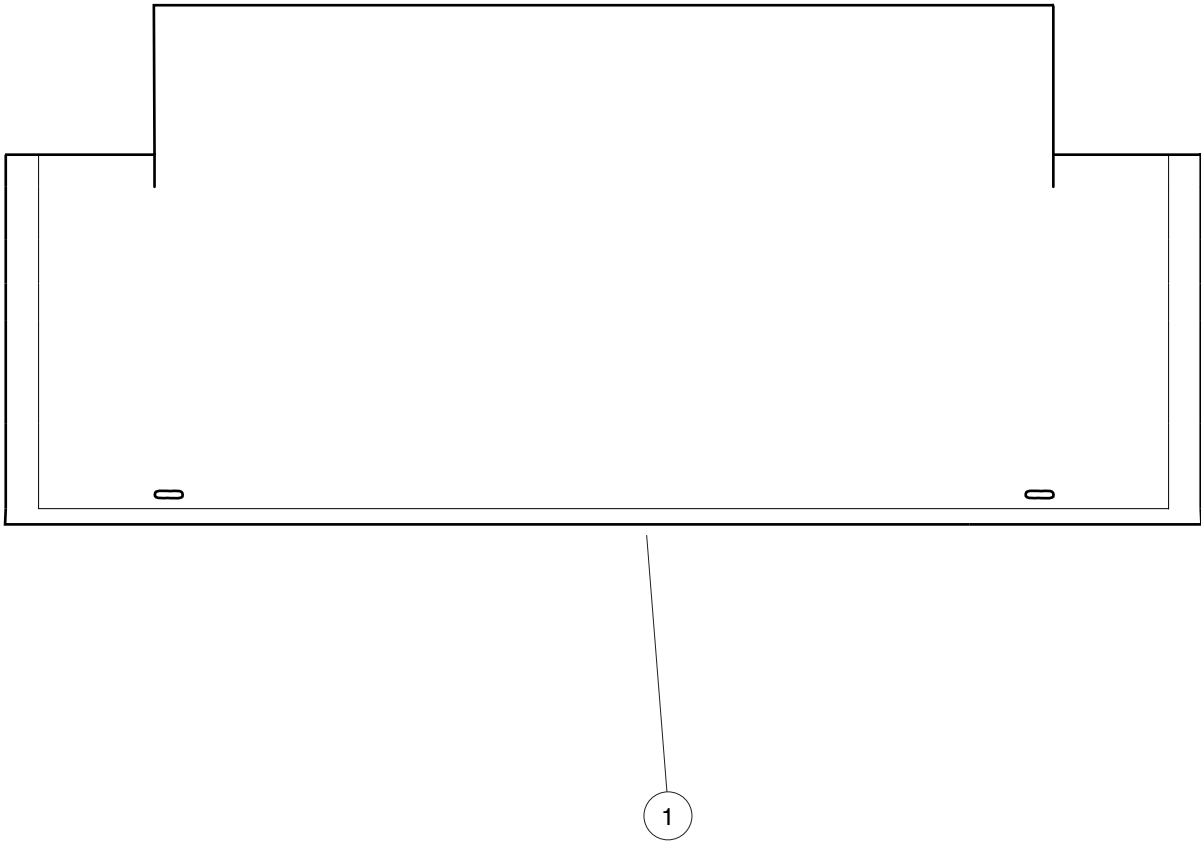
000252-002

# DASH POCKETS AND FLOORMAT

ITEM	PART NO.	DESCRIPTION	QTY
		1 2 3 4	
1	<u>1013343</u>	Dash Component, Passenger-Side, Black .....	1
2	1013344	Dash Component, Driver-Side .....	1
3	<u>101503202</u>	Floormat .....	1
4	<u>7973</u>	Rivet, 3/16 X .400 Blind .....	5

1  
G  
E

**1**  
**G**  
**E**



001281-001

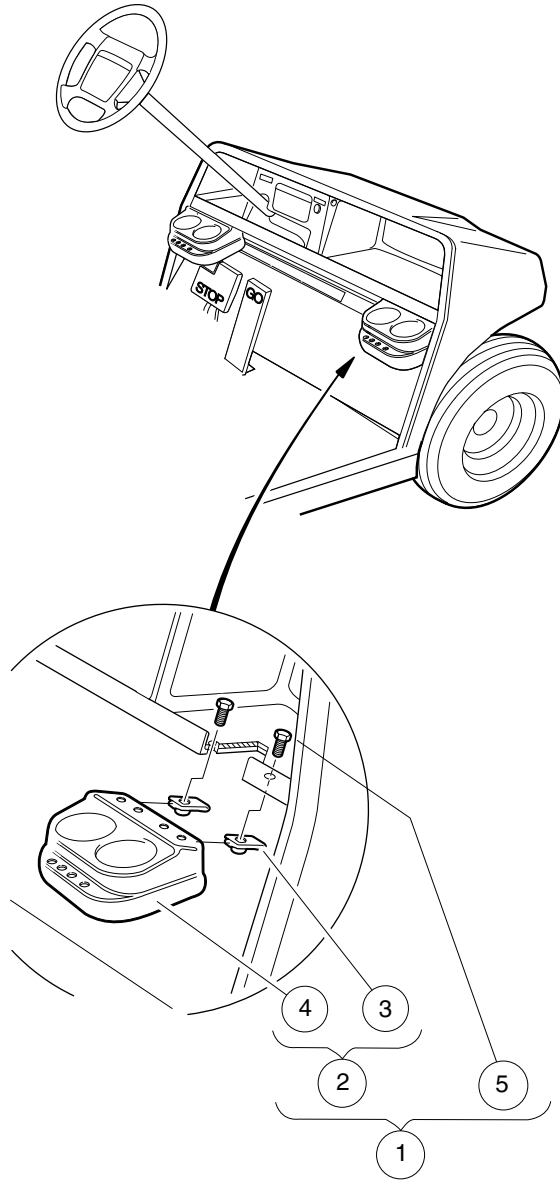


# FLOORMAT, REAR – VILLAGER & TRANSPORTATION VEHICLES

ITEM	PART NO.	DESCRIPTION	QTY
1	103952201	1 2 3 4 Floor Mat, Ds/utl, Rear, Limo .....	A/R

**1**  
**G**  
**E**

**1**  
**G**  
**E**



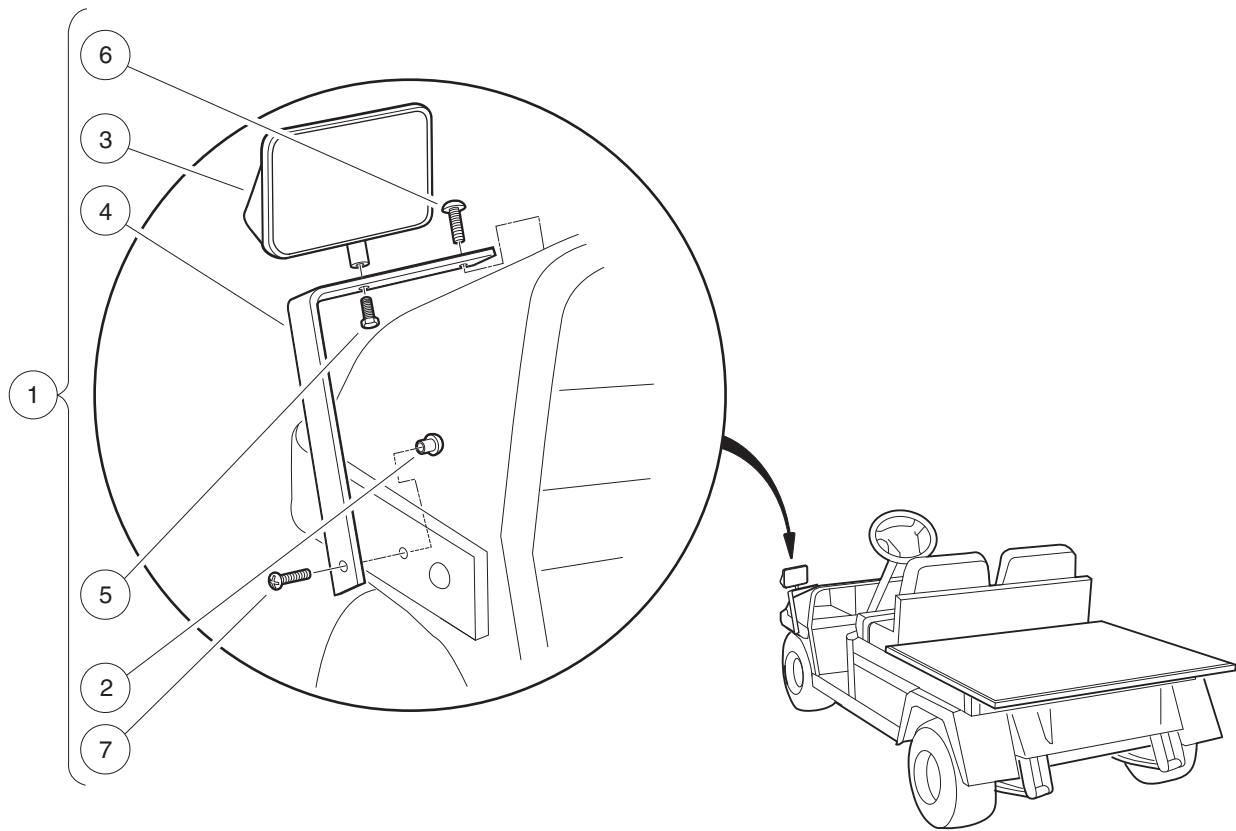
000253-002

# BEVERAGE HOLDER – DUAL

ITEM	PART NO.	DESCRIPTION	QTY
		1 2 3 4	
1	<u>101708301</u>	Drink Holder Kit (includes items 2 through 5) .....	2
2	<u>1016811</u>	Holder, Dual Cup (includes items 3 and 4) .....	1
3	1016952	U-Nut, 1/4-20 .....	2
4	N/A	Cup Holder, Dual .....	1
5	<u>7847</u>	Screw, 1/4-20 X 0.75 Hex-Head Cap .....	2

1  
G  
E

**1**  
**G**  
**E**



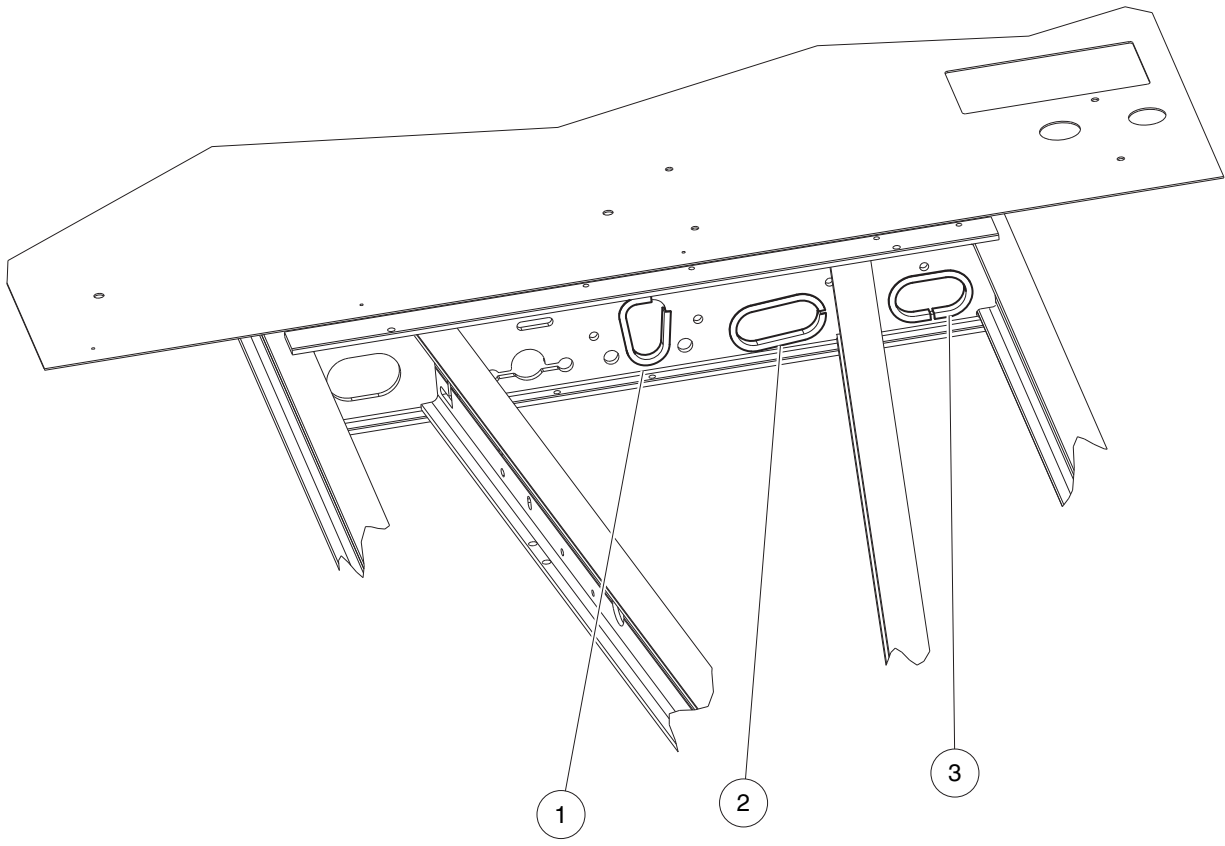
001211-001

## MIRROR, REAR-VIEW – WITHOUT CAB

ITEM	PART NO.	DESCRIPTION	QTY
		1 2 3 4	
1	<u>1013846</u>	Kit, Rear Mirror, West Coast (includes items 2 through 7) .....	1
2	1011878	T-nut, 1/4-20 X .310 Capped .....	1
3	1013824	Rear View Mirror .....	1
4	<u>1013825</u>	Mirror Mounting Bracket .....	1
5	<u>7173</u>	Screw, 5/16-18 X 0.75, Hex-Head Cap .....	1
6	<u>7251</u>	Screw, 5/16-18 x 1.0 Truss-Head .....	1
7	<u>8248</u>	Screw, 1/4-20 X 0.75, Truss-Head Machine .....	1
<p>Note: To install this kit, vehicle must be equipped with a heavy-duty front bumper.</p>			

1  
G  
E

**1**  
**G**  
**E**



001221-001

# GROMMETS, CHASSIS

ITEM	PART NO.	DESCRIPTION	QTY
		1 2 3 4	
1	<u>101806001</u>	I-beam Grommet - 5.5 .....	A/R
2	<u>101806002</u>	I-beam Grommet - 7.5 .....	A/R
3	<u>101806005</u>	I-beam Grommet - 6.75 .....	A/R

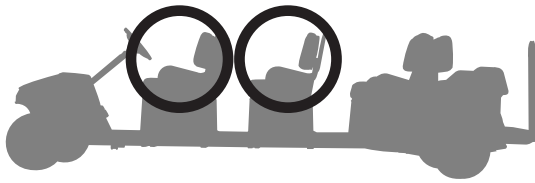
1

G

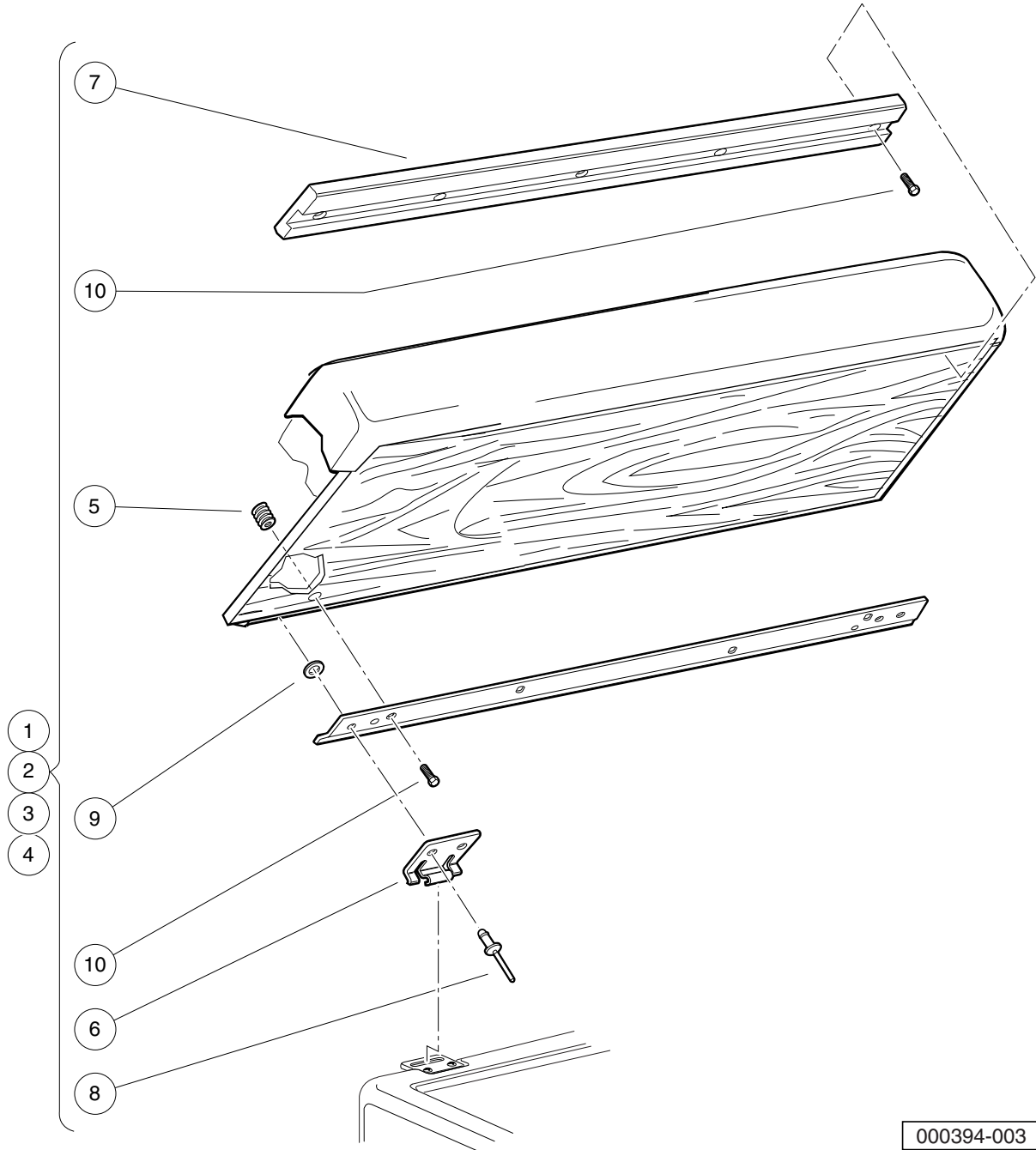
E

**1**  
**G**  
**E**

VILLAGER 8



VILLAGER 6



000394-003

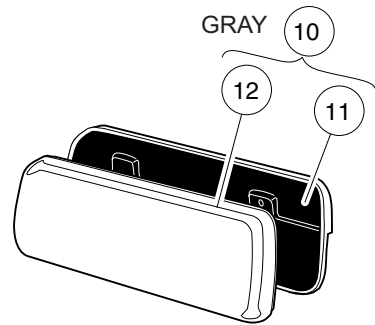
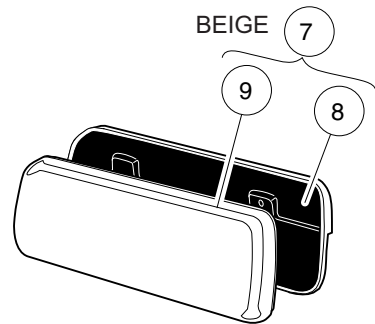
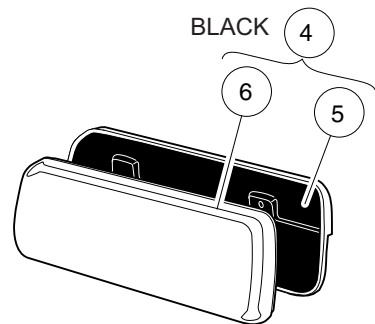
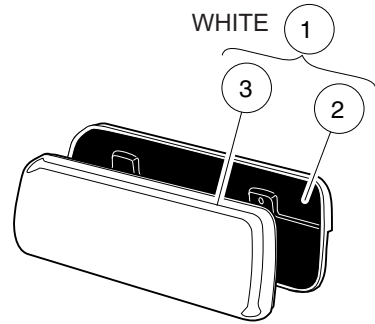


# FRONT AND CENTER SEAT BOTTOMS

ITEM	PART NO.	DESCRIPTION	QTY
		1 2 3 4	
1	<u>101728201</u>	Seat Bottom Assembly, Front, White .....	1
2	<u>101728203</u>	Seat Bottom Assembly, Front, Beige .....	1
3	<u>101728210</u>	Seat Bottom Assembly, Front, Black .....	1
4	<u>101728213</u>	Seat Bottom Assembly, Rear, Gray (includes items 5 through 10) .....	1
5	1010543	Insert - Wood .....	8
6	<u>1011652</u>	Hinge Plate .....	2
7	<u>1013312</u>	Bumper, Seat, Long .....	1
8	<u>101880901</u>	Rivet, 3/16, Stainless-Steel, Pop .....	4
9	<u>101881701</u>	Washer, #8 Stainless-Steel Flat .....	4
10	<u>101954301</u>	Screw, 1/4-20 X 0.75 Hex-Head Cap .....	8

**1**  
**G**  
**E**

**1**  
**G**  
**E**



000608-001

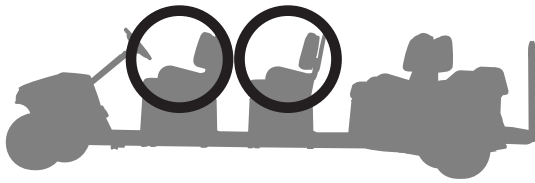
# SEAT BACK ASSEMBLY

ITEM	PART NO.	DESCRIPTION	QTY
		1 2 3 4	
1	<u>101677701</u>	Seat Back Assembly, White (includes items 2 and 3) .....	1
2	1016751	Cap, Seat Back .....	1
3	<u>101675512</u>	Vinyl Seat Back, White .....	1
4	<u>101677702</u>	Seat Back Assembly, Black (includes items 5 and 6) .....	1
5	1016751	Cap, Seat Back .....	1
6	<u>101675514</u>	Vinyl Seat Back, Black .....	1
7	<u>101677703</u>	Seat Back Assembly, Beige (includes items 8 and 9) .....	1
8	1016751	Cap, Seat Back .....	1
9	<u>101675511</u>	Vinyl Seat Back, Beige .....	1
10	<u>101677705</u>	Seat Back Assembly, Gray (includes items 11 and 12) .....	1
11	1016751	Cap, Seat Back .....	1
12	<u>101675515</u>	Vinyl Seat Back-nstd Svc .....	1

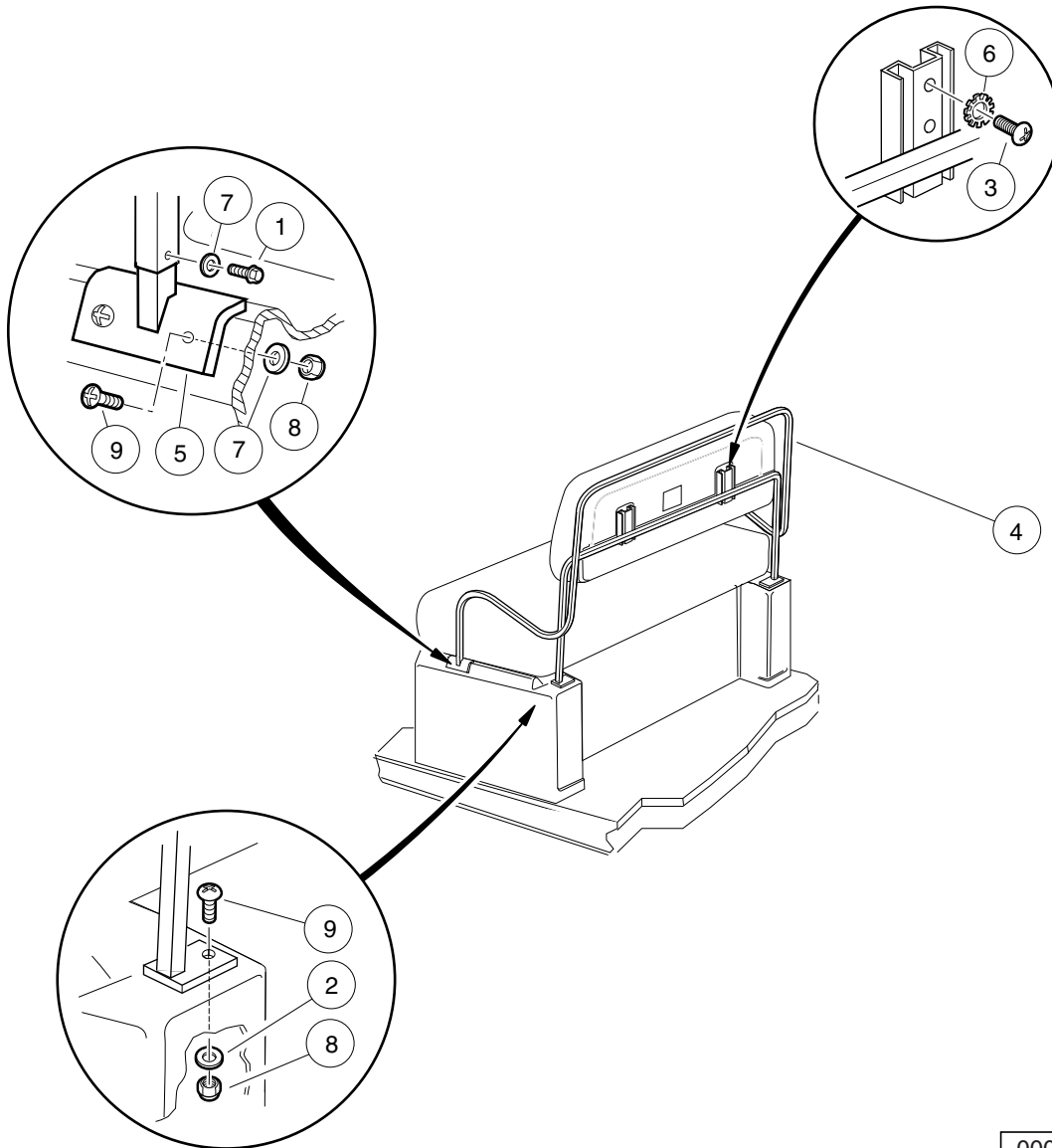
1  
G  
E

**1**  
**G**  
**E**

VILLAGER 8



VILLAGER 6



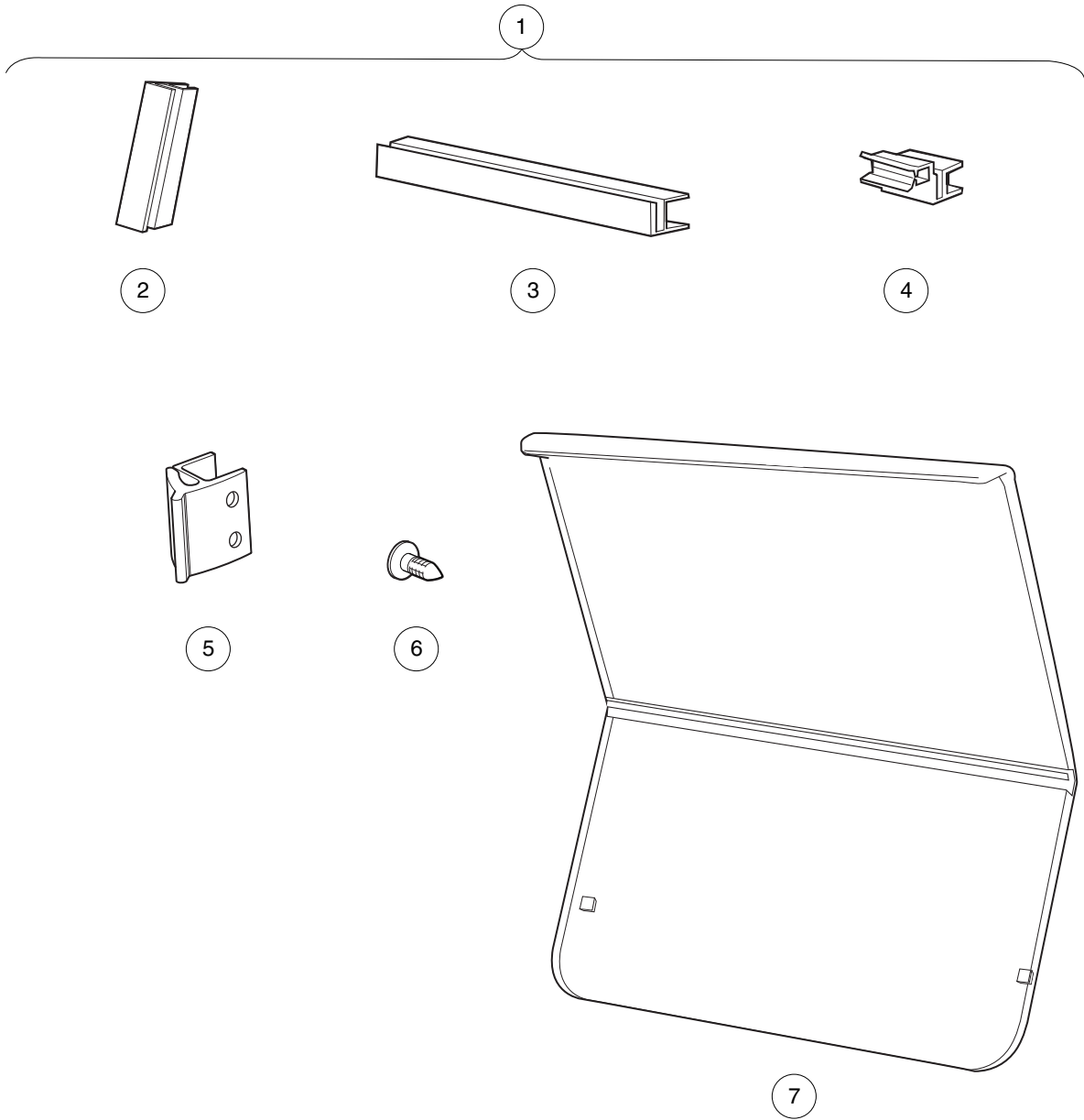
000396-003

## ARMRESTS, FRONT – VILLAGER 6 & 8 VEHICLES

ITEM	PART NO.	DESCRIPTION	QTY
		1 2 3 4	
1	<u>1012285</u>	Screw, 1/4 X 0.625 Hex-Head .....	4
2	<u>1014306</u>	Washer, 1/4" Type B Flat .....	2
3	<u>1015902</u>	Screw, 1/4-20 X 1.25 Truss-Head .....	4
4	<u>1017259</u>	Armrest Weld Asm Front .....	1
5	<u>1017310</u>	Armrest Mounting Weldment .....	2
6	<u>101946201</u>	Washer, Lock, 0.250 External-Tooth .....	4
7	<u>332</u>	Washer, 1/4 Type A Narrow Flat .....	6
8	<u>8233</u>	Locknut, 1/4-20, Nylon Insert .....	6
9	<u>8251</u>	Screw, 1/4-20 X 1.0 Truss-Head Machine .....	6

**1**  
**G**  
**E**

**1**  
**G**  
**E**



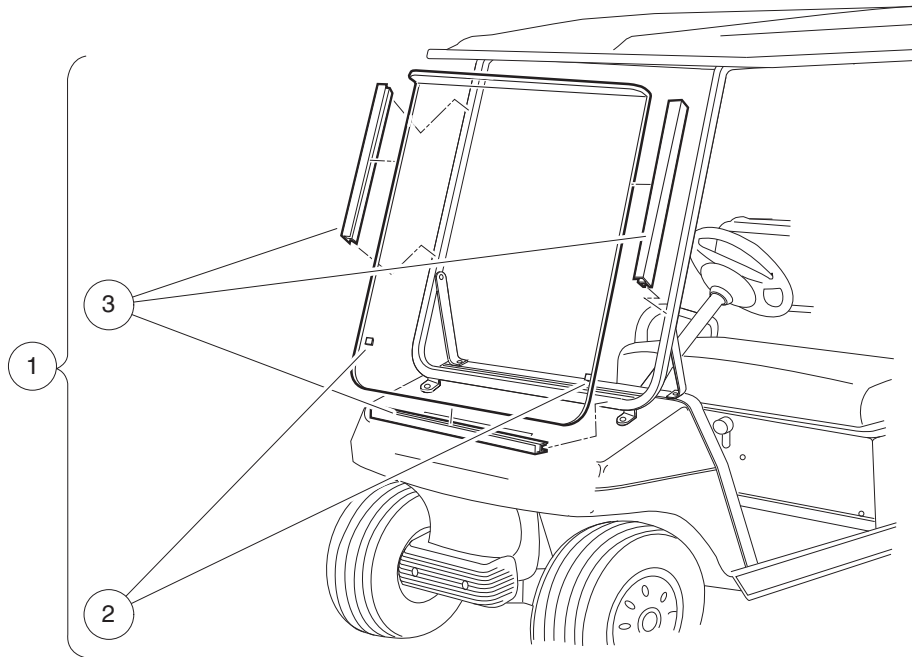
001257-001

# WINDSHIELD, HINGED

ITEM	PART NO.	DESCRIPTION	QTY
		<b>1 2 3 4</b>	
1	<u>105077801</u>	Kit, Hinged Ws, Util, Clear (includes items 2 through 7) .....	1
2	<u>102005701</u>	5" Plastic Extrusion .....	4
3	<u>102163001</u>	Windshield Channel .....	1
4	<u>102163101</u>	Channel with Receiver Clip .....	2
5	<u>103677101</u>	W/s, Rubber, Clip Retainer .....	2
6	<u>103754901</u>	Fastener, Barrel - .610 X .25 .....	8
7	105077701	Ws, Hinged, Utility, Clear .....	1

1  
G  
E

**1**  
**G**  
**E**



001204-001



# WINDSHIELD, NON-HINGED

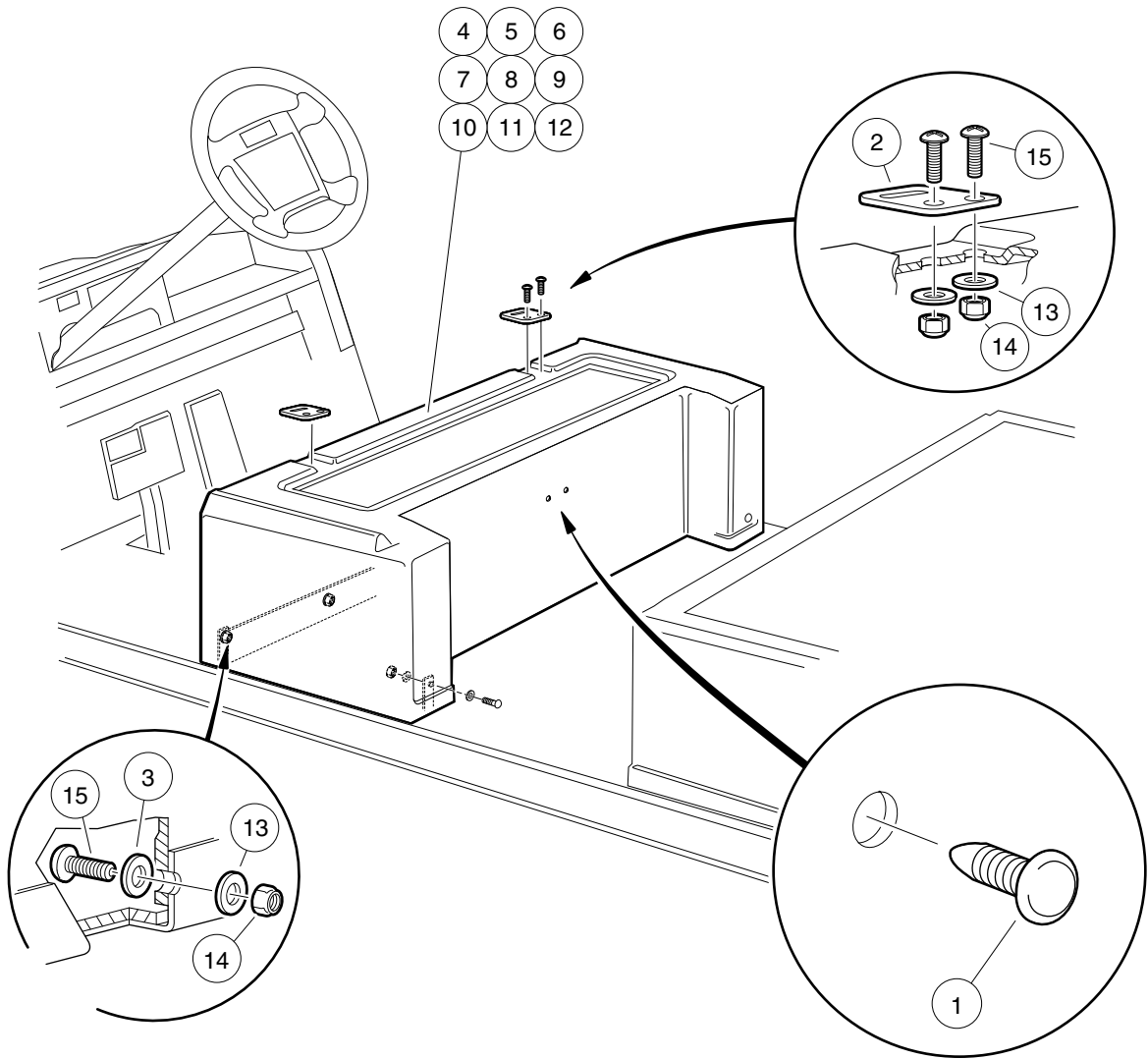
ITEM	PART NO.	DESCRIPTION	QTY
		1 2 3 4	
1	<u>105074901</u>	Windshield One-piece (includes items 2 and 3) .....	1
2	<u>1011897</u>	Bumper, Protective .....	2
3	<u>101444101</u>	21" Plastic Extrusion .....	3

1

G

E

**1**  
**G**  
**E**



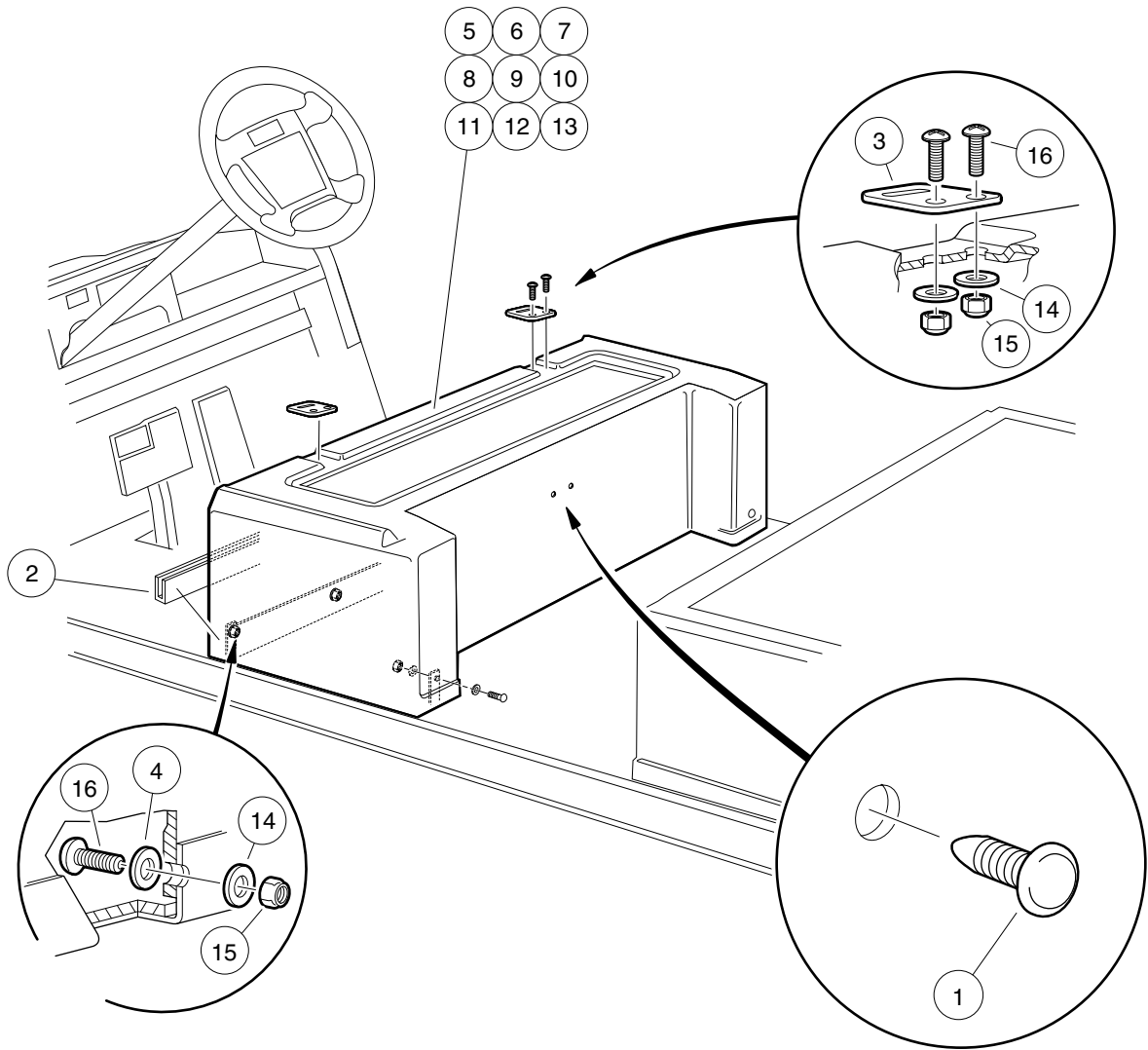
000389-004

## CENTER BODY – VILLAGER 6 GASOLINE VEHICLE

ITEM	PART NO.	DESCRIPTION	QTY
		<b>1 2 3 4</b>	
1	<u>1010434</u>	Barrel - Plastic .....	2
2	1012412	Body, Hinge Plate .....	2
3	<u>1012581</u>	Washer, 0.609-inch OD, Nylon Cup .....	6
4	105005301	Body, Center, Efi, Beige .....	1
5	105005302	Body, Center, Efi, Wht .....	1
6	105005304	Body, Center, Efi, Gray .....	1
7	105005306	Body, Center, Efi, Red .....	1
8	105005308	Body, Center, Efi, Pacific Bl .....	1
9	105005309	Body, Center, Efi, Dk Green .....	1
10	105005310	Body, Center, Efi, Black .....	1
11	105005311	Body, Center, Efi, C/blu .....	1
12	105005312	Body, Center, Efi, Burgundy .....	1
13	<u>332</u>	Washer, 1/4 Type A Narrow Flat .....	10
14	<u>8233</u>	Locknut, 1/4-20, Nylon Insert .....	10
15	<u>8251</u>	Screw, 1/4-20 X 1.0 Truss-Head Machine .....	10

**1**  
**G**  
**E**

**1**  
**G**  
**E**



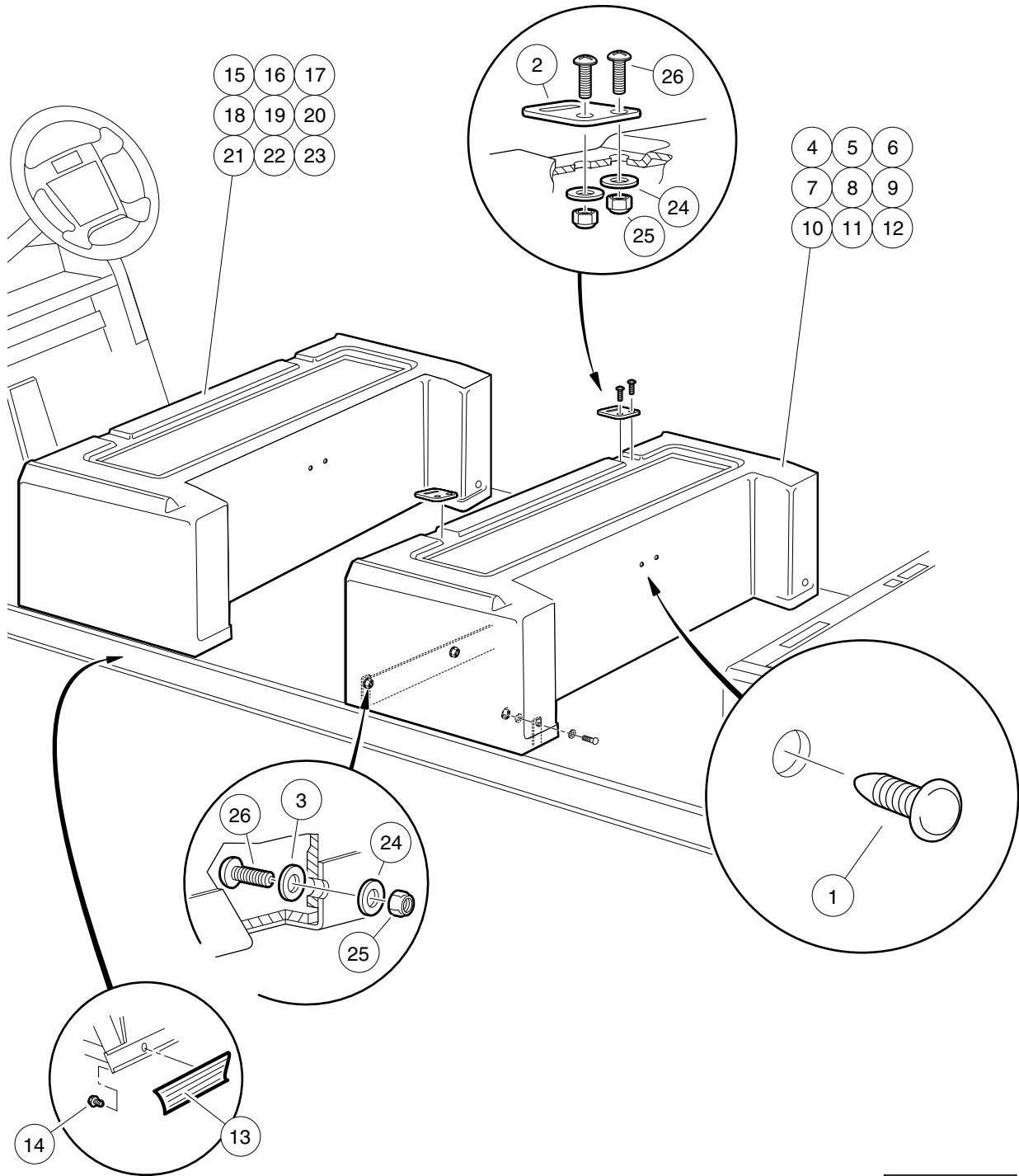
000389-005

## CENTER BODY – VILLAGER 6 IQ PLUS VEHICLE

ITEM	PART NO.	DESCRIPTION	QTY
		<b>1 2 3 4</b>	
1	<u>1010434</u>	Barrel - Plastic .....	2
2	<u>1010993</u>	Body Kick Plate .....	1
3	<u>1012412</u>	Body, Hinge Plate .....	2
4	<u>1012581</u>	Washer, 0.609-inch OD, Nylon Cup .....	4
5	<u>103274001</u>	Body, Center, Elec, Beige .....	1
6	<u>103274002</u>	Body, Center, Elec, Wht .....	1
7	<u>103274004</u>	Body, Center, Elec, Gray .....	1
8	<u>103274006</u>	Body, Center, Elec, Red .....	1
9	<u>103274008</u>	Body, Center, Elec, Pacific Bl .....	1
10	<u>103274009</u>	Body, Center, Elec, Dk Green .....	1
11	<u>103274010</u>	Body, Center, Elec, Black .....	1
12	<u>103274011</u>	Body, Center, Elec, C/blu .....	1
13	<u>103274012</u>	Body, Center, Elec, Burgundy .....	1
14	<u>332</u>	Washer, 1/4 Type A Narrow Flat .....	8
15	<u>8233</u>	Locknut, 1/4-20, Nylon Insert .....	8
16	<u>8251</u>	Screw, 1/4-20 X 1.0 Truss-Head Machine .....	8

**1**  
**G**  
**E**

**1**  
**G**  
**E**



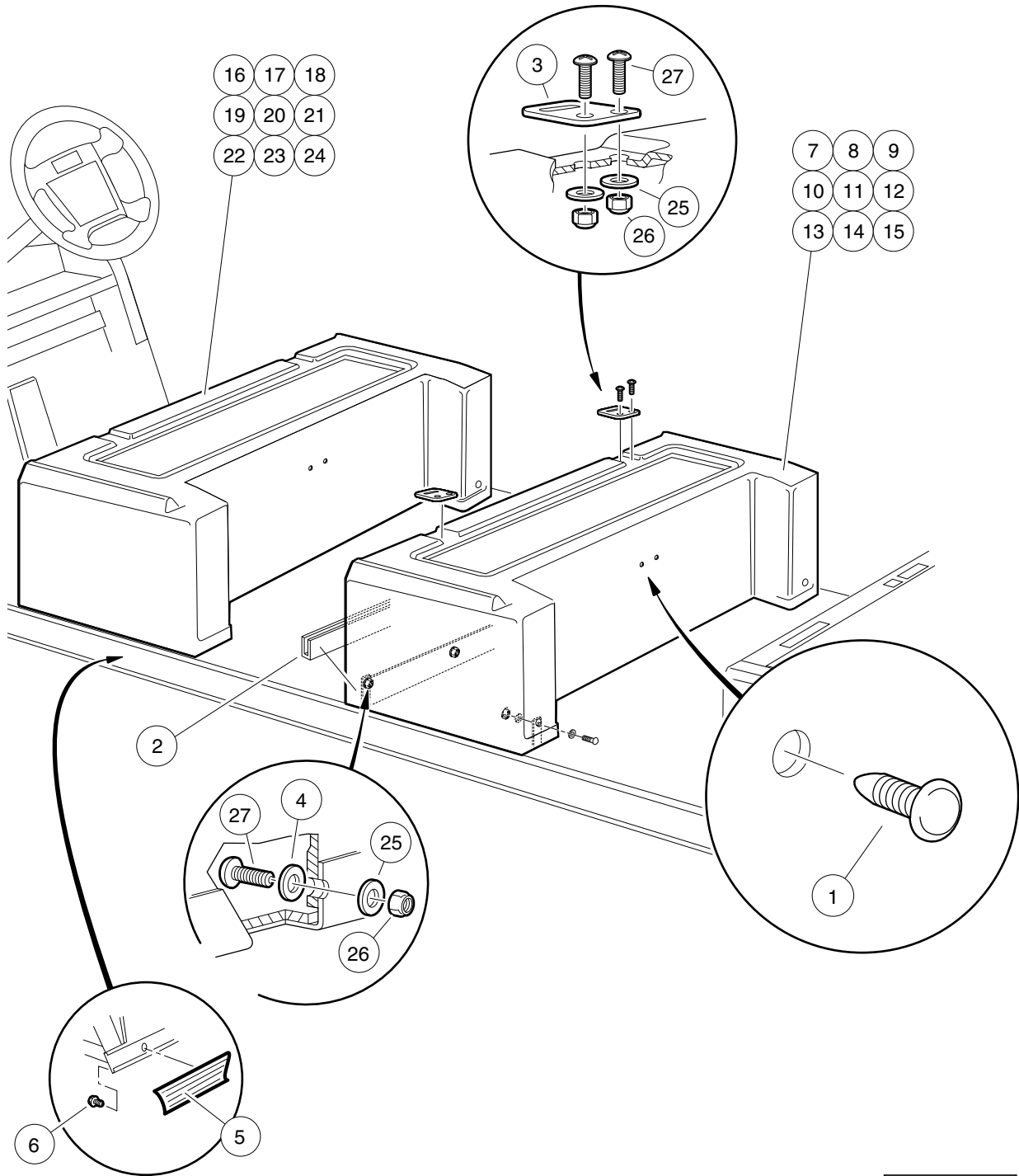
000390-003

## CENTER BODIES – VILLAGER 8 GASOLINE VEHICLE

ITEM	PART NO.	DESCRIPTION	QTY
		1 2 3 4	
1	<u>1010434</u>	Barrel - Plastic .....	2
2	<u>1012412</u>	Body, Hinge Plate .....	2
3	<u>1012581</u>	Washer, 0.609-inch OD, Nylon Cup .....	6
4	<u>101788201</u>	Body, Beige, Center .....	1
5	<u>101788202</u>	Body, White, Center .....	1
6	<u>101788204</u>	Body, Gray, Center .....	1
7	<u>101788206</u>	Body, Red, Center .....	1
8	<u>101788208</u>	Body, Pacific Blue, Center .....	1
9	<u>101788209</u>	Body, Dark Green, Center .....	1
10	<u>101788210</u>	Body, Black, Center .....	1
11	<u>101788211</u>	Body, Classic Blue, Center .....	1
12	<u>101788212</u>	Body, Burgundy, Center .....	1
13	<u>101791901</u>	Bumper Guard Vinyl Trim .....	2
14	<u>102310701</u>	Screw, #8-18 x 0.375, Hex-Head Washer .....	8
15	105005301	Body, Center, Efi, Beige .....	1
16	105005302	Body, Center, Efi, Wht .....	1
17	105005304	Body, Center, Efi, Gray .....	1
18	105005306	Body, Center, Efi, Red .....	1
19	105005308	Body, Center, Efi, Pacific Bl .....	1
20	105005309	Body, Center, Efi, Dk Green .....	1
21	105005310	Body, Center, Efi, Black .....	1
22	105005311	Body, Center, Efi, C/blu .....	1
23	105005312	Body, Center, Efi, Burgundy .....	1
24	<u>332</u>	Washer, 1/4 Type A Narrow Flat .....	10
25	<u>8233</u>	Locknut, 1/4-20, Nylon Insert .....	10
26	<u>8251</u>	Screw, 1/4-20 X 1.0 Truss-Head Machine .....	10

**1**  
**G**  
**E**

**1**  
**G**  
**E**



000390-004



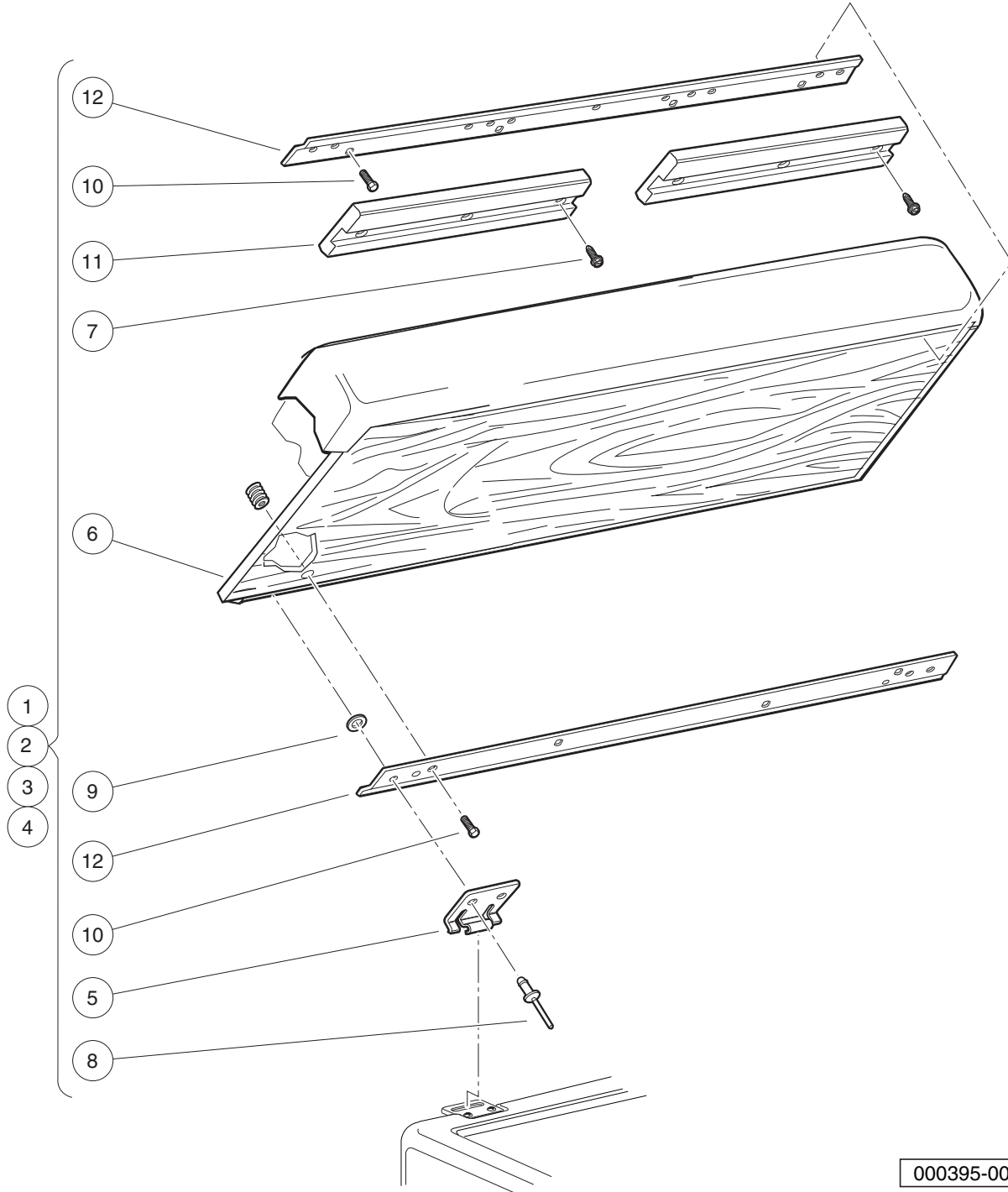
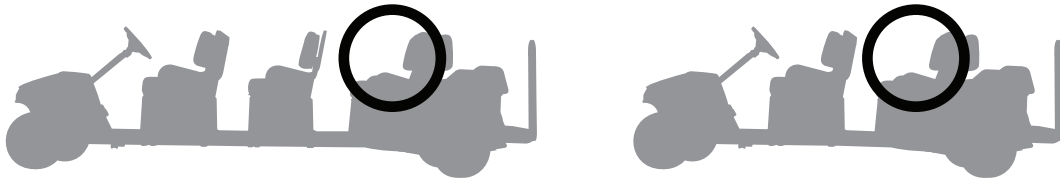
## CENTER BODIES – VILLAGER 8 IQ PLUS VEHICLE

ITEM	PART NO.	DESCRIPTION	QTY
		1 2 3 4	
1	<u>1010434</u>	Barrel - Plastic .....	2
2	<u>1010993</u>	Body Kick Plate .....	2
3	<u>1012412</u>	Body, Hinge Plate .....	2
4	<u>1012581</u>	Washer, 0.609-inch OD, Nylon Cup .....	4
5	<u>101791901</u>	Bumper Guard Vinyl Trim .....	2
6	<u>102310701</u>	Screw, #8-18 x 0.375, Hex-Head Washer .....	8
7	<u>102945501</u>	Body, Beige, Center .....	1
8	<u>102945502</u>	Body, White, Center .....	1
9	<u>102945504</u>	Body, Gray, Center .....	1
10	<u>102945506</u>	Body, Red, Center .....	1
11	<u>102945508</u>	Body, Pacific Blue, Center .....	1
12	<u>102945509</u>	Body, Dark Green, Center .....	1
13	<u>102945510</u>	Body, Black, Center .....	1
14	<u>102945511</u>	Body, Classic Blue, Center .....	1
15	<u>102945512</u>	Body, Burgundy, Center .....	1
16	<u>103274001</u>	Body, Center, Elec, Beige .....	1
17	<u>103274002</u>	Body, Center, Elec, Wht .....	1
18	<u>103274004</u>	Body, Center, Elec, Gray .....	1
19	<u>103274006</u>	Body, Center, Elec, Red .....	1
20	<u>103274008</u>	Body, Center, Elec, Pacific Bl .....	1
21	<u>103274009</u>	Body, Center, Elec, Dk Green .....	1
22	<u>103274010</u>	Body, Center, Elec, Black .....	1
23	<u>103274011</u>	Body, Center, Elec, C/blu .....	1
24	<u>103274012</u>	Body, Center, Elec, Burgundy .....	1
25	<u>332</u>	Washer, 1/4 Type A Narrow Flat .....	8
26	<u>8233</u>	Locknut, 1/4-20, Nylon Insert .....	8
27	<u>8251</u>	Screw, 1/4-20 X 1.0 Truss-Head Machine .....	8

**1**  
**G**  
**E**

VILLAGER 8

VILLAGER 6



000395-004

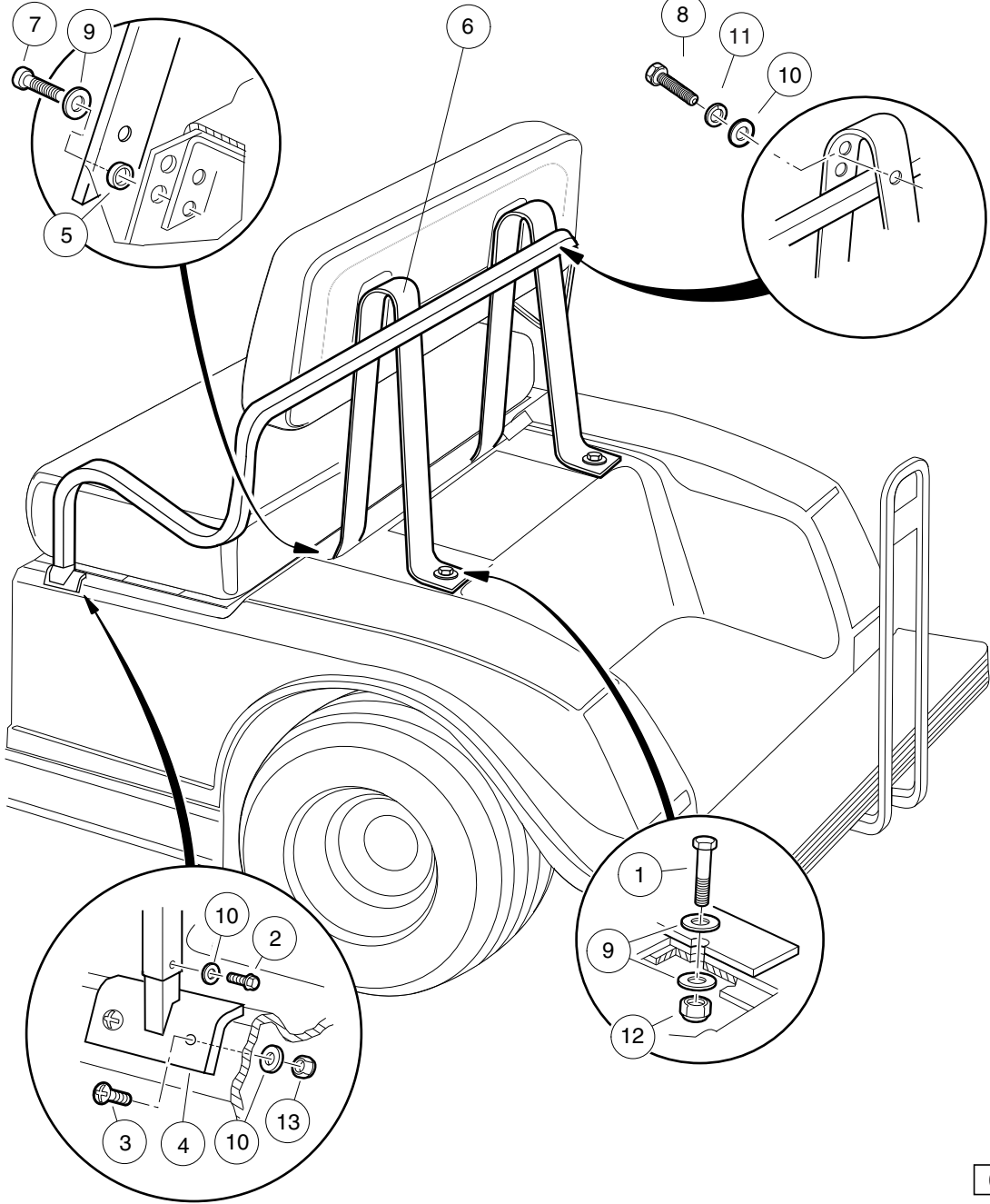
## REAR, FORWARD-FACING SEAT BOTTOM

ITEM	PART NO.	DESCRIPTION	QTY
		1 2 3 4	
1	<u>101728202</u>	Seat Bottom Assembly, Rear, White .....	1
2	<u>101728204</u>	Seat Bottom Assembly, Rear, Beige .....	1
3	<u>101728211</u>	Seat Bottom Assembly, Rear, Black .....	1
4	<u>101728214</u>	Seat Bottom Assembly, Rear, Gray (includes items 5 through 12) .....	1
5	<u>1011652</u>	Hinge Plate .....	2
6	N/A	Plywood Assy .....	1
7	<u>1017384</u>	Screw, #12 X .50 Hex, Washer-Head .....	6
8	<u>101880901</u>	Rivet, 3/16, Stainless-Steel, Pop .....	4
9	<u>101881701</u>	Washer, #8 Stainless-Steel Flat .....	4
10	<u>101954301</u>	Screw, 1/4-20 X 0.75 Hex-Head Cap .....	8
11	105064802	Seat, Bumper, Hole, 13.78in .....	2
12	<u>105216301</u>	Bracket, Seat Support .....	2

**1**  
**G**  
**E**

VILLAGER 8

VILLAGER 6



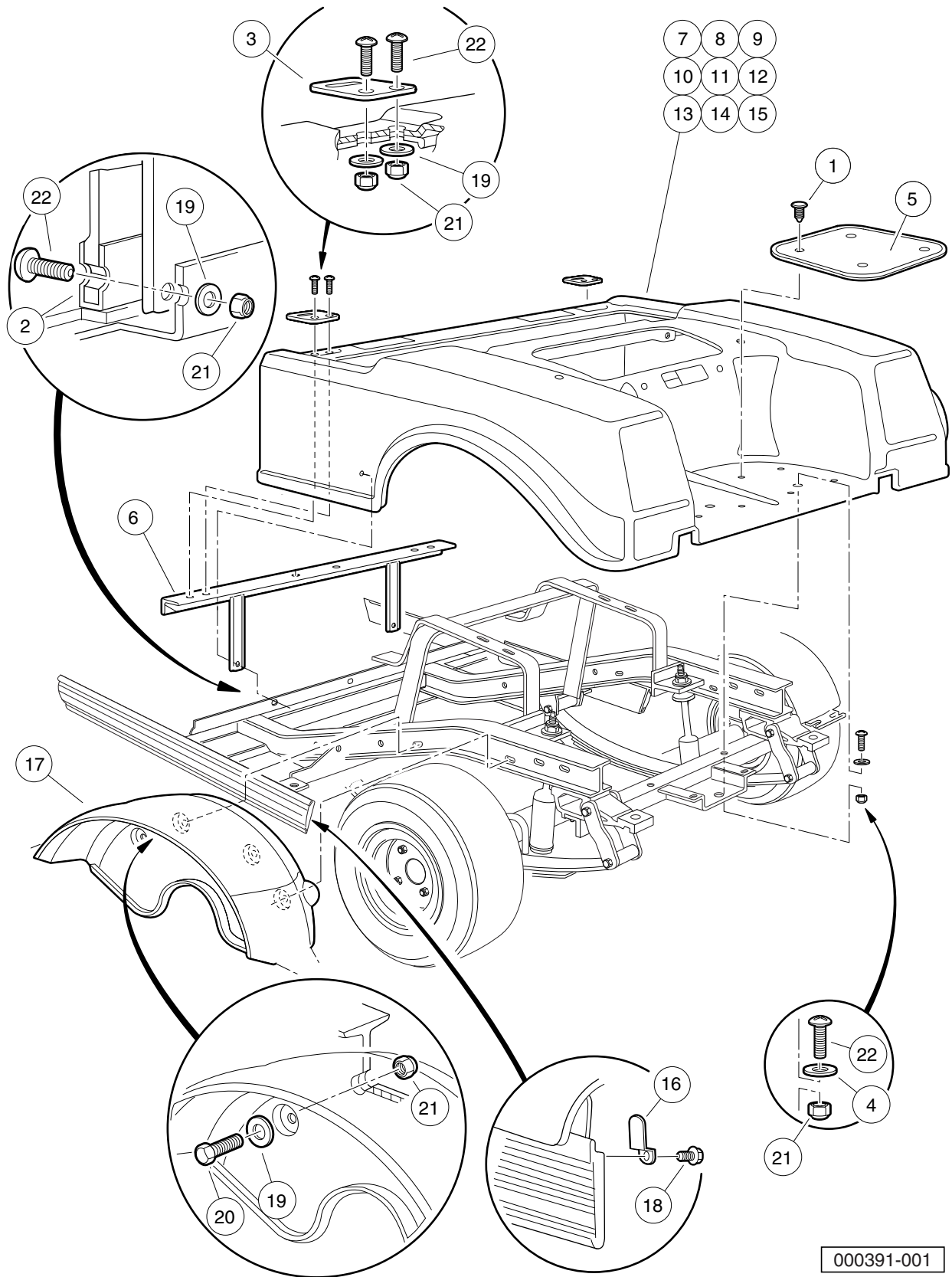
000397-002

# ARMRESTS, REAR, FORWARD-FACING – VILLAGER 6 & 8 VEHICLES

ITEM	PART NO.	DESCRIPTION	QTY
		1 2 3 4	
1	<u>1010577</u>	Bolt, Hex-Head, 5/16-18 X 1.50 .....	2
2	<u>1012285</u>	Screw, 1/4 X 0.625 Hex-Head .....	10
3	<u>1015902</u>	Screw, 1/4-20 X 1.25 Truss-Head .....	4
4	<u>1017310</u>	Armrest Mounting Weldment .....	2
5	1017774	Body Spacer .....	4
6	<u>101799201</u>	Armrest Weldment Rear .....	1
7	<u>101910401</u>	Screw, 5/16-18 X 1.25 Thrd Frm .....	4
8	<u>101954301</u>	Screw, 1/4-20 X 0.75 Hex-Head Cap .....	8
9	<u>1241</u>	Washer, 5/16 Type A Flat .....	6
10	<u>332</u>	Washer, 1/4 Type A Narrow Flat .....	14
11	<u>451</u>	Lockwasher, 1/4 Split .....	8
12	<u>7473</u>	Locknut, 5/16-18 Nylon Insert .....	2
13	<u>8233</u>	Locknut, 1/4-20, Nylon Insert .....	4

**1**  
**G**  
**E**

**1**  
**G**  
**E**



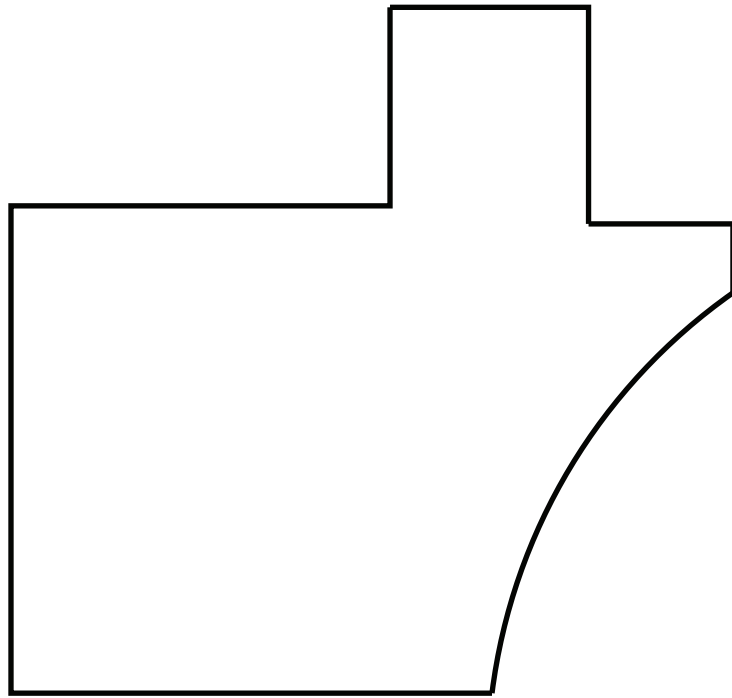
000391-001

## REAR BODY AND FENDER – VILLAGER 6 & 8

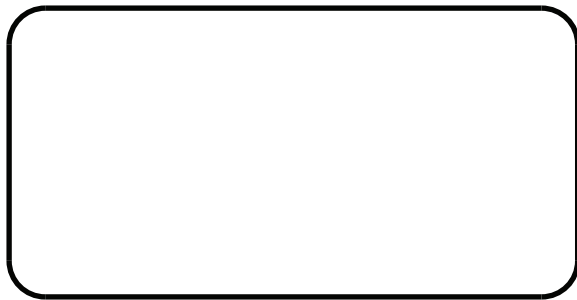
ITEM	PART NO.	DESCRIPTION	QTY
		<b>1 2 3 4</b>	
1	<u>1010434</u>	Barrel - Plastic .....	8
2	<u>1010993</u>	Body Kick Plate .....	1
3	<u>1012412</u>	Body, Hinge Plate .....	2
4	<u>1014306</u>	Washer, 1/4" Type B Flat .....	2
5	<u>1014392</u>	Bag Rest Mat .....	2
6	<u>1017141</u>	Body Support Weldment .....	1
7	<u>101728701</u>	Body, Beige, TPO, Rear .....	1
8	<u>101728702</u>	Body, White, TPO, Rear .....	1
9	<u>101728704</u>	Body, Gray, TPO, Rear .....	1
10	<u>101728706</u>	Body, Red, TPO, Rear .....	1
11	<u>101728708</u>	Body, Royal Blue, TPO, Rear .....	1
12	<u>101728709</u>	Body, Dark Green, TPO, Rear .....	1
13	<u>101728710</u>	Body, Black, TPO, Rear .....	1
14	<u>101728711</u>	Body, Classic Blue, TPO, Rear .....	1
15	<u>101728712</u>	Body, Burgundy, TPO, Rear .....	1
16	<u>1017748</u>	Body Keeper Clip .....	2
17	<u>1017936</u>	Fender, Inner .....	2
18	<u>102310701</u>	Screw, #8-18 x 0.375, Hex-Head Washer .....	2
19	<u>332</u>	Washer, 1/4 Type A Narrow Flat .....	10
20	<u>7847</u>	Screw, 1/4-20 X 0.75 Hex-Head Cap .....	4
21	<u>8233</u>	Locknut, 1/4-20, Nylon Insert .....	12
22	<u>8251</u>	Screw, 1/4-20 X 1.0 Truss-Head Machine .....	8

**1**  
**G**  
**E**

**1**  
**G**  
**E**



1



2



3

001603-001

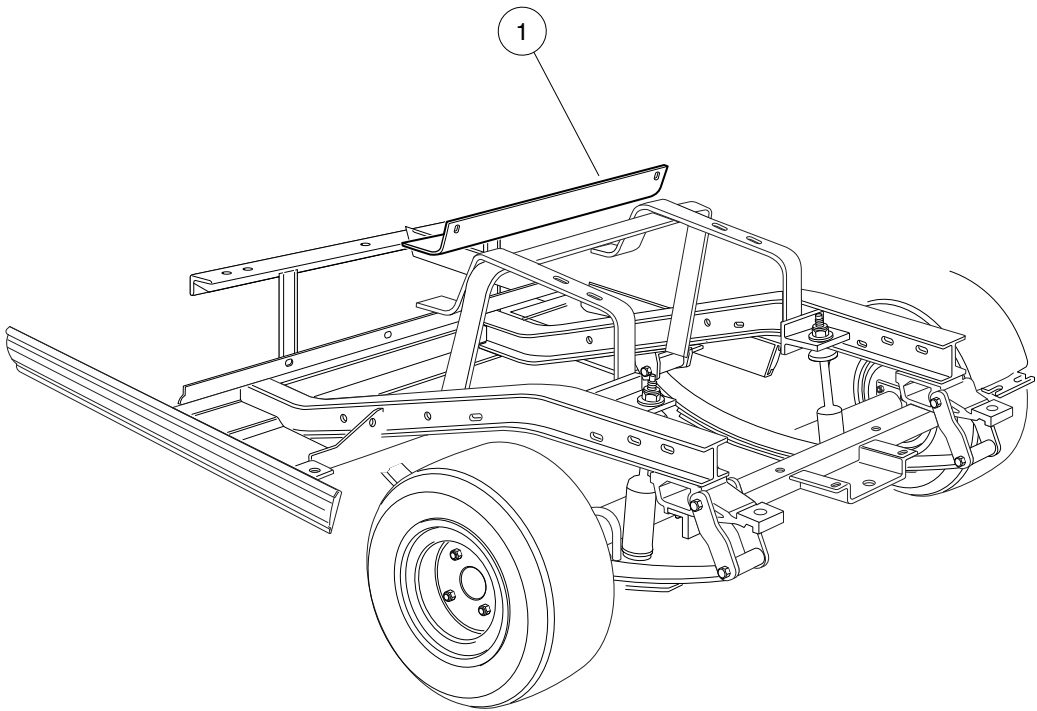
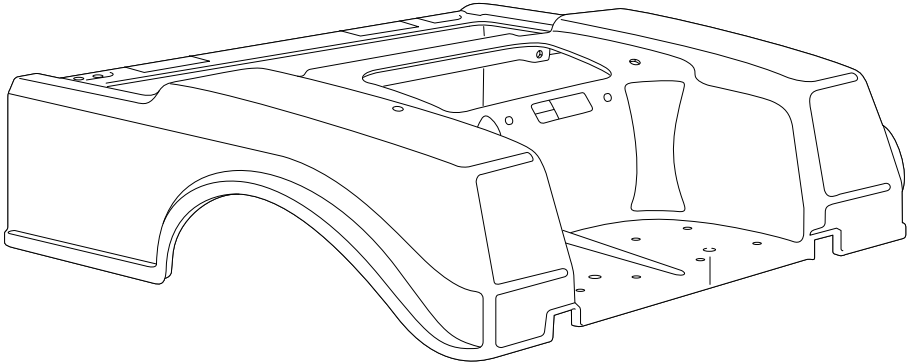


# HEAT INSULATION, FOAM – EFI GASOLINE VEHICLE

ITEM	PART NO.	DESCRIPTION	QTY
		1 2 3 4	
1	105280201	Foam, Poly, Alum, 1", Style A .....	1
2	105280202	Foam, Poly, Alum, 1", Style B .....	1
3	105280203	Foam, Poly, Alum, 1", Style C .....	1
		Note: Foil lining over foam.	

1  
G  
E

**1**  
**G**  
**E**



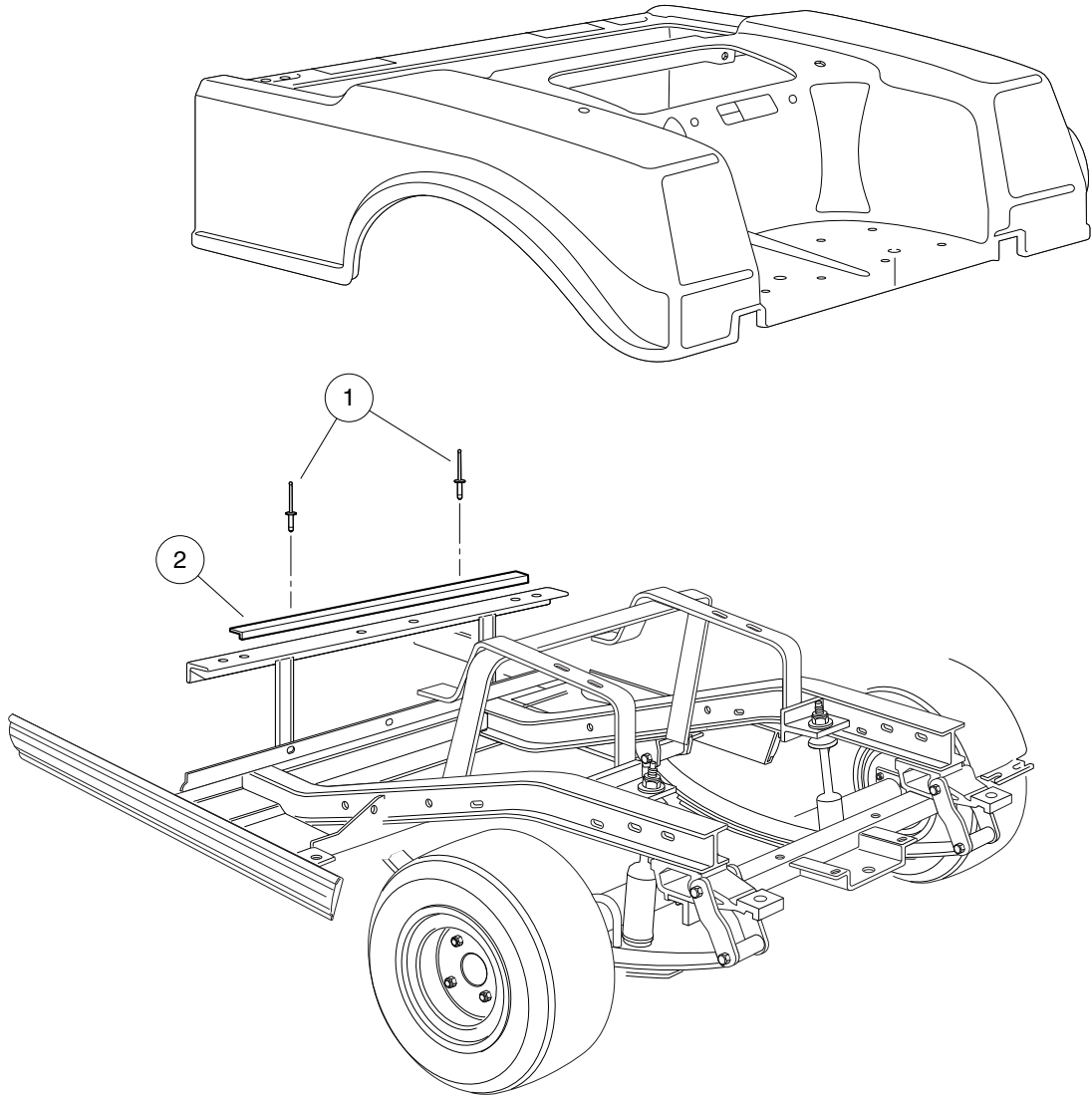
000392-001

# HEAT SHIELD, TRANSPORTER, VILL 6 & 8, XRT800/850 REAR BODY – GAS

ITEM	PART NO.	DESCRIPTION	QTY
1	<u>101806901</u>	1 2 3 4 Shield, Heat .....	1

1  
G  
E

**1**  
**G**  
**E**

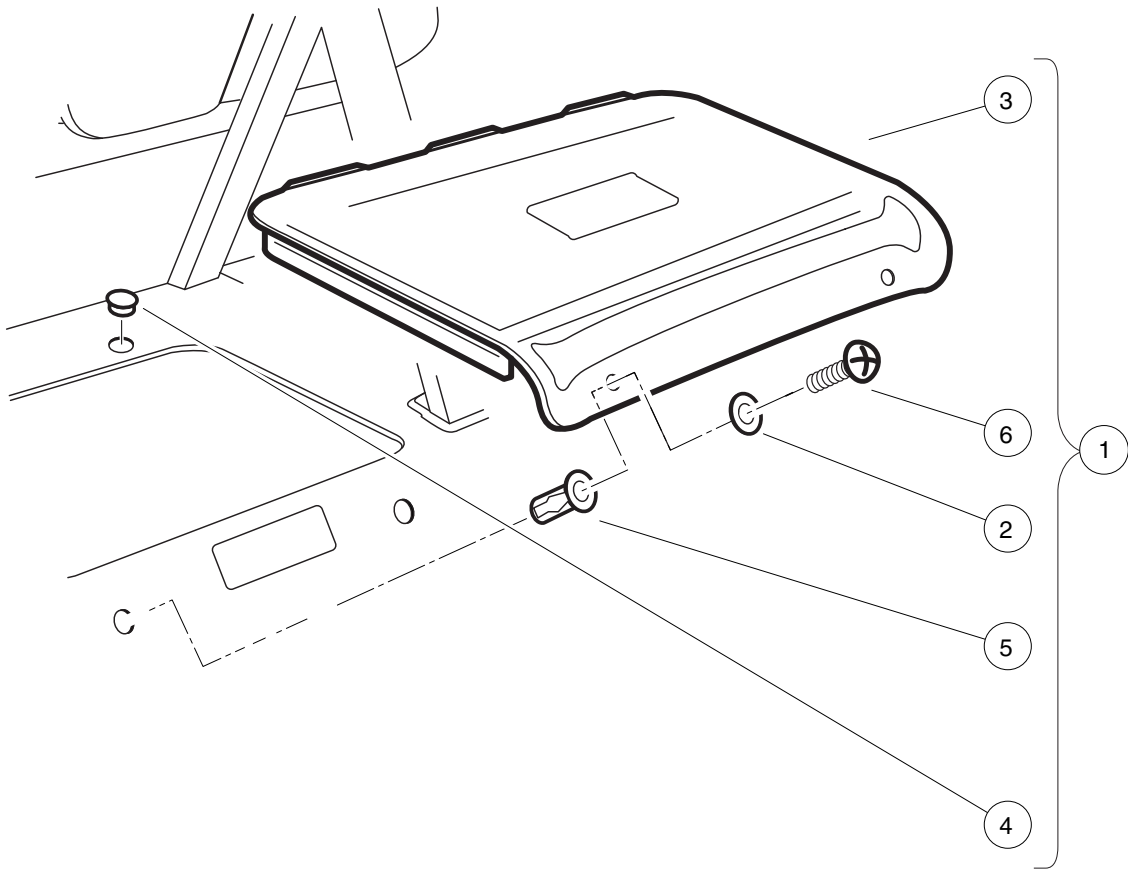


000393-001

# BATTERY INSULATOR, TRANSPORTER, VILL 6 & 8, XRT850 REAR BODY – ELECTRIC

ITEM	PART NO.	DESCRIPTION	QTY
1	<u>1013357</u>	1 2 3 4 Rivet, 5/32 Aluminum Pop .....	2
2	<u>101837001</u>	Battery Insulator .....	1

**1**  
**G**  
**E**



000783-002

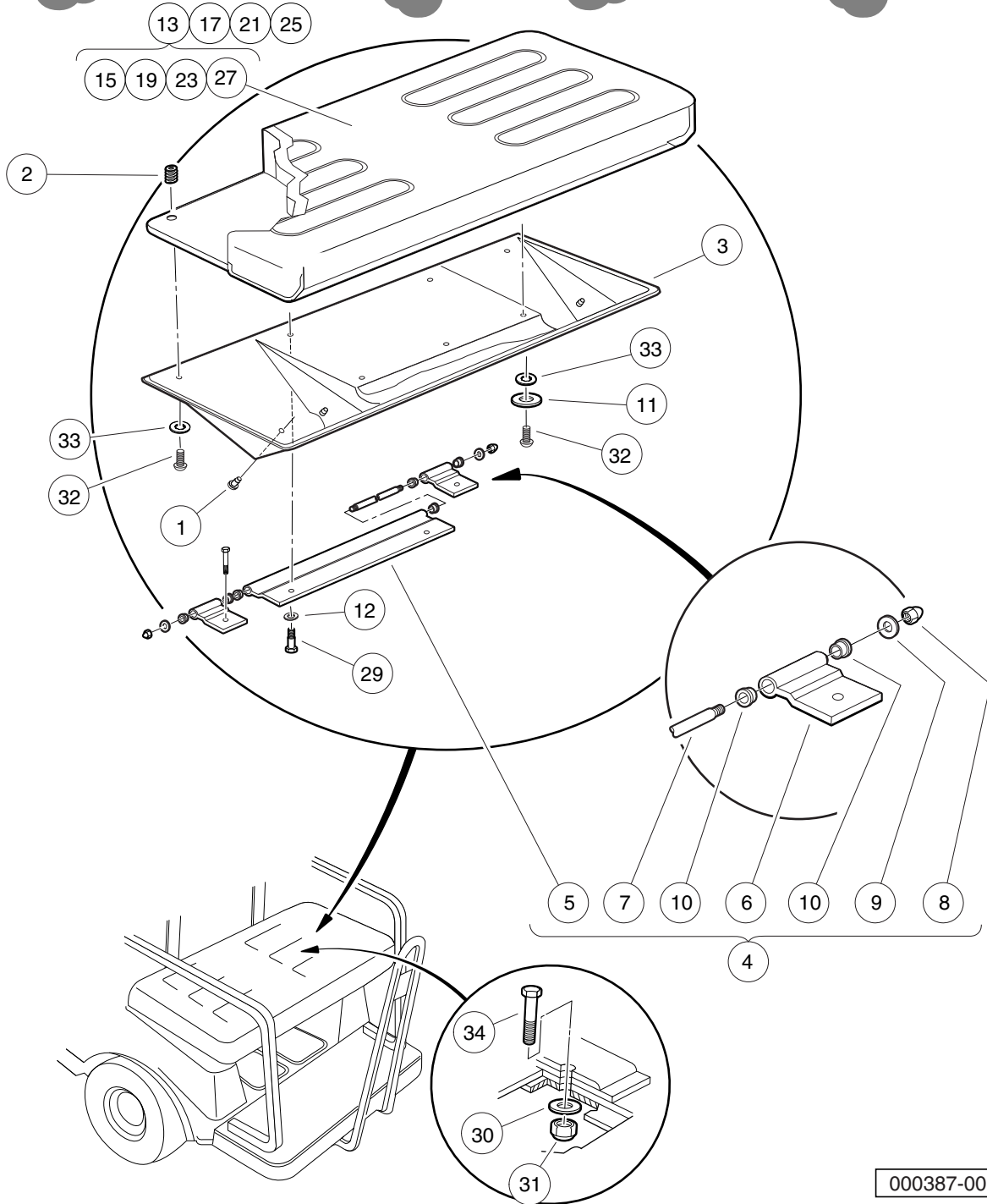
# REAR ACCESS DOOR

ITEM	PART NO.	DESCRIPTION	QTY
		1 2 3 4	
1	<u>1013218</u>	Kit, Access Door Black (includes items 2 through 6) .....	1
2	<u>1012581</u>	Washer, 0.609-inch OD, Nylon Cup .....	2
3	<u>1013032</u>	Molded Access Door Black .....	1
4	<u>1013216</u>	Plug, Button .....	2
5	<u>1015525</u>	Nut, 1/4-20 Blind .....	2
6	<u>8251</u>	Screw, 1/4-20 X 1.0 Truss-Head Machine .....	2

1  
G  
E

VILLAGER 8

VILLAGER 6



000387-001

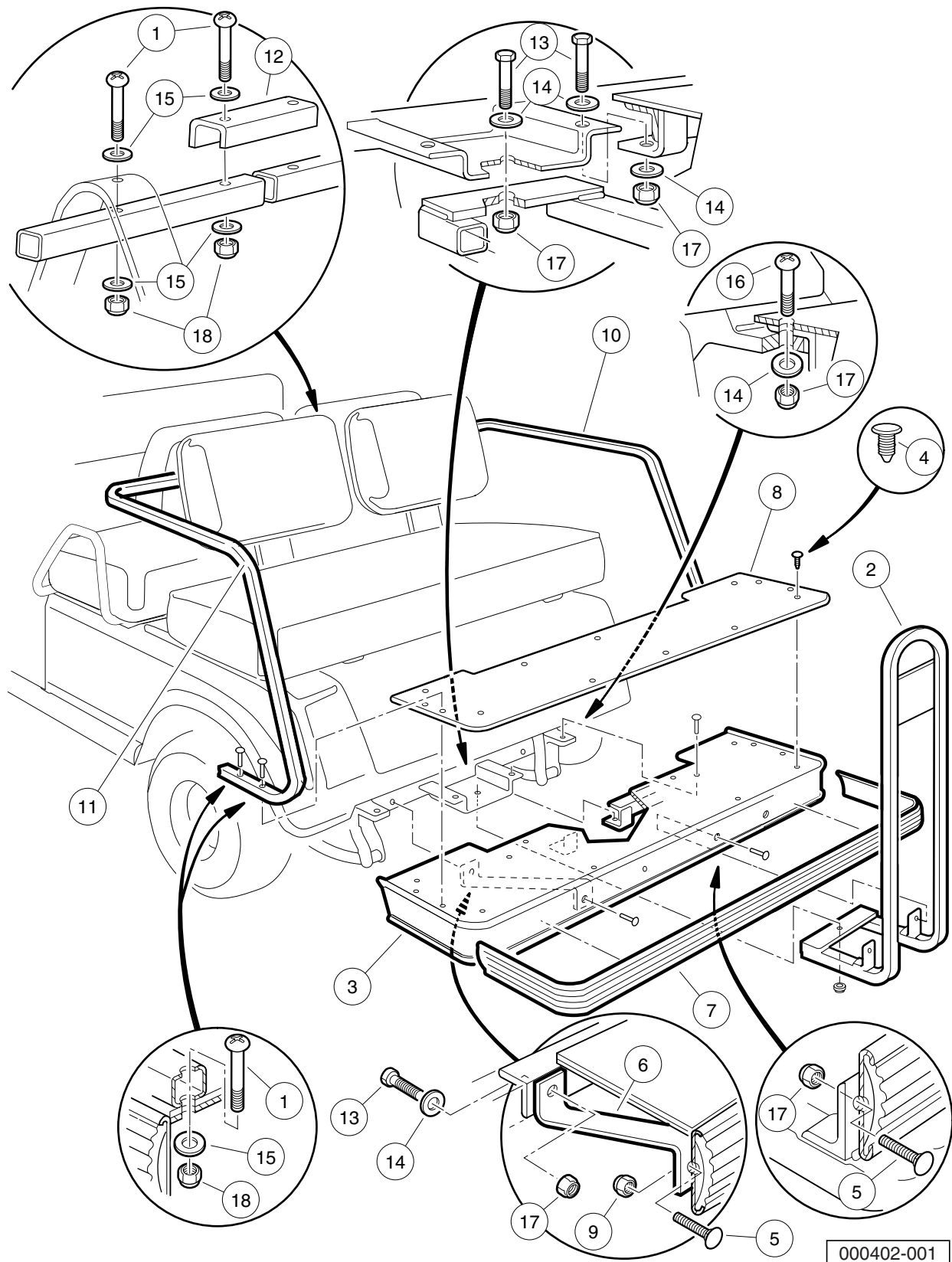


## REAR-FACING SEAT BOTTOM – VILLAGER VEHICLES

ITEM	PART NO.	DESCRIPTION	QTY
		<b>1 2 3 4</b>	
1	<u>1010436</u>	Bumper, Rubber .....	4
2	1010543	Insert - Wood .....	7
3	<u>1011210</u>	Seat Support 4-Passenger .....	1
4	1011219	Hinge Assembly 4 Passenger (includes items 5 through 10) .....	1
5	<u>1011220</u>	Hinge Long 4 Passenger .....	1
6	<u>1011221</u>	Hinge Short 4 Passenger .....	2
7	<u>1011222</u>	Pin, Hinge, Long, 4-Pass .....	1
8	<u>1015091</u>	Nut, 1/4-20 Stainless-Steel Center-Lock Cap .....	2
9	<u>332</u>	Washer, 1/4 Type A Narrow Flat .....	2
10	8028	Rotor Stop, FNR .....	6
11	<u>1011578</u>	Washer, 5/16 Type B Flat .....	3
12	<u>1014007</u>	Washer, 1/4, Flat .....	2
13	<u>101564804</u>	Seat Bottom Assembly, Buff (includes items 14 through 16) .....	1
14	N/A	Foam, Seat .....	1
15	<u>101562711</u>	Vinyl Cover, Seat Bottom, Buff .....	1
16	N/A	Plywood Assy .....	1
17	<u>101564805</u>	Seat Bottom Assembly, White (includes items 18 through 20) .....	1
18	N/A	Foam, Seat .....	1
19	<u>101562712</u>	Vinyl Cover, Seat Bottom, White .....	1
20	N/A	Plywood Assy .....	1
21	<u>101564807</u>	Seat Bottom Assembly, Gray (includes items 22 through 24) .....	1
22	N/A	Foam, Seat .....	1
23	<u>101562715</u>	Vinyl Cover, Seat Bottom, Gray .....	1
24	N/A	Plywood Assy .....	1
25	<u>101564808</u>	Seat Bottom Assembly, Black (includes items 26 through 28) .....	1
26	N/A	Foam, Seat .....	1
27	<u>101562714</u>	Vinyl Cover, Seat Bottom, Black .....	1
28	N/A	Plywood Assy .....	1
29	1016916	Screw, 1/4-20 X 1.50 Hex-Head Cap .....	2
30	<u>1241</u>	Washer, 5/16 Type A Flat .....	2
31	<u>7473</u>	Locknut, 5/16-18 Nylon Insert .....	2
32	<u>8251</u>	Screw, 1/4-20 X 1.0 Truss-Head Machine .....	5
33	<u>8304</u>	Lockwasher, 1/4 Type A Int.tth .....	5
34	<u>8963</u>	Screw, 5/16-18 X 1.75 Hex-Head Cap .....	2
<p>Note: Sub-components contained in items 17, 21, and 25 are the same as those shown for item 13, except for the vinyl seat covers.</p>			

**1**  
**G**  
**E**

**1**  
**G**  
**E**



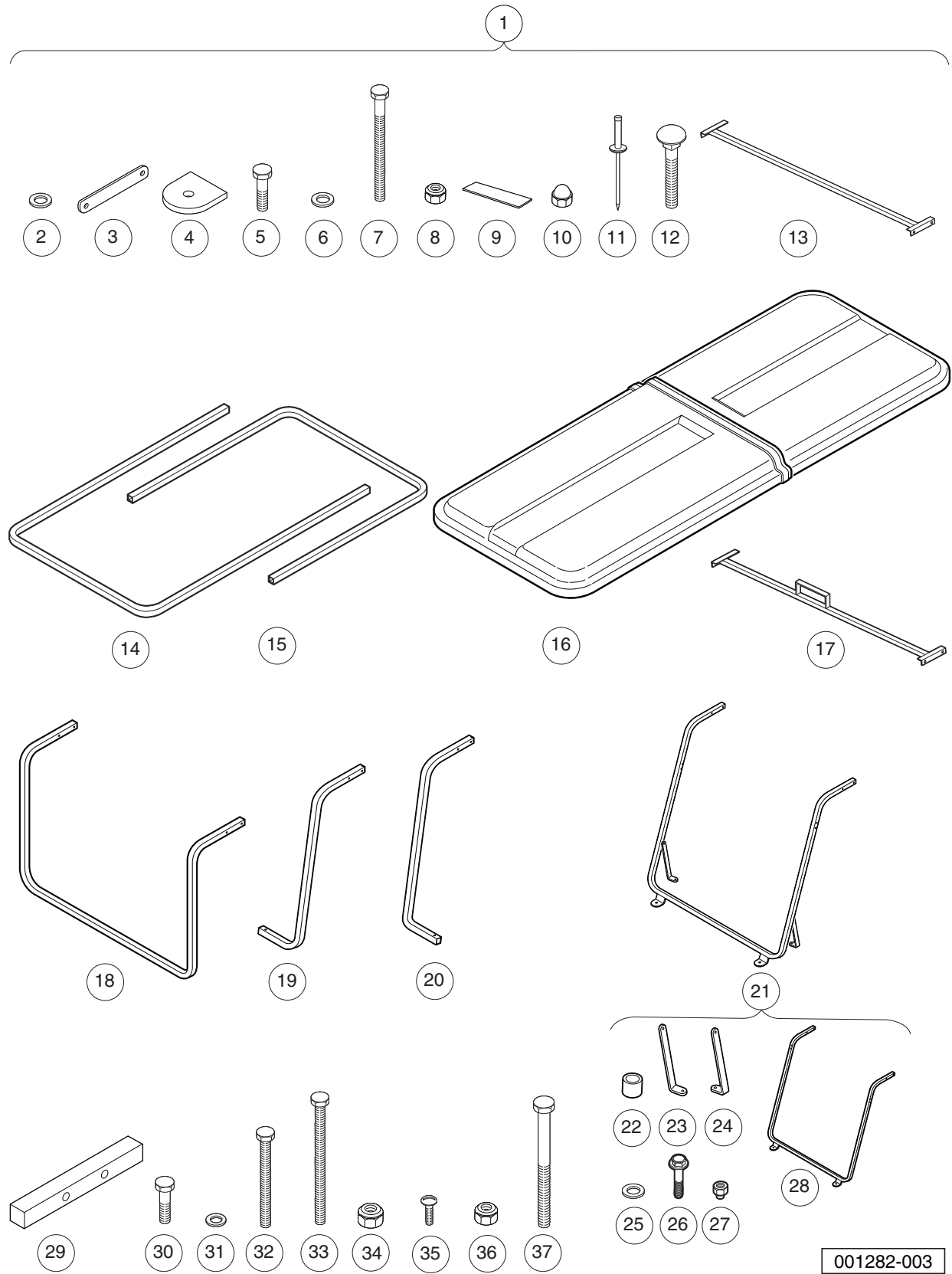
000402-001

# REAR FOOTREST, ARMRESTS AND HANDRAILS – DS VILLAGER 4, VILLAGER 6 AND 8

ITEM	PART NO.	DESCRIPTION	QTY
		<b>1 2 3 4</b>	
1	<u>1011988</u>	Screw, 1/4-20 X 2.00 Phillips Truss-Head .....	8
2	<u>1016842</u>	Rear Seat Handrail Weldment .....	1
3	<u>101841101</u>	Rear Foot Rest Asm (includes items 4 through 9) .....	1
4	<u>1010434</u>	Barrel - Plastic .....	8
5	<u>1010435</u>	Bolt, Carriage, 5/16-18 X 1.00 .....	4
6	<u>1016668</u>	Connecting Bar .....	2
7	<u>1016835</u>	Bumper, Side Trim .....	1
8	<u>101840901</u>	Foot Rest Mat .....	1
9	<u>7473</u>	Locknut, 5/16-18 Nylon Insert .....	2
10	<u>101841201</u>	Armrest, Seat, Rear, Right-Hand .....	1
11	<u>101841202</u>	Armrest, Seat, Rear, Left-Hand .....	1
12	<u>101841301</u>	Armrest Bracket .....	1
13	<u>1218</u>	Screw, 5/16-18 X 1.25 Hex-Head Cap .....	5
14	<u>1241</u>	Washer, 5/16 Type A Flat .....	9
15	<u>332</u>	Washer, 1/4 Type A Narrow Flat .....	8
16	<u>7410</u>	Screw, 5/16-18 X 1.25 Truss Hd .....	2
17	<u>7473</u>	Locknut, 5/16-18 Nylon Insert .....	9
18	<u>8233</u>	Locknut, 1/4-20, Nylon Insert .....	8

**1**  
**G**  
**E**

**1**  
**G**  
**E**

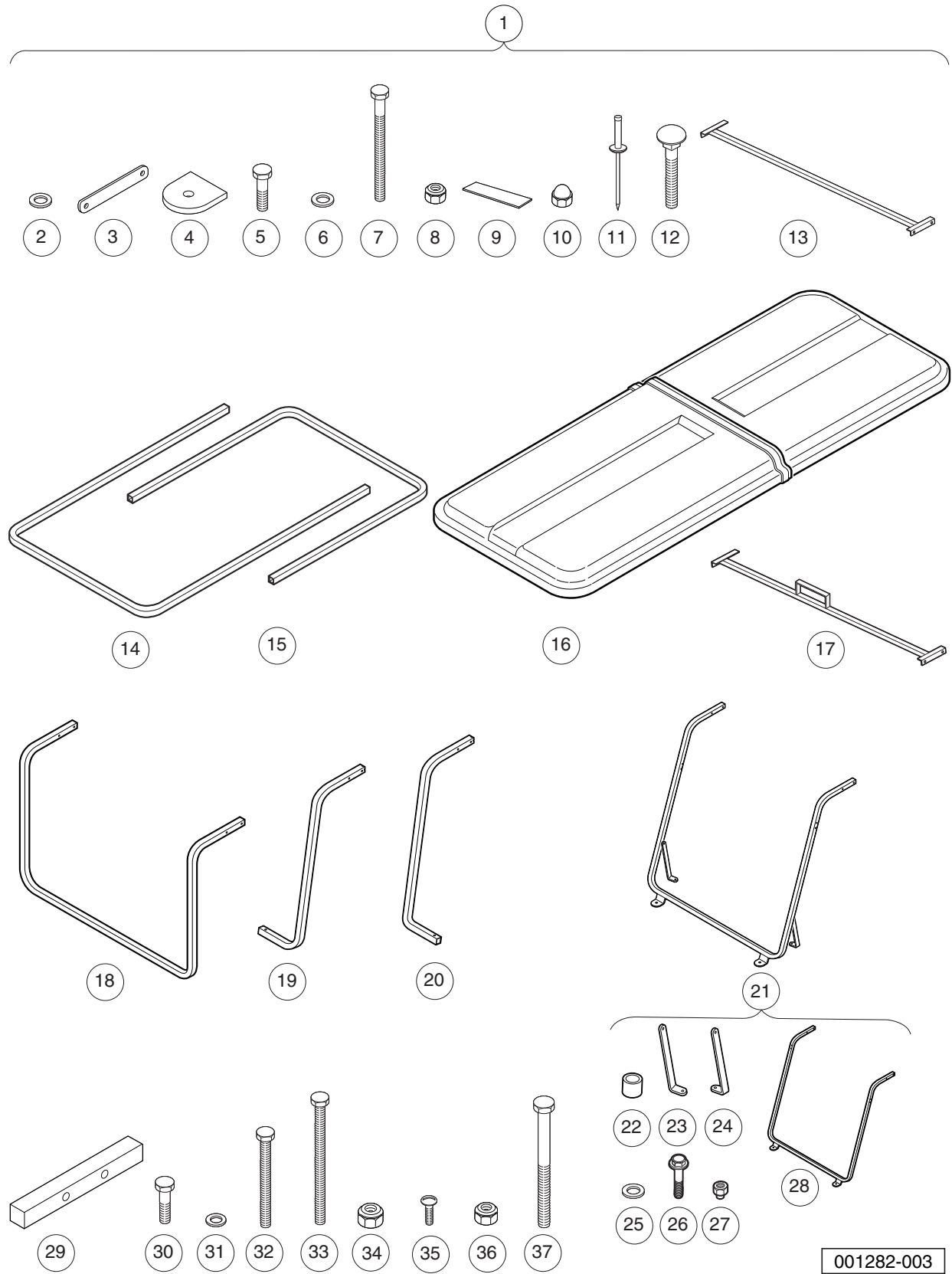


# CANOPY KIT, WHITE – VILL. 6 WITH REAR-FACING SEATS

ITEM	PART NO.	DESCRIPTION	QTY
		1 2 3 4	
1	<u>101816701</u>	Canopy Top Wht Vill W/rear St (includes items 2 through 37) .....	1
2	<u>1011697</u>	Washer, 5/16 Flat .....	2
3	<u>1011852</u>	Plate, Canopy Trim .....	10
4	<u>1011883</u>	Pad, Windshield Frame Mounting .....	2
5	<u>1011937</u>	Bolt, 5/16-18 X 1.25 Hex Head .....	2
6	<u>1011964</u>	Washer, 1/4 Flat .....	14
7	<u>1012159</u>	Bolt, 1/4-20 X 2.75 Hex-Head .....	8
8	<u>1013061</u>	Locknut, #10-32 Nylon Insert .....	8
9	<u>1014471</u>	Tape, Vinyl Foam 1/8" x 3/4" .....	20
10	<u>1015091</u>	Nut, 1/4-20 Stainless-Steel Center-Lock Cap .....	4
11	<u>1015392</u>	Rivet, 3/16 Pop .....	8
12	<u>1015405</u>	Bolt, Carriage, 5/16-18 X 2.0 .....	2
13	<u>1016781</u>	Hanger Weldment .....	1
14	<u>1016793</u>	Top Front Support .....	1
15	<u>1016794</u>	Top Rear Support .....	1
16	<u>101679902</u>	Canopy Front & Rear White .....	1
17	<u>1017185</u>	Hanger Weldment Front .....	1
18	<u>101815301</u>	Brace, Rear Canopy .....	1
19	<u>101815401</u>	Canopy Side Brace Lh .....	1
20	<u>101815402</u>	Canopy Side Brace Rh .....	1
21	<u>103789601</u>	W/s Fr / Knee Br, Aluminum (includes items 22 through 28) .....	1
22	<u>1010237</u>	Bushing .....	2
23	<u>1011862</u>	Brace, Right-Hand Canopy Mount Knee .....	1
24	<u>1011865</u>	Brace, Left-Hand Canopy Mount Knee .....	1
25	<u>1011964</u>	Washer, 1/4 Flat .....	2
26	<u>102076701</u>	Screw, 1/4-20 X 1.75 Hex Sems .....	2
27	<u>102242401</u>	Nut - Nylon Insert W/cap .....	2
28	<u>103787401</u>	Asm, Windshield Frame, Alum .....	1
29	<u>103954301</u>	Splice Bar 10.5" .....	2
30	<u>1218</u>	Screw, 5/16-18 X 1.25 Hex-Head Cap .....	2
31	<u>183</u>	Washer, #10, Type A, Flat .....	16
32	<u>324</u>	Screw, 1/4-20 X 2.50 Hx Hd Cap .....	4
33	<u>343</u>	Screw, 1/4-20 X 3.00 Hx Hd Cap .....	4
34	<u>7473</u>	Locknut, 5/16-18 Nylon Insert .....	2
35	<u>8104</u>	Screw, #10-32 X .75 Rd Hd Mach .....	8
36	<u>8233</u>	Locknut, 1/4-20, Nylon Insert .....	12
37	<u>8915</u>	Screw, 5/16-18 X 3.0 Hx Hd Cap .....	2

**1**  
**G**  
**E**

**1**  
**G**  
**E**

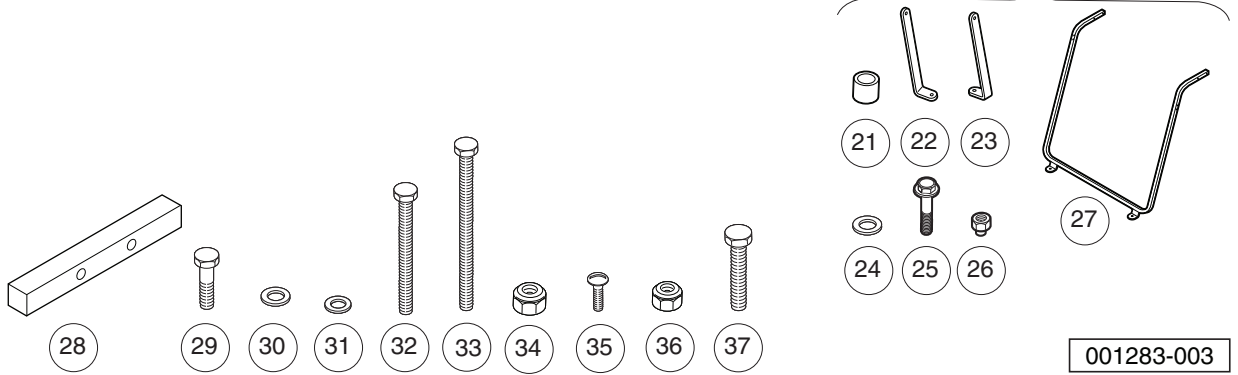
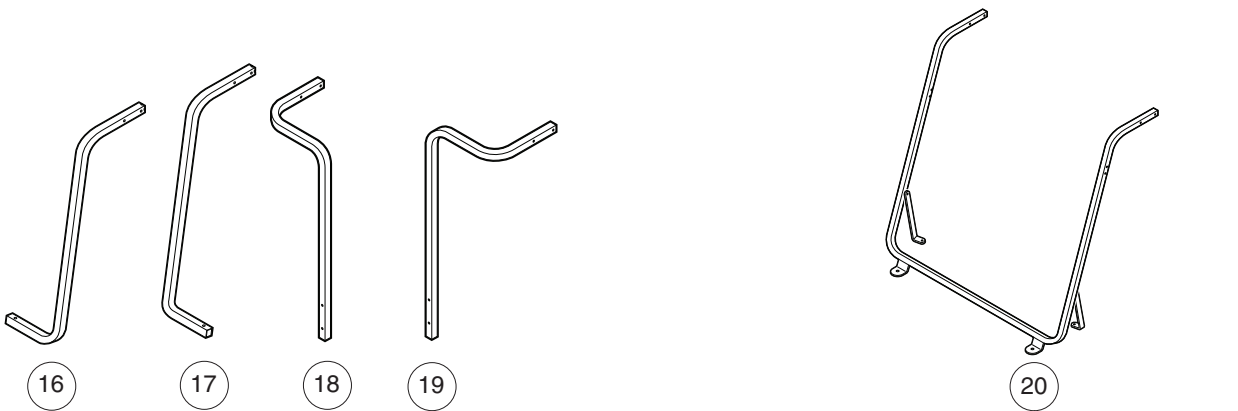
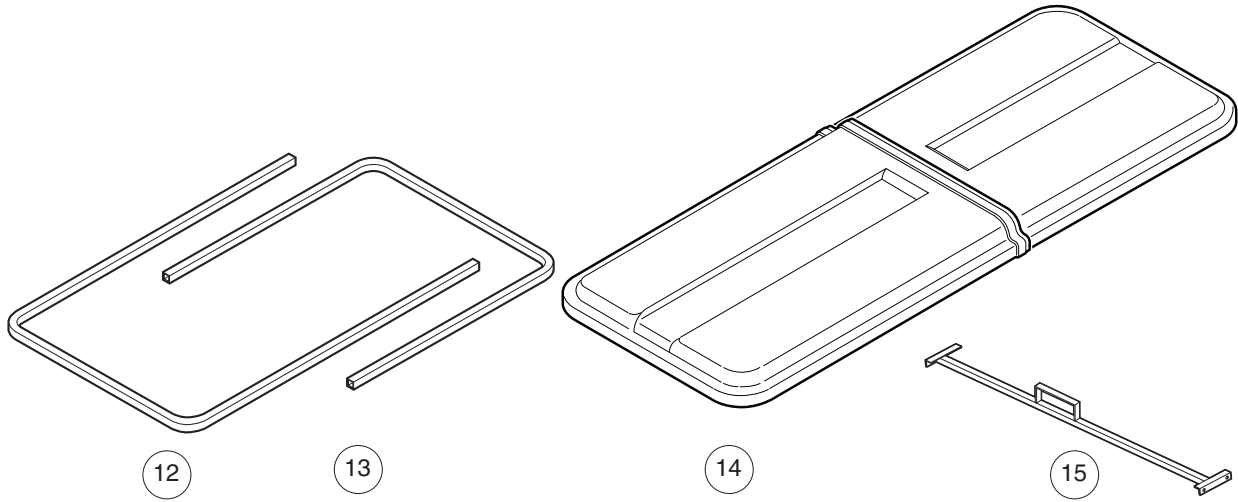
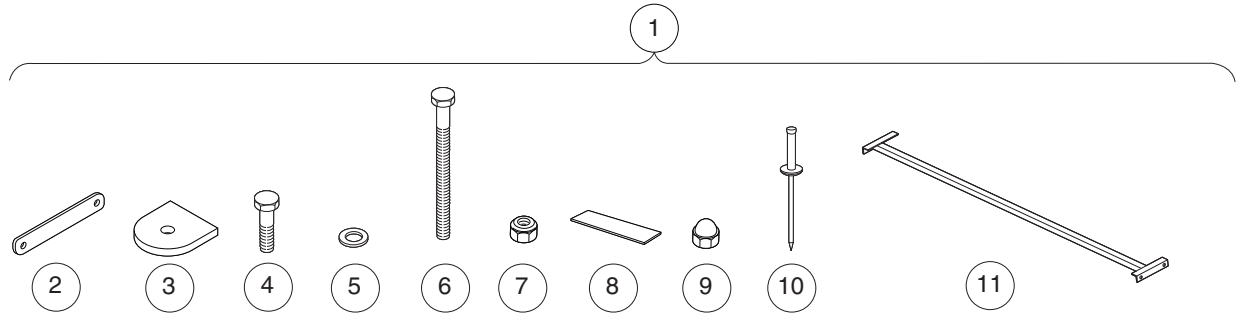


# CANOPY KIT, BEIGE – VILL. 6 WITH REAR-FACING SEATS

ITEM	PART NO.	DESCRIPTION	QTY
		1 2 3 4	
1	<u>101816702</u>	Canopy Beige Vill W/rear St (includes items 2 through 37) .....	1
2	<u>1011697</u>	Washer, 5/16 Flat .....	2
3	<u>1011852</u>	Plate, Canopy Trim .....	10
4	<u>1011883</u>	Pad, Windshield Frame Mounting .....	2
5	<u>1011937</u>	Bolt, 5/16-18 X 1.25 Hex Head .....	2
6	<u>1011964</u>	Washer, 1/4 Flat .....	14
7	<u>1012159</u>	Bolt, 1/4-20 X 2.75 Hex-Head .....	8
8	<u>1013061</u>	Locknut, #10-32 Nylon Insert .....	8
9	<u>1014471</u>	Tape, Vinyl Foam 1/8" x 3/4" .....	20
10	<u>1015091</u>	Nut, 1/4-20 Stainless-Steel Center-Lock Cap .....	4
11	<u>1015392</u>	Rivet, 3/16 Pop .....	8
12	<u>1015405</u>	Bolt, Carriage, 5/16-18 X 2.0 .....	2
13	<u>1016781</u>	Hanger Weldment .....	1
14	<u>1016793</u>	Top Front Support .....	1
15	<u>1016794</u>	Top Rear Support .....	1
16	<u>101679901</u>	Canopy Front & Rear Beige .....	1
17	<u>1017185</u>	Hanger Weldment Front .....	1
18	<u>101815301</u>	Brace, Rear Canopy .....	1
19	<u>101815401</u>	Canopy Side Brace Lh .....	1
20	<u>101815402</u>	Canopy Side Brace Rh .....	1
21	<u>103789601</u>	W/s Fr / Knee Br, Aluminum (includes items 22 through 28) .....	1
22	<u>1010237</u>	Bushing .....	2
23	<u>1011862</u>	Brace, Right-Hand Canopy Mount Knee .....	1
24	<u>1011865</u>	Brace, Left-Hand Canopy Mount Knee .....	1
25	<u>1011964</u>	Washer, 1/4 Flat .....	2
26	<u>102076701</u>	Screw, 1/4-20 X 1.75 Hex Sems .....	2
27	<u>102242401</u>	Nut - Nylon Insert W/cap .....	2
28	<u>103787401</u>	Asm, Windshield Frame, Alum .....	1
29	<u>103954301</u>	Splice Bar 10.5" .....	2
30	<u>1218</u>	Screw, 5/16-18 X 1.25 Hex-Head Cap .....	2
31	<u>183</u>	Washer, #10, Type A, Flat .....	16
32	<u>324</u>	Screw, 1/4-20 X 2.50 Hx Hd Cap .....	4
33	<u>343</u>	Screw, 1/4-20 X 3.00 Hx Hd Cap .....	4
34	<u>7473</u>	Locknut, 5/16-18 Nylon Insert .....	2
35	<u>8104</u>	Screw, #10-32 X .75 Rd Hd Mach .....	8
36	<u>8233</u>	Locknut, 1/4-20, Nylon Insert .....	12
37	<u>8915</u>	Screw, 5/16-18 X 3.0 Hx Hd Cap .....	2

**1**  
**G**  
**E**

**1**  
**G**  
**E**



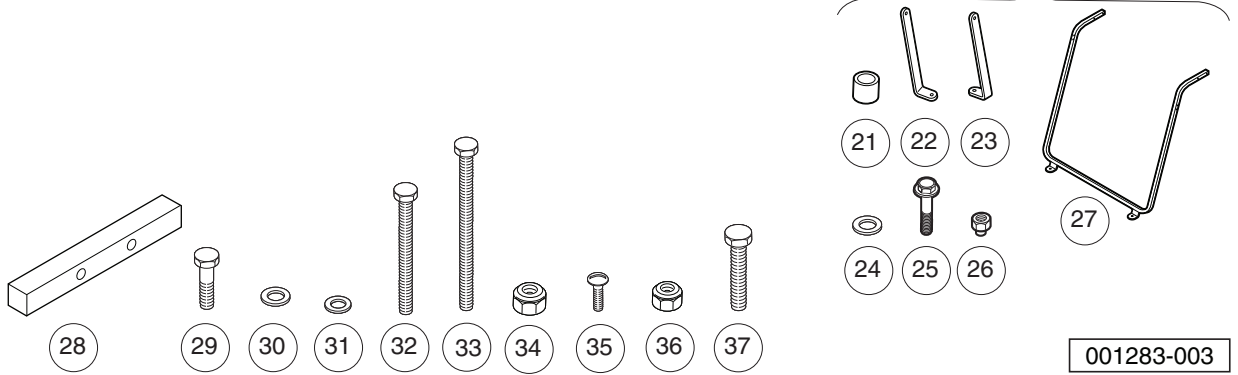
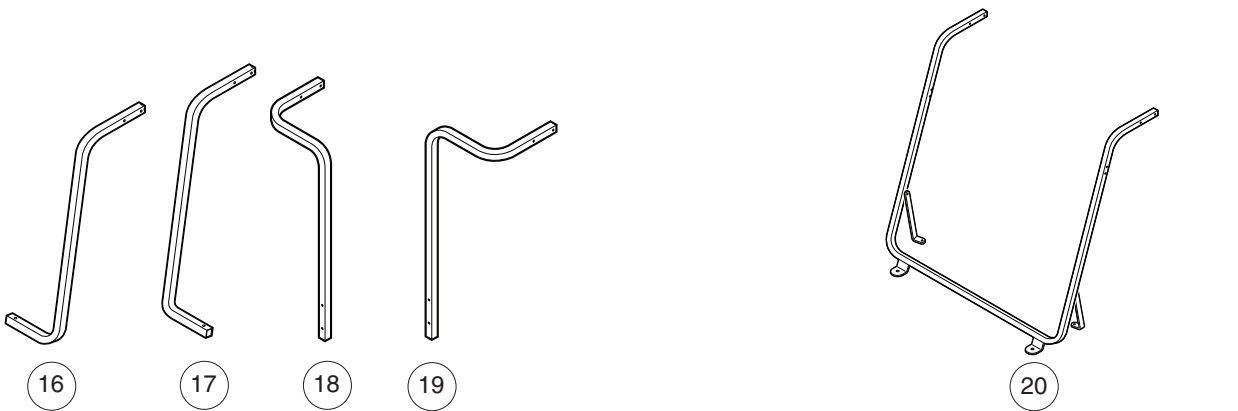
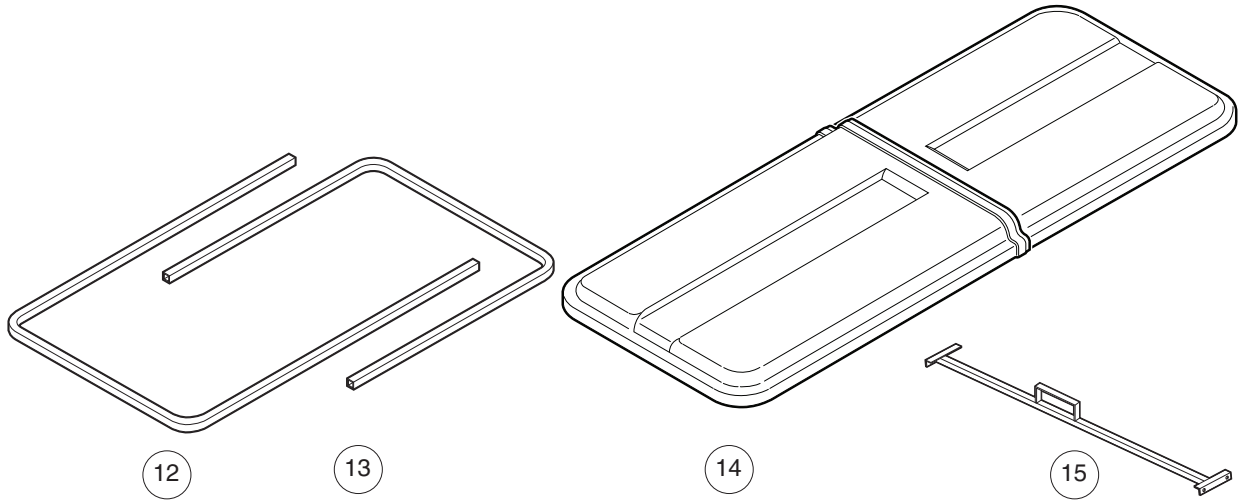
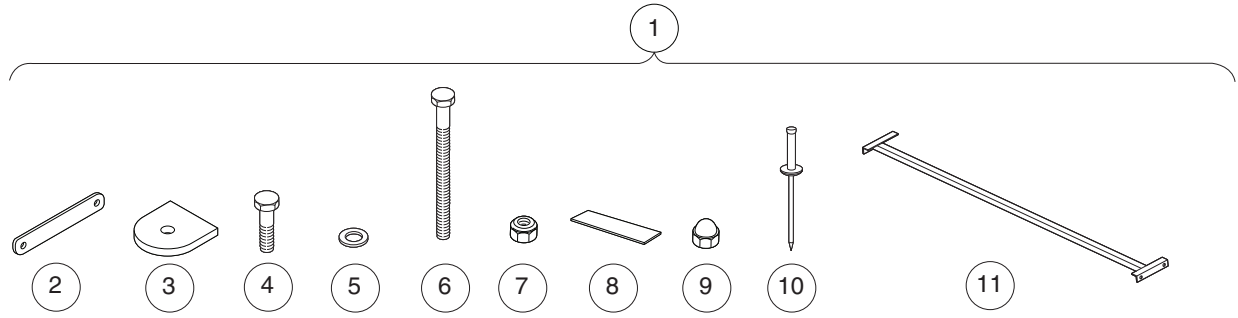


# CANOPY KIT, WHITE – VILL. 6 WITH FLAT BED

ITEM	PART NO.	DESCRIPTION	QTY
		1 2 3 4	
1	<u>101838001</u>	Canopy Top Wht Vill W/cargo Bd (includes items 2 through 37) .....	1
2	<u>1011852</u>	Plate, Canopy Trim .....	10
3	<u>1011883</u>	Pad, Windshield Frame Mounting .....	2
4	<u>1011937</u>	Bolt, 5/16-18 X 1.25 Hex Head .....	2
5	<u>1011964</u>	Washer, 1/4 Flat .....	14
6	<u>1012159</u>	Bolt, 1/4-20 X 2.75 Hex-Head .....	8
7	<u>1013061</u>	Locknut, #10-32 Nylon Insert .....	8
8	<u>1014471</u>	Tape, Vinyl Foam 1/8" x 3/4" .....	20
9	<u>1015091</u>	Nut, 1/4-20 Stainless-Steel Center-Lock Cap .....	4
10	<u>1015392</u>	Rivet, 3/16 Pop .....	8
11	<u>1016781</u>	Hanger Weldment .....	1
12	<u>1016793</u>	Top Front Support .....	1
13	<u>1016794</u>	Top Rear Support .....	1
14	<u>101679902</u>	Canopy Front & Rear White .....	1
15	<u>1017185</u>	Hanger Weldment Front .....	1
16	<u>101815401</u>	Canopy Side Brace Lh .....	1
17	<u>101815402</u>	Canopy Side Brace Rh .....	1
18	<u>101837801</u>	Rear Canopy Brace Rh .....	1
19	<u>101837802</u>	Rear Canopy Brace Lh .....	1
20	<u>103789601</u>	W/s Fr / Knee Br, Aluminum (includes items 21 through 27) .....	1
21	<u>1010237</u>	Bushing .....	2
22	<u>1011862</u>	Brace, Right-Hand Canopy Mount Knee .....	1
23	<u>1011865</u>	Brace, Left-Hand Canopy Mount Knee .....	1
24	<u>1011964</u>	Washer, 1/4 Flat .....	2
25	<u>102076701</u>	Screw, 1/4-20 X 1.75 Hex Sems .....	2
26	<u>102242401</u>	Nut - Nylon Insert W/cap .....	2
27	<u>103787401</u>	Asm, Windshield Frame, Alum .....	1
28	<u>103954301</u>	Splice Bar 10.5" .....	2
29	<u>1218</u>	Screw, 5/16-18 X 1.25 Hex-Head Cap .....	2
30	<u>1241</u>	Washer, 5/16 Type A Flat .....	4
31	<u>183</u>	Washer, #10, Type A, Flat .....	16
32	<u>324</u>	Screw, 1/4-20 X 2.50 Hx Hd Cap .....	4
33	<u>343</u>	Screw, 1/4-20 X 3.00 Hx Hd Cap .....	4
34	<u>7473</u>	Locknut, 5/16-18 Nylon Insert .....	4
35	<u>8104</u>	Screw, #10-32 X .75 Rd Hd Mach .....	8
36	<u>8233</u>	Locknut, 1/4-20, Nylon Insert .....	12
37	<u>8963</u>	Screw, 5/16-18 X 1.75 Hex-Head Cap .....	4

**1**  
**G**  
**E**

**1**  
**G**  
**E**

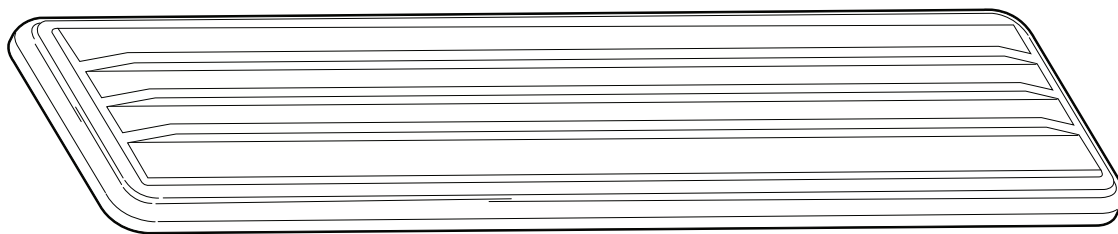
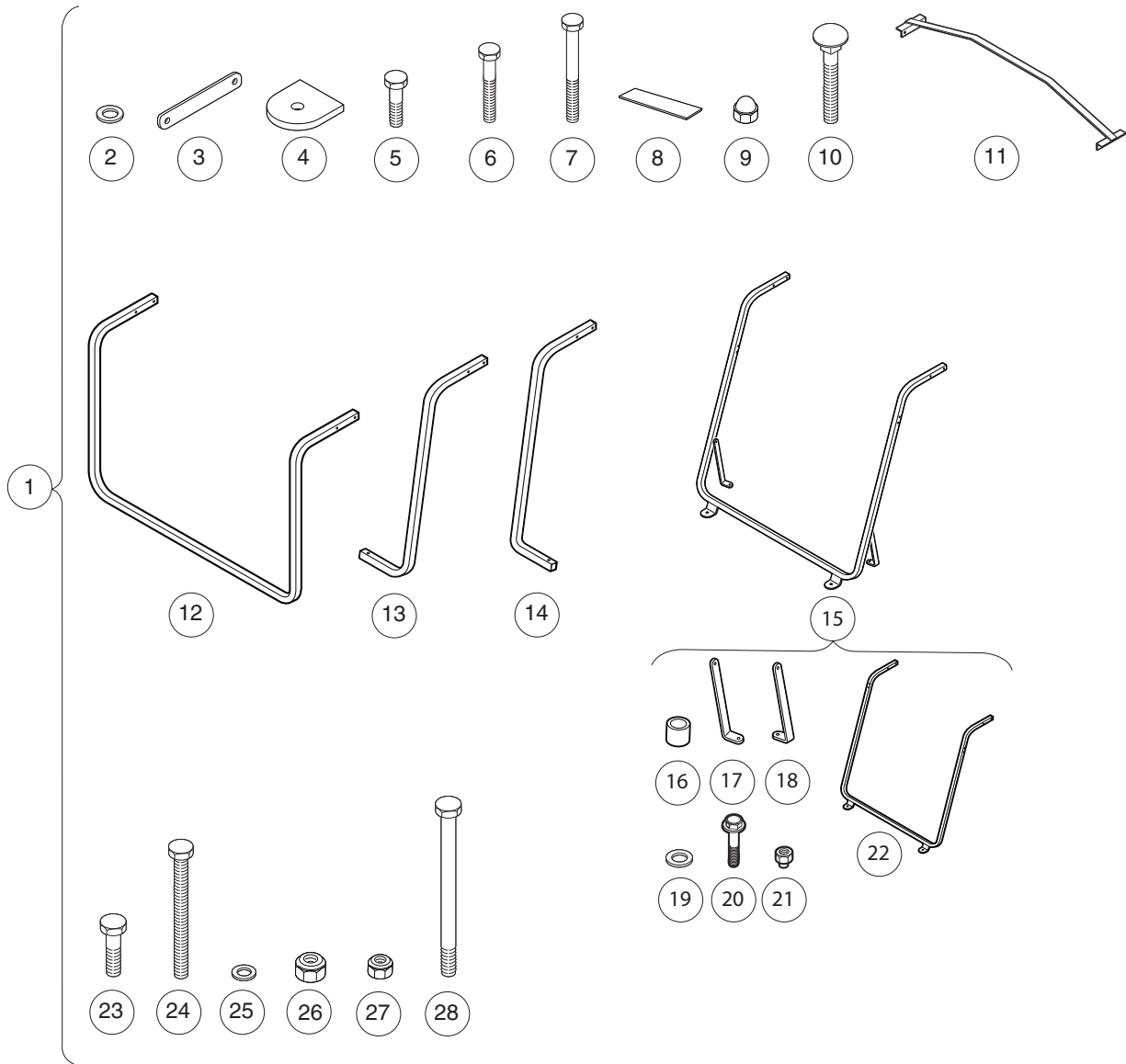


## CANOPY KIT, BEIGE – VILL. 6 WITH FLAT BED

ITEM	PART NO.	DESCRIPTION	QTY
		<b>1 2 3 4</b>	
1	<u>101838002</u>	Canopy Beige Vill W/cargo Bd (includes items 2 through 37) .....	1
2	<u>1011852</u>	Plate, Canopy Trim .....	10
3	<u>1011883</u>	Pad, Windshield Frame Mounting .....	2
4	<u>1011937</u>	Bolt, 5/16-18 X 1.25 Hex Head .....	2
5	<u>1011964</u>	Washer, 1/4 Flat .....	14
6	<u>1012159</u>	Bolt, 1/4-20 X 2.75 Hex-Head .....	8
7	<u>1013061</u>	Locknut, #10-32 Nylon Insert .....	8
8	<u>1014471</u>	Tape, Vinyl Foam 1/8" x 3/4" .....	20
9	<u>1015091</u>	Nut, 1/4-20 Stainless-Steel Center-Lock Cap .....	4
10	<u>1015392</u>	Rivet, 3/16 Pop .....	8
11	<u>1016781</u>	Hanger Weldment .....	1
12	<u>1016793</u>	Top Front Support .....	1
13	<u>1016794</u>	Top Rear Support .....	1
14	<u>101679901</u>	Canopy Front & Rear Beige .....	1
15	<u>1017185</u>	Hanger Weldment Front .....	1
16	<u>101815401</u>	Canopy Side Brace Lh .....	1
17	<u>101815402</u>	Canopy Side Brace Rh .....	1
18	<u>101837801</u>	Rear Canopy Brace Rh .....	1
19	<u>101837802</u>	Rear Canopy Brace Lh .....	1
20	<u>103789601</u>	W/s Fr / Knee Br, Aluminum (includes items 21 through 27) .....	1
21	<u>1010237</u>	Bushing .....	2
22	<u>1011862</u>	Brace, Right-Hand Canopy Mount Knee .....	1
23	<u>1011865</u>	Brace, Left-Hand Canopy Mount Knee .....	1
24	<u>1011964</u>	Washer, 1/4 Flat .....	2
25	<u>102076701</u>	Screw, 1/4-20 X 1.75 Hex Sems .....	2
26	<u>102242401</u>	Nut - Nylon Insert W/cap .....	2
27	<u>103787401</u>	Asm, Windshield Frame, Alum .....	1
28	<u>103954301</u>	Splice Bar 10.5" .....	2
29	<u>1218</u>	Screw, 5/16-18 X 1.25 Hex-Head Cap .....	2
30	<u>1241</u>	Washer, 5/16 Type A Flat .....	4
31	<u>183</u>	Washer, #10, Type A, Flat .....	16
32	<u>324</u>	Screw, 1/4-20 X 2.50 Hx Hd Cap .....	4
33	<u>343</u>	Screw, 1/4-20 X 3.00 Hx Hd Cap .....	4
34	<u>7473</u>	Locknut, 5/16-18 Nylon Insert .....	4
35	<u>8104</u>	Screw, #10-32 X .75 Rd Hd Mach .....	8
36	<u>8233</u>	Locknut, 1/4-20, Nylon Insert .....	12
37	<u>8963</u>	Screw, 5/16-18 X 1.75 Hex-Head Cap .....	4

**1**  
**G**  
**E**

**1**  
**G**  
**E**



29

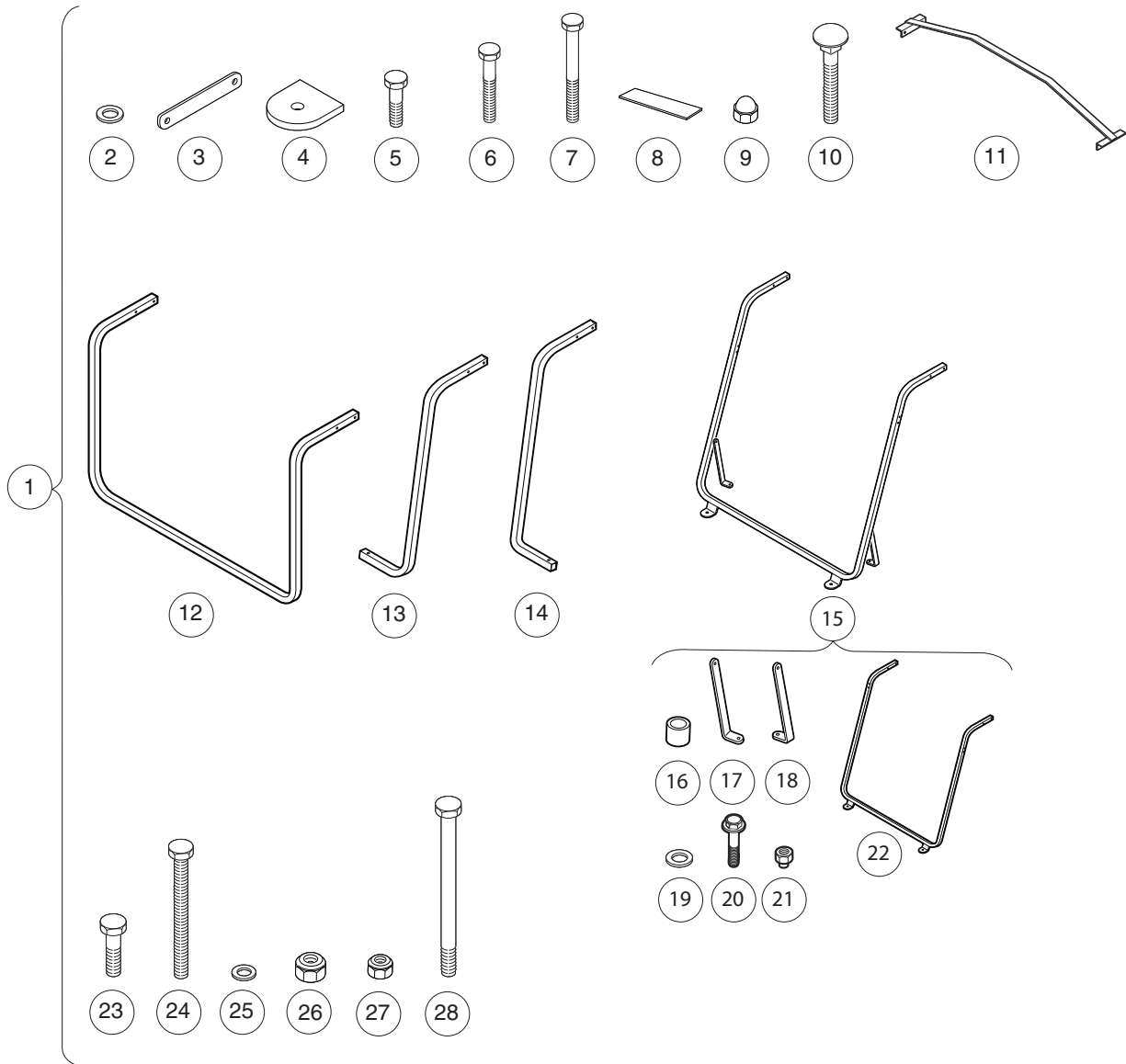
001284-003

# CANOPY KIT, WHITE – VILL. 8 WITH REAR-FACING SEATS

ITEM	PART NO.	DESCRIPTION	QTY
		1 2 3 4	
1	<u>101805801</u>	Canopy Hardware Kit (includes items 2 through 28) .....	1
2	<u>1011697</u>	Washer, 5/16 Flat .....	2
3	<u>1011852</u>	Plate, Canopy Trim .....	4
4	<u>1011883</u>	Pad, Windshield Frame Mounting .....	2
5	<u>1011937</u>	Bolt, 5/16-18 X 1.25 Hex Head .....	2
6	<u>1013509</u>	Screw, 1/4-20 X 1.75 Hx Hd Cap .....	4
7	<u>1014201</u>	Screw, 1/4-20 X 2.25 Hex Cap .....	16
8	<u>1014471</u>	Tape, Vinyl Foam 1/8" x 3/4" .....	20
9	<u>1015091</u>	Nut, 1/4-20 Stainless-Steel Center-Lock Cap .....	8
10	<u>1015405</u>	Bolt, Carriage, 5/16-18 X 2.0 .....	2
11	<u>101800201</u>	Canopy Top Brace Weldment .....	2
12	<u>101805601</u>	Rear Brace XI Canopy .....	1
13	<u>101815401</u>	Canopy Side Brace Lh .....	2
14	<u>101815402</u>	Canopy Side Brace Rh .....	2
15	<u>103789601</u>	W/s Fr / Knee Br, Aluminum (includes items 16 through 22) .....	1
16	<u>1010237</u>	Bushing .....	2
17	<u>1011862</u>	Brace, Right-Hand Canopy Mount Knee .....	1
18	<u>1011865</u>	Brace, Left-Hand Canopy Mount Knee .....	1
19	<u>1011964</u>	Washer, 1/4 Flat .....	2
20	<u>102076701</u>	Screw, 1/4-20 X 1.75 Hex Sems .....	2
21	<u>102242401</u>	Nut - Nylon Insert W/cap .....	2
22	<u>103787401</u>	Asm, Windshield Frame, Alum .....	1
23	<u>1218</u>	Screw, 5/16-18 X 1.25 Hex-Head Cap .....	2
24	<u>324</u>	Screw, 1/4-20 X 2.50 Hx Hd Cap .....	12
25	<u>332</u>	Washer, 1/4 Type A Narrow Flat .....	56
26	<u>7473</u>	Locknut, 5/16-18 Nylon Insert .....	2
27	<u>8233</u>	Locknut, 1/4-20, Nylon Insert .....	24
28	<u>8915</u>	Screw, 5/16-18 X 3.0 Hx Hd Cap .....	2
29	<u>101835501</u>	XI Canopy - White .....	1

**1**  
**G**  
**E**

**1**  
**G**  
**E**



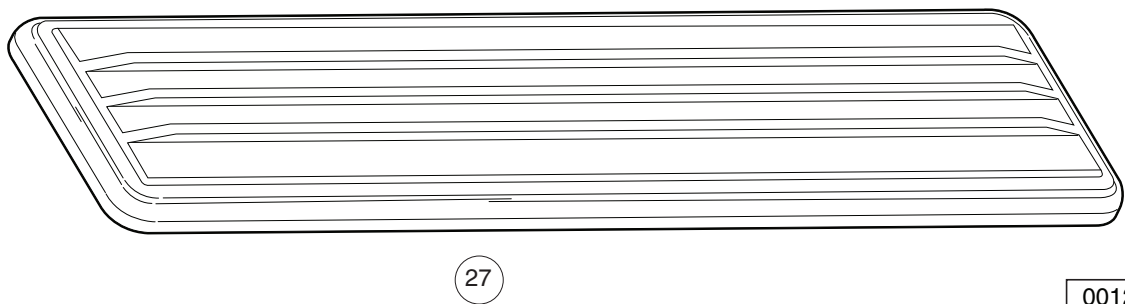
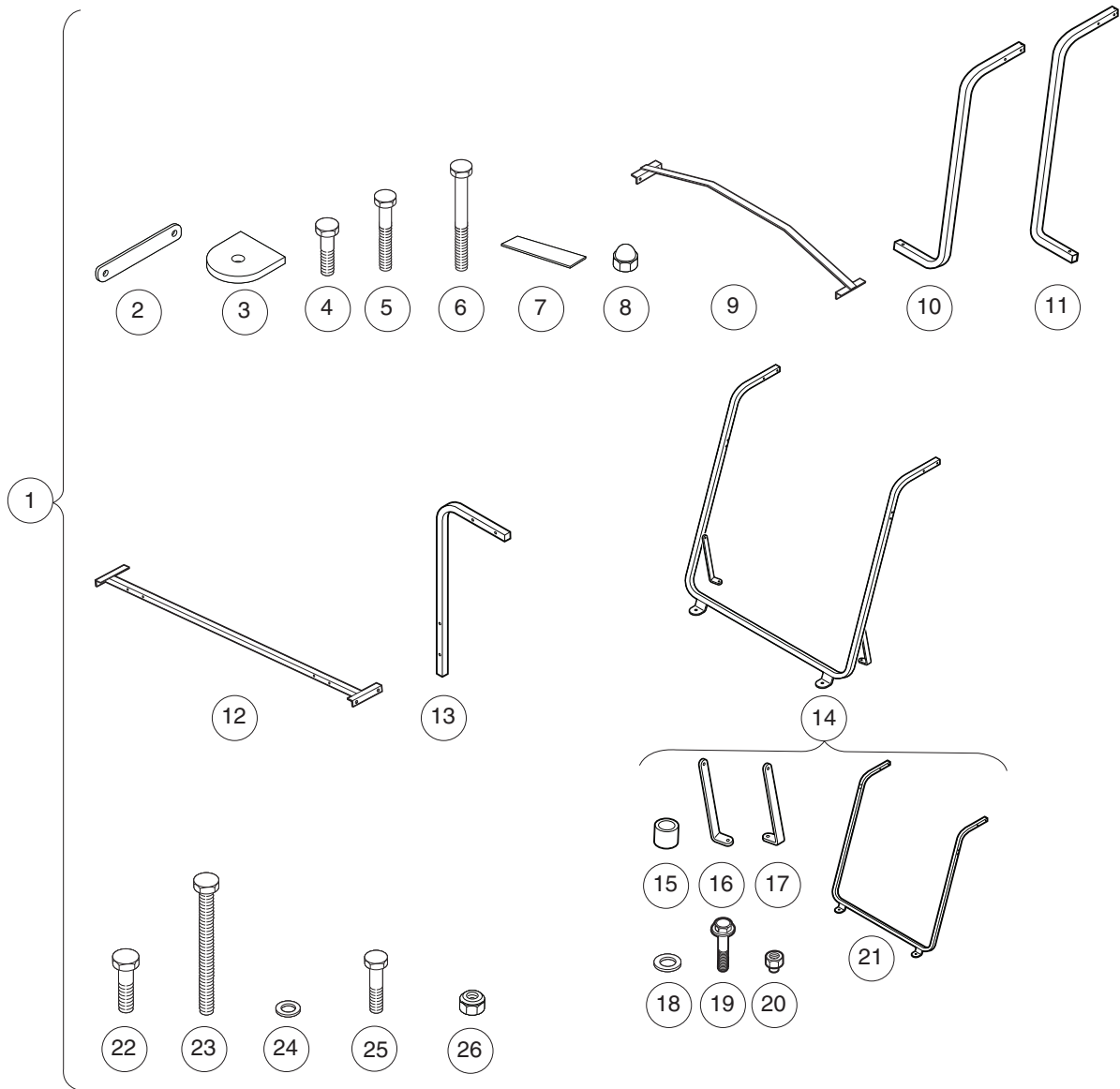
001284-003

# CANOPY KIT, BEIGE – VILL. 8 WITH REAR-FACING SEATS

ITEM	PART NO.	DESCRIPTION	QTY
		1 2 3 4	
1	<u>101805801</u>	Canopy Hardware Kit (includes items 2 through 28) .....	1
2	<u>1011697</u>	Washer, 5/16 Flat .....	2
3	<u>1011852</u>	Plate, Canopy Trim .....	4
4	<u>1011883</u>	Pad, Windshield Frame Mounting .....	2
5	<u>1011937</u>	Bolt, 5/16-18 X 1.25 Hex Head .....	2
6	<u>1013509</u>	Screw, 1/4-20 X 1.75 Hx Hd Cap .....	4
7	<u>1014201</u>	Screw, 1/4-20 X 2.25 Hex Cap .....	16
8	<u>1014471</u>	Tape, Vinyl Foam 1/8" x 3/4" .....	20
9	<u>1015091</u>	Nut, 1/4-20 Stainless-Steel Center-Lock Cap .....	8
10	<u>1015405</u>	Bolt, Carriage, 5/16-18 X 2.0 .....	2
11	<u>101800201</u>	Canopy Top Brace Weldment .....	2
12	<u>101805601</u>	Rear Brace XI Canopy .....	1
13	<u>101815401</u>	Canopy Side Brace Lh .....	2
14	<u>101815402</u>	Canopy Side Brace Rh .....	2
15	<u>103789601</u>	W/s Fr / Knee Br, Aluminum (includes items 16 through 22) .....	1
16	<u>1010237</u>	Bushing .....	2
17	<u>1011862</u>	Brace, Right-Hand Canopy Mount Knee .....	1
18	<u>1011865</u>	Brace, Left-Hand Canopy Mount Knee .....	1
19	<u>1011964</u>	Washer, 1/4 Flat .....	2
20	<u>102076701</u>	Screw, 1/4-20 X 1.75 Hex Sems .....	2
21	<u>102242401</u>	Nut - Nylon Insert W/cap .....	2
22	<u>103787401</u>	Asm, Windshield Frame, Alum .....	1
23	<u>1218</u>	Screw, 5/16-18 X 1.25 Hex-Head Cap .....	2
24	<u>324</u>	Screw, 1/4-20 X 2.50 Hx Hd Cap .....	12
25	<u>332</u>	Washer, 1/4 Type A Narrow Flat .....	56
26	<u>7473</u>	Locknut, 5/16-18 Nylon Insert .....	2
27	<u>8233</u>	Locknut, 1/4-20, Nylon Insert .....	24
28	<u>8915</u>	Screw, 5/16-18 X 3.0 Hx Hd Cap .....	2
29	<u>101835502</u>	XI Canopy - Beige .....	1

**1**  
**G**  
**E**

**1**  
**G**  
**E**



001285-003

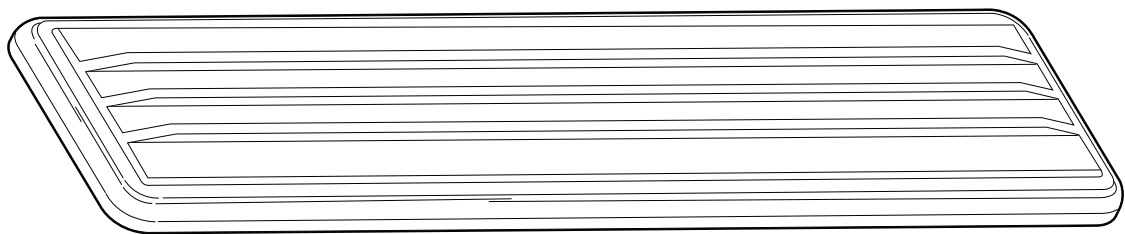
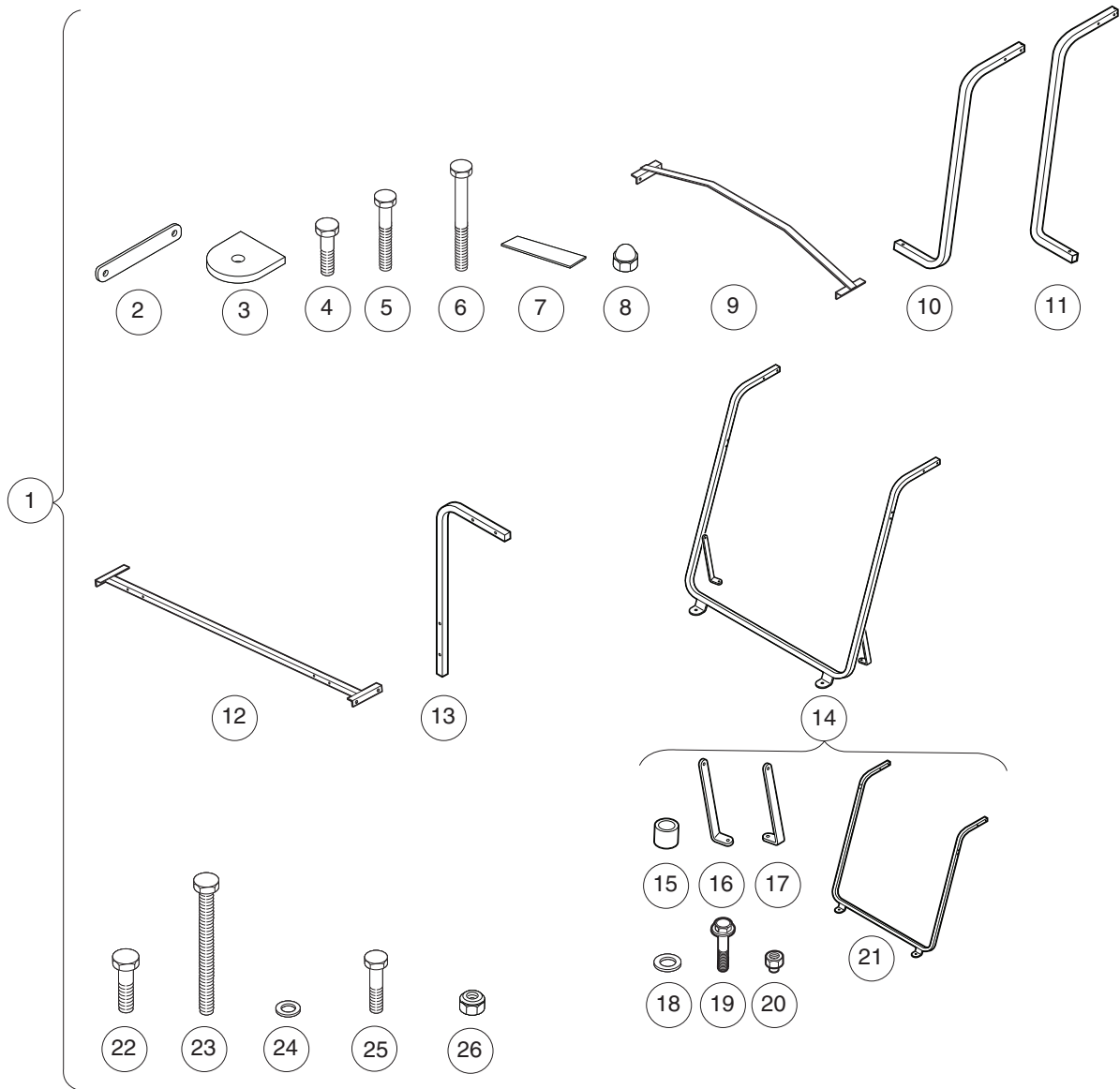


# CANOPY KIT, WHITE – VILL. 8 WITH FLAT BED

ITEM	PART NO.	DESCRIPTION	QTY
		<b>1 2 3 4</b>	
1	<u>101835001</u>	Kit, Rv XI Canopy Hardware (includes items 2 through 26) .....	1
2	<u>1011852</u>	Plate, Canopy Trim .....	4
3	<u>1011883</u>	Pad, Windshield Frame Mounting .....	2
4	<u>1011937</u>	Bolt, 5/16-18 X 1.25 Hex Head .....	2
5	<u>1013509</u>	Screw, 1/4-20 X 1.75 Hx Hd Cap .....	4
6	<u>1014201</u>	Screw, 1/4-20 X 2.25 Hex Cap .....	8
7	<u>1014471</u>	Tape, Vinyl Foam 1/8" x 3/4" .....	20
8	<u>1015091</u>	Nut, 1/4-20 Stainless-Steel Center-Lock Cap .....	8
9	<u>101800201</u>	Canopy Top Brace Weldment .....	2
10	<u>101805501</u>	Side Brace XI Canopy L.h. ....	2
11	<u>101805502</u>	Side Brace XI Canopy R.h. ....	2
12	<u>101835101</u>	Rear Cross Brace XI Canopy .....	1
13	<u>101835401</u>	Rear Brace XI Canopy .....	2
14	<u>103789601</u>	W/s Fr / Knee Br, Aluminum (includes items 15 through 21) .....	1
15	<u>1010237</u>	Bushing .....	2
16	<u>1011862</u>	Brace, Right-Hand Canopy Mount Knee .....	1
17	<u>1011865</u>	Brace, Left-Hand Canopy Mount Knee .....	1
18	<u>1011964</u>	Washer, 1/4 Flat .....	2
19	<u>102076701</u>	Screw, 1/4-20 X 1.75 Hex Sems .....	2
20	<u>102242401</u>	Nut - Nylon Insert W/cap .....	2
21	<u>103787401</u>	Asm, Windshield Frame, Alum .....	1
22	<u>1218</u>	Screw, 5/16-18 X 1.25 Hex-Head Cap .....	2
23	<u>324</u>	Screw, 1/4-20 X 2.50 Hx Hd Cap .....	16
24	<u>332</u>	Washer, 1/4 Type A Narrow Flat .....	56
25	<u>7479</u>	Screw, 1/4-20 X 1.25 Hex-Head Cap .....	4
26	<u>8233</u>	Locknut, 1/4-20, Nylon Insert .....	24
27	<u>101835501</u>	XI Canopy - White .....	1

**1**  
**G**  
**E**

**1**  
**G**  
**E**



27

001285-003

## CANOPY KIT, BEIGE – VILL. 8 WITH FLAT BED

ITEM	PART NO.	DESCRIPTION	QTY
		<b>1 2 3 4</b>	
1	<u>101835001</u>	Kit, Rv XI Canopy Hardware (includes items 2 through 26) .....	1
2	<u>1011852</u>	Plate, Canopy Trim .....	4
3	<u>1011883</u>	Pad, Windshield Frame Mounting .....	2
4	<u>1011937</u>	Bolt, 5/16-18 X 1.25 Hex Head .....	2
5	<u>1013509</u>	Screw, 1/4-20 X 1.75 Hx Hd Cap .....	4
6	<u>1014201</u>	Screw, 1/4-20 X 2.25 Hex Cap .....	8
7	<u>1014471</u>	Tape, Vinyl Foam 1/8" x 3/4" .....	20
8	<u>1015091</u>	Nut, 1/4-20 Stainless-Steel Center-Lock Cap .....	8
9	<u>101800201</u>	Canopy Top Brace Weldment .....	2
10	<u>101805501</u>	Side Brace XI Canopy L.h. ....	2
11	<u>101805502</u>	Side Brace XI Canopy R.h. ....	2
12	<u>101835101</u>	Rear Cross Brace XI Canopy .....	1
13	<u>101835401</u>	Rear Brace XI Canopy .....	2
14	<u>103789601</u>	W/s Fr / Knee Br, Aluminum (includes items 15 through 21) .....	1
15	<u>1010237</u>	Bushing .....	2
16	<u>1011862</u>	Brace, Right-Hand Canopy Mount Knee .....	1
17	<u>1011865</u>	Brace, Left-Hand Canopy Mount Knee .....	1
18	<u>1011964</u>	Washer, 1/4 Flat .....	2
19	<u>102076701</u>	Screw, 1/4-20 X 1.75 Hex Sems .....	2
20	<u>102242401</u>	Nut - Nylon Insert W/cap .....	2
21	<u>103787401</u>	Asm, Windshield Frame, Alum .....	1
22	<u>1218</u>	Screw, 5/16-18 X 1.25 Hex-Head Cap .....	2
23	<u>324</u>	Screw, 1/4-20 X 2.50 Hx Hd Cap .....	16
24	<u>332</u>	Washer, 1/4 Type A Narrow Flat .....	56
25	<u>7479</u>	Screw, 1/4-20 X 1.25 Hex-Head Cap .....	4
26	<u>8233</u>	Locknut, 1/4-20, Nylon Insert .....	24
27	<u>101835502</u>	XI Canopy - Beige .....	1

**1**  
**G**  
**E**

**1**

**G**

**E**

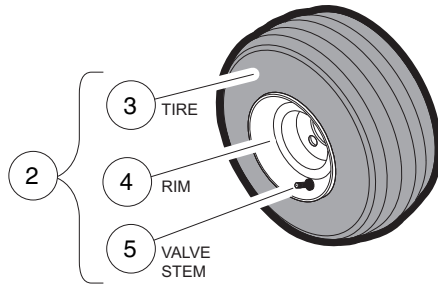
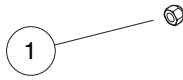
# WHEELS AND TIRES

---

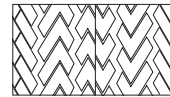
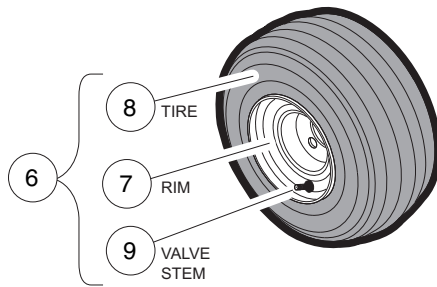
2

G

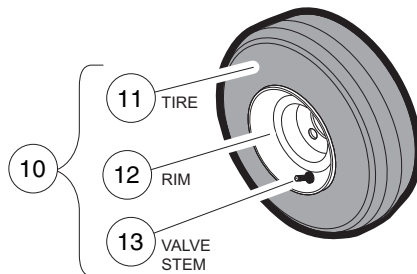
E



EXTRA TRACTION  
TREAD



KENDA HOLE-N-ONE  
K389 TREAD



KENDA HOLE-N-ONE  
K389 TREAD

000269-018

## WHEELS (SILVER) AND TIRES

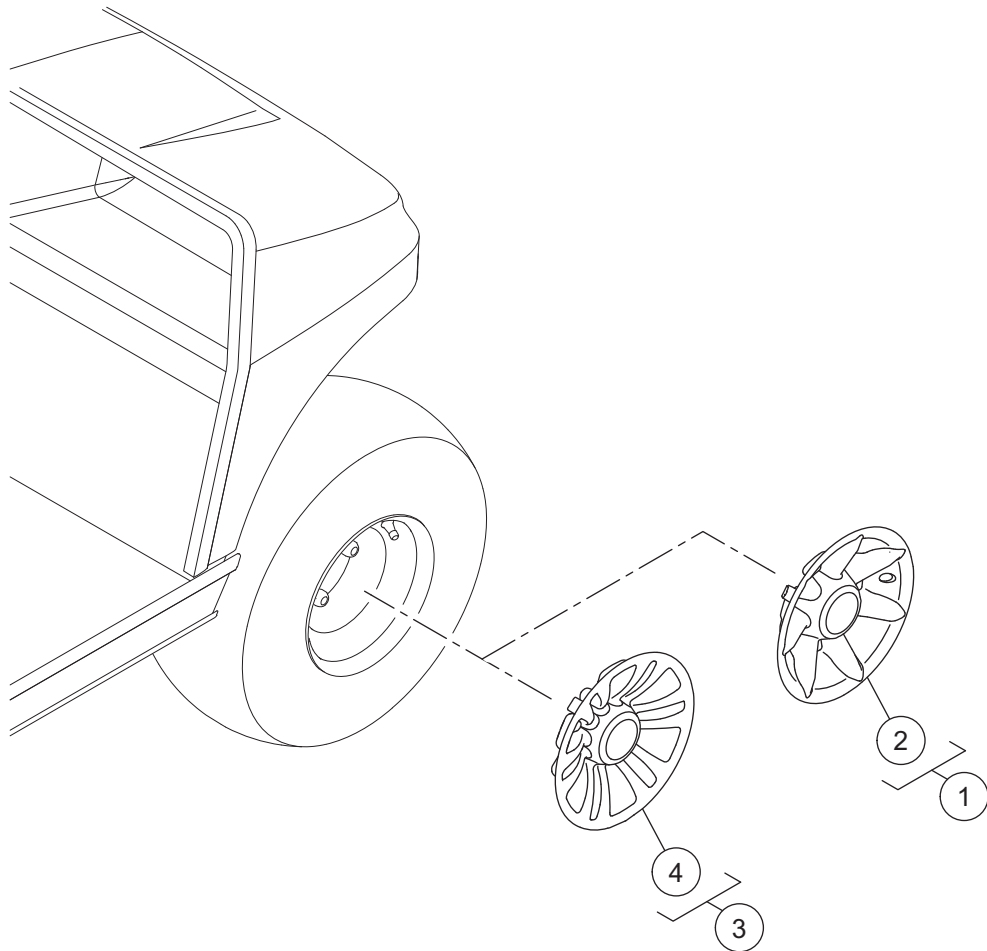
ITEM	PART NO.	DESCRIPTION	QTY
		<b>1 2 3 4</b>	
1	<u>1010984</u>	.500-20 Unf Lug Nut .....	16
2	<u>103951002</u>	Assembly, Silver Wheel Kenda, X/t 6ply (includes items 3 through 5) .....	A/R
3	<u>102569302</u>	Tire, Kenda, 18x8.5-8, 6-ply Xtr .....	1
4	<u>103459104</u>	Wheel Rim, 8"x7", Silver, Std .....	1
5	<u>7310</u>	Valve Stem, Black Plastic .....	1
6	<u>103951003</u>	Asm,silver Whl Kenda, Hn1 6pl (includes items 7 through 9) .....	A/R
7	<u>103459104</u>	Wheel Rim, 8"x7", Silver, Std .....	1
8	<u>103658601</u>	Tire, Kenda Hn1, 6pl .....	1
9	<u>7310</u>	Valve Stem, Black Plastic .....	1
10	<u>103951004</u>	Asm,silver Whl Kenda,6.5" 6pl (includes items 11 through 13) .....	A/R
11	<u>103722901</u>	Tire, Kenda Hole-N-One, 18x6.5 - 8, Prem, 6-Ply .....	1
12	<u>103723003</u>	Wheel Rim, 8 X 5.375, Silver .....	1
13	<u>7310</u>	Valve Stem, Black Plastic .....	1

**2**  
**G**  
**E**

2

G

E



001203-002



# WHEEL COVERS

ITEM	PART NO.	DESCRIPTION	QTY
		1 2 3 4	
1	<u>102559901</u>	Hub Cap Kit (includes item 2) .....	1
2	<u>103694501</u>	Hub Cap, 7 Prong .....	4
3	<u>102559902</u>	Kit, Wheel Cover, 12 Spk (includes item 4) .....	1
4	<u>105142401</u>	Wheel Cover, 12 Spk, 8", Slvr .....	4

**2**

**G**

**E**

**2**

**G**

**E**

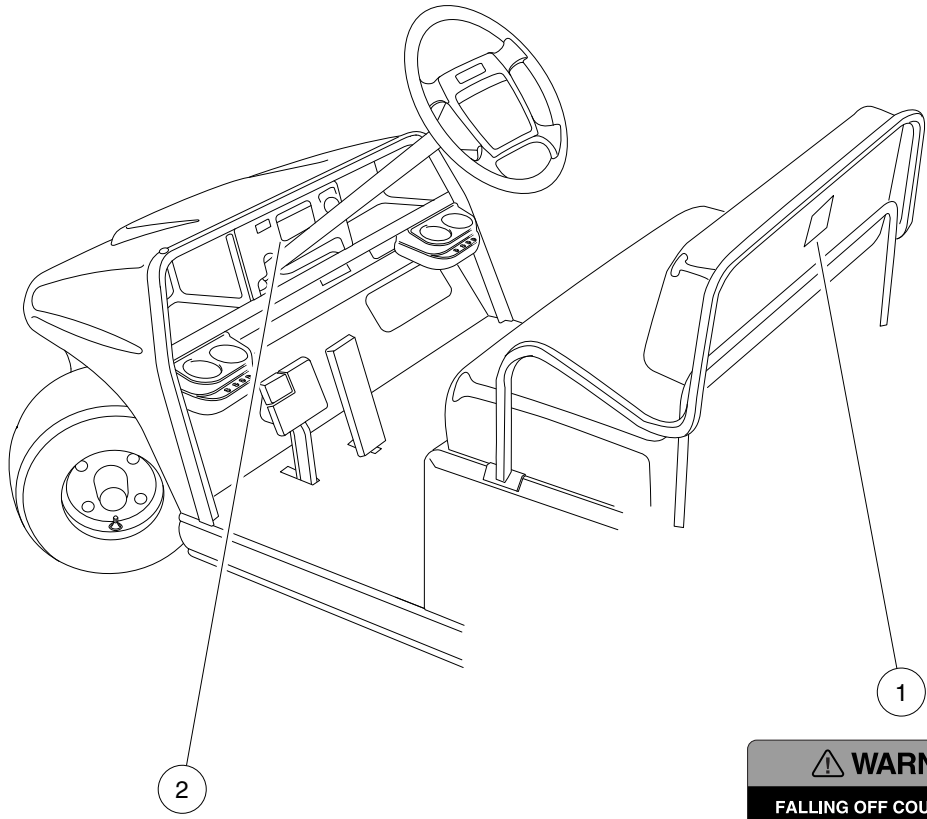
# DECALS

---

3

G

E



**⚠ WARNING**

**ROLLOVER OR FALLING OFF MAY CAUSE DEATH.**

- Before using vehicle, read operating instructions.
- Remain seated and hold on to seat handle while moving.
- Do not start vehicle until all occupants are seated.
- Two (2) persons per seat maximum.
- Operate from driver side only and not on public roads.
- Keep entire body inside vehicle while moving.
- Drive slowly in turns and straight up and down slopes.
- Do not leave children unattended on vehicle.
- Never operate under the influence of alcohol or drugs.
- Use brakes to reduce speed when coasting downhill.
- Never stand in front of or behind vehicle.

CC# 103205401

**⚠ WARNING**

**FALLING OFF COULD RESULT IN SEVERE INJURY OR DEATH**

- Remain seated with entire body inside vehicle and hold on to seat handle or handrail at all times.
- Two (2) persons per bench seat maximum.
- One (1) person per bucket seat maximum.
- Do not leave children unattended on vehicle at anytime.
- Never stand in front of or behind vehicle.

CC# 101705701

000374-002

# DECALS – VILLAGER 6 GAS AND IQ PLUS

ITEM	PART NO.	DESCRIPTION	QTY
		1 2 3 4	
1	<u>101705701</u>	Decal, Warning .....	1
2	<u>103961601</u>	Decal, Warn, Rollover, Ds Utl .....	1

3  
G  
E

**3**  
**G**  
**E**

**OPERATING INSTRUCTIONS**

Before using vehicle, read owner's manual and vehicle safety warnings. Study and understand controls.

**TO OPERATE**

- Ensure wheels are turned in desired direction and path is clear.
- Turn key to ON position.
- Select FORWARD or REVERSE only when stopped.
- Release park brake fully.
- Vehicle will start moving when accelerator pedal is pressed.
- Slowly press accelerator pedal to increase speed.
- During operation, beeping alarm indicates reduction in motor braking.
- To stop, release accelerator pedal and press brake pedal.

**WARNING**

Unintended vehicle movement may cause severe injury or death. Before leaving vehicle:

- Engage park brake to lock wheels.
- Place vehicle in NEUTRAL.
- Turn key to OFF and remove key.

103783001

**DANGER / POISON**

SHIELD EYES  
EXPLOSIVE GASES CAN CAUSE BLINDNESS OR INJURY

NO SPARKS  
FLAMES  
SMOKING

SULFURIC ACID CAN CAUSE BLINDNESS OR SEVERE BURNS

FLUSH EYES IMMEDIATELY WITH WATER  
GET MEDICAL HELP FAST

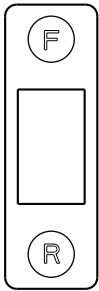
KEEP OUT OF THE REACH OF CHILDREN - DO NOT TIP - KEEP VENT CAPS TIGHT AND LEVEL

**CAUTION**

**EXPOSURE TO WATER MAY DAMAGE ELECTRONIC COMPONENTS**

- Do not operate vehicle without this cover properly installed.
- Do not direct water stream in the area of the cover without cover securely in place.
- See vehicle maintenance and service manual before servicing.

CCI 102518301



**WARNING**

**AVOID FIRE HAZARD**

- Replacement battery wires must be 4-gauge (AWG) with low-resistance terminals equivalent to factory-installed wires.
- Ensure that battery connections are clean and properly tightened. See owner's manual.

CCI 102967601

**WARNING**

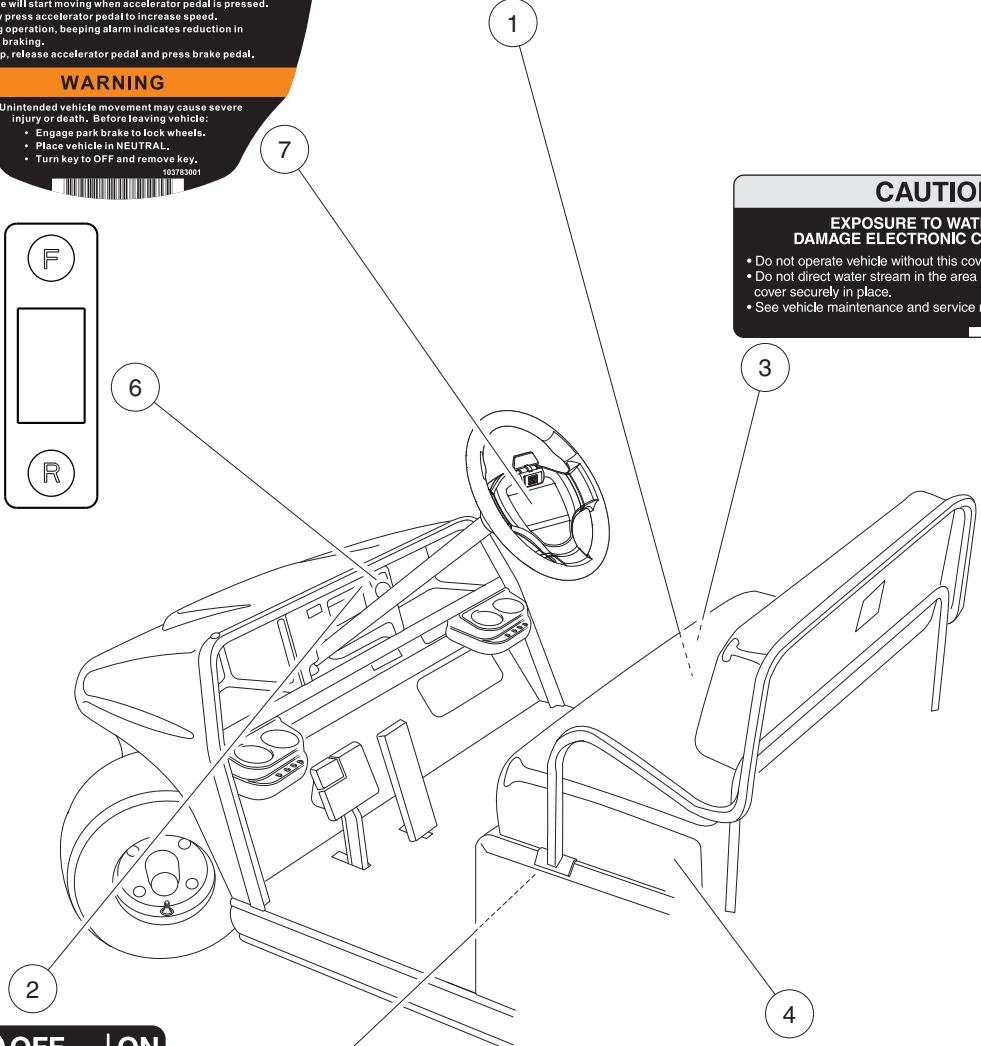
**BATTERY EXPLOSION COULD RESULT IN SEVERE PERSONAL INJURY.**

- Do not store items in battery compartment.
- Place Run/Tow switch in TOW position before:
  - Disconnecting or connecting battery cables
  - Towing this vehicle
  - Extended storage
  - Servicing the vehicle

NORMAL TRIPPED

TOW RUN

CCI 102845101

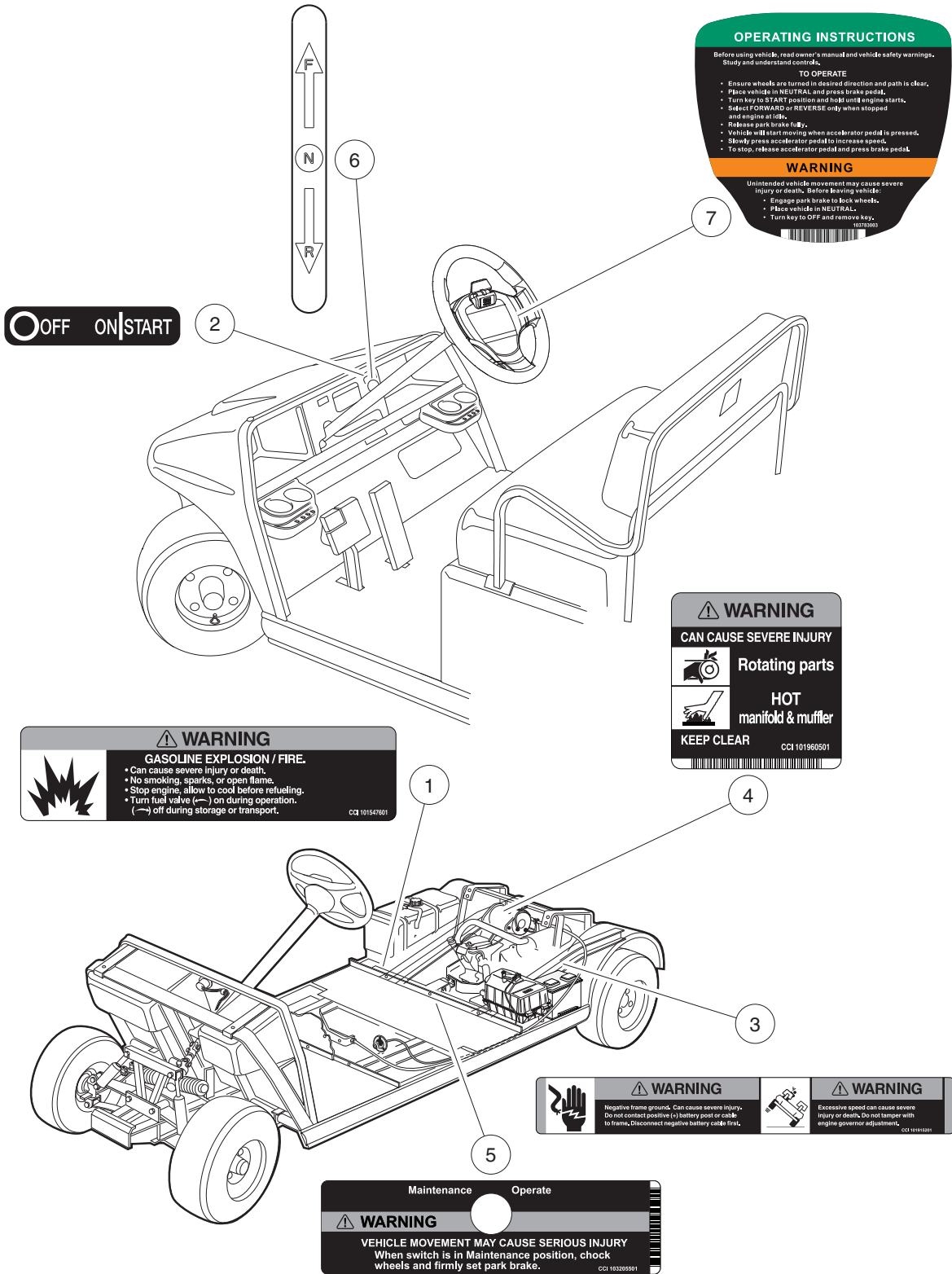


001292-001

## DECALS – VILLAGER 6 IQ PLUS VEHICLE ONLY

ITEM	PART NO.	DESCRIPTION	QTY
		<b>1 2 3 4</b>	
1	<u>1013677</u>	Decal, Battery Danger .....	1
2	<u>101825101</u>	Decal, Off/On .....	1
3	<u>102518301</u>	Decal, Caution, Electrical Component Cover .....	1
4	<u>102845101</u>	Decal, Tow Switch .....	1
5	<u>102967601</u>	Decal, Warning, 4 Gauge Wire .....	1
6	<u>103210301</u>	Decal, Forward/Reverse, Electric .....	1
7	<u>103783001</u>	Decal, Op Instr, Ele .....	1

**3**  
**G**  
**E**



**OPERATING INSTRUCTIONS**

Before using vehicle, read owner's manual and vehicle safety warnings. Study and understand controls.

**TO OPERATE**

- Ensure wheels are turned in desired direction and path is clear.
- Place vehicle in NEUTRAL and press brake pedal.
- Turn key to START position and hold until engine starts.
- Select FORWARD or REVERSE only when stopped and engine at idle.
- Release park brake fully.
- Vehicle will start moving when accelerator pedal is pressed.
- Slowly press accelerator pedal to increase speed.
- To stop, release accelerator pedal and press brake pedal.

**WARNING**

Unintended vehicle movement may cause severe injury or death. Before leaving vehicle:

- Engage park brake to lock wheels.
- Place vehicle in NEUTRAL.
- Turn key to OFF and remove key.

10382003

OFF ON/START

**WARNING**

**GASOLINE EXPLOSION / FIRE.**

- Can cause severe injury or death.
- No smoking, sparks, or open flame.
- Stop engine, allow to cool before refueling.
- Turn fuel valve (←) on during operation. (→) off during storage or transport.

CCI 101547601

**WARNING**

**CAN CAUSE SEVERE INJURY**

**Rotating parts**

**HOT manifold & muffler**

**KEEP CLEAR**

CCI 101960501

**WARNING**

Negative frame ground. Can cause severe injury. Do not contact positive (+) battery post or cable to frame. Disconnect negative battery cable first.

**WARNING**

Excessive speed can cause severe injury or death. Do not tamper with engine governor adjustment.

CCI 103810201

Maintenance Operate

**WARNING**

**VEHICLE MOVEMENT MAY CAUSE SERIOUS INJURY**

When switch is in Maintenance position, chock wheels and firmly set park brake.

CCI 103205001

001293-001



## DECALS – VILLAGER 6 GASOLINE VEHICLE ONLY

ITEM	PART NO.	DESCRIPTION	QTY
		<b>1 2 3 4</b>	
1	<u>101547601</u>	Decal, Gasoline Explosion/Fire Warning .....	1
2	<u>101825102</u>	Decal, Off/On/Start .....	1
3	<u>101915201</u>	Decal, Frame Ground and Governor Warning .....	1
4	<u>101960501</u>	Decal, Rotating Parts/Hot Manifold .....	1
5	<u>103205501</u>	Decal, Maintenance/Operate Switch .....	1
6	<u>103210201</u>	Decal, Forward/Reverse, Gas .....	1
7	<u>103783003</u>	Decal, Op Instr, Gas Ks .....	1

**3**  
**G**  
**E**

**⚠ WARNING**

**ROLLOVER OR FALLING OFF MAY CAUSE DEATH.**

- Before using vehicle, read operating instructions.
- Remain seated and hold on to seat handle while moving.
- Do not start vehicle until all occupants are seated.
- Two (2) persons per seat maximum.
- Operate from driver side only and not on public roads.
- Keep entire body inside vehicle while moving.
- Drive slowly in turns and straight up and down slopes.
- Do not leave children unattended on vehicle.
- Never operate under the influence of alcohol or drugs.
- Use brakes to reduce speed when coasting downhill.
- Never stand in front of or behind vehicle.

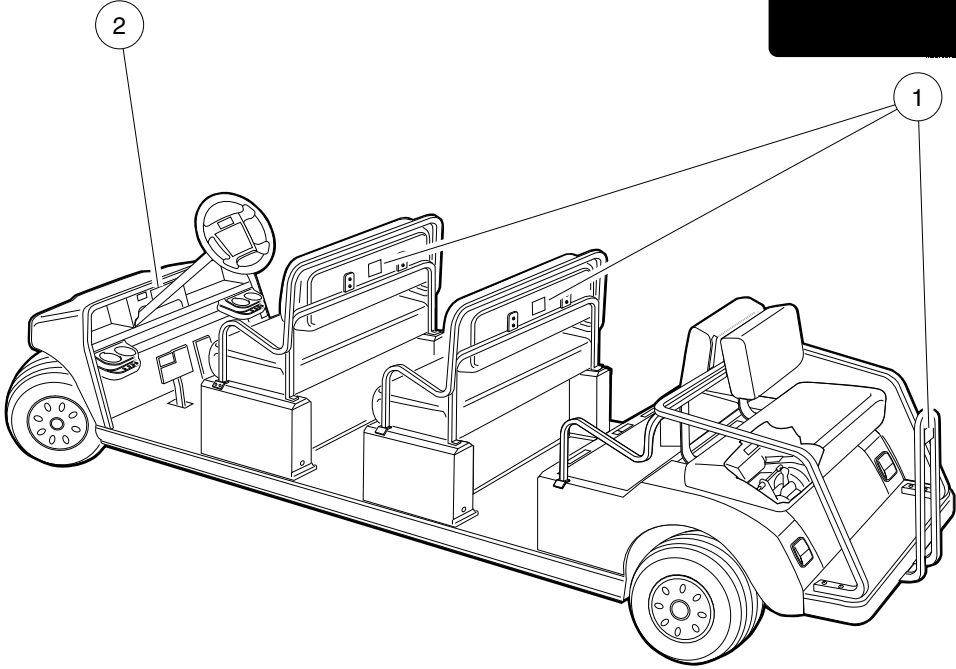
CCJ 103205401

**⚠ WARNING**

**FALLING OFF COULD RESULT IN SEVERE INJURY OR DEATH**

- Remain seated with entire body inside vehicle and hold on to seat handle or handrail at all times.
- Two (2) persons per bench seat maximum.
- One (1) person per bucket seat maximum.
- Do not leave children unattended on vehicle at anytime.
- Never stand in front of or behind vehicle.

CCJ 101705701



000377-002

# DECALS – VILLAGER 8 GAS AND IQ PLUS

ITEM	PART NO.	DESCRIPTION	QTY
		1 2 3 4	
1	<u>101705701</u>	Decal, Warning .....	3
2	<u>103961601</u>	Decal, Warn, Rollover, Ds Utl .....	1



**OPERATING INSTRUCTIONS**

Before using vehicle, read owner's manual and vehicle safety warnings. Study and understand controls.

**TO OPERATE**

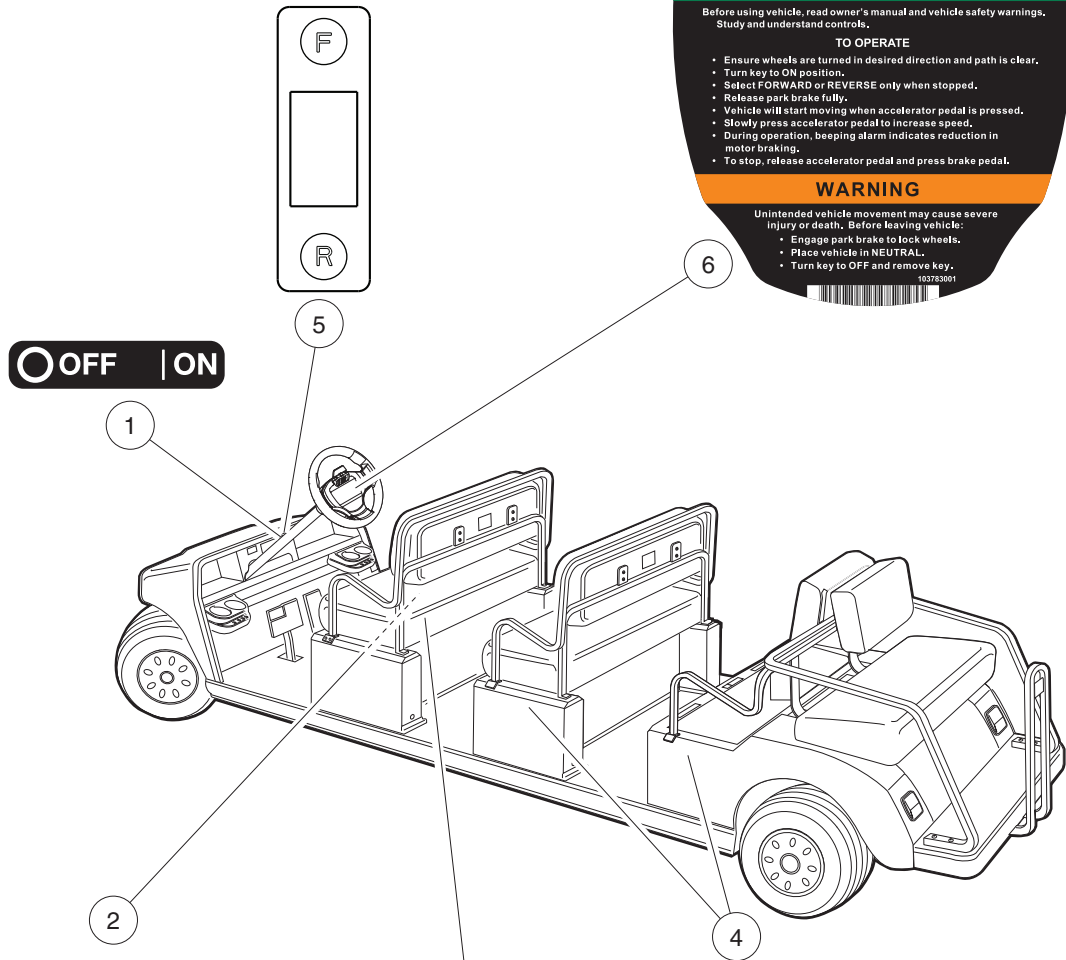
- Ensure wheels are turned in desired direction and path is clear.
- Turn key to ON position.
- Select FORWARD or REVERSE only when stopped.
- Release park brake fully.
- Vehicle will start moving when accelerator pedal is pressed.
- Slowly press accelerator pedal to increase speed.
- During operation, beeping alarm indicates reduction in motor braking.
- To stop, release accelerator pedal and press brake pedal.

**WARNING**

Unintended vehicle movement may cause severe injury or death. Before leaving vehicle:

- Engage park brake to lock wheels.
- Place vehicle in NEUTRAL.
- Turn key to OFF and remove key.

103763001



**CAUTION**

**EXPOSURE TO WATER MAY DAMAGE ELECTRONIC COMPONENTS**

- Do not operate vehicle without this cover properly installed.
- Do not direct water stream in the area of the cover without cover securely in place.
- See vehicle maintenance and service manual before servicing.

CCI 102518301

**WARNING**

**AVOID FIRE HAZARD**

- Replacement battery wires must be 4-gauge (AWG) with low-resistance terminals equivalent to factory-installed wires.
- Ensure that battery connections are clean and properly tightened. See owner's manual.

CCI 102967601

**WARNING**

**BATTERY EXPLOSION COULD RESULT IN SEVERE PERSONAL INJURY.**

- Do not store items in battery compartment.
- Place Run/Tow switch in TOW position before:
  - Disconnecting or connecting battery cables
  - Towing this vehicle
  - Extended storage
  - Servicing the vehicle

NORMAL	TRIPPED
TOW	RUN

CCI 102845101

001294-001

## DECALS – VILLAGER 8 IQ PLUS VEHICLE ONLY

ITEM	PART NO.	DESCRIPTION	QTY
		<b>1 2 3 4</b>	
1	<u>101825101</u>	Decal, Off/On .....	1
2	<u>102518301</u>	Decal, Caution, Electrical Component Cover .....	1
3	<u>102845101</u>	Decal, Tow Switch .....	1
4	<u>102967601</u>	Decal, Warning, 4 Gauge Wire .....	2
5	<u>103210301</u>	Decal, Forward/Reverse, Electric .....	1
6	<u>103783001</u>	Decal, Op Instr, Ele .....	1

**3**  
**G**  
**E**

**OPERATING INSTRUCTIONS**

Before using vehicle, read owner's manual and vehicle safety warnings. Study and understand controls.

**TO OPERATE**

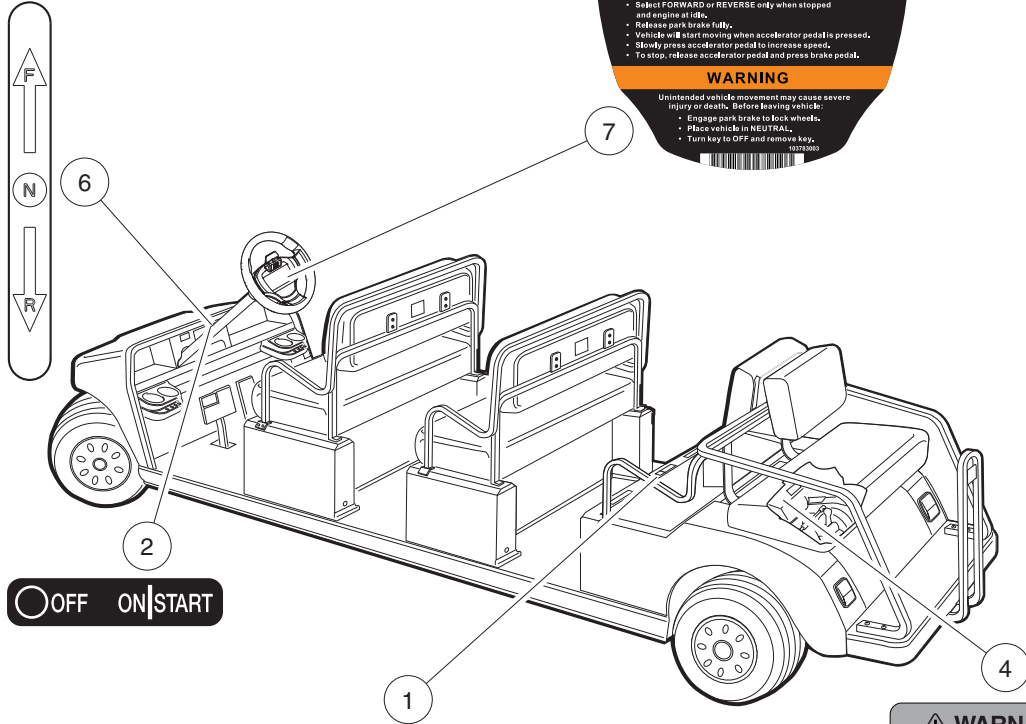
- Ensure wheels are turned in desired direction and path is clear.
- Place vehicle in NEUTRAL and press brake pedal.
- Turn key to START position and hold until engine starts.
- Select FORWARD or REVERSE only when stopped and engine at idle.
- Release park brake fully.
- Vehicle will start moving when accelerator pedal is pressed.
- Slowly press accelerator pedal to increase speed.
- To stop, release accelerator pedal and press brake pedal.

**WARNING**

Unintended vehicle movement may cause severe injury or death. Before leaving vehicle:

- Engage park brake to lock wheels.
- Place vehicle in NEUTRAL.
- Turn key to OFF and remove key.

103793003



**WARNING**

**GASOLINE EXPLOSION / FIRE.**

- Can cause severe injury or death.
- No smoking, sparks, or open flame.
- Stop engine, allow to cool before refueling.
- Turn fuel valve (←) on during operation. (→) off during storage or transport.

CC1 101547601

**WARNING**

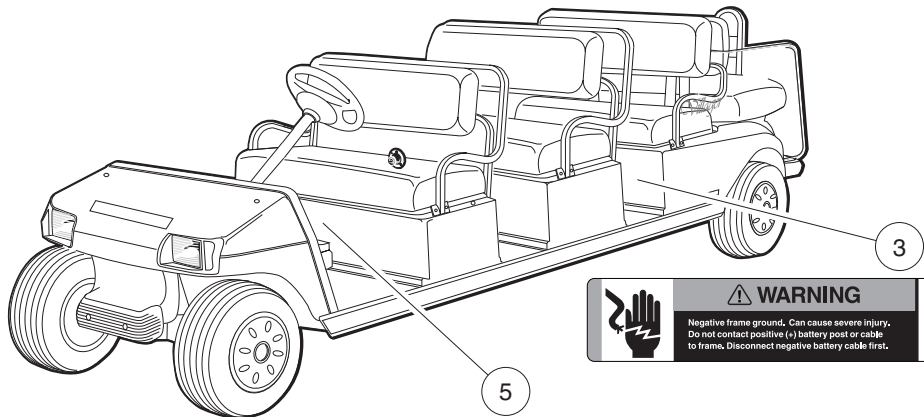
**CAN CAUSE SEVERE INJURY**

**Rotating parts**

**HOT manifold & muffler**

**KEEP CLEAR**

CC1 101960501



**WARNING**

Negative frame ground. Can cause severe injury. Do not contact positive (+) battery post or cable to frame. Disconnect negative battery cable first.

**WARNING**

Excessive speed can cause severe injury or death. Do not tamper with engine governor adjustment.

CC1 101915201

Maintenance Operate

**WARNING**

**VEHICLE MOVEMENT MAY CAUSE SERIOUS INJURY**

When switch is in Maintenance position, chock wheels and firmly set park brake.

CC1 103205501

001295-001

## DECALS – VILLAGER 8 GASOLINE VEHICLE ONLY

ITEM	PART NO.	DESCRIPTION	QTY
		1 2 3 4	
1	<u>101547601</u>	Decal, Gasoline Explosion/Fire Warning .....	1
2	<u>101825102</u>	Decal, Off/On/Start .....	1
3	<u>101915201</u>	Decal, Frame Ground and Governor Warning .....	1
4	<u>101960501</u>	Decal, Rotating Parts/Hot Manifold .....	2
5	<u>103205501</u>	Decal, Maintenance/Operate Switch .....	1
6	<u>103210201</u>	Decal, Forward/Reverse, Gas .....	1
7	<u>103783003</u>	Decal, Op Instr, Gas Ks .....	1

3  
G  
E

Club Car

1

(ON FRONT OF COWL)

Villager

2

(ON REAR BODY)

IR Ingersoll Rand

3

(ON REAR BODY)

000380-001



## BADGING DECALS – VILLAGER

ITEM	PART NO.	DESCRIPTION	QTY
1	<u>1014198</u>	1 2 3 4 Nameplate Kit (gold) .....	1
2	<u>102158701</u>	Decal, Villager .....	2
3	<u>103234303</u>	Decal, Badge, Ir Black .....	2

**3**

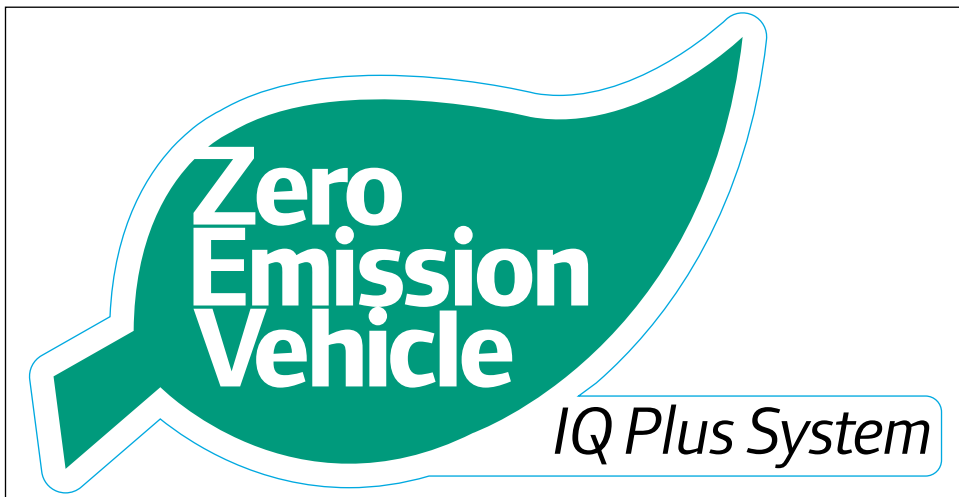
**G**

**E**

3

G

E



1

000422-003

## IQ PLUS LOGO DECAL – IQ PLUS VEHICLES ONLY

ITEM	PART NO.	DESCRIPTION	QTY
1	<u>103464801</u>	1 2 3 4 Decal, Iq Plus, Zev .....	2

3  
G  
E

**3**

**G**

**E**

# LIGHTS, CONTROLS, AND INDICATORS

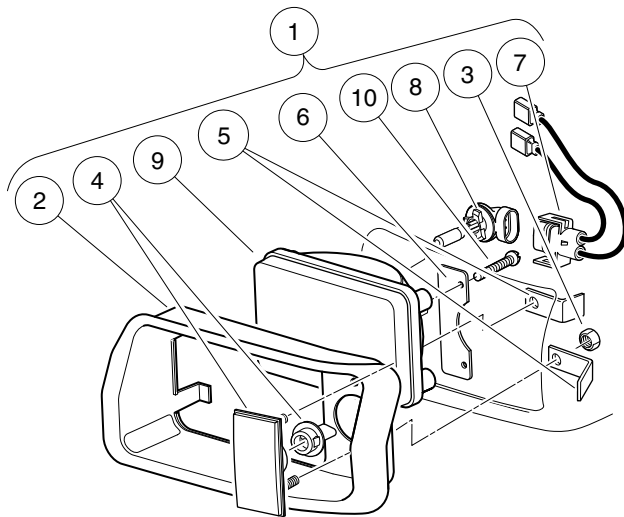
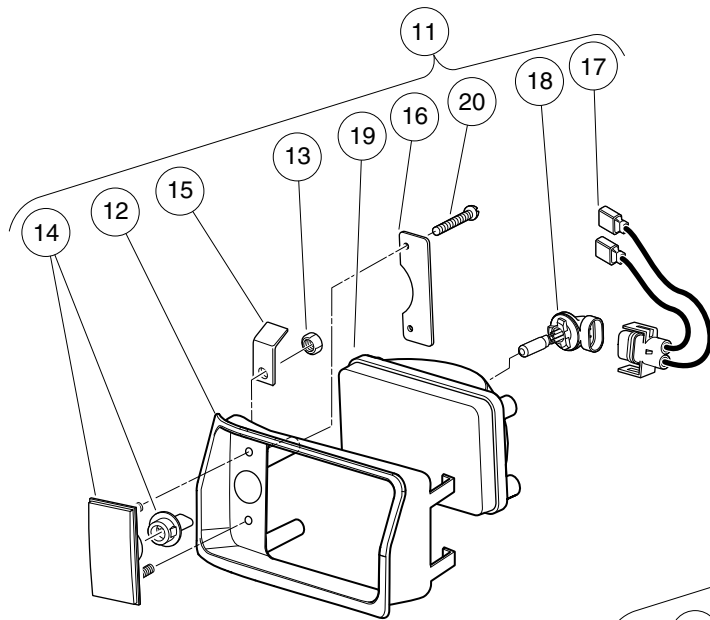
---

4

G

E

**4**  
**G**  
**E**



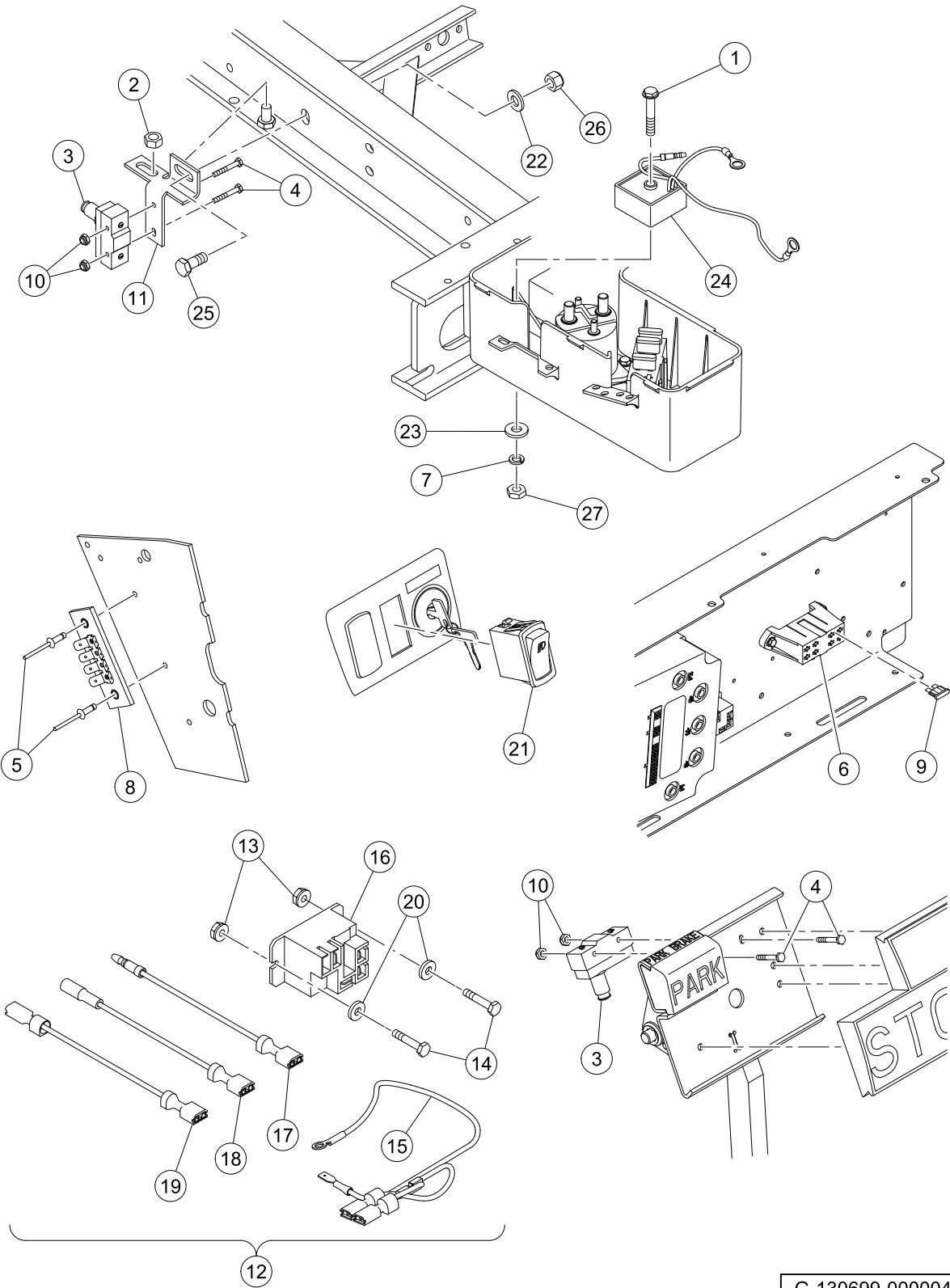
001097-001

# HEADLIGHTS

ITEM	PART NO.	DESCRIPTION	QTY
		<b>1 2 3 4</b>	
1	<u>101988001</u>	Headlight Assembly, Driver-Side Single Beam (includes items 2 through 10) .....	1
2	<u>1016880</u>	Headlight Bezel, Left .....	1
3	<u>1017</u>	Nut, #10-24 Stainless-Steel Hex Machine .....	2
4	<u>1017062</u>	Turn Signal Lens Assy .....	1
5	<u>1017064</u>	Mounting Bracket .....	2
6	<u>1017065</u>	Retainer, Headlight .....	1
7	<u>101987901</u>	Connector, Harness Assembly, Headlight .....	1
8	<u>101988101</u>	Bulb, Headlight .....	1
9	<u>101988201</u>	Lens, Headlight .....	1
10	1620	Screw, #10-16 X 0.75 Pan-Head Tap .....	2
11	<u>101988002</u>	Headlight Assy, Passenger-Side Single Beam (includes items 12 through 20) .....	1
12	<u>1016879</u>	Headlight Bezel, Right .....	1
13	<u>1017</u>	Nut, #10-24 Stainless-Steel Hex Machine .....	2
14	<u>1017062</u>	Turn Signal Lens Assy .....	1
15	<u>1017064</u>	Mounting Bracket .....	2
16	<u>1017065</u>	Retainer, Headlight .....	1
17	<u>101987901</u>	Connector, Harness Assembly, Headlight .....	1
18	<u>101988101</u>	Bulb, Headlight .....	1
19	<u>101988201</u>	Lens, Headlight .....	1
20	1620	Screw, #10-16 X 0.75 Pan-Head Tap .....	2

**4**  
**G**  
**E**

**4**  
**G**  
**E**



G-130699-000004

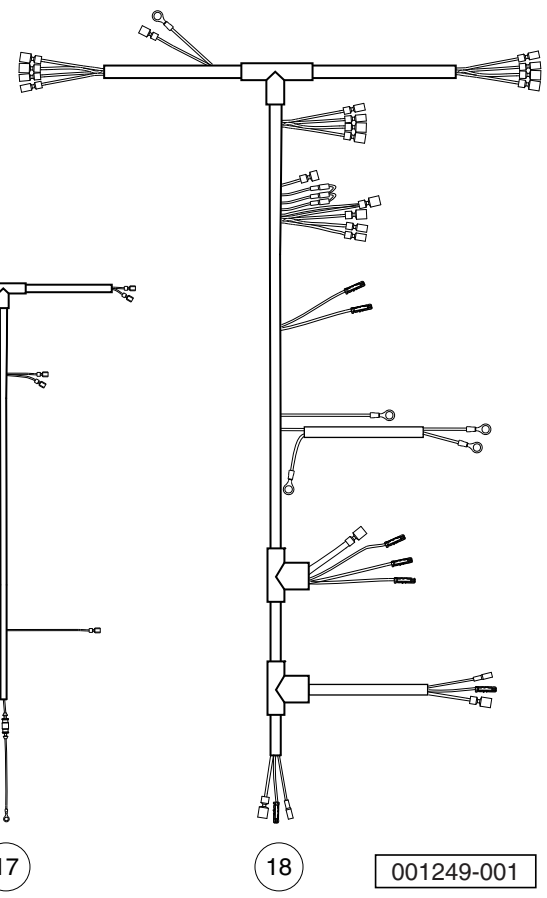
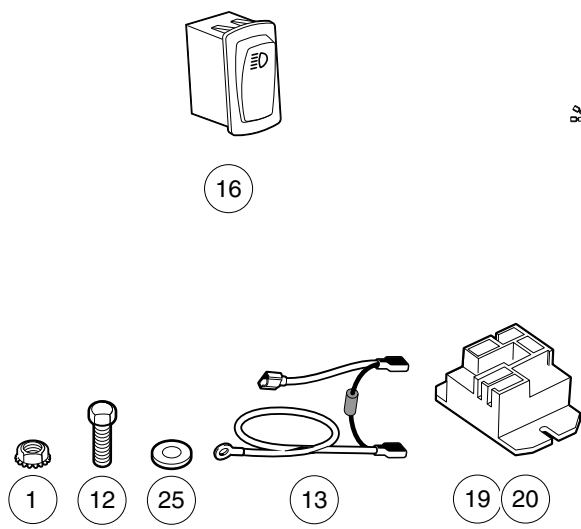
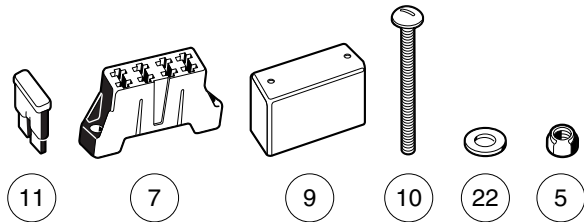
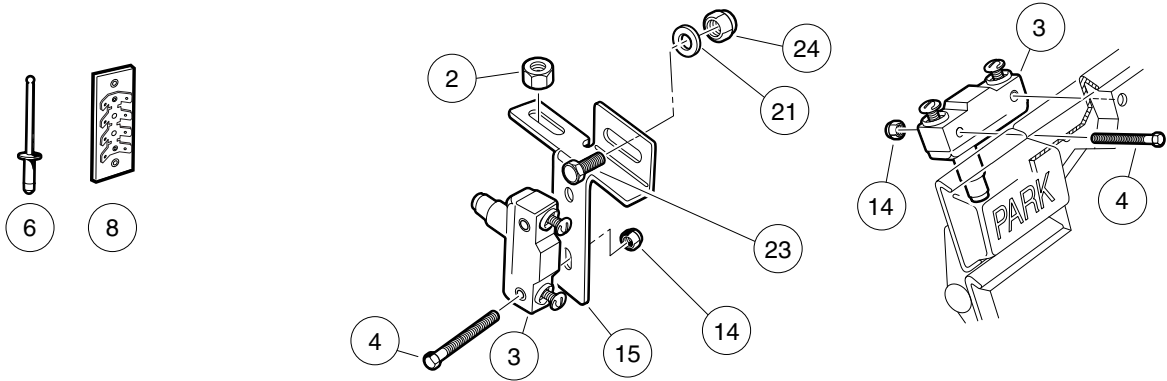


# LIGHTING SYSTEM COMPONENTS – TRANSPORTATION GASOLINE VEHICLES

ITEM	PART NO.	DESCRIPTION	QTY
		1 2 3 4	
1	<u>1010909</u>	Screw, #10-32 X 1.25 Rd Hd Mch .....	1
2	<u>1011280</u>	Locknut, 5/16-18 .....	1
3	<u>1011439</u>	Switch, Limit .....	2
4	<u>1011557</u>	Screw, #6-32 X 1.00 Hex-Head Machine .....	4
5	<u>1013357</u>	Rivet, 5/32 Aluminum Pop .....	2
6	<u>1015741</u>	Fuse Block .....	1
7	<u>1016</u>	Lockwasher, #10 Split .....	1
8	<u>1016356</u>	Terminal Block with Insulator .....	1
9	<u>1016423</u>	Fuse, 20-Amp .....	3
10	<u>101932201</u>	Locknut, #6-32 Nylon .....	4
11	<u>101957101</u>	Bracket, Brake Light Switch .....	1
12	<u>102198701</u>	Brake Relay Kit - 12v (includes items 13 through 20) .....	1
13	<u>1011229</u>	Locknut, #6-32 Whiz .....	2
14	<u>1017853</u>	Screw, #6-32 X 0.75 Hex-Head Machine .....	2
15	<u>101914401</u>	Assembly, Voltage Suppressor .....	1
16	<u>102199001</u>	Relay, 12-Volt .....	1
17	<u>102199201</u>	Wire Asm #18 Brown .....	1
18	<u>102199301</u>	Wire Asm #18 Black .....	1
19	<u>102199401</u>	Wire Asm #18 Black .....	1
20	<u>7591</u>	Washer, #6, Flat .....	2
21	<u>102869401</u>	Switch, Rocker, Light .....	1
22	<u>1241</u>	Washer, 5/16 Type A Flat .....	1
23	<u>183</u>	Washer, #10, Type A, Flat .....	1
24	<u>47604303001</u>	Voltage Limiter, Gas .....	1
25	<u>7173</u>	Screw, 5/16-18 X 0.75, Hex-Head Cap .....	1
26	<u>7473</u>	Locknut, 5/16-18 Nylon Insert .....	1
27	<u>7893</u>	Nut, #10-32 Hex .....	1
<p>Note: The Villager 6 and 8 and TransPorter gasoline models have wiring for lights built into the main wire harness.</p>			

4  
G  
E

**4**  
**G**  
**E**



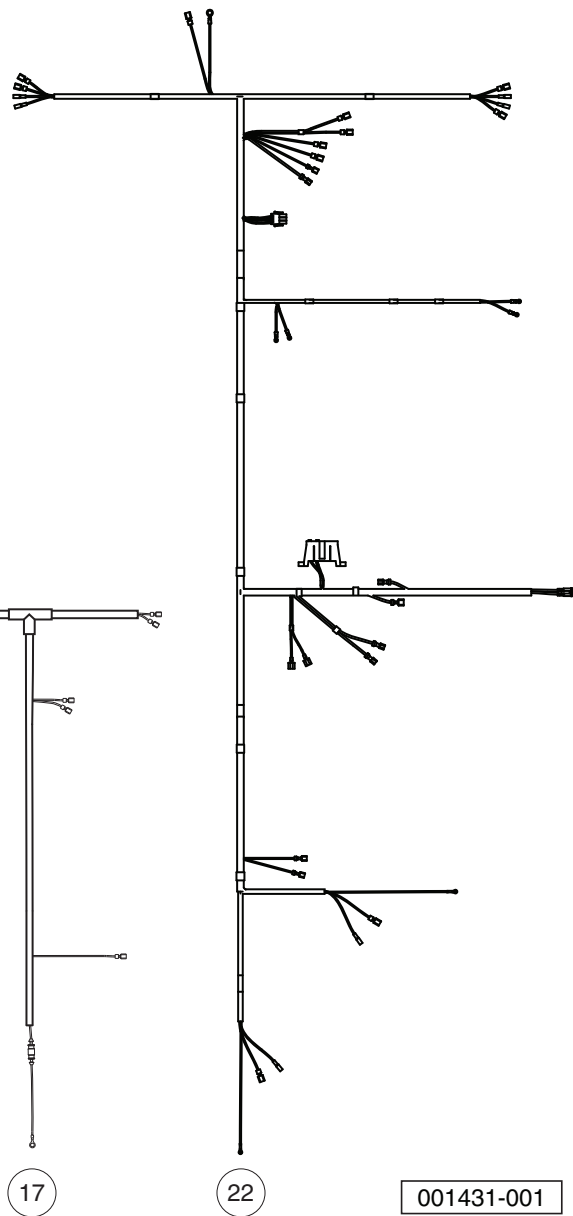
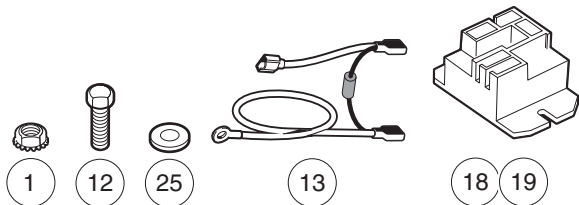
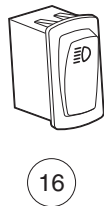
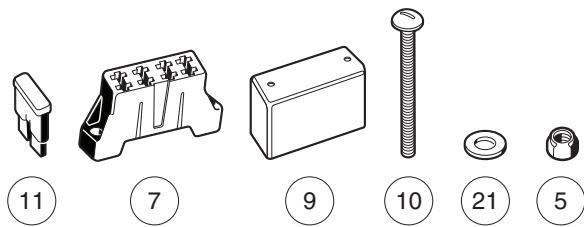
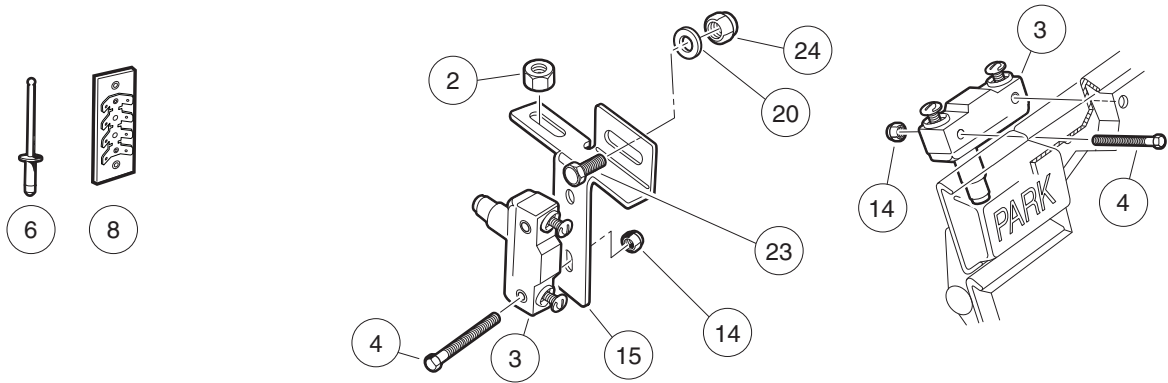
001249-001

# LIGHTING SYSTEM COMPONENTS – CA6/VILL. 6/TPORTER ELEC. WITH IQ PLUS CHARGER

ITEM	PART NO.	DESCRIPTION	QTY
		1 2 3 4	
1	<u>1011229</u>	Locknut, #6-32 Whiz .....	2
2	<u>1011280</u>	Locknut, 5/16-18 .....	1
3	<u>1011439</u>	Switch, Limit .....	2
4	<u>1011557</u>	Screw, #6-32 X 1.00 Hex-Head Machine .....	4
5	<u>1012438</u>	Locknut, #10-24 Nylon Insert .....	2
6	<u>1013357</u>	Rivet, 5/32 Aluminum Pop .....	2
7	<u>1015741</u>	Fuse Block .....	1
8	<u>1016356</u>	Terminal Block with Insulator .....	1
9	<u>1016363</u>	Fuse Block Cover .....	1
10	<u>1016366</u>	Screw, #10-24 X 3.0 Pan-Head Machine .....	2
11	<u>1016423</u>	Fuse, 20-Amp .....	3
12	<u>1017853</u>	Screw, #6-32 X 0.75 Hex-Head Machine .....	2
13	<u>101914401</u>	Assembly, Voltage Suppressor .....	1
14	<u>101932201</u>	Locknut, #6-32 Nylon .....	4
15	<u>101957101</u>	Bracket, Brake Light Switch .....	1
16	<u>102869401</u>	Switch, Rocker, Light .....	1
17	<u>103255701</u>	Wire Harness, Headlights-Only, CA, Electric .....	1
18	<u>103257101</u>	Wire Harness, Lighting Package, Stretch, Electric .....	1
19	<u>103414901</u>	Kit, Relay, 48v 30a W/instr (includes item 20) .....	1
20	<u>103397901</u>	Relay, Spst No, 48v 30a, Pmt .....	1
21	<u>1241</u>	Washer, 5/16 Type A Flat .....	1
22	<u>183</u>	Washer, #10, Type A, Flat .....	4
23	<u>7173</u>	Screw, 5/16-18 X 0.75, Hex-Head Cap .....	1
24	<u>7473</u>	Locknut, 5/16-18 Nylon Insert .....	1
25	<u>7591</u>	Washer, #6, Flat .....	2
		Note: Use item 17 for headlights only. NOTE 2: Use item 18 for headlights and taillights.	

4  
G  
E

**4**  
**G**  
**E**



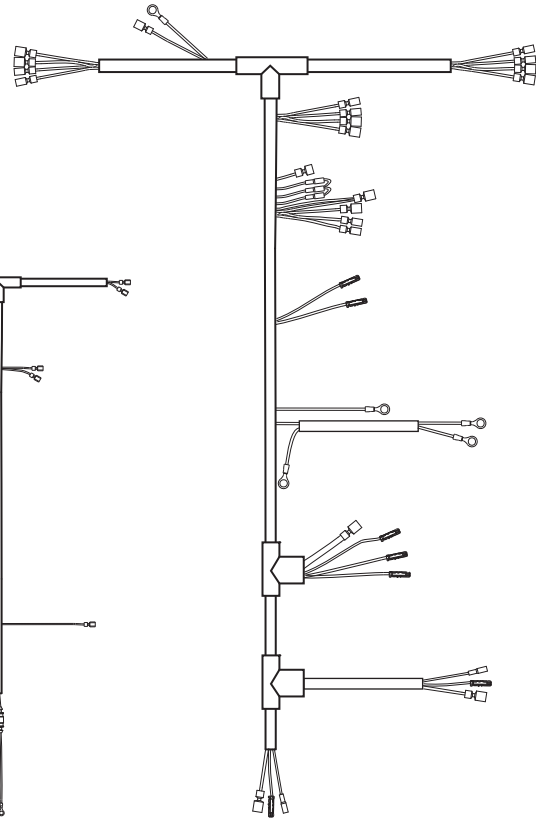
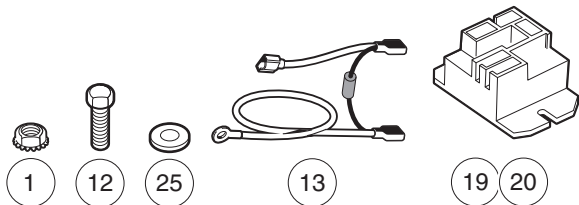
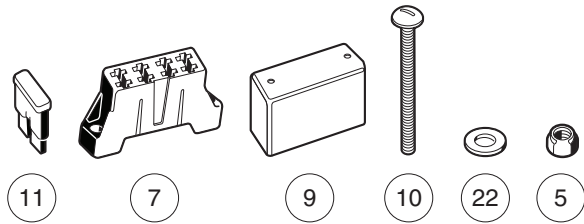
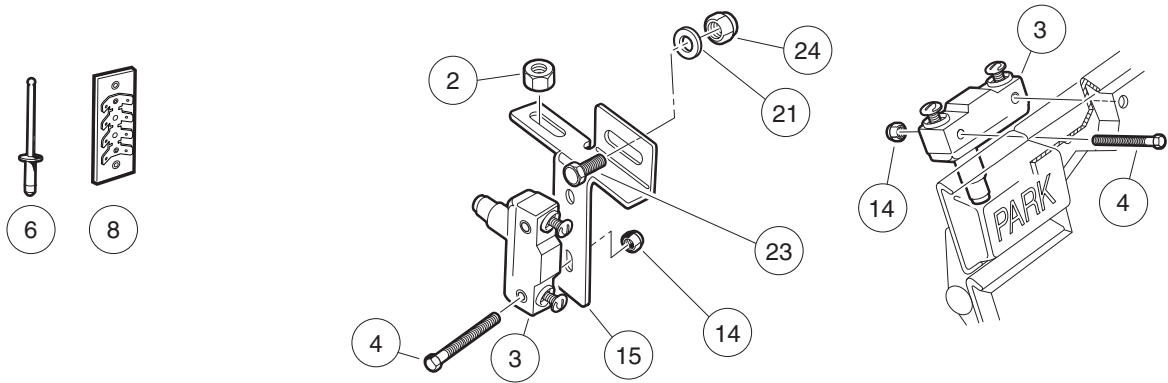
001431-001

# LIGHTING SYSTEM COMPONENTS – VILLAGER 6 ELEC. WITH HIGH-FREQ. CHARGER

ITEM	PART NO.	DESCRIPTION	QTY
		1 2 3 4	
1	<u>1011229</u>	Locknut, #6-32 Whiz .....	2
2	<u>1011280</u>	Locknut, 5/16-18 .....	1
3	<u>1011439</u>	Switch, Limit .....	2
4	<u>1011557</u>	Screw, #6-32 X 1.00 Hex-Head Machine .....	4
5	<u>1012438</u>	Locknut, #10-24 Nylon Insert .....	2
6	<u>1013357</u>	Rivet, 5/32 Aluminum Pop .....	2
7	<u>1015741</u>	Fuse Block .....	1
8	<u>1016356</u>	Terminal Block with Insulator .....	1
9	<u>1016363</u>	Fuse Block Cover .....	1
10	<u>1016366</u>	Screw, #10-24 X 3.0 Pan-Head Machine .....	2
11	<u>1016423</u>	Fuse, 20-Amp .....	3
12	<u>1017853</u>	Screw, #6-32 X 0.75 Hex-Head Machine .....	2
13	<u>101914401</u>	Assembly, Voltage Suppressor .....	1
14	<u>101932201</u>	Locknut, #6-32 Nylon .....	4
15	<u>101957101</u>	Bracket, Brake Light Switch .....	1
16	<u>102869401</u>	Switch, Rocker, Light .....	1
17	<u>103255701</u>	Wire Harness, Headlights-Only, CA, Electric .....	1
18	<u>103414901</u>	Kit, Relay, 48v 30a W/instr (includes item 19) .....	1
19	<u>103397901</u>	Relay, Spst No, 48v 30a, Pmt .....	1
20	<u>1241</u>	Washer, 5/16 Type A Flat .....	1
21	<u>183</u>	Washer, #10, Type A, Flat .....	4
22	<u>47564908001</u>	Harness, Lighting, Vill6, Hfc .....	1
23	<u>7173</u>	Screw, 5/16-18 X 0.75, Hex-Head Cap .....	1
24	<u>7473</u>	Locknut, 5/16-18 Nylon Insert .....	1
25	<u>7591</u>	Washer, #6, Flat .....	2
		Note: Use item 17 for headlights only. NOTE 2: Use item 22 for headlights and taillights.	

4  
G  
E

**4**  
**G**  
**E**



18

17

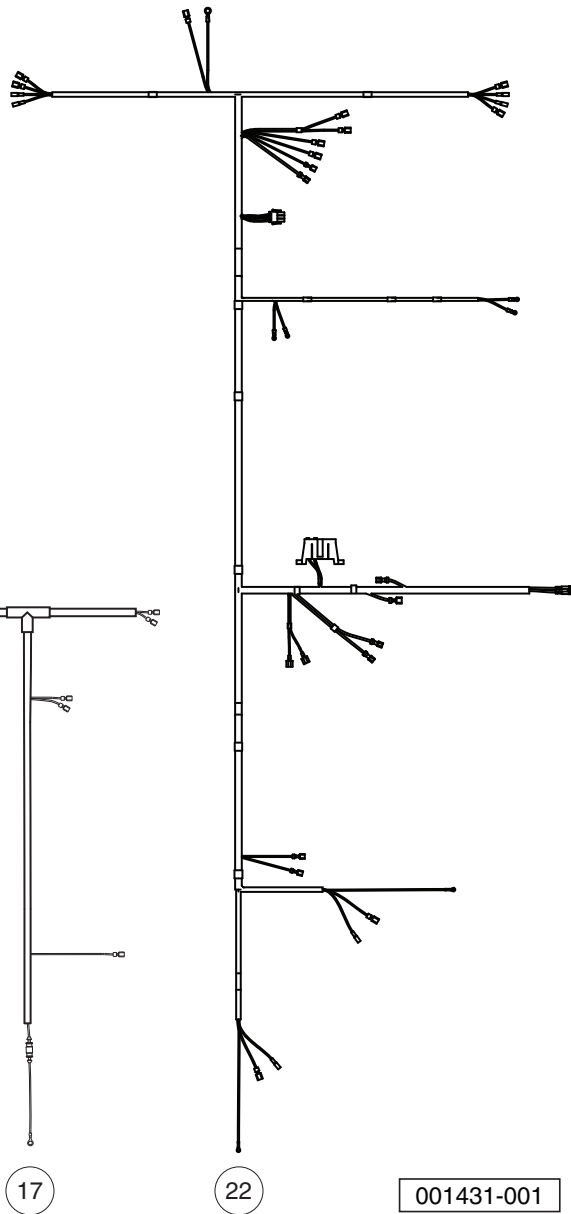
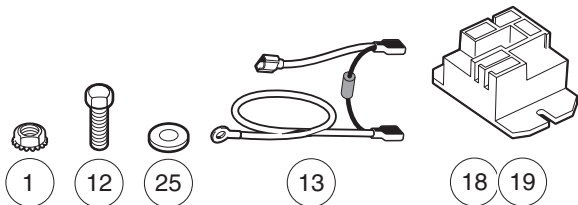
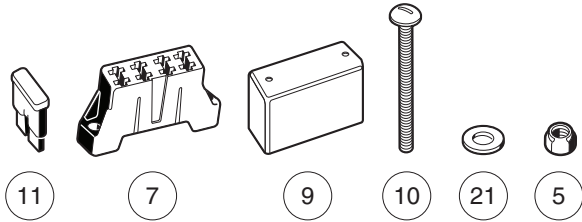
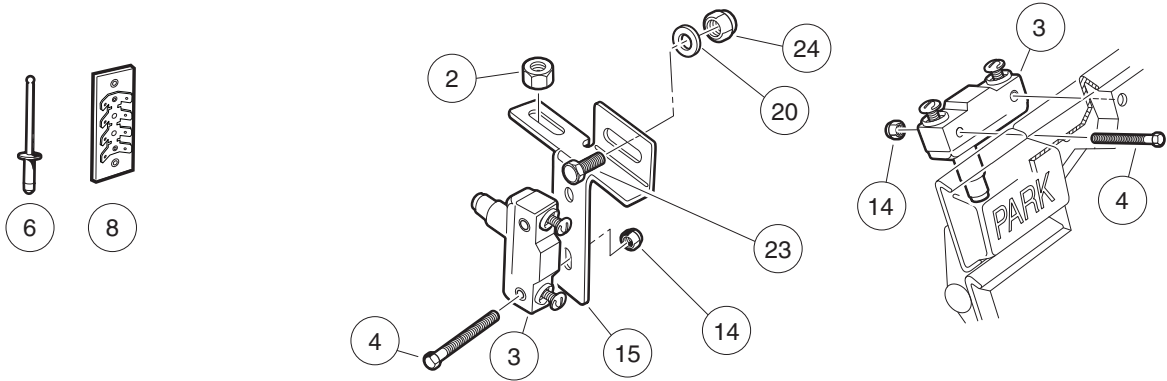
001249-002

# LIGHTING SYSTEM COMPONENTS – VILLAGER 8 ELEC. WITH IQ PLUS CHARGER

ITEM	PART NO.	DESCRIPTION	QTY
		1 2 3 4	
1	<u>1011229</u>	Locknut, #6-32 Whiz .....	2
2	<u>1011280</u>	Locknut, 5/16-18 .....	1
3	<u>1011439</u>	Switch, Limit .....	2
4	<u>1011557</u>	Screw, #6-32 X 1.00 Hex-Head Machine .....	4
5	<u>1012438</u>	Locknut, #10-24 Nylon Insert .....	2
6	<u>1013357</u>	Rivet, 5/32 Aluminum Pop .....	2
7	<u>1015741</u>	Fuse Block .....	1
8	<u>1016356</u>	Terminal Block with Insulator .....	1
9	<u>1016363</u>	Fuse Block Cover .....	1
10	<u>1016366</u>	Screw, #10-24 X 3.0 Pan-Head Machine .....	2
11	<u>1016423</u>	Fuse, 20-Amp .....	3
12	<u>1017853</u>	Screw, #6-32 X 0.75 Hex-Head Machine .....	2
13	<u>101914401</u>	Assembly, Voltage Suppressor .....	1
14	<u>101932201</u>	Locknut, #6-32 Nylon .....	4
15	<u>101957101</u>	Bracket, Brake Light Switch .....	1
16	<u>102869401</u>	Switch, Rocker, Light .....	1
17	<u>103254401</u>	Wire Harness, Lght Pkg, V8, El .....	1
18	<u>103255701</u>	Wire Harness, Headlights-Only, CA, Electric .....	1
19	<u>103414901</u>	Kit, Relay, 48v 30a W/instr (includes item 20) .....	1
20	<u>103397901</u>	Relay, Spst No, 48v 30a, Pmt .....	1
21	<u>1241</u>	Washer, 5/16 Type A Flat .....	1
22	<u>183</u>	Washer, #10, Type A, Flat .....	4
23	<u>7173</u>	Screw, 5/16-18 X 0.75, Hex-Head Cap .....	1
24	<u>7473</u>	Locknut, 5/16-18 Nylon Insert .....	1
25	<u>7591</u>	Washer, #6, Flat .....	2
		Note: Use item 18 for headlights only. NOTE 2: Use item 17 for headlights and taillights.	

4  
G  
E

**4**  
**G**  
**E**



001431-001

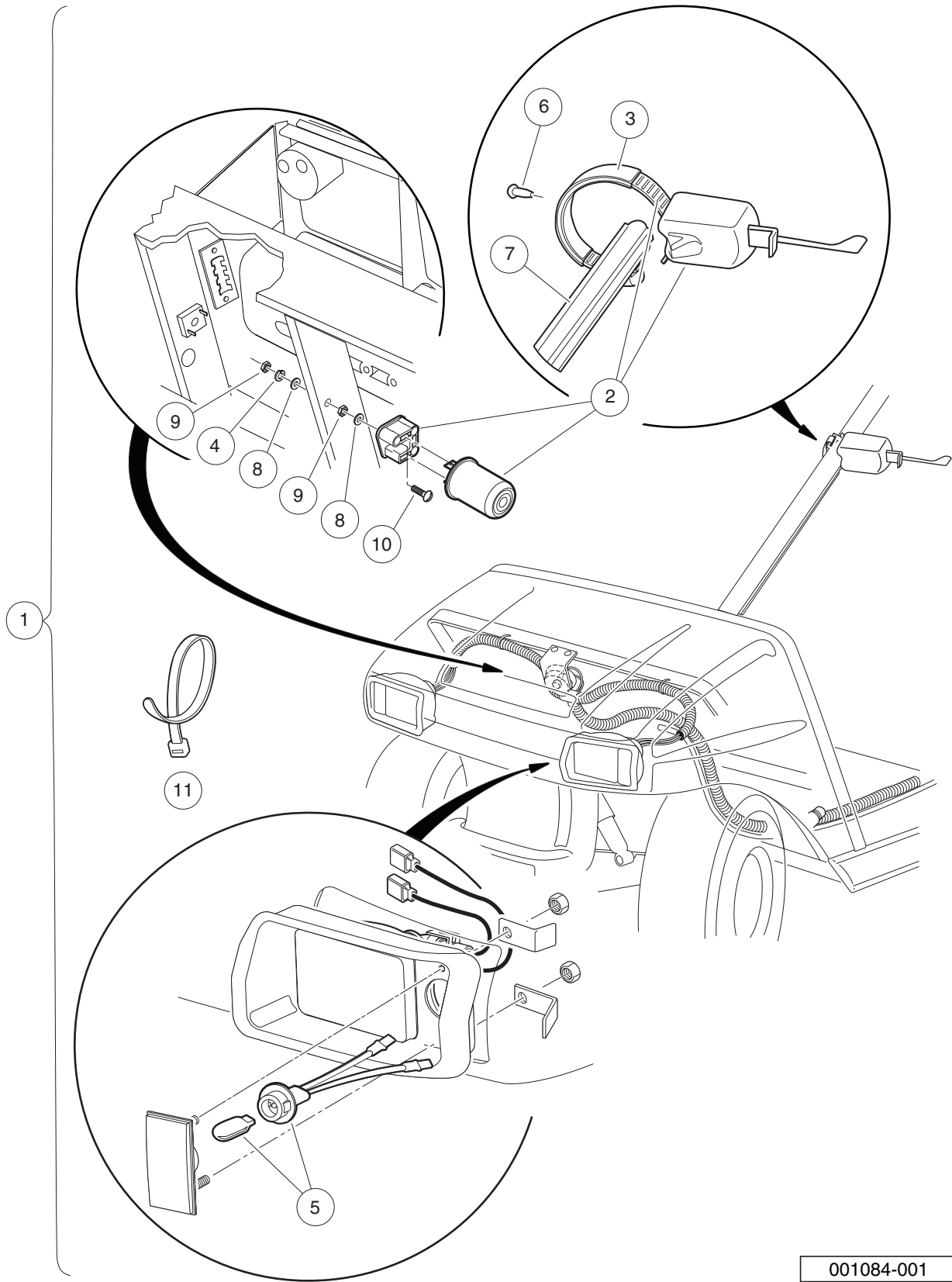


# LIGHTING SYSTEM COMPONENTS – VILLAGER 8 ELEC. WITH HIGH-FREQ. CHARGER

ITEM	PART NO.	DESCRIPTION	QTY
		1 2 3 4	
1	<u>1011229</u>	Locknut, #6-32 Whiz .....	2
2	<u>1011280</u>	Locknut, 5/16-18 .....	1
3	<u>1011439</u>	Switch, Limit .....	2
4	<u>1011557</u>	Screw, #6-32 X 1.00 Hex-Head Machine .....	4
5	<u>1012438</u>	Locknut, #10-24 Nylon Insert .....	2
6	<u>1013357</u>	Rivet, 5/32 Aluminum Pop .....	2
7	<u>1015741</u>	Fuse Block .....	1
8	<u>1016356</u>	Terminal Block with Insulator .....	1
9	<u>1016363</u>	Fuse Block Cover .....	1
10	<u>1016366</u>	Screw, #10-24 X 3.0 Pan-Head Machine .....	2
11	<u>1016423</u>	Fuse, 20-Amp .....	3
12	<u>1017853</u>	Screw, #6-32 X 0.75 Hex-Head Machine .....	2
13	<u>101914401</u>	Assembly, Voltage Suppressor .....	1
14	<u>101932201</u>	Locknut, #6-32 Nylon .....	4
15	<u>101957101</u>	Bracket, Brake Light Switch .....	1
16	<u>102869401</u>	Switch, Rocker, Light .....	1
17	<u>103255701</u>	Wire Harness, Headlights-Only, CA, Electric .....	1
18	<u>103414901</u>	Kit, Relay, 48v 30a W/instr (includes item 19) .....	1
19	<u>103397901</u>	Relay, Spst No, 48v 30a, Pmt .....	1
20	<u>1241</u>	Washer, 5/16 Type A Flat .....	1
21	<u>183</u>	Washer, #10, Type A, Flat .....	4
22	<u>47564902001</u>	Harness, Lighting, Vill8, Hfc .....	1
23	<u>7173</u>	Screw, 5/16-18 X 0.75, Hex-Head Cap .....	1
24	<u>7473</u>	Locknut, 5/16-18 Nylon Insert .....	1
25	<u>7591</u>	Washer, #6, Flat .....	2
		Note: Use item 17 for headlights only. NOTE 2: Use item 22 for headlights and taillights.	

4  
G  
E

**4**  
**G**  
**E**



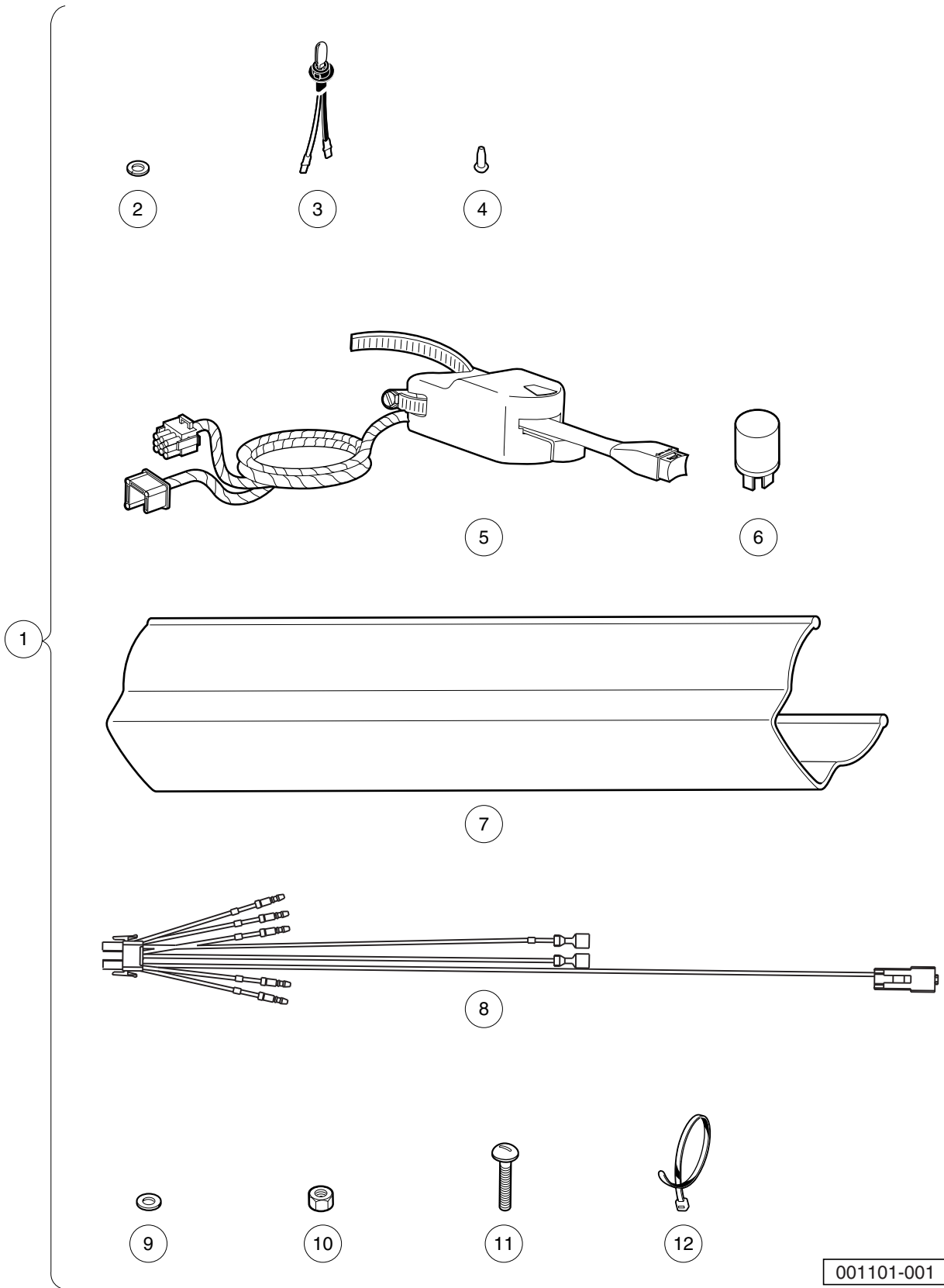
001084-001

# TURN SIGNAL KIT – DS AND UTILITY GASOLINE AND ELECTRIC VEHICLES

ITEM	PART NO.	DESCRIPTION	QTY
		1 2 3 4	
1	101707402	Turn Signal Conversion Kit (includes items 2 through 11) .....	1
2	<u>1011590</u>	Switch Sub-assy, Turn Signal .....	1
3	N/A	Strap, Extrusion .....	1
4	<u>1016</u>	Lockwasher, #10 Split .....	1
5	<u>1017075</u>	Socket & Lamp Assembly .....	2
6	<u>1017724</u>	Rivet, Plastic .....	1
7	<u>102529201</u>	Wire Cover, Steering Column .....	1
8	<u>183</u>	Washer, #10, Type A, Flat .....	2
9	<u>7893</u>	Nut, #10-32 Hex .....	2
10	8104	Screw, #10-32 X .75 Rd Hd Mach .....	1
11	<u>8990</u>	Tie Wrap, 8" Nylon .....	1

**4**  
**G**  
**E**

**4**  
**G**  
**E**

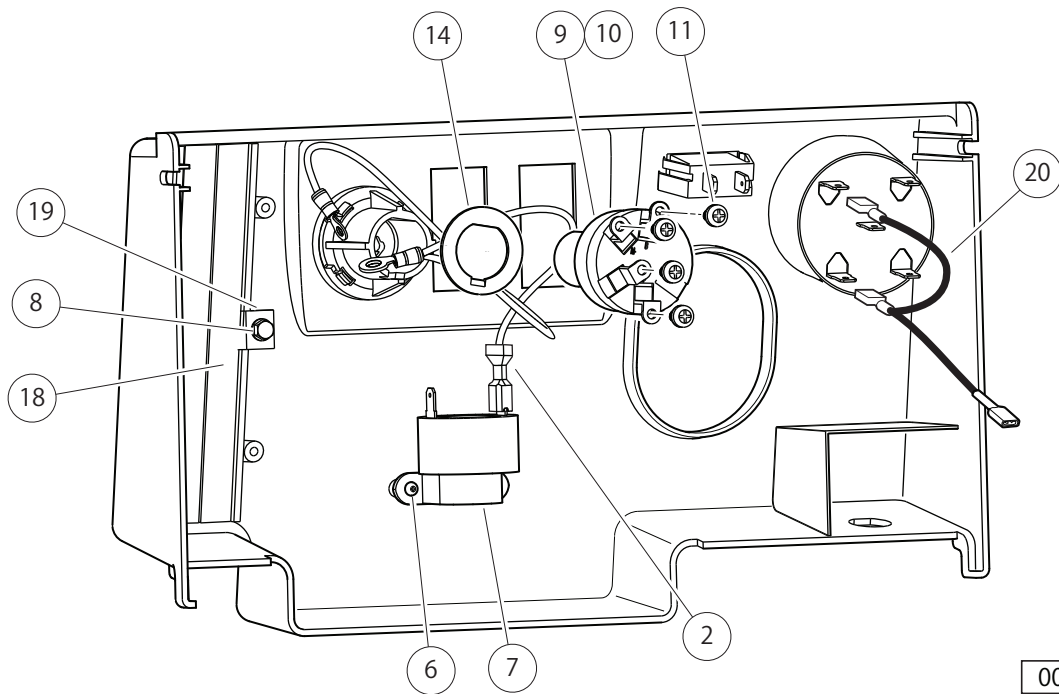
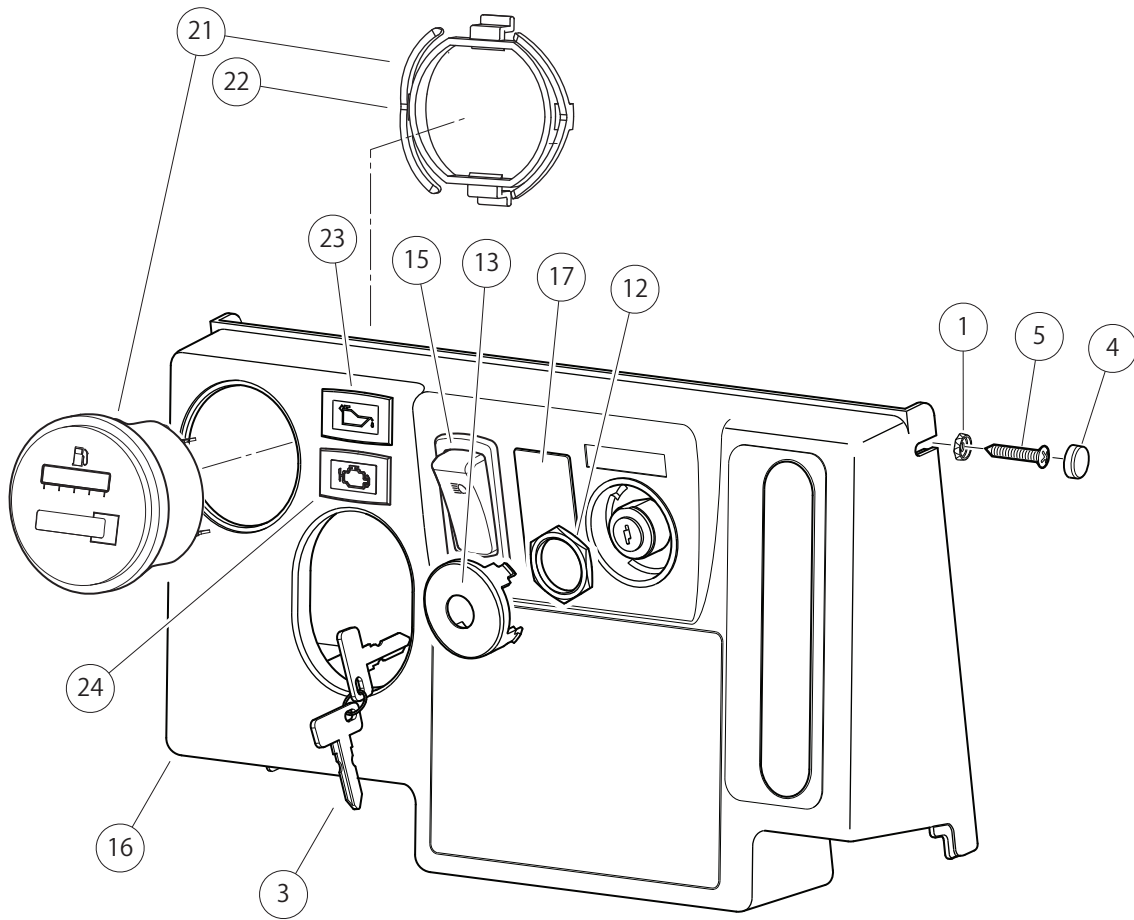


# TURN SIGNAL (WITH HORN BUTTON) KIT – DS AND UTILITY GAS AND ELECTRIC VEHICLES

ITEM	PART NO.	DESCRIPTION	QTY
		1 2 3 4	
1	101707405	Kit, Turn Signal-horn (includes items 2 through 12) .....	1
2	<u>1016</u>	Lockwasher, #10 Split .....	1
3	<u>1017075</u>	Socket & Lamp Assembly .....	2
4	<u>1017724</u>	Rivet, Plastic .....	1
5	<u>102517501</u>	Turn Signal Asm (includes item 6) .....	1
6	<u>102546401</u>	Flasher Unit, Prec .....	1
7	<u>102529201</u>	Wire Cover, Steering Column .....	1
8	<u>103618001</u>	Harness, Jumper, Turn Signal .....	1
9	<u>183</u>	Washer, #10, Type A, Flat .....	2
10	<u>7893</u>	Nut, #10-32 Hex .....	2
11	8104	Screw, #10-32 X .75 Rd Hd Mach .....	1
12	<u>8990</u>	Tie Wrap, 8" Nylon .....	1

4  
G  
E

**4**  
**G**  
**E**



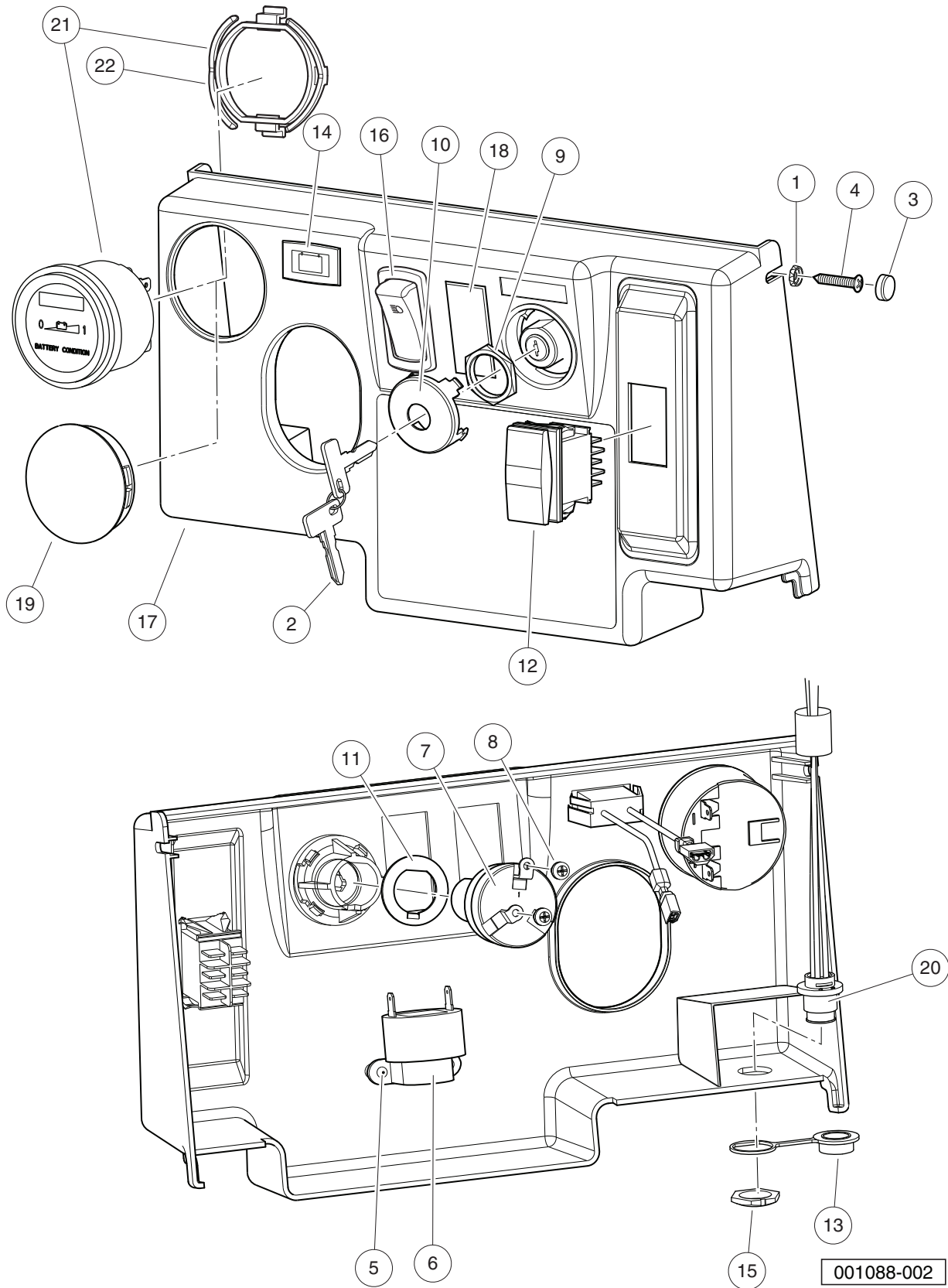
001086-003

# INSTRUMENT PANEL AND ELECTRICAL COMPONENTS – KEY AND PEDAL START – GAS

ITEM	PART NO.	DESCRIPTION	QTY
		1 2 3 4	
1	1011382	Washer, #10 Pan-Head Screw .....	2
2	1012396	Wire Assy #18 Black .....	1
3	<u>1012505</u>	Keys (set of 2) .....	1
4	<u>1013494</u>	Cover, Screw Head .....	2
5	<u>1015528</u>	Screw, #10 x 1-1/4 Phillips Head .....	2
6	<u>1016849</u>	Screw, #4-24 X 0.33, Pan-Head, Machine .....	2
7	<u>1016851</u>	Multi-Purpose Buzzer (9-48 VDC) .....	1
8	<u>101804301</u>	Screw, #8 X 0.500, Hex-Head Hi-Lo .....	2
9	<u>101826301</u>	Key Switch, 12-Volt, Off/On .....	1
10	101826401	Key Switch, 12-Volt, Off/On/Start .....	1
11	101830601	Screw and Washer Assembly .....	5
12	<u>101830701</u>	Nut, Key Switch .....	1
13	<u>101834502</u>	Cap, Black Key Switch .....	1
14	<u>101851101</u>	Washer, Key Switch .....	1
15	<u>102869401</u>	Switch, Rocker, Light .....	1
16	<u>102977003</u>	Panel, Dash, Center, Gas .....	1
17	<u>103180101</u>	Cover, Hole, Switch, Rocker .....	1
18	<u>103199001</u>	Brush, Closeout, FNR .....	2
19	<u>103199101</u>	Washer, Retaining, Brush, FNR .....	2
20	<u>103348501</u>	Asm, Wire Meter, F-h Jumper .....	1
21	<u>103348601</u>	Gauge, Fuel-hour, sep Gnd, utl (includes item 22) .....	1
22	<u>103348201</u>	Clip, Meter, Round .....	1
23	<u>105037101</u>	Light, Oil (LED) .....	1
24	47598441001	Light, Dash, Led, Mil .....	1

**4**  
**G**  
**E**

**4**  
**G**  
**E**



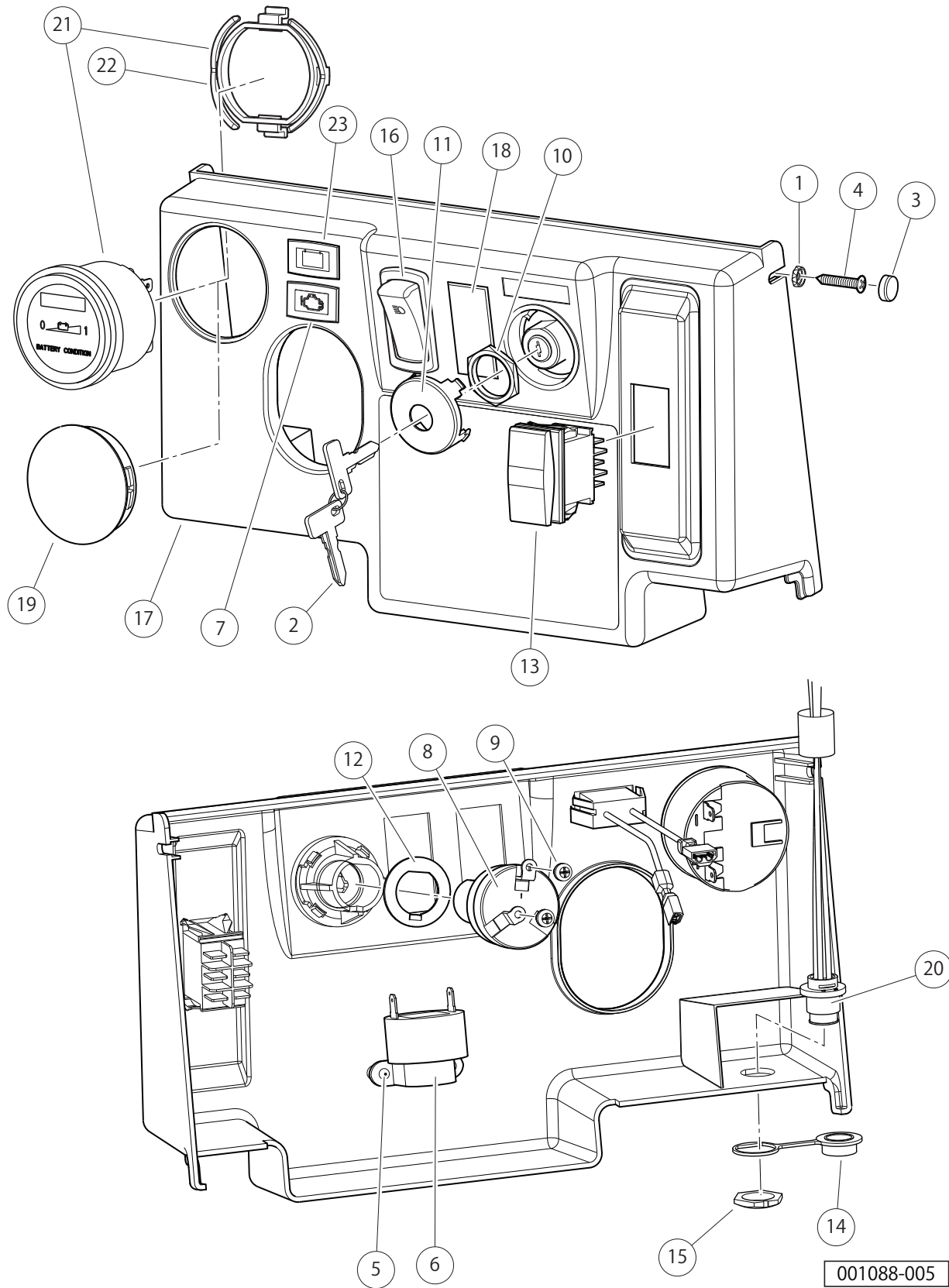


# INSTRUMENT PANEL – CA6/VILL 6 & 8/TPORTER/XRT850 ELEC. WITH LESTER CHARGER

ITEM	PART NO.	DESCRIPTION	QTY
		<b>1 2 3 4</b>	
1	1011382	Washer, #10 Pan-Head Screw .....	2
2	<u>1012505</u>	Keys (set of 2) .....	1
3	<u>1013494</u>	Cover, Screw Head .....	2
4	<u>1015528</u>	Screw, #10 x 1-1/4 Phillips Head .....	2
5	<u>1016849</u>	Screw, #4-24 X 0.33, Pan-Head, Machine .....	2
6	<u>1016851</u>	Multi-Purpose Buzzer (9-48 VDC) .....	1
7	<u>101826201</u>	Key Switch, On/Off .....	1
8	101830601	Screw and Washer Assembly .....	2
9	<u>101830701</u>	Nut, Key Switch .....	1
10	<u>101834502</u>	Cap, Black Key Switch .....	1
11	<u>101851101</u>	Washer, Key Switch .....	1
12	<u>101856002</u>	Switch, Rocker, Single-Pole .....	1
13	<u>102196901</u>	Dust Cap .....	1
14	<u>102508701</u>	Light, Battery .....	1
15	<u>102572401</u>	Nut, Diagnostic Port .....	1
16	<u>102869401</u>	Switch, Rocker, Light .....	1
17	<u>102977002</u>	Panel, Dash, Center, Elec (Instrument Panel) .....	1
18	<u>103180101</u>	Cover, Hole, Switch, Rocker .....	1
19	<u>103198301</u>	Plug, Hole, Round, 2.0 In .....	1
20	<u>103218601</u>	Harness, Diagnostic Port .....	1
21	<u>103354401</u>	Gauge, Battery Cond Ind, Rnd (includes item 22) .....	1
22	<u>103348202</u>	Clip, Bci, Round .....	1

**4**  
**G**  
**E**

**4**  
**G**  
**E**

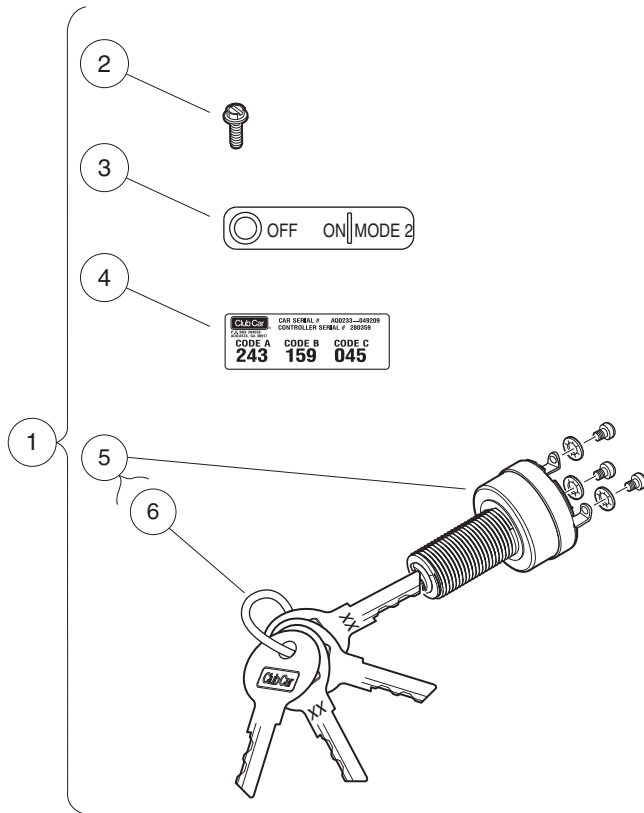


# INSTRUMENT PANEL WITH ELECTRICAL COMPONENTS – PEDAL START – ELECTRIC WITH HFC

ITEM	PART NO.	DESCRIPTION	QTY
		<b>1 2 3 4</b>	
1	1011382	Washer, #10 Pan-Head Screw .....	2
2	<u>1012505</u>	Keys (set of 2) .....	1
3	<u>1013494</u>	Cover, Screw Head .....	2
4	<u>1015528</u>	Screw, #10 x 1-1/4 Phillips Head .....	2
5	<u>1016849</u>	Screw, #4-24 X 0.33, Pan-Head, Machine .....	2
6	<u>1016851</u>	Multi-Purpose Buzzer (9-48 VDC) .....	1
7	<u>101802601</u>	Plug, Hole .....	1
8	<u>101826301</u>	Key Switch, 12-Volt, Off/On .....	1
9	101830601	Screw and Washer Assembly .....	2
10	<u>101830701</u>	Nut, Key Switch .....	1
11	<u>101834502</u>	Cap, Black Key Switch .....	1
12	<u>101851101</u>	Washer, Key Switch .....	1
13	<u>101856002</u>	Switch, Rocker, Single-Pole .....	1
14	<u>102196901</u>	Dust Cap .....	1
15	<u>102572401</u>	Nut, Diagnostic Port .....	1
16	<u>102869401</u>	Switch, Rocker, Light .....	1
17	102977004	Panel, Dash, Center, Elec .....	1
18	<u>103180101</u>	Cover, Hole, Switch, Rocker .....	1
19	<u>103198301</u>	Plug, Hole, Round, 2.0 In .....	1
20	<u>103218601</u>	Harness, Diagnostic Port .....	1
21	<u>103354401</u>	Gauge, Battery Cond Ind, Rnd (includes item 22) .....	1
22	<u>103348202</u>	Clip, Bci, Round .....	1
23	<u>105152301</u>	Indicator, Charger, Dash, Cap .....	1

**4**  
**G**  
**E**

**4**  
**G**  
**E**



001212-001

# KEYS AND KEYSWITCHES, SMARTKEY KIT – ELECTRIC VEHICLE

ITEM	PART NO.	DESCRIPTION	QTY
		<b>1 2 3 4</b>	
1	<u>102962602</u>	Kit, Field, Smartkey (includes items 2 through 5) .....	1
2	<u>1011017</u>	Screw, #8-32 X 0.375 .....	1
3	<u>101825103</u>	Decal, Keyswitch, Iq Plus Mode .....	1
4	N/A	Decal, Passcode .....	1
5	<u>102950301</u>	Key Switch, Mode B, Iq Plus (includes item 6) .....	1
6	<u>102962303</u>	Keys, Set Of 4, Iq Plus Mode .....	1
		Note: Not available in the EU.	

**4**  
**G**  
**E**

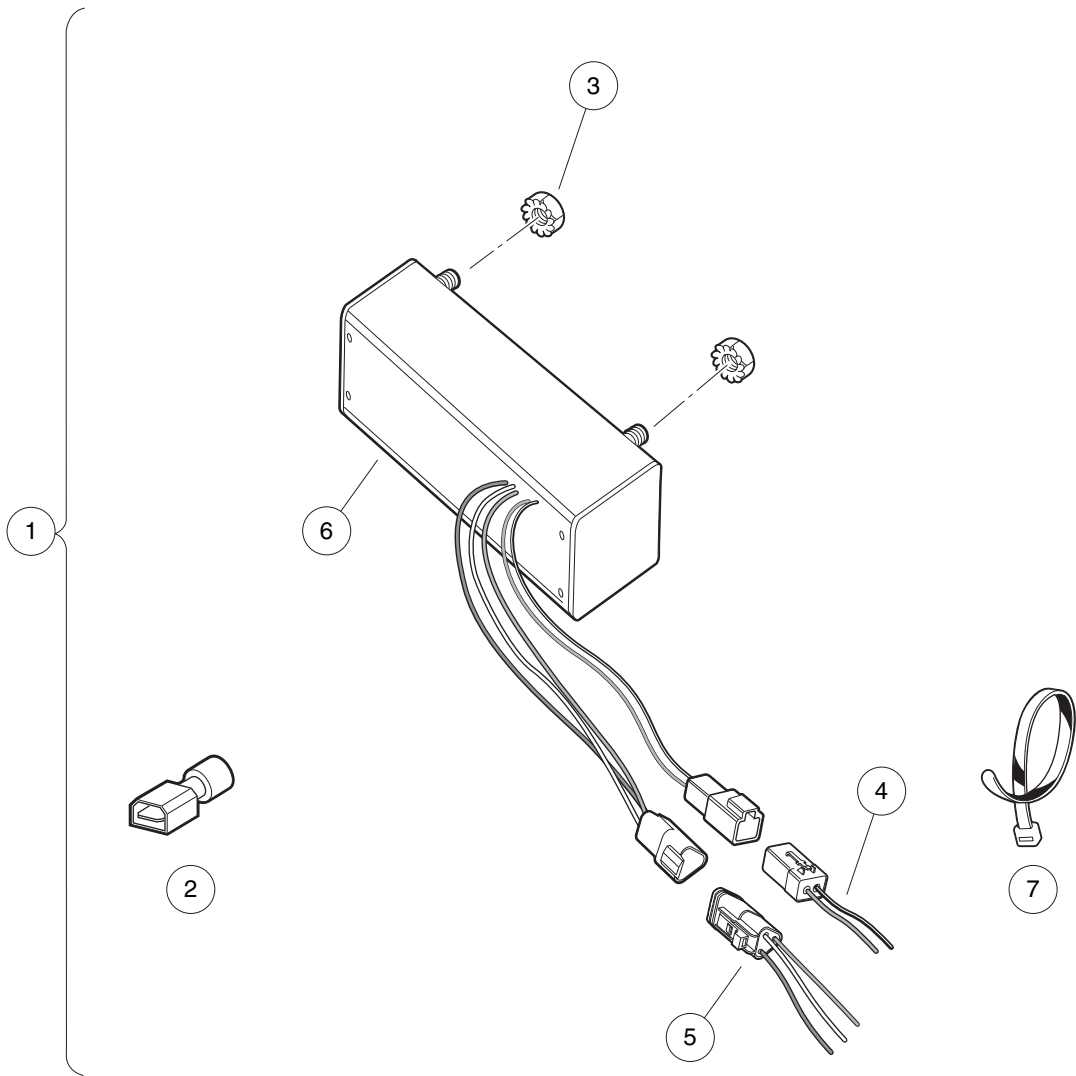


## KEYS AND KEYSWITCHES, UNCOMMON – GAS VEHICLE

ITEM	PART NO.	DESCRIPTION	QTY
		1 2 3 4	
1	<u>101830701</u>	Nut, Key Switch .....	1
2	<u>101834502</u>	Cap, Black Key Switch .....	1
3	<u>101839701</u>	Keyswitch, Uncom. A407 On/off .....	1
4	<u>101839702</u>	Keyswitch, Uncom. B407 On/off .....	1
5	<u>101839703</u>	Keyswitch, Uncom. C407 On/off .....	1
6	<u>101839704</u>	Keyswitch, Uncom. D407 On/off .....	1
7	<u>101839709</u>	Keyswitch, Uncom. E407 On/off .....	1
8	<u>101839710</u>	Keyswitch, Uncom. F407 On/off .....	1
9	<u>101839801</u>	Keyswtch Uncom A408 On/off/st .....	1
10	<u>101839802</u>	Keyswtch Uncom B408 On/off/st .....	1
11	<u>101839803</u>	Keyswtch Uncom C408 On/off/st .....	1
12	<u>101839804</u>	Keyswtch Uncom D408 On/off/st .....	1
13	<u>101839809</u>	Keyswtch Uncom E408 On/off/st .....	1
14	<u>101839810</u>	Keyswtch Uncom F408 On/off/st .....	1
15	<u>101851101</u>	Washer, Key Switch .....	1
16	<u>101974701</u>	Key, Uncommon 1a .....	1
17	<u>101974702</u>	Key, Uncommon 1b .....	1
18	<u>101974703</u>	Key, Uncommon 1c .....	1
19	<u>101974704</u>	Key, Uncommon 1d .....	1
20	<u>101974709</u>	Key, Uncommon 1e .....	1
21	<u>101974710</u>	Key, Uncommon 1f .....	1
Note: Keyswitches <u>101839801</u> through <u>101839804</u> , <u>101839809</u> , and <u>101839810</u> are for key-start, gasoline vehicles ONLY.			

4  
G  
E

**4**  
**G**  
**E**



001090-002



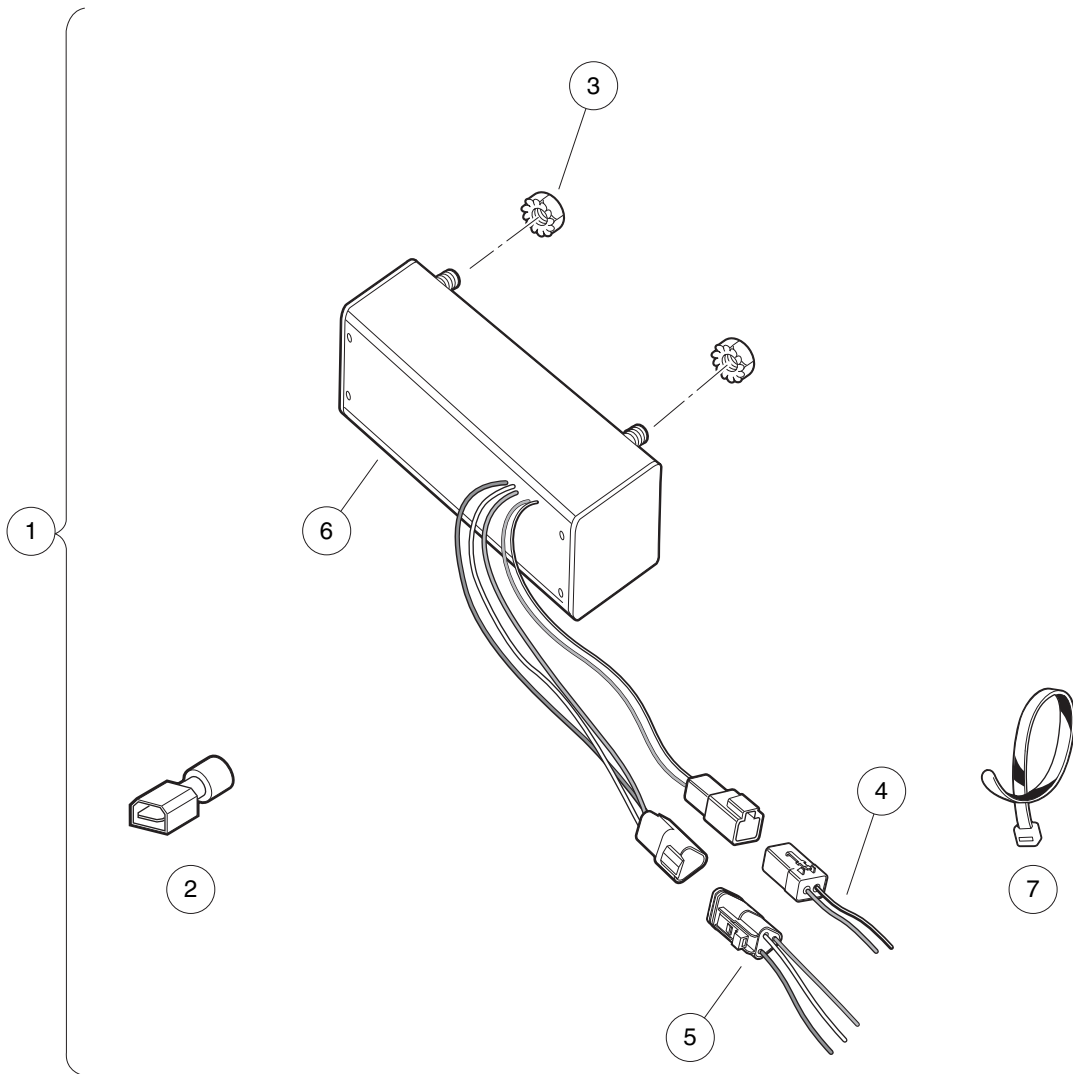
## DC CONVERTER (ISOLATED) – ELECTRIC VEHICLE

ITEM	PART NO.	DESCRIPTION	QTY
		1 2 3 4	
1	<u>102918701</u>	Kit, DC/DC Converter, IQ Plus (includes items 2 through 7) .....	1
2	<u>1016365</u>	Terminal, 1/4" Male Quick Disconnect .....	1
3	<u>101835601</u>	Locknut, 1/4-20 Hex Whiz .....	2
4	<u>102354901</u>	Harness, Dc Converter - 12v .....	1
5	<u>102890201</u>	Harness, Dc Converter, 48v .....	1
6	<u>103700301</u>	Converter, Dc/dc, Isoldt .....	1
7	<u>8990</u>	Tie Wrap, 8" Nylon .....	10

4

G

E



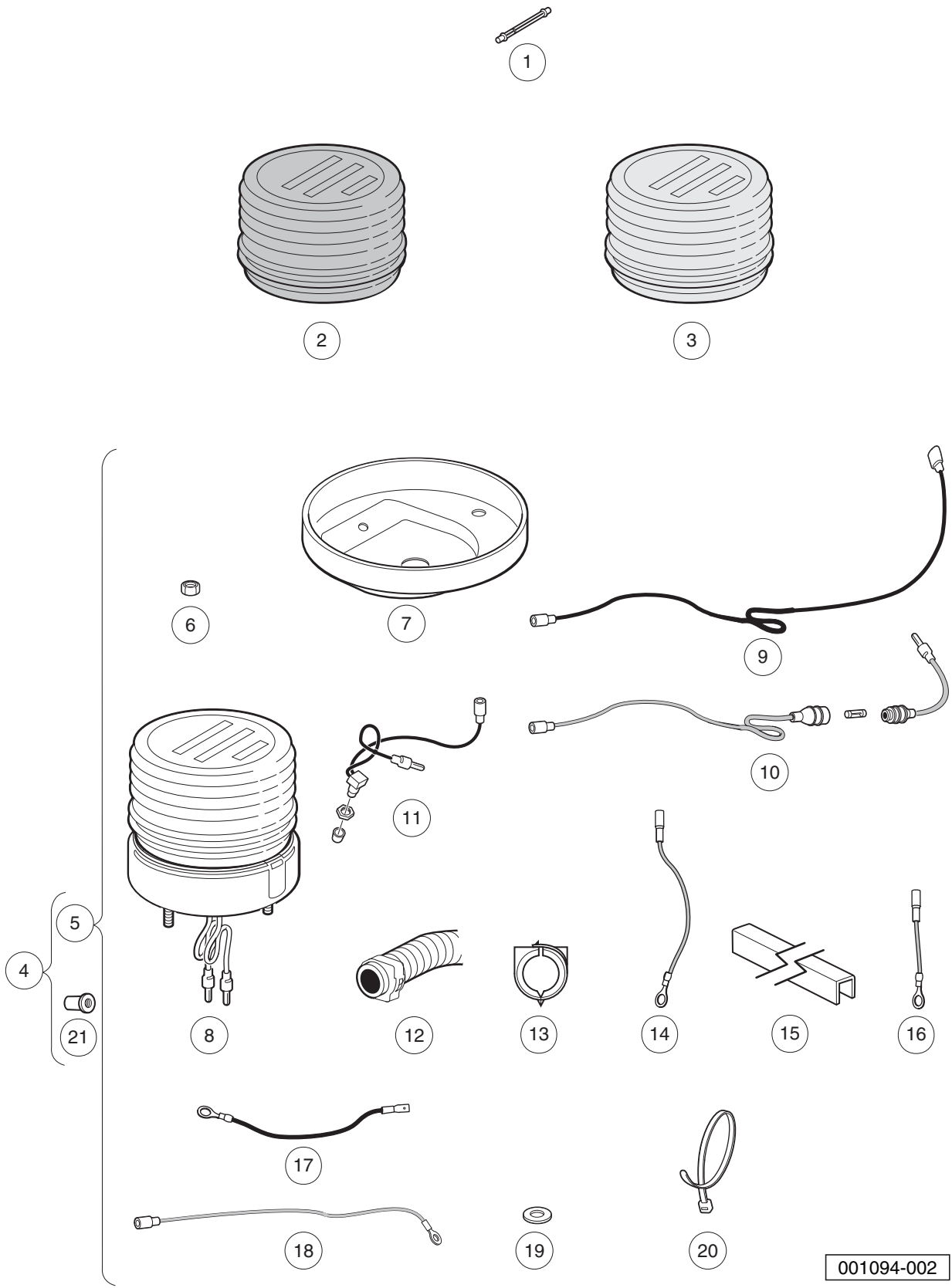
001090-002

## DC CONVERTER (ISOLATED) – CE ELECTRIC VEHICLE

ITEM	PART NO.	DESCRIPTION	QTY
		1 2 3 4	
1	<u>102918702</u>	Kit, Dc Conv. Iq Plus Ce (includes items 2 through 7) .....	1
2	<u>1016365</u>	Terminal, 1/4" Male Quick Disconnect .....	1
3	<u>101835601</u>	Locknut, 1/4-20 Hex Whiz .....	2
4	<u>102354901</u>	Harness, Dc Converter - 12v .....	1
5	<u>102890201</u>	Harness, Dc Converter, 48v .....	1
6	<u>103802401</u>	Converter, Dc/dc, Ce .....	1
7	<u>8990</u>	Tie Wrap, 8" Nylon .....	10

4  
G  
E

**4**  
**G**  
**E**



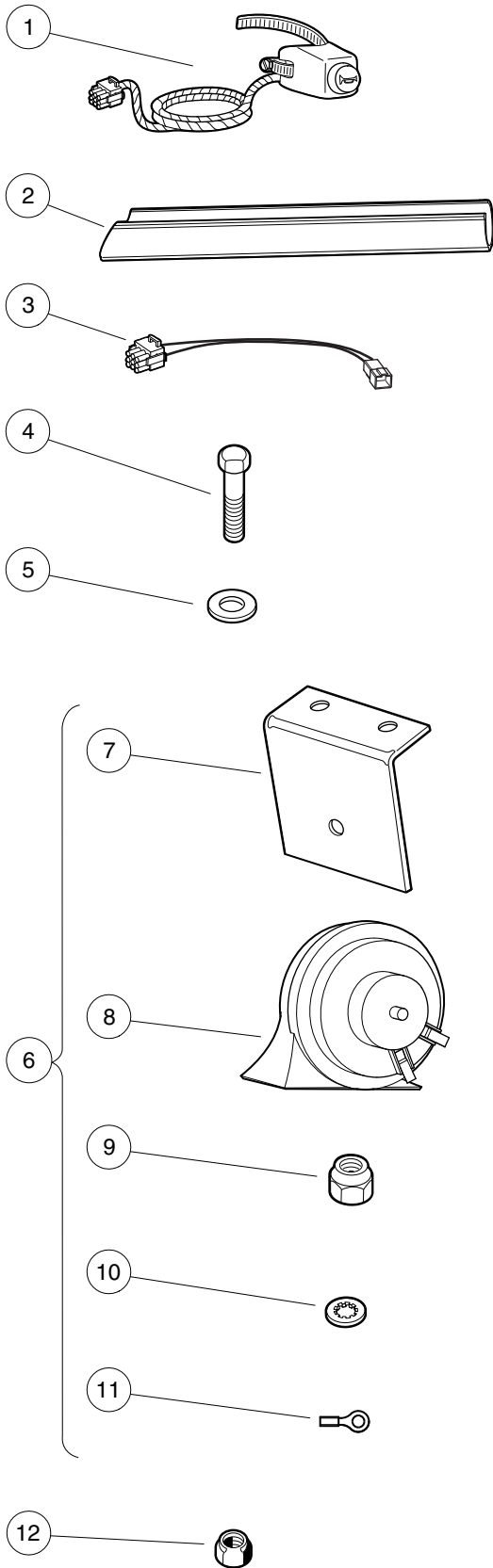
001094-002

# STROBE LIGHT, ROOF-MOUNTED

ITEM	PART NO.	DESCRIPTION	QTY
		<b>1 2 3 4</b>	
1	<u>1015526</u>	Bulb, Replacement, for Strobe Light .....	1
2	<u>AM1243701</u>	Lens, Blue, for Strobe Light .....	A/R
3	<u>AM1243801</u>	Lens, Red, for Strobe Light .....	A/R
4	<u>SVP119201</u>	Light, Roof-Mounted Strobe, Field (includes items 5 through 21) .....	A/R
5	<u>AM1243501</u>	Kit, Roof Mounted Strobe Fd (includes items 6 through 20) .....	1
6	<u>1012438</u>	Locknut, #10-24 Nylon Insert .....	2
7	<u>1015010</u>	Cover Plate Switch .....	1
8	<u>1015156</u>	Light Assembly, Strobe .....	1
9	<u>1015167</u>	#16 Black Wire Asm .....	1
10	<u>1015170</u>	Wire Assembly #16 .....	1
11	<u>1015187</u>	Switch Assembly .....	1
12	<u>1015768</u>	Split Convolute Elec Conduit .....	11
13	<u>1015770</u>	Outlet Ring - .5 Diameter .....	5
14	<u>1016230</u>	Wire Asm #16 Red .....	1
15	<u>1016267</u>	Snap On Conduit Vert. ....	1
16	<u>1016287</u>	Wire Asm #16 Red .....	1
17	<u>1016929</u>	Wire Assembly Black #16 .....	1
18	<u>101821601</u>	#18 Red Wire Assembly .....	1
19	<u>183</u>	Washer, #10, Type A, Flat .....	2
20	<u>8639</u>	Tie Wrap, 11" Nylon .....	8
21	<u>SVP493201</u>	Well Nut, 10-32 .....	3

**4**  
**G**  
**E**

**4**  
**G**  
**E**



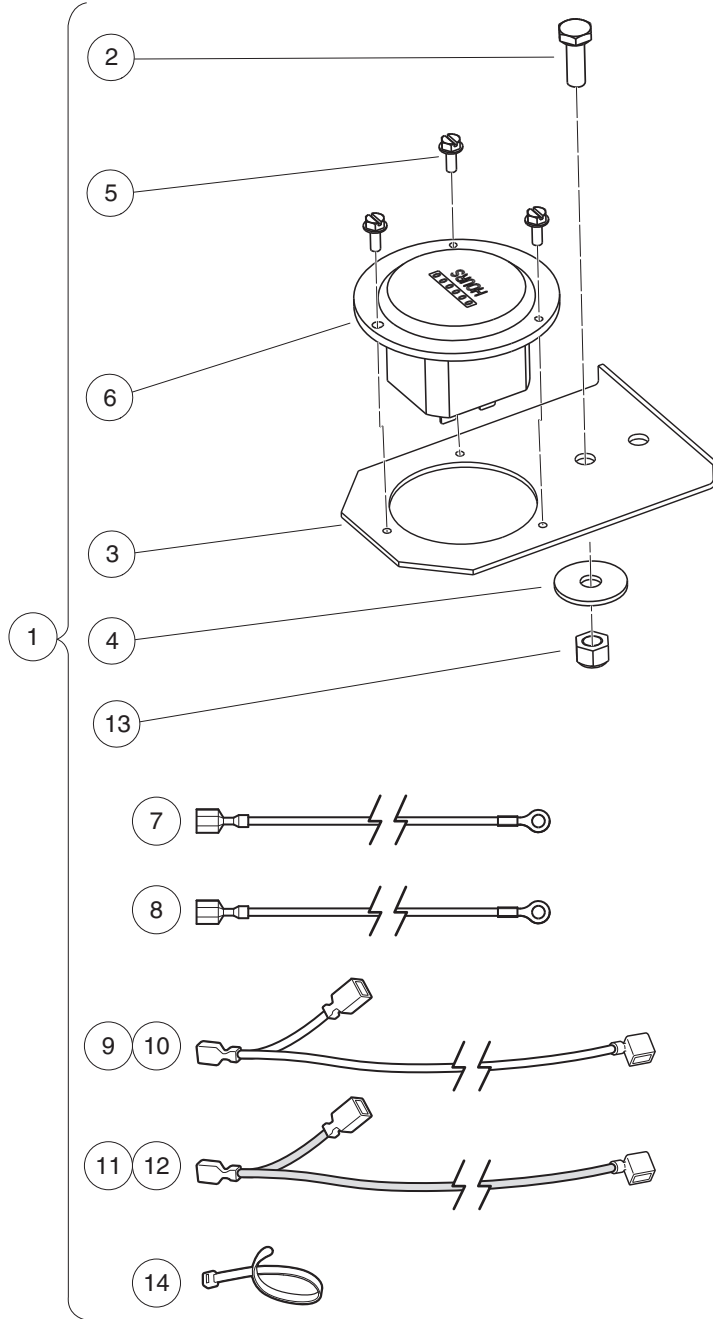
001095-002

## HORN WITH COLUMN-MOUNTED BUTTON

ITEM	PART NO.	DESCRIPTION	QTY
		<b>1 2 3 4</b>	
1	102517601	Subasm, Horn Button Harness .....	1
2	<u>102529203</u>	Wire Cover-steer Column 304 Mm .....	1
3	<u>103618101</u>	Harness, Jumper, Horn .....	1
4	304	Screw, 1/4-20 X 1.0 Hex-Head Cap .....	2
5	<u>332</u>	Washer, 1/4 Type A Narrow Flat .....	2
6	<u>4029</u>	Horn (includes items 7 through 11) .....	1
7	<u>1011825</u>	Horn Bracket .....	1
8	<u>1014530</u>	Horn, 12-VDC .....	1
9	<u>101955101</u>	Nut, M6 Hex .....	1
10	<u>7820</u>	Washer, 5/16 Internal-Tooth .....	1
11	8294	5/16 Ring Term. ....	1
12	<u>8233</u>	Locknut, 1/4-20, Nylon Insert .....	2

**4**  
**G**  
**E**

**4**  
**G**  
**E**



001096-001



# HOUR METER – IQ SYSTEM AND IQ PLUS ELECTRIC VEHICLES

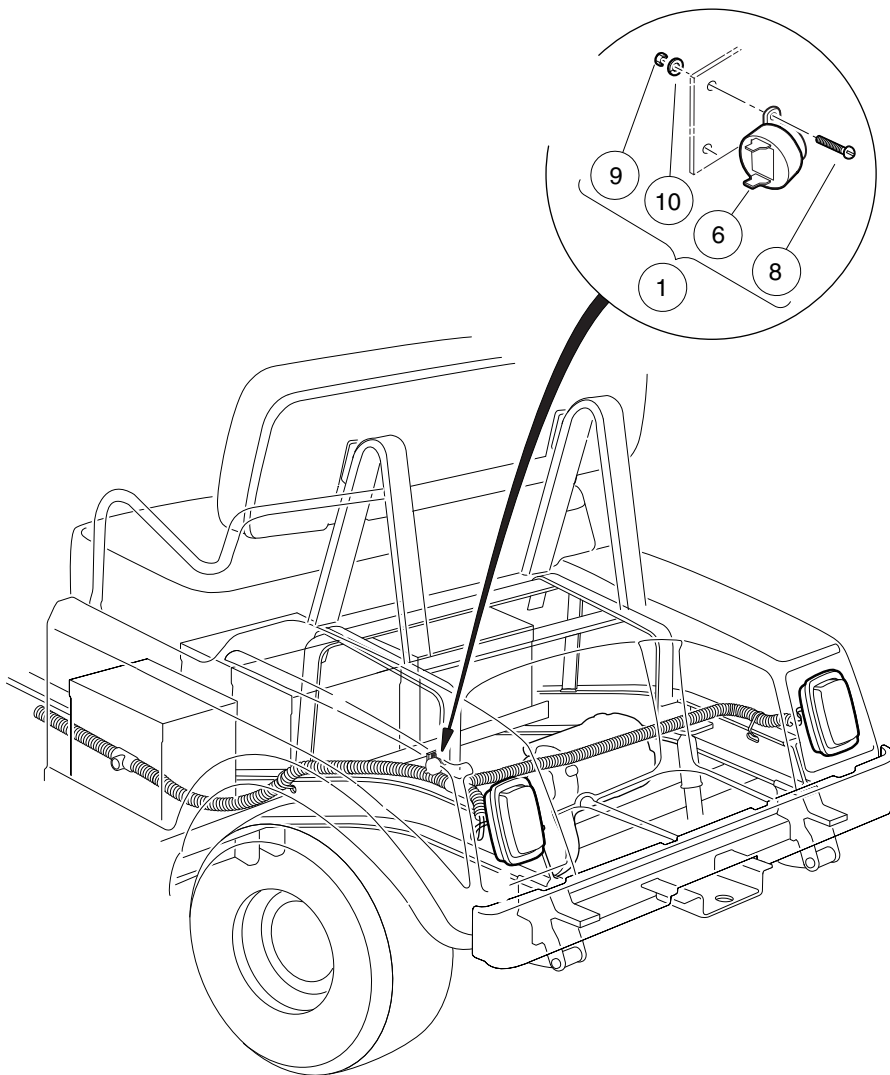
ITEM	PART NO.	DESCRIPTION	QTY
		1 2 3 4	
1	<u>1013579</u>	Kit, Hour Meter (includes items 2 through 14) .....	1
2	<u>1012285</u>	Screw, 1/4 X 0.625 Hex-Head .....	1
3	<u>1013547</u>	Hour Meter Bracket .....	1
4	<u>1014306</u>	Washer, 1/4" Type B Flat .....	1
5	<u>1014540</u>	Screw, #6-32 X 3/8 Taptite .....	3
6	N/A	Hour Meter .....	1
7	101881501	Wire Assembly Black #18 .....	1
8	101881601	Wire Assembly Red #18 .....	1
9	<u>101997802</u>	Wire Assembly #18 Yellow .....	1
10	<u>101997803</u>	Wire Asm #18 Yellow 31" .....	1
11	<u>101997902</u>	Wire Assembly #18 Red .....	1
12	<u>101997903</u>	Wire Asm # 18 Red 31" .....	1
13	<u>8233</u>	Locknut, 1/4-20, Nylon Insert .....	1
14	<u>8990</u>	Tie Wrap, 8" Nylon .....	1
		<p>Note: The kit includes components that apply to multiple vehicles. The installation instructions will specify which components are required for a specific model. After installation, discard components not used.</p>	

4  
G  
E

4

G

E



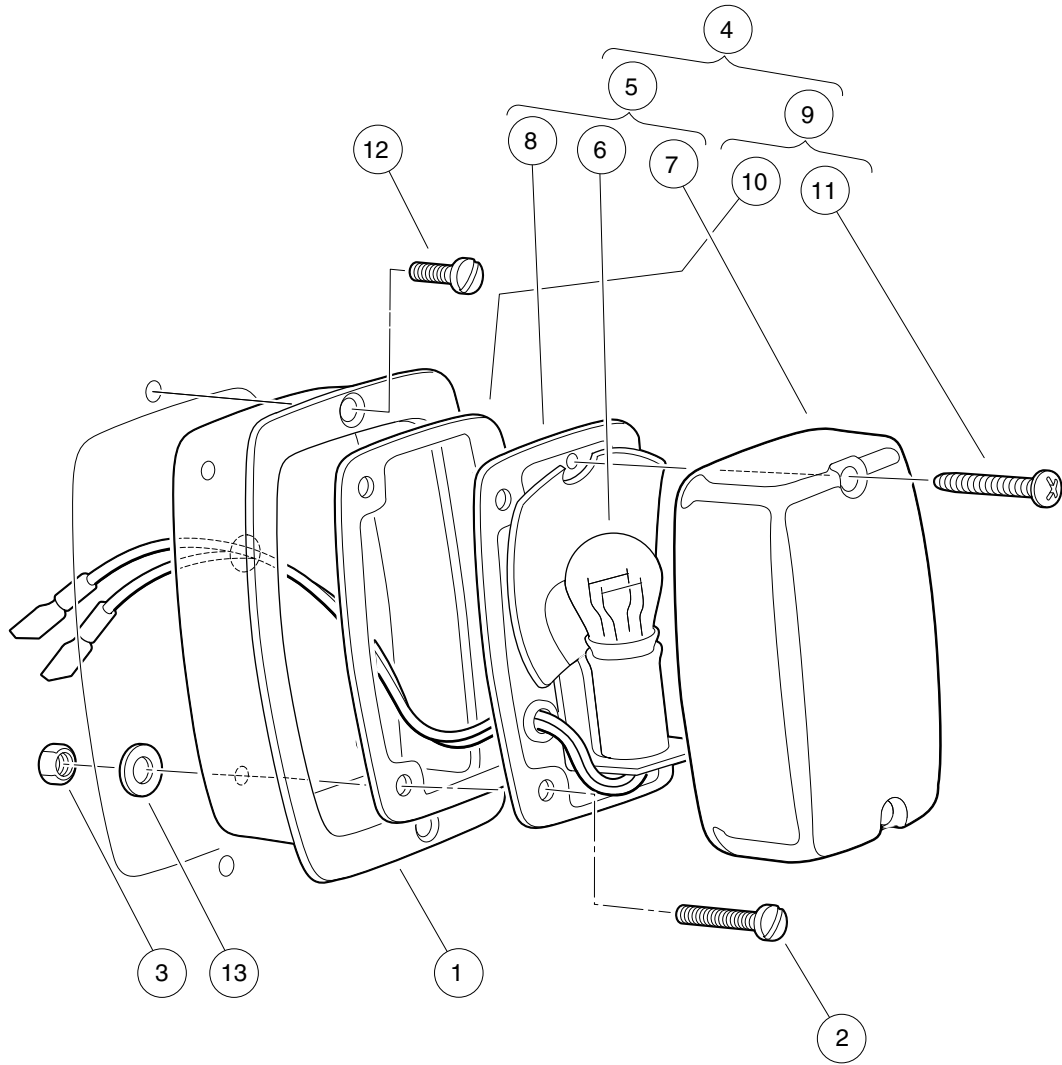
000433-001

## REAR REVERSE BUZZER

ITEM	PART NO.	DESCRIPTION	QTY
		1 2 3 4	
1	<u>1016859</u>	Kit, Reverse Buzzer (includes items 2 through 10) .....	1
2	<u>1011229</u>	Locknut, #6-32 Whiz .....	1
3	1012431	Washer, #4 Flat .....	2
4	<u>1015720</u>	Screw, #6-32 X 1/2 Hex Washer-Head .....	1
5	<u>1016849</u>	Screw, #4-24 X 0.33, Pan-Head, Machine .....	2
6	<u>1016851</u>	Multi-Purpose Buzzer (9-48 VDC) .....	1
7	1016857	Wire Assembly Black #18 .....	1
8	<u>8056</u>	Screw, #4-40 X 0.75 Round-Head Machine .....	2
9	<u>8057</u>	Nut, #4-40 Hex Machine .....	2
10	<u>8058</u>	Lockwasher, #4 Split .....	2
<p>Note: Note: Items 2 through 5 and 7 are included in the kit, but are not used in this application.</p>			

4  
G  
E

**4**  
**G**  
**E**



000348-006

# TAIL LIGHTS

ITEM	PART NO.	DESCRIPTION	QTY
		<b>1 2 3 4</b>	
1	<u>1011497</u>	Bezel, Taillight .....	1
2	<u>1011557</u>	Screw, #6-32 X 1.00 Hex-Head Machine .....	1
3	<u>1011558</u>	Nut, #6-32 Hex .....	1
4	1017035	Taillight Assembly (includes items 5 through 9) .....	1
5	N/A	Light, Tail (includes items 6 through 8) .....	1
6	<u>1011582</u>	Taillight Bulb .....	1
7	<u>1011843</u>	Taillight Lens .....	1
8	N/A	Base, Taillight .....	1
9	<u>1017699</u>	Hardware Kit, Tail Light (includes items 10 and 11) .....	1
10	N/A	Gasket .....	1
11	N/A	Screw, Tapered .....	2
12	<u>102915601</u>	Plastic Rivet - Tuflock .....	1
13	<u>7591</u>	Washer, #6, Flat .....	1

**4**  
**G**  
**E**

**4**

**G**

**E**

# **BRAKES, PEDALS, AND CABLES**

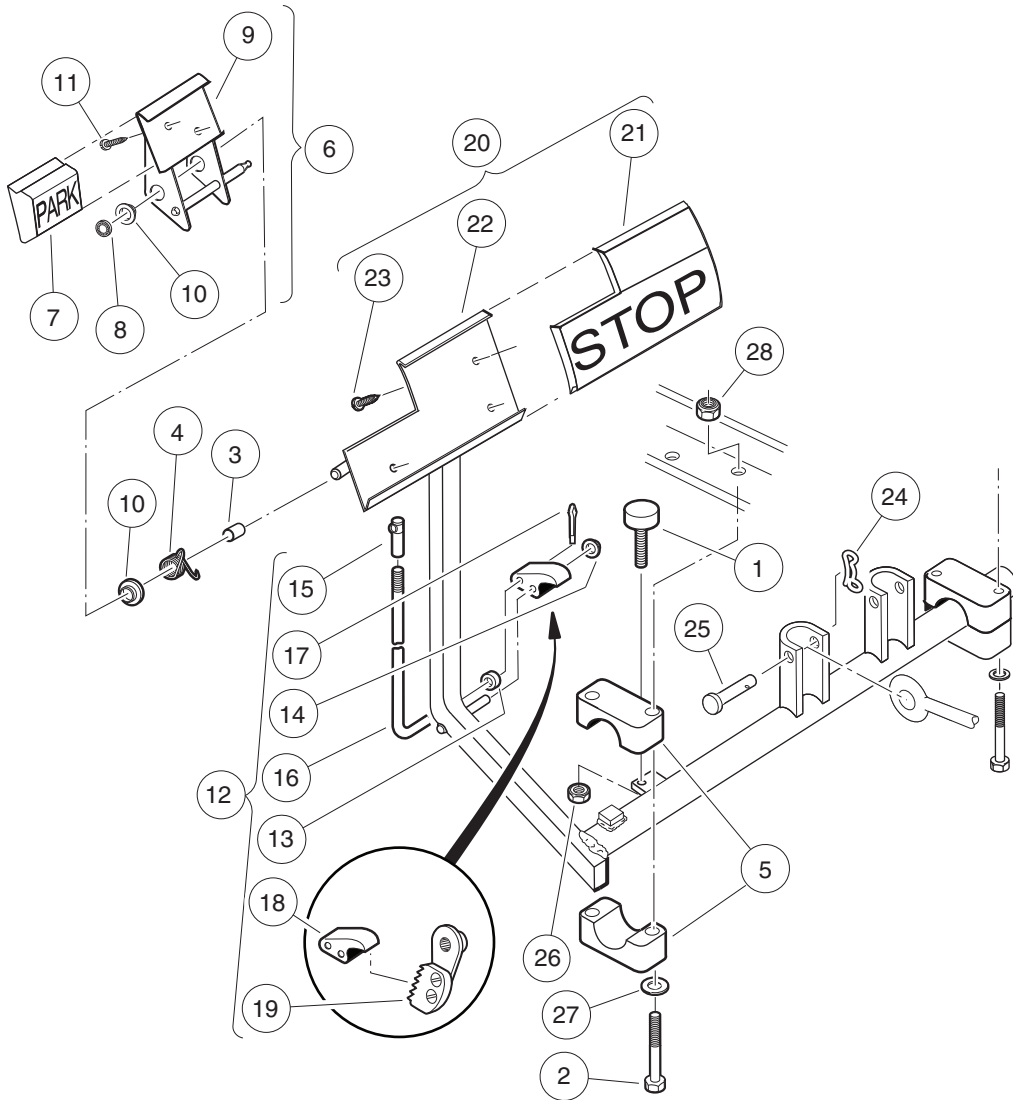
---

**5**

**G**

**E**

**5**  
**G**  
**E**



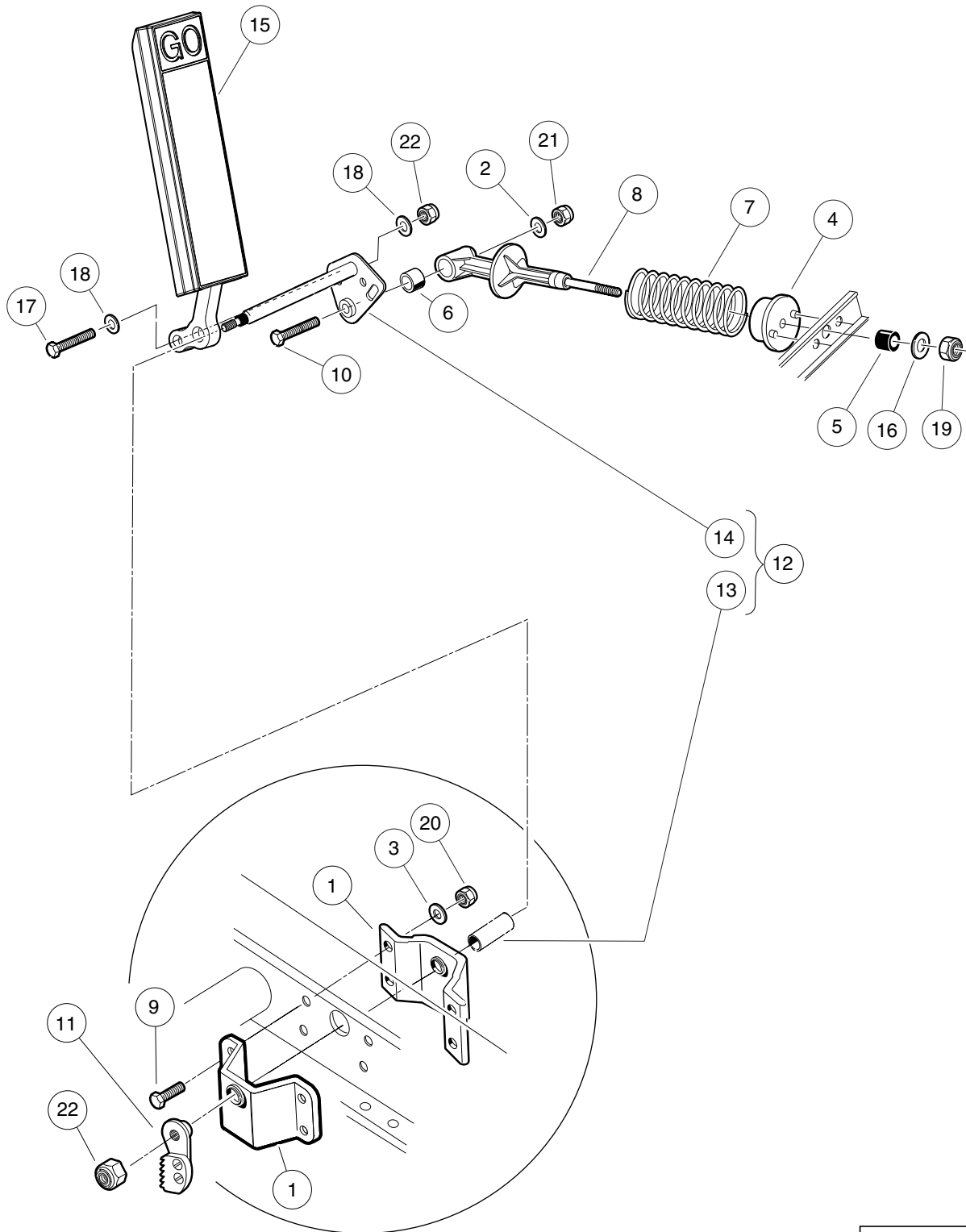
000187-001



## BRAKE PEDAL ASSEMBLY

ITEM	PART NO.	DESCRIPTION	QTY	
		1 2 3 4		<b>5</b>
1	<u>1010878</u>	Bumper, Rubber .....	1	<b>G</b>
2	<u>1010921</u>	Screw, 5/16-18 X 2.50 Hex Cap .....	4	<b>E</b>
3	<u>1010927</u>	Hill Brake Spacer .....	1	
4	<u>1010933</u>	Spring, Hill Brake Torsion .....	1	
5	<u>1011402</u>	Package, Brake Mounting Block .....	1	
6	<u>1011418</u>	Kit, Hill Brake Pedal (includes items 7 through 11) .....	1	
7	<u>1013870</u>	Pad, Hill Brake .....	1	
8	<u>1013876</u>	Pushnut, 3/8 .....	1	
9	N/A	Hill Brake Weld Assembly .....	1	
10	<u>1032</u>	Bushing, Nylon .....	2	
11	7716	Screw, #10-16 Type AB, Sheet Metal .....	2	
12	<u>101187702</u>	Kit, Hill Brake Latch (includes items 13 through 19) .....	1	
13	<u>1010805</u>	Sleeve, Hill Brake Rod .....	1	
14	<u>1010877</u>	Pushnut, 3/8 .....	1	
15	1010932	Ball Joint, 1/4-28 .....	1	
16	N/A	Rod, Hill Brake .....	1	
17	<u>1017029</u>	Pin, Cotter, 7/64 x 1/2 Stainless-Steel .....	1	
18	N/A	Pawl, Hill Brake .....	1	
19	101918501	Ratchet Assembly .....	1	
20	<u>101878201</u>	Brake Pedal Kit (includes items 21 through 23) .....	1	
21	<u>1013869</u>	Pad, Brake Pedal .....	1	
22	N/A	Weldment, Brake Pedal, 2wr Std .....	1	
23	7716	Screw, #10-16 Type AB, Sheet Metal .....	3	
24	<u>102323101</u>	Pin, Bow Tie Locking .....	1	
25	<u>102323201</u>	Pin, 3/8 X 1-5/16 Clevis .....	1	
26	<u>1028</u>	Nut, 1/4-20 Hex .....	1	
27	<u>1241</u>	Washer, 5/16 Type A Flat .....	4	
28	<u>7473</u>	Locknut, 5/16-18 Nylon Insert .....	4	

**5**  
**G**  
**E**



001406-001

# ACCELERATOR PEDAL ASSEMBLY – ELECTRIC VEHICLES

ITEM	PART NO.	DESCRIPTION	QTY
		1 2 3 4	
1	<u>1011694</u>	Accelerator Bracket and Bearing Assembly .....	2
2	<u>1011931</u>	Washer, 1/4 Flat .....	1
3	<u>1014007</u>	Washer, 1/4, Flat .....	4
4	<u>1017378</u>	Cup, Spring .....	1
5	<u>1017380</u>	Bumper, Spring Return .....	1
6	<u>1017424</u>	Bearing, Pivot Support .....	1
7	101796201	Spring, Accelerator Return .....	1
8	<u>101817401</u>	Retainer, Spring .....	1
9	<u>101861901</u>	Screw, 1/4-20 X 1.125 Hex Cap .....	4
10	<u>101862001</u>	Screw, 1/4-20 X 1.500 Flange .....	1
11	101918501	Ratchet Assembly .....	1
12	<u>102026001</u>	Kit, Accelerator Pivot Rod Assembly (includes items 13 and 14) .....	1
13	101919801	Spacer, Accelerator .....	1
14	<u>102158901</u>	Pivot Rod Weldment .....	1
15	<u>103865101</u>	Pedal, Accel, Insert .....	A/R
16	<u>1241</u>	Washer, 5/16 Type A Flat .....	1
17	<u>1624</u>	Screw, 3/8-16 X 1.50, Hex-Head Cap .....	1
18	<u>334</u>	Washer, 3/8, Type A, Flat .....	2
19	<u>7473</u>	Locknut, 5/16-18 Nylon Insert .....	1
20	<u>8233</u>	Locknut, 1/4-20, Nylon Insert .....	4
21	<u>8717</u>	Locknut, Nylon Insert, 1/4-28 .....	1
22	<u>8754</u>	Locknut, 3/8-16 Hex .....	2

**5**  
**G**  
**E**

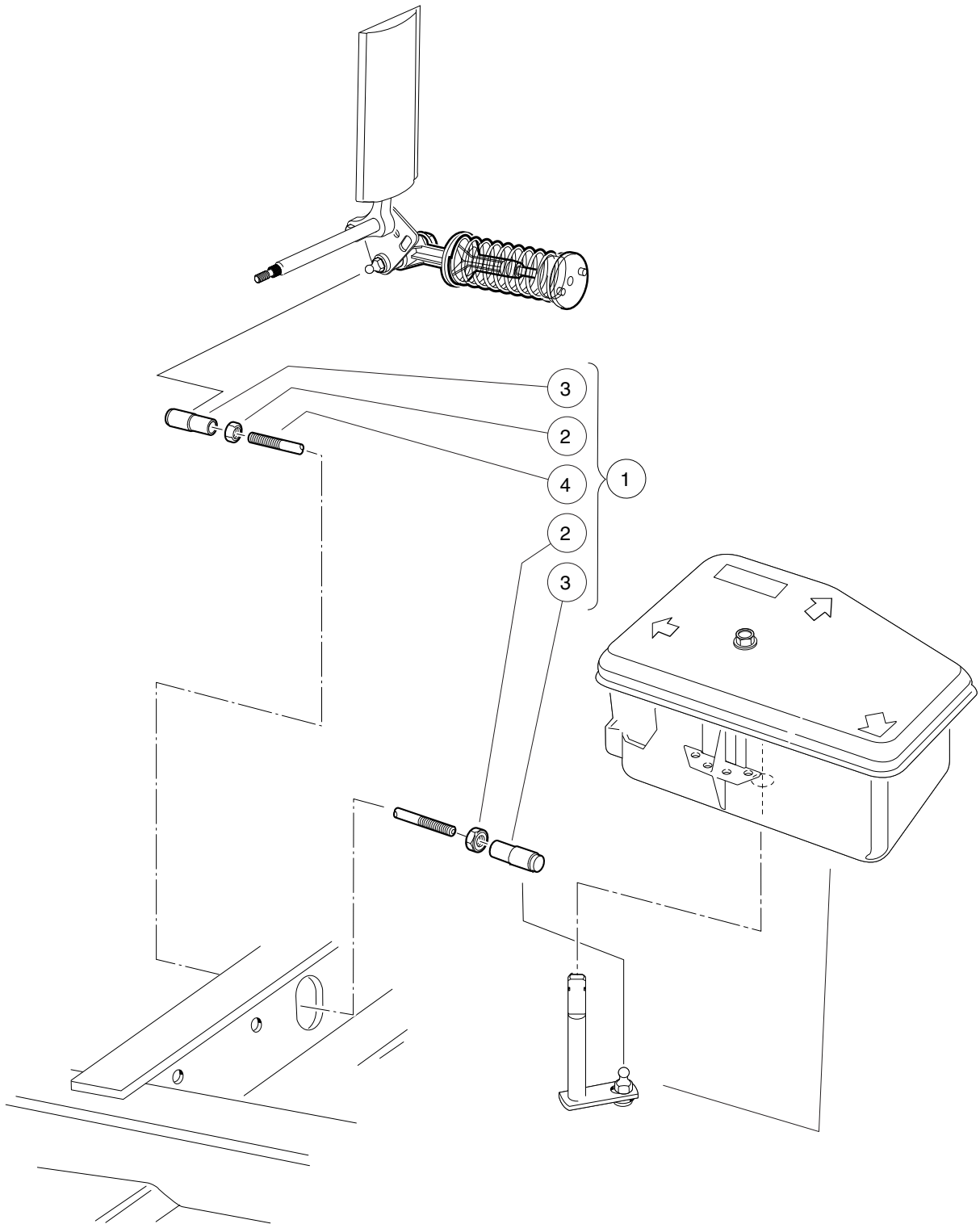


# ACCELERATOR PEDAL ASSEMBLY – GASOLINE VEHICLES

ITEM	PART NO.	DESCRIPTION	QTY
		1 2 3 4	
1	<u>1011694</u>	Accelerator Bracket and Bearing Assembly .....	2
2	<u>1011931</u>	Washer, 1/4 Flat .....	1
3	<u>1014007</u>	Washer, 1/4, Flat .....	4
4	<u>1017378</u>	Cup, Spring .....	1
5	<u>1017380</u>	Bumper, Spring Return .....	1
6	<u>1017424</u>	Bearing, Pivot Support .....	1
7	101796201	Spring, Accelerator Return .....	1
8	<u>101817401</u>	Retainer, Spring .....	1
9	101818801	Stud, 1/4-28 X 1.35 Ball .....	1
10	<u>101861901</u>	Screw, 1/4-20 X 1.125 Hex Cap .....	4
11	101918501	Ratchet Assembly .....	1
12	<u>102026001</u>	Kit, Accelerator Pivot Rod Assembly (includes items 13 and 14) .....	1
13	101919801	Spacer, Accelerator .....	1
14	<u>102158901</u>	Pivot Rod Weldment .....	1
15	<u>103865101</u>	Pedal, Accel, Insert .....	1
16	<u>1241</u>	Washer, 5/16 Type A Flat .....	1
17	<u>1624</u>	Screw, 3/8-16 X 1.50, Hex-Head Cap .....	1
18	<u>334</u>	Washer, 3/8, Type A, Flat .....	2
19	<u>7473</u>	Locknut, 5/16-18 Nylon Insert .....	1
20	<u>8233</u>	Locknut, 1/4-20, Nylon Insert .....	4
21	<u>8717</u>	Locknut, Nylon Insert, 1/4-28 .....	1
22	<u>8754</u>	Locknut, 3/8-16 Hex .....	2

5  
G  
E

**5**  
**G**  
**E**



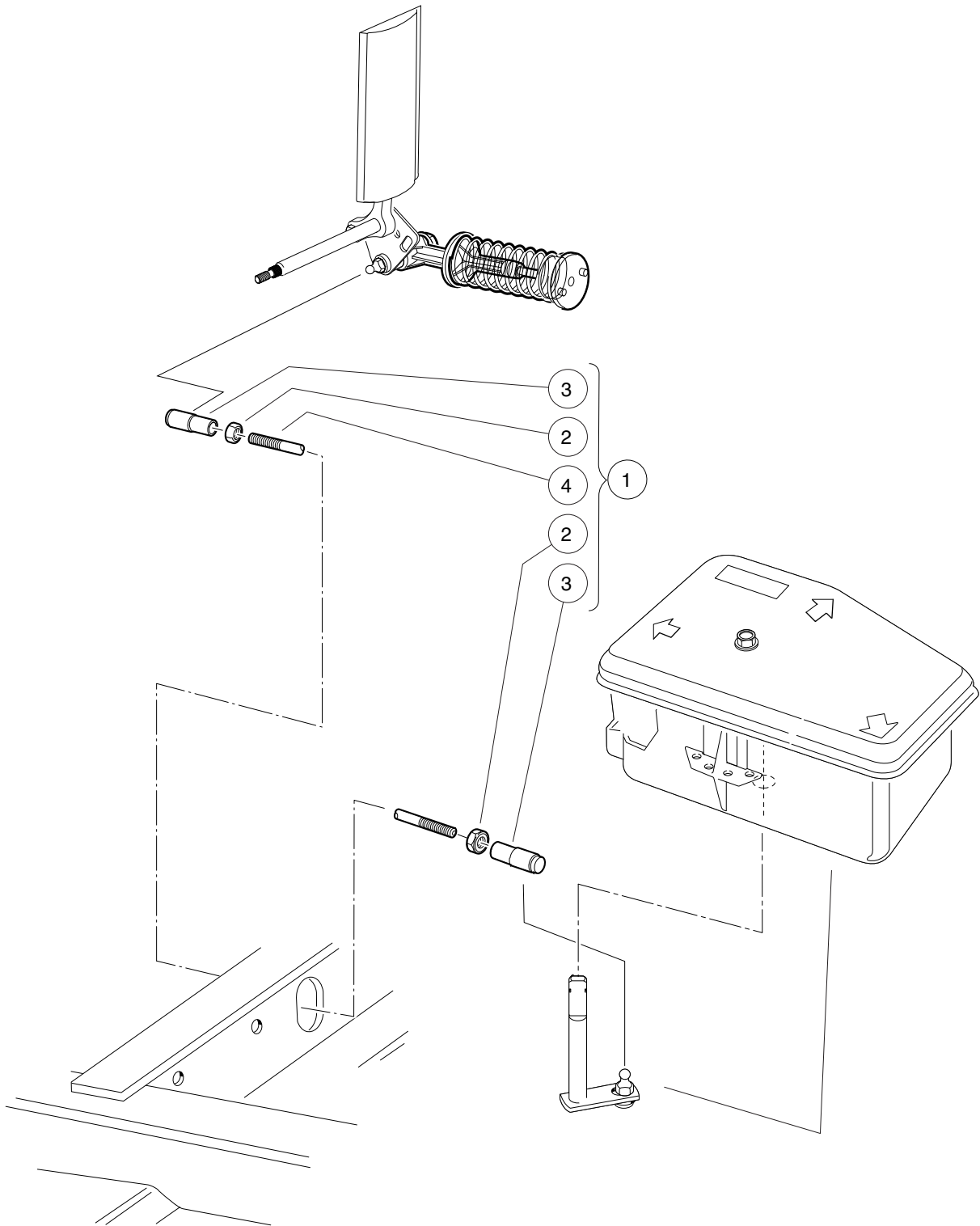
000362-001

# ACCELERATOR ROD – TURF/CA6/VILL6/TPORTER GAS VEHICLES

ITEM	PART NO.	DESCRIPTION	QTY
1	<u>101674702</u>	1 2 3 4 Rod, Accelerator (includes items 2 through 4) .....	1
2	<u>1011084</u>	Nut, 1/4-28 Hex Jam .....	2
3	<u>1011734</u>	Joint, Ball .....	2
4	N/A	Accelerator Rod Elec Stretch .....	1

**5**  
**G**  
**E**

**5**  
**G**  
**E**



000362-001

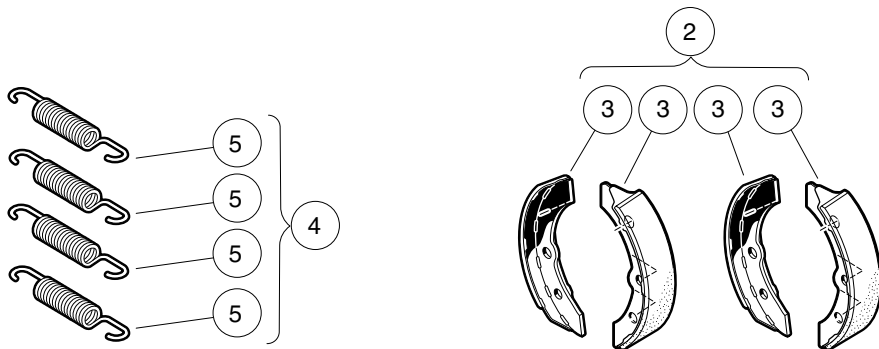
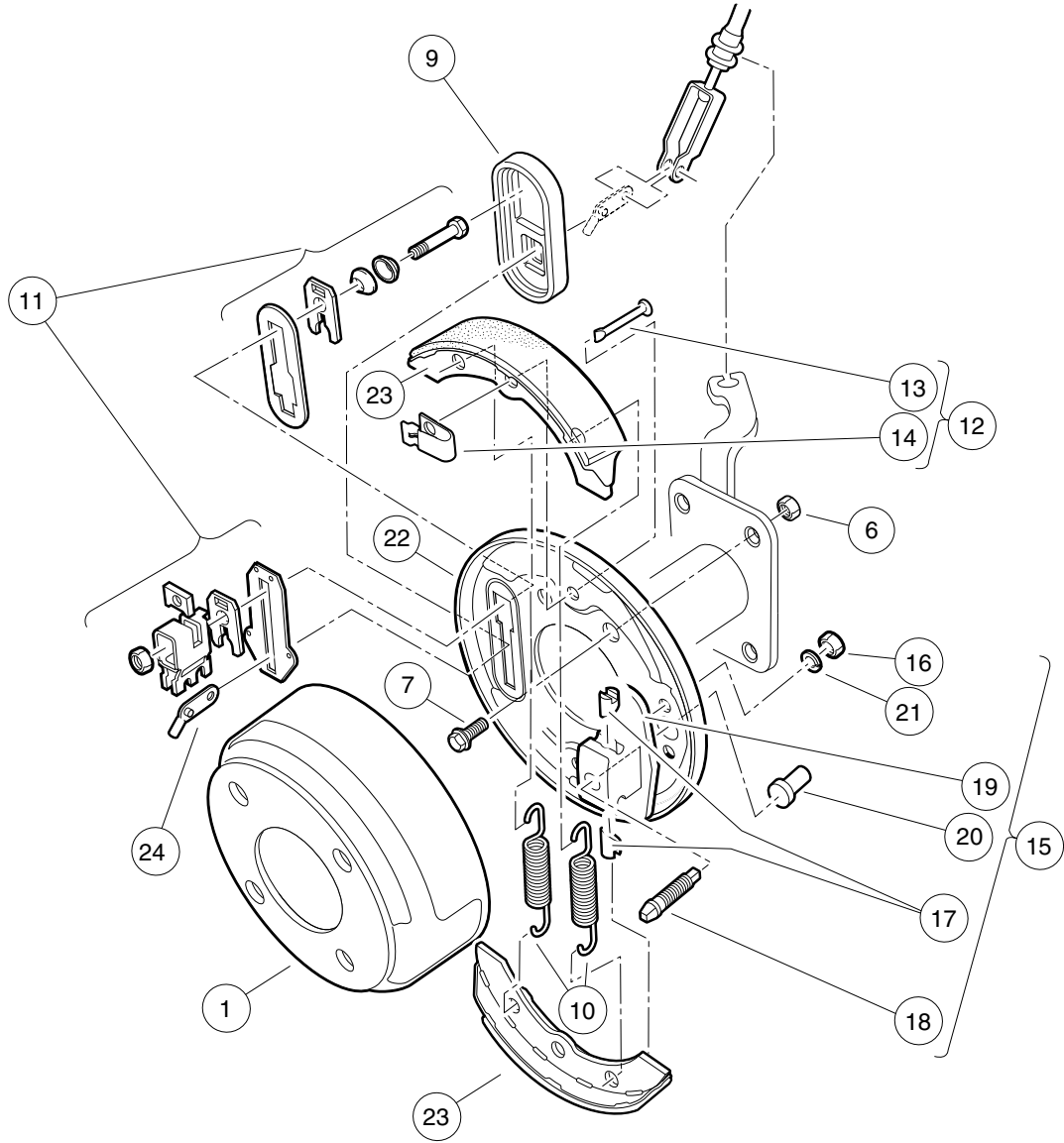


## ACCELERATOR ROD – VILLAGER 8 GAS VEHICLES

ITEM	PART NO.	DESCRIPTION	QTY
		1 2 3 4	
1	<u>101674704</u>	Accelerator Rod Assembly, RV XL (includes items 2 through 4) .....	1
2	<u>1011084</u>	Nut, 1/4-28 Hex Jam .....	2
3	<u>1011734</u>	Joint, Ball .....	2
4	N/A	Accelerator Rod, RV XL .....	1

5  
G  
E

**5**  
**G**  
**E**



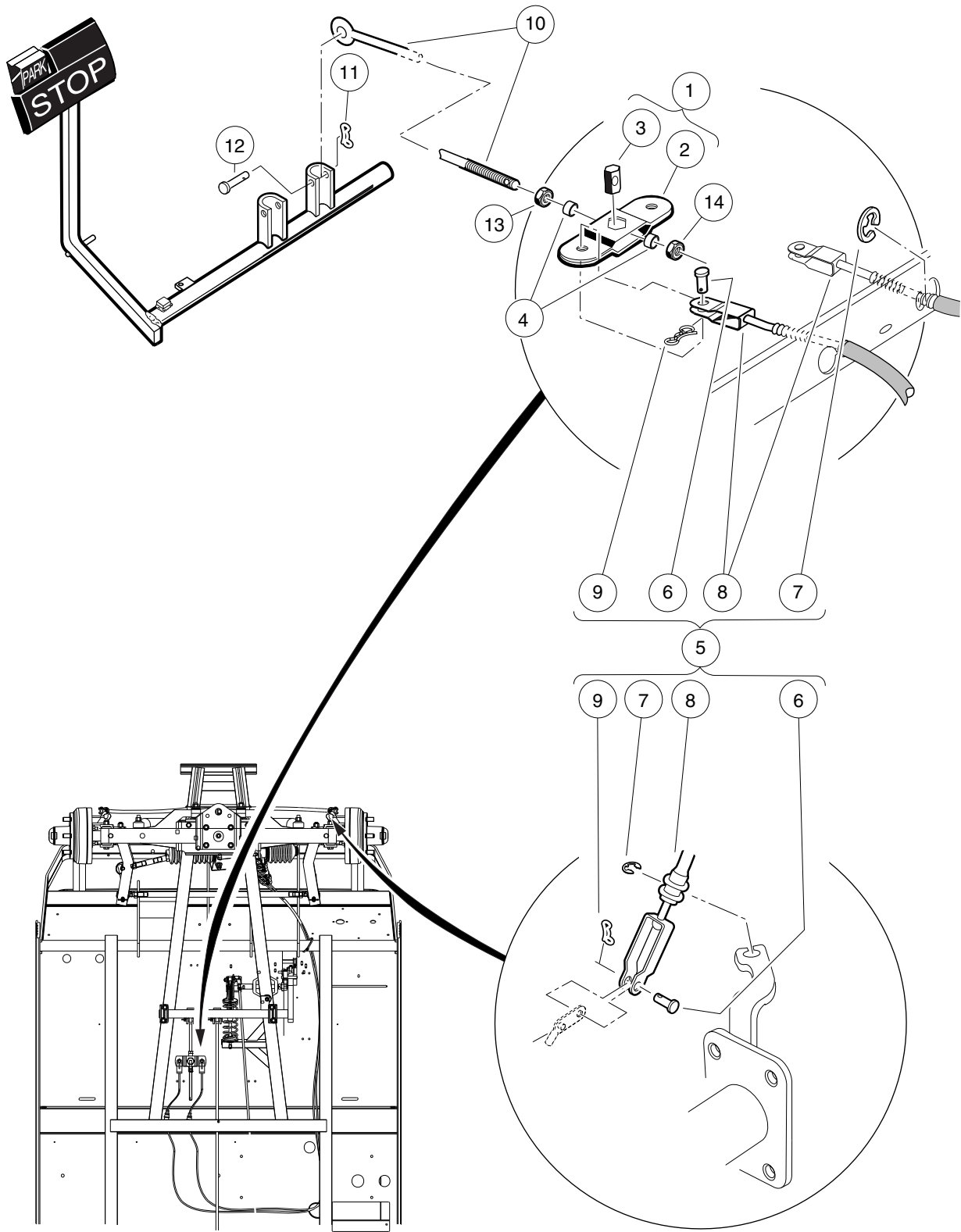
000298-001

# FRONT BRAKE ASSEMBLY – VEHICLES WITH FOUR-WHEEL BRAKES

ITEM	PART NO.	DESCRIPTION	QTY
		<b>1 2 3 4</b>	
1	<u>1011137</u>	Drum, Brake .....	2
2	<u>101146302</u>	Kit, Non-Asbestos Brake Shoe (includes item 3) .....	1
3	101880701	Shoe Brake Manual Adj (Available in Kit, Non-Asbestos Brake Shoe) .....	4
4	<u>1011464</u>	Package, Brake Spring (includes item 5) .....	1
5	1011314	Brake Spring .....	4
6	<u>1013924</u>	Nut, 5/16-24, Hex Head Cone .....	8
7	<u>1014153</u>	Bolt, Brake Cluster Mounting .....	8
8	<u>1016557</u>	Cluster, Brake, Driver-Side (includes items 9 through 24) .....	1
9	<u>1010850</u>	Dust Cover .....	1
10	1011314	Brake Spring .....	2
11	<u>1011465</u>	Kit, Brake Actuator .....	1
12	<u>1011466</u>	Kit, Shoe Retainer (includes items 13 and 14) .....	1
13	N/A	Pin .....	2
14	N/A	Shoe Clamp Spring .....	2
15	<u>1011467</u>	Kit, Anchor Body (includes items 16 through 21) .....	1
16	<u>1011114</u>	Nut, M6-1.00 Hex .....	2
17	1011298	Anchor Piston .....	2
18	N/A	Adjustment Bolt .....	1
19	N/A	Anchor Body Component .....	1
20	<u>1011303</u>	Adjustment Bolt Cap .....	1
21	<u>451</u>	Lockwasher, 1/4 Split .....	2
22	1011494	Backing Plate, Left-Hand .....	1
23	101880701	Shoe Brake Manual Adj (Available in Kit, Non-Asbestos Brake Shoe) .....	2
24	102860501	Arm, Brake Lever .....	1
25	<u>1016573</u>	Cluster, Brake, Passenger-Side (includes items 26 through 41) .....	1
26	<u>1010850</u>	Dust Cover .....	1
27	<u>1011154</u>	Backing Plate, Right-Hand .....	1
28	1011314	Brake Spring .....	2
29	<u>1011465</u>	Kit, Brake Actuator .....	1
30	<u>1011466</u>	Kit, Shoe Retainer (includes items 31 and 32) .....	1
31	N/A	Pin .....	2
32	N/A	Shoe Clamp Spring .....	2
33	<u>1011467</u>	Kit, Anchor Body (includes items 34 through 39) .....	1
34	<u>1011114</u>	Nut, M6-1.00 Hex .....	2
35	1011298	Anchor Piston .....	2
36	N/A	Adjustment Bolt .....	1
37	N/A	Anchor Body Component .....	1
38	<u>1011303</u>	Adjustment Bolt Cap .....	1
39	<u>451</u>	Lockwasher, 1/4 Split .....	2
40	101880701	Shoe Brake Manual Adj (Available in Kit, Non-Asbestos Brake Shoe) .....	2
41	102860501	Arm, Brake Lever .....	1
		Note: Passenger-side brake cluster not shown. Components have a similar appearance to driver-side brake cluster components.	

**5**  
**G**  
**E**

**5**  
**G**  
**E**



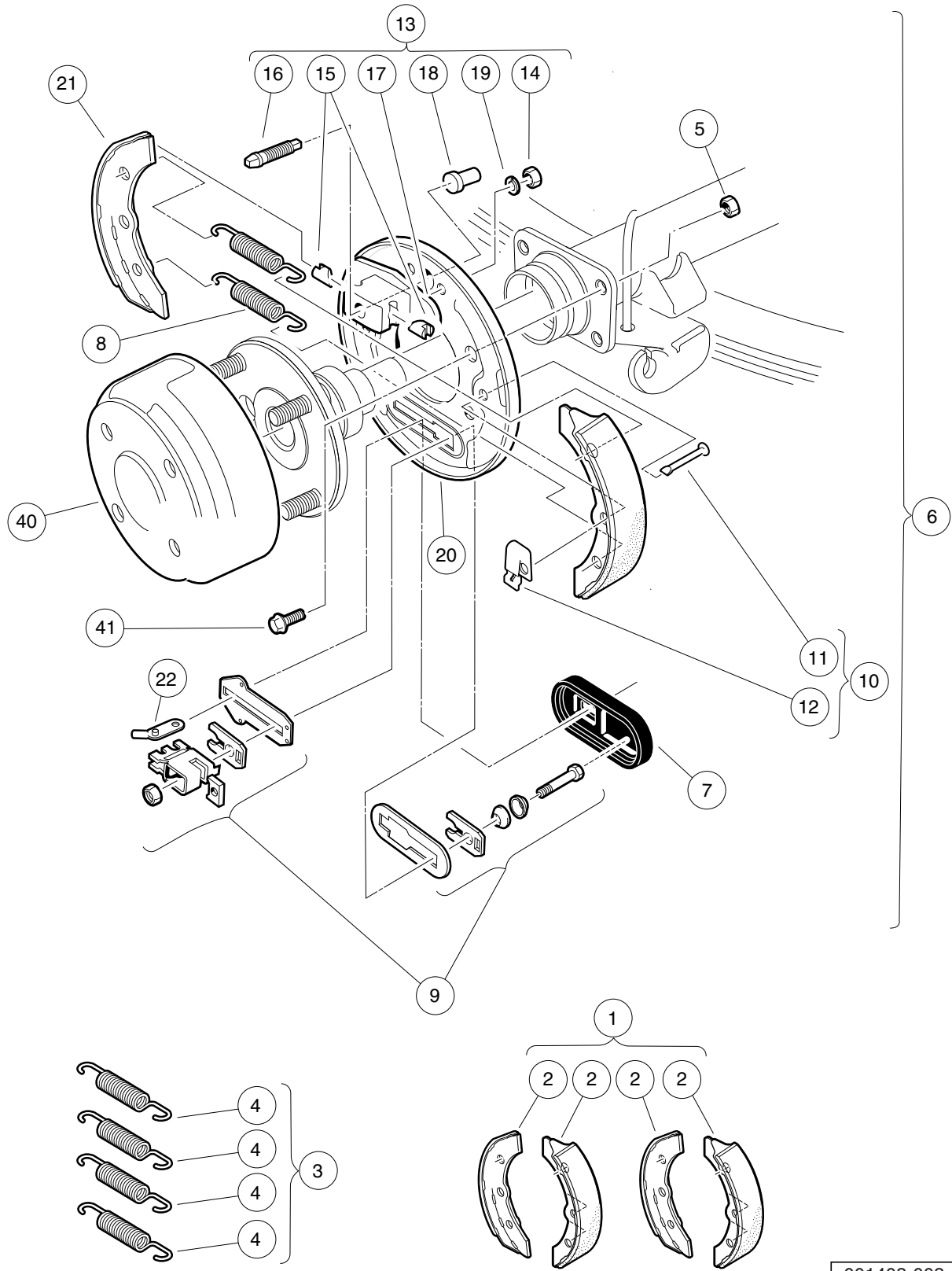
000294-001

# FRONT BRAKE CABLES AND EQUALIZER – VEHICLES WITH FOUR-WHEEL BRAKES

ITEM	PART NO.	DESCRIPTION	QTY
		<b>1 2 3 4</b>	
1	<u>1017211</u>	Kit, Equalizer and Pivot Limiter (includes items 2 and 3) .....	1
2	1016319	Equalizer Weld Assembly .....	2
3	1016320	Equalizer, Pivot Limiter .....	1
4	<u>101865301</u>	Spacer .....	2
5	<u>101874601</u>	Kit, Brake Cable (includes items 6 through 9) .....	1
6	<u>1010829</u>	Pin, Clevis, 5/16 X 3/4 .....	4
7	<u>1011779</u>	E-Clip, 1/2 .....	4
8	N/A	Brake Cable .....	2
9	<u>102292801</u>	Pin, Bow Tie Locking - .072 .....	4
10	<u>101953106</u>	Rod, Equalizer, 9.75" .....	1
11	<u>102323101</u>	Pin, Bow Tie Locking .....	1
12	<u>102323201</u>	Pin, 3/8 X 1-5/16 Clevis .....	1
13	<u>1242</u>	Nut, 5/16-18 Hex .....	1
14	<u>7473</u>	Locknut, 5/16-18 Nylon Insert .....	1

**5**  
**G**  
**E**

**5**  
**G**  
**E**



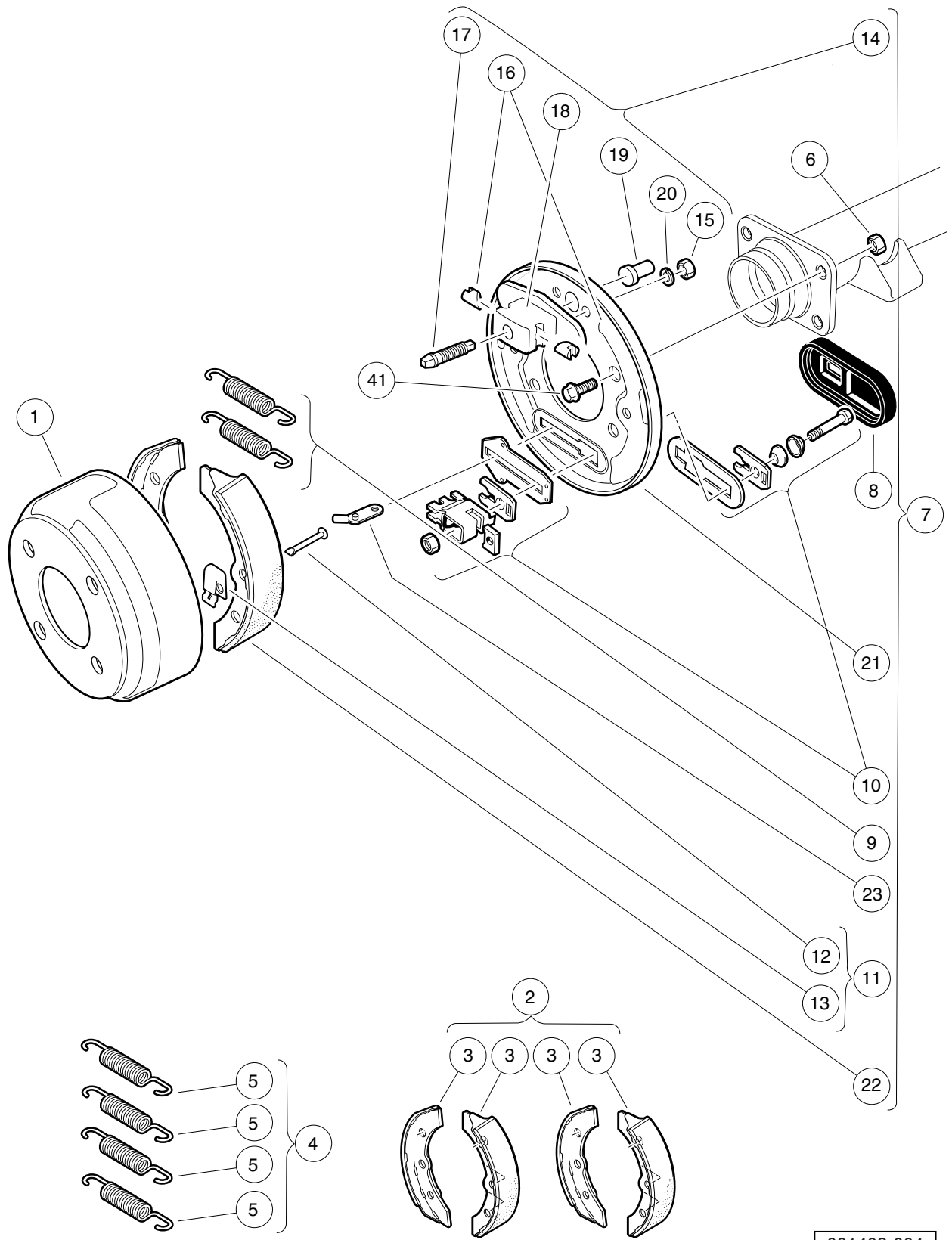
001403-003

# REAR BRAKES, MANUALLY-ADJUSTED – ELEC. VEHICLES WITH 4-WHEEL BRAKES

ITEM	PART NO.	DESCRIPTION	QTY
		1 2 3 4	
1	<u>101146302</u>	Kit, Non-Asbestos Brake Shoe (includes item 2) .....	1
2	101880701	Shoe Brake Manual Adj (Available in Kit, Non-Asbestos Brake Shoe) .....	4
3	<u>1011464</u>	Package, Brake Spring (includes item 4) .....	1
4	1011314	Brake Spring .....	4
5	<u>1013924</u>	Nut, 5/16-24, Hex Head Cone .....	8
6	<u>1016557</u>	Cluster, Brake, Driver-Side (includes items 7 through 22) .....	1
7	<u>1010850</u>	Dust Cover .....	1
8	1011314	Brake Spring .....	2
9	<u>1011465</u>	Kit, Brake Actuator .....	1
10	<u>1011466</u>	Kit, Shoe Retainer (includes items 11 and 12) .....	1
11	N/A	Pin .....	2
12	N/A	Shoe Clamp Spring .....	2
13	<u>1011467</u>	Kit, Anchor Body (includes items 14 through 19) .....	1
14	<u>1011114</u>	Nut, M6-1.00 Hex .....	2
15	1011298	Anchor Piston .....	2
16	N/A	Adjustment Bolt .....	1
17	N/A	Anchor Body Component .....	1
18	<u>1011303</u>	Adjustment Bolt Cap .....	1
19	<u>451</u>	Lockwasher, 1/4 Split .....	2
20	1011494	Backing Plate, Left-Hand .....	1
21	101880701	Shoe Brake Manual Adj (Available in Kit, Non-Asbestos Brake Shoe) .....	2
22	102860501	Arm, Brake Lever .....	1
23	<u>1016573</u>	Cluster, Brake, Passenger-Side (includes items 24 through 39) .....	1
24	<u>1010850</u>	Dust Cover .....	1
25	<u>1011154</u>	Backing Plate, Right-Hand .....	1
26	1011314	Brake Spring .....	2
27	<u>1011465</u>	Kit, Brake Actuator .....	1
28	<u>1011466</u>	Kit, Shoe Retainer (includes items 29 and 30) .....	1
29	N/A	Pin .....	2
30	N/A	Shoe Clamp Spring .....	2
31	<u>1011467</u>	Kit, Anchor Body (includes items 32 through 37) .....	1
32	<u>1011114</u>	Nut, M6-1.00 Hex .....	2
33	1011298	Anchor Piston .....	2
34	N/A	Adjustment Bolt .....	1
35	N/A	Anchor Body Component .....	1
36	<u>1011303</u>	Adjustment Bolt Cap .....	1
37	<u>451</u>	Lockwasher, 1/4 Split .....	2
38	101880701	Shoe Brake Manual Adj (Available in Kit, Non-Asbestos Brake Shoe) .....	2
39	102860501	Arm, Brake Lever .....	1
40	<u>101791101</u>	Drum without Center Hole, Brake .....	2
41	<u>47542195001</u>	Bolt, Brake Cluster Mnt .....	8
		Note: Passenger-side brake cluster (items 24-40) not shown. Components have a similar appearance to driver-side brake cluster components.	

5  
G  
E

**5**  
**G**  
**E**



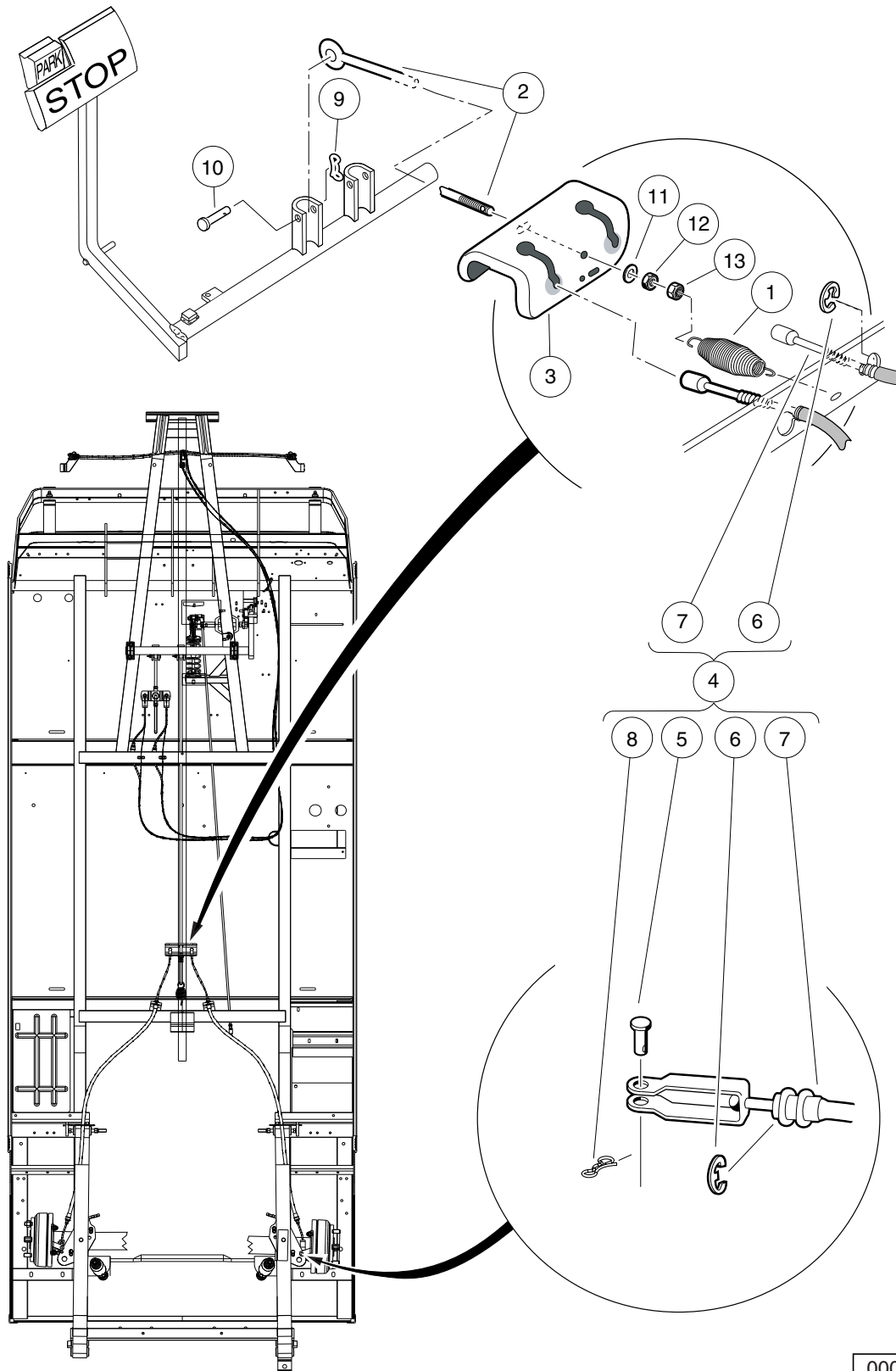
001403-004



# REAR BRAKES, MANUALLY-ADJUSTED – GAS VEHICLES WITH 4-WHEEL BRAKES

ITEM	PART NO.	DESCRIPTION	QTY	
		1 2 3 4		5
1	<u>1011137</u>	Drum, Brake .....	2	G
2	<u>101146302</u>	Kit, Non-Asbestos Brake Shoe (includes item 3) .....	1	E
3	101880701	Shoe Brake Manual Adj (Available in Kit, Non-Asbestos Brake Shoe) .....	4	
4	<u>1011464</u>	Package, Brake Spring (includes item 5) .....	1	
5	1011314	Brake Spring .....	4	
6	<u>1013924</u>	Nut, 5/16-24, Hex Head Cone .....	8	
7	<u>1016557</u>	Cluster, Brake, Driver-Side (includes items 8 through 23) .....	1	
8	<u>1010850</u>	Dust Cover .....	1	
9	1011314	Brake Spring .....	2	
10	<u>1011465</u>	Kit, Brake Actuator .....	1	
11	<u>1011466</u>	Kit, Shoe Retainer (includes items 12 and 13) .....	1	
12	N/A	Pin .....	2	
13	N/A	Shoe Clamp Spring .....	2	
14	<u>1011467</u>	Kit, Anchor Body (includes items 15 through 20) .....	1	
15	<u>1011114</u>	Nut, M6-1.00 Hex .....	2	
16	1011298	Anchor Piston .....	2	
17	N/A	Adjustment Bolt .....	1	
18	N/A	Anchor Body Component .....	1	
19	<u>1011303</u>	Adjustment Bolt Cap .....	1	
20	<u>451</u>	Lockwasher, 1/4 Split .....	2	
21	1011494	Backing Plate, Left-Hand .....	1	
22	101880701	Shoe Brake Manual Adj (Available in Kit, Non-Asbestos Brake Shoe) .....	2	
23	102860501	Arm, Brake Lever .....	1	
24	<u>1016573</u>	Cluster, Brake, Passenger-Side (includes items 25 through 40) .....	1	
25	<u>1010850</u>	Dust Cover .....	1	
26	<u>1011154</u>	Backing Plate, Right-Hand .....	1	
27	1011314	Brake Spring .....	2	
28	<u>1011465</u>	Kit, Brake Actuator .....	1	
29	<u>1011466</u>	Kit, Shoe Retainer (includes items 30 and 31) .....	1	
30	N/A	Pin .....	2	
31	N/A	Shoe Clamp Spring .....	2	
32	<u>1011467</u>	Kit, Anchor Body (includes items 33 through 38) .....	1	
33	<u>1011114</u>	Nut, M6-1.00 Hex .....	2	
34	1011298	Anchor Piston .....	2	
35	N/A	Adjustment Bolt .....	1	
36	N/A	Anchor Body Component .....	1	
37	<u>1011303</u>	Adjustment Bolt Cap .....	1	
38	<u>451</u>	Lockwasher, 1/4 Split .....	2	
39	101880701	Shoe Brake Manual Adj (Available in Kit, Non-Asbestos Brake Shoe) .....	2	
40	102860501	Arm, Brake Lever .....	1	
41	<u>47542195001</u>	Bolt, Brake Cluster Mnt .....	8	
		Note: Passenger-side brake cluster (items 25-41) not shown. Components have a similar appearance to driver-side brake cluster components.		

**5**  
**G**  
**E**



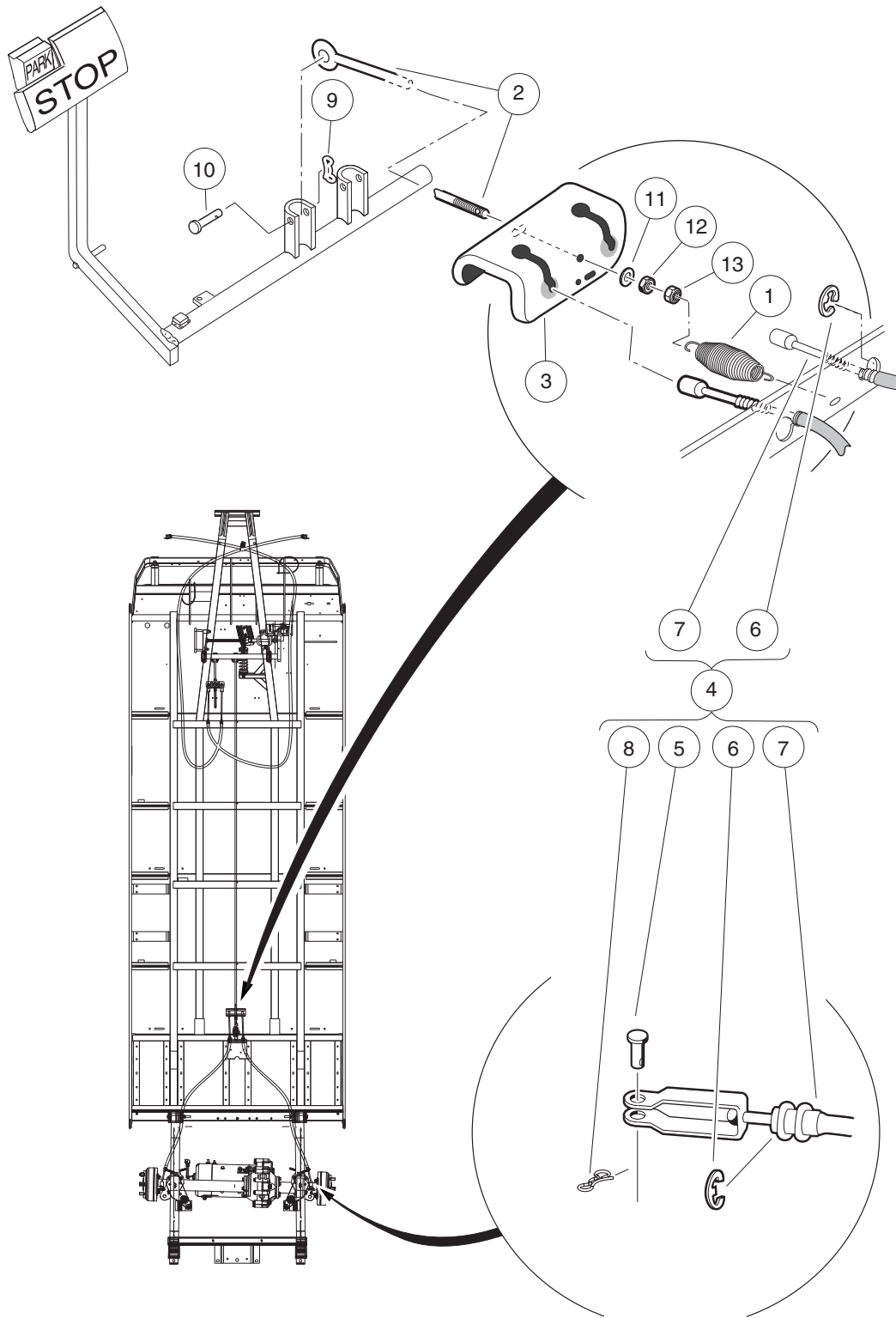
000296-004

# REAR BRAKE CABLES AND EQUALIZER – TURF/CA6/VILL. 6/ TPORTER

ITEM	PART NO.	DESCRIPTION	QTY
		<b>1 2 3 4</b>	
1	<u>1013531</u>	Spring, Brake Return .....	1
2	101953103	Rod, Equalizer, 41.91" .....	1
3	<u>101990801</u>	Equalizer Bracket .....	1
4	<u>102166901</u>	Kit, Brake Cable Rear (includes items 5 through 8) .....	1
5	<u>1010829</u>	Pin, Clevis, 5/16 X 3/4 .....	2
6	<u>1011779</u>	E-Clip, 1/2 .....	4
7	102162601	Cable, Brake .....	2
8	<u>102292801</u>	Pin, Bow Tie Locking - .072 .....	2
9	<u>102323101</u>	Pin, Bow Tie Locking .....	1
10	<u>102323201</u>	Pin, 3/8 X 1-5/16 Clevis .....	1
11	<u>1241</u>	Washer, 5/16 Type A Flat .....	1
12	<u>1242</u>	Nut, 5/16-18 Hex .....	1
13	<u>7473</u>	Locknut, 5/16-18 Nylon Insert .....	1

**5**  
**G**  
**E**

**5**  
**G**  
**E**



000296-003

## REAR BRAKE CABLES AND EQUALIZER – VILLAGER 8

ITEM	PART NO.	DESCRIPTION	QTY
		1 2 3 4	
1	<u>1013531</u>	Spring, Brake Return .....	1
2	<u>101953104</u>	Rod, Equalizer .....	1
3	<u>101990801</u>	Equalizer Bracket .....	1
4	<u>102166901</u>	Kit, Brake Cable Rear (includes items 5 through 8) .....	1
5	<u>1010829</u>	Pin, Clevis, 5/16 X 3/4 .....	2
6	<u>1011779</u>	E-Clip, 1/2 .....	4
7	102162601	Cable, Brake .....	2
8	<u>102292801</u>	Pin, Bow Tie Locking - .072 .....	2
9	<u>102323101</u>	Pin, Bow Tie Locking .....	1
10	<u>102323201</u>	Pin, 3/8 X 1-5/16 Clevis .....	1
11	<u>1241</u>	Washer, 5/16 Type A Flat .....	1
12	<u>1242</u>	Nut, 5/16-18 Hex .....	1
13	<u>7473</u>	Locknut, 5/16-18 Nylon Insert .....	1

5  
G  
E

**5**

**G**

**E**

# STEERING AND SUSPENSIONS

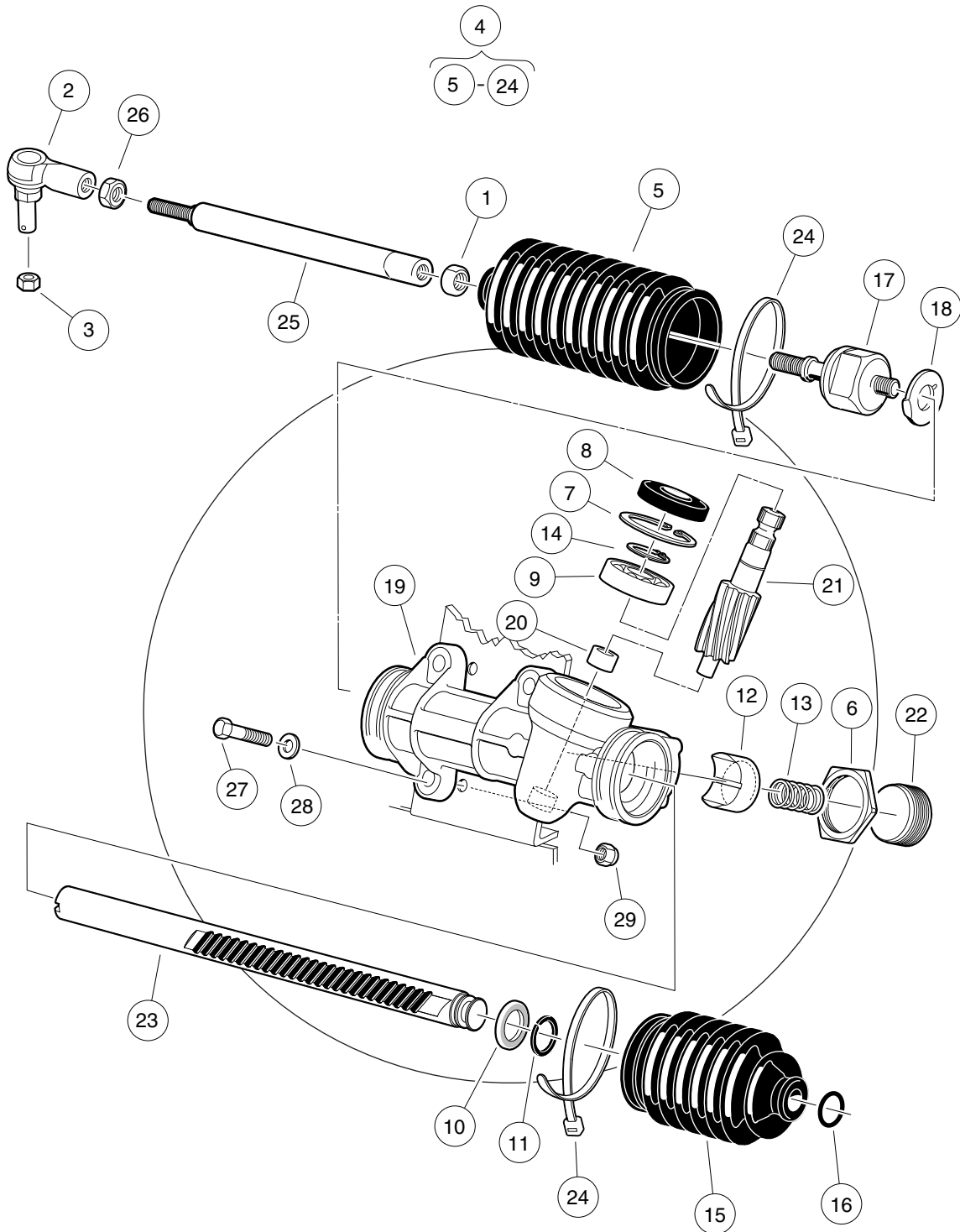
---

6

G

E

**6**  
**G**  
**E**



001500-002



# STEERING GEAR ASSEMBLY (WANDA) – MAINT.-FREE BALL JOINT

ITEM	PART NO.	DESCRIPTION	QTY
		<b>1 2 3 4</b>	
1	1013042	Nut, 12mm Hex .....	1
2	<u>102022602</u>	End, Tie Rod, M12 X 1.25, Lh .....	1
3	<u>102289201</u>	Nut - Hex Locking, M12 X 1.25 .....	1
4	<u>103601501</u>	Asm, Steering Rack And Pinion (includes items 5 through 24) .....	1
5	<u>1013035</u>	Bellows, Long .....	1
6	<u>1013044</u>	Rack Screw Locknut .....	1
7	N/A	Snap Ring .....	1
8	<u>1013052</u>	Seal, Steering Pinion Dust .....	1
9	<u>101879401</u>	Bearing, Ball .....	1
10	<u>101879501</u>	Stop Washer .....	1
11	101879601	Stop Ring, C-Type .....	1
12	<u>101879701</u>	Support Yoke .....	1
13	<u>101879801</u>	Rack Guide Pressure Spring .....	1
14	<u>101879901</u>	Ring, Stop, C-Type .....	1
15	<u>101880001</u>	Bellows, Short .....	1
16	101880101	Dust Seal Retaining Ring .....	1
17	<u>101880201</u>	Inner Ball Joint Asm .....	1
18	101880301	Washer, Tab .....	1
19	N/A	Box, Steering Gear .....	1
20	N/A	Bearing, Lower Pinion .....	1
21	N/A	Pinion, Steering .....	1
22	N/A	Screw, Rack Guide .....	1
23	N/A	Rack, Steering .....	1
24	<u>8990</u>	Tie Wrap, 8" Nylon .....	2
25	<u>103653401</u>	Link, Drag, Male Thd .....	1
26	<u>103653501</u>	Nut, Jam, M12-1.25, Lh .....	1
27	<u>1624</u>	Screw, 3/8-16 X 1.50, Hex-Head Cap .....	3
28	<u>334</u>	Washer, 3/8, Type A, Flat .....	3
29	<u>8754</u>	Locknut, 3/8-16 Hex .....	3

**6**  
**G**  
**E**



## STEERING COLUMN – UTILITY

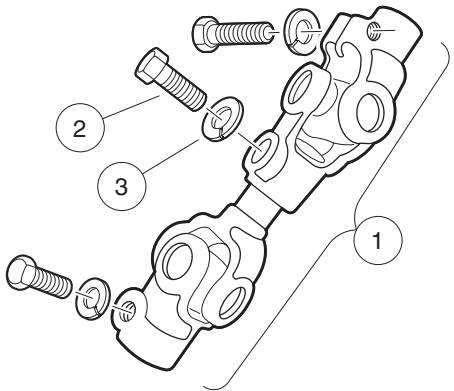
ITEM	PART NO.	DESCRIPTION	QTY
		1 2 3 4	
1	<u>1011578</u>	Washer, 5/16 Type B Flat .....	1
2	<u>1011697</u>	Washer, 5/16 Flat .....	1
3	<u>1014288</u>	Screw, 5/16-18 X 0.75, Thread-Forming .....	1
4	<u>1016183</u>	Screw, 3/8-16 X 7.00 Hex Cap .....	2
5	<u>1016269</u>	Screw, 5/16-18 Thrd Forming .....	2
6	<u>1017313</u>	Steering Shaft Assembly (includes items 7 through 15) .....	1
7	<u>1012604</u>	Washer, 0.675 ID X 1.19 OD .....	1
8	<u>1012605</u>	Ring, 0.579 Internal Retaining .....	1
9	1014125	Wedge, Molded .....	2
10	<u>1014126</u>	Seat, Plastic Bearing .....	2
11	<u>1014213</u>	Bearing, Ball .....	2
12	1014214	Ring, Retaining .....	1
13	<u>1014217</u>	Spring, Steering Shaft .....	1
14	<u>1017314</u>	Column, Aluminum Steering .....	1
15	<u>1017315</u>	Shaft Steering Column .....	1
16	<u>1017317</u>	Tube Cover, Steering Column .....	1
17	101984801	Kit, Steering Column Mounting Bracket (includes items 18 and 19) .....	1
18	N/A	Bracket, RH Steering Column Mount .....	1
19	N/A	Bracket, LH Steering column mount .....	1
20	<u>102278001</u>	Boot, Steering Column Round .....	1
21	<u>334</u>	Washer, 3/8, Type A, Flat .....	4
22	<u>8754</u>	Locknut, 3/8-16 Hex .....	2

6  
G  
E

6

G

E



001217-001

# INTERMEDIATE STEERING SHAFT (WANDA) – TURF/CA/ VILLAGER/TPORTER

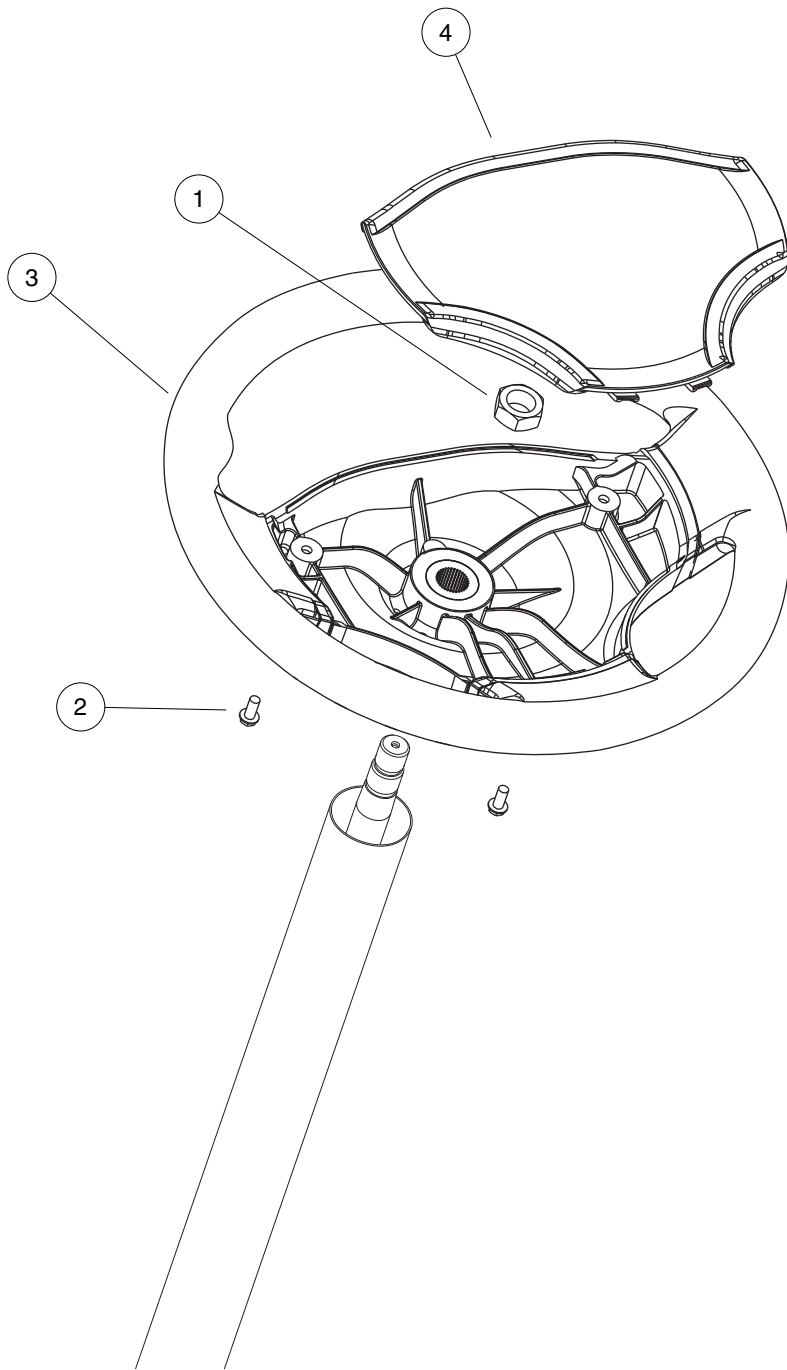
ITEM	PART NO.	DESCRIPTION	QTY
1	<u>103601601</u>	1 2 3 4 Shaft, Intermediate Steering (includes items 2 and 3) .....	1
2	<u>1017226</u>	Bolt, Hex-Head, 8mm X 1.25 - 30 .....	3
3	<u>7174</u>	Lockwasher, 5/16 Split .....	3

**6**

**G**

**E**

**6**  
**G**  
**E**



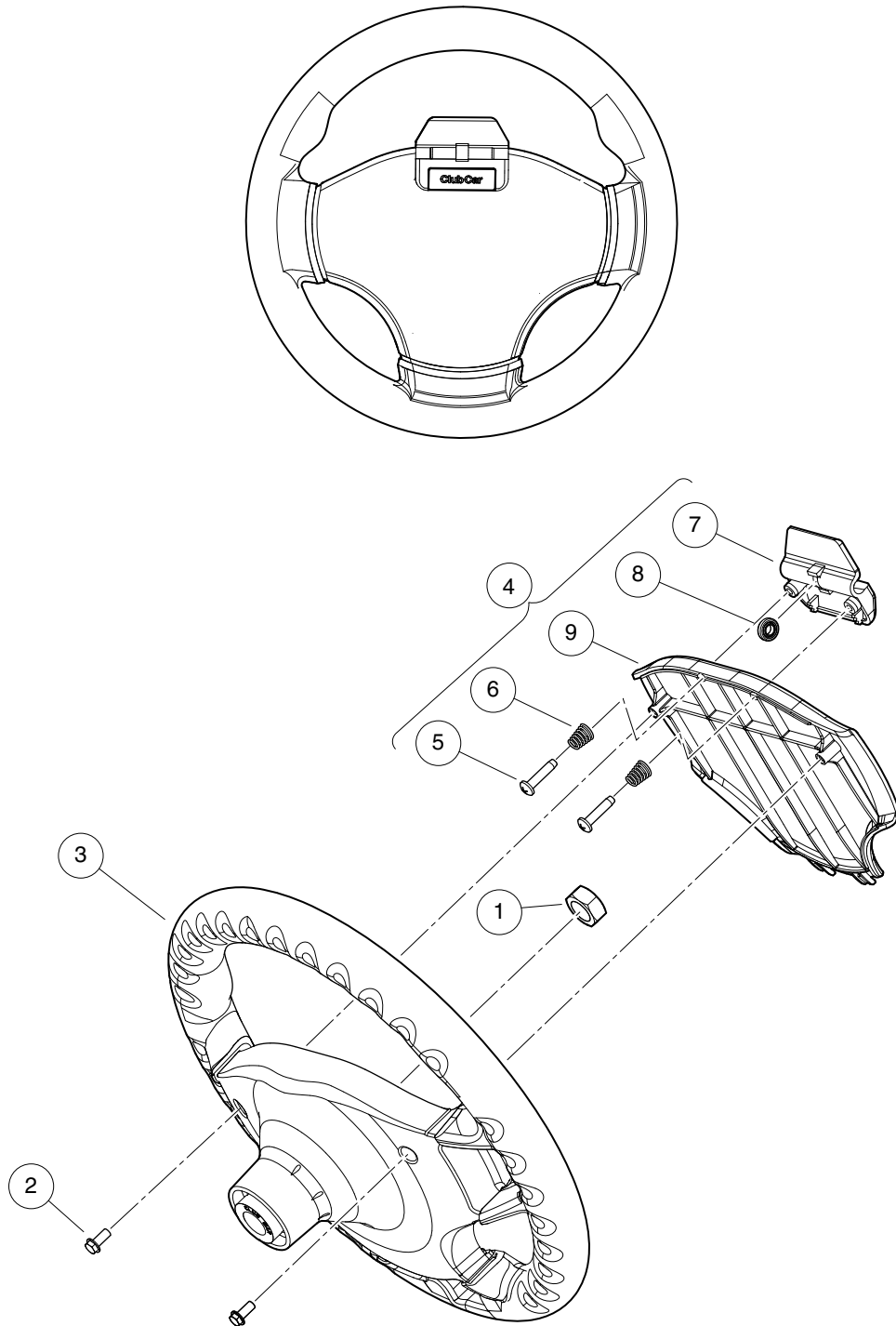
000246-007

# STEERING WHEEL

ITEM	PART NO.	DESCRIPTION	QTY
		1 2 3 4	
1	<u>1017273</u>	Nut, 5/8-18 Nylon Insert Jam .....	1
2	<u>101850301</u>	Screw, #12-16 X 0.50 Washer-Head Hi-Lo .....	2
3	<u>103724502</u>	Wheel, Steering, Splined .....	1
4	<u>103724602</u>	Cover, Steering Wheel, Generic .....	1

6  
G  
E

**6**  
**G**  
**E**



001504-001

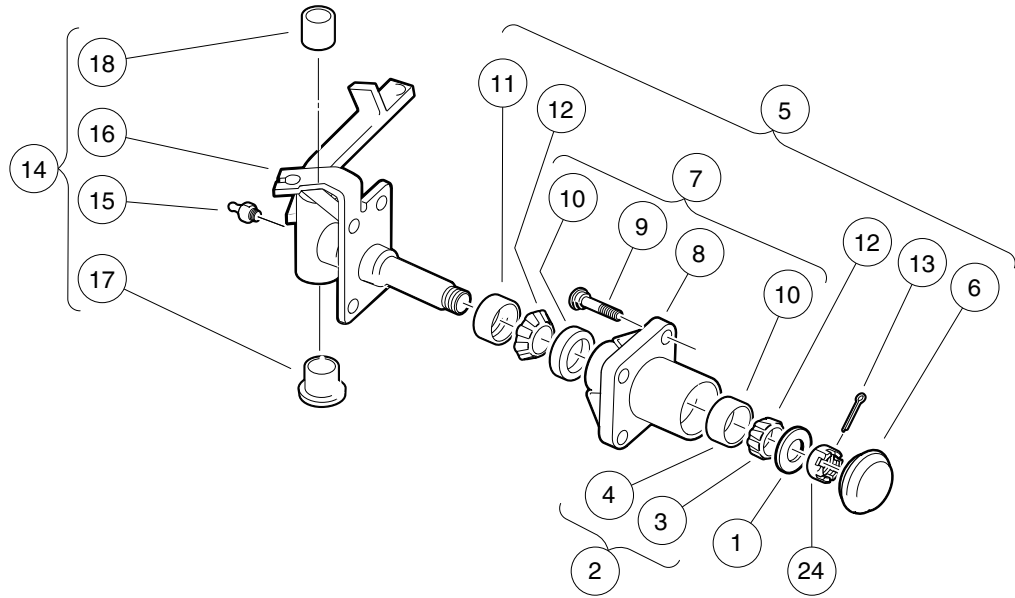
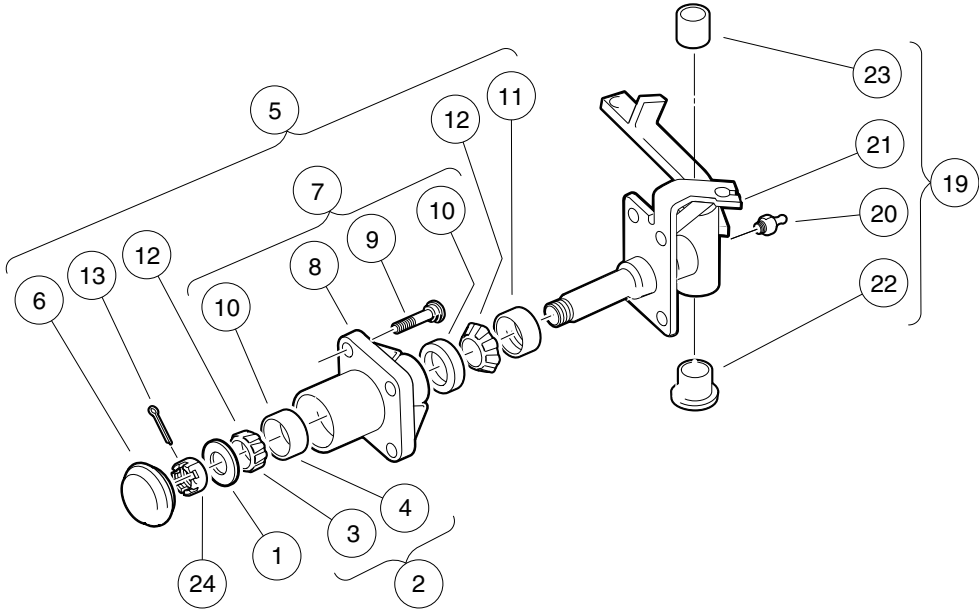


# STEERING WHEEL WITH CLIP

ITEM	PART NO.	DESCRIPTION	QTY
		1 2 3 4	
1	<u>1017273</u>	Nut, 5/8-18 Nylon Insert Jam .....	1
2	<u>101850301</u>	Screw, #12-16 X 0.50 Washer-Head Hi-Lo .....	2
3	<u>103724502</u>	Wheel, Steering, Splined .....	1
4	<u>103724901</u>	Asm, Scorecard, Clip (includes items 5 through 9) .....	1
5	<u>1012565</u>	Screw, #12 Phillips Round Head .....	2
6	<u>1012566</u>	Tapered Compression Spring .....	2
7	1016154	Clip, Scorecard .....	1
8	<u>1016214</u>	Pencil Grip .....	1
9	103724601	Cover, Steering Wheel, Clip .....	1

**6**  
**G**  
**E**

**6**  
**G**  
**E**



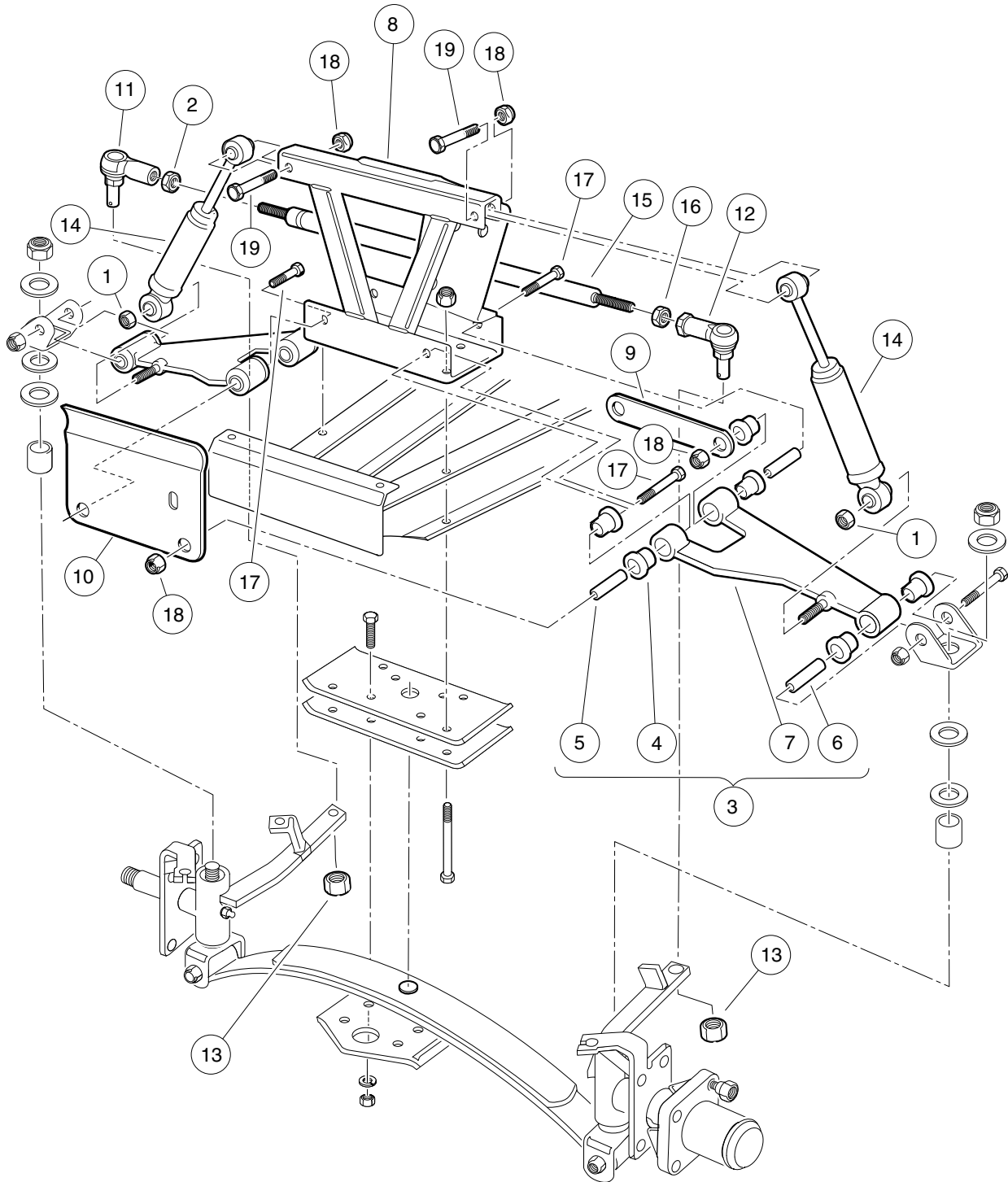
000310-002

# FRONT SPINDLES AND HUBS – VEHICLES WITH FOUR-WHEEL BRAKES AND MAINTENANCE-FREE BALL JOINTS

ITEM	PART NO.	DESCRIPTION	QTY
		<b>1 2 3 4</b>	
1	<u>1010005</u>	Washer, 3/4 Flat .....	2
2	<u>1011393</u>	Hub Bearing Package (includes items 3 and 4) .....	4
3	<u>7274</u>	Bearing, Front Hub Wheel .....	1
4	<u>7308</u>	Race, Front Hub Bearing .....	1
5	<u>1011892</u>	Hub Assembly (includes items 6 through 13) .....	2
6	<u>1011887</u>	Dust Cover .....	1
7	N/A	Hub (includes items 8 through 10) .....	1
8	N/A	Front Hub .....	1
9	<u>103477901</u>	Lug Stud, 1/2-20 Unf, 4037 .....	4
10	<u>7308</u>	Race, Front Hub Bearing .....	2
11	<u>1013135</u>	Seal, Double Lip .....	1
12	<u>7274</u>	Bearing, Front Hub Wheel .....	2
13	<u>7910</u>	Pin, 5/32 X 1.00 Cotter .....	1
14	<u>103717302</u>	Asm, Spindle, Lh, 4wb, Sp (includes items 15 through 18) .....	1
15	<u>1015597</u>	Fitting, 1/4-28 Thread-Forming Grease .....	1
16	N/A	Subasm, Spindle, Lh, 4wb .....	1
17	<u>7048</u>	Bushing, Flanged Bronze .....	1
18	<u>8067</u>	Bushing, Bronze Spindle .....	1
19	<u>103717402</u>	Asm, Spindle, Rh, 4wb, Sp (includes items 20 through 23) .....	1
20	<u>1015597</u>	Fitting, 1/4-28 Thread-Forming Grease .....	1
21	N/A	Subasm, Spindle, Rh, 4wb .....	1
22	<u>7048</u>	Bushing, Flanged Bronze .....	1
23	<u>8067</u>	Bushing, Bronze Spindle .....	1
24	<u>7840</u>	Nut, 3/4-16 Hex Slotted .....	2

**6**  
**G**  
**E**

**6**  
**G**  
**E**



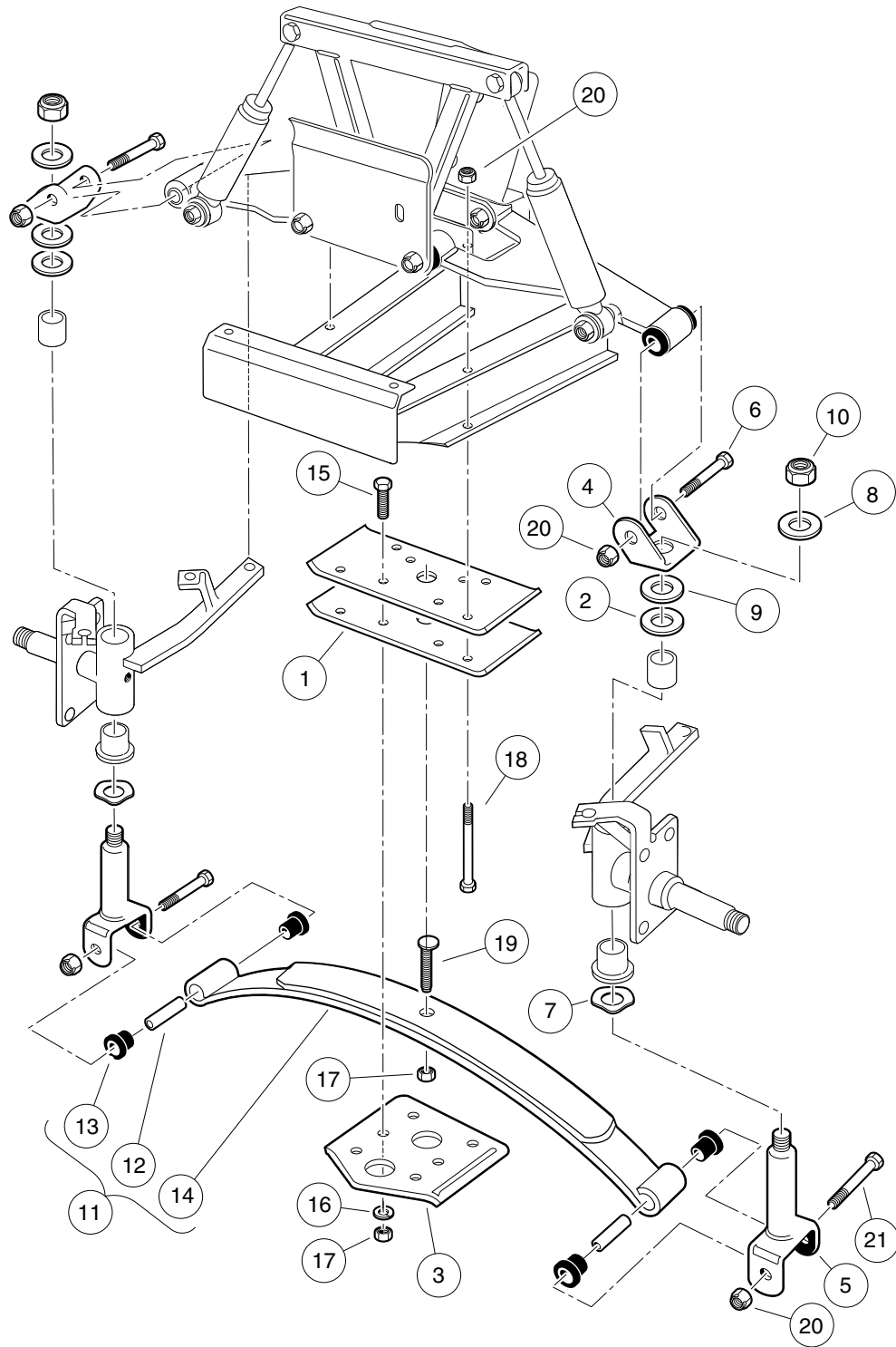
001265-001

# FRONT SUSP., UPPER – VILL 6/8 & TRANSPORTER WITH MAINTENANCE-FREE BALL JOINTS

ITEM	PART NO.	DESCRIPTION	QTY
		<b>1 2 3 4</b>	
1	<u>1010138</u>	Locknut, 3/8-16 Dimpled .....	2
2	<u>1013042</u>	Nut, 12mm Hex .....	1
3	<u>1016353</u>	Sub-Assembly, Delta A-Plate (includes items 4 through 7) .....	2
4	<u>1016346</u>	Bushing, Urethane .....	6
5	<u>1016349</u>	Sleeve, Delta Inner .....	2
6	<u>1016350</u>	Sleeve, Delta Outer .....	1
7	<u>1016351</u>	Delta A-Plate .....	1
8	<u>1016385</u>	Delta Shock and Gear Support Assembly .....	1
9	<u>1017266</u>	A-Plate Strap .....	1
10	<u>101955001</u>	Brake Cable Guide Bracket .....	1
11	<u>102022601</u>	End, Tie Rod M12 X 1.25 Rh .....	1
12	<u>102022602</u>	End, Tie Rod, M12 X 1.25, Lh .....	1
13	<u>102289201</u>	Nut - Hex Locking, M12 X 1.25 .....	3
14	<u>103351001</u>	Shock Absorber, Front, Common .....	2
15	<u>103354701</u>	Rod, Tie, Male Thd .....	1
16	<u>103653501</u>	Nut, Jam, M12-1.25, Lh .....	1
17	<u>2402</u>	Screw, 3/8-16 X 2.25 Hx Hd Cap .....	4
18	<u>8754</u>	Locknut, 3/8-16 Hex .....	13
19	<u>8861</u>	Bolt, 3/8-16 X 1.75 Hex .....	2

**6**  
**G**  
**E**

**6**  
**G**  
**E**



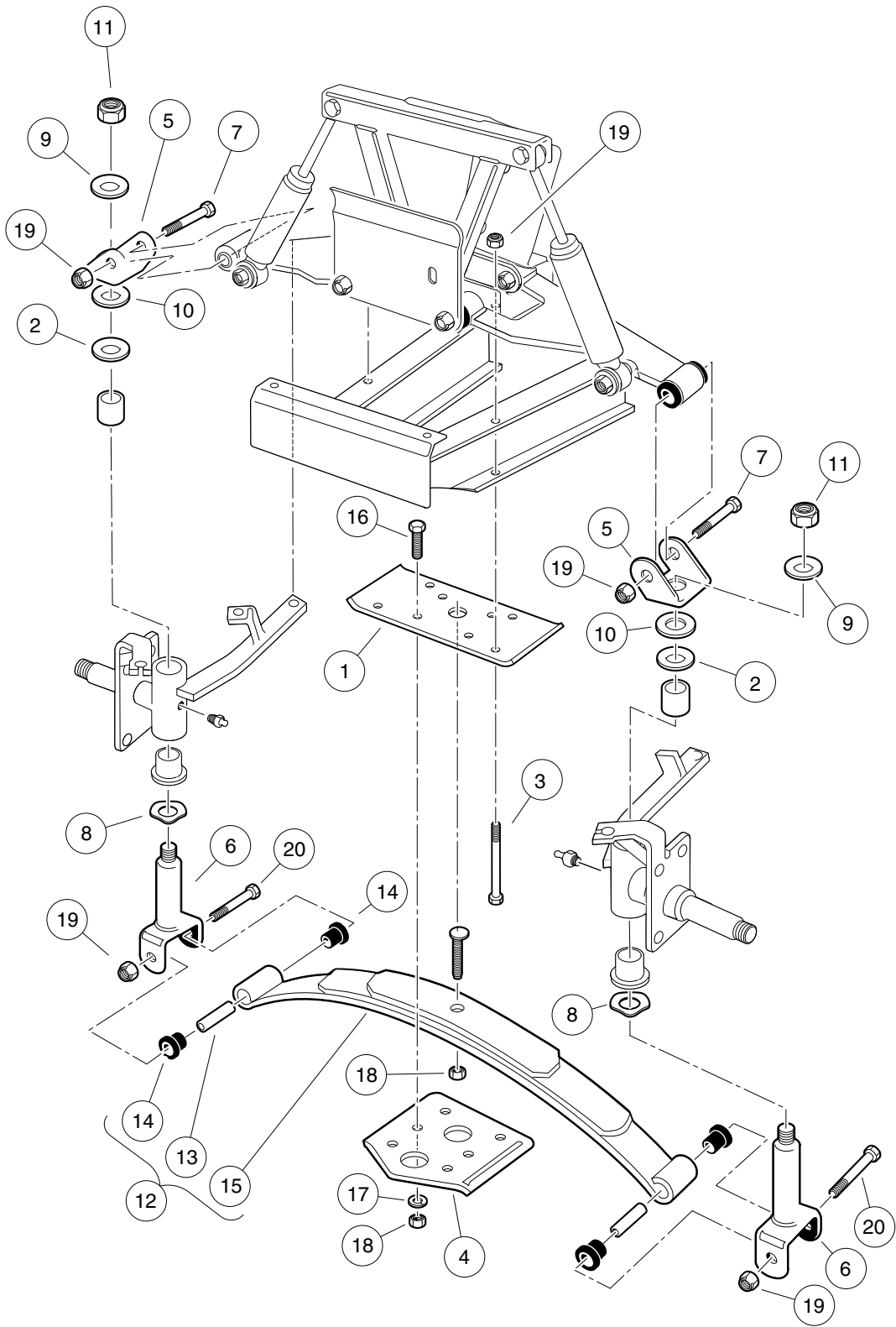
001266-001

## FRONT SUSPENSION, LOWER – VILLAGER 6 WITH MAINTENANCE-FREE BALL JOINTS

ITEM	PART NO.	DESCRIPTION	QTY
		1 2 3 4	
1	<u>1010124</u>	Plate, Spring Mount .....	2
2	<u>1010150</u>	Bearing, Thrust .....	2
3	<u>1014276</u>	Plate, Front Spring Retainer .....	1
4	<u>1016384</u>	Clevis, Delta Upper .....	2
5	<u>1016386</u>	King Pin Assembly .....	2
6	<u>1016387</u>	Screw, 3/8-16 X 2.75 Hx Hd Cap .....	2
7	<u>1016389</u>	Washer, 1.125 Od Wave .....	2
8	<u>102564002</u>	Washer-1/2 Conical, Yellow .....	2
9	<u>102684501</u>	Washer, M12 Hard Regular .....	2
10	<u>102766301</u>	Nut, 1/2-20, Center Lock .....	2
11	<u>103628801</u>	Spring Asm, Front, 2 Leaf (includes items 12 through 14) .....	1
12	<u>1012303</u>	Bushing, Steel .....	2
13	<u>1015583</u>	Bushing, Urethane .....	4
14	<u>103502701</u>	Spring, Front, 2 Leaf .....	1
15	<u>2402</u>	Screw, 3/8-16 X 2.25 Hx Hd Cap .....	4
16	<u>357</u>	Lockwasher, 3/8 Split .....	4
17	<u>706</u>	Nut, Hex 3/8-16 .....	5
18	<u>7270</u>	Bolt, 3/8-16 X 4.50 Hex Head .....	4
19	<u>8745</u>	Screw, Eccentric Adjustment .....	1
20	<u>8754</u>	Locknut, 3/8-16 Hex .....	8
21	<u>8755</u>	Screw, 3/8-16 X 3.375 Hex Cap .....	2

**6**  
**G**  
**E**

**6**  
**G**  
**E**



000313-005

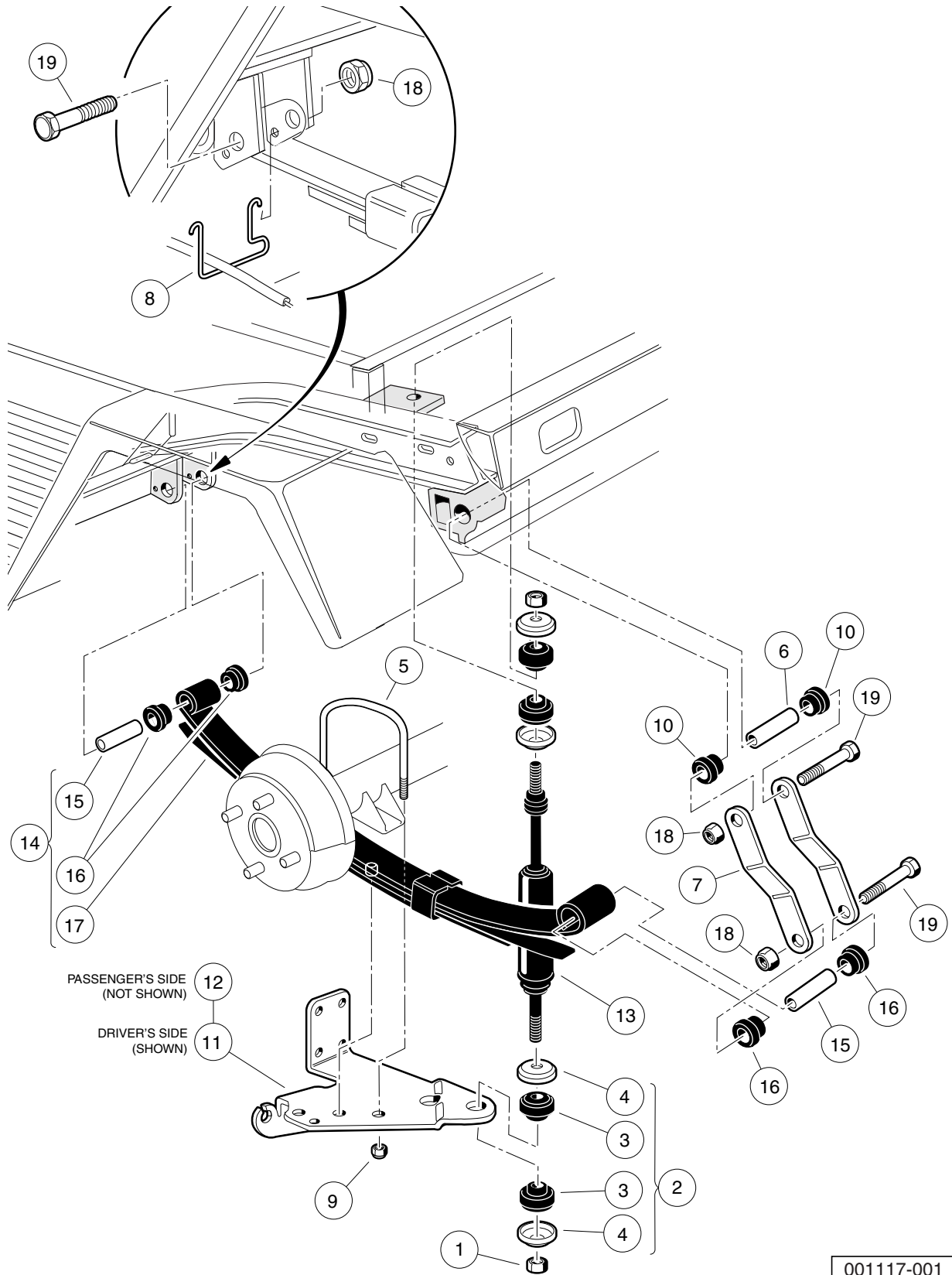


## FRONT SUSPENSION, LOWER – VILLAGER 8 WITH MAINTENANCE-FREE BALL JOINTS

ITEM	PART NO.	DESCRIPTION	QTY
		1 2 3 4	
1	<u>1010124</u>	Plate, Spring Mount .....	1
2	<u>1010150</u>	Bearing, Thrust .....	2
3	<u>1010200</u>	Bolt, 3/8-16 X 4.25 Hex Head .....	4
4	<u>1014276</u>	Plate, Front Spring Retainer .....	1
5	<u>1016384</u>	Clevis, Delta Upper .....	2
6	<u>1016386</u>	King Pin Assembly .....	2
7	<u>1016387</u>	Screw, 3/8-16 X 2.75 Hx Hd Cap .....	2
8	<u>1016389</u>	Washer, 1.125 Od Wave .....	2
9	<u>102564002</u>	Washer-1/2 Conical, Yellow .....	2
10	<u>102684501</u>	Washer, M12 Hard Regular .....	2
11	<u>102766301</u>	Nut, 1/2-20, Center Lock .....	2
12	<u>103628901</u>	Spring Asm, Front, 3 Leaf (includes items 13 through 15) .....	1
13	<u>1012303</u>	Bushing, Steel .....	2
14	<u>1015583</u>	Bushing, Urethane .....	4
15	103502801	Spring, Front, 3 Leaf .....	1
16	<u>2402</u>	Screw, 3/8-16 X 2.25 Hx Hd Cap .....	4
17	<u>357</u>	Lockwasher, 3/8 Split .....	4
18	<u>706</u>	Nut, Hex 3/8-16 .....	5
19	<u>8754</u>	Locknut, 3/8-16 Hex .....	8
20	<u>8755</u>	Screw, 3/8-16 X 3.375 Hex Cap .....	2

6  
G  
E

**6**  
**G**  
**E**

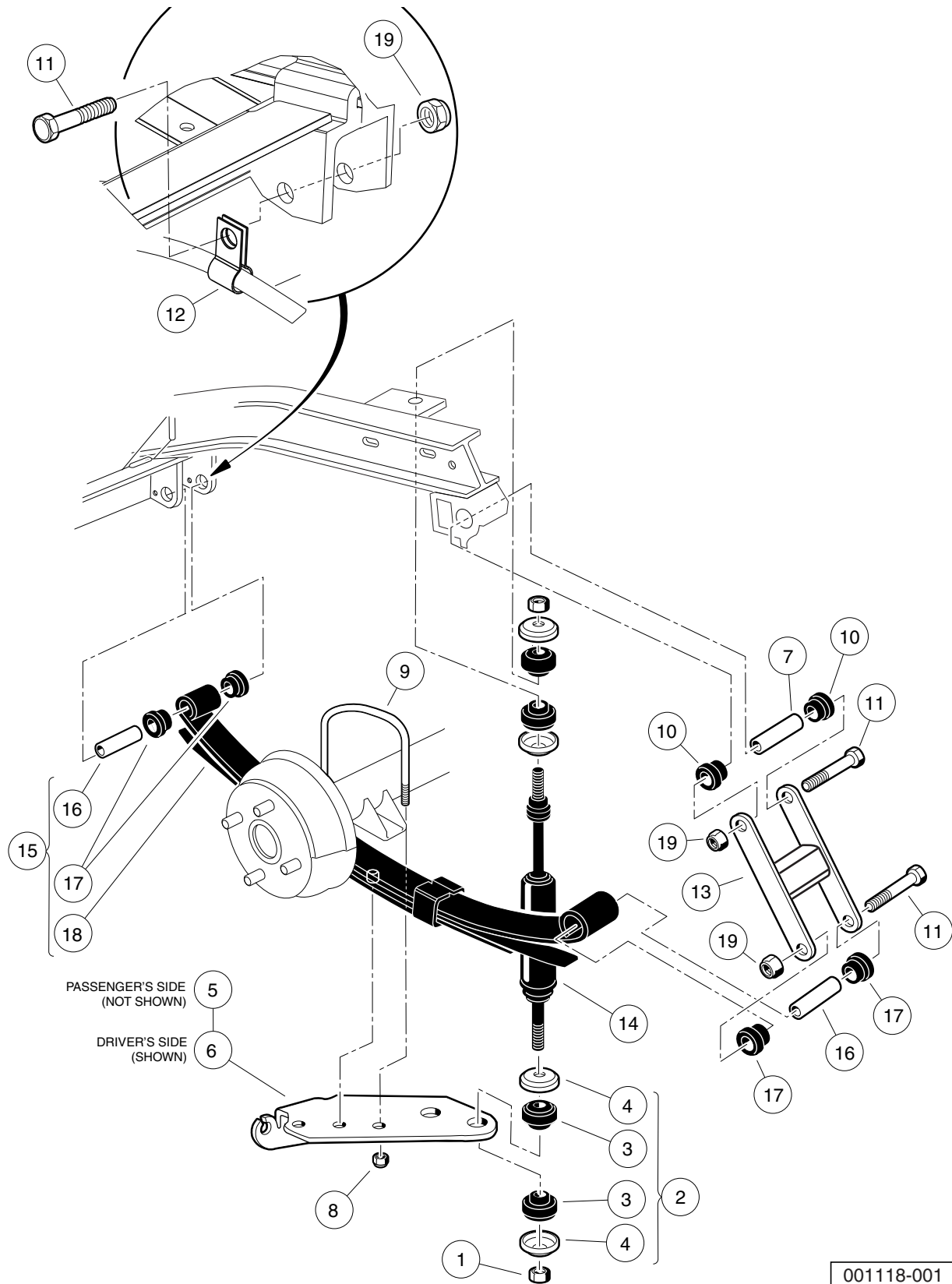


## REAR SUSPENSION – TURF/CA 2, 2 PLUS, 6, AND TRANSPORTATION GASOLINE

ITEM	PART NO.	DESCRIPTION	QTY
		1 2 3 4	
1	<u>1010145</u>	Nut, 3/8-24 Hex .....	4
2	<u>1011415</u>	Kit, Shock Absorber Cushion (includes items 3 and 4) .....	4
3	N/A	Retainer, Shock Absorber Cushion .....	2
4	<u>47579096001</u>	Isolator, Shock Damper .....	2
5	<u>1012180</u>	U-Bolt .....	2
6	<u>1012303</u>	Bushing, Steel .....	2
7	<u>1012304</u>	Shackle, Rear Spring .....	4
8	<u>1013207</u>	Hanger, Brake Cable .....	2
9	<u>1014555</u>	Locknut, 7/16-14 Nylon Hex .....	4
10	<u>101558302</u>	Bushing, Urethane, Soft .....	4
11	<u>101926501</u>	Bracket, Left-Hand .....	1
12	<u>101929401</u>	Bracket, Right .....	1
13	<u>103350901</u>	Shock Absorber, Rear, Utility .....	2
14	<u>103657301</u>	Asm-rear 3leaf Spring, 600 Lb (includes items 15 through 17) .....	2
15	<u>1012303</u>	Bushing, Steel .....	2
16	<u>101558302</u>	Bushing, Urethane, Soft .....	4
17	<u>102871801</u>	Rear Spring, 3leaf, 600 Lb/in .....	1
18	<u>8754</u>	Locknut, 3/8-16 Hex .....	6
19	<u>8755</u>	Screw, 3/8-16 X 3.375 Hex Cap .....	6
<p>Note: Only the driver-side rear suspension is shown. Parts for the passenger-side rear suspension are identical except for the leaf spring/shock mounting plate.</p>			

6  
G  
E

**6**  
**G**  
**E**

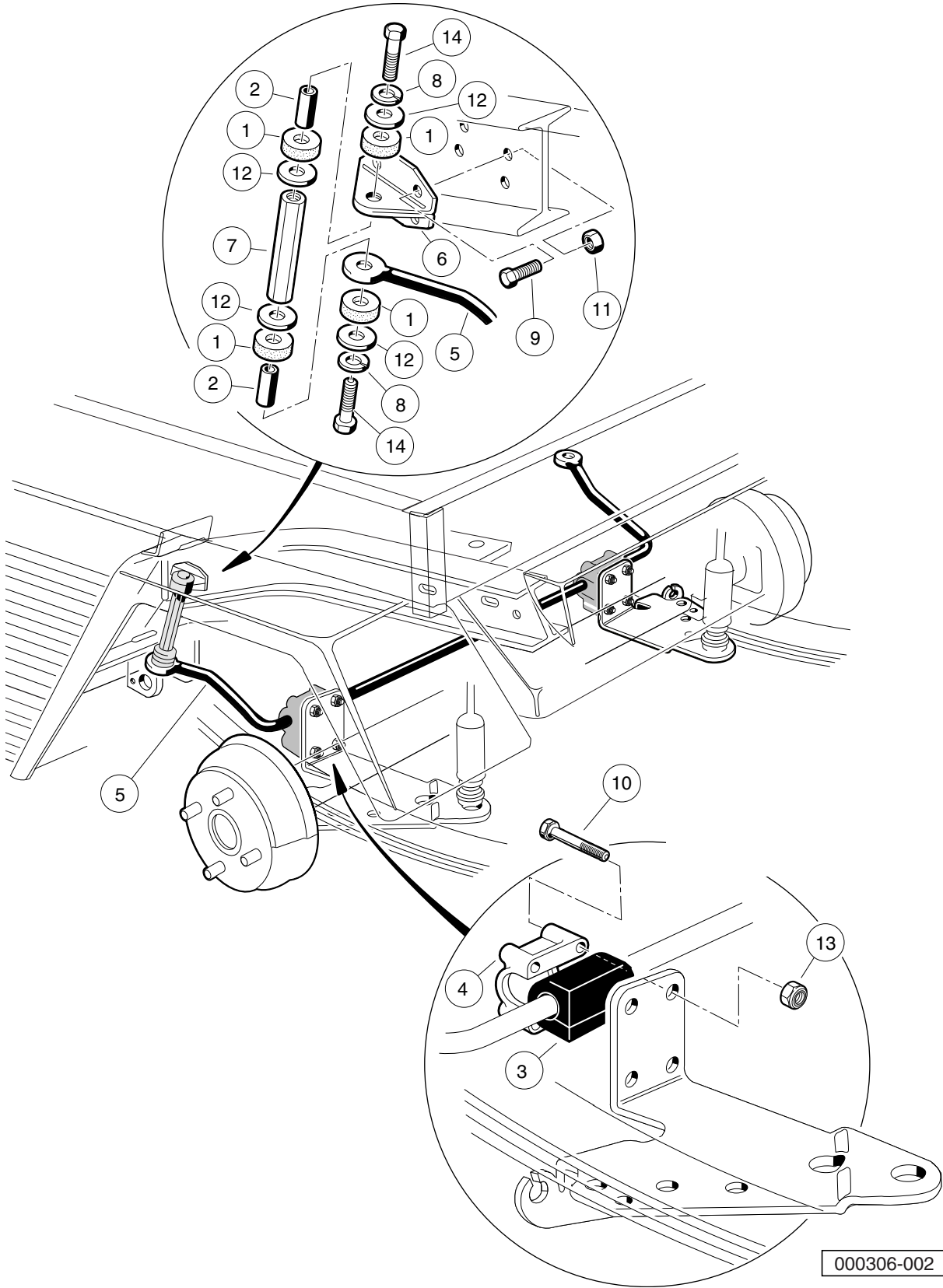


# REAR SUSPENSION – TURF/CA 2, 6, AND TRANSPORTATION IQ PLUS ELECTRIC

**6**  
**G**  
**E**

ITEM	PART NO.	DESCRIPTION	QTY
		1 2 3 4	
1	<u>1010145</u>	Nut, 3/8-24 Hex .....	4
2	<u>1011415</u>	Kit, Shock Absorber Cushion (includes items 3 and 4) .....	4
3	N/A	Retainer, Shock Absorber Cushion .....	2
4	<u>47579096001</u>	Isolator, Shock Damper .....	2
5	<u>1012181</u>	Bracket, Shock Mounting, Right (Passenger) .....	1
6	<u>1012182</u>	Bracket, Shock Mounting, Left (Driver) .....	1
7	<u>1012303</u>	Bushing, Steel .....	2
8	<u>1014555</u>	Locknut, 7/16-14 Nylon Hex .....	4
9	<u>1014902</u>	U-Bolt .....	2
10	<u>101558302</u>	Bushing, Urethane, Soft .....	4
11	<u>102066201</u>	Screw, 3/8-16 X 3.50 Hex Cap .....	6
12	<u>102891101</u>	Clamp, Cable, Brake, Sym .....	2
13	<u>102917101</u>	Weldment, Shackle .....	2
14	<u>103351101</u>	Shock, Absorber, Utility .....	2
15	<u>103657301</u>	Asm-rear 3leaf Spring, 600 Lb (includes items 16 through 18) .....	2
16	<u>1012303</u>	Bushing, Steel .....	2
17	<u>101558302</u>	Bushing, Urethane, Soft .....	4
18	<u>102871801</u>	Rear Spring, 3leaf, 600 Lb/in .....	1
19	<u>8754</u>	Locknut, 3/8-16 Hex .....	6
		<p>Note: Only the driver-side rear suspension is shown. Parts for the passenger-side rear suspension are identical except for the leaf spring/shock mounting plate.</p>	

**6**  
**G**  
**E**



000306-002

## STABILIZER BAR – TURF/CA 2, 2 PLUS, 6, AND TRANSPORTATION GAS

ITEM	PART NO.	DESCRIPTION	QTY
		1 2 3 4	
1	<u>1015453</u>	Compression Mount .....	8
2	<u>1015457</u>	Spacer, 0.720" .....	4
3	<u>1015613</u>	Bushing, Stabilizer Bar .....	2
4	<u>1015614</u>	Support, Bushing .....	2
5	<u>1015760</u>	Stabilizer Bar .....	1
6	<u>1016813</u>	Mounting Bracket, Stabilizer Bar .....	2
7	<u>1016814</u>	Link, Stabilizer Bar .....	2
8	<u>357</u>	Lockwasher, 3/8 Split .....	4
9	<u>7173</u>	Screw, 5/16-18 X 0.75, Hex-Head Cap .....	8
10	<u>7311</u>	Screw, 1/4-20 X 2.00 Hex-Head Cap .....	8
11	<u>7473</u>	Locknut, 5/16-18 Nylon Insert .....	8
12	<u>808</u>	Washer, 3/8 Type B Flat .....	8
13	<u>8233</u>	Locknut, 1/4-20, Nylon Insert .....	8
14	<u>8861</u>	Bolt, 3/8-16 X 1.75 Hex .....	4

**6**  
**G**  
**E**

**6**

**G**

**E**



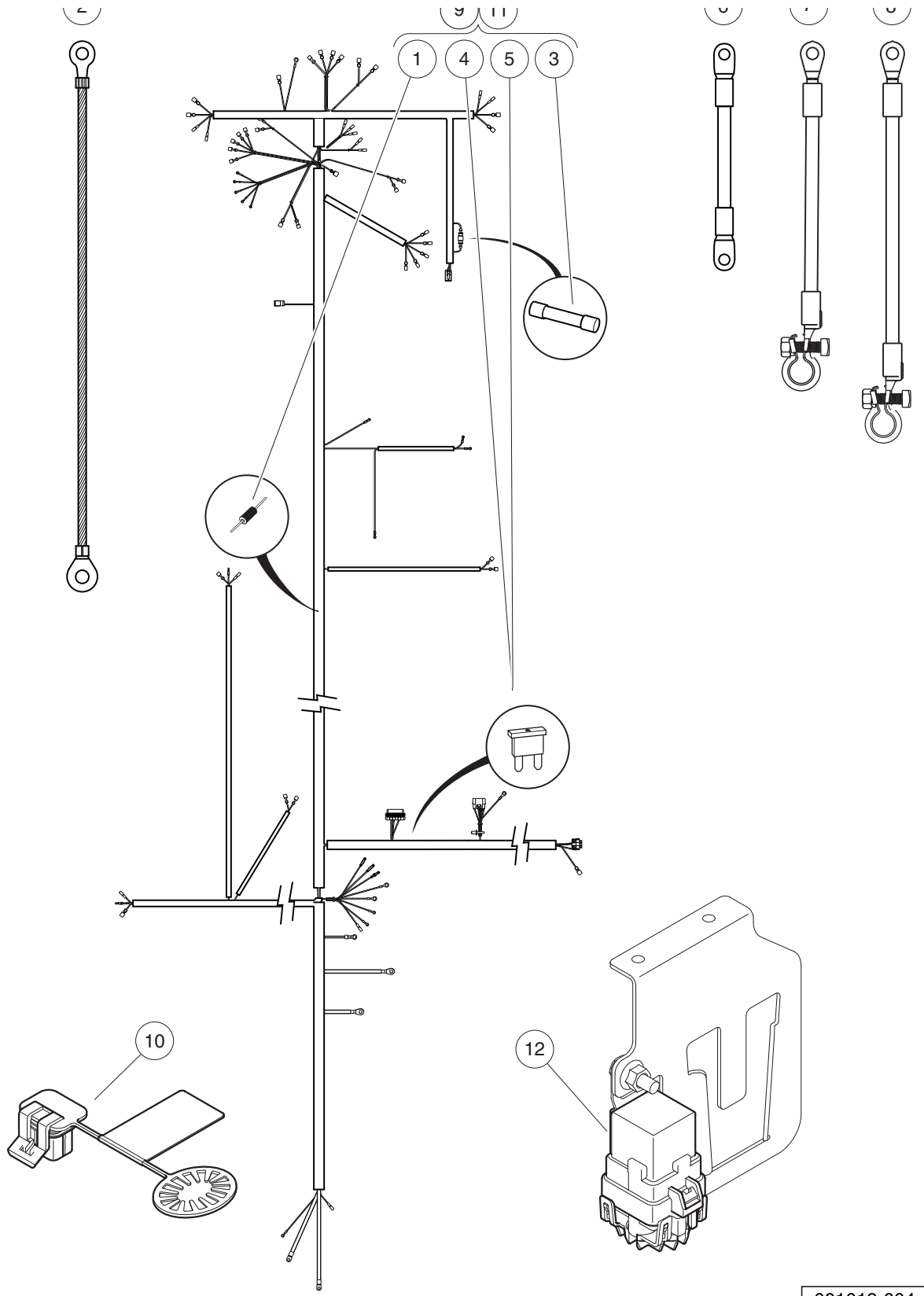
# ELECTRICAL SYSTEM – EFI GASOLINE VEHICLES

---

7

G

**7**  
**G**



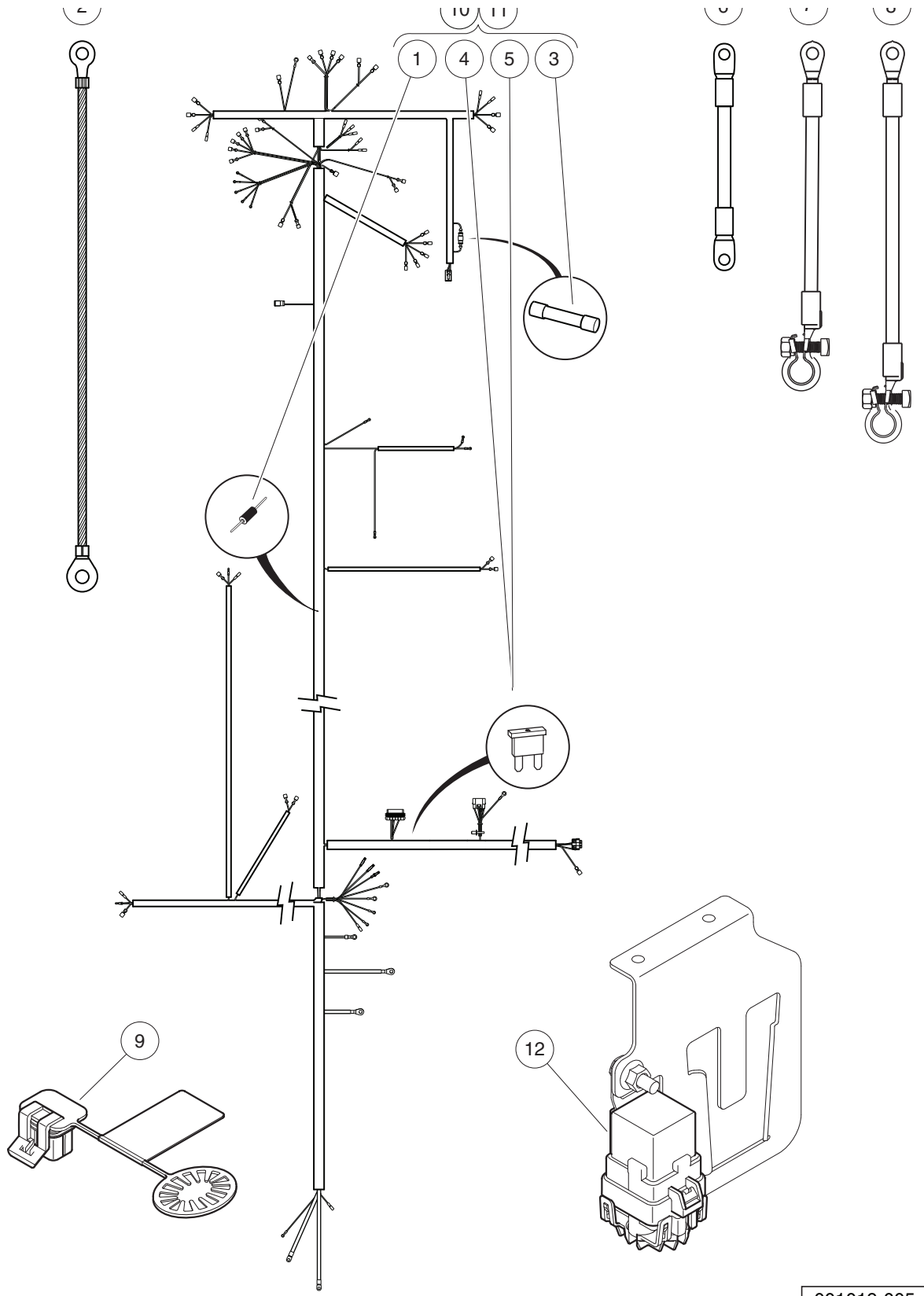
001019-004

# WIRING, FUSES, AND DIODES, KEY AND PEDAL START – VILLAGER 6

ITEM	PART NO.	DESCRIPTION	QTY
		1 2 3 4	
1	<u>1014789</u>	Diode, General Purpose, 3.0-Amp .....	1
2	<u>1015332</u>	Wire, Ground, #10, Uninsulated .....	1
3	<u>103924801</u>	Fuse, Glass, 2-Amp .....	1
4	105081501	Fuse, ATM, 5-Amp .....	1
5	105081601	Fuse, ATM, 10-Amp .....	1
6	<u>105161701</u>	Wire, 4-Ga, Green, Starter/Generator .....	1
7	105256701	Wire Assy, 4ga, Battery, (top-post) B-, Gas .....	1
8	<u>105256801</u>	Wire Assy, 4ga, Battery, (top-post) B+, Gas .....	1
9	47609905001	Harness, Gas, Main, V6, Ks .....	1
10	<u>47611208001</u>	Cap, Diagnostic Port .....	1
11	47612930001	Harness, Main, Gas, V6, Ps .....	1
12	<u>47623281001</u>	Relay, Mini 630 Spdt,40a/30a .....	1
		Note: For ECU, see Engine Ignition Components section.	

**7**  
**G**

**7**  
**G**



001019-005

# WIRING, FUSES, AND DIODES, KEY AND PEDAL START – VILLAGER 8

ITEM	PART NO.	DESCRIPTION	QTY
		1 2 3 4	
1	<u>1014789</u>	Diode, General Purpose, 3.0-Amp .....	1
2	<u>1015332</u>	Wire, Ground, #10, Uninsulated .....	1
3	<u>103924801</u>	Fuse, Glass, 2-Amp .....	1
4	105081501	Fuse, ATM, 5-Amp .....	1
5	105081601	Fuse, ATM, 10-Amp .....	1
6	<u>105161701</u>	Wire, 4-Ga, Green, Starter/Generator .....	1
7	105256701	Wire Assy, 4ga, Battery, (top-post) B-, Gas .....	1
8	<u>105256801</u>	Wire Assy, 4ga, Battery, (top-post) B+, Gas .....	1
9	<u>47611208001</u>	Cap, Diagnostic Port .....	1
10	<u>47612546001</u>	Harness, Main, Gas, V8, Ks .....	1
11	<u>47612931001</u>	Harness, Main, Gas, V8, Ps .....	1
12	<u>47623281001</u>	Relay, Mini 630 Spdt,40a/30a .....	1
		Note: For ECU, see Engine Ignition Components section.	

**7**  
**G**

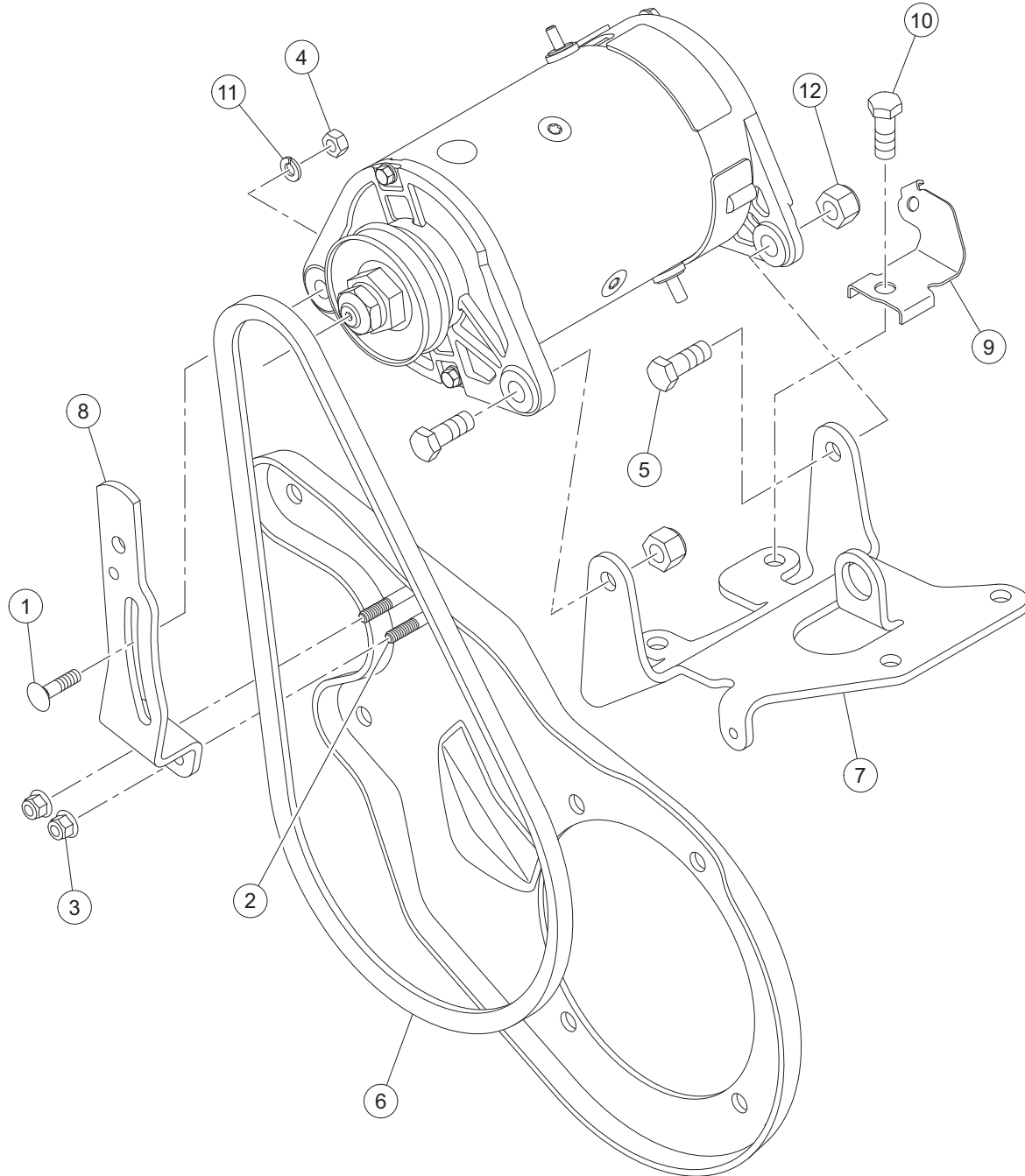


# STARTER/GENERATOR, KEY AND PEDAL START – EFI

ITEM	PART NO.	DESCRIPTION	QTY
		<b>1 2 3 4</b>	
1	<u>102838701</u>	Nut, Hex, M14x2, S/G .....	1
2	<u>102838801</u>	Retainer, Front, S/G .....	1
3	<u>102838901</u>	Bearing, Ball, Rear, S-g .....	1
4	<u>102839001</u>	Bearing, Ball, Front, S-g .....	1
5	<u>102839301</u>	Washer, Lock M14x2, S-g .....	1
6	<u>102841101</u>	Washer, Wave, S-g .....	1
7	<u>103347601</u>	Head, Comm End, S-g .....	1
8	<u>103347701</u>	Set, Fast, Ceh Deh, S-g .....	1
9	<u>103347801</u>	Set, Term Hardware, S/G .....	1
10	<u>105161701</u>	Wire, 4-Ga, Green, Starter/Generator .....	1
11	<u>47559475001</u>	Starter Generator, Ps .....	1
12	<u>47559475002</u>	Starter Generator, Ks .....	1
13	<u>47583000001</u>	Set, Brush Term, S-g .....	1
14	<u>47583790001</u>	Pulley, Starter-generator .....	1
15	<u>47583791001</u>	Head, Drive End, S-g .....	1
16	<u>47583794001</u>	Kit, Brush And Brush Holder .....	1
17	<u>47584178001</u>	Kit, Cover, Brush Insp, S-g .....	1
18	<u>47584179001</u>	Kit, Spring Brush, S-g .....	1

**7**  
**G**

**7**  
**G**



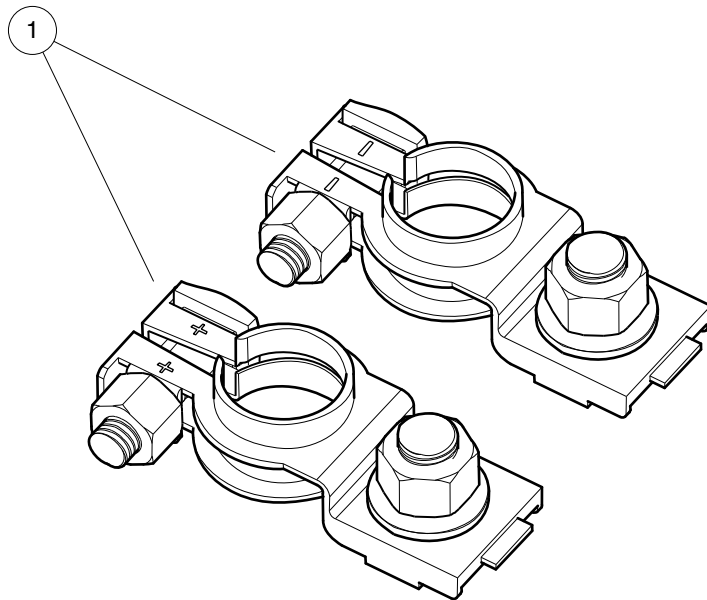
G-130199-00002



## STARTER/GENERATOR MOUNTING – ECH440

ITEM	PART NO.	DESCRIPTION	QTY
		1 2 3 4	
1	<u>1015932</u>	Bolt, Carriage, 5/16-18 .....	1
2	<u>102541401</u>	Bolt-m6x1.0x20 Hex Flhd Blk-I .....	2
3	<u>102621501</u>	Nut, Flange, M6 X 1.0, Nylon .....	2
4	<u>1242</u>	Nut, 5/16-18 Hex .....	1
5	<u>1624</u>	Screw, 3/8-16 X 1.50, Hex-Head Cap .....	2
6	47539338002	Belt, Sg, Ech440, #5a .....	1
7	47611868001	Bracket, Mounting, S/g .....	1
8	47611869001	Bracket, Tensioner, S/g .....	1
9	47611870001	Bracket, Mtg, Gov Cable Clip .....	1
10	47617345001	Screw, M8-1.25x20, Hex Hd Flg .....	4
11	<u>7174</u>	Lockwasher, 5/16 Split .....	1
12	<u>8754</u>	Locknut, 3/8-16 Hex .....	2

7  
G

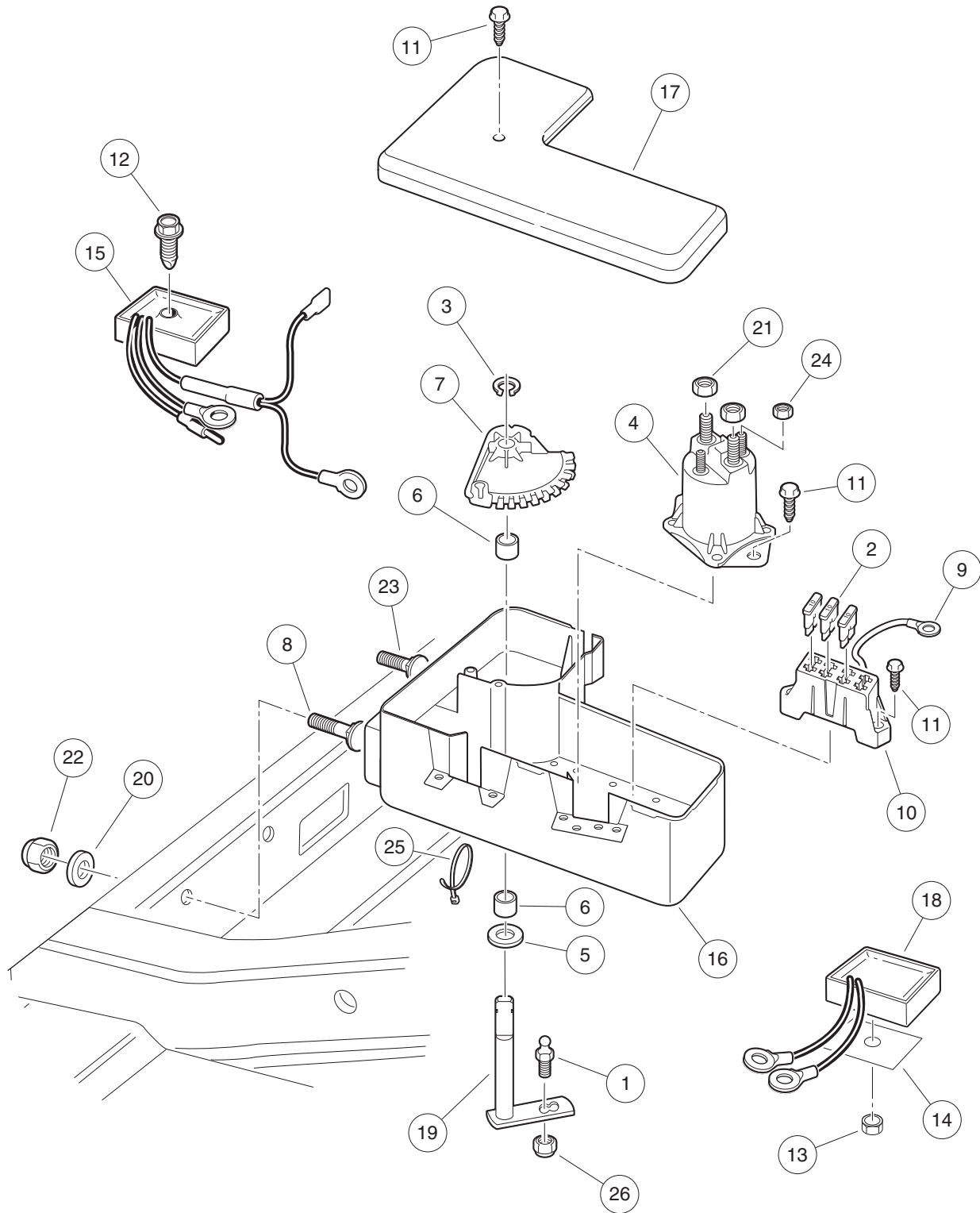


001066-001

# KIT, BATTERY TERMINAL ADAPTER (SIDE-POST TO TOP-POST) – EFI

ITEM	PART NO.	DESCRIPTION	QTY
1	105266401	1 2 3 4 Kit, Term Adaptor, G26 Batt .....	A/R

**7**  
**G**



001014-005

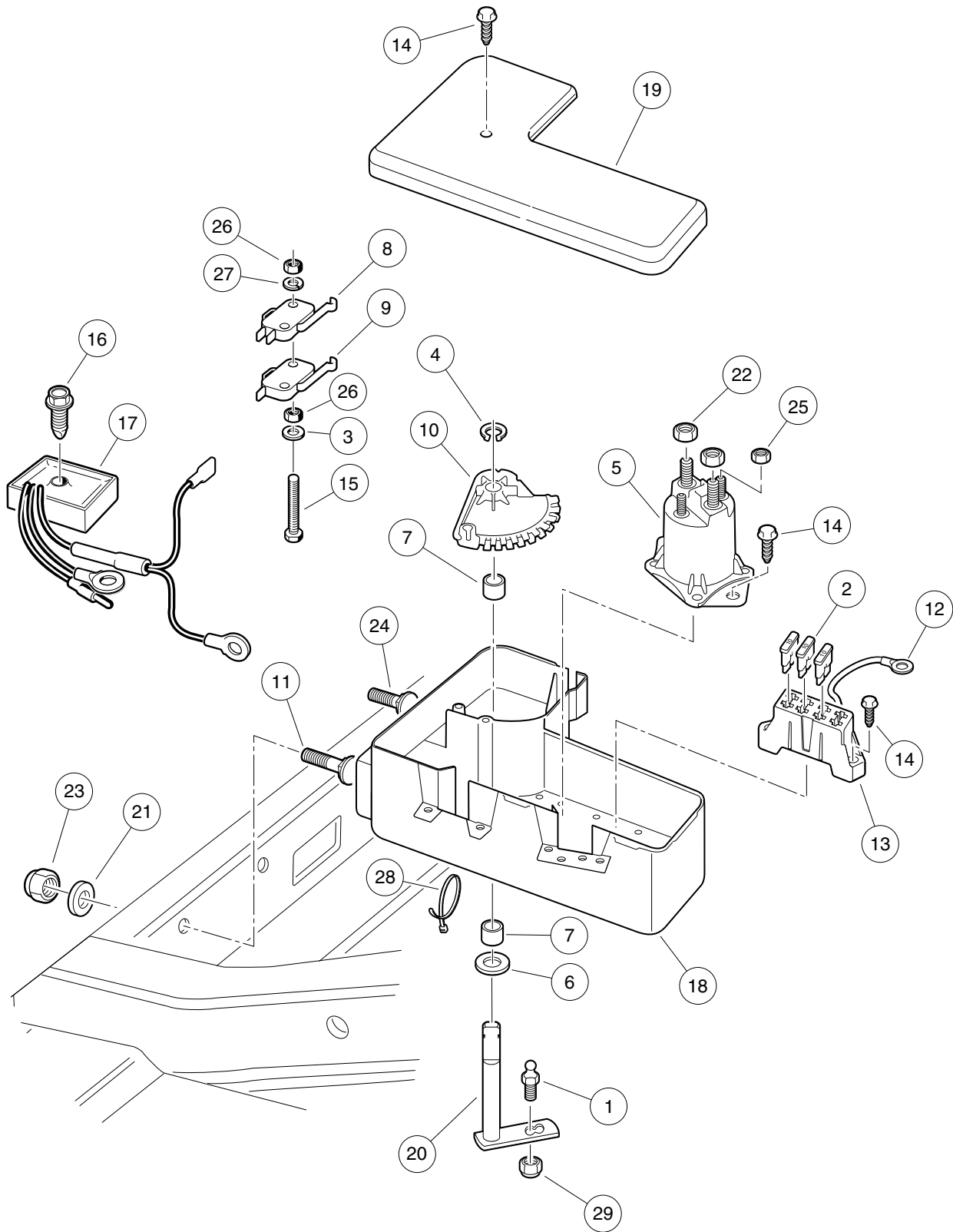
# ELECTRICAL COMPONENT BOX, KEY-START

ITEM	PART NO.	DESCRIPTION	QTY
		1 2 3 4	
1	<u>1010954</u>	Stud, Ball, 1/4-28 X 0.560 .....	1
2	<u>1012295</u>	Fuse, 10-Amp .....	3
3	<u>1013589</u>	Ring, Retaining, 0.338" Internal .....	1
4	<u>1013609</u>	Solenoid, 12-Volt .....	1
5	<u>1014065</u>	Washer, Flat, 0.38" ID, Delrin .....	1
6	<u>1014145</u>	Bushing, Secondary Weight, Split .....	2
7	<u>1015373</u>	Cam, Electric Box .....	1
8	<u>1015405</u>	Bolt, Carriage, 5/16-18 X 2.0 .....	1
9	<u>1015737</u>	Wire Assy, #10 Red .....	1
10	<u>1015741</u>	Fuse Block .....	1
11	<u>1015752</u>	Screw, #12-16 X 0.625, Hi-Lo .....	5
12	<u>101856102</u>	Screw, 1/4-15 X 1.50, Hi-lo, Hex .....	1
13	<u>101963401</u>	Locknut, 5/16-18 Hex Flange .....	1
14	<u>102269701</u>	Thermal Pad .....	1
15	<u>102711201</u>	Voltage Regulator .....	1
16	105000301	Box, Component, Electrical .....	1
17	<u>105000401</u>	Cover, Box, Component, Elec .....	1
18	<u>105037201</u>	Diode, Charging .....	1
19	<u>105037401</u>	Weldment, Bellcrank, Comp Box .....	1
20	<u>1241</u>	Washer, 5/16 Type A Flat .....	2
21	<u>1242</u>	Nut, 5/16-18 Hex .....	2
22	<u>7473</u>	Locknut, 5/16-18 Nylon Insert .....	2
23	<u>7818</u>	Bolt, Carriage, 5/16-18 X 1.5 .....	1
24	<u>7893</u>	Nut, #10-32 Hex .....	2
25	<u>8639</u>	Tie Wrap, 11" Nylon .....	6
26	<u>8717</u>	Locknut, Nylon Insert, 1/4-28 .....	1

**7**

**G**

**7**  
**G**

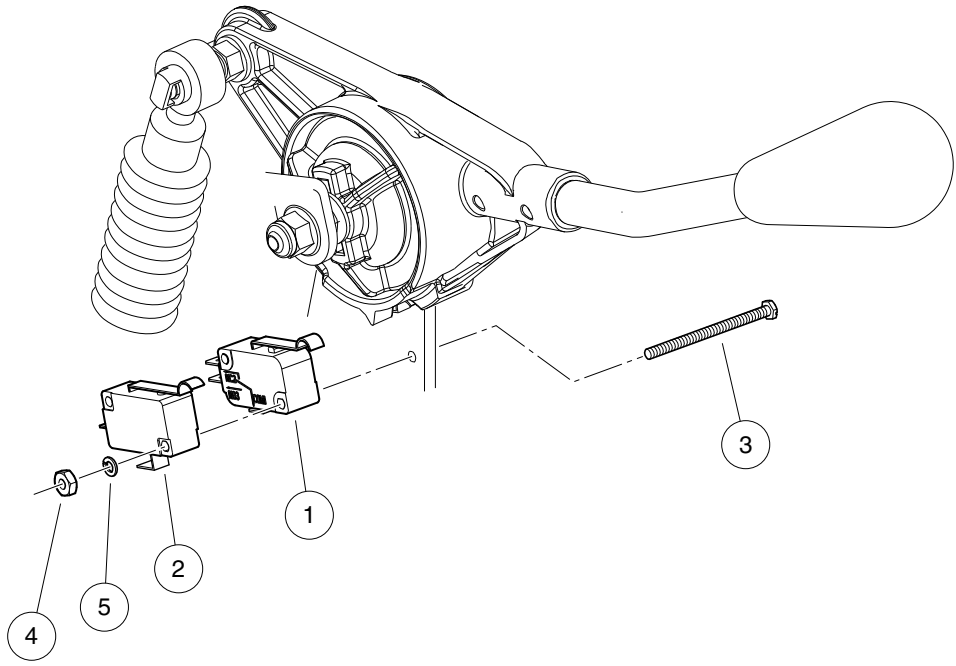


001014-001

# ELECTRICAL COMPONENT BOX, PEDAL-START

ITEM	PART NO.	DESCRIPTION	QTY
		1 2 3 4	
1	<u>1010954</u>	Stud, Ball, 1/4-28 X 0.560 .....	1
2	<u>1012295</u>	Fuse, 10-Amp .....	3
3	<u>1012431</u>	Washer, #4 Flat .....	2
4	<u>1013589</u>	Ring, Retaining, 0.338" Internal .....	1
5	<u>1013609</u>	Solenoid, 12-Volt .....	1
6	<u>1014065</u>	Washer, Flat, 0.38" ID, Delrin .....	1
7	<u>1014145</u>	Bushing, Secondary Weight, Split .....	2
8	<u>1014807</u>	Switch, Limit .....	1
9	<u>1014808</u>	Switch, Limit .....	1
10	<u>1015373</u>	Cam, Electric Box .....	1
11	<u>1015405</u>	Bolt, Carriage, 5/16-18 X 2.0 .....	1
12	<u>1015737</u>	Wire Assy, #10 Red .....	1
13	<u>1015741</u>	Fuse Block .....	1
14	<u>1015752</u>	Screw, #12-16 X 0.625, Hi-Lo .....	5
15	<u>1015878</u>	Screw, #4-40 Hex Head Machine .....	2
16	<u>101856102</u>	Screw, 1/4-15 X 1.50, Hi-lo, Hex .....	1
17	<u>102711201</u>	Voltage Regulator .....	1
18	<u>105000301</u>	Box, Component, Electrical .....	1
19	<u>105000401</u>	Cover, Box, Component, Elec .....	1
20	<u>105037401</u>	Weldment, Bellcrank, Comp Box .....	1
21	<u>1241</u>	Washer, 5/16 Type A Flat .....	2
22	<u>1242</u>	Nut, 5/16-18 Hex .....	2
23	<u>7473</u>	Locknut, 5/16-18 Nylon Insert .....	2
24	<u>7818</u>	Bolt, Carriage, 5/16-18 X 1.5 .....	1
25	<u>7893</u>	Nut, #10-32 Hex .....	2
26	<u>8057</u>	Nut, #4-40 Hex Machine .....	4
27	<u>8058</u>	Lockwasher, #4 Split .....	2
28	<u>8639</u>	Tie Wrap, 11" Nylon .....	6
29	<u>8717</u>	Locknut, Nylon Insert, 1/4-28 .....	1

**7**  
**G**



001010-002

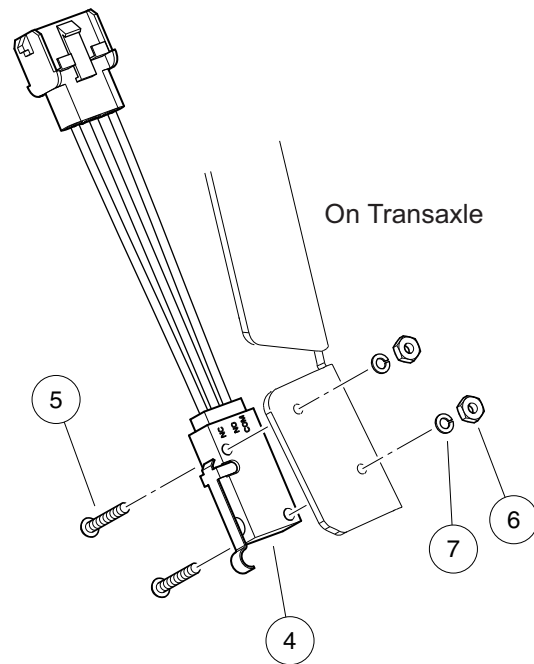
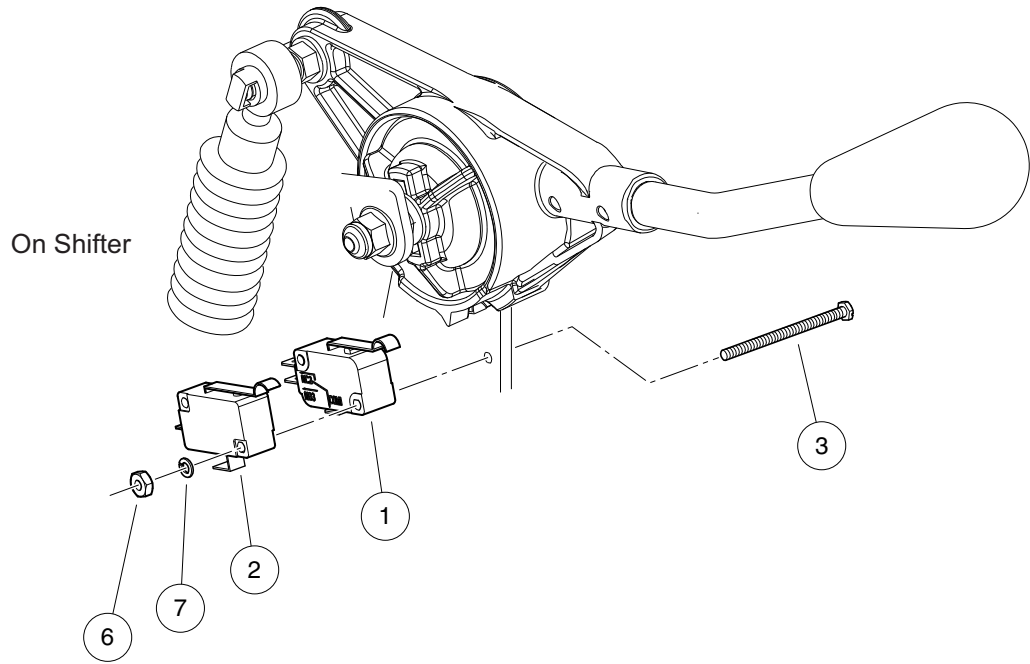


# FORWARD/REVERSE SHIFTER SWITCHES, KEY-START – EFI, VILLAGER 6, 8, 850, 850SE

ITEM	PART NO.	DESCRIPTION	QTY
		1 2 3 4	
1	<u>1014807</u>	Switch, Limit .....	1
2	<u>1014808</u>	Switch, Limit .....	1
3	<u>1015878</u>	Screw, #4-40 Hex Head Machine .....	2
4	<u>8057</u>	Nut, #4-40 Hex Machine .....	2
5	<u>8058</u>	Lockwasher, #4 Split .....	2

**7**  
**G**

**7**  
**G**

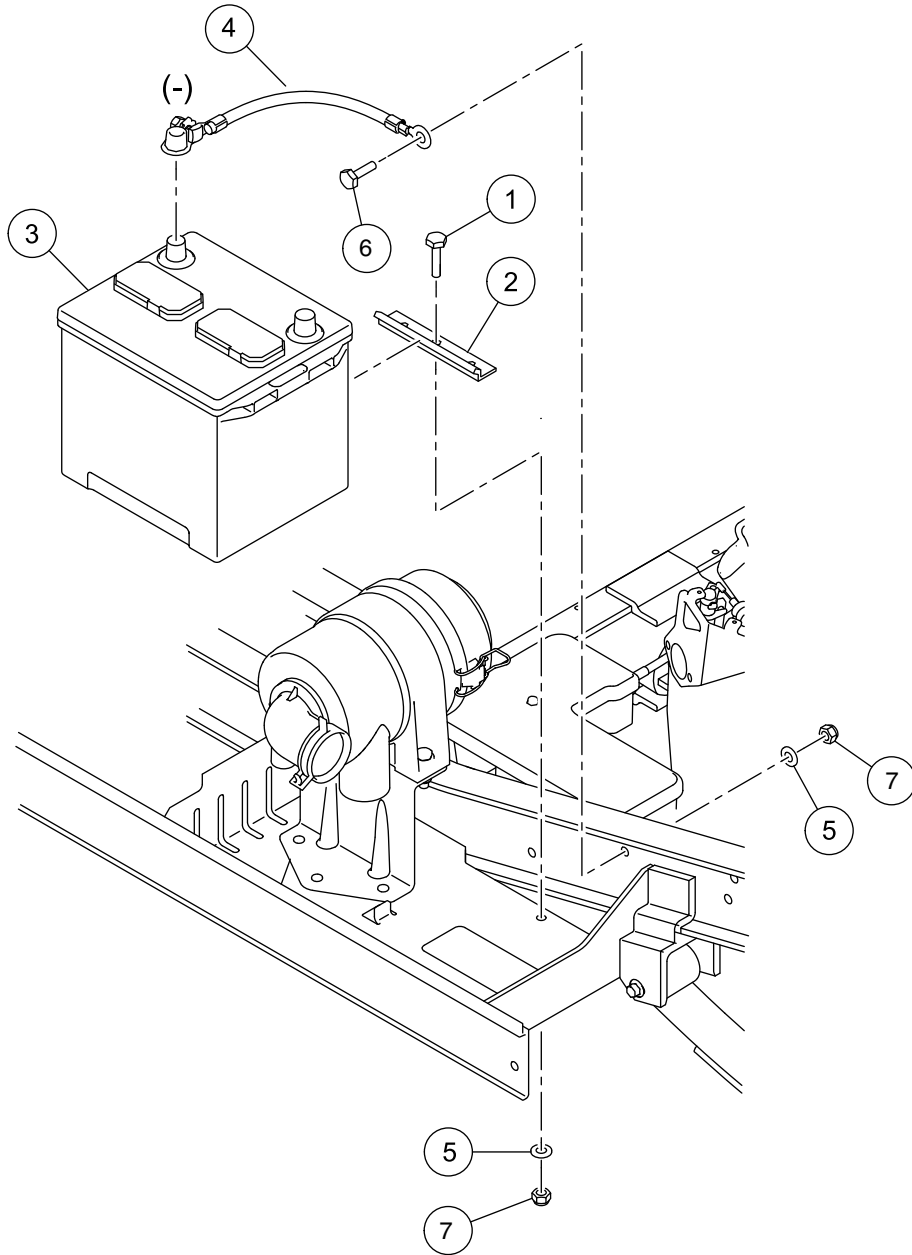


001010-001

# FORWARD/REVERSE SHIFTER SWITCHES, PEDAL-START – EFI, VILLAGER 6, 8, 850, 850SE

ITEM	PART NO.	DESCRIPTION	QTY
		1 2 3 4	
1	<u>1014807</u>	Switch, Limit .....	1
2	<u>1014808</u>	Switch, Limit .....	1
3	<u>1015878</u>	Screw, #4-40 Hex Head Machine .....	2
4	<u>105102601</u>	Switch, Limit, Sealed, with 3-Wire Lead .....	1
5	<u>8056</u>	Screw, #4-40 X 0.75 Round-Head Machine .....	2
6	<u>8057</u>	Nut, #4-40 Hex Machine .....	4
7	<u>8058</u>	Lockwasher, #4 Split .....	4

**7**  
**G**



000250-001

## TOP-POST BATTERY – GASOLINE UTILITY VEHICLES

ITEM	PART NO.	DESCRIPTION	QTY
		1 2 3 4	
1	<u>1010934</u>	Screw, 5/16-18 X 1.00 Hex Cap .....	1
2	<u>101898001</u>	Clamp, Battery .....	1
3	<u>105237301</u>	Battery, Start, 12v, Type 26 .....	1
4	105256701	Wire Assy, 4ga, Battery, (top-post) B-, Gas .....	1
5	<u>1241</u>	Washer, 5/16 Type A Flat .....	2
6	<u>7173</u>	Screw, 5/16-18 X 0.75, Hex-Head Cap .....	1
7	<u>7473</u>	Locknut, 5/16-18 Nylon Insert .....	2

7

G

7

G

# ENGINE (KOHLER ECH440)

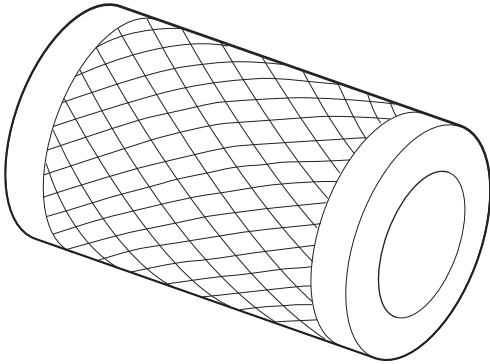
---

8

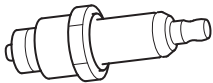
G

8

G



1



2

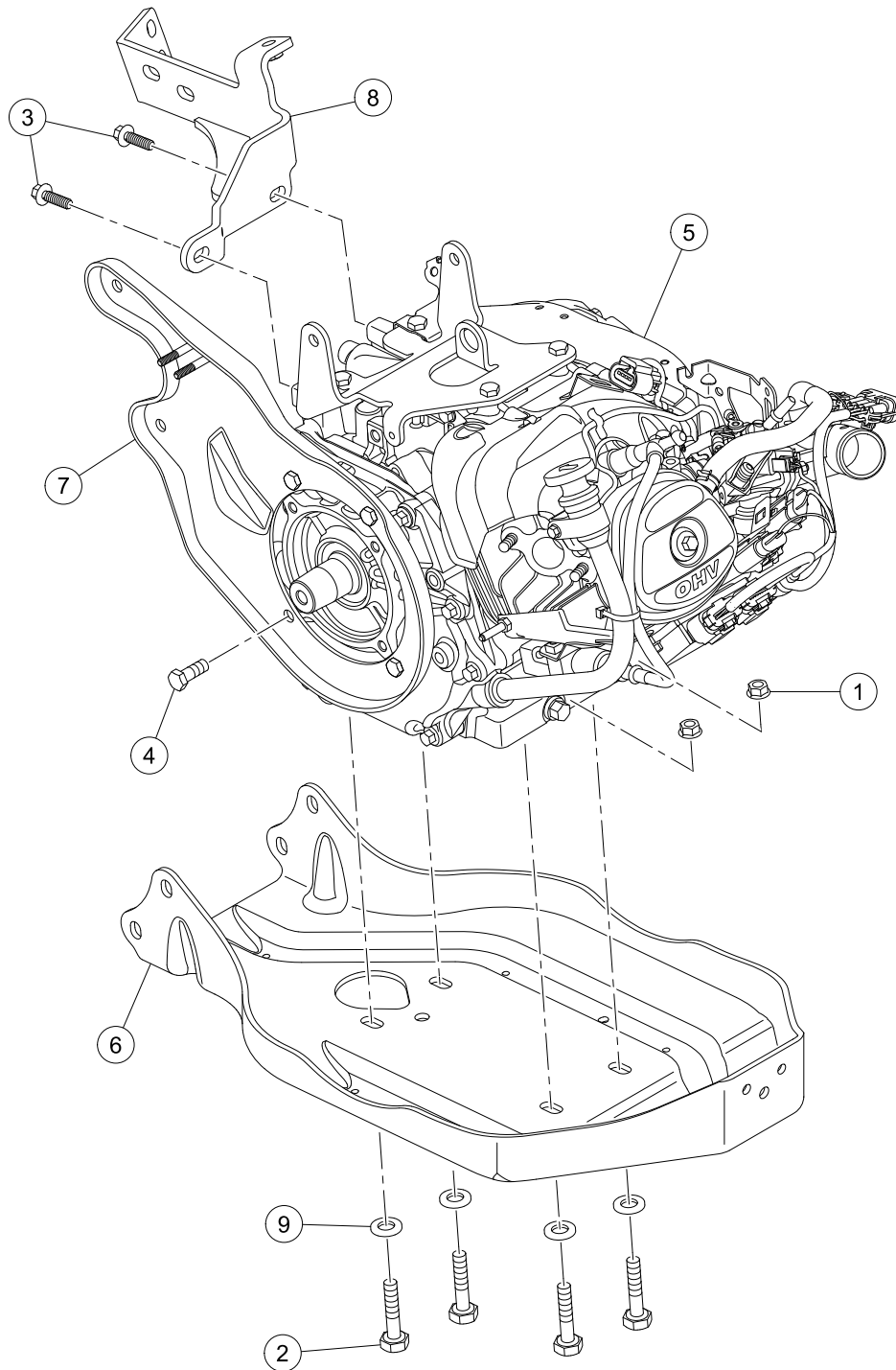
000992-003



# TUNE-UP PARTS

ITEM	PART NO.	DESCRIPTION	QTY
1	<u>102558201</u>	1 2 3 4 Air Filter, 4 Inch .....	1
2	<u>47640281001</u>	Plug, Spark, Kohler .....	1

**8**  
**G**



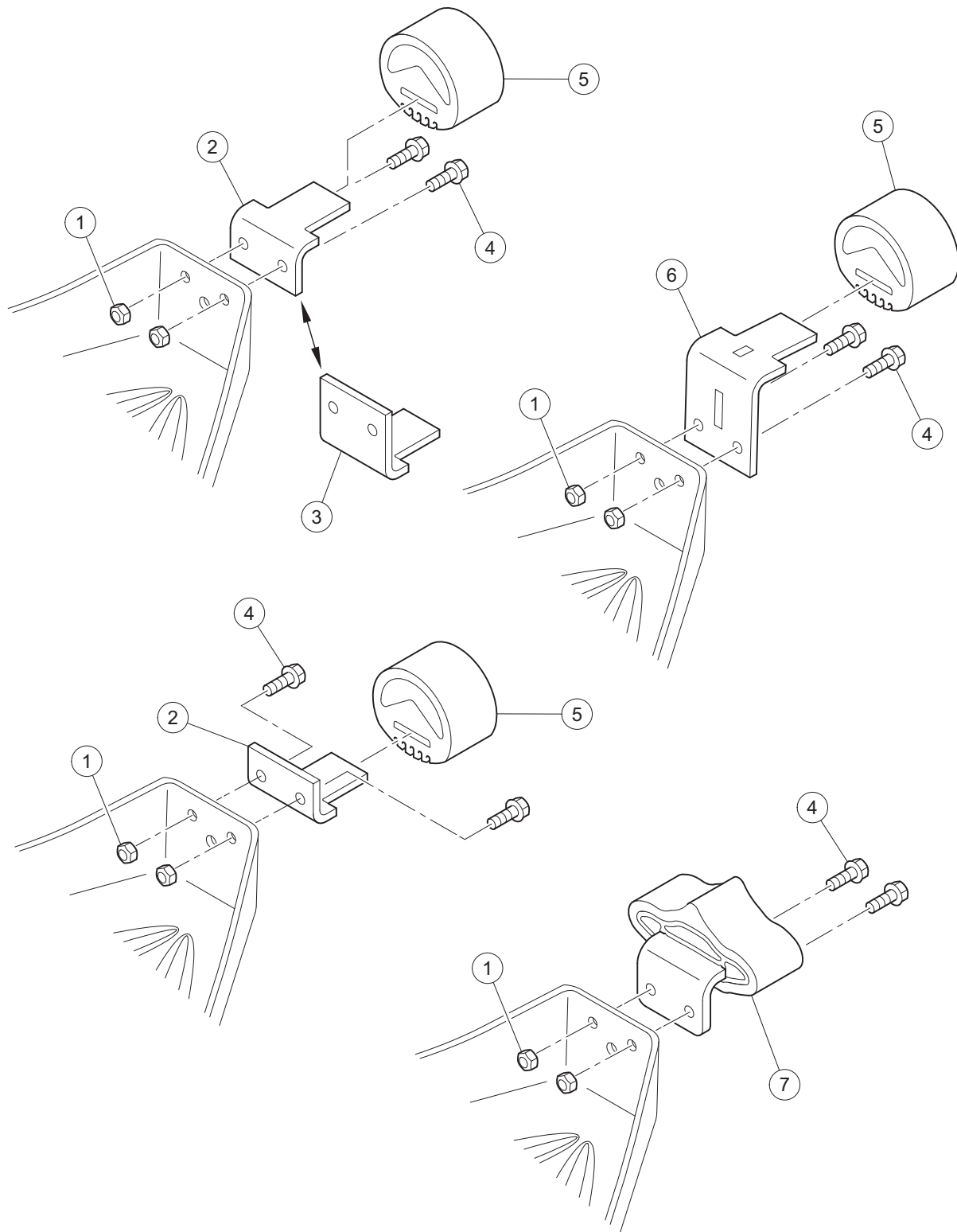
G-110199-000002

# ENGINE AND ENGINE MOUNTING

ITEM	PART NO.	DESCRIPTION	QTY
		1 2 3 4	
1	<u>102617201</u>	Nut, Flanged, M10 X 1.5, Mechanically Deformed .....	4
2	<u>102732401</u>	Bolt, M10 X 45, Zn-Ni (Black) .....	4
3	<u>103262201</u>	Bolt Flg Blk, M8 X 25, Loctite .....	2
4	<u>103508101</u>	Bolt, 3/8-16 X .75 Lock Patch .....	4
5	<u>47598099001</u>	Engine, Gas, Ech440 .....	1
6	<u>47611483001</u>	Plate, Mtg, Engine/axle, Pan .....	1
7	47611484001	Plate, Mtg, Engine/axle, Cvt .....	1
8	47611648001	Weldment, Mtg, Exhaust .....	1
9	<u>96741046</u>	Washer, M10, Hard .....	4

**8**

**G**



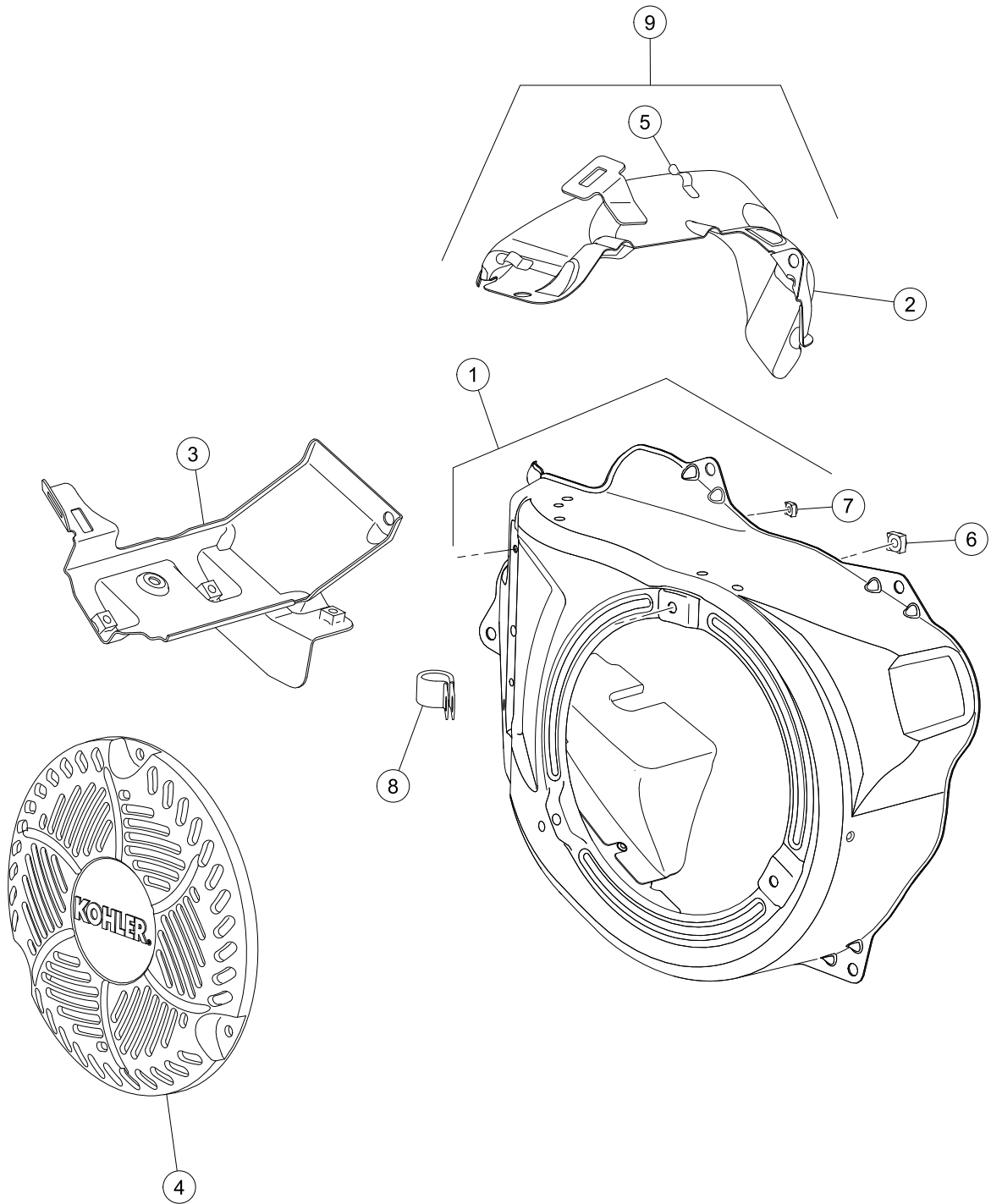
G-010299-000001

# ENGINE PAN AND SNUBBER MOUNTING

ITEM	PART NO.	DESCRIPTION	QTY
		1 2 3 4	
1	<u>1013924</u>	Nut, 5/16-24, Hex Head Cone .....	2
2	<u>101834601</u>	Bracket, Snubber .....	1
3	<u>101834602</u>	Bracket, Snubber, Tall .....	1
4	<u>101884801</u>	Screw, 5/16-24 X 0.875, Grade-8 .....	2
5	<u>102540301</u>	Snubber, Inner Frame .....	1
6	47564890001	Bracket, Snubber, Csmr, Lifted .....	1
7	47587701001	Asm, Dual Snubber (includes items 8 and 9) .....	1
8	47583795001	Bracket, Dual Snubber .....	1
9	47584184001	Snubber, Dual .....	1
<p style="margin-left: 40px;">Note: Items 8 and 9 are not illustrated.</p>			

8

G



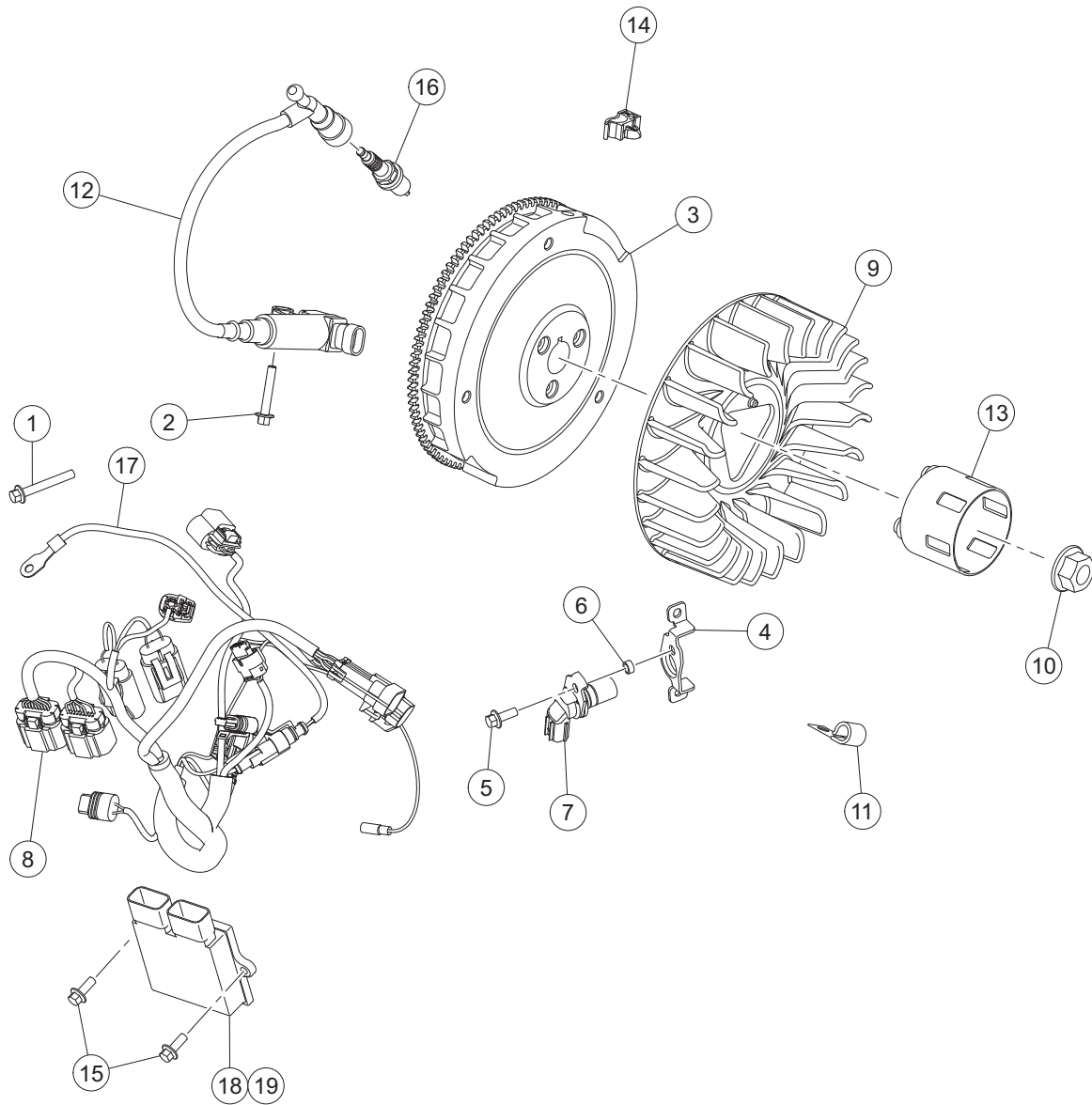
G-040899-000001

# BLOWER HOUSING AND HEAT SHIELD – ECH440

ITEM	PART NO.	DESCRIPTION	QTY
		1 2 3 4	
1	<u>47629844001</u>	Kit, Blower Housing, Kohler .....	1
2	<u>47629845001</u>	Shield, Upper Heater, Kohler .....	1
3	<u>47629846001</u>	Shield Assembly, Cylinder, Koh .....	1
4	<u>47629847001</u>	Screen, Blower Housing, Kohler .....	1
5	<u>47629848001</u>	Clip, Wire, Kohler .....	2
6	<u>47629851001</u>	Nut, Blower Housing (cky), Koh .....	1
7	<u>47629853001</u>	Nut, Blower Housing (cky), Koh .....	1
8	<u>47629855001</u>	Clamp, Insulator, Kohler .....	1
9	<u>47629856001</u>	Assembly, Heat Shield, Kohler .....	1

**8**

**G**



G-040799-000003

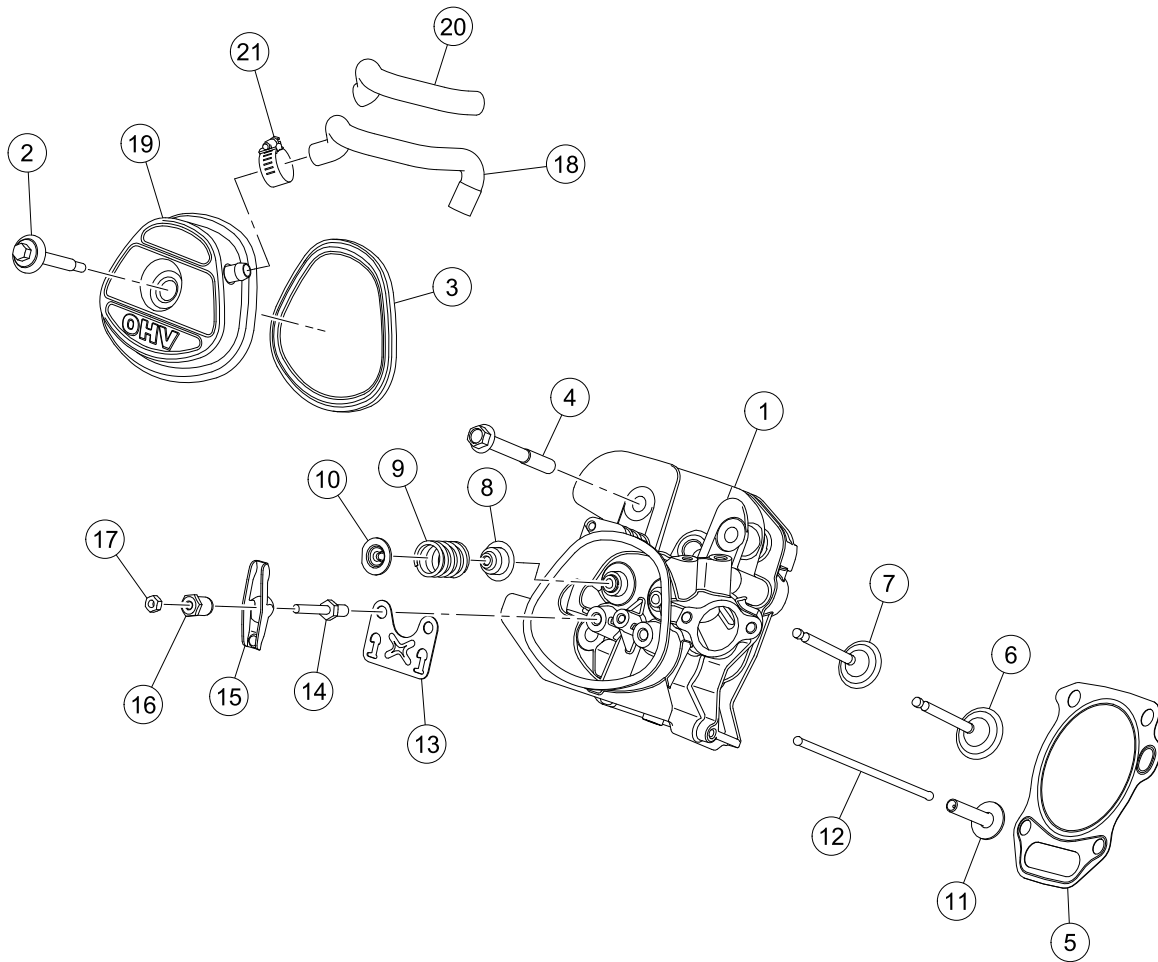


## IGNITION COMPONENTS AND FLYWHEEL – ECH440

ITEM	PART NO.	DESCRIPTION	QTY
		1 2 3 4	
1	47629702001	Screw, Hex Flange (m6), Kohler .....	1
2	47629702001	Screw, Hex Flange (m6), Kohler .....	3
3	47629826001	Flywheel Assy, Electric Start .....	1
4	47629828001	Bracket, Crank Sensor, Kohler .....	1
5	47629831001	Screw, Hex Flange, Kohler .....	1
6	47629832001	Spacer, Kohler .....	1
7	47629833001	Sensor, Speed, Kohler .....	1
8	47629834001	Harness, Wiring Assy, Kohler .....	1
9	47629835001	Fan, Flywheel, Kohler .....	1
10	47629836001	Nut, Flywheel, Kohler .....	1
11	47629837001	Clip, Cable, Kohler .....	1
12	47629838001	Coil, Ignition-efi, Kohler .....	1
13	47629841001	Cup, Starter Drive, Kohler .....	1
14	47629843001	Clip, Wiring Harness, Kohler .....	1
15	47640021001	Screw, M6x16, Kohler .....	2
16	47640281001	Plug, Spark, Kohler .....	1
17	47650647001	Sensor, Temperature .....	1
18	47664335001	Module, Ecu, Kohler, O2 Update .....	A/R
19	47676897001	Module, ECU, Kohler .....	A/R
Note: Item 19 (47676897001) only applies to vehicles that have had kit p/n 47649794001 installed. Make sure to validate and order correct ECU p/n.			

8

G

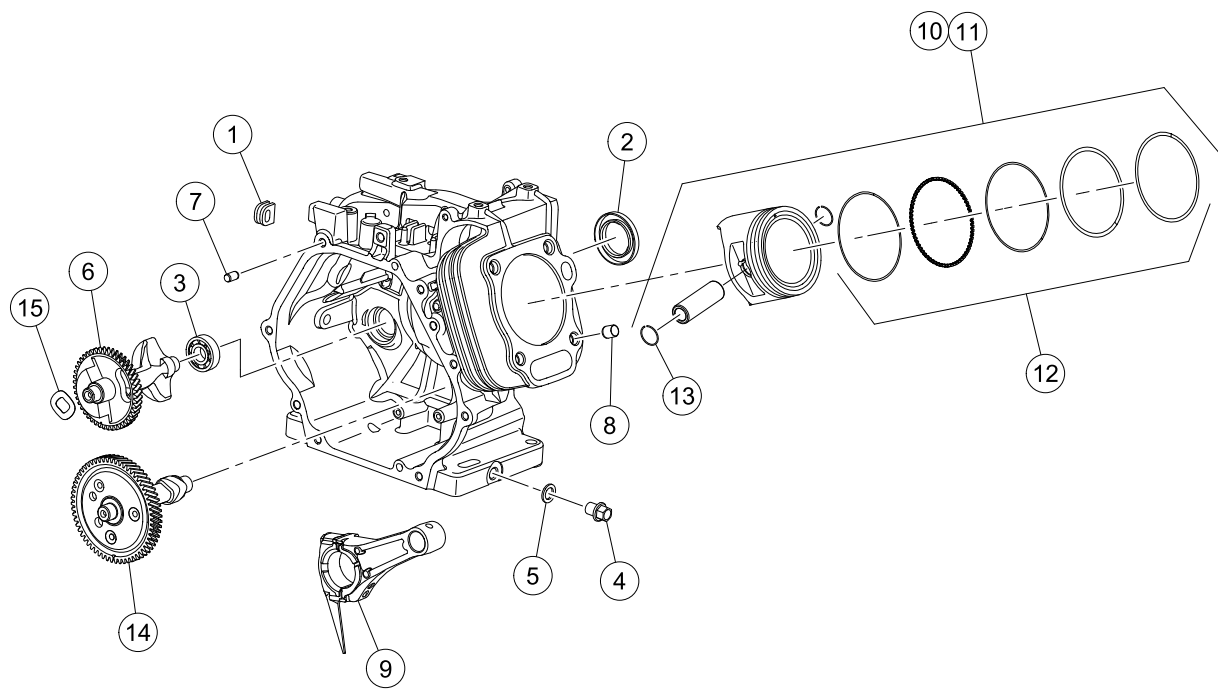


G-040599-000001

## CYLINDER HEAD AND VALVE – ECH440

ITEM	PART NO.	DESCRIPTION	QTY
		1 2 3 4	
1	<u>47629711001</u>	Assembly, Cylinder Head, Kohle .....	1
2	<u>47629714001</u>	Screw, Valve Cover Seal Assy, .....	1
3	<u>47629716001</u>	Gasket, Valve Cover, Kohler .....	1
4	<u>47629717001</u>	Screw, Hex Flange Cylinder Hea .....	4
5	<u>47629718001</u>	Kit, Head Gasket, Kohler .....	1
6	<u>47629719001</u>	Valve, Intake, Kohler .....	1
7	<u>47629720001</u>	Valve, Exhaust, Kohler .....	1
8	<u>47629722001</u>	Seal, Valve Stem, Kohler .....	2
9	<u>47629723001</u>	Spring, Valve, Kohler .....	2
10	<u>47629724001</u>	Retainer, Valve Spring, Kohler .....	2
11	<u>47629725001</u>	Lifter, Valve, Kohler .....	2
12	<u>47629726001</u>	Rod, Push, Kohler .....	2
13	<u>47629727001</u>	Plate, Pushrod Guide, Kohler .....	1
14	<u>47629728001</u>	Stud, Rocker, Kohler .....	2
15	<u>47629729001</u>	Arm, Rocker, Kohler .....	2
16	<u>47629730001</u>	Pivot, Rocker Arm, Kohler .....	2
17	<u>47629768001</u>	Nut, Hex Jam, Kohler .....	2
18	<u>47629822001</u>	Hose, Breather, Kohler .....	1
19	<u>47629823001</u>	Valve Cover Assembly, Kohler .....	1
20	<u>47629824001</u>	Sleeve, Anti Abrasion, Kohler .....	1
21	<u>47629825001</u>	Clamp, Hose, Kohler .....	1

**8**  
**G**



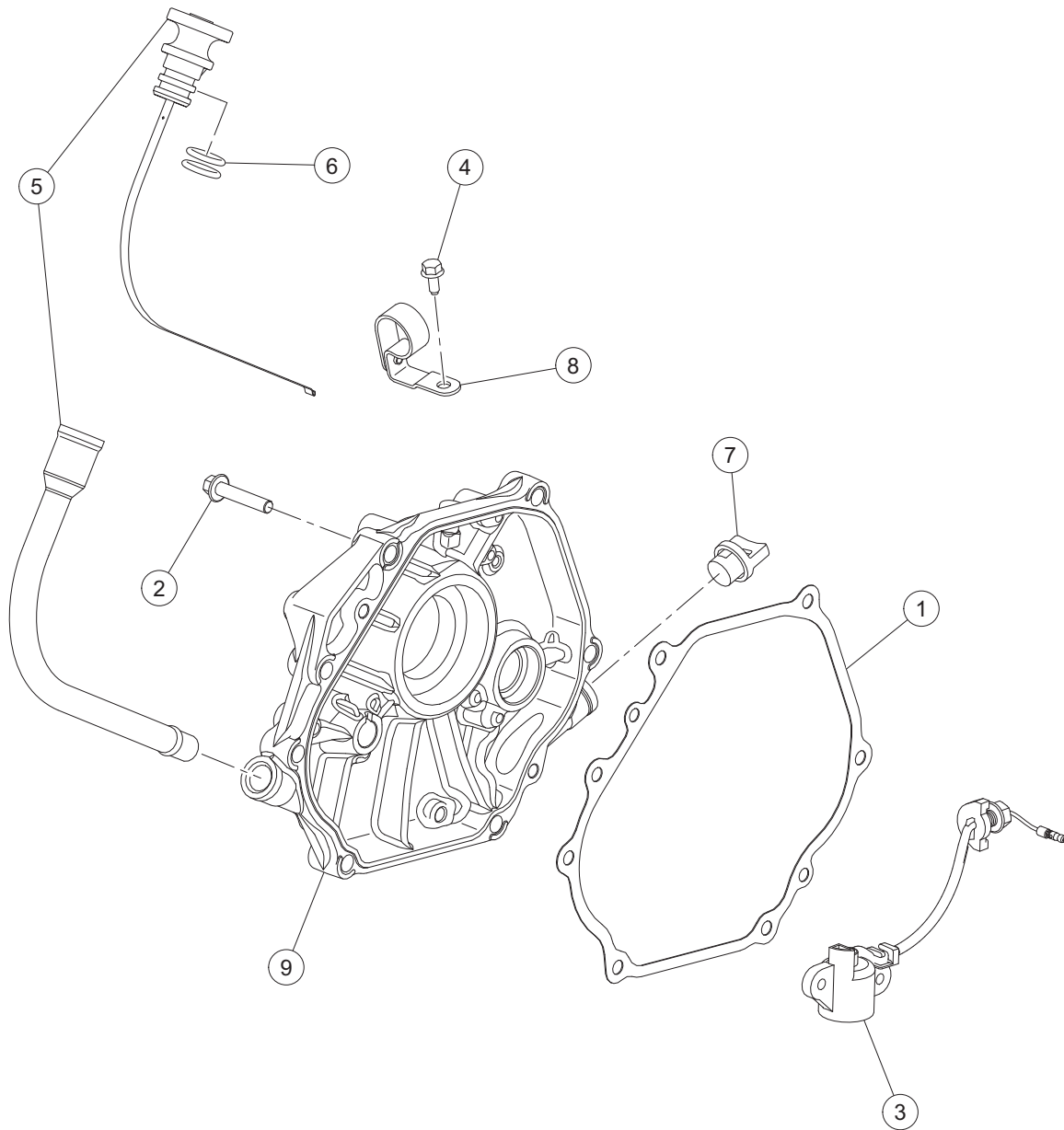
G-040399-000001

# CRANKCASE AND PISTON – ECH440

ITEM	PART NO.	DESCRIPTION	QTY
		1 2 3 4	
1	<u>47629677001</u>	Grommet, Crankcase,kohler .....	1
2	<u>47629680001</u>	Seal, Crankcase, Kohler .....	2
3	<u>47629682001</u>	Bearing, Balancing Shaft, Kohl .....	2
4	<u>47629685001</u>	Kit, Drain Plug, Kohler .....	2
5	<u>47629686001</u>	Washer, Drain Plug, Kohler .....	2
6	<u>47629687001</u>	Shaft, Balance, Kohler .....	1
7	<u>47629688001</u>	Pin, Dowel, Kohler .....	2
8	<u>47629689001</u>	Pin, Dowel Cylinder Head, Kohl .....	2
9	<u>47629690001</u>	Rod, Connecting Assembly,kohle .....	1
10	<u>47629691001</u>	Kit, Piston Wing Set (std), Ko .....	1
11	<u>47629693001</u>	Kit, Piston (0.25 O.s.), Kohle .....	1
12	<u>47629694001</u>	Ring Set, Kohler .....	2
13	<u>47629696001</u>	Retainer, Piston, Kohler .....	2
14	<u>47629697001</u>	Camshaft Assembly, Kohler .....	1
15	<u>47629698001</u>	Spring, Wave, Kohler .....	1

**8**

**G**

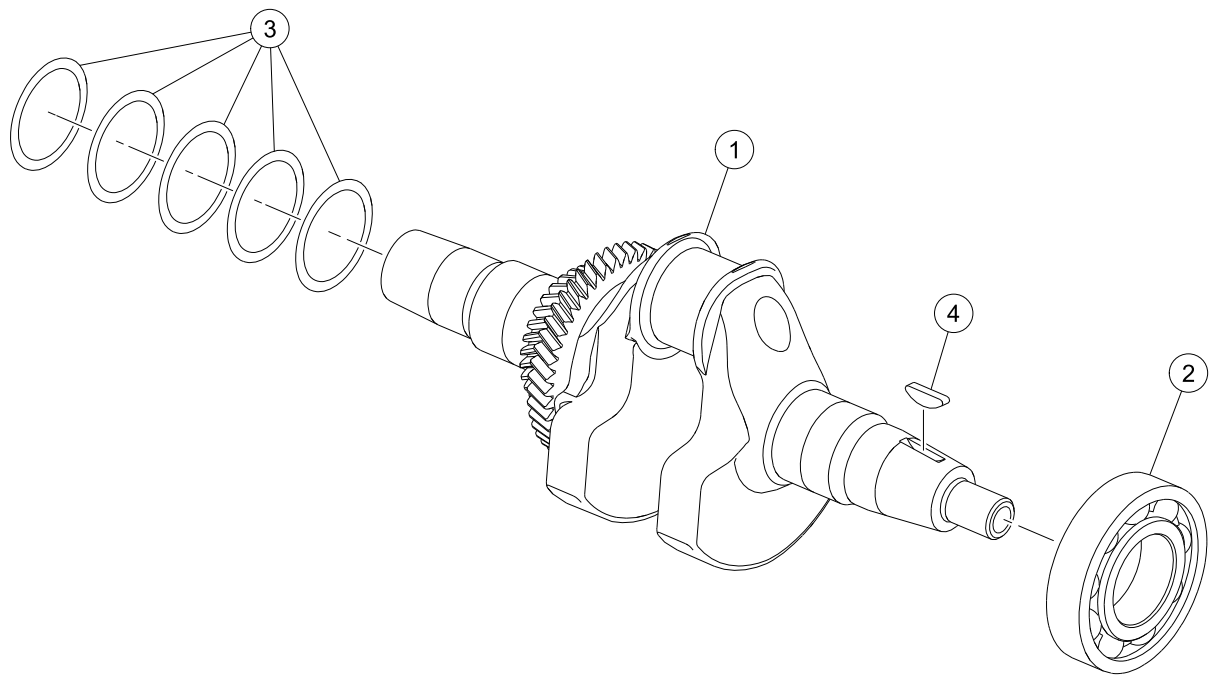


G-040699-000001

## OIL SENSOR AND LUBRICATION – ECH440

ITEM	PART NO.	DESCRIPTION	QTY
		<b>1 2 3 4</b>	
1	<u>47629699001</u>	Gasket, Closure Plate, Kohler .....	1
2	<u>47629700001</u>	Screw, Closure Plate, Kohler .....	7
3	<u>47629701001</u>	Switch, Oil Sensor Assembly, K .....	1
4	<u>47629702001</u>	Screw, Hex Flange (m6), Kohler .....	18
5	<u>47629703001</u>	Dipstick, Assembly, Kohler .....	1
6	<u>47629705001</u>	O-ring, Dipstick Cap, Kohler .....	2
7	<u>47629707001</u>	Cap Assy, Oil Fill, Kohler .....	1
8	<u>47629709001</u>	Bracket, Dipstick Tub, Kohler .....	1
9	<u>47640020001</u>	Plate, Closure, Kohler .....	1

**8**  
**G**



G-040299-000001



# CRANKSHAFT – ECH440

ITEM	PART NO.	DESCRIPTION	QTY
		1 2 3 4	
1	<u>47629583001</u>	Crankshaft Assembly, Kohler .....	1
2	<u>47629585001</u>	Bearing, Crankshaft, Kohler .....	2
3	<u>47629588001</u>	Kit, Shims, Kohler .....	5
4	<u>47629589001</u>	Key, Flywheel, Kohler .....	1

**8**

**G**

8

G

# FUEL SYSTEM – EFI

---

9

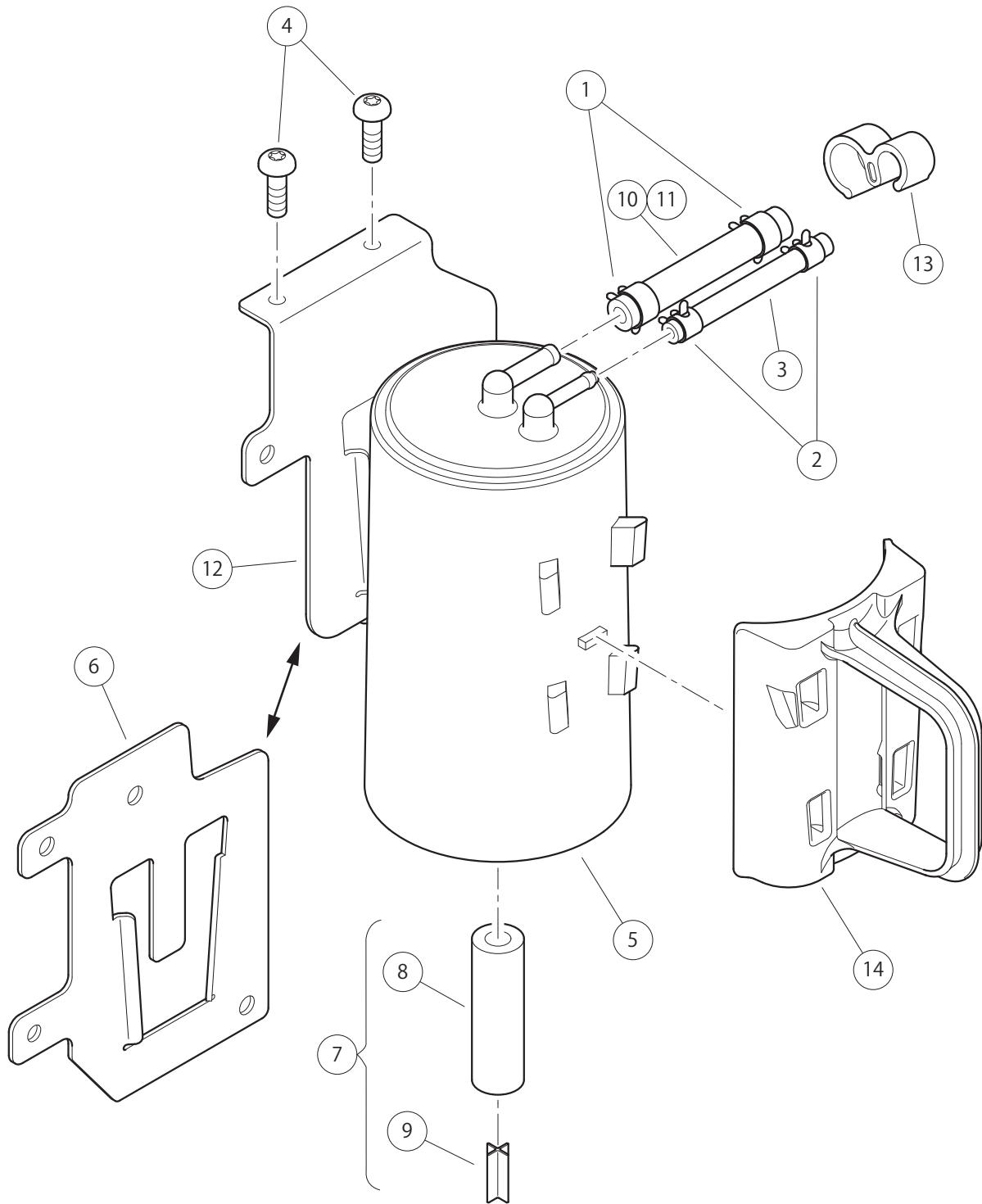
G



## FUEL TANK WITH PUMP, TOP FILL – EFI

ITEM	PART NO.	DESCRIPTION	QTY
		1 2 3 4	
1	<u>1014116</u>	Nut, 1/4-20 Speed .....	1
2	<u>105194101</u>	1/4-20 X 2.5, Bhcs, 6-lobe .....	1
3	105245401	Strap, Tank, Utility .....	1
4	47606233003	Asm, Fuel Line, Util, Sb .....	1
5	47664038001	Asm, Tank, Fuel, Top, Su (includes items 6 through 11) .....	1
6	<u>103372101</u>	Cap, Fuel Tank, Gas, Ratchet .....	1
7	<u>105143301</u>	Wire, Ground, Fuel Tank .....	1
8	47611876001	Vent Rov, Fuel Tank, Precedent .....	1
9	47611877001	Grommet, Fuel Tank, Vent .....	1
10	N/A	Fuel Pump Module Su 50psi .....	1
11	<u>47623339001</u>	Kit, Fuel Filter, 50 Psi (includes items 12 through 15) .....	1
12	<u>102025801</u>	Screw, 1/4-20 X .75 Torx Pn Hd .....	6
13	<u>105043801</u>	Fuel Module, Hold Down Ring .....	1
14	<u>105043901</u>	O-Ring, Fuel Module .....	1
15	N/A	Fuel Filter, 50psi .....	1

**9**  
**G**



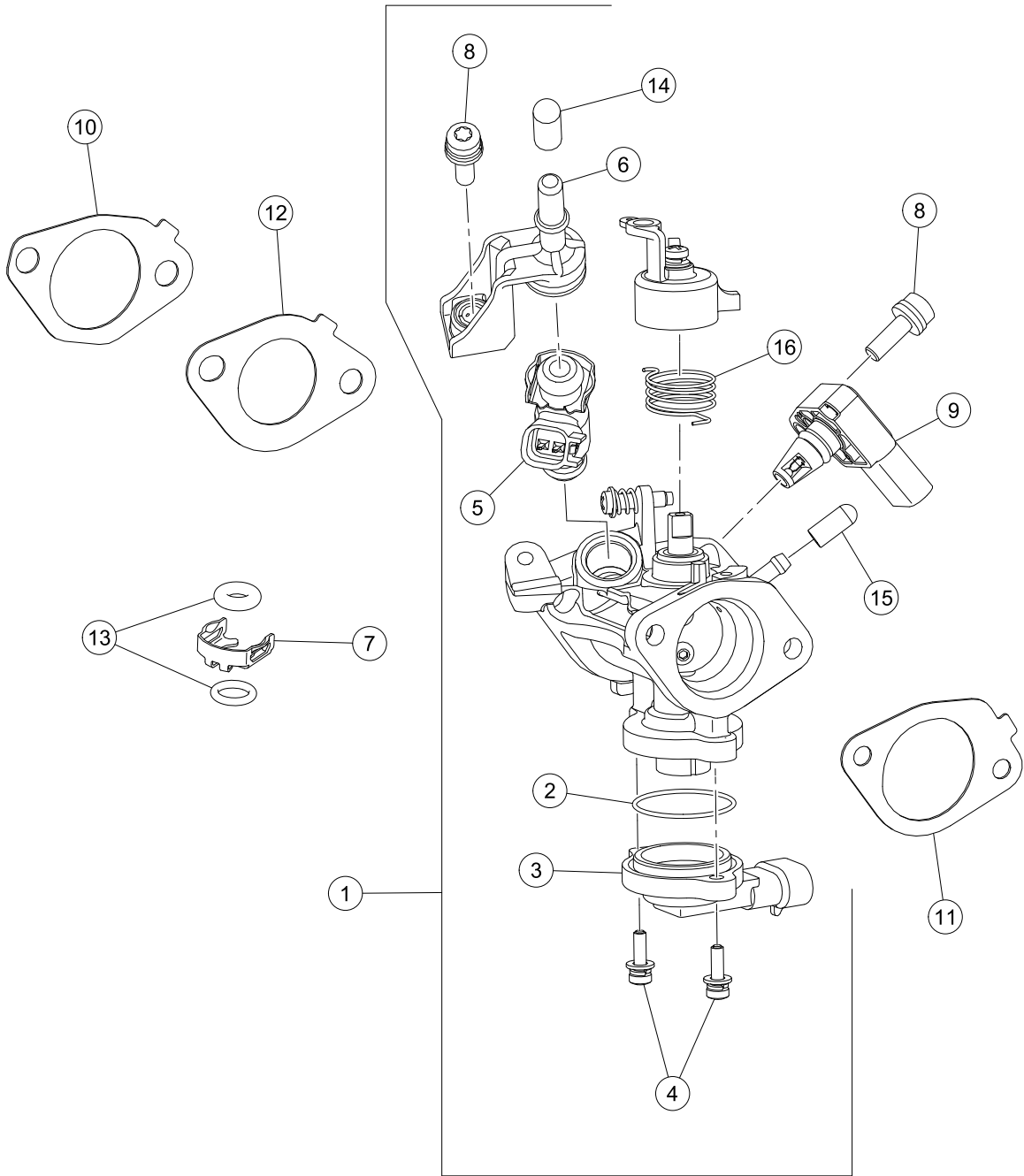
000980-014

## CARBON CANISTER – EFI

ITEM	PART NO.	DESCRIPTION	QTY
		1 2 3 4	
1	<u>1012649</u>	Clamp, 0.460 Red Hose .....	2
2	<u>1013746</u>	Clamp, 0.301 ID Hose .....	2
3	101587714	Hose, Fuel, Vent, 34" Long .....	1
4	<u>102025801</u>	Screw, 1/4-20 X .75 Torx Pn Hd .....	2
5	<u>103372401</u>	Canister, Carbon .....	1
6	<u>103452001</u>	Brkt, Mtg, Carbon Canister .....	1
7	<u>103756401</u>	Asm, Vent Line, Carbon Canister (includes items 8 and 9) .....	1
8	N/A	Hose, Vent, 5/16 I.D., Bulk .....	1
9	N/A	Vent, Barb, 5/16 I.D. Hose .....	1
10	103896604	Hose, Vent, 1/4 Id, 17 In (SWB and Utility) .....	1
11	103896605	Hose, Vent, 1/4 Id, 23.5 In .....	1
12	47606257001	Brkt, Mtg, Carbon Canister .....	1
13	47619701001	Clip, Purge Line, Util .....	2
14	47637087001	Bracket, fuel line routing .....	1
		<p>Note: Items 6 and 14 apply to short wheel base vehicles only. Item 12 applies to utility and long wheel base vehicles only.</p>	

9

G



G-100199-000001

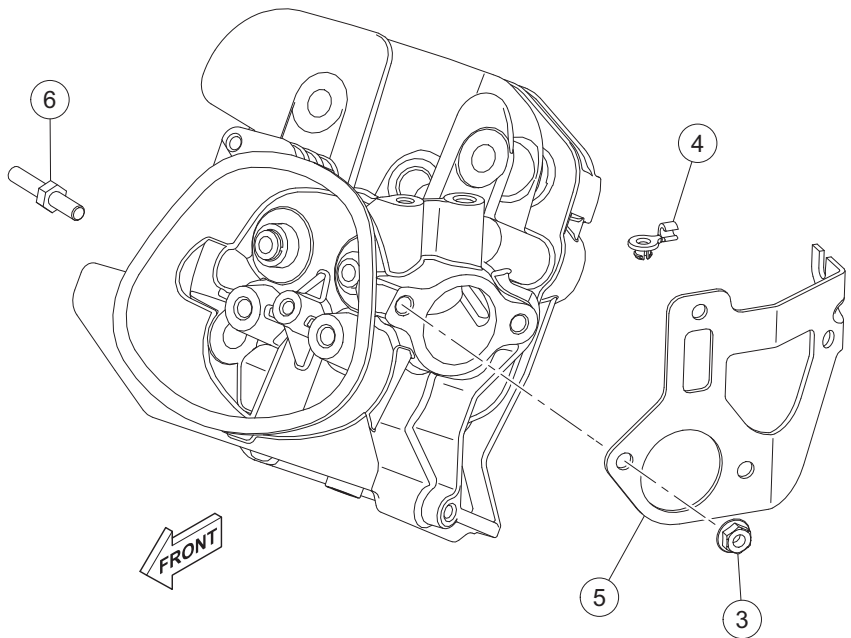
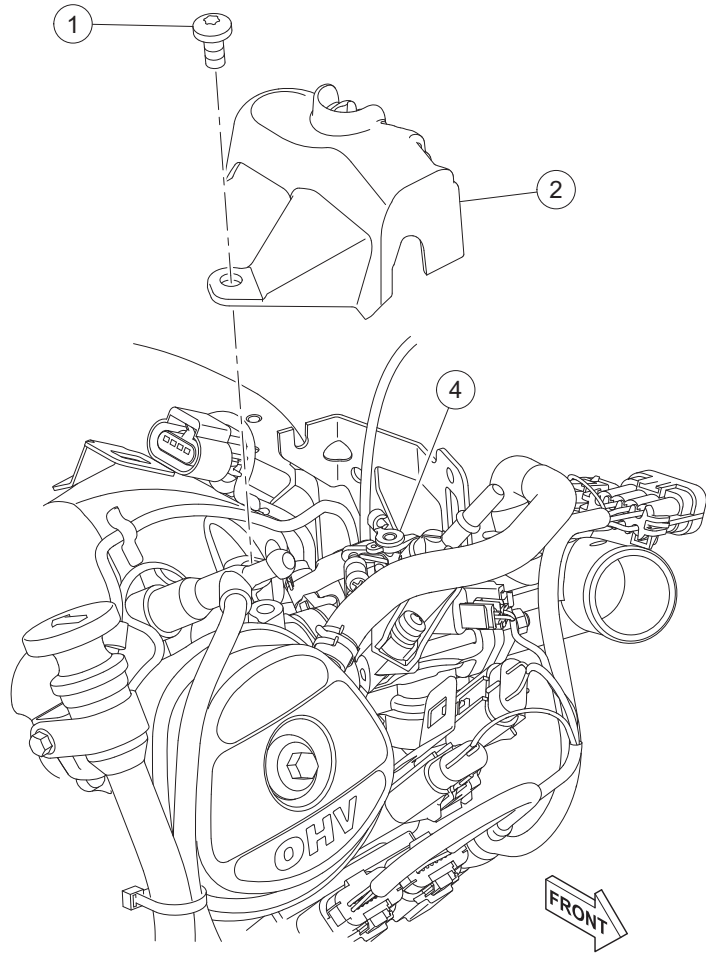


# THROTTLE BODY AND MOUNTING

ITEM	PART NO.	DESCRIPTION	QTY
		1 2 3 4	
1	<u>47629857001</u>	Throttle Body, Assembly, Kohler .....	1
2	<u>47629858001</u>	O-ring, Kohler .....	1
3	<u>47629859001</u>	Kit, Tps, Kohler .....	1
4	<u>47629860001</u>	Screw, Hexalobular, M4 X 0.7 X .....	2
5	<u>47629861001</u>	Injector, Fuel, Kohler .....	1
6	<u>47629862001</u>	Cap, Fuel Inector, Kohler .....	1
7	<u>47629864001</u>	Clip, Retainer, Kohler .....	1
8	<u>47629865001</u>	Screw, Hexalobular, M6 X 1 Sem .....	2
9	<u>47629866001</u>	Sensor, T-map, Kohler .....	1
10	<u>47629867001</u>	Kit, Gasket Intake, Kohler .....	1
11	<u>47629868001</u>	Gasket, Throttle Body, Kohler .....	1
12	<u>47629869001</u>	Gasket, Insulator To T-body, K .....	1
13	<u>47629870001</u>	Kit, Fuel Injector O-ring, Koh .....	1
14	<u>47629871001</u>	Cap, Masking, Kohler .....	1
15	<u>47629872001</u>	Cap, Masking, Kohler .....	1
16	<u>47629874001</u>	Spring, Return, Kohler .....	1

**9**

**G**



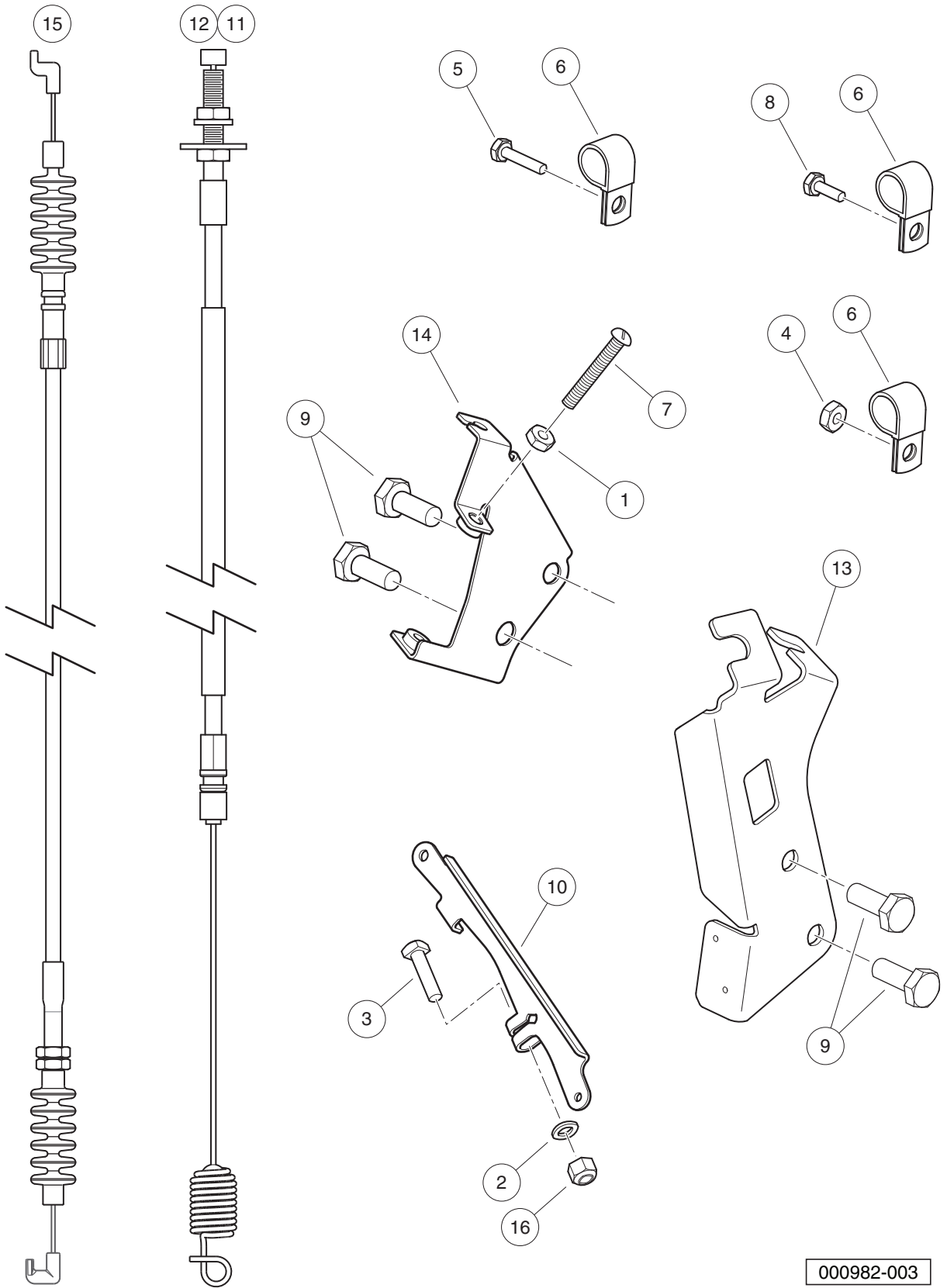
G-040999-000004

## GOVERNOR BRACKET AND COVER – EFI

ITEM	PART NO.	DESCRIPTION	QTY
		1 2 3 4	
1	<u>102298116</u>	Bolt, Flanged Head, M8 X 16.0 .....	1
2	<u>47612352001</u>	Cover, Governor, Ech 440 .....	1
3	<u>47629875001</u>	Nut, Hex Flange Lock (m6), Koh .....	2
4	<u>47629876001</u>	Bushing, Linkage Retainer, Koh .....	1
5	<u>47629877001</u>	Bracket, Governor, Kohler .....	1
6	<u>47629878001</u>	Stud, Ground, Kohler .....	1

**9**

**G**



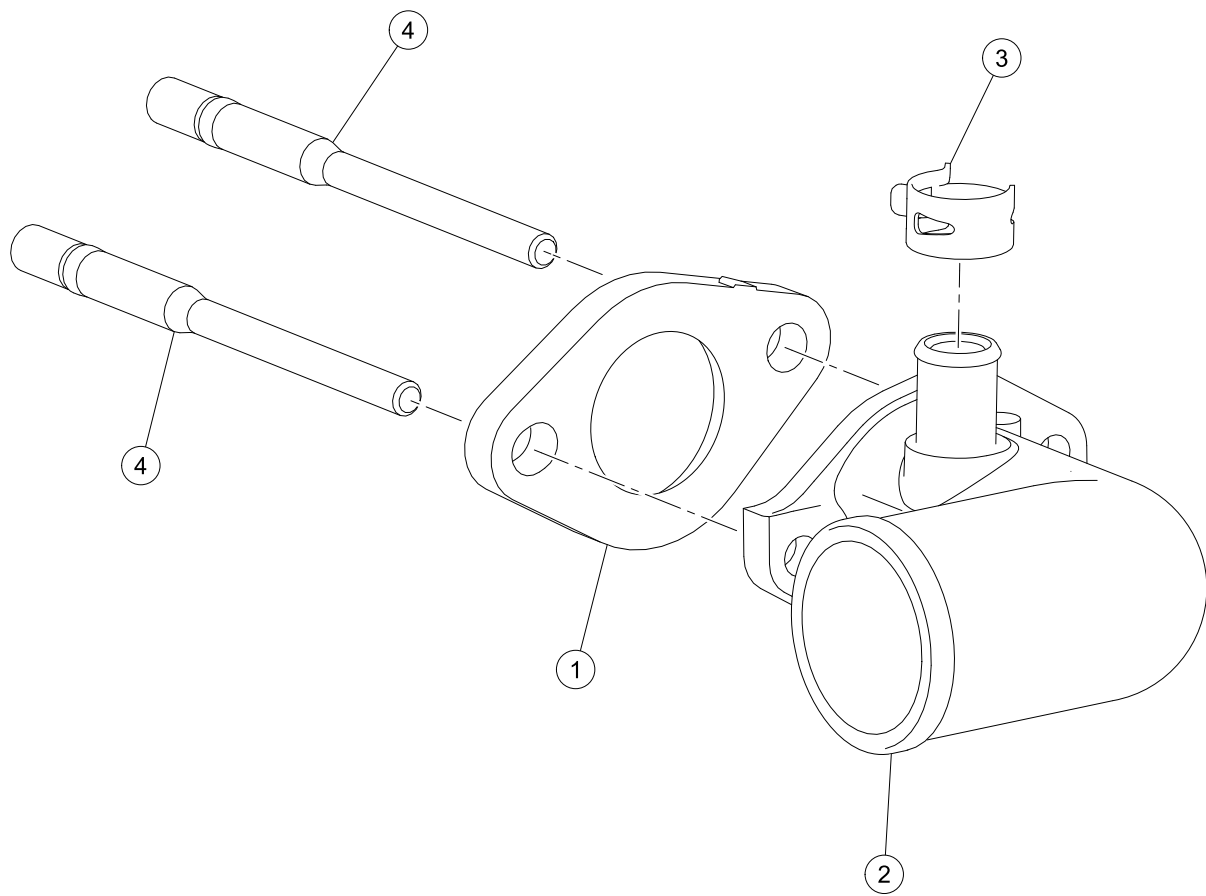
000982-003

## GOVERNOR AND ACCELERATOR CABLES – EFI

ITEM	PART NO.	DESCRIPTION	QTY
		1 2 3 4	
1	<u>1011114</u>	Nut, M6-1.00 Hex .....	2
2	<u>1014007</u>	Washer, 1/4, Flat .....	1
3	<u>101886101</u>	Screw, 1/4-20 X 1.00, Square-Head .....	1
4	<u>101887601</u>	Locknut, M6-1.00 Nylon Insert .....	1
5	<u>102296716</u>	Screw, M6 X 16 Tt Hx Fl Hd .....	1
6	<u>102410604</u>	P-clamp, Insulated, 0.625 Inch .....	3
7	<u>102476401</u>	Bolt, Stop, Pedal .....	1
8	<u>102490301</u>	Bolt, M6 X 1 X 16, Loctite .....	1
9	<u>102498201</u>	Bolt, M10 X 1.25 X 25, Loctite .....	2
10	<u>104023501</u>	Arm, Governor, ED65 .....	1
11	<u>105007402</u>	Cable, Accelerator, Utility, Low-Speed .....	1
12	<u>105007403</u>	Cable, Accelerator, Utility, Std-Speed .....	1
13	<u>105135101</u>	Bracket, Cable, FNR/Accelerator, ED65 .....	1
14	<u>105144401</u>	Weldment, Governor Bracket .....	1
15	<u>47601355001</u>	Cable, Governor, Z Fit 90 Fit .....	1
16	<u>8233</u>	Locknut, 1/4-20, Nylon Insert .....	1

9

G



G-040999-000003

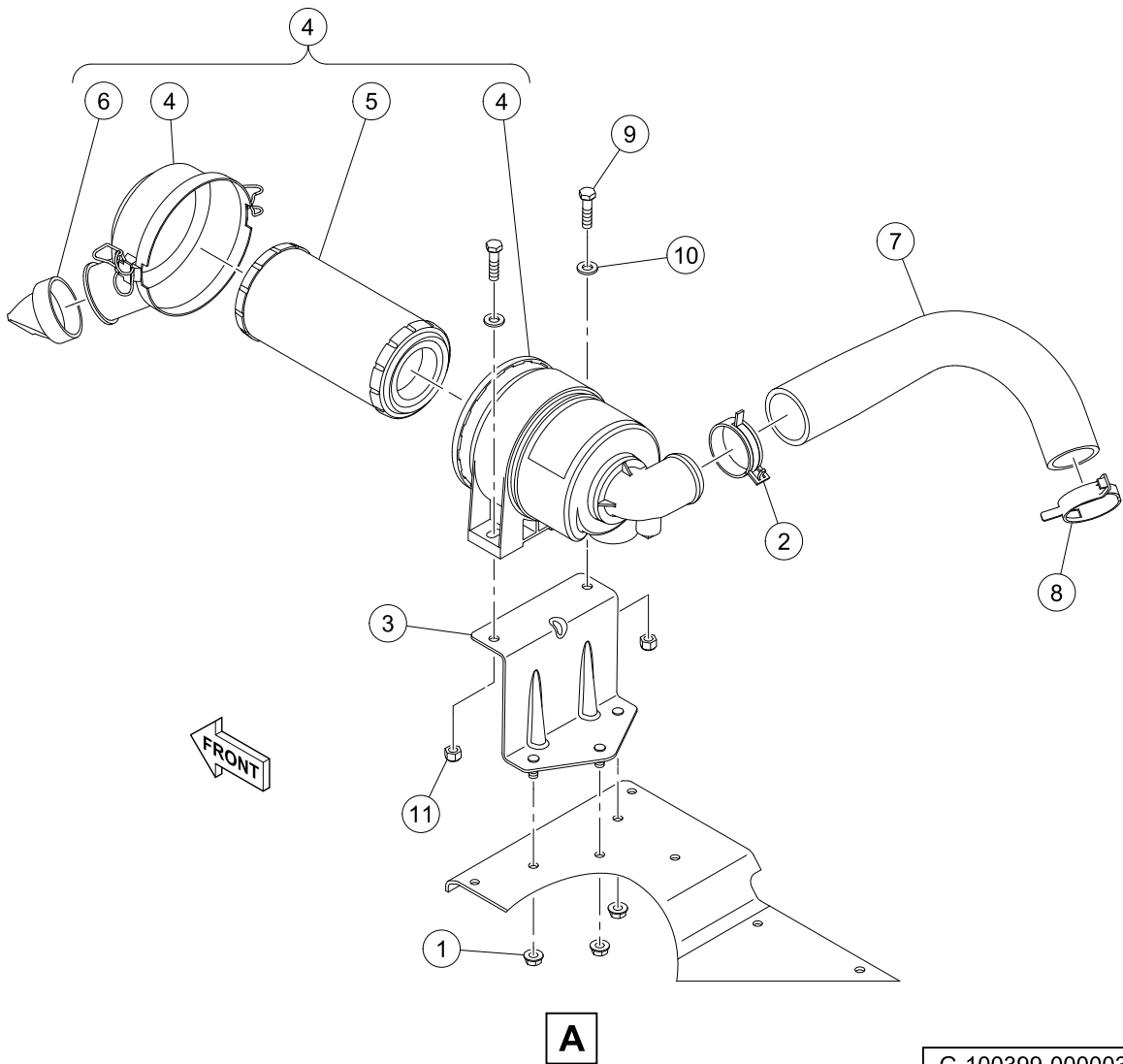
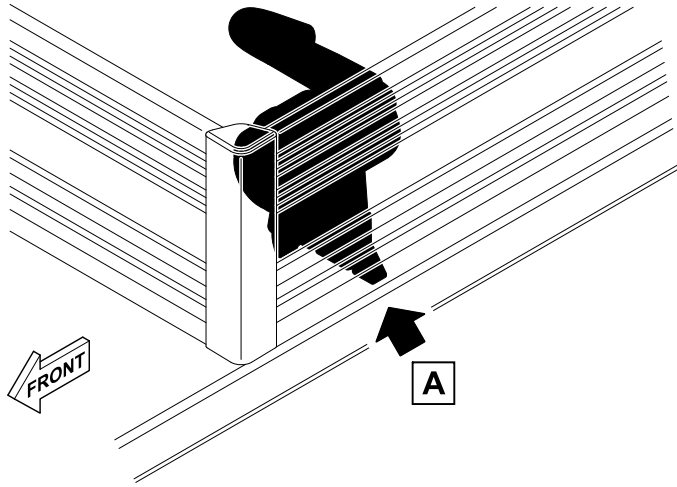
# AIR INTAKE ELBOW – EFI

ITEM	PART NO.	DESCRIPTION	QTY
		1 2 3 4	
1	<u>47629879001</u>	Insulator Throttle Body, Kohler .....	1
2	<u>47629880001</u>	Elbow, Air Inlet, Kohler .....	1
3	<u>47629881001</u>	Clamp, Breather Hose, Kohler .....	1
4	<u>47629882001</u>	Stud, Intake, Kohler .....	2

9

G

9  
G



G-100399-000003



# AIR FILTER SYSTEM AND INTAKE HOSE – EFI, LWB UTILITY/ TRANS

ITEM	PART NO.	DESCRIPTION	QTY
		1 2 3 4	
1	<u>101963401</u>	Locknut, 5/16-18 Hex Flange .....	3
2	<u>102411209</u>	Clamp, Hose, Ctb 55mm Dia. ....	1
3	105003401	Asm, Bracket, Mtg, Air Cleaner .....	1
4	<u>105009101</u>	Air Cleaner, Utility with EFI (includes items 5 and 6) .....	1
5	<u>102558201</u>	Air Filter, 4 Inch .....	1
6	<u>102725501</u>	Valve, Evacuator, Filter Air .....	1
7	<u>105009401</u>	Hose, Air Intake, LWB Utility with EFI .....	1
8	<u>105088501</u>	Clamp, Ctb, 49mm Dia, W/clip .....	1
9	1218	Screw, 5/16-18 X 1.25 Hex-Head Cap .....	2
10	<u>1241</u>	Washer, 5/16 Type A Flat .....	2
11	<u>7473</u>	Locknut, 5/16-18 Nylon Insert .....	2

**9**  
**G**

9

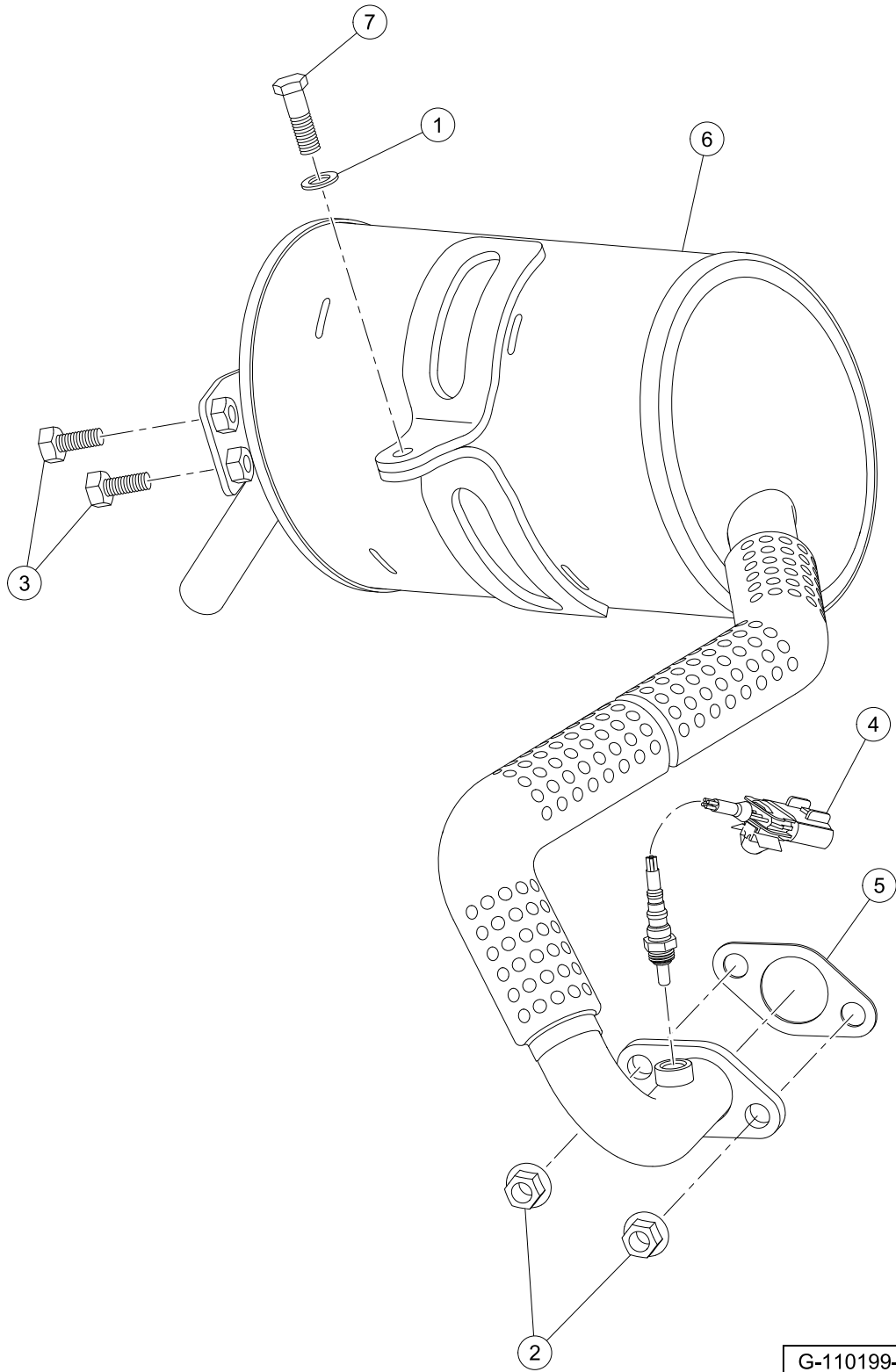
G

# EXHAUST SYSTEM – ECH440

---

10

G



G-110199-000001

# EXHAUST SYSTEM

ITEM	PART NO.	DESCRIPTION	QTY
		1 2 3 4	
1	<u>1011697</u>	Washer, 5/16 Flat .....	1
2	<u>102298401</u>	Nut, M8, All Metal Lock .....	2
3	<u>102922701</u>	Bolt, Flanged Head, M8x1.25x20 Lock Patch .....	2
4	<u>47611209001</u>	Asm, Sensor, Oxygen, Heated .....	1
5	<u>47611210001</u>	Gasket, Exhaust, Grpht, Ech440 .....	1
6	<u>47613047002</u>	Exhaust, Ech440, Utility .....	1
7	<u>96705587</u>	Bolt, M8 X 1.25 X 30 .....	1

10

G

**10**

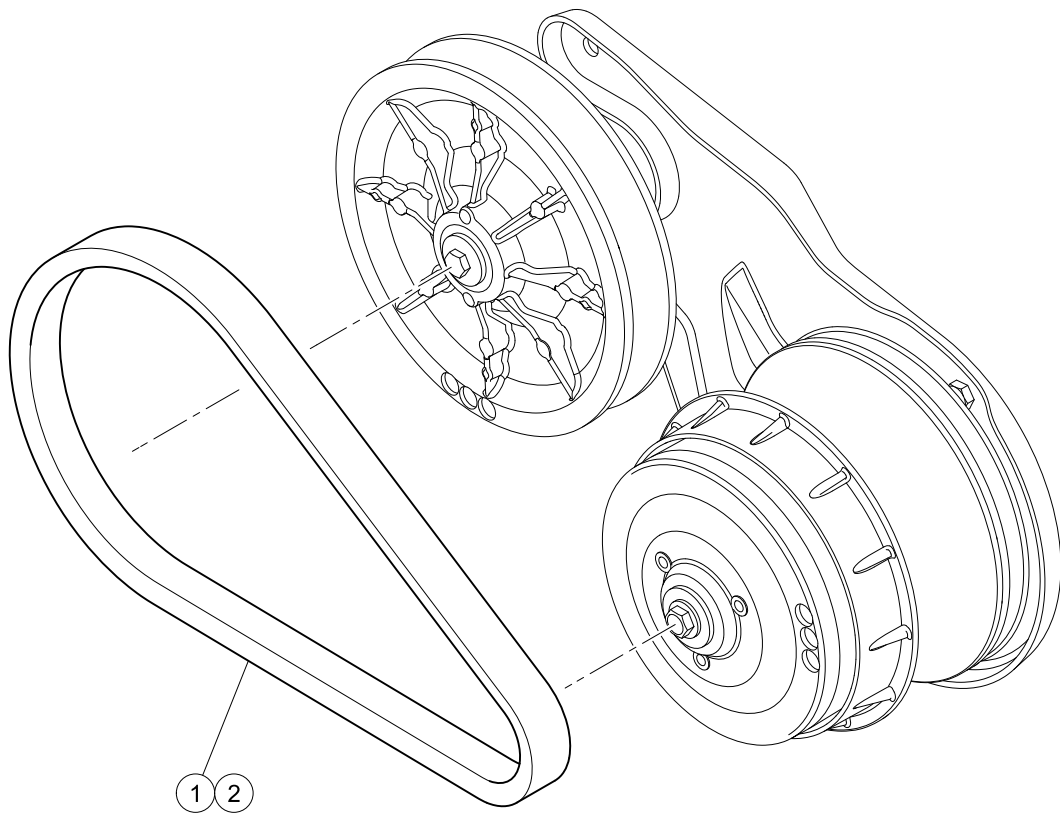
**G**

# DRIVE BELT AND CLUTCHES – EFI GASOLINE VEHICLES

---

11

G



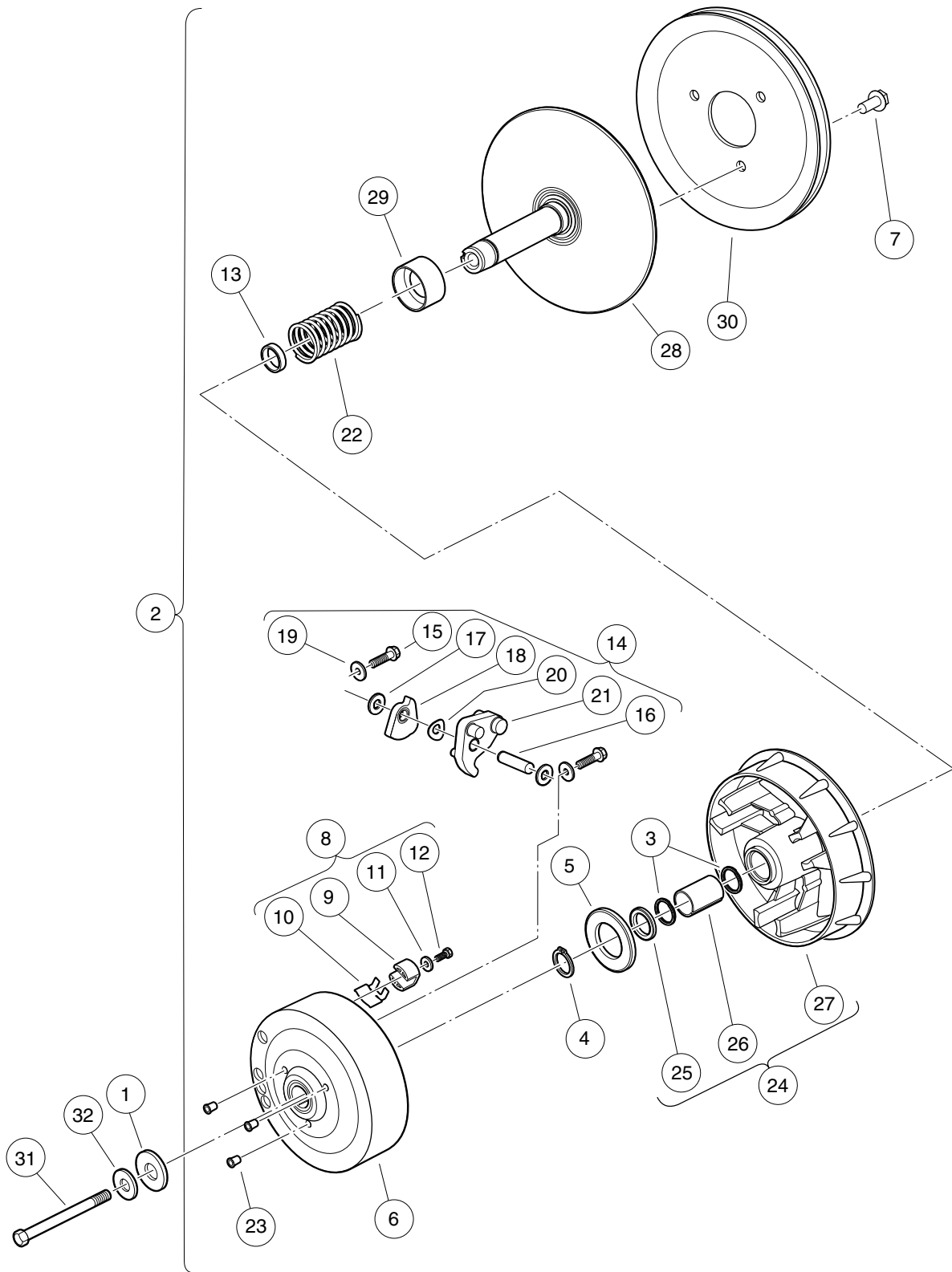
G-060099-000001



# DRIVE BELTS – EFI

ITEM	PART NO.	DESCRIPTION	QTY
1	<u>103974102</u>	1 2 3 4 Belt, Drive, Key-Start .....	1
2	<u>105245801</u>	Belt, Drive, Pedal-Start .....	1

**11**  
**G**



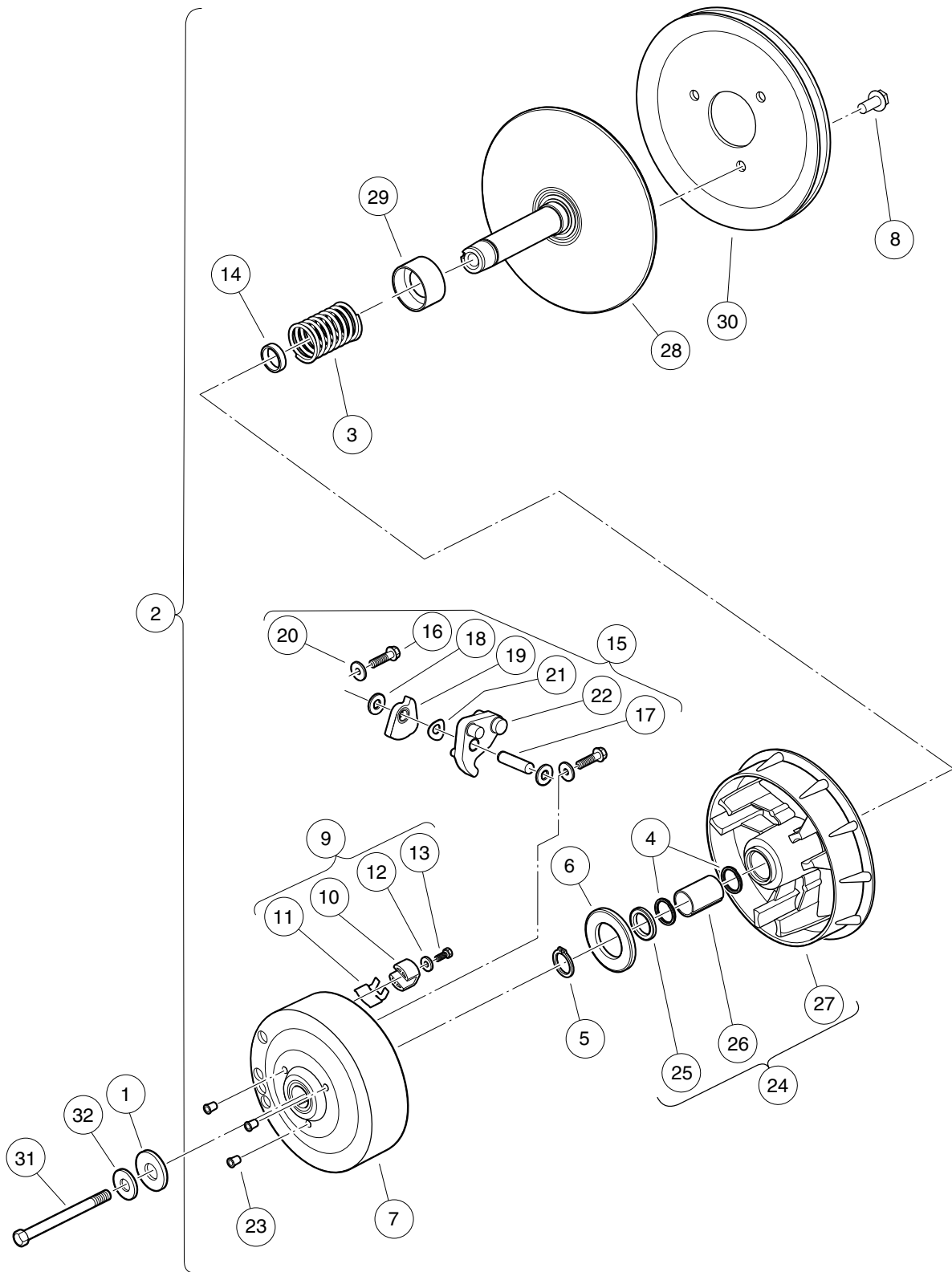
000958-002

# DRIVE CLUTCH – KEY-START VEHICLES

ITEM	PART NO.	DESCRIPTION	QTY
		1 2 3 4	
1	<u>102491501</u>	Washer, Hard, M10 .....	1
2	<u>103973902</u>	Clutch, Drive, Key-Start (includes items 3 through 30) .....	1
3	<u>1014056</u>	Ring, Spiral Backup .....	2
4	<u>1014057</u>	Ring, 0.810" Internal Retaining .....	1
5	<u>1014058</u>	Thrust Washer .....	1
6	<u>1014059</u>	Drive Hub Assy, Drive Clutch .....	1
7	<u>1014288</u>	Screw, 5/16-18 X 0.75, Thread-Forming .....	3
8	<u>1014453</u>	Kit, Drive Clutch Button (includes items 9 through 12) .....	1
9	<u>1014062</u>	Driver, Drive Clutch .....	3
10	<u>1014287</u>	Spring, Drive Button .....	3
11	<u>183</u>	Washer, #10, Type A, Flat .....	3
12	<u>8450</u>	Screw, #10-24 X 0.50, Hex-Head .....	3
13	<u>1016289</u>	Spacer, Fixed Face Shaft .....	1
14	<u>1016801</u>	Kit, Drive Clutch Weight (includes items 15 through 21) .....	1
15	<u>1014063</u>	Screw, 1/4-20 X 1.00, Hex Head .....	6
16	N/A	Pin, Dowel, 0.3752 x 1.50 .....	3
17	<u>1014065</u>	Washer, Flat, 0.38" ID, Delrin .....	6
18	N/A	Clutch Weight, Secondary .....	3
19	N/A	Washer .....	6
20	<u>1016201</u>	Washer, Wave .....	3
21	N/A	Weight, Primary .....	3
22	<u>1016901</u>	Spring, Drive Clutch .....	1
23	N/A	Cap Plug .....	3
24	<u>103974201</u>	Asm, Sheave, Moveable, Drive, Wr (includes items 25 through 27) .....	1
25	<u>1014055</u>	Retainer .....	1
26	N/A	Bushing, Split, Drive Clutch .....	1
27	N/A	Sheave, Moveable, Drive, Wr .....	1
28	<u>103974401</u>	Sheave, Fixed, Drive, Wr .....	1
29	<u>103984601</u>	Spacer, Idler, Drive .....	1
30	<u>105096101</u>	Pulley, 7.3 Inch Effective Dia .....	1
31	<u>103976101</u>	Screw, 3/8-24x5.75, Patch .....	1
32	<u>334</u>	Washer, 3/8, Type A, Flat .....	1

**11**

**G**

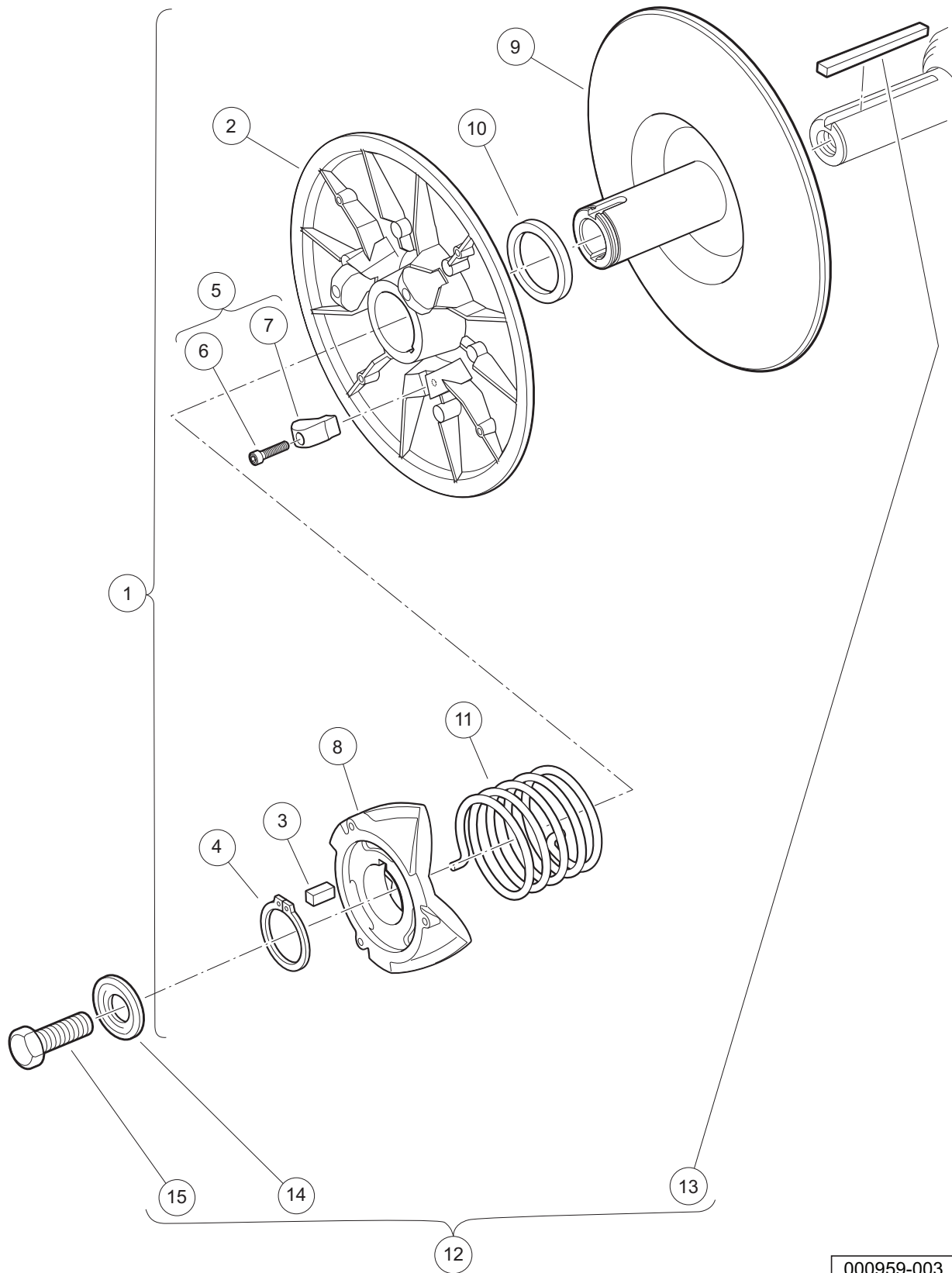


000958-001

# DRIVE CLUTCH – PEDAL-START VEHICLES

ITEM	PART NO.	DESCRIPTION	QTY
		1 2 3 4	
1	<u>102491501</u>	Washer, Hard, M10 .....	1
2	<u>103973901</u>	Clutch, Drive, Pedal-Start (includes items 3 through 30) .....	1
3	<u>1014051</u>	Spring, Drive Clutch .....	1
4	<u>1014056</u>	Ring, Spiral Backup .....	2
5	<u>1014057</u>	Ring, 0.810" Internal Retaining .....	1
6	<u>1014058</u>	Thrust Washer .....	1
7	<u>1014059</u>	Drive Hub Assy, Drive Clutch .....	1
8	<u>1014288</u>	Screw, 5/16-18 X 0.75, Thread-Forming .....	3
9	<u>1014453</u>	Kit, Drive Clutch Button (includes items 10 through 13) .....	1
10	<u>1014062</u>	Driver, Drive Clutch .....	3
11	<u>1014287</u>	Spring, Drive Button .....	3
12	<u>183</u>	Washer, #10, Type A, Flat .....	3
13	<u>8450</u>	Screw, #10-24 X 0.50, Hex-Head .....	3
14	<u>1016289</u>	Spacer, Fixed Face Shaft .....	1
15	<u>1016801</u>	Kit, Drive Clutch Weight (includes items 16 through 22) .....	1
16	<u>1014063</u>	Screw, 1/4-20 X 1.00, Hex Head .....	6
17	N/A	Pin, Dowel, 0.3752 x 1.50 .....	3
18	<u>1014065</u>	Washer, Flat, 0.38" ID, Delrin .....	6
19	N/A	Clutch Weight, Secondary .....	3
20	N/A	Washer .....	6
21	<u>1016201</u>	Washer, Wave .....	3
22	N/A	Weight, Primary .....	3
23	N/A	Cap Plug .....	3
24	<u>103974201</u>	Asm, Sheave, Moveable, Drive, Wr (includes items 25 through 27) .....	1
25	<u>1014055</u>	Retainer .....	1
26	N/A	Bushing, Split, Drive Clutch .....	1
27	N/A	Sheave, Moveable, Drive, Wr .....	1
28	<u>103974401</u>	Sheave, Fixed, Drive, Wr .....	1
29	<u>103984601</u>	Spacer, Idler, Drive .....	1
30	<u>105096101</u>	Pulley, 7.3 Inch Effective Dia .....	1
31	<u>103976101</u>	Screw, 3/8-24x5.75, Patch .....	1
32	<u>334</u>	Washer, 3/8, Type A, Flat .....	1

**11**  
**G**



000959-003

## DRIVEN CLUTCH – KEY START AND PEDAL START

ITEM	PART NO.	DESCRIPTION	QTY
		1 2 3 4	
1	47601767002	Asm, Clutch, Driven, Ccw, Red (includes items 2 through 11) .....	1
2	<u>1014072</u>	Movable-Face Assembly with Bushing .....	1
3	<u>1014078</u>	Key, Driven Clutch .....	1
4	<u>1014080</u>	Ring, Retaining .....	1
5	<u>1014454</u>	Kit, Driven Clutch Button (includes items 6 and 7) .....	1
6	<u>1012836</u>	Screw, #8-32 X 3/4, Socket-Head Cap .....	3
7	N/A	Button, Drive .....	3
8	<u>1017686</u>	Cam, Driven Clutch .....	1
9	<u>103975301</u>	Sheave, Fixed, Driven, Wr .....	1
10	<u>104025101</u>	Washer, Acetal, Driven Clutch .....	1
11	47601832001	Spring, Drvn Clutch, Ccw, Red .....	1
12	<u>AM10419</u>	Kit, Clutch Repair (includes items 13 through 15) .....	1
13	<u>101833401</u>	Key, 3/16 Sq X 1.50" .....	1
14	<u>102155801</u>	Washer, Driven Clutch .....	1
15	<u>102242101</u>	Screw, 5/16-18 X 3/4 Hex-Head with Patch .....	1

**11**

**G**

11

G

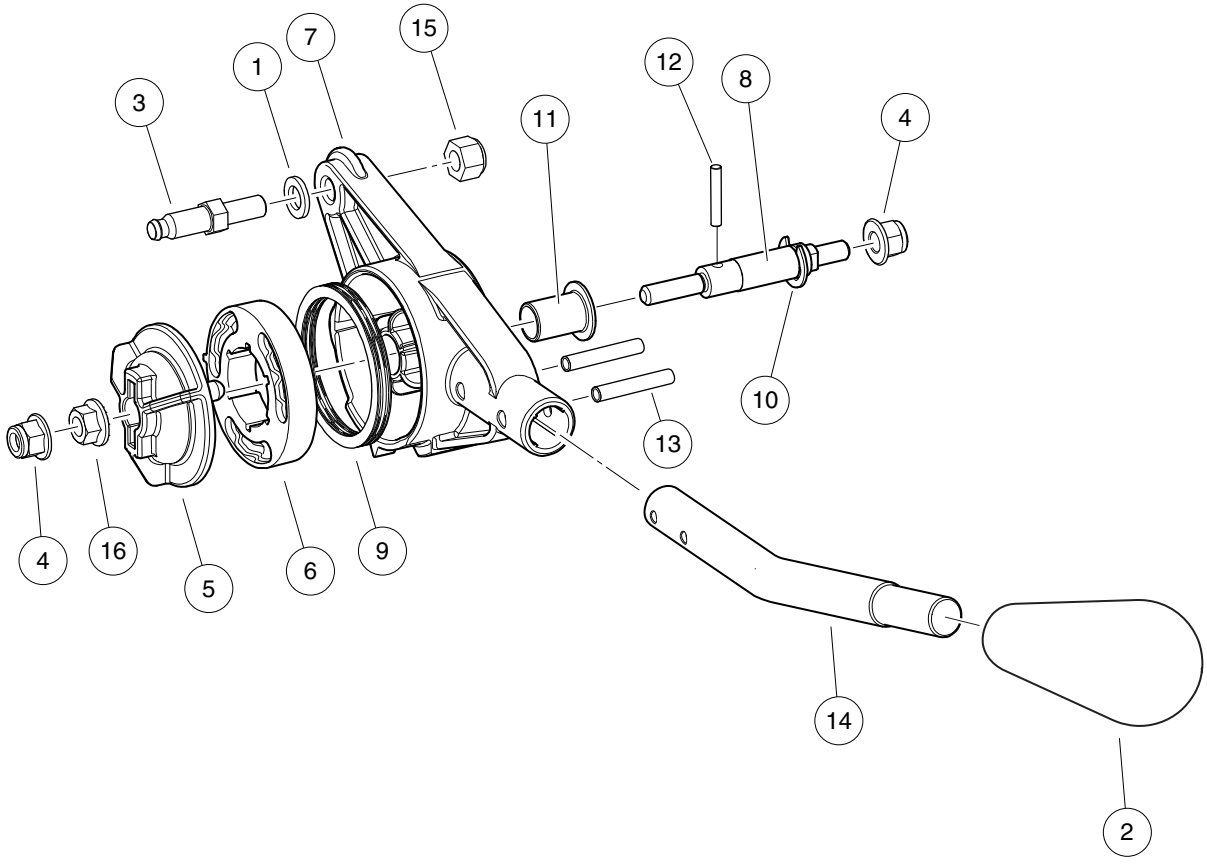


# TRANSAXLE (FUJI ED65) – EFI GASOLINE VEHICLES

---

12

G



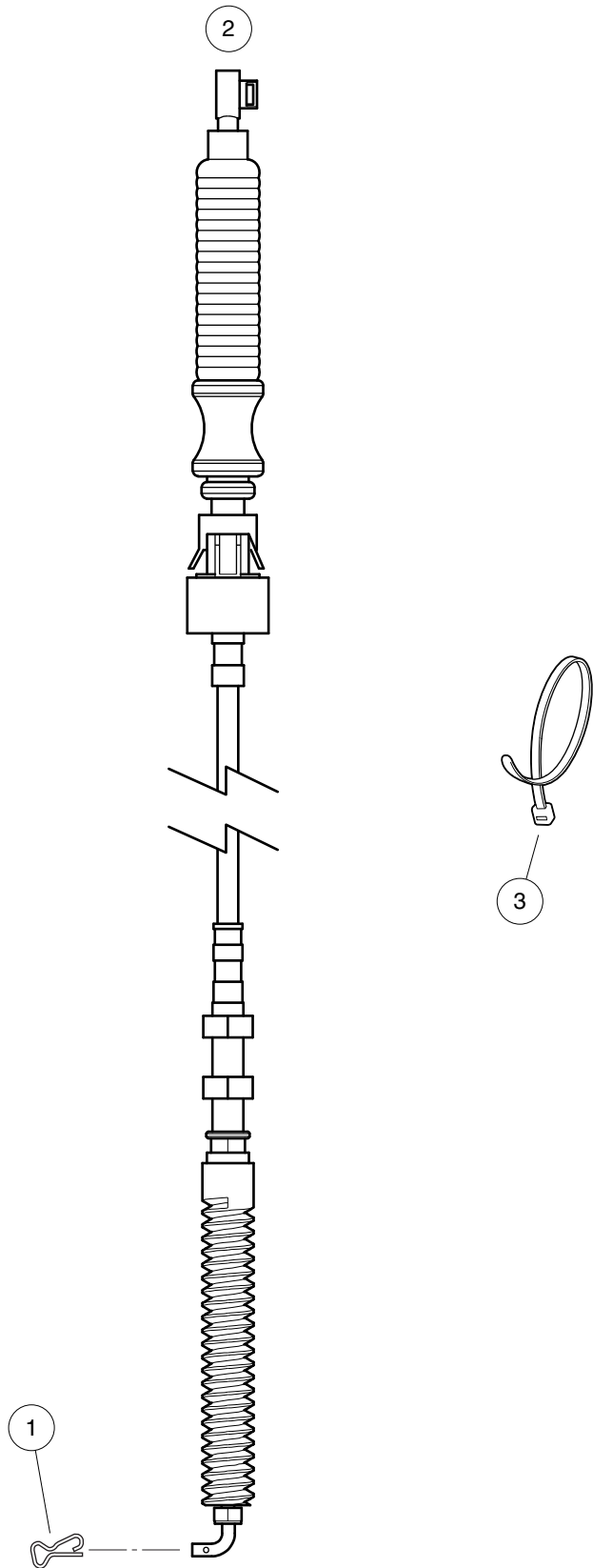
001011-001

# FORWARD/REVERSE SHIFTER – EFI VILLAGER 6, 8, 850, 850SE

ITEM	PART NO.	DESCRIPTION	QTY
		1 2 3 4	
1	<u>1014007</u>	Washer, 1/4, Flat .....	1
2	<u>102376001</u>	Knob, FNR, Shifter .....	1
3	<u>102526201</u>	Stud, Thread, 1/4-28 .....	1
4	<u>102621501</u>	Nut, Flange, M6 X 1.0, Nylon .....	2
5	<u>105037701</u>	Follower, FNR Detent .....	1
6	<u>105038001</u>	Cam, FNR Detent, Alternate .....	1
7	<u>105038101</u>	Housing, FNR, Gas, CA300-700 .....	1
8	<u>105038201</u>	Shaft, FNR, Dash .....	1
9	<u>105038501</u>	Spring, Wave, Gas FNR Shifter .....	1
10	<u>105039801</u>	E-Clip, External, 8mm Groove .....	1
11	<u>105039901</u>	Bushing, Dash Shifter, Gas .....	1
12	<u>105040401</u>	Pin, Round, 0.125 Dia x 0.625 .....	1
13	<u>105040402</u>	Pin, Grooved, 0.187 x 0.75 .....	2
14	<u>105060601</u>	Handle, Shift, EX40, Villager .....	1
15	<u>8717</u>	Locknut, Nylon Insert, 1/4-28 .....	1
16	<u>96704176</u>	Nut, Flanged, M6 X 1, Serrated .....	1

**12**  
**G**

**12**  
**G**



000988-001

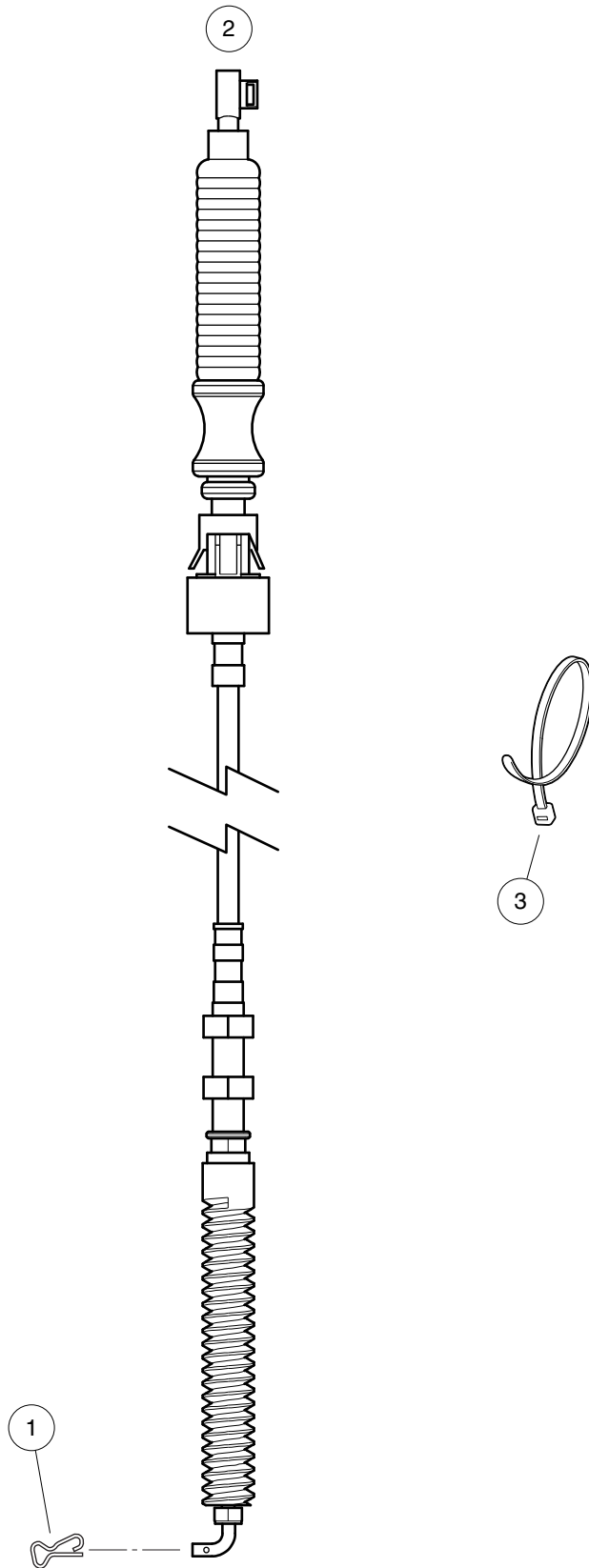
# SHIFTER CABLE – VILLAGER 6, XRT850SE

ITEM	PART NO.	DESCRIPTION	QTY
		1 2 3 4	
1	<u>103886601</u>	Clip, Bowtie .....	1
2	<u>105038805</u>	Cable, Shifter, Villager 6/850 SE .....	1
3	<u>8990</u>	Tie Wrap, 8" Nylon .....	A/R

12

G

**12**  
**G**



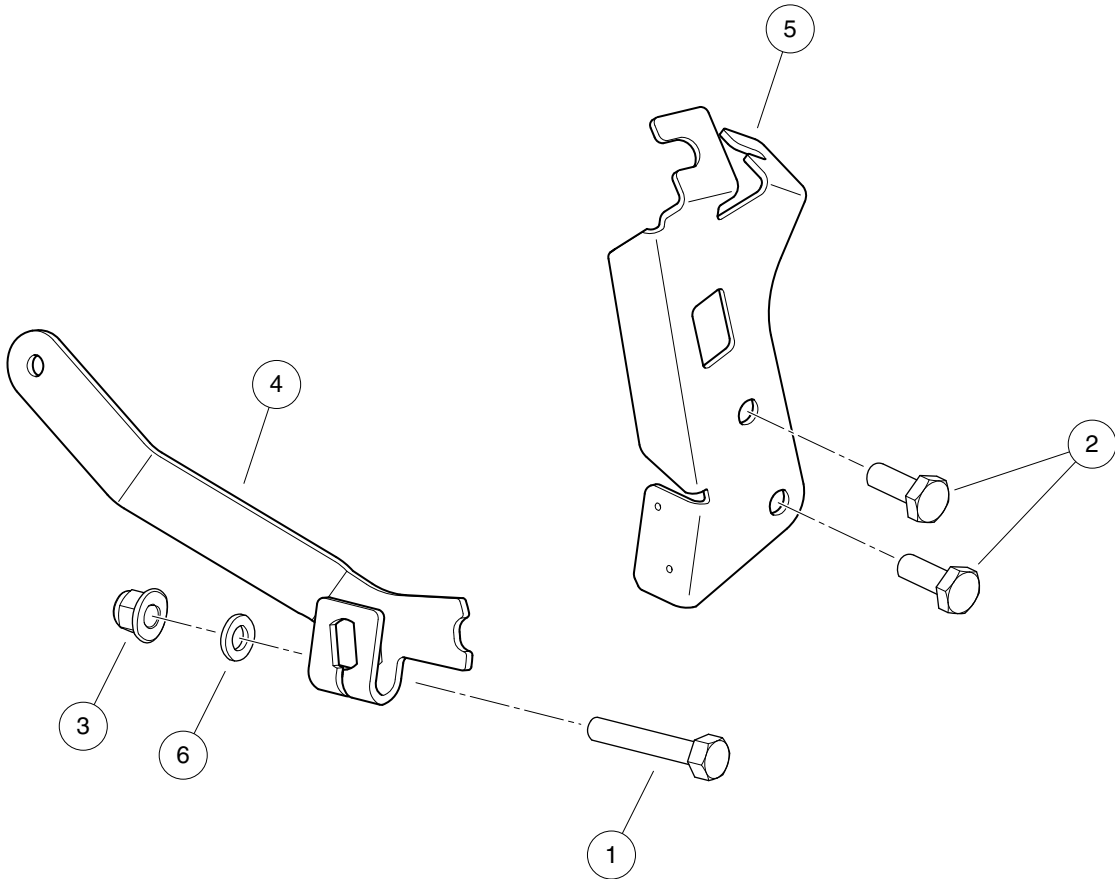
000988-001

# SHIFTER CABLE – VILLAGER 8

ITEM	PART NO.	DESCRIPTION	QTY
		1 2 3 4	
1	<u>103886601</u>	Clip, Bowtie .....	1
2	<u>105038806</u>	Cable, Shifter, Villager 8 .....	1
3	<u>8990</u>	Tie Wrap, 8" Nylon .....	A/R

12

G



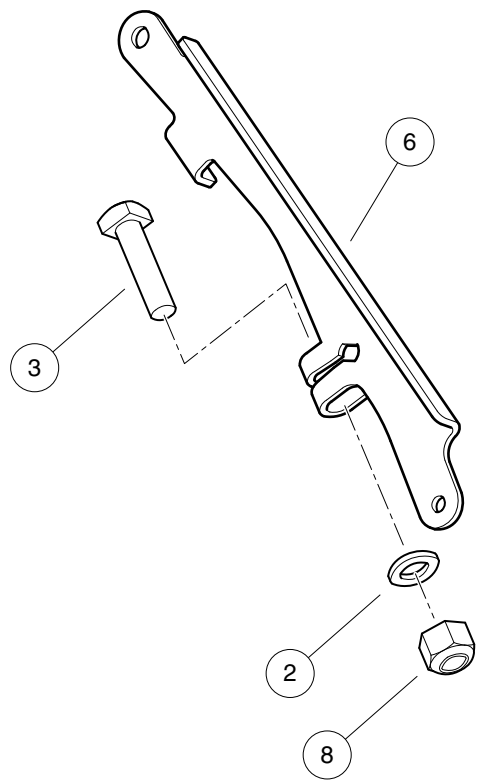
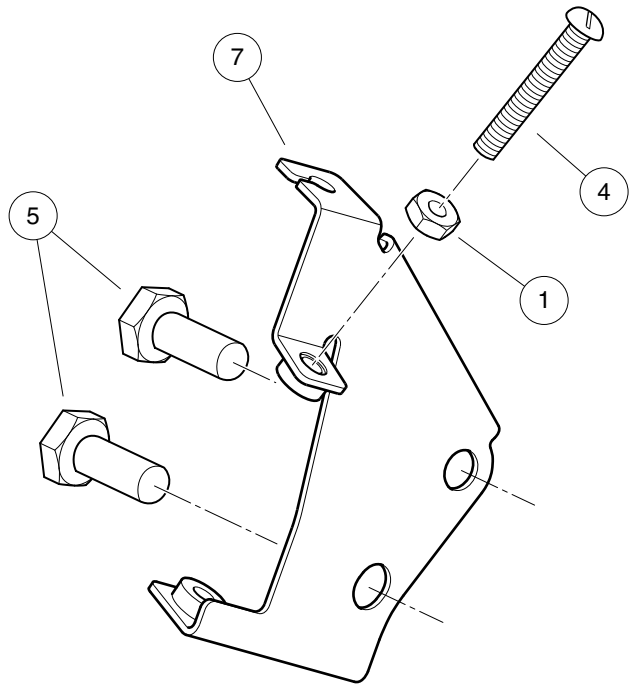
000965-002



## SHIFT LEVER AND BRACKET – KEY-START ENGINES

ITEM	PART NO.	DESCRIPTION	QTY
		1 2 3 4	
1	<u>102059501</u>	Screw, 6M-1.00 X 35mm, Hex Head .....	1
2	<u>102498201</u>	Bolt, M10 X 1.25 X 25, Loctite .....	2
3	<u>102621501</u>	Nut, Flange, M6 X 1.0, Nylon .....	1
4	<u>105134901</u>	Lever, Shift, Transaxle, Key-Start .....	1
5	<u>105135101</u>	Bracket, Cable, FNR/Accelerator, ED65 .....	1
6	<u>96705199</u>	Washer, M6 .....	1

**12**  
**G**

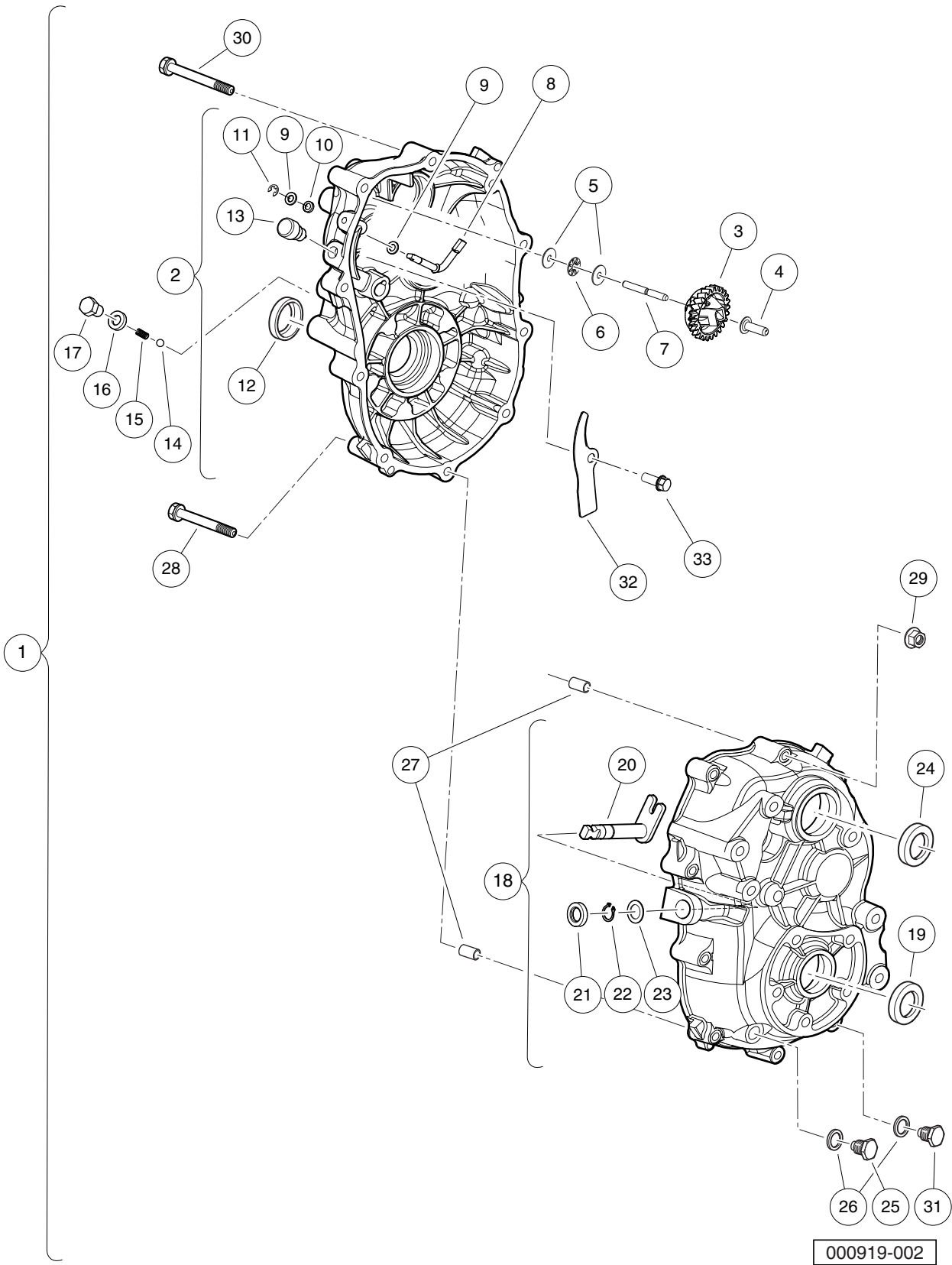


000966-002

## GOVERNOR ARM AND BRACKETS – UTILITY VEHICLES

ITEM	PART NO.	DESCRIPTION	QTY
		1 2 3 4	
1	<u>1011114</u>	Nut, M6-1.00 Hex .....	1
2	<u>1014007</u>	Washer, 1/4, Flat .....	1
3	<u>101886101</u>	Screw, 1/4-20 X 1.00, Square-Head .....	1
4	<u>102476401</u>	Bolt, Stop, Pedal .....	1
5	<u>102498201</u>	Bolt, M10 X 1.25 X 25, Loctite .....	2
6	<u>104023501</u>	Arm, Governor, ED65 .....	1
7	<u>105144401</u>	Weldment, Governor Bracket .....	1
8	<u>8233</u>	Locknut, 1/4-20, Nylon Insert .....	1

**12**  
**G**

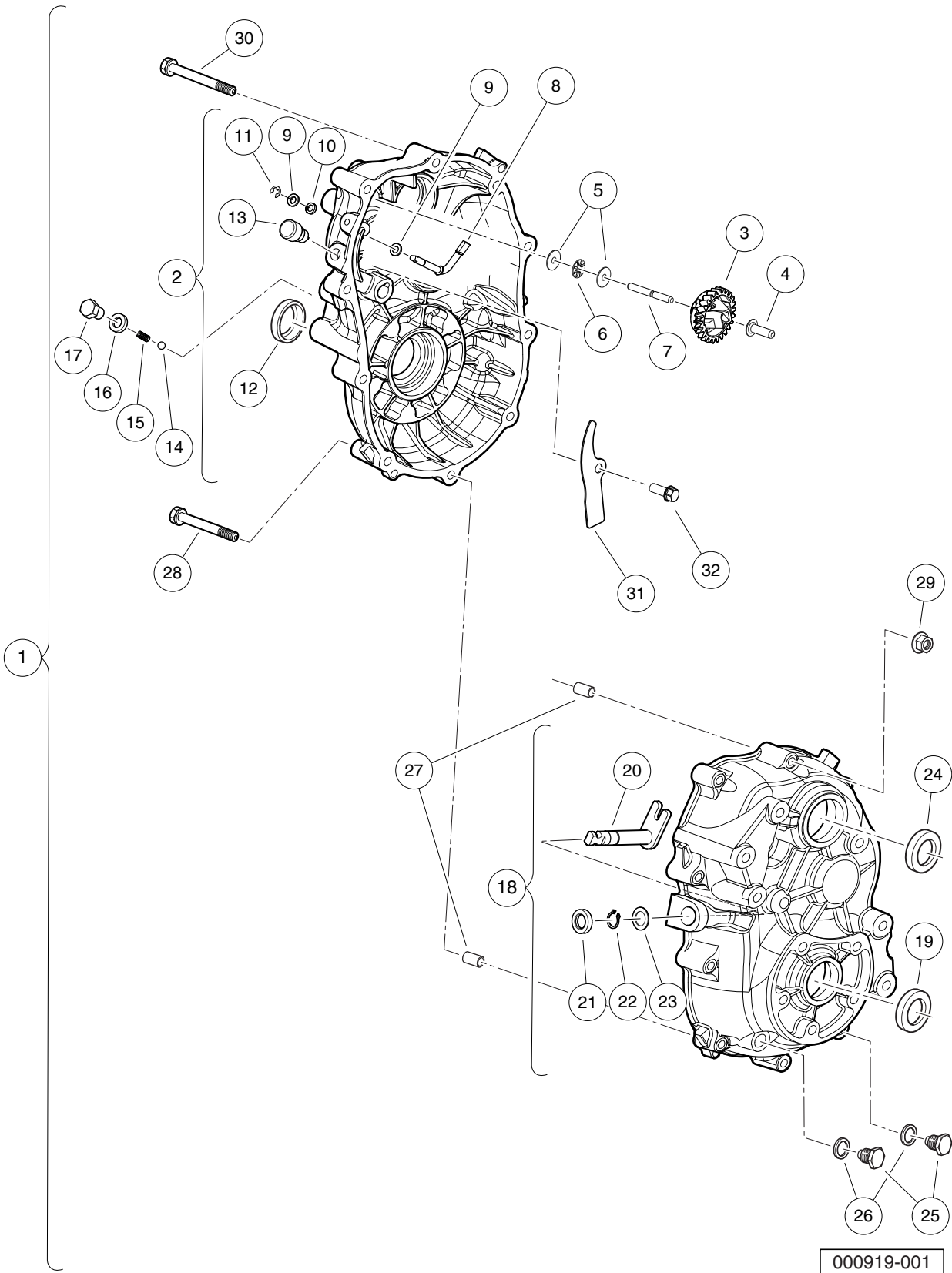


## TRANSAXLE (ED65), LIMITED SLIP – PAGE 1 OF 3

ITEM	PART NO.	DESCRIPTION	QTY
		1 2 3 4	
1	<u>103879702</u>	Transaxle, ED65, Limited-Slip Differential (includes items 2 through 33) .....	1
2	<u>105025001</u>	Case, Transaxle, Left, Complete, ED65 (includes items 3 through 13) .....	1
3	<u>105025101</u>	Gear, Governor, Complete, ED65 .....	1
4	<u>105025201</u>	Sleeve, Governor, ED65 .....	1
5	<u>105025301</u>	Washer, ED65 .....	2
6	<u>105025401</u>	Bearing, Thrust, ED65 .....	1
7	<u>105025501</u>	Shaft, Governor Gear, ED65 .....	1
8	<u>105025601</u>	Shaft, Governor, ED65 .....	1
9	<u>105025701</u>	Washer, 6mm, ED65 .....	2
10	<u>105025801</u>	Seal, Oil, 6x10x2.5, ED65 .....	1
11	<u>105025901</u>	Retaining Ring, E5, ED65 .....	1
12	<u>105026001</u>	Seal, Oil, 24x40x9, ED65 .....	1
13	<u>105027101</u>	Vent, Breather, ED65 .....	1
14	<u>105026101</u>	Ball, Steel, ED65 .....	1
15	<u>105026201</u>	Spring, ED65 .....	1
16	<u>105026301</u>	Gasket, 10, ED65 .....	1
17	<u>105026401</u>	Bolt, M10-1.25x12mm Lg, ED65 .....	1
18	<u>105026501</u>	Case, Transaxle, Right, Complete, ED65 (includes items 19 through 24) .....	1
19	<u>105026001</u>	Seal, Oil, 24x40x9, ED65 .....	1
20	<u>105026601</u>	Shaft, Select, ED65 .....	1
21	<u>105026701</u>	Seal, Oil, 13x22x5, ED65 .....	1
22	<u>105026801</u>	Snap Ring, 13mm, ED65 .....	1
23	<u>105026901</u>	Spacer, 13x1, ED65 .....	1
24	<u>105027001</u>	Seal, Oil, 25x45x7, ED65 .....	1
25	<u>105027201</u>	Plug, Oil Drain, ED65 .....	1
26	<u>105027301</u>	Gasket, 14, ED65 .....	2
27	<u>105028301</u>	Pin, Guide, ED65 .....	2
28	<u>105028501</u>	Bolt, Flange, M8-1.25x65mm, ED65 .....	1
29	<u>105030001</u>	Nut, Flange, M8-1.25, ED65 .....	10
30	<u>105030701</u>	Bolt, Flanged, M8-1.25x80mm, ED65 .....	9
31	<u>105063501</u>	Plug, Oil Drain, Magnetic, ED65 .....	1
32	<u>105234801</u>	Plate, Ed65 Splash .....	1
33	<u>105234901</u>	Bolt, M6-1 X 12mm Lg, Ed65 .....	1
		Note: Fuji transaxle component listings span three pages. To identify your transaxle, locate the serial number decal on the axle tube.	

12

G

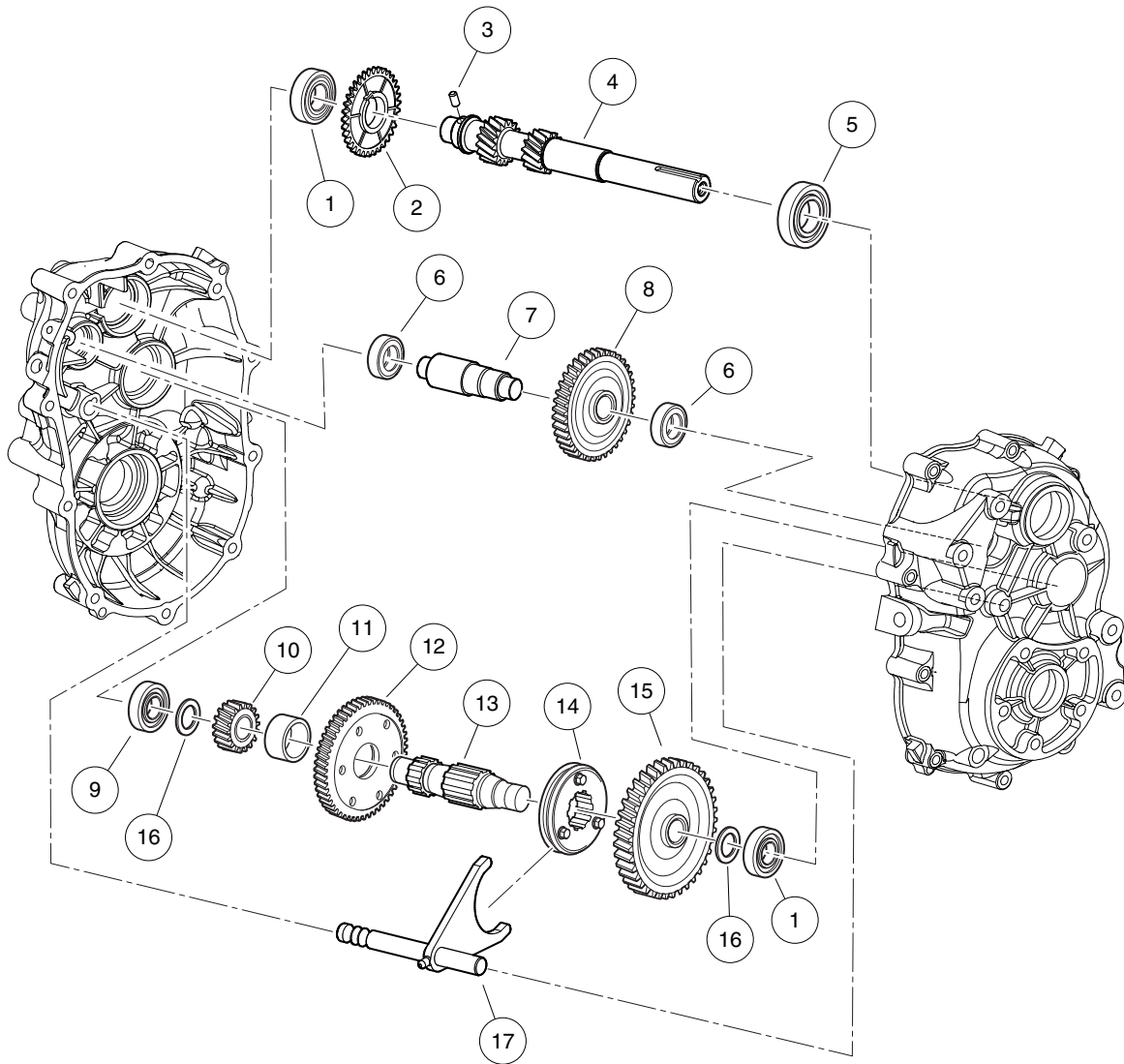


# TRANSAXLE (ED65), OPEN – PAGE 1 OF 3

ITEM	PART NO.	DESCRIPTION	QTY
		1 2 3 4	
1	<u>103879701</u>	Transaxle, ED65, Open Differential (includes items 2 through 32) .....	1
2	<u>105025001</u>	Case, Transaxle, Left, Complete, ED65 (includes items 3 through 13) .....	1
3	<u>105025101</u>	Gear, Governor, Complete, ED65 .....	1
4	<u>105025201</u>	Sleeve, Governor, ED65 .....	1
5	<u>105025301</u>	Washer, ED65 .....	2
6	<u>105025401</u>	Bearing, Thrust, ED65 .....	1
7	<u>105025501</u>	Shaft, Governor Gear, ED65 .....	1
8	<u>105025601</u>	Shaft, Governor, ED65 .....	1
9	<u>105025701</u>	Washer, 6mm, ED65 .....	2
10	<u>105025801</u>	Seal, Oil, 6x10x2.5, ED65 .....	1
11	<u>105025901</u>	Retaining Ring, E5, ED65 .....	1
12	<u>105026001</u>	Seal, Oil, 24x40x9, ED65 .....	1
13	<u>105027101</u>	Vent, Breather, ED65 .....	1
14	<u>105026101</u>	Ball, Steel, ED65 .....	1
15	<u>105026201</u>	Spring, ED65 .....	1
16	<u>105026301</u>	Gasket, 10, ED65 .....	1
17	<u>105026401</u>	Bolt, M10-1.25x12mm Lg, ED65 .....	1
18	<u>105026501</u>	Case, Transaxle, Right, Complete, ED65 (includes items 19 through 24) .....	1
19	<u>105026001</u>	Seal, Oil, 24x40x9, ED65 .....	1
20	<u>105026601</u>	Shaft, Select, ED65 .....	1
21	<u>105026701</u>	Seal, Oil, 13x22x5, ED65 .....	1
22	<u>105026801</u>	Snap Ring, 13mm, ED65 .....	1
23	<u>105026901</u>	Spacer, 13x1, ED65 .....	1
24	<u>105027001</u>	Seal, Oil, 25x45x7, ED65 .....	1
25	<u>105027201</u>	Plug, Oil Drain, ED65 .....	2
26	<u>105027301</u>	Gasket, 14, ED65 .....	2
27	<u>105028301</u>	Pin, Guide, ED65 .....	2
28	<u>105028501</u>	Bolt, Flange, M8-1.25x65mm, ED65 .....	1
29	<u>105030001</u>	Nut, Flange, M8-1.25, ED65 .....	10
30	<u>105030701</u>	Bolt, Flanged, M8-1.25x80mm, ED65 .....	9
31	<u>105234801</u>	Plate, Ed65 Splash .....	1
32	<u>105234901</u>	Bolt, M6-1 X 12mm Lg, Ed65 .....	1
Note: Fuji transaxle component listings span three pages. To identify your transaxle, locate the serial number decal on the axle tube.			

12

G



000919-003



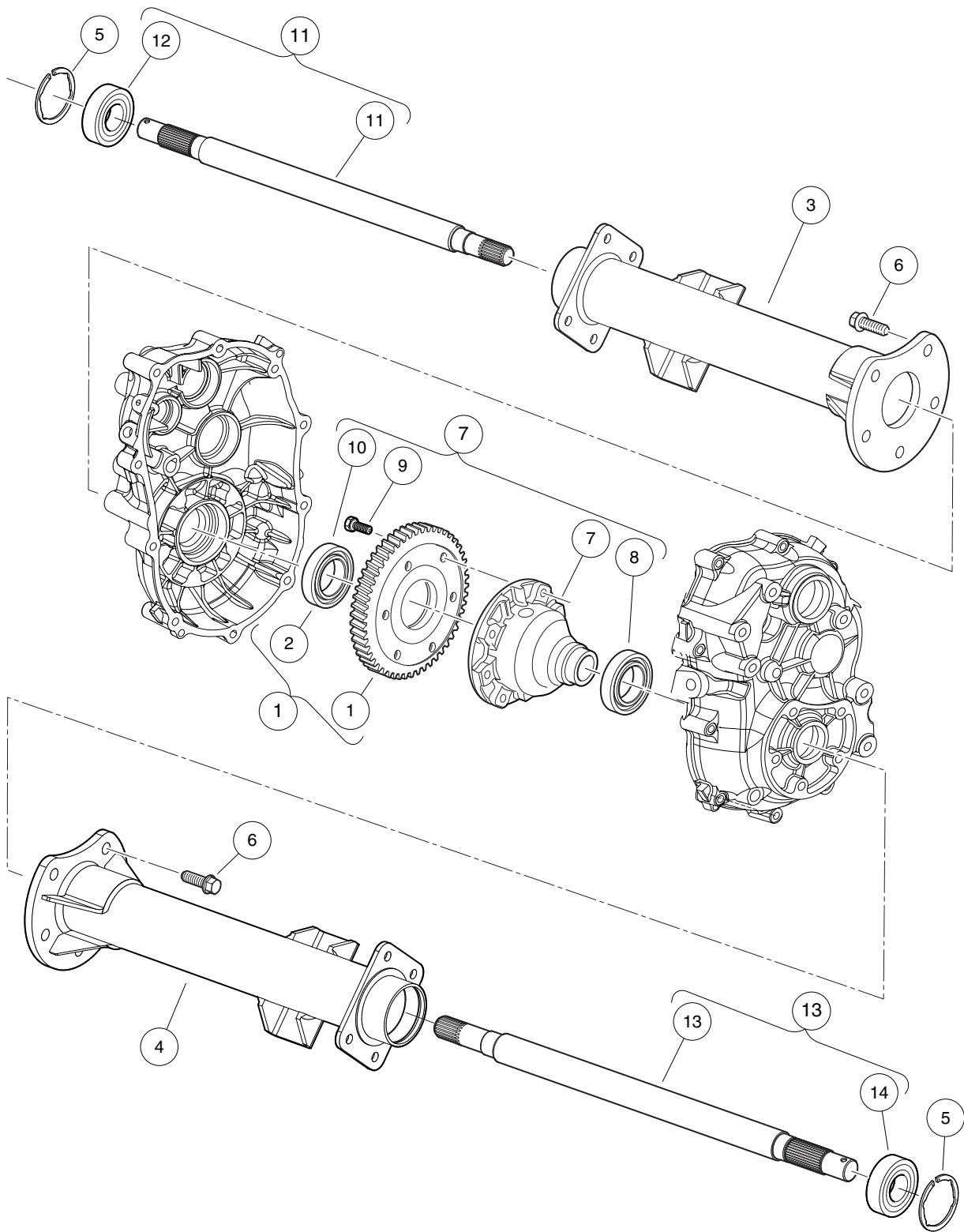
# TRANSAXLE (ED65), LIMITED SLIP AND OPEN – PAGE 2 OF 3

ITEM	PART NO.	DESCRIPTION	QTY
		1 2 3 4	
1	<u>105027401</u>	Bearing, Ball (6204) .....	2
2	<u>105027501</u>	Gear, Governor, 34 Tooth, ED65 .....	1
3	<u>105027601</u>	Pin, 6x12 Long, ED65 .....	1
4	<u>105027701</u>	Shaft, Input, ED65 .....	1
5	<u>105027801</u>	Bearing, Ball (6205 seal) .....	1
6	<u>105027901</u>	Bearing, Ball (6202) .....	2
7	<u>105028001</u>	Shaft, Counter, ED65 .....	1
8	<u>105028201</u>	Gear, 34 Tooth, ED65 .....	1
9	<u>105028401</u>	Bearing, Ball (6304) .....	1
10	<u>105028601</u>	Gear, 17 Tooth, ED65 .....	1
11	<u>105028701</u>	Collar, 24 x 12, ED65 .....	1
12	<u>105028801</u>	Gear, 52 Tooth, ED65 .....	1
13	<u>105028901</u>	Shaft, Center, ED65 .....	1
14	<u>105029001</u>	Clutch, Pin, ED65 .....	1
15	<u>105029101</u>	Gear, 62 Tooth, ED65 .....	1
16	<u>105029201</u>	Spacer, 20x2, ED65 .....	2
17	<u>105030901</u>	Shaft, Shift, ED65 .....	1
		<p>Note: To identify your transaxle, locate the serial number decal on the axle tube.</p>	

12

G

**12**  
**G**



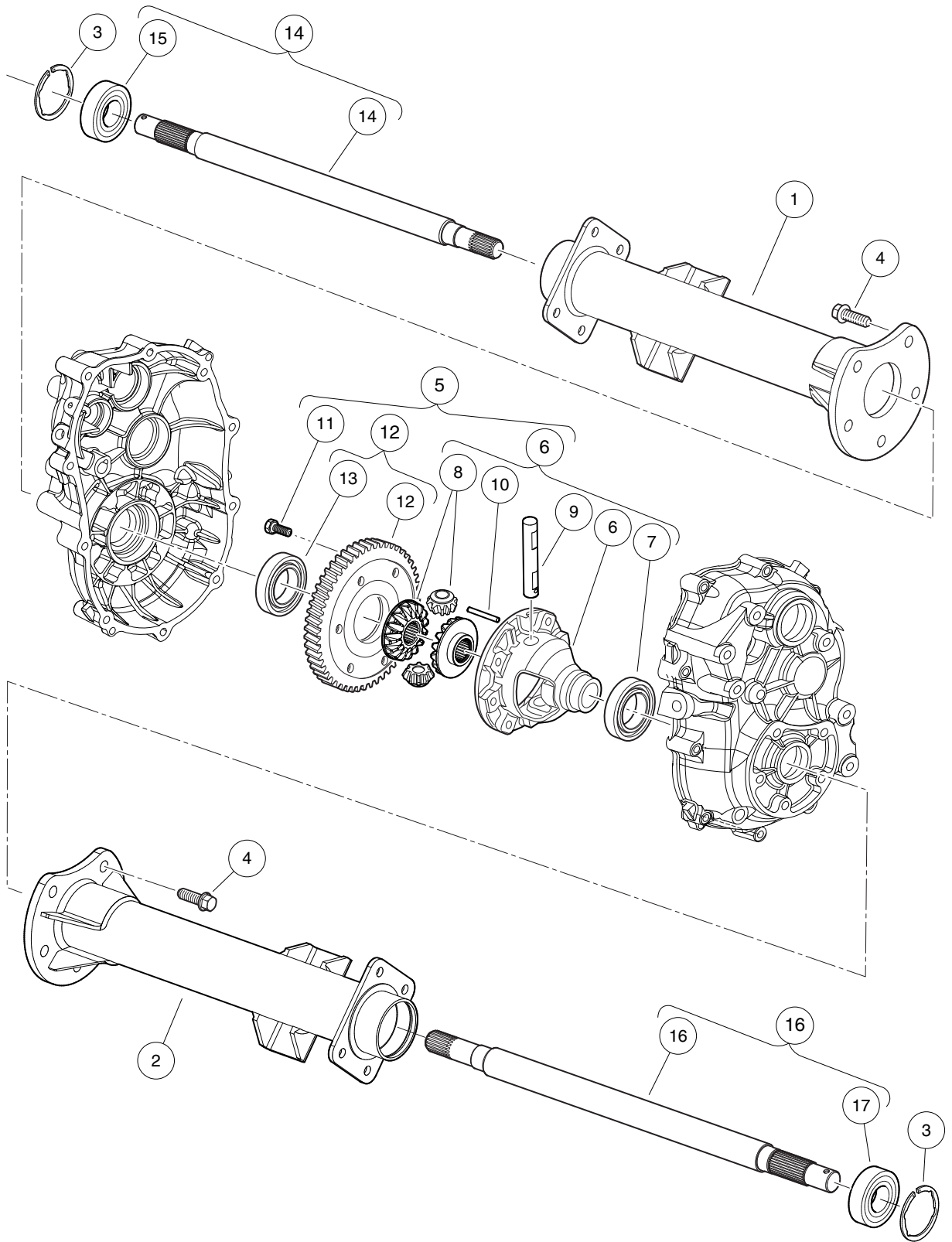
000919-005

## TRANSAXLE (ED65), LIMITED SLIP – PAGE 3 OF 3

ITEM	PART NO.	DESCRIPTION	QTY
		1 2 3 4	
1	105029901	Gear, 60 Tooth, Complete, ED65 (includes item 2) .....	1
2	<u>105029801</u>	Bearing, Ball (6007) .....	1
3	105030401	Axle Tube, Driver-Side, ED65 .....	1
4	105030501	Axle Tube, Passenger-Side, ED65 .....	1
5	<u>105030601</u>	Snap Ring, 52mm, ED65 .....	2
6	<u>105030801</u>	Bolt, Flange, M10-1.25x25, ED65 .....	10
7	<u>105063601</u>	Differential, Limited-Slip, ED65 (includes items 8 through 10) .....	1
8	<u>105028101</u>	Bearing, Ball (6006) .....	1
9	<u>105029501</u>	Bolt, M10-1.25x26mm Lg, ED65 .....	6
10	<u>105029801</u>	Bearing, Ball (6007) .....	1
11	<u>105066001</u>	Axle Shaft, Driver-Side, Complete, ED65 (includes item 12) .....	1
12	<u>105030301</u>	Bearing, Ball (6205DD) .....	1
13	<u>105066101</u>	Axle Shaft, Passenger-Side, Complete, ED65 (includes item 14) .....	1
14	<u>105030301</u>	Bearing, Ball (6205DD) .....	1
<p style="margin-left: 40px;">Note: To identify your transaxle, locate the serial number decal on the axle tube.</p>			

12

G



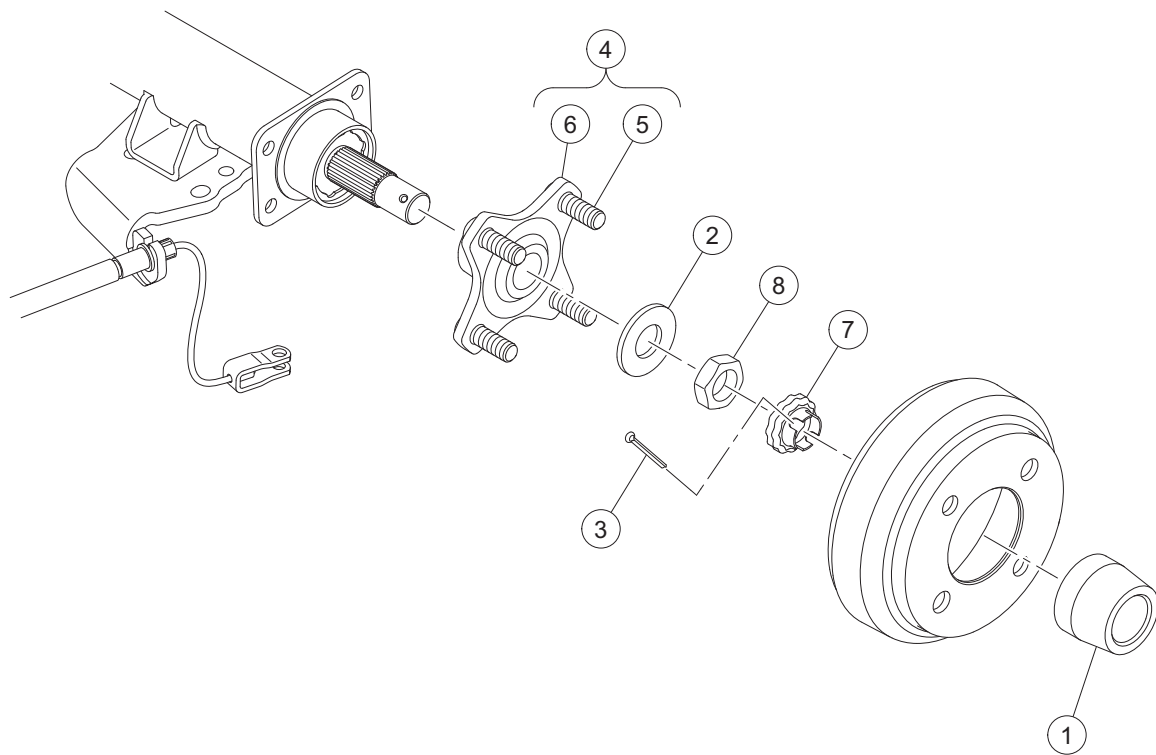
000919-004

## TRANSAXLE (ED65), OPEN – PAGE 3 OF 3

ITEM	PART NO.	DESCRIPTION	QTY
		<b>1 2 3 4</b>	
1	105030401	Axle Tube, Driver-Side, ED65 .....	1
2	105030501	Axle Tube, Passenger-Side, ED65 .....	1
3	<u>105030601</u>	Snap Ring, 52mm, ED65 .....	2
4	<u>105030801</u>	Bolt, Flange, M10-1.25x25, ED65 .....	10
5	<u>105031001</u>	Differential, Open, ED65 (includes items 6 through 12) .....	1
6	<u>105029301</u>	Case, Differential, Complete, ED65 (includes items 7 through 10) .....	1
7	<u>105028101</u>	Bearing, Ball (6006) .....	1
8	105029401	Gear Set, Differential, ED65 .....	1
9	<u>105029601</u>	Shaft, Differential, ED65 .....	1
10	<u>105029701</u>	Pin, 4x40 Long, ED65 .....	1
11	<u>105029501</u>	Bolt, M10-1.25x26mm Lg, ED65 .....	6
12	105029901	Gear, 60 Tooth, Complete, ED65 (includes item 13) .....	1
13	<u>105029801</u>	Bearing, Ball (6007) .....	1
14	<u>105066001</u>	Axle Shaft, Driver-Side, Complete, ED65 (includes item 15) .....	1
15	<u>105030301</u>	Bearing, Ball (6205DD) .....	1
16	<u>105066101</u>	Axle Shaft, Passenger-Side, Complete, ED65 (includes item 17) .....	1
17	<u>105030301</u>	Bearing, Ball (6205DD) .....	1
Note: To identify your transaxle, locate the serial number decal on the axle tube.			

12

G



G-070199-000003

# HUB, REAR

ITEM	PART NO.	DESCRIPTION	QTY
		<b>1 2 3 4</b>	
1	102274101	Center Cap, Rubber .....	2
2	<u>102617801</u>	Washer, Hard, M22 .....	2
3	<u>103989501</u>	Pin, Cotter, 9/64 X 1.75" .....	2
4	<u>103995001</u>	Asm, Hub, Machined (includes items 5 and 6) .....	2
5	<u>103951501</u>	Lug Stud, 1/2-20 UNF, SAE J1102 .....	4
6	<u>103979301</u>	Hub, Machined .....	1
7	<u>104021701</u>	Retaining Ring, Hex Nut, M22 .....	2
8	<u>104027101</u>	Nut, Hex, M22x1.5, Thin .....	2

**12**  
**G**

12

G



# **ELECTRICAL SYSTEM, ELECTRIC VEHICLES WITH IQ PLUS CHARGER**

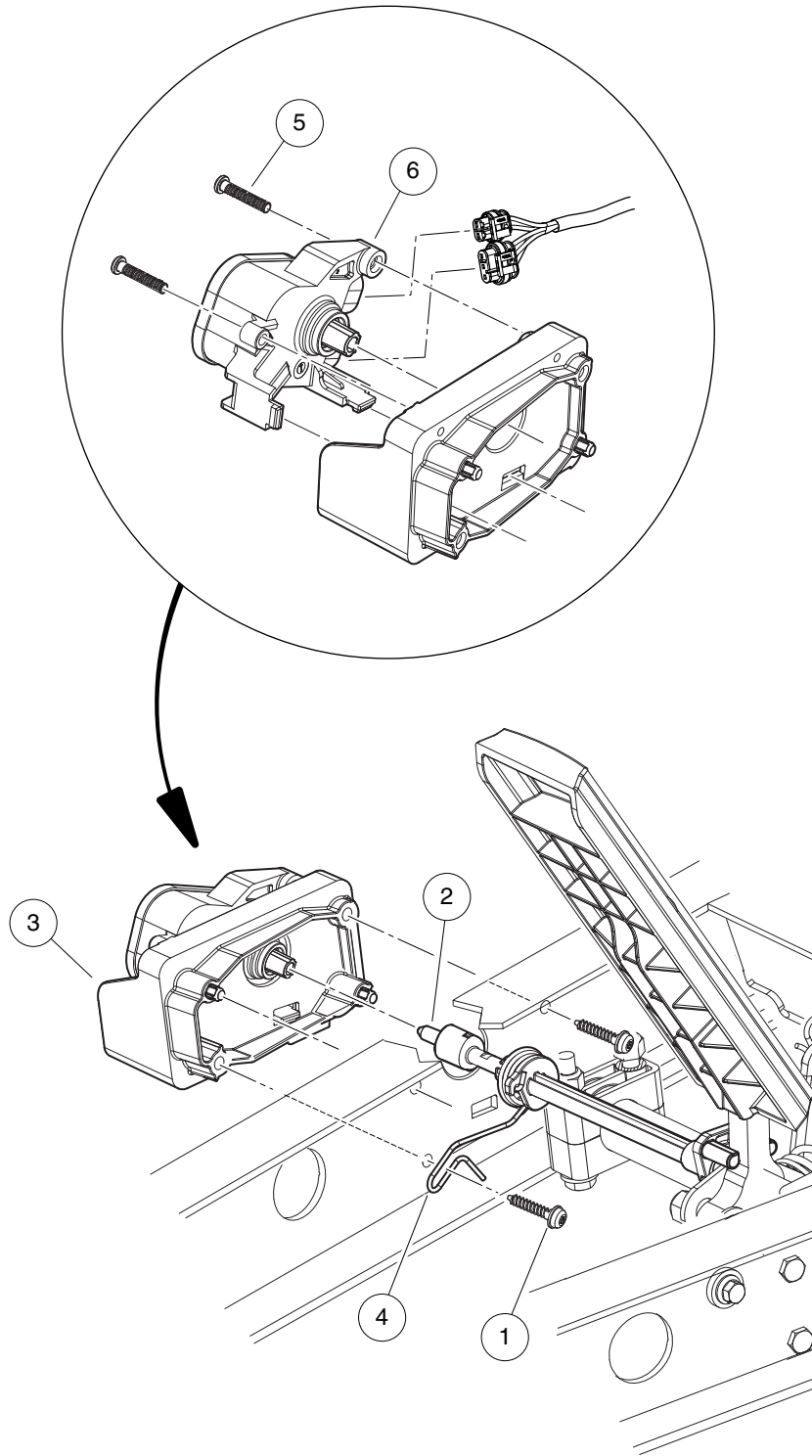
---

**13**

**E**

13

E



002522-001

# MOTOR CONTROLLER OUTPUT REGULATOR (MCOR)

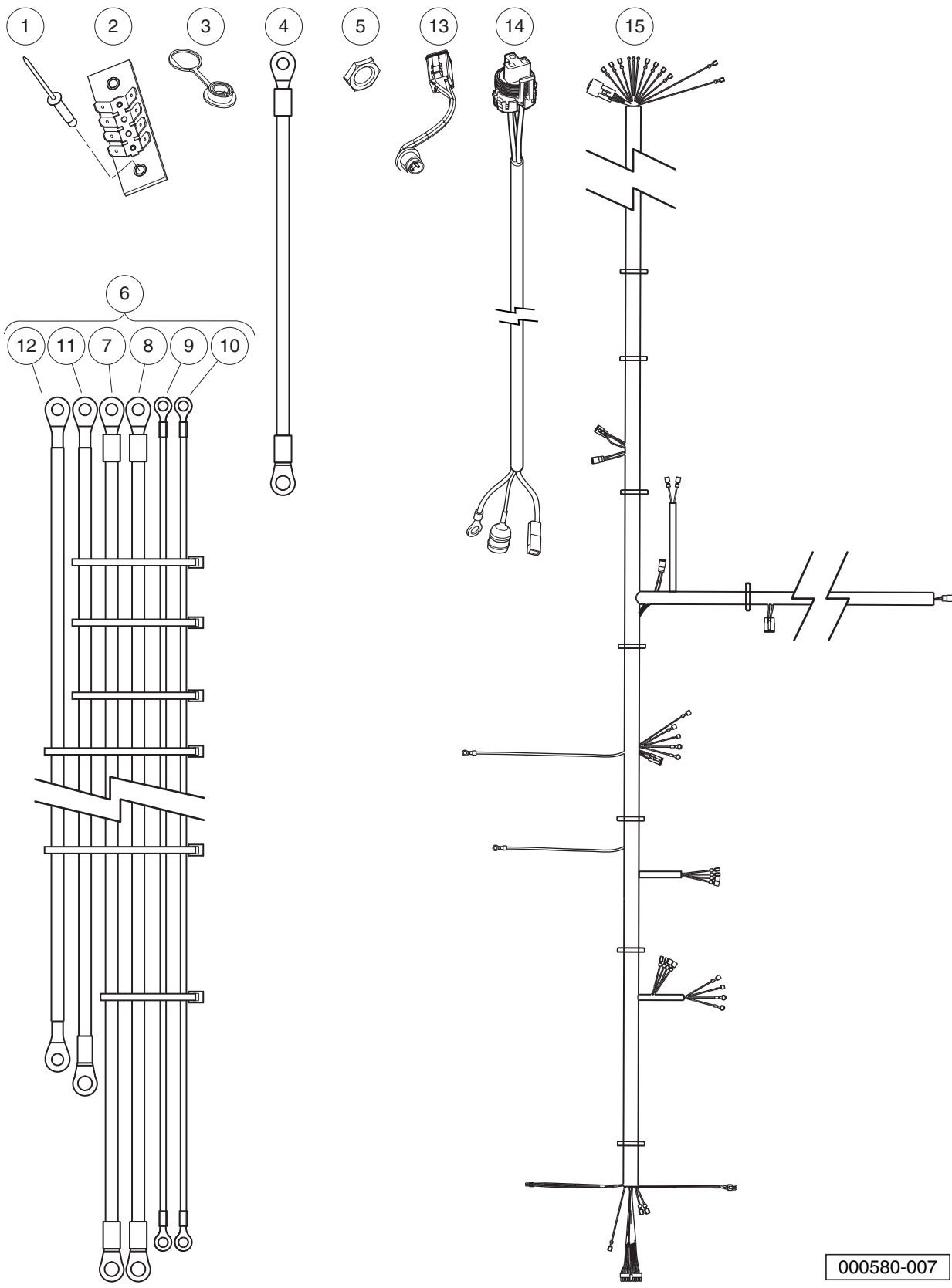
ITEM	PART NO.	DESCRIPTION	QTY
		1 2 3 4	
1	<u>102297230</u>	Screw, M6, Torx, Interlock Thread .....	2
2	<u>103902101</u>	Bar, Drive, Cast .....	1
3	<u>103902301</u>	Housing, Mcor .....	1
4	<u>103902401</u>	Spring, Torsion .....	1
5	<u>103943401</u>	Screw, Pan, #10 X 1.00 Hi-lo .....	2
6	<u>105116301</u>	MCOR4, Type 16 Switch .....	1

13

E

13

E



000580-007

# WIRING – VILLAGER 6 AND TRANSPORTER IQ PLUS ELECTRIC

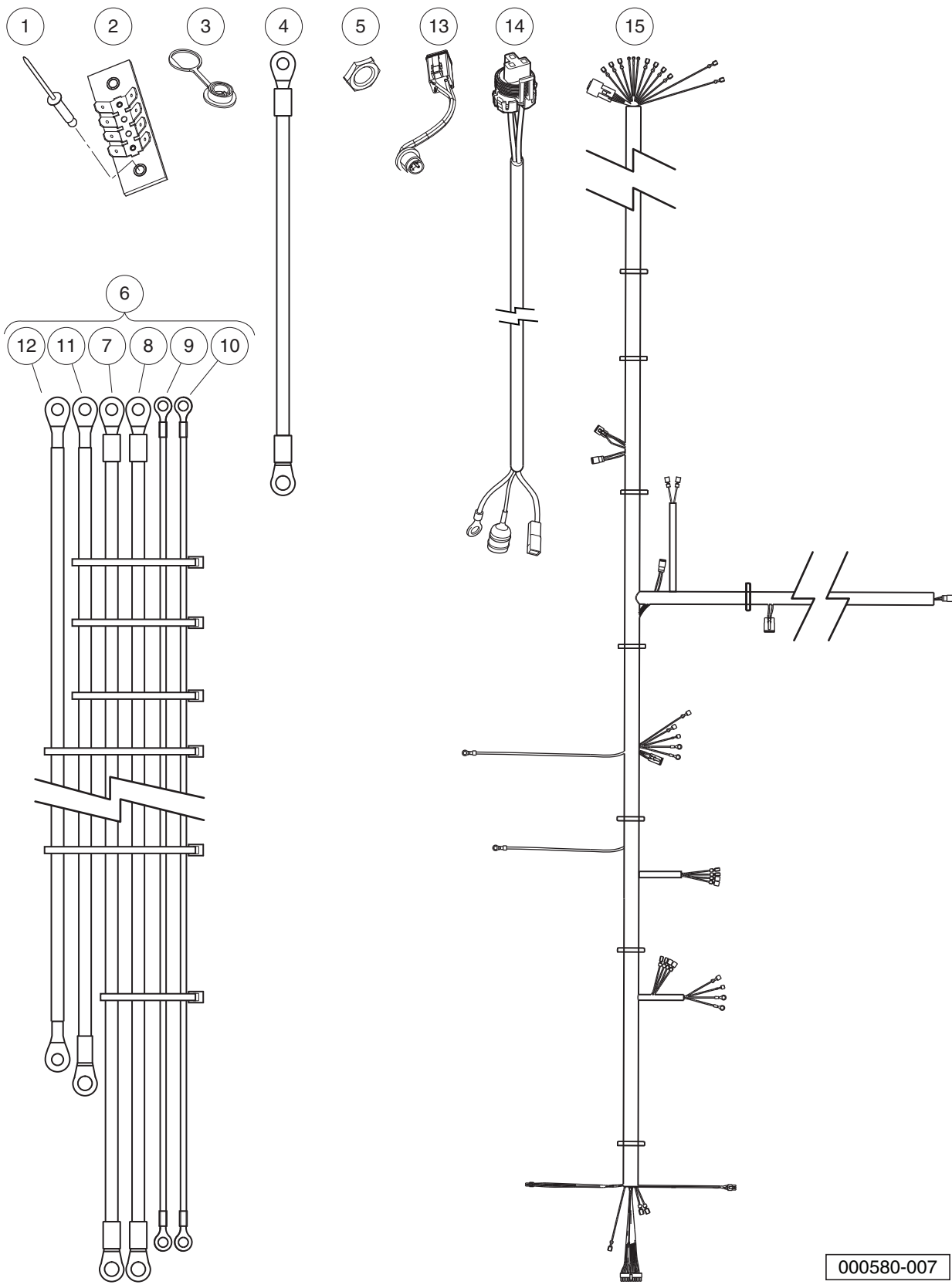
ITEM	PART NO.	DESCRIPTION	QTY
		1 2 3 4	
1	<u>1013357</u>	Rivet, 5/32 Aluminum Pop .....	2
2	<u>1016356</u>	Terminal Block with Insulator .....	1
3	<u>102196901</u>	Dust Cap .....	1
4	<u>102440901</u>	Wire Asm, #4 Yellow, 13" .....	1
5	<u>102572401</u>	Nut, Diagnostic Port .....	1
6	<u>102845501</u>	Harness, Power, Stretch IQ Plus (includes items 7 through 12) .....	1
7	N/A	Asm, #4 Grn Wire, 89" .....	1
8	N/A	Asm, #4 Wht Wire, 88.5" .....	1
9	N/A	Asm, #10 Org Wire, 89.5" .....	1
10	N/A	Asm, #10 Blu Wire, 95.5" .....	1
11	N/A	Asm, #4 Red Wire, 67.5" .....	1
12	N/A	Asm, #4 Blk Wire, 57.5" .....	1
13	<u>103218601</u>	Harness, Diagnostic Port .....	1
14	<u>103772101</u>	Charg Harness Iqplus,shelf 480 .....	1
15	<u>103940701</u>	Harness, Wire, CA6, Vill 6, IQ Plus, MCOR3/4 .....	1
Note: Wire Harness (item 15) is for use with MCOR3 and MCOR4.			

13

E

13

E



000580-007

# WIRING – VILLAGER 8 IQ PLUS ELECTRIC

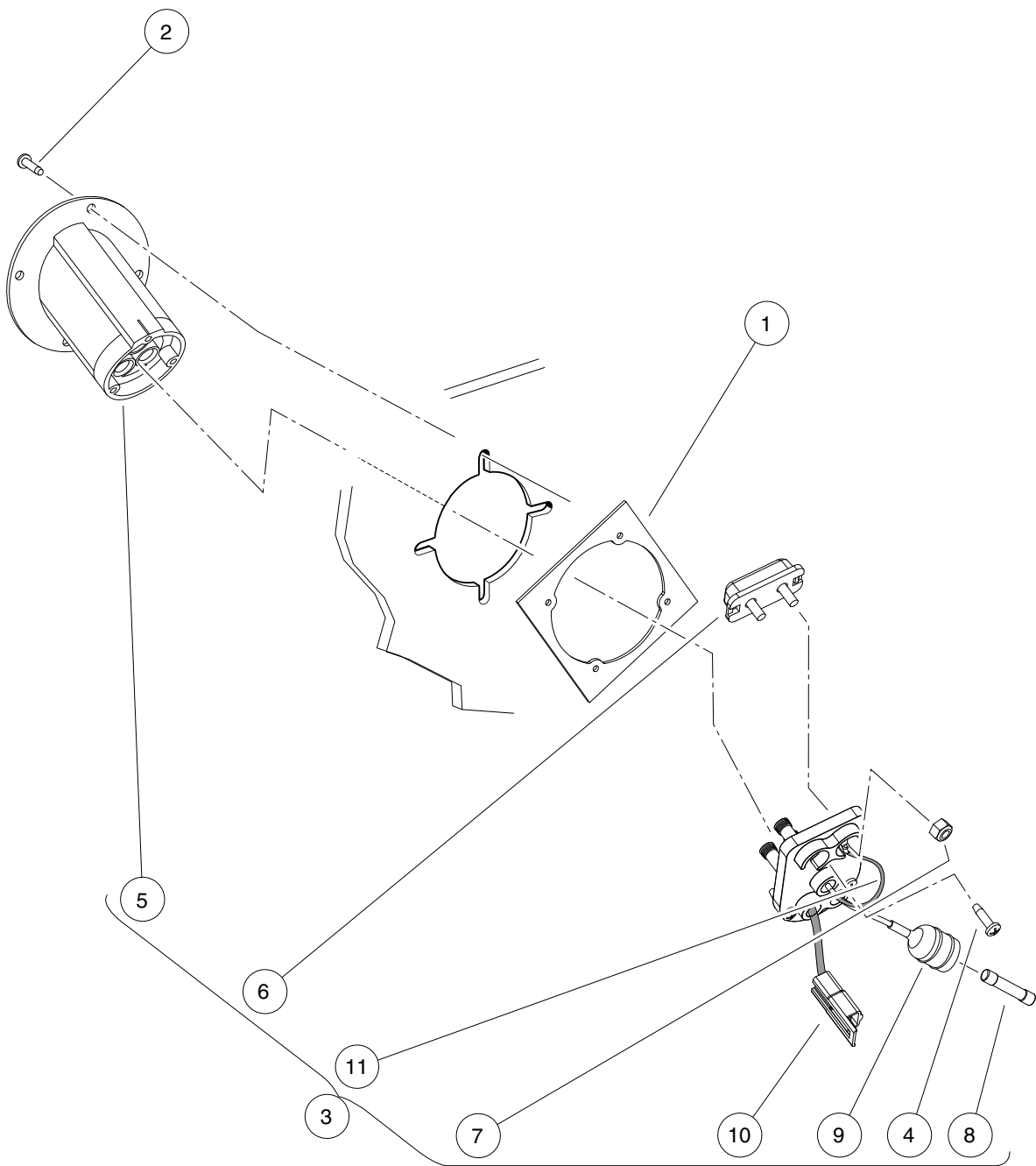
ITEM	PART NO.	DESCRIPTION	QTY
		1 2 3 4	
1	<u>1013357</u>	Rivet, 5/32 Aluminum Pop .....	2
2	<u>1016356</u>	Terminal Block with Insulator .....	1
3	<u>102196901</u>	Dust Cap .....	1
4	<u>102440901</u>	Wire Asm, #4 Yellow, 13" .....	1
5	<u>102572401</u>	Nut, Diagnostic Port .....	1
6	<u>102845501</u>	Harness, Power, Stretch IQ Plus (includes items 7 through 12) .....	1
7	N/A	Asm, #4 Grn Wire, 89" .....	1
8	N/A	Asm, #4 Wht Wire, 88.5" .....	1
9	N/A	Asm, #10 Org Wire, 89.5" .....	1
10	N/A	Asm, #10 Blu Wire, 95.5" .....	1
11	N/A	Asm, #4 Red Wire, 67.5" .....	1
12	N/A	Asm, #4 Blk Wire, 57.5" .....	1
13	<u>103218601</u>	Harness, Diagnostic Port .....	1
14	<u>103772101</u>	Charg Harness lqplus,shelf 480 .....	1
15	<u>103940801</u>	Harness, Vill 8, lq Plus, Mc3 .....	1
Note: Wire Harness (item 15) is for use with MCOR3 and MCOR4.			

13

E

**13**

**E**



000369-002



# BATTERY CHARGER RECEPTACLE

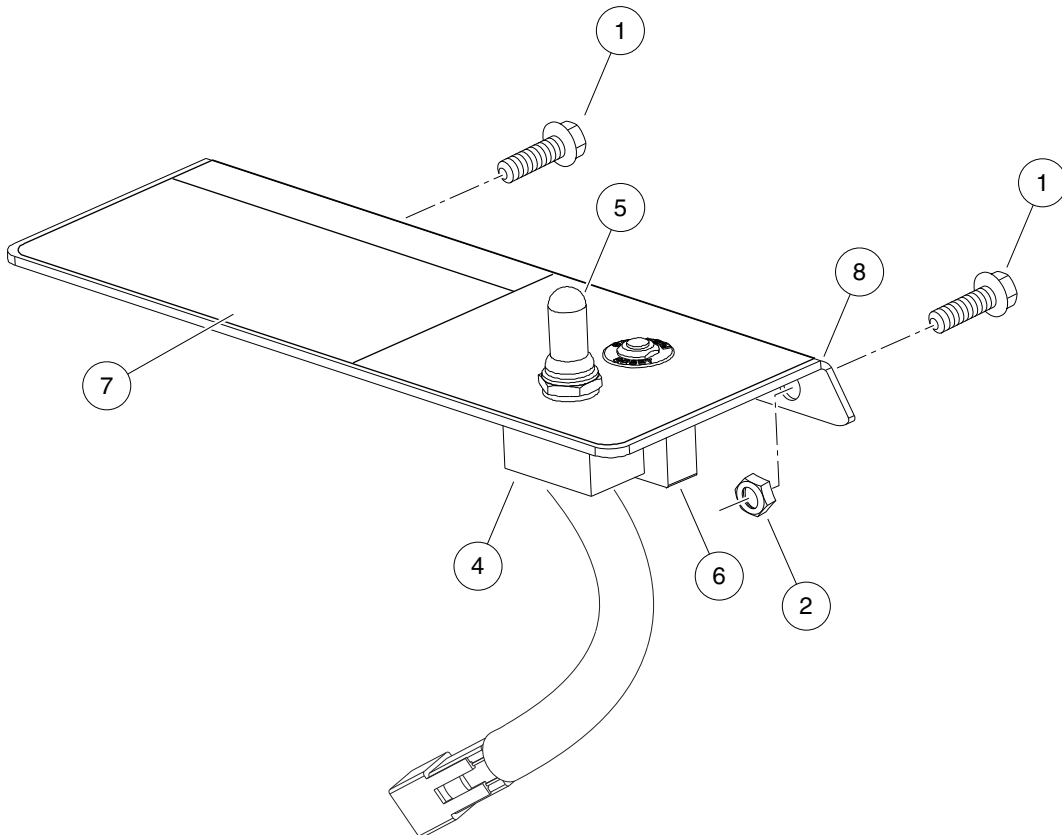
ITEM	PART NO.	DESCRIPTION	QTY
		1 2 3 4	
1	<u>101801001</u>	Plate, Receptacle Backing .....	1
2	<u>101832001</u>	Screw, #7-19 X 0.625 Phillips Pan-Head Tap .....	4
3	<u>103771901</u>	Asm, Fuse & Receptacle, 480 (includes items 4 through 11) .....	1
4	<u>1017705</u>	Screw, #8 X 5/8 Phillips Pan-Head Type AB .....	3
5	<u>101796501</u>	Receptacle .....	1
6	<u>101796801</u>	Fuse Assembly (includes item 7) .....	1
7	<u>1013061</u>	Locknut, #10-32 Nylon Insert .....	2
8	<u>101894901</u>	Fuse, 3/8-Amp .....	1
9	N/A	Wire Assembly, Sense Lead, Gray .....	1
10	N/A	Wire Assembly, #10 Red .....	1
11	N/A	Wire Assembly, #10 Black .....	1

13

E

13

E



000425-001

## TOW/RUN SWITCH – IQ PLUS VEHICLES

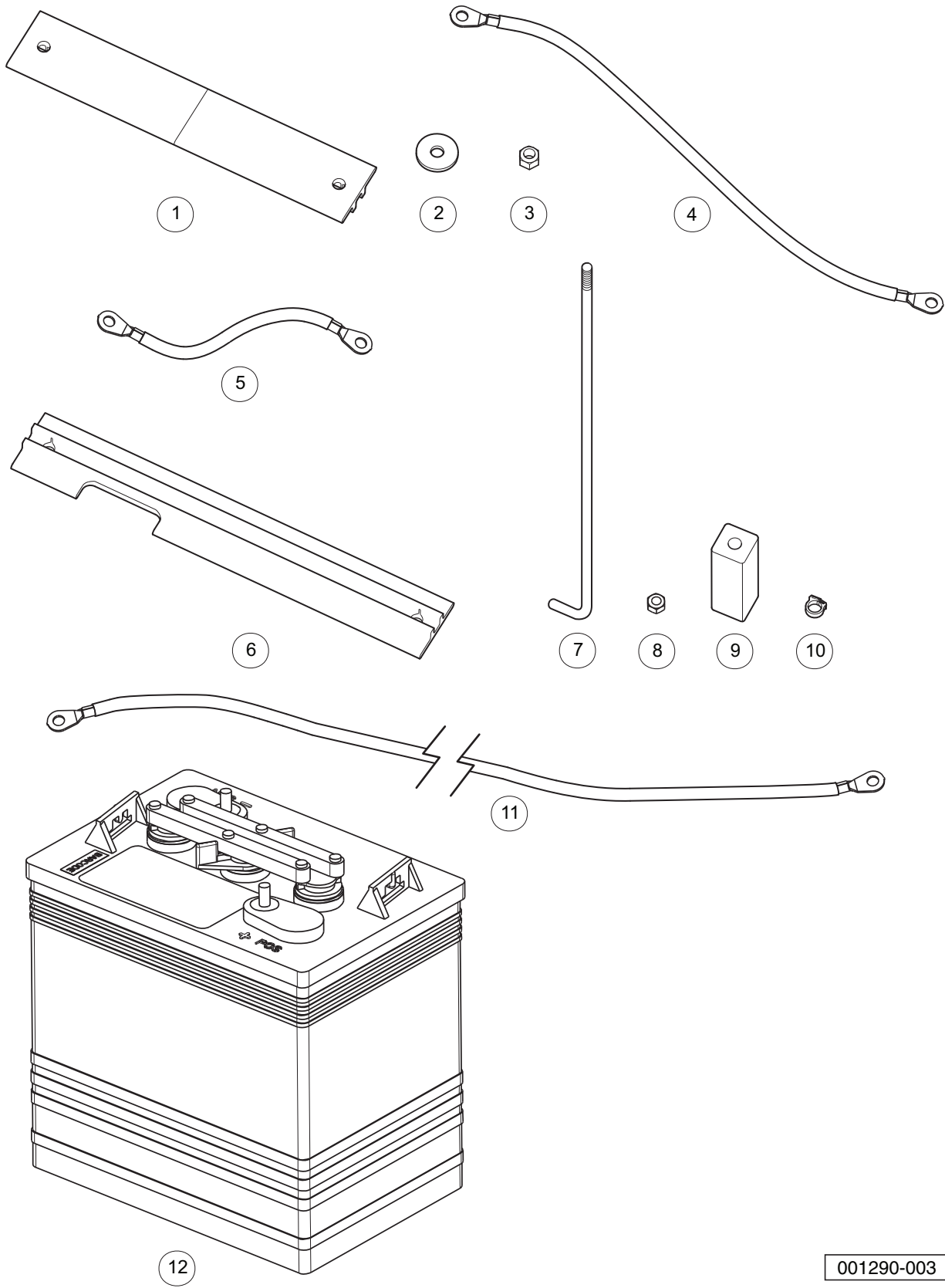
ITEM	PART NO.	DESCRIPTION	QTY
		<b>1 2 3 4</b>	
1	<u>1012126</u>	Screw, #10-32 X .625 Hx Washer .....	1
2	<u>1013061</u>	Locknut, #10-32 Nylon Insert .....	2
3	N/A	Tow/Run Switch Assembly (includes items 4 through 8) .....	1
4	<u>101908101</u>	Switch Assembly, Tow/Run .....	1
5	<u>101908401</u>	Boot, Switch .....	1
6	<u>102838101</u>	Circuit Breaker 250vac-50vdc .....	1
7	<u>102845101</u>	Decal, Tow Switch .....	1
8	<u>102915701</u>	Plate, Switch, Run Tow, Mode .....	1

13

E

13

E



001290-003

## BATTERIES, 6-VOLT, STANDARD DUTY, JCI

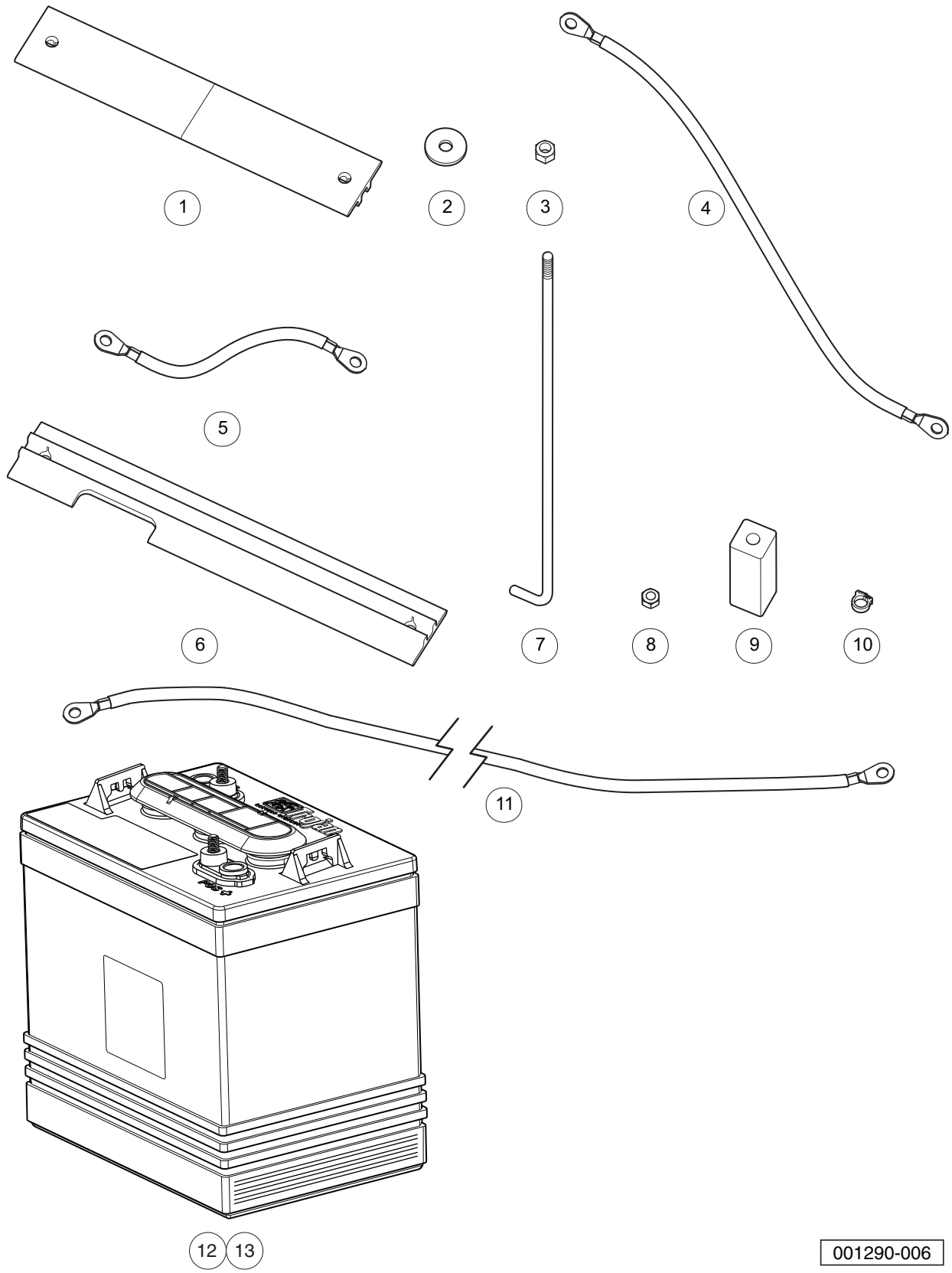
ITEM	PART NO.	DESCRIPTION	QTY
		1 2 3 4	
1	<u>101090801</u>	Hold-Down, Battery .....	2
2	<u>1011578</u>	Washer, 5/16 Type B Flat .....	12
3	<u>1015072</u>	Locknut, 5/16-18 Nylon Insert .....	12
4	<u>102002801</u>	Wire Assy, #4 Black .....	2
5	<u>102002901</u>	Wire Assy, #4 Black .....	3
6	<u>102766201</u>	Hold Down, Outside .....	4
7	<u>102845203</u>	Rod, Battery Hold Down 10.7" .....	12
8	<u>102873401</u>	5/16-18 Heavy Hex Nut .....	16
9	<u>102980801</u>	Extr, Plastic, 1 X 1 X 3 .....	4
10	<u>102980901</u>	Clamp, Hose, Nylon, .25 .....	1
11	<u>103198201</u>	Asm, #4 Blk Wire, 42" .....	1
12	<u>105210299</u>	Battery, 6v, Type E, Gc2, Wet .....	8

13

E

13

E



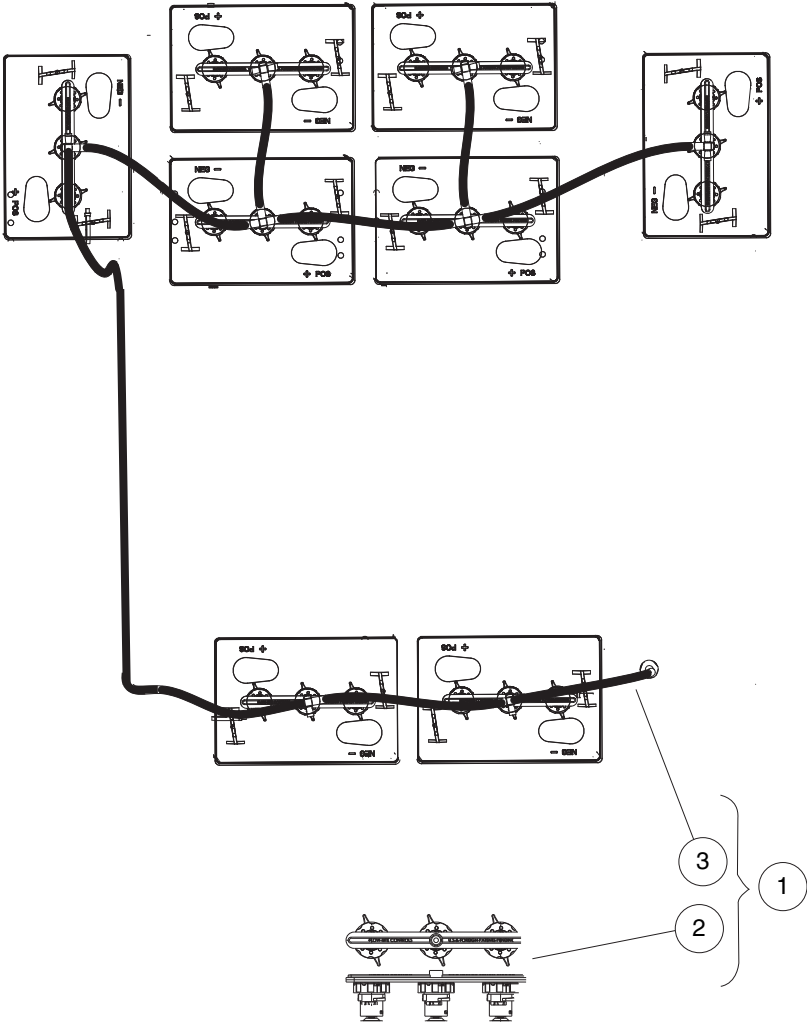
001290-006

## BATTERIES, 6-VOLT, HEAVY DUTY, TROJAN

ITEM	PART NO.	DESCRIPTION	QTY
		1 2 3 4	
1	<u>101090801</u>	Hold-Down, Battery .....	2
2	<u>1011578</u>	Washer, 5/16 Type B Flat .....	12
3	<u>1015072</u>	Locknut, 5/16-18 Nylon Insert .....	12
4	<u>102002801</u>	Wire Assy, #4 Black .....	2
5	<u>102002901</u>	Wire Assy, #4 Black .....	3
6	<u>102766201</u>	Hold Down, Outside .....	4
7	<u>102845204</u>	Rod, Battery Hold Down 12" .....	12
8	<u>102873401</u>	5/16-18 Heavy Hex Nut .....	16
9	<u>102980801</u>	Extr, Plastic, 1 X 1 X 3 .....	4
10	<u>102980901</u>	Clamp, Hose, Nylon, .25 .....	4
11	<u>103198201</u>	Asm, #4 Blk Wire, 42" .....	1
12	<u>103969799</u>	Battery,6v Trojan T145, Wet,sp .....	8

13

E



002525-001



# SINGLE POINT WATERING SYSTEM (SPWS)

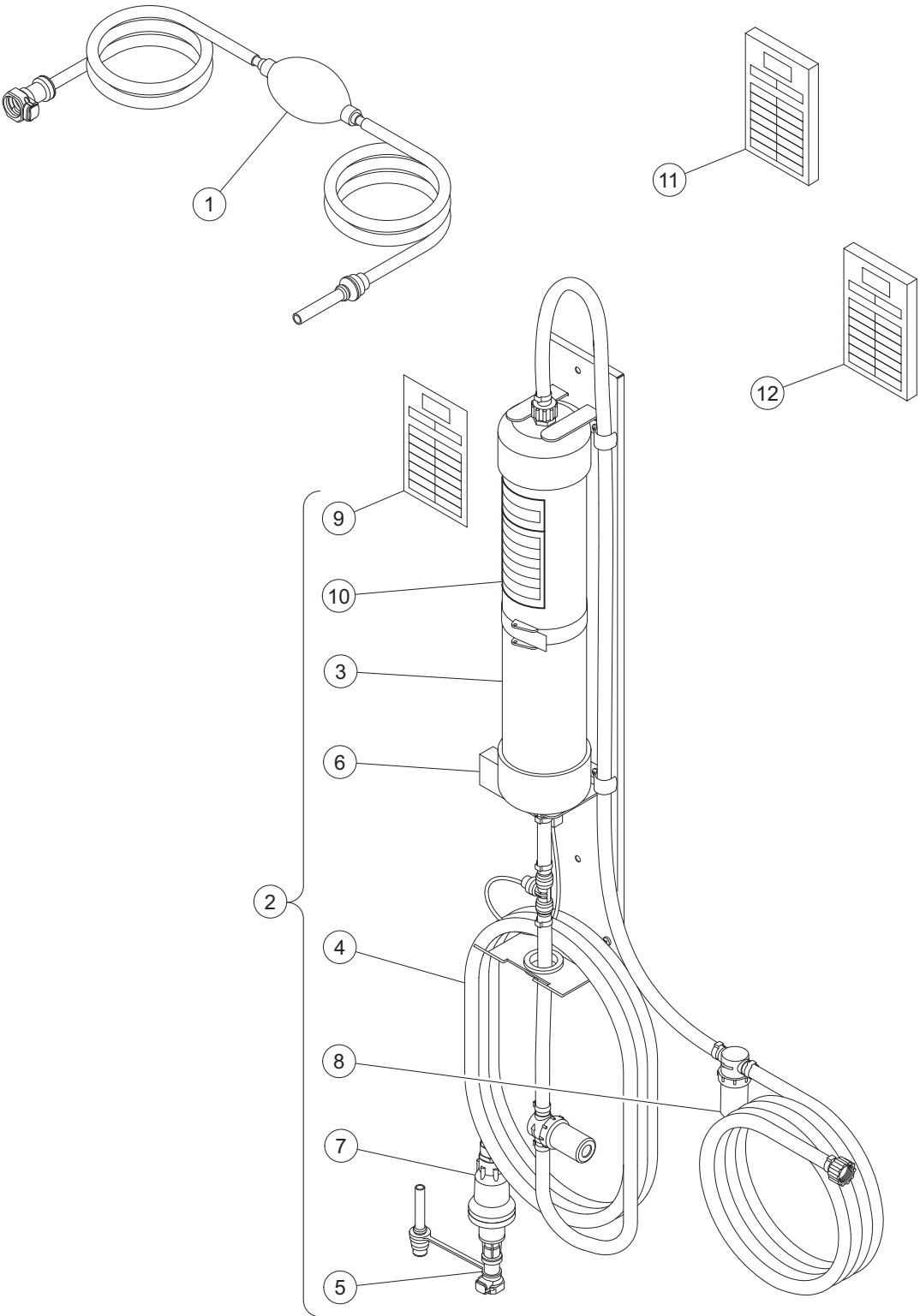
ITEM	PART NO.	DESCRIPTION	QTY
		1 2 3 4	
1	<u>103942902</u>	Kit, Spws, Villager 6, 8 (includes items 2 and 3) .....	1
2	<u>103510501</u>	Manifold, Lpr, 3 Vlve, Spw .....	8
3	103942101	Spws, Villager 6, 8 .....	1

13

E

13

E



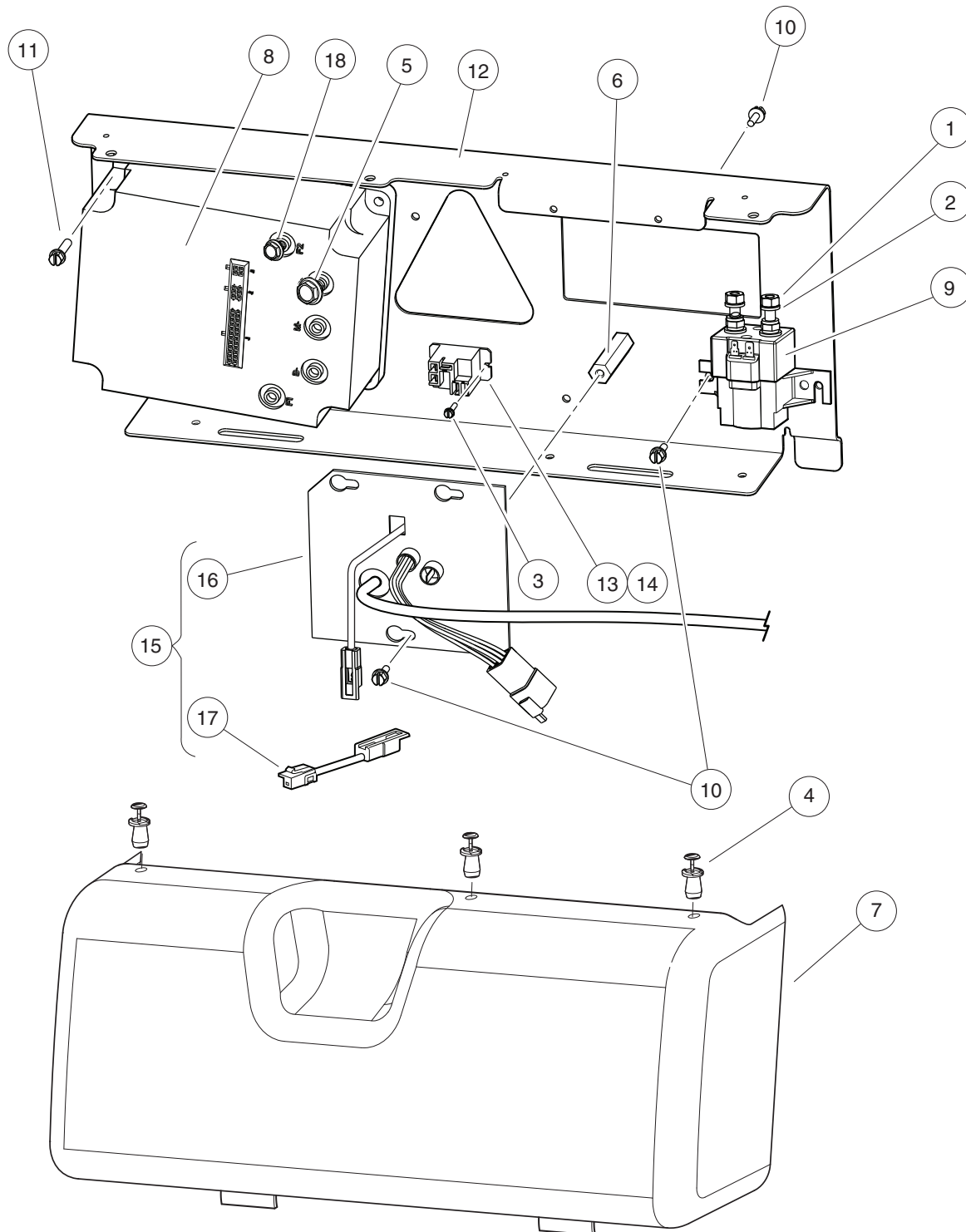
002523-003

# HAND PUMP AND DEIONIZER (BATTERY-POWERED QUALITY LIGHT)

ITEM	PART NO.	DESCRIPTION	QTY
		1 2 3 4	
1	<u>104006101</u>	Kit, Hand Pump, Spws .....	1
2	<u>105166801</u>	Deionizer, w/Battery-Powered Water Quality Light (includes items 3 through 10) .....	1
3	<u>104005901</u>	Cartridge, Deionizer .....	1
4	<u>105166901</u>	Hose,outlet,deionizer .....	1
5	<u>105167001</u>	Flow Ind, W/coupler, Deionizer .....	1
6	<u>105167101</u>	Light, Quality, Battery-Powered, w/T-Fitting .....	1
7	<u>105168501</u>	Regulator, Pressure, Deionizer .....	1
8	<u>105168601</u>	Strainer, In-line, Deionizer .....	1
9	<u>AM1300001</u>	Decal, Filter Log, Blue .....	1
10	<u>AM1300201</u>	Decal, Inspect Log, Yellow .....	1
11	AM1300101	Decal, Filter Log, Blue, Pack of 100 .....	A/R
12	AM1300301	Decal, Inspect Log, Yellow, Pack of 100 .....	A/R

13

E



001246-004

# COMPUTER, CONTROLLER, AND SOLENOID – FOR TROJAN BATTERIES

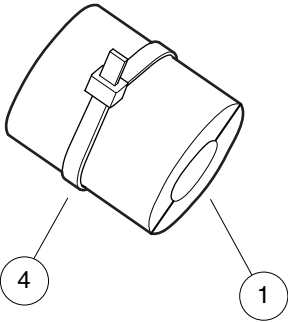
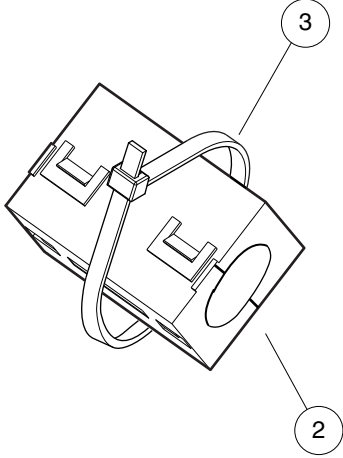
ITEM	PART NO.	DESCRIPTION	QTY
		1 2 3 4	
1	<u>1012528</u>	Nut, M8-1.25 Hex .....	2
2	<u>1013734</u>	Lockwasher, 8mm Split .....	2
3	<u>1015720</u>	Screw, #6-32 X 1/2 Hex Washer-Head .....	2
4	<u>1016967</u>	Blind Rivet, Push Type .....	3
5	<u>102240501</u>	Bolt, Controller, Terminal .....	3
6	<u>102769701</u>	Spacer, 2", 1/4-20, Hex .....	1
7	<u>102772402</u>	Cover, Electrical Component, Carryall 6 .....	1
8	<u>102774501</u>	Controller, 500 Amp .....	1
9	<u>102774701</u>	Solenoid, 48v .....	1
10	<u>102817101</u>	Screw, 1/4-20 X .50 Hex Wsh Hd .....	6
11	<u>102817201</u>	Screw, 1/4-20 X .88 Hex Wsh Hd .....	4
12	<u>102912801</u>	Plate, Component, Front .....	1
13	<u>103414901</u>	Kit, Relay, 48v 30a W/instr (includes item 14) .....	1
14	<u>103397901</u>	Relay, Spst No, 48v 30a, Pmt .....	1
15	<u>103697109</u>	Kit, Obc, Iqplus, A1, 64" (includes items 16 and 17) .....	1
16	103709201	Obc, Iqplus, A1, 64", 480 .....	1
17	<u>103822101</u>	Adapter, 480 Obc To 56 Harn .....	1
18	105000501	Screw, M6 X 1 X 12 Ser Hex Flg .....	2

13

E

13

E



001055-001

# FERRITE BEADS, CE

ITEM	PART NO.	DESCRIPTION	QTY
		1 2 3 4	
1	<u>103449501</u>	Bead, Ferrite, Tdk .....	A/R
2	<u>103449601</u>	Bead, Ferrite, Fair-rite .....	A/R
3	<u>8639</u>	Tie Wrap, 11" Nylon .....	A/R
4	<u>8990</u>	Tie Wrap, 8" Nylon .....	A/R

13

E

**13**

***E***



# ELECTRICAL SYSTEM, ELECTRIC VEHICLES WITH HIGH-FREQUENCY

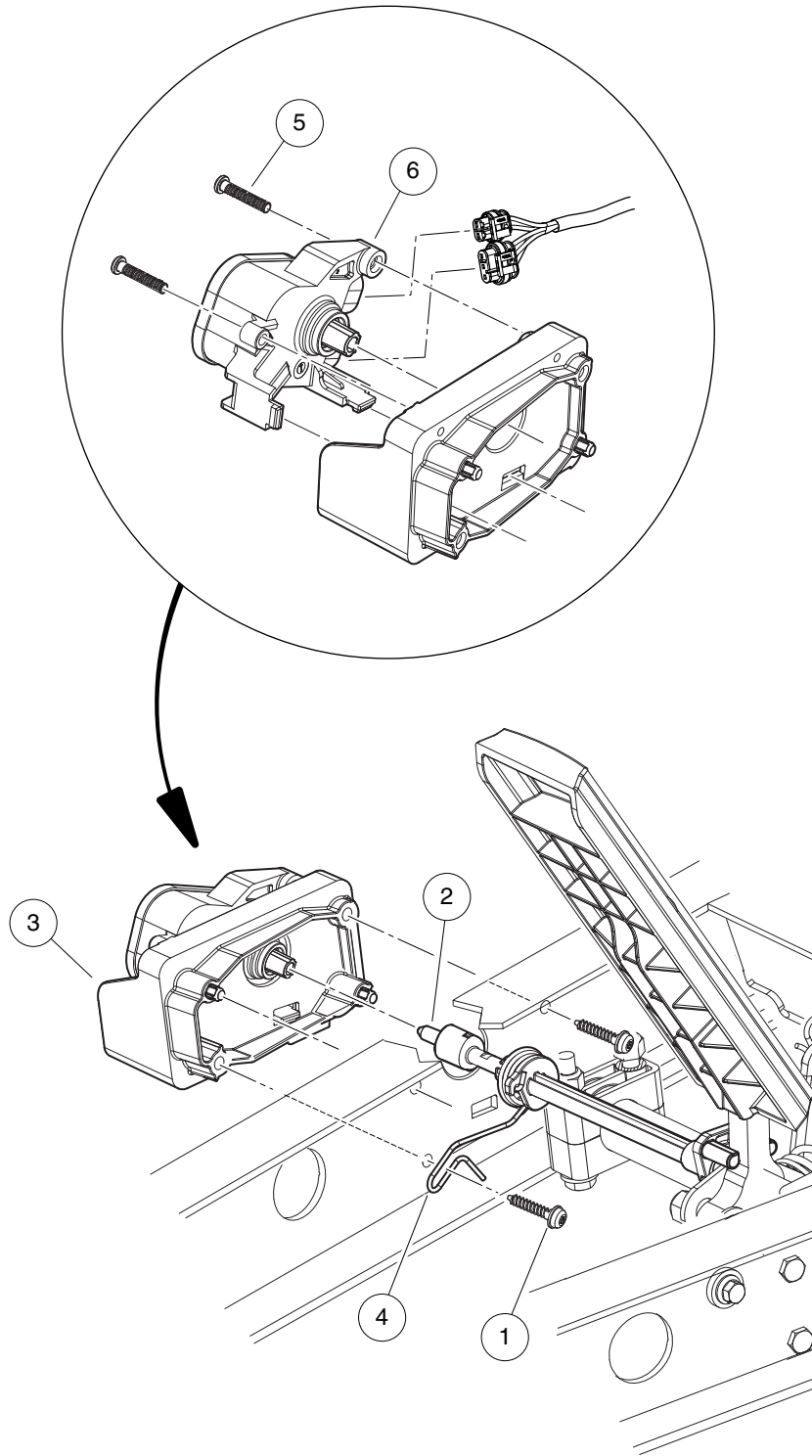
---

14

E

14

E



002522-001

# MOTOR CONTROLLER OUTPUT REGULATOR (MCOR)

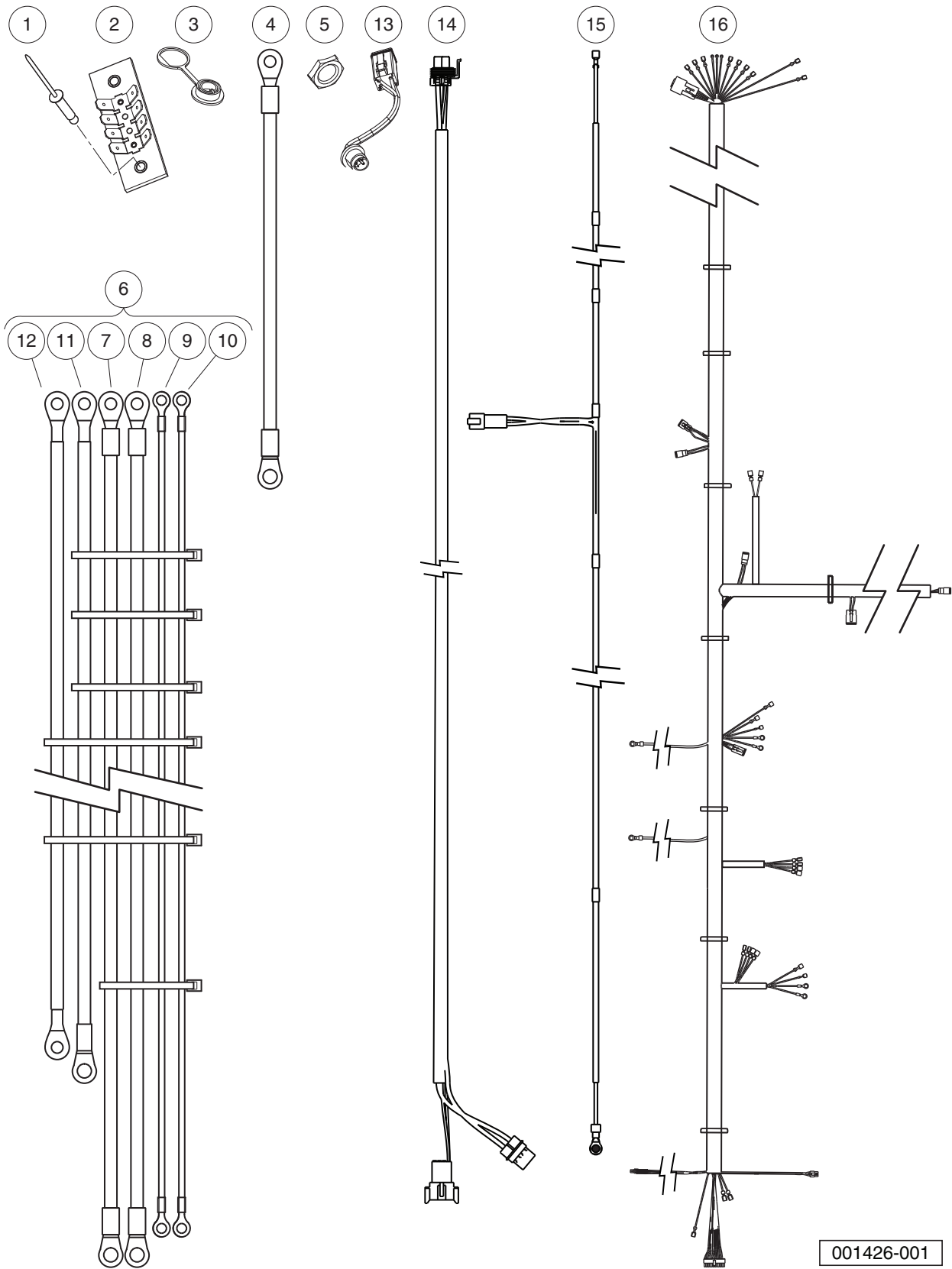
ITEM	PART NO.	DESCRIPTION	QTY
		1 2 3 4	
1	<u>102297230</u>	Screw, M6, Torx, Interlock Thread .....	2
2	<u>103902101</u>	Bar, Drive, Cast .....	1
3	<u>103902301</u>	Housing, Mcor .....	1
4	<u>103902401</u>	Spring, Torsion .....	1
5	<u>103943401</u>	Screw, Pan, #10 X 1.00 Hi-lo .....	2
6	<u>105116301</u>	MCOR4, Type 16 Switch .....	1

14

E

14

E



001426-001

# WIRING – VILLAGER 6 ELECTRIC WITH HIGH-FREQ. CHARGER

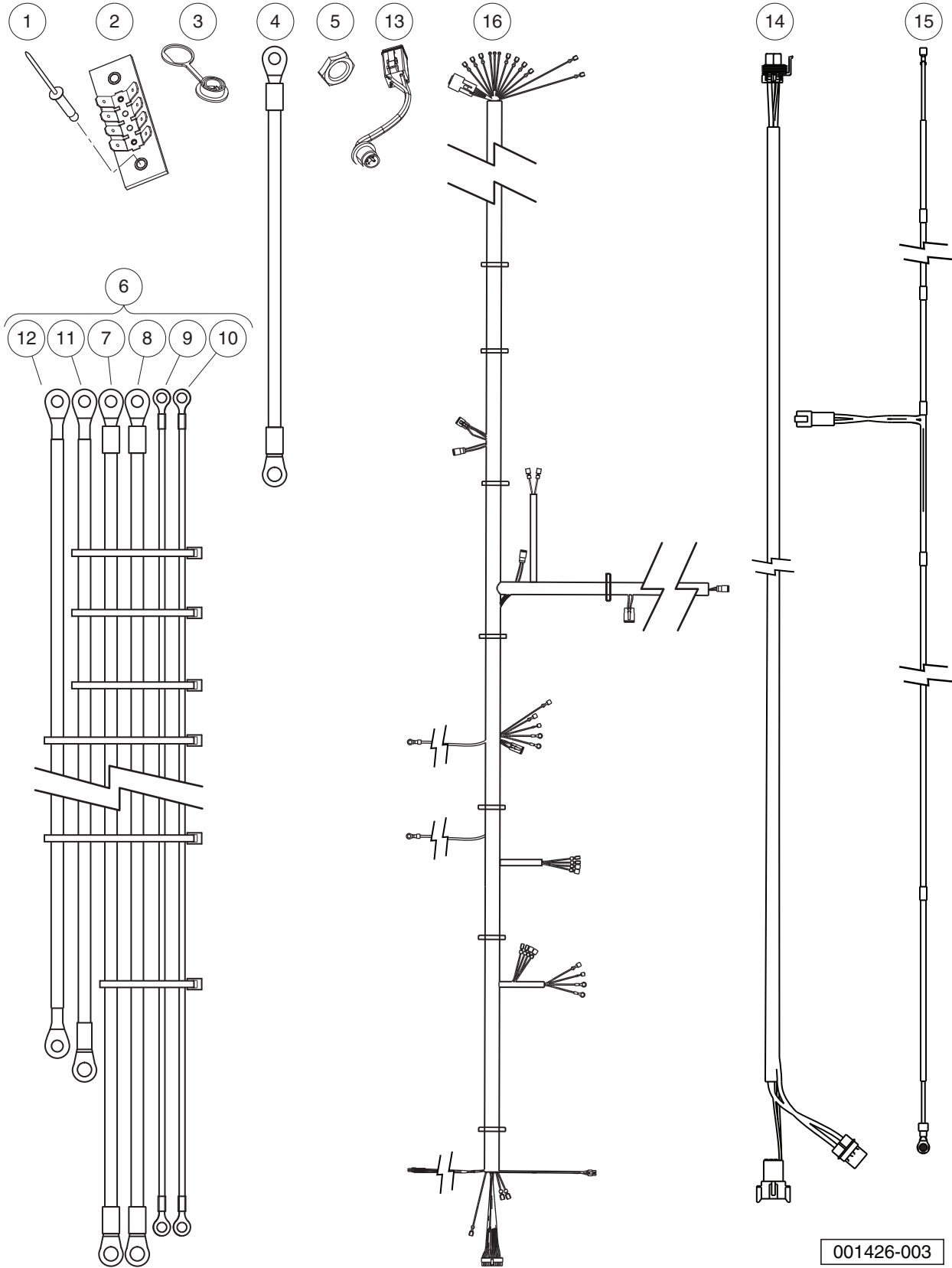
ITEM	PART NO.	DESCRIPTION	QTY
		1 2 3 4	
1	<u>1013357</u>	Rivet, 5/32 Aluminum Pop .....	2
2	<u>1016356</u>	Terminal Block with Insulator .....	1
3	<u>102196901</u>	Dust Cap .....	1
4	<u>102440901</u>	Wire Asm, #4 Yellow, 13" .....	1
5	<u>102572401</u>	Nut, Diagnostic Port .....	1
6	<u>102845501</u>	Harness, Power, Stretch IQ Plus (includes items 7 through 12) .....	1
7	N/A	Asm, #4 Grn Wire, 89" .....	1
8	N/A	Asm, #4 Wht Wire, 88.5" .....	1
9	N/A	Asm, #10 Org Wire, 89.5" .....	1
10	N/A	Asm, #10 Blu Wire, 95.5" .....	1
11	N/A	Asm, #4 Red Wire, 67.5" .....	1
12	N/A	Asm, #4 Blk Wire, 57.5" .....	1
13	<u>103218601</u>	Harness, Diagnostic Port .....	1
14	47564903001	Harness, Charg, Ob, V6/8, Hfc .....	1
15	47564905001	Harness, Relay, Vill 6/8, Hfc .....	1
16	47605933001	Harness, Villager 6, Hfc .....	1

14

E

14

E



001426-003

# WIRING – VILLAGER 8 ELECTRIC WITH HIGH-FREQ. CHARGER

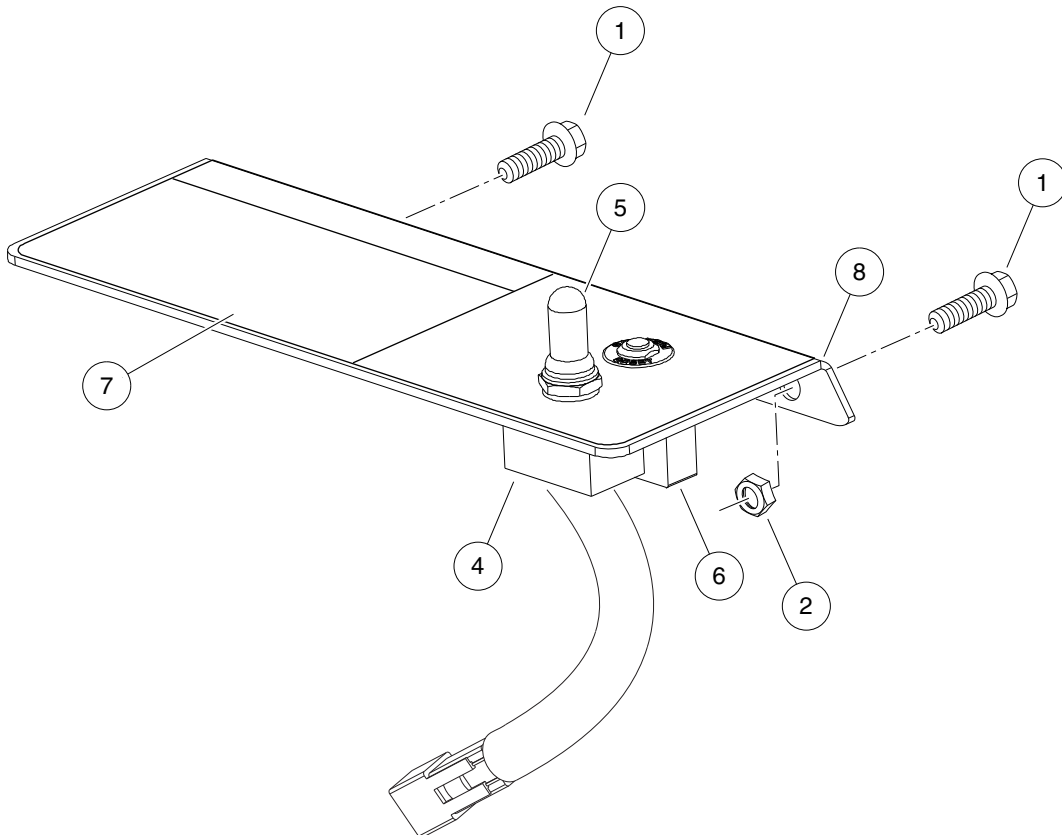
ITEM	PART NO.	DESCRIPTION	QTY
		1 2 3 4	
1	<u>1013357</u>	Rivet, 5/32 Aluminum Pop .....	2
2	<u>1016356</u>	Terminal Block with Insulator .....	1
3	<u>102196901</u>	Dust Cap .....	1
4	<u>102440901</u>	Wire Asm, #4 Yellow, 13" .....	1
5	<u>102572401</u>	Nut, Diagnostic Port .....	1
6	<u>102845501</u>	Harness, Power, Stretch IQ Plus (includes items 7 through 12) .....	1
7	N/A	Asm, #4 Grn Wire, 89" .....	1
8	N/A	Asm, #4 Wht Wire, 88.5" .....	1
9	N/A	Asm, #10 Org Wire, 89.5" .....	1
10	N/A	Asm, #10 Blu Wire, 95.5" .....	1
11	N/A	Asm, #4 Red Wire, 67.5" .....	1
12	N/A	Asm, #4 Blk Wire, 57.5" .....	1
13	<u>103218601</u>	Harness, Diagnostic Port .....	1
14	47564903001	Harness, Charg, Ob, V6/8, Hfc .....	1
15	47564905001	Harness, Relay, Vill 6/8, Hfc .....	1
16	47605934001	Harness, Villager 8, Hfc .....	1

14

E

14

E



000425-001



## TOW/RUN SWITCH – IQ PLUS VEHICLES

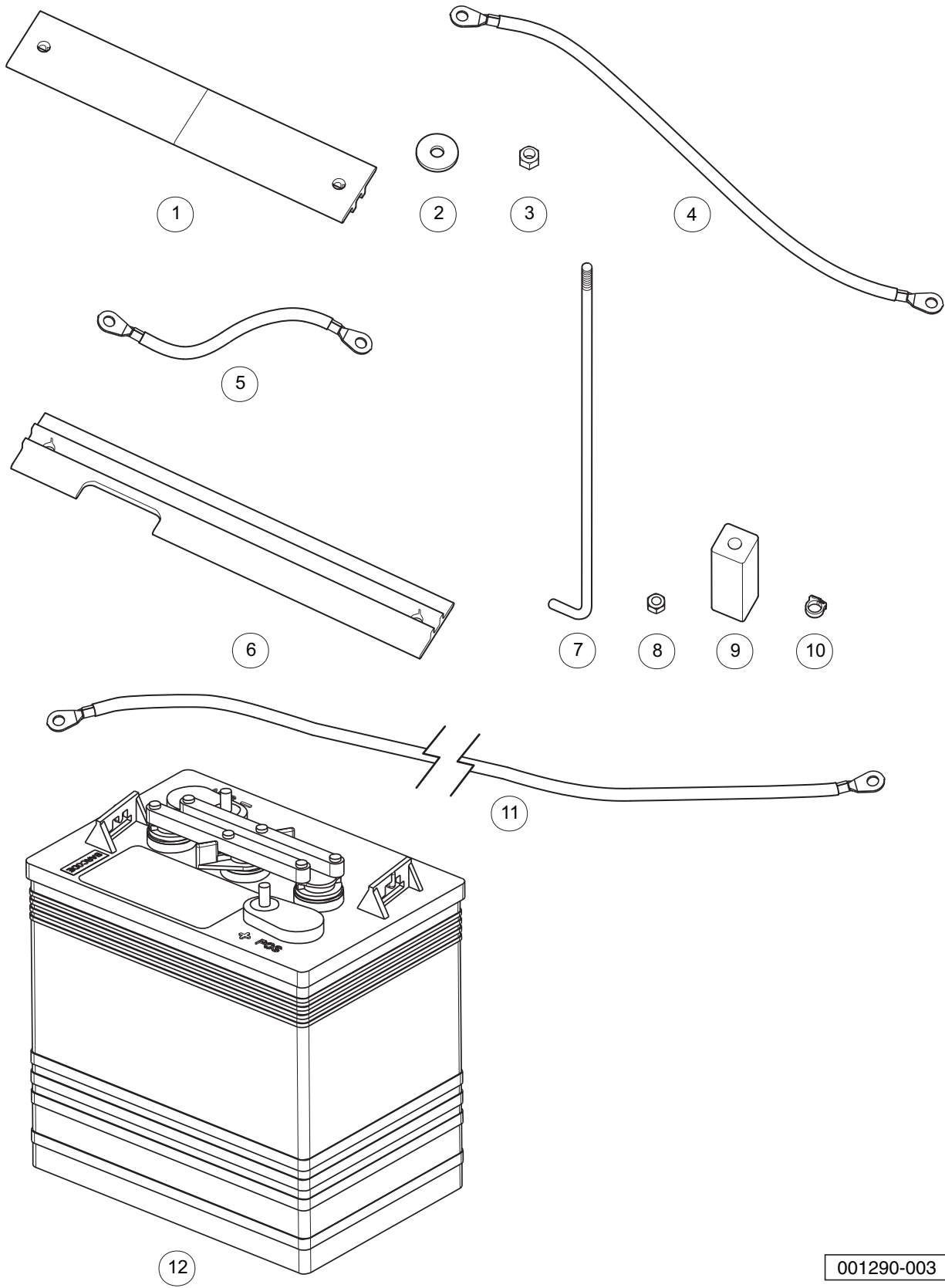
ITEM	PART NO.	DESCRIPTION	QTY
		1 2 3 4	
1	<u>1012126</u>	Screw, #10-32 X .625 Hx Washer .....	1
2	<u>1013061</u>	Locknut, #10-32 Nylon Insert .....	2
3	N/A	Tow/Run Switch Assembly (includes items 4 through 8) .....	1
4	<u>101908101</u>	Switch Assembly, Tow/Run .....	1
5	<u>101908401</u>	Boot, Switch .....	1
6	<u>102838101</u>	Circuit Breaker 250vac-50vdc .....	1
7	<u>102845101</u>	Decal, Tow Switch .....	1
8	<u>102915701</u>	Plate, Switch, Run Tow, Mode .....	1

14

E

14

E



001290-003

## BATTERIES, 6-VOLT, STANDARD DUTY, JCI

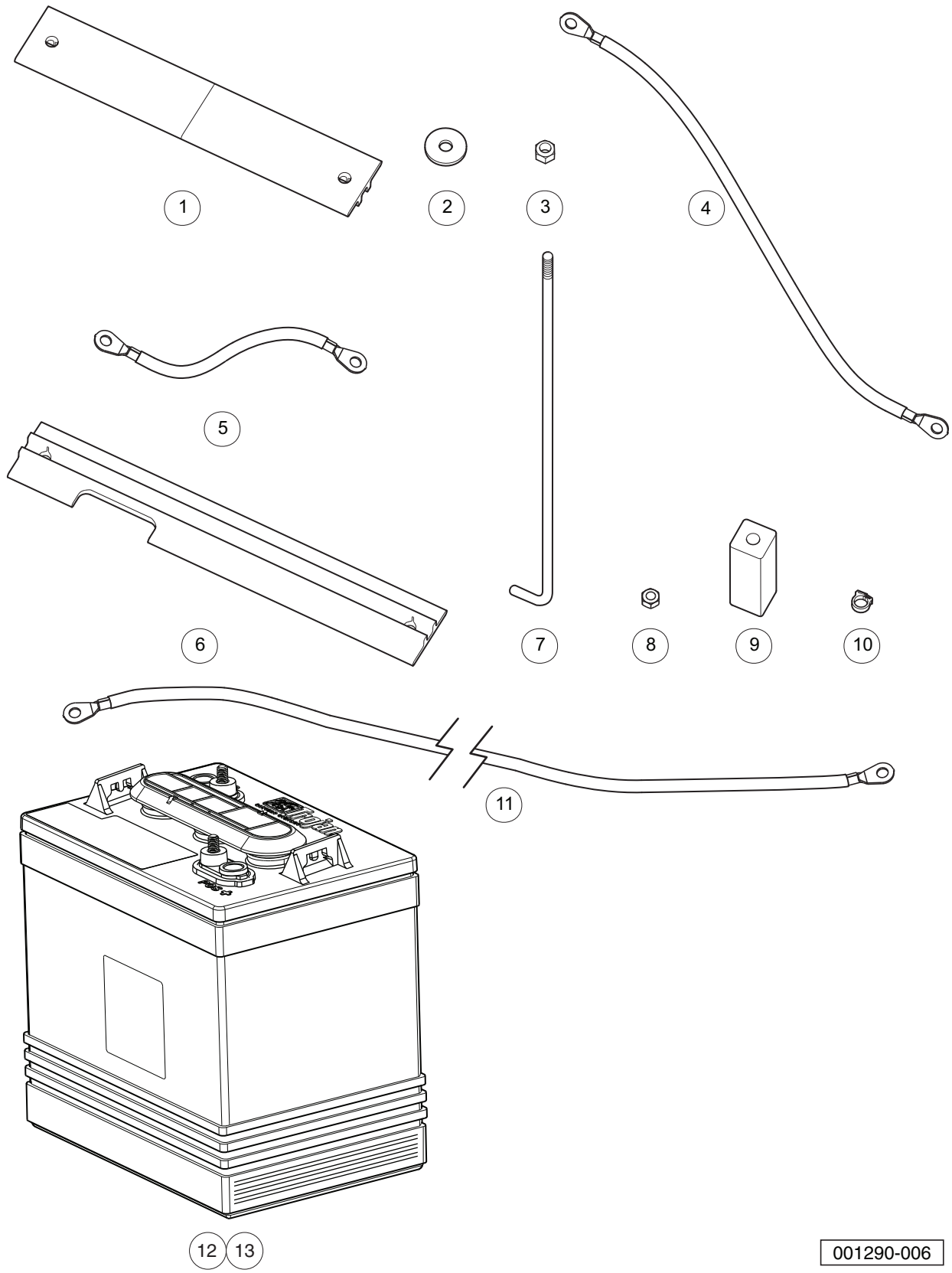
ITEM	PART NO.	DESCRIPTION	QTY
		1 2 3 4	
1	<u>101090801</u>	Hold-Down, Battery .....	2
2	<u>1011578</u>	Washer, 5/16 Type B Flat .....	12
3	1015072	Locknut, 5/16-18 Nylon Insert .....	12
4	<u>102002801</u>	Wire Assy, #4 Black .....	2
5	<u>102002901</u>	Wire Assy, #4 Black .....	3
6	<u>102766201</u>	Hold Down, Outside .....	4
7	<u>102845203</u>	Rod, Battery Hold Down 10.7" .....	12
8	<u>102873401</u>	5/16-18 Heavy Hex Nut .....	16
9	<u>102980801</u>	Extr, Plastic, 1 X 1 X 3 .....	4
10	<u>102980901</u>	Clamp, Hose, Nylon, .25 .....	1
11	<u>103198201</u>	Asm, #4 Blk Wire, 42" .....	1
12	<u>105210299</u>	Battery, 6v, Type E, Gc2, Wet .....	8

14

E

14

E



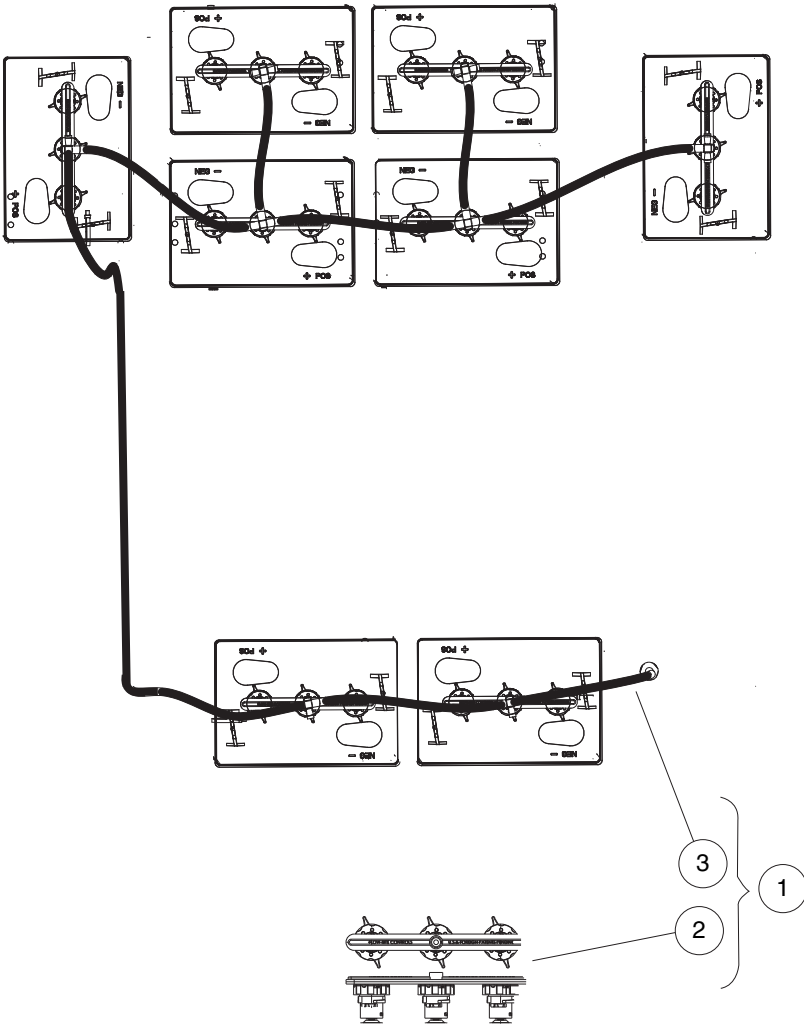
001290-006

## BATTERIES, 6-VOLT, HEAVY DUTY, TROJAN

ITEM	PART NO.	DESCRIPTION	QTY
		1 2 3 4	
1	<u>101090801</u>	Hold-Down, Battery .....	2
2	<u>1011578</u>	Washer, 5/16 Type B Flat .....	12
3	<u>1015072</u>	Locknut, 5/16-18 Nylon Insert .....	12
4	<u>102002801</u>	Wire Assy, #4 Black .....	2
5	<u>102002901</u>	Wire Assy, #4 Black .....	3
6	<u>102766201</u>	Hold Down, Outside .....	4
7	<u>102845204</u>	Rod, Battery Hold Down 12" .....	12
8	<u>102873401</u>	5/16-18 Heavy Hex Nut .....	16
9	<u>102980801</u>	Extr, Plastic, 1 X 1 X 3 .....	4
10	<u>102980901</u>	Clamp, Hose, Nylon, .25 .....	4
11	<u>103198201</u>	Asm, #4 Blk Wire, 42" .....	1
12	<u>103969799</u>	Battery,6v Trojan T145, Wet,sp .....	8

14

E



002525-001

# SINGLE POINT WATERING SYSTEM (SPWS)

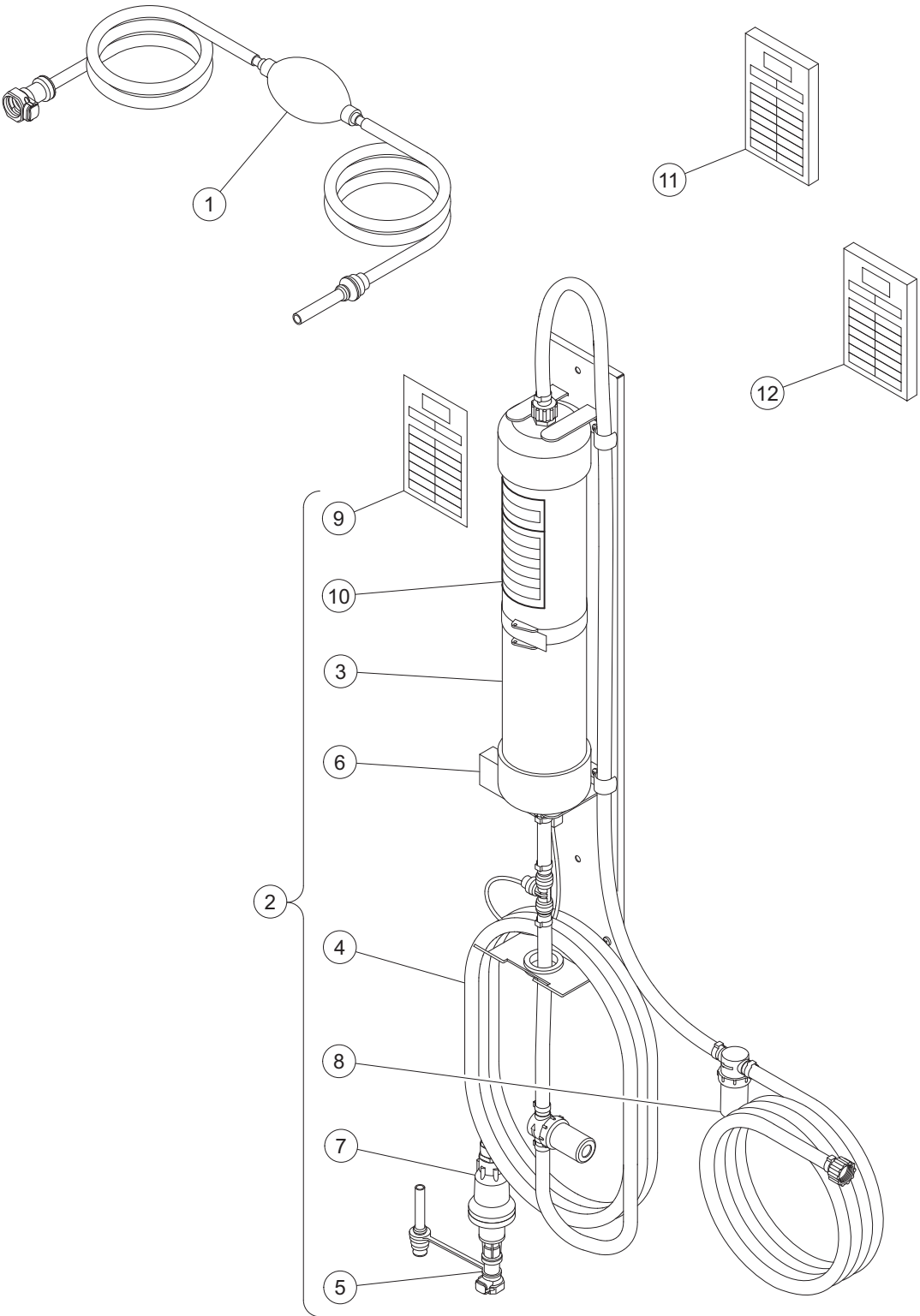
ITEM	PART NO.	DESCRIPTION	QTY
		1 2 3 4	
1	<u>103942902</u>	Kit, Spws, Villager 6, 8 (includes items 2 and 3) .....	1
2	<u>103510501</u>	Manifold, Lpr, 3 Vlve, Spw .....	8
3	103942101	Spws, Villager 6, 8 .....	1

14

E

14

E



002523-003



# HAND PUMP AND DEIONIZER (BATTERY-POWERED QUALITY LIGHT)

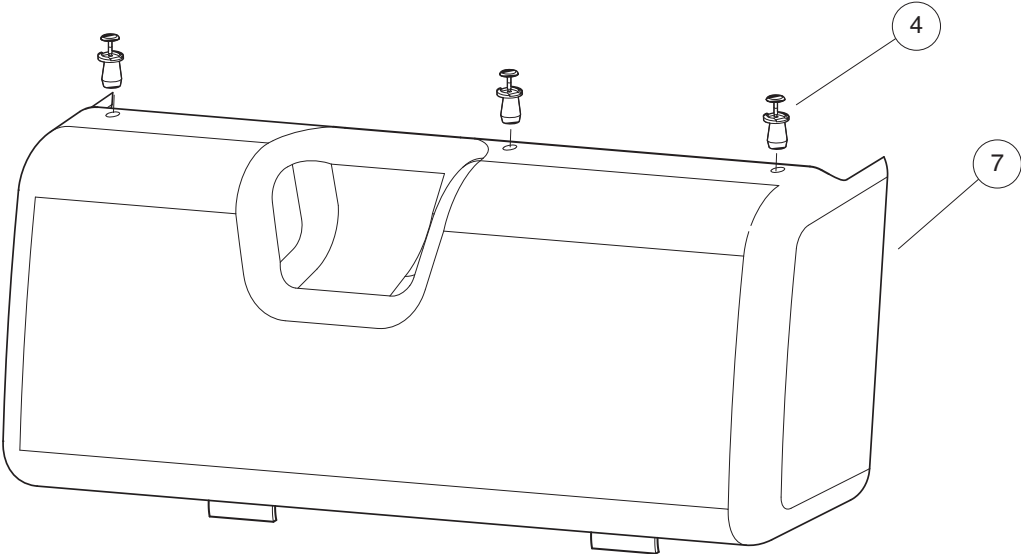
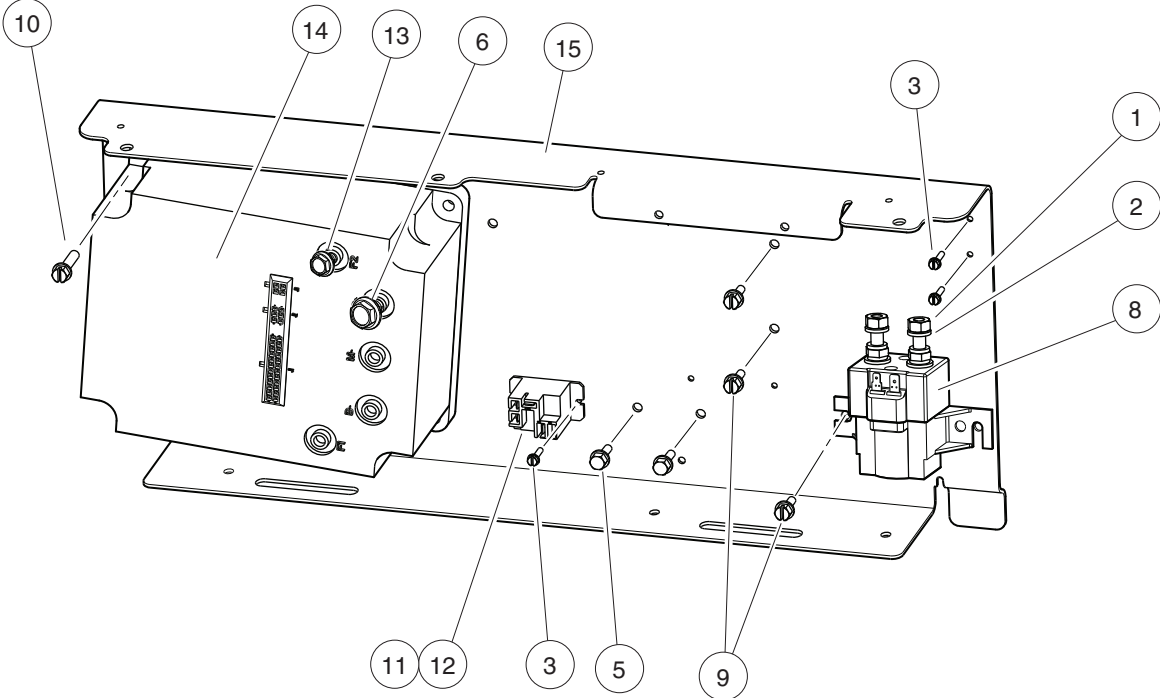
ITEM	PART NO.	DESCRIPTION	QTY
		1 2 3 4	
1	<u>104006101</u>	Kit, Hand Pump, Spws .....	1
2	<u>105166801</u>	Deionizer, w/Battery-Powered Water Quality Light (includes items 3 through 10) .....	1
3	<u>104005901</u>	Cartridge, Deionizer .....	1
4	<u>105166901</u>	Hose,outlet,deionizer .....	1
5	<u>105167001</u>	Flow Ind, W/coupler, Deionizer .....	1
6	<u>105167101</u>	Light, Quality, Battery-Powered, w/T-Fitting .....	1
7	<u>105168501</u>	Regulator, Pressure, Deionizer .....	1
8	<u>105168601</u>	Strainer, In-line, Deionizer .....	1
9	<u>AM1300001</u>	Decal, Filter Log, Blue .....	1
10	<u>AM1300201</u>	Decal, Inspect Log, Yellow .....	1
11	AM1300101	Decal, Filter Log, Blue, Pack of 100 .....	A/R
12	AM1300301	Decal, Inspect Log, Yellow, Pack of 100 .....	A/R

14

E

14

E



001427-001

# COMPUTER, CONTROLLER, AND SOLENOID – HIGH-FREQ. CHARGER

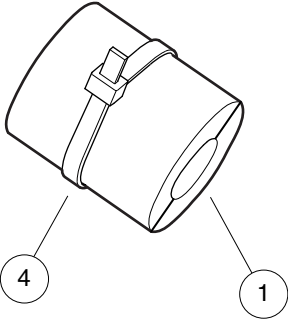
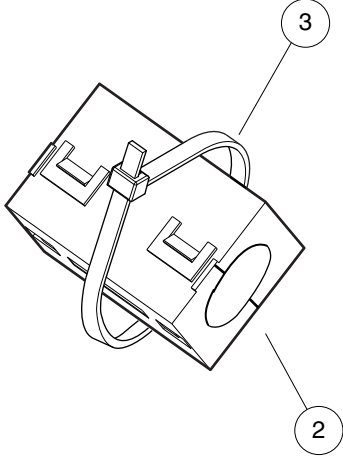
ITEM	PART NO.	DESCRIPTION	QTY
		1 2 3 4	
1	<u>1012528</u>	Nut, M8-1.25 Hex .....	2
2	<u>1013734</u>	Lockwasher, 8mm Split .....	2
3	<u>1015720</u>	Screw, #6-32 X 1/2 Hex Washer-Head .....	4
4	<u>1016967</u>	Blind Rivet, Push Type .....	3
5	<u>102238001</u>	#10-24 Taptite Screw .....	2
6	<u>102240501</u>	Bolt, Controller, Terminal .....	3
7	<u>102772402</u>	Cover, Electrical Component, Carryall 6 .....	1
8	<u>102774701</u>	Solenoid, 48v .....	1
9	<u>102817101</u>	Screw, 1/4-20 X .50 Hex Wsh Hd .....	4
10	<u>102817201</u>	Screw, 1/4-20 X .88 Hex Wsh Hd .....	4
11	<u>103414901</u>	Kit, Relay, 48v 30a W/instr (includes item 12) .....	1
12	<u>103397901</u>	Relay, Spst No, 48v 30a, Pmt .....	1
13	<u>105000501</u>	Screw, M6 X 1 X 12 Ser Hex Flg .....	2
14	<u>105075201</u>	Controller, 500 Amp, Hfc .....	1
15	<u>105147101</u>	Plate, Component, Frnt, No Obc .....	1

14

E

14

E



001055-001

# FERRITE BEADS, CE

ITEM	PART NO.	DESCRIPTION	QTY
		<b>1 2 3 4</b>	
1	<u>103449501</u>	Bead, Ferrite, Tdk .....	A/R
2	<u>103449601</u>	Bead, Ferrite, Fair-rite .....	A/R
3	<u>8639</u>	Tie Wrap, 11" Nylon .....	A/R
4	<u>8990</u>	Tie Wrap, 8" Nylon .....	A/R

**14**

**E**

**14**

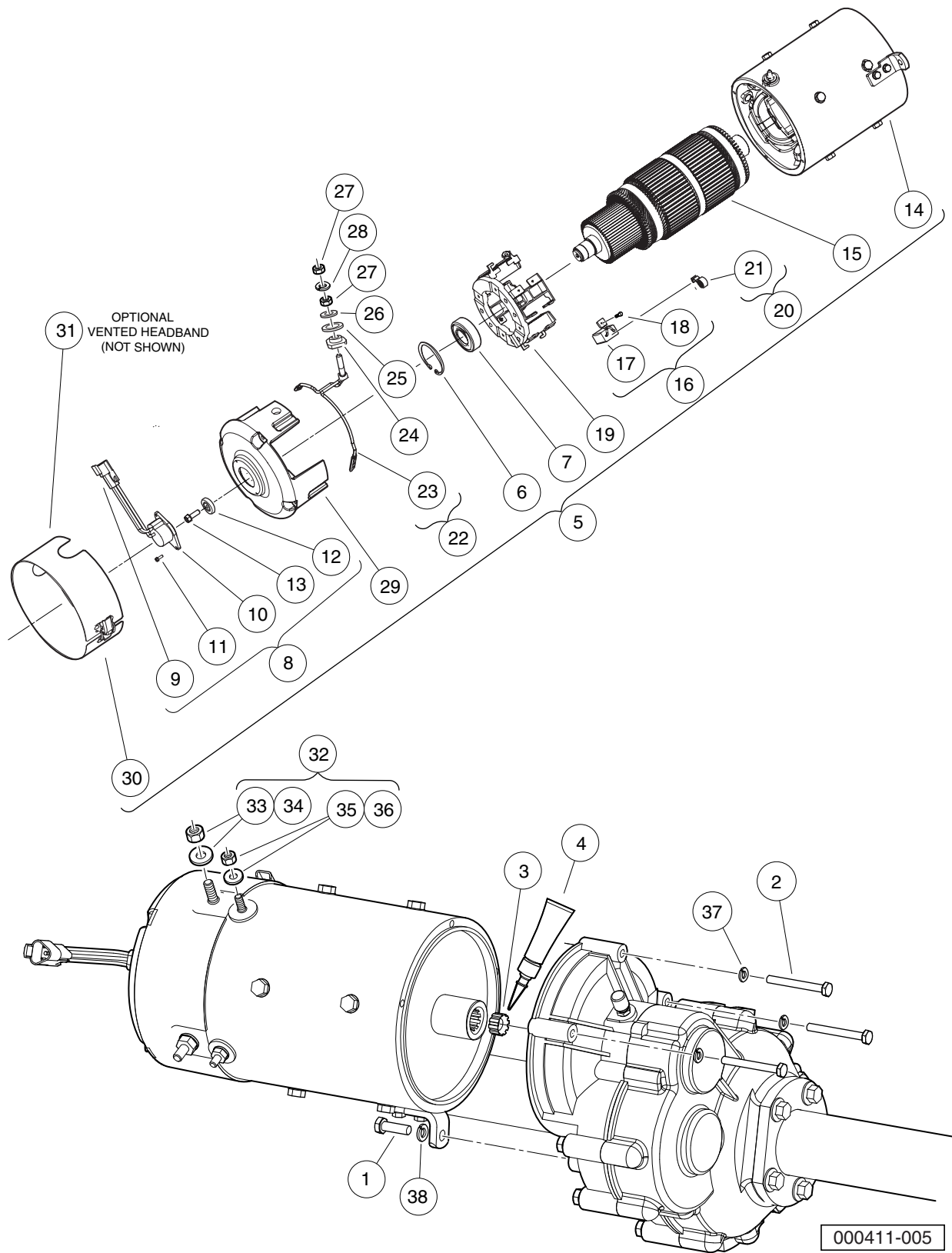
***E***

# MOTOR (MODEL DA5-4006) – IQ PLUS

---

15

E





# MOTOR (MODEL DA5-4006) – IQ PLUS

ITEM	PART NO.	DESCRIPTION	QTY
		<b>1 2 3 4</b>	
1	<u>1010934</u>	Screw, 5/16-18 X 1.00 Hex Cap .....	1
2	1014201	Screw, 1/4-20 X 2.25 Hex Cap .....	3
3	<u>102235201</u>	Bumper, Drive Unit .....	1
4	<u>102243403</u>	Lubricant, Moly-Teflon (Single-Use Tube) .....	1
5	<u>102775101</u>	IQ Plus Electric Motor, 48-VDC 3.7 hp (includes items 6 through 30) .....	1
6	N/A	Ring, 2.24" Internal Retaining .....	1
7	<u>102186401</u>	Bearing, Ball .....	1
8	<u>102704901</u>	Kit, Speed Sensor (includes items 9 through 13) .....	1
9	<u>101942301</u>	Kit, 3-Pin Wedge Lock .....	1
10	N/A	Sensor, Motor Speed, ADC .....	1
11	N/A	Screw, #8-32, Taptite Thread .....	2
12	N/A	Magnet, ADC Motor .....	1
13	N/A	Screw, 1/4-20 x 0.5 .....	1
14	N/A	Asm, Frame And Field, 3.7 Hp .....	1
15	N/A	Armature (Includes external hardware not shown) .....	1
16	<u>102938601</u>	Kit, Brush, 3.7 Hp (includes items 17 and 18) .....	1
17	N/A	Brush, Motor .....	8
18	N/A	Screw, Taptite .....	8
19	<u>102938701</u>	Asm, Brush Box, 3.7 Hp .....	1
20	<u>102938801</u>	Kit, Brush Spring, 3.7 Hp (includes item 21) .....	1
21	N/A	Brush Spring .....	8
22	<u>102938901</u>	Kit, Brush Lead Asm, 3.7 Hp (includes items 23 through 28) .....	1
23	N/A	Terminal and Lead Assembly .....	2
24	N/A	Insulator, Terminal .....	2
25	N/A	Washer, Insulating .....	2
26	N/A	Washer, Flat, 5/16, Brass/Bronze .....	2
27	N/A	Nut, 5/16, Steel .....	4
28	N/A	Lockwasher, 5/16, Steel .....	2
29	<u>102939001</u>	Commutator End Head, 3.7 Hp .....	1
30	<u>102939101</u>	Sealed Headband, 3.7 Hp .....	1
31	<u>102939102</u>	Vented Headband, 3.7 HP (optional - not shown) .....	1
32	<u>102951701</u>	Pkg, Terminal Hardware, 3.7hp (includes items 33 through 36) .....	1
33	N/A	Nut, 5/16, Steel .....	2
34	N/A	Lockwasher, 5/16, Steel .....	2
35	N/A	Nut, 1/4-20, Steel .....	2
36	N/A	Lockwasher, 1/4-20, Steel .....	2
37	<u>451</u>	Lockwasher, 1/4 Split .....	3
38	<u>7174</u>	Lockwasher, 5/16 Split .....	1

15

E

**15**

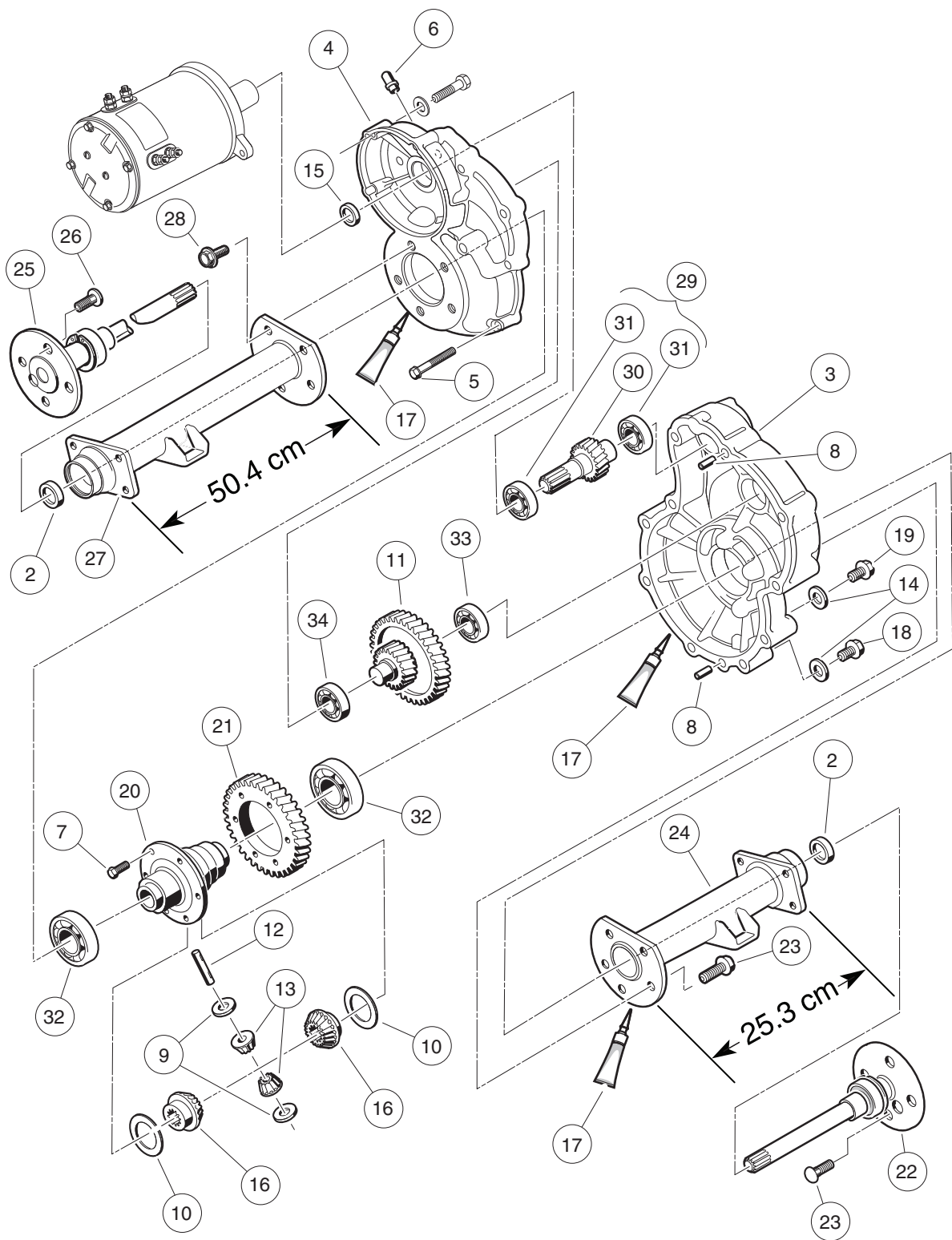
***E***

# TRANSAXLE – ELECTRIC VEHICLES

---

16

*E*



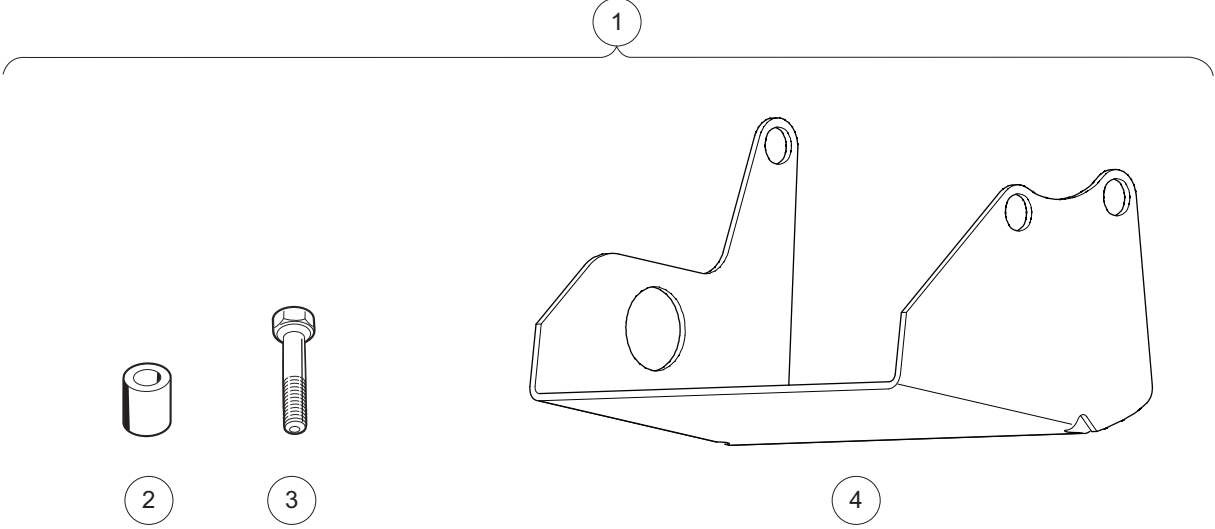
000223-005

# TRANSAXLE – ELECTRIC VEHICLES

ITEM	PART NO.	DESCRIPTION	QTY
		<b>1 2 3 4</b>	
1	<u>102771701</u>	Transaxle, Electric (includes items 2 through 34) .....	1
2	<u>1013794</u>	Axle Shaft Oil Seal .....	2
3	<u>101895401</u>	Gear Case, Driver-Side .....	1
4	<u>101895501</u>	Gear Case, Passenger-Side .....	1
5	<u>101897001</u>	Screw, M8-1.25 X 60mm Hex-Head .....	11
6	<u>101897201</u>	Breather .....	1
7	<u>101897401</u>	Screw, M10-1.25 X 25mm .....	6
8	<u>101897601</u>	Pin, 11mm OD X 8.5mm ID X 10mm .....	2
9	<u>101903601</u>	Washer, Thrust .....	2
10	<u>101903701</u>	Washer, Thrust .....	2
11	<u>101906901</u>	Intermediate Shaft Assembly .....	1
12	<u>101922101</u>	Pin, 15.99mm X 88.7mm Dowel .....	1
13	<u>101923001</u>	Gear, Differential Idler .....	2
14	<u>101923201</u>	Gasket .....	2
15	<u>101923501</u>	Seal, Lip .....	1
16	<u>101923901</u>	Gear, Differential .....	2
17	<u>101928701</u>	Liquid Gasket (Transaxle case) .....	1
18	<u>101972101</u>	Plug, M14-1.5 X 12mm Magnetic .....	1
19	<u>101972201</u>	Plug, M14-1.5 X 12mm Hex .....	1
20	<u>102356601</u>	Housing, Differential, 6 Bolt .....	6
21	<u>102356801</u>	Gear, Differential Output, 6-Bolt .....	6
22	<u>102886301</u>	Axle Assembly, Driver-Side (includes item 23) .....	1
23	<u>101922201</u>	Lug Stud .....	4
24	<u>102886401</u>	Tube, Axle, Driver-Side .....	1
25	<u>102886501</u>	Axle Assembly, Passenger-Side (includes item 26) .....	1
26	<u>101922201</u>	Lug Stud .....	4
27	<u>102886601</u>	Tube, Axle, Passenger-Side .....	1
28	<u>102902801</u>	Screw, M10 X 30 .....	10
29	<u>103582801</u>	Asm, E Trans Shaft/bearing (includes items 30 and 31) .....	1
30	N/A	Shaft, Input .....	1
31	<u>7335</u>	Bearing .....	2
32	<u>7330</u>	Inner Axle Tube Bearing .....	2
33	<u>7335</u>	Bearing .....	1
34	<u>7336</u>	Bearing .....	1

16

E



000365-002

## DIFFERENTIAL GUARD – ELECTRIC VEHICLES

ITEM	PART NO.	DESCRIPTION	QTY
		1 2 3 4	
1	<u>101611402</u>	Kit, Differential Guard, Elec Vehicles (includes items 2 through 4) .....	1
2	<u>101914001</u>	Spacer, Steel .....	2
3	<u>101936101</u>	Screw, M10-1.50 X 60mm Hex Cap .....	2
4	<u>101978601</u>	Guard, Differential, Electric Vehicle Transaxle .....	1

16

E

**16**

***E***



# BATTERY CHARGERS – IQ PLUS

---

17

E

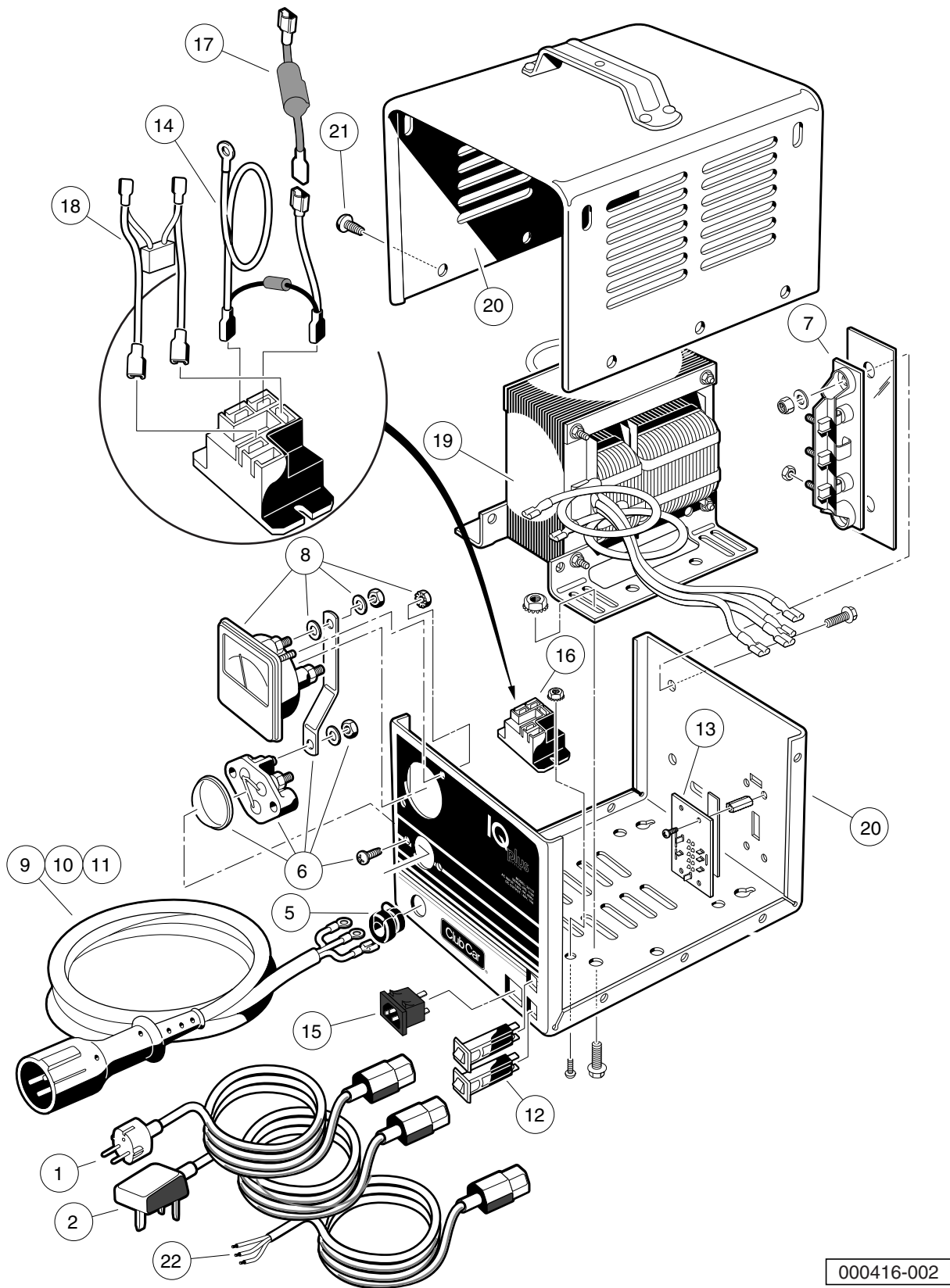


# IQ PLUS BATTERY CHARGER (MODELS 25730-11,-18,-19), DOMESTIC

ITEM	PART NO.	DESCRIPTION	QTY
		1 2 3 4	
1	<u>102847801</u>	Charger, IQ Plus, Domestic (9-ft. DC Cord, 6-ft. AC Cord) .....	1
2	<u>102847802</u>	Charger, IQ Plus, Domestic (12-ft. DC Cord, 9-ft. AC Cord) .....	1
3	<u>102847803</u>	Charger, IQ Plus, Domestic (20-ft. DC Cord, 9-ft. AC Cord) (includes items 4 through 20)	1
4	<u>1012098</u>	Bushing, DC Cord .....	1
5	<u>1012101</u>	Fuse Assembly .....	1
6	<u>1015914</u>	Rectifier with Heatsink Assembly .....	1
7	<u>1015917</u>	Bushing, AC Cord .....	1
8	<u>101828501</u>	Ammeter .....	1
9	<u>101828801</u>	Cord, AC, 80-Inch (203 cm) .....	1
10	<u>101828802</u>	Cord, AC, 108-Inch (274 cm) .....	1
11	<u>101828901</u>	Cord, DC, 113-Inch (287 cm) .....	1
12	<u>101828902</u>	Cord, DC, 154-Inch (391 cm) .....	1
13	<u>101828903</u>	Cord, DC, 250-Inch (635 cm) .....	1
14	<u>101831101</u>	Wire Assembly Kit .....	1
15	101914401	Assembly, Voltage Suppressor .....	1
16	<u>102275401</u>	Relay, 48-VDC .....	1
17	<u>102838101</u>	Circuit Breaker 250vac-50vdc .....	1
18	N/A	Transformer, Battery Charger .....	1
19	N/A	Case, Battery Charger .....	1
20	7577	Screw, #10 X 0.50 Phillips Pan-Head .....	10

17

E



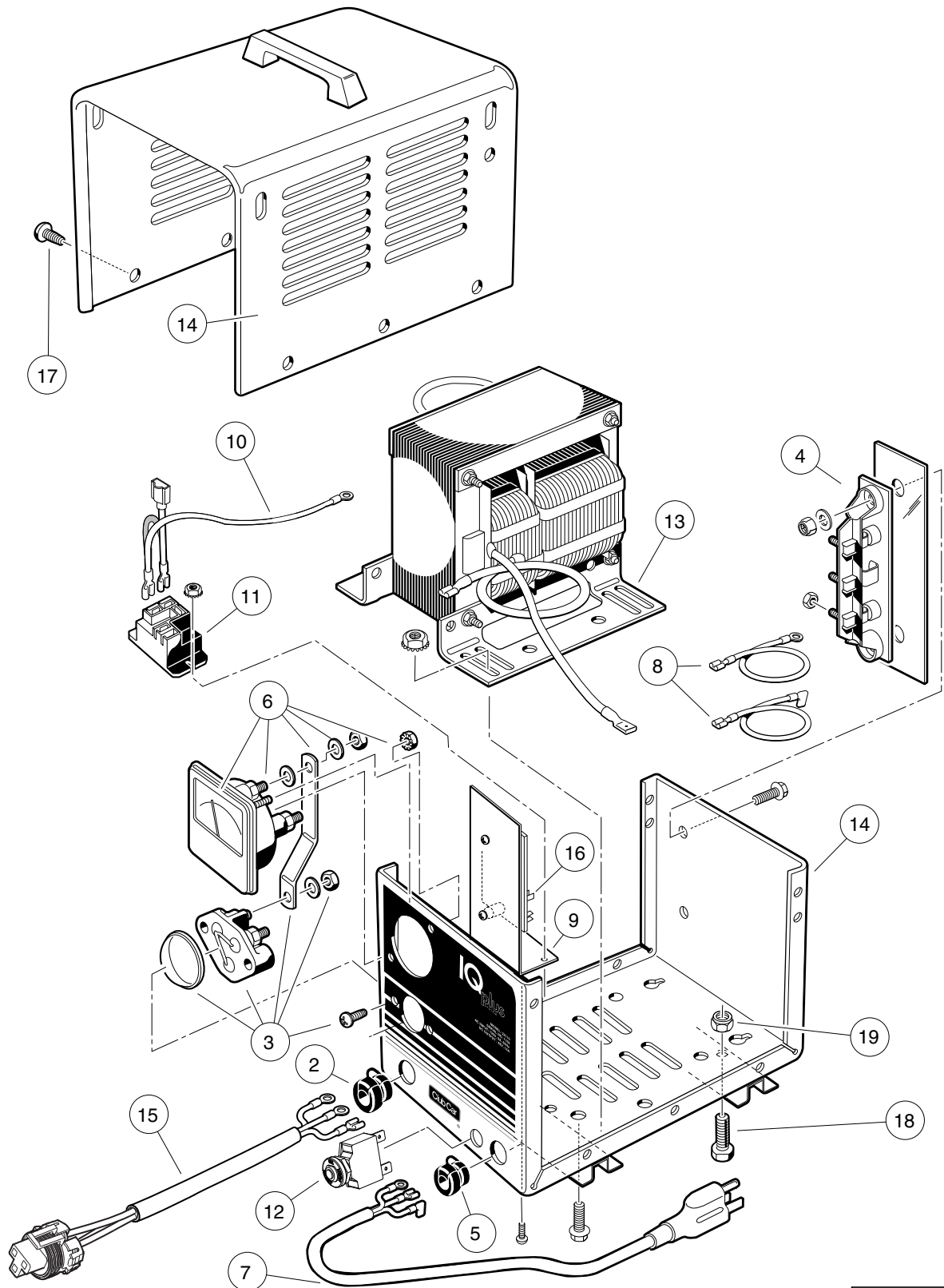
000416-002

# IQ PLUS BATTERY CHARGER (MODELS 25880-11 AND -18), INTERNATIONAL

ITEM	PART NO.	DESCRIPTION	QTY
		1 2 3 4	
1	<u>101958201</u>	Cord, UK, AC, Battery Charger .....	1
2	<u>101958301</u>	Cord, European AC, Battery Charger .....	1
3	<u>102892901</u>	Charger, IQ Plus, International (9-ft. DC Cord) .....	1
4	<u>102892902</u>	Charger, IQ Plus, International (12-ft. DC Cord) (includes items 5 through 21) .....	1
5	<u>1012098</u>	Bushing, DC Cord .....	1
6	<u>1012101</u>	Fuse Assembly .....	1
7	<u>1015914</u>	Rectifier with Heatsink Assembly .....	1
8	<u>101828501</u>	Ammeter .....	1
9	<u>101828901</u>	Cord, DC, 113-Inch (287 cm) .....	1
10	<u>101828902</u>	Cord, DC, 154-Inch (391 cm) .....	1
11	<u>101828903</u>	Cord, DC, 250-Inch (635 cm) .....	1
12	<u>101838401</u>	Circuit Breaker .....	2
13	<u>101838601</u>	Four-Position Switch .....	1
14	<u>101914401</u>	Assembly, Voltage Suppressor .....	1
15	<u>101973501</u>	Receptacle, AC Cord .....	1
16	<u>102275401</u>	Relay, 48-VDC .....	1
17	N/A	Limiter, Current .....	1
18	N/A	Wire Assembly, Battery Charger .....	1
19	N/A	Transformer, Battery Charger .....	1
20	N/A	Case, Battery Charger .....	1
21	7577	Screw, #10 X 0.50 Phillips Pan-Head .....	10
22	<u>102939501</u>	Cord, European AC, Battery Charger .....	1

17

E



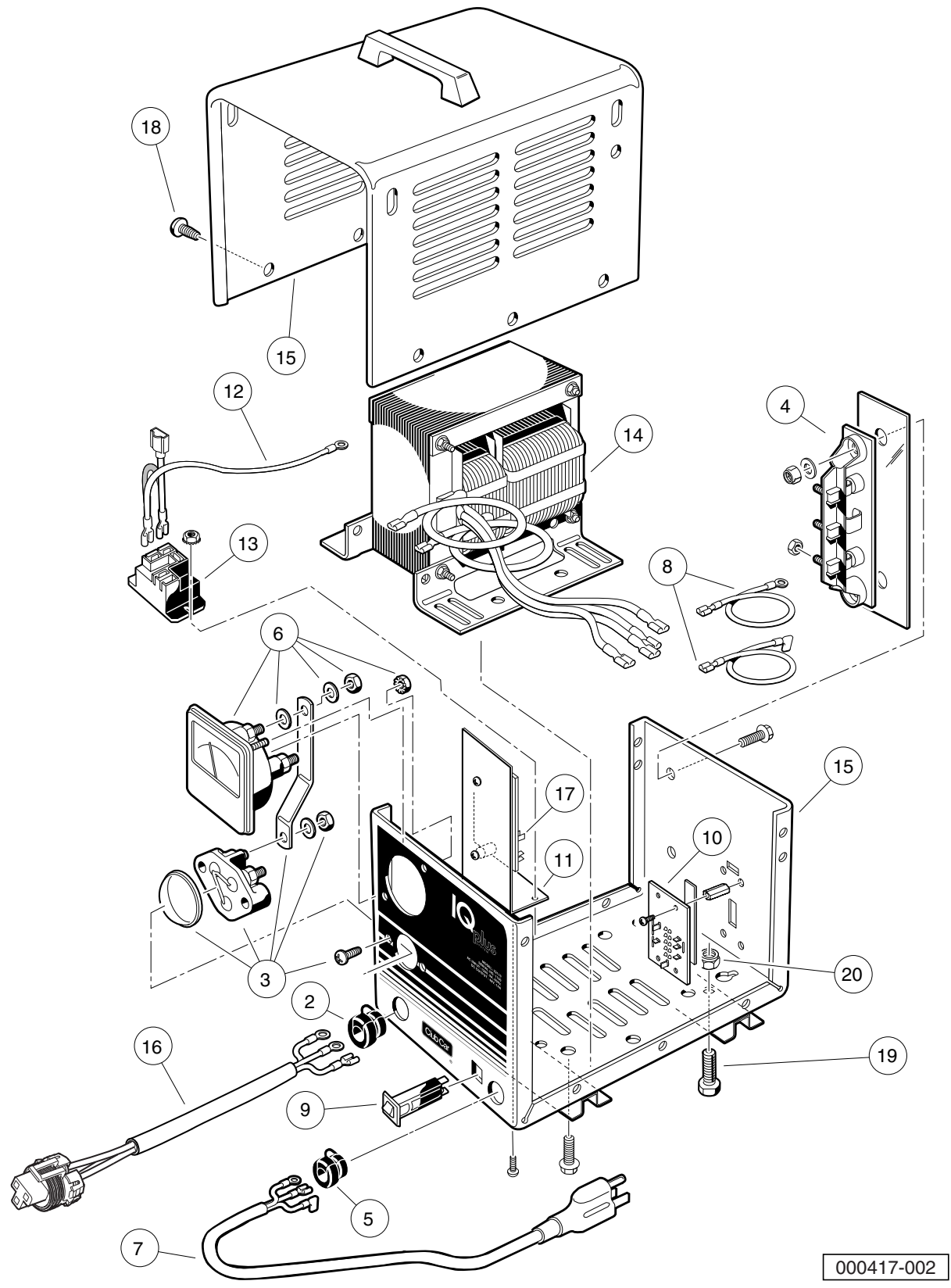
000415-002

# ONBOARD IQ PLUS BATTERY CHARGER (MODEL 25260-50), DOMESTIC

ITEM	PART NO.	DESCRIPTION	QTY
		1 2 3 4	
1	<u>103772401</u>	Charger, IQ Plus, Onboard, Domestic (includes items 2 through 19) .....	1
2	<u>1012098</u>	Bushing, DC Cord .....	1
3	<u>1012101</u>	Fuse Assembly .....	1
4	<u>1015914</u>	Rectifier with Heatsink Assembly .....	1
5	<u>1015917</u>	Bushing, AC Cord .....	1
6	<u>101828501</u>	Ammeter .....	1
7	<u>101829001</u>	Cord, AC, 22-Inch (56 cm) .....	1
8	<u>101831101</u>	Wire Assembly Kit .....	1
9	<u>101838701</u>	Mounting Bracket, Relay .....	1
10	<u>101914401</u>	Assembly, Voltage Suppressor .....	1
11	<u>102275401</u>	Relay, 48-VDC .....	1
12	<u>102838101</u>	Circuit Breaker, 20 Amp .....	1
13	N/A	Transformer, Battery Charger .....	1
14	N/A	Case, Battery Charger .....	1
15	<u>103832001</u>	Cord, DC, 20", Charger .....	1
16	<u>103869401</u>	Control Board, Potted .....	1
17	7577	Screw, #10 X 0.50 Phillips Pan-Head .....	12
18	<u>7847</u>	Screw, 1/4-20 X 0.75 Hex-Head Cap .....	4
19	<u>8233</u>	Locknut, 1/4-20, Nylon Insert .....	4
		Note: DC Cord (item 15) uses the Packard 480 Connector.	

17

E



000417-002



# ONBOARD IQ PLUS BATTERY CHARGER (MODEL 25660-50), INTERNATIONAL

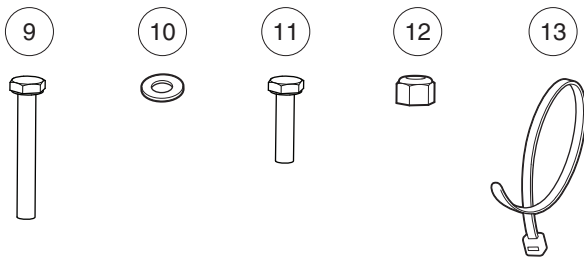
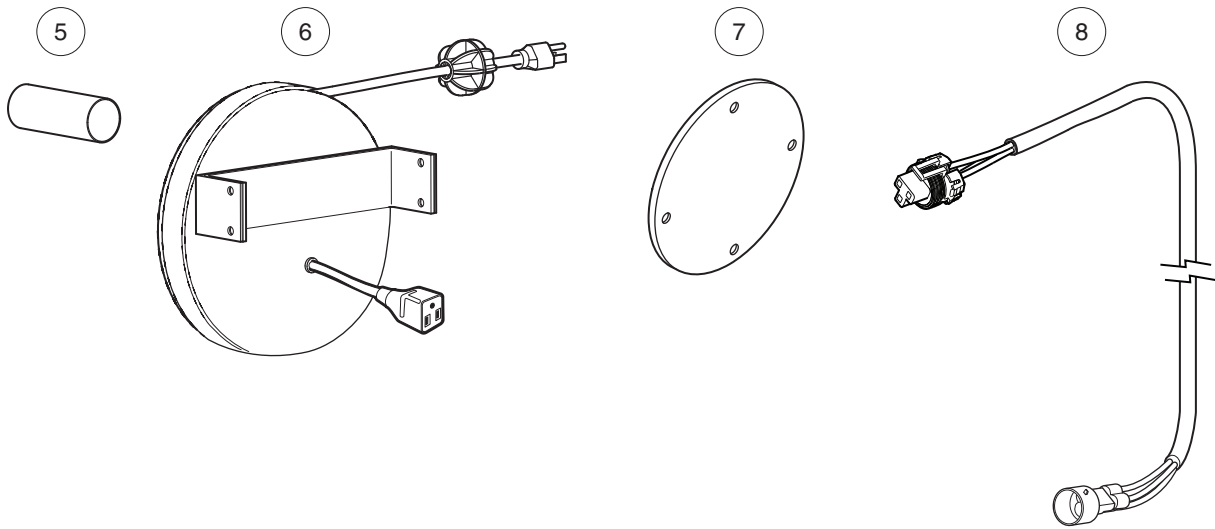
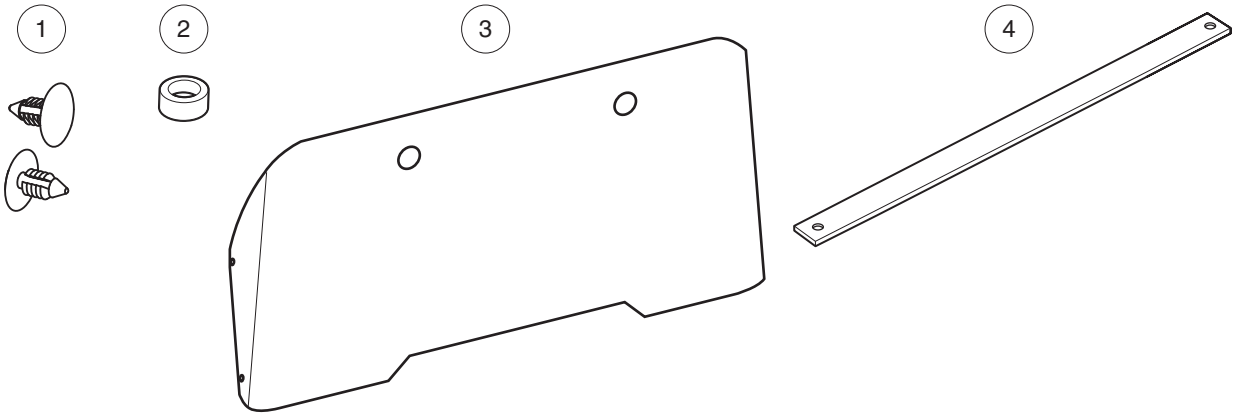
ITEM	PART NO.	DESCRIPTION	QTY
		1 2 3 4	
1	<u>103771601</u>	Charger, IQ Plus, Onboard, International (includes items 2 through 20) .....	1
2	<u>1012098</u>	Bushing, DC Cord .....	1
3	<u>1012101</u>	Fuse Assembly .....	1
4	<u>1015914</u>	Rectifier with Heatsink Assembly .....	1
5	<u>1015917</u>	Bushing, AC Cord .....	1
6	<u>101828501</u>	Ammeter .....	1
7	<u>101829001</u>	Cord, AC, 22-Inch (56 cm) .....	1
8	<u>101831101</u>	Wire Assembly Kit .....	1
9	<u>101838401</u>	Circuit Breaker .....	1
10	<u>101838601</u>	Four-Position Switch .....	1
11	<u>101838701</u>	Mounting Bracket, Relay .....	1
12	<u>101914401</u>	Assembly, Voltage Suppressor .....	1
13	<u>102275401</u>	Relay, 48-VDC .....	1
14	N/A	Transformer, Battery Charger .....	1
15	N/A	Case, Battery Charger .....	1
16	<u>103832001</u>	Cord, DC, 20", Charger .....	1
17	<u>103869401</u>	Control Board, Potted .....	1
18	<u>7577</u>	Screw, #10 X 0.50 Phillips Pan-Head .....	12
19	<u>7847</u>	Screw, 1/4-20 X 0.75 Hex-Head Cap .....	4
20	<u>8233</u>	Locknut, 1/4-20, Nylon Insert .....	4
Note: DC Cord (item 16) uses the Packard 480 Connector.			

17

E

17

E



001289-002

# ONBOARD IQ PLUS CHARGER AND CORD REEL MOUNTING

ITEM	PART NO.	DESCRIPTION	QTY
		1 2 3 4	
1	<u>1010434</u>	Barrel - Plastic .....	4
2	<u>1010927</u>	Hill Brake Spacer .....	4
3	1011348	Rear Panel 4 Passenger .....	1
4	<u>1011707</u>	Bracket, Mounting, Battery Charger .....	2
5	<u>1017189</u>	Heat Shrink Tube 1.5"x 4' .....	1
6	<u>101965401</u>	Reel Assy, Retractable Cord .....	1
7	<u>103218001</u>	Cover Plate, Receptacle .....	1
8	103772201	Harness, Ob Charg, Vill, 480 .....	1
9	<u>1703</u>	Screw, 1/4-20 X 1.50 Hx Hd Cap .....	4
10	<u>332</u>	Washer, 1/4 Type A Narrow Flat .....	4
11	<u>7847</u>	Screw, 1/4-20 X 0.75 Hex-Head Cap .....	4
12	<u>8233</u>	Locknut, 1/4-20, Nylon Insert .....	8
13	<u>8990</u>	Tie Wrap, 8" Nylon .....	4
Note: Charger Harness (item 8) uses the Packard 480 Connector.			

17

E

17

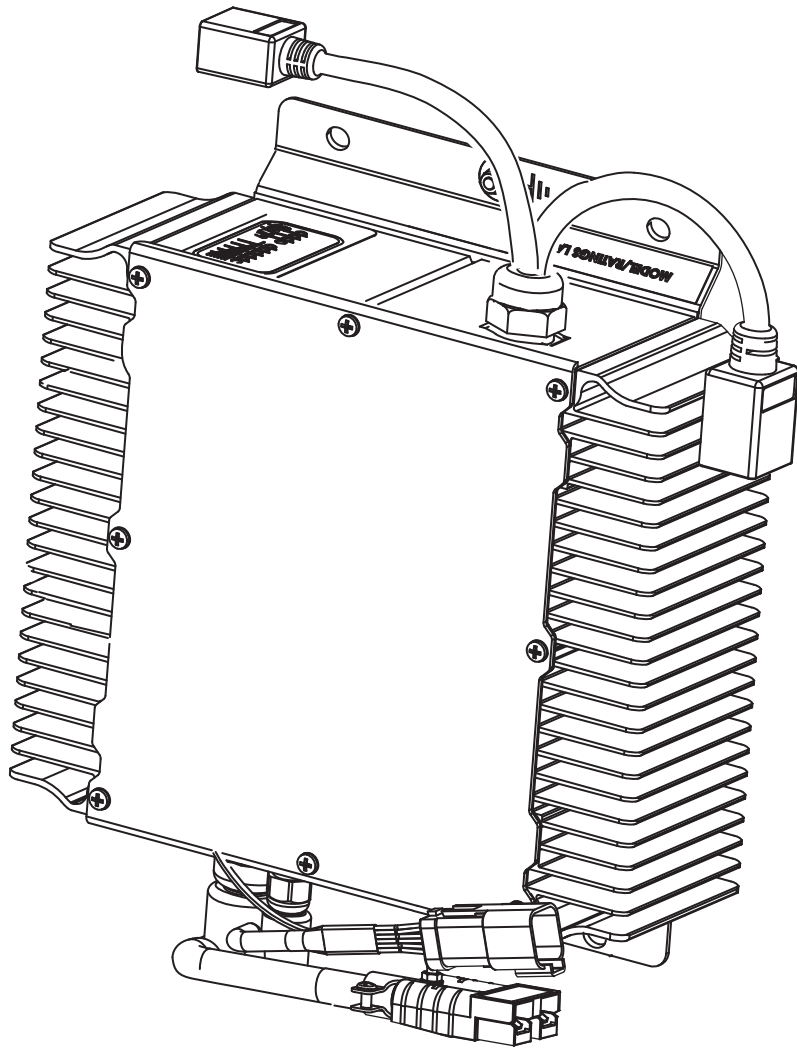
*E*

# BATTERY CHARGER – HIGH-FREQUENCY

---

18

E



1

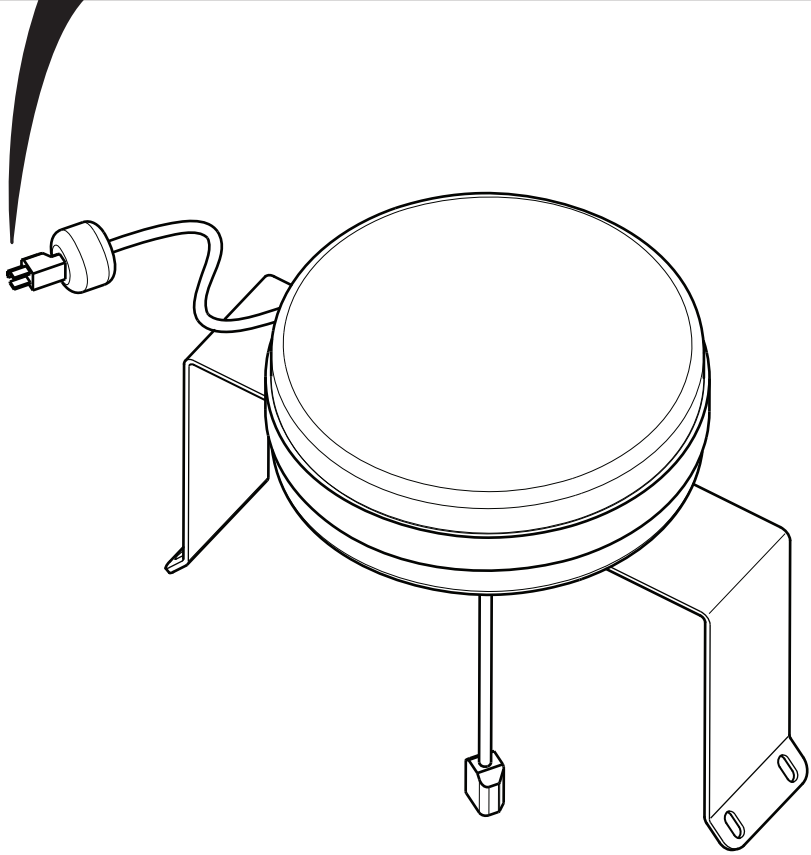
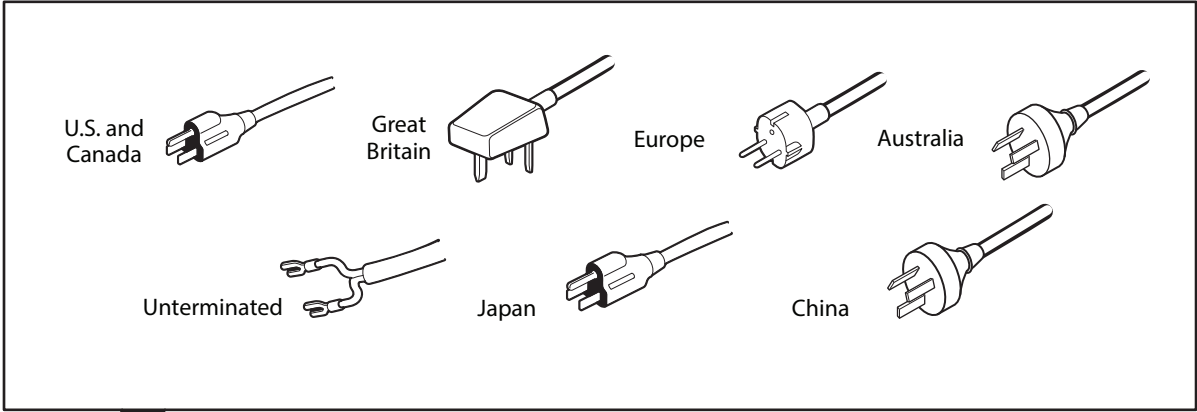
001428-001

# HIGH-FREQUENCY BATTERY CHARGER – ONBOARD

ITEM	PART NO.	DESCRIPTION	QTY
1	<u>105149401</u>	<div style="display: flex; justify-content: space-between; margin-bottom: 5px;"> <span>1</span> <span>2</span> <span>3</span> <span>4</span> </div> Chrg, Batt, Onboard, Quiq .....	1

18

E



- 1
- 2
- 3
- 4
- 5
- 6
- 7

001429-001



## CORD REELS, ONBOARD – HIGH-FREQUENCY CHARGER

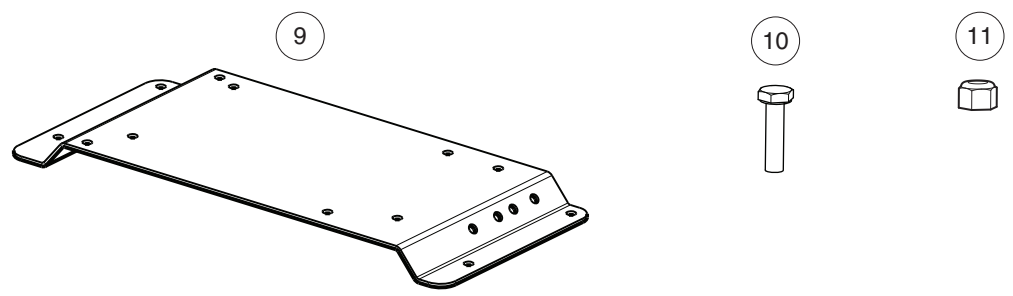
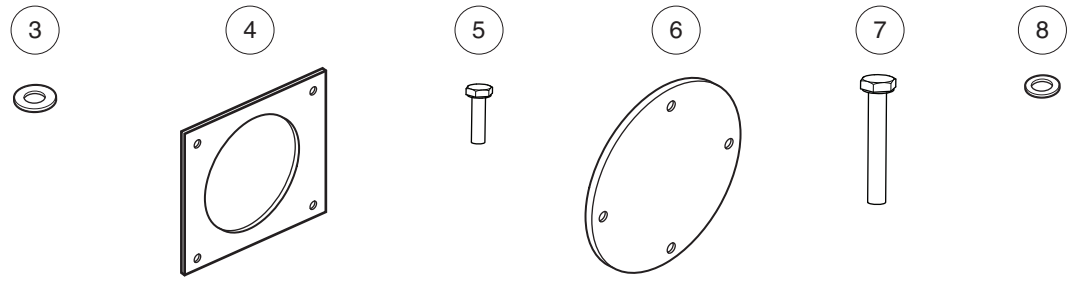
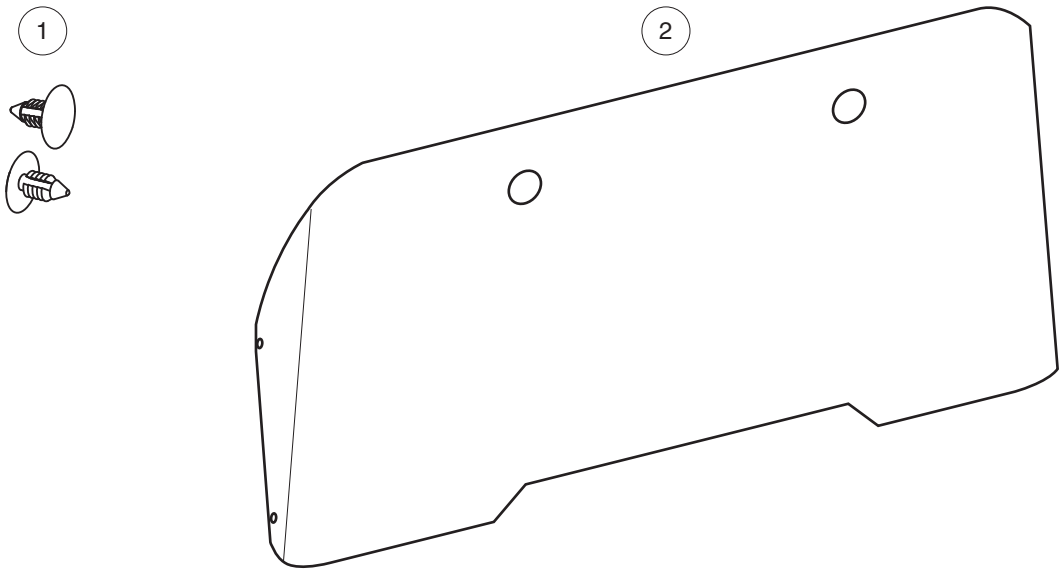
ITEM	PART NO.	DESCRIPTION	QTY
		1 2 3 4	
1	47579307001	Cord Reel, Retrct, V6/v8 .....	1
2	<u>47579307002</u>	Cord Reel,retrct,v6/v8, Uk .....	1
3	<u>47579307003</u>	Cord Reel,retrct,v6/v8, Eu .....	1
4	47579307004	Cord Reel,retrct,v6/v8, Au .....	1
5	47579307005	Cord Reel,retrct,v6/v8, Unterm .....	1
6	47579307006	Cord Reel,retrct,v6/v8, Japan .....	1
7	47579307007	Cord Reel,retrct,v6/v8, China .....	1

18

E

18

E



001430-001

## CHARGER MOUNTING – ONBOARD HIGH-FREQ.

ITEM	PART NO.	DESCRIPTION	QTY
		1 2 3 4	
1	<u>1010434</u>	Barrel - Plastic .....	4
2	1011348	Rear Panel 4 Passenger .....	1
3	<u>1014306</u>	Washer, 1/4" Type B Flat .....	4
4	<u>101801001</u>	Plate, Receptacle Backing .....	1
5	<u>101832001</u>	Screw, #7-19 X 0.625 Phillips Pan-Head Tap .....	4
6	<u>103218001</u>	Cover Plate, Receptacle .....	1
7	304	Screw, 1/4-20 X 1.0 Hex-Head Cap .....	4
8	<u>332</u>	Washer, 1/4 Type A Narrow Flat .....	12
9	47579306001	Brkt, Ob Charger, V6/v8 .....	1
10	<u>7847</u>	Screw, 1/4-20 X 0.75 Hex-Head Cap .....	8
11	<u>8233</u>	Locknut, 1/4-20, Nylon Insert .....	12

18

E



# MAINTENANCE AND SERVICE TOOLS

---

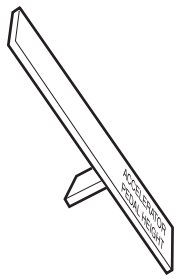
19

G

E

D

**19**  
**G**  
**E**  
**D**



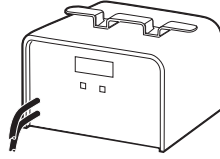
1



2



3



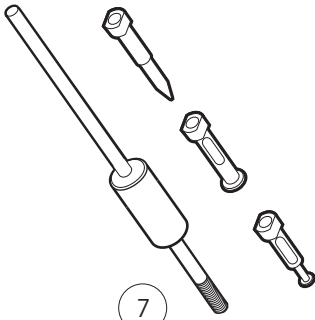
4



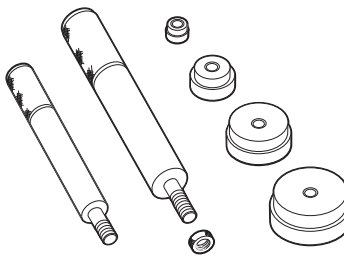
5



6



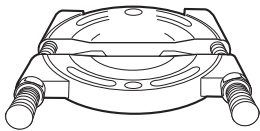
7



8



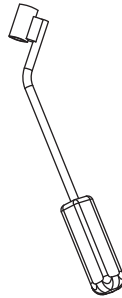
9



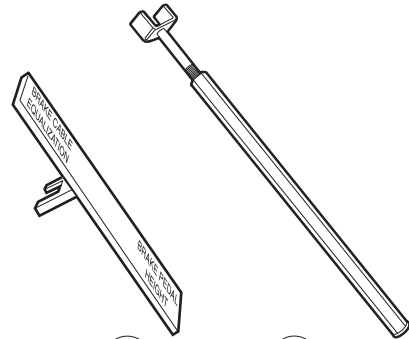
10



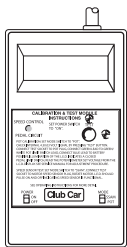
11



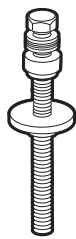
12



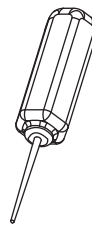
14  
15  
13



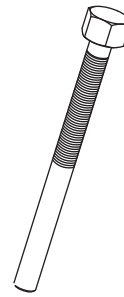
16



17



18



19

STF19-0001

# MAINTENANCE AND SERVICE TOOLS

ITEM	PART NO.	DESCRIPTION	QTY DIESEL	QTY GAS	QTY ELEC
		<p style="text-align: center;">1 2 3 4</p> <p>The following tool list includes all tools available from Club Car for maintenance and service procedures for gasoline, electric, and/or diesel vehicles models. Be sure to carefully examine the tool list for applicability to your vehicle before ordering.</p>			
1	<u>101871001</u>	Accelerator Pedal Adjustment Tool .....		1	1
2	<u>101813202</u>	Adhesive, Guide Ring, 3-Gram Tube .....			1
3	<u>101641202</u>	Arbor .....		1	
4	<u>101831901</u>	Battery Discharge Machine, 36/48 Volt .....			1
5	<u>1014305</u>	Battery Terminal Protector Spray .....	1	1	1
6	1011767	Battery Thermometer .....	1	1	1
7	<u>1016417</u>	Bearing and Oil Seal Remover Assembly .....	1	1	1
8	<u>1016416</u>	Bearing Driver Set .....	1	1	1
9	<u>1012811</u>	Bearing Puller .....	1	1	1
10	<u>1012812</u>	Bearing Puller Wedge Attachment .....	1	1	1
11	1013582	Brake Adjustment Tool (used only on vehicles with manually adjusted mechanical brakes) .....			
12	<u>102555501</u>	Brake Cable Release Tool .....	1	1	1
13	102249901	Brake Pedal Adjustment Tool Kit (used for the Carryall Electric Industrial Truck only) (includes items 14 and 15).....			1
14	****	Brake Pedal Adjustment Tool .....			1
15	****	Brake Pedal Tension Tool .....			1
16	<u>101887101</u>	Calibration Test Module .....			1
17	<u>101808401</u>	Cam Installation Tool .....		1	
18	<u>102562401</u>	Charger Bezel Tool .....			1
19	<u>102686101</u>	Clutch Removal Tool (for 4x4 vehicles) .....	1	1	
		Please refer to the maintenance and service manual for proper tool application.			
	****	Special order item available upon request			

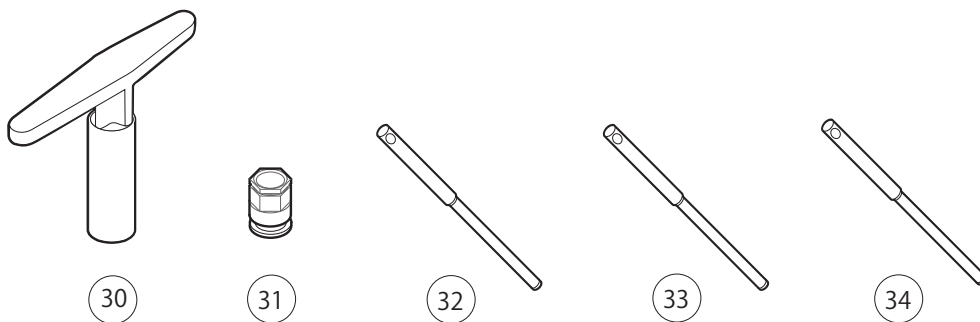
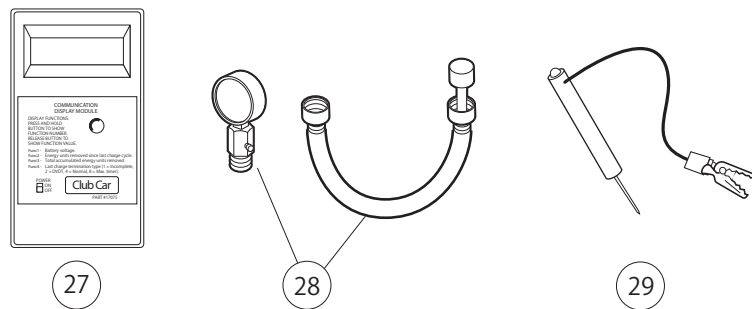
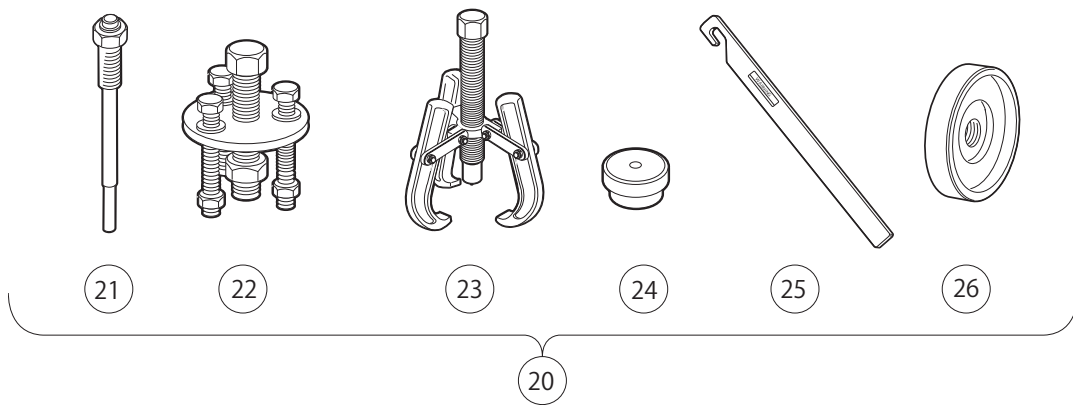
**19**

**G**

**E**

**D**

**19**  
**G**  
**E**  
**D**



STF19-0002



## MAINTENANCE AND SERVICE TOOLS, CONTINUED

ITEM	PART NO.	DESCRIPTION	QTY DIESEL	QTY GAS	QTY ELEC
		1 2 3 4			
20	<u>1014510</u>	Clutch Tools Kit (includes items 21 - 27) .....		1	
21	<u>1014496</u>	Drive Clutch Puller (Kohler and Kawasaki engines) .....		1	
22	<u>1014497</u>	Drive Clutch Hub Puller (Kohler and Kawasaki engines) .....		1	
23	<u>1014508</u>	Driven Clutch Cam Puller (Kohler and Kawasaki engines) .....		1	
24	<u>1014507</u>	Driven Clutch Puller Plug (Kohler and Kawasaki engines) .....		1	
25	<u>1015524</u>	Drive Clutch Holder Tool Assembly (for Kawasaki engines only) .....		1	
25	<u>105072501</u>	Drive Clutch Holder Tool Assembly (for Kohler engines only) .....		1	
26	<u>101809101</u>	Press Weldment (for Kawasaki engines only) .....		1	
27	101831801	Communication Display Module .....			1
28	101641002	Compression Gauge and Adapter .....		1	
29	1011273	Continuity Tester .....		1	1
30	<u>102774101</u>	Wrench, T, #505.....		1	
31	<u>102774101</u>	Adapter, T-Wrench.....		1	
32	<u>102774201</u>	Pilot, 6.6 MM .....		1	
33	<u>102774301</u>	Pilot, 6.62 MM.....		1	
34	<u>102774401</u>	Pilot, 6.65 MM.....		1	
		Please refer to the maintenance and service manual for proper tool application.			

19

G

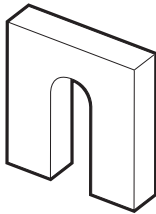
E

D

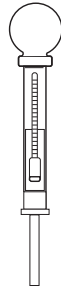
**19**  
**G**  
**E**  
**D**



35



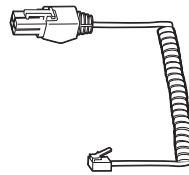
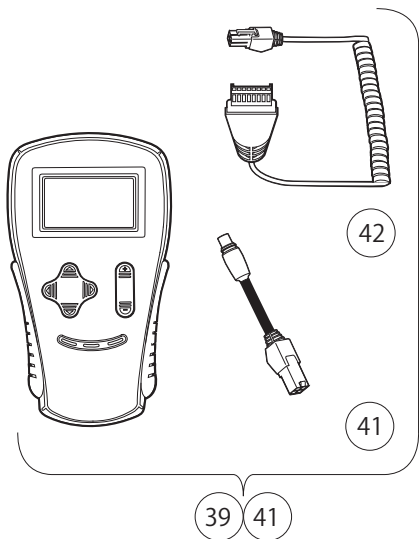
36



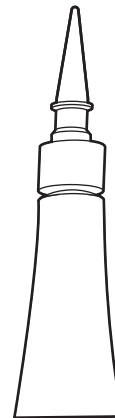
37



38



43



44



45



46 47



48

STF19-0003

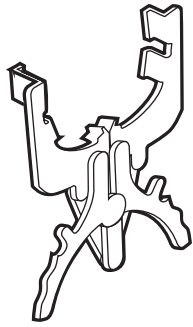
## MAINTENANCE AND SERVICE TOOLS, CONTINUED

ITEM	PART NO.	DESCRIPTION	QTY DIESEL	QTY GAS	QTY ELEC	<b>19</b>
		1 2 3 4				<b>G</b>
35	<u>1012151</u>	Dry Moly Lubricant .....	1	1	1	<b>E</b>
36	<u>1016418</u>	Gear Yoke .....	1	1	1	<b>D</b>
37	<u>1011478</u>	Hydrometer .....	1	1	1	
38	<u>1013593</u>	Internal Retaining Ring Pliers .....	1	1	1	
39	<u>102248803</u>	Kit, IQDM User Series 40602 (IQ System and IQ Plus vehicles) ..... (includes items 41 and 42)			1	
40	<u>102248804</u>	Kit, IQDM Programmable OEM Series II (IQ System and IQ Plus vehicles) (includes items 41 and 42)			1	
41	<u>102251501</u>	Adaptor, Cable .....			1	
42	<u>102241502</u>	IQDM Series 2 Cable .....			1	
43	<u>102241501</u>	IQDM Series 1 Cable (replacement) .....			1	
44	<u>101928701</u>	Liquid Gasket (transaxle case) .....	1	1	1	
45	<u>102243402</u>	Moly-Teflon Lubricant (4-oz. (113-gram) tube) .....			1	
46	<u>101997201</u>	Paint, Touch-Up – Beige* .....		1	1	
46	<u>101997207</u>	Paint, Touch-Up – Black* .....		1	1	
46	<u>101997212</u>	Paint, Touch-Up – Burgundy* .....		1	1	
46	<u>101997211</u>	Paint, Touch-Up – Classic Blue (Navy)* .....		1	1	
46	<u>101997205</u>	Paint, Touch-Up – Dark Gray* .....	1	1	1	
46	<u>101997209</u>	Paint, Touch-Up – Dark Green* .....	1	1	1	
46	<u>101997204</u>	Paint, Touch-Up – Gray* .....	1	1	1	
46	<u>101997203</u>	Paint, Touch-Up – Red* .....	1	1	1	
46	<u>101997206</u>	Paint, Touch-Up – Royal Blue (Pacific Blue)* .....		1	1	
46	<u>101997202</u>	Paint, Touch-Up – White* .....	1	1	1	
47	<u>102562301</u>	Paint, Precedent Underbody – Gray .....		1	1	
48	<u>102587201</u>	Paint Pen, Touch-Up, Precedent Underbody – Black .....		1	1	
		Please refer to the maintenance and service manual for proper tool application.				
		* Item 47 is not for use on Surlyn <sup>®</sup> body material, which is used on Precedent vehicles.				

**19**  
**G**  
**E**  
**D**



49



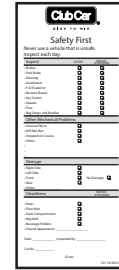
50



51



52



53



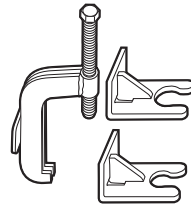
54



55



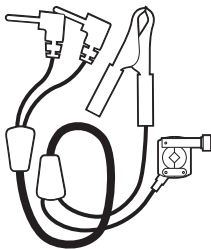
56



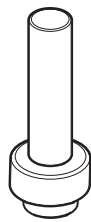
57



58



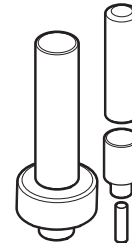
59



60



61



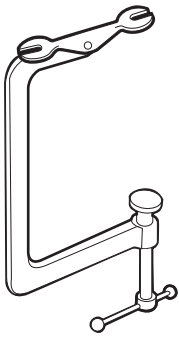
62

STF19-0004

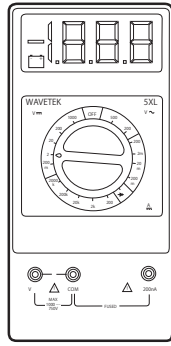
## MAINTENANCE AND SERVICE TOOLS, CONTINUED

ITEM	PART NO.	DESCRIPTION	QTY DIESEL	QTY GAS	QTY ELEC	<b>19</b>
		<b>1 2 3 4</b>				
49	<u>1016414</u>	Piston Ring Compressor Kit (FE290, FE350 and FE400 engines) .....		1		<b>G</b>
50	<u>1016415</u>	Piston Ring Pliers (for Kawasaki Engines) .....		1		<b>E</b>
51	<u>1012549</u>	Retaining Ring Pliers, 45° External .....	1	1	1	<b>D</b>
52	<u>1012560</u>	Retaining Ring Pliers, 90° Internal .....	1	1	1	
53	<u>101823101</u>	Safety First Card (50 per pack) .....	1	1	1	
54	<u>1012809</u>	Seal Puller .....	1	1	1	
55	<u>1014264</u>	Steering Column Bearing Press Tool .....		1	1	
56	<u>1014259</u>	Steering Column Retaining Ring Tool .....		1	1	
57	102061201	Steering Wheel Puller Tool .....	1	1	1	
58	<u>AM10753</u>	Tachometer (includes gasoline engine pick up lead only) .....	1	1		
59	<u>AM10771</u>	Tachometer Diesel Probe (for use with item 73) .....	1			
60	<u>1014162</u>	Transaxle Axle Seal Tool .....		1		
61	<u>1014161</u>	Transaxle Pinion Seal Tool .....		1		
62	<u>1014115</u>	Transmission Tool Kit .....		1		

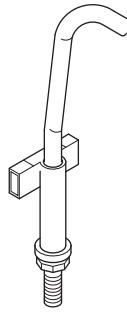
19  
G  
E  
D



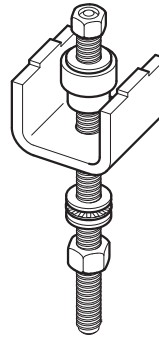
63



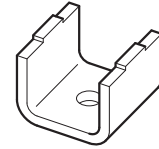
64



65



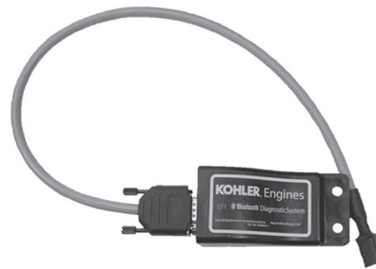
66



67



68



69



70

STF19-0005

## MAINTENANCE AND SERVICE TOOLS, CONTINUED

ITEM	PART NO.	DESCRIPTION	QTY DIESEL	QTY GAS	QTY ELEC
		1 2 3 4			
63	<u>101641101</u>	Valve Spring Compressor .....		1	
64	1011480	Volt Ohm Meter .....	1	1	1
65	<u>102570401</u>	Tool, Tensioning, Starter Generator (For Precedent vehicles) .....		1	
		Kohler ECH440 Specific Items .....			
66	47568549001	Driven Clutch Tool .....		1	
67	47568246001	Plate, Cam Press (supplied with 47568549001) .....		1	
68	<u>47631025001</u>	Kit, EFI Diagnostics .....		1	
69	<u>47631026001</u>	Kit, Bluetooth EFI Diagnostics .....		1	
70	<u>47631075001</u>	Kit, EFI Tool .....		1	

19

G

E

D





# INDEX

## Part Number and Page

AM10753	19-9	5-5, 5-7, 5-15, 5-21, 5-23, 6-25, 7-13, 7-15, 7-21, 9-15	1010829	5-15, 5-21, 5-23	
AM10771	19-9	7479	1-67, 1-69	1010850	5-13, 5-17, 5-19
AM10419	11-9	7577	17-3, 17-5, 17-7, 17-9	1010877	5-3
AM1243501	4-33	7591	4-5, 4-7, 4-9, 4-11, 4-13, 4-41	1010878	5-3
AM1243701	4-33	7716	5-3	101090801	13-13, 13-15, 14-11, 14-13
AM1243801	4-33	7818	7-13, 7-15	1010909	4-5
AM1300001	13-19, 14-17	7820	4-35	1010921	5-3
AM1300101	13-19, 14-17	7840	6-13	1010927	5-3, 17-11
AM1300201	13-19, 14-17	7847	1-13, 1-41, 17-7, 17-9, 17-11, 18-7	1010932	5-3
AM1300301	13-19, 14-17	7893	4-5, 4-15, 4-17, 7-13, 7-15	1010933	5-3
SVP119201	4-33	7910	6-13	1010934	7-21, 15-3
SVP143902	1-5	7973	1-9	1010954	7-13, 7-15
SVP493201	4-33	8028	1-51	1010984	2-3
183	1-55, 1-57, 1-59, 1-61, 4-5, 4-7, 4-9, 4-11, 4-13, 4-15, 4-17, 4-33, 11-5, 11-7	8056	4-39, 7-19	1010993	1-31, 1-35, 1-41
304	4-35, 18-7	8057	4-39, 7-15, 7-17, 7-19	1011014	1-3
324	1-55, 1-57, 1-59, 1-61, 1-63, 1-65, 1-67, 1-69	8058	4-39, 7-15, 7-17, 7-19	1011017	1-3, 4-25
332	1-23, 1-29, 1-31, 1-33, 1-35, 1-39, 1-41, 1-51, 1-53, 1-63, 1-65, 1-67, 1-69, 4-35, 17-11, 18-7	8067	6-13	1011084	5-9, 5-11
334	5-5, 5-7, 6-3, 6-5, 11-5, 11-7	8104	1-55, 1-57, 1-59, 1-61, 4-15, 4-17	1011114	5-13, 5-17, 5-19, 9-11, 12-11
343	1-55, 1-57, 1-59, 1-61	8233	1-23, 1-29, 1-31, 1-33, 1-35, 1-39, 1-41, 1-53, 1-55, 1-57, 1-59, 1-61, 1-63, 1-65, 1-67, 1-69, 4-35, 4-37, 5-5, 5-7, 6-25, 9-11, 12-11, 17-7, 17-9, 17-11, 18-7	1011137	5-13, 5-19
357	6-17, 6-19, 6-25	8248	1-15	1011154	5-13, 5-17, 5-19
451	1-39, 5-13, 5-17, 5-19, 15-3	8251	1-23, 1-29, 1-31, 1-33, 1-35, 1-41, 1-49, 1-51	1011210	1-51
706	6-17, 6-19	8294	4-35	1011219	1-51
808	6-25	8304	1-51	1011220	1-51
1016	4-5, 4-15, 4-17	8450	11-5, 11-7	1011221	1-51
1017	4-3	8639	4-33, 7-13, 7-15, 13-23, 14-21	1011222	1-51
1028	5-3	8717	5-5, 5-7, 7-13, 7-15, 12-3	1011229	4-5, 4-7, 4-9, 4-11, 4-13, 4-39
1032	5-3	8745	6-17	1011273	19-5
1218	1-5, 1-53, 1-55, 1-57, 1-59, 1-61, 1-63, 1-65, 1-67, 1-69, 9-15	8754	5-5, 5-7, 6-3, 6-5, 6-15, 6-17, 6-19, 6-21, 6-23, 7-9	1011280	4-5, 4-7, 4-9, 4-11, 4-13
1241	1-3, 1-5, 1-39, 1-51, 1-53, 1-59, 1-61, 4-5, 4-7, 4-9, 4-11, 4-13, 5-3, 5-5, 5-7, 5-21, 5-23, 7-13, 7-15, 7-21, 9-15	8755	6-17, 6-19, 6-21	1011298	5-13, 5-17, 5-19
1242	5-15, 5-21, 5-23, 7-9, 7-13, 7-15	8861	6-15, 6-25	1011303	5-13, 5-17, 5-19
1620	4-3	8915	1-55, 1-57, 1-63, 1-65	1011314	5-13, 5-17, 5-19
1624	5-5, 5-7, 6-3, 7-9	8935	1-5	1011348	17-11, 18-7
1703	17-11	8963	1-51, 1-59, 1-61	1011382	4-19, 4-21, 4-23
2402	6-15, 6-17, 6-19	8990	4-15, 4-17, 4-29, 4-31, 4-37, 6-3, 12-5, 12-7, 13-23, 14-21, 17-11	1011393	6-13
4029	4-35	1010005	6-13	1011394	1-3
7048	6-13	1010124	6-17, 6-19	1011402	5-3
7173	1-15, 4-5, 4-7, 4-9, 4-11, 4-13, 6-25, 7-21	1010138	6-15	1011415	6-21, 6-23
7174	6-7, 7-9, 15-3	1010145	6-21, 6-23	1011418	5-3
7251	1-3, 1-15	1010150	6-17, 6-19	1011439	4-5, 4-7, 4-9, 4-11, 4-13
7270	6-17	1010200	6-19	101146302	5-13, 5-17, 5-19
7274	6-13	1010237	1-55, 1-57, 1-59, 1-61, 1-63, 1-65, 1-67, 1-69	1011464	5-13, 5-17, 5-19
7308	6-13	1010434	1-3, 1-7, 1-29, 1-31, 1-33, 1-35, 1-41, 1-53, 17-11, 18-7	1011465	5-13, 5-17, 5-19
7310	2-3	1010435	1-3, 1-53	1011466	5-13, 5-17, 5-19
7311	6-25	1010436	1-51	1011467	5-13, 5-17, 5-19
7330	16-3	1010543	1-19, 1-51	1011478	19-7
7335	16-3	1010546	1-3	1011480	19-11
7336	16-3	1010577	1-39	1011494	5-13, 5-17, 5-19
7410	1-53	1010805	5-3	1011497	4-41
7473	1-3, 1-5, 1-39, 1-51, 1-53, 1-55, 1-57, 1-59, 1-61, 1-63, 1-65, 4-5, 4-7, 4-9, 4-11, 4-13, 5-3,			1011557	4-5, 4-7, 4-9, 4-11, 4-13, 4-41

# INDEX

1011697	1-55, 1-57, 1-63, 1-65, 6-5, 10-3	1013035	6-3	1014198	3-15
1011707	17-11	1013042	6-3, 6-15	1014201	1-63, 1-65, 1-67, 1-69, 15-3
1011734	5-9, 5-11	1013044	6-3	1014213	6-5
1011767	19-3	1013052	6-3	1014214	6-5
1011779	5-15, 5-21, 5-23	1013061	1-55, 1-57, 1-59, 1-61, 13-9, 13-11, 14-9	1014217	6-5
1011825	4-35	1013135	6-13	1014259	19-9
1011843	4-41	1013207	6-21	1014264	19-9
1011852	1-55, 1-57, 1-59, 1-61, 1-63, 1-65, 1-67, 1-69	1013216	1-49	1014276	6-17, 6-19
1011862	1-55, 1-57, 1-59, 1-61, 1-63, 1-65, 1-67, 1-69	1013218	1-49	1014287	11-5, 11-7
1011865	1-55, 1-57, 1-59, 1-61, 1-63, 1-65, 1-67, 1-69	1013312	1-19	1014288	6-5, 11-5, 11-7
101187702	5-3	1013343	1-9	1014305	19-3
1011878	1-15	1013344	1-9	1014306	1-23, 1-41, 4-37, 18-7
1011883	1-55, 1-57, 1-59, 1-61, 1-63, 1-65, 1-67, 1-69	1013357	1-47, 4-5, 4-7, 4-9, 4-11, 4-13, 13-5, 13-7, 14-5, 14-7	1014392	1-41
1011887	6-13	1013494	4-19, 4-21, 4-23	101444101	1-27
1011892	6-13	1013509	1-63, 1-65, 1-67, 1-69	1014453	11-5, 11-7
1011897	1-27	1013531	5-21, 5-23	1014454	11-9
1011931	5-5, 5-7	1013547	4-37	1014471	1-55, 1-57, 1-59, 1-61, 1-63, 1-65, 1-67, 1-69
1011937	1-55, 1-57, 1-59, 1-61, 1-63, 1-65, 1-67, 1-69	1013579	4-37	1014496	19-5
1011964	1-55, 1-57, 1-59, 1-61, 1-63, 1-65, 1-67, 1-69	1013582	19-3	1014497	19-5
1011988	1-53	1013589	7-13, 7-15	1014507	19-5
1012098	17-3, 17-5, 17-7, 17-9	1013593	19-7	1014508	19-5
1012101	17-3, 17-5, 17-7, 17-9	1013609	7-13, 7-15	1014510	19-5
1012126	13-11, 14-9	1013677	3-5	1014530	4-35
1012151	19-7	1013734	13-21, 14-19	1014540	4-37
1012159	1-55, 1-57, 1-59, 1-61	1013746	9-5	1014555	6-21, 6-23
1012180	6-21	1013794	16-3	1014789	7-3, 7-5
1012181	6-23	1013824	1-15	1014807	7-15, 7-17, 7-19
1012182	6-23	1013825	1-15	1014808	7-15, 7-17, 7-19
1012285	1-23, 1-39, 4-37	1013846	1-15	1014902	6-23
1012295	7-13, 7-15	1013869	5-3	1015010	4-33
1012303	6-17, 6-19, 6-21, 6-23	1013870	5-3	101503202	1-9
1012304	6-21	1013876	5-3	1015072	13-13, 13-15, 14-11, 14-13
1012396	4-19	1013924	5-13, 5-17, 5-19, 8-7	1015075	1-3
1012412	1-29, 1-31, 1-33, 1-35, 1-41	1014007	1-51, 5-5, 5-7, 9-11, 12-3, 12-11	1015091	1-51, 1-55, 1-57, 1-59, 1-61, 1-63, 1-65, 1-67, 1-69
1012431	4-39, 7-15	1014051	11-7	1015156	4-33
1012438	4-7, 4-9, 4-11, 4-13, 4-33	1014055	11-5, 11-7	1015167	4-33
1012505	4-19, 4-21, 4-23	1014056	11-5, 11-7	1015170	4-33
1012528	13-21, 14-19	1014057	11-5, 11-7	1015187	4-33
1012549	19-9	1014058	11-5, 11-7	1015332	7-3, 7-5
1012560	19-9	1014059	11-5, 11-7	1015373	7-13, 7-15
1012565	6-11	1014062	11-5, 11-7	1015392	1-55, 1-57, 1-59, 1-61
1012566	6-11	1014063	11-5, 11-7	1015405	1-3, 1-55, 1-57, 1-63, 1-65, 7-13, 7-15
1012581	1-29, 1-31, 1-33, 1-35, 1-49	1014065	7-13, 7-15, 11-5, 11-7	1015453	6-25
1012604	6-5	1014072	11-9	1015457	6-25
1012605	6-5	1014078	11-9	101547601	3-7, 3-13
1012649	9-5	1014080	11-9	1015524	19-5
1012809	19-9	1014115	19-9	1015525	1-49
1012811	19-3	1014116	9-3	1015526	4-33
1012812	19-3	1014125	6-5	1015528	4-19, 4-21, 4-23
1012836	11-9	1014126	6-5	1015583	6-17, 6-19
1013032	1-49	1014145	7-13, 7-15	101558302	6-21, 6-23
		1014153	5-13	1015597	6-13
		1014161	19-9	1015608	1-5
		1014162	19-9	1015613	6-25

# INDEX

1015614	6-25	1016418	19-7	101693913	1-3
101562711	1-51	1016423	4-5, 4-7, 4-9, 4-11, 4-13	101693914	1-3
101562712	1-51	1016557	5-13, 5-17, 5-19	1016952	1-13
101562714	1-51	1016573	5-13, 5-17, 5-19	1016967	1-3, 13-21, 14-19
101562715	1-51	1016668	1-53	1017029	5-3
101564804	1-51	101674702	5-9	1017035	4-41
101564805	1-51	101674704	5-11	101705701	3-3, 3-9
101564807	1-51	1016751	1-21	1017062	4-3
101564808	1-51	101675511	1-21	1017064	4-3
1015720	4-39, 13-21, 14-19	101675512	1-21	1017065	4-3
1015737	7-13, 7-15	101675514	1-21	101707402	4-15
1015741	4-5, 4-7, 4-9, 4-11, 4-13, 7-13, 7-15	101675515	1-21	101707405	4-17
1015752	7-13, 7-15	101677701	1-21	1017075	4-15, 4-17
1015760	6-25	101677702	1-21	1017080	1-3
1015768	4-33	101677703	1-21	101708301	1-13
1015770	4-33	101677705	1-21	1017141	1-41
101587714	9-5	1016781	1-55, 1-57, 1-59, 1-61	1017185	1-55, 1-57, 1-59, 1-61
1015878	7-15, 7-17, 7-19	1016793	1-55, 1-57, 1-59, 1-61	1017189	17-11
1015902	1-23, 1-39	1016794	1-55, 1-57, 1-59, 1-61	1017211	5-15
1015914	17-3, 17-5, 17-7, 17-9	101679901	1-57, 1-61	1017226	6-7
1015917	17-3, 17-7, 17-9	101679902	1-55, 1-59	1017259	1-23
1015932	7-9	1016801	11-5, 11-7	1017266	6-15
101611402	16-5	1016811	1-13	1017273	6-9, 6-11
1016154	6-11	1016813	6-25	101728201	1-19
1016183	6-5	1016814	6-25	101728202	1-37
1016201	11-5, 11-7	1016835	1-53	101728203	1-19
1016214	6-11	1016842	1-53	101728204	1-37
1016230	4-33	1016849	4-19, 4-21, 4-23, 4-39	101728210	1-19
1016267	4-33	1016851	4-19, 4-21, 4-23, 4-39	101728211	1-37
1016269	6-5	1016857	4-39	101728213	1-19
1016287	4-33	1016859	4-39	101728214	1-37
1016289	11-5, 11-7	1016868	1-3	101728701	1-41
1016319	5-15	1016879	4-3	101728702	1-41
1016320	5-15	1016880	4-3	101728704	1-41
1016346	6-15	1016901	11-5	101728706	1-41
1016349	6-15	1016916	1-51	101728708	1-41
1016350	6-15	101692501	1-3	101728709	1-41
1016351	6-15	101692502	1-3	101728710	1-41
1016353	6-15	101692504	1-3	101728711	1-41
1016356	4-5, 4-7, 4-9, 4-11, 4-13, 13-5, 13-7, 14-5, 14-7	101692506	1-3	101728712	1-41
1016363	4-7, 4-9, 4-11, 4-13	101692509	1-3	1017310	1-23, 1-39
1016365	4-29, 4-31	101692510	1-3	1017313	6-5
1016366	4-7, 4-9, 4-11, 4-13	101692511	1-3	1017314	6-5
1016384	6-17, 6-19	101692512	1-3	1017315	6-5
1016385	6-15	101692513	1-3	1017317	6-5
1016386	6-17, 6-19	101692514	1-3	101734802	1-3
1016387	6-17, 6-19	101692515	1-3	1017378	5-5, 5-7
1016389	6-17, 6-19	1016929	4-33	1017380	5-5, 5-7
101641002	19-5	101693901	1-3	1017384	1-37
101641101	19-11	101693902	1-3	1017424	5-5, 5-7
101641202	19-3	101693904	1-3	1017686	11-9
1016414	19-9	101693906	1-3	1017699	4-41
1016415	19-9	101693909	1-3	1017705	13-9
1016416	19-3	101693910	1-3	1017724	4-15, 4-17
1016417	19-3	101693911	1-3	1017748	1-41
		101693912	1-3	1017774	1-39

# INDEX

1017853	4-5, 4-7, 4-9, 4-11, 4-13	101831101	17-3, 17-7, 17-9	101880001	6-3
101788201	1-33	101831801	19-5	101880101	6-3
101788202	1-33	101831901	19-3	101880201	6-3
101788204	1-33	101832001	13-9, 18-7	101880301	6-3
101788206	1-33	101833401	11-9	101880701	5-13, 5-17, 5-19
101788208	1-33	101834502	4-19, 4-21, 4-23, 4-27	101880901	1-19, 1-37
101788209	1-33	101834601	8-7	101881501	4-37
101788210	1-33	101834602	8-7	101881601	4-37
101788211	1-33	101835001	1-67, 1-69	101881701	1-19, 1-37
101788212	1-33	101835101	1-67, 1-69	101884801	8-7
101791101	5-17	101835401	1-67, 1-69	101886101	9-11, 12-11
101791901	1-33, 1-35	101835501	1-63, 1-67	101887101	19-3
1017936	1-41	101835502	1-65, 1-69	101887601	9-11
101796201	5-5, 5-7	101835601	4-29, 4-31	101894901	13-9
101796501	13-9	101837001	1-47	101895401	16-3
101796801	13-9	101837801	1-59, 1-61	101895501	16-3
101799201	1-39	101837802	1-59, 1-61	101897001	16-3
101800201	1-63, 1-65, 1-67, 1-69	101838001	1-59	101897201	16-3
101801001	13-9, 18-7	101838002	1-61	101897401	16-3
101802601	4-23	101838401	17-5, 17-9	101897601	16-3
101804301	4-19	101838601	17-5, 17-9	101898001	7-21
101805501	1-67, 1-69	101838701	17-7, 17-9	101903601	16-3
101805502	1-67, 1-69	101839701	4-27	101903701	16-3
101805601	1-63, 1-65	101839702	4-27	101906901	16-3
101805801	1-63, 1-65	101839703	4-27	101908101	13-11, 14-9
101806001	1-17	101839704	4-27	101908401	13-11, 14-9
101806002	1-17	101839709	4-27	101910401	1-39
101806005	1-17	101839710	4-27	101914001	16-5
101806901	1-45	101839801	4-27	101914401	4-5, 4-7, 4-9, 4-11, 4-13, 17-3, 17-5, 17-7, 17-9
101808401	19-3	101839802	4-27	101915201	3-7, 3-13
101809101	19-5	101839803	4-27	101918501	5-3, 5-5, 5-7
101813202	19-3	101839804	4-27	101919801	5-5, 5-7
101815301	1-55, 1-57	101839809	4-27	101922101	16-3
101815401	1-55, 1-57, 1-59, 1-61, 1-63, 1-65	101839810	4-27	101922201	16-3
101815402	1-55, 1-57, 1-59, 1-61, 1-63, 1-65	101840901	1-53	101923001	16-3
101816701	1-55	101841101	1-53	101923201	16-3
101816702	1-57	101841201	1-53	101923501	16-3
101817401	5-5, 5-7	101841202	1-53	101923901	16-3
101818801	5-7	101841301	1-53	101926501	6-21
101821601	4-33	101850301	6-9, 6-11	101928701	16-3, 19-7
101823101	19-9	101851101	4-19, 4-21, 4-23, 4-27	101929401	6-21
101825101	3-5, 3-11	101856002	4-21, 4-23	101932201	4-5, 4-7, 4-9, 4-11, 4-13
101825102	3-7, 3-13	101856102	7-13, 7-15	101936101	16-5
101825103	4-25	101861901	5-5, 5-7	101942301	15-3
101826201	4-21	101862001	5-5	101946201	1-23
101826301	4-19, 4-23	101865301	5-15	101953103	5-21
101826401	4-19	101870401	1-3	101953104	5-23
101828501	17-3, 17-5, 17-7, 17-9	101871001	19-3	101953106	5-15
101828801	17-3	101874601	5-15	101954301	1-19, 1-37, 1-39
101828802	17-3	101878201	5-3	101955001	6-15
101828901	17-3, 17-5	101879401	6-3	101955101	4-35
101828902	17-3, 17-5	101879501	6-3	101957101	4-5, 4-7, 4-9, 4-11, 4-13
101828903	17-3, 17-5	101879601	6-3	101958201	17-5
101829001	17-7, 17-9	101879701	6-3	101958301	17-5
101830601	4-19, 4-21, 4-23	101879801	6-3	101960501	3-7, 3-13
101830701	4-19, 4-21, 4-23, 4-27	101879901	6-3		

# INDEX

101963401	7-13, 9-15	102199201	4-5	102569302	2-3
101965401	17-11	102199301	4-5	102570401	19-11
101972001	19-7	102199401	4-5	102572401	4-21, 4-23, 13-5, 13-7, 14-5, 14-7
101972002	19-7	102235201	15-3	102617201	8-5
101972003	19-7	102238001	14-19	102617801	12-23
101972004	19-7	102240501	13-21, 14-19	102621501	7-9, 12-3, 12-9
101972005	19-7	102241501	19-7	102674201	19-5
101972006	19-7	102241502	19-7	102675001	19-5
101972007	19-7	102242101	11-9	102675101	19-5
101972009	19-7	102242401	1-55, 1-57, 1-59, 1-61, 1-63, 1-65, 1-67, 1-69	102675201	19-5
101972011	19-7	102243402	19-7	102675401	19-5
101972012	19-7	102243403	15-3	102684501	6-17, 6-19
101972101	16-3	102248803	19-7	102686101	19-3
101972201	16-3	102249901	19-3	102704901	15-3
101973501	17-5	102251501	19-7	102711201	7-13, 7-15
101974701	4-27	102269701	7-13	102725501	9-15
101974702	4-27	102274101	12-23	102732401	8-5
101974703	4-27	102275401	17-3, 17-5, 17-7, 17-9	102766201	13-13, 13-15, 14-11, 14-13
101974704	4-27	102278001	6-5	102766301	6-17, 6-19
101974709	4-27	102289201	6-3, 6-15	102769701	13-21
101974710	4-27	102292801	5-15, 5-21, 5-23	102771701	16-3
101978601	16-5	102296716	9-11	102772402	13-21, 14-19
101984801	6-5	102297230	13-3, 14-3	102774501	13-21
101987901	4-3	102298116	9-9	102774701	13-21, 14-19
101988001	4-3	102298401	10-3	102775101	15-3
101988002	4-3	102310701	1-33, 1-35, 1-41	102817101	13-21, 14-19
101988101	4-3	102323101	5-3, 5-15, 5-21, 5-23	102817201	13-21, 14-19
101988201	4-3	102323201	5-3, 5-15, 5-21, 5-23	102838101	13-11, 14-9, 17-3, 17-7
101990801	5-21, 5-23	102354901	4-29, 4-31	102838701	7-7
101997802	4-37	102356601	16-3	102838801	7-7
101997803	4-37	102356801	16-3	102838901	7-7
101997902	4-37	102376001	12-3	102839001	7-7
101997903	4-37	102410604	9-11	102839301	7-7
102002801	13-13, 13-15, 14-11, 14-13	102411209	9-15	102841101	7-7
102002901	13-13, 13-15, 14-11, 14-13	102440901	13-5, 13-7, 14-5, 14-7	102845101	3-5, 3-11, 13-11, 14-9
102005701	1-25	102476401	9-11, 12-11	102845203	13-13, 14-11
102022601	6-15	102490301	9-11	102845204	13-15, 14-13
102022602	6-3, 6-15	102491501	11-5, 11-7	102845501	13-5, 13-7, 14-5, 14-7
102025801	9-3, 9-5	102498201	9-11, 12-9, 12-11	102847801	17-3
102026001	5-5, 5-7	102508701	4-21	102847802	17-3
102059501	12-9	102517501	4-17	102847803	17-3
102061201	19-9	102517601	4-35	102860501	5-13, 5-17, 5-19
102066201	6-23	102518301	3-5, 3-11	102869401	4-5, 4-7, 4-9, 4-11, 4-13, 4-19, 4-21, 4-23
102076701	1-55, 1-57, 1-59, 1-61, 1-63, 1-65, 1-67, 1-69	102526201	12-3	102871801	6-21, 6-23
102155801	11-9	102529201	4-15, 4-17	102873401	13-13, 13-15, 14-11, 14-13
102158701	3-15	102529203	4-35	102886301	16-3
102158901	5-5, 5-7	102540301	8-7	102886401	16-3
102162601	5-21, 5-23	102541401	7-9	102886501	16-3
102163001	1-25	102546401	4-17	102886601	16-3
102163101	1-25	102555501	19-3	102890201	4-29, 4-31
102166901	5-21, 5-23	102558201	8-3, 9-15	102891101	6-23
102186401	15-3	102559901	2-5	102892901	17-5
102196901	4-21, 4-23, 13-5, 13-7, 14-5, 14-7	102559902	2-5	102892902	17-5
102198701	4-5	102562401	19-3	102902801	16-3
102199001	4-5	102564002	6-17, 6-19	102912801	13-21

# INDEX

102915601	4-41	103274011	1-31, 1-35	103772101	13-5, 13-7
102915701	13-11, 14-9	103274012	1-31, 1-35	103772201	17-11
102917101	6-23	103347601	7-7	103772401	17-7
102918701	4-29	103347701	7-7	103783001	3-5, 3-11
102918702	4-31	103347801	7-7	103783003	3-7, 3-13
102922701	10-3	103348201	4-19	103787401	1-55, 1-57, 1-59, 1-61, 1-63, 1-65, 1-67, 1-69
102938601	15-3	103348202	4-21, 4-23	103789601	1-55, 1-57, 1-59, 1-61, 1-63, 1-65, 1-67, 1-69
102938701	15-3	103348501	4-19	103802401	4-31
102938801	15-3	103348601	4-19	103822101	13-21
102938901	15-3	103350901	6-21	103832001	17-7, 17-9
102939001	15-3	103351001	6-15	103865101	5-5, 5-7
102939101	15-3	103351101	6-23	103869401	17-7, 17-9
102939102	15-3	103354401	4-21, 4-23	103879701	12-15
102939501	17-5	103354701	6-15	103879702	12-13
102945501	1-35	103372101	9-3	103886601	12-5, 12-7
102945502	1-35	103372401	9-5	103895401	1-5
102945504	1-35	103397901	4-7, 4-9, 4-11, 4-13, 13-21, 14-19	103896604	9-5
102945506	1-35	103414901	4-7, 4-9, 4-11, 4-13, 13-21, 14-19	103896605	9-5
102945508	1-35	103449501	13-23, 14-21	103902101	13-3, 14-3
102945509	1-35	103449601	13-23, 14-21	103902301	13-3, 14-3
102945510	1-35	103452001	9-5	103902401	13-3, 14-3
102945511	1-35	103459104	2-3	103924801	7-3, 7-5
102945512	1-35	103464801	3-17	103940701	13-5
102950301	4-25	103477901	6-13	103940801	13-7
102951701	15-3	103502701	6-17	103942101	13-17, 14-15
102962303	4-25	103502801	6-19	103942902	13-17, 14-15
102962602	4-25	103508101	8-5	103943401	13-3, 14-3
102967601	3-5, 3-11	103510501	13-17, 14-15	103951002	2-3
102977002	4-21	103582801	16-3	103951003	2-3
102977003	4-19	103601501	6-3	103951004	2-3
102977004	4-23	103601601	6-7	103951501	12-23
102980801	13-13, 13-15, 14-11, 14-13	103618001	4-17	103952201	1-11
102980901	13-13, 13-15, 14-11, 14-13	103618101	4-35	103954301	1-55, 1-57, 1-59, 1-61
103174401	1-7	103628801	6-17	103961601	3-3, 3-9
103180101	4-19, 4-21, 4-23	103628901	6-19	103969799	13-15, 14-13
103198201	13-13, 13-15, 14-11, 14-13	103653401	6-3	103973901	11-7
103198301	4-21, 4-23	103653501	6-3, 6-15	103973902	11-5
103199001	4-19	103657301	6-21, 6-23	103974102	11-3
103199101	4-19	103658601	2-3	103974201	11-5, 11-7
103205501	3-7, 3-13	103677101	1-25	103974401	11-5, 11-7
103210201	3-7, 3-13	103694501	2-5	103975301	11-9
103210301	3-5, 3-11	103697109	13-21	103976101	11-5, 11-7
103218001	17-11, 18-7	103700301	4-29	103979301	12-23
103218601	4-21, 4-23, 13-5, 13-7, 14-5, 14-7	103709201	13-21	103984601	11-5, 11-7
103234303	3-15	103717302	6-13	103989501	12-23
103254401	4-11	103717402	6-13	103995001	12-23
103255701	4-7, 4-9, 4-11, 4-13	103722901	2-3	104005901	13-19, 14-17
103257101	4-7	103723003	2-3	104006101	13-19, 14-17
103262201	8-5	103724502	6-9, 6-11	104021701	12-23
103274001	1-31, 1-35	103724601	6-11	104023501	9-11, 12-11
103274002	1-31, 1-35	103724602	6-9	104025101	11-9
103274004	1-31, 1-35	103724901	6-11	104027101	12-23
103274006	1-31, 1-35	103754901	1-25	105000301	7-13, 7-15
103274008	1-31, 1-35	103756401	9-5	105000401	7-13, 7-15
103274009	1-31, 1-35	103771601	17-9		
103274010	1-31, 1-35	103771901	13-9		

# INDEX

105000501	13-21, 14-19	105029101	12-17	105149401	18-3
105003401	9-15	105029201	12-17	105152301	4-23
105005301	1-29, 1-33	105029301	12-21	105161701	7-3, 7-5, 7-7
105005302	1-29, 1-33	105029401	12-21	105166801	13-19, 14-17
105005304	1-29, 1-33	105029501	12-19, 12-21	105166901	13-19, 14-17
105005306	1-29, 1-33	105029601	12-21	105167001	13-19, 14-17
105005308	1-29, 1-33	105029701	12-21	105167101	13-19, 14-17
105005309	1-29, 1-33	105029801	12-19, 12-21	105168501	13-19, 14-17
105005310	1-29, 1-33	105029901	12-19, 12-21	105168601	13-19, 14-17
105005311	1-29, 1-33	105030001	12-13, 12-15	105194101	9-3
105005312	1-29, 1-33	105030301	12-19, 12-21	105210299	13-13, 14-11
105007402	9-11	105030401	12-19, 12-21	105216301	1-37
105007403	9-11	105030501	12-19, 12-21	105234801	12-13, 12-15
105009101	9-15	105030601	12-19, 12-21	105234901	12-13, 12-15
105009401	9-15	105030701	12-13, 12-15	105237301	7-21
105025001	12-13, 12-15	105030801	12-19, 12-21	105245401	9-3
105025101	12-13, 12-15	105030901	12-17	105245801	11-3
105025201	12-13, 12-15	105031001	12-21	105256701	7-3, 7-5, 7-21
105025301	12-13, 12-15	105037101	4-19	105256801	7-3, 7-5
105025401	12-13, 12-15	105037201	7-13	105266401	7-11
105025501	12-13, 12-15	105037401	7-13, 7-15	105280201	1-43
105025601	12-13, 12-15	105037701	12-3	105280202	1-43
105025701	12-13, 12-15	105038001	12-3	105280203	1-43
105025801	12-13, 12-15	105038101	12-3	47539338002	7-9
105025901	12-13, 12-15	105038201	12-3	47542195001	5-17, 5-19
105026001	12-13, 12-15	105038501	12-3	47559475001	7-7
105026101	12-13, 12-15	105038805	12-5	47559475002	7-7
105026201	12-13, 12-15	105038806	12-7	47564890001	8-7
105026301	12-13, 12-15	105039801	12-3	47564902001	4-13
105026401	12-13, 12-15	105039901	12-3	47564903001	14-5, 14-7
105026501	12-13, 12-15	105040401	12-3	47564905001	14-5, 14-7
105026601	12-13, 12-15	105040402	12-3	47564908001	4-9
105026701	12-13, 12-15	105043801	9-3	47579096001	6-21, 6-23
105026801	12-13, 12-15	105043901	9-3	47579306001	18-7
105026901	12-13, 12-15	105060601	12-3	47579307001	18-5
105027001	12-13, 12-15	105063501	12-13	47579307002	18-5
105027101	12-13, 12-15	105063601	12-19	47579307003	18-5
105027201	12-13, 12-15	105064802	1-37	47579307004	18-5
105027301	12-13, 12-15	105066001	12-19, 12-21	47579307005	18-5
105027401	12-17	105066101	12-19, 12-21	47579307006	18-5
105027501	12-17	105074901	1-27	47579307007	18-5
105027601	12-17	105075201	14-19	47583000001	7-7
105027701	12-17	105077701	1-25	47583790001	7-7
105027801	12-17	105077801	1-25	47583791001	7-7
105027901	12-17	105081501	7-3, 7-5	47583794001	7-7
105028001	12-17	105081601	7-3, 7-5	47583795001	8-7
105028101	12-19, 12-21	105088501	9-15	47584178001	7-7
105028201	12-17	105096101	11-5, 11-7	47584179001	7-7
105028301	12-13, 12-15	105102601	7-19	47584184001	8-7
105028401	12-17	105116301	13-3, 14-3	47587701001	8-7
105028501	12-13, 12-15	105134901	12-9	47598099001	8-5
105028601	12-17	105135101	9-11, 12-9	47598441001	4-19
105028701	12-17	105142401	2-5	47601355001	9-11
105028801	12-17	105143301	9-3	47601767002	11-9
105028901	12-17	105144401	9-11, 12-11	47601832001	11-9
105029001	12-17	105147101	14-19	47604303001	4-5

# INDEX

47605933001	14-5	47629718001	8-13	47629877001	9-9
47605934001	14-7	47629719001	8-13	47629878001	9-9
47606233003	9-3	47629720001	8-13	47629879001	9-13
47606257001	9-5	47629722001	8-13	47629880001	9-13
47609905001	7-3	47629723001	8-13	47629881001	9-13
47611208001	7-3, 7-5	47629724001	8-13	47629882001	9-13
47611209001	10-3	47629725001	8-13	47637087001	9-5
47611210001	10-3	47629726001	8-13	47640020001	8-17
47611483001	8-5	47629727001	8-13	47640021001	8-11
47611484001	8-5	47629728001	8-13	47640281001	8-3, 8-11
47611648001	8-5	47629729001	8-13	47650647001	8-11
47611868001	7-9	47629730001	8-13	47664038001	9-3
47611869001	7-9	47629768001	8-13	47664335001	8-11
47611870001	7-9	47629822001	8-13	47676897001	8-11
47611876001	9-3	47629823001	8-13	96704176	12-3
47611877001	9-3	47629824001	8-13	96705199	12-9
47612352001	9-9	47629825001	8-13	96705587	10-3
47612546001	7-5	47629826001	8-11	96741046	8-5
47612930001	7-3	47629828001	8-11		
47612931001	7-5	47629831001	8-11	<b>A</b>	
47613047002	10-3	47629832001	8-11	AC cord	17-3, 17-5, 17-7, 17-9
47617345001	7-9	47629833001	8-11	AC cord receptacle	17-5
47619701001	9-5	47629834001	8-11	accelerator bracket and bearing assembly	5-5, 5-7
47623281001	7-3, 7-5	47629835001	8-11	accelerator cable	9-11
47623339001	9-3	47629836001	8-11	accelerator pedal adjustment tool	19-3
47629583001	8-19	47629837001	8-11	accelerator pivot rod	5-5, 5-7
47629585001	8-19	47629838001	8-11	accelerator return spring	5-5, 5-7
47629588001	8-19	47629841001	8-11	accelerator rod	5-9, 5-11
47629589001	8-19	47629843001	8-11	access door	1-49
47629677001	8-15	47629844001	8-9	adapter	
47629680001	8-15	47629845001	8-9	battery terminal	7-11
47629682001	8-15	47629846001	8-9	cable (IQDM)	19-7
47629685001	8-15	47629847001	8-9	adhesive, guide ring	19-3
47629686001	8-15	47629848001	8-9	air cleaner assembly	9-15
47629687001	8-15	47629851001	8-9	air filter	8-3, 9-15
47629688001	8-15	47629853001	8-9	air filter evacuator	9-15
47629689001	8-15	47629855001	8-9	air intake hose	9-15
47629690001	8-15	47629856001	8-9	ammeter	17-3, 17-5, 17-7, 17-9
47629691001	8-15	47629857001	9-7	anchor body	5-13, 5-17, 5-19
47629693001	8-15	47629858001	9-7	anchor body kit	5-13, 5-17, 5-19
47629694001	8-15	47629859001	9-7	anchor, piston	5-13, 5-17, 5-19
47629696001	8-15	47629860001	9-7	anti-sway bar	6-25
47629697001	8-15	47629861001	9-7	A-plate strap	6-15
47629698001	8-15	47629862001	9-7	A-plate, delta	6-15
47629699001	8-17	47629864001	9-7	arbor	19-3
47629700001	8-17	47629865001	9-7	arm	
47629701001	8-17	47629866001	9-7	governor	9-11, 12-11
47629702001	8-11, 8-17	47629867001	9-7	armature	15-3
47629703001	8-17	47629868001	9-7	armrest	1-23, 1-39, 1-53
47629705001	8-17	47629869001	9-7	assembly	
47629707001	8-17	47629870001	9-7	accelerator bracket and bearing	5-5, 5-7
47629709001	8-17	47629871001	9-7	accelerator pivot rod	5-5, 5-7
47629711001	8-13	47629872001	9-7	bearing, steering shaft	6-5
47629714001	8-13	47629874001	9-7	delta A-plate	6-15
47629716001	8-13	47629875001	9-9	delta shock and gear support	6-15
47629717001	8-13	47629876001	9-9		



# INDEX

- drive hub 11-5, 11-7
  - fuel cap 9-3
  - headlight 4-3
  - headlight harness 4-3
  - inner ball joint 6-3
  - kingpin 6-17, 6-19
  - moveable-face 11-5, 11-7, 11-9
  - ratchet 5-3, 5-5, 5-7
  - secondary clutch weight 11-5, 11-7
  - steering shaft 6-5
  - turn signal lens 4-3
  - axle 16-3
  - axle guard 16-5
  - axle shaft 12-19, 12-21
  - axle shaft oil seal 16-3
  - axle tube 12-19, 12-21, 16-3
  - B**
  - backing plate, brake 5-13, 5-17, 5-19
  - bag rest mat 1-41
  - ball bearing 7-7, 12-17, 12-19, 12-21
  - ball joint 5-3, 5-9, 5-11
  - ball stud 7-13, 7-15
  - bar, stabilizer 6-25
  - barrel, plastic 1-3, 1-7, 1-29, 1-31, 1-33, 1-35, 1-41, 1-53, 17-11, 18-7
  - battery
    - 12-volt, top-post 7-21
  - battery charger 17-3, 17-5, 18-3
  - battery charger case 17-3, 17-5, 17-7, 17-9
  - battery charger receptacle 13-9
  - battery charger retractable cord assembly 17-11
  - battery charger transformer 17-3, 17-5, 17-7, 17-9
  - battery charger wire assembly 17-5
  - battery charger, onboard 17-7, 17-9
  - battery clamp 7-21
  - battery condition indicator 4-21, 4-23
  - battery discharge machine 19-3
  - battery hold-down 13-13, 13-15, 14-11, 14-13
  - battery hold-down rod 13-13, 13-15, 14-11, 14-13
  - battery insulator 1-47
  - battery light 4-21
  - battery terminal protector spray 19-3
  - battery thermometer 19-3
  - battery, 6-volt, JCI GC2 Entek 13-13, 14-11
  - battery, top-post, wire, 4ga, B+ 7-3, 7-5
  - battery, top-post, wire, B- 4ga, 7-3, 7-5, 7-21
  - bead, ferrite 13-23, 14-21
  - bearing 16-3
    - ball 7-7, 12-17, 12-19, 12-21
    - ball (motor) 15-3
    - ball (steering pinion) 6-3
    - front wheel hub 6-13
    - hub 6-13
    - inner axle tube 16-3
    - lower pinion (steering) 6-3
    - pivot support 5-5, 5-7
    - steering shaft 6-5
    - thrust 6-17, 6-19, 12-13, 12-15
  - bearing and oil seal remover 19-3
  - bearing driver set 19-3
  - bearing puller 19-3
  - bearing puller wedge 19-3
  - bearing seat 6-5
  - bellows 6-3
  - belt, drive 11-3
  - beverage holder 1-13
  - bezel, headlight 4-3
  - bezel, taillight 4-41
  - block, brake-mounting 5-3
  - block, fuse 4-5, 4-7, 4-9, 4-11, 4-13, 7-13, 7-15
  - block, terminal 4-5, 4-7, 4-9, 4-11, 4-13, 13-5, 13-7, 14-5, 14-7
  - body kick plate 1-29, 1-31, 1-33, 1-35, 1-41
  - body, anchor 5-13, 5-17, 5-19
  - body, center 1-33, 1-35
  - body, front 1-3
  - body, rear 1-41
  - bolt, U- 6-23
  - boot, steering column 6-5
  - boot, switch 13-11, 14-9
  - box
    - steering gear 6-3
  - brace 1-67, 1-69
  - bracket 6-21
    - accel.cable 9-11, 12-9
  - battery charger 17-11
  - brake cable guide 6-15
  - brake light switch 4-5, 4-7, 4-9, 4-11, 4-13
  - carbon canister 9-5
  - FNR cable 9-11, 12-9
  - governor 9-11, 12-11
  - headlight mounting 4-3
  - horn 4-35
  - hour meter 4-37
  - relay mounting 17-7, 17-9
  - shock mounting, drv 6-23
  - shock mounting, pas 6-23
  - snubber 8-7
  - stabilizer bar mounting 6-25
  - steering column 6-5
  - steering column mounting 6-5
- brake actuator kit 5-13, 5-17, 5-19
  - brake adjustment tool 19-3
  - brake backing plate 5-13, 5-17, 5-19
  - brake cable 5-15, 5-21, 5-23
  - brake cable equalizer 5-15, 5-21, 5-23
  - brake cable hanger 6-21
  - brake cable release tool 19-3
  - brake cluster 5-13, 5-17, 5-19
  - brake drum 5-13, 5-17, 5-19
  - brake lever arm 5-13, 5-17, 5-19
  - brake light switch bracket 4-5, 4-7, 4-9, 4-11, 4-13
  - brake mounting block 5-3
  - brake pedal 5-3
  - brake pedal adjustment tool 19-3
  - brake pedal pad 5-3
  - brake pedal tension tool 19-3
  - brake relay kit, 12-volt 4-5
  - brake return spring 5-21, 5-23
  - brake shoe 5-13, 5-17, 5-19
  - brake spring 5-13, 5-17, 5-19
  - breaker, circuit 17-5, 17-9
  - breather 12-13, 12-15, 16-3
  - brush box assembly 15-3
  - brush guard kit 1-5
  - brush kit, motor 15-3
  - brush rigging 15-3
  - brush spring 15-3
  - brush, motor 15-3
  - bulb, headlight 4-3
  - bulb, strobe light 4-33
  - bulb, tail light 4-41
  - bumper 1-27
    - drive unit (motor) 15-3
    - front 1-3
    - front, heavy duty 1-3
    - front, kit 1-3
    - rubber 1-51, 5-3
    - seal, long 1-19
    - side trim 1-53
    - spring return 5-5, 5-7
  - bumper guard vinyl trim 1-33, 1-35
  - bumper, heavy-duty 1-3
  - bushing 7-13, 7-15, 11-5, 11-7, 12-3
    - bronze 6-13
    - nylon 5-3
    - spindle 6-13
    - stabilizer bar 6-25
    - steel 6-17, 6-19, 6-21, 6-23
    - urethane 6-15, 6-17, 6-19, 6-21, 6-23
  - bushing support 6-25
  - button, drive 11-9
  - buzzer, reverse 4-19, 4-21, 4-23, 4-39
  - C**
  - cable
    - accelerator 9-11
    - brake 5-15, 5-21, 5-23
    - FNR shifter 12-5, 12-7
    - IQDM 19-7
  - calibration test module 19-3
  - cam
    - driven clutch 11-9

# INDEX

- electrical component box 7-13, 7-15
  - cam installation tool 19-3
  - canister, carbon, fuel tank 9-5
  - canopy 1-55, 1-57, 1-59, 1-61
  - canopy brace 1-55, 1-57, 1-59, 1-61, 1-63, 1-65, 1-67, 1-69
  - canopy hardware 1-63, 1-65, 1-67, 1-69
  - canopy top, beige 1-65, 1-69
  - canopy top, white 1-63, 1-67
  - canopy trim plate 1-55, 1-57, 1-59, 1-61, 1-63, 1-65, 1-67, 1-69
  - cap
    - dust 4-21, 4-23, 13-5, 13-7, 14-5, 14-7
    - fuel, gas, ratchet 9-3
    - key switch 4-19, 4-21, 4-23, 4-27
    - rubber 12-23
    - seat back 1-21
  - cap, hub, 7 prong 2-5
  - carbon canister 9-5
  - card, safety first 19-9
  - case
    - battery charger 17-3, 17-5, 17-7, 17-9
    - gear 16-3
    - transaxle 12-13, 12-15
  - CE mark ferrite bead, Fair-rite 13-23, 14-21
  - CE mark ferrite bead, TDK 13-23, 14-21
  - center body 1-33, 1-35
  - center shaft 12-17
  - charger
    - wire assembly kit 17-3, 17-7, 17-9
  - charger bezel tool 19-3
  - charger receptacle 13-9
  - charger, battery 17-3, 17-5, 18-3
  - charger, battery, onboard 17-7, 17-9
  - charging diode 7-13
  - circuit breaker 13-11, 14-9, 17-3, 17-5, 17-7, 17-9
  - clamp
    - battery 7-21
    - hose 9-5, 9-15
    - p- (fuel filter) 9-11
  - clevis, upper delta 6-17, 6-19
  - clip
    - meter 4-19
  - clip, score card 6-11
  - cluster, brake 5-13, 5-17, 5-19
  - clutch
    - pin 12-17
  - clutch removal tool 19-3
  - clutch repair kit 11-9
  - clutch tool kit 19-5
  - clutch weight 11-5, 11-7
  - clutch, drive 11-5, 11-7
  - collar 12-17
  - column, steering 6-5
  - communication display module 19-5
  - component mounting plate 13-21
  - component mounting plate cover 13-21, 14-19
  - compression gauge 19-5
  - compression mount 6-25
  - compressor, piston ring 19-9
  - compressor, valve spring 19-11
  - conduit 4-33
  - connecting bar 1-53
  - continuity tester 19-5
  - control board, potted 17-7, 17-9
  - controller, speed 13-21
  - controller, iq plus 500 amp 14-19
  - converter, DC/DC 4-29
  - cord, AC 17-3, 17-5, 17-7, 17-9
  - cord, DC 17-3, 17-5, 17-7, 17-9
  - cord, retractable, assembly 17-11
  - counter shaft 12-17
  - cover
    - dust 5-13, 5-17, 5-19, 6-13
    - fuse block 4-7, 4-9, 4-11, 4-13
    - rocker switch hole 4-19, 4-21, 4-23
    - screw head 4-19, 4-21, 4-23
    - steering column 6-5
  - cover, steering column 4-15, 4-17
  - cowl 1-3
  - cross brace 1-67, 1-69
  - C-type stop ring 6-3
  - cup holder 1-13
  - cup, spring 5-5, 5-7
  - current limiter 17-5
  - cushion, shock absorber 6-21, 6-23
  - cutter, valve seat 19-5
- ## D
- dash component 1-9
  - dash panel 4-21
  - dc converter, 15A 4-29
  - dc converter, CE 4-31
  - DC cord 17-3, 17-5, 17-7, 17-9
  - DC/DC converter 4-29
  - decal
    - 4-gauge wire warning 3-5, 3-11
    - battery danger 3-5
    - driver/passenger 3-7, 3-13
    - electrical cover safety 3-5, 3-11
    - filter log 13-19, 14-17
    - FNR 3-5, 3-7, 3-11, 3-13
    - four-passenger warning 3-3, 3-9
    - frame ground 3-7, 3-13
    - inspect log 13-19, 14-17
    - key switch 3-7, 3-13
    - maintenance/operate switch 3-7, 3-13
    - on/off 3-5, 3-11
    - operating instructions 3-5, 3-7, 3-11, 3-13
    - passcode 4-25
  - rotating parts 3-7, 3-13
  - Tow/Run switch 3-5, 3-11, 13-11, 14-9
  - Villager 3-15
  - deionizer 13-19, 14-17
    - cartridge 13-19, 14-17
  - delta A-plate 6-15
  - delta A-plate sub-assembly 6-15
  - delta shock and gear support 6-15
  - diagnostic port 4-21, 4-23, 13-5, 13-7, 14-5, 14-7
  - diesel tachometer probe 19-9
  - differential 12-21
    - limited-slip 12-19
    - open 12-21
  - differential drive unit 16-3
  - differential gear 16-3
  - differential gear set 12-21
  - differential guard 16-5
  - differential housing 16-3
  - differential shaft 12-21
  - diode 7-3, 7-5
  - diode, charging 7-13
  - door, access 1-49
  - drain plug 12-13, 12-15
  - drink holder 1-13
  - drive belt 11-3
  - drive button 11-9
  - drive clutch 11-5, 11-7
  - drive clutch button 11-5, 11-7
  - drive clutch holder tool 19-5
  - drive clutch hub puller 19-5
  - drive clutch puller 19-5
  - drive clutch spring 11-5, 11-7
  - drive clutch weight 11-5, 11-7
  - drive hub 11-5, 11-7
  - drive unit bumper 15-3
  - drive unit guard 16-5
  - driven clutch button 11-9
  - driven clutch cam 11-9
  - driven clutch cam puller 19-5
  - driven clutch puller plug 19-5
  - driver, drive clutch 11-5, 11-7
  - drum, brake 5-13, 5-17, 5-19
  - dry moly lubricant 19-7
  - dual snubber 8-7
  - dust cap 4-21, 4-23, 13-5, 13-7, 14-5, 14-7
  - dust cover 5-13, 5-17, 5-19, 6-13
- ## E
- eccentric adjustment screw 6-17
  - E-clip 5-15, 5-21, 5-23
  - end cap, motor 15-3
  - end, tie rod 6-15
  - engine
    - air cleaner 9-15
    - air filter 8-3, 9-15

# INDEX

air intake hose 9-15  
equalizer pivot 5-15  
equalizer rod 5-15, 5-21, 5-23  
equalizer, brake cable 5-15, 5-21, 5-23  
extrusion, fender 1-3  
extrusion, plastic 1-27

## F

face, moveable 11-9  
fender extrusion 1-3  
fender, inner 1-41  
ferrite bead (CE), Fair-rite 13-23, 14-21  
ferrite bead (CE), TDK 13-23, 14-21  
filter  
    air 8-3, 9-15  
fitting, thread-forming grease 6-13  
flasher, turn signal, 12-volt 4-17  
floor mat 1-9, 1-11  
FNR closeout brush 4-19  
fnr shaft 12-3  
FNR shift lever 12-9  
FNR shifter base 12-3  
FNR shifter cable 12-5, 12-7  
foam, seat 1-51  
foot rest 1-53  
foot rest mat 1-53  
frame and field, motor 15-3  
front body 1-3  
front body support 1-41  
front bumper 1-3  
front bumper kit 1-3  
front spring retainer plate 6-17, 6-19  
fuel meter 4-19  
Fuel Module, Hold-Down Ring 9-3  
fuse 13-9, 17-3, 17-5, 17-7, 17-9  
    10-amp 7-3, 7-5, 7-13, 7-15  
    20-amp 4-5, 4-7, 4-9, 4-11, 4-13  
    2-amp 7-3, 7-5  
    3/8-amp 13-9  
    5-amp 7-3, 7-5  
fuse block 4-5, 4-7, 4-9, 4-11, 4-13, 7-13, 7-15  
fuse block cover 4-7, 4-9, 4-11, 4-13

## G

gasket 12-13, 12-15  
    liquid 16-3, 19-7  
    plug 16-3  
    taillight 4-41  
gauge, battery condition 4-21, 4-23  
gauge, compression 19-5  
gauge, fuel-hour 4-19  
gear  
    17 tooth 12-17  
    34 tooth 12-17  
    52 tooth 12-17

60 tooth 12-19, 12-21  
62 tooth 12-17  
differential 16-3  
differential idler 16-3  
differential output 16-3  
governor 12-13, 12-15  
governor, 34 tooth 12-17  
    set, differential 12-21  
gear yoke 19-7  
gearcase 16-3  
governor arm 9-11, 12-11  
governor gear shaft 12-13, 12-15  
governor shaft 12-13, 12-15  
grip, pencil 6-11  
grommet 1-17  
guard, differential 16-5  
guard, splash 1-7  
guide pin 12-13, 12-15  
guide ring adhesive 19-3

## H

handle 12-3  
handrail 1-53  
hanger, brake cable 6-21  
hardware, canopy 1-67, 1-69  
harness  
    wire 4-35  
harness, headlight 4-7, 4-9, 4-11, 4-13  
harness, lighting 4-7, 4-9, 4-13  
harness, wire 4-29, 4-31, 4-35, 13-5, 13-7, 14-5, 14-7  
harness, wire, lighting 4-11  
headband, sealed, motor 15-3  
headband, vented, motor 15-3  
headlight 4-3  
headlight assembly 4-3  
headlight bulb 4-3  
headlight harness 4-3  
headlight retainer 4-3  
headlight wire harness 4-7, 4-9, 4-11, 4-13  
heat shrink tube 17-11  
heatsink and rectifier 17-3, 17-5, 17-7, 17-9  
heavy-duty bumper 1-3  
hill brake rod 5-3  
hill brake weld assembly 5-3  
hinge assembly 1-51  
hinge pin 1-51  
hinge plate 1-19, 1-29, 1-31, 1-33, 1-35, 1-37, 1-41  
hinge, long 1-51  
hold-down rod, battery 13-13, 13-15, 14-11, 14-13  
hold-down, battery 13-13, 13-15, 14-11, 14-13  
holder, cup 1-13  
hole plug 4-21, 4-23  
horn 4-35

horn bracket 4-35  
hose  
    air intake 9-15  
    vent 9-5  
hour meter 4-19, 4-37  
hour meter, 36-48 volt 4-37  
housing  
    3-pin 15-3  
    differential 16-3  
hub 6-13, 12-23  
hub bearing 6-13  
hub cap 2-5  
hub cap, 7 prong 2-5  
hydrometer 19-7

## I

idler gear, differential 16-3  
indicator, battery condition 4-21, 4-23  
indicator, charger 4-23  
inner frame snubber 8-7  
input shaft 12-17, 16-3  
instrument panel 4-21  
insulating washer 15-3  
insulator, battery 1-47  
insulator, motor terminal 15-3  
intermediate shaft 16-3  
internal retaining ring pliers 19-7  
IQ display module (IQDM) 19-7  
isolator, shock damper 6-21, 6-23

## J

joint  
    ball 5-3, 5-9, 5-11

## K

key  
    driven clutch 11-9  
    On/Off 4-19, 4-21, 4-23  
    square 11-9  
key switch 4-19, 4-23  
key switch cap 4-19, 4-21, 4-23, 4-27  
key switch, On/Off 4-21  
key switch, uncommon 4-27  
kick plate, body 1-29, 1-31, 1-33, 1-35, 1-41  
kingpin 6-17, 6-19  
kit  
    3-pin housing 15-3  
    accelerator pivot rod 5-5, 5-7  
    anchor body 5-13, 5-17, 5-19  
    battery terminal adapter 7-11  
    brake actuator 5-13, 5-17, 5-19  
    brake cable 5-15  
    brake pedal 5-3  
    brake pedal adjustment tool 19-3  
    brake relay 4-5

# INDEX

brake shoe 5-13, 5-17, 5-19  
brake shoe retainer 5-13, 5-17, 5-19  
brush guard 1-5  
clutch repair 11-9  
DC/DC converter 4-29  
drive clutch button 11-5, 11-7  
drive clutch weight 11-5, 11-7  
driven clutch button 11-9  
equalizer, brake 5-15  
front bumper 1-3  
hand pump, SPWS 13-19, 14-17  
heavy-duty front bumper 1-3  
hour meter 4-37  
hub cap 2-5  
IQ display module (IQDM) 19-7  
mirror 1-15  
motor brush 15-3  
motor brush lead assembly 15-3  
motor brush spring 15-3  
motor speed sensor 15-3  
park brake latch 5-3  
park brake pedal 5-3  
relay, 48V 4-7, 4-9, 4-11, 4-13, 13-21, 14-19  
reverse buzzer 4-39  
shock absorber cushion 6-21, 6-23  
shoe retainer 5-13, 5-17, 5-19  
smartkey 4-25  
steering column mounting bracket 6-5  
strobe light 4-33  
taillight hardware 4-41  
turn signal 4-15  
wire assembly, charger 17-3, 17-7, 17-9  
knob, forward/reverse 12-3

## L

lamp, strobe light 4-33  
lamp, turn signal and socket 4-15, 4-17  
latch, park brake 5-3  
leaf spring 6-21, 6-23  
lens, headlight 4-3  
lens, strobe light 4-33  
lens, taillight 4-41  
lever  
transaxle shift 12-9  
light  
battery 4-21  
oil 4-19  
water quality 13-19, 14-17  
light, strobe 4-33  
lighting wire harness 4-7, 4-9, 4-13  
limit switch 4-5, 4-7, 4-9, 4-11, 4-13, 7-15, 7-17, 7-19  
limiter  
current 17-5  
link, stabilizer bar 6-25  
liquid gasket 16-3, 19-7

low oil warning light 4-19  
lubricant, dry moly 19-7  
lubricant, moly-teflon 15-3, 19-7  
lug nut 2-3  
lug stud 12-23, 16-3

## M

magnet, speed sensor 15-3  
mat, floor 1-9, 1-11  
mat, foot rest 1-53  
MCOR 13-3, 14-3  
meter clip 4-19  
meter, hour 4-37  
meter, volt ohm 19-11  
mirror 1-15  
mirror, rear view 1-15  
module  
calibration test 19-3  
communication display 19-5  
Module, ECU 8-11  
moly-teflon lubricant 19-7  
motor  
48-volt IQ Plus 15-3  
motor brush 15-3  
motor brush kit 15-3  
motor brush lead assembly kit 15-3  
motor brush spring 15-3  
motor bumper 15-3  
motor controller 13-21  
motor end cap 15-3  
motor frame and field 15-3  
motor headband, sealed 15-3  
motor headband, vented 15-3  
motor magnet, speed sensor 15-3  
motor speed sensor 15-3  
motor speed sensor kit 15-3  
motor terminal and lead assembly 15-3  
motor terminal insulator 15-3  
mount, compression 6-25  
mounting block, brake 5-3  
moveable-face 11-5, 11-7, 11-9

## N

nameplate kit, amber 3-15  
nut, lug 2-3

## O

oil seal 12-13, 12-15  
oil warning light, low 4-19  
onboard battery charger 17-7, 17-9  
O-Ring, Fuel Module 9-3

## P

pad  
brake pedal 5-3

park brake 5-3  
thermal 7-13  
paint, touch-up 19-7  
panel, instrument 4-21  
panel, rear 17-11, 18-7  
park brake latch 5-3  
park brake pedal 5-3  
park brake rod sleeve 5-3  
park brake spacer 5-3, 17-11  
park brake torsion spring 5-3  
pawl 5-3  
p-clamp (fuel filter) 9-11  
pedal, brake 5-3  
pedal, park brake 5-3  
pencil grip 6-11  
pin  
bow tie locking 5-15, 5-21, 5-23  
clevis 5-15, 5-21, 5-23  
differential 12-21  
guide 12-13, 12-15  
input shaft 12-17  
pinion, steering 6-3  
piston anchor 5-13, 5-17, 5-19  
piston ring compressor 19-9  
piston ring pliers 19-9  
pivot support bearing 5-5, 5-7  
plate  
body kick 1-31, 1-35, 1-41  
component mounting 13-21  
front spring retainer 6-17, 6-19  
hinge 1-19, 1-29, 1-31, 1-33, 1-35, 1-37, 1-41  
receptacle backing 13-9, 18-7  
spring mounting 6-17, 6-19  
plate, canopy trim 1-55, 1-57, 1-59, 1-61, 1-63, 1-65, 1-67, 1-69  
Plate, Closure, Kohler 8-17  
plate, Tow/Run switch 13-11, 14-9  
pliers  
internal retaining ring 19-7  
piston ring 19-9  
retaining ring 19-9  
plug  
drain 12-13, 12-15  
driven clutch puller 19-5  
hole 4-21, 4-23  
port, diagnostic 4-21, 4-23, 13-5, 13-7, 14-5, 14-7  
press weldment 19-5  
protector spray, battery terminal 19-3  
puller  
bearing 19-3  
clutch 19-3  
drive clutch 19-5  
drive clutch hub 19-5  
driven clutch cam 19-5

# INDEX

- seal 19-9
- R**
- race, front hub bearing 6-13
- rack guide pressure spring 6-3
- rack, steering 6-3
- ratchet, park brake 5-3, 5-5, 5-7
- rear panel 17-11, 18-7
- rear spring shackle 6-21
- rear view mirror 1-15
- receptacle backing plate 13-9, 18-7
- receptacle, AC cord 17-5
- receptacle, battery charger 13-9
- rectifier with heatsink 17-3, 17-5, 17-7, 17-9
- reel assembly, retractable 17-11
- regulator, voltage 7-13, 7-15
- relay 4-7, 4-9, 4-11, 4-13, 13-21, 14-19
- relay mounting bracket 17-7, 17-9
- relay, 12-volt 4-5
- relay, 48V 4-7, 4-9, 4-11, 4-13, 13-21, 14-19
- relay, 48-volt 17-3, 17-5, 17-7, 17-9
- relay, brake, kit, 12-volt 4-5
- remover, bearing and oil seal 19-3
- retainer
  - accelerator pedal spring 5-5, 5-7
  - brake shoe 5-13, 5-17, 5-19
  - headlight 4-3
  - shock absorber cushion 6-21, 6-23
- retaining ring 6-5
- retaining ring pliers 19-9
- return spring bumper 5-5, 5-7
- reverse buzzer 4-19, 4-21, 4-23, 4-39
- rim (wheel) 2-3
- ring
  - C-type stop 6-3
  - retaining 6-5, 7-13, 7-15, 11-5, 11-7, 11-9, 12-13, 12-15, 12-23
  - snap 6-3
  - spiral backup 11-5, 11-7
- rivet, blind push 1-3, 13-21, 14-19
- rock guard 16-5
- rocker switch 4-21, 4-23
- rocker switch (lights) 4-5, 4-7, 4-9, 4-11, 4-13, 4-19, 4-21, 4-23
- rod
  - accelerator 5-9, 5-11
  - accelerator pivot 5-5, 5-7
  - battery hold-down 13-13, 13-15, 14-11, 14-13
  - equalizer 5-15, 5-21, 5-23
  - hill brake 5-3
- rubber bumper 1-51
- S**
- safety first card 19-9
- score card clip 6-11
- score card plate 6-11
- screw, eccentric adjustment 6-17
- seal
  - lip 16-3
  - oil 12-13, 12-15, 16-3
  - steering pinion dust 6-3
- seal puller 19-9
- sealant 16-3
- seat back 1-21
- seat back assembly 1-21
- seat back cap 1-21
- seat back, white 1-21
- seat bottom assembly 1-19, 1-37, 1-51
- seat cover, vinyl 1-51
- seat foam 1-51
- seat support, four-passenger 1-51
- seat, bearing 6-5
- select shaft 12-13, 12-15
- sensor, motor speed 15-3
- Sensor, Temperature 8-11
- shackle weldment 6-23
- shackle, rear spring 6-21
- shaft
  - axle 12-19, 12-21
  - center 12-17
  - counter 12-17
  - differential 12-21
  - governor 12-13, 12-15
  - governor gear 12-13, 12-15
  - input 12-17, 16-3
  - intermediate 16-3
  - select 12-13, 12-15
  - shift 12-17
  - steering column 6-5
- shift lever 12-9
- shift shaft 12-3, 12-17
- shifter, base 12-3
- shock absorber 6-15, 6-21, 6-23
- shock absorber cushion 6-21, 6-23
- shock absorber cushion retainer 6-21, 6-23
- shock damper isolator 6-21, 6-23
- shock mounting bracket, drv 6-23
- shock mounting bracket, pas 6-23
- shoe retainer kit 5-13, 5-17, 5-19
- shoe, brake 5-13, 5-17, 5-19
- signal, turn 4-15
- sleeve 12-13, 12-15
  - delta A-plate 6-15
  - park brake rod 5-3
- smartkey 4-25
- snap ring 6-3
- snubber bracket 8-7
- snubber, dual 8-7
- snubber, inner frame 8-7
- solenoid 13-21, 14-19
- solenoid, 12-volt 7-13, 7-15
- spacer 1-5, 12-13, 12-15, 12-17
  - accelerator pivot rod 5-5, 5-7
  - park brake 5-3, 17-11
- speed controller 13-21
- speed sensor 15-3
- speed sensor magnet 15-3
- speed sensor, motor 15-3
- spindle assembly 6-13
- spiral backup ring 11-5, 11-7
- splash guard 1-7
- spray, battery terminal protector 19-3
- spring 12-13, 12-15
  - accelerator return 5-5, 5-7
  - brake 5-13, 5-17, 5-19
  - brake return 5-21, 5-23
  - brush 15-3
  - compression 6-11
  - drive button 11-5, 11-7
  - drive clutch 11-5, 11-7
  - leaf 6-21, 6-23
  - park brake torsion 5-3
  - rack guide pressure 6-3
  - steering shaft compression 6-5
- spring cup 5-5, 5-7
- spring mounting plate 6-17, 6-19
- spring, motor brush 15-3
- SPWS manifold 13-17, 14-15
- stabilizer bar 6-25
- stabilizer bar link 6-25
- stabilizer bar mounting bracket 6-25
- steel bushing 6-17, 6-19, 6-21, 6-23
- steering column 6-5
- steering column bearing press tool 19-9
- steering column cover 4-15, 4-17
- steering column retainer ring tool 19-9
- steering gear box 6-3
- steering pinion 6-3
- steering pinion dust seal 6-3
- steering rack 6-3
- steering shaft assembly 6-5
- steering shaft compression spring 6-5
- steering wheel 6-9, 6-11
- steering wheel puller tool 19-9
- stem, valve 2-3
- strap, A-plate 6-15
- strobe light 4-33
- strobe light lens 4-33
- stud
  - lug 12-23, 16-3
- stud, ball 7-13, 7-15
- support yoke (steering) 6-3
- support, bushing 6-25
- support, front body 1-41
- suppressor, voltage 4-5, 4-7, 4-9, 4-11, 4-13, 17-3, 17-5, 17-7, 17-9
- switch plate cover 4-33

# INDEX

## switch

- four-position 17-5, 17-9
  - key 4-19, 4-21, 4-23
  - key, uncommon 4-27
  - light rocker 4-5, 4-7, 4-9, 4-11, 4-13, 4-19, 4-21, 4-23
  - limit 4-5, 4-7, 4-9, 4-11, 4-13, 7-15, 7-17, 7-19
  - rocker 4-21, 4-23
  - Tow/Run 13-11, 14-9
  - turn signal 4-15, 4-17
- switch assembly 4-33
- switch plate, Tow/Run 13-11, 14-9
- switch rubber boot 13-11, 14-9

## T

- 12-volt solenoid 7-13, 7-15
  - tachometer 19-9
  - tachometer probe, diesel 19-9
  - tail light bulb 4-41
  - taillight 4-41
  - taillight assembly 4-41
  - taillight base 4-41
  - taillight bezel 4-41
  - taillight gasket 4-41
  - taillight hardware kit 4-41
  - taillight lens 4-41
  - tape, vinyl foam 1-55, 1-57, 1-59, 1-61, 1-63, 1-65, 1-67, 1-69
  - terminal block 4-5, 4-7, 4-9, 4-11, 4-13, 13-5, 13-7, 14-5, 14-7
  - tester, continuity 19-5
  - thermal pad 7-13
  - thermometer, battery 19-3
  - thread-forming grease fitting 6-13
  - thrust bearing 6-17, 6-19
  - tie rod 6-15
  - tie rod end 6-15
  - tie wrap 4-15, 4-17, 4-29, 4-31, 4-33, 4-37, 6-3, 7-13, 7-15, 12-5, 12-7, 13-23, 14-21, 17-11
  - tire 2-3
- tool
- accelerator pedal adjustment 19-3
  - belt tensioning, starter/generator 19-11
  - brake adjustment 19-3
  - brake cable release 19-3
  - brake pedal adjustment 19-3
  - brake pedal tension 19-3
  - cam installation 19-3
  - charger bezel 19-3
  - cT-wrench 19-5
  - drive clutch holder 19-5
  - steering column bearing press 19-9
  - steering column retaining ring 19-9
  - steering wheel puller 19-9
  - transaxle axle seal 19-9

- transaxle pinion seal 19-9
- transmission 19-9
- tool kit, clutch 19-5
- touch-up paint 19-7
- Tow/Run switch 13-11, 14-9
- Tow/Run switch plate 13-11, 14-9
- transaxle (Electric Vehicle) 16-3
- transaxle axle seal tool 19-9
- transaxle guard 16-5
- transaxle pinion seal tool 19-9
- transaxle, limited-slip (Gas Vehicle) 12-13
- transaxle, open-diff (Gas Vehicle) 12-15
- transformer, battery charger 17-3, 17-5, 17-7, 17-9
- transmission tool 19-9
- trim
  - cowl 1-3
- tube
  - axle 12-19, 12-21, 16-3
- turn signal 4-15
- turn signal conversion kit 4-15
- turn signal lens 4-3
- turn signal socket and lamp 4-15, 4-17
- turn signal switch 4-17
- T-wrench tool 19-5

## U

- U-bolt 6-21, 6-23
- upper delta clevis 6-17, 6-19
- urethane bushing 6-15, 6-17, 6-19, 6-21, 6-23

## V

- valve 9-15
- valve seat cutter 19-5
- valve spring compressor 19-11
- valve stem 2-3
- vent
  - transaxle 12-13, 12-15
- vent, barb 9-5
- volt ohm meter 19-11
- voltage regulator 7-13, 7-15
- voltage suppressor 4-5, 4-7, 4-9, 4-11, 4-13, 17-3, 17-5, 17-7, 17-9

## W

- warning light, low oil 4-19
- washer, insulating 15-3
- water quality light 13-19, 14-17
- wedge, bearing puller 19-3
- weight
  - clutch 11-5, 11-7
  - secondary clutch 11-5, 11-7
- weldment
  - governor bracket 9-11, 12-11
  - press 19-5

## wheel 2-3

- steering 6-9, 6-11
  - windshield channel 1-25
  - windshield frame pad 1-55, 1-57, 1-59, 1-61, 1-63, 1-65, 1-67, 1-69
- wire
- green, starter/generator 7-3, 7-5, 7-7
  - ground, fuel tank 9-3
- wire assembly, battery charger 17-5
- wire harness 4-29, 4-31, 4-35, 13-5, 13-7, 14-5, 14-7
- wire harness, headlight 4-7, 4-9, 4-11, 4-13
- wire harness, lighting 4-7, 4-9, 4-11, 4-13
- wrap, tie 4-15, 4-17, 4-29, 4-31, 4-33, 4-37, 6-3, 7-13, 7-15, 12-5, 12-7, 13-23, 14-21, 17-11

## Y

- yoke, gear 19-7
- yoke, support (steering) 6-3





**Club Car, Inc.**  
P.O. Box 204658  
Augusta, GA 30917-4658  
USA

**Web** [www.clubcar.com](http://www.clubcar.com)  
**Phone** 1.706.863.3000  
1.800.ClubCar  
**Int'l** +1 706.863.3000  
**Fax** 1.706.863.5808