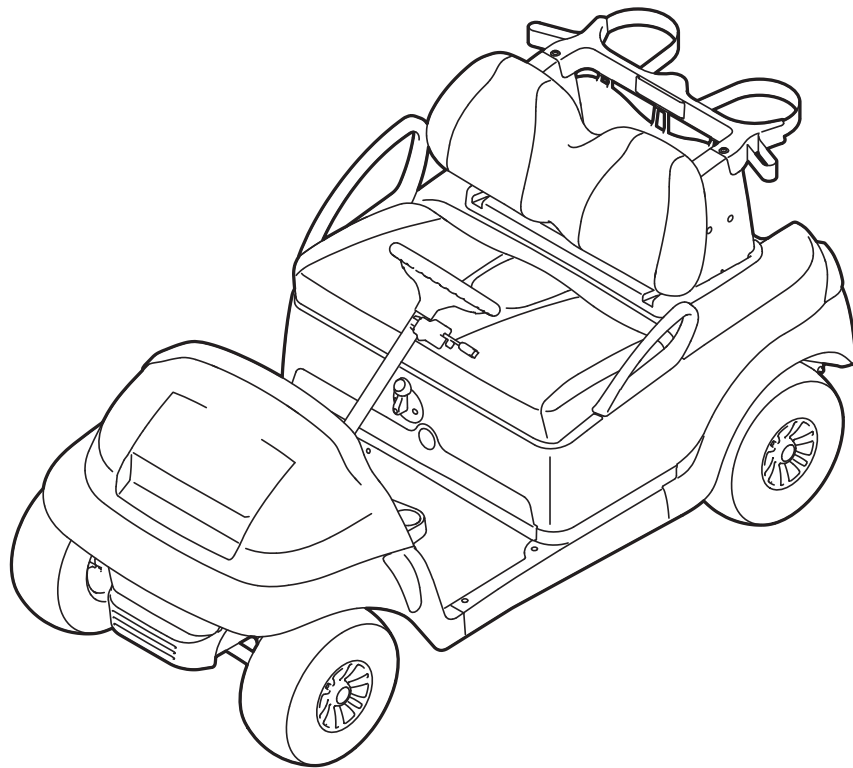


2018 Villager 2 Illustrated Parts List



**Gasoline Vehicle with Subaru EX40 Engine
Electric Vehicle with ERIC Charging System**

Manual Number 105344104
Edition Code _D

USING THE ILLUSTRATED PARTS LIST

⚠ WARNING

- **This manual is to be used only for identification and ordering of service parts. Be sure to read and use the maintenance and service manual before attempting any vehicle repairs.**

The manual is divided into sections. Note that there are two or three flags on the outside edge of each page. The first flag contains the section number of which that page is a part. The other flag (or flags) contains the letter E or G, signifying that the page pertains to electric or gasoline vehicles.

Use the Table of Contents to find the sections and pages that contain the parts and assemblies you seek. The Table of Contents lists section numbers, and under them, the individual page titles and numbers to be found in that section. The index can be used to find specific parts and assemblies. The index is divided into numerical and alphabetical listings with the page numbers in italic text.

There is a two-page spread for each individual page title in the Table of Contents. On the left-hand page is an illustration showing the parts in their relative positions; the parts are each tagged with an item number in a balloon. The right-hand page is the parts list page, and gives the page title at the top, then the item numbers (corresponding to the numbers on the illustration), part descriptions, and quantity of parts used. Some item numbers have more than one part number because several configurations of a component are represented together on one spread.

Note that a part description may be indented. This indentation corresponds to a parts assembly level indicated by the numbers 1, 2, 3, and 4 at the top left corner of the parts description area of the parts list page. A part that is indented to *level 2* is a component of the *level 1* part (assembly) that it is listed under. A *level 3* part is a component of the *level 2* part that it is listed under, and a *level 4* part is a component of the *level 3* part preceding it. In each case, the part quantity given for a level 2, 3, or 4 part is *the quantity used per next higher level assembly of which it is a component*. A part that is not indented is a *level 1* part. This means that the quantity given is the quantity used per the portion of the vehicle illustrated on that particular spread.



P. O. Box 204658
Augusta, Georgia 30917-4658 USA
Telephone 706-863-3000
Service Parts Fax 706-855-7413
www.clubcar.com

HOW TO ORDER PARTS

Replacement parts and accessories can be obtained from our network of authorized dealers and distributors. You can obtain the name and phone number of your closest authorized Club Car dealer or distributor by visiting our web site at www.clubcardealer.com, by calling our toll-free Service Parts and Technical Assistance hotline at (800) 872-2246 or (706) 863-3000, extension 3887, or by scanning this Quick Response (QR) code to be taken to the Club Car dealer locator. **Refer to Figure 1.** Download a QR code reader such as RedLaser or Barcode Scanner to your cell phone or tablet.



Figure 1 Dealer Locator QR Code

CUSTOMER SATISFACTION SURVEY

Let your voice be heard!

Please take time to participate in the Technical Publications satisfaction survey. Obtaining feedback from our customers is important to the department's continuous improvement process. The online survey takes less than five minutes and responses will help the department to examine current performance as well as identify areas for future improvement.

Our top priority is to provide timely, accurate, and user friendly manuals.

The online satisfaction survey can be found at: <http://bit.ly/1w9uFMh>



Figure 2 Survey QR Code

NOTE: *This illustrated parts list represents the most current information at the time of publication. Club Car, LLC is continually working to further improve its vehicles and other products. These improvements may affect the parts used to service the vehicle. Any modification and/or significant change in specifications will be forwarded to all Club Car and Carryall distributors/dealers and will, when applicable, appear in future editions of this illustrated parts list.*

Club Car, LLC reserves the right to change specifications and designs at any time without notice and without the obligation of making changes to units previously sold.

Copyright © 2018 Club Car, LLC
Club Car, Precedent, and Surlyn
are registered trademarks of Club Car,
LLC This manual effective July 1, 2020.

2018 Villager 2 Illustrated Parts List

CONTENTS

SECTION 1 – BODY AND TRIM

Frame	1-3
Front Bumper	1-5
Front Body	1-7
Underbody Covers (Vehicle Without Canopy)	1-9
Dash	1-11
Floor Mat, Retainers, and Front Underbody	1-13
Kick Plate – Subaru EX40 Gas Vehicle	1-15
Kick Plate – Electric Vehicle	1-17
Seat Bottom with Hip Restraints	1-19
Backrest and Structural Accessory Module (SAM)	1-21
Rear Body	1-23
Canopy – White	1-25
Canopy – Beige	1-27
Canopy – Black	1-29
Canopy Struts	1-31
Visage Canopy Struts and Console	1-33
Four-Passenger Canopy with Rear Struts – Black	1-35
Four-Passenger Canopy with Rear Struts – White	1-37
Four-Passenger Canopy with Rear Struts – Beige	1-39
Front Strut Kit, Four-Passenger Canopy	1-41
Rear-Facing Seat Frame and Foot Deck – Consumer Car	1-43
Rear-Facing Seat	1-45

SECTION 2 – WHEELS AND TIRES

Wheels and Tires	2-3
------------------------	-----

SECTION 3 – DECALS

Decal – Precedent Villager 4	3-3
Decals – Subaru EX40 Gas Vehicle, Page 1 of 3	3-5
Decals – Subaru EX40 Gas Vehicle, Page 2 of 3	3-7
Decals – Subaru EX40 Gas Vehicle, Page 3 of 3	3-9
Decals – Electric Vehicle, Page 1 of 2	3-11
Decals – Electric Vehicle, Page 2 of 2	3-13

SECTION 4 – LIGHTS, CONTROLS AND INDICATORS

Headlights, Horn and Taillights – Precedent	4-3
Headlights, Horn and Taillights (CE) – Precedent	4-5

CONTENTS

Instrument Panel – Electric Vehicle with ERIC Charger	4-7
Instrument Panel – Subaru EX40 Gas Vehicle	4-9
DC Converter (Standard) – Electric Vehicle	4-11
DC Converter (CE) – Electric Vehicle	4-13

SECTION 5 – BRAKES AND PEDAL GROUP ASSEMBLIES

Rear Brakes, Self-Adjusting – Electric Vehicles	5-3
Rear Brakes, Self-Adjusting – Gasoline Vehicles	5-5
Brake Cables and Equalizer Bracket	5-7
Pedal Group with Sensor – Gasoline Vehicle	5-9
Pedal Group w/o Sensor, Gasoline Vehicle	5-11
Pedal Group w/o MCOR – Electric Vehicle	5-13
Pedal Group with MCOR – Electric Vehicle	5-15

SECTION 6 – STEERING, FRONT AND REAR SUSPENSION

Steering Wheel	6-3
Steering Column	6-5
Steering Gear Assembly	6-7
Front Suspension, Upper	6-9
Front Suspension, Lower	6-11
Rear Suspension, Gasoline Vehicle	6-13
Rear Suspension, Electric Vehicle	6-15
Rear Suspension, Gasoline 4-Passenger – Consumer	6-17
Panhard Rod	6-19

SECTION 7 – ELECTRICAL SYSTEM – SUBARU EX40

Accelerator Pedal Assembly w/Sensor – EFI	7-3
Wiring, Fuses and ECU – Consumer Car	7-5
Starter/Generator (Model 114-05-4001), Pedal-Start – EFI	7-7
Starter/Generator Mounting, EX40	7-9
Top-Post Battery, Solenoid, Voltage Regulator – EFI	7-11
Operation and Maintenance Switch	7-13
USB Port Adapter – Early Version	7-15
USB Port Kit for Gas Vehicles	7-17
Forward/Reverse Shifter Switches – EFI	7-19

SECTION 8 – ENGINE – SUBARU EX40

Tune-Up Parts – Subaru EX40	8-3
-----------------------------------	-----

CONTENTS

Engine and Engine Mounting, Consumer Car	8-5
Snubber and Bracket – Consumer Car, Standard Height	8-7
Snubber and Bracket – Consumer Car, Lifted	8-9
Fan and Shroud – EX40	8-11
Air Deflector – EX40	8-13
Ignition Components and Flywheel – EX40	8-15
Sensors – EX40	8-17
Cylinder Head – EX40	8-19
Valvetrain and Timing Chain – EX40	8-21
Crankcase – EX40	8-23
Crankshaft and Piston – EX40	8-25

SECTION 9 – FUEL SYSTEM, EFI – SUBARU EX40

Fuel System w/o Sending Unit – EFI	9-3
Fuel System with Sending Unit – EFI	9-5
Fuel Tank Kits – EFI	9-7
Carbon Canister – EFI	9-9
Throttle Body and ECU – EFI	9-11
Throttle Body Mounting – EFI	9-13
Governor and Accelerator Cables – EFI	9-15
Air Filter System and Intake Hose – EFI	9-17

SECTION 10 – EXHAUST SYSTEM, GOLF – SUBARU EX40

Exhaust System, Golf – Subaru EX40	10-3
------------------------------------------	------

SECTION 11 – DRIVE BELT AND CLUTCHES – SUBARU EX40

Drive Belt – Pedal-Start Vehicles with EFI	11-3
Drive Clutch – Pedal-Start Vehicles with EFI	11-5
Driven Clutch – All Gasoline Vehicles with EFI	11-7

SECTION 12 – TRANSAXLE, FUJI ED65 (FOR SUBARU EX40)

Forward/Reverse Shifter Assembly – EFI	12-3
Shifter Cable	12-5
Shift Lever and Bracket – Pedal-Start Engines	12-7
Governor Arm and Brackets	12-9
Transaxle (ED65), Open – Page 1 of 3	12-11
Transaxle (ED65), Limited Slip and Open – Page 2 of 3	12-13
Transaxle (ED65), Open – Page 3 of 3	12-15

CONTENTS

Hub, Rear	12-17
-----------------	-------

SECTION 13 – ELECTRICAL SYSTEM – EXCEL WITH HIGH FREQUENCY CHARGERS

Motor Controller Output Regulator (MCOR)	13-3
Wiring and Fuses	13-5
Forward/Reverse Switch and Tow/Run Switch	13-7
Batteries and Battery Bucket, PD+ 8-Volt	13-9
Batteries and Battery Bucket, PD+ 8-Volt, CE	13-11
Single Point Watering System, 8V	13-13
Hand Pump and Deionizer (Battery-Powered Quality Light)	13-15
Controller and Solenoid	13-17
USB Port Kit for Electric Vehicles	13-19
Ferrite Beads, CE	13-21

SECTION 14 – ELECTRIC MOTOR

Motor (Model EJ8-4001A) – Electric Vehicle	14-3
--------------------------------------------------	------

SECTION 15 – TRANSAXLE – ELECTRIC VEHICLES

Transaxle – Electric Vehicles	15-3
Differential Guard – Electric Vehicles	15-5

SECTION 16 – BATTERY CHARGERS – HIGH-FREQUENCY

Battery Charger, High-Frequency – U.S./Canada	16-3
Battery Charger, High-Freq., 2.74 m DC Cord – Global	16-5
Battery Charger, High-Freq., 3.66 m DC Cord – Global	16-7
Battery Charger, High-Freq., 6.1 m DC Cord – Global	16-9
Cords – Battery Charger, High-Frequency	16-11

SECTION 17 – MAINTENANCE AND SERVICE TOOLS

Maintenance and Service Tools	17-3
Maintenance and Service Tools, Continued	17-5
Maintenance and Service Tools, Continued	17-7

SECTION i – INDEX

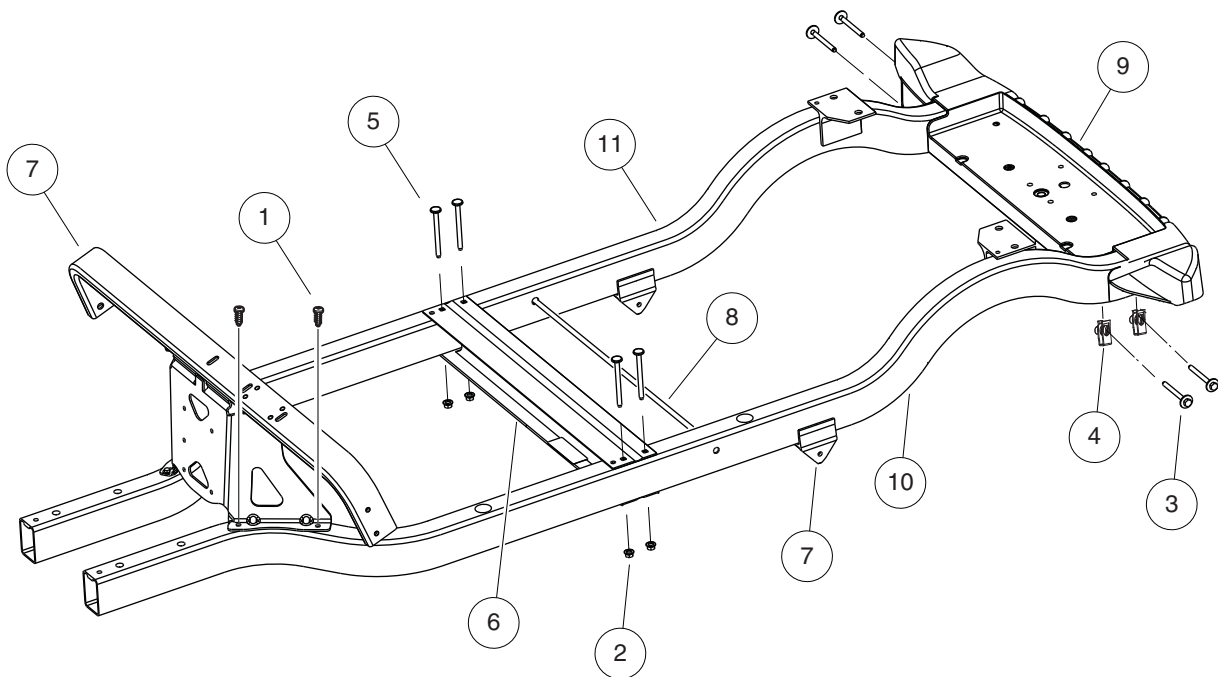
BODY AND TRIM

1

G

E

1
G
E



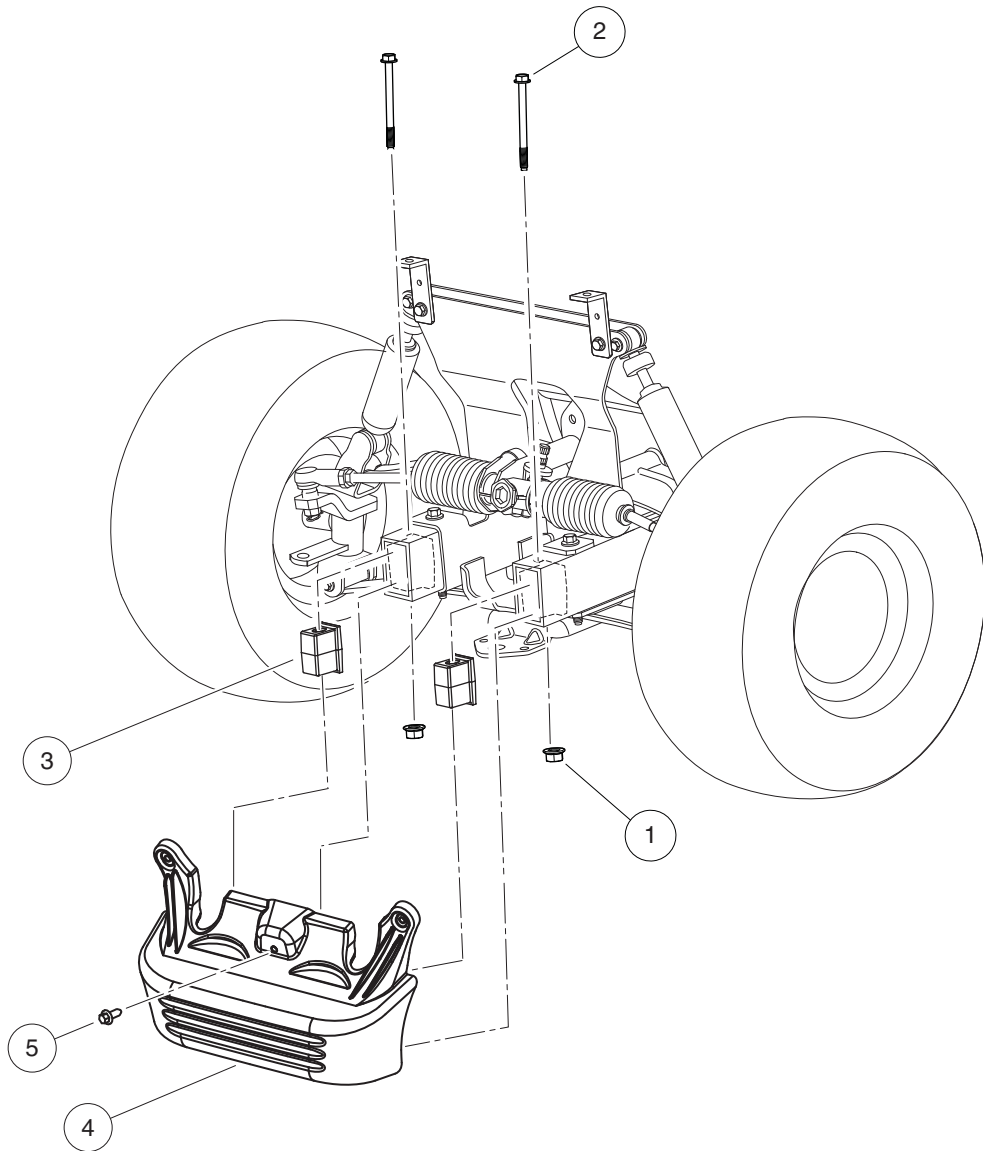
001296-001

FRAME

ITEM	PART NO.	DESCRIPTION	QTY
		1 2 3 4	
1	<u>102292101</u>	Screw-5/16 X 1.5 Tek	4
2	<u>102298401</u>	Nut,m8,all Metal Lock	4
3	<u>102298580</u>	M8-1.25 X 80 Sems	4
4	<u>102298601</u>	J-clip - M8 X 1.25	4
5	<u>102298995</u>	Bolt, Wafer Head, M8-1.25x95	4
6	<u>102505401</u>	Xmbr-middle	1
7	<u>102505701</u>	Assembly, Dash Support	1
8	<u>103638901</u>	Rod, .5 Od X 26.26	1
9	<u>103926602</u>	Rear Cross Member, Csmr	1
10	<u>103990503</u>	Weldment, Frame, Csmr, Driver-side	1
11	<u>103990601</u>	Weldment, Frame, Passenger-side	1

1
G
E

1
G
E



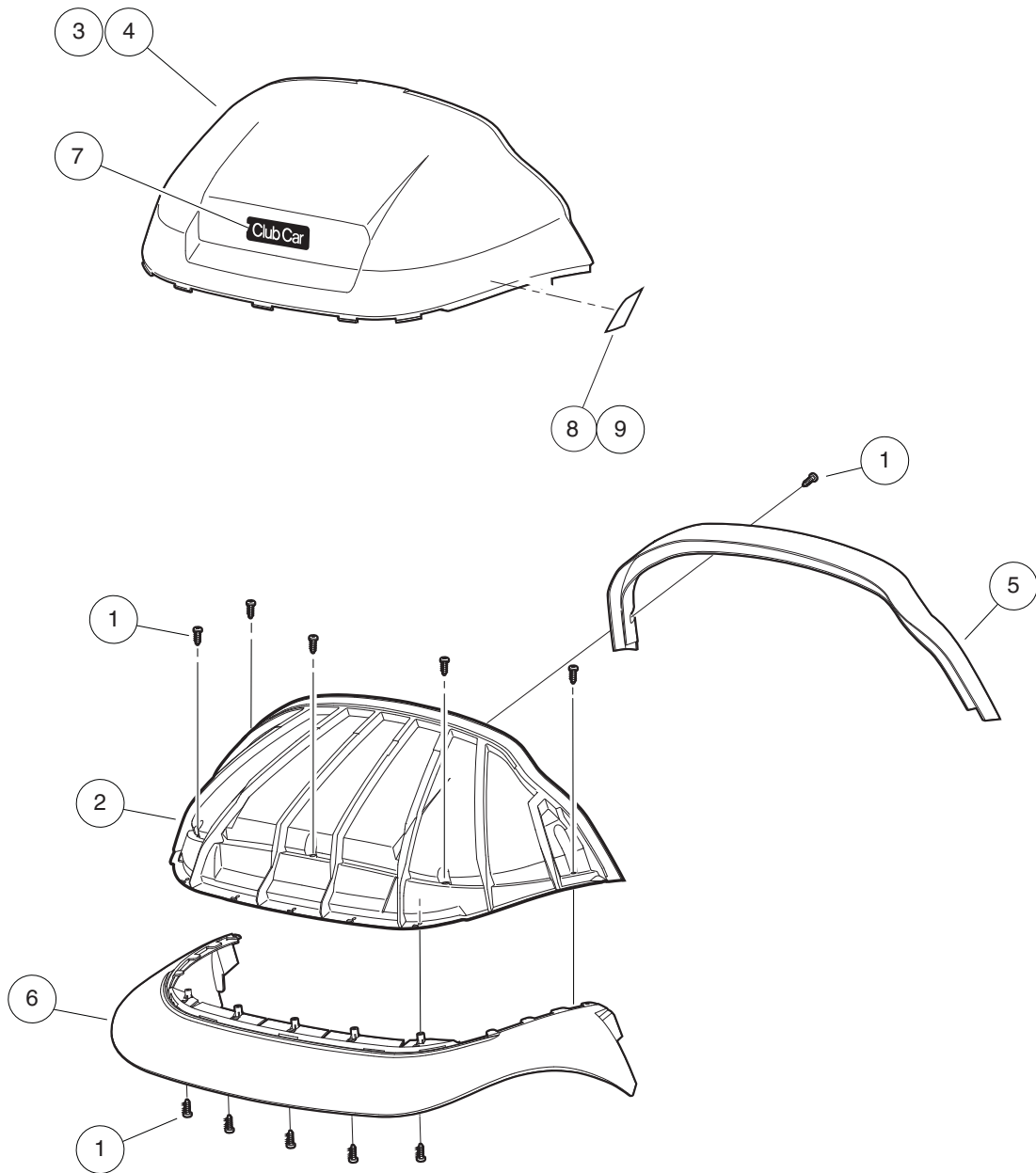
001299-001

FRONT BUMPER

ITEM	PART NO.	DESCRIPTION	QTY
		1 2 3 4	
1	<u>102298401</u>	Nut,m8,all Metal Lock	2
2	102534201	Bolt - Fl Hd, M8 X 95	2
3	<u>103325001</u>	Plug, Shock, Bumper	2
4	<u>103923601</u>	Bumper, Prec Fleet, W/light	1
5	47579669001	Screw, 3/8 Hex & Hex Washer Hd	1

1
G
E

1
G
E

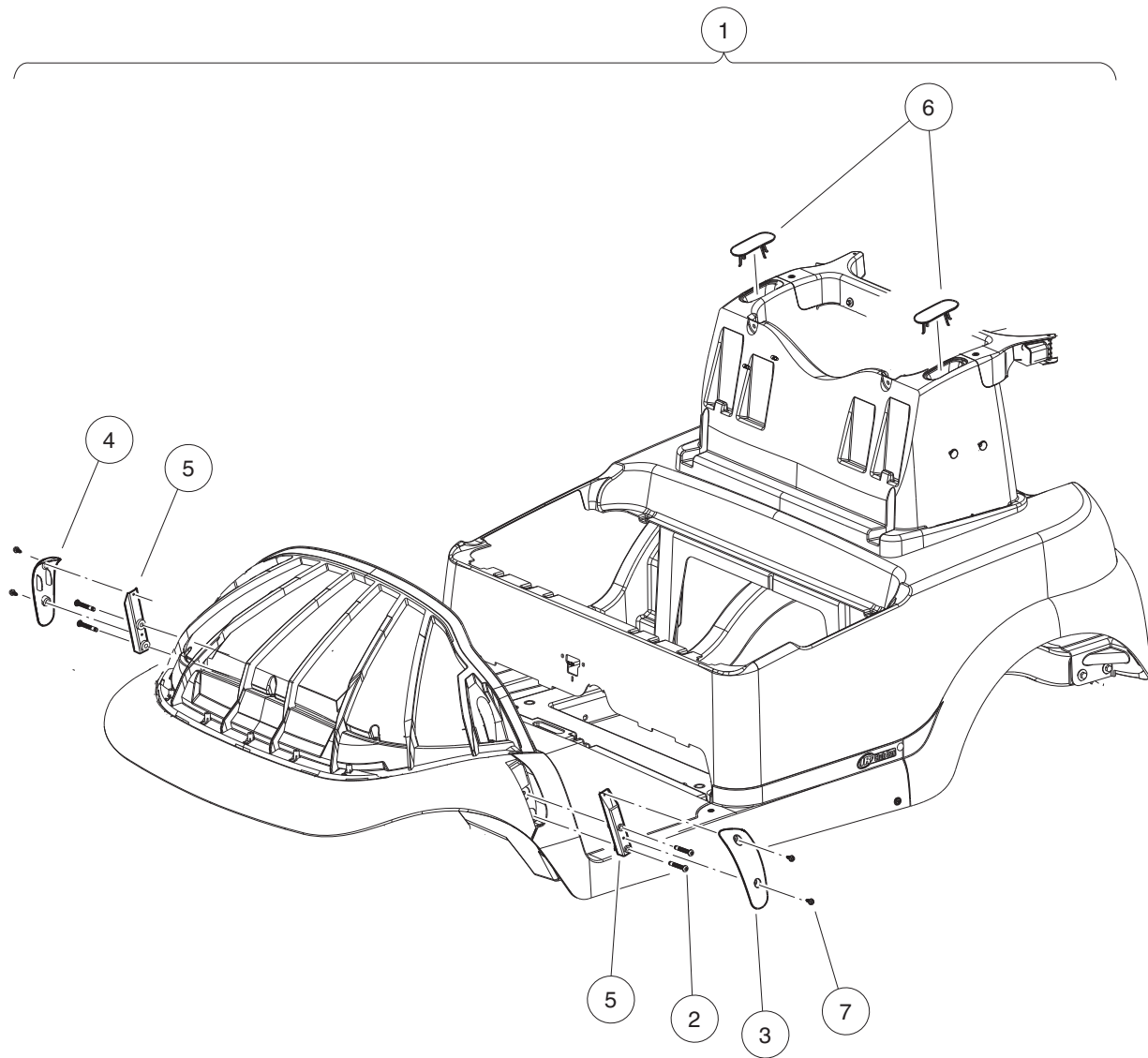


000434-006

FRONT BODY

ITEM	PART NO.	DESCRIPTION	QTY
		1 2 3 4	
1	<u>102296020</u>	Screw, Torx Pan Hd Pt, M6 X 20	14
2	<u>102501501</u>	Brow	1
3	<u>102502452</u>	Panel Front, Candy Apple Red	1
4	<u>102502453</u>	Panel Front, Metallic Sapphire	1
5	102502501	Brow Cap	1
6	<u>102534404</u>	Fascia, Blk	1
7	<u>102883602</u>	Decal, Nameplate, Csmr	1
8	47583296001	Reflector, Front, Csmr, Driver-side	1
9	47583296002	Reflector, Front, Csmr, Passenger-side	1

1
G
E

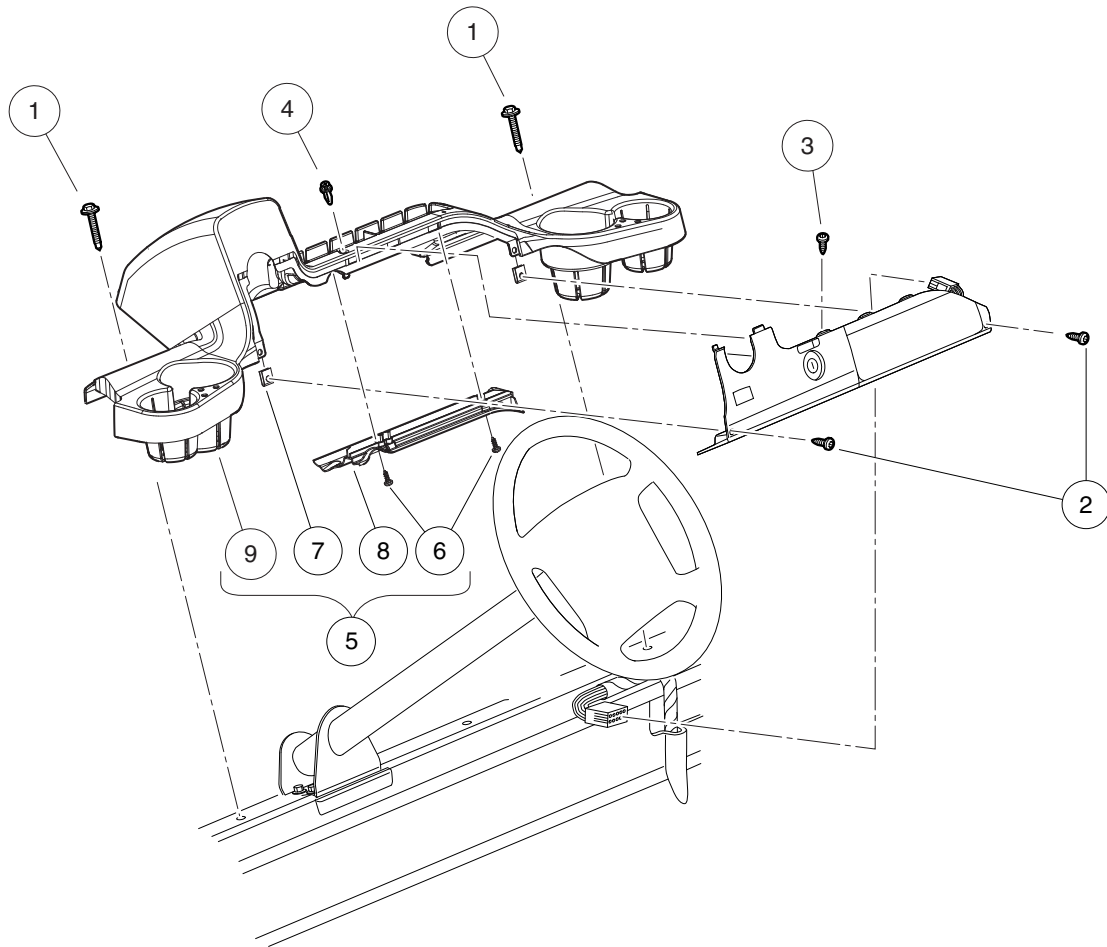


000730-004

UNDERBODY COVERS (VEHICLE WITHOUT CANOPY)

ITEM	PART NO.	DESCRIPTION	QTY
		1 2 3 4	
1	<u>102543902</u>	Kit, Underbody Cover, Black (includes items 2 through 7)	1
2	<u>102299065</u>	M8-1.25 X 65 Tx Bttn Hd Bolt	4
3	<u>102400202</u>	Cover, Lh Non-canopy, Blk	1
4	<u>102400302</u>	Cover, Rh Non-canopy, Blk	1
5	N/A	Support, Strut Cover	2
6	N/A	SAM Cap	2
7	<u>102544201</u>	Screw, M6 Hex	4

1
G
E



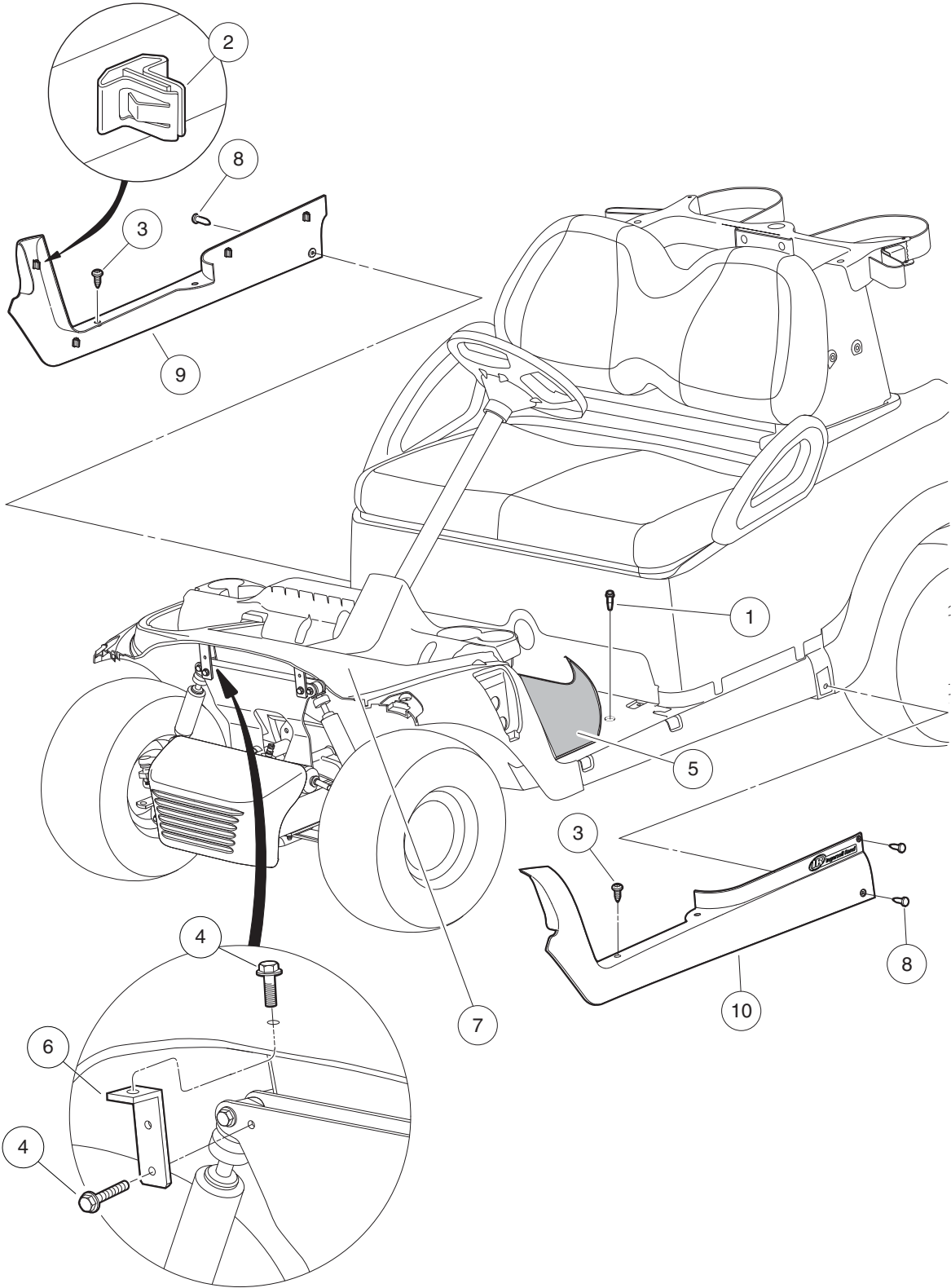
000438-003

DASH

ITEM	PART NO.	DESCRIPTION	QTY
		1 2 3 4	
1	<u>102292356</u>	Screw-1/4-20x56 Hwh Self Drill	2
2	<u>102296819</u>	Screw-M6 x 19	2
3	<u>102557201</u>	Screw, #6-20 Type Abx1.00 Pan	1
4	<u>102915601</u>	Plastic Rivet - Tuflock	1
5	<u>103402701</u>	Dash Assembly	1

1
G
E

1
G
E



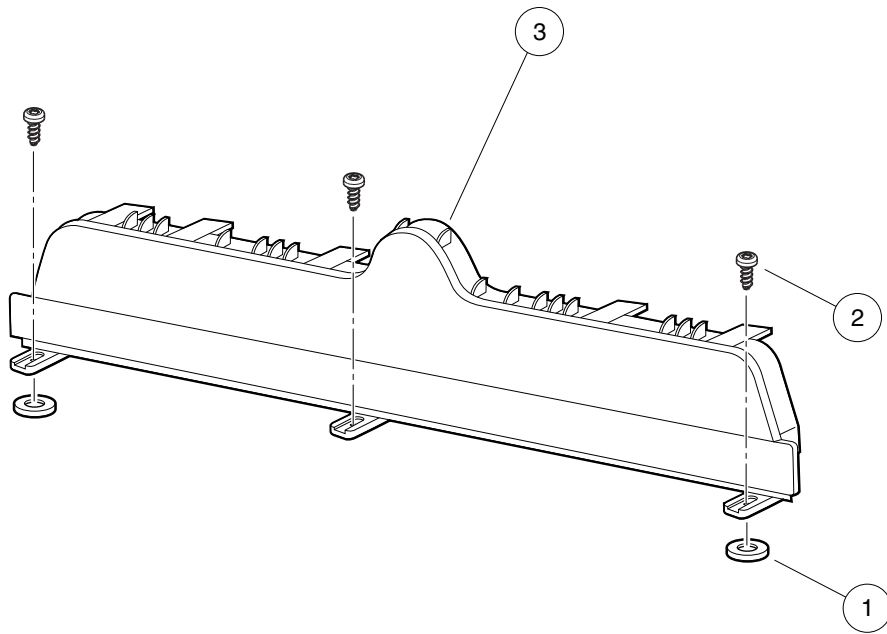
000497-007

FLOOR MAT, RETAINERS, AND FRONT UNDERBODY

ITEM	PART NO.	DESCRIPTION	QTY
		1 2 3 4	
1	<u>102292356</u>	Screw-1/4-20x56 Hwh Self Drill	3
2	<u>102292701</u>	Clip-body-trim	8
3	<u>102298020</u>	Screw, K80x20, Torx Pn Hd Pt	4
4	<u>102298716</u>	M8-1.25x16 Taptite	4
5	<u>102504802</u>	Floormat	1
6	<u>102521901</u>	Bracket-clamshell	2
7	<u>103635201</u>	Underbody, Front, One Piece	1
8	<u>105291501</u>	Rivet, Plastic Tuflok, 8mm	4
9	<u>105314001</u>	Floormat Retainer, Passenger-side, Black	1
10	<u>105314101</u>	Floormat Retainer, Driver-side, Black	1
Note: Item 7 is a special order item available upon request.			

1
G
E

1
G
E



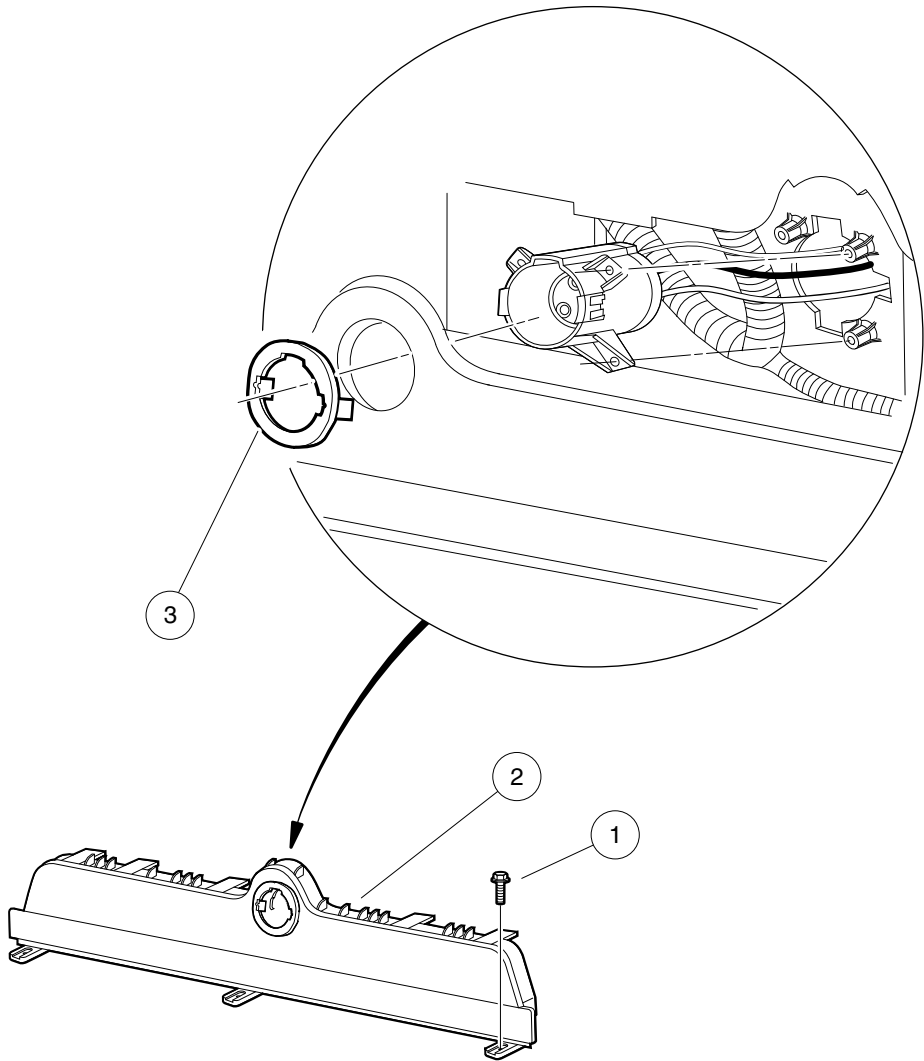
001059-001

KICK PLATE – SUBARU EX40 GAS VEHICLE

ITEM	PART NO.	DESCRIPTION	QTY
		1 2 3 4	
1	1012571	Washer, 5/16 Extra Thick Flat	2
2	<u>102298020</u>	Screw, K80x20, Torx Pn Hd Pt	3
3	<u>105005402</u>	Plate, Kick, Black, Gas EFI	1

1
G
E

1
G
E



000500-003

KICK PLATE – ELECTRIC VEHICLE

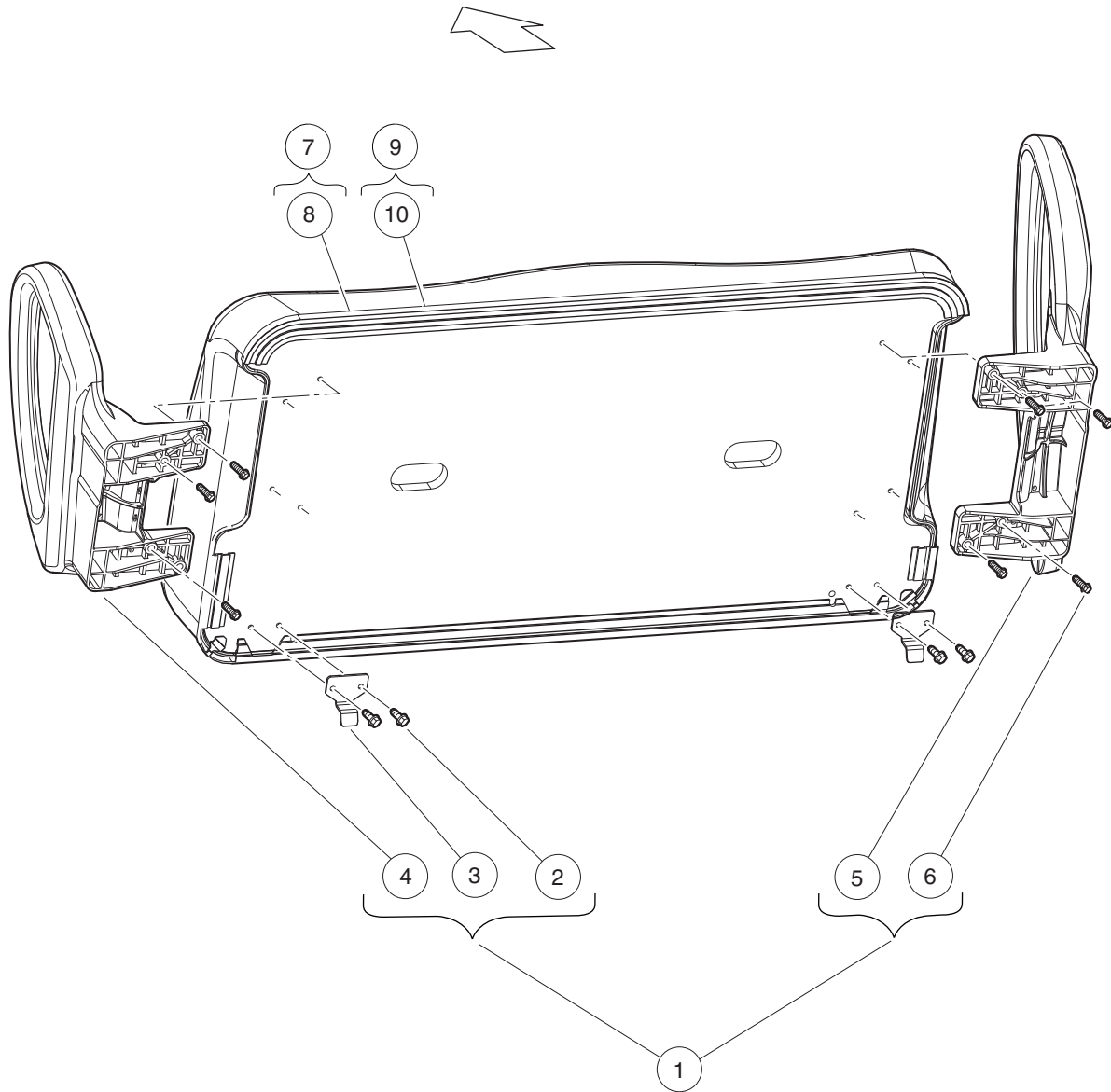
ITEM	PART NO.	DESCRIPTION	QTY
		1 2 3 4	
1	102298030	Screw, K80x30, Torx Pn Hd Pt	3
2	<u>102508202</u>	Plate - Electric Kick Blk	1
3	<u>102516901</u>	Socket Trim	1

1

G

E

1
G
E



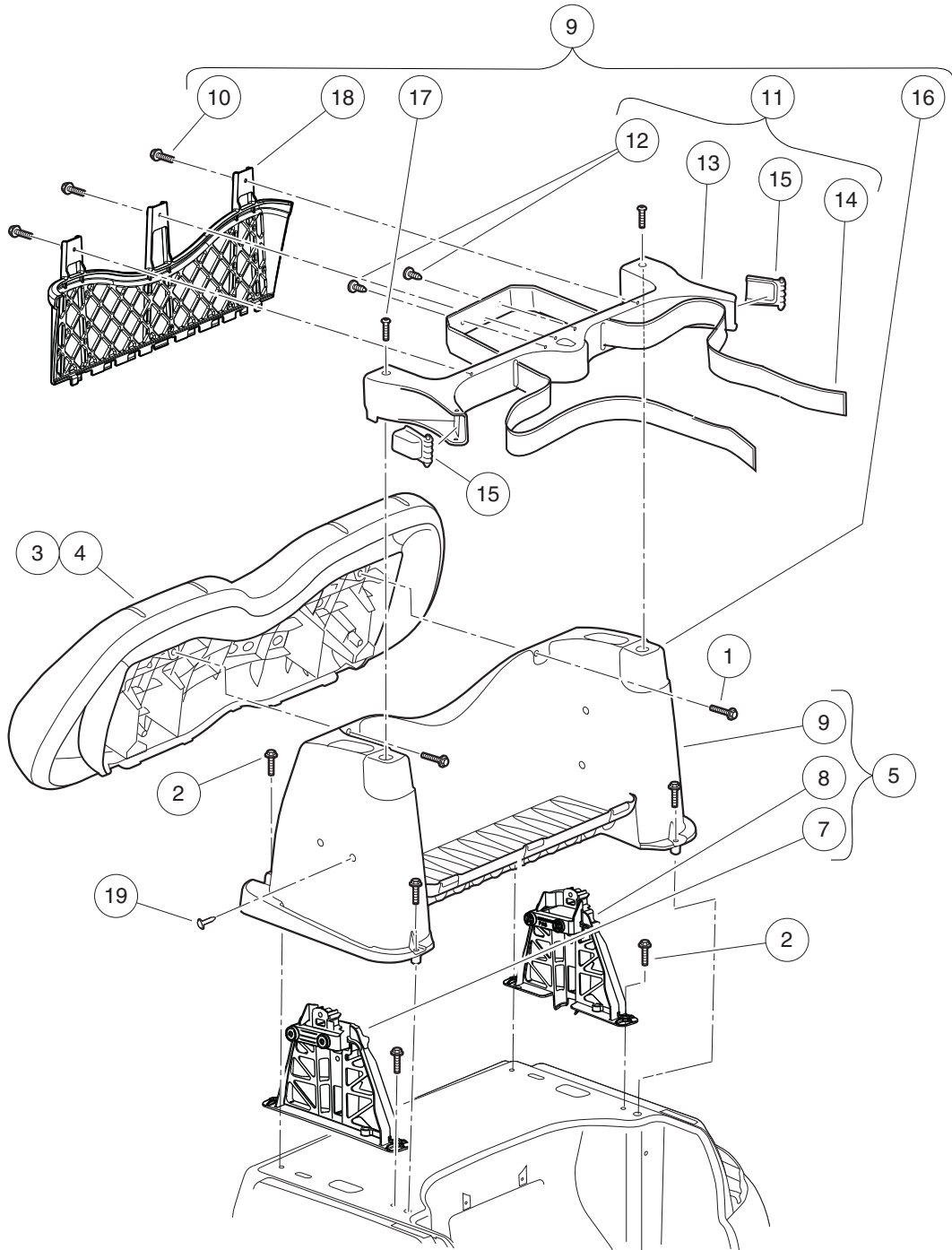
000440-007

SEAT BOTTOM WITH HIP RESTRAINTS

ITEM	PART NO.	DESCRIPTION	QTY
		1 2 3 4	
1	<u>103833901</u>	Kit, Seat Bottom (includes items 2 through 6)	1
2	<u>101954301</u>	Screw, 1/4-20 X 0.75 Hex-Head Cap	4
3	<u>103832901</u>	Hinge, Seat Bottom	2
4	<u>103833601</u>	Hip Restraint, Drv	1
5	<u>103833701</u>	Hip Restraint, Pas	1
6	<u>103833801</u>	1/4-20 X 1.5 Hex Flg Patch	8
7	<u>104023421</u>	Seat Bottom Asm, Beige, Service Replacement (includes item 8)	1
8	<u>101998501</u>	Gasket, Seat	1
9	<u>104023422</u>	Seat Bottom Asm, White, Service Replacement (includes item 10)	1
10	<u>101998501</u>	Gasket, Seat	1

1
G
E

1
G
E



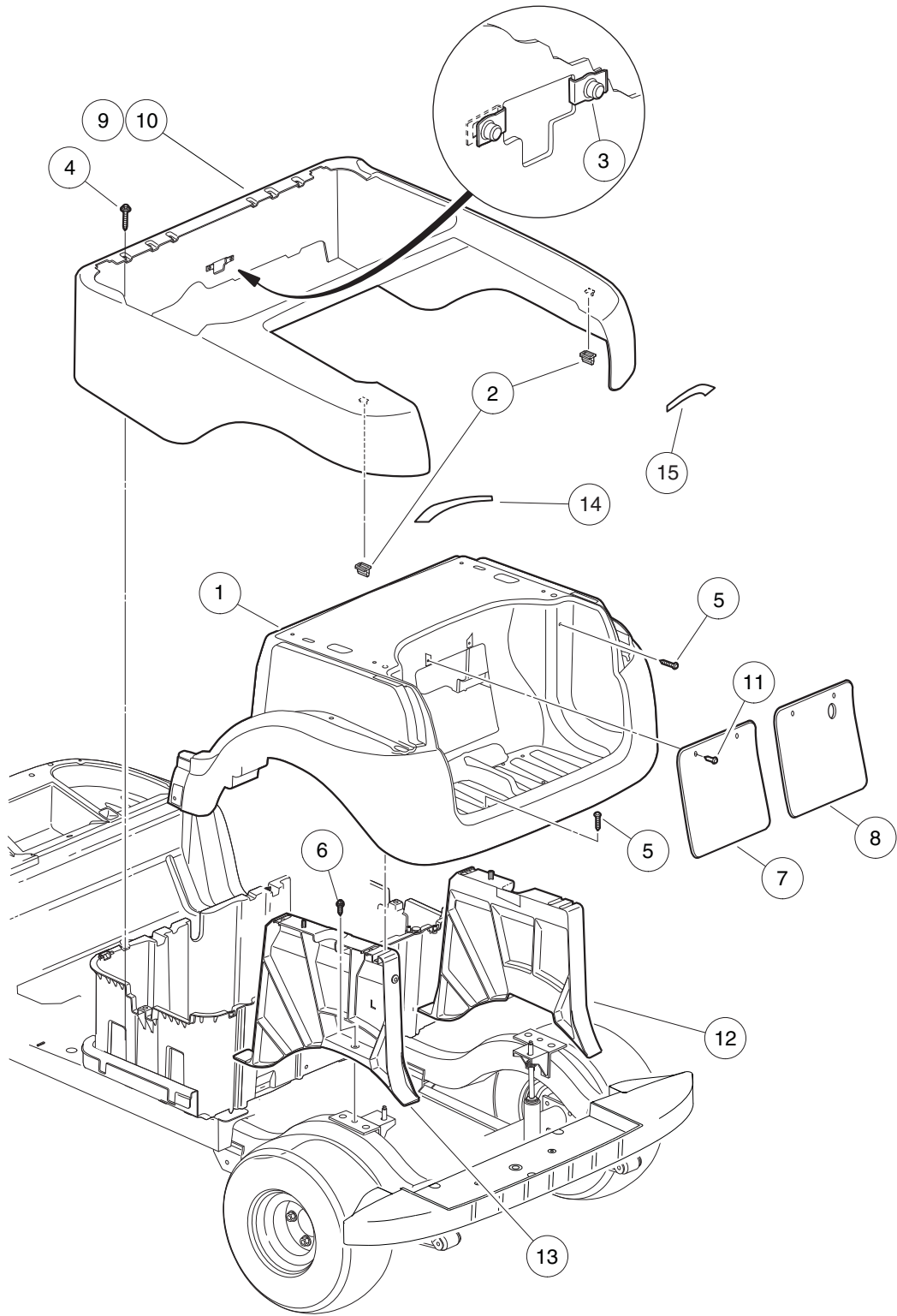
000435-012

BACKREST AND STRUCTURAL ACCESSORY MODULE (SAM)

ITEM	PART NO.	DESCRIPTION	QTY
		1 2 3 4	
1	<u>102296530</u>	Screw - M6 X 1.0 X 30 Sems	2
2	<u>102298240</u>	Bolt, Flange Head, M8-1.25 X 40	6
3	<u>103853121</u>	Asm, Seat Back, Beige, Service Replacement	1
4	<u>103853122</u>	Asm, Seat Back, White, Service Replacement	1
5	<u>103952901</u>	Kit, S.A.M. Assembly (includes items 6 through 9)	1
6	<u>102297230</u>	Screw, M6, Torx, Interlock Thread	4
7	<u>103929301</u>	Support- Canopy, Drv	1
8	<u>103929302</u>	Support- Canopy, Pass	1
9	N/A	Asm, S.A.M. (includes items 10 through 18)	1
10	<u>102297230</u>	Screw, M6, Torx, Interlock Thread	3
11	<u>102504001</u>	Asm, Bag Hoop (includes items 12 through 15)	1
12	<u>1010434</u>	Barrel - Plastic	2
13	<u>102504201</u>	Hoop-bag	1
14	<u>102504301</u>	Strap, Bag	1
15	<u>102517001</u>	Buckle-bag Strap	2
16	N/A	Structural Accessory Module (S.A.M.)	1
17	<u>103327601</u>	Screw, 5/16, Torx, Bosscrew	2
18	<u>103699401</u>	Panel, S.A.M., Prec	1
19	<u>103978801</u>	Barrel-push 6mm	4
<p>Note: Screws (item 8) not shown. These are four new screws to replace those used to attach accessory mounting brackets to SAM (item 18).</p>			

1
G
E

1
G
E



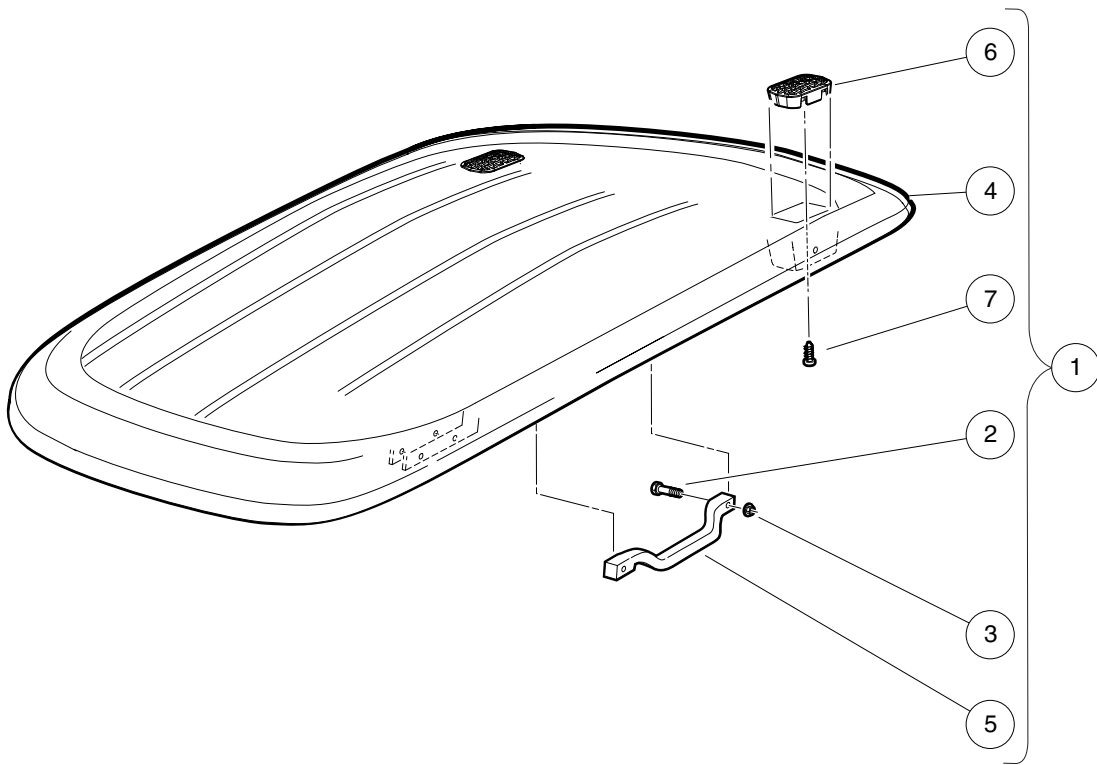
000436-013

REAR BODY

ITEM	PART NO.	DESCRIPTION	QTY
		1 2 3 4	
1	<u>102279105</u>	Underbody-rear, Blk, Csmr	1
2	<u>102292701</u>	Clip-body-trim	2
3	<u>102296601</u>	U-Nut, M6-1.0, Prevailing Torque	2
4	<u>102297230</u>	Screw, M6, Torx, Interlock Thread	4
5	<u>102298030</u>	Screw, K80x30, Torx Pn Hd Pt	4
6	<u>102298716</u>	M8-1.25x16 Taptite	2
7	<u>102501402</u>	Panel, Access, Black	1
8	<u>102501403</u>	Panel, Access, Black, with Punched Hole	1
9	<u>102502352</u>	Panel Rear, Candy Apple Red	1
10	<u>102502353</u>	Panel Rear, Metallic Sapphire	1
11	<u>102967901</u>	Rivet, Removable, Tuflok 1/4"	2
12	<u>103812901</u>	Asm, Rear Underbody Support, Passenger-side	1
13	<u>103813001</u>	Asm, Rear Underbody Support, Driver-side	1
14	47583297001	Reflector, Rear, Csmr, Driver-side	1
15	47583297002	Reflector, Rear, Csmr, Passenger-side	1

1
G
E

1
G
E



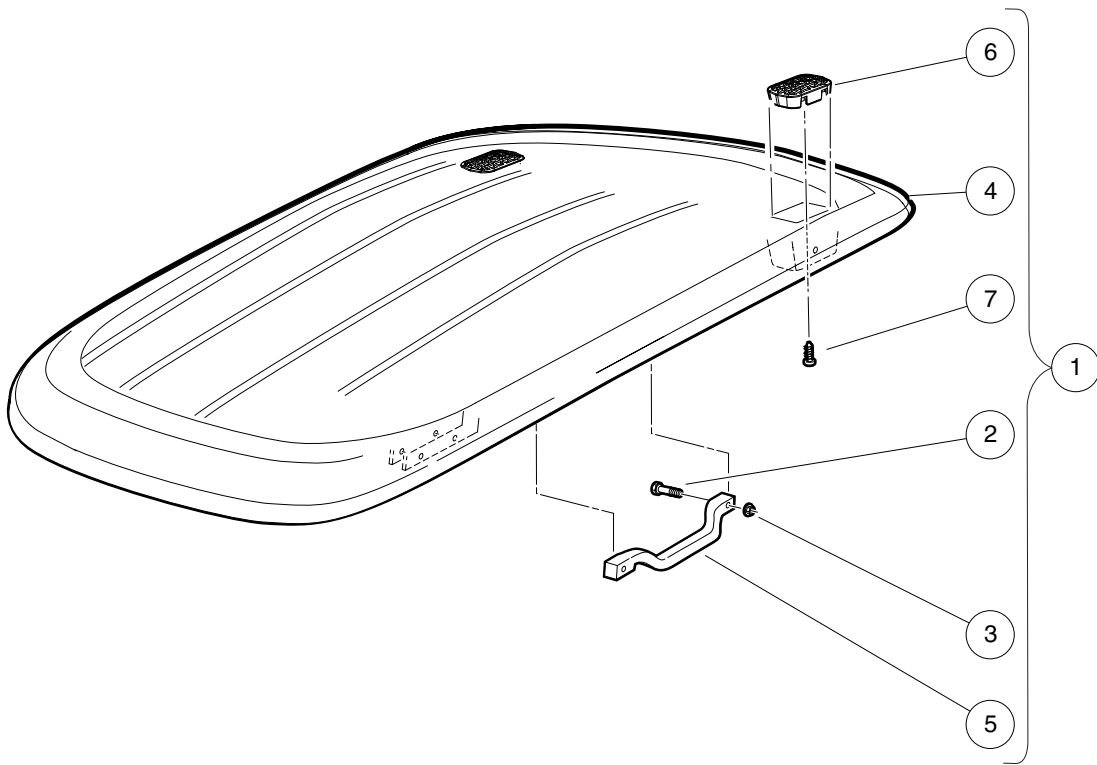
000439-009

CANOPY – WHITE

ITEM	PART NO.	DESCRIPTION	QTY
		1 2 3 4	
1	<u>104008001</u>	Asm, Canopy W/handles, White (includes items 2 through 7)	1
2	<u>102296140</u>	Bolt, Flanged Head, M6x1.0x40	4
3	<u>102296401</u>	Nut, M6x1.0, Flange, Metal Lock	4
4	<u>102508901</u>	Canopy-white	1
5	<u>102511601</u>	Handle, Canopy (White)	2
6	<u>103205101</u>	Cover, Drain, Canopy	2
7	<u>103210101</u>	Screw, #8 X.75, Torx, Tapping	2

1
G
E

1
G
E



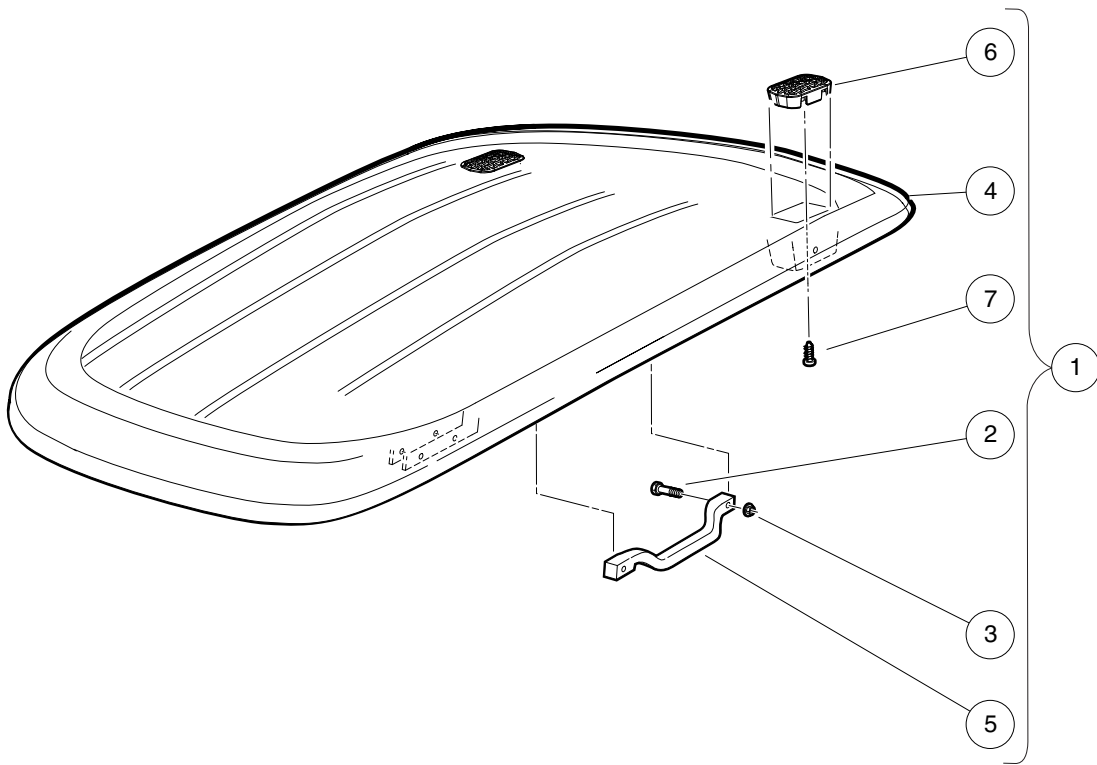
000439-009

CANOPY – BEIGE

ITEM	PART NO.	DESCRIPTION	QTY
		1 2 3 4	
1	<u>104008002</u>	Asm, Canopy W/handles, Beige (includes items 2 through 7)	1
2	<u>102296140</u>	Bolt, Flanged Head, M6x1.0x40	4
3	<u>102296401</u>	Nut, M6x1.0, Flange, Metal Lock	4
4	<u>102508902</u>	Canopy-beige	1
5	<u>102511602</u>	Handle, Canopy (Beige)	2
6	<u>103205101</u>	Cover, Drain, Canopy	2
7	<u>103210101</u>	Screw, #8 X.75, Torx, Tapping	2

1
G
E

1
G
E



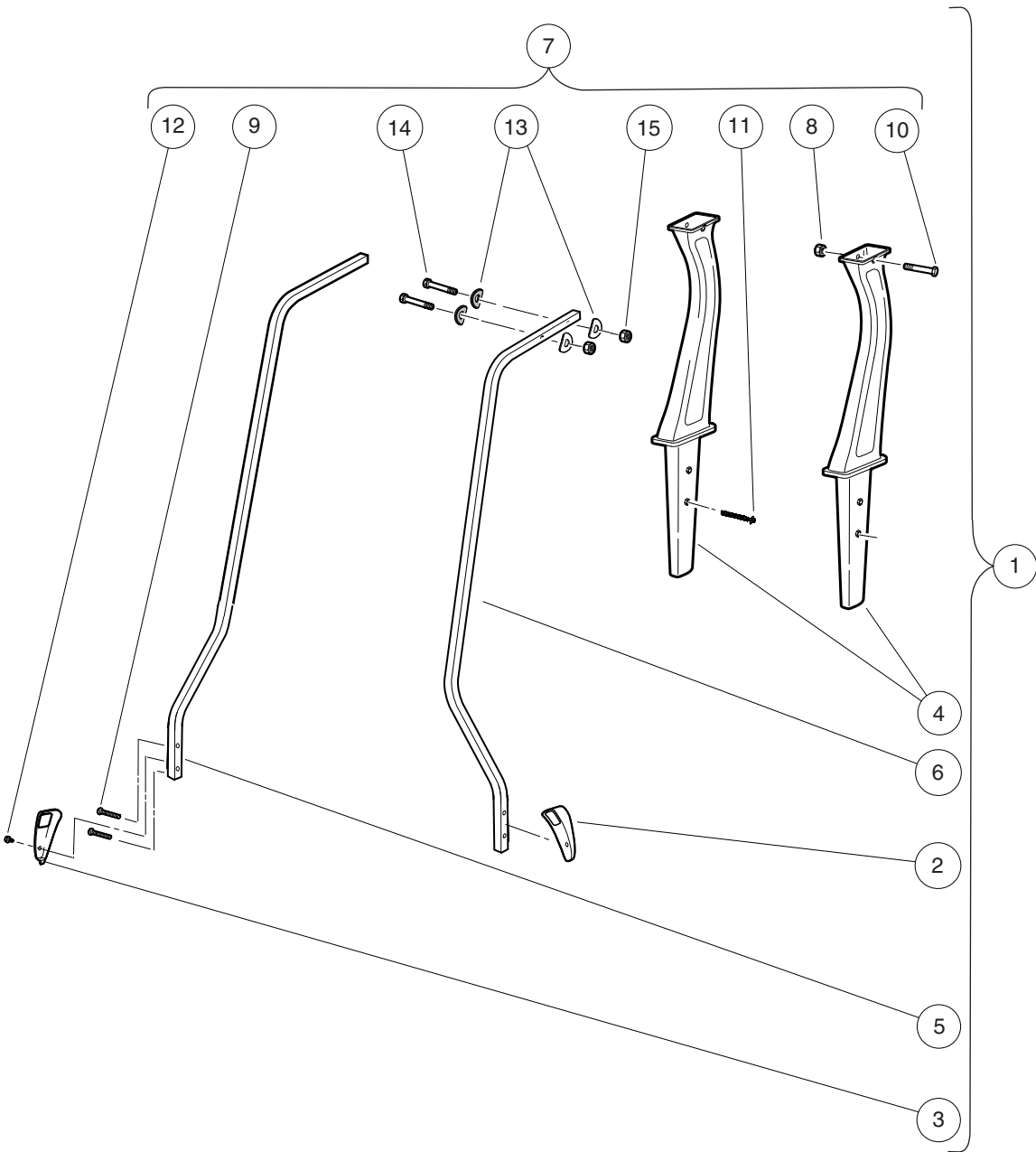
000439-009

CANOPY – BLACK

ITEM	PART NO.	DESCRIPTION	QTY
		1 2 3 4	
1	<u>104008003</u>	Asm, Canopy W/handles, Black (includes items 2 through 7)	1
2	<u>102296140</u>	Bolt, Flanged Head, M6x1.0x40	4
3	<u>102296401</u>	Nut, M6x1.0, Flange, Metal Lock	4
4	<u>102508903</u>	Canopy-black	1
5	<u>102511603</u>	Handle-canopy (black)	2
6	<u>103205101</u>	Cover, Drain, Canopy	2
7	<u>103210101</u>	Screw, #8 X.75, Torx, Tapping	2

1
G
E

1
G
E



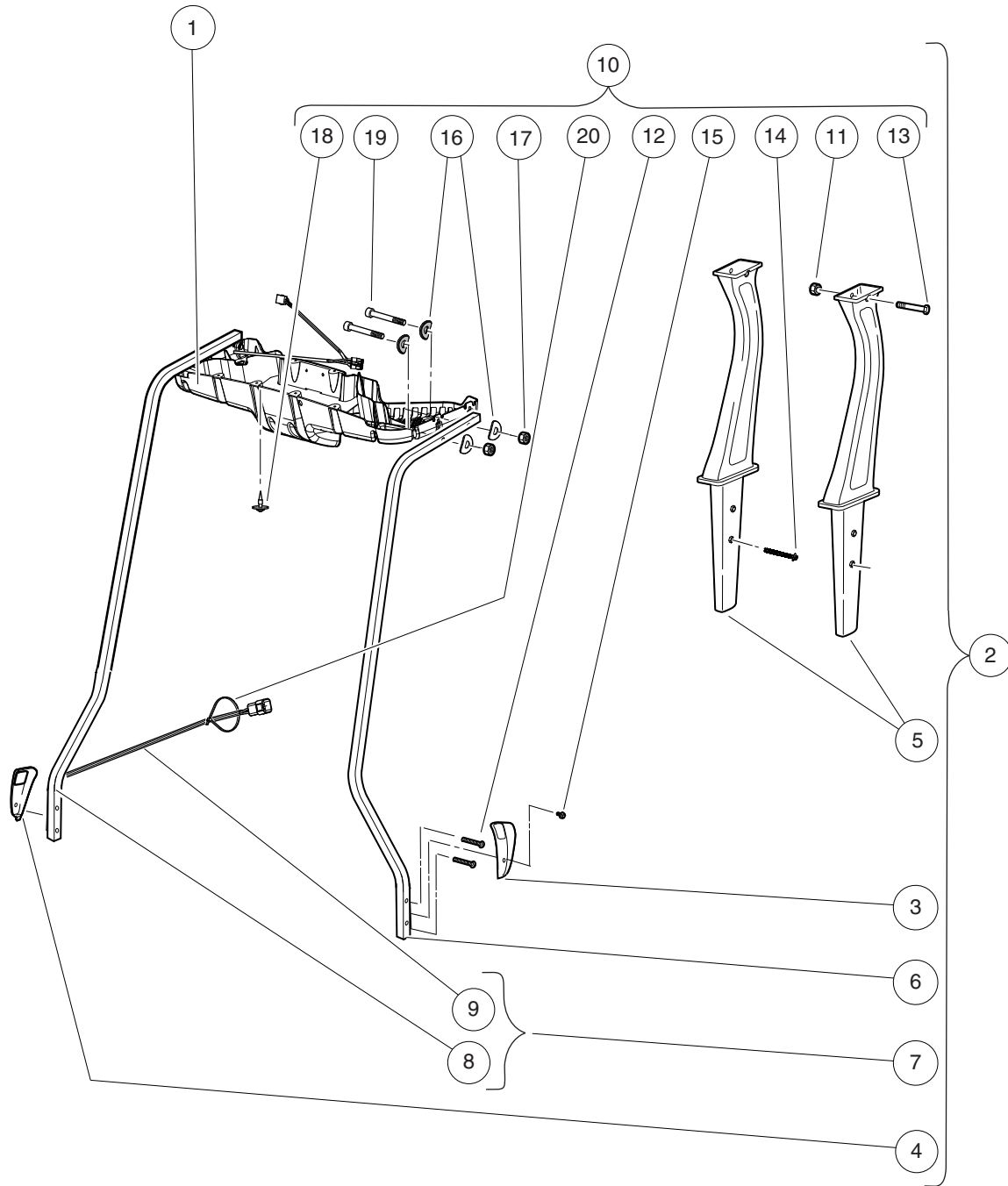
000439-010

CANOPY STRUTS

ITEM	PART NO.	DESCRIPTION	QTY
		1 2 3 4	
1	<u>104008901</u>	Kit, Sp, Struts, Std (includes items 2 through 7)	1
2	<u>102400002</u>	Cover, Canopy Support, Driver-side, Black	1
3	<u>102400102</u>	Cover, Canopy Support, Passenger-side, Black	1
4	<u>102513501</u>	Asm-rear Canopy Support	2
5	<u>103750001</u>	Strut, Canopy Front, Passenger-side	1
6	<u>103750101</u>	Strut, Canopy Front, Driver-side	1
7	<u>104008501</u>	Kit, Hardware, Canopy, Std (includes items 8 through 15)	1
8	<u>102298401</u>	Nut,m8,all Metal Lock	2
9	<u>102299065</u>	M8-1.25 X 65 Tx Bttm Hd Bolt	4
10	<u>102299360</u>	Screw, M8-1.25 X 60, Sems, Tx	2
11	<u>102299601</u>	Screw, Pt, K80x70 Hex Flg Hd	2
12	<u>102544201</u>	Screw, M6 Hex	2
13	<u>103196001</u>	Washer, Conical Spring, Canopy	8
14	<u>103199301</u>	Bolt - M6 X 1 X 45 Hh Grey	4
15	<u>103200301</u>	Nut, M6 x 1.00	4

1
G
E

1
G
E



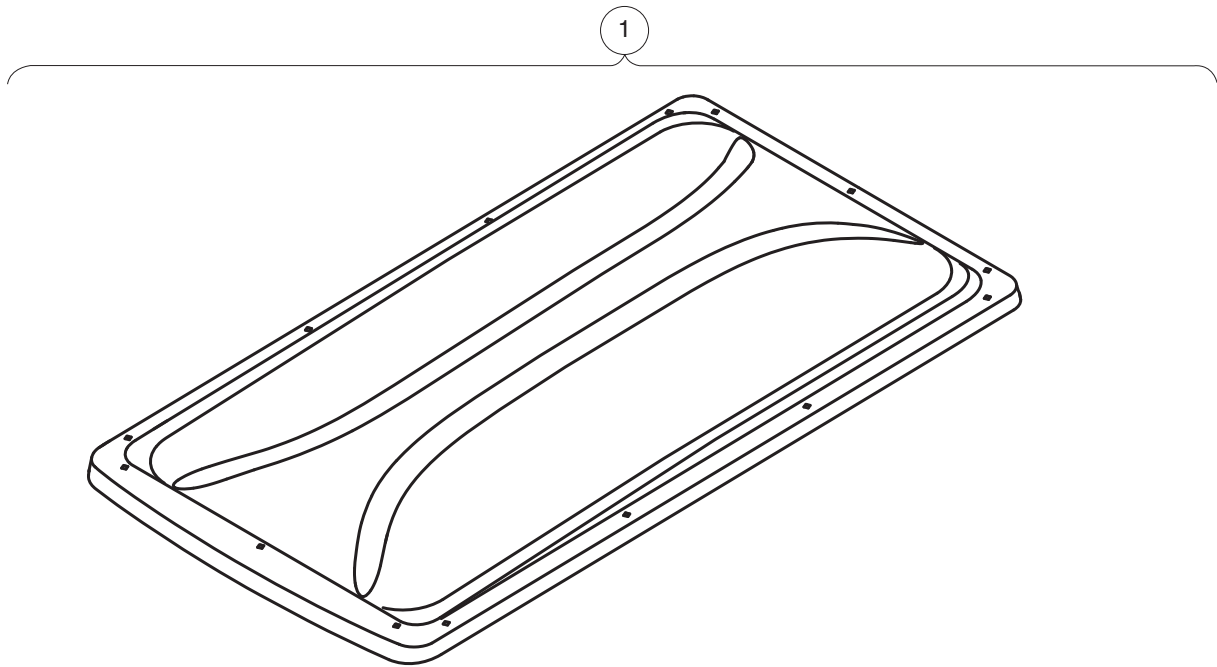
000439-011

VISAGE CANOPY STRUTS AND CONSOLE

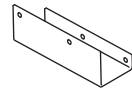
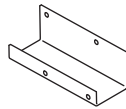
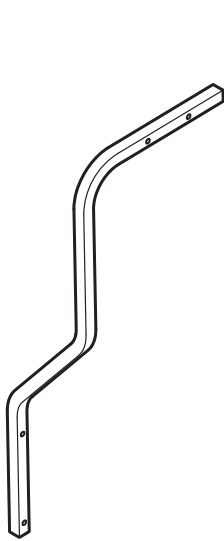
ITEM	PART NO.	DESCRIPTION	QTY
		1 2 3 4	
1	<u>103725601</u>	Support, Guardian Canopy Mt	1
2	<u>104008902</u>	Kit, Sp, Struts, Prec, Vis (includes items 3 through 10)	1
3	<u>102400002</u>	Cover, Canopy Support, Driver-side, Black	1
4	<u>102400102</u>	Cover, Canopy Support, Passenger-side, Black	1
5	<u>102513501</u>	Asm-rear Canopy Support	2
6	<u>103750101</u>	Strut, Canopy Front, Driver-side	1
7	<u>103775201</u>	Asm, Strut, Canopy Front, Passenger-side, V2 (includes items 8 and 9)	1
8	<u>103750001</u>	Strut, Canopy Front, Passenger-side	1
9	<u>103775601</u>	Harness, Canopy Mount, V2	1
10	<u>104008502</u>	Kit, Hardware, Canopy, Vis (includes items 11 through 20)	1
11	<u>102298401</u>	Nut,m8,all Metal Lock	2
12	<u>102299065</u>	M8-1.25 X 65 Tx Bttm Hd Bolt	4
13	<u>102299360</u>	Screw, M8-1.25 X 60, Sems, Tx	2
14	<u>102299601</u>	Screw, Pt, K80x70 Hex Flg Hd	2
15	<u>102544201</u>	Screw, M6 Hex	2
16	<u>103196001</u>	Washer, Conical Spring, Canopy	4
17	<u>103200301</u>	Nut, M6 x 1.00	4
18	<u>103774801</u>	Screw, Pt, Washer Head, 4x16	6
19	<u>103881201</u>	Socket Head Cap Screw, M6 X 50mm, Magni-Coated	4
20	<u>8990</u>	Tie Wrap, 8" Nylon	1

1
G
E

1
G
E



2

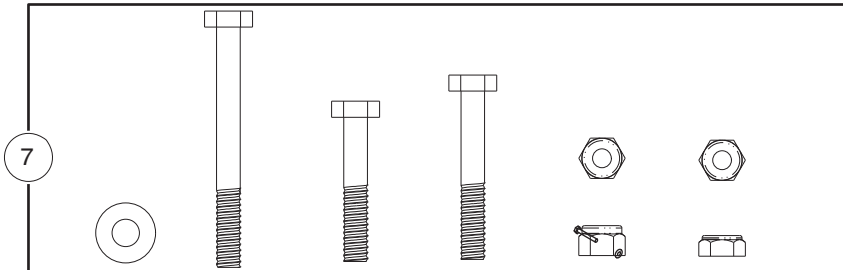


3

4

5

6



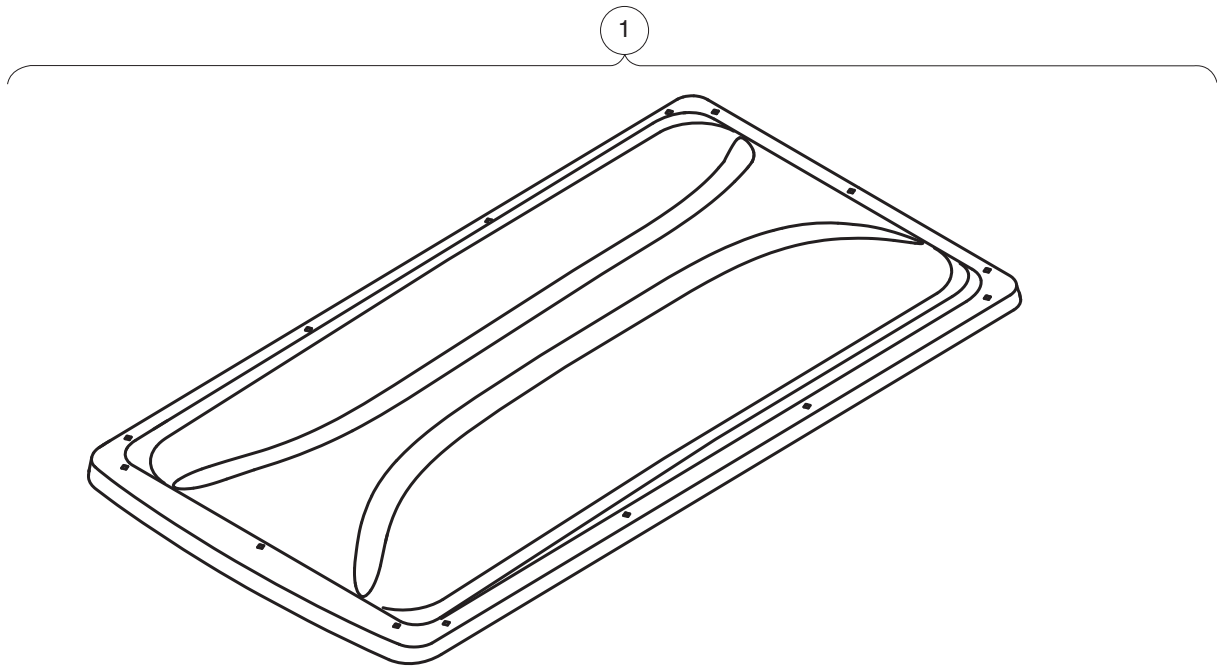
001329-001

FOUR-PASSENGER CANOPY WITH REAR STRUTS – BLACK

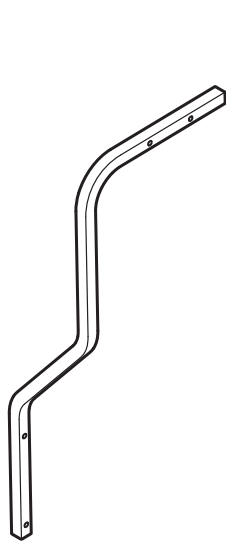
ITEM	PART NO.	DESCRIPTION	QTY
		1 2 3 4	
1	<u>47570464001</u>	Kit, Canopy, Phantom, Blk (includes items 2 through 7)	1
2	N/A	Top, Canopy, Phantom Blk	1
3	N/A	Strut, Canopy, Phantom Ds	1
4	N/A	Strut, Canopy, Phantom Ps	1
5	<u>47582821001</u>	Bracket, Canopy, Phantom Ds	1
6	<u>47582821002</u>	Bracket, Canopy, Phantom Ps	1
7	<u>47583112001</u>	Kit, Hardware, Canopy Phantom	1

1
G
E

1
G
E



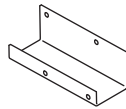
2



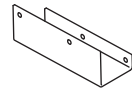
3



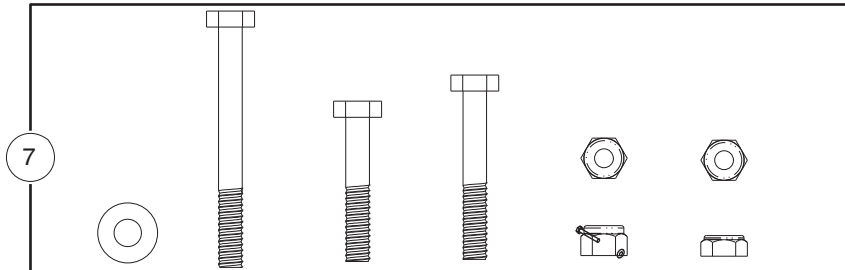
4



5



6



7

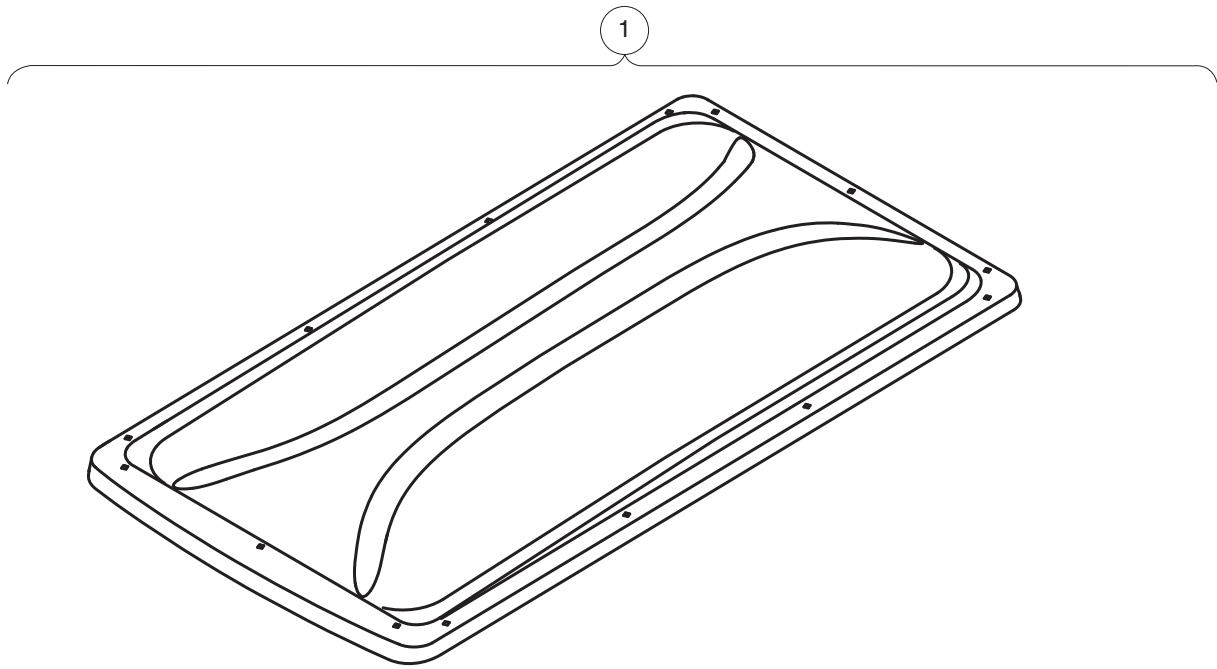
001329-001

FOUR-PASSENGER CANOPY WITH REAR STRUTS – WHITE

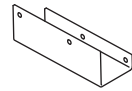
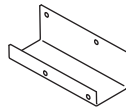
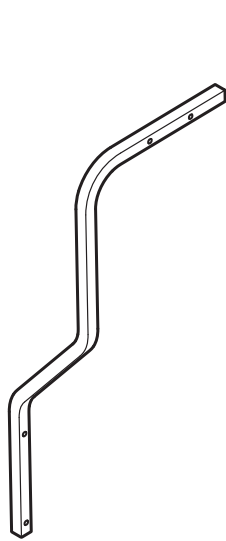
ITEM	PART NO.	DESCRIPTION	QTY
		1 2 3 4	
1	<u>47570464002</u>	Kit, Canopy, Phantom, Wht (includes items 2 through 7)	1
2	N/A	Top, Canopy, Phantom Wht	1
3	N/A	Strut, Canopy, Phantom Ds	1
4	N/A	Strut, Canopy, Phantom Ps	1
5	<u>47582821001</u>	Bracket, Canopy, Phantom Ds	1
6	<u>47582821002</u>	Bracket, Canopy, Phantom Ps	1
7	<u>47583112001</u>	Kit, Hardware, Canopy Phantom	1

1
G
E

1
G
E



2

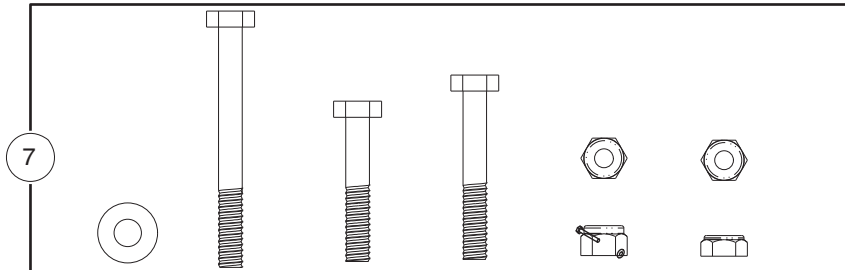


3

4

5

6



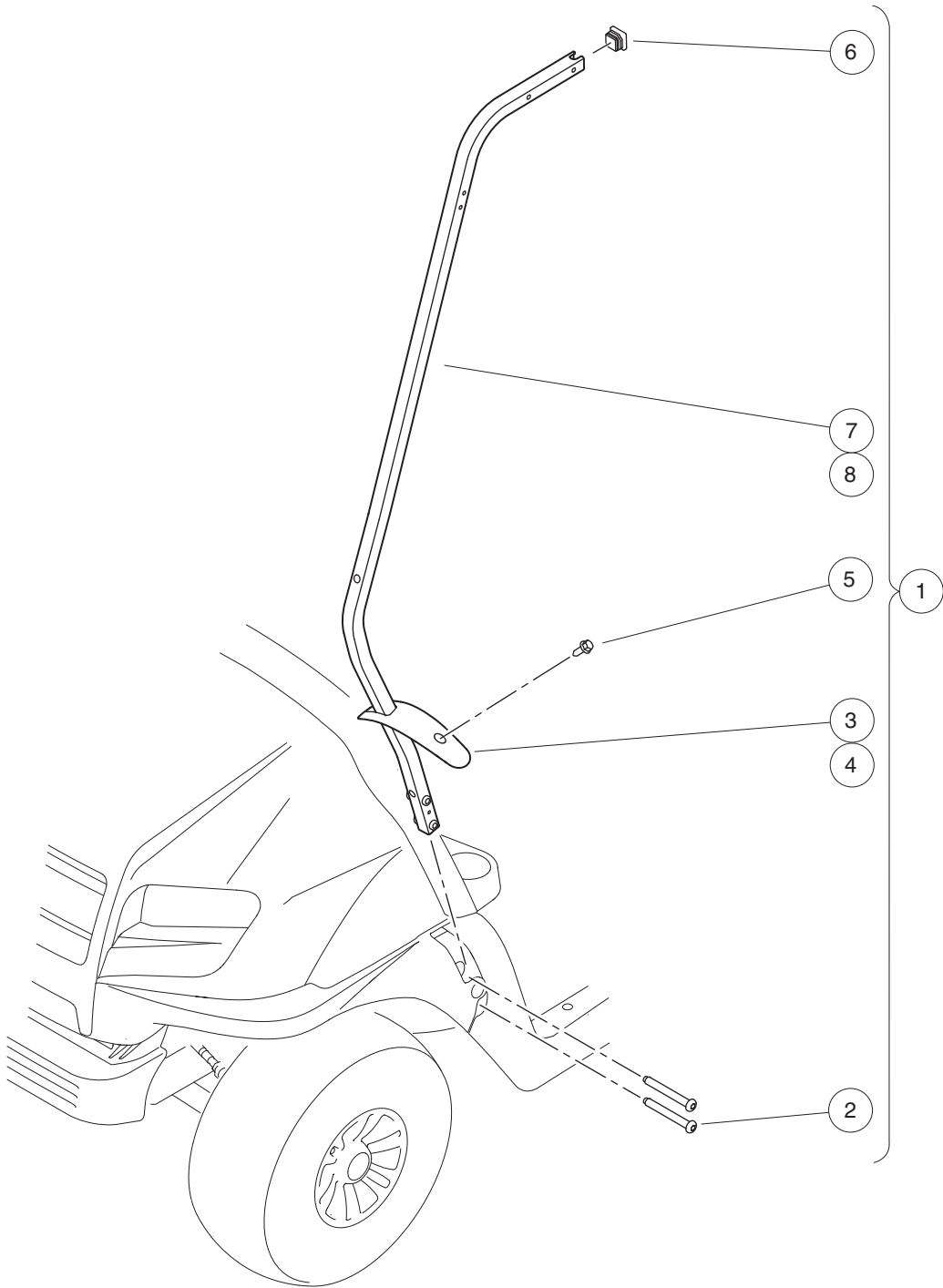
001329-001

FOUR-PASSENGER CANOPY WITH REAR STRUTS – BEIGE

ITEM	PART NO.	DESCRIPTION	QTY
		1 2 3 4	
1	<u>47570464003</u>	Kit, Canopy, Phantom, Beige (includes items 2 through 7)	1
2	N/A	Top, Canopy, Phantom Beige	1
3	N/A	Strut, Canopy, Phantom Ds	1
4	N/A	Strut, Canopy, Phantom Ps	1
5	<u>47582821001</u>	Bracket, Canopy, Phantom Ds	1
6	<u>47582821002</u>	Bracket, Canopy, Phantom Ps	1
7	<u>47583112001</u>	Kit, Hardware, Canopy Phantom	1

1
G
E

1
G
E



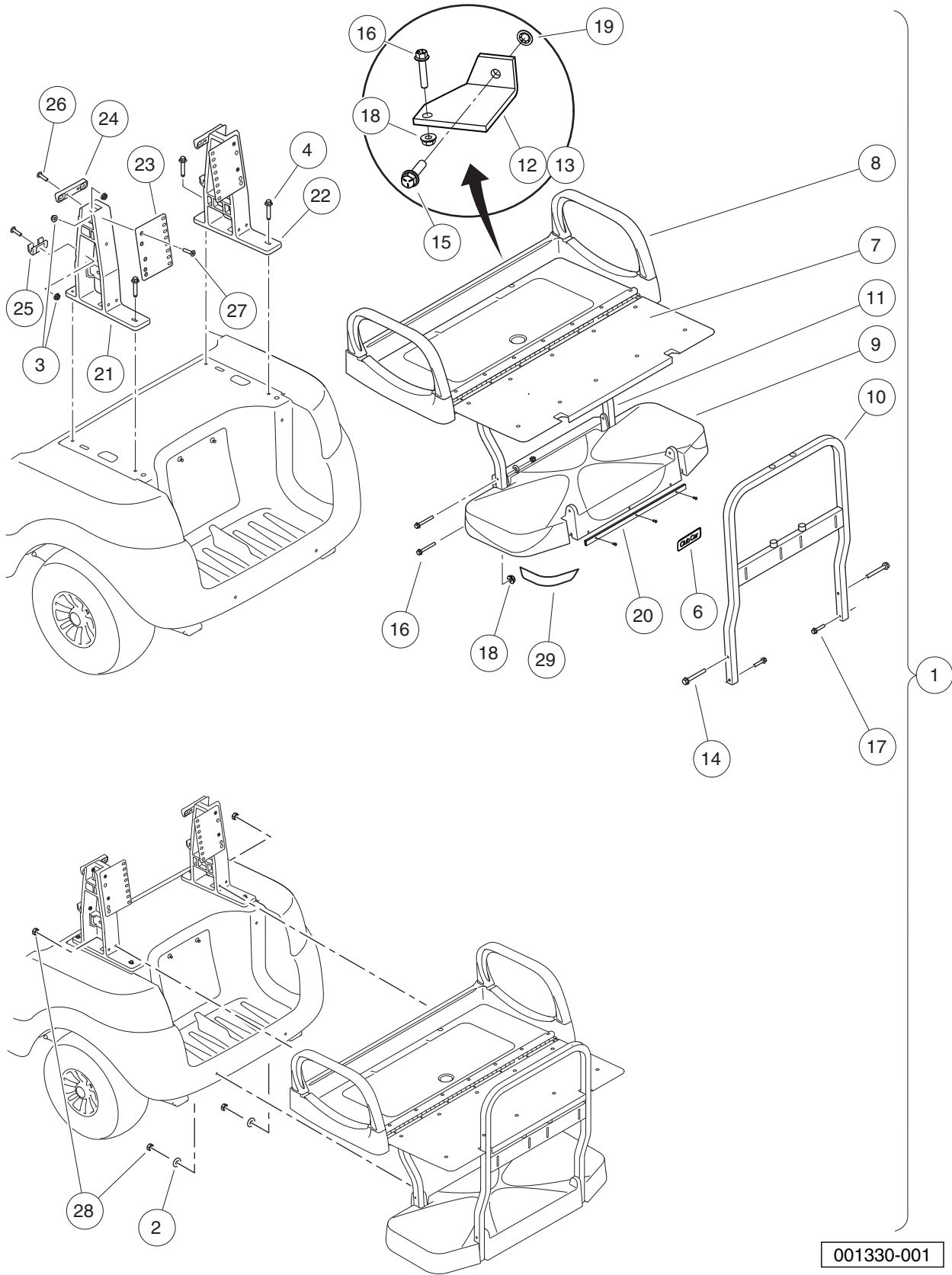
001397-001

FRONT STRUT KIT, FOUR-PASSENGER CANOPY

ITEM	PART NO.	DESCRIPTION	QTY
		1 2 3 4	
1	<u>47592812001</u>	Kit, Front Struts, Prec, 4Pass (includes items 2 through 8)	1
2	<u>102299065</u>	M8-1.25 X 65 Tx Bttn Hd Bolt	4
3	<u>102400002</u>	Cover, Canopy Support, Driver-side, Black	1
4	<u>102400102</u>	Cover, Canopy Support, Passenger-side, Black	1
5	<u>102544201</u>	Screw, M6 Hex	2
6	<u>102581201</u>	Plug, Square - 25.4 mm	2
7	<u>103750001</u>	Strut, Canopy Front, Passenger-side	1
8	<u>103750101</u>	Strut, Canopy Front, Driver-side	1

1
G
E

1
G
E



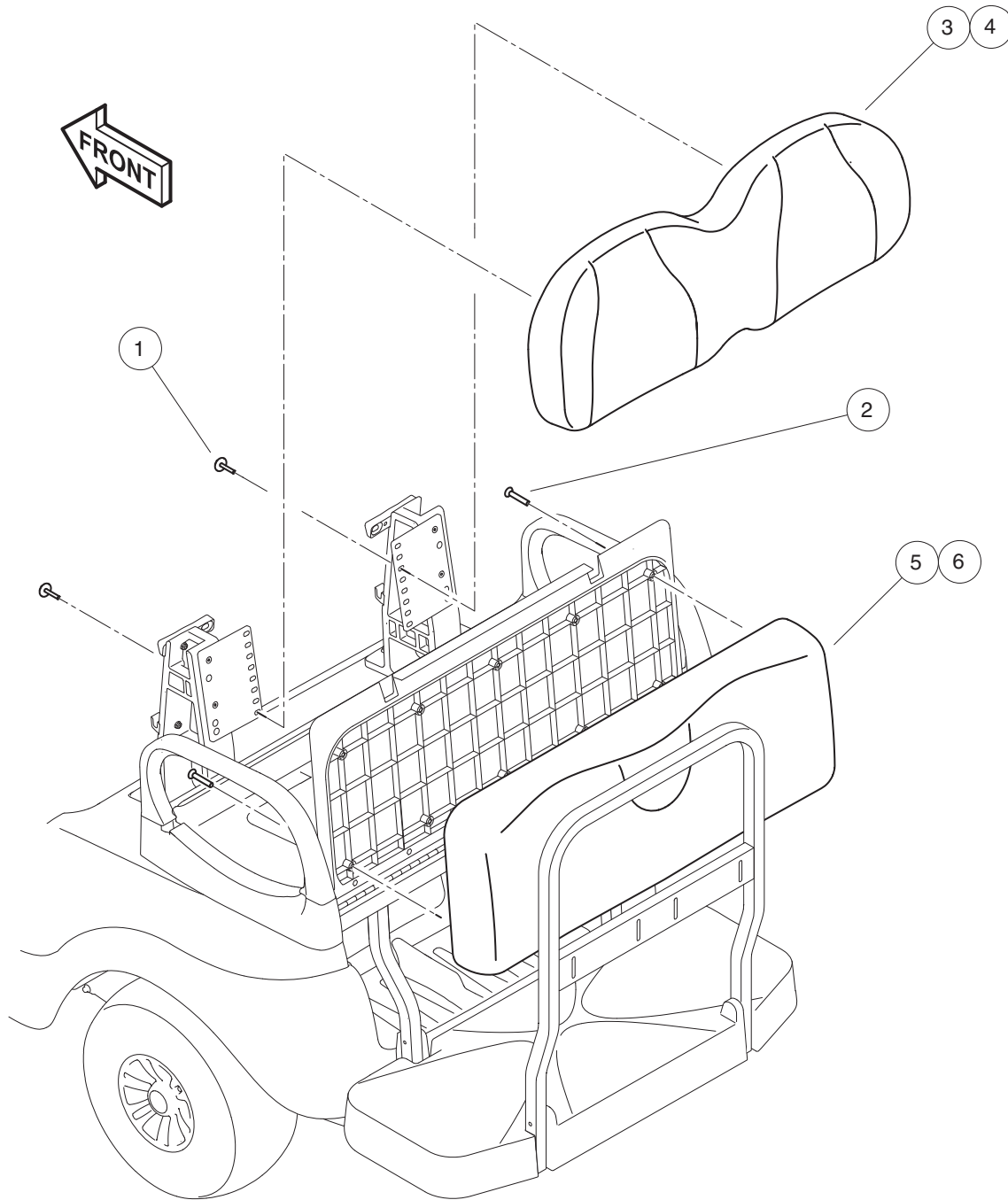
001330-001

REAR-FACING SEAT FRAME AND FOOT DECK – CONSUMER CAR

ITEM	PART NO.	DESCRIPTION	QTY
		1 2 3 4	
1	<u>47592811001</u>	Kit, Folddown, Seatback, 4-Passenger (includes items 2 through 29)	1
2	<u>1011578</u>	Washer, 5/16 Type B Flat	2
3	<u>101835601</u>	Locknut, 1/4-20 Hex Whiz	8
4	<u>102298240</u>	Bolt, Flange Head, M8-1.25 X 40	4
5	N/A	Asm, Fold Down Seatt, Csmr, MX5 (includes items 6 through 20)	1
6	<u>102278802</u>	Decal, Club Car, Silver	1
7	<u>47564782001</u>	Assy, Seat Base, Dmd, Mx5	1
8	<u>47564783001</u>	Arm Rest, Mx5	2
9	<u>47564784001</u>	Assy, Foot Rest, Mx5	1
10	<u>47564785001</u>	Grab Bar, Rear, Mx5	1
11	<u>47564786001</u>	Support, Bumper Mount, MX5	1
12	<u>47564787001</u>	Bracket, Seat Base Mount, Driver-side, MX5	1
13	<u>47564787002</u>	Bracket, Seat Base Mount, Passenger-side, MX5	1
14	<u>47568672001</u>	Bolt, 5/16-18x2.5 Hx Flg Zn G8	4
15	<u>47568673001</u>	Bolt, 5/16-18x1.25 Hx Flg Zn G5	2
16	<u>47568674001</u>	Bolt, 1/4-20x2.0 Hx Flg Zn G5	6
17	<u>47568674002</u>	Bolt, 1/4-20x1.25 Hx Flg Zn G5	4
18	<u>47568676001</u>	Nut, 1/4-20 Hx Flg Zn Nyloc	10
19	<u>47568677001</u>	Nut, 5/16, Push, Ps	4
20	<u>47581051001</u>	Stiffener, Foot Rest, Mx5	1
21	<u>47563300001</u>	Support, Seat Back, Driver-side, MX5, Csmr	1
22	<u>47563300002</u>	Support, Seat Back, Passenger-side, MX5, Csmr	1
23	<u>47563301001</u>	Bracket, Seat Back, Rear, Csmr	2
24	<u>47563302001</u>	Brkt, St Bk, Frnt, Top, Csmr	2
25	<u>47563303001</u>	Bracket, Seat Back, Front, Bottom, CSMR	2
26	<u>47563304001</u>	Screw, Trshd, 1/4-20x1.00, Lp	4
27	<u>47563305001</u>	Screw, Flthd, 1/4-20x1.25, Lp	4
28	<u>47568675001</u>	Nut, 5/16-18 Hx Flg Zn Nyloc	4
29	<u>47578327001</u>	Reflector, Reflex, Red, Mx5	2

1
G
E

1
G
E



001331-002

REAR-FACING SEAT

ITEM	PART NO.	DESCRIPTION	QTY
		1 2 3 4	
1	<u>47563306001</u>	Screw, M6x1.0x30, Sems, Lp	4
2	<u>47563307001</u>	Screw, Flthd, 1/4-20x1.50, Ss	10
3	<u>47564886021</u>	Asm, Seat Back, Rear, Beige, Service Replacement	1
4	<u>47564886022</u>	Asm, Seat Back, Rear, White, Service Replacement	1
5	<u>47564887021</u>	Asm, Seat Bottom, Rear, Beige, Service Replacement	1
6	<u>47564887022</u>	Asm, Seat Bottom, Rear, White, Service Replacement	1

1
G
E

1

G

E

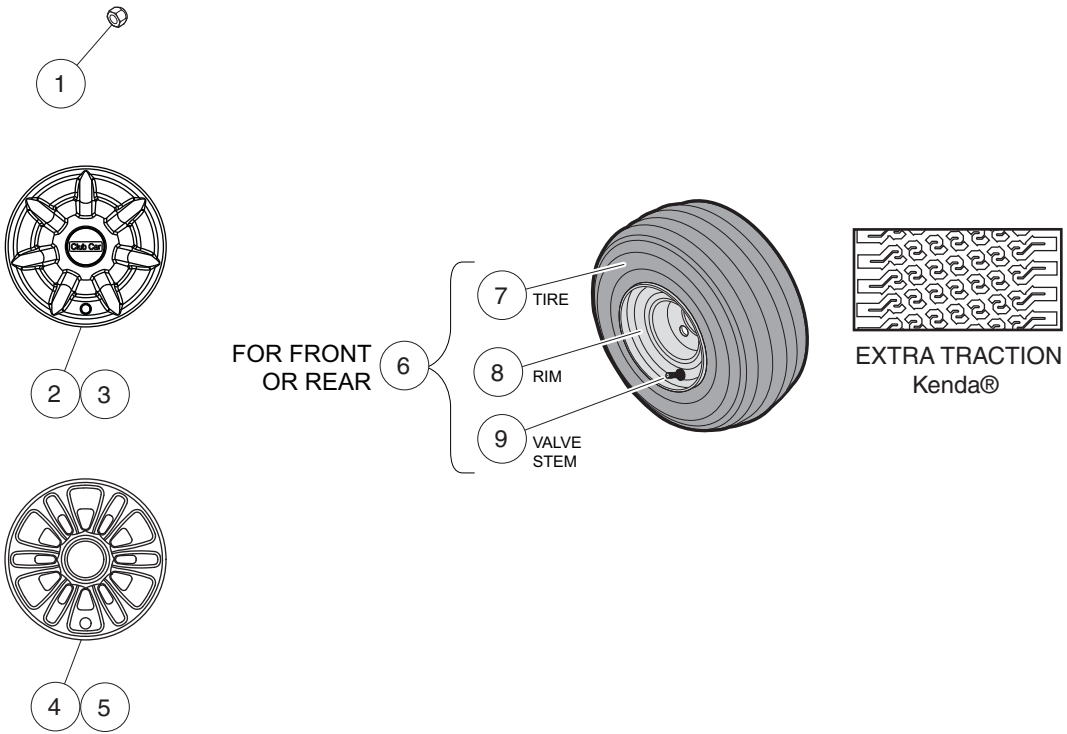
WHEELS AND TIRES

2

G

E

2
G
E



001398-001

WHEELS AND TIRES

ITEM	PART NO.	DESCRIPTION	QTY
		1 2 3 4	
1	<u>1010984</u>	.500-20 Unf Lug Nut	16
2	<u>102559901</u>	Hub Cap Kit (includes item 3)	1
3	<u>103694501</u>	Hub Cap, 7 Prong	4
4	<u>102559902</u>	Kit, Wheel Cover, 12 Spk (includes item 5)	1
5	<u>105142401</u>	Wheel Cover, 12 Spk, 8", Slvr	4
6	<u>103951002</u>	Assembly, Silver Wheel Kenda, X/t 6ply (includes items 7 through 9)	4
7	<u>102569302</u>	Tire, Kenda, 18x8.5-8, 6-ply Xtr	1
8	<u>103459104</u>	Wheel Rim, 8"x7", Silver, Std	1
9	<u>7310</u>	Valve Stem, Black Plastic	1

2
G
E

2

G

E

DECALS

3

G

E

3

G

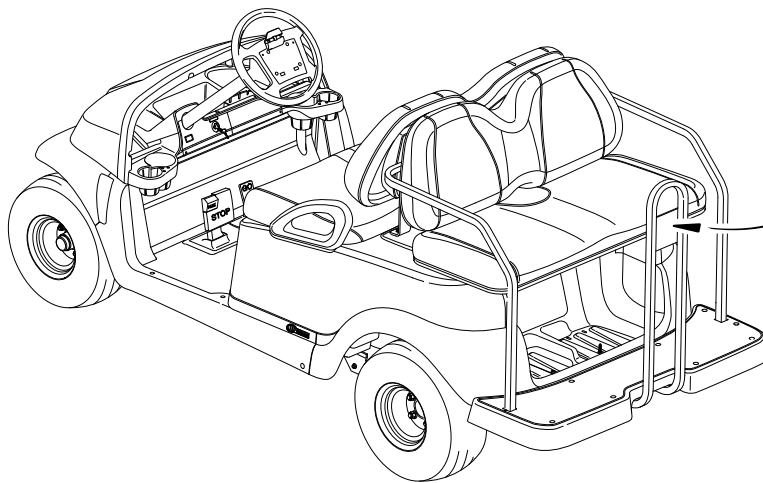
E

 **WARNING**

**FALLING OFF COULD RESULT
IN SEVERE INJURY OR DEATH**

- Remain seated with entire body inside vehicle and hold on to seat handle or handrail at all times.
- Two (2) persons per bench seat maximum.
- One (1) person per bucket seat maximum.
- Do not leave children unattended on vehicle at anytime.
- Never stand in front of or behind vehicle.

CCI 101705701



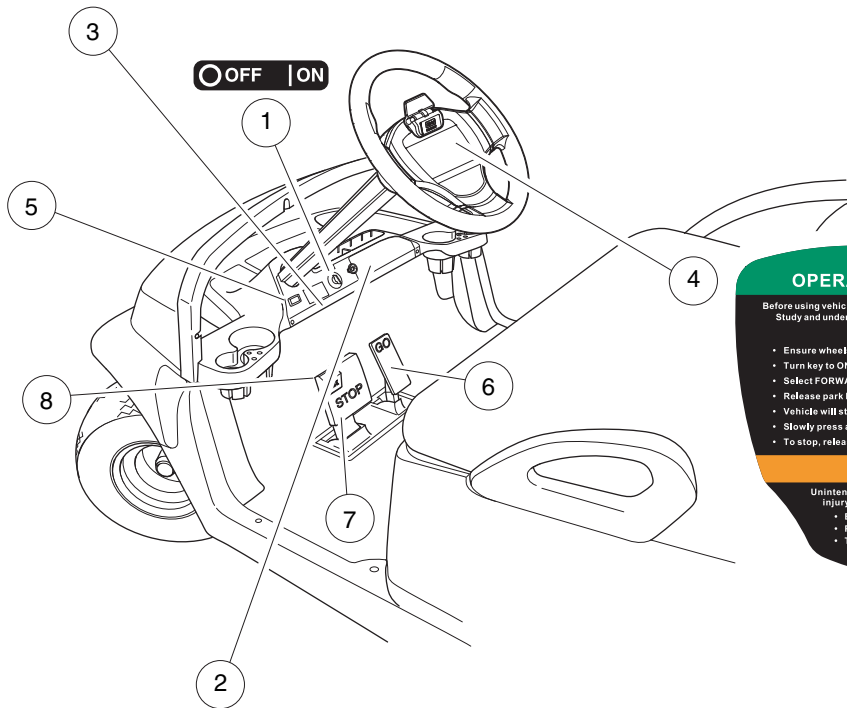
000495-001

DECAL – PRECEDENT VILLAGER 4

ITEM	PART NO.	DESCRIPTION	QTY
1	<u>101705701</u>	1 2 3 4 Decal, Warning	4

3
G
E

IMPORTANT NOTICE
 This vehicle does not conform to ANSI Z130.1 - "Standard for Golf Cars - Safety and Performance Requirements" because it is capable of speeds in excess of 15 miles per hour. Exercise caution.
 CCI 10255901



OPERATING INSTRUCTIONS

Before using vehicle, read owner's manual and vehicle safety warnings. Study and understand controls.

TO OPERATE

- Ensure wheels are turned in desired direction and path is clear.
- Turn key to ON position.
- Select FORWARD or REVERSE only when stopped.
- Release park brake fully.
- Vehicle will start moving when accelerator pedal is pressed.
- Slowly press accelerator pedal to increase speed.
- To stop, release accelerator pedal and press brake pedal.

WARNING

Unintended vehicle movement may cause severe injury or death. Before leaving vehicle:

- Engage park brake to lock wheels.
- Place vehicle in NEUTRAL.
- Turn key to OFF and remove key.

10259002

WARNING

ROLLOVER OR FALLING OFF MAY CAUSE SERIOUS INJURY OR DEATH.

- Before using vehicle, read operating instructions.
- Do not start vehicle until all occupants are seated.
- Keep entire body inside vehicle while moving.
- Drive slowly in turns and straight up and down slopes.
- Use brakes to reduce speed when coasting downhill.
- Never operate under the influence of alcohol or drugs.
- For use by authorized persons in designated areas only.
- Remain seated while moving.
- Operate from driver side only.
- Never operate on public roads.
- Hold on to seat handle while moving.
- Two (2) persons per seat maximum.
- Never stand in front of or behind vehicle.
- Do not leave children unattended on vehicle.

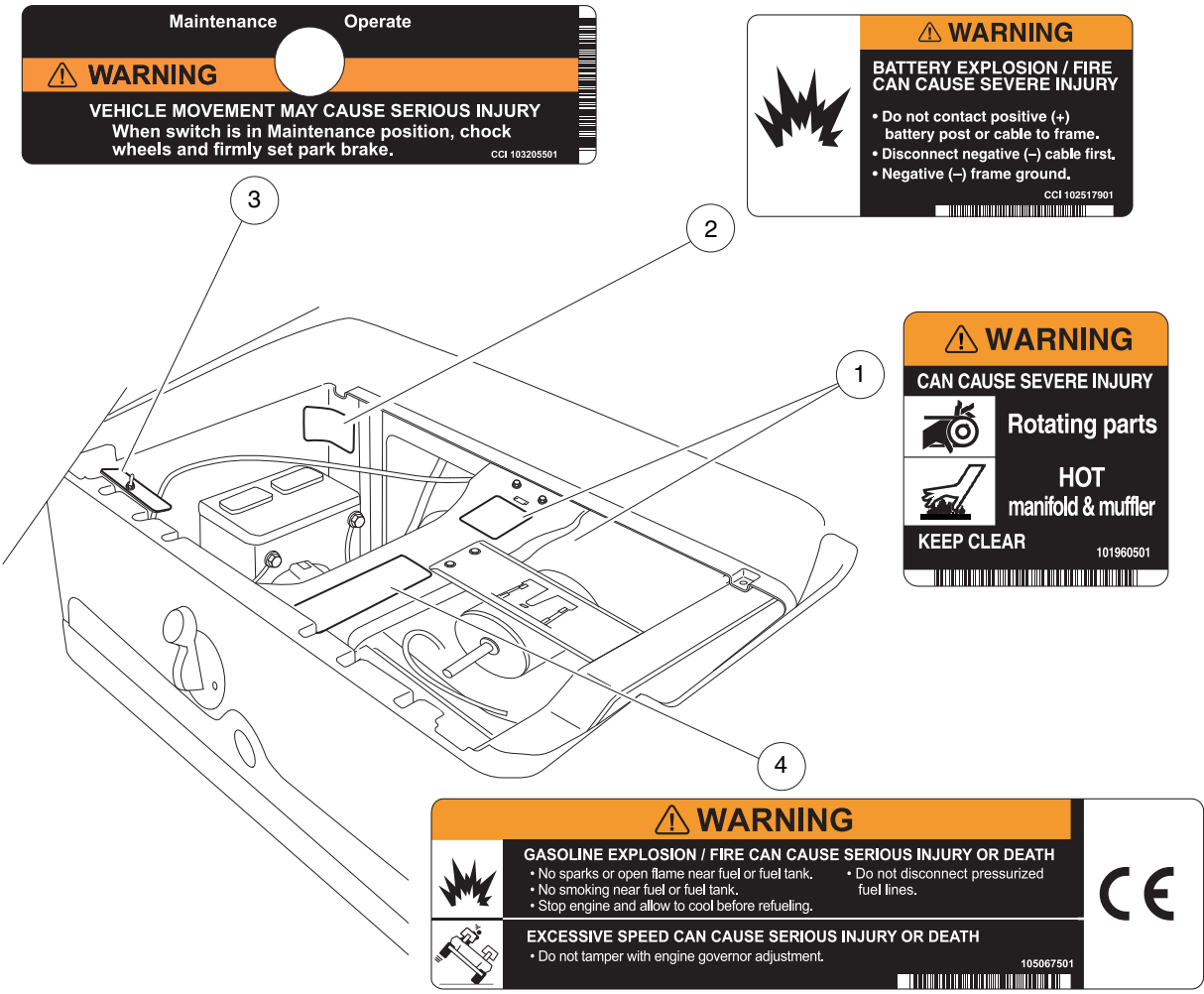
CCI 102519301

2546

DECALS – SUBARU EX40 GAS VEHICLE, PAGE 1 OF 3

ITEM	PART NO.	DESCRIPTION	QTY
		1 2 3 4	
1	<u>101825101</u>	Decal, Off/On	1
2	<u>102519301</u>	Decal, Warning, Rollover	1
3	<u>102555901</u>	Decal, Private Speed	1
4	<u>103783002</u>	Decal, Op Instr, Gas Ps	1

3
G
E



Maintenance Operate

WARNING

VEHICLE MOVEMENT MAY CAUSE SERIOUS INJURY
When switch is in Maintenance position, chock wheels and firmly set park brake.

CCI 103205501

WARNING

BATTERY EXPLOSION / FIRE CAN CAUSE SEVERE INJURY

- Do not contact positive (+) battery post or cable to frame.
- Disconnect negative (-) cable first.
- Negative (-) frame ground.

CCI 102517901

WARNING

CAN CAUSE SEVERE INJURY

Rotating parts

HOT manifold & muffler

KEEP CLEAR

101960501

WARNING

GASOLINE EXPLOSION / FIRE CAN CAUSE SERIOUS INJURY OR DEATH

- No sparks or open flame near fuel or fuel tank.
- No smoking near fuel or fuel tank.
- Stop engine and allow to cool before refueling.
- Do not disconnect pressurized fuel lines.

EXCESSIVE SPEED CAN CAUSE SERIOUS INJURY OR DEATH

- Do not tamper with engine governor adjustment.

105067501

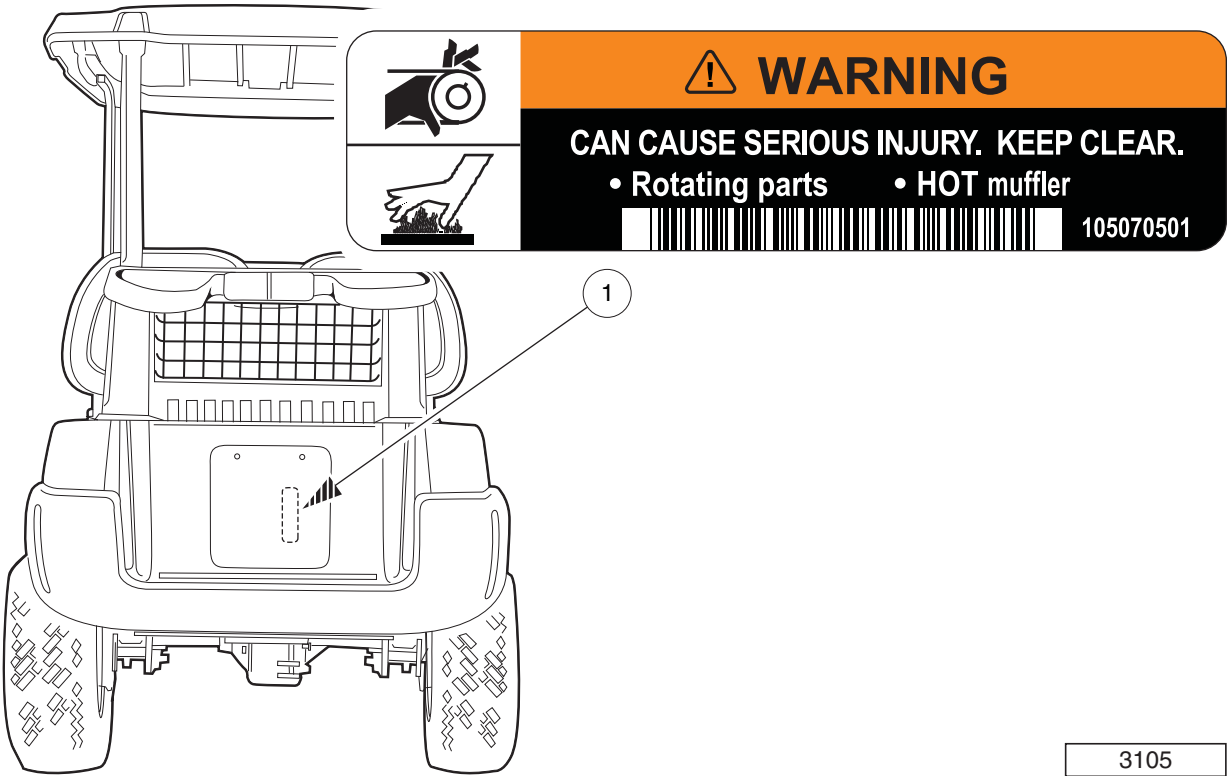
CE

3106

DECALS – SUBARU EX40 GAS VEHICLE, PAGE 2 OF 3

ITEM	PART NO.	DESCRIPTION	QTY
		1 2 3 4	
1	<u>101960501</u>	Decal, Rotating Parts/Hot Manifold	2
2	<u>102517901</u>	Decal, Warning - Frame Ground	1
3	<u>103205501</u>	Decal, Maintenance/Operate Switch	1
4	<u>105067501</u>	Decal, Warn - Gas/gov	1
<p style="text-align: center;">Note: Item 1 is located on bucket brace and starter/generator.</p>			

3
G
E



3105

DECALS – SUBARU EX40 GAS VEHICLE, PAGE 3 OF 3

ITEM	PART NO.	DESCRIPTION	QTY
1	105070501	1 2 3 4 Decal, Gas, Rotating Parts/Hot Muffler	1

3
G
E

IMPORTANT NOTICE

This vehicle does not conform to ANSI Z130.1 - "Standard for Golf Cars - Safety and Performance Requirements" because it is capable of speeds in excess of 15 miles per hour. Exercise caution.

CCI 10255901

OPERATING INSTRUCTIONS

Before using vehicle, read owner's manual and vehicle safety warnings. Study and understand controls.

TO OPERATE

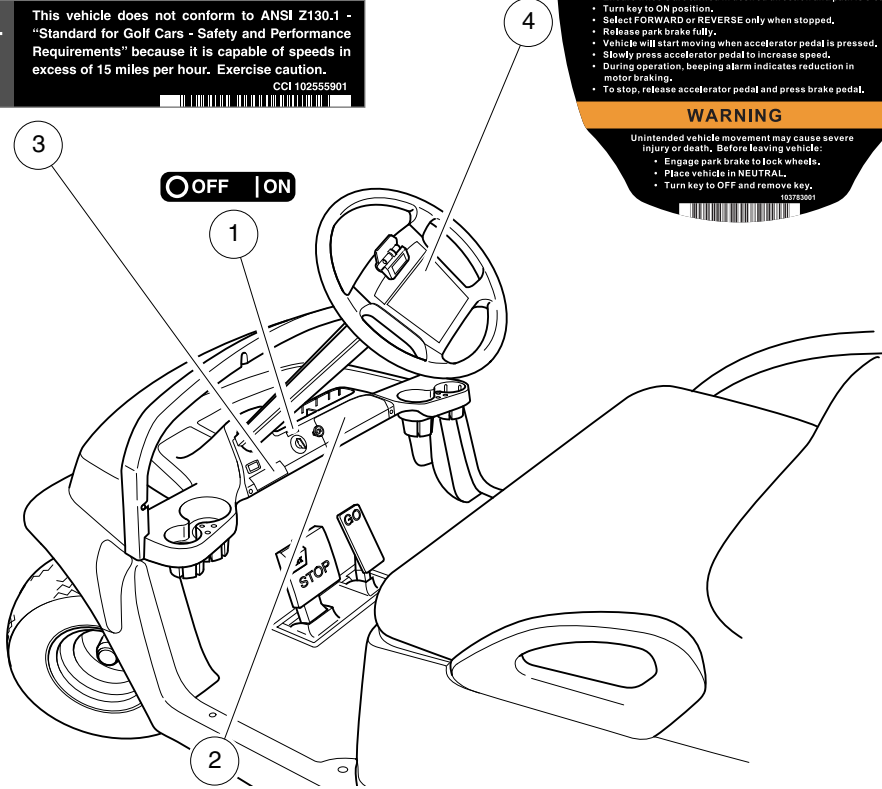
- Ensure wheels are turned in desired direction and path is clear.
- Turn key to ON position.
- Select FORWARD or REVERSE only when stopped.
- Release park brake fully.
- Vehicle will start moving when accelerator pedal is pressed.
- Slowly press accelerator pedal to increase speed.
- During operation, beeping alarm indicates reduction in motor braking.
- To stop, release accelerator pedal and press brake pedal.

WARNING

Unintended vehicle movement may cause severe injury or death. Before leaving vehicle:

- Engage park brake to lock wheels.
- Place vehicle in NEUTRAL.
- Turn key to OFF and remove key.

10373301



⚠ WARNING

ROLLOVER OR FALLING OFF MAY CAUSE SERIOUS INJURY OR DEATH.

- Before using vehicle, read operating instructions.
- Do not start vehicle until all occupants are seated.
- Keep entire body inside vehicle while moving.
- Drive slowly in turns and straight up and down slopes.
- Use brakes to reduce speed when coasting downhill.
- Never operate under the influence of alcohol or drugs.
- For use by authorized persons in designated areas only.
- Remain seated while moving.
- Operate from driver side only.
- Never operate on public roads.
- Hold on to seat handle while moving.
- Two (2) persons per seat maximum.
- Never stand in front of or behind vehicle.
- Do not leave children unattended on vehicle.

CCI 102519301

000441-010

DECALS – ELECTRIC VEHICLE, PAGE 1 OF 2

ITEM	PART NO.	DESCRIPTION	QTY
		1 2 3 4	
1	<u>101825101</u>	Decal, Off/On	1
2	<u>102519301</u>	Decal, Warning, Rollover	1
3	<u>102555901</u>	Decal, Private Speed	1
4	<u>103783001</u>	Decal, Op Instr, Ele	1

3
G
E

WARNING

BATTERY EXPLOSION COULD RESULT IN SEVERE PERSONAL INJURY

- Place Run/Tow switch in TOW position before performing any of the following:
 - Disconnecting or connecting battery cables
 - Towing this vehicle
 - Extended storage
 - Servicing the vehicle
- Do not store items in battery compartment.
- Keep electronic components dry.
- Do not operate vehicle without this plate properly installed.
- See vehicle service manual before servicing.

RUN

TOW

CCI 103384601

CAUTION EXPOSURE TO WATER MAY DAMAGE ELECTRONIC COMPONENTS

- Do not direct water stream in the area of this plate.
- See vehicle service manual before servicing.

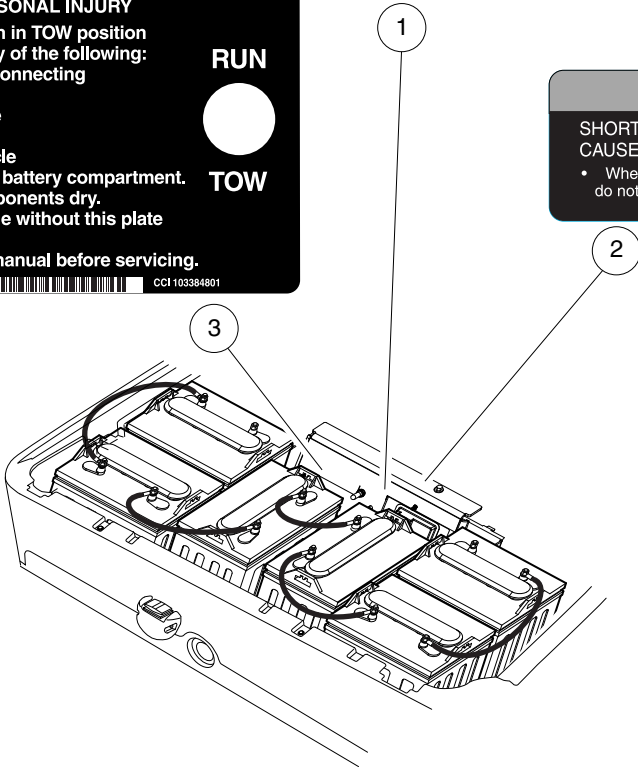
CCI 103384601

WARNING

SHORTING OF BATTERY TERMINALS CAN CAUSE PERSONAL INJURY OR DEATH.

- When removing component mounting plate, do not place plate directly on top of batteries.

103384701



000441-011

DECALS – ELECTRIC VEHICLE, PAGE 2 OF 2

ITEM	PART NO.	DESCRIPTION	QTY
1	<u>103384601</u>	1 2 3 4 Decal-water Exposure	1
2	<u>103384701</u>	Decal-warning, Short	1
3	<u>103384801</u>	Decal, Warning, RUN/TOW	1

3
G
E

3

G

E

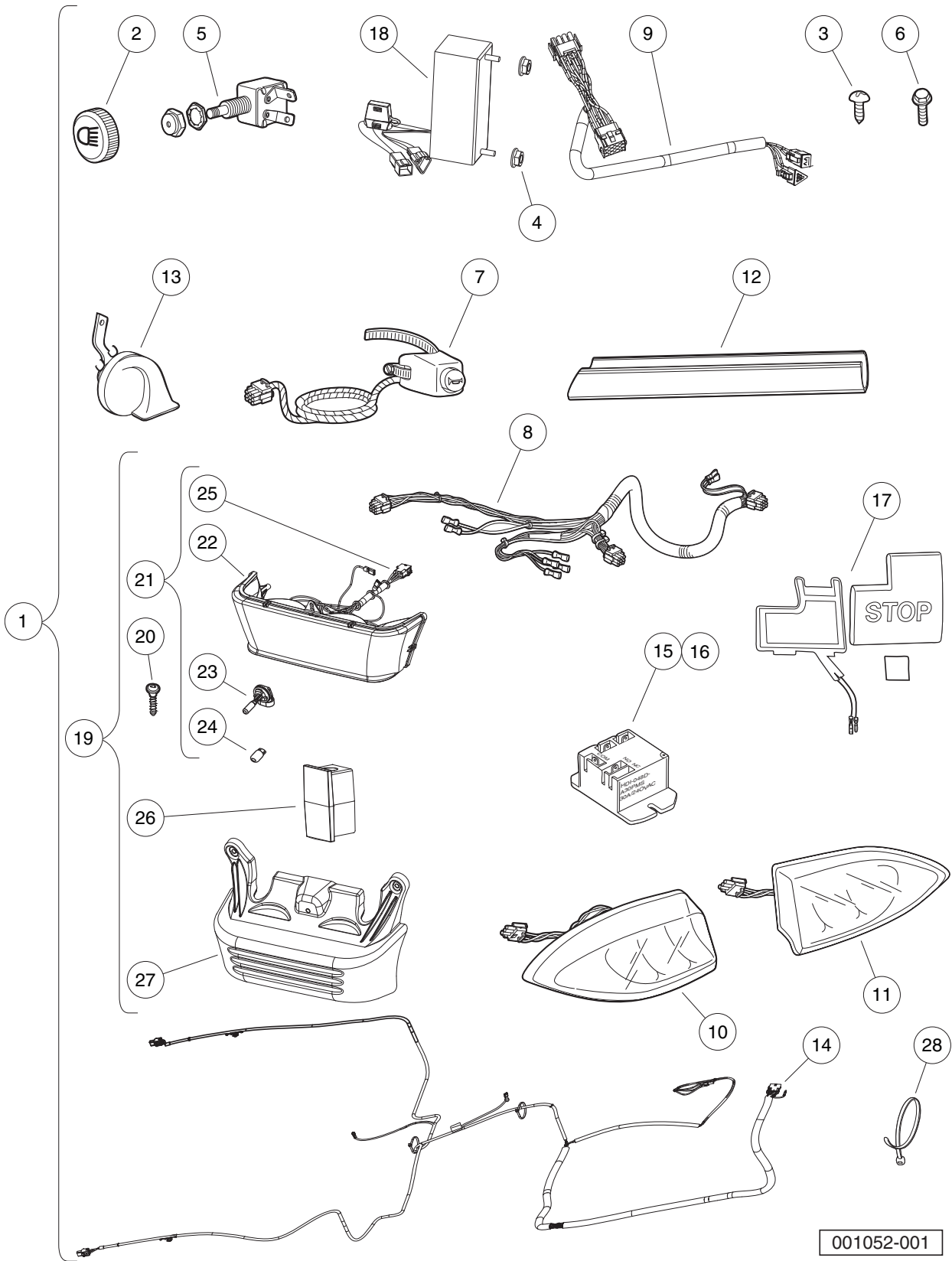
LIGHTS, CONTROLS AND INDICATORS

4

G

E

4
G
E

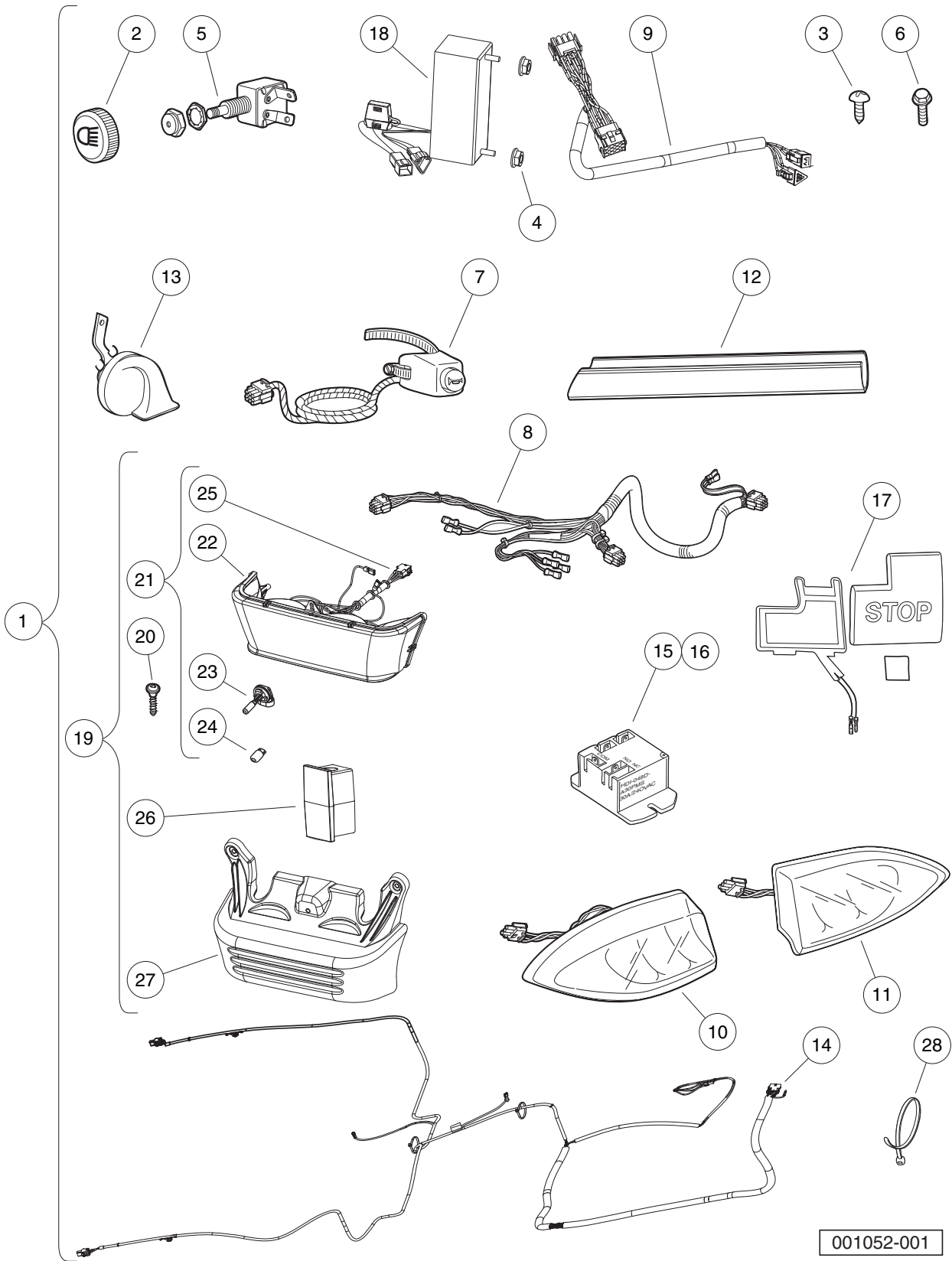


HEADLIGHTS, HORN AND TAILLIGHTS – PRECEDENT

ITEM	PART NO.	DESCRIPTION	QTY
		1 2 3 4	
1	<u>105142501</u>	Kit, Std Lights, Prec, Hfc (includes items 2 through 28)	1
2	<u>1013857</u>	Knob, Light Switch	1
3	<u>1016849</u>	Screw, #4-24 X 0.33, Pan-Head, Machine	2
4	<u>101835601</u>	Locknut, 1/4-20 Hex Whiz	2
5	<u>102051901</u>	Switch, Light	1
6	<u>102298720</u>	Screw, M8-1.25x20, Taptite	1
7	<u>102517601</u>	Subasm, Horn Button Harness	1
8	<u>102527801</u>	Ip Lighting Harness, Elec	1
9	<u>102528101</u>	Dc-dc Convert Harness, Prec	1
10	<u>102528901</u>	Taillight, Driver-side	1
11	<u>102529001</u>	Taillight, Passenger-side	1
12	<u>102529201</u>	Wire Cover, Steering Column	1
13	<u>102535401</u>	Horn	1
14	<u>103375901</u>	Prec Light Harn Restyle	1
15	<u>103414901</u>	Kit, Relay, 48v 30a W/instr (includes item 16)	1
16	<u>103397901</u>	Relay, Spst No, 48v 30a, Pmt	1
17	<u>103597101</u>	Kit, Brake Light Switch	1
18	<u>103700302</u>	Converter, Dc/dc, Isoltd, Prec	1
19	<u>103933902</u>	Kit, Bumper W/light (includes items 20 through 27)	1
20	<u>102296020</u>	Screw, Torx Pan Hd Pt, M6 X 20	3
21	<u>102544301</u>	Headlight Asm, Prec (includes items 22 through 25)	1
22	<u>102528701</u>	Headlight, Lens/reflector	1
23	<u>102535101</u>	Bulb, Headlight, 37.5 W	2
24	<u>102535201</u>	Front Turn Signal Bulb	2
25	<u>102535301</u>	Headlight, Harness, Prec	1
26	<u>103325001</u>	Plug, Shock, Bumper	2
27	<u>103923601</u>	Bumper, Prec Fleet, W/light	1
28	<u>8990</u>	Tie Wrap, 8" Nylon	4

4
G
E

4
G
E



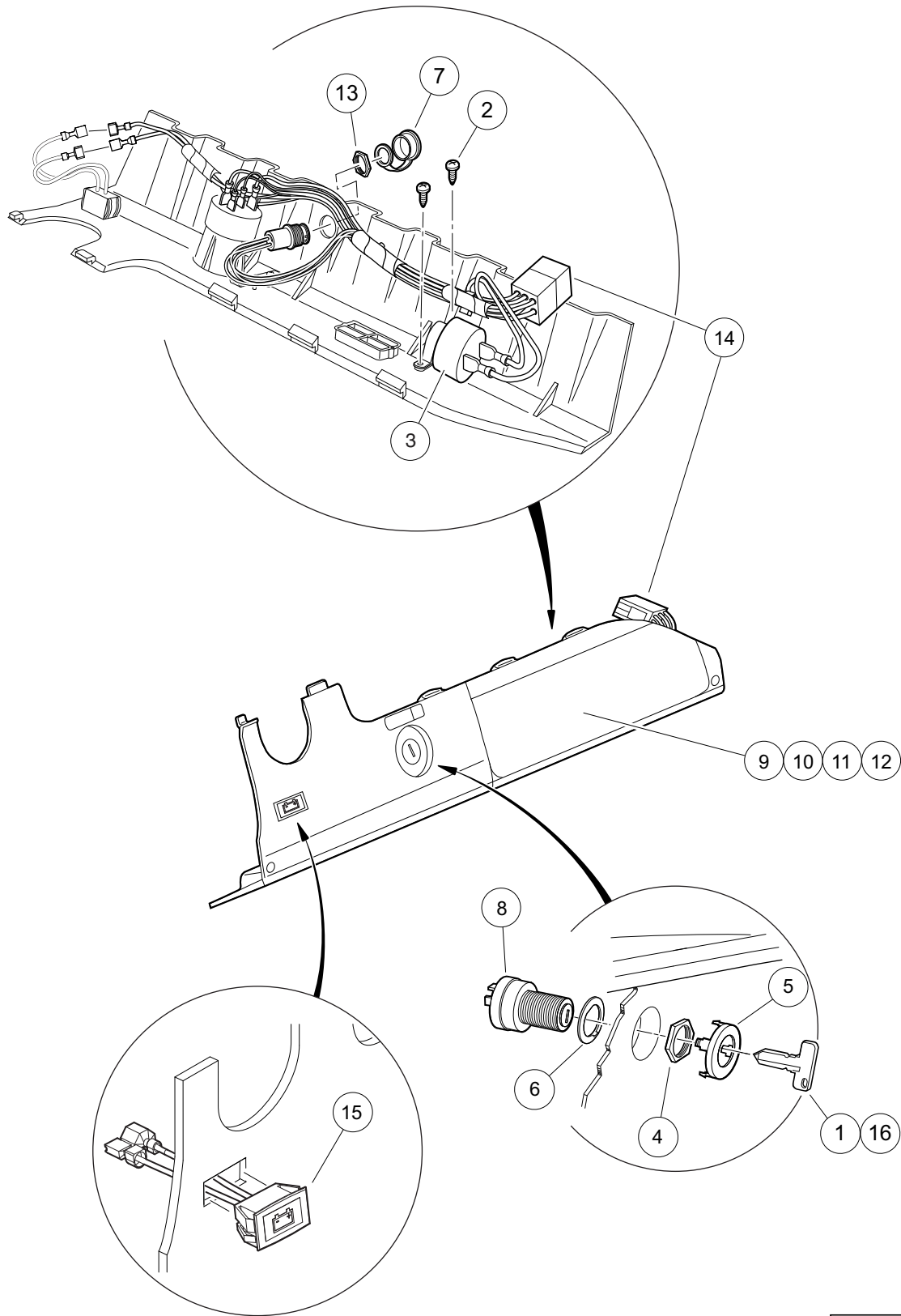
001052-001

HEADLIGHTS, HORN AND TAILLIGHTS (CE) – PRECEDENT

ITEM	PART NO.	DESCRIPTION	QTY
		1 2 3 4	
1	<u>105142502</u>	Kit, Std Lights, Prec, Hfc, Ce (includes items 2 through 28)	1
2	<u>1013857</u>	Knob, Light Switch	1
3	<u>1016849</u>	Screw, #4-24 X 0.33, Pan-Head, Machine	2
4	<u>101835601</u>	Locknut, 1/4-20 Hex Whiz	2
5	<u>102051901</u>	Switch, Light	1
6	<u>102298720</u>	Screw, M8-1.25x20, Taptite	1
7	<u>102517601</u>	Subasm, Horn Button Harness	1
8	<u>102527801</u>	Ip Lighting Harness, Elec	1
9	<u>102528101</u>	Dc-dc Convert Harness, Prec	1
10	<u>102528901</u>	Taillight, Driver-side	1
11	<u>102529001</u>	Taillight, Passenger-side	1
12	<u>102529201</u>	Wire Cover, Steering Column	1
13	<u>102535401</u>	Horn	1
14	<u>103375901</u>	Prec Light Harn Restyle	1
15	<u>103414901</u>	Kit, Relay, 48v 30a W/instr (includes item 16)	1
16	<u>103397901</u>	Relay, Spst No, 48v 30a, Pmt	1
17	<u>103597101</u>	Kit, Brake Light Switch	1
18	<u>103802402</u>	Converter, Dc/dc, Ce, Prec	1
19	<u>103933902</u>	Kit, Bumper W/light (includes items 20 through 27)	1
20	<u>102296020</u>	Screw, Torx Pan Hd Pt, M6 X 20	3
21	<u>102544301</u>	Headlight Asm, Prec (includes items 22 through 25)	1
22	<u>102528701</u>	Headlight, Lens/reflector	1
23	<u>102535101</u>	Bulb, Headlight, 37.5 W	2
24	<u>102535201</u>	Front Turn Signal Bulb	2
25	<u>102535301</u>	Headlight, Harness, Prec	1
26	<u>103325001</u>	Plug, Shock, Bumper	2
27	<u>103923601</u>	Bumper, Prec Fleet, W/light	1
28	<u>8990</u>	Tie Wrap, 8" Nylon	4

4
G
E

4
G
E



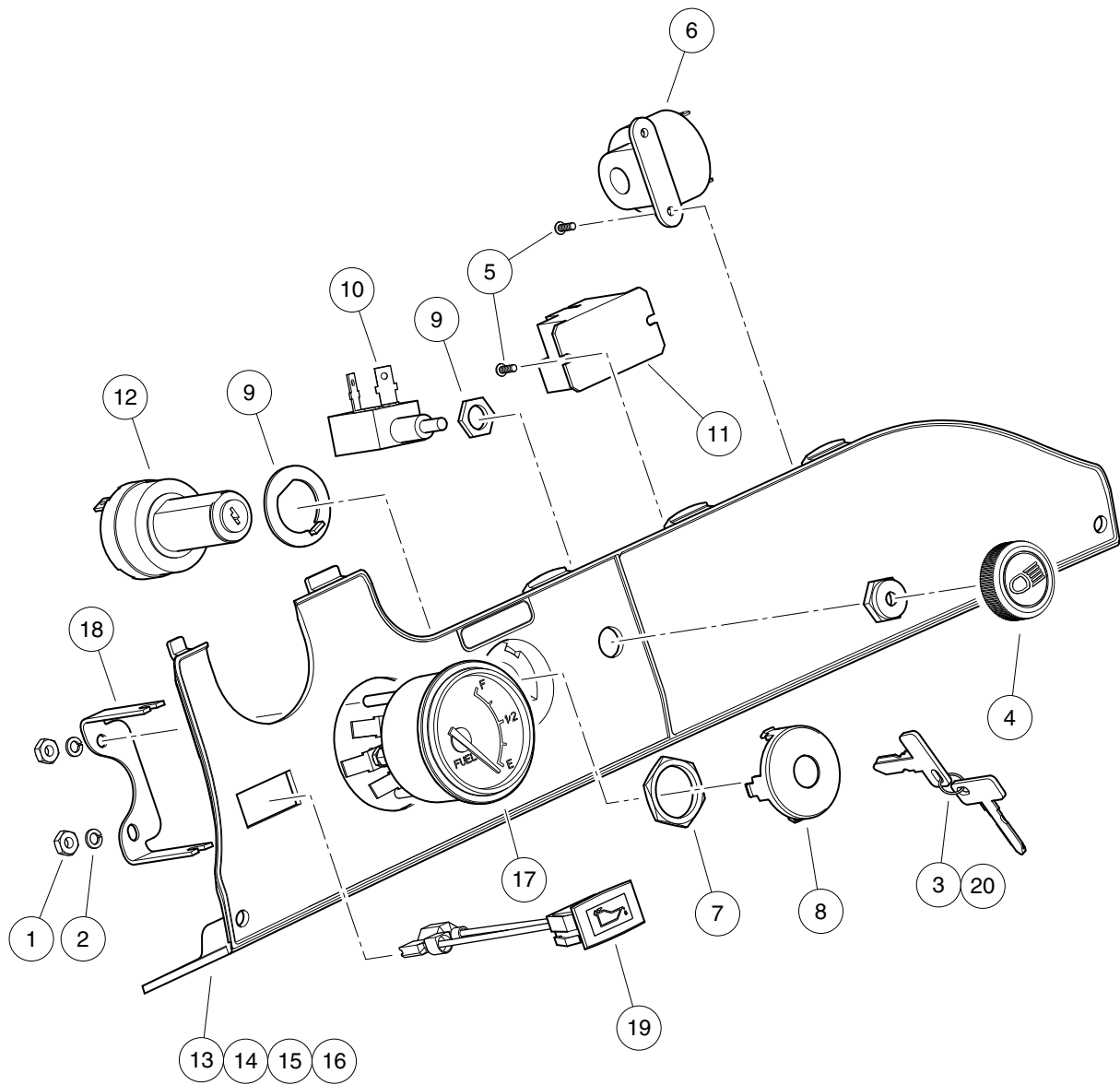
000490-004

INSTRUMENT PANEL – ELECTRIC VEHICLE WITH ERIC CHARGER

ITEM	PART NO.	DESCRIPTION	QTY
		1 2 3 4	
1	<u>1012505</u>	Keys (set of 2)	1
2	<u>1016849</u>	Screw, #4-24 X 0.33, Pan-Head, Machine	2
3	<u>1016851</u>	Buzzer, Reverse (9-48 VDC)	1
4	<u>101830701</u>	Nut, Key Switch	1
5	<u>101834502</u>	Cap, Black Key Switch	1
6	<u>101851101</u>	Washer, Key Switch	1
7	<u>102196901</u>	Dust Cap	1
8	<u>102508601</u>	Key Switch, Electric	1
9	<u>102522901</u>	Instrument Panel (standard)	1
10	<u>102536601</u>	Instrument Panel (with Hole for Headlight Switch)	1
11	<u>102536603</u>	Instrument Panel (with Hole for Battery Condition Indicator)	1
12	<u>102536605</u>	Instrument Panel (with Hole for Headlight Switch and Battery Condition Indicator)	1
13	<u>102572401</u>	Nut, Diagnostic Port	1
14	<u>103991501</u>	Harness, Wire, Instrument Panel, w/Hi-Freq	1
15	<u>105152301</u>	Indicator, Charger, Dash, Cap	1
16	<u>AM10079</u>	Bulk Std Keys (50) *	1
		 * Note: Must order in multiples of 50.	

4
G
E

4
G
E



000986-001

INSTRUMENT PANEL – SUBARU EX40 GAS VEHICLE

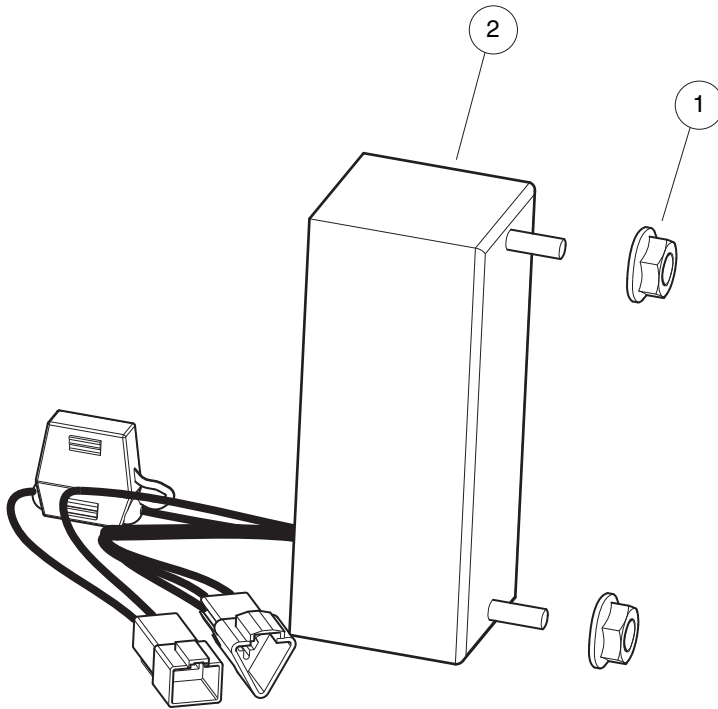
ITEM	PART NO.	DESCRIPTION	QTY
		1 2 3 4	
1	<u>1011571</u>	Nut, #8-32 Hex	2
2	<u>1011610</u>	Lockwasher, #8 Split SS	2
3	<u>1012505</u>	Keys (set of 2)	1
4	<u>1013857</u>	Knob, Light Switch	1
5	<u>1016849</u>	Screw, #4-24 X 0.33, Pan-Head, Machine	4
6	<u>1016851</u>	Buzzer, Reverse (9-48 VDC)	1
7	<u>101830701</u>	Nut, Key Switch	1
8	<u>101834502</u>	Cap, Black Key Switch	1
9	<u>101851101</u>	Washer, Key Switch	1
10	<u>102051901</u>	Switch, Light	1
11	<u>102199001</u>	Relay, 12-Volt	1
12	<u>102515101</u>	Key Switch, Gas	1
13	<u>102522901</u>	Instrument Panel (standard)	1
14	<u>102536601</u>	Instrument Panel (with Hole for Headlight Switch)	1
15	<u>102536602</u>	Instrument Panel (with Hole for Fuel Gauge)	1
16	<u>102536604</u>	Instrument Panel (with Hole for Headlight Switch and Fuel Gauge)	1
17	<u>103924301</u>	Fuel Gauge, Prime	1
18	<u>103924401</u>	Bracket, Fuel Gauge, Prime	1
19	<u>105037101</u>	Light, Oil (LED)	1
20	<u>AM10079</u>	Bulk Std Keys (50) *	1
		* Note: Must order in multiples of 50.	

4
G
E

4

G

E



001054-001

DC CONVERTER (STANDARD) – ELECTRIC VEHICLE

ITEM	PART NO.	DESCRIPTION	QTY
1	<u>101835601</u>	1 2 3 4 Locknut, 1/4-20 Hex Whiz	2
2	<u>103700302</u>	Converter, Dc/dc, Isoltd, Prec	1

4

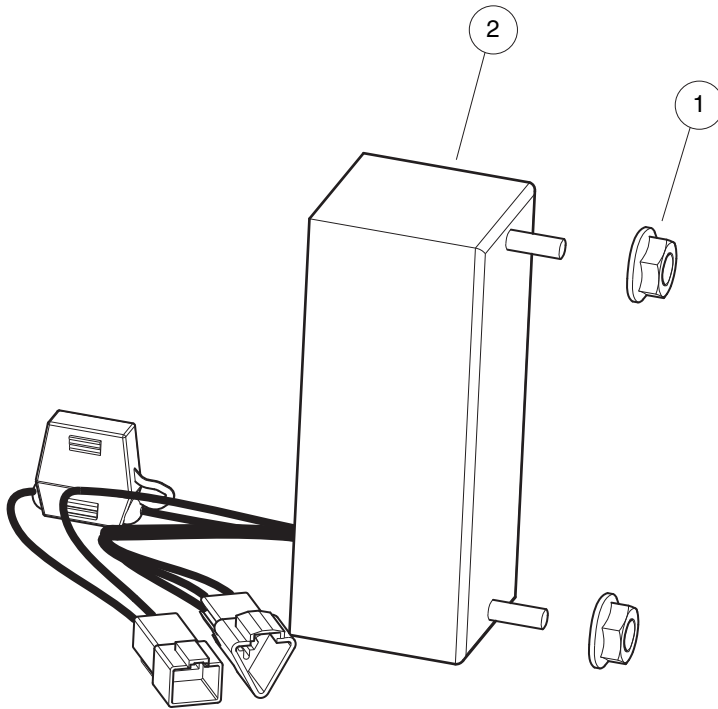
G

E

4

G

E



001054-001

DC CONVERTER (CE) – ELECTRIC VEHICLE

ITEM	PART NO.	DESCRIPTION	QTY
1	<u>101835601</u>	1 2 3 4 Locknut, 1/4-20 Hex Whiz	2
2	<u>103802402</u>	Converter, Dc/dc, Ce, Prec	1

4
G
E

4

G

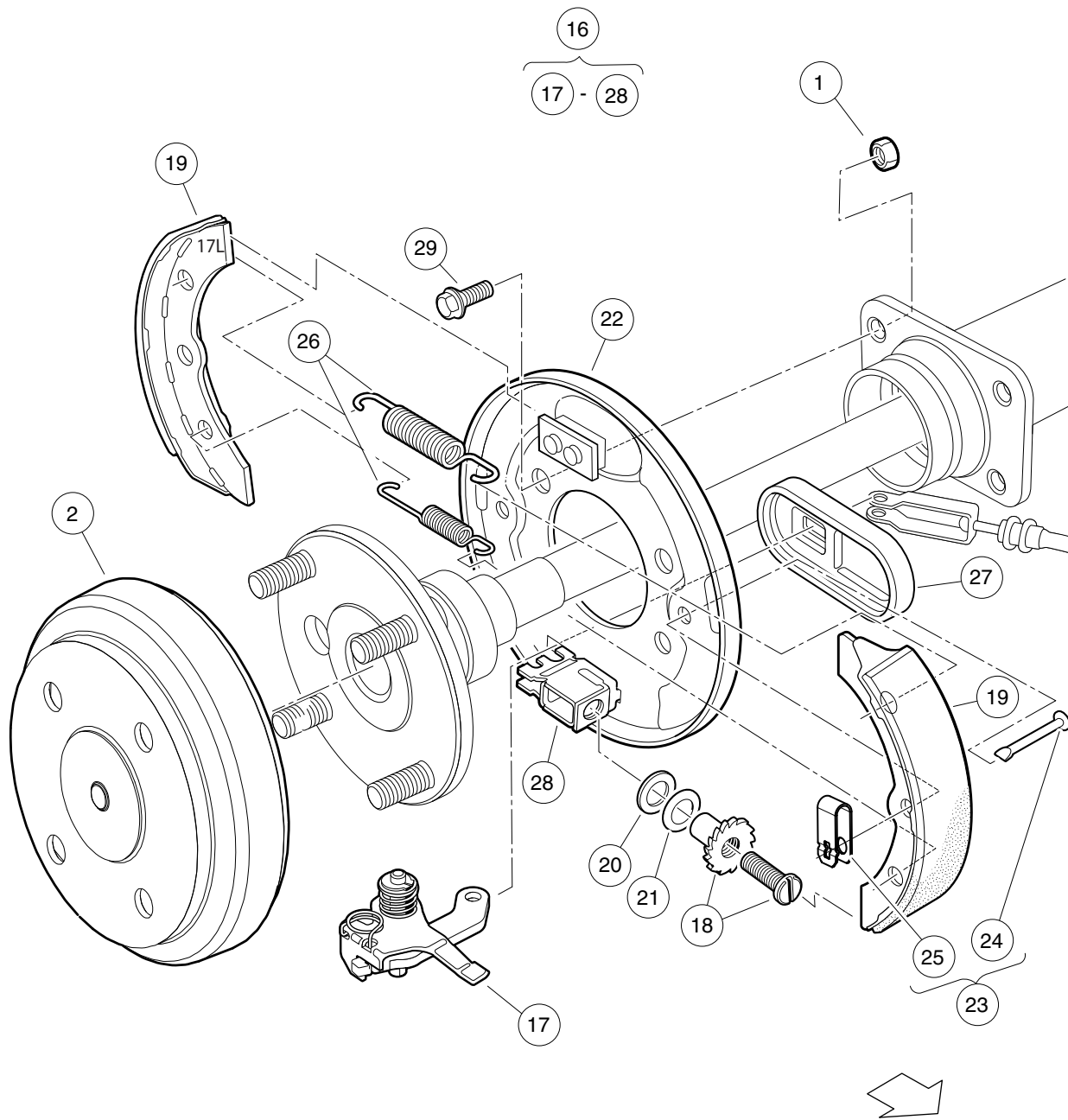
E

BRAKES AND PEDAL GROUP ASSEMBLIES

5

G

E

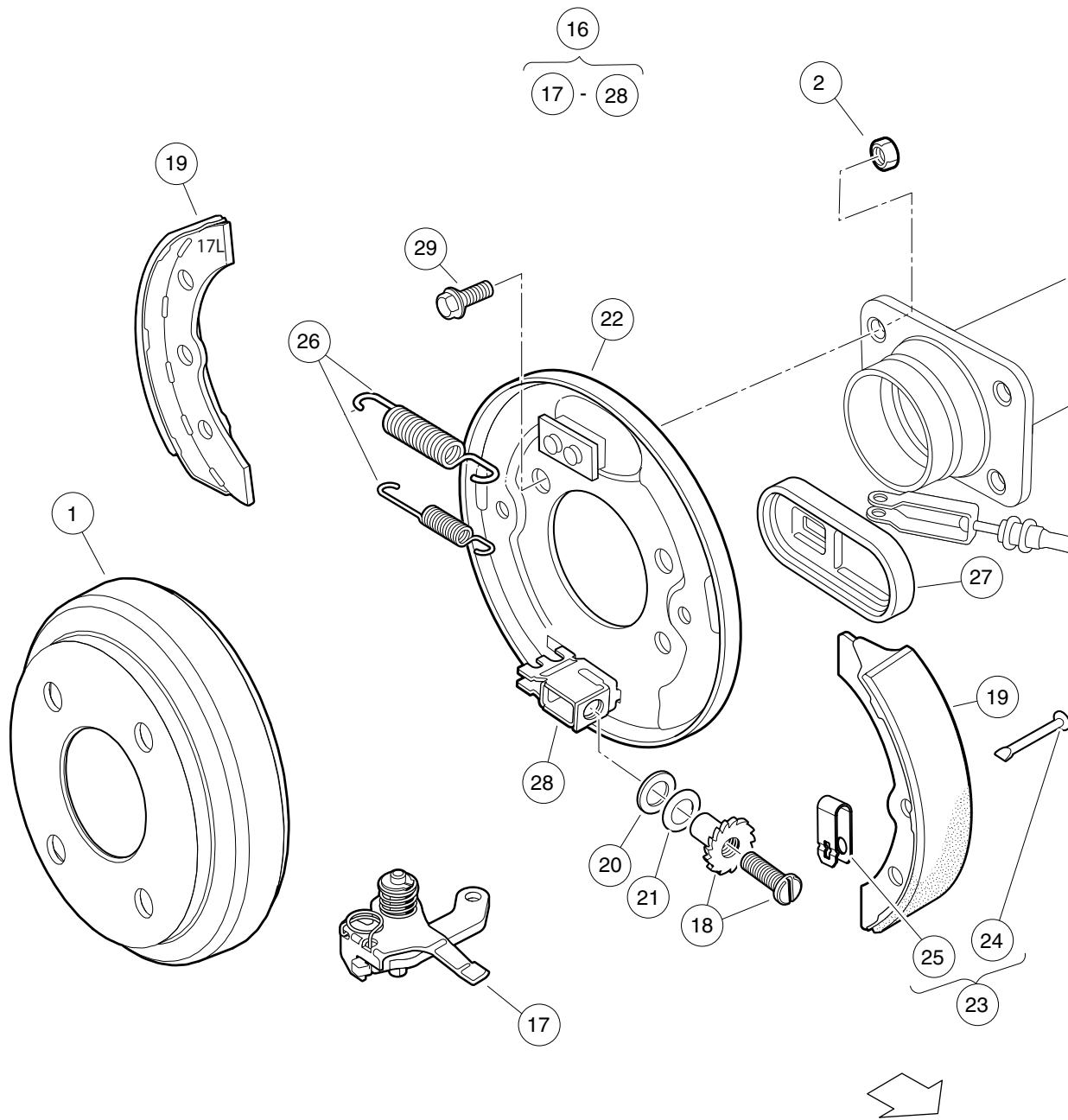


000186-006

REAR BRAKES, SELF-ADJUSTING – ELECTRIC VEHICLES

ITEM	PART NO.	DESCRIPTION	QTY	
		1 2 3 4		5
1	<u>1013924</u>	Nut, 5/16-24, Hex Head Cone	8	G
2	<u>101791101</u>	Drum without Center Hole, Brake	2	E
3	<u>103380201</u>	Asm, Brake Cluster, Mech, Drvr (includes items 4 through 15)	1	
4	<u>101815502</u>	Lever Assembly, Self-Adjusting Brake, Left	1	
5	<u>101816502</u>	Adjusting Mechanism, Self-Adjusting Brake, Left	1	
6	<u>101823201</u>	Package, Brake Shoe, Self-Adjusting	1	
7	<u>101823801</u>	Plate, Washer, Brake, Self-Adjusting	1	
8	<u>101823901</u>	Washer, Brake, Self-Adjusting	1	
9	<u>103483102</u>	Backing Plate, Driver-side	1	
10	<u>103483201</u>	Kit, Shoe Retainer (includes items 11 and 12)	1	
11	N/A	Pin	2	
12	N/A	Spring, Shoe, Clamp	2	
13	<u>103483401</u>	Package Brake Spring Self Adj	1	
14	<u>103483601</u>	Cover, Dust	1	
15	<u>103483701</u>	Brake Block	1	
16	<u>103380202</u>	Asm, Brake Cluster, Mech, Pass (includes items 17 through 28)	1	
17	<u>101815501</u>	Lever Assembly, Self-Adjusting Brake, Right (Passenger)	1	
18	<u>101816501</u>	Adj Mechanism, S.A. Brakes, Right (Passenger)	1	
19	<u>101823201</u>	Package, Brake Shoe, Self-Adjusting	1	
20	<u>101823801</u>	Plate, Washer, Brake, Self-Adjusting	1	
21	<u>101823901</u>	Washer, Brake, Self-Adjusting	1	
22	<u>103483101</u>	Backing Plate, Passenger-side	1	
23	<u>103483201</u>	Kit, Shoe Retainer (includes items 24 and 25)	1	
24	N/A	Pin	2	
25	N/A	Spring, Shoe, Clamp	2	
26	<u>103483401</u>	Package Brake Spring Self Adj	1	
27	<u>103483601</u>	Cover, Dust	1	
28	<u>103483701</u>	Brake Block	1	
29	<u>47542195001</u>	Bolt, Brake Cluster Mnt	8	
		Note: Driver-side brake cluster not shown. Components have a similar appearance to passenger-side brake cluster components.		

5
G
E

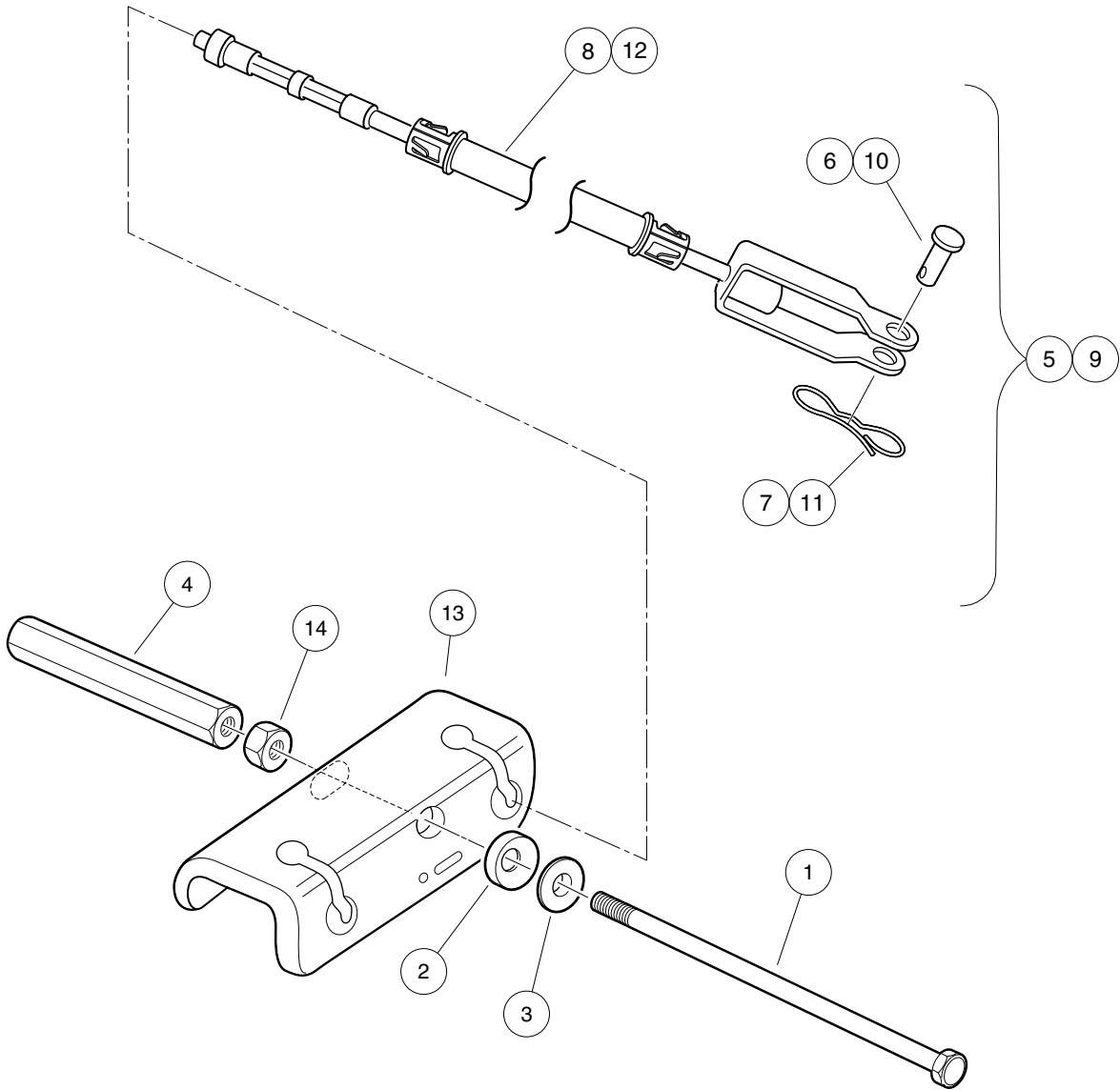


000186-007

REAR BRAKES, SELF-ADJUSTING – GASOLINE VEHICLES

ITEM	PART NO.	DESCRIPTION	QTY	
		1 2 3 4		5
1	<u>1011137</u>	Drum, Brake	2	G
2	<u>1013924</u>	Nut, 5/16-24, Hex Head Cone	8	E
3	<u>103380201</u>	Asm, Brake Cluster, Mech, Drvr (includes items 4 through 15)	1	
4	<u>101815502</u>	Lever Assembly, Self-Adjusting Brake, Left	1	
5	<u>101816502</u>	Adjusting Mechanism, Self-Adjusting Brake, Left	1	
6	<u>101823201</u>	Package, Brake Shoe, Self-Adjusting	1	
7	<u>101823801</u>	Plate, Washer, Brake, Self-Adjusting	1	
8	<u>101823901</u>	Washer, Brake, Self-Adjusting	1	
9	<u>103483102</u>	Backing Plate, Driver-side	1	
10	<u>103483201</u>	Kit, Shoe Retainer (includes items 11 and 12)	1	
11	N/A	Pin	2	
12	N/A	Spring, Shoe, Clamp	2	
13	<u>103483401</u>	Package Brake Spring Self Adj	1	
14	<u>103483601</u>	Cover, Dust	1	
15	<u>103483701</u>	Brake Block	1	
16	<u>103380202</u>	Asm, Brake Cluster, Mech, Pass (includes items 17 through 28)	1	
17	<u>101815501</u>	Lever Assembly, Self-Adjusting Brake, Right (Passenger)	1	
18	<u>101816501</u>	Adj Mechanism, S.A. Brakes, Right (Passenger)	1	
19	<u>101823201</u>	Package, Brake Shoe, Self-Adjusting	1	
20	<u>101823801</u>	Plate, Washer, Brake, Self-Adjusting	1	
21	<u>101823901</u>	Washer, Brake, Self-Adjusting	1	
22	<u>103483101</u>	Backing Plate, Passenger-side	1	
23	<u>103483201</u>	Kit, Shoe Retainer (includes items 24 and 25)	1	
24	N/A	Pin	2	
25	N/A	Spring, Shoe, Clamp	2	
26	<u>103483401</u>	Package Brake Spring Self Adj	1	
27	<u>103483601</u>	Cover, Dust	1	
28	<u>103483701</u>	Brake Block	1	
29	<u>47542195001</u>	Bolt, Brake Cluster Mnt	8	
		Note: Driver-side brake cluster not shown. Components have a similar appearance to passenger-side brake cluster components.		

5
G
E



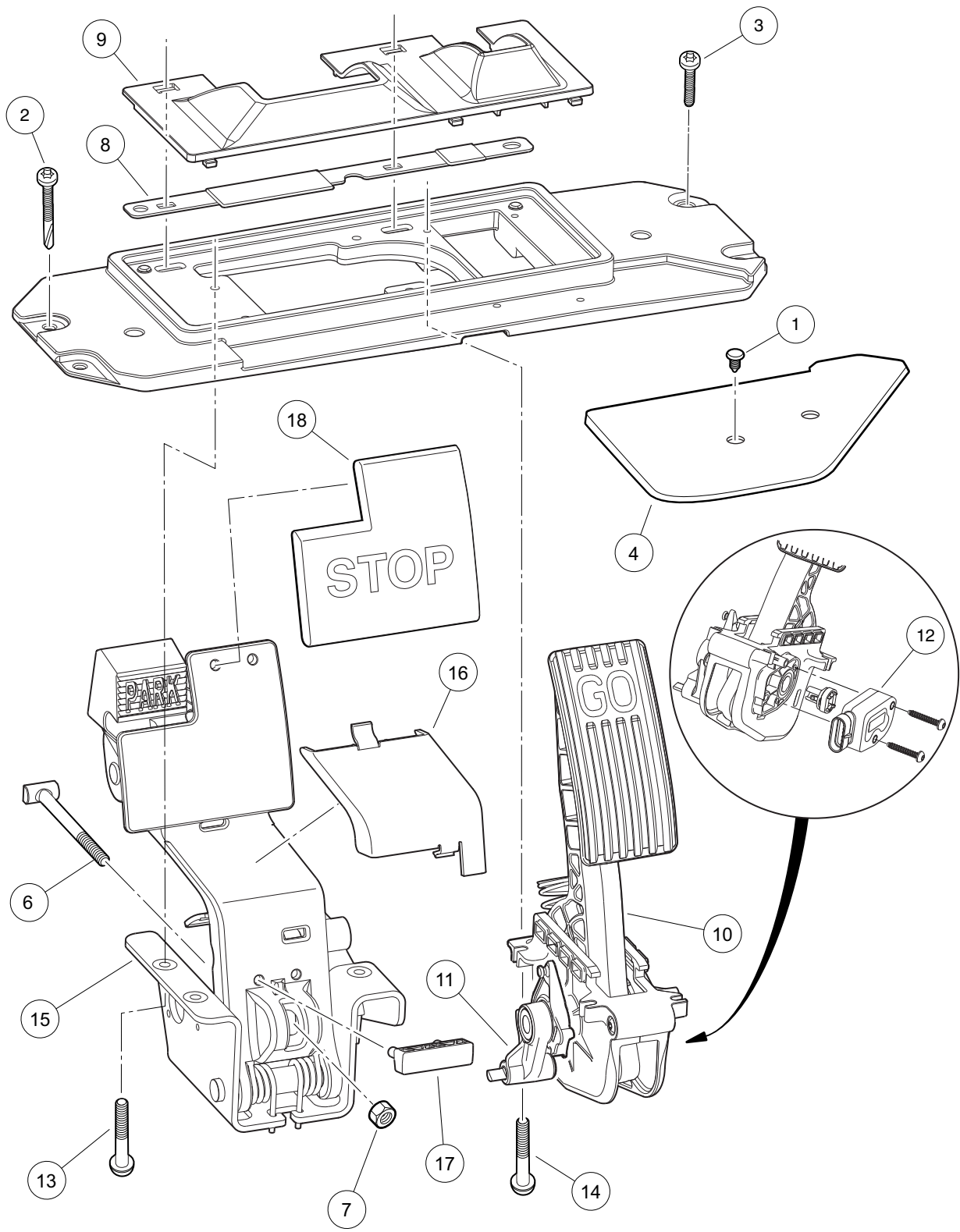
000467-006

BRAKE CABLES AND EQUALIZER BRACKET

ITEM	PART NO.	DESCRIPTION	QTY
		1 2 3 4	
1	<u>102297901</u>	Bolt, 5/16-18 X 7.375, Hex	1
2	<u>102551901</u>	Washer, 5/16, Self Comp, Cup	1
3	<u>102552001</u>	Washer, 5/16, Self Comp, Cone	1
4	<u>102594301</u>	Nut, 5/16-18, Hex Adjusting -l	1
5	<u>103528701</u>	Kit, Brake Cable, Passenger-side (includes items 6 through 8)	1
6	<u>1010829</u>	Pin, Clevis, 5/16 X 3/4	1
7	<u>102292801</u>	Pin, Bow Tie Locking - .072	1
8	N/A	Cable, Brake, Right	1
9	<u>103528702</u>	Kit, Brake Cable, Driver-side (includes items 10 through 12)	1
10	<u>1010829</u>	Pin, Clevis, 5/16 X 3/4	1
11	<u>102292801</u>	Pin, Bow Tie Locking - .072	1
12	N/A	Cable, Brake, Left	1
13	<u>103535001</u>	Bracket, Equalizer	1
14	<u>1242</u>	Nut, 5/16-18 Hex	1

5
G
E

5
G
E



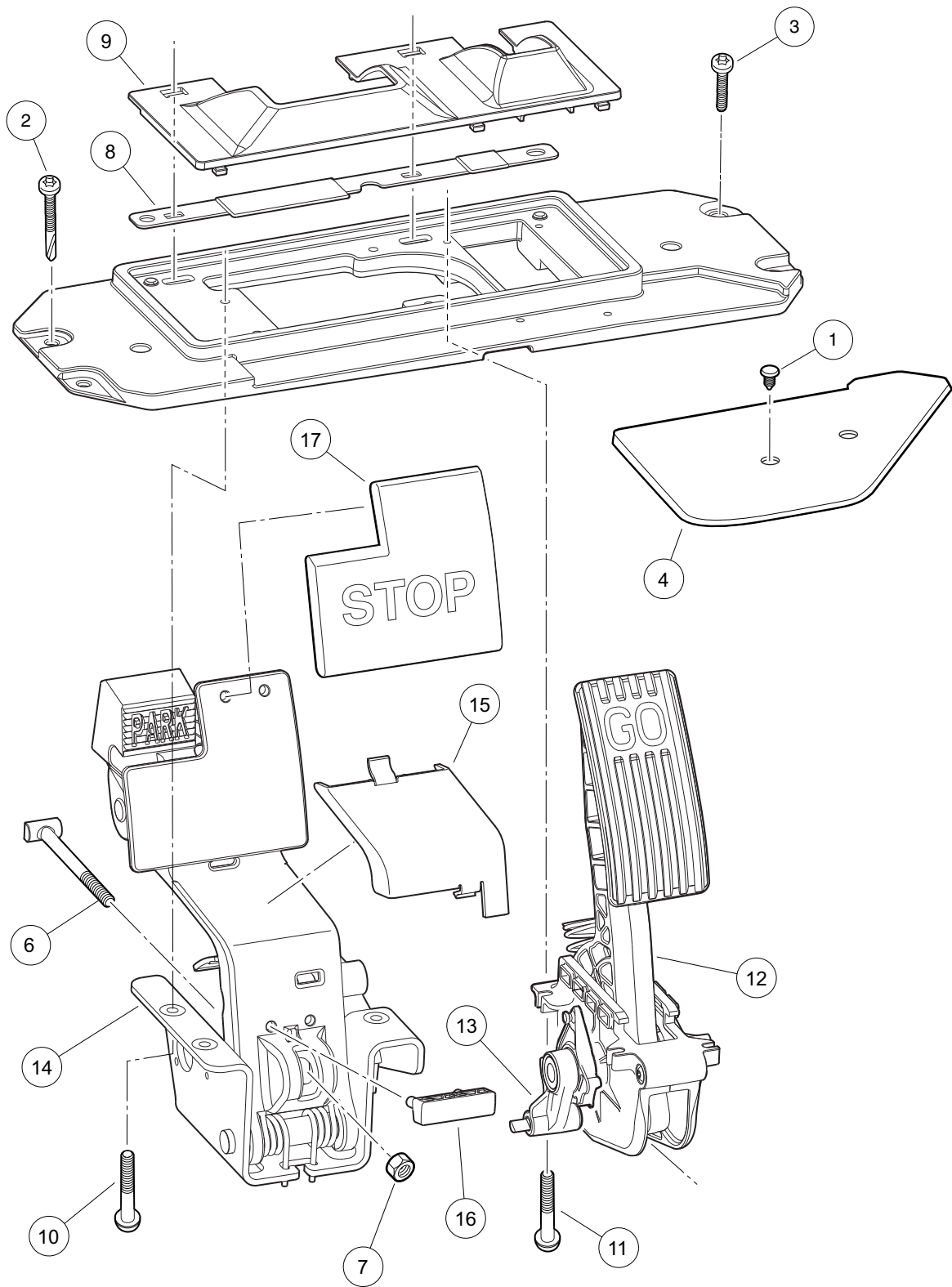
000487-015

PEDAL GROUP WITH SENSOR – GASOLINE VEHICLE

ITEM	PART NO.	DESCRIPTION	QTY
		1 2 3 4	
1	<u>1010434</u>	Barrel - Plastic	1
2	<u>102292201</u>	Screw-1/4-20x2.20 Tx Pn Hd Sd	2
3	<u>102298030</u>	Screw, K80x30, Torx Pn Hd Pt	2
4	<u>102500801</u>	Plate - Floor Cover	1
5	<u>103974815</u>	Asm, Pedal Set, Anodized, Service, Gas Vehicle (includes items 6 through 15)	1
6	<u>102559401</u>	Rod, Brake	1
7	<u>102559701</u>	Nut, Brake Rod	1
8	<u>102594801</u>	Shield, Debris Aux	1
9	<u>102594901</u>	Shield, Debris Primary	1
10	<u>102595502</u>	Asm, Accel. Pedal/Throttle, Anodized, Gas Vehicle (includes items 11 and 12)	1
11	<u>103777601</u>	Asm, Park Brake Release, Anodized	1
12	N/A	Throttle Sensor	1
13	<u>102595901</u>	Screw, M6x1.0x17 Ph, Taptite	4
14	<u>102596001</u>	Screw, M5x0.8x18 Ph, Taptite	4
15	<u>103974901</u>	Asm, Brake Pedal, Anodized (includes items 16 through 18)	1
16	<u>102595201</u>	Cover, Brake	1
17	<u>102595301</u>	Upstop, Brake	1
18	<u>102595401</u>	Pad, Brake	1
		Note: Item 5 is not illustrated as a complete assembly. All detail parts are identified in the illustration.	

5
G
E

5
G
E



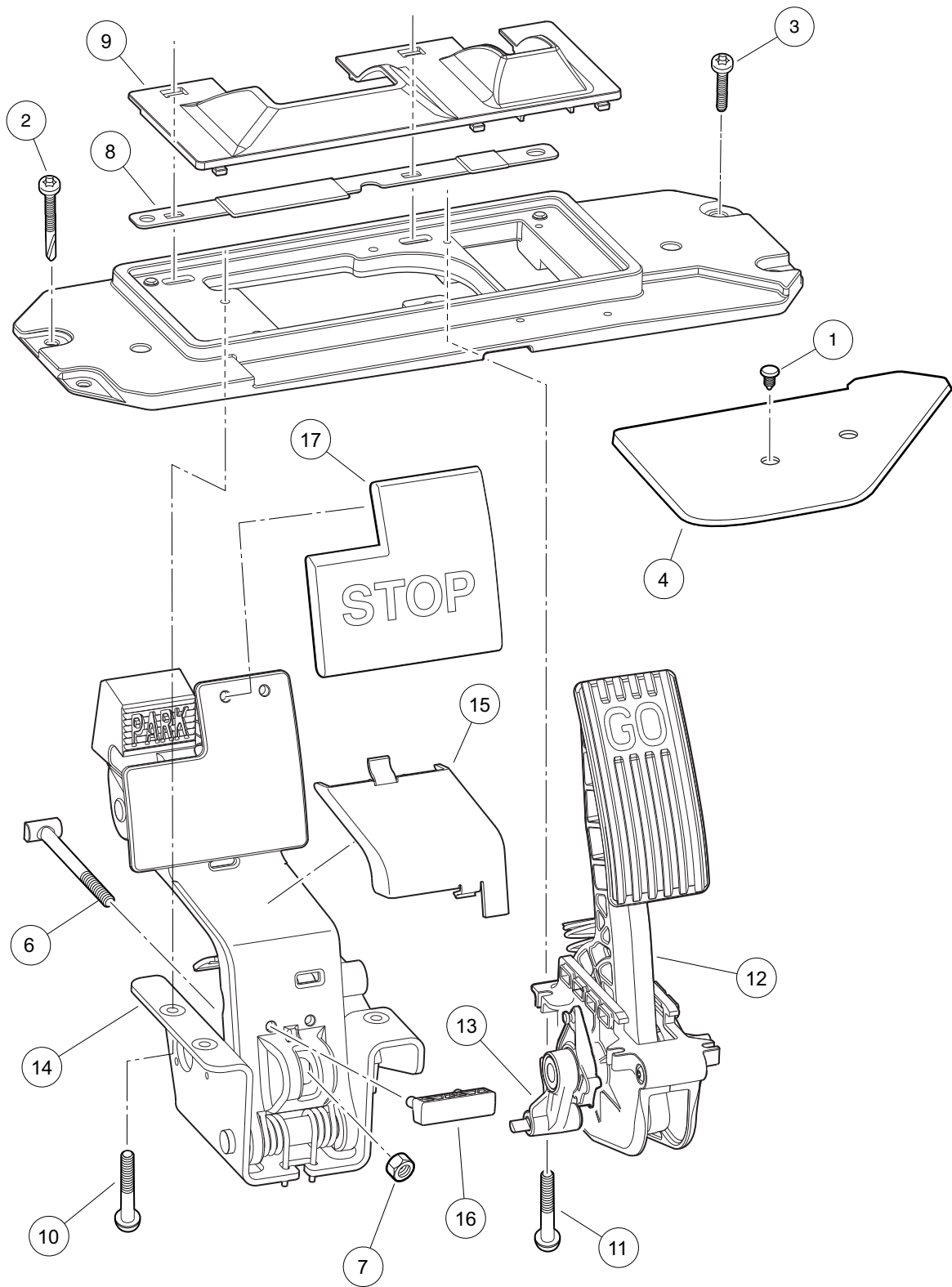
000487-018

PEDAL GROUP W/O SENSOR, GASOLINE VEHICLE

ITEM	PART NO.	DESCRIPTION	QTY
		1 2 3 4	
1	<u>1010434</u>	Barrel - Plastic	1
2	<u>102292201</u>	Screw-1/4-20x2.20 Tx Pn Hd Sd	2
3	<u>102298030</u>	Screw, K80x30, Torx Pn Hd Pt	2
4	<u>102500801</u>	Plate - Floor Cover	1
5	<u>103974821</u>	Asm, Pedal, Anodized, Field Service, Gas or Elec (includes items 6 through 14)	1
6	<u>102559401</u>	Rod, Brake	1
7	<u>102559701</u>	Nut, Brake Rod	1
8	<u>102594801</u>	Shield, Debris Aux	1
9	<u>102594901</u>	Shield, Debris Primary	1
10	<u>102595901</u>	Screw, M6x1.0x17 Ph, Taptite	4
11	<u>102596001</u>	Screw, M5x0.8x18 Ph, Taptite	4
12	<u>102596301</u>	Pedal, Accelerator, Anodized, Gas or Elec (includes item 13)	1
13	<u>103777601</u>	Asm, Park Brake Release, Anodized	1
14	<u>103974901</u>	Asm, Brake Pedal, Anodized (includes items 15 through 17)	1
15	<u>102595201</u>	Cover, Brake	1
16	<u>102595301</u>	Upstop, Brake	1
17	<u>102595401</u>	Pad, Brake	1
<p>Note: Pedal Assembly (item 5) has no sensor and is common to both gas and electric vehicles. Item 5 is not illustrated as a complete assembly. All applicable details are illustrated.</p>			

5
G
E

5
G
E



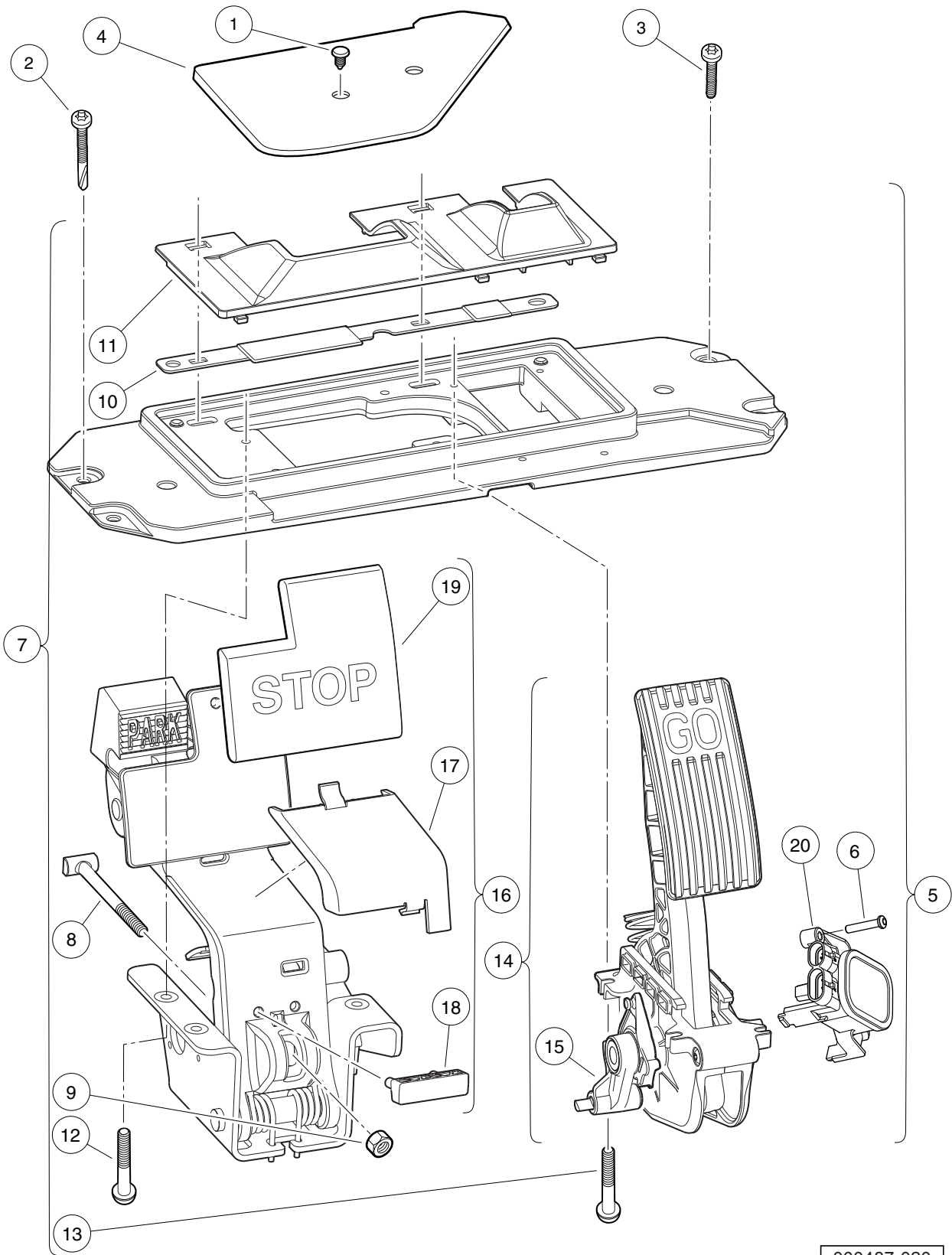
000487-016

PEDAL GROUP W/O MCOR – ELECTRIC VEHICLE

ITEM	PART NO.	DESCRIPTION	QTY
		1 2 3 4	
1	<u>1010434</u>	Barrel - Plastic	1
2	<u>102292201</u>	Screw-1/4-20x2.20 Tx Pn Hd Sd	2
3	<u>102298030</u>	Screw, K80x30, Torx Pn Hd Pt	2
4	<u>102500801</u>	Plate - Floor Cover	1
5	<u>103974821</u>	Asm, Pedal, Anodized, Field Service, Gas or Elec (includes items 6 through 14)	1
6	<u>102559401</u>	Rod, Brake	1
7	<u>102559701</u>	Nut, Brake Rod	1
8	<u>102594801</u>	Shield, Debris Aux	1
9	<u>102594901</u>	Shield, Debris Primary	1
10	<u>102595901</u>	Screw, M6x1.0x17 Ph, Taptite	4
11	<u>102596001</u>	Screw, M5x0.8x18 Ph, Taptite	4
12	<u>102596301</u>	Pedal, Accelerator, Anodized, Gas or Elec (includes item 13)	1
13	<u>103777601</u>	Asm, Park Brake Release, Anodized	1
14	<u>103974901</u>	Asm, Brake Pedal, Anodized (includes items 15 through 17)	1
15	<u>102595201</u>	Cover, Brake	1
16	<u>102595301</u>	Upstop, Brake	1
17	<u>102595401</u>	Pad, Brake	1
<p>Note: Pedal Assembly (item 5) has no MCOR and is common to both gas and electric vehicles. Item 5 is not illustrated as a complete assembly. All applicable details are illustrated.</p>			

5
G
E

5
G
E



000487-020

PEDAL GROUP WITH MCOR – ELECTRIC VEHICLE

ITEM	PART NO.	DESCRIPTION	QTY
		1 2 3 4	
1	<u>1010434</u>	Barrel - Plastic	1
2	<u>102292201</u>	Screw-1/4-20x2.20 Tx Pn Hd Sd	2
3	<u>102298030</u>	Screw, K80x30, Torx Pn Hd Pt	2
4	<u>102500801</u>	Plate - Floor Cover	1
5	<u>103874111</u>	Asm, Pedal Set, Anodized, w/MCOR, Service (includes items 6 through 20)	1
6	<u>103943401</u>	Screw, Pan, #10 X 1.00 Hi-lo	1
7	<u>103975011</u>	Asm, Pedal Set, Anodized, Service, Elec Vehicle (includes items 8 through 16)	1
8	<u>102559401</u>	Rod, Brake	1
9	<u>102559701</u>	Nut, Brake Rod	1
10	<u>102594801</u>	Shield, Debris Aux	1
11	<u>102594901</u>	Shield, Debris Primary	1
12	<u>102595901</u>	Screw, M6x1.0x17 Ph, Taptite	4
13	<u>102596001</u>	Screw, M5x0.8x18 Ph, Taptite	4
14	<u>102596301</u>	Pedal, Accelerator, Anodized, Gas or Elec (includes item 15)	1
15	<u>103777601</u>	Asm, Park Brake Release, Anodized	1
16	<u>103974901</u>	Asm, Brake Pedal, Anodized (includes items 17 through 19)	1
17	<u>102595201</u>	Cover, Brake	1
18	<u>102595301</u>	Upstop, Brake	1
19	<u>102595401</u>	Pad, Brake	1
20	<u>105116301</u>	MCOR4, Type 16 Switch	1
Note: See the Electrical System Section for more MCOR information.			

5
G
E

5

G

E

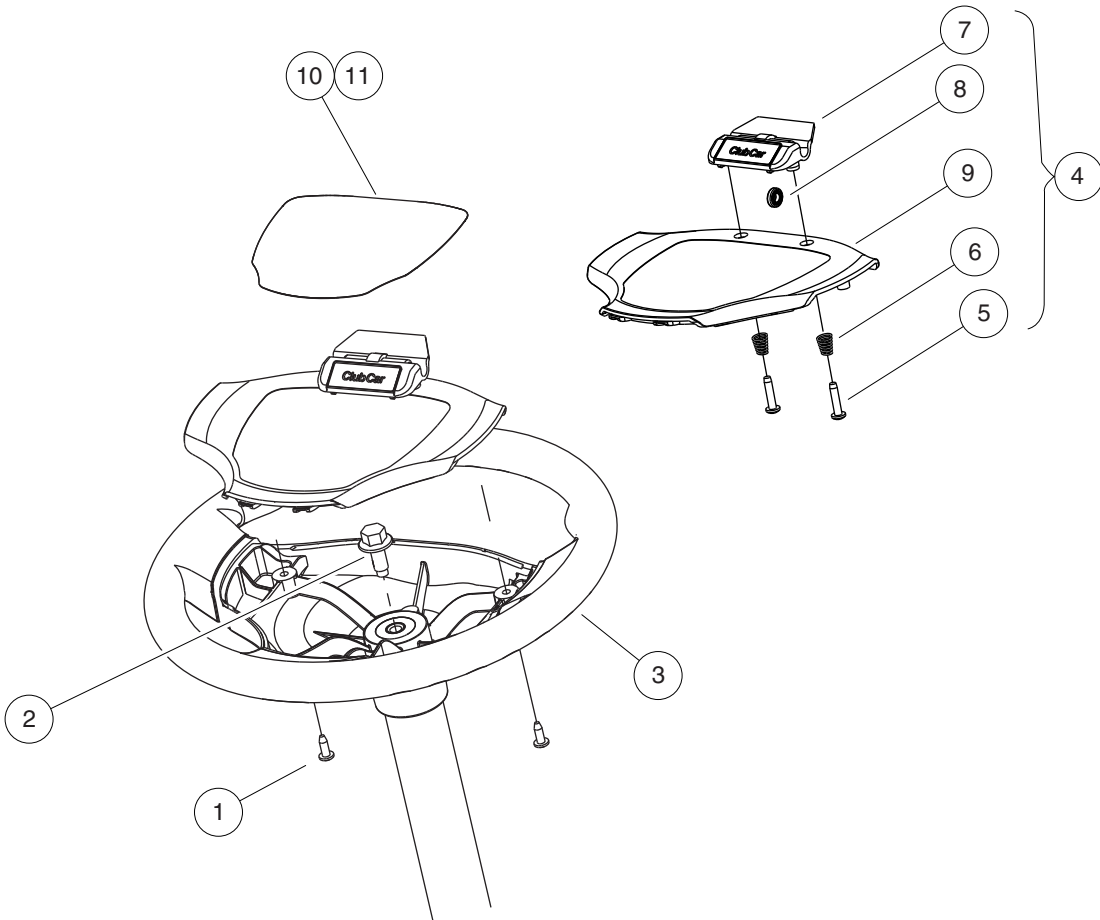
STEERING, FRONT AND REAR SUSPENSION

6

G

E

6
G
E



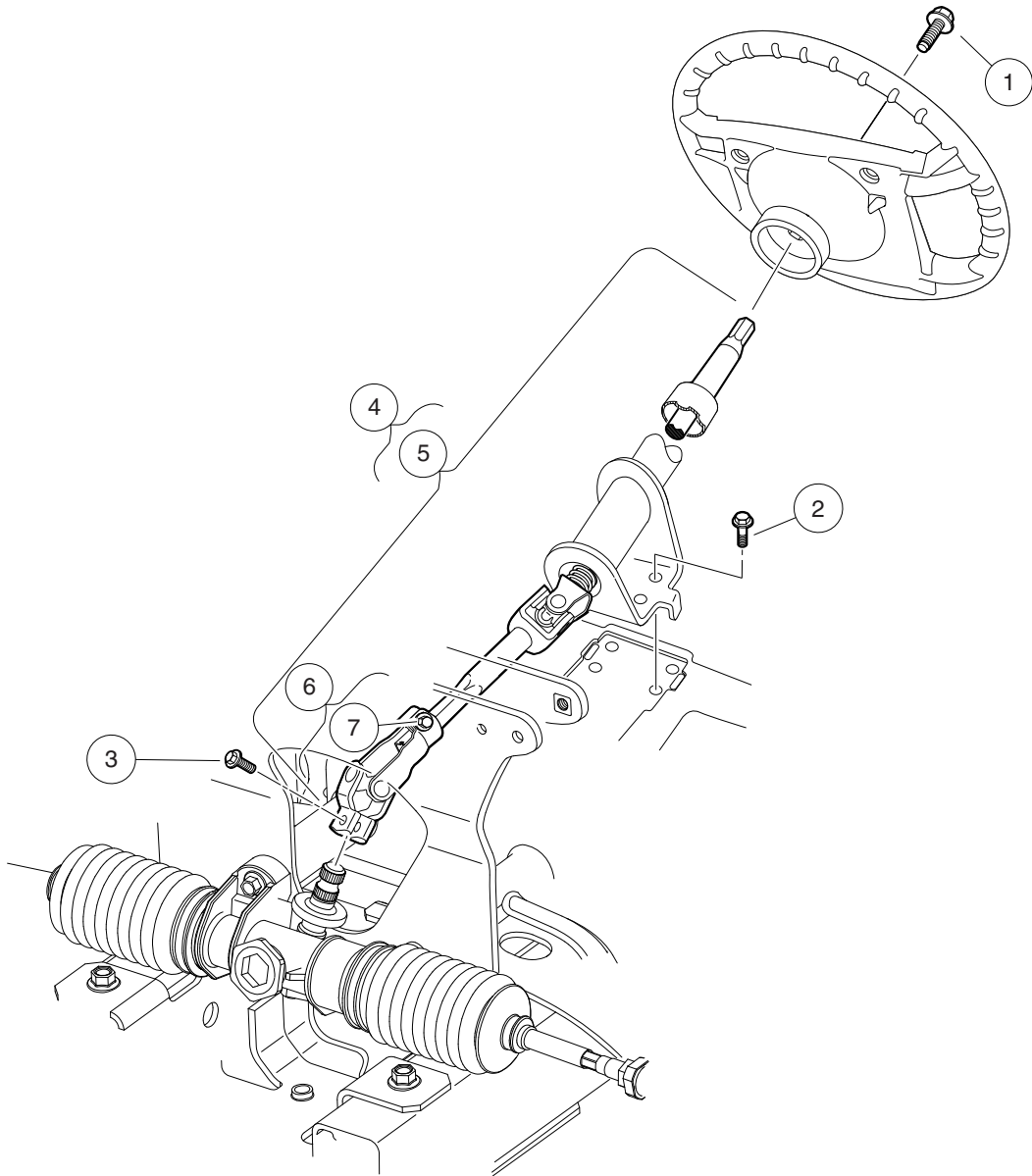
000470-005

STEERING WHEEL

ITEM	PART NO.	DESCRIPTION	QTY
		1 2 3 4	
1	<u>101850301</u>	Screw, #12-16 X 0.50 Washer-Head Hi-Lo	2
2	<u>102290120</u>	Bolt, M10 X 20 Hex Washer Hd	1
3	<u>103724501</u>	Steering Wheel, Hex	1
4	<u>103724901</u>	Asm, Scorecard, Clip (includes items 5 through 9)	1
5	<u>1012565</u>	Screw, #12 Phillips Round Head	2
6	<u>1012566</u>	Tapered Compression Spring	2
7	<u>1016154</u>	Clip, Scorecard	1
8	<u>1016214</u>	Pencil Grip	1
9	<u>103724601</u>	Cover, Steering Wheel, Clip	1
10	<u>103783001</u>	Decal, Op Instr, Ele	1
11	<u>103783002</u>	Decal, Op Instr, Gas Ps	1

6
G
E

6
G
E

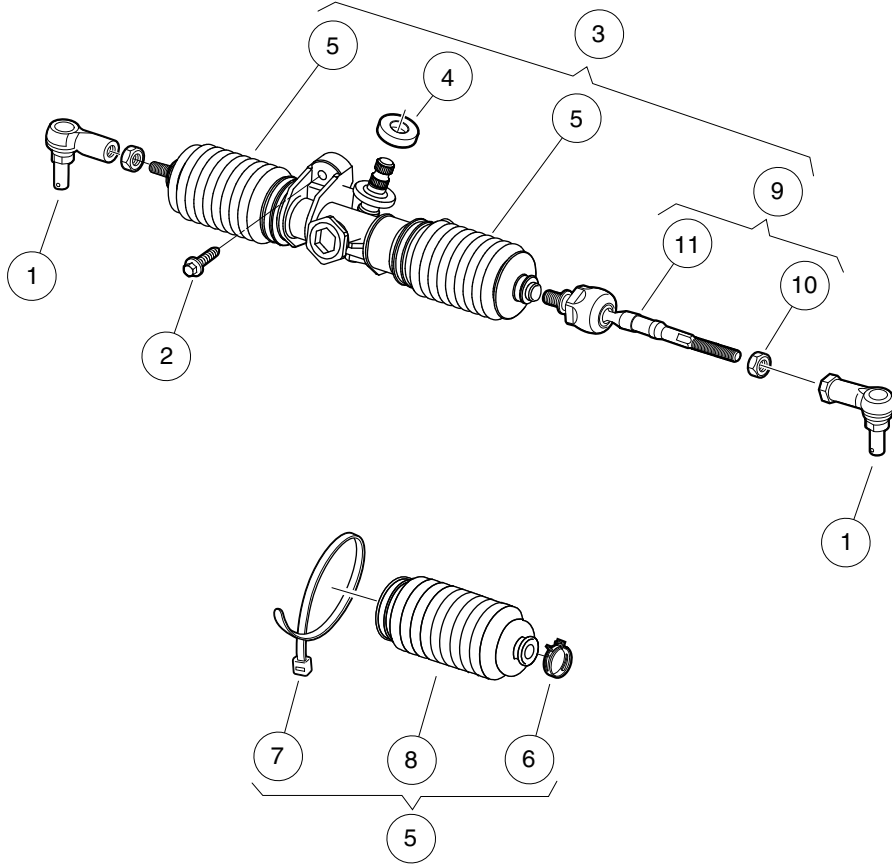


000469-007

STEERING COLUMN

ITEM	PART NO.	DESCRIPTION	QTY
		1 2 3 4	
1	102290120	Bolt, M10 X 20 Hex Washer Hd	1
2	<u>102298116</u>	Bolt, Flanged Head, M8 X 16.0	4
3	<u>102298130</u>	Bolt, Flange Head, M8 X 30.0	1
4	<u>105049001</u>	Kit, Inner Steering Clmn (includes item 5)	1
5	105068601	Asm, Column, Inner (includes item 6)	1
6	<u>103810201</u>	Kit, Lower Yoke, Wanda (includes item 7)	1
7	<u>102298130</u>	Bolt, Flange Head, M8 X 30.0	1

6
G
E



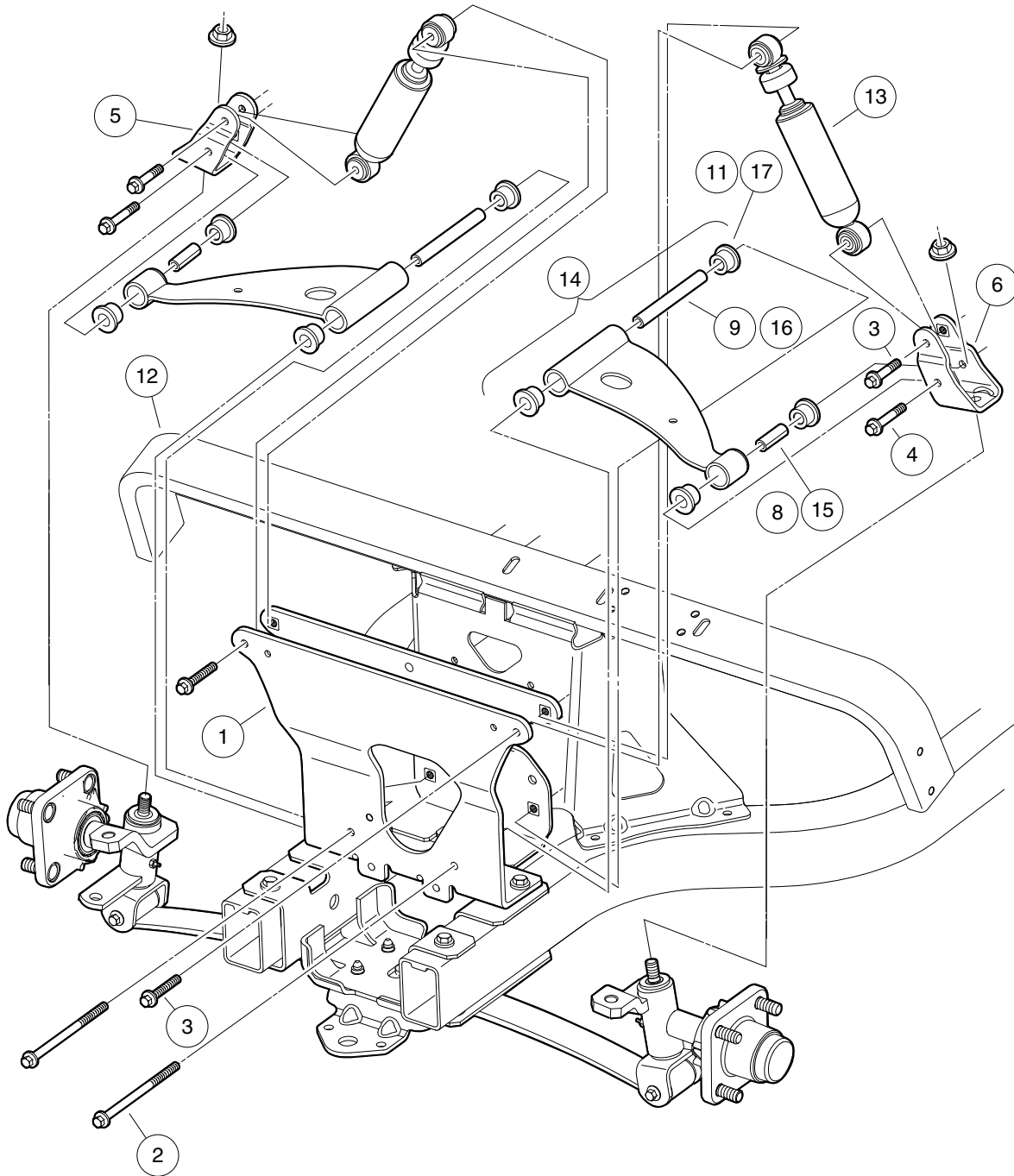
000476-005

STEERING GEAR ASSEMBLY

ITEM	PART NO.	DESCRIPTION	QTY
		1 2 3 4	
1	<u>102022601</u>	End, Tie Rod M12 X 1.25 Rh	2
2	<u>102289001</u>	Screw, M8X1.25X30, Hex	3
3	<u>103679701</u>	Asm, Rack & Pinion (includes items 4 through 9)	1
4	<u>102565201</u>	Seal, Dust, Steering Pinion	1
5	<u>103826201</u>	Bellow Kit, Steering-sona (includes items 6 through 8)	2
6	<u>102566001</u>	Clip, Steering	1
7	<u>8990</u>	Tie Wrap, 8" Nylon	1
8	N/A	Bellows	1
9	<u>103826301</u>	Kit, IBJ (Inner Ball Joint), Steering-sona (includes items 10 and 11)	2
10	1013042	Nut, 12mm Hex	1
11	N/A	Inner Ball Joint	1

6
G
E

6
G
E



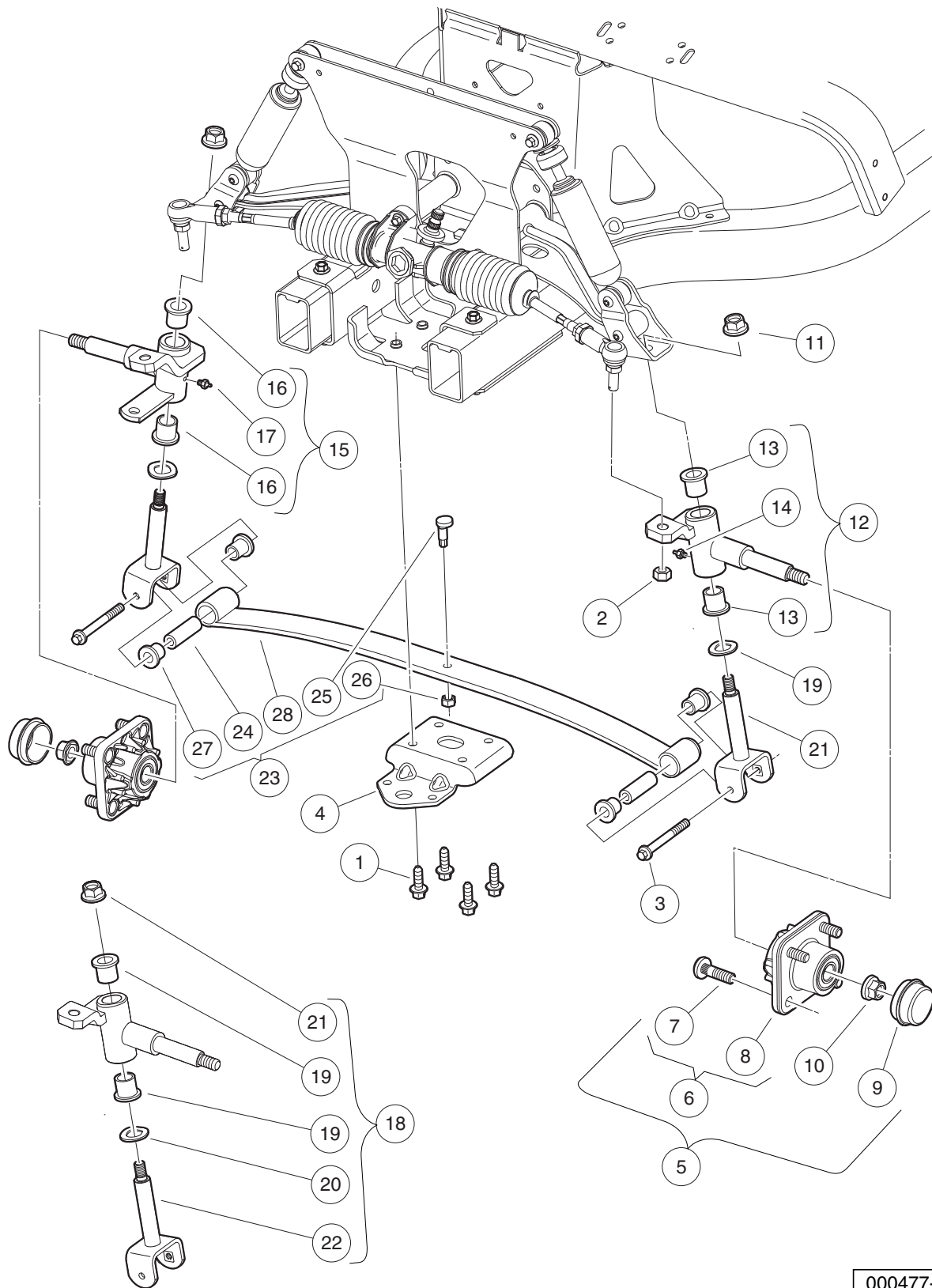
000445-005

FRONT SUSPENSION, UPPER

ITEM	PART NO.	DESCRIPTION	QTY
		1 2 3 4	
1	<u>102287101</u>	Assembly - Front Structure	1
2	<u>102288901</u>	Bolt, Hex, M8x1.25 X 135	2
3	<u>102289401</u>	Screw- Hex Cap, M8 X 1.25 X 45	4
4	<u>102289501</u>	Screw- Hex Cap, M8 X 1.25 X 70	2
5	<u>102289601</u>	Upper Clevis Assembly, Passenger-side	1
6	<u>102289701</u>	Upper Clevis Assembly, Driver-side	1
7	<u>102289901</u>	Kit, Susp, Bushing Joints (includes items 8 through 11)	1
8	<u>102287601</u>	Sleeve - Rolled, Outer	2
9	<u>102287701</u>	Sleeve - Rolled, Inner	2
10	<u>102288101</u>	Sleeve - Rolled, Spring	2
11	<u>102956201</u>	Bushing, Urethane, Short	12
12	<u>102505701</u>	Assembly, Dash Support	1
13	<u>102588601</u>	Shock Absorber Front	2
14	<u>103388501</u>	Asm, 3 Piece A-arm, Bushings (includes items 15 through 17)	2
15	<u>102287601</u>	Sleeve - Rolled, Outer	1
16	<u>102287701</u>	Sleeve - Rolled, Inner	1
17	<u>102956201</u>	Bushing, Urethane, Short	4
		Note: Item 7 (not shown) includes bushings and sleeves for control arms and front suspension leaf spring. See lower suspension page for illustration of item 10 (not shown).	

6
G
E

6
G
E



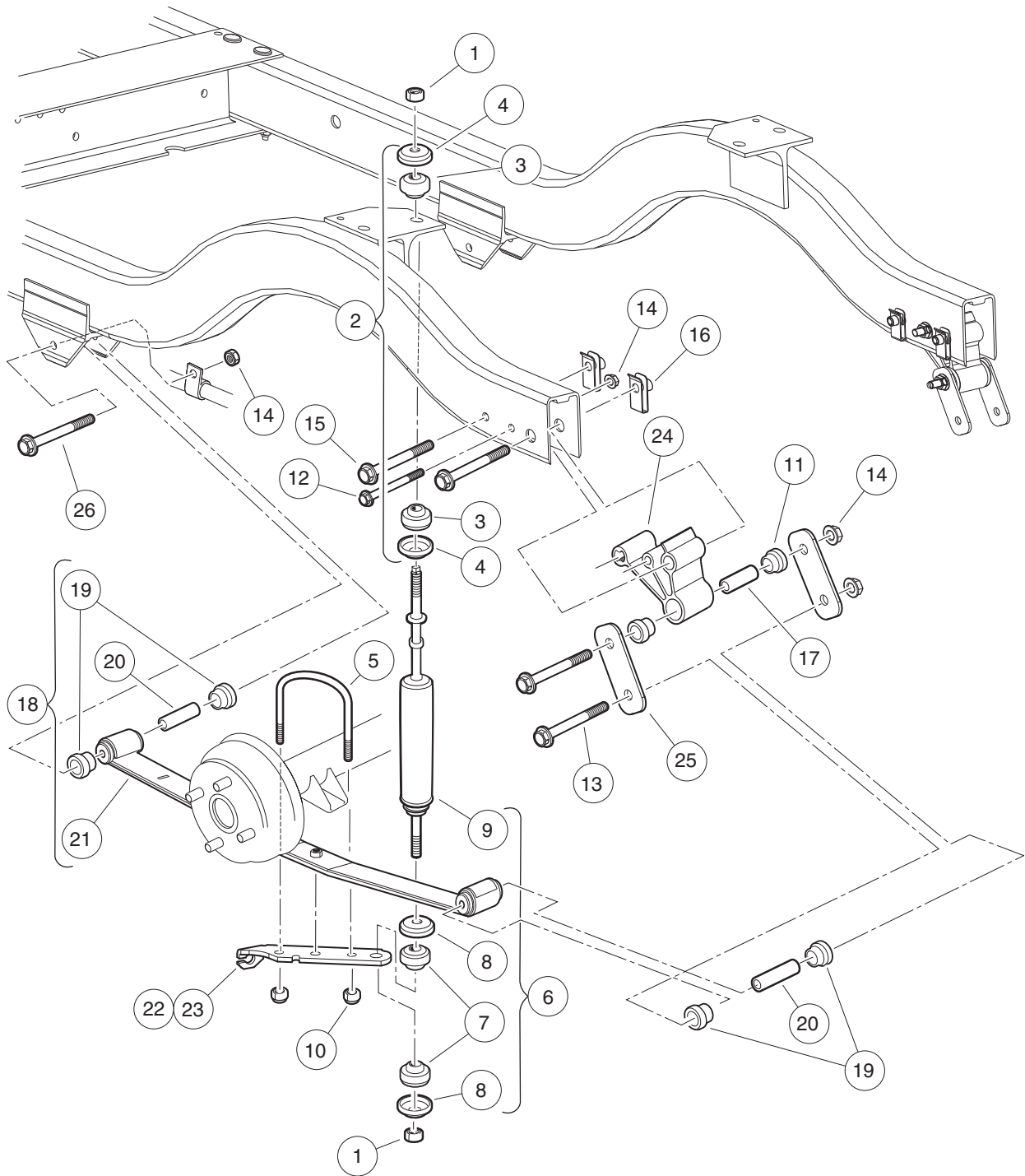
000477-009

FRONT SUSPENSION, LOWER

ITEM	PART NO.	DESCRIPTION	QTY
		1 2 3 4	
1	<u>102289101</u>	Screw-m10x1.5, Trilob, Hex Fl	4
2	<u>102289201</u>	Nut - Hex Locking, M12 X 1.25	2
3	<u>102289501</u>	Screw- Hex Cap, M8 X 1.25 X 70	2
4	<u>102289801</u>	Clamp - Leaf Spring	1
5	<u>102357701</u>	Replacement Kit, Front Hub (includes items 6 through 10)	1
6	N/A	Front Hub Assembly, Ball Bearing (includes items 7 and 8)	1
7	<u>102353401</u>	Lug Stud, 1/2-20 UNF, 4037 Stl	4
8	N/A	Hub, Front	1
9	<u>102353201</u>	Cap, Front Hub	1
10	<u>102353301</u>	Hex Nut, Locking Flange, M14x2	1
11	<u>102878201</u>	Nut, Lock,m12,washer,conical	2
12	<u>103638701</u>	Asm, Spindle, with Bushings, Driver-side (includes items 13 and 14)	1
13	<u>102288201</u>	Bushing - Flanged	2
14	N/A	Fitting, Grease, Knuckle Spindle Asym	1
15	<u>103638702</u>	Asm, Spindle, with Bushings, Passenger-side (includes items 16 and 17)	1
16	<u>102288201</u>	Bushing - Flanged	2
17	N/A	Fitting, Grease, Knuckle Spindle Asym	1
18	<u>103638801</u>	Kit, King Pin Joints (includes items 19 through 22)	1
19	<u>102288201</u>	Bushing - Flanged	4
20	<u>102288401</u>	Wave Washer - Kingpin	2
21	<u>102878201</u>	Nut, Lock,m12,washer,conical	2
22	<u>103638601</u>	Asm, King Pin, M12	2
23	<u>103935601</u>	Asm, Spring, Leaf, Front, 50.4 (includes items 24 through 28)	1
24	<u>102288101</u>	Sleeve - Rolled, Spring	2
25	102288701	Eccentric Bolt	1
26	102288801	Nut-hex, 3/8-16	1
27	<u>102956201</u>	Bushing, Urethane, Short	2
28	105187901	Spring, Leaf, Front, 50.4	1

6
G
E

6
G
E



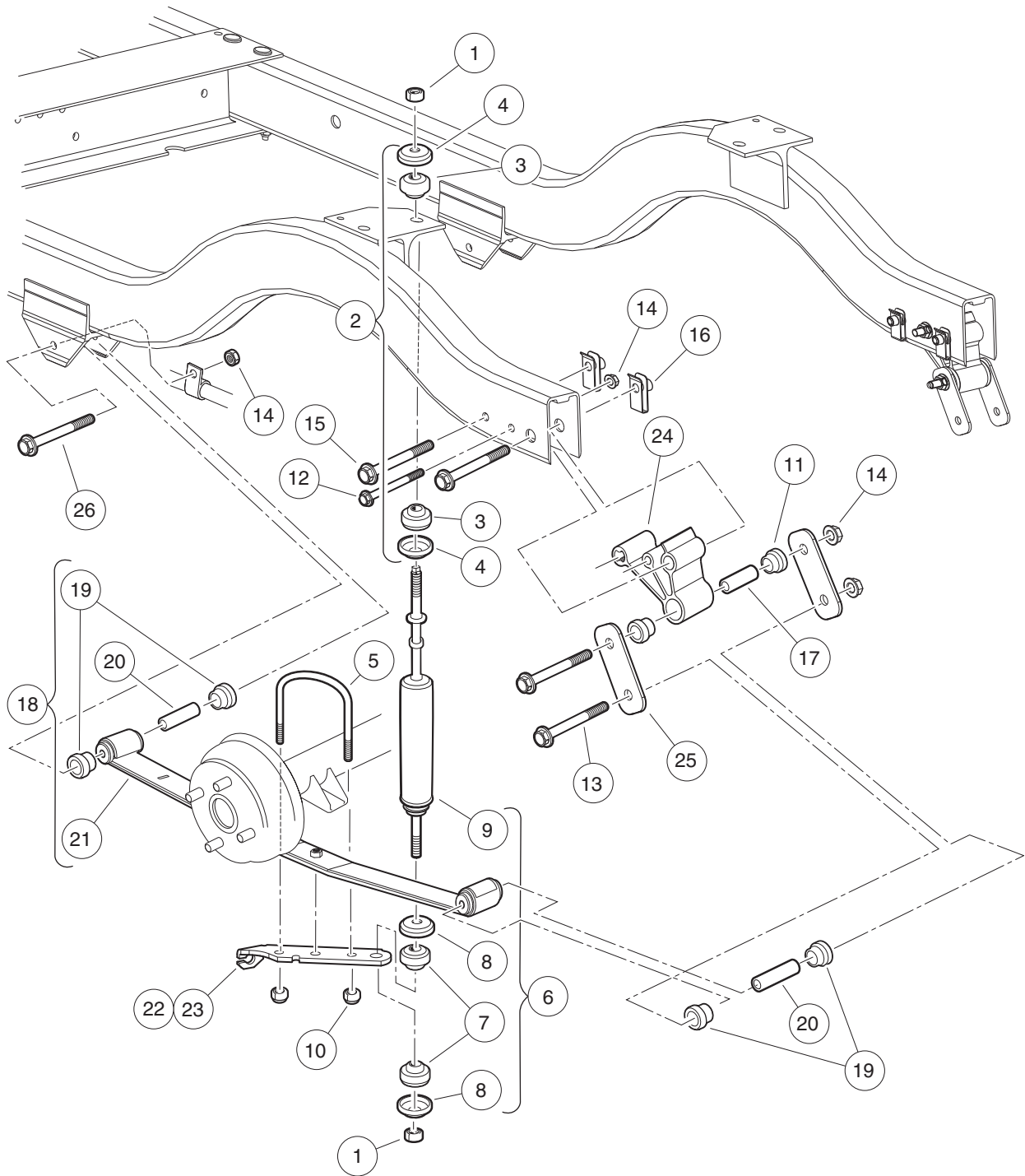
000446-005

REAR SUSPENSION, GASOLINE VEHICLE

ITEM	PART NO.	DESCRIPTION	QTY
		1 2 3 4	
1	<u>1010145</u>	Nut, 3/8-24 Hex	4
2	<u>1011415</u>	Kit, Shock Absorber Cushion (includes items 3 and 4)	2
3	N/A	Retainer, Shock Absorber Cushion	2
4	<u>47579096001</u>	Isolator, Shock Damper	2
5	<u>1012180</u>	U-Bolt	2
6	<u>1013164</u>	Shock Absorber Kit (includes items 7 through 9)	1
7	N/A	Cushion, Shock Absorber	8
8	N/A	Retainer, Shock Absorber Cushion	8
9	<u>102588501</u>	Shock Absorber, Rear	2
10	<u>1014555</u>	Locknut, 7/16-14 Nylon Hex	4
11	<u>1015583</u>	Bushing, Urethane	4
12	<u>102298170</u>	Bolt - Flange Hd, M8 X 70.0	2
13	<u>102298175</u>	Bolt - Flange Hd, M8 X 75.0	2
14	<u>102298401</u>	Nut,m8,all Metal Lock	8
15	<u>102298580</u>	M8-1.25 X 80 Sems	4
16	<u>102298601</u>	J-clip - M8 X 1.25	4
17	<u>102506401</u>	Sleeve - Spring Eye Mounts	2
18	<u>103742305</u>	Asm, Rear Leaf Spring, Light (includes items 19 through 21)	2
19	<u>101558302</u>	Bushing, Urethane, Soft	4
20	<u>102506401</u>	Sleeve - Spring Eye Mounts	2
21	N/A	Leaf Spring, Rear, Light	1
22	<u>103921601</u>	Bracket, Shock Mounting, Drv	1
23	<u>103921602</u>	Bracket, Shock Mounting, Pas	1
24	<u>103964901</u>	Spacer, Rail, Shackle	2
25	<u>103965001</u>	Brkt, Shackle, Rear	4
26	<u>105188185</u>	Bolt, M8 X 85mm, 10.9 Grade	4

6
G
E

6
G
E



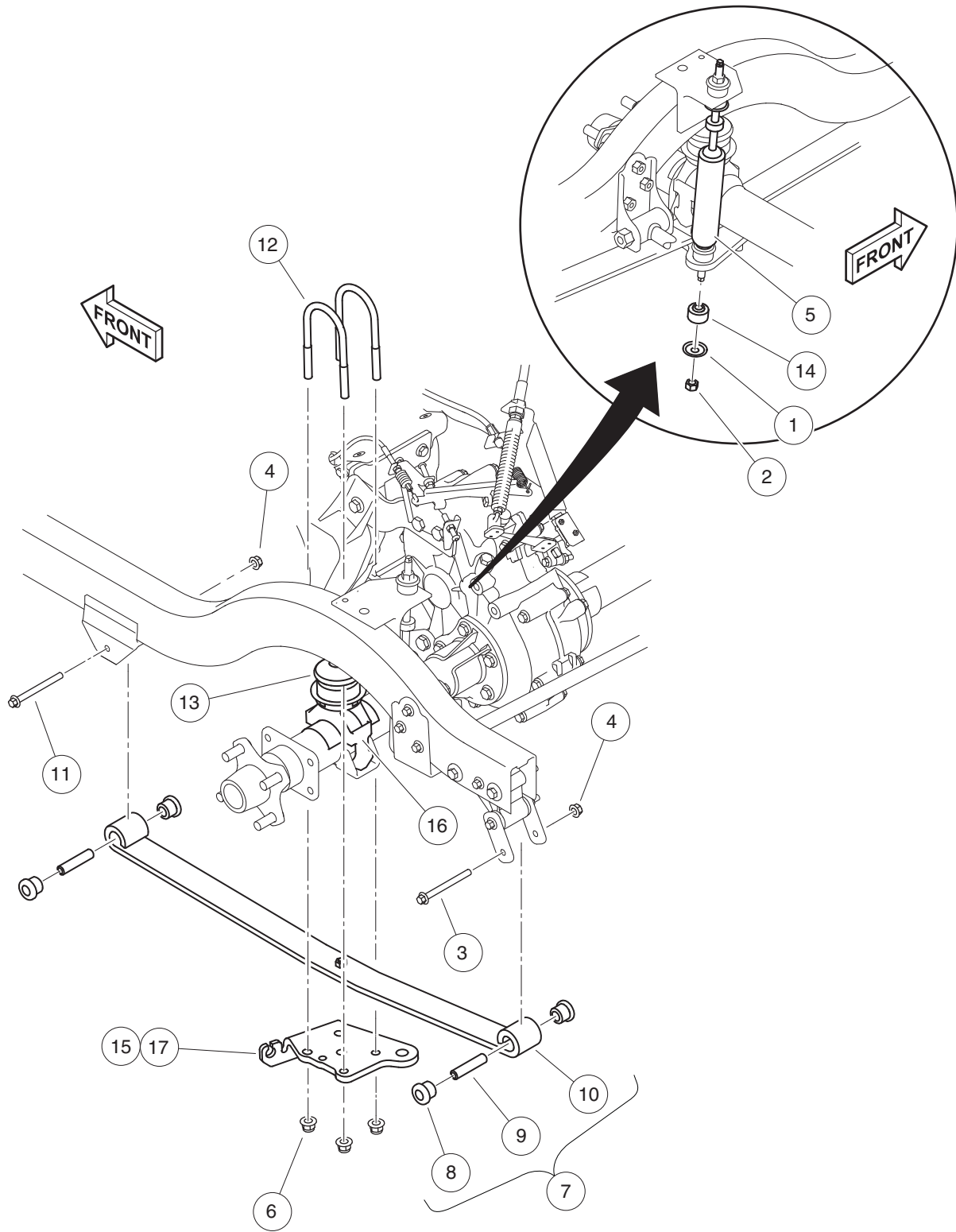
000446-005

REAR SUSPENSION, ELECTRIC VEHICLE

ITEM	PART NO.	DESCRIPTION	QTY
		1 2 3 4	
1	<u>1010145</u>	Nut, 3/8-24 Hex	4
2	<u>1011415</u>	Kit, Shock Absorber Cushion (includes items 3 and 4)	2
3	N/A	Retainer, Shock Absorber Cushion	2
4	<u>47579096001</u>	Isolator, Shock Damper	2
5	<u>1012180</u>	U-Bolt	2
6	<u>1013164</u>	Shock Absorber Kit (includes items 7 through 9)	1
7	N/A	Cushion, Shock Absorber	8
8	N/A	Retainer, Shock Absorber Cushion	8
9	<u>102588501</u>	Shock Absorber, Rear	2
10	<u>1014555</u>	Locknut, 7/16-14 Nylon Hex	4
11	<u>1015583</u>	Bushing, Urethane	4
12	<u>102298170</u>	Bolt - Flange Hd, M8 X 70.0	2
13	<u>102298175</u>	Bolt - Flange Hd, M8 X 75.0	2
14	<u>102298401</u>	Nut,m8,all Metal Lock	8
15	<u>102298580</u>	M8-1.25 X 80 Sems	4
16	<u>102298601</u>	J-clip - M8 X 1.25	4
17	<u>102506401</u>	Sleeve - Spring Eye Mounts	2
18	<u>103742304</u>	Asm, Rear Leaf Spring, Std (includes items 19 through 21)	2
19	<u>101558302</u>	Bushing, Urethane, Soft	4
20	<u>102506401</u>	Sleeve - Spring Eye Mounts	2
21	N/A	Leaf Spring, Rear, Std	1
22	<u>103921601</u>	Bracket, Shock Mounting, Drv	1
23	<u>103921602</u>	Bracket, Shock Mounting, Pas	1
24	<u>103964901</u>	Spacer, Rail, Shackle	2
25	<u>103965001</u>	Brkt, Shackle, Rear	4
26	<u>105188185</u>	Bolt, M8 X 85mm, 10.9 Grade	4

6
G
E

6
G
E



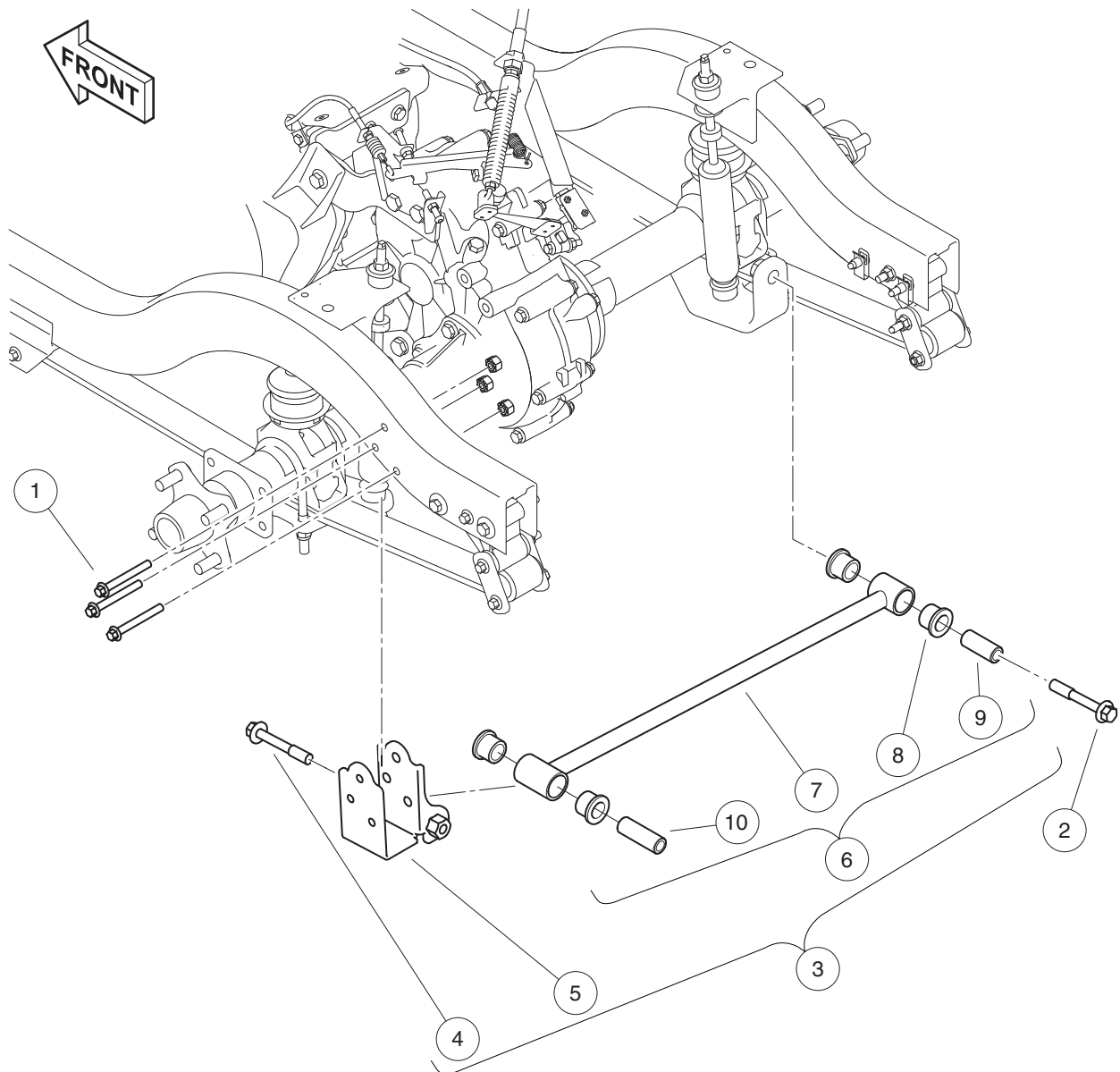
001396-001

REAR SUSPENSION, GASOLINE 4-PASSENGER – CONSUMER

ITEM	PART NO.	DESCRIPTION	QTY
		1 2 3 4	
1	N/A	Retainer, Shock Absorber Cushion	8
2	<u>1010145</u>	Nut, 3/8-24 Hex	4
3	<u>102298175</u>	Bolt - Flange Hd, M8 X 75.0	2
4	<u>102298401</u>	Nut,m8,all Metal Lock	4
5	<u>102588501</u>	Shock Absorber, Rear	2
6	<u>102670701</u>	Nut, Flange, M10 X 1.5 Nylon	8
7	<u>103742304</u>	Asm, Rear Leaf Spring, Std (includes items 8 through 10)	2
8	<u>101558302</u>	Bushing, Urethane, Soft	4
9	<u>102506401</u>	Sleeve - Spring Eye Mounts	2
10	N/A	Leaf Spring, Rear, Std	1
11	<u>105188185</u>	Bolt, M8 X 85mm, 10.9 Grade	2
12	<u>105188701</u>	U-bolt, M10x1.5x58	4
13	<u>47576196001</u>	Bumper, Jounce, D-255828	2
14	<u>47579096001</u>	Isolator, Shock Damper	8
15	47583665001	Bracket, U-bolt, with Panhard Mount, Passenger-side	1
16	47583666001	Bracket, Perch, Bumper, Jounce	2
17	47583912001	Bracket, U-bolt, Driver-side	1

6
G
E

6
G
E



001392-001

PANHARD ROD

ITEM	PART NO.	DESCRIPTION	QTY
		1 2 3 4	
1	<u>102298170</u>	Bolt - Flange Hd, M8 X 70.0	3
2	<u>103146501</u>	Bolt, Flg, M12 X 1.75 X 80	1
3	47577865001	Assy, Panhard and Frame Rail Bracket (includes items 4 through 6)	1
4	<u>103146501</u>	Bolt, Flg, M12 X 1.75 X 80	1
5	47576649001	Bkt, Frame Rail, Panhard	1
6	47577864001	Asm, Rod, Panhard (includes items 7 through 10)	1
7	47576650001	Assy, Weldment, Panhard	1
8	47576651001	Bushing, Slip, 3390000-160802	4
9	47576652001	Sleeve, Bushing, Panhard, Short	1
10	47576652002	Sleeve, Bushing, Panhard, Long	1

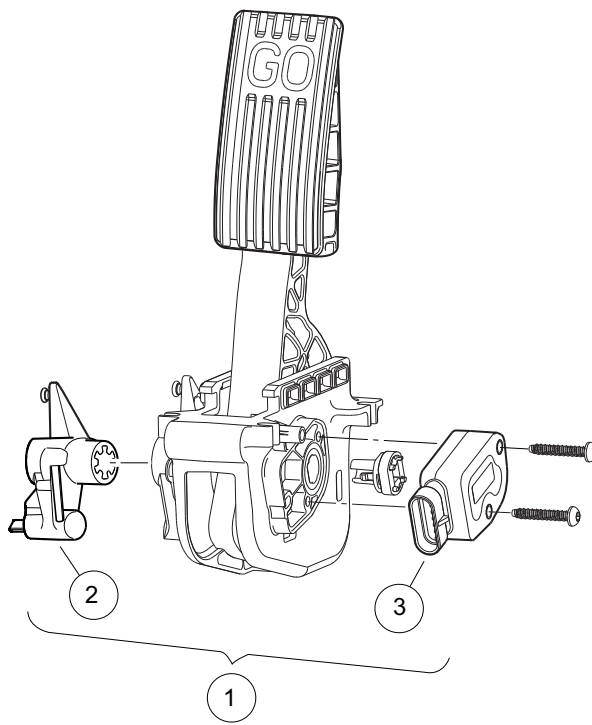
6
G
E

6

G

E

ELECTRICAL SYSTEM – SUBARU EX40



000487-012

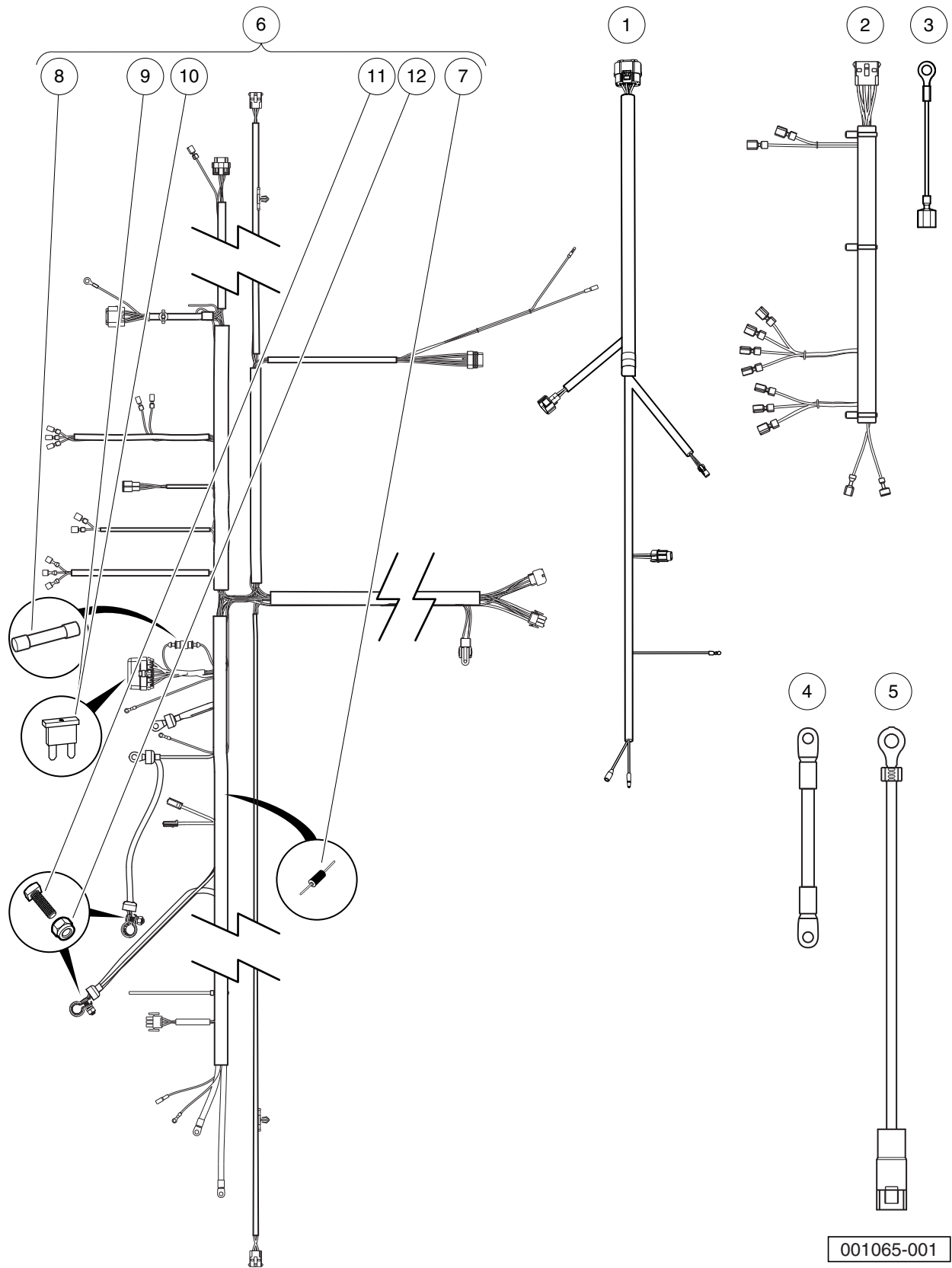
ACCELERATOR PEDAL ASSEMBLY W/SENSOR – EFI

ITEM	PART NO.	DESCRIPTION	QTY
		1 2 3 4	
1	<u>102595502</u>	Asm, Accel. Pedal/Throttle, Anodized, Gas Vehicle (includes items 2 and 3)	1
2	<u>103777601</u>	Asm, Park Brake Release, Anodized	1
3	N/A	Throttle Sensor	1
<p>Note: For a complete Pedal Group, see section 5, Brakes and Pedal Group Assemblies.</p>			

7

G

7
G

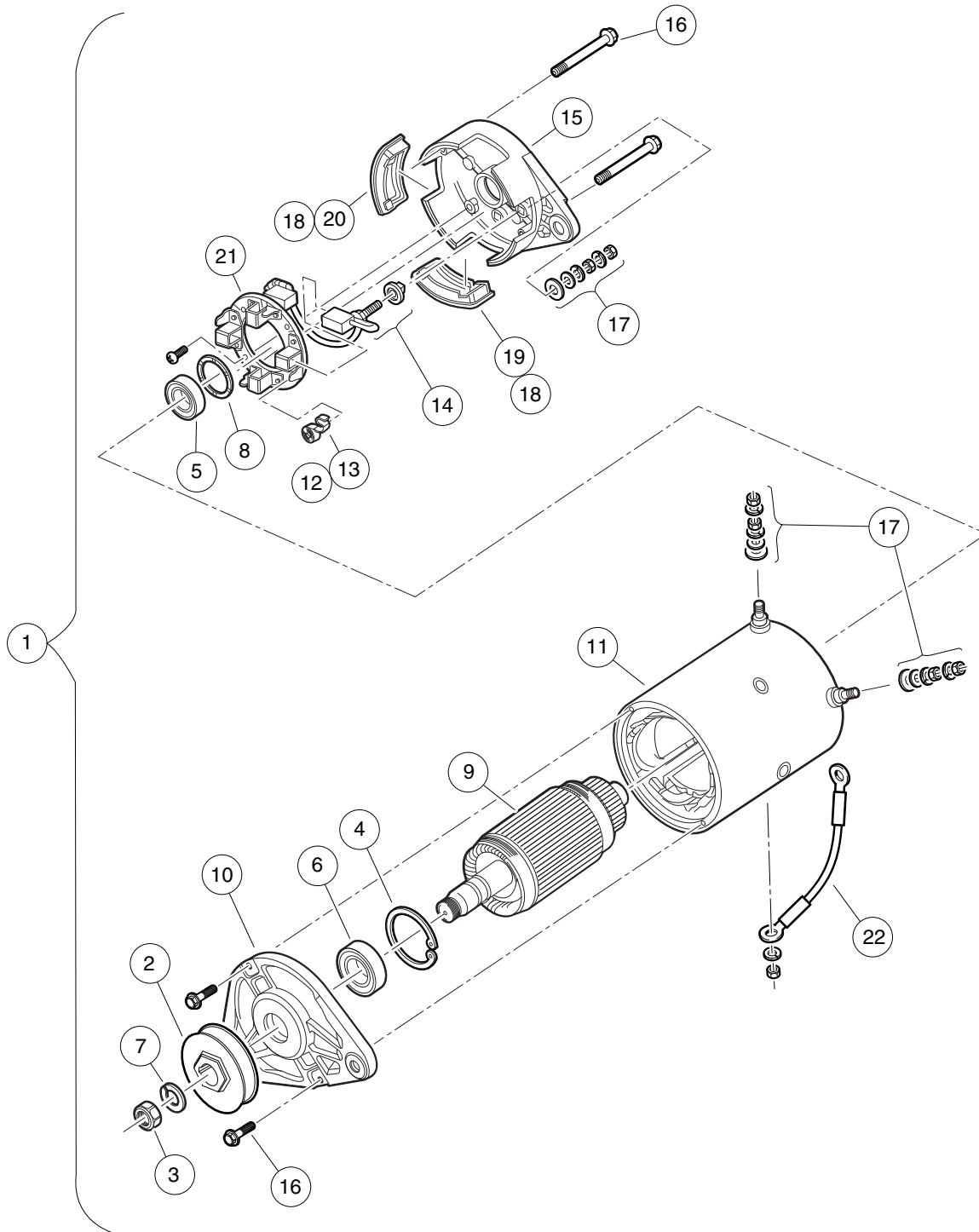


001065-001

WIRING, FUSES AND ECU – CONSUMER CAR

ITEM	PART NO.	DESCRIPTION	QTY
		1 2 3 4	
1	<u>105008101</u>	Harness, Wire, ECU/Engine	1
2	<u>105008301</u>	Wire Harness, Dash	1
3	<u>105143301</u>	Wire, Ground, Fuel Tank	1
4	<u>105161701</u>	Wire, 4-Ga, Green, Starter/Generator	1
5	105228801	Wire, Ground, Engine	1
6	47568658001	Harness, Main, Start/stop (includes items 7 through 12)	1
7	<u>1014789</u>	Diode, General Purpose, 3.0-Amp	1
8	<u>103924801</u>	Fuse, Glass, 2-Amp	1
9	105081501	Fuse, ATM, 5-Amp	1
10	105081601	Fuse, ATM, 10-Amp	1
11	105255501	Bolt, Sqh 5/16-18x1	2
12	105255601	Nut, Colar Hex, 5/16-18	2

7
G

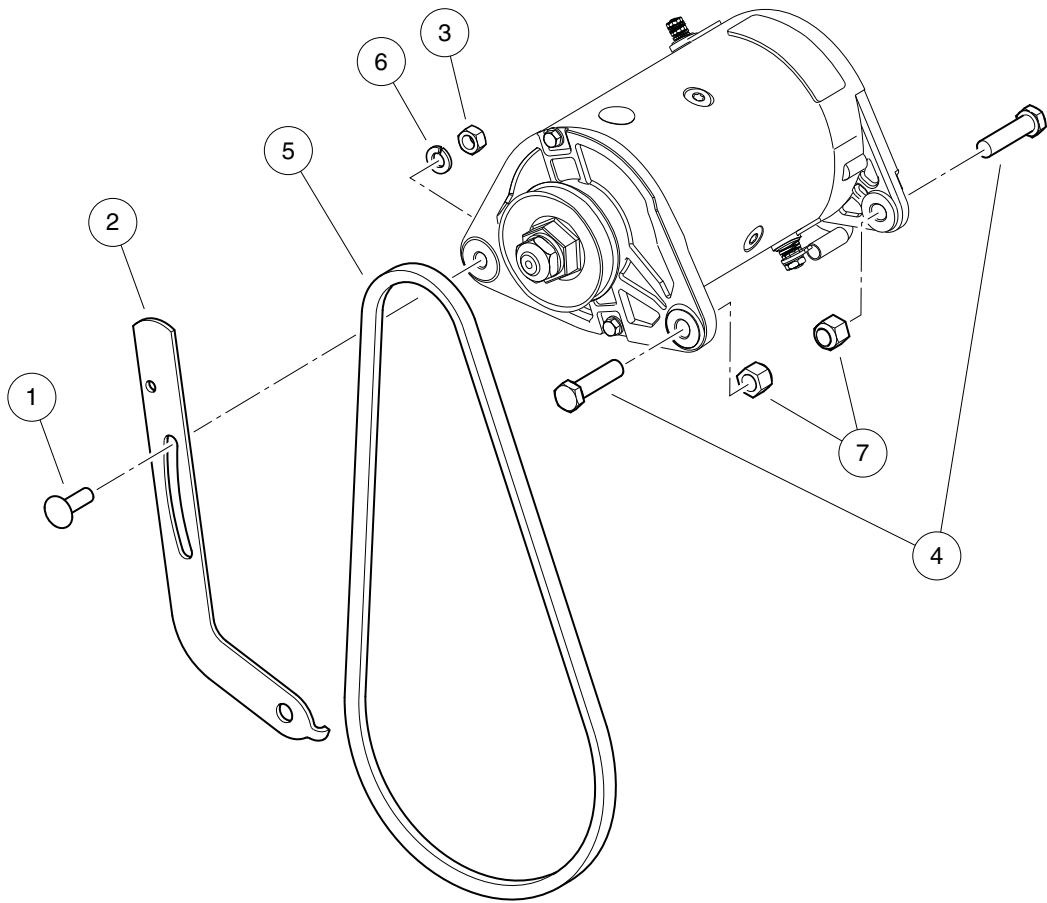


001016-001

STARTER/GENERATOR (MODEL 114-05-4001), PEDAL-START – EFI

ITEM	PART NO.	DESCRIPTION	QTY
		1 2 3 4	
1	<u>105190101</u>	Starter/Generator, High-Torque, Utility, Pedal-Start (includes items 2 through 22)	1
2	<u>1014289</u>	Pulley, Starter/Generator	1
3	<u>102838701</u>	Nut, Hex, M14x2, S/G	1
4	<u>102838801</u>	Retainer, Front, S/G	1
5	<u>102838901</u>	Bearing, Ball, Front, S-g	1
6	<u>102839001</u>	Bearing, Ball, Front, S-g	1
7	<u>102839301</u>	Washer, Lock M14x2, S-g	1
8	<u>102841101</u>	Washer, Wave, S-g	1
9	N/A	Asm, Armature, Starter/Generator	1
10	<u>102844601</u>	Head, Drive End, S-g	1
11	<u>102844701</u>	Asm, Frame and Field, Starter/Generator	1
12	<u>103347101</u>	Kit, Spring Brush, Starter/Generator (includes item 13)	1
13	N/A	Spring, Brush, S-g	4
14	<u>103347301</u>	Set, Brush Term, S-g	1
15	<u>103347601</u>	Head, Comm End, S-g	1
16	<u>103347701</u>	Set, Fastener, Ceh Deh, S-g	1
17	<u>103347801</u>	Set, Term Hardware, S/G	1
18	<u>103347901</u>	Kit, Cover, Brush Insp, Starter/Generator (includes items 19 and 20)	1
19	N/A	Plug, Rubber Drain, Start/Generator	3
20	N/A	Cover, Inspection, S-g	1
21	<u>103953301</u>	Kit, Brush And Brush Holder	1
22	<u>105161701</u>	Wire, 4-Ga, Green, Starter/Generator	1

7
G

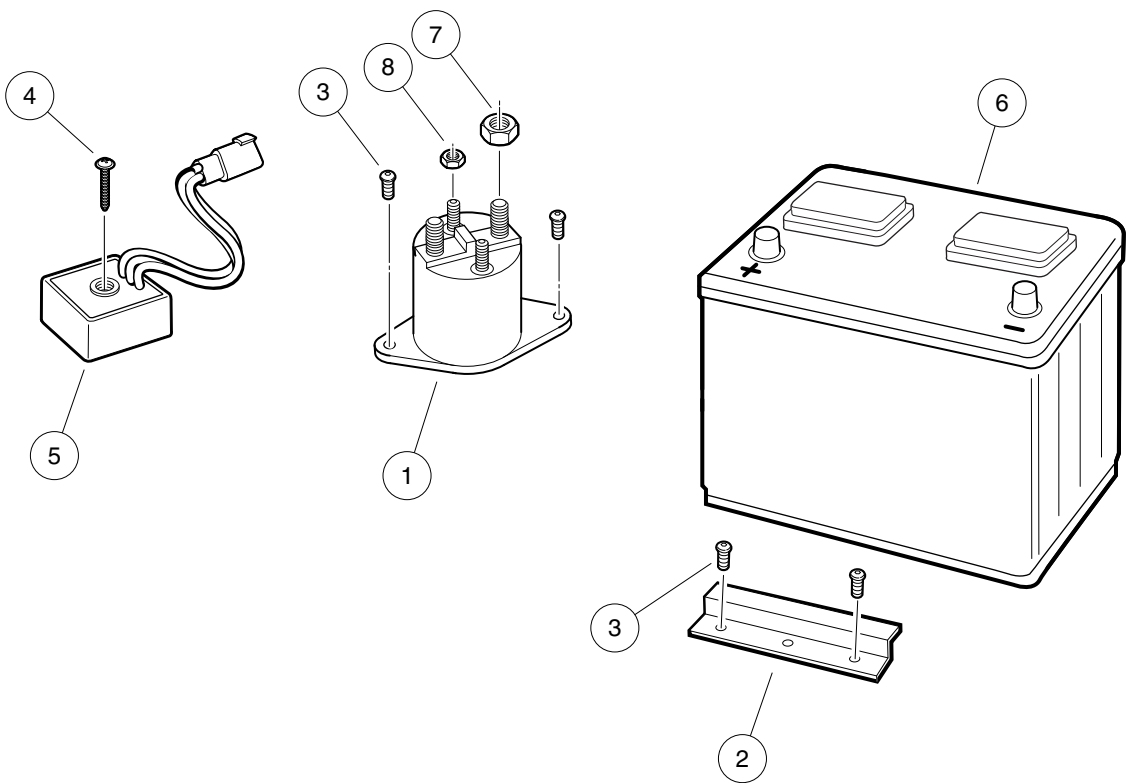


001009-002

STARTER/GENERATOR MOUNTING, EX40

ITEM	PART NO.	DESCRIPTION	QTY
		1 2 3 4	
1	<u>1015932</u>	Bolt, Carriage, 5/16-18	1
2	<u>104005301</u>	Bracket, Adjustable, Starter/Generator, EX40	1
3	<u>1242</u>	Nut, 5/16-18 Hex	1
4	<u>1624</u>	Screw, 3/8-16 X 1.50, Hex-Head Cap	2
5	<u>47539338001</u>	Belt, Sg, Ex40, #5a	1
6	<u>7174</u>	Lockwasher, 5/16 Split	1
7	<u>8754</u>	Locknut, 3/8-16 Hex	2

7
G



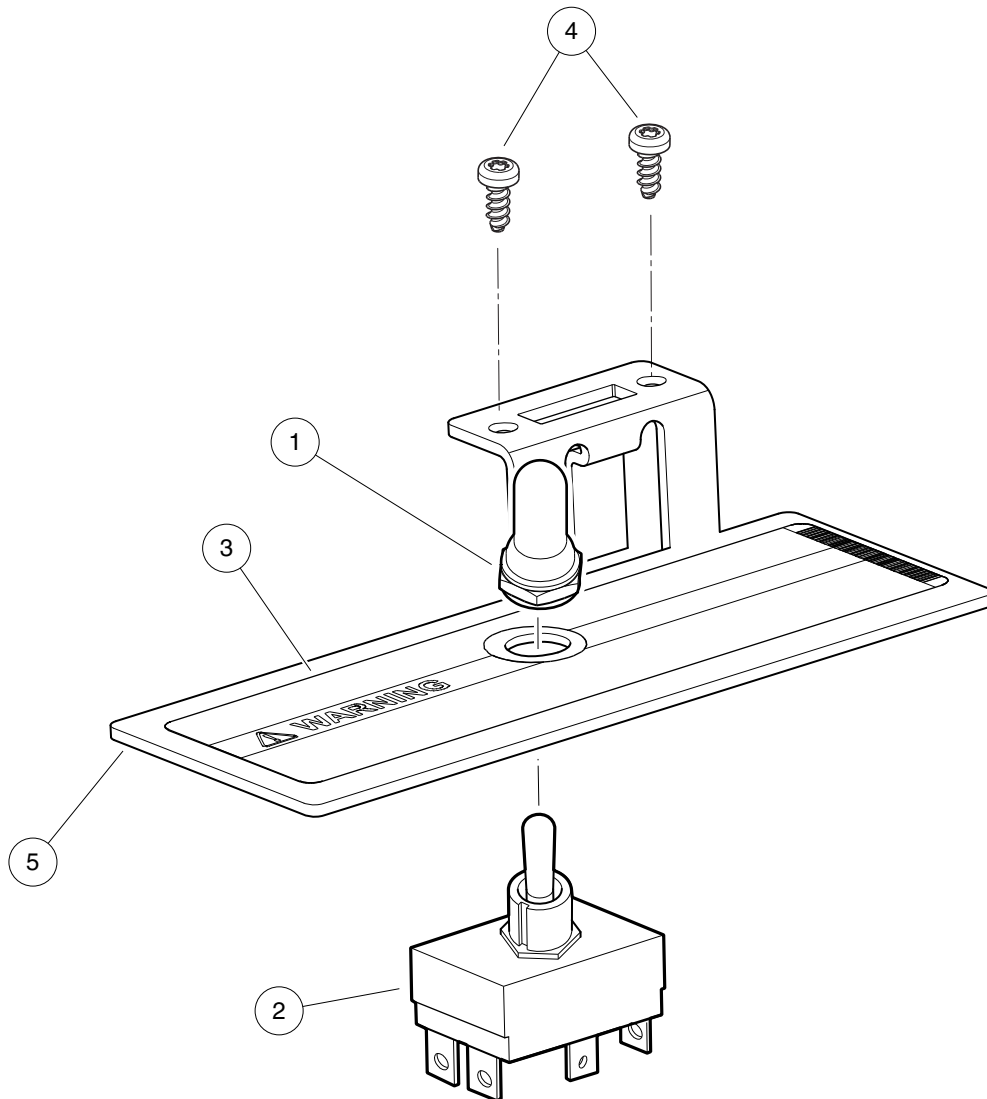
001067-001

TOP-POST BATTERY, SOLENOID, VOLTAGE REGULATOR – EFI

ITEM	PART NO.	DESCRIPTION	QTY
		1 2 3 4	
1	<u>1013609</u>	Solenoid, 12-Volt	1
2	<u>101898001</u>	Clamp, Battery	1
3	<u>102296020</u>	Screw, Torx Pan Hd Pt, M6 X 20	4
4	<u>102296040</u>	Screw, Torx Pan Hd Pt, M6 X 40	1
5	<u>102803301</u>	Asm, Voltage Regulator	1
6	<u>105237399</u>	Battery, Start, 12v, G 26, Sp	1
7	<u>1242</u>	Nut, 5/16-18 Hex	2
8	<u>7893</u>	Nut, #10-32 Hex	2

7

G



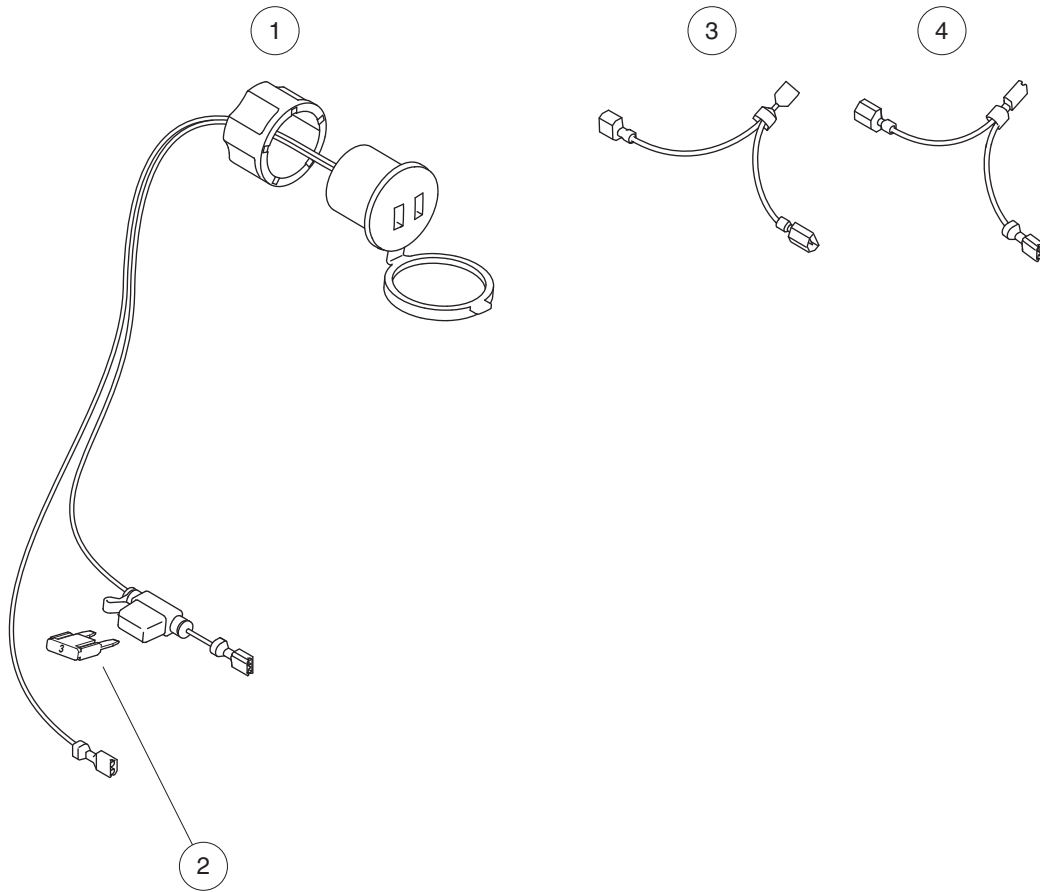
001058-001

OPERATION AND MAINTENANCE SWITCH

ITEM	PART NO.	DESCRIPTION	QTY
		1 2 3 4	
1	<u>101908401</u>	Boot, Switch	1
2	<u>103198401</u>	Switch, Toggle, SPDT	1
3	<u>103205501</u>	Decal, Maintenance/Operate Switch	1
4	N/A	Screw, #6 X .75, Cs Ss, Hi-lo	2
5	<u>105136501</u>	Brkt, Hinge And Serv Switch	1

7
G

7
G



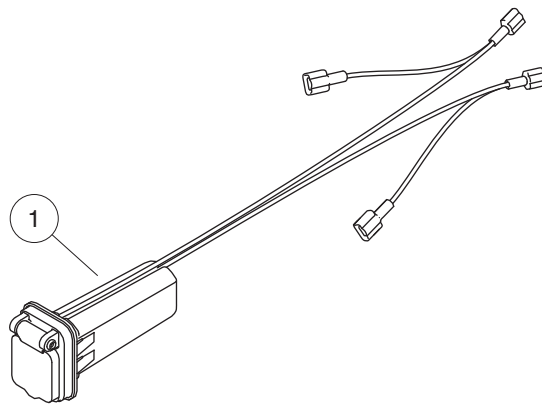
001399-001

USB PORT ADAPTER – EARLY VERSION

ITEM	PART NO.	DESCRIPTION	QTY
		1 2 3 4	
1	<u>105268101</u>	Charger, Usb, Fused (includes item 2)	1
2	<u>105114802</u>	Fuse, Mini, Atm, 3 Amp	1
3	105298701	Wire, Y-adapter, Red	1
4	105298801	Wire, Y-adapter, Black	1

7
G

7
G



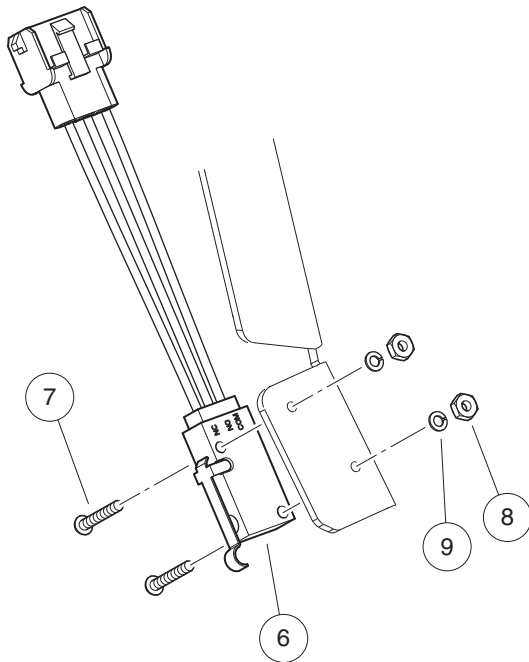
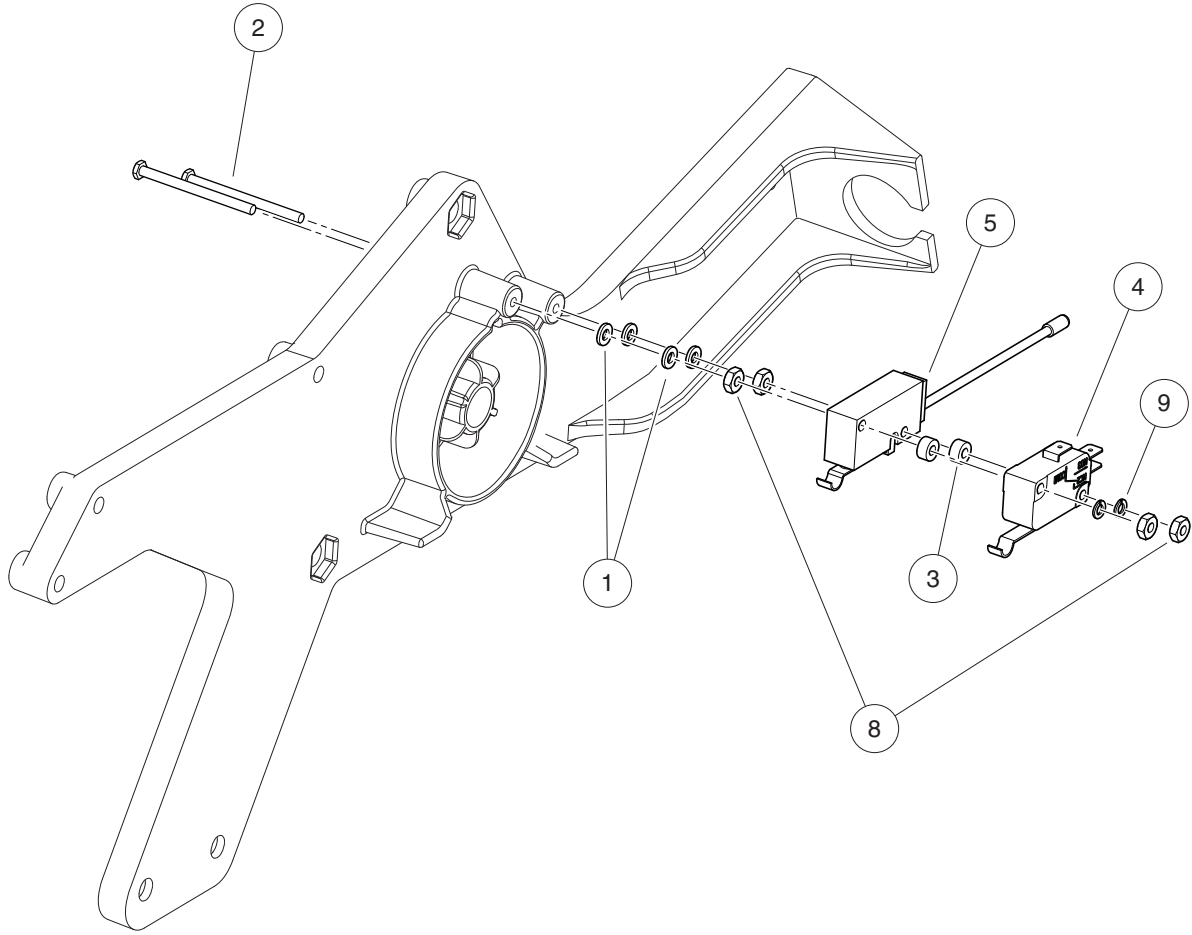
001286-001

USB PORT KIT FOR GAS VEHICLES

ITEM	PART NO.	DESCRIPTION	QTY
1	47604229001	1 2 3 4 Kit, Usb, Gas (includes item 2)	1
2	47587715001	Usb, 12v	1

7
G

7
G



001013-001

FORWARD/REVERSE SHIFTER SWITCHES – EFI

ITEM	PART NO.	DESCRIPTION	QTY
		1 2 3 4	
1	1012431	Washer, #4 Flat	4
2	<u>1012594</u>	Screw, #4-40 Machine	2
3	<u>1014727</u>	Washer, Flat, #4, Nylon	2
4	<u>1014807</u>	Switch, Limit	1
5	<u>101979101</u>	Switch, Limit, Assembly, Sealed	1
6	<u>105102601</u>	Switch, Limit, Sealed, with 3-Wire Lead	1
7	<u>8056</u>	Screw, #4-40 X 0.75 Round-Head Machine	2
8	<u>8057</u>	Nut, #4-40 Hex Machine	6
9	<u>8058</u>	Lockwasher, #4 Split	4
<p>Note: Item 5 is located on the shifter. Item 6 is located on the transaxle.</p>			

7

G

7

G

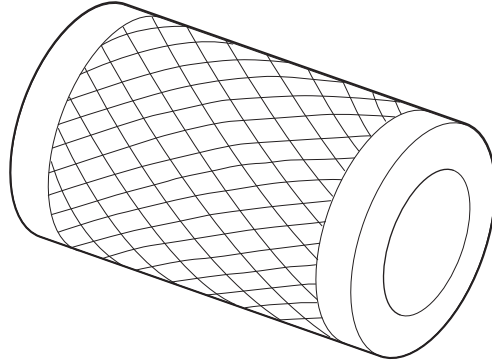
ENGINE – SUBARU EX40

8

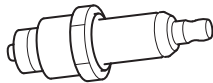
G

8

G



1



2

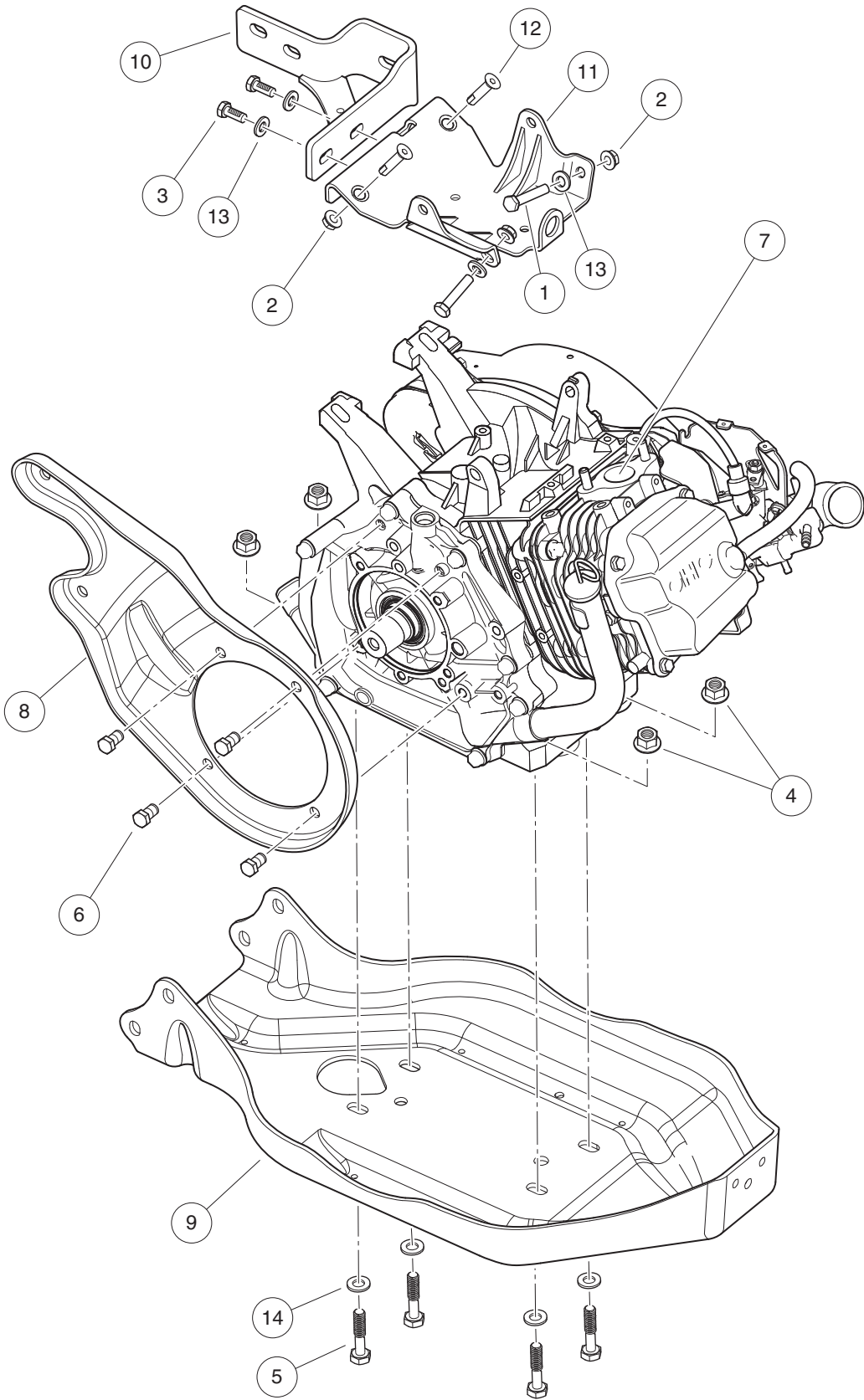
000992-003

TUNE-UP PARTS – SUBARU EX40

ITEM	PART NO.	DESCRIPTION	QTY
		1 2 3 4	
1	<u>102558201</u>	Air Filter, 4 Inch	1
2	<u>47539956001</u>	Spark Plug, Ex40, Brp4hs	1

8

G



001393-001

ENGINE AND ENGINE MOUNTING, CONSUMER CAR

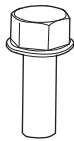
ITEM	PART NO.	DESCRIPTION	QTY
		1 2 3 4	
1	<u>1010577</u>	Bolt, Hex-Head, 5/16-18 X 1.50	2
2	<u>101963401</u>	Locknut, 5/16-18 Hex Flange	4
3	<u>102242101</u>	Screw, 5/16-18 X 3/4 Hex-Head with Patch	2
4	<u>102617201</u>	Nut, Flanged, M10 X 1.5, Mechanically Deformed	4
5	<u>102732401</u>	Bolt, M10 X 45, Zn-Ni (Black)	4
6	<u>103508101</u>	Bolt, 3/8-16 X .75 Lock Patch	4
7	<u>103882801</u>	Engine, Gas, Subaru EX40, EFI	1
8	<u>103979401</u>	Plate, Mounting, CVT, Center	1
9	<u>103982201</u>	Plate, Engine/Axle Mounting	1
10	<u>105134601</u>	Bracket, Mounting, Transaxle/Exhaust, EX40	1
11	<u>105149301</u>	Bracket, Mounting, Starter/Generator, EX40	1
12	<u>105262401</u>	Screw, 5/16-18 X 1.25, Cs, Lck	2
13	<u>1241</u>	Washer, 5/16 Type A Flat	4
14	<u>96741046</u>	Washer, M10, Hard	4

8
G

1

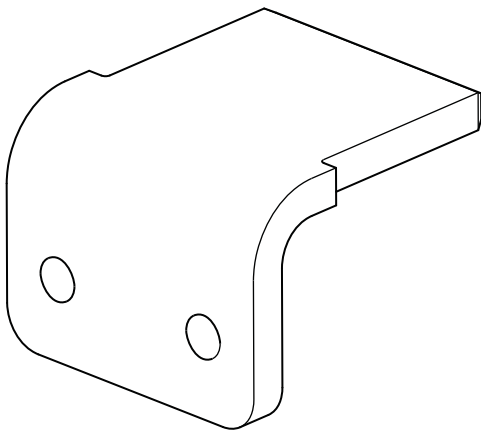


2

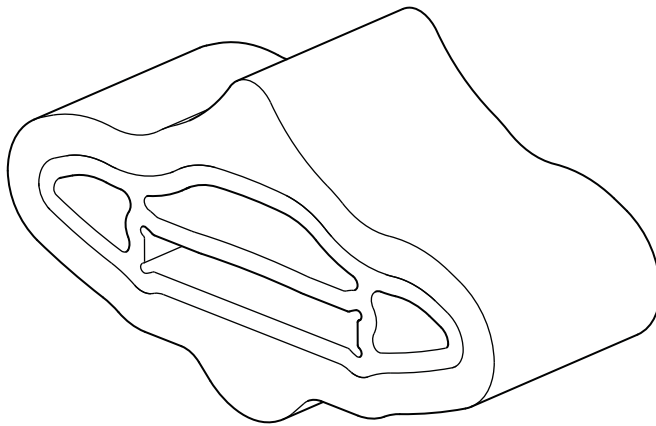


3

4



5



001394-001

SNUBBER AND BRACKET – CONSUMER CAR, STANDARD HEIGHT

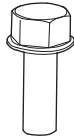
ITEM	PART NO.	DESCRIPTION	QTY
		1 2 3 4	
1	<u>1013924</u>	Nut, 5/16-24, Hex Head Cone	2
2	<u>101884801</u>	Screw, 5/16-24 X 0.875, Grade-8	2
3	47587701001	Asm, Dual Snubber (includes items 4 and 5)	1
4	47583795001	Bracket, Dual Snubber	1
5	47584184001	Snubber, Dual	1

8
G

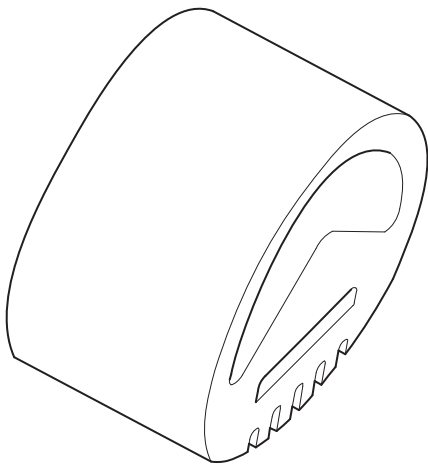
1



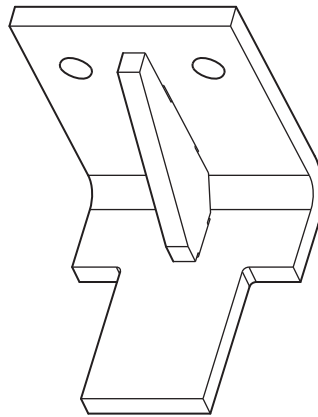
2



3



4



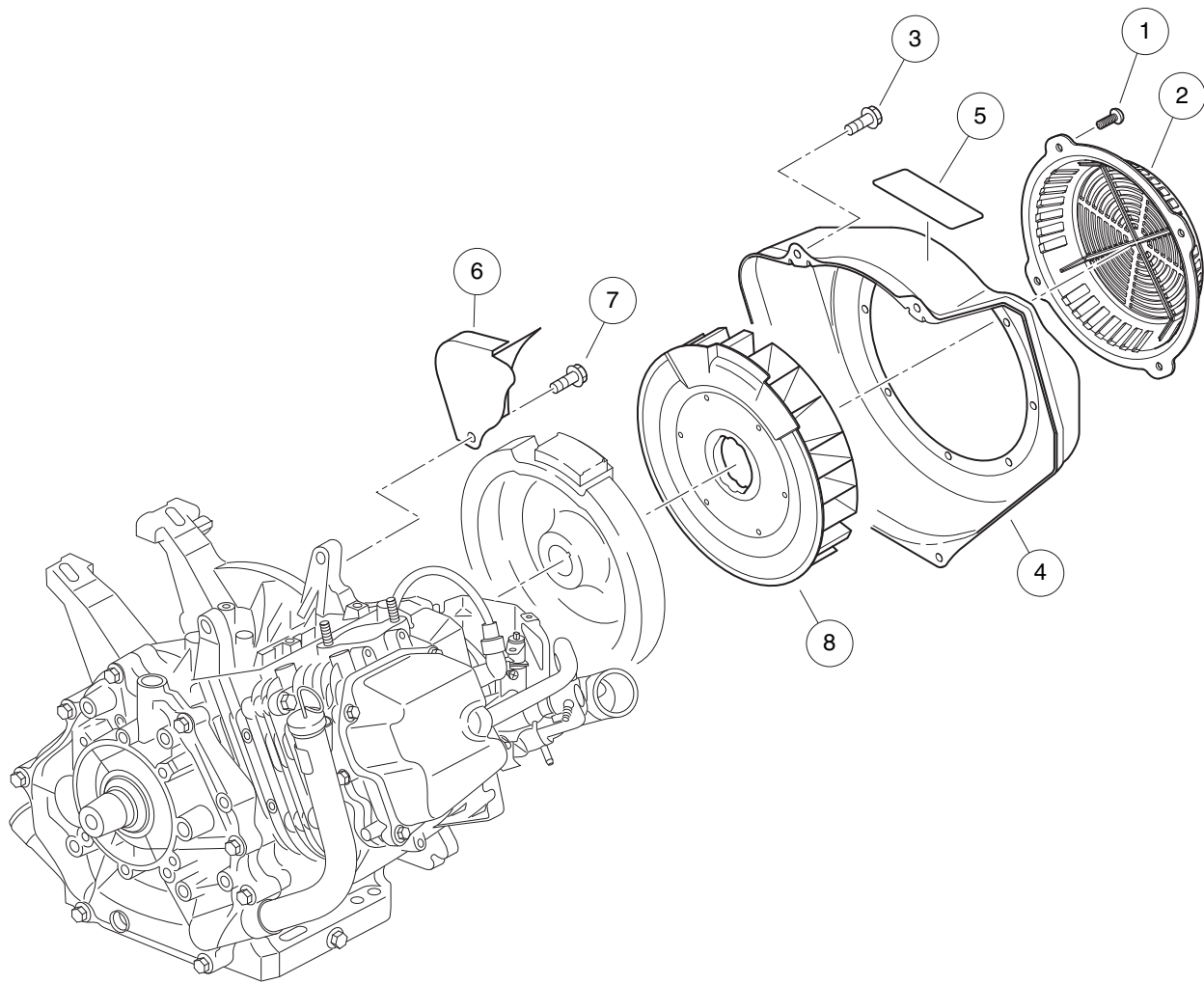
001395-001

SNUBBER AND BRACKET – CONSUMER CAR, LIFTED

ITEM	PART NO.	DESCRIPTION	QTY
		1 2 3 4	
1	<u>1013924</u>	Nut, 5/16-24, Hex Head Cone	2
2	<u>101884801</u>	Screw, 5/16-24 X 0.875, Grade-8	2
3	<u>102540301</u>	Snubber, Inner Frame	1
4	47564890001	Bracket, Snubber, Csmr, Lifted	1

8

G



001001-001

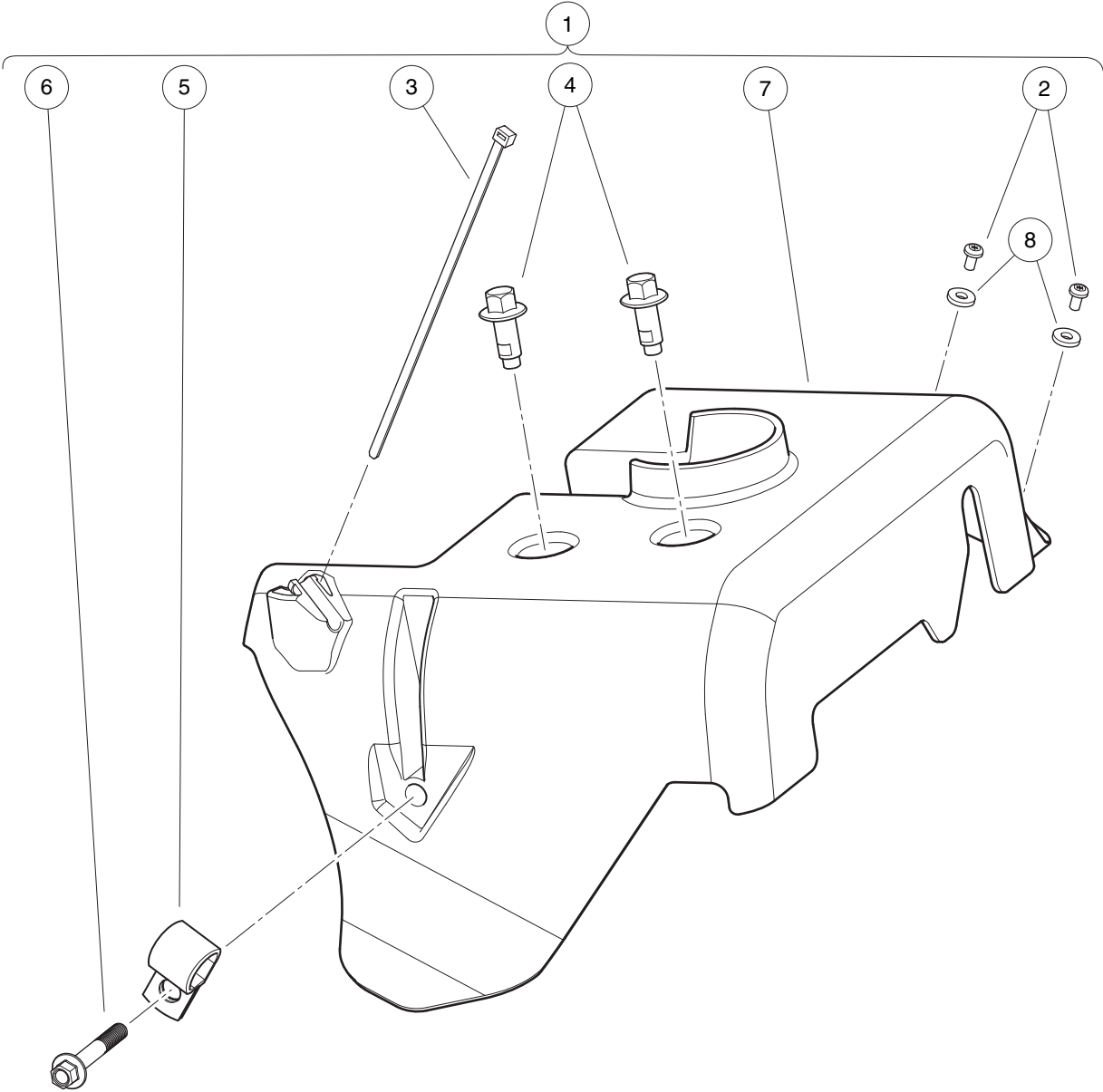
FAN AND SHROUD – EX40

ITEM	PART NO.	DESCRIPTION	QTY
		1 2 3 4	
1	<u>1015969</u>	Screw, M6-1.00 X 10mm, Pan Hd	4
2	<u>103995901</u>	Cover, Fan, EX40	1
3	<u>105012601</u>	Bolt, Flange, M6x1.0x12, EX40	4
4	<u>105016701</u>	Housing, Fan, EX40	1
5	<u>105016801</u>	Label, Engine Warning, EX40	1
6	<u>105016901</u>	Baffle, Crankcase, EX40	1
7	<u>105017001</u>	Bolt, Baffle, M8x1.25x12 Ex40	1
8	<u>105017101</u>	Fan, Cooling, EX40	1

8

G

8
G



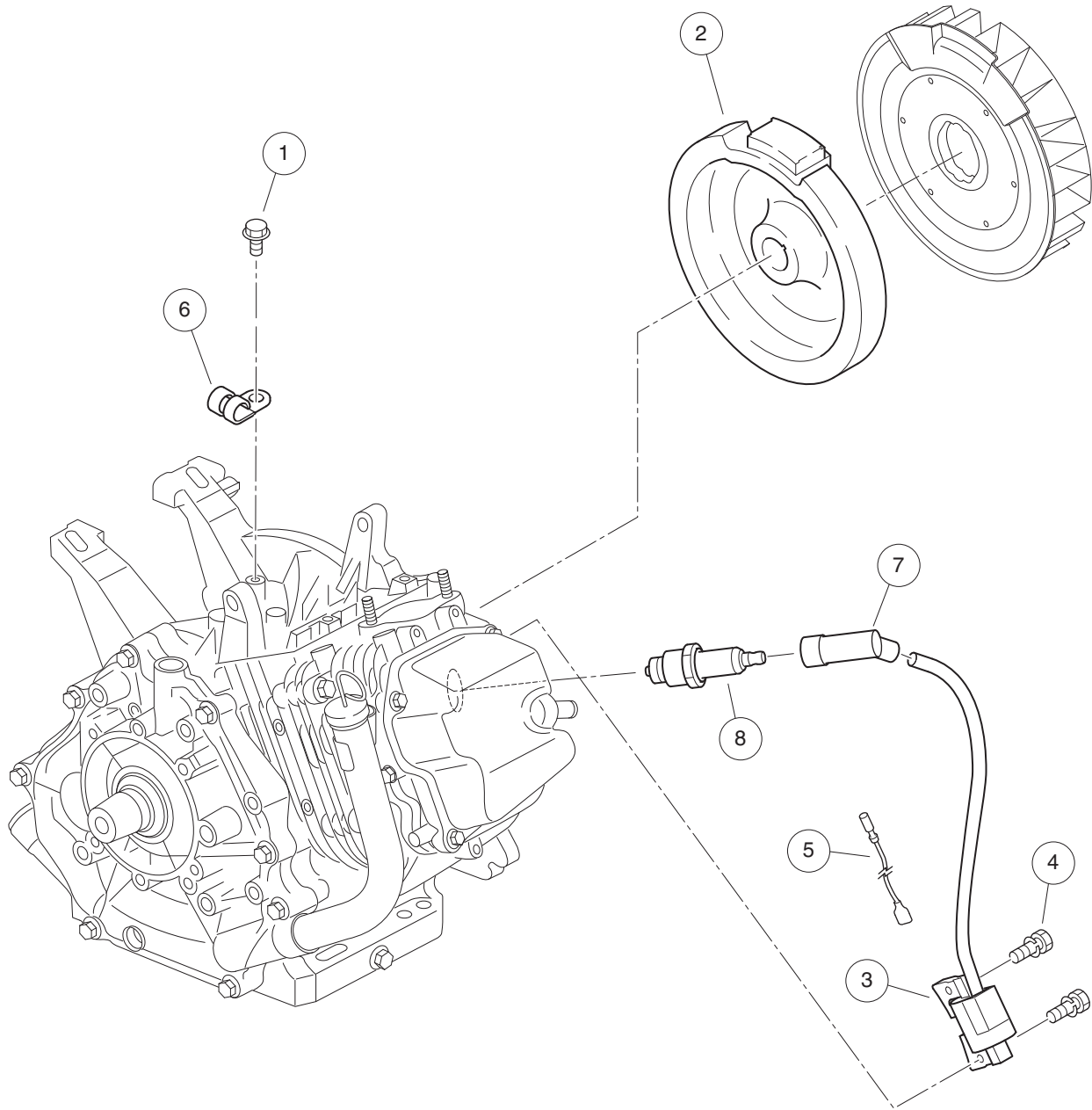
001002-001

AIR DEFLECTOR – EX40

ITEM	PART NO.	DESCRIPTION	QTY
		1 2 3 4	
1	<u>105084801</u>	Kit, Air Deflector, Subaru EX40 (includes items 2 through 8)	1
2	<u>1016103</u>	Screw, Pan Hd Tx, Taptite 6-32	2
3	101824101	Tie Wrap, Black	1
4	<u>102298116</u>	Bolt, Flanged Head, M8 X 16.0	2
5	<u>102410604</u>	P-clamp, Insulated, 0.625 Inch	1
6	<u>102541402</u>	Bolt, M6x1.0x40, Hex Flange Head, Blk-l	1
7	105075301	Deflector, Air, Subaru EX40	1
8	<u>7591</u>	Washer, #6, Flat	2

8

G



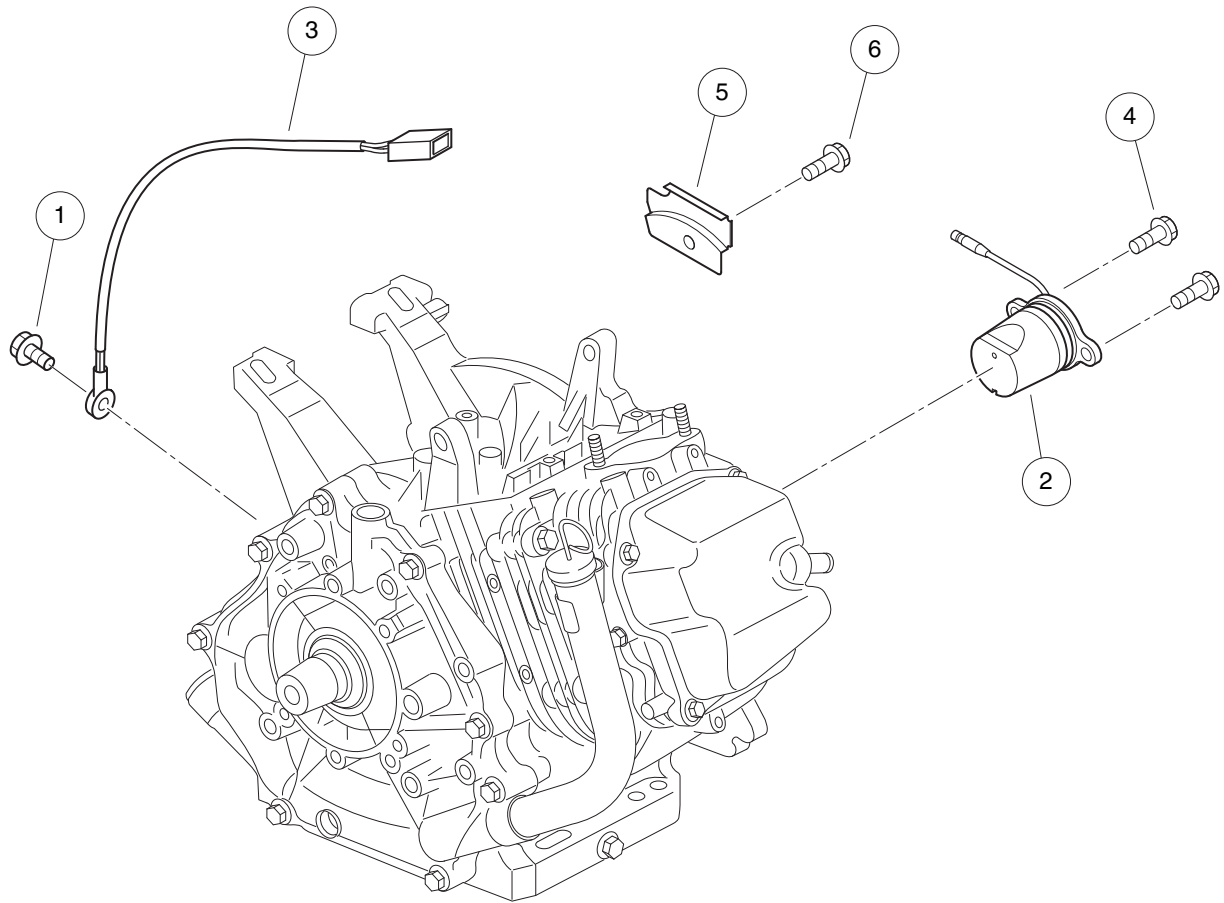
001003-002

IGNITION COMPONENTS AND FLYWHEEL – EX40

ITEM	PART NO.	DESCRIPTION	QTY
		1 2 3 4	
1	<u>105016001</u>	Bolt, Flange, M6x1.0x8, EX40	1
2	<u>105017301</u>	Flywheel, EX40	1
3	<u>105017401</u>	Coil, Ignition, CDI, EX40	1
4	<u>105017501</u>	Asm, Bolt-Washer, Coil, EX40	2
5	<u>105017601</u>	Asm, Wire, Coil Control, EX40	1
6	<u>105017701</u>	Clamp, Coil Control Wire, EX40	1
7	<u>105017901</u>	Cap, Spark Plug, EX40	1
8	<u>47539956001</u>	Spark Plug, Ex40, Brp4hs	1

8

G



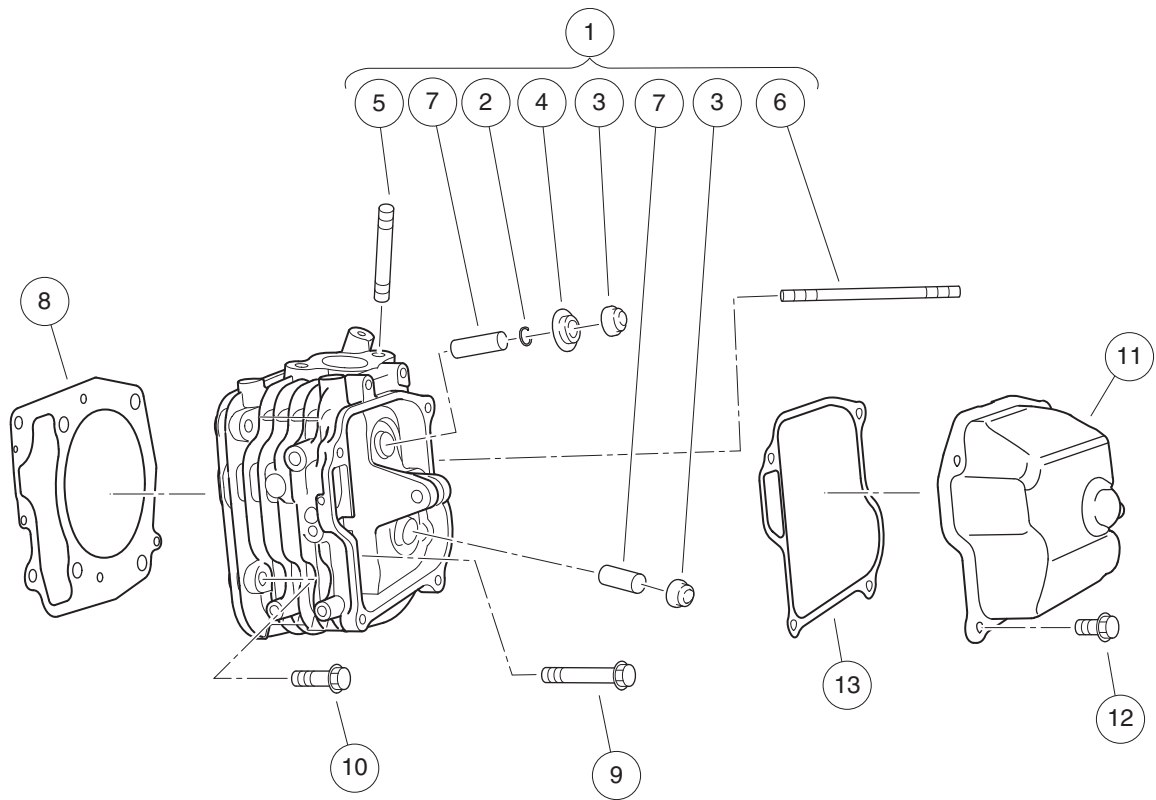
001004-001

SENSORS – EX40

ITEM	PART NO.	DESCRIPTION	QTY
		1 2 3 4	
1	<u>105012601</u>	Bolt, Flange, M6x1.0x12, EX40	1
2	<u>105018001</u>	Sensor, Oil Level, EX40	1
3	<u>105018101</u>	Sensor, Temperature, EX40	1
4	<u>105018201</u>	Bolt, Oil Sensor, M6x1.0x14, EX40	2
5	<u>105018301</u>	Clamp, Oil Sensor Wire, EX40	1
6	<u>105018401</u>	Bolt, Tap, Oil Wire Clamp, EX40	1

8

G



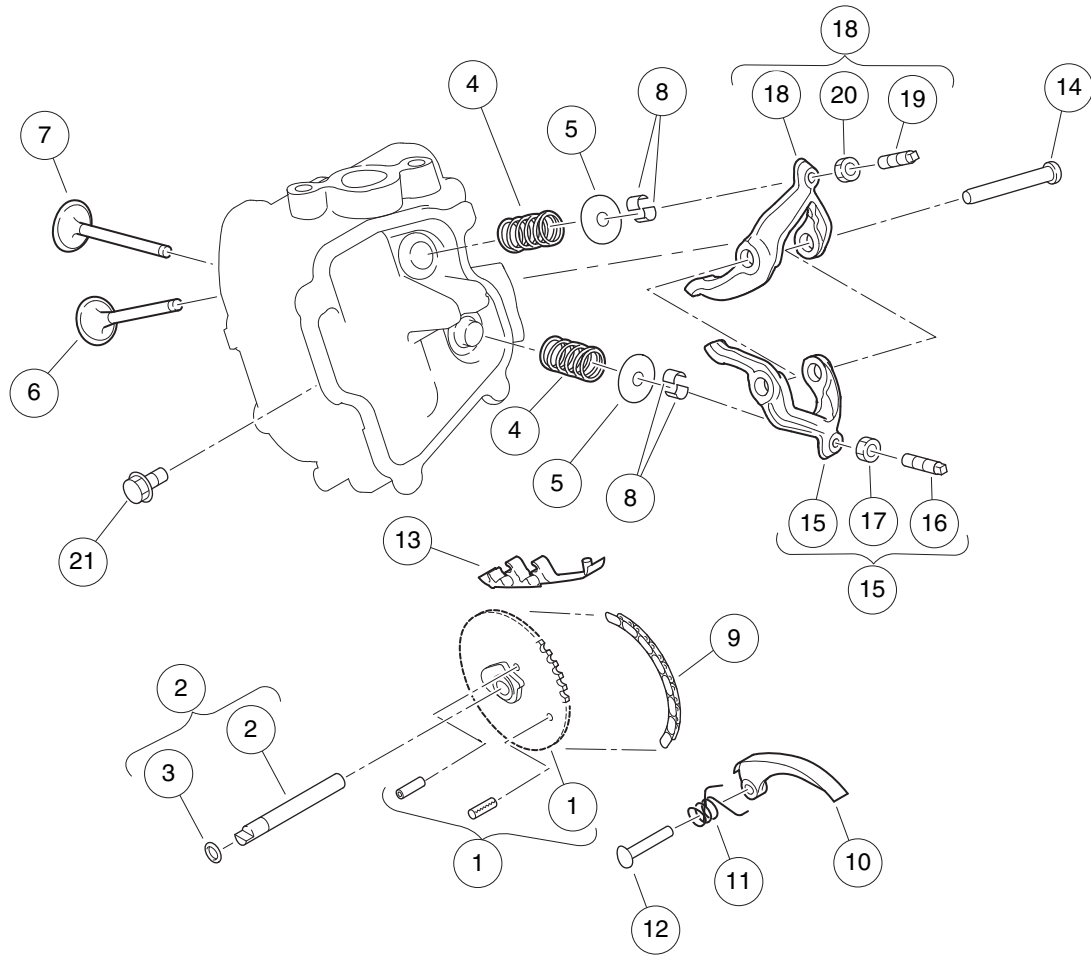
001005-002

CYLINDER HEAD – EX40

ITEM	PART NO.	DESCRIPTION	QTY
		1 2 3 4	
1	<u>105011901</u>	Asm, Cylinder Head, EX40 (includes items 2 through 7)	1
2	<u>105010101</u>	Clip, Retainer Plate, EX40	1
3	<u>105010201</u>	Seal, Valve, EX40	2
4	<u>105010301</u>	Plate, Retainer, EX40	1
5	<u>105010801</u>	Stud, Mounting, Exhaust, EX40	2
6	<u>105010901</u>	Stud, Mounting, Intake, EX40	2
7	<u>105018501</u>	Guide, Valve, EX40	2
8	<u>105012001</u>	Gasket, Head, EX40	1
9	<u>105012101</u>	Bolt, Head, M10x1.25x75, EX40	4
10	<u>105012201</u>	Bolt, Head, M8x1.25x35, EX40	2
11	<u>105012301</u>	Cover, Rocker, EX40	1
12	<u>105012601</u>	Bolt, Flange, M6x1.0x12, EX40	4
13	47540040001	Gasket, Rocker Cover, Sub	1

8

G

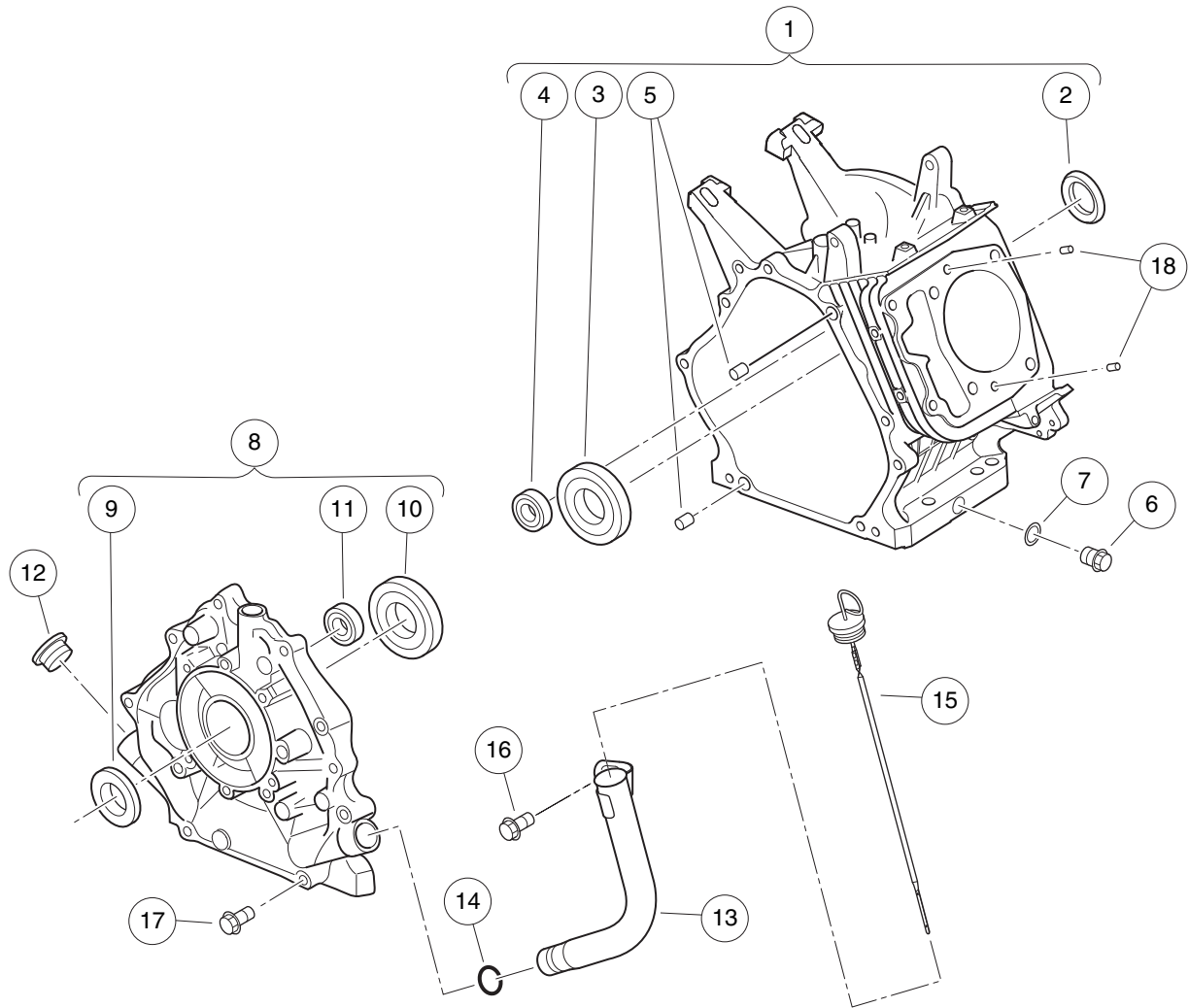


001006-001

VALVETRAIN AND TIMING CHAIN – EX40

ITEM	PART NO.	DESCRIPTION	QTY
		1 2 3 4	
1	<u>105014201</u>	Asm, Cam/Chain Sprocket, EX40	1
2	<u>105014301</u>	Asm, Camshaft and O-ring, EX40 (includes item 3)	1
3	<u>105014401</u>	O-ring, Camshaft, EX40	1
4	<u>105014501</u>	Spring, Valve, EX40	2
5	<u>105014601</u>	Retainer, Spring, EX40	2
6	<u>105014701</u>	Valve, Intake, EX40	1
7	<u>105014801</u>	Valve, Exhaust, EX40	1
8	<u>105014901</u>	Collet, Valve, EX40	4
9	<u>105015001</u>	Chain, Timing, EX40	1
10	<u>105015101</u>	Tensioner, Chain, EX40	1
11	<u>105015201</u>	Spring, Tension, EX40	1
12	<u>105015301</u>	Pin, Tensioner, EX40	1
13	<u>105015401</u>	Guide, Chain, EX40	1
14	<u>105015501</u>	Shaft, Rocker, EX40	1
15	<u>105015601</u>	Asm, Rocker Arm, Intake, EX40 (includes items 16 and 17)	1
16	<u>105015801</u>	Screw, Adjust, Valve, EX40	1
17	<u>105015901</u>	Nut, Adjust, Valve, EX40	1
18	<u>105015701</u>	Asm, Rocker Arm, Exhaust, EX40 (includes items 19 and 20)	1
19	<u>105015801</u>	Screw, Adjust, Valve, EX40	1
20	<u>105015901</u>	Nut, Adjust, Valve, EX40	1
21	<u>105016001</u>	Bolt, Flange, M6x1.0x8, EX40	1

8
G

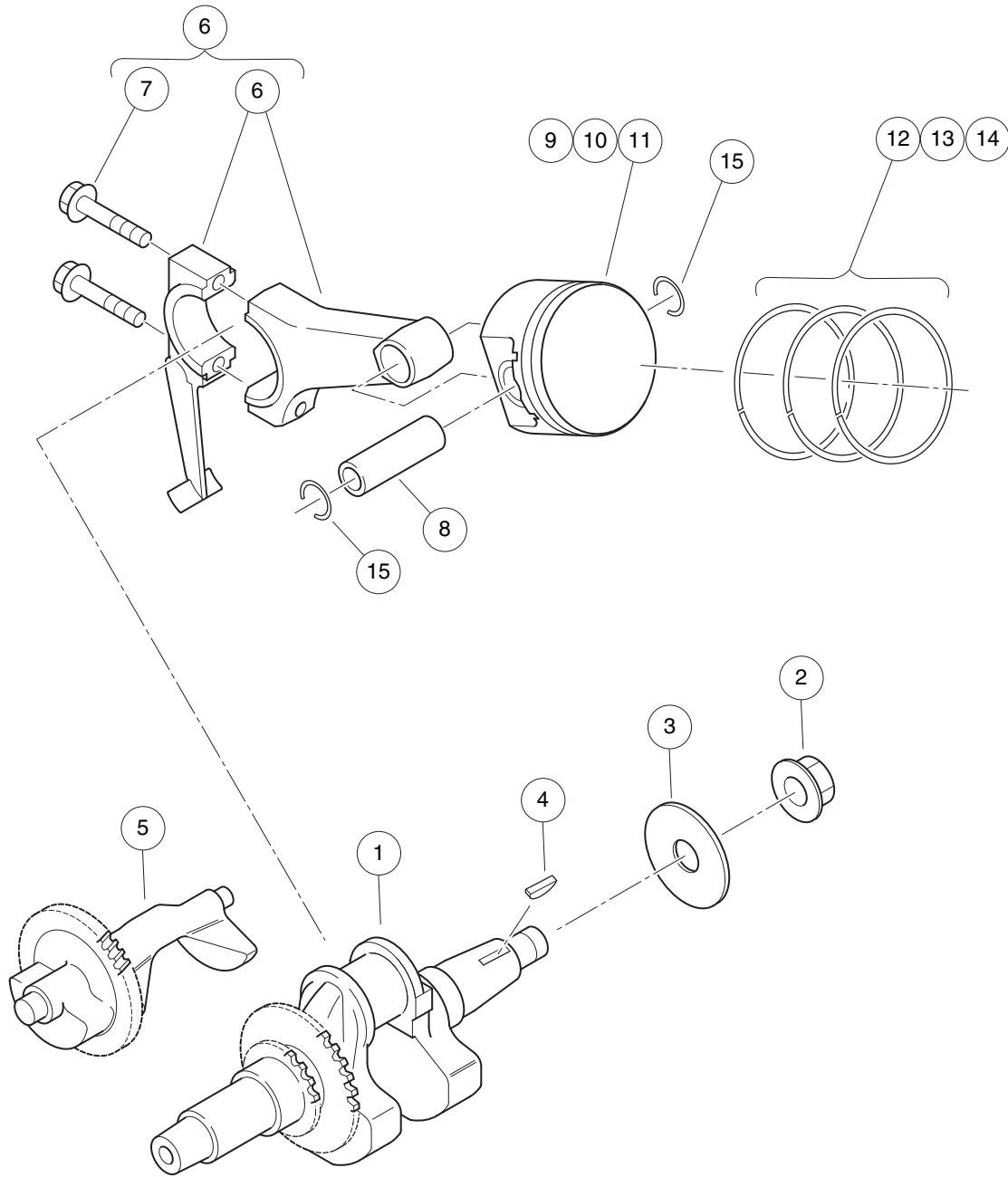


001007-001

CRANKCASE – EX40

ITEM	PART NO.	DESCRIPTION	QTY
		1 2 3 4	
1	105010001	Crankcase, EX40 (includes items 2 through 5)	1
2	<u>105010401</u>	Seal, Oil, Crankshaft, EX40	1
3	<u>105010501</u>	Bearing, Crankshaft, EX40	1
4	105010601	Bearing, Balance Shaft, EX40	1
5	<u>105010701</u>	Pin, Guide, Crankcase, EX40	2
6	105011001	Plug, Oil Drain, EX40	2
7	<u>105011101</u>	Gasket, Oil Drain Plug, EX40	2
8	105011201	Asm, Cover, Crankcase, EX40 (includes items 9 through 11)	1
9	<u>105010401</u>	Seal, Oil, Crankshaft, EX40	1
10	<u>105010501</u>	Bearing, Crankshaft, EX40	1
11	105010601	Bearing, Balance Shaft, EX40	1
12	<u>105011301</u>	Plug, Rubber, Crankcase, EX40	1
13	<u>105011401</u>	Tube, Oil Filler, EX40	1
14	<u>105011501</u>	O-ring, Oil Filler Tube, EX40	1
15	<u>105011601</u>	Dipstick, EX40	1
16	<u>105011701</u>	Bolt, Filler Tube, M8x1.25x12, EX40	1
17	<u>105011801</u>	Bolt, Case Cover, M8x1.25x38, EX40	8
18	<u>105012501</u>	Pin, Guide, Head, EX40	2

8
G



001008-001

CRANKSHAFT AND PISTON – EX40

ITEM	PART NO.	DESCRIPTION	QTY
		1 2 3 4	
1	105012701	Crankshaft, EX40	1
2	<u>105012801</u>	Nut, Crankshaft M18x1.5 Ex40	1
3	<u>105012901</u>	Washer, Crankshaft Ex40	1
4	<u>105013001</u>	Key, Woodruff, Crankshaft, EX40	1
5	<u>105013101</u>	Shaft, Balance, EX40	1
6	<u>105013201</u>	Asm, Rod, Connecting, EX40 (includes item 7)	1
7	<u>105013301</u>	Bolt, Rod M8x1.25x40 Ex40	2
8	<u>105013401</u>	Pin, Piston, EX40	1
9	<u>105013501</u>	Piston, Standard, EX40	1
10	<u>105013601</u>	Piston, 0.25 mm Oversize, EX40	1
11	<u>105013701</u>	Piston, 0.50 mm Oversize, EX40	1
12	<u>105013801</u>	Set, Piston Ring, Standard, EX40	1
13	<u>105013901</u>	Set, Piston Ring, 0.25 mm Oversize, EX40	1
14	<u>105014001</u>	Set, Piston Ring, 0.50 mm Oversize, EX40	1
15	<u>105014101</u>	Clip, Piston Pin, EX40	2

8

G

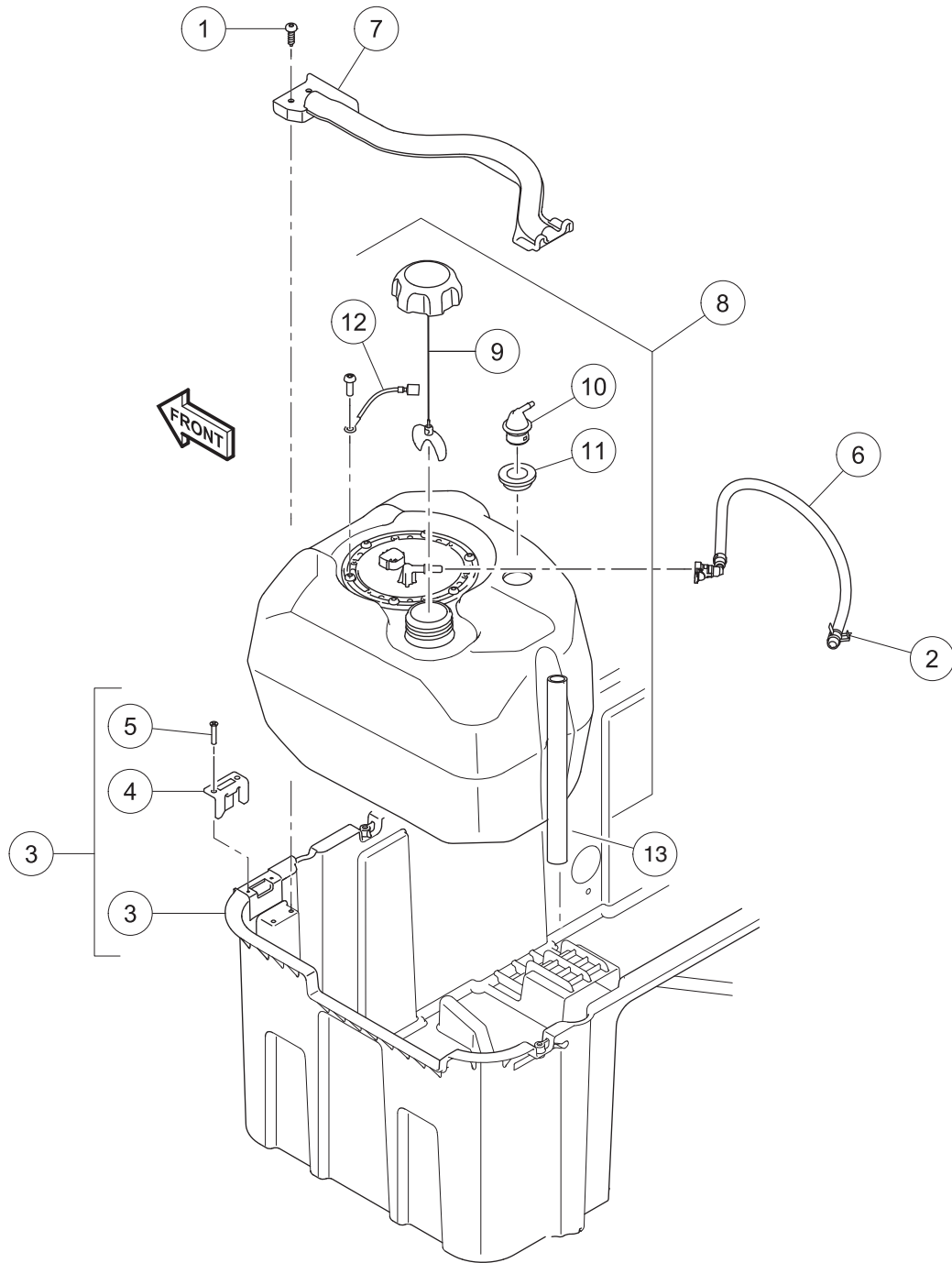
8

G

FUEL SYSTEM, EFI – SUBARU EX40

9

G



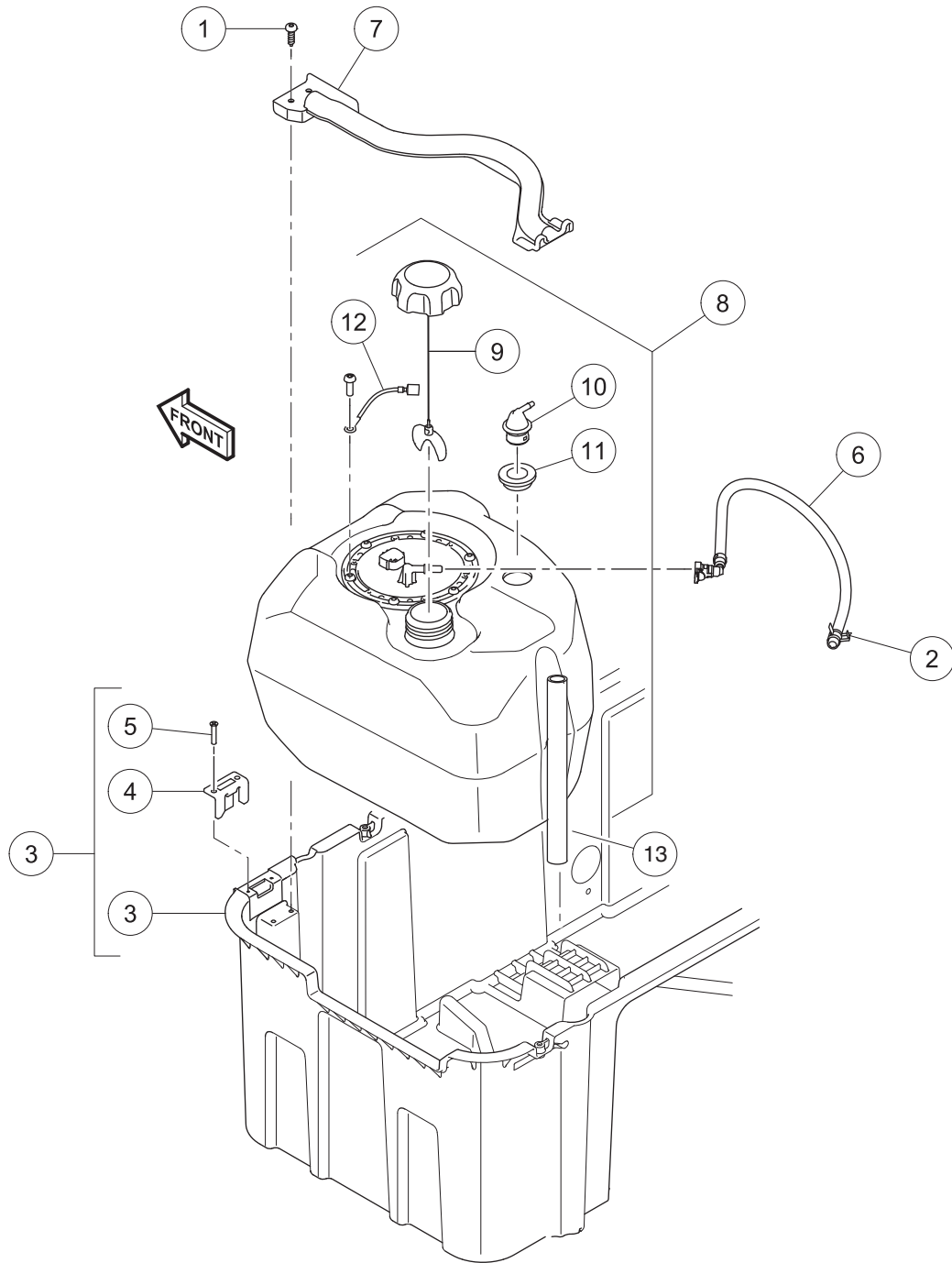
000974-003

FUEL SYSTEM W/O SENDING UNIT – EFI

ITEM	PART NO.	DESCRIPTION	QTY
		1 2 3 4	
1	<u>102296020</u>	Screw, Torx Pan Hd Pt, M6 X 20	2
2	<u>102411203</u>	Clamp, Hose, Ctb 14mm Dia.	1
3	<u>102514702</u>	Bucket, Gas, with EFI (includes items 4 and 5)	1
4	<u>103470701</u>	Bracket, Bucket Hinge	1
5	N/A	Screw, #6 X .75, Cs Ss, Hi-lo	2
6	<u>105043601</u>	Asm, Fuel Line	1
7	<u>105072201</u>	Retainer, Tank	1
8	<u>105215502</u>	Asm, Tank, Fuel, w/o Sending Unit (includes items 9 through 12)	1
9	<u>103372101</u>	Cap, Fuel Tank, Gas, Ratchet	1
10	<u>103905201</u>	Assembly, Vent, Fuel, 1/4 Inch O.D.	1
11	<u>103944301</u>	Grommet, Fuel Tank, Vent	1
12	<u>105143301</u>	Wire, Ground, Fuel Tank	1
13	<u>47546044001</u>	Tube, Retention	1

9

G



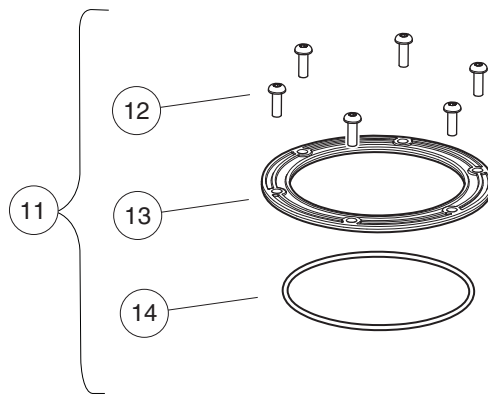
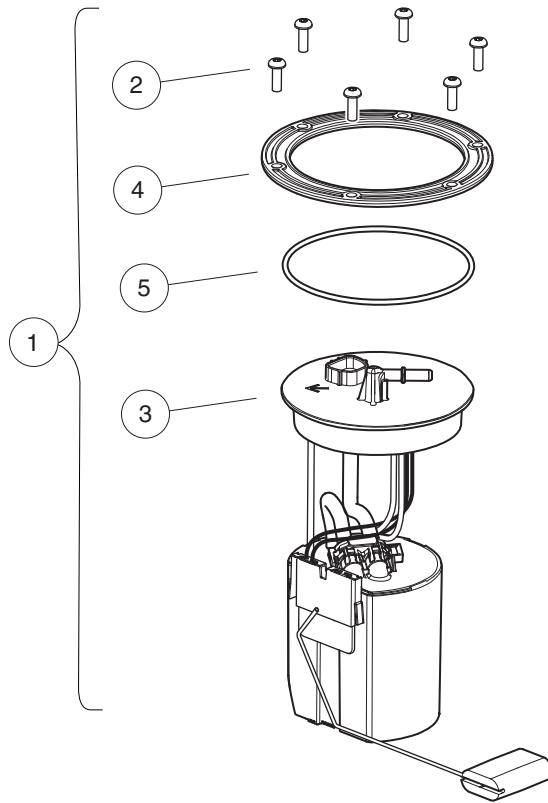
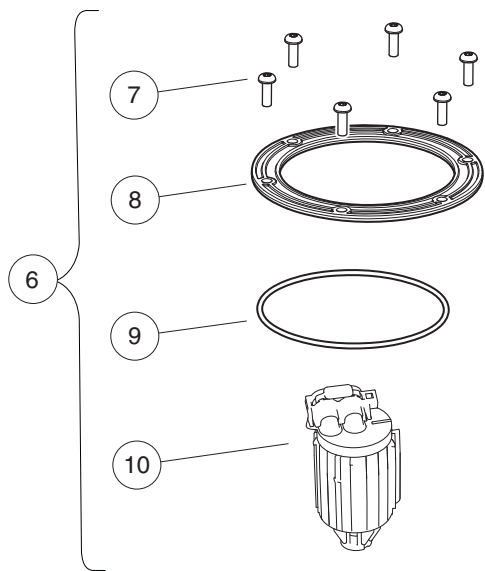
000974-003

FUEL SYSTEM WITH SENDING UNIT – EFI

ITEM	PART NO.	DESCRIPTION	QTY
		1 2 3 4	
1	<u>102296020</u>	Screw, Torx Pan Hd Pt, M6 X 20	2
2	<u>102411203</u>	Clamp, Hose, Ctb 14mm Dia.	1
3	<u>102514702</u>	Bucket, Gas, with EFI (includes items 4 and 5)	1
4	<u>103470701</u>	Bracket, Bucket Hinge	1
5	N/A	Screw, #6 X .75, Cs Ss, Hi-lo	2
6	<u>105043601</u>	Asm, Fuel Line	1
7	<u>105072201</u>	Retainer, Tank	1
8	<u>105215501</u>	Asm, Tank, Fuel, w/Sending Unit (includes items 9 through 12)	1
9	<u>103372101</u>	Cap, Fuel Tank, Gas, Ratchet	1
10	<u>103905201</u>	Assembly, Vent, Fuel, 1/4 Inch O.D.	1
11	<u>103944301</u>	Grommet, Fuel Tank, Vent	1
12	<u>105143301</u>	Wire, Ground, Fuel Tank	1
13	<u>47546044001</u>	Tube, Retention	1

9

G



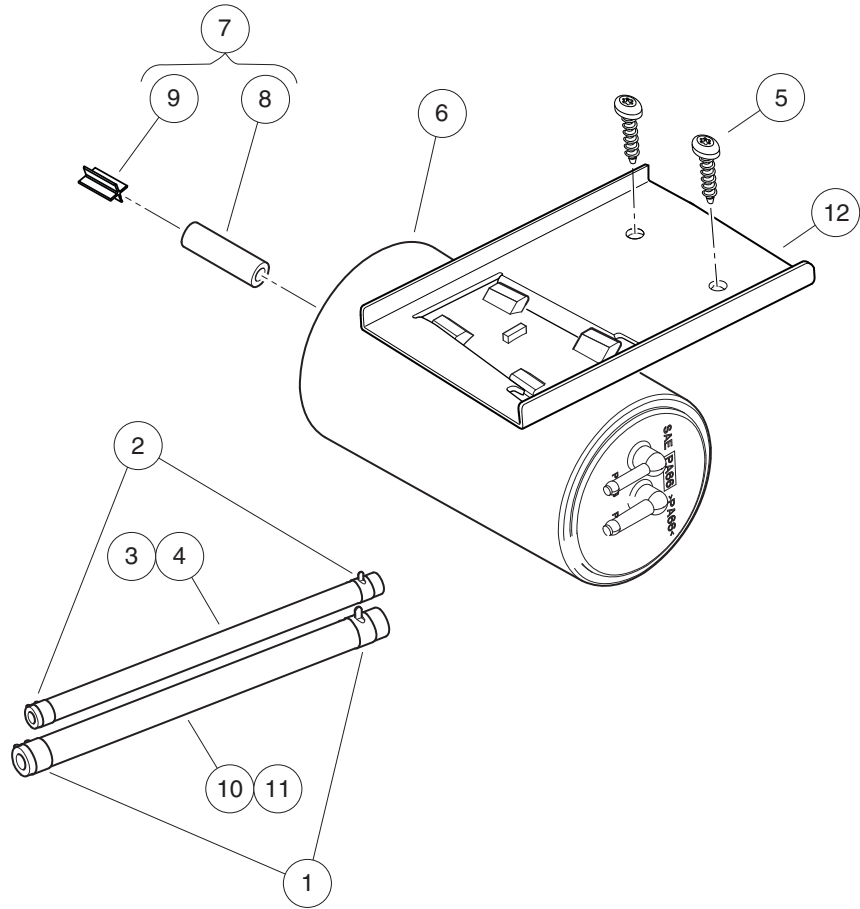
000977-005

FUEL TANK KITS – EFI

ITEM	PART NO.	DESCRIPTION	QTY
		1 2 3 4	
1	<u>105282901</u>	Kit, Fuel Pump Module (includes items 2 through 5)	1
2	<u>102025801</u>	Screw, 1/4-20 X .75 Torx Pn Hd	6
3	<u>105043401</u>	Fuel Pump Module, with Sending Unit	1
4	<u>105043801</u>	Fuel Module, Hold Down Ring	1
5	<u>105043901</u>	O-Ring, Fuel Module	1
6	<u>105282902</u>	Kit, Fuel Filter (includes items 7 through 10)	1
7	<u>102025801</u>	Screw, 1/4-20 X .75 Torx Pn Hd	6
8	<u>105043801</u>	Fuel Module, Hold Down Ring	1
9	<u>105043901</u>	O-Ring, Fuel Module	1
10	<u>105073001</u>	Fuel Filter, EX40, EFI	1
11	<u>105282903</u>	Kit, O-ring (includes items 12 through 14)	1
12	<u>102025801</u>	Screw, 1/4-20 X .75 Torx Pn Hd	6
13	<u>105043801</u>	Fuel Module, Hold Down Ring	1
14	<u>105043901</u>	O-Ring, Fuel Module	1

9

G



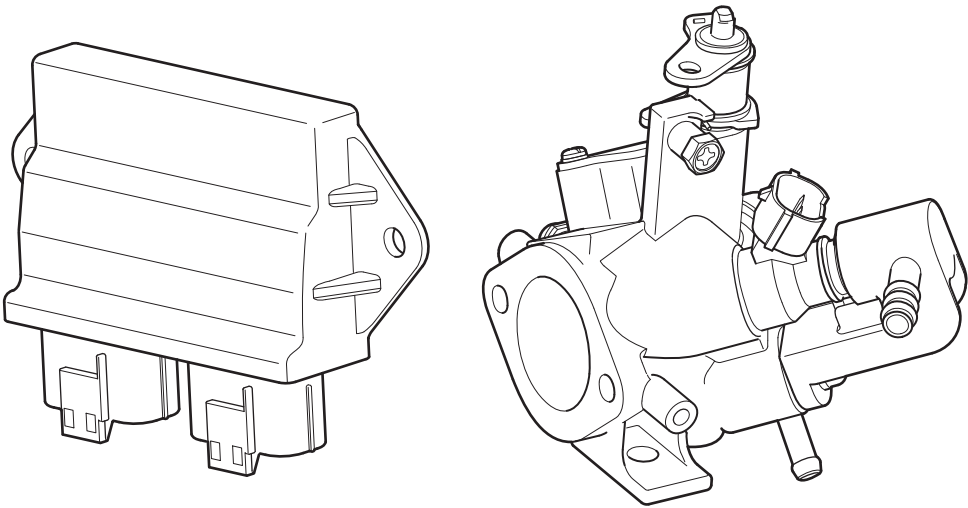
000980-013

CARBON CANISTER – EFI

ITEM	PART NO.	DESCRIPTION	QTY
		1 2 3 4	
1	<u>1012649</u>	Clamp, 0.460 Red Hose	2
2	<u>1013746</u>	Clamp, 0.301 ID Hose	2
3	<u>101587704</u>	Hose, Fuel, Vent, 3/16" ID, 17" Long (includes item 4)	1
4	<u>1015137</u>	Fuel Line, 3/16 (available by the foot)	A/R
5	<u>102297230</u>	Screw, M6, Torx, Interlock Thread	2
6	<u>103372401</u>	Canister, Carbon	1
7	<u>103756401</u>	Asm, Vent Line, Carbon Canister (includes items 8 and 9)	1
8	N/A	Hose, Vent, 5/16 I.D., Bulk	1
9	N/A	Vent, Barb, 5/16 I.D. Hose	1
10	103896606	Hose, Vent, 1/4 Id, 6.75 In (includes item 11)	1
11	<u>47560464001</u>	Hose, Fuel 1/4saej1737 Bulk	A/R
12	105284801	Brkt, Carbon Canister, Gen	1

9
G

1

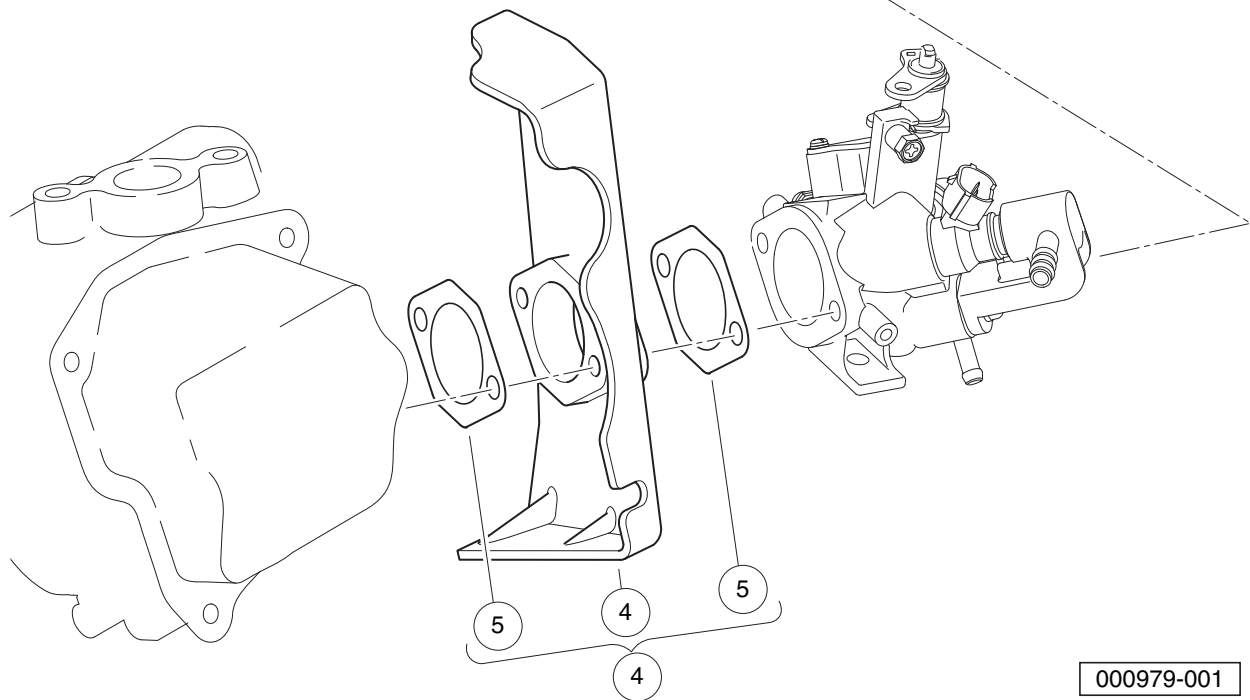
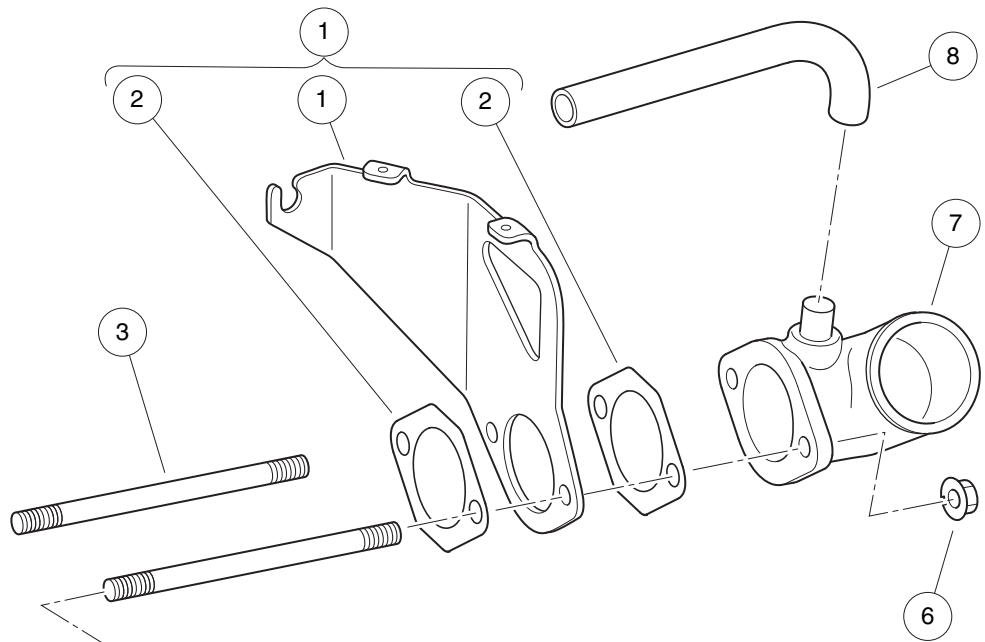


000964-001

THROTTLE BODY AND ECU – EFI

ITEM	PART NO.	DESCRIPTION	QTY
1	<u>105017201</u>	1 2 3 4 Asm, Throttle Body/Fuel Injector with ECU, EX40	1

9
G



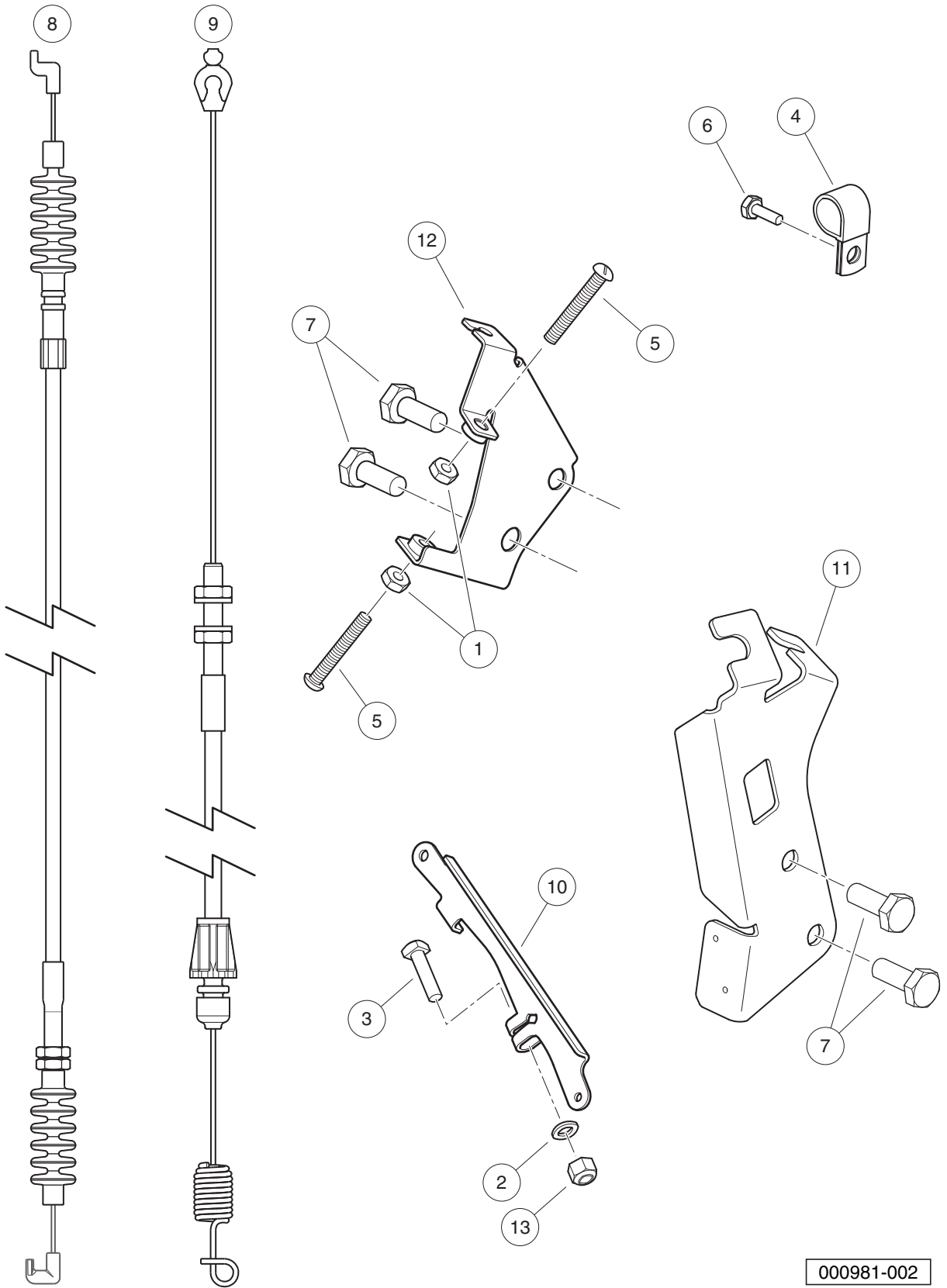
000979-001

THROTTLE BODY MOUNTING – EFI

ITEM	PART NO.	DESCRIPTION	QTY
		1 2 3 4	
1	<u>103983501</u>	Bracket, Operation, EX40 (includes item 2)	1
2	<u>105016201</u>	Gasket, Insulator, EX40	2
3	<u>105010901</u>	Stud, Mounting, Intake, EX40	2
4	<u>105016101</u>	Insulator, EX40 (includes item 5)	1
5	<u>105016201</u>	Gasket, Insulator, EX40	2
6	<u>105016301</u>	Nut, Intake Adapter, M6x1.0, EX40	2
7	<u>105016401</u>	Adapter, Air Intake, EX40	1
8	<u>105016501</u>	Hose, Breather, EX40	1

9

G



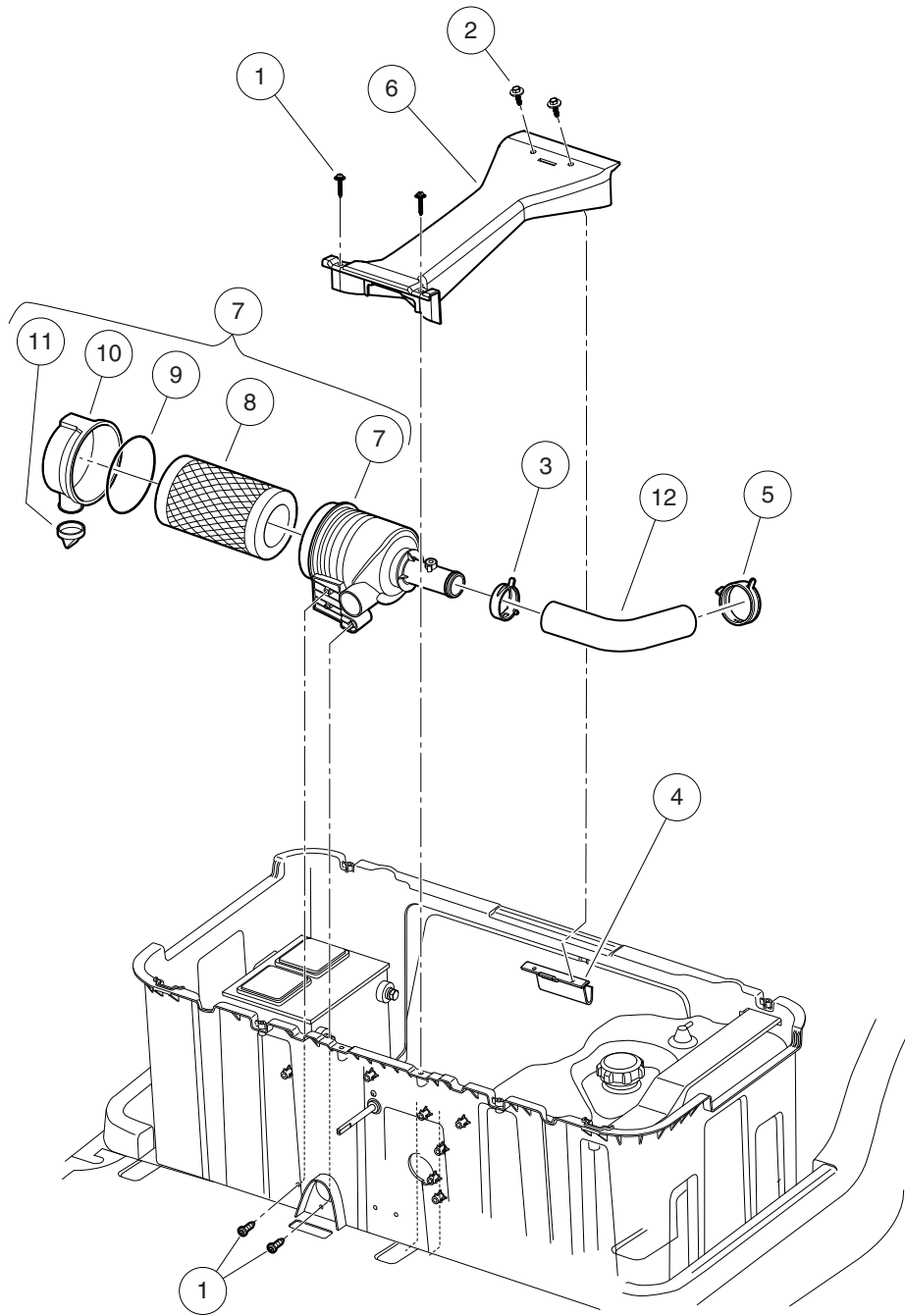
000981-002

GOVERNOR AND ACCELERATOR CABLES – EFI

ITEM	PART NO.	DESCRIPTION	QTY
		1 2 3 4	
1	<u>1011114</u>	Nut, M6-1.00 Hex	2
2	<u>1014007</u>	Washer, 1/4, Flat	1
3	<u>101886101</u>	Screw, 1/4-20 X 1.00, Square-Head	1
4	<u>102410604</u>	P-clamp, Insulated, 0.625 Inch	1
5	<u>102476401</u>	Bolt, Stop, Pedal	2
6	<u>102490301</u>	Bolt, M6 X 1 X 16, Loctite	1
7	<u>102498201</u>	Bolt, M10 X 1.25 X 25, Loctite	4
8	<u>103978001</u>	Cable, Governor, EX40	1
9	<u>103982002</u>	Cable, Accelerator, High Speed	1
10	<u>104023501</u>	Arm, Governor, ED65	1
11	<u>105135101</u>	Bracket, Cable, FNR/Accelerator, ED65	1
12	<u>105144401</u>	Weldment, Governor Bracket	1
13	<u>8233</u>	Locknut, 1/4-20, Nylon Insert	1

9

G



000484-003

AIR FILTER SYSTEM AND INTAKE HOSE – EFI

ITEM	PART NO.	DESCRIPTION	QTY
		1 2 3 4	
1	<u>102296020</u>	Screw, Torx Pan Hd Pt, M6 X 20	4
2	<u>102297125</u>	Screw, M6-1.0x25.4, Thread-Forming, SEMS	2
3	<u>102411209</u>	Clamp, Hose, Ctb 55mm Dia.	1
4	<u>102521401</u>	Support, Gas Bucket Brace	1
5	<u>102558301</u>	Clamp, Air Intake	1
6	<u>103795001</u>	Brace, Gas Fuel Bucket	1
7	<u>105009001</u>	Air Cleaner, with EFI (includes items 8 through 11)	1
8	<u>102558201</u>	Air Filter, 4 Inch	1
9	<u>102558501</u>	Gasket, Air Intake	1
10	<u>102558601</u>	Asm, Cover, Air Intake	1
11	<u>102558701</u>	Evac Valve, Air Intake	1
12	<u>105009201</u>	Hose, Air Intake, with EFI	1

9

G

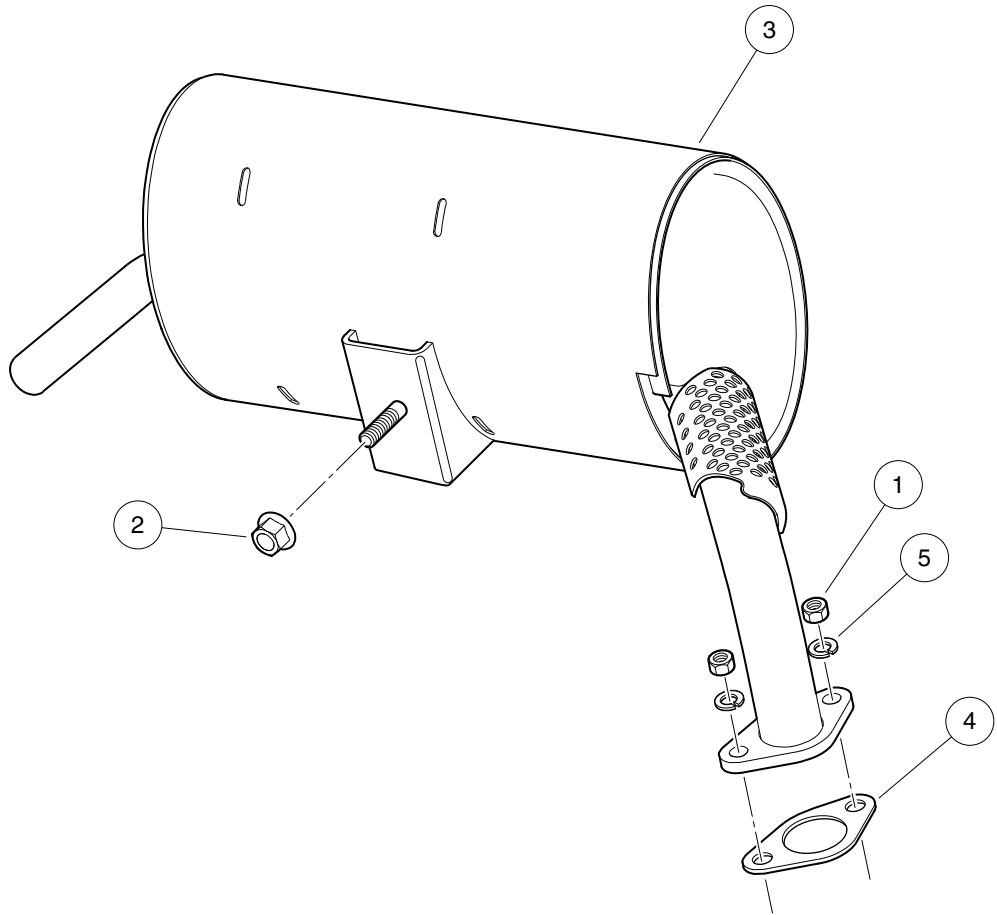
9

G

EXHAUST SYSTEM, GOLF – SUBARU EX40

10

G



000948-004

EXHAUST SYSTEM, GOLF – SUBARU EX40

ITEM	PART NO.	DESCRIPTION	QTY
		1 2 3 4	
1	<u>1012528</u>	Nut, M8-1.25 Hex	2
2	<u>102617201</u>	Nut, Flanged, M10 X 1.5, Mechanically Deformed	1
3	105076201	Exhaust System, EX40	1
4	<u>47539957001</u>	Gasket, Exhaust, Ex40, Graphite	1
5	<u>7174</u>	Lockwasher, 5/16 Split	2

10

G

10

G

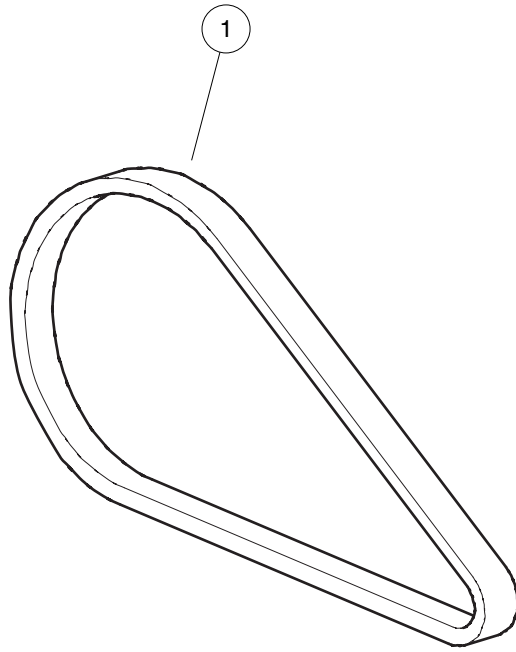
DRIVE BELT AND CLUTCHES – SUBARU EX40

11

G

11

G



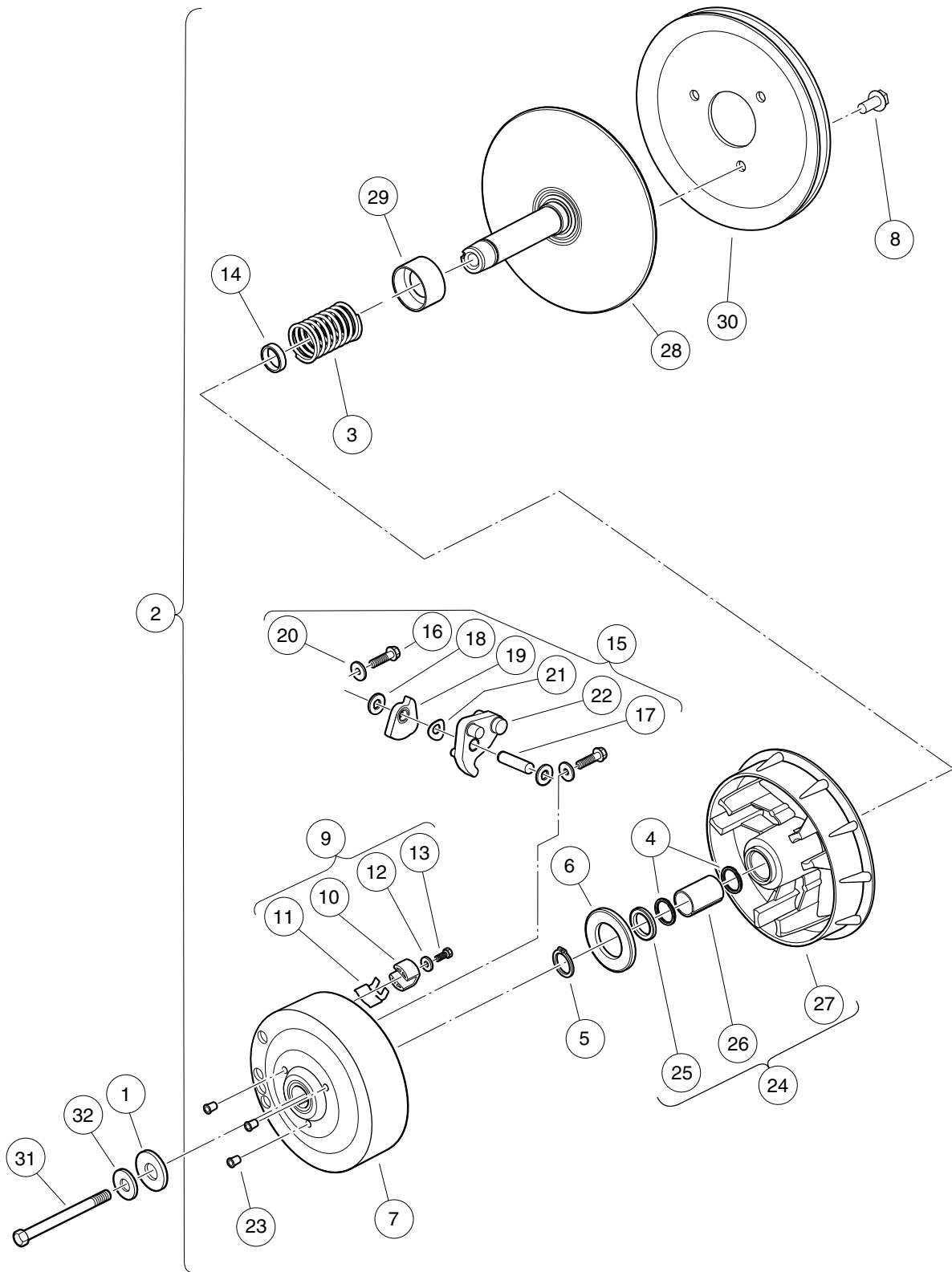
000918-001

DRIVE BELT – PEDAL-START VEHICLES WITH EFI

ITEM	PART NO.	DESCRIPTION	QTY
1	<u>105245801</u>	<div style="display: flex; justify-content: space-between; margin-bottom: 5px;"> 1 2 3 4 </div> Belt, Drive, Pedal-Start	1

11

G



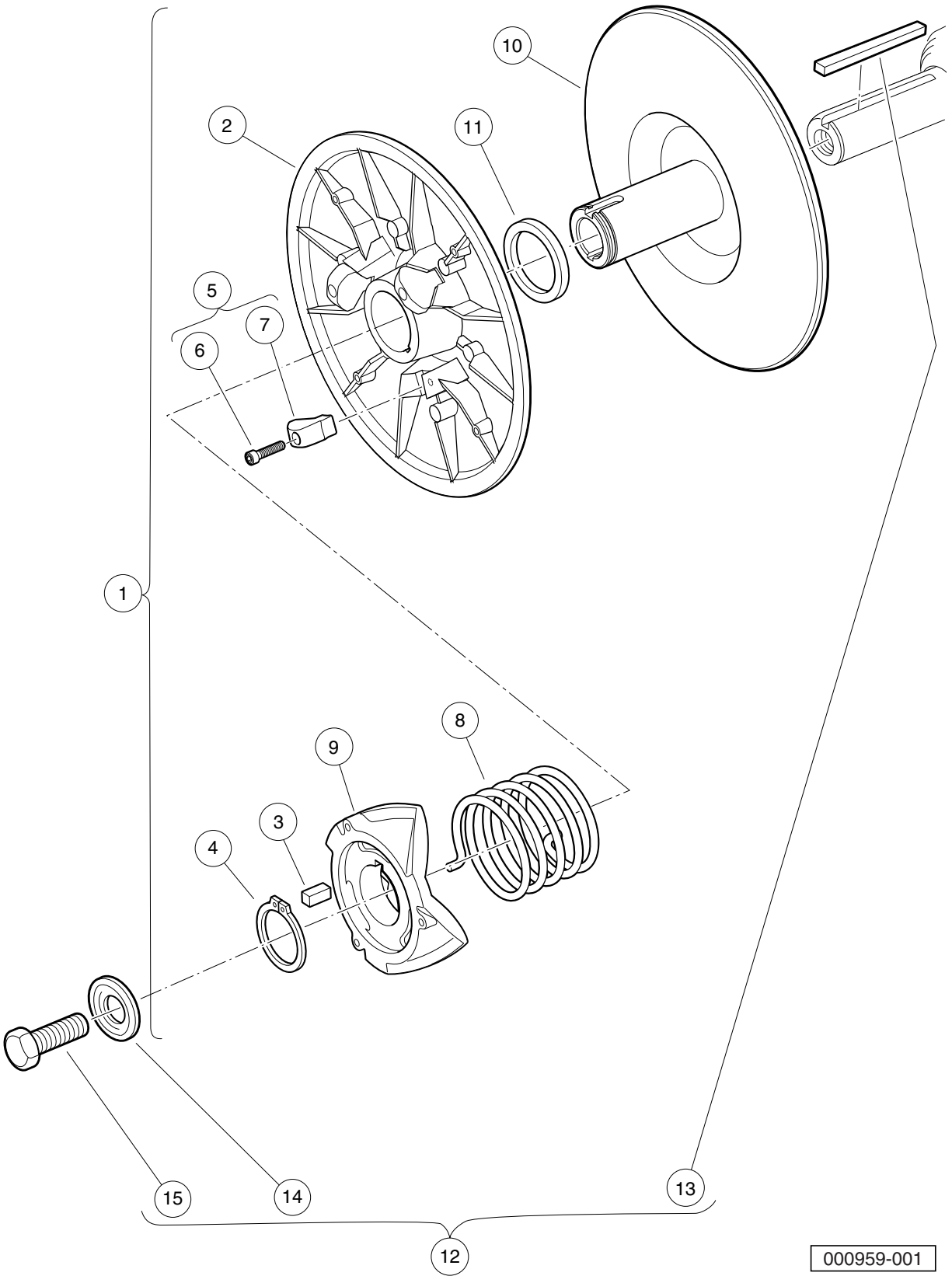
000958-001

DRIVE CLUTCH – PEDAL-START VEHICLES WITH EFI

ITEM	PART NO.	DESCRIPTION	QTY
		1 2 3 4	
1	<u>102491501</u>	Washer, Hard, M10	1
2	<u>103973901</u>	Clutch, Drive, Pedal-Start (includes items 3 through 30)	1
3	<u>1014051</u>	Spring, Drive Clutch	1
4	<u>1014056</u>	Ring, Spiral Backup	2
5	<u>1014057</u>	Ring, 0.810" Internal Retaining	1
6	<u>1014058</u>	Thrust Washer	1
7	<u>1014059</u>	Drive Hub Assy, Drive Clutch	1
8	<u>1014288</u>	Screw, 5/16-18 X 0.75, Thread-Forming	3
9	<u>1014453</u>	Kit, Drive Clutch Button (includes items 10 through 13)	1
10	<u>1014062</u>	Driver, Drive Clutch	3
11	<u>1014287</u>	Spring, Drive Button	3
12	<u>183</u>	Washer, #10, Type A, Flat	3
13	<u>8450</u>	Screw, #10-24 X 0.50, Hex-Head	3
14	<u>1016289</u>	Spacer, Fixed Face Shaft	1
15	<u>1016801</u>	Kit, Drive Clutch Weight (includes items 16 through 22)	1
16	<u>1014063</u>	Screw, 1/4-20 X 1.00, Hex Head	6
17	N/A	Pin, Dowel, 0.3752 x 1.50	3
18	<u>1014065</u>	Washer, Flat, 0.38" ID, Delrin	6
19	N/A	Clutch Weight, Secondary	3
20	N/A	Washer	6
21	<u>1016201</u>	Washer, Wave	3
22	N/A	Weight, Primary	3
23	N/A	Cap Plug	3
24	<u>103974201</u>	Asm, Sheave, Moveable, Drive, Wr (includes items 25 through 27)	1
25	<u>1014055</u>	Retainer	1
26	N/A	Bushing, Split, Drive Clutch	1
27	N/A	Sheave, Moveable, Drive, Wr	1
28	<u>103974401</u>	Sheave, Fixed, Drive, Wr	1
29	<u>103984601</u>	Spacer, Idler, Drive	1
30	<u>105096101</u>	Pulley, 7.3 Inch Effective Dia	1
31	<u>103976101</u>	Screw, 3/8-24x5.75, Patch	1
32	<u>334</u>	Washer, 3/8, Type A, Flat	1

11
G

11
G



000959-001

DRIVEN CLUTCH – ALL GASOLINE VEHICLES WITH EFI

ITEM	PART NO.	DESCRIPTION	QTY
		1 2 3 4	
1	<u>103974002</u>	Clutch, Driven, Std-Speed, Key and Pedal Start (includes items 2 through 11)	1
2	<u>1014072</u>	Movable-Face Assembly with Bushing	1
3	<u>1014078</u>	Key, Driven Clutch	1
4	<u>1014080</u>	Ring, Retaining	1
5	<u>1014454</u>	Kit, Driven Clutch Button (includes items 6 and 7)	1
6	<u>1012836</u>	Screw, #8-32 X 3/4, Socket-Head Cap	3
7	N/A	Button, Drive	3
8	<u>1017145</u>	Spring, Driven Clutch, 55 Degree	1
9	<u>1017686</u>	Cam, Driven Clutch	1
10	<u>103975301</u>	Sheave, Fixed, Driven, Wr	1
11	<u>104025101</u>	Washer, Acetal, Driven Clutch	1
12	<u>AM10419</u>	Kit, Clutch Repair (includes items 13 through 15)	1
13	<u>101833401</u>	Key, 3/16 Sq X 1.50"	1
14	<u>102155801</u>	Washer, Driven Clutch	1
15	<u>102242101</u>	Screw, 5/16-18 X 3/4 Hex-Head with Patch	1

11
G

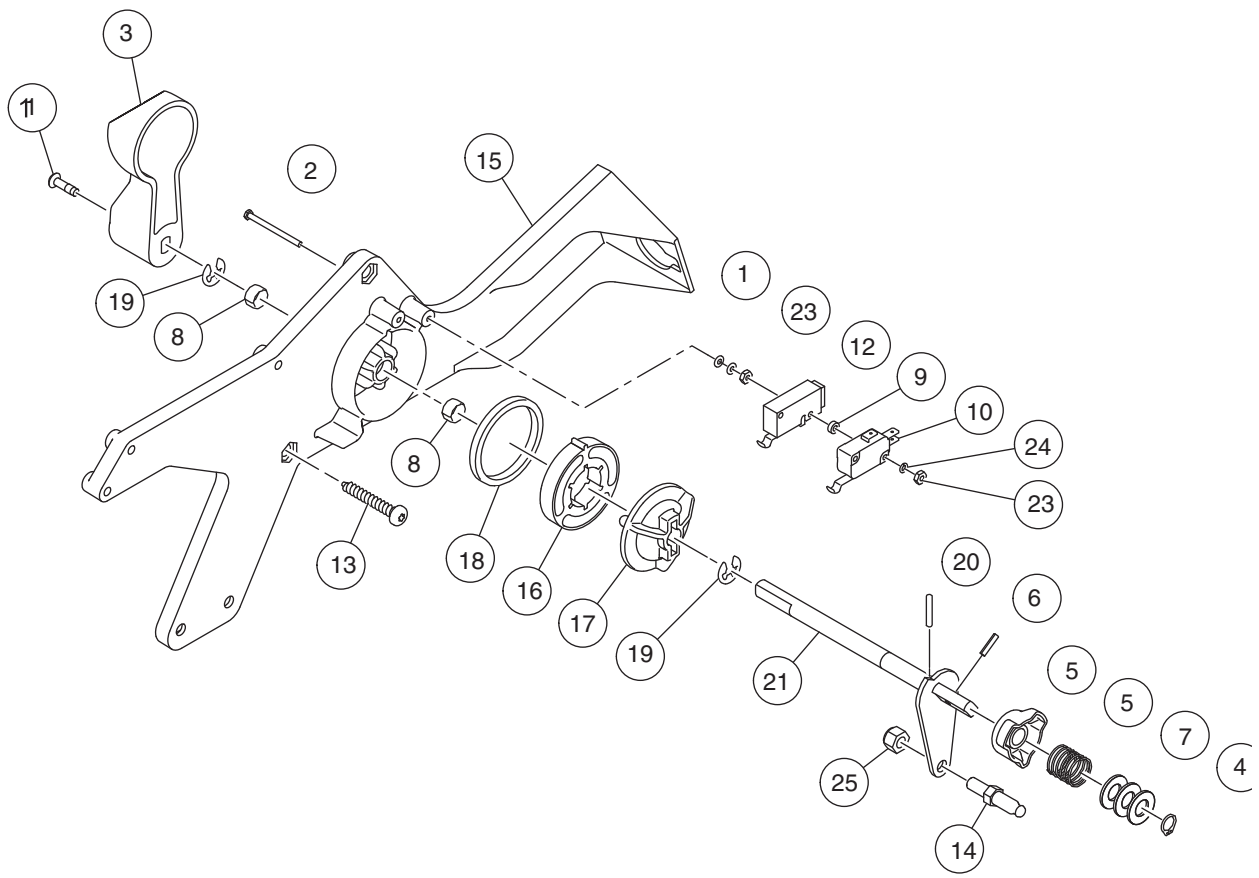
11

G

TRANSAXLE, FUJI ED65 (FOR SUBARU EX40)

12

G



001063-001

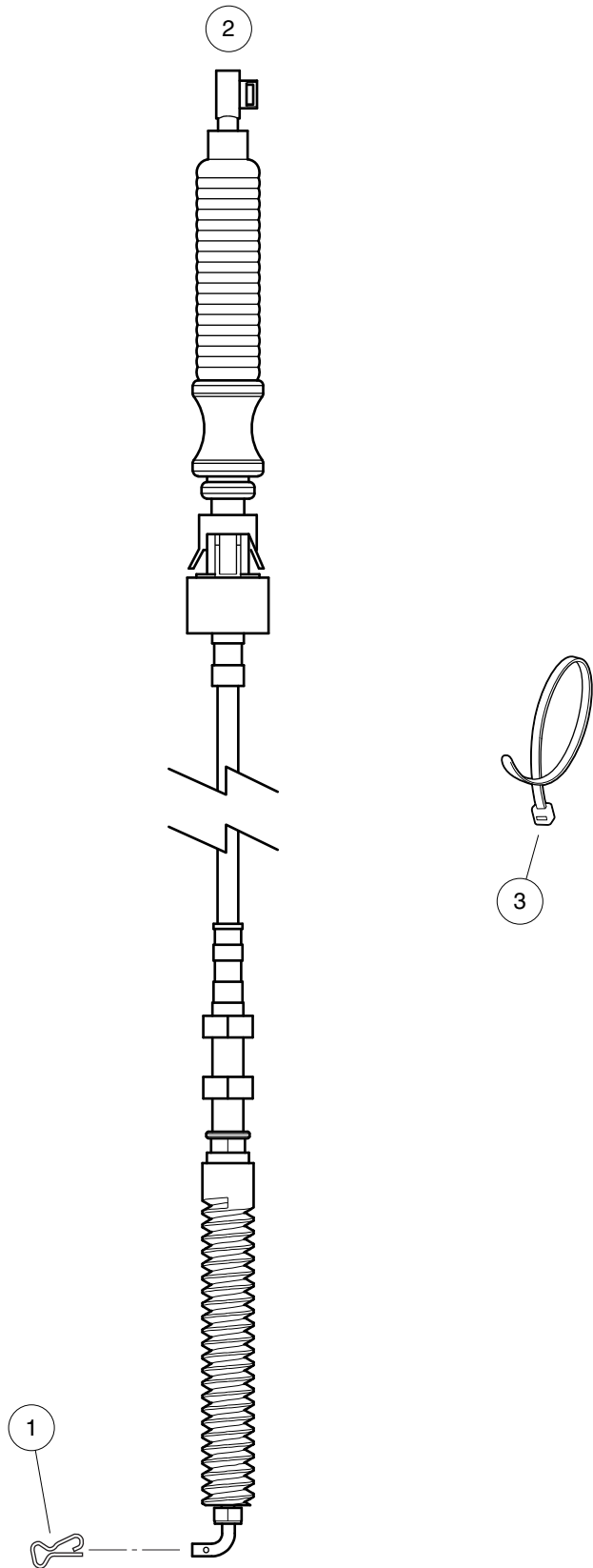
FORWARD/REVERSE SHIFTER ASSEMBLY – EFI

ITEM	PART NO.	DESCRIPTION	QTY
		1 2 3 4	
1	<u>1012431</u>	Washer, #4 Flat	4
2	<u>1012594</u>	Screw, #4-40 Machine	2
3	<u>1012987</u>	Handle, FNR	1
4	<u>1013589</u>	Ring, Retaining, 0.338" Internal	1
5	<u>1013590</u>	Spring, FNR Cam	1
6	<u>1013591</u>	Pin, Roll, 1/8 X 1/2	1
7	<u>1014065</u>	Washer, Flat, 0.38" ID, Delrin	3
8	<u>1014145</u>	Bushing, Secondary Weight, Split	2
9	<u>1014727</u>	Washer, Flat, #4, Nylon	2
10	<u>1014807</u>	Switch, Limit	1
11	<u>1015064</u>	Screw, #8-32 X 0.63 Machine	1
12	<u>101979101</u>	Switch, Limit, Assembly, Sealed	1
13	<u>102296040</u>	Screw, Torx Pan Hd Pt, M6 X 40	3
14	<u>102526201</u>	Stud, Thread, 1/4-28	1
15	<u>105037501</u>	Housing, Gas FNR Body Shift	1
16	<u>105037601</u>	Cam, FNR Detent, 45 Degree	1
17	<u>105037701</u>	Follower, FNR Detent	1
18	<u>105038501</u>	Spring, Wave, Gas FNR Shifter	1
19	<u>105039801</u>	E-Clip, External, 8mm Groove	2
20	<u>105040401</u>	Pin, Round, 0.125 Dia x 0.625	1
21	<u>105041101</u>	Weldment, Shaft, Fnr	1
22	<u>105074101</u>	Cam, Neutral Lockout, EX40	1
23	<u>8057</u>	Nut, #4-40 Hex Machine	4
24	<u>8058</u>	Lockwasher, #4 Split	2
25	<u>8717</u>	Locknut, Nylon Insert, 1/4-28	1

12

G

12
G

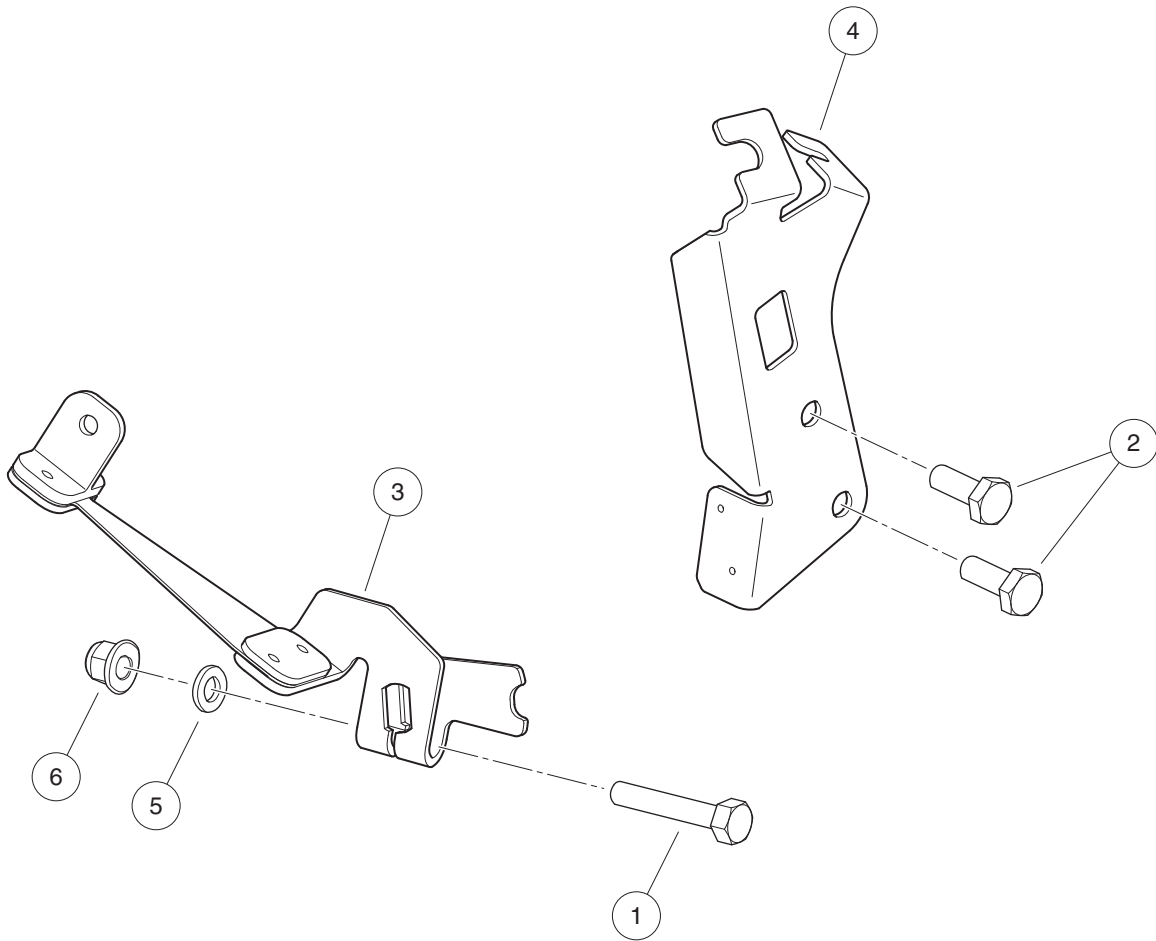


000988-001

SHIFTER CABLE

ITEM	PART NO.	DESCRIPTION	QTY
1	<u>103886601</u>	1 2 3 4 Clip, Bowtie	1
2	<u>105038801</u>	Cable, Shifter	1
3	<u>8990</u>	Tie Wrap, 8" Nylon	A/R

12
G

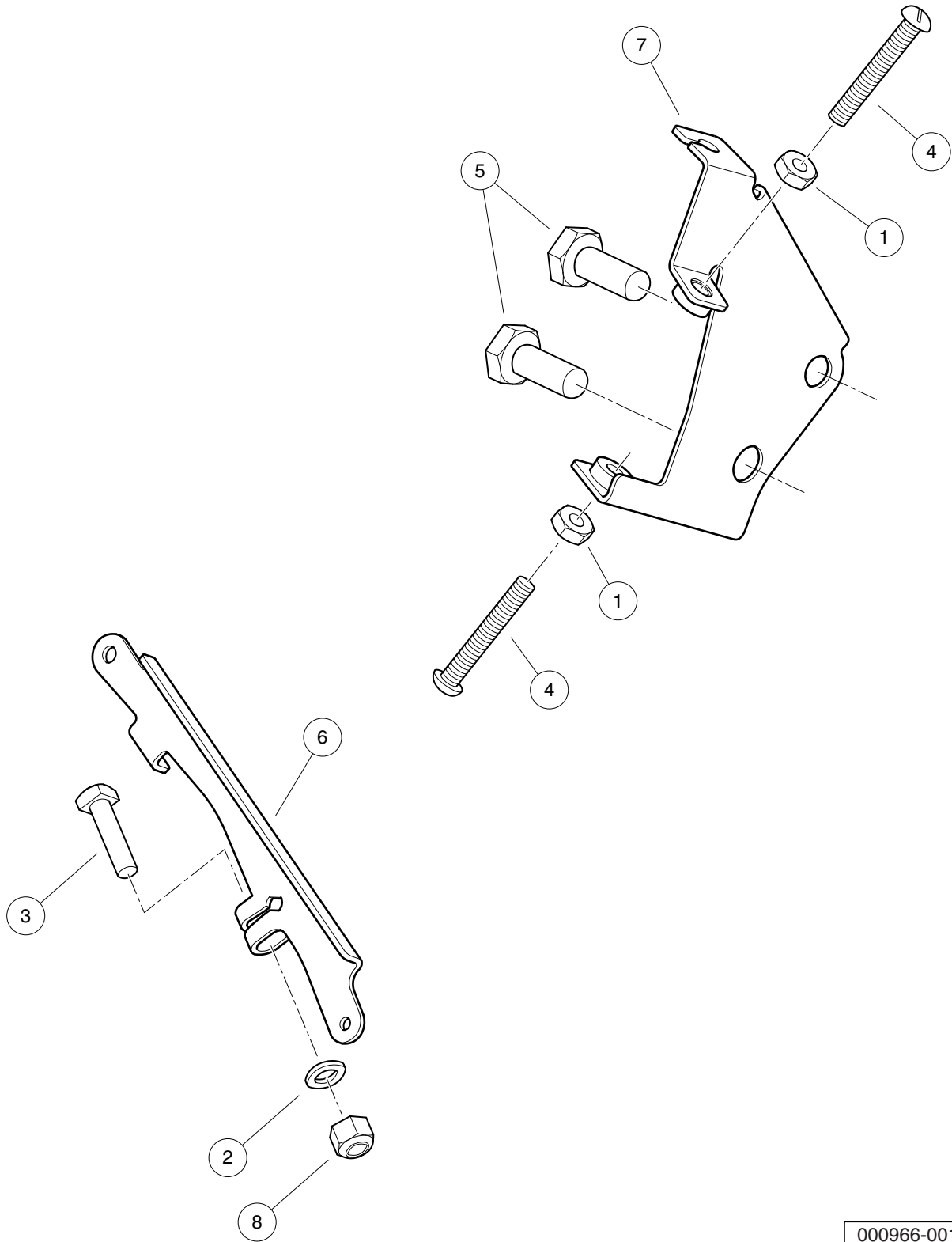


000965-003

SHIFT LEVER AND BRACKET – PEDAL-START ENGINES

ITEM	PART NO.	DESCRIPTION	QTY
		1 2 3 4	
1	<u>101862001</u>	Screw, 1/4-20 X 1.500 Flange	1
2	<u>102498201</u>	Bolt, M10 X 1.25 X 25, Loctite	2
3	<u>105040901</u>	Lever, Shift, Flex, Transaxle, Pedal-Start	1
4	<u>105135101</u>	Bracket, Cable, FNR/Accelerator, ED65	1
5	<u>332</u>	Washer, 1/4 Type A Narrow Flat	1
6	<u>8233</u>	Locknut, 1/4-20, Nylon Insert	1

12
G



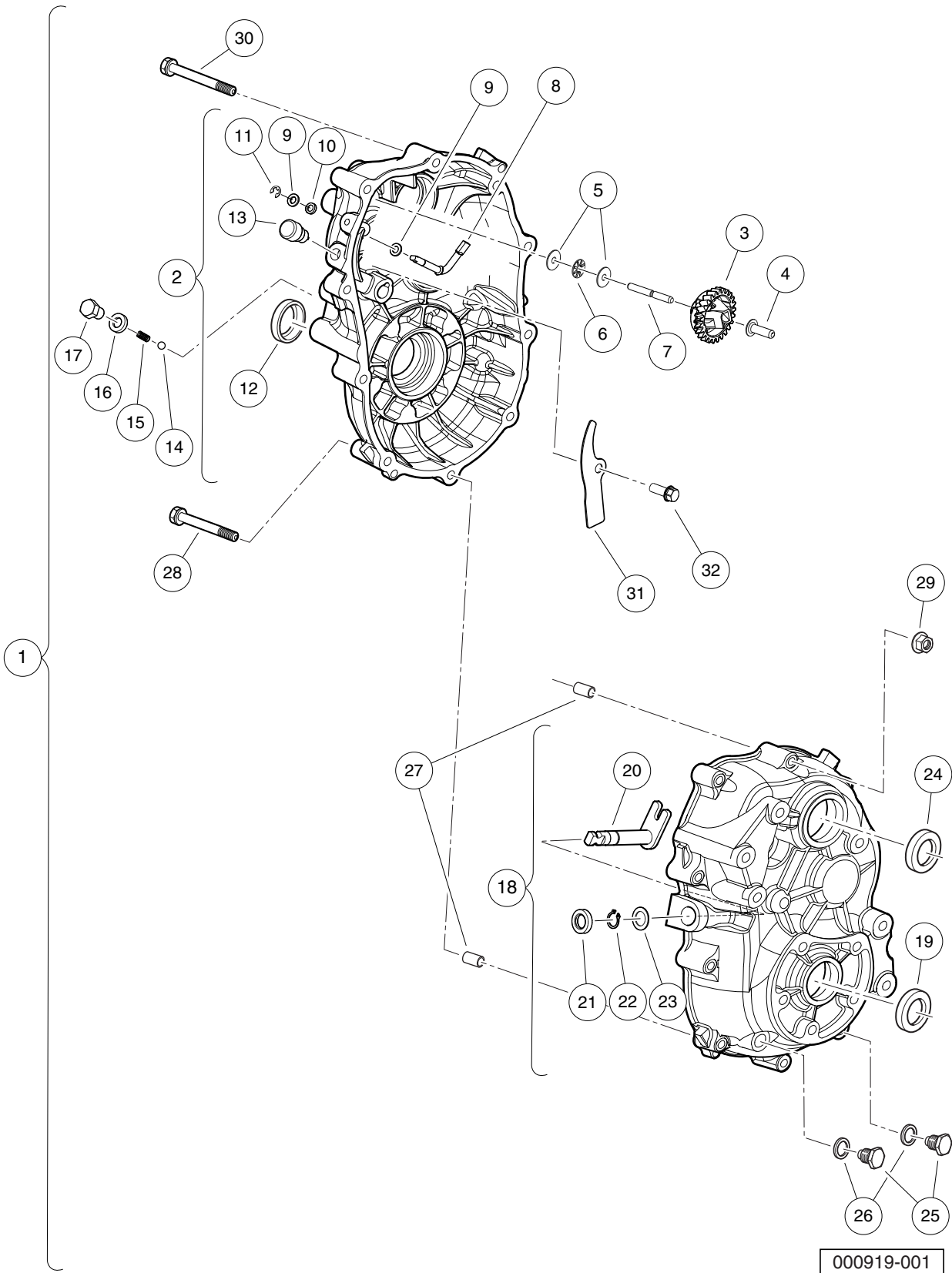
000966-001

GOVERNOR ARM AND BRACKETS

ITEM	PART NO.	DESCRIPTION	QTY
		1 2 3 4	
1	<u>1011114</u>	Nut, M6-1.00 Hex	2
2	<u>1014007</u>	Washer, 1/4, Flat	1
3	<u>101886101</u>	Screw, 1/4-20 X 1.00, Square-Head	1
4	<u>102476401</u>	Bolt, Stop, Pedal	2
5	<u>102498201</u>	Bolt, M10 X 1.25 X 25, Loctite	2
6	<u>104023501</u>	Arm, Governor, ED65	1
7	<u>105144401</u>	Weldment, Governor Bracket	1
8	<u>8233</u>	Locknut, 1/4-20, Nylon Insert	1

12

G

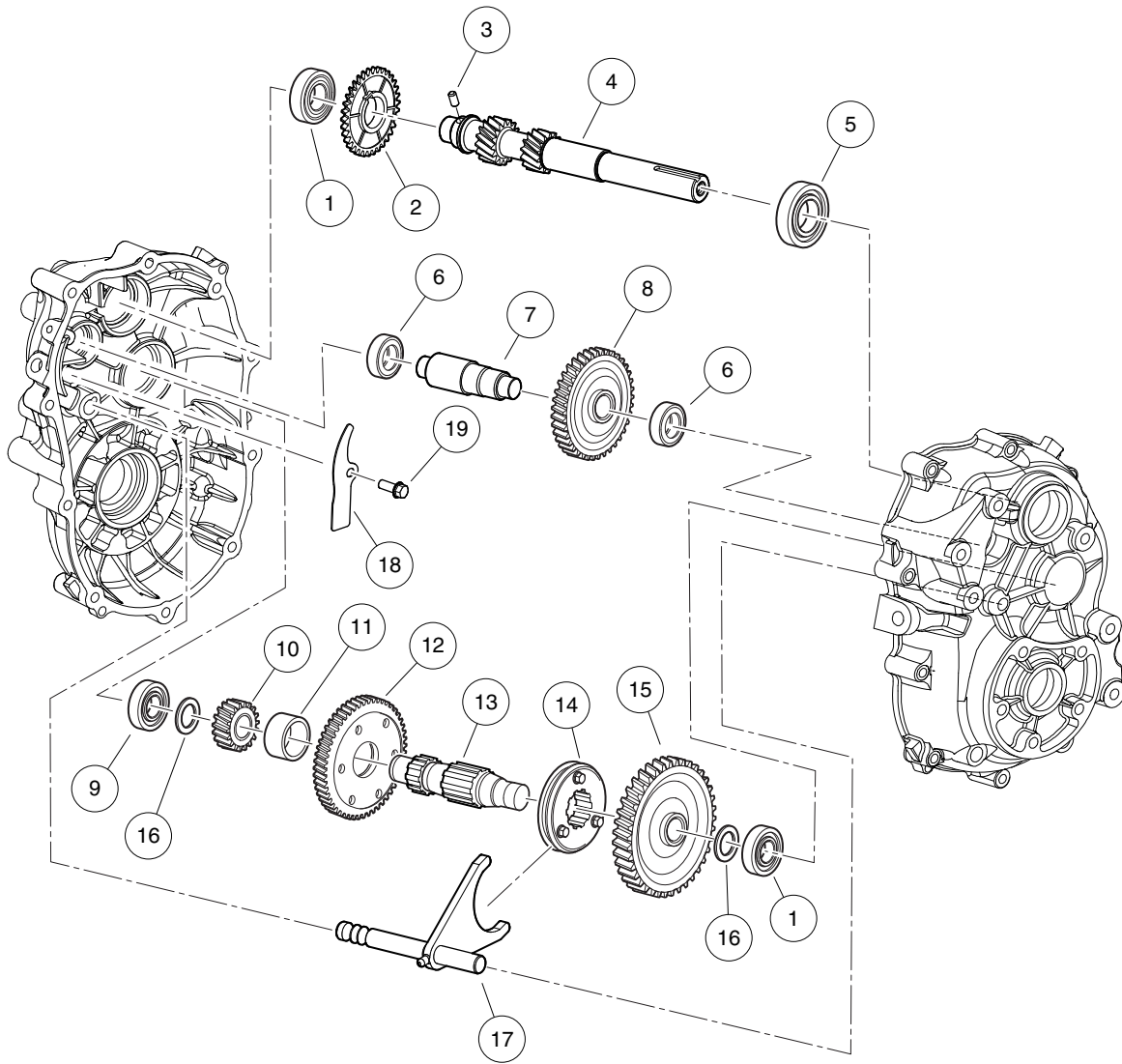


000919-001

TRANSAXLE (ED65), OPEN – PAGE 1 OF 3

ITEM	PART NO.	DESCRIPTION	QTY
		1 2 3 4	
1	<u>103879701</u>	Transaxle, ED65, Open Differential (includes items 2 through 32)	1
2	<u>105025001</u>	Case, Transaxle, Left, Complete, ED65 (includes items 3 through 13)	1
3	<u>105025101</u>	Gear, Governor, Complete, ED65	1
4	<u>105025201</u>	Sleeve, Governor, ED65	1
5	<u>105025301</u>	Washer, ED65	2
6	<u>105025401</u>	Bearing, Thrust, ED65	1
7	<u>105025501</u>	Shaft, Governor Gear, ED65	1
8	<u>105025601</u>	Shaft, Governor, ED65	1
9	<u>105025701</u>	Washer, 6mm, ED65	2
10	<u>105025801</u>	Seal, Oil, 6x10x2.5, ED65	1
11	<u>105025901</u>	Retaining Ring, E5, ED65	1
12	<u>105026001</u>	Seal, Oil, 24x40x9, ED65	1
13	<u>105027101</u>	Vent, Breather, ED65	1
14	<u>105026101</u>	Ball, Steel, ED65	1
15	<u>105026201</u>	Spring, ED65	1
16	<u>105026301</u>	Gasket, 10, ED65	1
17	<u>105026401</u>	Bolt, M10-1.25x12mm Lg, ED65	1
18	<u>105026501</u>	Case, Transaxle, Right, Complete, ED65 (includes items 19 through 24)	1
19	<u>105026001</u>	Seal, Oil, 24x40x9, ED65	1
20	<u>105026601</u>	Shaft, Select, ED65	1
21	<u>105026701</u>	Seal, Oil, 13x22x5, ED65	1
22	<u>105026801</u>	Snap Ring, 13mm, ED65	1
23	<u>105026901</u>	Spacer, 13x1, ED65	1
24	<u>105027001</u>	Seal, Oil, 25x45x7, ED65	1
25	<u>105027201</u>	Plug, Oil Drain, ED65	2
26	<u>105027301</u>	Gasket, 14, ED65	2
27	<u>105028301</u>	Pin, Guide, ED65	2
28	<u>105028501</u>	Bolt, Flange, M8-1.25x65mm, ED65	1
29	<u>105030001</u>	Nut, Flange, M8-1.25, ED65	10
30	<u>105030701</u>	Bolt, Flanged, M8-1.25x80mm, ED65	9
31	<u>105234801</u>	Plate, Ed65 Splash	1
32	<u>105234901</u>	Bolt, M6-1 X 12mm Lg, Ed65	1
		Note: Fuji transaxle component listings span three pages. To identify your transaxle, locate the serial number decal on the axle tube.	

12
G



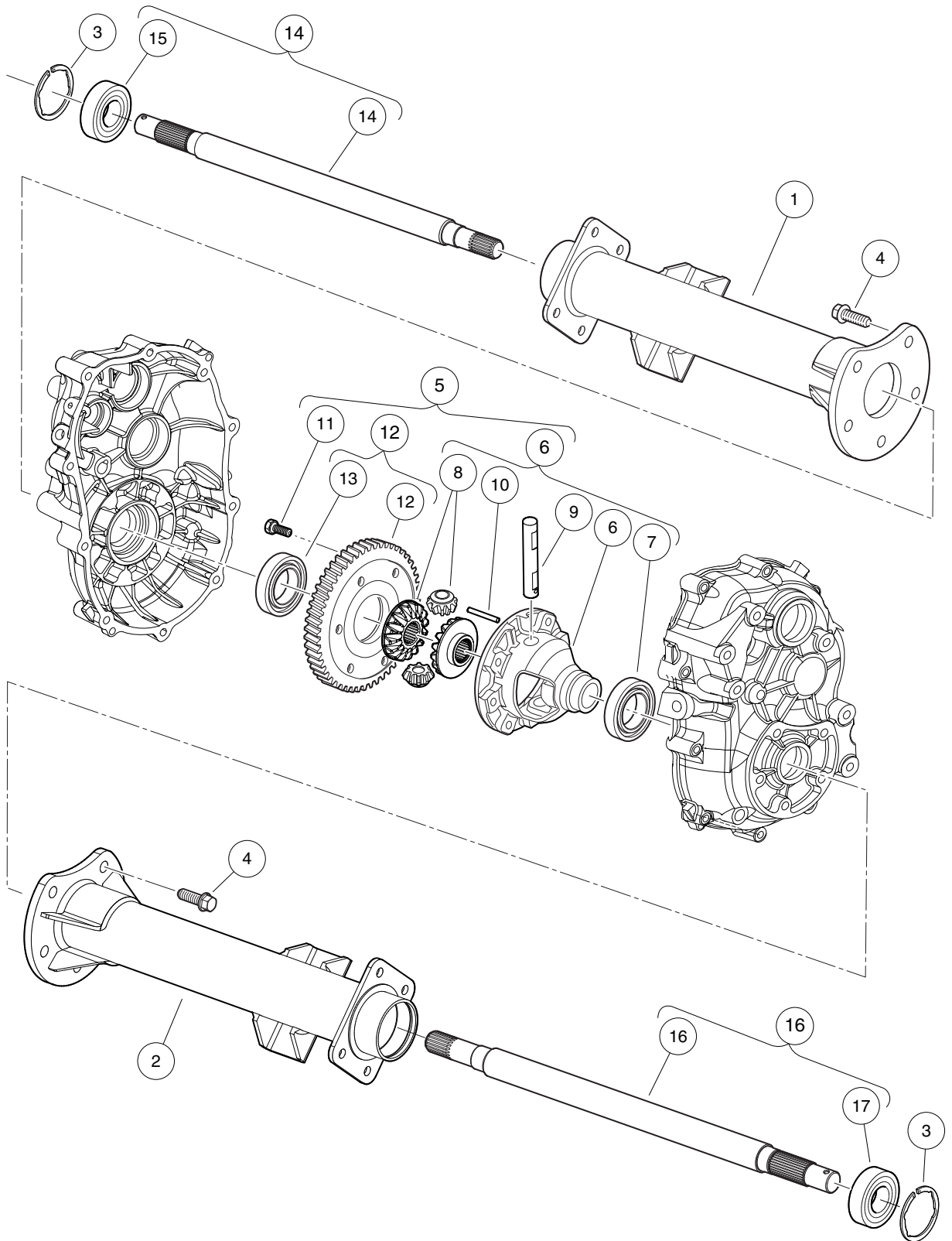
000919-007

TRANSAXLE (ED65), LIMITED SLIP AND OPEN – PAGE 2 OF 3

ITEM	PART NO.	DESCRIPTION	QTY
		1 2 3 4	
1	<u>105027401</u>	Bearing, Ball (6204)	2
2	<u>105027501</u>	Gear, Governor, 34 Tooth, ED65	1
3	<u>105027601</u>	Pin, 6x12 Long, ED65	1
4	105027701	Shaft, Input, ED65	1
5	105027801	Bearing, Ball (6205 seal)	1
6	<u>105027901</u>	Bearing, Ball (6202)	2
7	105028001	Shaft, Counter, ED65	1
8	105028201	Gear, 34 Tooth, ED65	1
9	<u>105028401</u>	Bearing, Ball (6304)	1
10	105028601	Gear, 17 Tooth, ED65	1
11	<u>105028701</u>	Collar, 24 x 12, ED65	1
12	<u>105028801</u>	Gear, 52 Tooth, ED65	1
13	105028901	Shaft, Center, ED65	1
14	<u>105029001</u>	Clutch, Pin, ED65	1
15	105029101	Gear, 62 Tooth, ED65	1
16	<u>105029201</u>	Spacer, 20x2, ED65	2
17	<u>105030901</u>	Shaft, Shift, ED65	1
18	105234801	Plate, Ed65 Splash	1
19	105234901	Bolt, M6-1 X 12mm Lg, Ed65	1
		<p>Note: To identify your transaxle, locate the serial number decal on the axle tube.</p>	

12

G



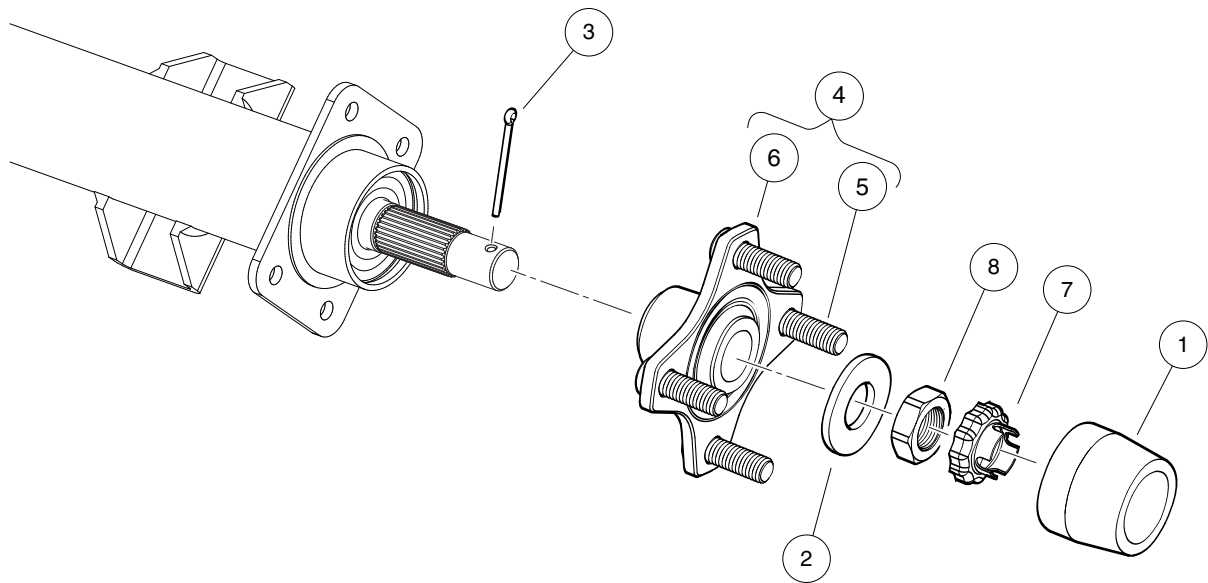
000919-004

TRANSAXLE (ED65), OPEN – PAGE 3 OF 3

ITEM	PART NO.	DESCRIPTION	QTY
		1 2 3 4	
1	105030401	Axle Tube, Driver-Side, ED65	1
2	105030501	Axle Tube, Passenger-Side, ED65	1
3	<u>105030601</u>	Snap Ring, 52mm, ED65	2
4	<u>105030801</u>	Bolt, Flange, M10-1.25x25, ED65	10
5	<u>105031001</u>	Differential, Open, ED65 (includes items 6 through 12)	1
6	<u>105029301</u>	Case, Differential, Complete, ED65 (includes items 7 through 10)	1
7	<u>105028101</u>	Bearing, Ball (6006)	1
8	105029401	Gear Set, Differential, ED65	1
9	<u>105029601</u>	Shaft, Differential, ED65	1
10	<u>105029701</u>	Pin, 4x40 Long, ED65	1
11	<u>105029501</u>	Bolt, M10-1.25x26mm Lg, ED65	6
12	105029901	Gear, 60 Tooth, Complete, ED65 (includes item 13)	1
13	<u>105029801</u>	Bearing, Ball (6007)	1
14	<u>105066001</u>	Axle Shaft, Driver-Side, Complete, ED65 (includes item 15)	1
15	<u>105030301</u>	Bearing, Ball (6205DD)	1
16	<u>105066101</u>	Axle Shaft, Passenger-Side, Complete, ED65 (includes item 17)	1
17	<u>105030301</u>	Bearing, Ball (6205DD)	1
<p style="margin-left: 40px;">Note: To identify your transaxle, locate the serial number decal on the axle tube.</p>			

12

G



000919-006

HUB, REAR

ITEM	PART NO.	DESCRIPTION	QTY
		1 2 3 4	
1	102274101	Center Cap, Rubber	2
2	<u>102617801</u>	Washer, Hard, M22	2
3	<u>103989501</u>	Pin, Cotter, 9/64 X 1.75"	2
4	<u>103995001</u>	Asm, Hub, Machined (includes items 5 and 6)	2
5	<u>103951501</u>	Lug Stud, 1/2-20 UNF, SAE J1102	4
6	<u>103979301</u>	Hub, Machined	1
7	<u>104021701</u>	Retaining Ring, Hex Nut, M22	2
8	<u>104027101</u>	Nut, Hex, M22x1.5, Thin	2

12
G

12

G

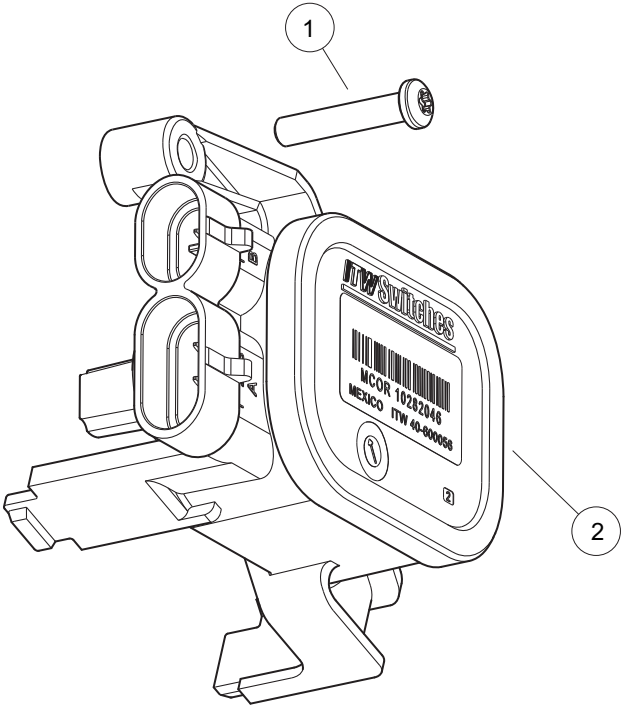
ELECTRICAL SYSTEM – EXCEL WITH HIGH FREQUENCY CHARGERS

13

E

13

E



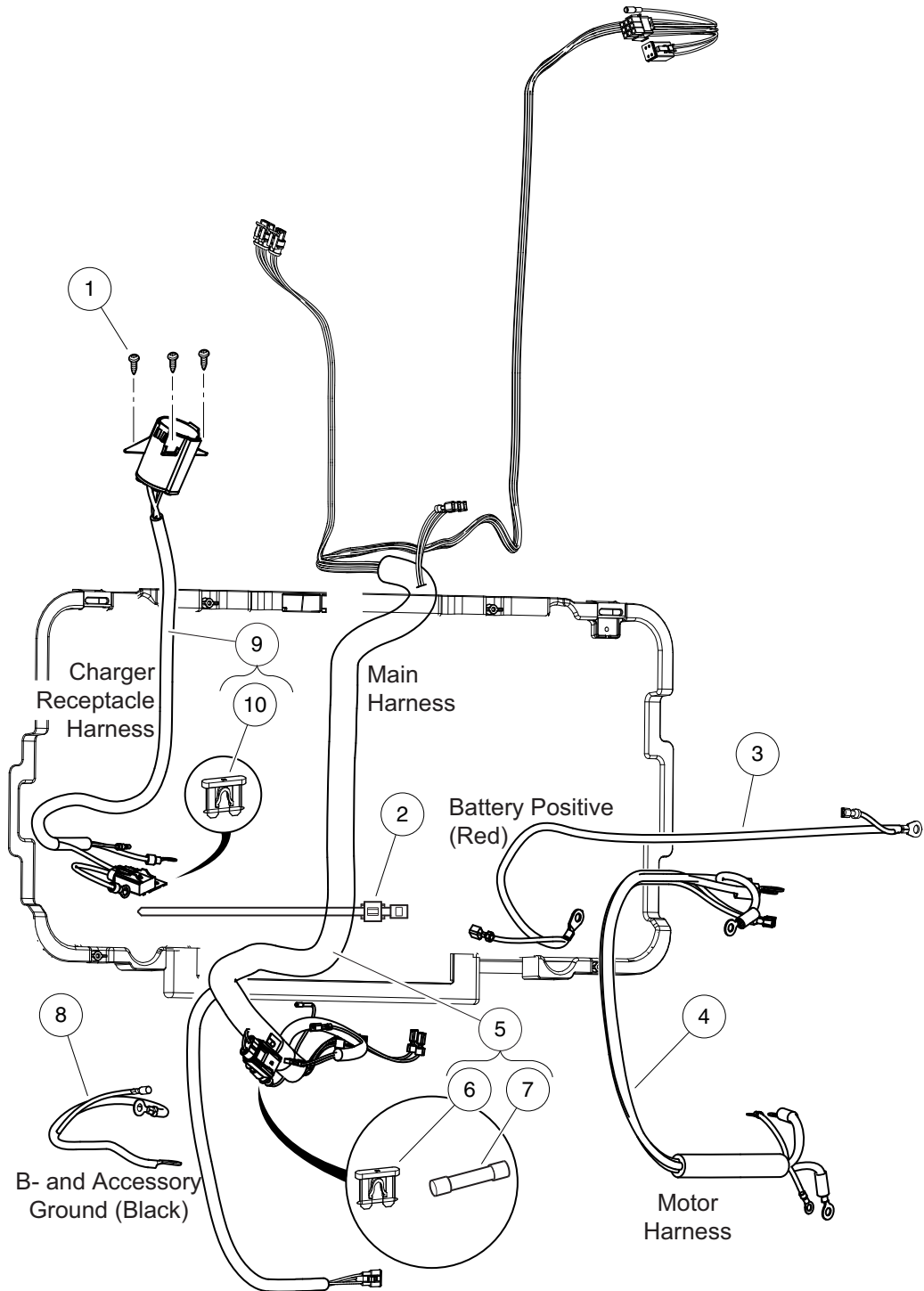
000243-005

MOTOR CONTROLLER OUTPUT REGULATOR (MCOR)

ITEM	PART NO.	DESCRIPTION	QTY
		1 2 3 4	
1	<u>103943401</u>	Screw, Pan, #10 X 1.00 Hi-lo	1
2	<u>105116301</u>	MCOR4, Type 16 Switch	1

13

E



000647-002

WIRING AND FUSES

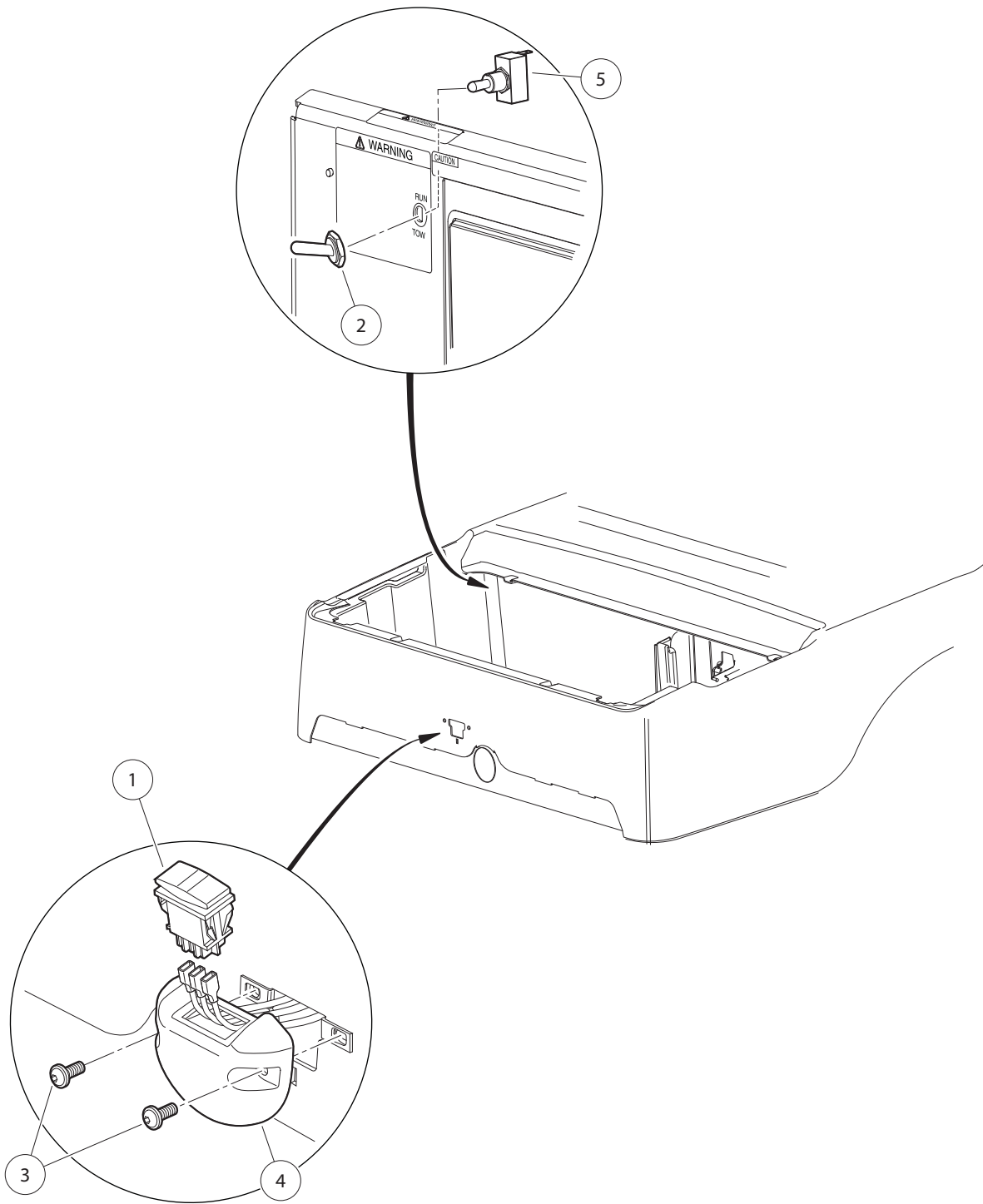
ITEM	PART NO.	DESCRIPTION	QTY
		1 2 3 4	
1	<u>101832001</u>	Screw, #7-19 X 0.625 Phillips Pan-Head Tap	3
2	<u>102554901</u>	Clip, Edge, with Wire Tie	1
3	<u>103375402</u>	Asm, Wire, Battery Positive, B+, Short	1
4	<u>103375702</u>	Asm, Harness, Motor 1/4	1
5	<u>104023201</u>	Harness, Main, Excel w/Hi-Freq, Mcor3 (includes items 6 and 7)	1
6	<u>102538601</u>	15 Amp Fuse	1
7	<u>103924801</u>	Fuse, Glass, 2-Amp	1
8	<u>104024001</u>	Asm, Wire, Battery Negative, B-, w/ Accy Ground	1
9	<u>105137401</u>	Harness, Wire, Charger Receptacle (for Yellow DC Cord) (includes item 10)	1
10	<u>102492301</u>	Fuse, 30-Amp	1
11	<u>8639</u>	Tie Wrap, 11" Nylon	A/R
12	<u>8990</u>	Tie Wrap, 8" Nylon	A/R
		Note: Items 11 and 12 not shown.	

13

E

13

E



000462-004

FORWARD/REVERSE SWITCH AND TOW/RUN SWITCH

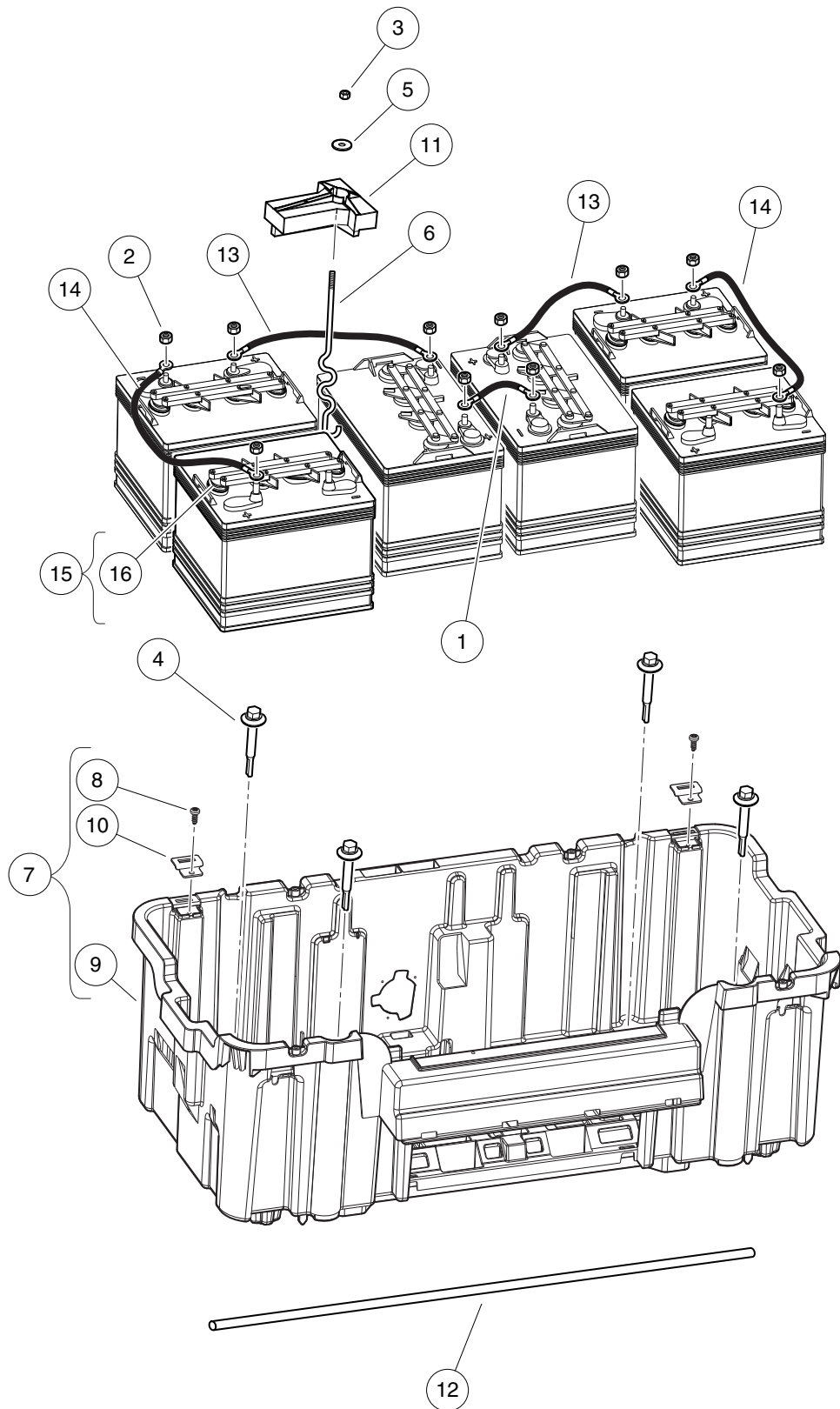
ITEM	PART NO.	DESCRIPTION	QTY
		1 2 3 4	
1	<u>101856001</u>	Switch, Rocker, Double-Pole	1
2	<u>101908401</u>	Boot, Switch	1
3	<u>102296920</u>	Screw, M6, Torx Button Head, Sems	2
4	<u>102508401</u>	Housing, FNR Electric	1
5	<u>102511101</u>	Switch, Tow	1

13

E

13

E



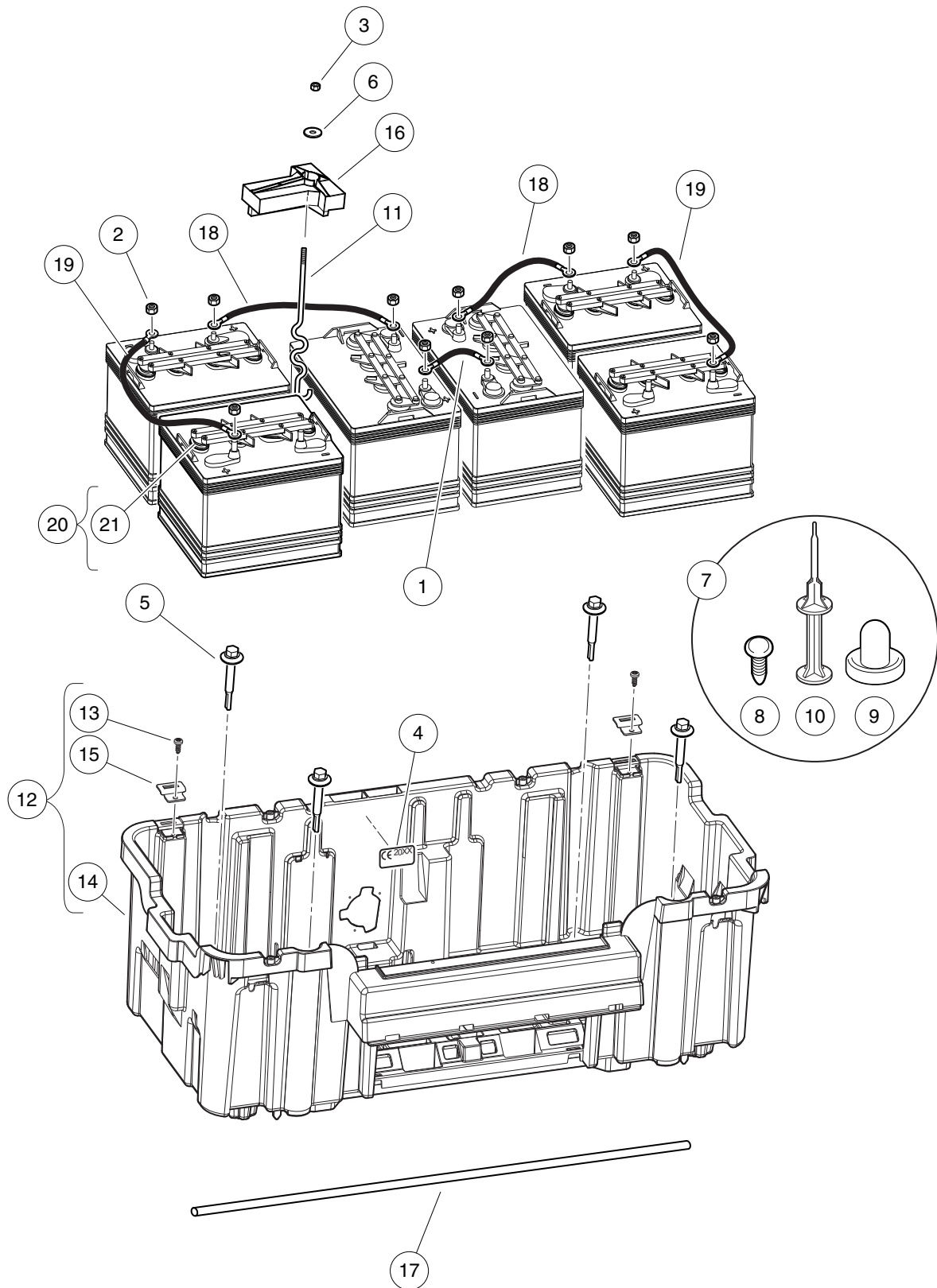
000682-001

BATTERIES AND BATTERY BUCKET, PD+ 8-VOLT

ITEM	PART NO.	DESCRIPTION	QTY
		1 2 3 4	
1	<u>1010958</u>	Asm, Wire, #6blk 8in	1
2	<u>1014304</u>	Nut, 5/16-18 Stainless-Steel Hex	12
3	<u>1014555</u>	Locknut, 7/16-14 Nylon Hex	2
4	<u>102292356</u>	Screw-1/4-20x56 Hwh Self Drill	4
5	<u>102491501</u>	Washer, Hard, M10	2
6	<u>103357701</u>	Bolt, Battery, "s" Hold-down	2
7	<u>103368401</u>	Asm, Bucket, Batt, Elec (includes items 8 through 10)	1
8	<u>102298020</u>	Screw, K80x20, Torx Pn Hd Pt	2
9	N/A	Bucket, Batt, Elec	1
10	<u>103368301</u>	Hinge - Nested	2
11	<u>103374801</u>	Hold Down, Battery	2
12	<u>103375301</u>	Tube, Cross, Battery Rod	1
13	<u>103647402</u>	Wire Asm #6 Blk, 12"	2
14	<u>103647403</u>	Wire Asm #6 Blk, 17"	2
15	<u>105138301</u>	Battery, 8-Volt, JCI GC8 Type E (includes item 16)	6
16	<u>103765601</u>	Cap, Spin, 8-Volt Battery	1

13

E



000682-002

BATTERIES AND BATTERY BUCKET, PD+ 8-VOLT, CE

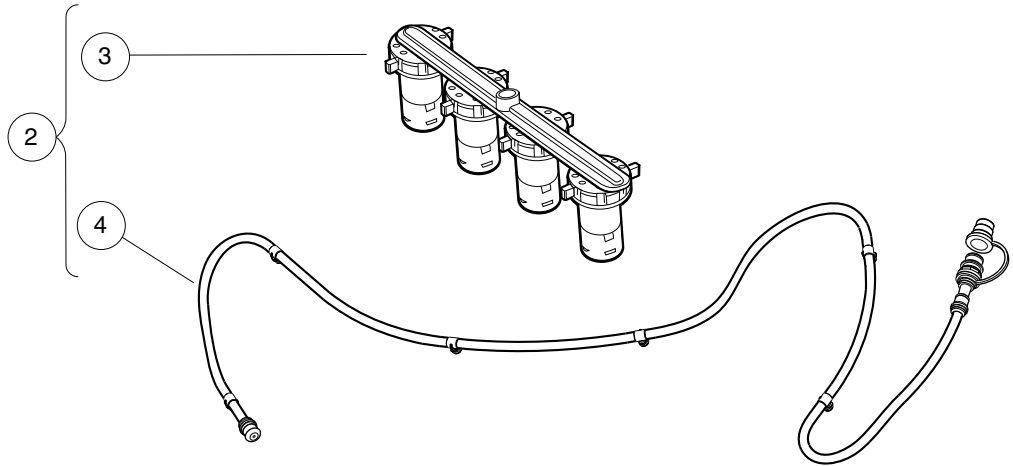
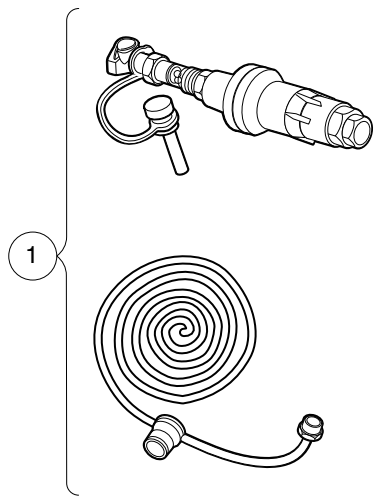
ITEM	PART NO.	DESCRIPTION	QTY
		1 2 3 4	
1	<u>1010958</u>	Asm, Wire, #6blk 8in	1
2	<u>1014304</u>	Nut, 5/16-18 Stainless-Steel Hex	12
3	<u>1014555</u>	Locknut, 7/16-14 Nylon Hex	2
4	<u>101865805</u>	Ce - Decal	1
5	<u>102292356</u>	Screw-1/4-20x56 Hwh Self Drill	4
6	<u>102491501</u>	Washer, Hard, M10	2
7	<u>102571202</u>	Kit Ce Plug - Bucket Elec (includes items 8 through 10)	1
8	<u>1010434</u>	Barrel - Plastic	2
9	N/A	Plug, 1/2", CE Bucket	6
10	N/A	Install Tool, CE Bucket Plug	1
11	<u>103357701</u>	Bolt, Battery, "s" Hold-down	2
12	<u>103368401</u>	Asm, Bucket, Batt, Elec (includes items 13 through 15)	1
13	<u>102298020</u>	Screw, K80x20, Torx Pn Hd Pt	2
14	N/A	Bucket, Batt, Elec	1
15	<u>103368301</u>	Hinge - Nested	2
16	<u>103374801</u>	Hold Down, Battery	2
17	103375301	Tube, Cross, Battery Rod	1
18	<u>103647402</u>	Wire Asm #6 Blk, 12"	2
19	<u>103647403</u>	Wire Asm #6 Blk, 17"	2
20	<u>105138301</u>	Battery, 8-Volt, JCI GC8 Type E (includes item 21)	6
21	<u>103765601</u>	Cap, Spin, 8-Volt Battery	1
		Note: The CE-specific parts shown are required for vehicles sold in the European Union.	

13

E

13

E



000731-009

SINGLE POINT WATERING SYSTEM, 8V

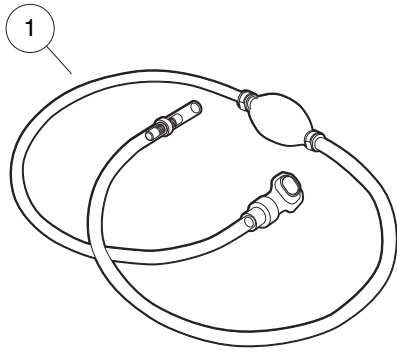
ITEM	PART NO.	DESCRIPTION	QTY
		1 2 3 4	
1	<u>102958001</u>	Kit Regulated Hose Sply Spws	1
2	<u>103395505</u>	Kit, Spws, 8 Volt Non-Trojan (includes items 3 and 4)	1
3	<u>103510602</u>	Spws, Manifold Asm, 8v Non-Trojan	6
4	<u>103774701</u>	Spws, Hose 8v Non-trojan	1
		Note: For JCI 8-Volt batteries only.	

13

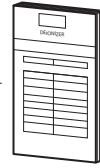
E

13

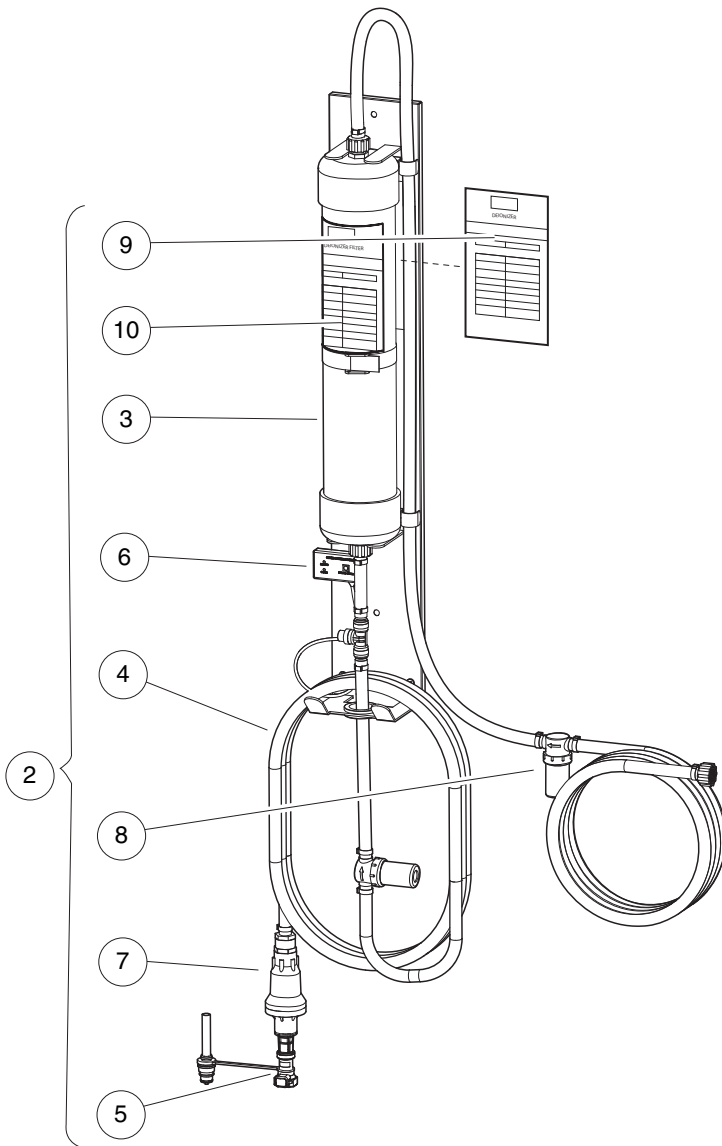
E



11



12



002523-003

HAND PUMP AND DEIONIZER (BATTERY-POWERED QUALITY LIGHT)

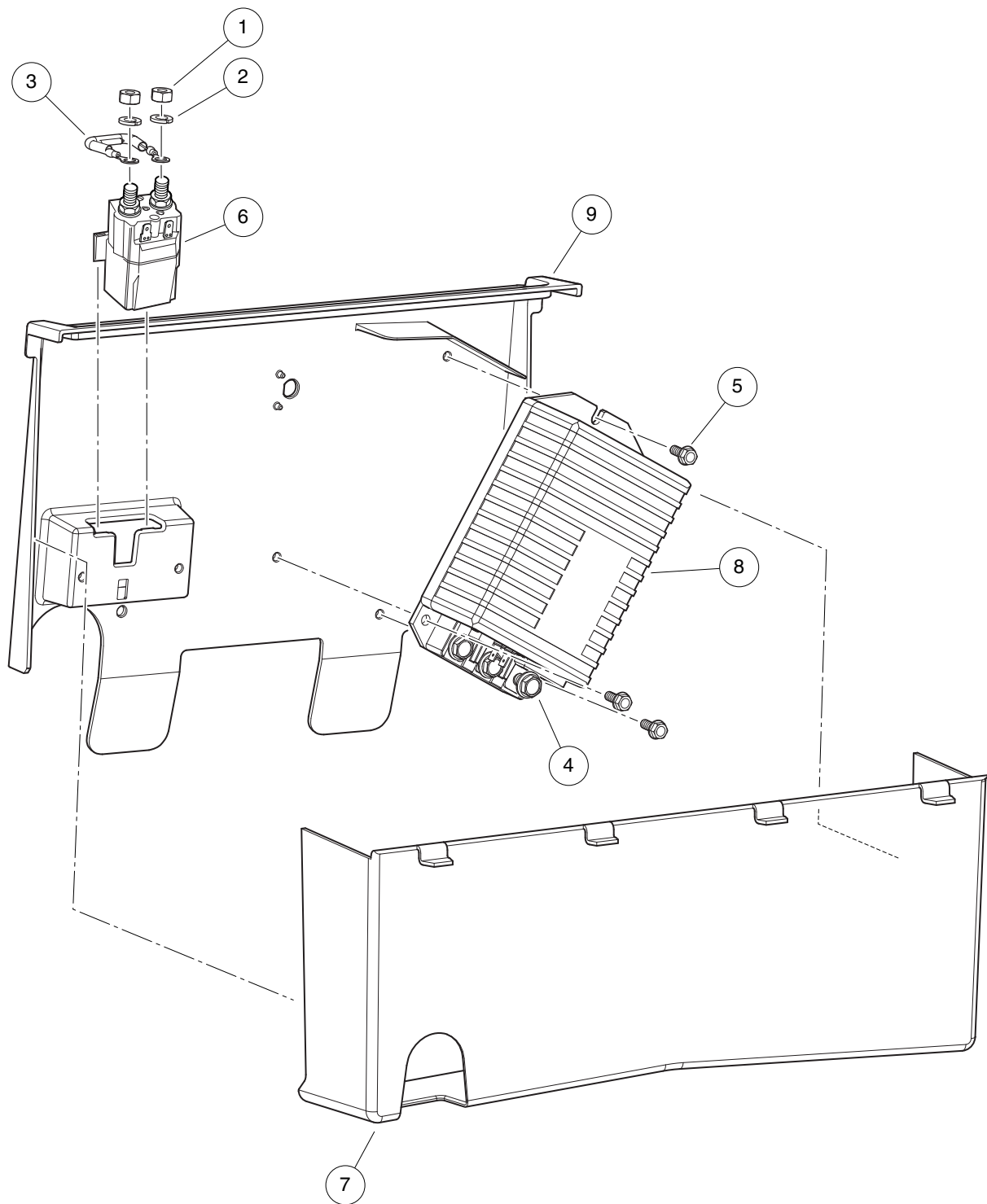
ITEM	PART NO.	DESCRIPTION	QTY
		1 2 3 4	
1	<u>104006101</u>	Kit, Hand Pump, Spws	1
2	<u>105166801</u>	Deionizer, w/Battery-Powered Water Quality Light (includes items 3 through 10)	1
3	<u>104005901</u>	Cartridge, Deionizer	1
4	<u>105166901</u>	Hose,outlet,deionizer	1
5	<u>105167001</u>	Flow Ind, W/coupler, Deionizer	1
6	<u>105167101</u>	Light, Quality, Battery-Powered, w/T-Fitting	1
7	<u>105168501</u>	Regulator, Pressure, Deionizer	1
8	<u>105168601</u>	Strainer, In-line, Deionizer	1
9	<u>AM1300001</u>	Decal, Filter Log, Blue	1
10	<u>AM1300201</u>	Decal, Inspect Log, Yellow	1
11	AM1300101	Decal, Filter Log, Blue, Pack of 100	A/R
12	AM1300301	Decal, Inspect Log, Yellow, Pack of 100	A/R

13

E

13

E



000486-013

CONTROLLER AND SOLENOID

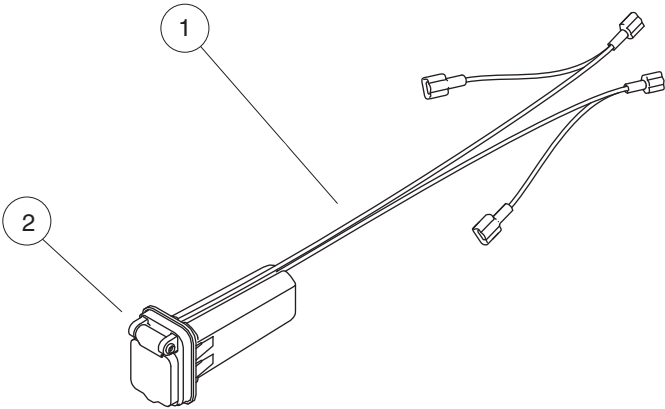
ITEM	PART NO.	DESCRIPTION	QTY
		1 2 3 4	
1	<u>1012528</u>	Nut, M8-1.25 Hex	2
2	<u>1013734</u>	Lockwasher, 8mm Split	2
3	<u>1014947</u>	Resistor Assembly	1
4	<u>102240501</u>	Bolt, Controller, Terminal	3
5	<u>102296716</u>	Screw, M6 X 16 Tt Hx Fl Hd	3
6	<u>102865901</u>	Solenoid 48v Slot Mt No Diode	1
7	<u>103367901</u>	Shield - Controller	1
8	<u>103982301</u>	Controller, 1515, 250A, White	1
9	<u>105005001</u>	Component Mounting Plate	1
Note: Replacement solenoid may vary in appearance from the original.			

13

E

13

E



001286-002

USB PORT KIT FOR ELECTRIC VEHICLES

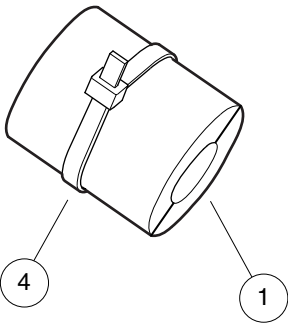
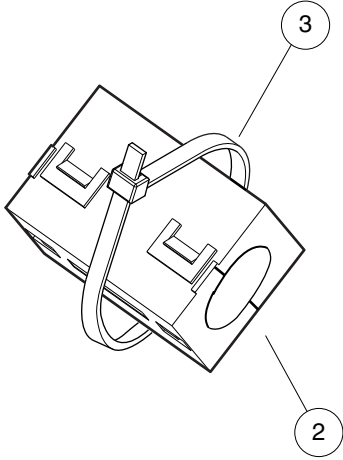
ITEM	PART NO.	DESCRIPTION	QTY
1	<u>47604230001</u>	1 2 3 4 Kit, USB, 48v (includes item 2)	1
2	<u>47560030001</u>	USB Port	1

13

E

13

E



001055-001

FERRITE BEADS, CE

ITEM	PART NO.	DESCRIPTION	QTY
		1 2 3 4	
1	<u>103449501</u>	Bead, Ferrite, Tdk	A/R
2	<u>103449601</u>	Bead, Ferrite, Fair-rite	A/R
3	<u>8639</u>	Tie Wrap, 11" Nylon	A/R
4	<u>8990</u>	Tie Wrap, 8" Nylon	A/R

13

E

13

E

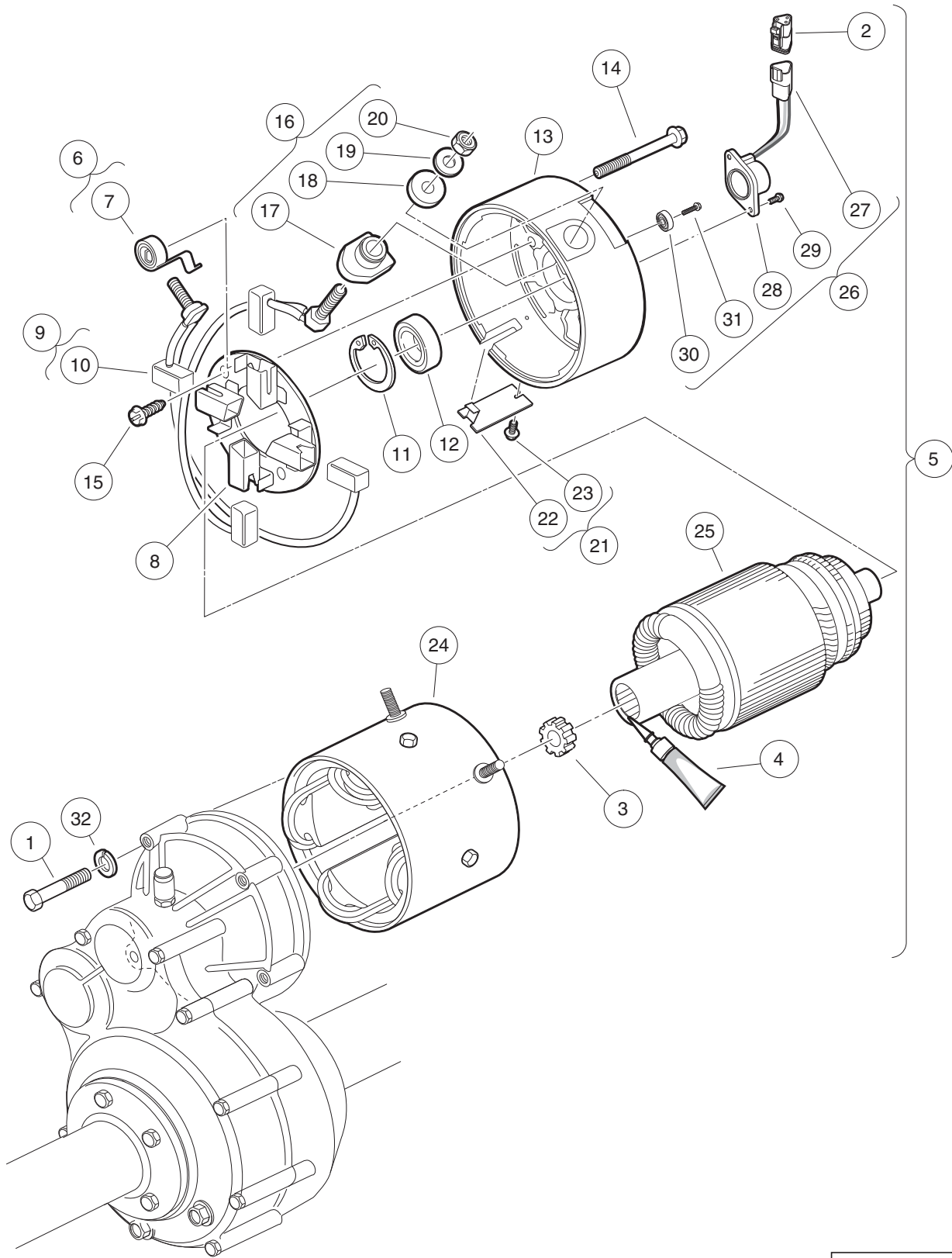
ELECTRIC MOTOR

14

E

14

E



000185-002

MOTOR (MODEL EJ8-4001A) – ELECTRIC VEHICLE

ITEM	PART NO.	DESCRIPTION	QTY
		1 2 3 4	
1	1014201	Screw, 1/4-20 X 2.25 Hex Cap	3
2	<u>101920101</u>	Kit, 3-Pin Wedge Lock	1
3	<u>102235201</u>	Bumper, Drive Unit	1
4	<u>102243403</u>	Lubricant, Moly-Teflon (Single-Use Tube)	1
5	<u>103572501</u>	IQ Electric Motor, 48-VDC 3.3 hp (includes items 6 through 26)	1
6	<u>102186001</u>	Spring Kit, Motor Brush (includes item 7)	1
7	N/A	Spring, Brush, S-g	4
8	<u>102186101</u>	Brush Box Assembly	1
9	<u>102186201</u>	Brush Kit, Motor (includes item 10)	1
10	N/A	Assembly, Brush and Terminal	2
11	N/A	Ring, 2.24" Internal Retaining	1
12	<u>102186401</u>	Bearing, Ball	1
13	<u>102186701</u>	End Cap, Motor	1
14	N/A	Screw, 1/4-20 X 2.25 Hex-Head Washer	2
15	<u>102186901</u>	Screw, #8-32 X .5 Hex-Head	2
16	<u>102187101</u>	Hardware Kit, Motor Terminal (includes items 17 through 20)	2
17	N/A	Bushing, Nylon	2
18	N/A	Washer, Nylon Flat	2
19	N/A	Washer, Flat, 5/16 Steel	2
20	N/A	Nut, Brass Hex, 5/16 - 18	2
21	<u>102187201</u>	Plate Kit, Motor Cover (includes items 22 and 23)	1
22	N/A	Assembly, Cover Plate	1
23	N/A	Screw, #8-32 x 0.375, Taptite Thread	1
24	<u>102704701</u>	Frame and Field Assembly	1
25	<u>102704801</u>	Armature Assembly	1
26	<u>102704901</u>	Kit, Speed Sensor (includes items 27 through 31)	1
27	<u>101942301</u>	Kit, 3-Pin Wedge Lock	1
28	N/A	Sensor, Motor Speed, ADC	1
29	N/A	Screw, #8-32, Taptite Thread	2
30	N/A	Magnet, ADC Motor	1
31	N/A	Screw, 1/4-20 x 0.5	1
32	<u>451</u>	Lockwasher, 1/4 Split	3
Note: The F1 and F2 terminal posts on the EJ8-4001A motor have 1/4 - 20			

14

E

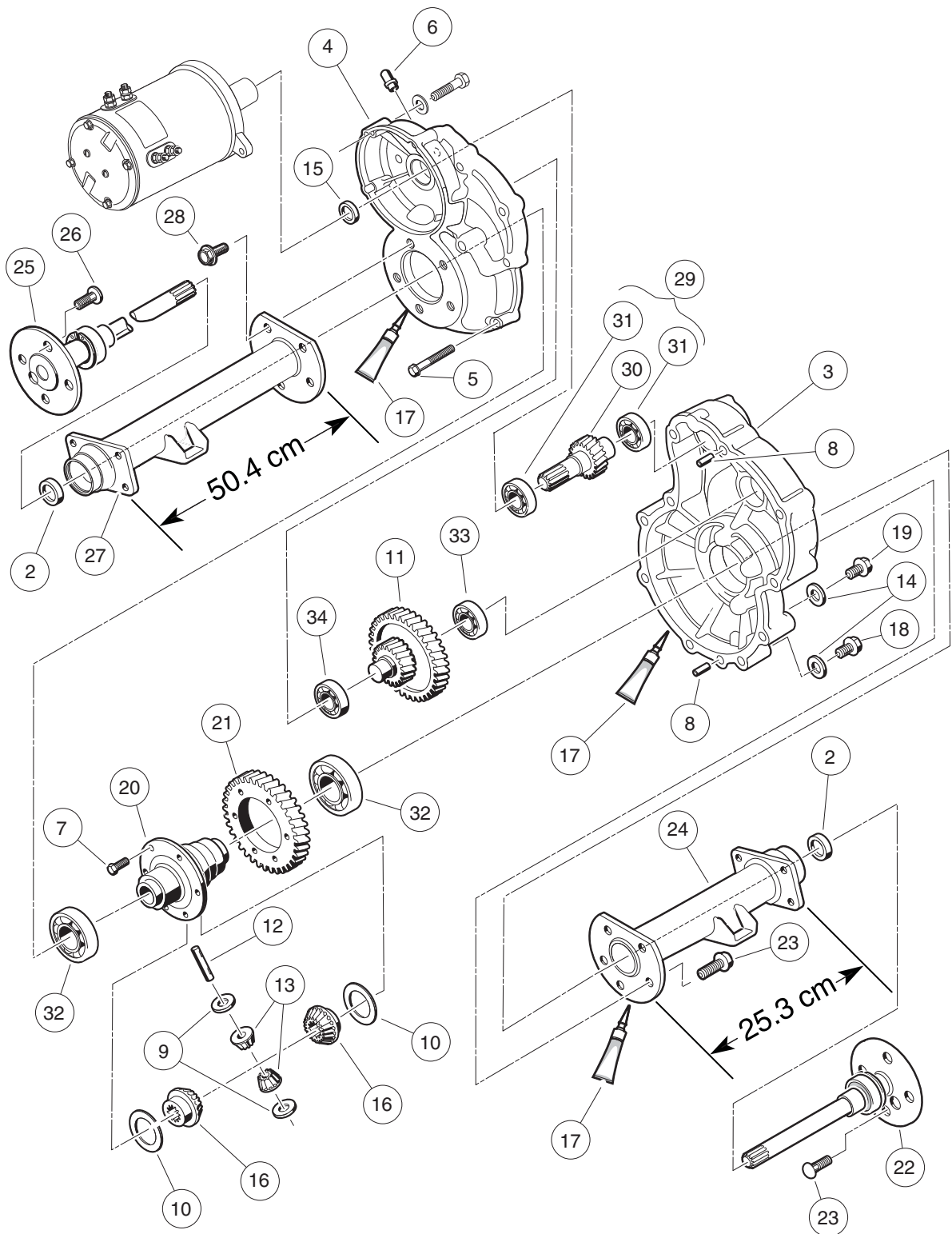
14

E

TRANSAXLE – ELECTRIC VEHICLES

15

E



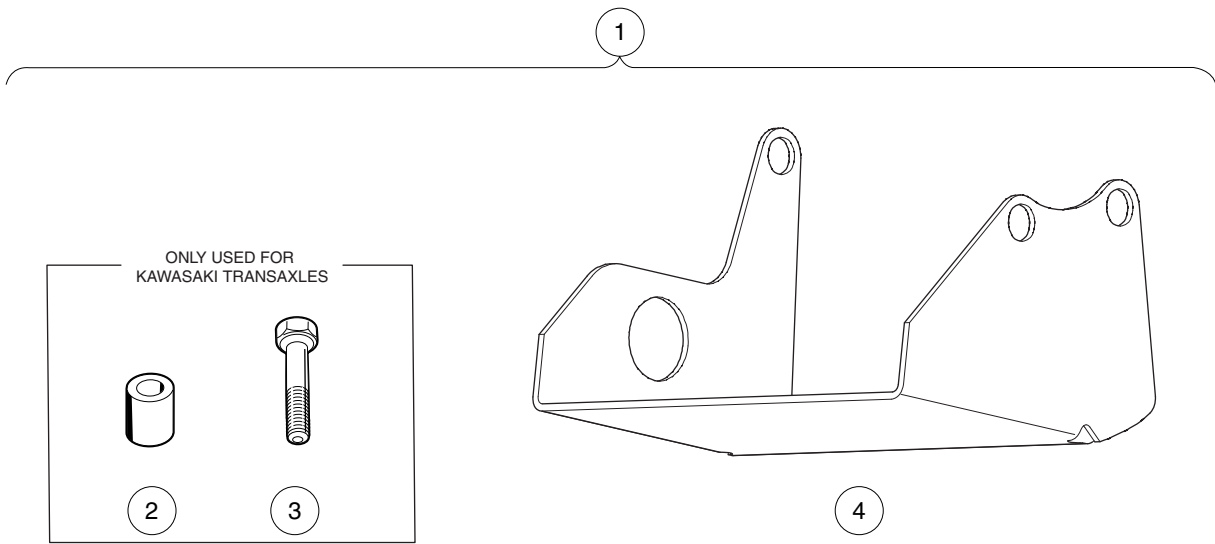
000223-005

TRANSAXLE – ELECTRIC VEHICLES

ITEM	PART NO.	DESCRIPTION	QTY
		1 2 3 4	
1	<u>102771701</u>	Transaxle, Electric (includes items 2 through 34)	1
2	<u>1013794</u>	Axle Shaft Oil Seal	2
3	<u>101895401</u>	Gear Case, Driver-Side	1
4	<u>101895501</u>	Gear Case, Passenger-Side	1
5	<u>101897001</u>	Screw, M8-1.25 X 60mm Hex-Head	11
6	<u>101897201</u>	Breather	1
7	<u>101897401</u>	Screw, M10-1.25 X 25mm	6
8	<u>101897601</u>	Pin, 11mm OD X 8.5mm ID X 10mm	2
9	<u>101903601</u>	Washer, Thrust	2
10	<u>101903701</u>	Washer, Thrust	2
11	<u>101906901</u>	Intermediate Shaft Assembly	1
12	<u>101922101</u>	Pin, 15.99mm X 88.7mm Dowel	1
13	<u>101923001</u>	Gear, Differential Idler	2
14	<u>101923201</u>	Gasket	2
15	<u>101923501</u>	Seal, Lip	1
16	<u>101923901</u>	Gear, Differential	2
17	<u>101928701</u>	Liquid Gasket (Transaxle case)	1
18	<u>101972101</u>	Plug, M14-1.5 X 12mm Magnetic	1
19	<u>101972201</u>	Plug, M14-1.5 X 12mm Hex	1
20	<u>102356601</u>	Housing, Differential, 6 Bolt	6
21	<u>102356801</u>	Gear, Differential Output, 6-Bolt	6
22	<u>102886301</u>	Axle Assembly, Driver-Side (includes item 23)	1
23	<u>101922201</u>	Lug Stud	4
24	<u>102886401</u>	Tube, Axle, Driver-Side	1
25	<u>102886501</u>	Axle Assembly, Passenger-Side (includes item 26)	1
26	<u>101922201</u>	Lug Stud	4
27	<u>102886601</u>	Tube, Axle, Passenger-Side	1
28	<u>102902801</u>	Screw, M10 X 30	10
29	<u>103582801</u>	Asm, E Trans Shaft/bearing (includes items 30 and 31)	1
30	N/A	Shaft, Input	1
31	<u>7335</u>	Bearing	2
32	<u>7330</u>	Inner Axle Tube Bearing	2
33	<u>7335</u>	Bearing	1
34	<u>7336</u>	Bearing	1

15

E



000365-002

DIFFERENTIAL GUARD – ELECTRIC VEHICLES

ITEM	PART NO.	DESCRIPTION	QTY
		1 2 3 4	
1	<u>101611402</u>	Kit, Differential Guard, Elec Vehicles (includes items 2 through 4)	1
2	<u>101914001</u>	Spacer, Steel	2
3	<u>101936101</u>	Screw, M10-1.50 X 60mm Hex Cap	2
4	<u>101978601</u>	Guard, Differential, Electric Vehicle Transaxle	1

15

E

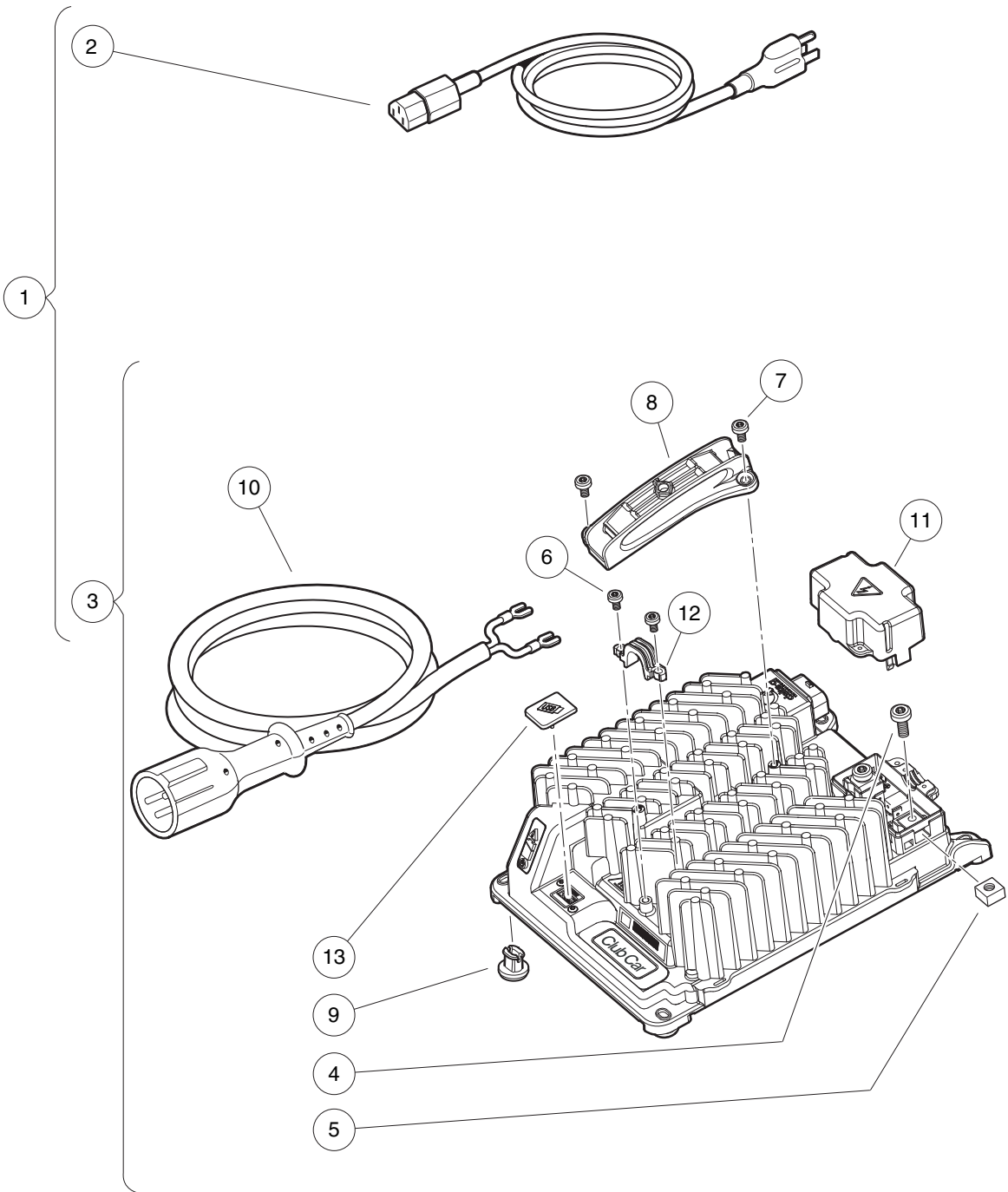
15

E

BATTERY CHARGERS – HIGH-FREQUENCY

16

E



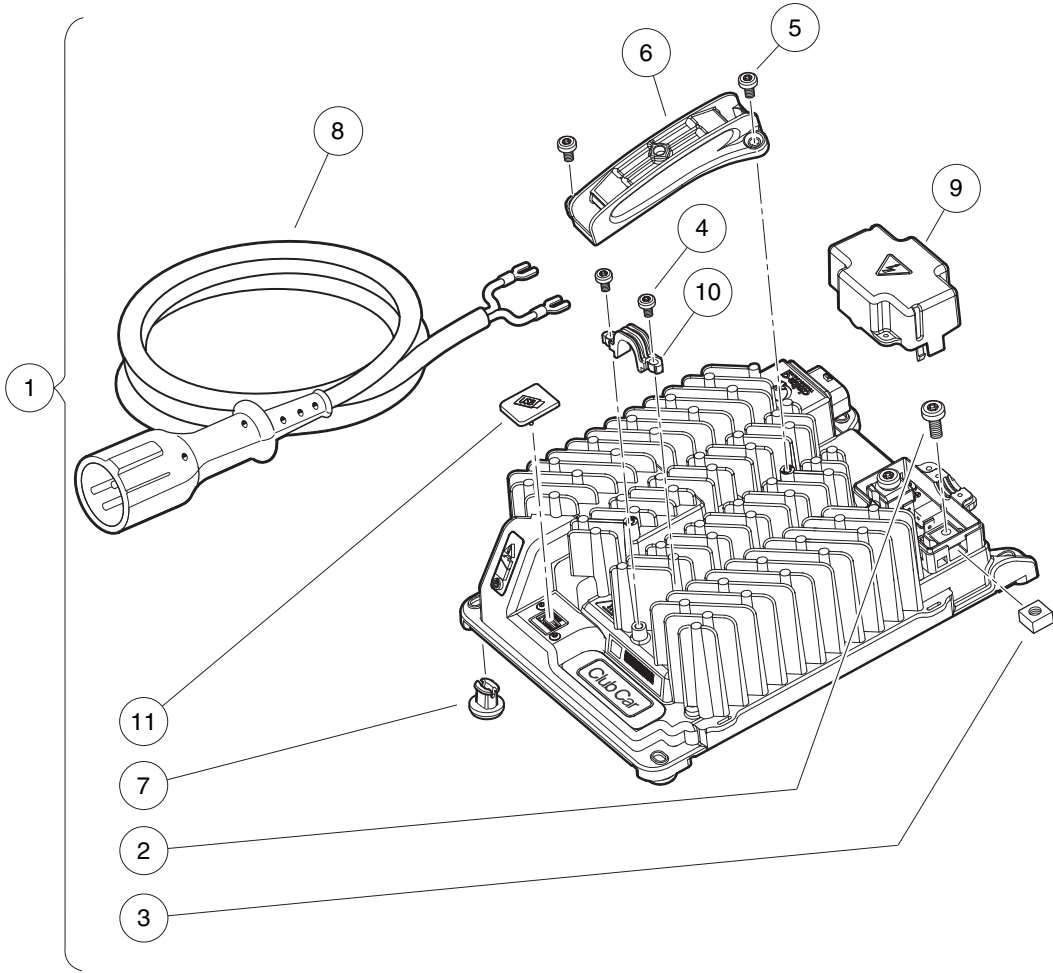
000610-002

BATTERY CHARGER, HIGH-FREQUENCY – U.S./CANADA

ITEM	PART NO.	DESCRIPTION	QTY
		1 2 3 4	
1	<u>105095201</u>	Charger, High-Freq, Service, 9ft Yel DC, 6ft AC, US/Canada (includes items 2 and 3)	1
2	<u>104024201</u>	Cord, AC, Nema To Iec320, 6ft (1.83 m), U.S./Canada	1
3	<u>104029601</u>	Charger, Asm, High-Freq, 9ft (2.74 m) Yellow DC Cord (includes items 4 through 13)	1
4	<u>104024501</u>	Screw, M6, Torx Head	2
5	<u>104024601</u>	Nut, M6, Square, Captured	2
6	<u>104028901</u>	Screw, M4 X .70, Pan Hd, Torx	2
7	<u>104029001</u>	Screw, M5 X .80, Pan Hd, Torx	2
8	<u>105003601</u>	Handle, Charger, High-Freq	1
9	<u>105003701</u>	Foot, Charger, High-Freq	4
10	<u>105070101</u>	Cord, DC, Yellow, 9ft (2.74 m)	1
11	<u>105092301</u>	Cover, DC Terminal Block, High-Freq Charger	1
12	<u>105093101</u>	Strain Relief, High-Freq, External, Charger	1
13	<u>105123801</u>	Cover, USB	1
<p>Note: This charger includes both an AC cord and DC cord. For additional cord lengths that may be used with this charger, see the Battery Charger Cords page.</p>			

16

E



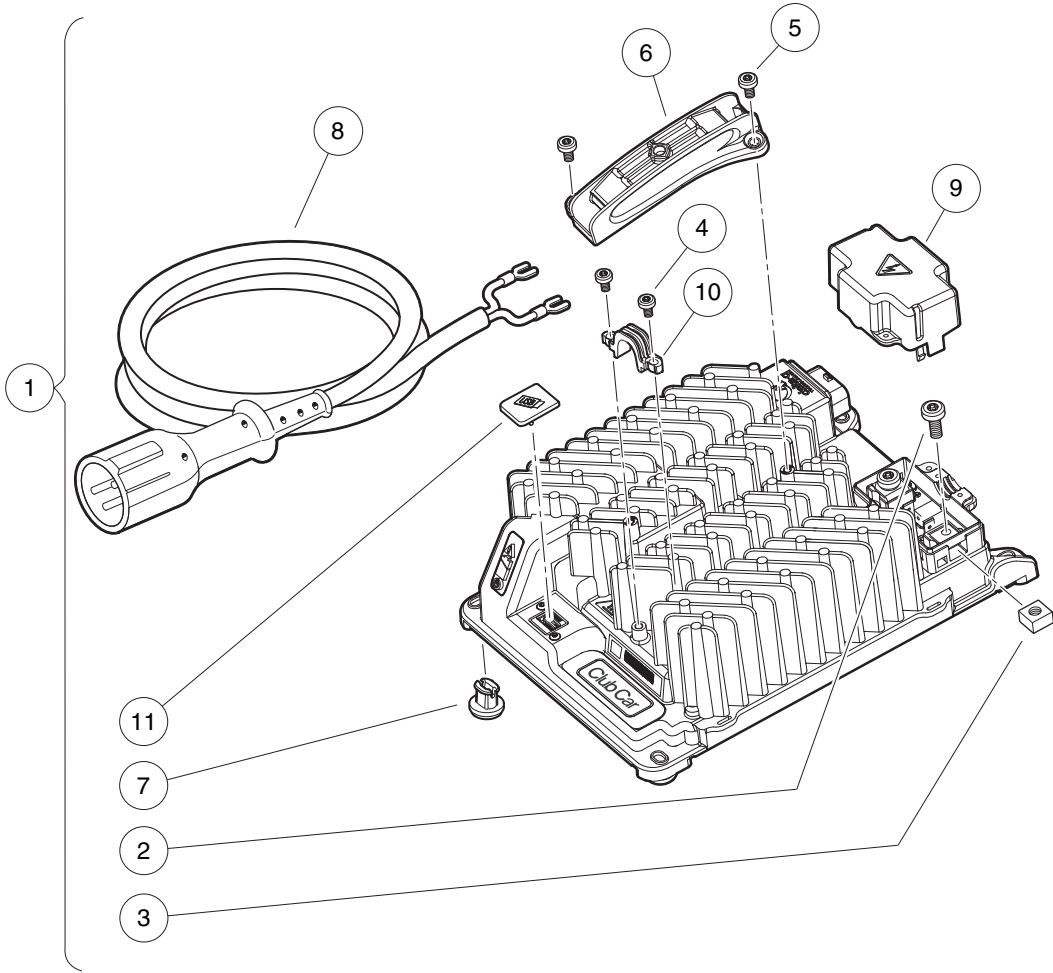
000610-003

BATTERY CHARGER, HIGH-FREQ., 2.74 M DC CORD – GLOBAL

ITEM	PART NO.	DESCRIPTION	QTY
		1 2 3 4	
1	<u>104029601</u>	Charger, Asm, High-Freq, 9ft (2.74 m) Yellow DC Cord (includes items 2 through 11)	1
2	<u>104024501</u>	Screw, M6, Torx Head	2
3	<u>104024601</u>	Nut, M6, Square, Captured	2
4	<u>104028901</u>	Screw, M4 X .70, Pan Hd, Torx	2
5	<u>104029001</u>	Screw, M5 X .80, Pan Hd, Torx	2
6	<u>105003601</u>	Handle, Charger, High-Freq	1
7	<u>105003701</u>	Foot, Charger, High-Freq	4
8	<u>105070101</u>	Cord, DC, Yellow, 9ft (2.74 m)	1
9	<u>105092301</u>	Cover, DC Terminal Block, High-Freq Charger	1
10	<u>105093101</u>	Strain Relief, High-Freq, External, Charger	1
11	<u>105123801</u>	Cover, USB	1
		Note: This charger does not include the AC cord. To complete the charger, choose the appropriate type and length of AC cord found on the Battery Charger Cords page.	

16

E



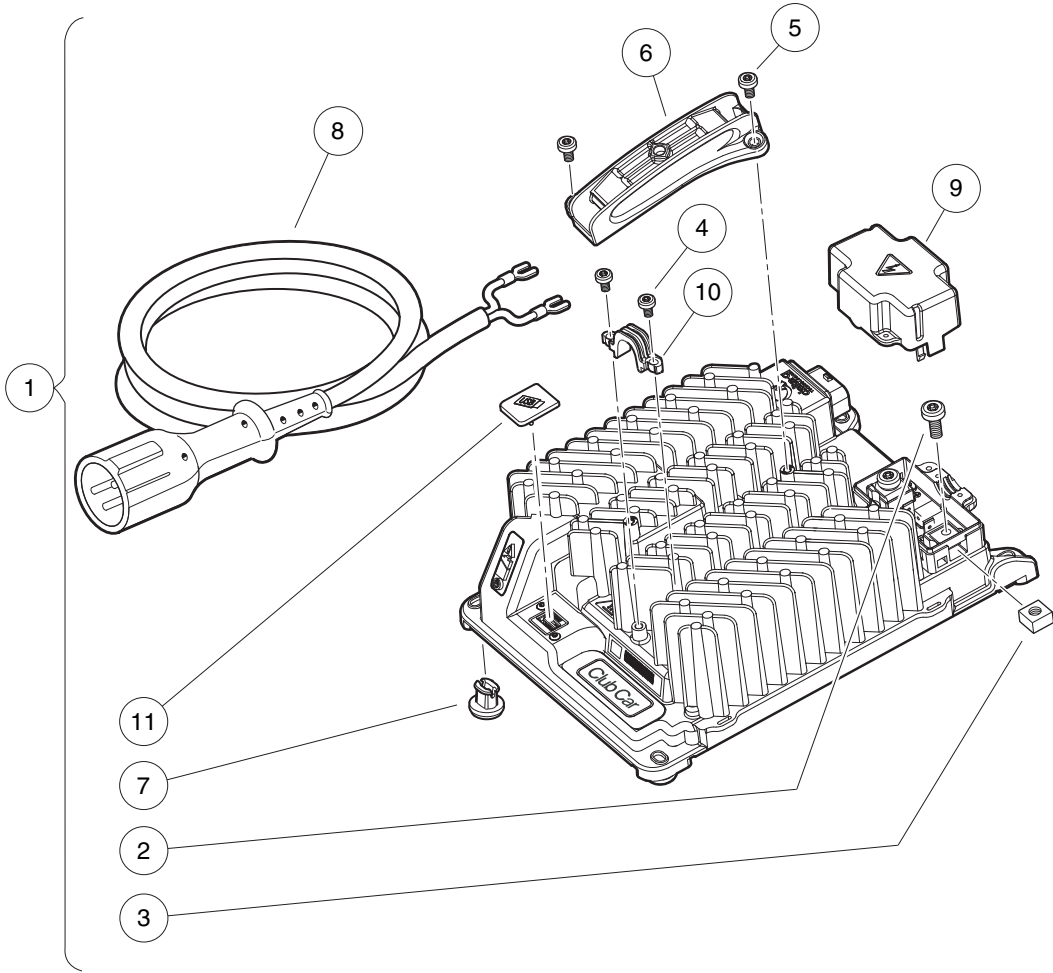
000610-003

BATTERY CHARGER, HIGH-FREQ., 3.66 M DC CORD – GLOBAL

ITEM	PART NO.	DESCRIPTION	QTY
		1 2 3 4	
1	<u>104029602</u>	Charger, Asm, High-Freq, 12ft (3.66 m) Yellow DC Cord (includes items 2 through 11) ..	1
2	<u>104024501</u>	Screw, M6, Torx Head	2
3	<u>104024601</u>	Nut, M6, Square, Captured	2
4	<u>104028901</u>	Screw, M4 X .70, Pan Hd, Torx	2
5	<u>104029001</u>	Screw, M5 X .80, Pan Hd, Torx	2
6	<u>105003601</u>	Handle, Charger, High-Freq	1
7	<u>105003701</u>	Foot, Charger, High-Freq	4
8	<u>105070102</u>	Cord, DC, Yellow, 12ft (3.66 m)	1
9	<u>105092301</u>	Cover, DC Terminal Block, High-Freq Charger	1
10	<u>105093101</u>	Strain Relief, High-Freq, External, Charger	1
11	<u>105123801</u>	Cover, USB	1
		Note: This charger does not include the AC cord. To complete the charger, choose the appropriate type and length of AC cord found on the Battery Charger Cords page.	

16

E



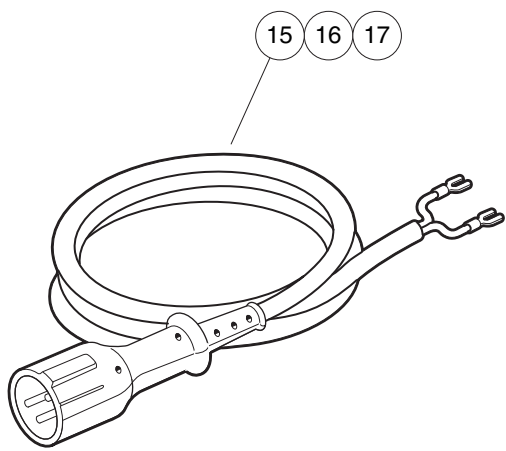
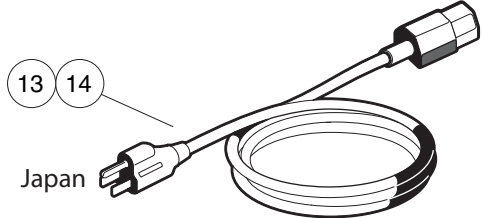
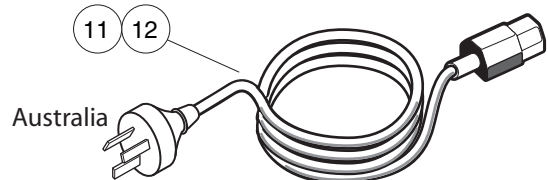
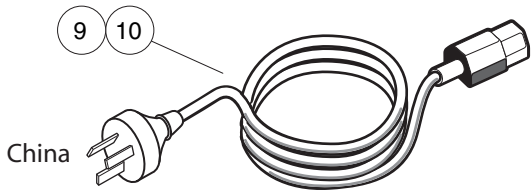
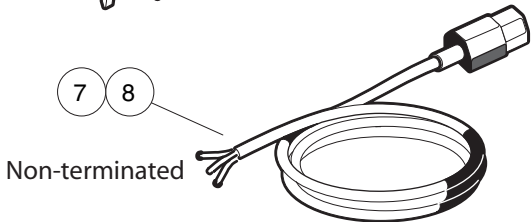
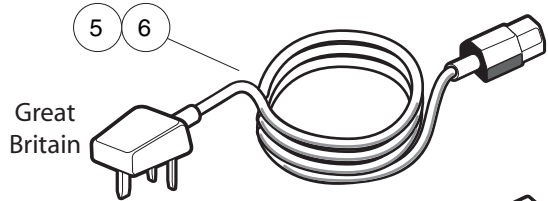
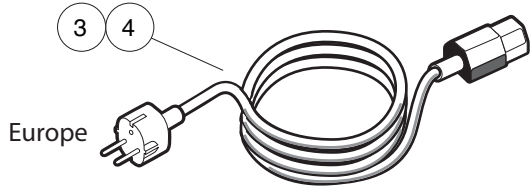
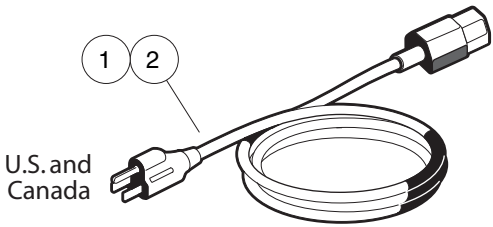
000610-003

BATTERY CHARGER, HIGH-FREQ., 6.1 M DC CORD – GLOBAL

ITEM	PART NO.	DESCRIPTION	QTY
		1 2 3 4	
1	<u>104029603</u>	Charger, Asm, High-Freq, 20ft (6.1 m) Yellow DC Cord (includes items 2 through 11)	1
2	<u>104024501</u>	Screw, M6, Torx Head	2
3	<u>104024601</u>	Nut, M6, Square, Captured	2
4	<u>104028901</u>	Screw, M4 X .70, Pan Hd, Torx	2
5	<u>104029001</u>	Screw, M5 X .80, Pan Hd, Torx	2
6	<u>105003601</u>	Handle, Charger, High-Freq	1
7	<u>105003701</u>	Foot, Charger, High-Freq	4
8	<u>105070103</u>	Cord, DC, Yellow, 20ft (6.1 m)	1
9	<u>105092301</u>	Cover, DC Terminal Block, High-Freq Charger	1
10	<u>105093101</u>	Strain Relief, High-Freq, External, Charger	1
11	<u>105123801</u>	Cover, USB	1
		Note: This charger does not include the AC cord. To complete the charger, choose the appropriate type and length of AC cord found on the Battery Charger Cords page.	

16

E



000610-004

CORDS – BATTERY CHARGER, HIGH-FREQUENCY

ITEM	PART NO.	DESCRIPTION	QTY
		1 2 3 4	
1	104024201	Cord, AC, Nema To lec320, 6ft (1.83 m), U.S./Canada	A/R
2	104024202	Cord, AC, Nema To lec320, 9ft (2.74 m), U.S./Canada	A/R
3	<u>104024401</u>	Cord, AC, lec320, 6ft (1.83 m), Europe	A/R
4	<u>104024402</u>	Cord, AC, lec320, 9ft (2.74 m), Europe	A/R
5	<u>104028501</u>	Cord, AC, lec320, 6ft (1.83 m), Great Britain	A/R
6	<u>104028502</u>	Cord, AC, lec320, 9ft (2.74 m), Great Britain	A/R
7	104028601	Cord, AC, lec320, 6ft (1.83 m), Non-terminated	A/R
8	104028602	Cord, AC, lec320, 9ft (2.74 m), Non-terminated	A/R
9	105068201	Cord, AC, lec320, 6ft (1.83 m), China	A/R
10	105068202	Cord, AC, lec320, 9ft (2.74 m), China	A/R
11	105068301	Cord, AC, lec320, 6ft (1.83 m), Australia	A/R
12	105068302	Cord, AC, lec320, 9ft (2.74 m), Australia	A/R
13	105068401	Cord, AC, lec320, 6ft (1.83 m), Japan	A/R
14	105068402	Cord, AC, lec320, 9ft (2.74 m), Japan	A/R
15	<u>105070101</u>	Cord, DC, Yellow, 9ft (2.74 m)	A/R
16	<u>105070102</u>	Cord, DC, Yellow, 12ft (3.66 m)	A/R
17	<u>105070103</u>	Cord, DC, Yellow, 20ft (6.1 m)	A/R

16

E

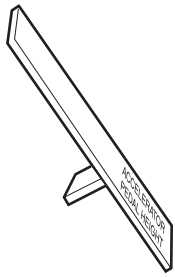
16

E

MAINTENANCE AND SERVICE TOOLS

17
G
E

17
G
E



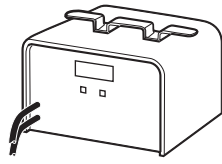
1



2



3



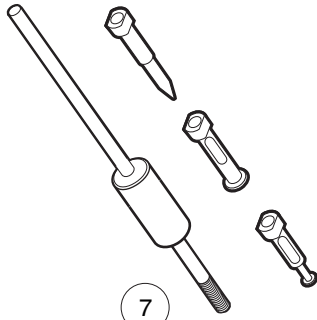
4



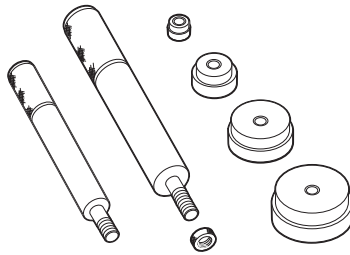
5



6



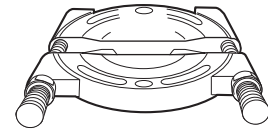
7



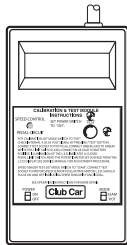
8



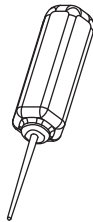
9



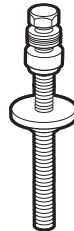
10



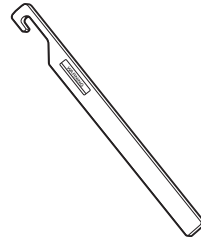
11



12



13



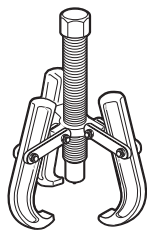
14



15



16



17



18



19

001060-002

MAINTENANCE AND SERVICE TOOLS

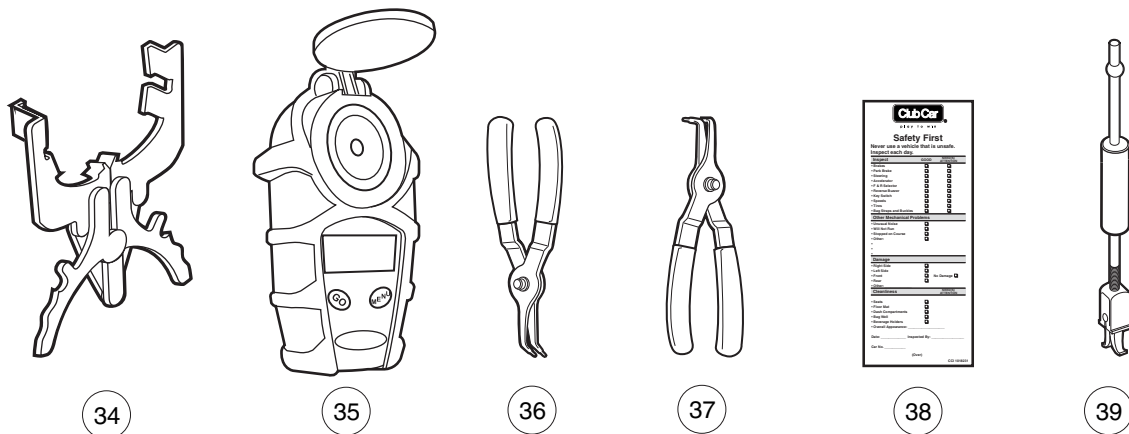
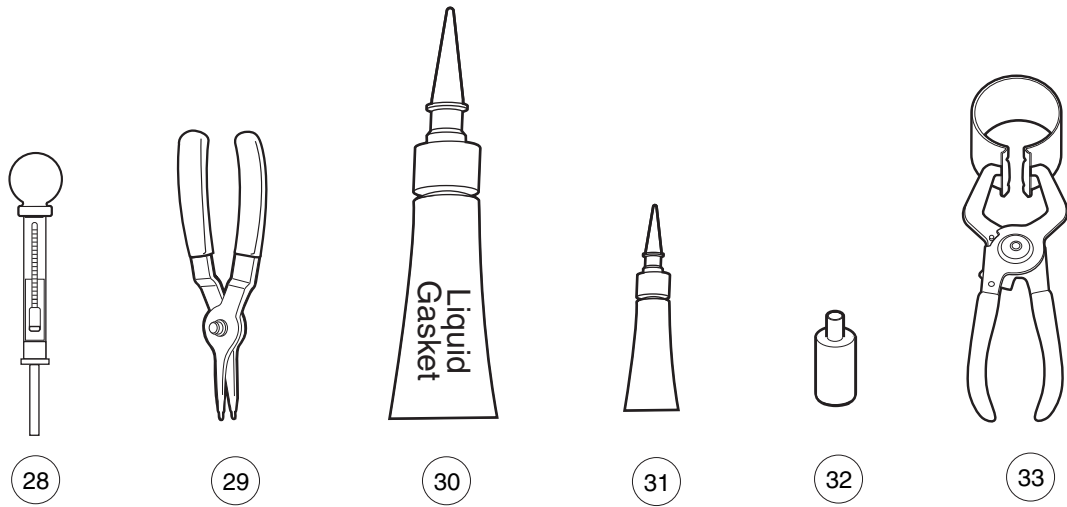
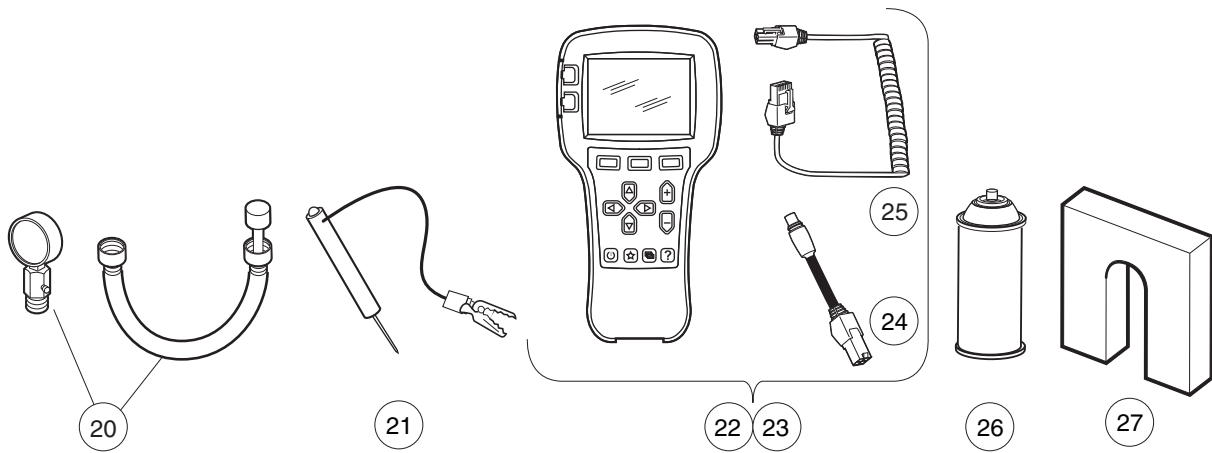
ITEM	PART NO.	DESCRIPTION	QTY GAS	QTY ELEC
		<p>1 2 3 4</p> <p>The following tool list includes all tools available from Club Car for maintenance and service procedures for gasoline and electric golf and utility vehicles. Be sure to carefully examine the tool list for applicability to your vehicle before ordering.</p>		
1	<u>101871001</u>	Accelerator Pedal Adjustment Tool (Utility Vehicles).....	1	1
2	<u>101813202</u>	Adhesive, Guide Ring, 3-Gram Tube		1
3	<u>101641202</u>	Arbor	1	
4	<u>101831901</u>	Battery Discharge Machine, 36/48 Volt		1
5	<u>1014305</u>	Battery Terminal Protector Spray	1	1
6	<u>1011767</u>	Battery Thermometer	1	1
7	<u>1016417</u>	Bearing and Oil Seal Remover Assembly	1	1
8	<u>1016416</u>	Bearing Driver Set	1	1
9	<u>1012811</u>	Bearing Puller	1	1
10	<u>1012812</u>	Bearing Puller Wedge Attachment	1	1
11	<u>101887101</u>	Calibration Test Module		1
12	<u>102562401</u>	Charger Bezel Tool		1
		Clutch Tools (items 13 - 19)	1	
13	<u>101808401</u>	Clutch Cam Installation Tool (for Subaru and Kawasaki engines)	1	
14	<u>105072501</u>	Drive Clutch Holder Tool Assembly (for Subaru and Kawasaki engines)	1	
15	<u>1014497</u>	Drive Clutch Hub Puller (for Subaru and Kawasaki engines)	1	
16	<u>1014496</u>	Drive Clutch Puller (for Subaru and Kawasaki engines)	1	
17	<u>1014508</u>	Driven Clutch Cam Puller (for Subaru and Kawasaki engines)	1	
18	<u>1014507</u>	Driven Clutch Puller Plug (for Subaru and Kawasaki engines)	1	
19	<u>101809101</u>	Press Weldment (for Subaru and Kawasaki engines)	1	
		<p>Please refer to the maintenance and service manual for proper tool application.</p>		

17

G

E

17
G
E



001061-002

MAINTENANCE AND SERVICE TOOLS, CONTINUED

ITEM	PART NO.	DESCRIPTION	QTY GAS	QTY ELEC
		1 2 3 4		
20	101641002	Compression Gauge and Adapter	1	
21	1011273	Continuity Tester	1	1
22	<u>105234501</u>	Controller Diagnostic Tool (CDT) User Kit (includes items 24 and 25)		1
23	<u>105234502</u>	Controller Diagnostic Tool (CDT) OEM Kit (For Programming IQ System, Excel, and IQ Plus controllers) (includes items 24 and 25).....		1
24	<u>102251501</u>	Adaptor, Cable		1
25	<u>105209601</u>	CDT Cable		1
26	<u>1012151</u>	Dry Moly Lubricant	1	1
27	<u>1016418</u>	Gear Yoke	1	1
28	<u>1011478</u>	Hydrometer	1	1
29	<u>1013593</u>	Internal Retaining Ring Pliers	1	1
30	<u>101928701</u>	Liquid Gasket (transaxle case)	1	1
31	<u>102243402</u>	Moly-Teflon Lubricant (4-oz. (113-gram) tube)		1
32	<u>102587201</u>	Paint Pen, Touch-Up, Underbody, Æ Black	1	1
33	<u>1016414</u>	Piston Ring Compressor Kit	1	
34	<u>1016415</u>	Piston Ring Pliers	1	
35	<u>AM1285701</u>	Refractometer	1	1
36	<u>1012549</u>	Retaining Ring Pliers, 45→ External	1	1
37	<u>1012560</u>	Retaining Ring Pliers, 90→ Internal	1	1
38	<u>101823101</u>	Safety First Card (50 per pack)	1	1
39	<u>1012809</u>	Seal Puller	1	1
		Please refer to the maintenance and service manual for proper tool application.		

17

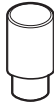
G

E

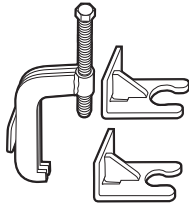
17
G
E



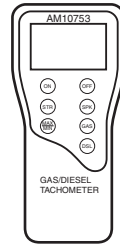
40



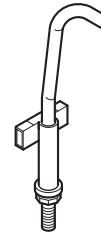
41



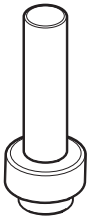
42



43



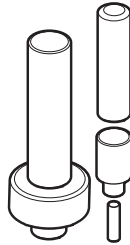
44



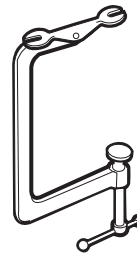
45



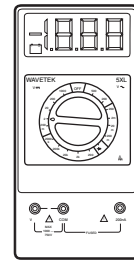
46



47



48



49

001062-001

MAINTENANCE AND SERVICE TOOLS, CONTINUED

ITEM	PART NO.	DESCRIPTION	QTY GAS	QTY ELEC
		1 2 3 4		
40	<u>1014264</u>	Steering Column Bearing Press Tool	1	1
41	<u>1014259</u>	Steering Column Retaining Ring Tool	1	1
42	102061201	Steering Wheel Puller Tool	1	1
43	<u>AM10753</u>	Tachometer (includes gasoline engine pick up lead only)	1	
44	<u>102570401</u>	Tool, Tensioning, Starter Generator	1	
45	<u>1014162</u>	Transaxle Axle Seal Tool (for electric vehicles)		1
46	1014161	Transaxle Pinion Seal Tool (for electric vehicles)		1
47	<u>1014115</u>	Transmission Tool Kit (for electric vehicles).....		1
48	<u>101641101</u>	Valve Spring Compressor	1	
49	1011480	Volt Ohm Meter	1	1
		Please refer to the maintenance and service manual for proper tool application.		

17
G
E

INDEX

Part Number and Page

AM10753	17-7	1012566	6-3	1014947	13-17
AM10079	4-7, 4-9	1012571	1-15	1015064	12-3
AM10419	11-7	1012594	7-19, 12-3	1015137	9-9
AM1300001	13-15	1012649	9-9	1015524	17-3
AM1300101	13-15	1012809	17-5	1015583	6-13, 6-15
AM1300201	13-15	1012811	17-3	101558302	6-13, 6-15, 6-17
AM1300301	13-15	1012812	17-3	101587704	9-9
183	11-5	1012836	11-7	1015932	7-9
332	12-7	1012987	12-3	1015969	8-11
334	11-5	1013042	6-7	1016103	8-13
451	14-3	1013164	6-13, 6-15	101611402	15-5
1241	8-5	1013589	12-3	1016154	6-3
1242	5-7, 7-9, 7-11	1013590	12-3	1016201	11-5
1624	7-9	1013591	12-3	1016214	6-3
7174	7-9, 10-3	1013593	17-5	1016289	11-5
7310	2-3	1013609	7-11	101641002	17-5
7330	15-3	1013734	13-17	101641101	17-7
7335	15-3	1013746	9-9	101641202	17-3
7336	15-3	1013794	15-3	1016414	17-5
7591	8-13	1013857	4-3, 4-5, 4-9	1016415	17-5
7893	7-11	1013924	5-3, 5-5, 8-7, 8-9	1016416	17-3
8056	7-19	1014007	9-15, 12-9	1016417	17-3
8057	7-19, 12-3	1014051	11-5	1016418	17-5
8058	7-19, 12-3	1014055	11-5	1016801	11-5
8233	9-15, 12-7, 12-9	1014056	11-5	1016849	4-3, 4-5, 4-7, 4-9
8450	11-5	1014057	11-5	1016851	4-7, 4-9
8639	13-5, 13-21	1014058	11-5	101705701	3-3
8717	12-3	1014059	11-5	1017145	11-7
8754	7-9	1014062	11-5	1017686	11-7
8990	1-33, 4-3, 4-5, 6-7, 12-5, 13-5, 13-21	1014063	11-5	101791101	5-3
1010145	6-13, 6-15, 6-17	1014065	11-5, 12-3	101808401	17-3
1010434	1-21, 5-9, 5-11, 5-13, 5-15, 13-11	1014072	11-7	101809101	17-3
1010577	8-5	1014078	11-7	101813202	17-3
1010829	5-7	1014080	11-7	101815501	5-3, 5-5
1010958	13-9, 13-11	1014115	17-7	101815502	5-3, 5-5
1010984	2-3	1014145	12-3	101816501	5-3, 5-5
1011114	9-15, 12-9	1014161	17-7	101816502	5-3, 5-5
1011137	5-5	1014162	17-7	101823101	17-5
1011273	17-5	1014201	14-3	101823201	5-3, 5-5
1011415	6-13, 6-15	1014259	17-7	101823801	5-3, 5-5
1011478	17-5	1014264	17-7	101823901	5-3, 5-5
1011480	17-7	1014287	11-5	101824101	8-13
1011571	4-9	1014288	11-5	101825101	3-5, 3-11
1011578	1-43	1014289	7-7	101830701	4-7, 4-9
1011610	4-9	1014304	13-9, 13-11	101831901	17-3
1011767	17-3	1014305	17-3	101832001	13-5
1012151	17-5	1014453	11-5	101833401	11-7
1012180	6-13, 6-15	1014454	11-7	101834502	4-7, 4-9
1012431	7-19, 12-3	1014496	17-3	101835601	1-43, 4-3, 4-5, 4-11, 4-13
1012505	4-7, 4-9	1014497	17-3	101850301	6-3
1012528	10-3, 13-17	1014507	17-3	101851101	4-7, 4-9
1012549	17-5	1014508	17-3	101856001	13-7
1012560	17-5	1014555	6-13, 6-15, 13-9, 13-11	101862001	12-7
1012565	6-3	1014727	7-19, 12-3	101865805	13-11
		1014789	7-5	101871001	17-3
		1014807	7-19, 12-3	101884801	8-7, 8-9

INDEX

101886101	9-15, 12-9	102287101	6-9	102356801	15-3
101887101	17-3	102287601	6-9	102357701	6-11
101895401	15-3	102287701	6-9	102400002	1-31, 1-33, 1-41
101895501	15-3	102288101	6-9, 6-11	102400102	1-31, 1-33, 1-41
101897001	15-3	102288201	6-11	102400202	1-9
101897201	15-3	102288401	6-11	102400302	1-9
101897401	15-3	102288701	6-11	102410604	8-13, 9-15
101897601	15-3	102288801	6-11	102411203	9-3, 9-5
101898001	7-11	102288901	6-9	102411209	9-17
101903601	15-3	102289001	6-7	102476401	9-15, 12-9
101903701	15-3	102289101	6-11	102490301	9-15
101906901	15-3	102289201	6-11	102491501	11-5, 13-9, 13-11
101908401	7-13, 13-7	102289401	6-9	102492301	13-5
101914001	15-5	102289501	6-9, 6-11	102498201	9-15, 12-7, 12-9
101920101	14-3	102289601	6-9	102500801	5-9, 5-11, 5-13, 5-15
101922101	15-3	102289701	6-9	102501402	1-23
101922201	15-3	102289801	6-11	102501403	1-23
101923001	15-3	102289901	6-9	102501501	1-7
101923201	15-3	102290120	6-3, 6-5	102502352	1-23
101923501	15-3	102292101	1-3	102502353	1-23
101923901	15-3	102292201	5-9, 5-11, 5-13, 5-15	102502452	1-7
101928701	15-3, 17-5	102292356	1-11, 1-13, 13-9, 13-11	102502453	1-7
101936101	15-5	102292701	1-13, 1-23	102502501	1-7
101942301	14-3	102292801	5-7	102504001	1-21
101954301	1-19	102296020	1-7, 4-3, 4-5, 7-11, 9-3, 9-5, 9-17	102504201	1-21
101960501	3-7	102296040	7-11, 12-3	102504301	1-21
101963401	8-5	102296140	1-25, 1-27, 1-29	102504802	1-13
101972101	15-3	102296401	1-25, 1-27, 1-29	102505401	1-3
101972201	15-3	102296530	1-21	102505701	1-3, 6-9
101978601	15-5	102296601	1-23	102506401	6-13, 6-15, 6-17
101979101	7-19, 12-3	102296716	13-17	102508202	1-17
101998501	1-19	102296819	1-11	102508401	13-7
102022601	6-7	102296920	13-7	102508601	4-7
102025801	9-7	102297125	9-17	102508901	1-25
102051901	4-3, 4-5, 4-9	102297230	1-21, 1-23, 9-9	102508902	1-27
102061201	17-7	102297901	5-7	102508903	1-29
102155801	11-7	102298020	1-13, 1-15, 13-9, 13-11	102511101	13-7
102186001	14-3	102298030	1-17, 1-23, 5-9, 5-11, 5-13, 5-15	102511601	1-25
102186101	14-3	102298116	6-5, 8-13	102511602	1-27
102186201	14-3	102298130	6-5	102511603	1-29
102186401	14-3	102298170	6-13, 6-15, 6-19	102513501	1-31, 1-33
102186701	14-3	102298175	6-13, 6-15, 6-17	102514702	9-3, 9-5
102186901	14-3	102298240	1-21, 1-43	102515101	4-9
102187101	14-3	102298401	1-3, 1-5, 1-31, 1-33, 6-13, 6-15, 6-17	102516901	1-17
102187201	14-3	102298580	1-3, 6-13, 6-15	102517001	1-21
102196901	4-7	102298601	1-3, 6-13, 6-15	102517601	4-3, 4-5
102199001	4-9	102298716	1-13, 1-23	102517901	3-7
102235201	14-3	102298720	4-3, 4-5	102519301	3-5, 3-11
102240501	13-17	102298995	1-3	102521401	9-17
102242101	8-5, 11-7	102299065	1-9, 1-31, 1-33, 1-41	102521901	1-13
102243402	17-5	102299360	1-31, 1-33	102522901	4-7, 4-9
102243403	14-3	102299601	1-31, 1-33	102526201	12-3
102251501	17-5	102353201	6-11	102527801	4-3, 4-5
102274101	12-17	102353301	6-11	102528101	4-3, 4-5
102278802	1-43	102353401	6-11	102528701	4-3, 4-5
102279105	1-23	102356601	15-3	102528901	4-3, 4-5

INDEX

102529001	4-3, 4-5	102670701	6-17	103384601	3-13
102529201	4-3, 4-5	102704701	14-3	103384701	3-13
102534201	1-5	102704801	14-3	103384801	3-13
102534404	1-7	102704901	14-3	103388501	6-9
102535101	4-3, 4-5	102732401	8-5	103395505	13-13
102535201	4-3, 4-5	102771701	15-3	103397901	4-3, 4-5
102535301	4-3, 4-5	102803301	7-11	103402701	1-11
102535401	4-3, 4-5	102838701	7-7	103414901	4-3, 4-5
102536601	4-7, 4-9	102838801	7-7	103449501	13-21
102536602	4-9	102838901	7-7	103449601	13-21
102536603	4-7	102839001	7-7	103459104	2-3
102536604	4-9	102839301	7-7	103470701	9-3, 9-5
102536605	4-7	102841101	7-7	103483101	5-3, 5-5
102538601	13-5	102844601	7-7	103483102	5-3, 5-5
102540301	8-9	102844701	7-7	103483201	5-3, 5-5
102541402	8-13	102865901	13-17	103483401	5-3, 5-5
102543902	1-9	102878201	6-11	103483601	5-3, 5-5
102544201	1-9, 1-31, 1-33, 1-41	102883602	1-7	103483701	5-3, 5-5
102544301	4-3, 4-5	102886301	15-3	103508101	8-5
102551901	5-7	102886401	15-3	103510602	13-13
102552001	5-7	102886501	15-3	103528701	5-7
102554901	13-5	102886601	15-3	103528702	5-7
102555901	3-5, 3-11	102902801	15-3	103535001	5-7
102557201	1-11	102915601	1-11	103572501	14-3
102558201	8-3, 9-17	102956201	6-9, 6-11	103582801	15-3
102558301	9-17	102958001	13-13	103597101	4-3, 4-5
102558501	9-17	102967901	1-23	103635201	1-13
102558601	9-17	103146501	6-19	103638601	6-11
102558701	9-17	103196001	1-31, 1-33	103638701	6-11
102559401	5-9, 5-11, 5-13, 5-15	103198401	7-13	103638702	6-11
102559701	5-9, 5-11, 5-13, 5-15	103199301	1-31	103638801	6-11
102559901	2-3	103200301	1-31, 1-33	103638901	1-3
102559902	2-3	103205101	1-25, 1-27, 1-29	103647402	13-9, 13-11
102562401	17-3	103205501	3-7, 7-13	103647403	13-9, 13-11
102565201	6-7	103210101	1-25, 1-27, 1-29	103679701	6-7
102566001	6-7	103325001	1-5, 4-3, 4-5	103694501	2-3
102569302	2-3	103327601	1-21	103699401	1-21
102570401	17-7	103347101	7-7	103700302	4-3, 4-11
102571202	13-11	103347301	7-7	103724501	6-3
102572401	4-7	103347601	7-7	103724601	6-3
102581201	1-41	103347701	7-7	103724901	6-3
102587201	17-5	103347801	7-7	103725601	1-33
102588501	6-13, 6-15, 6-17	103347901	7-7	103742304	6-15, 6-17
102588601	6-9	103357701	13-9, 13-11	103742305	6-13
102594301	5-7	103367901	13-17	103750001	1-31, 1-33, 1-41
102594801	5-9, 5-11, 5-13, 5-15	103368301	13-9, 13-11	103750101	1-31, 1-33, 1-41
102594901	5-9, 5-11, 5-13, 5-15	103368401	13-9, 13-11	103756401	9-9
102595201	5-9, 5-11, 5-13, 5-15	103372101	9-3, 9-5	103765601	13-9, 13-11
102595301	5-9, 5-11, 5-13, 5-15	103372401	9-9	103774701	13-13
102595401	5-9, 5-11, 5-13, 5-15	103374801	13-9, 13-11	103774801	1-33
102595502	5-9, 7-3	103375301	13-9, 13-11	103775201	1-33
102595901	5-9, 5-11, 5-13, 5-15	103375402	13-5	103775601	1-33
102596001	5-9, 5-11, 5-13, 5-15	103375702	13-5	103777601	5-9, 5-11, 5-13, 5-15, 7-3
102596301	5-11, 5-13, 5-15	103375901	4-3, 4-5	103783001	3-11, 6-3
102617201	8-5, 10-3	103380201	5-3, 5-5	103783002	3-5, 6-3
102617801	12-17	103380202	5-3, 5-5	103795001	9-17

INDEX

103802402	4-5, 4-13	103983501	9-13	105010701	8-23
103810201	6-5	103984601	11-5	105010801	8-19
103812901	1-23	103989501	12-17	105010901	8-19, 9-13
103813001	1-23	103990503	1-3	105011001	8-23
103826201	6-7	103990601	1-3	105011101	8-23
103826301	6-7	103991501	4-7	105011201	8-23
103832901	1-19	103995001	12-17	105011301	8-23
103833601	1-19	103995901	8-11	105011401	8-23
103833701	1-19	104005301	7-9	105011501	8-23
103833801	1-19	104005901	13-15	105011601	8-23
103833901	1-19	104006101	13-15	105011701	8-23
103853121	1-21	104008001	1-25	105011801	8-23
103853122	1-21	104008002	1-27	105011901	8-19
103874111	5-15	104008003	1-29	105012001	8-19
103879701	12-11	104008501	1-31	105012101	8-19
103881201	1-33	104008502	1-33	105012201	8-19
103882801	8-5	104008901	1-31	105012301	8-19
103886601	12-5	104008902	1-33	105012501	8-23
103896606	9-9	104021701	12-17	105012601	8-11, 8-17, 8-19
103905201	9-3, 9-5	104023201	13-5	105012701	8-25
103921601	6-13, 6-15	104023421	1-19	105012801	8-25
103921602	6-13, 6-15	104023422	1-19	105012901	8-25
103923601	1-5, 4-3, 4-5	104023501	9-15, 12-9	105013001	8-25
103924301	4-9	104024001	13-5	105013101	8-25
103924401	4-9	104024201	16-3, 16-11	105013201	8-25
103924801	7-5, 13-5	104024202	16-11	105013301	8-25
103926602	1-3	104024401	16-11	105013401	8-25
103929301	1-21	104024402	16-11	105013501	8-25
103929302	1-21	104024501	16-3, 16-5, 16-7, 16-9	105013601	8-25
103933902	4-3, 4-5	104024601	16-3, 16-5, 16-7, 16-9	105013701	8-25
103935601	6-11	104025101	11-7	105013801	8-25
103943401	5-15, 13-3	104027101	12-17	105013901	8-25
103944301	9-3, 9-5	104028501	16-11	105014001	8-25
103951002	2-3	104028502	16-11	105014101	8-25
103951501	12-17	104028601	16-11	105014201	8-21
103952901	1-21	104028602	16-11	105014301	8-21
103953301	7-7	104028901	16-3, 16-5, 16-7, 16-9	105014401	8-21
103964901	6-13, 6-15	104029001	16-3, 16-5, 16-7, 16-9	105014501	8-21
103965001	6-13, 6-15	104029601	16-3, 16-5	105014601	8-21
103973901	11-5	104029602	16-7	105014701	8-21
103974002	11-7	104029603	16-9	105014801	8-21
103974201	11-5	105003601	16-3, 16-5, 16-7, 16-9	105014901	8-21
103974401	11-5	105003701	16-3, 16-5, 16-7, 16-9	105015001	8-21
103974815	5-9	105005001	13-17	105015101	8-21
103974821	5-11, 5-13	105005402	1-15	105015201	8-21
103974901	5-9, 5-11, 5-13, 5-15	105008101	7-5	105015301	8-21
103975011	5-15	105008301	7-5	105015401	8-21
103975301	11-7	105009001	9-17	105015501	8-21
103976101	11-5	105009201	9-17	105015601	8-21
103978001	9-15	105010001	8-23	105015701	8-21
103978801	1-21	105010101	8-19	105015801	8-21
103979301	12-17	105010201	8-19	105015901	8-21
103979401	8-5	105010301	8-19	105016001	8-15, 8-21
103982002	9-15	105010401	8-23	105016101	9-13
103982201	8-5	105010501	8-23	105016201	9-13
103982301	13-17	105010601	8-23	105016301	9-13

INDEX

105016401	9-13	105028601	12-13	105076201	10-3
105016501	9-13	105028701	12-13	105081501	7-5
105016701	8-11	105028801	12-13	105081601	7-5
105016801	8-11	105028901	12-13	105084801	8-13
105016901	8-11	105029001	12-13	105092301	16-3, 16-5, 16-7, 16-9
105017001	8-11	105029101	12-13	105093101	16-3, 16-5, 16-7, 16-9
105017101	8-11	105029201	12-13	105095201	16-3
105017201	9-11	105029301	12-15	105096101	11-5
105017301	8-15	105029401	12-15	105102601	7-19
105017401	8-15	105029501	12-15	105114802	7-15
105017501	8-15	105029601	12-15	105116301	5-15, 13-3
105017601	8-15	105029701	12-15	105123801	16-3, 16-5, 16-7, 16-9
105017701	8-15	105029801	12-15	105134601	8-5
105017901	8-15	105029901	12-15	105135101	9-15, 12-7
105018001	8-17	105030001	12-11	105136501	7-13
105018101	8-17	105030301	12-15	105137401	13-5
105018201	8-17	105030401	12-15	105138301	13-9, 13-11
105018301	8-17	105030501	12-15	105142401	2-3
105018401	8-17	105030601	12-15	105142501	4-3
105018501	8-19	105030701	12-11	105142502	4-5
105025001	12-11	105030801	12-15	105143301	7-5, 9-3, 9-5
105025101	12-11	105030901	12-13	105144401	9-15, 12-9
105025201	12-11	105031001	12-15	105149301	8-5
105025301	12-11	105037101	4-9	105152301	4-7
105025401	12-11	105037501	12-3	105161701	7-5, 7-7
105025501	12-11	105037601	12-3	105166801	13-15
105025601	12-11	105037701	12-3	105166901	13-15
105025701	12-11	105038501	12-3	105167001	13-15
105025801	12-11	105038801	12-5	105167101	13-15
105025901	12-11	105039801	12-3	105168501	13-15
105026001	12-11	105040401	12-3	105168601	13-15
105026101	12-11	105040901	12-7	105187901	6-11
105026201	12-11	105041101	12-3	105188185	6-13, 6-15, 6-17
105026301	12-11	105043401	9-7	105188701	6-17
105026401	12-11	105043601	9-3, 9-5	105190101	7-7
105026501	12-11	105043801	9-7	105209601	17-5
105026601	12-11	105043901	9-7	105215501	9-5
105026701	12-11	105049001	6-5	105215502	9-3
105026801	12-11	105066001	12-15	105228801	7-5
105026901	12-11	105066101	12-15	105234501	17-5
105027001	12-11	105067501	3-7	105234502	17-5
105027101	12-11	105068201	16-11	105234801	12-11, 12-13
105027201	12-11	105068202	16-11	105234901	12-11, 12-13
105027301	12-11	105068301	16-11	105237399	7-11
105027401	12-13	105068302	16-11	105245801	11-3
105027501	12-13	105068401	16-11	105255501	7-5
105027601	12-13	105068402	16-11	105255601	7-5
105027701	12-13	105068601	6-5	105262401	8-5
105027801	12-13	105070101	16-3, 16-5, 16-11	105268101	7-15
105027901	12-13	105070102	16-7, 16-11	105282901	9-7
105028001	12-13	105070103	16-9, 16-11	105282902	9-7
105028101	12-15	105070501	3-9	105282903	9-7
105028201	12-13	105072201	9-3, 9-5	105284801	9-9
105028301	12-11	105073001	9-7	105291501	1-13
105028401	12-13	105074101	12-3	105298701	7-15
105028501	12-11	105075301	8-13	105298801	7-15

INDEX

105314001 1-13
105314101 1-13
47539338001 7-9
47539956001 8-3, 8-15
47539957001 10-3
47540040001 8-19
47542195001 5-3, 5-5
47546044001 9-3, 9-5
47560030001 13-19
47560464001 9-9
47563300001 1-43
47563300002 1-43
47563301001 1-43
47563302001 1-43
47563303001 1-43
47563304001 1-43
47563305001 1-43
47563306001 1-45
47563307001 1-45
47564782001 1-43
47564783001 1-43
47564784001 1-43
47564785001 1-43
47564786001 1-43
47564787001 1-43
47564787002 1-43
47564886021 1-45
47564886022 1-45
47564887021 1-45
47564887022 1-45
47564890001 8-9
47568658001 7-5
47568672001 1-43
47568673001 1-43
47568674001 1-43
47568674002 1-43
47568675001 1-43
47568676001 1-43
47568677001 1-43
47570464001 1-35
47570464002 1-37
47570464003 1-39
47576196001 6-17
47576649001 6-19
47576650001 6-19
47576651001 6-19
47576652001 6-19
47576652002 6-19
47577864001 6-19
47577865001 6-19
47578327001 1-43
47579096001 6-13, 6-15, 6-17
47579669001 1-5
47581051001 1-43
47582821001 1-35, 1-37, 1-39
47582821002 1-35, 1-37, 1-39

47583112001 1-35, 1-37, 1-39
47583296001 1-7
47583296002 1-7
47583297001 1-23
47583297002 1-23
47583665001 6-17
47583666001 6-17
47583795001 8-7
47583912001 6-17
47584184001 8-7
47587701001 8-7
47587715001 7-17
47592811001 1-43
47592812001 1-41
47604229001 7-17
47604230001 13-19
96741046 8-5

A

A-arm, three-piece 6-9
absorber, front shock 6-9
absorber, rear shock 6-13, 6-15, 6-17
AC cord 16-3, 16-11
accelerator cable 9-15
accelerator pedal 5-9, 5-11, 5-13, 5-15, 7-3
accelerator pedal adjustment tool 17-3
access panel 1-23
adapter
 air intake 9-13
 cable (IQDM) 17-5
adhesive, guide ring 17-3
air cleaner assembly 9-17
air deflector 8-13
air filter 8-3, 9-17
air filter canister evacuation valve 9-17
air intake adapter 9-13
air intake cover 9-17
air intake hose 9-17
AM1285701 17-5
arbor 17-3
arm
 governor 9-15, 12-9
armature 14-3
armrest 1-19
assembly
 brake lever 5-3, 5-5
 drive hub 11-5
 driven clutch 11-7
 frame and field (motor) 14-3
 fuel cap 9-3, 9-5
 fuel pump 9-7
 moveable-face 11-5, 11-7
 secondary clutch weight 11-5
axle 15-3
axle guard 15-5
axle shaft 12-15

axle shaft oil seal 15-3
axle tube 12-15, 15-3

B

backing plate, brake 5-3, 5-5
backrest 1-45
backrest, beige 1-21
backrest, white 1-21
baffle
 crankcase 8-11
bag hoop 1-21
bag strap 1-21
bag strap buckle 1-21
balance shaft 8-25
ball bearing 7-7, 12-13, 12-15
ball joint, inner 6-7
barrel, plastic 1-21, 5-9, 5-11, 5-13, 5-15, 13-11
battery
 8-volt, GC8 Type E 13-9, 13-11
battery bucket 13-9, 13-11
battery charger 16-3, 16-5, 16-7, 16-9
battery clamp 7-11
battery cross rod tube 13-9, 13-11
battery discharge machine 17-3
battery hold-down 13-9, 13-11
battery terminal protector spray 17-3
battery thermometer 17-3
battery, 12-volt, top-post 7-11
bead, ferrite 13-21
bearing 15-3
 balance shaft 8-23
 ball 7-7, 12-13, 12-15
 ball (motor) 14-3
 crankshaft 8-23
 inner axle tube 15-3
 thrust 12-11
bearing and oil seal remover 17-3
bearing driver set 17-3
bearing puller 17-3
bearing puller wedge 17-3
beauty panel, front 1-7
beauty panel, rear 1-23
bellows, steering 6-7
belt, drive 11-3
belt, starter/generator 7-9
body
 front 1-7
 rear 1-23
 under 1-13
body kick plate (ele) 1-17
body kick plate (gas) 1-15
bolt
 battery, "S" hold-down 13-9, 13-11
boot, switch 7-13, 13-7
bottom, seat 1-45
bracket

INDEX

- accel.cable 9-15, 12-7
- canopy support 1-31, 1-33
- carbon canister 9-9
- clamshell 1-13
- equalizer 5-7
- FNR cable 9-15, 12-7
- governor 9-15, 12-9
- mounting, starter/generator 8-5
- mounting, transaxle/exhaust 8-5
- shock mounting, drv 6-13, 6-15
- shock mounting, pas 6-13, 6-15
- snubber 8-7, 8-9
- starter/generator adjusting 7-9
- Bracket, Seat Back, Front, Top, CSMR 1-43
- brake adjusting mechanism 5-3, 5-5
- brake backing plate 5-3, 5-5
- brake cable 5-7
- brake cluster 5-3, 5-5
- brake drum 5-3, 5-5
- brake lever 5-3, 5-5
- brake pedal 5-9, 5-11, 5-13, 5-15
- brake rod 5-9, 5-11, 5-13, 5-15
- brake self-adjusting mechanism 5-3, 5-5
- brake shoe 5-3, 5-5
- brake spring 5-3, 5-5
- breather 12-11, 15-3
- breather hose 9-13
- brow 1-7
- brow cap 1-7
- brush 14-3
- brush box assembly 14-3
- brush cover kit, starter/generator 7-7
- brush inspection port cover 7-7
- brush rigging 14-3
- brush spring 7-7, 14-3
- brush spring set 7-7
- brush spring, starter/generator 7-7
- brush terminal, starter/generator 7-7
- bucket, battery 13-9, 13-11
- bucket, gas vehicle 9-3, 9-5
- buckle, bag strap 1-21
- bulb, headlight 4-3, 4-5
- bulb, turn signal 4-3, 4-5
- bumper
 - drive unit (motor) 14-3
 - jounce 6-17
- Bumper, Shock Plug 1-5, 4-3, 4-5
- bushing 6-9, 6-11, 6-19, 11-5, 12-3
 - urethane 6-13, 6-15, 6-17
- button, drive 11-7
- buzzer, reverse 4-7, 4-9
- C**
- cable
 - accelerator 9-15
 - brake 5-7
 - FNR shifter 12-5
 - governor 9-15
- calibration test module 17-3
- cam
 - driven clutch 11-7
- cam, engine 8-21
- cam, neutral lockout 12-3
- camshaft 8-21
- camshaft o-ring 8-21
- canister, carbon, fuel tank 9-9
- canopy 1-25, 1-27, 1-35, 1-39
- canopy drain cover 1-25, 1-27, 1-29
- canopy handle 1-25, 1-27
- canopy strut, front, lh 1-31, 1-33, 1-41
- canopy strut, front, rh 1-31, 1-33, 1-41
- canopy support 1-31, 1-33
- canopy support bracket, drv 1-21
- canopy support bracket, pas 1-21
- canopy support cover, drv 1-9, 1-31, 1-33, 1-41
- canopy support cover, pas 1-9, 1-31, 1-33, 1-41
- cap
 - dust 4-7
 - front hub 6-11
 - fuel, gas, ratchet 9-3, 9-5
 - key switch 4-7, 4-9
 - rubber 12-17
- cap, hub, 7 prong 2-3
- cap, SAM 1-9
- carbon canister 9-9
- carbon canister bracket 9-9
- card, safety first 17-5
- case
 - gear 15-3
 - transaxle 12-11
- CE mark battery bucket plug kit 13-11
- CE mark decal 13-11
- CE mark ferrite bead, Fair-rite 13-21
- CE mark ferrite bead, TDK 13-21
- center shaft 12-13
- chain, timing 8-21
- charger bezel tool 17-3
- charger receptacle 13-5
- charger, battery, Hi-Freq 16-3, 16-5, 16-7, 16-9
- clamp
 - battery 7-11
 - hose 9-3, 9-5, 9-9, 9-17
 - leaf spring 6-11
 - p- (fuel filter) 8-13, 9-15
- clamshell bracket 1-13
- clip
 - body trim 1-13, 1-23
 - retainer plate 8-19
- clip, piston pin 8-25
- clip, score card 6-3
- cluster, brake 5-3, 5-5
- clutch
 - pin 12-13
- clutch cam installation tool 17-3
- clutch repair kit 11-7
- clutch tool kit 17-3
- clutch weight 11-5
- clutch, drive 11-5
- clutch, driven 11-7
- coil, ignition 8-15
- collar 12-13
- collet 8-21
- component mounting plate 13-17
- compression gauge 17-5
- compressor, piston ring 17-5
- compressor, valve spring 17-7
- connecting rod 8-25
- continuity tester 17-5
- controller diagnostic tool (CDT) 17-5
- controller diagnostic tool (CDT) cable 17-5
- controller shield 13-17
- controller, motor speed
 - Excel w/Hi-Freq 13-17
- cooling fan 8-11
- cord set, DC 16-3, 16-5, 16-7, 16-9, 16-11
- cord, AC 16-3, 16-11
- counter shaft 12-13
- cover
 - air intake 9-17
 - brush inspection port 7-7
 - canopy drain 1-25, 1-27, 1-29
 - crankcase 8-23
 - DC terminal block 16-3, 16-5, 16-7, 16-9
 - dust 5-3, 5-5
 - fan 8-11
 - support, canopy, drv 1-9, 1-31, 1-33, 1-41
 - support, canopy, pas 1-9, 1-31, 1-33, 1-41
 - USB 16-3, 16-5, 16-7, 16-9
- cover plate 14-3
- cover, rocker 8-19
- cover, steering column 4-3, 4-5
- cover, valve 8-19
- crankcase 8-23
- crankcase baffle 8-11
- crankcase cover 8-23
- crankshaft 8-25
- cushion, shock absorber 6-13, 6-15, 6-17
- cylinder head 8-19
- D**
- dash 1-11
- dash support assembly 1-3, 6-9
- DC cord set 16-3, 16-5, 16-7, 16-9, 16-11
- decal 3-9
 - CE mark 13-11
 - engine warning 8-11
 - filter log 13-15
 - four-passenger warning 3-3

INDEX

frame ground warning 3-7
inspect log 13-15
maintenance/operate switch 3-7, 7-13
on/off 3-5, 3-11
operating instructions 3-5, 3-11, 6-3
private speed mode 3-5, 3-11
rollover warning 3-5, 3-11
rotating parts 3-7
Run/Tow warning 3-13
warning 3-13
warning, Run/Tow 3-13
water exposure 3-13
deflector
air 8-13
deionizer 13-15
cartridge 13-15
differential 12-15
open 12-15
differential drive unit 15-3
differential gear 15-3
differential gear set 12-15
differential guard 15-5
differential housing 15-3
differential shaft 12-15
diode 7-5
dipstick 8-23
drain plug 8-23, 12-11
drain plug gasket 8-23
drain plug, rubber 7-7
drive belt 11-3
drive button 11-7
drive clutch 11-5
drive clutch button 11-5
drive clutch holder tool 17-3
drive clutch hub puller 17-3
drive clutch puller 17-3
drive clutch spring 11-5
drive clutch weight 11-5
drive hub 11-5
drive unit bumper 14-3
drive unit guard 15-5
driven clutch 11-7
driven clutch button 11-7
driven clutch cam 11-7
driven clutch cam puller 17-3
driven clutch puller plug 17-3
driver, drive clutch 11-5
drum, brake 5-3, 5-5
dry moly lubricant 17-5
dual snubber 8-7
dust cap 4-7
dust cover 5-3, 5-5
dust seal 6-7

E

ECU 9-11

end cap, motor 14-3
end, tie rod 6-7
engine
air cleaner 9-17
air deflector 8-13
air filter 8-3, 9-17
air intake hose 9-17
balance shaft 8-25
bearing, balance shaft 8-23
bearing, crankshaft 8-23
breather hose 9-13
cam 8-21
camshaft 8-21
camshaft O-ring 8-21
connecting rod 8-25
crankcase 8-23
crankcase baffle 8-11
crankcase cover 8-23
crankcase plug 8-23
crankshaft 8-25
crankshaft key 8-25
cylinder head 8-19
dipstick 8-23
drain plug gasket 8-23
ECU 9-11
exhaust valve 8-21
fan 8-11
fan housing 8-11
flywheel 8-15
fuel injector 9-11
guide pin 8-23
head gasket 8-19
ignition coil 8-15
insulator, throttle body 9-13
intake valve 8-21
oil drain plug 8-23
oil filler tube 8-23
oil filler tube O-ring 8-23
oil level sensor 8-17
oil seal 8-23
piston 8-25
piston pin 8-25
piston pin clip 8-25
piston ring set 8-25
retainer plate 8-19
retainer plate clip 8-19
rocker arm 8-21
rocker cover 8-19
rocker shaft 8-21
spark plug 8-3, 8-15
temperature sensor 8-17
throttle body 9-11
timing chain 8-21
timing chain guide 8-21
timing chain sprocket 8-21
timing chain tensioner 8-21

valve collet 8-21
valve guide 8-19
valve seal 8-19
valve spring 8-21
valve spring retainer 8-21
warning decal 8-11
engine warning decal 8-11
engine, EX40 8-5
equalizer 5-7
exhaust system 10-3
exhaust valve 8-21

F

face, moveable 11-7
fan
cooling 8-11
fan cover 8-11
fan housing 8-11
fascia 1-7
ferrite bead (CE), Fair-rite 13-21
ferrite bead (CE), TDK 13-21
field coil housing 7-7
filter
air 8-3, 9-17
fuel 9-7
floor cover plate 5-9, 5-11, 5-13, 5-15
floormat 1-13
flywheel 8-15
FNR handle 12-3
FNR housing 13-7
FNR shift lever 12-7
FNR shifter base 12-3
FNR shifter cable 12-5
fold down seat 1-43
frame and field assembly (motor) 14-3
frame and field, starter/generator 7-7
front body beauty panel 1-7
front hub 6-11
front suspension structure 6-9
fuel filter 9-7
Fuel Filter Kit 9-7
fuel injector 9-11
fuel line 9-9
Fuel Module, Hold-Down Ring 9-7
Fuel Pump 9-7
fuel pump 9-7
fuel tank 9-3, 9-5
fuse
10-amp 7-5
15-amp 13-5
2-amp 7-5, 13-5
30-amp 13-5
5-amp 7-5

INDEX

G

gas pedal assembly, anodized 5-11, 5-13
gas pedal assembly, anodized triac 5-9
gasket 12-11
 air intake 9-17
 drain plug 8-23
 insulator 9-13
 liquid 15-3, 17-5
 plug 15-3
 seat 1-19
gasket, head 8-19
gauge, compression 17-5
gear
 17 tooth 12-13
 34 tooth 12-13
 52 tooth 12-13
 60 tooth 12-15
 62 tooth 12-13
 differential 15-3
 differential idler 15-3
 differential output 15-3
 governor 12-11
 governor, 34 tooth 12-13
 set, differential 12-15
gear yoke 17-5
gearcase 15-3
governor arm 9-15, 12-9
governor cable 9-15
governor gear shaft 12-11
governor shaft 12-11
grip, pencil 6-3
grommet 9-3, 9-5
guard, differential 15-5
guide
 valve 8-19
guide pin 8-23, 12-11
guide ring adhesive 17-3
guide, timing chain 8-21

H

handle, canopy 1-27
handle, FNR 12-3
harness, instrument panel 4-3, 4-5, 4-7, 7-5
harness, wire 4-3, 4-5, 7-5, 13-5
harness, wire, gas engine-ECU 7-5
harness, wire, gas IP 7-5
head gasket 8-19
head, cylinder 8-19
headlamp 4-3, 4-5
headlight bulb 4-3, 4-5
hinge 13-9, 13-11
 seat bottom 1-19
hinge, seat bottom 1-19
hip restraint 1-19
hold-down, battery 13-9, 13-11

hoop, bag 1-21
horn 4-3, 4-5
hose
 air intake 9-17
 engine breather 9-13
 fuel vent 9-9
 SPWS 13-13
 vent 9-9
housing
 3-pin 14-3
 differential 15-3
 fan 8-11
 field coil 7-7
hub 6-11, 12-17
hub cap 2-3, 6-11
hub cap, 7 prong 2-3
hub, front 6-11
hydrometer 17-5

I

idler gear, differential 15-3
ignition coil 8-15
indicator, charger 4-7
inner ball joint 6-7
inner frame snubber 8-9
input shaft 12-13, 15-3
instrument panel 4-7, 4-9
instrument panel harness 4-3, 4-5, 4-7, 7-5
insulator 9-13
insulator gasket 9-13
intake cover 9-17
intake valve 8-21
intermediate shaft 15-3
internal retaining ring pliers 17-5
isolator, shock damper 6-13, 6-15, 6-17

J

J-clip 1-3, 6-13, 6-15
jounce bumper 6-17

K

key
 driven clutch 11-7
 On/Off 4-7, 4-9
 square 11-7
key switch 4-7, 4-9
key switch cap 4-7, 4-9
key, crankshaft 8-25
kick plate (ele) 1-17
kick plate (gas) 1-15
king pin 6-11
kit
 3-pin housing 14-3
 ball joint, inner 6-7
 bellows, steering, sona 6-7

brake cable 5-7
brake shoe retainer 5-3, 5-5
canopy hardware 1-35, 1-37, 1-39
CE battery bucket plug 13-11
clutch repair 11-7
controller diagnostic tool (CDT) 17-5
deflector, air 8-13
drive clutch button 11-5
drive clutch weight 11-5
driven clutch button 11-7
front hub replacement 6-11
hand pump, SPWS 13-15
hub cap 2-3
motor brush 14-3
motor brush spring 14-3
motor cover plate 14-3
motor speed sensor 14-3
motor terminal hardware 14-3
relay, 48V 4-3, 4-5
SAM assembly 1-21
seat bottom 1-19
shock absorber 6-13, 6-15
shock absorber cushion 6-13, 6-15
shoe retainer 5-3, 5-5
underbody cover 1-9
knob, light switch 4-3, 4-5, 4-9

L

leaf spring, rear 6-13, 6-15, 6-17
lever
 transaxle shift 12-7
light
 oil 4-9
 tail 4-3, 4-5
 water quality 13-15
light switch 4-3, 4-5, 4-9
light switch knob 4-3, 4-5, 4-9
limit switch 7-19, 12-3
line, fuel 9-9
liquid gasket 15-3, 17-5
low oil warning light 4-9
lubricant, dry moly 17-5
lubricant, moly-teflon 14-3, 17-5
lug nut 2-3
lug stud 6-11, 12-17, 15-3

M

magnet, speed sensor 14-3
mat, floor 1-13
MCOR 5-15, 13-3
mechanism, brake adjusting 5-3, 5-5
meter, volt ohm 17-7
module
 calibration test 17-3
moly-teflon lubricant 17-5

INDEX

motor
48-volt IQ 14-3
motor brush kit 14-3
motor brush spring kit 14-3
motor bumper 14-3
motor end cap 14-3
motor magnet, speed sensor 14-3
motor speed controller
Excel w/Hi-Freq 13-17
motor speed sensor 14-3
motor speed sensor kit 14-3
motor terminal hardware kit 14-3
motor wire harness 13-5
mounting plate, component 13-17
moveable-face 11-5, 11-7

N

neutral lockout cam 12-3
nut, lug 2-3

O

oil filler tube 8-23
oil level sensor 8-17
oil seal 8-23, 12-11
oil warning light, low 4-9
O-ring 8-21, 8-23
O-ring Kit, Fuel Module 9-7
O-Ring, Fuel Module 9-7

P

paint, underbody (black) 17-5
panel
access 1-23
front body beauty 1-7
rear body beauty 1-23
SAM 1-21
panhard 6-19
park brake release, anod 5-9, 5-11, 5-13, 5-15, 7-3
p-clamp (fuel filter) 8-13, 9-15
pedal assembly, gas, anodized 5-11, 5-13
pedal assembly, gas, anodized triac 5-9
pedal, accelerator 5-9, 5-11, 5-13, 5-15, 7-3
pedal, brake 5-9, 5-11, 5-13, 5-15
pencil grip 6-3
pin
bow tie locking 5-7
clevis 5-7
differential 12-15
guide 8-23, 12-11
input shaft 12-13
king 6-11
piston 8-25
piston 8-25
piston pin 8-25

piston pin clip 8-25
piston ring 8-25
piston ring compressor 17-5
piston ring pliers 17-5
piston ring set 8-25
plate
backing (brake) 5-3, 5-5
component mounting 13-17
cover 14-3
floor cover 5-9, 5-11, 5-13, 5-15
kick(ele) 1-17
kick(gas) 1-15
mounting, CVT, center 8-5
mounting, engine/axle 8-5
retainer 8-19

pliers

internal retaining ring 17-5
piston ring 17-5
retaining ring 17-5

plug

drain 12-11
driven clutch puller 17-3
oil drain 8-23
rubber drain 7-7
rubber, crankcase 8-23
spark 8-3, 8-15

press weldment 17-3

protector spray, battery terminal 17-3

puller

bearing 17-3
drive clutch 17-3
drive clutch hub 17-3
driven clutch cam 17-3
seal 17-5

pulley

starter-generator 7-7
v-belt 7-7

pump

fuel 9-7

R

rack and pinion 6-7
rear body beauty panel 1-23
rear underbody support 1-21
receptacle 13-5
reflector 1-7, 1-23, 1-43
refractometer 17-5
regulator, voltage 7-11
relay 4-3, 4-5
relay, 12-volt 4-9
relay, 48V 4-3, 4-5
release, anod park brake 5-9, 5-11, 5-13, 5-15, 7-3
remover, bearing and oil seal 17-3
resistor assembly 13-17
retainer

brake shoe 5-3, 5-5
shock absorber cushion 6-13, 6-15, 6-17
valve spring 8-21

retainer plate 8-19

retaining ring pliers 17-5

reverse buzzer 4-7, 4-9

rim (wheel) 2-3

ring

piston 8-25
retaining 11-5, 11-7, 12-3, 12-11, 12-17
spiral backup 11-5

Rivet, Removable 1-23

rock guard 15-5

rocker arm 8-21

rocker cover 8-19

rocker shaft 8-21

rocker switch 13-7

rod

brake 5-9, 5-11, 5-13, 5-15
connecting 8-25

S

safety first card 17-5

SAM (structural accessory module) 1-21

SAM assembly kit 1-21

SAM cap 1-9

SAM panel 1-21

score card clip 6-3

score card plate 6-3

seal

dust 6-7
lip 15-3
oil 8-23, 12-11, 15-3
valve 8-19

seal puller 17-5

sealant 15-3

seat back 1-45

seat back, beige 1-21

seat back, white 1-21

seat bottom 1-45

seat bottom kit 1-19

seat gasket 1-19

seat hinge 1-19

select shaft 12-11

sensor

oil level 8-17
temperature 8-17

sensor, motor speed 14-3

shaft

axle 12-15

balance 8-25

center 12-13

counter 12-13

differential 12-15

governor 12-11

governor gear 12-11

INDEX

input 12-13, 15-3
intermediate 15-3
rocker 8-21
select 12-11
shift 12-13
shield, controller 13-17
shield, debris aux 5-9, 5-11, 5-13, 5-15
shield, debris primary 5-9, 5-11, 5-13, 5-15
shift lever 12-7
shift shaft 12-13
shock absorber (front) 6-9
shock absorber (rear) 6-13, 6-15, 6-17
shock absorber cushion 6-13, 6-15, 6-17
shock absorber cushion retainer 6-13, 6-15, 6-17
shock damper isolator 6-13, 6-15, 6-17
shock mounting bracket, drv 6-13, 6-15
shock mounting bracket, pas 6-13, 6-15
shoe retainer kit 5-3, 5-5
shoe, brake 5-3, 5-5
sleeve 6-9, 6-11, 6-13, 6-15, 6-17, 6-19, 12-11
snubber bracket 8-7, 8-9
snubber, dual 8-7
snubber, inner frame 8-9
solenoid, 12-volt 7-11
spacer 12-11, 12-13
spark plug 8-3, 8-15
speed controller
 Excel w/Hi-Freq 13-17
speed sensor 14-3
speed sensor magnet 14-3
speed sensor, motor 14-3
spindle 6-11
spiral backup ring 11-5
spray, battery terminal protector 17-3
spring 12-11
 brake 5-3, 5-5
 brush 7-7, 14-3
 compression 6-3
 drive button 11-5
 drive clutch 11-5
 driven clutch 11-7
 forward/reverse cam 12-3
 valve 8-21
spring retainer 8-21
spring, leaf, rear 6-13, 6-15, 6-17
SPWS hose 13-13
starter/generator 7-7
starter/generator brush cover kit 7-7
starter/generator brush spring 7-7
starter/generator brush terminal 7-7
starter/generator frame and field 7-7
starter/generator pulley 7-7
steering column bearing press tool 17-7
steering column cover 4-3, 4-5
steering column retaining ring tool 17-7

steering wheel 6-3
steering wheel puller tool 17-7
stem, valve 2-3
strap, bag 1-21
strut, front canopy, lh 1-31, 1-33, 1-41
strut, front canopy, rh 1-31, 1-33, 1-41
stud
 exhaust mounting
 engine
 exhaust mounting stud 8-19
 intake mounting
 engine
 intake mounting stud 8-19, 9-13
 lug 6-11, 12-17, 15-3
support, canopy 1-31, 1-33
support, underbody, rear 1-21
suspension, front structure 6-9
switch
 key 4-7, 4-9
 light 4-3, 4-5, 4-9
 limit 7-19, 12-3
 rocker 13-7
 Tow/Run 13-7
switch rubber boot 7-13, 13-7
switch, toggle 7-13

T

12-volt solenoid 7-11
tachometer 17-7
taillight 4-3, 4-5
tank, fuel 9-3, 9-5
temperature sensor 8-17
tensioner, timing chain 8-21
tester, continuity 17-5
thermometer, battery 17-3
three-piece A-arm 6-9
throttle body 9-11
throttle, gas, Gen2, triac, sensor 5-9, 7-3
throttle, Gen2, no sensor 5-11, 5-13, 5-15
tie rod end 6-7
tie wrap 1-33, 4-3, 4-5, 6-7, 12-5, 13-5, 13-21
timing chain 8-21
timing chain guide 8-21
tire 2-3
toggle switch 7-13
tool
 accelerator pedal adjustment 17-3
 belt tensioning, starter/generator 17-7
 charger bezel 17-3
 clutch cam installation 17-3
 drive clutch holder 17-3
 steering column bearing press 17-7
 steering column retaining ring 17-7
 steering wheel puller 17-7
 transaxle axle seal 17-7
 transaxle pinion seal 17-7

transmission 17-7
tool kit, clutch 17-3
touch-up paint 17-5
Tow/Run switch 13-7
transaxle (Electric Vehicle) 15-3
transaxle axle seal tool 17-7
transaxle guard 15-5
transaxle pinion seal tool 17-7
transaxle, open-diff (Gas Vehicle) 12-11
transmission tool 17-7
tube
 axle 12-15, 15-3
 battery cross rod 13-9, 13-11
 oil filler 8-23
Tuflok 1-23
turn signal bulb 4-3, 4-5

U

U-bolt 6-13, 6-15, 6-17
underbody 1-13
underbody cover kit 1-9
underbody support, rear 1-21
urethane bushing 6-13, 6-15, 6-17
USB
 cover 16-3, 16-5, 16-7, 16-9
 port 13-19
USB cover 16-3, 16-5, 16-7, 16-9
USB port 13-19

V

valve
 exhaust 8-21
 intake 8-21
valve collet 8-21
valve cover 8-19
valve guide 8-19
valve seal 8-19
valve spring 8-21
valve spring compressor 17-7
valve stem 2-3
vent
 fuel tank 9-3, 9-5
 transaxle 12-11
vent, barb 9-9
volt ohm meter 17-7
voltage regulator 7-11

W

warning light, low oil 4-9
water quality light 13-15
wedge, bearing puller 17-3
weight
 clutch 11-5
 secondary clutch 11-5
weldment

INDEX

governor bracket 9-15, 12-9
press 17-3
wheel 2-3
steering 6-3
wire
green, starter/generator 7-5, 7-7
ground, fuel tank 7-5, 9-3, 9-5
wire harness 4-3, 4-5, 7-5, 13-5
wire harness, EFI 7-5
wire harness, Excel w/Hi-Freq, MCOR3 13-5
wrap, tie 1-33, 4-3, 4-5, 6-7, 12-5, 13-5, 13-21

Y

yoke, gear 17-5



Club Car, Inc.
P.O. Box 204658
Augusta, GA 30917-4658
USA

Web www.clubcar.com
Phone 1.706.863.3000
1.800.ClubCar
Int'l +1 706.863.3000
Fax 1.706.863.5808