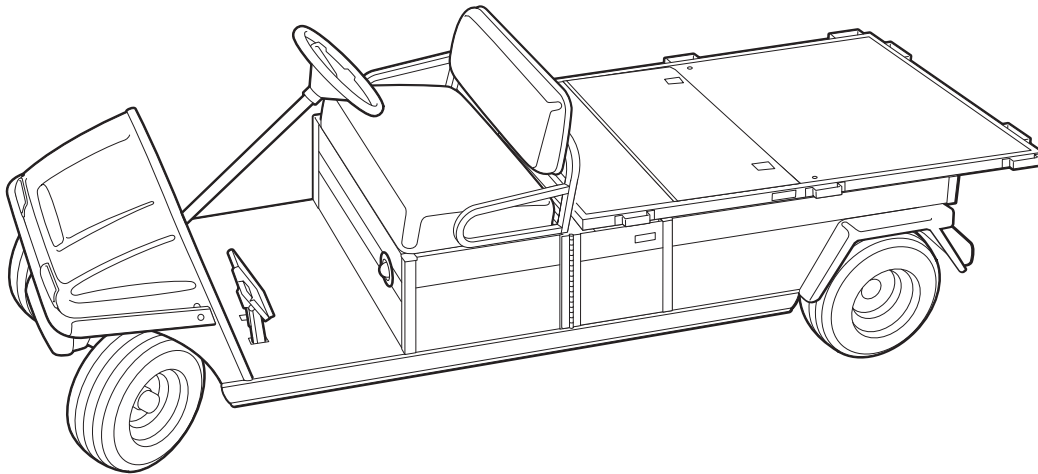




**2009
Turf/Carryall 6 Vehicles
Illustrated Parts List**



Gasoline and Electric Vehicles

Manual Number 103472629
Edition Code 0815B0616A

USING THE ILLUSTRATED PARTS LIST

⚠ WARNING

- **This manual is to be used only for identification and ordering of service parts. Be sure to read and use the maintenance and service manual before attempting any vehicle repairs.**

This manual covers all Turf/Carryall 6 vehicles built during the 2009 model year.

The manual is divided into sections. Note that there are two or three flags on the outside edge of each page. The first flag contains the section number of which that page is a part. The other flag (or flags) contains the letter G or E, signifying that the page pertains to the electric or gasoline vehicles only.

Use the Table of Contents to find the sections and pages that contain the parts and assemblies you seek. The Table of Contents lists section numbers, and under them, the individual page titles and numbers to be found in that section. The index can be used to find specific parts and assemblies. The index is divided into numerical and alphabetical listings with the page numbers in italic text.

There is a two-page spread for each individual page title in the Table of Contents. On the left-hand page is an illustration showing the parts in their relative positions; the parts are each tagged with an item number in a balloon. The right-hand page is the parts list page, and gives the page title at the top, then the item numbers (corresponding to the numbers on the illustration), part descriptions, and quantity of parts used.

Note that a part description may be indented. This indentation corresponds to a parts assembly level indicated by the numbers 1, 2, 3, and 4 at the top left corner of the parts description area of the parts list page. A part that is indented to *level 2* is a component of the *level 1* part (assembly) that it is listed under. A *level 3* part is a component of the *level 2* part that it is listed under, and a *level 4* part is a component of the *level 3* part preceding it. In each case, the part quantity given for a level 2, 3, or 4 part is the quantity used per next higher level assembly of which it is a component. A part that is not indented is a *level 1* part. This means that the quantity given is the quantity used per the portion of the vehicle illustrated on that particular spread.



P. O. Box 204658
Augusta, Georgia 30917-4658 USA
Telephone 706-863-3000
Service Parts Fax 706-855-7413
www.clubcar.com

HOW TO ORDER PARTS

Replacement parts and accessories can be obtained from our network of authorized dealers and distributors. You can obtain the name and phone number of your closest authorized Club Car dealer or distributor by visiting our web site at www.clubcardealer.com, by calling our toll-free Service Parts and Technical Assistance hotline at (800) 872-2246 or (706) 863-3000, extension 3887, or by scanning this Quick Response (QR) code to be taken to the Club Car dealer locator. **Refer to Figure 1.** Download a QR code reader such as RedLaser or Barcode Scanner to your cell phone or tablet.



Figure 1 Dealer Locator QR Code

CUSTOMER SATISFACTION SURVEY

Let your voice be heard!

Please take time to participate in the Technical Publications satisfaction survey. Obtaining feedback from our customers is important to the department's continuous improvement process. The online survey takes less than five minutes and responses will help the department to examine current performance as well as identify areas for future improvement.

Our top priority is to provide timely, accurate, and user friendly manuals.

The online satisfaction survey can be found at: <http://bit.ly/1w9uFMh>



Figure 2 Survey QR Code

NOTE: *This illustrated parts list represents the most current information at the time of publication. Club Car, Inc. is continually working to further improve its vehicles and other products. These improvements may affect the parts used to service the vehicle. Any modification and/or significant change in specifications will be forwarded to all Club Car and Carryall distributors/dealers and will, when applicable, appear in future editions of this illustrated parts list.*

Club Car, Inc. reserves the right to change specifications and designs at any time without notice and without the obligation of making changes to units previously sold.

Copyright © 2008 Club Car, Inc.
Club Car and ArmorFlex
are registered trademarks of Club Car, Inc.
This manual effective August 1, 2008.

CONTENTS

SECTION 1 – BODY AND TRIM

Front Body and Trim – Turf/Carryall 2, 2 Plus, and 6	1-3
Splash Guard – Gasoline Vehicles Only	1-5
Dash Pockets and Floormat	1-7
Beverage Holder	1-9
Mirror, Rear-View – without Cab	1-11
Grommets, Chassis	1-13
Seat Bottom	1-15
Seat Back Assembly	1-17
Windshield, Hinged	1-19
Windshield, Non-Hinged	1-21
Canopy Kit, White	1-23
Canopy Kit, Beige	1-25
Hip Restraints and Seat Back Mounting	1-27
Side Doors	1-29
Flat Bed	1-31
Flat Bed Mounting – To Mid-2009 Model Year	1-33
Flat Bed Mounting – From Mid-2009 Model Year	1-35
Bed Mat	1-37
Stake Side Kit	1-39
Toolboxes	1-41
Electric Bed Lift – Gasoline Vehicles	1-43
Electric Bed Lift – Electric Vehicle	1-45
Trailer Hitch	1-47
Trailer Hitch Ball	1-49
Receiver Hitch	1-51
Rear Body Trim – Turf/Carryall 1, 2, 2 Plus, and 6	1-53
Rear Bumper	1-55
Cab, Curtis – Turf/Carryall 6 and Transporter	1-57
Mirror, Inside Rear-View – Curtis Cab	1-59
Mirror, Side-View – Curtis Cab	1-61
Accessory Switch Panel – Curtis Cab	1-63
Strobe Light – Curtis Cab	1-65
Work Lights – Curtis Cab	1-67
Fan/Defogger – Curtis Cab	1-69
Van Box	1-71

SECTION 2 – WHEELS AND TIRES

Wheels and Tires	2-3
------------------------	-----

CONTENTS

Wheel Covers	2-5
--------------------	-----

SECTION 3 – DECALS

Decals – Electric Carryall 6	3-3
Decals – Electric Carryall 6, Continued	3-5
Decals – Gasoline Turf/Carryall 6	3-7
Decals – Gasoline Turf/Carryall 6, Continued	3-9
Badging Decals, Carryall 6 – Electric Vehicles	3-11
Badging Decals, Carryall 6 – Gasoline Vehicles	3-13
Badging Decals, Turf 6 – Gasoline Vehicles	3-15

SECTION 4 – LIGHTS, CONTROLS, AND INDICATORS

Headlights	4-3
Lighting System Components – Gasoline Vehicles	4-5
Lighting System Components – Electric Vehicles	4-7
Turn Signal Kit – DS and Utility Gasoline and Electric Vehicles	4-9
Instrument Panel and Electrical Components – Turf 6 Gas	4-11
Instrument Panel and Electrical Components – Carryall 6 Gas	4-13
Instrument Panel with Electrical Components – Carryall 6 Electric	4-15
Keys and Keyswitches, SmartKey Kit – Electric Vehicle	4-17
Keys and Keyswitches, Uncommon – Gas Vehicle	4-19
DC Converter – Electric Vehicle	4-21
Voltage Limiter – Gasoline Vehicle	4-23
Strobe Light, Post-Mounted – Gasoline Vehicles	4-25
Strobe Light, Post-Mounted – Electric Vehicles	4-27
Strobe Light, Canopy-Mounted	4-29
Horn	4-31
Horn with Column-Mounted Button	4-33
Hour Meter – Carryall/Turf IQ Plus Electric Vehicles	4-35
Taillights	4-37

SECTION 5 – BRAKES, PEDAL, AND CABLE ASSEMBLIES

Brake Pedal Assembly	5-3
Accelerator Pedal Assembly – Electric Vehicles with MCOR	5-5
Accelerator Pedal Assembly – Gasoline Vehicles	5-7
Accelerator Rod – Turf/Carryall 6 Gasoline Vehicles	5-9
Front Brake Assembly – Vehicles with Four-Wheel Brakes	5-11
Front Brake Cables and Equalizer – Vehicles with Four-Wheel Brakes	5-13
Rear Brake Cables and Equalizer – Turf/Carryall 6	5-15

CONTENTS

Rear Brake Assembly, Manually-Adjusted – Vehicles with 4-Wheel Brakes	5-17
---	------

SECTION 6 – STEERING AND SUSPENSIONS

Steering Gear Assembly	6-3
Steering Column – Utility	6-5
Intermediate Steering Shaft – Turf/Carryall 1/2/2 Plus/6	6-7
Steering Wheel	6-9
Steering Wheel with Clip	6-11
Front Spindles and Hubs – Vehicles with Four-Wheel Brakes	6-13
Front Suspension, Upper – All Turf/Carryall 6	6-15
Front Suspension, Lower – Standard Gasoline Vehicle	6-17
Front Suspension, Lower – CA6 Elec & Turf/CA6 Gas w/HD Option	6-19
Rear Suspension – Gasoline Turf/Carryall 2, 2 Plus, and 6	6-21
Rear Suspension – Turf/Carryall 2 and 6 IQ Plus Vehicles	6-23
Stabilizer Bar – Turf/Carryall 2, 6, and Carryall 2 Plus Gasoline Vehicles	6-25

SECTION 7 – ELECTRICAL SYSTEM – GASOLINE VEHICLE

Wiring – Turf 6 Gas	7-3
Wiring – Carryall 6 Gas	7-5
Starter/Generator Assembly, Model G425419	7-7
Starter/Generator Mounting – FE350	7-9
Operation and Maintenance Switch	7-11
Electrical Component Box – Turf 6	7-13
Electrical Component Box – Carryall 6	7-15
Forward/Reverse Shifter Switches – Dash Mounted Shifter	7-17
Battery – Gasoline Utility Vehicles	7-19

SECTION 8 – ENGINE (S10 & S23) W/ACR FOR CA6 PRIOR TO 50-STATE ENGINE

FE350 Engine with ACR (Automatic Compression Release) – Shrouds and Brackets	8-3
FE350 Engine – Ignition Components and Flywheel	8-5
FE350 Engine – Oil Circulation	8-7
FE350 Engine – Cylinder Head	8-9
FE350 Engine with ACR – Crankcase, Camshaft, and Oil Sensor	8-11
FE350 Engine – Crankcase and Crankshaft	8-13
FE350 Engine Mounting	8-15

SECTION 9 – ENGINE (S11 & S24) W/O ACR, TURF 6 PRIOR TO 50-STATE ENGINE

FE350 Engine w/o ACR – Shrouds and Brackets	9-3
---	-----

CONTENTS

FE350 Engine – Ignition Components and Flywheel	9-5
FE350 Engine – Oil Circulation	9-7
FE350 Engine – Cylinder Head	9-9
FE350 Engine w/o ACR – Crankcase, Camshaft, and Oil Sensor	9-11
FE350 Engine – Crankcase and Crankshaft	9-13
FE350 Engine Mounting	9-15

SECTION 10 – ENGINE (S27) W/O ACR, 50-STATE

FE350 Engine (S27) w/o ACR, Shrouds, and Brackets; 50-State	10-3
FE350 Engine (S27) – Ignition Components and Flywheel	10-5
FE350 Engine (S27) – Oil Circulation	10-7
FE350 Engine (S27) – Cylinder Head	10-9
FE350 Engine (S27) – Crankcase, Camshaft, and Oil Sensor	10-11
FE350 Engine (S27) – Crankcase and Crankshaft	10-13
FE350 Engine (S27) – Mounting	10-15

SECTION 11 – FUEL, INTAKE, AND GOVERNOR SYSTEMS

Fuel System – 49 State	11-3
Fuel System – California Only	11-5
Carbon Canister – California Only	11-7
Carburetor Assembly, FE350 S10 and S11	11-9
Carburetor Assembly, FE350 S23 and S24	11-11
Carburetor Assembly – FE350 S27	11-13
Carburetor Mounting, Utility, FE350 S10 and S11	11-15
Carburetor Mounting, Utility, FE350 S23 S24 S27	11-17
Governor and Accelerator Cables	11-19
Air Intake Duct and Choke Cable – Turf/Carryall 6	11-21
Air Filter and Intake Hose	11-23

SECTION 12 – EXHAUST SYSTEM

Exhaust System – FE350 Engine	12-3
-------------------------------------	------

SECTION 13 – DRIVE BELT AND CLUTCHES

Drive Belt	13-3
Drive Clutch – Turf 6	13-5
Drive Clutch – Carryall 6	13-7
Driven Clutch – Turf 6 and Carryall 6	13-9

CONTENTS

SECTION 14 – UNITIZED TRANSAXLE AND FNR SHIFTER - GASOLINE VEHICLES

Forward/Reverse Shifter	14-3
Shifter Cable – Turf/CA 6	14-5
Kawasaki Transaxle – Gear Cases and Brackets	14-7
Kawasaki Transaxle – F&R Transmission and Gear Reduction	14-9
Kawasaki Transaxle – Differential and Axles	14-11
Graziano Transaxle – Gear Cases and Levers	14-13
Graziano Transaxle – F&R Transmission and Gear Reduction	14-15
Graziano Transaxle -Differential and Axles	14-17

SECTION 15 – ELECTRICAL SYSTEM – ELECTRIC VEHICLES

Motor Controller Output Regulator (MCOR)	15-3
Wiring – CA 6 Electric	15-5
Battery Charger Receptacle	15-7
Tow/Run Switch and Circuit-Breaker – IQ Plus	15-9
Batteries, 6-Volt, Standard Duty, Trojan	15-11
Batteries, 6-Volt, Heavy Duty, Trojan	15-13
Computer, Controller, and Solenoid	15-15

SECTION 16 – MOTOR (MODEL DA5-4006) – IQ PLUS

Motor (Model DA5-4006) – IQ Plus	16-3
--	------

SECTION 17 – TRANSAXLE – ELECTRIC VEHICLES

Transaxle – Electric Vehicles	17-3
Differential Guard – Electric Vehicles	17-5

SECTION 18 – BATTERY CHARGERS

IQ Plus Battery Charger (Models 25730-11,-18,-19), Domestic	18-3
IQ Plus Battery Charger (Models 25880-11 and -18), International	18-5
Onboard IQ Plus Battery Charger (Model 25260-11), Domestic	18-7
Onboard IQ Plus Battery Charger (Model 25660-40), International	18-9
Onboard IQ Plus Charger and Cord Reel Mounting	18-11

SECTION 19 – MAINTENANCE AND SERVICE TOOLS

Maintenance and Service Tools	19-3
Maintenance and Service Tools, Continued	19-5
Maintenance and Service Tools, Continued	19-7

CONTENTS

SECTION i – INDEX

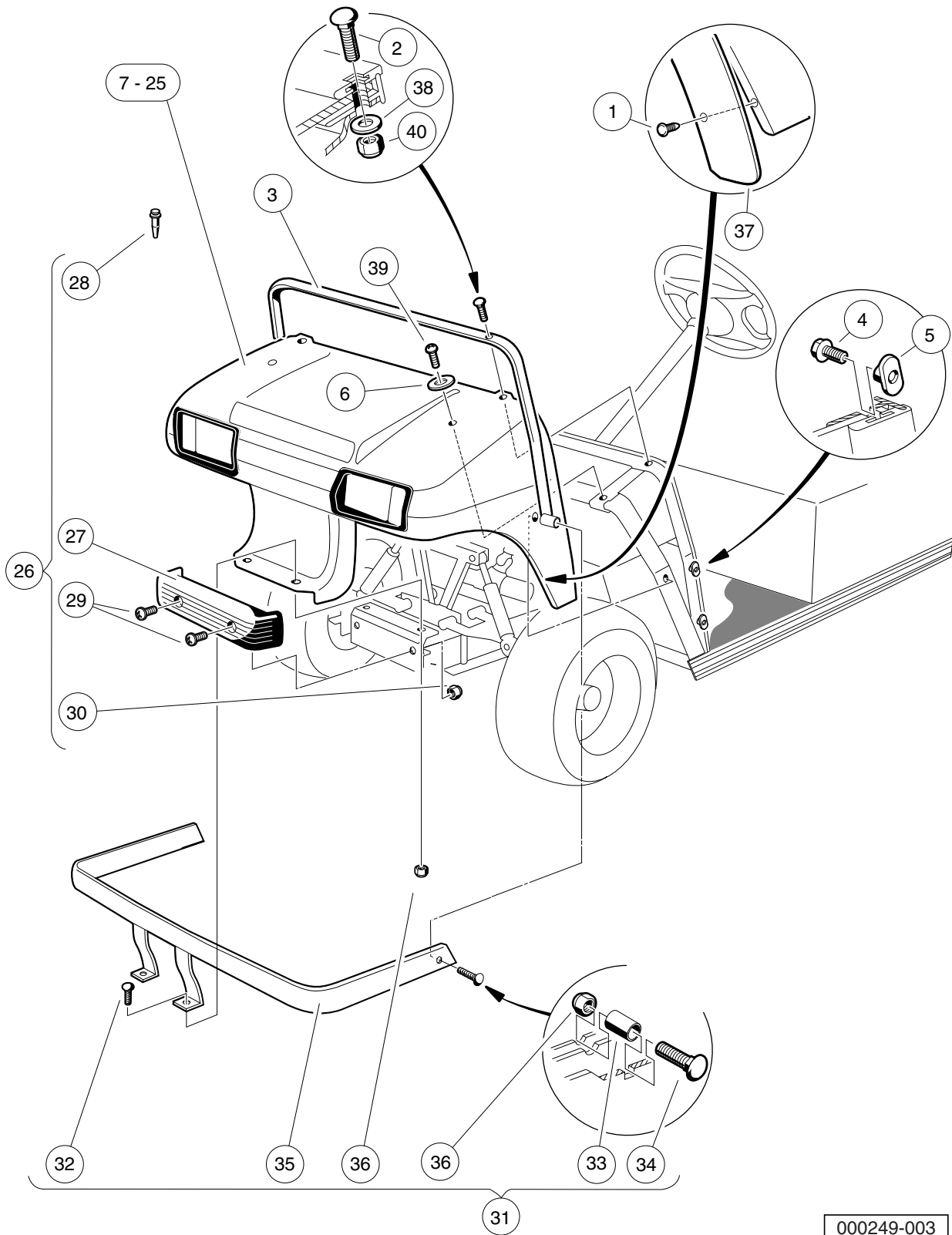
BODY AND TRIM

1

G

E

1
G
E



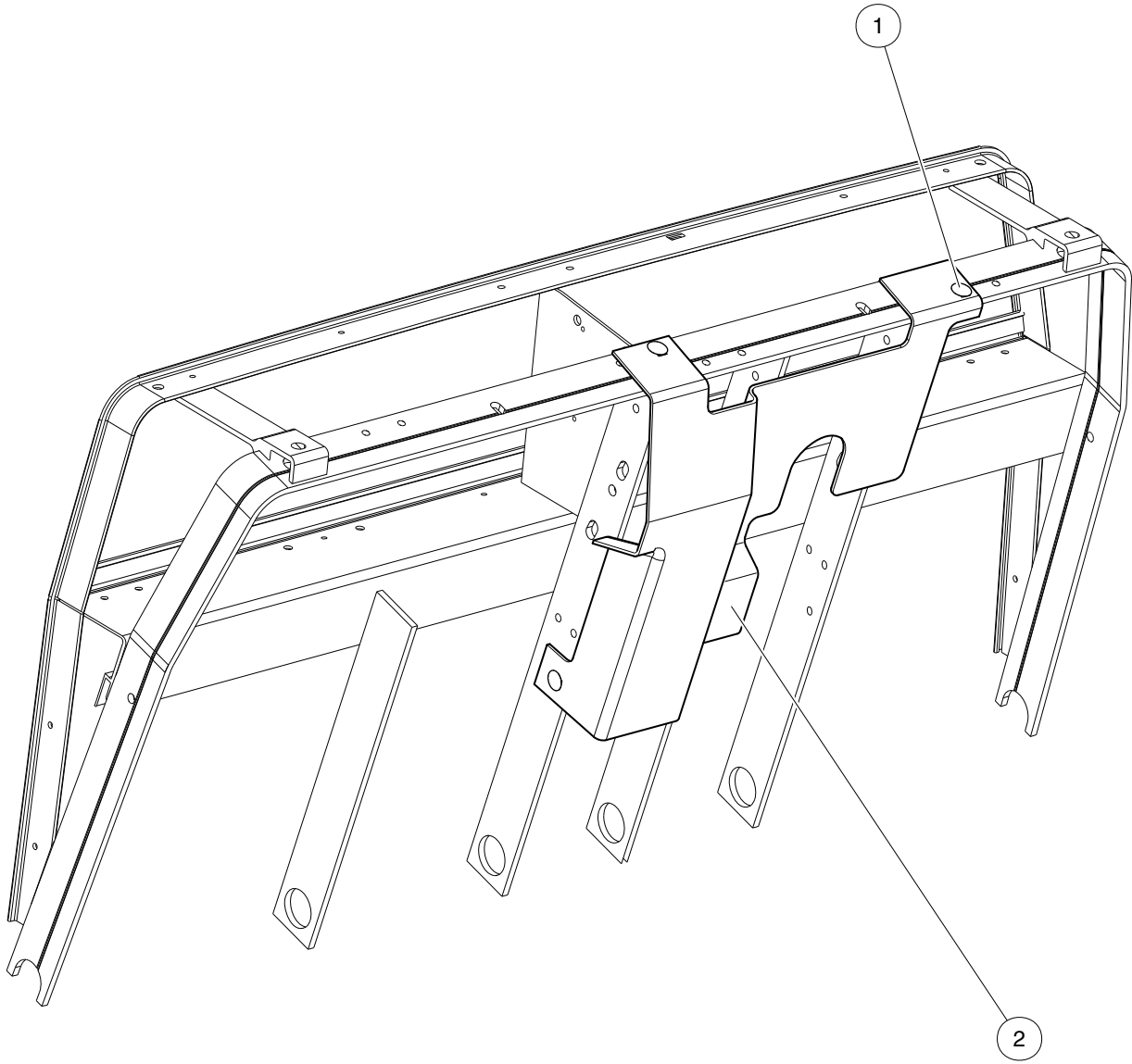
000249-003

FRONT BODY AND TRIM – TURF/CARRYALL 2, 2 PLUS, AND 6

ITEM	PART NO.	DESCRIPTION	QTY
		1 2 3 4	
1	<u>1010434</u>	Barrel - Plastic	12
2	<u>1010435</u>	Bolt, Carriage, 5/16-18 X 1.00	2
3	<u>1011014</u>	Trim, Cowl	1
4	<u>1011017</u>	Screw, #8-32 X 0.375	6
5	<u>1011394</u>	T-Nut Package (Set of 4)	1
6	<u>1015075</u>	Washer, 5/16 Flat Type A	2
7	<u>101692501</u>	Cowl, TPO, Beige	1
8	<u>101692502</u>	Cowl, TPO, White	1
9	<u>101692506</u>	Cowl, TPO, Red	1
10	<u>101692509</u>	Cowl, TPO, Pacific Blue (Royal Blue)	1
11	<u>101692510</u>	Cowl, TPO, Dark Green	1
12	<u>101692511</u>	Cowl, TPO, Black	1
13	<u>101692512</u>	Cowl, TPO, Classic Blue (Navy)	1
14	<u>101692513</u>	Cowl, TPO, Burgundy	1
15	<u>101692514</u>	Cowl, TPO, Dark Gray	1
16	<u>101692515</u>	Cowl, TPO, Safety Yellow	1
17	<u>101693901</u>	Cowl with Headlight Opening, TPO, Beige	1
18	<u>101693902</u>	Cowl with Headlight Opening, TPO, White	1
19	<u>101693906</u>	Cowl with Headlight Opening, TPO, Red	1
20	<u>101693909</u>	Cowl with Headlight Opening, TPO, Dark Green	1
21	<u>101693910</u>	Cowl with Headlight Opening, TPO, Black	1
22	<u>101693911</u>	Cowl with Headlight Opening, TPO, Classic Blue (Navy)	1
23	<u>101693912</u>	Cowl with Headlight Opening, TPO, Burgundy	1
24	<u>101693913</u>	Cowl with Headlight Opening, TPO, Dark Gray	1
25	<u>101693914</u>	Cowl with Headlight Opening, TPO, Safety Yellow	1
26	<u>1017080</u>	Kit, Front Bumper (includes items 27 through 30)	1
27	<u>1016868</u>	Front Bumper	1
28	<u>1016967</u>	Blind Rivet, Push Type	2
29	<u>7251</u>	Screw, 5/16-18 x 1.0 Truss-Head	2
30	<u>7473</u>	Locknut, 5/16-18 Nylon Insert	2
31	<u>101734802</u>	Kit, Heavy-Duty Bumper (includes items 32 through 36)	1
32	<u>1010435</u>	Bolt, Carriage, 5/16-18 X 1.00	2
33	<u>1010546</u>	Spacer	2
34	<u>1015405</u>	Bolt, Carriage, 5/16-18 X 2.0	2
35	N/A	Weldment, Heavy Duty Bumper	1
36	<u>7473</u>	Locknut, 5/16-18 Nylon Insert	4
37	<u>101870401</u>	Fender Extrusion	2
38	<u>1241</u>	Washer, 5/16 Type A Flat	2
39	<u>7251</u>	Screw, 5/16-18 x 1.0 Truss-Head	2
40	<u>7473</u>	Locknut, 5/16-18 Nylon Insert	2

1
G
E

1
G
E



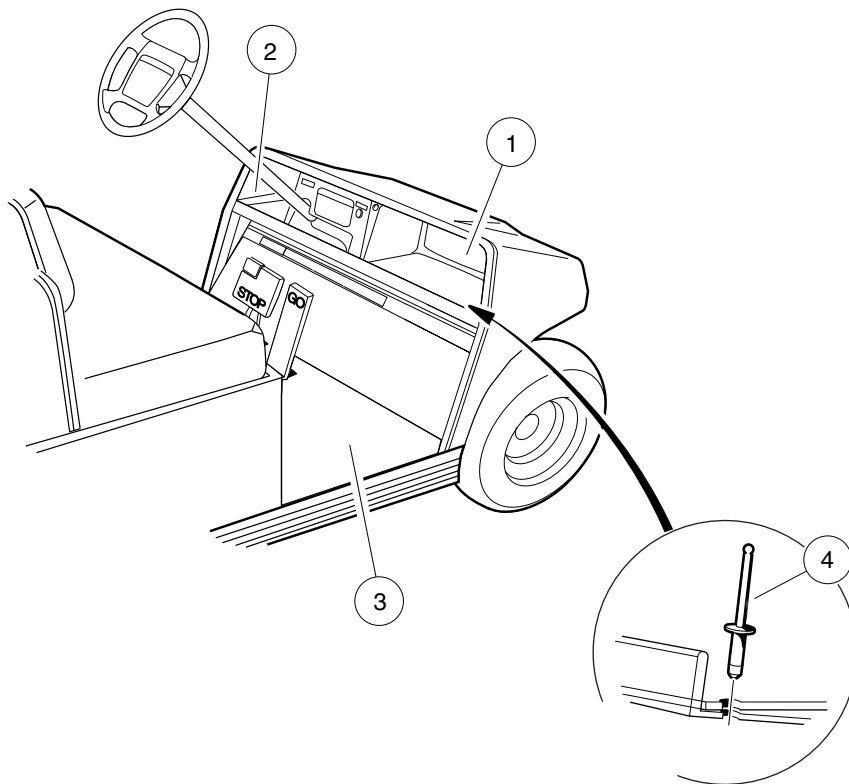
000593-002

SPLASH GUARD – GASOLINE VEHICLES ONLY

ITEM	PART NO.	DESCRIPTION	QTY
1	<u>1010434</u>	1 2 3 4 Barrel - Plastic	3
2	<u>103174401</u>	Splash Guard	1

1
G
E

1
G
E



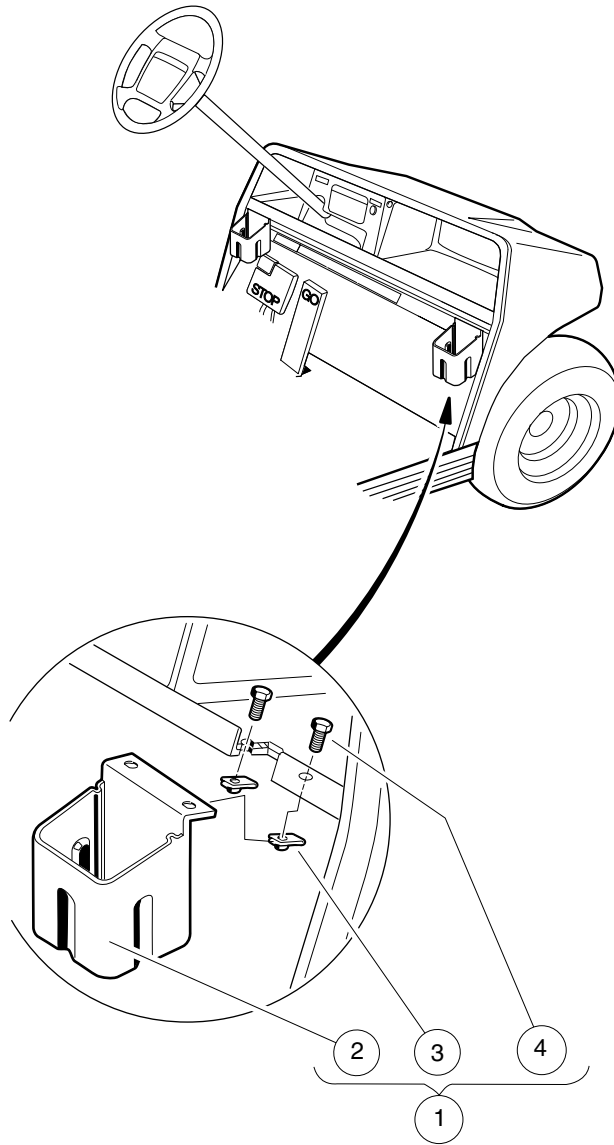
000252-002

DASH POCKETS AND FLOORMAT

ITEM	PART NO.	DESCRIPTION	QTY
		1 2 3 4	
1	<u>1013343</u>	Dash Component, Passenger-Side, Black	1
2	1013344	Dash Component, Driver-Side	1
3	<u>101503202</u>	Floormat	1
4	<u>7973</u>	Rivet, 3/16 X .400 Blind	5

1
G
E

1
G
E



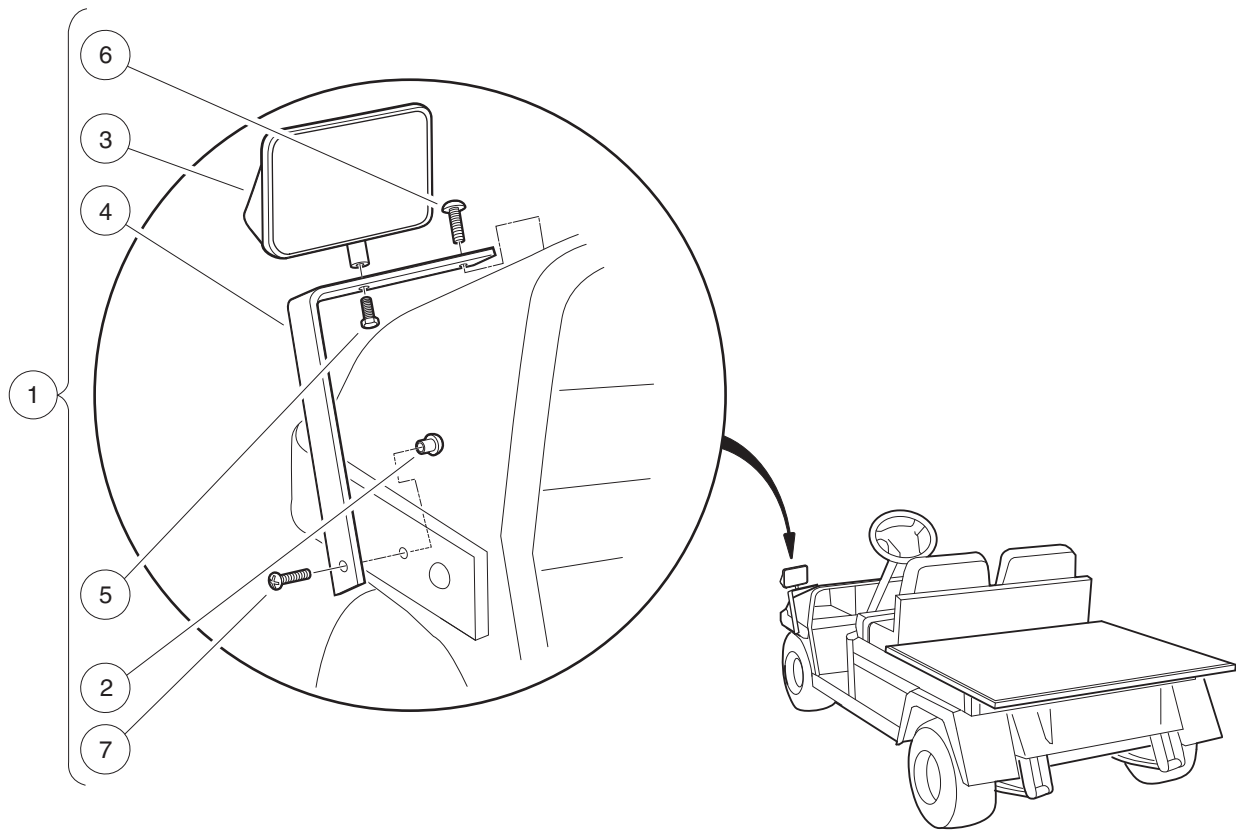
000253-001

BEVERAGE HOLDER

ITEM	PART NO.	DESCRIPTION	QTY
		1 2 3 4	
1	1013422	Cup Holder Kit (includes items 2 through 4)	2
2	1013420	Holder, Single Cup	1
3	1016952	U-Nut, 1/4-20	2
4	<u>7847</u>	Screw, 1/4-20 X 0.75 Hex-Head Cap	2

1
G
E

1
G
E



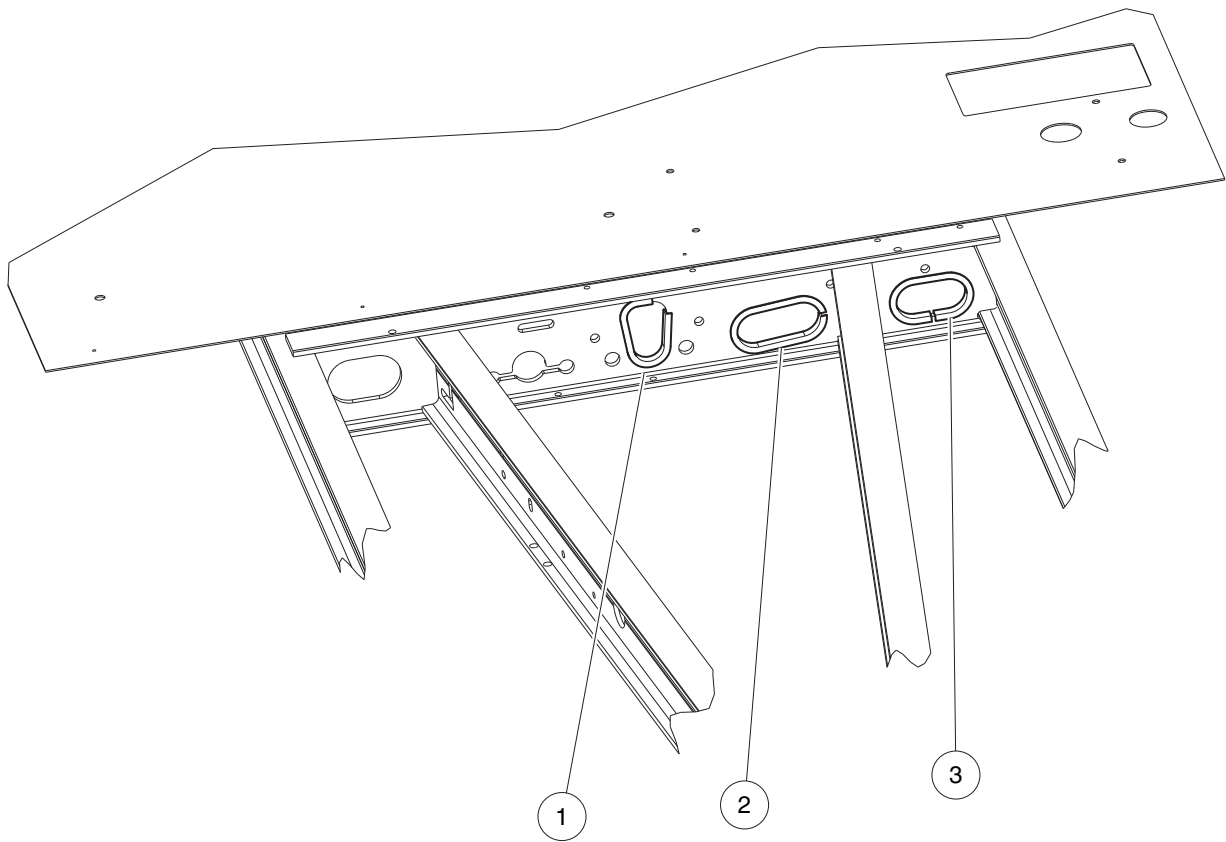
001211-001

MIRROR, REAR-VIEW – WITHOUT CAB

ITEM	PART NO.	DESCRIPTION	QTY
		1 2 3 4	
1	<u>1013846</u>	Kit, Rear Mirror, West Coast (includes items 2 through 7)	1
2	1011878	T-nut, 1/4-20 X .310 Capped	1
3	1013824	Rear View Mirror	1
4	<u>1013825</u>	Mirror Mounting Bracket	1
5	<u>7173</u>	Screw, 5/16-18 X 0.75, Hex-Head Cap	1
6	<u>7251</u>	Screw, 5/16-18 x 1.0 Truss-Head	1
7	<u>8248</u>	Screw, 1/4-20 X 0.75, Truss-Head Machine	1
<p>Note: To install this kit, vehicle must be equipped with a heavy-duty front bumper.</p>			

1
G
E

1
G
E



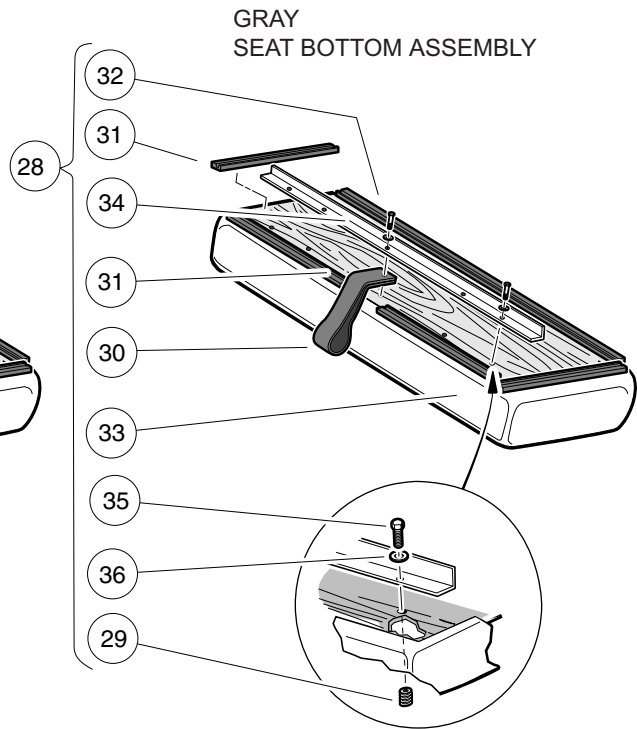
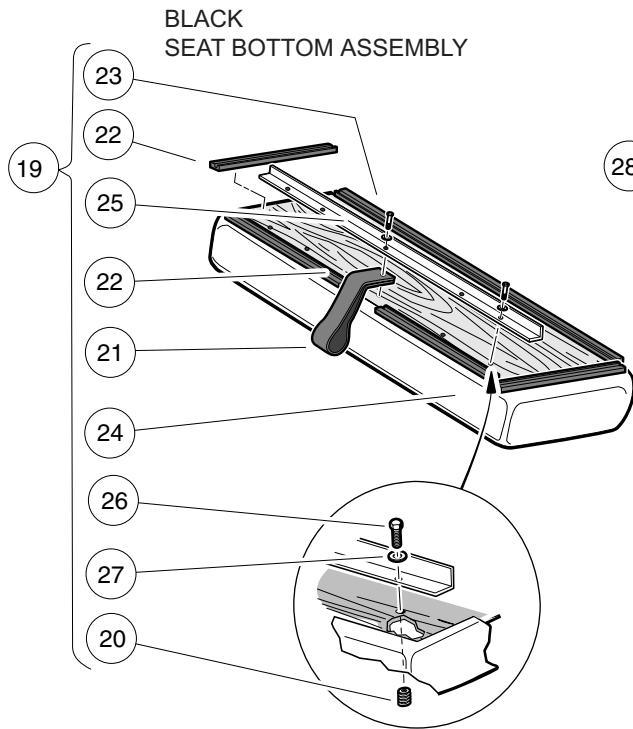
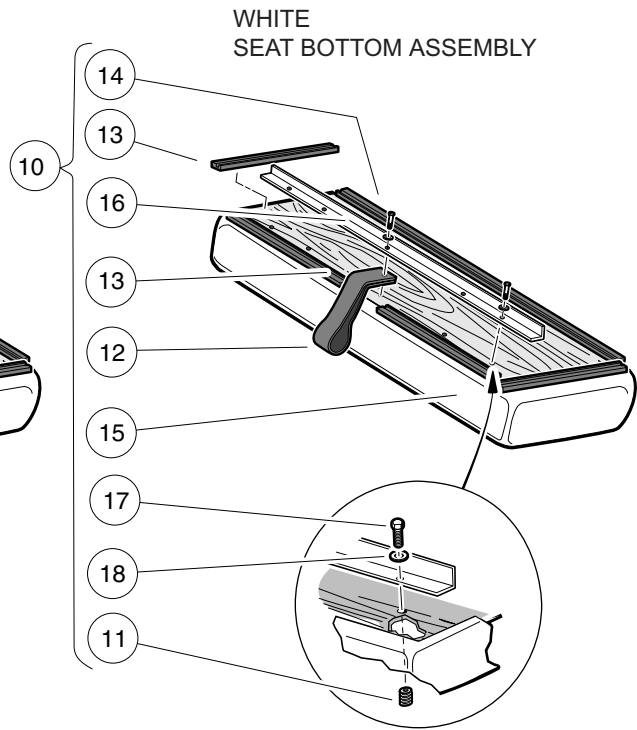
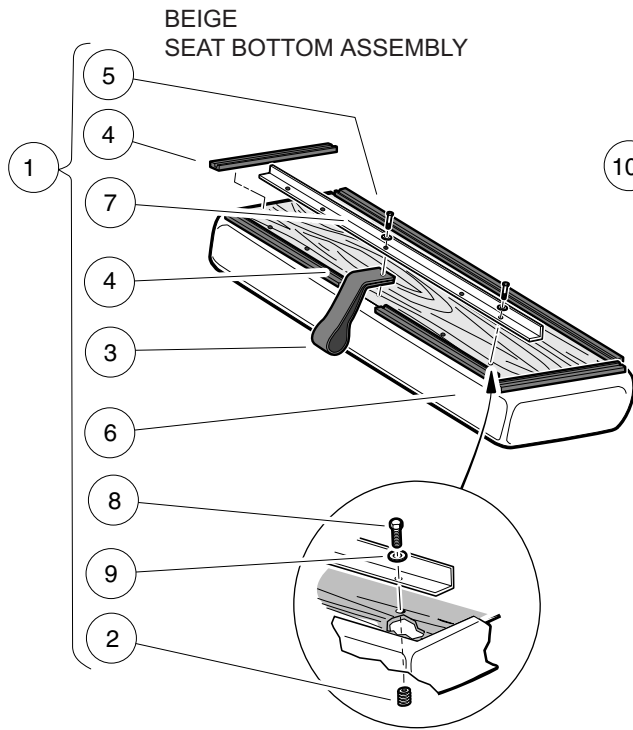
001221-001

GROMMETS, CHASSIS

ITEM	PART NO.	DESCRIPTION	QTY
		1 2 3 4	
1	<u>101806001</u>	I-beam Grommet - 5.5	A/R
2	<u>101806002</u>	I-beam Grommet - 7.5	A/R
3	<u>101806005</u>	I-beam Grommet - 6.75	A/R

1
G
E

1
G
E



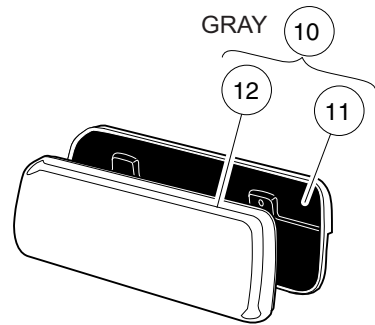
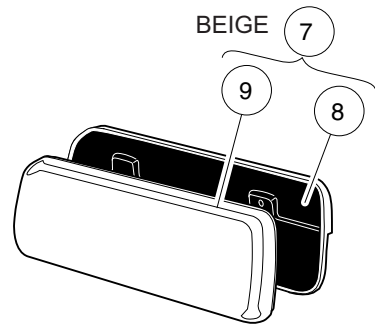
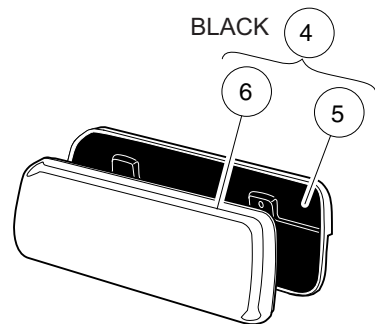
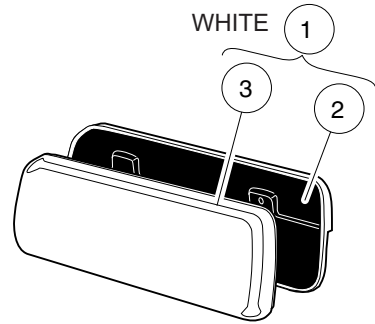
000254-001

SEAT BOTTOM

ITEM	PART NO.	DESCRIPTION	QTY
		1 2 3 4	
1	<u>101564501</u>	Seat Bottom Assembly, Beige (includes items 2 through 9)	1
2	1010543	Insert - Wood	5
3	<u>1013309</u>	Strap, Utility Seat	1
4	<u>1013311</u>	Bumper, Seat, Short	4
5	<u>1013312</u>	Bumper, Seat, Long	1
6	<u>101562711</u>	Vinyl Cover, Seat Bottom, Buff	1
7	<u>101894303</u>	Stiffener	1
8	<u>101954301</u>	Screw, 1/4-20 X 0.75 Hex-Head Cap	5
9	<u>332</u>	Washer, 1/4 Type A Narrow Flat	5
10	<u>101564502</u>	Seat Bottom Assembly, White (includes items 11 through 18)	1
11	1010543	Insert - Wood	5
12	<u>1013309</u>	Strap, Utility Seat	1
13	<u>1013311</u>	Bumper, Seat, Short	4
14	<u>1013312</u>	Bumper, Seat, Long	1
15	<u>101562712</u>	Vinyl Cover, Seat Bottom, White	1
16	<u>101894303</u>	Stiffener	1
17	<u>101954301</u>	Screw, 1/4-20 X 0.75 Hex-Head Cap	5
18	<u>332</u>	Washer, 1/4 Type A Narrow Flat	5
19	<u>101564503</u>	Seat Bottom Assembly, Black (includes items 20 through 27)	1
20	1010543	Insert - Wood	5
21	<u>1013309</u>	Strap, Utility Seat	1
22	<u>1013311</u>	Bumper, Seat, Short	4
23	<u>1013312</u>	Bumper, Seat, Long	1
24	<u>101562714</u>	Vinyl Cover, Seat Bottom, Black	1
25	<u>101894303</u>	Stiffener	1
26	<u>101954301</u>	Screw, 1/4-20 X 0.75 Hex-Head Cap	5
27	<u>332</u>	Washer, 1/4 Type A Narrow Flat	5
28	<u>101564505</u>	Seat Bottom Assembly, Gray (includes items 29 through 36)	1
29	1010543	Insert - Wood	5
30	<u>1013309</u>	Strap, Utility Seat	1
31	<u>1013311</u>	Bumper, Seat, Short	4
32	<u>1013312</u>	Bumper, Seat, Long	1
33	<u>101562715</u>	Vinyl Cover, Seat Bottom, Gray	2
34	<u>101894303</u>	Stiffener	1
35	<u>101954301</u>	Screw, 1/4-20 X 0.75 Hex-Head Cap	5
36	<u>332</u>	Washer, 1/4 Type A Narrow Flat	5

1
G
E

1
G
E

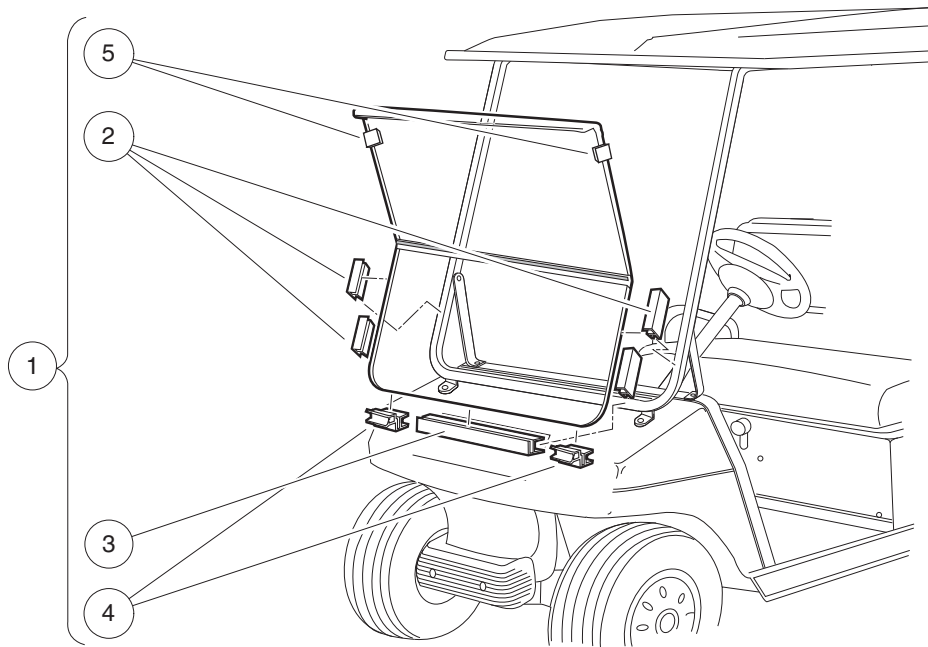


000608-001

SEAT BACK ASSEMBLY

ITEM	PART NO.	DESCRIPTION	QTY
		1 2 3 4	
1	<u>101677701</u>	Seat Back Assembly, White (includes items 2 and 3)	1
2	1016751	Cap, Seat Back	1
3	<u>101675512</u>	Vinyl Seat Back, White	1
4	<u>101677702</u>	Seat Back Assembly, Black (includes items 5 and 6)	1
5	1016751	Cap, Seat Back	1
6	<u>101675514</u>	Vinyl Seat Back, Black	1
7	<u>101677703</u>	Seat Back Assembly, Beige (includes items 8 and 9)	1
8	1016751	Cap, Seat Back	1
9	<u>101675511</u>	Vinyl Seat Back, Beige	1
10	<u>101677705</u>	Seat Back Assembly, Gray (includes items 11 and 12)	1
11	1016751	Cap, Seat Back	1
12	<u>101675515</u>	Vinyl Seat Back-nstd Svc	1

1
G
E



001205-001

WINDSHIELD, HINGED

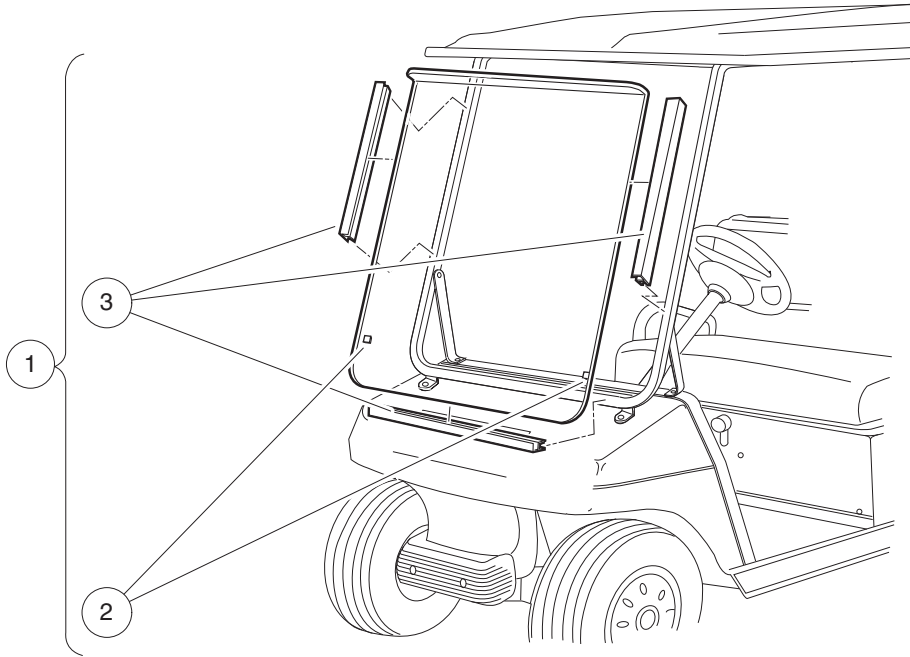
ITEM	PART NO.	DESCRIPTION	QTY
		1 2 3 4	
1	<u>101728602</u>	Hinged Windshield Kit (includes items 2 through 5)	1
2	<u>102005701</u>	5" Plastic Extrusion	4
3	<u>102163001</u>	Windshield Channel	1
4	<u>102163101</u>	Channel with Receiver Clip	2
5	N/A	Clip, Release	2

1
G
E

1

G

E

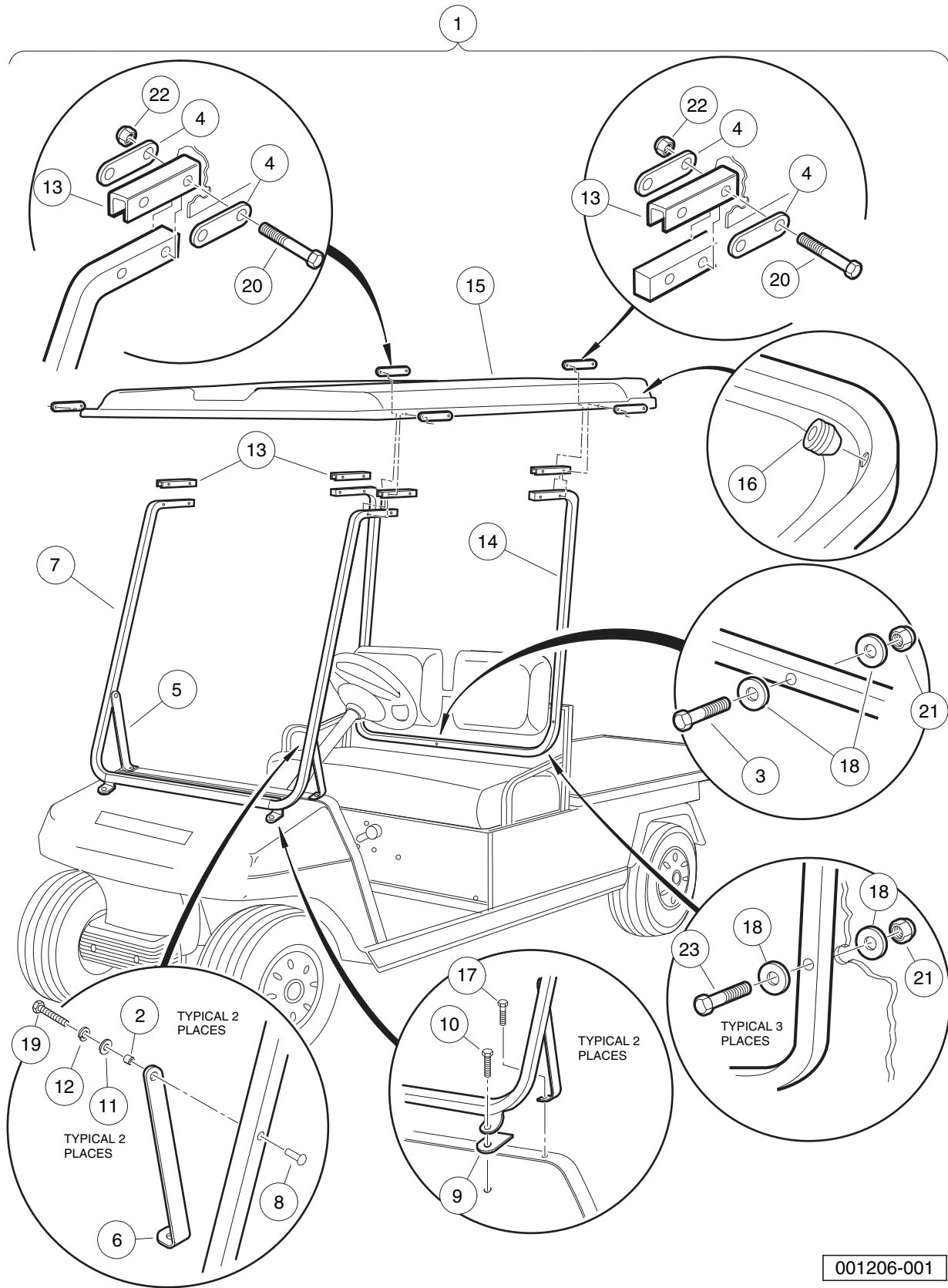


001204-001

WINDSHIELD, NON-HINGED

ITEM	PART NO.	DESCRIPTION	QTY
		1 2 3 4	
1	1014435	Windshield Tinted One-Piece (includes items 2 and 3)	1
2	<u>1011897</u>	Bumper, Protective	2
3	<u>101444101</u>	21" Plastic Extrusion	3

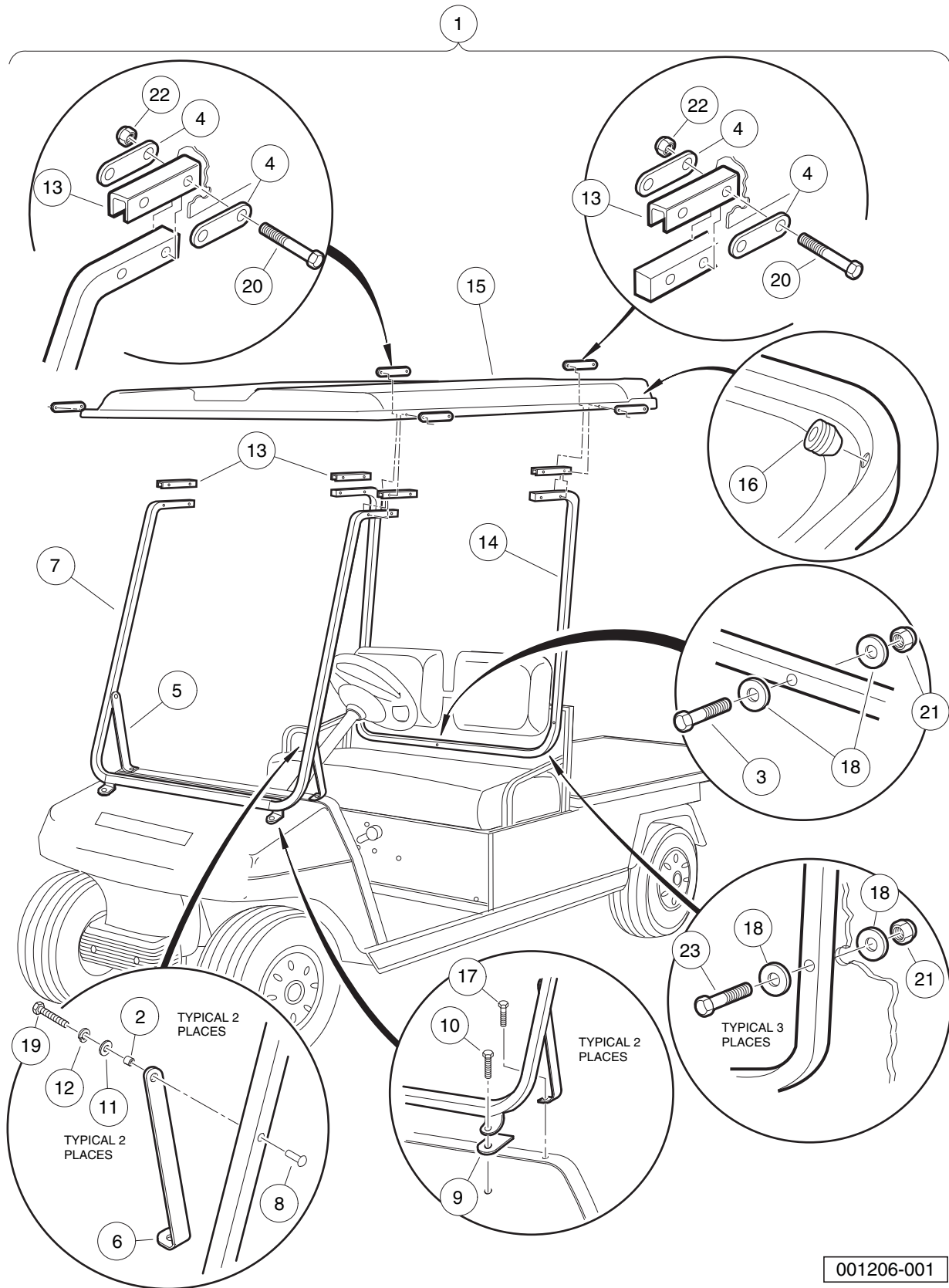




CANOPY KIT, WHITE

ITEM	PART NO.	DESCRIPTION	QTY
		1 2 3 4	
1	<u>1014506</u>	Kit, Canopy, White (includes items 2 through 23)	1
2	<u>1010237</u>	Bushing	2
3	<u>1010921</u>	Screw, 5/16-18 X 2.50 Hex Cap	1
4	1011852	Plate, Canopy Trim	8
5	<u>1011862</u>	Brace, Right-Hand Canopy Mount Knee	1
6	<u>1011865</u>	Brace, Left-Hand Canopy Mount Knee	1
7	<u>1011868</u>	Weldment, Windshield Frame	1
8	1011878	T-nut, 1/4-20 X .310 Capped	2
9	<u>1011883</u>	Pad, Windshield Frame Mounting	2
10	<u>1011937</u>	Bolt, 5/16-18 X 1.25 Hex Head	2
11	1011964	Washer, 1/4 Flat	2
12	<u>1011965</u>	Lockwasher, 1/4 Split Ss	2
13	1012008	Support, Side Canopy	4
14	<u>1014503</u>	Brace, Rear Canopy	1
15	1014509	Canopy, White (includes item 16)	1
16	1011942	Modified Grommet	2
17	1218	Screw, 5/16-18 X 1.25 Hex-Head Cap	2
18	<u>1241</u>	Washer, 5/16 Type A Flat	6
19	<u>1703</u>	Screw, 1/4-20 X 1.50 Hx Hd Cap	2
20	<u>7311</u>	Screw, 1/4-20 X 2.00 Hex-Head Cap	8
21	<u>7473</u>	Locknut, 5/16-18 Nylon Insert	3
22	<u>8233</u>	Locknut, 1/4-20, Nylon Insert	8
23	<u>8963</u>	Screw, 5/16-18 X 1.75 Hex-Head Cap	3

1
G
E



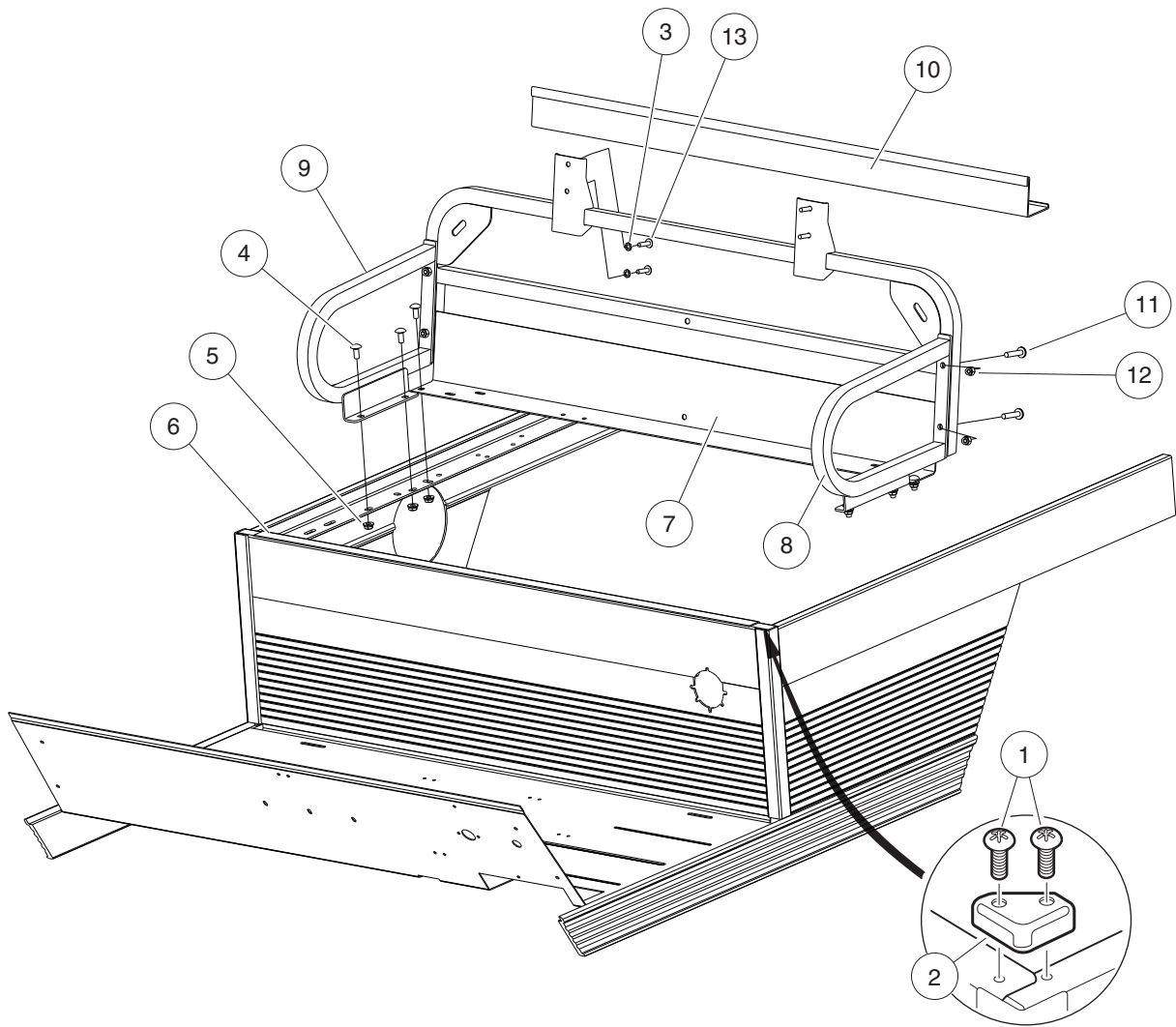
001206-001

CANOPY KIT, BEIGE

ITEM	PART NO.	DESCRIPTION	QTY
		1 2 3 4	
1	<u>101450698</u>	Kit, Canopy, Beige, Ca1/2 (includes items 2 through 23)	1
2	<u>1010237</u>	Bushing	2
3	<u>1010921</u>	Screw, 5/16-18 X 2.50 Hex Cap	1
4	1011852	Plate, Canopy Trim	8
5	<u>1011862</u>	Brace, Right-Hand Canopy Mount Knee	1
6	<u>1011865</u>	Brace, Left-Hand Canopy Mount Knee	1
7	<u>1011868</u>	Weldment, Windshield Frame	1
8	1011878	T-nut, 1/4-20 X .310 Capped	2
9	<u>1011883</u>	Pad, Windshield Frame Mounting	2
10	<u>1011937</u>	Bolt, 5/16-18 X 1.25 Hex Head	2
11	1011964	Washer, 1/4 Flat	2
12	<u>1011965</u>	Lockwasher, 1/4 Split Ss	2
13	1012008	Support, Side Canopy	4
14	<u>1014503</u>	Brace, Rear Canopy	1
15	<u>101450903</u>	Asm, Canopy, Beige (includes item 16)	1
16	1011942	Modified Grommet	2
17	1218	Screw, 5/16-18 X 1.25 Hex-Head Cap	2
18	<u>1241</u>	Washer, 5/16 Type A Flat	6
19	<u>1703</u>	Screw, 1/4-20 X 1.50 Hx Hd Cap	2
20	<u>7311</u>	Screw, 1/4-20 X 2.00 Hex-Head Cap	8
21	<u>7473</u>	Locknut, 5/16-18 Nylon Insert	3
22	<u>8233</u>	Locknut, 1/4-20, Nylon Insert	8
23	<u>8963</u>	Screw, 5/16-18 X 1.75 Hex-Head Cap	3

1
G
E

1
G
E



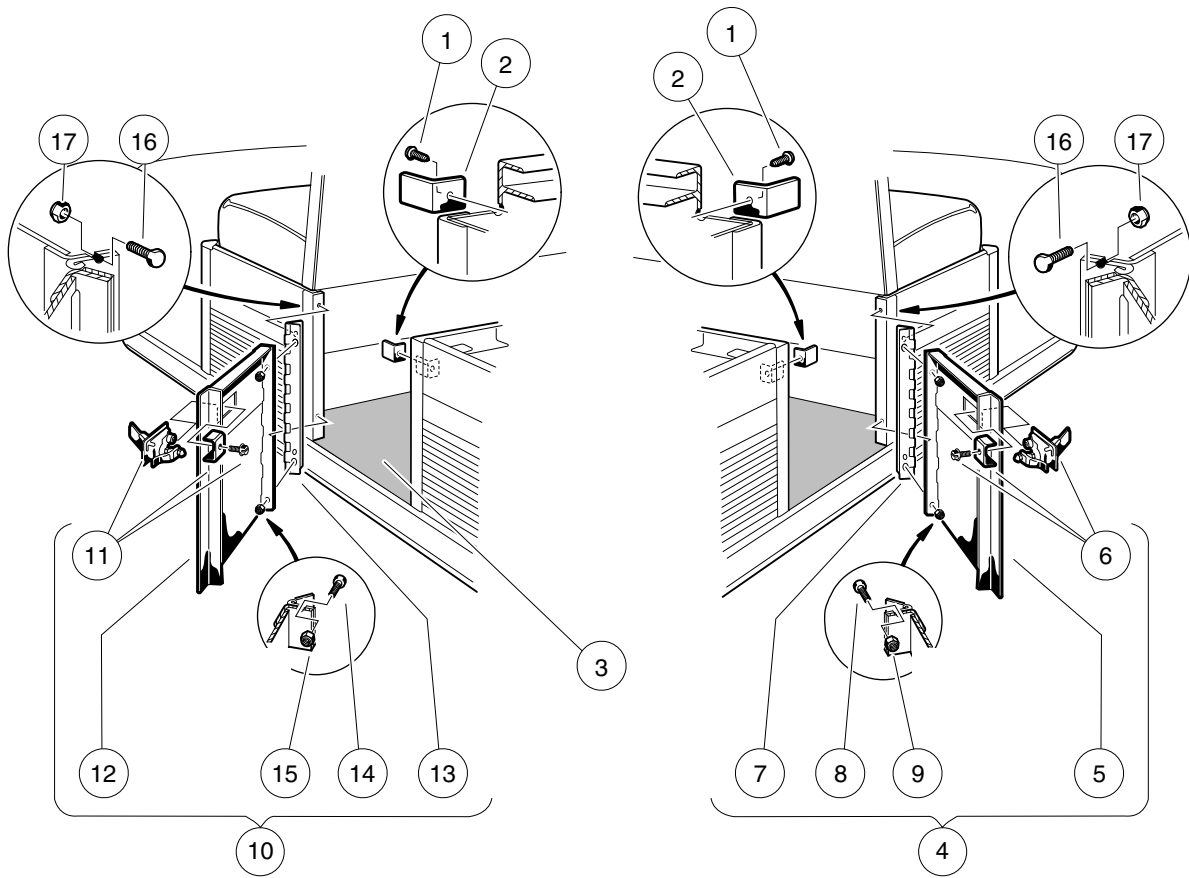
000603-004

HIP RESTRAINTS AND SEAT BACK MOUNTING

ITEM	PART NO.	DESCRIPTION	QTY
		1 2 3 4	
1	<u>1014321</u>	Screw, #10 Truss-Head Torx	4
2	<u>1014387</u>	Cap, Corner	2
3	<u>101946201</u>	Washer, Lock, 0.250 External-Tooth	4
4	<u>101963301</u>	Bolt, 5/16-18 X 0.75 Round-Head	6
5	<u>101963401</u>	Locknut, 5/16-18 Hex Flange	6
6	<u>101964001</u>	Trim, Seat Bottom Front	1
7	<u>102966401</u>	Seat Back, Tube	1
8	<u>102966501</u>	Hip Restraint, Left	1
9	<u>102966502</u>	Hip Restraint, Right	1
10	<u>102989501</u>	Seal, Bed, 41-Inch	1
11	<u>103245201</u>	Screw, 5/16-18 X 1.5, Tr Tx Hd	4
12	<u>103245301</u>	Nut, Hex, Cp, Mech Def, 5/16-1	4
13	<u>8251</u>	Screw, 1/4-20 X 1.0 Truss-Head Machine	4

1
G
E

1
G
E



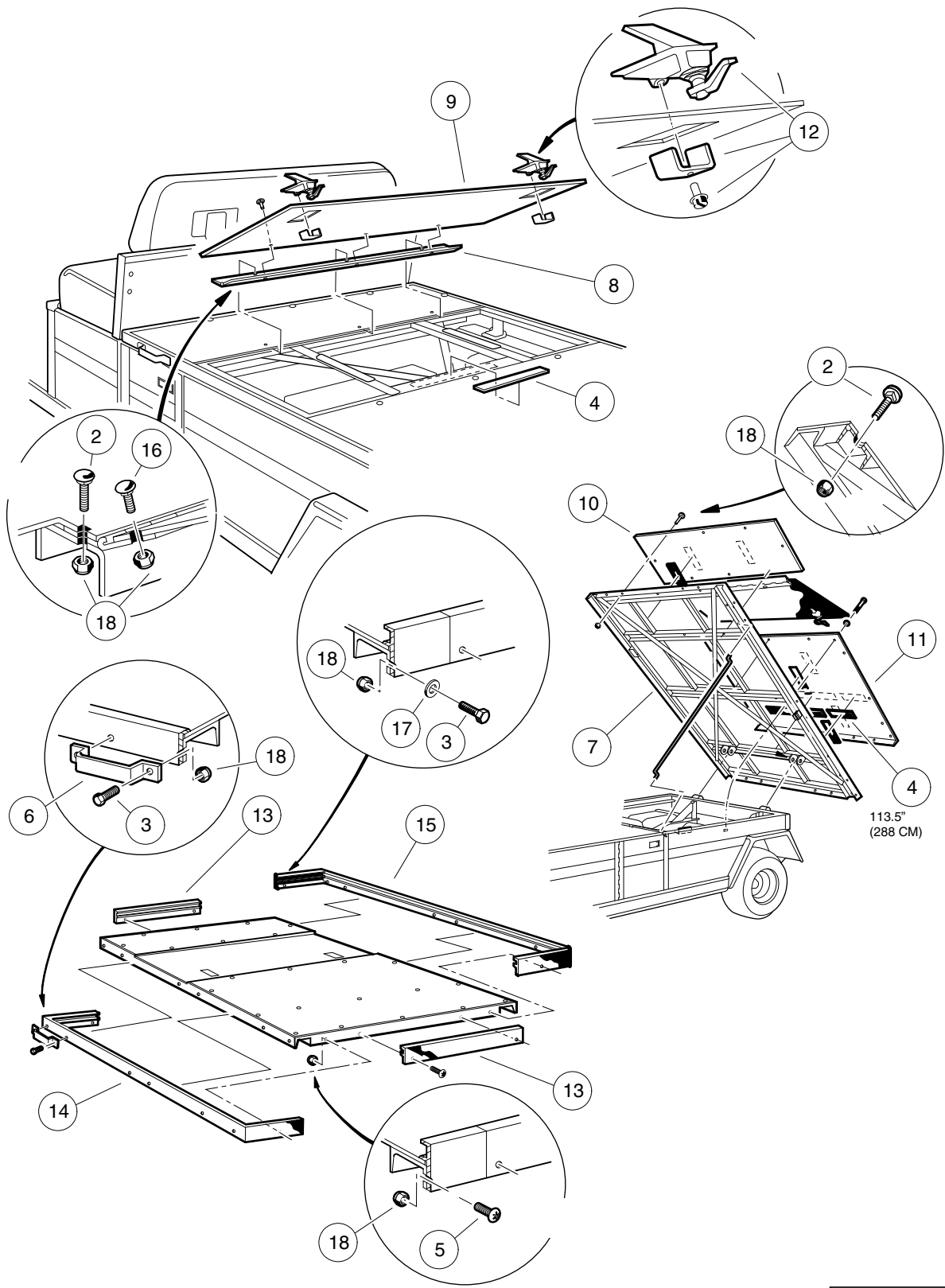
000262-001

SIDE DOORS

ITEM	PART NO.	DESCRIPTION	QTY
		1 2 3 4	
1	<u>1012285</u>	Screw, 1/4 X 0.625 Hex-Head	2
2	<u>1013280</u>	Clip, Angle	2
3	<u>1016718</u>	Floormat, Rear	1
4	<u>1016954</u>	Assembly, Door, Passenger-Side (includes items 5 through 9)	1
5	1016909	Door, Passenger-Side	1
6	<u>101691401</u>	Latch, Door	1
7	<u>1016920</u>	Hinge, Door	1
8	<u>403</u>	Screw, 1/4-20 X 0.625 Hex-Head Cap	2
9	<u>8233</u>	Locknut, 1/4-20, Nylon Insert	2
10	1016955	Assembly, Door, Driver-Side (includes items 11 through 15)	1
11	<u>101691401</u>	Latch, Door	1
12	<u>1016918</u>	Door, Driver-Side	1
13	<u>1016920</u>	Hinge, Door	1
14	<u>403</u>	Screw, 1/4-20 X 0.625 Hex-Head Cap	2
15	<u>8233</u>	Locknut, 1/4-20, Nylon Insert	2
16	<u>403</u>	Screw, 1/4-20 X 0.625 Hex-Head Cap	4
17	<u>8233</u>	Locknut, 1/4-20, Nylon Insert	4

1
G
E

1
G
E



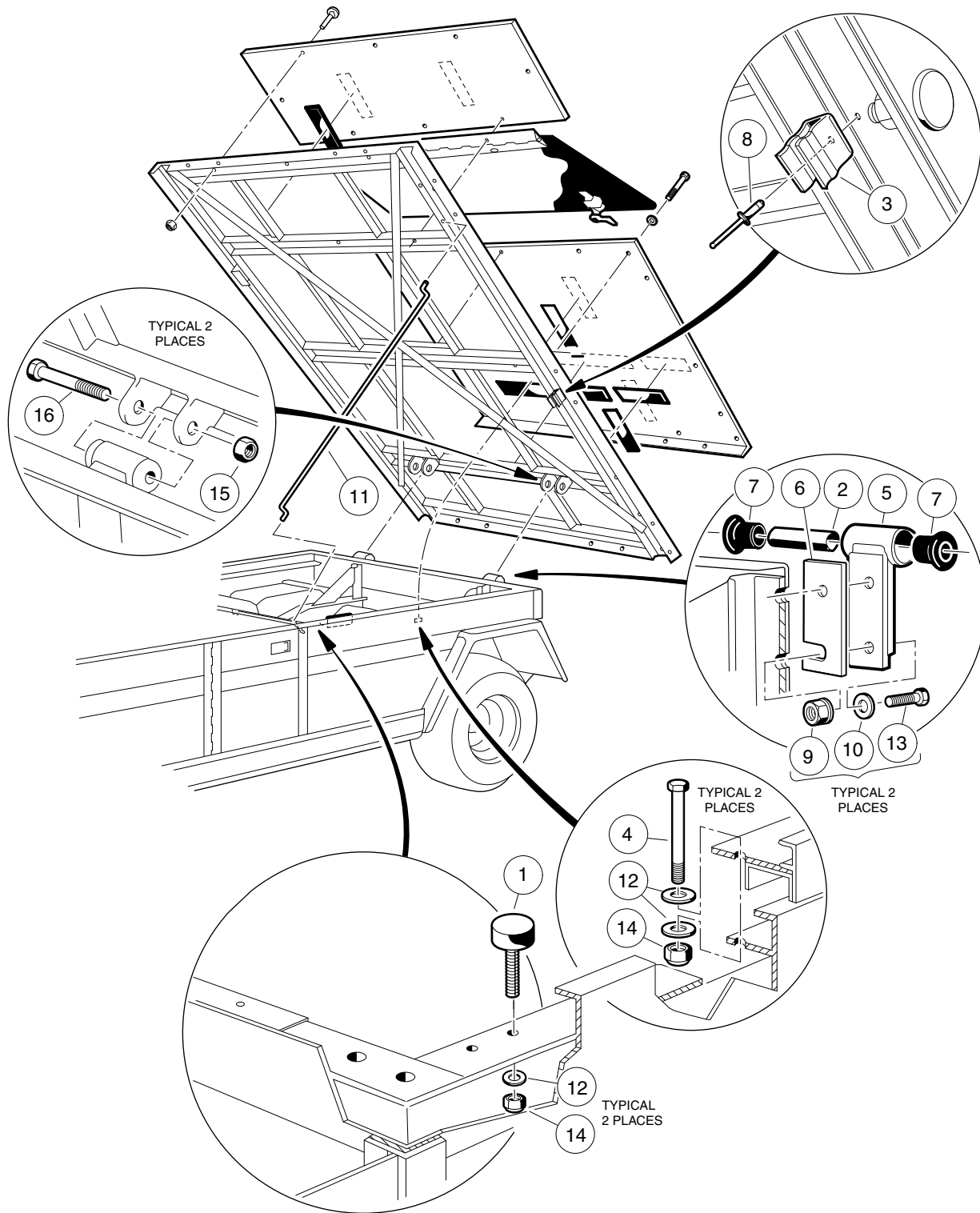
000264-001

FLAT BED

ITEM	PART NO.	DESCRIPTION	QTY
		1 2 3 4	
1	N/A	Assembly, Long Bed (includes items 2 through 18)	1
2	<u>1010435</u>	Bolt, Carriage, 5/16-18 X 1.00	21
3	<u>1010934</u>	Screw, 5/16-18 X 1.00 Hex Cap	6
4	<u>1014471</u>	Tape, Vinyl Foam 1/8" x 3/4"	1
5	1015399	Screw, 5/16-18 X 0.88 Torx Truss-Head	14
6	<u>1016077</u>	Bracket, Stake Side	1
7	<u>1016878</u>	Long Bed Frame Assembly	1
8	<u>1016881</u>	Hinge, Access Door	1
9	<u>101689101</u>	Plate, Access Door	1
10	****	Floor Plate Forward Long Bed	1
11	****	Plate Floor Rear Long Bed	1
12	<u>101691401</u>	Latch, Door	2
13	<u>1016943</u>	Trim, Long Bed, Front and Rear	2
14	<u>1016944</u>	Trim, Long Bed, Driver-Side	1
15	<u>1016948</u>	Trim, Long Bed, Passenger-Side	1
16	<u>1017077</u>	Bolt, Carriage, 5/16-18 X 0.625	3
17	<u>1241</u>	Washer, 5/16 Type A Flat	4
18	<u>7473</u>	Locknut, 5/16-18 Nylon Insert	44
		**** Special order item available upon request.	

1
G
E

1
G
E



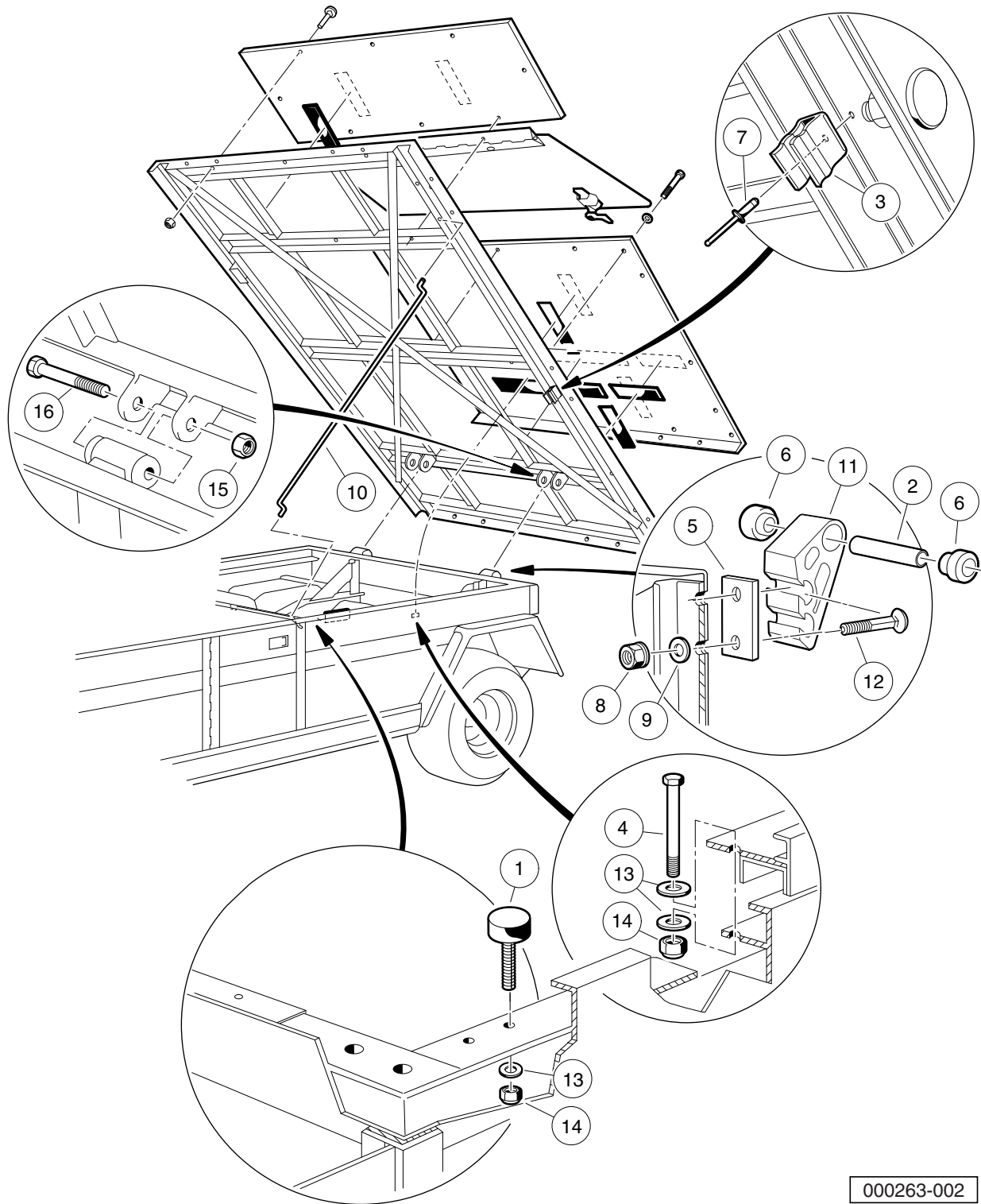
000263-001

FLAT BED MOUNTING – TO MID-2009 MODEL YEAR

ITEM	PART NO.	DESCRIPTION	QTY
		1 2 3 4	
1	<u>1010878</u>	Bumper, Rubber	2
2	<u>1012303</u>	Bushing, Steel	2
3	<u>1013413</u>	Clip, Rod	1
4	<u>1013872</u>	Bolt, 1/4-20 X 4.00 Hex Head	2
5	<u>1015356</u>	Hinge	2
6	<u>1015507</u>	Shim, Tilt Bed Pivot	A/R
7	<u>1015583</u>	Bushing, Urethane	4
8	<u>1015727</u>	Rivet, 1/8	1
9	<u>102065901</u>	Locknut, 3/8-16 Flanged Dimple	4
10	<u>102066001</u>	Washer, 3/8 Type B Hard Flat	4
11	<u>102259401</u>	Prop Rod, Long Bed	1
12	<u>332</u>	Washer, 1/4 Type A Narrow Flat	6
13	<u>705</u>	Screw, Cap-hex Hd 3/8-16x1.25	4
14	<u>8233</u>	Locknut, 1/4-20, Nylon Insert	4
15	<u>8754</u>	Locknut, 3/8-16 Hex	2
16	<u>8755</u>	Screw, 3/8-16 X 3.375 Hex Cap	2

1
G
E

1
G
E



000263-002

FLAT BED MOUNTING – FROM MID-2009 MODEL YEAR

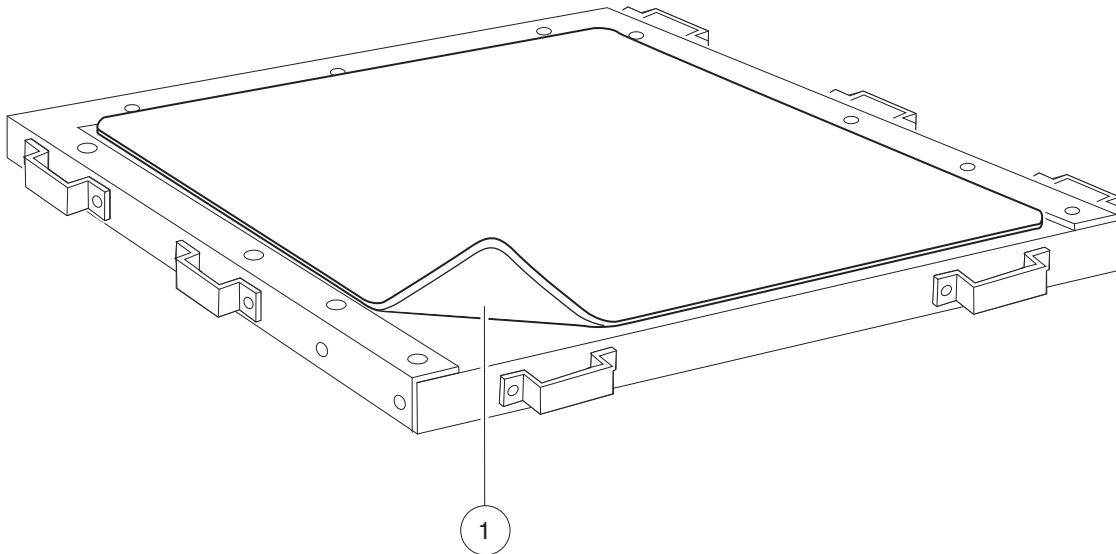
ITEM	PART NO.	DESCRIPTION	QTY
		1 2 3 4	
1	<u>1010878</u>	Bumper, Rubber	2
2	<u>1012303</u>	Bushing, Steel	2
3	<u>1013413</u>	Clip, Rod	1
4	<u>1013872</u>	Bolt, 1/4-20 X 4.00 Hex Head	2
5	<u>1015507</u>	Shim, Tilt Bed Pivot	1
6	<u>1015583</u>	Bushing, Urethane	4
7	<u>1015727</u>	Rivet, 1/8	1
8	<u>102065901</u>	Locknut, 3/8-16 Flanged Dimple	4
9	<u>102066001</u>	Washer, 3/8 Type B Hard Flat	4
10	<u>102259401</u>	Prop Rod, Long Bed	1
11	<u>103538701</u>	Bracket, Bed Hinge, Extruded	2
12	<u>103538901</u>	Bolt, Carriage, 3/8-16 x 3.5" Grade 5	4
13	<u>332</u>	Washer, 1/4 Type A Narrow Flat	6
14	<u>8233</u>	Locknut, 1/4-20, Nylon Insert	4
15	<u>8754</u>	Locknut, 3/8-16 Hex	2
16	<u>8755</u>	Screw, 3/8-16 X 3.375 Hex Cap	2

1
G
E

1

G

E

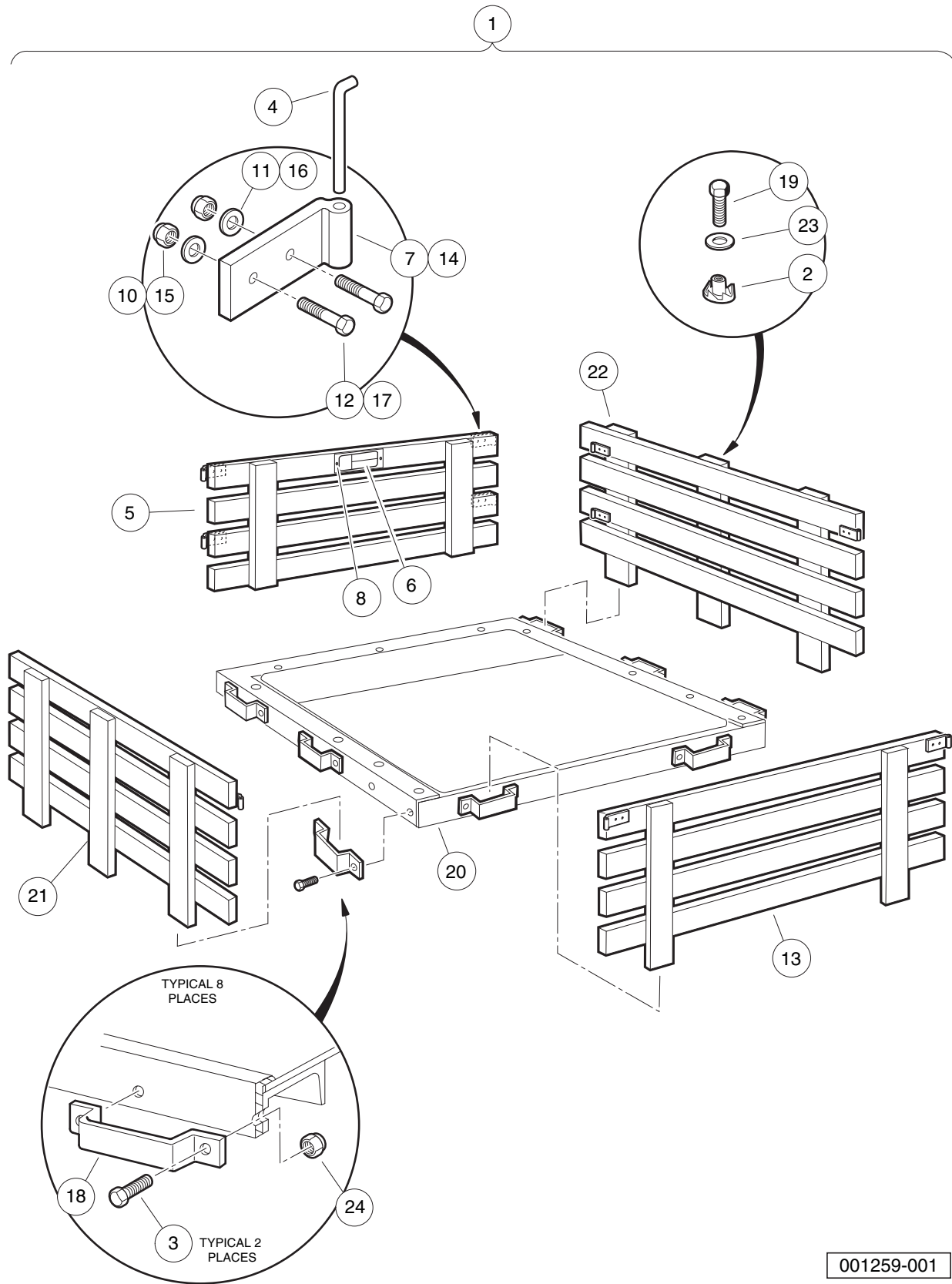


001207-001

BED MAT

ITEM	PART NO.	DESCRIPTION	QTY
1	101770201	1 2 3 4 Bed Mat - Carryall 6	1

1
G
E

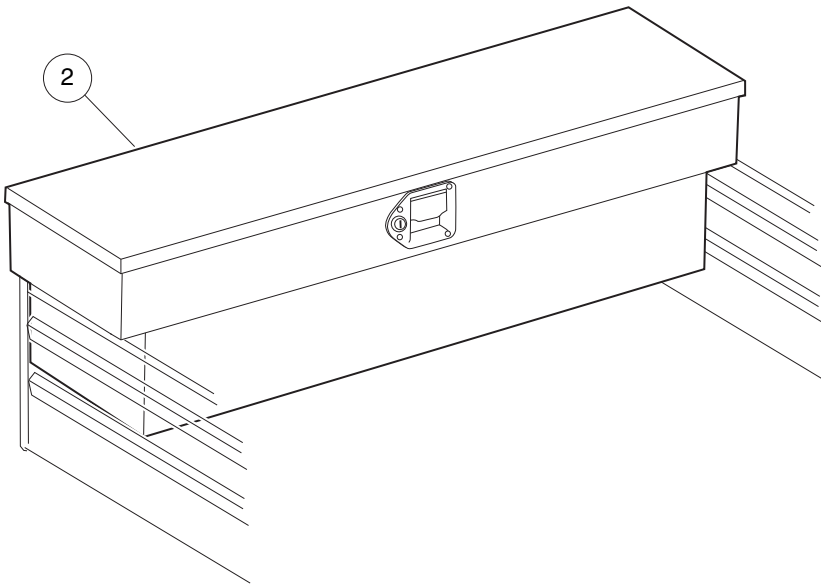
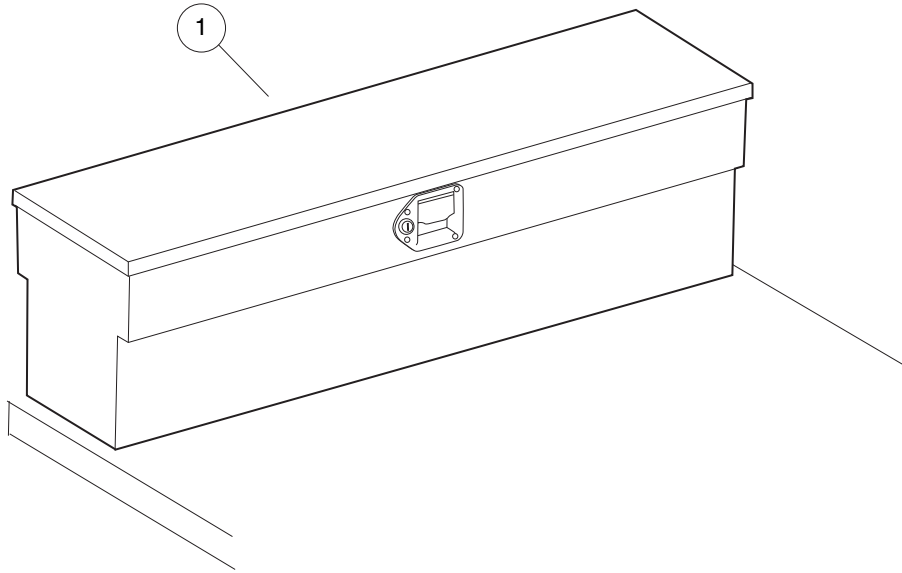


STAKE SIDE KIT

ITEM	PART NO.	DESCRIPTION	QTY
		1 2 3 4	
1	<u>1017117</u>	Stake Side Kit, 6 (includes items 2 through 24)	1
2	1010086	T-Nut	74
3	<u>1010934</u>	Screw, 5/16-18 X 1.00 Hex Cap	14
4	<u>1015656</u>	Pin, hinge	6
5	101565703	Stake Side, Front (includes items 6 through 12)	1
6	<u>101553901</u>	Decal, Bed Load Warning	1
7	<u>1015654</u>	Stake Side Hinge	4
8	<u>1016663</u>	Screw, #12-14 X 0.625	2
9	N/A	Plate, Bed Load Decal	1
10	<u>1108</u>	Locknut, 1/4-20 Dimpled	8
11	<u>332</u>	Washer, 1/4 Type A Narrow Flat	24
12	<u>7479</u>	Screw, 1/4-20 X 1.25 Hex-Head Cap	8
13	101565704	Stake Side, Rear (includes items 14 through 17)	1
14	<u>1015654</u>	Stake Side Hinge	2
15	<u>1108</u>	Locknut, 1/4-20 Dimpled	4
16	<u>332</u>	Washer, 1/4 Type A Narrow Flat	20
17	<u>7479</u>	Screw, 1/4-20 X 1.25 Hex-Head Cap	4
18	<u>1016077</u>	Bracket, Stake Side	7
19	1016916	Screw, 1/4-20 X 1.50 Hex-Head Cap	74
20	N/A	Assembly, Long Bed	1
21	101711801	Stake Side Assy C/a Vi L.h.	1
22	101711802	Stake Side AssyC/aViR.h.'	1
23	<u>332</u>	Washer, 1/4 Type A Narrow Flat	74
24	<u>7473</u>	Locknut, 5/16-18 Nylon Insert	14

1
G
E

1
G
E



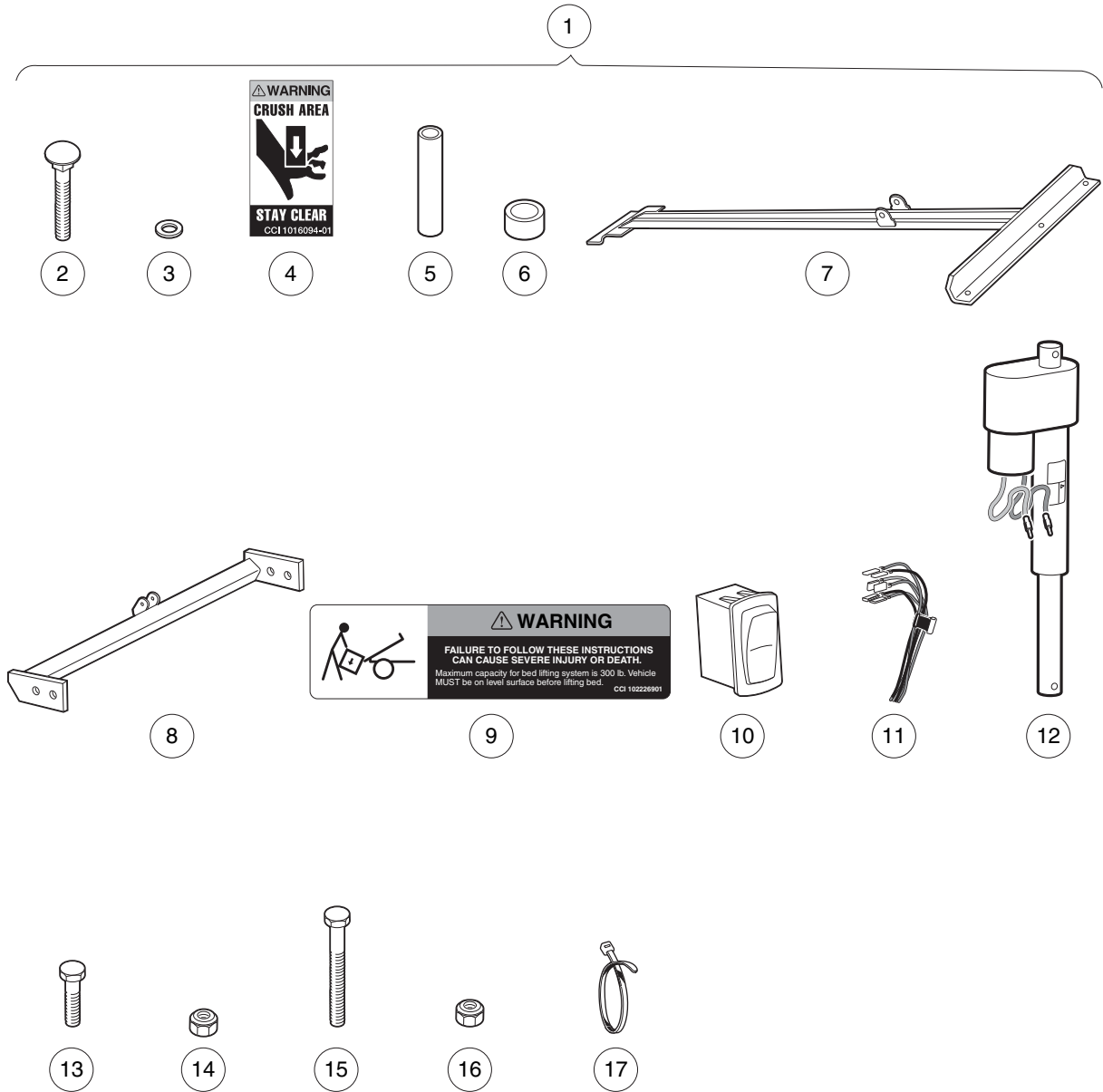
001157-001

TOOLBOXES

ITEM	PART NO.	DESCRIPTION	QTY
1	<u>101837401</u>	1 2 3 4 Toolbox, Flat Bed	1
2	<u>101837501</u>	Tool Box, Box Bed	1

1
G
E

1
G
E



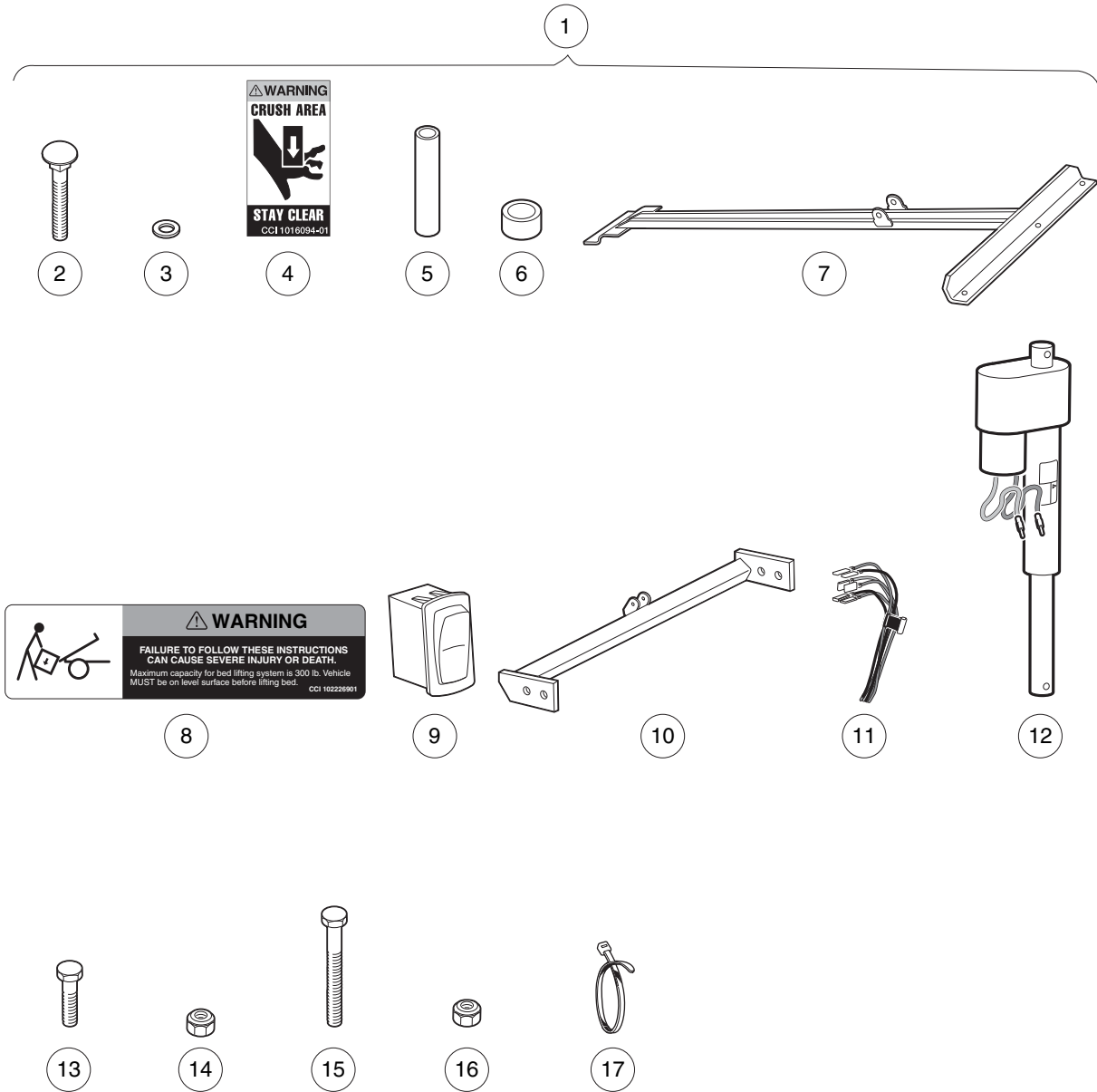
001261-001

ELECTRIC BED LIFT – GASOLINE VEHICLES

ITEM	PART NO.	DESCRIPTION	QTY
		1 2 3 4	
1	<u>SVP120402</u>	Kit, Electric Bed Lift, T/CA6 Gas (includes items 2 through 17)	1
2	<u>1010435</u>	Bolt, Carriage, 5/16-18 X 1.00	3
3	<u>1011990</u>	Washer, 3/8 Flat	8
4	<u>101609401</u>	Decal, Crush Area Warning	2
5	<u>1016603</u>	Bushing, Long	2
6	<u>1017774</u>	Body Spacer	8
7	<u>102154201</u>	Asm, Actuator Adapter	1
8	<u>102154801</u>	19th Deluxe Actuator Mtg Wld	1
9	<u>102226901</u>	Service Only Warning Decal	1
10	<u>102882501</u>	Switch, Rocker, Bed Lift	1
11	<u>103270201</u>	Wire Harness, Elec Tilt Sys	1
12	<u>103951801</u>	Actuator, Bed Lift, Electric	1
13	<u>705</u>	Screw, Cap-hex Hd 3/8-16x1.25	4
14	<u>7473</u>	Locknut, 5/16-18 Nylon Insert	4
15	<u>7561</u>	Bolt, 3/8-16 X 3.00 Hex Head	2
16	<u>8754</u>	Locknut, 3/8-16 Hex	6
17	<u>8990</u>	Tie Wrap, 8" Nylon	8

1
G
E

1
G
E



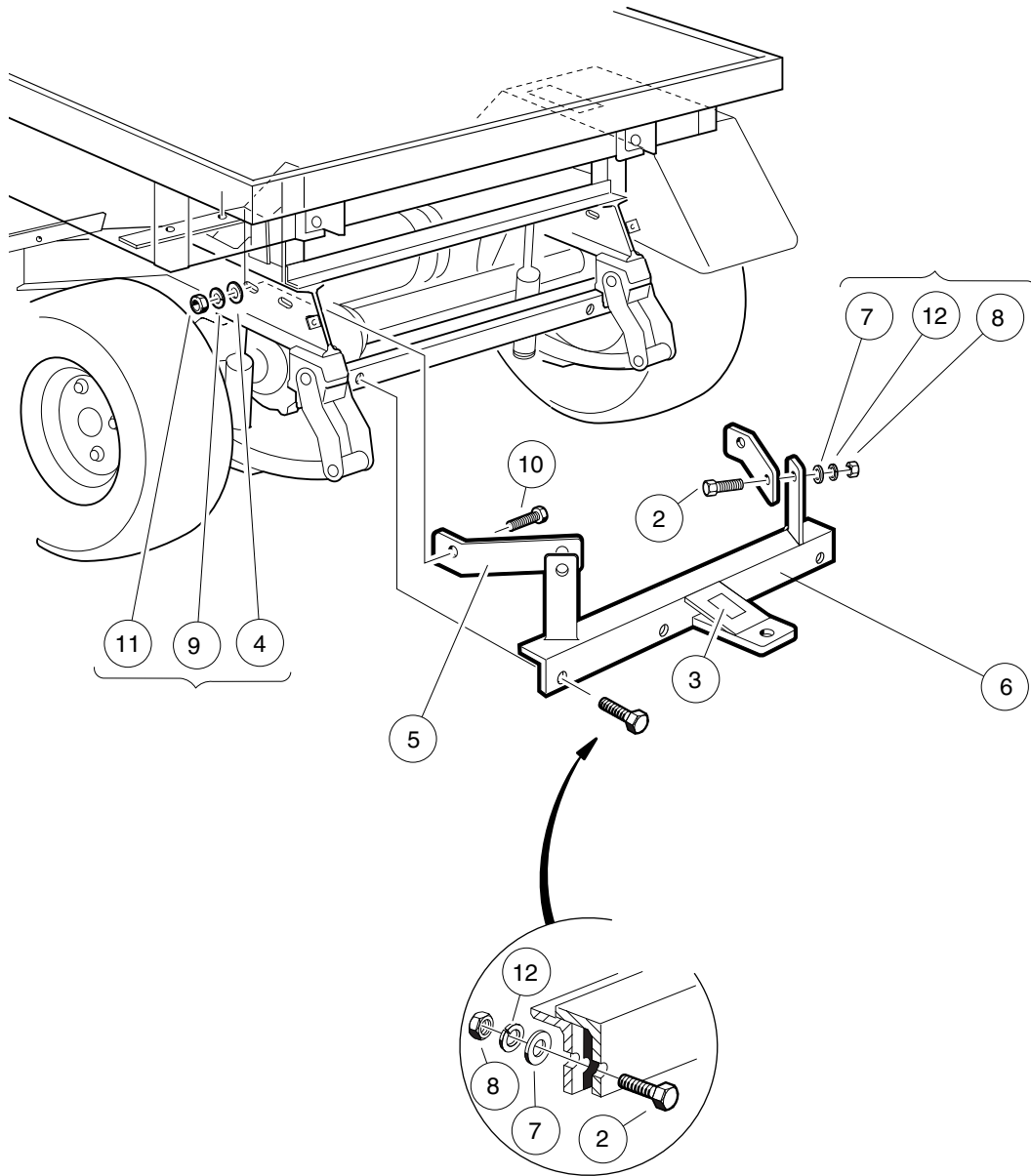
001260-001

ELECTRIC BED LIFT – ELECTRIC VEHICLE

ITEM	PART NO.	DESCRIPTION	QTY
		1 2 3 4	
1	<u>SVP183302</u>	Kit, Electric Bed Lift, T/CA6 IQ Plus (includes items 2 through 17)	1
2	<u>1010435</u>	Bolt, Carriage, 5/16-18 X 1.00	4
3	<u>1011990</u>	Washer, 3/8 Flat	8
4	<u>101609401</u>	Decal, Crush Area Warning	2
5	<u>1016603</u>	Bushing, Long	2
6	1017774	Body Spacer	8
7	<u>102154201</u>	Asm, Actuator Adapter	1
8	<u>102226901</u>	Service Only Warning Decal	1
9	<u>102882501</u>	Switch, Rocker, Bed Lift	1
10	<u>102893601</u>	Center Bracket, Bed Lift	1
11	<u>103270201</u>	Wire Harness, Elec Tilt Sys	1
12	<u>103951801</u>	Actuator, Bed Lift, Electric	1
13	705	Screw, Cap-hex Hd 3/8-16x1.25	4
14	<u>7473</u>	Locknut, 5/16-18 Nylon Insert	5
15	<u>7561</u>	Bolt, 3/8-16 X 3.00 Hex Head	2
16	<u>8754</u>	Locknut, 3/8-16 Hex	6
17	<u>8990</u>	Tie Wrap, 8" Nylon	8

1
G
E

1
G
E



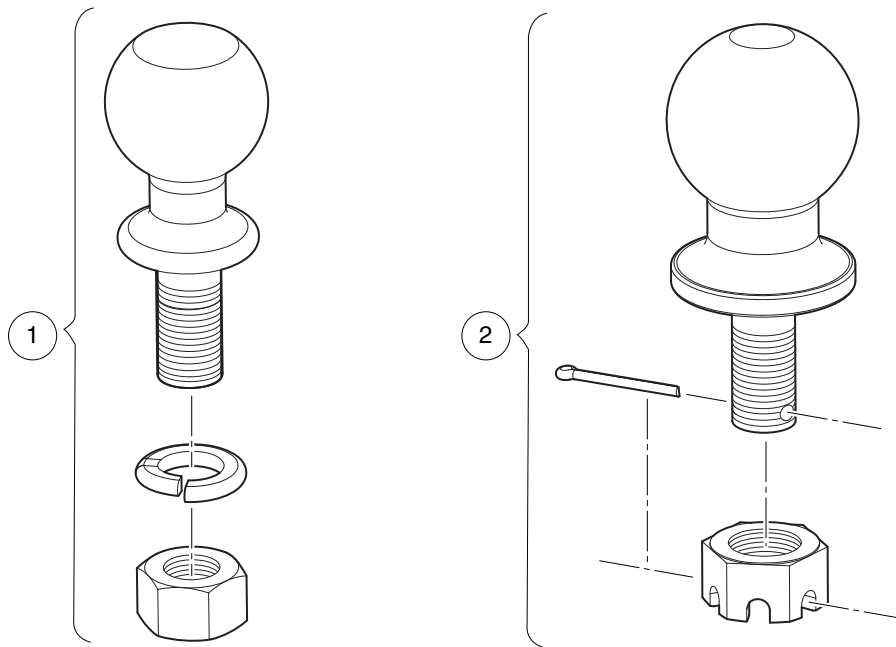
000265-001

TRAILER HITCH

ITEM	PART NO.	DESCRIPTION	QTY
		1 2 3 4	
1	<u>1015445</u>	Kit, Trailer Hitch (includes items 2 through 12)	1
2	<u>1010934</u>	Screw, 5/16-18 X 1.00 Hex Cap	4
3	<u>1011553</u>	Decal, Trailer Hitch	1
4	<u>1011990</u>	Washer, 3/8 Flat	2
5	<u>1013483</u>	Brace, Trailer Hitch	2
6	N/A	Asm, Trailer Hitch	1
7	<u>1241</u>	Washer, 5/16 Type A Flat	4
8	<u>1242</u>	Nut, 5/16-18 Hex	4
9	<u>357</u>	Lockwasher, 3/8 Split	2
10	705	Screw, Cap-hex Hd 3/8-16x1.25	2
11	<u>706</u>	Nut, Hex 3/8-16	2
12	<u>7174</u>	Lockwasher, 5/16 Split	4

1
G
E

1
G
E

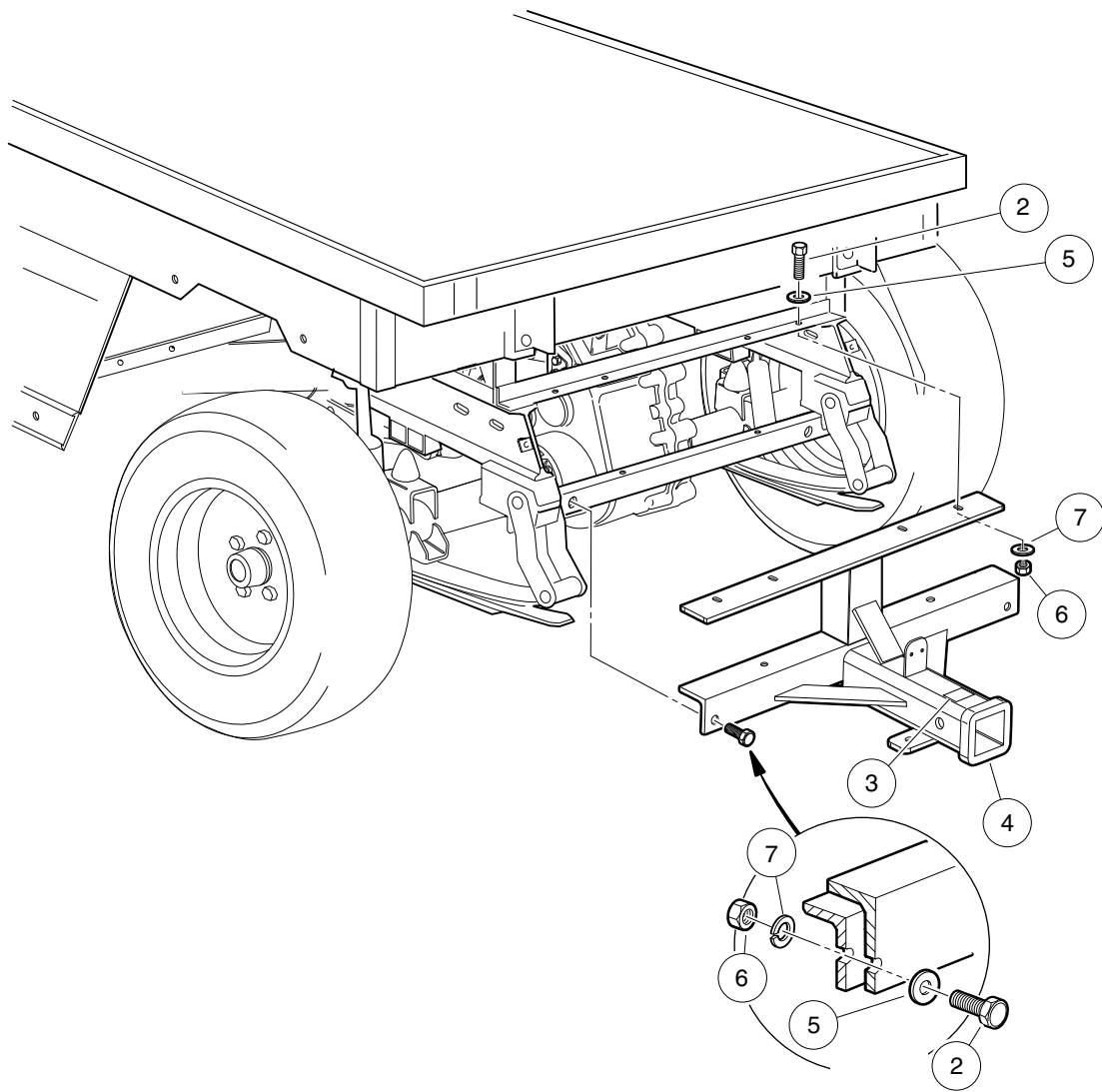


001137-001

TRAILER HITCH BALL

ITEM	PART NO.	DESCRIPTION	QTY
1	<u>1011546</u>	1 2 3 4 Trailer Hitch Ball - 1 7/8"	1
2	<u>AM1264001</u>	Chrome Hitch Ball, 2"	1

1
G
E



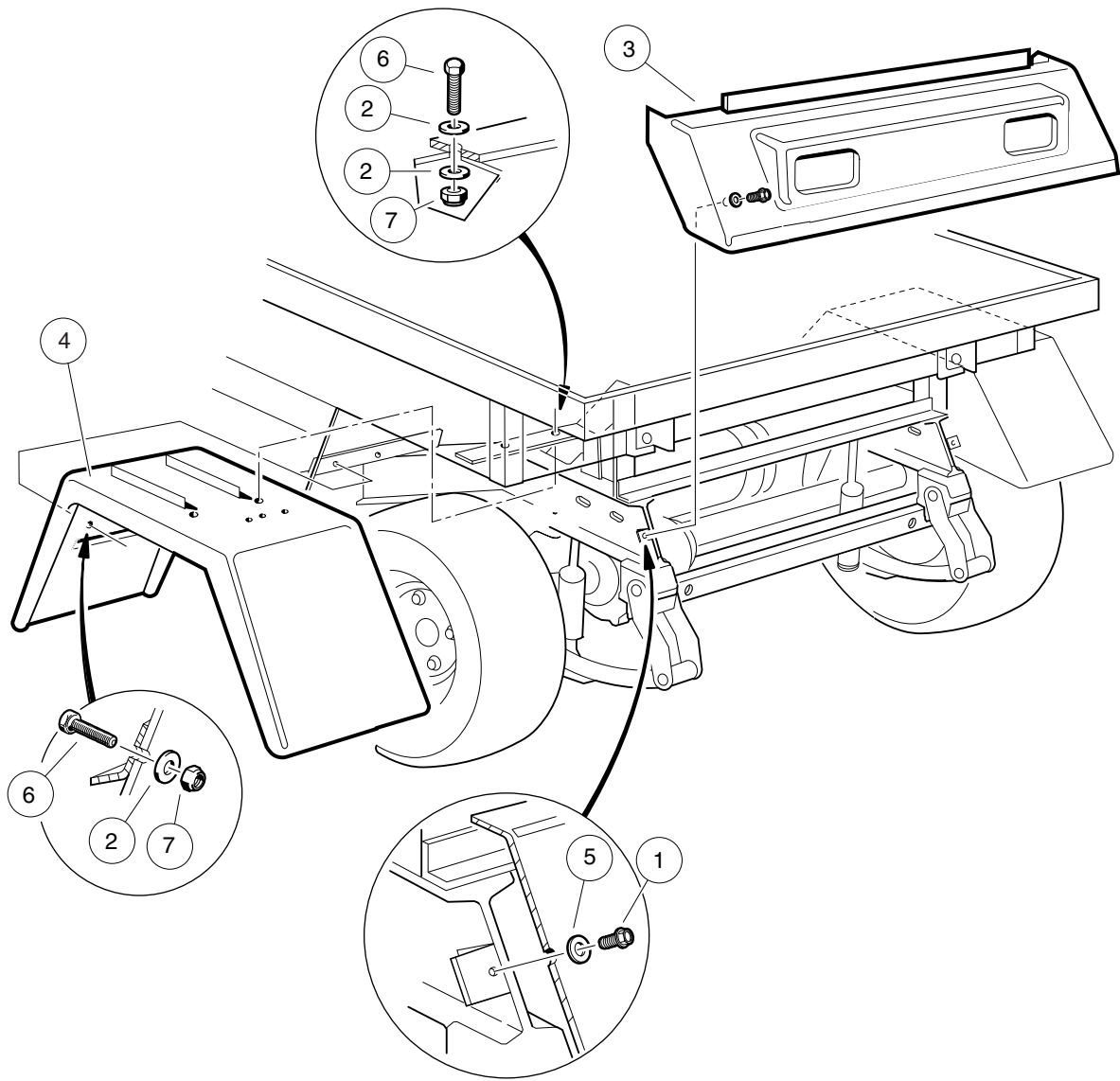
000100-002

RECEIVER HITCH

ITEM	PART NO.	DESCRIPTION	QTY
		1 2 3 4	
1	<u>102065103</u>	Kit, Rear Receiver (includes items 2 through 7)	1
2	<u>1010934</u>	Screw, 5/16-18 X 1.00 Hex Cap	6
3	<u>1011553</u>	Decal, Trailer Hitch	1
4	<u>102056001</u>	Rear Receiver Weld Asm	1
5	<u>1241</u>	Washer, 5/16 Type A Flat	6
6	<u>1242</u>	Nut, 5/16-18 Hex	6
7	<u>7174</u>	Lockwasher, 5/16 Split	6

1
G
E

1
G
E

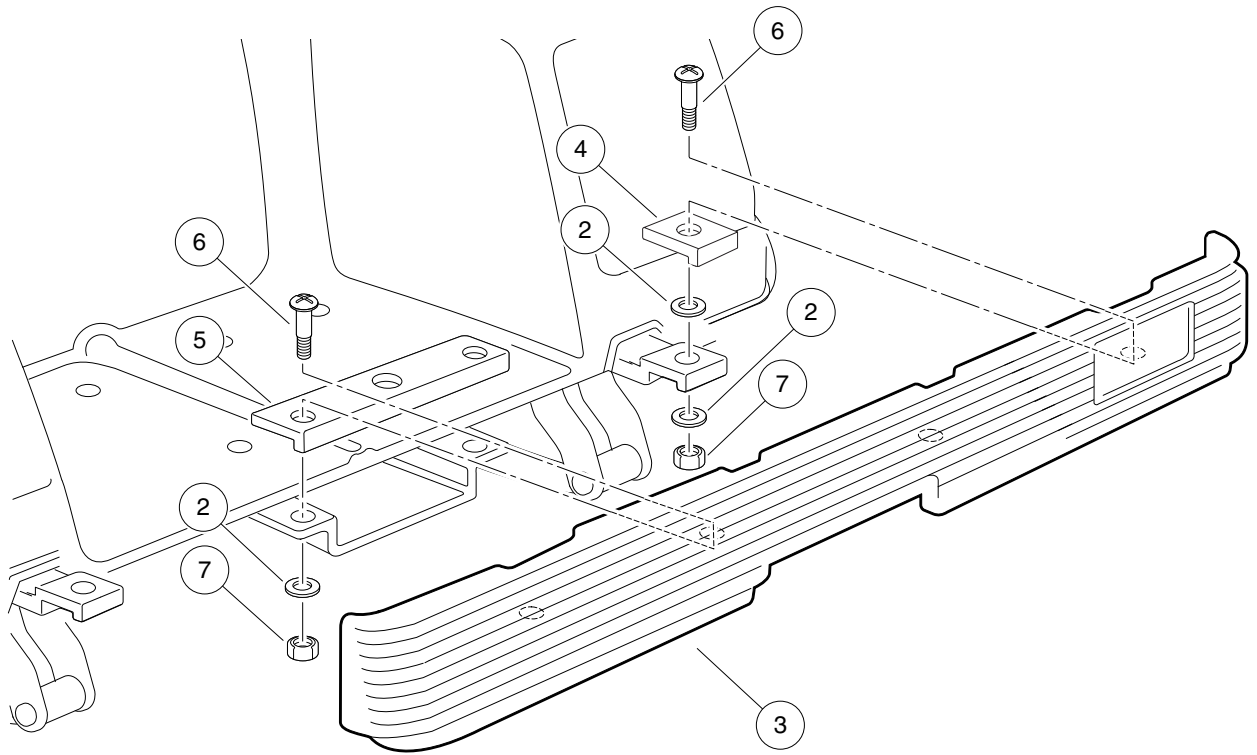


000266-001

REAR BODY TRIM – TURF/CARRYALL 1, 2, 2 PLUS, AND 6

ITEM	PART NO.	DESCRIPTION	QTY
		1 2 3 4	
1	<u>1012285</u>	Screw, 1/4 X 0.625 Hex-Head	2
2	<u>1014306</u>	Washer, 1/4" Type B Flat	12
3	<u>1015530</u>	Tailskirt	1
4	<u>1016679</u>	Rear Fender	2
5	<u>332</u>	Washer, 1/4 Type A Narrow Flat	2
6	<u>7847</u>	Screw, 1/4-20 X 0.75 Hex-Head Cap	8
7	<u>8233</u>	Locknut, 1/4-20, Nylon Insert	8

1
G
E



000666-001

REAR BUMPER

ITEM	PART NO.	DESCRIPTION	QTY
		1 2 3 4	
1	<u>1017079</u>	Kit, Rear Bumper (includes items 2 through 7)	1
2	<u>1011697</u>	Washer, 5/16 Flat	6
3	<u>1016379</u>	Bumper, Rear	1
4	<u>1016874</u>	Plate, Bumper Mounting, Short	2
5	<u>1016875</u>	Plate, Bumper Mounting, Long	1
6	<u>1016876</u>	Bolt, 3/8 Shoulder	4
7	<u>7473</u>	Locknut, 5/16-18 Nylon Insert	4
<p style="margin-left: 40px;">Note: Item 4 not used in all applications.</p>			

1

G

E

CAB, CURTIS – TURF/CARRYALL 6 AND TRANSPORTER

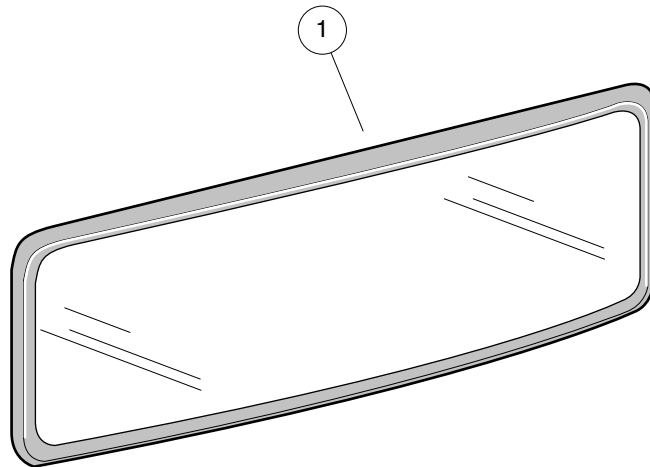
ITEM	PART NO.	DESCRIPTION	QTY
		1 2 3 4	
1	<u>102262901</u>	Asm, Cab (includes items 2 through 13)	1
2	AM1304001	CTC-Windshield Assembly	1
3	AM1304101	CTC-Windshield Latches	A/R
4	AM1304201	CTC-Drivers Side Door	1
5	AM1304301	CTC-Passenger Side Door	1
6	AM1304401	CTC-Inside Door Latches	2
7	AM1304501	CTC-Outside Door Latches	2
8	AM1304601	CTC-Door Hinge Kit	A/R
9	AM1304801	CTC-Side Frame Rear Window	1
10	AM1304901	CTC-Roof (White Plastic)	1
11	AM1305001	CTC-Wiper Motor	1
12	AM1305101	CTC-Wiper Arm	1
13	AM1305201	CTC-Wiper Blade	1
14	102264501	Kit, Seat Belt (required for ROPS certification, includes mounting hardware)	1
15	<u>103306001</u>	Kit, Adapter, Cab, Ca6	1

1
G
E

1

G

E



APM-000214-001

MIRROR, INSIDE REAR-VIEW – CURTIS CAB

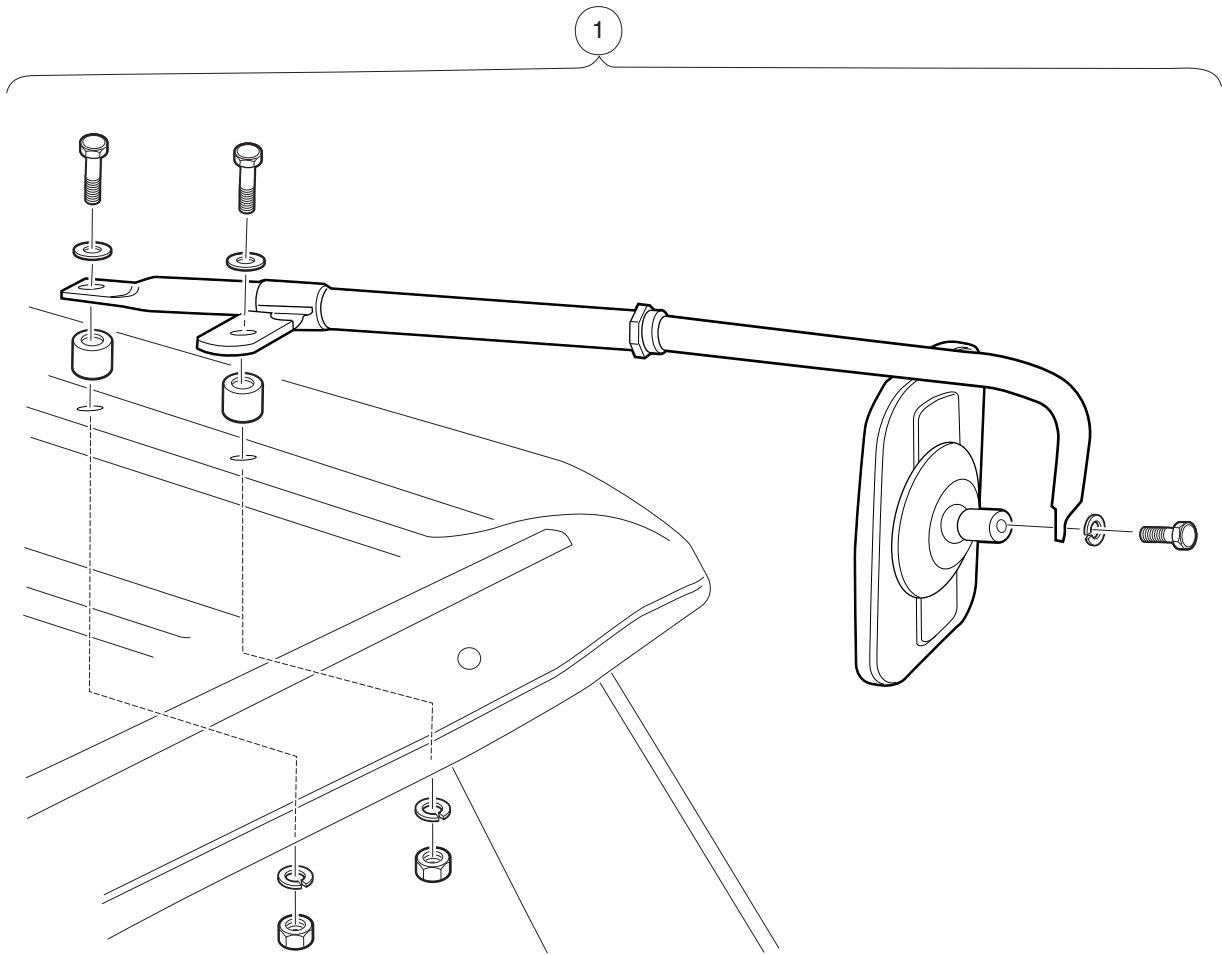
ITEM	PART NO.	DESCRIPTION	QTY
1	101995101	<p>1 2 3 4</p> <p>Kit, Rear-View Mirror (includes mounting hardware)</p> <p style="margin-top: 20px;">Note: For installation on vehicles equipped with a Curtis cab.</p>	1

1

G

E

1
G
E



001202-001

MIRROR, SIDE-VIEW – CURTIS CAB

ITEM	PART NO.	DESCRIPTION	QTY
1	<u>102272601</u>	<p>1 2 3 4 Kit, Mirror</p> <p style="margin-left: 40px;">Note: For installation on vehicles equipped with a Curtis cab.</p>	1

1

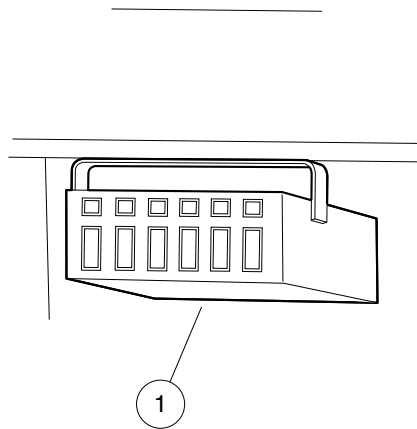
G

E

1

G

E



APM-000264-002

ACCESSORY SWITCH PANEL – CURTIS CAB

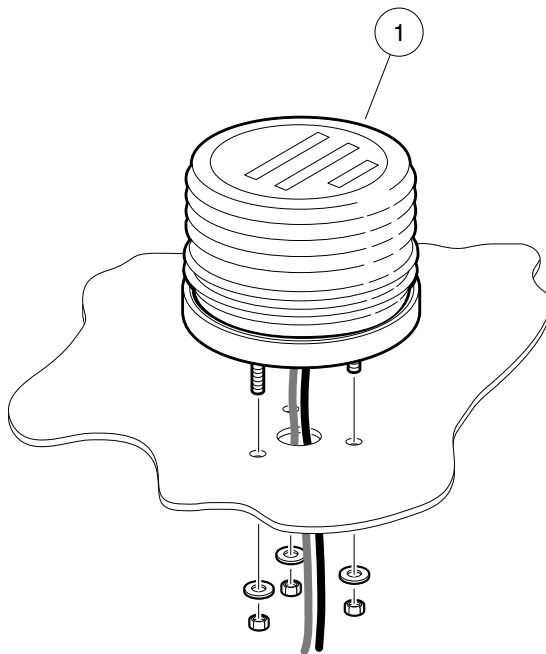
ITEM	PART NO.	DESCRIPTION	QTY
1	<u>101994601</u>	<p>1 2 3 4</p> <p>Panel, Accessory Switch</p> <p style="margin-left: 40px;">Note: For installation on vehicles equipped with a Curtis cab.</p>	1

1

G

E

1
G
E



APM-000212-001

STROBE LIGHT – CURTIS CAB

ITEM	PART NO.	DESCRIPTION	QTY
1	<u>101994301</u>	<p>1 2 3 4</p> <p>Kit, Strobe Light (includes mounting hardware and wire harness)</p> <p style="margin-left: 40px;">Note: For installation on vehicles equipped with a Curtis cab.</p>	1

1

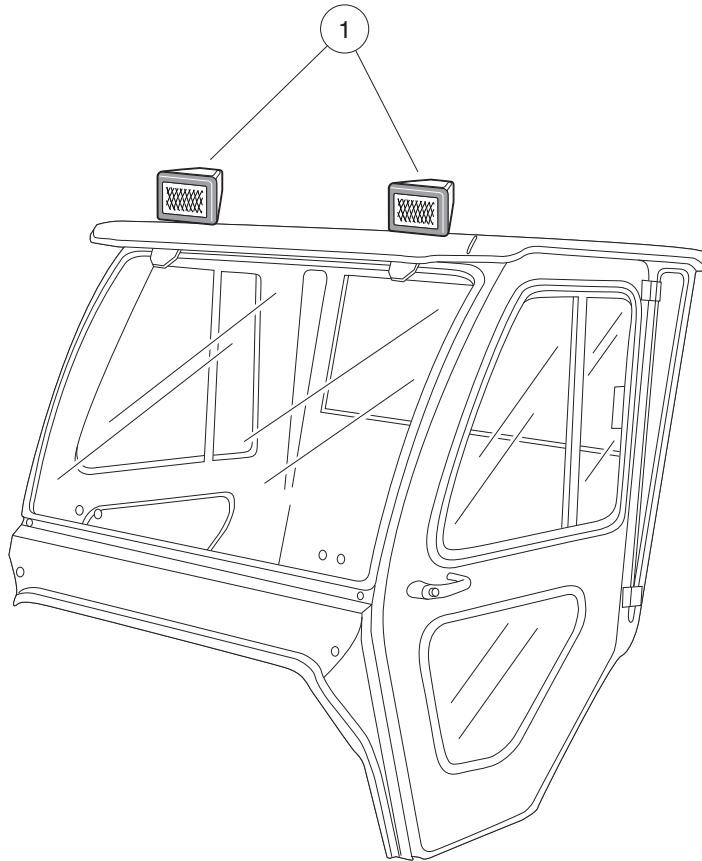
G

E

1

G

E



001201-001

WORK LIGHTS – CURTIS CAB

ITEM	PART NO.	DESCRIPTION	QTY
1	<u>101994801</u>	<p>1 2 3 4</p> <p>Kit, Work Light (includes mounting hardware and wire harness)</p> <p style="margin-left: 40px;">Note: For installation on vehicles equipped with a Curtis cab.</p>	1

1

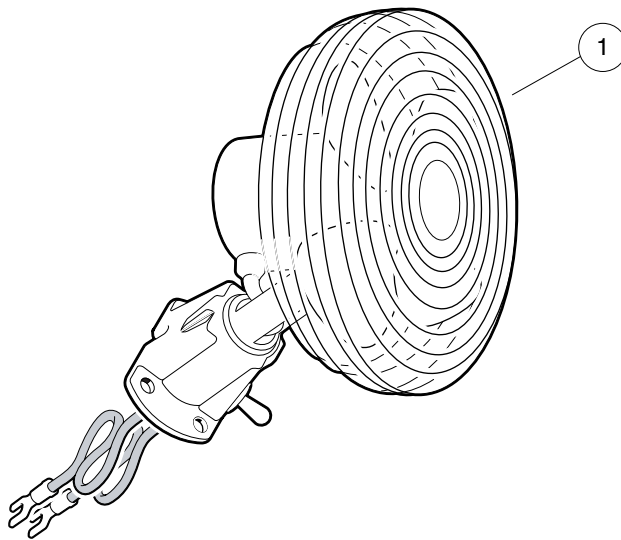
G

E

1

G

E

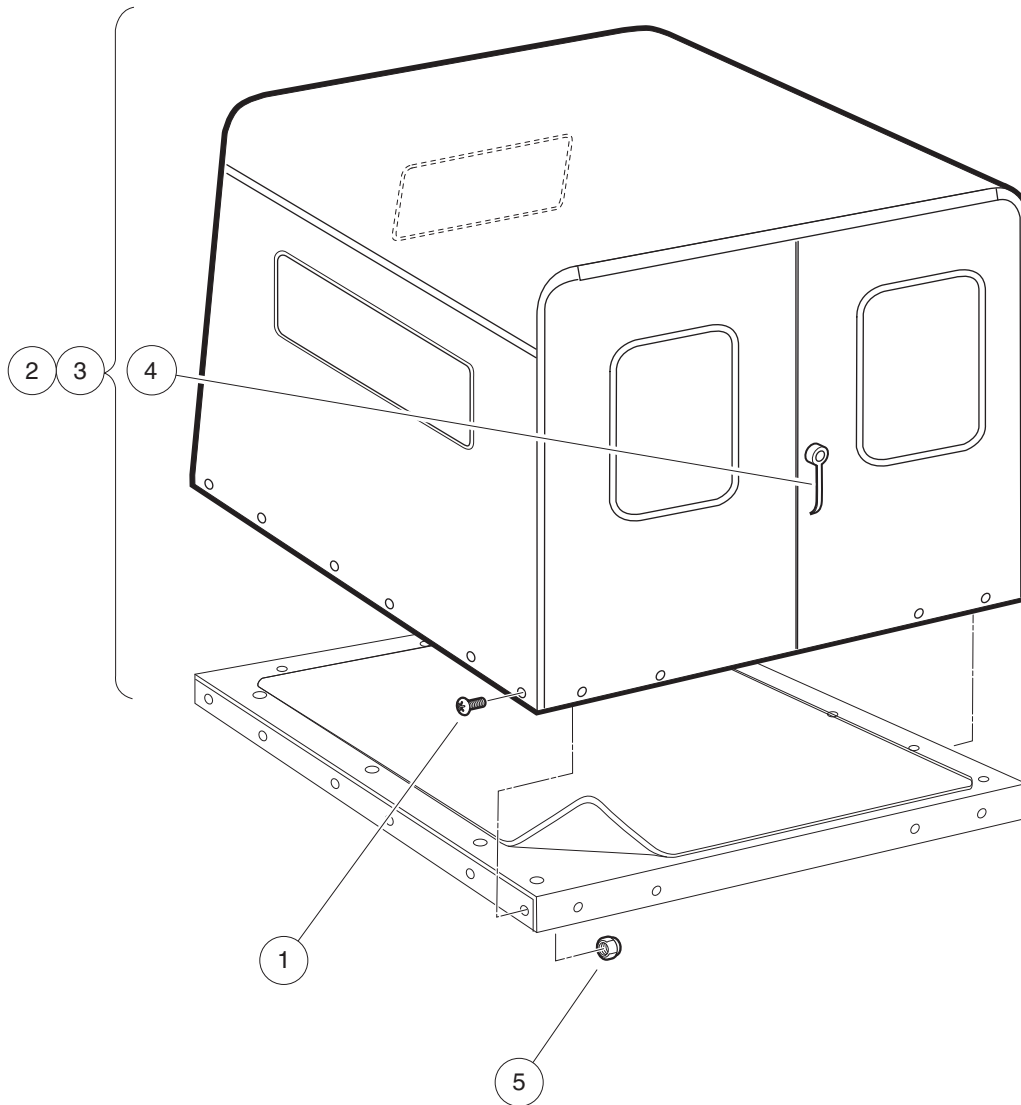


APM-000215-001

FAN/DEFOGGER – CURTIS CAB

ITEM	PART NO.	DESCRIPTION	QTY
1	<u>101994401</u>	<p>1 2 3 4 Kit, Fan/Defogger (includes mounting hardware and wire harness)</p> <p style="margin-left: 40px;">Note: For installation on vehicles equipped with a Curtis cab.</p>	1

1
G
E



001208-001

VAN BOX

ITEM	PART NO.	DESCRIPTION	QTY
		1 2 3 4	
1	1015399	Screw, 5/16-18 X 0.88 Torx Truss-Head	20
2	<u>101754202</u>	Custom Van Box Gray	1
3	<u>101754205</u>	Custom Van Box Kit Ca Vi White (includes item 4)	1
4	<u>102006201</u>	Handle, Van Box Door	1
5	<u>7473</u>	Locknut, 5/16-18 Nylon Insert	20
<p>Note: Item 2, Van Box Gray, includes item 4, Door Handle.</p>			

1
G
E

1

G

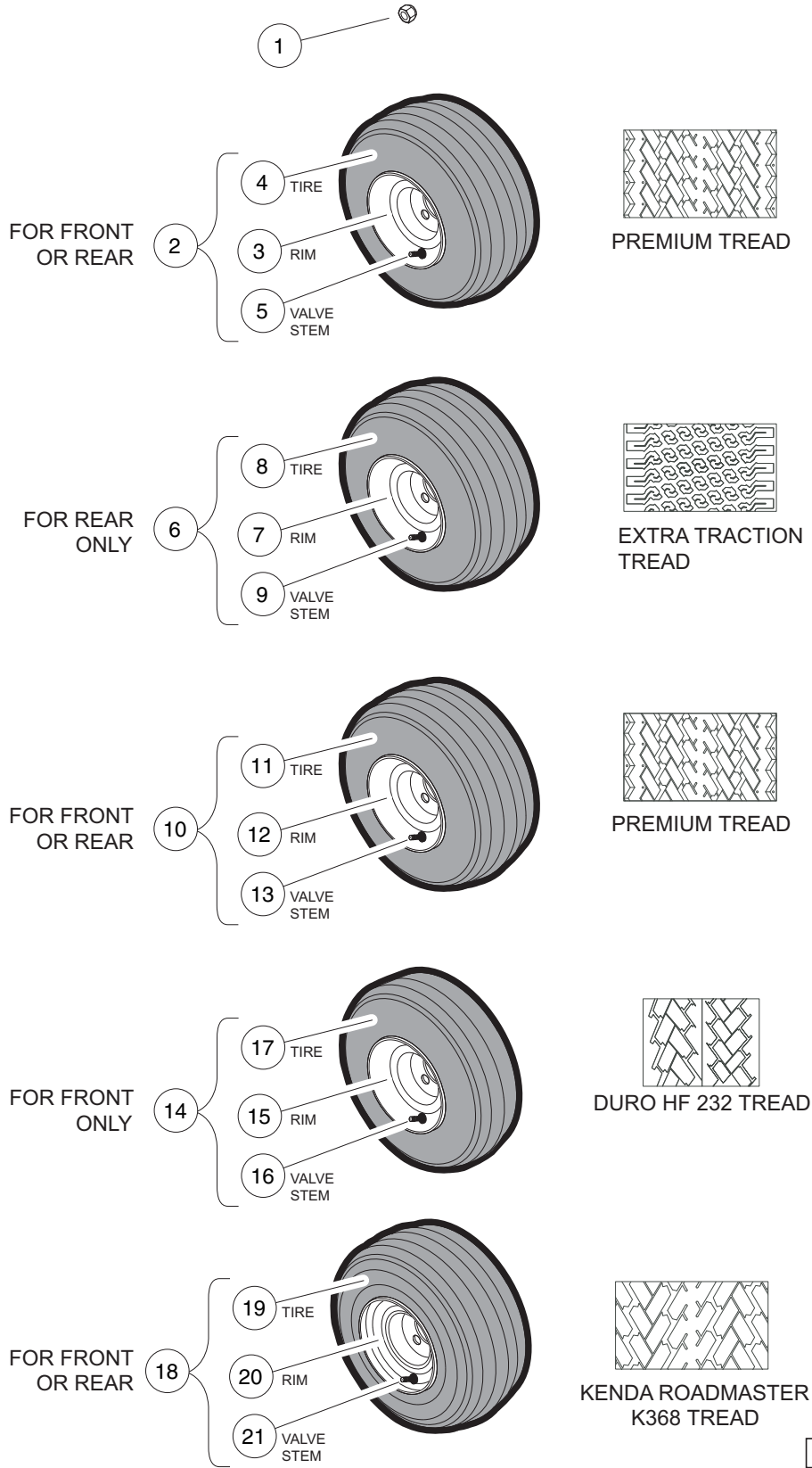
E

WHEELS AND TIRES

2

G

E



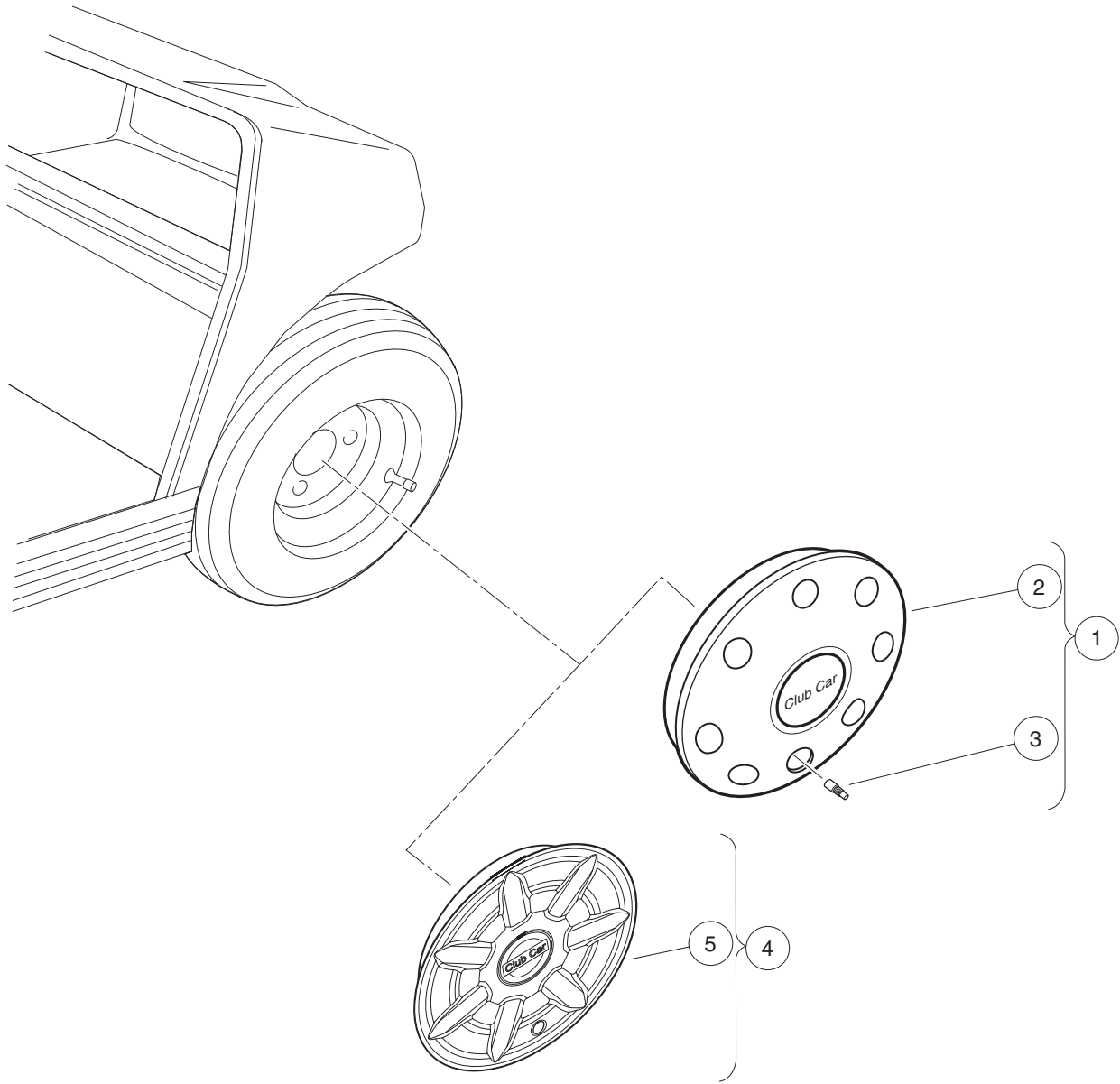
000269-015

WHEELS AND TIRES

ITEM	PART NO.	DESCRIPTION	QTY
		1 2 3 4	
1	<u>1010984</u>	.500-20 Unf Lug Nut	16
2	<u>101651406</u>	Tire/Wheel Asm, White, Premium Tread, 6-Ply (includes items 3 through 5)	4
3	<u>1014771</u>	Wheel Rim, White	1
4	<u>101737002</u>	Tire, Unmounted	1
5	<u>7310</u>	Valve Stem, Black Plastic	1
6	<u>101651407</u>	Tire/Wheel Asm, White, Extra-Traction, 6-Ply (includes items 7 through 9)	2
7	<u>1014771</u>	Wheel Rim, White	1
8	<u>101769302</u>	Tire, Unmounted Xtrac 18 x 8.50-8	1
9	<u>7310</u>	Valve Stem, Black Plastic	1
10	<u>101651409</u>	Tire/Wheel Asm, White, Premium Tread, 6.5-inch (includes items 11 through 13)	4
11	<u>101884901</u>	Tire, Unmounted, Power Rib 18 x 6.50-8	1
12	<u>101918402</u>	Wheel Rim, White	1
13	<u>7310</u>	Valve Stem, Black Plastic	1
14	<u>101651414</u>	Tire/Wheel Asm, White, Duro HF 232 (includes items 15 through 17)	4
15	<u>1014771</u>	Wheel Rim, White	1
16	<u>7310</u>	Valve Stem, Black Plastic	1
17	****	Tire, Unmounted, 6-Ply Rated (18.5 x 8.5 - 8) (Duro)	1
18	<u>101651416</u>	Tire/Wheel Asm, White, Kenda Premium Tread, 6-Ply (includes items 19 through 21) ...	4
19	N/A	Tire, Unmounted Kenda Premium Tread 6-Ply, Roadmaster K368	1
20	103459102	Wheel Rim Asm, 8"x7", White	1
21	<u>7310</u>	Valve Stem, Black Plastic	1
**** Special order item available upon request.			

2
G
E

2
G
E



001203-001

WHEEL COVERS

ITEM	PART NO.	DESCRIPTION	QTY
		1 2 3 4	
1	<u>1012642</u>	Sport Wheel Cover Kit (each) (includes items 2 and 3)	4
2	1012640	Hubcap	1
3	<u>1012641</u>	Valve Extension	1
4	<u>102559901</u>	Hub Cap Kit, Prec (includes item 5)	1
5	<u>103694501</u>	Hub Cap, 7 Prong	4

2
G
E

2

G

E

DECALS

3

G

E

⚠ WARNING

ROLLOVER OR FALLING OFF MAY CAUSE DEATH.

- Before using vehicle, read operating instructions.
- Remain seated and hold on to seat handle while moving.
- Do not start vehicle until all occupants are seated.
- Two (2) persons per seat maximum.
- Operate from driver side only and not on public roads.
- Keep entire body inside vehicle while moving.
- Drive slowly in turns and straight up and down slopes.
- Do not leave children unattended on vehicle.
- Never operate under the influence of alcohol or drugs.
- Use brakes to reduce speed when coasting downhill.
- Never stand in front of or behind vehicle.

CCI 103205401

⚠ WARNING

BATTERY EXPLOSION COULD RESULT IN SEVERE PERSONAL INJURY.

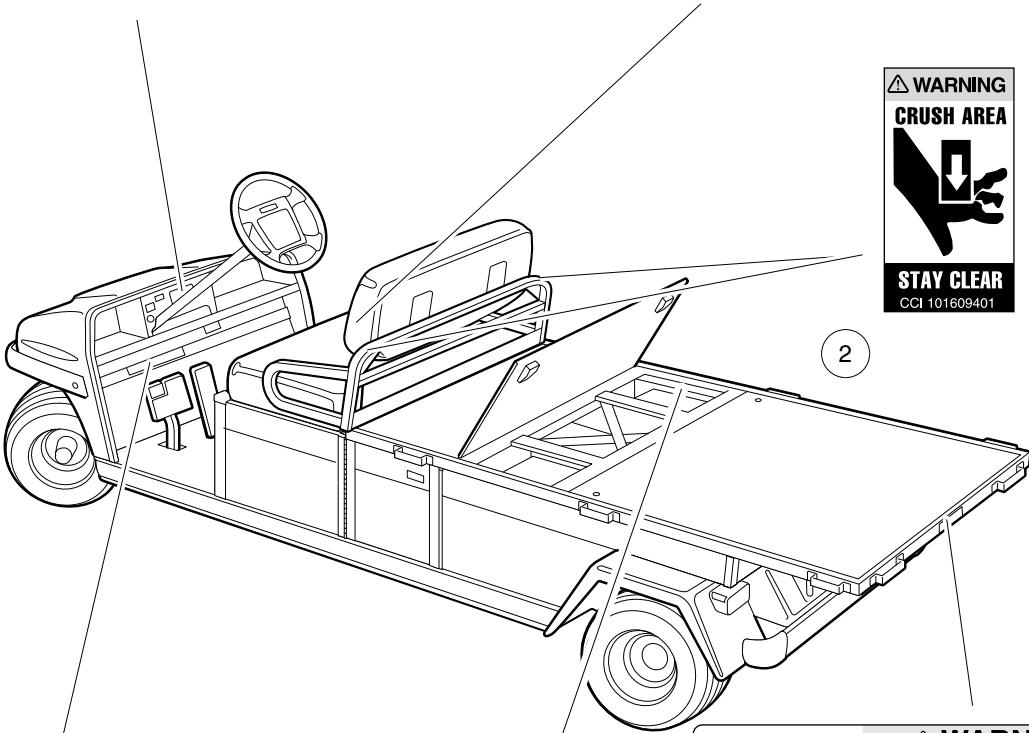
- Do not store items in battery compartment.
- Place Run/Tow switch in TOW position before:
 - Disconnecting or connecting battery cables
 - Towing this vehicle
 - Extended storage
 - Servicing the vehicle

NORMAL TRIPPED

TOW RUN

CCI 102945101

5



⚠ WARNING

CRUSH AREA

STAY CLEAR

CCI 101609401

⚠ WARNING

Riding in cargo bed can cause severe injury or death. Do not ride in cargo bed..

CCI 101553901

⚠ DANGER / POISON

<p>EXPLOSIVE GASES CAN CAUSE BLINDNESS OR INJURY</p>	<p>SHIELD EYES</p>	<p>NO</p> <ul style="list-style-type: none"> • SPARKS • FLAMES • SMOKING 	<p>SULFURIC ACID</p> <p>CAN CAUSE BLINDNESS OR SEVERE BURNS</p>	<p>FLUSH EYES IMMEDIATELY WITH WATER</p> <p>GET MEDICAL HELP FAST</p>
--	--------------------	--	---	---

KEEP OUT OF THE REACH OF CHILDREN - DO NOT TIP - KEEP VENT CAPS TIGHT AND LEVEL

3

VEHICLE LOADING

Read owner's manual and warnings on dash.

- Vehicle rated capacity - 1500 lb on level surface only. Weight to include passengers, cargo bed load, and gross trailer weight. See owner's manual.
- Maximum cargo load CARRYALL 6 or TURF 6 - 1000 lb, TRANSPORTER - 300 lb. Weight to include cargo bed load and gross trailer weight.
- Maximum trailer hitch tongue weight - 150 lbs.

- Cargo should be evenly spread over the floor of the cargo bed as far forward as possible and secured.
 - For vehicle stability, when fully loaded, drive slowly and avoid stopping on or backing down steep hills.
 - Avoid top heavy loads. See owner's manual.
 - When driving on uneven terrain or down steep hills, reduce speed and load.
- CCI 101960001

000632-001

DECALS – ELECTRIC CARRYALL 6

ITEM	PART NO.	DESCRIPTION	QTY
		1 2 3 4	
1	<u>101553901</u>	Decal, Bed Load Warning	1
2	<u>101609401</u>	Decal, Crush Area Warning	2
3	<u>101960001</u>	Decal, Vehicle Loading	1
4	<u>102845101</u>	Decal, Tow Switch	1
5	<u>103205401</u>	Decal, Warning, Rollover, Utl	1

3
G
E

OPERATING INSTRUCTIONS

- Read owner's manual and dash-mounted safety warnings prior to driving.
- Study and understand controls.

TO OPERATE

- Turn wheels to desired direction and ensure path is clear.
- Turn key to ON position.
- While stopped, place Forward/Reverse switch in desired position:
F – Forward N – Neutral R – Reverse (Buzzer will sound)
- Park brake will release and vehicle will start moving when accelerator pedal is pressed.
- Slowly press accelerator pedal to increase speed.
- To stop, release accelerator pedal and press brake pedal.

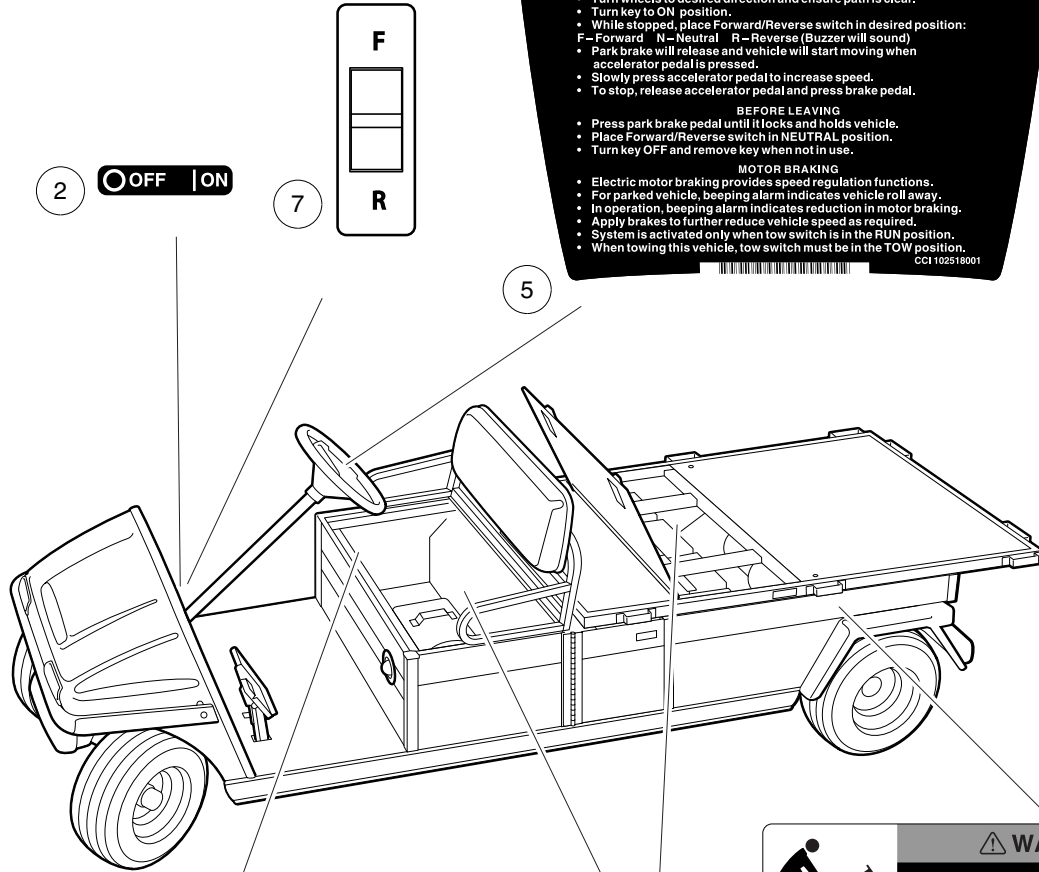
BEFORE LEAVING

- Press park brake pedal until it locks and holds vehicle.
- Place Forward/Reverse switch in NEUTRAL position.
- Turn key OFF and remove key when not in use.

MOTOR BRAKING

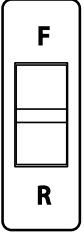
- Electric motor braking provides speed regulation functions.
- For parked vehicle, beeping alarm indicates vehicle roll away.
- In operation, beeping alarm indicates reduction in motor braking.
- Apply brakes to further reduce vehicle speed as required.
- System is activated only when tow switch is in the RUN position.
- When towing this vehicle, tow switch must be in the TOW position.

CCI 102518001



2 **OFF | ON**

7



5

WARNING

FAILURE TO FOLLOW THESE INSTRUCTIONS CAN CAUSE SEVERE INJURY OR DEATH.

Bed can tip up unexpectedly. Bed hold down bolts must be fastened.

CCI 101707801

1

WARNING

AVOID FIRE HAZARD

- Replacement battery wires must be 4-gauge (AWG) with low-resistance terminals equivalent to factory-installed wires.
- Ensure that battery connections are clean and properly tightened. See owner's manual.

CCI 102967601

6

NOTICE **DO NOT USE AS GROUND**

CCI 101964601

4

NOTICE

Do not operate vehicle without this cover properly installed. Do not direct water stream in this area; will cause damage to components. See vehicle maintenance and service manual before servicing.

CCI 101931501

3

000633-001

DECALS – ELECTRIC CARRYALL 6, CONTINUED

ITEM	PART NO.	DESCRIPTION	QTY
		1 2 3 4	
1	101707801	Decal, Bed Hold-Down Bolts	1
2	<u>101825101</u>	Decal, Off/On	1
3	<u>101931501</u>	Decal, Component Cover	1
4	<u>101964601</u>	Decal, No Ground Warning	1
5	102518001	Decal, Operating Instr, Elec	1
6	<u>102967601</u>	Decal, Warning, 4 Gauge Wire	1
7	<u>103210301</u>	Decal, Forward/Reverse, Electric	1

3
G
E

⚠ WARNING

ROLLOVER OR FALLING OFF MAY CAUSE DEATH.

- Before using vehicle, read operating instructions.
- Remain seated and hold on to seat handle while moving.
- Do not start vehicle until all occupants are seated.
- Two (2) persons per seat maximum.
- Operate from driver side only and not on public roads.
- Keep entire body inside vehicle while moving.
- Drive slowly in turns and straight up and down slopes.
- Do not leave children unattended on vehicle.
- Never operate under the influence of alcohol or drugs.
- Use brakes to reduce speed when coasting downhill.
- Never stand in front of or behind vehicle.

CCI 103205401

⚠ WARNING

CRUSH AREA

STAY CLEAR

CCI 101609401

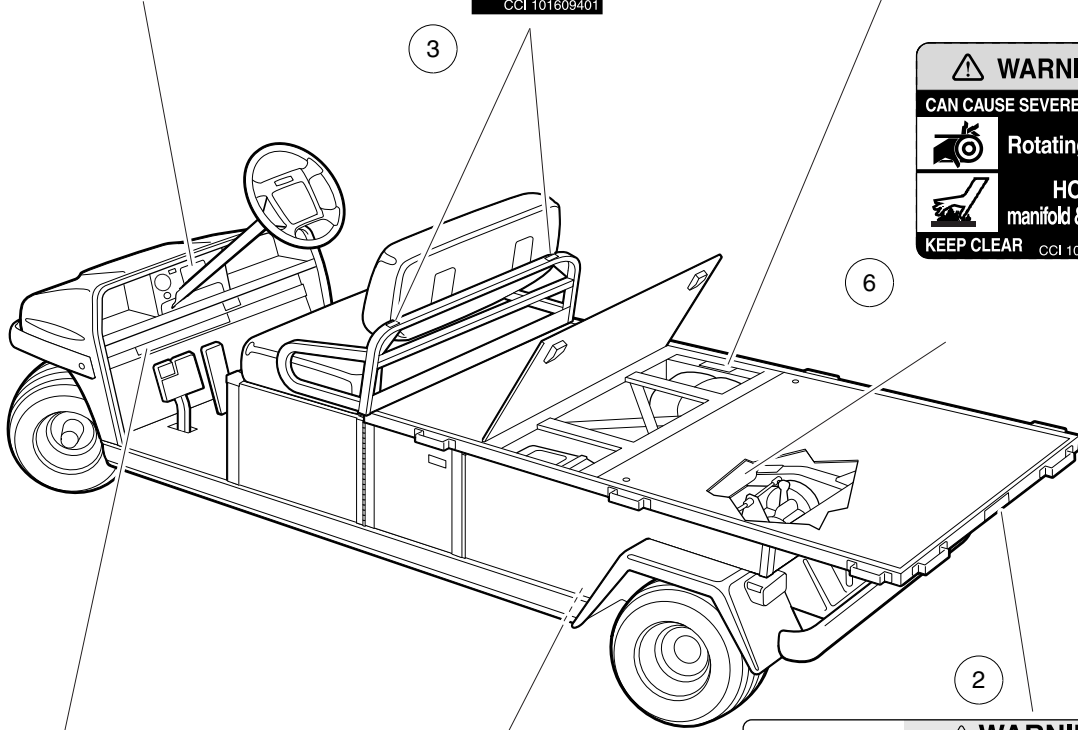
⚠ WARNING

GASOLINE EXPLOSION / FIRE.

- Can cause severe injury or death.
- No smoking, sparks, or open flame.
- Stop engine, allow to cool before refueling.
- Turn fuel valve (↔) on during operation. (→) off during storage or transport.

CCI 101547601

7



⚠ WARNING

CAN CAUSE SEVERE INJURY

Rotating parts

HOT manifold & muffler

KEEP CLEAR

CCI 101960501

⚠ WARNING

Riding in cargo bed can cause severe injury or death. Do not ride in cargo bed.

CCI 101553901

	<p>⚠ WARNING</p> <p>Negative frame ground. Can cause severe injury. Do not contact positive (+) battery post or cable to frame. Disconnect negative battery lead first.</p>		<p>⚠ WARNING</p> <p>Excessive speed. Can cause severe injury or death. Do not tamper with engine governor adjustment.</p> <p>CCI 101915201</p>
--	--	--	---

4

<p>VEHICLE LOADING</p> <p>Read owner's manual and warnings on dash.</p>	<ul style="list-style-type: none"> • Vehicle rated capacity - 1500 lb on level surface only. Weight to include passengers, cargo bed load, and gross trailer weight. See owner's manual. • Maximum cargo load CARRYALL 6 or TURF 6 - 1000 lb, TRANSPORTER - 300 lb. Weight to include cargo bed load and gross trailer weight. • Maximum trailer hitch tongue weight - 150 lbs. 	<ul style="list-style-type: none"> • Cargo should be evenly spread over the floor of the cargo bed as far forward as possible and secured. • For vehicle stability, when fully loaded, drive slowly and avoid stopping on or backing down steep hills. • Avoid top heavy loads. See owner's manual. • When driving on uneven terrain or down steep hills, reduce speed and load. <p>CCI 101960001</p>
--	--	---

5

000634-001

DECALS – GASOLINE TURF/CARRYALL 6

ITEM	PART NO.	DESCRIPTION	QTY
		1 2 3 4	
1	<u>101547601</u>	Decal, Gasoline Explosion/Fire Warning	1
2	<u>101553901</u>	Decal, Bed Load Warning	1
3	<u>101609401</u>	Decal, Crush Area Warning	2
4	<u>101915201</u>	Decal, Frame Ground and Governor Warning	1
5	<u>101960001</u>	Decal, Vehicle Loading	1
6	<u>101960501</u>	Decal, Rotating Parts/Hot Manifold	2
7	<u>103205401</u>	Decal, Warning, Rollover, Utl	1

3
G
E

OPERATING INSTRUCTIONS

- Read Owner's Manual and safety warnings located on dash panel prior to driving.
- Study and understand controls.

TO START ENGINE

- Place shift lever in "N" - Neutral position.
- Depress brake pedal.
- Turn key switch to "START" position and release.

TO OPERATE VEHICLE

- Make sure wheels are turned in desired direction.
- Be sure nothing is in your path.
- While vehicle is stopped, and engine is at idle, select vehicle direction by placing shift lever or switch in desired position.
- F - Forward N - Neutral R - Reverse (Buzzer will sound)
- Park brake will release when accelerator pedal is pushed.
- Slowly push accelerator pedal to increase speed.
- Engine must be at idle before moving shift lever.

TO STOP VEHICLE

- Release accelerator pedal and push brake pedal.
- After stopping, firmly push park brake until it locks.
- Turn key to "OFF" position, remove key and place shift lever in straight up neutral position when not in use.

CCI 101693201

OPERATING INSTRUCTIONS

- Read owner's manual and safety warnings located on dash panel prior to driving.
- Study and understand controls.

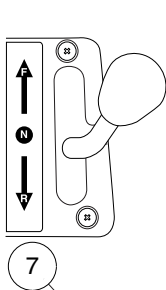
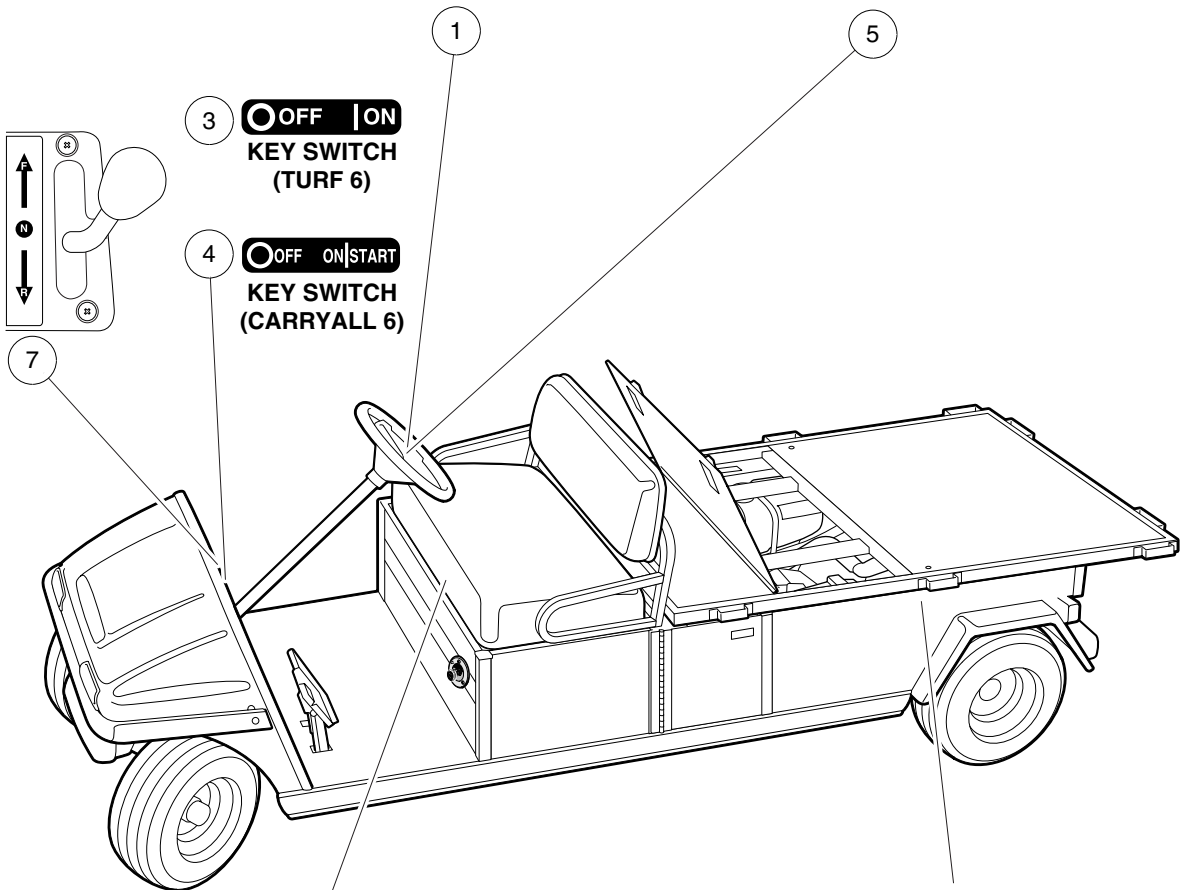
TO OPERATE

- Turn wheels to desired direction and ensure path is clear.
- Turn key to ON position.
- While stopped, place shift lever in desired position:
F - Forward N - Neutral R - Reverse (Buzzer will sound)
- Park brake will release and vehicle will start moving when accelerator pedal is pressed.
- Slowly press accelerator pedal to increase speed.
- To stop, release accelerator pedal and press brake pedal.

BEFORE LEAVING

- Press park brake pedal until it locks and holds vehicle.
- Place Forward/Reverse switch in NEUTRAL position.
- Turn key OFF and remove key when not in use.

CCI 102519201



Maintenance Operate

WARNING

VEHICLE MOVEMENT MAY CAUSE SERIOUS INJURY
When switch is in Maintenance position, chock wheels and firmly set park brake.

CCI 103205501

WARNING

FAILURE TO FOLLOW THESE INSTRUCTIONS CAN CAUSE SEVERE INJURY OR DEATH.
Bed can tip up unexpectedly. Bed hold down bolts must be fastened.

CCI 101707801

2

6

000635-001

DECALS – GASOLINE TURF/CARRYALL 6, CONTINUED

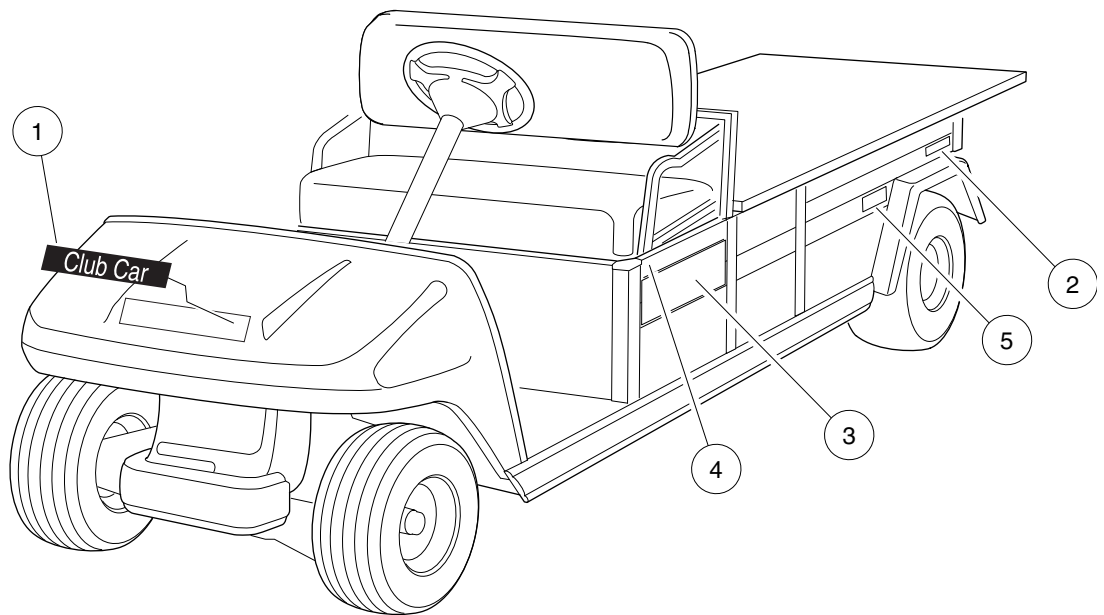
ITEM	PART NO.	DESCRIPTION	QTY
		1 2 3 4	
1	<u>101693201</u>	Decal, Operating Instructions, Key-Start	1
2	<u>101707801</u>	Decal, Bed Hold-Down Bolts	1
3	<u>101825101</u>	Decal, Off/On	1
4	<u>101825102</u>	Decal, Off/On/Start	1
5	<u>102519201</u>	Decal, Operating Instr, Gas	1
6	<u>103205501</u>	Decal, Run/Service Switch	1
7	<u>103210201</u>	Decal, Forward/Reverse, Gas	1

3
G
E

3

G

E

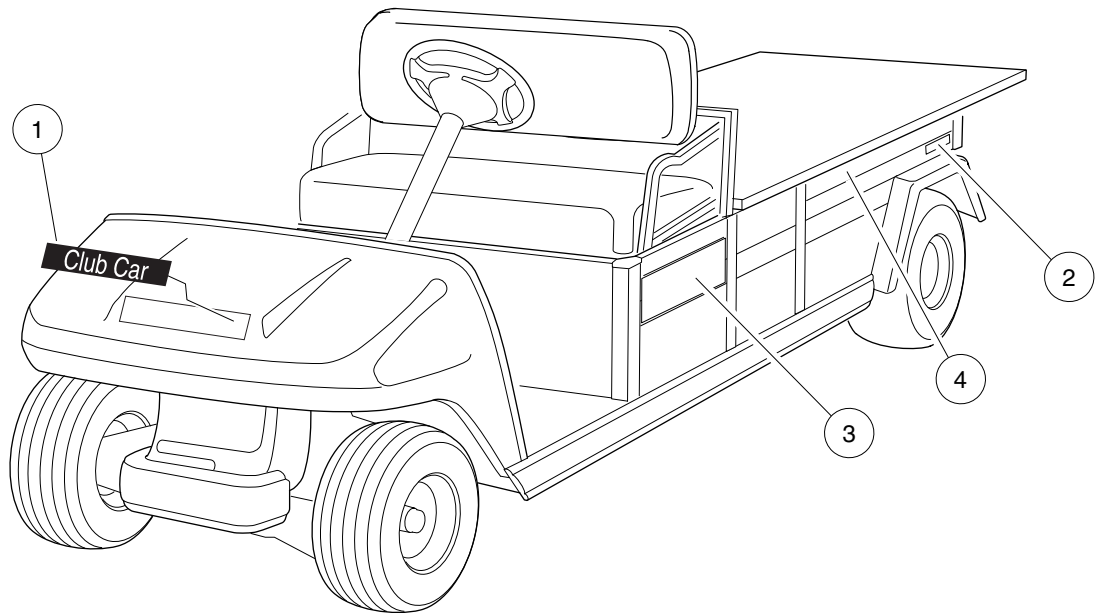


000674-007

BADGING DECALS, CARRYALL 6 – ELECTRIC VEHICLES

ITEM	PART NO.	DESCRIPTION	QTY
		1 2 3 4	
1	<u>101670201</u>	Nameplate Kit (silver)	1
2	<u>103234301</u>	Decal, Badge, IR	2
3	<u>103261001</u>	Decal Ca 6 Side Panel	2
4	<u>103284201</u>	Decal Ca6/tp4/tp6 Bar	2
5	<u>103464801</u>	Decal, Iq Plus, Zev	2

3
G
E

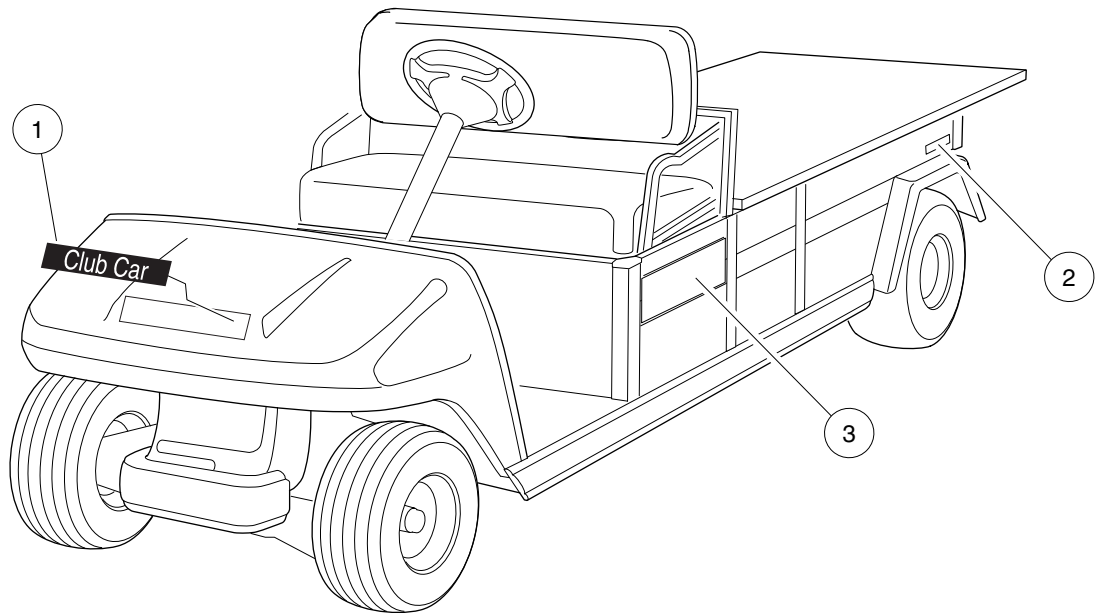


000674-005

BADGING DECALS, CARRYALL 6 – GASOLINE VEHICLES

ITEM	PART NO.	DESCRIPTION	QTY
		1 2 3 4	
1	<u>101670201</u>	Nameplate Kit (silver)	1
2	<u>103234301</u>	Decal, Badge, IR	2
3	<u>103261001</u>	Decal Ca 6 Side Panel	2
4	<u>103284201</u>	Decal Ca6/tp4/tp6 Bar	2

3
G
E



000674-006

BADGING DECALS, TURF 6 – GASOLINE VEHICLES

ITEM	PART NO.	DESCRIPTION	QTY
		1 2 3 4	
1	<u>101670201</u>	Nameplate Kit (silver)	1
2	<u>103234301</u>	Decal, Badge, IR	2
3	<u>103260201</u>	Decal Turf 6 Side Panel	2



3

G

E

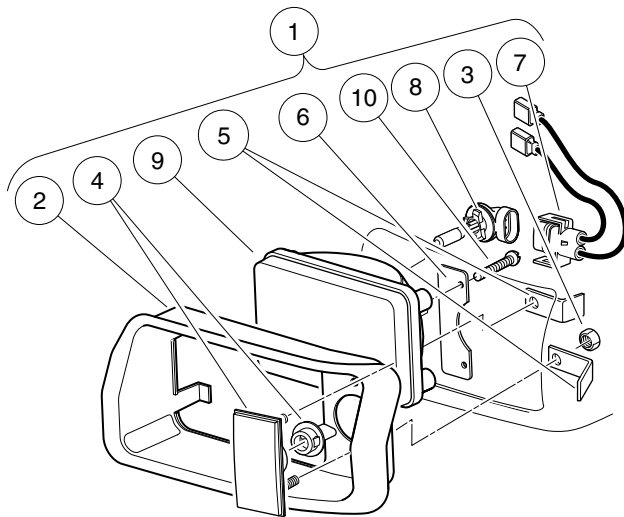
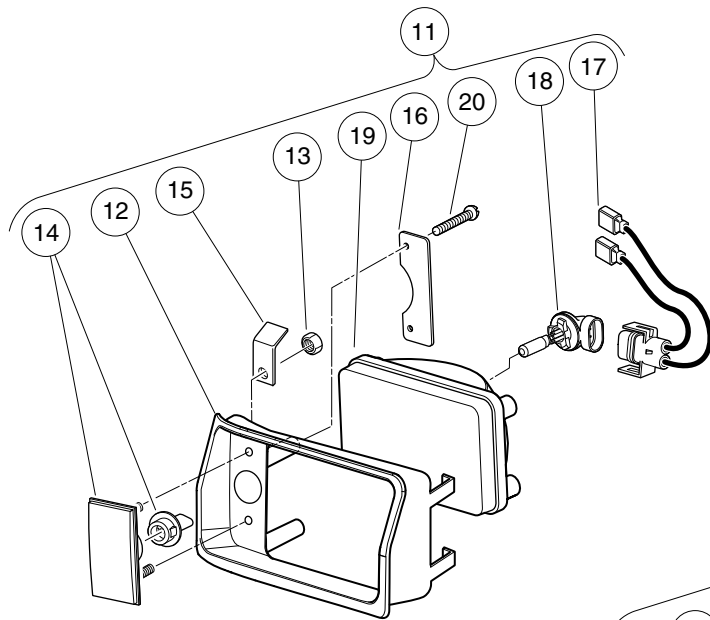
LIGHTS, CONTROLS, AND INDICATORS

4

G

E

4
G
E



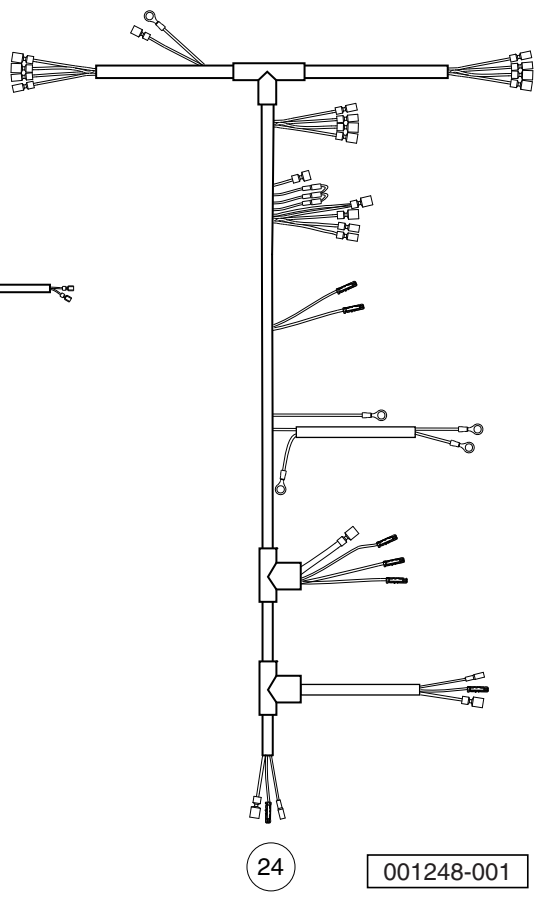
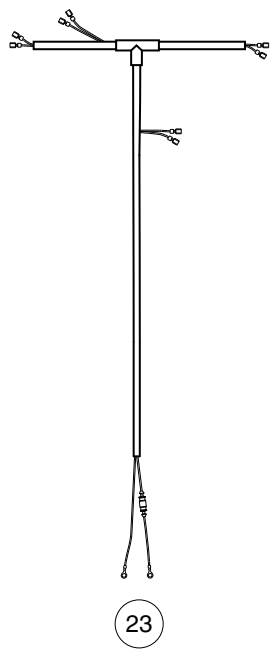
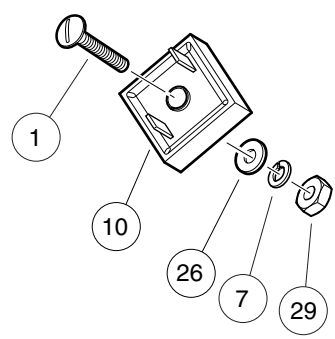
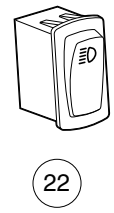
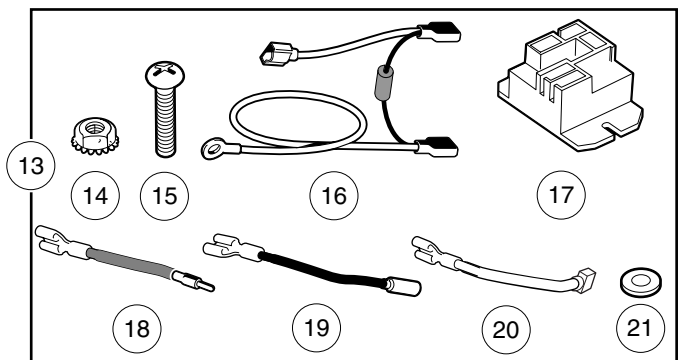
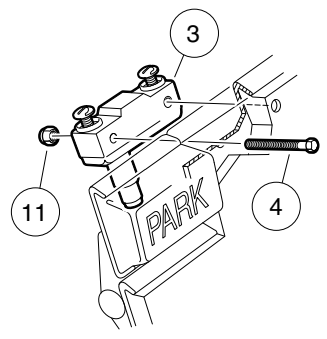
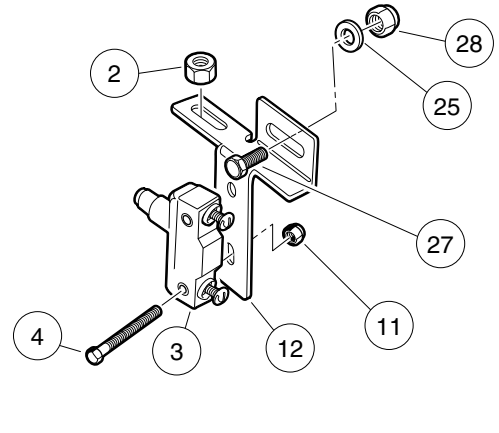
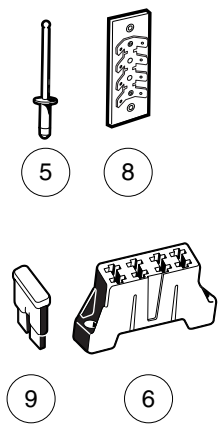
001097-001

HEADLIGHTS

ITEM	PART NO.	DESCRIPTION	QTY
		1 2 3 4	
1	<u>101988001</u>	Headlight Assembly, Driver-Side Single Beam (includes items 2 through 10)	1
2	<u>1016880</u>	Headlight Bezel, Left	1
3	<u>1017</u>	Nut, #10-24 Stainless-Steel Hex Machine	2
4	<u>1017062</u>	Turn Signal Lens Assy	1
5	<u>1017064</u>	Mounting Bracket	2
6	<u>1017065</u>	Retainer, Headlight	1
7	<u>101987901</u>	Connector, Harness Assembly, Headlight	1
8	<u>101988101</u>	Bulb, Headlight	1
9	<u>101988201</u>	Lens, Headlight	1
10	1620	Screw, #10-16 X 0.75 Pan-Head Tap	2
11	<u>101988002</u>	Headlight Assy, Passenger-Side Single Beam (includes items 12 through 20)	1
12	<u>1016879</u>	Headlight Bezel, Right	1
13	<u>1017</u>	Nut, #10-24 Stainless-Steel Hex Machine	2
14	<u>1017062</u>	Turn Signal Lens Assy	1
15	<u>1017064</u>	Mounting Bracket	2
16	<u>1017065</u>	Retainer, Headlight	1
17	<u>101987901</u>	Connector, Harness Assembly, Headlight	1
18	<u>101988101</u>	Bulb, Headlight	1
19	<u>101988201</u>	Lens, Headlight	1
20	1620	Screw, #10-16 X 0.75 Pan-Head Tap	2

4
G
E

4
G
E



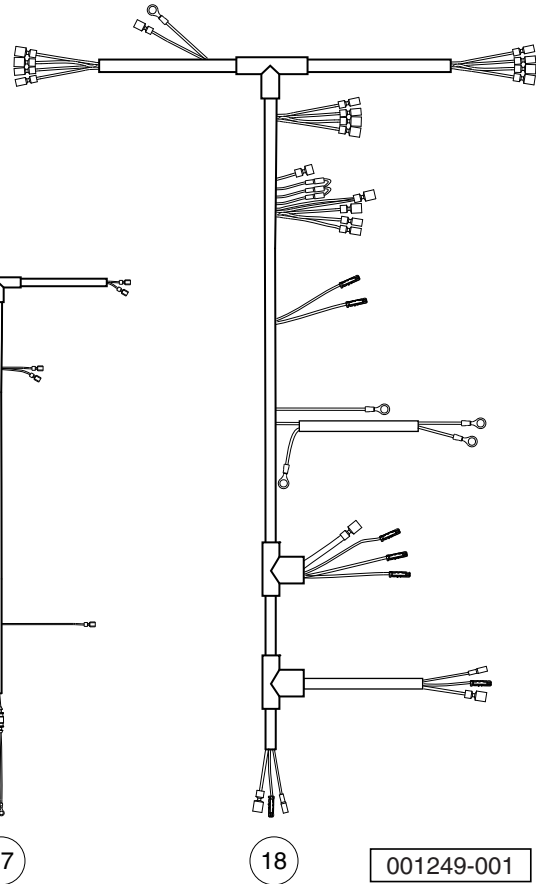
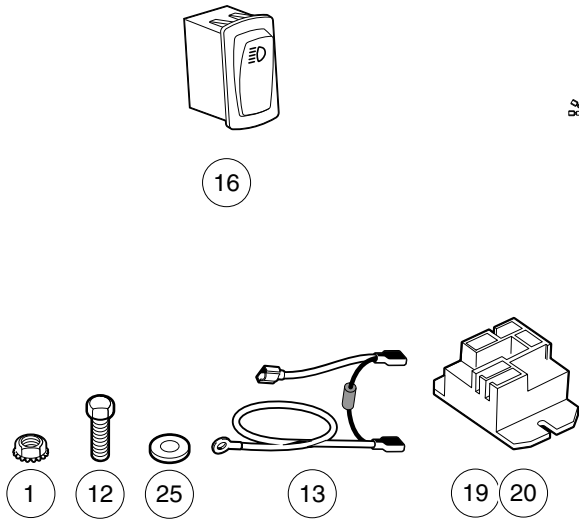
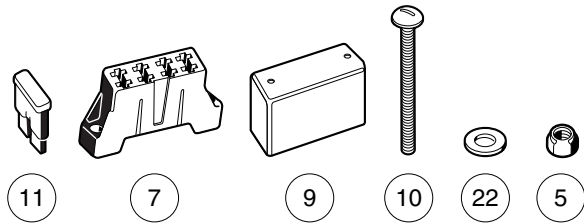
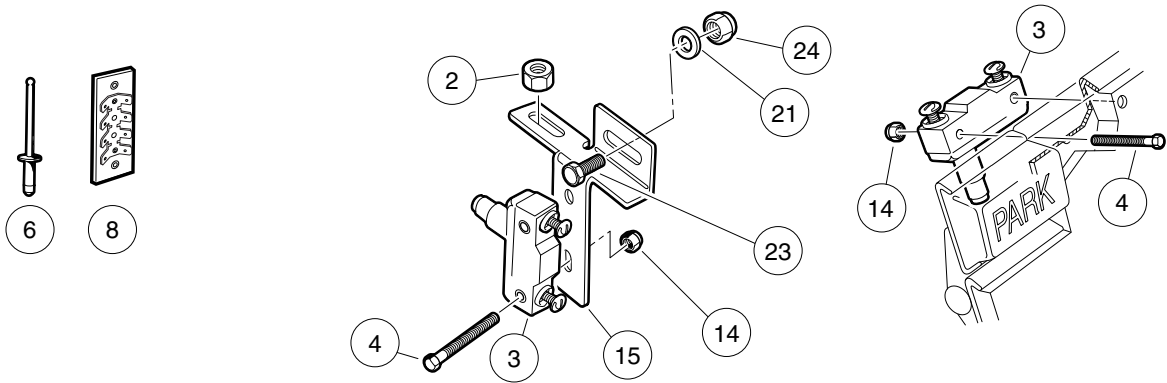
001248-001

LIGHTING SYSTEM COMPONENTS – GASOLINE VEHICLES

ITEM	PART NO.	DESCRIPTION	QTY
		1 2 3 4	
1	<u>1010909</u>	Screw, #10-32 X 1.25 Rd Hd Mch	1
2	<u>1011280</u>	Locknut, 5/16-18	1
3	<u>1011439</u>	Switch, Limit	2
4	<u>1011557</u>	Screw, #6-32 X 1.00 Hex-Head Machine	4
5	<u>1013357</u>	Rivet, 5/32 Aluminum Pop	2
6	<u>1015741</u>	Fuse Block	1
7	<u>1016</u>	Lockwasher, #10 Split	1
8	<u>1016356</u>	Terminal Block with Insulator	1
9	<u>1016423</u>	Fuse, 20-Amp	3
10	<u>1017721</u>	Limiter, Voltage	1
11	<u>101932201</u>	Locknut, #6-32 Nylon	4
12	<u>101957101</u>	Bracket, Brake Light Switch	1
13	<u>102198701</u>	Brake Relay Kit - 12v (includes items 14 through 21)	1
14	<u>1011229</u>	Locknut, #6-32 Whiz	2
15	<u>1017853</u>	Screw, #6-32 X 0.75 Hex-Head Machine	2
16	<u>101914401</u>	Assembly, Voltage Suppressor	1
17	<u>102199001</u>	Relay, 12-Volt	1
18	<u>102199201</u>	Wire Asm #18 Brown	1
19	<u>102199301</u>	Wire Asm #18 Black	1
20	<u>102199401</u>	Wire Asm #18 Black	1
21	<u>7591</u>	Washer, #6, Flat	2
22	<u>102869401</u>	Switch, Rocker, Light	1
23	<u>103255601</u>	Wire Harness, Headlights-Only, CA, Gas	1
24	<u>103256801</u>	Wire Harness, Lighting Package, Stretch, Gas	1
25	<u>1241</u>	Washer, 5/16 Type A Flat	1
26	<u>183</u>	Washer, #10, Type A, Flat	1
27	<u>7173</u>	Screw, 5/16-18 X 0.75, Hex-Head Cap	1
28	<u>7473</u>	Locknut, 5/16-18 Nylon Insert	1
29	<u>7893</u>	Nut, #10-32 Hex	1
		<p>Note: The wire harnesses (item 23 and 24) are for use on the Turf 6 gasoline model. The Carryall 6 gasoline model has wiring for lights built into its harness. NOTE 2: Use item 23 for headlights only. NOTE 3: Use item 24 for headlights and taillights.</p>	

4
G
E

4
G
E

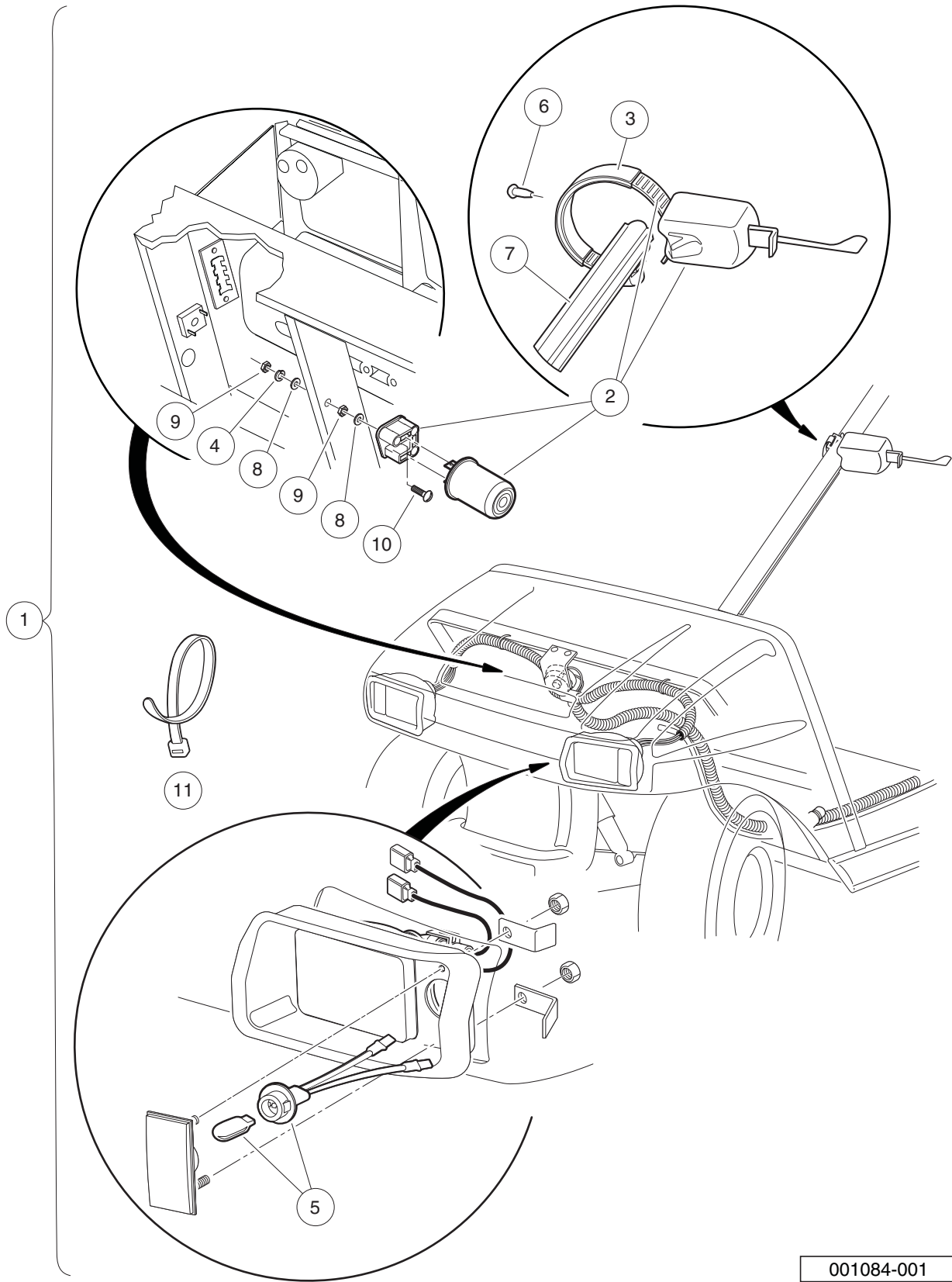


LIGHTING SYSTEM COMPONENTS – ELECTRIC VEHICLES

ITEM	PART NO.	DESCRIPTION	QTY
		1 2 3 4	
1	<u>1011229</u>	Locknut, #6-32 Whiz	2
2	<u>1011280</u>	Locknut, 5/16-18	1
3	<u>1011439</u>	Switch, Limit	2
4	<u>1011557</u>	Screw, #6-32 X 1.00 Hex-Head Machine	4
5	<u>1012438</u>	Locknut, #10-24 Nylon Insert	2
6	<u>1013357</u>	Rivet, 5/32 Aluminum Pop	2
7	<u>1015741</u>	Fuse Block	1
8	<u>1016356</u>	Terminal Block with Insulator	1
9	<u>1016363</u>	Fuse Block Cover	1
10	<u>1016366</u>	Screw, #10-24 X 3.0 Pan-Head Machine	2
11	<u>1016423</u>	Fuse, 20-Amp	3
12	<u>1017853</u>	Screw, #6-32 X 0.75 Hex-Head Machine	2
13	<u>101914401</u>	Assembly, Voltage Suppressor	1
14	<u>101932201</u>	Locknut, #6-32 Nylon	4
15	<u>102869401</u>	Switch, Rocker, Light	1
16	<u>103255701</u>	Wire Harness, Headlights-Only, CA, Electric	1
17	<u>103257101</u>	Wire Harness, Lighting Package, Stretch, Electric	1
18	<u>103414901</u>	Kit, Relay, 48v 30a W/instr (includes item 19)	1
19	<u>103397901</u>	Relay, Spst No, 48v 30a, Pmt	1
20	<u>1241</u>	Washer, 5/16 Type A Flat	1
21	<u>183</u>	Washer, #10, Type A, Flat	4
22	<u>7173</u>	Screw, 5/16-18 X 0.75, Hex-Head Cap	1
23	<u>7473</u>	Locknut, 5/16-18 Nylon Insert	1
24	<u>7591</u>	Washer, #6, Flat	2
		Note: Use item 16 for headlights only. NOTE 2: Use item 17 for headlights and taillights.	

4
G
E

4
G
E



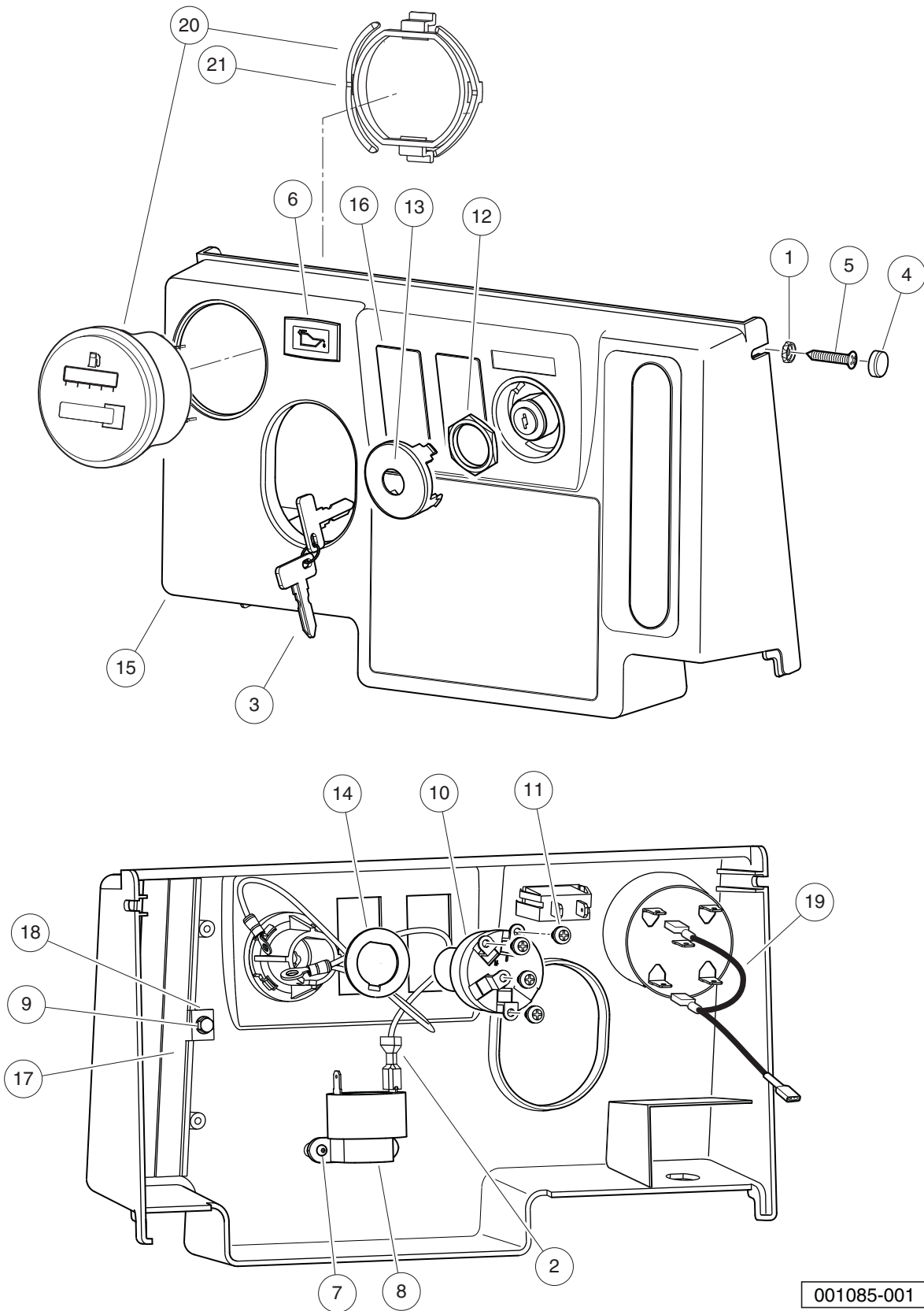
001084-001

TURN SIGNAL KIT – DS AND UTILITY GASOLINE AND ELECTRIC VEHICLES

ITEM	PART NO.	DESCRIPTION	QTY
		1 2 3 4	
1	101707402	Turn Signal Conversion Kit (includes items 2 through 11)	1
2	<u>1011590</u>	Switch Sub-assy, Turn Signal	1
3	N/A	Strap, Extrusion	1
4	<u>1016</u>	Lockwasher, #10 Split	1
5	<u>1017075</u>	Socket & Lamp Assembly	2
6	<u>1017724</u>	Rivet, Plastic	1
7	<u>102529201</u>	Wire Cover, Steering Column	1
8	<u>183</u>	Washer, #10, Type A, Flat	2
9	<u>7893</u>	Nut, #10-32 Hex	2
10	8104	Screw, #10-32 X .75 Rd Hd Mach	1
11	<u>8990</u>	Tie Wrap, 8" Nylon	1

4
G
E

4
G
E



001085-001

INSTRUMENT PANEL AND ELECTRICAL COMPONENTS – TURF 6 GAS

ITEM	PART NO.	DESCRIPTION	QTY
		1 2 3 4	
1	1011382	Washer, #10 Pan-Head Screw	2
2	1012396	Wire Assy #18 Black	1
3	<u>1012505</u>	Keys (set of 2)	1
4	<u>1013494</u>	Cover, Screw Head	2
5	<u>1015528</u>	Screw, #10 x 1-1/4 Phillips Head	2
6	<u>1016630</u>	Light, Oil	1
7	<u>1016849</u>	Screw, #4-24 X 0.33, Pan-Head, Machine	2
8	<u>1016851</u>	Buzzer, Reverse (9-48 VDC)	1
9	<u>101804301</u>	Screw, #8 X 0.500, Hex-Head Hi-Lo	2
10	<u>101826301</u>	Key Switch, 12-Volt, Off/On	1
11	101830601	Screw and Washer Assembly	4
12	<u>101830701</u>	Nut, Key Switch	1
13	<u>101834502</u>	Cap, Black Key Switch	1
14	<u>101851101</u>	Washer, Key Switch	1
15	<u>102977001</u>	Panel, Dash, Center, Gas (Instrument Panel)	1
16	<u>103180101</u>	Cover, Hole, Switch, Rocker	2
17	<u>103199001</u>	Brush, Closeout, FNR	2
18	<u>103199101</u>	Washer, Retaining, Brush, FNR	2
19	<u>103348501</u>	Asm, Wire Meter, F-h Jumper	1
20	<u>103348602</u>	Gauge, Fuel-hour,sep Gnd, Ds (includes item 21)	1
21	103348204	Clip, Meter, Round Ds	1

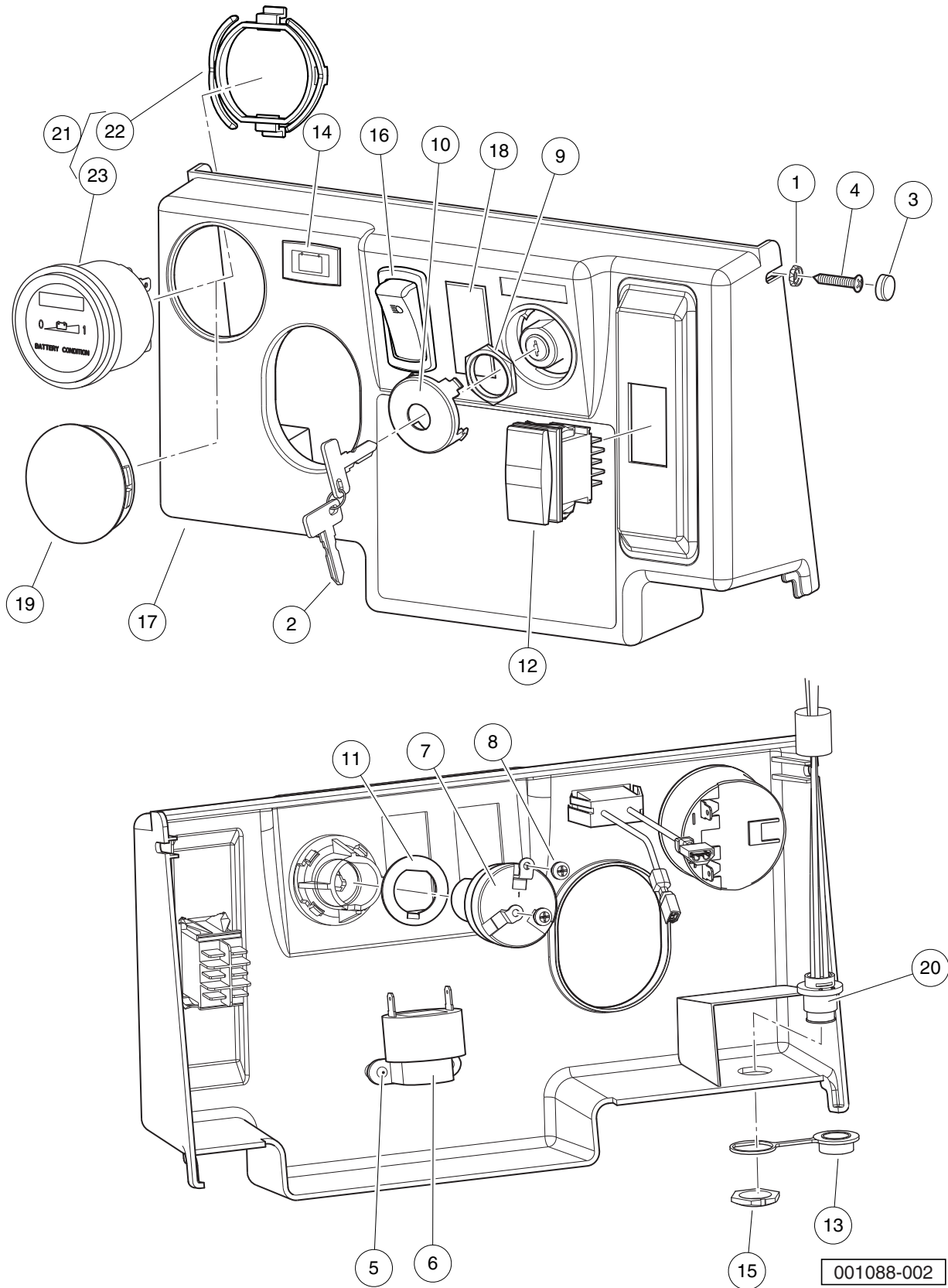
4
G
E

INSTRUMENT PANEL AND ELECTRICAL COMPONENTS – CARRYALL 6 GAS

ITEM	PART NO.	DESCRIPTION	QTY
		1 2 3 4	
1	1011382	Washer, #10 Pan-Head Screw	2
2	1012396	Wire Assy #18 Black	1
3	<u>1012505</u>	Keys (set of 2)	1
4	<u>1013494</u>	Cover, Screw Head	2
5	<u>1015528</u>	Screw, #10 x 1-1/4 Phillips Head	2
6	<u>1016630</u>	Light, Oil	1
7	<u>1016849</u>	Screw, #4-24 X 0.33, Pan-Head, Machine	2
8	<u>1016851</u>	Buzzer, Reverse (9-48 VDC)	1
9	<u>101804301</u>	Screw, #8 X 0.500, Hex-Head Hi-Lo	2
10	101826401	Key Switch, 12-Volt, Off/On/Start	1
11	101830601	Screw and Washer Assembly	5
12	<u>101830701</u>	Nut, Key Switch	1
13	<u>101834502</u>	Cap, Black Key Switch	1
14	<u>101851101</u>	Washer, Key Switch	1
15	<u>102869401</u>	Switch, Rocker, Light	1
16	<u>102977001</u>	Panel, Dash, Center, Gas (Instrument Panel)	1
17	<u>103180101</u>	Cover, Hole, Switch, Rocker	1
18	<u>103199001</u>	Brush, Closeout, FNR	2
19	<u>103199101</u>	Washer, Retaining, Brush, FNR	2
20	<u>103348501</u>	Asm, Wire Meter, F-h Jumper	1
21	<u>103348602</u>	Gauge, Fuel-hour, sep Gnd, Ds (includes item 22)	1
22	103348204	Clip, Meter, Round Ds	1

4
G
E

4
G
E

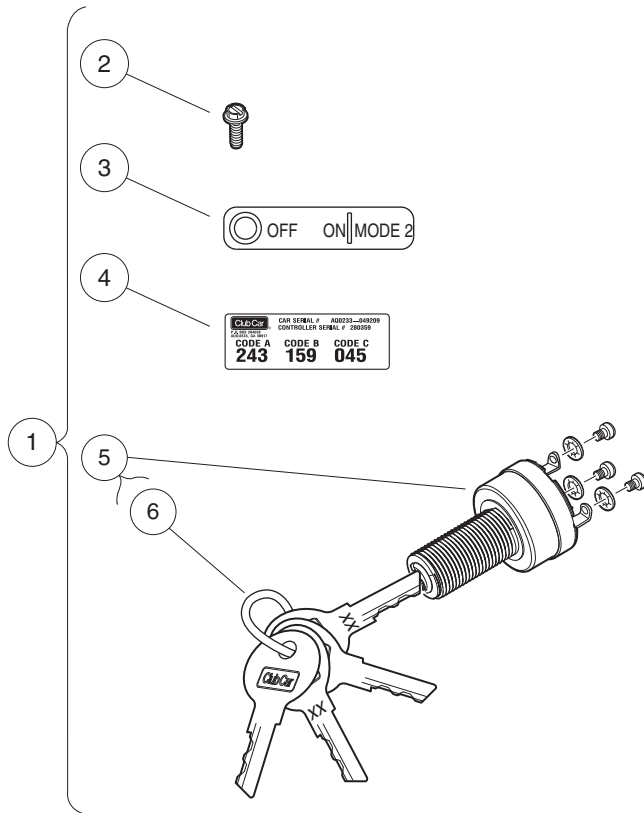


INSTRUMENT PANEL WITH ELECTRICAL COMPONENTS – CARRYALL 6 ELECTRIC

ITEM	PART NO.	DESCRIPTION	QTY
		1 2 3 4	
1	1011382	Washer, #10 Pan-Head Screw	2
2	<u>1012505</u>	Keys (set of 2)	1
3	<u>1013494</u>	Cover, Screw Head	2
4	<u>1015528</u>	Screw, #10 x 1-1/4 Phillips Head	2
5	<u>1016849</u>	Screw, #4-24 X 0.33, Pan-Head, Machine	2
6	<u>1016851</u>	Buzzer, Reverse (9-48 VDC)	1
7	<u>101826201</u>	Key Switch, On/Off	1
8	101830601	Screw and Washer Assembly	2
9	<u>101830701</u>	Nut, Key Switch	1
10	<u>101834502</u>	Cap, Black Key Switch	1
11	<u>101851101</u>	Washer, Key Switch	1
12	<u>101856002</u>	Switch, Rocker, Single-Pole	1
13	<u>102196901</u>	Dust Cap	1
14	<u>102508701</u>	Light, Battery	1
15	<u>102572401</u>	Nut, Diagnostic Port, Prec	1
16	<u>102869401</u>	Switch, Rocker, Light	1
17	<u>102977002</u>	Panel, Dash, Center, Elec (Instrument Panel)	1
18	<u>103180101</u>	Cover, Hole, Switch, Rocker	1
19	<u>103198301</u>	Plug, Hole, Round, 2.0 In	1
20	<u>103218601</u>	Harness, Diagnostic Port	1
21	<u>103354401</u>	Gauge, Battery Cond Ind, Rnd (includes item 22)	1
22	<u>103348202</u>	Clip, Bci, Round	1

4
G
E

4
G
E



001212-001

KEYS AND KEYSWITCHES, SMARTKEY KIT – ELECTRIC VEHICLE

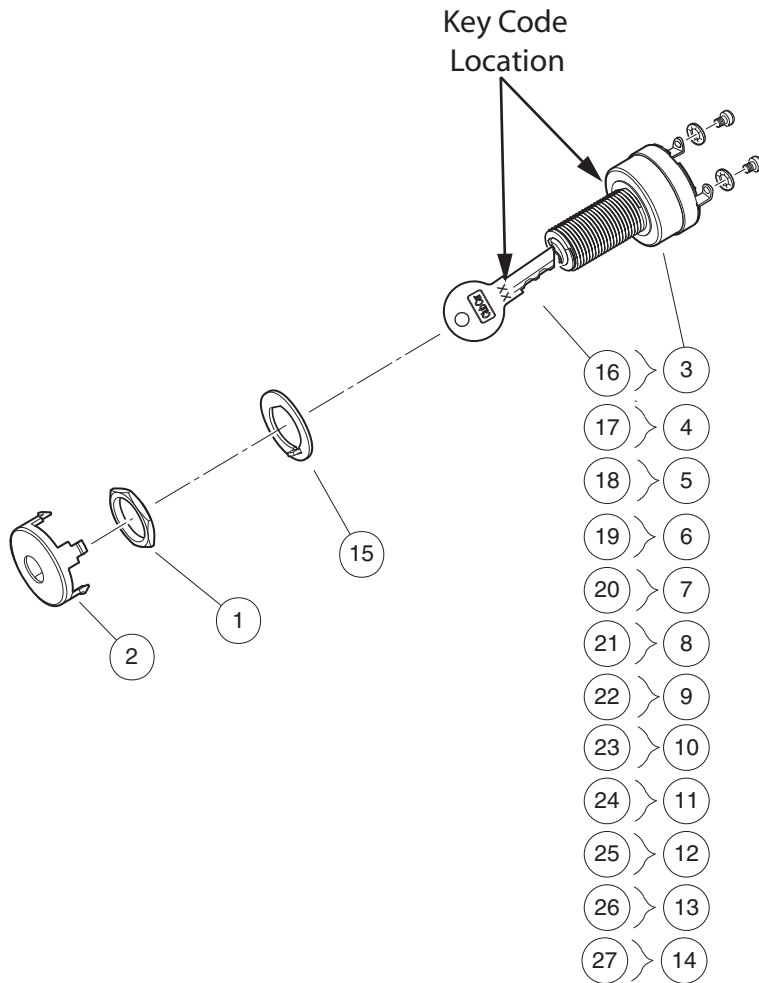
ITEM	PART NO.	DESCRIPTION	QTY
		1 2 3 4	
1	<u>102962602</u>	Kit, Field, Smartkey (includes items 2 through 5)	1
2	<u>1011017</u>	Screw, #8-32 X 0.375	1
3	<u>101825103</u>	Decal, Keyswitch, Iq Plus Mode	1
4	N/A	Decal, Passcode	1
5	<u>102950301</u>	Key Switch, Mode B, Iq Plus (includes item 6)	1
6	<u>102962303</u>	Keys, Set Of 4, Iq Plus Mode	1
		 Note: Not available in the EU.	

4
G
E

4

G

E



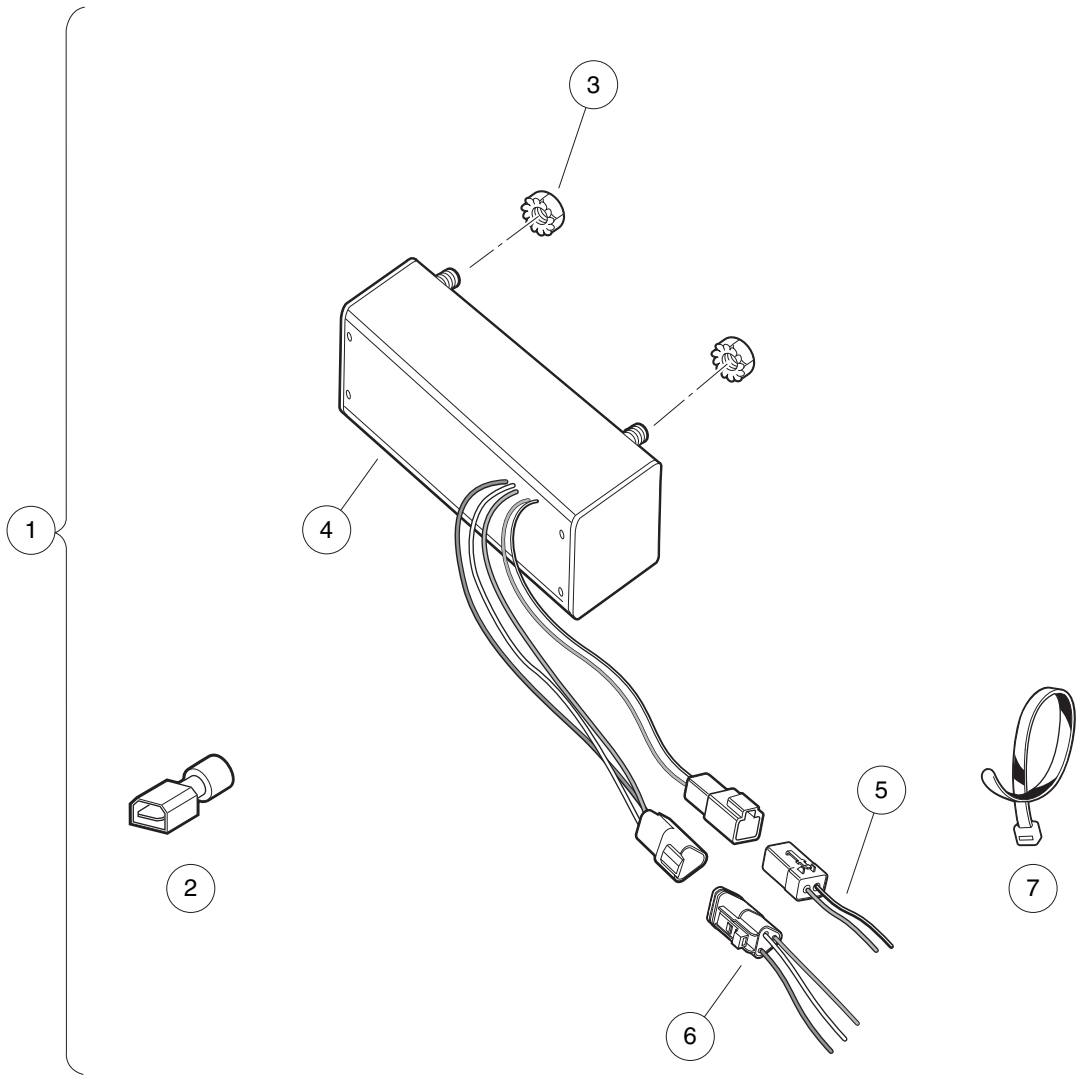
001089-001

KEYS AND KEYSWITCHES, UNCOMMON – GAS VEHICLE

ITEM	PART NO.	DESCRIPTION	QTY
		1 2 3 4	
1	<u>101830701</u>	Nut, Key Switch	1
2	<u>101834502</u>	Cap, Black Key Switch	1
3	<u>101839801</u>	Keyswtch Uncom A408 On/off/st	1
4	<u>101839802</u>	Keyswtch Uncom B408 On/off/st	1
5	<u>101839803</u>	Keyswtch Uncom C408 On/off/st	1
6	<u>101839804</u>	Keyswtch Uncom D408 On/off/st	1
7	<u>101839805</u>	Keyswtch Uncom 2a408 On/off/st	1
8	<u>101839806</u>	Keyswtch Uncom 2b408 On/off/st	1
9	<u>101839807</u>	Keyswtch Uncom 2c408 On/off/st	1
10	<u>101839808</u>	Keyswtch Uncom 2d408 On/off/st	1
11	<u>101839809</u>	Keyswtch Uncom E408 On/off/st	1
12	<u>101839810</u>	Keyswtch Uncom F408 On/off/st	1
13	<u>101839811</u>	Keyswtch Uncom 2e408 On/off/st	1
14	<u>101839812</u>	Keyswtch Uncom 2f408 On/off/st	1
15	<u>101851101</u>	Washer, Key Switch	1
16	<u>101974701</u>	Key, Uncommon 1a	1
17	<u>101974702</u>	Key, Uncommon 1b	1
18	<u>101974703</u>	Key, Uncommon 1c	1
19	<u>101974704</u>	Key, Uncommon 1d	1
20	<u>101974705</u>	Key, Uncommon 2a	1
21	<u>101974706</u>	Key, Uncommon 2b	1
22	<u>101974707</u>	Key, Uncommon 2c	1
23	<u>101974708</u>	Key, Uncommon 2d	1
24	<u>101974709</u>	Key, Uncommon 1e	1
25	<u>101974710</u>	Key, Uncommon 1f	1
26	<u>101974711</u>	Key, Uncommon 2e	1
27	<u>101974712</u>	Key, Uncommon 2f	1
		Note: Keyswitches <u>101839801</u> through <u>101839812</u> are for key-start, gasoline vehicles ONLY.	

4
G
E

4
G
E



001090-001

DC CONVERTER – ELECTRIC VEHICLE

ITEM	PART NO.	DESCRIPTION	QTY
		1 2 3 4	
1	<u>102918701</u>	Kit, DC/DC Converter, IQ Plus (includes items 2 through 7)	1
2	<u>1016365</u>	Terminal, 1/4" Male Quick Disconnect	1
3	<u>101835601</u>	Locknut, 1/4-20 Hex Whiz	2
4	<u>102352201</u>	Converter , Dc -non Isolated	1
5	<u>102354901</u>	Harness, Dc Converter - 12v	1
6	<u>102890201</u>	Harness, Dc Converter, 48v	1
7	<u>8990</u>	Tie Wrap, 8" Nylon	10

4

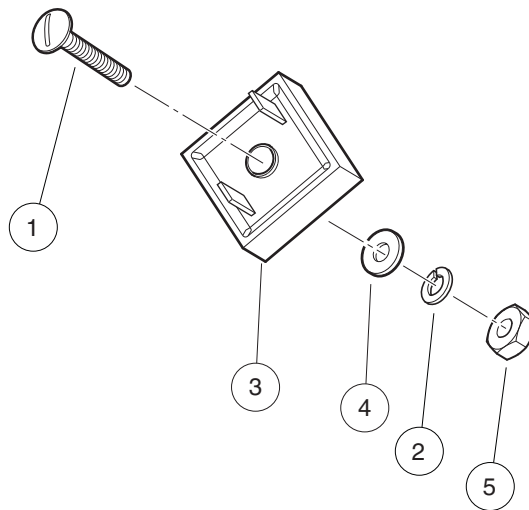
G

E

4

G

E



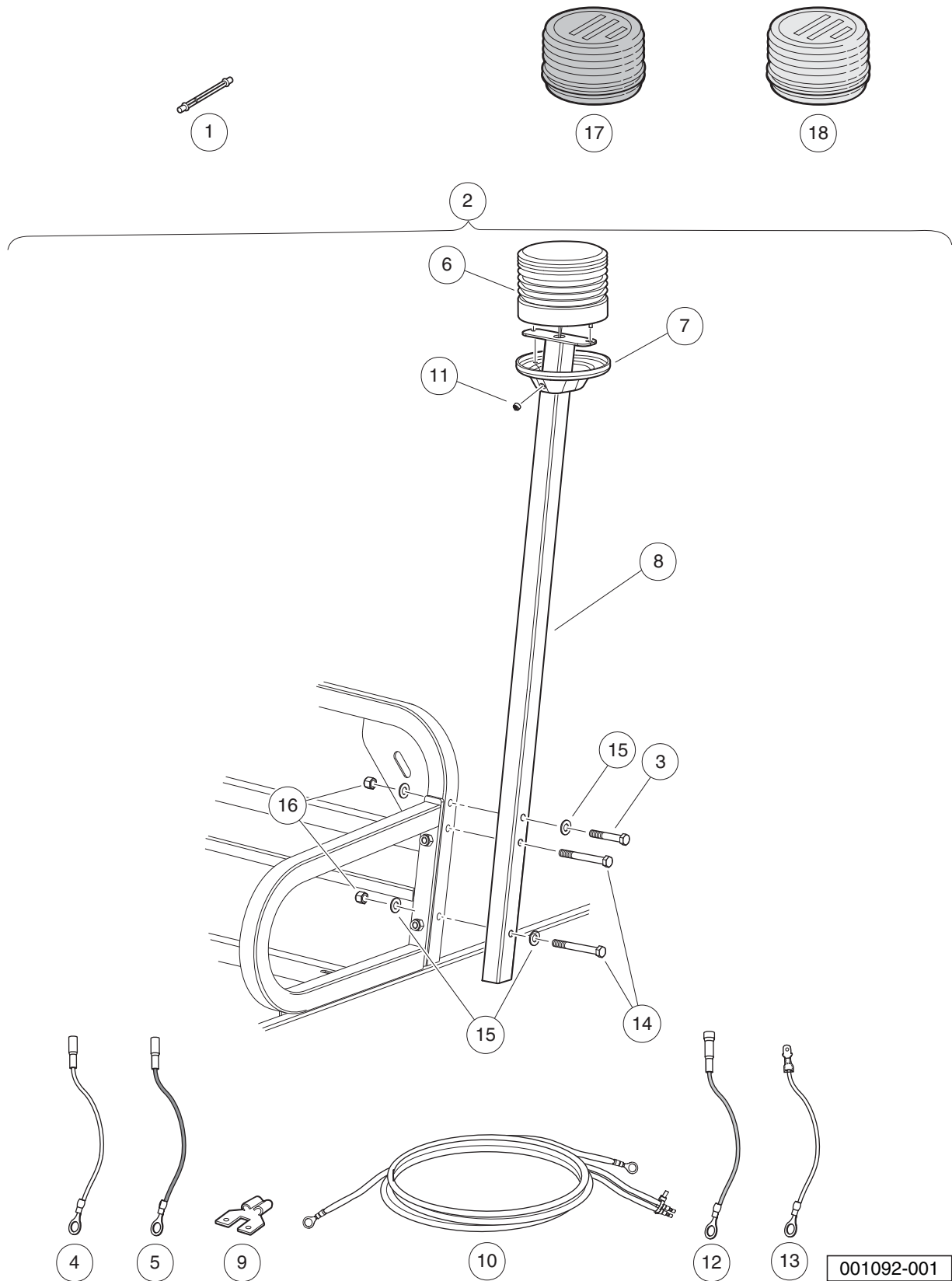
001091-001

VOLTAGE LIMITER – GASOLINE VEHICLE

ITEM	PART NO.	DESCRIPTION	QTY
		1 2 3 4	
1	<u>1010909</u>	Screw, #10-32 X 1.25 Rd Hd Mch	1
2	<u>1016</u>	Lockwasher, #10 Split	1
3	<u>1017721</u>	Limitter, Voltage	1
4	<u>183</u>	Washer, #10, Type A, Flat	1
5	<u>7893</u>	Nut, #10-32 Hex	1

4
G
E

4
G
E

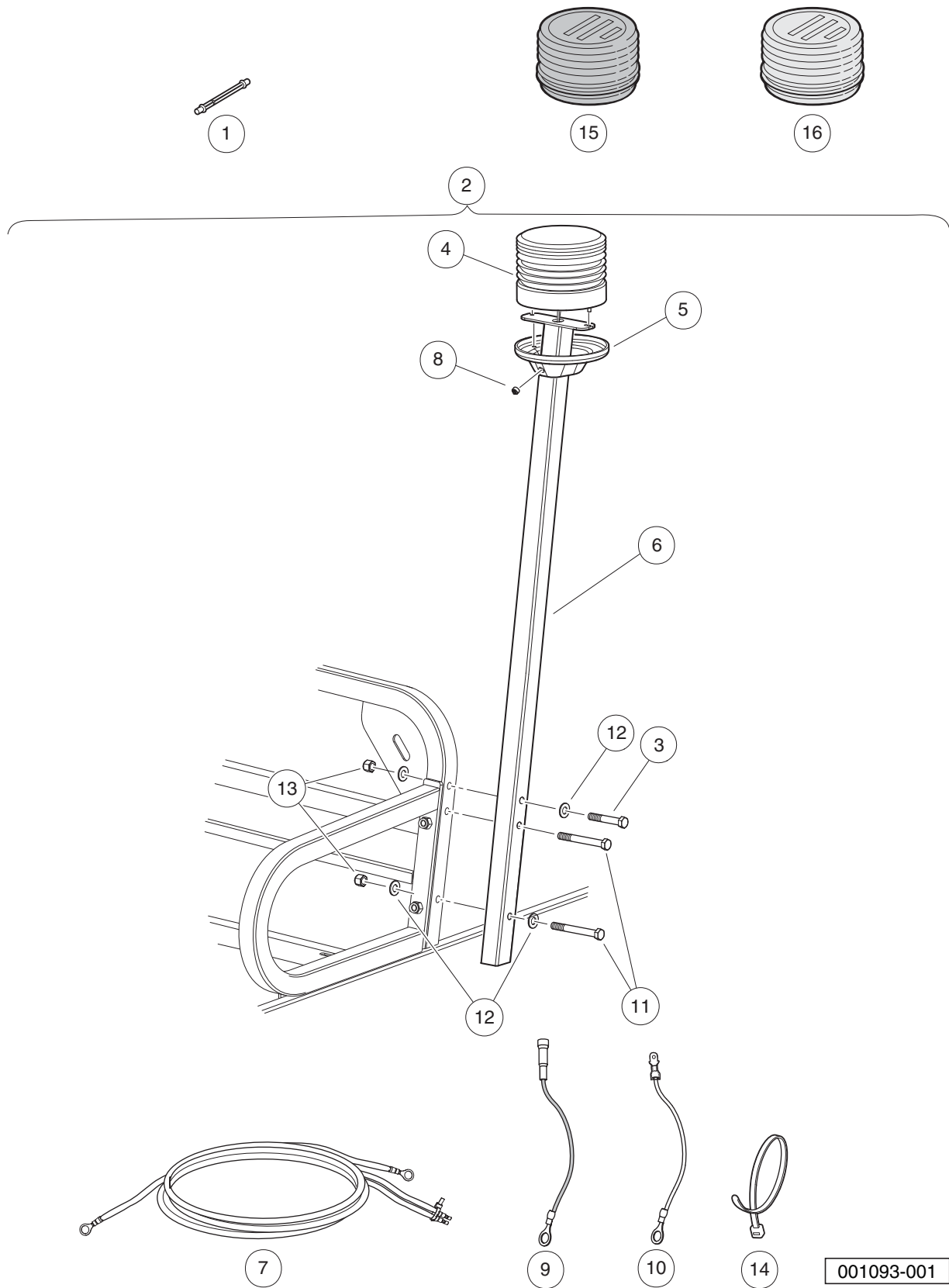


STROBE LIGHT, POST-MOUNTED – GASOLINE VEHICLES

ITEM	PART NO.	DESCRIPTION	QTY
		1 2 3 4	
1	<u>1015526</u>	Bulb, Replacement, for Strobe Light	1
2	<u>1015765</u>	Safety Strobe Lht Post Mnt Gas (includes items 3 through 16)	1
3	<u>1013509</u>	Screw, 1/4-20 X 1.75 Hx Hd Cap	2
4	1015153	Wire Assembly #16 Yellow	1
5	1015154	Wire Assembly Blue Ca #16	1
6	<u>1015156</u>	Light Assembly, Strobe	1
7	1015157	Cover Plate Switch - Pole Ca	1
8	<u>1015160</u>	Pole Weldment Carryall	1
9	<u>1015162</u>	3/16 Tab Adapter Non-insul	1
10	<u>1015172</u>	Wire Harness Assy, Strobe Lght	1
11	<u>1015187</u>	Switch Assembly	1
12	1016837	Wire Assembly Red #18	1
13	1016929	Wire Assembly Black #16	1
14	<u>324</u>	Screw, 1/4-20 X 2.50 Hx Hd Cap	2
15	<u>332</u>	Washer, 1/4 Type A Narrow Flat	4
16	<u>8233</u>	Locknut, 1/4-20, Nylon Insert	2
17	<u>AM1243701</u>	Lens, Blue, for Strobe Light	1
18	<u>AM1243801</u>	Lens, Red, for Strobe Light	1

4
G
E

4
G
E



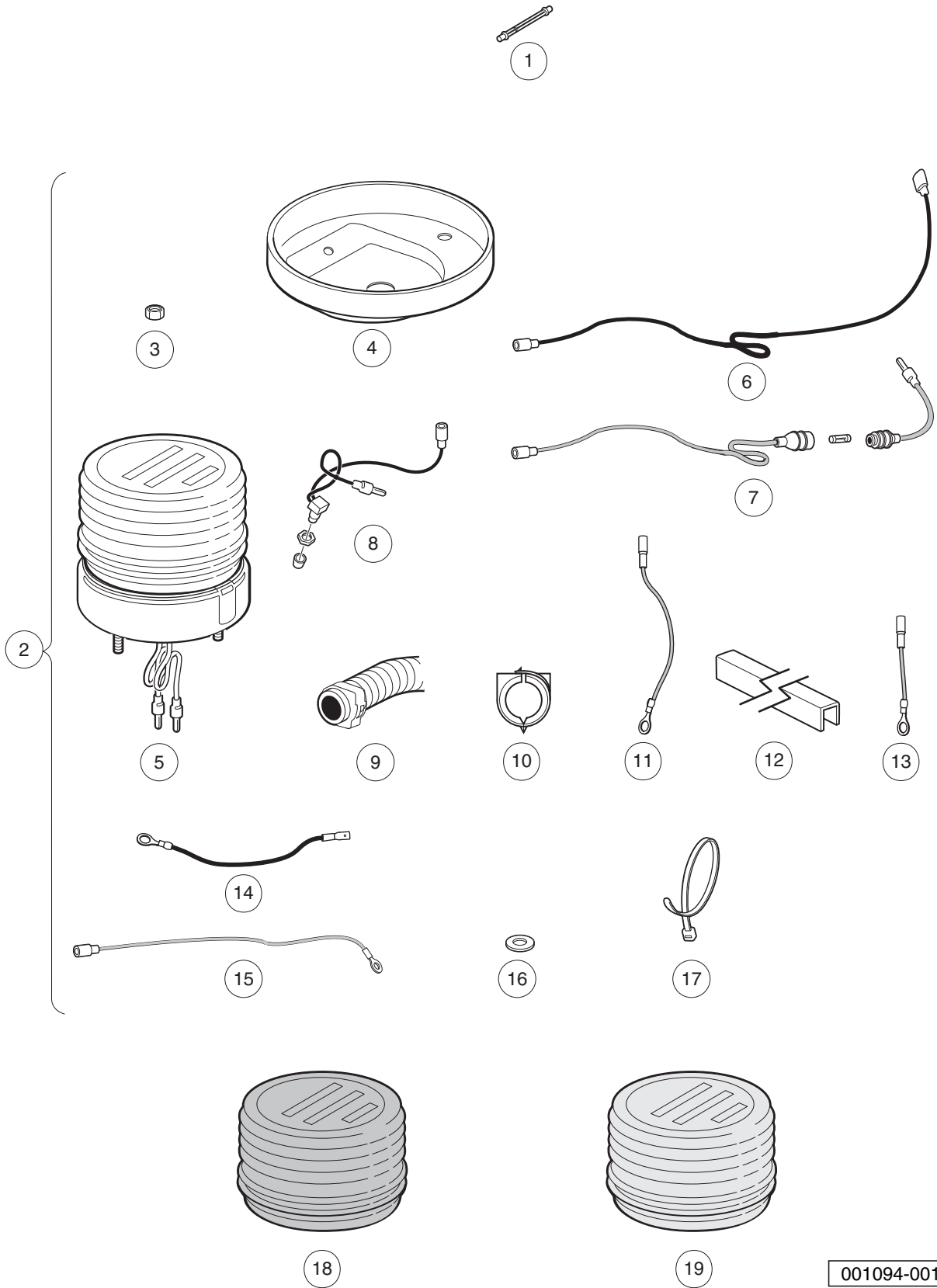
001093-001

STROBE LIGHT, POST-MOUNTED – ELECTRIC VEHICLES

ITEM	PART NO.	DESCRIPTION	QTY
		1 2 3 4	
1	<u>1015526</u>	Bulb, Replacement, for Strobe Light	1
2	<u>101814601</u>	Safety Strobe Lht & Post Mt El (includes items 3 through 14)	1
3	<u>1013509</u>	Screw, 1/4-20 X 1.75 Hx Hd Cap	2
4	<u>1015156</u>	Light Assembly, Strobe	1
5	1015157	Cover Plate Switch - Pole Ca	1
6	<u>1015160</u>	Pole Weldment Carryall	1
7	<u>1015172</u>	Wire Harness Assy, Strobe Lght	1
8	<u>1015187</u>	Switch Assembly	1
9	1016837	Wire Assembly Red #18	1
10	1016929	Wire Assembly Black #16	1
11	<u>324</u>	Screw, 1/4-20 X 2.50 Hx Hd Cap	2
12	<u>332</u>	Washer, 1/4 Type A Narrow Flat	4
13	<u>8233</u>	Locknut, 1/4-20, Nylon Insert	2
14	<u>8990</u>	Tie Wrap, 8" Nylon	4
15	<u>AM1243701</u>	Lens, Blue, for Strobe Light	1
16	<u>AM1243801</u>	Lens, Red, for Strobe Light	1

4
G
E

4
G
E



001094-001

STROBE LIGHT, CANOPY-MOUNTED

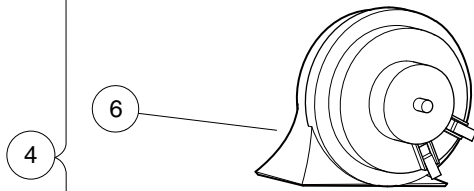
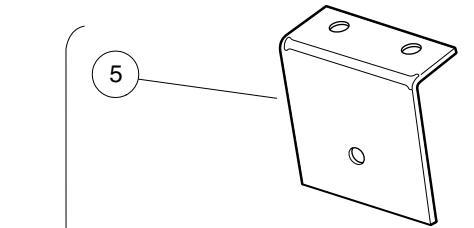
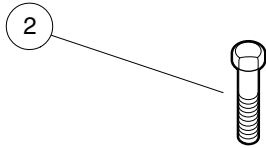
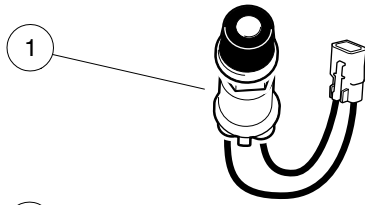
ITEM	PART NO.	DESCRIPTION	QTY
		1 2 3 4	
1	<u>1015526</u>	Bulb, Replacement, for Strobe Light	1
2	<u>AM1243501</u>	Kit, Roof Mounted Strobe Fd (includes items 3 through 17)	A/R
3	<u>1012438</u>	Locknut, #10-24 Nylon Insert	2
4	<u>1015010</u>	Cover Plate Switch	1
5	<u>1015156</u>	Light Assembly, Strobe	1
6	<u>1015167</u>	#16 Black Wire Asm	1
7	<u>1015170</u>	Wire Assembly #16	1
8	<u>1015187</u>	Switch Assembly	1
9	<u>1015768</u>	Split Convoluted Elec Conduit	11
10	<u>1015770</u>	Outlet Ring - .5 Diameter	5
11	<u>1016230</u>	Wire Asm #16 Red	1
12	<u>1016267</u>	Snap On Conduit Vert.	1
13	<u>1016287</u>	Wire Asm #16 Red	1
14	<u>1016929</u>	Wire Assembly Black #16	1
15	<u>101821601</u>	#18 Red Wire Assembly	1
16	<u>183</u>	Washer, #10, Type A, Flat	2
17	<u>8639</u>	Tie Wrap, 11" Nylon	8
18	<u>AM1243701</u>	Lens, Blue, for Strobe Light	A/R
19	<u>AM1243801</u>	Lens, Red, for Strobe Light	A/R

4
G
E

4

G

E



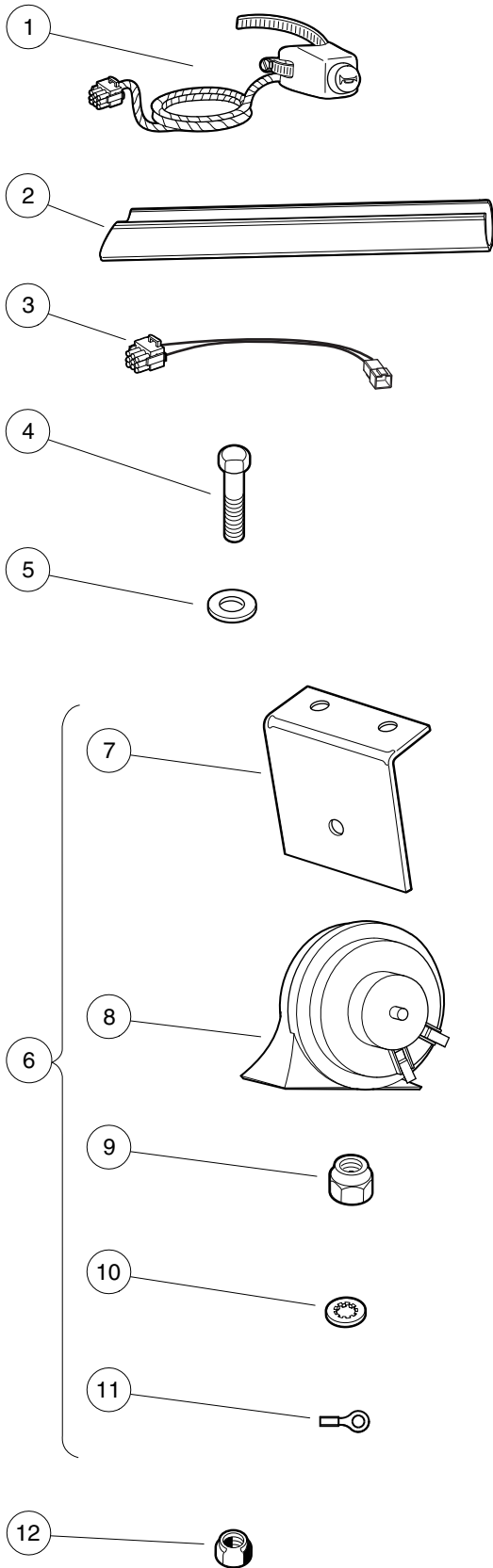
001095-001

HORN

ITEM	PART NO.	DESCRIPTION	QTY
		1 2 3 4	
1	<u>101969701</u>	Horn Button and Wire Assembly	1
2	304	Screw, 1/4-20 X 1.0 Hex-Head Cap	2
3	<u>332</u>	Washer, 1/4 Type A Narrow Flat	2
4	<u>4029</u>	Horn (includes items 5 through 9)	1
5	<u>1011825</u>	Horn Bracket	1
6	<u>1014530</u>	Horn, 12-VDC	1
7	<u>101955101</u>	Nut, M6 Hex	1
8	<u>7820</u>	Washer, 5/16 Internal-Tooth	1
9	8294	5/16 Ring Term.	1
10	<u>8233</u>	Locknut, 1/4-20, Nylon Insert	2

4
G
E

4
G
E



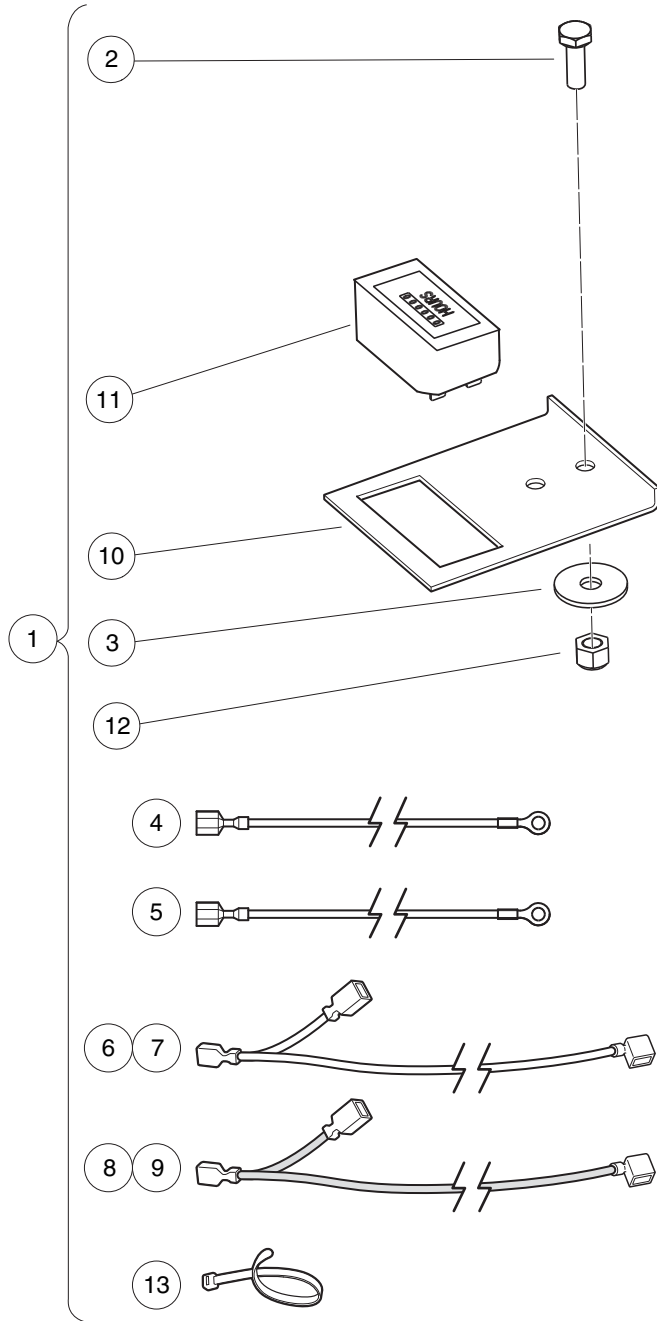
001095-002

HORN WITH COLUMN-MOUNTED BUTTON

ITEM	PART NO.	DESCRIPTION	QTY
		1 2 3 4	
1	102517601	Subasm, Horn Button Harness	1
2	<u>102529203</u>	Wire Cover-steer Column 304 Mm	1
3	<u>103618101</u>	Harness, Jumper, Horn	1
4	304	Screw, 1/4-20 X 1.0 Hex-Head Cap	2
5	<u>332</u>	Washer, 1/4 Type A Narrow Flat	2
6	<u>4029</u>	Horn (includes items 7 through 11)	1
7	<u>1011825</u>	Horn Bracket	1
8	<u>1014530</u>	Horn, 12-VDC	1
9	<u>101955101</u>	Nut, M6 Hex	1
10	<u>7820</u>	Washer, 5/16 Internal-Tooth	1
11	8294	5/16 Ring Term.	1
12	<u>8233</u>	Locknut, 1/4-20, Nylon Insert	2

4
G
E

4
G
E



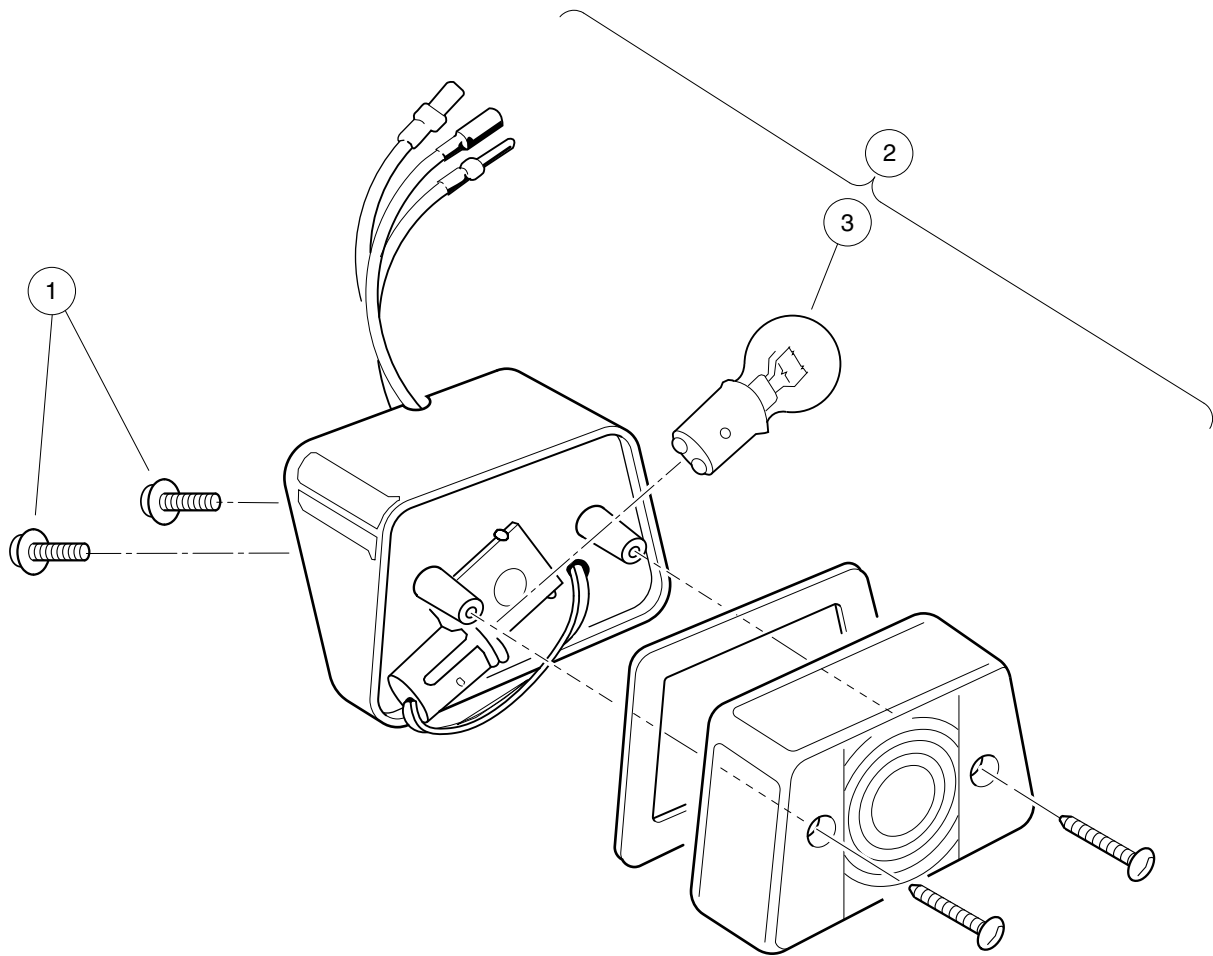
001096-002

HOUR METER – CARRYALL/TURF IQ PLUS ELECTRIC VEHICLES

ITEM	PART NO.	DESCRIPTION	QTY
		1 2 3 4	
1	<u>1013579</u>	Kit, Hour Meter (includes items 2 through 13)	1
2	<u>1012285</u>	Screw, 1/4 X 0.625 Hex-Head	1
3	<u>1014306</u>	Washer, 1/4" Type B Flat	1
4	101881501	Wire Assembly Black #18	1
5	101881601	Wire Assembly Red #18	1
6	<u>101997802</u>	Wire Assembly #18 Yellow	1
7	<u>101997803</u>	Wire Asm #18 Yellow 31"	1
8	<u>101997902</u>	Wire Assembly #18 Red	1
9	<u>101997903</u>	Wire Asm # 18 Red 31"	1
10	<u>103510001</u>	Bracket, Hour Meter	1
11	<u>103510301</u>	Meter, Hour	1
12	<u>8233</u>	Locknut, 1/4-20, Nylon Insert	1
13	<u>8990</u>	Tie Wrap, 8" Nylon	1
<p>Note: The kit includes components that apply to multiple vehicles. The installation instructions will specify which components are required for a specific model. After installation, discard components not used.</p>			

4
G
E

4
G
E



001247-001

TAILLIGHTS

ITEM	PART NO.	DESCRIPTION	QTY
1	<u>1015752</u>	1 2 3 4 Screw, #12-16 X 0.625, Hi-Lo	4
2	<u>1016717</u>	Light Assembly, Stop/Taillight (includes item 3)	2
3	<u>1011582</u>	Taillight Bulb	1

4
G
E

4

G

E

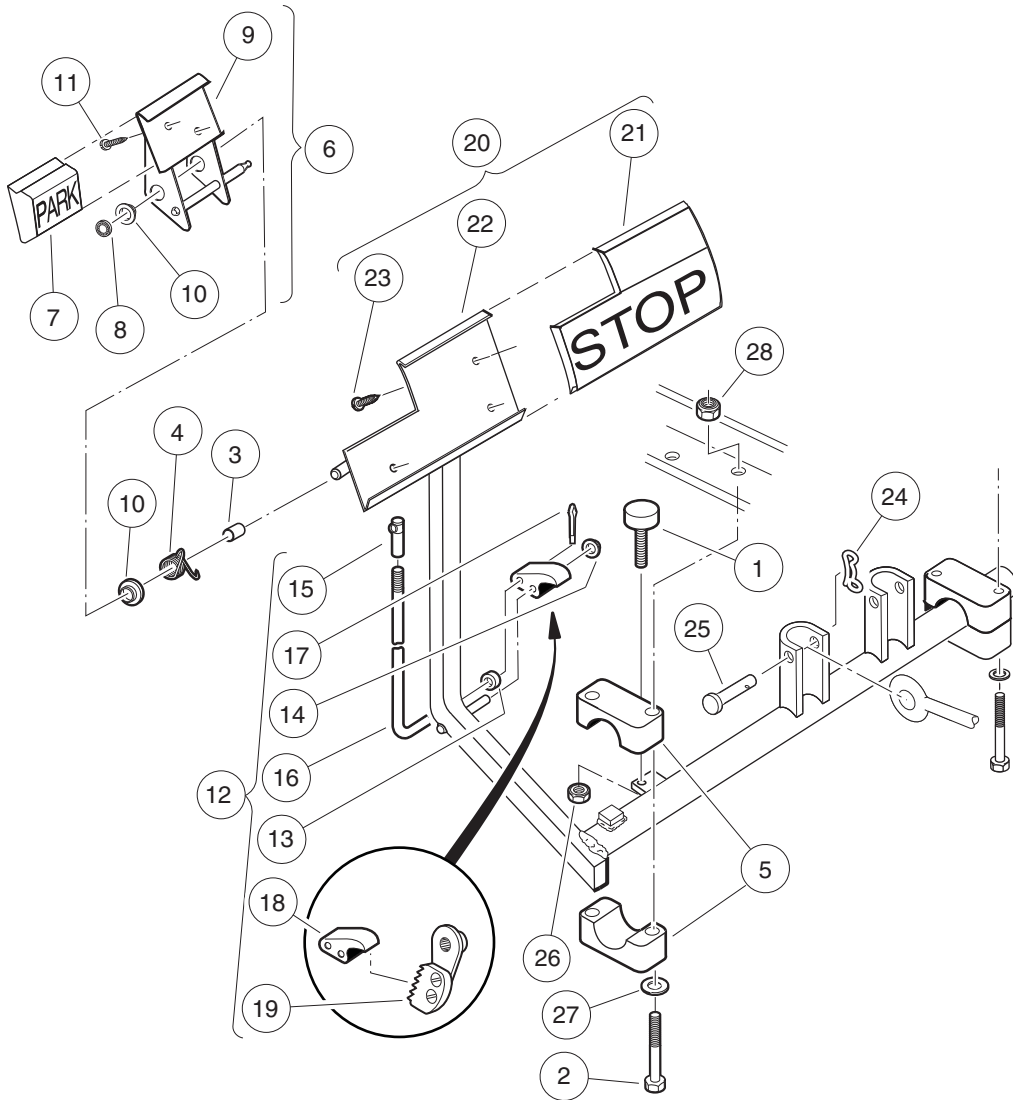
BRAKES, PEDAL, AND CABLE ASSEMBLIES

5

G

E

5
G
E



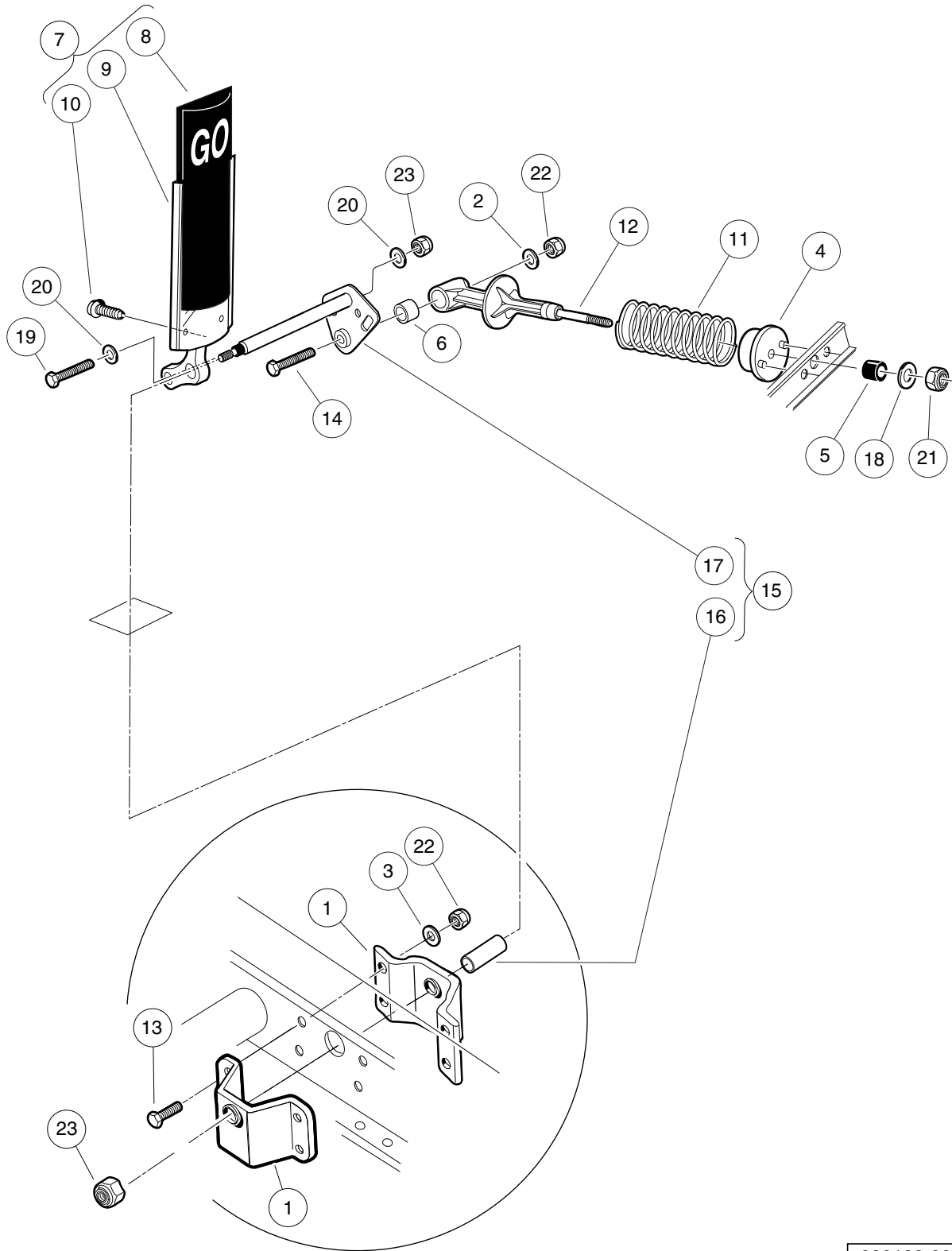
000187-001

BRAKE PEDAL ASSEMBLY

ITEM	PART NO.	DESCRIPTION	QTY
		1 2 3 4	
1	<u>1010878</u>	Bumper, Rubber	1
2	<u>1010921</u>	Screw, 5/16-18 X 2.50 Hex Cap	4
3	<u>1010927</u>	Hill Brake Spacer	1
4	<u>1010933</u>	Spring, Hill Brake Torsion	1
5	<u>1011402</u>	Package, Brake Mounting Block	1
6	<u>1011418</u>	Kit, Hill Brake Pedal (includes items 7 through 11)	1
7	<u>1013870</u>	Pad, Hill Brake	1
8	<u>1013876</u>	Pushnut, 3/8	1
9	N/A	Hill Brake Weld Assembly	1
10	<u>1032</u>	Bushing, Nylon	2
11	7716	Screw, #10-16 Type AB, Sheet Metal	2
12	<u>101187702</u>	Kit, Hill Brake Latch (includes items 13 through 19)	1
13	<u>1010805</u>	Sleeve, Hill Brake Rod	1
14	<u>1010877</u>	Pushnut, 3/8	1
15	1010932	Ball Joint, 1/4-28	1
16	N/A	Rod, Hill Brake	1
17	<u>1017029</u>	Pin, Cotter, 7/64 x 1/2 Stainless-Steel	1
18	N/A	Pawl, Hill Brake	1
19	101918501	Ratchet Assembly	1
20	<u>101878201</u>	Brake Pedal Kit (includes items 21 through 23)	1
21	<u>1013869</u>	Pad, Brake Pedal	1
22	N/A	Weldment, Brake Pedal, 2wr Std	1
23	7716	Screw, #10-16 Type AB, Sheet Metal	3
24	<u>102323101</u>	Pin, Bow Tie Locking	1
25	<u>102323201</u>	Pin, 3/8 X 1-5/16 Clevis	1
26	<u>1028</u>	Nut, 1/4-20 Hex	1
27	<u>1241</u>	Washer, 5/16 Type A Flat	4
28	<u>7473</u>	Locknut, 5/16-18 Nylon Insert	4

5
G
E

5
G
E

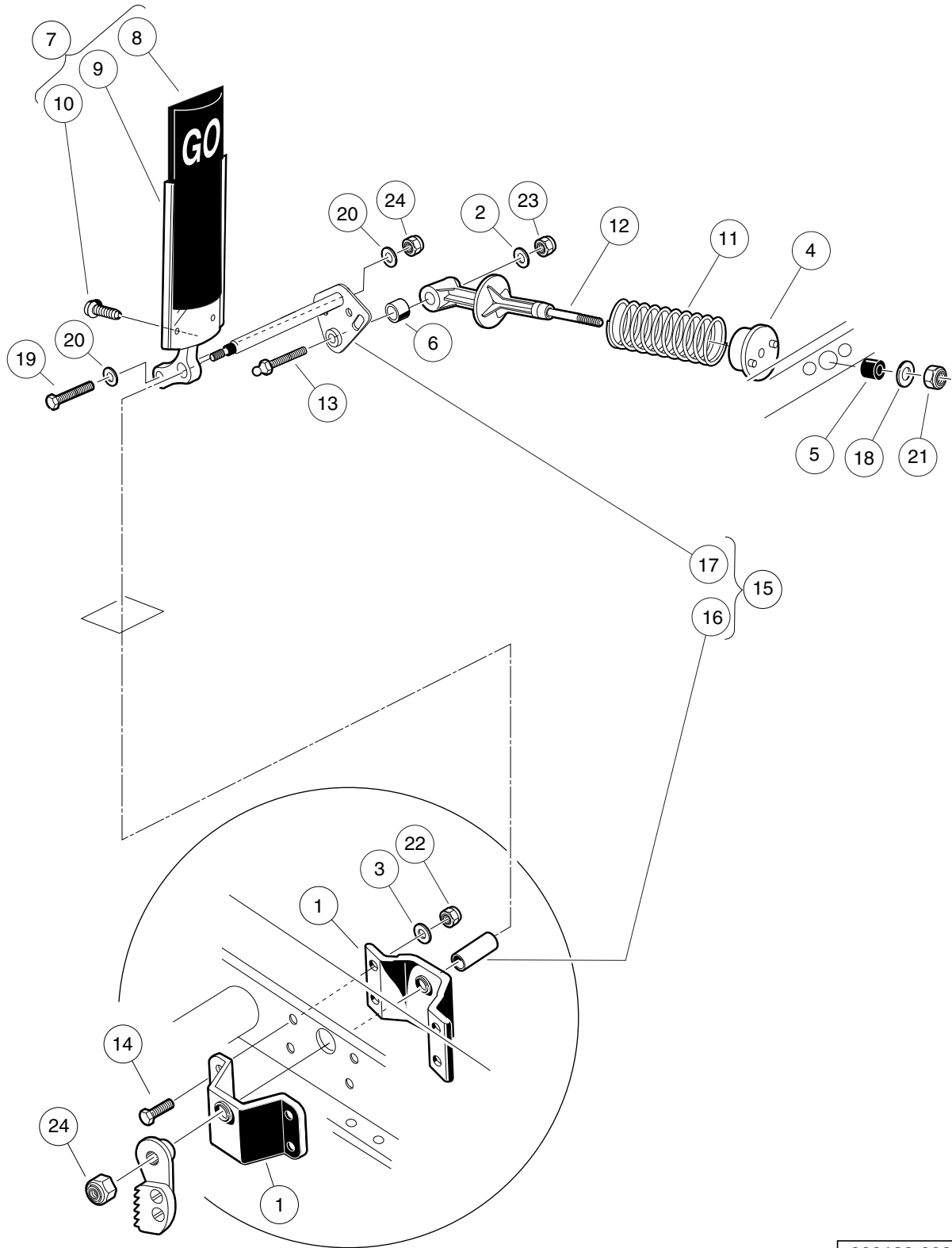


000188-007

ACCELERATOR PEDAL ASSEMBLY – ELECTRIC VEHICLES WITH MCOR

ITEM	PART NO.	DESCRIPTION	QTY	
		1 2 3 4		5
1	<u>1011694</u>	Accelerator Bracket and Bearing Assembly	2	G
2	<u>1011931</u>	Washer, 1/4 Flat	1	E
3	<u>1014007</u>	Washer, 1/4, Flat	4	
4	<u>1017378</u>	Cup, Spring	1	
5	<u>1017380</u>	Bumper, Spring Return	1	
6	<u>1017424</u>	Bearing, Pivot Support	1	
7	<u>1017696</u>	Sub Asm, Accelerator Pedal (includes items 8 through 10)	1	
8	1013871	Pad, Accelerator Pedal	1	
9	N/A	Accelerator Pedal Weldment	1	
10	7716	Screw, #10-16 Type AB, Sheet Metal	4	
11	101796201	Spring, Accelerator Return	1	
12	<u>101817401</u>	Retainer, Spring	1	
13	<u>101861901</u>	Screw, 1/4-20 X 1.125 Hex Cap	4	
14	<u>101862001</u>	Screw, 1/4-20 X 1.500 Flange	1	
15	<u>102026001</u>	Kit, Accelerator Pivot Rod Assembly (includes items 16 and 17)	1	
16	101919801	Spacer, Accelerator	1	
17	<u>102158901</u>	Pivot Rod Weldment	1	
18	<u>1241</u>	Washer, 5/16 Type A Flat	1	
19	<u>1624</u>	Screw, 3/8-16 X 1.50, Hex-Head Cap	1	
20	<u>334</u>	Washer, 3/8, Type A, Flat	2	
21	<u>7473</u>	Locknut, 5/16-18 Nylon Insert	1	
22	<u>8233</u>	Locknut, 1/4-20, Nylon Insert	5	
23	<u>8754</u>	Locknut, 3/8-16 Hex	2	

5
G
E



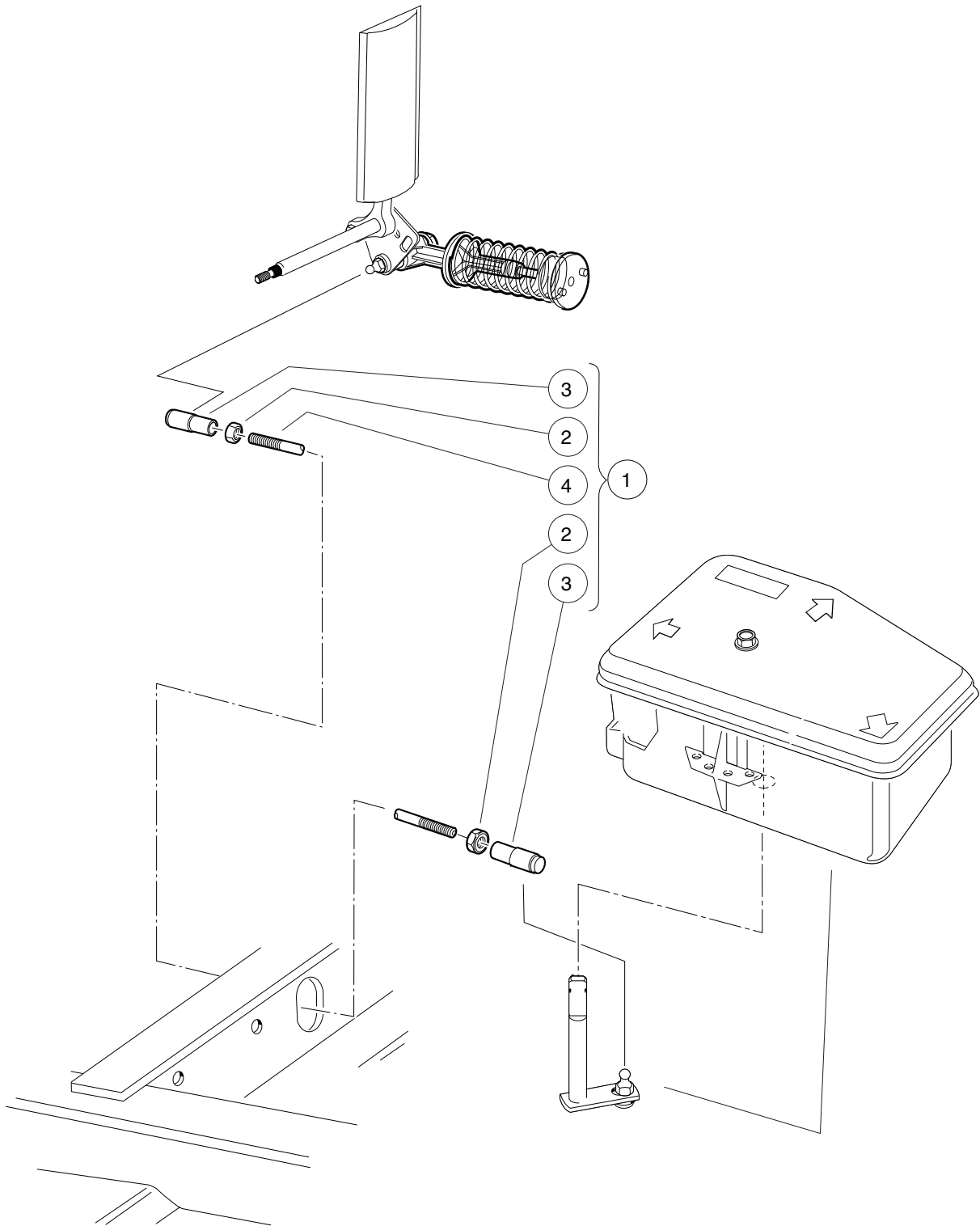
000188-008

ACCELERATOR PEDAL ASSEMBLY – GASOLINE VEHICLES

ITEM	PART NO.	DESCRIPTION	QTY
		1 2 3 4	
1	<u>1011694</u>	Accelerator Bracket and Bearing Assembly	2
2	<u>1011931</u>	Washer, 1/4 Flat	1
3	<u>1014007</u>	Washer, 1/4, Flat	4
4	<u>1017378</u>	Cup, Spring	1
5	<u>1017380</u>	Bumper, Spring Return	1
6	<u>1017424</u>	Bearing, Pivot Support	1
7	<u>1017696</u>	Sub Asm, Accelerator Pedal (includes items 8 through 10)	1
8	1013871	Pad, Accelerator Pedal	1
9	N/A	Accelerator Pedal Weldment	1
10	7716	Screw, #10-16 Type AB, Sheet Metal	4
11	101796201	Spring, Accelerator Return	1
12	<u>101817401</u>	Retainer, Spring	1
13	101818801	Stud, 1/4-28 X 1.35 Ball	1
14	<u>101861901</u>	Screw, 1/4-20 X 1.125 Hex Cap	4
15	<u>102026001</u>	Kit, Accelerator Pivot Rod Assembly (includes items 16 and 17)	1
16	101919801	Spacer, Accelerator	1
17	<u>102158901</u>	Pivot Rod Weldment	1
18	<u>1241</u>	Washer, 5/16 Type A Flat	1
19	<u>1624</u>	Screw, 3/8-16 X 1.50, Hex-Head Cap	1
20	<u>334</u>	Washer, 3/8, Type A, Flat	2
21	<u>7473</u>	Locknut, 5/16-18 Nylon Insert	1
22	<u>8233</u>	Locknut, 1/4-20, Nylon Insert	4
23	<u>8717</u>	Locknut, Nylon Insert, 1/4-28	1
24	<u>8754</u>	Locknut, 3/8-16 Hex	2

5
G
E

5
G
E



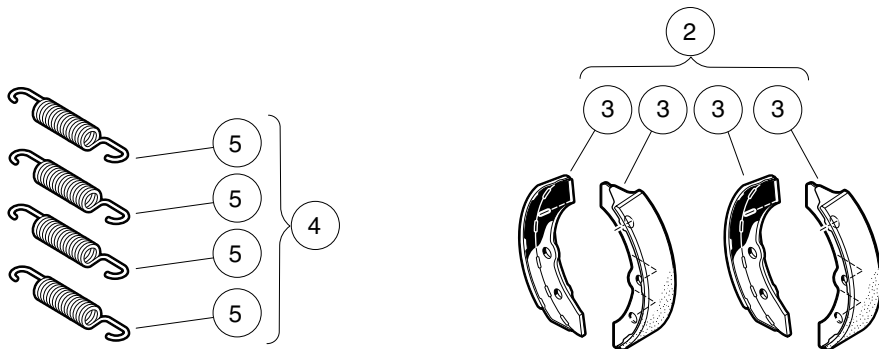
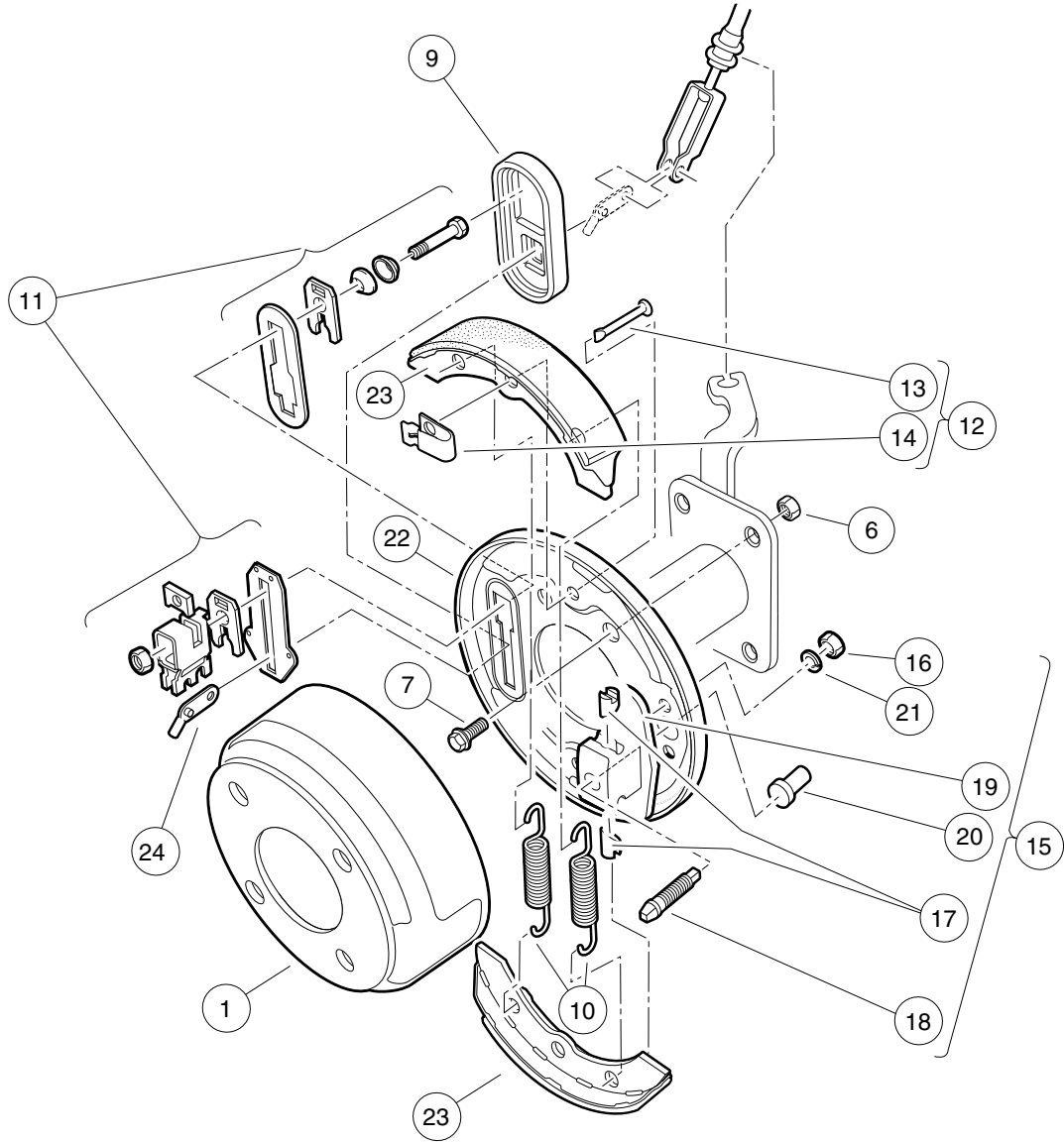
000362-001

ACCELERATOR ROD – TURF/CARRYALL 6 GASOLINE VEHICLES

ITEM	PART NO.	DESCRIPTION	QTY
		1 2 3 4	
1	<u>101674702</u>	Rod, Accelerator (includes items 2 through 4)	1
2	<u>1011084</u>	Nut, 1/4-28 Hex Jam	2
3	<u>1011734</u>	Joint, Ball	2
4	N/A	Accelerator Rod Elec Stretch	1

5
G
E

5
G
E



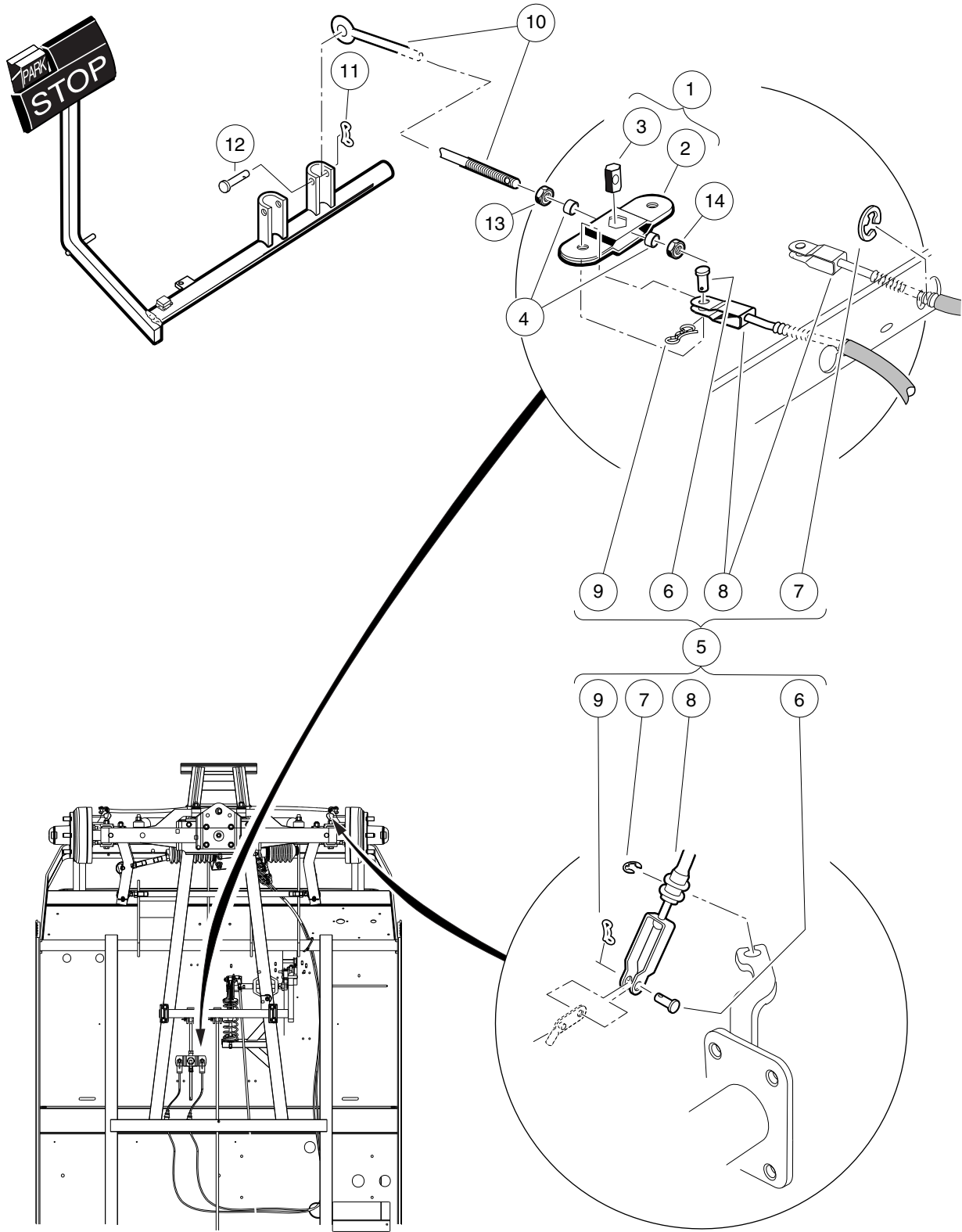
000298-001

FRONT BRAKE ASSEMBLY – VEHICLES WITH FOUR-WHEEL BRAKES

ITEM	PART NO.	DESCRIPTION	QTY
		1 2 3 4	
1	<u>1011137</u>	Drum, Brake	2
2	<u>101146302</u>	Kit, Non-Asbestos Brake Shoe (includes item 3)	1
3	101880701	Shoe Brake Manual Adj (Available in Kit, Non-Asbestos Brake Shoe)	4
4	<u>1011464</u>	Package, Brake Spring (includes item 5)	1
5	1011314	Brake Spring	4
6	<u>1013924</u>	Nut, 5/16-24, Hex Head Cone	8
7	<u>1014153</u>	Bolt, Brake Cluster Mounting	8
8	<u>1016557</u>	Cluster, Brake, Driver-Side (includes items 9 through 24)	1
9	<u>1010850</u>	Dust Cover	1
10	1011314	Brake Spring	2
11	<u>1011465</u>	Kit, Brake Actuator	1
12	<u>1011466</u>	Kit, Shoe Retainer (includes items 13 and 14)	1
13	N/A	Pin	2
14	N/A	Shoe Clamp Spring	2
15	<u>1011467</u>	Kit, Anchor Body (includes items 16 through 21)	1
16	<u>1011114</u>	Nut, M6-1.00 Hex	2
17	1011298	Anchor Piston	2
18	N/A	Adjustment Bolt	1
19	N/A	Anchor Body Component	1
20	<u>1011303</u>	Adjustment Bolt Cap	1
21	<u>451</u>	Lockwasher, 1/4 Split	2
22	1011494	Backing Plate, Left-Hand	1
23	101880701	Shoe Brake Manual Adj (Available in Kit, Non-Asbestos Brake Shoe)	2
24	N/A	Arm, Brake Lever	1
25	<u>1016573</u>	Cluster, Brake, Passenger-Side (includes items 26 through 41)	1
26	<u>1010850</u>	Dust Cover	1
27	<u>1011154</u>	Backing Plate, Right-Hand	1
28	1011314	Brake Spring	2
29	<u>1011465</u>	Kit, Brake Actuator	1
30	<u>1011466</u>	Kit, Shoe Retainer (includes items 31 and 32)	1
31	N/A	Pin	2
32	N/A	Shoe Clamp Spring	2
33	<u>1011467</u>	Kit, Anchor Body (includes items 34 through 39)	1
34	<u>1011114</u>	Nut, M6-1.00 Hex	2
35	1011298	Anchor Piston	2
36	N/A	Adjustment Bolt	1
37	N/A	Anchor Body Component	1
38	<u>1011303</u>	Adjustment Bolt Cap	1
39	<u>451</u>	Lockwasher, 1/4 Split	2
40	101880701	Shoe Brake Manual Adj (Available in Kit, Non-Asbestos Brake Shoe)	2
41	N/A	Arm, Brake Lever	1
		Note: Passenger-side brake cluster not shown. Components have a similar appearance to driver-side brake cluster components.	

5
G
E

5
G
E



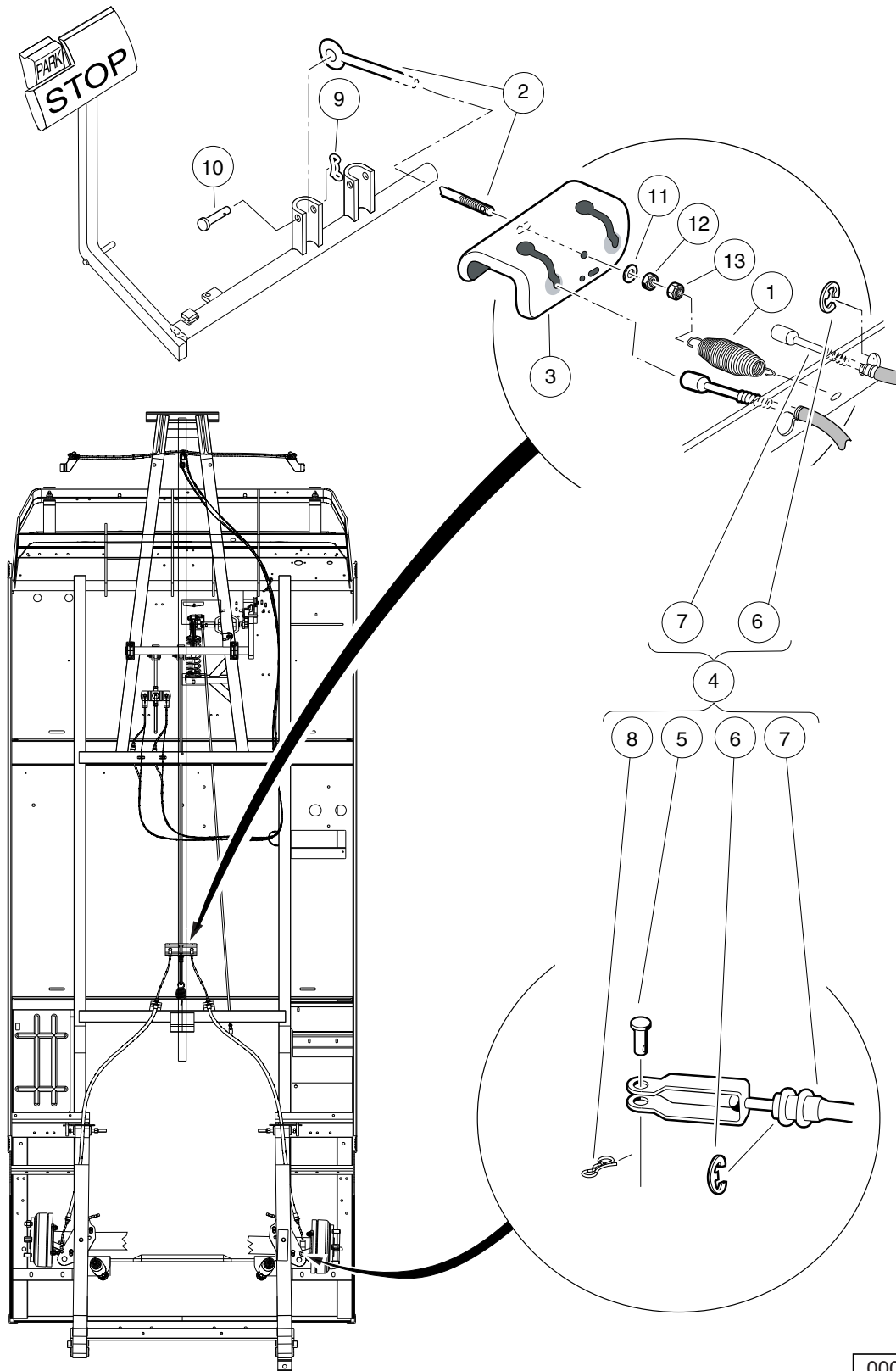
000294-001

FRONT BRAKE CABLES AND EQUALIZER – VEHICLES WITH FOUR-WHEEL BRAKES

ITEM	PART NO.	DESCRIPTION	QTY
		1 2 3 4	
1	<u>1017211</u>	Kit, Equalizer and Pivot Limiter (includes items 2 and 3)	1
2	1016319	Equalizer Weld Assembly	1
3	1016320	Equalizer, Pivot Limiter	1
4	<u>101865301</u>	Spacer	2
5	<u>101874601</u>	Kit, Brake Cable (includes items 6 through 9)	1
6	<u>1010829</u>	Pin, Clevis, 5/16 X 3/4	4
7	<u>1011779</u>	E-Clip, 1/2	4
8	N/A	Brake Cable	2
9	<u>102292801</u>	Pin, Bow Tie Locking - .072	4
10	<u>101953106</u>	Rod, Equalizer, 9.75"	1
11	<u>102323101</u>	Pin, Bow Tie Locking	1
12	<u>102323201</u>	Pin, 3/8 X 1-5/16 Clevis	1
13	<u>1242</u>	Nut, 5/16-18 Hex	1
14	<u>7473</u>	Locknut, 5/16-18 Nylon Insert	1

5
G
E

5
G
E



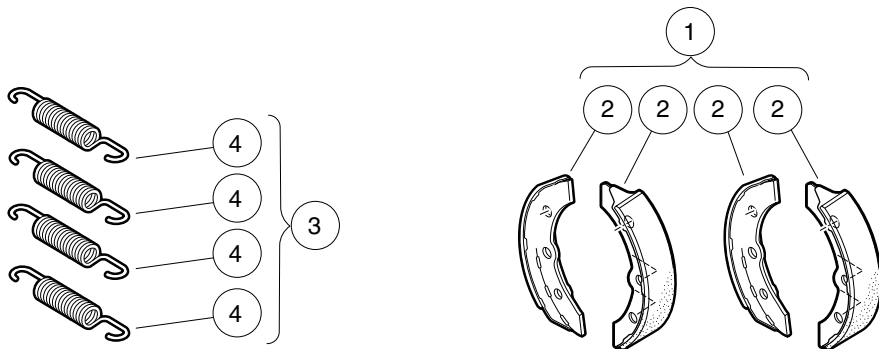
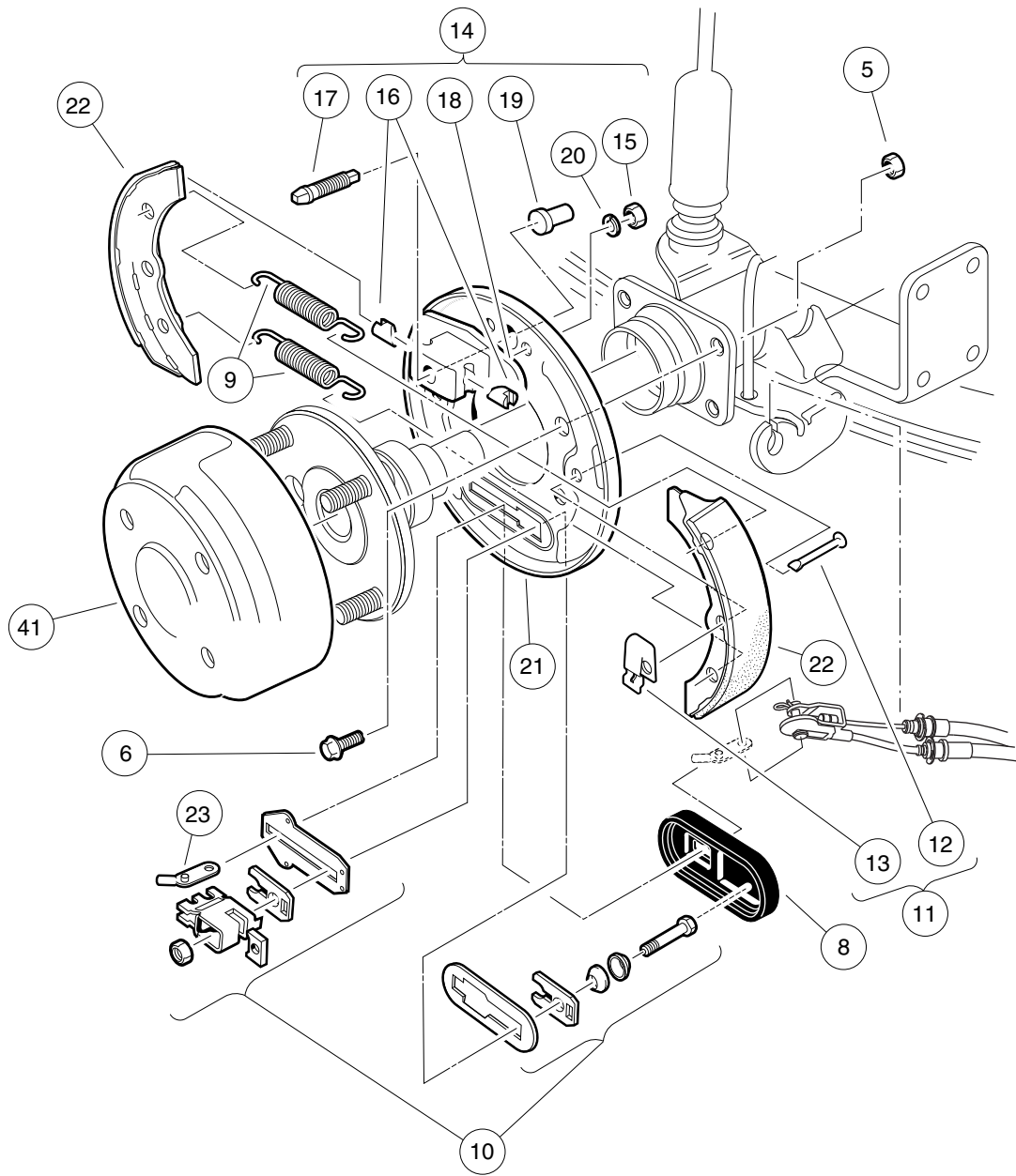
000296-004

REAR BRAKE CABLES AND EQUALIZER – TURF/CARRYALL 6

ITEM	PART NO.	DESCRIPTION	QTY
		1 2 3 4	
1	<u>1013531</u>	Spring, Brake Return	1
2	101953103	Rod, Equalizer, 41.91"	1
3	<u>101990801</u>	Equalizer Bracket	1
4	<u>102166901</u>	Kit, Brake Cable Rear (includes items 5 through 8)	1
5	<u>1010829</u>	Pin, Clevis, 5/16 X 3/4	2
6	<u>1011779</u>	E-Clip, 1/2	4
7	102162601	Cable, Brake	2
8	<u>102292801</u>	Pin, Bow Tie Locking - .072	2
9	<u>102323101</u>	Pin, Bow Tie Locking	1
10	<u>102323201</u>	Pin, 3/8 X 1-5/16 Clevis	1
11	<u>1241</u>	Washer, 5/16 Type A Flat	1
12	<u>1242</u>	Nut, 5/16-18 Hex	1
13	<u>7473</u>	Locknut, 5/16-18 Nylon Insert	1

5
G
E

5
G
E



000293-002

REAR BRAKE ASSEMBLY, MANUALLY-ADJUSTED – VEHICLES WITH 4-WHEEL BRAKES

ITEM	PART NO.	DESCRIPTION	QTY
		1 2 3 4	
1	<u>101146302</u>	Kit, Non-Asbestos Brake Shoe (includes item 2)	1
2	101880701	Shoe Brake Manual Adj (Available in Kit, Non-Asbestos Brake Shoe)	4
3	<u>1011464</u>	Package, Brake Spring (includes item 4)	1
4	1011314	Brake Spring	4
5	<u>1013924</u>	Nut, 5/16-24, Hex Head Cone	8
6	<u>1014153</u>	Bolt, Brake Cluster Mounting	8
7	<u>1016557</u>	Cluster, Brake, Driver-Side (includes items 8 through 23)	1
8	<u>1010850</u>	Dust Cover	1
9	1011314	Brake Spring	2
10	<u>1011465</u>	Kit, Brake Actuator	1
11	<u>1011466</u>	Kit, Shoe Retainer (includes items 12 and 13)	1
12	N/A	Pin	2
13	N/A	Shoe Clamp Spring	2
14	<u>1011467</u>	Kit, Anchor Body (includes items 15 through 20)	1
15	<u>1011114</u>	Nut, M6-1.00 Hex	2
16	1011298	Anchor Piston	2
17	N/A	Adjustment Bolt	1
18	N/A	Anchor Body Component	1
19	<u>1011303</u>	Adjustment Bolt Cap	1
20	<u>451</u>	Lockwasher, 1/4 Split	2
21	1011494	Backing Plate, Left-Hand	1
22	101880701	Shoe Brake Manual Adj (Available in Kit, Non-Asbestos Brake Shoe)	2
23	N/A	Arm, Brake Lever	1
24	<u>1016573</u>	Cluster, Brake, Passenger-Side (includes items 25 through 40)	1
25	<u>1010850</u>	Dust Cover	1
26	<u>1011154</u>	Backing Plate, Right-Hand	1
27	1011314	Brake Spring	2
28	<u>1011465</u>	Kit, Brake Actuator	1
29	<u>1011466</u>	Kit, Shoe Retainer (includes items 30 and 31)	1
30	N/A	Pin	2
31	N/A	Shoe Clamp Spring	2
32	<u>1011467</u>	Kit, Anchor Body (includes items 33 through 38)	1
33	<u>1011114</u>	Nut, M6-1.00 Hex	2
34	1011298	Anchor Piston	2
35	N/A	Adjustment Bolt	1
36	N/A	Anchor Body Component	1
37	<u>1011303</u>	Adjustment Bolt Cap	1
38	<u>451</u>	Lockwasher, 1/4 Split	2
39	101880701	Shoe Brake Manual Adj (Available in Kit, Non-Asbestos Brake Shoe)	2
40	N/A	Arm, Brake Lever	1
41	<u>101791101</u>	Drum without Center Hole, Brake	2
		Note: Passenger-side brake cluster not shown. Components have a similar appearance to driver-side brake cluster components.	

5
G
E

5

G

E

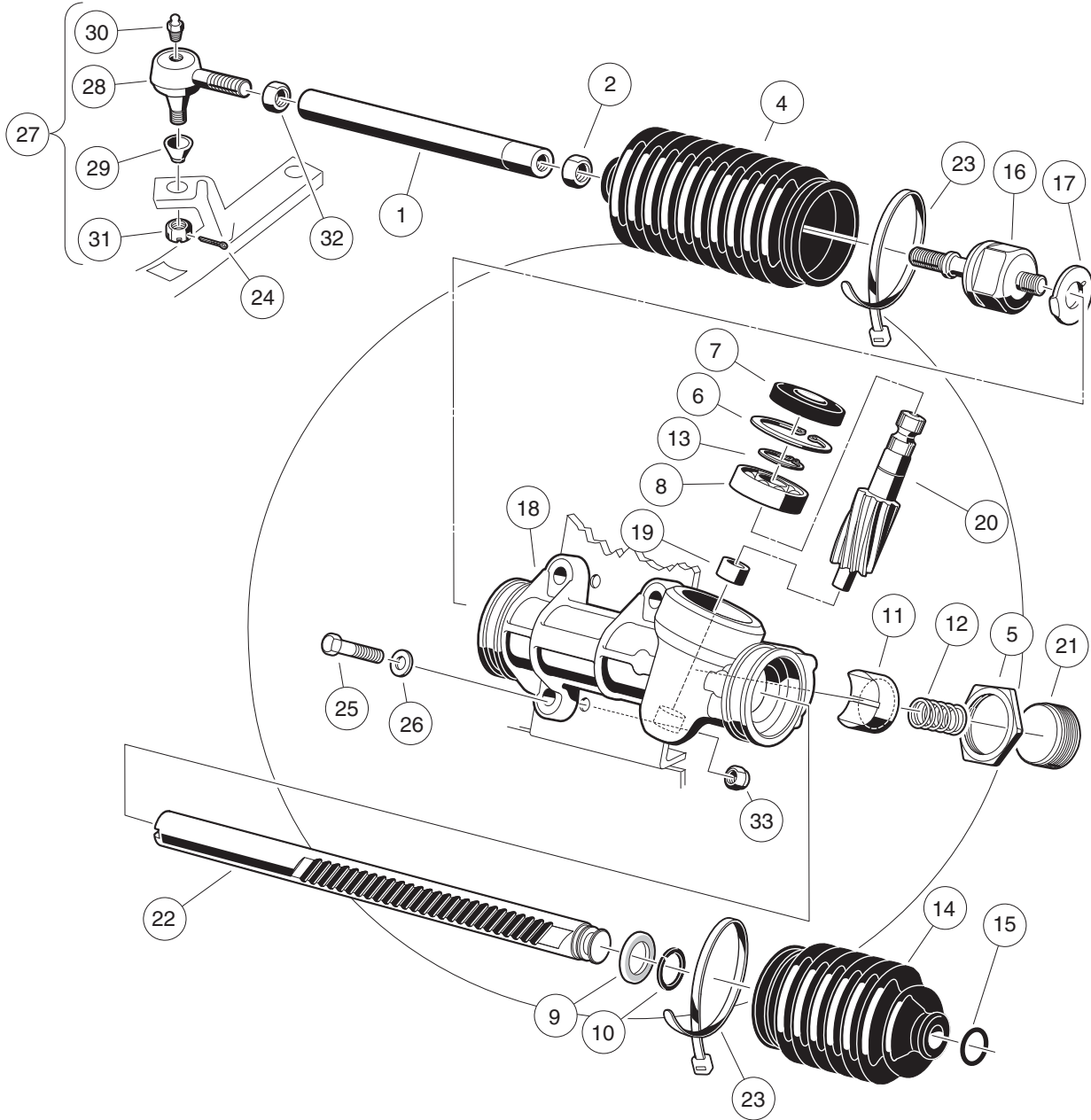
STEERING AND SUSPENSIONS

6

G

E

6
G
E



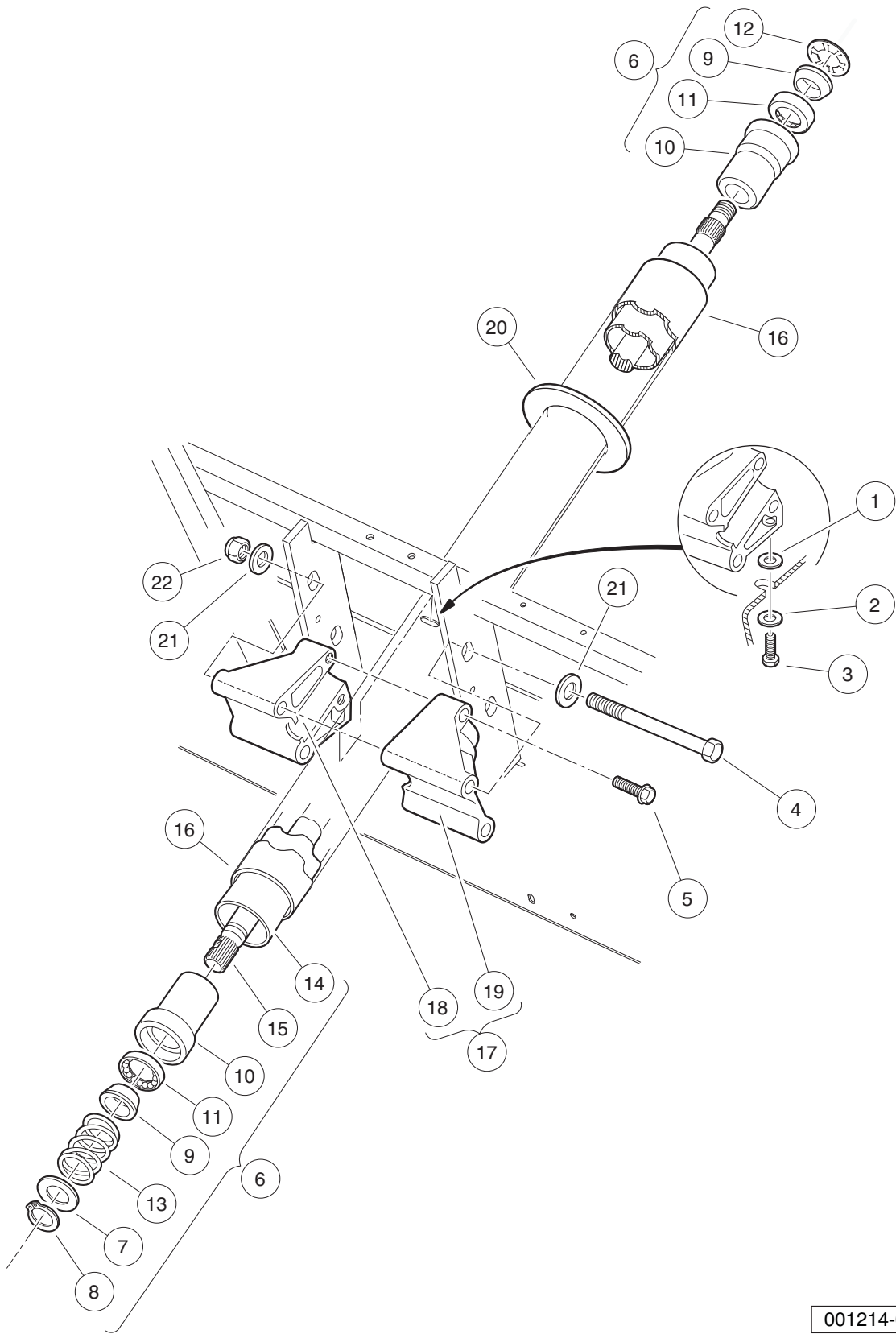
001213-001

STEERING GEAR ASSEMBLY

ITEM	PART NO.	DESCRIPTION	QTY
		1 2 3 4	
1	<u>1012467</u>	Link, Rack and Pinion Drag	1
2	1013042	Nut, 12mm Hex	1
3	<u>101878302</u>	Steering Gear Assembly (without yoke) (includes items 4 through 23)	1
4	<u>1013035</u>	Bellows, Long	1
5	<u>1013044</u>	Rack Screw Locknut	1
6	N/A	Snap Ring	1
7	<u>1013052</u>	Seal, Steering Pinion Dust	1
8	<u>101879401</u>	Bearing, Ball	1
9	<u>101879501</u>	Stop Washer	1
10	101879601	Stop Ring, C-Type	1
11	<u>101879701</u>	Support Yoke	1
12	<u>101879801</u>	Rack Guide Pressure Spring	1
13	<u>101879901</u>	Ring, Stop, C-Type	1
14	<u>101880001</u>	Bellows, Short	1
15	101880101	Dust Seal Retaining Ring	1
16	<u>101880201</u>	Inner Ball Joint Asm	1
17	101880301	Washer, Tab	1
18	N/A	Box, Steering Gear	1
19	N/A	Bearing, Lower Pinion	1
20	N/A	Pinion, Steering	1
21	N/A	Screw, Rack Guide	1
22	N/A	Rack, Steering	1
23	<u>8990</u>	Tie Wrap, 8" Nylon	2
24	<u>1035</u>	Cotter Pin, 3/32 x 1	1
25	<u>1624</u>	Screw, 3/8-16 X 1.50, Hex-Head Cap	3
26	<u>334</u>	Washer, 3/8, Type A, Flat	3
27	<u>7540</u>	Ball Joint, Left (includes items 28 through 31)	1
28	1011895	Socket, LH Vertical	1
29	<u>1011930</u>	Seal, Vertical Socket Dust	1
30	<u>1015597</u>	Fitting, 1/4-28 Thread-Forming Grease	1
31	7602	Nut, 3/8-24 UNF Hex	1
32	<u>7555</u>	Nut, 1/2-20 Hex, Left-Hand Thread	1
33	<u>8754</u>	Locknut, 3/8-16 Hex	3

6
G
E

6
G
E



001214-001

STEERING COLUMN – UTILITY

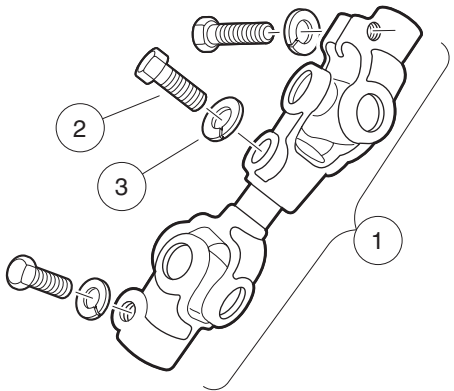
ITEM	PART NO.	DESCRIPTION	QTY
		1 2 3 4	
1	<u>1011578</u>	Washer, 5/16 Type B Flat	1
2	<u>1011697</u>	Washer, 5/16 Flat	1
3	<u>1014288</u>	Screw, 5/16-18 X 0.75, Thread-Forming	1
4	<u>1016183</u>	Screw, 3/8-16 X 7.00 Hex Cap	2
5	<u>1016269</u>	Screw, 5/16-18 Thrd Forming	2
6	<u>1017313</u>	Steering Shaft Assembly (includes items 7 through 15)	1
7	<u>1012604</u>	Washer, 0.675 ID X 1.19 OD	1
8	<u>1012605</u>	Ring, 0.579 Internal Retaining	1
9	1014125	Wedge, Molded	2
10	<u>1014126</u>	Seat, Plastic Bearing	2
11	<u>1014213</u>	Bearing, Ball	2
12	1014214	Ring, Retaining	1
13	<u>1014217</u>	Spring, Steering Shaft	1
14	<u>1017314</u>	Column, Aluminum Steering	1
15	<u>1017315</u>	Shaft Steering Column	1
16	<u>1017317</u>	Tube Cover, Steering Column	1
17	101984801	Kit, Steering Column Mounting Bracket (includes items 18 and 19)	1
18	N/A	Bracket, RH Steering Column Mount	1
19	N/A	Bracket, LH Steering column mount	1
20	<u>102278001</u>	Boot, Steering Column Round	1
21	<u>334</u>	Washer, 3/8, Type A, Flat	4
22	<u>8754</u>	Locknut, 3/8-16 Hex	2

6
G
E

6

G

E



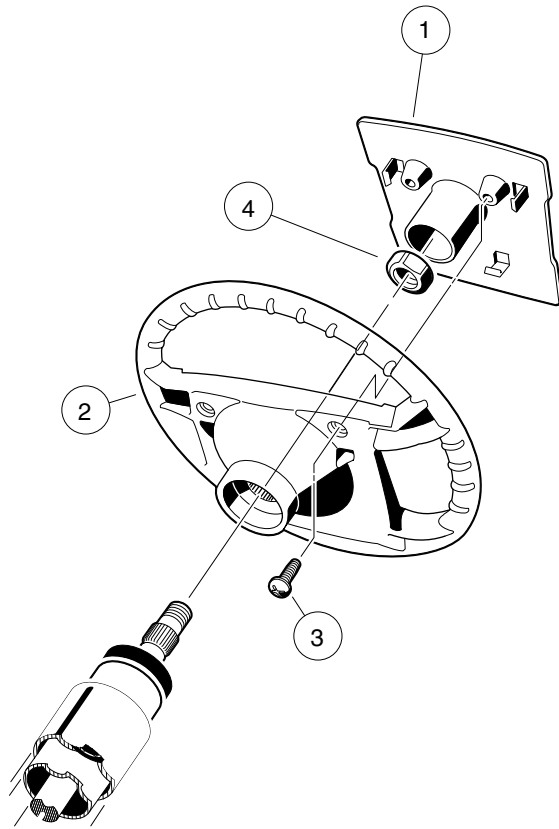
001217-001

INTERMEDIATE STEERING SHAFT – TURF/CARRYALL 1/2/2 PLUS/6

ITEM	PART NO.	DESCRIPTION	QTY
1	<u>1013861</u>	1 2 3 4 Intermediate Steering Shaft (includes items 2 and 3)	1
2	<u>1017226</u>	Bolt, Hex-Head, 8mm X 1.25 - 30	3
3	<u>7174</u>	Lockwasher, 5/16 Split	3

6
G
E

6
G
E



000246-003

STEERING WHEEL

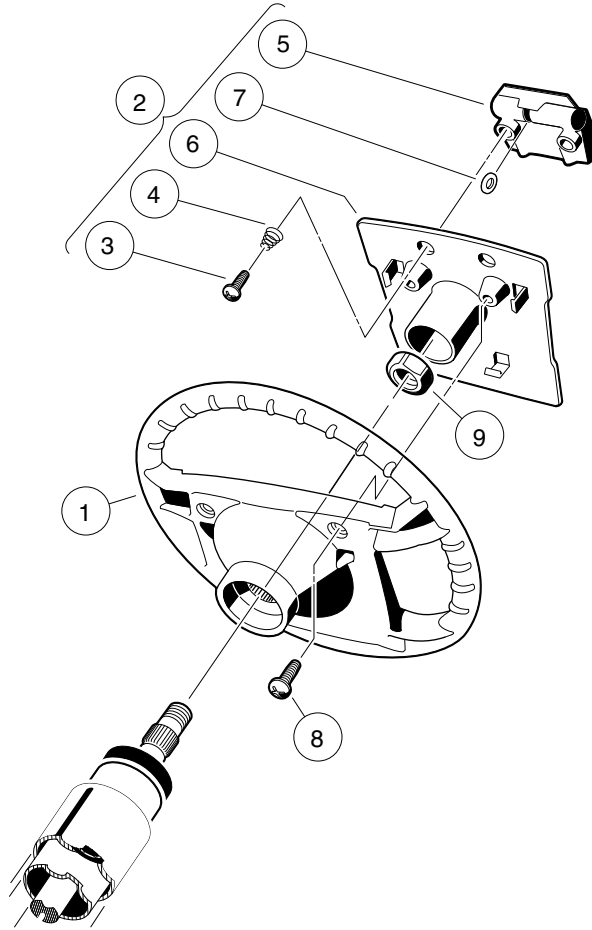
ITEM	PART NO.	DESCRIPTION	QTY
		1 2 3 4	
1	<u>101615504</u>	Plate, Scorecard	1
2	<u>1016156</u>	Wheel, Steering	1
3	<u>1016663</u>	Screw, #12-14 X 0.625	2
4	<u>1017273</u>	Nut, 5/8-18 Nylon Insert Jam	1

6

G

E

6
G
E



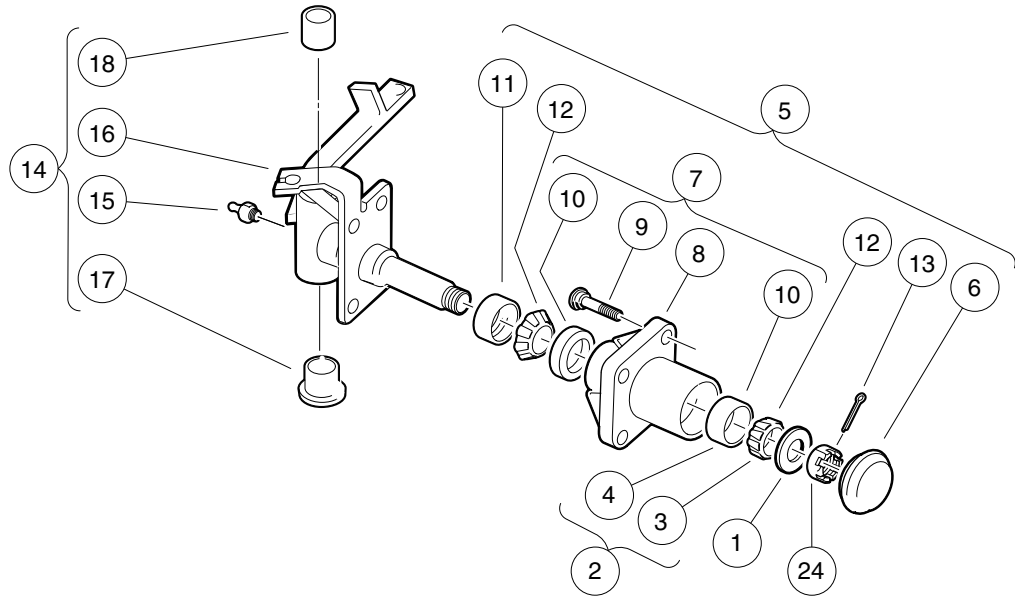
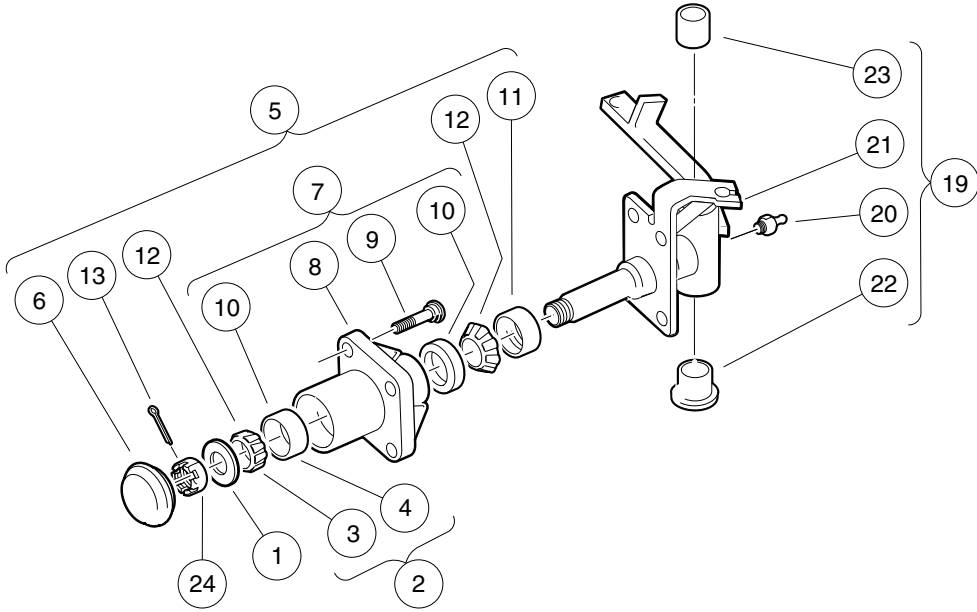
000246-002

STEERING WHEEL WITH CLIP

ITEM	PART NO.	DESCRIPTION	QTY
		1 2 3 4	
1	<u>1016156</u>	Wheel, Steering	1
2	1016219	Plate, Scorecard (includes items 3 through 7)	1
3	<u>1012565</u>	Screw, #12 Phillips Round Head	2
4	<u>1012566</u>	Tapered Compression Spring	2
5	1016154	Clip, Scorecard	1
6	N/A	Plate, Score Card	1
7	<u>1016214</u>	Pencil Grip	1
8	<u>1016663</u>	Screw, #12-14 X 0.625	2
9	<u>1017273</u>	Nut, 5/8-18 Nylon Insert Jam	1

6
G
E

6
G
E



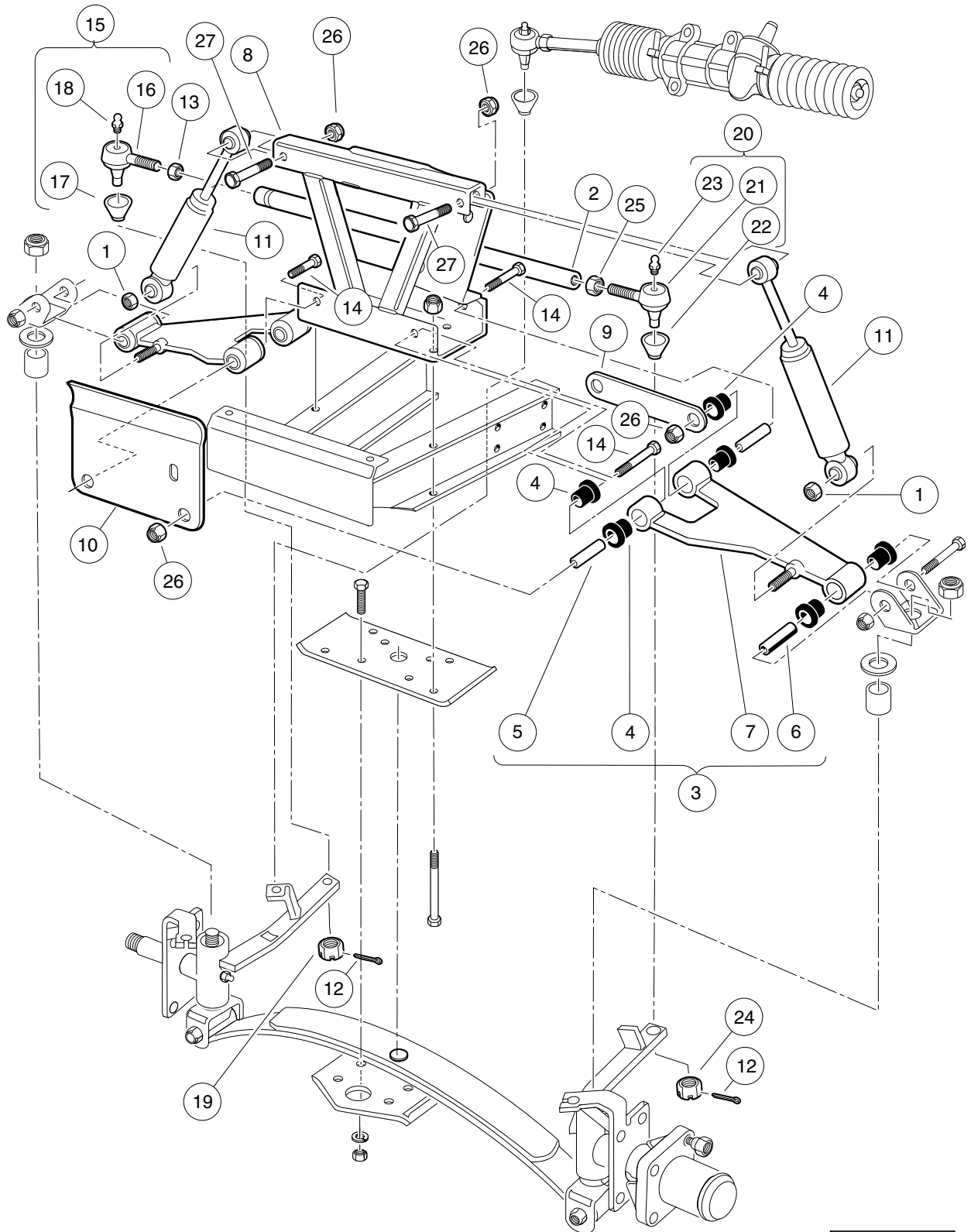
000310-002

FRONT SPINDLES AND HUBS – VEHICLES WITH FOUR-WHEEL BRAKES

ITEM	PART NO.	DESCRIPTION	QTY
		1 2 3 4	
1	<u>1010005</u>	Washer, 3/4 Flat	2
2	<u>1011393</u>	Hub Bearing Package (includes items 3 and 4)	4
3	<u>7274</u>	Bearing, Front Hub Wheel	1
4	<u>7308</u>	Race, Front Hub Bearing	1
5	<u>1011892</u>	Hub Assembly (includes items 6 through 13)	2
6	<u>1011887</u>	Dust Cover	1
7	N/A	Hub (includes items 8 through 10)	1
8	N/A	Front Hub	1
9	<u>103477901</u>	Lug Stud, 1/2-20 Unf, 4037	4
10	<u>7308</u>	Race, Front Hub Bearing	2
11	<u>1013135</u>	Seal, Double Lip	1
12	<u>7274</u>	Bearing, Front Hub Wheel	2
13	<u>7910</u>	Pin, 5/32 X 1.00 Cotter	1
14	<u>101876901</u>	Spindle Assy, Driver Side (includes items 15 through 18)	1
15	<u>1015597</u>	Fitting, 1/4-28 Thread-Forming Grease	1
16	N/A	Spindle Assembly, Left	1
17	<u>7048</u>	Bushing, Flanged Bronze	1
18	<u>8067</u>	Bushing, Bronze Spindle	1
19	<u>101877001</u>	Spindle Assy, Passenger Side (includes items 20 through 23)	1
20	<u>1015597</u>	Fitting, 1/4-28 Thread-Forming Grease	1
21	N/A	Spindle Assembly, Right	1
22	<u>7048</u>	Bushing, Flanged Bronze	1
23	<u>8067</u>	Bushing, Bronze Spindle	1
24	<u>7840</u>	Nut, 3/4-16 Hex Slotted	2

6
G
E

6
G
E



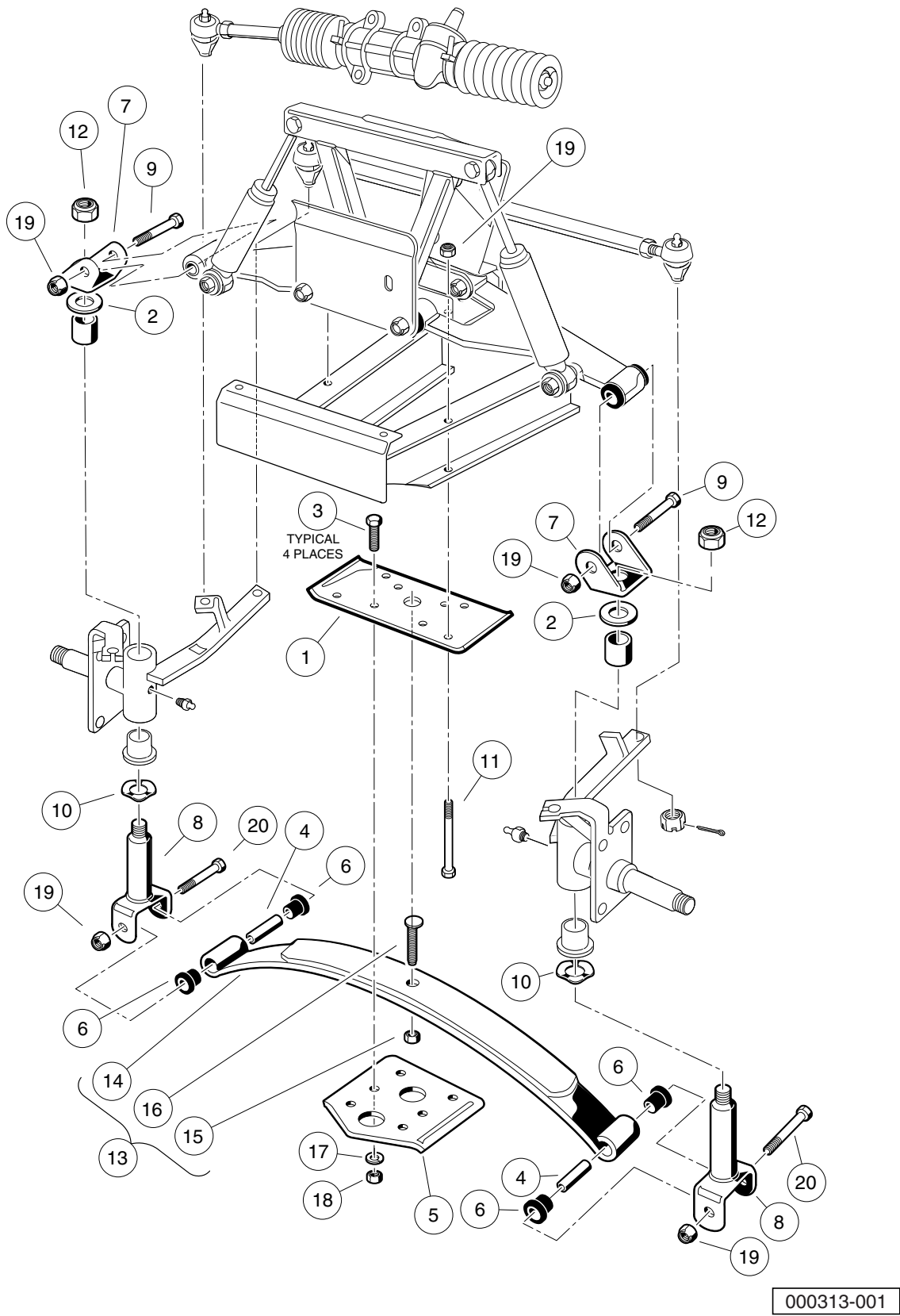
000314-001

FRONT SUSPENSION, UPPER – ALL TURF/ CARRYALL 6

ITEM	PART NO.	DESCRIPTION	QTY
		1 2 3 4	
1	<u>1010138</u>	Locknut, 3/8-16 Dimpled	2
2	<u>1010219</u>	Tie Rod	1
3	<u>1016353</u>	Sub-Assembly, Delta A-Plate (includes items 4 through 7)	2
4	<u>1016346</u>	Bushing, Urethane	6
5	<u>1016349</u>	Sleeve, Delta Inner	2
6	<u>1016350</u>	Sleeve, Delta Outer	1
7	<u>1016351</u>	Delta A-Plate	1
8	<u>1016385</u>	Delta Shock and Gear Support Assembly	1
9	<u>1017266</u>	A-Plate Strap	1
10	<u>101955001</u>	Brake Cable Guide Bracket	1
11	<u>103351001</u>	Shock Absorber, Front, Common	2
12	<u>1035</u>	Cotter Pin, 3/32 x 1	2
13	<u>1308</u>	Nut, 1/2-20 Hex	1
14	<u>2402</u>	Screw, 3/8-16 X 2.25 Hx Hd Cap	4
15	<u>7539</u>	Ball Joint, Right-Hand (includes items 16 through 19)	1
16	1011893	Socket, RH Vertical	1
17	<u>1011930</u>	Seal, Vertical Socket Dust	1
18	<u>1015597</u>	Fitting, 1/4-28 Thread-Forming Grease	1
19	7602	Nut, 3/8-24 UNF Hex	1
20	<u>7540</u>	Ball Joint, Left (includes items 21 through 24)	1
21	1011895	Socket, LH Vertical	1
22	<u>1011930</u>	Seal, Vertical Socket Dust	1
23	<u>1015597</u>	Fitting, 1/4-28 Thread-Forming Grease	1
24	7602	Nut, 3/8-24 UNF Hex	1
25	<u>7555</u>	Nut, 1/2-20 Hex, Left-Hand Thread	1
26	<u>8754</u>	Locknut, 3/8-16 Hex	6
27	<u>8861</u>	Bolt, 3/8-16 X 1.75 Hex	2

6
G
E

6
G
E



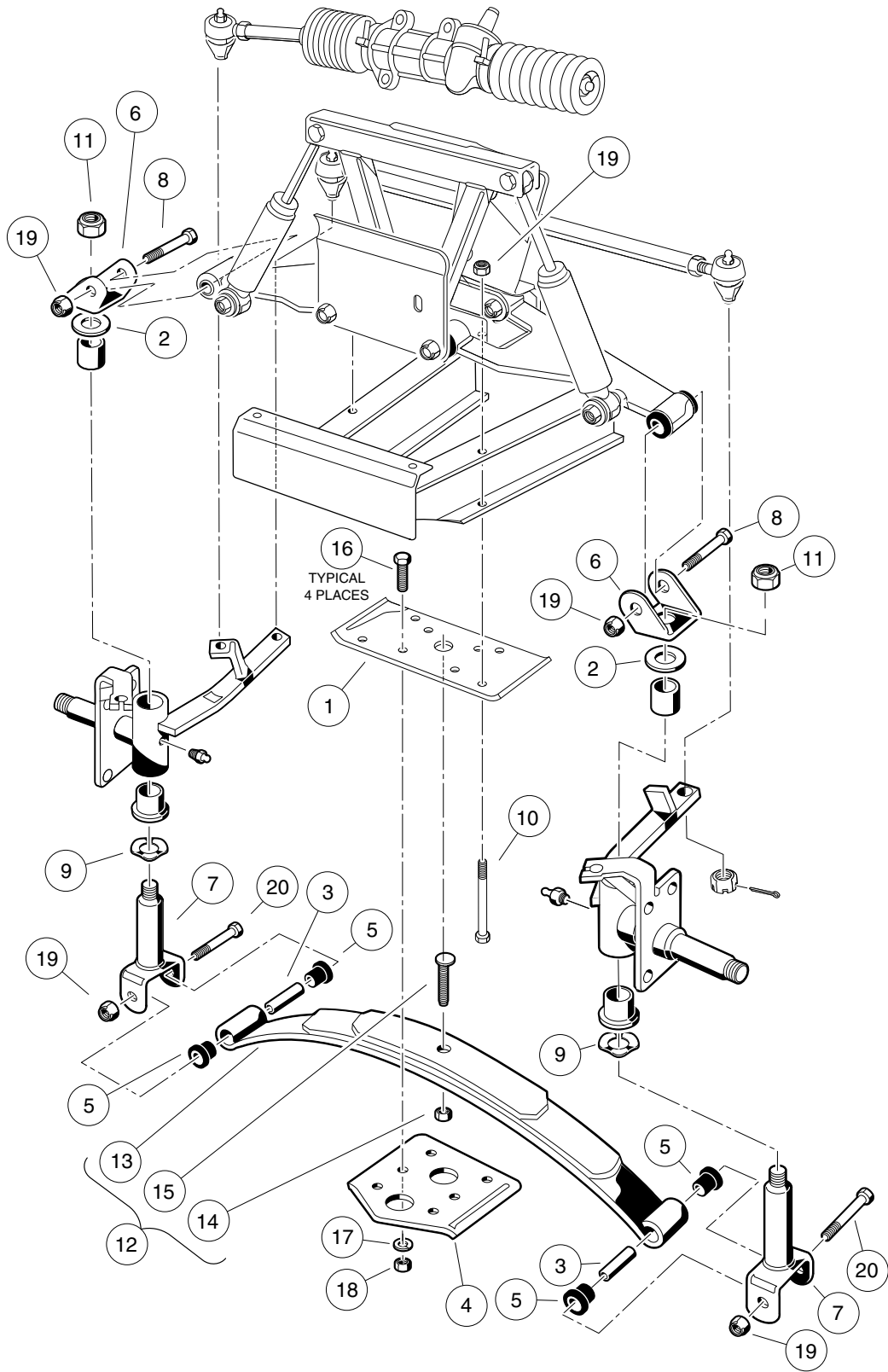
000313-001

FRONT SUSPENSION, LOWER – STANDARD GASOLINE VEHICLE

ITEM	PART NO.	DESCRIPTION	QTY
		1 2 3 4	
1	<u>1010124</u>	Plate, Spring Mount	1
2	<u>1010150</u>	Bearing, Thrust	2
3	<u>1010177</u>	Bolt, 3/8-16 X 2.00 Hex Head	4
4	<u>1012303</u>	Bushing, Steel	2
5	<u>1014276</u>	Plate, Front Spring Retainer	1
6	<u>1015583</u>	Bushing, Urethane	4
7	<u>1016384</u>	Clevis, Delta Upper	2
8	<u>1016386</u>	King Pin Assembly	2
9	<u>1016387</u>	Screw, 3/8-16 X 2.75 Hx Hd Cap	2
10	<u>1016389</u>	Washer, 1.125 Od Wave	2
11	<u>101870501</u>	Screw, 3/8-16 X 4.75 Hx Hd Cap	4
12	<u>101903101</u>	Locknut, 1/2-20 Nylon Insert	2
13	<u>102004001</u>	Spring, Front, 2-Leaf (includes items 14 through 16)	1
14	N/A	Spring, Front Leaf	1
15	<u>706</u>	Nut, Hex 3/8-16	1
16	<u>8745</u>	Screw, Eccentric Adjustment	1
17	<u>357</u>	Lockwasher, 3/8 Split	4
18	<u>706</u>	Nut, Hex 3/8-16	4
19	<u>8754</u>	Locknut, 3/8-16 Hex	8
20	<u>8755</u>	Screw, 3/8-16 X 3.375 Hex Cap	2

6
G
E

6
G
E



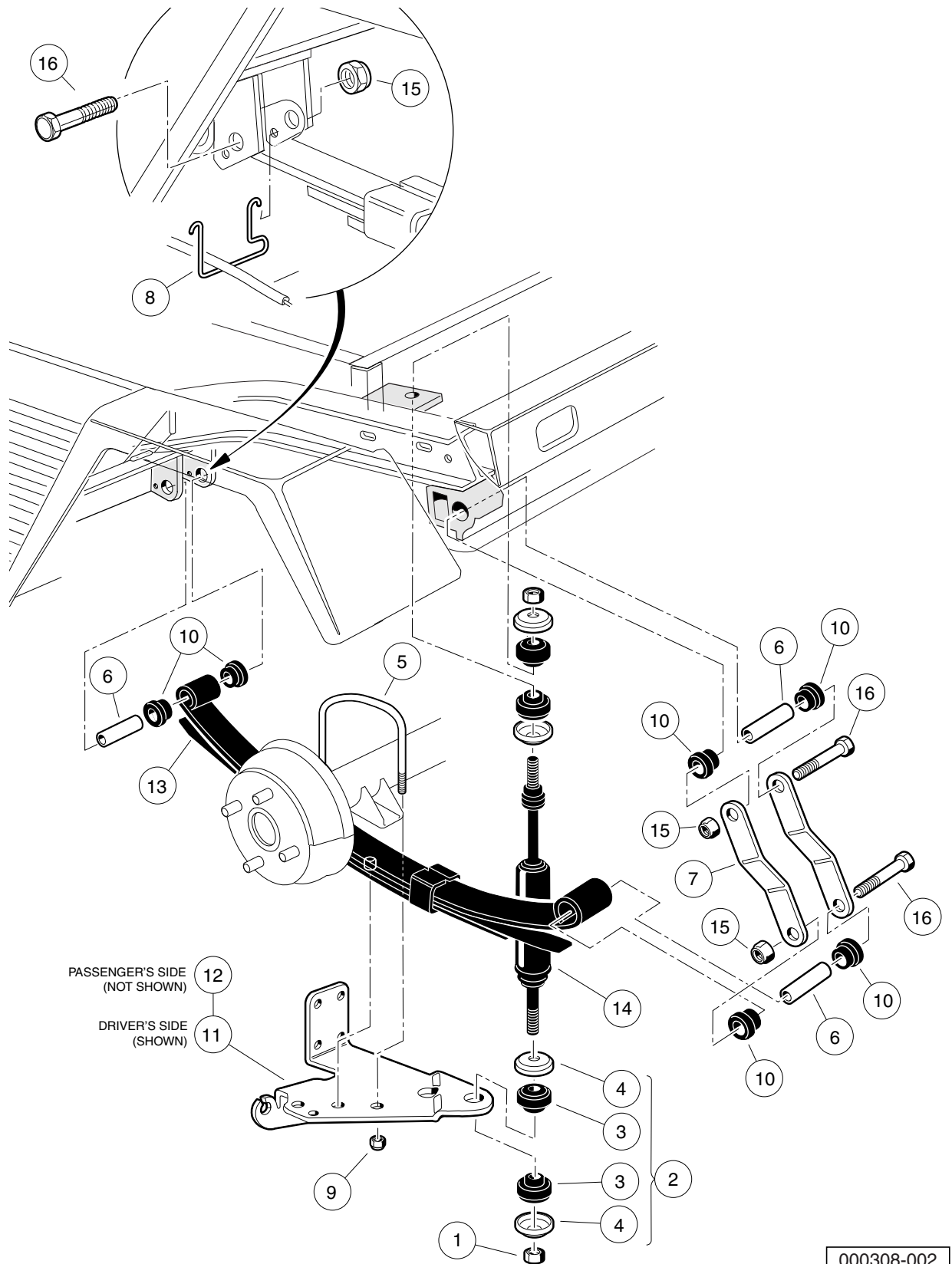
000313-002

FRONT SUSPENSION, LOWER – CA6 ELEC & TURF/CA6 GAS W/ HD OPTION

ITEM	PART NO.	DESCRIPTION	QTY
		1 2 3 4	
1	<u>1010124</u>	Plate, Spring Mount	1
2	<u>1010150</u>	Bearing, Thrust	2
3	<u>1012303</u>	Bushing, Steel	2
4	<u>1014276</u>	Plate, Front Spring Retainer	1
5	<u>1015583</u>	Bushing, Urethane	4
6	<u>1016384</u>	Clevis, Delta Upper	2
7	<u>1016386</u>	King Pin Assembly	2
8	<u>1016387</u>	Screw, 3/8-16 X 2.75 Hx Hd Cap	2
9	<u>1016389</u>	Washer, 1.125 Od Wave	2
10	<u>101870501</u>	Screw, 3/8-16 X 4.75 Hx Hd Cap	4
11	<u>101903101</u>	Locknut, 1/2-20 Nylon Insert	2
12	<u>102197901</u>	SPRING, FRONT UTILITY (includes items 13 through 15)	1
13	N/A	Spring, 3-Leaf	1
14	<u>706</u>	Nut, Hex 3/8-16	1
15	<u>8745</u>	Screw, Eccentric Adjustment	1
16	<u>2402</u>	Screw, 3/8-16 X 2.25 Hx Hd Cap	4
17	<u>357</u>	Lockwasher, 3/8 Split	4
18	<u>706</u>	Nut, Hex 3/8-16	4
19	<u>8754</u>	Locknut, 3/8-16 Hex	8
20	<u>8755</u>	Screw, 3/8-16 X 3.375 Hex Cap	2

6
G
E

6
G
E



PASSENGER'S SIDE
(NOT SHOWN) 12
DRIVER'S SIDE
(SHOWN) 11

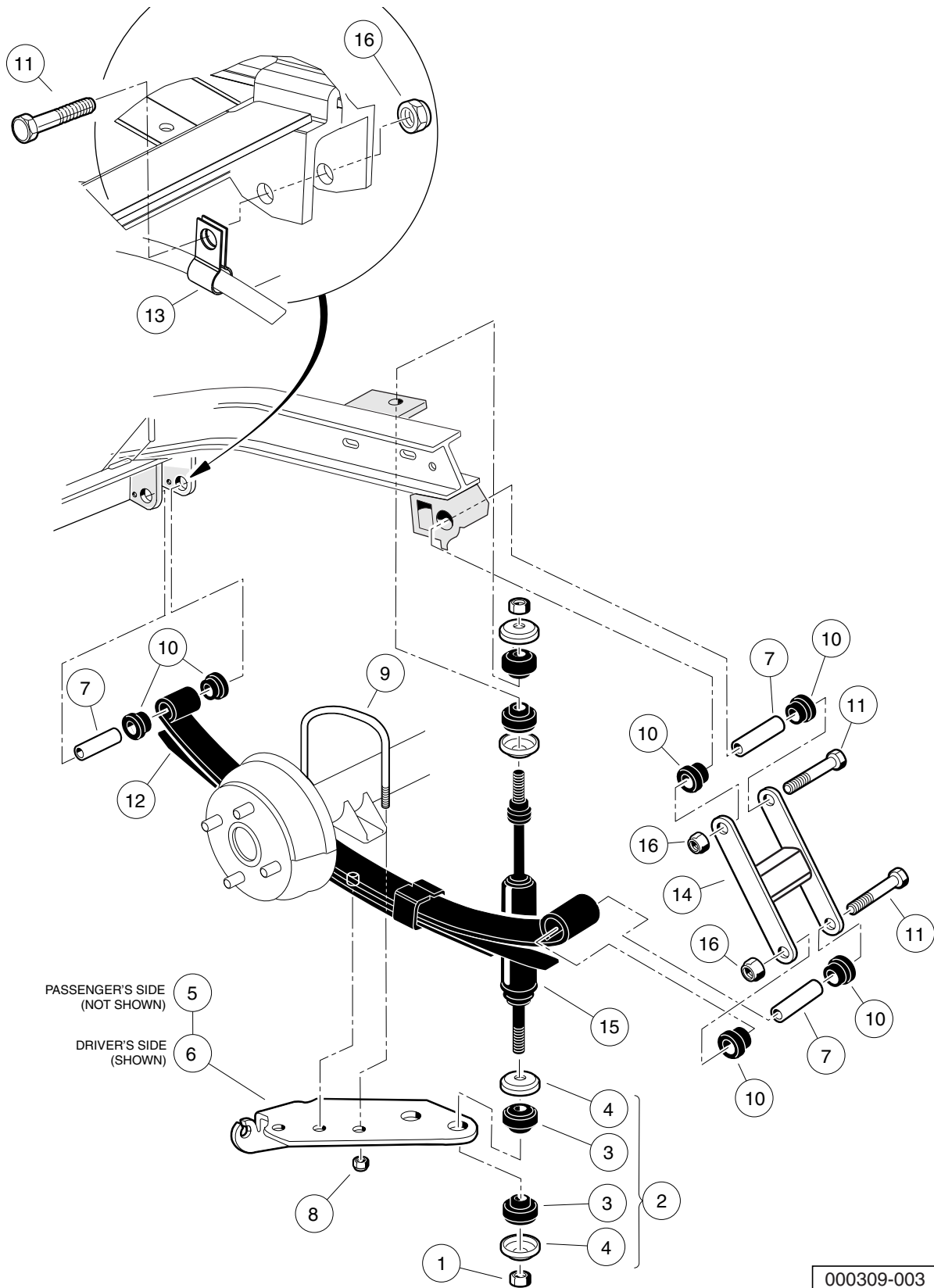
000308-002

REAR SUSPENSION – GASOLINE TURF/CARRYALL 2, 2 PLUS, AND 6

ITEM	PART NO.	DESCRIPTION	QTY
		1 2 3 4	
1	<u>1010145</u>	Nut, 3/8-24 Hex	4
2	<u>1011415</u>	Kit, Shock Absorber Cushion (includes items 3 and 4)	4
3	N/A	Cushion, Shock Absorber	2
4	N/A	Retainer, Shock Absorber Cushion	2
5	<u>1012180</u>	U-Bolt	2
6	<u>1012303</u>	Bushing, Steel	6
7	<u>1012304</u>	Shackle, Rear Spring	4
8	<u>1013207</u>	Hanger, Brake Cable	2
9	<u>1014555</u>	Locknut, 7/16-14 Nylon Hex	4
10	<u>1015583</u>	Bushing, Urethane	12
11	<u>101926501</u>	Bracket, Left-Hand	1
12	<u>101929401</u>	Bracket, Right	1
13	<u>102871801</u>	Rear Spring, 3leaf, 600 Lb/in	2
14	<u>103350901</u>	Shock Absorber, Rear, Utility	2
15	<u>8754</u>	Locknut, 3/8-16 Hex	6
16	<u>8755</u>	Screw, 3/8-16 X 3.375 Hex Cap	6
<p>Note: Only the driver-side rear suspension is shown. Parts for the passenger-side rear suspension are identical except for the leaf spring/shock mounting plate.</p>			

6
G
E

6
G
E



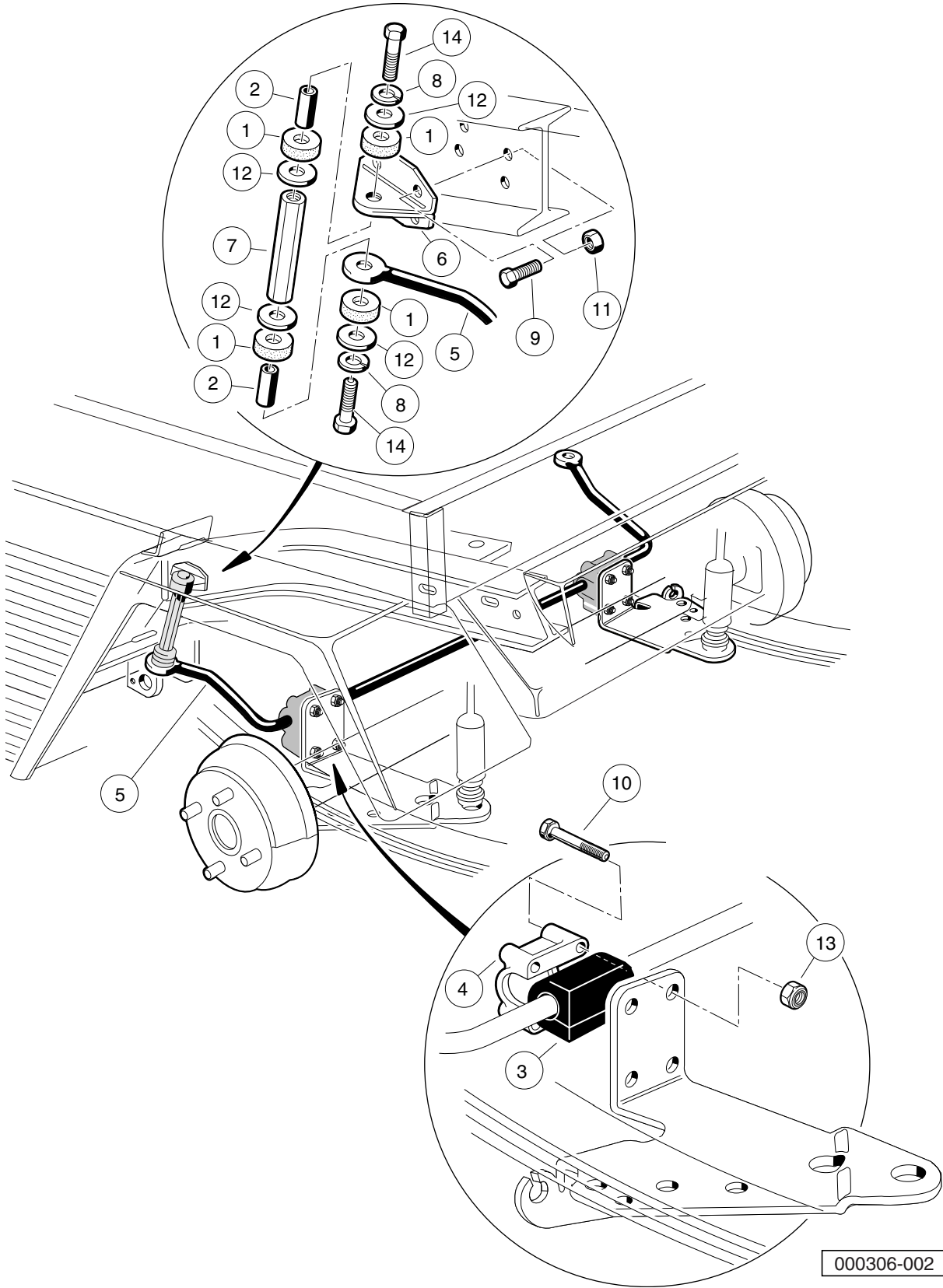
000309-003

REAR SUSPENSION – TURF/CARRYALL 2 AND 6 IQ PLUS VEHICLES

ITEM	PART NO.	DESCRIPTION	QTY
		1 2 3 4	
1	<u>1010145</u>	Nut, 3/8-24 Hex	4
2	<u>1011415</u>	Kit, Shock Absorber Cushion (includes items 3 and 4)	4
3	N/A	Cushion, Shock Absorber	2
4	N/A	Retainer, Shock Absorber Cushion	2
5	1012181	Bracket, Shock Mounting, Right (Passenger)	1
6	1012182	Bracket, Shock Mounting, Left (Driver)	1
7	<u>1012303</u>	Bushing, Steel	6
8	<u>1014555</u>	Locknut, 7/16-14 Nylon Hex	4
9	<u>1014902</u>	U-Bolt	2
10	<u>1015583</u>	Bushing, Urethane	12
11	<u>102066201</u>	Screw, 3/8-16 X 3.50 Hex Cap	6
12	<u>102871801</u>	Rear Spring, 3leaf, 600 Lb/in	2
13	<u>102891101</u>	Clamp, Cable, Brake, Sym	2
14	<u>102917101</u>	Weldment, Shackle	2
15	<u>103351101</u>	Shock, Absorber, Utility	2
16	<u>8754</u>	Locknut, 3/8-16 Hex	6
<p>Note: Only the driver-side rear suspension is shown. Parts for the passenger-side rear suspension are identical except for the leaf spring/shock mounting plate.</p>			

6
G
E

6
G
E



STABILIZER BAR – TURF/CARRYALL 2, 6, AND CARRYALL 2 PLUS GASOLINE VEHICLES

ITEM	PART NO.	DESCRIPTION	QTY
		1 2 3 4	
1	<u>1015453</u>	Compression Mount	8
2	<u>1015457</u>	Spacer, 0.720"	4
3	<u>1015613</u>	Bushing, Stabilizer Bar	2
4	<u>1015614</u>	Support, Bushing	2
5	<u>1015760</u>	Stabilizer Bar	1
6	<u>1016813</u>	Mounting Bracket, Stabilizer Bar	2
7	<u>1016814</u>	Link, Stabilizer Bar	2
8	<u>357</u>	Lockwasher, 3/8 Split	4
9	<u>7173</u>	Screw, 5/16-18 X 0.75, Hex-Head Cap	8
10	<u>7311</u>	Screw, 1/4-20 X 2.00 Hex-Head Cap	8
11	<u>7473</u>	Locknut, 5/16-18 Nylon Insert	8
12	<u>808</u>	Washer, 3/8 Type B Flat	8
13	<u>8233</u>	Locknut, 1/4-20, Nylon Insert	8
14	<u>8861</u>	Bolt, 3/8-16 X 1.75 Hex	4

6
G
E

6

G

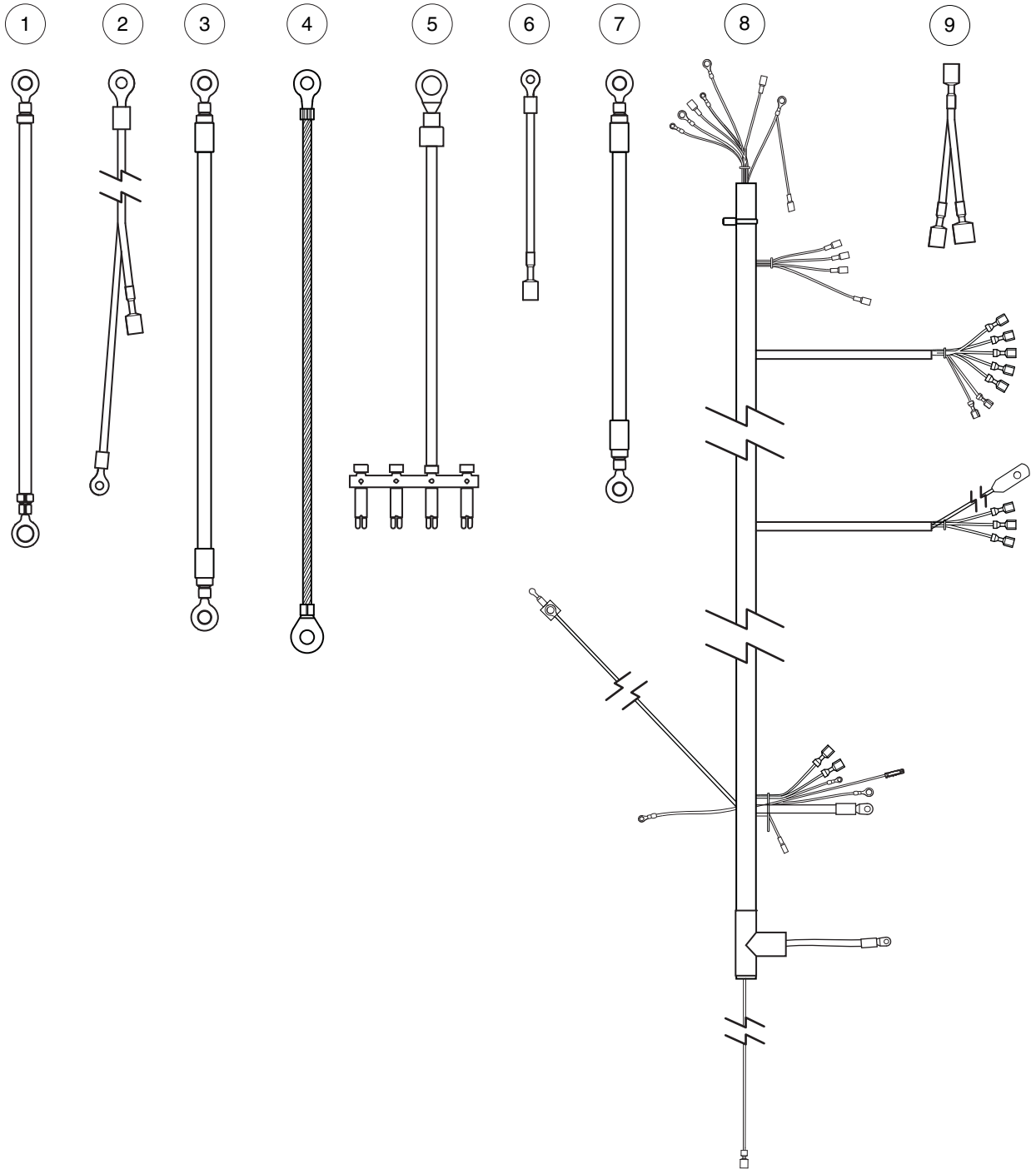
E

ELECTRICAL SYSTEM – GASOLINE VEHICLE

7

G

7
G



000627-002

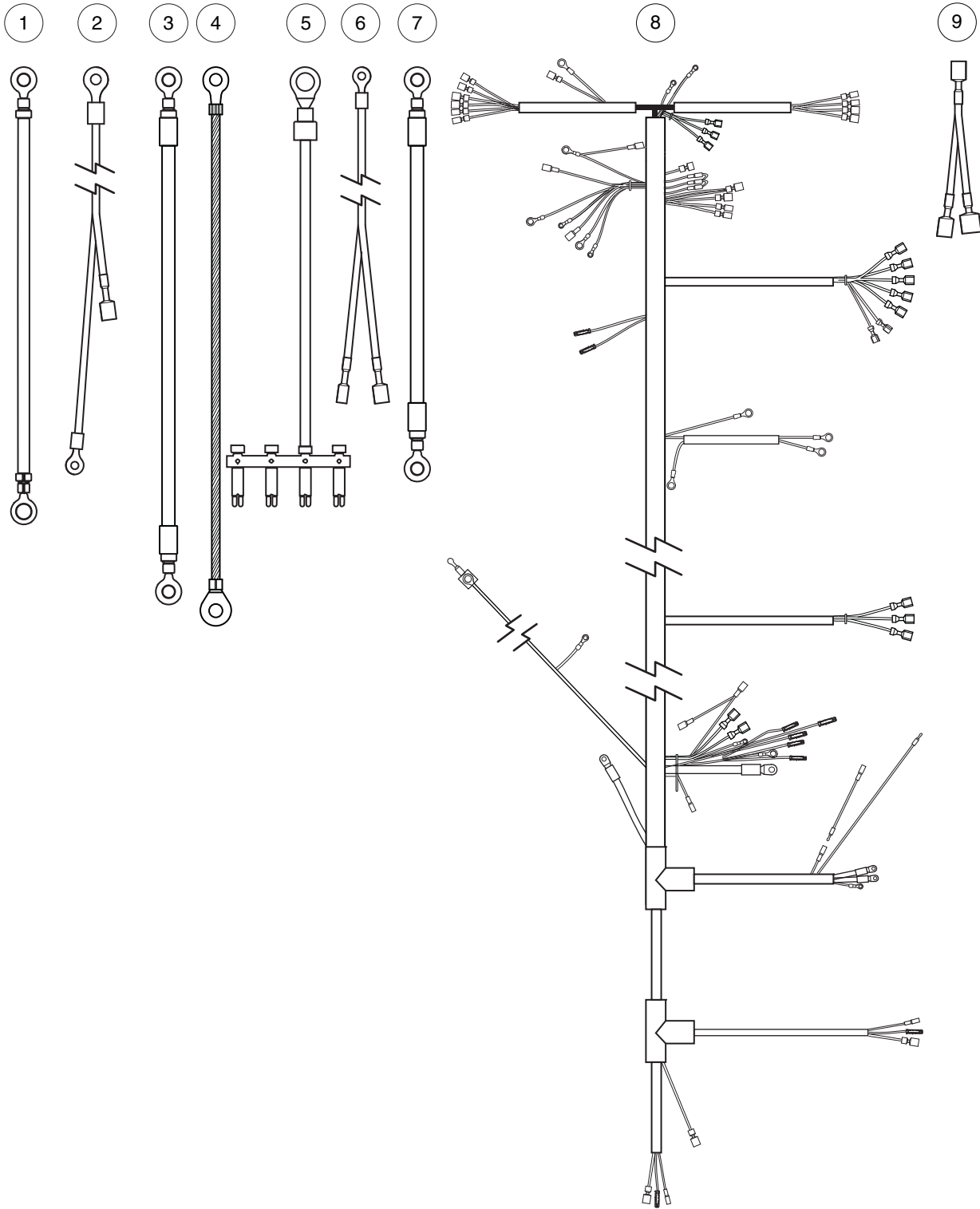
WIRING – TURF 6 GAS

ITEM	PART NO.	DESCRIPTION	QTY
		1 2 3 4	
1	<u>1012382</u>	Wire Assy, #6 Black	1
2	<u>1012396</u>	Wire Assy #18 Black	1
3	<u>1014119</u>	Wire Assembly #6 Red	1
4	<u>1015332</u>	Wire, Ground, #10, Uninsulated	1
5	<u>1015737</u>	Wire Assy, #10 Red	1
6	<u>1016401</u>	Wire Assy, #16 Orange	1
7	<u>101837301</u>	Wire Assy, #6 Green	1
8	<u>103222201</u>	Asm, Wire Harness	1
9	<u>103348501</u>	Asm, Wire Meter, F-h Jumper	1

7

G

7
G



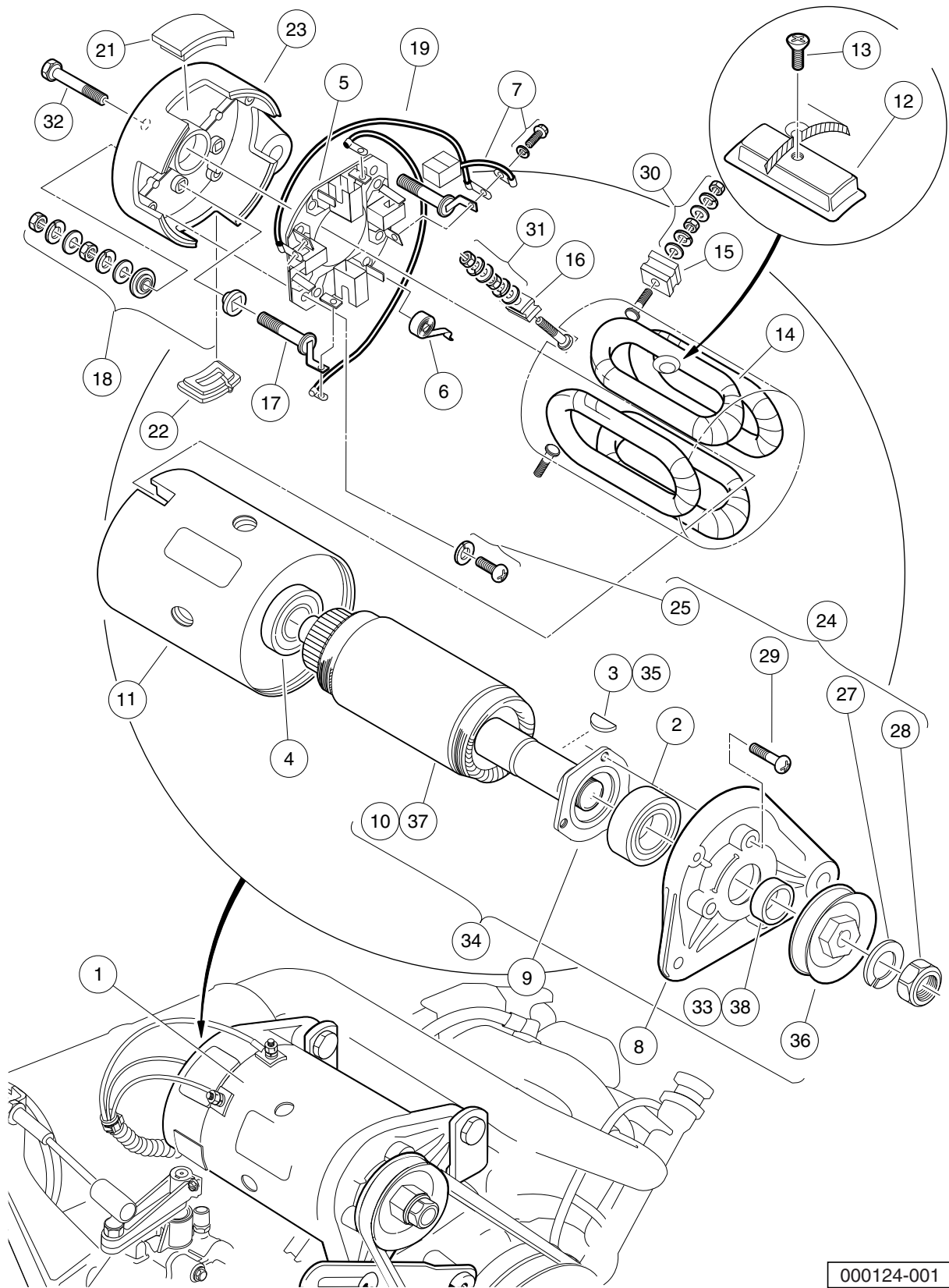
000574-002

WIRING – CARRYALL 6 GAS

ITEM	PART NO.	DESCRIPTION	QTY
		1 2 3 4	
1	<u>1012382</u>	Wire Assy, #6 Black	1
2	<u>1012396</u>	Wire Assy #18 Black	1
3	<u>1014119</u>	Wire Assembly #6 Red	1
4	<u>1015332</u>	Wire, Ground, #10, Uninsulated	1
5	<u>1015737</u>	Wire Assy, #10 Red	1
6	<u>1017006</u>	Wire Assembly Orange #18	1
7	<u>101837301</u>	Wire Assy, #6 Green	1
8	<u>103197301</u>	Asm, Wire Harness, Stretch, Gas	1
9	<u>103348501</u>	Asm, Wire Meter, F-h Jumper	1

7

G

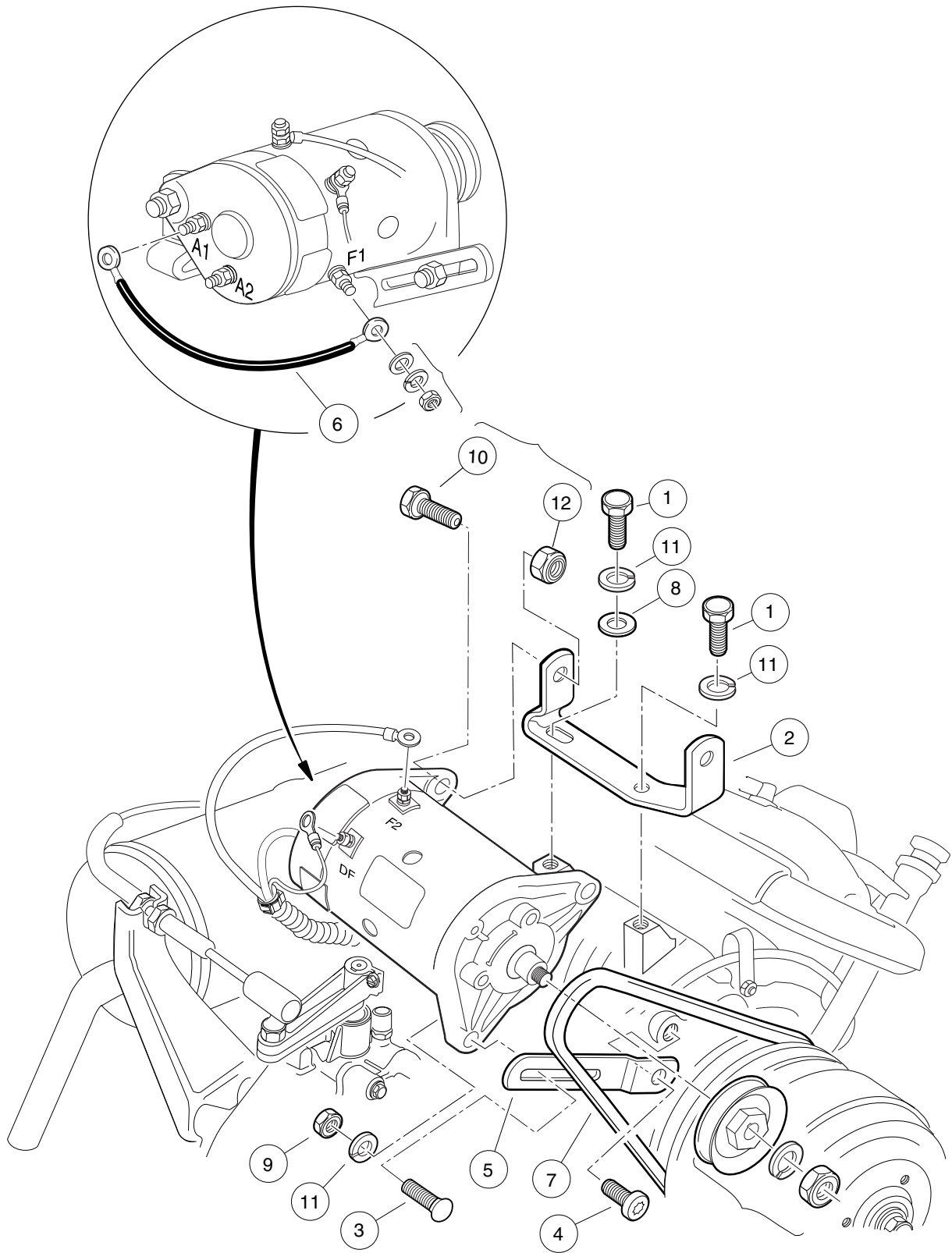


000124-001

STARTER/GENERATOR ASSEMBLY, MODEL G425419

ITEM	PART NO.	DESCRIPTION	QTY
		1 2 3 4	
1	<u>101833701</u>	Starter/Generator (cw) (includes items 2 through 33)	1
2	<u>1013001</u>	Bearing, Output Shaft Ball	1
3	<u>1013003</u>	Key, Starter/Generator	1
4	<u>1013005</u>	Bearing, Ball	1
5	<u>101301102</u>	Brush Holder Assembly (cw) (includes item 6)	1
6	<u>101878101</u>	Brush Spring Set	4
7	<u>101869302</u>	Brush and Screw Set (cw)	1
8	<u>101874901</u>	Front Bracket	1
9	<u>101875001</u>	Retainer	1
10	<u>101875101</u>	Armature	1
11	<u>101875201</u>	Field Coil Housing	1
12	<u>101875301</u>	Pole Set	1
13	<u>101875401</u>	Screw Set	1
14	<u>101875501</u>	Field Stator Coil Assembly	1
15	<u>101875601</u>	F Insulator Set	2
16	<u>101875701</u>	DF Insulator	1
17	<u>101875802</u>	A Connector (cw)	1
18	<u>101876001</u>	Screw and Mold Assembly	2
19	<u>101876202</u>	Brush Connector Assembly (cw)	2
20	<u>101876301</u>	Cover Set (includes items 21 and 22)	1
21	N/A	Brush Inspection Port Cover	3
22	<u>1017653</u>	Brush Port Cover w/Drain	1
23	<u>101876402</u>	End Bell, Commutator, Rear Bracket (cw)	1
24	<u>101876501</u>	Nut and Screw Set (includes items 25 through 29)	1
25	<u>101896501</u>	Brush Holder Asm Screw	2
26	N/A	Washer, M5 Flat	1
27	N/A	Washer, M14 Lock	1
28	N/A	Nut, Hex, M14 x 2	1
29	N/A	Screw, M5 x 0.8 x 18mm	3
30	<u>101877601</u>	Nut and Washer Set	2
31	<u>101877701</u>	Nut and Washer Set	1
32	<u>101879001</u>	Through Bolt Set	2
33	<u>101939901</u>	Spacer	1
34	<u>101875102</u>	Armature Asm Conversion Kit (includes items 35 through 38)	1
35	<u>1013003</u>	Key, Starter/Generator	1
36	<u>1014289</u>	Pulley, Starter/Generator	1
37	<u>101875101</u>	Armature	1
38	<u>101939901</u>	Spacer	1
		Note: Item 36 will ONLY fit Model G425419 Starter/Generator.	

7
G



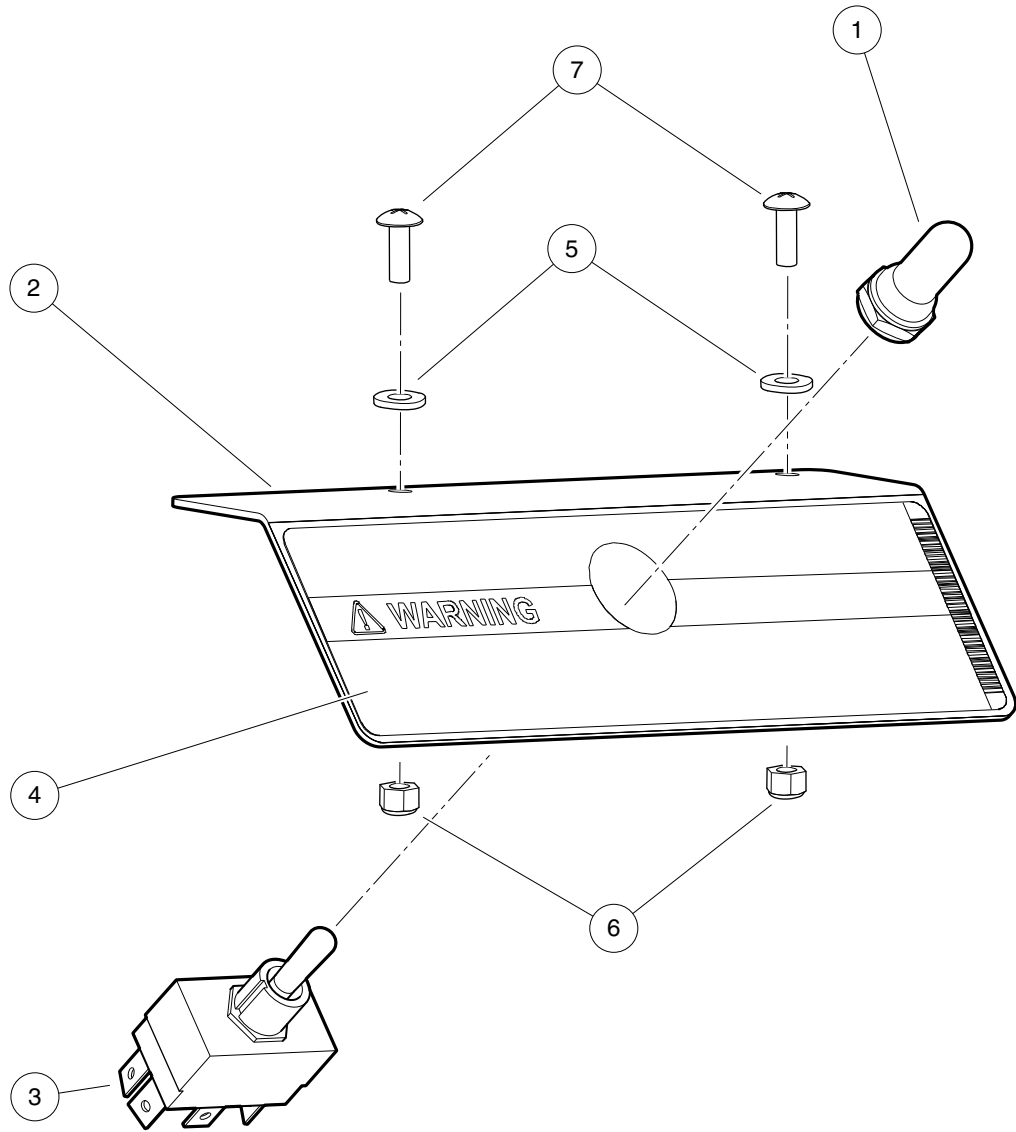
000239-001

STARTER/GENERATOR MOUNTING – FE350

ITEM	PART NO.	DESCRIPTION	QTY
		1 2 3 4	
1	<u>1012830</u>	Screw, M8-125 X 22 Hex-Head	2
2	<u>101524002</u>	Bracket, Starter/Generator Mounting	1
3	<u>1015932</u>	Bolt, Carriage, 5/16-18	1
4	<u>1016074</u>	Screw, M8-1.25 X 18mm Torx	1
5	<u>1016883</u>	Bracket, Starter/Generator Adjustment	1
6	<u>101837301</u>	Wire Assy, #6 Green	1
7	<u>101916701</u>	V-Belt	1
8	<u>1241</u>	Washer, 5/16 Type A Flat	1
9	<u>1242</u>	Nut, 5/16-18 Hex	1
10	705	Screw, Cap-hex Hd 3/8-16x1.25	2
11	<u>7174</u>	Lockwasher, 5/16 Split	3
12	<u>8754</u>	Locknut, 3/8-16 Hex	2

7
G

7
G



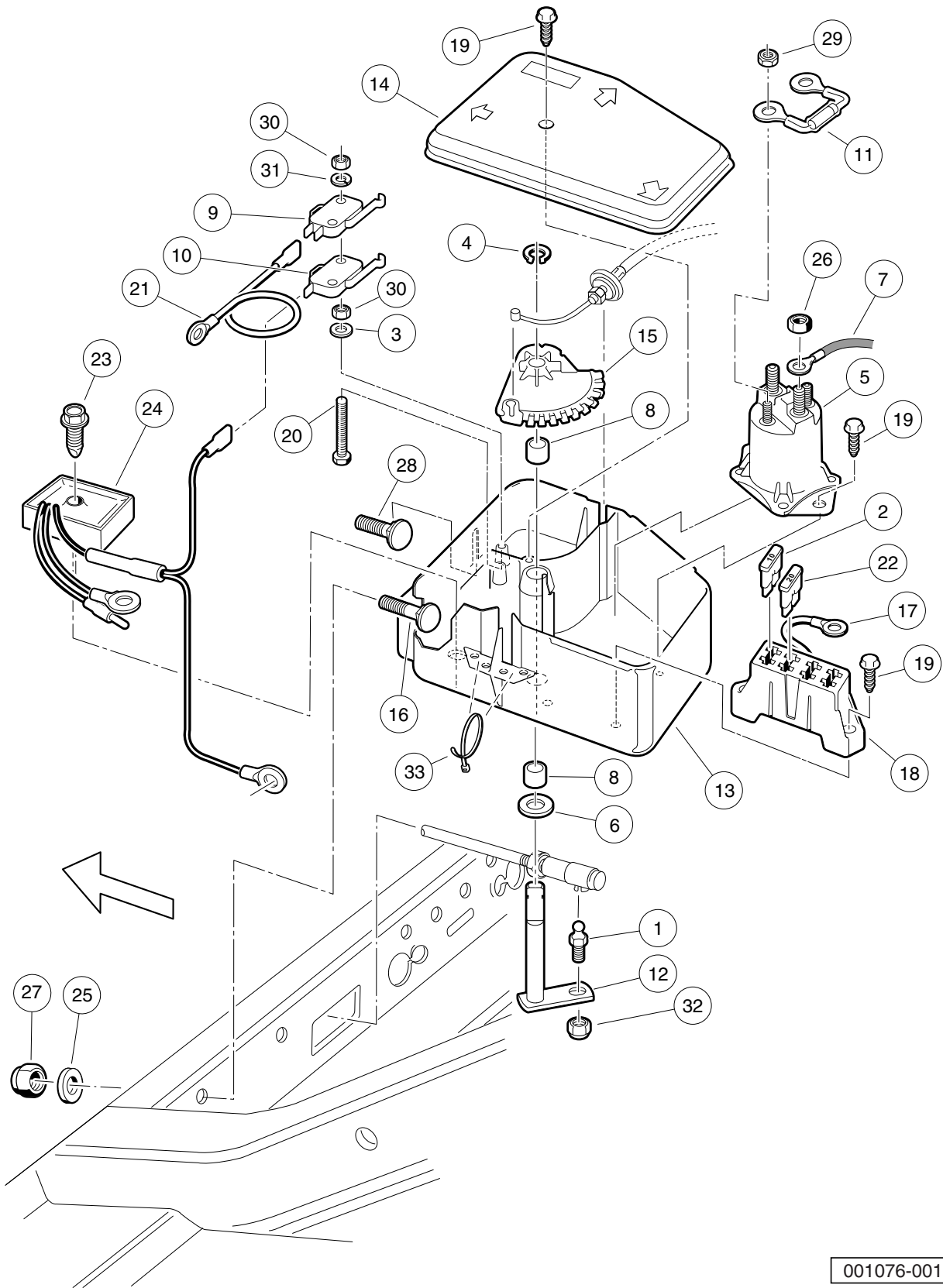
000755-003

OPERATION AND MAINTENANCE SWITCH

ITEM	PART NO.	DESCRIPTION	QTY
		1 2 3 4	
1	<u>101908401</u>	Boot, Switch	1
2	<u>101922501</u>	Bracket, Tow/Run Switch Mounting	1
3	<u>103198401</u>	Switch, Toggle, SPDT	1
4	<u>103205501</u>	Decal, Run/Service Switch	1
5	<u>332</u>	Washer, 1/4 Type A Narrow Flat	2
6	<u>8233</u>	Locknut, 1/4-20, Nylon Insert	2
7	<u>8248</u>	Screw, 1/4-20 X 0.75, Truss-Head Machine	2

7
G

7
G

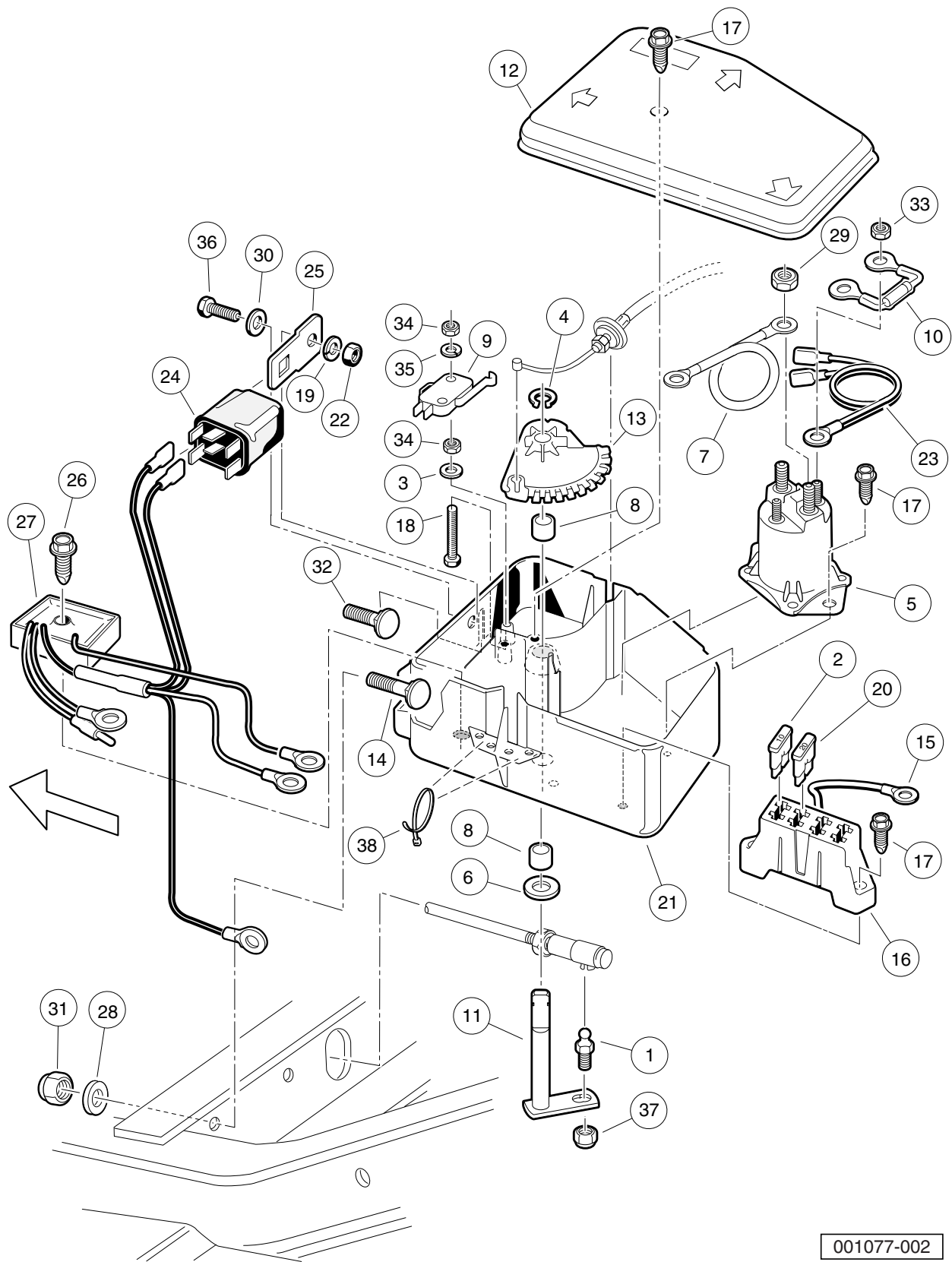


001076-001

ELECTRICAL COMPONENT BOX – TURF 6

ITEM	PART NO.	DESCRIPTION	QTY
		1 2 3 4	
1	<u>1010954</u>	Stud, Ball, 1/4-28 X 0.560	1
2	<u>1012295</u>	Fuse, 10-Amp	1
3	<u>1012431</u>	Washer, #4 Flat	2
4	<u>1013589</u>	Ring, Retaining, 0.338" Internal	1
5	<u>1013609</u>	Solenoid, 12-Volt	1
6	<u>1014065</u>	Washer, Flat, 0.38" ID, Delrin	1
7	<u>1014119</u>	Wire Assembly #6 Red	1
8	<u>1014145</u>	Bushing, Secondary Weight, Split	2
9	<u>1014807</u>	Switch, Limit	1
10	<u>1014808</u>	Switch, Limit	1
11	<u>1014948</u>	Diode	1
12	<u>1015345</u>	Bell Crank and Shaft Assembly	1
13	<u>1015371</u>	Box, Electrical Component	1
14	<u>1015372</u>	Cover, Electric Box	1
15	<u>1015373</u>	Cam, Electric Box	1
16	<u>1015405</u>	Bolt, Carriage, 5/16-18 X 2.0	1
17	<u>1015737</u>	Wire Assy, #10 Red	1
18	<u>1015741</u>	Fuse Block	1
19	<u>1015752</u>	Screw, #12-16 X 0.625, Hi-Lo	5
20	<u>1015878</u>	Screw, #4-40 Hex Head Machine	2
21	<u>1016401</u>	Wire Assy, #16 Orange	1
22	<u>1016423</u>	Fuse, 20-Amp	1
23	<u>101856102</u>	Screw, 1/4-15 X 1.50, Hi-lo, Hex	1
24	<u>102711201</u>	Voltage Regulator	1
25	<u>1241</u>	Washer, 5/16 Type A Flat	2
26	<u>1242</u>	Nut, 5/16-18 Hex	2
27	<u>7473</u>	Locknut, 5/16-18 Nylon Insert	2
28	<u>7818</u>	Bolt, Carriage, 5/16-18 X 1.5	1
29	<u>7893</u>	Nut, #10-32 Hex	2
30	<u>8057</u>	Nut, #4-40 Hex Machine	4
31	<u>8058</u>	Lockwasher, #4 Split	2
32	<u>8717</u>	Locknut, Nylon Insert, 1/4-28	1
33	<u>8990</u>	Tie Wrap, 8" Nylon	2

7
G

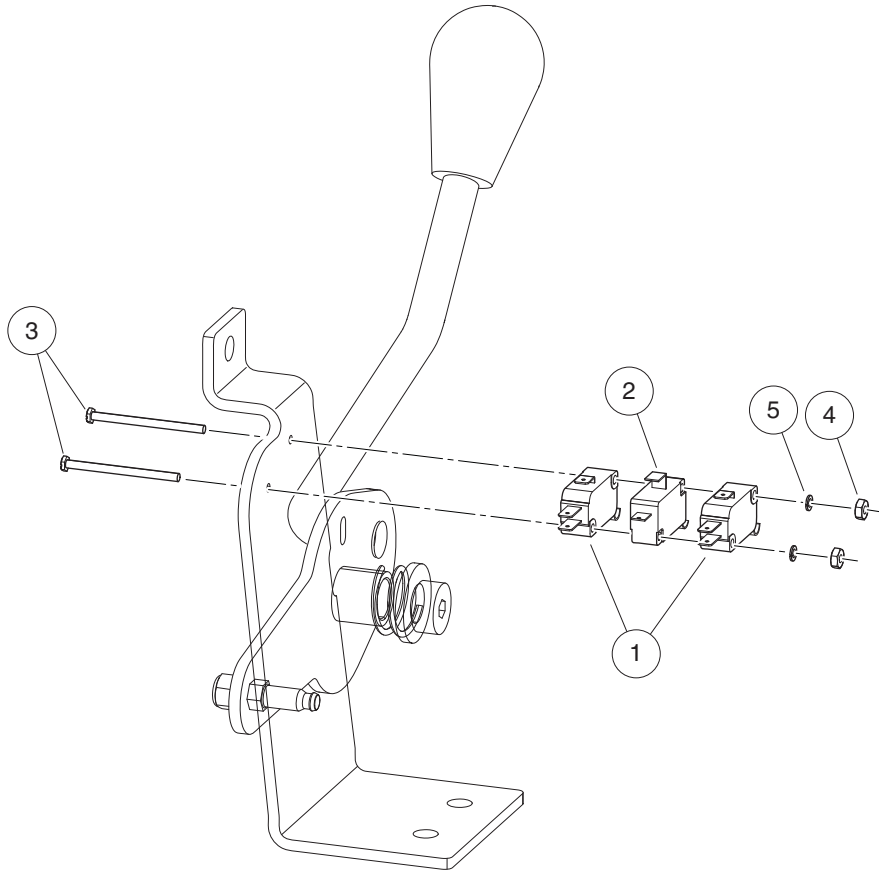


001077-002

ELECTRICAL COMPONENT BOX – CARRYALL 6

ITEM	PART NO.	DESCRIPTION	QTY
		1 2 3 4	
1	<u>1010954</u>	Stud, Ball, 1/4-28 X 0.560	1
2	<u>1012295</u>	Fuse, 10-Amp	1
3	<u>1012431</u>	Washer, #4 Flat	2
4	<u>1013589</u>	Ring, Retaining, 0.338" Internal	1
5	<u>1013609</u>	Solenoid, 12-Volt	1
6	<u>1014065</u>	Washer, Flat, 0.38" ID, Delrin	1
7	<u>1014119</u>	Wire Assembly #6 Red	1
8	<u>1014145</u>	Bushing, Secondary Weight, Split	2
9	<u>1014807</u>	Switch, Limit	1
10	<u>1014948</u>	Diode	1
11	<u>1015345</u>	Bell Crank and Shaft Assembly	1
12	<u>1015372</u>	Cover, Electric Box	1
13	<u>1015373</u>	Cam, Electric Box	1
14	<u>1015405</u>	Bolt, Carriage, 5/16-18 X 2.0	1
15	<u>1015737</u>	Wire Assy, #10 Red	1
16	<u>1015741</u>	Fuse Block	1
17	<u>1015752</u>	Screw, #12-16 X 0.625, Hi-Lo	5
18	<u>1015878</u>	Screw, #4-40 Hex Head Machine	2
19	<u>1016</u>	Lockwasher, #10 Split	1
20	<u>1016423</u>	Fuse, 20-Amp	1
21	<u>1016997</u>	Electrical Component Box	1
22	<u>1017</u>	Nut, #10-24 Stainless-Steel Hex Machine	1
23	<u>1017006</u>	Wire Assembly Orange #18	1
24	<u>1017239</u>	Relay W/mounting Bracket	1
25	<u>1017243</u>	Mounting Bracket, Relay	1
26	<u>101856102</u>	Screw, 1/4-15 X 1.50, Hi-lo, Hex	1
27	<u>102803401</u>	Asm, Voltage Regulator Key Sta	1
28	<u>1241</u>	Washer, 5/16 Type A Flat	2
29	<u>1242</u>	Nut, 5/16-18 Hex	2
30	<u>183</u>	Washer, #10, Type A, Flat	1
31	<u>7473</u>	Locknut, 5/16-18 Nylon Insert	2
32	<u>7818</u>	Bolt, Carriage, 5/16-18 X 1.5	1
33	<u>7893</u>	Nut, #10-32 Hex	2
34	<u>8057</u>	Nut, #4-40 Hex Machine	4
35	<u>8058</u>	Lockwasher, #4 Split	2
36	<u>8450</u>	Screw, #10-24 X 0.50, Hex-Head	1
37	<u>8717</u>	Locknut, Nylon Insert, 1/4-28	1
38	<u>8990</u>	Tie Wrap, 8" Nylon	3

7
G



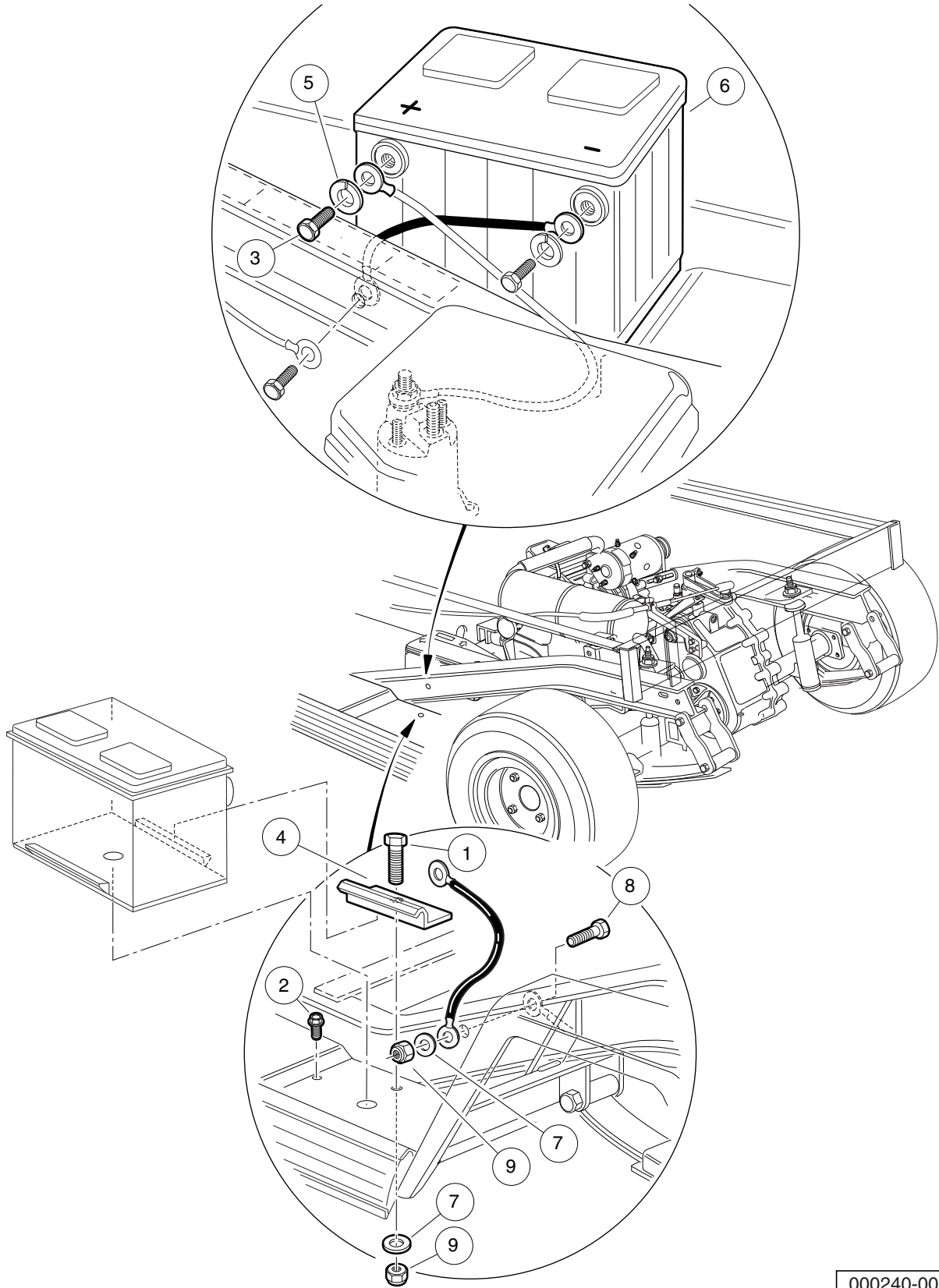
001080-001

FORWARD/REVERSE SHIFTER SWITCHES – DASH MOUNTED SHIFTER

ITEM	PART NO.	DESCRIPTION	QTY
		1 2 3 4	
1	<u>1014807</u>	Switch, Limit	2
2	<u>1014808</u>	Switch, Limit	1
3	<u>1015878</u>	Screw, #4-40 Hex Head Machine	2
4	<u>8057</u>	Nut, #4-40 Hex Machine	2
5	<u>8058</u>	Lockwasher, #4 Split	2

7
G

7
G



000240-001

BATTERY – GASOLINE UTILITY VEHICLES

ITEM	PART NO.	DESCRIPTION	QTY
		1 2 3 4	
1	<u>1010934</u>	Screw, 5/16-18 X 1.00 Hex Cap	1
2	<u>1014288</u>	Screw, 5/16-18 X 0.75, Thread-Forming	1
3	<u>1014375</u>	Screw, 3/8-16 X 0.50, Stainless Steel, Hex-Head	2
4	<u>101898001</u>	Clamp, Battery	1
5	<u>102355301</u>	Lockwasher, 3/8 Split Ss	2
6	<u>103496801</u>	Battery, Start, 12v	1
7	<u>1241</u>	Washer, 5/16 Type A Flat	2
8	<u>7173</u>	Screw, 5/16-18 X 0.75, Hex-Head Cap	1
9	<u>7473</u>	Locknut, 5/16-18 Nylon Insert	2

7
G

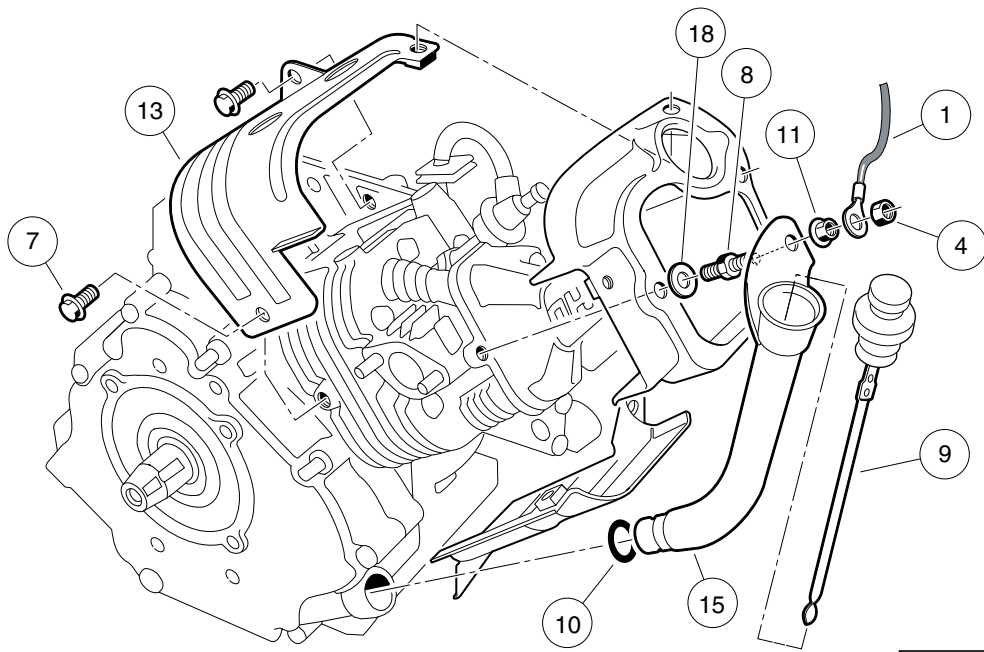
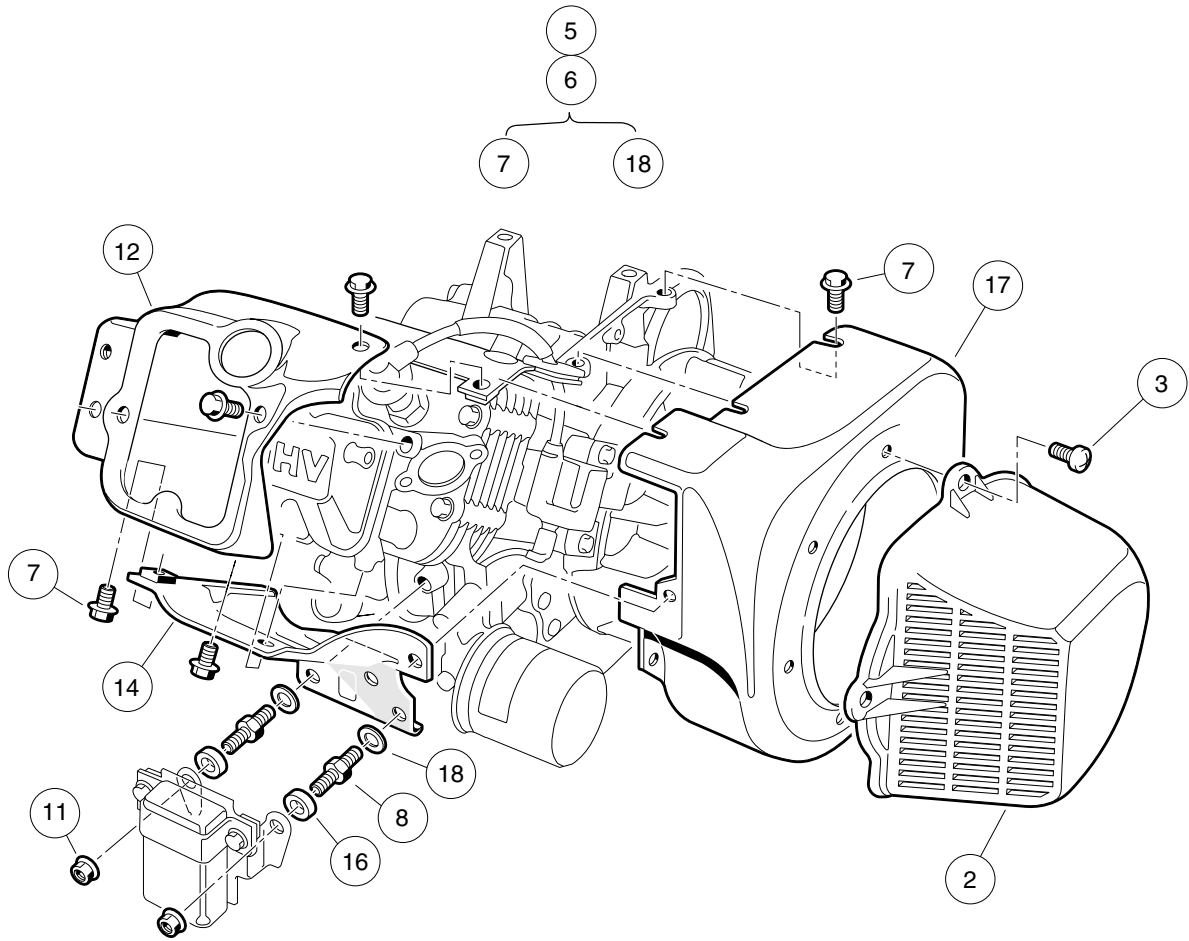
7

G

ENGINE (S10 & S23) W/ACR FOR CA6 PRIOR TO 50-STATE ENGINE

8

G

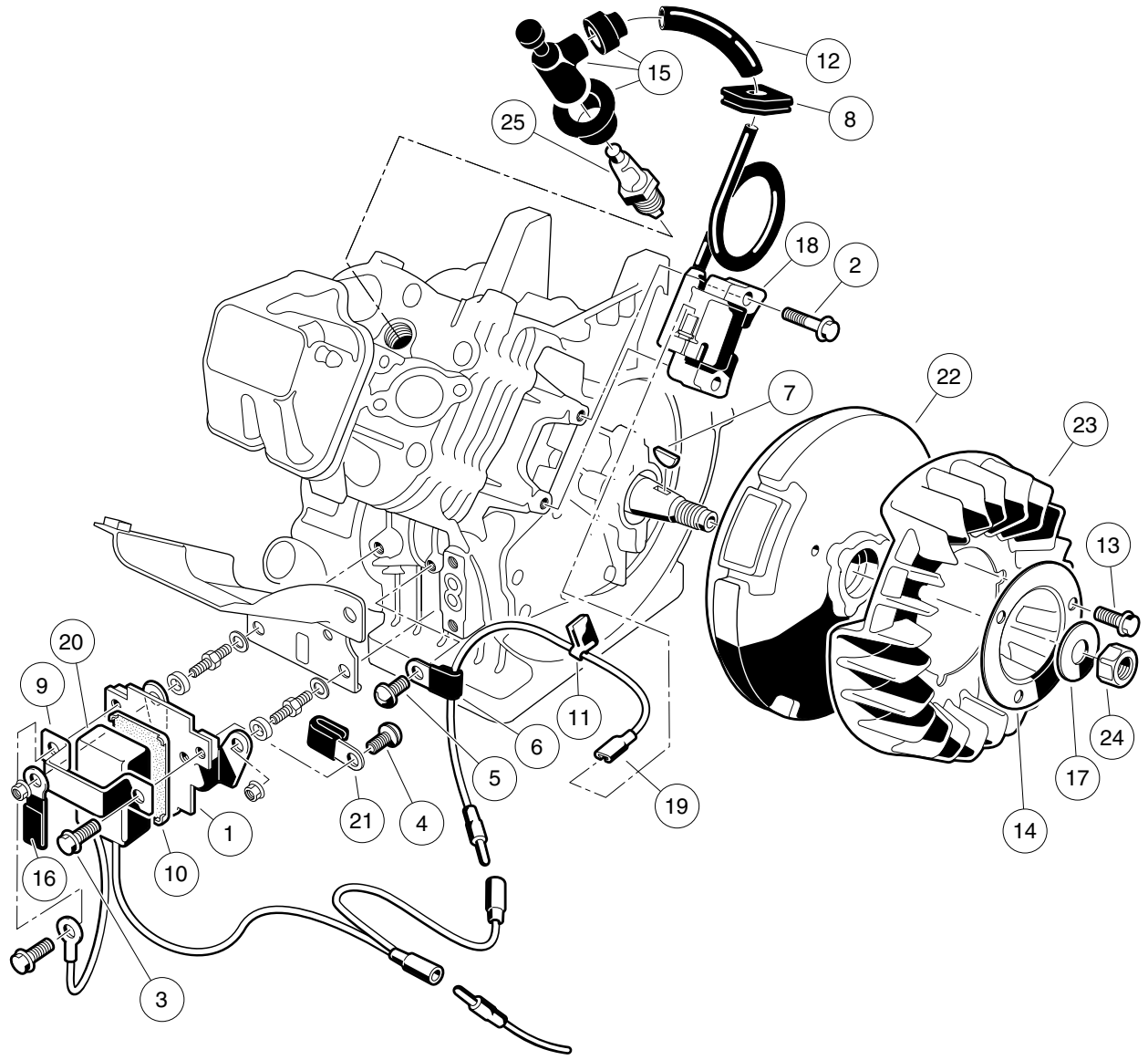


000201-003

FE350 ENGINE WITH ACR (AUTOMATIC COMPRESSION RELEASE) – SHROUDS AND BRACKETS

ITEM	PART NO.	DESCRIPTION	QTY
		1 2 3 4	
1	<u>1015332</u>	Wire, Ground, #10, Uninsulated	1
2	<u>1015649</u>	Shroud, Fan	1
3	<u>1015969</u>	Screw, M6-1.00 X 10mm, Pan Hd	4
4	<u>101887601</u>	Locknut, M6-1.00 Nylon Insert	1
5	<u>101953801</u>	Engine, FE350 with ACR	1
6	101953803	Engine, FE350, California-Only, with ACR (includes items 7 through 18)	1
7	1016456	Bolt, Flange Head, M6 x 1 x 12 mm	14
8	<u>1016507</u>	Bolt, Two-Ended	3
9	1016531	Dipstick	1
10	<u>1016539</u>	O-Ring	1
11	1016547	Nut, Flanged, M6 X 1.00	3
12	<u>1017474</u>	Shroud, Engine	1
13	<u>1017475</u>	Shroud, Engine	1
14	<u>1017476</u>	Shroud, Engine	1
15	<u>1017486</u>	Tube, Oil Filler	1
16	<u>1017500</u>	Spacer 6.50 X 12 X 5.5	2
17	<u>101916101</u>	Housing, FE350 Fan	1
18	N/A	Washer, 6mm Flat	3
<p>Note: The DS10 engine (item 5) qualifies for use in 2009 vehicles in all states except California. The AS23 engine (item 6) is for California only. FE350 engine component listings span several pages.</p>			

8
G



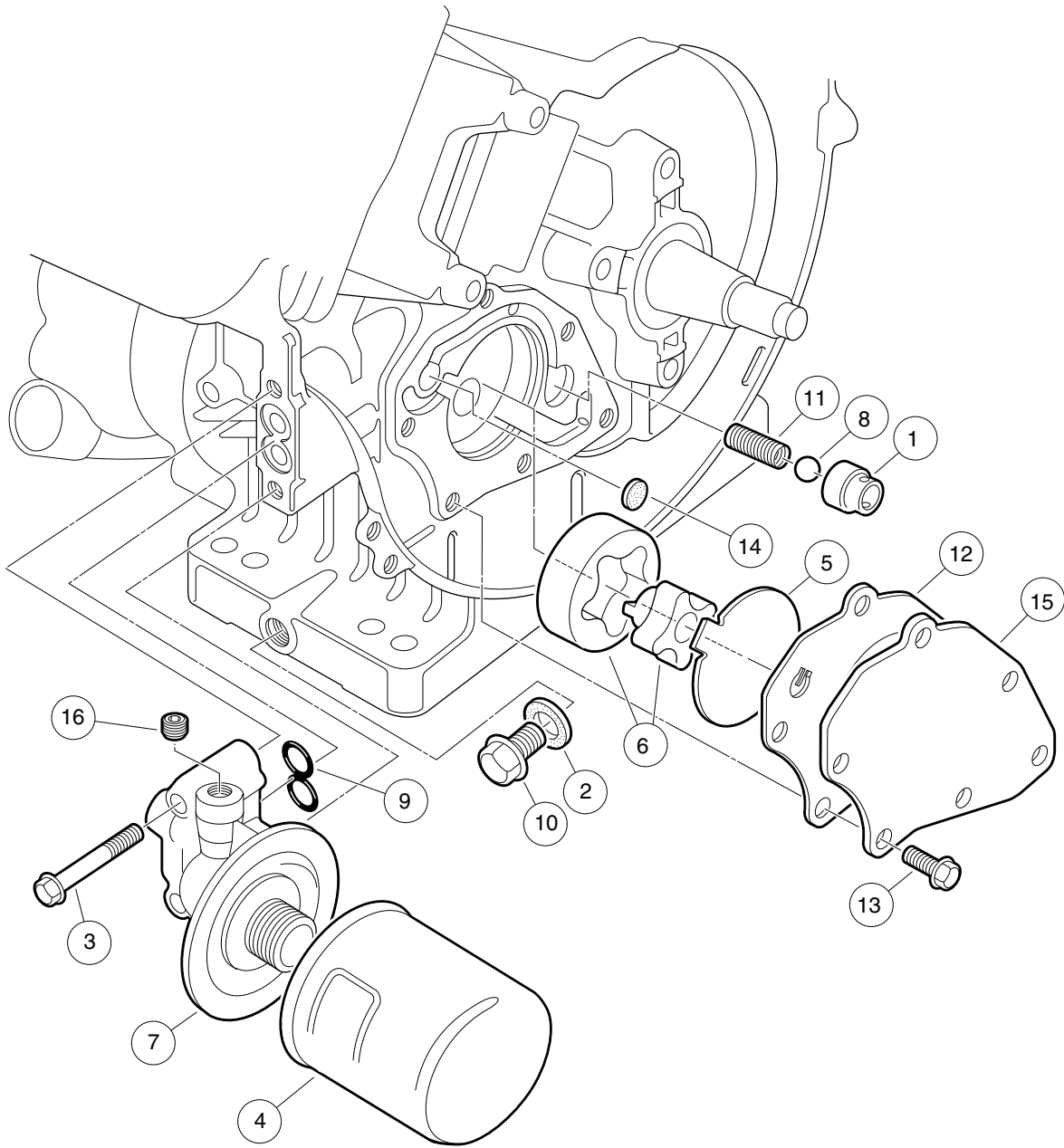
000202-003

FE350 ENGINE – IGNITION COMPONENTS AND FLYWHEEL

ITEM	PART NO.	DESCRIPTION	QTY
		1 2 3 4	
1	1016445	Bracket, RPM Limiter	1
2	<u>1016455</u>	Bolt, Flange Head	2
3	1016456	Bolt, Flange Head, M6 x 1 x 12 mm	2
4	<u>1016497</u>	Screw, Pan WP Cross	1
5	<u>1016544</u>	Screw	1
6	<u>1016561</u>	Clamp	1
7	<u>1016562</u>	Key	1
8	<u>1016578</u>	Grommet, Ignition	1
9	<u>1016579</u>	Band, RPM Limiter Mount	1
10	1016586	Damper, RPM Limiter	1
11	<u>1016587</u>	Clamp	1
12	<u>1016588</u>	Tube, 7mm X 10mm X 70mm	1
13	<u>1017448</u>	Bolt, Flanged	3
14	<u>1017455</u>	Plate, Flywheel Fan	1
15	<u>1017463</u>	Cap Asm, Plug	1
16	<u>1017468</u>	Clamp	1
17	<u>1017490</u>	Washer, Flat	1
18	<u>101909201</u>	Coil, Ignition	1
19	<u>101909301</u>	Lead Wire Assy	1
20	101909401	Limiter, RPM	1
21	101909501	Clamp, Steel	1
22	<u>101916201</u>	Flywheel	1
23	<u>101916301</u>	Fan (cw)	1
24	<u>102838401</u>	Nut, Hex, 18 mm Fine	1
25	<u>AM1232301</u>	Spark Plug, BPR2ES	1

8

G



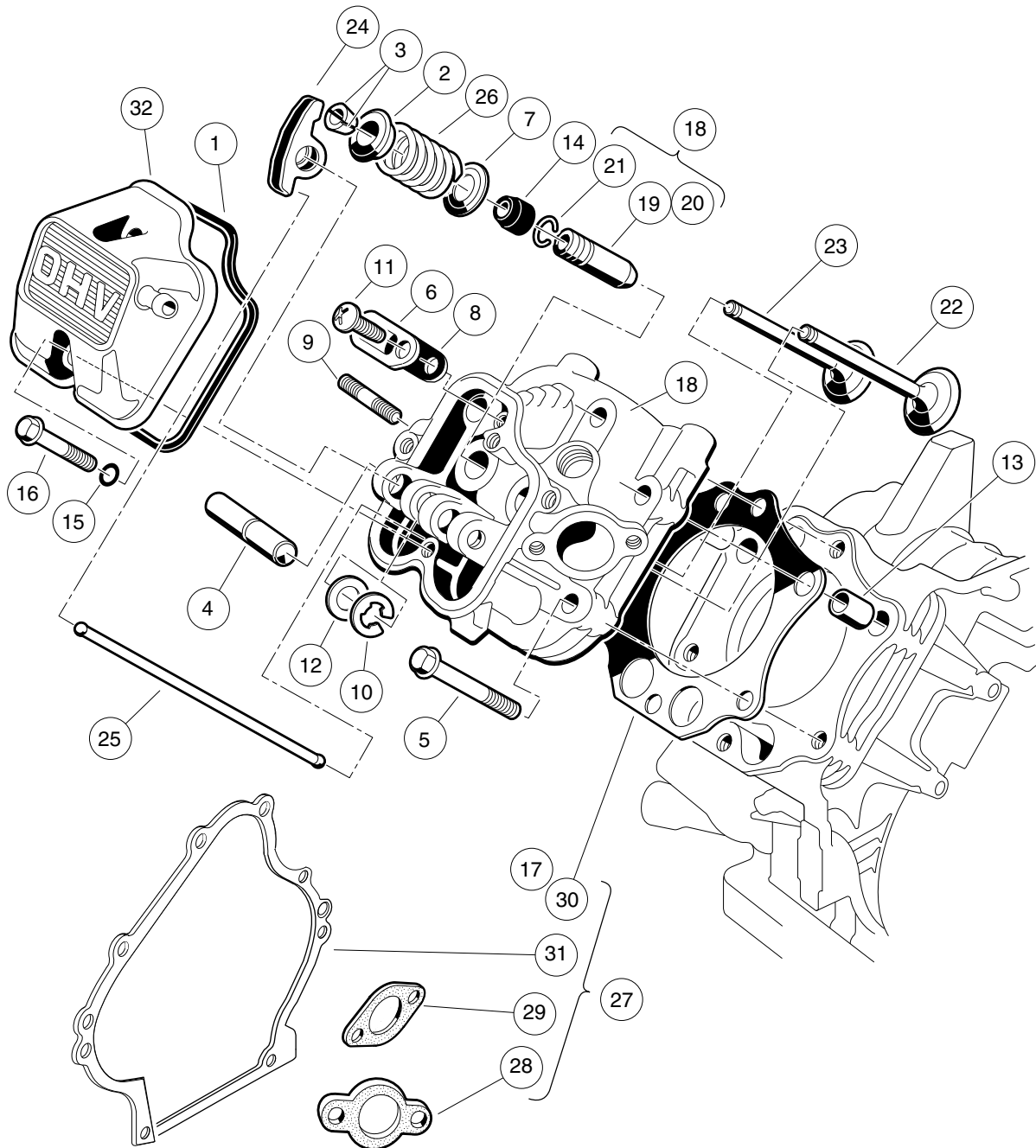
000203-001

FE350 ENGINE – OIL CIRCULATION

ITEM	PART NO.	DESCRIPTION	QTY
		1 2 3 4	
1	1016429	Seat, Valve Oil Pressure Relief	1
2	<u>1016432</u>	Gasket, Drain Plug	1
3	<u>1016457</u>	Bolt, Flange Head	2
4	<u>1016467</u>	Filter, Oil	1
5	<u>1016473</u>	Plate, Oil Pump	1
6	<u>101648203</u>	Oil Pump And Rotor	1
7	<u>1016502</u>	Bracket, Oil Filter Mount	1
8	<u>1016537</u>	Ball, Steel, Press, Relief	1
9	<u>1016570</u>	O-Ring	1
10	1016576	Plug, Drain	1
11	<u>1016581</u>	Spring	1
12	<u>1017442</u>	Gasket	1
13	<u>1017456</u>	Bolt, Flanged	6
14	<u>1017458</u>	Filter	1
15	<u>1017460</u>	Cover, Pump	1
16	<u>1017507</u>	Plug	2

8

G



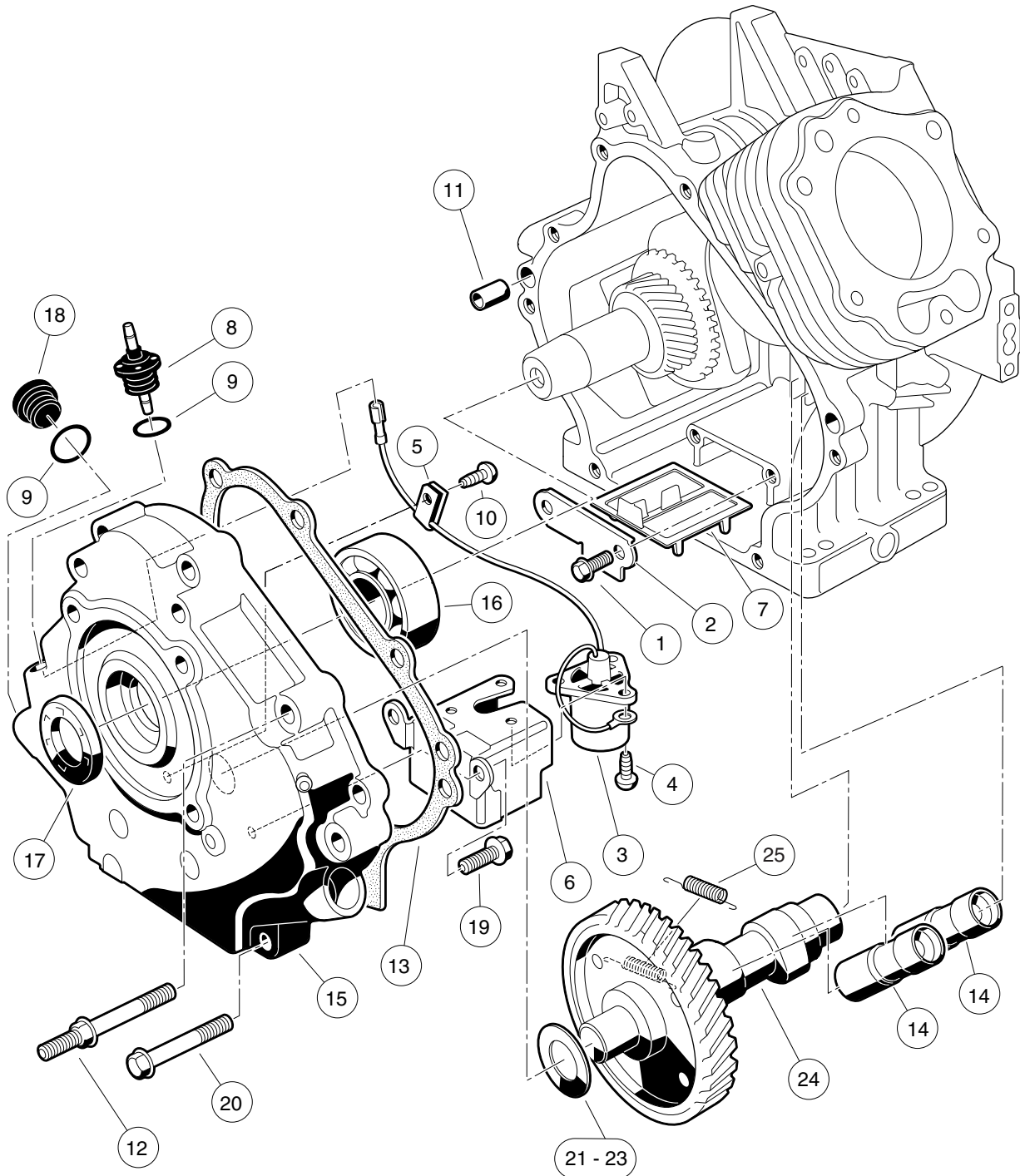
000204-003

FE350 ENGINE – CYLINDER HEAD

ITEM	PART NO.	DESCRIPTION	QTY
		1 2 3 4	
1	<u>1016436</u>	Gasket, Rocker Case	1
2	<u>1016449</u>	Retainer, Valve Spring	2
3	<u>1016450</u>	Collet	4
4	<u>1016452</u>	Shaft, Rocker	1
5	<u>1016458</u>	Bolt, Flange Head, M8 x 1.25 x 45 mm	6
6	<u>1016474</u>	Plate	1
7	<u>1016479</u>	Seat, Spring	2
8	<u>1016483</u>	Valve	1
9	<u>1016489</u>	Stud, Two-Ended, M8-1.25	2
10	<u>1016517</u>	Circlip, Type-E	1
11	<u>1016544</u>	Screw	1
12	<u>1016549</u>	Washer, 12.1x19x1.8	1
13	<u>1016563</u>	Pin	2
14	<u>1016566</u>	Seal, Oil	2
15	<u>1016569</u>	O-Ring	2
16	<u>1016583</u>	Bolt, 6x35	2
17	<u>1017434</u>	Gasket, Head	1
18	<u>1017435</u>	Assembly, Cylinder Head, FE350 (includes items 19 through 21)	1
19	<u>1016518</u>	Guide, Valve, Exhaust	1
20	<u>1016519</u>	Guide, Valve, Intake, Exhaust	1
21	<u>1016560</u>	Snap Ring	2
22	<u>1017444</u>	Valve, Intake	1
23	<u>1017445</u>	Valve, Exhaust	1
24	<u>1017446</u>	Arm, Rocker	2
25	<u>1017454</u>	Rod, Push	2
26	<u>1017473</u>	Spring, Engine Valve	2
27	<u>102304801</u>	Kit, Gasket, FE350 (includes items 28 through 31)	1
28	<u>1016440</u>	Gasket, Engine to Insulator	1
29	<u>1016904</u>	Gasket, Exhaust	1
30	<u>1017434</u>	Gasket, Head	1
31	<u>1017443</u>	Gasket, Crankcase Cover	1
32	<u>102753401</u>	Case, Rocker	1
		Note: Item 28, <u>1016440</u> , is not a component of the FE350 engine.	

8

G

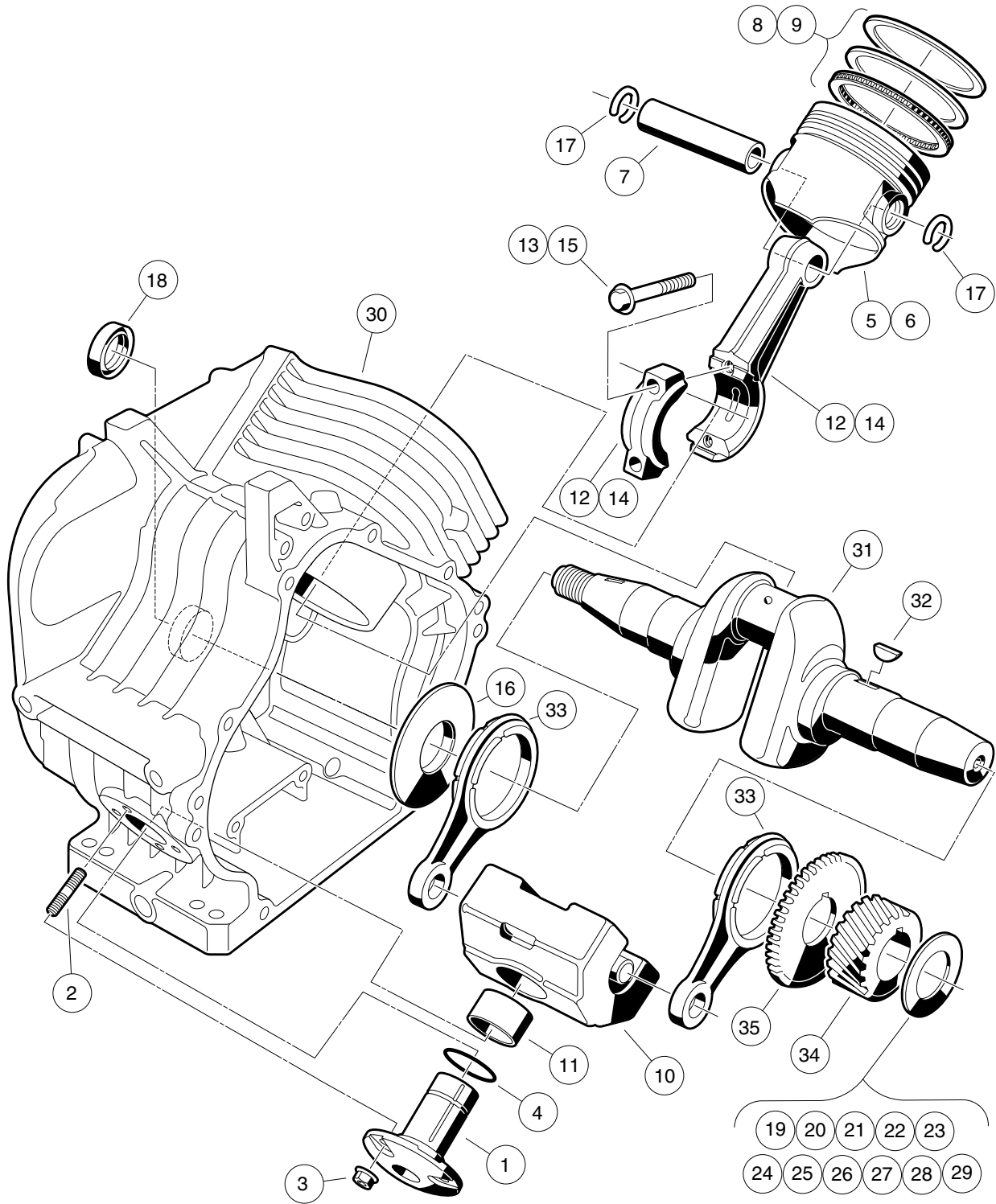


000205-001

FE350 ENGINE WITH ACR – CRANKCASE, CAMSHAFT, AND OIL SENSOR

ITEM	PART NO.	DESCRIPTION	QTY
		1 2 3 4	
1	<u>1016454</u>	Bolt, Flange Head, M5 x 0.8 x 8 mm	2
2	<u>1016472</u>	Plate, Oil Filter Screen	1
3	<u>1016494</u>	Sensor, Oil Level	1
4	<u>1016496</u>	Screw, Cross Pan-Head, M4 x 0.7 x 8 mm	3
5	<u>1016506</u>	Clamp	1
6	<u>1016510</u>	Bracket, Switch, Oil Level	1
7	<u>1016521</u>	Screen, Oil Filter	1
8	<u>1016535</u>	Connector, Cord	1
9	<u>1016538</u>	O-Ring	2
10	<u>1016544</u>	Screw	1
11	<u>1016564</u>	Pin	2
12	<u>1016584</u>	Bolt, Two-Ended, M8 x 1.25 x 69 mm	2
13	<u>1017443</u>	Gasket, Crankcase Cover	1
14	<u>1017447</u>	Adjuster, Lash	2
15	<u>1017472</u>	Cover Crankcase	1
16	<u>1017487</u>	Bearing, Ball	1
17	<u>1017504</u>	Seal, Oil	1
18	<u>1017508</u>	Plug	1
19	<u>1017513</u>	Bolt Switch Bracket	2
20	<u>1017514</u>	Screw, M8-1.25 X 45mm Hex	6
21	<u>101751801</u>	Shim, 0.3	1
22	<u>101751802</u>	Shim, 0.4	1
23	<u>101751803</u>	Shim, 0.5	1
24	<u>102271601</u>	Camshaft, FE350/FE400 with ACR, 44-tooth (includes item 25)	1
25	<u>1017511</u>	Spring	1

8
G

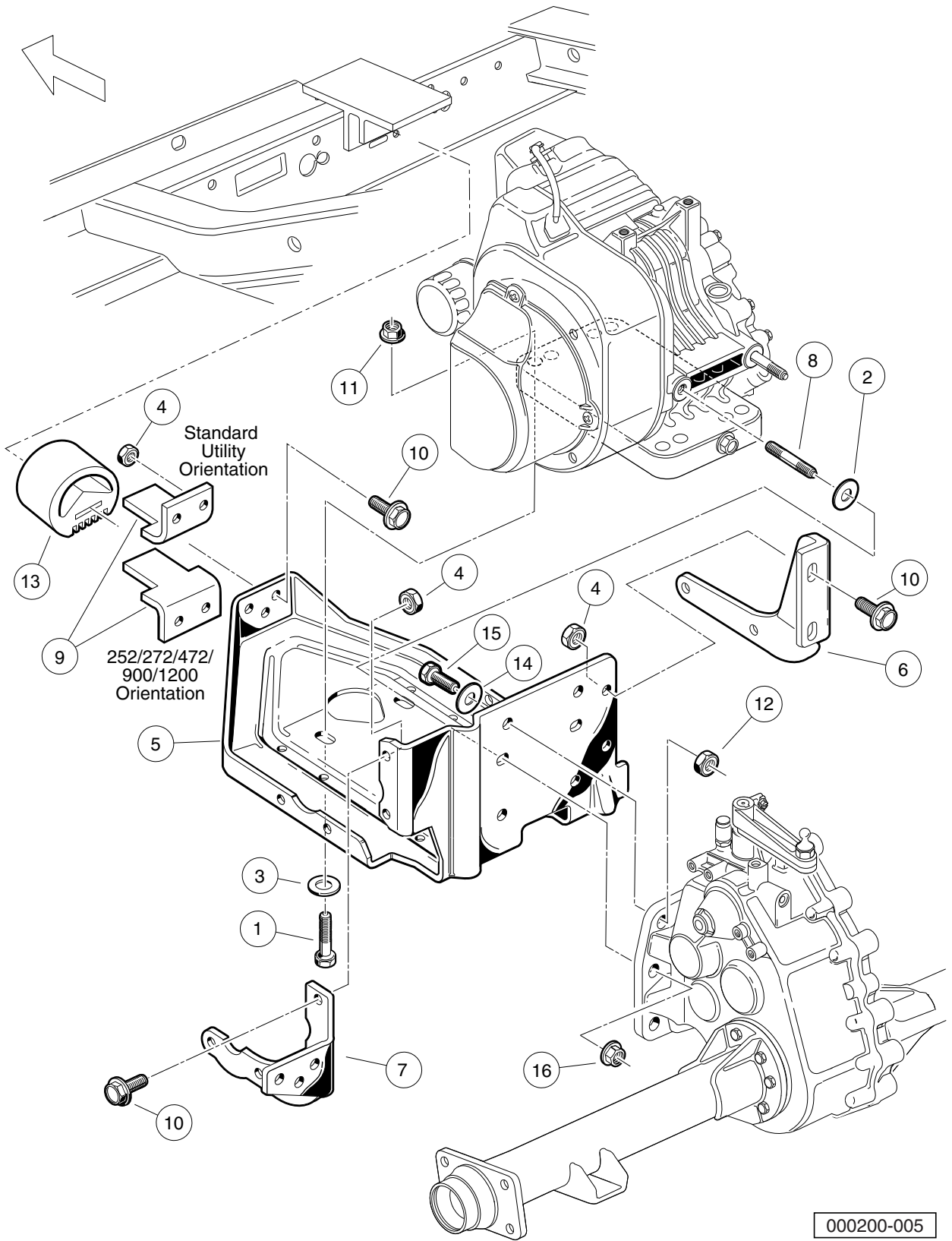


000206-001

FE350 ENGINE – CRANKCASE AND CRANKSHAFT

ITEM	PART NO.	DESCRIPTION	QTY
		1 2 3 4	
1	1016470	Shaft, Guide, Counterbalance	1
2	<u>1016541</u>	Stud, 6x14	4
3	1016547	Nut, M6 Flange	4
4	<u>1016571</u>	O-Ring	1
5	<u>101744901</u>	Piston, Standard	1
6	<u>101744902</u>	Piston, 0.50 mm Oversize	1
7	1017450	Pin, Piston	1
8	<u>101745101</u>	Ring Set, Standard Piston	1
9	<u>101745102</u>	Ring Set, Piston, 0.50 mm Oversize	1
10	<u>1017453</u>	Counterbalance Weight (includes item 11)	1
11	1017510	Bearing, Plain	1
12	101745701	Asm, Con. Rod Std (includes item 13)	1
13	<u>1017512</u>	Bolt	2
14	<u>101745702</u>	Asm,Con.Rod 0.5mm U/s (includes item 15)	1
15	<u>1017512</u>	Bolt	2
16	1017501	Spacer	1
17	<u>1017502</u>	Snap Ring	2
18	<u>1017503</u>	Seal, Oil	1
19	<u>101773301</u>	Shim, Crankshaft, 1.18mm	1
20	<u>101773302</u>	Shim, Crankshaft, 1.25mm	1
21	<u>101773303</u>	Shim, Crankshaft, 1.32mm	1
22	<u>101773304</u>	Shim, Crankshaft, 1.39mm	1
23	<u>101773305</u>	Shim, Crankshaft, 1.46mm	1
24	<u>101773306</u>	Shim, Crankshaft, 1.53mm	1
25	<u>101773307</u>	Shim, Crankshaft, 1.60mm	1
26	<u>101773308</u>	Shim, Crankshaft, 1.67mm	1
27	<u>101773309</u>	Shim, Crankshaft, 1.74mm	1
28	<u>101773310</u>	Shim, Crankshaft, 1.11 mm	1
29	<u>101773311</u>	Shim, Crankshaft, 1.81mm	1
30	<u>101916001</u>	Crankcase Complete, FE350 (cw)	1
31	<u>102430901</u>	Crankshaft, FE350 Left-Hand, 22-Tooth (includes items 32 through 35)	1
32	<u>1016562</u>	Key	1
33	<u>1017471</u>	Rod	2
34	N/A	Gear, Helical	1
35	N/A	Gear, Spur	1

8
G



000200-005

FE350 ENGINE MOUNTING

ITEM	PART NO.	DESCRIPTION	QTY
		1 2 3 4	
1	<u>1010577</u>	Bolt, Hex-Head, 5/16-18 X 1.50	4
2	<u>1011697</u>	Washer, 5/16 Flat	2
3	1012571	Washer, 5/16 Extra Thick Flat	4
4	<u>1013924</u>	Nut, 5/16-24, Hex Head Cone	10
5	<u>101827101</u>	Plate, Engine Mounting	1
6	<u>101832601</u>	Stiffener (PTO Side)	1
7	<u>101832701</u>	Stiffener (Flywheel Side)	1
8	<u>101833101</u>	Stud, M8-1.25 X 50 mm Two-Ended	2
9	<u>101834601</u>	Bracket, Snubber	1
10	<u>101884801</u>	Screw, 5/16-24 X 0.875, Grade-8	10
11	<u>101963401</u>	Locknut, 5/16-18 Hex Flange	4
12	<u>102065901</u>	Locknut, 3/8-16 Flanged Dimple	4
13	<u>102540301</u>	Snubber, Inner Frame	1
14	<u>334</u>	Washer, 3/8, Type A, Flat	4
15	705	Screw, Cap-hex Hd 3/8-16x1.25	4
16	<u>96704416</u>	Nut, Flange, M8 X 1.25 Serrated	2

8

G

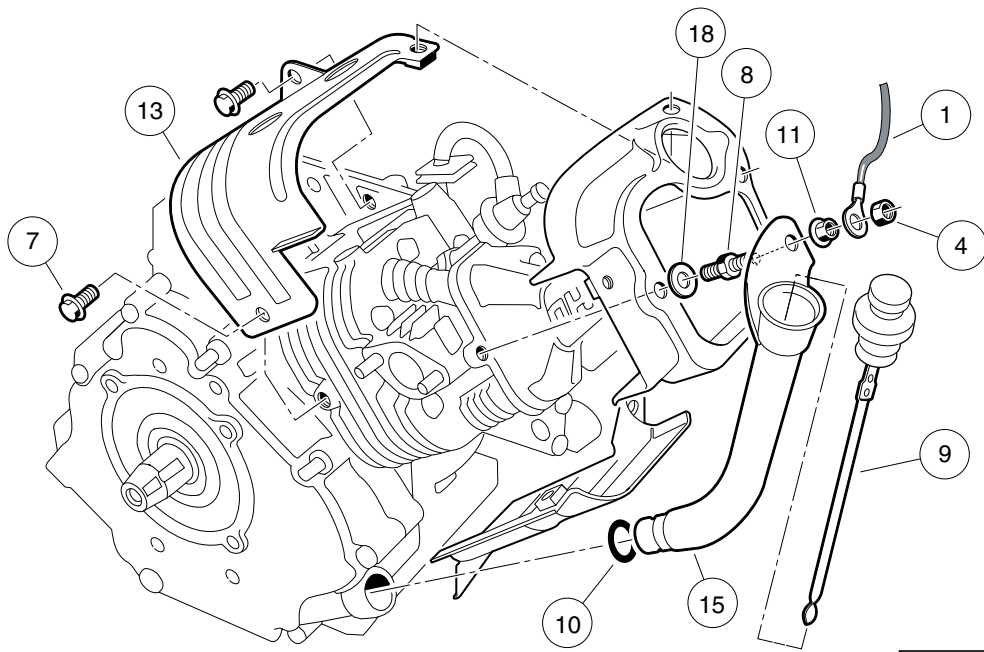
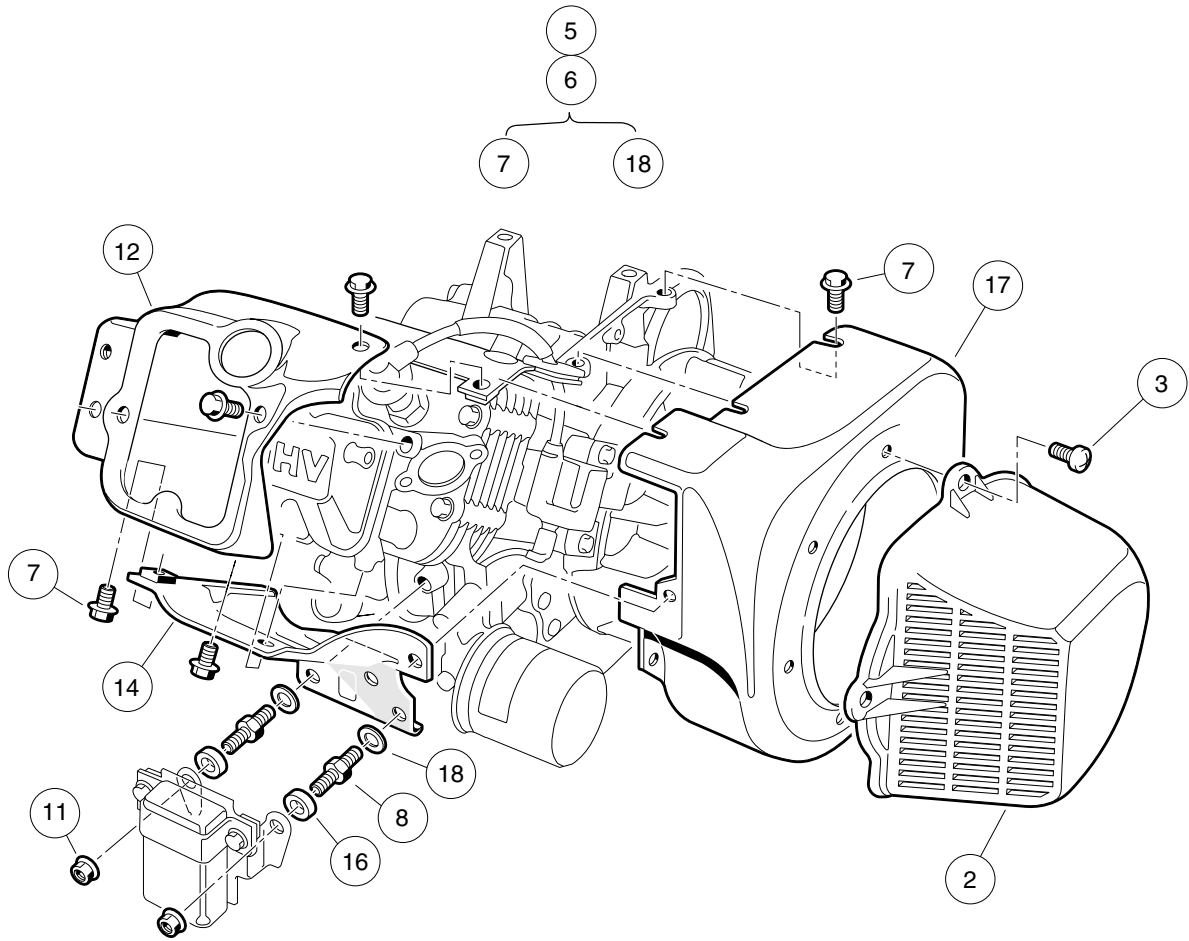
8

G

ENGINE (S11 & S24) W/O ACR, TURF 6 PRIOR TO 50-STATE ENGINE

9

G



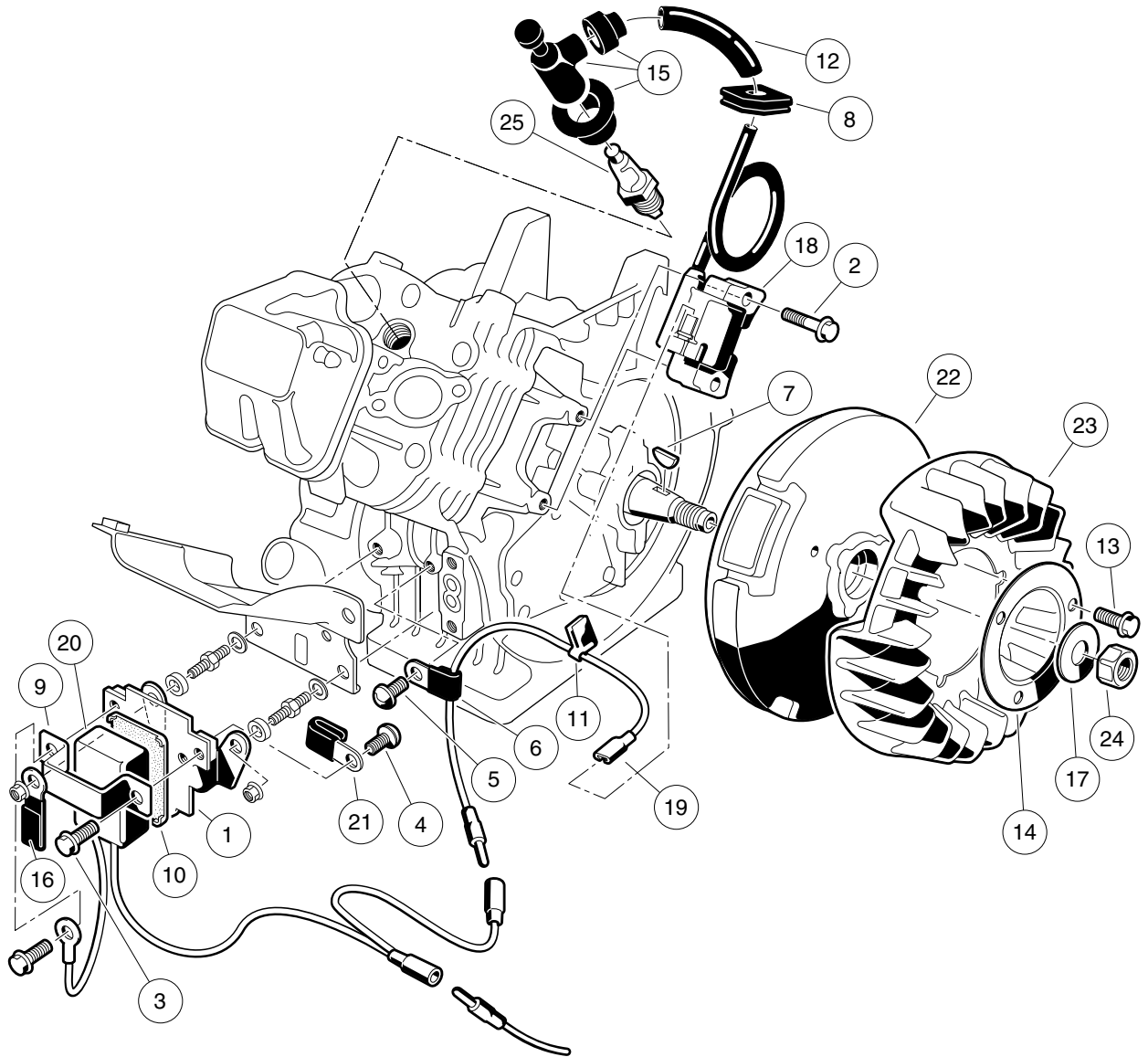
000201-003

FE350 ENGINE W/O ACR – SHROUDS AND BRACKETS

ITEM	PART NO.	DESCRIPTION	QTY
		1 2 3 4	
1	<u>1015332</u>	Wire, Ground, #10, Uninsulated	1
2	<u>1015649</u>	Shroud, Fan	1
3	<u>1015969</u>	Screw, M6-1.00 X 10mm, Pan Hd	4
4	<u>101887601</u>	Locknut, M6-1.00 Nylon Insert	1
5	<u>101953802</u>	Engine, FE350, without ACR	1
6	<u>101953804</u>	Engine, FE350, California-Only, without ACR (includes items 7 through 18)	1
7	<u>1016456</u>	Bolt, Flange Head, M6 x 1 x 12 mm	14
8	<u>1016507</u>	Bolt, Two-Ended	3
9	<u>1016531</u>	Dipstick	1
10	<u>1016539</u>	O-Ring	1
11	<u>1016547</u>	Nut, Flanged, M6 X 1.00	3
12	<u>1017474</u>	Shroud, Engine	1
13	<u>1017475</u>	Shroud, Engine	1
14	<u>1017476</u>	Shroud, Engine	1
15	<u>1017486</u>	Tube, Oil Filler	1
16	<u>1017500</u>	Spacer 6.50 X 12 X 5.5	2
17	<u>101916101</u>	Housing, FE350 Fan	1
18	N/A	Washer, 6mm Flat	3
<p>Note: The DS11 engine (item 5) qualifies for use in 2009 vehicles in all states except California. The AS24 engine (item 6) is for California only. FE350 engine component listings span several pages.</p>			

9

G

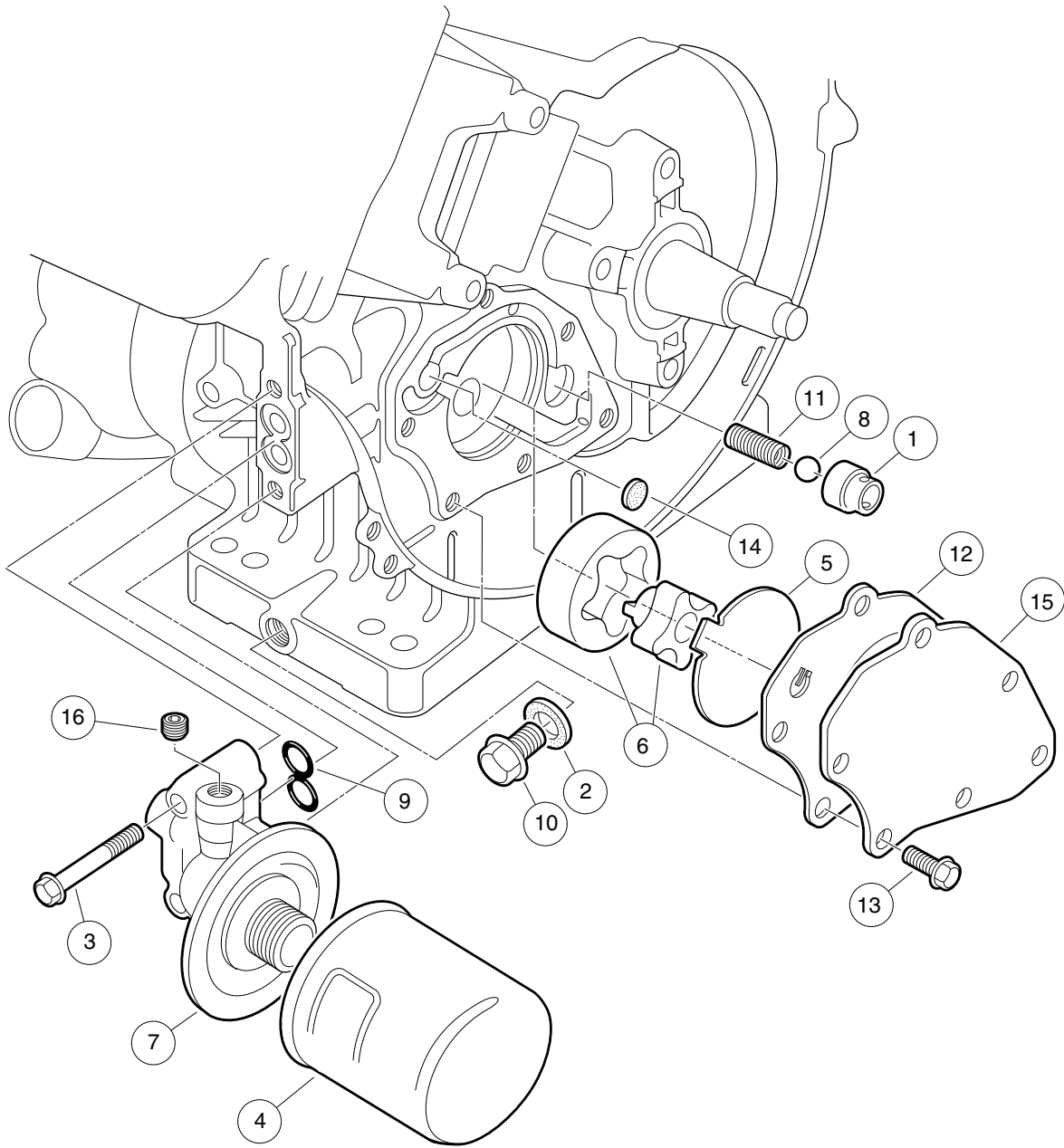


000202-003

FE350 ENGINE – IGNITION COMPONENTS AND FLYWHEEL

ITEM	PART NO.	DESCRIPTION	QTY
		1 2 3 4	
1	1016445	Bracket, RPM Limiter	1
2	<u>1016455</u>	Bolt, Flange Head	2
3	1016456	Bolt, Flange Head, M6 x 1 x 12 mm	2
4	<u>1016497</u>	Screw, Pan WP Cross	1
5	<u>1016544</u>	Screw	1
6	<u>1016561</u>	Clamp	1
7	<u>1016562</u>	Key	1
8	<u>1016578</u>	Grommet, Ignition	1
9	<u>1016579</u>	Band, RPM Limiter Mount	1
10	1016586	Damper, RPM Limiter	1
11	<u>1016587</u>	Clamp	1
12	<u>1016588</u>	Tube, 7mm X 10mm X 70mm	1
13	<u>1017448</u>	Bolt, Flanged	3
14	<u>1017455</u>	Plate, Flywheel Fan	1
15	<u>1017463</u>	Cap Asm, Plug	1
16	<u>1017468</u>	Clamp	1
17	<u>1017490</u>	Washer, Flat	1
18	<u>101909201</u>	Coil, Ignition	1
19	<u>101909301</u>	Lead Wire Assy	1
20	101909401	Limiter, RPM	1
21	101909501	Clamp, Steel	1
22	<u>101916201</u>	Flywheel	1
23	<u>101916301</u>	Fan (cw)	1
24	<u>102838401</u>	Nut, Hex, 18 mm Fine	1
25	<u>AM1232301</u>	Spark Plug, BPR2ES	1

9
G

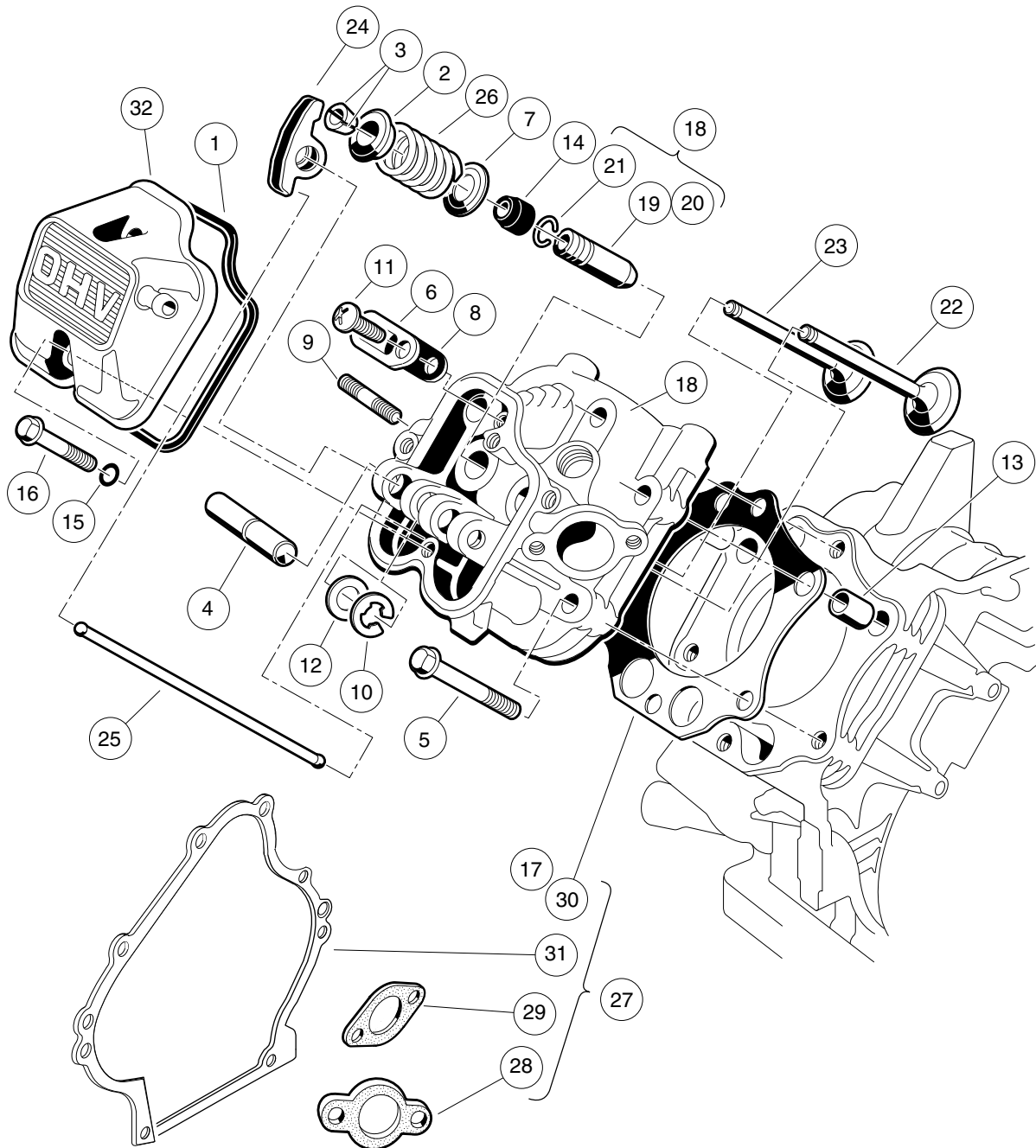


000203-001

FE350 ENGINE – OIL CIRCULATION

ITEM	PART NO.	DESCRIPTION	QTY
		1 2 3 4	
1	1016429	Seat, Valve Oil Pressure Relief	1
2	<u>1016432</u>	Gasket, Drain Plug	1
3	<u>1016457</u>	Bolt, Flange Head	2
4	<u>1016467</u>	Filter, Oil	1
5	<u>1016473</u>	Plate, Oil Pump	1
6	<u>101648203</u>	Oil Pump And Rotor	1
7	<u>1016502</u>	Bracket, Oil Filter Mount	1
8	<u>1016537</u>	Ball, Steel, Press, Relief	1
9	<u>1016570</u>	O-Ring	1
10	1016576	Plug, Drain	1
11	<u>1016581</u>	Spring	1
12	<u>1017442</u>	Gasket	1
13	<u>1017456</u>	Bolt, Flanged	6
14	<u>1017458</u>	Filter	1
15	<u>1017460</u>	Cover, Pump	1
16	<u>1017507</u>	Plug	2

9
G



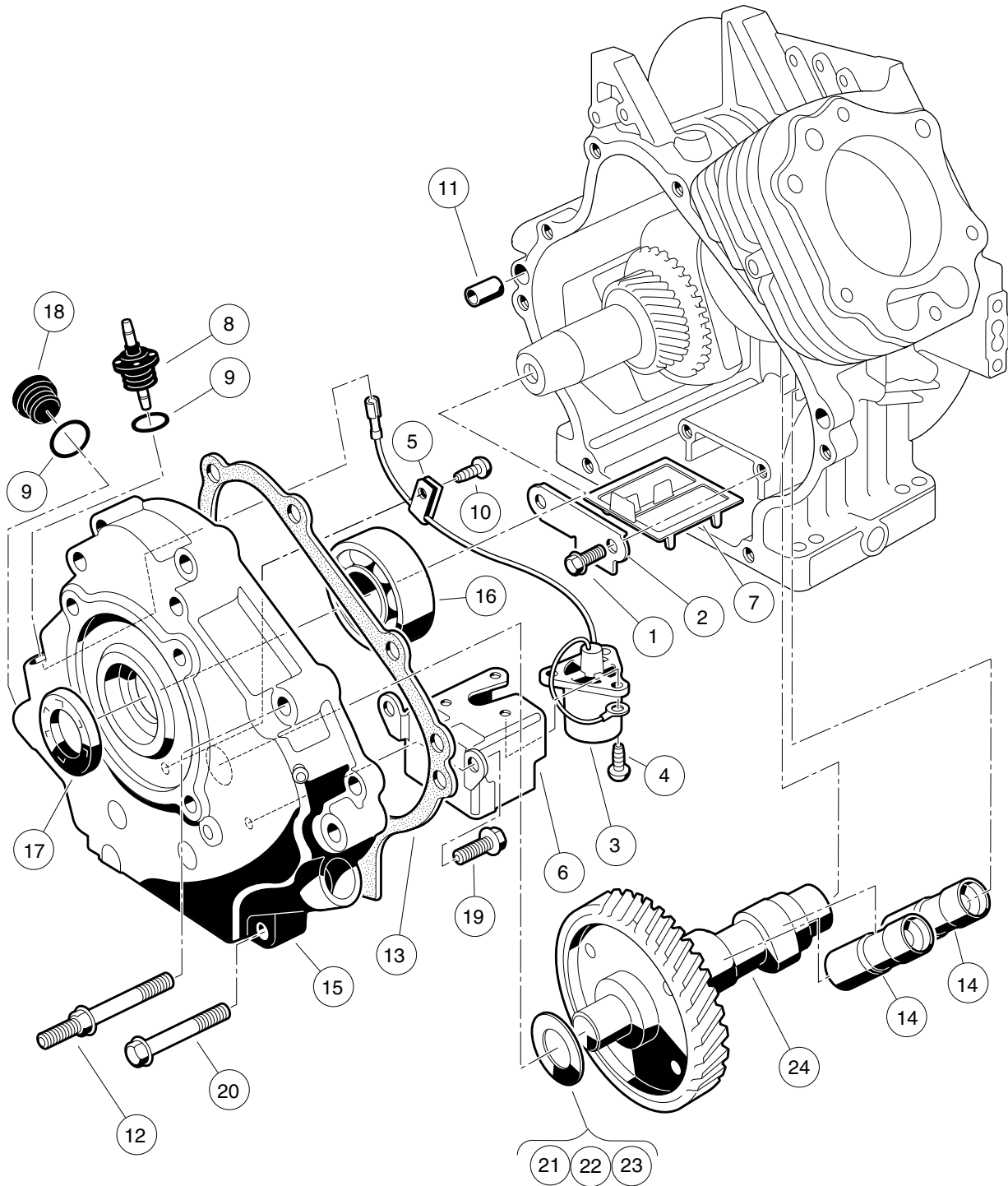
000204-003

FE350 ENGINE – CYLINDER HEAD

ITEM	PART NO.	DESCRIPTION	QTY
		1 2 3 4	
1	<u>1016436</u>	Gasket, Rocker Case	1
2	<u>1016449</u>	Retainer, Valve Spring	2
3	<u>1016450</u>	Collet	4
4	<u>1016452</u>	Shaft, Rocker	1
5	<u>1016458</u>	Bolt, Flange Head, M8 x 1.25 x 45 mm	6
6	<u>1016474</u>	Plate	1
7	<u>1016479</u>	Seat, Spring	2
8	<u>1016483</u>	Valve	1
9	<u>1016489</u>	Stud, Two-Ended, M8-1.25	2
10	<u>1016517</u>	Circlip, Type-E	1
11	<u>1016544</u>	Screw	1
12	<u>1016549</u>	Washer, 12.1x19x1.8	1
13	<u>1016563</u>	Pin	2
14	<u>1016566</u>	Seal, Oil	2
15	<u>1016569</u>	O-Ring	2
16	<u>1016583</u>	Bolt, 6x35	2
17	<u>1017434</u>	Gasket, Head	1
18	<u>1017435</u>	Assembly, Cylinder Head, FE350 (includes items 19 through 21)	1
19	<u>1016518</u>	Guide, Valve, Exhaust	1
20	<u>1016519</u>	Guide, Valve, Intake, Exhaust	1
21	<u>1016560</u>	Snap Ring	2
22	<u>1017444</u>	Valve, Intake	1
23	<u>1017445</u>	Valve, Exhaust	1
24	<u>1017446</u>	Arm, Rocker	2
25	<u>1017454</u>	Rod, Push	2
26	<u>1017473</u>	Spring, Engine Valve	2
27	<u>102304801</u>	Kit, Gasket, FE350 (includes items 28 through 31)	1
28	<u>1016440</u>	Gasket, Engine to Insulator	1
29	<u>1016904</u>	Gasket, Exhaust	1
30	<u>1017434</u>	Gasket, Head	1
31	<u>1017443</u>	Gasket, Crankcase Cover	1
32	<u>102753401</u>	Case, Rocker	1
		Note: Item 28, <u>1016440</u> , is not a component of the FE350 engine.	

9

G

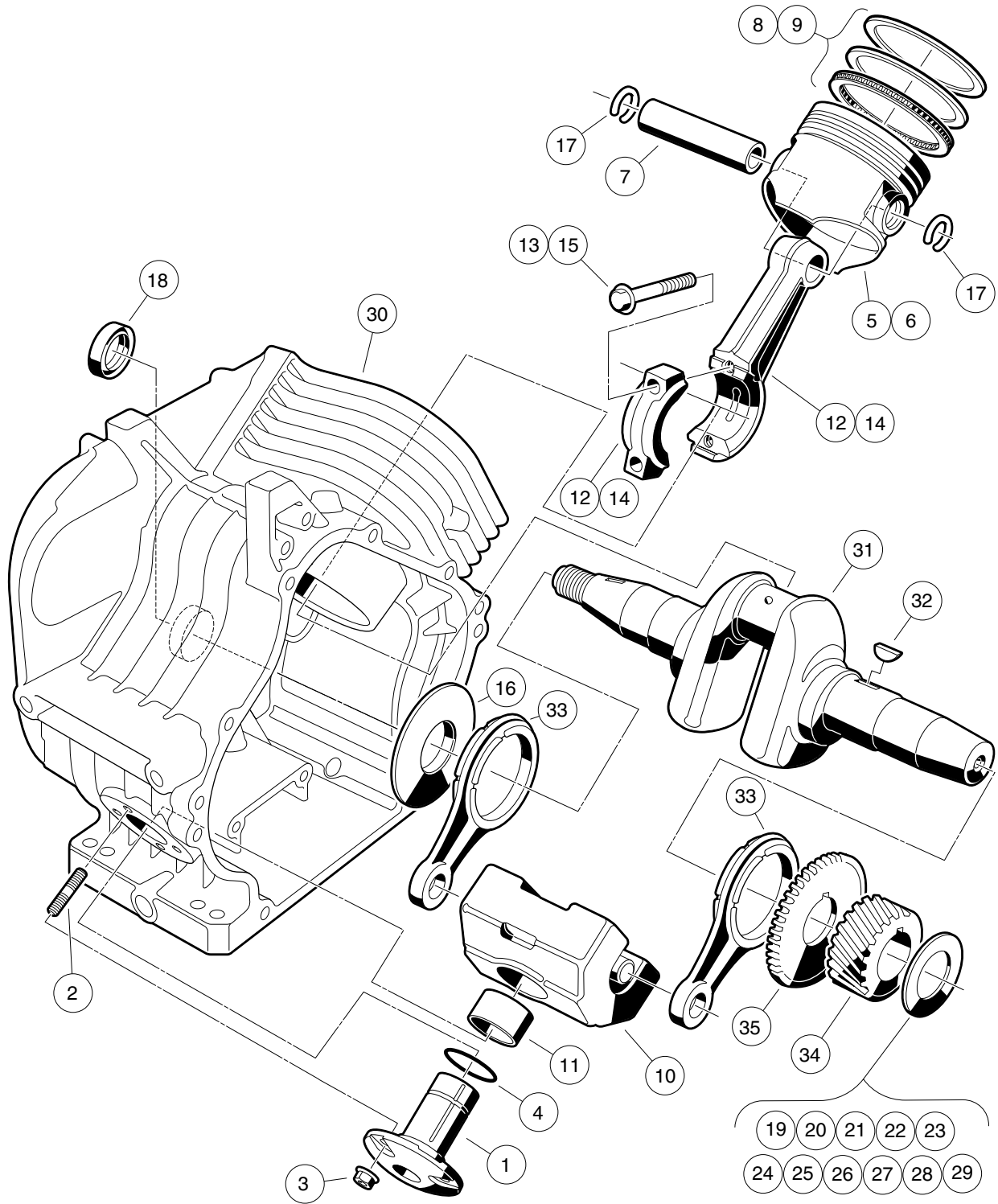


000205-002

FE350 ENGINE W/O ACR – CRANKCASE, CAMSHAFT, AND OIL SENSOR

ITEM	PART NO.	DESCRIPTION	QTY
		1 2 3 4	
1	<u>1016454</u>	Bolt, Flange Head, M5 x 0.8 x 8 mm	2
2	<u>1016472</u>	Plate, Oil Filter Screen	1
3	1016494	Sensor, Oil Level	1
4	<u>1016496</u>	Screw, Cross Pan-Head, M4 x 0.7 x 8 mm	3
5	<u>1016506</u>	Clamp	1
6	<u>1016510</u>	Bracket, Switch, Oil Level	1
7	<u>1016521</u>	Screen, Oil Filter	1
8	<u>1016535</u>	Connector, Cord	1
9	<u>1016538</u>	O-Ring	2
10	<u>1016544</u>	Screw	1
11	<u>1016564</u>	Pin	2
12	<u>1016584</u>	Bolt, Two-Ended, M8 x 1.25 x 69 mm	2
13	<u>1017443</u>	Gasket, Crankcase Cover	1
14	<u>1017447</u>	Adjuster, Lash	2
15	<u>1017472</u>	Cover Crankcase	1
16	<u>1017487</u>	Bearing, Ball	1
17	<u>1017504</u>	Seal, Oil	1
18	1017508	Plug	1
19	<u>1017513</u>	Bolt Switch Bracket	2
20	<u>1017514</u>	Screw, M8-1.25 X 45mm Hex	6
21	<u>101751801</u>	Shim, 0.3	1
22	<u>101751802</u>	Shim, 0.4	1
23	<u>101751803</u>	Shim, 0.5	1
24	<u>102431001</u>	Camshaft, FE350 without ACR, 44-Tooth	1

9
G

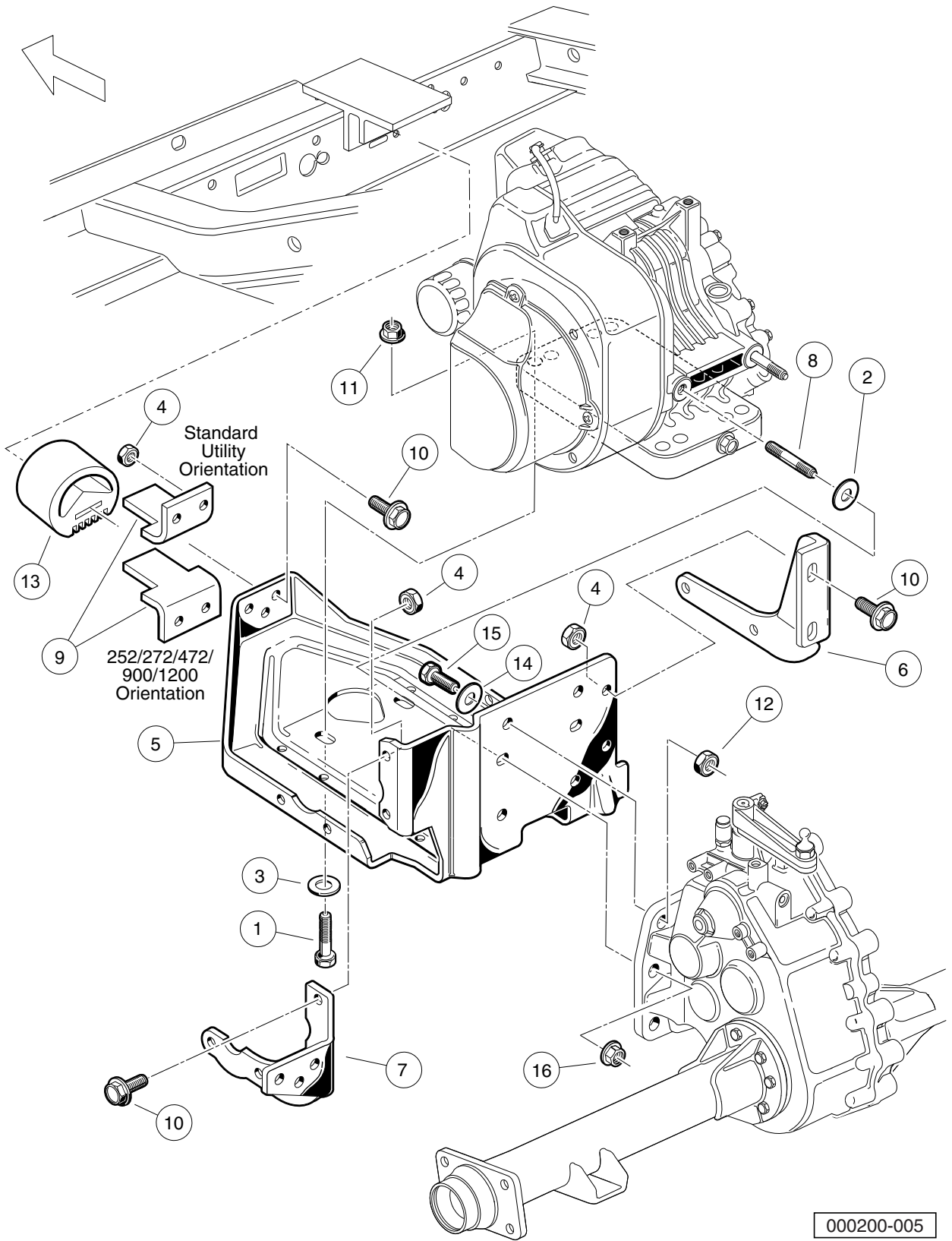


000206-001

FE350 ENGINE – CRANKCASE AND CRANKSHAFT

ITEM	PART NO.	DESCRIPTION	QTY
		1 2 3 4	
1	1016470	Shaft, Guide, Counterbalance	1
2	<u>1016541</u>	Stud, 6x14	4
3	1016547	Nut, M6 Flange	4
4	<u>1016571</u>	O-Ring	1
5	<u>101744901</u>	Piston, Standard	1
6	<u>101744902</u>	Piston, 0.50 mm Oversize	1
7	1017450	Pin, Piston	1
8	<u>101745101</u>	Ring Set, Standard Piston	1
9	<u>101745102</u>	Ring Set, Piston, 0.50 mm Oversize	1
10	<u>1017453</u>	Counterbalance Weight (includes item 11)	1
11	1017510	Bearing, Plain	1
12	101745701	Asm, Con. Rod Std (includes item 13)	1
13	<u>1017512</u>	Bolt	2
14	<u>101745702</u>	Asm, Con. Rod 0.5mm U/s (includes item 15)	1
15	<u>1017512</u>	Bolt	2
16	1017501	Spacer	1
17	<u>1017502</u>	Snap Ring	2
18	<u>1017503</u>	Seal, Oil	1
19	<u>101773301</u>	Shim, Crankshaft, 1.18mm	1
20	<u>101773302</u>	Shim, Crankshaft, 1.25mm	1
21	<u>101773303</u>	Shim, Crankshaft, 1.32mm	1
22	<u>101773304</u>	Shim, Crankshaft, 1.39mm	1
23	<u>101773305</u>	Shim, Crankshaft, 1.46mm	1
24	<u>101773306</u>	Shim, Crankshaft, 1.53mm	1
25	<u>101773307</u>	Shim, Crankshaft, 1.60mm	1
26	<u>101773308</u>	Shim, Crankshaft, 1.67mm	1
27	<u>101773309</u>	Shim, Crankshaft, 1.74mm	1
28	<u>101773310</u>	Shim, Crankshaft, 1.11 mm	1
29	<u>101773311</u>	Shim, Crankshaft, 1.81mm	1
30	<u>101916001</u>	Crankcase Complete, FE350 (cw)	1
31	<u>102430901</u>	Crankshaft, FE350 Left-Hand, 22-Tooth (includes items 32 through 35)	1
32	<u>1016562</u>	Key	1
33	<u>1017471</u>	Rod	2
34	N/A	Gear, Helical	1
35	N/A	Gear, Spur	1

9
G



000200-005

FE350 ENGINE MOUNTING

ITEM	PART NO.	DESCRIPTION	QTY
		1 2 3 4	
1	<u>1010577</u>	Bolt, Hex-Head, 5/16-18 X 1.50	4
2	<u>1011697</u>	Washer, 5/16 Flat	2
3	1012571	Washer, 5/16 Extra Thick Flat	4
4	<u>1013924</u>	Nut, 5/16-24, Hex Head Cone	10
5	<u>101827101</u>	Plate, Engine Mounting	1
6	<u>101832601</u>	Stiffener (PTO Side)	1
7	<u>101832701</u>	Stiffener (Flywheel Side)	1
8	<u>101833101</u>	Stud, M8-1.25 X 50 mm Two-Ended	2
9	<u>101834601</u>	Bracket, Snubber	1
10	<u>101884801</u>	Screw, 5/16-24 X 0.875, Grade-8	10
11	<u>101963401</u>	Locknut, 5/16-18 Hex Flange	4
12	<u>102065901</u>	Locknut, 3/8-16 Flanged Dimple	4
13	<u>102540301</u>	Snubber, Inner Frame	1
14	<u>334</u>	Washer, 3/8, Type A, Flat	4
15	705	Screw, Cap-hex Hd 3/8-16x1.25	4
16	<u>96704416</u>	Nut, Flange, M8 X 1.25 Serrated	2

9

G

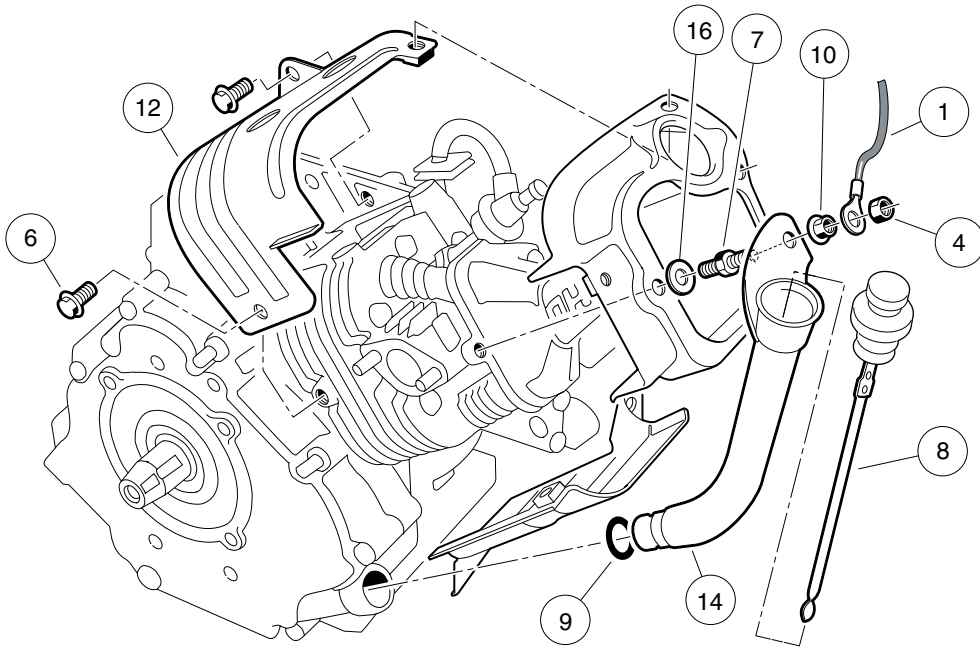
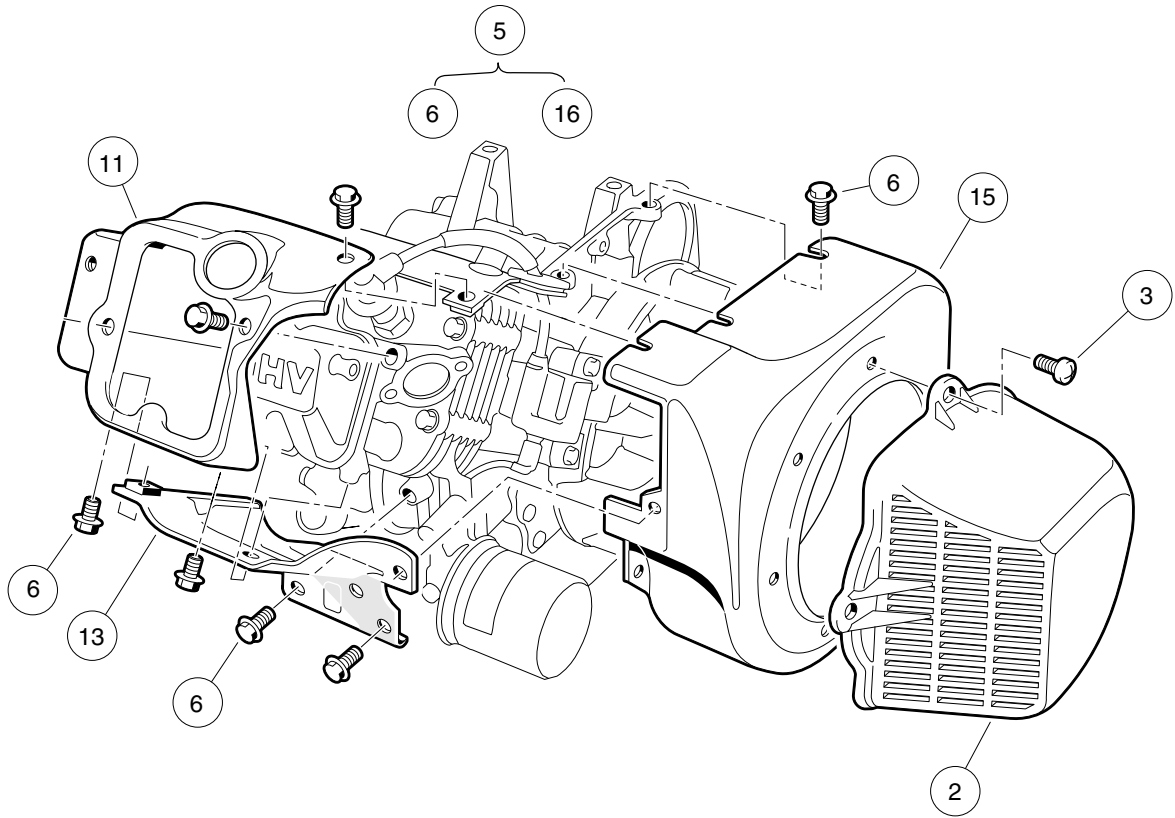
9

G

ENGINE (S27) W/O ACR, 50-STATE

10

G



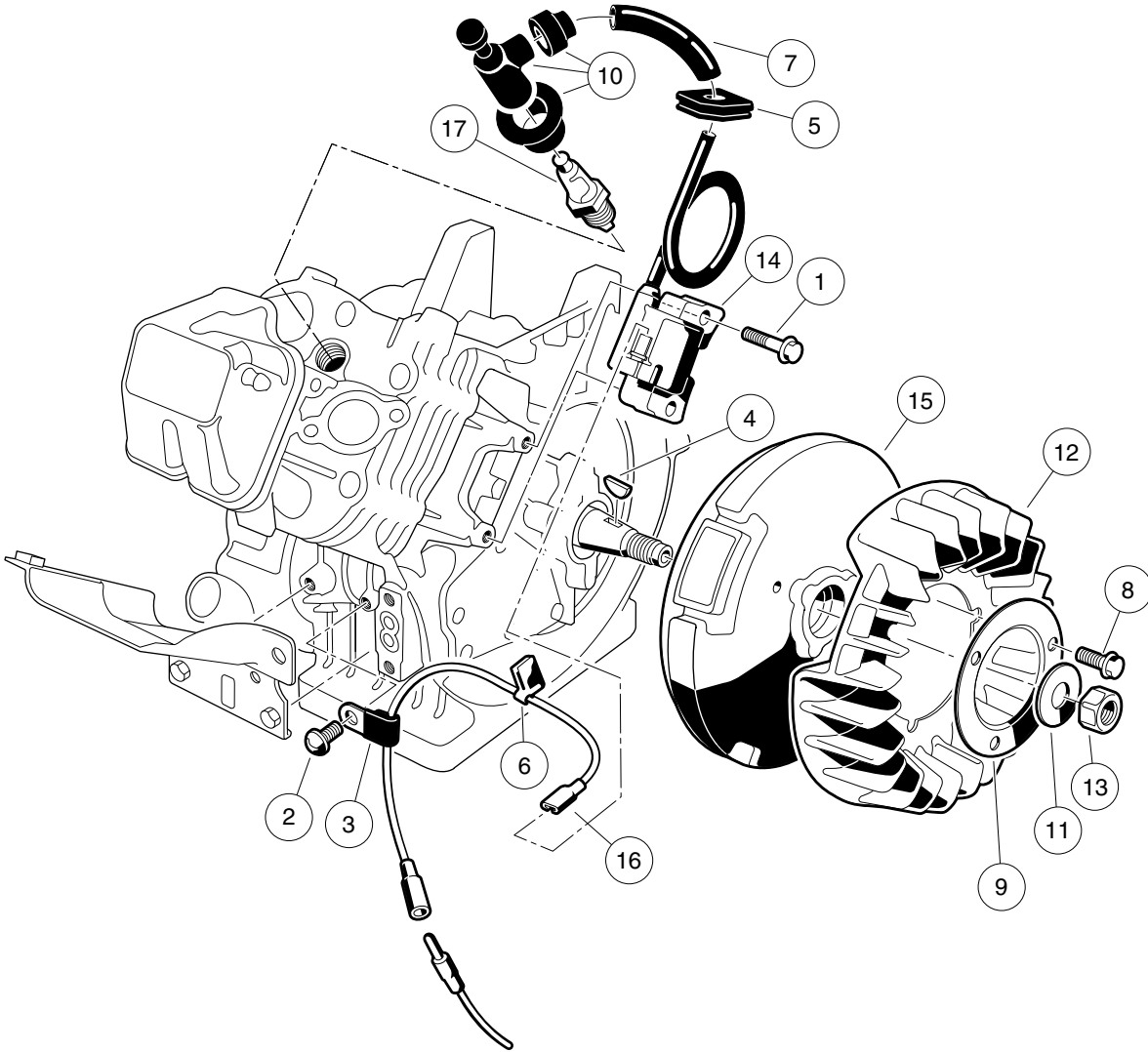
000201-002

FE350 ENGINE (S27) W/O ACR, SHROUDS, AND BRACKETS; 50-STATE

ITEM	PART NO.	DESCRIPTION	QTY
		1 2 3 4	
1	<u>1015332</u>	Wire, Ground, #10, Uninsulated	1
2	<u>1015649</u>	Shroud, Fan	1
3	<u>1015969</u>	Screw, M6-1.00 X 10mm, Pan Hd	4
4	<u>101887601</u>	Locknut, M6-1.00 Nylon Insert	1
5	<u>103386202</u>	Engine, FE350 S27 (includes items 6 through 16)	1
6	1016456	Bolt, Flange Head, M6 x 1 x 12 mm	16
7	<u>1016507</u>	Bolt, Two-Ended	1
8	1016531	Dipstick	1
9	<u>1016539</u>	O-Ring	1
10	1016547	Nut, M6 Flange	1
11	<u>1017474</u>	Shroud, Engine	1
12	<u>1017475</u>	Shroud, Engine	1
13	<u>1017476</u>	Shroud, Engine	1
14	<u>1017486</u>	Tube, Oil Filler	1
15	<u>101916101</u>	Housing, FE350 Fan	1
16	N/A	Washer, 6mm Flat	1
<p>Note: The S27 engine meets the 2009 Federal CARB requirement for all 50 states; can be used in place of S10, S11, S23, and S24 engines; and was a running change during the 2009 model year.</p>			

10

G

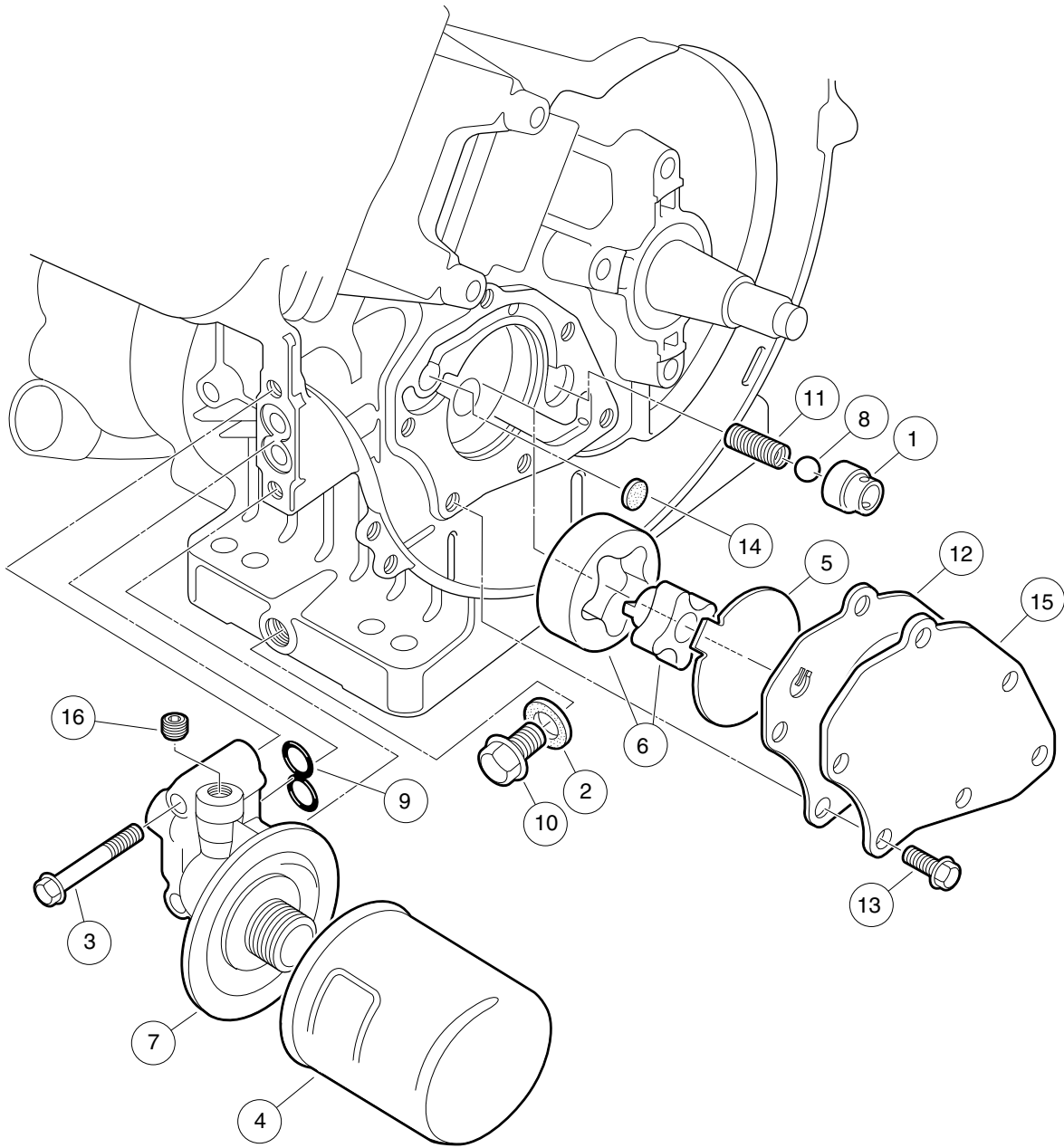


000202-004

FE350 ENGINE (S27) – IGNITION COMPONENTS AND FLYWHEEL

ITEM	PART NO.	DESCRIPTION	QTY
		1 2 3 4	
1	<u>1016455</u>	Bolt, Flange Head	2
2	<u>1016544</u>	Screw	1
3	<u>1016561</u>	Clamp	1
4	<u>1016562</u>	Key	1
5	<u>1016578</u>	Grommet, Ignition	1
6	<u>1016587</u>	Clamp	1
7	<u>1016588</u>	Tube, 7mm X 10mm X 70mm	1
8	<u>1017448</u>	Bolt, Flanged	3
9	<u>1017455</u>	Plate, Flywheel Fan	1
10	<u>1017463</u>	Cap Asm, Plug	1
11	<u>1017490</u>	Washer, Flat	1
12	<u>101916301</u>	Fan (cw)	1
13	<u>102838401</u>	Nut, Hex, 18 mm Fine	1
14	<u>103616501</u>	Coil Asm, Ignition	1
15	<u>103616601</u>	Flywheel, Complete	1
16	<u>103616701</u>	Wire Lead, Ignition	1
17	<u>AM1232301</u>	Spark Plug, BPR2ES	1

10
G



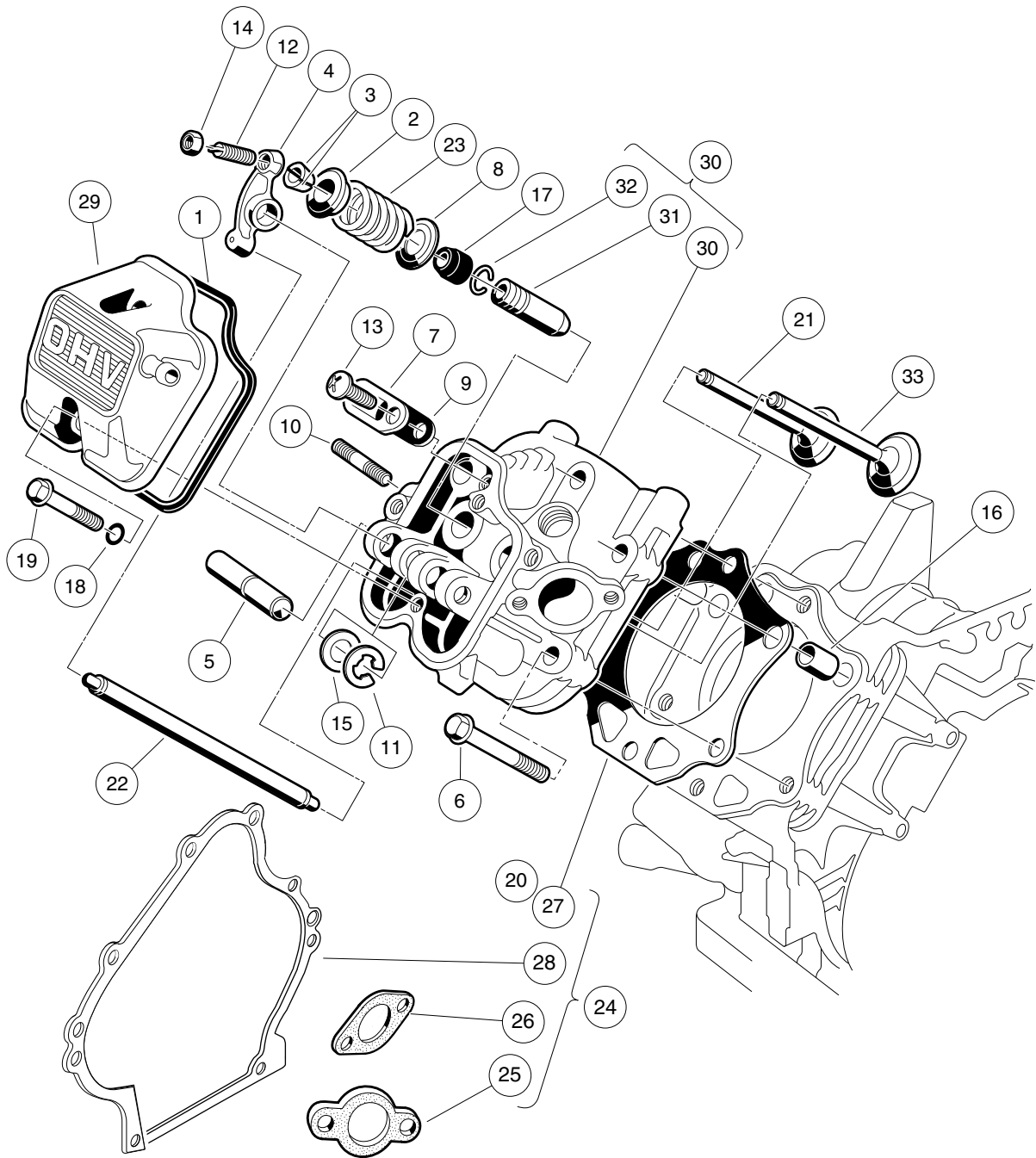
000203-001

FE350 ENGINE (S27) – OIL CIRCULATION

ITEM	PART NO.	DESCRIPTION	QTY
		1 2 3 4	
1	1016429	Seat, Valve Oil Pressure Relief	1
2	<u>1016432</u>	Gasket, Drain Plug	1
3	<u>1016457</u>	Bolt, Flange Head	2
4	<u>1016467</u>	Filter, Oil	1
5	<u>1016473</u>	Plate, Oil Pump	1
6	<u>101648203</u>	Oil Pump And Rotor	1
7	<u>1016502</u>	Bracket, Oil Filter Mount	1
8	<u>1016537</u>	Ball, Steel, Press, Relief	1
9	<u>1016570</u>	O-Ring	1
10	1016576	Plug, Drain	1
11	<u>1016581</u>	Spring	1
12	<u>1017442</u>	Gasket	1
13	<u>1017456</u>	Bolt, Flanged	6
14	<u>1017458</u>	Filter	1
15	<u>1017460</u>	Cover, Pump	1
16	<u>1017507</u>	Plug	2

10

G



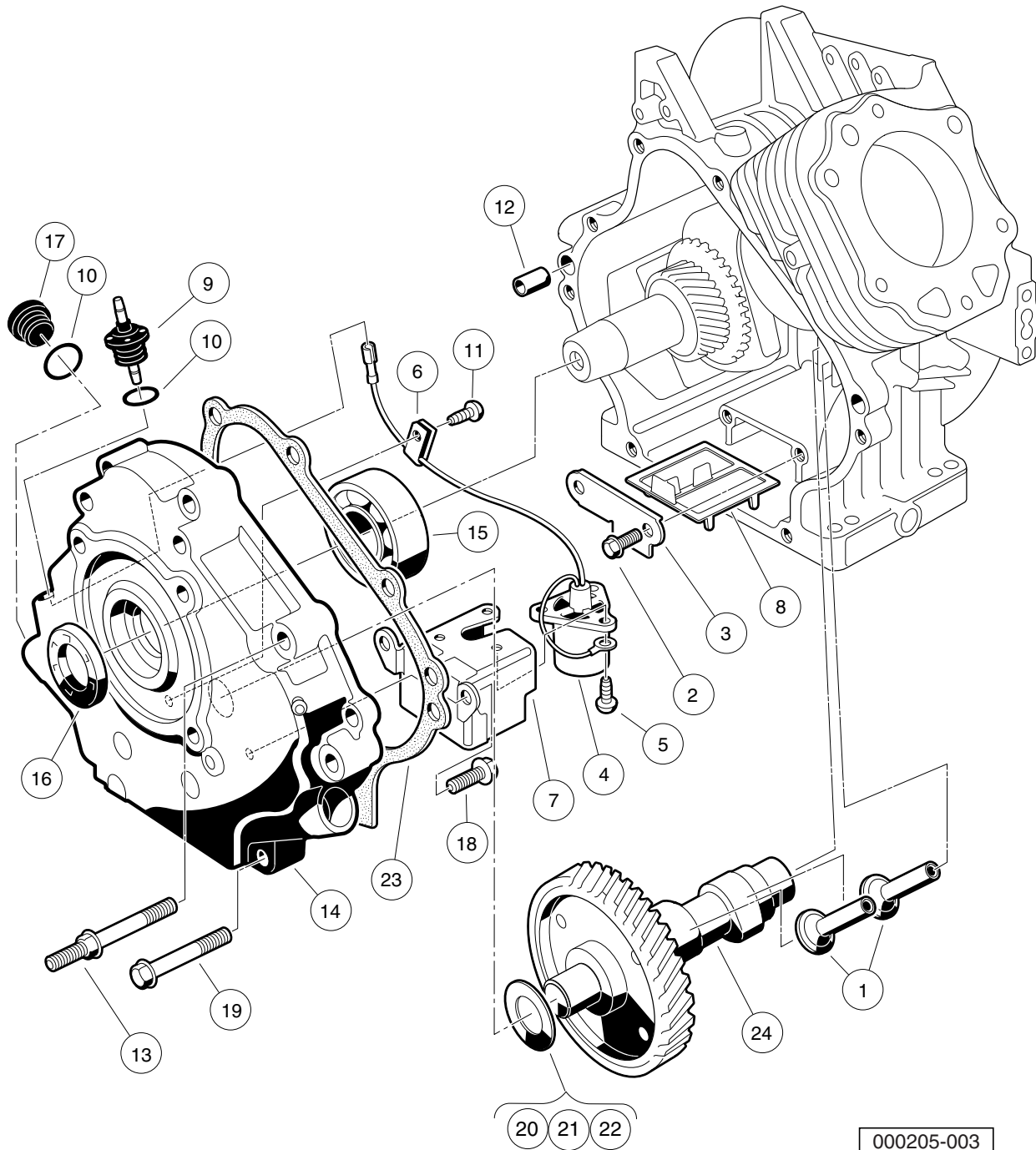
000204-007

FE350 ENGINE (S27) – CYLINDER HEAD

ITEM	PART NO.	DESCRIPTION	QTY
		1 2 3 4	
1	<u>1016436</u>	Gasket, Rocker Case	1
2	<u>1016449</u>	Retainer, Valve Spring	2
3	<u>1016450</u>	Collet	4
4	<u>1016451</u>	Arm, Rocker	2
5	<u>1016452</u>	Shaft, Rocker	1
6	<u>1016458</u>	Bolt, Flange Head, M8 x 1.25 x 45 mm	6
7	<u>1016474</u>	Plate	1
8	<u>1016479</u>	Seat, Spring	2
9	<u>1016483</u>	Valve	1
10	<u>1016489</u>	Stud, Two-Ended, M8-1.25	2
11	<u>1016517</u>	Circlip, Type-E	1
12	<u>1016542</u>	Screw	2
13	<u>1016544</u>	Screw	1
14	<u>1016545</u>	Nut	2
15	<u>1016549</u>	Washer, 12.1x19x1.8	1
16	<u>1016563</u>	Pin	2
17	<u>1016566</u>	Seal, Oil	2
18	<u>1016569</u>	O-Ring	2
19	<u>1016583</u>	Bolt, 6x35	2
20	<u>1017434</u>	Gasket, Head	1
21	<u>1017445</u>	Valve, Exhaust	1
22	<u>1017454</u>	Rod, Push	2
23	<u>1017473</u>	Spring, Engine Valve	2
24	<u>102304801</u>	Kit, Gasket, FE350 (includes items 25 through 28)	1
25	<u>1016440</u>	Gasket, Engine to Insulator	1
26	<u>1016904</u>	Gasket, Exhaust	1
27	<u>1017434</u>	Gasket, Head	1
28	<u>1017443</u>	Gasket, Crankcase Cover	1
29	<u>102753401</u>	Case, Rocker, Fe	1
30	<u>103615601</u>	Cylinder Head (includes items 31 and 32)	1
31	<u>1016519</u>	Guide, Valve, Intake, Exhaust	2
32	<u>1016560</u>	Snap Ring	2
33	<u>103616301</u>	Valve, Intake, Hard Tip	1
		Note: Item 25 is not a component of the FE350 engine.	

10

G

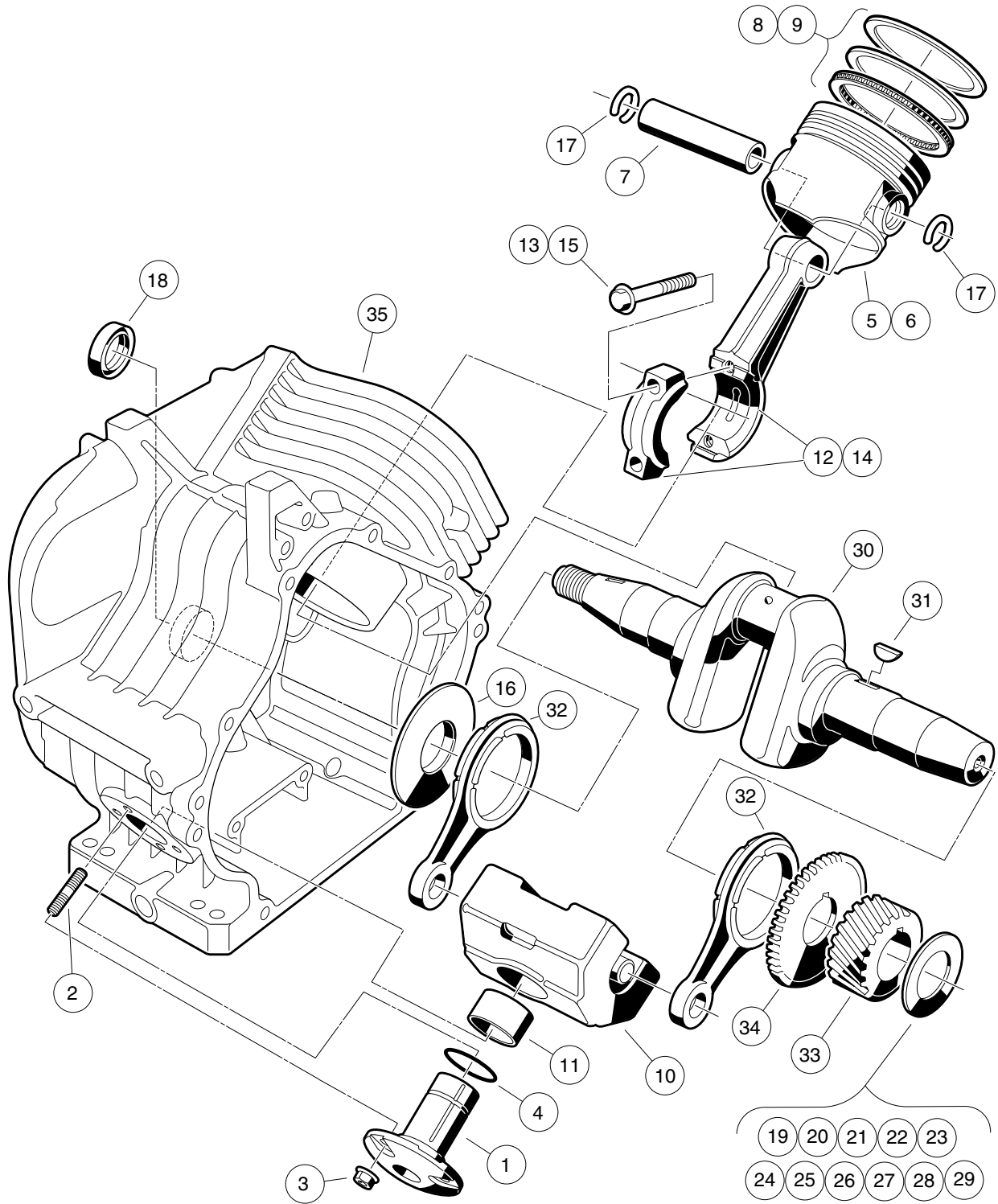


000205-003

FE350 ENGINE (S27) – CRANKCASE, CAMSHAFT, AND OIL SENSOR

ITEM	PART NO.	DESCRIPTION	QTY
		1 2 3 4	
1	1016453	Tappet	2
2	<u>1016454</u>	Bolt, Flange Head, M5 x 0.8 x 8 mm	2
3	<u>1016472</u>	Plate, Oil Filter Screen	1
4	1016494	Sensor, Oil Level	1
5	<u>1016496</u>	Screw, Cross Pan-Head, M4 x 0.7 x 8 mm	3
6	<u>1016506</u>	Clamp	1
7	<u>1016510</u>	Bracket, Switch, Oil Level	1
8	<u>1016521</u>	Screen, Oil Filter	1
9	<u>1016535</u>	Connector, Cord	1
10	<u>1016538</u>	O-Ring	2
11	<u>1016544</u>	Screw	1
12	<u>1016564</u>	Pin	2
13	<u>1016584</u>	Bolt, Two-Ended, M8 x 1.25 x 69 mm	2
14	<u>1017472</u>	Cover Crankcase	1
15	<u>1017487</u>	Bearing, Ball	1
16	<u>1017504</u>	Seal, Oil	1
17	1017508	Plug	1
18	<u>1017513</u>	Bolt Switch Bracket	2
19	<u>1017514</u>	Screw, M8-1.25 X 45mm Hex	6
20	<u>101751801</u>	Shim, 0.3	1
21	<u>101751802</u>	Shim, 0.4	1
22	<u>101751803</u>	Shim, 0.5	1
23	<u>103615901</u>	Gasket, Crankcase Cover	1
24	<u>103616401</u>	Camshaft, Complete	1

10
G



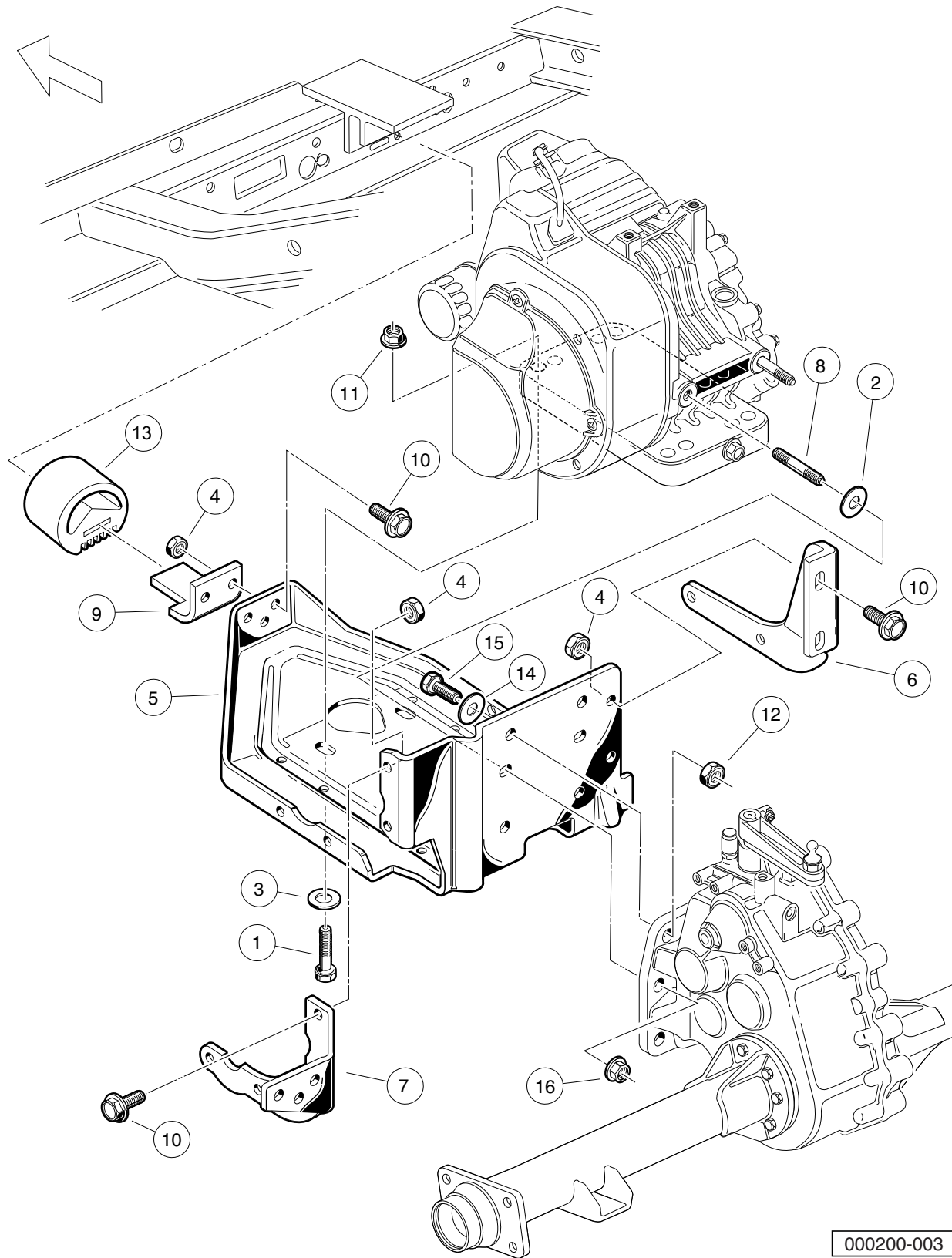
000206-003

FE350 ENGINE (S27) – CRANKCASE AND CRANKSHAFT

ITEM	PART NO.	DESCRIPTION	QTY
		1 2 3 4	
1	1016470	Shaft, Guide, Counterbalance	1
2	<u>1016541</u>	Stud, 6x14	4
3	1016547	Nut, Flanged, M6 X 1.00	4
4	<u>1016571</u>	O-Ring	1
5	<u>101744901</u>	Piston, Standard	1
6	<u>101744902</u>	Piston, 0.50 mm Oversize	1
7	1017450	Pin, Piston	1
8	<u>101745101</u>	Ring Set, Standard Piston	1
9	<u>101745102</u>	Ring Set, Piston, 0.50 mm Oversize	1
10	<u>1017453</u>	Counterbalance Weight (includes item 11)	1
11	1017510	Bearing, Plain	1
12	101745701	Asm, Con. Rod Std (includes item 13)	1
13	<u>1017512</u>	Bolt	2
14	<u>101745702</u>	Asm,Con.Rod 0.5mm U/s (includes item 15)	1
15	<u>1017512</u>	Bolt	2
16	1017501	Spacer	1
17	<u>1017502</u>	Snap Ring	2
18	<u>1017503</u>	Seal, Oil	1
19	<u>101773301</u>	Shim, Crankshaft, 1.18mm	1
20	<u>101773302</u>	Shim, Crankshaft, 1.25mm	1
21	<u>101773303</u>	Shim, Crankshaft, 1.32mm	1
22	<u>101773304</u>	Shim, Crankshaft, 1.39mm	1
23	<u>101773305</u>	Shim, Crankshaft, 1.46mm	1
24	<u>101773306</u>	Shim, Crankshaft, 1.53mm	1
25	<u>101773307</u>	Shim, Crankshaft, 1.60mm	1
26	<u>101773308</u>	Shim, Crankshaft, 1.67mm	1
27	<u>101773309</u>	Shim, Crankshaft, 1.74mm	1
28	<u>101773310</u>	Shim, Crankshaft, 1.11 mm	1
29	<u>101773311</u>	Shim, Crankshaft, 1.81mm	1
30	<u>102430901</u>	Crankshaft, FE350 Left-Hand, 22-Tooth (includes items 31 through 34)	1
31	<u>1016562</u>	Key	1
32	<u>1017471</u>	Rod	2
33	N/A	Gear, Helical	1
34	N/A	Gear, Spur	1
35	<u>103615801</u>	Crankcase, FE350	1

10
G

10
G



000200-003

FE350 ENGINE (S27) – MOUNTING

ITEM	PART NO.	DESCRIPTION	QTY
		1 2 3 4	
1	<u>1010577</u>	Bolt, Hex-Head, 5/16-18 X 1.50	4
2	<u>1011697</u>	Washer, 5/16 Flat	2
3	1012571	Washer, 5/16 Extra Thick Flat	4
4	<u>1013924</u>	Nut, 5/16-24, Hex Head Cone	10
5	<u>101827101</u>	Plate, Engine Mounting	1
6	<u>101832601</u>	Stiffener (PTO Side)	1
7	<u>101832701</u>	Stiffener (Flywheel Side)	1
8	<u>101833101</u>	Stud, M8-1.25 X 50 mm Two-Ended	2
9	<u>101834601</u>	Bracket, Snubber	1
10	<u>101884801</u>	Screw, 5/16-24 X 0.875, Grade-8	10
11	<u>101963401</u>	Locknut, 5/16-18 Hex Flange	4
12	<u>102065901</u>	Locknut, 3/8-16 Flanged Dimple	4
13	<u>102540301</u>	Snubber, Inner Frame	1
14	<u>334</u>	Washer, 3/8, Type A, Flat	4
15	705	Screw, Cap-hex Hd 3/8-16x1.25	4
16	<u>96704416</u>	Nut, Flange, M8 X 1.25 Serrated	2

10

G

10

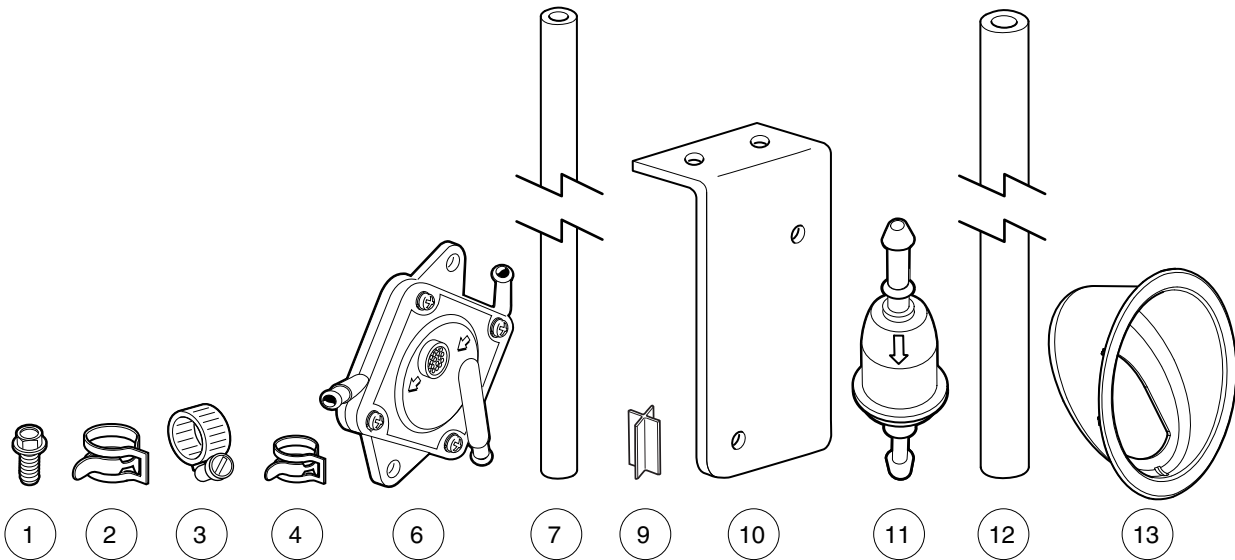
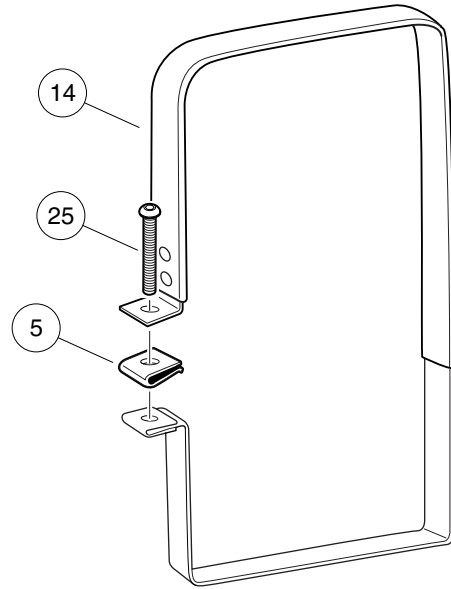
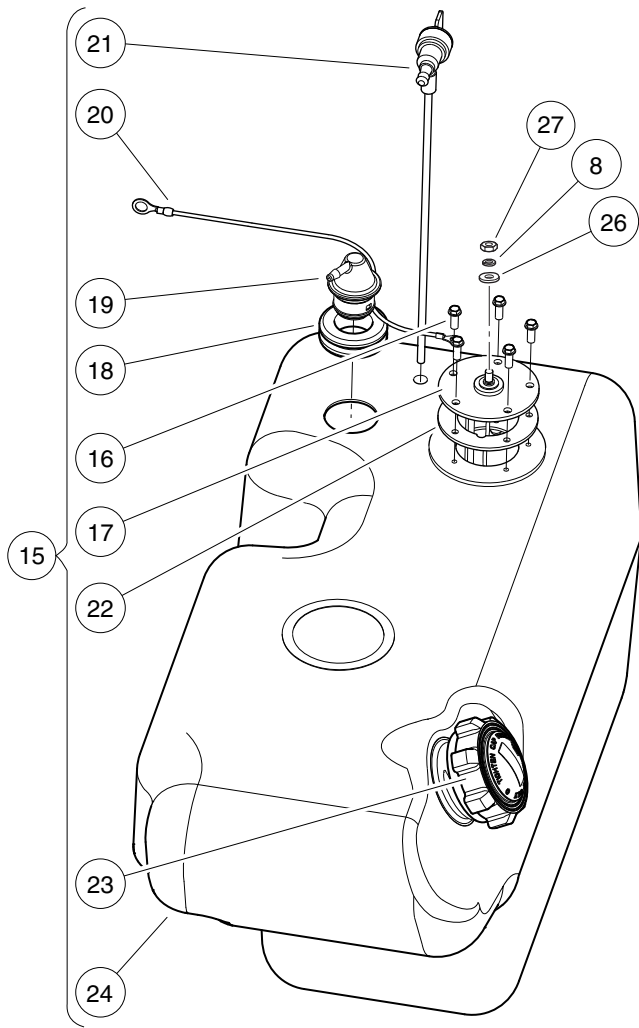
G

FUEL, INTAKE, AND GOVERNOR SYSTEMS

11

G

11
G



001072-001

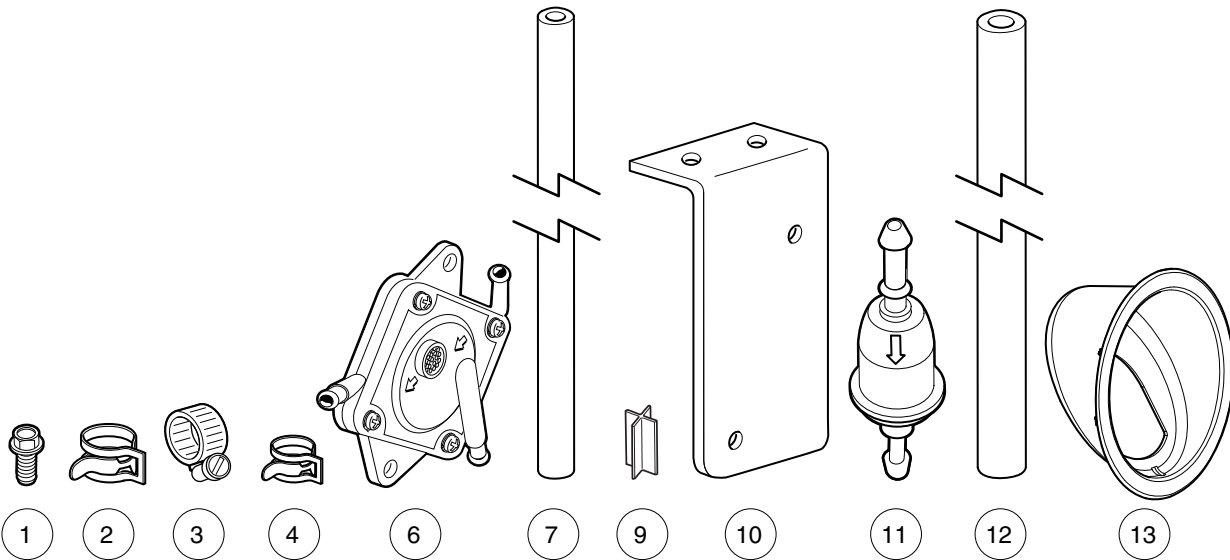
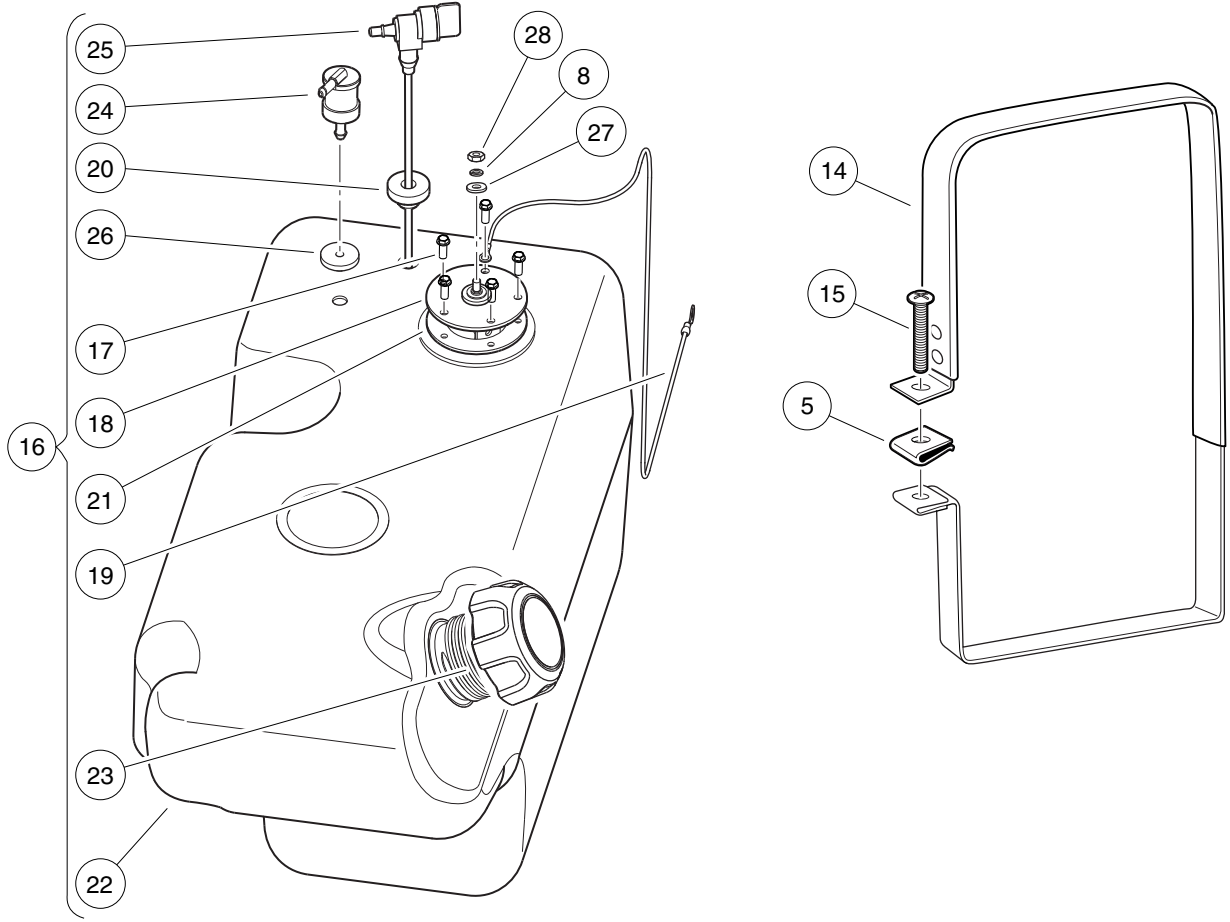
FUEL SYSTEM – 49 STATE

ITEM	PART NO.	DESCRIPTION	QTY
		1 2 3 4	
1	<u>1012285</u>	Screw, 1/4 X 0.625 Hex-Head	4
2	<u>1012649</u>	Clamp, 0.460 Red Hose	8
3	<u>1013687</u>	Clamp, 3/8" Hose (screw type)	1
4	<u>1013746</u>	Clamp, 0.301 ID Hose	2
5	<u>1014116</u>	Nut, 1/4-20 Speed	1
6	<u>1014523</u>	Pump, Impulse Fuel	1
7	<u>1015137</u>	Fuel Line, 3/16 (available by the foot)	A/R
8	<u>1016</u>	Lockwasher, #10 Split	1
9	<u>101824401</u>	Vent Barb	1
10	<u>101929501</u>	Mount Fuel Pump	1
11	<u>102003201</u>	Filter, Fuel, 30 Micron	2
12	<u>102865101</u>	Fuel Line, 1/4 (available by the foot)	A/R
13	<u>102977901</u>	Bezel, Fuel Fill, 5.0 Dia	1
14	<u>102978001</u>	Strap, Fuel Tank, Side Fill	1
15	<u>103187601</u>	Asm, Fuel Tank, Side Fill, Su (includes items 16 through 24)	1
16	<u>1013461</u>	Screw, #10-16 Hex-Head Hi-Lo	5
17	<u>1013462</u>	Sending Unit, Fuel Level *	1
18	<u>1015139</u>	Insulation Grommet	1
19	<u>1015143</u>	Vent, Fuel Tank	1
20	<u>1015921</u>	Wire Assembly #16 Black	1
21	<u>102513701</u>	Valve - Fuel Pickup Tube	1
22	<u>102522001</u>	Gasket, Rubber	1
23	<u>102751601</u>	Cap, Fuel Tank, Gasoline	1
24	<u>102974201</u>	Tank, Fuel, Side Fill	1
25	<u>103306301</u>	Screw, Bhsc, 1/4-20 X 2.0	1
26	<u>183</u>	Washer, #10, Type A, Flat	1
27	<u>8797</u>	Nut, #10-32 Brass Hex	1
		* Note: Must replace fuel sending unit gasket when servicing this component.	

11

G

11
G



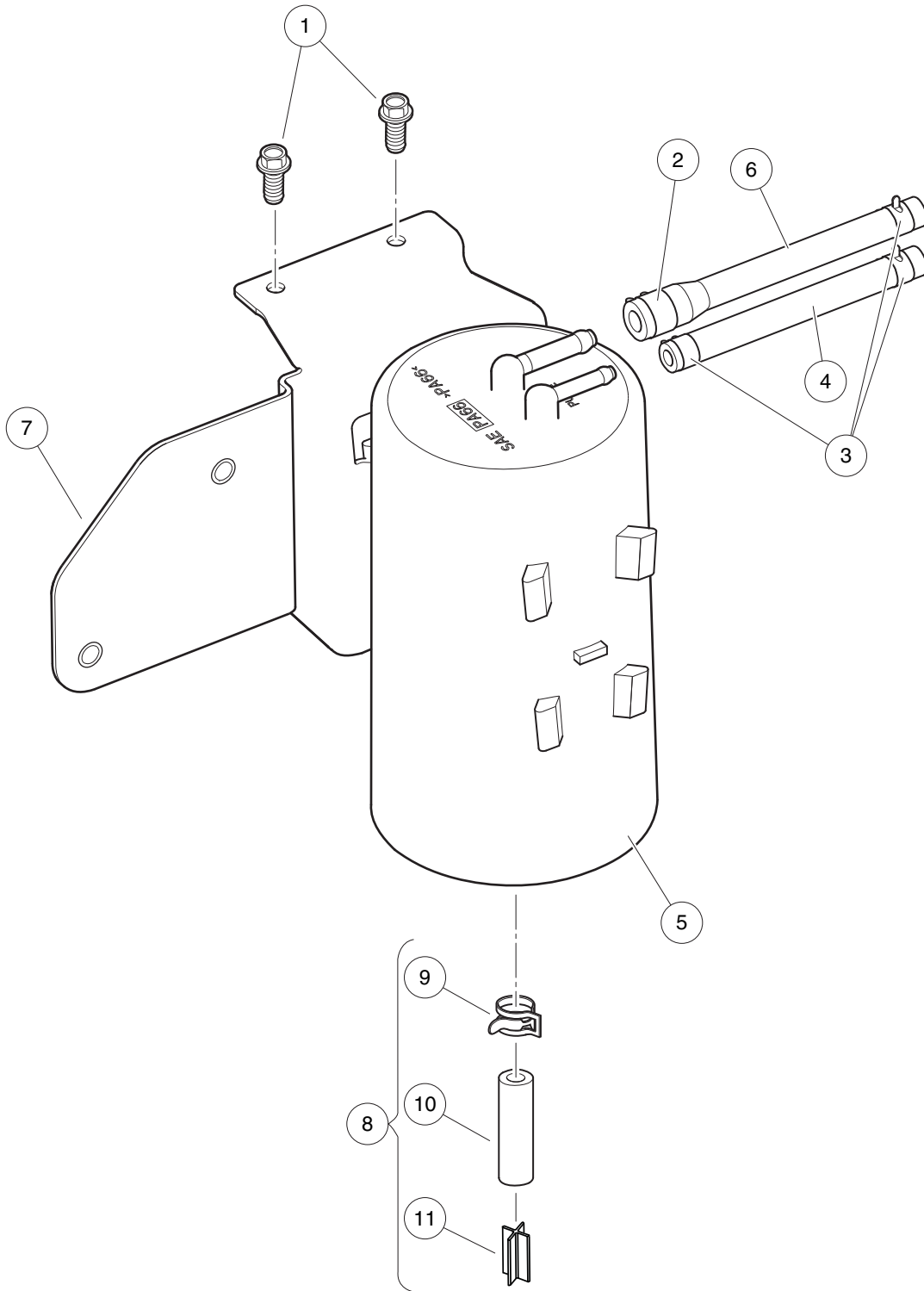
001072-002

FUEL SYSTEM – CALIFORNIA ONLY

ITEM	PART NO.	DESCRIPTION	QTY
		1 2 3 4	
1	<u>1012285</u>	Screw, 1/4 X 0.625 Hex-Head	4
2	<u>1012649</u>	Clamp, 0.460 Red Hose	8
3	<u>1013687</u>	Clamp, 3/8" Hose (screw type)	1
4	<u>1013746</u>	Clamp, 0.301 ID Hose	2
5	<u>1014116</u>	Nut, 1/4-20 Speed	1
6	<u>1014523</u>	Pump, Impulse Fuel	1
7	<u>1015137</u>	Fuel Line, 3/16 (available by the foot)	A/R
8	<u>1016</u>	Lockwasher, #10 Split	1
9	<u>101824401</u>	Vent Barb	1
10	<u>101929501</u>	Mount Fuel Pump	1
11	<u>102003201</u>	Filter, Fuel, 30 Micron	2
12	<u>102865101</u>	Fuel Line, 1/4 (available by the foot)	A/R
13	<u>102977901</u>	Bezel, Fuel Fill, 5.0 Dia	1
14	<u>102978001</u>	Strap, Fuel Tank, Side Fill	1
15	<u>103306301</u>	Screw, Bhsc, 1/4-20 X 2.0	1
16	<u>103369101</u>	Asm, Fuel Tank,side Fill,nano (includes items 17 through 26)	1
17	<u>1013461</u>	Screw, #10-16 Hex-Head Hi-Lo	5
18	<u>1013462</u>	Sending Unit, Fuel Level *	1
19	<u>1015921</u>	Wire Assembly #16 Black	1
20	<u>102406701</u>	Bushing, Line, Return	1
21	<u>102522001</u>	Gasket, Rubber	1
22	N/A	Tank, Fuel,side Fill,nano	1
23	<u>103372101</u>	Cap, Fuel Tank, Gas, Ratchet	1
24	<u>103372201</u>	Vent, Fuel Tank, W/ Valve	1
25	<u>103372301</u>	Valve, Fuel, 259mm	1
26	<u>103374701</u>	Grommet, Fuel Tank Vent	1
27	<u>183</u>	Washer, #10, Type A, Flat	1
28	<u>8797</u>	Nut, #10-32 Brass Hex	1
		* Note: Must replace fuel sending unit gasket when servicing this component.	

11

G

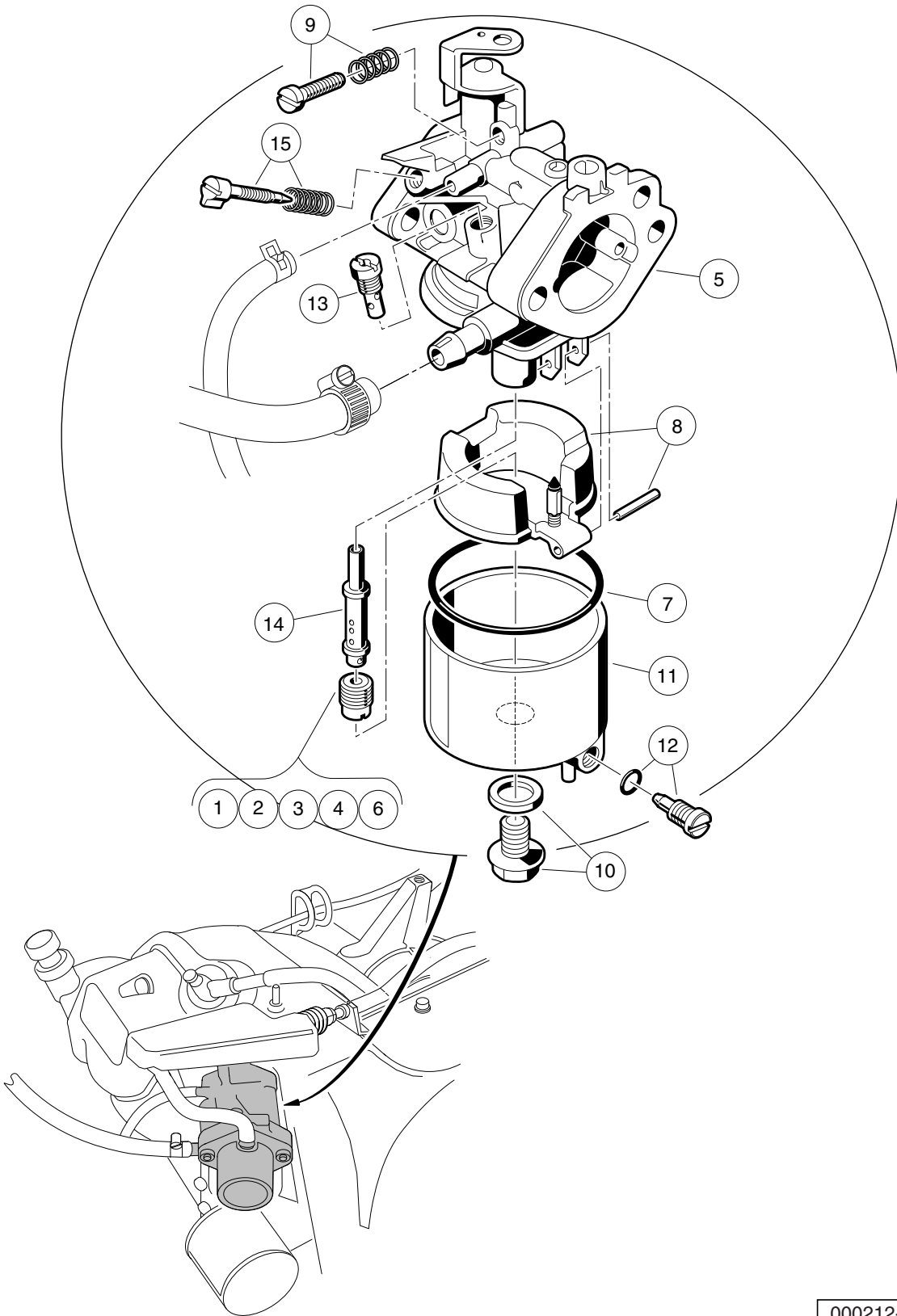


000980-007

CARBON CANISTER – CALIFORNIA ONLY

ITEM	PART NO.	DESCRIPTION	QTY
		1 2 3 4	
1	<u>1012285</u>	Screw, 1/4 X 0.625 Hex-Head	2
2	<u>101313402</u>	Clamp, Green Hose	1
3	<u>1013746</u>	Clamp, 0.301 ID Hose	3
4	<u>1015137</u>	Fuel Line, 3/16 (available by the foot)	A/R
5	<u>103372401</u>	Canister, Carbon	1
6	<u>103372501</u>	Hose, Vent, Flare, 4.7"	1
7	<u>103372801</u>	Bracket, Carbon Canister, Sw	1
8	<u>103418601</u>	Asm, Vent Line, Utility (includes items 9 through 11)	1
9	<u>1012649</u>	Clamp, 0.460 Red Hose	1
10	N/A	Hose, Vent, 5/16 I.D., Bulk	A/R
11	N/A	Vent, Barb, 5/16 I.D. Hose	1

11
G



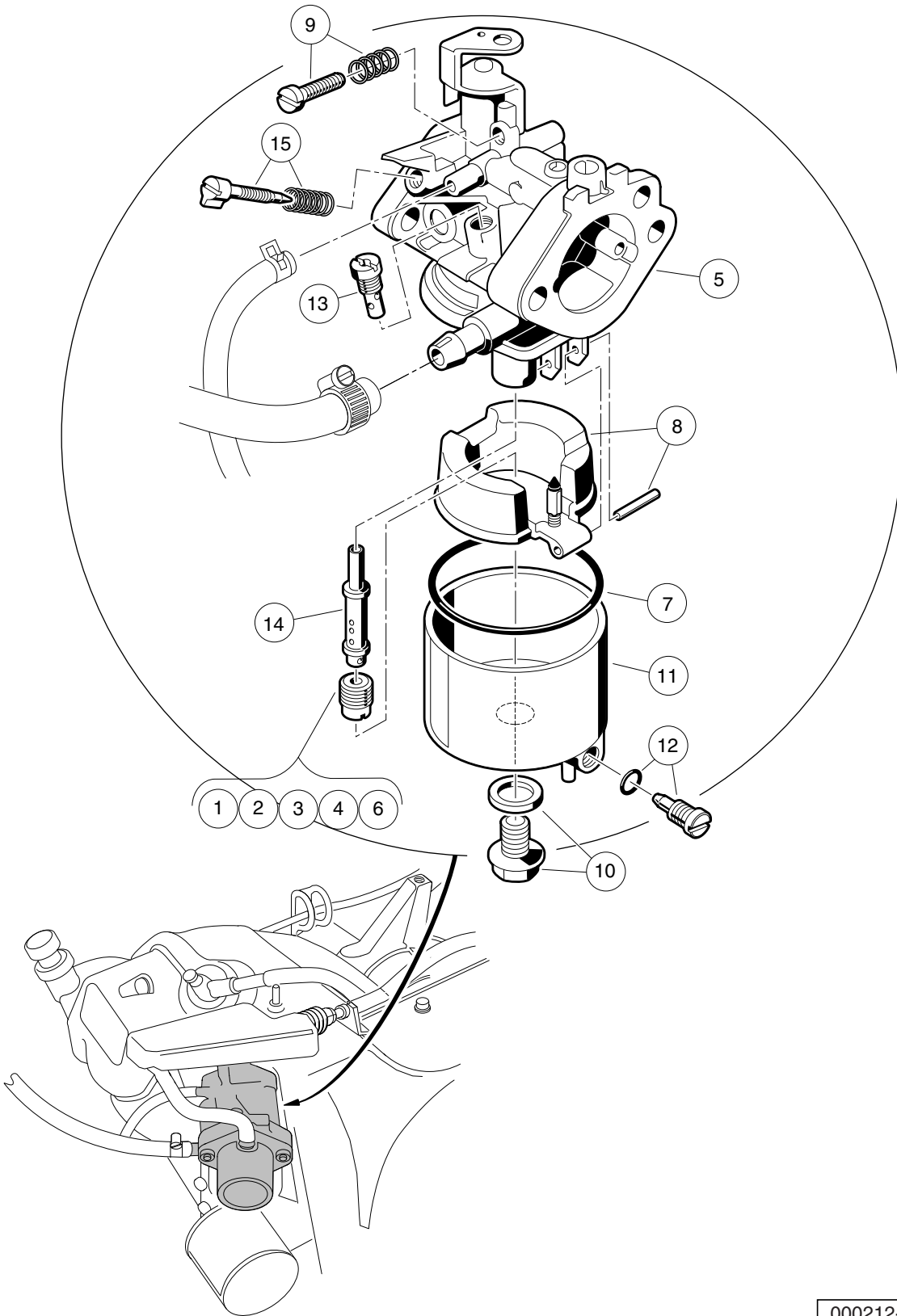
000212-001

CARBURETOR ASSEMBLY, FE350 S10 AND S11

ITEM	PART NO.	DESCRIPTION	QTY
		1 2 3 4	
1	<u>101642575</u>	Jet, Altitude, # 75	1
2	<u>101642578</u>	Jet, Altitude, # 78	1
3	<u>101642580</u>	Jet, Altitude, # 80	1
4	<u>101642582</u>	Jet, Altitude, # 82	1
5	<u>103524501</u>	Carburetor, Fe350d Hs (includes items 6 through 15)	1
6	<u>101642585</u>	Jet, Altitude, # 85	1
7	<u>1016437</u>	Gasket, Carburetor Bowl OHV	1
8	<u>1016486</u>	Float Assembly	1
9	<u>1016501</u>	Screw Assembly	1
10	<u>1016585</u>	Bolt	1
11	<u>1017461</u>	Chamber Assembly, Float (includes item 12)	1
12	<u>1016499</u>	Screw Assembly	1
13	<u>101973101</u>	Jet, #40 Pilot	1
14	<u>101973301</u>	Nozzle, Main	1
15	N/A	Assembly, Pilot Air Screw	1
<p>Note: <u>103524501</u> Carburetor Assy is backwards compatible for the S11 Engines. Jets: <u>101642585</u> for 0 - 3,000 feet; <u>101642582</u> for 3,000 - 5,000 feet; <u>101642580</u> for 5,000 - 8,000 feet; <u>101642578</u> for 8,000 - 10,000 feet; <u>101642575</u> for 10,000 feet and higher.</p>			

11

G



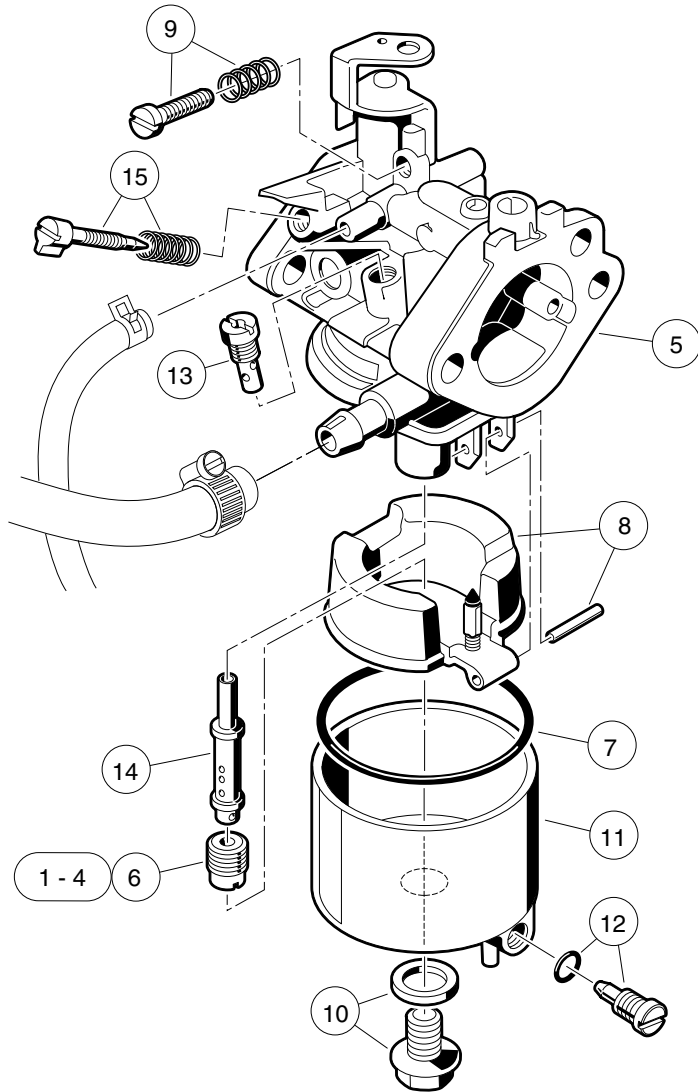
000212-001

CARBURETOR ASSEMBLY, FE350 S23 AND S24

ITEM	PART NO.	DESCRIPTION	QTY
		1 2 3 4	
1	<u>101642575</u>	Jet, Altitude, # 75	1
2	<u>101642578</u>	Jet, Altitude, # 78	1
3	<u>101642580</u>	Jet, Altitude, # 80	1
4	<u>101642582</u>	Jet, Altitude, # 82	1
5	<u>101905901</u>	Carburetor, FE350D (includes items 6 through 15)	1
6	<u>101642585</u>	Jet, Altitude, # 85	1
7	<u>1016437</u>	Gasket, Carburetor Bowl OHV	1
8	<u>1016486</u>	Float Assembly	1
9	<u>1016501</u>	Screw Assembly	1
10	<u>1016585</u>	Bolt	1
11	<u>1017461</u>	Chamber Assembly, Float (includes item 12)	1
12	<u>1016499</u>	Screw Assembly	1
13	<u>101973101</u>	Jet, #40 Pilot	1
14	<u>101973301</u>	Nozzle, Main	1
15	N/A	Assembly, Pilot Air Screw	1
<p>Note: Jets- <u>101642585</u> for 0 - 3,000 feet; <u>101642582</u> for 3,000 - 5,000 feet; <u>101642580</u> for 5,000 - 8,000 feet; <u>101642578</u> for 8,000 - 10,000 feet; <u>101642575</u> for 10,000 feet and higher.</p>			

11

G



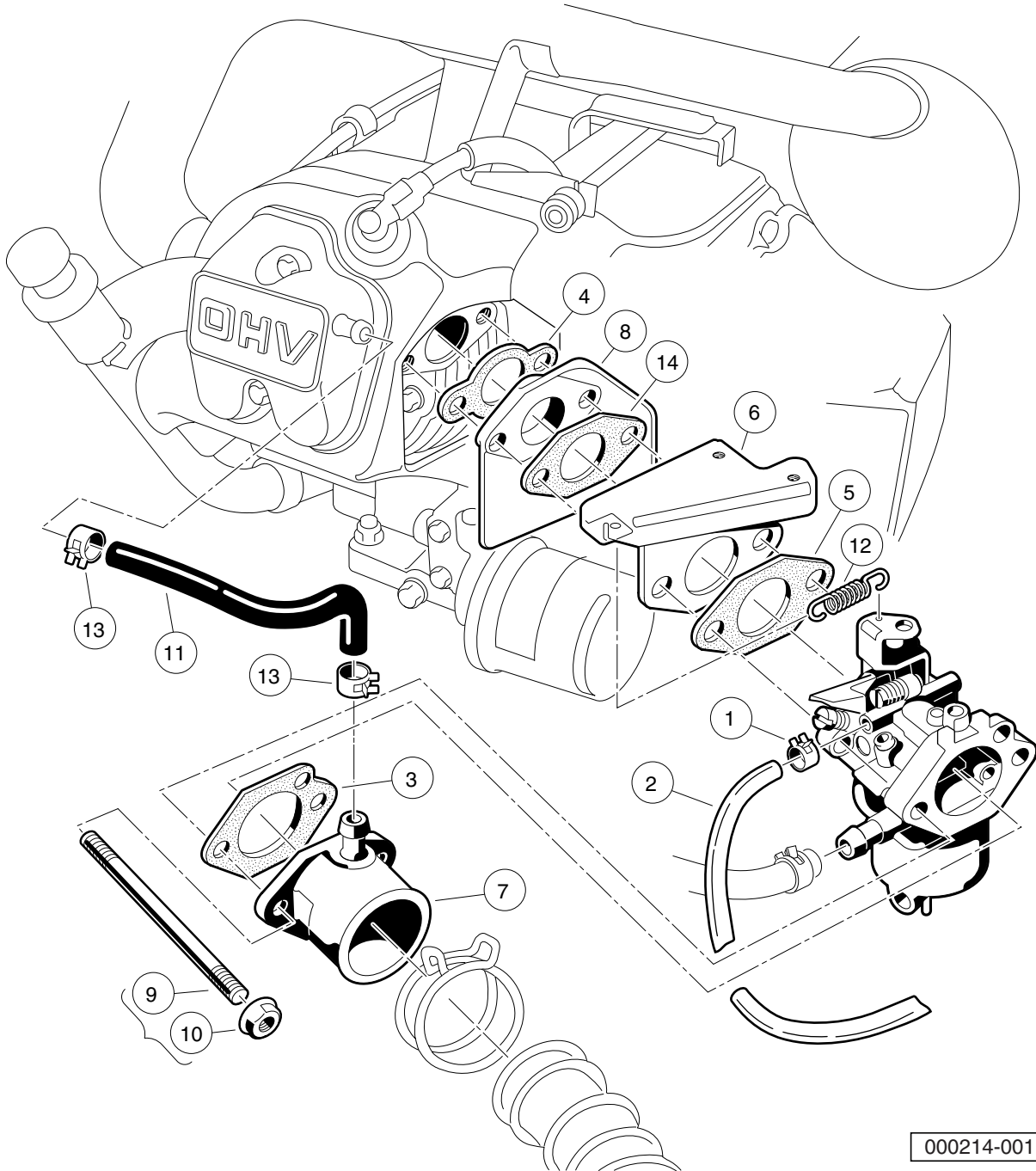
000212-002

CARBURETOR ASSEMBLY – FE350 S27

ITEM	PART NO.	DESCRIPTION	QTY
		1 2 3 4	
1	<u>101642575</u>	Jet, Altitude, # 75	1
2	<u>101642578</u>	Jet, Altitude, # 78	1
3	<u>101642580</u>	Jet, Altitude, # 80	1
4	<u>101642582</u>	Jet, Altitude, # 82	1
5	<u>103617101</u>	Carburetor, FE350 S27 (includes items 6 through 15)	1
6	<u>101642585</u>	Jet, Altitude, # 85	1
7	<u>1016437</u>	Gasket, Carburetor Bowl OHV	1
8	<u>1016486</u>	Float Assembly	1
9	<u>1016501</u>	Screw Assembly	1
10	<u>1016585</u>	Bolt	1
11	<u>1017461</u>	Chamber Assembly, Float (includes item 12)	1
12	<u>1016499</u>	Screw Assembly	1
13	<u>101973101</u>	Jet, #40 Pilot	1
14	<u>101973301</u>	Nozzle, Main	1
15	N/A	Assembly, Pilot Air Screw	1
Note: <u>101642585</u> for 0 - 3,200 feet; <u>101642582</u> for 3,200 - 6,500 feet; <u>101642580</u> for 6,500 - 9,800 feet; <u>101642578</u> for 9,800 feet and above.			

11

G

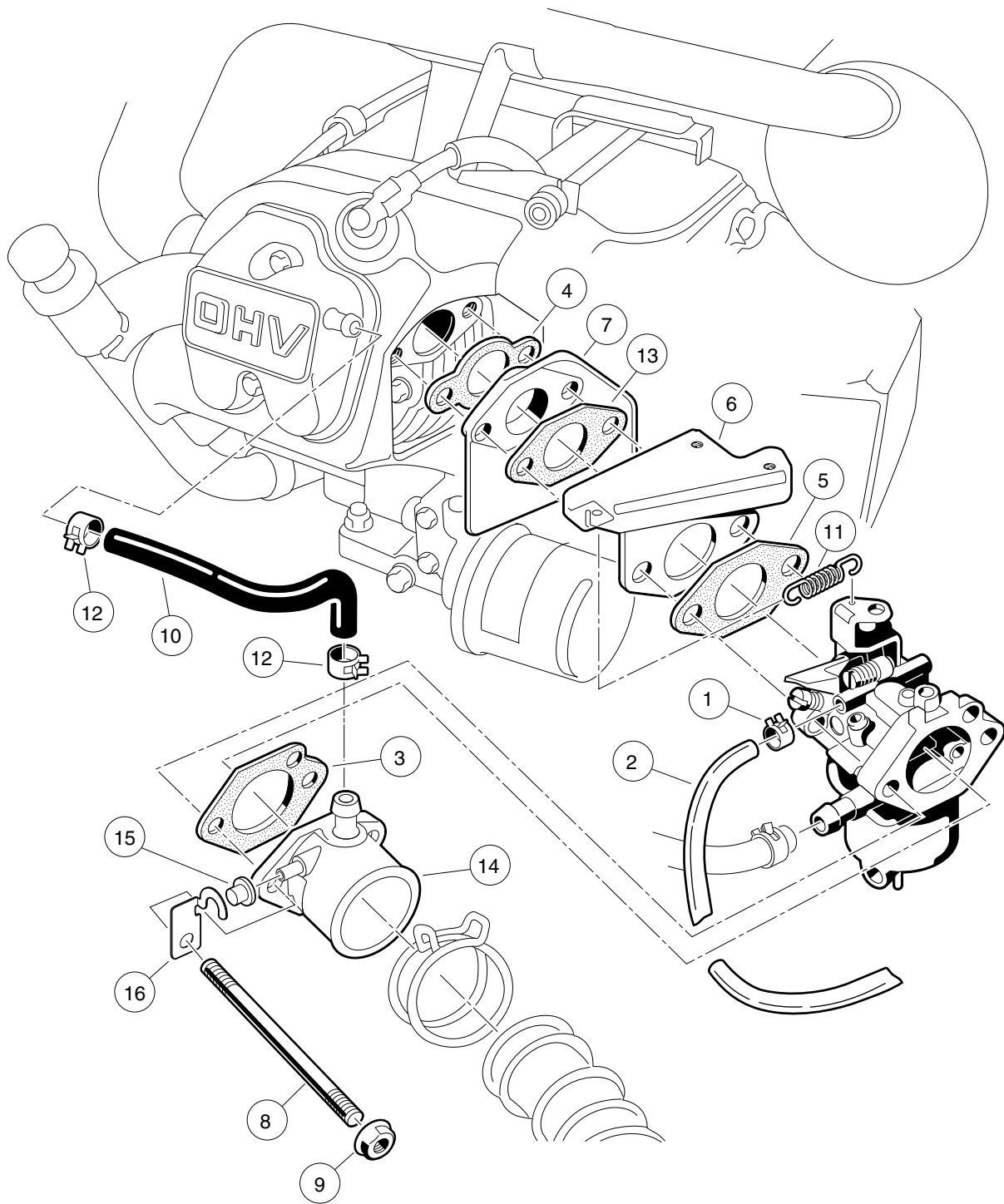


000214-001

CARBURETOR MOUNTING, UTILITY, FE350 S10 AND S11

ITEM	PART NO.	DESCRIPTION	QTY
		1 2 3 4	
1	<u>1013746</u>	Clamp, 0.301 ID Hose	1
2	<u>1015137</u>	Fuel Line, 3/16 (available by the foot)	1
3	<u>1016438</u>	Gasket, Carb To Intake Manifold	1
4	<u>1016440</u>	Gasket, Engine to Insulator	1
5	<u>1016441</u>	Gasket, Sprg Brkt To Carb OHV	1
6	<u>1016444</u>	Bracket, Throttle Spring Return	1
7	1016480	Pipe, Intake Manifold	1
8	101648102	Insulator, Carburetor	1
9	<u>101649002</u>	Stud, M6-1.00 Two-Ended	2
10	1016547	Nut, M6 Flange	2
11	<u>1016572</u>	Tube, Crankcase Vent	1
12	<u>1016582</u>	Spring, Throttle Return	1
13	<u>1017466</u>	Clamp	2
14	<u>101973401</u>	Gasket, Insulator To Bracket	1

11
G



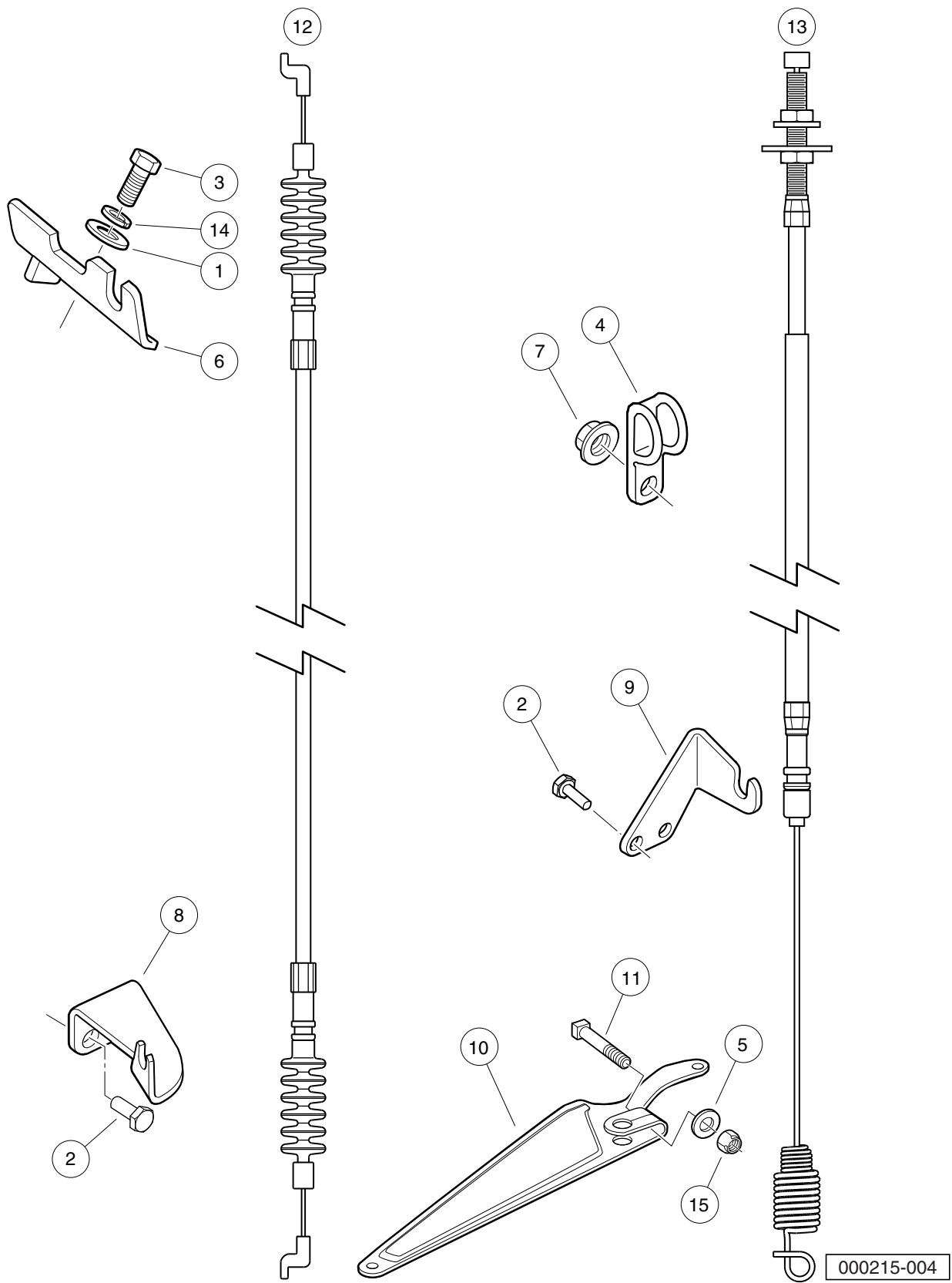
000214-002

CARBURETOR MOUNTING, UTILITY, FE350 S23 S24 S27

ITEM	PART NO.	DESCRIPTION	QTY
		1 2 3 4	
1	<u>1013746</u>	Clamp, 0.301 ID Hose	1
2	<u>1015137</u>	Fuel Line, 3/16 (available by the foot)	1
3	<u>1016438</u>	Gasket, Carb To Intake Manifold	1
4	<u>1016440</u>	Gasket, Engine to Insulator	1
5	<u>1016441</u>	Gasket, Sprg Brkt To Carb OHV	1
6	<u>1016444</u>	Bracket, Throttle Spring Return	1
7	101648102	Insulator, Carburetor	1
8	<u>101649002</u>	Stud, M6-1.00 Two-Ended	2
9	1016547	Nut, M6 Flange	2
10	<u>1016572</u>	Tube, Crankcase Vent	1
11	<u>1016582</u>	Spring, Throttle Return	1
12	<u>1017466</u>	Clamp	2
13	<u>101973401</u>	Gasket, Insulator To Bracket	1
14	103507101	Carburetor Adapter w/ Tap	1
15	103507201	Plug, Intake Manifold, Carb	1
16	103507301	Bracket, Intake Manifold, Carb	1

11
G

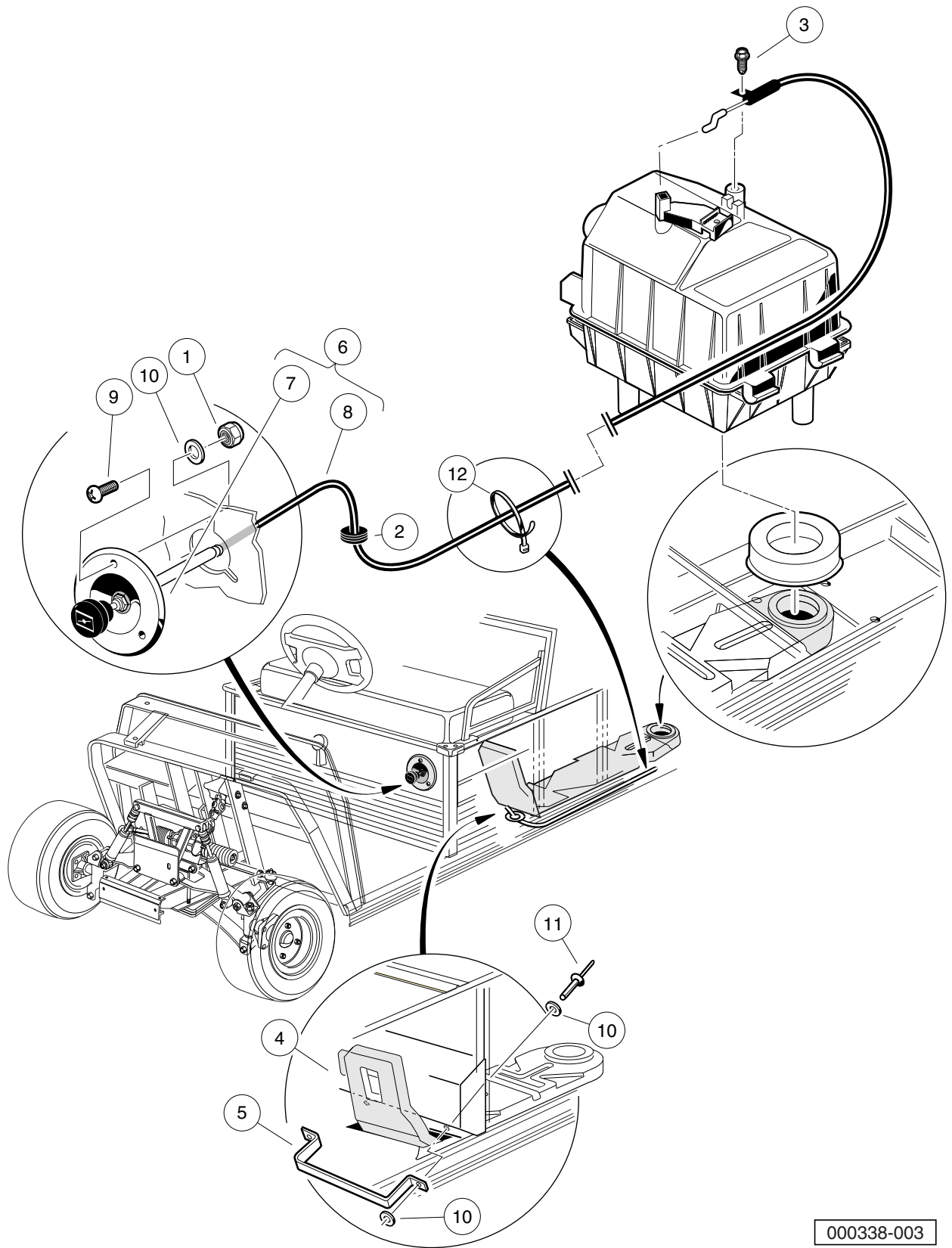
11
G



GOVERNOR AND ACCELERATOR CABLES

ITEM	PART NO.	DESCRIPTION	QTY
		1 2 3 4	
1	<u>1011697</u>	Washer, 5/16 Flat	1
2	<u>1012285</u>	Screw, 1/4 X 0.625 Hex-Head	4
3	<u>1012830</u>	Screw, M8-125 X 22 Hex-Head	1
4	<u>1013700</u>	Clamp	2
5	<u>1014007</u>	Washer, 1/4, Flat	1
6	<u>101584502</u>	Bracket, Governor Cable Snap-In	1
7	<u>1016546</u>	Nut	2
8	<u>101832202</u>	Bracket, Rear Governor Cable Snap-In	1
9	<u>101832302</u>	Bracket, Rear Accelerator Cable Snap-In	1
10	<u>101834801</u>	Arm, Governor	1
11	<u>101886101</u>	Screw, 1/4-20 X 1.00, Square-Head	1
12	<u>102336001</u>	Cable, Governor, Snap-In	1
13	<u>102336101</u>	Cable, Accelerator, Snap-In	1
14	<u>7174</u>	Lockwasher, 5/16 Split	1
15	<u>8233</u>	Locknut, 1/4-20, Nylon Insert	1

11
G



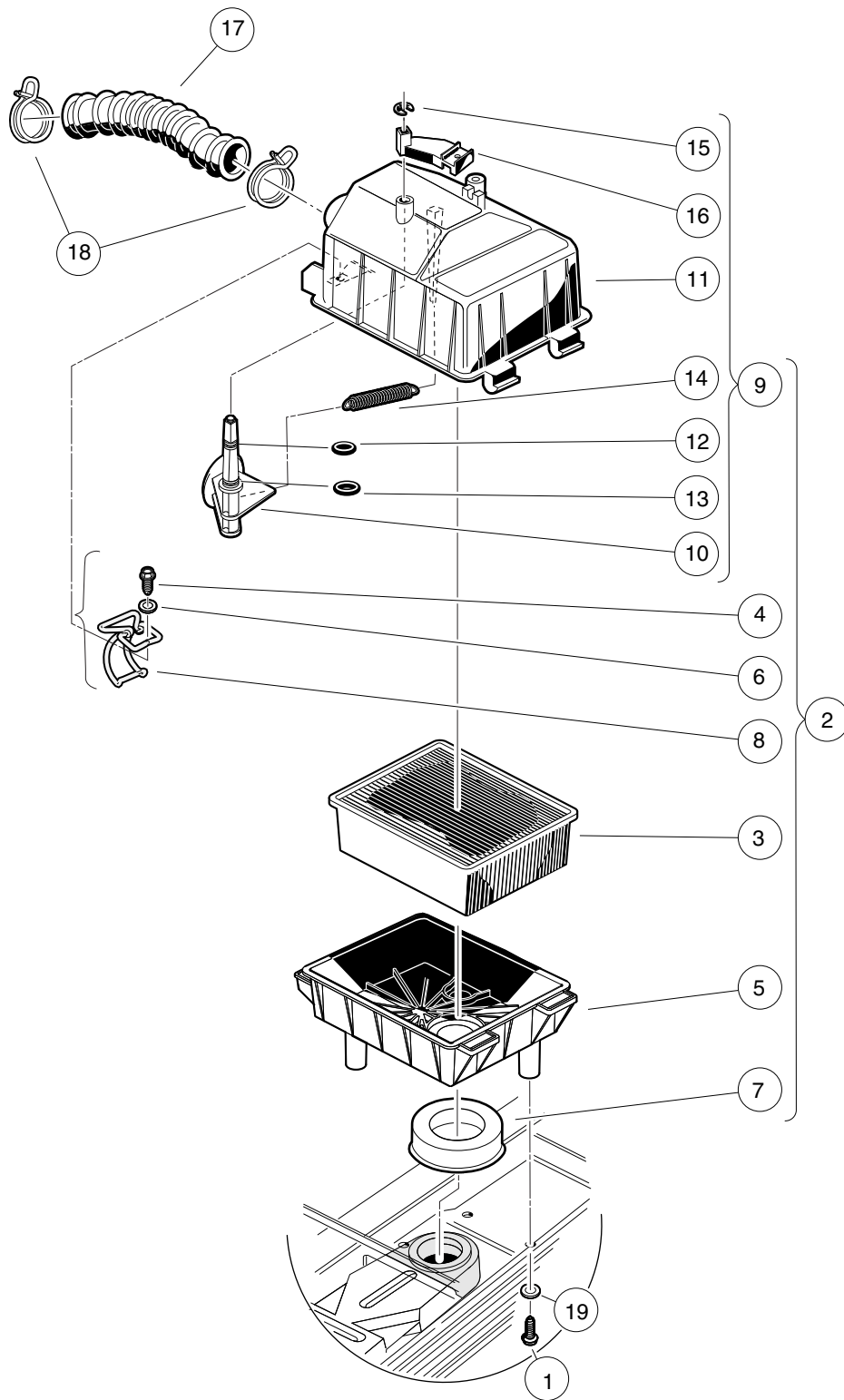
000338-003

AIR INTAKE DUCT AND CHOKE CABLE – TURF/CARRYALL 6

ITEM	PART NO.	DESCRIPTION	QTY
		1 2 3 4	
1	<u>1012438</u>	Locknut, #10-24 Nylon Insert	3
2	<u>1015139</u>	Insulation Grommet	1
3	<u>101804301</u>	Screw, #8 X 0.500, Hex-Head Hi-Lo	1
4	<u>101811301</u>	Duct, Intake	1
5	<u>101825701</u>	Retaining Bracket	1
6	<u>101926802</u>	Cable, Choke (includes items 7 and 8)	1
7	<u>101933701</u>	Bezel, Choke Cable	1
8	N/A	Choke Cable without Bezel, Long	1
9	<u>1631</u>	Screw, #10-24 X 0.75 Phillips Pan-Head	3
10	<u>183</u>	Washer, #10, Type A, Flat	7
11	<u>7973</u>	Rivet, 3/16 X .400 Blind	2
12	<u>8639</u>	Tie Wrap, 11" Nylon	2

11

G



000332-001

AIR FILTER AND INTAKE HOSE

ITEM	PART NO.	DESCRIPTION	QTY
		1 2 3 4	
1	<u>1015752</u>	Screw, #12-16 X 0.625, Hi-Lo	3
2	<u>101821501</u>	Assembly, Air Box (includes items 3 through 9)	1
3	<u>1015426</u>	Filter, Air	1
4	<u>101804301</u>	Screw, #8 X 0.500, Hex-Head Hi-Lo	2
5	<u>101811901</u>	Bottom, Air Box	1
6	<u>101881701</u>	Washer, #8 Stainless-Steel Flat	2
7	<u>101921501</u>	Seal, Intake	1
8	<u>101925701</u>	Latch, Wireform	2
9	<u>101972801</u>	Top Assy, Air Box (includes items 10 through 16)	1
10	N/A	Valve, Choke	1
11	N/A	Top, Air Box	1
12	N/A	O-Ring, 5/16	1
13	N/A	O-Ring, 3/8	1
14	<u>101812301</u>	Spring, Extension Return	1
15	<u>101813001</u>	Retaining Ring 0.25, Shaft	1
16	<u>101917601</u>	Lever, Choke	1
17	<u>101837101</u>	Hose, Air Intake	1
18	<u>101971301</u>	Clamp, 1.58" ID Hose	2
19	<u>332</u>	Washer, 1/4 Type A Narrow Flat	3

11
G

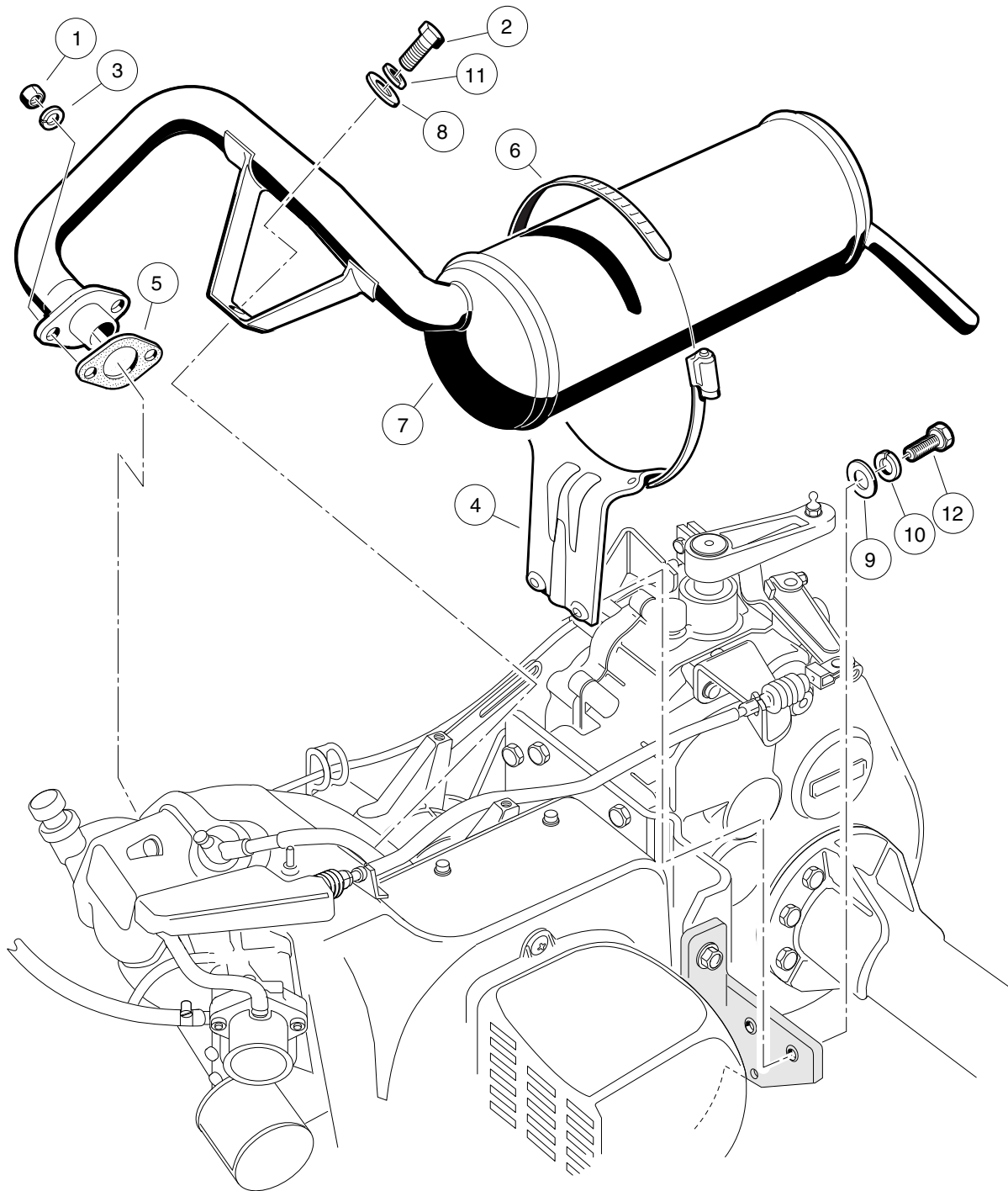
11

G

EXHAUST SYSTEM

12

G



000209-001

EXHAUST SYSTEM – FE350 ENGINE

ITEM	PART NO.	DESCRIPTION	QTY
		1 2 3 4	
1	<u>1012528</u>	Nut, M8-1.25 Hex	2
2	<u>1012830</u>	Screw, M8-125 X 22 Hex-Head	1
3	<u>1013734</u>	Lockwasher, 8mm Split	2
4	<u>1015814</u>	Bracket, Muffler Mounting	1
5	<u>1016904</u>	Gasket, Exhaust	1
6	1017689	Clamp, 5" Muffler Hose	1
7	<u>101859401</u>	Exhaust System, FE350	1
8	<u>1241</u>	Washer, 5/16 Type A Flat	1
9	<u>332</u>	Washer, 1/4 Type A Narrow Flat	2
10	<u>451</u>	Lockwasher, 1/4 Split	2
11	<u>7174</u>	Lockwasher, 5/16 Split	1
12	<u>7847</u>	Screw, 1/4-20 X 0.75 Hex-Head Cap	2

12
G

12

G

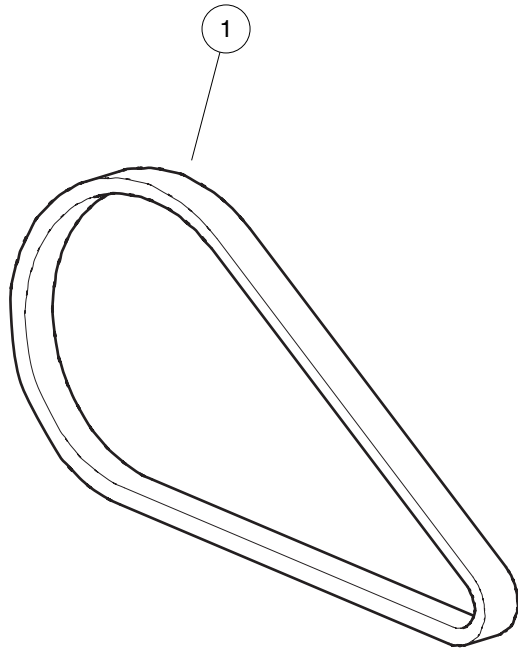
DRIVE BELT AND CLUTCHES

13

G

13

G

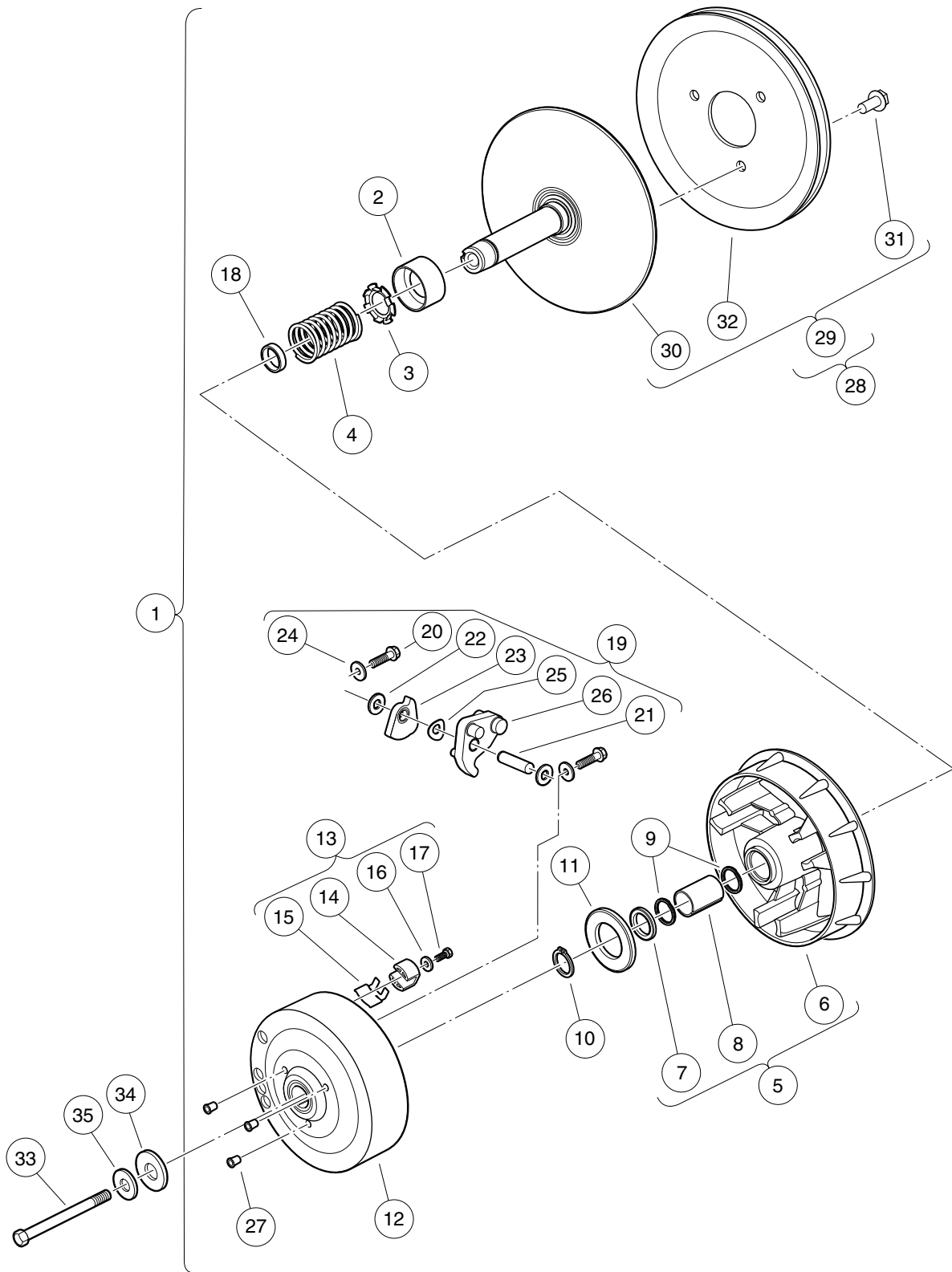


000918-001

DRIVE BELT

ITEM	PART NO.	DESCRIPTION	QTY
1	<u>1017188</u>	1 2 3 4 Belt, Drive (FE350)	1

13
G



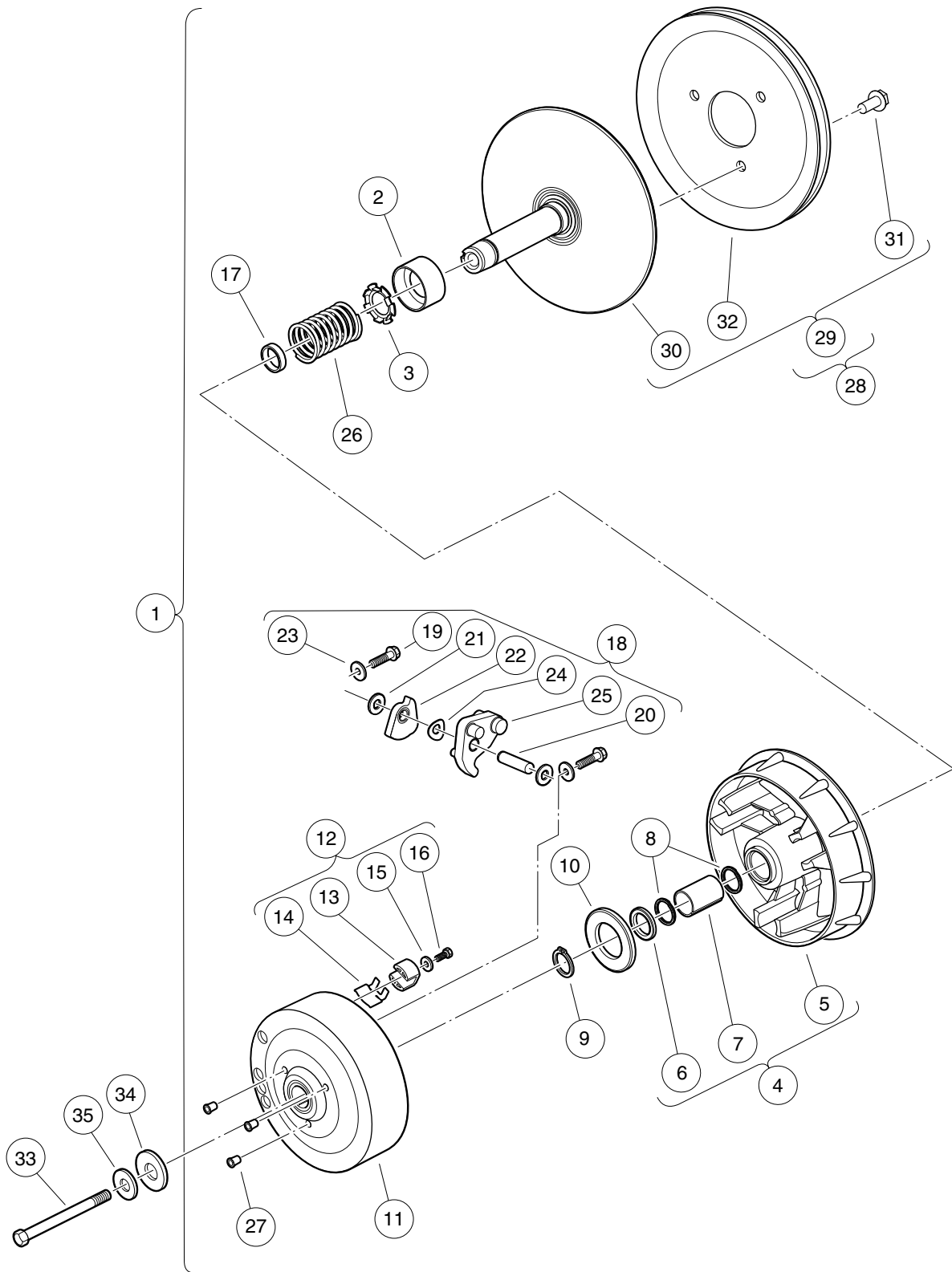
000217-006

DRIVE CLUTCH – TURF 6

ITEM	PART NO.	DESCRIPTION	QTY
		1 2 3 4	
1	<u>101833902</u>	Clutch, Drive (includes items 2 through 28)	1
2	1014049	Bearing, Idler	1
3	<u>1014050</u>	Retainer, Spring	1
4	<u>1014051</u>	Spring, Drive Clutch	1
5	1014052	Movable-Face Assembly (includes items 6 through 8)	1
6	N/A	Drive Clutch Movable Face	1
7	<u>1014055</u>	Retainer	1
8	N/A	Bushing, Split, Drive Clutch	1
9	<u>1014056</u>	Ring, Spiral Backup	2
10	<u>1014057</u>	Ring, 0.810" Internal Retaining	1
11	1014058	Thrust Washer	1
12	1014059	Drive Hub Assy, Drive Clutch	1
13	<u>1014453</u>	Kit, Drive Clutch Button (includes items 14 through 17)	1
14	<u>1014062</u>	Driver, Drive Clutch	3
15	<u>1014287</u>	Spring, Drive Button	3
16	<u>183</u>	Washer, #10, Type A, Flat	3
17	<u>8450</u>	Screw, #10-24 X 0.50, Hex-Head	3
18	<u>1016289</u>	Spacer, Fixed Face Shaft	1
19	<u>1016801</u>	Kit, Drive Clutch Weight (includes items 20 through 26)	1
20	<u>1014063</u>	Screw, 1/4-20 X 1.00, Hex Head	6
21	N/A	Pin, Dowel, 0.3752 x 1.50	3
22	<u>1014065</u>	Washer, Flat, 0.38" ID, Delrin	6
23	N/A	Clutch Weight, Secondary	3
24	N/A	Washer	6
25	<u>1016201</u>	Washer, Wave	3
26	N/A	Weight, Primary	3
27	<u>101925601</u>	Plug, Drive Clutch	3
28	<u>101929802</u>	Kit, Fxd Face Dr Asm Fe290/350 (includes item 29)	1
29	N/A	Assembly, Fixed-Face Drive (includes items 30 through 32)	1
30	N/A	Fixed Face Assembly, Drive Clutch	1
31	<u>1014288</u>	Screw, 5/16-18 X 0.75, Thread-Forming	3
32	N/A	Pulley, Clutch	1
33	<u>103345701</u>	Screw 3/8-24x5.5 Hex Loc Ptch	1
34	<u>334</u>	Washer, 3/8, Type A, Flat	1
35	<u>808</u>	Washer, 3/8 Type B Flat	1

13

G



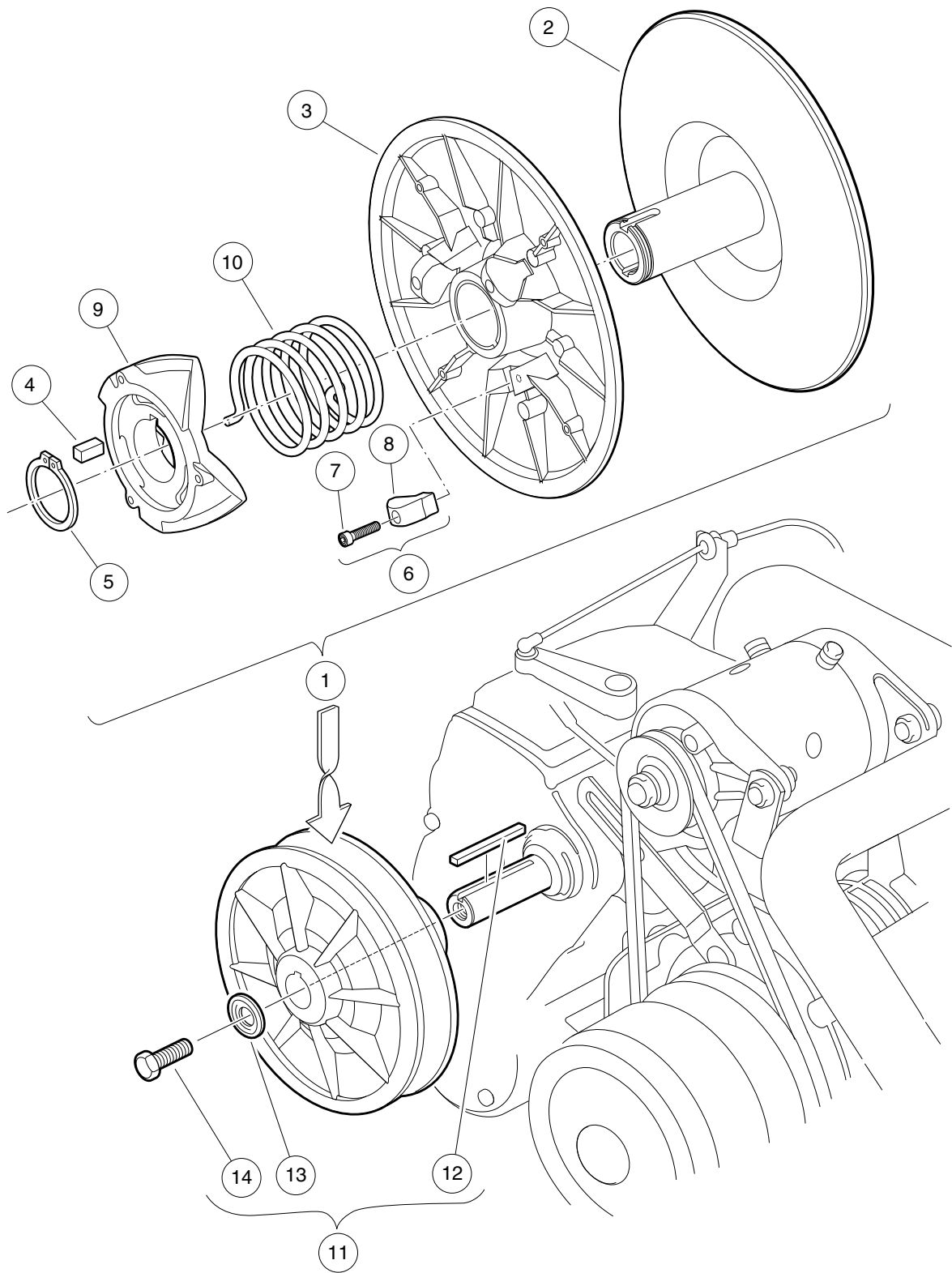
000217-008

DRIVE CLUTCH – CARRYALL 6

ITEM	PART NO.	DESCRIPTION	QTY
		1 2 3 4	
1	<u>101833906</u>	Drive Clutch Assy. FE 350/272 (includes items 2 through 28)	1
2	1014049	Bearing, Idler	1
3	<u>1014050</u>	Retainer, Spring	1
4	1014052	Movable-Face Assembly (includes items 5 through 7)	1
5	N/A	Drive Clutch Movable Face	1
6	<u>1014055</u>	Retainer	1
7	N/A	Bushing, Split, Drive Clutch	1
8	<u>1014056</u>	Ring, Spiral Backup	2
9	<u>1014057</u>	Ring, 0.810" Internal Retaining	1
10	1014058	Thrust Washer	1
11	1014059	Drive Hub Assy, Drive Clutch	1
12	<u>1014453</u>	Kit, Drive Clutch Button (includes items 13 through 16)	1
13	<u>1014062</u>	Driver, Drive Clutch	3
14	<u>1014287</u>	Spring, Drive Button	3
15	<u>183</u>	Washer, #10, Type A, Flat	3
16	<u>8450</u>	Screw, #10-24 X 0.50, Hex-Head	3
17	<u>1016289</u>	Spacer, Fixed Face Shaft	1
18	<u>1016801</u>	Kit, Drive Clutch Weight (includes items 19 through 25)	1
19	<u>1014063</u>	Screw, 1/4-20 X 1.00, Hex Head	6
20	N/A	Pin, Dowel, 0.3752 x 1.50	3
21	<u>1014065</u>	Washer, Flat, 0.38" ID, Delrin	6
22	N/A	Clutch Weight, Secondary	3
23	N/A	Washer	6
24	<u>1016201</u>	Washer, Wave	3
25	N/A	Weight, Primary	3
26	<u>1016901</u>	Spring, Drive Clutch	1
27	N/A	Cap Plug	3
28	<u>101929802</u>	Kit, Fxd Face Dr Asm Fe290/350 (includes item 29)	1
29	N/A	Assembly, Fixed-Face Drive (includes items 30 through 32)	1
30	N/A	Fixed Face Assembly, Drive Clutch	1
31	<u>1014288</u>	Screw, 5/16-18 X 0.75, Thread-Forming	3
32	N/A	Pulley, Clutch	1
33	<u>103345701</u>	Screw 3/8-24x5.5 Hex Loc Ptch	1
34	<u>334</u>	Washer, 3/8, Type A, Flat	1
35	<u>808</u>	Washer, 3/8 Type B Flat	1

13

G



000219-001

DRIVEN CLUTCH – TURF 6 AND CARRYALL 6

ITEM	PART NO.	DESCRIPTION	QTY
		1 2 3 4	
1	<u>101834001</u>	Assembly, Driven Clutch (includes items 2 through 10)	1
2	<u>1014070</u>	Fixed Face Assy, Driven Clutch	1
3	<u>1014072</u>	Movable-Face Assembly with Bushing	1
4	<u>1014078</u>	Key, Driven Clutch	1
5	<u>1014080</u>	Ring, Retaining	1
6	<u>1014454</u>	Kit, Driven Clutch Button (includes items 7 and 8)	1
7	<u>1012836</u>	Screw, #8-32 X 3/4, Socket-Head Cap	3
8	N/A	Button, Drive	3
9	<u>1017686</u>	Cam, Driven Clutch	1
10	<u>101836201</u>	Spring, Driven Clutch, Reversed	1
11	<u>AM10419</u>	Kit, Clutch Repair (includes items 12 through 14)	1
12	<u>101833401</u>	Key, 3/16 Sq X 1.50"	1
13	<u>102155801</u>	Washer, Driven Clutch	1
14	<u>102242101</u>	Screw, 5/16-18 X 3/4 Hex-Head with Patch	1

13
G

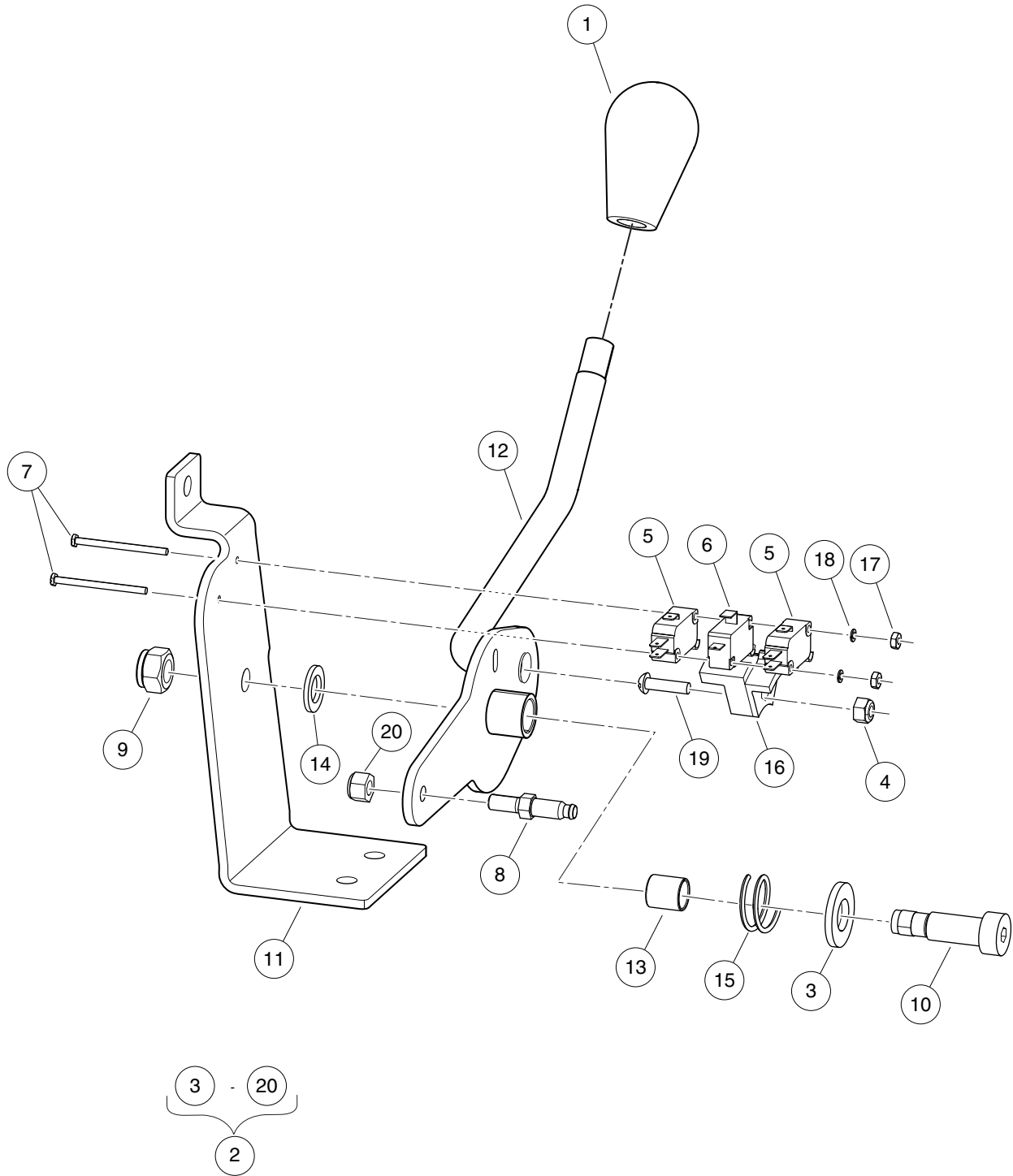
13

G

UNITIZED TRANSAXLE AND FNR SHIFTER - GASOLINE VEHICLES

14

G

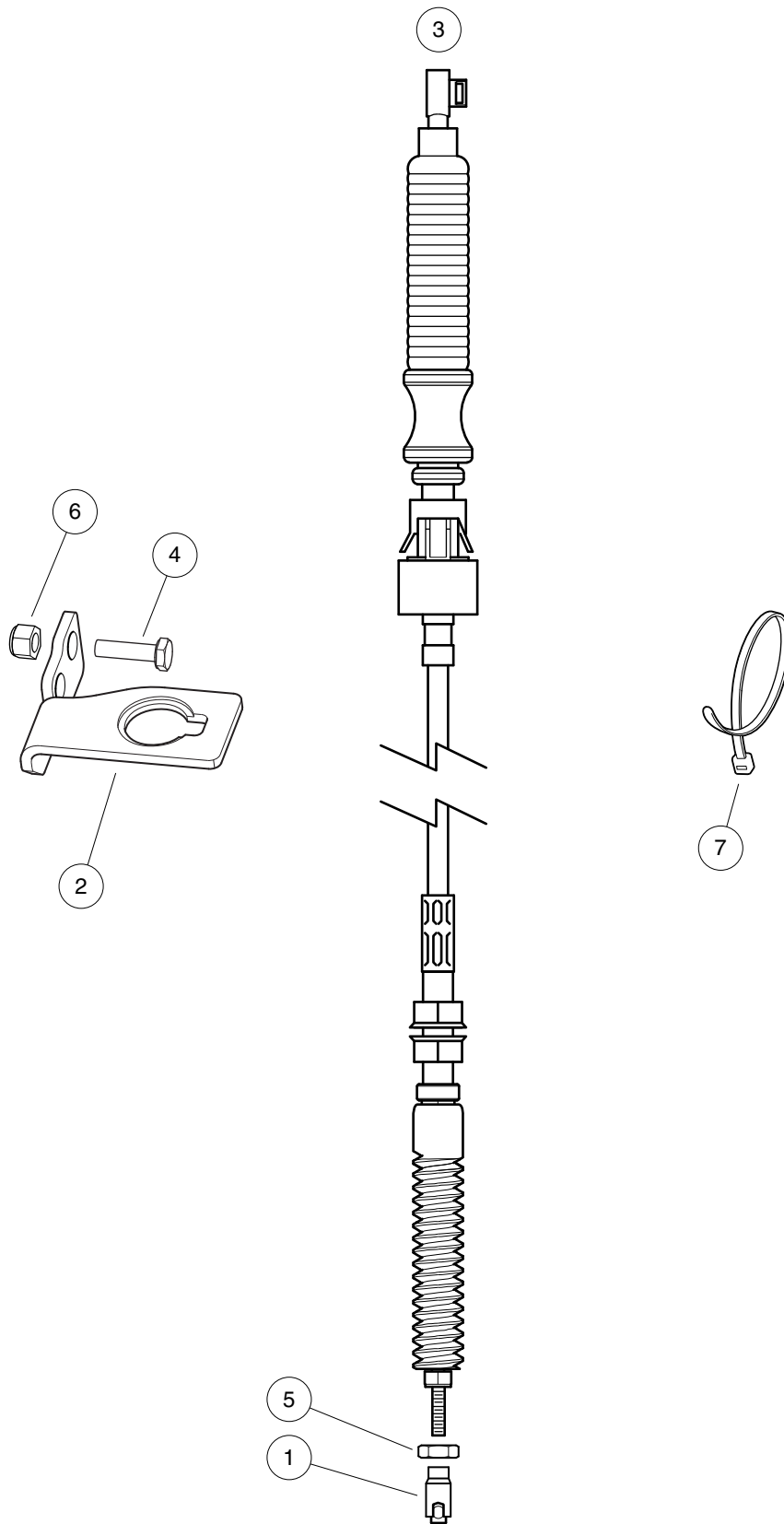


000563-001

FORWARD/REVERSE SHIFTER

ITEM	PART NO.	DESCRIPTION	QTY
		1 2 3 4	
1	<u>102376001</u>	Knob, FNR, Shifter	1
2	<u>102969901</u>	Asm, Shifter, FNR (includes items 3 through 20)	1
3	<u>1010028</u>	Washer, 1/2 Type A Flat	1
4	<u>1013061</u>	Locknut, #10-32 Nylon Insert	1
5	<u>1014807</u>	Switch, Limit	2
6	<u>1014808</u>	Switch, Limit	1
7	<u>1015878</u>	Screw, #4-40 Hex Head Machine	2
8	<u>102526201</u>	Stud, Thread, 1/4-28	1
9	<u>102616701</u>	Locknut, M10x1.5 Nylon Insert	1
10	<u>102684602</u>	Shoulder Bolt, M12 X 25.0	1
11	<u>102969401</u>	Bracket, Shifter, FNR	1
12	<u>102969801</u>	Weldment, Shift Lever, FNR	1
13	<u>103173301</u>	Bushing, Greaseless, 12mm Id	1
14	<u>103177401</u>	Washer, Thrust, Shifter, FNR	1
15	<u>103192701</u>	Spring, Comp, .97 Od X.75 L	1
16	<u>103369501</u>	Cam, Limit Switch, Fnr Shifter	1
17	<u>8057</u>	Nut, #4-40 Hex Machine	2
18	<u>8058</u>	Lockwasher, #4 Split	2
19	8104	Screw, #10-32 X .75 Rd Hd Mach	1
20	<u>8717</u>	Locknut, Nylon Insert, 1/4-28	1

14
G



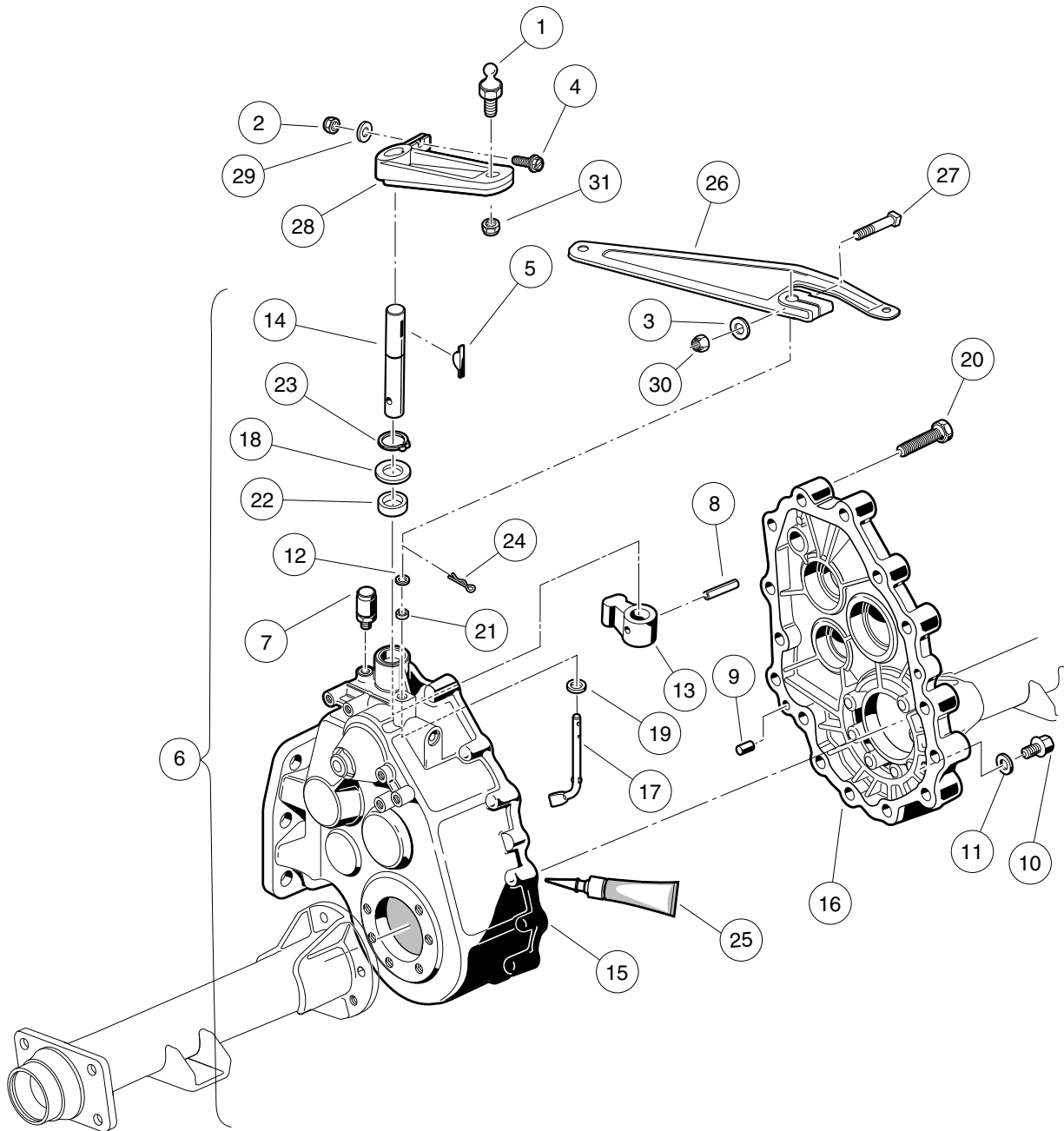
001071-001

SHIFTER CABLE – TURF/CA 6

ITEM	PART NO.	DESCRIPTION	QTY
		1 2 3 4	
1	<u>1012333</u>	Joint, #10-32 Ball	1
2	<u>103295101</u>	Brkt, Spt, Cable End, Fnr	1
3	<u>103295203</u>	Cable, Transmission, 2385mm	1
4	304	Screw, 1/4-20 X 1.0 Hex-Head Cap	2
5	<u>7893</u>	Nut, #10-32 Hex	1
6	<u>8233</u>	Locknut, 1/4-20, Nylon Insert	2
7	<u>8639</u>	Tie Wrap, 11" Nylon	A/R

14

G



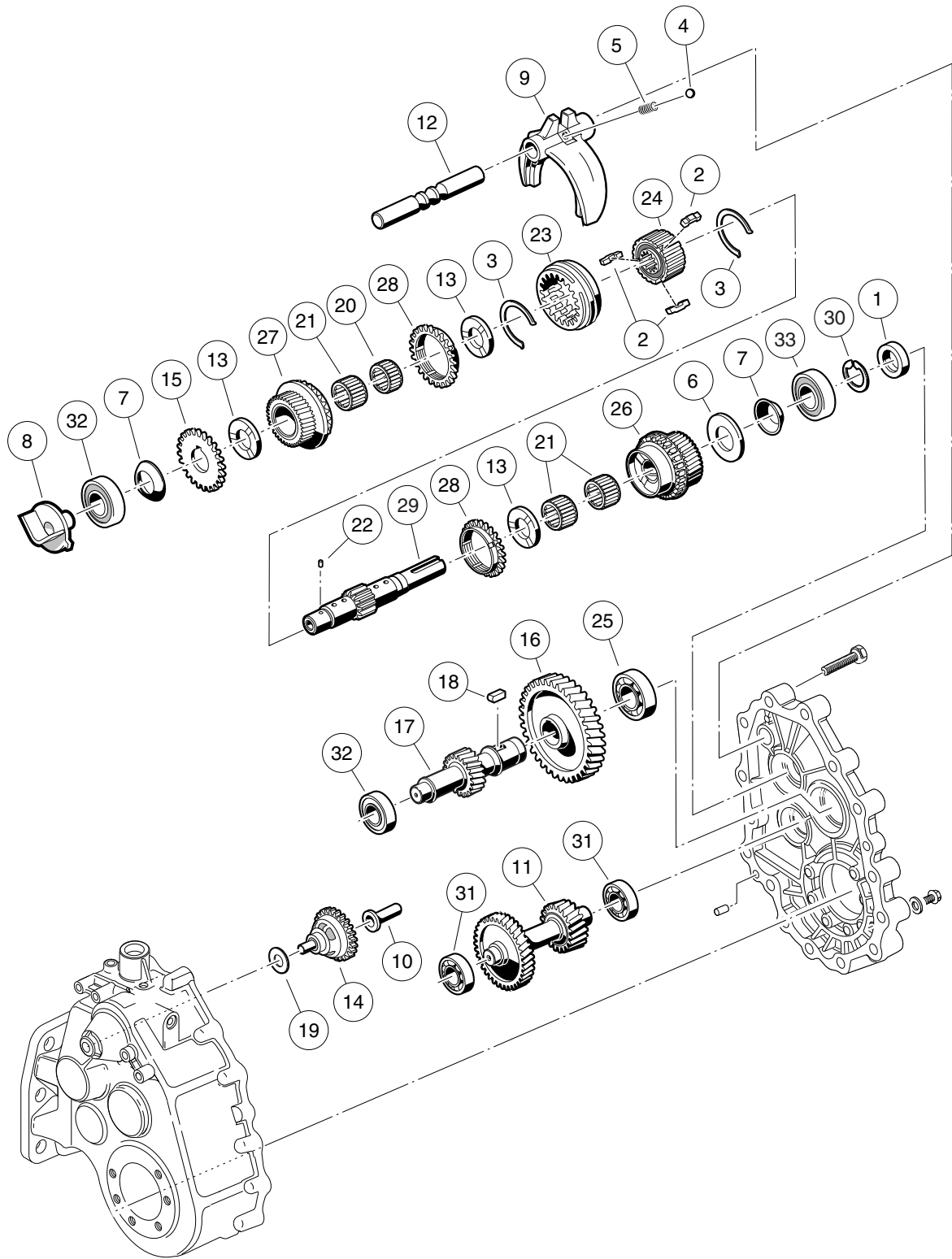
000220-005

KAWASAKI TRANSAXLE – GEAR CASES AND BRACKETS

ITEM	PART NO.	DESCRIPTION	QTY
		1 2 3 4	
1	<u>1010954</u>	Stud, Ball, 1/4-28 X 0.560	1
2	<u>1013061</u>	Locknut, #10-32 Nylon Insert	1
3	<u>1014007</u>	Washer, 1/4, Flat	1
4	<u>1017082</u>	Screw, #10-32 X 0.75, Hex-Head Machine	1
5	<u>1017231</u>	Key, Woodruff	1
6	<u>101833601</u>	Transaxle, 11.77 Ratio (includes items 7 through 25)	1
7	<u>1012711</u>	Breather	1
8	<u>1012752</u>	Roll Pin	1
9	<u>1012896</u>	Pin, Dowel	2
10	<u>1013760</u>	Fill Plug	2
11	<u>1016432</u>	Gasket, Drain Plug	1
12	<u>1016513</u>	Washer, M6 Flat	1
13	<u>101890101</u>	Lever, Drive Selector	1
14	<u>101890201</u>	Shaft, Drive Selector	1
15	<u>101890501</u>	Gear Case (driver side)	1
16	<u>101890601</u>	Gear Case (passenger side)	1
17	<u>101891301</u>	Arm Pivot	1
18	<u>101892901</u>	Washer	1
19	<u>101893801</u>	Washer	1
20	<u>101926901</u>	Screw, M8-1.25 X 40mm Hex-Head	15
21	<u>101927101</u>	Seal, Oil	1
22	<u>101927201</u>	Seal, Oil	1
23	<u>101927301</u>	Snap Ring	1
24	<u>101928601</u>	Pin, Cotter	1
25	<u>101928701</u>	Liquid Gasket (Transaxle case)	1
26	<u>101834801</u>	Arm, Governor	1
27	<u>101886101</u>	Screw, 1/4-20 X 1.00, Square-Head	1
28	<u>102515401</u>	Lever, Transmission Shift	1
29	<u>183</u>	Washer, #10, Type A, Flat	1
30	<u>8233</u>	Locknut, 1/4-20, Nylon Insert	1
31	<u>8717</u>	Locknut, Nylon Insert, 1/4-28	1
		<p>Note: Kawasaki transaxle component listings span three pages. To identify your transaxle, locate the serial number decal on the axle tube.</p>	

14

G



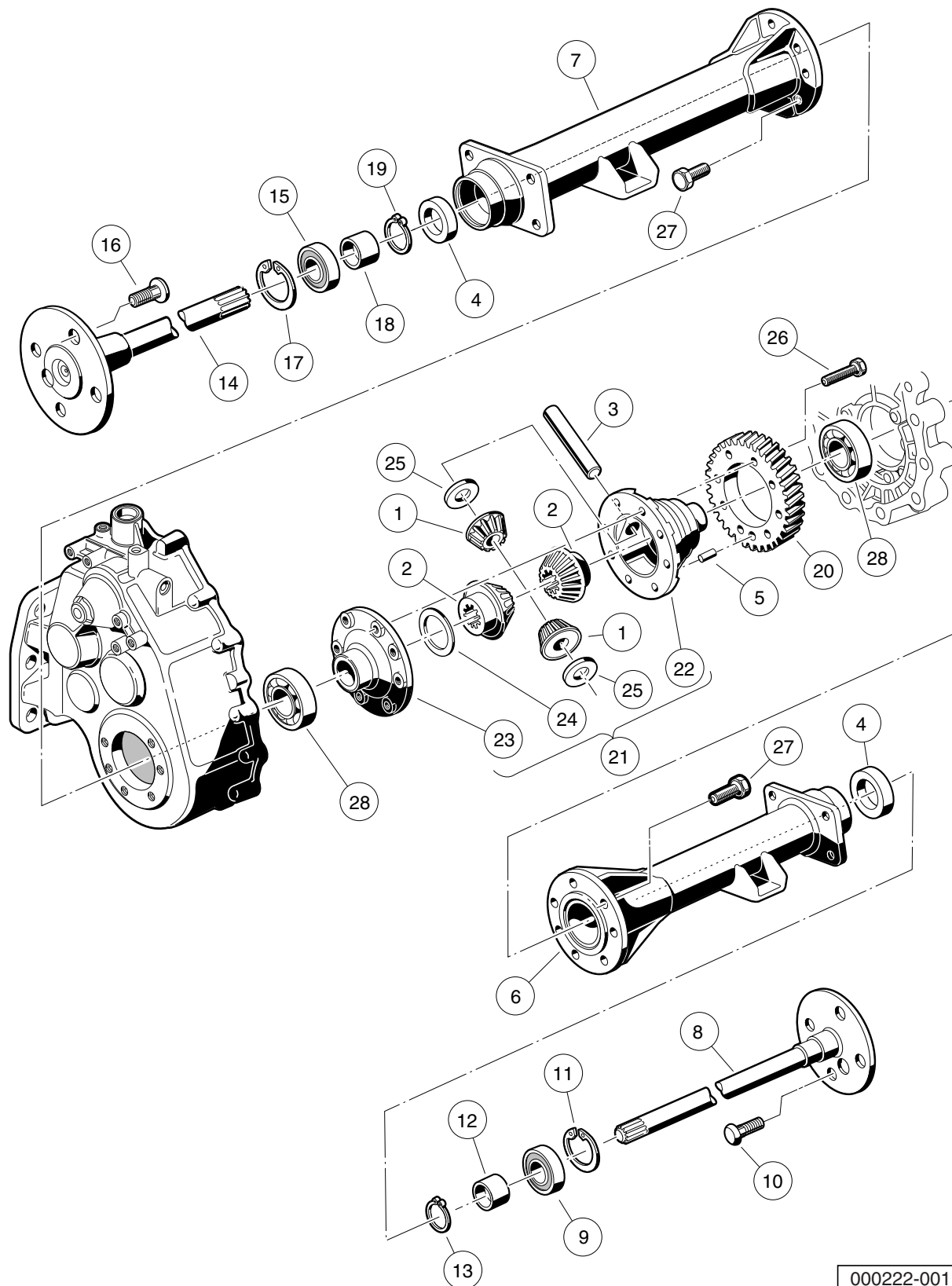
000221-001

KAWASAKI TRANSAXLE – F&R TRANSMISSION AND GEAR REDUCTION

14

G

ITEM	PART NO.	DESCRIPTION	QTY
		1 2 3 4	
1	<u>1012714</u>	Oil Seal	1
2	<u>1012740</u>	Synchro Insert	3
3	<u>1012741</u>	Synchro Spring	2
4	<u>1012747</u>	Shifter Ball	1
5	<u>1012748</u>	Shifter Spring	1
6	<u>1016337</u>	Washer, Thrust	1
7	<u>1016338</u>	Washer, Spring	2
8	<u>101889401</u>	Guide	1
9	<u>101890001</u>	Fork - Shift	1
10	<u>101891601</u>	Sleeve, Governor	1
11	<u>101891901</u>	Gear, Cluster	1
12	<u>101892001</u>	Rod, Shift	1
13	<u>101892201</u>	Plate, Thrust	3
14	<u>101892301</u>	Governor Assembly	1
15	<u>101892401</u>	Gear, Spur	1
16	<u>101892501</u>	Gear, Helical (61 Tooth)	1
17	<u>101892601</u>	Gear, Helical (17 Tooth)	1
18	<u>101893201</u>	Key Sunk	1
19	<u>101893901</u>	Washer	1
20	<u>101927501</u>	Needle Bearing	1
21	<u>101927601</u>	Needle Bearing	3
22	<u>101927701</u>	Pin, .116" Dia X 0.264 Dowel	1
23	<u>101927901</u>	Sleeve, Synchro	1
24	<u>101928001</u>	Hub, Synchro Clutch	1
25	<u>101928101</u>	Bearing, Ball	1
26	<u>101980801</u>	Gear Assembly, 16-Degree Synchro (25 Tooth)	1
27	<u>101980901</u>	Gear Assembly, 16-Degree Rear Synchro (28 Tooth)	1
28	<u>101981001</u>	Ring, 16-Degree Synchronizer	2
29	<u>102453001</u>	Shaft, Trans, with Circlip	1
30	<u>102453101</u>	Circlip	1
31	<u>7335</u>	Bearing	2
32	<u>AM10080</u>	Bearing, Ball, Sealed	2
33	<u>AM10081</u>	Bearing, Ball, Sealed	1
Note: To identify your transaxle, locate the serial number decal on the axle			



000222-001

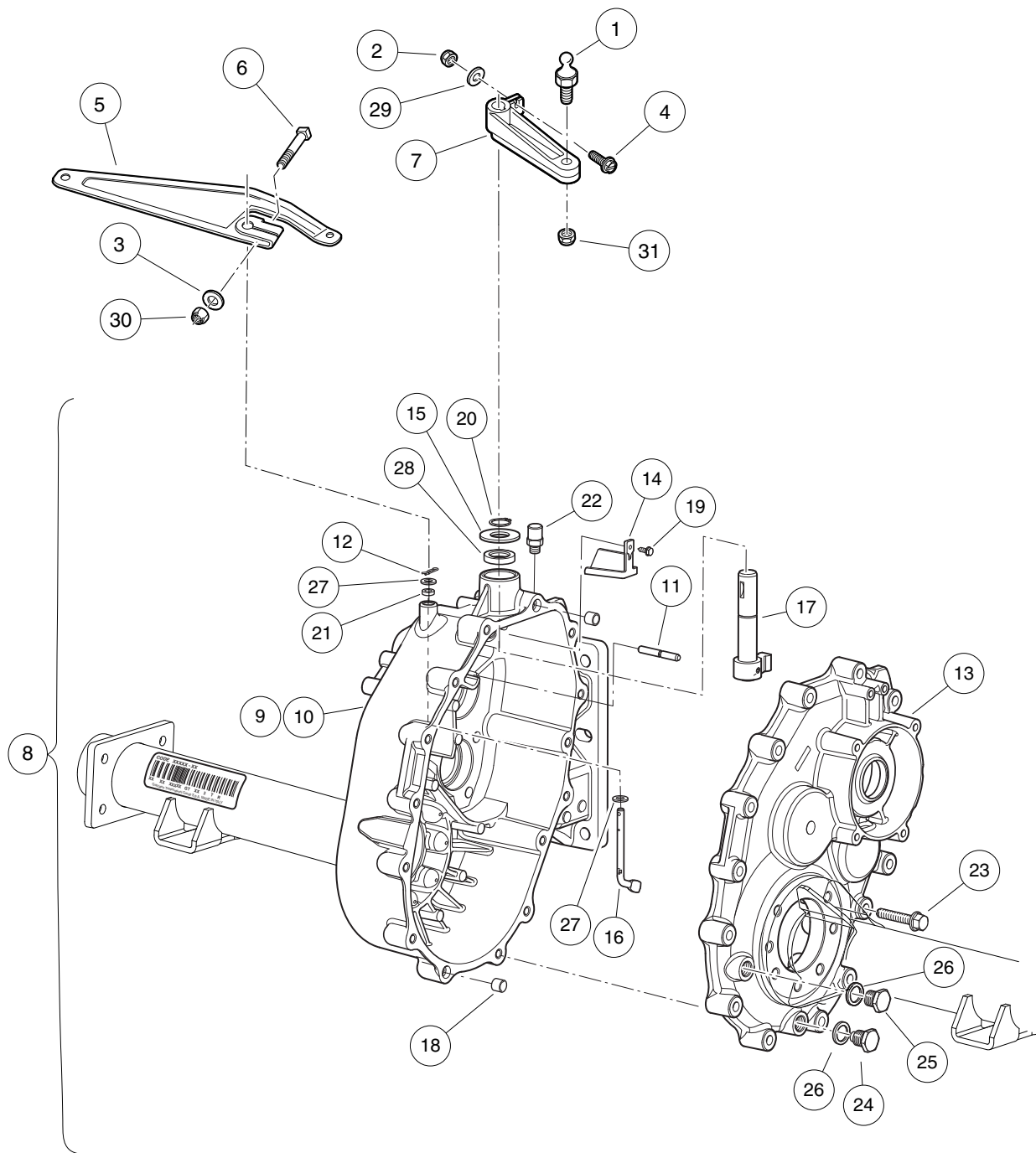
KAWASAKI TRANSAXLE – DIFFERENTIAL AND AXLES

ITEM	PART NO.	DESCRIPTION	QTY
		1 2 3 4	
1	<u>1013770</u>	Differential Idler Gear	2
2	<u>1013771</u>	Gear, Differential	2
3	<u>1013772</u>	Pin, Differential	1
4	<u>1013794</u>	Axle Shaft Oil Seal	2
5	N/A	Dowel Pin	1
6	<u>101890901</u>	Axle Tube (Passenger Side)	1
7	<u>101891001</u>	Axle Tube (Driver Side)	1
8	<u>101891401</u>	Axle Assembly, Passenger Side (includes items 9 through 13)	1
9	<u>1011291</u>	Outer Axle, Tube Bearing	1
10	<u>1013787</u>	Lug Stud	4
11	<u>1013792</u>	Circlip Type C	1
12	<u>1014207</u>	Bushing	1
13	<u>1016672</u>	Retaining Ring	1
14	<u>101891501</u>	Axle Assembly, Driver-Side (includes items 15 through 19)	1
15	<u>1011291</u>	Outer Axle, Tube Bearing	1
16	<u>1013787</u>	Lug Stud	4
17	<u>1013792</u>	Circlip Type C	1
18	<u>1014207</u>	Bushing	1
19	<u>1016672</u>	Retaining Ring	1
20	<u>101892701</u>	Gear, Helical	1
21	<u>101910501</u>	Kit, Differential Gear Case (includes items 22 through 25)	1
22	<u>1013768</u>	Differential Gear Case, Left-Hand	1
23	<u>1013769</u>	Differential Gear Case, Right-Hand	1
24	<u>1013773</u>	Plate, Thrust (Differential Gear)	1
25	<u>1013774</u>	Plate, Thrust (Idler Gear)	2
26	<u>101928301</u>	Screw, M8-1.25 X 35mm Hex Head	8
27	<u>102031901</u>	Bolt, M10 X 1.5 X 30mm	14
28	<u>7330</u>	Inner Axle Tube Bearing	2
Note: To identify your transaxle, locate the serial number decal on the axle			

14

G

14
G



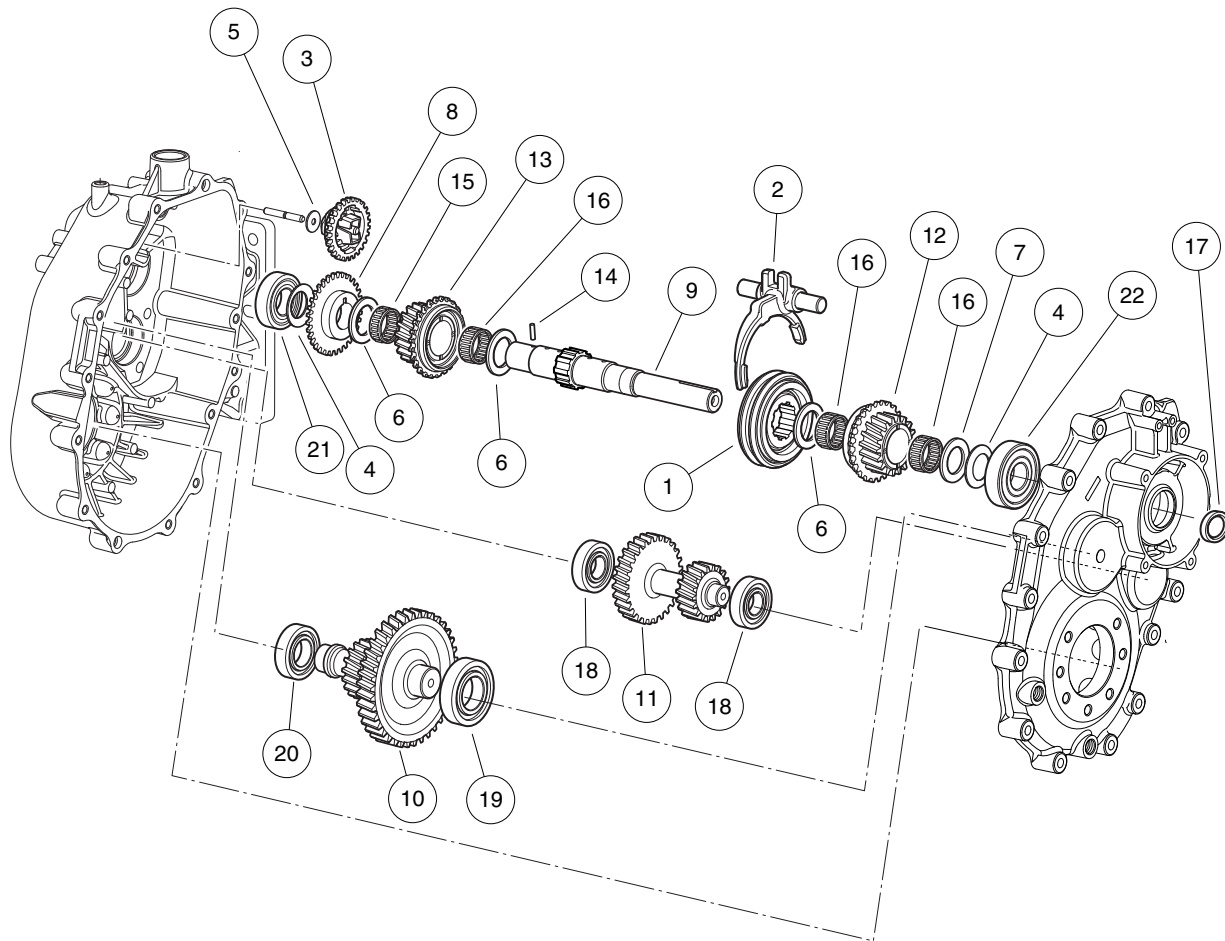
000680-009

GRAZIANO TRANSAXLE – GEAR CASES AND LEVERS

ITEM	PART NO.	DESCRIPTION	QTY
		1 2 3 4	
1	<u>1010954</u>	Stud, Ball, 1/4-28 X 0.560	1
2	<u>1013061</u>	Locknut, #10-32 Nylon Insert	1
3	<u>1014007</u>	Washer, 1/4, Flat	1
4	<u>1017082</u>	Screw, #10-32 X 0.75, Hex-Head Machine	1
5	<u>101834801</u>	Arm, Governor	1
6	<u>101886101</u>	Screw, 1/4-20 X 1.00, Square-Head	1
7	<u>102515401</u>	Lever, Transmission Shift	1
8	<u>102896801</u>	Transaxle, Unitized, Graziano (includes items 9 through 28)	1
9	<u>102896901</u>	Gear Box (Driver-Side) (includes items 10 and 11)	1
10	N/A	Gear Box	1
11	N/A	Pin, Speed Governor	1
12	<u>102897401</u>	Pin, Split	1
13	<u>102897501</u>	Cover, Gear Box (Passenger-Side)	1
14	<u>102897601</u>	Conveyor, Oil	1
15	<u>102897801</u>	Washer, Thrust	1
16	<u>102897901</u>	Lever, Speed Governor	1
17	<u>102898201</u>	Unit, Drive Selector	1
18	<u>102899101</u>	Dowel	2
19	<u>102899201</u>	Screw	1
20	<u>102899401</u>	Ring, Snap	1
21	<u>102899701</u>	Grommet	1
22	<u>102899801</u>	Breather	1
23	<u>102900001</u>	Screw	15
24	<u>102900101</u>	Drain Plug, Magnetic	1
25	<u>102900201</u>	Fill Plug	1
26	<u>102900301</u>	Seal	2
27	<u>102900601</u>	Washer	2
28	<u>102900901</u>	Grommet	1
29	<u>183</u>	Washer, #10, Type A, Flat	1
30	<u>8233</u>	Locknut, 1/4-20, Nylon Insert	1
31	<u>8717</u>	Locknut, Nylon Insert, 1/4-28	1
		Note: Graziano transaxle component listings span three pages. To identify your transaxle, locate the serial number decal on the axle tube.	

14

G



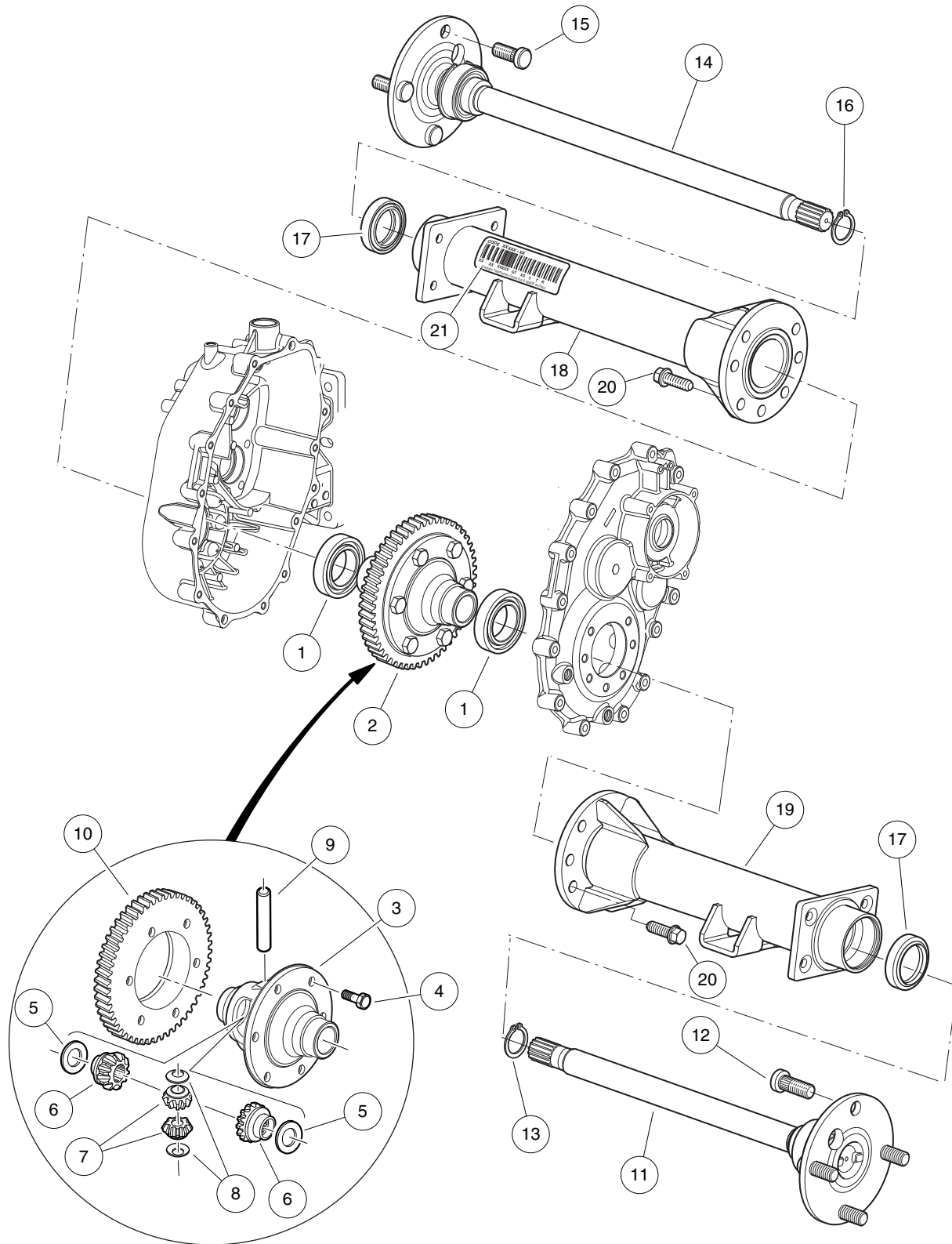
000680-006

GRAZIANO TRANSAXLE – F&R TRANSMISSION AND GEAR REDUCTION

14

G

ITEM	PART NO.	DESCRIPTION	QTY
		1 2 3 4	
1	<u>102897201</u>	Synchronizer, Complete	1
2	<u>102897301</u>	Fork, Complete	1
3	<u>102897701</u>	Assembly, Speed Governor	1
4	<u>102898001</u>	Washer, Belleville	2
5	<u>102898101</u>	Bearing, Thrust	1
6	<u>102898301</u>	Bearing, Thrust	3
7	<u>102898401</u>	Washer, Thrust	1
8	<u>102898501</u>	Gear, Speed Governor	1
9	<u>102898601</u>	Shaft, Main	1
10	<u>102898701</u>	Shaft, Secondary	1
11	<u>102898801</u>	Shaft, Reverse Gear	1
12	<u>102898901</u>	Gear, Complete, 25t	1
13	<u>102899001</u>	Gear, Complete, 28t	1
14	<u>102899301</u>	Pin	1
15	<u>102899501</u>	Cage, Roller	1
16	<u>102899601</u>	Cage, Roller	3
17	<u>102899901</u>	Grommet	1
18	<u>102900401</u>	Bearing	2
19	<u>102900501</u>	Bearing, 62 Od X 30 Id X 16	1
20	<u>102900701</u>	Bearing	1
21	<u>102901001</u>	Bearing	1
22	<u>102901101</u>	Bearing	1
<p>Note: To identify your transaxle, locate the serial number decal on the axle tube.</p>			



000681-002

GRAZIANO TRANSAXLE -DIFFERENTIAL AND AXLES

ITEM	PART NO.	DESCRIPTION	QTY
		1 2 3 4	
1	<u>102900801</u>	Bearing, 68 Od X 40 Id X 15	2
2	<u>102902001</u>	Assembly, Differential (includes items 3 through 10)	1
3	<u>102901201</u>	Box, Differential	1
4	<u>102901301</u>	Screw, M10 X 25	6
5	<u>102901401</u>	Ring, Sleeve	2
6	<u>102901501</u>	Gear, Sun	2
7	<u>102901601</u>	Gear, Planetary	2
8	<u>102901701</u>	Ring, Sleeve	2
9	<u>102901801</u>	Pin	1
10	<u>102901901</u>	Gear	1
11	<u>102902101</u>	Shaft, Axle, Short, Complete (Passenger-Side) (includes items 12 and 13)	1
12	<u>102902301</u>	Bolt, Stud	4
13	<u>102902401</u>	Snap Ring	1
14	<u>102902201</u>	Shaft, Axle, Long, Complete (Driver-Side) (includes items 15 and 16)	1
15	<u>102902301</u>	Bolt, Stud	4
16	<u>102902401</u>	Snap Ring	1
17	<u>102902501</u>	Seal, Lip	2
18	<u>102902601</u>	Axle Tube, (Driver-Side)	1
19	<u>102902701</u>	Axle Tube, (Passenger-Side)	1
20	<u>102902801</u>	Screw, M10 X 30	14
21	N/A	Tag, Serial	1
		Note: To identify your transaxle, locate the serial number decal on the axle tube.	

14

G

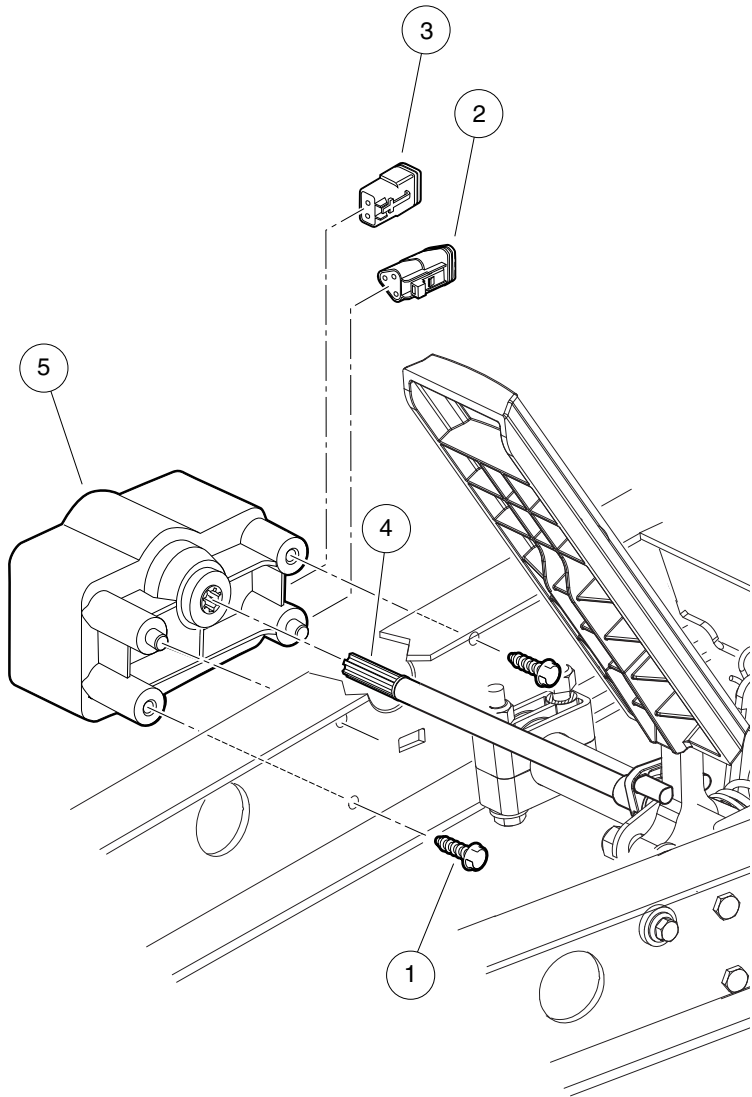
14

G

ELECTRICAL SYSTEM – ELECTRIC VEHICLES

15

E



001070-001

MOTOR CONTROLLER OUTPUT REGULATOR (MCOR)

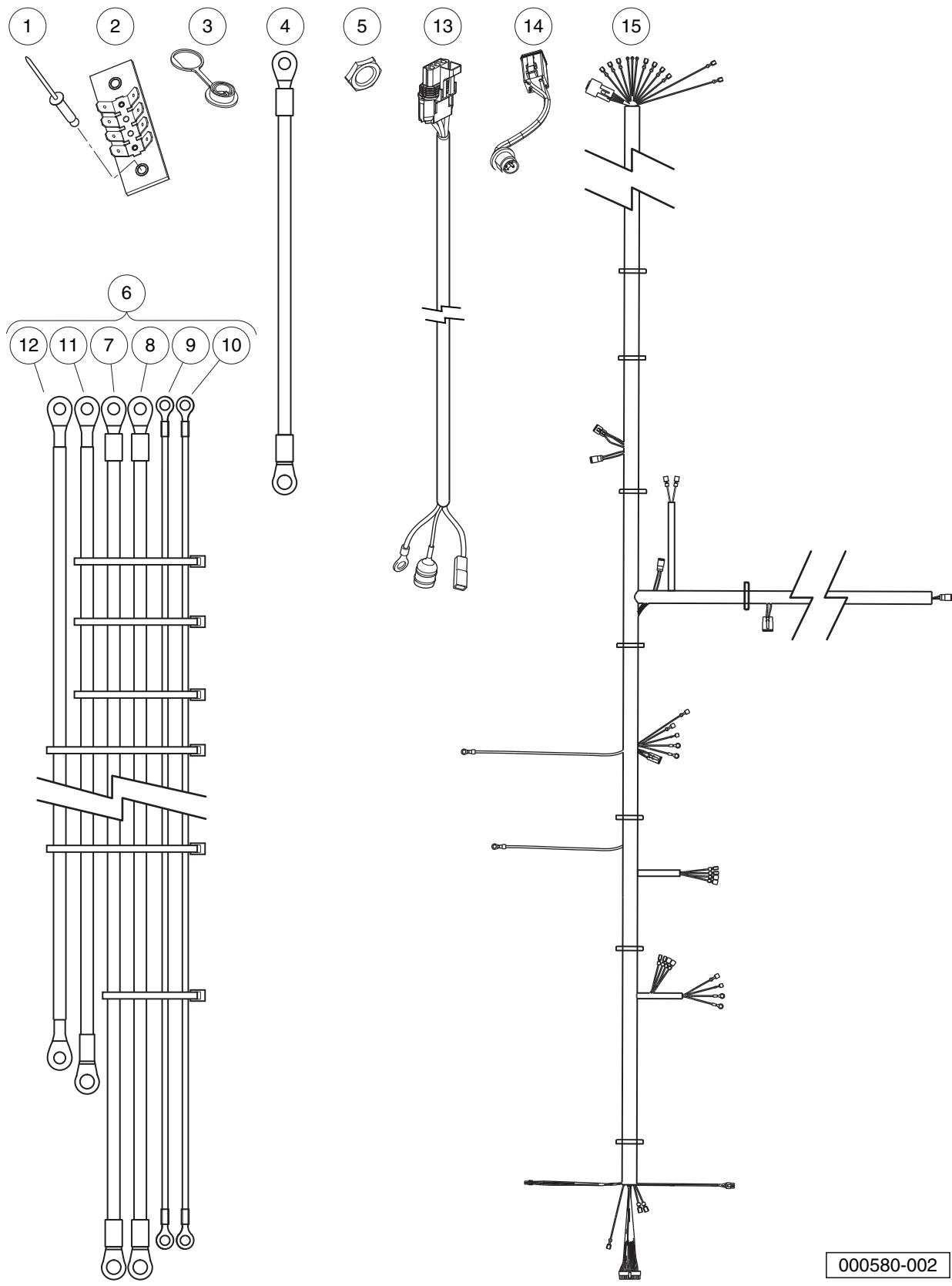
ITEM	PART NO.	DESCRIPTION	QTY
		1 2 3 4	
1	<u>1015752</u>	Screw, #12-16 X 0.625, Hi-Lo	2
2	<u>101920101</u>	Kit, 3-Pin Wedge Lock	1
3	<u>101936801</u>	Kit, 2-Pin Wedge Lock	1
4	102101001	Bar, Drive, Cast	1
5	<u>102101101</u>	MCOR	1

15

E

15

E



000580-002

WIRING – CA 6 ELECTRIC

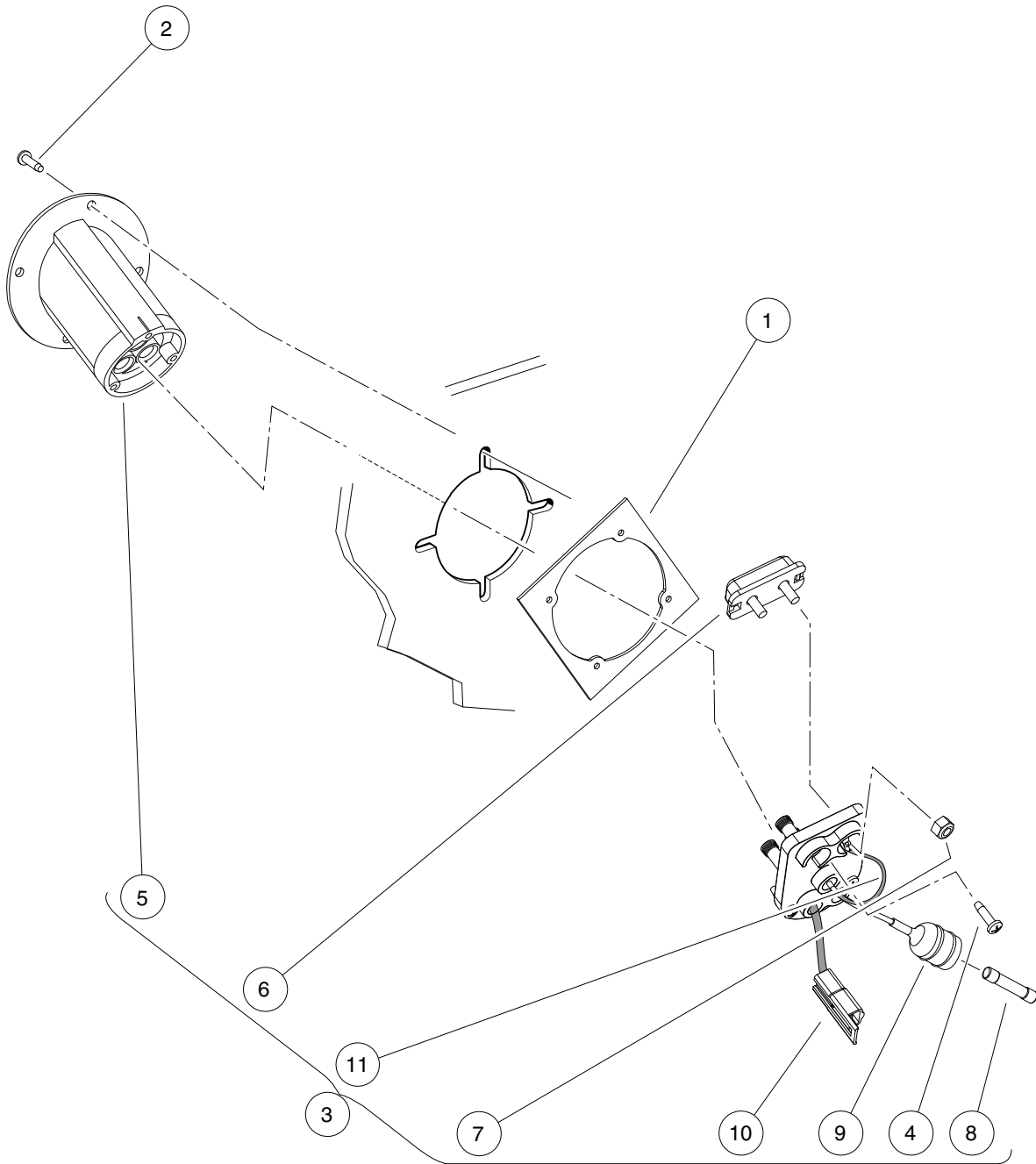
ITEM	PART NO.	DESCRIPTION	QTY
		1 2 3 4	
1	<u>1013357</u>	Rivet, 5/32 Aluminum Pop	2
2	<u>1016356</u>	Terminal Block with Insulator	1
3	<u>102196901</u>	Dust Cap	1
4	<u>102440901</u>	Wire Asm, #4 Yellow, 13"	1
5	<u>102572401</u>	Nut, Diagnostic Port, Prec	1
6	<u>102845501</u>	Harness, Power, Stretch IQ Plus (includes items 7 through 12)	1
7	N/A	Asm, #4 Grn Wire, 89"	1
8	N/A	Asm, #4 Wht Wire, 88.5"	1
9	N/A	Asm, #10 Org Wire, 89.5"	1
10	N/A	Asm, #10 Blu Wire, 95.5"	1
11	N/A	Asm, #4 Red Wire, 67.5"	1
12	N/A	Asm, #4 Blk Wire, 57.5"	1
13	<u>102938301</u>	Chrgr Harness, Iq Plus, Shelf	1
14	<u>103218601</u>	Harness, Diagnostic Port	1
15	<u>103222001</u>	Asm, Wire Harness, Stretch, Electric	1

15

E

15

E



000369-002

BATTERY CHARGER RECEPTACLE

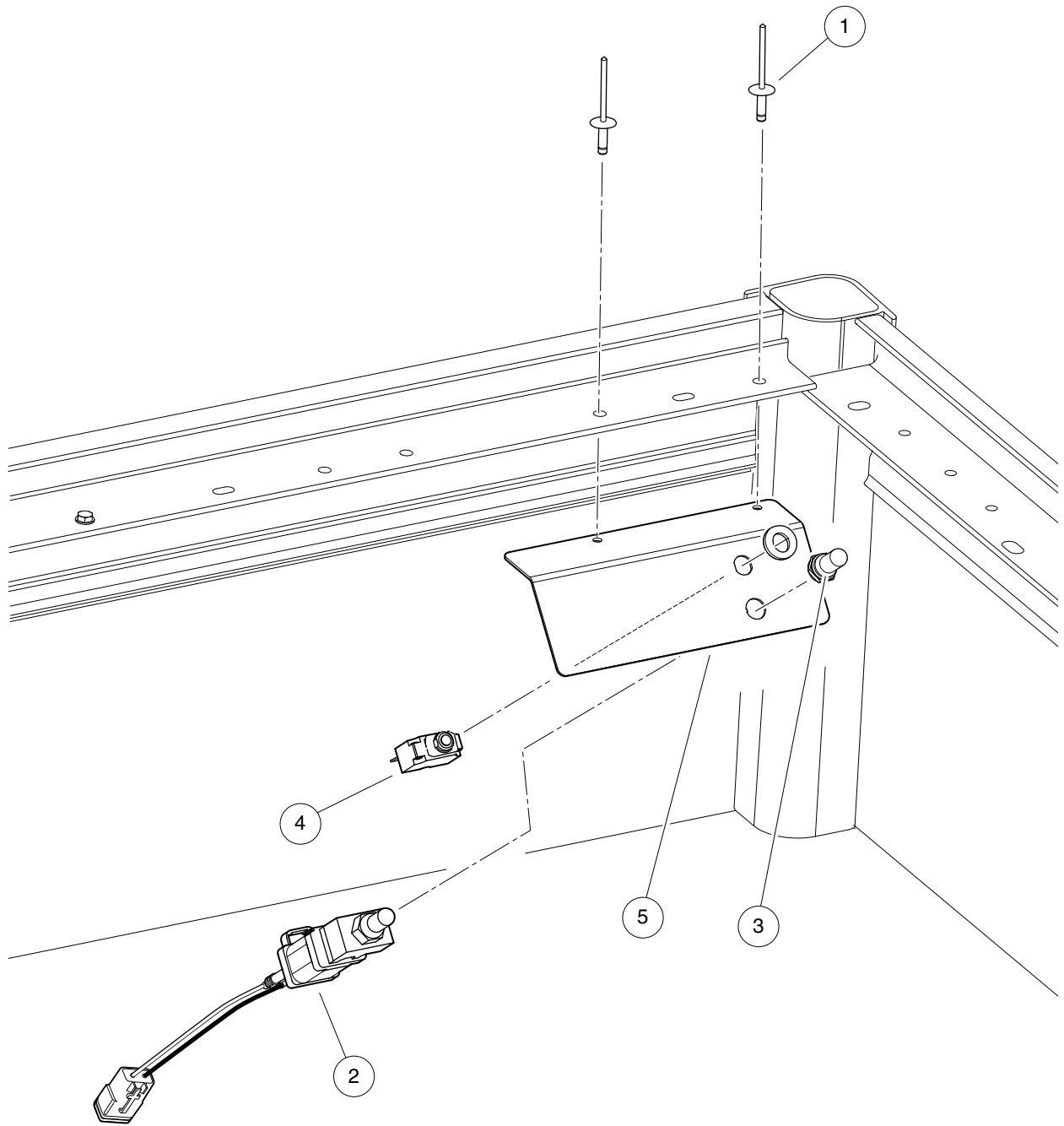
ITEM	PART NO.	DESCRIPTION	QTY
		1 2 3 4	
1	<u>101801001</u>	Plate, Receptacle Backing	1
2	<u>101832001</u>	Screw, #7-19 X 0.625 Phillips Pan-Head Tap	4
3	<u>102848701</u>	Fuse and Receptacle Assembly (includes items 4 through 11)	1
4	<u>1017705</u>	Screw, #8 X 5/8 Phillips Pan-Head Type AB	3
5	<u>101796501</u>	Receptacle	1
6	<u>101796801</u>	Fuse Assembly (includes item 7)	1
7	<u>1013061</u>	Locknut, #10-32 Nylon Insert	2
8	<u>101894901</u>	Fuse, 3/8-Amp	1
9	N/A	Wire Assembly, Sense Lead, Gray	1
10	N/A	Wire Assembly, #10 Red	1
11	N/A	Wire Assembly, #10 Black	1

15

E

15

E



002520-003

TOW/RUN SWITCH AND CIRCUIT-BREAKER – IQ PLUS

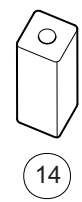
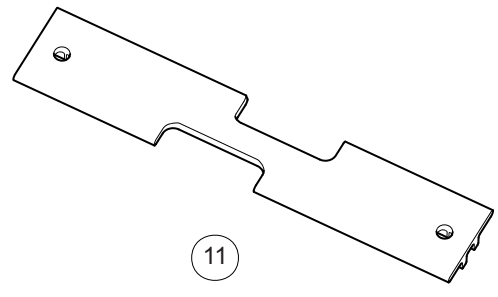
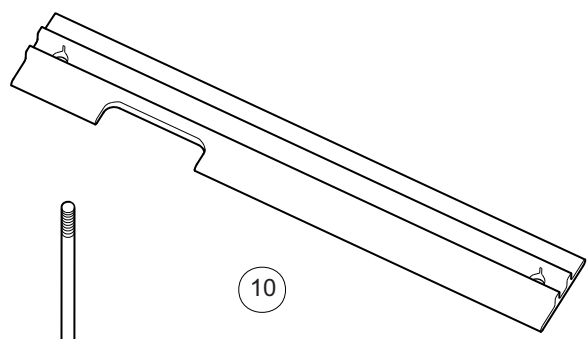
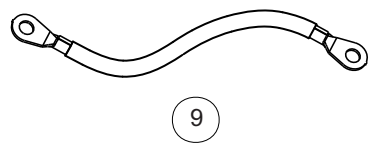
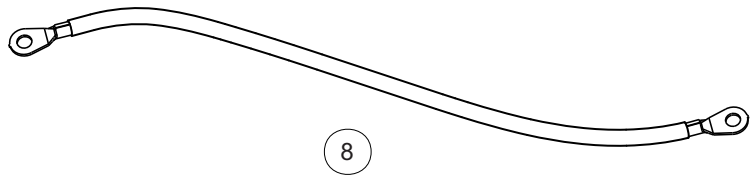
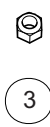
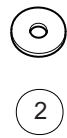
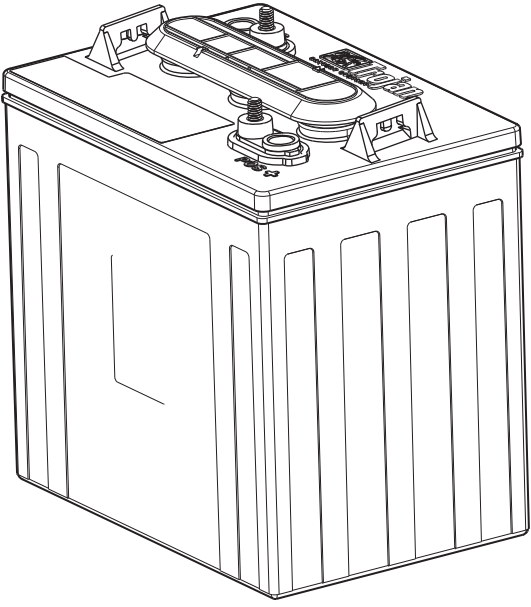
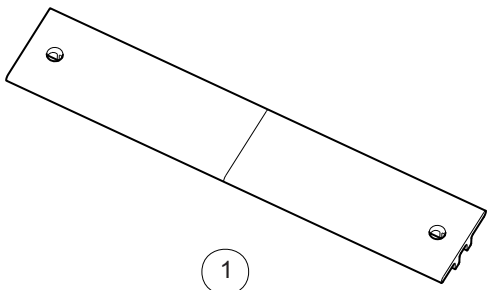
ITEM	PART NO.	DESCRIPTION	QTY
		1 2 3 4	
1	<u>1015392</u>	Rivet, 3/16 Pop	2
2	<u>101908101</u>	Switch Assembly, Tow/Run	1
3	<u>101908401</u>	Boot, Switch	1
4	<u>102838101</u>	Circuit Breaker, 20 Amp	1
5	<u>102915701</u>	Plate, Switch, Run Tow, Mode	1

15

E

15

E



001245-001

BATTERIES, 6-VOLT, STANDARD DUTY, TROJAN

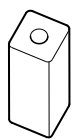
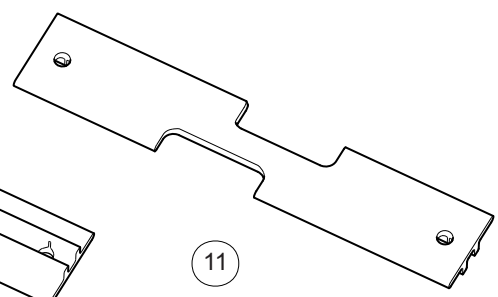
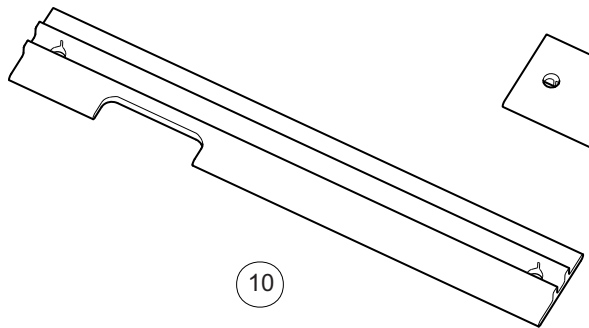
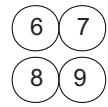
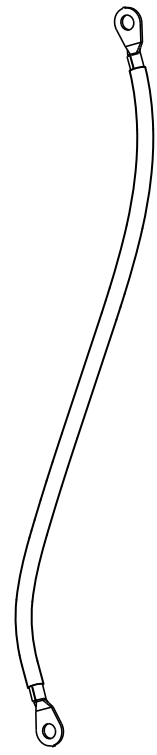
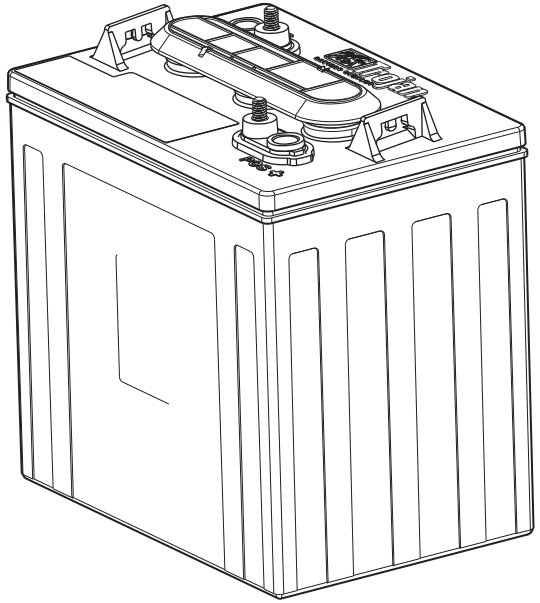
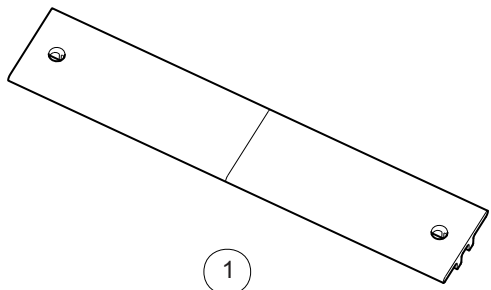
ITEM	PART NO.	DESCRIPTION	QTY
		1 2 3 4	
1	<u>101090801</u>	Hold-Down, Battery	2
2	1012571	Washer, 5/16 Extra Thick Flat	10
3	1015072	Locknut, 5/16-18 Nylon Insert	10
4	<u>101661601</u>	Battery, 6-Volt, Trojan T105 (Wet) (includes item 5)	8
5	<u>101831401</u>	Battery Cap 6 Volt	1
6	<u>101661602</u>	Battery, 6v Trojan T105 (Dry, also known as moist) (includes item 7)	8
7	<u>101831401</u>	Battery Cap 6 Volt	1
8	<u>102002801</u>	Wire Assy, #4 Black	2
9	<u>102002901</u>	Wire Assy, #4 Black	4
10	<u>102766201</u>	Hold Down, Outside	2
11	<u>102830301</u>	Hold Down, Front Center	1
12	<u>102845203</u>	Rod, Battery Hold Down 10.7"	10
13	<u>102873401</u>	5/16-18 Heavy Hex Nut	16
14	<u>102980801</u>	Extr, Plastic, 1 X 1 X 3	2
15	<u>102980901</u>	Clamp, Hose, Nylon, .25	2

15

E

15

E



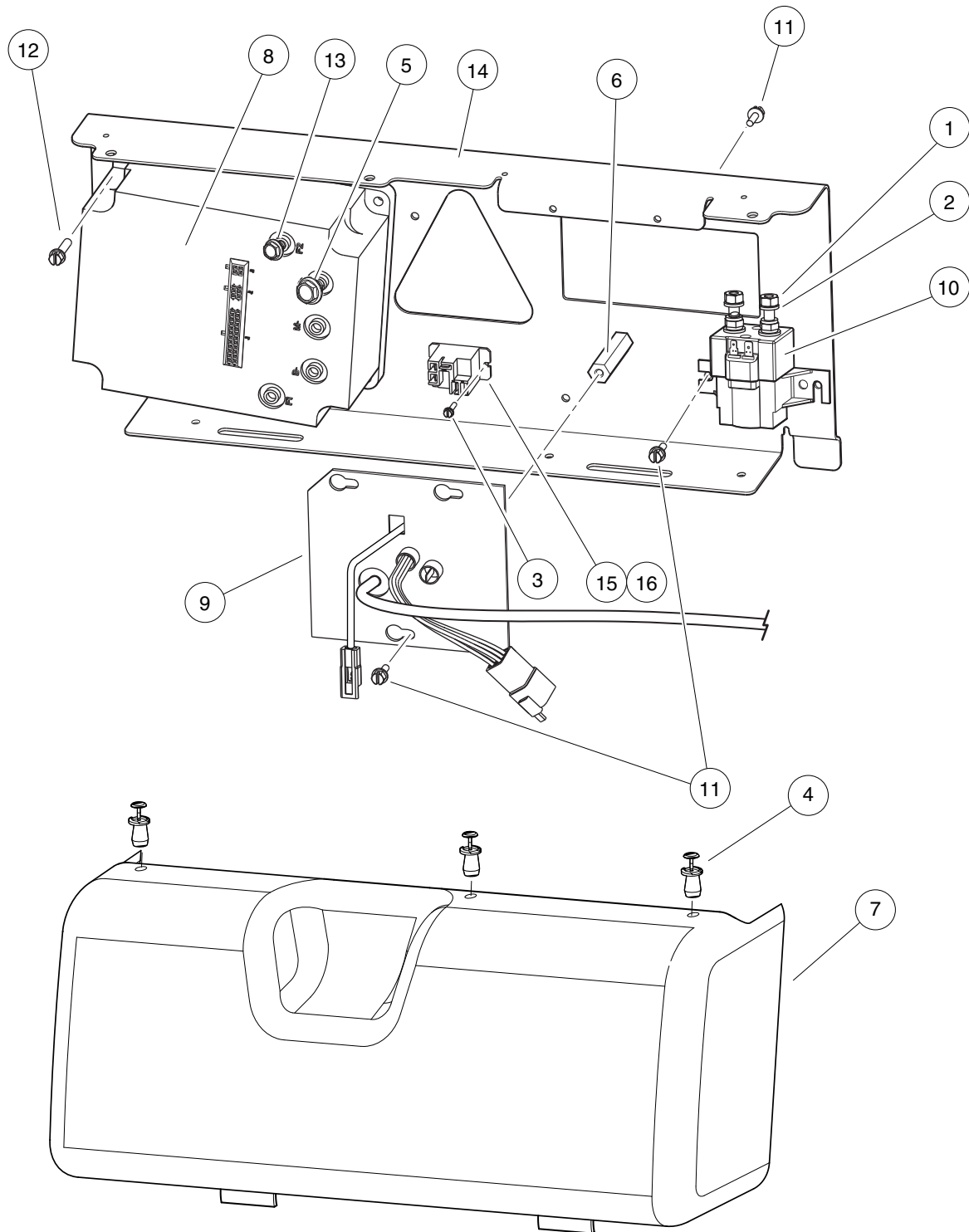
001245-002

BATTERIES, 6-VOLT, HEAVY DUTY, TROJAN

ITEM	PART NO.	DESCRIPTION	QTY
		1 2 3 4	
1	<u>101090801</u>	Hold-Down, Battery	2
2	1012571	Washer, 5/16 Extra Thick Flat	10
3	1015072	Locknut, 5/16-18 Nylon Insert	10
4	<u>102002801</u>	Wire Assy, #4 Black	2
5	<u>102002901</u>	Wire Assy, #4 Black	4
6	<u>102764401</u>	Battery, 6v Trojan T145 (Wet) (includes item 7)	8
7	<u>101831401</u>	Battery Cap 6 Volt	1
8	<u>102764402</u>	Battery, 6v Trojan T145 (Dry, also known as moist) (includes item 9)	8
9	<u>101831401</u>	Battery Cap 6 Volt	1
10	<u>102766201</u>	Hold Down, Outside	2
11	<u>102830301</u>	Hold Down, Front Center	1
12	<u>102845204</u>	Rod, Battery Hold Down 12"	12
13	<u>102873401</u>	5/16-18 Heavy Hex Nut	16
14	<u>102980801</u>	Extr, Plastic, 1 X 1 X 3	2
15	<u>102980901</u>	Clamp, Hose, Nylon, .25	2

15

E



001246-001

COMPUTER, CONTROLLER, AND SOLENOID

ITEM	PART NO.	DESCRIPTION	QTY
		1 2 3 4	
1	<u>1012528</u>	Nut, M8-1.25 Hex	2
2	<u>1013734</u>	Lockwasher, 8mm Split	2
3	<u>1015720</u>	Screw, #6-32 X 1/2 Hex Washer-Head	2
4	<u>1016967</u>	Blind Rivet, Push Type	3
5	<u>102240501</u>	Bolt, Controller, Terminal	3
6	<u>102769701</u>	Spacer, 2", 1/4-20, Hex	1
7	<u>102772402</u>	Cover, Electrical Component, Carryall 6	1
8	<u>102774501</u>	Controller, 500 Amp	1
9	<u>102774601</u>	Computer, Onbrd, 8x 6v, 64"	1
10	<u>102774701</u>	Solenoid, 48v	1
11	<u>102817101</u>	Screw, 1/4-20 X .50 Hex Wsh Hd	6
12	<u>102817201</u>	Screw, 1/4-20 X .88 Hex Wsh Hd	4
13	<u>102859501</u>	Screw, M6 X 1 X 20 Ser Hex Flg	2
14	<u>102912801</u>	Plate, Component, Front	1
15	<u>103414901</u>	Kit, Relay, 48v 30a W/instr (includes item 16)	1
16	<u>103397901</u>	Relay, Spst No, 48v 30a, Pmt	1

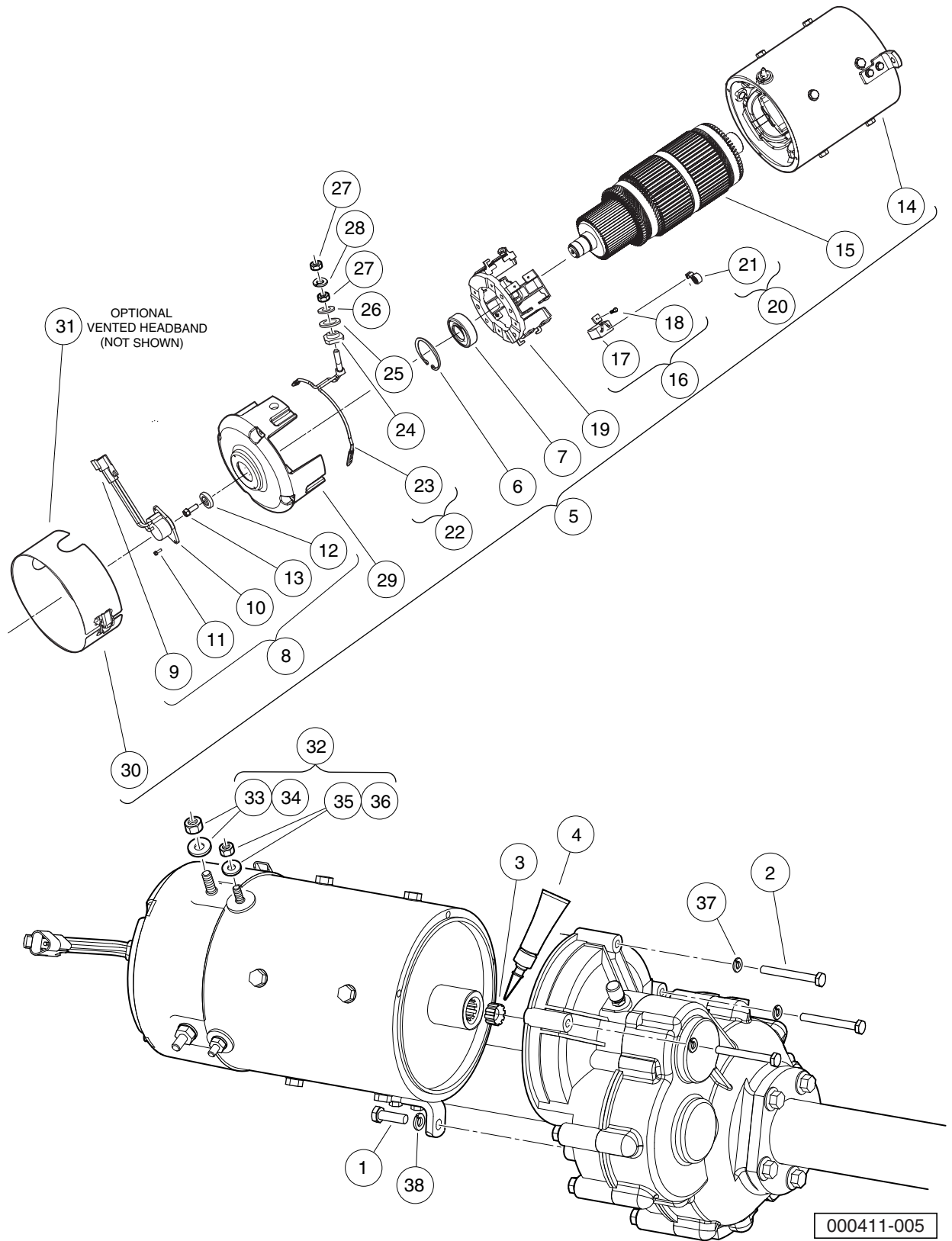
15

E

15

E

MOTOR (MODEL DA5-4006) – IQ PLUS



MOTOR (MODEL DA5-4006) – IQ PLUS

ITEM	PART NO.	DESCRIPTION	QTY
		1 2 3 4	
1	<u>1010934</u>	Screw, 5/16-18 X 1.00 Hex Cap	1
2	1014201	Screw, 1/4-20 X 2.25 Hex Cap	3
3	<u>102235201</u>	Bumper, Drive Unit	1
4	<u>102243403</u>	Lubricant, Moly-Teflon (Single-Use Tube)	1
5	<u>102775101</u>	IQ Plus Electric Motor, 48-VDC 3.7 hp (includes items 6 through 30)	1
6	N/A	Ring, 2.24" Internal Retaining	1
7	<u>102186401</u>	Bearing, Ball	1
8	<u>102704901</u>	Kit, Speed Sensor (includes items 9 through 13)	1
9	<u>101942301</u>	Kit, 3-Pin Wedge Lock	1
10	N/A	Sensor, Motor Speed, ADC	1
11	N/A	Screw, #8-32, Taptite Thread	2
12	N/A	Magnet, ADC Motor	1
13	N/A	Screw, 1/4-20 x 0.5	1
14	N/A	Asm, Frame And Field, 3.7 Hp	1
15	N/A	Armature (Includes external hardware not shown)	1
16	<u>102938601</u>	Kit, Brush, 3.7 Hp (includes items 17 and 18)	1
17	N/A	Brush, Motor	8
18	N/A	Screw, Taptite	8
19	<u>102938701</u>	Asm, Brush Box, 3.7 Hp	1
20	<u>102938801</u>	Kit, Brush Spring, 3.7 Hp (includes item 21)	1
21	N/A	Brush Spring	8
22	<u>102938901</u>	Kit, Brush Lead Asm, 3.7 Hp (includes items 23 through 28)	1
23	N/A	Terminal and Lead Assembly	2
24	N/A	Insulator, Terminal	2
25	N/A	Washer, Insulating	2
26	N/A	Washer, Flat, 5/16, Brass/Bronze	2
27	N/A	Nut, 5/16, Steel	4
28	N/A	Lockwasher, 5/16, Steel	2
29	<u>102939001</u>	Commutator End Head, 3.7 Hp	1
30	<u>102939101</u>	Sealed Headband, 3.7 Hp	1
31	<u>102939102</u>	Vented Headband, 3.7 HP (optional - not shown)	1
32	<u>102951701</u>	Pkg, Terminal Hardware, 3.7hp (includes items 33 through 36)	1
33	N/A	Nut, 5/16, Steel	2
34	N/A	Lockwasher, 5/16, Steel	2
35	N/A	Nut, 1/4-20, Steel	2
36	N/A	Lockwasher, 1/4-20, Steel	2
37	<u>451</u>	Lockwasher, 1/4 Split	3
38	<u>7174</u>	Lockwasher, 5/16 Split	1

16

E

16

E

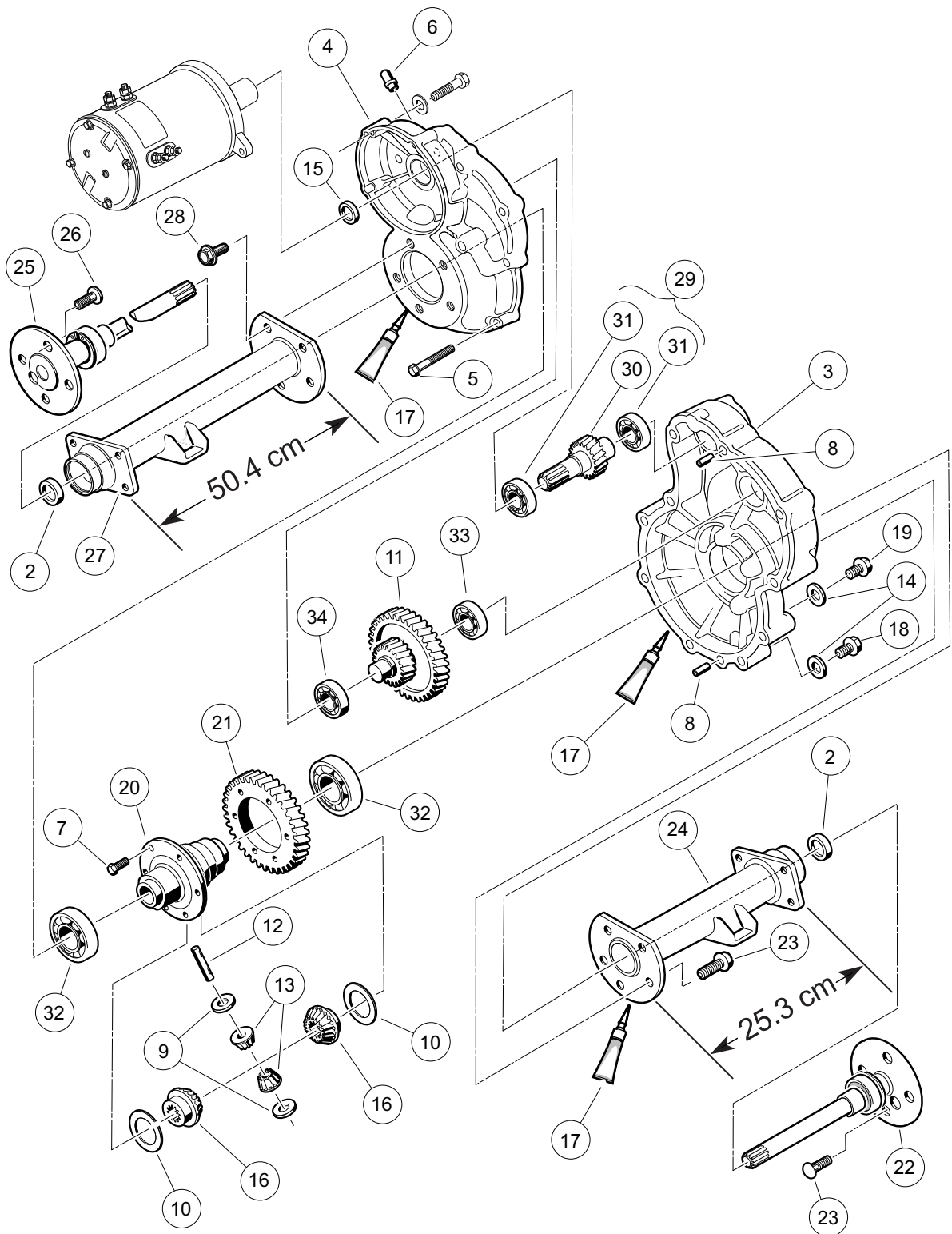
TRANSAXLE – ELECTRIC VEHICLES

17

E

17

E



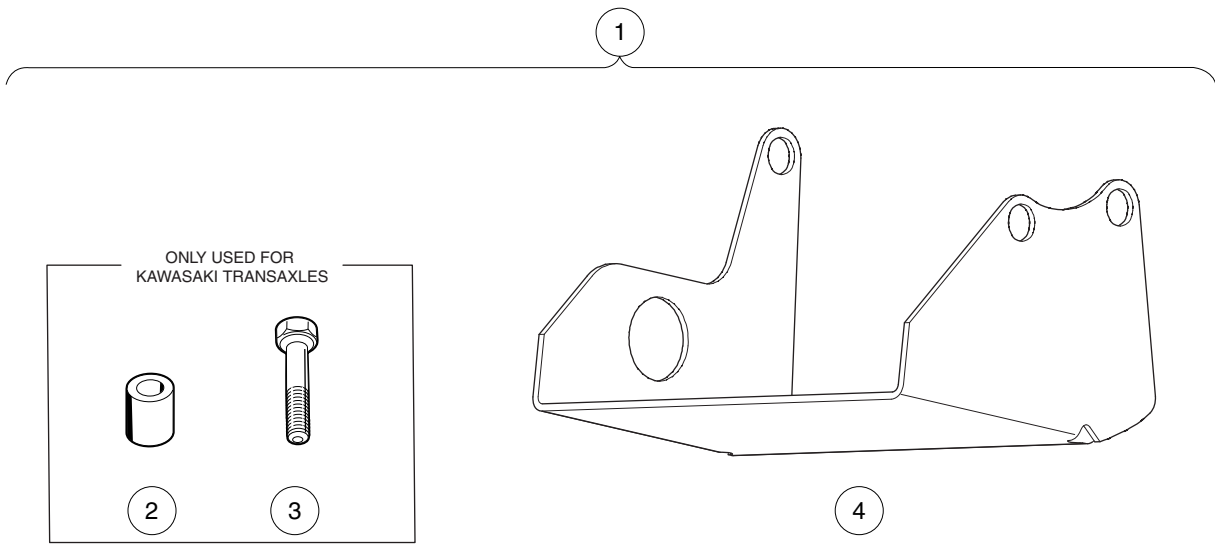
000223-005

TRANSAXLE – ELECTRIC VEHICLES

ITEM	PART NO.	DESCRIPTION	QTY
		1 2 3 4	
1	<u>102771701</u>	Transaxle, Electric (includes items 2 through 34)	1
2	<u>1013794</u>	Axle Shaft Oil Seal	2
3	<u>101895401</u>	Gear Case, Driver-Side	1
4	<u>101895501</u>	Gear Case, Passenger-Side	1
5	<u>101897001</u>	Screw, M8-1.25 X 60mm Hex-Head	11
6	<u>101897201</u>	Breather	1
7	<u>101897401</u>	Screw, M10-1.25 X 25mm	6
8	<u>101897601</u>	Pin, 11mm OD X 8.5mm ID X 10mm	2
9	<u>101903601</u>	Washer, Thrust	2
10	<u>101903701</u>	Washer, Thrust	2
11	<u>101906901</u>	Intermediate Shaft Assembly	1
12	<u>101922101</u>	Pin, 15.99mm X 88.7mm Dowel	1
13	<u>101923001</u>	Gear, Differential Idler	2
14	<u>101923201</u>	Gasket	2
15	<u>101923501</u>	Seal, Lip	1
16	<u>101923901</u>	Gear, Differential	2
17	<u>101928701</u>	Liquid Gasket (Transaxle case)	1
18	<u>101972101</u>	Plug, M14-1.5 X 12mm Magnetic	1
19	<u>101972201</u>	Plug, M14-1.5 X 12mm Hex	1
20	<u>102356601</u>	Housing, Differential, 6 Bolt	6
21	<u>102356801</u>	Gear, Differential Output, 6-Bolt	6
22	<u>102886301</u>	Axle Assembly, Driver-Side (includes item 23)	1
23	<u>101922201</u>	Lug Stud	4
24	<u>102886401</u>	Tube, Axle, Driver-Side	1
25	<u>102886501</u>	Axle Assembly, Passenger-Side (includes item 26)	1
26	<u>101922201</u>	Lug Stud	4
27	<u>102886601</u>	Tube, Axle, Passenger-Side	1
28	<u>102902801</u>	Screw, M10 X 30	10
29	<u>103582801</u>	Asm, E Trans Shaft/bearing (includes items 30 and 31)	1
30	N/A	Shaft, Input	1
31	<u>7335</u>	Bearing	2
32	<u>7330</u>	Inner Axle Tube Bearing	2
33	<u>7335</u>	Bearing	1
34	<u>7336</u>	Bearing	1

17

E



000365-002

DIFFERENTIAL GUARD – ELECTRIC VEHICLES

ITEM	PART NO.	DESCRIPTION	QTY
		1 2 3 4	
1	<u>101611402</u>	Kit, Differential Guard, Elec Vehicles (includes items 2 through 4)	1
2	<u>101914001</u>	Spacer, Steel	2
3	<u>101936101</u>	Screw, M10-1.50 X 60mm Hex Cap	2
4	<u>101978601</u>	Guard, Differential, Electric Vehicle Transaxle	1

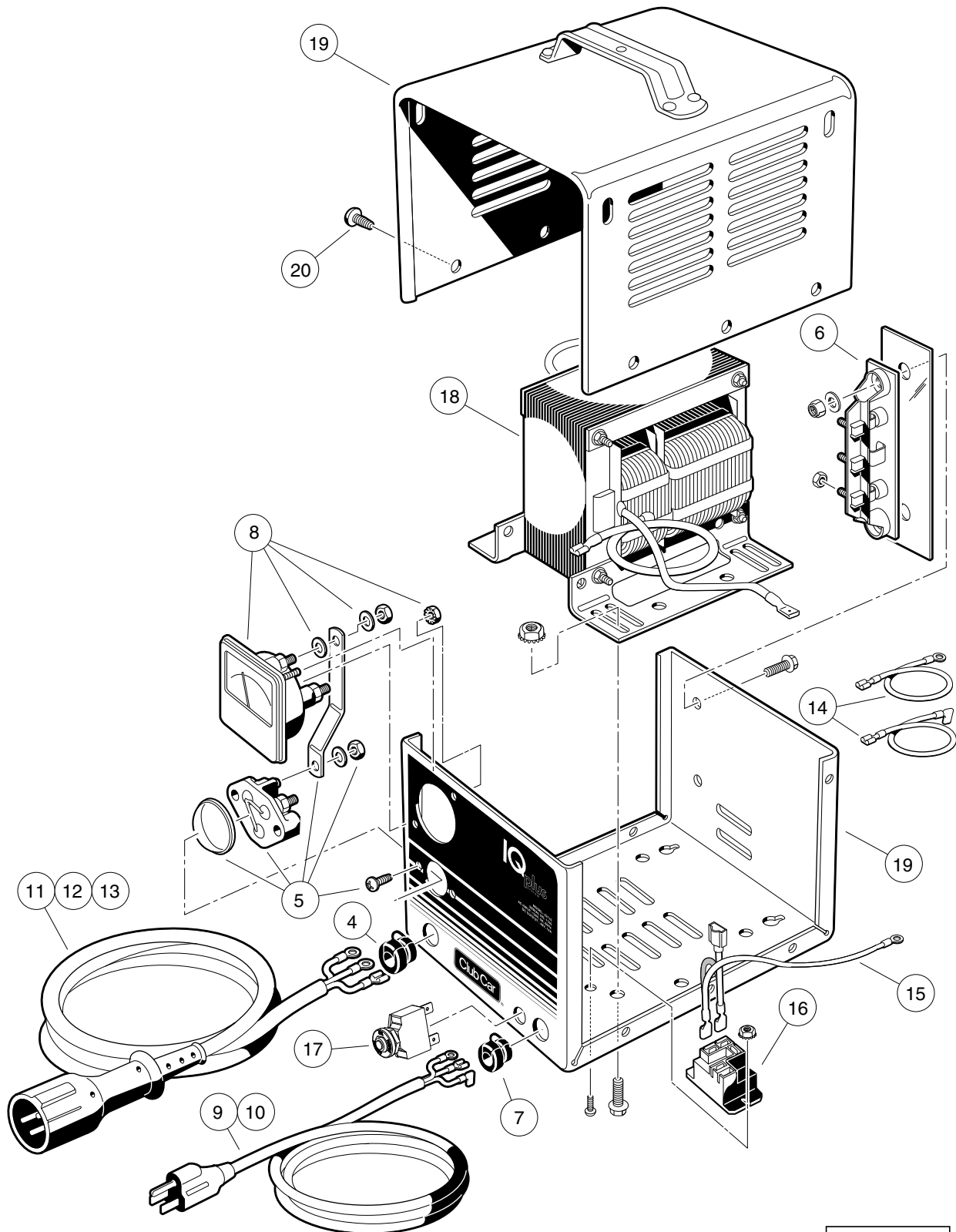
17

E

BATTERY CHARGERS

18

E



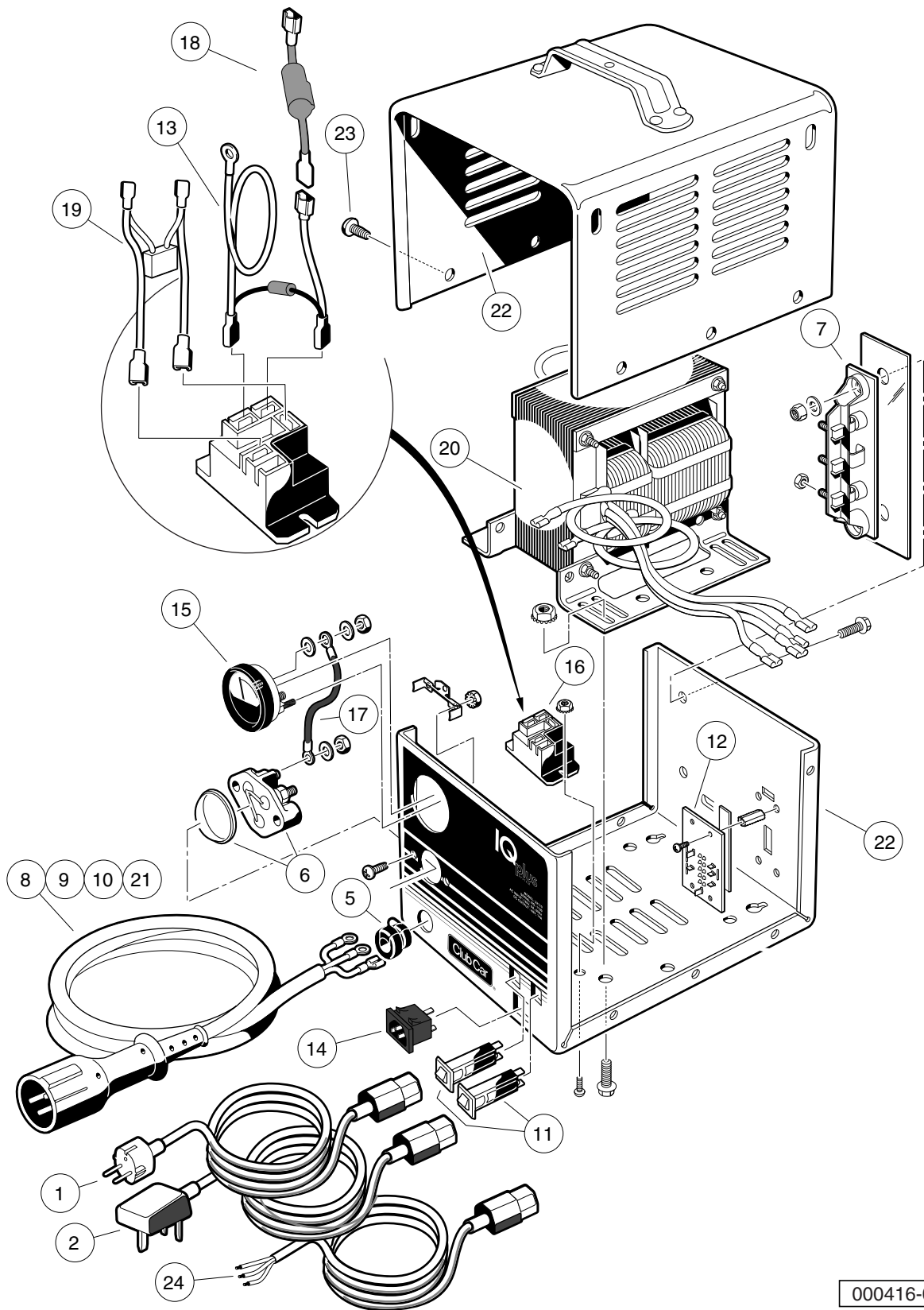
000414-001

IQ PLUS BATTERY CHARGER (MODELS 25730-11,-18,-19), DOMESTIC

ITEM	PART NO.	DESCRIPTION	QTY
		1 2 3 4	
1	<u>102847801</u>	Charger, IQ Plus, Domestic (9-ft. DC Cord, 6-ft. AC Cord)	1
2	<u>102847802</u>	Charger, IQ Plus, Domestic (12-ft. DC Cord, 9-ft. AC Cord)	1
3	<u>102847803</u>	Charger, IQ Plus, Domestic (20-ft. DC Cord, 9-ft. AC Cord) (includes items 4 through 20)	1
4	<u>1012098</u>	Bushing, DC Cord	1
5	<u>1012101</u>	Fuse Assembly	1
6	<u>1015914</u>	Rectifier with Heatsink Assembly	1
7	<u>1015917</u>	Bushing, AC Cord	1
8	<u>101828501</u>	Ammeter	1
9	<u>101828801</u>	Cord, AC, 80-Inch (203 cm)	1
10	<u>101828802</u>	Cord, AC, 108-Inch (274 cm)	1
11	<u>101828901</u>	Cord, DC, 113-Inch (287 cm)	1
12	<u>101828902</u>	Cord, DC, 154-Inch (391 cm)	1
13	<u>101828903</u>	Cord, DC, 250-Inch (635 cm)	1
14	<u>101831101</u>	Wire Assembly Kit	1
15	101914401	Assembly, Voltage Suppressor	1
16	<u>102275401</u>	Relay, 48-VDC	1
17	<u>102838101</u>	Circuit Breaker 250vac-50vdc	1
18	N/A	Transformer, Battery Charger	1
19	N/A	Case, Battery Charger	1
20	7577	Screw, #10 X 0.50 Phillips Pan-Head	10

18

E



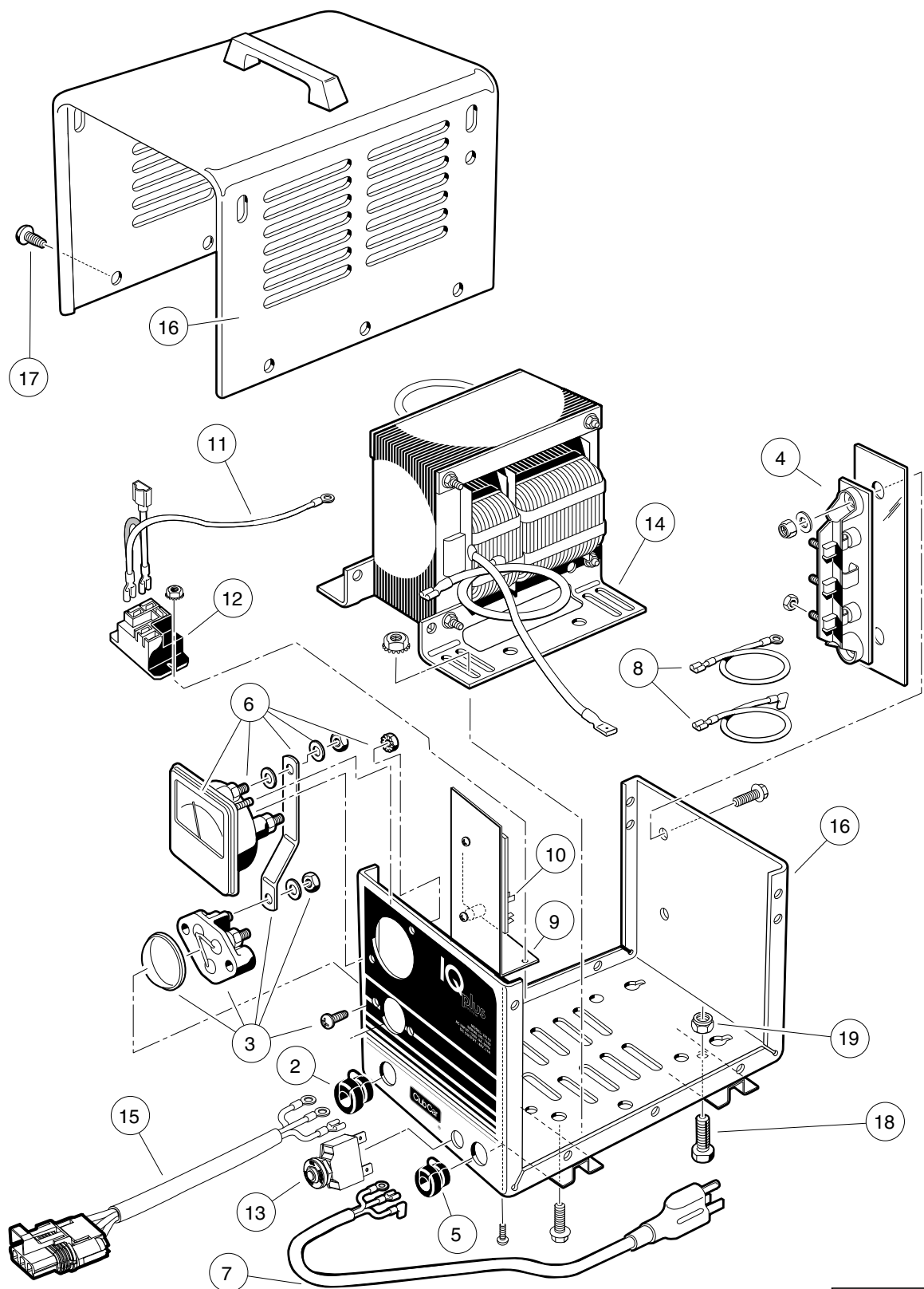
000416-001

IQ PLUS BATTERY CHARGER (MODELS 25880-11 AND -18), INTERNATIONAL

ITEM	PART NO.	DESCRIPTION	QTY
		1 2 3 4	
1	<u>101958201</u>	Cord, UK, AC, Battery Charger	1
2	101958301	Cord, European AC, Battery Charger	1
3	<u>102892901</u>	Charger, IQ Plus, International (9-ft. DC Cord)	1
4	<u>102892902</u>	Charger, IQ Plus, International (12-ft. DC Cord) (includes items 5 through 23)	1
5	<u>1012098</u>	Bushing, DC Cord	1
6	<u>1012101</u>	Fuse Assembly	1
7	<u>1015914</u>	Rectifier with Heatsink Assembly	1
8	<u>101828901</u>	Cord, DC, 113-Inch (287 cm)	1
9	<u>101828902</u>	Cord, DC, 154-Inch (391 cm)	1
10	<u>101828903</u>	Cord, DC, 250-Inch (635 cm)	1
11	101838401	Circuit Breaker	2
12	101838601	Four-Position Switch	1
13	101914401	Assembly, Voltage Suppressor	1
14	101973501	Receptacle, AC Cord	1
15	101976601	Ammeter with Mounting Bracket	1
16	<u>102275401</u>	Relay, 48-VDC	1
17	N/A	Wire, Jumper	1
18	N/A	Limitter, Current	1
19	N/A	Wire Assembly, Battery Charger	1
20	N/A	Transformer, Battery Charger	1
21	<u>102940801</u>	Cord, Dc	1
22	N/A	Case, Battery Charger	1
23	7577	Screw, #10 X 0.50 Phillips Pan-Head	10
24	<u>102939501</u>	Cord, European AC, Battery Charger	1

18

E



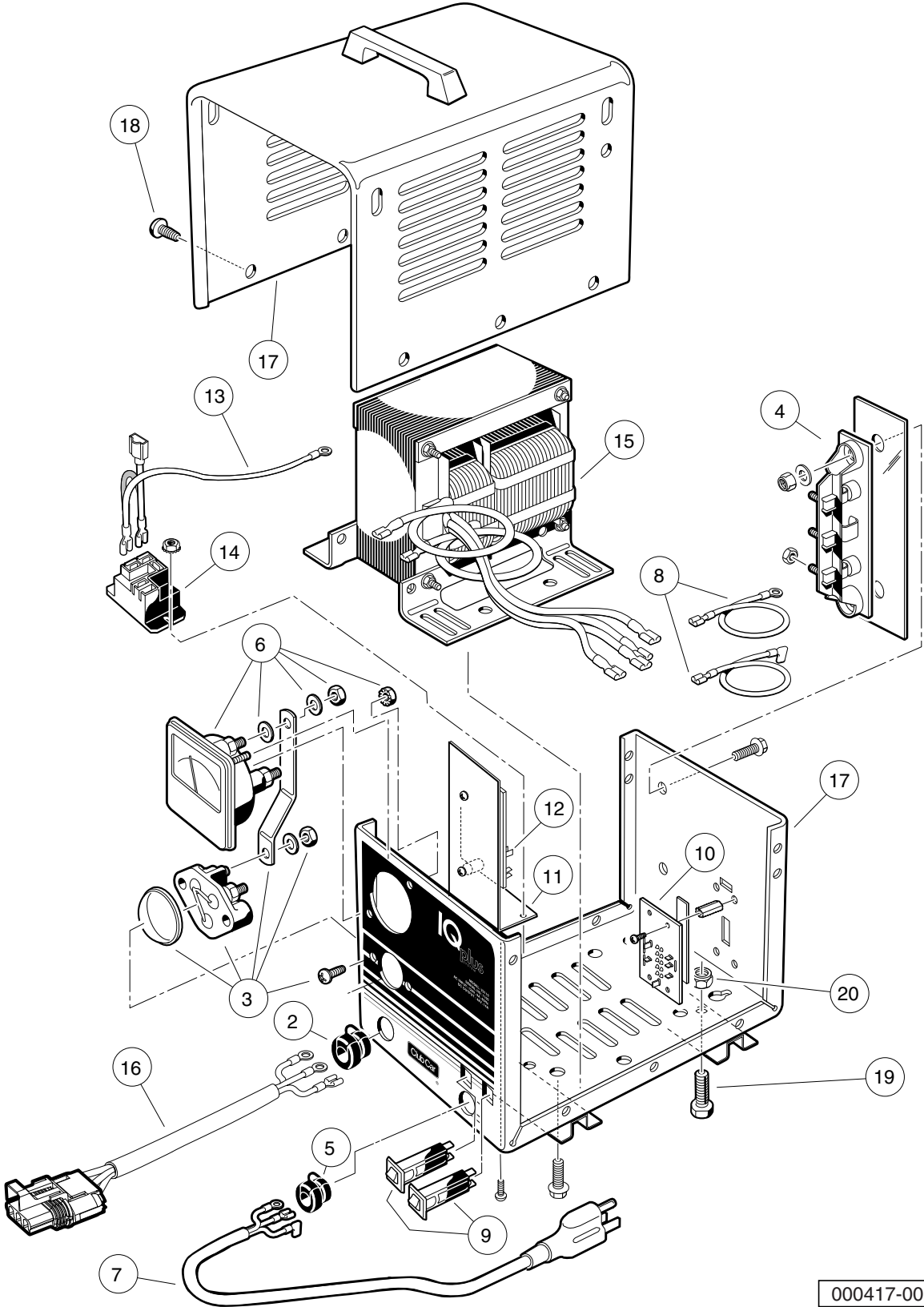
000415-001

ONBOARD IQ PLUS BATTERY CHARGER (MODEL 25260-11), DOMESTIC

ITEM	PART NO.	DESCRIPTION	QTY
		1 2 3 4	
1	<u>102837001</u>	Battery Charger, Onboard, 120-VAC, 48-VDC (includes items 2 through 19)	1
2	<u>1012098</u>	Bushing, DC Cord	1
3	<u>1012101</u>	Fuse Assembly	1
4	<u>1015914</u>	Rectifier with Heatsink Assembly	1
5	<u>1015917</u>	Bushing, AC Cord	1
6	<u>101828501</u>	Ammeter	1
7	<u>101829001</u>	Cord, AC, 22-Inch (56 cm)	1
8	<u>101831101</u>	Wire Assembly Kit	1
9	<u>101838701</u>	Mounting Bracket, Relay	1
10	<u>101841901</u>	Control Board	1
11	101914401	Assembly, Voltage Suppressor	1
12	<u>102275401</u>	Relay, 48-VDC	1
13	<u>102838101</u>	Circuit Breaker 250vac-50vdc	1
14	N/A	Transformer, Battery Charger	1
15	<u>102940801</u>	Cord, Dc	1
16	N/A	Case, Battery Charger	1
17	7577	Screw, #10 X 0.50 Phillips Pan-Head	12
18	<u>7847</u>	Screw, 1/4-20 X 0.75 Hex-Head Cap	4
19	<u>8233</u>	Locknut, 1/4-20, Nylon Insert	4

18

E



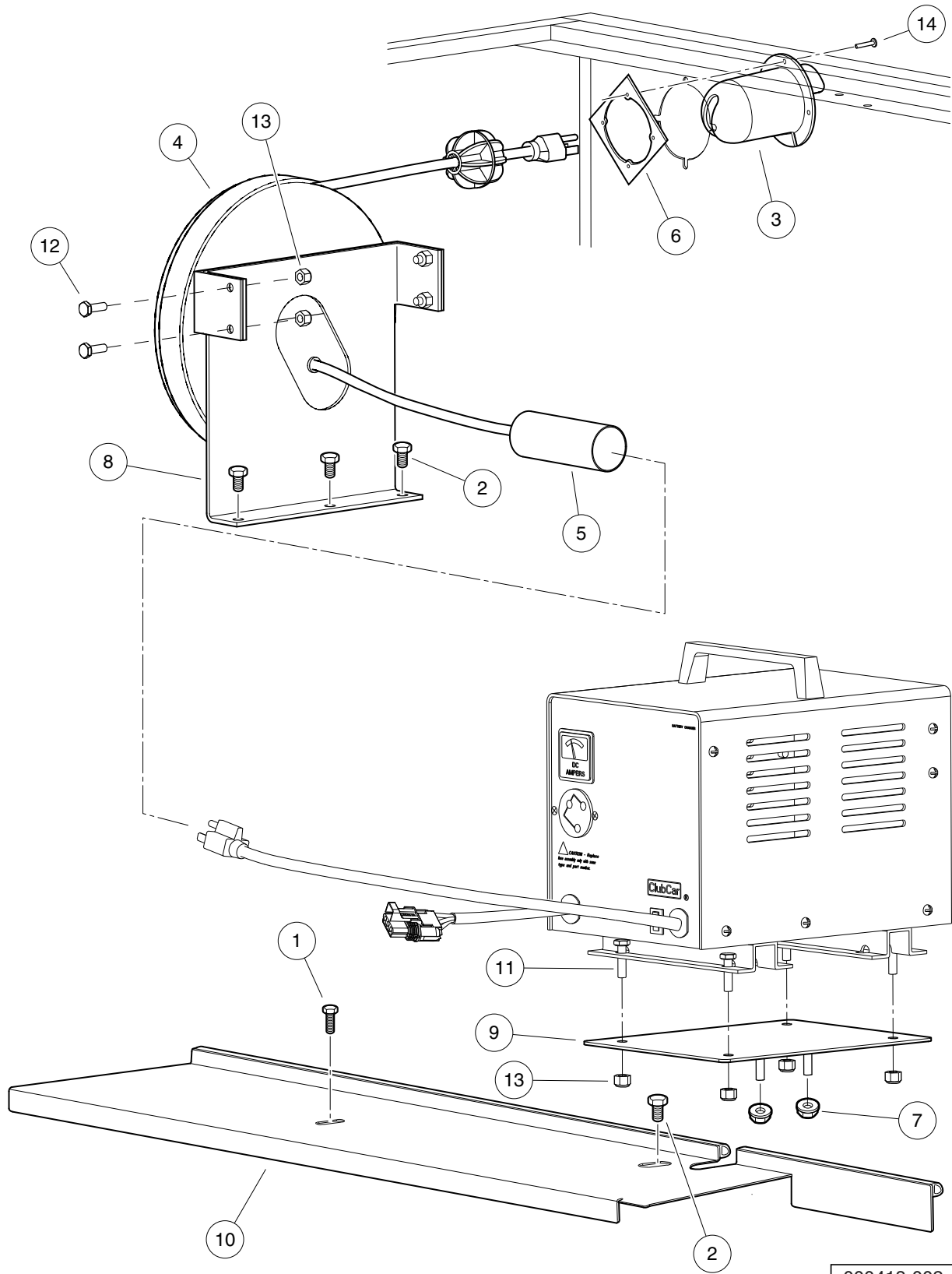
000417-001

ONBOARD IQ PLUS BATTERY CHARGER (MODEL 25660-40), INTERNATIONAL

ITEM	PART NO.	DESCRIPTION	QTY
		1 2 3 4	
1	102893001	Battery Charger, Onboard, International, IQ Plus (includes items 2 through 20)	1
2	<u>1012098</u>	Bushing, DC Cord	1
3	<u>1012101</u>	Fuse Assembly	1
4	<u>1015914</u>	Rectifier with Heatsink Assembly	1
5	<u>1015917</u>	Bushing, AC Cord	1
6	<u>101828501</u>	Ammeter	1
7	<u>101829001</u>	Cord, AC, 22-Inch (56 cm)	1
8	<u>101831101</u>	Wire Assembly Kit	1
9	101838401	Circuit Breaker	2
10	101838601	Four-Position Switch	1
11	<u>101838701</u>	Mounting Bracket, Relay	1
12	<u>101841901</u>	Control Board	1
13	101914401	Assembly, Voltage Suppressor	1
14	<u>102275401</u>	Relay, 48-VDC	1
15	N/A	Transformer, Battery Charger	1
16	<u>102940801</u>	Cord, Dc	1
17	N/A	Case, Battery Charger	1
18	7577	Screw, #10 X 0.50 Phillips Pan-Head	12
19	<u>7847</u>	Screw, 1/4-20 X 0.75 Hex-Head Cap	4
20	<u>8233</u>	Locknut, 1/4-20, Nylon Insert	4

18

E



000418-002

ONBOARD IQ PLUS CHARGER AND CORD REEL MOUNTING

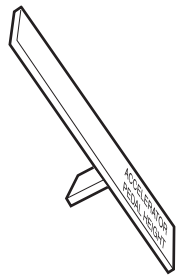
ITEM	PART NO.	DESCRIPTION	QTY
		1 2 3 4	
1	<u>1014063</u>	Screw, 1/4-20 X 1.00, Hex Head	1
2	<u>1014288</u>	Screw, 5/16-18 X 0.75, Thread-Forming	4
3	<u>1016673</u>	Housing, Cord Reel	1
4	<u>1017187</u>	Retractable Cord Reel	1
5	<u>1017189</u>	Heat Shrink Tube 1.5" X 3"	1
6	<u>101801001</u>	Plate, Receptacle Backing	1
7	<u>101832901</u>	Nut, M10-1.25 Hex Flange	2
8	<u>102770701</u>	Bracket, Reel, Tabbed	1
9	<u>102942601</u>	Asm, Plate, Charger Mounting	1
10	<u>103352701</u>	Asm, Shield, Iq Plus Ob Chgr,	1
11	304	Screw, 1/4-20 X 1.0 Hex-Head Cap	4
12	<u>7847</u>	Screw, 1/4-20 X 0.75 Hex-Head Cap	4
13	<u>8233</u>	Locknut, 1/4-20, Nylon Insert	8
14	<u>8796</u>	Screw, #7-19 X 0.75 Pan-Head Type AB	4

18

E

MAINTENANCE AND SERVICE TOOLS

19
G
E



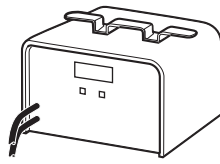
1



2



3



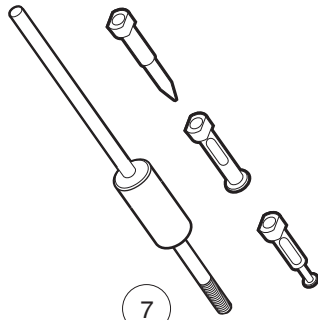
4



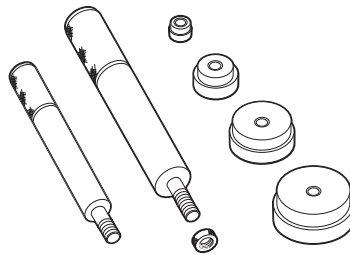
5



6



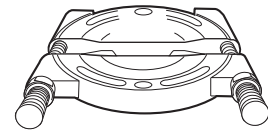
7



8



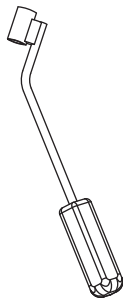
9



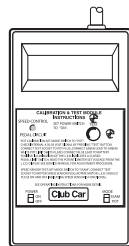
10



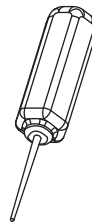
11



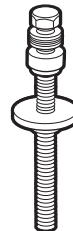
12



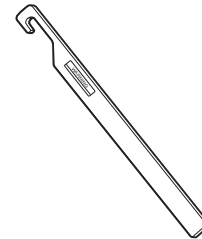
13



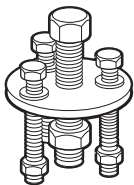
14



15



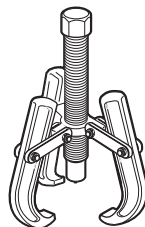
16



17



18



19



20



21

001600-001

MAINTENANCE AND SERVICE TOOLS

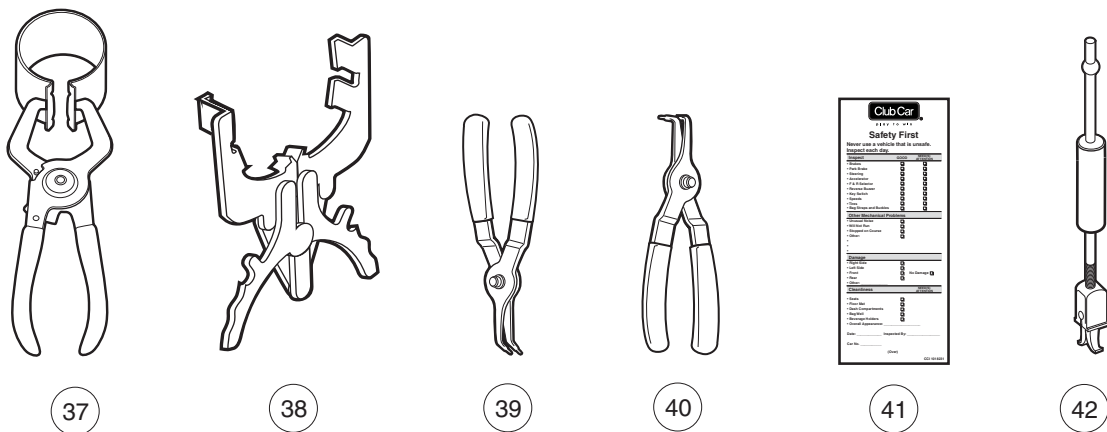
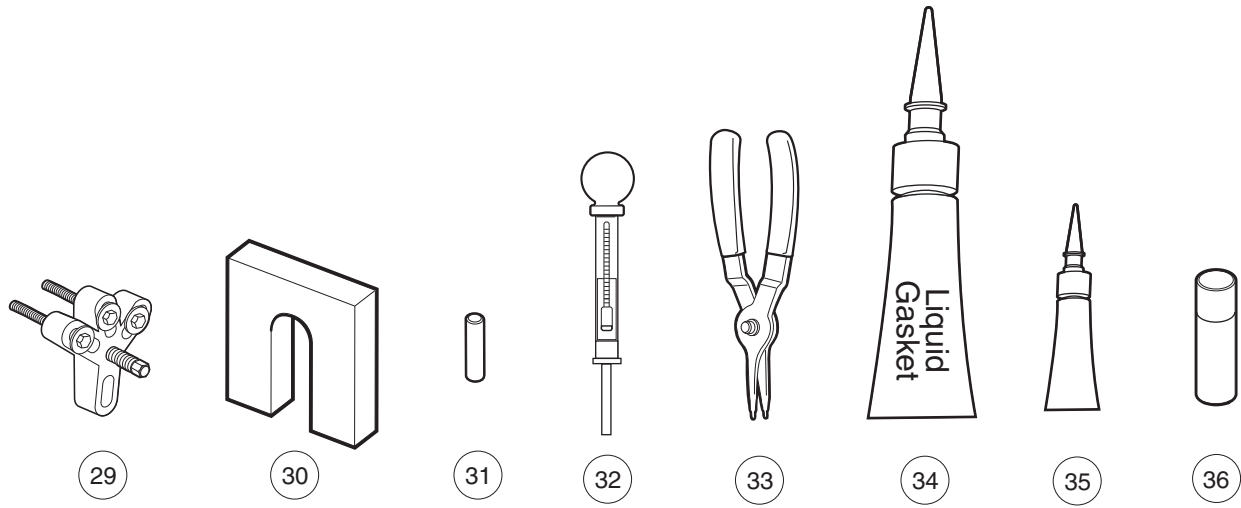
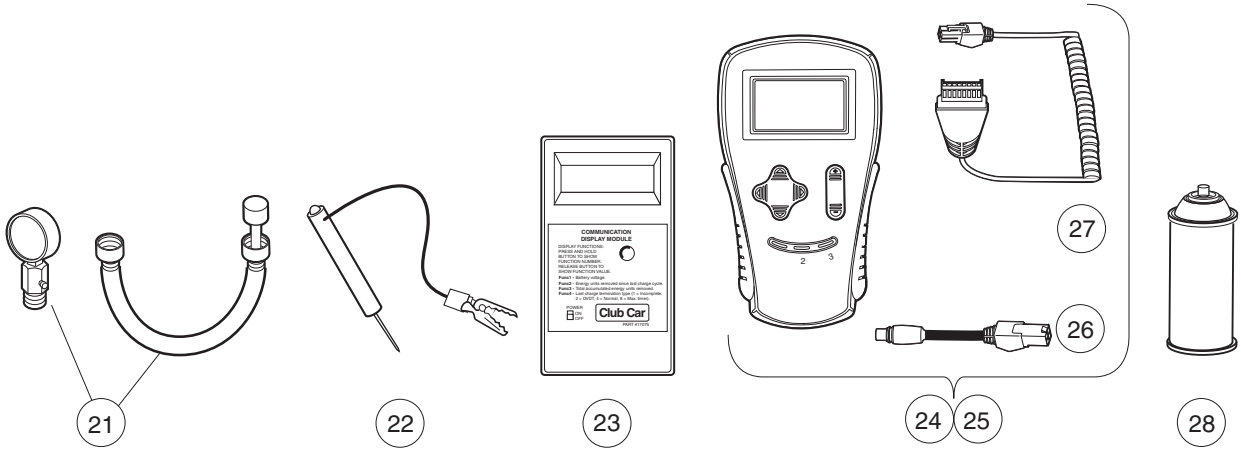
ITEM	PART NO.	DESCRIPTION	QTY GAS	QTY ELEC
		<p style="text-align: center;">1 2 3 4</p> <p>The following tool list includes all tools available from Club Car to perform maintenance and service procedures on all electric utility vehicles and all gasoline utility vehicles equipped with Kawasaki FE-series engines. Be sure to carefully examine the tool list for applicability to your vehicle before ordering.</p>		
1	<u>101871001</u>	Accelerator Pedal Adjustment Tool (Utility Vehicles).....	1	1
2	<u>101813202</u>	Adhesive, Guide Ring, 3-Gram Tube		1
3	<u>101641202</u>	Arbor	1	
4	<u>101831901</u>	Battery Discharge Machine, 36/48 Volt		1
5	<u>1014305</u>	Battery Terminal Protector Spray	1	1
6	1011767	Battery Thermometer	1	1
7	<u>1016417</u>	Bearing and Oil Seal Remover Assembly	1	1
8	<u>1016416</u>	Bearing Driver Set	1	1
9	<u>1012811</u>	Bearing Puller	1	1
10	<u>1012812</u>	Bearing Puller Wedge Attachment	1	1
11	1013582	Brake Adjustment Tool (used only on vehicles with manually adjusted mechanical brakes)	1	1
12	<u>102555501</u>	Brake Cable Release Tool	1	1
13	<u>101887101</u>	Calibration Test Module		1
14	<u>102562401</u>	Charger Bezel Tool		1
		Clutch Tools (items 14 - 20)	1	
15	<u>101808401</u>	Clutch Cam Installation Tool (for Kawasaki engines)	1	
16	<u>1015524</u>	Drive Clutch Holder Tool Assembly (for Kawasaki engines)	1	
17	<u>1014497</u>	Drive Clutch Hub Puller (for Kawasaki engines)	1	
18	<u>1014496</u>	Drive Clutch Puller (for Kawasaki engines)	1	
19	<u>1014508</u>	Driven Clutch Cam Puller (for Kawasaki engines)	1	
20	<u>1014507</u>	Driven Clutch Puller Plug (for Kawasaki engines)	1	
21	<u>101809101</u>	Press Weldment (for Kawasaki engines)	1	
		<p>Please refer to the maintenance and service manual for proper tool application.</p>		

19

G

E

19
G
E



001601-001

MAINTENANCE AND SERVICE TOOLS, CONTINUED

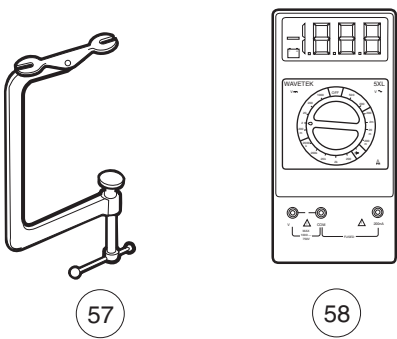
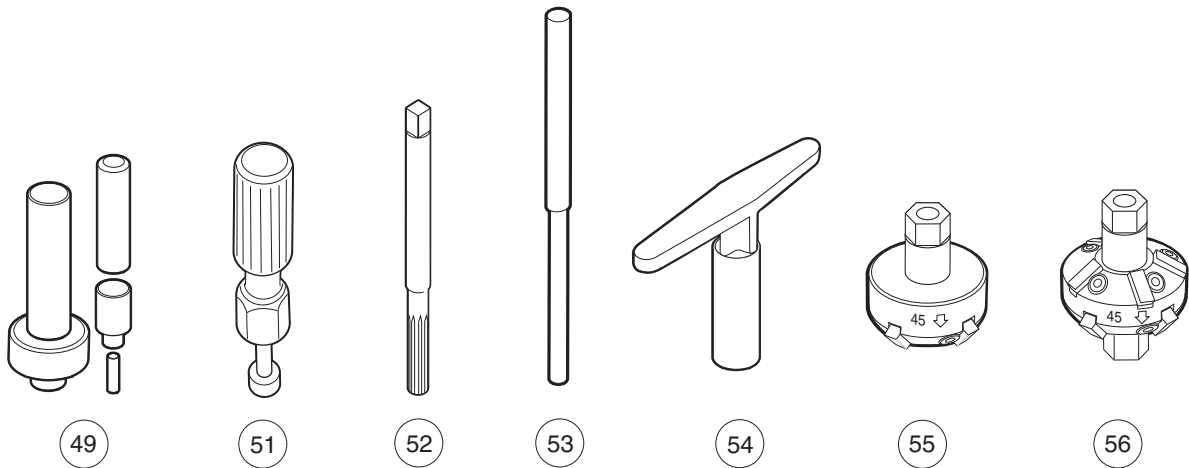
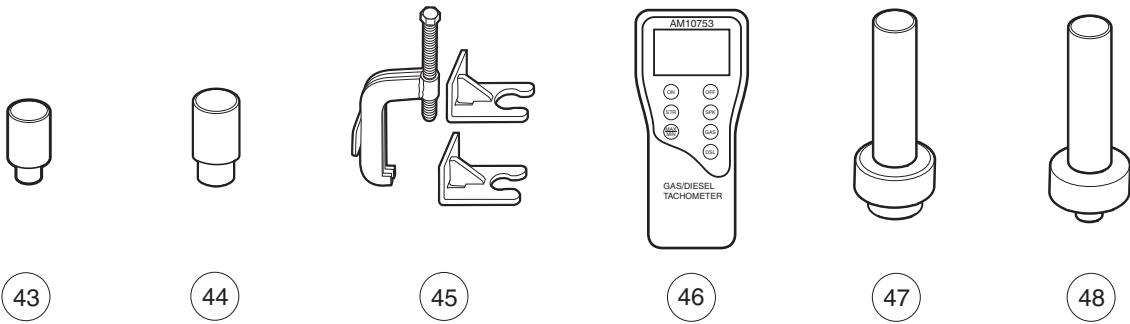
ITEM	PART NO.	DESCRIPTION	QTY GAS	QTY ELEC
		1 2 3 4		
21	101641002	Compression Gauge and Adapter	1	
22	1011273	Continuity Tester	1	1
23	101831801	Communication Display Module		1
24	<u>102248803</u>	IQ Display Module (IQDM) Kit (IQ System and IQ Plus vehicles) (includes items 54 and 55)		1
25	102248804	IQ Display Module (IQDM-P) Kit (IQ System and IQ Plus vehicles) (includes items 54 and 55)		1
26	<u>102251501</u>	Adaptor, Cable		1
27	<u>102241502</u>	IQDM Series 2 Cable		1
28	<u>1012151</u>	Dry Moly Lubricant	1	1
29	<u>1016627</u>	Flywheel Puller Kit (for Kawasaki Engines)	1	
30	<u>1016418</u>	Gear Yoke	1	1
31	<u>101933101</u>	Governor Shaft Installation Tool (for Kawasaki Engine Vehicles)	1	
32	<u>1011478</u>	Hydrometer	1	1
33	<u>1013593</u>	Internal Retaining Ring Pliers	1	1
34	<u>101928701</u>	Liquid Gasket (transaxle case)	1	1
35	<u>102243402</u>	Moly-Teflon Lubricant (4-oz. (113-gram) tube)		1
36	<u>101997201</u>	Paint, Touch-Up ,Äi Beige*	1	1
36	<u>101997207</u>	Paint, Touch-Up ,Äi Black*	1	1
36	<u>101997212</u>	Paint, Touch-Up ,Äi Burgundy*	1	1
36	<u>101997211</u>	Paint, Touch-Up ,Äi Classic Blue (Navy)*	1	1
36	<u>101997205</u>	Paint, Touch-Up ,Äi Dark Gray*	1	1
36	<u>101997209</u>	Paint, Touch-Up ,Äi Dark Green*	1	1
36	<u>101997204</u>	Paint, Touch-Up ,Äi Gray*	1	1
36	<u>101997203</u>	Paint, Touch-Up ,Äi Red*	1	1
36	<u>101997206</u>	Paint, Touch-Up ,Äi Royal Blue (Pacific Blue)*	1	1
36	<u>101997202</u>	Paint, Touch-Up ,Äi White*	1	1
37	<u>1016414</u>	Piston Ring Compressor Kit	1	
38	<u>1016415</u>	Piston Ring Pliers	1	
39	<u>1012549</u>	Retaining Ring Pliers, 45→ External	1	1
40	<u>1012560</u>	Retaining Ring Pliers, 90→ Internal	1	1
41	<u>101823101</u>	Safety First Card (50 per pack)	1	1
42	<u>1012809</u>	Seal Puller	1	1
		Please refer to the maintenance and service manual for proper tool application.		

19

G

E

19
G
E



001602-001

MAINTENANCE AND SERVICE TOOLS, CONTINUED

ITEM	PART NO.	DESCRIPTION	QTY GAS	QTY ELEC
		1 2 3 4		
43	<u>1014264</u>	Steering Column Bearing Press Tool	1	1
44	<u>1014259</u>	Steering Column Retaining Ring Tool	1	1
45	102061201	Steering Wheel Puller Tool	1	1
46	<u>AM10753</u>	Tachometer (includes gasoline engine pick up lead only)	1	
47	<u>1014162</u>	Transaxle Axle Seal Tool (for electric vehicles)		1
48	1014161	Transaxle Pinion Seal Tool (for electric vehicles)		1
49	<u>1014115</u>	Transmission Tool Kit (for electric vehicles).....		1
50	<u>101611003</u>	Tune-Up Kit, All OHV (for FE290, FE350, FE400 only) (includes air filter, spark plug, oil filter, fuel filters) (not shown)	1	
51	<u>1016413</u>	Valve Clearance Adjuster Screw Holder (for FE290 engines only)	1	
52	101641201	Valve Guide Reamer (FE290, FE350, and FE400 only).....	1	
53	<u>1016552</u>	Valve Seat Cutter Guide	1	
54	<u>1016551</u>	Valve Seat Cutter T-Wrench	1	
55	<u>1016553</u>	Valve Seat Cutter, 45→× (32 mm diameter) (for FE290 engines only)	1	
56	<u>1016554</u>	Valve Seat Cutter, 45→×/30→× (35 mm diameter)	1	
57	<u>101641101</u>	Valve Spring Compressor	1	
58	1011480	Volt Ohm Meter	1	1
		Please refer to the maintenance and service manual for proper tool application.		

19
G
E

INDEX

Part Number and Page

AM10753	19-7	7173	1-11, 4-5, 4-7, 6-25, 7-19	1010145	6-21, 6-23
AM10080	14-9	7174	1-47, 1-51, 6-7, 7-9, 11-19, 12-3, 16-3	1010150	6-17, 6-19
AM10081	14-9	7251	1-3, 1-11	1010177	6-17
AM10419	13-9	7274	6-13	1010219	6-15
AM1232301	8-5, 9-5, 10-5	7308	6-13	1010237	1-23, 1-25
AM1243501	4-29	7310	2-3	1010434	1-3, 1-5
AM1243701	4-25, 4-27, 4-29	7311	1-23, 1-25, 6-25	1010435	1-3, 1-31, 1-43, 1-45
AM1243801	4-25, 4-27, 4-29	7330	14-11, 17-3	1010543	1-15
AM1264001	1-49	7335	14-9, 17-3	1010546	1-3
AM1304001	1-57	7336	17-3	1010577	8-15, 9-15, 10-15
AM1304101	1-57	7473	1-3, 1-23, 1-25, 1-31, 1-39, 1-43, 1-45, 1-55, 1-71, 4-5, 4-7, 5-3, 5-5, 5-7, 5-13, 5-15, 6-25, 7-13, 7-15, 7-19	1010805	5-3
AM1304201	1-57	7479	1-39	1010829	5-13, 5-15
AM1304301	1-57	7539	6-15	1010850	5-11, 5-17
AM1304401	1-57	7540	6-3, 6-15	1010877	5-3
AM1304501	1-57	7555	6-3, 6-15	1010878	1-33, 1-35, 5-3
AM1304601	1-57	7561	1-43, 1-45	101090801	15-11, 15-13
AM1304801	1-57	7577	18-3, 18-5, 18-7, 18-9	1010909	4-5, 4-23
AM1304901	1-57	7591	4-5, 4-7	1010921	1-23, 1-25, 5-3
AM1305001	1-57	7602	6-3, 6-15	1010927	5-3
AM1305101	1-57	7716	5-3, 5-5, 5-7	1010932	5-3
AM1305201	1-57	7818	7-13, 7-15	1010933	5-3
SVP120402	1-43	7820	4-31, 4-33	1010934	1-31, 1-39, 1-47, 1-51, 7-19, 16-3
SVP183302	1-45	7840	6-13	1010954	7-13, 7-15, 14-7, 14-13
183	4-5, 4-7, 4-9, 4-23, 4-29, 7-15, 11-3, 11-5, 11-21, 13-5, 13-7, 14-7, 14-13	7847	1-9, 1-53, 12-3, 18-7, 18-9, 18-11	1010984	2-3
304	4-31, 4-33, 14-5, 18-11	7893	4-5, 4-9, 4-23, 7-13, 7-15, 14-5	1011014	1-3
324	4-25, 4-27	7910	6-13	1011017	1-3, 4-17
332	1-15, 1-33, 1-35, 1-39, 1-53, 4-25, 4-27, 4-31, 4-33, 7-11, 11-23, 12-3	7973	1-7, 11-21	1011084	5-9
334	5-5, 5-7, 6-3, 6-5, 8-15, 9-15, 10-15, 13-5, 13-7	8057	7-13, 7-15, 7-17, 14-3	1011114	5-11, 5-17
357	1-47, 6-17, 6-19, 6-25	8058	7-13, 7-15, 7-17, 14-3	1011137	5-11
403	1-29	8067	6-13	1011154	5-11, 5-17
451	5-11, 5-17, 12-3, 16-3	8104	4-9, 14-3	1011229	4-5, 4-7
705	1-33, 1-43, 1-45, 1-47, 7-9, 8-15, 9-15, 10-15	8233	1-23, 1-25, 1-29, 1-33, 1-35, 1-53, 4-25, 4-27, 4-31, 4-33, 4-35, 5-5, 5-7, 6-25, 7-11, 11-19, 14-5, 14-7, 14-13, 18-7, 18-9, 18-11	1011273	19-5
706	1-47, 6-17, 6-19	8248	1-11, 7-11	1011280	4-5, 4-7
808	6-25, 13-5, 13-7	8251	1-27	1011291	14-11
1016	4-5, 4-9, 4-23, 7-15, 11-3, 11-5	8294	4-31, 4-33	1011298	5-11, 5-17
1017	4-3, 7-15	8450	7-15, 13-5, 13-7	1011303	5-11, 5-17
1028	5-3	8639	4-29, 11-21, 14-5	1011314	5-11, 5-17
1032	5-3	8717	5-7, 7-13, 7-15, 14-3, 14-7, 14-13	1011382	4-11, 4-13, 4-15
1035	6-3, 6-15	8745	6-17, 6-19	1011393	6-13
1108	1-39	8754	1-33, 1-35, 1-43, 1-45, 5-5, 5-7, 6-3, 6-5, 6-15, 6-17, 6-19, 6-21, 6-23, 7-9	1011394	1-3
1218	1-23, 1-25	8755	1-33, 1-35, 6-17, 6-19, 6-21	1011402	5-3
1241	1-3, 1-23, 1-25, 1-31, 1-47, 1-51, 4-5, 4-7, 5-3, 5-5, 5-7, 5-15, 7-9, 7-13, 7-15, 7-19, 12-3	8796	18-11	1011415	6-21, 6-23
1242	1-47, 1-51, 5-13, 5-15, 7-9, 7-13, 7-15	8797	11-3, 11-5	1011418	5-3
1308	6-15	8861	6-15, 6-25	1011439	4-5, 4-7
1620	4-3	8963	1-23, 1-25	101146302	5-11, 5-17
1624	5-5, 5-7, 6-3	8990	1-43, 1-45, 4-9, 4-21, 4-27, 4-35, 6-3, 7-13, 7-15	1011464	5-11, 5-17
1631	11-21	1010005	6-13	1011465	5-11, 5-17
1703	1-23, 1-25	1010028	14-3	1011466	5-11, 5-17
2402	6-15, 6-19	1010086	1-39	1011467	5-11, 5-17
4029	4-31, 4-33	1010124	6-17, 6-19	1011478	19-5
7048	6-13	1010138	6-15	1011480	19-7
				1011494	5-11, 5-17
				1011546	1-49
				1011553	1-47, 1-51
				1011557	4-5, 4-7
				1011578	6-5

INDEX

1011582	4-37	1012642	2-5	1013771	14-11
1011590	4-9	1012649	11-3, 11-5, 11-7	1013772	14-11
1011694	5-5, 5-7	1012711	14-7	1013773	14-11
1011697	1-55, 6-5, 8-15, 9-15, 10-15, 11-19	1012714	14-9	1013774	14-11
1011734	5-9	1012740	14-9	1013787	14-11
1011767	19-3	1012741	14-9	1013792	14-11
1011779	5-13, 5-15	1012747	14-9	1013794	14-11, 17-3
1011825	4-31, 4-33	1012748	14-9	1013824	1-11
1011852	1-23, 1-25	1012752	14-7	1013825	1-11
1011862	1-23, 1-25	1012809	19-5	1013846	1-11
1011865	1-23, 1-25	1012811	19-3	1013861	6-7
1011868	1-23, 1-25	1012812	19-3	1013869	5-3
101187702	5-3	1012830	7-9, 11-19, 12-3	1013870	5-3
1011878	1-11, 1-23, 1-25	1012836	13-9	1013871	5-5, 5-7
1011883	1-23, 1-25	1012896	14-7	1013872	1-33, 1-35
1011887	6-13	1013001	7-7	1013876	5-3
1011892	6-13	1013003	7-7	1013924	5-11, 5-17, 8-15, 9-15, 10-15
1011893	6-15	1013005	7-7	1014007	5-5, 5-7, 11-19, 14-7, 14-13
1011895	6-3, 6-15	101301102	7-7	1014049	13-5, 13-7
1011897	1-21	1013035	6-3	1014050	13-5, 13-7
1011930	6-3, 6-15	1013042	6-3	1014051	13-5
1011931	5-5, 5-7	1013044	6-3	1014052	13-5, 13-7
1011937	1-23, 1-25	1013052	6-3	1014055	13-5, 13-7
1011942	1-23, 1-25	1013061	14-3, 14-7, 14-13, 15-7	1014056	13-5, 13-7
1011964	1-23, 1-25	101313402	11-7	1014057	13-5, 13-7
1011965	1-23, 1-25	1013135	6-13	1014058	13-5, 13-7
1011990	1-43, 1-45, 1-47	1013207	6-21	1014059	13-5, 13-7
1012008	1-23, 1-25	1013280	1-29	1014062	13-5, 13-7
1012098	18-3, 18-5, 18-7, 18-9	1013309	1-15	1014063	13-5, 13-7, 18-11
1012101	18-3, 18-5, 18-7, 18-9	1013311	1-15	1014065	7-13, 7-15, 13-5, 13-7
1012151	19-5	1013312	1-15	1014070	13-9
1012180	6-21	1013343	1-7	1014072	13-9
1012181	6-23	1013344	1-7	1014078	13-9
1012182	6-23	1013357	4-5, 4-7, 15-5	1014080	13-9
1012285	1-29, 1-53, 4-35, 11-3, 11-5, 11-7, 11-19	1013413	1-33, 1-35	1014115	19-7
1012295	7-13, 7-15	1013420	1-9	1014116	11-3, 11-5
1012303	1-33, 1-35, 6-17, 6-19, 6-21, 6-23	1013422	1-9	1014119	7-3, 7-5, 7-13, 7-15
1012304	6-21	1013461	11-3, 11-5	1014125	6-5
1012333	14-5	1013462	11-3, 11-5	1014126	6-5
1012382	7-3, 7-5	1013483	1-47	1014145	7-13, 7-15
1012396	4-11, 4-13, 7-3, 7-5	1013494	4-11, 4-13, 4-15	1014153	5-11, 5-17
1012431	7-13, 7-15	1013509	4-25, 4-27	1014161	19-7
1012438	4-7, 4-29, 11-21	1013531	5-15	1014162	19-7
1012467	6-3	1013579	4-35	1014201	16-3
1012505	4-11, 4-13, 4-15	1013582	19-3	1014207	14-11
1012528	12-3, 15-15	1013589	7-13, 7-15	1014213	6-5
1012549	19-5	1013593	19-5	1014214	6-5
1012560	19-5	1013609	7-13, 7-15	1014217	6-5
1012565	6-11	1013687	11-3, 11-5	1014259	19-7
1012566	6-11	1013700	11-19	1014264	19-7
1012571	8-15, 9-15, 10-15, 15-11, 15-13	1013734	12-3, 15-15	1014276	6-17, 6-19
1012604	6-5	1013746	11-3, 11-5, 11-7, 11-15, 11-17	1014287	13-5, 13-7
1012605	6-5	1013760	14-7	1014288	6-5, 7-19, 13-5, 13-7, 18-11
1012640	2-5	1013768	14-11	1014289	7-7
1012641	2-5	1013769	14-11	1014305	19-3
		1013770	14-11	1014306	1-53, 4-35

INDEX

1014321	1-27	101547601	3-7	1016287	4-29
1014375	7-19	1015507	1-33, 1-35	1016289	13-5, 13-7
1014387	1-27	1015524	19-3	1016319	5-13
1014435	1-21	1015526	4-25, 4-27, 4-29	1016320	5-13
101444101	1-21	1015528	4-11, 4-13, 4-15	1016337	14-9
1014453	13-5, 13-7	1015530	1-53	1016338	14-9
1014454	13-9	101553901	1-39, 3-3, 3-7	1016346	6-15
1014471	1-31	1015583	1-33, 1-35, 6-17, 6-19, 6-21, 6-23	1016349	6-15
1014496	19-3	1015597	6-3, 6-13, 6-15	1016350	6-15
1014497	19-3	1015613	6-25	1016351	6-15
1014503	1-23, 1-25	1015614	6-25	1016353	6-15
1014506	1-23	101562711	1-15	1016356	4-5, 4-7, 15-5
101450698	1-25	101562712	1-15	1016363	4-7
1014507	19-3	101562714	1-15	1016365	4-21
1014508	19-3	101562715	1-15	1016366	4-7
1014509	1-23	101564501	1-15	1016379	1-55
101450903	1-25	101564502	1-15	1016384	6-17, 6-19
1014523	11-3, 11-5	101564503	1-15	1016385	6-15
1014530	4-31, 4-33	101564505	1-15	1016386	6-17, 6-19
1014555	6-21, 6-23	1015649	8-3, 9-3, 10-3	1016387	6-17, 6-19
1014771	2-3	1015654	1-39	1016389	6-17, 6-19
1014807	7-13, 7-15, 7-17, 14-3	1015656	1-39	1016401	7-3, 7-13
1014808	7-13, 7-17, 14-3	101565703	1-39	101641002	19-5
1014902	6-23	101565704	1-39	101641101	19-7
1014948	7-13, 7-15	1015720	15-15	101641201	19-7
1015010	4-29	1015727	1-33, 1-35	101641202	19-3
101503202	1-7	1015737	7-3, 7-5, 7-13, 7-15	1016413	19-7
1015072	15-11, 15-13	1015741	4-5, 4-7, 7-13, 7-15	1016414	19-5
1015075	1-3	1015752	4-37, 7-13, 7-15, 11-23, 15-3	1016415	19-5
1015137	11-3, 11-5, 11-7, 11-15, 11-17	1015760	6-25	1016416	19-3
1015139	11-3, 11-21	1015765	4-25	1016417	19-3
1015143	11-3	1015768	4-29	1016418	19-5
1015153	4-25	1015770	4-29	1016423	4-5, 4-7, 7-13, 7-15
1015154	4-25	1015814	12-3	101642575	11-9, 11-11, 11-13
1015156	4-25, 4-27, 4-29	101584502	11-19	101642578	11-9, 11-11, 11-13
1015157	4-25, 4-27	1015878	7-13, 7-15, 7-17, 14-3	101642580	11-9, 11-11, 11-13
1015160	4-25, 4-27	1015914	18-3, 18-5, 18-7, 18-9	101642582	11-9, 11-11, 11-13
1015162	4-25	1015917	18-3, 18-7, 18-9	101642585	11-9, 11-11, 11-13
1015167	4-29	1015921	11-3, 11-5	1016429	8-7, 9-7, 10-7
1015170	4-29	1015932	7-9	1016432	8-7, 9-7, 10-7, 14-7
1015172	4-25, 4-27	1015969	8-3, 9-3, 10-3	1016436	8-9, 9-9, 10-9
1015187	4-25, 4-27, 4-29	1016074	7-9	1016437	11-9, 11-11, 11-13
101524002	7-9	1016077	1-31, 1-39	1016438	11-15, 11-17
1015332	7-3, 7-5, 8-3, 9-3, 10-3	101609401	1-43, 1-45, 3-3, 3-7	1016440	8-9, 9-9, 10-9, 11-15, 11-17
1015345	7-13, 7-15	101611003	19-7	1016441	11-15, 11-17
1015356	1-33	101611402	17-5	1016444	11-15, 11-17
1015371	7-13	1016154	6-11	1016445	8-5, 9-5
1015372	7-13, 7-15	101615504	6-9	1016449	8-9, 9-9, 10-9
1015373	7-13, 7-15	1016156	6-9, 6-11	1016450	8-9, 9-9, 10-9
1015392	15-9	1016183	6-5	1016451	10-9
1015399	1-31, 1-71	1016201	13-5, 13-7	1016452	8-9, 9-9, 10-9
1015405	1-3, 7-13, 7-15	1016214	6-11	1016453	10-11
1015426	11-23	1016219	6-11	1016454	8-11, 9-11, 10-11
1015445	1-47	1016230	4-29	1016455	8-5, 9-5, 10-5
1015453	6-25	1016267	4-29	1016456	8-3, 8-5, 9-3, 9-5, 10-3
1015457	6-25	1016269	6-5	1016457	8-7, 9-7, 10-7

INDEX

1016458	8-9, 9-9, 10-9	1016564	8-11, 9-11, 10-11	1016901	13-7
1016467	8-7, 9-7, 10-7	1016566	8-9, 9-9, 10-9	1016904	8-9, 9-9, 10-9, 12-3
1016470	8-13, 9-13, 10-13	1016569	8-9, 9-9, 10-9	1016909	1-29
1016472	8-11, 9-11, 10-11	1016570	8-7, 9-7, 10-7	101691401	1-29, 1-31
1016473	8-7, 9-7, 10-7	1016571	8-13, 9-13, 10-13	1016916	1-39
1016474	8-9, 9-9, 10-9	1016572	11-15, 11-17	1016918	1-29
1016479	8-9, 9-9, 10-9	1016573	5-11, 5-17	1016920	1-29
1016480	11-15	1016576	8-7, 9-7, 10-7	101692501	1-3
101648102	11-15, 11-17	1016578	8-5, 9-5, 10-5	101692502	1-3
101648203	8-7, 9-7, 10-7	1016579	8-5, 9-5	101692506	1-3
1016483	8-9, 9-9, 10-9	1016581	8-7, 9-7, 10-7	101692509	1-3
1016486	11-9, 11-11, 11-13	1016582	11-15, 11-17	101692510	1-3
1016489	8-9, 9-9, 10-9	1016583	8-9, 9-9, 10-9	101692511	1-3
101649002	11-15, 11-17	1016584	8-11, 9-11, 10-11	101692512	1-3
1016494	8-11, 9-11, 10-11	1016585	11-9, 11-11, 11-13	101692513	1-3
1016496	8-11, 9-11, 10-11	1016586	8-5, 9-5	101692514	1-3
1016497	8-5, 9-5	1016587	8-5, 9-5, 10-5	101692515	1-3
1016499	11-9, 11-11, 11-13	1016588	8-5, 9-5, 10-5	1016929	4-25, 4-27, 4-29
1016501	11-9, 11-11, 11-13	1016603	1-43, 1-45	101693201	3-9
1016502	8-7, 9-7, 10-7	101661601	15-11	101693901	1-3
1016506	8-11, 9-11, 10-11	101661602	15-11	101693902	1-3
1016507	8-3, 9-3, 10-3	1016627	19-5	101693906	1-3
1016510	8-11, 9-11, 10-11	1016630	4-11, 4-13	101693909	1-3
1016513	14-7	1016663	1-39, 6-9, 6-11	101693910	1-3
101651406	2-3	1016672	14-11	101693911	1-3
101651407	2-3	1016673	18-11	101693912	1-3
101651409	2-3	1016679	1-53	101693913	1-3
101651414	2-3	101670201	3-11, 3-13, 3-15	101693914	1-3
101651416	2-3	1016717	4-37	1016943	1-31
1016517	8-9, 9-9, 10-9	1016718	1-29	1016944	1-31
1016518	8-9, 9-9	101674702	5-9	1016948	1-31
1016519	8-9, 9-9, 10-9	1016751	1-17	1016952	1-9
1016521	8-11, 9-11, 10-11	101675511	1-17	1016954	1-29
1016531	8-3, 9-3, 10-3	101675512	1-17	1016955	1-29
1016535	8-11, 9-11, 10-11	101675514	1-17	1016967	1-3, 15-15
1016537	8-7, 9-7, 10-7	101675515	1-17	1016997	7-15
1016538	8-11, 9-11, 10-11	101677701	1-17	1017006	7-5, 7-15
1016539	8-3, 9-3, 10-3	101677702	1-17	1017029	5-3
1016541	8-13, 9-13, 10-13	101677703	1-17	1017062	4-3
1016542	10-9	101677705	1-17	1017064	4-3
1016544	8-5, 8-9, 8-11, 9-5, 9-9, 9-11, 10-5, 10-9, 10-11	1016801	13-5, 13-7	1017065	4-3
1016545	10-9	1016813	6-25	101707402	4-9
1016546	11-19	1016814	6-25	1017075	4-9
1016547	8-3, 8-13, 9-3, 9-13, 10-3, 10-13, 11-15, 11-17	1016837	4-25, 4-27	1017077	1-31
1016549	8-9, 9-9, 10-9	1016849	4-11, 4-13, 4-15	101707801	3-5, 3-9
1016551	19-7	1016851	4-11, 4-13, 4-15	1017079	1-55
1016552	19-7	1016868	1-3	1017080	1-3
1016553	19-7	1016874	1-55	1017082	14-7, 14-13
1016554	19-7	1016875	1-55	1017117	1-39
1016557	5-11, 5-17	1016876	1-55	101711801	1-39
1016560	8-9, 9-9, 10-9	1016878	1-31	101711802	1-39
1016561	8-5, 9-5, 10-5	1016879	4-3	1017187	18-11
1016562	8-5, 8-13, 9-5, 9-13, 10-5, 10-13	1016880	4-3	1017188	13-3
1016563	8-9, 9-9, 10-9	1016881	1-31	1017189	18-11
		1016883	7-9	1017211	5-13
		101689101	1-31	1017226	6-7

INDEX

1017231	14-7	1017508	8-11, 9-11, 10-11	101825101	3-5, 3-9
1017239	7-15	1017510	8-13, 9-13, 10-13	101825102	3-9
1017243	7-15	1017511	8-11	101825103	4-17
1017266	6-15	1017512	8-13, 9-13, 10-13	101825701	11-21
1017273	6-9, 6-11	1017513	8-11, 9-11, 10-11	101826201	4-15
101728602	1-19	1017514	8-11, 9-11, 10-11	101826301	4-11
1017313	6-5	101751801	8-11, 9-11, 10-11	101826401	4-13
1017314	6-5	101751802	8-11, 9-11, 10-11	101827101	8-15, 9-15, 10-15
1017315	6-5	101751803	8-11, 9-11, 10-11	101828501	18-3, 18-7, 18-9
1017317	6-5	101754202	1-71	101828801	18-3
101734802	1-3	101754205	1-71	101828802	18-3
101737002	2-3	1017653	7-7	101828901	18-3, 18-5
1017378	5-5, 5-7	1017686	13-9	101828902	18-3, 18-5
1017380	5-5, 5-7	1017689	12-3	101828903	18-3, 18-5
1017424	5-5, 5-7	101769302	2-3	101829001	18-7, 18-9
1017434	8-9, 9-9, 10-9	1017696	5-5, 5-7	101830601	4-11, 4-13, 4-15
1017435	8-9, 9-9	101770201	1-37	101830701	4-11, 4-13, 4-15, 4-19
1017442	8-7, 9-7, 10-7	1017705	15-7	101831101	18-3, 18-7, 18-9
1017443	8-9, 8-11, 9-9, 9-11, 10-9	1017721	4-5, 4-23	101831401	15-11, 15-13
1017444	8-9, 9-9	1017724	4-9	101831801	19-5
1017445	8-9, 9-9, 10-9	101773301	8-13, 9-13, 10-13	101831901	19-3
1017446	8-9, 9-9	101773302	8-13, 9-13, 10-13	101832001	15-7
1017447	8-11, 9-11	101773303	8-13, 9-13, 10-13	101832202	11-19
1017448	8-5, 9-5, 10-5	101773304	8-13, 9-13, 10-13	101832302	11-19
101744901	8-13, 9-13, 10-13	101773305	8-13, 9-13, 10-13	101832601	8-15, 9-15, 10-15
101744902	8-13, 9-13, 10-13	101773306	8-13, 9-13, 10-13	101832701	8-15, 9-15, 10-15
1017450	8-13, 9-13, 10-13	101773307	8-13, 9-13, 10-13	101832901	18-11
101745101	8-13, 9-13, 10-13	101773308	8-13, 9-13, 10-13	101833101	8-15, 9-15, 10-15
101745102	8-13, 9-13, 10-13	101773309	8-13, 9-13, 10-13	101833401	13-9
1017453	8-13, 9-13, 10-13	101773310	8-13, 9-13, 10-13	101833601	14-7
1017454	8-9, 9-9, 10-9	101773311	8-13, 9-13, 10-13	101833701	7-7
1017455	8-5, 9-5, 10-5	1017774	1-43, 1-45	101833902	13-5
1017456	8-7, 9-7, 10-7	1017853	4-5, 4-7	101833906	13-7
101745701	8-13, 9-13, 10-13	101791101	5-17	101834001	13-9
101745702	8-13, 9-13, 10-13	101796201	5-5, 5-7	101834502	4-11, 4-13, 4-15, 4-19
1017458	8-7, 9-7, 10-7	101796501	15-7	101834601	8-15, 9-15, 10-15
1017460	8-7, 9-7, 10-7	101796801	15-7	101834801	11-19, 14-7, 14-13
1017461	11-9, 11-11, 11-13	101801001	15-7, 18-11	101835601	4-21
1017463	8-5, 9-5, 10-5	101804301	4-11, 4-13, 11-21, 11-23	101836201	13-9
1017466	11-15, 11-17	101806001	1-13	101837101	11-23
1017468	8-5, 9-5	101806002	1-13	101837301	7-3, 7-5, 7-9
1017471	8-13, 9-13, 10-13	101806005	1-13	101837401	1-41
1017472	8-11, 9-11, 10-11	101808401	19-3	101837501	1-41
1017473	8-9, 9-9, 10-9	101809101	19-3	101838401	18-5, 18-9
1017474	8-3, 9-3, 10-3	101811301	11-21	101838601	18-5, 18-9
1017475	8-3, 9-3, 10-3	101811901	11-23	101838701	18-7, 18-9
1017476	8-3, 9-3, 10-3	101812301	11-23	101839801	4-19
1017486	8-3, 9-3, 10-3	101813001	11-23	101839802	4-19
1017487	8-11, 9-11, 10-11	101813202	19-3	101839803	4-19
1017490	8-5, 9-5, 10-5	101814601	4-27	101839804	4-19
1017500	8-3, 9-3	101817401	5-5, 5-7	101839805	4-19
1017501	8-13, 9-13, 10-13	101818801	5-7	101839806	4-19
1017502	8-13, 9-13, 10-13	101821501	11-23	101839807	4-19
1017503	8-13, 9-13, 10-13	101821601	4-29	101839808	4-19
1017504	8-11, 9-11, 10-11	101823101	19-5	101839809	4-19
1017507	8-7, 9-7, 10-7	101824401	11-3, 11-5	101839810	4-19

INDEX

101839811	4-19	101887101	19-3	101917601	11-23
101839812	4-19	101887601	8-3, 9-3, 10-3	101918402	2-3
101841901	18-7, 18-9	101889401	14-9	101918501	5-3
101851101	4-11, 4-13, 4-15, 4-19	101890001	14-9	101919801	5-5, 5-7
101856002	4-15	101890101	14-7	101920101	15-3
101856102	7-13, 7-15	101890201	14-7	101921501	11-23
101859401	12-3	101890501	14-7	101922101	17-3
101861901	5-5, 5-7	101890601	14-7	101922201	17-3
101862001	5-5	101890901	14-11	101922501	7-11
101865301	5-13	101891001	14-11	101923001	17-3
101869302	7-7	101891301	14-7	101923201	17-3
101870401	1-3	101891401	14-11	101923501	17-3
101870501	6-17, 6-19	101891501	14-11	101923901	17-3
101871001	19-3	101891601	14-9	101925601	13-5
101874601	5-13	101891901	14-9	101925701	11-23
101874901	7-7	101892001	14-9	101926501	6-21
101875001	7-7	101892201	14-9	101926802	11-21
101875101	7-7	101892301	14-9	101926901	14-7
101875102	7-7	101892401	14-9	101927101	14-7
101875201	7-7	101892501	14-9	101927201	14-7
101875301	7-7	101892601	14-9	101927301	14-7
101875401	7-7	101892701	14-11	101927501	14-9
101875501	7-7	101892901	14-7	101927601	14-9
101875601	7-7	101893201	14-9	101927701	14-9
101875701	7-7	101893801	14-7	101927901	14-9
101875802	7-7	101893901	14-9	101928001	14-9
101876001	7-7	101894303	1-15	101928101	14-9
101876202	7-7	101894901	15-7	101928301	14-11
101876301	7-7	101895401	17-3	101928601	14-7
101876402	7-7	101895501	17-3	101928701	14-7, 17-3, 19-5
101876501	7-7	101896501	7-7	101929401	6-21
101876901	6-13	101897001	17-3	101929501	11-3, 11-5
101877001	6-13	101897201	17-3	101929802	13-5, 13-7
101877601	7-7	101897401	17-3	101931501	3-5
101877701	7-7	101897601	17-3	101932201	4-5, 4-7
101878101	7-7	101898001	7-19	101933101	19-5
101878201	5-3	101903101	6-17, 6-19	101933701	11-21
101878302	6-3	101903601	17-3	101936101	17-5
101879001	7-7	101903701	17-3	101936801	15-3
101879401	6-3	101905901	11-11	101939901	7-7
101879501	6-3	101906901	17-3	101942301	16-3
101879601	6-3	101908101	15-9	101946201	1-27
101879701	6-3	101908401	7-11, 15-9	101953103	5-15
101879801	6-3	101909201	8-5, 9-5	101953106	5-13
101879901	6-3	101909301	8-5, 9-5	101953801	8-3
101880001	6-3	101909401	8-5, 9-5	101953802	9-3
101880101	6-3	101909501	8-5, 9-5	101953803	8-3
101880201	6-3	101910501	14-11	101953804	9-3
101880301	6-3	101914001	17-5	101954301	1-15
101880701	5-11, 5-17	101914401	4-5, 4-7, 18-3, 18-5, 18-7, 18-9	101955001	6-15
101881501	4-35	101915201	3-7	101955101	4-31, 4-33
101881601	4-35	101916001	8-13, 9-13	101957101	4-5
101881701	11-23	101916101	8-3, 9-3, 10-3	101958201	18-5
101884801	8-15, 9-15, 10-15	101916201	8-5, 9-5	101958301	18-5
101884901	2-3	101916301	8-5, 9-5, 10-5	101960001	3-3, 3-7
101886101	11-19, 14-7, 14-13	101916701	7-9	101960501	3-7

INDEX

101963301	1-27	102002801	15-11, 15-13	102355301	7-19
101963401	1-27, 8-15, 9-15, 10-15	102002901	15-11, 15-13	102356601	17-3
101964001	1-27	102003201	11-3, 11-5	102356801	17-3
101964601	3-5	102004001	6-17	102376001	14-3
101969701	4-31	102005701	1-19	102406701	11-5
101971301	11-23	102006201	1-71	102430901	8-13, 9-13, 10-13
101972001	19-5	102026001	5-5, 5-7	102431001	9-11
101972002	19-5	102031901	14-11	102440901	15-5
101972003	19-5	102056001	1-51	102453001	14-9
101972004	19-5	102061201	19-7	102453101	14-9
101972005	19-5	102065103	1-51	102508701	4-15
101972006	19-5	102065901	1-33, 1-35, 8-15, 9-15, 10-15	102513701	11-3
101972007	19-5	102066001	1-33, 1-35	102515401	14-7, 14-13
101972009	19-5	102066201	6-23	102517601	4-33
101972011	19-5	102101001	15-3	102518001	3-5
101972012	19-5	102101101	15-3	102519201	3-9
101972101	17-3	102154201	1-43, 1-45	102522001	11-3, 11-5
101972201	17-3	102154801	1-43	102526201	14-3
101972801	11-23	102155801	13-9	102529201	4-9
101973101	11-9, 11-11, 11-13	102158901	5-5, 5-7	102529203	4-33
101973301	11-9, 11-11, 11-13	102162601	5-15	102540301	8-15, 9-15, 10-15
101973401	11-15, 11-17	102163001	1-19	102555501	19-3
101973501	18-5	102163101	1-19	102559901	2-5
101974701	4-19	102166901	5-15	102562401	19-3
101974702	4-19	102186401	16-3	102572401	4-15, 15-5
101974703	4-19	102196901	4-15, 15-5	102616701	14-3
101974704	4-19	102197901	6-19	102684602	14-3
101974705	4-19	102198701	4-5	102704901	16-3
101974706	4-19	102199001	4-5	102711201	7-13
101974707	4-19	102199201	4-5	102751601	11-3
101974708	4-19	102199301	4-5	102753401	8-9, 9-9, 10-9
101974709	4-19	102199401	4-5	102764401	15-13
101974710	4-19	102226901	1-43, 1-45	102764402	15-13
101974711	4-19	102235201	16-3	102766201	15-11, 15-13
101974712	4-19	102240501	15-15	102769701	15-15
101976601	18-5	102241502	19-5	102770701	18-11
101978601	17-5	102242101	13-9	102771701	17-3
101980801	14-9	102243402	19-5	102772402	15-15
101980901	14-9	102243403	16-3	102774501	15-15
101981001	14-9	102248803	19-5	102774601	15-15
101984801	6-5	102251501	19-5	102774701	15-15
101987901	4-3	102259401	1-33, 1-35	102775101	16-3
101988001	4-3	102262901	1-57	102803401	7-15
101988002	4-3	102264501	1-57	102817101	15-15
101988101	4-3	102271601	8-11	102817201	15-15
101988201	4-3	102272601	1-61	102830301	15-11, 15-13
101990801	5-15	102275401	18-3, 18-5, 18-7, 18-9	102837001	18-7
101994301	1-65	102278001	6-5	102838101	15-9, 18-3, 18-7
101994401	1-69	102292801	5-13, 5-15	102838401	8-5, 9-5, 10-5
101994601	1-63	102304801	8-9, 9-9, 10-9	102845101	3-3
101994801	1-67	102323101	5-3, 5-13, 5-15	102845203	15-11
101995101	1-59	102323201	5-3, 5-13, 5-15	102845204	15-13
101997802	4-35	102336001	11-19	102845501	15-5
101997803	4-35	102336101	11-19	102847801	18-3
101997902	4-35	102352201	4-21	102847802	18-3
101997903	4-35	102354901	4-21	102847803	18-3

INDEX

102848701	15-7	102900901	14-13	103177401	14-3
102859501	15-15	102901001	14-15	103180101	4-11, 4-13, 4-15
102865101	11-3, 11-5	102901101	14-15	103187601	11-3
102869401	4-5, 4-7, 4-13, 4-15	102901201	14-17	103192701	14-3
102871801	6-21, 6-23	102901301	14-17	103197301	7-5
102873401	15-11, 15-13	102901401	14-17	103198301	4-15
102882501	1-43, 1-45	102901501	14-17	103198401	7-11
102886301	17-3	102901601	14-17	103199001	4-11, 4-13
102886401	17-3	102901701	14-17	103199101	4-11, 4-13
102886501	17-3	102901801	14-17	103205401	3-3, 3-7
102886601	17-3	102901901	14-17	103205501	3-9, 7-11
102890201	4-21	102902001	14-17	103210201	3-9
102891101	6-23	102902101	14-17	103210301	3-5
102892901	18-5	102902201	14-17	103218601	4-15, 15-5
102892902	18-5	102902301	14-17	103222001	15-5
102893001	18-9	102902401	14-17	103222201	7-3
102893601	1-45	102902501	14-17	103234301	3-11, 3-13, 3-15
102896801	14-13	102902601	14-17	103245201	1-27
102896901	14-13	102902701	14-17	103245301	1-27
102897201	14-15	102902801	14-17, 17-3	103255601	4-5
102897301	14-15	102912801	15-15	103255701	4-7
102897401	14-13	102915701	15-9	103256801	4-5
102897501	14-13	102917101	6-23	103257101	4-7
102897601	14-13	102918701	4-21	103260201	3-15
102897701	14-15	102938301	15-5	103261001	3-11, 3-13
102897801	14-13	102938601	16-3	103270201	1-43, 1-45
102897901	14-13	102938701	16-3	103284201	3-11, 3-13
102898001	14-15	102938801	16-3	103295101	14-5
102898101	14-15	102938901	16-3	103295203	14-5
102898201	14-13	102939001	16-3	103306001	1-57
102898301	14-15	102939101	16-3	103306301	11-3, 11-5
102898401	14-15	102939102	16-3	103345701	13-5, 13-7
102898501	14-15	102939501	18-5	103348202	4-15
102898601	14-15	102940801	18-5, 18-7, 18-9	103348204	4-11, 4-13
102898701	14-15	102942601	18-11	103348501	4-11, 4-13, 7-3, 7-5
102898801	14-15	102950301	4-17	103348602	4-11, 4-13
102898901	14-15	102951701	16-3	103350901	6-21
102899001	14-15	102962303	4-17	103351001	6-15
102899101	14-13	102962602	4-17	103351101	6-23
102899201	14-13	102966401	1-27	103352701	18-11
102899301	14-15	102966501	1-27	103354401	4-15
102899401	14-13	102966502	1-27	103369101	11-5
102899501	14-15	102967601	3-5	103369501	14-3
102899601	14-15	102969401	14-3	103372101	11-5
102899701	14-13	102969801	14-3	103372201	11-5
102899801	14-13	102969901	14-3	103372301	11-5
102899901	14-15	102974201	11-3	103372401	11-7
102900001	14-13	102977001	4-11, 4-13	103372501	11-7
102900101	14-13	102977002	4-15	103372801	11-7
102900201	14-13	102977901	11-3, 11-5	103374701	11-5
102900301	14-13	102978001	11-3, 11-5	103386202	10-3
102900401	14-15	102980801	15-11, 15-13	103397901	4-7, 15-15
102900501	14-15	102980901	15-11, 15-13	103414901	4-7, 15-15
102900601	14-13	102989501	1-27	103418601	11-7
102900701	14-15	103173301	14-3	103459102	2-3
102900801	14-17	103174401	1-5	103464801	3-11

INDEX

103477901 6-13
103496801 7-19
103507101 11-17
103507201 11-17
103507301 11-17
103510001 4-35
103510301 4-35
103524501 11-9
103538701 1-35
103538901 1-35
103582801 17-3
103615601 10-9
103615801 10-13
103615901 10-11
103616301 10-9
103616401 10-11
103616501 10-5
103616601 10-5
103616701 10-5
103617101 11-13
103618101 4-33
103694501 2-5
103951801 1-43, 1-45
96704416 8-15, 9-15, 10-15

A

AC cord 18-3, 18-5, 18-7, 18-9
AC cord receptacle 18-5
accelerator bracket and bearing assembly 5-5,
5-7
accelerator cable 11-19
accelerator pedal 5-5, 5-7
accelerator pedal adjustment tool 19-3
accelerator pivot rod 5-5, 5-7
accelerator return spring 5-5, 5-7
accelerator rod 5-9
access door hinge 1-31
access door plate 1-31
accessory switch panel 1-63
actuator 1-43
actuator adapter 1-43, 1-45
adapter
 cable (IQDM) 19-5
adapter, actuator 1-43, 1-45
adhesive, guide ring 19-3
adjuster, lash 8-11, 9-11
air box 11-23
air box top 11-23
air filter 11-23
air intake hose 11-23
ammeter 18-3, 18-5, 18-7, 18-9
anchor body 5-11, 5-17
anchor body kit 5-11, 5-17
anchor, piston 5-11, 5-17
anti-sway bar 6-25
A-plate strap 6-15

A-plate, delta 6-15
arbor 19-3
arm
 governor 11-19, 14-7, 14-13
 pivot 14-7
 rocker 8-9, 9-9, 10-9
 wiper 1-57
armature 7-7, 16-3
armature conversion kit 7-7
assembly
 accelerator bracket and bearing 5-5, 5-7
 accelerator pivot rod 5-5, 5-7
 air box 11-23
 air box top 11-23
 armature 7-7
 axle 14-11
 bearing, steering shaft 6-5
 bell crank and shaft 7-13, 7-15
 brush connector 7-7
 brush holder 7-7
 cab 1-57
 carburetor 11-11
 connecting rod 8-13, 9-13, 10-13
 cylinder head 8-9, 9-9, 10-9
 delta A-plate 6-15
 delta shock and gear support 6-15
 drive hub 13-5, 13-7
 driven clutch 13-9
 driven clutch fixed-face 13-9
 field coil 7-7
 float 11-9, 11-11, 11-13
 fuel cap 11-5
 fuel tank vent 11-3
 governor 14-9, 14-15
 headlight 4-3
 headlight harness 4-3
 hinge, tilt bed 1-33
 idle screw 11-9, 11-11, 11-13
 inner ball joint 6-3
 kingpin 6-17, 6-19
 moveable-face 13-5, 13-7, 13-9
 pilot air screw 11-9, 11-11, 11-13
 plug cap 8-5, 9-5, 10-5
 ratchet 5-3
 score card plate 6-11
 secondary clutch weight 13-5, 13-7
 steering shaft 6-5
 steering wheel 6-9, 6-11
 turn signal lens 4-3
axle 14-7, 14-11, 14-17, 17-3
axle guard 17-5
axle shaft oil seal 14-11, 14-17, 17-3
axle tube 14-11, 14-17, 17-3

B

backing plate, brake 5-11, 5-17

ball bearing 8-11, 9-11, 10-11
ball joint 5-3, 5-9, 6-3, 6-15, 14-5
ball joint, left-hand thread 6-3, 6-15
ball stud 7-13, 7-15, 14-7, 14-13
ball, shifter 14-9
ball, steel pressure relief 8-7, 9-7, 10-7
ball, trailer hitch 1-49
band, RPM limiter mount 8-5, 9-5
bar, drive 15-3
bar, stabilizer 6-25
barb, vent 11-3, 11-5
barrel, plastic 1-3, 1-5
battery
 12-volt, side-post 7-19
battery cap, 6-volt 15-11, 15-13
battery charger 18-3, 18-5
battery charger case 18-3, 18-5, 18-7, 18-9
battery charger harness 15-5
battery charger receptacle 15-7
battery charger shield 18-11
battery charger transformer 18-3, 18-5, 18-7,
18-9
battery charger wire assembly 18-5
battery charger, onboard 18-7, 18-9
battery clamp 7-19
battery condition indicator 4-15
battery discharge machine 19-3
battery hold-down 15-11, 15-13
battery hold-down rod 15-11, 15-13
battery light 4-15
battery terminal protector spray 19-3
battery thermometer 19-3
battery, 6-volt, Trojan T105 15-11
battery, 6-volt, Trojan T105, moist 15-11
battery, 6-volt, Trojan T145 15-13
battery, 6-volt, Trojan T145, moist 15-13
bearing 17-3
 ball 8-11, 9-11, 10-11
 ball (motor) 16-3
 ball (steering pinion) 6-3
 cage roller 14-15
 front wheel hub 6-13
 hub 6-13
 idler 13-5, 13-7
 inner axle tube 14-11, 17-3
 lower pinion (steering) 6-3
 needle 14-9
 outer axle tube 14-11
 pivot support 5-5, 5-7
 steering shaft 6-5
 thrust 6-17, 6-19
bearing and oil seal remover 19-3
bearing driver set 19-3
bearing puller 19-3
bearing puller wedge 19-3
bearing seat 6-5

INDEX

- bed assembly, long 1-31, 1-39
 - bed floor plate, forward 1-31
 - bed floor plate, rear 1-31
 - bed frame, long 1-31
 - bed lift actuator 1-43, 1-45
 - bed lift, electric 1-43, 1-45
 - bed mat 1-37
 - bed seal 1-27
 - bell crank and shaft 7-13, 7-15
 - bellows 6-3
 - belt, drive 13-3
 - belt, seat 1-57
 - belt, starter/generator 7-9
 - belt, V 7-9
 - bezel, choke cable 11-21
 - bezel, headlight 4-3
 - block, brake-mounting 5-3
 - block, fuse 4-5, 4-7, 7-13, 7-15
 - block, terminal 4-5, 4-7, 15-5
 - body, anchor 5-11, 5-17
 - bolt, U- 6-23
 - boot, steering column 6-5
 - boot, switch 7-11, 15-9
 - bottom, air box 11-23
 - box
 - air 11-23
 - differential 14-17
 - electrical component 7-13, 7-15
 - steering gear 6-3
 - tool 1-41
 - box, tool 1-41
 - box, van 1-71
 - brace, trailer hitch 1-47
 - bracket 6-21
 - accelerator cable 11-19
 - adjustable starter/generator 7-9
 - brake cable guide 6-15
 - brake light switch 4-5
 - FNR shifter 14-3
 - governor cable 11-19
 - headlight mounting 4-3
 - horn 4-31, 4-33
 - muffler mounting 12-3
 - oil filter mount 8-7, 9-7, 10-7
 - oil level switch 8-11, 9-11, 10-11
 - relay mounting 7-15, 18-7, 18-9
 - retaining 11-21
 - RPM limiter 8-5, 9-5
 - shock mounting, drv 6-23
 - shock mounting, pas 6-23
 - snubber 8-15, 9-15, 10-15
 - stabilizer bar mounting 6-25
 - stake side 1-31, 1-39
 - starter/generator mounting 7-9
 - steering column 6-5
 - steering column mounting 6-5
 - throttle spring return 11-15, 11-17
 - Tow/Run switch 7-11
 - bracket, carburetor intake manifold 11-17
 - bracket, hinge, bed 1-35
 - bracket, hour meter 4-35
 - brake actuator kit 5-11, 5-17
 - brake adjustment tool 19-3
 - brake backing plate 5-11, 5-17
 - brake cable 5-13, 5-15
 - brake cable equalizer 5-13, 5-15
 - brake cable hanger 6-21
 - brake cable release tool 19-3
 - brake cluster 5-11, 5-17
 - brake drum 5-11, 5-17
 - brake lever arm 5-11, 5-17
 - brake light switch bracket 4-5
 - brake mounting block 5-3
 - brake pedal 5-3
 - brake pedal pad 5-3
 - brake relay kit, 12-volt 4-5
 - brake return spring 5-15
 - brake shoe 5-11, 5-17
 - brake spring 5-11, 5-17
 - breaker, circuit 18-5, 18-9
 - breather 14-7, 14-13, 17-3
 - brush and screw set 7-7
 - brush box assembly 16-3
 - brush connector 7-7
 - brush cover kit, starter/generator 7-7
 - brush holder 7-7
 - brush inspection port cover 7-7
 - brush kit, motor 16-3
 - brush plate
 - starter/generator 7-7
 - brush port cover 7-7
 - brush rigging 16-3
 - brush spring 16-3
 - brush spring set 7-7
 - brush spring, starter/generator 7-7
 - brush terminal, starter/generator 7-7
 - brush, motor 16-3
 - bulb, headlight 4-3
 - bulb, strobe light 4-25, 4-27, 4-29
 - bulb, tail light 4-37
 - bumper 1-21
 - drive unit (motor) 16-3
 - front 1-3
 - front, heavy duty 1-3
 - front, kit 1-3
 - rear 1-55
 - rubber 1-33, 1-35, 5-3
 - seal, long 1-15
 - spring return 5-5, 5-7
 - bumper mounting 1-55
 - bumper, heavy-duty 1-3
 - bumper, seat 1-15
 - bushing 1-43, 1-45, 7-13, 7-15, 13-5, 13-7, 14-3
 - bronze 6-13
 - nylon 5-3
 - return line 11-5
 - spindle 6-13
 - stabilizer bar 6-25
 - steel 1-33, 1-35, 6-17, 6-19, 6-21, 6-23
 - urethane 1-33, 1-35, 6-15, 6-17, 6-19, 6-21, 6-23
 - bushing support 6-25
 - button, drive 13-9
 - buzzer, reverse 4-11, 4-13, 4-15
- ## C
- cab 1-57
 - door 1-57
 - door hinge 1-57
 - door latch 1-57
 - roof 1-57
 - side rear window 1-57
 - windshield 1-57
 - windshield latches 1-57
 - wiper arm 1-57
 - wiper blade 1-57
 - wiper motor 1-57
 - cable
 - accelerator 11-19
 - brake 5-13, 5-15
 - choke 11-21
 - FNR shifter 14-5
 - governor 11-19
 - calibration test module 19-3
 - cam
 - driven clutch 13-9
 - electrical component box 7-13, 7-15
 - cam, FNR shifter 14-3
 - camshaft 8-11, 9-11, 10-11
 - camshaft shim 8-11, 9-11, 10-11
 - camshaft spring 8-11
 - canister, carbon, fuel tank 11-7
 - canopy 1-23, 1-25
 - canopy brace 1-23, 1-25
 - canopy support 1-23, 1-25
 - canopy trim plate 1-23, 1-25
 - cap
 - battery, 6-volt 15-11, 15-13
 - corner 1-27
 - dust 4-15, 15-5
 - fuel tank 11-3
 - fuel, gas, ratchet 11-5
 - key switch 4-11, 4-13, 4-15, 4-19
 - plug 8-5, 9-5, 10-5
 - seat back 1-17
 - cap, hub, 7 prong 2-5
 - carbon canister 11-7
 - carburetor 11-9, 11-11

INDEX

- carburetor adapter 11-17
 - carburetor gasket 11-15, 11-17
 - carburetor insulator 11-15, 11-17
 - carburetor mounting gasket 11-15, 11-17
 - carburetor, FE350 S27 11-13
 - card, safety first 19-5
 - case
 - battery charger 18-3, 18-5, 18-7, 18-9
 - differential gear 14-11
 - gear 14-7, 14-13, 17-3
 - rocker 8-9, 9-9, 10-9
 - charger
 - wire assembly kit 18-3, 18-7, 18-9
 - charger bezel tool 19-3
 - charger harness 15-5
 - charger receptacle 15-7
 - charger, battery 18-3, 18-5
 - charger, battery, onboard 18-7, 18-9
 - charger, battery, shield 18-11
 - choke cable 11-21
 - choke cable bezel 11-21
 - choke valve 11-23
 - circuit breaker 15-9, 18-3, 18-5, 18-7, 18-9
 - clamp
 - battery 7-19
 - cable retaining 11-19
 - hose 11-3, 11-5, 11-7, 11-15, 11-17, 11-23
 - hose, green 11-7
 - muffler hose 12-3
 - clevis, upper delta 6-17, 6-19
 - clip, angle 1-29
 - clip, rod 1-33, 1-35
 - clip, score card 6-11
 - cluster idler gear 14-9
 - cluster, brake 5-11, 5-17
 - clutch cam installation tool 19-3
 - clutch pulley 13-5, 13-7
 - clutch repair kit 13-9
 - clutch tool kit 19-3
 - clutch weight 13-5, 13-7
 - clutch, drive 13-5, 13-7
 - clutch, driven 13-9
 - coil, field 7-7
 - coil, ignition 8-5, 9-5
 - collet 8-9, 9-9, 10-9
 - column, steering 6-5
 - communication display module 19-5
 - component box, electrical 7-13, 7-15
 - component mounting plate 15-15
 - component mounting plate cover 15-15
 - compression gauge 19-5
 - compression mount 6-25
 - compressor, piston ring 19-5
 - compressor, valve spring 19-7
 - computer, onboard 15-15
 - conduit 4-29
 - connecting rod 8-13, 9-13, 10-13
 - connector, a- 7-7
 - continuity tester 19-5
 - control board 18-7, 18-9
 - controller, speed 15-15
 - converter, DC/DC 4-21
 - cord connector 8-11, 9-11, 10-11
 - cord reel 18-11
 - cord, AC 18-3, 18-5, 18-7, 18-9
 - cord, DC 18-3, 18-5, 18-7, 18-9
 - counterbalance guide shaft 8-13, 9-13, 10-13
 - counterbalance weight 8-13, 9-13, 10-13
 - cover
 - brush inspection port 7-7
 - brush port 7-7
 - crankcase 8-11, 9-11, 10-11
 - dust 5-11, 5-17, 6-13
 - electrical box 7-13, 7-15
 - fuse block 4-7
 - oil pump 8-7, 9-7, 10-7
 - rocker switch hole 4-11, 4-13, 4-15
 - screw head 4-11, 4-13, 4-15
 - steering column 6-5
 - wheel 2-5
 - cover, steering column 4-9
 - cowl 1-3
 - crankcase 8-13, 9-13, 10-13
 - crankcase cover 8-11, 9-11, 10-11
 - crankcase vent tube 11-15, 11-17
 - crankshaft 8-13, 9-13, 10-13
 - crankshaft rod 8-13, 9-13, 10-13
 - crankshaft shim 8-13, 9-13, 10-13
 - C-type stop ring 6-3
 - cup holder 1-9
 - cup, spring 5-5, 5-7
 - current limiter 18-5
 - cushion, shock absorber 6-21, 6-23
 - cutter, valve seat 19-7
 - cylinder head 8-9, 9-9, 10-9
- ## D
- damper, RPM limiter 8-5, 9-5
 - dash component 1-7
 - dash panel 4-11, 4-13, 4-15
 - DC cord 18-3, 18-5, 18-7, 18-9
 - DC/DC converter 4-21
 - decal
 - 4-gauge wire warning 3-5
 - bed hold-down bolts 3-5, 3-9
 - bed load warning 1-39, 3-3, 3-7
 - Carryall 6 3-11, 3-13
 - Carryall/TransPorter 3-11, 3-13
 - Club Car name plate 3-11, 3-13, 3-15
 - component cover 3-5
 - crush area warning 1-43, 1-45, 3-3, 3-7
 - driver/passenger 3-7
 - FNR 3-5, 3-9
 - frame ground 3-7
 - IR 3-11, 3-13, 3-15
 - key switch 3-9
 - no ground warning 3-5
 - on/off 3-5, 3-9
 - operating instructions 3-9
 - operating instructions (electric) 3-5
 - operating instructions (gas) 3-9
 - passcode 4-17
 - rollover warning 3-3, 3-7
 - rotating parts 3-7
 - run/service switch 3-9, 7-11
 - service warning 1-43, 1-45
 - Tow/Run switch 3-3
 - trailer hitch 1-47, 1-51
 - Turf 6 3-15
 - vehicle loading 1-39, 3-3, 3-7
- defogger fan 1-69
 - delta A-plate 6-15
 - delta A-plate sub-assembly 6-15
 - delta shock and gear support 6-15
 - DF-terminal insulator 7-7
 - diagnostic port 4-15, 15-5
 - differential drive unit 14-7, 17-3
 - differential gear 14-11, 17-3
 - differential gear case 14-11, 14-17
 - differential guard 17-5
 - differential housing 17-3
 - differential idler gear 14-11
 - differential pin 14-11
 - diode 7-13, 7-15
 - dipstick 8-3, 9-3, 10-3
 - door 1-29, 1-57
 - door assembly 1-29
 - door latch 1-29, 1-31, 1-57
 - drain plug 8-7, 9-7, 10-7, 14-13
 - drain plug gasket 8-7, 9-7, 10-7, 14-7, 14-13
 - drive bar 15-3
 - drive belt 13-3
 - drive button 13-9
 - drive clutch 13-5, 13-7
 - drive clutch button 13-5, 13-7
 - drive clutch fixed-face 13-5, 13-7
 - drive clutch holder tool 19-3
 - drive clutch hub puller 19-3
 - drive clutch puller 19-3
 - drive clutch spring 13-5, 13-7
 - drive clutch weight 13-5, 13-7
 - drive hub 13-5, 13-7
 - drive selector shaft 14-7, 14-13
 - drive unit bumper 16-3
 - drive unit guard 17-5
 - driven clutch 13-9
 - driven clutch button 13-9
 - driven clutch cam 13-9

INDEX

driven clutch cam puller 19-3
driven clutch fixed-face assembly 13-9
driven clutch puller plug 19-3
driver, drive clutch 13-5, 13-7
drum, brake 5-11, 5-17
dry moly lubricant 19-5
duct, intake 11-21
dust cap 4-15, 15-5
dust cover 5-11, 5-17, 6-13

E

eccentric adjustment screw 6-17, 6-19
E-clip 5-13, 5-15
electrical box cover 7-13, 7-15
electrical component box 7-13, 7-15
end bell, commutator 7-7
end bell, output shaft 7-7
end cap, motor 16-3
engine 8-3, 9-3
engine mounting plate 8-15, 9-15, 10-15
engine shroud 8-3, 9-3, 10-3
engine, FE350 S27 10-3
equalizer pivot 5-13
equalizer rod 5-13, 5-15
equalizer, brake cable 5-13, 5-15
exhaust system 12-3
exhaust valve 8-9, 9-9, 10-9
extrusion, fender 1-3
extrusion, plastic 1-21

F

face, moveable 13-5, 13-7, 13-9
fan housing 8-3, 9-3, 10-3
fan shroud 8-3, 9-3, 10-3
fan, defogger 1-69
fan, flywheel 8-5, 9-5, 10-5
fender extrusion 1-3
fender, rear 1-53
field coil 7-7
field coil housing 7-7
fill plug 14-7, 14-13
fill plug gasket 14-13
filter
 air 11-23
 fuel 11-3, 11-5
 oil 8-7, 9-7, 10-7
 oil pump 8-7, 9-7, 10-7
fitting, thread-forming grease 6-3, 6-13, 6-15
fixed-face, drive clutch 13-5, 13-7
fixed-face, driven clutch 13-9
float 11-9, 11-11, 11-13
floor mat 1-7, 1-29
flywheel 8-5, 9-5, 10-5
flywheel fan 8-5, 9-5, 10-5
flywheel fan plate 8-5, 9-5, 10-5

flywheel puller 19-5
FNR closeout brush 4-11, 4-13
FNR shift lever 14-7, 14-13
FNR shifter 14-3
FNR shifter bracket 14-3
FNR shifter cable 14-5
FNR shifter cam 14-3
fork, shift 14-9, 14-15
frame and field, motor 16-3
frame and field, starter/generator 7-7
front bumper 1-3
front bumper kit 1-3
front spring retainer plate 6-17, 6-19
F-terminal hardware 7-7
f-terminal insulator 7-7
fuel filter 11-3, 11-5
fuel gauge sending unit 11-3, 11-5
fuel line 11-3, 11-5, 11-7, 11-15, 11-17
fuel pickup tube 11-3
fuel pump mount 11-3, 11-5
fuel pump, impulse 11-3, 11-5
fuel tank 11-3
fuel tank cap 11-3
fuel tank strap 11-3, 11-5
fuel tank vent 11-3
fuel tank vent grommet 11-5
fuse 15-7, 18-3, 18-5, 18-7, 18-9
 10-amp 7-13, 7-15
 20-amp 4-5, 4-7, 7-13, 7-15
 3/8-amp 15-7
fuse and receptacle 15-7
fuse block 4-5, 4-7, 7-13, 7-15
fuse block cover 4-7

G

gasket
 carburetor 11-15, 11-17
 carburetor mounting 11-9, 11-11, 11-13, 11-15, 11-17
 crankcase cover 8-9, 8-11, 9-9, 9-11, 10-9, 10-11
 drain plug 8-7, 9-7, 10-7, 14-7
 drain plug, fill plug 14-13
 exhaust 8-9, 9-9, 10-9, 12-3
 head 8-9, 9-9, 10-9
 insulator 8-9, 9-9, 10-9, 11-15, 11-17
 liquid 14-7, 17-3, 19-5
 plug 17-3
 rocker case 8-9, 9-9, 10-9
 sending unit 11-3, 11-5
gasket kit, FE350 8-9, 9-9, 10-9
gauge, battery condition 4-15
gauge, compression 19-5
gear
 25 tooth 14-15
 28 tooth 14-15

case 14-13
cluster idler 14-9
differential 14-11, 14-17, 17-3
differential idler 14-11, 17-3
differential output 17-3
helical 8-13, 9-13, 10-13, 14-9, 14-11
planetary 14-17
speed governor 14-15
spur 8-13, 9-13, 10-13, 14-9
sun 14-17
synchro 14-9
gear yoke 19-5
gearcase 14-7, 17-3
governor 14-9, 14-15
governor arm 11-19, 14-7, 14-13
governor cable 11-19
governor cable bracket 11-19
governor shaft installation tool 19-5
grip, pencil 6-11
grommet 1-13, 1-23, 1-25, 11-3, 11-21
 fuel tank vent 11-5
 ignition 8-5, 9-5, 10-5
guard, differential 17-5
guard, splash 1-5
guide
 intake valve 8-9, 9-9, 10-9
 valve 8-9, 9-9
 valve seat cutter 19-7
guide ring adhesive 19-3

H

handle 1-71
hanger, brake cable 6-21
hardware, F-terminal 7-7
harness
 wire 4-33
harness, battery charger 15-5
harness, headlight 4-5, 4-7
harness, lighting 4-5, 4-7
harness, wire 4-21, 4-25, 4-27, 4-33, 7-3, 7-5, 15-5
head gasket 8-9, 9-9, 10-9
head, cylinder 8-9, 9-9, 10-9
headband, sealed, motor 16-3
headband, vented, motor 16-3
headlight 4-3
headlight assembly 4-3
headlight bulb 4-3
headlight harness 4-3
headlight retainer 4-3
headlight wire harness 4-5, 4-7
heat shrink tube 18-11
heatsink and rectifier 18-3, 18-5, 18-7, 18-9
heavy-duty bumper 1-3
helical gear 8-13, 9-13, 10-13, 14-9, 14-11
hill brake rod 5-3

INDEX

hill brake weld assembly 5-3
hinge kit, door 1-57
hinge pin 1-39
hinge, access door 1-31
hinge, door 1-29
hinge, stake side 1-39
hinge, tilt bed 1-33
hitch, trailer 1-47
hitch, trailer, ball 1-49
hold-down rod, battery 15-11, 15-13
hold-down, battery 15-11, 15-13
holder, cup 1-9
hole plug 4-15
horn 4-31, 4-33
horn bracket 4-31, 4-33
horn button and wire assembly 4-31
hose
 fuel 11-3, 11-5
 vent 11-7
hose clamp, green 11-7
hose, air intake 11-23
hour meter 4-35
hour meter bracket 4-35
hour meter, 36-48 volt 4-35
housing
 2-pin 15-3
 3-pin 15-3, 16-3
 differential 17-3
 fan 8-3, 9-3, 10-3
 field coil 7-7
hub 6-13
hub bearing 6-13
hub cap 2-5
hub cap, 7 prong 2-5
hub, synchronizer clutch 14-9
hydrometer 19-5

I

idle screw assembly 11-9, 11-11, 11-13
idler bearing 13-5, 13-7
idler gear, differential 17-3
ignition coil 8-5, 9-5, 10-5
indicator, battery condition 4-15
inner frame snubber 8-15, 9-15, 10-15
input shaft 17-3
insert, synchronizer 14-9
instrument panel 4-11, 4-13, 4-15
insulating washer 16-3
insulator gasket 8-9, 9-9, 10-9, 11-15, 11-17
insulator, carburetor 11-15, 11-17
insulator, motor terminal 16-3
intake duct 11-21
intake pipe 11-15
intake valve 8-9, 9-9, 10-9
intermediate shaft 17-3
intermediate steering shaft 6-7

internal retaining ring pliers 19-5
IQ display module (IQDM) 19-5

J

jet, main 11-9, 11-11, 11-13
jet, pilot 11-9, 11-11, 11-13
joint
 ball 5-3, 5-9, 6-15, 14-5
 left-hand thread ball 6-3, 6-15

K

key
 crankshaft 8-5, 8-13, 9-5, 9-13, 10-5, 10-13
 driven clutch 13-9
 On/Off 4-11, 4-13, 4-15
 square 13-9
 starter/generator 7-7
 woodruff 14-7
key switch 4-11, 4-13
key switch cap 4-11, 4-13, 4-15, 4-19
key switch, On/Off 4-15
key switch, uncommon 4-19
kingpin 6-17, 6-19
kit
 2-pin housing 15-3
 3-pin housing 15-3, 16-3
 accelerator pivot rod 5-5, 5-7
 anchor body 5-11, 5-17
 armature conversion 7-7
 bed lift 1-43, 1-45
 brake actuator 5-11, 5-17
 brake cable 5-13
 brake pedal 5-3
 brake relay 4-5
 brake shoe 5-11, 5-17
 brake shoe retainer 5-11, 5-17
 canopy 1-23, 1-25
 clutch repair 13-9
 cup holder 1-9
 DC/DC converter 4-21
 differential gear case 14-11
 door hinge 1-57
 drive clutch button 13-5, 13-7
 drive clutch weight 13-5, 13-7
 driven clutch button 13-9
 equalizer, brake 5-13
 fan/defogger 1-69
 fixed-face drive 13-5, 13-7
 flywheel puller 19-5
 front bumper 1-3
 gasket, FE350 8-9, 9-9, 10-9
 heavy-duty front bumper 1-3
 hour meter 4-35
 hub cap 2-5
 IQ display module (IQDM) 19-5

mirror 1-11
mirror, inside rear-view 1-59
mirror, side-view 1-61
motor brush 16-3
motor brush lead assembly 16-3
motor brush spring 16-3
motor speed sensor 16-3
name plate 3-11, 3-13, 3-15
park brake latch 5-3
park brake pedal 5-3
piston ring compressor 19-5
rear receiver hitch 1-51
relay, 48V 4-7, 15-15
seat belt 1-57
shock absorber cushion 6-21, 6-23
shoe retainer 5-11, 5-17
smartkey 4-17
steering column mounting bracket 6-5
strobe light 1-65, 4-25, 4-27, 4-29
trailer hitch 1-47
transmission tool 19-7
tune-up 19-7
turn signal 4-9
wheel cover 2-5
windshield, hinged 1-19
windshield, one-piece 1-21
wire assembly, charger 18-3, 18-7, 18-9
work light 1-67
knob, forward/reverse 14-3

L

lamp, strobe light 4-25, 4-27, 4-29
lamp, turn signal and socket 4-9
lash adjuster 8-11, 9-11
latch, air box 11-23
latch, door 1-29, 1-31
latch, park brake 5-3
leaf spring 6-17, 6-19, 6-21, 6-23
lens, headlight 4-3
lens, strobe light 4-25, 4-27, 4-29
lever
 choke 11-23
 drive selector 14-7
 speed governor 14-13
 transmission shift 14-7, 14-13
light
 battery 4-15
 oil 4-11, 4-13
 tail 4-37
light, strobe 1-65, 4-25, 4-27, 4-29
lighting wire harness 4-5, 4-7
limit switch 4-5, 4-7, 7-13, 7-15, 7-17, 14-3
limiter
 current 18-5
 RPM 8-5, 9-5
 voltage 4-5, 4-23

INDEX

line, fuel 11-3, 11-5, 11-7, 11-15, 11-17
link, rack and pinion drag 6-3
link, stabilizer bar 6-25
liquid gasket 14-7, 17-3, 19-5
low oil warning light 4-11, 4-13
lubricant, dry moly 19-5
lubricant, moly-teflon 16-3, 19-5
lug nut 2-3
lug stud 14-11, 14-17, 17-3

M

magnet, speed sensor 16-3
main jet 11-9, 11-11, 11-13
mat, bed 1-37
mat, floor 1-7, 1-29
MCOR 15-3
meter, hour 4-35
meter, volt ohm 19-7
mirror 1-11
mirror, inside rear-view 1-59
mirror, rear view 1-11
mirror, side-view 1-61
module
 calibration test 19-3
 communication display 19-5
moly-teflon lubricant 19-5
motor
 48-volt IQ Plus 16-3
 wiper 1-57
motor brush 16-3
motor brush kit 16-3
motor brush lead assembly kit 16-3
motor brush spring 16-3
motor bumper 16-3
motor controller 15-15
motor end cap 16-3
motor frame and field 16-3
motor headband, sealed 16-3
motor headband, vented 16-3
motor magnet, speed sensor 16-3
motor speed sensor 16-3
motor speed sensor kit 16-3
motor terminal and lead assembly 16-3
motor terminal insulator 16-3
mount, compression 6-25
mount, fuel pump 11-3, 11-5
mounting block, brake 5-3
moveable-face 13-5, 13-7, 13-9
muffler hose clamp 12-3

N

name plate 3-11, 3-13, 3-15
needle bearing 14-9
nozzle, main 11-9, 11-11, 11-13
nut, lug 2-3

O

OBC 15-15
oil conveyor 14-13
oil filler tube 8-3, 9-3, 10-3
oil filter 8-7, 9-7, 10-7
oil filter mount bracket 8-7, 9-7, 10-7
oil filter screen 8-11, 9-11, 10-11
oil filter screen plate 8-11, 9-11, 10-11
oil level sensor 8-11, 9-11, 10-11
oil level switch bracket 8-11, 9-11, 10-11
oil pump and rotor 8-7, 9-7, 10-7
oil pump cover 8-7, 9-7, 10-7
oil pump filter 8-7, 9-7, 10-7
oil pump plate 8-7, 9-7, 10-7
oil seal 8-9, 8-11, 8-13, 9-9, 9-11, 9-13, 10-9, 10-11, 10-13, 14-7, 14-9
oil warning light, low 4-11, 4-13
onboard battery charger 18-7, 18-9
onboard computer 15-15
O-ring 8-3, 8-9, 8-11, 8-13, 9-3, 9-9, 9-11, 9-13, 10-3, 10-9, 10-11, 10-13

P

pad
 accelerator pedal 5-5, 5-7
 brake pedal 5-3
 park brake 5-3
paint, touch-up 19-5
panel, instrument 4-11, 4-13, 4-15
park brake latch 5-3
park brake pedal 5-3
park brake rod sleeve 5-3
park brake spacer 5-3
park brake torsion spring 5-3
pawl 5-3
pedal, accelerator 5-5, 5-7
pedal, brake 5-3
pedal, park brake 5-3
pencil grip 6-11
pilot air screw assembly 11-9, 11-11, 11-13
pilot jet 11-9, 11-11, 11-13
pin
 bow tie locking 5-13, 5-15
 clevis 5-13, 5-15
 differential 14-11
 piston 8-13, 9-13, 10-13
pin, hinge 1-39
pinion, steering 6-3
pipe, intake 11-15
piston 8-13, 9-13, 10-13
piston anchor 5-11, 5-17
piston pin 8-13, 9-13, 10-13
piston ring 8-13, 9-13, 10-13
piston ring compressor 19-5
piston ring pliers 19-5
piston ring set 8-13, 9-13, 10-13

pivot arm 14-7
pivot support bearing 5-5, 5-7
plate
 access door 1-31
 bed floor 1-31
 bumper mounting 1-55
 component mounting 15-15
 engine mounting 8-15, 9-15, 10-15
 flywheel fan 8-5, 9-5, 10-5
 front spring retainer 6-17, 6-19
 name 3-11, 3-13, 3-15
 oil filter screen 8-11, 9-11, 10-11
 oil pump 8-7, 9-7, 10-7
 receptacle backing 15-7, 18-11
 score card 6-9, 6-11
 spring mounting 6-17, 6-19
 steering wheel 6-9
 thrust 14-9, 14-11
plate, canopy trim 1-23, 1-25
plate, Tow/Run switch 15-9
pliers
 internal retaining ring 19-5
 piston ring 19-5
 retaining ring 19-5
plug
 drain 8-7, 9-7, 10-7, 14-13
 drive clutch 13-5
 driven clutch puller 19-3
 fill 14-7, 14-13
 hole 4-15
 spark 8-5, 9-5, 10-5
plug cap 8-5, 9-5, 10-5
plug, carburetor intake manifold 11-17
pole set 7-7
port, diagnostic 4-15, 15-5
press weldment 19-3
prop rod 1-33, 1-35
protector spray, battery terminal 19-3
puller
 bearing 19-3
 drive clutch 19-3
 drive clutch hub 19-3
 driven clutch cam 19-3
 flywheel 19-5
 seal 19-5
pulley
 clutch 13-5, 13-7
 starter-generator 7-7
 v-belt 7-7
pump, impulse fuel 11-3, 11-5
push rod 8-9, 9-9, 10-9

R

race, front hub bearing 6-13
rack and pinion drag link 6-3
rack guide pressure spring 6-3

INDEX

- rack, steering 6-3
 - ratchet, park brake 5-3
 - reamer, valve guide 19-7
 - rear bumper 1-55
 - rear fender 1-53
 - rear spring shackle 6-21
 - rear view mirror 1-11
 - rear-view mirror, inside 1-59
 - receiver hitch 1-51
 - receptacle and fuse 15-7
 - receptacle backing plate 15-7, 18-11
 - receptacle, AC cord 18-5
 - receptacle, battery charger 15-7
 - rectifier with heatsink 18-3, 18-5, 18-7, 18-9
 - reel bracket 18-11
 - reel cord 18-11
 - regulator, voltage 7-13, 7-15
 - relay 4-7, 7-15, 15-15
 - relay mounting bracket 7-15, 18-7, 18-9
 - relay, 12-volt 4-5
 - relay, 48V 4-7, 15-15
 - relay, 48-volt 18-3, 18-5, 18-7, 18-9
 - relay, brake, kit, 12-volt 4-5
 - remover, bearing and oil seal 19-3
 - retainer
 - accelerator pedal spring 5-5, 5-7
 - brake shoe 5-11, 5-17
 - headlight 4-3
 - shock absorber cushion 6-21, 6-23
 - spring (drive clutch) 13-5, 13-7
 - valve spring 8-9, 9-9, 10-9
 - retaining bracket 11-21
 - retaining ring 6-5
 - retaining ring pliers 19-5
 - return spring bumper 5-5, 5-7
 - reverse buzzer 4-11, 4-13, 4-15
 - rim, wheel, white 2-3
 - ring
 - C-type stop 6-3
 - piston 8-13, 9-13, 10-13
 - retaining 6-5, 7-13, 7-15, 13-5, 13-7, 13-9
 - snap 6-3, 8-9, 8-13, 9-9, 9-13, 10-9, 10-13
 - spiral backup 13-5, 13-7
 - synchronizer 14-9
 - rivet, blind push 1-3, 15-15
 - rock guard 17-5
 - rocker arm 8-9, 9-9, 10-9
 - rocker case 8-9, 9-9, 10-9
 - rocker case gasket 8-9, 9-9, 10-9
 - rocker shaft 8-9, 9-9, 10-9
 - rocker switch 1-43, 1-45, 4-15
 - rocker switch (lights) 4-5, 4-7, 4-13, 4-15
 - rod
 - accelerator 5-9
 - accelerator pivot 5-5, 5-7
 - battery hold-down 15-11, 15-13
 - clip 1-33, 1-35
 - connecting 8-13, 9-13, 10-13
 - crankshaft 8-13, 9-13, 10-13
 - equalizer 5-13, 5-15
 - hill brake 5-3
 - prop 1-33, 1-35
 - push 8-9, 9-9, 10-9
 - shift 14-9
 - tie 6-15
 - roof 1-57
 - RPM limiter 8-5, 9-5
 - RPM limiter bracket 8-5, 9-5
 - RPM limiter damper 8-5, 9-5
 - RPM limiter mount band 8-5, 9-5
- ## S
- safety first card 19-5
 - score card clip 6-11
 - score card plate 6-11
 - screen, oil filter 8-11, 9-11, 10-11
 - screw, eccentric adjustment 6-17, 6-19
 - screw, valve clearance adjuster 19-7
 - seal
 - intake 11-23
 - lip 17-3
 - oil 8-9, 8-11, 8-13, 9-9, 9-11, 9-13, 10-9, 10-11, 10-13, 14-7, 14-9, 14-11, 14-17, 17-3
 - steering pinion dust 6-3
 - vertical socket dust 6-3, 6-15
 - seal puller 19-5
 - seal, bed 1-27
 - sealant 14-7, 17-3
 - seat
 - spring 8-9, 9-9, 10-9
 - valve 8-7, 9-7, 10-7
 - seat back 1-17
 - seat back assembly 1-17
 - seat back cap 1-17
 - seat back tube 1-27
 - seat back, white 1-17
 - seat belt 1-57
 - seat bottom assembly 1-15
 - seat bumper 1-15
 - seat cover, vinyl 1-15
 - seat strap 1-15
 - seat, bearing 6-5
 - sending unit, fuel gauge 11-3, 11-5
 - sensor, motor speed 16-3
 - sensor, oil level 8-11, 9-11, 10-11
 - set, brush and screw 7-7
 - set, pole 7-7
 - shackle weldment 6-23
 - shackle, rear spring 6-21
 - shaft
 - counterbalance guide 8-13, 9-13, 10-13
 - drive selector 14-7, 14-13
 - input 17-3
 - intermediate 17-3
 - intermediate steering 6-7
 - rocker 8-9, 9-9, 10-9
 - steering column 6-5
 - transmission 14-9, 14-15
 - shaft, reverse gear 14-15
 - shaft, secondary
 - transmission 14-15
 - shield, battery charger 18-11
 - shift fork 14-9, 14-15
 - shift lever 14-7, 14-13
 - shift rod 14-9
 - shifter, FNR 14-3
 - shim, camshaft 8-11, 9-11, 10-11
 - shim, crankshaft 8-13, 9-13, 10-13
 - shim, tilt bed pivot 1-33, 1-35
 - shock absorber 6-15, 6-21, 6-23
 - shock absorber cushion 6-21, 6-23
 - shock absorber cushion retainer 6-21, 6-23
 - shock mounting bracket, drv 6-23
 - shock mounting bracket, pas 6-23
 - shoe retainer kit 5-11, 5-17
 - shoe, brake 5-11, 5-17
 - shroud 8-3, 9-3, 10-3
 - shroud, engine 8-3, 9-3, 10-3
 - shroud, fan 8-3, 9-3, 10-3
 - side-view mirror 1-61
 - signal, turn 4-9
 - sleeve
 - delta A-plate 6-15
 - governor 14-9
 - park brake rod 5-3
 - synchronizer 14-9
 - smartkey 4-17
 - snap ring 6-3, 8-9, 8-13, 9-9, 9-13, 10-9, 10-13
 - snubber bracket 8-15, 9-15, 10-15
 - snubber, inner frame 8-15, 9-15, 10-15
 - socket 6-3, 6-15
 - solenoid 15-15
 - solenoid, 12-volt 7-13, 7-15
 - spacer
 - accelerator pivot rod 5-5, 5-7
 - park brake 5-3
 - spark plug 8-5, 9-5, 10-5
 - speed controller 15-15
 - speed sensor 16-3
 - speed sensor magnet 16-3
 - speed sensor, motor 16-3
 - spindle 6-13
 - spiral backup ring 13-5, 13-7
 - splash guard 1-5
 - spray, battery terminal protector 19-3
 - spring
 - accelerator return 5-5, 5-7

INDEX

- brake 5-11, 5-17
 - brake return 5-15
 - brush 7-7, 16-3
 - camshaft 8-11
 - compression 6-11
 - drive button 13-5, 13-7
 - drive clutch 13-5, 13-7
 - driven clutch 13-9
 - extension return 11-23
 - leaf 6-17, 6-19, 6-21, 6-23
 - park brake torsion 5-3
 - rack guide pressure 6-3
 - shifter 14-9
 - steering shaft compression 6-5
 - synchronizer 14-9
 - throttle return 11-15, 11-17
 - valve 8-9, 9-9, 10-9
 - spring cup 5-5, 5-7
 - spring mounting plate 6-17, 6-19
 - spring, motor brush 16-3
 - spur gear 8-13, 9-13, 10-13, 14-9
 - stabilizer bar 6-25
 - stabilizer bar link 6-25
 - stabilizer bar mounting bracket 6-25
 - stake side 1-39
 - stake side bracket 1-31, 1-39
 - stake side hinge 1-39
 - stake side kit 1-39
 - starter/generator (cw) (model G425419) 7-7
 - starter/generator belt 7-9
 - starter/generator brush cover kit 7-7
 - starter/generator brush plate 7-7
 - starter/generator brush spring 7-7
 - starter/generator brush terminal 7-7
 - starter/generator frame and field 7-7
 - starter/generator pulley 7-7
 - steel bushing 1-33, 1-35, 6-17, 6-19, 6-21, 6-23
 - steel pressure relief ball 8-7, 9-7, 10-7
 - steering column 6-5
 - steering column bearing press tool 19-7
 - steering column cover 4-9
 - steering column retaining ring tool 19-7
 - steering gear box 6-3
 - steering pinion 6-3
 - steering pinion dust seal 6-3
 - steering rack 6-3
 - steering shaft assembly 6-5
 - steering shaft compression spring 6-5
 - steering wheel 6-9, 6-11
 - steering wheel plate 6-9
 - steering wheel puller tool 19-7
 - stem, valve 2-3
 - stiffener 1-15
 - stiffener, flywheel side 8-15, 9-15, 10-15
 - stiffener, PTO side 8-15, 9-15, 10-15
 - strap, A-plate 6-15
 - strap, fuel tank 11-3, 11-5
 - strap, seat 1-15
 - strobe light 1-65, 4-25, 4-27, 4-29
 - strobe light lens 4-25, 4-27, 4-29
 - stud 8-15, 9-15, 10-15
 - lug 14-11, 14-17, 17-3
 - stud, ball 7-13, 7-15, 14-7, 14-13
 - support yoke (steering) 6-3
 - support, bushing 6-25
 - suppressor, voltage 4-5, 4-7, 18-3, 18-5, 18-7, 18-9
 - switch plate cover 4-25, 4-27, 4-29
 - switch
 - four-position 18-5, 18-9
 - key 4-11, 4-13, 4-15
 - key, uncommon 4-19
 - light rocker 4-5, 4-7, 4-13, 4-15
 - limit 4-5, 4-7, 7-13, 7-15, 7-17, 14-3
 - rocker 1-43, 1-45, 4-15
 - Tow/Run 15-9
 - turn signal 4-9
 - switch assembly 4-25, 4-27, 4-29
 - switch panel, accessory 1-63
 - switch rubber boot 7-11, 15-9
 - switch, toggle 7-11
 - synchro gear 14-9
 - synchronizer clutch hub 14-9
 - synchronizer insert 14-9
 - synchronizer sleeve 14-9
 - synchronizer spring 14-9
 - synchronizer, complete 14-15
 - system, exhaust 12-3
- ## T
- 12-volt solenoid 7-13, 7-15
 - tachometer 19-7
 - tail light bulb 4-37
 - taillight 4-37
 - tailskirt 1-53
 - tank, fuel 11-3
 - tape, vinyl foam 1-31
 - tappet 10-11
 - terminal block 4-5, 4-7, 15-5
 - tester, continuity 19-5
 - thermometer, battery 19-3
 - thread-forming grease fitting 6-3, 6-13, 6-15
 - throttle return spring 11-15, 11-17
 - throttle spring return bracket 11-15, 11-17
 - thrust bearing 6-17, 6-19
 - thrust plate 14-9, 14-11
 - tie rod 6-15
 - tie wrap 1-43, 1-45, 4-9, 4-21, 4-27, 4-29, 4-35, 6-3, 7-13, 7-15, 11-21, 14-5
 - tire 2-3
 - tire and wheel assembly 2-3
 - toggle switch 7-11
- ## U
- U-bolt 6-21, 6-23
 - unitized transaxle Graziano 14-13
 - upper delta clevis 6-17, 6-19
- ## tool
- accelerator pedal adjustment 19-3
 - brake adjustment 19-3
 - brake cable release 19-3
 - charger bezel 19-3
 - clutch cam installation 19-3
 - drive clutch holder 19-3
 - governor shaft installation 19-5
 - steering column bearing press 19-7
 - steering column retaining ring 19-7
 - steering wheel puller 19-7
 - transaxle axle seal 19-7
 - transaxle pinion seal 19-7
 - transmission 19-7
- ## tool box 1-41
- tool kit, clutch 19-3
 - toolbox 1-41
 - touch-up paint 19-5
 - Tow/Run switch 15-9
 - Tow/Run switch bracket 7-11
 - Tow/Run switch plate 15-9
 - trailer hitch 1-47
 - trailer hitch ball 1-49
 - trailer hitch brace 1-47
 - transaxle (Electric Vehicle) 17-3
 - transaxle axle seal tool 19-7
 - transaxle Graziano (gasoline vehicle), unitized 14-13
 - transaxle guard 17-5
 - transaxle pinion seal tool 19-7
 - transaxle, Kawasaki (Gasoline Vehicle) 14-7
 - transformer, battery charger 18-3, 18-5, 18-7, 18-9
 - transmission secondary shaft 14-15
 - transmission shaft 14-9, 14-15
 - transmission tool 19-7
- ## trim
- cowl 1-3
 - long bed 1-31
 - seat bottom 1-27
- ## tube
- axle 14-11, 14-17, 17-3
 - crankcase vent 11-15, 11-17
 - fuel pickup 11-3
 - oil filler 8-3, 9-3, 10-3
 - seat back 1-27
- ## tune-up kit 19-7
- turn signal 4-9
 - turn signal conversion kit 4-9
 - turn signal lens 4-3
 - turn signal socket and lamp 4-9

INDEX

urethane bushing 1-33, 1-35, 6-15, 6-17, 6-19,
6-21, 6-23

V

valve

choke 11-23
exhaust 8-9, 9-9, 10-9
intake 8-9, 9-9
reed 8-9, 9-9, 10-9
valve clearance adjuster screw 19-7
valve guide 8-9, 9-9
valve guide reamer 19-7
valve guide, intake 8-9, 9-9, 10-9
valve seat 8-7, 9-7, 10-7
valve seat cutter 19-7
valve seat cutter guide 19-7
valve seat t-wrench 19-7
valve spring 8-9, 9-9, 10-9
valve spring compressor 19-7
valve spring retainer 8-9, 9-9, 10-9
valve stem 2-3
valve stem extension 2-5
van box 1-71
v-belt 7-9
vent barb 11-3, 11-5
vent, barb 11-7
vent, fuel tank, w/ valve 11-5
vertical socket dust seal 6-3, 6-15
volt ohm meter 19-7
voltage limiter 4-5, 4-23
voltage regulator 7-13, 7-15
voltage suppressor 4-5, 4-7, 18-3, 18-5, 18-7,
18-9

W

warning light, low oil 4-11, 4-13
washer, insulating 16-3
wedge, bearing puller 19-3
weight
clutch 13-5, 13-7
counterbalance 8-13, 9-13, 10-13
secondary clutch 13-5, 13-7
weldment
press 19-3
weldment, receiver hitch 1-51
wheel 2-3
wheel and tire assembly 2-3
wheel cover 2-5
wheel rim, white 2-3
wheel, steering 6-9, 6-11
window 1-57
windshield 1-57
hinged 1-19
one-piece 1-21
windshield channel 1-19
windshield frame 1-23, 1-25

windshield frame pad 1-23, 1-25
windshield latches 1-57
wiper arm 1-57
wiper blade 1-57
wiper motor 1-57
wire assembly, battery charger 18-5
wire harness 4-21, 4-25, 4-27, 4-33, 7-3, 7-5,
15-5
wire harness, headlight 4-5, 4-7
wire harness, lighting 4-5, 4-7
wire lead, ignition 10-5
woodruff key 14-7
work lights, light, work 1-67
wrap, tie 1-43, 1-45, 4-9, 4-21, 4-27, 4-29, 4-35,
6-3, 7-13, 7-15, 11-21, 14-5

Y

yoke, gear 19-5
yoke, support (steering) 6-3



Club Car, Inc.
P.O. Box 204658
Augusta, GA 30917-4658
USA

Web www.clubcar.com
Phone 1.706.863.3000
1.800.ClubCar
Int'l +1 706.863.3000
Fax 1.706.863.5808