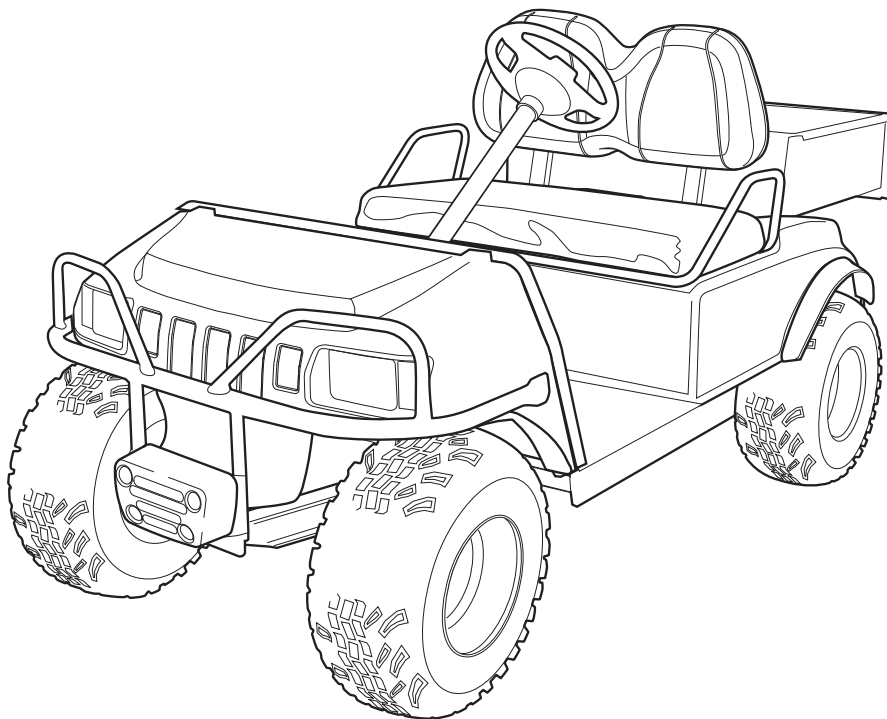




**2010  
XRT 850  
Illustrated Parts List**



**Gasoline and Electric Vehicles**

Manual Number 103700514  
Edition Code A



# USING THE ILLUSTRATED PARTS LIST

---

## **⚠ WARNING**

- **This manual is to be used only for identification and ordering of service parts. Be sure to read and use the maintenance and service manual before attempting any vehicle repairs.**

This manual covers all XRT850 vehicles built during the 2010 model year.

The manual is divided into sections. Note that there are two or three flags on the outside edge of each page. The first flag contains the section number of which that page is a part. The other flag (or flags) contains the letter G or E, signifying that the page pertains to the electric or gasoline vehicles only.

Use the Table of Contents to find the sections and pages that contain the parts and assemblies you seek. The Table of Contents lists section numbers, and under them, the individual page titles and numbers to be found in that section. The index can be used to find specific parts and assemblies. The index is divided into numerical and alphabetical listings with the page numbers in italic text.

There is a two-page spread for each individual page title in the Table of Contents. On the left-hand page is an illustration showing the parts in their relative positions; the parts are each tagged with an item number in a balloon. The right-hand page is the parts list page, and gives the page title at the top, then the item numbers (corresponding to the numbers on the illustration), part descriptions, and quantity of parts used.

Note that a part description may be indented. This indentation corresponds to a parts assembly level indicated by the numbers 1, 2, 3, and 4 at the top left corner of the parts description area of the parts list page. A part that is indented to *level 2* is a component of the *level 1* part (assembly) that it is listed under. A *level 3* part is a component of the *level 2* part that it is listed under, and a *level 4* part is a component of the *level 3* part preceding it. In each case, the part quantity given for a level 2, 3, or 4 part is the quantity used per next higher level assembly of which it is a component. A part that is not indented is a *level 1* part. This means that the quantity given is the quantity used per the portion of the vehicle illustrated on that particular spread.



P. O. Box 204658  
Augusta, Georgia 30917-4658 USA  
Telephone 706-863-3000  
Service Parts Fax 706-855-7413  
[www.clubcar.com](http://www.clubcar.com)

## HOW TO ORDER PARTS

Replacement parts and accessories can be obtained from our network of authorized dealers and distributors. You can obtain the name and phone number of your closest authorized Club Car dealer or distributor by visiting our web site at [www.clubcardealer.com](http://www.clubcardealer.com), by calling our toll-free Service Parts and Technical Assistance hotline at (800) 872-2246 or (706) 863-3000, extension 3887, or by scanning this Quick Response (QR) code to be taken to the Club Car dealer locator. **Refer to Figure 1.** Download a QR code reader such as RedLaser or Barcode Scanner to your cell phone or tablet.



Figure 1 Dealer Locator QR Code

## CUSTOMER SATISFACTION SURVEY

Let your voice be heard!

Please take time to participate in the Technical Publications satisfaction survey. Obtaining feedback from our customers is important to the department's continuous improvement process. The online survey takes less than five minutes and responses will help the department to examine current performance as well as identify areas for future improvement.

Our top priority is to provide timely, accurate, and user friendly manuals.

The online satisfaction survey can be found at: <http://bit.ly/1w9uFMh>



Figure 2 Survey QR Code

**NOTE:** *This illustrated parts list represents the most current information at the time of publication. Club Car, Inc. is continually working to further improve its vehicles and other products. These improvements may affect the parts used to service the vehicle. Any modification and/or significant change in specifications will be forwarded to all Club Car and Carryall distributors/dealers and will, when applicable, appear in future editions of this illustrated parts list.*

*Club Car, Inc. reserves the right to change specifications and designs at any time without notice and without the obligation of making changes to units previously sold.*

Copyright © 2017 Club Car, Inc.  
Club Car and ArmorFlex  
are registered trademarks of Club Car, Inc.  
This manual effective July 15, 2009.

# CONTENTS

---

## SECTION 1 – BODY AND TRIM

---

Brushguard and Bumper .....	1-3
Heavy-Duty Front Bumper with Receiver .....	1-5
Front Body .....	1-7
Cargo Rack and Bungee Net Kit .....	1-9
Dash Trim .....	1-11
Dash Pockets .....	1-13
Floormat .....	1-15
Gun Rack, Floor-Mount .....	1-17
Beverage Holder .....	1-19
Windshield, Hinged .....	1-21
Windshield, Non-Hinged .....	1-23
Seats .....	1-25
Nerf Bar .....	1-27
Rear, Fold Down Seat .....	1-29
Canopy (White) for Vehicles Equipped with Bed – To Mid-2010 MY .....	1-31
Canopy (White) for Vehicles Equipped with Bed – From Mid-2010 MY .....	1-33
Canopy (White), Vehicle with Fold Down Rear Seat – To Mid-2010 MY .....	1-35
Canopy (White), Vehicle with Fold Down Rear Seat – From Mid-2010 MY .....	1-37
Canopy (Black) for Vehicles Equipped with Bed – To Mid-2010 MY .....	1-39
Canopy (Black) for Vehicles Equipped with Bed – From Mid-2010 MY .....	1-41
Canopy (Black), Vehicle with Fold Down Rear Seat – To Mid-2010 MY .....	1-43
Canopy (Black), Vehicle with Fold Down Rear Seat – From Mid-2010 MY .....	1-45
Enclosure, 3-Sided – for Vehicle with Cargo Bed .....	1-47
Enclosure, 3-Sided – for Vehicle with Folddown Rear Seat .....	1-49
Trailer Hitch .....	1-51
Inner Fender .....	1-53
Rear Body – Electric Vehicles .....	1-55
Rear Body – Gasoline Vehicles .....	1-57
Bed Box .....	1-59

---

## SECTION 2 – WHEELS AND TIRES

---

Wheels and Tires .....	2-3
------------------------	-----

---

## SECTION 3 – DECALS

---

Safety Decals – Electric Vehicles .....	3-3
Safety Decals – Gasoline Vehicles .....	3-5
Badging Decals .....	3-7

# CONTENTS

---

## SECTION 4 – LIGHTS, CONTROLS, AND INDICATORS

---

Headlights .....	4-3
Lighting System Components – XRT800/810/850 Gasoline Vehicles .....	4-5
Lighting System Components – XRT800/810/850 Elec. With PowerDrive Charger .....	4-7
Turn Signal Kit – DS and Utility Gasoline and Electric Vehicles .....	4-9
Turn Signal (with Horn Button) Kit – DS and Utility Gas and Electric Vehicles .....	4-11
Instrument Panel – XRT850 Gas .....	4-13
Battery Condition Indicator – Electric Vehicles .....	4-15
Instrument Panel – CA6/Vill 6 & 8/Tporter/XRT850 Elec. With Lester Charger .....	4-17
DC Converter – IQ System Electric Vehicle, to Early-2010 Model Year .....	4-19
DC Converter (Isolated) – IQ System Electric Vehicle, from Early-2010 Model Year .....	4-21
Voltage Limiter – Gasoline Vehicle .....	4-23
Horn .....	4-25
Horn with Column-Mounted Button .....	4-27
Hour Meter – IQ System and IQ Plus Electric Vehicles .....	4-29
Tail Lights .....	4-31

---

## SECTION 5 – BRAKES, PEDALS, AND CABLES

---

Brake Pedal Assembly .....	5-3
Accelerator Pedal Assembly – Electric Vehicles with MCOR .....	5-5
Accelerator Pedal Assembly – Gasoline Vehicles .....	5-7
Accelerator Rod – Gasoline Vehicles .....	5-9
Rear Brake Assembly, Self-Adjusting – Vehicle with 2-Wheel Brakes .....	5-11
Brake Cables and Equalizer .....	5-13

---

## SECTION 6 – STEERING AND SUSPENSION WITH CONVENTIONAL BALL JOINTS

---

Front Frame Plate Hardware – Turf/CA 252 and XRT 850/900 .....	6-3
Steering Gear Assembly (Mando) – Conventional Ball Joint .....	6-5
Steering Column – Utility .....	6-7
Intermediate Steering Shaft – Turf/CA 252 and XRT 850/900 .....	6-9
Tie Rod with Conventional Ball Joints .....	6-11
Steering Wheel – XRT850 .....	6-13
Front Spindles and Hubs – CA232 and XRT800/810/850 with Conventional Ball Joints .....	6-15
Front Suspension – Shock Absorbers .....	6-17
Front Suspension, Upper Control Arms & Kingpins .....	6-19
Front Suspension, Spring and Mounting Plates – XRT850 .....	6-21
Rear Suspension – Shock Absorbers .....	6-23
Rear Suspension, Springs and Hardware .....	6-25

# CONTENTS

Stabilizer Bar – XRT 850 .....	6-27
--------------------------------	------

## SECTION 7 – STEERING AND SUSPENSION WITH MAINTENANCE-FREE BALL JOINTS

Front Frame Plate Hardware – Turf/CA 252 and XRT 850/900 .....	7-3
Steering Gear Assembly (Wanda) – Maint.-Free Ball Joint .....	7-5
Steering Column – Utility .....	7-7
Intermediate Steering Shaft – Turf/CA 252 and XRT 850/900 .....	7-9
Tie Rod with Maintenance-Free Ball Joints .....	7-11
Steering Wheel – XRT850 .....	7-13
Front Spindles and Hubs – CA232 and XRT800/810/850 with Maintenance-Free Ball Joints .....	7-15
Front Suspension – Shock Absorbers .....	7-17
Front Suspension, Upper Control Arms & Kingpins .....	7-19
Front Suspension, Spring and Mounting Plates – XRT850 .....	7-21
Rear Suspension – Shock Absorbers .....	7-23
Rear Suspension, Springs and Hardware .....	7-25
Stabilizer Bar – XRT 850 .....	7-27

## SECTION 8 – ELECTRICAL SYSTEM – GASOLINE VEHICLE

Wiring – Turf/Carryall 1/XRT 850Gas with G425419 Starter/Gen .....	8-3
Wiring – Turf/Carryall 1/XRT850Gas with AMD Starter/Gen .....	8-5
Starter/Generator Assembly, Model G425419 .....	8-7
Starter/Generator Mounting – Model G425419 .....	8-9
Starter/Generator Assembly (Pedal-Start), Model 114-01-4009A .....	8-11
Starter/Generator Mounting – 114-0x-400xx Models .....	8-13
Operation and Maintenance Switch .....	8-15
Electrical Component Box – Turf/CA 1, 2, 252, and XRT850 .....	8-17
Forward/Reverse Shifter Switches – Dash Mounted Shifter .....	8-19
Battery – Gasoline Utility Vehicles .....	8-21

## SECTION 9 – ENGINE (S27) W/O ACR, 50-STATE

FE350 Engine (S27) w/o ACR, Shrouds, and Brackets; 50-State .....	9-3
FE350 Engine (S27) – Ignition Components and Flywheel .....	9-5
FE350 Engine (S27) – Oil Circulation .....	9-7
FE350 Engine (S27) – Cylinder Head .....	9-9
FE350 Engine (S27) – Crankcase, Camshaft, and Oil Sensor .....	9-11
FE350 Engine (S27) – Crankcase and Crankshaft .....	9-13
FE350 Engine (S27) – Mounting .....	9-15

# CONTENTS

---

## SECTION 10 – FUEL, INTAKE, AND GOVERNOR SYSTEMS- CARBURETED GAS VEHICLES

---

Fuel System and Tank without Sending Unit .....	10-3
Fuel System and Tank with Sending Unit .....	10-5
Carbon Canister – California Only .....	10-7
Carburetor Assembly – FE350 S27 .....	10-9
Carburetor Mounting, Utility, FE350 S23 S24 S27 .....	10-11
Governor and Accelerator Cables .....	10-13
Air Intake Duct and Choke Button – Turf/CA 1 and XRT800/810/850 .....	10-15
Air Filter and Intake Hose .....	10-17

---

## SECTION 11 – EXHAUST SYSTEM – FE350 ENGINE

---

Exhaust System – FE350 Engine .....	11-3
Spark Arrestor Kit .....	11-5

---

## SECTION 12 – DRIVE BELT AND CLUTCHES – CARBURETED GASOLINE VEHICLES

---

Drive Belt .....	12-3
Driven Clutch .....	12-5
Drive Clutch – CA 2 Plus/Vill. 6 & 8/Tporter/XRT850 .....	12-7

---

## SECTION 13 – UNITIZED TRANSAXLE – CARBURETED GAS VEHICLES

---

Forward/Reverse Shifter .....	13-3
Shifter Cable – Turf/Carryall 1 and XRT850 .....	13-5
Kawasaki Transaxle – Gear Cases and Brackets .....	13-7
Kawasaki Transaxle – F&R Transmission and Gear Reduction .....	13-9
Kawasaki Transaxle – Differential and Axles .....	13-11
Graziano Transaxle – Gear Cases and Levers .....	13-13
Graziano Transaxle – F&R Transmission and Gear Reduction .....	13-15
Graziano Transaxle -Differential and Axles .....	13-17
Differential Guard – Gasoline Vehicle .....	13-19

---

## SECTION 14 – ELECTRICAL SYSTEM – ELECTRIC VEHICLES

---

Motor Controller Output Regulator (MCOR) .....	14-3
Wiring – XRT850 Electric .....	14-5
Tow/Run Switch – IQ System .....	14-7
Battery Charger Receptacle .....	14-9
Batteries, 8-Volt, Crown .....	14-11
Batteries, 8-Volt, U.S. Battery .....	14-13
Computer, Controller, and Solenoid – For Trojan & Crown Batteries .....	14-15



# CONTENTS

---

Computer, Controller, and Solenoid – For U.S. Batteries .....	14-17
---	-------

## **SECTION 15 – ELECTRIC MOTOR**

---

Motor (Model EJ8-4001A) – Electric Vehicle .....	15-3
--	------

## **SECTION 16 – TRANSAXLE – ELECTRIC VEHICLES**

---

Transaxle – Electric Vehicles .....	16-3
Differential Guard – Electric Vehicles .....	16-5

## **SECTION 17 – BATTERY CHARGERS – POWER DRIVE**

---

PowerDrive 3 Battery Charger (Model 26580-11,-12,-18,-19), Domestic .....	17-3
PowerDrive 3 Battery Charger (Model 26580-31,-38,-39), Domestic .....	17-5
PowerDrive Battery Charger (Model 17930), Domestic .....	17-7
PowerDrive Battery Charger (Model 18780), Export .....	17-9
PowerDrive Battery Charger (Model 20310), European .....	17-11

## **SECTION 18 – MAINTENANCE AND SERVICE TOOLS**

---

Maintenance and Service Tools .....	18-3
Maintenance and Service Tools, Continued .....	18-5
Maintenance and Service Tools, Continued .....	18-7

## **SECTION i – INDEX**

---



# BODY AND TRIM

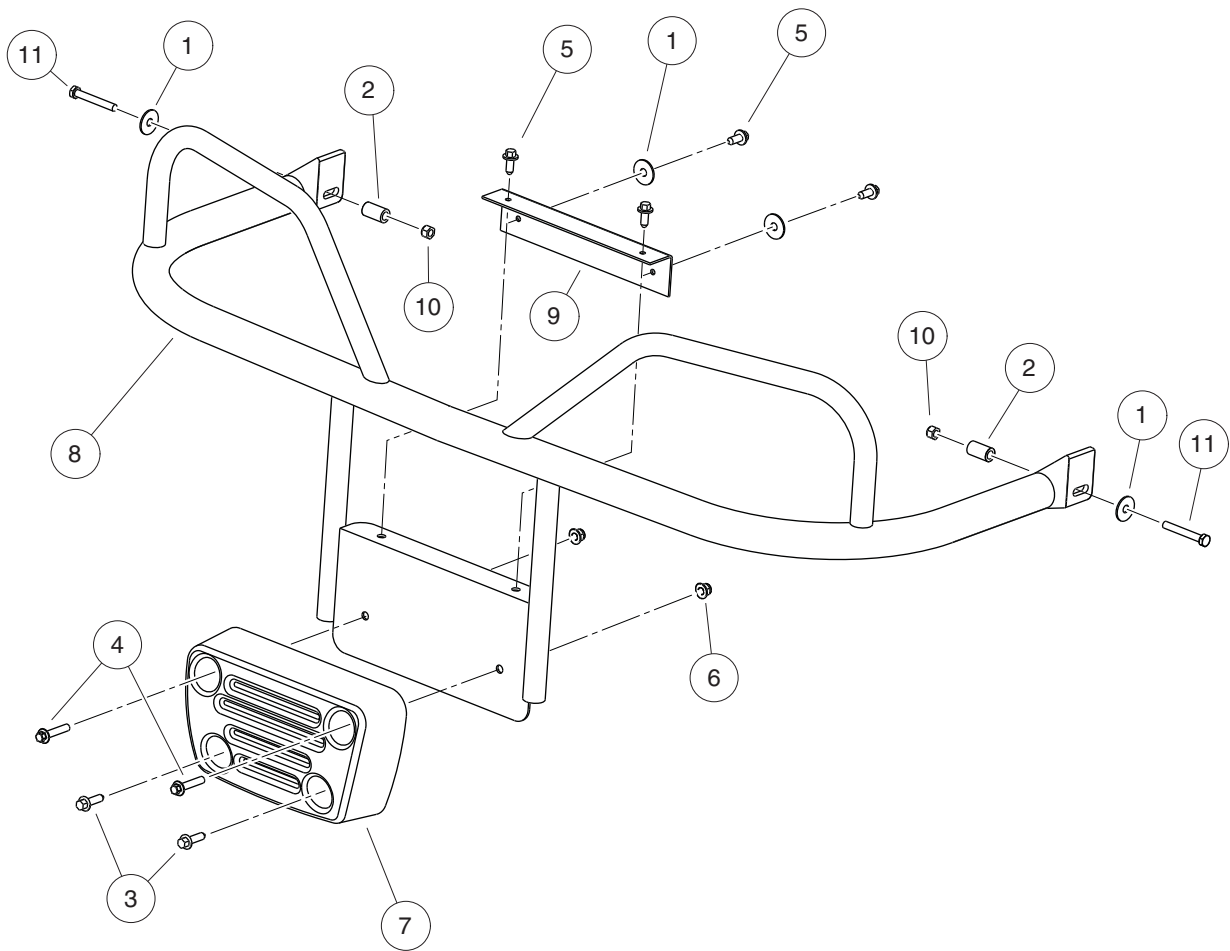
---

1

G

E

**1**  
**G**  
**E**



000838-002

# BRUSHGUARD AND BUMPER

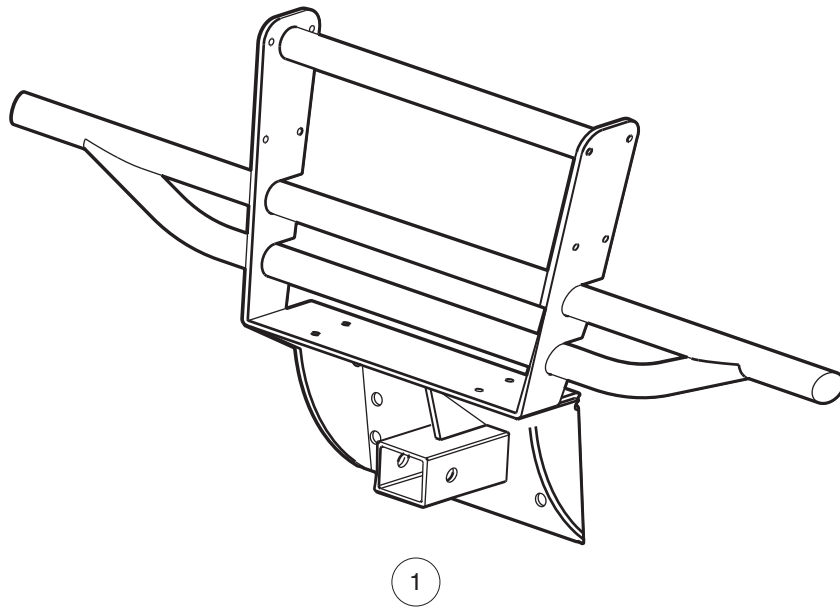
ITEM	PART NO.	DESCRIPTION	QTY
		1 2 3 4	
1	<u>1011578</u>	Washer, 5/16 Type B Flat .....	4
2	<u>1015608</u>	Tube Spacer, Hydraulic Cylinder .....	2
3	<u>102289002</u>	Screw, M8 X 1.25 X 30 Tri, Blk .....	2
4	<u>102298240</u>	Bolt, Flange Head, M8-1.25 X 40 .....	2
5	<u>102298720</u>	Screw, M8-1.25x20, Taptite .....	4
6	<u>102618601</u>	Lock Nut, Flange, M8 X 1.25 Nylon .....	2
7	<u>102830501</u>	Bumper, Cast .....	1
8	<u>103411501</u>	Guard, Brush, Front, W Weight .....	1
9	<u>103413101</u>	Angle, Cowl Retention .....	1
10	<u>7473</u>	Locknut, 5/16-18 Nylon Insert .....	2
11	<u>8935</u>	Screw, 5/16-18 X 2.25 Hex-Head Cap .....	2

**1**  
**G**  
**E**

1

G

E



001311-001

# HEAVY-DUTY FRONT BUMPER WITH RECEIVER

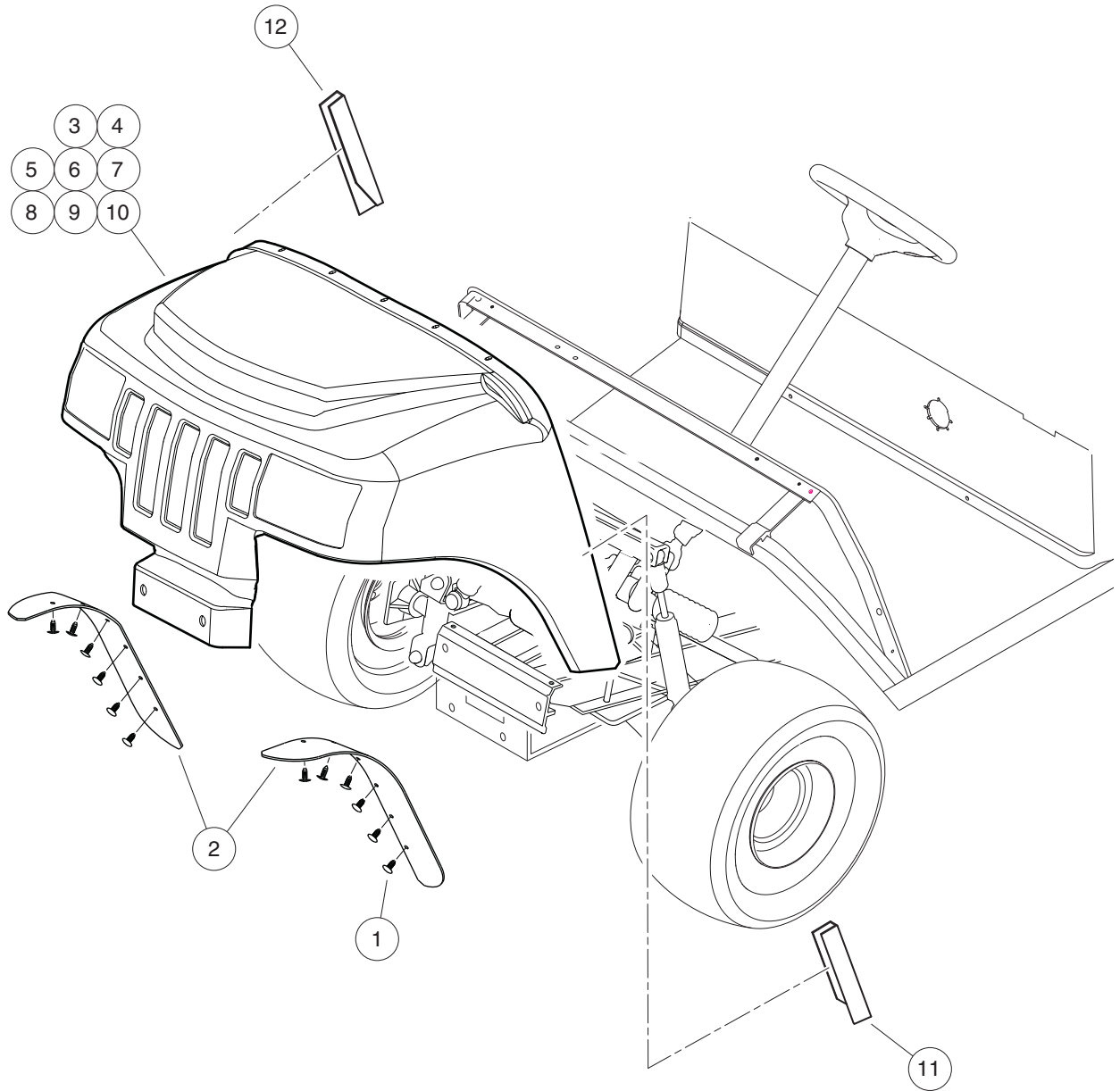
ITEM	PART NO.	DESCRIPTION	QTY
1	<u>AM1225001</u>	<div style="display: flex; justify-content: space-between; margin-bottom: 5px;"> <span>1</span> <span>2</span> <span>3</span> <span>4</span> </div> Kit, Hd Frt Bmpr W/2" Rec, 800 .....	1

**1**

**G**

**E**

**1**  
**G**  
**E**



001302-001



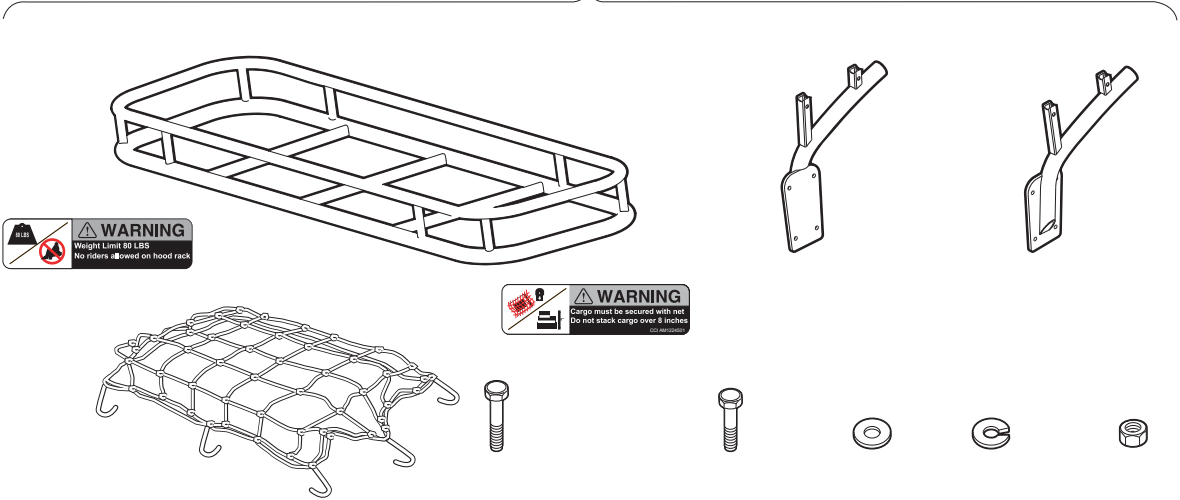
# FRONT BODY

ITEM	PART NO.	DESCRIPTION	QTY
		1 2 3 4	
1	<u>1010434</u>	Barrel - Plastic .....	12
2	<u>102004401</u>	Fender Extrusion .....	2
3	<u>102778501</u>	Cowl, Red .....	1
4	<u>102778502</u>	Cowl, Green .....	1
5	<u>102778503</u>	Cowl, Camouflage (Husqvarna) .....	1
6	<u>102778504</u>	Cowl, Classic Blue .....	1
7	<u>102778505</u>	Cowl, XRT- Black .....	1
8	<u>102778507</u>	Cowl, XRT- Camo Hard Wood HD (Standard camo for XRT850) .....	1
9	N/A	Cowl, XRT- Camo Max4 HD .....	1
10	<u>102778509</u>	Cowl, XRT- Silver .....	1
11	<u>103405401</u>	Cowl Cover, Driver, Short .....	1
12	<u>103405402</u>	Cowl Cover, Pass, Short .....	1

1  
G  
E

**1**  
**G**  
**E**

1



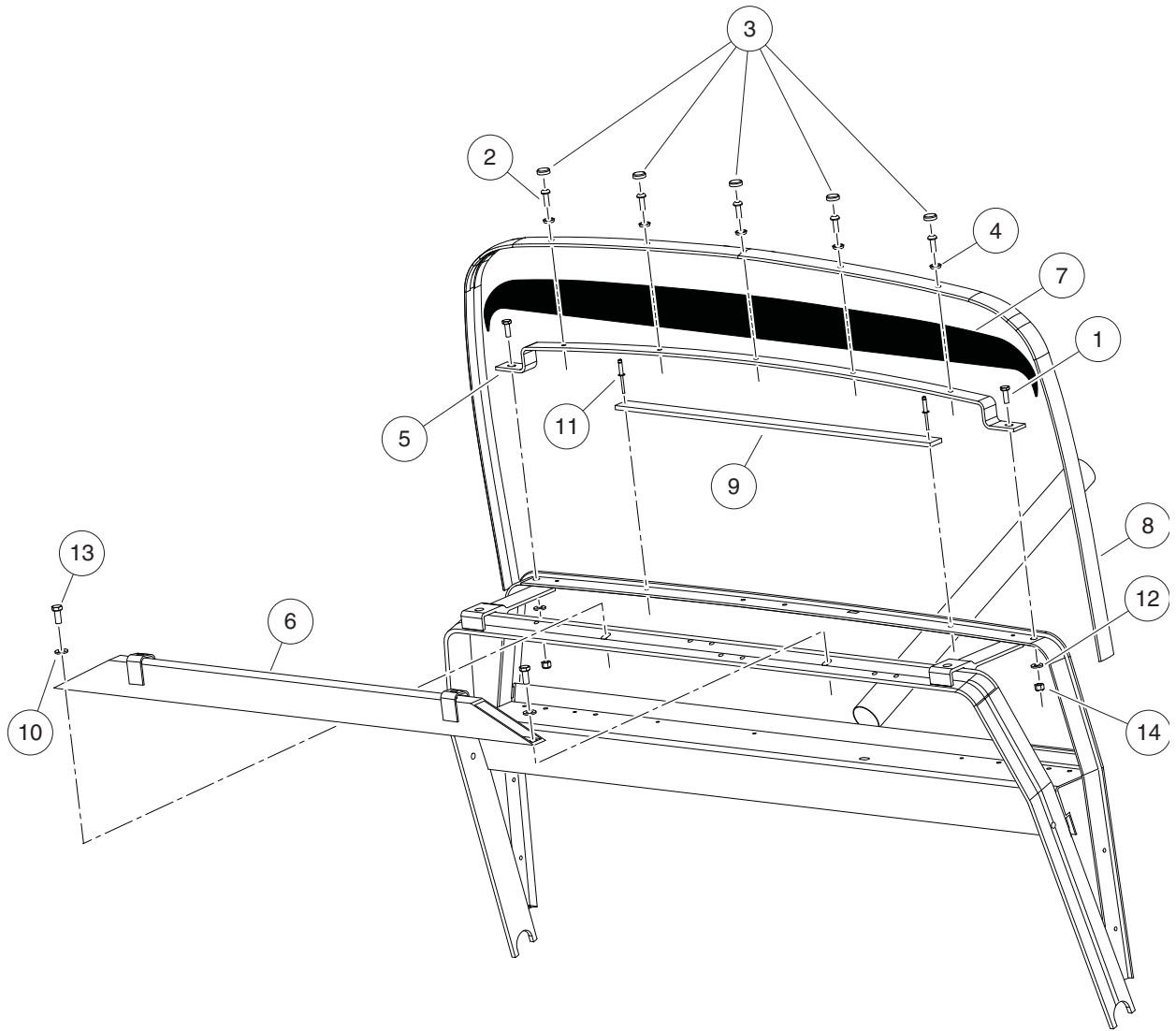
001312-001

# CARGO RACK AND BUNGEE NET KIT

ITEM	PART NO.	DESCRIPTION	QTY
1	<u>AM1213901</u>	1 2 3 4 Kit, Cargo Rack, 800 .....	1

1  
G  
E

**1**  
**G**  
**E**

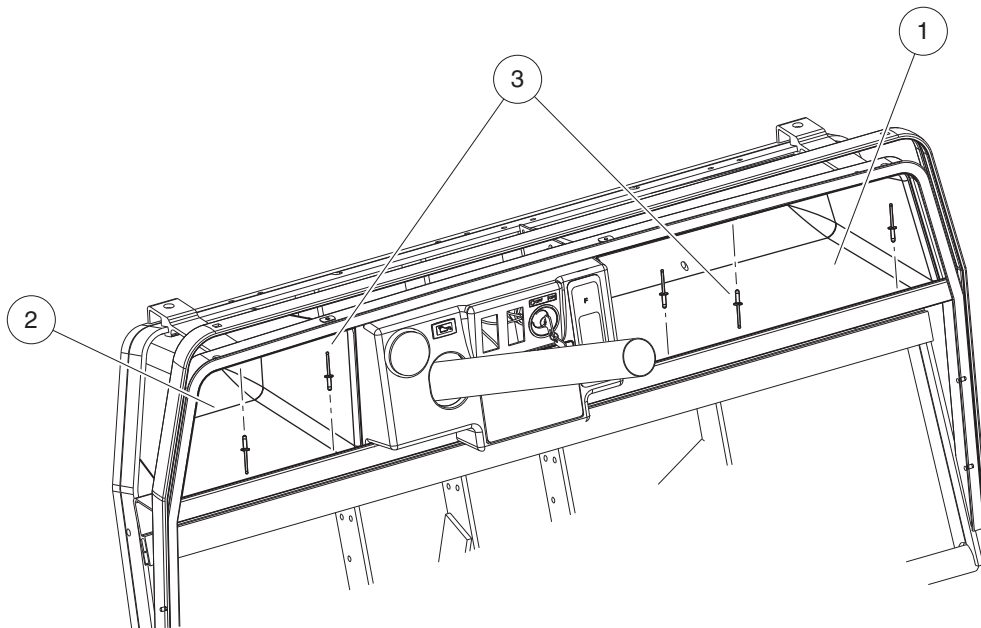


000823-004

# DASH TRIM

ITEM	PART NO.	DESCRIPTION	QTY
		1 2 3 4	
1	<u>101954301</u>	Screw, 1/4-20 X 0.75 Hex-Head Cap .....	2
2	<u>102025801</u>	Screw, 1/4-20 X .75 Torx Pn Hd .....	5
3	<u>102045001</u>	Cap, 1/4" Plastic Screw Head .....	5
4	<u>102048401</u>	Washer, 1/4 Id Scalloped Plast .....	5
5	<u>102778601</u>	Support, Upper Cowl .....	1
6	<u>103313301</u>	Asm, Brace, Canopy, Tube, Xrt .....	1
7	<u>103364101</u>	Panel, Closeout, Dash .....	1
8	<u>103364201</u>	Strip, Trim, Dash, Black .....	1
9	<u>103395101</u>	Plate, Retention, Closeout .....	1
10	<u>1241</u>	Washer, 5/16 Type A Flat .....	2
11	<u>1606</u>	Rivet, 3/16 X .500 Alum Pop .....	2
12	<u>332</u>	Washer, 1/4 Type A Narrow Flat .....	2
13	<u>7173</u>	Screw, 5/16-18 X 0.75, Hex-Head Cap .....	2
14	<u>8233</u>	Locknut, 1/4-20, Nylon Insert .....	2

1  
G  
E



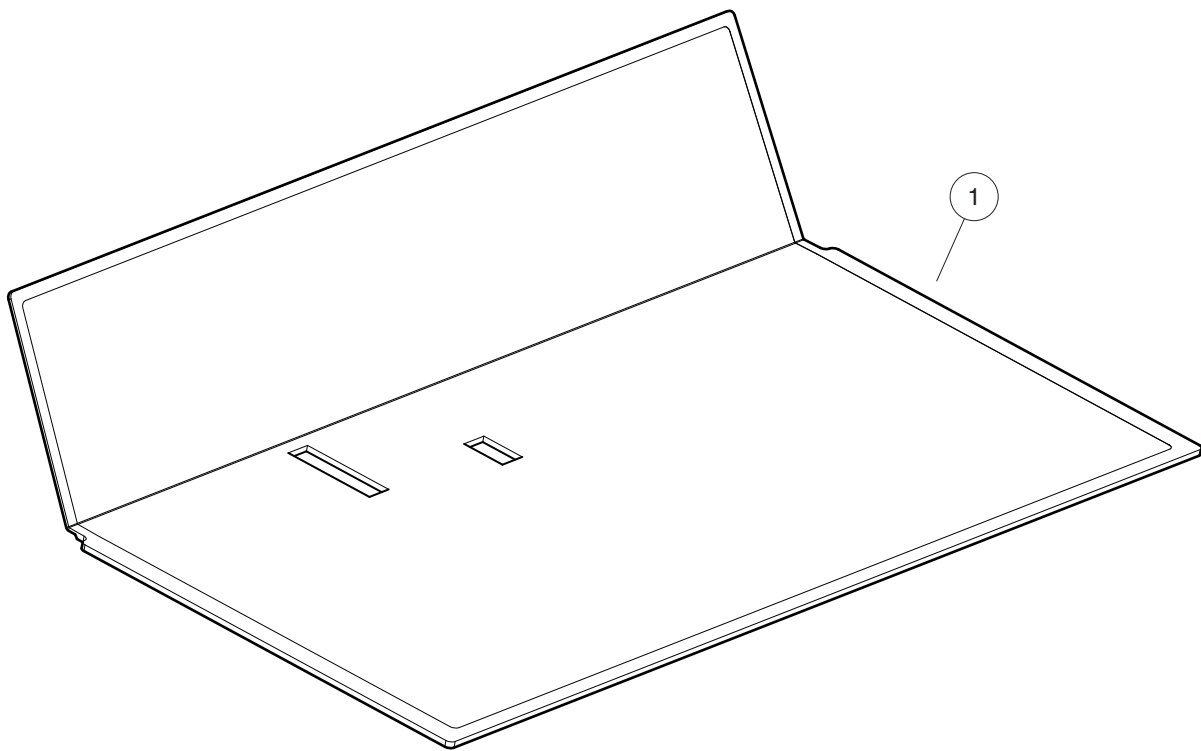
001434-001

# DASH POCKETS

ITEM	PART NO.	DESCRIPTION	QTY
1	<u>1013343</u>	1 2 3 4 Dash Component, Passenger-Side, Black .....	1
2	1013344	Dash Component, Driver-Side .....	1
3	<u>7973</u>	Rivet, 3/16 X .400 Blind .....	5

**1**  
**G**  
**E**

**1**  
**G**  
**E**



000825-002



# FLOORMAT

ITEM	PART NO.	DESCRIPTION	QTY
1	<u>101503202</u>	1 2 3 4 Floormat .....	1

**1**  
**G**  
**E**

1

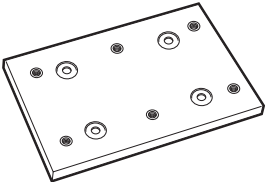
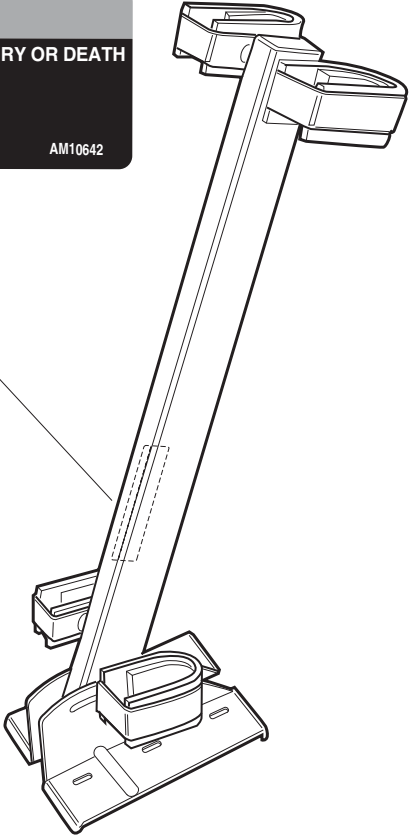
**⚠ WARNING**

**FAILURE TO HEED THE FOLLOWING INSTRUCTIONS CAN CAUSE SEVERE INJURY OR DEATH**

- Obey all Hunting Laws and Regulations.
- Never carry a closed action or loaded firearm in a vehicle.
- Always control the muzzle direction of the firearm.
- Treat each firearm as if it were loaded.
- Always point a firearm in a safe direction when loading.
- Put the safety on, double check it.

AM10642

WARNING DECAL



MOUNTING PLATE



FLOOR-MOUNT GUN RACK

001313-001

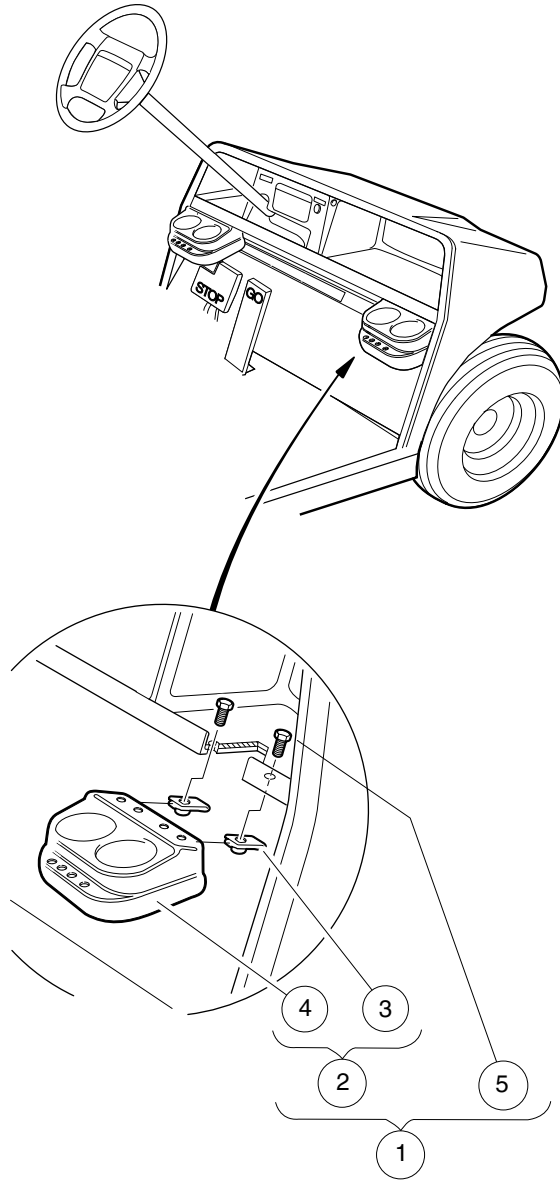
# GUN RACK, FLOOR-MOUNT

ITEM	PART NO.	DESCRIPTION	QTY
1	<u>AM10639</u>	1 2 3 4 Floor Mount Gun Rack Kit .....	1

1

G

E

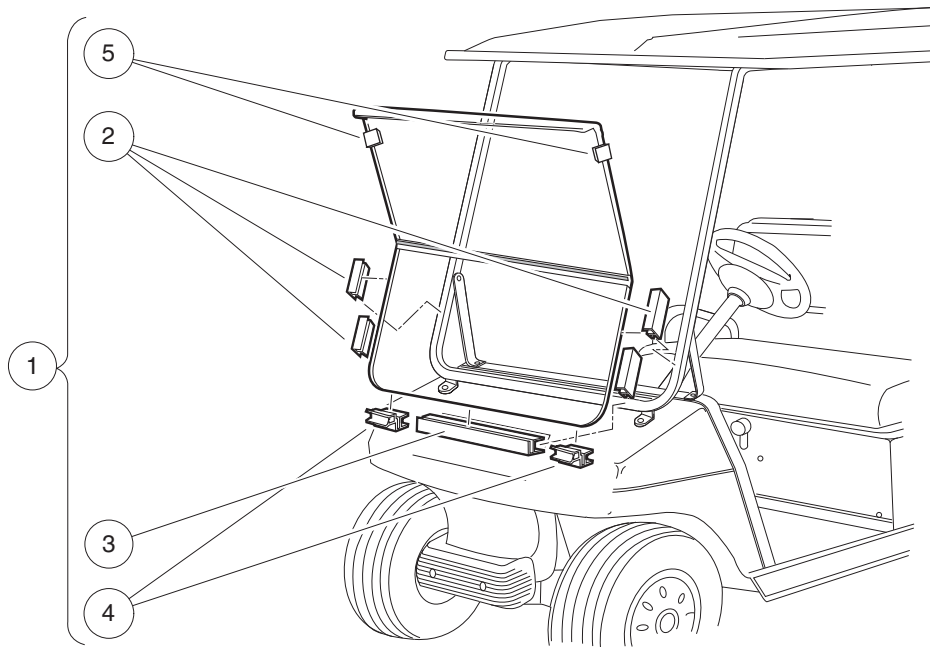


000253-002

# BEVERAGE HOLDER

ITEM	PART NO.	DESCRIPTION	QTY
		1 2 3 4	
1	<u>101708301</u>	Drink Holder Kit (includes items 2 through 5) .....	1
2	<u>1016811</u>	Holder, Dual Cup (includes items 3 and 4) .....	1
3	1016952	U-Nut, 1/4-20 .....	2
4	N/A	Cup Holder, Dual .....	1
5	<u>7847</u>	Screw, 1/4-20 X 0.75 Hex-Head Cap .....	2

1  
G  
E



001205-001

# WINDSHIELD, HINGED

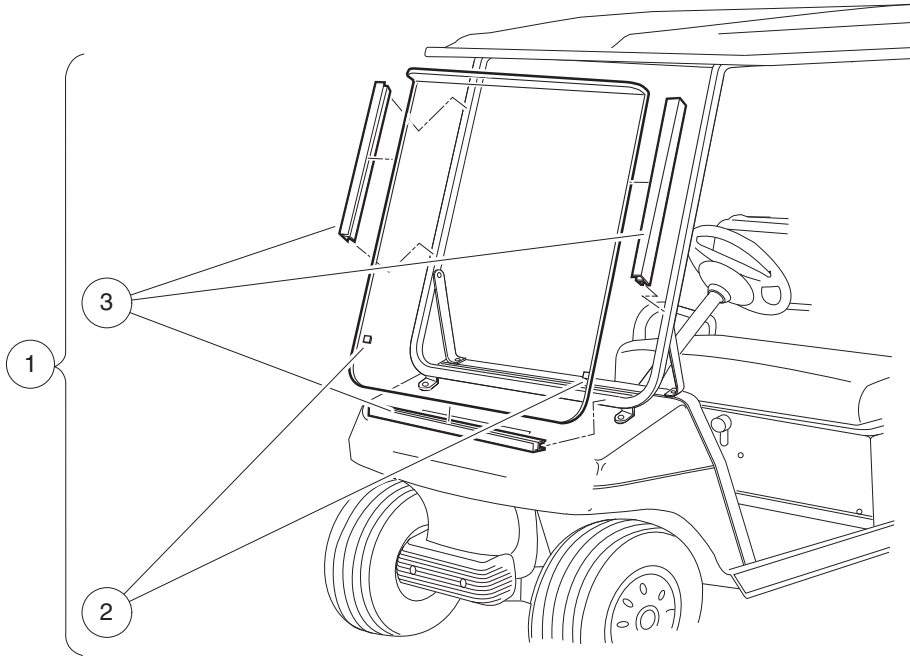
ITEM	PART NO.	DESCRIPTION	QTY
		1 2 3 4	
1	<u>101728602</u>	Hinged Windshield Kit (includes items 2 through 5) .....	1
2	<u>102005701</u>	5" Plastic Extrusion .....	4
3	<u>102163001</u>	Windshield Channel .....	1
4	<u>102163101</u>	Channel with Receiver Clip .....	2
5	N/A	Clip, Release .....	2

1  
G  
E

1

G

E



001204-001

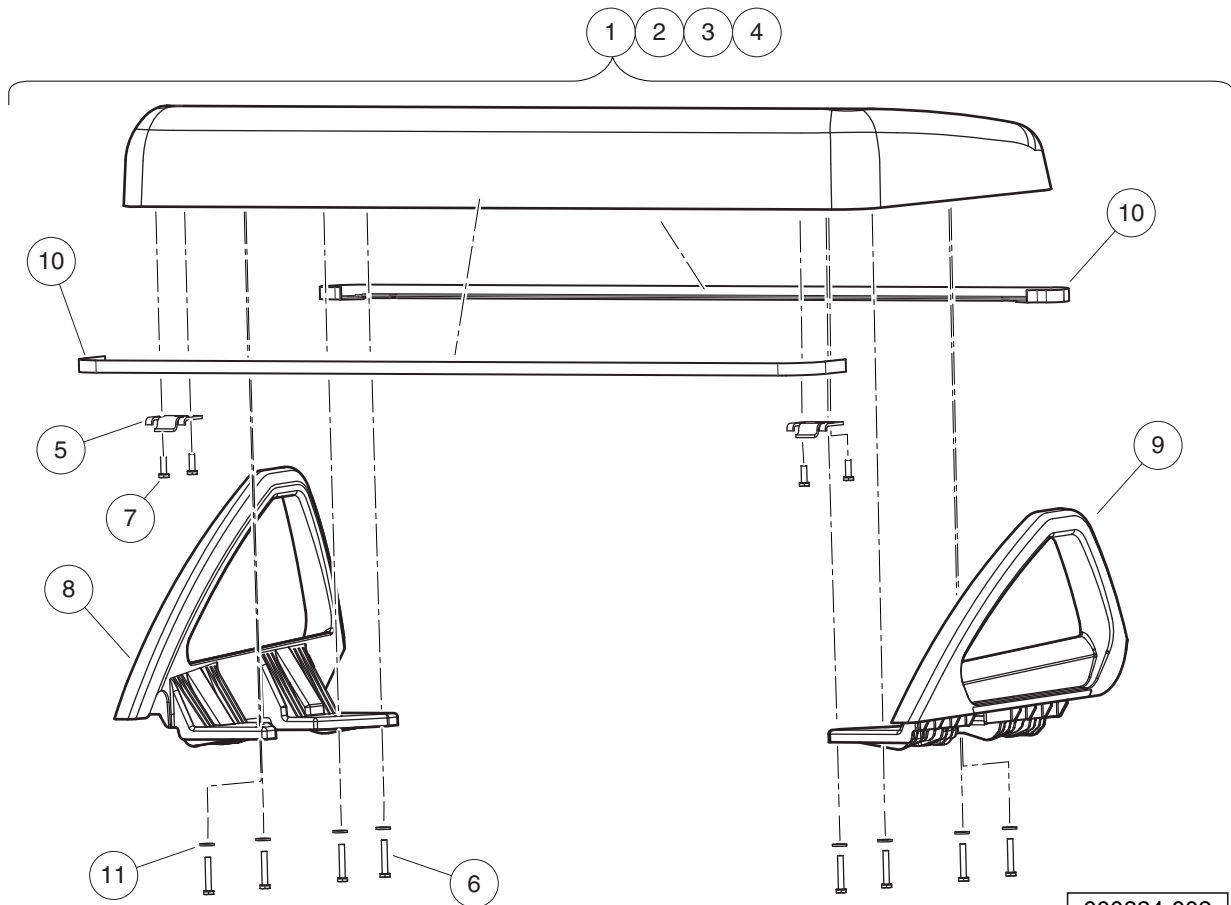
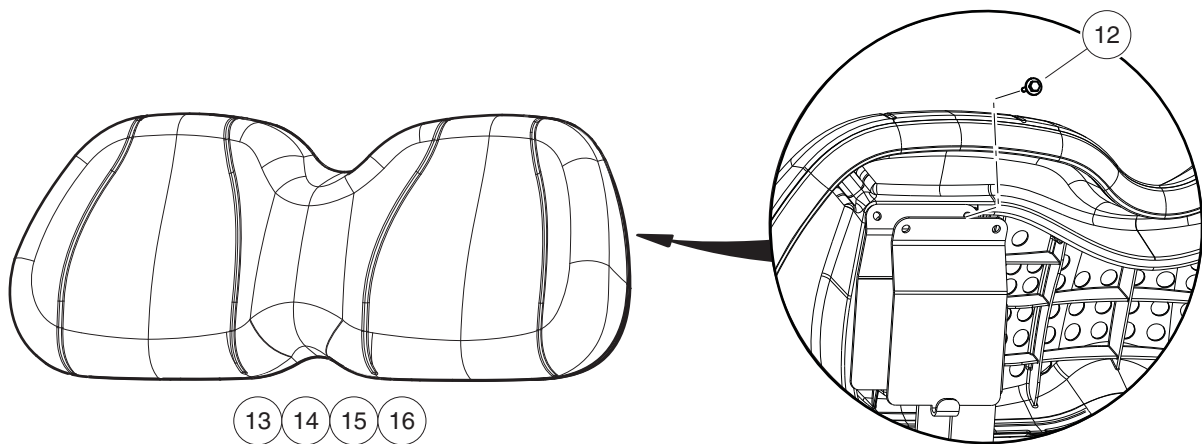


# WINDSHIELD, NON-HINGED

ITEM	PART NO.	DESCRIPTION	QTY
		1 2 3 4	
1	1014435	Windshield Tinted One-Piece (includes items 2 and 3) .....	1
2	<u>1011897</u>	Bumper, Protective .....	2
3	<u>101444101</u>	21" Plastic Extrusion .....	3
		Note: Requires Windshield Frame Kit.	

1  
G  
E

**1**  
**G**  
**E**



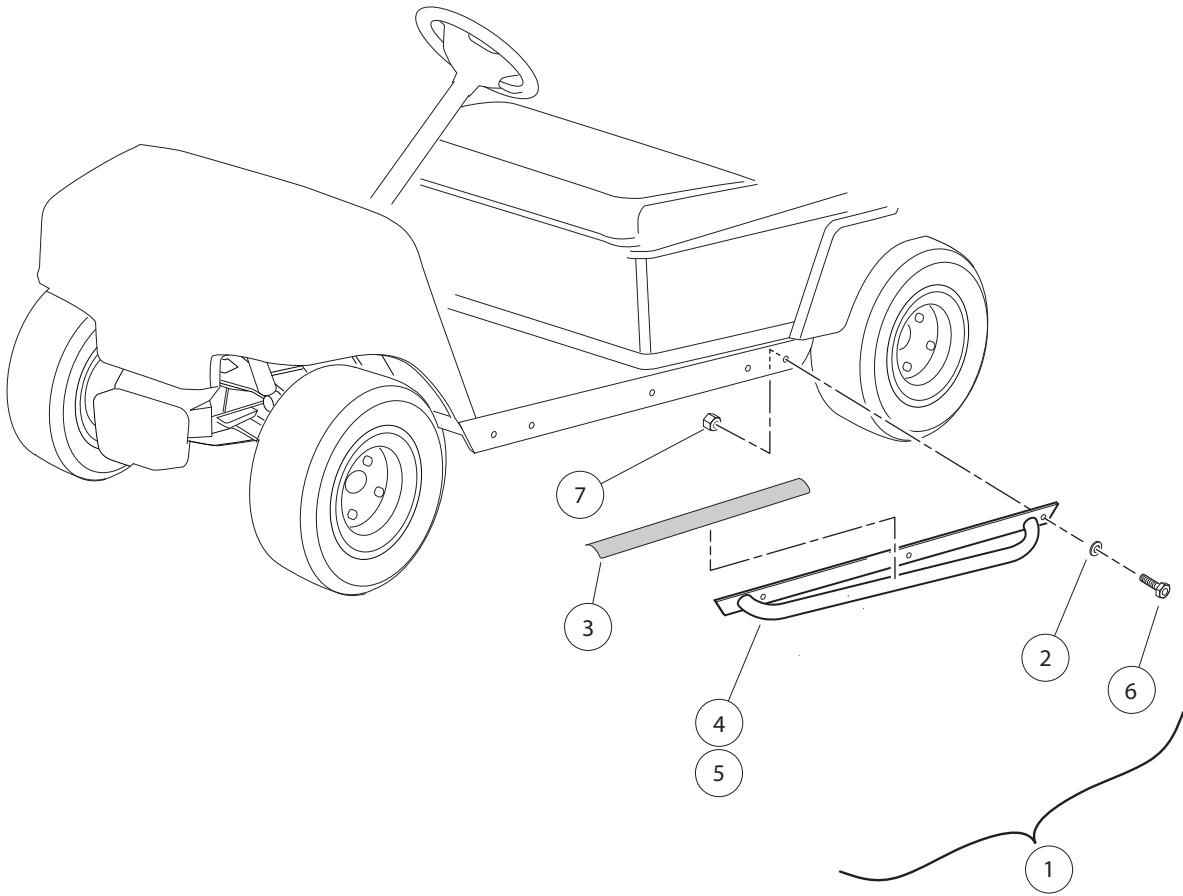
000824-002

# SEATS

ITEM	PART NO.	DESCRIPTION	QTY
		<b>1 2 3 4</b>	
1	101998004	Seat Bottom Assembly, Black .....	1
2	101998006	Seat Bottom Assembly, Gray .....	1
3	101998007	Seat Assy Precedent White .....	1
4	101998008	Seat Assy Precedent Beige (includes items 5 through 11) .....	1
5	<u>1011652</u>	Hinge Plate .....	2
6	1016916	Screw, 1/4-20 X 1.50 Hex-Head Cap .....	8
7	<u>101954301</u>	Screw, 1/4-20 X 0.75 Hex-Head Cap .....	4
8	101985502	Armrest, Passenger (right) .....	1
9	<u>101987602</u>	Armrest, Driver (left) .....	1
10	<u>101998501</u>	Gasket, Seat .....	2
11	<u>332</u>	Washer, 1/4 Type A Narrow Flat .....	8
12	<u>102296530</u>	Screw - M6 X 1.0 X 30 Sems .....	2
13	<u>102503221</u>	Service Backrest Asm, Beige .....	1
14	<u>102503222</u>	Service Backrest Asm, White .....	1
15	<u>102503224</u>	Service Backrest Asm, Gray .....	1
16	<u>102503225</u>	Service Backrest Asm-black .....	1

**1**  
**G**  
**E**

**1**  
**G**  
**E**



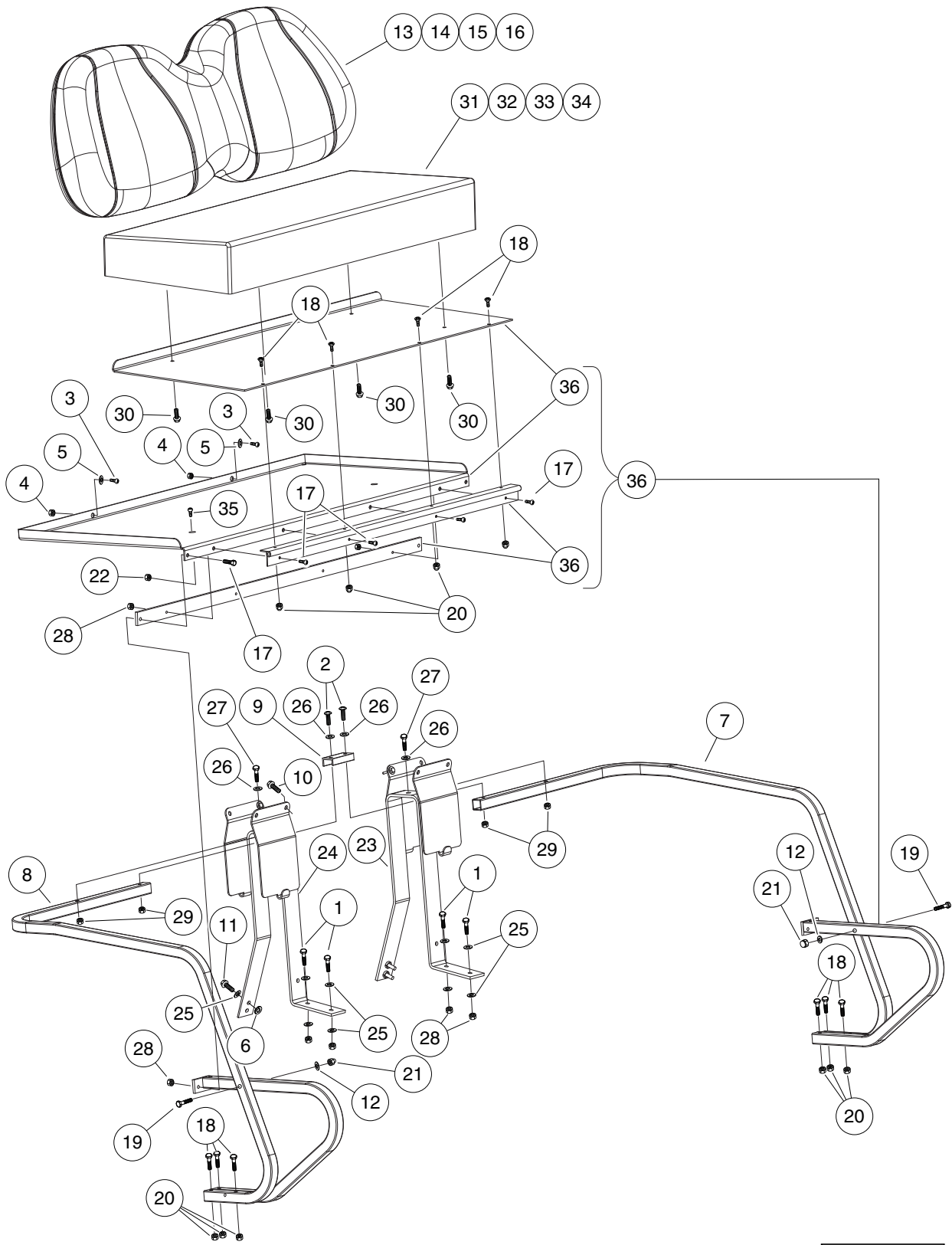
000360-004

# NERF BAR

ITEM	PART NO.	DESCRIPTION	QTY
		<b>1 2 3 4</b>	
1	<u>102829801</u>	Kit, Nerf Bar, Ds/lynx (includes items 2 through 7) .....	1
2	<u>1011990</u>	Washer, 3/8 Flat .....	6
3	<u>102355102</u>	Tape, Non-skid .....	2
4	<u>102829701</u>	Asm, Nerf Bar, Dmnd Plt, Drv .....	1
5	<u>102829702</u>	Asm, Nerf Bar, Dmnd Plt,pass .....	1
6	320	Screw, 3/8-16 X 1.00 Hex-Head Cap .....	6
7	<u>8754</u>	Locknut, 3/8-16 Hex .....	6

**1**  
**G**  
**E**

**1**  
**G**  
**E**



000841-001

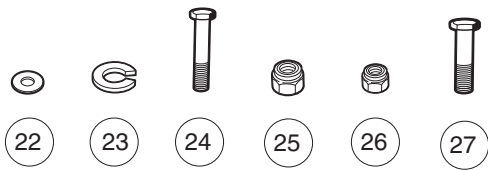
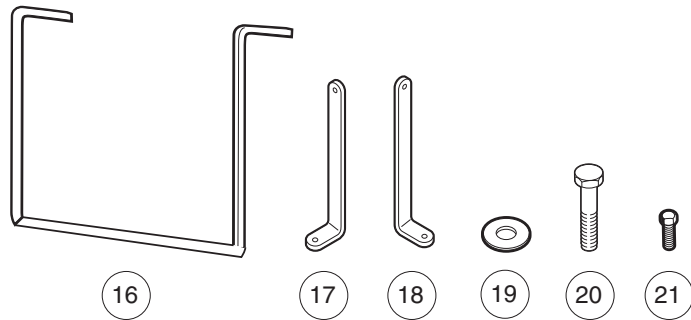
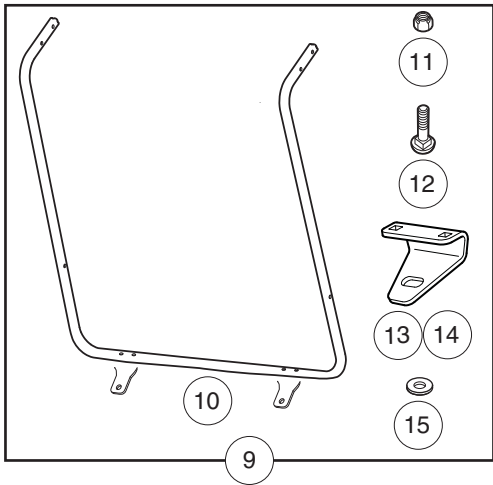
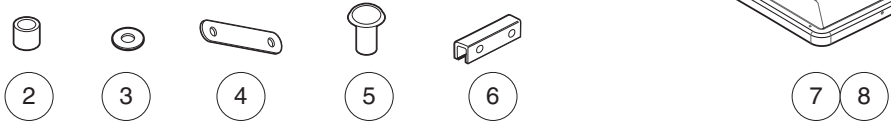
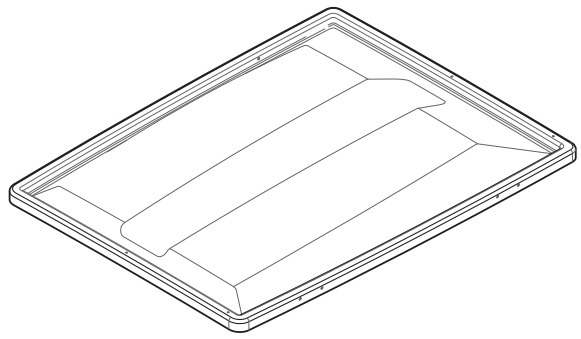
# REAR, FOLD DOWN SEAT

ITEM	PART NO.	DESCRIPTION	QTY
		<b>1 2 3 4</b>	
1	<u>1010577</u>	Bolt, Hex-Head, 5/16-18 X 1.50 .....	4
2	<u>1011988</u>	Screw, 1/4-20 X 2.00 Phillips Truss-Head .....	2
3	<u>1015059</u>	Screw, 5/16-18 X 1.0 Phl Truss .....	2
4	1015072	Locknut, 5/16-18 Nylon Insert .....	2
5	<u>1015077</u>	Washer, 5/16 Flat .....	2
6	1017774	Body Spacer .....	4
7	<u>101841201</u>	Armrest, Seat, Rear, Right-Hand .....	1
8	<u>101841202</u>	Armrest, Seat, Rear, Left-Hand .....	1
9	<u>101841301</u>	Armrest Bracket .....	1
10	<u>101910401</u>	Screw, 5/16-18 X 1.25 Thrd Frm .....	4
11	<u>102296530</u>	Screw - M6 X 1.0 X 30 Sems .....	2
12	<u>102324901</u>	Washer, Flat, 1/4", Blk .....	2
13	102503211	4 Pass Backrest Asm-beige .....	1
14	<u>102503212</u>	4 Pass Backrest Asm-white .....	1
15	<u>102503214</u>	Backrest Assembly, Gray .....	1
16	<u>102503215</u>	4 Pass Backrest Asm-black .....	1
17	<u>102541425</u>	Bolt, M6x1.0x25, Hex Flhd, Blk-l .....	6
18	<u>102541445</u>	Bolt-m6x1.0x45 Hex Flhd,blk .....	10
19	<u>102541465</u>	Bolt, M 6 X 1.0 X 65 Hex, Flange, Head, Black .....	2
20	<u>102541501</u>	Nut-m6x1.0 Fl Mtl Lock,blk .....	10
21	<u>102582401</u>	Cap Nut M6, Sp .....	6
22	102618601	Lock Nut, Flange, M8 X 1.25 Nylon .....	2
23	<u>103378301</u>	Weldment, Bracket, Seat, Fd Rh .....	1
24	<u>103378302</u>	Weldment, Bracket, Seat, Fd Lh .....	1
25	<u>1241</u>	Washer, 5/16 Type A Flat .....	12
26	<u>332</u>	Washer, 1/4 Type A Narrow Flat .....	6
27	<u>7311</u>	Screw, 1/4-20 X 2.00 Hex-Head Cap .....	2
28	<u>7473</u>	Locknut, 5/16-18 Nylon Insert .....	12
29	<u>8233</u>	Locknut, 1/4-20, Nylon Insert .....	4
30	<u>SVPP230201</u>	1/4-20x.75 Fl Hd Mach Scr Ss .....	4
31	<u>SVPP230901</u>	Seat Sub Asm, Beige .....	1
32	<u>SVPP230902</u>	Seat Sub Asm, White .....	1
33	<u>SVPP230903</u>	Seat Asm - Gray .....	1
34	<u>SVPP230904</u>	Seat Sub Asm, Blk .....	1
35	<u>SVPP234001</u>	M8x1.25x25 Fl Hd Mach Scr .....	2
36	<u>SVPP285901</u>	Kit, Fold Downxrt 800/810/850 .....	1

**1**  
**G**  
**E**

**1**  
**G**  
**E**

1



000840-003

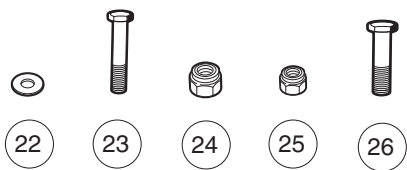
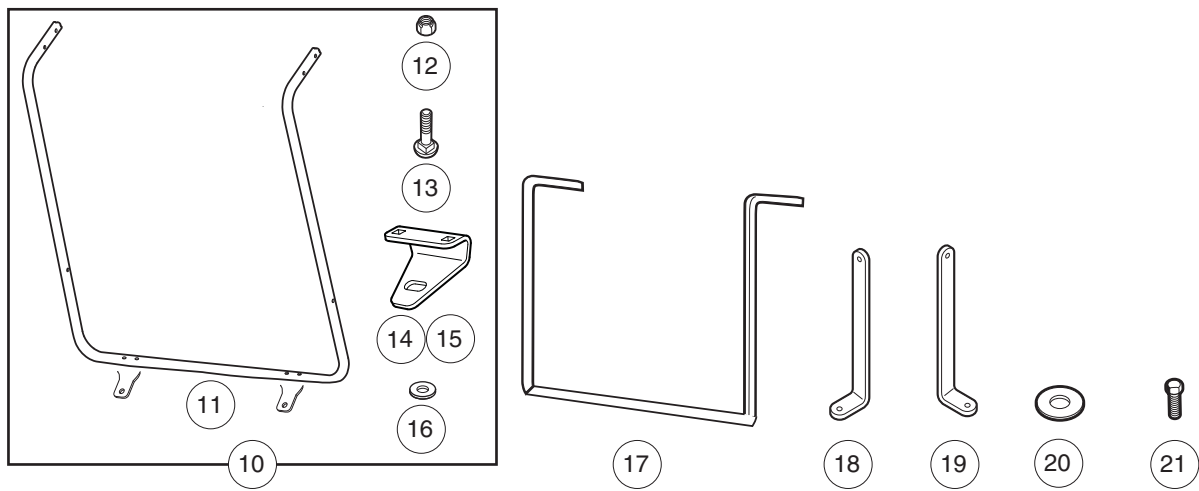
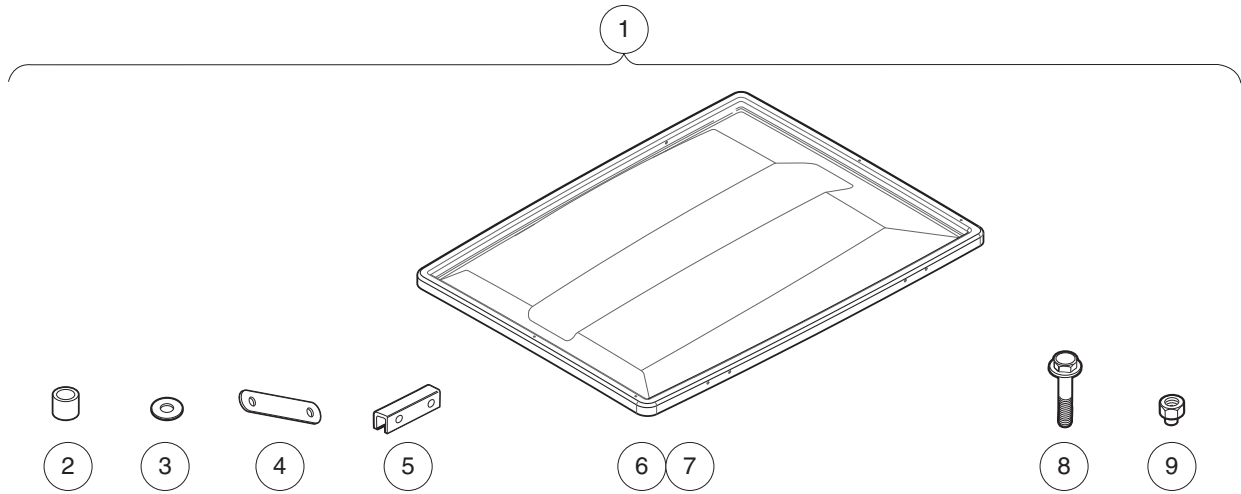


# CANOPY (WHITE) FOR VEHICLES EQUIPPED WITH BED – TO MID-2010 MY

ITEM	PART NO.	DESCRIPTION	QTY
		<b>1 2 3 4</b>	
1	<u>103410501</u>	Kit, Canopy, White 56" (includes items 2 through 27) .....	1
2	<u>1010237</u>	Bushing .....	2
3	<u>1010517</u>	Washer, .88 Od X .343 Id Nylon .....	2
4	1011852	Plate, Canopy Trim .....	8
5	1011878	T-nut, 1/4-20 X .310 Capped .....	2
6	1012008	Support, Side Canopy .....	2
7	1014509	Canopy, White (includes item 8) .....	1
8	1011942	Modified Grommet .....	2
9	<u>102824402</u>	Support, Front, Canopy, 800 (includes items 10 through 15) .....	1
10	<u>101186302</u>	Frame, Windshield, Vac Cowl .....	1
11	<u>1015091</u>	Nut, 1/4-20 Stainless-Steel Center-Lock Cap .....	4
12	N/A	Bolt, Carriage 1/4-20 X 1.50 .....	4
13	<u>102854301</u>	Bracket, Support, Windshield Frame, Driver-Side .....	1
14	<u>102854302</u>	Bracket, Support, Windshield Frame, Passenger-Side .....	1
15	<u>332</u>	Washer, 1/4 Type A Narrow Flat .....	4
16	<u>103411001</u>	Brace, Canopy, Short, Bed .....	1
17	<u>103411101</u>	Brace, Knee, Lh .....	1
18	<u>103411201</u>	Brace, Knee, Rh .....	1
19	<u>1241</u>	Washer, 5/16 Type A Flat .....	6
20	<u>1703</u>	Screw, 1/4-20 X 1.50 Hx Hd Cap .....	2
21	304	Screw, 1/4-20 X 1.0 Hex-Head Cap .....	2
22	<u>332</u>	Washer, 1/4 Type A Narrow Flat .....	20
23	<u>451</u>	Lockwasher, 1/4 Split .....	2
24	<u>7311</u>	Screw, 1/4-20 X 2.00 Hex-Head Cap .....	8
25	<u>7473</u>	Locknut, 5/16-18 Nylon Insert .....	3
26	<u>8233</u>	Locknut, 1/4-20, Nylon Insert .....	8
27	<u>8963</u>	Screw, 5/16-18 X 1.75 Hex-Head Cap .....	3

**1**  
**G**  
**E**

**1**  
**G**  
**E**



000840-006

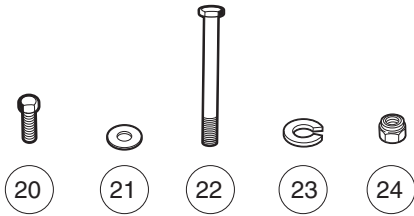
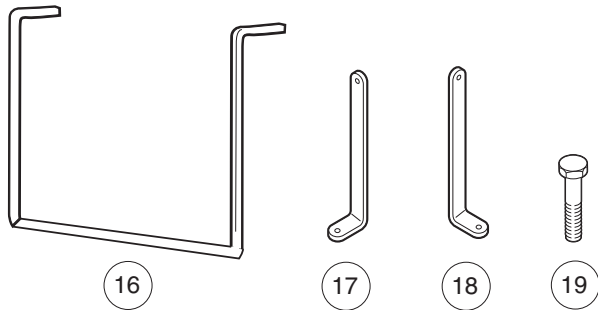
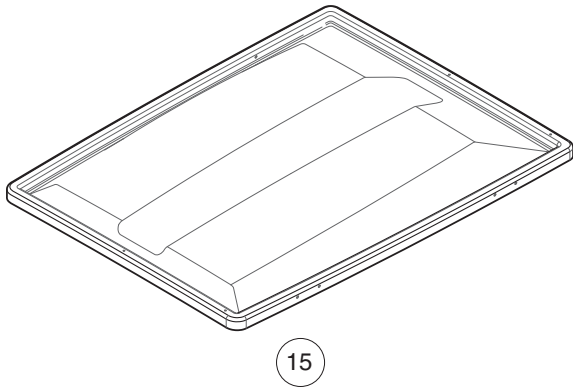
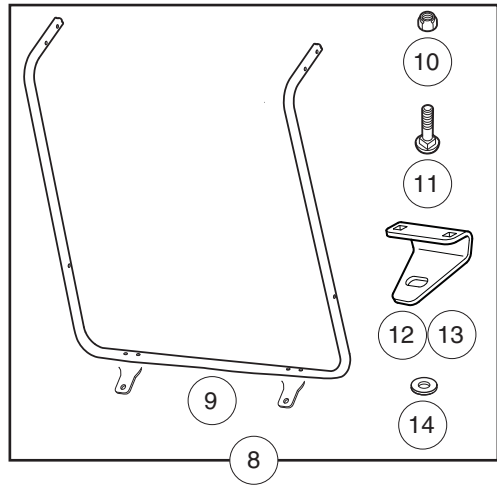
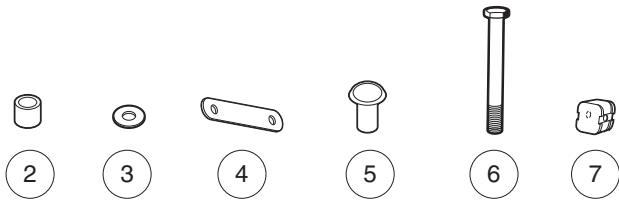
# CANOPY (WHITE) FOR VEHICLES EQUIPPED WITH BED – FROM MID-2010 MY

ITEM	PART NO.	DESCRIPTION	QTY
		1 2 3 4	
1	<u>103410501</u>	Kit, Canopy, White, 56" (includes items 2 through 26) .....	1
2	<u>1010237</u>	Bushing .....	2
3	<u>1010517</u>	Washer, .88 Od X .343 Id Nylon .....	2
4	1011852	Plate, Canopy Trim .....	8
5	1012008	Support, Side Canopy .....	2
6	1014509	Canopy, White (includes item 7) .....	1
7	1011942	Modified Grommet .....	2
8	<u>102076702</u>	Screw, 1/4-20 X 1.75 Hexhead, SEMS, Black .....	2
9	<u>102242401</u>	Nut - Nylon Insert W/cap .....	2
10	<u>102824402</u>	Support, Front, Canopy, 800 (includes items 11 through 16) .....	1
11	<u>101186302</u>	Frame, Windshield, Vac Cowl .....	1
12	<u>1015091</u>	Nut, 1/4-20 Stainless-Steel Center-Lock Cap .....	4
13	N/A	Bolt, Carriage 1/4-20 X 1.50 .....	4
14	<u>102854301</u>	Bracket, Support, Windshield Frame, Driver-Side .....	1
15	<u>102854302</u>	Bracket, Support, Windshield Frame, Passenger-Side .....	1
16	<u>332</u>	Washer, 1/4 Type A Narrow Flat .....	4
17	<u>103411001</u>	Brace, Canopy, Short, Bed .....	1
18	<u>103411101</u>	Brace, Knee, Lh .....	1
19	<u>103411201</u>	Brace, Knee, Rh .....	1
20	<u>1241</u>	Washer, 5/16 Type A Flat .....	6
21	304	Screw, 1/4-20 X 1.0 Hex-Head Cap .....	2
22	<u>332</u>	Washer, 1/4 Type A Narrow Flat .....	20
23	<u>7311</u>	Screw, 1/4-20 X 2.00 Hex-Head Cap .....	8
24	<u>7473</u>	Locknut, 5/16-18 Nylon Insert .....	3
25	<u>8233</u>	Locknut, 1/4-20, Nylon Insert .....	8
26	<u>8963</u>	Screw, 5/16-18 X 1.75 Hex-Head Cap .....	3

**1**  
**G**  
**E**

**1**  
**G**  
**E**

1



000840-004

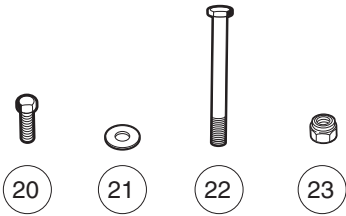
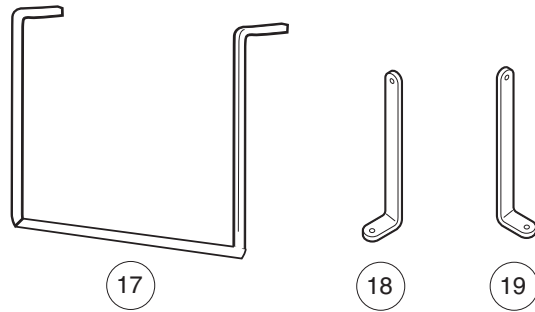
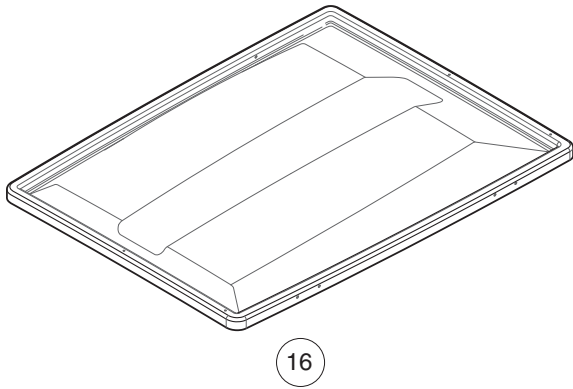
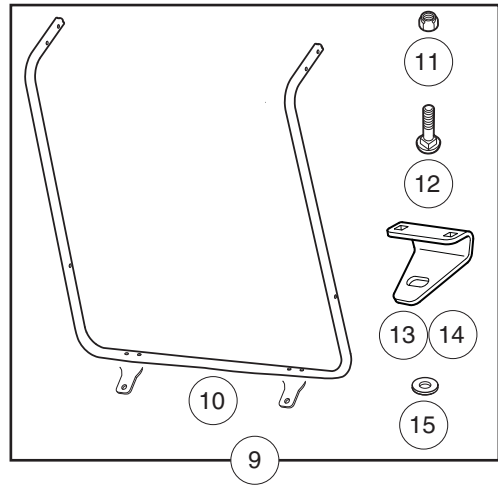
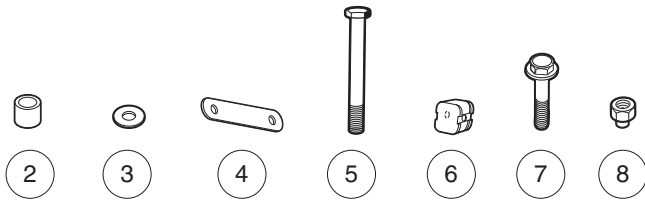
# CANOPY (WHITE), VEHICLE WITH FOLD DOWN REAR SEAT – TO MID-2010 MY

ITEM	PART NO.	DESCRIPTION	QTY
		<b>1 2 3 4</b>	
1	<u>103410701</u>	Kit, Canopy, White 80" Fld Dwn (includes items 2 through 24) .....	1
2	<u>1010237</u>	Bushing .....	2
3	<u>1010517</u>	Washer, .88 Od X .343 Id Nylon .....	2
4	1011852	Plate, Canopy Trim .....	8
5	1011878	T-nut, 1/4-20 X .310 Capped .....	2
6	<u>1013872</u>	Bolt, 1/4-20 X 4.00 Hex Head .....	2
7	1013884	Spacer, Bag Hoop .....	10
8	<u>102824402</u>	Support, Front, Canopy, 800 (includes items 9 through 14) .....	1
9	<u>101186302</u>	Frame, Windshield, Vac Cowl .....	1
10	<u>1015091</u>	Nut, 1/4-20 Stainless-Steel Center-Lock Cap .....	4
11	N/A	Bolt, Carriage 1/4-20 X 1.50 .....	4
12	<u>102854301</u>	Bracket, Support, Windshield Frame, Driver-Side .....	1
13	<u>102854302</u>	Bracket, Support, Windshield Frame, Passenger-Side .....	1
14	<u>332</u>	Washer, 1/4 Type A Narrow Flat .....	4
15	N/A	Canopy, 80" White, Plain Band .....	1
16	<u>103410901</u>	Brace, Canopy, Rear, Long .....	1
17	<u>103411101</u>	Brace, Knee, Lh .....	1
18	<u>103411201</u>	Brace, Knee, Rh .....	1
19	<u>1703</u>	Screw, 1/4-20 X 1.50 Hx Hd Cap .....	2
20	304	Screw, 1/4-20 X 1.0 Hex-Head Cap .....	2
21	<u>332</u>	Washer, 1/4 Type A Narrow Flat .....	24
22	343	Screw, 1/4-20 X 3.00 Hx Hd Cap .....	8
23	<u>451</u>	Lockwasher, 1/4 Split .....	2
24	<u>8233</u>	Locknut, 1/4-20, Nylon Insert .....	10

**1**  
**G**  
**E**

**1**  
**G**  
**E**

1



000840-007

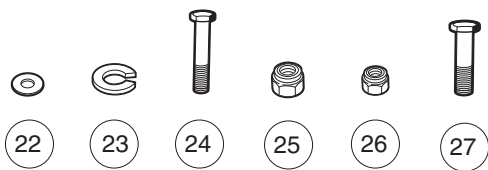
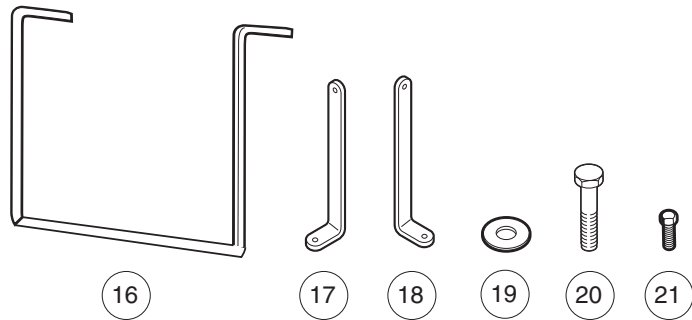
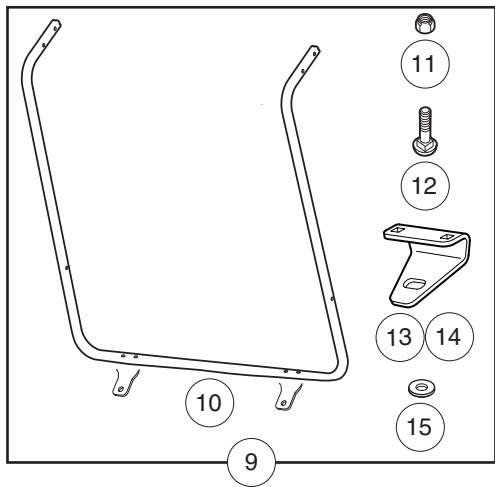
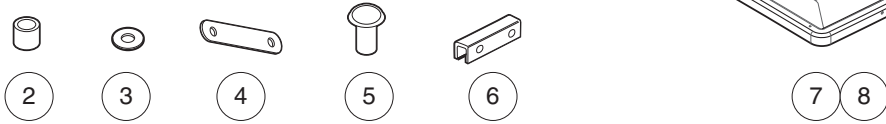
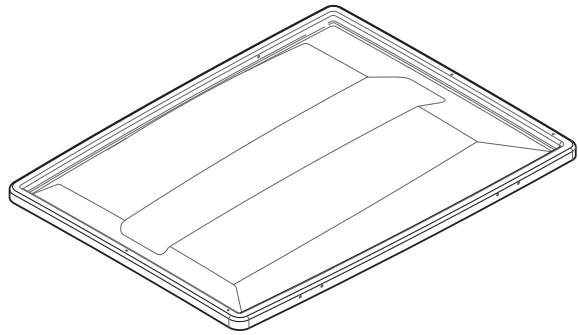
# CANOPY (WHITE), VEHICLE WITH FOLD DOWN REAR SEAT – FROM MID-2010 MY

ITEM	PART NO.	DESCRIPTION	QTY
		<b>1 2 3 4</b>	
1	<u>103410701</u>	Kit, Canopy, White 80" Fld Dwn (includes items 2 through 23) .....	1
2	<u>1010237</u>	Bushing .....	2
3	<u>1010517</u>	Washer, .88 Od X .343 Id Nylon .....	2
4	1011852	Plate, Canopy Trim .....	8
5	<u>1013872</u>	Bolt, 1/4-20 X 4.00 Hex Head .....	2
6	1013884	Spacer, Bag Hoop .....	10
7	<u>102076702</u>	Screw, 1/4-20 X 1.75 Hexhead, SEMS, Black .....	2
8	<u>102242401</u>	Nut - Nylon Insert W/cap .....	2
9	<u>102824402</u>	Support, Front, Canopy, 800 (includes items 10 through 15) .....	1
10	<u>101186302</u>	Frame, Windshield, Vac Cowl .....	1
11	<u>1015091</u>	Nut, 1/4-20 Stainless-Steel Center-Lock Cap .....	4
12	N/A	Bolt, Carriage 1/4-20 X 1.50 .....	4
13	<u>102854301</u>	Bracket, Support, Windshield Frame, Driver-Side .....	1
14	<u>102854302</u>	Bracket, Support, Windshield Frame, Passenger-Side .....	1
15	<u>332</u>	Washer, 1/4 Type A Narrow Flat .....	4
16	N/A	Canopy, 80" White, Plain Band .....	1
17	<u>103410901</u>	Brace, Canopy, Rear, Long .....	1
18	<u>103411101</u>	Brace, Knee, Lh .....	1
19	<u>103411201</u>	Brace, Knee, Rh .....	1
20	304	Screw, 1/4-20 X 1.0 Hex-Head Cap .....	2
21	<u>332</u>	Washer, 1/4 Type A Narrow Flat .....	24
22	343	Screw, 1/4-20 X 3.00 Hx Hd Cap .....	8
23	<u>8233</u>	Locknut, 1/4-20, Nylon Insert .....	10

**1**  
**G**  
**E**

**1**  
**G**  
**E**

1



000840-003

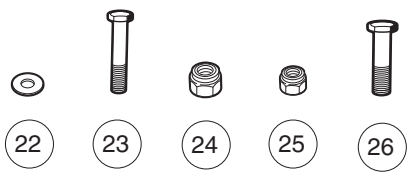
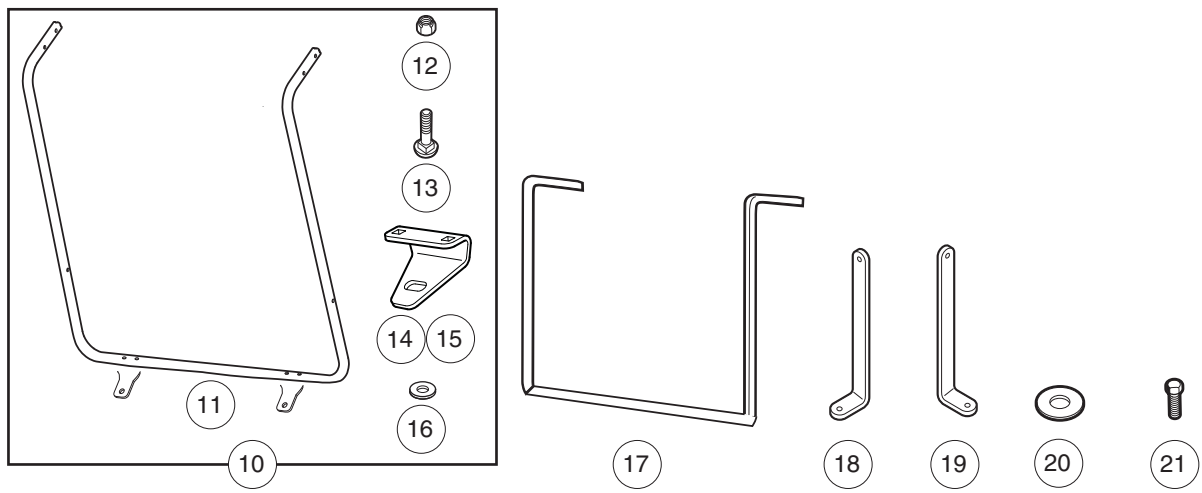
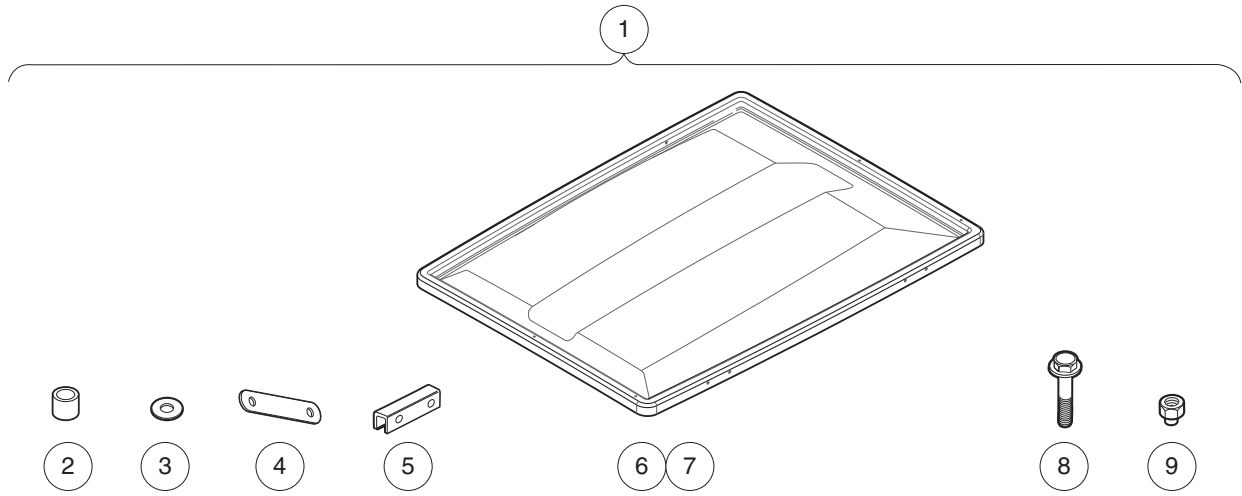


# CANOPY (BLACK) FOR VEHICLES EQUIPPED WITH BED – TO MID-2010 MY

ITEM	PART NO.	DESCRIPTION	QTY
		1 2 3 4	
1	<u>103410401</u>	Kit, Canopy, Black 56" (includes items 2 through 27) .....	1
2	<u>1010237</u>	Bushing .....	2
3	<u>1010517</u>	Washer, .88 Od X .343 Id Nylon .....	2
4	1011852	Plate, Canopy Trim .....	8
5	1011878	T-nut, 1/4-20 X .310 Capped .....	2
6	1012008	Support, Side Canopy .....	2
7	<u>101450902</u>	Asm, Canopy, Black (includes item 8) .....	1
8	1011942	Modified Grommet .....	2
9	<u>102824402</u>	Support, Front, Canopy, 800 (includes items 10 through 15) .....	1
10	<u>101186302</u>	Frame, Windshield, Vac Cowl .....	1
11	<u>1015091</u>	Nut, 1/4-20 Stainless-Steel Center-Lock Cap .....	4
12	N/A	Bolt, Carriage 1/4-20 X 1.50 .....	4
13	<u>102854301</u>	Bracket, Support, Windshield Frame, Driver-Side .....	1
14	<u>102854302</u>	Bracket, Support, Windshield Frame, Passenger-Side .....	1
15	<u>332</u>	Washer, 1/4 Type A Narrow Flat .....	4
16	<u>103411001</u>	Brace, Canopy, Short, Bed .....	1
17	<u>103411101</u>	Brace, Knee, Lh .....	1
18	<u>103411201</u>	Brace, Knee, Rh .....	1
19	<u>1241</u>	Washer, 5/16 Type A Flat .....	6
20	<u>1703</u>	Screw, 1/4-20 X 1.50 Hx Hd Cap .....	2
21	304	Screw, 1/4-20 X 1.0 Hex-Head Cap .....	2
22	<u>332</u>	Washer, 1/4 Type A Narrow Flat .....	20
23	<u>451</u>	Lockwasher, 1/4 Split .....	2
24	<u>7311</u>	Screw, 1/4-20 X 2.00 Hex-Head Cap .....	8
25	<u>7473</u>	Locknut, 5/16-18 Nylon Insert .....	3
26	<u>8233</u>	Locknut, 1/4-20, Nylon Insert .....	8
27	<u>8963</u>	Screw, 5/16-18 X 1.75 Hex-Head Cap .....	3

**1**  
**G**  
**E**

**1**  
**G**  
**E**



000840-006

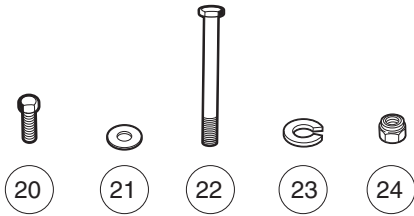
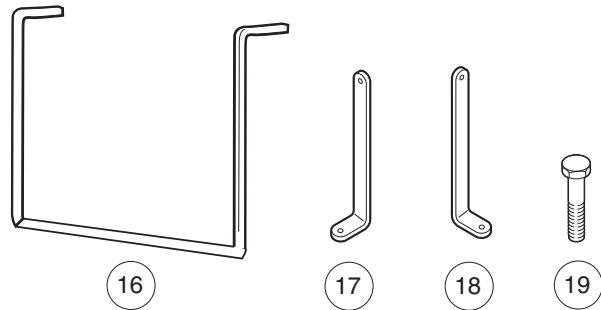
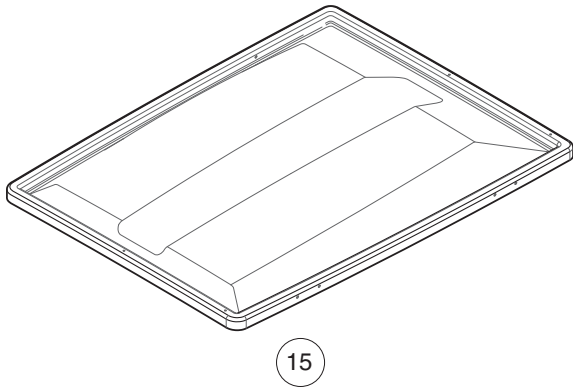
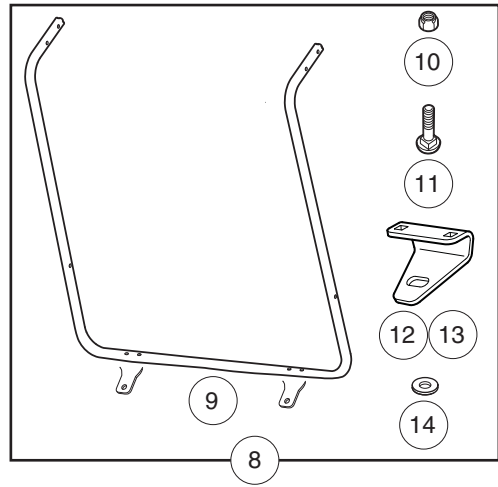
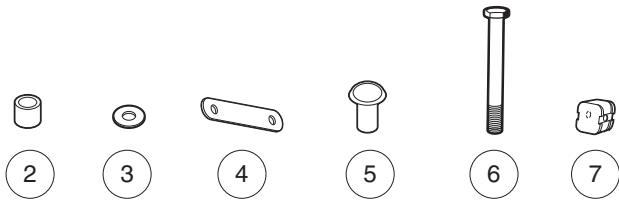
# CANOPY (BLACK) FOR VEHICLES EQUIPPED WITH BED – FROM MID-2010 MY

ITEM	PART NO.	DESCRIPTION	QTY
		1 2 3 4	
1	<u>103410401</u>	Kit, Canopy, Black, 56" (includes items 2 through 26) .....	1
2	<u>1010237</u>	Bushing .....	2
3	<u>1010517</u>	Washer, .88 Od X .343 Id Nylon .....	2
4	1011852	Plate, Canopy Trim .....	8
5	1012008	Support, Side Canopy .....	2
6	<u>101450902</u>	Asm, Canopy, Black (includes item 7) .....	1
7	1011942	Modified Grommet .....	2
8	<u>102076702</u>	Screw, 1/4-20 X 1.75 Hexhead, SEMS, Black .....	2
9	<u>102242401</u>	Nut - Nylon Insert W/cap .....	2
10	<u>102824402</u>	Support, Front, Canopy, 800 (includes items 11 through 16) .....	1
11	<u>101186302</u>	Frame, Windshield, Vac Cowl .....	1
12	<u>1015091</u>	Nut, 1/4-20 Stainless-Steel Center-Lock Cap .....	4
13	N/A	Bolt, Carriage 1/4-20 X 1.50 .....	4
14	<u>102854301</u>	Bracket, Support, Windshield Frame, Driver-Side .....	1
15	<u>102854302</u>	Bracket, Support, Windshield Frame, Passenger-Side .....	1
16	<u>332</u>	Washer, 1/4 Type A Narrow Flat .....	4
17	<u>103411001</u>	Brace, Canopy, Short, Bed .....	1
18	<u>103411101</u>	Brace, Knee, Lh .....	1
19	<u>103411201</u>	Brace, Knee, Rh .....	1
20	<u>1241</u>	Washer, 5/16 Type A Flat .....	6
21	304	Screw, 1/4-20 X 1.0 Hex-Head Cap .....	2
22	<u>332</u>	Washer, 1/4 Type A Narrow Flat .....	20
23	<u>7311</u>	Screw, 1/4-20 X 2.00 Hex-Head Cap .....	8
24	<u>7473</u>	Locknut, 5/16-18 Nylon Insert .....	3
25	<u>8233</u>	Locknut, 1/4-20, Nylon Insert .....	8
26	<u>8963</u>	Screw, 5/16-18 X 1.75 Hex-Head Cap .....	3

**1**  
**G**  
**E**

**1**  
**G**  
**E**

1



000840-004

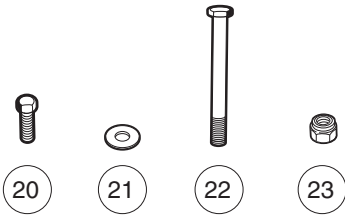
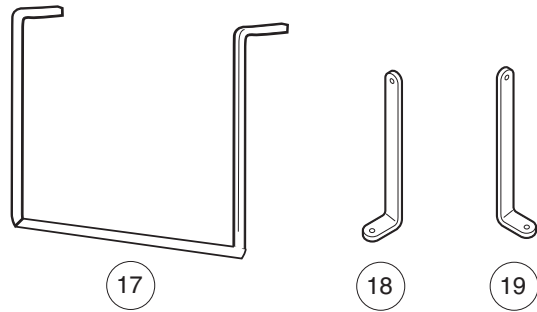
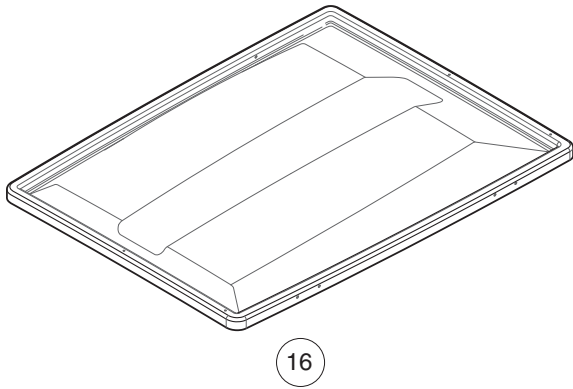
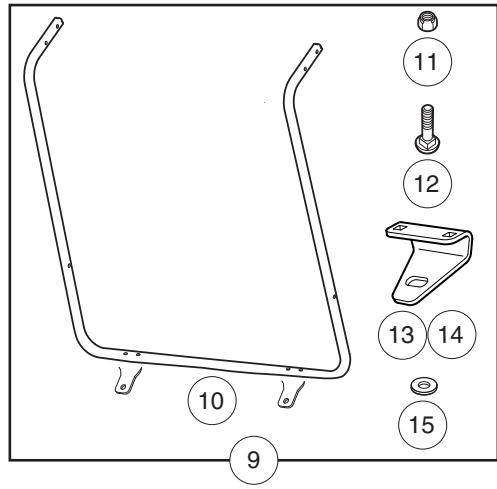
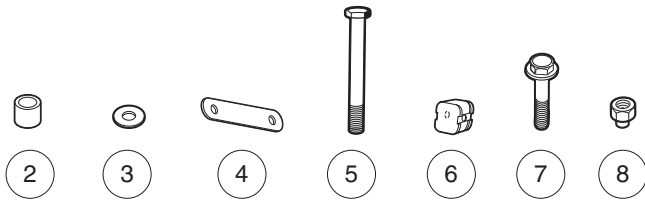
# CANOPY (BLACK), VEHICLE WITH FOLD DOWN REAR SEAT – TO MID-2010 MY

ITEM	PART NO.	DESCRIPTION	QTY
		<b>1 2 3 4</b>	
1	103410601	Kit, Canopy, Black 80" Fld Dwn (includes items 2 through 24) .....	1
2	<u>1010237</u>	Bushing .....	2
3	<u>1010517</u>	Washer, .88 Od X .343 Id Nylon .....	2
4	1011852	Plate, Canopy Trim .....	8
5	1011878	T-nut, 1/4-20 X .310 Capped .....	2
6	<u>1013872</u>	Bolt, 1/4-20 X 4.00 Hex Head .....	2
7	1013884	Spacer, Bag Hoop .....	10
8	<u>102824402</u>	Support, Front, Canopy, 800 (includes items 9 through 14) .....	1
9	<u>101186302</u>	Frame, Windshield, Vac Cowl .....	1
10	<u>1015091</u>	Nut, 1/4-20 Stainless-Steel Center-Lock Cap .....	4
11	N/A	Bolt, Carriage 1/4-20 X 1.50 .....	4
12	<u>102854301</u>	Bracket, Support, Windshield Frame, Driver-Side .....	1
13	<u>102854302</u>	Bracket, Support, Windshield Frame, Passenger-Side .....	1
14	<u>332</u>	Washer, 1/4 Type A Narrow Flat .....	4
15	<u>103410803</u>	Canopy, 80" Black, Black Band .....	1
16	<u>103410901</u>	Brace, Canopy, Rear, Long .....	1
17	<u>103411101</u>	Brace, Knee, Lh .....	1
18	<u>103411201</u>	Brace, Knee, Rh .....	1
19	<u>1703</u>	Screw, 1/4-20 X 1.50 Hx Hd Cap .....	2
20	304	Screw, 1/4-20 X 1.0 Hex-Head Cap .....	2
21	<u>332</u>	Washer, 1/4 Type A Narrow Flat .....	24
22	343	Screw, 1/4-20 X 3.00 Hx Hd Cap .....	8
23	<u>451</u>	Lockwasher, 1/4 Split .....	2
24	<u>8233</u>	Locknut, 1/4-20, Nylon Insert .....	10

**1**  
**G**  
**E**

**1**  
**G**  
**E**

1



000840-007

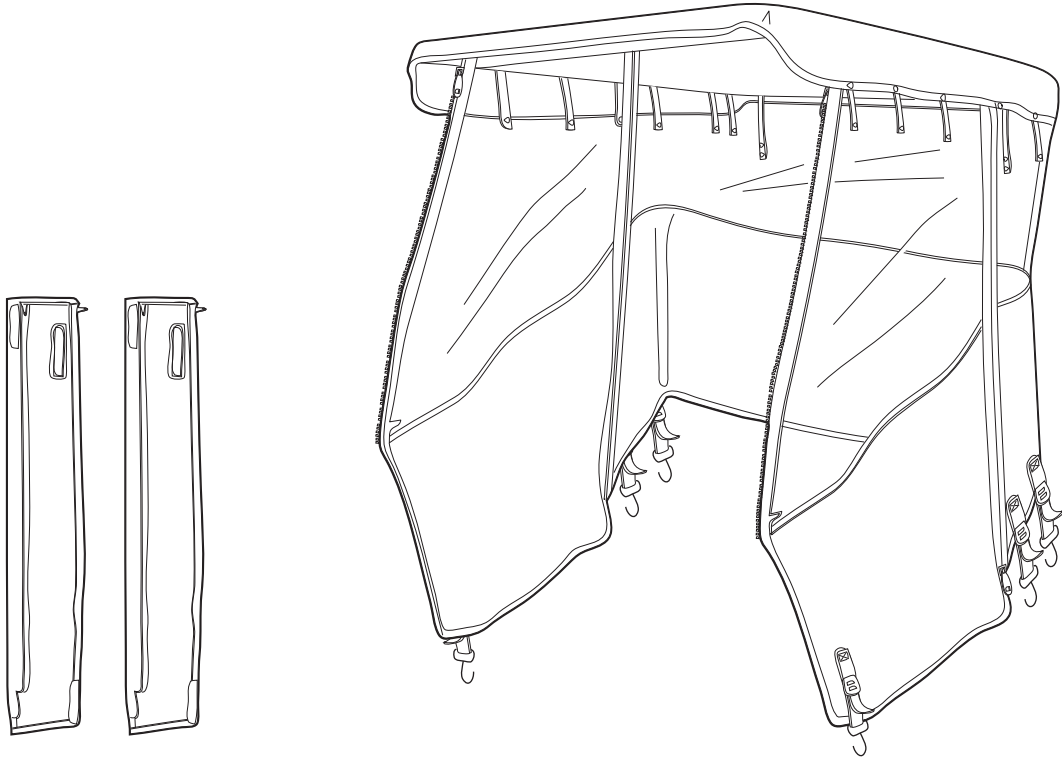
# CANOPY (BLACK), VEHICLE WITH FOLD DOWN REAR SEAT – FROM MID-2010 MY

ITEM	PART NO.	DESCRIPTION	QTY
		<b>1 2 3 4</b>	
1	103410601	Kit, Canopy, Black 80" Fld Dwn (includes items 2 through 23) .....	1
2	<u>1010237</u>	Bushing .....	2
3	<u>1010517</u>	Washer, .88 Od X .343 Id Nylon .....	2
4	1011852	Plate, Canopy Trim .....	8
5	<u>1013872</u>	Bolt, 1/4-20 X 4.00 Hex Head .....	2
6	1013884	Spacer, Bag Hoop .....	10
7	<u>102076702</u>	Screw, 1/4-20 X 1.75 Hexhead, SEMS, Black .....	2
8	<u>102242401</u>	Nut - Nylon Insert W/cap .....	2
9	<u>102824402</u>	Support, Front, Canopy, 800 (includes items 10 through 15) .....	1
10	<u>101186302</u>	Frame, Windshield, Vac Cowl .....	1
11	<u>1015091</u>	Nut, 1/4-20 Stainless-Steel Center-Lock Cap .....	4
12	N/A	Bolt, Carriage 1/4-20 X 1.50 .....	4
13	<u>102854301</u>	Bracket, Support, Windshield Frame, Driver-Side .....	1
14	<u>102854302</u>	Bracket, Support, Windshield Frame, Passenger-Side .....	1
15	<u>332</u>	Washer, 1/4 Type A Narrow Flat .....	4
16	<u>103410803</u>	Canopy, 80" Black, Black Band .....	1
17	<u>103410901</u>	Brace, Canopy, Rear, Long .....	1
18	<u>103411101</u>	Brace, Knee, Lh .....	1
19	<u>103411201</u>	Brace, Knee, Rh .....	1
20	304	Screw, 1/4-20 X 1.0 Hex-Head Cap .....	2
21	<u>332</u>	Washer, 1/4 Type A Narrow Flat .....	24
22	343	Screw, 1/4-20 X 3.00 Hx Hd Cap .....	8
23	<u>8233</u>	Locknut, 1/4-20, Nylon Insert .....	10

**1**  
**G**  
**E**

**1**  
**G**  
**E**

1  
2



001309-001

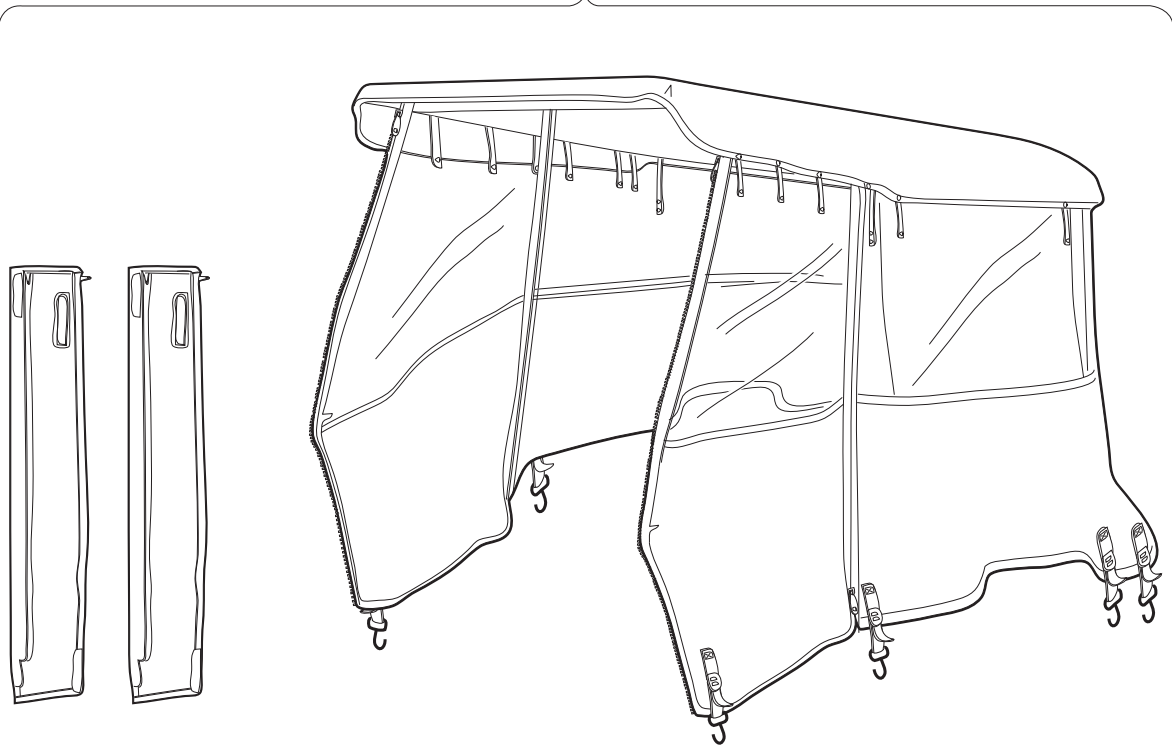


## ENCLOSURE, 3-SIDED – FOR VEHICLE WITH CARGO BED

ITEM	PART NO.	DESCRIPTION	QTY
		1 2 3 4	
1	<u>102852801</u>	Kit, Enclosure, Gray, W/ Bed .....	1
2	<u>103407601</u>	Kit, Enclosure, Black, W/ Bed .....	1

1  
G  
E

1  
2



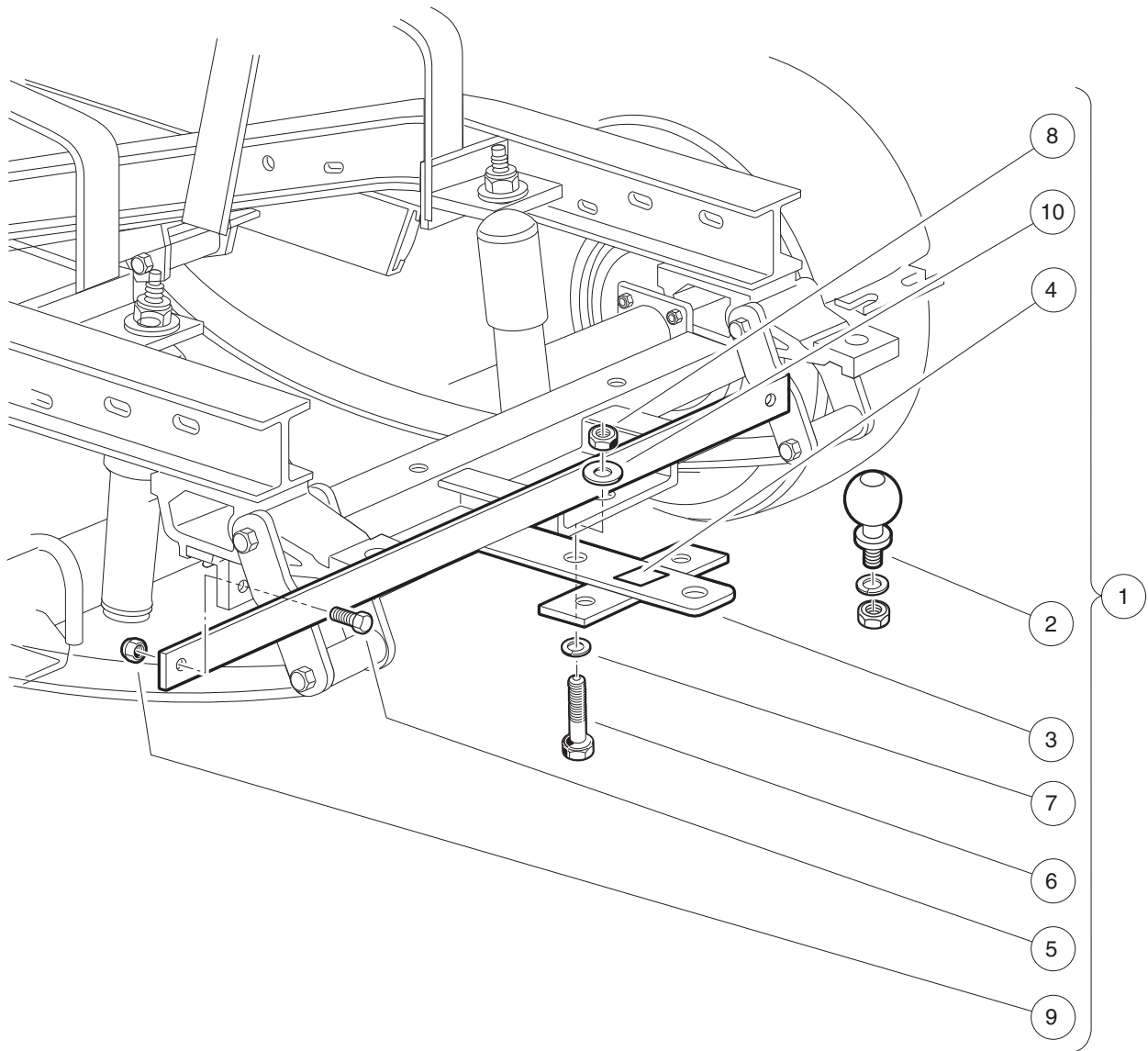
001310-001

# ENCLOSURE, 3-SIDED – FOR VEHICLE WITH FOLDDOWN REAR SEAT

ITEM	PART NO.	DESCRIPTION	QTY
1	<u>103407701</u>	1 2 3 4 Kit, Enclosure, Gray, W/ Folddown Seat .....	1
2	103407801	Kit, Enclosure, Black, W/ Folddown Seat .....	1

**1**  
**G**  
**E**

**1**  
**G**  
**E**

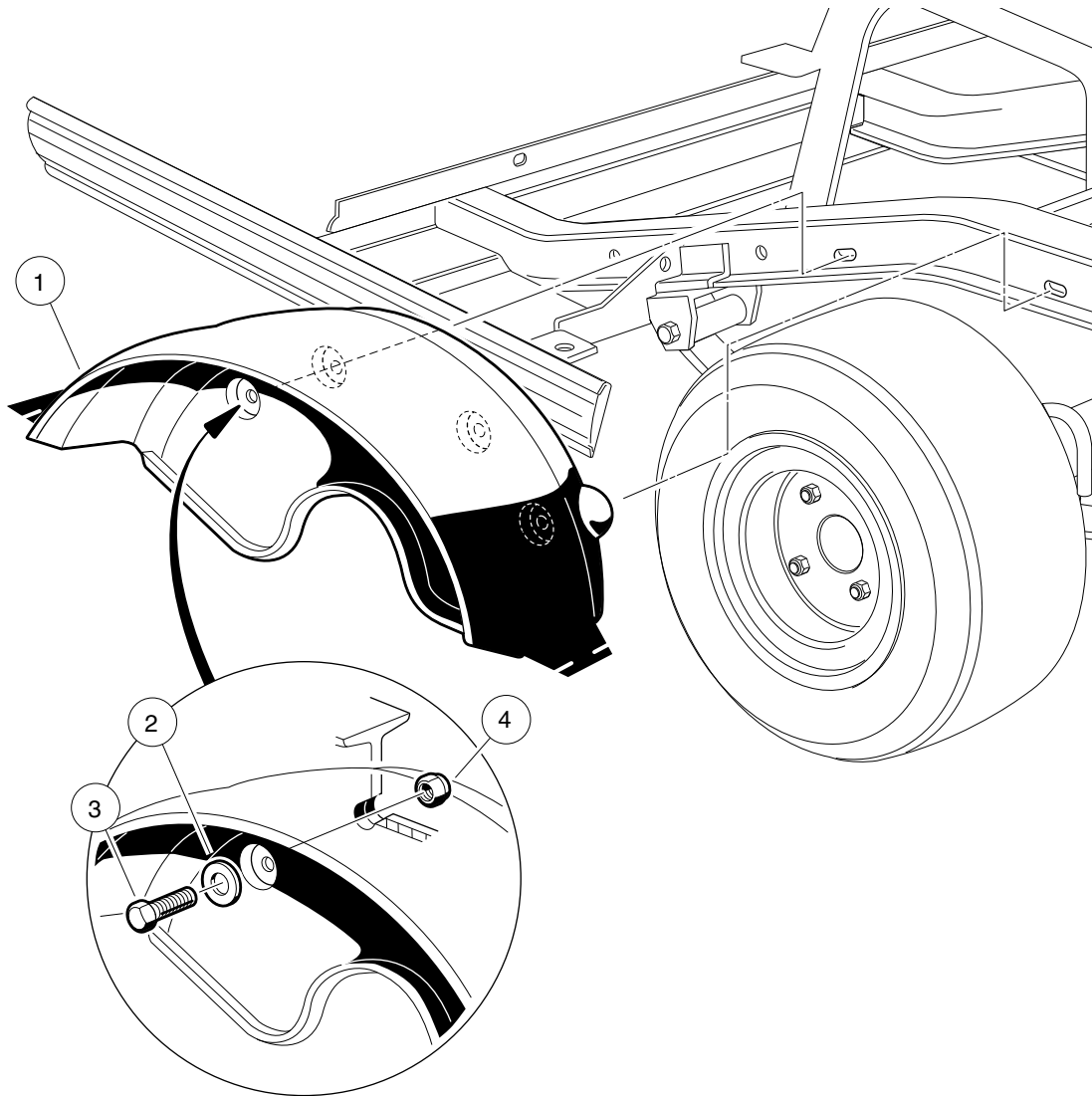


001432-001

# TRAILER HITCH

ITEM	PART NO.	DESCRIPTION	QTY
		<b>1 2 3 4</b>	
1	<u>1011522</u>	Kit, Trailer Hitch (1-7/8 Ball (includes items 2 through 10) .....	1
2	<u>1011546</u>	Trailer Hitch Ball - 1 7/8" .....	1
3	N/A	Trailer Hitch Weld Assy' .....	1
4	<u>1011553</u>	Decal, Trailer Hitch .....	1
5	1218	Screw, 5/16-18 X 1.25 Hex-Head Cap .....	2
6	<u>1624</u>	Screw, 3/8-16 X 1.50, Hex-Head Cap .....	1
7	<u>357</u>	Lockwasher, 3/8 Split .....	1
8	<u>706</u>	Nut, Hex 3/8-16 .....	1
9	<u>7473</u>	Locknut, 5/16-18 Nylon Insert .....	2
10	<u>808</u>	Washer, 3/8 Type B Flat .....	1

**1**  
**G**  
**E**



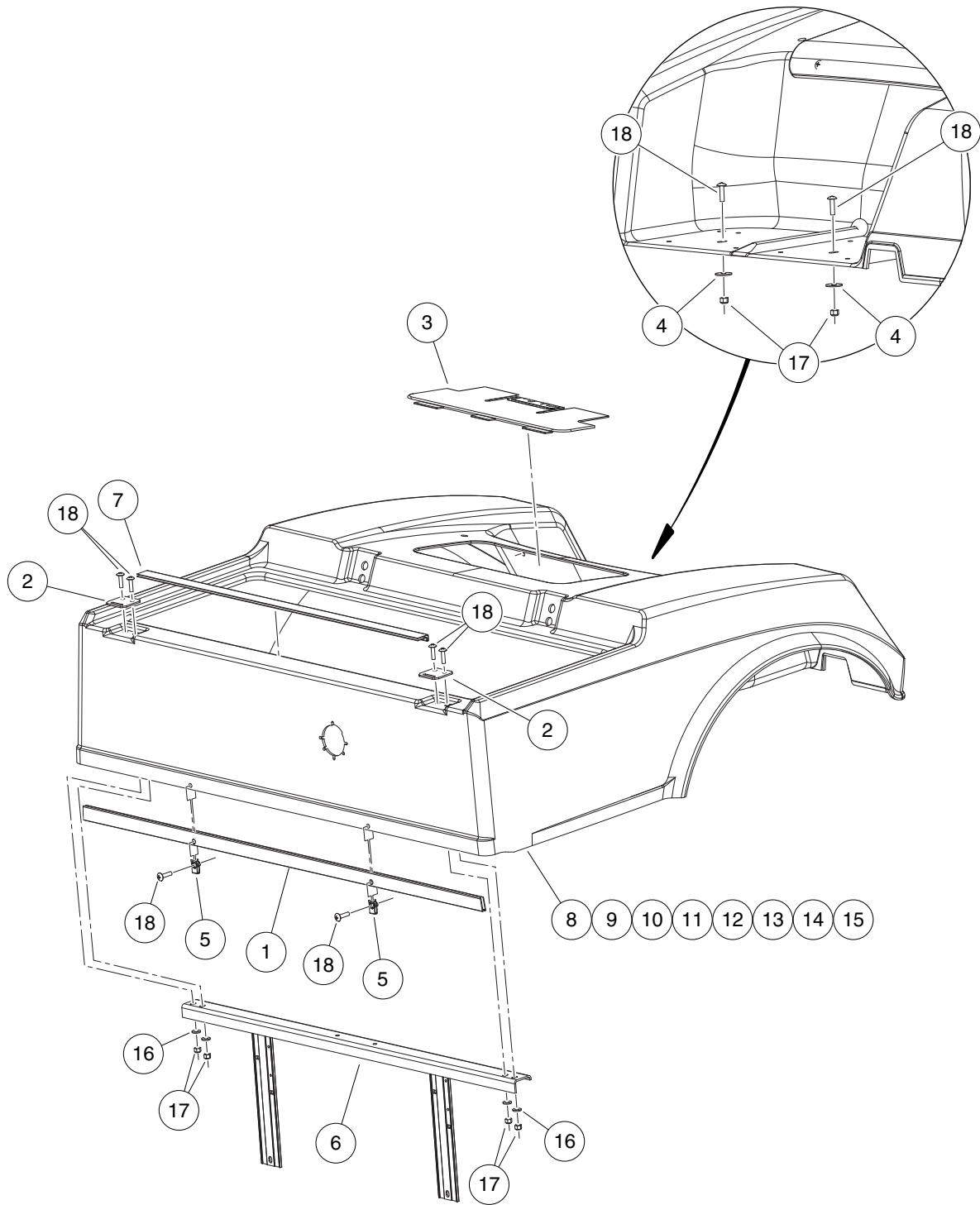
000747-001

# INNER FENDER

ITEM	PART NO.	DESCRIPTION	QTY
1	<u>1017936</u>	1 2 3 4 Fender, Inner .....	2
2	<u>332</u>	Washer, 1/4 Type A Narrow Flat .....	4
3	<u>7847</u>	Screw, 1/4-20 X 0.75 Hex-Head Cap .....	4
4	<u>8233</u>	Locknut, 1/4-20, Nylon Insert .....	4

**1**  
**G**  
**E**

**1**  
**G**  
**E**



000820-001

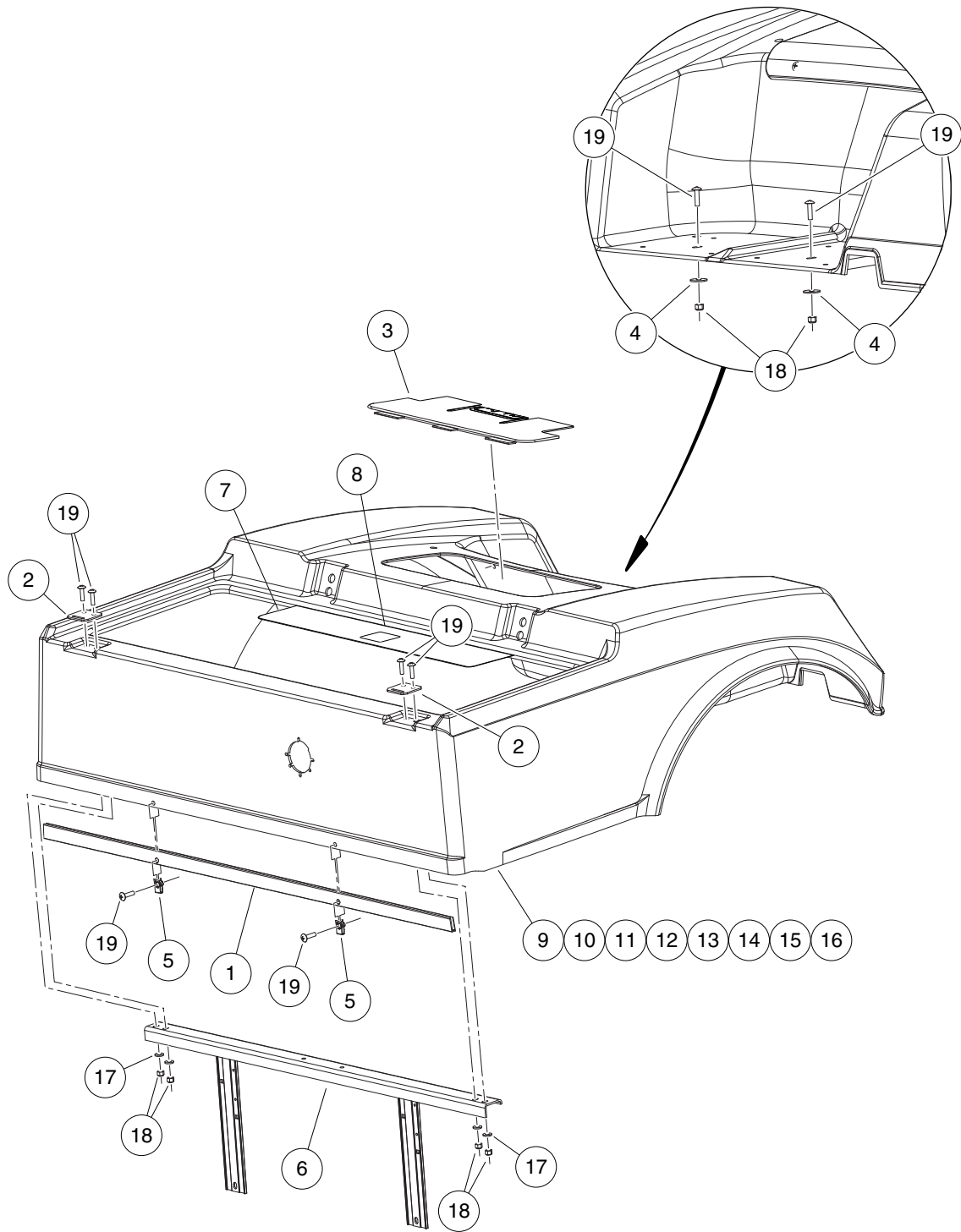


## REAR BODY – ELECTRIC VEHICLES

ITEM	PART NO.	DESCRIPTION	QTY
		1 2 3 4	
1	<u>1010993</u>	Body Kick Plate .....	1
2	<u>1012412</u>	Body, Hinge Plate .....	2
3	<u>101303202</u>	Access Panel - Black, Cut .....	1
4	<u>1014306</u>	Washer, 1/4" Type B Flat .....	2
5	<u>1016952</u>	U-Nut, 1/4-20 .....	2
6	<u>1017141</u>	Body Support Weldment .....	1
7	<u>101837001</u>	Battery Insulator .....	1
8	<u>103365401</u>	Body, Rear XRT Elec Red .....	1
9	<u>103365402</u>	Body, Rear XRT Elec Green .....	1
10	<u>103365403</u>	Body, Rear XRT Elec Camo (Husqvarna) .....	1
11	<u>103365404</u>	Body, Rear XRT Elec Blue .....	1
12	<u>103365405</u>	Body, Rear XRT Elec Black .....	1
13	<u>103365407</u>	Body, Rear XRT Elec Camo Hardwood (Standard camo for XRT850) .....	1
14	N/A	Body, Rear XRT Elec Max4 .....	1
15	<u>103365409</u>	Body, Rear XRT Elec Silver .....	1
16	<u>332</u>	Washer, 1/4 Type A Narrow Flat .....	4
17	<u>8233</u>	Locknut, 1/4-20, Nylon Insert .....	6
18	<u>8251</u>	Screw, 1/4-20 X 1.0 Truss-Head Machine .....	8

**1**  
**G**  
**E**

**1**  
**G**  
**E**

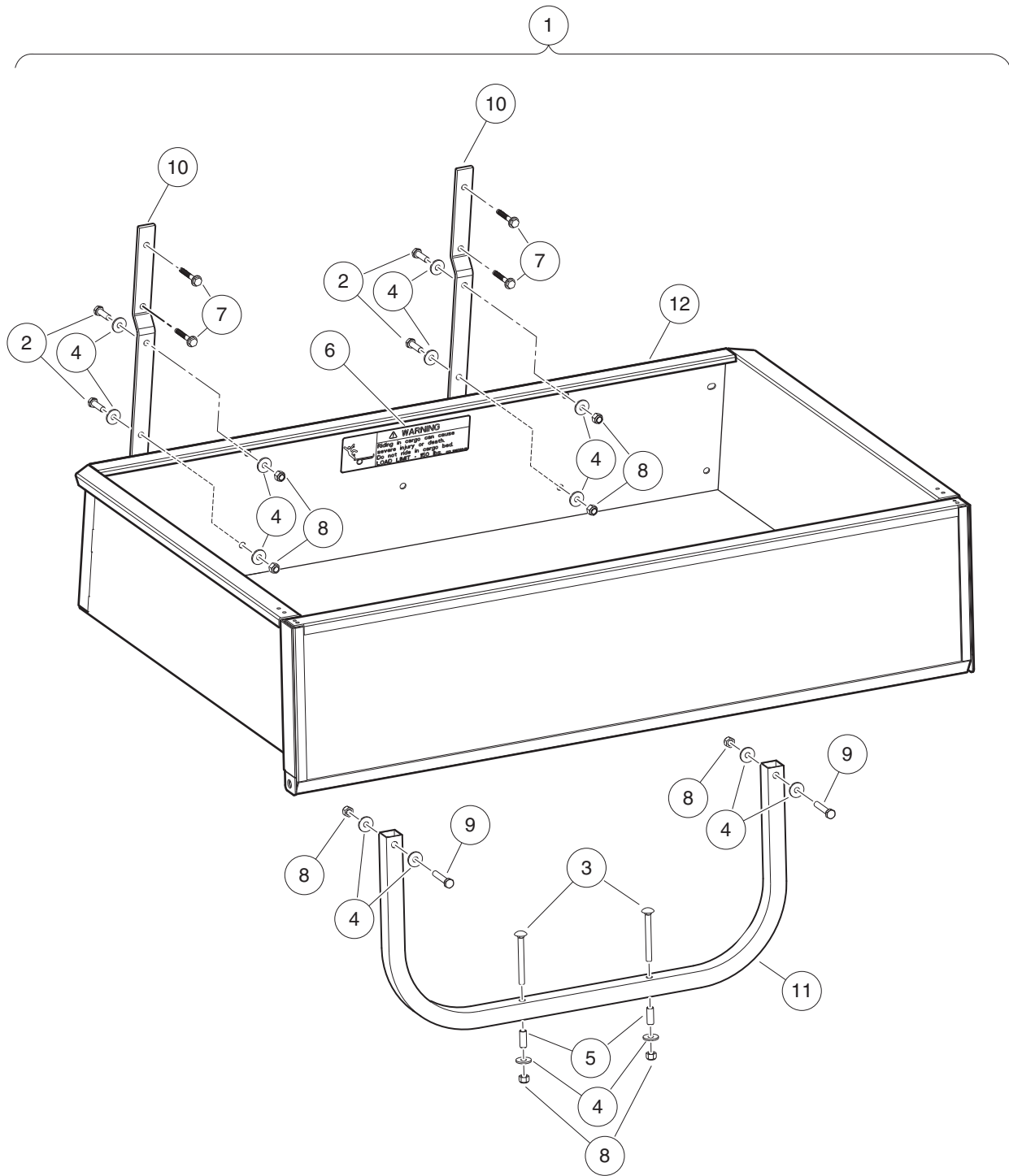


000819-001

## REAR BODY – GASOLINE VEHICLES

ITEM	PART NO.	DESCRIPTION	QTY	
		1 2 3 4		<b>1</b>
1	<u>1010993</u>	Body Kick Plate .....	1	<b>G</b>
2	<u>1012412</u>	Body, Hinge Plate .....	2	<b>E</b>
3	<u>101303202</u>	Access Panel - Black, Cut .....	1	
4	<u>1014306</u>	Washer, 1/4" Type B Flat .....	2	
5	<u>1016952</u>	U-Nut, 1/4-20 .....	2	
6	<u>1017141</u>	Body Support Weldment .....	1	
7	<u>101806901</u>	Shield, Heat .....	1	
8	<u>101960501</u>	Decal, Rotating Parts/Hot Manifold .....	1	
9	<u>103365501</u>	Body, Rear XRT Gas Red .....	1	
10	<u>103365502</u>	Body, Rear XRT Gas Green .....	1	
11	<u>103365503</u>	Body, Rear XRT Gas Camo (Husqvarna) .....	1	
12	<u>103365504</u>	Body, Rear XRT Gas Blue .....	1	
13	<u>103365505</u>	Body, Rear XRT Gas Black .....	1	
14	<u>103365507</u>	Body, Rear XRT Gas Hardwood .....	1	
15	N/A	Body, Rear XRT Gas Max4 .....	1	
16	<u>103365509</u>	Body, Rear XRT Gas Silver .....	1	
17	<u>332</u>	Washer, 1/4 Type A Narrow Flat .....	4	
18	<u>8233</u>	Locknut, 1/4-20, Nylon Insert .....	6	
19	<u>8251</u>	Screw, 1/4-20 X 1.0 Truss-Head Machine .....	8	

**1**  
**G**  
**E**



000839-001

# BED BOX

ITEM	PART NO.	DESCRIPTION	QTY
		<b>1 2 3 4</b>	
1	<u>AM10622</u>	Kit, Bedbox, Painted (includes items 2 through 12) .....	1
2	<u>1010934</u>	Screw, 5/16-18 X 1.00 Hex Cap .....	4
3	<u>1011098</u>	.38-18 Unc-2a-3.0 Carriage Blt .....	2
4	<u>1011697</u>	Washer, 5/16 Flat .....	14
5	<u>1017760</u>	Spacer .31 X .38 X .98 .....	2
6	<u>101972001</u>	Decal, D.s. Box Bed Warning (for vehicles with bed box option) .....	1
7	<u>102076701</u>	Screw, 1/4-20 X 1.75 Hex Sems .....	4
8	<u>7473</u>	Locknut, 5/16-18 Nylon Insert .....	8
9	<u>8963</u>	Screw, 5/16-18 X 1.75 Hex-Head Cap .....	2
10	<u>AM1205602</u>	Support, Seat, lcs, Bed, Ctd .....	2
11	N/A	Tube, Support, Bedbox, Ptd .....	1
12	N/A	Asm, Bed Box, Painted .....	1

**1**  
**G**  
**E**

**1**

**G**

**E**

# WHEELS AND TIRES

---

2

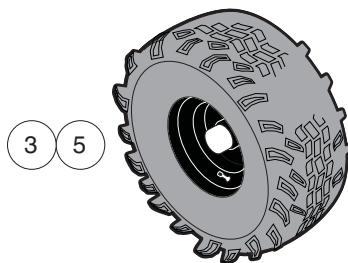
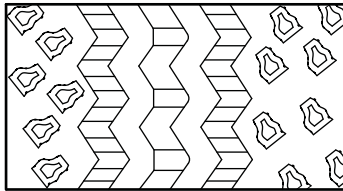
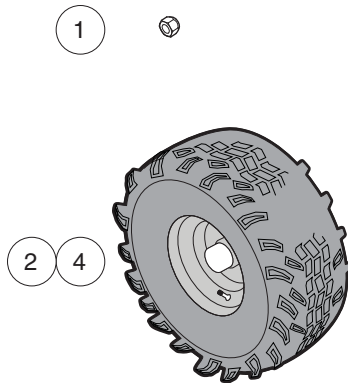
G

E

2

G

E



000831-002



# WHEELS AND TIRES

ITEM	PART NO.	DESCRIPTION	QTY
		1 2 3 4	
1	<u>1010984</u>	.500-20 Unf Lug Nut .....	16
2	<u>102009402</u>	Off-Road Tire and Wheel Asm, Silver, Pass-Side .....	2
3	<u>102009403</u>	Off-Road Tire and Wheel Asm, Black, Pass-Side .....	2
4	<u>102009502</u>	Off-Road Tire and Wheel Asm, Silver, Driver-Side .....	2
5	<u>102009503</u>	Off-Road Tire and Wheel Asm, Black, Driver-Side .....	2
6	<u>7310</u>	Valve Stem, Black Plastic .....	4

2  
G  
E

**2**

**G**

**E**

# DECALS

---

3

G

E

**UNDER 16** **WARNING**  
**YOUNG DRIVERS INCREASE CHANCE OF DEATH**

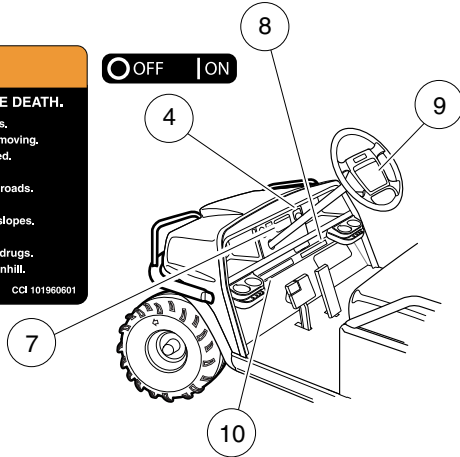
- Young drivers may not be able to control vehicle.
- No drivers younger than 16 years old.

CCI 102075801

**WARNING**  
**ROLLOVER OR FALLING OFF MAY CAUSE DEATH.**

- Before using vehicle, read operating instructions.
- Remain seated and hold on to seat handle while moving.
- Do not start vehicle until all occupants are seated.
- Two (2) persons per seat maximum.
- Operate from driver side only and not on public roads.
- Keep entire body inside vehicle while moving.
- Drive slowly in turns and straight up and down slopes.
- Do not leave children unattended on vehicle.
- Never operate under the influence of alcohol or drugs.
- Use brakes to reduce speed when coasting downhill.
- Never stand in front of or behind vehicle.

CCI 101960601



**OPERATING INSTRUCTIONS**

- Read owner's manual and dismounted safety warnings prior to driving.
- Study and understand controls.

**TO OPERATE**

- Turn wheels to desired direction and ensure path is clear.
- Turn key to ON position.
- While stopped, place Forward/Reverse switch in desired position: F—Forward N—Neutral R—Reverse (buzzer will sound)
- Park brake will release and vehicle will start moving when accelerator pedal is pressed.
- Slowly press accelerator pedal to increase speed.
- To stop, release accelerator pedal and press brake pedal.

**BEFORE LEAVING**

- Press park brake pedal until it locks and holds vehicle.
- Place Forward/Reverse switch in NEUTRAL position.
- Turn key OFF and remove key when not in use.

**MOTOR BRAKING**

- Electric motor braking provides speed regulation functions.
- For parked vehicle, beeping alarm indicates vehicle roll away.
- In operation, beeping alarm indicates reduction in motor braking.
- Apply brakes to further reduce vehicle speed as required.
- System is activated only when tow switch is in the RUN position.

CCI 100338201

**VEHICLE LOADING**

Read Owner's Manual and warnings on dash.

- Vehicle rated capacity - 550 lbs. on level surface only. Weight to include passengers, cargo bed load, and gross trailer weight. See Owner's Manual.
- Maximum cargo load - 150 lbs. Weight to include cargo bed load and gross trailer weight.
- Maximum trailer hitch tongue weight - 150 lbs.

• Cargo should be evenly spread over the floor of the cargo bed as far forward as possible and secured.

• For vehicle stability, when fully loaded, drive slowly and avoid stopping on or backing down steep hills.

• Avoid top heavy loads. See Owner's Manual.

• When driving on uneven terrain or down steep hills, reduce speed and load.

SVP147801

**⚠ DANGER / POISON**

EXPLOSIVE GASES CAN CAUSE BLINDNESS OR INJURY	SHIELD EYES	NO SPARKS, FLAMES, SMOKING	SULFURIC ACID CAN CAUSE BLINDNESS OR SEVERE BURNS	FLUSH EYES IMMEDIATELY WITH WATER GET MEDICAL HELP FAST
---	-------------	----------------------------	---	--

KEEP OUT OF THE REACH OF CHILDREN — DO NOT TIP — KEEP VENT CAPS TIGHT AND LEVEL

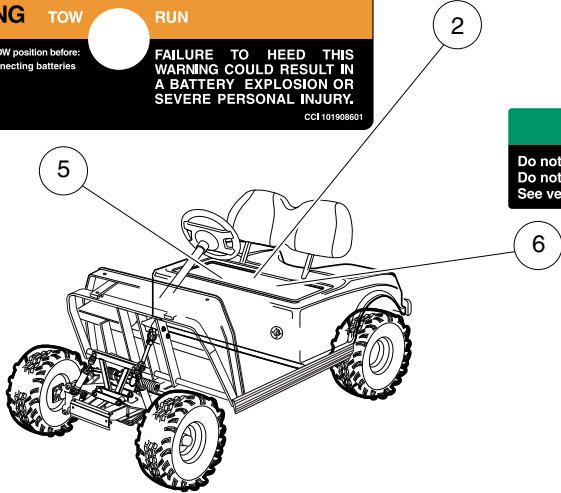
**WARNING** TOW RUN

Place Tow/Run switch in TOW position before:

- Disconnecting or connecting batteries
- Towing
- Extended storage
- Servicing

**FAILURE TO HEED THIS WARNING COULD RESULT IN A BATTERY EXPLOSION OR SEVERE PERSONAL INJURY.**

CCI 101908601



**NOTICE**

Do not operate vehicle without this cover properly installed. Do not direct water stream in this area; will cause damage to components. See vehicle maintenance and service manual before servicing.

CCI 101031601

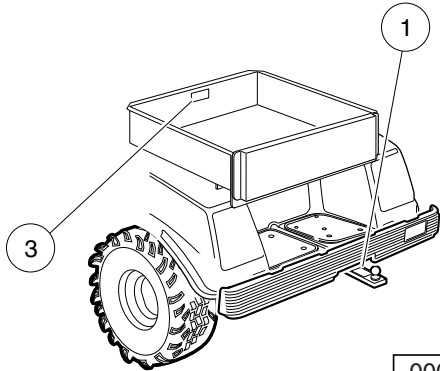
**NOTICE**  
**MAXIMUM TONGUE WEIGHT - 150 lbs.**

CCI 1011553

**WARNING**

Riding in cargo bed can cause severe injury or death. Do not ride in cargo bed.

CCI 101553901



000829-001

## SAFETY DECALS – ELECTRIC VEHICLES

ITEM	PART NO.	DESCRIPTION	QTY
		1 2 3 4	
1	<u>1011553</u>	Decal, Trailer Hitch .....	1
2	<u>1013677</u>	Decal, Battery Danger .....	1
3	<u>101553901</u>	Decal, Bed Load Warning .....	1
4	<u>101825101</u>	Decal, Off/On .....	1
5	<u>101908601</u>	Decal, Tow/Run Switch Warning .....	1
6	<u>101931501</u>	Decal, Component Cover .....	1
7	<u>101960601</u>	Decal, Dash Warning .....	1
8	<u>102075801</u>	Decal, Young Driver Warning .....	1
9	<u>102538201</u>	Decal, Operating Instr, Ele, Comfort Grip .....	1
10	<u>SVP147801</u>	decal, vehicle loading .....	1

**3**  
**G**  
**E**

**⚠ WARNING**

**UNDER 16**

**YOUNG DRIVERS INCREASE CHANCE OF DEATH**

- Young drivers may not be able to control vehicle.
- No drivers younger than 16 years old.

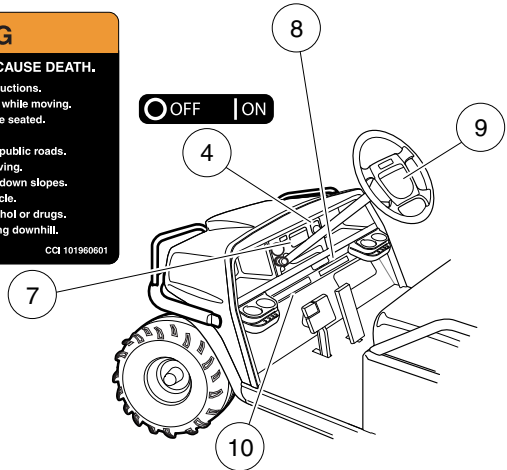
CCI 102075801

**⚠ WARNING**

**ROLLOVER OR FALLING OFF MAY CAUSE DEATH.**

- Before using vehicle, read operating instructions.
- Remain seated and hold on to seat handle while moving.
- Do not start vehicle until all occupants are seated.
- Two (2) persons per seat maximum.
- Operate from driver side only and not on public roads.
- Keep entire body inside vehicle while moving.
- Drive slowly in turns and straight up and down slopes.
- Do not leave children unattended on vehicle.
- Never operate under the influence of alcohol or drugs.
- Use brakes to reduce speed when coasting downhill.
- Never stand in front of or behind vehicle.

CCI 101960601



**OPERATING INSTRUCTIONS**

- Read owner's manual and safety warnings located on dash panel prior to driving.
- Study and understand controls.

**TO OPERATE**

- Turn wheels to desired direction and ensure path is clear.
- Turn key to ON position.
- While stopped, place shift lever in desired position: F - Forward N - Neutral R - Reverse (Buzzer will sound)
- Park brake will release and vehicle will start moving when accelerator pedal is pressed.
- Slowly press accelerator pedal to increase speed.
- To stop, release accelerator pedal and press brake pedal.

**BEFORE LEAVING**

- Press park brake pedal until it locks and holds vehicle.
- Place Forward/Reverse switch in NEUTRAL position.
- Turn key OFF and remove key when not in use.

CCI 10238101

**VEHICLE LOADING**

Read Owner's Manual and warnings on dash.

- Vehicle rated capacity - 550 lbs. on level surface only. Weight to include passengers, cargo bed load, and gross trailer weight. See Owner's Manual.
- Maximum cargo load - 150 lbs. Weight to include cargo bed load and gross trailer weight.
- Maximum trailer hitch tongue weight - 150 lbs.
- Cargo should be evenly spread over the floor of the cargo bed as far forward as possible and secured.
- For vehicle stability, when fully loaded, drive slowly and avoid stopping on or backing down steep hills.
- Avoid top heavy loads. See Owner's Manual.
- When driving on uneven terrain or down steep hills, reduce speed and load.

SVP147801

**⚠ WARNING**

**⚠ WARNING**

Negative frame ground. Can cause severe injury. Do not contact positive (+) battery post or cable to frame. Disconnect negative battery lead first.

Excessive speed. Can cause severe injury or death. Do not tamper with engine governor adjustment.

CCI 1019162-01

**⚠ WARNING**

**GASOLINE EXPLOSION / FIRE.**

- Can cause severe injury or death.
- No smoking, sparks, or open flame.
- Stop engine, allow to cool before refueling.
- Turn fuel valve (—) on during operation. (—) off during storage or transport.

CCI 101547901

**⚠ WARNING**

**CAN CAUSE SEVERE INJURY**

**Rotating parts**

**HOT manifold & muffler**

**KEEP CLEAR**

CCI 101960501

**NOTICE**

**MAXIMUM TONGUE WEIGHT - 150 lbs.**

CCI 1011553

**⚠ WARNING**

**Riding in cargo bed can cause severe injury or death. Do not ride in cargo bed.**

CCI 101553901

000830-001

## SAFETY DECALS – GASOLINE VEHICLES

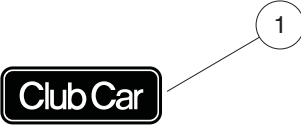
ITEM	PART NO.	DESCRIPTION	QTY
		1 2 3 4	
1	<u>1011553</u>	Decal, Trailer Hitch .....	1
2	<u>101547601</u>	Decal, Gasoline Explosion/Fire Warning .....	1
3	<u>101553901</u>	Decal, Bed Load Warning .....	1
4	<u>101825101</u>	Decal, Off/On .....	1
5	<u>101915201</u>	Decal, Frame Ground and Governor Warning .....	1
6	<u>101960501</u>	Decal, Rotating Parts/Hot Manifold .....	2
7	<u>101960601</u>	Decal, Dash Warning .....	1
8	<u>102075801</u>	Decal, Young Driver Warning .....	1
9	<u>102538101</u>	Decal, Operating Instructions, Gas, Comfort Grip .....	1
10	<u>SVP147801</u>	decal, vehicle loading .....	1

3  
G  
E

3

G

E



000828-002



# BADGING DECALS

ITEM	PART NO.	DESCRIPTION	QTY
		1 2 3 4	
1	<u>102046501</u>	Decal, CC Nameplate, Utility .....	1
2	<u>103389101</u>	Decal, 850, Drv .....	1
3	<u>103389201</u>	Decal, 850, Pass .....	1
4	<u>103389301</u>	Decal, 850 E, Drv .....	1
5	<u>103389401</u>	Decal, 850 E, Pass .....	1

3

G

E

**3**

**G**

**E**

# LIGHTS, CONTROLS, AND INDICATORS

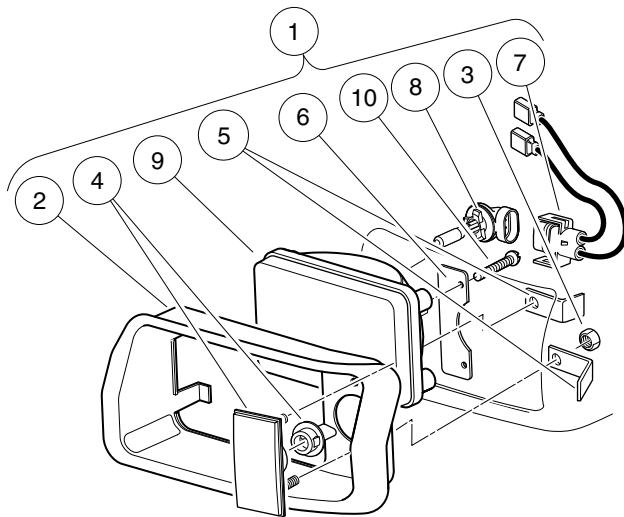
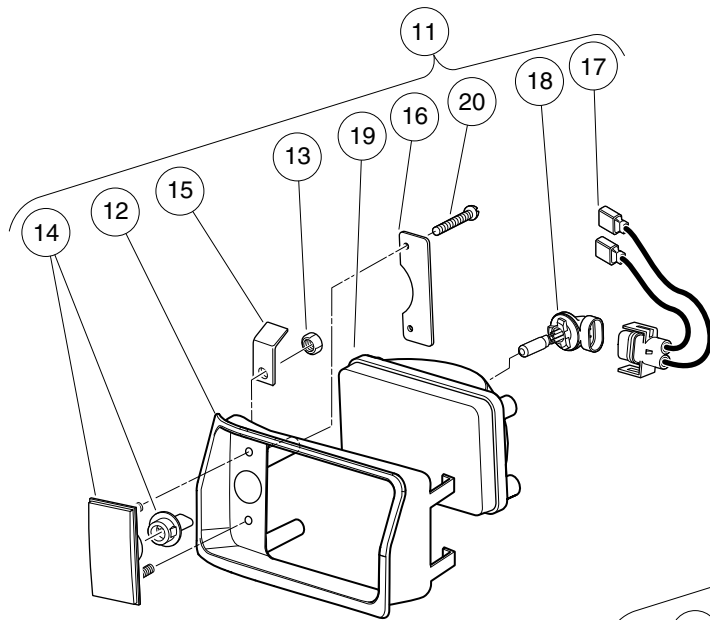
---

4

G

E

**4**  
**G**  
**E**



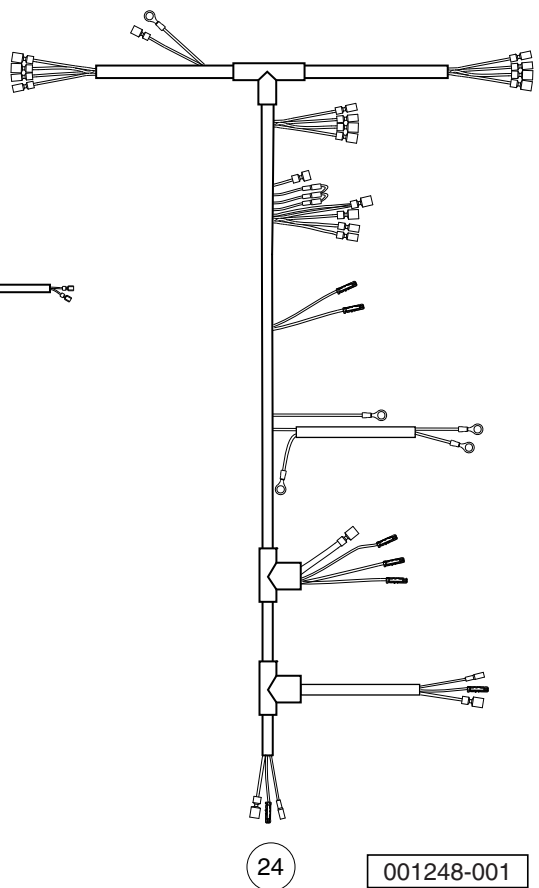
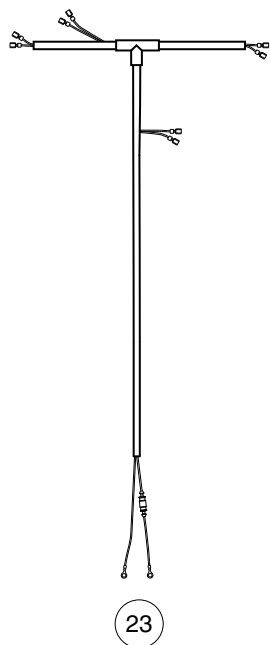
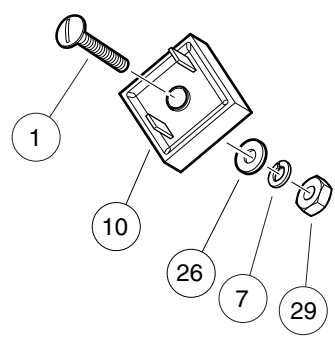
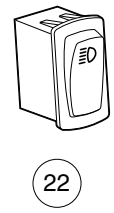
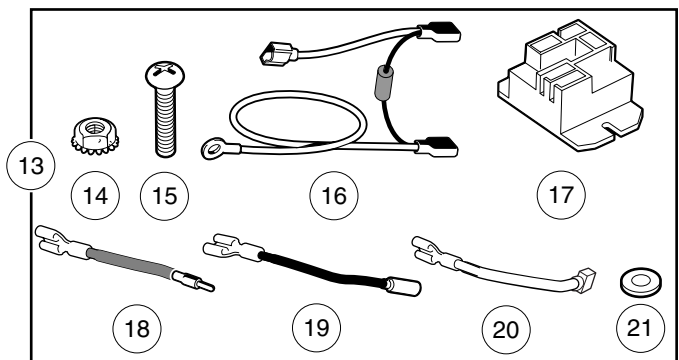
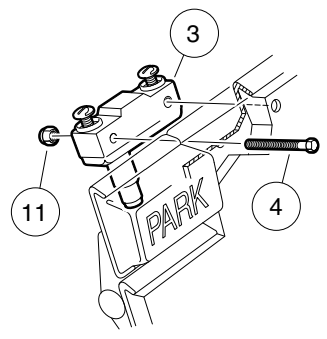
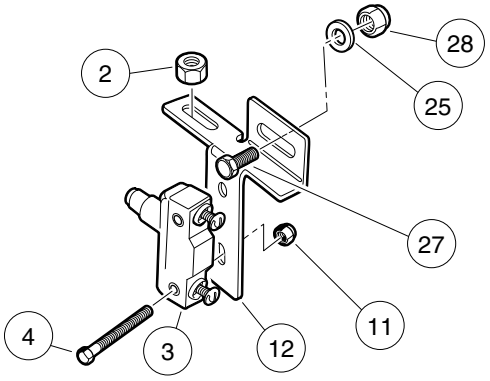
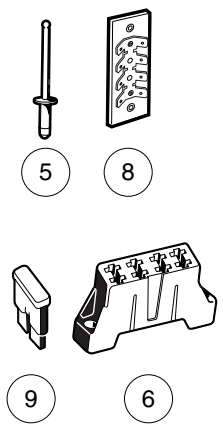
001097-001

# HEADLIGHTS

ITEM	PART NO.	DESCRIPTION	QTY
		<b>1 2 3 4</b>	
1	<u>101988001</u>	Headlight Assembly, Driver-Side Single Beam (includes items 2 through 10) .....	1
2	<u>1016880</u>	Headlight Bezel, Left .....	1
3	<u>1017</u>	Nut, #10-24 Stainless-Steel Hex Machine .....	2
4	<u>1017062</u>	Turn Signal Lens Assy .....	1
5	<u>1017064</u>	Mounting Bracket .....	2
6	<u>1017065</u>	Retainer, Headlight .....	1
7	<u>101987901</u>	Connector, Harness Assembly, Headlight .....	1
8	<u>101988101</u>	Bulb, Headlight .....	1
9	<u>101988201</u>	Lens, Headlight .....	1
10	1620	Screw, #10-16 X 0.75 Pan-Head Tap .....	2
11	<u>101988002</u>	Headlight Assy, Passenger-Side Single Beam (includes items 12 through 20) .....	1
12	<u>1016879</u>	Headlight Bezel, Right .....	1
13	<u>1017</u>	Nut, #10-24 Stainless-Steel Hex Machine .....	2
14	<u>1017062</u>	Turn Signal Lens Assy .....	1
15	<u>1017064</u>	Mounting Bracket .....	2
16	<u>1017065</u>	Retainer, Headlight .....	1
17	<u>101987901</u>	Connector, Harness Assembly, Headlight .....	1
18	<u>101988101</u>	Bulb, Headlight .....	1
19	<u>101988201</u>	Lens, Headlight .....	1
20	1620	Screw, #10-16 X 0.75 Pan-Head Tap .....	2

**4**  
**G**  
**E**

**4**  
**G**  
**E**



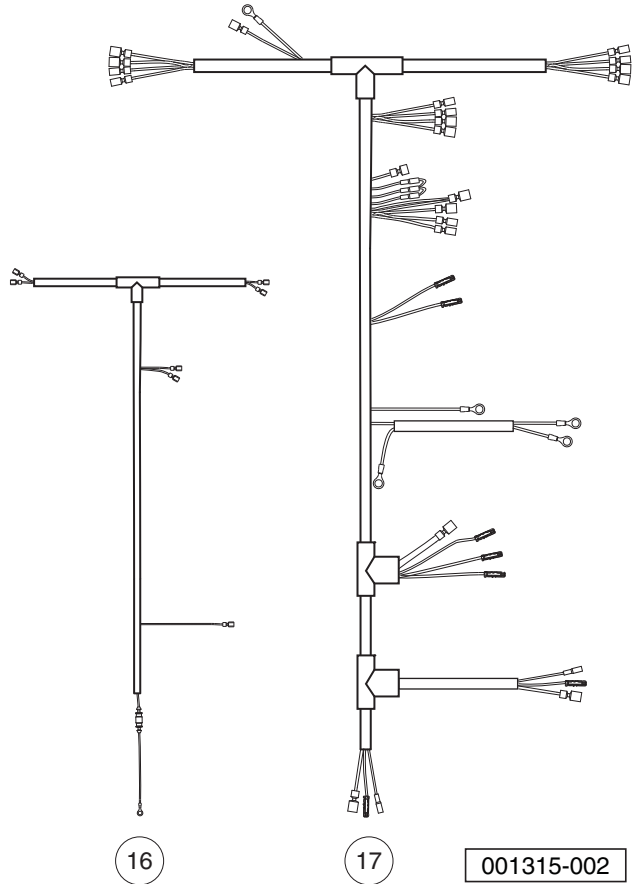
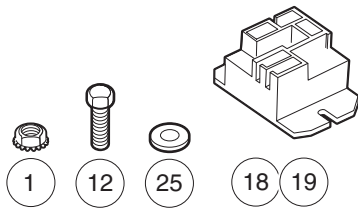
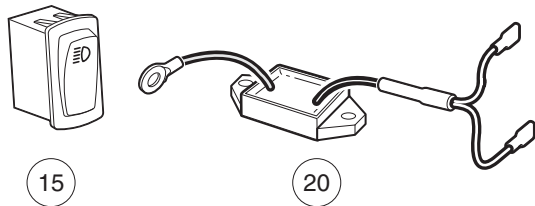
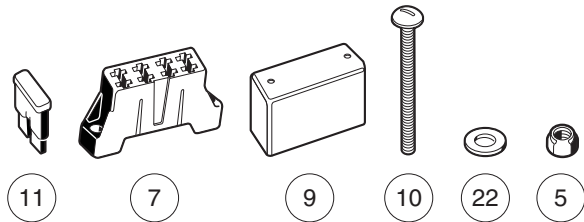
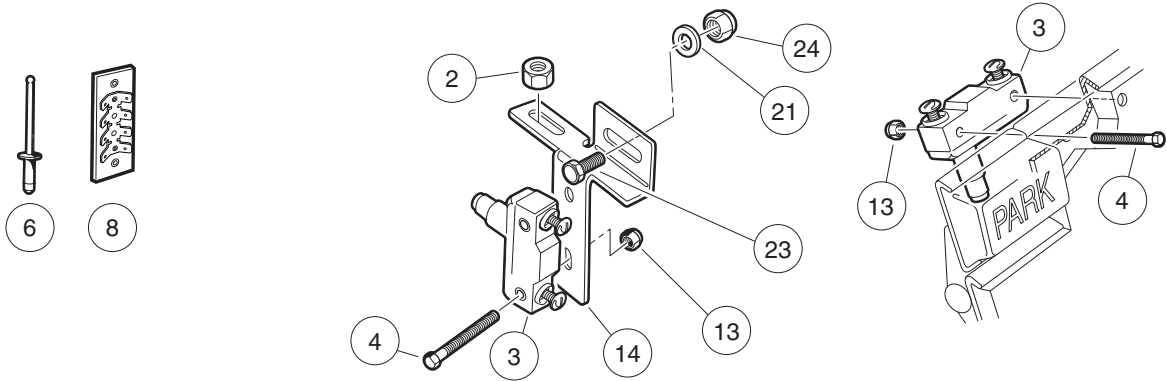
001248-001

# LIGHTING SYSTEM COMPONENTS – XRT800/810/850 GASOLINE VEHICLES

ITEM	PART NO.	DESCRIPTION	QTY
		1 2 3 4	
1	<u>1010909</u>	Screw, #10-32 X 1.25 Rd Hd Mch .....	1
2	<u>1011280</u>	Locknut, 5/16-18 .....	1
3	<u>1011439</u>	Switch, Limit .....	2
4	<u>1011557</u>	Screw, #6-32 X 1.00 Hex-Head Machine .....	4
5	<u>1013357</u>	Rivet, 5/32 Aluminum Pop .....	2
6	<u>1015741</u>	Fuse Block .....	1
7	<u>1016</u>	Lockwasher, #10 Split .....	1
8	<u>1016356</u>	Terminal Block with Insulator .....	1
9	<u>1016423</u>	Fuse, 20-Amp .....	3
10	<u>1017721</u>	Limiter, Voltage .....	1
11	<u>101932201</u>	Locknut, #6-32 Nylon .....	4
12	<u>101957101</u>	Bracket, Brake Light Switch .....	1
13	<u>102198701</u>	Brake Relay Kit - 12v (includes items 14 through 21) .....	1
14	<u>1011229</u>	Locknut, #6-32 Whiz .....	2
15	<u>1017853</u>	Screw, #6-32 X 0.75 Hex-Head Machine .....	2
16	<u>101914401</u>	Assembly, Voltage Suppressor .....	1
17	<u>102199001</u>	Relay, 12-Volt .....	1
18	<u>102199201</u>	Wire Asm #18 Brown .....	1
19	<u>102199301</u>	Wire Asm #18 Black .....	1
20	<u>102199401</u>	Wire Asm #18 Black .....	1
21	<u>7591</u>	Washer, #6, Flat .....	2
22	<u>102869401</u>	Switch, Rocker, Light .....	1
23	<u>103255601</u>	Wire Harness, Headlights-Only, CA, Gas .....	1
24	<u>103256901</u>	Wire Harness, Lighting, CA2 .....	1
25	<u>1241</u>	Washer, 5/16 Type A Flat .....	1
26	<u>183</u>	Washer, #10, Type A, Flat .....	1
27	<u>7173</u>	Screw, 5/16-18 X 0.75, Hex-Head Cap .....	1
28	<u>7473</u>	Locknut, 5/16-18 Nylon Insert .....	1
29	<u>7893</u>	Nut, #10-32 Hex .....	1
Note: Use item 23 for headlights only. NOTE 2: Use item 24 for headlights and taillights. NOTE 3: Items 23 and 24 are used in many different models.			

4  
G  
E

**4**  
**G**  
**E**



001315-002

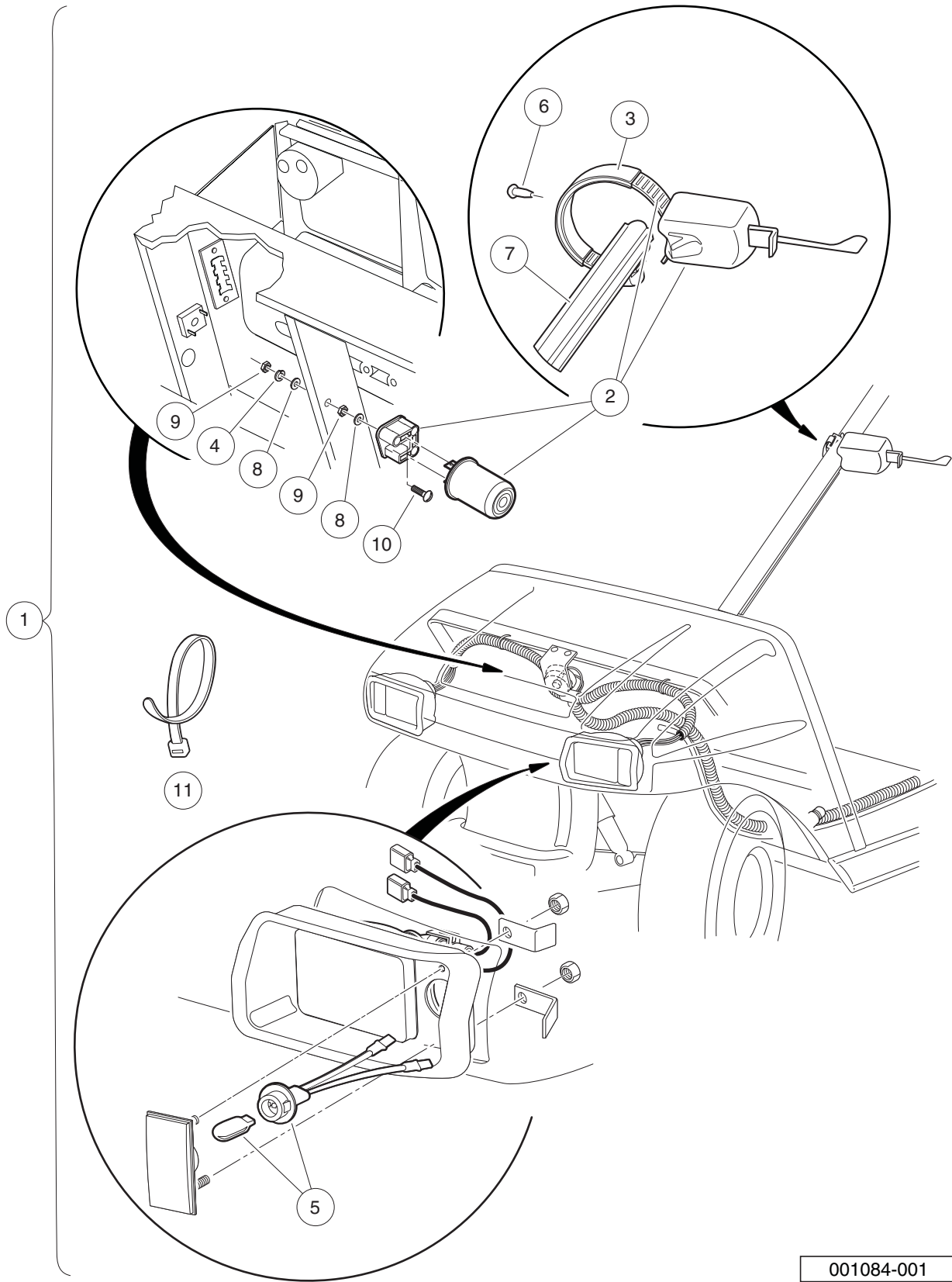


# LIGHTING SYSTEM COMPONENTS – XRT800/810/850 ELEC. WITH POWERDRIVE CHARGER

ITEM	PART NO.	DESCRIPTION	QTY
		1 2 3 4	
1	<u>1011229</u>	Locknut, #6-32 Whiz .....	2
2	<u>1011280</u>	Locknut, 5/16-18 .....	1
3	<u>1011439</u>	Switch, Limit .....	2
4	<u>1011557</u>	Screw, #6-32 X 1.00 Hex-Head Machine .....	4
5	<u>1012438</u>	Locknut, #10-24 Nylon Insert .....	2
6	<u>1013357</u>	Rivet, 5/32 Aluminum Pop .....	2
7	<u>1015741</u>	Fuse Block .....	1
8	<u>1016356</u>	Terminal Block with Insulator .....	1
9	<u>1016363</u>	Fuse Block Cover .....	1
10	<u>1016366</u>	Screw, #10-24 X 3.0 Pan-Head Machine .....	2
11	<u>1016423</u>	Fuse, 20-Amp .....	3
12	<u>1017853</u>	Screw, #6-32 X 0.75 Hex-Head Machine .....	2
13	<u>101932201</u>	Locknut, #6-32 Nylon .....	4
14	<u>101957101</u>	Bracket, Brake Light Switch .....	1
15	<u>102869401</u>	Switch, Rocker, Light .....	1
16	<u>103255701</u>	Wire Harness, Headlights-Only, CA, Electric .....	1
17	<u>103257001</u>	Wire Harness, Lighting .....	1
18	<u>103414901</u>	Kit, Relay, 48v 30a W/instr (includes item 19) .....	1
19	<u>103397901</u>	Relay, Spst No, 48v 30a, Pmt .....	1
20	<u>103698701</u>	Limiter, Voltage, Plate Mnt .....	1
21	<u>1241</u>	Washer, 5/16 Type A Flat .....	1
22	<u>183</u>	Washer, #10, Type A, Flat .....	4
23	<u>7173</u>	Screw, 5/16-18 X 0.75, Hex-Head Cap .....	1
24	<u>7473</u>	Locknut, 5/16-18 Nylon Insert .....	1
25	<u>7591</u>	Washer, #6, Flat .....	2
		Note: Use item 16 for headlights only. NOTE 2: Use item 17 for headlights and taillights. NOTE 3: Items 16 and 17 are used in many different models.	

**4**  
**G**  
**E**

**4**  
**G**  
**E**



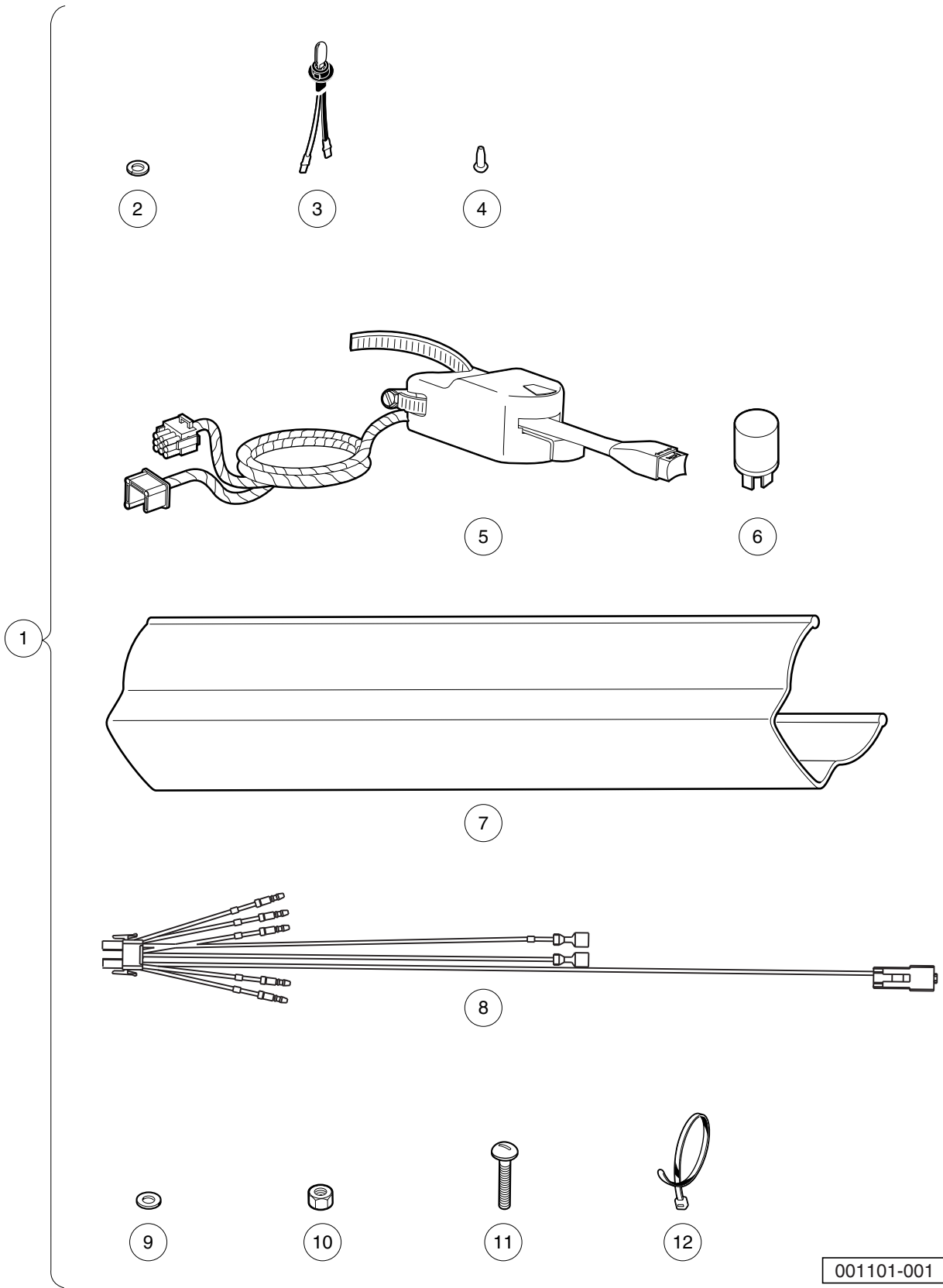
001084-001

# TURN SIGNAL KIT – DS AND UTILITY GASOLINE AND ELECTRIC VEHICLES

ITEM	PART NO.	DESCRIPTION	QTY
		1 2 3 4	
1	101707402	Turn Signal Conversion Kit (includes items 2 through 11) .....	1
2	<u>1011590</u>	Switch Sub-assy, Turn Signal .....	1
3	N/A	Strap, Extrusion .....	1
4	<u>1016</u>	Lockwasher, #10 Split .....	1
5	<u>1017075</u>	Socket & Lamp Assembly .....	2
6	<u>1017724</u>	Rivet, Plastic .....	1
7	<u>102529201</u>	Wire Cover, Steering Column .....	1
8	<u>183</u>	Washer, #10, Type A, Flat .....	2
9	<u>7893</u>	Nut, #10-32 Hex .....	2
10	8104	Screw, #10-32 X .75 Rd Hd Mach .....	1
11	<u>8990</u>	Tie Wrap, 8" Nylon .....	1

4  
G  
E

**4**  
**G**  
**E**



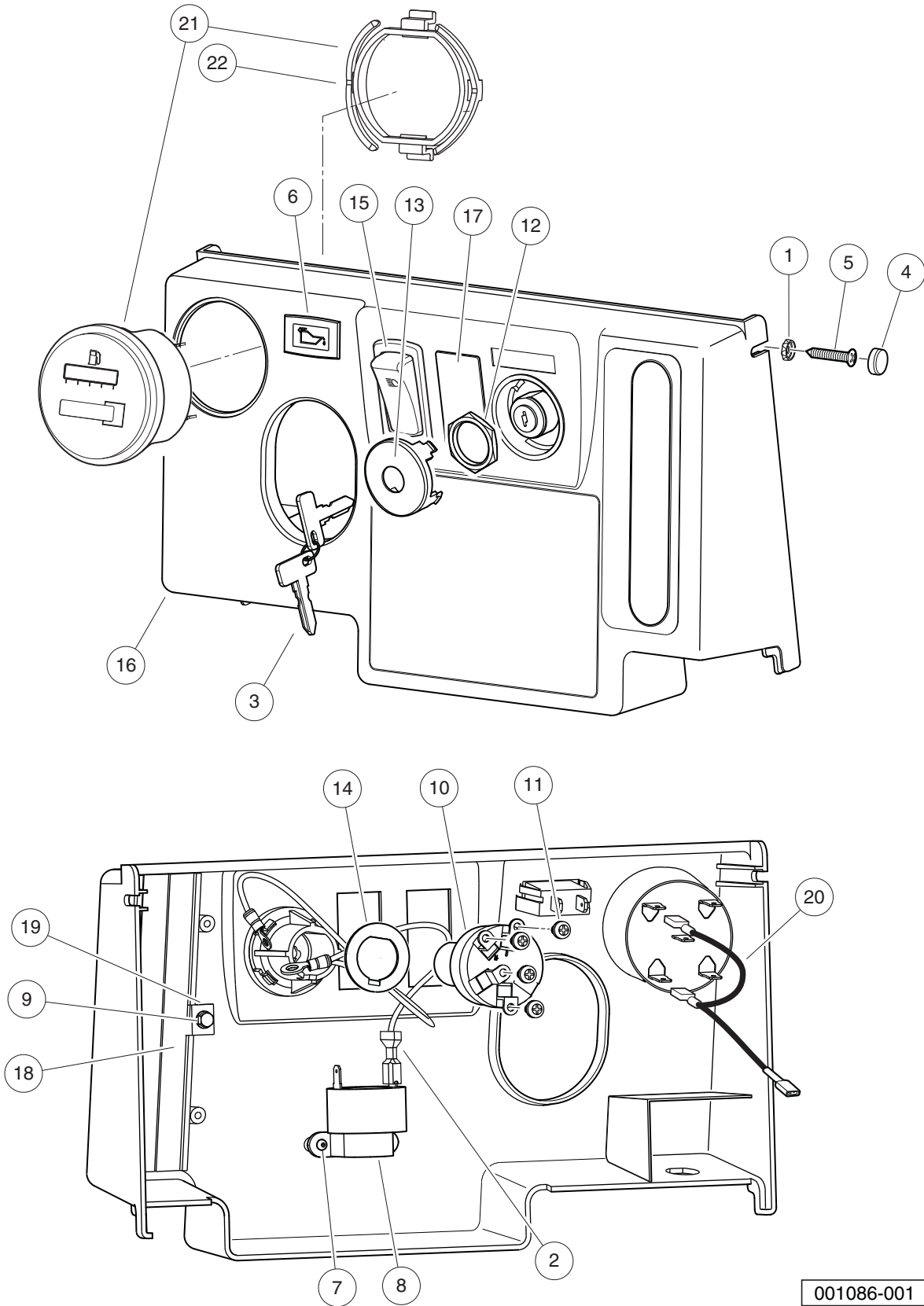
001101-001

# TURN SIGNAL (WITH HORN BUTTON) KIT – DS AND UTILITY GAS AND ELECTRIC VEHICLES

ITEM	PART NO.	DESCRIPTION	QTY
		<b>1 2 3 4</b>	
1	101707405	Kit, Turn Signal-horn (includes items 2 through 12) .....	1
2	<u>1016</u>	Lockwasher, #10 Split .....	1
3	<u>1017075</u>	Socket & Lamp Assembly .....	2
4	<u>1017724</u>	Rivet, Plastic .....	1
5	<u>102517501</u>	Turn Signal Asm (includes item 6) .....	1
6	<u>102546401</u>	Flasher Unit, Prec .....	1
7	<u>102529201</u>	Wire Cover, Steering Column .....	1
8	<u>103618001</u>	Harness, Jumper, Turn Signal .....	1
9	<u>183</u>	Washer, #10, Type A, Flat .....	2
10	<u>7893</u>	Nut, #10-32 Hex .....	2
11	8104	Screw, #10-32 X .75 Rd Hd Mach .....	1
12	<u>8990</u>	Tie Wrap, 8" Nylon .....	1

**4**  
**G**  
**E**

**4**  
**G**  
**E**



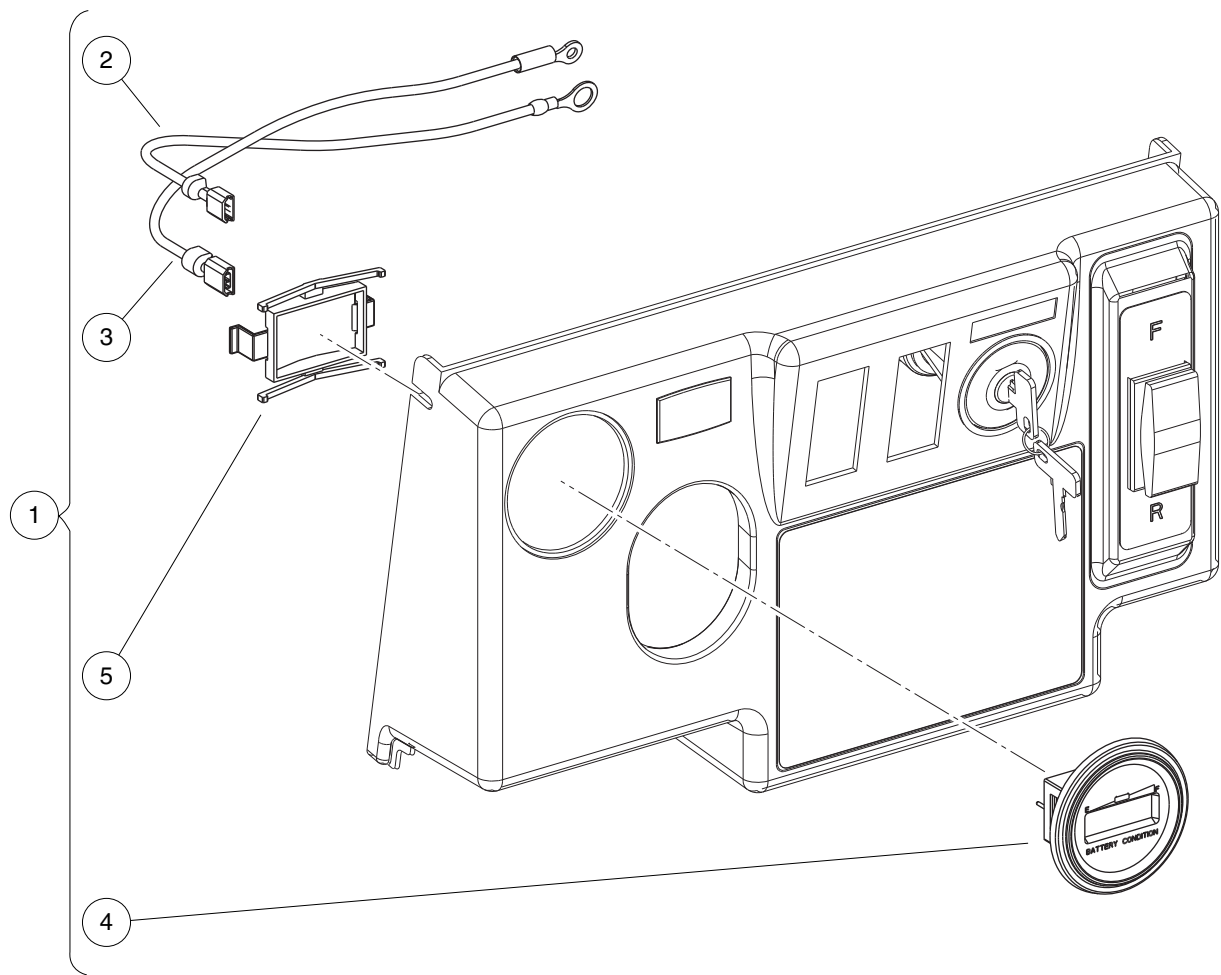
001086-001

# INSTRUMENT PANEL – XRT850 GAS

ITEM	PART NO.	DESCRIPTION	QTY
		<b>1 2 3 4</b>	
1	1011382	Washer, #10 Pan-Head Screw .....	2
2	1012396	Wire Assy #18 Black .....	1
3	<u>1012505</u>	Keys (set of 2) .....	1
4	<u>1013494</u>	Cover, Screw Head .....	2
5	<u>1015528</u>	Screw, #10 x 1-1/4 Phillips Head .....	2
6	<u>1016630</u>	Light, Oil .....	1
7	<u>1016849</u>	Screw, #4-24 X 0.33, Pan-Head, Machine .....	2
8	<u>1016851</u>	Buzzer, Reverse (9-48 VDC) .....	1
9	<u>101804301</u>	Screw, #8 X 0.500, Hex-Head Hi-Lo .....	2
10	<u>101826301</u>	Key Switch, 12-Volt, Off/On .....	1
11	101830601	Screw and Washer Assembly .....	5
12	<u>101830701</u>	Nut, Key Switch .....	1
13	<u>101834502</u>	Cap, Black Key Switch .....	1
14	<u>101851101</u>	Washer, Key Switch .....	1
15	<u>102869401</u>	Switch, Rocker, Light .....	1
16	<u>102977001</u>	Panel, Dash, Center, Gas (Instrument Panel) .....	1
17	<u>103180101</u>	Cover, Hole, Switch, Rocker .....	1
18	<u>103199001</u>	Brush, Closeout, FNR .....	2
19	<u>103199101</u>	Washer, Retaining, Brush, FNR .....	2
20	<u>103348501</u>	Asm, Wire Meter, F-h Jumper .....	1
21	<u>103348601</u>	Gauge, Fuel-hour, sep Gnd, utl (includes item 22) .....	1
22	<u>103348201</u>	Clip, Meter, Round .....	1

**4**  
**G**  
**E**

**4**  
**G**  
**E**



000817-002



# BATTERY CONDITION INDICATOR – ELECTRIC VEHICLES

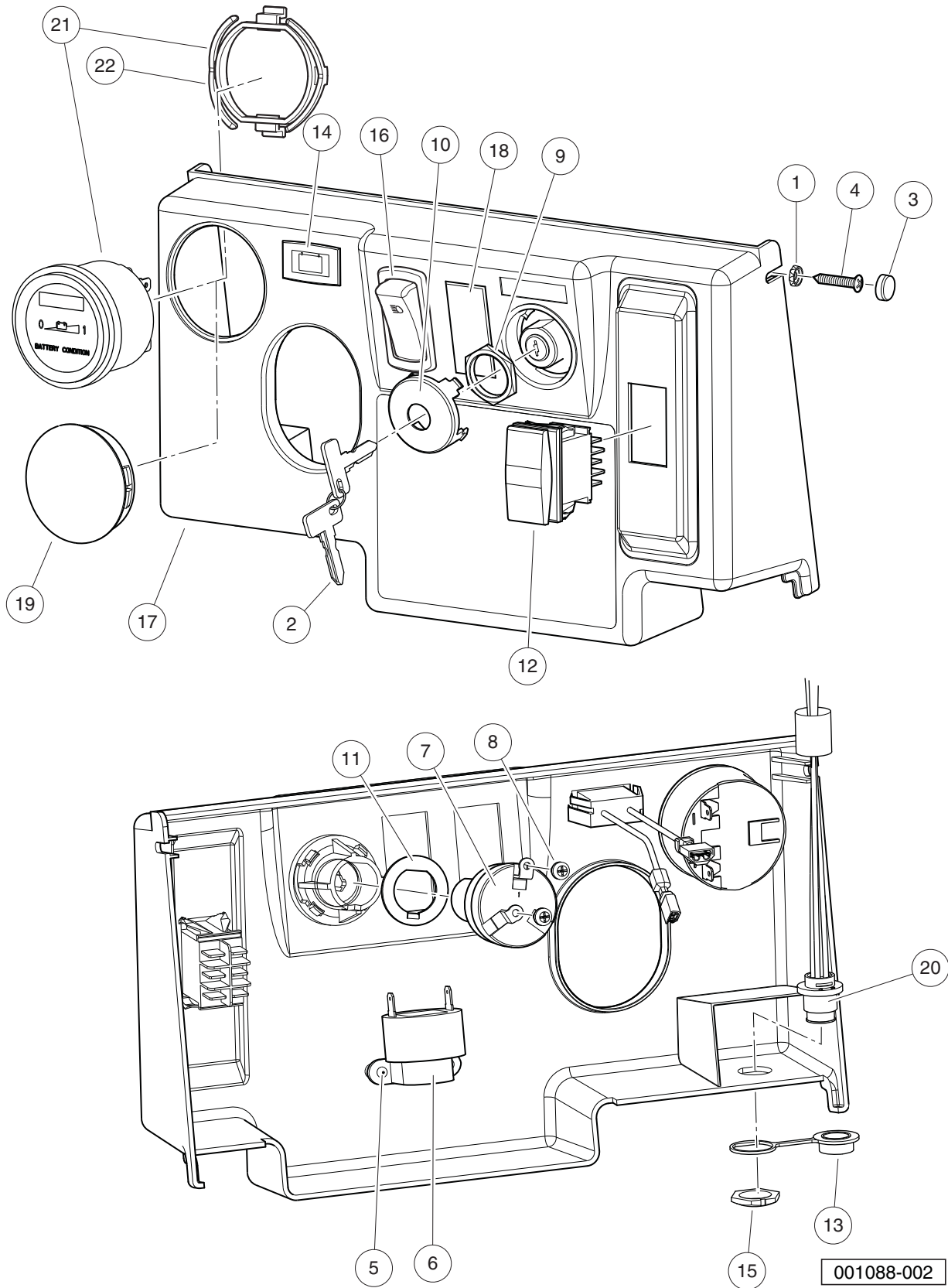
ITEM	PART NO.	DESCRIPTION	QTY
		1 2 3 4	
1	<u>103257603</u>	Kit, Gauge, Battery Condition Indicator (includes items 2 through 4) .....	1
2	<u>103257701</u>	Wire Asm, #18 Black, 2565mm .....	1
3	<u>103257801</u>	Wire Asm, #16 Red, 330mm .....	1
4	<u>103354401</u>	Gauge, Battery Cond Ind, Rnd (includes item 5) .....	1
5	<u>103348202</u>	Clip, Bci, Round .....	1

4

G

E

**4**  
**G**  
**E**



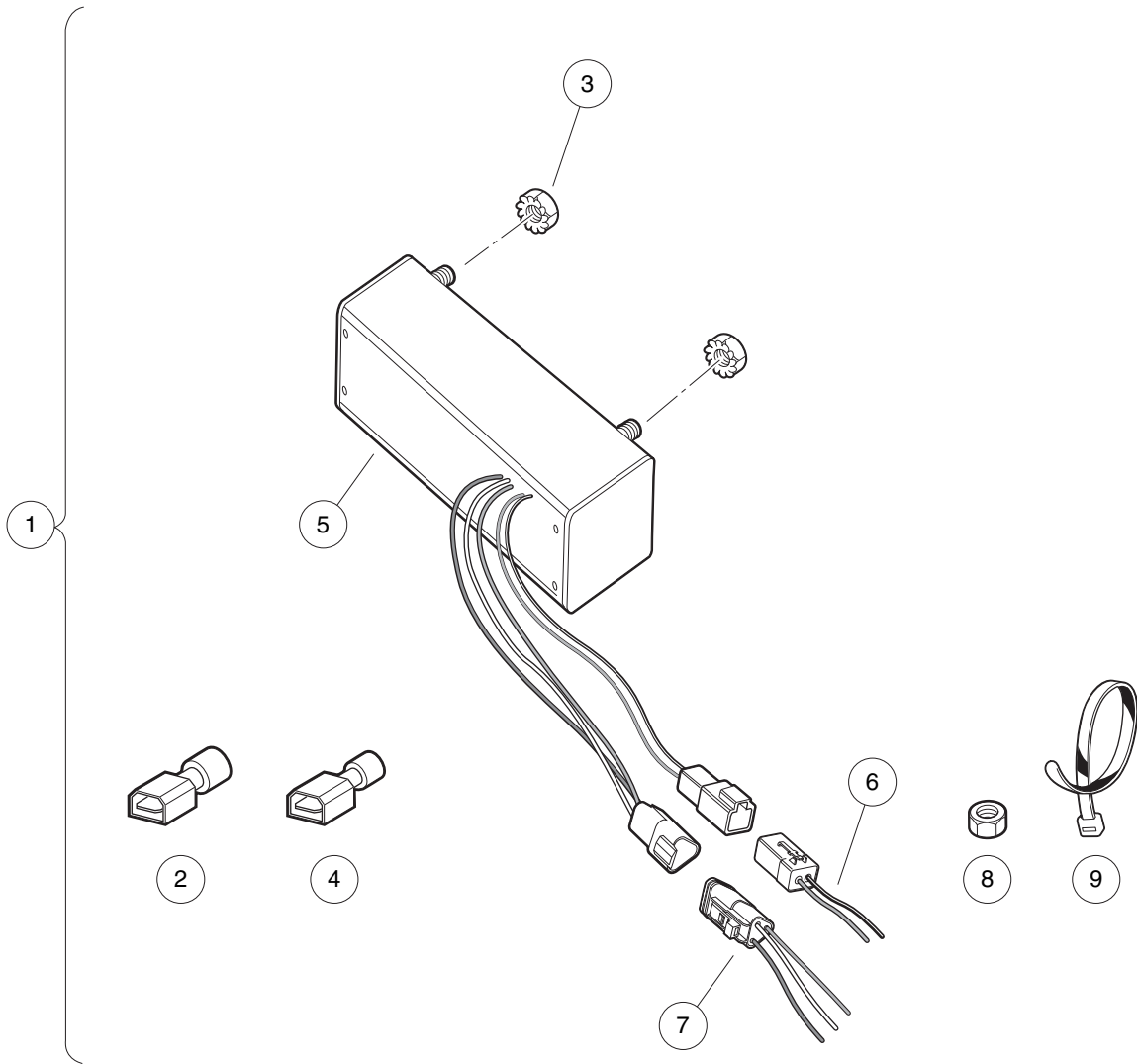
001088-002

# INSTRUMENT PANEL – CA6/VILL 6 & 8/TPORTER/XRT850 ELEC. WITH LESTER CHARGER

ITEM	PART NO.	DESCRIPTION	QTY
		<b>1 2 3 4</b>	
1	1011382	Washer, #10 Pan-Head Screw .....	2
2	<u>1012505</u>	Keys (set of 2) .....	1
3	<u>1013494</u>	Cover, Screw Head .....	2
4	<u>1015528</u>	Screw, #10 x 1-1/4 Phillips Head .....	2
5	<u>1016849</u>	Screw, #4-24 X 0.33, Pan-Head, Machine .....	2
6	<u>1016851</u>	Buzzer, Reverse (9-48 VDC) .....	1
7	<u>101826201</u>	Key Switch, On/Off .....	1
8	101830601	Screw and Washer Assembly .....	2
9	<u>101830701</u>	Nut, Key Switch .....	1
10	<u>101834502</u>	Cap, Black Key Switch .....	1
11	<u>101851101</u>	Washer, Key Switch .....	1
12	<u>101856002</u>	Switch, Rocker, Single-Pole .....	1
13	<u>102196901</u>	Dust Cap .....	1
14	<u>102508701</u>	Light, Battery .....	1
15	<u>102572401</u>	Nut, Diagnostic Port .....	1
16	<u>102869401</u>	Switch, Rocker, Light .....	1
17	<u>102977002</u>	Panel, Dash, Center, Elec (Instrument Panel) .....	1
18	<u>103180101</u>	Cover, Hole, Switch, Rocker .....	1
19	<u>103198301</u>	Plug, Hole, Round, 2.0 In .....	1
20	<u>103218601</u>	Harness, Diagnostic Port .....	1
21	<u>103354401</u>	Gauge, Battery Cond Ind, Rnd (includes item 22) .....	1
22	<u>103348202</u>	Clip, Bci, Round .....	1

**4**  
**G**  
**E**

**4**  
**G**  
**E**



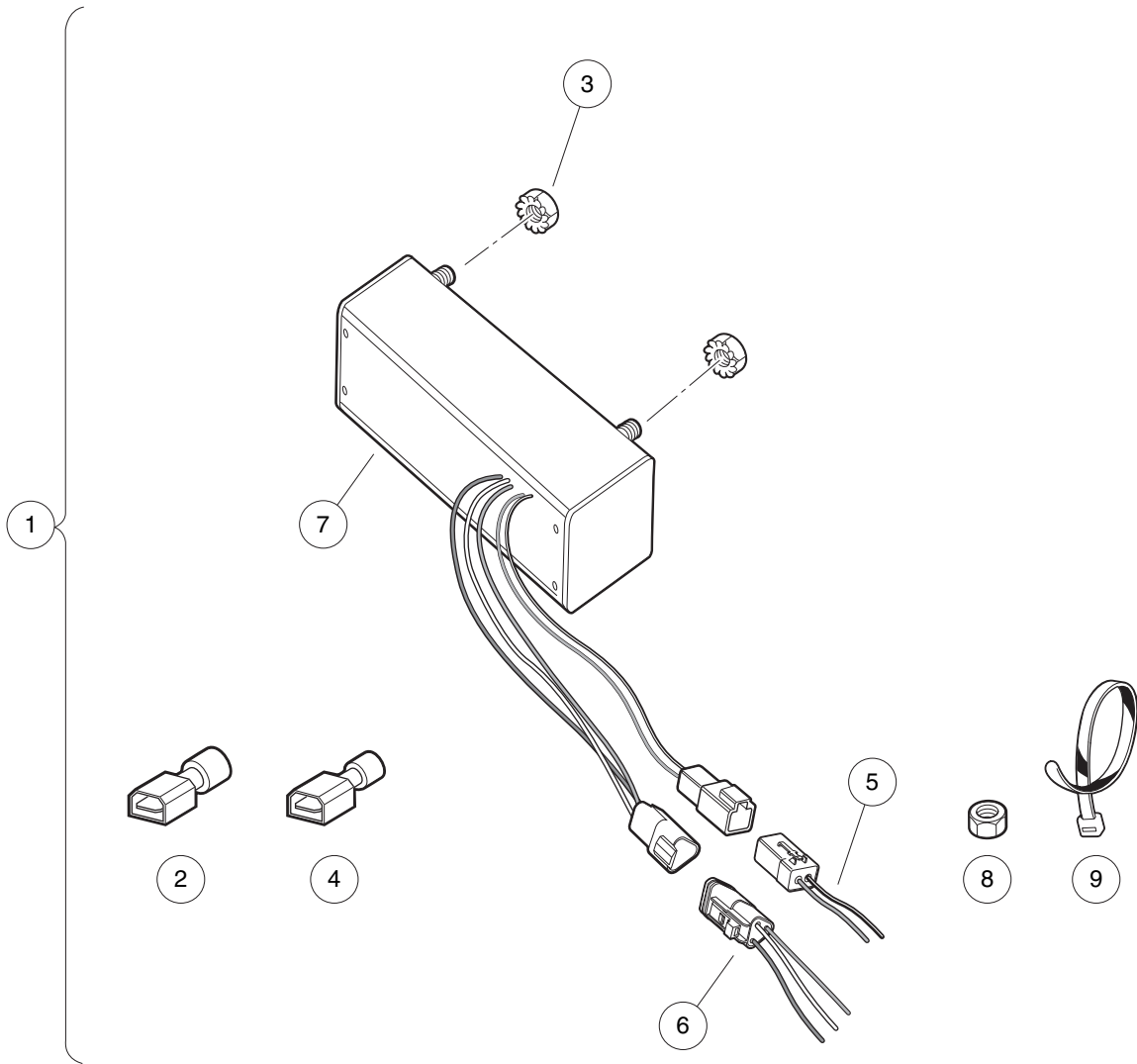
001271-001

# DC CONVERTER – IQ SYSTEM ELECTRIC VEHICLE, TO EARLY- 2010 MODEL YEAR

ITEM	PART NO.	DESCRIPTION	QTY
		1 2 3 4	
1	<u>102357501</u>	Kit, DC/DC Converter (includes items 2 through 9) .....	1
2	<u>1016365</u>	Terminal, 1/4" Male Quick Disconnect .....	1
3	<u>101835601</u>	Locknut, 1/4-20 Hex Whiz .....	2
4	N/A	Terminal, 1/4" Male Quick Disconnect .....	1
5	102352201	Converter , Dc -non Isolated .....	1
6	<u>102354901</u>	Harness, Dc Converter - 12v .....	1
7	<u>102355001</u>	Harness, Dc Converter - 48v .....	1
8	<u>1242</u>	Nut, 5/16-18 Hex .....	1
9	<u>8990</u>	Tie Wrap, 8" Nylon .....	4

**4**  
**G**  
**E**

**4**  
**G**  
**E**



001271-002

# DC CONVERTER (ISOLATED) – IQ SYSTEM ELECTRIC VEHICLE, FROM EARLY-2010 MODEL YEAR

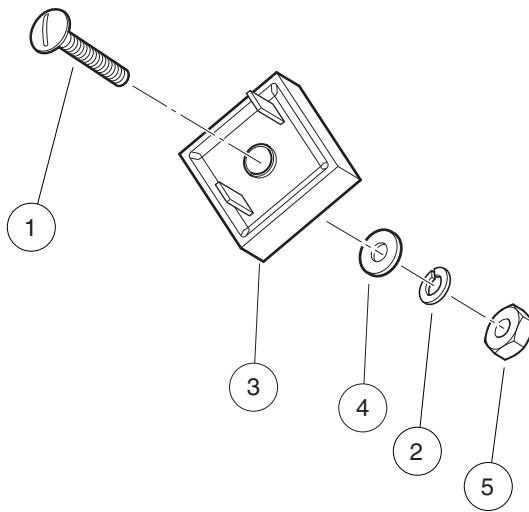
ITEM	PART NO.	DESCRIPTION	QTY
		1 2 3 4	
1	<u>102357501</u>	Kit, DC/DC Converter (includes items 2 through 9) .....	1
2	<u>1016365</u>	Terminal, 1/4" Male Quick Disconnect .....	1
3	<u>101835601</u>	Locknut, 1/4-20 Hex Whiz .....	2
4	N/A	Terminal, 1/4" Male Quick Disconnect .....	1
5	<u>102354901</u>	Harness, Dc Converter - 12v .....	1
6	<u>102355001</u>	Harness, Dc Converter - 48v .....	1
7	<u>103700301</u>	Converter, Dc/dc, Isoltd .....	1
8	<u>1242</u>	Nut, 5/16-18 Hex .....	1
9	<u>8990</u>	Tie Wrap, 8" Nylon .....	4

**4**  
**G**  
**E**

4

G

E



001091-001



## VOLTAGE LIMITER – GASOLINE VEHICLE

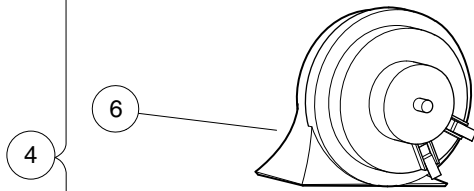
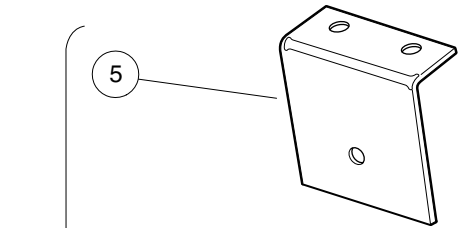
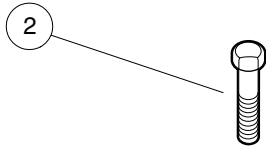
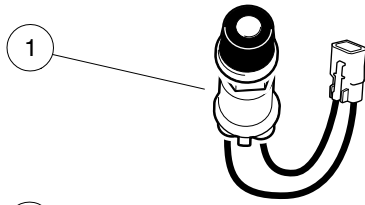
ITEM	PART NO.	DESCRIPTION	QTY
		1 2 3 4	
1	<u>1010909</u>	Screw, #10-32 X 1.25 Rd Hd Mch .....	1
2	<u>1016</u>	Lockwasher, #10 Split .....	1
3	<u>1017721</u>	Limiter, Voltage .....	1
4	<u>183</u>	Washer, #10, Type A, Flat .....	1
5	<u>7893</u>	Nut, #10-32 Hex .....	1

4  
G  
E

4

G

E



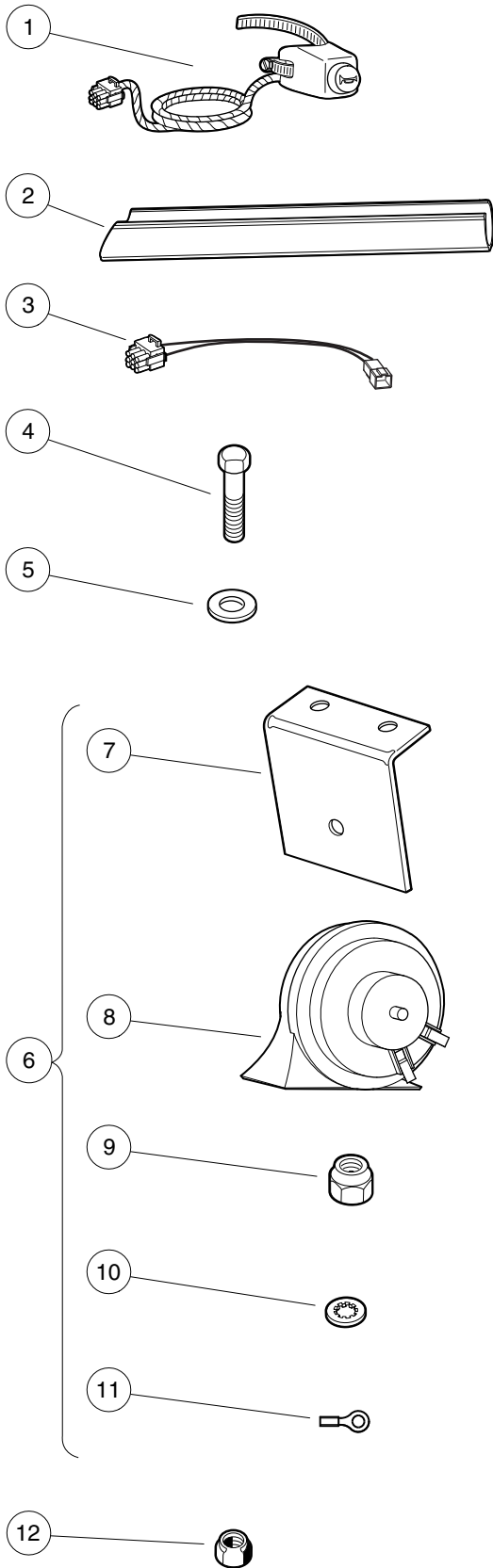
001095-001

# HORN

ITEM	PART NO.	DESCRIPTION	QTY
		<b>1 2 3 4</b>	
1	<u>101969701</u>	Horn Button and Wire Assembly .....	1
2	304	Screw, 1/4-20 X 1.0 Hex-Head Cap .....	2
3	<u>332</u>	Washer, 1/4 Type A Narrow Flat .....	2
4	<u>4029</u>	Horn (includes items 5 through 9) .....	1
5	<u>1011825</u>	Horn Bracket .....	1
6	<u>1014530</u>	Horn, 12-VDC .....	1
7	<u>101955101</u>	Nut, M6 Hex .....	1
8	<u>7820</u>	Washer, 5/16 Internal-Tooth .....	1
9	8294	5/16 Ring Term. ....	1
10	<u>8233</u>	Locknut, 1/4-20, Nylon Insert .....	2

**4**  
**G**  
**E**

**4**  
**G**  
**E**



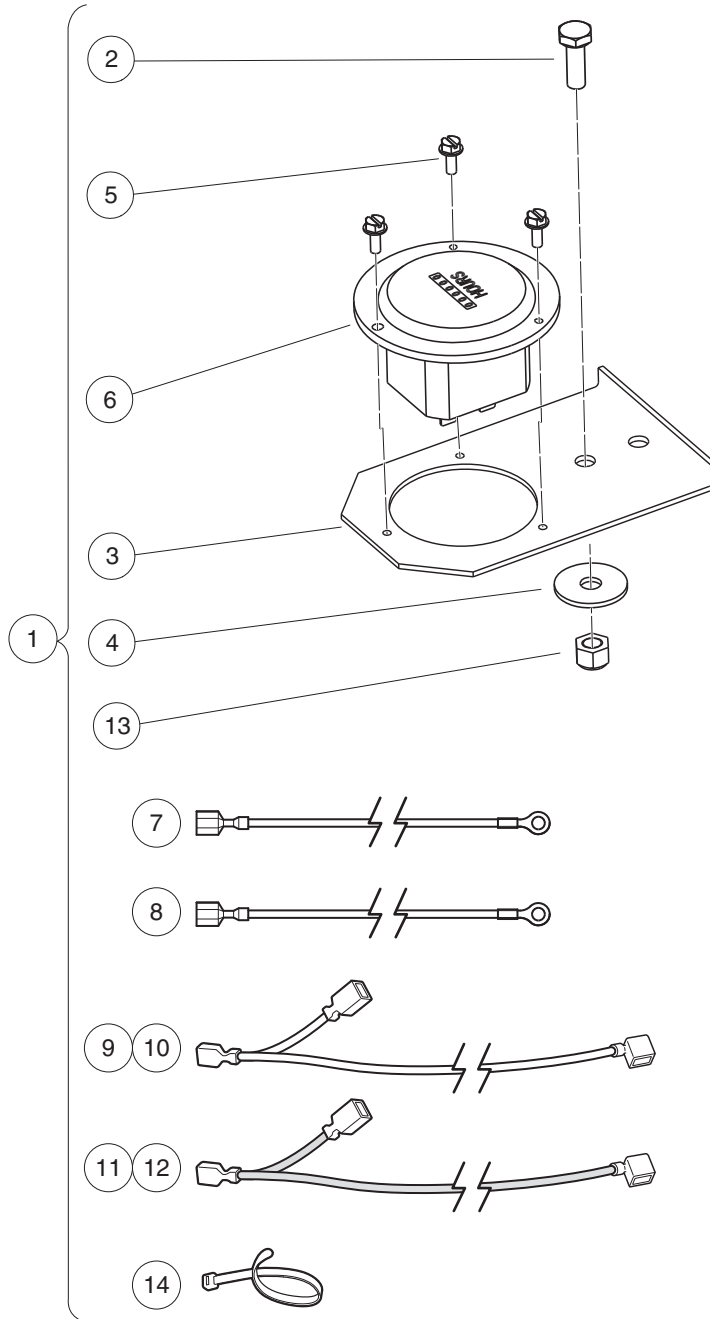
001095-002

# HORN WITH COLUMN-MOUNTED BUTTON

ITEM	PART NO.	DESCRIPTION	QTY
		1 2 3 4	
1	102517601	Subasm, Horn Button Harness .....	1
2	<u>102529203</u>	Wire Cover-steer Column 304 Mm .....	1
3	<u>103618101</u>	Harness, Jumper, Horn .....	1
4	304	Screw, 1/4-20 X 1.0 Hex-Head Cap .....	2
5	<u>332</u>	Washer, 1/4 Type A Narrow Flat .....	2
6	<u>4029</u>	Horn (includes items 7 through 11) .....	1
7	<u>1011825</u>	Horn Bracket .....	1
8	<u>1014530</u>	Horn, 12-VDC .....	1
9	<u>101955101</u>	Nut, M6 Hex .....	1
10	<u>7820</u>	Washer, 5/16 Internal-Tooth .....	1
11	8294	5/16 Ring Term. ....	1
12	<u>8233</u>	Locknut, 1/4-20, Nylon Insert .....	2

**4**  
**G**  
**E**

**4**  
**G**  
**E**



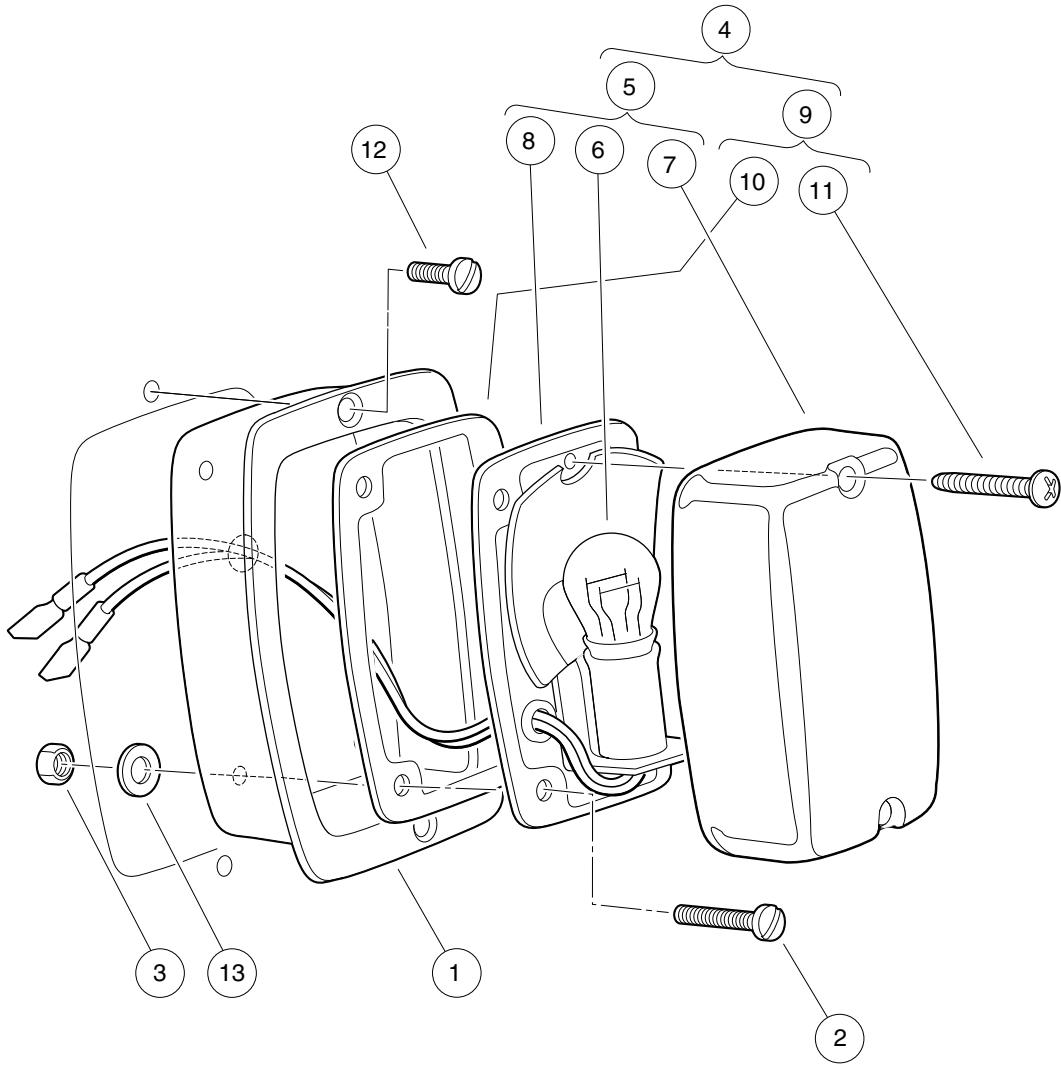
001096-001

# HOUR METER – IQ SYSTEM AND IQ PLUS ELECTRIC VEHICLES

ITEM	PART NO.	DESCRIPTION	QTY
		1 2 3 4	
1	<u>1013579</u>	Kit, Hour Meter (includes items 2 through 14) .....	1
2	<u>1012285</u>	Screw, 1/4 X 0.625 Hex-Head .....	1
3	<u>1013547</u>	Hour Meter Bracket .....	1
4	<u>1014306</u>	Washer, 1/4" Type B Flat .....	1
5	<u>1014540</u>	Screw, #6-32 X 3/8 Taptite .....	3
6	N/A	Hour Meter .....	1
7	101881501	Wire Assembly Black #18 .....	1
8	101881601	Wire Assembly Red #18 .....	1
9	<u>101997802</u>	Wire Assembly #18 Yellow .....	1
10	<u>101997803</u>	Wire Asm #18 Yellow 31" .....	1
11	<u>101997902</u>	Wire Assembly #18 Red .....	1
12	<u>101997903</u>	Wire Asm # 18 Red 31" .....	1
13	<u>8233</u>	Locknut, 1/4-20, Nylon Insert .....	1
14	<u>8990</u>	Tie Wrap, 8" Nylon .....	1
		<p>Note: The kit includes components that apply to multiple vehicles. The installation instructions will specify which components are required for a specific model. After installation, discard components not used.</p>	

4  
G  
E

**4**  
**G**  
**E**



000348-006



# TAIL LIGHTS

ITEM	PART NO.	DESCRIPTION	QTY
		<b>1 2 3 4</b>	
1	<u>1011497</u>	Bezel, Taillight .....	1
2	<u>1011557</u>	Screw, #6-32 X 1.00 Hex-Head Machine .....	1
3	<u>1011558</u>	Nut, #6-32 Hex .....	1
4	1017035	Taillight Assembly (includes items 5 through 9) .....	1
5	N/A	Light, Tail (includes items 6 through 8) .....	1
6	<u>1011582</u>	Taillight Bulb .....	1
7	<u>1011843</u>	Taillight Lens .....	1
8	N/A	Base, Taillight .....	1
9	<u>1017699</u>	Hardware Kit, Tail Light (includes items 10 and 11) .....	1
10	N/A	Gasket .....	1
11	N/A	Screw, Tapered .....	2
12	<u>102915601</u>	Plastic Rivet - Tuflock .....	1
13	<u>7591</u>	Washer, #6, Flat .....	1

**4**  
**G**  
**E**

**4**

**G**

**E**

# **BRAKES, PEDALS, AND CABLES**

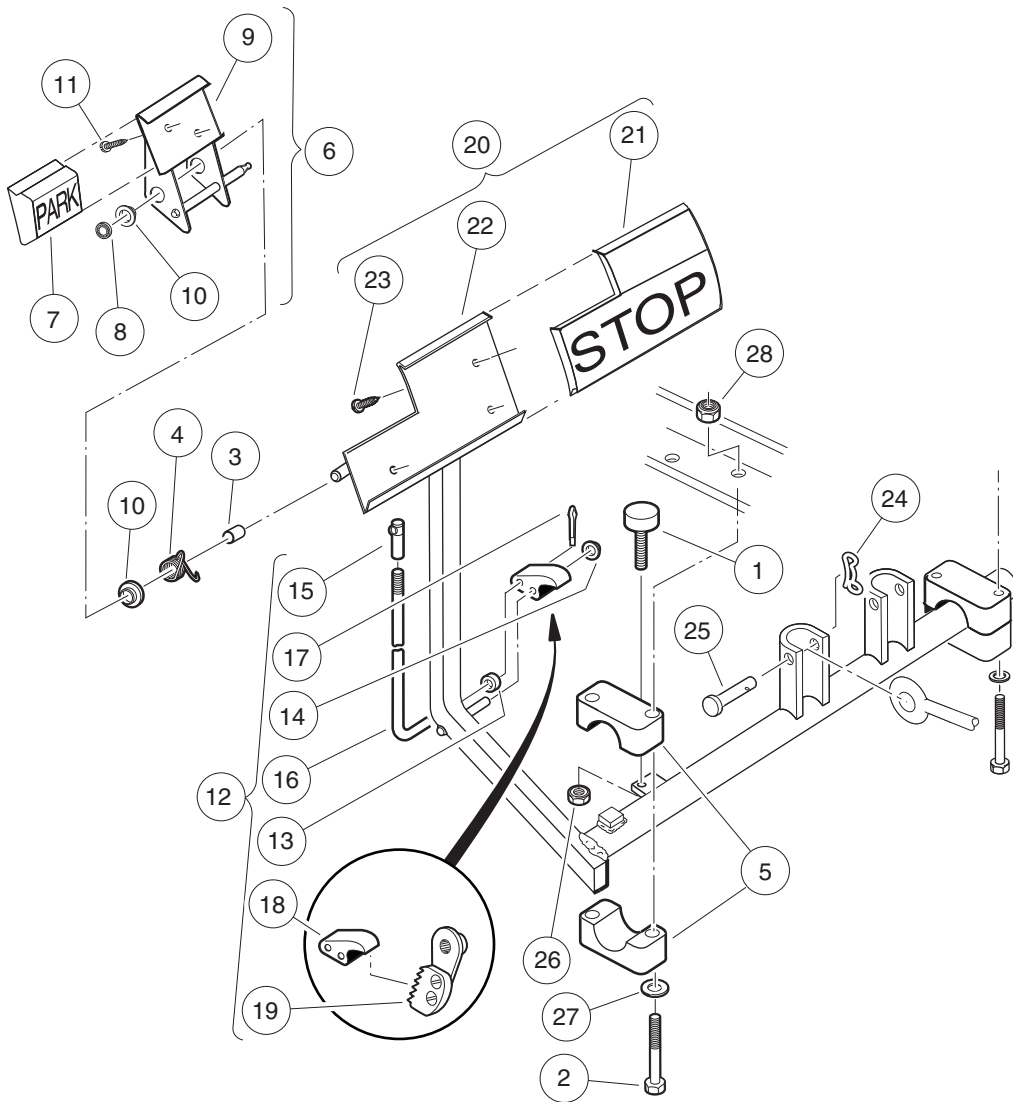
---

**5**

**G**

**E**

**5**  
**G**  
**E**



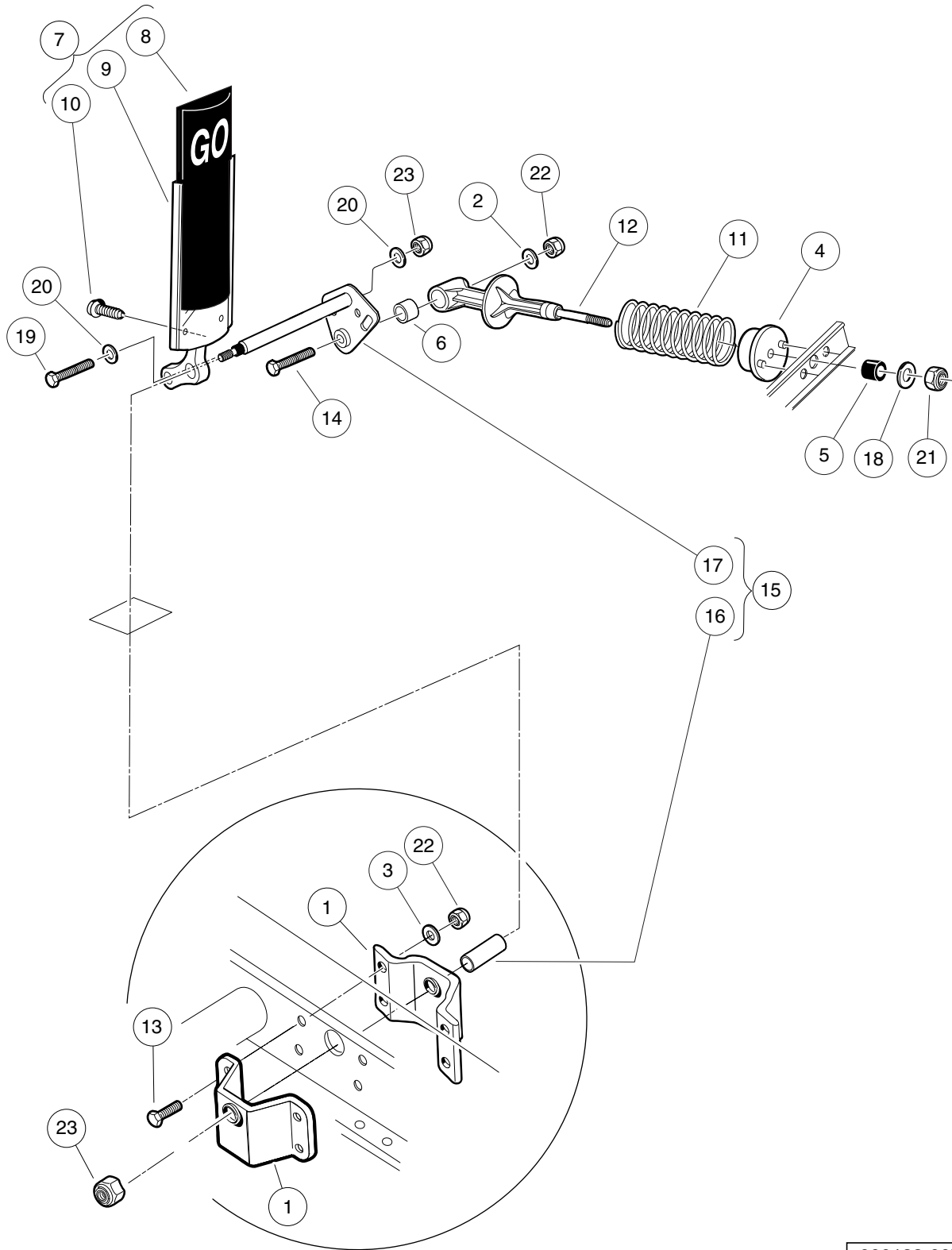
000187-001

# BRAKE PEDAL ASSEMBLY

ITEM	PART NO.	DESCRIPTION	QTY
		<b>1 2 3 4</b>	
1	<u>1010878</u>	Bumper, Rubber .....	1
2	<u>1010921</u>	Screw, 5/16-18 X 2.50 Hex Cap .....	4
3	<u>1010927</u>	Hill Brake Spacer .....	1
4	<u>1010933</u>	Spring, Hill Brake Torsion .....	1
5	<u>1011402</u>	Package, Brake Mounting Block .....	1
6	<u>1011418</u>	Kit, Hill Brake Pedal (includes items 7 through 11) .....	1
7	<u>1013870</u>	Pad, Hill Brake .....	1
8	<u>1013876</u>	Pushnut, 3/8 .....	1
9	N/A	Hill Brake Weld Assembly .....	1
10	<u>1032</u>	Bushing, Nylon .....	2
11	7716	Screw, #10-16 Type AB, Sheet Metal .....	2
12	<u>101187702</u>	Kit, Hill Brake Latch (includes items 13 through 19) .....	1
13	<u>1010805</u>	Sleeve, Hill Brake Rod .....	1
14	<u>1010877</u>	Pushnut, 3/8 .....	1
15	1010932	Ball Joint, 1/4-28 .....	1
16	N/A	Rod, Hill Brake .....	1
17	<u>1017029</u>	Pin, Cotter, 7/64 x 1/2 Stainless-Steel .....	1
18	N/A	Pawl, Hill Brake .....	1
19	101918501	Ratchet Assembly .....	1
20	<u>101878201</u>	Brake Pedal Kit (includes items 21 through 23) .....	1
21	<u>1013869</u>	Pad, Brake Pedal .....	1
22	N/A	Weldment, Brake Pedal, 2wr Std .....	1
23	7716	Screw, #10-16 Type AB, Sheet Metal .....	3
24	<u>102323101</u>	Pin, Bow Tie Locking .....	1
25	<u>102323201</u>	Pin, 3/8 X 1-5/16 Clevis .....	1
26	<u>1028</u>	Nut, 1/4-20 Hex .....	1
27	<u>1241</u>	Washer, 5/16 Type A Flat .....	4
28	<u>7473</u>	Locknut, 5/16-18 Nylon Insert .....	4

**5**  
**G**  
**E**

**5**  
**G**  
**E**



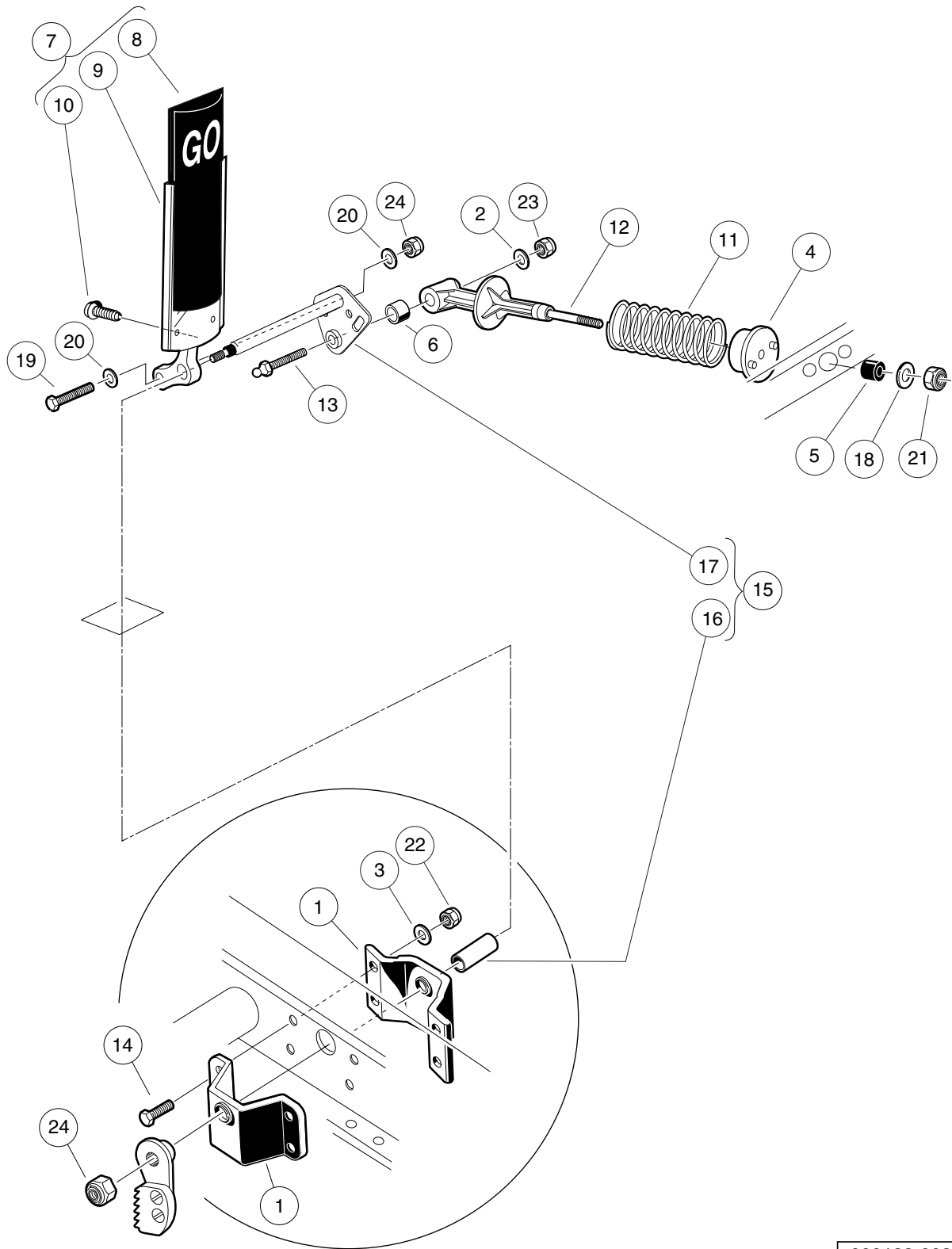
000188-007

# ACCELERATOR PEDAL ASSEMBLY – ELECTRIC VEHICLES WITH MCOR

ITEM	PART NO.	DESCRIPTION	QTY
		<b>1 2 3 4</b>	
1	<u>1011694</u>	Accelerator Bracket and Bearing Assembly .....	2
2	<u>1011931</u>	Washer, 1/4 Flat .....	1
3	<u>1014007</u>	Washer, 1/4, Flat .....	4
4	<u>1017378</u>	Cup, Spring .....	1
5	<u>1017380</u>	Bumper, Spring Return .....	1
6	<u>1017424</u>	Bearing, Pivot Support .....	1
7	<u>1017696</u>	Sub Asm, Accelerator Pedal (includes items 8 through 10) .....	1
8	1013871	Pad, Accelerator Pedal .....	1
9	N/A	Accelerator Pedal Weldment .....	1
10	7716	Screw, #10-16 Type AB, Sheet Metal .....	4
11	101796201	Spring, Accelerator Return .....	1
12	<u>101817401</u>	Retainer, Spring .....	1
13	<u>101861901</u>	Screw, 1/4-20 X 1.125 Hex Cap .....	4
14	<u>101862001</u>	Screw, 1/4-20 X 1.500 Flange .....	1
15	<u>102026001</u>	Kit, Accelerator Pivot Rod Assembly (includes items 16 and 17) .....	1
16	101919801	Spacer, Accelerator .....	1
17	<u>102158901</u>	Pivot Rod Weldment .....	1
18	<u>1241</u>	Washer, 5/16 Type A Flat .....	1
19	<u>1624</u>	Screw, 3/8-16 X 1.50, Hex-Head Cap .....	1
20	<u>334</u>	Washer, 3/8, Type A, Flat .....	2
21	<u>7473</u>	Locknut, 5/16-18 Nylon Insert .....	1
22	<u>8233</u>	Locknut, 1/4-20, Nylon Insert .....	5
23	<u>8754</u>	Locknut, 3/8-16 Hex .....	2

**5**  
**G**  
**E**

**5**  
**G**  
**E**



000188-008

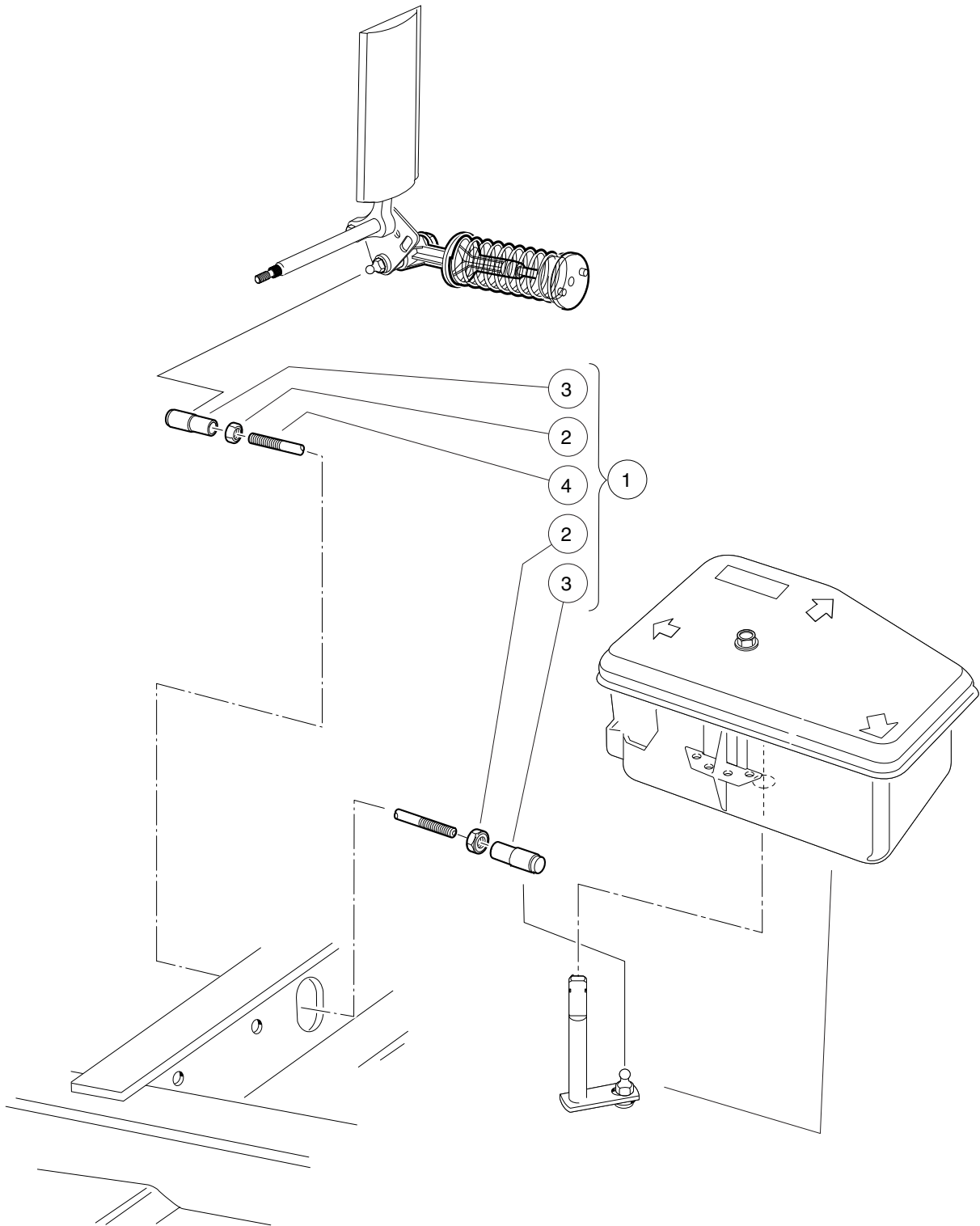


# ACCELERATOR PEDAL ASSEMBLY – GASOLINE VEHICLES

ITEM	PART NO.	DESCRIPTION	QTY
		1 2 3 4	
1	<u>1011694</u>	Accelerator Bracket and Bearing Assembly .....	2
2	<u>1011931</u>	Washer, 1/4 Flat .....	1
3	<u>1014007</u>	Washer, 1/4, Flat .....	4
4	<u>1017378</u>	Cup, Spring .....	1
5	<u>1017380</u>	Bumper, Spring Return .....	1
6	<u>1017424</u>	Bearing, Pivot Support .....	1
7	<u>1017696</u>	Sub Asm, Accelerator Pedal (includes items 8 through 10) .....	1
8	1013871	Pad, Accelerator Pedal .....	1
9	N/A	Accelerator Pedal Weldment .....	1
10	7716	Screw, #10-16 Type AB, Sheet Metal .....	4
11	101796201	Spring, Accelerator Return .....	1
12	<u>101817401</u>	Retainer, Spring .....	1
13	101818801	Stud, 1/4-28 X 1.35 Ball .....	1
14	<u>101861901</u>	Screw, 1/4-20 X 1.125 Hex Cap .....	4
15	<u>102026001</u>	Kit, Accelerator Pivot Rod Assembly (includes items 16 and 17) .....	1
16	101919801	Spacer, Accelerator .....	1
17	<u>102158901</u>	Pivot Rod Weldment .....	1
18	<u>1241</u>	Washer, 5/16 Type A Flat .....	1
19	<u>1624</u>	Screw, 3/8-16 X 1.50, Hex-Head Cap .....	1
20	<u>334</u>	Washer, 3/8, Type A, Flat .....	2
21	<u>7473</u>	Locknut, 5/16-18 Nylon Insert .....	1
22	<u>8233</u>	Locknut, 1/4-20, Nylon Insert .....	4
23	<u>8717</u>	Locknut, Nylon Insert, 1/4-28 .....	1
24	<u>8754</u>	Locknut, 3/8-16 Hex .....	2

5  
G  
E

**5**  
**G**  
**E**



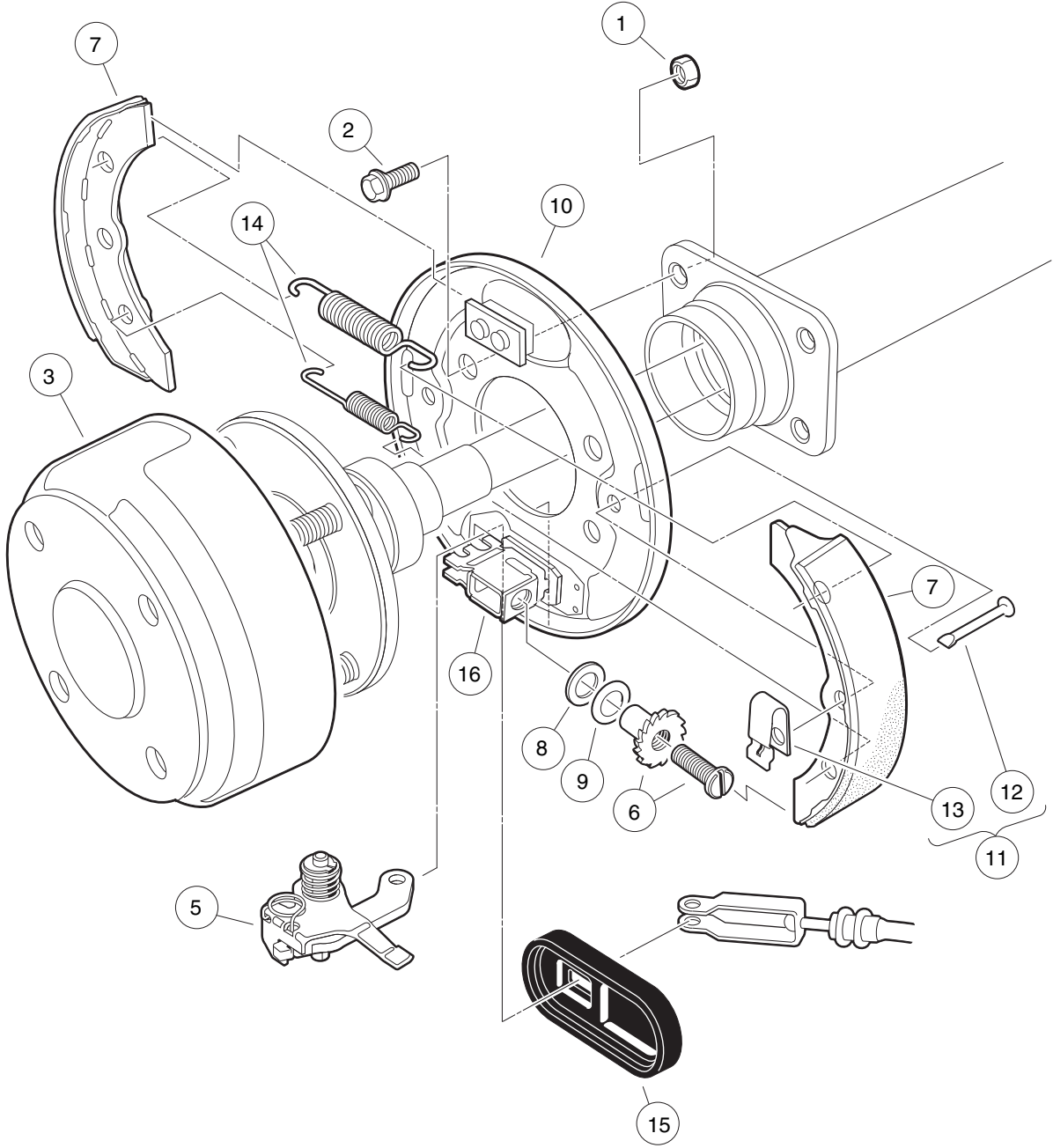
000362-001

## ACCELERATOR ROD – GASOLINE VEHICLES

ITEM	PART NO.	DESCRIPTION	QTY
		1 2 3 4	
1	101912401	Rod, Accelerator (includes items 2 through 4) .....	1
2	<u>1011084</u>	Nut, 1/4-28 Hex Jam .....	2
3	<u>1011734</u>	Joint, Ball .....	2
4	N/A	Accelerator Rod .....	1

5  
G  
E

**5**  
**G**  
**E**



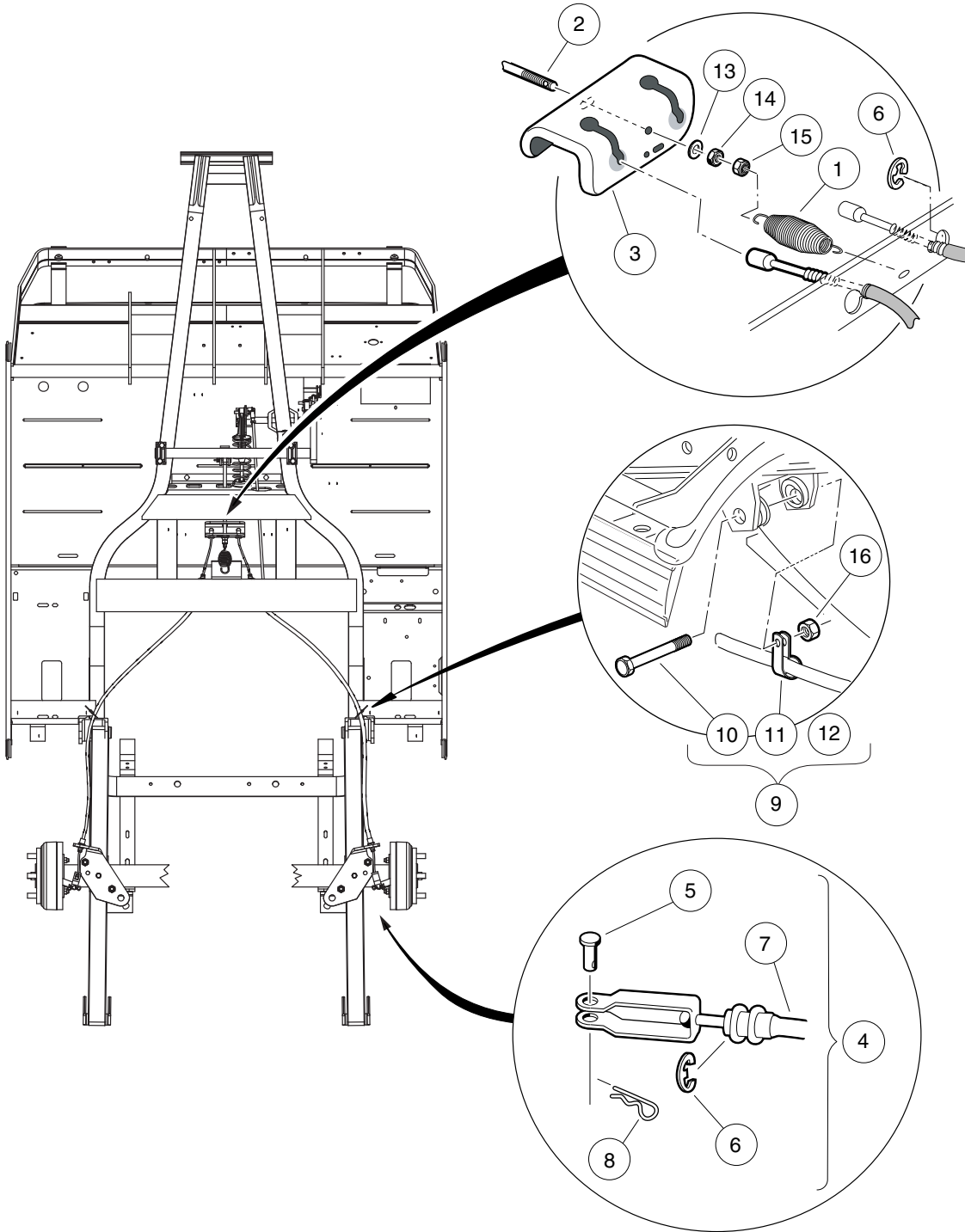
000186-003

# REAR BRAKE ASSEMBLY, SELF-ADJUSTING – VEHICLE WITH 2-WHEEL BRAKES

ITEM	PART NO.	DESCRIPTION	QTY
		1 2 3 4	
1	<u>1013924</u>	Nut, 5/16-24, Hex Head Cone .....	8
2	<u>1014153</u>	Bolt, Brake Cluster Mounting .....	8
3	<u>101791101</u>	Drum without Center Hole, Brake .....	2
4	<u>103380201</u>	Asm, Brake Cluster, Mech, Drvr (includes items 5 through 16) .....	1
5	<u>101815502</u>	Lever Assembly, Self-Adjusting Brake, Left .....	1
6	<u>101816502</u>	Adjusting Mechanism, Self-Adjusting Brake, Left .....	1
7	<u>101823201</u>	Package, Brake Shoe, Self-Adjusting .....	1
8	<u>101823801</u>	Plate, Washer, Brake, Self-Adjusting .....	1
9	<u>101823901</u>	Washer, Brake, Self-Adjusting .....	1
10	<u>103483102</u>	Backing Plate, Driver-side .....	1
11	<u>103483201</u>	Kit, Shoe Retainer (includes items 12 and 13) .....	1
12	N/A	Pin .....	2
13	N/A	Spring, Shoe, Clamp .....	2
14	<u>103483401</u>	Package Brake Spring Self Adj .....	1
15	<u>103483601</u>	Cover, Dust .....	1
16	<u>103483701</u>	Brake Block .....	1
17	<u>103380202</u>	Asm, Brake Cluster, Mech, Pass (includes items 18 through 29) .....	1
18	<u>101815501</u>	Lever Assembly, Self-Adjusting Brake, Right (Passenger) .....	1
19	<u>101816501</u>	Adj Mechanism, S.A. Brakes, Right (Passenger) .....	1
20	<u>101823201</u>	Package, Brake Shoe, Self-Adjusting .....	1
21	<u>101823801</u>	Plate, Washer, Brake, Self-Adjusting .....	1
22	<u>101823901</u>	Washer, Brake, Self-Adjusting .....	1
23	<u>103483101</u>	Backing Plate, Passenger-side .....	1
24	<u>103483201</u>	Kit, Shoe Retainer (includes items 25 and 26) .....	1
25	N/A	Pin .....	2
26	N/A	Spring, Shoe, Clamp .....	2
27	<u>103483401</u>	Package Brake Spring Self Adj .....	1
28	<u>103483601</u>	Cover, Dust .....	1
29	<u>103483701</u>	Brake Block .....	1
<p>Note: Passenger-side brake cluster not shown. Components have a similar appearance to driver-side brake cluster components. 1033802 brake cluster assemblies are backward compatible but individual parts that do not share part numbers with 1018233 are not.</p>			

5  
G  
E

**5**  
**G**  
**E**



000245-002

# BRAKE CABLES AND EQUALIZER

ITEM	PART NO.	DESCRIPTION	QTY
		1 2 3 4	
1	<u>1013531</u>	Spring, Brake Return .....	1
2	<u>101953101</u>	Rod, Equalizer, 8.91" .....	1
3	<u>101990801</u>	Equalizer Bracket .....	1
4	<u>102022101</u>	Brake Cable Kit (includes items 5 through 8) .....	2
5	<u>1010829</u>	Pin, Clevis, 5/16 X 3/4 .....	1
6	<u>1011779</u>	E-Clip, 1/2 .....	2
7	N/A	Cable, Brake, 41" .....	1
8	<u>102292801</u>	Pin, Bow Tie Locking - .072 .....	1
9	<u>103377301</u>	Kit, Field P-clamp, Brake Line (includes items 10 through 12) .....	1
10	<u>102066201</u>	Screw, 3/8-16 X 3.50 Hex Cap .....	2
11	<u>103377201</u>	P-clamp, Brake Line .....	2
12	N/A	Instr Fd. P-clamp, Brake Line .....	1
13	<u>1241</u>	Washer, 5/16 Type A Flat .....	5
14	<u>1242</u>	Nut, 5/16-18 Hex .....	1
15	<u>7473</u>	Locknut, 5/16-18 Nylon Insert .....	5
16	<u>8754</u>	Locknut, 3/8-16 Hex .....	2

**5**  
**G**  
**E**

**5**

**G**

**E**



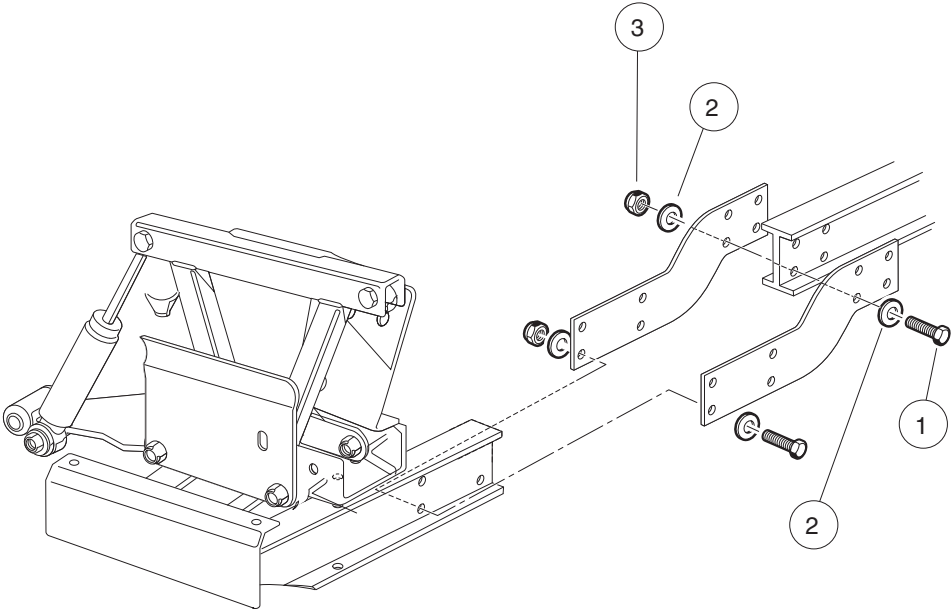
# STEERING AND SUSPENSION WITH CONVENTIONAL BALL JOINTS

---

6

G

E



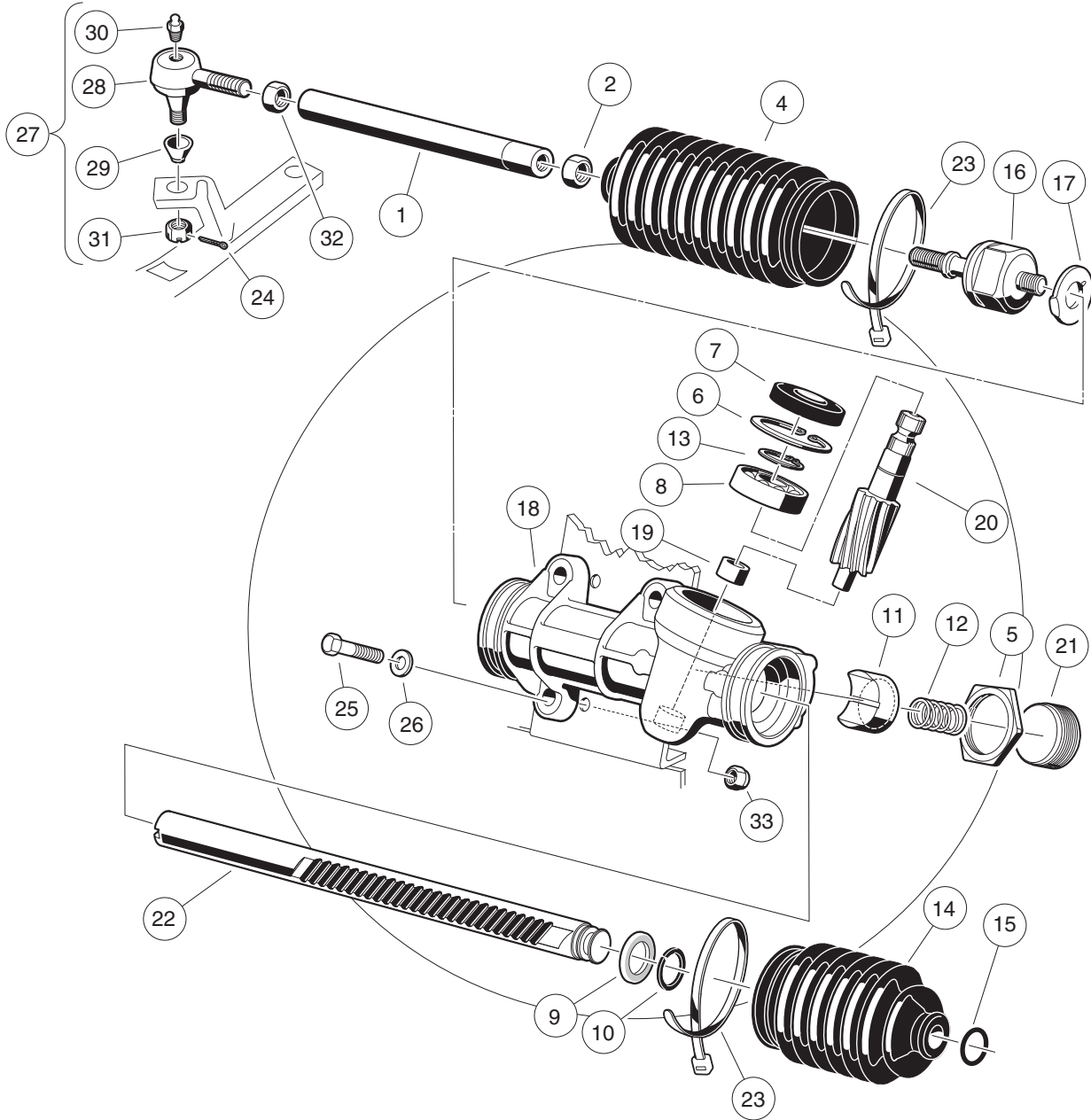
000304-002

# FRONT FRAME PLATE HARDWARE – TURF/CA 252 AND XRT 850/ 900

ITEM	PART NO.	DESCRIPTION	QTY
		1 2 3 4	
1	1218	Screw, 5/16-18 X 1.25 Hex-Head Cap .....	16
2	<u>1241</u>	Washer, 5/16 Type A Flat .....	32
3	<u>7473</u>	Locknut, 5/16-18 Nylon Insert .....	16

6  
G  
E

**6**  
**G**  
**E**



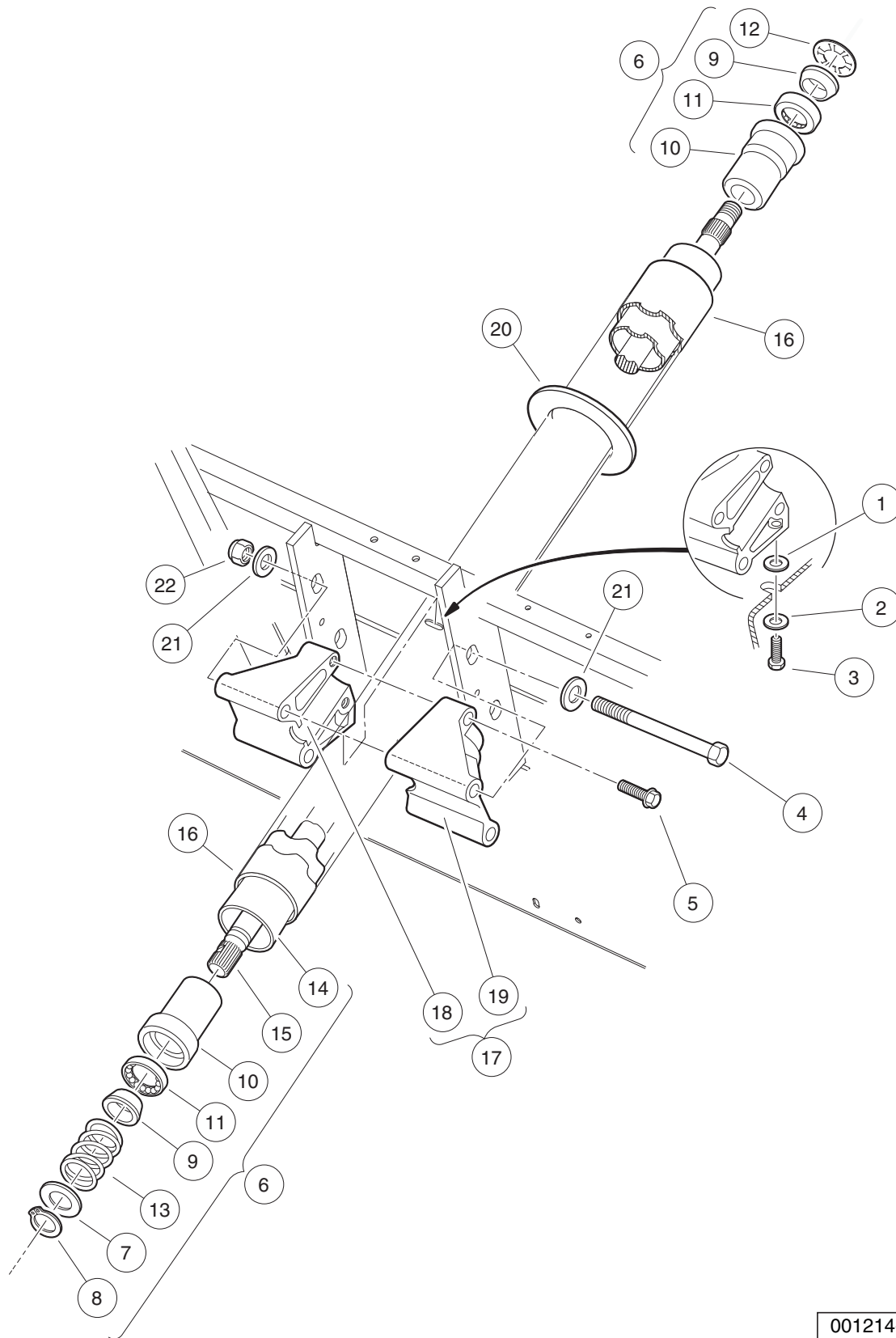
001213-001

# STEERING GEAR ASSEMBLY (MANDO) – CONVENTIONAL BALL JOINT

ITEM	PART NO.	DESCRIPTION	QTY
		<b>1 2 3 4</b>	
1	<u>1012467</u>	Link, Rack and Pinion Drag .....	1
2	<u>1013042</u>	Nut, 12mm Hex .....	1
3	<u>101878302</u>	Steering Gear Assembly (without yoke) (includes items 4 through 23) .....	1
4	<u>1013035</u>	Bellows, Long .....	1
5	<u>1013044</u>	Rack Screw Locknut .....	1
6	N/A	Snap Ring .....	1
7	<u>1013052</u>	Seal, Steering Pinion Dust .....	1
8	<u>101879401</u>	Bearing, Ball .....	1
9	<u>101879501</u>	Stop Washer .....	1
10	<u>101879601</u>	Stop Ring, C-Type .....	1
11	<u>101879701</u>	Support Yoke .....	1
12	<u>101879801</u>	Rack Guide Pressure Spring .....	1
13	<u>101879901</u>	Ring, Stop, C-Type .....	1
14	<u>101880001</u>	Bellows, Short .....	1
15	<u>101880101</u>	Dust Seal Retaining Ring .....	1
16	<u>101880201</u>	Inner Ball Joint Asm .....	1
17	<u>101880301</u>	Washer, Tab .....	1
18	N/A	Box, Steering Gear .....	1
19	N/A	Bearing, Lower Pinion .....	1
20	N/A	Pinion, Steering .....	1
21	N/A	Screw, Rack Guide .....	1
22	N/A	Rack, Steering .....	1
23	<u>8990</u>	Tie Wrap, 8" Nylon .....	2
24	<u>1035</u>	Cotter Pin, 3/32 x 1 .....	1
25	<u>1624</u>	Screw, 3/8-16 X 1.50, Hex-Head Cap .....	3
26	<u>334</u>	Washer, 3/8, Type A, Flat .....	3
27	<u>7540</u>	Ball Joint, Left (includes items 28 through 31) .....	1
28	<u>1011895</u>	Socket, LH Vertical .....	1
29	<u>1011930</u>	Seal, Vertical Socket Dust .....	1
30	<u>1015597</u>	Fitting, 1/4-28 Thread-Forming Grease .....	1
31	<u>7602</u>	Nut, 3/8-24 UNF Hex .....	1
32	<u>7555</u>	Nut, 1/2-20 Hex, Left-Hand Thread .....	1
33	<u>8754</u>	Locknut, 3/8-16 Hex .....	3

**6**  
**G**  
**E**

**6**  
**G**  
**E**



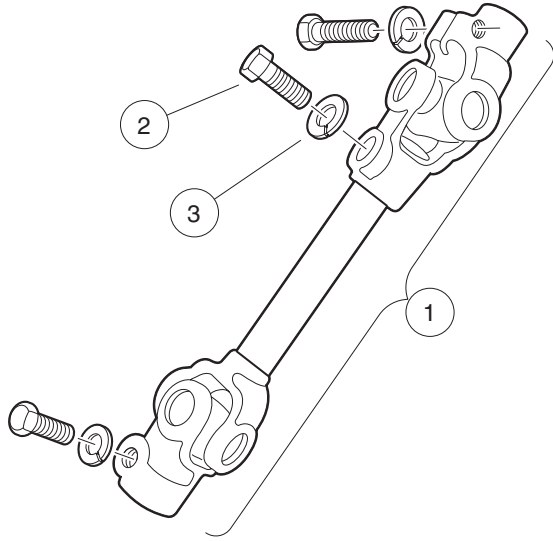
001214-001

## STEERING COLUMN – UTILITY

ITEM	PART NO.	DESCRIPTION	QTY
		1 2 3 4	
1	<u>1011578</u>	Washer, 5/16 Type B Flat .....	1
2	<u>1011697</u>	Washer, 5/16 Flat .....	1
3	<u>1014288</u>	Screw, 5/16-18 X 0.75, Thread-Forming .....	1
4	<u>1016183</u>	Screw, 3/8-16 X 7.00 Hex Cap .....	2
5	<u>1016269</u>	Screw, 5/16-18 Thrd Forming .....	2
6	<u>1017313</u>	Steering Shaft Assembly (includes items 7 through 15) .....	1
7	<u>1012604</u>	Washer, 0.675 ID X 1.19 OD .....	1
8	<u>1012605</u>	Ring, 0.579 Internal Retaining .....	1
9	1014125	Wedge, Molded .....	2
10	<u>1014126</u>	Seat, Plastic Bearing .....	2
11	<u>1014213</u>	Bearing, Ball .....	2
12	1014214	Ring, Retaining .....	1
13	<u>1014217</u>	Spring, Steering Shaft .....	1
14	<u>1017314</u>	Column, Aluminum Steering .....	1
15	<u>1017315</u>	Shaft Steering Column .....	1
16	<u>1017317</u>	Tube Cover, Steering Column .....	1
17	101984801	Kit, Steering Column Mounting Bracket (includes items 18 and 19) .....	1
18	N/A	Bracket, RH Steering Column Mount .....	1
19	N/A	Bracket, LH Steering column mount .....	1
20	<u>102278001</u>	Boot, Steering Column Round .....	1
21	<u>334</u>	Washer, 3/8, Type A, Flat .....	4
22	<u>8754</u>	Locknut, 3/8-16 Hex .....	2

**6**  
**G**  
**E**

**6**  
**G**  
**E**



001218-001

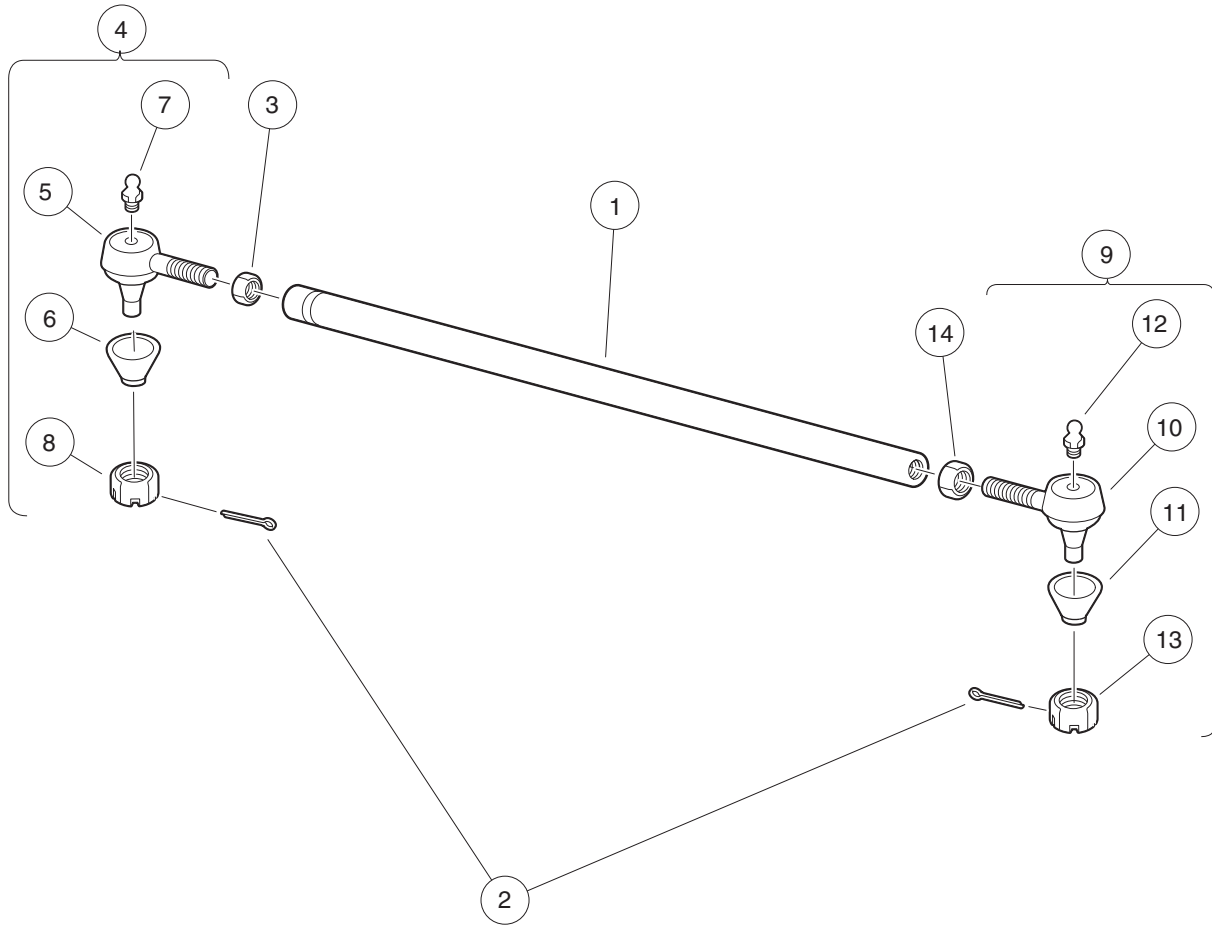


# INTERMEDIATE STEERING SHAFT – TURF/CA 252 AND XRT 850/ 900

ITEM	PART NO.	DESCRIPTION	QTY
		1 2 3 4	
1	<u>102004101</u>	Joint, Steering (includes items 2 and 3) .....	1
2	<u>1017226</u>	Bolt, Hex-Head, 8mm X 1.25 - 30 .....	3
3	<u>7174</u>	Lockwasher, 5/16 Split .....	3

6  
G  
E

**6**  
**G**  
**E**

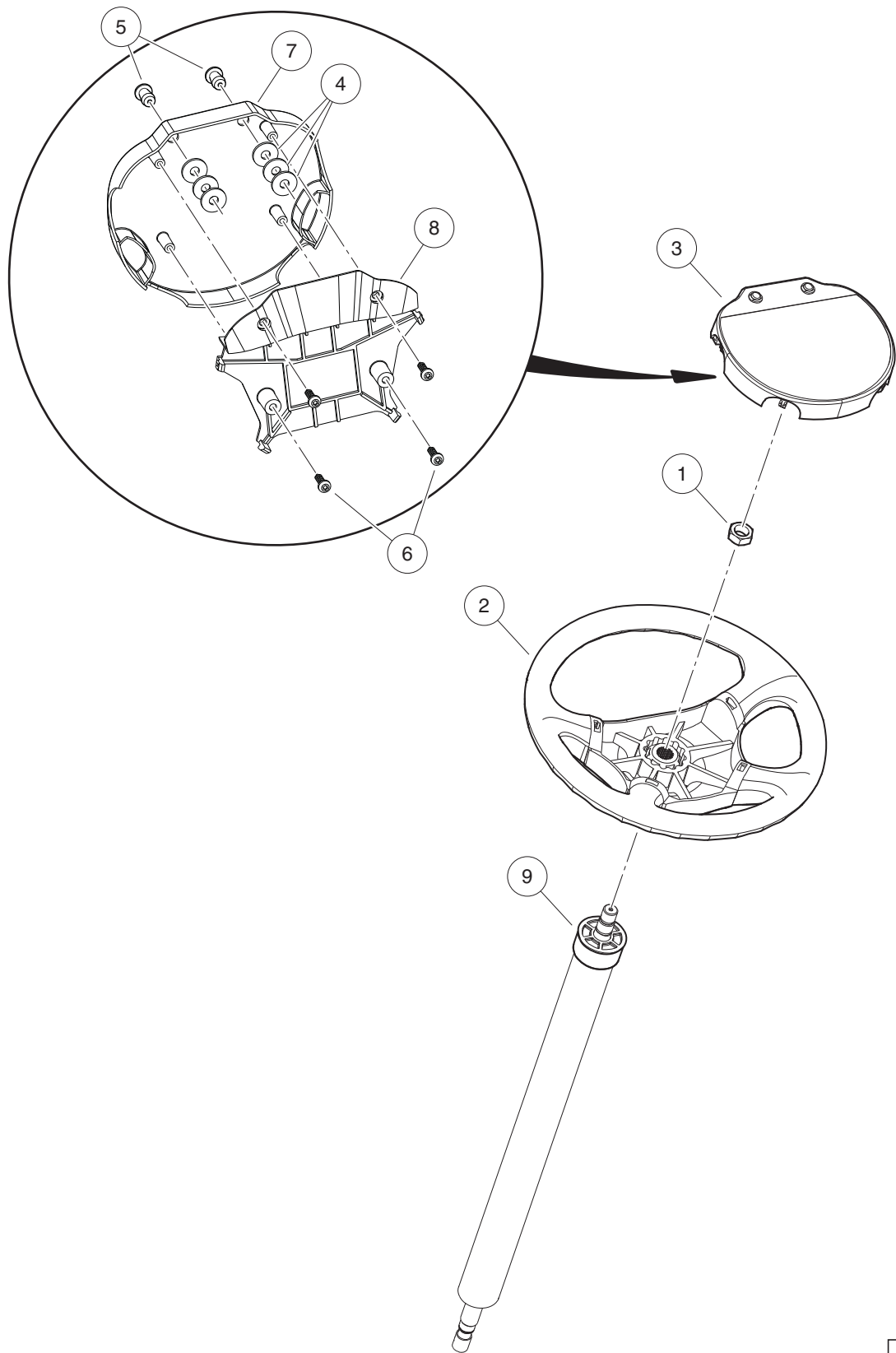


001303-001

## TIE ROD WITH CONVENTIONAL BALL JOINTS

ITEM	PART NO.	DESCRIPTION	QTY	<b>6</b>
		<b>1 2 3 4</b>		
1	<u>1010219</u>	Tie Rod, 19.75 Inches Long .....	1	<b>G</b>
2	<u>1035</u>	Cotter Pin, 3/32 x 1 .....	2	<b>E</b>
3	<u>1308</u>	Nut, 1/2-20 Hex .....	1	
4	<u>7539</u>	Ball Joint, Right-Hand (includes items 5 through 8) .....	1	
5	1011893	Socket, RH Vertical .....	1	
6	<u>1011930</u>	Seal, Vertical Socket Dust .....	1	
7	<u>1015597</u>	Fitting, 1/4-28 Thread-Forming Grease .....	1	
8	7602	Nut, 3/8-24 UNF Hex .....	1	
9	<u>7540</u>	Ball Joint, Left (includes items 10 through 13) .....	1	
10	1011895	Socket, LH Vertical .....	1	
11	<u>1011930</u>	Seal, Vertical Socket Dust .....	1	
12	<u>1015597</u>	Fitting, 1/4-28 Thread-Forming Grease .....	1	
13	7602	Nut, 3/8-24 UNF Hex .....	1	
14	<u>7555</u>	Nut, 1/2-20 Hex, Left-Hand Thread .....	1	

**6**  
**G**  
**E**



000832-002

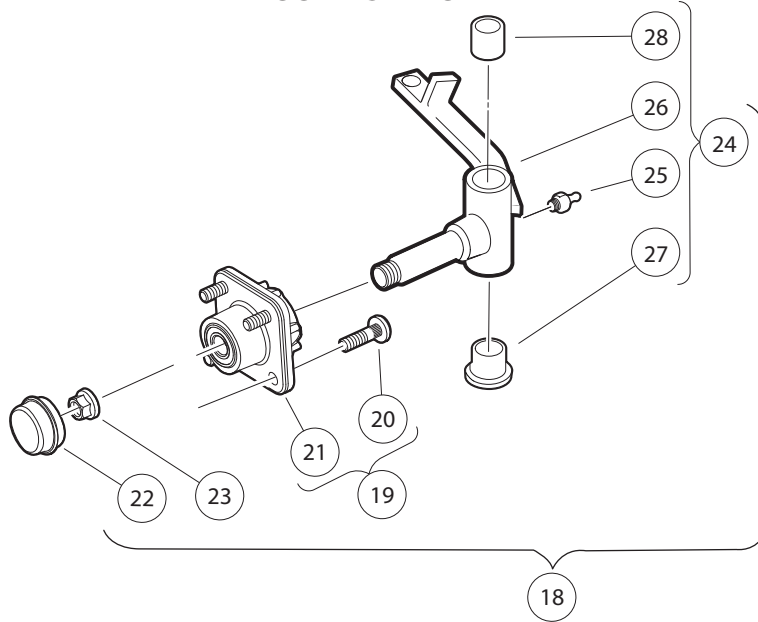
# STEERING WHEEL – XRT850

ITEM	PART NO.	DESCRIPTION	QTY
		1 2 3 4	
1	<u>1017273</u>	Nut, 5/8-18 Nylon Insert Jam .....	1
2	102537802	Steer Wheel, Comf/grip, Spline .....	1
3	<u>102540802</u>	Center, Plate, Steering Wheel (includes items 4 through 8) .....	1
4	<u>1011697</u>	Washer, 5/16 Flat .....	6
5	<u>1016967</u>	Blind Rivet, Push Type .....	2
6	<u>102296020</u>	Screw, Torx Pan Hd Pt, M6 X 20 .....	4
7	N/A	Scorecard Plate, Comfort Grip .....	1
8	N/A	Scorecard Back Plate .....	1
9	<u>103405501</u>	Shroud, Steering Column Spline .....	1

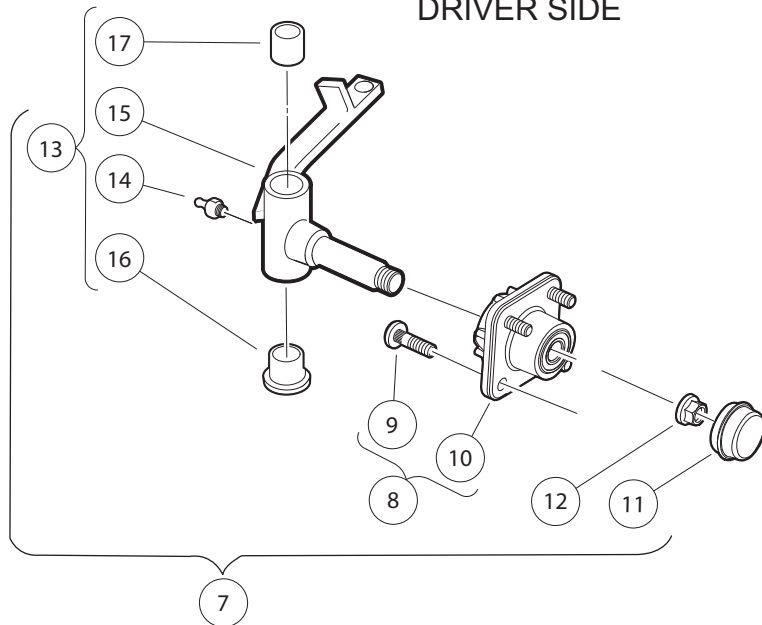
6  
G  
E

**6**  
**G**  
**E**

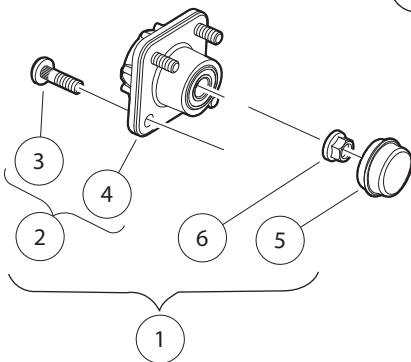
PASSENGER SIDE



DRIVER SIDE



REPLACEMENT HUB  
FOR DRIVER OR  
PASSENGER SIDE



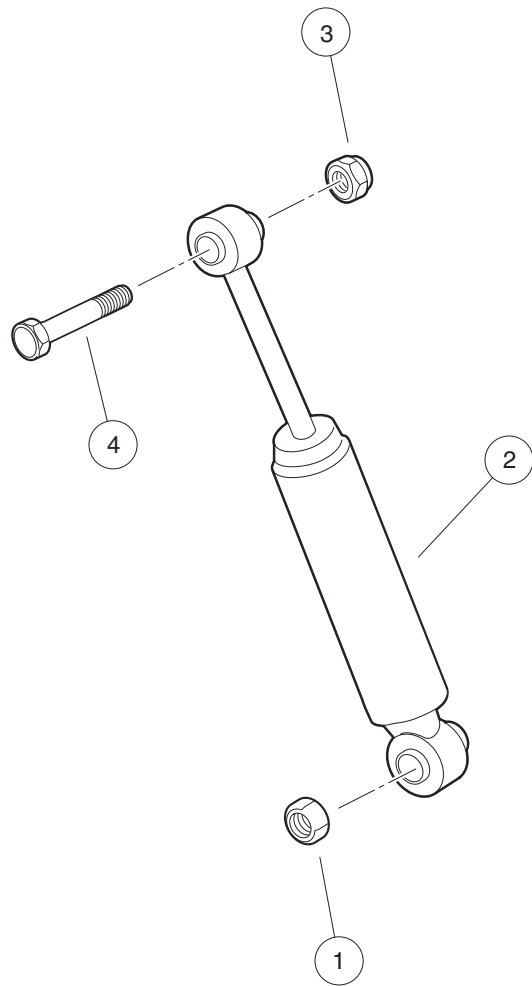
000301-005

# FRONT SPINDLES AND HUBS – CA232 AND XRT800/810/850 WITH CONVENTIONAL BALL JOINTS

ITEM	PART NO.	DESCRIPTION	QTY
		<b>1 2 3 4</b>	
1	<u>102357701</u>	Replacement Kit, Front Hub (includes items 2 through 6) .....	1
2	N/A	Front Hub Assembly, Ball Bearing (includes items 3 and 4) .....	1
3	<u>102353401</u>	Lug Stud, 1/2-20 UNF, 4037 Stl .....	4
4	N/A	Hub, Front .....	1
5	<u>102353201</u>	Cap, Front Hub .....	1
6	<u>102353301</u>	Hex Nut, Locking Flange, M14x2 .....	1
7	N/A	Asm, Hub And Spindle, Left-Hand Ext (includes items 8 through 13) .....	1
8	N/A	Front Hub Assembly, Ball Bearing (includes items 9 and 10) .....	1
9	<u>102353401</u>	Lug Stud, 1/2-20 UNF, 4037 Stl .....	4
10	N/A	Hub, Front .....	1
11	<u>102353201</u>	Cap, Front Hub .....	1
12	<u>102353301</u>	Hex Nut, Locking Flange, M14x2 .....	1
13	<u>102354204</u>	Asm, Spindle, LH, Ext (includes items 14 through 17) .....	1
14	<u>1015597</u>	Fitting, 1/4-28 Thread-Forming Grease .....	1
15	N/A	Subasm, Spindle, LH, Ext .....	1
16	<u>7048</u>	Bushing, Flanged Bronze .....	1
17	<u>8067</u>	Bushing, Bronze Spindle .....	1
18	N/A	Asm, Hub And Spindle, Right-Hand Ext (includes items 19 through 24) .....	1
19	N/A	Front Hub Assembly, Ball Bearing (includes items 20 and 21) .....	1
20	<u>102353401</u>	Lug Stud, 1/2-20 UNF, 4037 Stl .....	4
21	N/A	Hub, Front .....	1
22	<u>102353201</u>	Cap, Front Hub .....	1
23	<u>102353301</u>	Hex Nut, Locking Flange, M14x2 .....	1
24	<u>102354104</u>	Asm, Spindle, RH, Ext (includes items 25 through 28) .....	1
25	<u>1015597</u>	Fitting, 1/4-28 Thread-Forming Grease .....	1
26	N/A	Subasm, Spindle, RH, Ext .....	1
27	<u>7048</u>	Bushing, Flanged Bronze .....	1
28	<u>8067</u>	Bushing, Bronze Spindle .....	1

**6**  
**G**  
**E**

**6**  
**G**  
**E**



001304-001

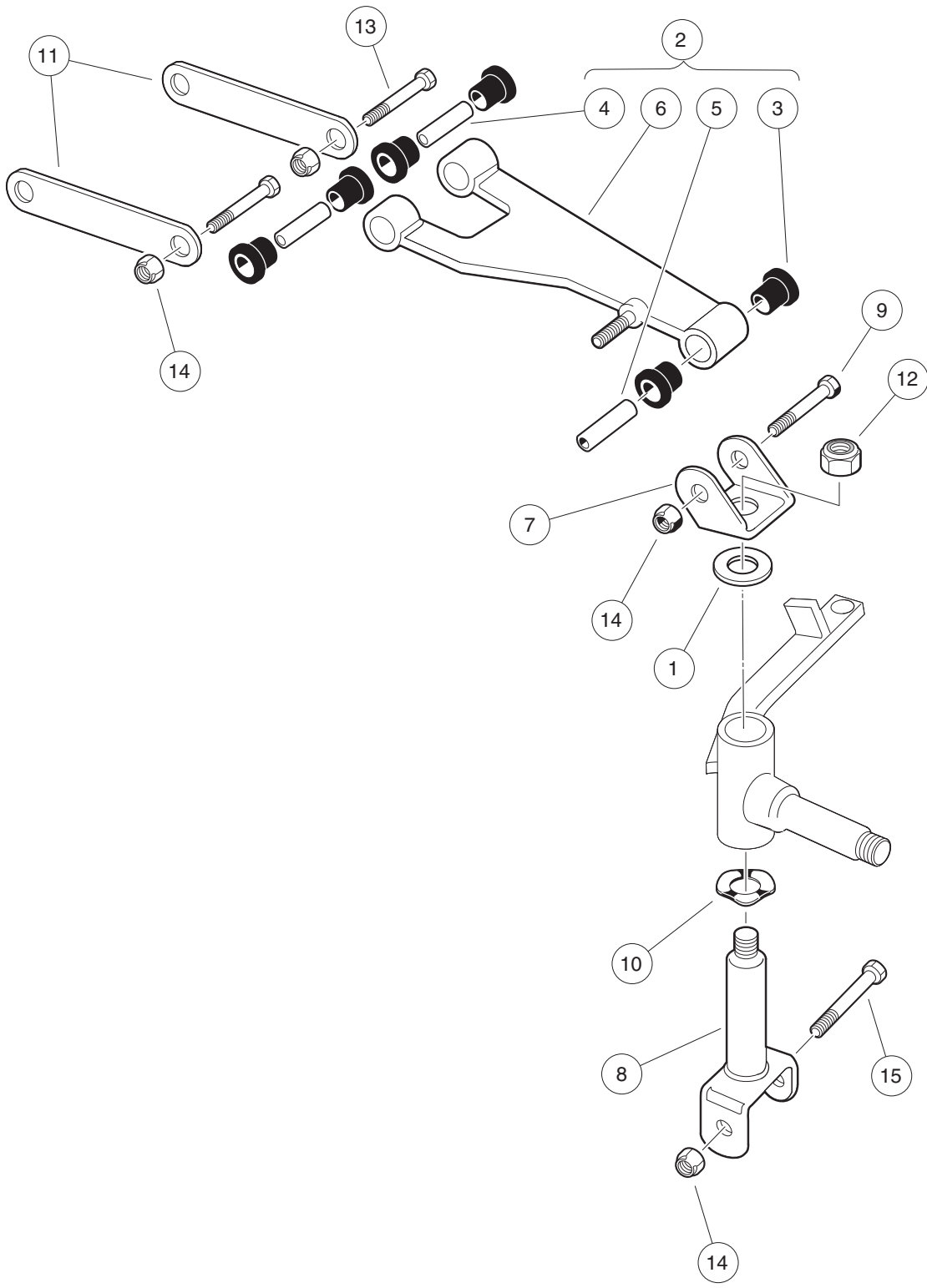


## FRONT SUSPENSION – SHOCK ABSORBERS

ITEM	PART NO.	DESCRIPTION	QTY
		1 2 3 4	
1	<u>1010138</u>	Locknut, 3/8-16 Dimpled .....	2
2	<u>103351001</u>	Shock Absorber, Front, Common .....	2
3	<u>8754</u>	Locknut, 3/8-16 Hex .....	2
4	<u>8861</u>	Bolt, 3/8-16 X 1.75 Hex .....	2

6  
G  
E

**6**  
**G**  
**E**



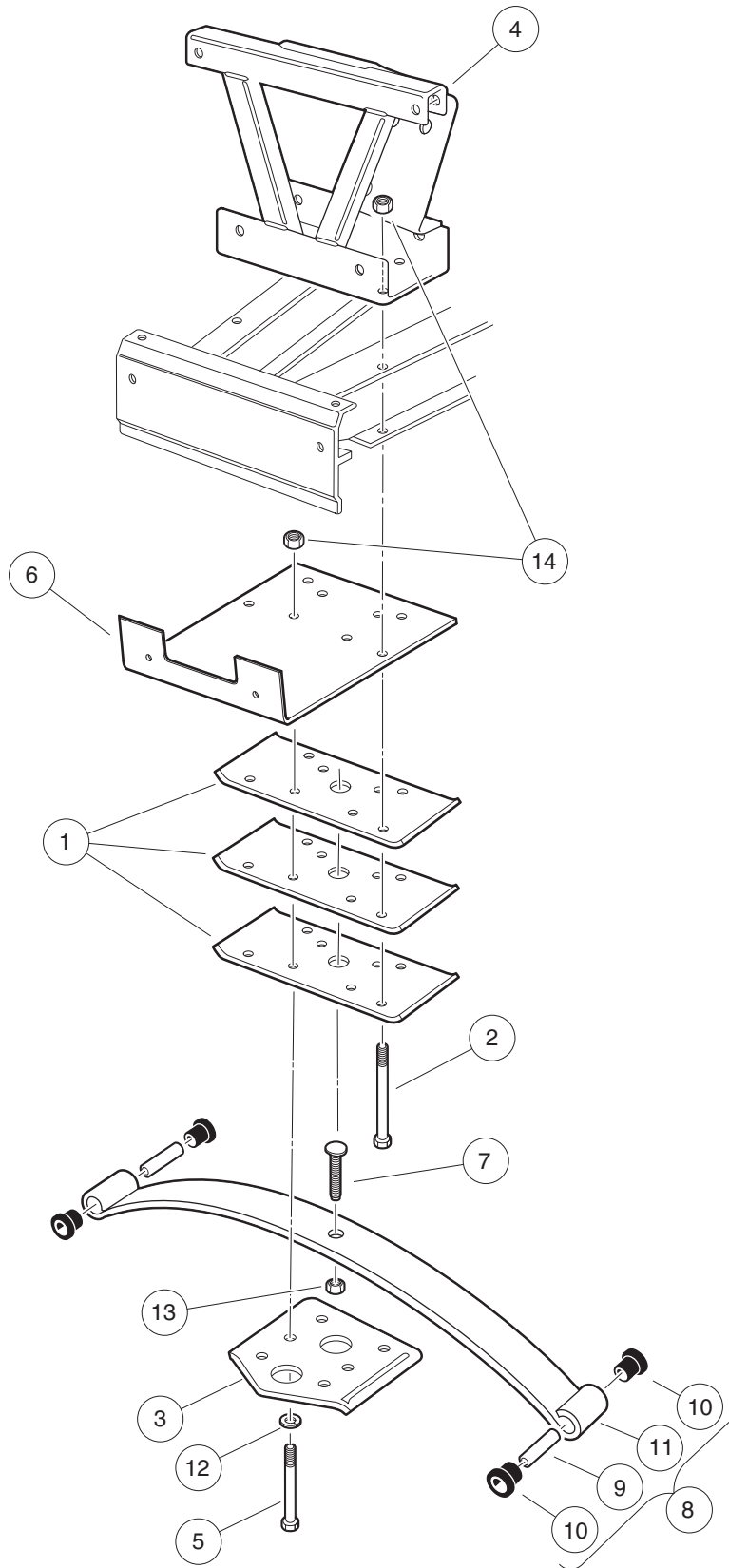
001305-001

# FRONT SUSPENSION, UPPER CONTROL ARMS & KINGPINS

ITEM	PART NO.	DESCRIPTION	QTY
		1 2 3 4	
1	<u>1010150</u>	Bearing, Thrust .....	2
2	<u>1016353</u>	Sub-Assembly, Delta A-Plate (includes items 3 through 6) .....	2
3	<u>1016346</u>	Bushing, Urethane .....	6
4	<u>1016349</u>	Sleeve, Delta Inner .....	2
5	<u>1016350</u>	Sleeve, Delta Outer .....	1
6	<u>1016351</u>	Delta A-Plate .....	1
7	<u>1016384</u>	Clevis, Delta Upper .....	2
8	<u>1016386</u>	King Pin Assembly .....	2
9	<u>1016387</u>	Screw, 3/8-16 X 2.75 Hx Hd Cap .....	2
10	<u>1016389</u>	Washer, 1.125 Od Wave .....	2
11	<u>1017266</u>	A-Plate Strap .....	2
12	<u>101903101</u>	Locknut, 1/2-20 Nylon Insert .....	2
13	<u>2402</u>	Screw, 3/8-16 X 2.25 Hx Hd Cap .....	4
14	<u>8754</u>	Locknut, 3/8-16 Hex .....	8
15	<u>8755</u>	Screw, 3/8-16 X 3.375 Hex Cap .....	2

**6**  
**G**  
**E**

**6**  
**G**  
**E**



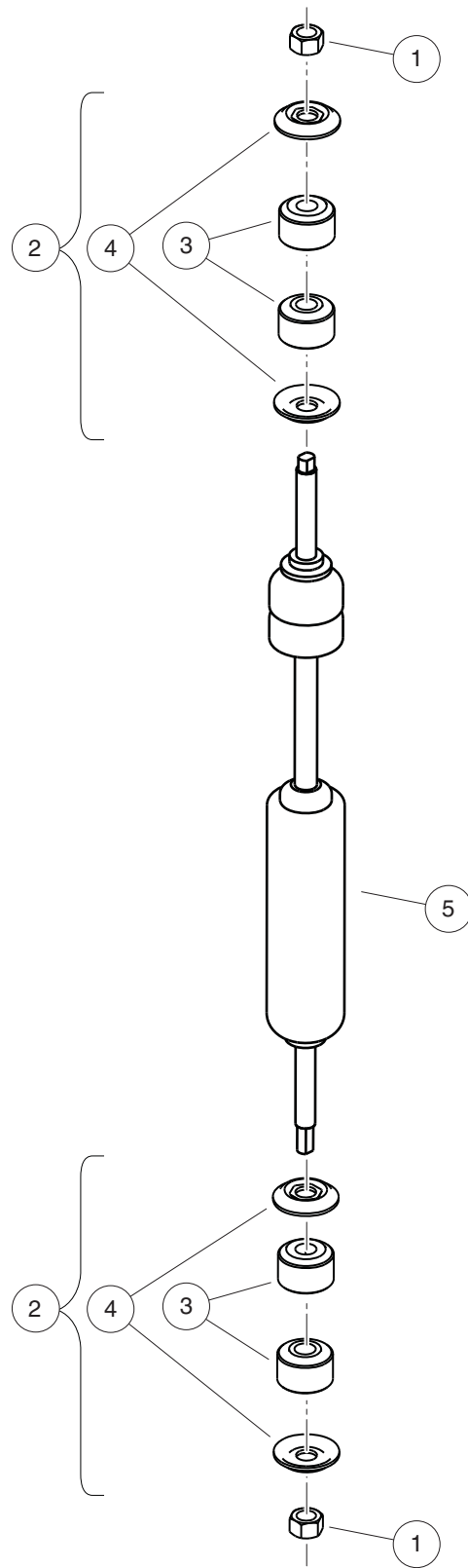
001306-002

# FRONT SUSPENSION, SPRING AND MOUNTING PLATES – XRT850

ITEM	PART NO.	DESCRIPTION	QTY
		1 2 3 4	
1	<u>1010124</u>	Plate, Spring Mount .....	3
2	<u>1013832</u>	Screw, 3/8-16 X 5.00 Hex-Head Cap .....	4
3	<u>1014276</u>	Plate, Front Spring Retainer .....	1
4	<u>1016385</u>	Delta Shock and Gear Support Assembly .....	1
5	<u>1016387</u>	Screw, 3/8-16 X 2.75 Hx Hd Cap .....	4
6	<u>102830401</u>	Support, Brush Guard .....	1
7	<u>103507001</u>	Eccentric Bolt Common .....	1
8	<u>103628701</u>	Spring Asm, Front, 1 Leaf (includes items 9 through 11) .....	1
9	<u>1012303</u>	Bushing, Steel .....	2
10	<u>101558302</u>	Bushing, Urethane, Soft .....	4
11	<u>103502601</u>	Spring, Front, 1 Leaf .....	1
12	<u>357</u>	Lockwasher, 3/8 Split .....	4
13	<u>706</u>	Nut, Hex 3/8-16 .....	1
14	<u>8754</u>	Locknut, 3/8-16 Hex .....	8

**6**  
**G**  
**E**

**6**  
**G**  
**E**



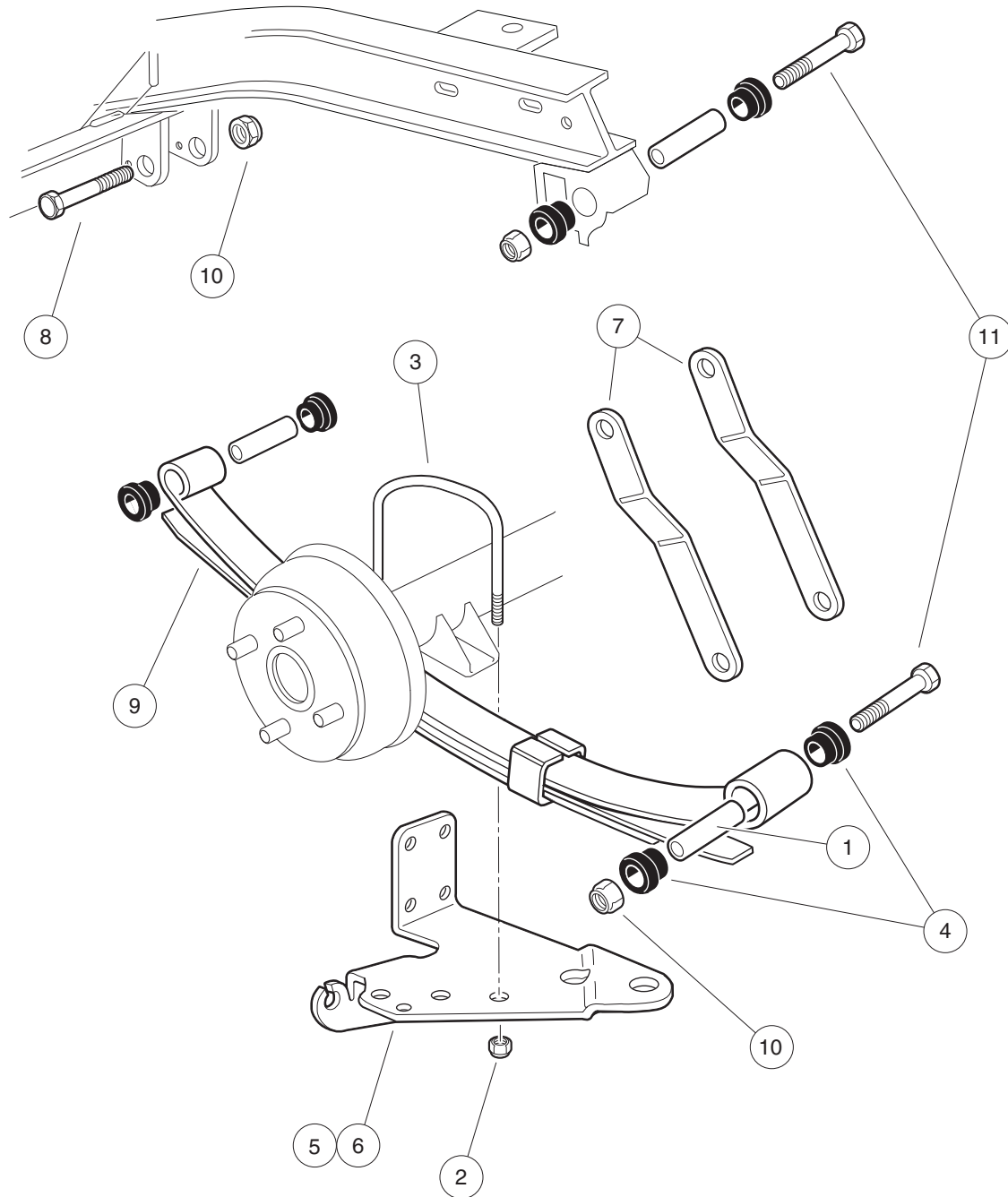
000837-002

## REAR SUSPENSION – SHOCK ABSORBERS

ITEM	PART NO.	DESCRIPTION	QTY
		1 2 3 4	
1	<u>1010145</u>	Nut, 3/8-24 Hex .....	4
2	<u>1011415</u>	Kit, Shock Absorber Cushion (includes items 3 and 4) .....	4
3	N/A	Cushion, Shock Absorber .....	2
4	N/A	Retainer, Shock Absorber Cushion .....	2
5	<u>103351101</u>	Shock, Absorber, Utility .....	2

6  
G  
E

**6**  
**G**  
**E**



001308-001

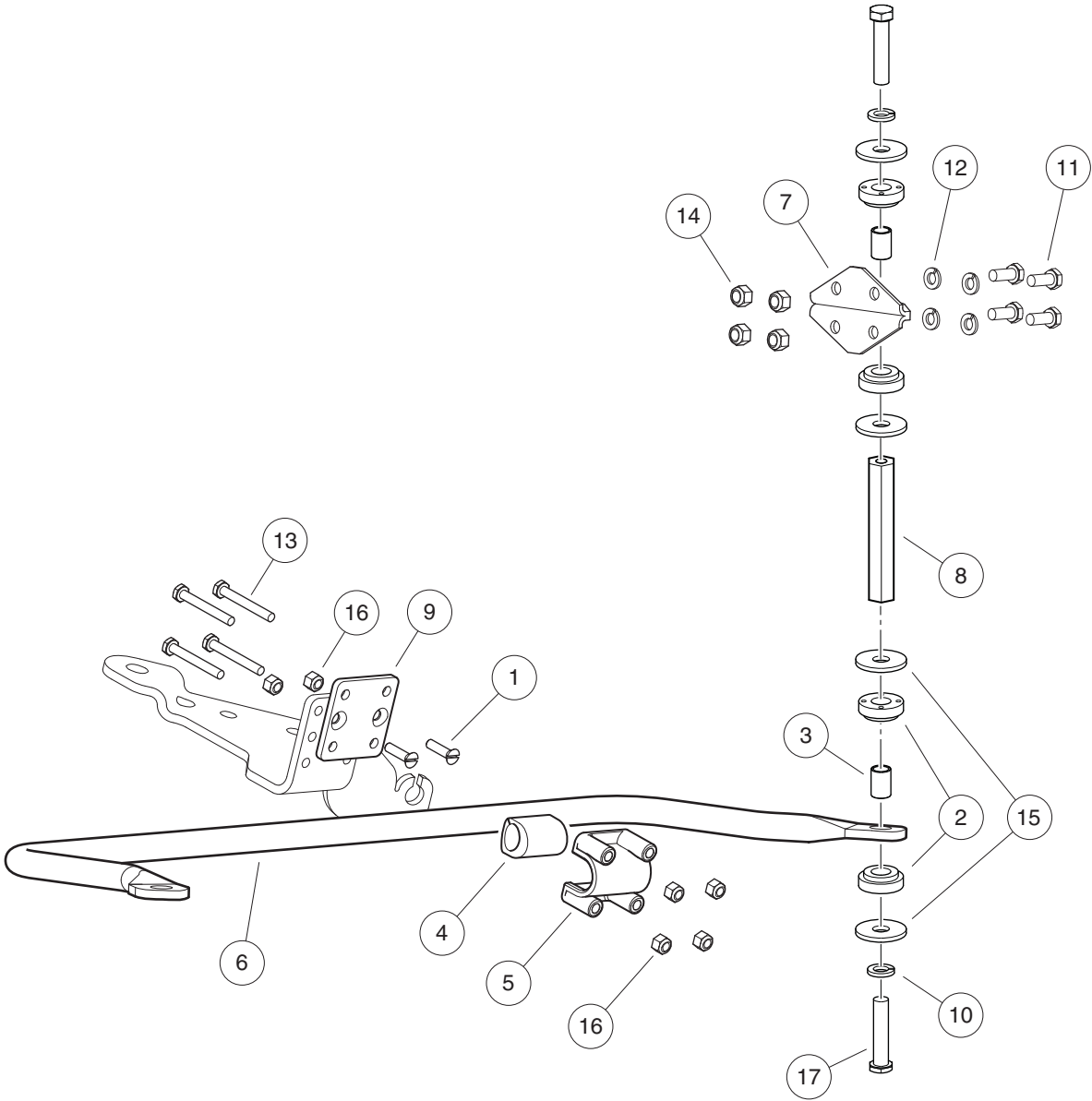


## REAR SUSPENSION, SPRINGS AND HARDWARE

ITEM	PART NO.	DESCRIPTION	QTY
		1 2 3 4	
1	<u>1012303</u>	Bushing, Steel .....	6
2	<u>1014555</u>	Locknut, 7/16-14 Nylon Hex .....	4
3	<u>1014902</u>	U-Bolt .....	2
4	<u>1015583</u>	Bushing, Urethane .....	12
5	<u>101926501</u>	Bracket, Left-Hand .....	1
6	<u>101929401</u>	Bracket, Right .....	1
7	<u>102004201</u>	Rear Spring Shackle .....	4
8	<u>102066201</u>	Screw, 3/8-16 X 3.50 Hex Cap .....	2
9	<u>102871801</u>	Spring, Multi Leaf .....	2
10	<u>8754</u>	Locknut, 3/8-16 Hex .....	6
11	<u>8755</u>	Screw, 3/8-16 X 3.375 Hex Cap .....	4

**6**  
**G**  
**E**

**6**  
**G**  
**E**



001307-001

## STABILIZER BAR – XRT 850

ITEM	PART NO.	DESCRIPTION	QTY
		1 2 3 4	
1	<u>1011857</u>	Screw, 1/4-20 X 1.0 SI Flt Cs .....	4
2	<u>1015453</u>	Compression Mount .....	8
3	<u>1015457</u>	Spacer, 0.720" .....	4
4	<u>1015613</u>	Bushing, Stabilizer Bar .....	2
5	<u>1015614</u>	Support, Bushing .....	2
6	<u>1015760</u>	Stabilizer Bar .....	1
7	<u>1016813</u>	Mounting Bracket, Stabilizer Bar .....	2
8	<u>1016814</u>	Link, Stabilizer Bar .....	2
9	<u>103364801</u>	Bracket, Sway Bar , Lift .....	2
10	<u>357</u>	Lockwasher, 3/8 Split .....	4
11	<u>7173</u>	Screw, 5/16-18 X 0.75, Hex-Head Cap .....	8
12	<u>7174</u>	Lockwasher, 5/16 Split .....	8
13	<u>7311</u>	Screw, 1/4-20 X 2.00 Hex-Head Cap .....	8
14	<u>7473</u>	Locknut, 5/16-18 Nylon Insert .....	8
15	<u>808</u>	Washer, 3/8 Type B Flat .....	8
16	<u>8233</u>	Locknut, 1/4-20, Nylon Insert .....	12
17	<u>8861</u>	Bolt, 3/8-16 X 1.75 Hex .....	4

6  
G  
E

**6**

**G**

**E**

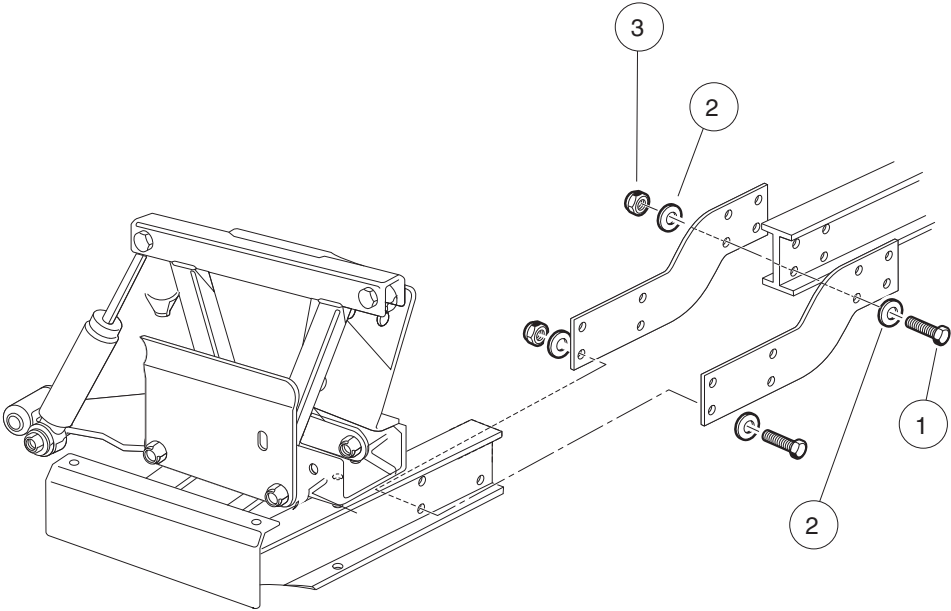
# STEERING AND SUSPENSION WITH MAINTENANCE-FREE BALL JOINTS

---

7

G

E



000304-002

# FRONT FRAME PLATE HARDWARE – TURF/CA 252 AND XRT 850/ 900

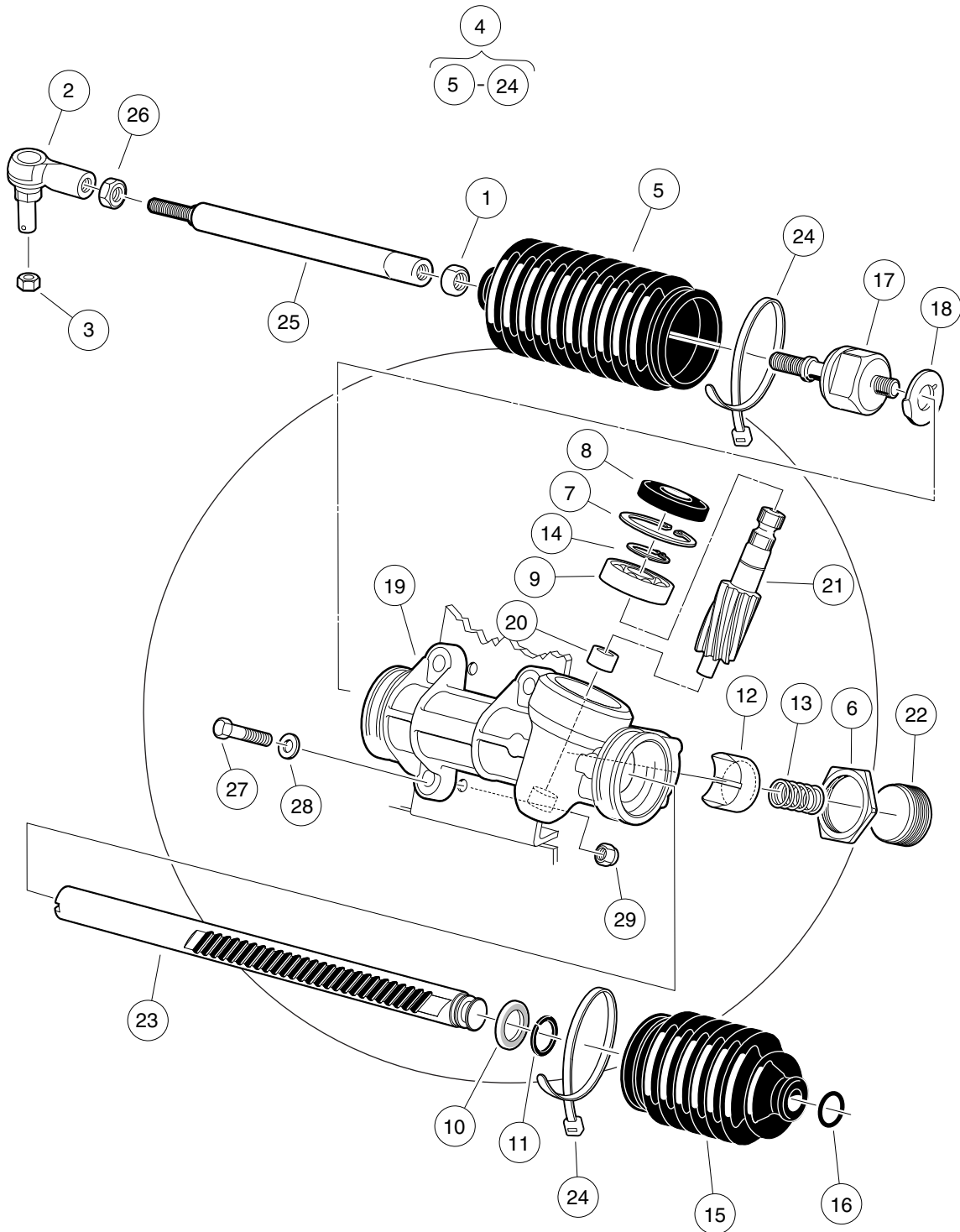
ITEM	PART NO.	DESCRIPTION	QTY
		1 2 3 4	
1	1218	Screw, 5/16-18 X 1.25 Hex-Head Cap .....	16
2	<u>1241</u>	Washer, 5/16 Type A Flat .....	32
3	<u>7473</u>	Locknut, 5/16-18 Nylon Insert .....	16

**7**

**G**

**E**

**7**  
**G**  
**E**



001500-002

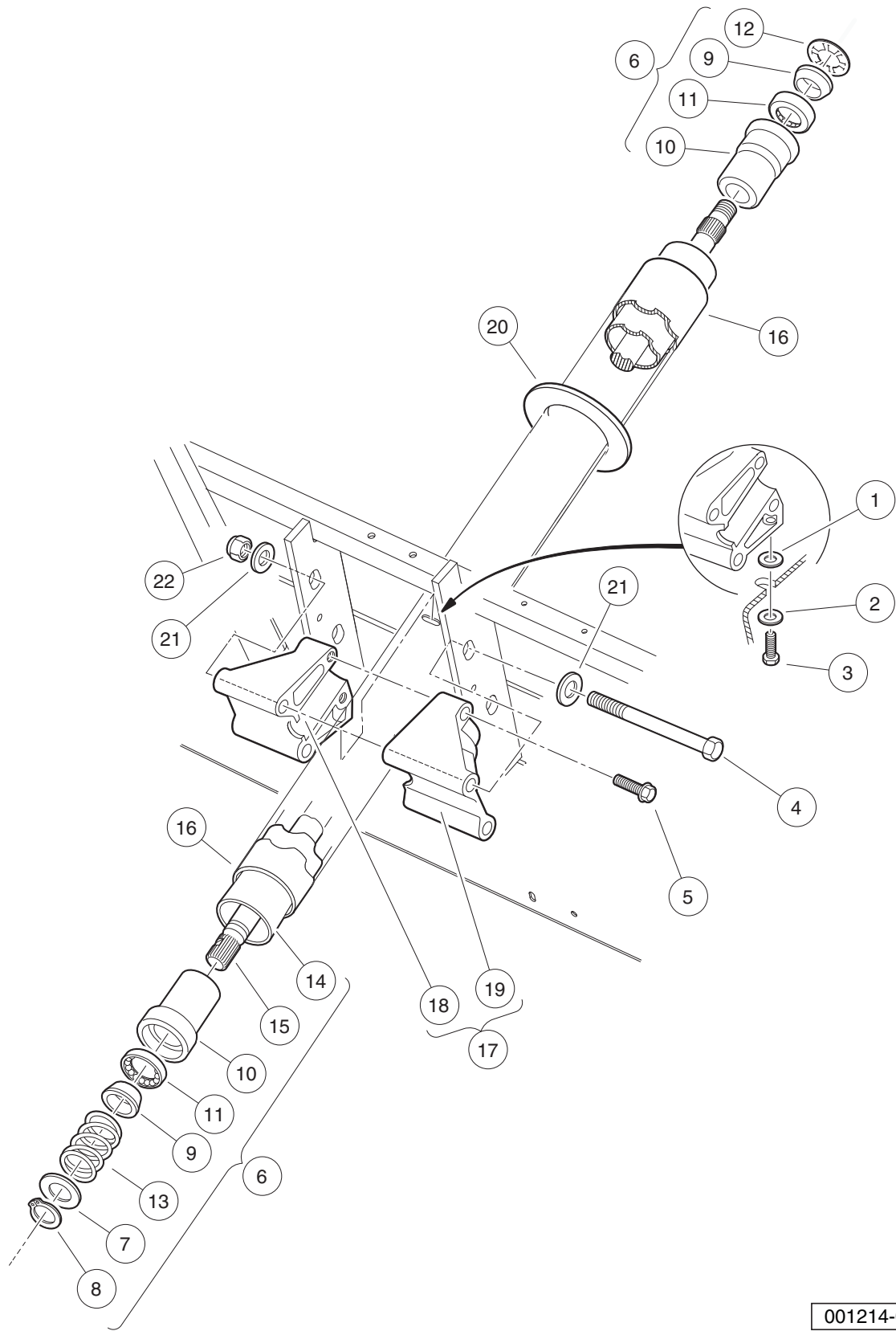


# STEERING GEAR ASSEMBLY (WANDA) – MAINT.-FREE BALL JOINT

ITEM	PART NO.	DESCRIPTION	QTY
		<b>1 2 3 4</b>	
1	1013042	Nut, 12mm Hex .....	1
2	<u>102022602</u>	End, Tie Rod, M12 X 1.25, Lh .....	1
3	<u>102289201</u>	Nut - Hex Locking, M12 X 1.25 .....	1
4	<u>103601501</u>	Asm, Steering Rack And Pinion (includes items 5 through 24) .....	1
5	<u>1013035</u>	Bellows, Long .....	1
6	<u>1013044</u>	Rack Screw Locknut .....	1
7	N/A	Snap Ring .....	1
8	<u>1013052</u>	Seal, Steering Pinion Dust .....	1
9	<u>101879401</u>	Bearing, Ball .....	1
10	<u>101879501</u>	Stop Washer .....	1
11	101879601	Stop Ring, C-Type .....	1
12	<u>101879701</u>	Support Yoke .....	1
13	<u>101879801</u>	Rack Guide Pressure Spring .....	1
14	<u>101879901</u>	Ring, Stop, C-Type .....	1
15	<u>101880001</u>	Bellows, Short .....	1
16	101880101	Dust Seal Retaining Ring .....	1
17	<u>101880201</u>	Inner Ball Joint Asm .....	1
18	101880301	Washer, Tab .....	1
19	N/A	Box, Steering Gear .....	1
20	N/A	Bearing, Lower Pinion .....	1
21	N/A	Pinion, Steering .....	1
22	N/A	Screw, Rack Guide .....	1
23	N/A	Rack, Steering .....	1
24	<u>8990</u>	Tie Wrap, 8" Nylon .....	2
25	<u>103653401</u>	Link, Drag, Male Thd .....	1
26	<u>103653501</u>	Nut, Jam, M12-1.25, Lh .....	1
27	<u>1624</u>	Screw, 3/8-16 X 1.50, Hex-Head Cap .....	3
28	<u>334</u>	Washer, 3/8, Type A, Flat .....	3
29	<u>8754</u>	Locknut, 3/8-16 Hex .....	3

**7**  
**G**  
**E**

**7**  
**G**  
**E**

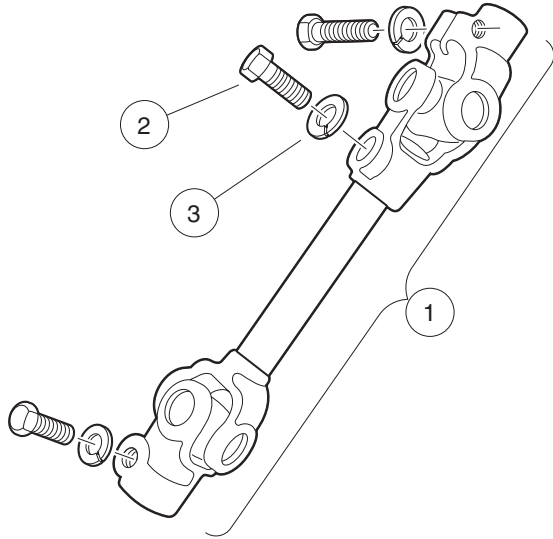


001214-001

## STEERING COLUMN – UTILITY

ITEM	PART NO.	DESCRIPTION	QTY
		1 2 3 4	
1	<u>1011578</u>	Washer, 5/16 Type B Flat .....	1
2	<u>1011697</u>	Washer, 5/16 Flat .....	1
3	<u>1014288</u>	Screw, 5/16-18 X 0.75, Thread-Forming .....	1
4	<u>1016183</u>	Screw, 3/8-16 X 7.00 Hex Cap .....	2
5	<u>1016269</u>	Screw, 5/16-18 Thrd Forming .....	2
6	<u>1017313</u>	Steering Shaft Assembly (includes items 7 through 15) .....	1
7	<u>1012604</u>	Washer, 0.675 ID X 1.19 OD .....	1
8	<u>1012605</u>	Ring, 0.579 Internal Retaining .....	1
9	1014125	Wedge, Molded .....	2
10	<u>1014126</u>	Seat, Plastic Bearing .....	2
11	<u>1014213</u>	Bearing, Ball .....	2
12	1014214	Ring, Retaining .....	1
13	<u>1014217</u>	Spring, Steering Shaft .....	1
14	<u>1017314</u>	Column, Aluminum Steering .....	1
15	<u>1017315</u>	Shaft Steering Column .....	1
16	<u>1017317</u>	Tube Cover, Steering Column .....	1
17	101984801	Kit, Steering Column Mounting Bracket (includes items 18 and 19) .....	1
18	N/A	Bracket, RH Steering Column Mount .....	1
19	N/A	Bracket, LH Steering column mount .....	1
20	<u>102278001</u>	Boot, Steering Column Round .....	1
21	<u>334</u>	Washer, 3/8, Type A, Flat .....	4
22	<u>8754</u>	Locknut, 3/8-16 Hex .....	2

7  
G  
E



001218-001

# INTERMEDIATE STEERING SHAFT – TURF/CA 252 AND XRT 850/ 900

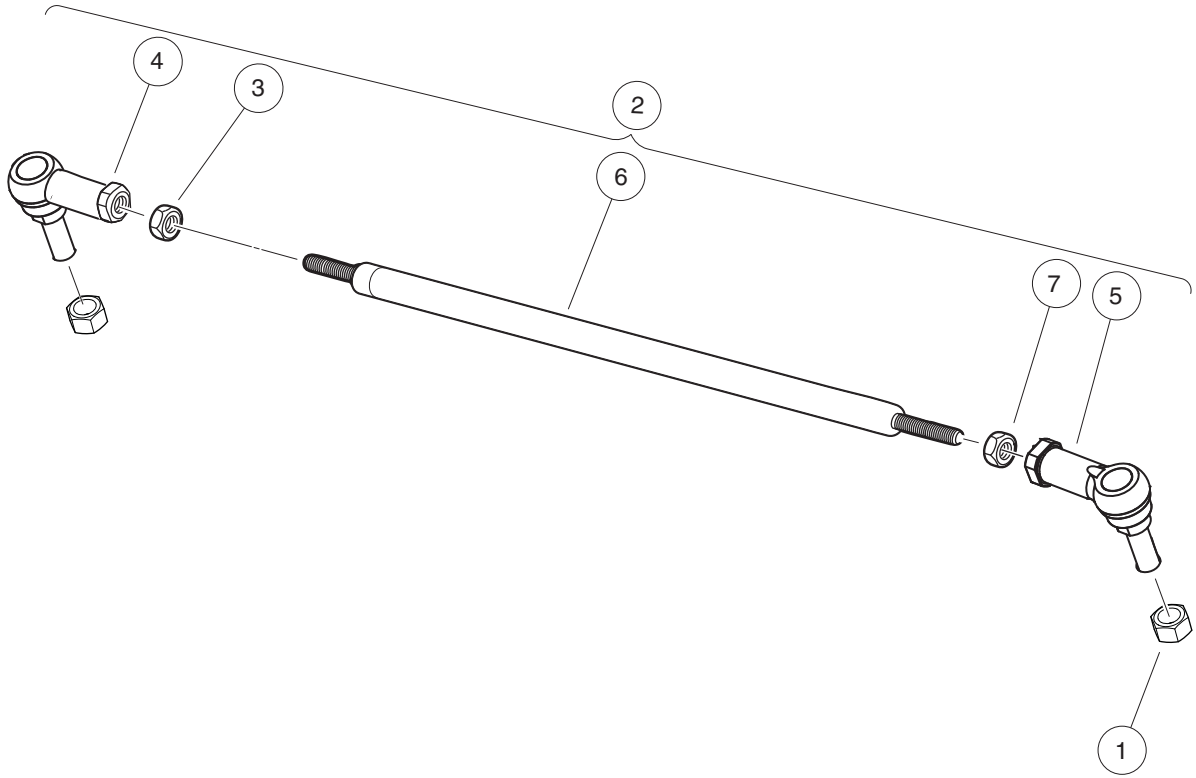
ITEM	PART NO.	DESCRIPTION	QTY
		1 2 3 4	
1	<u>102004101</u>	Joint, Steering (includes items 2 and 3) .....	1
2	<u>1017226</u>	Bolt, Hex-Head, 8mm X 1.25 - 30 .....	3
3	<u>7174</u>	Lockwasher, 5/16 Split .....	3

7

G

E

**7**  
**G**  
**E**



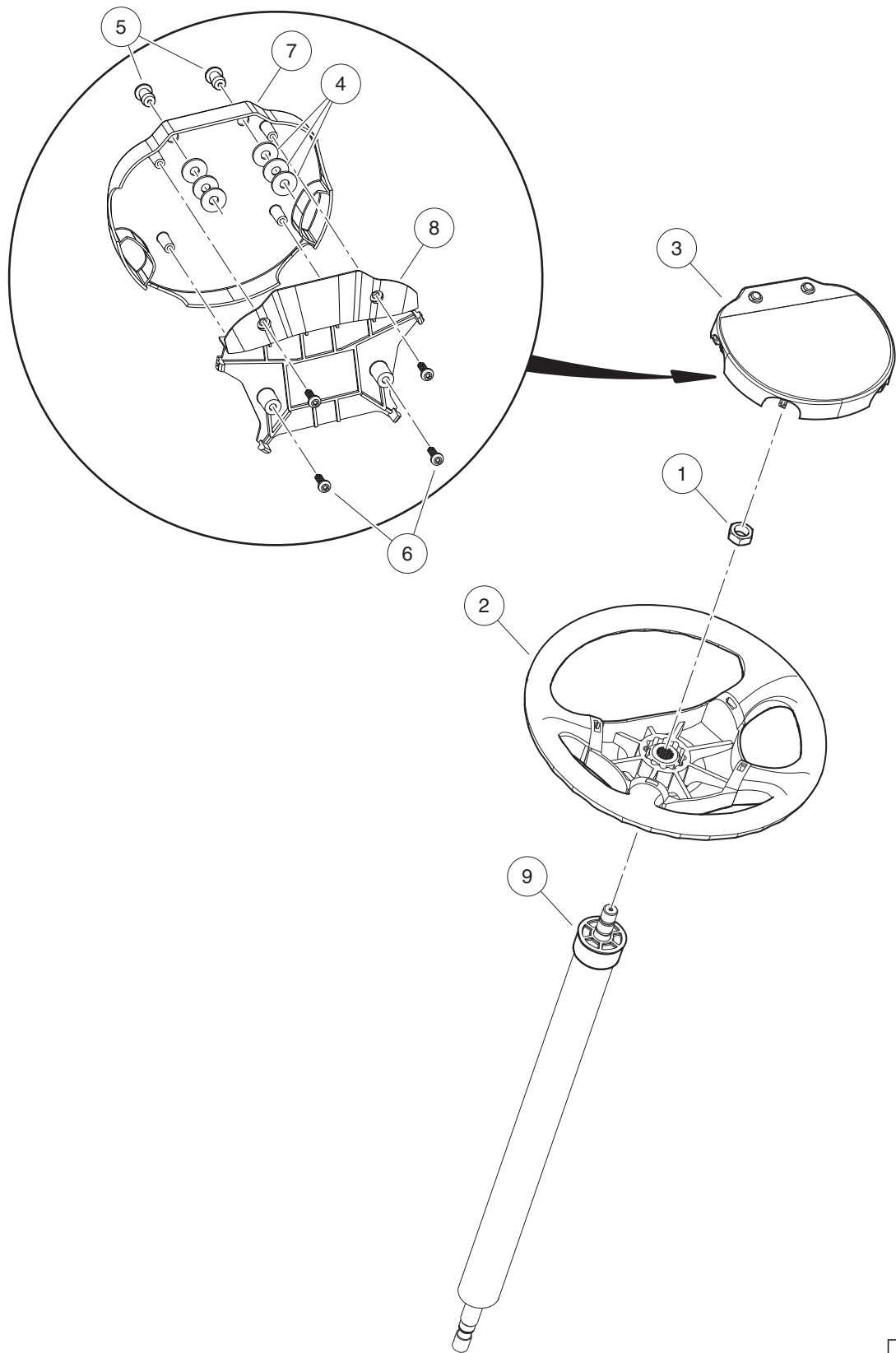
001318-001

## TIE ROD WITH MAINTENANCE-FREE BALL JOINTS

ITEM	PART NO.	DESCRIPTION	QTY
		<b>1 2 3 4</b>	
1	<u>102289201</u>	Nut - Hex Locking, M12 X 1.25 .....	2
2	<u>103653601</u>	Asm, Tie Rod (includes items 3 through 7) .....	1
3	1013042	Nut, 12mm Hex .....	1
4	<u>102022601</u>	End, Tie Rod M12 X 1.25 Rh .....	1
5	<u>102022602</u>	End, Tie Rod, M12 X 1.25, Lh .....	1
6	<u>103354701</u>	Rod, Tie, Male Thd .....	1
7	<u>103653501</u>	Nut, Jam, M12-1.25, Lh .....	1

**7**  
**G**  
**E**

**7**  
**G**  
**E**



000832-002



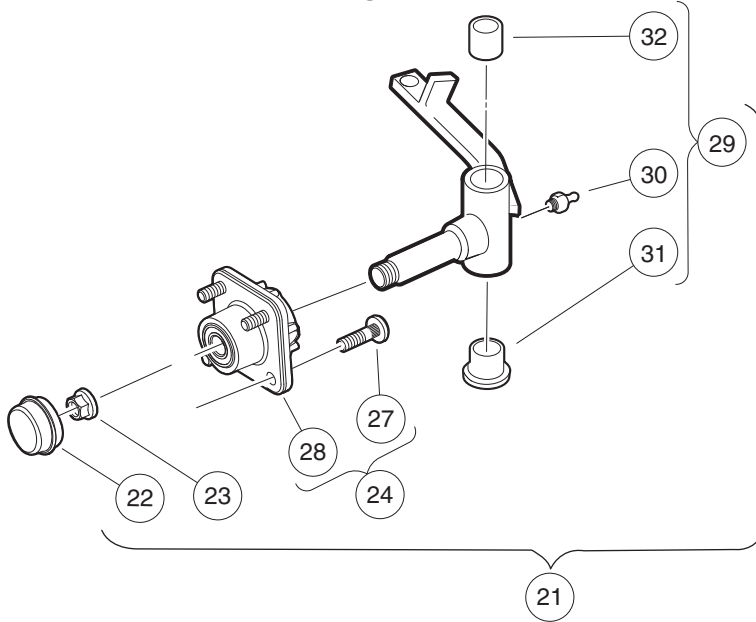
# STEERING WHEEL – XRT850

ITEM	PART NO.	DESCRIPTION	QTY
		1 2 3 4	
1	<u>1017273</u>	Nut, 5/8-18 Nylon Insert Jam .....	1
2	102537802	Steer Wheel, Comf/grip, Spline .....	1
3	<u>102540802</u>	Center, Plate, Steering Wheel (includes items 4 through 8) .....	1
4	<u>1011697</u>	Washer, 5/16 Flat .....	6
5	<u>1016967</u>	Blind Rivet, Push Type .....	2
6	<u>102296020</u>	Screw, Torx Pan Hd Pt, M6 X 20 .....	4
7	N/A	Scorecard Plate, Comfort Grip .....	1
8	N/A	Scorecard Back Plate .....	1
9	<u>103405501</u>	Shroud, Steering Column Spline .....	1

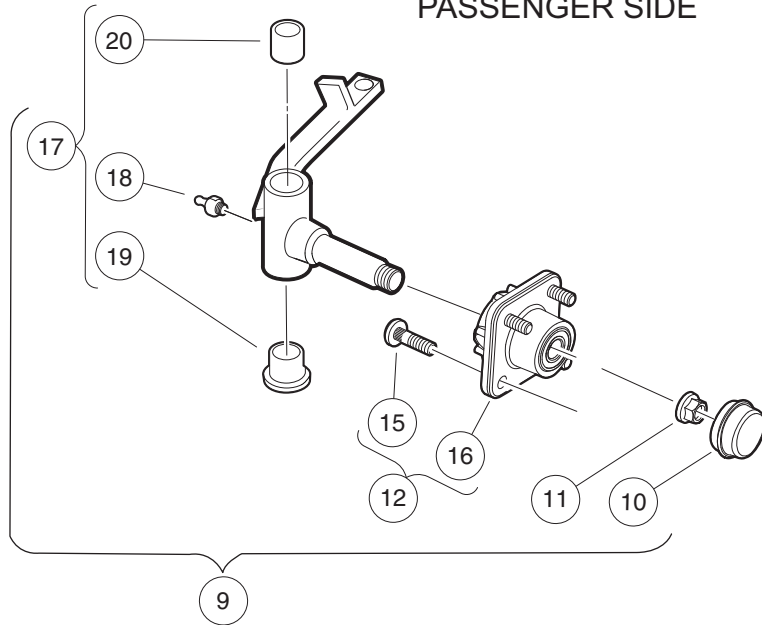
7  
G  
E

**7**  
**G**  
**E**

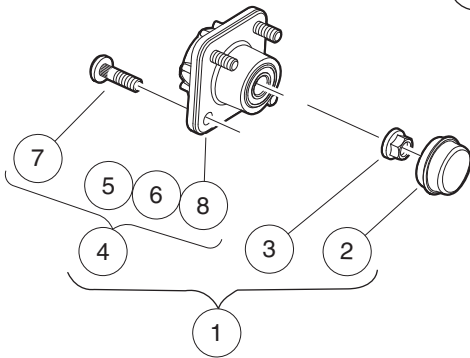
DRIVER SIDE



PASSENGER SIDE



REPLACEMENT HUB  
FOR DRIVER OR  
PASSENGER SIDE



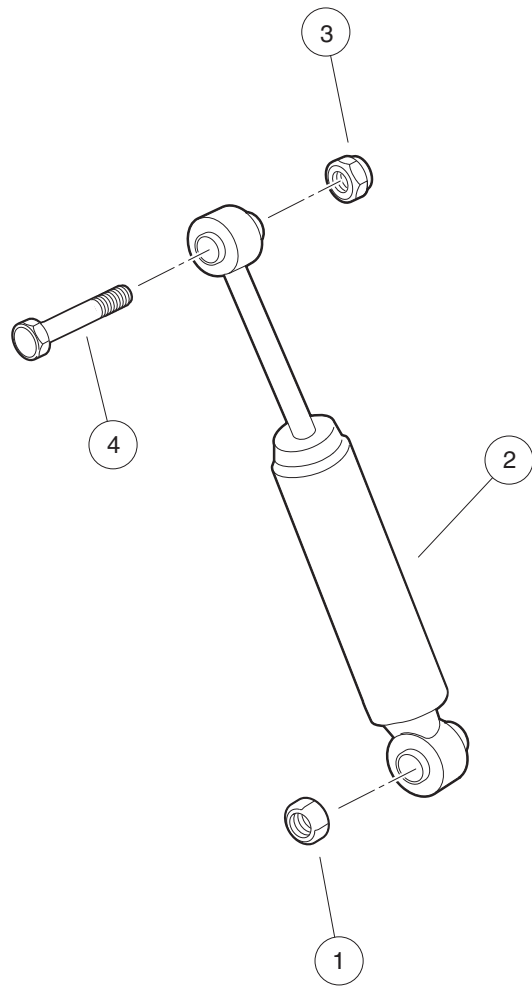
000301-007

# FRONT SPINDLES AND HUBS – CA232 AND XRT800/810/850 WITH MAINTENANCE-FREE BALL JOINTS

ITEM	PART NO.	DESCRIPTION	QTY
		<b>1 2 3 4</b>	
1	<u>102357701</u>	Replacement Kit, Front Hub (includes items 2 through 4) .....	1
2	<u>102353201</u>	Cap, Front Hub .....	1
3	<u>102353301</u>	Hex Nut, Locking Flange, M14x2 .....	1
4	N/A	Asm, Front Hub, Bb, Long Stud (includes items 5 through 8) .....	1
5	N/A	Bearing, Ball, 6204 .....	2
6	N/A	Spacer, Bearing, Front Hub, Pm .....	1
7	<u>103477901</u>	Lug Stud, 1/2-20 Unf, 4037 .....	4
8	N/A	Front Hub, Ball Brg, Long Stud .....	1
9	103667302	Asm, Frt Hub & Spndle, Rh, Ext (includes items 10 through 17) .....	1
10	<u>102353201</u>	Cap, Front Hub .....	1
11	<u>102353301</u>	Hex Nut, Locking Flange, M14x2 .....	1
12	N/A	Asm, Front Hub, Bb, Long Stud (includes items 13 through 16) .....	1
13	N/A	Bearing, Ball, 6204 .....	2
14	N/A	Spacer, Bearing, Front Hub, Pm .....	1
15	<u>103477901</u>	Lug Stud, 1/2-20 Unf, 4037 .....	4
16	N/A	Front Hub, Ball Brg, Long Stud .....	1
17	<u>103667104</u>	Asm, Spindle, Rh, Ext, Sp (includes items 18 through 20) .....	1
18	<u>1015597</u>	Fitting, 1/4-28 Thread-Forming Grease .....	1
19	<u>7048</u>	Bushing, Flanged Bronze .....	1
20	<u>8067</u>	Bushing, Bronze Spindle .....	1
21	103667402	Asm, Frt Hub & Spndle, Lh, Ext (includes items 22 through 29) .....	1
22	<u>102353201</u>	Cap, Front Hub .....	1
23	<u>102353301</u>	Hex Nut, Locking Flange, M14x2 .....	1
24	N/A	Asm, Front Hub, Bb, Long Stud (includes items 25 through 28) .....	1
25	N/A	Bearing, Ball, 6204 .....	2
26	N/A	Spacer, Bearing, Front Hub, Pm .....	1
27	<u>103477901</u>	Lug Stud, 1/2-20 Unf, 4037 .....	4
28	N/A	Front Hub, Ball Brg, Long Stud .....	1
29	<u>103667204</u>	Asm, Spindle, Lh, Ext, Sp (includes items 30 through 32) .....	1
30	<u>1015597</u>	Fitting, 1/4-28 Thread-Forming Grease .....	1
31	<u>7048</u>	Bushing, Flanged Bronze .....	1
32	<u>8067</u>	Bushing, Bronze Spindle .....	1

**7**  
**G**  
**E**

**7**  
**G**  
**E**



001304-001

# FRONT SUSPENSION – SHOCK ABSORBERS

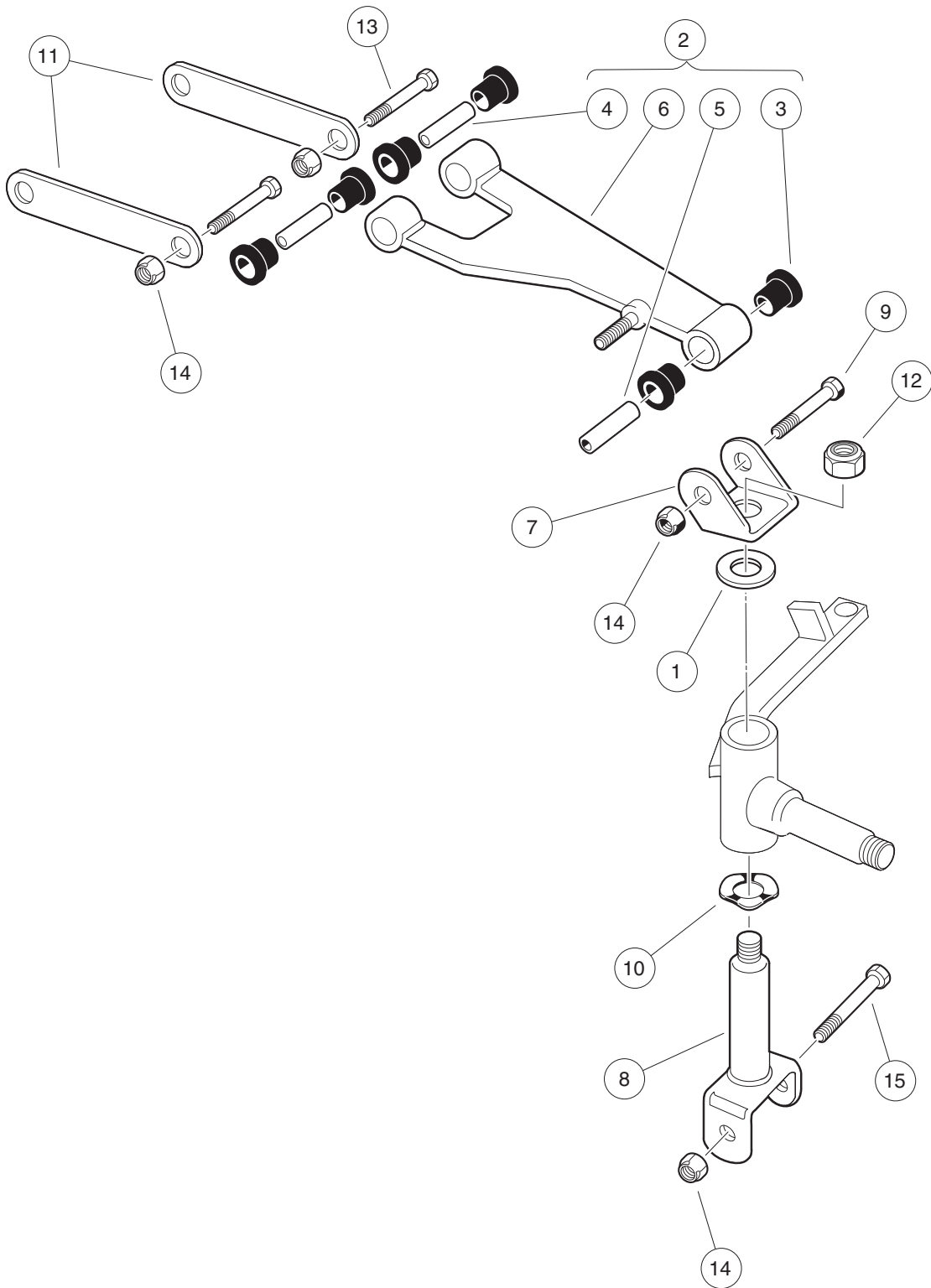
ITEM	PART NO.	DESCRIPTION	QTY
		1 2 3 4	
1	<u>1010138</u>	Locknut, 3/8-16 Dimpled .....	2
2	<u>103351001</u>	Shock Absorber, Front, Common .....	2
3	<u>8754</u>	Locknut, 3/8-16 Hex .....	2
4	<u>8861</u>	Bolt, 3/8-16 X 1.75 Hex .....	2

7

G

E

**7**  
**G**  
**E**



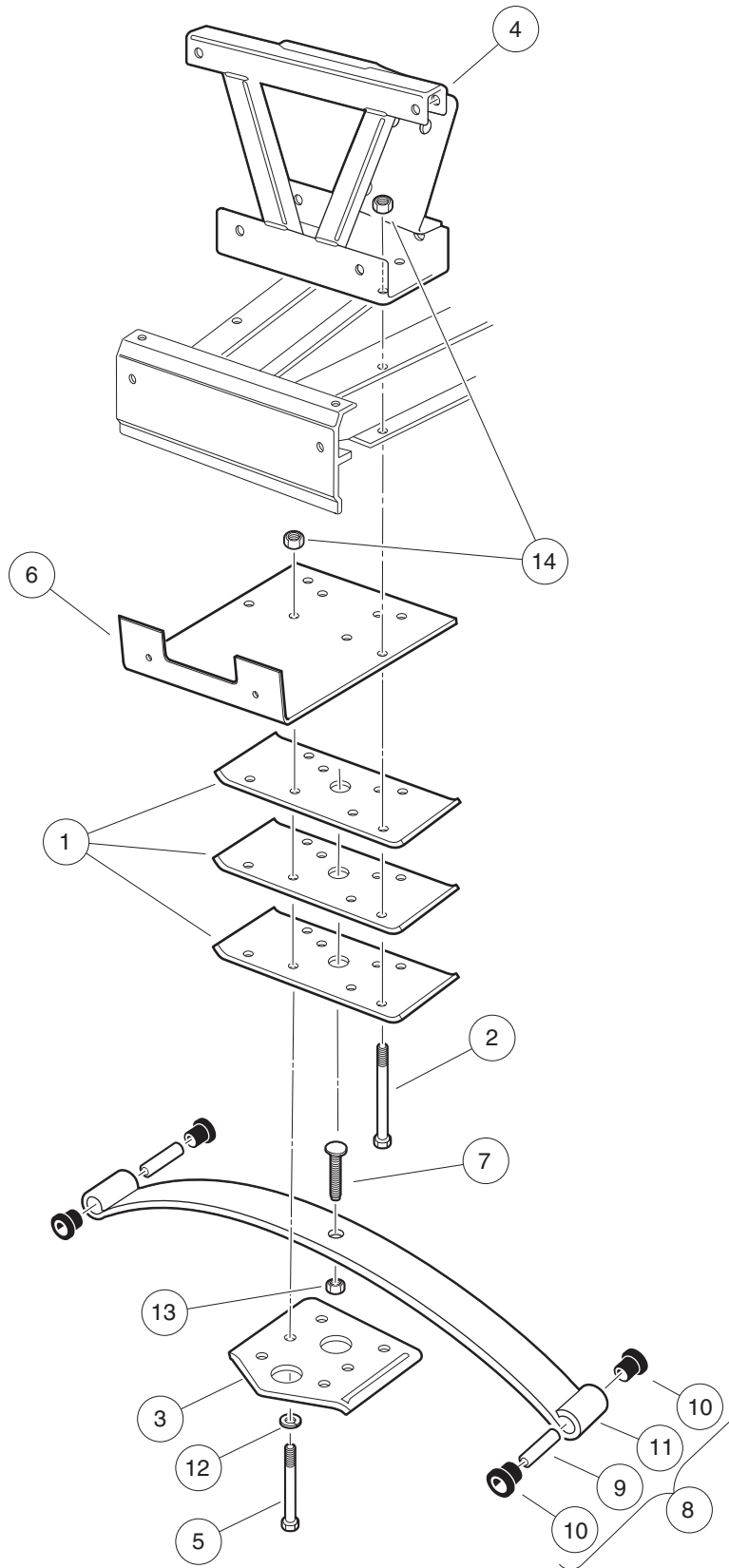
001305-001

# FRONT SUSPENSION, UPPER CONTROL ARMS & KINGPINS

ITEM	PART NO.	DESCRIPTION	QTY
		1 2 3 4	
1	<u>1010150</u>	Bearing, Thrust .....	2
2	<u>1016353</u>	Sub-Assembly, Delta A-Plate (includes items 3 through 6) .....	2
3	<u>1016346</u>	Bushing, Urethane .....	6
4	<u>1016349</u>	Sleeve, Delta Inner .....	2
5	<u>1016350</u>	Sleeve, Delta Outer .....	1
6	<u>1016351</u>	Delta A-Plate .....	1
7	<u>1016384</u>	Clevis, Delta Upper .....	2
8	<u>1016386</u>	King Pin Assembly .....	2
9	<u>1016387</u>	Screw, 3/8-16 X 2.75 Hx Hd Cap .....	2
10	<u>1016389</u>	Washer, 1.125 Od Wave .....	2
11	<u>1017266</u>	A-Plate Strap .....	2
12	<u>101903101</u>	Locknut, 1/2-20 Nylon Insert .....	2
13	<u>2402</u>	Screw, 3/8-16 X 2.25 Hx Hd Cap .....	4
14	<u>8754</u>	Locknut, 3/8-16 Hex .....	8
15	<u>8755</u>	Screw, 3/8-16 X 3.375 Hex Cap .....	2

**7**  
**G**  
**E**

**7**  
**G**  
**E**



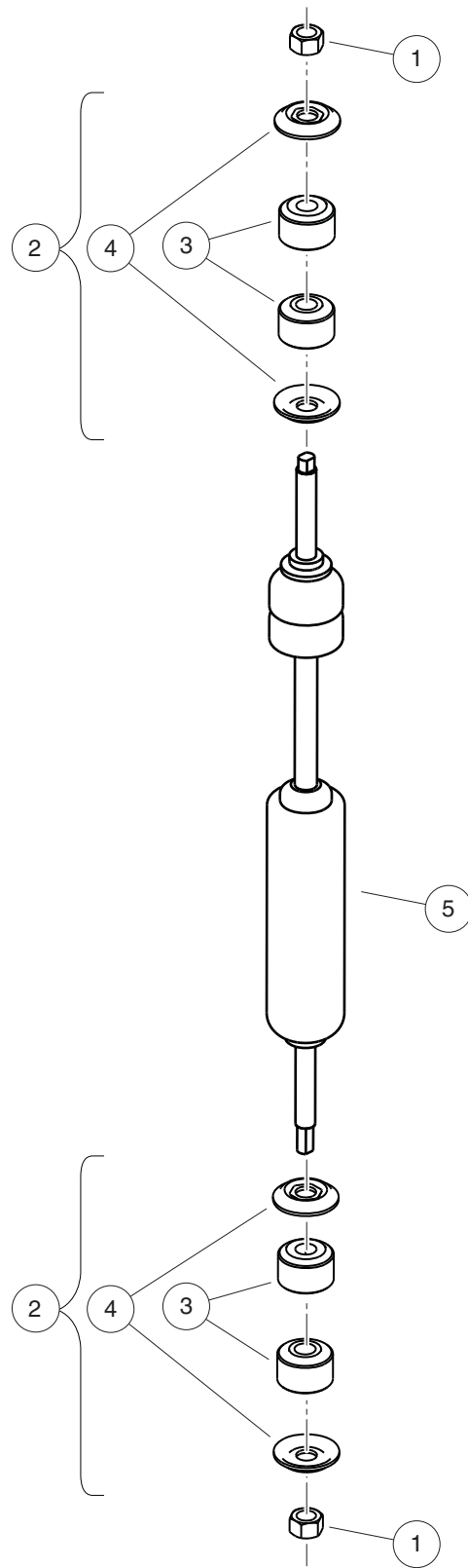
001306-002



# FRONT SUSPENSION, SPRING AND MOUNTING PLATES – XRT850

ITEM	PART NO.	DESCRIPTION	QTY
		1 2 3 4	
1	<u>1010124</u>	Plate, Spring Mount .....	3
2	<u>1013832</u>	Screw, 3/8-16 X 5.00 Hex-Head Cap .....	4
3	<u>1014276</u>	Plate, Front Spring Retainer .....	1
4	<u>1016385</u>	Delta Shock and Gear Support Assembly .....	1
5	<u>1016387</u>	Screw, 3/8-16 X 2.75 Hx Hd Cap .....	4
6	<u>102830401</u>	Support, Brush Guard .....	1
7	<u>103507001</u>	Eccentric Bolt Common .....	1
8	<u>103628701</u>	Spring Asm, Front, 1 Leaf (includes items 9 through 11) .....	1
9	<u>1012303</u>	Bushing, Steel .....	2
10	<u>101558302</u>	Bushing, Urethane, Soft .....	4
11	<u>103502601</u>	Spring, Front, 1 Leaf .....	1
12	<u>357</u>	Lockwasher, 3/8 Split .....	4
13	<u>706</u>	Nut, Hex 3/8-16 .....	1
14	<u>8754</u>	Locknut, 3/8-16 Hex .....	8

**7**  
**G**  
**E**



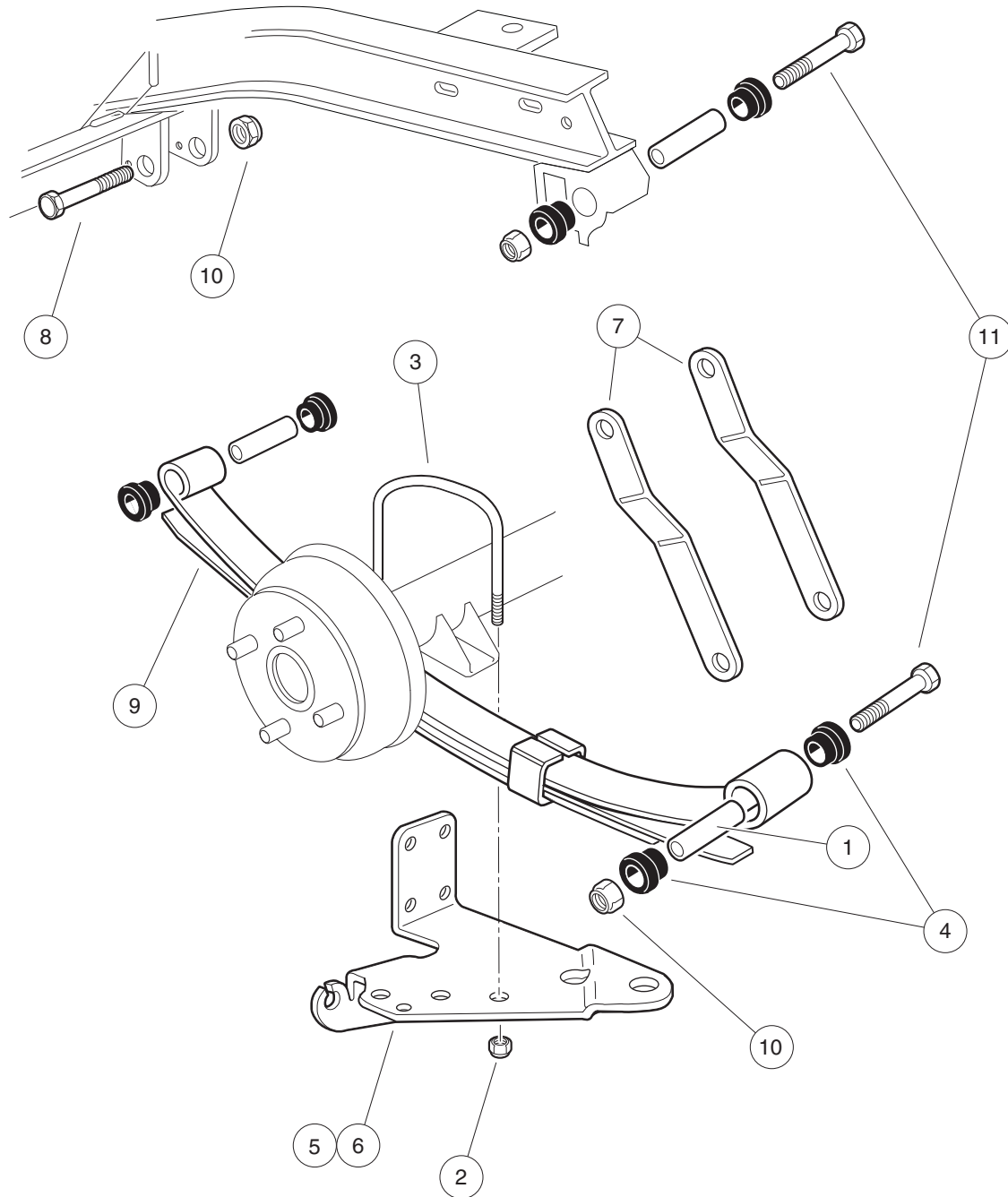
000837-002

## REAR SUSPENSION – SHOCK ABSORBERS

ITEM	PART NO.	DESCRIPTION	QTY
		<b>1 2 3 4</b>	
1	<u>1010145</u>	Nut, 3/8-24 Hex .....	4
2	<u>1011415</u>	Kit, Shock Absorber Cushion (includes items 3 and 4) .....	4
3	N/A	Cushion, Shock Absorber .....	2
4	N/A	Retainer, Shock Absorber Cushion .....	2
5	<u>103351101</u>	Shock, Absorber, Utility .....	2

**7**  
**G**  
**E**

**7**  
**G**  
**E**



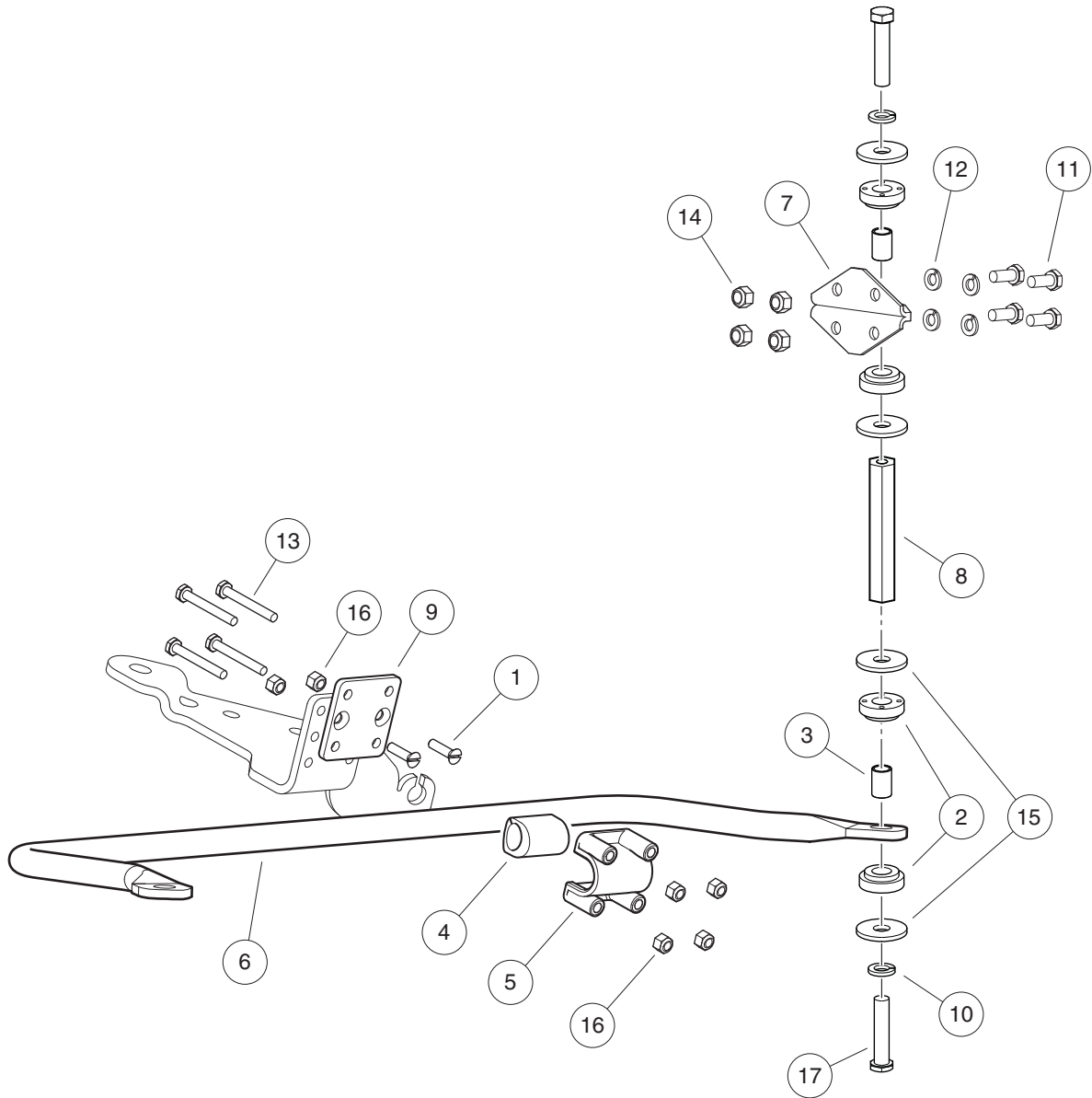
001308-001

## REAR SUSPENSION, SPRINGS AND HARDWARE

ITEM	PART NO.	DESCRIPTION	QTY
		1 2 3 4	
1	<u>1012303</u>	Bushing, Steel .....	6
2	<u>1014555</u>	Locknut, 7/16-14 Nylon Hex .....	4
3	<u>1014902</u>	U-Bolt .....	2
4	<u>1015583</u>	Bushing, Urethane .....	12
5	<u>101926501</u>	Bracket, Left-Hand .....	1
6	<u>101929401</u>	Bracket, Right .....	1
7	<u>102004201</u>	Rear Spring Shackle .....	4
8	<u>102066201</u>	Screw, 3/8-16 X 3.50 Hex Cap .....	2
9	<u>102871801</u>	Spring, Multi Leaf .....	2
10	<u>8754</u>	Locknut, 3/8-16 Hex .....	6
11	<u>8755</u>	Screw, 3/8-16 X 3.375 Hex Cap .....	4

7  
G  
E

**7**  
**G**  
**E**



001307-001

# STABILIZER BAR – XRT 850

ITEM	PART NO.	DESCRIPTION	QTY
		1 2 3 4	
1	<u>1011857</u>	Screw, 1/4-20 X 1.0 SI Flt Cs .....	4
2	<u>1015453</u>	Compression Mount .....	8
3	<u>1015457</u>	Spacer, 0.720" .....	4
4	<u>1015613</u>	Bushing, Stabilizer Bar .....	2
5	<u>1015614</u>	Support, Bushing .....	2
6	<u>1015760</u>	Stabilizer Bar .....	1
7	<u>1016813</u>	Mounting Bracket, Stabilizer Bar .....	2
8	<u>1016814</u>	Link, Stabilizer Bar .....	2
9	<u>103364801</u>	Bracket, Sway Bar , Lift .....	2
10	<u>357</u>	Lockwasher, 3/8 Split .....	4
11	<u>7173</u>	Screw, 5/16-18 X 0.75, Hex-Head Cap .....	8
12	<u>7174</u>	Lockwasher, 5/16 Split .....	8
13	<u>7311</u>	Screw, 1/4-20 X 2.00 Hex-Head Cap .....	8
14	<u>7473</u>	Locknut, 5/16-18 Nylon Insert .....	8
15	<u>808</u>	Washer, 3/8 Type B Flat .....	8
16	<u>8233</u>	Locknut, 1/4-20, Nylon Insert .....	12
17	<u>8861</u>	Bolt, 3/8-16 X 1.75 Hex .....	4

7  
G  
E

**7**

**G**

**E**

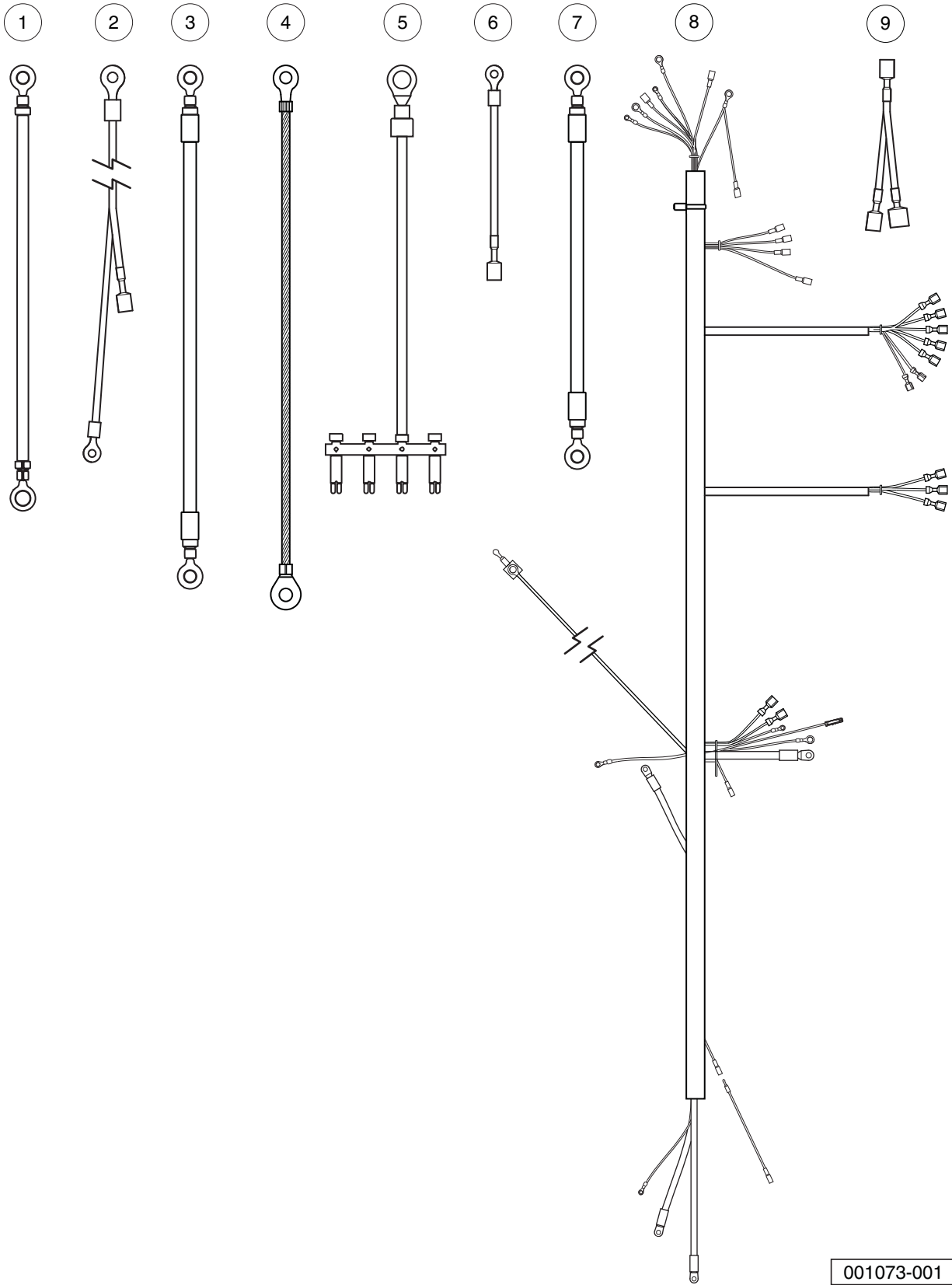


# ELECTRICAL SYSTEM – GASOLINE VEHICLE

---

8

G

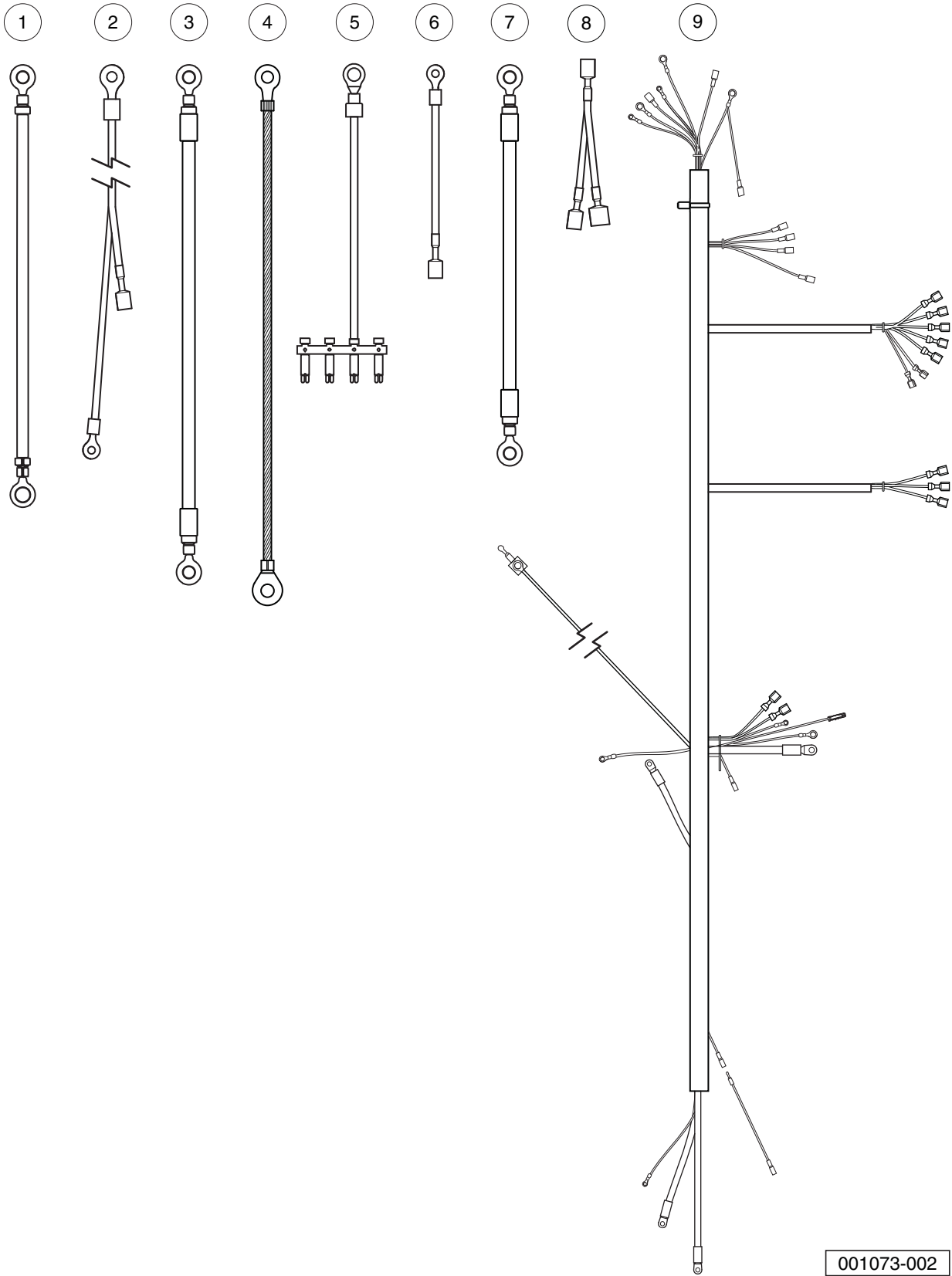


001073-001

# WIRING – TURF/CARRYALL 1/XRT 850GAS WITH G425419 STARTER/GEN

ITEM	PART NO.	DESCRIPTION	QTY
		<b>1 2 3 4</b>	
1	<u>1012382</u>	Wire Assy, #6 Black .....	1
2	<u>1012396</u>	Wire Assy #18 Black .....	1
3	<u>1014119</u>	Wire Assembly #6 Red .....	1
4	<u>1015332</u>	Wire, Ground, #10, Uninsulated .....	1
5	<u>1015737</u>	Wire Assy, #10 Red .....	1
6	<u>1016401</u>	Wire Assy, #16 Orange .....	1
7	<u>101837301</u>	Wire Assy, #6 Green .....	1
8	<u>103197001</u>	Asm, Wire Harness, CA 1, Gas .....	1
9	<u>103348501</u>	Asm, Wire Meter, F-h Jumper .....	1

**8**  
**G**



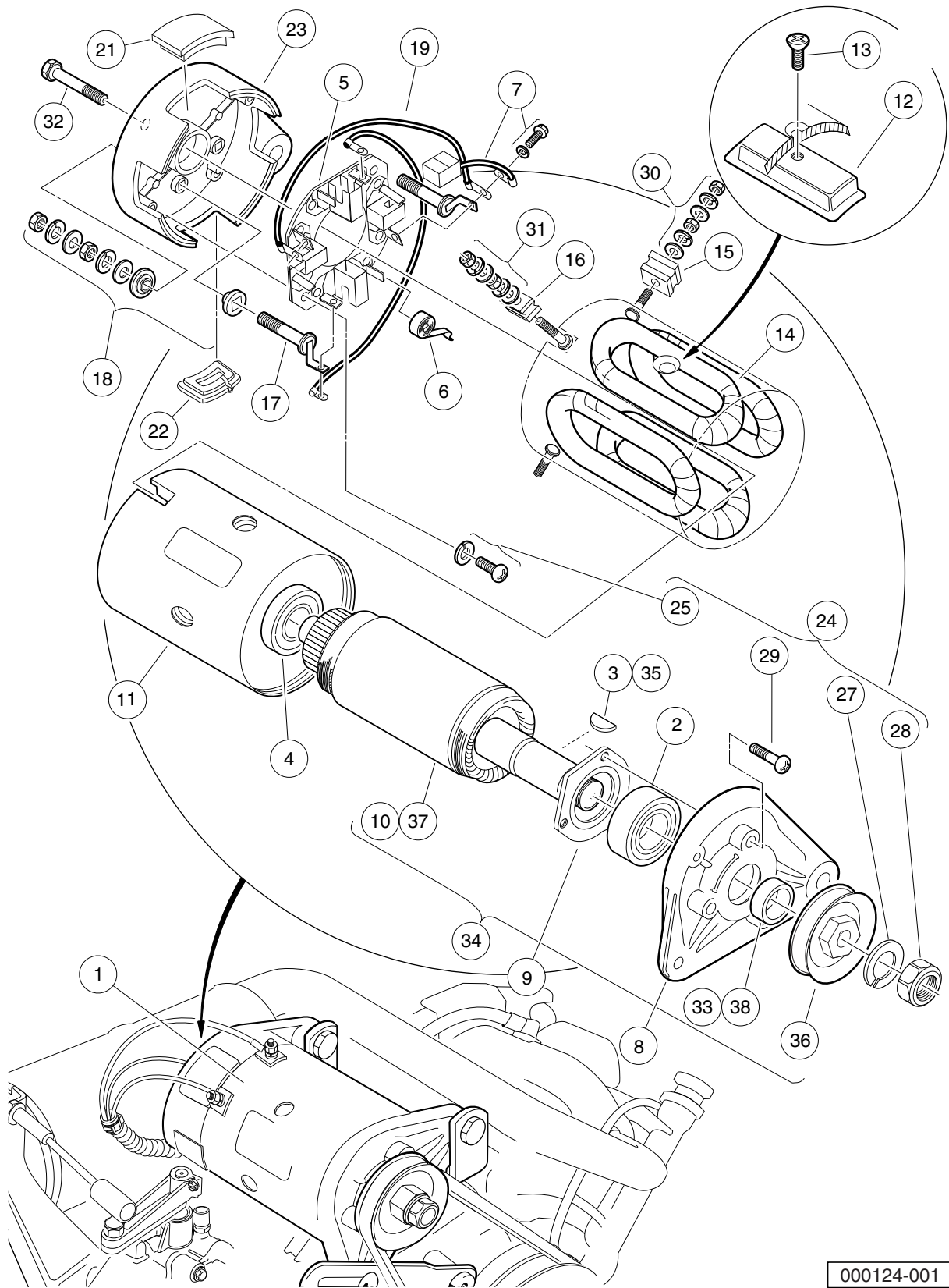
001073-002

# WIRING – TURF/CARRYALL 1/XRT850GAS WITH AMD STARTER/ GEN

ITEM	PART NO.	DESCRIPTION	QTY
		1 2 3 4	
1	<u>1012382</u>	Wire Assy, #6 Black .....	1
2	<u>1012396</u>	Wire Assy #18 Black .....	1
3	<u>1014119</u>	Wire Assembly #6 Red .....	1
4	<u>1015332</u>	Wire, Ground, #10, Uninsulated .....	1
5	<u>1015737</u>	Wire Assy, #10 Red .....	1
6	<u>1016401</u>	Wire Assy, #16 Orange .....	1
7	<u>101837301</u>	Wire Assy, #6 Green .....	1
8	<u>103348501</u>	Asm, Wire Meter, F-h Jumper .....	1
9	<u>103687001</u>	Asm, Harn, Ca1, Gas, Amd S/g .....	1

**8**

**G**

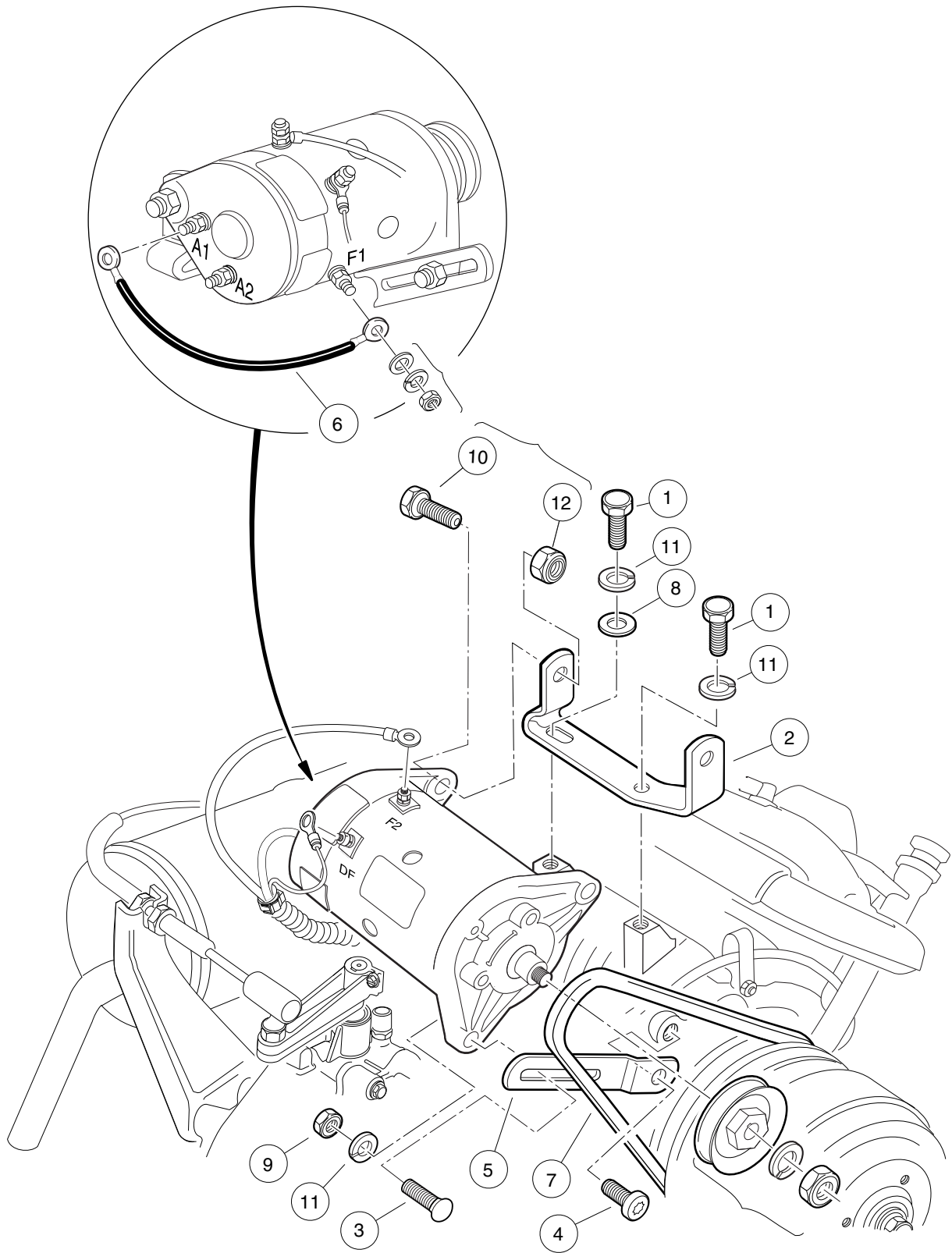


000124-001

# STARTER/GENERATOR ASSEMBLY, MODEL G425419

ITEM	PART NO.	DESCRIPTION	QTY
		1 2 3 4	
1	<u>101833701</u>	Starter/Generator (cw) (includes items 2 through 33) .....	1
2	<u>1013001</u>	Bearing, Output Shaft Ball .....	1
3	<u>1013003</u>	Key, Starter/Generator .....	1
4	<u>1013005</u>	Bearing, Ball .....	1
5	<u>101301102</u>	Brush Holder Assembly (cw) (includes item 6) .....	1
6	<u>101878101</u>	Brush Spring Set .....	4
7	<u>101869302</u>	Brush and Screw Set (cw) .....	1
8	<u>101874901</u>	Front Bracket .....	1
9	<u>101875001</u>	Retainer .....	1
10	<u>101875101</u>	Armature .....	1
11	<u>101875201</u>	Field Coil Housing .....	1
12	<u>101875301</u>	Pole Set .....	1
13	<u>101875401</u>	Screw Set .....	1
14	<u>101875501</u>	Field Stator Coil Assembly .....	1
15	<u>101875601</u>	F Insulator Set .....	2
16	<u>101875701</u>	DF Insulator .....	1
17	<u>101875802</u>	A Connector (cw) .....	1
18	<u>101876001</u>	Screw and Mold Assembly .....	2
19	<u>101876202</u>	Brush Connector Assembly (cw) .....	2
20	<u>101876301</u>	Cover Set (includes items 21 and 22) .....	1
21	N/A	Brush Inspection Port Cover .....	3
22	<u>1017653</u>	Brush Port Cover w/Drain .....	1
23	<u>101876402</u>	End Bell, Commutator, Rear Bracket (cw) .....	1
24	<u>101876501</u>	Nut and Screw Set (includes items 25 through 29) .....	1
25	<u>101896501</u>	Brush Holder Asm Screw .....	2
26	N/A	Washer, M5 Flat .....	1
27	N/A	Washer, M14 Lock .....	1
28	N/A	Nut, Hex, M14 x 2 .....	1
29	N/A	Screw, M5 x 0.8 x 18mm .....	3
30	<u>101877601</u>	Nut and Washer Set .....	2
31	<u>101877701</u>	Nut and Washer Set .....	1
32	<u>101879001</u>	Through Bolt Set .....	2
33	<u>101939901</u>	Spacer .....	1
34	<u>101875102</u>	Armature Asm Conversion Kit (includes items 35 through 38) .....	1
35	<u>1013003</u>	Key, Starter/Generator .....	1
36	<u>1014289</u>	Pulley, Starter/Generator .....	1
37	<u>101875101</u>	Armature .....	1
38	<u>101939901</u>	Spacer .....	1
		Note: Item 36 will ONLY fit Model G425419 Starter/Generator.	

**8**  
**G**



000239-001

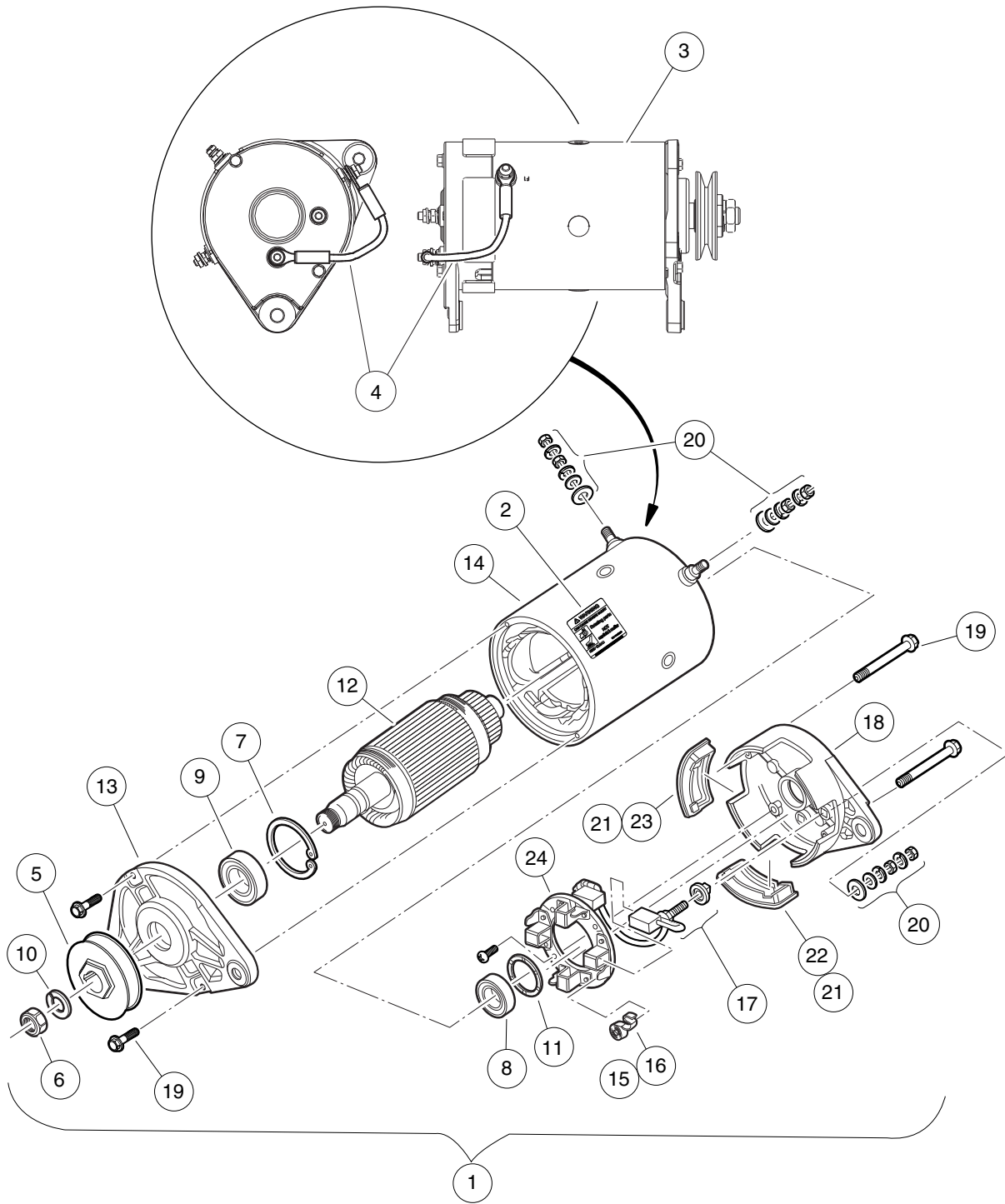


# STARTER/GENERATOR MOUNTING – MODEL G425419

ITEM	PART NO.	DESCRIPTION	QTY
		1 2 3 4	
1	<u>1012830</u>	Screw, M8-125 X 22 Hex-Head .....	2
2	<u>101524002</u>	Bracket, Starter/Generator Mounting .....	1
3	<u>1015932</u>	Bolt, Carriage, 5/16-18 .....	1
4	<u>1016074</u>	Screw, M8-1.25 X 18mm Torx .....	1
5	<u>1016883</u>	Bracket, Starter/Generator Adjustment .....	1
6	<u>101837301</u>	Wire Assy, #6 Green .....	1
7	<u>101916701</u>	V-Belt .....	1
8	<u>1241</u>	Washer, 5/16 Type A Flat .....	1
9	<u>1242</u>	Nut, 5/16-18 Hex .....	1
10	705	Screw, Cap-hex Hd 3/8-16x1.25 .....	2
11	<u>7174</u>	Lockwasher, 5/16 Split .....	3
12	<u>8754</u>	Locknut, 3/8-16 Hex .....	2

**8**

**G**

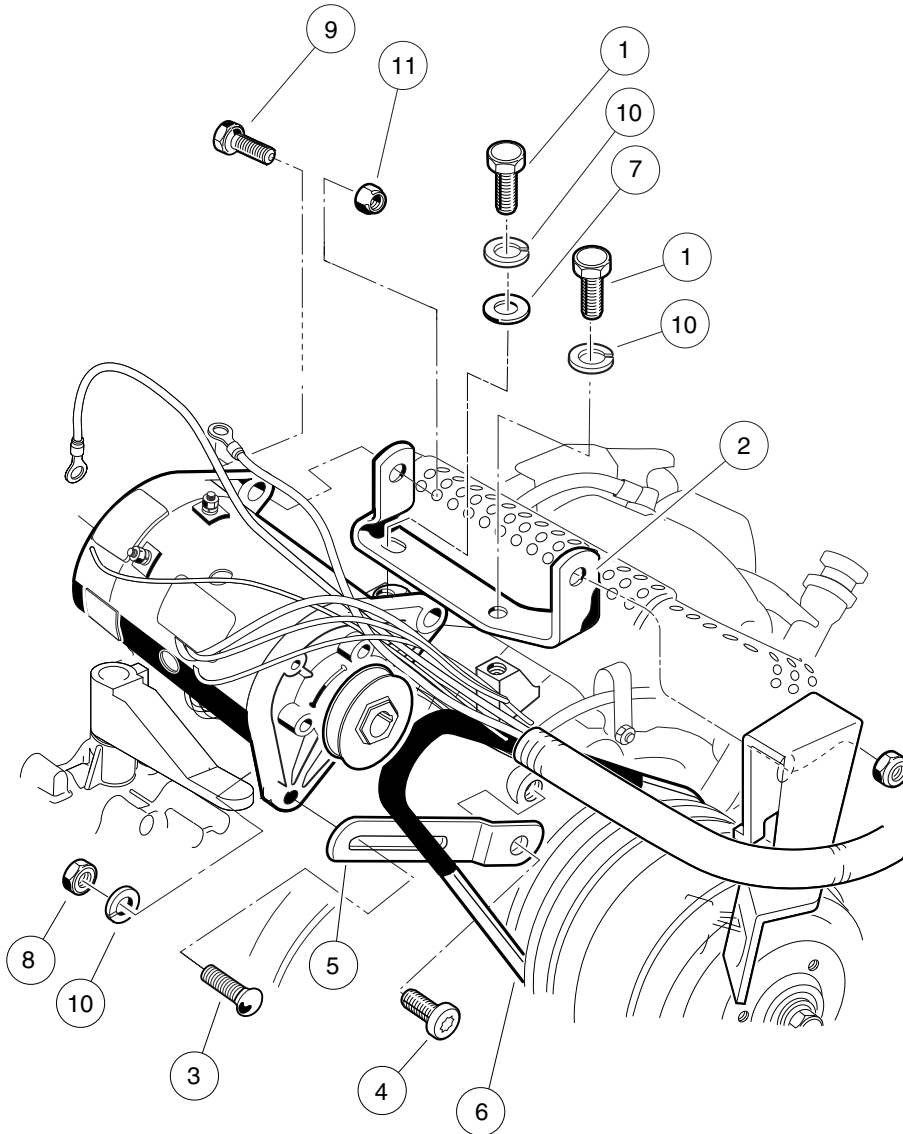


000124-005

# STARTER/GENERATOR ASSEMBLY (PEDAL-START), MODEL 114-01-4009A

ITEM	PART NO.	DESCRIPTION	QTY
		<b>1 2 3 4</b>	
1	103678402	Asm, St/gen, Bi-rot, Ps, Svc (includes items 2 and 3) .....	1
2	<u>101960501</u>	Decal, Rotating Parts/Hot Manifold .....	1
3	103718702	St/gen, Bi-rot, Util,ps W/wire (includes items 4 through 24) .....	1
4	<u>101837301</u>	Wire Assy, #6 Green .....	1
5	<u>102711001</u>	Pulley, V-Belt .....	1
6	<u>102838701</u>	Nut, Hex, M14x2, S/G .....	1
7	<u>102838801</u>	Retainer, Front, S/G .....	1
8	<u>102838901</u>	Bearing, Ball, Rear, S-g .....	1
9	<u>102839001</u>	Bearing, Ball, Front, S-g .....	1
10	<u>102839301</u>	Washer, Lock M14x2, S-g .....	1
11	<u>102841101</u>	Washer, Wave, S-g .....	1
12	N/A	Asm, Armature, Starter/Generator .....	1
13	102844601	Head, Drive End, S-g .....	1
14	<u>102844701</u>	Asm, Frame and Field, Starter/Generator .....	1
15	<u>103347101</u>	Kit, Spring Brush, Starter/Generator (includes item 16) .....	1
16	N/A	Spring, Brush, S-g .....	4
17	<u>103347301</u>	Set, Brush Term, S-g .....	1
18	<u>103347601</u>	Head, Comm End, S-g .....	1
19	<u>103347701</u>	Set, Fast, Ceh Deh, S-g .....	1
20	<u>103347801</u>	Set, Term Hardware, S/G .....	1
21	<u>103347901</u>	Kit, Cover, Brush Insp, Starter/Generator (includes items 22 and 23) .....	1
22	N/A	Plug, Rubber Drain, Start/Generator .....	3
23	N/A	Cover, Inspection, S-g .....	1
24	<u>103953301</u>	Kit, Brush And Brush Holder .....	1

**8**  
**G**

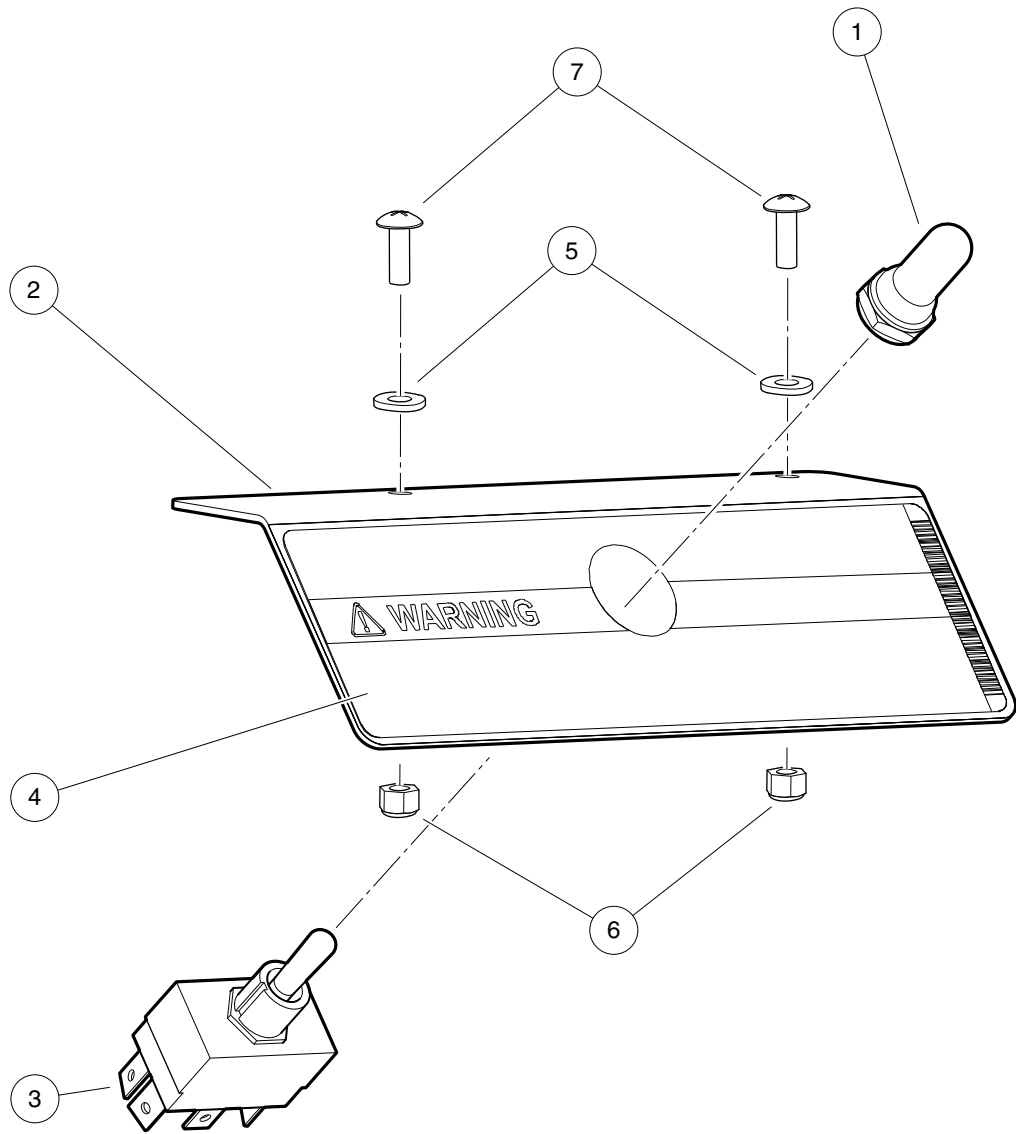


000238-005

# STARTER/GENERATOR MOUNTING – 114-0X-400XX MODELS

ITEM	PART NO.	DESCRIPTION	QTY
		1 2 3 4	
1	<u>1012830</u>	Screw, M8-125 X 22 Hex-Head .....	2
2	<u>101524002</u>	Bracket, Starter/Generator Mounting .....	1
3	<u>1015932</u>	Bolt, Carriage, 5/16-18 .....	1
4	<u>1016074</u>	Screw, M8-1.25 X 18mm Torx .....	1
5	<u>1016883</u>	Bracket, Starter/Generator Adjustment .....	1
6	<u>101916701</u>	V-Belt .....	1
7	<u>1241</u>	Washer, 5/16 Type A Flat .....	1
8	<u>1242</u>	Nut, 5/16-18 Hex .....	1
9	<u>1624</u>	Screw, 3/8-16 X 1.50, Hex-Head Cap .....	2
10	<u>7174</u>	Lockwasher, 5/16 Split .....	3
11	<u>8754</u>	Locknut, 3/8-16 Hex .....	2

**8**  
**G**

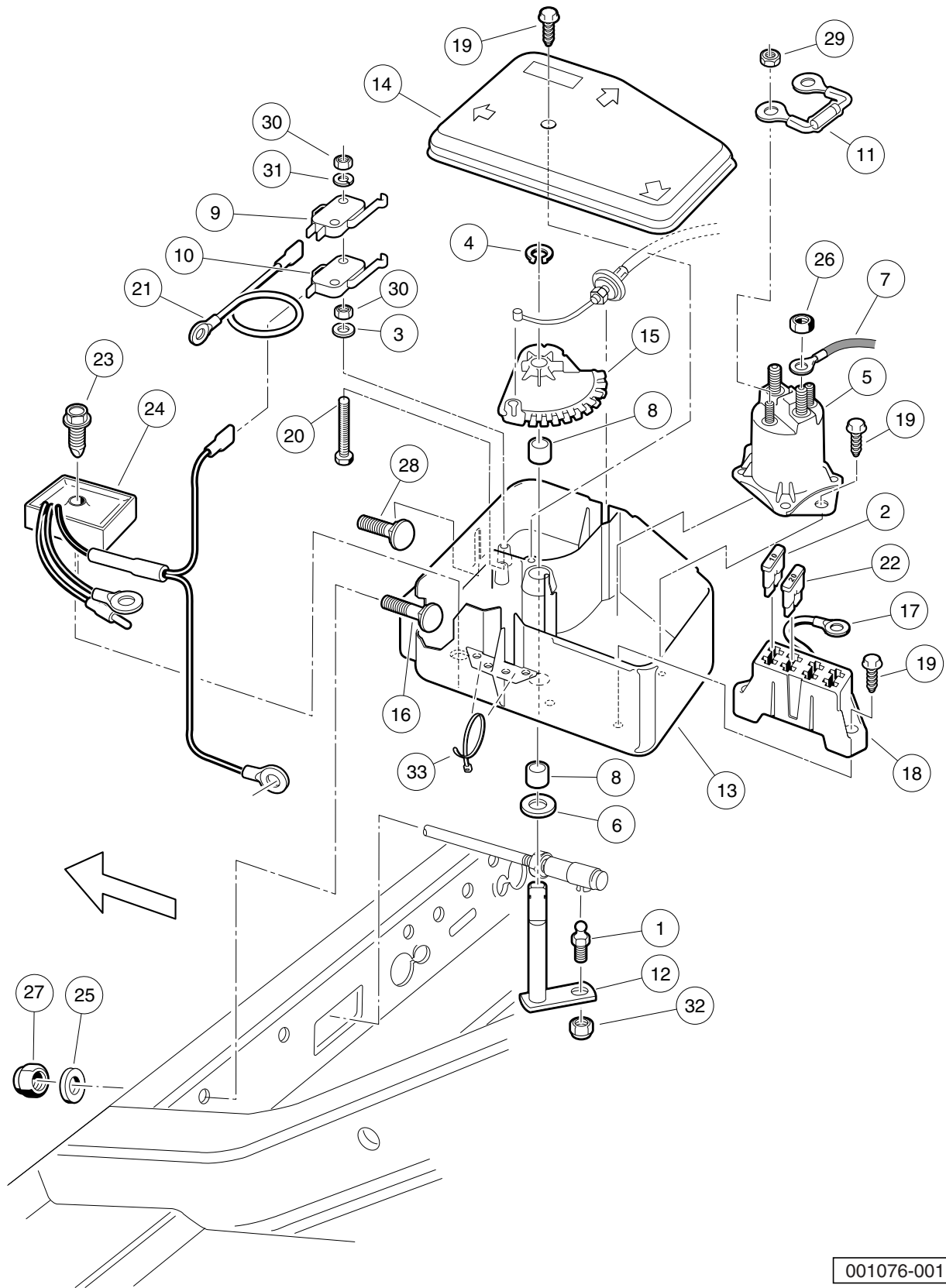


000755-003

# OPERATION AND MAINTENANCE SWITCH

ITEM	PART NO.	DESCRIPTION	QTY
		1 2 3 4	
1	<u>101908401</u>	Boot, Switch .....	1
2	<u>101922501</u>	Bracket, Tow/Run Switch Mounting .....	1
3	<u>103198401</u>	Switch, Toggle, SPDT .....	1
4	<u>103205501</u>	Decal, Maintenance/Operate Switch .....	1
5	<u>332</u>	Washer, 1/4 Type A Narrow Flat .....	2
6	<u>8233</u>	Locknut, 1/4-20, Nylon Insert .....	2
7	<u>8248</u>	Screw, 1/4-20 X 0.75, Truss-Head Machine .....	2

**8**  
**G**



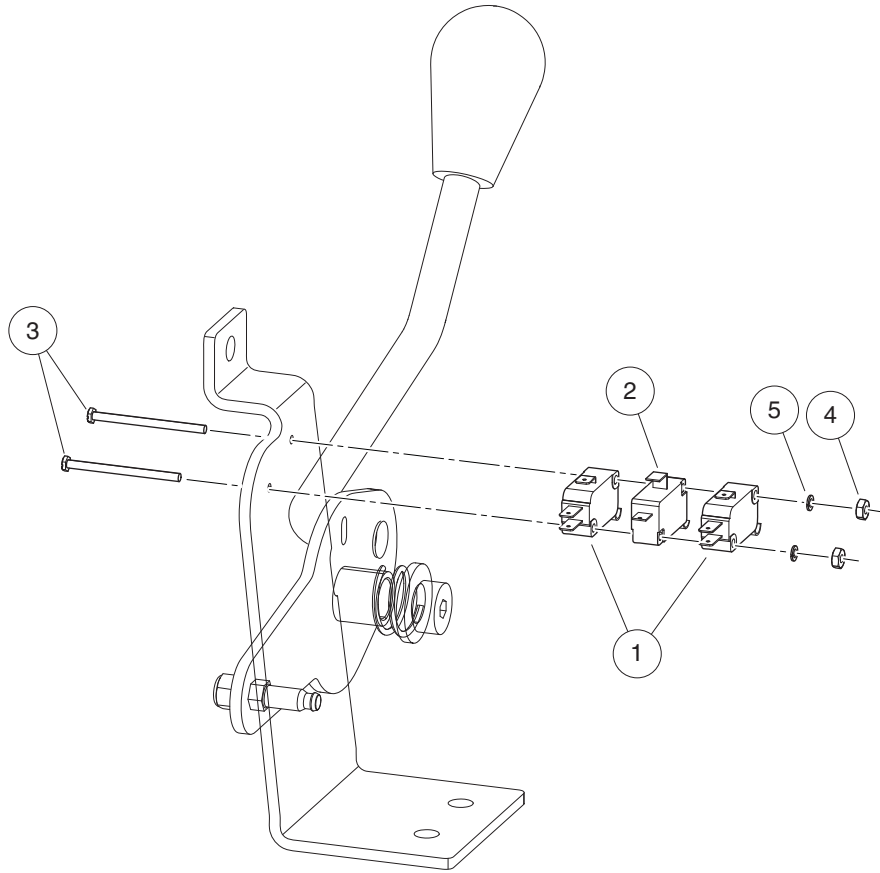
001076-001



# ELECTRICAL COMPONENT BOX – TURF/CA 1, 2, 252, AND XRT850

ITEM	PART NO.	DESCRIPTION	QTY
		1 2 3 4	
1	<u>1010954</u>	Stud, Ball, 1/4-28 X 0.560 .....	1
2	<u>1012295</u>	Fuse, 10-Amp .....	1
3	<u>1012431</u>	Washer, #4 Flat .....	2
4	<u>1013589</u>	Ring, Retaining, 0.338" Internal .....	1
5	<u>1013609</u>	Solenoid, 12-Volt .....	1
6	<u>1014065</u>	Washer, Flat, 0.38" ID, Delrin .....	1
7	<u>1014119</u>	Wire Assembly #6 Red .....	1
8	<u>1014145</u>	Bushing, Secondary Weight, Split .....	2
9	<u>1014807</u>	Switch, Limit .....	1
10	<u>1014808</u>	Switch, Limit .....	1
11	<u>1014948</u>	Diode .....	1
12	<u>1015345</u>	Bell Crank and Shaft Assembly .....	1
13	<u>1015371</u>	Box, Electrical Component .....	1
14	<u>1015372</u>	Cover, Electric Box .....	1
15	<u>1015373</u>	Cam, Electric Box .....	1
16	<u>1015405</u>	Bolt, Carriage, 5/16-18 X 2.0 .....	1
17	<u>1015737</u>	Wire Assy, #10 Red .....	1
18	<u>1015741</u>	Fuse Block .....	1
19	<u>1015752</u>	Screw, #12-16 X 0.625, Hi-Lo .....	5
20	<u>1015878</u>	Screw, #4-40 Hex Head Machine .....	2
21	<u>1016401</u>	Wire Assy, #16 Orange .....	1
22	<u>1016423</u>	Fuse, 20-Amp .....	1
23	<u>101856102</u>	Screw, 1/4-15 X 1.50, Hi-lo, Hex .....	1
24	<u>102711201</u>	Voltage Regulator .....	1
25	<u>1241</u>	Washer, 5/16 Type A Flat .....	2
26	<u>1242</u>	Nut, 5/16-18 Hex .....	2
27	<u>7473</u>	Locknut, 5/16-18 Nylon Insert .....	2
28	<u>7818</u>	Bolt, Carriage, 5/16-18 X 1.5 .....	1
29	<u>7893</u>	Nut, #10-32 Hex .....	2
30	<u>8057</u>	Nut, #4-40 Hex Machine .....	4
31	<u>8058</u>	Lockwasher, #4 Split .....	2
32	<u>8717</u>	Locknut, Nylon Insert, 1/4-28 .....	1
33	<u>8990</u>	Tie Wrap, 8" Nylon .....	2

**8**  
**G**



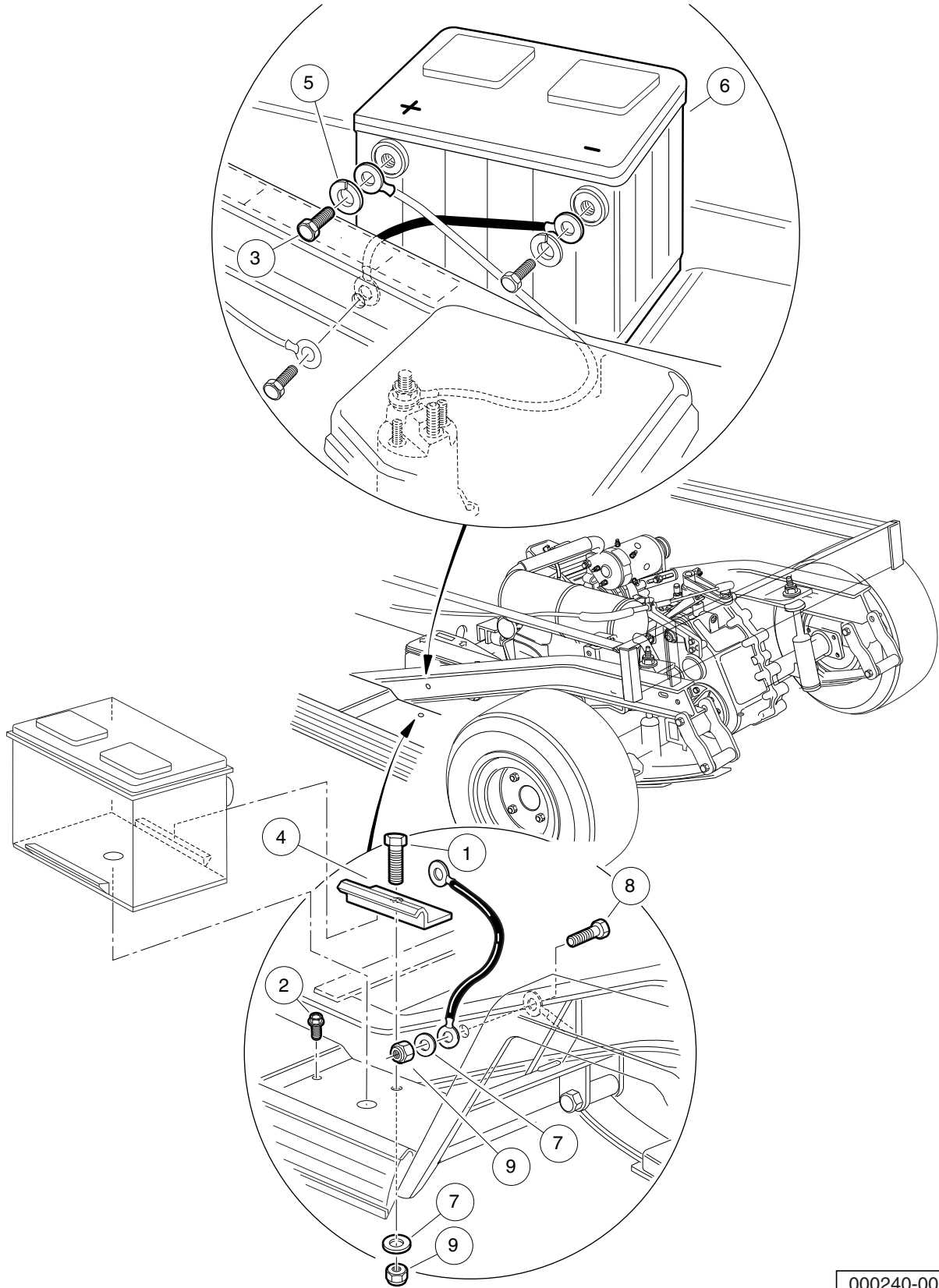
001080-001

# FORWARD/REVERSE SHIFTER SWITCHES – DASH MOUNTED SHIFTER

ITEM	PART NO.	DESCRIPTION	QTY
		1 2 3 4	
1	<u>1014807</u>	Switch, Limit .....	2
2	<u>1014808</u>	Switch, Limit .....	1
3	<u>1015878</u>	Screw, #4-40 Hex Head Machine .....	2
4	<u>8057</u>	Nut, #4-40 Hex Machine .....	2
5	<u>8058</u>	Lockwasher, #4 Split .....	2

**8**  
**G**

8  
G



000240-001

## BATTERY – GASOLINE UTILITY VEHICLES

ITEM	PART NO.	DESCRIPTION	QTY
		1 2 3 4	
1	<u>1010934</u>	Screw, 5/16-18 X 1.00 Hex Cap .....	1
2	<u>1014288</u>	Screw, 5/16-18 X 0.75, Thread-Forming .....	1
3	<u>1014375</u>	Screw, 3/8-16 X 0.50, Stainless Steel, Hex-Head .....	2
4	<u>101898001</u>	Clamp, Battery .....	1
5	<u>102355301</u>	Lockwasher, 3/8 Split Ss .....	2
6	<u>103496801</u>	Battery, Start, 12v .....	1
7	<u>1241</u>	Washer, 5/16 Type A Flat .....	2
8	<u>7173</u>	Screw, 5/16-18 X 0.75, Hex-Head Cap .....	1
9	<u>7473</u>	Locknut, 5/16-18 Nylon Insert .....	2

**8**

**G**

8

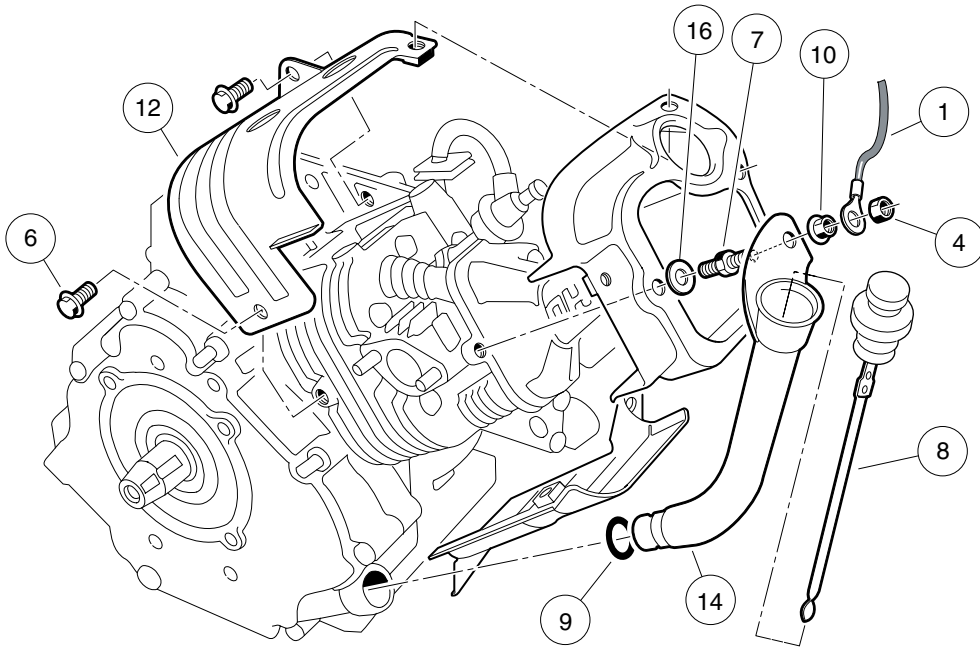
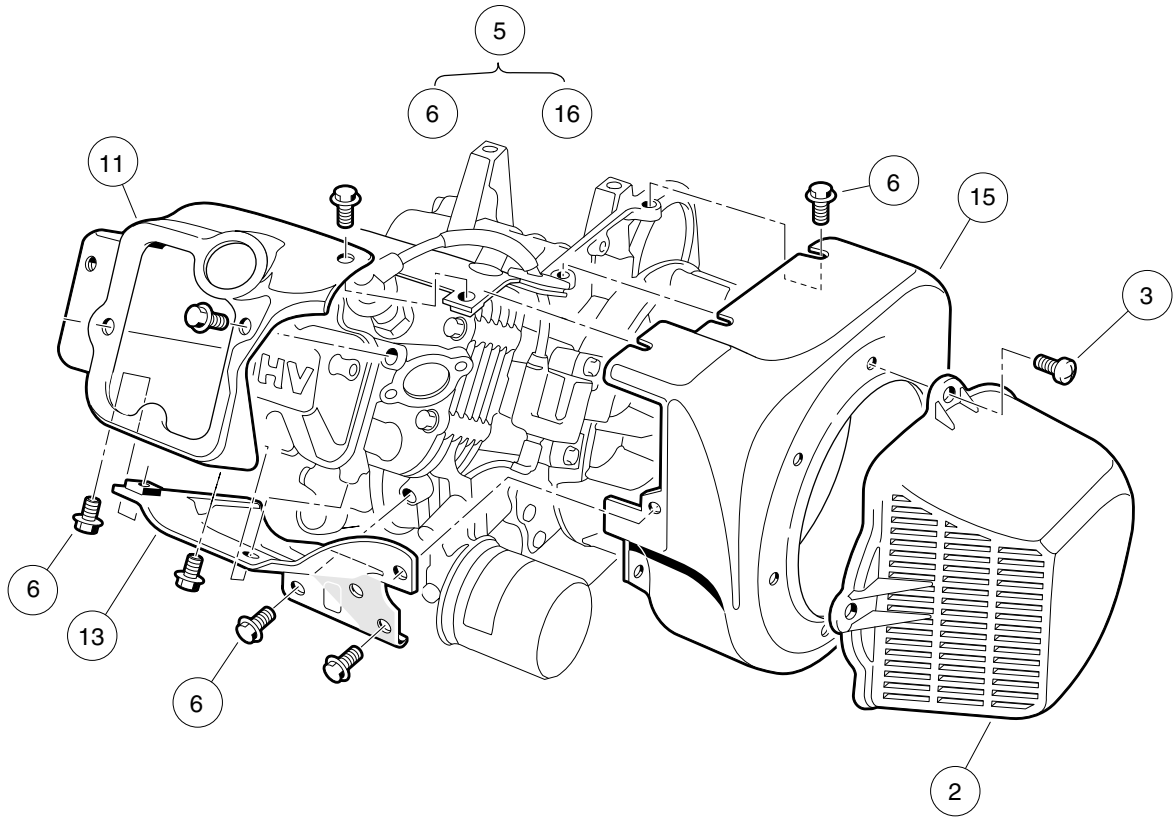
G

# ENGINE (S27) W/O ACR, 50-STATE

---

9

G



000201-002

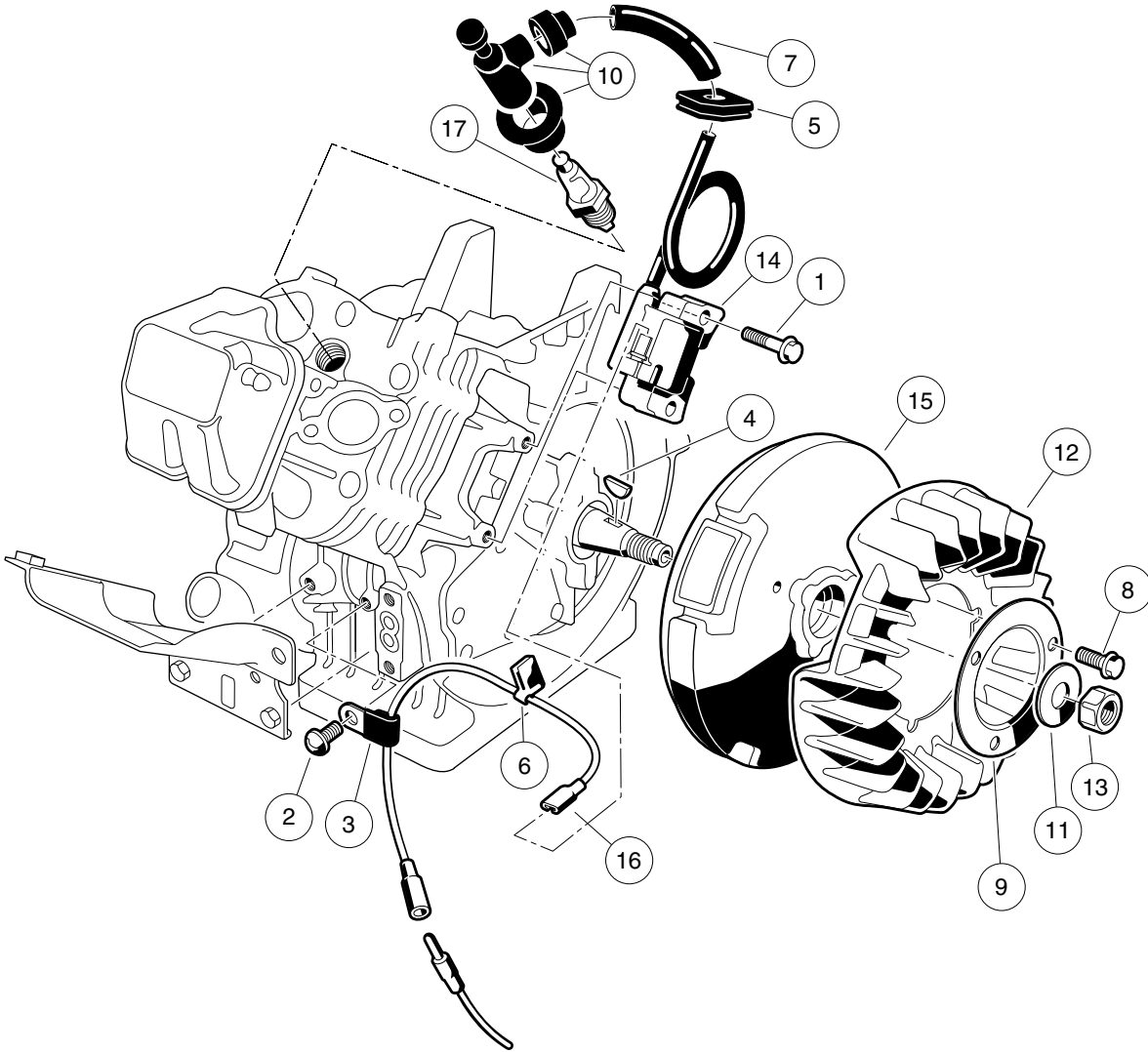


# FE350 ENGINE (S27) W/O ACR, SHROUDS, AND BRACKETS; 50-STATE

ITEM	PART NO.	DESCRIPTION	QTY
		1 2 3 4	
1	<u>1015332</u>	Wire, Ground, #10, Uninsulated .....	1
2	<u>1015649</u>	Shroud, Fan .....	1
3	<u>1015969</u>	Screw, M6-1.00 X 10mm, Pan Hd .....	4
4	<u>101887601</u>	Locknut, M6-1.00 Nylon Insert .....	1
5	<u>103386202</u>	Engine, FE350 S27 (includes items 6 through 16) .....	1
6	<u>1016456</u>	Bolt, Flange Head, M6 x 1 x 12 mm .....	16
7	<u>1016507</u>	Bolt, Two-Ended .....	1
8	<u>1016531</u>	Dipstick .....	1
9	<u>1016539</u>	O-Ring .....	1
10	<u>1016547</u>	Nut, M6 Flange .....	1
11	<u>1017474</u>	Shroud, Engine .....	1
12	<u>1017475</u>	Shroud, Engine .....	1
13	<u>1017476</u>	Shroud, Engine .....	1
14	<u>1017486</u>	Tube, Oil Filler .....	1
15	<u>101916101</u>	Housing, FE350 Fan .....	1
16	N/A	Washer, 6mm Flat .....	1
<p>Note: The S27 engine meets the 2009 Federal CARB requirement for all 50 states; can be used in place of S10, S11, S23, and S24 engines; and was a running change during the 2009 model year.</p>			

9

G

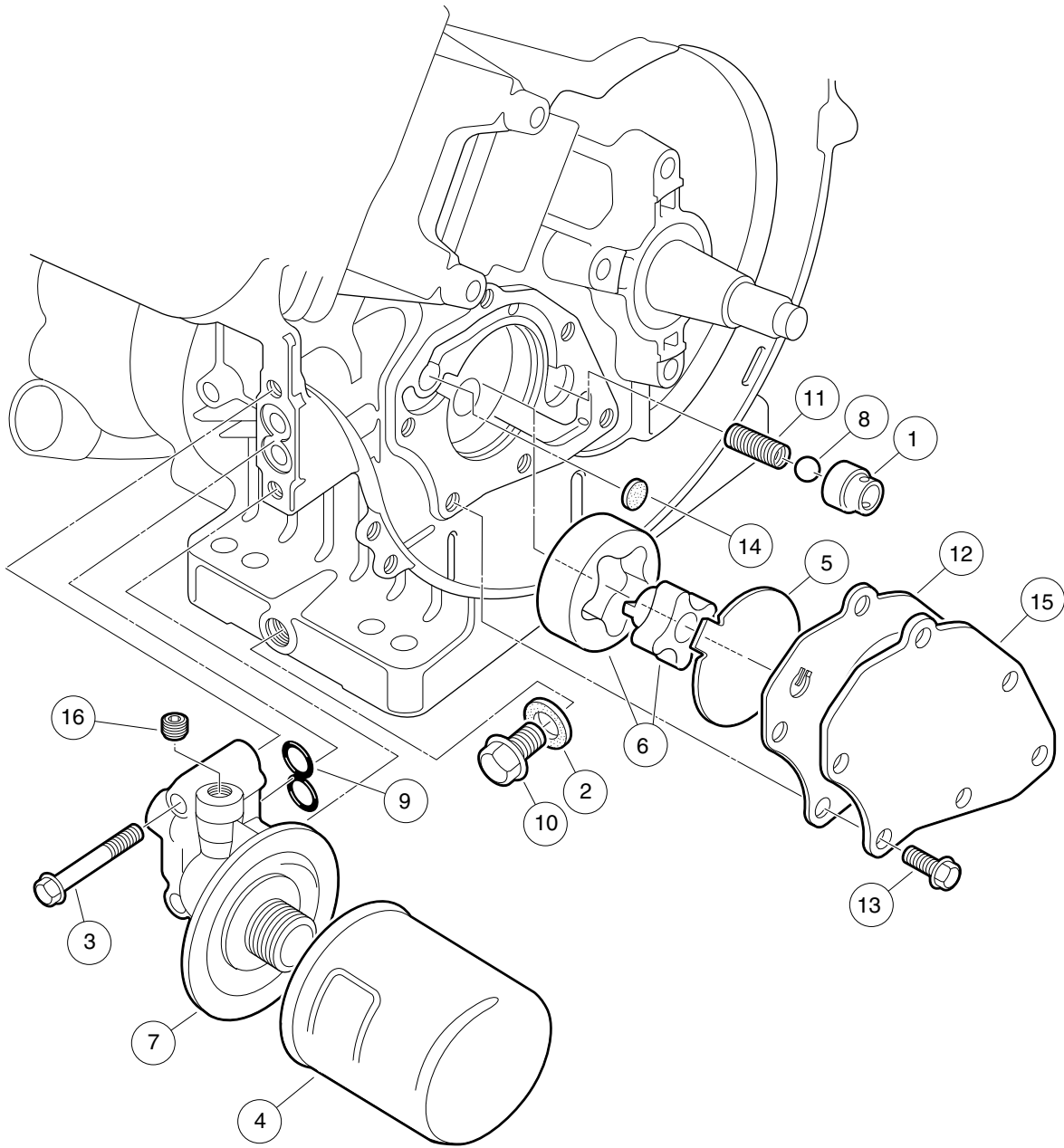


000202-004

# FE350 ENGINE (S27) – IGNITION COMPONENTS AND FLYWHEEL

ITEM	PART NO.	DESCRIPTION	QTY
		1 2 3 4	
1	<u>1016455</u>	Bolt, Flange Head .....	2
2	<u>1016544</u>	Screw .....	1
3	<u>1016561</u>	Clamp .....	1
4	<u>1016562</u>	Key .....	1
5	<u>1016578</u>	Grommet, Ignition .....	1
6	<u>1016587</u>	Clamp .....	1
7	<u>1016588</u>	Tube, 7mm X 10mm X 70mm .....	1
8	<u>1017448</u>	Bolt, Flanged .....	3
9	<u>1017455</u>	Plate, Flywheel Fan .....	1
10	<u>1017463</u>	Cap Asm, Plug .....	1
11	<u>1017490</u>	Washer, Flat .....	1
12	<u>101916301</u>	Fan (cw) .....	1
13	<u>102838401</u>	Nut, Hex, 18 mm Fine .....	1
14	<u>103616501</u>	Coil Asm, Ignition .....	1
15	<u>103616601</u>	Flywheel, Complete .....	1
16	<u>103616701</u>	Wire Lead, Ignition .....	1
17	<u>AM1232301</u>	Spark Plug, BPR2ES .....	1

**9**  
**G**



000203-001

## FE350 ENGINE (S27) – OIL CIRCULATION

ITEM	PART NO.	DESCRIPTION	QTY
		1 2 3 4	
1	1016429	Seat, Valve Oil Pressure Relief .....	1
2	<u>1016432</u>	Gasket, Drain Plug .....	1
3	<u>1016457</u>	Bolt, Flange Head .....	2
4	<u>1016467</u>	Filter, Oil .....	1
5	<u>1016473</u>	Plate, Oil Pump .....	1
6	<u>101648203</u>	Oil Pump And Rotor .....	1
7	<u>1016502</u>	Bracket, Oil Filter Mount .....	1
8	<u>1016537</u>	Ball, Steel, Press, Relief .....	1
9	<u>1016570</u>	O-Ring .....	1
10	1016576	Plug, Drain .....	1
11	<u>1016581</u>	Spring .....	1
12	<u>1017442</u>	Gasket .....	1
13	<u>1017456</u>	Bolt, Flanged .....	6
14	<u>1017458</u>	Filter .....	1
15	<u>1017460</u>	Cover, Pump .....	1
16	<u>1017507</u>	Plug .....	2

**9**

**G**

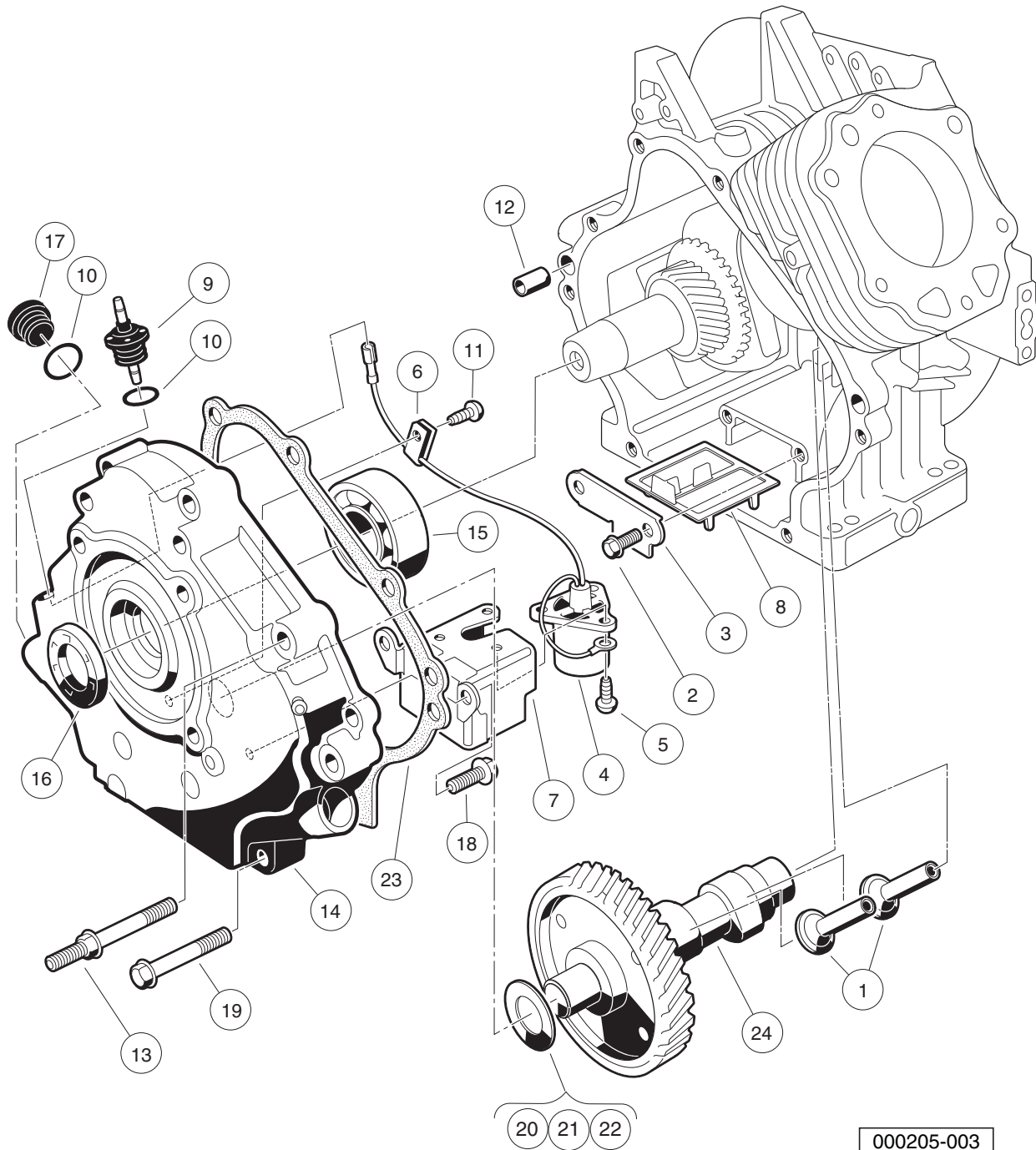


## FE350 ENGINE (S27) – CYLINDER HEAD

ITEM	PART NO.	DESCRIPTION	QTY
		1 2 3 4	
1	<u>1016436</u>	Gasket, Rocker Case .....	1
2	<u>1016449</u>	Retainer, Valve Spring .....	2
3	<u>1016450</u>	Collet .....	4
4	<u>1016451</u>	Arm, Rocker .....	2
5	<u>1016452</u>	Shaft, Rocker .....	1
6	<u>1016458</u>	Bolt, Flange Head, M8 x 1.25 x 45 mm .....	6
7	<u>1016474</u>	Plate .....	1
8	<u>1016479</u>	Seat, Spring .....	2
9	<u>1016483</u>	Valve .....	1
10	<u>1016489</u>	Stud, Two-Ended, M8-1.25 .....	2
11	<u>1016517</u>	Circlip, Type-E .....	1
12	<u>1016542</u>	Screw .....	2
13	<u>1016544</u>	Screw .....	1
14	<u>1016545</u>	Nut .....	2
15	<u>1016549</u>	Washer, 12.1x19x1.8 .....	1
16	<u>1016563</u>	Pin .....	2
17	<u>1016566</u>	Seal, Oil .....	2
18	<u>1016569</u>	O-Ring .....	2
19	<u>1016583</u>	Bolt, 6x35 .....	2
20	<u>1017434</u>	Gasket, Head .....	1
21	<u>1017445</u>	Valve, Exhaust .....	1
22	<u>1017454</u>	Rod, Push .....	2
23	<u>1017473</u>	Spring, Engine Valve .....	2
24	<u>102304801</u>	Kit, Gasket, FE350 (includes items 25 through 28) .....	1
25	<u>1016440</u>	Gasket, Engine to Insulator .....	1
26	<u>1016904</u>	Gasket, Exhaust .....	1
27	<u>1017434</u>	Gasket, Head .....	1
28	<u>1017443</u>	Gasket, Crankcase Cover .....	1
29	<u>102753401</u>	Case, Rocker, Fe .....	1
30	<u>103615601</u>	Cylinder Head (includes items 31 and 32) .....	1
31	<u>1016519</u>	Guide, Valve, Intake, Exhaust .....	2
32	<u>1016560</u>	Snap Ring .....	2
33	<u>103616301</u>	Valve, Intake, Hard Tip .....	1
		Note: Item 25 is not a component of the FE350 engine.	

**9**

**G**



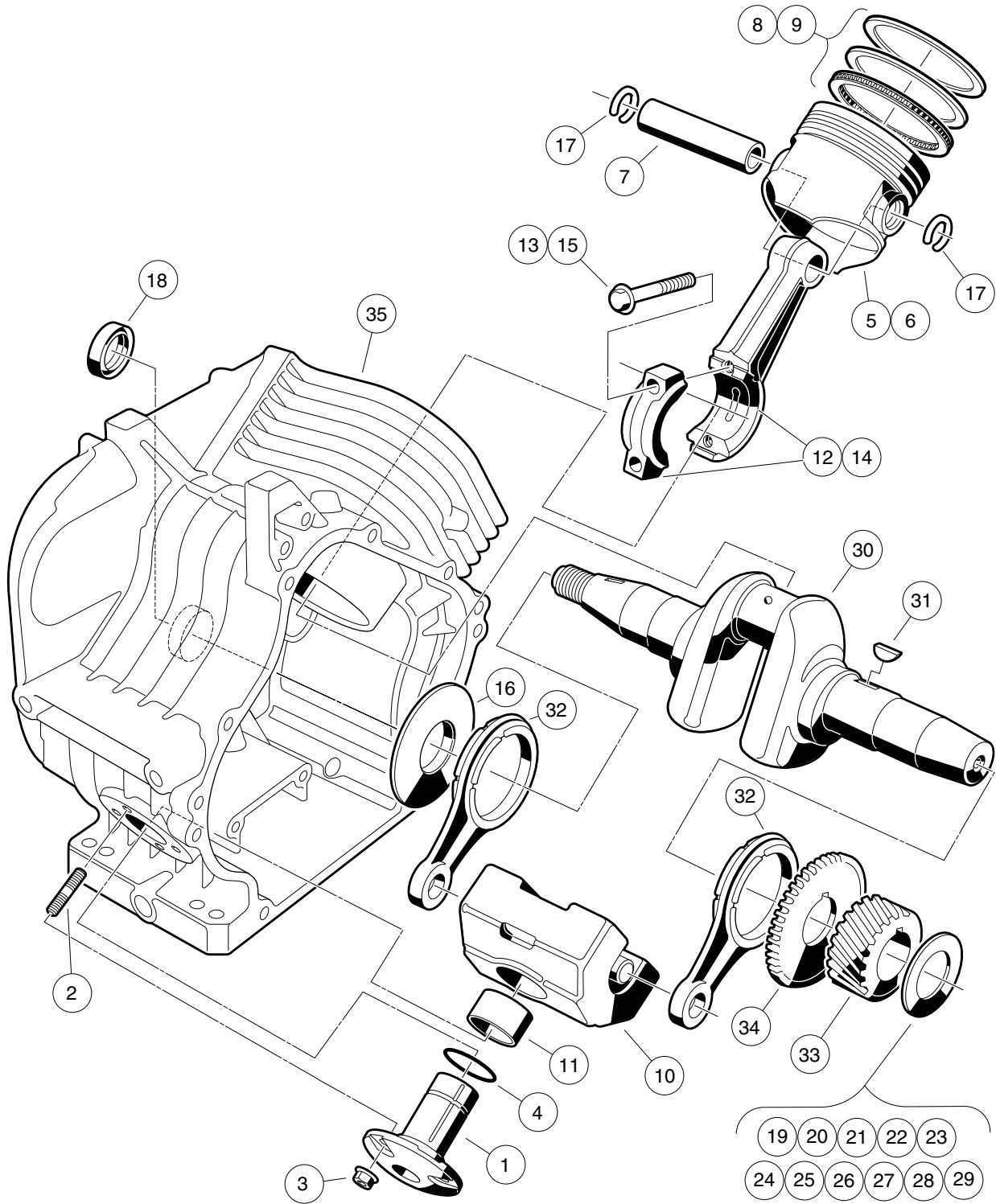
000205-003



# FE350 ENGINE (S27) – CRANKCASE, CAMSHAFT, AND OIL SENSOR

ITEM	PART NO.	DESCRIPTION	QTY
		1 2 3 4	
1	1016453	Tappet .....	2
2	<u>1016454</u>	Bolt, Flange Head, M5 x 0.8 x 8 mm .....	2
3	<u>1016472</u>	Plate, Oil Filter Screen .....	1
4	1016494	Sensor, Oil Level .....	1
5	<u>1016496</u>	Screw, Cross Pan-Head, M4 x 0.7 x 8 mm .....	3
6	<u>1016506</u>	Clamp .....	1
7	<u>1016510</u>	Bracket, Switch, Oil Level .....	1
8	<u>1016521</u>	Screen, Oil Filter .....	1
9	<u>1016535</u>	Connector, Cord .....	1
10	<u>1016538</u>	O-Ring .....	2
11	<u>1016544</u>	Screw .....	1
12	<u>1016564</u>	Pin .....	2
13	<u>1016584</u>	Bolt, Two-Ended, M8 x 1.25 x 69 mm .....	2
14	<u>1017472</u>	Cover Crankcase .....	1
15	<u>1017487</u>	Bearing, Ball .....	1
16	<u>1017504</u>	Seal, Oil .....	1
17	1017508	Plug .....	1
18	<u>1017513</u>	Bolt Switch Bracket .....	2
19	<u>1017514</u>	Screw, M8-1.25 X 45mm Hex .....	6
20	<u>101751801</u>	Shim, 0.3 .....	1
21	<u>101751802</u>	Shim, 0.4 .....	1
22	<u>101751803</u>	Shim, 0.5 .....	1
23	<u>103615901</u>	Gasket, Crankcase Cover .....	1
24	<u>103616401</u>	Camshaft, Complete .....	1

**9**  
**G**



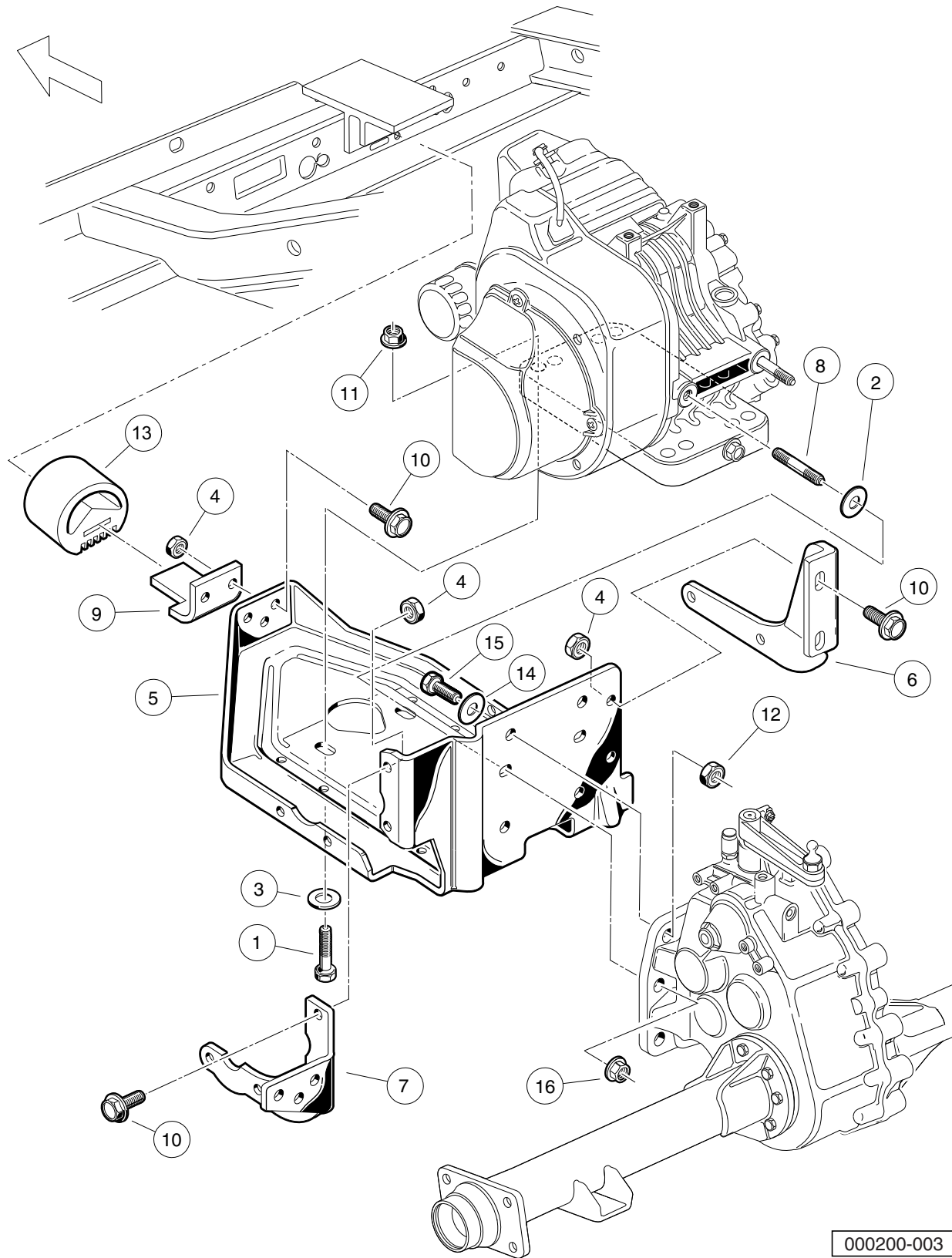
000206-003

## FE350 ENGINE (S27) – CRANKCASE AND CRANKSHAFT

ITEM	PART NO.	DESCRIPTION	QTY
		1 2 3 4	
1	1016470	Shaft, Guide, Counterbalance .....	1
2	<u>1016541</u>	Stud, 6x14 .....	4
3	1016547	Nut, Flanged, M6 X 1.00 .....	4
4	<u>1016571</u>	O-Ring .....	1
5	<u>101744901</u>	Piston, Standard .....	1
6	<u>101744902</u>	Piston, 0.50 mm Oversize .....	1
7	1017450	Pin, Piston .....	1
8	<u>101745101</u>	Ring Set, Standard Piston .....	1
9	<u>101745102</u>	Ring Set, Piston, 0.50 mm Oversize .....	1
10	<u>1017453</u>	Counterbalance Weight (includes item 11) .....	1
11	1017510	Bearing, Plain .....	1
12	101745701	Asm, Con. Rod Std (includes item 13) .....	1
13	<u>1017512</u>	Bolt .....	2
14	<u>101745702</u>	Asm,Con.Rod 0.5mm U/s (includes item 15) .....	1
15	<u>1017512</u>	Bolt .....	2
16	1017501	Spacer .....	1
17	<u>1017502</u>	Snap Ring .....	2
18	<u>1017503</u>	Seal, Oil .....	1
19	<u>101773301</u>	Shim, Crankshaft, 1.18mm .....	1
20	<u>101773302</u>	Shim, Crankshaft, 1.25mm .....	1
21	<u>101773303</u>	Shim, Crankshaft, 1.32mm .....	1
22	<u>101773304</u>	Shim, Crankshaft, 1.39mm .....	1
23	<u>101773305</u>	Shim, Crankshaft, 1.46mm .....	1
24	<u>101773306</u>	Shim, Crankshaft, 1.53mm .....	1
25	<u>101773307</u>	Shim, Crankshaft, 1.60mm .....	1
26	<u>101773308</u>	Shim, Crankshaft, 1.67mm .....	1
27	<u>101773309</u>	Shim, Crankshaft, 1.74mm .....	1
28	<u>101773310</u>	Shim, Crankshaft, 1.11 mm .....	1
29	<u>101773311</u>	Shim, Crankshaft, 1.81mm .....	1
30	<u>102430901</u>	Crankshaft, FE350 Left-Hand, 22-Tooth (includes items 31 through 34) .....	1
31	<u>1016562</u>	Key .....	1
32	<u>1017471</u>	Rod .....	2
33	N/A	Gear, Helical .....	1
34	N/A	Gear, Spur .....	1
35	<u>103615801</u>	Crankcase, FE350 .....	1

**9**  
**G**

9  
G



000200-003

## FE350 ENGINE (S27) – MOUNTING

ITEM	PART NO.	DESCRIPTION	QTY
		1 2 3 4	
1	<u>1010577</u>	Bolt, Hex-Head, 5/16-18 X 1.50 .....	4
2	<u>1011697</u>	Washer, 5/16 Flat .....	2
3	1012571	Washer, 5/16 Extra Thick Flat .....	4
4	<u>1013924</u>	Nut, 5/16-24, Hex Head Cone .....	10
5	<u>101827101</u>	Plate, Engine Mounting .....	1
6	<u>101832601</u>	Stiffener (PTO Side) .....	1
7	<u>101832701</u>	Stiffener (Flywheel Side) .....	1
8	<u>101833101</u>	Stud, M8-1.25 X 50 mm Two-Ended .....	2
9	<u>101834601</u>	Bracket, Snubber .....	1
10	<u>101884801</u>	Screw, 5/16-24 X 0.875, Grade-8 .....	10
11	<u>101963401</u>	Locknut, 5/16-18 Hex Flange .....	4
12	<u>102065901</u>	Locknut, 3/8-16 Flanged Dimple .....	4
13	<u>102540301</u>	Snubber, Inner Frame .....	1
14	<u>334</u>	Washer, 3/8, Type A, Flat .....	4
15	705	Screw, Cap-hex Hd 3/8-16x1.25 .....	4
16	<u>96704416</u>	Nut, Flange, M8 X 1.25 Serrated .....	2

9

G

9

G

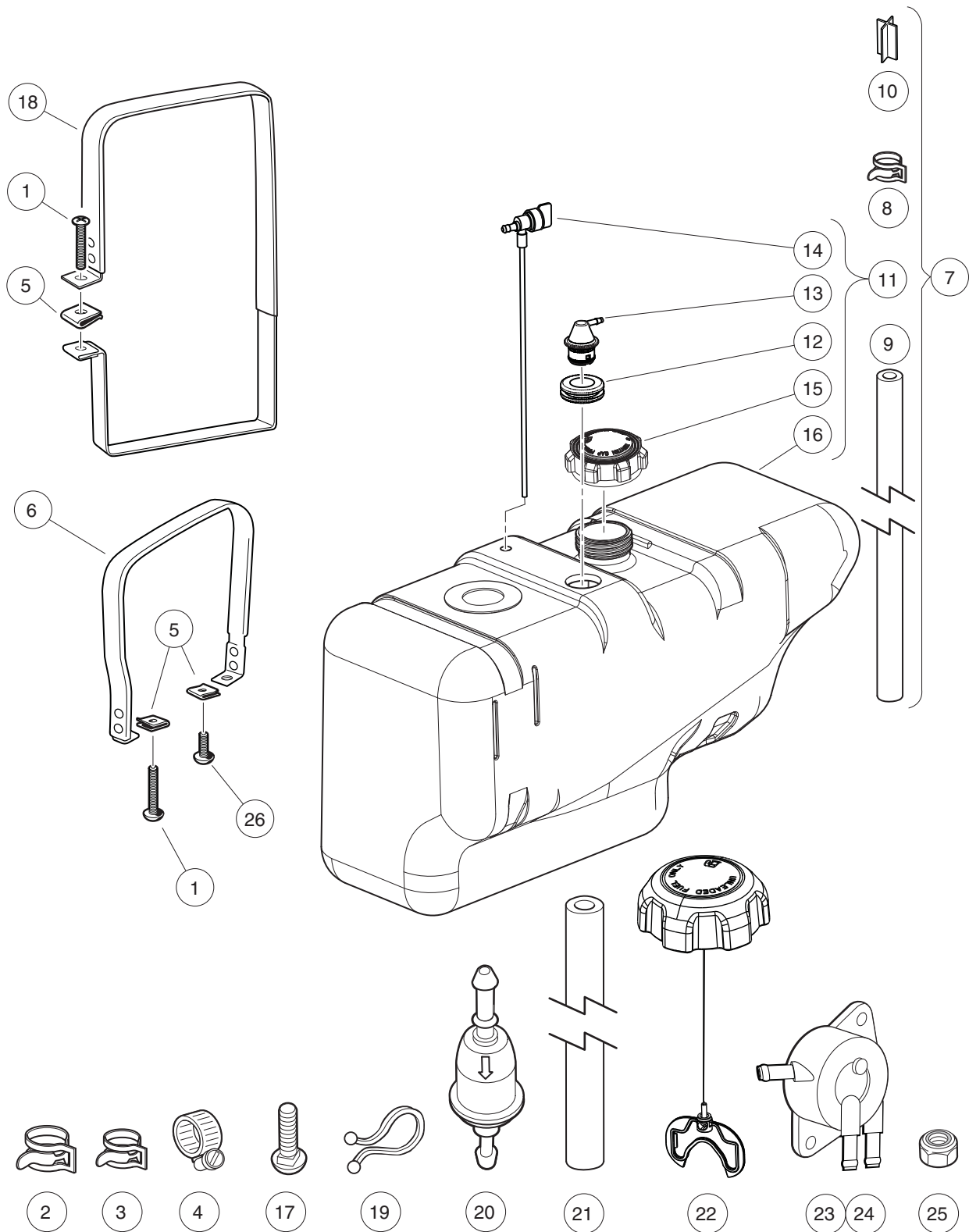
# FUEL, INTAKE, AND GOVERNOR SYSTEMS- CARBURETED GAS

---

10

G

**10**  
**G**



001288-002



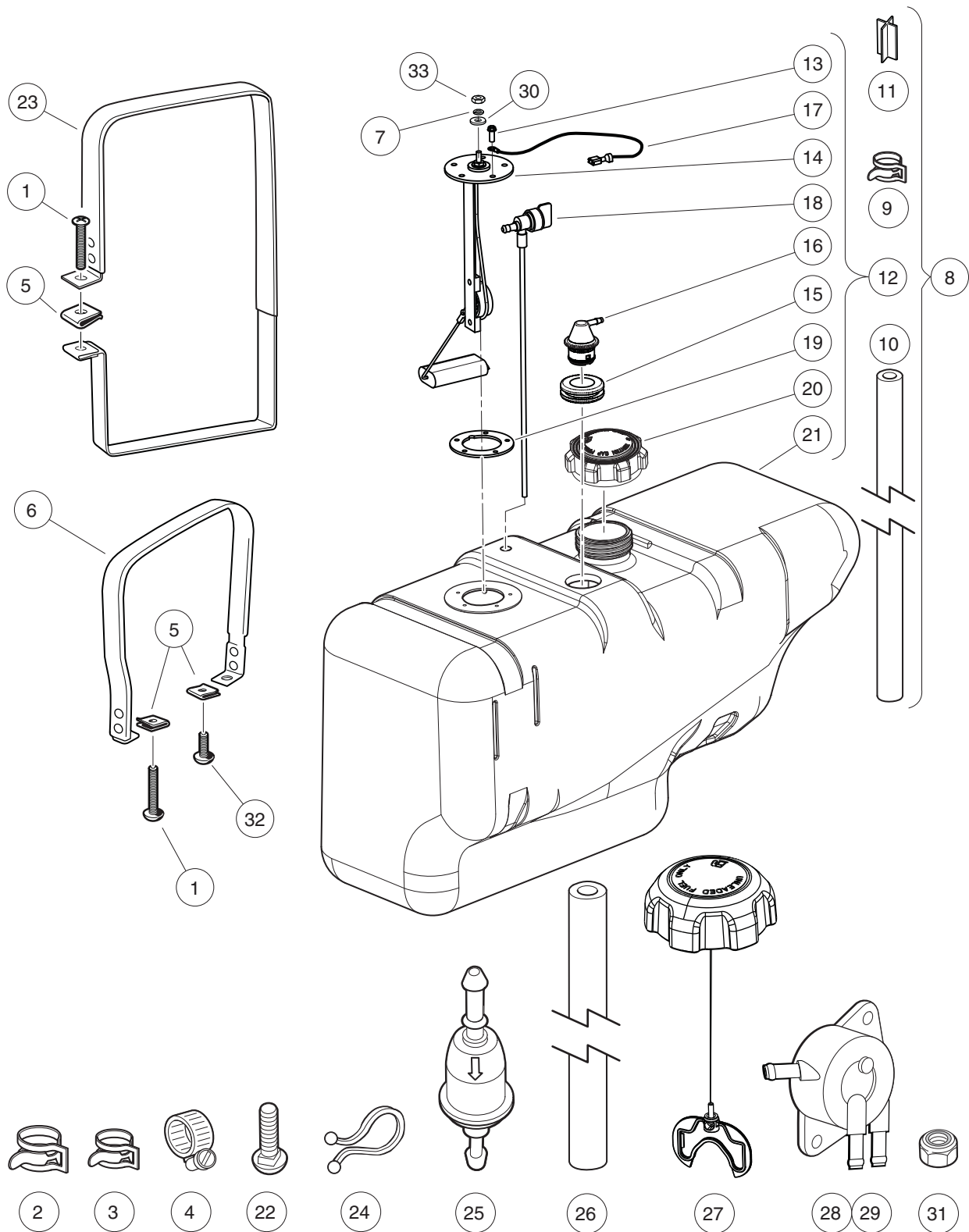
## FUEL SYSTEM AND TANK WITHOUT SENDING UNIT

ITEM	PART NO.	DESCRIPTION	QTY
		1 2 3 4	
1	<u>1011988</u>	Screw, 1/4-20 X 2.00 Phillips Truss-Head .....	2
2	<u>1012649</u>	Clamp, 0.460 Red Hose .....	6
3	<u>101313402</u>	Clamp, Green Hose .....	2
4	<u>1013687</u>	Clamp, 3/8" Hose (screw type) .....	1
5	<u>1014116</u>	Nut, 1/4-20 Speed .....	3
6	<u>1014928</u>	Fuel Strap Assembly Rear .....	1
7	<u>1016003</u>	Kit, Fuel Tank - Vented (includes items 8 through 11) .....	1
8	<u>1013746</u>	Clamp, 0.301 ID Hose .....	2
9	<u>1015137</u>	Fuel Line, 3/16 (available by the foot) .....	1
10	<u>101824401</u>	Vent Barb .....	1
11	<u>102952302</u>	Asm, Tank, Fuel, Wo/su Ds Utl (includes items 12 through 16) .....	1
12	<u>1015139</u>	Insulation Grommet .....	1
13	<u>1015143</u>	Vent, Fuel Tank .....	1
14	<u>101896901</u>	Fuel Pickup w/Shut-Off Valve .....	1
15	<u>102751601</u>	Cap, Fuel Tank, Gasoline .....	1
16	<u>102947502</u>	Tank, Fuel, Wo/su Ds Utl .....	A/R
17	<u>1017203</u>	Carriage Bolt .....	2
18	<u>101955301</u>	Fuel Strap Assy, Front .....	1
19	<u>101987701</u>	Clamp, Plastic Tie .....	2
20	<u>102003201</u>	Filter, Fuel, 30 Micron .....	1
21	<u>102865101</u>	Fuel Line, 1/4 (available by the foot) .....	A/R
22	<u>103372101</u>	Cap, Fuel Tank, Gas, Ratchet .....	1
23	<u>103781101</u>	Kit, Fuel Pump Retrofit (includes item 24) .....	1
24	<u>103010101</u>	Pump, Fuel, Impulse, Fh .....	1
25	<u>8233</u>	Locknut, 1/4-20, Nylon Insert .....	2
26	<u>8248</u>	Screw, 1/4-20 X 0.75, Truss-Head Machine .....	1
		Note: Ratcheting Fuel Tank Cap <u>103372101</u> for use with California emissions requirements.	

10

G

**10**  
**G**

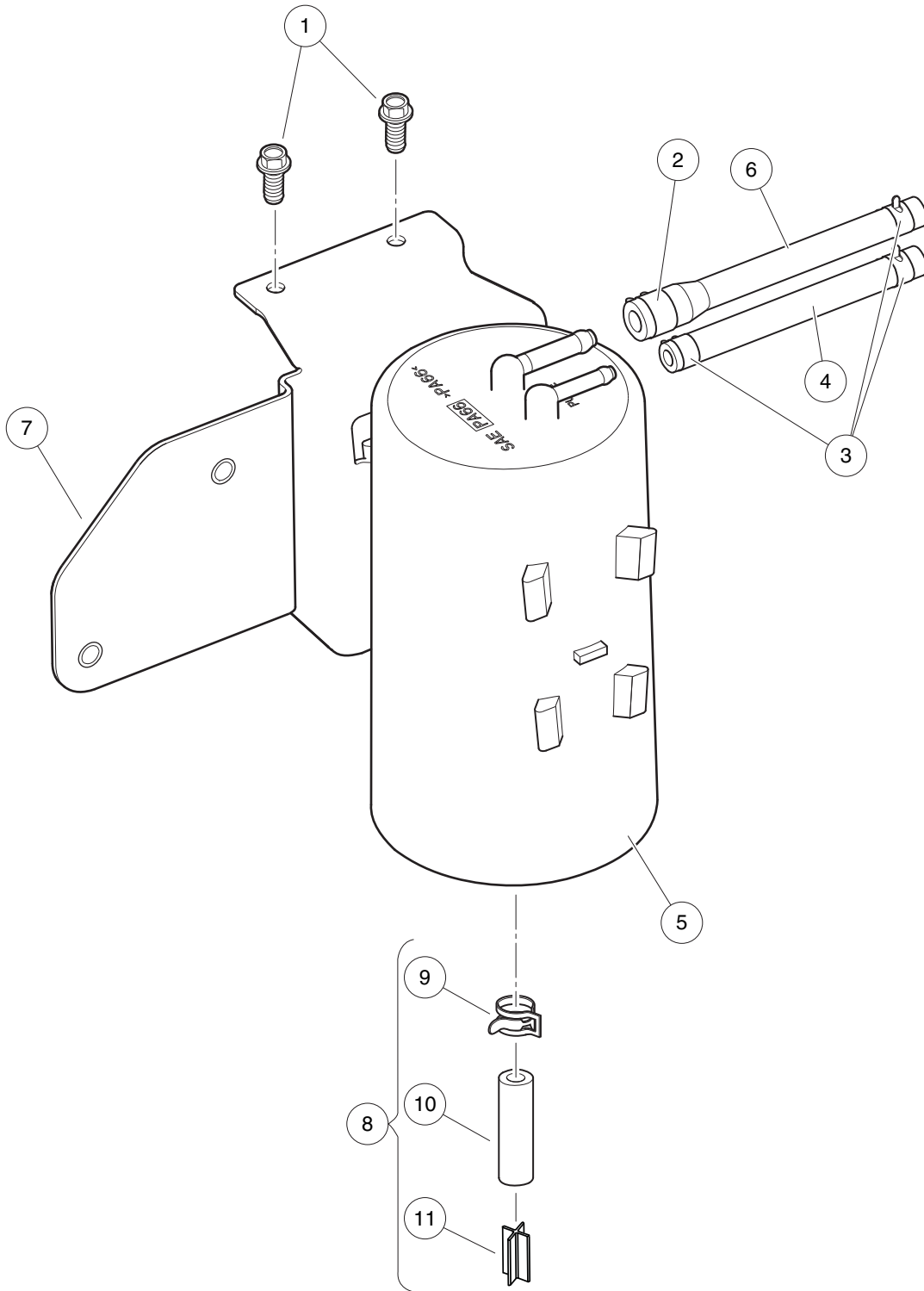


001287-002

## FUEL SYSTEM AND TANK WITH SENDING UNIT

ITEM	PART NO.	DESCRIPTION	QTY
		1 2 3 4	
1	<u>1011988</u>	Screw, 1/4-20 X 2.00 Phillips Truss-Head .....	2
2	<u>1012649</u>	Clamp, 0.460 Red Hose .....	6
3	<u>101313402</u>	Clamp, Green Hose .....	2
4	<u>1013687</u>	Clamp, 3/8" Hose (screw type) .....	1
5	<u>1014116</u>	Nut, 1/4-20 Speed .....	3
6	<u>1014928</u>	Fuel Strap Assembly Rear .....	1
7	<u>1016</u>	Lockwasher, #10 Split .....	1
8	<u>1016004</u>	Tank Kit w/Sending Unit (includes items 9 through 12) .....	1
9	<u>1013746</u>	Clamp, 0.301 ID Hose .....	2
10	<u>1015137</u>	Fuel Line, 3/16 (available by the foot) .....	1
11	<u>101824401</u>	Vent Barb .....	2
12	<u>102952301</u>	Fuel Tank with Sending Unit (includes items 13 through 21) .....	1
13	<u>1013461</u>	Screw, #10-16 Hex-Head Hi-Lo .....	5
14	<u>1013462</u>	Sending Unit, Fuel Level * .....	1
15	<u>1015139</u>	Insulation Grommet .....	1
16	<u>1015143</u>	Vent, Fuel Tank .....	1
17	<u>1015921</u>	Wire Assembly #16 Black .....	1
18	<u>101896901</u>	Fuel Pickup w/Shut-Off Valve .....	1
19	<u>102522001</u>	Gasket, Rubber .....	1
20	<u>102751601</u>	Cap, Fuel Tank, Gasoline .....	1
21	N/A	Tank, Fuel, W/su Ds Utl .....	1
22	<u>1017203</u>	Carriage Bolt .....	2
23	<u>101955301</u>	Fuel Strap Assy, Front .....	1
24	<u>101987701</u>	Clamp, Plastic Tie .....	1
25	<u>102003201</u>	Filter, Fuel, 30 Micron .....	1
26	<u>102865101</u>	Fuel Line, 1/4 (available by the foot) .....	A/R
27	<u>103372101</u>	Cap, Fuel Tank, Gas, Ratchet .....	1
28	<u>103781101</u>	Kit, Fuel Pump Retrofit (includes item 29) .....	1
29	<u>103010101</u>	Pump, Fuel, Impulse, Fh .....	1
30	<u>183</u>	Washer, #10, Type A, Flat .....	1
31	<u>8233</u>	Locknut, 1/4-20, Nylon Insert .....	2
32	<u>8248</u>	Screw, 1/4-20 X 0.75, Truss-Head Machine .....	1
33	<u>8797</u>	Nut, #10-32 Brass Hex .....	1
		Note: Ratcheting Fuel Tank Cap <u>103372101</u> for use with California emissions requirements. Must replace fuel sending unit gasket when servicing this component.	

**10**  
**G**

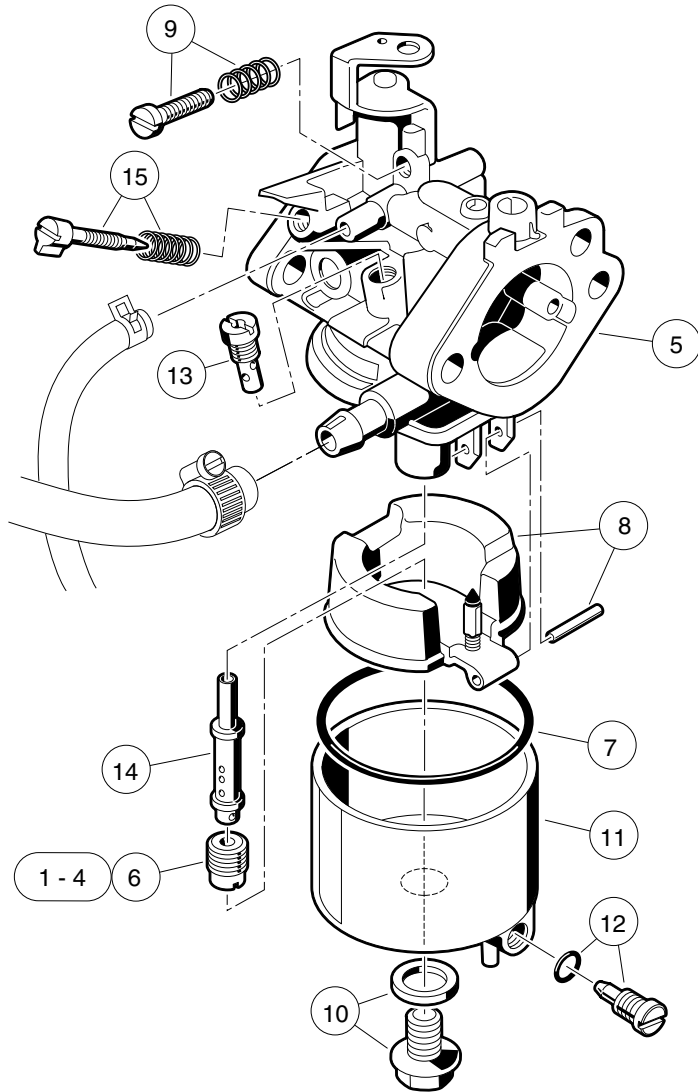


000980-007

## CARBON CANISTER – CALIFORNIA ONLY

ITEM	PART NO.	DESCRIPTION	QTY
		1 2 3 4	
1	<u>1012285</u>	Screw, 1/4 X 0.625 Hex-Head .....	2
2	<u>101313402</u>	Clamp, Green Hose .....	1
3	<u>1013746</u>	Clamp, 0.301 ID Hose .....	3
4	<u>1015137</u>	Fuel Line, 3/16 (available by the foot) .....	A/R
5	<u>103372401</u>	Canister, Carbon .....	1
6	<u>103372504</u>	Hose, Vent, Flare, 9" .....	1
7	<u>103372801</u>	Bracket, Carbon Canister, Sw .....	1
8	<u>103418601</u>	Asm, Vent Line, Utility (includes items 9 through 11) .....	1
9	<u>1012649</u>	Clamp, 0.460 Red Hose .....	1
10	N/A	Hose, Vent, 5/16 I.D., Bulk .....	A/R
11	N/A	Vent, Barb, 5/16 I.D. Hose .....	1

**10**  
**G**



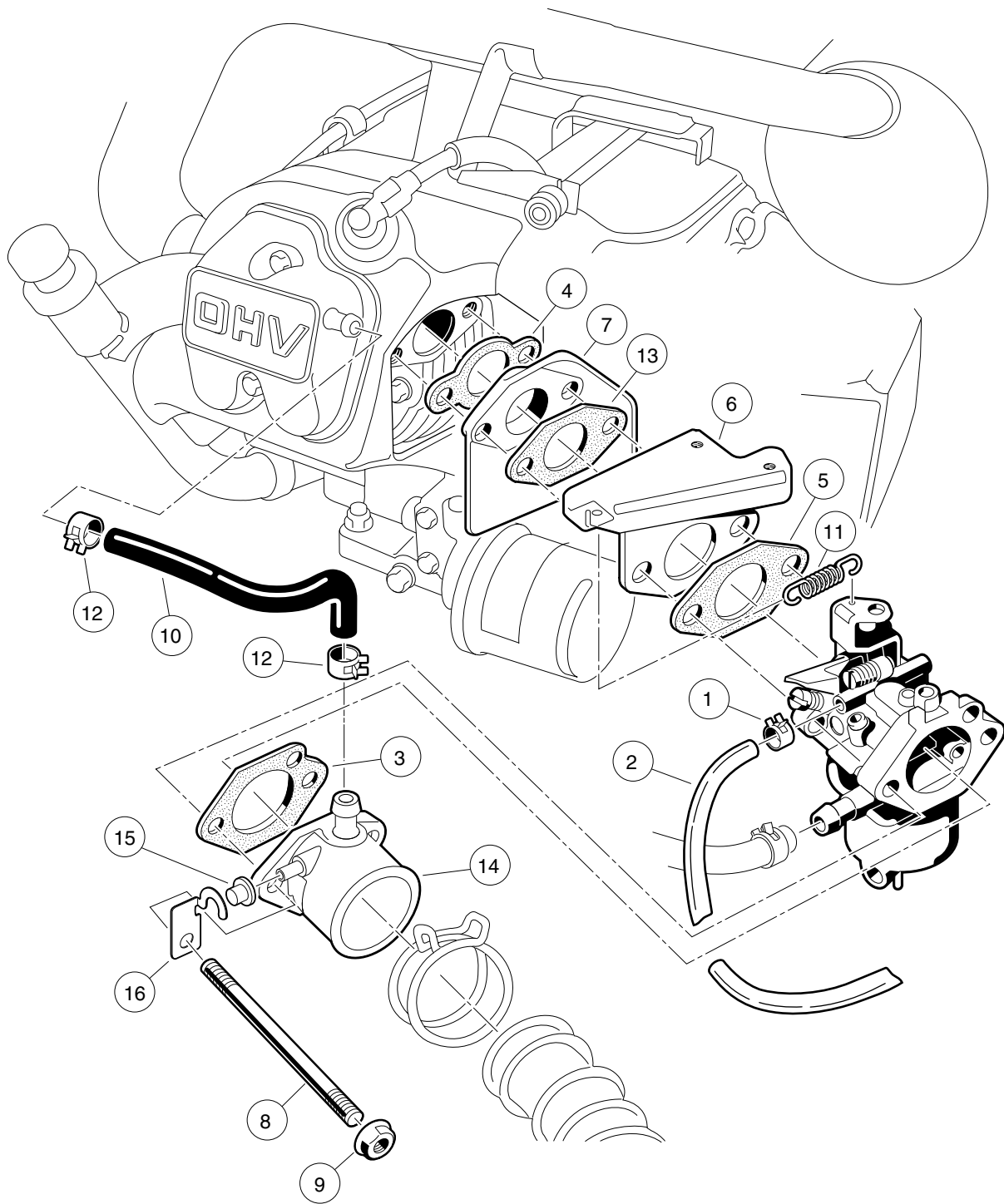
000212-002

## CARBURETOR ASSEMBLY – FE350 S27

ITEM	PART NO.	DESCRIPTION	QTY
		1 2 3 4	
1	<u>101642575</u>	Jet, Altitude, # 75 .....	1
2	<u>101642578</u>	Jet, Altitude, # 78 .....	1
3	<u>101642580</u>	Jet, Altitude, # 80 .....	1
4	<u>101642582</u>	Jet, Altitude, # 82 .....	1
5	<u>103617101</u>	Carburetor, FE350 S27 (includes items 6 through 15) .....	1
6	<u>101642585</u>	Jet, Altitude, # 85 .....	1
7	<u>1016437</u>	Gasket, Carburetor Bowl OHV .....	1
8	<u>1016486</u>	Float Assembly .....	1
9	<u>1016501</u>	Screw Assembly .....	1
10	<u>1016585</u>	Bolt .....	1
11	<u>1017461</u>	Chamber Assembly, Float (includes item 12) .....	1
12	<u>1016499</u>	Screw Assembly .....	1
13	<u>101973101</u>	Jet, #40 Pilot .....	1
14	<u>101973301</u>	Nozzle, Main .....	1
15	N/A	Assembly, Pilot Air Screw .....	1
Note: <u>101642585</u> for 0 - 3,200 feet; <u>101642582</u> for 3,200 - 6,500 feet; <u>101642580</u> for 6,500 - 9,800 feet; <u>101642578</u> for 9,800 feet and above.			

10

G



000214-002



## CARBURETOR MOUNTING, UTILITY, FE350 S23 S24 S27

ITEM	PART NO.	DESCRIPTION	QTY
		1 2 3 4	
1	<u>1013746</u>	Clamp, 0.301 ID Hose .....	1
2	<u>1015137</u>	Fuel Line, 3/16 (available by the foot) .....	1
3	<u>1016438</u>	Gasket, Carb To Intake Manifold .....	1
4	<u>1016440</u>	Gasket, Engine to Insulator .....	1
5	<u>1016441</u>	Gasket, Sprg Brkt To Carb OHV .....	1
6	<u>1016444</u>	Bracket, Throttle Spring Return .....	1
7	101648102	Insulator, Carburetor .....	1
8	<u>101649002</u>	Stud, M6-1.00 Two-Ended .....	2
9	1016547	Nut, M6 Flange .....	2
10	<u>1016572</u>	Tube, Crankcase Vent .....	1
11	<u>1016582</u>	Spring, Throttle Return .....	1
12	<u>1017466</u>	Clamp .....	2
13	<u>101973401</u>	Gasket, Insulator To Bracket .....	1
14	103507101	Carburetor Adapter w/ Tap .....	1
15	103507201	Plug, Intake Manifold, Carb .....	1
16	103507301	Bracket, Intake Manifold, Carb .....	1

**10**  
**G**

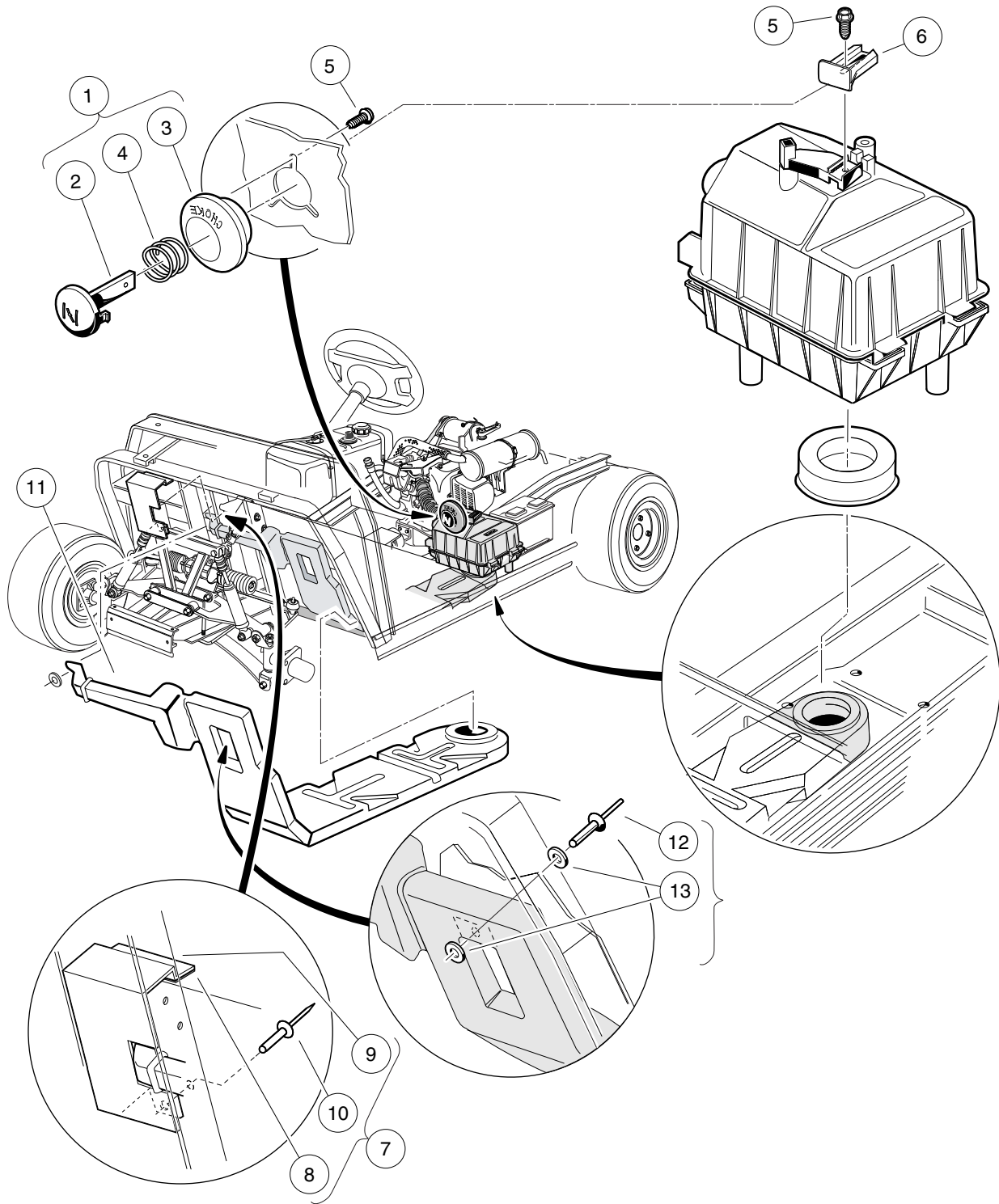


# GOVERNOR AND ACCELERATOR CABLES

ITEM	PART NO.	DESCRIPTION	QTY
		1 2 3 4	
1	<u>1011697</u>	Washer, 5/16 Flat .....	1
2	<u>1012285</u>	Screw, 1/4 X 0.625 Hex-Head .....	4
3	<u>1012830</u>	Screw, M8-125 X 22 Hex-Head .....	1
4	<u>1013700</u>	Clamp .....	2
5	<u>1014007</u>	Washer, 1/4, Flat .....	1
6	<u>101584502</u>	Bracket, Governor Cable Snap-In .....	1
7	<u>1016546</u>	Nut .....	2
8	<u>101832202</u>	Bracket, Rear Governor Cable Snap-In .....	1
9	<u>101832302</u>	Bracket, Rear Accelerator Cable Snap-In .....	1
10	<u>101834801</u>	Arm, Governor .....	1
11	<u>101886101</u>	Screw, 1/4-20 X 1.00, Square-Head .....	1
12	<u>102336001</u>	Cable, Governor, Snap-In .....	1
13	<u>102336101</u>	Cable, Accelerator, Snap-In .....	1
14	<u>7174</u>	Lockwasher, 5/16 Split .....	1
15	<u>8233</u>	Locknut, 1/4-20, Nylon Insert .....	1

10

G

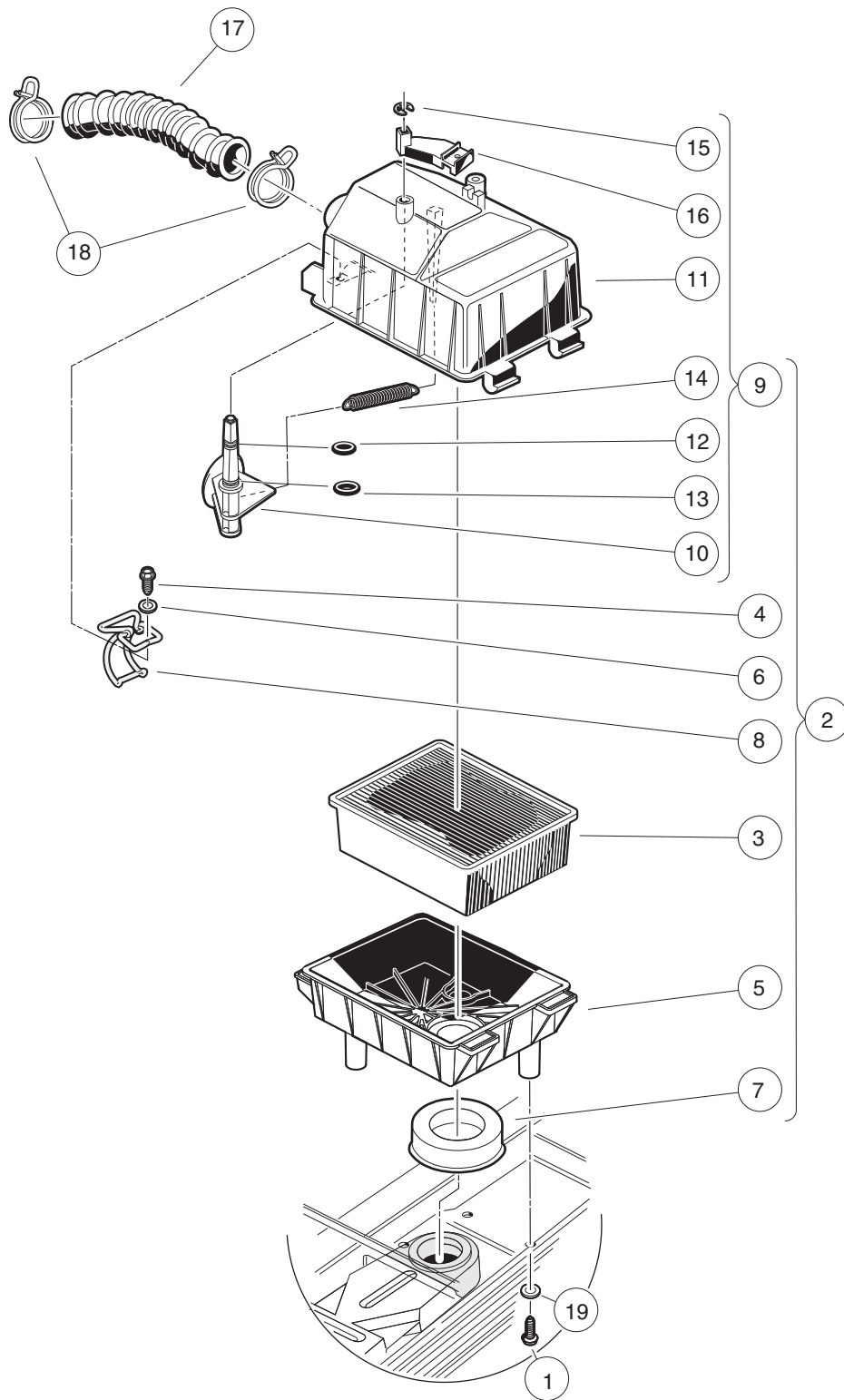


000338-006

# AIR INTAKE DUCT AND CHOKE BUTTON – TURF/CA 1 AND XRT800/810/850

ITEM	PART NO.	DESCRIPTION	QTY
		1 2 3 4	
1	<u>101805701</u>	Button Assembly, Choke (includes items 2 through 4) .....	1
2	<u>101811401</u>	Lever, Choke .....	1
3	<u>101811501</u>	Guide, Choke Lever .....	1
4	<u>101856201</u>	Compression Spring .....	1
5	<u>101850301</u>	Screw, #12-16 X 0.50 Washer-Head Hi-Lo .....	4
6	<u>101917701</u>	Choke Positioner .....	1
7	<u>102190702</u>	Kit, Air Duct Shield (includes items 8 through 10) .....	1
8	<u>102185401</u>	Tape, 3M VHB 4950 .....	1
9	N/A	Shield, Air Duct .....	1
10	<u>7973</u>	Rivet, 3/16 X .400 Blind .....	1
11	<u>103520301</u>	Duct, Air Intake, Ds .....	1
12	<u>1606</u>	Rivet, 3/16 X .500 Alum Pop .....	2
13	<u>183</u>	Washer, #10, Type A, Flat .....	4

**10**  
**G**



000332-001

# AIR FILTER AND INTAKE HOSE

ITEM	PART NO.	DESCRIPTION	QTY
		1 2 3 4	
1	<u>1015752</u>	Screw, #12-16 X 0.625, Hi-Lo .....	3
2	<u>101821501</u>	Assembly, Air Box (includes items 3 through 9) .....	1
3	<u>1015426</u>	Filter, Air .....	1
4	<u>101804301</u>	Screw, #8 X 0.500, Hex-Head Hi-Lo .....	2
5	<u>101811901</u>	Bottom, Air Box .....	1
6	<u>101881701</u>	Washer, #8 Stainless-Steel Flat .....	2
7	<u>101921501</u>	Seal, Intake .....	1
8	<u>101925701</u>	Latch, Wireform .....	2
9	<u>101972801</u>	Top Assy, Air Box (includes items 10 through 16) .....	1
10	N/A	Valve, Choke .....	1
11	N/A	Top, Air Box .....	1
12	N/A	O-Ring, 5/16 .....	1
13	N/A	O-Ring, 3/8 .....	1
14	<u>101812301</u>	Spring, Extension Return .....	1
15	<u>101813001</u>	Retaining Ring 0.25, Shaft .....	1
16	<u>101917601</u>	Lever, Choke .....	1
17	<u>101837101</u>	Hose, Air Intake .....	1
18	<u>101971301</u>	Clamp, 1.58" ID Hose .....	2
19	<u>332</u>	Washer, 1/4 Type A Narrow Flat .....	3

**10**

**G**

**10**

**G**

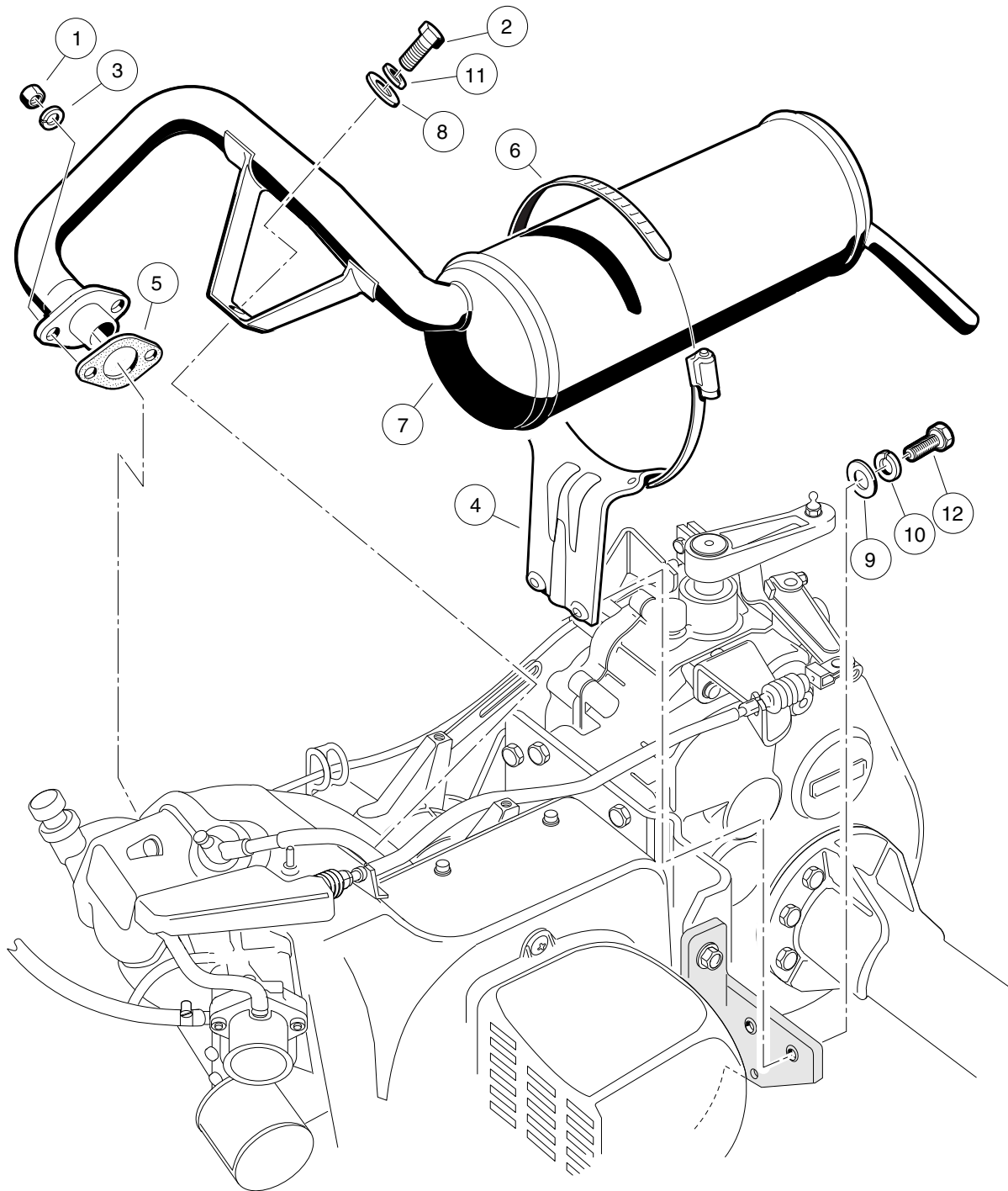


# EXHAUST SYSTEM – FE350 ENGINE

---

11

G

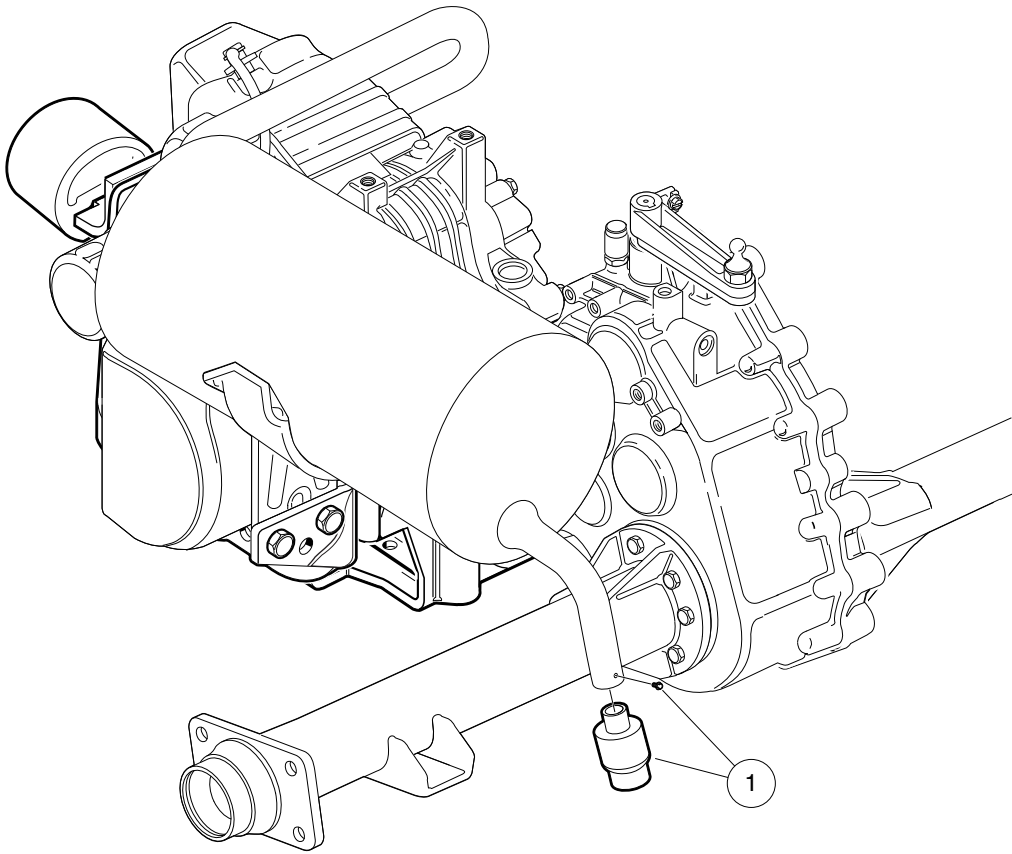


000209-001

## EXHAUST SYSTEM – FE350 ENGINE

ITEM	PART NO.	DESCRIPTION	QTY
		1 2 3 4	
1	<u>1012528</u>	Nut, M8-1.25 Hex .....	2
2	<u>1012830</u>	Screw, M8-125 X 22 Hex-Head .....	1
3	<u>1013734</u>	Lockwasher, 8mm Split .....	2
4	<u>1015814</u>	Bracket, Muffler Mounting .....	1
5	<u>1016904</u>	Gasket, Exhaust .....	1
6	1017689	Clamp, 5" Muffler Hose .....	1
7	<u>101859401</u>	Exhaust System, FE350 .....	1
8	<u>1241</u>	Washer, 5/16 Type A Flat .....	1
9	<u>332</u>	Washer, 1/4 Type A Narrow Flat .....	2
10	<u>451</u>	Lockwasher, 1/4 Split .....	2
11	<u>7174</u>	Lockwasher, 5/16 Split .....	1
12	<u>7847</u>	Screw, 1/4-20 X 0.75 Hex-Head Cap .....	2

**11**  
**G**



APM-000119-001

# SPARK ARRESTOR KIT

ITEM	PART NO.	DESCRIPTION	QTY
1	<u>101629008</u>	1 2 3 4 Spark Arrestor, 290/350 .....	1

**11**  
**G**

11

G

# DRIVE BELT AND CLUTCHES – CARBURETED GASOLINE VEHICLES

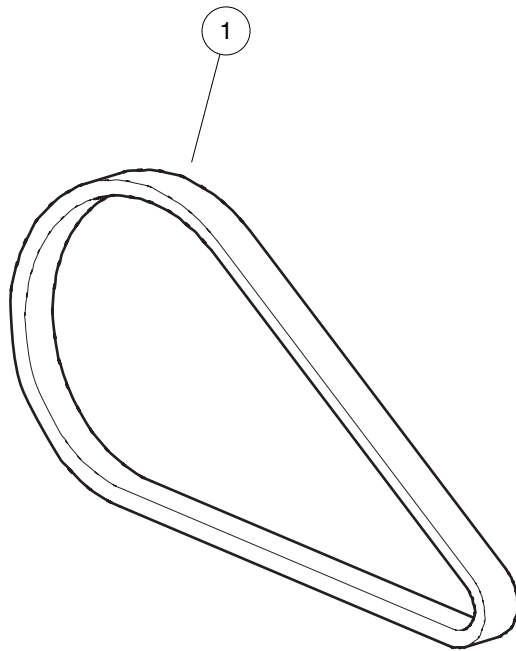
---

12

G

12

G



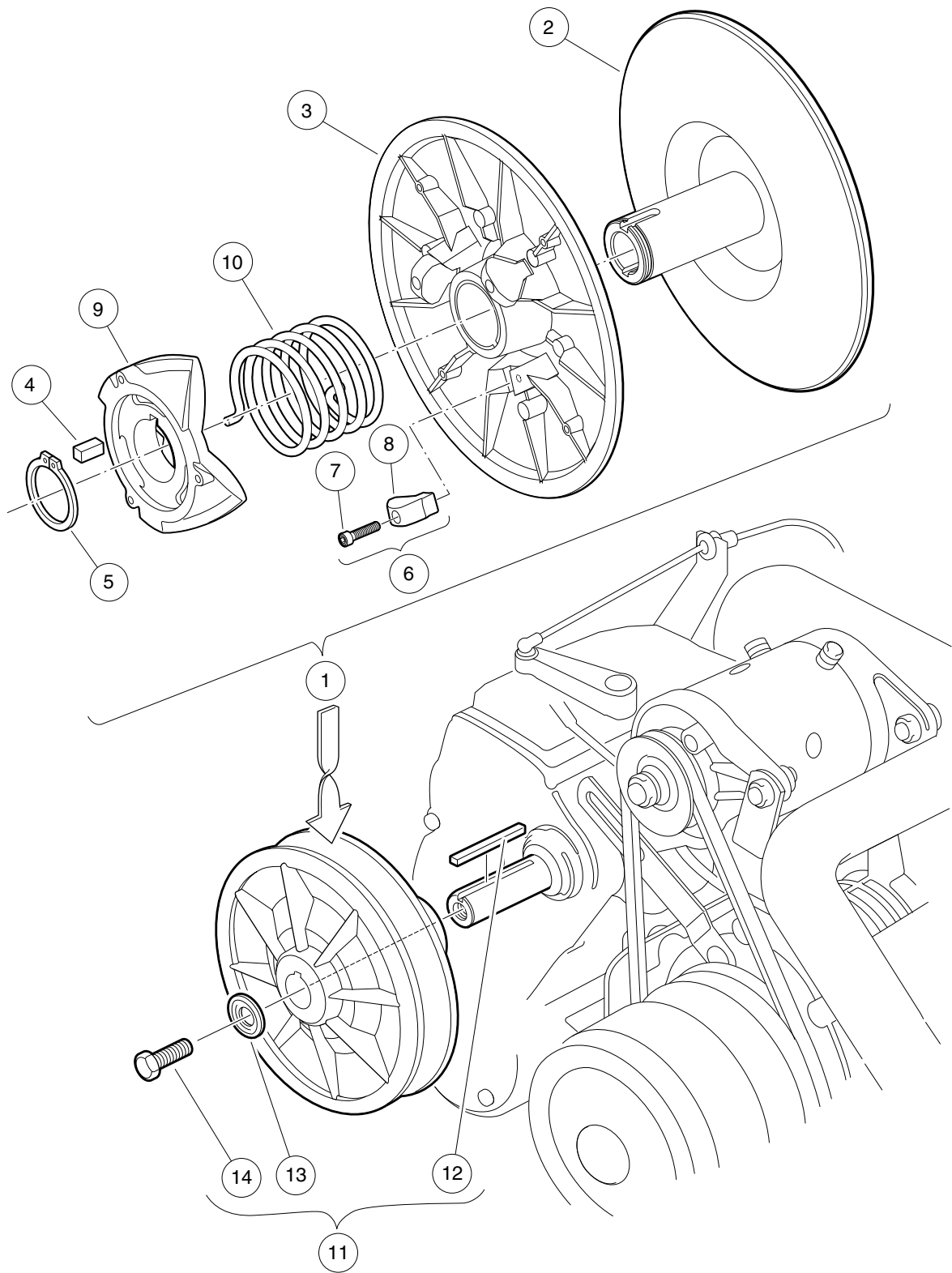
000918-001



# DRIVE BELT

ITEM	PART NO.	DESCRIPTION	QTY
1	<u>1017188</u>	1 2 3 4 Belt, Drive (FE350) .....	1

**12**  
**G**

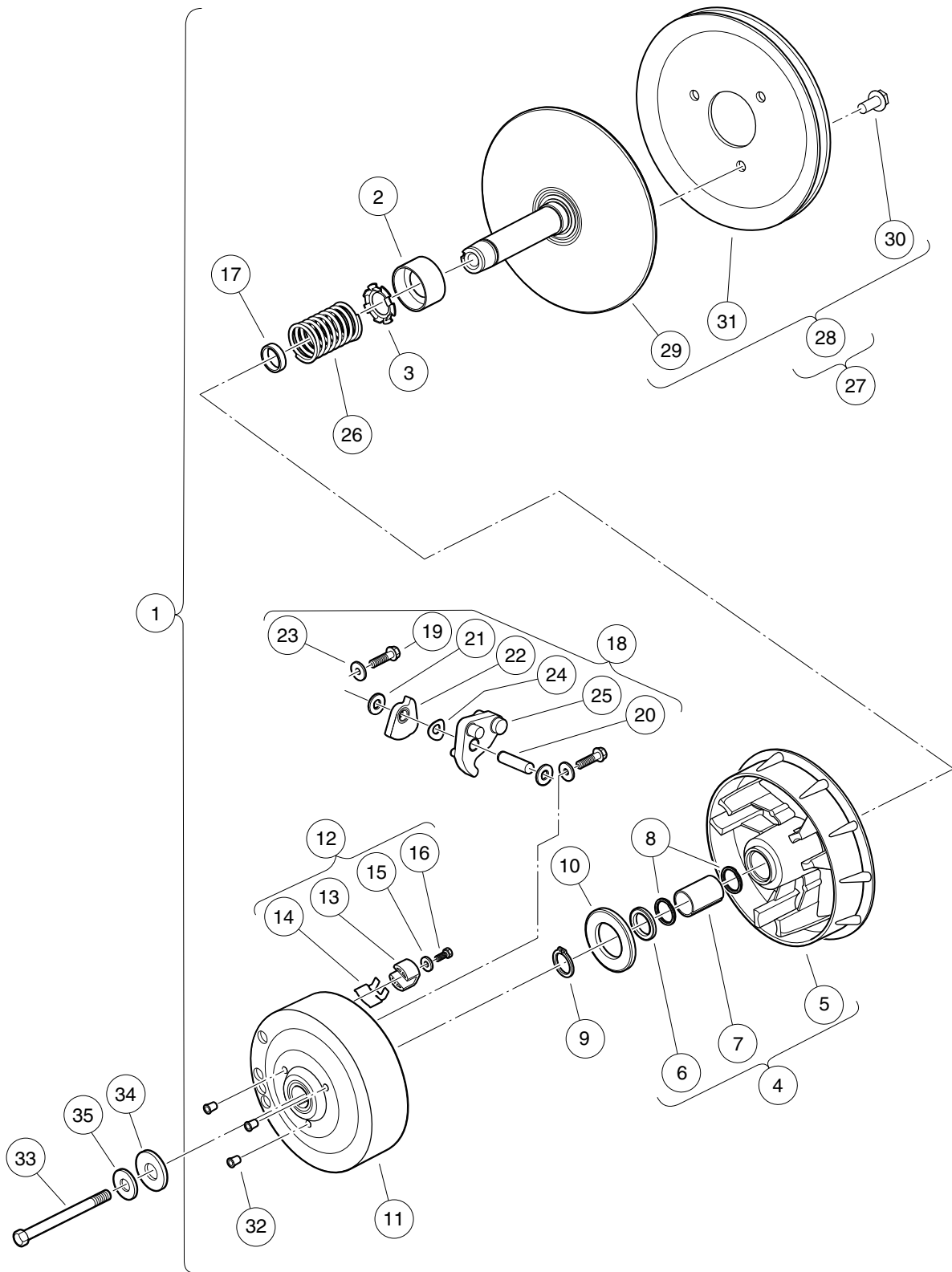


000219-001

# DRIVEN CLUTCH

ITEM	PART NO.	DESCRIPTION	QTY
		<b>1 2 3 4</b>	
1	<u>101834001</u>	Assembly, Driven Clutch (includes items 2 through 10) .....	1
2	<u>1014070</u>	Fixed Face Assy, Driven Clutch .....	1
3	<u>1014072</u>	Movable-Face Assembly with Bushing .....	1
4	<u>1014078</u>	Key, Driven Clutch .....	1
5	<u>1014080</u>	Ring, Retaining .....	1
6	<u>1014454</u>	Kit, Driven Clutch Button (includes items 7 and 8) .....	1
7	<u>1012836</u>	Screw, #8-32 X 3/4, Socket-Head Cap .....	3
8	N/A	Button, Drive .....	3
9	<u>1017686</u>	Cam, Driven Clutch .....	1
10	<u>101836201</u>	Spring, Driven Clutch, Reversed .....	1
11	<u>AM10419</u>	Kit, Clutch Repair (includes items 12 through 14) .....	1
12	<u>101833401</u>	Key, 3/16 Sq X 1.50" .....	1
13	<u>102155801</u>	Washer, Driven Clutch .....	1
14	<u>102242101</u>	Screw, 5/16-18 X 3/4 Hex-Head with Patch .....	1

**12**  
**G**



000217-007

# DRIVE CLUTCH – CA 2 PLUS/VILL. 6 & 8/TPORTER/XRT850

ITEM	PART NO.	DESCRIPTION	QTY
		1 2 3 4	
1	<u>101833904</u>	Assembly, Drive Clutch (includes items 2 through 32) .....	1
2	1014049	Bearing, Idler .....	1
3	<u>1014050</u>	Retainer, Spring .....	1
4	1014052	Movable-Face Assembly (includes items 5 through 7) .....	1
5	N/A	Drive Clutch Movable Face .....	1
6	<u>1014055</u>	Retainer .....	1
7	N/A	Bushing, Split, Drive Clutch .....	1
8	<u>1014056</u>	Ring, Spiral Backup .....	2
9	<u>1014057</u>	Ring, 0.810" Internal Retaining .....	1
10	1014058	Thrust Washer .....	1
11	1014059	Drive Hub Assy, Drive Clutch .....	1
12	<u>1014453</u>	Kit, Drive Clutch Button (includes items 13 through 16) .....	1
13	<u>1014062</u>	Driver, Drive Clutch .....	3
14	<u>1014287</u>	Spring, Drive Button .....	3
15	<u>183</u>	Washer, #10, Type A, Flat .....	3
16	<u>8450</u>	Screw, #10-24 X 0.50, Hex-Head .....	3
17	<u>1016289</u>	Spacer, Fixed Face Shaft .....	1
18	<u>1016801</u>	Kit, Drive Clutch Weight (includes items 19 through 25) .....	1
19	<u>1014063</u>	Screw, 1/4-20 X 1.00, Hex Head .....	6
20	N/A	Pin, Dowel, 0.3752 x 1.50 .....	3
21	<u>1014065</u>	Washer, Flat, 0.38" ID, Delrin .....	6
22	N/A	Clutch Weight, Secondary .....	3
23	N/A	Washer .....	6
24	<u>1016201</u>	Washer, Wave .....	3
25	N/A	Weight, Primary .....	3
26	<u>1016901</u>	Spring, Drive Clutch .....	1
27	101738302	Kit, Fixed Face - Drive (includes item 28) .....	1
28	<u>101738301</u>	Fixed Face Drive (includes items 29 through 31) .....	1
29	N/A	Fixed Face Assembly, Drive Clutch .....	1
30	<u>1014288</u>	Screw, 5/16-18 X 0.75, Thread-Forming .....	3
31	1016011	Pulley, Drive Clutch .....	1
32	N/A	Cap Plug .....	3
33	<u>103345701</u>	Screw 3/8-24x5.5 Hex Loc Ptch .....	1
34	<u>334</u>	Washer, 3/8, Type A, Flat .....	1
35	<u>808</u>	Washer, 3/8 Type B Flat .....	1

**12**

**G**

12

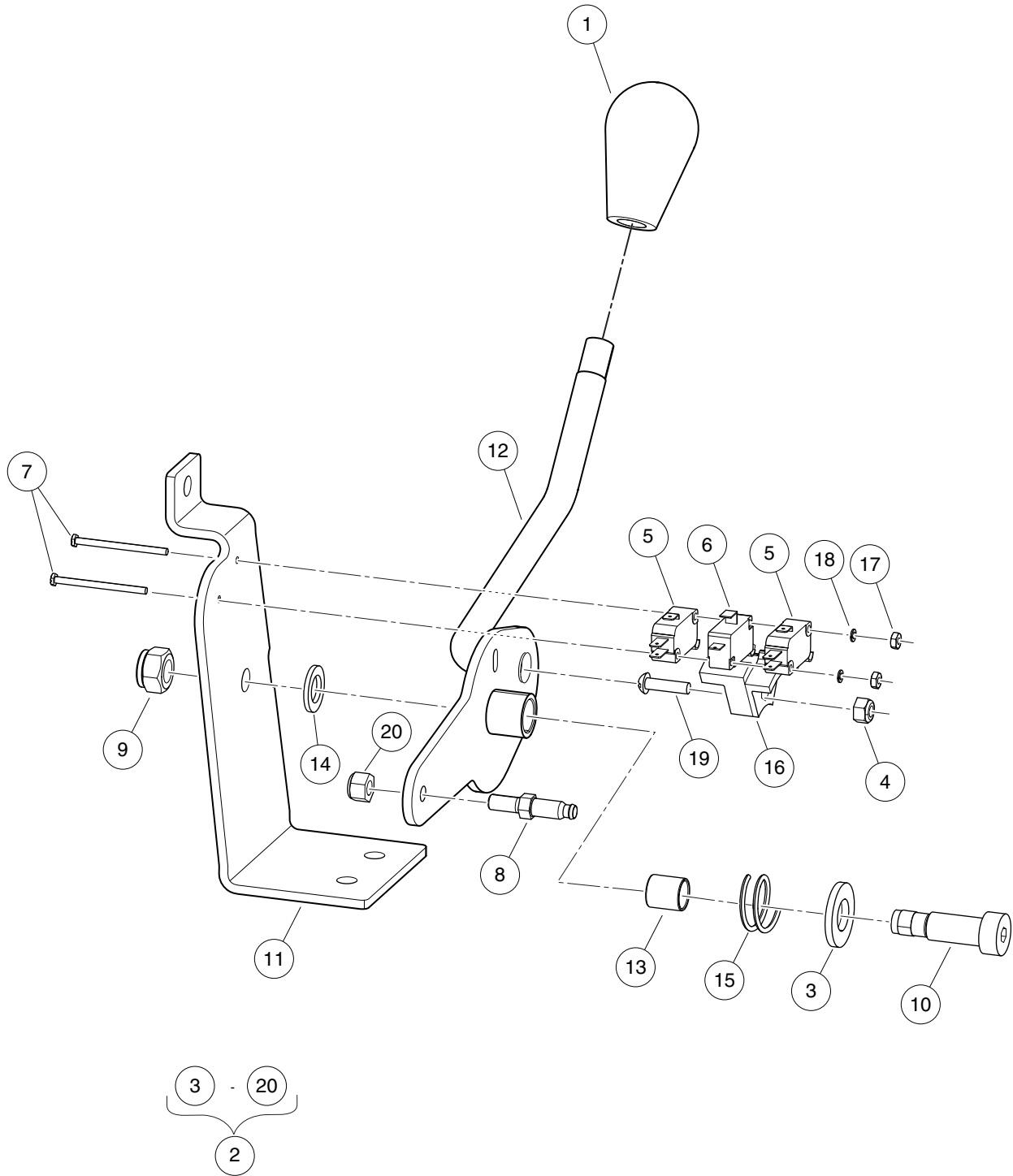
G

# UNITIZED TRANSAXLE – CARBURETED GAS VEHICLES

---

13

G



000563-001

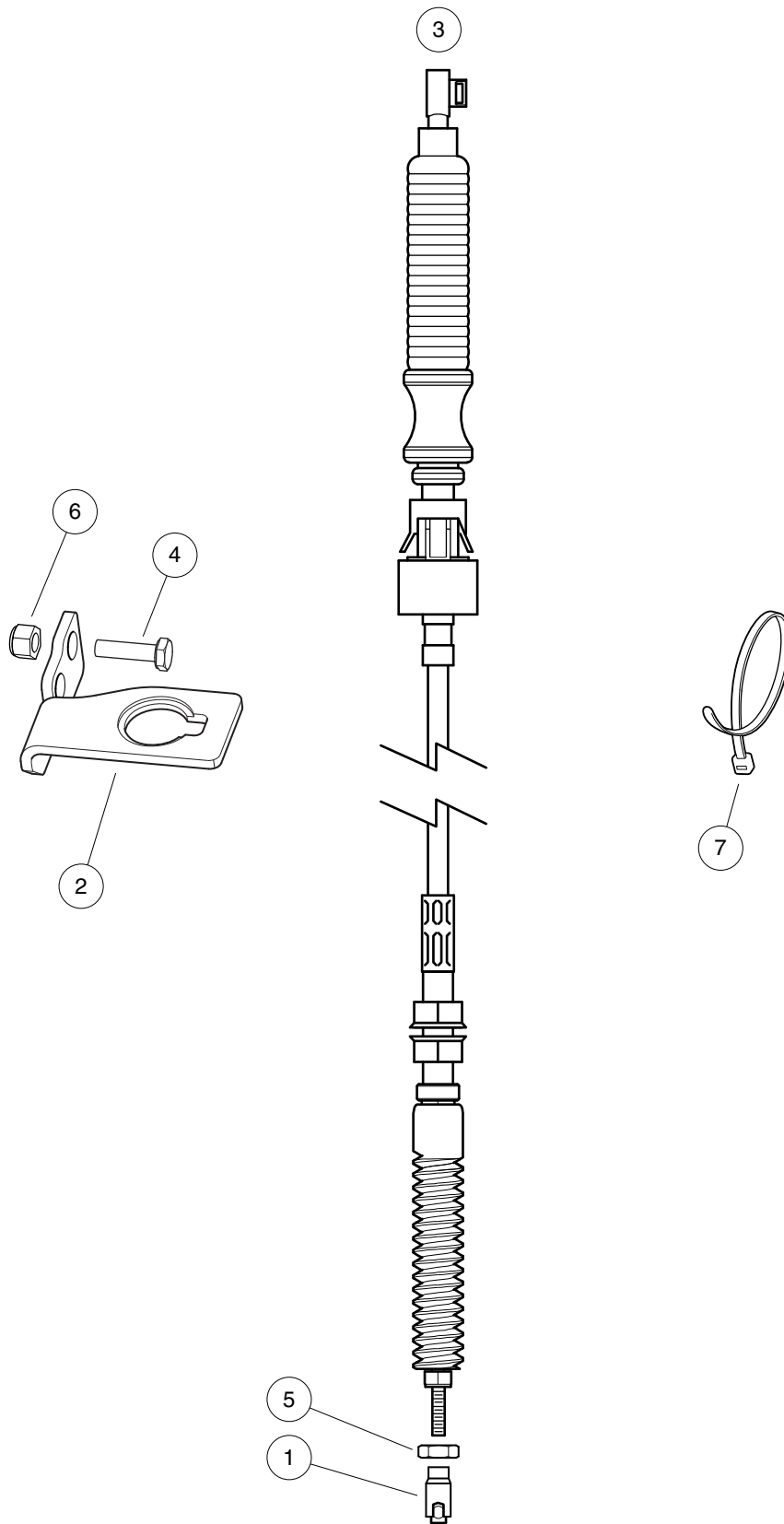


# FORWARD/REVERSE SHIFTER

ITEM	PART NO.	DESCRIPTION	QTY
		1 2 3 4	
1	<u>102376001</u>	Knob, FNR, Shifter .....	1
2	<u>102969901</u>	Asm, Shifter, FNR (includes items 3 through 20) .....	1
3	<u>1010028</u>	Washer, 1/2 Type A Flat .....	1
4	<u>1013061</u>	Locknut, #10-32 Nylon Insert .....	1
5	<u>1014807</u>	Switch, Limit .....	2
6	<u>1014808</u>	Switch, Limit .....	1
7	<u>1015878</u>	Screw, #4-40 Hex Head Machine .....	2
8	<u>102526201</u>	Stud, Thread, 1/4-28 .....	1
9	<u>102616701</u>	Locknut, M10x1.5 Nylon Insert .....	1
10	<u>102684602</u>	Shoulder Bolt, M12 X 25.0 .....	1
11	<u>102969401</u>	Bracket, Shifter, FNR .....	1
12	<u>102969801</u>	Weldment, Shift Lever, FNR .....	1
13	<u>103173301</u>	Bushing, Greaseless, 12mm Id .....	1
14	<u>103177401</u>	Washer, Thrust, Shifter, FNR .....	1
15	<u>103192701</u>	Spring, Comp, .97 Od X.75 L .....	1
16	<u>103369501</u>	Cam, Limit Switch, Fnr Shifter .....	1
17	<u>8057</u>	Nut, #4-40 Hex Machine .....	2
18	<u>8058</u>	Lockwasher, #4 Split .....	2
19	8104	Screw, #10-32 X .75 Rd Hd Mach .....	1
20	<u>8717</u>	Locknut, Nylon Insert, 1/4-28 .....	1

13

G



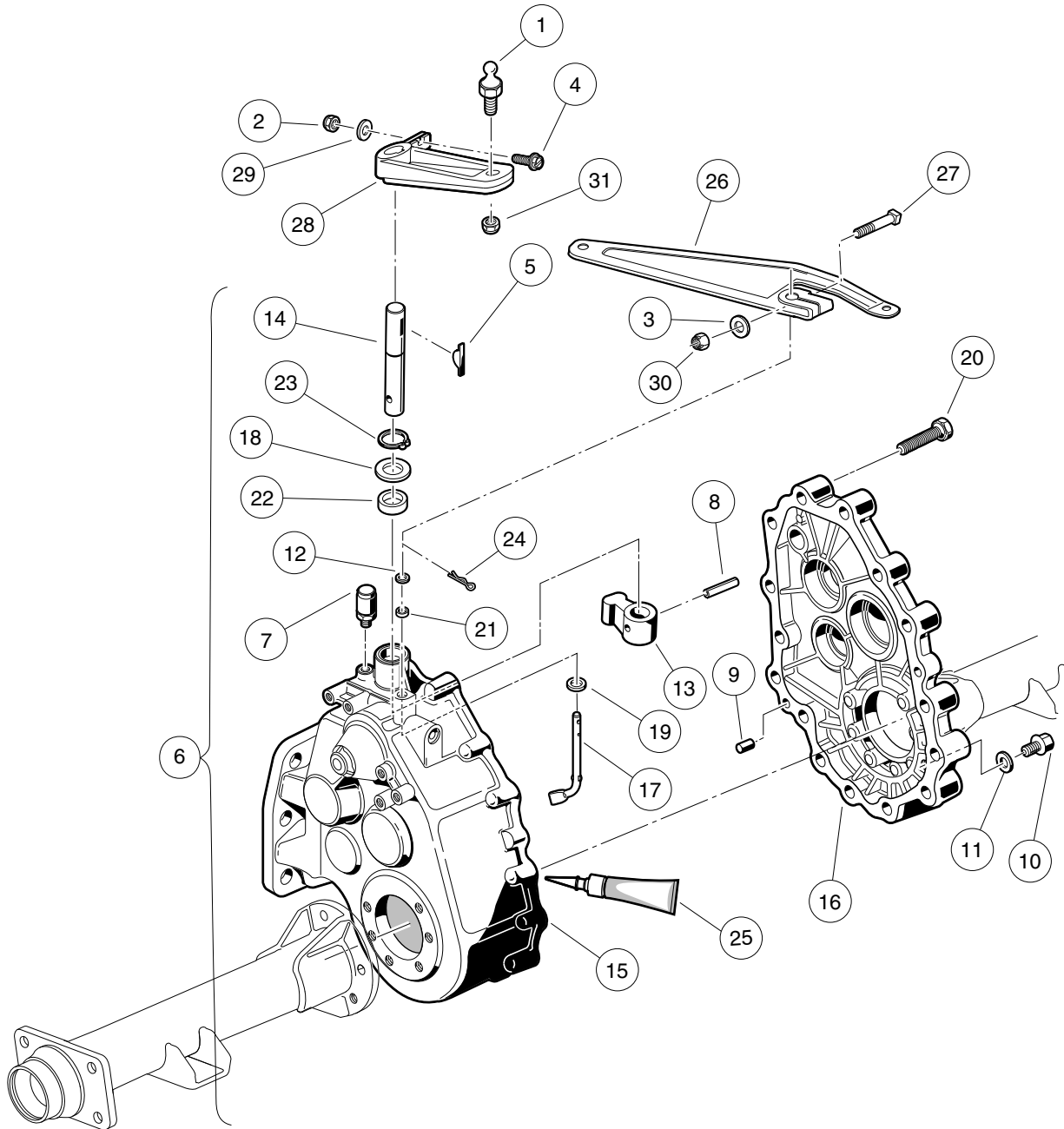
001071-001

# SHIFTER CABLE – TURF/CARRYALL 1 AND XRT850

ITEM	PART NO.	DESCRIPTION	QTY
		1 2 3 4	
1	<u>1012333</u>	Joint, #10-32 Ball .....	1
2	<u>103295101</u>	Brkt, Spt, Cable End, Fnr .....	1
3	<u>103295201</u>	Cable, Trans, Ball End, 1550mm .....	1
4	304	Screw, 1/4-20 X 1.0 Hex-Head Cap .....	2
5	<u>7893</u>	Nut, #10-32 Hex .....	1
6	<u>8233</u>	Locknut, 1/4-20, Nylon Insert .....	2
7	<u>8639</u>	Tie Wrap, 11" Nylon .....	A/R

13

G



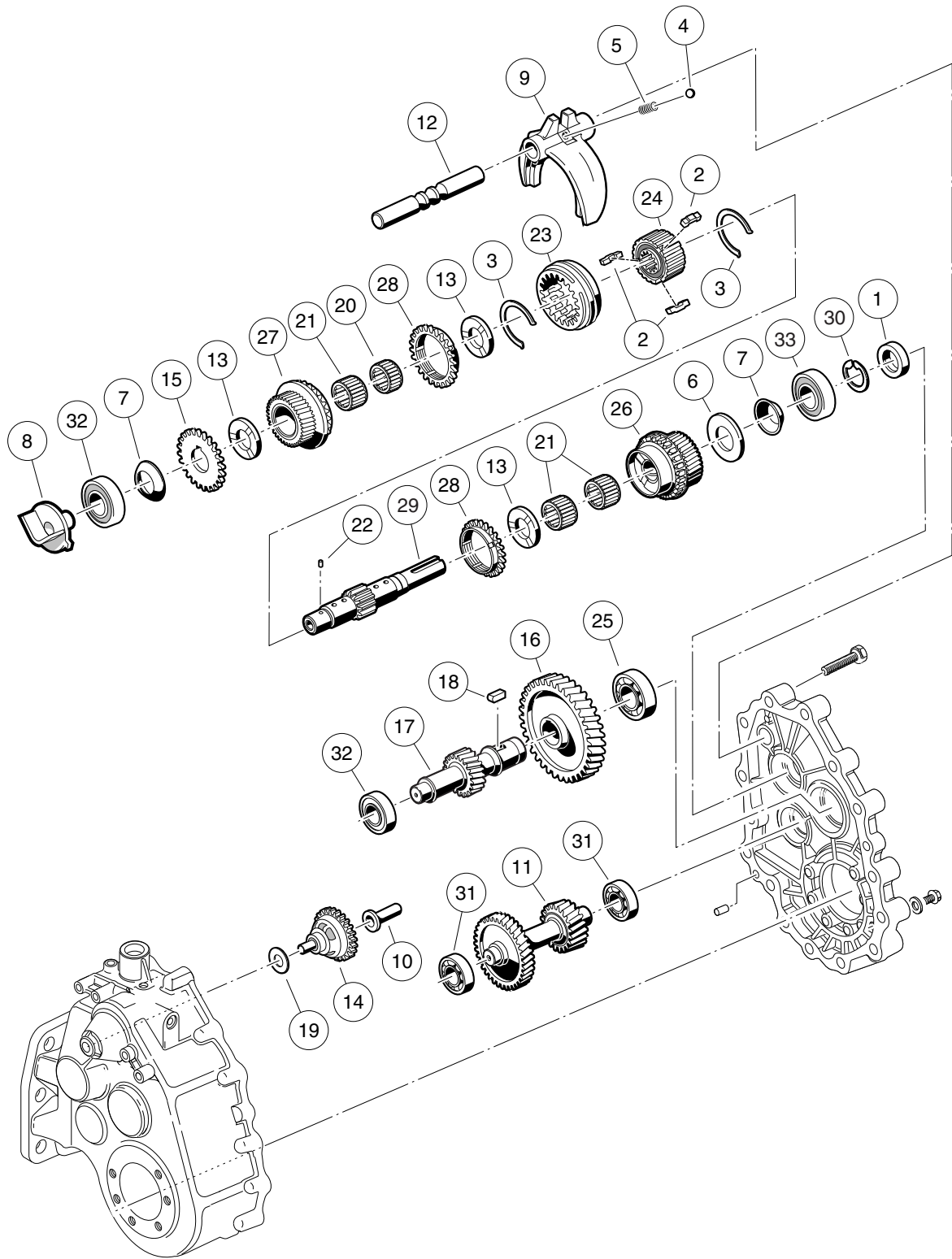
000220-005

# KAWASAKI TRANSAXLE – GEAR CASES AND BRACKETS

13

G

ITEM	PART NO.	DESCRIPTION	QTY
		1 2 3 4	
1	<u>1010954</u>	Stud, Ball, 1/4-28 X 0.560 .....	1
2	<u>1013061</u>	Locknut, #10-32 Nylon Insert .....	1
3	<u>1014007</u>	Washer, 1/4, Flat .....	1
4	<u>1017082</u>	Screw, #10-32 X 0.75, Hex-Head Machine .....	1
5	<u>1017231</u>	Key, Woodruff .....	1
6	<u>101833601</u>	Transaxle, 11.77 Ratio (includes items 7 through 25) .....	1
7	<u>1012711</u>	Breather .....	1
8	<u>1012752</u>	Roll Pin .....	1
9	<u>1012896</u>	Pin, Dowel .....	2
10	<u>1013760</u>	Fill Plug .....	2
11	<u>1016432</u>	Gasket, Drain Plug .....	1
12	<u>1016513</u>	Washer, M6 Flat .....	1
13	<u>101890101</u>	Lever, Drive Selector .....	1
14	<u>101890201</u>	Shaft, Drive Selector .....	1
15	<u>101890501</u>	Gear Case (driver side) .....	1
16	<u>101890601</u>	Gear Case (passenger side) .....	1
17	<u>101891301</u>	Arm Pivot .....	1
18	<u>101892901</u>	Washer .....	1
19	<u>101893801</u>	Washer .....	1
20	<u>101926901</u>	Screw, M8-1.25 X 40mm Hex-Head .....	15
21	<u>101927101</u>	Seal, Oil .....	1
22	<u>101927201</u>	Seal, Oil .....	1
23	<u>101927301</u>	Snap Ring .....	1
24	<u>101928601</u>	Pin, Cotter .....	1
25	<u>101928701</u>	Liquid Gasket (Transaxle case) .....	1
26	<u>101834801</u>	Arm, Governor .....	1
27	<u>101886101</u>	Screw, 1/4-20 X 1.00, Square-Head .....	1
28	<u>102515401</u>	Lever, Transmission Shift .....	1
29	<u>183</u>	Washer, #10, Type A, Flat .....	1
30	<u>8233</u>	Locknut, 1/4-20, Nylon Insert .....	1
31	<u>8717</u>	Locknut, Nylon Insert, 1/4-28 .....	1
		<p>Note: Kawasaki transaxle component listings span three pages. To identify your transaxle, locate the serial number decal on the axle tube.</p>	



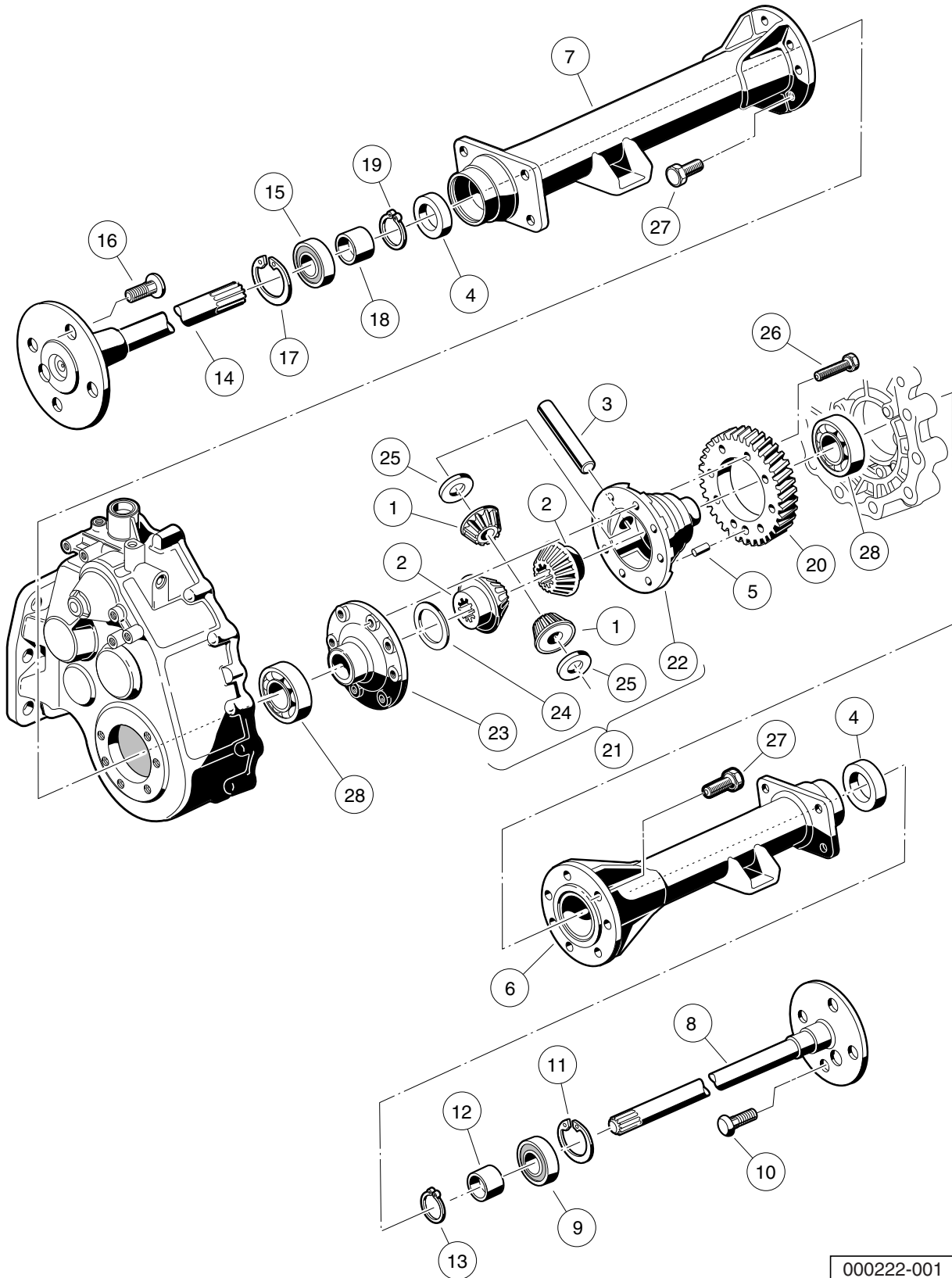
000221-001

# KAWASAKI TRANSAXLE – F&R TRANSMISSION AND GEAR REDUCTION

13

G

ITEM	PART NO.	DESCRIPTION	QTY
		1 2 3 4	
1	<u>1012714</u>	Oil Seal .....	1
2	<u>1012740</u>	Synchro Insert .....	3
3	<u>1012741</u>	Synchro Spring .....	2
4	<u>1012747</u>	Shifter Ball .....	1
5	<u>1012748</u>	Shifter Spring .....	1
6	<u>1016337</u>	Washer, Thrust .....	1
7	<u>1016338</u>	Washer, Spring .....	2
8	<u>101889401</u>	Guide .....	1
9	<u>101890001</u>	Fork - Shift .....	1
10	<u>101891601</u>	Sleeve, Governor .....	1
11	<u>101891901</u>	Gear, Cluster .....	1
12	<u>101892001</u>	Rod, Shift .....	1
13	<u>101892201</u>	Plate, Thrust .....	3
14	<u>101892301</u>	Governor Assembly .....	1
15	<u>101892401</u>	Gear, Spur .....	1
16	<u>101892501</u>	Gear, Helical (61 Tooth) .....	1
17	<u>101892601</u>	Gear, Helical (17 Tooth) .....	1
18	<u>101893201</u>	Key Sunk .....	1
19	<u>101893901</u>	Washer .....	1
20	<u>101927501</u>	Needle Bearing .....	1
21	<u>101927601</u>	Needle Bearing .....	3
22	<u>101927701</u>	Pin, .116" Dia X 0.264 Dowel .....	1
23	<u>101927901</u>	Sleeve, Synchro .....	1
24	<u>101928001</u>	Hub, Synchro Clutch .....	1
25	<u>101928101</u>	Bearing, Ball .....	1
26	<u>101980801</u>	Gear Assembly, 16-Degree Synchro (25 Tooth) .....	1
27	<u>101980901</u>	Gear Assembly, 16-Degree Rear Synchro (28 Tooth) .....	1
28	<u>101981001</u>	Ring, 16-Degree Synchronizer .....	2
29	<u>102453001</u>	Shaft, Trans, with Circlip .....	1
30	<u>102453101</u>	Circlip .....	1
31	<u>7335</u>	Bearing .....	2
32	<u>AM10080</u>	Bearing, Ball, Sealed .....	2
33	<u>AM10081</u>	Bearing, Ball, Sealed .....	1
Note: To identify your transaxle, locate the serial number decal on the axle			



000222-001



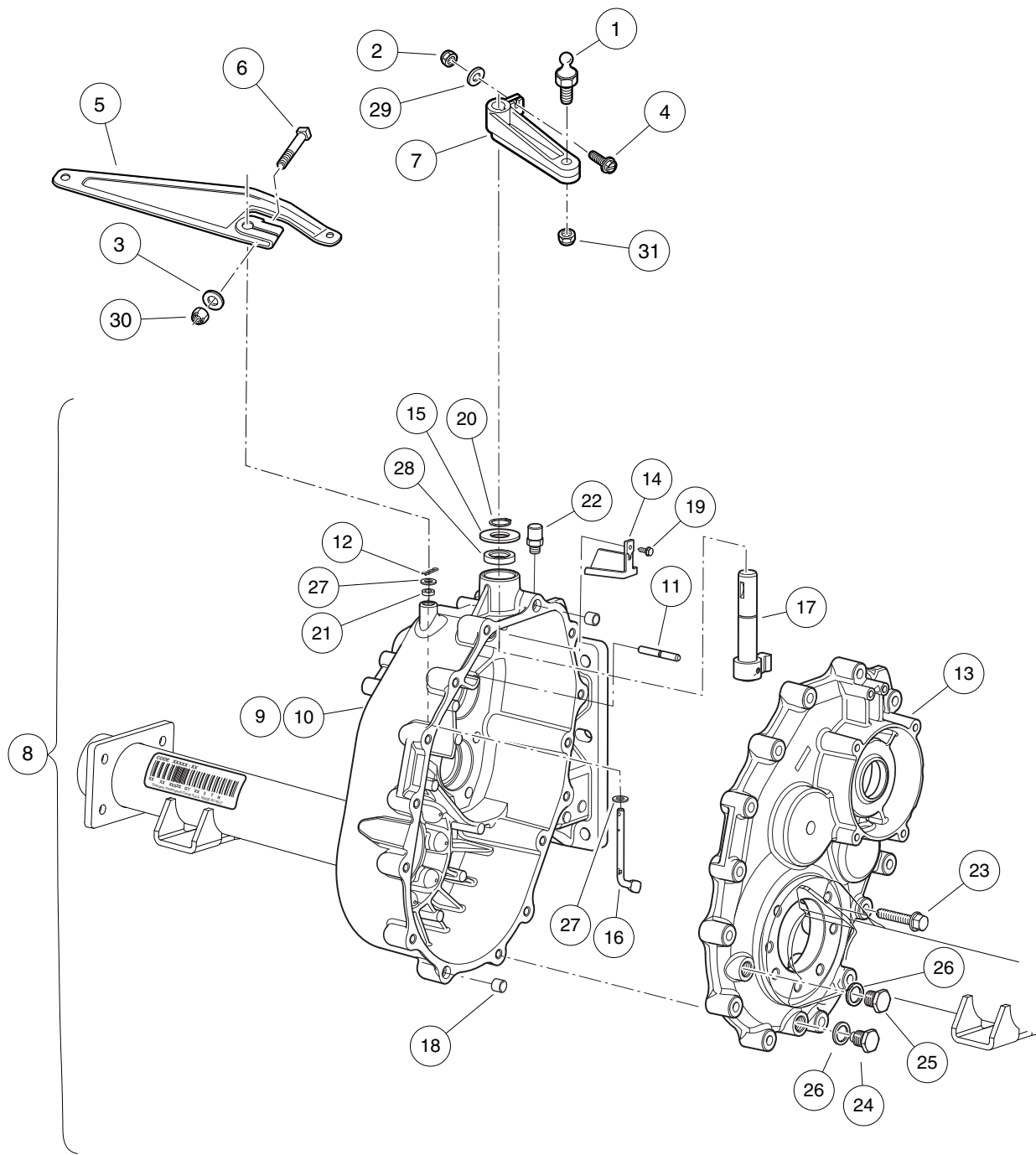
# KAWASAKI TRANSAXLE – DIFFERENTIAL AND AXLES

ITEM	PART NO.	DESCRIPTION	QTY
		1 2 3 4	
1	<u>1013770</u>	Differential Idler Gear .....	2
2	<u>1013771</u>	Gear, Differential .....	2
3	<u>1013772</u>	Pin, Differential .....	1
4	<u>1013794</u>	Axle Shaft Oil Seal .....	2
5	N/A	Dowel Pin .....	1
6	<u>101890901</u>	Axle Tube (Passenger Side) .....	1
7	<u>101891001</u>	Axle Tube (Driver Side) .....	1
8	<u>101891401</u>	Axle Assembly, Passenger Side (includes items 9 through 13) .....	1
9	<u>1011291</u>	Outer Axle, Tube Bearing .....	1
10	<u>1013787</u>	Lug Stud .....	4
11	<u>1013792</u>	Circlip Type C .....	1
12	<u>1014207</u>	Bushing .....	1
13	<u>1016672</u>	Retaining Ring .....	1
14	<u>101891501</u>	Axle Assembly, Driver-Side (includes items 15 through 19) .....	1
15	<u>1011291</u>	Outer Axle, Tube Bearing .....	1
16	<u>1013787</u>	Lug Stud .....	4
17	<u>1013792</u>	Circlip Type C .....	1
18	<u>1014207</u>	Bushing .....	1
19	<u>1016672</u>	Retaining Ring .....	1
20	<u>101892701</u>	Gear, Helical .....	1
21	<u>101910501</u>	Kit, Differential Gear Case (includes items 22 through 25) .....	1
22	<u>1013768</u>	Differential Gear Case, Left-Hand .....	1
23	<u>1013769</u>	Differential Gear Case, Right-Hand .....	1
24	<u>1013773</u>	Plate, Thrust (Differential Gear) .....	1
25	<u>1013774</u>	Plate, Thrust (Idler Gear) .....	2
26	<u>101928301</u>	Screw, M8-1.25 X 35mm Hex Head .....	8
27	<u>102031901</u>	Bolt, M10 X 1.5 X 30mm .....	14
28	<u>7330</u>	Inner Axle Tube Bearing .....	2
Note: To identify your transaxle, locate the serial number decal on the axle			

13

G

**13**  
**G**



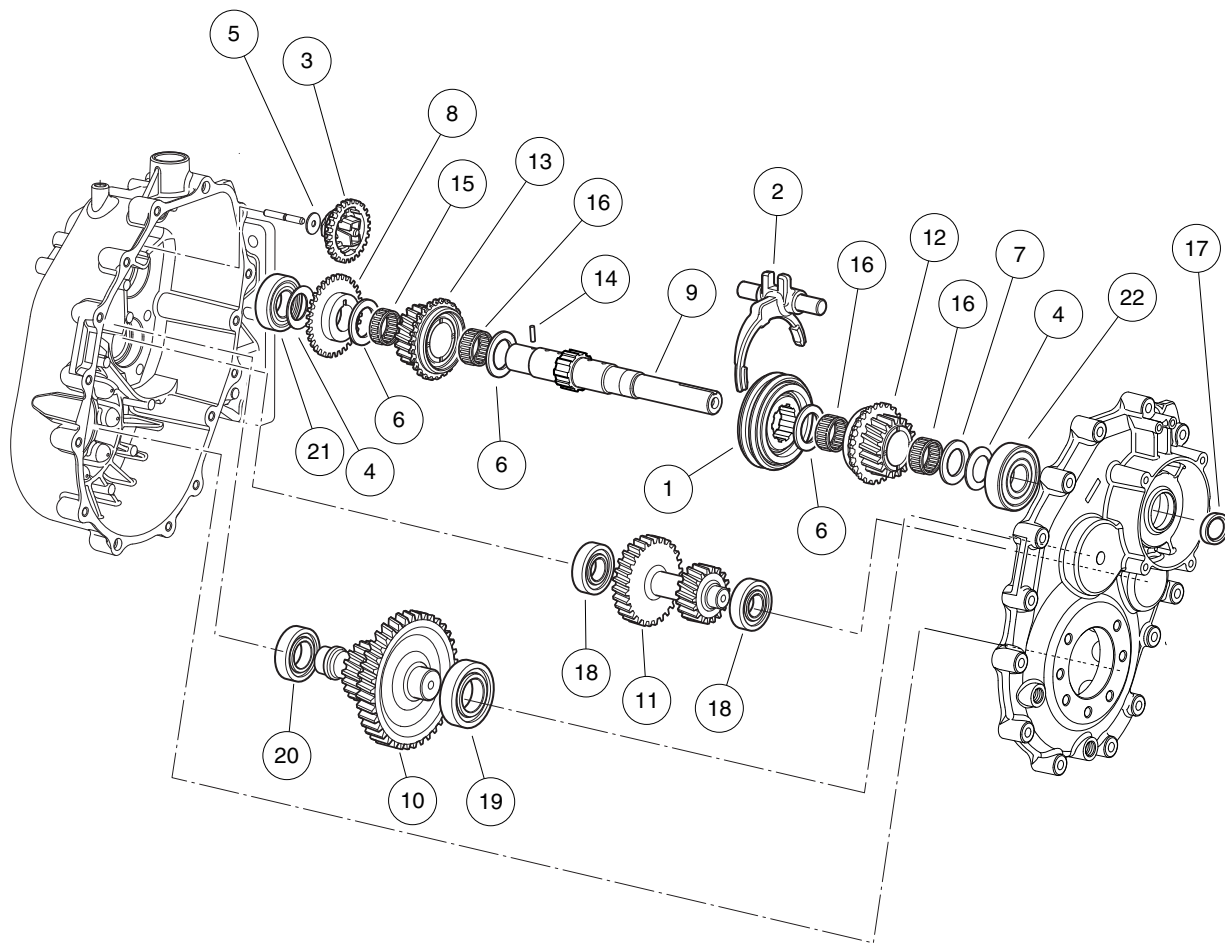
000680-009

# GRAZIANO TRANSAXLE – GEAR CASES AND LEVERS

ITEM	PART NO.	DESCRIPTION	QTY
		1 2 3 4	
1	<u>1010954</u>	Stud, Ball, 1/4-28 X 0.560 .....	1
2	<u>1013061</u>	Locknut, #10-32 Nylon Insert .....	1
3	<u>1014007</u>	Washer, 1/4, Flat .....	1
4	<u>1017082</u>	Screw, #10-32 X 0.75, Hex-Head Machine .....	1
5	<u>101834801</u>	Arm, Governor .....	1
6	<u>101886101</u>	Screw, 1/4-20 X 1.00, Square-Head .....	1
7	<u>102515401</u>	Lever, Transmission Shift .....	1
8	<u>102896801</u>	Transaxle, Unitized, Graziano (includes items 9 through 28) .....	1
9	<u>102896901</u>	Gear Box (Driver-Side) (includes items 10 and 11) .....	1
10	N/A	Gear Box .....	1
11	N/A	Pin, Speed Governor .....	1
12	<u>102897401</u>	Pin, Split .....	1
13	<u>102897501</u>	Cover, Gear Box (Passenger-Side) .....	1
14	<u>102897601</u>	Conveyor, Oil .....	1
15	<u>102897801</u>	Washer, Thrust .....	1
16	<u>102897901</u>	Lever, Speed Governor .....	1
17	<u>102898201</u>	Unit, Drive Selector .....	1
18	<u>102899101</u>	Dowel .....	2
19	<u>102899201</u>	Screw .....	1
20	<u>102899401</u>	Ring, Snap .....	1
21	<u>102899701</u>	Grommet .....	1
22	<u>102899801</u>	Breather .....	1
23	<u>102900001</u>	Screw .....	15
24	<u>102900101</u>	Drain Plug, Magnetic .....	1
25	<u>102900201</u>	Fill Plug .....	1
26	<u>102900301</u>	Seal .....	2
27	<u>102900601</u>	Washer .....	2
28	<u>102900901</u>	Grommet .....	1
29	<u>183</u>	Washer, #10, Type A, Flat .....	1
30	<u>8233</u>	Locknut, 1/4-20, Nylon Insert .....	1
31	<u>8717</u>	Locknut, Nylon Insert, 1/4-28 .....	1
		<p>Note: Graziano transaxle component listings span three pages. To identify your transaxle, locate the serial number decal on the axle tube.</p>	

13

G



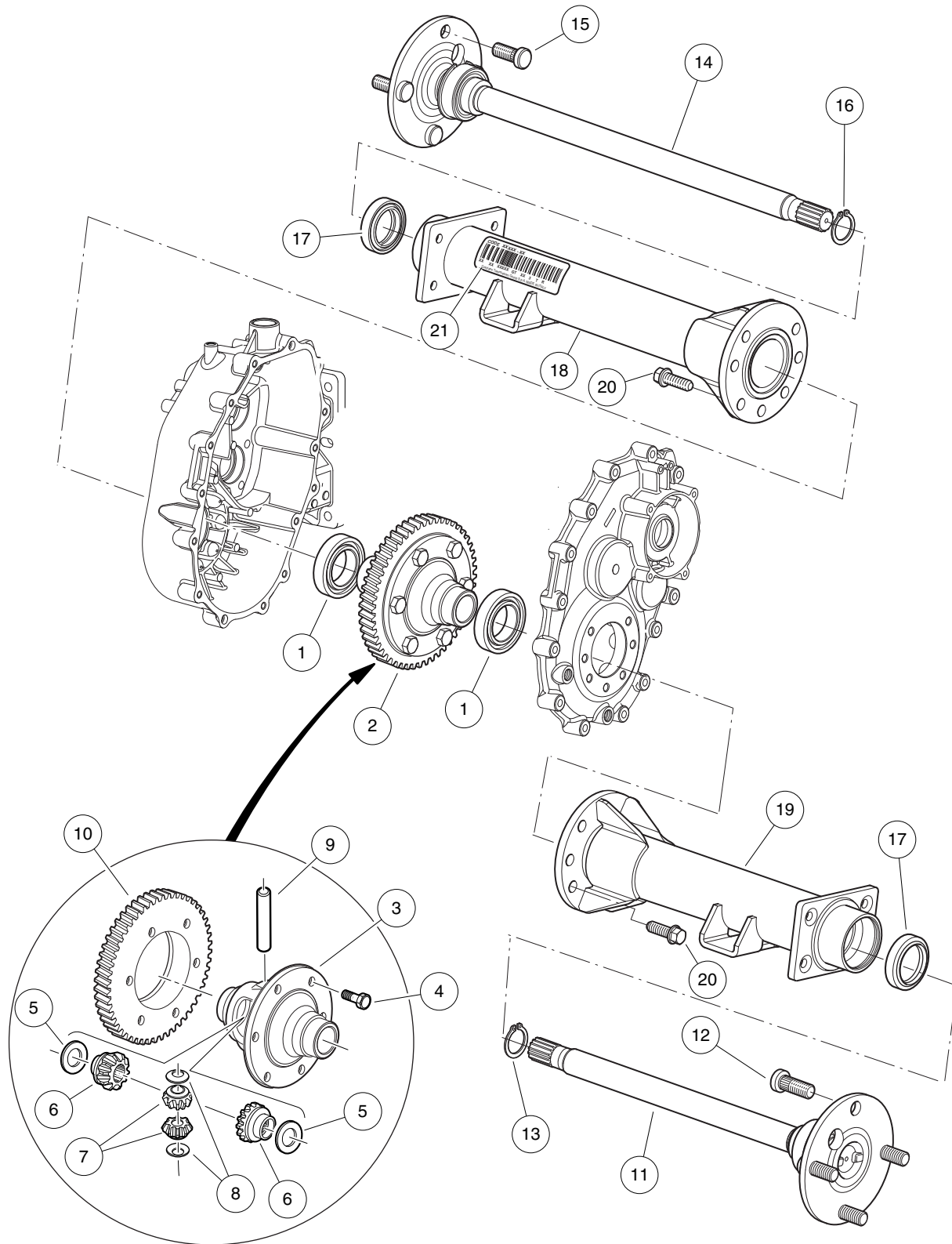
000680-006

# GRAZIANO TRANSAXLE – F&R TRANSMISSION AND GEAR REDUCTION

13

G

ITEM	PART NO.	DESCRIPTION	QTY
		1 2 3 4	
1	<u>102897201</u>	Synchronizer, Complete .....	1
2	<u>102897301</u>	Fork, Complete .....	1
3	<u>102897701</u>	Assembly, Speed Governor .....	1
4	<u>102898001</u>	Washer, Belleville .....	2
5	<u>102898101</u>	Bearing, Thrust .....	1
6	<u>102898301</u>	Bearing, Thrust .....	3
7	<u>102898401</u>	Washer, Thrust .....	1
8	<u>102898501</u>	Gear, Speed Governor .....	1
9	<u>102898601</u>	Shaft, Main .....	1
10	<u>102898701</u>	Shaft, Secondary .....	1
11	<u>102898801</u>	Shaft, Reverse Gear .....	1
12	<u>102898901</u>	Gear, Complete, 25t .....	1
13	<u>102899001</u>	Gear, Complete, 28t .....	1
14	<u>102899301</u>	Pin .....	1
15	<u>102899501</u>	Cage, Roller .....	1
16	<u>102899601</u>	Cage, Roller .....	3
17	<u>102899901</u>	Grommet .....	1
18	<u>102900401</u>	Bearing .....	2
19	<u>102900501</u>	Bearing, 62 Od X 30 Id X 16 .....	1
20	<u>102900701</u>	Bearing .....	1
21	<u>102901001</u>	Bearing .....	1
22	<u>102901101</u>	Bearing .....	1
<p>Note: To identify your transaxle, locate the serial number decal on the axle tube.</p>			



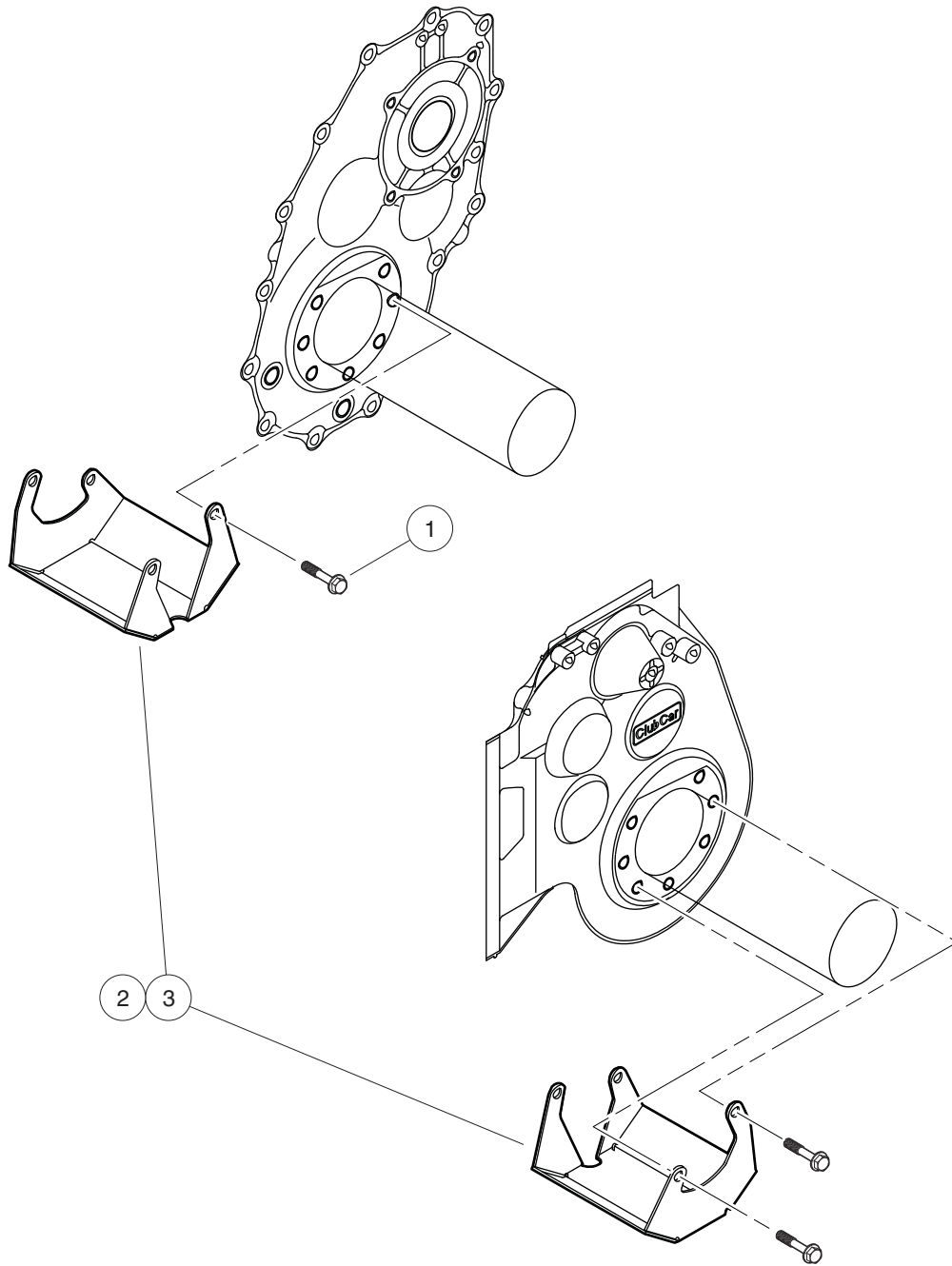
000681-002

# GRAZIANO TRANSAXLE -DIFFERENTIAL AND AXLES

ITEM	PART NO.	DESCRIPTION	QTY
		1 2 3 4	
1	<u>102900801</u>	Bearing, 68 Od X 40 Id X 15 .....	2
2	<u>102902001</u>	Assembly, Differential (includes items 3 through 10) .....	1
3	<u>102901201</u>	Box, Differential .....	1
4	<u>102901301</u>	Screw, M10 X 25 .....	6
5	<u>102901401</u>	Ring, Sleeve .....	2
6	<u>102901501</u>	Gear, Sun .....	2
7	<u>102901601</u>	Gear, Planetary .....	2
8	<u>102901701</u>	Ring, Sleeve .....	2
9	<u>102901801</u>	Pin .....	1
10	<u>102901901</u>	Gear .....	1
11	<u>102902101</u>	Shaft, Axle, Short, Complete (Passenger-Side) (includes items 12 and 13) .....	1
12	<u>102902301</u>	Bolt, Stud .....	4
13	<u>102902401</u>	Snap Ring .....	1
14	<u>102902201</u>	Shaft, Axle, Long, Complete (Driver-Side) (includes items 15 and 16) .....	1
15	<u>102902301</u>	Bolt, Stud .....	4
16	<u>102902401</u>	Snap Ring .....	1
17	<u>102902501</u>	Seal, Lip .....	2
18	<u>102902601</u>	Axle Tube, (Driver-Side) .....	1
19	<u>102902701</u>	Axle Tube, (Passenger-Side) .....	1
20	<u>102902801</u>	Screw, M10 X 30 .....	14
21	N/A	Tag, Serial .....	1
Note: To identify your transaxle, locate the serial number decal on the axle tube.			

13

G



000366-001



# DIFFERENTIAL GUARD – GASOLINE VEHICLE

ITEM	PART NO.	DESCRIPTION	QTY
		1 2 3 4	
1	<u>101926901</u>	Screw, M8-1.25 X 40mm Hex-Head .....	4
2	<u>101932902</u>	Diff Guard Unitized Kit (Includes Instructions) (includes item 3) .....	1
3	N/A	Guard, Unitized Differential .....	1

13

G

13

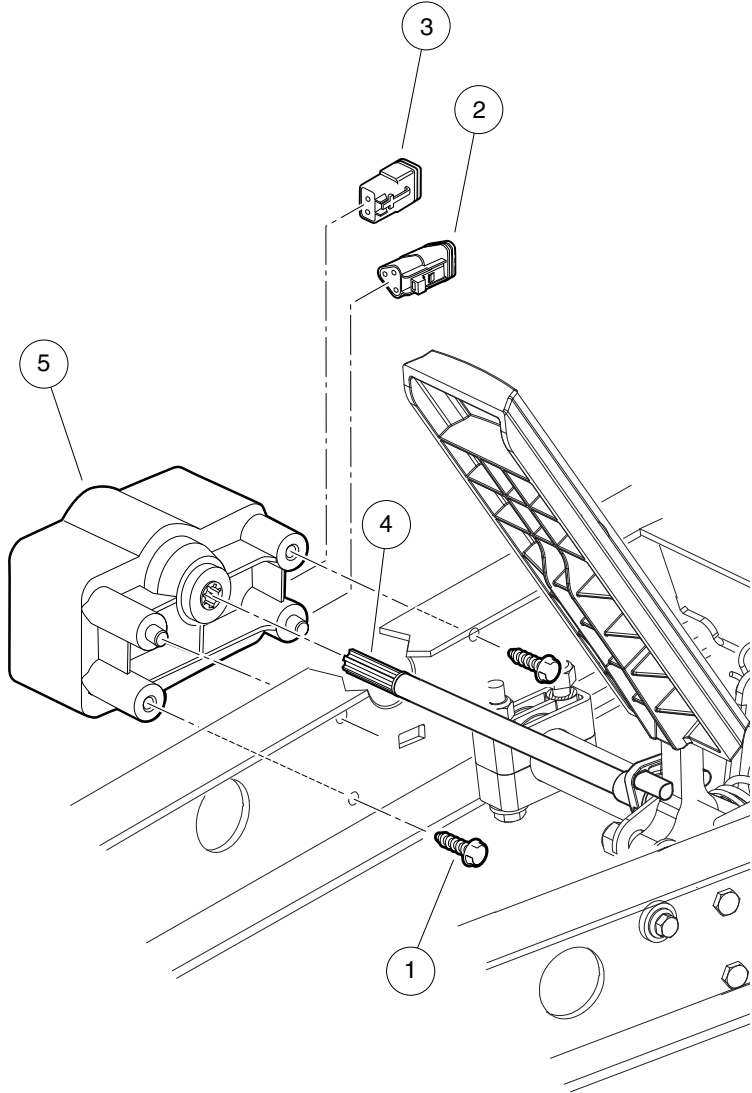
G

# ELECTRICAL SYSTEM – ELECTRIC VEHICLES

---

14

*E*



001070-001

# MOTOR CONTROLLER OUTPUT REGULATOR (MCOR)

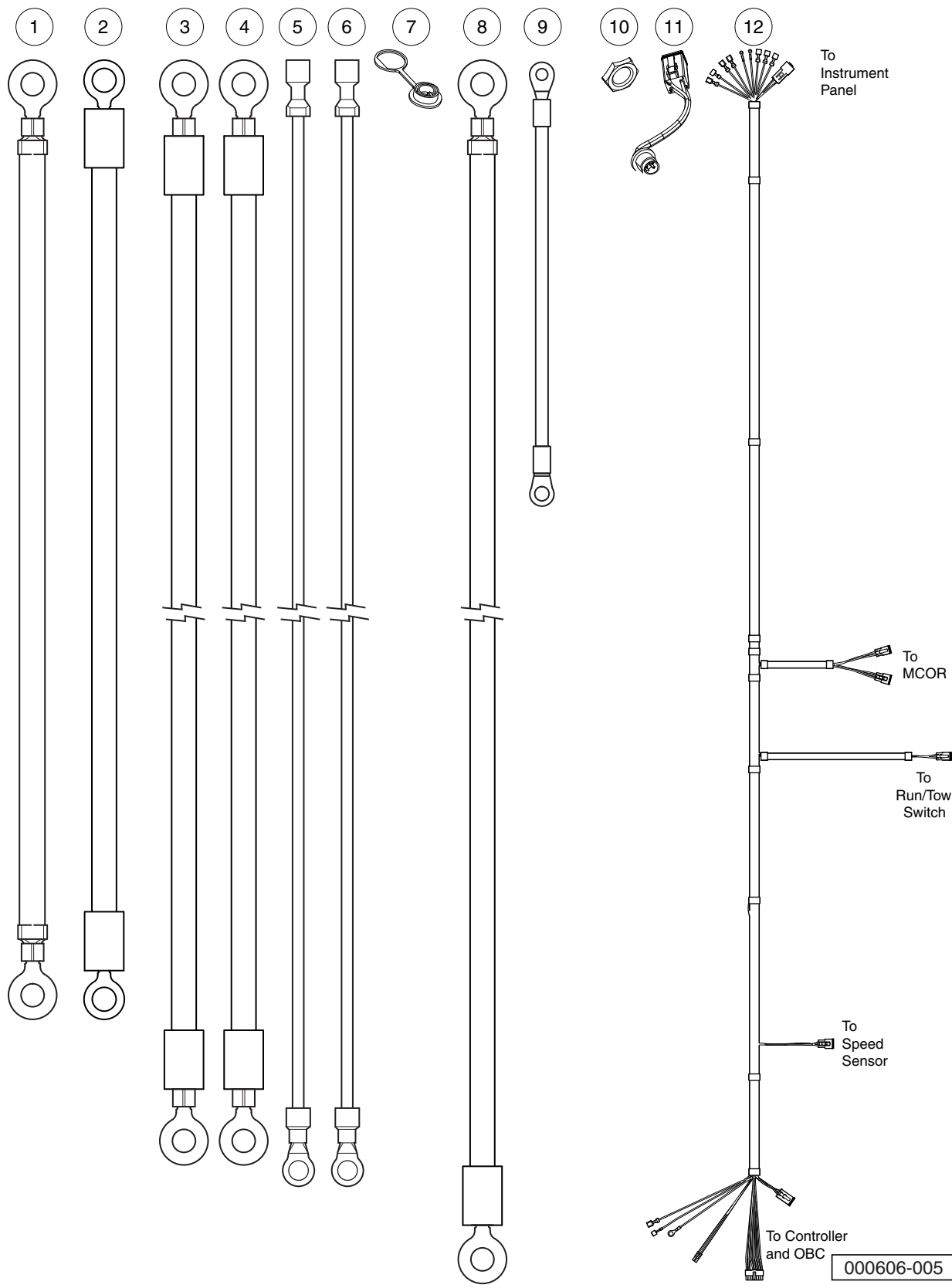
ITEM	PART NO.	DESCRIPTION	QTY
		1 2 3 4	
1	<u>1015752</u>	Screw, #12-16 X 0.625, Hi-Lo .....	2
2	<u>101920101</u>	Kit, 3-Pin Wedge Lock .....	1
3	<u>101936801</u>	Kit, 2-Pin Wedge Lock .....	1
4	102101001	Bar, Drive, Cast .....	1
5	<u>102101101</u>	MCOR .....	1

14

E

14

E



# WIRING – XRT850 ELECTRIC

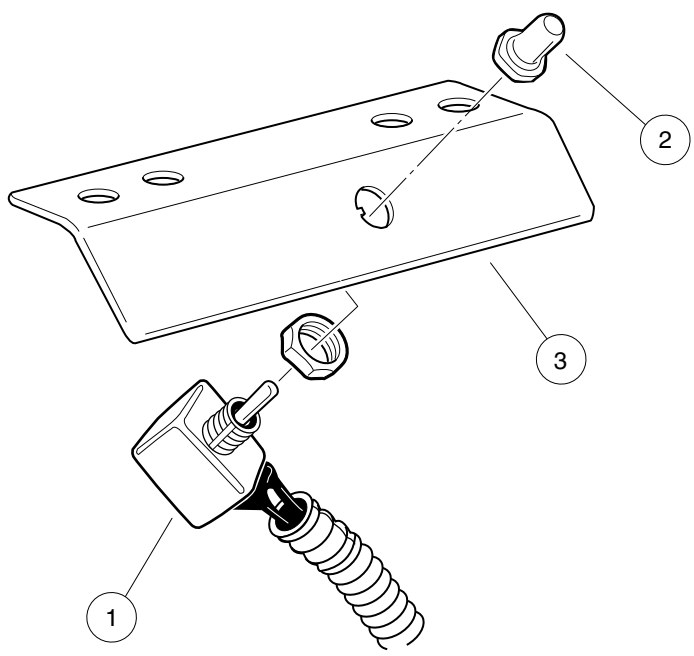
**14**

**E**

ITEM	PART NO.	DESCRIPTION	QTY
		<b>1 2 3 4</b>	
1	<u>101795701</u>	Asm, Wire, #6blk, 15 In .....	3
2	<u>101903001</u>	Wire Assembly #6 Yellow .....	1
3	<u>101968701</u>	Wire Assy, #6 White .....	1
4	<u>101978001</u>	Wire Assy, #6 Green .....	1
5	<u>101978102</u>	Asm, Wire, #10 Orange 1/4 .....	1
6	<u>101978202</u>	Asm, Wire, #10 Blue 1/4 .....	1
7	<u>102196901</u>	Dust Cap .....	1
8	<u>102199601</u>	Wire Asm, #6 Red, 37.7 .....	1
9	<u>102263601</u>	Wire Assy, #10 Black .....	1
10	<u>102572401</u>	Nut, Diagnostic Port .....	1
11	<u>103218601</u>	Harness, Diagnostic Port .....	1
12	<u>103689701</u>	Asm, Wire Harness, CA1 & XRT850, Elec .....	1

14

E



000605-002



# TOW/RUN SWITCH – IQ SYSTEM

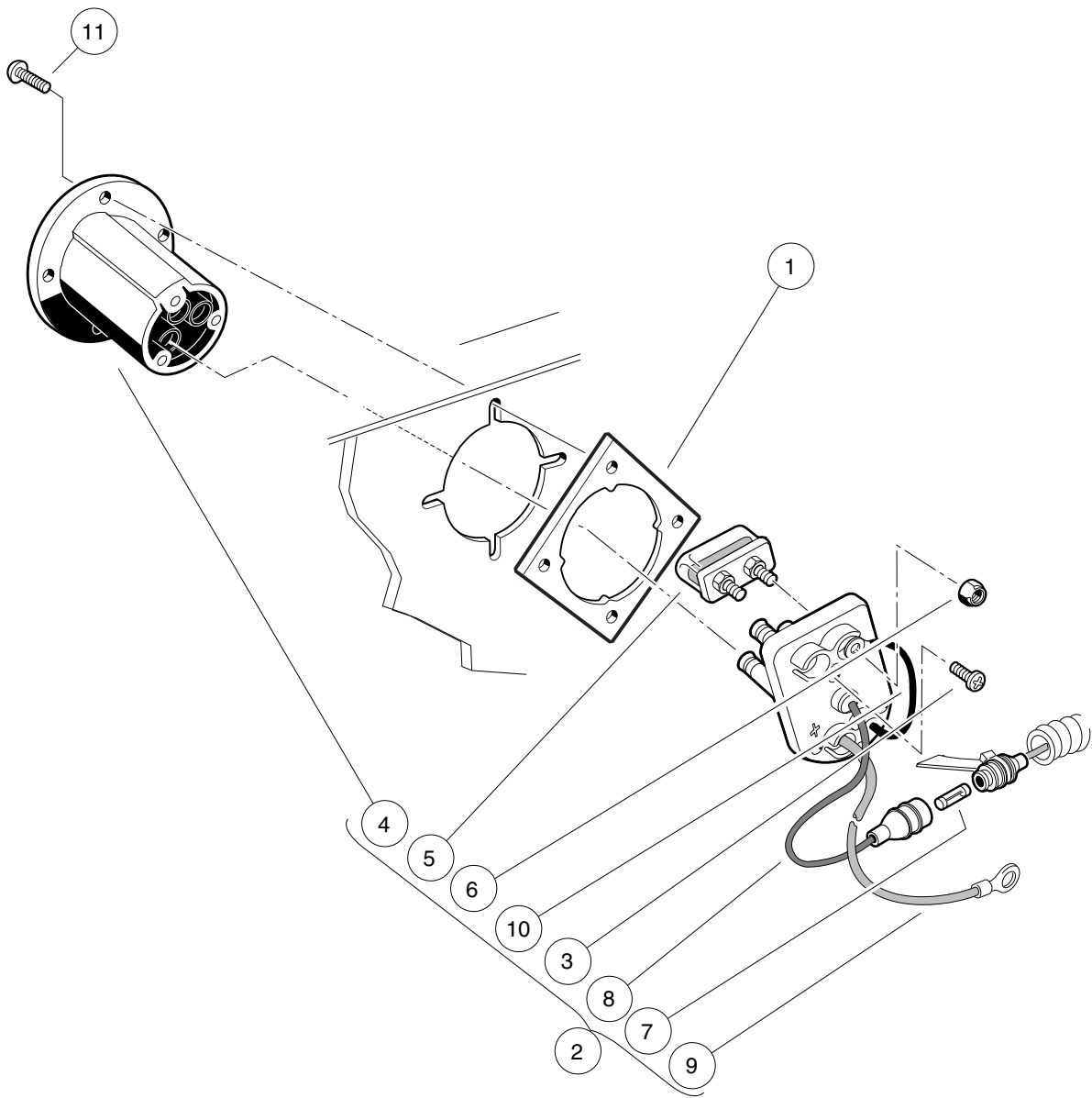
ITEM	PART NO.	DESCRIPTION	QTY
		1 2 3 4	
1	<u>101908101</u>	Switch Assembly, Tow/Run .....	1
2	<u>101908401</u>	Boot, Switch .....	1
3	<u>101922501</u>	Bracket, Tow/Run Switch Mounting .....	1

14

E

14

E



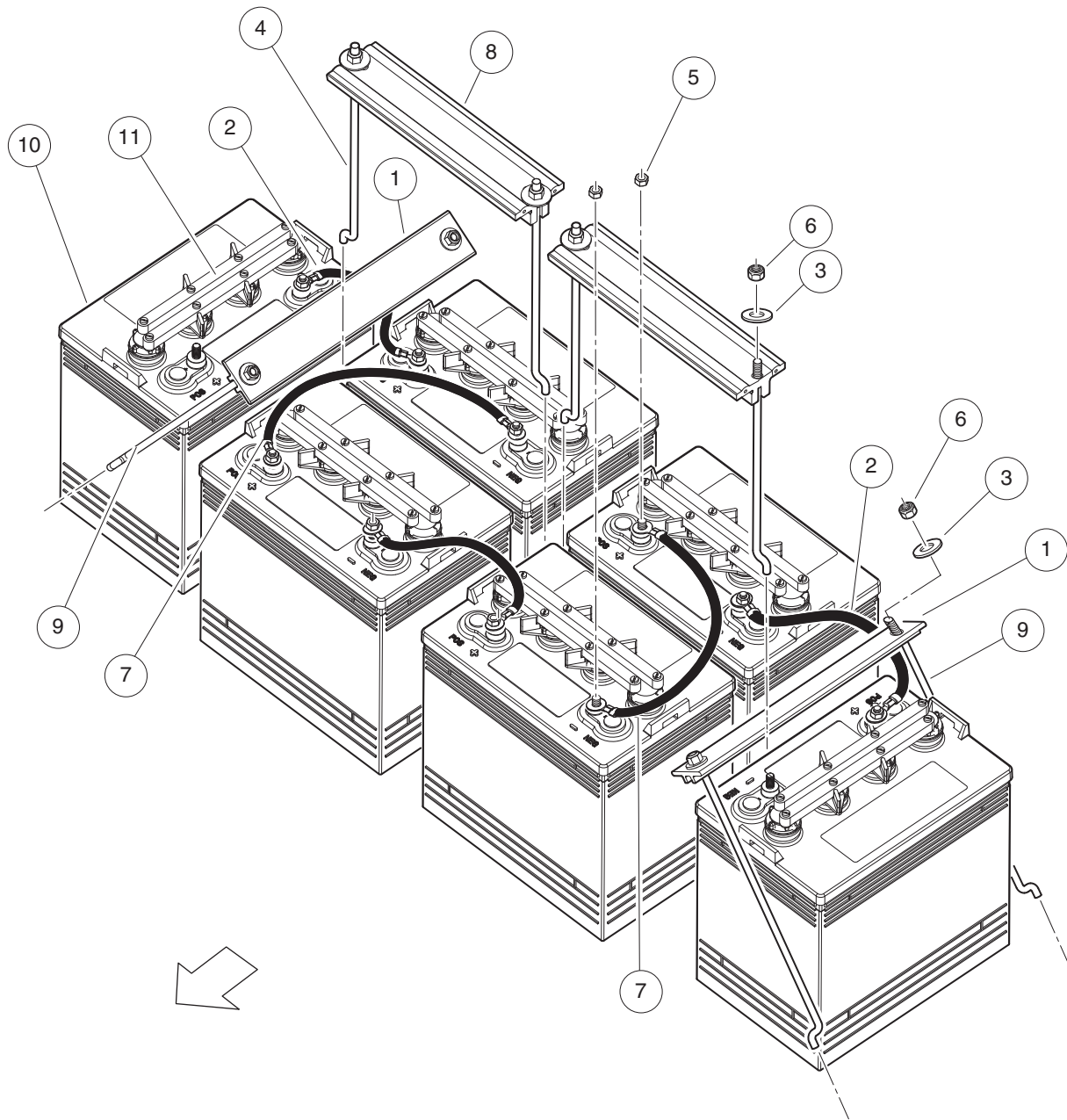
000369-001

# BATTERY CHARGER RECEPTACLE

ITEM	PART NO.	DESCRIPTION	QTY
		1 2 3 4	
1	<u>101801001</u>	Plate, Receptacle Backing .....	1
2	<u>101802101</u>	Fuse and Receptacle Assembly (includes items 3 through 10) .....	1
3	<u>1017705</u>	Screw, #8 X 5/8 Phillips Pan-Head Type AB .....	3
4	<u>101796501</u>	Receptacle .....	1
5	<u>101796801</u>	Fuse Assembly (includes item 6) .....	1
6	<u>1013061</u>	Locknut, #10-32 Nylon Insert .....	2
7	<u>101894901</u>	Fuse, 3/8-Amp .....	1
8	N/A	Wire Assembly, Sense Lead, Gray .....	1
9	N/A	Wire Assembly, #10 Red .....	1
10	N/A	Wire Assembly, #10 Black .....	1
11	<u>101832001</u>	Screw, #7-19 X 0.625 Phillips Pan-Head Tap .....	4

14

E



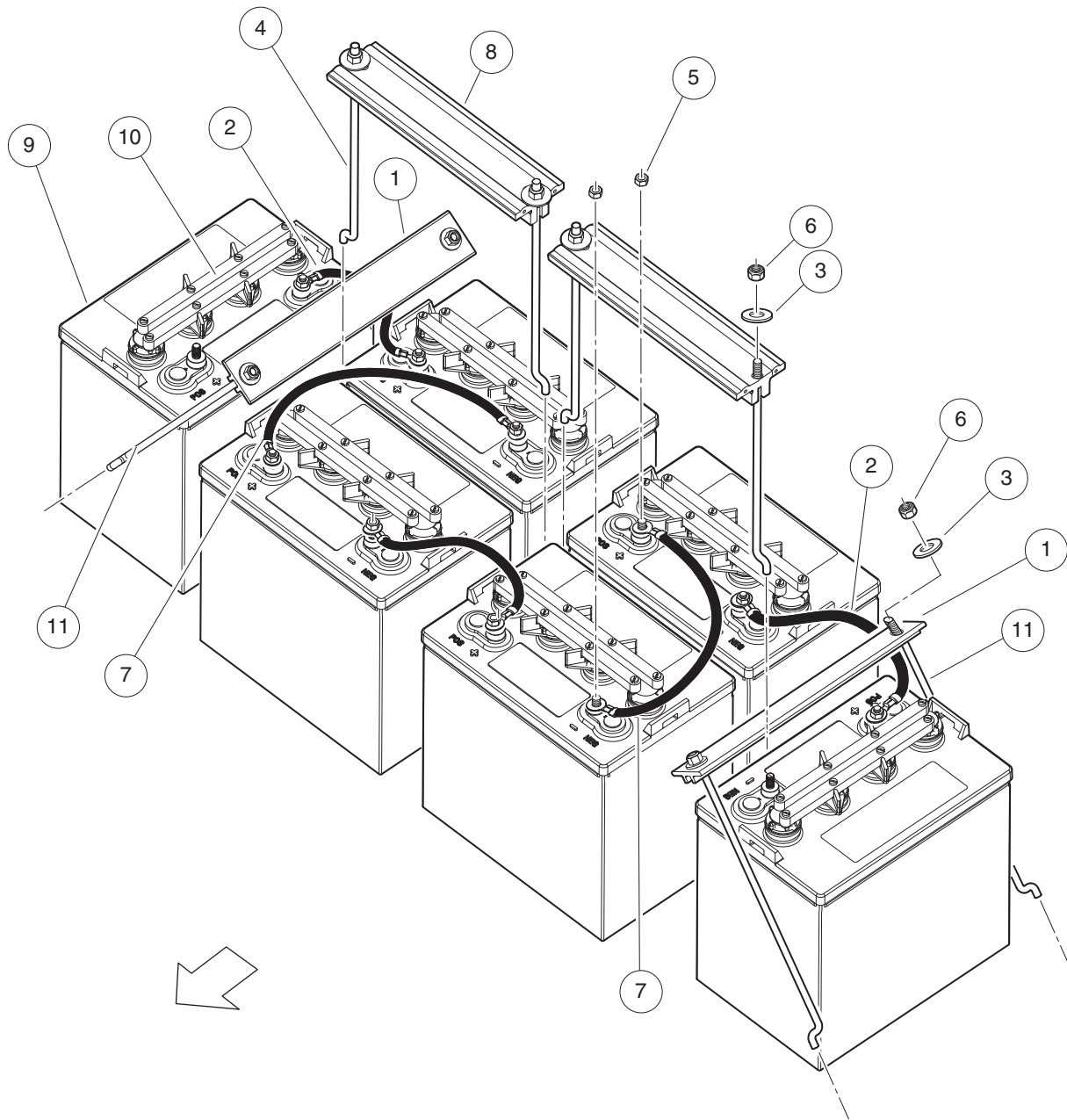
001317-001

# BATTERIES, 8-VOLT, CROWN

ITEM	PART NO.	DESCRIPTION	QTY
		1 2 3 4	
1	<u>101090802</u>	Hold-Down, Battery .....	2
2	<u>1010958</u>	Asm, Wire, #6blk 8in .....	3
3	<u>1011697</u>	Washer, 5/16 Flat .....	8
4	<u>1013683</u>	J-Bolt .....	4
5	<u>1014304</u>	Nut, 5/16-18 Stainless-Steel Hex .....	12
6	<u>1015072</u>	Locknut, 5/16-18 Nylon Insert .....	8
7	<u>101795701</u>	Asm, Wire, #6blk, 15 In .....	2
8	<u>103504301</u>	Tee, Batt Ret Ctr Short .....	2
9	<u>103696801</u>	J Bolt, Batt Hold Down 12" .....	4
10	<u>103719701</u>	Battery, 8-Volt, Crown CR165 (includes item 11) .....	6
11	<u>103878401</u>	Cap, Batt, 8v, Crown, Svc .....	1

14

E



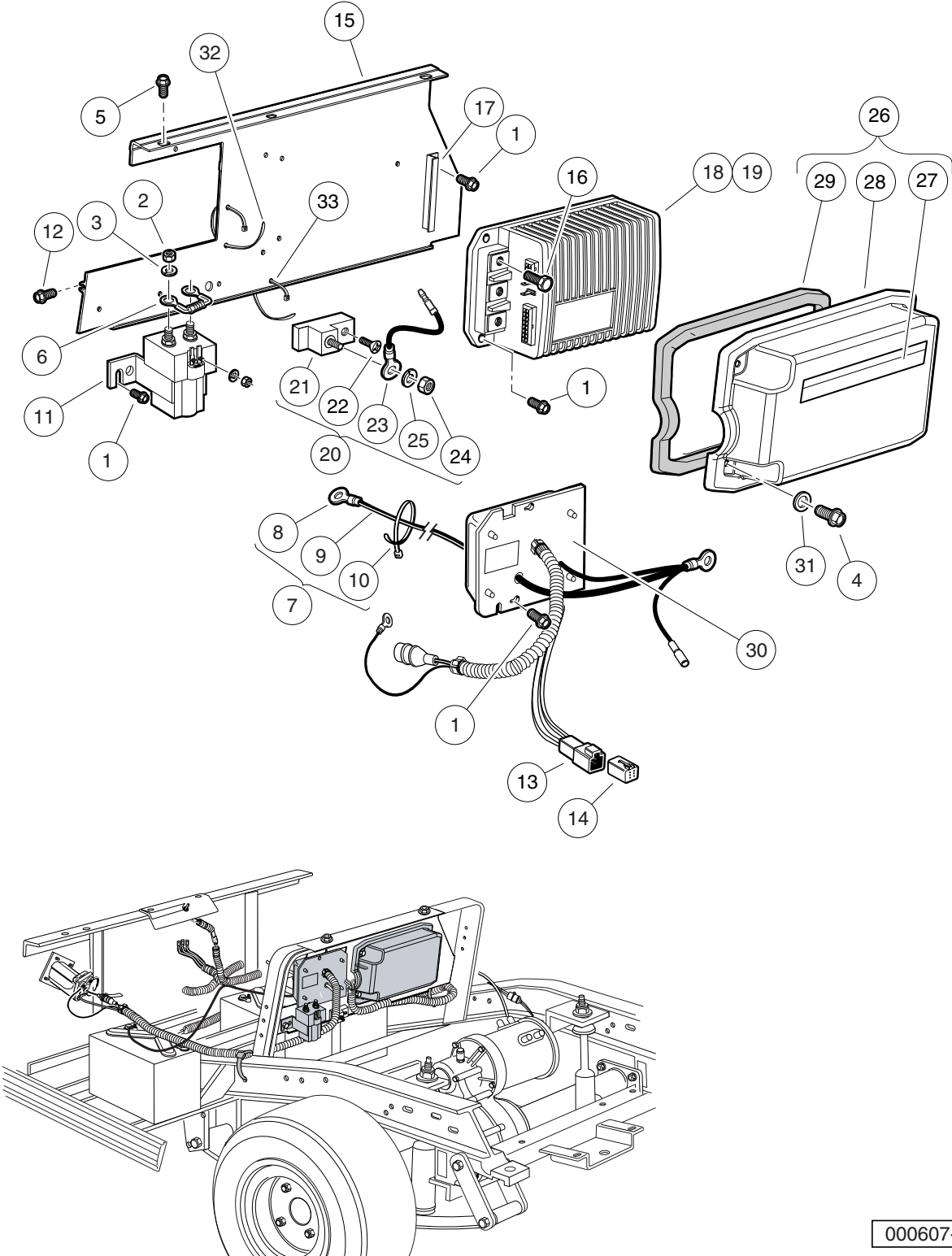
001316-001

# BATTERIES, 8-VOLT, U.S. BATTERY

ITEM	PART NO.	DESCRIPTION	QTY
		1 2 3 4	
1	<u>101090802</u>	Hold-Down, Battery .....	2
2	<u>1010958</u>	Asm, Wire, #6blk 8in .....	3
3	<u>1011697</u>	Washer, 5/16 Flat .....	8
4	1013683	J-Bolt .....	4
5	<u>1014304</u>	Nut, 5/16-18 Stainless-Steel Hex .....	12
6	1015072	Locknut, 5/16-18 Nylon Insert .....	8
7	<u>101795701</u>	Asm, Wire, #6blk, 15 In .....	2
8	<u>103504301</u>	Tee, Batt Ret Ctr Short .....	2
9	<u>103695801</u>	Battery, 8-Volt, US Battery 8VGCXC (includes item 10) .....	6
10	<u>103930201</u>	Cap, Battery, Us 8v, Svc .....	1
11	<u>103696801</u>	J Bolt, Batt Hold Down 12" .....	4

14

E



000607-004

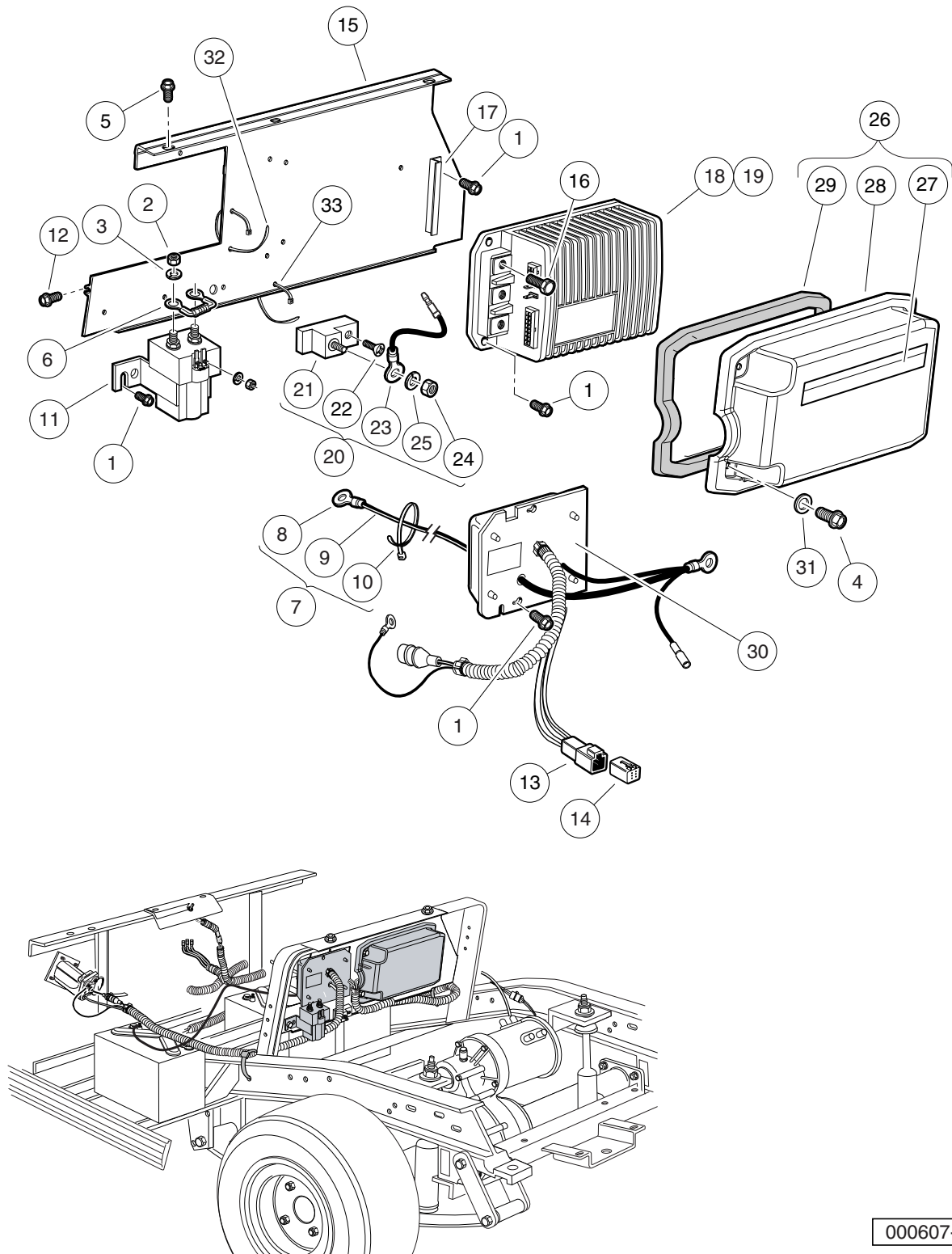


# COMPUTER, CONTROLLER, AND SOLENOID – FOR TROJAN & CROWN BATTERIES

14

E

ITEM	PART NO.	DESCRIPTION	QTY
		1 2 3 4	
1	<u>1012285</u>	Screw, 1/4 X 0.625 Hex-Head .....	9
2	<u>1012528</u>	Nut, M8-1.25 Hex .....	2
3	<u>1013734</u>	Lockwasher, 8mm Split .....	2
4	<u>1014063</u>	Screw, 1/4-20 X 1.00, Hex Head .....	2
5	<u>1014288</u>	Screw, 5/16-18 X 0.75, Thread-Forming .....	2
6	<u>1014947</u>	Resistor Assembly .....	1
7	101827801	Ground Wire Kit, 48-Volt (includes items 8 through 10) .....	1
8	101826801	Compression Lug .....	1
9	N/A	Wire Assembly, Black .....	1
10	<u>8990</u>	Tie Wrap, 8" Nylon .....	3
11	<u>101908703</u>	Solenoid, 48v W/ Diode .....	1
12	<u>101910401</u>	Screw, 5/16-18 X 1.25 Thrd Frm .....	2
13	<u>101932601</u>	Kit, 6-Pin Wedge Lock .....	1
14	<u>101932701</u>	Kit, 6-Pin Receptacle and Wedge Lock .....	1
15	<u>101965205</u>	Plate, Component Mounting .....	1
16	<u>102240501</u>	Bolt, Controller, Terminal .....	3
17	<u>102243101</u>	Extrusion, Cover Support .....	1
18	<u>102806201</u>	Controller, IQ, 48-volt .....	1
19	<u>102806203</u>	Controller, IQ, 48-volt, CE .....	1
20	<u>103282701</u>	Kit, Terminal Block Ground (includes items 21 through 25) .....	1
21	<u>102259801</u>	Terminal Block .....	1
22	<u>102263701</u>	Screw, #10-24 X 0.75 Phillips, Thread-Forming .....	1
23	<u>103282601</u>	Wire Assembly Black #10 .....	1
24	<u>1242</u>	Nut, 5/16-18 Hex .....	1
25	<u>7174</u>	Lockwasher, 5/16 Split .....	1
26	<u>103316901</u>	Cover Asm - Controller (includes items 27 through 29) .....	1
27	<u>101931501</u>	Decal, Component Cover .....	1
28	<u>103316701</u>	Cover - Controller, Deep .....	1
29	<u>103316801</u>	Gasket - Controller Cover .....	1
30	<u>103697301</u>	Obc, Iq, A1, #6 .....	1
31	<u>332</u>	Washer, 1/4 Type A Narrow Flat .....	2
32	<u>8639</u>	Tie Wrap, 11" Nylon .....	1
33	<u>8990</u>	Tie Wrap, 8" Nylon .....	1



000607-004

# COMPUTER, CONTROLLER, AND SOLENOID – FOR U.S. BATTERIES

14

E

ITEM	PART NO.	DESCRIPTION	QTY
		<b>1 2 3 4</b>	
1	<u>1012285</u>	Screw, 1/4 X 0.625 Hex-Head .....	9
2	<u>1012528</u>	Nut, M8-1.25 Hex .....	2
3	<u>1013734</u>	Lockwasher, 8mm Split .....	2
4	<u>1014063</u>	Screw, 1/4-20 X 1.00, Hex Head .....	2
5	<u>1014288</u>	Screw, 5/16-18 X 0.75, Thread-Forming .....	2
6	<u>1014947</u>	Resistor Assembly .....	1
7	101827801	Ground Wire Kit, 48-Volt (includes items 8 through 10) .....	1
8	101826801	Compression Lug .....	1
9	N/A	Wire Assembly, Black .....	1
10	<u>8990</u>	Tie Wrap, 8" Nylon .....	3
11	<u>101908703</u>	Solenoid, 48v W/ Diode .....	1
12	<u>101910401</u>	Screw, 5/16-18 X 1.25 Thrd Frm .....	2
13	<u>101932601</u>	Kit, 6-Pin Wedge Lock .....	1
14	<u>101932701</u>	Kit, 6-Pin Receptacle and Wedge Lock .....	1
15	<u>101965205</u>	Plate, Component Mounting .....	1
16	<u>102240501</u>	Bolt, Controller, Terminal .....	3
17	<u>102243101</u>	Extrusion, Cover Support .....	1
18	<u>102806201</u>	Controller, IQ, 48-volt .....	1
19	<u>102806203</u>	Controller, IQ, 48-volt, CE .....	1
20	<u>103282701</u>	Kit, Terminal Block Ground (includes items 21 through 25) .....	1
21	<u>102259801</u>	Terminal Block .....	1
22	<u>102263701</u>	Screw, #10-24 X 0.75 Phillips, Thread-Forming .....	1
23	<u>103282601</u>	Wire Assembly Black #10 .....	1
24	<u>1242</u>	Nut, 5/16-18 Hex .....	1
25	<u>7174</u>	Lockwasher, 5/16 Split .....	1
26	<u>103316901</u>	Cover Asm - Controller (includes items 27 through 29) .....	1
27	<u>101931501</u>	Decal, Component Cover .....	1
28	<u>103316701</u>	Cover - Controller, Deep .....	1
29	<u>103316801</u>	Gasket - Controller Cover .....	1
30	<u>103697303</u>	Obc, Iq, A2, #6 .....	1
31	<u>332</u>	Washer, 1/4 Type A Narrow Flat .....	2
32	<u>8639</u>	Tie Wrap, 11" Nylon .....	1
33	<u>8990</u>	Tie Wrap, 8" Nylon .....	1

**14**

***E***

# ELECTRIC MOTOR

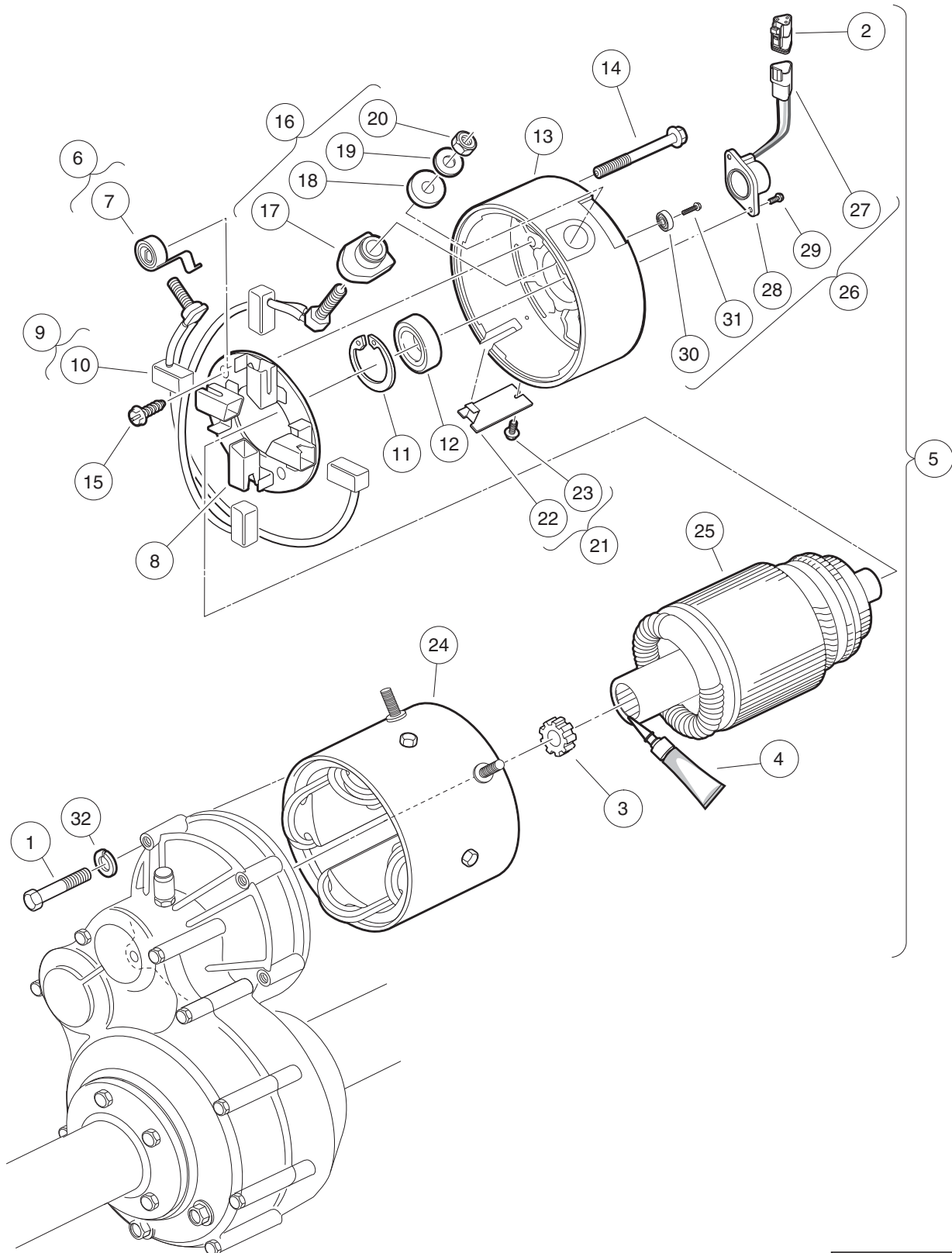
---

15

*E*

15

E



000185-002

## MOTOR (MODEL EJ8-4001A) – ELECTRIC VEHICLE

ITEM	PART NO.	DESCRIPTION	QTY
		<b>1 2 3 4</b>	
1	1014201	Screw, 1/4-20 X 2.25 Hex Cap .....	3
2	<u>101920101</u>	Kit, 3-Pin Wedge Lock .....	1
3	<u>102235201</u>	Bumper, Drive Unit .....	1
4	<u>102243403</u>	Lubricant, Moly-Teflon (Single-Use Tube) .....	1
5	<u>103572501</u>	IQ Electric Motor, 48-VDC 3.3 hp (includes items 6 through 26) .....	1
6	<u>102186001</u>	Spring Kit, Motor Brush (includes item 7) .....	1
7	N/A	Spring, Brush, S-g .....	4
8	<u>102186101</u>	Brush Box Assembly .....	1
9	<u>102186201</u>	Brush Kit, Motor (includes item 10) .....	1
10	N/A	Assembly, Brush and Terminal .....	2
11	N/A	Ring, 2.24" Internal Retaining .....	1
12	<u>102186401</u>	Bearing, Ball .....	1
13	<u>102186701</u>	End Cap, Motor .....	1
14	N/A	Screw, 1/4-20 X 2.25 Hex-Head Washer .....	2
15	<u>102186901</u>	Screw, #8-32 X .5 Hex-Head .....	2
16	<u>102187101</u>	Hardware Kit, Motor Terminal (includes items 17 through 20) .....	2
17	N/A	Bushing, Nylon .....	2
18	N/A	Washer, Nylon Flat .....	2
19	N/A	Washer, Flat, 5/16 Steel .....	2
20	N/A	Nut, Brass Hex, 5/16 - 18 .....	2
21	<u>102187201</u>	Plate Kit, Motor Cover (includes items 22 and 23) .....	1
22	N/A	Assembly, Cover Plate .....	1
23	N/A	Screw, #8-32 x 0.375, Taptite Thread .....	1
24	<u>102704701</u>	Frame and Field Assembly .....	1
25	<u>102704801</u>	Armature Assembly .....	1
26	<u>102704901</u>	Kit, Speed Sensor (includes items 27 through 31) .....	1
27	<u>101942301</u>	Kit, 3-Pin Wedge Lock .....	1
28	N/A	Sensor, Motor Speed, ADC .....	1
29	N/A	Screw, #8-32, Taptite Thread .....	2
30	N/A	Magnet, ADC Motor .....	1
31	N/A	Screw, 1/4-20 x 0.5 .....	1
32	<u>451</u>	Lockwasher, 1/4 Split .....	3
Note: The F1 and F2 terminal posts on the EJ8-4001A motor have 1/4 - 20			

15

E

**15**

***E***

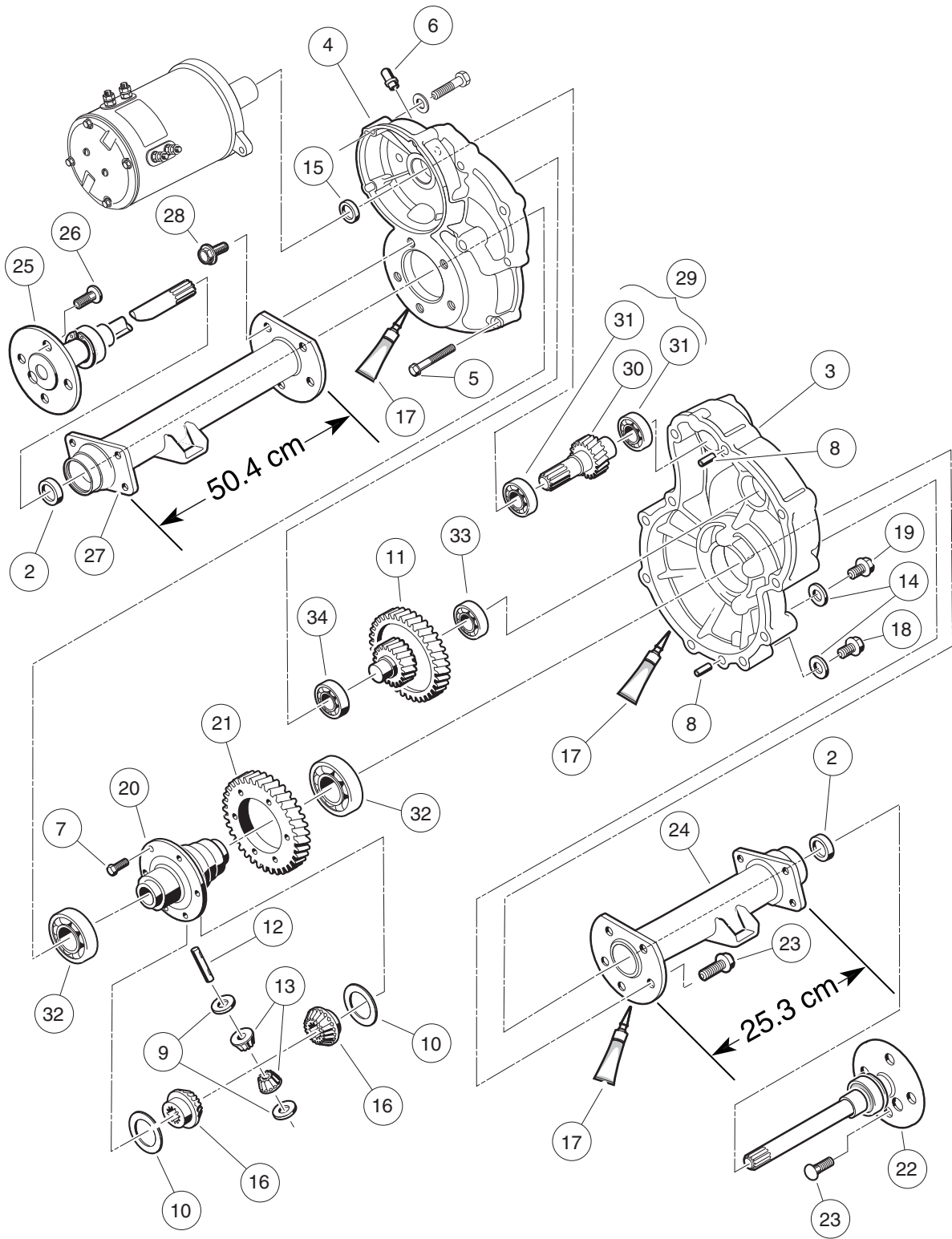


# TRANSAXLE – ELECTRIC VEHICLES

---

16

*E*



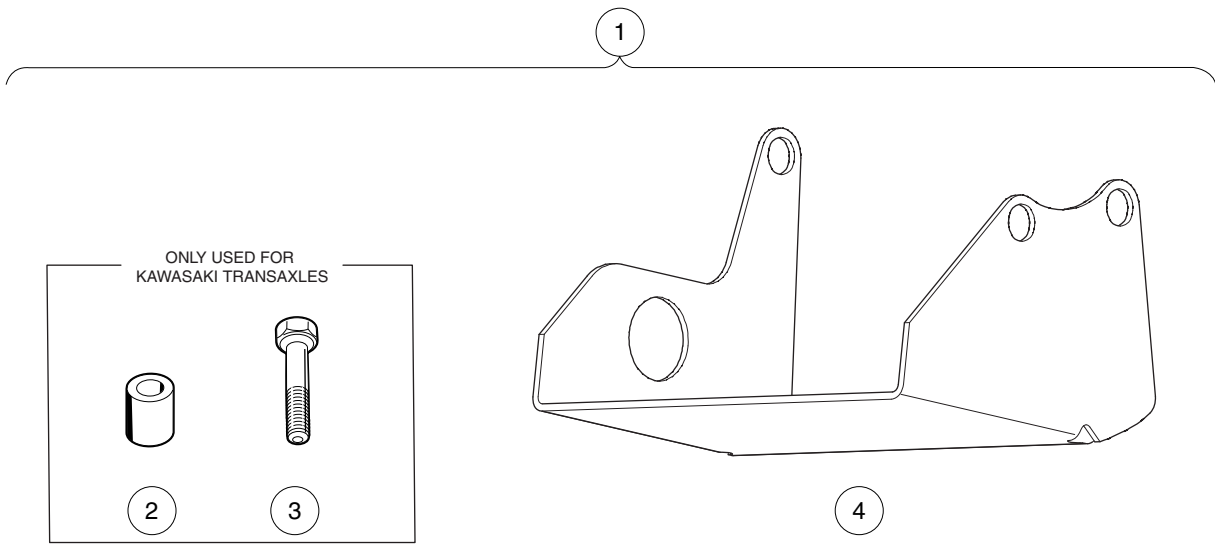
000223-005

# TRANSAXLE – ELECTRIC VEHICLES

ITEM	PART NO.	DESCRIPTION	QTY
		<b>1 2 3 4</b>	
1	<u>102771701</u>	Transaxle, Electric (includes items 2 through 34) .....	1
2	<u>1013794</u>	Axle Shaft Oil Seal .....	2
3	<u>101895401</u>	Gear Case, Driver-Side .....	1
4	<u>101895501</u>	Gear Case, Passenger-Side .....	1
5	<u>101897001</u>	Screw, M8-1.25 X 60mm Hex-Head .....	11
6	<u>101897201</u>	Breather .....	1
7	<u>101897401</u>	Screw, M10-1.25 X 25mm .....	6
8	<u>101897601</u>	Pin, 11mm OD X 8.5mm ID X 10mm .....	2
9	<u>101903601</u>	Washer, Thrust .....	2
10	<u>101903701</u>	Washer, Thrust .....	2
11	<u>101906901</u>	Intermediate Shaft Assembly .....	1
12	<u>101922101</u>	Pin, 15.99mm X 88.7mm Dowel .....	1
13	<u>101923001</u>	Gear, Differential Idler .....	2
14	<u>101923201</u>	Gasket .....	2
15	<u>101923501</u>	Seal, Lip .....	1
16	<u>101923901</u>	Gear, Differential .....	2
17	<u>101928701</u>	Liquid Gasket (Transaxle case) .....	1
18	<u>101972101</u>	Plug, M14-1.5 X 12mm Magnetic .....	1
19	<u>101972201</u>	Plug, M14-1.5 X 12mm Hex .....	1
20	<u>102356601</u>	Housing, Differential, 6 Bolt .....	6
21	<u>102356801</u>	Gear, Differential Output, 6-Bolt .....	6
22	<u>102886301</u>	Axle Assembly, Driver-Side (includes item 23) .....	1
23	<u>101922201</u>	Lug Stud .....	4
24	<u>102886401</u>	Tube, Axle, Driver-Side .....	1
25	<u>102886501</u>	Axle Assembly, Passenger-Side (includes item 26) .....	1
26	<u>101922201</u>	Lug Stud .....	4
27	<u>102886601</u>	Tube, Axle, Passenger-Side .....	1
28	<u>102902801</u>	Screw, M10 X 30 .....	10
29	<u>103582801</u>	Asm, E Trans Shaft/bearing (includes items 30 and 31) .....	1
30	N/A	Shaft, Input .....	1
31	<u>7335</u>	Bearing .....	2
32	<u>7330</u>	Inner Axle Tube Bearing .....	2
33	<u>7335</u>	Bearing .....	1
34	<u>7336</u>	Bearing .....	1

16

E



000365-002

## DIFFERENTIAL GUARD – ELECTRIC VEHICLES

ITEM	PART NO.	DESCRIPTION	QTY
		1 2 3 4	
1	<u>101611402</u>	Kit, Differential Guard, Elec Vehicles (includes items 2 through 4) .....	1
2	<u>101914001</u>	Spacer, Steel .....	2
3	<u>101936101</u>	Screw, M10-1.50 X 60mm Hex Cap .....	2
4	<u>101978601</u>	Guard, Differential, Electric Vehicle Transaxle .....	1

16

E

**16**

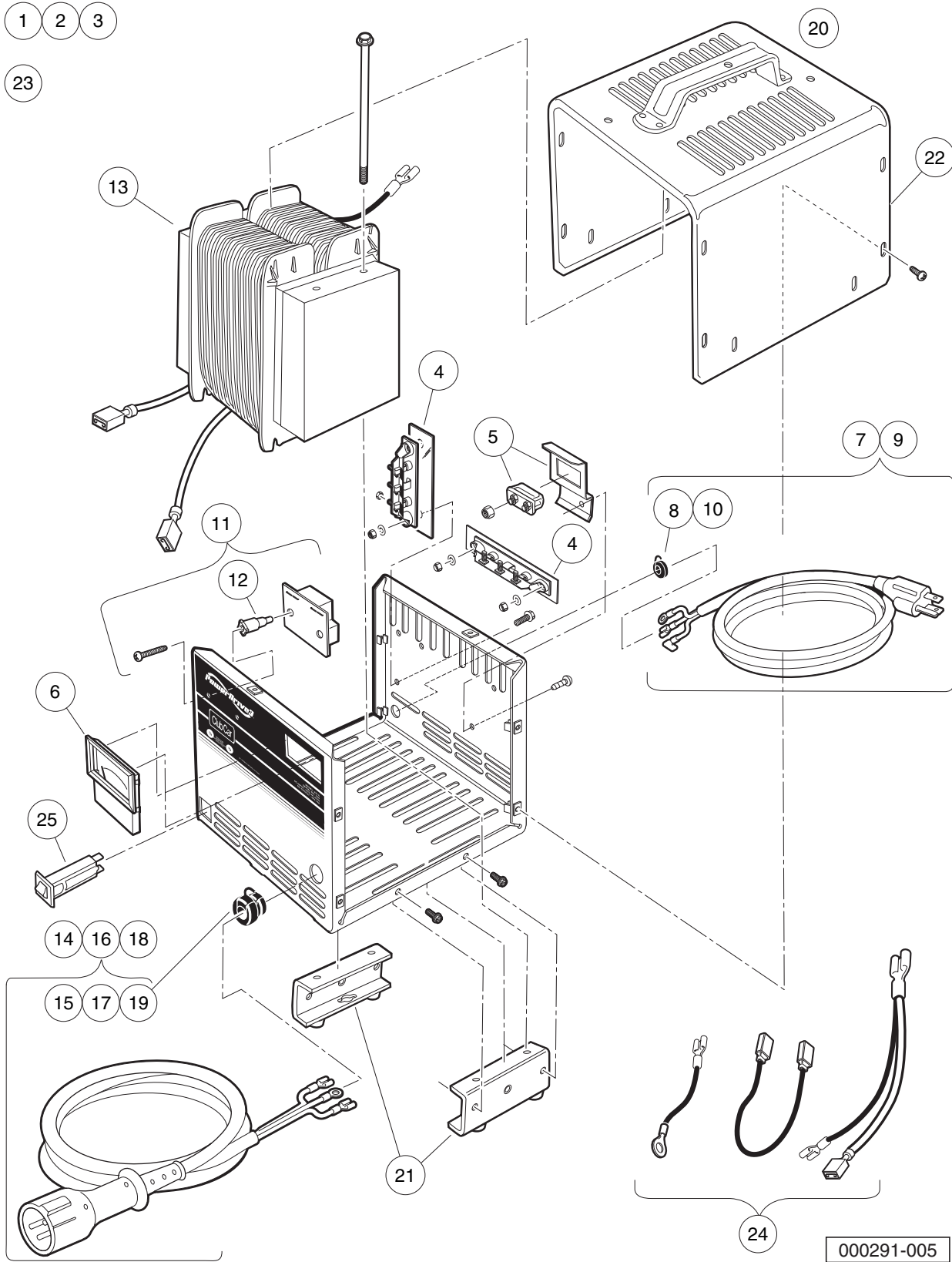
***E***

# BATTERY CHARGERS – POWER DRIVE

---

- 1
- 2
- 3

- 23



000291-005



# POWERDRIVE 3 BATTERY CHARGER (MODEL 26580-11,-12,-18,-19), DOMESTIC

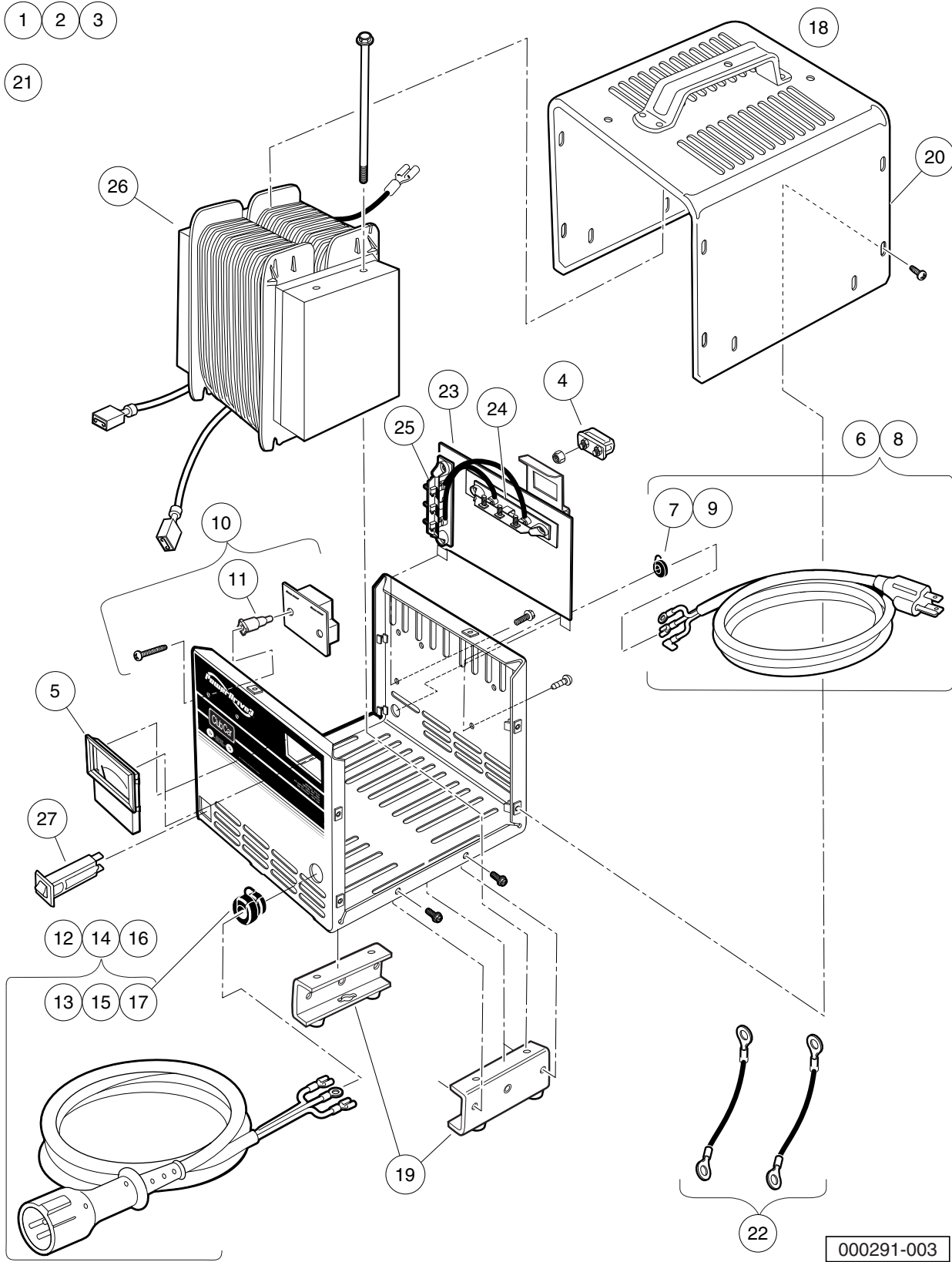
ITEM	PART NO.	DESCRIPTION	QTY
		1 2 3 4	
1	103499101	Charger, PowerDrive 3, 9ft DC, 6ft AC .....	1
2	<u>103499102</u>	Charger, PowerDrive 3, 12ft DC, 9ft AC .....	1
3	<u>103499103</u>	Charger, PowerDrive 3, 20ft DC, 9ft AC (includes items 4 through 25) .....	1
4	<u>1015914</u>	Rectifier with Heatsink Assembly .....	2
5	<u>102273701</u>	PD2 Fuse Asm .....	1
6	<u>102273801</u>	PD2 Ammeter .....	1
7	<u>103428501</u>	Kit, PD3 Cordset - AC 80" (includes item 8) .....	1
8	<u>102273901</u>	PD2 AC Cord Bushing .....	1
9	<u>103428601</u>	Kit, PD3 Cordset, - AC 114" (includes item 10) .....	1
10	<u>102273901</u>	PD2 AC Cord Bushing .....	1
11	<u>103428701</u>	Asm, PD3 Board Relay (includes item 12) .....	1
12	<u>103429701</u>	PD3 Plastic Stand-Offs .....	2
13	<u>103428801</u>	PD3 Transformer .....	1
14	<u>103429001</u>	PD3 Cordset - DC 113" (includes item 15) .....	1
15	<u>1012098</u>	Bushing, DC Cord .....	1
16	<u>103429101</u>	PD3 Cordset - DC 154" (includes item 17) .....	1
17	<u>1012098</u>	Bushing, DC Cord .....	1
18	<u>103429201</u>	PD3 Cordset - DC 205" (includes item 19) .....	1
19	<u>1012098</u>	Bushing, DC Cord .....	1
20	<u>103429301</u>	Asm, PD3 Case (includes items 21 and 22) .....	1
21	<u>103434001</u>	Asm, PD3 Legs .....	1
22	<u>103439901</u>	PD3Case Top (Includes Handle) .....	1
23	<u>103429501</u>	Kit, PD3 Hardware .....	1
24	<u>103429601</u>	Kit, PD3 Wires .....	1
25	<u>CCX8506</u>	Circuit Breaker, 15-Amp/120-Volt .....	1
		<p>Note: Level 1 Battery Charger part numbers include one AC and one DC cord. They do not include all of the level 2 cords listed.</p>	

17

E

1 2 3

21



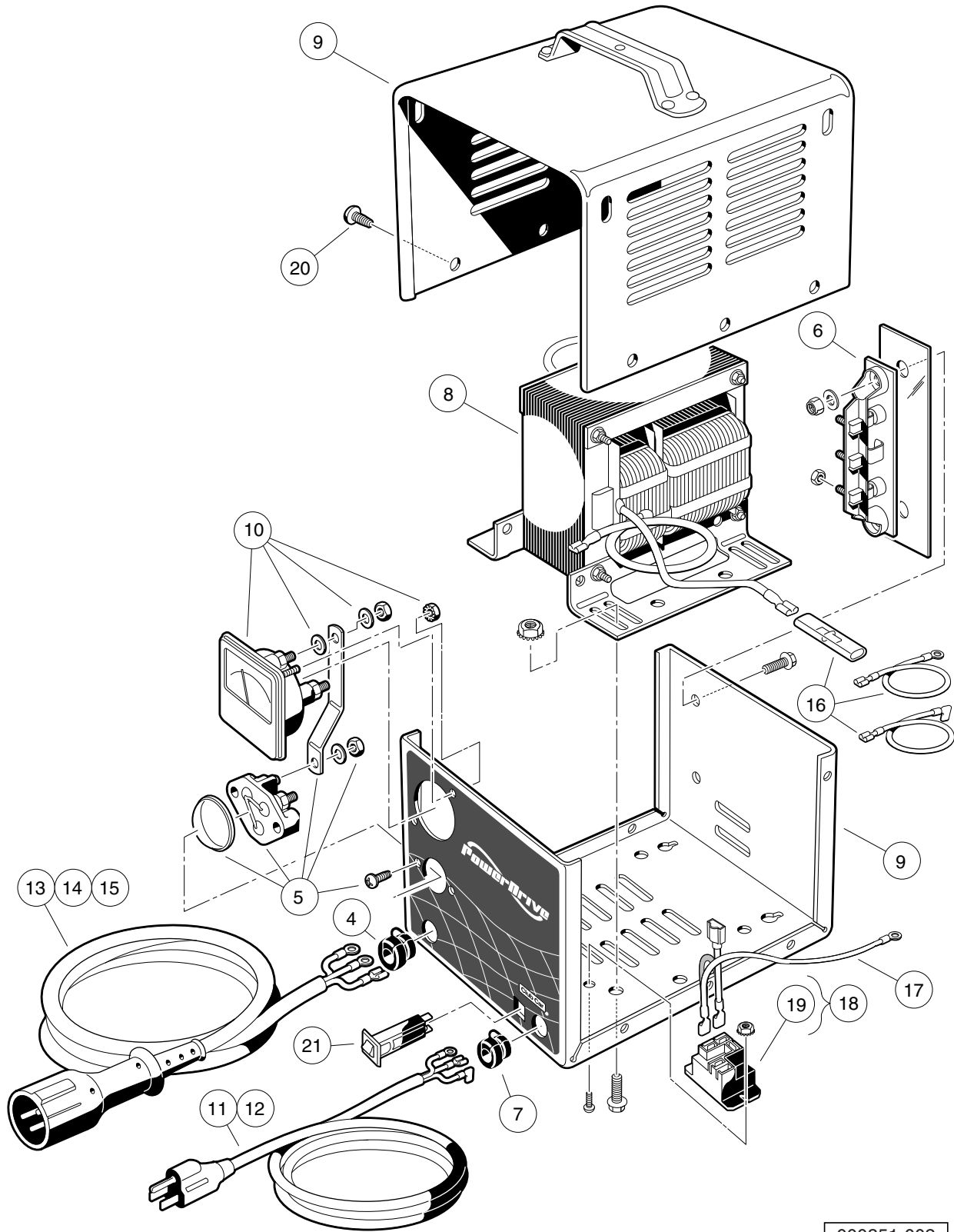
000291-003

# POWERDRIVE 3 BATTERY CHARGER (MODEL 26580-31,-38,-39), DOMESTIC

ITEM	PART NO.	DESCRIPTION	QTY
		1 2 3 4	
1	<u>103717001</u>	Charger, PowerDrive 3, 9ft DC, 6ft AC .....	1
2	<u>103717002</u>	Charger, PowerDrive 3, 12ft DC, 9ft AC .....	1
3	<u>103717003</u>	Charger, PowerDrive 3, 20ft DC, 9ft AC (includes items 4 through 27) .....	1
4	<u>102273701</u>	PD2 Fuse Asm .....	1
5	<u>102273801</u>	PD2 Ammeter .....	1
6	<u>103428501</u>	Kit, PD3 Cordset - AC 80" (includes item 7) .....	1
7	<u>102273901</u>	PD2 AC Cord Bushing .....	1
8	<u>103428601</u>	Kit, PD3 Cordset, - AC 114" (includes item 9) .....	1
9	<u>102273901</u>	PD2 AC Cord Bushing .....	1
10	<u>103428701</u>	Asm, PD3 Board Relay (includes item 11) .....	1
11	<u>103429701</u>	PD3 Plastic Stand-Offs .....	2
12	<u>103429001</u>	PD3 Cordset - DC 113" (includes item 13) .....	1
13	<u>1012098</u>	Bushing, DC Cord .....	1
14	<u>103429101</u>	PD3 Cordset - DC 154" (includes item 15) .....	1
15	<u>1012098</u>	Bushing, DC Cord .....	1
16	<u>103429201</u>	PD3 Cordset - DC 205" (includes item 17) .....	1
17	<u>1012098</u>	Bushing, DC Cord .....	1
18	<u>103429301</u>	Asm, PD3 Case (includes items 19 and 20) .....	1
19	<u>103434001</u>	Asm, PD3 Legs .....	1
20	<u>103439901</u>	PD3Case Top (Includes Handle) .....	1
21	<u>103429501</u>	Kit, PD3 Hardware .....	1
22	<u>103513001</u>	Wire Asm Kit Blk Pd3 .....	1
23	<u>103517401</u>	Kit Pd3 Button Diode (includes items 24 and 25) .....	1
24	N/A	Asm Diode Top .....	1
25	N/A	Asm Diode Side .....	1
26	<u>103779601</u>	Transformer, Pd3, Al .....	1
27	<u>CCX8506</u>	Circuit Breaker, 15-Amp/120-Volt .....	1
Note: Level 1 Battery Charger part numbers include one AC and one DC cord. They do not include all of the level 2 cords listed.			

17

E



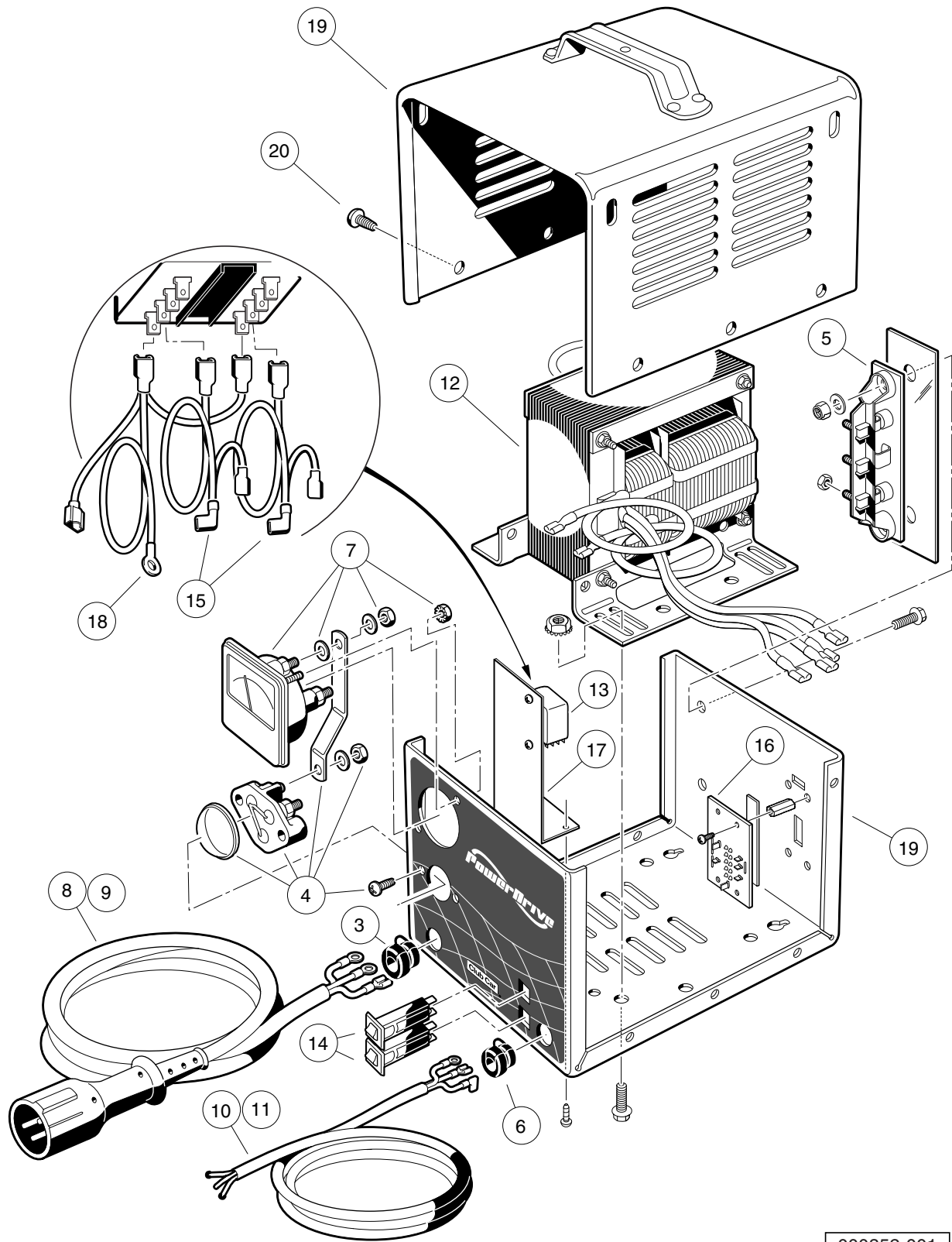
000351-002

# POWERDRIVE BATTERY CHARGER (MODEL 17930), DOMESTIC

ITEM	PART NO.	DESCRIPTION	QTY
		<b>1 2 3 4</b>	
1	<u>101802201</u>	Charger, PowerDrive, 48V/17A, 9ft DC, 6ft AC Cord .....	1
2	<u>101802202</u>	Charger, PowerDrive, 48V/17A, 12ft DC, 9ft AC Cord .....	1
3	<u>101802203</u>	Charger, PowerDrive, 48V/17A, 20ft DC, 9ft AC Cord (includes items 4 through 21) .....	1
4	<u>1012098</u>	Bushing, DC Cord .....	1
5	<u>1012101</u>	Fuse Assembly .....	1
6	<u>1015914</u>	Rectifier with Heatsink Assembly .....	1
7	<u>1015917</u>	Bushing, AC Cord .....	1
8	<u>101819701</u>	Transformer, Battery Charger .....	1
9	<u>101828301</u>	Case Assembly .....	1
10	<u>101828501</u>	Ammeter .....	1
11	<u>101828801</u>	Cord, AC, 80-Inch (203 cm) .....	1
12	<u>101828802</u>	Cord, AC, 108-Inch (274 cm) .....	1
13	<u>101828901</u>	Cord, DC, 113-Inch (287 cm) .....	1
14	<u>101828902</u>	Cord, DC, 154-Inch (391 cm) .....	1
15	<u>101828903</u>	Cord, DC, 250-Inch (635 cm) .....	1
16	<u>101831101</u>	Wire Assembly Kit .....	1
17	101914401	Assembly, Voltage Suppressor .....	1
18	<u>103414901</u>	Kit, Relay, 48v 30a W/instr (includes item 19) .....	1
19	<u>103397901</u>	Relay, Spst No, 48v 30a, Pmt .....	1
20	7577	Screw, #10 X 0.50 Phillips Pan-Head .....	10
21	<u>CCX8506</u>	Circuit Breaker, 15-Amp/120-Volt .....	1
<p>Note: Level 1 Battery Charger part numbers include one AC and one DC cord. They do not include all of the level 2 cords listed.</p>			

**17**

**E**



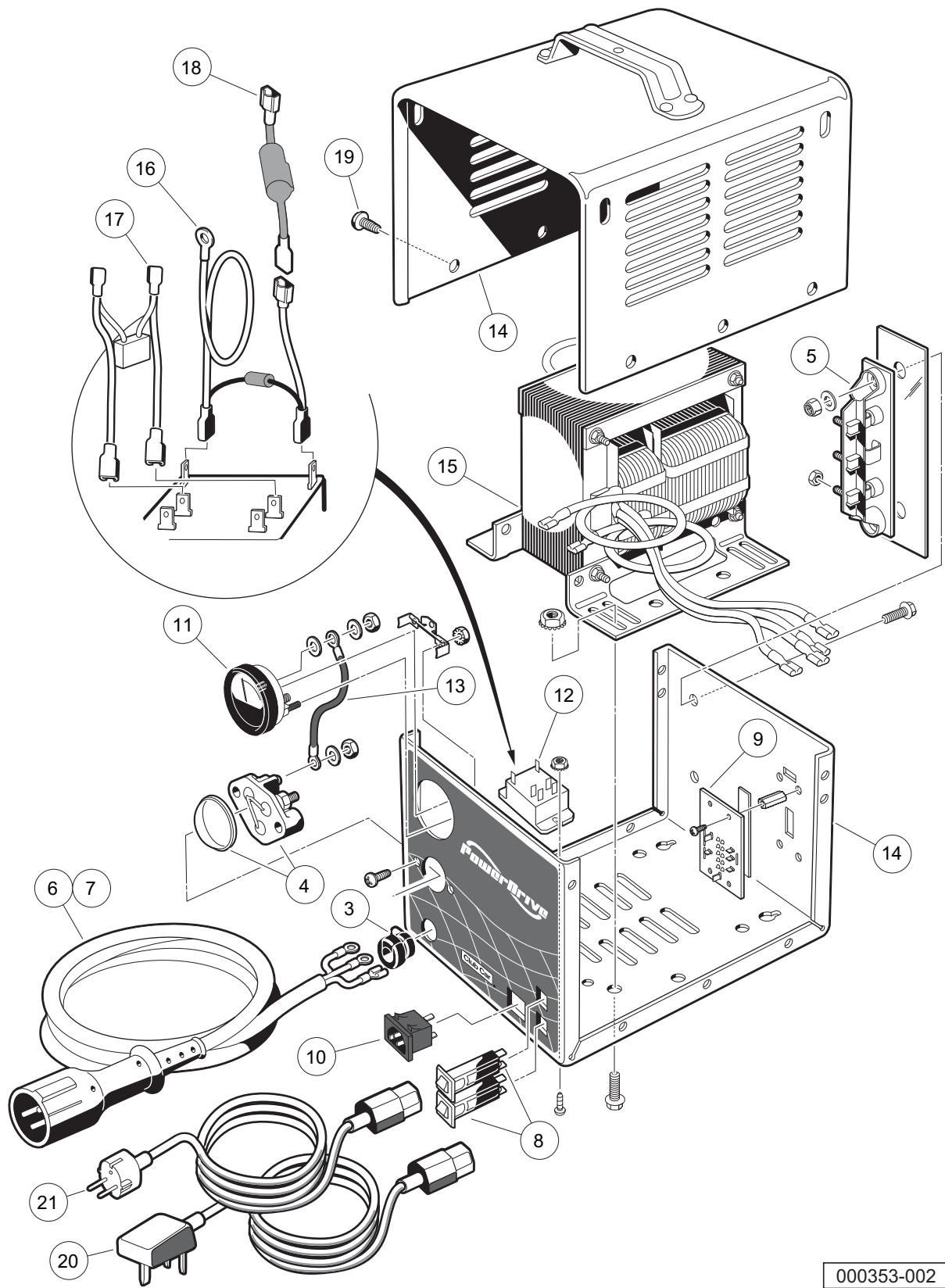
000352-001

# POWERDRIVE BATTERY CHARGER (MODEL 18780), EXPORT

ITEM	PART NO.	DESCRIPTION	QTY
		1 2 3 4	
1	101831503	Battery Charger, 48-Volt DC (8.5-ft DC, 6-ft AC) .....	1
2	101831504	Battery Charger, 48-Volt DC (12-ft DC, 9-ft AC) (includes items 3 through 20) .....	1
3	<u>1012098</u>	Bushing, DC Cord .....	1
4	<u>1012101</u>	Fuse Assembly .....	1
5	<u>1015914</u>	Rectifier with Heatsink Assembly .....	1
6	<u>1015917</u>	Bushing, AC Cord .....	1
7	<u>101828501</u>	Ammeter .....	1
8	<u>101828901</u>	Cord, DC, 113-Inch (287 cm) .....	1
9	<u>101828902</u>	Cord, DC, 154-Inch (391 cm) .....	1
10	<u>101831701</u>	Cord, AC, 80-Inch (203 cm), without Plug .....	1
11	<u>101831702</u>	Cord, AC, 118-Inch (300 cm), without Plug .....	1
12	<u>101838201</u>	Transformer, Export Battery Charger .....	1
13	<u>101838301</u>	Relay, Export Charger .....	1
14	<u>101838401</u>	Circuit Breaker .....	2
15	<u>101838501</u>	Kit, Wire Assembly .....	1
16	<u>101838601</u>	Four-Position Switch .....	1
17	<u>101838701</u>	Mounting Bracket, Relay .....	1
18	<u>101914401</u>	Assembly, Voltage Suppressor .....	1
19	N/A	Case, Charger .....	1
20	7577	Screw, #10 X 0.50 Phillips Pan-Head .....	10
<p style="margin-left: 40px;">Note: Level 1 Battery Charger part numbers include one AC and one DC cord. They do not include all of the level 2 cords listed.</p>			

17

E



000353-002



# POWERDRIVE BATTERY CHARGER (MODEL 20310), EUROPEAN

**17**

**E**

ITEM	PART NO.	DESCRIPTION	QTY
		<b>1 2 3 4</b>	
1	<u>101956201</u>	Battery Charger, 48-Volt w/ 4-Position Switch (8.5-ft DC) .....	1
2	<u>101956202</u>	Battery Charger, 48-Volt w/ 4-Pos. Switch (12-ft DC) (includes items 3 through 19) .....	1
3	<u>1012098</u>	Bushing, DC Cord .....	1
4	<u>1012101</u>	Fuse Assembly .....	1
5	<u>1015914</u>	Rectifier with Heatsink Assembly .....	1
6	<u>101828901</u>	Cord, DC, 113-Inch (287 cm) .....	1
7	<u>101828902</u>	Cord, DC, 154-Inch (391 cm) .....	1
8	101838401	Circuit Breaker .....	2
9	101838601	Four-Position Switch .....	1
10	101973501	Receptacle, AC Cord .....	1
11	101976601	Ammeter with Mounting Bracket .....	1
12	<u>101987501</u>	Relay .....	1
13	N/A	Wire, Jumper .....	1
14	N/A	Case, Charger .....	1
15	****	Transformer, European Battery Charger .....	1
16	****	Suppressor, AC Voltage .....	1
17	****	Assembly, Wire .....	1
18	N/A	Limiter, Current .....	1
19	7577	Screw, #10 X 0.50 Phillips Pan-Head .....	10
20	<u>101958201</u>	Cord, UK, AC, Battery Charger .....	1
21	101958301	Cord, European AC, Battery Charger .....	1
		**** Special order item available upon request.	
		Note: Level 1 Battery Charger part numbers include one AC and one DC cord. They do not include all of the level 2 cords listed.	



# MAINTENANCE AND SERVICE TOOLS

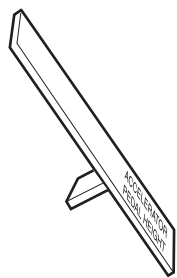
---

18

G

E

**18**  
**G**  
**E**



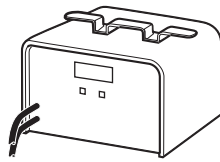
1



2



3



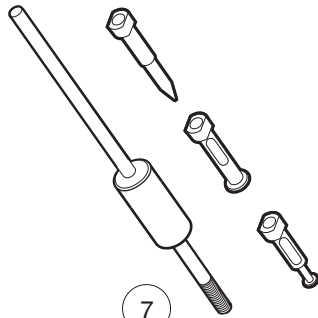
4



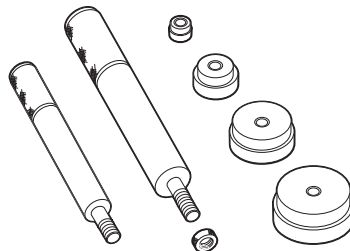
5



6



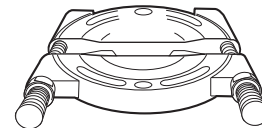
7



8



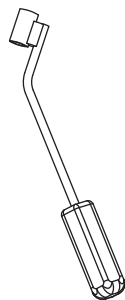
9



10



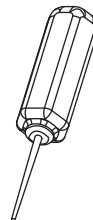
11



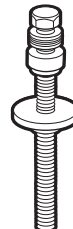
12



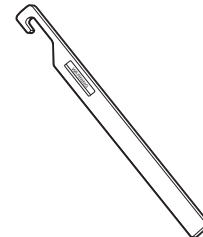
13



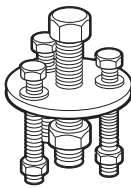
14



15



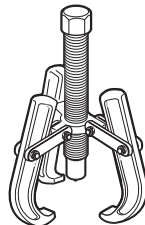
16



17



18



19



20



21

001600-001

# MAINTENANCE AND SERVICE TOOLS

ITEM	PART NO.	DESCRIPTION	QTY GAS	QTY ELEC
		<p style="text-align: center;"><b>1 2 3 4</b></p> <p>The following tool list includes all tools available from Club Car to perform maintenance and service procedures on all electric utility vehicles and all gasoline utility vehicles equipped with Kawasaki FE-series engines. Be sure to carefully examine the tool list for applicability to your vehicle before ordering.</p>		
1	<u>101871001</u>	Accelerator Pedal Adjustment Tool (Utility Vehicles).....	1	1
2	<u>101813202</u>	Adhesive, Guide Ring, 3-Gram Tube .....		1
3	<u>101641202</u>	Arbor .....	1	
4	<u>101831901</u>	Battery Discharge Machine, 36/48 Volt .....		1
5	<u>1014305</u>	Battery Terminal Protector Spray .....	1	1
6	1011767	Battery Thermometer .....	1	1
7	<u>1016417</u>	Bearing and Oil Seal Remover Assembly .....	1	1
8	<u>1016416</u>	Bearing Driver Set .....	1	1
9	<u>1012811</u>	Bearing Puller .....	1	1
10	<u>1012812</u>	Bearing Puller Wedge Attachment .....	1	1
11	1013582	Brake Adjustment Tool (used only on vehicles with manually adjusted mechanical brakes) .....	1	1
12	<u>102555501</u>	Brake Cable Release Tool .....	1	1
13	<u>101887101</u>	Calibration Test Module .....		1
14	<u>102562401</u>	Charger Bezel Tool .....		1
		Clutch Tools (items 14 - 20) .....	1	
15	<u>101808401</u>	Clutch Cam Installation Tool (for Kawasaki engines) .....	1	
16	<u>1015524</u>	Drive Clutch Holder Tool Assembly (for Kawasaki engines) .....	1	
17	<u>1014497</u>	Drive Clutch Hub Puller (for Kawasaki engines) .....	1	
18	<u>1014496</u>	Drive Clutch Puller (for Kawasaki engines) .....	1	
19	<u>1014508</u>	Driven Clutch Cam Puller (for Kawasaki engines) .....	1	
20	<u>1014507</u>	Driven Clutch Puller Plug (for Kawasaki engines) .....	1	
21	<u>101809101</u>	Press Weldment (for Kawasaki engines) .....	1	
		<p>Please refer to the maintenance and service manual for proper tool application.</p>		

**18**

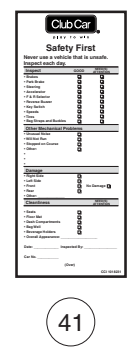
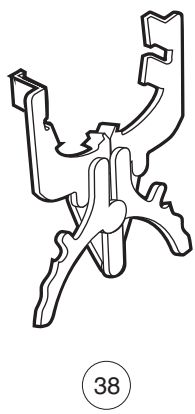
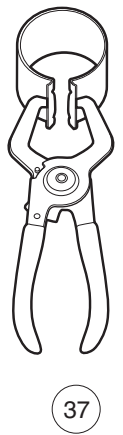
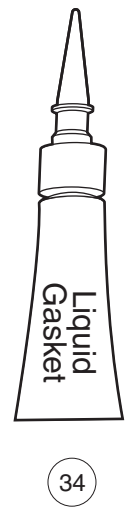
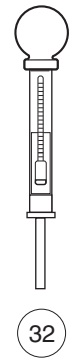
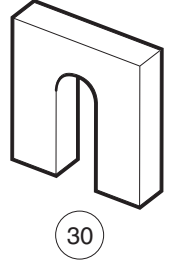
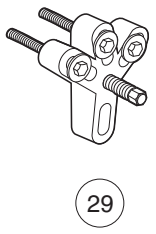
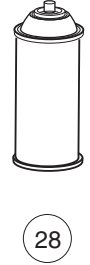
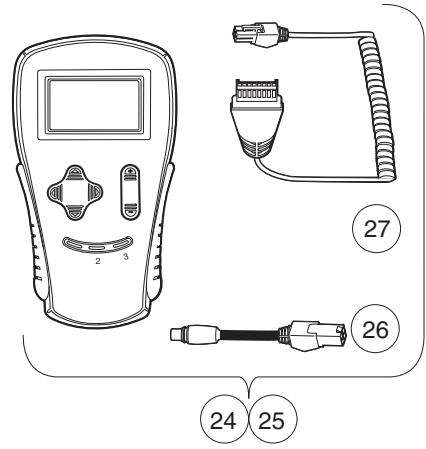
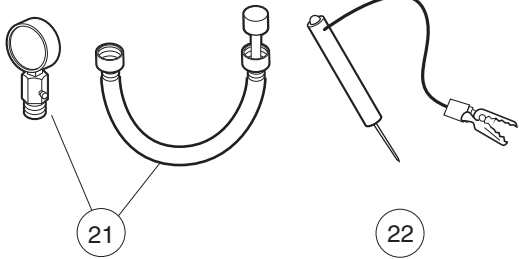
**G**

**E**

18

G

E



001601-001

## MAINTENANCE AND SERVICE TOOLS, CONTINUED

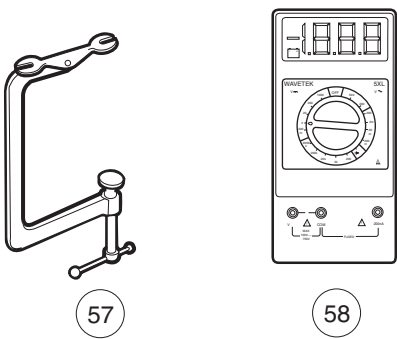
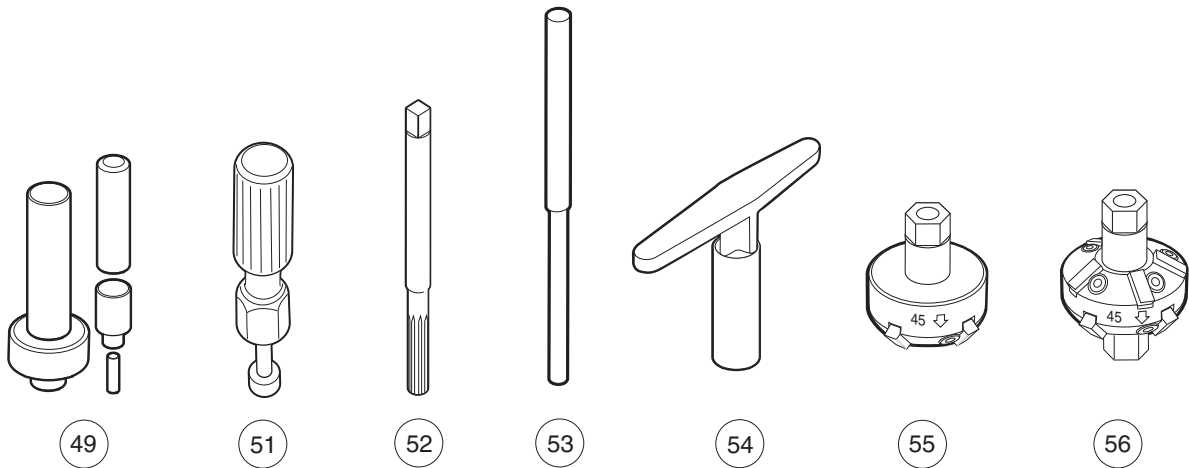
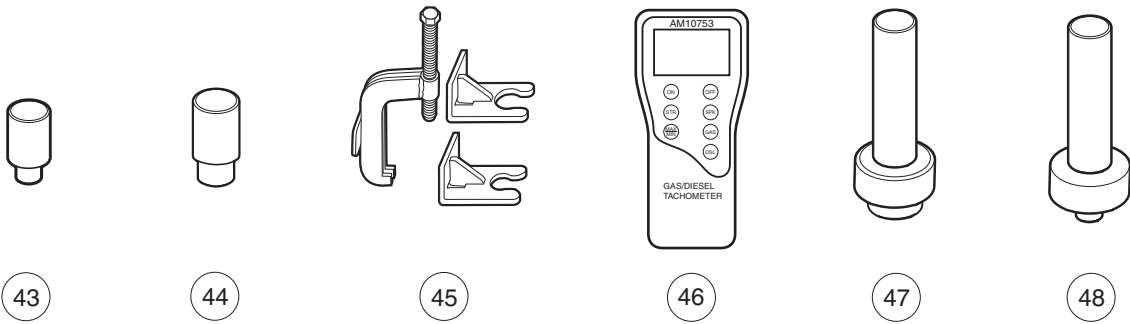
ITEM	PART NO.	DESCRIPTION	QTY GAS	QTY ELEC
		1 2 3 4		
21	101641002	Compression Gauge and Adapter .....	1	
22	1011273	Continuity Tester .....	1	1
23	101831801	Communication Display Module .....		1
24	<u>102248803</u>	IQ Display Module (IQDM) Kit (IQ System and IQ Plus vehicles) ..... (includes items 54 and 55)		1
25	102248804	IQ Display Module (IQDM-P) Kit (IQ System and IQ Plus vehicles)..... (includes items 54 and 55)		1
26	<u>102251501</u>	Adaptor, Cable .....		1
27	<u>102241502</u>	IQDM Series 2 Cable .....		1
28	<u>1012151</u>	Dry Moly Lubricant .....	1	1
29	<u>1016627</u>	Flywheel Puller Kit (for Kawasaki Engines) .....	1	
30	<u>1016418</u>	Gear Yoke .....	1	1
31	<u>101933101</u>	Governor Shaft Installation Tool (for Kawasaki Engine Vehicles) .....	1	
32	<u>1011478</u>	Hydrometer .....	1	1
33	<u>1013593</u>	Internal Retaining Ring Pliers .....	1	1
34	<u>101928701</u>	Liquid Gasket (transaxle case) .....	1	1
35	<u>102243402</u>	Moly-Teflon Lubricant (4-oz. (113-gram) tube) .....		1
36	<u>101997201</u>	Paint, Touch-Up ,Äi Beige* .....	1	1
36	<u>101997207</u>	Paint, Touch-Up ,Äi Black* .....	1	1
36	<u>101997212</u>	Paint, Touch-Up ,Äi Burgundy* .....	1	1
36	<u>101997211</u>	Paint, Touch-Up ,Äi Classic Blue (Navy)* .....	1	1
36	<u>101997205</u>	Paint, Touch-Up ,Äi Dark Gray* .....	1	1
36	<u>101997209</u>	Paint, Touch-Up ,Äi Dark Green* .....	1	1
36	<u>101997204</u>	Paint, Touch-Up ,Äi Gray* .....	1	1
36	<u>101997203</u>	Paint, Touch-Up ,Äi Red* .....	1	1
36	<u>101997206</u>	Paint, Touch-Up ,Äi Royal Blue (Pacific Blue)* .....	1	1
36	<u>101997202</u>	Paint, Touch-Up ,Äi White* .....	1	1
37	<u>1016414</u>	Piston Ring Compressor Kit .....	1	
38	<u>1016415</u>	Piston Ring Pliers .....	1	
39	<u>1012549</u>	Retaining Ring Pliers, 45→ External .....	1	1
40	<u>1012560</u>	Retaining Ring Pliers, 90→ Internal .....	1	1
41	<u>101823101</u>	Safety First Card (50 per pack) .....	1	1
42	<u>1012809</u>	Seal Puller .....	1	1
		Please refer to the maintenance and service manual for proper tool application.		

18

G

E

**18**  
**G**  
**E**



001602-001



## MAINTENANCE AND SERVICE TOOLS, CONTINUED

ITEM	PART NO.	DESCRIPTION	QTY GAS	QTY ELEC
		1 2 3 4		
43	<u>1014264</u>	Steering Column Bearing Press Tool .....	1	1
44	<u>1014259</u>	Steering Column Retaining Ring Tool .....	1	1
45	102061201	Steering Wheel Puller Tool .....	1	1
46	<u>AM10753</u>	Tachometer (includes gasoline engine pick up lead only) .....	1	
47	<u>1014162</u>	Transaxle Axle Seal Tool (for electric vehicles) .....		1
48	1014161	Transaxle Pinion Seal Tool (for electric vehicles) .....		1
49	<u>1014115</u>	Transmission Tool Kit (for electric vehicles).....		1
50	<u>101611003</u>	Tune-Up Kit, All OHV (for FE290, FE350, FE400 only) (includes air filter, spark plug, oil filter, fuel filters) (not shown) .....	1	
51	<u>1016413</u>	Valve Clearance Adjuster Screw Holder (for FE290 engines only) .....	1	
52	101641201	Valve Guide Reamer (FE290, FE350, and FE400 only).....	1	
53	<u>1016552</u>	Valve Seat Cutter Guide .....	1	
54	<u>1016551</u>	Valve Seat Cutter T-Wrench .....	1	
55	<u>1016553</u>	Valve Seat Cutter, 45→× (32 mm diameter) (for FE290 engines only) .....	1	
56	<u>1016554</u>	Valve Seat Cutter, 45→×/30→× (35 mm diameter) .....	1	
57	<u>101641101</u>	Valve Spring Compressor .....	1	
58	1011480	Volt Ohm Meter .....	1	1
		Please refer to the maintenance and service manual for proper tool application.		

**18**  
**G**  
**E**



# INDEX

## Part Number and Page

AM10753	18-7	7310	2-3	1010829	5-13
AM10080	13-9	7311	1-29, 1-31, 1-33, 1-39, 1-41, 6-27, 7-27	1010877	5-3
AM10081	13-9	7330	13-11, 16-3	1010878	5-3
AM10419	12-5	7335	13-9, 16-3	101090802	14-11, 14-13
AM10622	1-59	7336	16-3	1010909	4-5, 4-23
AM10639	1-17	7473	1-3, 1-29, 1-31, 1-33, 1-39, 1-41, 1-51, 1-59, 4-5, 4-7, 5-3, 5-5, 5-7, 5-13, 6-3, 6-27, 7-3, 7-27, 8-17, 8-21	1010921	5-3
AM1205602	1-59	7539	6-11	1010927	5-3
AM1213901	1-9	7540	6-5, 6-11	1010932	5-3
AM1225001	1-5	7555	6-5, 6-11	1010933	5-3
AM1232301	9-5	7577	17-7, 17-9, 17-11	1010934	1-59, 8-21
CCX8506	17-3, 17-5, 17-7	7591	4-5, 4-7, 4-31	1010954	8-17, 13-7, 13-13
SVP147801	3-3, 3-5	7602	6-5, 6-11	1010958	14-11, 14-13
SVPP230201	1-29	7716	5-3, 5-5, 5-7	1010984	2-3
SVPP230901	1-29	7818	8-17	1010993	1-55, 1-57
SVPP230902	1-29	7820	4-25, 4-27	1011084	5-9
SVPP230903	1-29	7847	1-19, 1-53, 11-3	1011098	1-59
SVPP230904	1-29	7893	4-5, 4-9, 4-11, 4-23, 8-17, 13-5	1011229	4-5, 4-7
SVPP234001	1-29	7973	1-13, 10-15	1011273	18-5
SVPP285901	1-29	8057	8-17, 8-19, 13-3	1011280	4-5, 4-7
183	4-5, 4-7, 4-9, 4-11, 4-23, 10-5, 10-15, 12-7, 13-7, 13-13	8058	8-17, 8-19, 13-3	1011291	13-11
304	1-31, 1-33, 1-35, 1-37, 1-39, 1-41, 1-43, 1-45, 4-25, 4-27, 13-5	8067	6-15, 7-15	1011382	4-13, 4-17
320	1-27	8104	4-9, 4-11, 13-3	1011402	5-3
332	1-11, 1-25, 1-29, 1-31, 1-33, 1-35, 1-37, 1-39, 1-41, 1-43, 1-45, 1-53, 1-55, 1-57, 4-25, 4-27, 8-15, 10-17, 11-3, 14-15, 14-17	8233	1-11, 1-29, 1-31, 1-33, 1-35, 1-37, 1-39, 1-41, 1-43, 1-45, 1-53, 1-55, 1-57, 4-25, 4-27, 4-29, 5-5, 5-7, 6-27, 7-27, 8-15, 10-3, 10-5, 10-13, 13-5, 13-7, 13-13	1011415	6-23, 7-23
334	5-5, 5-7, 6-5, 6-7, 7-5, 7-7, 9-15, 12-7	8248	8-15, 10-3, 10-5	1011418	5-3
343	1-35, 1-37, 1-43, 1-45	8251	1-55, 1-57	1011439	4-5, 4-7
357	1-51, 6-21, 6-27, 7-21, 7-27	8294	4-25, 4-27	1011478	18-5
451	1-31, 1-35, 1-39, 1-43, 11-3, 15-3	8450	12-7	1011480	18-7
705	8-9, 9-15	8639	13-5, 14-15, 14-17	1011497	4-31
706	1-51, 6-21, 7-21	8717	5-7, 8-17, 13-3, 13-7, 13-13	1011522	1-51
808	1-51, 6-27, 7-27, 12-7	8754	1-27, 5-5, 5-7, 5-13, 6-5, 6-7, 6-17, 6-19, 6-21, 6-25, 7-5, 7-7, 7-17, 7-19, 7-21, 7-25, 8-9, 8-13	1011546	1-51
1016	4-5, 4-9, 4-11, 4-23, 10-5	8755	6-19, 6-25, 7-19, 7-25	1011553	1-51, 3-3, 3-5
1017	4-3	8797	10-5	1011557	4-5, 4-7, 4-31
1028	5-3	8861	6-17, 6-27, 7-17, 7-27	1011558	4-31
1032	5-3	8935	1-3	1011578	1-3, 6-7, 7-7
1035	6-5, 6-11	8963	1-31, 1-33, 1-39, 1-41, 1-59	1011582	4-31
1218	1-51, 6-3, 7-3	8990	4-9, 4-11, 4-19, 4-21, 4-29, 6-5, 7-5, 8-17, 14-15, 14-17	1011590	4-9
1241	1-11, 1-29, 1-31, 1-33, 1-39, 1-41, 4-5, 4-7, 5-3, 5-5, 5-7, 5-13, 6-3, 7-3, 8-9, 8-13, 8-17, 8-21, 11-3	1010028	13-3	1011652	1-25
1242	4-19, 4-21, 5-13, 8-9, 8-13, 8-17, 14-15, 14-17	1010124	6-21, 7-21	1011694	5-5, 5-7
1308	6-11	1010138	6-17, 7-17	1011697	1-59, 6-7, 6-13, 7-7, 7-13, 9-15, 10-13, 14-11, 14-13
1606	1-11, 10-15	1010145	6-23, 7-23	1011734	5-9
1620	4-3	1010150	6-19, 7-19	1011767	18-3
1624	1-51, 5-5, 5-7, 6-5, 7-5, 8-13	1010219	6-11	1011779	5-13
1703	1-31, 1-35, 1-39, 1-43	1010237	1-31, 1-33, 1-35, 1-37, 1-39, 1-41, 1-43, 1-45	1011825	4-25, 4-27
2402	6-19, 7-19	1010434	1-7	1011843	4-31
4029	4-25, 4-27	1010517	1-31, 1-33, 1-35, 1-37, 1-39, 1-41, 1-43, 1-45	1011852	1-31, 1-33, 1-35, 1-37, 1-39, 1-41, 1-43, 1-45
7048	6-15, 7-15	1010577	1-29, 9-15	1011857	6-27, 7-27
7173	1-11, 4-5, 4-7, 6-27, 7-27, 8-21	1010805	5-3	101186302	1-31, 1-33, 1-35, 1-37, 1-39, 1-41, 1-43, 1-45
7174	6-9, 6-27, 7-9, 7-27, 8-9, 8-13, 10-13, 11-3, 14-15, 14-17			101187702	5-3

# INDEX

1011931	5-5, 5-7	1013531	5-13	1014162	18-7
1011942	1-31, 1-33, 1-39, 1-41	1013547	4-29	1014201	15-3
1011988	1-29, 10-3, 10-5	1013579	4-29	1014207	13-11
1011990	1-27	1013582	18-3	1014213	6-7, 7-7
1012008	1-31, 1-33, 1-39, 1-41	1013589	8-17	1014214	6-7, 7-7
1012098	17-3, 17-5, 17-7, 17-9, 17-11	1013593	18-5	1014217	6-7, 7-7
1012101	17-7, 17-9, 17-11	1013609	8-17	1014259	18-7
1012151	18-5	1013677	3-3	1014264	18-7
1012285	4-29, 10-7, 10-13, 14-15, 14-17	1013683	14-11, 14-13	1014276	6-21, 7-21
1012295	8-17	1013687	10-3, 10-5	1014287	12-7
1012303	6-21, 6-25, 7-21, 7-25	1013700	10-13	1014288	6-7, 7-7, 8-21, 12-7, 14-15, 14-17
1012333	13-5	1013734	11-3, 14-15, 14-17	1014289	8-7
1012382	8-3, 8-5	1013746	10-3, 10-5, 10-7, 10-11	1014304	14-11, 14-13
1012396	4-13, 8-3, 8-5	1013760	13-7	1014305	18-3
1012412	1-55, 1-57	1013768	13-11	1014306	1-55, 1-57, 4-29
1012431	8-17	1013769	13-11	1014375	8-21
1012438	4-7	1013770	13-11	1014435	1-23
1012467	6-5	1013771	13-11	101444101	1-23
1012505	4-13, 4-17	1013772	13-11	1014453	12-7
1012528	11-3, 14-15, 14-17	1013773	13-11	1014454	12-5
1012549	18-5	1013774	13-11	1014496	18-3
1012560	18-5	1013787	13-11	1014497	18-3
1012571	9-15	1013792	13-11	1014507	18-3
1012604	6-7, 7-7	1013794	13-11, 16-3	1014508	18-3
1012605	6-7, 7-7	1013832	6-21, 7-21	1014509	1-31, 1-33
1012649	10-3, 10-5, 10-7	1013869	5-3	101450902	1-39, 1-41
1012711	13-7	1013870	5-3	1014530	4-25, 4-27
1012714	13-9	1013871	5-5, 5-7	1014540	4-29
1012740	13-9	1013872	1-35, 1-37, 1-43, 1-45	1014555	6-25, 7-25
1012741	13-9	1013876	5-3	1014807	8-17, 8-19, 13-3
1012747	13-9	1013884	1-35, 1-37, 1-43, 1-45	1014808	8-17, 8-19, 13-3
1012748	13-9	1013924	5-11, 9-15	1014902	6-25, 7-25
1012752	13-7	1014007	5-5, 5-7, 10-13, 13-7, 13-13	1014928	10-3, 10-5
1012809	18-5	1014049	12-7	1014947	14-15, 14-17
1012811	18-3	1014050	12-7	1014948	8-17
1012812	18-3	1014052	12-7	101503202	1-15
1012830	8-9, 8-13, 10-13, 11-3	1014055	12-7	1015059	1-29
1012836	12-5	1014056	12-7	1015072	1-29, 14-11, 14-13
1012896	13-7	1014057	12-7	1015077	1-29
1013001	8-7	1014058	12-7	1015091	1-31, 1-33, 1-35, 1-37, 1-39, 1-41, 1-43, 1-45
1013003	8-7	1014059	12-7	1015137	10-3, 10-5, 10-7, 10-11
1013005	8-7	1014062	12-7	1015139	10-3, 10-5
101301102	8-7	1014063	12-7, 14-15, 14-17	1015143	10-3, 10-5
101303202	1-55, 1-57	1014065	8-17, 12-7	101524002	8-9, 8-13
1013035	6-5, 7-5	1014070	12-5	1015332	8-3, 8-5, 9-3
1013042	6-5, 7-5, 7-11	1014072	12-5	1015345	8-17
1013044	6-5, 7-5	1014078	12-5	1015371	8-17
1013052	6-5, 7-5	1014080	12-5	1015372	8-17
1013061	13-3, 13-7, 13-13, 14-9	1014115	18-7	1015373	8-17
101313402	10-3, 10-5, 10-7	1014116	10-3, 10-5	1015405	8-17
1013343	1-13	1014119	8-3, 8-5, 8-17	1015426	10-17
1013344	1-13	1014125	6-7, 7-7	1015453	6-27, 7-27
1013357	4-5, 4-7	1014126	6-7, 7-7	1015457	6-27, 7-27
1013461	10-5	1014145	8-17	101547601	3-5
1013462	10-5	1014153	5-11	1015524	18-3
1013494	4-13, 4-17	1014161	18-7		

# INDEX

1015528	4-13, 4-17	1016416	18-3	1016541	9-13
101553901	3-3, 3-5	1016417	18-3	1016542	9-9
1015583	6-25, 7-25	1016418	18-5	1016544	9-5, 9-9, 9-11
101558302	6-21, 7-21	1016423	4-5, 4-7, 8-17	1016545	9-9
1015597	6-5, 6-11, 6-15, 7-15	101642575	10-9	1016546	10-13
1015608	1-3	101642578	10-9	1016547	9-3, 9-13, 10-11
1015613	6-27, 7-27	101642580	10-9	1016549	9-9
1015614	6-27, 7-27	101642582	10-9	1016551	18-7
1015649	9-3	101642585	10-9	1016552	18-7
1015737	8-3, 8-5, 8-17	1016429	9-7	1016553	18-7
1015741	4-5, 4-7, 8-17	1016432	9-7, 13-7	1016554	18-7
1015752	8-17, 10-17, 14-3	1016436	9-9	1016560	9-9
1015760	6-27, 7-27	1016437	10-9	1016561	9-5
1015814	11-3	1016438	10-11	1016562	9-5, 9-13
101584502	10-13	1016440	9-9, 10-11	1016563	9-9
1015878	8-17, 8-19, 13-3	1016441	10-11	1016564	9-11
1015914	17-3, 17-7, 17-9, 17-11	1016444	10-11	1016566	9-9
1015917	17-7, 17-9	1016449	9-9	1016569	9-9
1015921	10-5	1016450	9-9	1016570	9-7
1015932	8-9, 8-13	1016451	9-9	1016571	9-13
1015969	9-3	1016452	9-9	1016572	10-11
1016003	10-3	1016453	9-11	1016576	9-7
1016004	10-5	1016454	9-11	1016578	9-5
1016011	12-7	1016455	9-5	1016581	9-7
1016074	8-9, 8-13	1016456	9-3	1016582	10-11
101611003	18-7	1016457	9-7	1016583	9-9
101611402	16-5	1016458	9-9	1016584	9-11
1016183	6-7, 7-7	1016467	9-7	1016585	10-9
1016201	12-7	1016470	9-13	1016587	9-5
1016269	6-7, 7-7	1016472	9-11	1016588	9-5
1016289	12-7	1016473	9-7	1016627	18-5
101629008	11-5	1016474	9-9	1016630	4-13
1016337	13-9	1016479	9-9	1016672	13-11
1016338	13-9	101648102	10-11	1016801	12-7
1016346	6-19, 7-19	101648203	9-7	1016811	1-19
1016349	6-19, 7-19	1016483	9-9	1016813	6-27, 7-27
1016350	6-19, 7-19	1016486	10-9	1016814	6-27, 7-27
1016351	6-19, 7-19	1016489	9-9	1016849	4-13, 4-17
1016353	6-19, 7-19	101649002	10-11	1016851	4-13, 4-17
1016356	4-5, 4-7	1016494	9-11	1016879	4-3
1016363	4-7	1016496	9-11	1016880	4-3
1016365	4-19, 4-21	1016499	10-9	1016883	8-9, 8-13
1016366	4-7	1016501	10-9	1016901	12-7
1016384	6-19, 7-19	1016502	9-7	1016904	9-9, 11-3
1016385	6-21, 7-21	1016506	9-11	1016916	1-25
1016386	6-19, 7-19	1016507	9-3	1016952	1-19, 1-55, 1-57
1016387	6-19, 6-21, 7-19, 7-21	1016510	9-11	1016967	6-13, 7-13
1016389	6-19, 7-19	1016513	13-7	1017029	5-3
1016401	8-3, 8-5, 8-17	1016517	9-9	1017035	4-31
101641002	18-5	1016519	9-9	1017062	4-3
101641101	18-7	1016521	9-11	1017064	4-3
101641201	18-7	1016531	9-3	1017065	4-3
101641202	18-3	1016535	9-11	101707402	4-9
1016413	18-7	1016537	9-7	101707405	4-11
1016414	18-5	1016538	9-11	1017075	4-9, 4-11
1016415	18-5	1016539	9-3	1017082	13-7, 13-13

# INDEX

101708301	1-19	1017513	9-11	101821501	10-17
1017141	1-55, 1-57	1017514	9-11	101823101	18-5
1017188	12-3	101751801	9-11	101823201	5-11
1017203	10-3, 10-5	101751802	9-11	101823801	5-11
1017226	6-9, 7-9	101751803	9-11	101823901	5-11
1017231	13-7	1017653	8-7	101824401	10-3, 10-5
1017266	6-19, 7-19	1017686	12-5	101825101	3-3, 3-5
1017273	6-13, 7-13	1017689	11-3	101826201	4-17
101728602	1-21	1017696	5-5, 5-7	101826301	4-13
1017313	6-7, 7-7	1017699	4-31	101826801	14-15, 14-17
1017314	6-7, 7-7	1017705	14-9	101827101	9-15
1017315	6-7, 7-7	1017721	4-5, 4-23	101827801	14-15, 14-17
1017317	6-7, 7-7	1017724	4-9, 4-11	101828301	17-7
1017378	5-5, 5-7	101773301	9-13	101828501	17-7, 17-9
1017380	5-5, 5-7	101773302	9-13	101828801	17-7
101738301	12-7	101773303	9-13	101828802	17-7
101738302	12-7	101773304	9-13	101828901	17-7, 17-9, 17-11
1017424	5-5, 5-7	101773305	9-13	101828902	17-7, 17-9, 17-11
1017434	9-9	101773306	9-13	101828903	17-7
1017442	9-7	101773307	9-13	101830601	4-13, 4-17
1017443	9-9	101773308	9-13	101830701	4-13, 4-17
1017445	9-9	101773309	9-13	101831101	17-7
1017448	9-5	101773310	9-13	101831503	17-9
101744901	9-13	101773311	9-13	101831504	17-9
101744902	9-13	1017760	1-59	101831701	17-9
1017450	9-13	1017774	1-29	101831702	17-9
101745101	9-13	1017853	4-5, 4-7	101831801	18-5
101745102	9-13	101791101	5-11	101831901	18-3
1017453	9-13	1017936	1-53	101832001	14-9
1017454	9-9	101795701	14-5, 14-11, 14-13	101832202	10-13
1017455	9-5	101796201	5-5, 5-7	101832302	10-13
1017456	9-7	101796501	14-9	101832601	9-15
101745701	9-13	101796801	14-9	101832701	9-15
101745702	9-13	101801001	14-9	101833101	9-15
1017458	9-7	101802101	14-9	101833401	12-5
1017460	9-7	101802201	17-7	101833601	13-7
1017461	10-9	101802202	17-7	101833701	8-7
1017463	9-5	101802203	17-7	101833904	12-7
1017466	10-11	101804301	4-13, 10-17	101834001	12-5
1017471	9-13	101805701	10-15	101834502	4-13, 4-17
1017472	9-11	101806901	1-57	101834601	9-15
1017473	9-9	101808401	18-3	101834801	10-13, 13-7, 13-13
1017474	9-3	101809101	18-3	101835601	4-19, 4-21
1017475	9-3	101811401	10-15	101836201	12-5
1017476	9-3	101811501	10-15	101837001	1-55
1017486	9-3	101811901	10-17	101837101	10-17
1017487	9-11	101812301	10-17	101837301	8-3, 8-5, 8-9, 8-11
1017490	9-5	101813001	10-17	101838201	17-9
1017501	9-13	101813202	18-3	101838301	17-9
1017502	9-13	101815501	5-11	101838401	17-9, 17-11
1017503	9-13	101815502	5-11	101838501	17-9
1017504	9-11	101816501	5-11	101838601	17-9, 17-11
1017507	9-7	101816502	5-11	101838701	17-9
1017508	9-11	101817401	5-5, 5-7	101841201	1-29
1017510	9-13	101818801	5-7	101841202	1-29
1017512	9-13	101819701	17-7	101841301	1-29

# INDEX

101850301	10-15	101891001	13-11	101923501	16-3
101851101	4-13, 4-17	101891301	13-7	101923901	16-3
101856002	4-17	101891401	13-11	101925701	10-17
101856102	8-17	101891501	13-11	101926501	6-25, 7-25
101856201	10-15	101891601	13-9	101926901	13-7, 13-19
101859401	11-3	101891901	13-9	101927101	13-7
101861901	5-5, 5-7	101892001	13-9	101927201	13-7
101862001	5-5	101892201	13-9	101927301	13-7
101869302	8-7	101892301	13-9	101927501	13-9
101871001	18-3	101892401	13-9	101927601	13-9
101874901	8-7	101892501	13-9	101927701	13-9
101875001	8-7	101892601	13-9	101927901	13-9
101875101	8-7	101892701	13-11	101928001	13-9
101875102	8-7	101892901	13-7	101928101	13-9
101875201	8-7	101893201	13-9	101928301	13-11
101875301	8-7	101893801	13-7	101928601	13-7
101875401	8-7	101893901	13-9	101928701	13-7, 16-3, 18-5
101875501	8-7	101894901	14-9	101929401	6-25, 7-25
101875601	8-7	101895401	16-3	101931501	3-3, 14-15, 14-17
101875701	8-7	101895501	16-3	101932201	4-5, 4-7
101875802	8-7	101896501	8-7	101932601	14-15, 14-17
101876001	8-7	101896901	10-3, 10-5	101932701	14-15, 14-17
101876202	8-7	101897001	16-3	101932902	13-19
101876301	8-7	101897201	16-3	101933101	18-5
101876402	8-7	101897401	16-3	101936101	16-5
101876501	8-7	101897601	16-3	101936801	14-3
101877601	8-7	101898001	8-21	101939901	8-7
101877701	8-7	101903001	14-5	101942301	15-3
101878101	8-7	101903101	6-19, 7-19	101953101	5-13
101878201	5-3	101903601	16-3	101954301	1-11, 1-25
101878302	6-5	101903701	16-3	101955101	4-25, 4-27
101879001	8-7	101906901	16-3	101955301	10-3, 10-5
101879401	6-5, 7-5	101908101	14-7	101956201	17-11
101879501	6-5, 7-5	101908401	8-15, 14-7	101956202	17-11
101879601	6-5, 7-5	101908601	3-3	101957101	4-5, 4-7
101879701	6-5, 7-5	101908703	14-15, 14-17	101958201	17-11
101879801	6-5, 7-5	101910401	1-29, 14-15, 14-17	101958301	17-11
101879901	6-5, 7-5	101910501	13-11	101960501	1-57, 3-5, 8-11
101880001	6-5, 7-5	101912401	5-9	101960601	3-3, 3-5
101880101	6-5, 7-5	101914001	16-5	101963401	9-15
101880201	6-5, 7-5	101914401	4-5, 17-7, 17-9	101965205	14-15, 14-17
101880301	6-5, 7-5	101915201	3-5	101968701	14-5
101881501	4-29	101916101	9-3	101969701	4-25
101881601	4-29	101916301	9-5	101971301	10-17
101881701	10-17	101916701	8-9, 8-13	101972001	1-59, 18-5
101884801	9-15	101917601	10-17	101972002	18-5
101886101	10-13, 13-7, 13-13	101917701	10-15	101972003	18-5
101887101	18-3	101918501	5-3	101972004	18-5
101887601	9-3	101919801	5-5, 5-7	101972005	18-5
101889401	13-9	101920101	14-3, 15-3	101972006	18-5
101890001	13-9	101921501	10-17	101972007	18-5
101890101	13-7	101922101	16-3	101972009	18-5
101890201	13-7	101922201	16-3	101972011	18-5
101890501	13-7	101922501	8-15, 14-7	101972012	18-5
101890601	13-7	101923001	16-3	101972101	16-3
101890901	13-11	101923201	16-3	101972201	16-3

# INDEX

101972801	10-17	102076702	1-33, 1-37, 1-41, 1-45	102353301	6-15, 7-15
101973101	10-9	102101001	14-3	102353401	6-15
101973301	10-9	102101101	14-3	102354104	6-15
101973401	10-11	102155801	12-5	102354204	6-15
101973501	17-11	102158901	5-5, 5-7	102354901	4-19, 4-21
101976601	17-11	102163001	1-21	102355001	4-19, 4-21
101978001	14-5	102163101	1-21	102355102	1-27
101978102	14-5	102185401	10-15	102355301	8-21
101978202	14-5	102186001	15-3	102356601	16-3
101978601	16-5	102186101	15-3	102356801	16-3
101980801	13-9	102186201	15-3	102357501	4-19, 4-21
101980901	13-9	102186401	15-3	102357701	6-15, 7-15
101981001	13-9	102186701	15-3	102376001	13-3
101984801	6-7, 7-7	102186901	15-3	102430901	9-13
101985502	1-25	102187101	15-3	102453001	13-9
101987501	17-11	102187201	15-3	102453101	13-9
101987602	1-25	102190702	10-15	102503211	1-29
101987701	10-3, 10-5	102196901	4-17, 14-5	102503212	1-29
101987901	4-3	102198701	4-5	102503214	1-29
101988001	4-3	102199001	4-5	102503215	1-29
101988002	4-3	102199201	4-5	102503221	1-25
101988101	4-3	102199301	4-5	102503222	1-25
101988201	4-3	102199401	4-5	102503224	1-25
101990801	5-13	102199601	14-5	102503225	1-25
101997802	4-29	102235201	15-3	102508701	4-17
101997803	4-29	102240501	14-15, 14-17	102515401	13-7, 13-13
101997902	4-29	102241502	18-5	102517501	4-11
101997903	4-29	102242101	12-5	102517601	4-27
101998004	1-25	102242401	1-33, 1-37, 1-41, 1-45	102522001	10-5
101998006	1-25	102243101	14-15, 14-17	102526201	13-3
101998007	1-25	102243402	18-5	102529201	4-9, 4-11
101998008	1-25	102243403	15-3	102529203	4-27
101998501	1-25	102248803	18-5	102537802	6-13, 7-13
102003201	10-3, 10-5	102251501	18-5	102538101	3-5
102004101	6-9, 7-9	102259801	14-15, 14-17	102538201	3-3
102004201	6-25, 7-25	102263601	14-5	102540301	9-15
102004401	1-7	102263701	14-15, 14-17	102540802	6-13, 7-13
102005701	1-21	102273701	17-3, 17-5	102541425	1-29
102009402	2-3	102273801	17-3, 17-5	102541445	1-29
102009403	2-3	102273901	17-3, 17-5	102541465	1-29
102009502	2-3	102278001	6-7, 7-7	102541501	1-29
102009503	2-3	102289002	1-3	102546401	4-11
102022101	5-13	102289201	7-5, 7-11	102555501	18-3
102022601	7-11	102292801	5-13	102562401	18-3
102022602	7-5, 7-11	102296020	6-13, 7-13	102572401	4-17, 14-5
102025801	1-11	102296530	1-25, 1-29	102582401	1-29
102026001	5-5, 5-7	102298240	1-3	102616701	13-3
102031901	13-11	102298720	1-3	102618601	1-3, 1-29
102045001	1-11	102304801	9-9	102684602	13-3
102046501	3-7	102323101	5-3	102704701	15-3
102048401	1-11	102323201	5-3	102704801	15-3
102061201	18-7	102324901	1-29	102704901	15-3
102065901	9-15	102336001	10-13	102711001	8-11
102066201	5-13, 6-25, 7-25	102336101	10-13	102711201	8-17
102075801	3-3, 3-5	102352201	4-19	102751601	10-3, 10-5
102076701	1-59	102353201	6-15, 7-15	102753401	9-9



# INDEX

102771701	16-3	102898701	13-15	103197001	8-3
102778501	1-7	102898801	13-15	103198301	4-17
102778502	1-7	102898901	13-15	103198401	8-15
102778503	1-7	102899001	13-15	103199001	4-13
102778504	1-7	102899101	13-13	103199101	4-13
102778505	1-7	102899201	13-13	103205501	8-15
102778507	1-7	102899301	13-15	103218601	4-17, 14-5
102778509	1-7	102899401	13-13	103255601	4-5
102778601	1-11	102899501	13-15	103255701	4-7
102806201	14-15, 14-17	102899601	13-15	103256901	4-5
102806203	14-15, 14-17	102899701	13-13	103257001	4-7
102824402	1-31, 1-33, 1-35, 1-37, 1-39, 1-41, 1-43, 1-45	102899801	13-13	103257603	4-15
102829701	1-27	102899901	13-15	103257701	4-15
102829702	1-27	102900001	13-13	103257801	4-15
102829801	1-27	102900101	13-13	103282601	14-15, 14-17
102830401	6-21, 7-21	102900201	13-13	103282701	14-15, 14-17
102830501	1-3	102900301	13-13	103295101	13-5
102838401	9-5	102900401	13-15	103295201	13-5
102838701	8-11	102900501	13-15	103313301	1-11
102838801	8-11	102900601	13-13	103316701	14-15, 14-17
102838901	8-11	102900701	13-15	103316801	14-15, 14-17
102839001	8-11	102900801	13-17	103316901	14-15, 14-17
102839301	8-11	102900901	13-13	103345701	12-7
102841101	8-11	102901001	13-15	103347101	8-11
102844601	8-11	102901101	13-15	103347301	8-11
102844701	8-11	102901201	13-17	103347601	8-11
102852801	1-47	102901301	13-17	103347701	8-11
102854301	1-31, 1-33, 1-35, 1-37, 1-39, 1-41, 1-43, 1-45	102901401	13-17	103347801	8-11
102854302	1-31, 1-33, 1-35, 1-37, 1-39, 1-41, 1-43, 1-45	102901501	13-17	103347901	8-11
102865101	10-3, 10-5	102901601	13-17	103348201	4-13
102869401	4-5, 4-7, 4-13, 4-17	102901701	13-17	103348202	4-15, 4-17
102871801	6-25, 7-25	102901801	13-17	103348501	4-13, 8-3, 8-5
102886301	16-3	102901901	13-17	103348601	4-13
102886401	16-3	102902001	13-17	103351001	6-17, 7-17
102886501	16-3	102902101	13-17	103351101	6-23, 7-23
102886601	16-3	102902201	13-17	103354401	4-15, 4-17
102896801	13-13	102902301	13-17	103354701	7-11
102896901	13-13	102902401	13-17	103364101	1-11
102897201	13-15	102902501	13-17	103364201	1-11
102897301	13-15	102902601	13-17	103364801	6-27, 7-27
102897401	13-13	102902701	13-17	103365401	1-55
102897501	13-13	102902801	13-17, 16-3	103365402	1-55
102897601	13-13	102915601	4-31	103365403	1-55
102897701	13-15	102947502	10-3	103365404	1-55
102897801	13-13	102952301	10-5	103365405	1-55
102897901	13-13	102952302	10-3	103365407	1-55
102898001	13-15	102969401	13-3	103365409	1-55
102898101	13-15	102969801	13-3	103365501	1-57
102898201	13-13	102969901	13-3	103365502	1-57
102898301	13-15	102977001	4-13	103365503	1-57
102898401	13-15	102977002	4-17	103365504	1-57
102898501	13-15	103010101	10-3, 10-5	103365505	1-57
102898601	13-15	103173301	13-3	103365507	1-57
		103177401	13-3	103365509	1-57
		103180101	4-13, 4-17	103369501	13-3
		103192701	13-3	103372101	10-3, 10-5

# INDEX

- 103372401 10-7  
103372504 10-7  
103372801 10-7  
103377201 5-13  
103377301 5-13  
103378301 1-29  
103378302 1-29  
103380201 5-11  
103380202 5-11  
103386202 9-3  
103389101 3-7  
103389201 3-7  
103389301 3-7  
103389401 3-7  
103395101 1-11  
103397901 4-7, 17-7  
103405401 1-7  
103405402 1-7  
103405501 6-13, 7-13  
103407601 1-47  
103407701 1-49  
103407801 1-49  
103410401 1-39, 1-41  
103410501 1-31, 1-33  
103410601 1-43, 1-45  
103410701 1-35, 1-37  
103410803 1-43, 1-45  
103410901 1-35, 1-37, 1-43, 1-45  
103411001 1-31, 1-33, 1-39, 1-41  
103411101 1-31, 1-33, 1-35, 1-37, 1-39, 1-41, 1-43, 1-45  
103411201 1-31, 1-33, 1-35, 1-37, 1-39, 1-41, 1-43, 1-45  
103411501 1-3  
103413101 1-3  
103414901 4-7, 17-7  
103418601 10-7  
103428501 17-3, 17-5  
103428601 17-3, 17-5  
103428701 17-3, 17-5  
103428801 17-3  
103429001 17-3, 17-5  
103429101 17-3, 17-5  
103429201 17-3, 17-5  
103429301 17-3, 17-5  
103429501 17-3, 17-5  
103429601 17-3  
103429701 17-3, 17-5  
103434001 17-3, 17-5  
103439901 17-3, 17-5  
103477901 7-15  
103483101 5-11  
103483102 5-11  
103483201 5-11  
103483401 5-11  
103483601 5-11  
103483701 5-11  
103496801 8-21  
103499101 17-3  
103499102 17-3  
103499103 17-3  
103502601 6-21, 7-21  
103504301 14-11, 14-13  
103507001 6-21, 7-21  
103507101 10-11  
103507201 10-11  
103507301 10-11  
103513001 17-5  
103517401 17-5  
103520301 10-15  
103572501 15-3  
103582801 16-3  
103601501 7-5  
103615601 9-9  
103615801 9-13  
103615901 9-11  
103616301 9-9  
103616401 9-11  
103616501 9-5  
103616601 9-5  
103616701 9-5  
103617101 10-9  
103618001 4-11  
103618101 4-27  
103628701 6-21, 7-21  
103653401 7-5  
103653501 7-5, 7-11  
103653601 7-11  
103667104 7-15  
103667204 7-15  
103667302 7-15  
103667402 7-15  
103678402 8-11  
103687001 8-5  
103689701 14-5  
103695801 14-13  
103696801 14-11, 14-13  
103697301 14-15  
103697303 14-17  
103698701 4-7  
103700301 4-21  
103717001 17-5  
103717002 17-5  
103717003 17-5  
103718702 8-11  
103719701 14-11  
103779601 17-5  
103781101 10-3, 10-5  
103878401 14-11  
103930201 14-13  
103953301 8-11  
96704416 9-15
- ## A
- AC cord 17-3, 17-5, 17-7, 17-9, 17-11  
AC cord bushing 17-3, 17-5  
AC cord receptacle 17-11  
accelerator bracket and bearing assembly 5-5, 5-7  
accelerator cable 10-13  
accelerator pedal 5-5, 5-7  
accelerator pedal adjustment tool 18-3  
accelerator pivot rod 5-5, 5-7  
accelerator return spring 5-5, 5-7  
accelerator rod 5-9  
adapter  
    cable (IQDM) 18-5  
adhesive, guide ring 18-3  
air box 10-17  
air box top 10-17  
air duct shield 10-15  
air filter 10-17  
air intake hose 10-17  
ammeter 17-3, 17-5, 17-7, 17-9, 17-11  
anti-sway bar 6-27, 7-27  
A-plate strap 6-19, 7-19  
A-plate, delta 6-19, 7-19  
arbor 18-3  
arm  
    governor 10-13, 13-7, 13-13  
    pivot 13-7  
    rocker 9-9  
armature 8-7, 15-3  
armature conversion kit 8-7  
armrest 1-25, 1-29  
assembly  
    accelerator bracket and bearing 5-5, 5-7  
    accelerator pivot rod 5-5, 5-7  
    air box 10-17  
    air box top 10-17  
    armature 8-7  
    axle 13-11  
    backrest 1-29  
    bearing, steering shaft 6-7, 7-7  
    bell crank and shaft 8-17  
    brake lever 5-11  
    brush connector 8-7  
    brush holder 8-7  
    connecting rod 9-13  
    cylinder head 9-9  
    delta A-plate 6-19, 7-19  
    delta shock and gear support 6-21, 7-21  
    drive clutch 12-7  
    drive hub 12-7  
    driven clutch 12-5  
    driven clutch fixed-face 12-5  
    field coil 8-7  
    float 10-9  
    frame and field (motor) 15-3

# INDEX

- fuel cap 10-3, 10-5
  - fuel pump 10-3, 10-5
  - fuel tank vent 10-3, 10-5
  - governor 13-9, 13-15
  - headlight 4-3
  - headlight harness 4-3
  - idle screw 10-9
  - inner ball joint 6-5, 7-5
  - kingpin 6-19, 7-19
  - moveable-face 12-5, 12-7
  - pilot air screw 10-9
  - plug cap 9-5
  - ratchet 5-3
  - secondary clutch weight 12-7
  - steering shaft 6-7, 7-7
  - turn signal lens 4-3
  - axle 13-7, 13-11, 13-17, 16-3
  - axle guard 13-19, 16-5
  - axle shaft oil seal 13-11, 13-17, 16-3
  - axle tube 13-11, 13-17, 16-3
- B**
- backing plate, brake 5-11
  - backrest assembly 1-29
  - backrest, beige 1-25
  - backrest, black 1-25
  - backrest, gray 1-25
  - backrest, white 1-25
  - ball bearing 8-11, 9-11
  - ball joint 5-3, 5-9, 6-5, 6-11, 13-5
  - ball joint, left-hand thread 6-5, 6-11
  - ball stud 8-17, 13-7, 13-13
  - ball, bearing 7-15
  - ball, shifter 13-9
  - ball, steel pressure relief 9-7
  - ball, trailer hitch 1-51
  - bar, drive 14-3
  - bar, nerf 1-27
  - bar, side 1-27
  - bar, stabilizer 6-27, 7-27
  - barb, vent 10-3, 10-5
  - barrel, plastic 1-7
  - battery
    - 12-volt, side-post 8-21
    - 8-volt, 8VGCXC 14-13
    - 8-volt, CR165 14-11
  - battery charger 17-3, 17-5, 17-7, 17-9, 17-11
  - battery charger case 17-3, 17-5, 17-7, 17-9, 17-11
  - battery charger receptacle 14-9
  - battery charger transformer 17-5, 17-7, 17-9, 17-11
  - battery clamp 8-21
  - battery condition indicator 4-15, 4-17
  - battery condition indicator kit 4-15
  - battery discharge machine 18-3
  - battery hold-down 14-11, 14-13
  - battery insulator 1-55
  - battery light 4-17
  - battery terminal protector spray 18-3
  - battery thermometer 18-3
  - bearing 16-3
    - ball 7-15, 8-11, 9-11
    - ball (motor) 15-3
    - ball (steering pinion) 6-5, 7-5
    - cage roller 13-15
    - idler 12-7
    - inner axle tube 13-11, 16-3
    - lower pinion (steering) 6-5, 7-5
    - needle 13-9
    - outer axle tube 13-11
    - pivot support 5-5, 5-7
    - steering shaft 6-7, 7-7
    - thrust 6-19, 7-19
  - bearing and oil seal remover 18-3
  - bearing driver set 18-3
  - bearing puller 18-3
  - bearing puller wedge 18-3
  - bearing seat 6-7, 7-7
  - bed, box 1-59
  - bell crank and shaft 8-17
  - bellows 6-5, 7-5
  - belt, drive 12-3
  - belt, starter/generator 8-9, 8-13
  - belt, V 8-9, 8-13
  - beverage holder 1-19
  - bezel, headlight 4-3
  - bezel, taillight 4-31
  - block, brake-mounting 5-3
  - block, fuse 4-5, 4-7, 8-17
  - block, terminal 4-5, 4-7
  - body kick plate 1-55, 1-57
  - body, front 1-7, 1-31, 1-33, 1-35, 1-37, 1-39, 1-41, 1-43, 1-45
  - bolt, J- 14-11, 14-13
  - bolt, U- 6-25, 7-25
  - boot, steering column 6-7, 7-7
  - boot, switch 8-15, 14-7
  - bottom, air box 10-17
  - box
    - air 10-17
    - differential 13-17
    - electrical component 8-17
    - steering gear 6-5, 7-5
  - box bed 1-59
  - brace, canopy 1-11
  - bracket 6-25, 7-25
    - accelerator cable 10-13
    - adjustable starter/generator 8-9, 8-13
    - brake light switch 4-5, 4-7
    - FNR shifter 13-3
    - governor cable 10-13
  - headlight mounting 4-3
  - horn 4-25, 4-27
  - hour meter 4-29
  - muffler mounting 11-3
  - oil filter mount 9-7
  - oil level switch 9-11
  - relay mounting 17-9
  - snubber 9-15
  - stabilizer bar mounting 6-27, 7-27
  - starter/generator mounting 8-9, 8-13
  - steering column 6-7, 7-7
  - steering column mounting 6-7, 7-7
  - throttle spring return 10-11
  - Tow/Run switch 8-15, 14-7
  - bracket, carburetor intake manifold 10-11
  - brake adjusting mechanism 5-11
  - brake adjustment tool 18-3
  - brake backing plate 5-11
  - brake cable 5-13
  - brake cable equalizer 5-13
  - brake cable release tool 18-3
  - brake cluster 5-11
  - brake drum 5-11
  - brake lever 5-11
  - brake light switch bracket 4-5, 4-7
  - brake mounting block 5-3
  - brake pedal 5-3
  - brake pedal pad 5-3
  - brake relay kit, 12-volt 4-5
  - brake return spring 5-13
  - brake self-adjusting mechanism 5-11
  - brake shoe 5-11
  - brake spring 5-11
  - breaker, circuit 17-3, 17-5, 17-7, 17-9, 17-11
  - breather 13-7, 13-13, 16-3
  - brush 15-3
  - brush and screw set 8-7
  - brush box assembly 15-3
  - brush connector 8-7
  - brush cover kit, starter/generator 8-7, 8-11
  - brush guard support 6-21, 7-21
  - brush holder 8-7
  - brush inspection port cover 8-7, 8-11
  - brush plate
    - starter/generator 8-7
  - brush port cover 8-7
  - brush rigging 15-3
  - brush spring 8-11, 15-3
  - brush spring set 8-7, 8-11
  - brush spring, starter/generator 8-7, 8-11
  - brush terminal, starter/generator 8-7, 8-11
  - bulb, headlight 4-3
  - bulb, tail light 4-31
  - bumper 1-23
    - cast 1-3
    - drive unit (motor) 15-3

# INDEX

- rubber 5-3
- spring return 5-5, 5-7
- bushing 8-17, 12-7, 13-3
  - AC cord 17-3, 17-5
  - bronze 6-15, 7-15
  - nylon 5-3
  - spindle 6-15, 7-15
  - stabilizer bar 6-27, 7-27
  - steel 6-21, 6-25, 7-21, 7-25
  - urethane 6-19, 6-21, 6-25, 7-19, 7-21, 7-25
- bushing support 6-27, 7-27
- button, choke 10-15
- button, drive 12-5
- buzzer, reverse 4-13, 4-17
- C**
- cable
  - accelerator 10-13
  - brake 5-13
  - FNR shifter 13-5
  - governor 10-13
- calibration test module 18-3
- cam
  - driven clutch 12-5
  - electrical component box 8-17
- cam, FNR shifter 13-3
- camshaft 9-11
- camshaft shim 9-11
- canister, carbon, fuel tank 10-7
- canopy 1-31, 1-33, 1-39, 1-41
- canopy brace 1-11
- canopy support 1-31, 1-33, 1-35, 1-37, 1-39, 1-41, 1-43, 1-45
- canopy trim plate 1-31, 1-33, 1-35, 1-37, 1-39, 1-41, 1-43, 1-45
- cap
  - dust 4-17, 14-5
  - front hub 6-15, 7-15
  - fuel tank 10-3, 10-5
  - fuel, gas, ratchet 10-3, 10-5
  - key switch 4-13, 4-17
  - plug 9-5
- carbon canister 10-7
- carburetor adapter 10-11
- carburetor gasket 10-11
- carburetor insulator 10-11
- carburetor mounting gasket 10-11
- carburetor, FE350 S27 10-9
- card, safety first 18-5
- cargo box 1-59
- case
  - battery charger 17-3, 17-5, 17-7, 17-9, 17-11
  - differential gear 13-11
  - gear 13-7, 13-13, 16-3
  - rocker 9-9
- cast bumper 1-3
- CE mark controller 14-15, 14-17
- charger
  - wire assembly kit 17-7
- charger bezel tool 18-3
- charger hardware kit 17-3, 17-5
- charger receptacle 14-9
- charger wires 17-3
- charger, battery, PD3 17-3
- charger, battery, PowerDrive 17-7
- charger, battery, PowerDrive 3 17-5
- charger, battery, PowerDrive European 17-11
- charger, battery, PowerDrive Export 17-9
- choke button 10-15
- choke lever 10-15
- choke lever guide 10-15
- choke positioner 10-15
- choke valve 10-17
- circuit breaker 17-3, 17-5, 17-7, 17-9, 17-11
- clamp
  - battery 8-21
  - cable retaining 10-13
  - hose 10-3, 10-5, 10-7, 10-11, 10-17
  - hose, green 10-3, 10-5, 10-7
  - muffler hose 11-3
- clevis, upper delta 6-19, 7-19
- clip
  - meter 4-13
- cluster idler gear 13-9
- cluster, brake 5-11
- clutch cam installation tool 18-3
- clutch repair kit 12-5
- clutch tool kit 18-3
- clutch weight 12-7
- clutch, driven 12-5
- coil, field 8-7
- collet 9-9
- column, steering 6-7, 7-7
- communication display module 18-5
- component box, electrical 8-17
- component mounting plate 14-15, 14-17
- compression gauge 18-5
- compression lug 14-15, 14-17
- compression mount 6-27, 7-27
- compression spring 10-15
- compressor, piston ring 18-5
- compressor, valve spring 18-7
- connecting rod 9-13
- connector, a- 8-7
- continuity tester 18-5
- controller cover 14-15, 14-17
- controller cover gasket 14-15, 14-17
- controller, motor speed
  - IQ 14-15, 14-17
- controller, motor speed (CE) 14-15, 14-17
- converter, DC/DC 4-19, 4-21
- cord connector 9-11
- cord set, DC 17-3, 17-5
- cord, AC 17-3, 17-5, 17-7, 17-9, 17-11
- cord, DC 17-7, 17-9, 17-11
- counterbalance guide shaft 9-13
- counterbalance weight 9-13
- cover
  - brush inspection port 8-7, 8-11
  - brush port 8-7
  - crankcase 9-11
  - dust 5-11
  - electrical box 8-17
  - fuse block 4-7
  - oil pump 9-7
  - rocker switch hole 4-13, 4-17
  - screw head 4-13, 4-17
  - steering column 6-7, 7-7
- cover gasket, controller 14-15, 14-17
- cover plate 15-3
- cover, controller 14-15, 14-17
- cover, speed controller 14-15, 14-17
- cover, steering column 4-9, 4-11
- cowl 1-7, 1-31, 1-33, 1-35, 1-37, 1-39, 1-41, 1-43, 1-45
- cowl support 1-11
- crankcase 9-13
- crankcase cover 9-11
- crankcase vent tube 10-11
- crankshaft 9-13
- crankshaft rod 9-13
- crankshaft shim 9-13
- C-type stop ring 6-5, 7-5
- cup holder 1-19
- cup, spring 5-5, 5-7
- current limiter 17-11
- cushion, shock absorber 6-23, 7-23
- cutter, valve seat 18-7
- cylinder head 9-9
- D**
- dash closeout panel 1-11
- dash component 1-13
- dash panel 4-13, 4-17
- dc converter, 15A 4-21
- DC cord 17-7, 17-9, 17-11
- DC cord set 17-3, 17-5
- DC/DC converter 4-19, 4-21
- decal
  - battery danger 3-3
  - bed load warning 3-3, 3-5
  - box bed warning 1-59
  - Club Car name plate 3-7
  - component cover 3-3, 14-15, 14-17
  - dash warning 3-3, 3-5
  - driver/passenger 3-5
  - frame ground 3-5

# INDEX

maintenance/operate switch 8-15  
on/off 3-3, 3-5  
operating instructions 3-3, 3-5  
operating instructions (electric) 3-3  
operating instructions (gas) 3-5  
rotating parts 1-57, 3-5, 8-11  
Tow/Run switch warning 3-3  
trailer hitch 1-51, 3-3, 3-5  
young driver warning 3-3, 3-5  
delta A-plate 6-19, 7-19  
delta A-plate sub-assembly 6-19, 7-19  
delta shock and gear support 6-21, 7-21  
DF-terminal insulator 8-7  
diagnostic port 4-17, 14-5  
differential drive unit 13-7, 16-3  
differential gear 13-11, 16-3  
differential gear case 13-11, 13-17  
differential guard 13-19, 16-5  
differential housing 16-3  
differential idler gear 13-11  
differential pin 13-11  
diode 8-17  
dipstick 9-3  
drain plug 9-7, 13-13  
drain plug gasket 9-7, 13-7, 13-13  
drain plug, rubber 8-11  
drink holder 1-19  
drive bar 14-3  
drive belt 12-3  
drive button 12-5  
drive clutch assembly 12-7  
drive clutch button 12-7  
drive clutch fixed-face 12-7  
drive clutch holder tool 18-3  
drive clutch hub puller 18-3  
drive clutch puller 18-3  
drive clutch pulley 12-7  
drive clutch spring 12-7  
drive clutch weight 12-7  
drive hub 12-7  
drive selector shaft 13-7, 13-13  
drive unit bumper 15-3  
drive unit guard 13-19, 16-5  
driven clutch 12-5  
driven clutch button 12-5  
driven clutch cam 12-5  
driven clutch cam puller 18-3  
driven clutch fixed-face assembly 12-5  
driven clutch puller plug 18-3  
driver, drive clutch 12-7  
drum, brake 5-11  
dry moly lubricant 18-5  
dust cap 4-17, 14-5  
dust cover 5-11

## E

eccentric bolt 6-21, 7-21  
E-clip 5-13  
electrical box cover 8-17  
electrical component box 8-17  
enclosure 1-47, 1-49  
end bell, commutator 8-7  
end bell, output shaft 8-7  
end cap, motor 15-3  
end, tie rod 7-11  
engine mounting plate 9-15  
engine shroud 9-3  
engine, FE350 S27 9-3  
equalizer rod 5-13  
equalizer, brake cable 5-13  
exhaust system 11-3  
exhaust valve 9-9  
extrusion, cover support 14-15, 14-17  
extrusion, fender 1-7  
extrusion, plastic 1-23

## F

face, moveable 12-5, 12-7  
fan housing 9-3  
fan shroud 9-3  
fan, flywheel 9-5  
fender extrusion 1-7  
fender, inner 1-53  
field coil 8-7  
field coil housing 8-7, 8-11  
fill plug 13-7, 13-13  
fill plug gasket 13-13  
filter  
    air 10-17  
    fuel 10-3, 10-5  
    oil 9-7  
    oil pump 9-7  
fitting, thread-forming grease 6-5, 6-11, 6-15, 7-15  
fixed-face, drive clutch 12-7  
fixed-face, driven clutch 12-5  
flasher, turn signal, 12-volt 4-11  
float 10-9  
floor mat 1-15  
flywheel 9-5  
flywheel fan 9-5  
flywheel fan plate 9-5  
flywheel puller 18-5  
FNR closeout brush 4-13  
FNR shift lever 13-7, 13-13  
FNR shifter 13-3  
FNR shifter bracket 13-3  
FNR shifter cable 13-5  
FNR shifter cam 13-3  
fork, shift 13-9, 13-15

frame and field assembly (motor) 15-3  
frame and field, starter/generator 8-7, 8-11  
front body 1-7, 1-31, 1-33, 1-35, 1-37, 1-39, 1-41, 1-43, 1-45  
front body support 1-55, 1-57  
front hub 6-15  
front spring retainer plate 6-21, 7-21  
F-terminal hardware 8-7  
f-terminal insulator 8-7  
fuel filter 10-3, 10-5  
fuel gauge sending unit 10-5  
fuel line 10-3, 10-5, 10-7, 10-11  
fuel meter 4-13  
fuel pump 10-3, 10-5  
fuel tank 10-3, 10-5  
fuel tank cap 10-3, 10-5  
fuel tank strap 10-3, 10-5  
fuel tank vent 10-3, 10-5  
fuse 14-9, 17-7, 17-9, 17-11  
    10-amp 8-17  
    20-amp 4-5, 4-7, 8-17  
    3/8-amp 14-9  
    charger 17-3, 17-5  
fuse block 4-5, 4-7, 8-17  
fuse block cover 4-7

## G

gasket  
    carburetor 10-11  
    carburetor mounting 10-9, 10-11  
    crankcase cover 9-9, 9-11  
    drain plug 9-7, 13-7  
    drain plug, fill plug 13-13  
    exhaust 9-9, 11-3  
    head 9-9  
    insulator 9-9, 10-11  
    liquid 13-7, 16-3, 18-5  
    plug 16-3  
    rocker case 9-9  
    seat 1-25  
    sending unit 10-5  
    taillight 4-31  
gasket kit, FE350 9-9  
gasket, controller cover 14-15, 14-17  
gauge, battery condition 4-15, 4-17  
gauge, compression 18-5  
gauge, fuel-hour 4-13  
gear  
    25 tooth 13-15  
    28 tooth 13-15  
    case 13-13  
    cluster idler 13-9  
    differential 13-11, 13-17, 16-3  
    differential idler 13-11, 16-3  
    differential output 16-3  
    helical 9-13, 13-9, 13-11

# INDEX

planetary 13-17  
speed governor 13-15  
spur 9-13, 13-9  
sun 13-17  
synchro 13-9  
gear yoke 18-5  
gearcase 13-7, 16-3  
governor 13-9, 13-15  
governor arm 10-13, 13-7, 13-13  
governor cable 10-13  
governor cable bracket 10-13  
governor shaft installation tool 18-5  
grommet 1-31, 1-33, 1-39, 1-41, 10-3, 10-5  
ignition 9-5  
guard, differential 13-19, 16-5  
guide  
choke lever 10-15  
intake valve 9-9  
valve seat cutter 18-7  
guide ring adhesive 18-3  
gun rack, floor mount 1-17

## H

hardware kit, charger 17-3, 17-5  
hardware, F-terminal 8-7  
harness  
wire 4-27  
harness, headlight 4-5, 4-7  
harness, wire 4-19, 4-21, 4-27, 8-3, 14-5  
harness, wire, lighting 4-7  
head gasket 9-9  
head, cylinder 9-9  
headlight 4-3  
headlight assembly 4-3  
headlight bulb 4-3  
headlight harness 4-3  
headlight retainer 4-3  
headlight wire harness 4-5, 4-7  
heatsink and rectifier 17-3, 17-7, 17-9, 17-11  
helical gear 9-13, 13-9, 13-11  
hill brake rod 5-3  
hill brake weld assembly 5-3  
hinge plate 1-25, 1-55, 1-57  
hitch, trailer 1-51  
hitch, trailer, ball 1-51  
hold-down, battery 14-11, 14-13  
holder, cup 1-19  
hole plug 4-17  
horn 4-25, 4-27  
horn bracket 4-25, 4-27  
horn button and wire assembly 4-25  
hose  
fuel 10-3, 10-5  
vent 10-7  
vent flare 10-7  
hose clamp, green 10-3, 10-5, 10-7

hose, air intake 10-17  
hour meter 4-13, 4-29  
hour meter, 36-48 volt 4-29  
housing  
2-pin 14-3  
3-pin 14-3, 15-3  
6-pin 14-15, 14-17  
differential 16-3  
fan 9-3  
field coil 8-7, 8-11  
hub 6-15, 7-15  
hub and spindle 6-15  
hub cap 6-15, 7-15  
hub, front 6-15  
hub, synchronizer clutch 13-9  
hydrometer 18-5

## I

idle screw assembly 10-9  
idler bearing 12-7  
idler gear, differential 16-3  
ignition coil 9-5  
indicator, battery condition 4-15, 4-17  
inner frame snubber 9-15  
input shaft 16-3  
insert, synchronizer 13-9  
instrument panel 4-13, 4-17  
insulator gasket 9-9, 10-11  
insulator, battery 1-55  
insulator, carburetor 10-11  
intake valve 9-9  
intermediate shaft 16-3  
internal retaining ring pliers 18-5  
IQ display module (IQDM) 18-5

## J

J-bolt 14-11, 14-13  
jet, main 10-9  
jet, pilot 10-9  
joint  
ball 5-3, 5-9, 6-11, 13-5  
left-hand thread ball 6-5, 6-11  
steering 6-9, 7-9

## K

key  
crankshaft 9-5, 9-13  
driven clutch 12-5  
On/Off 4-13, 4-17  
square 12-5  
starter/generator 8-7  
woodruff 13-7  
key switch 4-13  
key switch cap 4-13, 4-17  
key switch, On/Off 4-17

kick plate, body 1-55, 1-57  
kingpin 6-19, 7-19  
kit  
2-pin housing 14-3  
3-pin housing 14-3, 15-3  
6-pin housing 14-15, 14-17  
accelerator pivot rod 5-5, 5-7  
air duct shield 10-15  
armature conversion 8-7  
battery condition indicator 4-15  
brake cable 5-13  
brake pedal 5-3  
brake relay 4-5  
brake shoe retainer 5-11  
clutch repair 12-5  
differential gear case 13-11  
drive clutch button 12-7  
drive clutch weight 12-7  
driven clutch button 12-5  
enclosure 1-47, 1-49  
fixed-face drive 12-7  
flywheel puller 18-5  
front hub replacement 6-15, 7-15  
fuel tank 10-5  
gasket, FE350 9-9  
hour meter 4-29  
IQ display module (IQDM) 18-5  
motor brush 15-3  
motor brush spring 15-3  
motor cover plate 15-3  
motor speed sensor 15-3  
motor terminal hardware 15-3  
park brake latch 5-3  
park brake pedal 5-3  
PD3 hardware 17-3, 17-5  
PD3 wiring 17-3  
piston ring compressor 18-5  
relay, 48V 4-7, 17-7  
shock absorber cushion 6-23, 7-23  
shoe retainer 5-11  
steering column mounting bracket 6-7, 7-7  
taillight hardware 4-31  
transmission tool 18-7  
tune-up 18-7  
turn signal 4-9  
windshield, hinged 1-21  
windshield, one-piece 1-23  
wire assembly, charger 17-7  
knob, forward/reverse 13-3

## L

lamp, turn signal and socket 4-9, 4-11  
latch, air box 10-17  
latch, park brake 5-3  
leaf spring 6-25, 7-25

# INDEX

lens, headlight 4-3  
lens, taillight 4-31  
lever  
choke 10-15, 10-17  
drive selector 13-7  
speed governor 13-13  
transmission shift 13-7, 13-13  
light  
battery 4-17  
oil 4-13  
limit switch 4-5, 4-7, 8-17, 8-19, 13-3  
limiter  
current 17-11  
voltage 4-5, 4-23  
line, fuel 10-3, 10-5, 10-7, 10-11  
link, rack and pinion drag 6-5  
link, stabilizer bar 6-27, 7-27  
liquid gasket 13-7, 16-3, 18-5  
low oil warning light 4-13  
lubricant, dry moly 18-5  
lubricant, moly-teflon 15-3, 18-5  
lug nut 2-3  
lug stud 6-15, 13-11, 13-17, 16-3  
lug, compression 14-15, 14-17

## M

magnet, speed sensor 15-3  
main jet 10-9  
mat, floor 1-15  
MCOR 14-3  
mechanism, brake adjusting 5-11  
meter clip 4-13  
meter, hour 4-29  
meter, volt ohm 18-7  
module  
calibration test 18-3  
communication display 18-5  
moly-teflon lubricant 18-5  
motor  
48-volt IQ 15-3  
motor brush kit 15-3  
motor brush spring kit 15-3  
motor bumper 15-3  
motor end cap 15-3  
motor magnet, speed sensor 15-3  
motor speed controller  
CE 14-15, 14-17  
IQ 14-15, 14-17  
motor speed sensor 15-3  
motor speed sensor kit 15-3  
motor terminal hardware kit 15-3  
mount, compression 6-27, 7-27  
mounting block, brake 5-3  
moveable-face 12-5, 12-7  
muffler hose clamp 11-3

## N

needle bearing 13-9  
nerf bar 1-27  
non-skid tape 1-27  
nozzle, main 10-9  
nut, lug 2-3

## O

oil conveyor 13-13  
oil filler tube 9-3  
oil filter 9-7  
oil filter mount bracket 9-7  
oil filter screen 9-11  
oil filter screen plate 9-11  
oil level sensor 9-11  
oil level switch bracket 9-11  
oil pump and rotor 9-7  
oil pump cover 9-7  
oil pump filter 9-7  
oil pump plate 9-7  
oil seal 9-9, 9-11, 9-13, 13-7, 13-9  
oil warning light, low 4-13  
O-ring 9-3, 9-9, 9-11, 9-13

## P

pad  
accelerator pedal 5-5, 5-7  
brake pedal 5-3  
park brake 5-3  
paint, touch-up 18-5  
panel  
closeout, dash 1-11  
panel, instrument 4-13, 4-17  
park brake latch 5-3  
park brake pedal 5-3  
park brake rod sleeve 5-3  
park brake spacer 5-3  
park brake torsion spring 5-3  
pawl 5-3  
pedal, accelerator 5-5, 5-7  
pedal, brake 5-3  
pedal, park brake 5-3  
pilot air screw assembly 10-9  
pilot jet 10-9  
pin  
bow tie locking 5-13  
clevis 5-13  
differential 13-11  
piston 9-13  
pinion, steering 6-5, 7-5  
piston 9-13  
piston pin 9-13  
piston ring 9-13  
piston ring compressor 18-5  
piston ring pliers 18-5

piston ring set 9-13  
pivot arm 13-7  
pivot support bearing 5-5, 5-7  
plate  
backing (brake) 5-11  
body kick 1-55, 1-57  
component mounting 14-15, 14-17  
cover 15-3  
engine mounting 9-15  
flywheel fan 9-5  
front spring retainer 6-21, 7-21  
hinge 1-25, 1-55, 1-57  
oil filter screen 9-11  
oil pump 9-7  
receptacle backing 14-9  
spring mounting 6-21, 7-21  
thrust 13-9, 13-11  
plate, canopy trim 1-31, 1-33, 1-35, 1-37, 1-39, 1-41, 1-43, 1-45  
plate, steering wheel center 6-13, 7-13  
pliers  
internal retaining ring 18-5  
piston ring 18-5  
retaining ring 18-5  
plug  
6-pin 14-15, 14-17  
drain 9-7, 13-13  
driven clutch puller 18-3  
fill 13-7, 13-13  
hole 4-17  
rubber drain 8-11  
spark 9-5  
plug cap 9-5  
plug, carburetor intake manifold 10-11  
pole set 8-7  
port, diagnostic 4-17, 14-5  
positioner, choke 10-15  
press weldment 18-3  
protector spray, battery terminal 18-3  
puller  
bearing 18-3  
drive clutch 18-3  
drive clutch hub 18-3  
driven clutch cam 18-3  
flywheel 18-5  
seal 18-5  
pulley  
drive clutch 12-7  
starter-generator 8-7, 8-11  
v-belt 8-7, 8-11  
pump  
fuel 10-3, 10-5  
push rod 9-9  
**R**  
rack and pinion drag link 6-5

# INDEX

- rack guide pressure spring 6-5, 7-5
- rack, steering 6-5, 7-5
- ratchet, park brake 5-3
- reamer, valve guide 18-7
- rear spring shackle 6-25, 7-25
- receptacle 14-9
- receptacle backing plate 14-9
- receptacle, AC cord 17-11
- receptacle, battery charger 14-9
- rectifier with heatsink 17-3, 17-7, 17-9, 17-11
- regulator, voltage 8-17
- relay 4-7, 17-3, 17-5, 17-7, 17-9, 17-11
- relay mounting bracket 17-9
- relay, 12-volt 4-5
- relay, 48V 4-7, 17-7
- relay, brake, kit, 12-volt 4-5
- remover, bearing and oil seal 18-3
- resistor assembly 14-15, 14-17
- retainer
  - accelerator pedal spring 5-5, 5-7
  - brake shoe 5-11
  - headlight 4-3
  - shock absorber cushion 6-23, 7-23
  - spring (drive clutch) 12-7
  - valve spring 9-9
- retaining ring 6-7, 7-7
- retaining ring pliers 18-5
- return spring bumper 5-5, 5-7
- reverse buzzer 4-13, 4-17
- ring
  - C-type stop 6-5, 7-5
  - piston 9-13
  - retaining 6-7, 7-7, 8-17, 12-5, 12-7
  - snap 6-5, 7-5, 9-9, 9-13
  - spiral backup 12-7
  - synchronizer 13-9
- rivet, blind push 6-13, 7-13
- rock guard 13-19, 16-5
- rocker arm 9-9
- rocker case 9-9
- rocker case gasket 9-9
- rocker shaft 9-9
- rocker switch 4-17
- rocker switch (lights) 4-5, 4-7, 4-13, 4-17
- rod
  - accelerator 5-9
  - accelerator pivot 5-5, 5-7
  - connecting 9-13
  - crankshaft 9-13
  - equalizer 5-13
  - hill brake 5-3
  - push 9-9
  - shift 13-9
  - tie 6-11
- S**
  - safety decal 3-3, 3-5
  - safety first card 18-5
  - score card plate 6-13, 7-13
  - screen, oil filter 9-11
  - screw, valve clearance adjuster 18-7
  - seal
    - intake 10-17
    - lip 16-3
    - oil 9-9, 9-11, 9-13, 13-7, 13-9, 13-11, 13-17, 16-3
    - steering pinion dust 6-5, 7-5
    - vertical socket dust 6-5, 6-11
  - seal puller 18-5
  - sealant 13-7, 16-3
  - seat
    - spring 9-9
    - valve 9-7
  - seat back, beige 1-25
  - seat back, black 1-25
  - seat back, gray 1-25
  - seat back, white 1-25
  - seat bottom assembly 1-25
  - seat gasket 1-25
  - seat, bearing 6-7, 7-7
  - sending unit, fuel gauge 10-5
  - sensor, motor speed 15-3
  - sensor, oil level 9-11
  - set, brush and screw 8-7
  - set, pole 8-7
  - shackle, rear spring 6-25, 7-25
  - shaft
    - counterbalance guide 9-13
    - drive selector 13-7, 13-13
    - input 16-3
    - intermediate 16-3
    - rocker 9-9
    - steering column 6-7, 7-7
    - transmission 13-9, 13-15
  - shaft, reverse gear 13-15
  - shaft, secondary
    - transmission 13-15
  - shield, air duct 10-15
  - shift fork 13-9, 13-15
  - shift lever 13-7, 13-13
  - shift rod 13-9
  - shifter, FNR 13-3
  - shim, camshaft 9-11
  - shim, crankshaft 9-13
  - shock absorber 6-17, 6-23, 7-17, 7-23
  - shock absorber cushion 6-23, 7-23
  - shock absorber cushion retainer 6-23, 7-23
  - shoe retainer kit 5-11
  - shoe, brake 5-11
  - shroud 9-3
  - shroud, engine 9-3
  - shroud, fan 9-3
  - side bar 1-27
  - signal, turn 4-9
  - sleeve
    - delta A-plate 6-19, 7-19
    - governor 13-9
    - park brake rod 5-3
    - synchronizer 13-9
  - snap ring 6-5, 7-5, 9-9, 9-13
  - snubber bracket 9-15
  - snubber, inner frame 9-15
  - socket 6-5, 6-11
  - solenoid 14-15, 14-17
  - solenoid, 12-volt 8-17
  - spacer 1-3
    - accelerator pivot rod 5-5, 5-7
    - park brake 5-3
  - spark arrester 11-5
  - spark plug 9-5
  - speed controller
    - CE 14-15, 14-17
    - IQ 14-15, 14-17
  - speed controller cover 14-15, 14-17
  - speed sensor 15-3
  - speed sensor magnet 15-3
  - speed sensor, motor 15-3
  - spindle 6-15
  - spindle and hub 6-15
  - spiral backup ring 12-7
  - spray, battery terminal protector 18-3
  - spring
    - accelerator return 5-5, 5-7
    - brake 5-11
    - brake return 5-13
    - brush 8-7, 8-11, 15-3
    - compression 10-15
    - drive button 12-7
    - drive clutch 12-7
    - driven clutch 12-5
    - extension return 10-17
    - leaf 6-25, 7-25
    - park brake torsion 5-3
    - rack guide pressure 6-5, 7-5
    - shifter 13-9
    - steering shaft compression 6-7, 7-7
    - synchronizer 13-9
    - throttle return 10-11
    - valve 9-9
  - spring cup 5-5, 5-7
  - spring mounting plate 6-21, 7-21
  - spring, leaf 6-21, 7-21
  - spur gear 9-13, 13-9
  - stabilizer bar 6-27, 7-27
  - stabilizer bar link 6-27, 7-27
  - stabilizer bar mounting bracket 6-27, 7-27
  - stand-offs, plastic 17-3, 17-5



# INDEX

starter/generator (cw) (model G425419) 8-7  
starter/generator belt 8-9, 8-13  
starter/generator brush cover kit 8-7, 8-11  
starter/generator brush plate 8-7  
starter/generator brush spring 8-7, 8-11  
starter/generator brush terminal 8-7, 8-11  
starter/generator frame and field 8-7, 8-11  
starter/generator pulley 8-7, 8-11  
steel bushing 6-21, 6-25, 7-21, 7-25  
steel pressure relief ball 9-7  
steering column 6-7, 7-7  
steering column bearing press tool 18-7  
steering column cover 4-9, 4-11  
steering column retaining ring tool 18-7  
steering gear box 6-5, 7-5  
steering joint 6-9, 7-9  
steering pinion 6-5, 7-5  
steering pinion dust seal 6-5, 7-5  
steering rack 6-5, 7-5  
steering shaft assembly 6-7, 7-7  
steering shaft compression spring 6-7, 7-7  
steering wheel 6-13, 7-13  
steering wheel puller tool 18-7  
stem, valve 2-3  
stiffener, flywheel side 9-15  
stiffener, PTO side 9-15  
strap, A-plate 6-19, 7-19  
strap, fuel tank 10-3, 10-5  
stud 9-15  
lug 6-15, 13-11, 13-17, 16-3  
stud, ball 8-17, 13-7, 13-13  
support  
brush guard 6-21, 7-21  
cowl 1-11  
support yoke (steering) 6-5, 7-5  
support, bushing 6-27, 7-27  
support, front body 1-55, 1-57  
suppressor, voltage 4-5, 17-7, 17-9, 17-11  
switch  
four-position 17-9, 17-11  
key 4-13, 4-17  
light rocker 4-5, 4-7, 4-13, 4-17  
limit 4-5, 4-7, 8-17, 8-19, 13-3  
rocker 4-17  
Tow/Run 14-7  
turn signal 4-9, 4-11  
switch rubber boot 8-15, 14-7  
switch, toggle 8-15  
synchro gear 13-9  
synchronizer clutch hub 13-9  
synchronizer insert 13-9  
synchronizer sleeve 13-9  
synchronizer spring 13-9  
synchronizer, complete 13-15  
system, exhaust 11-3

## T

12-volt solenoid 8-17  
tachometer 18-7  
tail light bulb 4-31  
taillight 4-31  
taillight assembly 4-31  
taillight base 4-31  
taillight bezel 4-31  
taillight gasket 4-31  
taillight hardware kit 4-31  
taillight lens 4-31  
tank, fuel 10-3, 10-5  
tape 10-15  
tape, non-skid 1-27  
tappet 9-11  
terminal block 4-5, 4-7, 14-15, 14-17  
terminal, 1/4 quick-disconnect 4-19, 4-21  
tester, continuity 18-5  
thermometer, battery 18-3  
thread-forming grease fitting 6-5, 6-11, 6-15, 7-15  
throttle return spring 10-11  
throttle spring return bracket 10-11  
thrust bearing 6-19, 7-19  
thrust plate 13-9, 13-11  
tie rod 6-11, 7-11  
tie rod end 7-11  
tie wrap 4-9, 4-11, 4-19, 4-21, 4-29, 6-5, 7-5, 8-17, 13-5, 14-15, 14-17  
tire 2-3  
toggle switch 8-15  
tool  
accelerator pedal adjustment 18-3  
brake adjustment 18-3  
brake cable release 18-3  
charger bezel 18-3  
clutch cam installation 18-3  
drive clutch holder 18-3  
governor shaft installation 18-5  
steering column bearing press 18-7  
steering column retaining ring 18-7  
steering wheel puller 18-7  
transaxle axle seal 18-7  
transaxle pinion seal 18-7  
transmission 18-7  
tool kit, clutch 18-3  
touch-up paint 18-5  
Tow/Run switch 14-7  
Tow/Run switch bracket 8-15, 14-7  
trailer hitch 1-51  
trailer hitch ball 1-51  
transaxle (Electric Vehicle) 16-3  
transaxle axle seal tool 18-7  
transaxle Graziano (gasoline vehicle), unitized 13-13  
transaxle guard 13-19, 16-5

transaxle pinion seal tool 18-7  
transaxle, Kawasaki (Gasoline Vehicle) 13-7  
transformer 17-3  
transformer, battery charger 17-5, 17-7, 17-9, 17-11  
transmission secondary shaft 13-15  
transmission shaft 13-9, 13-15  
transmission tool 18-7  
tube  
axle 13-11, 13-17, 16-3  
crankcase vent 10-11  
oil filler 9-3  
tune-up kit 18-7  
turn signal 4-9  
turn signal conversion kit 4-9  
turn signal lens 4-3  
turn signal socket and lamp 4-9, 4-11  
turn signal switch 4-11

## U

U-bolt 6-25, 7-25  
unitized transaxle Graziano 13-13  
upper delta clevis 6-19, 7-19  
urethane bushing 6-19, 6-21, 6-25, 7-19, 7-21, 7-25

## V

valve  
choke 10-17  
exhaust 9-9  
fuel pickup tube 10-3, 10-5  
reed 9-9  
valve clearance adjuster screw 18-7  
valve guide reamer 18-7  
valve guide, intake 9-9  
valve seat 9-7  
valve seat cutter 18-7  
valve seat cutter guide 18-7  
valve seat t-wrench 18-7  
valve spring 9-9  
valve spring compressor 18-7  
valve spring retainer 9-9  
valve stem 2-3  
v-belt 8-9, 8-13  
vent barb 10-3, 10-5  
vent, barb 10-7  
vertical socket dust seal 6-5, 6-11  
volt ohm meter 18-7  
voltage limiter 4-5, 4-23  
voltage regulator 8-17  
voltage suppressor 4-5, 17-7, 17-9, 17-11

## W

warning light, low oil 4-13  
wedge, bearing puller 18-3

# INDEX

## weight

- clutch 12-7
- counterbalance 9-13
- secondary clutch 12-7

## weldment

- press 18-3

## wheel 2-3

- wheel, steering 6-13, 7-13

## windshield

- hinged 1-21
- one-piece 1-23

## windshield channel 1-21

- wire harness 4-19, 4-21, 4-27, 8-3, 14-5

- wire harness, headlight 4-5, 4-7

- wire harness, lighting 4-7

- wire lead, ignition 9-5

- wiring, charger 17-3

- woodruff key 13-7

- wrap, tie 4-9, 4-11, 4-19, 4-21, 4-29, 6-5, 7-5,  
8-17, 13-5, 14-15, 14-17

## Y

- yoke, gear 18-5

- yoke, support (steering) 6-5, 7-5





**Club Car, Inc.**  
P.O. Box 204658  
Augusta, GA 30917-4658  
USA

**Web** [www.clubcar.com](http://www.clubcar.com)  
**Phone** 1.706.863.3000  
1.800.ClubCar  
**Int'l** +1 706.863.3000  
**Fax** 1.706.863.5808