



**1995 - 1996**  
**ILLUSTRATED**  
**PARTS LIST**



**TOURALL, RESORT VILLAGER,  
TRANS-PORTER/TRANS-SENDER**

MANUAL NUMBER 1018862-03  
PRINT CODE 0196B1008A



# USING THE ILLUSTRATED PARTS LIST

## WARNING

- **THIS MANUAL IS TO BE USED ONLY FOR IDENTIFICATION AND ORDERING OF SERVICE PARTS. BE SURE TO READ AND USE THE MAINTENANCE AND SERVICE MANUAL BEFORE ATTEMPTING ANY VEHICLE REPAIRS.**

This manual covers all 1995 and 1996 Club Car Transportation vehicles. This includes Tourall, Resort Villager, Trans-porter and Trans-sender models. There were numerous product changes affecting many 1995 and 1996 Transportation vehicles, and these changes are also covered in this manual.

The manual is divided into 17 sections. Sections 1 through 4 pertain to both gasoline and electric vehicles, sections 5 through 11 pertain to gasoline vehicles only, sections 12 through 15 pertain to electric vehicles only, and sections 16 and 17 pertain to both gasoline and electric vehicles. Note that there are two or three flags on the outside edge of each page. The first flag will contain the section number of which that page is a part. The other flag (or flags) will contain either the letter *G* or *E*, signifying that the page pertains to either the gasoline or electric vehicle only, or to both the gasoline and electric vehicles.

Use the Table of Contents to find the sections and pages that contain the parts and assemblies you seek. The Table of Contents lists section titles and numbers, and under them, the individual page titles and numbers to be found in that section.

You will also find vehicle models and serial numbers specified within the listings for individual page titles. These model and serial number specifications identify the vehicles on which parts usage as described on a particular page either began or ended. Have the serial number(s) of your vehicle(s) at hand and read the listings carefully when using the table of contents.

Typically, there is a two-page spread for each individual page title in the Table of Contents (however, some titles required several spreads). On the left-hand page is an illustration showing the parts in their relative positions; the parts are each tagged with an item number in a balloon. The right-hand page is the parts list page, and gives the page title at the top, then the item numbers (corresponding to the numbers on the illustration), part descriptions, and quantity of parts used. Some item numbers have more than one part number because several models and/or configurations of a component are represented together on one spread.

Note that a part description may be indented. This indentation corresponds to a parts assembly level indicated by the numbers 1, 2, 3, and 4 at the top left corner of the parts description area of the parts list page. A part that is indented to *level 2* is a component of the *level 1* part (assembly) that it is listed under. A *level 3* part is a component of the *level 2* part that it is listed under, and a *level 4* part is a component of the *level 3* part preceding it. In each case, the part quantity given for a level 2, 3, or 4 part *is the quantity used per next higher level assembly of which it is a component*. A part that is not indented is a level one part. This means that the quantity given is the quantity used per the portion of the vehicle illustrated on that particular spread.



P. O. Box 204658  
Augusta, Georgia 30917-4658 USA  
Telephone 706-863-3000  
Service Parts Fax 706-855-7413

© 1996, CLUB CAR INC.

All rights reserved.

This manual effective August 1, 1995

Manual print code: 0196A00000

# CONTENTS

<b>BODY AND TRIM</b>	<b>SECTION</b>	<b>1</b>
FRONT BODY .....	1-3	
REAR BODY AND FENDER - TOURALL .....	1-5	
FIRST SEAT AND SUPPORT STRUCTURE - TOURALL .....	1-7	
SECOND SEAT AND COMPONENTS - TOURALL .....	1-9	
REAR FOOTREST AND HANDRAILS - TOURALL .....	1-11	
CENTER BODY AND TRIM - RESORT VILLAGER .....	1-13	
REAR BODY AND FENDER - RESORT VILLAGER .....	1-15	
SEATS AND SUPPORT STRUCTURES - RESORT VILLAGER .....	1-17	
FIRST SEAT AND SUPPORT STRUCTURE - TRANS-PORTER/TRANS-SENDER .....	1-19	
SECOND SEAT AND SUPPORT STRUCTURE - TRANS-PORTER/TRANS-SENDER .....	1-21	
THIRD SEAT AND COMPONENTS - TRANS-SENDER .....	1-23	
REAR FOOTREST AND HANDRAILS - TRANS-SENDER .....	1-25	
REAR COVER - TRANS-PORTER/TRANS-SENDER .....	1-27	
REAR CARGO BED - TRANS-PORTER .....	1-29	
WHEELS AND TIRES .....	1-31	
<b>TRANSAXLE</b>	<b>SECTION</b>	<b>2</b>
TRANSAXLE .....	2-3	
<b>BRAKES, PEDAL, AND CABLE ASSEMBLIES</b>	<b>SECTION</b>	<b>3</b>
REAR BRAKE ASSEMBLY, SELF-ADJUSTING - TOURALL .....	3-3	
REAR BRAKES, MANUALLY ADJUSTED - RESORT VILLAGER, TRANS-PORTER/TRANS-SENDER For 2 and 4-Wheel Brake Systems .....	3-5	
BRAKE PEDAL AND CABLE ASSEMBLY - VEHICLES WITH 2-WHEEL BRAKING For Touralls, All Serial Numbers; For Resort Villagers, Trans-porter/Trans-senders Prior to Serial Number 9535-456328 .....	3-7	
BRAKE PEDAL AND CABLE ASSEMBLY - VEHICLES WITH 4-WHEEL BRAKING For Resort Villagers, Trans-porter/Trans-senders Serial Number 9535-456328 and Later .....	3-9	
FRONT BRAKE ASSEMBLY - VEHICLES WITH 4-WHEEL BRAKING For Resort Villagers, Trans-porter/Trans-senders Serial Number 9535-456328 and Later .....	3-11	
ACCELERATOR PEDAL ASSEMBLY, ELECTRIC VEHICLE - TOURALL For Vehicles Prior to Serial Number 9529-445519 .....	3-13	
ACCELERATOR PEDAL ASSEMBLY - GASOLINE VEHICLES AND ELECTRIC RESORT VILLAGER, TRANS-PORTER/TRANS-SENDER For Vehicles Prior to Serial Number 9529-445519 .....	3-15	
ACCELERATOR PEDAL ASSEMBLY For Vehicles Serial Number 9529-445519 and Later .....	3-17	
<b>STEERING AND SUSPENSION</b>	<b>SECTION</b>	<b>4</b>
STEERING COLUMN .....	4-3	
STEERING GEAR ASSEMBLY .....	4-5	
FRONT SUSPENSION, UPPER - VEHICLES WITH 2-WHEEL BRAKING For All Tourall Vehicles; For Resort Villagers, Trans-porter/Trans-senders Prior to Serial Number 9535-456328 .....	4-7	
FRONT SUSPENSION, LOWER - VEHICLES WITH 2-WHEEL BRAKING For All Tourall Vehicles; For Resort Villagers, Trans-porter/Trans-senders Prior to Serial Number 9535-456328 .....	4-9	
FRONT SUSPENSION, UPPER - VEHICLES WITH 4-WHEEL BRAKING For Resort Villagers, Trans-porter/Trans-senders Serial Number 9535-456328 and Later .....	4-11	
FRONT SUSPENSION, LOWER - VEHICLES WITH 4-WHEEL BRAKING For Resort Villagers, Trans-porter/Trans-senders Serial Number 9535-456328 and Later .....	4-13	

# CONTENTS

<b>ELECTRICAL SYSTEM - GASOLINE VEHICLES</b>	<b>SECTION</b>	<b>5</b>
FORWARD AND REVERSE SHIFTER ASSEMBLY - GASOLINE VEHICLES .....	5-3	
WIRING, GASOLINE VEHICLE - TOURALL .....	5-5	
ELECTRICAL COMPONENT BOX, GASOLINE VEHICLE - TOURALL .....	5-7	
ELECTRICAL COMPONENTS, GASOLINE VEHICLE - TOURALL .....	5-9	
WIRING, GASOLINE VEHICLES - RESORT VILLAGER, TRANS-PORTER/TRANS-SENDER .....	5-11	
ELECTRICAL COMPONENT BOX, GASOLINE VEHICLES - RESORT VILLAGER, TRANS-PORTER/TRANS-SENDER .....	5-13	
ELECTRICAL COMPONENTS, FRONT BODY, GASOLINE - RESORT VILLAGER, TRANS-PORTER/TRANS-SENDER .....	5-15	
CONTROLS AND GAUGES, GASOLINE VEHICLES - RESORT VILLAGER, TRANS-PORTER/TRANS-SENDER .....	5-17	
ELECTRICAL COMPONENTS, REAR BODY, GASOLINE VEHICLE - RESORT VILLAGER .....	5-19	
ELECTRICAL COMPONENTS, REAR BODY, GASOLINE - TRANS-PORTER/TRANS-SENDER .....	5-21	
STARTER/GENERATOR ASSEMBLY For Vehicles Prior to Serial Number 9533-452031 .....	5-23	
STARTER/GENERATOR ASSEMBLY For Vehicles Serial Number 9533-452031 and Later .....	5-25	
STARTER/GENERATOR MOUNTING .....	5-27	
BATTERY MOUNTING - GASOLINE VEHICLES .....	5-29	
<b>ENGINE</b>	<b>SECTION</b>	<b>6</b>
FE 290 ENGINE - TOURALL .....	6-3 - 6-13	
FE 350 ENGINE - RESORT VILLAGER, TRANS-PORTER/TRANS-SENDER .....	6-15 - 6-25	
<b>FUEL, INTAKE, AND GOVERNOR SYSTEMS</b>	<b>SECTION</b>	<b>7</b>
FUEL SYSTEM .....	7-3	
CARBURETOR ASSEMBLY, FE 290 - TOURALL .....	7-5	
CARBURETOR ASSEMBLY, FE 350 - RESORT VILLAGER, TRANS-PORTER/TRANS-SENDER .....	7-7	
CARBURETOR INSTALLATION .....	7-9	
GOVERNOR AND ACCELERATOR CABLES .....	7-11	
EXPANSION CHAMBER, CHOKE, AND FILTER, FE 290 - TOURALL .....	7-13	
EXPANSION CHAMBER, CHOKE, AND FILTER, FE 350 - RESORT VILLAGER, TRANS-PORTER/TRANS-SENDER .....	7-15	
<b>EXHAUST SYSTEM</b>	<b>SECTION</b>	<b>8</b>
EXHAUST SYSTEM, FE 290 ENGINE - TOURALL .....	8-3	
EXHAUST SYSTEM, FE 350 ENGINE - RESORT VILLAGER, TRANS-PORTER/TRANS-SENDER .....	8-5	
<b>TORQUE CONVERTER</b>	<b>SECTION</b>	<b>9</b>
DRIVE CLUTCH .....	9-3	
DRIVEN CLUTCH .....	9-5	
<b>TRANSMISSION</b>	<b>SECTION</b>	<b>10</b>
TRANSMISSION .....	10-3 - 10-5	
<b>REAR SUSPENSION - GASOLINE VEHICLES</b>	<b>SECTION</b>	<b>11</b>
REAR SUSPENSION - GASOLINE VEHICLES .....	11-3	
STABILIZER BAR - GASOLINE VEHICLES WITH 350 ENGINES .....	11-5	
INNER FRAME - GASOLINE VEHICLES .....	11-7	

# CONTENTS

<b>ELECTRICAL SYSTEM - ELECTRIC VEHICLES</b>	<b>SECTION</b>	<b>12</b>
FORWARD AND REVERSE SWITCH - ELECTRIC VEHICLES .....	12-3	
ON-BOARD COMPUTER - TOURALL, RESORT VILLAGER .....	12-5	
ON-BOARD COMPUTER - TRANS-PORTER/TRANS-SENDER .....	12-7	
MULTI-STEP POTENTIOMETER		
For Vehicles Prior to Serial Number 9529-445799 .....	12-9	
CONTINUOUSLY VARIABLE POTENTIOMETER		
For Vehicles Serial Number 9529-445799 and Later .....	12-11	
WIRING -TOURALL WITH MULTI-STEP POTENTIOMETER		
For Vehicles Prior to Serial Number 9529-445799 .....	12-13	
WIRING -TOURALL WITH CONTINUOUSLY VARIABLE POTENTIOMETER		
For Vehicles Serial Number 9529-445799 and Later .....	12-15	
ELECTRICAL COMPONENTS, FRONT BODY, ELECTRIC VEHICLE - TOURALL .....	12-17	
ELECTRICAL COMPONENTS, REAR BODY, ELECTRIC VEHICLE - TOURALL .....	12-19 - 12-21	
WIRING - RESORT VILLAGER WITH MULTI-STEP POTENTIOMETER		
For Vehicles Prior to Serial Number 9529-445799 .....	12-23	
WIRING - RESORT VILLAGER WITH CONTINUOUSLY VARIABLE POTENTIOMETER		
For Vehicles Serial Number 9529-445799 and Later .....	12-25	
ELECTRICAL COMPONENTS, CENTER BODY, (EARLY MODEL) ELECTRIC - RESORT VILLAGER		
For Vehicles Made in Early 1995 .....	12-27	
ELECTRICAL COMPONENTS, REAR BODY, (EARLY MODEL) ELECTRIC - RESORT VILLAGER		
For Vehicles Made in Early 1995 .....	12-29	
ELECTRICAL COMPONENTS, REAR BODY, (LATE MODEL) ELECTRIC - RESORT VILLAGER		
For Vehicles Made in Late 1995 and All 1996 .....	12-31 - 12-35	
WIRING - TRANS-PORTER/TRANS-SENDER WITH MULTI-STEP POTENTIOMETER		
For Vehicles Prior to Serial Number 9529-445799 .....	12-37	
WIRING - TRANS-PORTER/TRANS-SENDER WITH CONTINUOUSLY VARIABLE POTENTIOMETER		
For Vehicles Serial Number 9529-445799 and Later .....	12-39	
ELECTRICAL COMPONENTS, FRONT BODY, ELECTRIC - RESORT VILLAGER, TRANS-PORTER/TRANS-SENDER .....	12-41	
CONTROLS AND GAUGES, ELECTRIC VEHICLES - RESORT VILLAGER, TRANS-PORTER/TRANS-SENDER .....	12-43	
ELECTRICAL COMPONENTS, CENTER BODY - TRANS-PORTER/TRANS-SENDER .....	12-45 - 12-47	
ELECTRICAL COMPONENTS, REAR BODY, ELECTRIC - TRANS-PORTER/TRANS-SENDER .....	12-49	
<b>BATTERY CHARGERS</b>	<b>SECTION</b>	<b>13</b>
POWERDRIVE CHARGER, DOMESTIC - TOURALL, RESORT VILLAGER .....	13-3	
POWERDRIVE CHARGER, EXPORT - TOURALL, RESORT VILLAGER .....	13-5	
ON-BOARD POWERDRIVE CHARGER, DOMESTIC - TRANS-PORTER/TRANS-SENDER .....	13-7	
ON-BOARD POWERDRIVE CHARGER, EXPORT - TRANS-PORTER/TRANS-SENDER .....	13-9	
<b>ELECTRIC MOTOR</b>	<b>SECTION</b>	<b>14</b>
MOTOR, POWERDRIVE 48 VOLT .....	14-3	
<b>REAR SUSPENSION - ELECTRIC VEHICLES</b>	<b>SECTION</b>	<b>15</b>
REAR SUSPENSION - ELECTRIC VEHICLES .....	15-3	
<b>SAFETY DECALS</b>	<b>SECTION</b>	<b>16</b>
SAFETY DECALS - TOURALL .....	16-3 - 16-5	
SAFETY DECALS - RESORT VILLAGER .....	16-7 - 16-9	
SAFETY DECALS - TRANS-PORTER/TRANS-SENDER .....	16-11 - 16 -15	

# CONTENTS

---

## **MAINTENANCE AND SERVICE TOOLS**

**SECTION 17**

THE LAST SECTION OF THIS MANUAL CONTAINS A LIST OF MAINTENANCE AND SERVICE TOOLS AVAILABLE FROM CLUB CAR.





# BODY AND TRIM

---

1

G

E



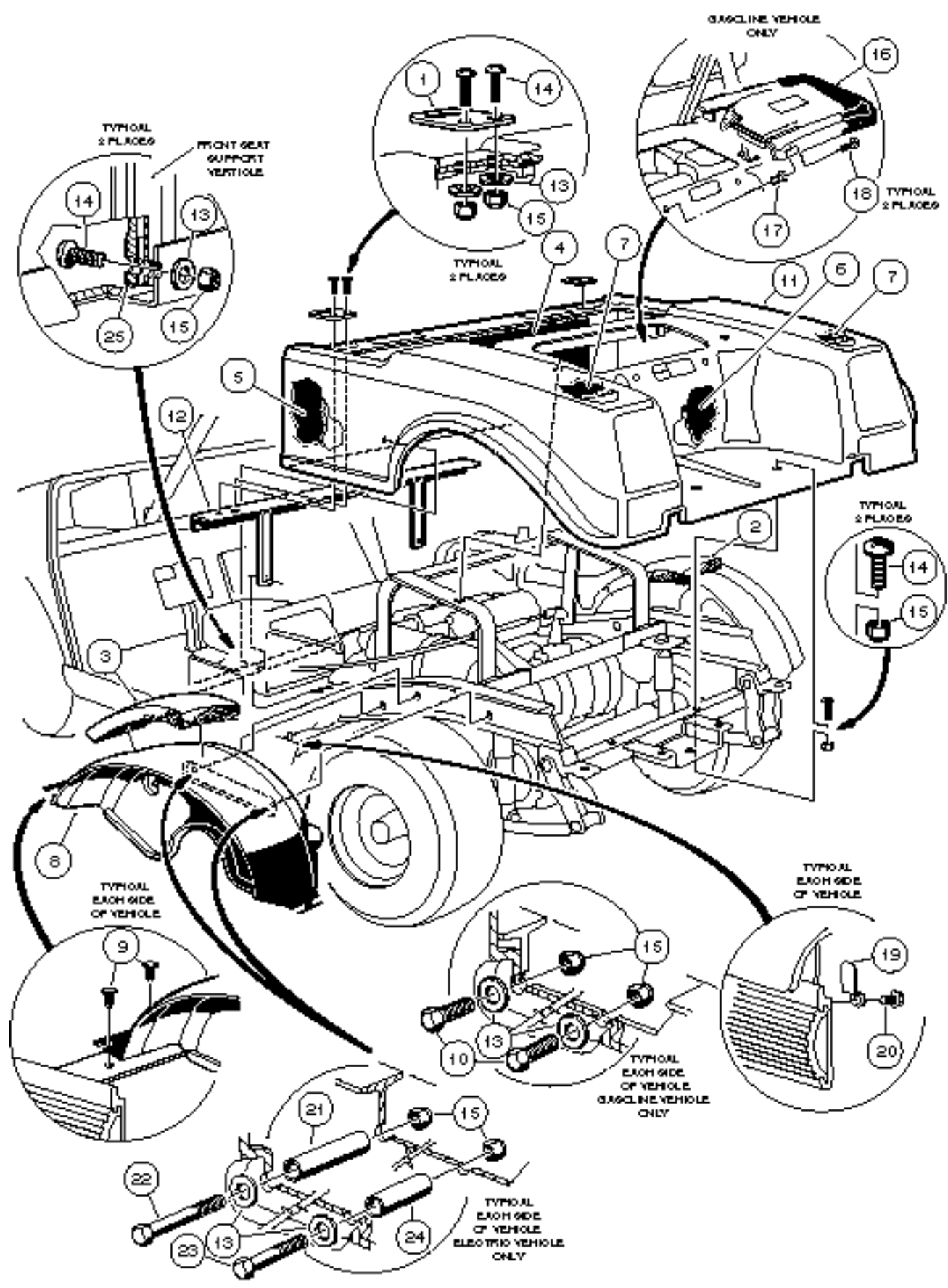
# FRONT BODY

1

G

E

ITEM	PART NO.	DESCRIPTION	QTY GAS	QTY ELEC
		1 2 3 4		
1	<u>1017080</u>	KIT, FRONT BUMPER (INCLUDES ITEMS 2 - 5) .....	1	1
2	<u>1016868</u>	BUMPER, FRONT .....	1	1
3	0007251	SCREW, PHILLIPS TRUSS HEAD, 5/16 - 18 x 1 .....	2	2
4	0007473	NUT, NYLON LOCK, 5/16 - 18 .....	2	2
5	<u>1016967</u>	RIVET, BLIND PUSH TYPE .....	2	2
6	1016702	NAMEPLATE, SILVER .....	1	1
7	<u>1016925-04</u>	BODY, FRONT - GRAY .....	1	1
7	<u>1016939-01</u>	BODY, FRONT WITH HEADLIGHT OPENING - BEIGE .....	1	1
7	<u>1016939-02</u>	BODY, FRONT WITH HEADLIGHT OPENING - WHITE .....	1	1
7	<u>1016939-04</u>	BODY, FRONT WITH HEADLIGHT OPENING - GRAY .....	1	1
7	<u>1016939-06</u>	BODY, FRONT WITH HEADLIGHT OPENING - RED .....	1	1
7	<u>1016939-08</u>	BODY, FRONT WITH HEADLIGHT OPENING - DARK BLUE .....	1	1
7	<u>1016939-09</u>	BODY, FRONT WITH HEADLIGHT OPENING - DARK GREEN .....	1	1
8	0007251	SCREW, PHILLIPS TRUSS HEAD, 5/16 - 18 x 1 .....	2	2
9	<u>1011014</u>	TRIM, FRONT BODY .....	1	1
10	<u>1010435</u>	BOLT, CARRIAGE, 5/16 - 18 x 1 .....	2	2
11	0001241	WASHER, FLAT, 5/16 .....	2	2
12	0007473	NUT, NYLON LOCK, 5/16 - 18 .....	2	2
13	<u>1011017</u>	SCREW, FLANGE LOCK, 8 - 32 x 3/8 .....	6	6
14	1011394	NUT, SLAB BASE "T" (PACKAGE OF 4 PIECES) .....	1	1
15	<u>1013983</u>	TRIM, SIDE BUMPER GUARD (TOURALL ONLY) .....	2	2
15	<u>1016711</u>	TRIM, SIDE BUMPER GUARD (RESORT VILLAGER, TRANS-PORTER/TRANS-SENDER) .....	2	2
16	<u>1012047</u>	SCREW, SELF-TAPPING, #8 - 32 x 3/8 .....	8	8
17	1013344	COMPONENT, LEFT DASH, BLACK .....	1	1
18	<u>1013343</u>	COMPONENT, RIGHT DASH, BLACK .....	1	1
19	0007973	RIVET, ALUMINUM POP, 3/16 .....	5	5
20	1016604-04	PANEL, CENTER DASH (FOR ALL VEHICLES SERIAL NUMBER 9522-436452 AND LATER) .....	1	1
20	<u>1016620-02</u>	PANEL, CENTER DASH (ELECTRIC VEHICLES ONLY) (FOR VEHICLES PRIOR TO SERIAL NUMBER 9522-436452) .....		1
20	1016620-03	PANEL, CENTER DASH, (GASOLINE VEHICLES ONLY) (FOR VEHICLES PRIOR TO SERIAL NUMBER 9522-436452) .....	1	
21	<u>1014645</u>	KIT, SNAP WASHER, BLACK (INCLUDES ITEMS 22 - 26) .....	1	1
22	N/A	NUT, SPEED, #10 - 32 .....	1	1
23	N/A	WASHER, CUP, #10 .....	1	1
24	N/A	SCREW, SHEET METAL, #10 x 3/4 .....	1	1
25	N/A	COVER, SCREW HEAD .....	1	1
26	<u>1011017</u>	SCREW, FLANGE LOCK .....	2	2
27	<u>1015032</u>	MAT, FLOOR, FRONT .....	1	1
28	<u>1017289</u>	MAT, FLOOR, REAR (RESORT VILLAGER ONLY) .....	1	1
28	<u>1016718</u>	MAT, FLOOR, REAR (TRANS-PORTER/TRANS-SENDER ONLY) .....	1	1
29	<u>1017083-01</u>	KIT, DRINK HOLDER (INCLUDES ITEMS 30 AND 31) (TOURALL ONLY) .....	2	2
30	0007847	BOLT, HEX HEAD, 1/4 - 20 x 3/4 .....	2	2
31	1016952	NUT, "U", 1/4 - 20 .....	2	2
32	1011230	KIT, ASHTRAY (INCLUDES ITEMS 33 AND 34) (RESORT VILLAGER ONLY) ..	1	1
33	<u>1011226</u>	SCREW, OVAL COUNTERSUNK HEAD, #6 - 32 x 5/8 (RESORT VILLAGER)	2	2
34	<u>1011229</u>	NUT, "K" LOCK, #6 - 32 (RESORT VILLAGER) .....	2	2



# REAR BODY AND FENDER - TOURALL

1

G

E

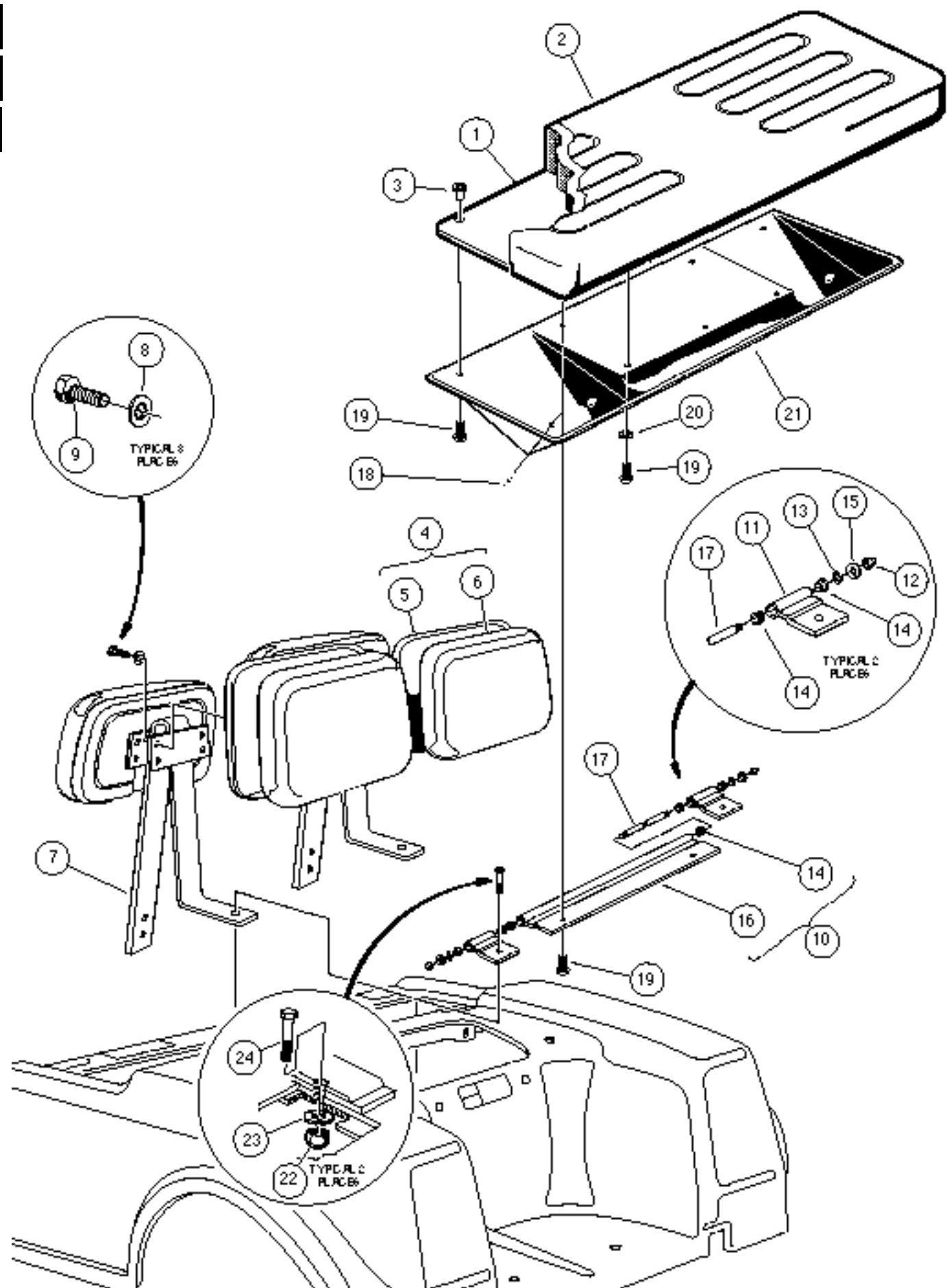
ITEM	PART NO.	DESCRIPTION	QTY GAS	QTY ELEC
		1 2 3 4		
1	1012412	PLATE, BODY HINGE .....	2	2
2	1015422	INSULATION, SOUND, RIGHT SIDE FENDER, SHORT (GASOLINE VEHICLE ONLY) .....	1	
3	1015421	INSULATION, SOUND, LEFT SIDE FENDER, LONG (GASOLINE VEHICLE ONLY) .....	1	
4	1016963	INSULATION, SOUND, FRONT (GASOLINE VEHICLE ONLY) .....	1	
5	1017113	INSULATION, SOUND, LEFT SIDE BODY (GASOLINE VEHICLE ONLY) .....	1	
6	1015419	INSULATION, SOUND, BAGWELL AREA (GASOLINE VEHICLE ONLY) .....	1	
7	1015420	INSULATION, SOUND, BODY LEFT / RIGHT FENDER (GASOLINE VEHICLE ONLY) .....	2	
8	<u>1017936</u>	FENDER, INNER .....	2	2
9	<u>1010434</u>	BARREL, PLASTIC .....	4	4
10	0000304	SCREW, HEX HEAD CAP, 1/4 - 20 x 1 (GASOLINE VEHICLE ONLY) .....	4	
11	<u>1016926-04</u>	BODY, GRAY (GASOLINE VEHICLE ONLY) .....	1	
11	<u>1016933-04</u>	BODY, GRAY (ELECTRIC VEHICLE ONLY) .....		1
12	<u>1017141</u>	SUPPORT, FRONT BODY .....	1	1
13	0000332	WASHER, FLAT, 1/4 .....	10	10
14	0008251	SCREW, PHILLIPS HEAD, 1/4 - 20 x 1 .....	8	8
15	0008233	NUT, NYLON LOCK, 1/4 - 20 .....	12	12
16	<u>1015829-02</u>	ASSEMBLY, ACCESS DOOR (BLACK) (GASOLINE VEHICLE ONLY) .....	1	
17	<u>1015525</u>	NUT, BLIND, 1/4 - 20 (GASOLINE VEHICLE ONLY) .....	2	
18	0008251	SCREW, PHILLIPS HEAD, 1/4 - 20 x 1 (GASOLINE VEHICLE ONLY) .....	2	
19	<u>1017748</u>	CLIP, BODY KEEPER .....	2	2
20	<u>1012047</u>	SCREW, SELF- TAPPING, #8 - 32 x 3/8 .....	2	2
21	<u>1017814</u>	SPACER, 1 7/8 (ELECTRIC VEHICLE ONLY) .....		2
22	<u>1012159</u>	BOLT, HEX HEAD, 1/4 - 20 x 2 3/4 (ELECTRIC VEHICLE ONLY) .....		2
23	0007479	BOLT, HEX HEAD, 1/4 - 20 x 1 1/4 (ELECTRIC VEHICLE ONLY) .....		2
24	<u>1017815</u>	SPACER, 1/2 (ELECTRIC VEHICLE ONLY) .....		2
25	<u>1019041-01</u>	PLATE, BODY KICK .....	1	1



# FIRST SEAT AND SUPPORT STRUCTURE TOURALL

**1**  
**G**  
**E**

ITEM	PART NO.	DESCRIPTION	QTY GAS	QTY ELEC
		1 2 3 4		
1	<u>1015648-05</u>	ASSEMBLY, SEAT BOTTOM, WHITE (INCLUDES ITEMS 2 AND 3) .....	1	1
2	<u>1015627-02</u>	COVER, VINYL SEAT BOTTOM, WHITE .....	1	1
3	1010543	INSERT, WOOD .....	8	8
4	1015670	ASSEMBLY, ARMREST, SEAT BOTTOM (INCLUDES ITEMS 5 - 8) .....	1	1
5	<u>1015625</u>	BRACKET, SEAT SUPPORT .....	2	2
6	1012327	RIVET, MATING, 3/16 .....	4	4
7	1011786	ASSEMBLY, ARMREST, LEFT .....	1	1
8	1011780	ASSEMBLY, ARMREST, RIGHT .....	1	1
9	<u>1011652</u>	PLATE, SEAT HINGE .....	2	2
10	<u>1017384</u>	SCREW, TYPE AB, #12 x 1/2 .....	5	5
11	0000304	SCREW, HEX HEAD CAP, 1/4 - 20 x 1 .....	8	8
12	<u>1012597</u>	BUMPER, SEAT .....	1	1
13	<u>1012657</u>	GASKET, SEAT, LONG (GASOLINE VEHICLE ONLY) .....	1	
14	<u>1012656</u>	GASKET, SEAT, SHORT (GASOLINE VEHICLE ONLY) .....	2	
15	1015417	INSULATION, SOUND (GASOLINE VEHICLE ONLY) .....	1	
16	<u>1018817-01</u>	WASHER, FLAT, STAINLESS STEEL, #8 .....	4	4
17	<u>1018809-01</u>	RIVET, POP, STAINLESS STEEL, 3/16 .....	4	4
18	<u>1015652-02</u>	ASSEMBLY, SEAT BACK, THIN, WHITE (INCLUDES ITEMS 19 AND 20) .....	2	2
19	<u>1013335</u>	CAP, SEAT BACK, BLACK .....	2	2
20	<u>1015626-02</u>	COVER, VINYL SEAT BACK, WHITE .....	2	2
21	0007473	NUT, NYLON LOCK, 5/16 - 18 .....	6	6
22	<u>1011182</u>	SUPPORT, SEAT BACK .....	2	2
23	0008304	WASHER, LOCK, INTERNAL TOOTH, 1/4 .....	8	8
24	0007847	SCREW, HEX HEAD, 1/4 - 20 x 3/4 .....	8	8
25	0001218	SCREW, HEX HEAD CAP, 5/16 - 18 x 1 1/4 .....	4	4
26	1017774	SPACER, BODY .....	4	4
27	0001241	WASHER, FLAT, 5/16 .....	10	10
28	1010557	BOLT, HEX HEAD, 5/16 - 18 x 1 1/2 .....	2	2





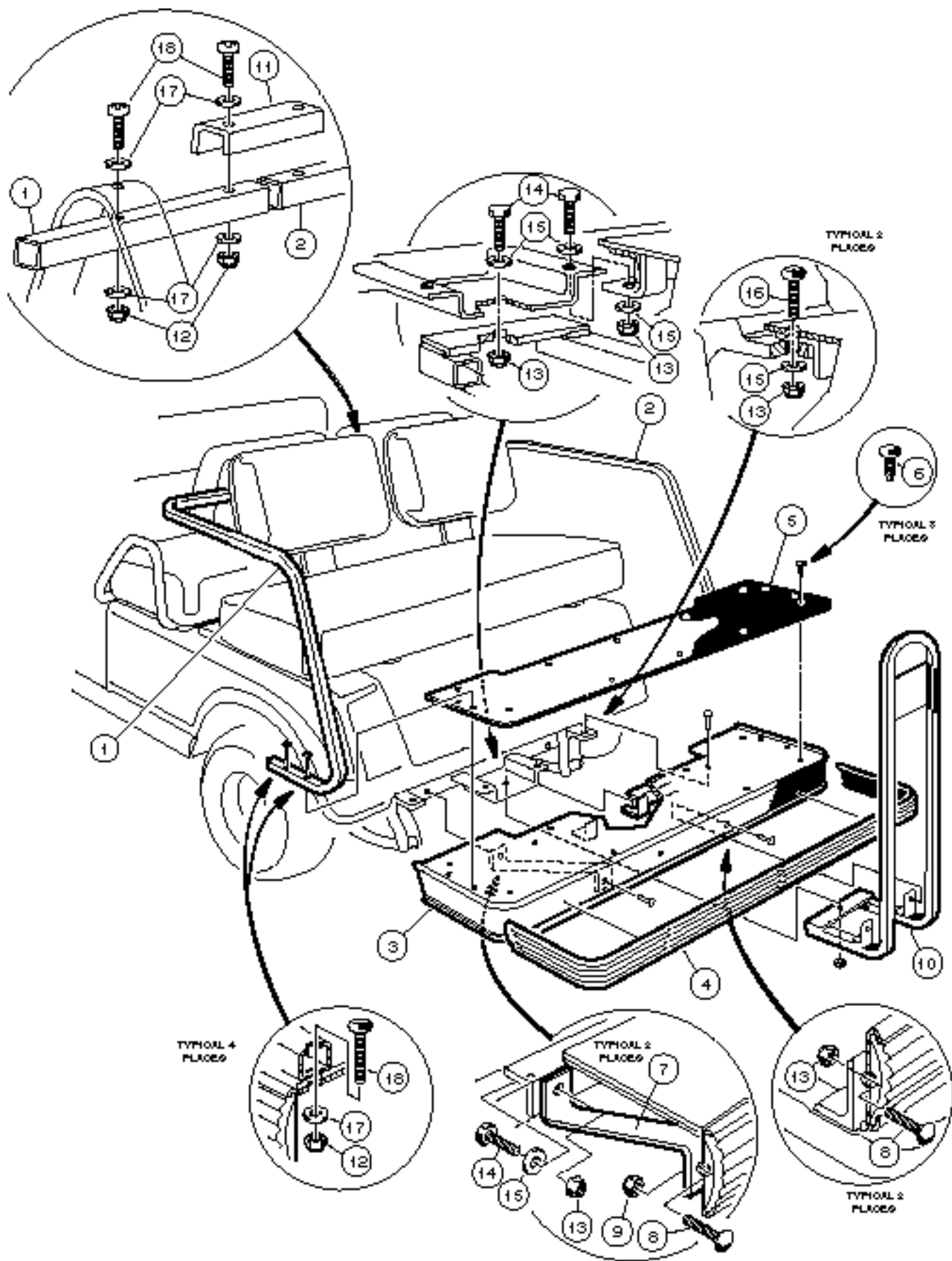
# SECOND SEAT AND COMPONENTS - TOURALL

1

G

E

ITEM	PART NO.	DESCRIPTION	QTY GAS	QTY ELEC
		1 2 3 4		
1	<u>1015648-05</u>	ASSEMBLY, SEAT BOTTOM, WHITE (INCLUDES ITEMS 2 AND 3) .....	1	1
2	<u>1015627-02</u>	COVER, VINYL SEAT BOTTOM, WHITE .....	1	1
3	1010543	INSERT, WOOD .....	7	7
4	<u>1015652-02</u>	ASSEMBLY, SEAT BACK, THIN, WHITE (INCLUDES ITEMS 5 AND 6) .....	2	2
5	<u>1013335</u>	CAP, SEAT BACK, BLACK .....	2	2
6	<u>1015626-02</u>	COVER, VINYL SEAT BACK, WHITE .....	2	2
7	<u>1011182</u>	SUPPORT, SEAT BACK .....	2	2
8	0008304	WASHER, LOCK, 1/4 INTERNAL TOOTH .....	8	8
9	0007847	SCREW, HEX HEAD, 1/4 - 20 x 3/4 .....	8	8
10	1011219	ASSEMBLY, HINGE (CONTAINS ITEMS 11 - 17) .....	1	1
11	<u>1011221</u>	HINGE (SHORT) .....	2	2
12	<u>1015091</u>	NUT, CENTERLOCK CAP, 1/4 - 20 x 1/4 .....	2	2
13	1010695	WASHER, CURVED SPRING, 1/4 .....	2	2
14	0008028	BUSHING, NYLON .....	6	6
15	0000332	WASHER, FLAT, 1/4 .....	2	2
16	<u>1011220</u>	HINGE, LONG .....	1	1
17	<u>1011222</u>	PIN, HINGE (LONG) .....	1	1
18	<u>1011389</u>	BUMPER, RUBBER (PACKAGE OF 5) .....	1	1
19	0008251	SCREW, PHILLIPS TRUSS HEAD, 1/4 - 20 x 1 .....	7	7
20	<u>1011578</u>	WASHER, FLAT, 5/16 .....	3	3
21	<u>1011210</u>	SUPPORT, SEAT .....	1	1
22	0007473	NUT, NYLON LOCK, 5/16 - 18 .....	2	2
23	0001241	WASHER, FLAT, 5/16 .....	2	2
24	1010557	BOLT, HEX HEAD, 5/16 - 18 x 1 1/2 .....	2	2



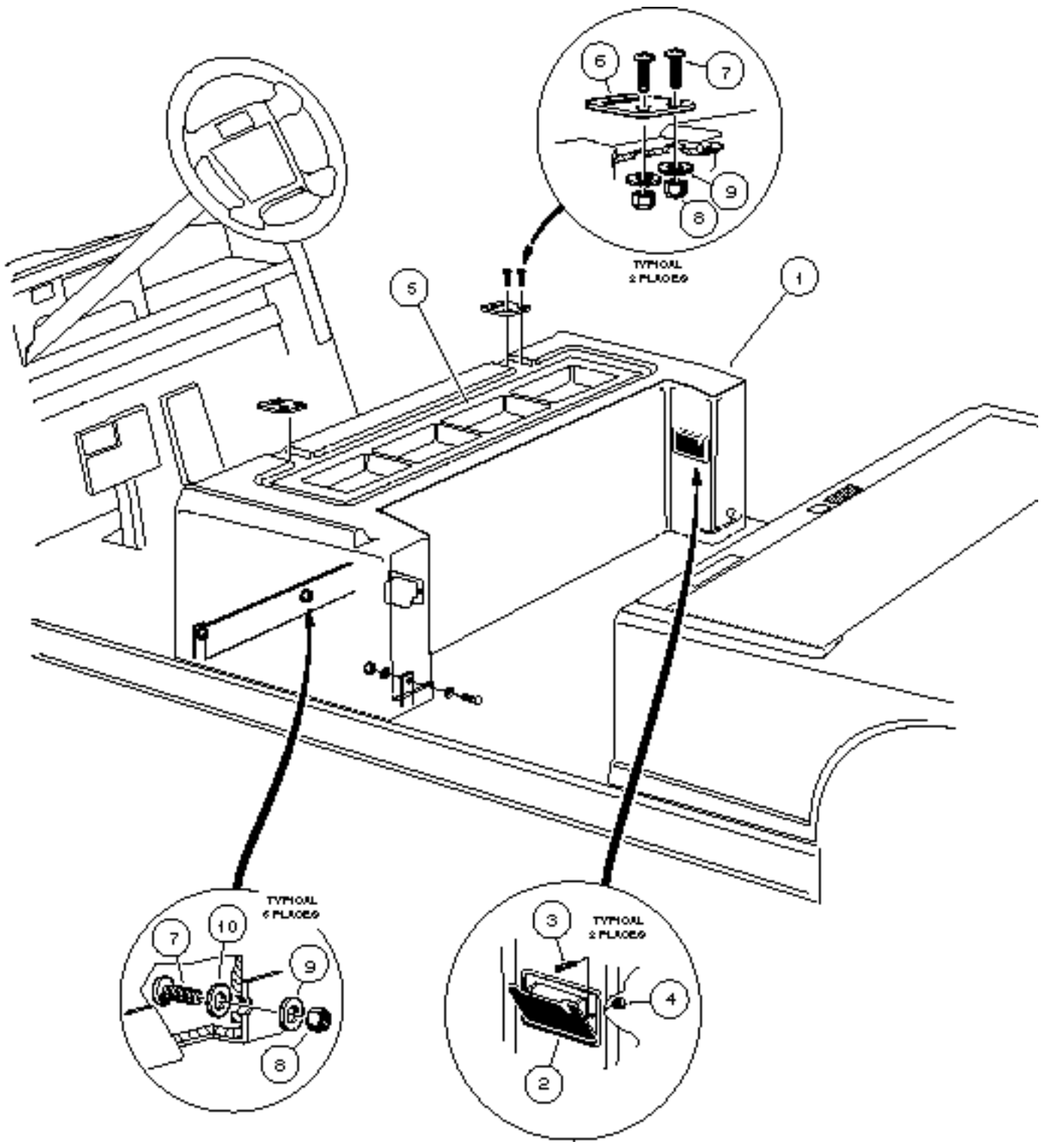
# REAR FOOTREST AND HANDRAILS - TOURALL

1

G

E

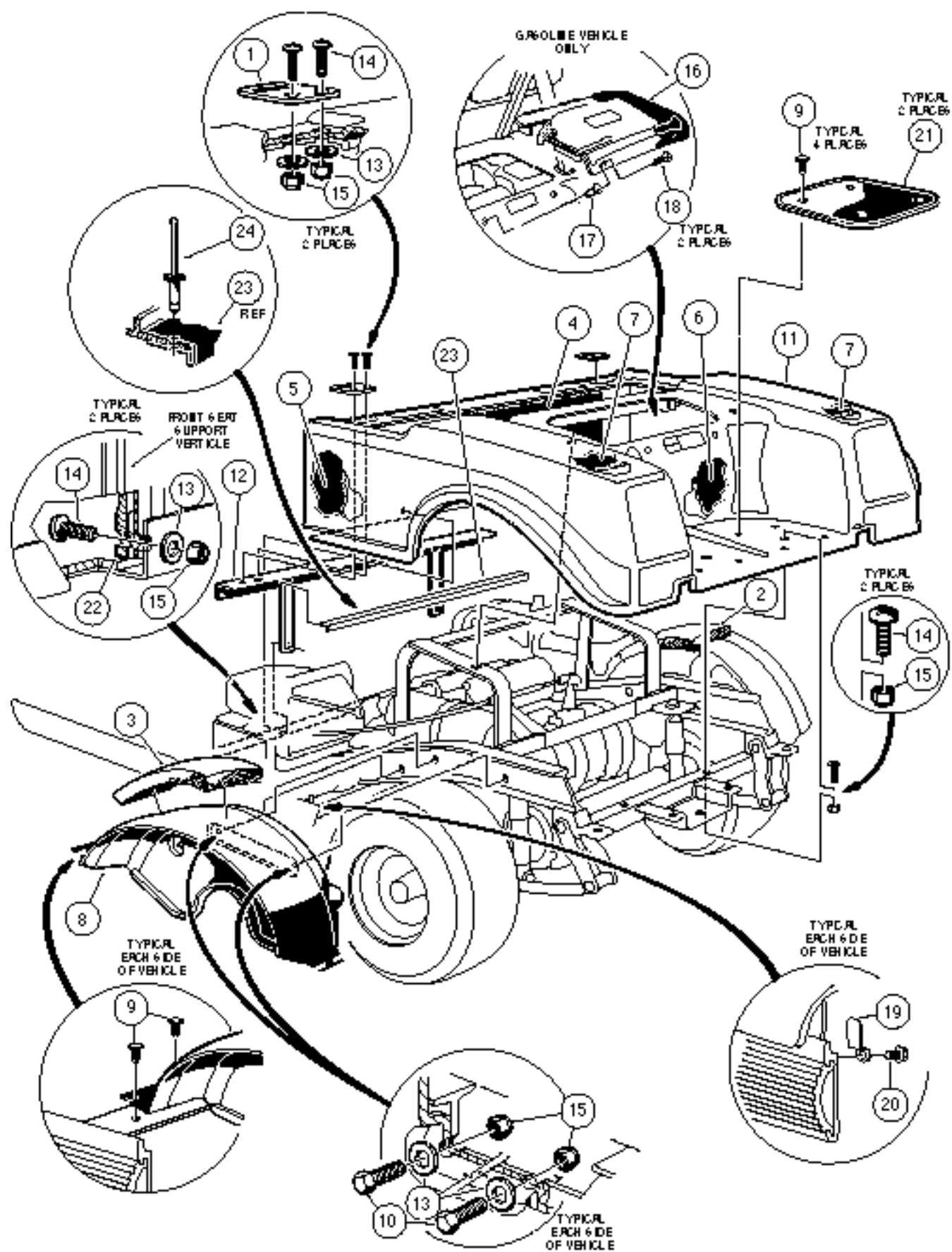
ITEM	PART NO.	DESCRIPTION	QTY GAS	QTY ELEC
		1 2 3 4		
1	<u>1018412-02</u>	ARMREST, REAR SEAT, LEFT HAND .....	1	1
2	<u>1018412-01</u>	ARMREST, REAR SEAT, RIGHT HAND .....	1	1
3	<u>1018411-01</u>	ASSEMBLY, REAR FOOTREST (INCLUDES ITEMS 4 - 9) .....	1	1
4	<u>1016835</u>	GUARD, BUMPER .....	1	1
5	<u>1018409-01</u>	MAT, FOOTREST .....	1	1
6	<u>1010434</u>	FASTENER, PLASTIC BARREL .....	8	8
7	<u>1016668</u>	BAR, CONNECTING .....	2	2
8	<u>1010435</u>	BOLT, CARRIAGE, 5/16 - 18 x 1 .....	4	4
9	0007473	NUT, NYLON LOCK, 5/16 - 18 .....	2	2
10	<u>1016842</u>	HANDRAIL, REAR SEAT .....	1	1
11	<u>1018413-01</u>	BRACKET, ARMREST .....	1	1
12	0008233	NUT, NYLON LOCK, 1/4 - 20 .....	8	8
13	0007473	NUT, NYLON LOCK, 5/16 - 18 .....	9	9
14	0001218	SCREW, HEX HEAD CAP, 5/16 - 18 x 1 1/4 .....	5	5
15	0001241	WASHER, FLAT, 5/16 .....	9	9
16	0007818	SCREW, TRUSS HEAD, 5/16 - 18 x 1 1/2 .....	2	2
17	0000332	WASHER, FLAT, 1/4 .....	8	8
18	<u>1011988</u>	SCREW, PHILLIPS TRUSS HEAD, 1/4 - 20 x 2 .....	8	8



# CENTER BODY AND TRIM - RESORT VILLAGER

1  
G  
E

ITEM	PART NO.	DESCRIPTION	QTY GAS	QTY ELEC
		1 2 3 4		
1	<u>1017316-01</u>	BODY, CENTER, BEIGE (GASOLINE VEHICLE ONLY) .....	1	
1	<u>1017316-02</u>	BODY, CENTER, WHITE (GASOLINE VEHICLE ONLY) .....	1	
1	<u>1017316-04</u>	BODY, CENTER, GRAY (GASOLINE VEHICLE ONLY) .....	1	
1	<u>1017316-06</u>	BODY, CENTER, RED (GASOLINE VEHICLE ONLY) .....	1	
1	<u>1017316-08</u>	BODY, CENTER, DARK BLUE (GASOLINE VEHICLE ONLY) .....	1	
1	<u>1017316-09</u>	BODY, CENTER, DARK GREEN (GASOLINE VEHICLE ONLY) .....	1	
1	1018575-01	BODY, CENTER, BEIGE (ELECTRIC VEHICLE ONLY) .....		1
1	1018575-02	BODY, CENTER, WHITE (ELECTRIC VEHICLE ONLY) .....		1
1	1018575-04	BODY, CENTER, GRAY (ELECTRIC VEHICLE ONLY) .....		1
1	1018575-06	BODY, CENTER, RED (ELECTRIC VEHICLE ONLY) .....		1
1	1018575-08	BODY, CENTER, DARK BLUE (ELECTRIC VEHICLE ONLY) .....		1
1	1018575-09	BODY, CENTER, DARK GREEN (ELECTRIC VEHICLE ONLY) .....		1
2	1011230	KIT, ASHTRAY (INCLUDES ITEMS 3 AND 4) .....	2	2
3	<u>1011226</u>	SCREW, OVAL COUNTERSUNK HEAD, #6 - 32 x 5/8 .....	2	2
4	<u>1011229</u>	NUT, "K" LOCK, #6 - 32 .....	2	2
5	1017423	TRAY, STORAGE .....	1	1
6	1012412	PLATE, SEAT HINGE .....	2	2
7	0008251	SCREW, PHILLIPS TRUSS HEAD, 1/4 - 20 x 1 .....	10	10
8	0008233	NUT, NYLON LOCK, 1/4 - 20 .....	10	10
9	0000332	WASHER, FLAT, 1/4 .....	10	10
10	<u>1014528</u>	WASHER, FLAT, PLASTIC, 1/4 .....	6	6



# REAR BODY AND FENDER - RESORT VILLAGER

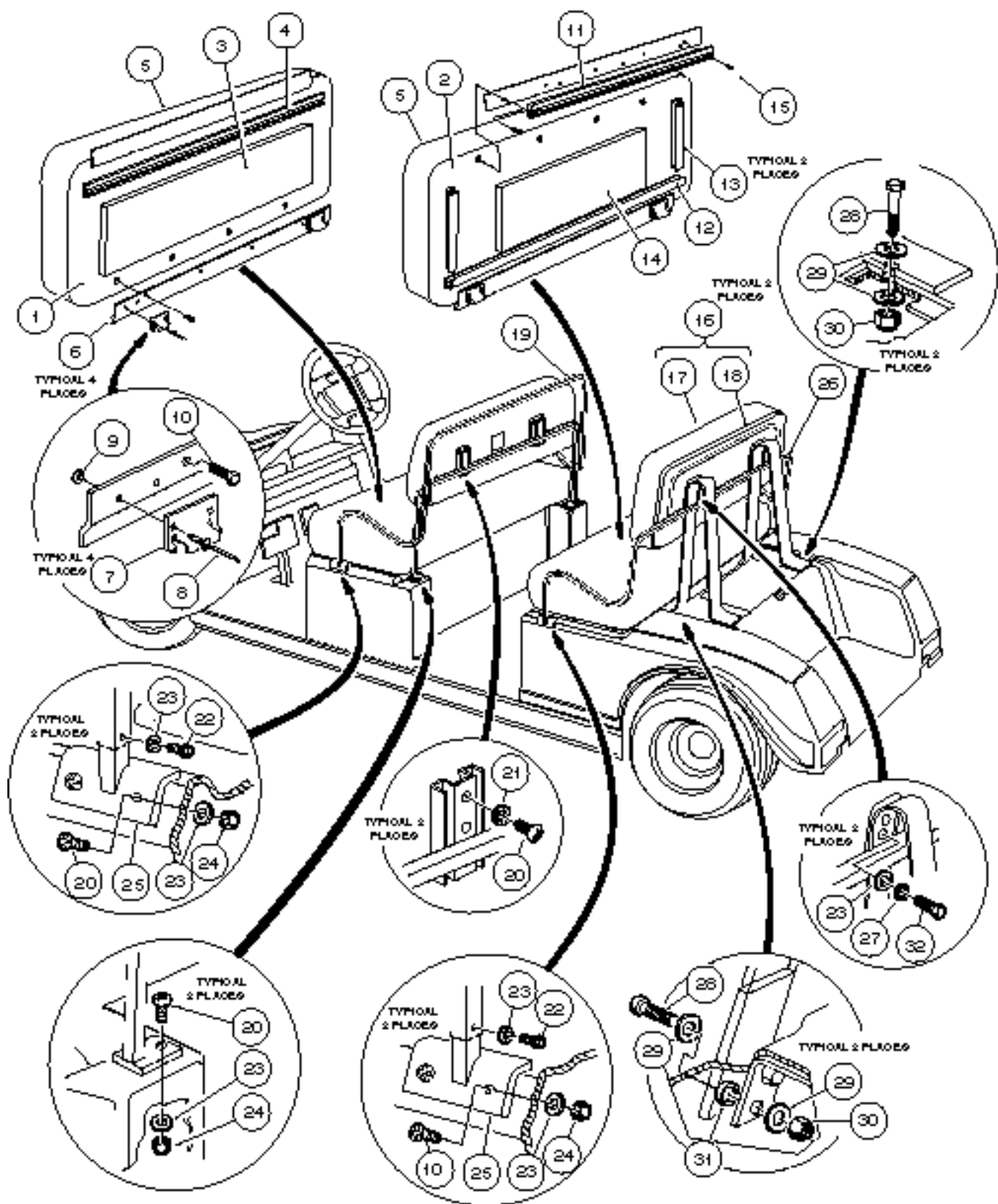
1

G

E

ITEM	PART NO.	DESCRIPTION	QTY GAS	QTY ELEC
		1 2 3 4		
1	1012412	PLATE, BODY HINGE .....	2	2
2	1015422	INSULATION, SOUND, RIGHT SIDE FENDER, SHORT (GASOLINE VEHICLE ONLY) .....	1	
3	1015421	INSULATION, SOUND, LEFT SIDE FENDER, LONG (GASOLINE VEHICLE ONLY) .....	1	
4	1016963	INSULATION, SOUND, FRONT (GASOLINE VEHICLE ONLY) .....	1	
5	1017113	INSULATION, SOUND, LEFT SIDE BODY (GASOLINE VEHICLE ONLY) .....	1	
6	1015419	INSULATION, SOUND, BAGWELL AREA (GASOLINE VEHICLE ONLY) .....	1	
7	1015420	INSULATION, SOUND, BODY LEFT/RIGHT FENDER (GASOLINE VEHICLE ONLY) .....	2	
8	<u>1017936</u>	FENDER, INNER .....	2	2
9	<u>1010434</u>	BARREL, PLASTIC .....	12	12
10	0007847	SCREW, HEX WASHER HEAD, 1/4 - 20 x 3/4 (GASOLINE VEHICLE ONLY) ...	4	
11	<u>1017287-01</u>	BODY, BEIGE (GASOLINE VEHICLE ONLY) .....	1	
11	<u>1017287-02</u>	BODY, WHITE (GASOLINE VEHICLE ONLY) .....	1	
11	<u>1017287-04</u>	BODY, GRAY (GASOLINE VEHICLE ONLY) .....	1	
11	<u>1017287-06</u>	BODY, RED (GASOLINE VEHICLE ONLY) .....	1	
11	<u>1017287-08</u>	BODY, DARK BLUE (GASOLINE VEHICLE ONLY) .....	1	
11	<u>1017287-09</u>	BODY, DARK GREEN (GASOLINE VEHICLE ONLY) .....	1	
11	1018475-01	BODY, BEIGE (ELECTRIC VEHICLE ONLY) .....		1
11	1018475-02	BODY, WHITE (ELECTRIC VEHICLE ONLY) .....		1
11	<u>1018475-04</u>	BODY, GRAY (ELECTRIC VEHICLE ONLY) .....		1
11	1018475-06	BODY, RED (ELECTRIC VEHICLE ONLY) .....		1
11	1018475-08	BODY, DARK BLUE (ELECTRIC VEHICLE ONLY) .....		1
11	1018475-09	BODY, DARK GREEN (ELECTRIC VEHICLE ONLY) .....		1
12	<u>1017141</u>	SUPPORT, FRONT BODY .....	1	1
13	0000332	WASHER, FLAT, 1/4 .....	10	10
14	0008251	SCREW, PHILLIPS TRUSS HEAD, 1/4 - 20 x 1 .....	8	8
15	0008233	NUT, NYLON LOCK, 1/4 - 20 .....	12	12
16	<u>1015829-02</u>	ASSEMBLY, ACCESS DOOR (BLACK) (GASOLINE VEHICLE ONLY) .....	1	
17	<u>1015525</u>	NUT, BLIND, 1/4 - 20 (GASOLINE VEHICLE ONLY) .....	2	
18	0008251	SCREW, PHILLIPS TRUSS HEAD, 1/4 - 20 x 1 (GASOLINE VEHICLE ONLY) ...	2	
19	<u>1017748</u>	CLIP, BODY KEEPER .....	2	2
20	<u>1012047</u>	SCREW, SELF-TAPPING, #8 - 32 x 3/8 .....	2	2
21	<u>1014392</u>	MAT, BAG REST .....	2	2
22	<u>1019041-01</u>	PLATE, BODY KICK .....	1	1
23	<u>1018370-01</u>	INSULATOR, BATTERY (ELECTRIC VEHICLE ONLY) .....		1
24	<u>1013357</u>	RIVET, POP (ELECTRIC VEHICLE ONLY) .....		2

SEATS VIEWED FROM THE BOTTOM





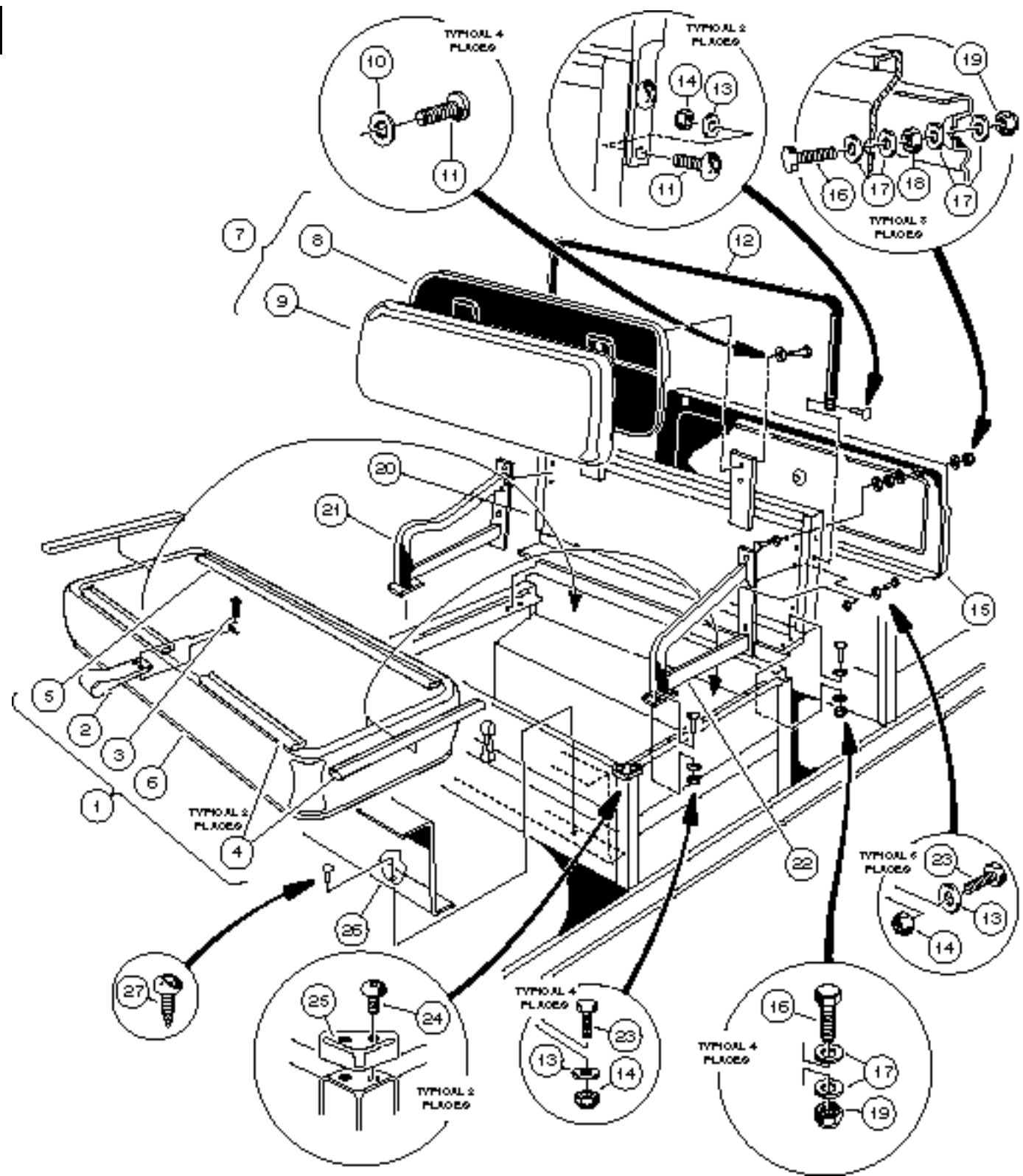
# SEATS AND SUPPORT STRUCTURES RESORT VILLAGER

1

G

E

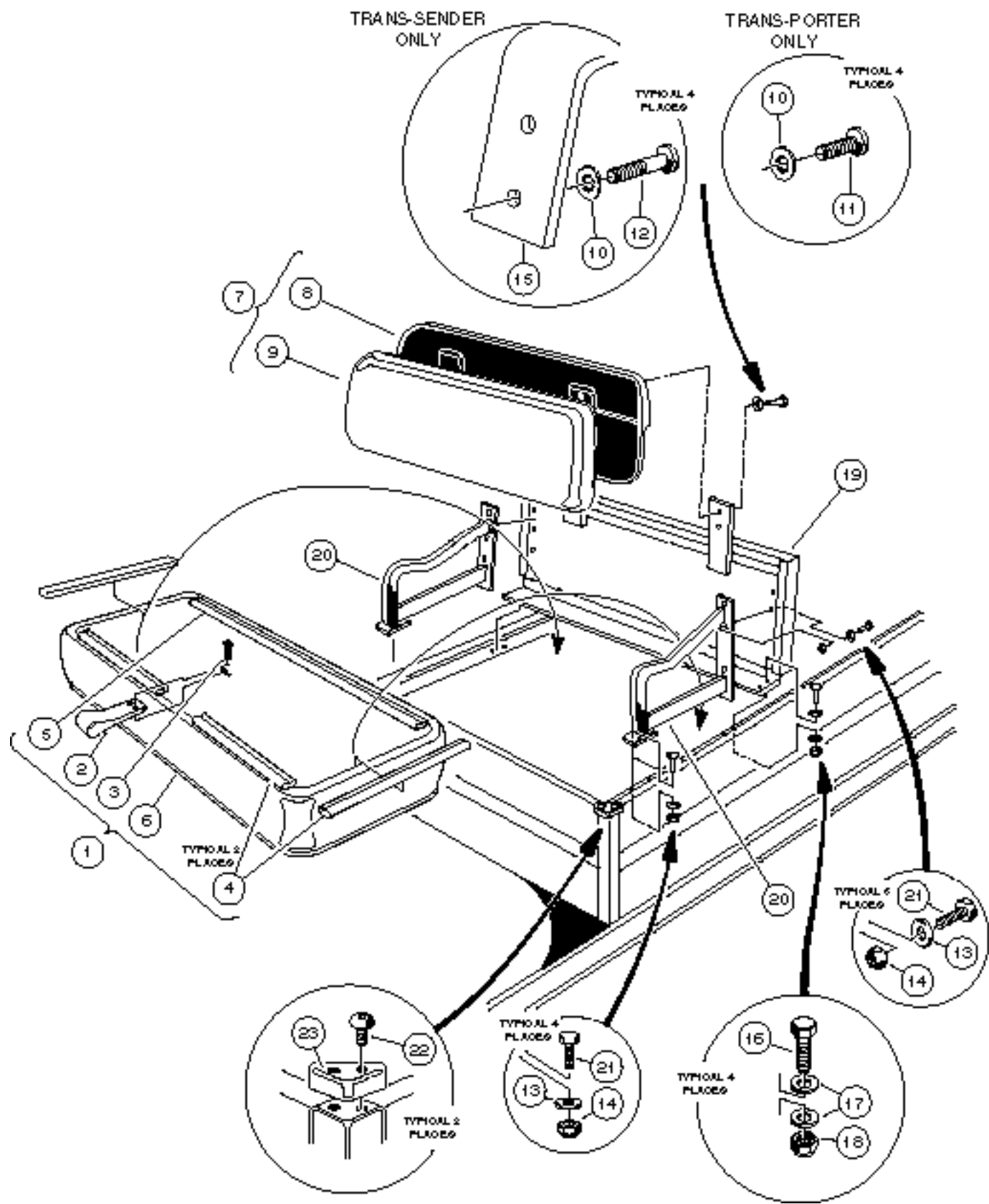
ITEM	PART NO.	DESCRIPTION	QTY GAS	QTY ELEC
		1 2 3 4		
1	<u>1017282-01</u>	ASSEMBLY, FIRST SEAT BOTTOM, WHITE (INCLUDES ITEMS 3 - 10) .....	1	1
1	<u>1017282-03</u>	ASSEMBLY, FIRST SEAT BOTTOM, BUFF (INCLUDES ITEMS 3 - 10) .....	1	1
1	<u>1017282-10</u>	ASSEMBLY, FIRST SEAT BOTTOM, BLACK (INCLUDES ITEMS 3 - 10) .....	1	1
1	<u>1017282-13</u>	ASSEMBLY, FIRST SEAT BOTTOM, GRAY (INCLUDES ITEMS 3 - 10) .....	1	1
2	<u>1017282-02</u>	ASSEMBLY, SECOND SEAT BOTTOM, WHITE (INCLUDES ITEMS 5 - 15) .....	1	1
2	<u>1017282-04</u>	ASSEMBLY, SECOND SEAT BOTTOM, BUFF (INCLUDES ITEMS 5 - 15) .....	1	1
2	<u>1017282-11</u>	ASSEMBLY, SECOND SEAT BOTTOM, BLACK (INCLUDES ITEMS 5 - 15) .....	1	1
2	<u>1017282-14</u>	ASSEMBLY, SECOND SEAT BOTTOM, GRAY (INCLUDES ITEMS 5 - 15) .....	1	1
3	1017666	INSULATION, TRAY (FIRST SEAT ONLY) .....	1	1
4	<u>1013312</u>	BUMPER, SEAT, LONG (FIRST SEAT ONLY) .....	1	1
5	<u>1015627-02</u>	COVER, VINYL SEAT BOTTOM, WHITE .....	1	1
5	<u>1015627-01</u>	COVER, VINYL SEAT BOTTOM, BUFF .....	1	1
5	<u>1015627-04</u>	COVER, VINYL SEAT BOTTOM, BLACK .....	1	1
5	<u>1015627-10</u>	COVER, VINYL SEAT BOTTOM, GRAY .....	1	1
6	<u>1017695</u>	BRACKET, SEAT SUPPORT .....	2	2
7	<u>1011652</u>	PLATE, SEAT HINGE .....	2	2
8	<u>1018809-01</u>	RIVET, POP, STAINLESS STEEL, 3/16 .....	4	4
9	<u>1018817-01</u>	WASHER, FLAT, STAINLESS STEEL, #8 .....	4	4
10	0000304	SCREW, HEX HEAD CAP, 1/4 - 20 x 1 .....	8	8
11	<u>1012597</u>	BUMPER, SEAT (SECOND SEAT ONLY) .....	1	1
12	<u>1012657</u>	GASKET, SEAT, LONG (SECOND SEAT ONLY) .....	1	1
13	<u>1012656</u>	GASKET, SEAT, SHORT (SECOND SEAT ONLY) .....	2	2
14	1017283	INSULATION, SOUND (SECOND SEAT ONLY) .....	1	1
15	<u>1017384</u>	SCREW, WASHER HEAD TAP, #12 (SECOND SEAT ONLY) .....	5	5
16	<u>1016777-01</u>	ASSEMBLY, SEAT BACK, WHITE (INCLUDES ITEMS 17 AND 18) .....	2	2
16	<u>1016777-03</u>	ASSEMBLY, SEAT BACK, BUFF (INCLUDES ITEMS 17 AND 18) .....	2	2
16	<u>1016777-02</u>	ASSEMBLY, SEAT BACK, BLACK (INCLUDES ITEMS 17 AND 18) .....	2	2
16	<u>1016777-05</u>	ASSEMBLY, SEAT BACK, GRAY (INCLUDES ITEMS 17 AND 18) .....	2	2
17	<u>1016755-02</u>	COVER, VINYL SEAT BACK, WHITE .....	2	2
17	<u>1016755-01</u>	COVER, VINYL SEAT BACK, BUFF .....	2	2
17	<u>1016755-04</u>	COVER, VINYL SEAT BACK, BLACK .....	2	2
17	<u>1016755-06</u>	COVER, VINYL SEAT BACK, GRAY .....	2	2
18	1016751	CAP, SEAT BACK, BLACK .....	2	2
19	<u>1017259</u>	WELDMENT, FRONT ARMREST .....	1	1
20	<u>1015902</u>	SCREW, PHILLIPS TRUSS HEAD, 1/4 - 20 x 1 1/4 .....	14	14
21	0008304	WASHER, LOCK, 1/4 .....	4	4
22	<u>1012285</u>	SCREW, HEX WASHER HEAD, 1/4 - 20 x 1/2 .....	4	4
23	0000332	WASHER, FLAT, 1/4 .....	18	18
24	0008233	NUT, NYLON LOCK, 1/4 - 20 .....	10	10
25	<u>1017310</u>	WELDMENT, ARMREST MOUNTING .....	4	4
26	<u>1017992-01</u>	WELDMENT, REAR ARMREST .....	1	1
27	0000451	WASHER, LOCK, 1/4 .....	4	4
28	0001218	SCREW, HEX HEAD CAP, 5/16 - 18 x 1 1/4 .....	6	6
29	0001241	WASHER, FLAT, 5/16 .....	12	12
30	0007473	NUT, NYLON LOCK, 5/16 - 18 .....	6	6
31	1017774	SPACER, BODY .....	4	4
32	0000304	SCREW, HEX HEAD CAP, 1/4 - 20 x 1 .....	4	4



# FIRST SEAT AND SUPPORT STRUCTURE TRANS-PORTER/TRANS-SENDER

**1**  
**G**  
**E**

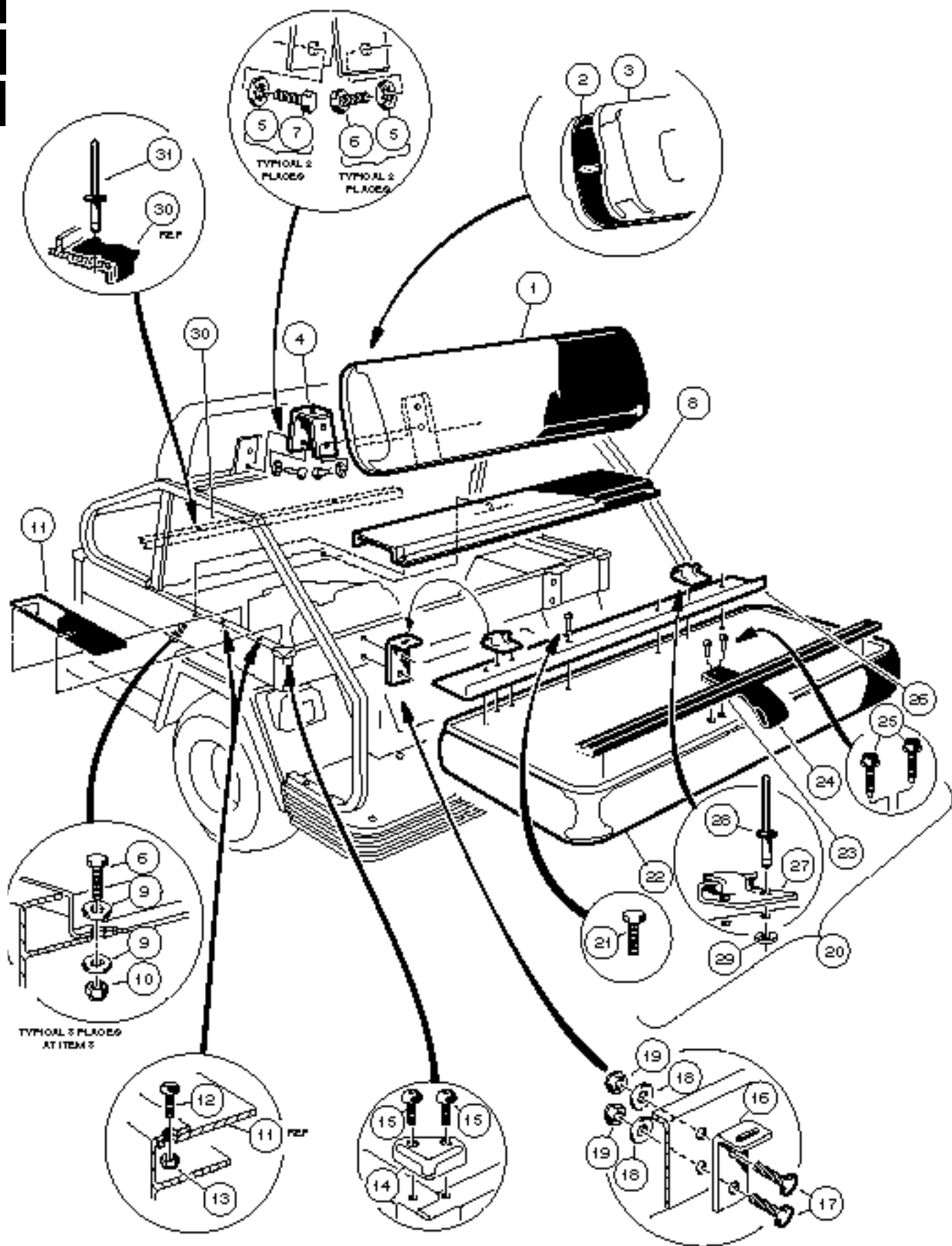
ITEM	PART NO.	DESCRIPTION	QTY GAS	QTY ELEC
		1 2 3 4		
1	<u>1015645-02</u>	ASSEMBLY, SEAT BOTTOM, WHITE (INCLUDES ITEMS 2 - 6) .....	1	1
2	<u>1013309</u>	STRAP, SEAT BOTTOM .....	1	1
3	<u>1010545</u>	SCREW, HEX WASHER HEAD, 1/4 - 14 x 3/4 .....	2	2
4	<u>1013311</u>	BUMPER, SEAT, SHORT .....	4	4
5	<u>1013312</u>	BUMPER, SEAT, LONG .....	1	1
6	<u>1015627-02</u>	COVER, VINYL SEAT BOTTOM, WHITE .....	1	1
7	<u>1016777-01</u>	ASSEMBLY, SEAT BACK, WHITE (INCLUDES ITEMS 8 AND 9) .....	1	1
8	1016751	CAP, SEAT BACK .....	1	1
9	<u>1016755-02</u>	COVER, VINYL SEAT BACK, WHITE .....	1	1
10	0008304	WASHER, INTERNAL TOOTH LOCK, 1/4 .....	4	4
11	0008248	SCREW, PHILLIPS TRUSS HEAD, 1/4 - 20 x 3/4 .....	8	8
12	<u>1016670</u>	HANDRAIL .....	1	1
13	0000332	WASHER, FLAT, 1/4 .....	14	14
14	0008233	NUT, NYLON LOCK, 1/4 - 20 .....	14	14
15	<u>1016970</u>	COVER, SEAT BACK SUPPORT .....	1	1
16	<u>1010934</u>	SCREW, HEX HEAD CAP, 5/16 - 18 x 1 .....	7	7
17	0001241	WASHER, FLAT, 5/16 .....	20	20
18	0001242	NUT, HEX, 5/16 - 18 .....	3	3
19	0007473	NUT, NYLON LOCK, 5/16 - 18 .....	7	7
20	1016723	ASSEMBLY, SEAT SUPPORT PANEL .....	1	1
21	<u>1018885-01</u>	ASSEMBLY, ARMREST, PASSENGER .....	1	1
22	<u>1018885-02</u>	ASSEMBLY, ARMREST, DRIVER .....	1	1
23	0000304	SCREW, HEX HEAD CAP, 1/4 - 20 x 1 .....	10	10
24	<u>1014321</u>	SCREW, TORX TRUSS HEAD, #10 - 24 x 3/8 .....	4	4
25	<u>1014387</u>	CAP, CORNER .....	2	2
26	1016701	GUARD, FORWARD & REVERSE SWITCH (ELECTRIC VEHICLES ONLY) .....		1
27	0001620	SCREW, SHEET METAL, #10 x 3/4 (ELECTRIC VEHICLES ONLY) .....		2



# SECOND SEAT AND SUPPORT STRUCTURE TRANS-PORTER/TRANS-SENDER

**1**  
**G**  
**E**

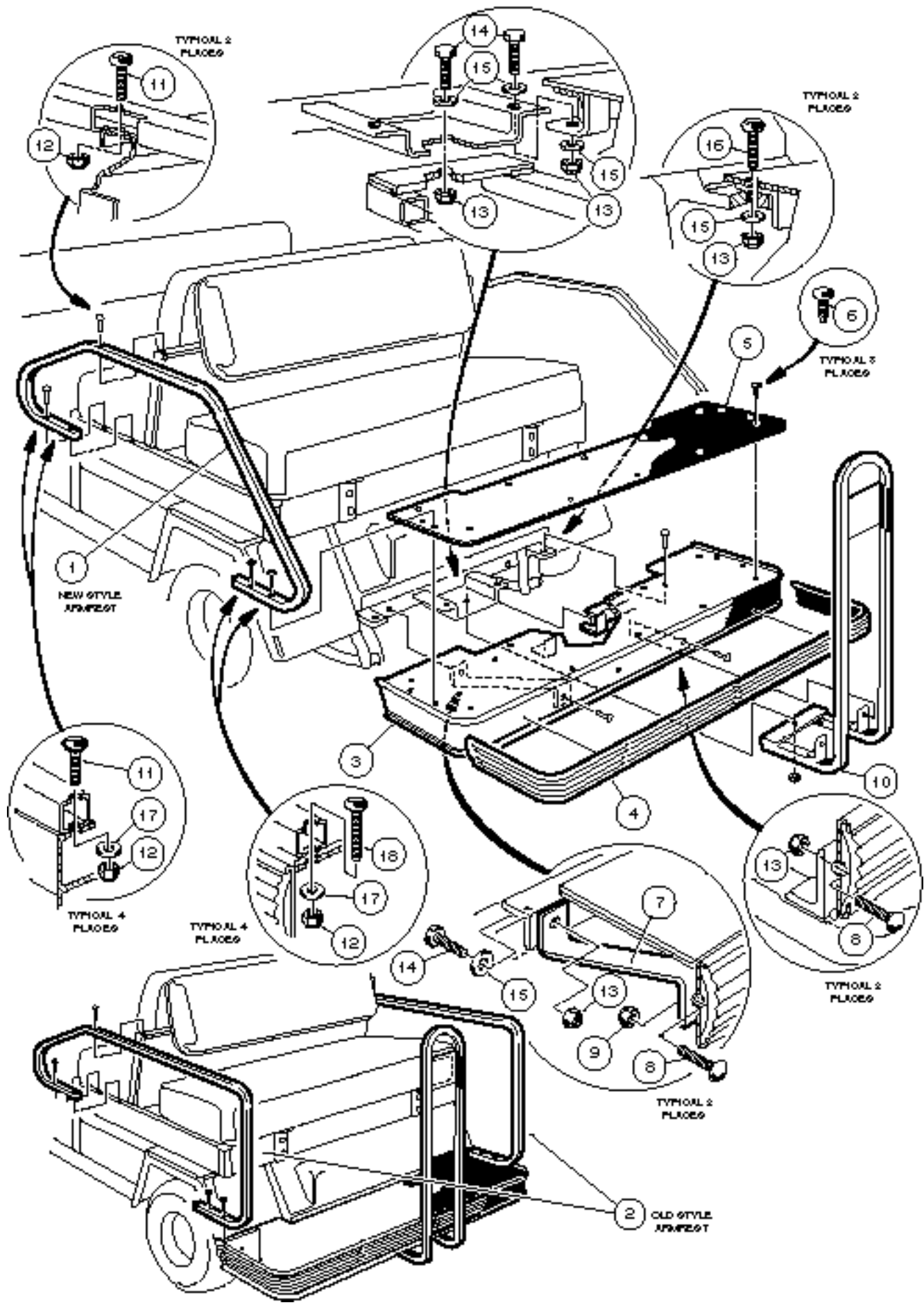
ITEM	PART NO.	DESCRIPTION	TRANS-PORTER	TRANS-SENDER
		1 2 3 4		
1	<u>1015645-02</u>	ASSEMBLY, SEAT BOTTOM, WHITE (INCLUDES ITEMS 2 - 6) .....	1	1
2	<u>1013309</u>	STRAP, SEAT BOTTOM .....	1	1
3	<u>1010545</u>	SCREW, HEX WASHER HEAD, 1/4 - 14 x 3/4 .....	2	2
4	<u>1013311</u>	BUMPER, SEAT, SHORT .....	4	4
5	<u>1013312</u>	BUMPER, SEAT, LONG .....	1	1
6	<u>1015627-02</u>	COVER, VINYL SEAT BOTTOM, WHITE .....	1	1
7	<u>1016777-01</u>	ASSEMBLY, SEAT BACK, WHITE (INCLUDES ITEMS 8 AND 9) .....	1	1
8	1016751	CAP, SEAT BACK .....	1	1
9	<u>1016755-02</u>	COVER, VINYL SEAT BACK, WHITE .....	1	1
10	0008304	WASHER, INTERNAL TOOTH LOCK, 1/4 .....	4	4
11	0008248	SCREW, PHILLIPS TRUSS HEAD, 1/4 - 20 x 3/4 (TRANS-PORTER ONLY) .....	4	
12	0007479	SCREW, HEX HEAD CAP, 1/4 - 20 x 1 1/4 (TRANS-SENDER ONLY) .....		4
13	0000332	WASHER, FLAT, 1/4 (TRANS-PORTER ONLY) .....	10	
14	0008233	NUT, NYLON LOCK, 1/4 - 20 (TRANS-PORTER ONLY) .....	10	
15	<u>1016839</u>	MOUNT, SEAT BACK BRACKET (TRANS-SENDER ONLY) .....		2
16	<u>1010934</u>	SCREW, HEX HEAD CAP, 5/16 - 18 x 1 .....	4	4
17	0001241	WASHER, FLAT, 5/16 .....	8	8
18	0007473	NUT, NYLON LOCK, 5/16 - 18 .....	4	4
19	1016723	ASSEMBLY, SEAT SUPPORT PANEL .....	1	1
20	<u>1018885-01</u>	ASSEMBLY, ARMREST, PASSENGER (TRANS-PORTER ONLY) .....	2	
21	0000304	SCREW, HEX HEAD CAP, 1/4 - 20 x 1 (TRANS-PORTER ONLY) .....	10	
22	<u>1014321</u>	SCREW, TORX TRUSS HEAD, #10 - 24 x 3/8 .....	4	4
23	<u>1014387</u>	CAP, CORNER .....	2	2



# THIRD SEAT AND COMPONENTS TRANS-SENDER

**1**  
**G**  
**E**

ITEM	PART NO.	DESCRIPTION	QTY GAS	QTY ELEC
		1 2 3 4		
1	<u>1016777-01</u>	ASSEMBLY, SEAT BACK, WHITE (INCLUDES ITEMS 2 AND 3) .....	1	1
2	<u>1016751</u>	CAP, SEAT BACK .....	1	1
3	<u>1016755-02</u>	COVER, VINYL SEAT BACK, WHITE .....	1	1
4	<u>1016839</u>	MOUNT, SEAT BACK BRACKET .....	2	2
5	<u>0008304</u>	WASHER, INTERNAL TOOTH LOCK, 1/4 .....	8	8
6	<u>0007847</u>	SCREW, HEX HEAD CAP, 1/4 - 20 x 3/4 .....	7	7
7	<u>0007479</u>	SCREW, HEX HEAD CAP, 1/4 - 20 x 1 1/4 .....	4	4
8	<u>1016816</u>	SUPPORT, REAR SEAT .....	1	1
9	<u>0000332</u>	WASHER, FLAT, 1/4 .....	6	6
10	<u>0008233</u>	NUT, NYLON LOCK, 1/4 - 20 .....	3	3
11	<u>1016930</u>	PANEL, REAR SEAT FRAME .....	2	2
12	<u>1013169</u>	SCREW, ROUND HEAD SLOTTED MACHINE, #10 - 32 x 1/2 .....	4	4
13	<u>1013061</u>	NUT, NYLON LOCK, #10 - 32 .....	4	4
14	<u>1014387</u>	CAP, CORNER .....	2	2
15	<u>1014321</u>	SCREW, TORX TRUSS HEAD, #10 - 24 x 3/8 .....	4	4
16	<u>1016819</u>	BODY, SEAT HINGE .....	2	2
17	<u>0008861</u>	SCREW, HEX HEAD CAP, 3/8 - 16 x 1 3/4 .....	4	4
18	<u>1011990</u>	WASHER, FLAT, 3/8 .....	4	4
19	<u>0008754</u>	NUT, NYLON LOCK, 3/8 - 16 .....	4	4
20	<u>1016841-02</u>	ASSEMBLY, SEAT BOTTOM, WHITE (INCLUDES ITEMS 21 - 29) .....	1	1
21	<u>0000304</u>	SCREW, HEX HEAD CAP, 1/4 - 20 x 1 .....	4	4
22	<u>1015627-02</u>	COVER, VINYL SEAT BOTTOM, WHITE .....	1	1
23	<u>1013312</u>	BUMPER, LONG SEAT .....	1	1
24	<u>1013309</u>	STRAP, SEAT BOTTOM .....	1	1
25	<u>1010545</u>	SCREW, HEX WASHER HEAD, 1/4 - 14 x 3/4 .....	2	2
26	<u>1016824</u>	ANGLE, SEAT HINGE .....	1	1
27	<u>1011652</u>	PLATE, SEAT HINGE .....	2	2
28	<u>1018809-01</u>	RIVET, POP, STAINLESS STEEL, 3/16 .....	4	4
29	<u>1018817-01</u>	WASHER, FLAT, STAINLESS STEEL, #8 .....	4	4
30	<u>1018370-01</u>	INSULATOR, BATTERY (ELECTRIC VEHICLE ONLY) .....		1
31	<u>1013357</u>	RIVET, POP (ELECTRIC VEHICLE ONLY) .....		2





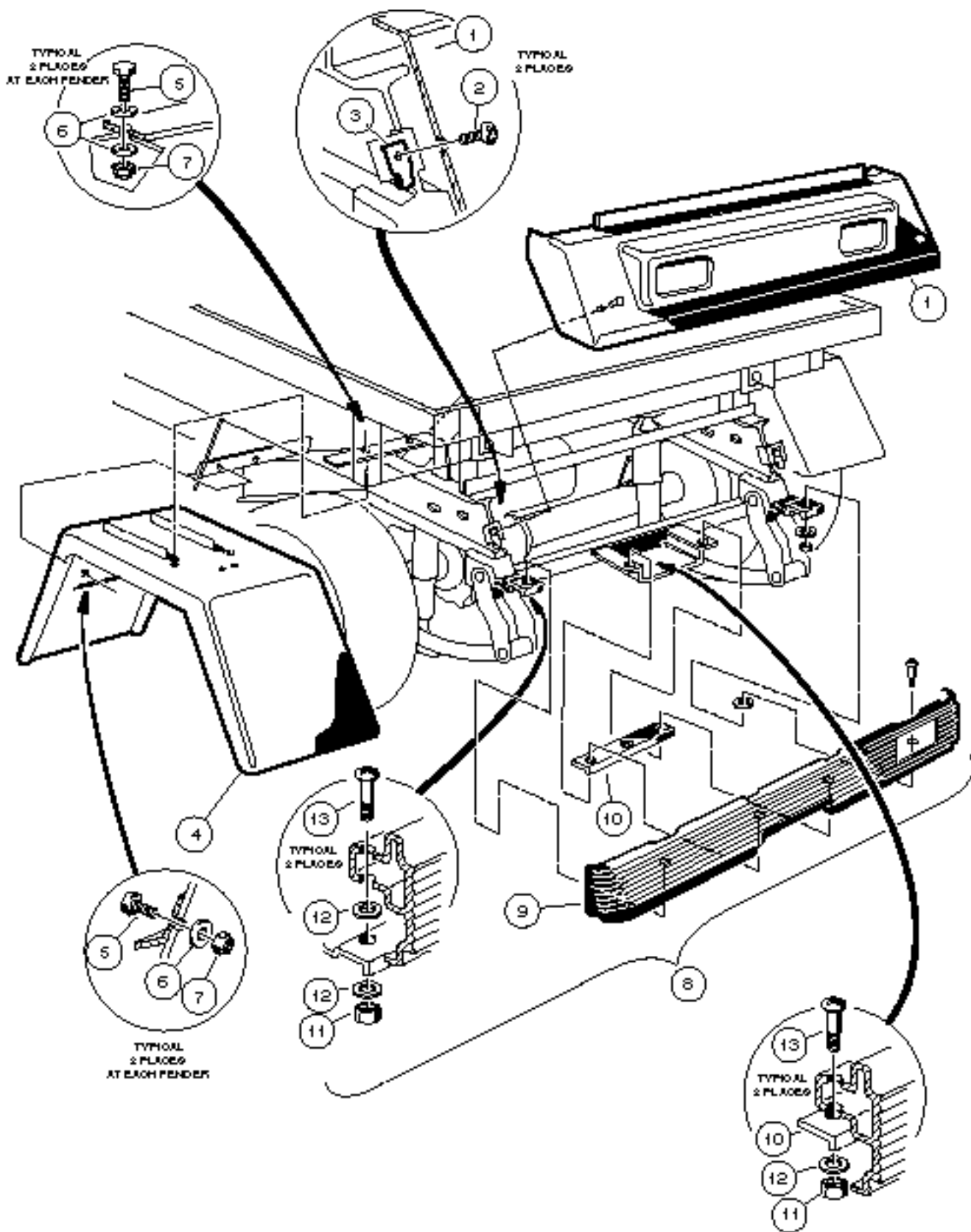
# REAR FOOTREST AND HANDRAILS - TRANS-SENDER

1

G

E

ITEM	PART NO.	DESCRIPTION	QTY GAS	QTY ELEC
		1 2 3 4		
1	<u>1018463-01</u>	ARMREST, REAR SEAT (NEW STYLE ARMREST) ..... (NOT INTERCHANGEABLE WITH OLD STYLE ARMREST)	2	2
2	1016826	ARMREST, REAR SEAT (OLD STYLE ARMREST) ..... (NOT INTERCHANGEABLE WITH NEW STYLE ARMREST)	2	2
3	<u>1016843</u>	ASSEMBLY, REAR FOOTREST (INCLUDES ITEMS 4 - 9 ) .....	1	1
4	<u>1016835</u>	GUARD, BUMPER .....	1	1
5	1016838	MAT, FOOTREST .....	1	1
6	<u>1010434</u>	FASTENER, PLASTIC BARREL .....	8	8
7	<u>1016668</u>	BAR, CONNECTING .....	2	2
8	<u>1010435</u>	BOLT, CARRIAGE, 5/16 - 18 x 1 .....	4	4
9	0007473	NUT, NYLON LOCK, 5/16 - 18 .....	2	2
10	<u>1016842</u>	HANDRAIL, REAR SEAT .....	1	1
11	1017172	SCREW, PHILLIPS TRUSS HEAD, 1/4 - 20 x 1 1/2 .....	6	6
12	0008233	NUT, NYLON LOCK, 1/4 - 20 .....	10	10
13	0007473	NUT, NYLON LOCK, 5/16 - 18 .....	9	9
14	0001218	SCREW, HEX HEAD CAP, 5/16 - 18 x 1 1/4 .....	5	5
15	0001241	WASHER, FLAT, 5/16 .....	9	9
16	0007410	SCREW, PHILLIPS TRUSS HEAD, 5/16 - 18 x 1 1/4 .....	2	2
17	0000332	WASHER, FLAT, 1/4 .....	8	8
18	1017181	SCREW, PHILLIPS TRUSS HEAD, 1/4 - 20 x 2 .....	4	4



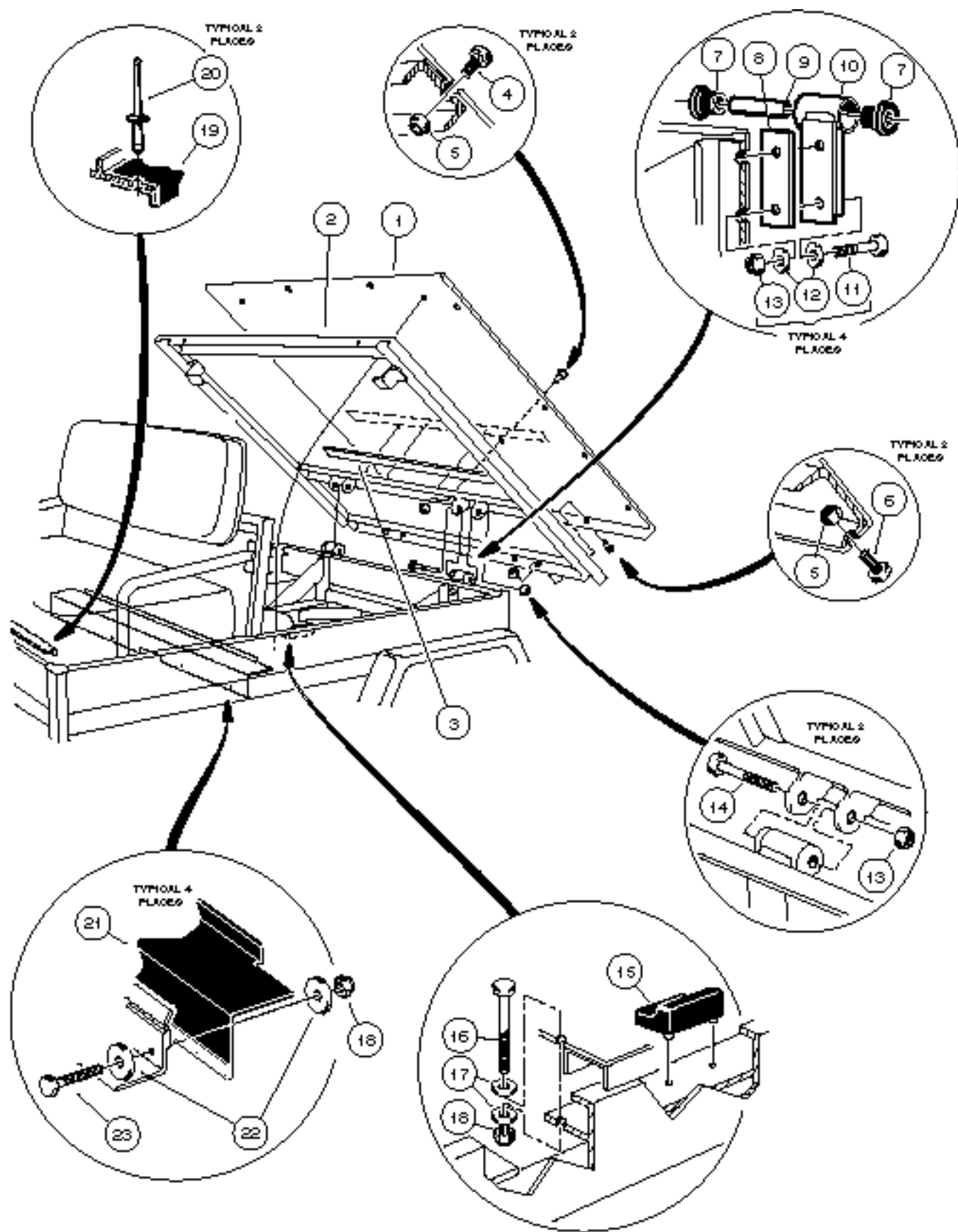
# REAR COVER - TRANS-PORTER/TRANS-SENDER

1

G

E

ITEM	PART NO.	DESCRIPTION	QTY GAS	QTY ELEC
		1 2 3 4		
1	<u>1015530</u>	TAILSKIRT, TILT BED .....	1	1
2	0008248	SCREW, PHILLIPS TRUSS HEAD, 1/4 - 20 x 3/4 .....	2	2
3	1015529	NUT, TINNEMAN, "U", 1/4 - 20 .....	2	2
4	<u>1016679</u>	FENDER, REAR .....	2	2
5	0000304	SCREW, HEX HEAD CAP, 1/4 - 20 x 1 .....	8	8
6	<u>1014306</u>	WASHER, FLAT, 1/4 .....	12	12
7	0008233	NUT, NYLON LOCK, 1/4 - 20 .....	8	8
8	<u>1017079</u>	KIT, REAR BUMPER (INCLUDES ITEMS 9 - 13) (TRANS-PORTER ONLY) .....	1	1
9	<u>1016379</u>	BUMPER, REAR (TRANS-PORTER ONLY) .....	1	1
10	<u>1016875</u>	PLATE, MOUNTING, LONG (TRANS-PORTER ONLY) .....	1	1
11	0007473	NUT, NYLON LOCK, 5/16 - 18 (TRANS-PORTER ONLY) .....	4	4
12	<u>1011697</u>	WASHER, FLAT, 5/16 (TRANS-PORTER ONLY).....	6	6
13	<u>1016876</u>	BOLT, PHILLIPS TRUSS HEAD SHOULDER, 3/8 - 18 x 2 (TRANS-PORTER ONLY) .....	4	4



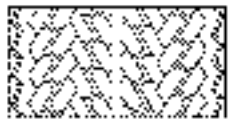
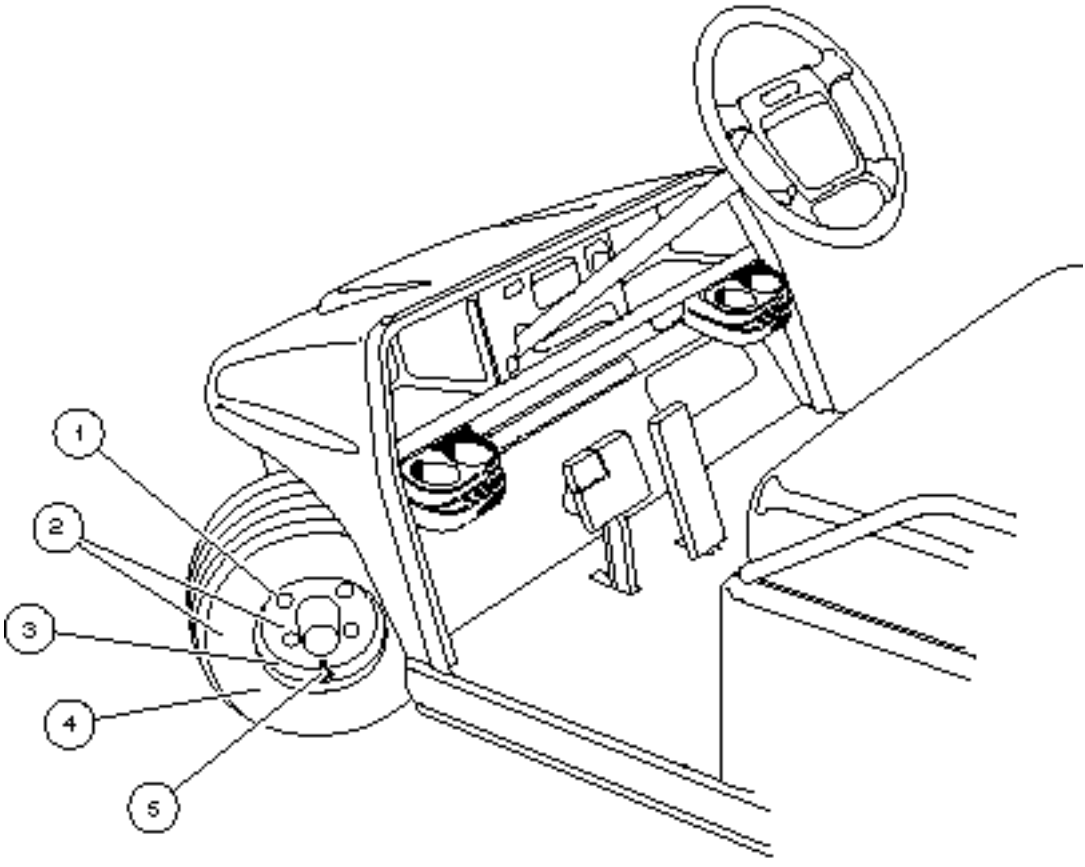
# REAR CARGO BED - TRANS-PORTER

1

G

E

ITEM	PART NO.	DESCRIPTION	QTY GAS	QTY ELEC
		1 2 3 4		
1	<u>1016724</u>	ASSEMBLY, TILT BED (INCLUDES ITEMS 2 - 6) .....	1	1
2	N/A	WELDMENT, TILT BED .....	1	1
3	<u>1014471</u>	INSULATION .....	1	1
4	<u>1010435</u>	BOLT, CARRIAGE, 5/16 - 18 x 1 .....	2	2
5	0007473	NUT, NYLON LOCK, 5/16 - 18 .....	6	6
6	1015399	SCREW, TORX TRUSS HEAD, 5/16 - 18 x 3/4 .....	4	4
7	<u>1015583</u>	BUSHING, URETHANE .....	4	4
8	<u>1015507</u>	SHIM, TILT BED PIVOT .....	2	2
9	<u>1012303</u>	BUSHING, STEEL .....	2	2
10	<u>1015356</u>	WELDMENT, TILT BED HINGE .....	2	2
11	0000705	SCREW, HEX HEAD CAP, 3/8 - 16 x 1 1/4 .....	4	4
12	<u>1011990</u>	WASHER, FLAT, 3/8 .....	8	8
13	0008754	NUT, NYLON LOCK, 3/8 - 16 .....	6	6
14	0008755	SCREW, HEX HEAD CAP, 3/8 - 16 x 3 3/8 .....	2	2
15	1015242	BUMPER, BED .....	2	2
16	<u>1013872</u>	SCREW, HEX HEAD CAP, 1/4 - 20 x 4 .....	2	2
17	0000332	WASHER, FLAT, 1/4 .....	4	4
18	0008233	NUT, NYLON LOCK, 1/4 - 20 .....	6	6
19	<u>1018370-01</u>	INSULATOR, BATTERY (ELECTRIC VEHICLE ONLY) .....		1
20	<u>1013357</u>	RIVET, ALUMINUM POP, 5/32 (ELECTRIC VEHICLE ONLY) .....		2
21	<u>1017976</u>	SEAL, BED .....	1	1
22	<u>1014306</u>	WASHER, FLAT, 1/4 .....	8	8
23	0007847	SCREW, HEX HEAD CAP, 1/4 - 20 x 3/4 .....	4	4



POWER RIB



SOFTTRAC

# WHEELS AND TIRES

1

G

E

ITEM	PART NO.	DESCRIPTION	QTY GAS	QTY ELEC
		1 2 3 4		
1	<u>1010984</u>	NUT, LUG .....	16	16
2	<u>1016514-02</u>	ASSEMBLY, TIRE AND WHEEL, WHITE, POWER RIB, FOUR PLY (TOURALL ONLY) .....	4	4
2	1016514-03	ASSEMBLY, TIRE AND WHEEL, WHITE, SOFTRAC, FOUR PLY (TOURALL ONLY) .....	4	4
2	<u>1015705-06</u>	ASSEMBLY, TIRE AND WHEEL, BEIGE, POWER RIB, SIX PLY (RESORT VILLAGER ONLY) .....	4	4
2	<u>1015705-07</u>	ASSEMBLY, TIRE AND WHEEL, BEIGE, SOFTRAC, SIX PLY (RESORT VILLAGER ONLY) .....	4	4
2	<u>1016514-06</u>	ASSEMBLY, TIRE AND WHEEL, WHITE, POWER RIB, SIX PLY .....	4	4
2	<u>1016514-07</u>	ASSEMBLY, TIRE AND WHEEL, WHITE, SOFTRAC, SIX PLY .....	4	4
3	1015707	WHEEL RIM, BEIGE .....	4	4
3	<u>1014771</u>	WHEEL RIM, WHITE .....	4	4
4	1015672	TIRE, UNMOUNTED, POWER RIB, FOUR PLY (TOURALL ONLY) .....	4	4
4	1015674	TIRE, UNMOUNTED, SOFTRAC, FOUR PLY (TOURALL ONLY) .....	4	4
4	1017370	TIRE, UNMOUNTED, POWER RIB, SIX PLY .....	4	4
4	1017693	TIRE, UNMOUNTED, SOFTRAC, SIX PLY .....	4	4
5	0007310	STEM, VALVE .....	4	4





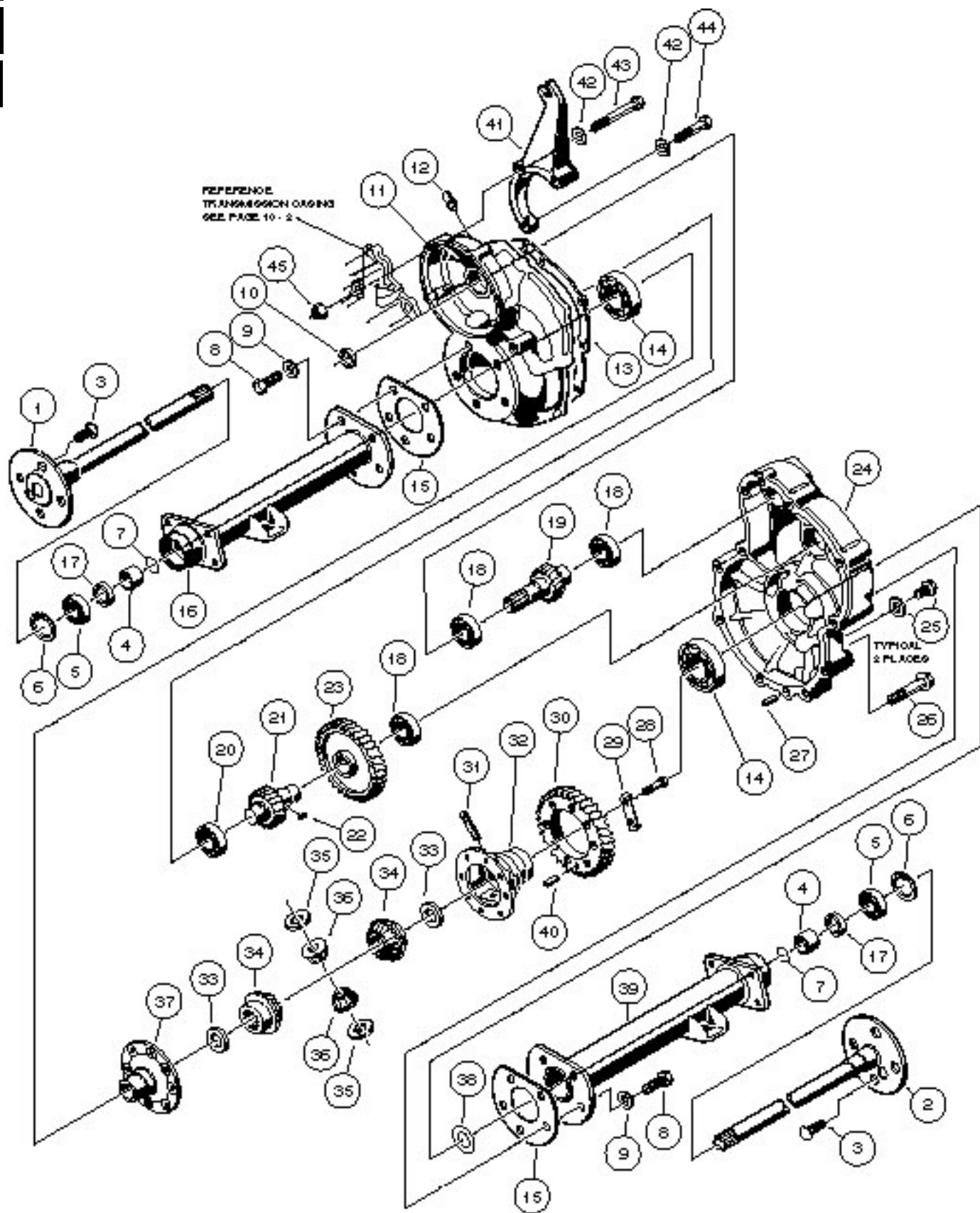
# TRANSAXLE

---

**2**

**G**

**E**



# TRANSAXLE

2

G

E

ITEM	PART NO.	DESCRIPTION	QTY GAS	QTY ELEC
		1 2 3 4		
	1017683-02	TRANSAXLE (INCLUDES ITEMS 1 - 40) .....	1	1
1	1013785	AXLE ASSEMBLY, RIGHT (INCLUDES ITEMS 3 - 7) .....	1	1
2	1013786	AXLE ASSEMBLY, LEFT (INCLUDES ITEMS 3 - 7) .....	1	1
3	<u>1013787</u>	STUD, LUG .....	8	8
4	1014207	BUSHING, 25 MM I. D. ....	1	1
5	<u>1011291</u>	BEARING, OUTER AXLE TUBE .....	2	2
6	<u>1013792</u>	CIRCLIP, TYPE C .....	2	2
7	<u>1016672</u>	RING, RETAINING .....	2	2
8	<u>1013790</u>	BOLT, M10 x 1.5 x 30MM .....	10	10
9	<u>1013791</u>	WASHER, LOCK, 13/32 .....	10	10
10	<u>1013775</u>	SEAL, INPUT SHAFT OIL .....	1	1
11	1013756	GEAR CASE, RIGHT .....	1	1
12	<u>1012711</u>	BREATHER .....	1	1
13	<u>1013758</u>	GASKET, CASE .....	1	1
14	0007330	BEARING, INNER AXLE TUBE .....	2	2
15	<u>1013789</u>	GASKET, AXLE TUBE .....	2	2
16	1017704	ASSEMBLY, AXLE TUBE, RIGHT SIDE .....	1	1
17	<u>1013794</u>	SEAL, AXLE SHAFT OIL .....	2	2
18	0007335	BEARING, INPUT GEAR .....	3	3
19	<u>1013764</u>	SHAFT, INPUT .....	1	1
20	0007336	BEARING, INTERMEDIATE GEAR .....	1	1
21	<u>1013766</u>	GEAR, INTERMEDIATE, SMALL .....	1	1
22	<u>1013780</u>	KEY, SUNK .....	1	1
23	1013765	GEAR, INTERMEDIATE, LARGE .....	1	1
24	1013757	GEAR CASE, LEFT .....	1	1
25	<u>1013759</u>	PLUG, FILL, WITH GASKET .....	2	2
26	<u>1013763</u>	BOLT, M6 x 1 x 50MM .....	10	10
27	<u>1012710</u>	PIN, DOWEL .....	2	2
28	<u>1013779</u>	BOLT, M8 x 1.25 x 37MM .....	8	8
29	<u>1013782</u>	PLATE, LOCK .....	4	4
30	<u>1013767</u>	GEAR, OUTPUT .....	1	1
31	<u>1013772</u>	PIN, DIFFERENTIAL .....	1	1
32	1013768	GEAR CASE, DIFFERENTIAL (LEFT) .....	1	1
33	<u>1013773</u>	PLATE, THRUST (DIFFERENTIAL GEAR) .....	2	2
34	1013771	GEAR, DIFFERENTIAL .....	2	2
35	<u>1013774</u>	PLATE, THRUST (IDLER GEAR) .....	2	2
36	<u>1013770</u>	GEAR, DIFFERENTIAL IDLER .....	1	1
37	1013769	GEAR CASE, DIFFERENTIAL (RIGHT) .....	1	1
38	<u>1013781</u>	SHIM .....	1	1
39	<u>1017703</u>	ASSEMBLY, AXLE TUBE, LEFT SIDE .....	1	1
40	<u>1014193</u>	PIN, DOWEL .....	1	1
41	1013866	KIT, TRANSMISSION CABLE SUPPORT BRACKET (INCLUDES 42 - 45) .....	1	
42	0000332	WASHER, FLAT, 1/4 .....	6	
43	<u>1013872</u>	SCREW, HEX HEAD CAP, 1/4 - 20 x 4 .....	2	
44	<u>1012462</u>	SCREW, HEX HEAD CAP, 1/4 - 20 x 3 1/2 .....	1	
45	0008233	NUT, NYLON LOCK, 1/4 - 20 .....	3	



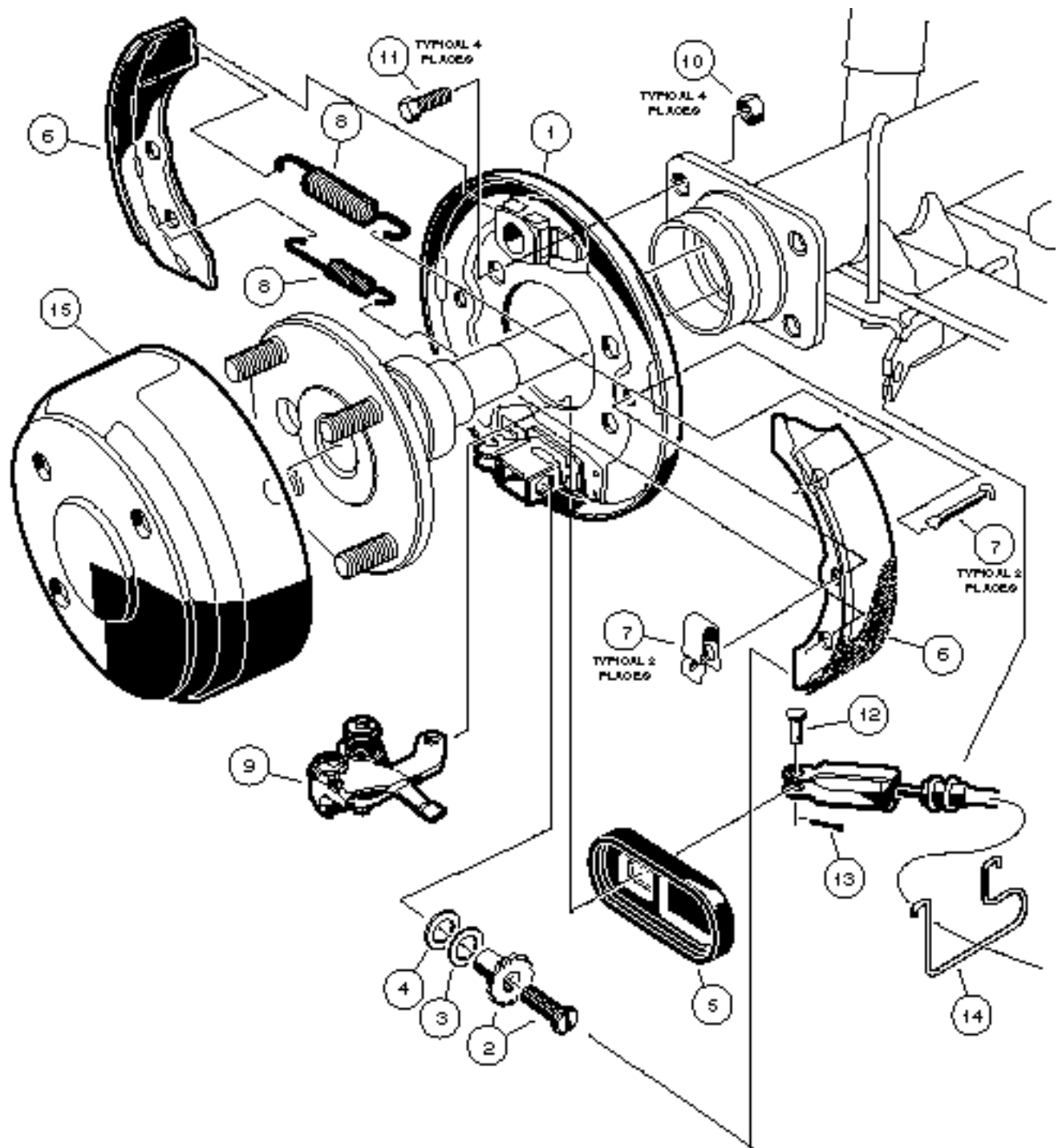
# **BRAKES, PEDAL, AND CABLE ASSEMBLIES**

---

**3**

**G**

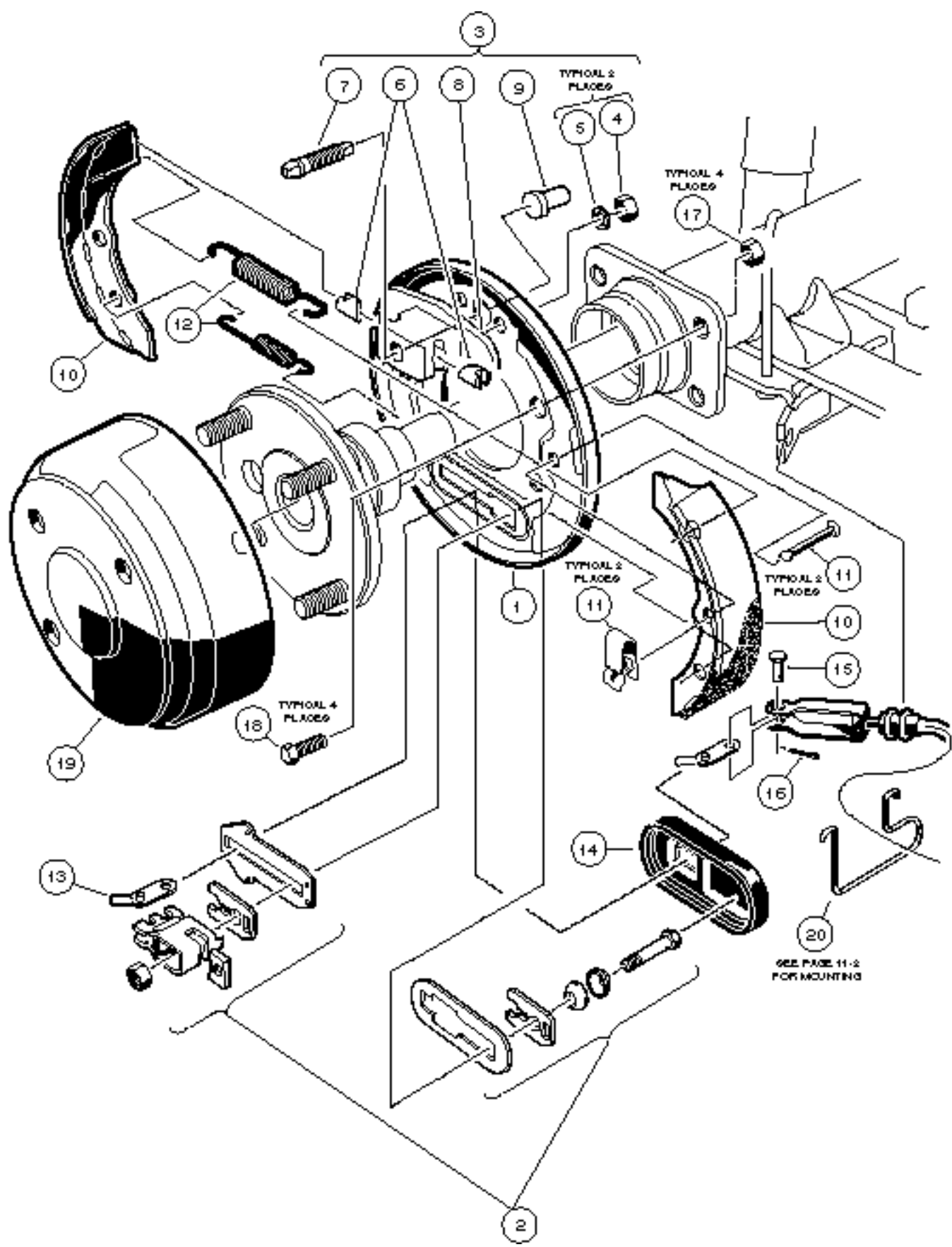
**E**



# REAR BRAKE ASSEMBLY, SELF-ADJUSTING TOURALL

**3**  
**G**  
**E**

ITEM	PART NO.	DESCRIPTION	QTY GAS	QTY ELEC
		1 2 3 4		
	<u>1018233-01</u>	CLUSTER, RIGHT BRAKE (INCLUDES ITEMS 1 - 9) .....	1	1
	<u>1018233-02</u>	CLUSTER, LEFT BRAKE (INCLUDES ITEMS 1 - 9) .....	1	1
1	<u>1018240-01</u>	ASSEMBLY, BACKING PLATE, RIGHT (INCLUDES ITEMS 2, 3 AND 4) .....	1	1
1	<u>1018240-02</u>	ASSEMBLY, BACKING PLATE, LEFT (INCLUDES ITEMS 2, 3 AND 4) .....	1	1
2	<u>1018165-01</u>	MECHANISM, ADJUSTING, RIGHT .....	1	1
2	<u>1018165-02</u>	MECHANISM, ADJUSTING, LEFT .....	1	1
3	<u>1018239-01</u>	WASHER .....	1	1
4	<u>1018238-01</u>	WASHER, PLATE .....	1	1
5	<u>1010850</u>	COVER, DUST .....	1	1
6	<u>1018232-01</u>	PACKAGE, BRAKE SHOE (FOUR PIECES) .....	1	1
7	<u>1011466</u>	KIT, SHOE RETAINER (FOUR PIECES) .....	1	1
8	<u>1018163-01</u>	PACKAGE, BRAKE SPRING (FOUR PIECES) .....	1	1
9	<u>1018155-01</u>	ASSEMBLY, LEVER, RIGHT .....	1	1
9	<u>1018155-02</u>	ASSEMBLY, LEVER, LEFT .....	1	1
10	<u>1013924</u>	NUT, HEX CONE, 5/16 - 24 .....	8	8
11	<u>1014153</u>	BOLT, BRAKE CLUSTER MOUNTING .....	8	8
12	<u>1010829</u>	PIN, CLEVIS, 5/16 .....	2	2
13	<u>0001035</u>	PIN, COTTER, 3/32 x 1 .....	2	2
14	<u>1013207</u>	HANGER, BRAKE CABLE .....	2	2
15	<u>1017911-01</u>	DRUM, BRAKE .....	2	2

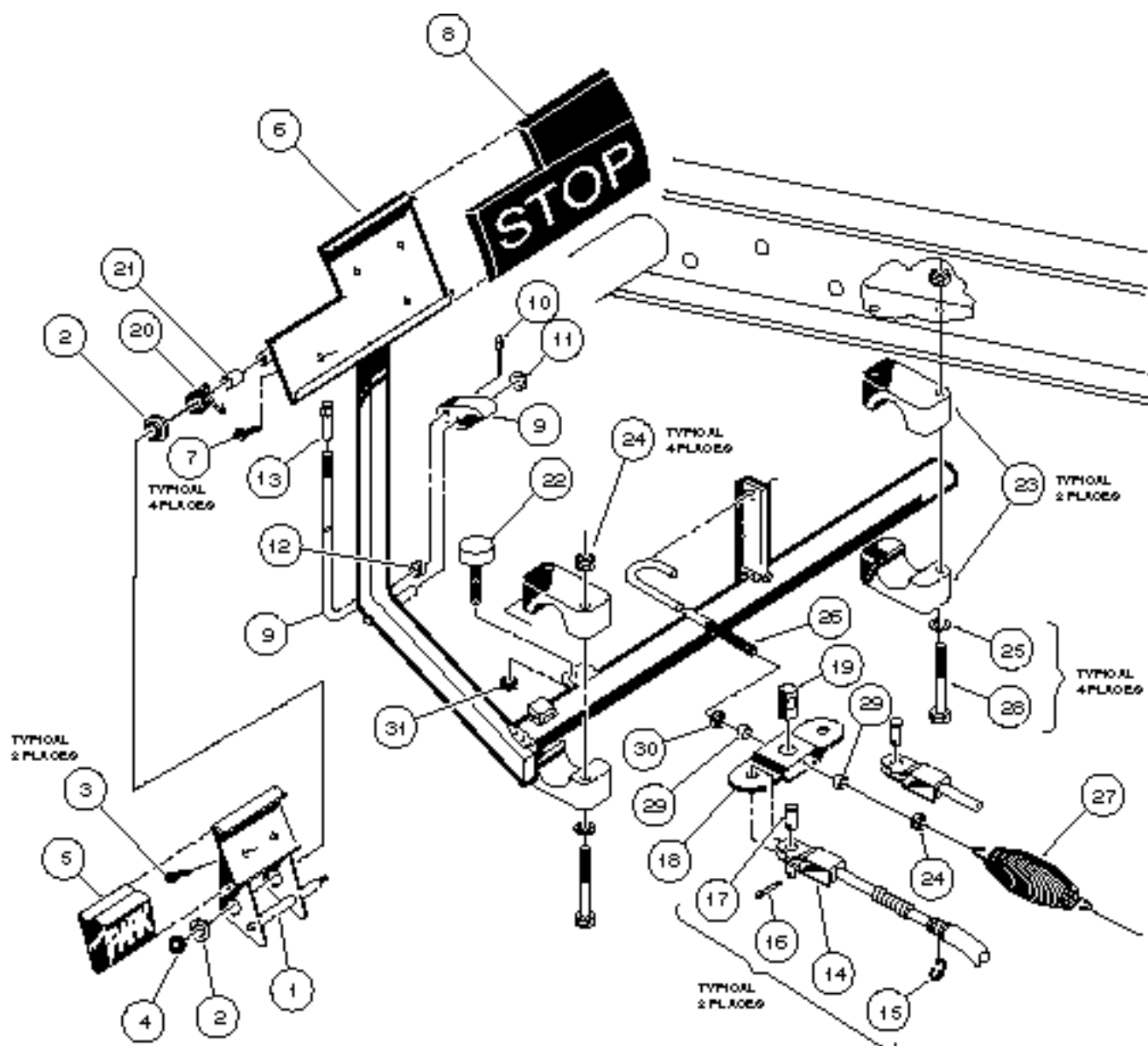




# REAR BRAKE ASSEMBLY, MANUALLY ADJUSTED RESORT VILLAGER, TRANS-PORTER/TRANS-SENDER

**3**  
**G**  
**E**

ITEM	PART NO.	DESCRIPTION	QTY GAS	QTY ELEC
		1 2 3 4		
	<u>1016573</u>	CLUSTER, RIGHT BRAKE, WITHOUT BRAKE DRUM (INCLUDES ITEMS 1 - 14) .....	1	1
	<u>1016557</u>	CLUSTER, LEFT BRAKE, WITHOUT BRAKE DRUM (INCLUDES ITEMS 1 - 14) .....	1	1
1	1011494	PLATE, BACKING, LEFT SIDE .....	1	1
1	<u>1011154</u>	PLATE, BACKING, RIGHT SIDE .....	1	1
2	<u>1011465</u>	KIT, BRAKE ACTUATOR .....	1	1
3	<u>1011467</u>	KIT, ANCHOR BODY (INCLUDES ITEMS 4 - 9) .....	1	1
4	<u>1011114</u>	NUT, M6 x 1 .....	2	2
5	0000451	WASHER, LOCK, 1/4 .....	2	2
6	N/A	PISTON, ANCHOR .....	2	2
7	N/A	BOLT, ADJUSTMENT .....	1	1
8	N/A	BODY, ANCHOR .....	1	1
9	<u>1011303</u>	CAP, ADJUSTMENT BOLT .....	1	1
10	<u>1011463</u>	PACKAGE, BRAKE SHOE (FOUR PIECES) .....	1	1
11	<u>1011466</u>	KIT, SHOE RETAINER (FOUR PIECES) .....	1	1
12	<u>1011464</u>	PACKAGE, BRAKE SPRING (FOUR PIECES) .....	1	1
13	N/A	ARM, BRAKE LEVER .....	1	1
14	<u>1010850</u>	COVER, DUST .....	1	1
15	<u>1010829</u>	PIN, CLEVIS, 5/16 .....	1	1
16	<u>0001035</u>	PIN, COTTER, 3/32 x 1 .....	1	1
17	<u>1013924</u>	NUT, CONE LOCK, GRADE 8, 5/16 - 24 .....	8	8
18	<u>1014153</u>	BOLT, BRAKE CLUSTER MOUNTING .....	8	8
19	<u>1017911-01</u>	DRUM, BRAKE .....	2	2
20	<u>1013207</u>	HANGER, BRAKE CABLE .....	2	2



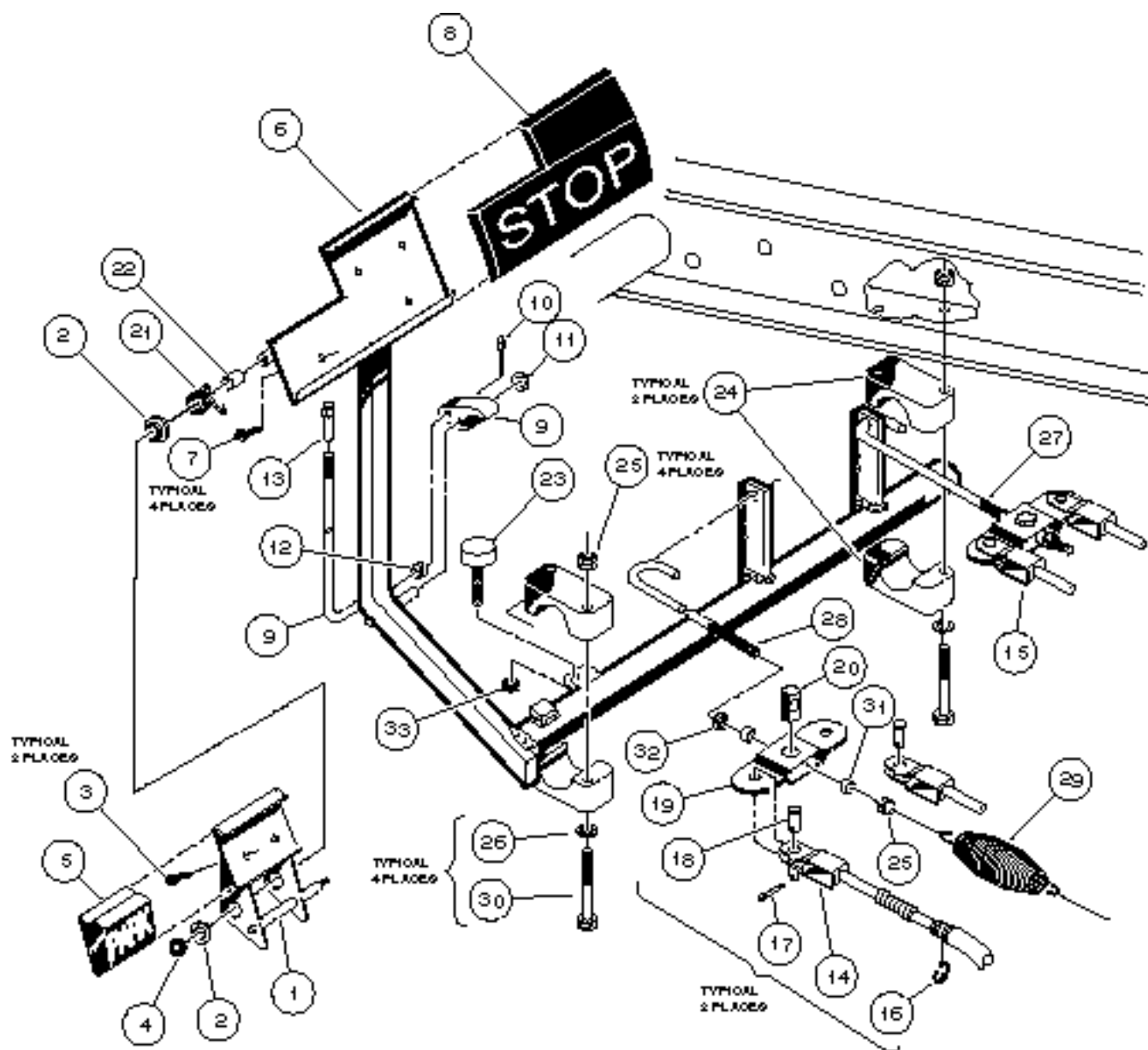
# BRAKE PEDAL AND CABLE ASSEMBLY VEHICLES WITH 2-WHEEL BRAKING

**3**

**G**

**E**

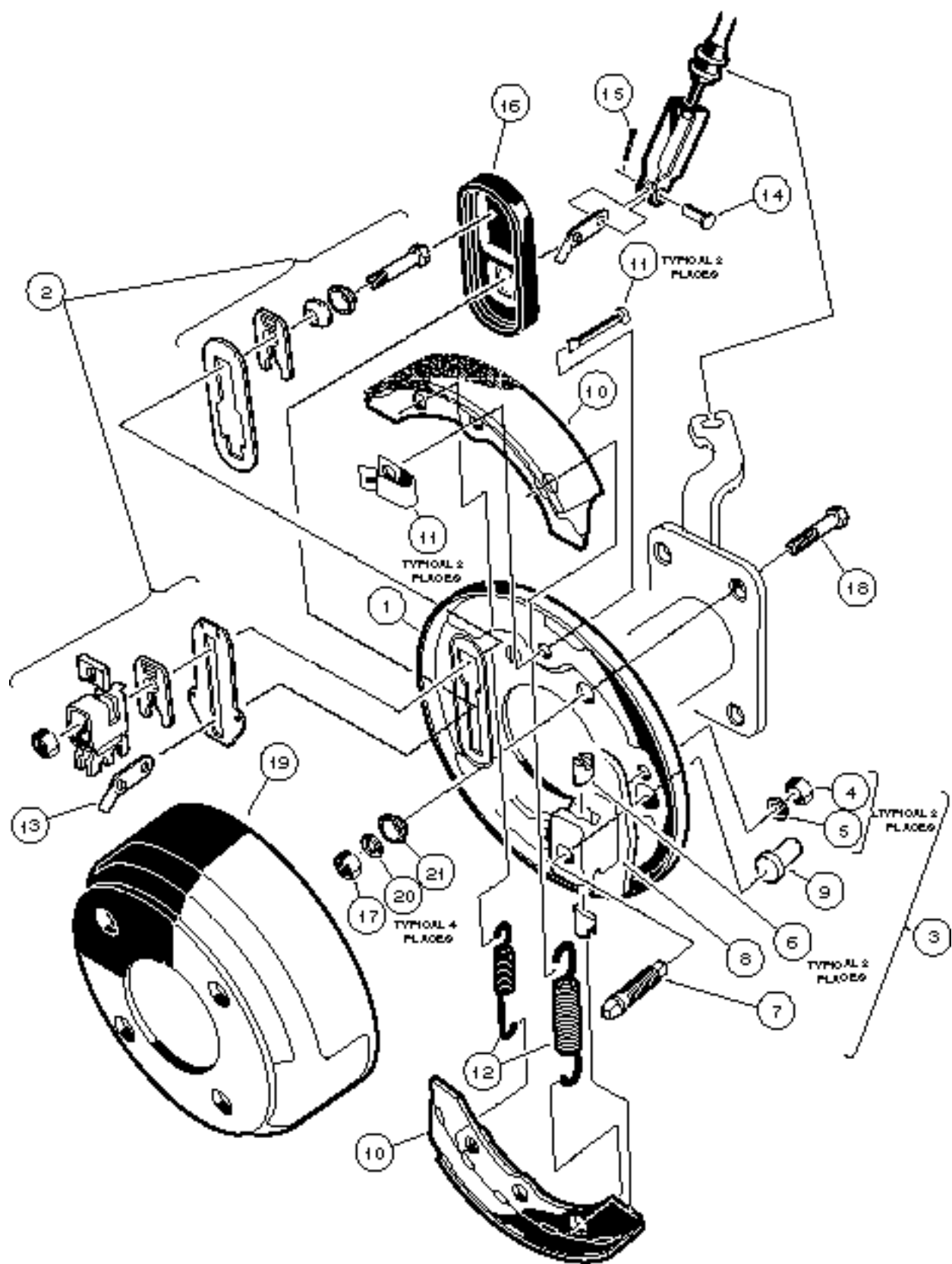
ITEM	PART NO.	DESCRIPTION	QTY GAS	QTY ELEC
		1 2 3 4 FOR ALL TOURALL VEHICLES. FOR RESORT VILLAGER AND TRANS-PORTER/TRANS-SENDER VEHICLES PRIOR TO SERIAL NUMBER 9535-456328.		
1	<u>1011418</u>	KIT, PARK BRAKE PEDAL (INCLUDES ITEMS 2 - 5) .....	1	1
2	<u>0001032</u>	BUSHING, NYLON .....	2	2
3	<u>0007716</u>	SCREW, SLOTTED HEX WASHER HEAD, #10 -16 x 1/2 .....	2	2
4	<u>1013876</u>	NUT, PUSH, 3/8 .....	1	1
5	<u>1013870</u>	PAD, PARK BRAKE .....	1	1
6	<u>1011406</u>	KIT, BRAKE PEDAL (INCLUDES ITEMS 7 AND 8) .....	1	1
7	<u>0007716</u>	SCREW, SLOTTED HEX WASHER HEAD, #10 - 16 x 1/2 .....	4	4
8	<u>1013869</u>	PAD, BRAKE PEDAL .....	1	1
9	<u>1016173</u>	KIT, PARK BRAKE ROD AND PAWL (INCLUDES ITEMS 10 - 13) .....	1	1
10	<u>1017029</u>	PIN, COTTER, 7/64 x 1/2 .....	1	1
11	<u>1010877</u>	NUT, PUSH, 5/16 .....	1	1
12	<u>1010805</u>	SLEEVE, PARK BRAKE ROD .....	1	1
13	<u>1010932</u>	JOINT, BALL, 1/4 - 28 .....	1	1
14	<u>1011403</u>	KIT, BRAKE CABLE, REAR (INCLUDES ITEMS 15 - 17) .....	2	2
15	<u>1011779</u>	CLIP, E-50 ROTOR, 1/2 .....	2	2
16	<u>0001035</u>	PIN, COTTER, 3/32 x 1 .....	2	2
17	<u>1010829</u>	PIN, CLEVIS, 5/16 .....	2	2
18	<u>1017211</u>	KIT, EQUALIZER AND PIVOT LIMITER (INCLUDES ITEM 19) .....	1	1
19	N/A	PIN, EQUALIZER PIVOT .....	1	1
20	<u>1010933</u>	SPRING, PARK BRAKE TORSION .....	1	1
21	<u>1010927</u>	SPACER, PARK BRAKE .....	1	1
22	<u>1010878</u>	STOP, BRAKE .....	1	1
23	<u>1011402</u>	PACKAGE, BRAKE MOUNTING BLOCK (CONTAINS UPPER AND LOWER FOR LEFT AND RIGHT SIDES) .....	1	1
24	<u>0008986</u>	NUT, DIMPLED LOCK, 5/16 - 18 .....	5	5
25	<u>0001241</u>	WASHER, FLAT, 5/16 .....	4	4
26	<u>1010808</u>	ROD, EQUALIZER, REAR (TOURALL ONLY) .....	1	1
26	<u>1016708-01</u>	ROD, EQUALIZER, REAR (RESORT VILLAGER AND TRANS-PORTER/TRANS-SENDER) .....	1	1
27	<u>1013532</u>	SPRING, BRAKE RETURN (GASOLINE TOURALL ONLY) .....	1	
27	<u>1013531</u>	SPRING, BRAKE RETURN (ELECTRIC TOURALL ONLY) .....		1
27	<u>1013532</u>	SPRING, BRAKE RETURN (RESORT VILLAGER AND TRANS-PORTER/TRANS-SENDER) .....	1	1
28	<u>1010921</u>	SCREW, HEX HEAD CAP, 5/16 - 18 x 2 1/2 .....	4	4
29	<u>1018653-01</u>	SPACER, EQUALIZER .....	2	2
30	<u>0001242</u>	NUT, HEX, 5/16 - 18 .....	1	1
31	<u>0001028</u>	NUT, HEX, 1/4 - 20 .....	1	1



# BRAKE PEDAL AND CABLE ASSEMBLY VEHICLES WITH 4-WHEEL BRAKING

**3**  
**G**  
**E**

ITEM	PART NO.	DESCRIPTION	QTY GAS	QTY ELEC
		1 2 3 4 FOR RESORT VILLAGER AND TRANS-PORTER/TRANS-SENDER VEHICLES SERIAL NUMBER 9535-456328 AND LATER.		
1	<u>1011418</u>	KIT, PARK BRAKE PEDAL (INCLUDES ITEMS 2 - 5) .....	1	1
2	<u>0001032</u>	BUSHING, NYLON .....	2	2
3	<u>0007716</u>	SCREW, SLOTTED HEX WASHER HEAD, #10 -16 x 1/2 .....	2	2
4	<u>1013876</u>	NUT, PUSH, 3/8 .....	1	1
5	<u>1013870</u>	PAD, PARK BRAKE .....	1	1
6	<u>1018782-01</u>	KIT, BRAKE PEDAL (INCLUDES ITEMS 7 AND 8) .....	1	1
7	<u>0007716</u>	SCREW, SLOTTED HEX WASHER HEAD, #10 - 16 x 1/2 .....	4	4
8	<u>1013869</u>	PAD, BRAKE PEDAL .....	1	1
9	<u>1016173</u>	KIT, PARK BRAKE ROD AND PAWL (INCLUDES ITEMS 10 - 13) .....	1	1
10	<u>1017029</u>	PIN, COTTER, 7/64 x 1/2 .....	1	1
11	<u>1010877</u>	NUT, PUSH, 5/16 .....	1	1
12	<u>1010805</u>	SLEEVE, PARK BRAKE ROD .....	1	1
13	<u>1010932</u>	JOINT, BALL, 1/4 - 28 .....	1	1
14	<u>1011403</u>	KIT, BRAKE CABLE, REAR (INCLUDES ITEMS 16, 17 AND 18) .....	2	2
15	<u>1018746-01</u>	KIT, BRAKE CABLE, FRONT (INCLUDES ITEMS 16, 17 AND 18) .....	2	2
16	<u>1011779</u>	CLIP, E-50 ROTOR, 1/2 .....	2	2
17	<u>0001035</u>	PIN, COTTER, 3/32 x 1 .....	2	2
18	<u>1010829</u>	PIN, CLEVIS, 5/16 .....	2	2
19	<u>1017211</u>	KIT, EQUALIZER AND PIVOT LIMITER (INCLUDES ITEM 20) .....	2	2
20	N/A	PIN, EQUALIZER PIVOT .....	1	1
21	<u>1010933</u>	SPRING, PARK BRAKE TORSION .....	1	1
22	<u>1010927</u>	SPACER, PARK BRAKE .....	1	1
23	<u>1010878</u>	STOP, BRAKE .....	1	1
24	<u>1011402</u>	PACKAGE, BRAKE MOUNTING BLOCK (CONTAINS UPPER AND LOWER FOR LEFT AND RIGHT SIDES) .....	1	1
25	<u>0007473</u>	NUT, NYLON LOCK, 5/16 - 18 .....	6	6
26	<u>0001241</u>	WASHER, FLAT, 5/16 .....	4	4
27	<u>1018687-01</u>	ROD, EQUALIZER, FRONT .....	1	1
28	<u>1016708-01</u>	ROD, EQUALIZER, REAR .....	1	1
29	<u>1013532</u>	SPRING, BRAKE RETURN .....	1	1
30	<u>1010921</u>	SCREW, HEX HEAD CAP, 5/16 - 18 x 2 1/2 .....	4	4
31	<u>1018653-01</u>	SPACER, EQUALIZER .....	4	4
32	<u>0001242</u>	NUT, HEX, 5/16 - 18 .....	2	2
33	<u>0001028</u>	NUT, HEX, 1/4 - 20 .....	1	1

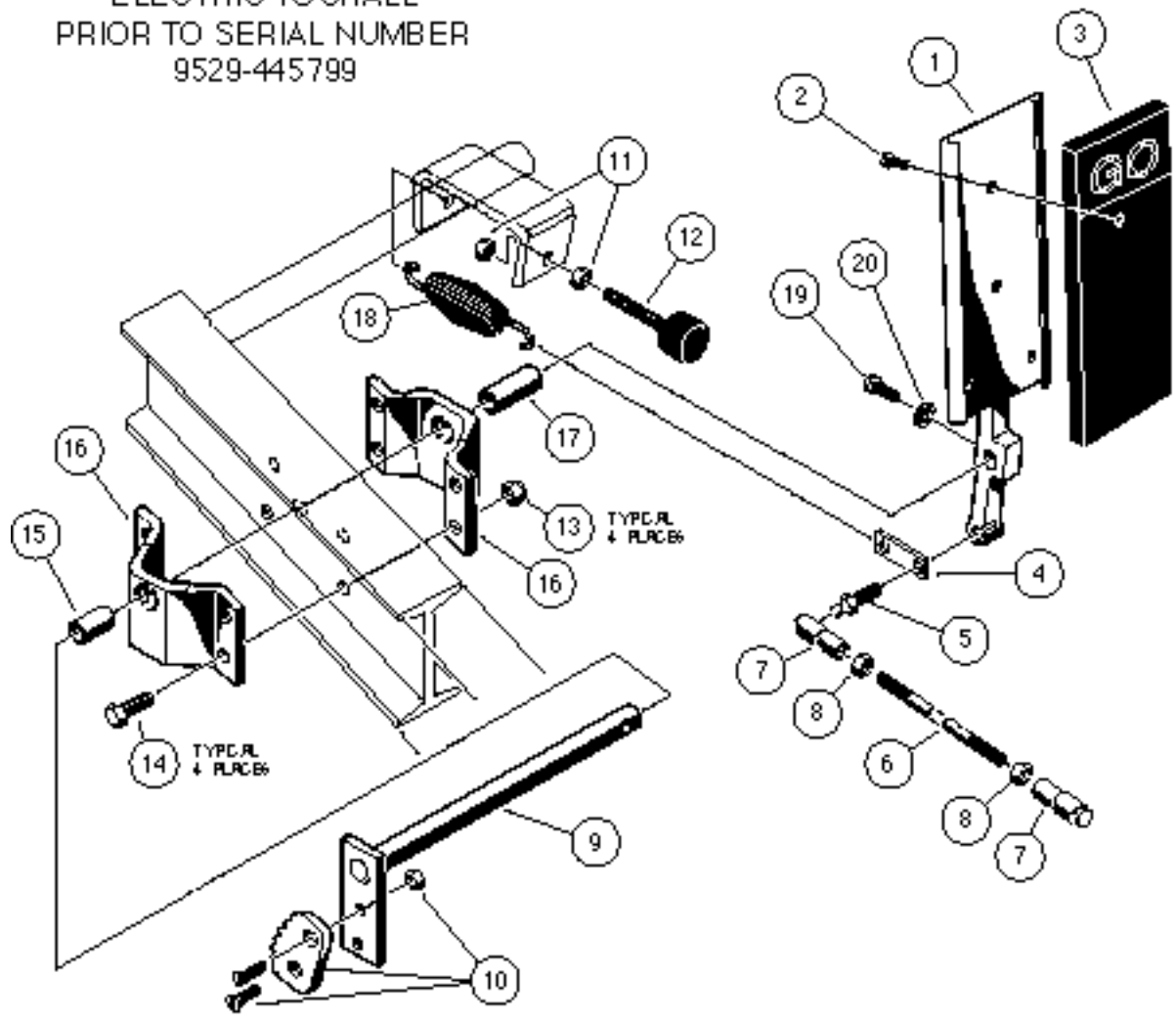


# FRONT BRAKE ASSEMBLY VEHICLES WITH 4-WHEEL BRAKING

**3**  
**G**  
**E**

ITEM	PART NO.	DESCRIPTION	QTY GAS	QTY ELEC
		1 2 3 4 FOR RESORT VILLAGER AND TRANS-PORTER/TRANS-SENDER VEHICLES SERIAL NUMBER 9535-456328 AND LATER.		
	<u>1016573</u>	CLUSTER, RIGHT BRAKE, WITHOUT BRAKE DRUM (INCLUDES ITEMS 1 - 14) .....	1	1
	<u>1016557</u>	CLUSTER, LEFT BRAKE, WITHOUT BRAKE DRUM (INCLUDES ITEMS 1 - 14) .....	1	1
1	<u>1011154</u>	PLATE, BACKING, RIGHT SIDE .....	1	1
1	<u>1011494</u>	PLATE, BACKING, LEFT SIDE .....	1	1
2	<u>1011465</u>	KIT, BRAKE ACTUATOR .....	1	1
3	<u>1011467</u>	KIT, ANCHOR BODY (INCLUDES ITEMS 4 - 9) .....	1	1
4	<u>1011114</u>	NUT, M6 x 1 .....	2	2
5	0000451	WASHER, LOCK, 1/4 .....	2	2
6	N/A	PISTON, ANCHOR .....	2	2
7	N/A	BOLT, ADJUSTMENT .....	1	1
8	N/A	BODY, ANCHOR .....	1	1
9	<u>1011303</u>	CAP, ADJUSTMENT BOLT .....	1	1
10	<u>1011463</u>	PACKAGE, BRAKE SHOE (FOUR PIECES) .....	1	1
11	<u>1011466</u>	KIT, SHOE RETAINER (FOUR PIECE) .....	1	1
12	<u>1011464</u>	PACKAGE, BRAKE SPRING (FOUR PIECES) .....	1	1
13	N/A	ARM, BRAKE LEVER .....	1	1
14	<u>1010850</u>	COVER, DUST .....	1	1
15	<u>1010829</u>	PIN, CLEVIS, 5/16 .....	2	2
16	<u>0001035</u>	PIN, COTTER, 3/32 x 1 .....	2	2
17	1018727-01	NUT, HEX, 5/16 - 24 .....	8	8
18	1017232	BOLT, HEX HEAD, 5/16 - 24 x 1 .....	8	8
19	<u>1011137</u>	DRUM, BRAKE .....	2	2
20	0007174	WASHER, LOCK, 5/16 x 24 .....	8	8
21	1018690-01	WASHER, CONE .....	8	8

ELECTRIC TOURALL  
PRIOR TO SERIAL NUMBER  
9529-445799



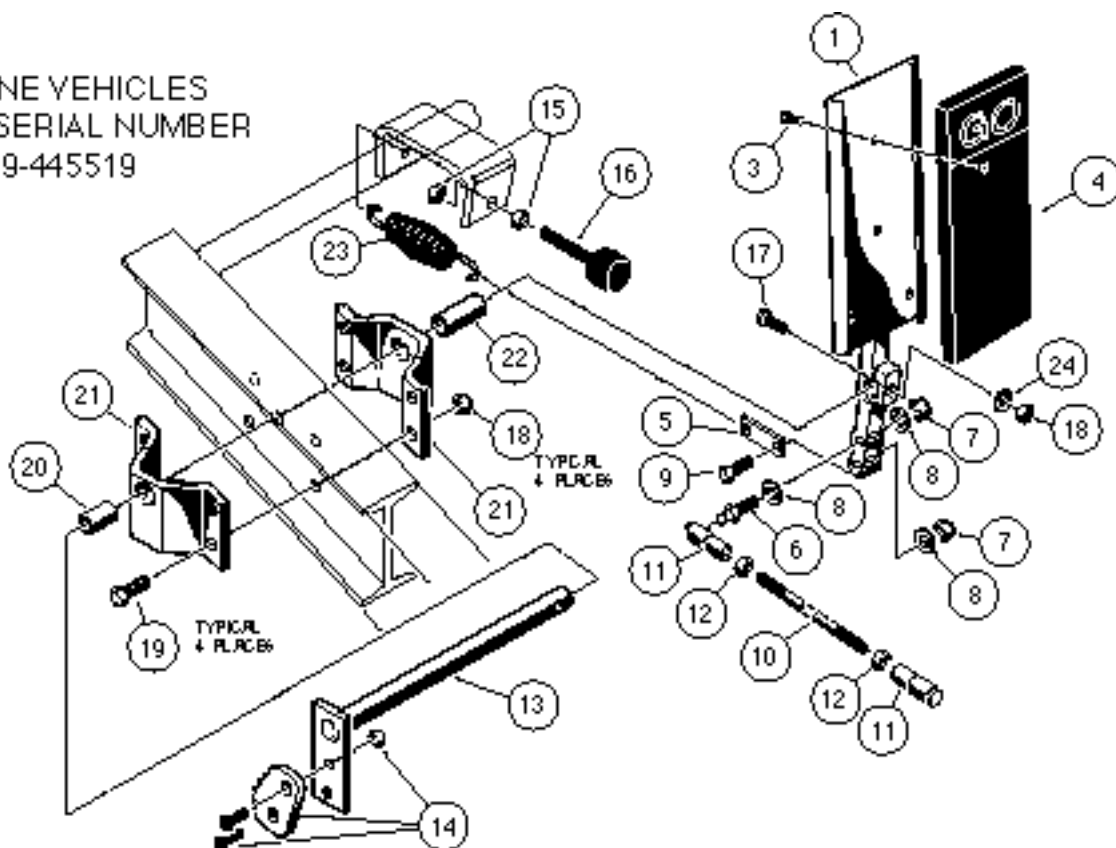


# ACCELERATOR PEDAL ASSEMBLY, ELECTRIC TOURALL

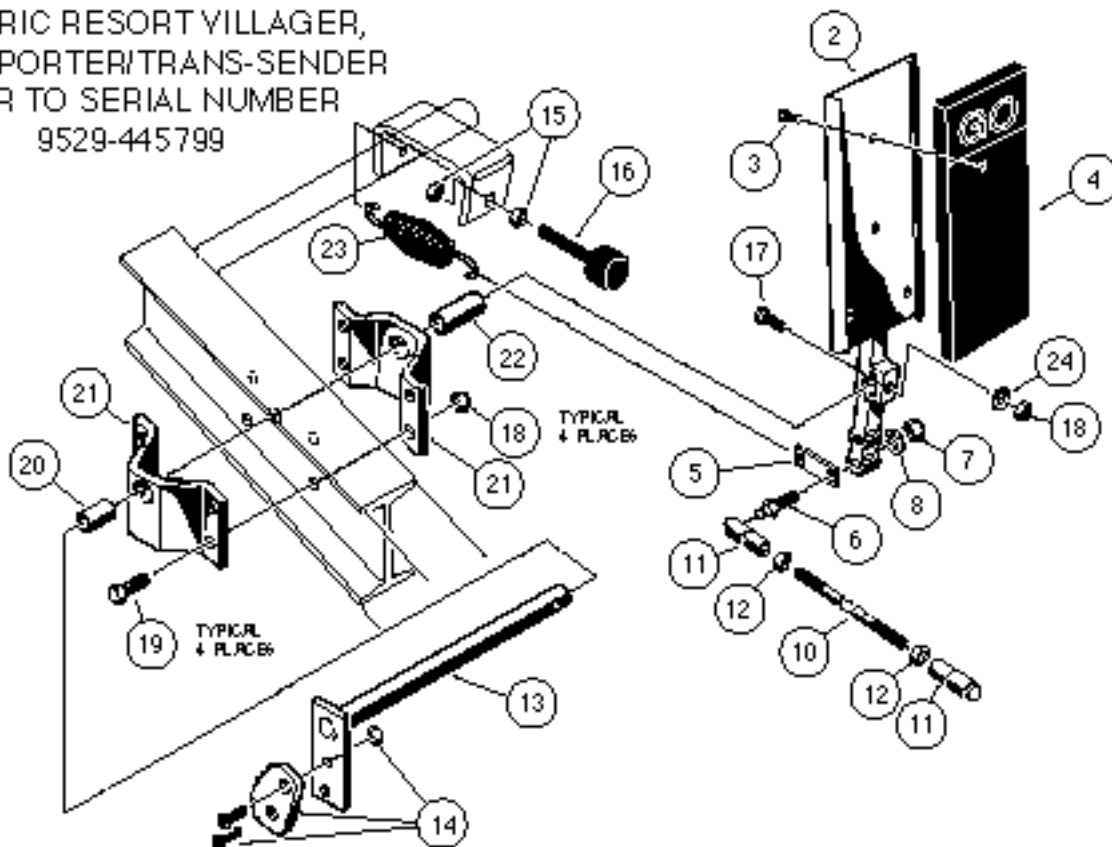
**3**  
**G**  
**E**

ITEM	PART NO.	DESCRIPTION	QTY ELEC
		1 2 3 4 FOR TOURALL VEHICLES PRIOR TO SERIAL NUMBER 9529-445799.	
1	1010969	ASSEMBLY, ACCELERATOR PEDAL (INCLUDES ITEMS 2 - 5) .....	1
2	0007716	SCREW, SLOTTED HEX WASHER HEAD, #10 - 16 x 1/2 .....	4
3	1013871	PAD, ACCELERATOR PEDAL .....	1
4	<u>1011691</u>	HANGER, ACCELERATOR PEDAL SPRING .....	1
5	<u>1010954</u>	STUD, BALL, 1/4 - 28 x 9/16 .....	1
6	<u>1014085</u>	ASSEMBLY, ACCELERATOR ROD (INCLUDES ITEMS 7 AND 8) .....	1
7	<u>1011734</u>	JOINT, BALL, SPRING LOADED, 1/4 - 28 .....	2
8	<u>1011084</u>	NUT, HEX JAM, 1/4 - 28 .....	2
9	<u>1010973</u>	ASSEMBLY, SUB, ACCELERATOR PIVOT ROD (INCLUDES ITEM 10) .....	1
10	<u>1011877</u>	KIT, PARK BRAKE LATCH .....	1
11	0001028	NUT, HEX, 1/4 - 20 .....	2
12	<u>1010878</u>	STOP, BRAKE .....	1
13	0008233	NUT, NYLON LOCK, 1/4 - 20 .....	4
14	<u>1018619-01</u>	SCREW, HEX HEAD CAP, 1/4 - 20 x 1 1/8 .....	4
15	<u>1011699</u>	SPACER, 1/2 .....	1
16	<u>1011694</u>	BRACKET, ACCELERATOR BEARING .....	2
17	<u>1011700</u>	SPACER, ACCELERATOR .....	1
18	1012075	SPRING, EXTENSION .....	1
19	0000403	SCREW, HEX HEAD CAP, 1/4 - 20 x 5/8 .....	1
20	0008304	WASHER, INTERNAL TOOTH, 1/4 .....	1

GASOLINE VEHICLES  
PRIOR TO SERIAL NUMBER  
9529-445519



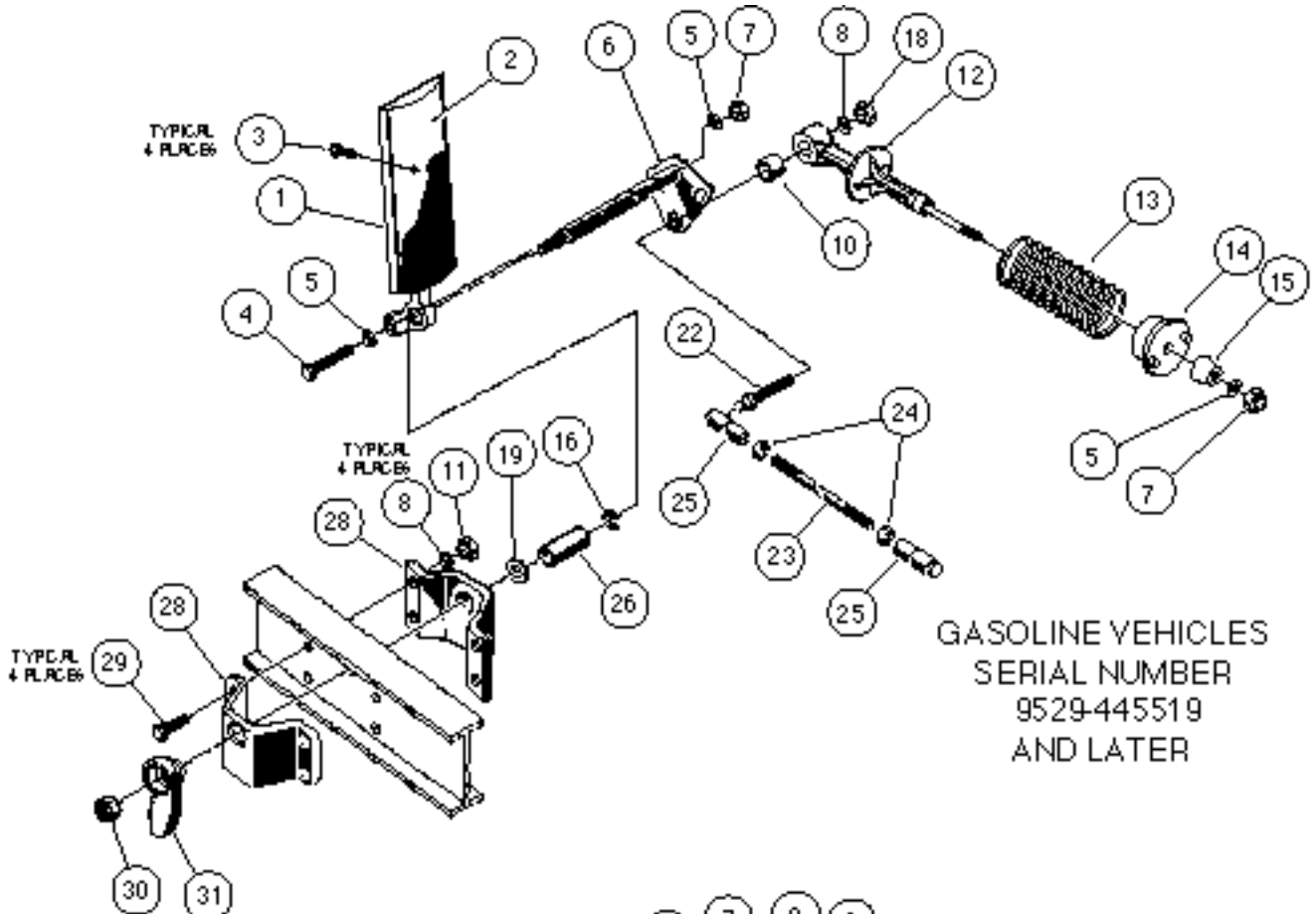
ELECTRIC RESORT VILLAGER,  
TRANS-PORTER/TRANS-SENDER  
PRIOR TO SERIAL NUMBER  
9529-445799



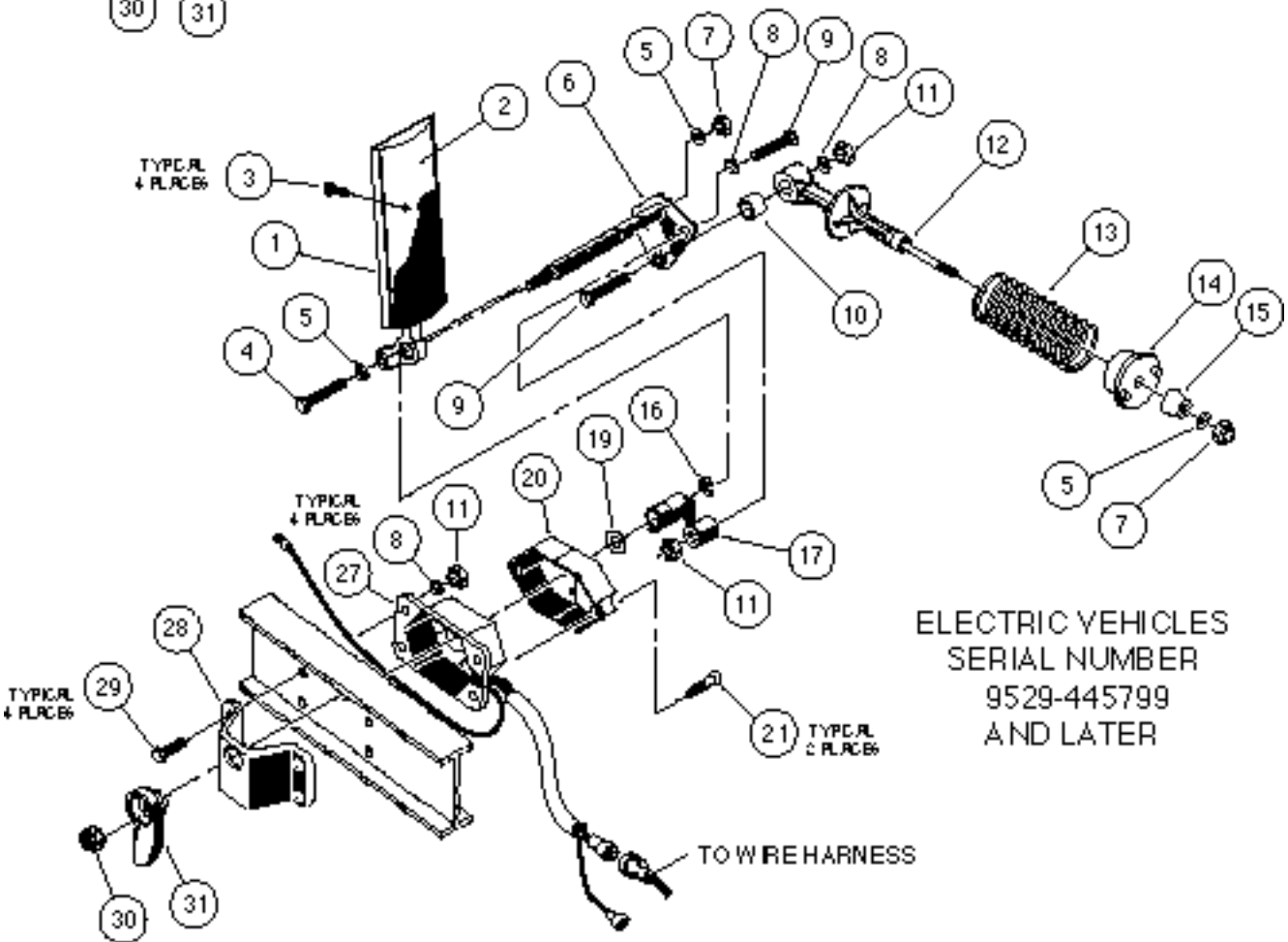
# ACCELERATOR PEDAL ASSEMBLY - GAS VEHICLES AND ELEC. R.V., TRANS-PORTER/TRANS-SENDER

**3**  
**G**  
**E**

ITEM	PART NO.	DESCRIPTION	QTY GAS	QTY ELEC
		1 2 3 4 FOR GASOLINE VEHICLES PRIOR TO SERIAL NUMBER 9529-445519. FOR ELECTRIC VEHICLES PRIOR TO SERIAL NUMBER 9529-445799.		
1	1016377-01	ASSEMBLY, ACCELERATOR PEDAL (GASOLINE VEHICLES) (INCLUDES ITEMS 3 - 9) .....	1	
2	<u>1016377-02</u>	ASSEMBLY, ACCELERATOR PEDAL (ELECTRIC RESORT VILLAGER, TRANS-PORTER/TRANS-SENDER) (INCLUDES ITEMS 3 - 8) .....		1
3	0007716	SCREW, SLOTTED HEX WASHER HEAD, #10 - 16 x 1/2 .....	4	4
4	1013871	PAD, ACCELERATOR PEDAL .....	1	1
5	<u>1011691</u>	HANGER, ACCELERATOR PEDAL SPRING .....	1	1
6	1016157	STUD, BALL, 1/4 - 28 x 1 1/8 .....	1	1
7	0008717	NUT, NYLON HEX, 1/4 - 28 .....	2	1
8	<u>1014007</u>	WASHER, FLAT, 1/4 .....	3	1
9	0007510	SCREW, HEX HEAD CAP, 1/4 - 28 x 1 1/4 .....	1	
10	<u>1016168</u>	ASSEMBLY, ACCELERATOR ROD, (GASOLINE TOURALL) .....	1	
10	<u>1016747-02</u>	ASSEMBLY, ACCELERATOR ROD, (GASOLINE RESORT VILLAGER, TRANS-PORTER/TRANS-SENDER) (INCLUDES ITEMS 11 AND 12) .....	1	
10	<u>1016747-01</u>	ASSEMBLY, ACCELERATOR ROD (ELECTRIC RESORT VILLAGER, TRANS-PORTER/TRANS-SENDER) (INCLUDES ITEMS 11 AND 12) .....		1
11	<u>1011734</u>	JOINT, BALL, SPRING LOADED, 1/4 - 28 .....	2	2
12	<u>1011084</u>	NUT, HEX JAM, 1/4 - 28 .....	2	2
13	<u>1016166</u>	ASSEMBLY, SUB, ACCELERATOR PIVOT ROD (GASOLINE TOURALL) (INCLUDES ITEM 14) .....	1	
13	<u>1016166</u>	ASSEMBLY, SUB, ACCELERATOR PIVOT ROD (ALL RESORT VILLAGER, TRANS-PORTER/TRANS-SENDER) (INCLUDES ITEM 14) .....	1	1
14	<u>1011877</u>	KIT, PARK BRAKE LATCH .....	1	1
15	0001028	NUT, HEX, 1/4 - 20 .....	2	2
16	<u>1010878</u>	STOP, BRAKE .....	1	1
17	<u>1016619</u>	SCREW, HEX HEAD CAP, 1/4 - 20 x 1 1/2 .....	1	1
18	0008233	NUT, NYLON LOCK, 1/4 - 20 .....	5	5
19	<u>1018619-01</u>	SCREW, HEX HEAD CAP, 1/4 - 20 x 1 1/8 .....	4	4
20	<u>1011699</u>	SPACER, 1/2 .....	1	1
21	<u>1011694</u>	BRACKET, ACCELERATOR BEARING .....	2	2
22	<u>1011700</u>	SPACER, ACCELERATOR .....	1	1
23	1012075	SPRING, EXTENSION .....	1	1
24	0000332	WASHER, FLAT, 1/4 .....	1	1



GASOLINE VEHICLES  
SERIAL NUMBER  
9529-445519  
AND LATER



ELECTRIC VEHICLES  
SERIAL NUMBER  
9529-445799  
AND LATER

# ACCELERATOR PEDAL ASSEMBLY

**3**

**G**

**E**

ITEM	PART NO.	DESCRIPTION	QTY GAS	QTY ELEC
		1 2 3 4 FOR GASOLINE VEHICLES SERIAL NUMBER 9529-445519 AND LATER. FOR ELECTRIC VEHICLES SERIAL NUMBER 9529-445799 AND LATER.		
1	<u>1017696</u>	SUB-ASSEMBLY, ACCELERATOR PEDAL (INCLUDES ITEM 2) .....	1	1
2	1013871	PAD, PEDAL .....	1	1
3	0007716	SCREW, SLOTTED HEX WASHER HEAD, 310 - 16 x 1/2 .....	4	4
4	0001218	SCREW, HEX CAP, 5/16 - 18 x 1 1/4 .....	1	1
5	0001241	WASHER, FLAT, 5/16 .....	3	3
6	1017325	ASSEMBLY, ACCELERATOR PIVOT ROD .....	1	1
7	0007473	NUT, NYLON LOCK, 5/16 - 18 .....	2	2
8	0000332	WASHER, FLAT, 1/4 .....	5	6
9	<u>1018620-01</u>	SCREW, HEX HEAD CAP, 1/4 - 20 x 1 3/8 (ELECTRIC VEHICLE ONLY) .....		2
10	<u>1017424</u>	BEARING, PIVOT SUPPORT .....	1	1
11	0008233	NUT, NYLON LOCK, 1/4 - 20 .....	4	6
12	<u>1018174-01</u>	RETAINER, SPRING .....	1	1
13	101796201	SPRING, RETURN .....	1	1
14	<u>1017378</u>	CUP, SPRING .....	1	1
15	<u>1017380</u>	BUMPER, RETURN SPRING .....	1	1
16	<u>1018260-01</u>	RING, CRESCENT RETAINING .....	1	1
17	<u>1017400</u>	LEVER, ACTUATOR (ELECTRIC VEHICLE ONLY) .....		1
18	0008717	NUT, NYLON LOCK, 1/4 - 28 (GASOLINE VEHICLE ONLY) .....	1	
19	<u>1018042-01</u>	WASHER, PLASTIC, 1/2 .....	1	1
20	<u>1017743</u>	COVER, ACCELERATOR (ELECTRIC VEHICLE ONLY) .....		1
21	<u>1018043-01</u>	SCREW, HI-LO HEX HEAD, #8 - 18 x 1/2 (ELECTRIC VEHICLE ONLY) .....		2
22	1018188-01	STUD, BALL (GASOLINE VEHICLE ONLY) .....	1	
23	<u>1016168</u>	ASSEMBLY, ACCELERATOR ROD (GASOLINE TOURALL) (INCLUDES ITEMS 24 AND 25) .....	1	
23	<u>1016747-02</u>	ASSEMBLY, ACCELERATOR ROD (GASOLINE RESORT VILLAGER, TRANS-PORTER/TRANS-SENDER) (INCLUDES ITEMS 24 AND 25) .....	1	
24	<u>1011084</u>	NUT, UNF HEX JAM, 1/4 - 28 (GASOLINE VEHICLE ONLY) .....	2	
25	<u>1011734</u>	JOINT, SPRING-LOADED BALL (GASOLINE VEHICLE ONLY) .....	2	
26	<u>1018259-01</u>	SPACER (GASOLINE VEHICLE ONLY) .....	1	
27	1017392	ASSEMBLY, POTENTIOMETER HOUSING (ELECTRIC VEHICLE ONLY) .....		1
28	<u>1011694</u>	SUPPORT, ACCELERATOR PIVOT ROD .....	2	1
29	<u>1018619-01</u>	SCREW, HEX CAP, 1/4 - 20 x 1 1/8 .....	4	4
30	0008754	NUT, NYLON LOCK, 3/8 x 16 .....	1	1
31	<u>1017322</u>	RACHET, PARK BRAKE .....	1	1



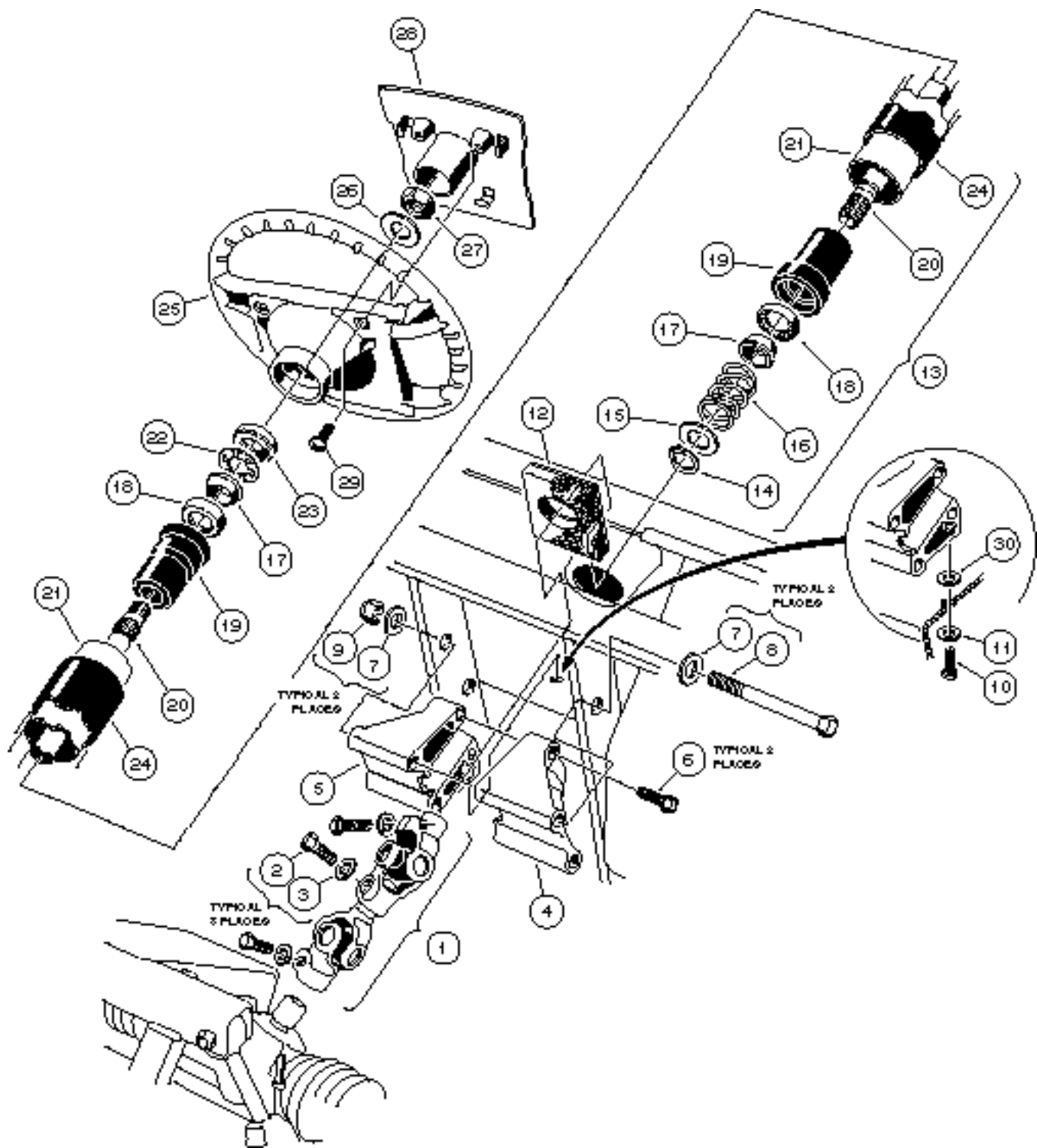
# STEERING AND SUSPENSION

---

4

G

E





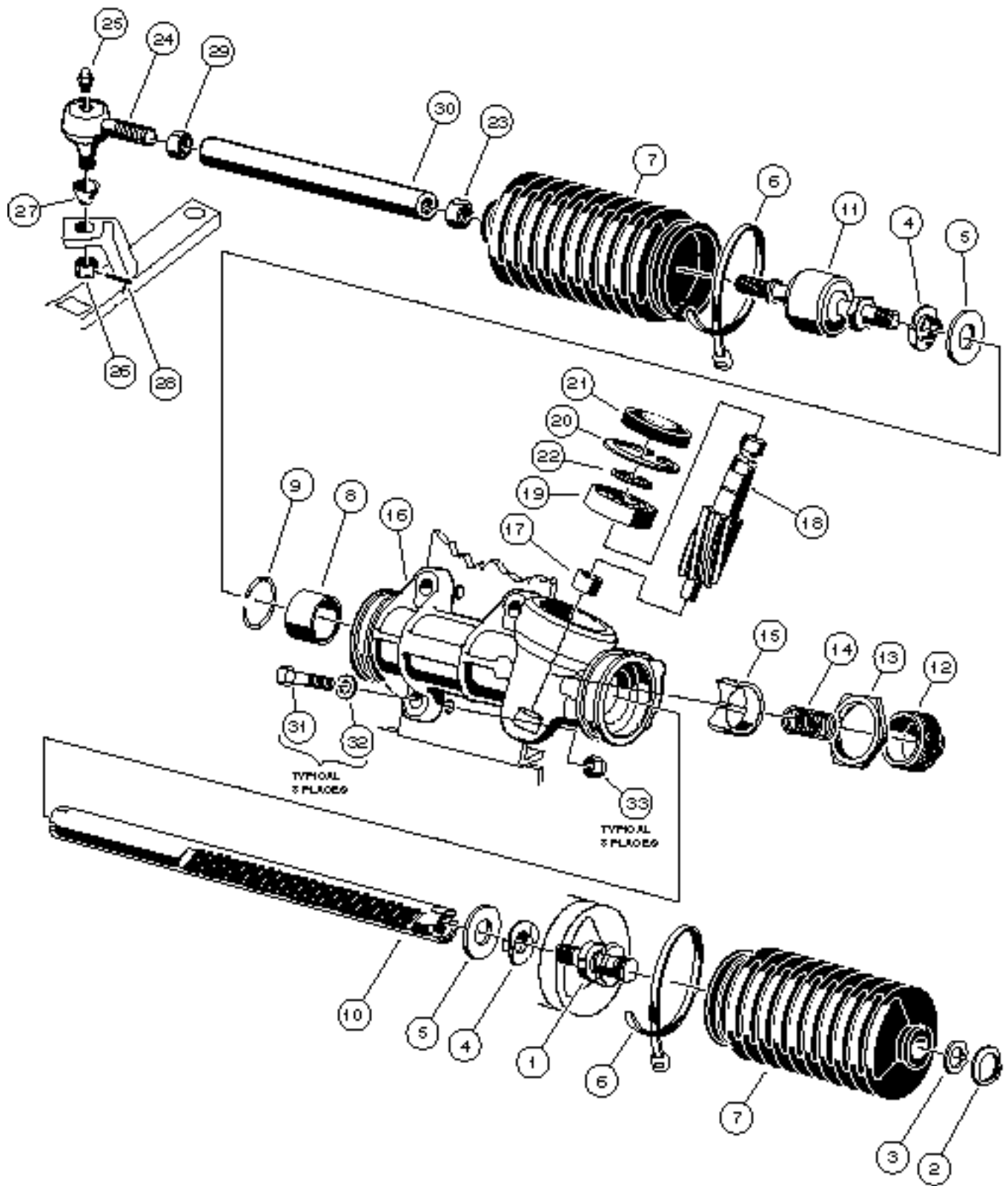
# STEERING COLUMN

4

G

E

ITEM	PART NO.	DESCRIPTION	QTY GAS	QTY ELEC
		1 2 3 4		
1	<u>1013861</u>	JOINT, COMPOUND STEERING (INCLUDES ITEMS 2 AND 3) .....	1	1
2	<u>1017226</u>	SCREW, HEX HEAD CAP, M8 x 1.25 x 30MM .....	3	3
3	0007174	WASHER, LOCK, 5/16 .....	3	3
4	1016185	MOUNT, STEERING COLUMN, LEFT HAND .....	1	1
5	1016184	MOUNT, STEERING COLUMN, RIGHT HAND .....	1	1
6	<u>1016269</u>	SCREW, HEX WASHER HEAD THREAD FORMING, 5/16 - 18 x 2 .....	2	2
7	0000334	WASHER, FLAT, 3/8 .....	4	4
8	<u>1016183</u>	SCREW, HEX HEAD CAP, 3/8 - 16 x 6 3/4 .....	2	2
9	0008754	NUT, NYLON LOCK, 3/8 - 16 .....	2	2
10	<u>1014288</u>	SCREW, HEX WASHER HEAD THREAD FORMING, 5/16 - 18 x 3/4 .....	1	1
11	<u>1011697</u>	WASHER, FLAT, 5/16 .....	1	1
12	<u>1012499</u>	BOOT, STEERING COLUMN .....	1	1
13	1016181	ASSEMBLY, STEERING COLUMN (TOURALL AND TRANS-PORTER/TRANS-SENDER) (INCLUDES ITEMS 14 - 23) .....	1	1
13	<u>1017313</u>	ASSEMBLY, STEERING COLUMN (RESORT VILLAGER ONLY) (INCLUDES ITEMS 14 - 23) .....	1	1
14	<u>1012605</u>	RING, RETAINING .....	1	1
15	<u>1012604</u>	WASHER, STEEL, 5/8 .....	1	1
16	<u>1014217</u>	SPRING, COMPRESSION .....	1	1
17	1014125	WEDGE .....	2	2
18	<u>1014213</u>	ASSEMBLY, BEARING .....	2	2
19	<u>1014126</u>	SEAT, BEARING .....	2	2
20	<u>1015545</u>	SHAFT, STEERING COLUMN (TOURALL AND TRANS-PORTER/TRANS-SENDER) .....	1	1
20	<u>1017315</u>	SHAFT, STEERING COLUMN (RESORT VILLAGER ONLY) .....	1	1
21	1016622	COLUMN, ALUMINUM STEERING (TOURALL AND TRANS-PORTER/TRANS-SENDER) .....	1	1
21	<u>1017314</u>	COLUMN, ALUMINUM STEERING (RESORT VILLAGER ONLY) .....	1	1
22	1014214	RING, RETAINING .....	1	1
23	<u>1014211</u>	SEAL, BEARING .....	1	1
24	1016263	COVER, STEERING COLUMN .....	1	1
25	<u>1016156</u>	WHEEL, STEERING .....	1	1
26	<u>1012604</u>	WASHER, STEEL, 5/8 .....	1	1
27	<u>1017273</u>	NUT, NYLON LOCK, 5/8 - 18 .....	1	1
28	1016155-02	PLATE, STEERING WHEEL .....	1	1
29	<u>1016663</u>	SCREW, TYPE A PHILLIPS, #12 - 11 x 5/8 .....	2	2
30	<u>1011578</u>	WASHER, TYPE B FLAT, 5/16 (RESORT VILLAGER ONLY) .....	1	1



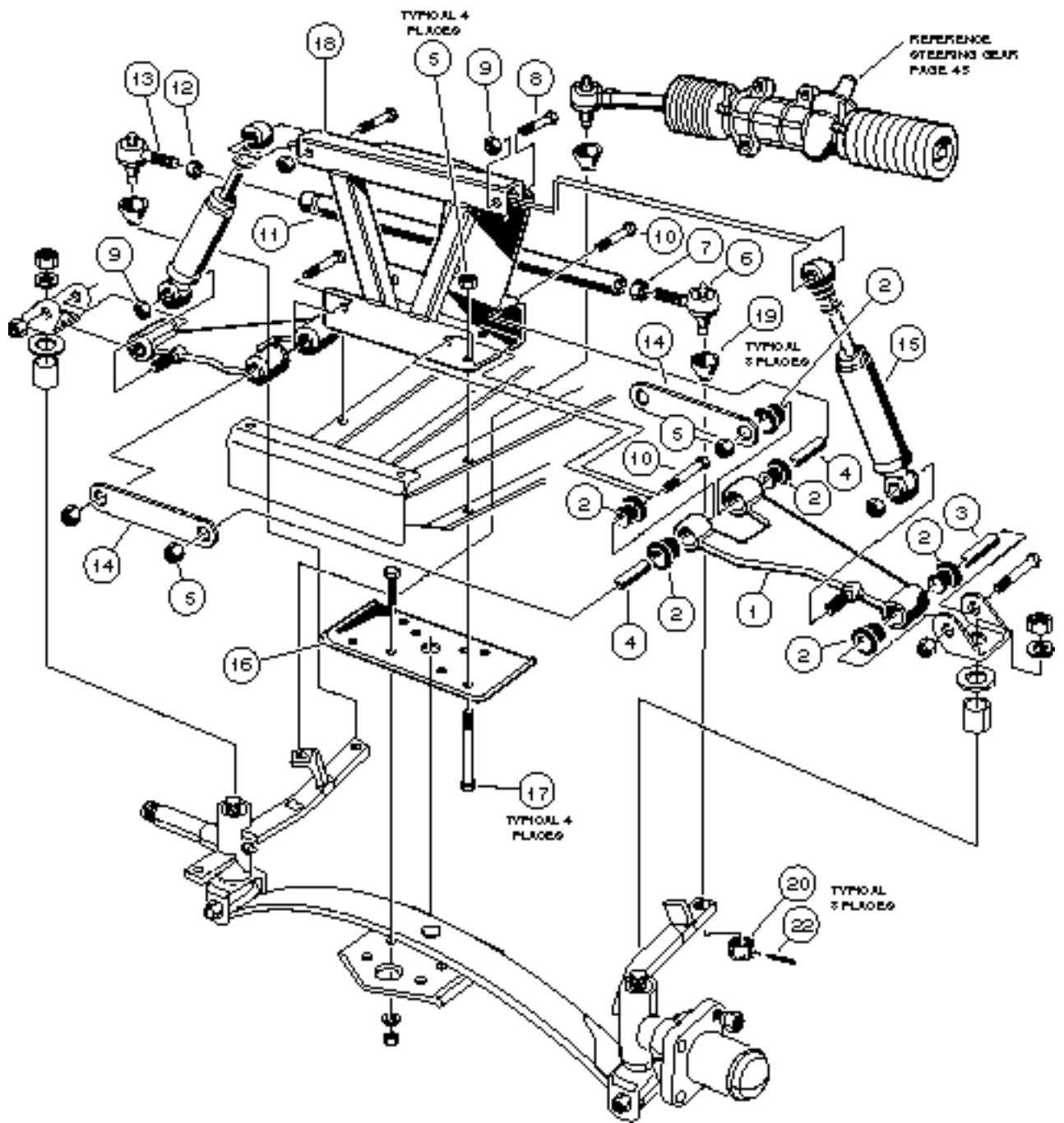
# STEERING GEAR ASSEMBLY

4

G

E

ITEM	PART NO.	DESCRIPTION	QTY GAS	QTY ELEC
		1 2 3 4		
	1012452	ASSEMBLY, STEERING GEAR BOX (INCLUDES ITEMS 1 - 22) .....	1	1
1	<u>1018309-01</u>	KIT, STOPPER BOLT (INCLUDES ITEMS 2 AND 3) .....	1	1
2	N/A	RING, SNAP .....	1	1
3	N/A	WASHER, END .....	1	1
4	<u>1013040</u>	WASHER, LOCK, TIE ROD .....	2	2
5	<u>1013039</u>	WASHER, TIE ROD STOPPER .....	2	2
6	0008990	TIE WRAP .....	2	2
7	<u>1013035</u>	SEAL, DUST .....	2	2
8	1013036	BUSHING, RACK .....	1	1
9	<u>1013037</u>	RING, SNAP .....	1	1
10	N/A	RACK, STEERING .....	1	1
11	1013041	RACK, END .....	1	1
12	N/A	SCREW, RACK GUIDE .....	1	1
13	<u>1013044</u>	NUT, LOCK, RACK SCREW .....	1	1
14	<u>1013045</u>	SPRING, RACK GUIDE PRESSURE .....	1	1
15	1013046	GUIDE, STEERING RACK .....	1	1
16	N/A	BOX, STEERING GEAR .....	1	1
17	N/A	BEARING, LOWER PINION .....	1	1
18	N/A	PINION, STEERING .....	1	1
19	<u>1012884</u>	BEARING, UPPER PINION .....	1	1
20	1013051	RING, SNAP .....	1	1
21	<u>1013052</u>	SEAL, DUST, STEERING PINION .....	1	1
22	<u>1013031</u>	RING, EXTERNAL RETAINING .....	1	1
23	1013042	NUT, HEX, M12 x 1.75 .....	1	1
24	0007540	SOCKET, VERTICAL LEFT HAND THREAD (INCLUDES ITEMS 25, 26 AND 27) ..	1	1
25	<u>1015597</u>	FITTING, THREAD FORM GREASE, 1/4 - 28 .....	1	1
26	<u>0007602</u>	NUT, HEX SLOTTED, 3/8 - 24 .....	1	1
27	<u>1011930</u>	BOOT, DUST .....	1	1
28	<u>0001035</u>	PIN, COTTER, 3/32 x 1 .....	1	1
29	0007555	NUT, HEX, LEFT HAND THREAD, 1/2 - 20 .....	1	1
30	<u>1012467</u>	LINK, RACK AND PINION DRAG .....	1	1
31	0001624	BOLT, HEX HEAD, 3/8 - 16 x 1 1/2 .....	3	3
32	0000334	WASHER, FLAT, 3/8 .....	3	3
33	<u>1010138</u>	NUT, DIMPLED LOCK, 3/8 - 16 .....	3	3



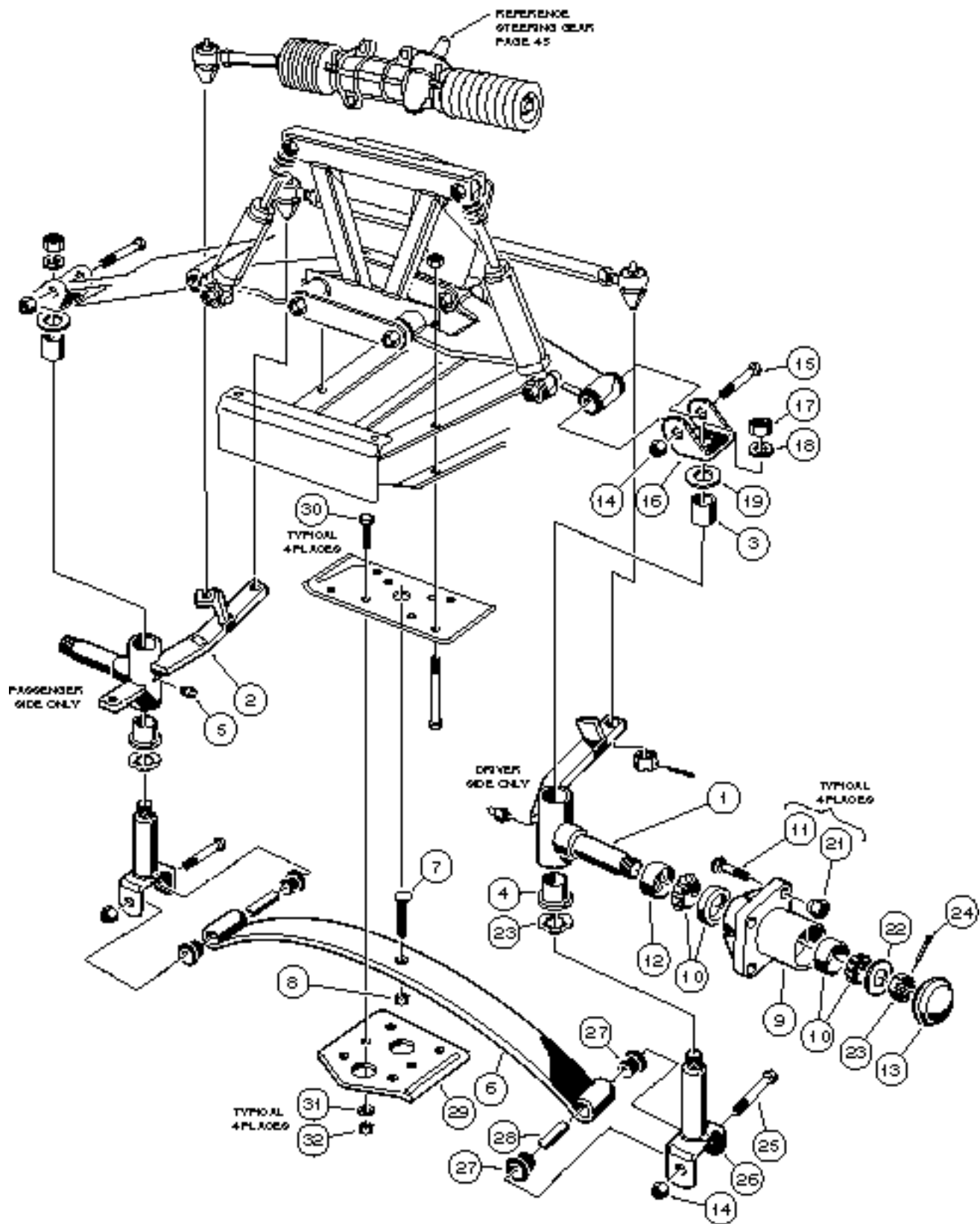
# FRONT SUSPENSION, UPPER VEHICLES WITH 2-WHEEL BRAKING

4

G

E

ITEM	PART NO.	DESCRIPTION	QTY GAS	QTY ELEC
		1 2 3 4 FOR ALL TOURALL VEHICLES. FOR RESORT VILLAGER AND TRANS-PORTER/TRANS-SENDER VEHICLES PRIOR TO SERIAL NUMBER 9535-456328.		
1	<u>1016353</u>	ASSEMBLY, DELTA A-PLATE (INCLUDES ITEMS 2, 3 AND 4) .....	2	2
2	<u>1016346</u>	BUSHING, URETHANE .....	6	6
3	<u>1016350</u>	SLEEVE, DELTA OUTER .....	1	1
4	<u>1016349</u>	SLEEVE, DELTA INNER .....	2	2
5	0008754	NUT, NYLON LOCK, 3/8 - 16 .....	8	8
6	0007539	BALL JOINT .....	1	1
7	0001308	NUT, HEX, 1/2 - 20 .....	1	1
8	0001624	BOLT, HEX HEAD, 3/8 - 16 x 1 1/2 .....	2	2
9	<u>1010138</u>	NUT, DIMPLED LOCK, 3/8 - 16 .....	4	4
10	0002402	SCREW, HEX CAP, 3/8 - 16 x 2 1/4 .....	4	4
11	<u>1010219</u>	ROD, TIE .....	1	1
12	0007555	NUT, HEX, LEFT HAND THREAD, 1/2 - 20 .....	1	1
13	0007540	BALL JOINT, LEFT HAND THREAD .....	1	1
14	<u>1017266</u>	STRAP, A-PLATE .....	2	2
15	<u>1014235</u>	SHOCK ABSORBER, FRONT .....	2	2
16	<u>1010124</u>	PLATE, SPRING MOUNTING .....	1	1
17	<u>1010200</u>	BOLT, HEX HEAD, 3/8 - 16 x 4 1/4 .....	4	4
18	<u>1016385</u>	ASSEMBLY, DELTA SHOCK AND GEAR SUPPORT .....	1	1
19	<u>1011930</u>	SEAL, DUST .....	3	3
20	<u>0007602</u>	NUT, SLOTTED HEX, 3/8 - 24 .....	3	3
21	<u>0001035</u>	PIN, COTTER, 3/32 x 1 .....	1	1



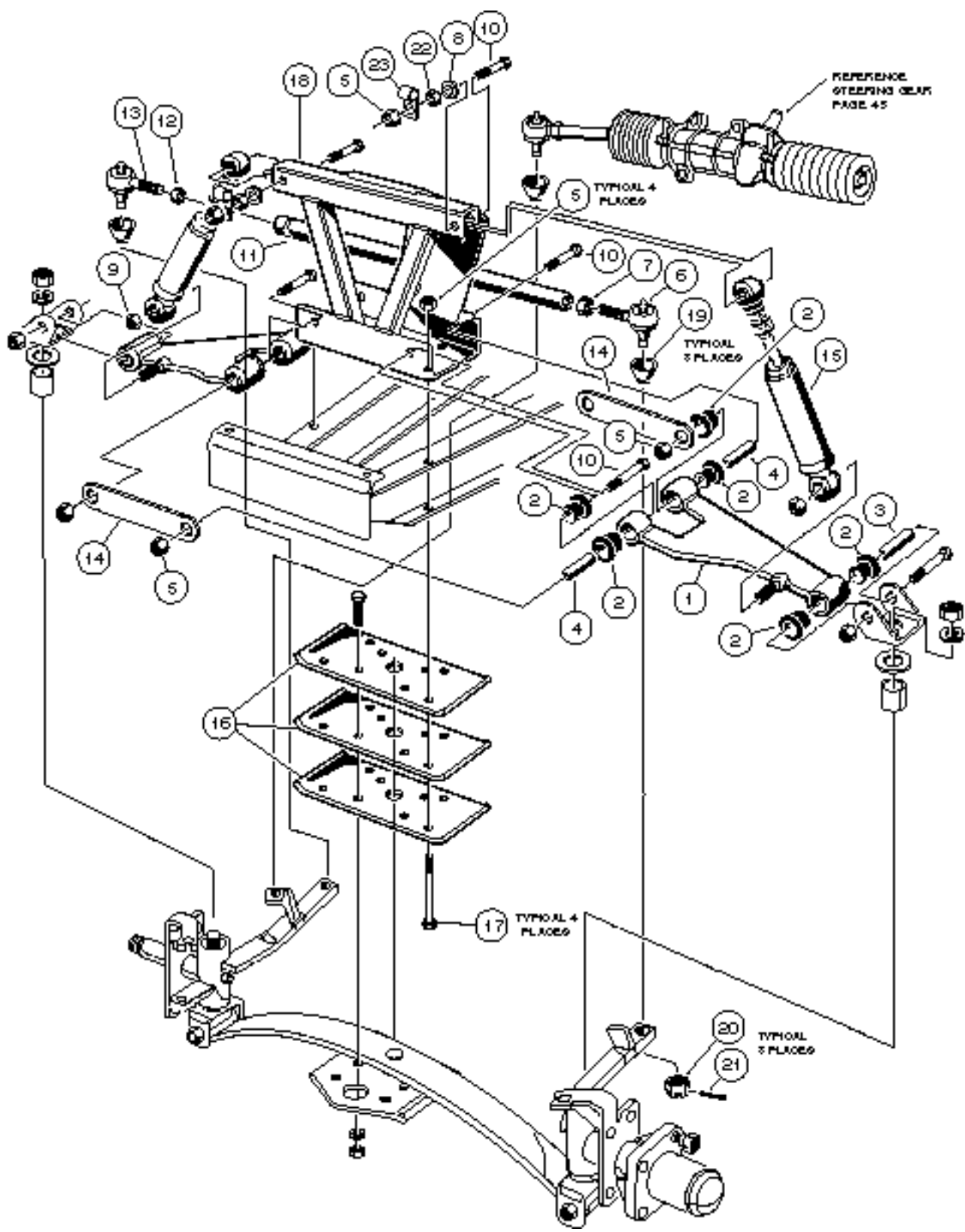
# FRONT SUSPENSION, LOWER VEHICLES WITH 2-WHEEL BRAKING

4

G

E

ITEM	PART NO.	DESCRIPTION	QTY GAS	QTY ELEC
		1 2 3 4 FOR ALL TOURALL VEHICLES. FOR RESORT VILLAGER AND TRANS-PORTER/TRANS-SENDER VEHICLES PRIOR TO SERIAL NUMBER 9535-456328.		
1	<u>1010348</u>	ASSEMBLY, LEFT SPINDLE (INCLUDES ITEMS 3, 4 AND 5) .....	1	1
2	<u>1010347</u>	ASSEMBLY, RIGHT SPINDLE (INCLUDES ITEMS 3, 4 AND 5) .....	1	1
3	0008067	BUSHING, BRONZE SPINDLE .....	1	1
4	0007048	BUSHING, BRONZE .....	1	1
5	<u>1015597</u>	FITTING, GREASE, 1/4 - 28 .....	1	1
6	<u>1012030</u>	SPRING, TAPERED LEAF .....	1	1
7	0008745	ASSEMBLY, ECCENTRIC .....	1	1
8	0000706	NUT, HEX, 3/8 - 16 .....	1	1
9	<u>1011892</u>	ASSEMBLY, HUB (INCLUDES ITEMS 10 - 13) .....	2	2
10	<u>1011393</u>	PACKAGE, HUB BEARING .....	2	2
11	<u>1011304</u>	STUD, LUG, 1/2 - 20 .....	4	4
12	<u>1013135</u>	SEAL, DOUBLE LIP .....	1	1
13	<u>1011887</u>	COVER, DUST .....	1	1
14	0008754	NUT, NYLON LOCK, 3/8 - 16 .....	4	4
15	<u>1016387</u>	SCREW, HEX HEAD CAP, 3/8 - 16 x 2 3/4 .....	2	2
16	<u>1016384</u>	CLEVIS, UPPER DELTA .....	2	2
17	0001308	NUT, HEX, 1/2 - 20 .....	2	2
18	0000209	WASHER, SPLIT LOCK, 1/2 .....	2	2
19	<u>1010150</u>	BEARING, THRUST .....	2	2
20	<u>1016389</u>	WASHER, KINGPIN WAVE .....	2	2
21	<u>1010984</u>	NUT, LUG .....	8	8
22	<u>1010005</u>	WASHER, FLAT, 3/4 .....	2	2
23	0007840	NUT, HEX SLOTTED, 3/4 - 16 .....	2	2
24	0007910	PIN, COTTER, 5/32 x 1 .....	2	2
25	0008755	SCREW, HEX HEAD CAP, 3/8 - 16 x 3 3/8 .....	2	2
26	<u>1016386</u>	KINGPIN .....	2	2
27	<u>1015583</u>	BUSHING, URETHANE .....	4	4
28	<u>1012303</u>	BUSHING, STEEL .....	2	2
29	<u>1014276</u>	PLATE, FRONT SPRING RETAINER .....	1	1
30	0001624	SCREW, HEX HEAD CAP, 3/8 - 16 x 1 1/2 .....	4	4
31	0000357	WASHER, LOCK, 3/8 .....	4	4
32	0000706	NUT, HEX, 3/8 - 16 .....	4	4





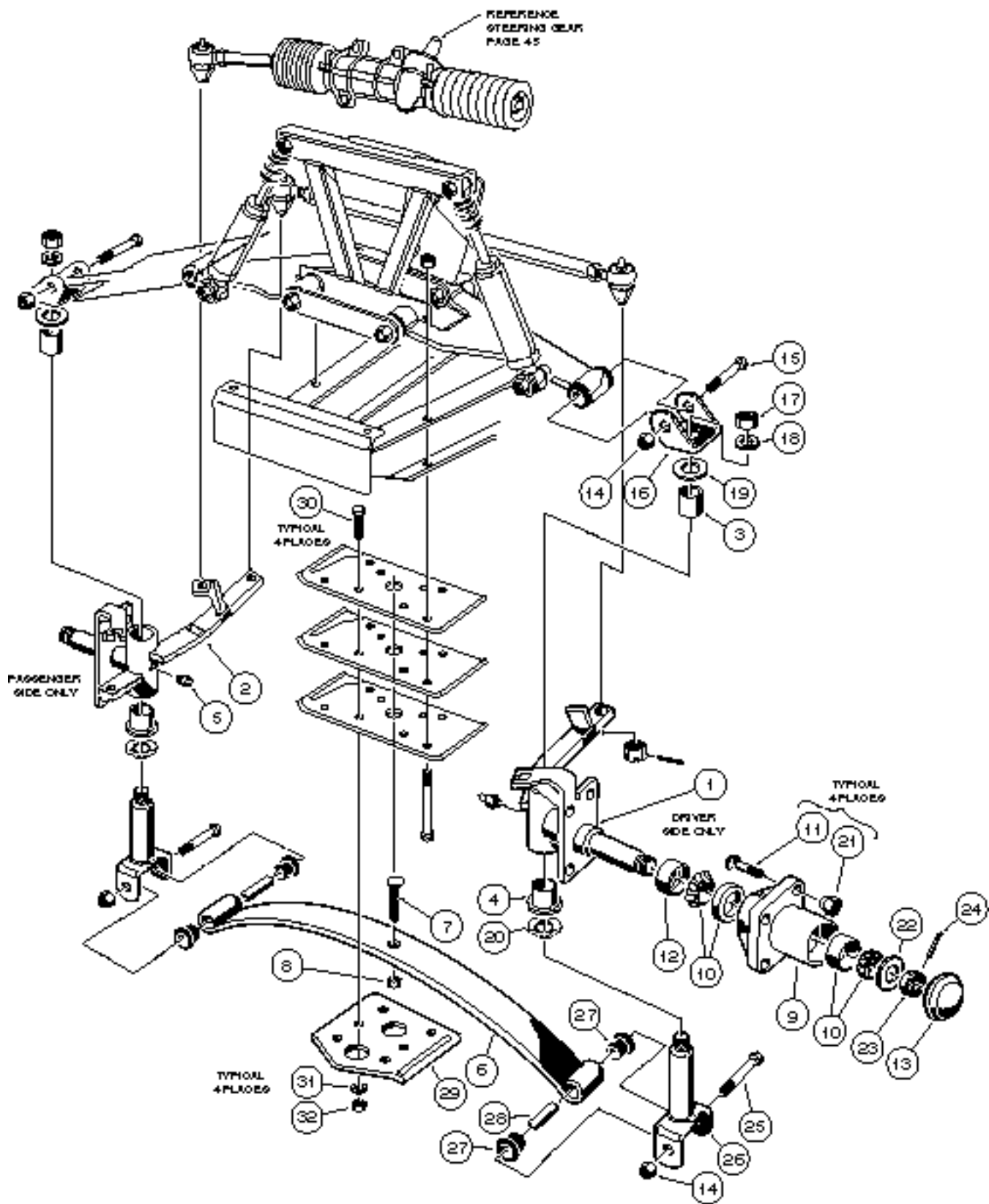
# FRONT SUSPENSION, UPPER VEHICLES WITH 4-WHEEL BRAKING

4

G

E

ITEM	PART NO.	DESCRIPTION	QTY GAS	QTY ELEC
		1 2 3 4 FOR RESORT VILLAGER AND TRANS-PORTER/TRANS-SENDER VEHICLES SERIAL NUMBER 9535-456328 AND LATER.		
1	<u>1016353</u>	ASSEMBLY, DELTA A-PLATE (INCLUDES ITEMS 2, 3 AND 4) .....	2	2
2	<u>1016346</u>	BUSHING, URETHANE .....	6	6
3	<u>1016350</u>	SLEEVE, DELTA OUTER .....	1	1
4	<u>1016349</u>	SLEEVE, DELTA INNER .....	2	2
5	0008754	NUT, NYLON LOCK, 3/8 - 16 .....	10	10
6	0007539	BALL JOINT .....	1	1
7	0001308	NUT, HEX, 1/2 - 20 .....	1	1
8	0000334	WASHER, FLAT, 3/8 .....	2	2
9	<u>1010138</u>	NUT, DIMPLED LOCK, 3/8 - 16 .....	2	2
10	0002402	BOLT, HEX HEAD, 3/8 - 16 x 2 1/4 .....	6	6
11	<u>1010219</u>	ROD, TIE .....	1	1
12	0007555	NUT, HEX, LEFT HAND THREAD, 1/2 - 20 .....	1	1
13	0007540	BALL JOINT, LEFT HAND THREAD .....	1	1
14	<u>1017266</u>	STRAP, A-PLATE .....	2	2
15	<u>1018706-01</u>	SHOCK ABSORBER, FRONT .....	2	2
16	<u>1010124</u>	PLATE, SPRING MOUNTING .....	3	3
17	<u>1018705-01</u>	BOLT, HEX HEAD, 3/8 - 16 x 4 3/4 .....	4	4
18	<u>1016385</u>	ASSEMBLY, DELTA SHOCK AND GEAR SUPPORT .....	1	1
19	<u>1011930</u>	SEAL, DUST .....	3	3
20	<u>0007602</u>	NUT, SLOTTED HEX, 3/8 - 24 .....	3	3
21	<u>0001035</u>	PIN, COTTER, 3/32 x 1 .....	1	1
22	0000706	NUT, HEX, 3/8 - 16 .....	2	2
23	N/A	CLAMP, BRAKE CABLE (PART OF BRAKE CABLE ASSEMBLY) .....	2	2



# FRONT SUSPENSION, LOWER VEHICLES WITH 4-WHEEL BRAKING

4

G

E

ITEM	PART NO.	DESCRIPTION	QTY GAS	QTY ELEC
		1 2 3 4 FOR RESORT VILLAGER AND TRANS-PORTER/TRANS-SENDER VEHICLES SERIAL NUMBER 9535-456328 AND LATER.		
1	1018769-01	ASSEMBLY, LEFT SPINDLE (INCLUDES ITEMS 3, 4 AND 5) .....	1	1
2	<u>1018770-01</u>	ASSEMBLY, RIGHT SPINDLE (INCLUDES ITEMS 3, 4 AND 5) .....	1	1
3	0008067	BUSHING, BRONZE SPINDLE .....	1	1
4	0007048	BUSHING, BRONZE .....	1	1
5	<u>1015597</u>	FITTING, GREASE, 1/4 - 28 .....	1	1
6	<u>1012030</u>	SPRING, TAPERED LEAF .....	1	1
7	0008745	ASSEMBLY, ECCENTRIC .....	1	1
8	0000706	NUT, HEX, 3/8 - 16 .....	1	1
9	<u>1011892</u>	ASSEMBLY, HUB (INCLUDES ITEMS 10 - 13) .....	2	2
10	<u>1011393</u>	PACKAGE, HUB BEARING .....	2	2
11	<u>1011304</u>	STUD, LUG, 1/2 - 20 .....	4	4
12	<u>1013135</u>	SEAL, DOUBLE LIP .....	1	1
13	<u>1011887</u>	COVER, DUST .....	1	1
14	0008754	NUT, NYLON LOCK, 3/8 - 16 .....	4	4
15	<u>1016387</u>	SCREW, HEX HEAD CAP, 3/8 - 16 x 2 3/4 .....	2	2
16	<u>1016384</u>	CLEVIS, UPPER DELTA .....	2	2
17	0001308	NUT, HEX, 1/2 - 20 .....	2	2
18	0000209	WASHER, SPLIT LOCK, 1/2 .....	2	2
19	<u>1010150</u>	BEARING, THRUST .....	2	2
20	<u>1016389</u>	WASHER, KINGPIN WAVE .....	2	2
21	<u>1010984</u>	NUT, LUG .....	8	8
22	<u>1010005</u>	WASHER, FLAT, 3/4 .....	2	2
23	0007840	NUT, HEX SLOTTED, 3/4 - 16 .....	2	2
24	0007910	PIN, COTTER, 5/32 x 1 .....	2	2
25	0008755	SCREW, HEX HEAD CAP, 3/8 - 16 x 3 3/8 .....	2	2
26	<u>1016386</u>	KINGPIN .....	2	2
27	<u>1015583</u>	BUSHING, URETHANE .....	4	4
28	<u>1012303</u>	BUSHING, STEEL .....	2	2
29	<u>1014276</u>	PLATE, FRONT SPRING RETAINER .....	1	1
30	<u>1010177</u>	SCREW, HEX HEAD CAP, 3/8 - 16 x 2 .....	4	4
31	0000357	WASHER, LOCK, 3/8 .....	4	4
32	0000706	NUT, HEX, 3/8 - 16 .....	4	4



# **ELECTRICAL SYSTEM GASOLINE VEHICLES**

---

**5**

**G**

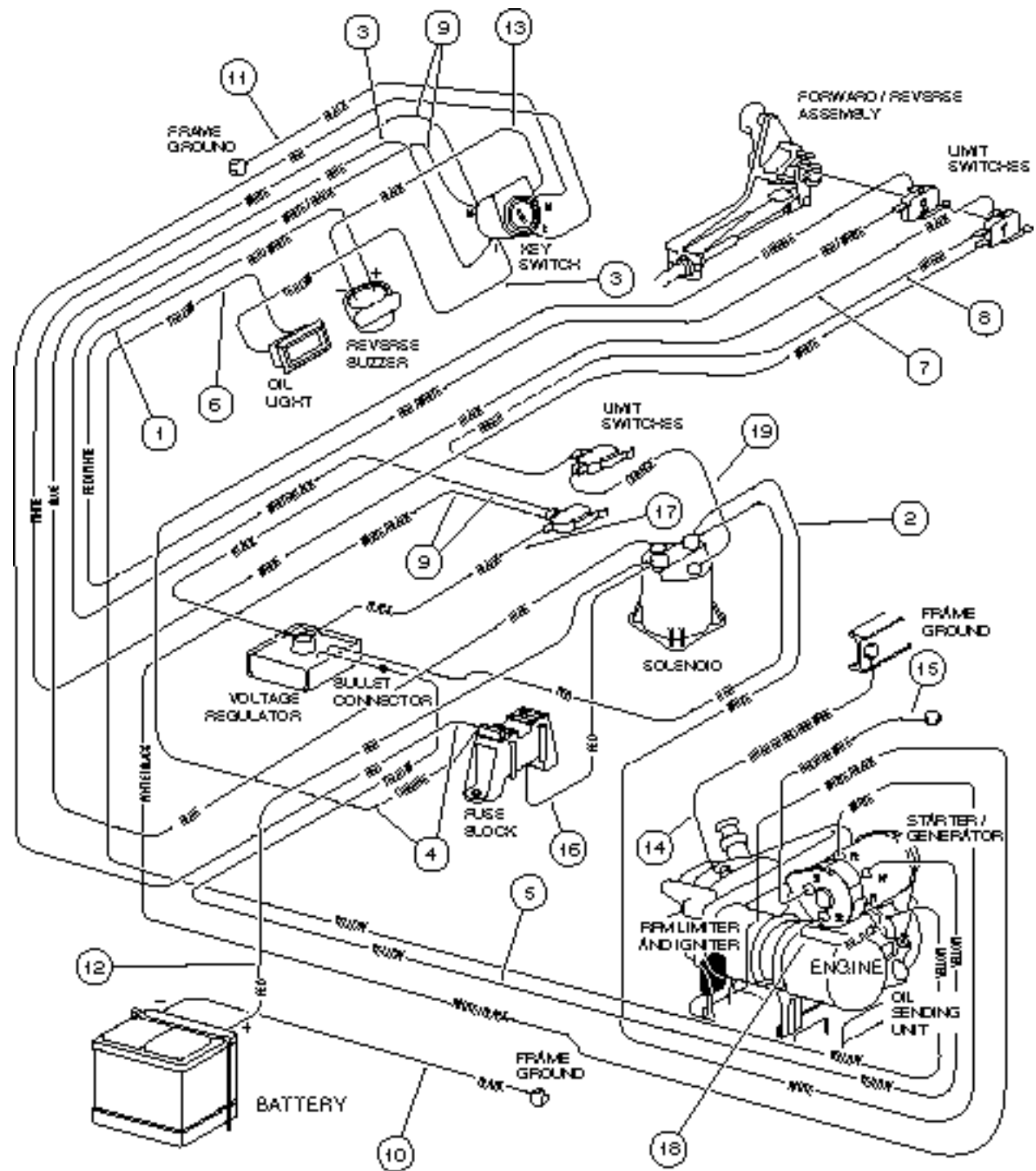


# FORWARD AND REVERSE SHIFTER ASSEMBLY GASOLINE VEHICLES

5

G

ITEM	PART NO.	DESCRIPTION	QTY
		1 2 3 4	
	1016947	ASSEMBLY, F & R SHIFTER (INCLUDES ITEMS 1 - 17) .....	1
1	<u>1012594</u>	SCREW, MACHINE, #4 - 40 x 1 1/2 .....	2
2	0008057	NUT, HEX HEAD, #4 - 40 .....	4
3	1012431	WASHER, FLAT, #4 .....	2
4	<u>1014808</u>	SWITCH, LIMIT .....	1
5	<u>1014807</u>	SWITCH, LIMIT .....	1
6	0008058	WASHER, LOCK, #4 .....	2
7	<u>1013591</u>	PIN, ROLL, 1/8 .....	1
8	<u>1014145</u>	BUSHING, BRONZE .....	2
9	<u>1014727</u>	WASHER, NYLON FLAT, #4 .....	2
10	<u>1016342</u>	BASE, F & R SHIFTER .....	1
11	1014089	KIT, NEUTRAL LOCK-OUT CAM (INCLUDES ITEM 12) .....	1
12	<u>1014065</u>	WASHER, FLAT .....	1
13	<u>1013590</u>	SPRING, F & R CAM .....	1
14	<u>1013589</u>	RING, RETAINING .....	1
15	0008717	NUT, NYLON LOCK, 1/4 - 28 .....	2
16	1013587	WELDMENT, F & R BELL CRANK .....	1
17	<u>1010954</u>	STUD, BALL, 1/4 - 28 x 1/4 .....	2
18	<u>1013085</u>	CABLE, TRANSMISSION (INCLUDES ITEMS 19 AND 20) .....	1
19	<u>1012333</u>	JOINT, BALL .....	2
20	0007893	NUT, HEX, #10 - 32 .....	2
21	<u>1013198</u>	SCREW, PHILLIPS OVAL COUNTERSUNK MACHINE, #8 - 32 x 5/8 .....	1
22	<u>1012987</u>	HANDLE, F & R SWITCH .....	1
23	0008248	SCREW, PHILLIPS TRUSS HEAD, 1/4 - 20 x 3/4 .....	4
24	0008233	NUT, NYLON LOCK, 1/4 - 20 .....	4
25	<u>1014065</u>	WASHER, FLAT .....	1



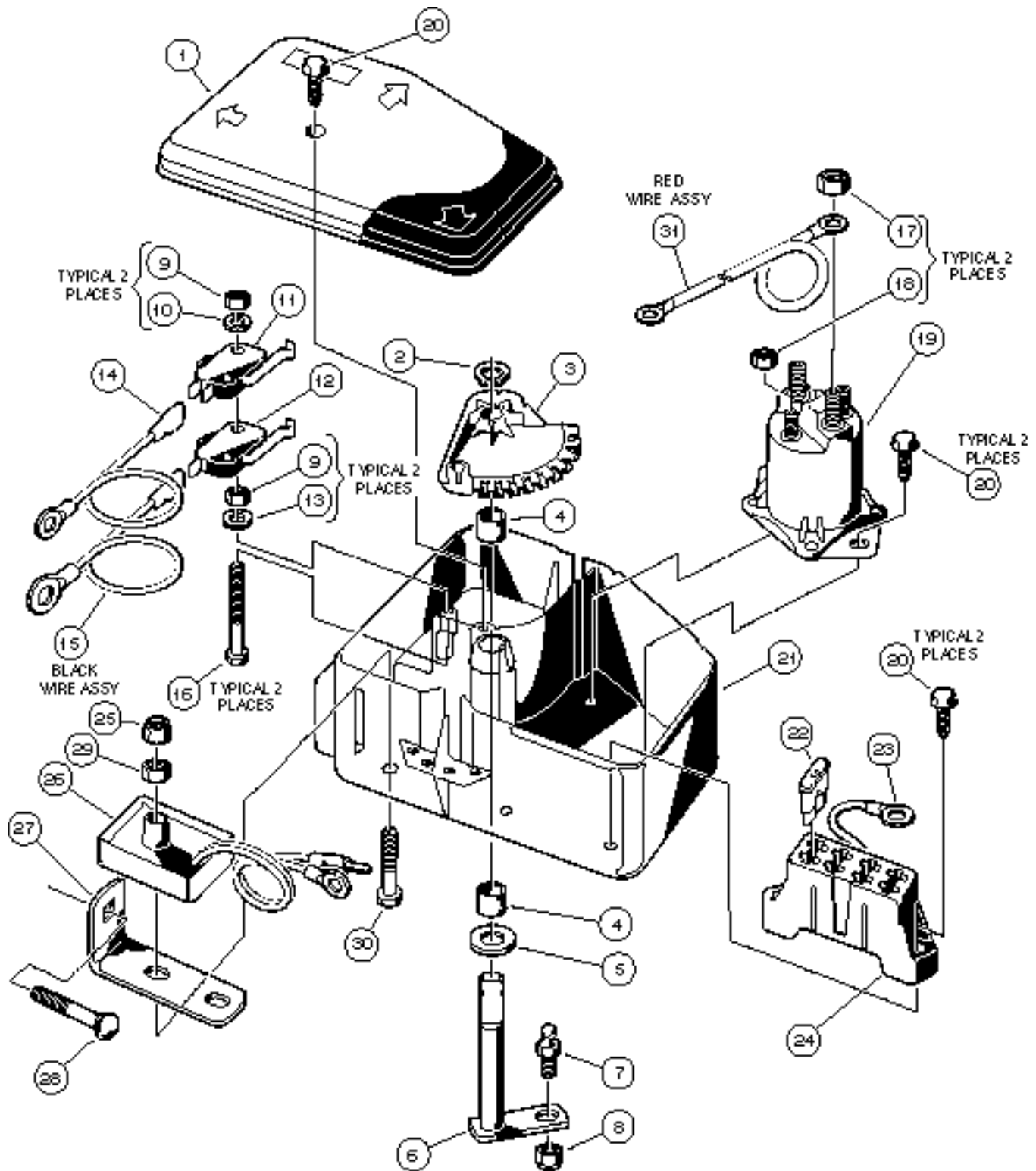


# WIRING, GASOLINE VEHICLE - TOURALL

5

G

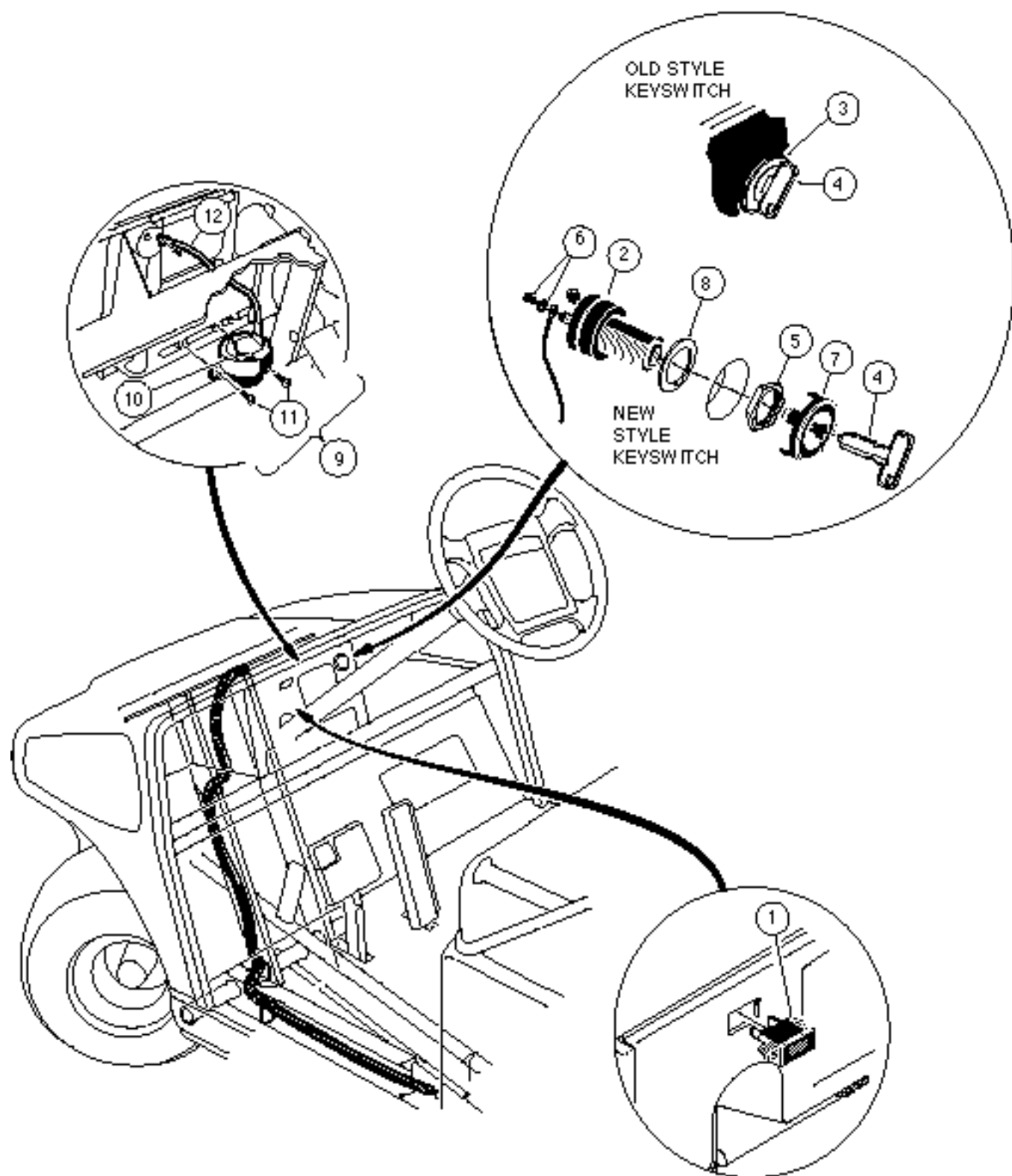
ITEM	PART NO.	DESCRIPTION	QTY
		1 2 3 4	
	<u>1015735</u>	WIRE HARNESS ASSEMBLY (INCLUDES ITEMS 1 - 9) .....	1
1	1013723	WIRE ASSEMBLY, #18 RED/WHITE .....	1
2	<u>1015769</u>	WIRE ASSEMBLY, #6 WHITE .....	1
3	1013601	WIRE ASSEMBLY, #18 YELLOW, #16 BLUE .....	1
4	1018282-01	WIRE ASSEMBLY, #16 RED, #16 ORANGE .....	1
5	1015738	WIRE ASSEMBLY, #16 YELLOW .....	1
6	1015740	WIRE ASSEMBLY, #18 YELLOW .....	1
7	1015780	WIRE ASSEMBLY, #18 BLACK .....	1
8	1015779	WIRE ASSEMBLY, #18 GREEN .....	1
9	<u>1015781</u>	WIRE ASSEMBLY, #18 WHITE, #18 WHITE/BLACK .....	1
10	<u>1012382</u>	WIRE ASSEMBLY, #6 BLACK .....	1
11	1012396	WIRE ASSEMBLY, #18 BLACK .....	1
12	<u>1014119</u>	WIRE ASSEMBLY, #6 RED (PART OF ELECTRICAL COMPONENT BOX) .....	1
13	1016857	WIRE ASSEMBLY, #18 BLACK (PART OF REVERSE BUZZER KIT) .....	1
14	<u>1015332</u>	WIRE ASSEMBLY, #10 BRAIDED GROUND .....	1
15	<u>1015920</u>	WIRE ASSEMBLY, #6 BRAIDED GROUND .....	1
16	<u>1015737</u>	WIRE ASSEMBLY, #10 RED .....	1
17	1016402	WIRE ASSEMBLY, #18 BLACK .....	1
18	<u>1012384</u>	WIRE ASSEMBLY, #6 BLACK .....	1
19	1016401	WIRE ASSEMBLY, #18 ORANGE .....	1



# ELECTRICAL COMPONENT BOX, GASOLINE VEHICLE TOURALL

**5**  
**G**

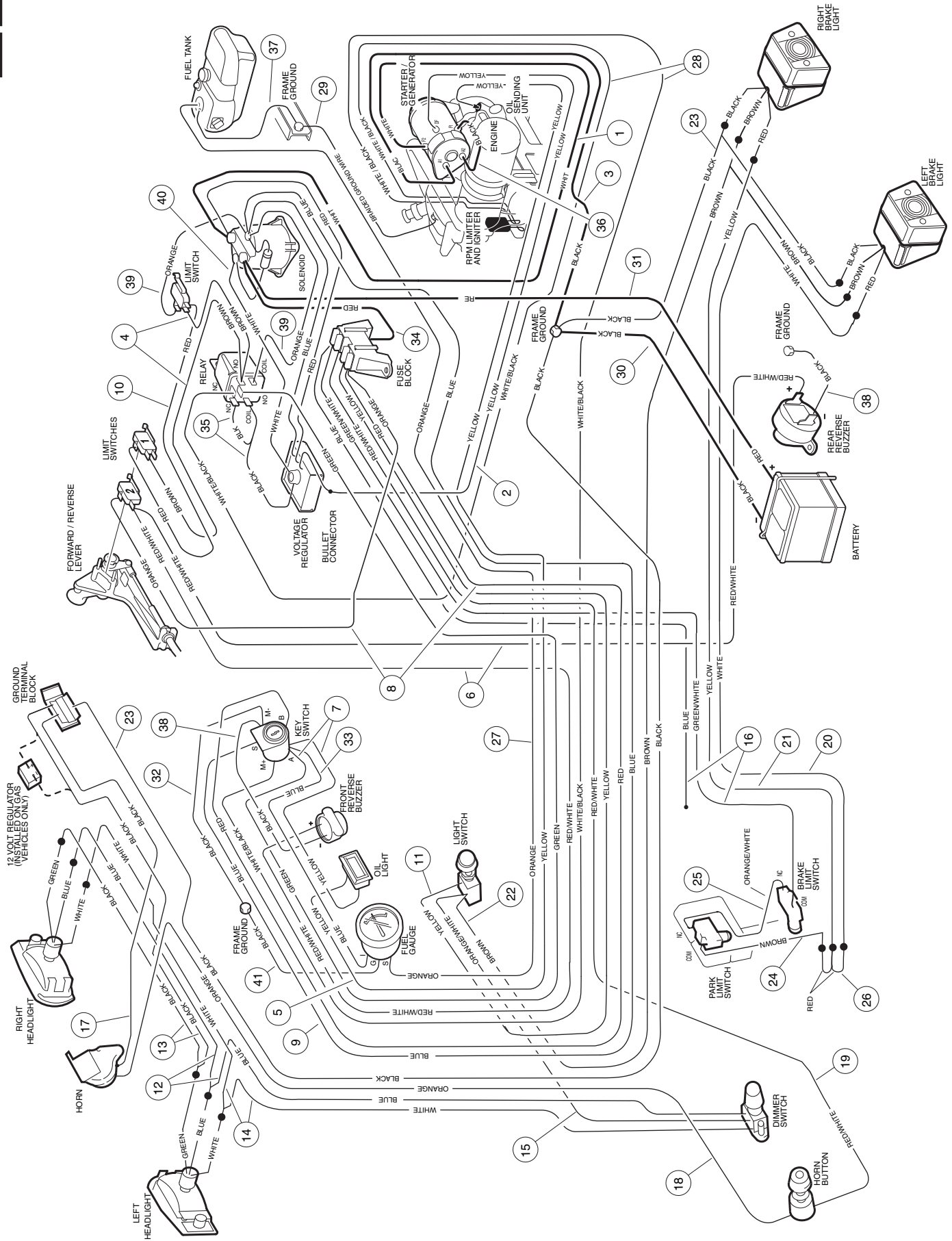
ITEM	PART NO.	DESCRIPTION	QTY
		1 2 3 4	
	<u>1018276-01</u>	BOX, ELECTRICAL COMPONENT, COMPLETE (INCLUDES ITEMS 1 - 31 AND 1015735 - SEE PAGE 5-5) .....	1
1	<u>1015372</u>	COVER, ELECTRICAL COMPONENT BOX .....	1
2	<u>1013589</u>	RING, RETAINING .....	1
3	<u>1015373</u>	CAM, ELECTRICAL BOX .....	1
4	<u>1014145</u>	BUSHING, BRONZE .....	2
5	<u>1014065</u>	WASHER, FLAT .....	1
6	<u>1018213-01</u>	ASSEMBLY, BELL CRANK SHAFT .....	1
7	<u>1010954</u>	STUD, BALL, 1/4 - 28 .....	1
8	0008717	NUT, NYLON LOCK , 1/4 - 28 .....	1
9	0008057	NUT, HEX, #4 - 40 .....	4
10	0008058	WASHER, LOCK, #4 .....	2
11	<u>1014807</u>	SWITCH, LIMIT .....	1
12	<u>1014808</u>	SWITCH, LIMIT .....	1
13	1012431	WASHER, FLAT, #4 .....	2
14	1016401	WIRE ASSEMBLY, #16 ORANGE .....	1
15	1016402	WIRE ASSEMBLY, #16 BLACK .....	1
16	<u>1015878</u>	SCREW, HEX HEAD MACHINE, #4 - 40 x 1 5/8 .....	2
17	0001242	NUT, HEX, 5/16 - 18 .....	2
18	0007893	NUT, HEX, #10 - 32 .....	2
19	<u>1013609</u>	SOLENOID, 12 VOLT .....	1
20	<u>1015752</u>	SCREW, HILO, #12 - 16 x 5/8 .....	5
21	<u>1015371</u>	BOX, ELECTRICAL COMPONENT .....	1
22	<u>1012295</u>	FUSE, 10 AMP .....	1
23	<u>1015737</u>	WIRE ASSEMBLY, #10 RED .....	1
24	<u>1015741</u>	BLOCK, FUSE .....	1
25	0008233	NUT, NYLON LOCK, 1/4 - 20 .....	1
26	<u>1015777</u>	ASSEMBLY, VOLTAGE REGULATOR .....	1
27	1015343	STRAP, GROUND .....	1
28	<u>1015405</u>	BOLT, CARRIAGE, 5/16 - 18 x 2 .....	1
29	<u>1015919</u>	NUT, HEX JAM, 1/4 - 20 .....	1
30	<u>1013509</u>	SCREW, HEX HEAD CAP, 1/4 - 20 x 1 3/4 .....	1
31	<u>1014119</u>	WIRE ASSEMBLY, #6 RED .....	1



# ELECTRICAL COMPONENTS GASOLINE VEHICLE - TOURALL

**5**  
**G**

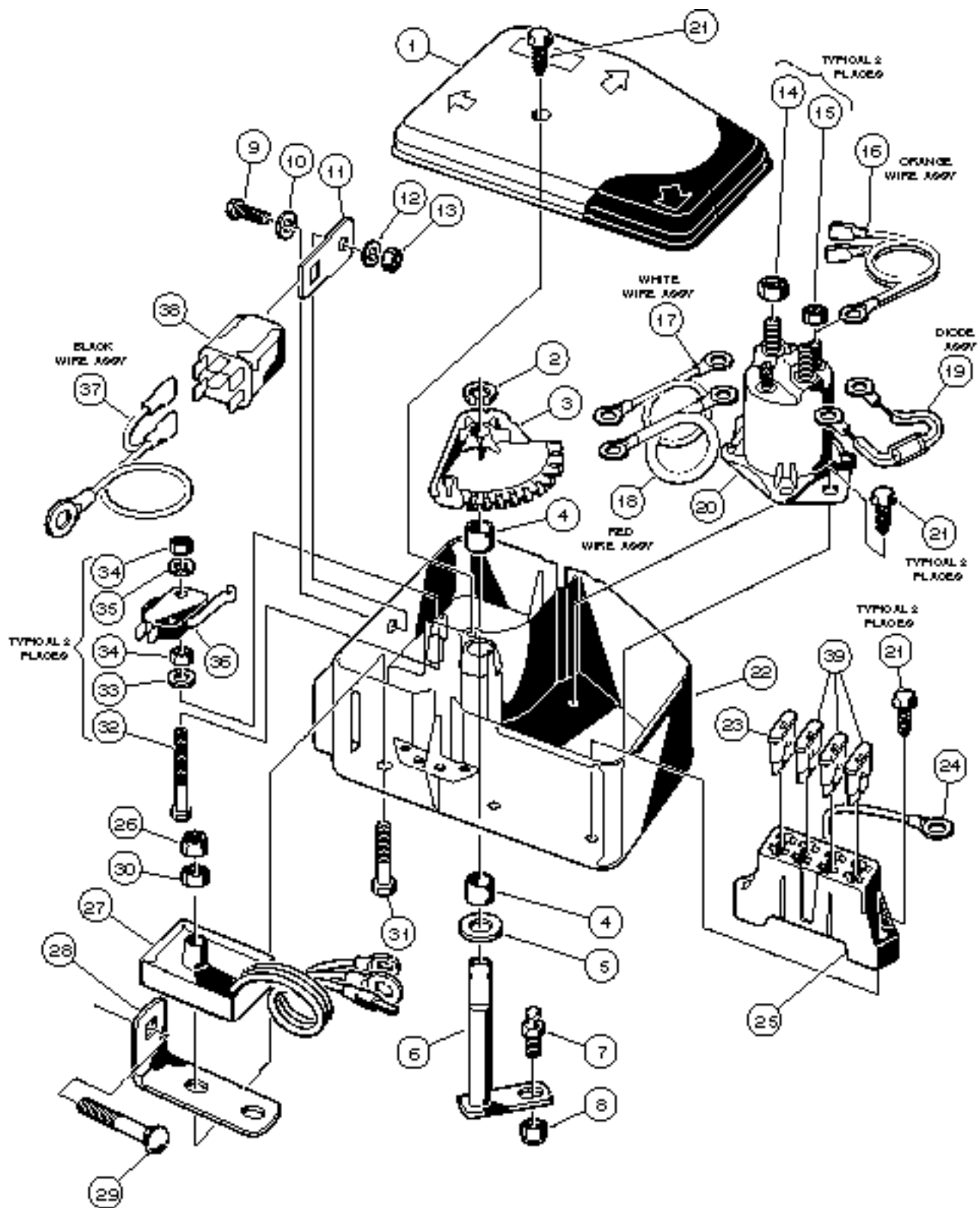
ITEM	PART NO.	DESCRIPTION	QTY
		1 2 3 4	
1	<u>1016630</u>	LIGHT, OIL WARNING .....	1
2	<u>1018263-01</u>	SWITCH, KEY (FOR VEHICLES SERIAL NUMBER 9522-436452 AND LATER) .....	1
3	<u>1012415</u>	SWITCH, KEY (INCLUDES ITEM 4) (FOR VEHICLES PRIOR TO SERIAL NUMBER 9522-436452) .....	1
4	<u>1012505</u>	KEY (PAIR) .....	1
5	<u>1018307-01</u>	NUT, KEY SWITCH .....	1
6	1018306-01	ASSEMBLY, SCREW AND WASHER .....	4
7	<u>1018345-02</u>	CAP, KEY SWITCH .....	1
8	<u>1018511-01</u>	WASHER .....	1
9	<u>1016859</u>	KIT, REVERSE BUZZER (INCLUDES ITEMS 10, 11 AND 12) .....	1
10	<u>1016851</u>	BUZZER, REVERSE .....	1
11	<u>1016849</u>	SCREW, PAN HEAD HILO, #4 - 24 x 5/16 .....	2
12	1016857	WIRE ASSEMBLY, #18 BLACK .....	1



# WIRING, GASOLINE VEHICLES RESORT VILLAGER, TRANS-PORTER/TRANS-SENDER

**5**  
**G**

ITEM	PART NO.	DESCRIPTION	QTY
		1 2 3 4	
	1017669	HARNES, WIRE (INCLUDES ITEMS 1 - 28) .....	1
1	<u>1015769</u>	WIRE ASSEMBLY, # 6 WHITE .....	1
2	1015738	WIRE ASSEMBLY, #16 YELLOW .....	1
3	<u>1016380</u>	WIRE ASSEMBLY, # 6 BLACK .....	1
4	1017677	WIRE ASSEMBLY, #18 BROWN .....	1
5	1016763	WIRE ASSEMBLY, #18 YELLOW .....	1
6	1016765	WIRE ASSEMBLY, #18 RED/WHITE .....	1
7	1017676	WIRE ASSEMBLY, #18 GREEN AND YELLOW.....	1
8	1018282-03	WIRE ASSEMBLY, #16 RED AND ORANGE .....	1
9	<u>1017679</u>	WIRE ASSEMBLY, #18 BLUE .....	1
10	1017681	WIRE ASSEMBLY, #18 RED .....	1
11	1016770	WIRE ASSEMBLY, #14 YELLOW .....	1
12	1017052	WIRE ASSEMBLY, #18 BLUE .....	1
13	1016326	WIRE ASSEMBLY, #16 BLACK .....	1
14	1016323	WIRE ASSEMBLY, #16 WHITE .....	1
15	1016315	WIRE ASSEMBLY, #16 ORANGE/WHITE .....	1
16	1016771	WIRE ASSEMBLY, #18 GREEN/WHITE AND BLUE .....	1
17	1016308	WIRE ASSEMBLY, #16 BLACK .....	1
18	1016307	WIRE ASSEMBLY, #16 ORANGE .....	1
19	1016772	WIRE ASSEMBLY, #16 RED/WHITE .....	1
20	1016773	WIRE ASSEMBLY, #18 WHITE .....	1
21	1016774	WIRE ASSEMBLY, #18 YELLOW .....	1
22	1016775	WIRE ASSEMBLY, #18 BROWN .....	1
23	1016776	WIRE ASSEMBLY, #14, #18 BLACK .....	1
24	1016314	WIRE ASSEMBLY, #16 BROWN .....	1
25	1016309	WIRE ASSEMBLY, #16 ORANGE/WHITE .....	1
26	1016409	WIRE ASSEMBLY, #18 RED .....	1
27	1016778	WIRE ASSEMBLY, #18 ORANGE .....	1
28	1017678	WIRE ASSEMBLY, #18 WHITE/BLACK .....	1
29	<u>1015332</u>	WIRE ASSEMBLY, #10 BRAIDED GROUND WIRE .....	1
30	<u>1012382</u>	WIRE ASSEMBLY, #6 BLACK .....	1
31	<u>1014119</u>	WIRE ASSEMBLY, #6 RED .....	1
32	1012396	WIRE ASSEMBLY, #18 BLACK .....	1
33	1013463	WIRE ASSEMBLY, #18 BLUE .....	1
34	<u>1015737</u>	WIRE ASSEMBLY, #10 RED .....	1
35	1017005	WIRE ASSEMBLY, #18 BLACK .....	1
36	<u>1012384</u>	WIRE ASSEMBLY, #6 BLACK .....	1
37	1015921	WIRE ASSEMBLY, #18 BLACK .....	1
38	1016857	WIRE ASSEMBLY, #18 BLACK .....	1
39	1017006	WIRE ASSEMBLY, #18 ORANGE .....	1
40	1017010	WIRE ASSEMBLY, #18 WHITE .....	1
41	1013469	WIRE ASSEMBLY, #18 BLACK .....	1



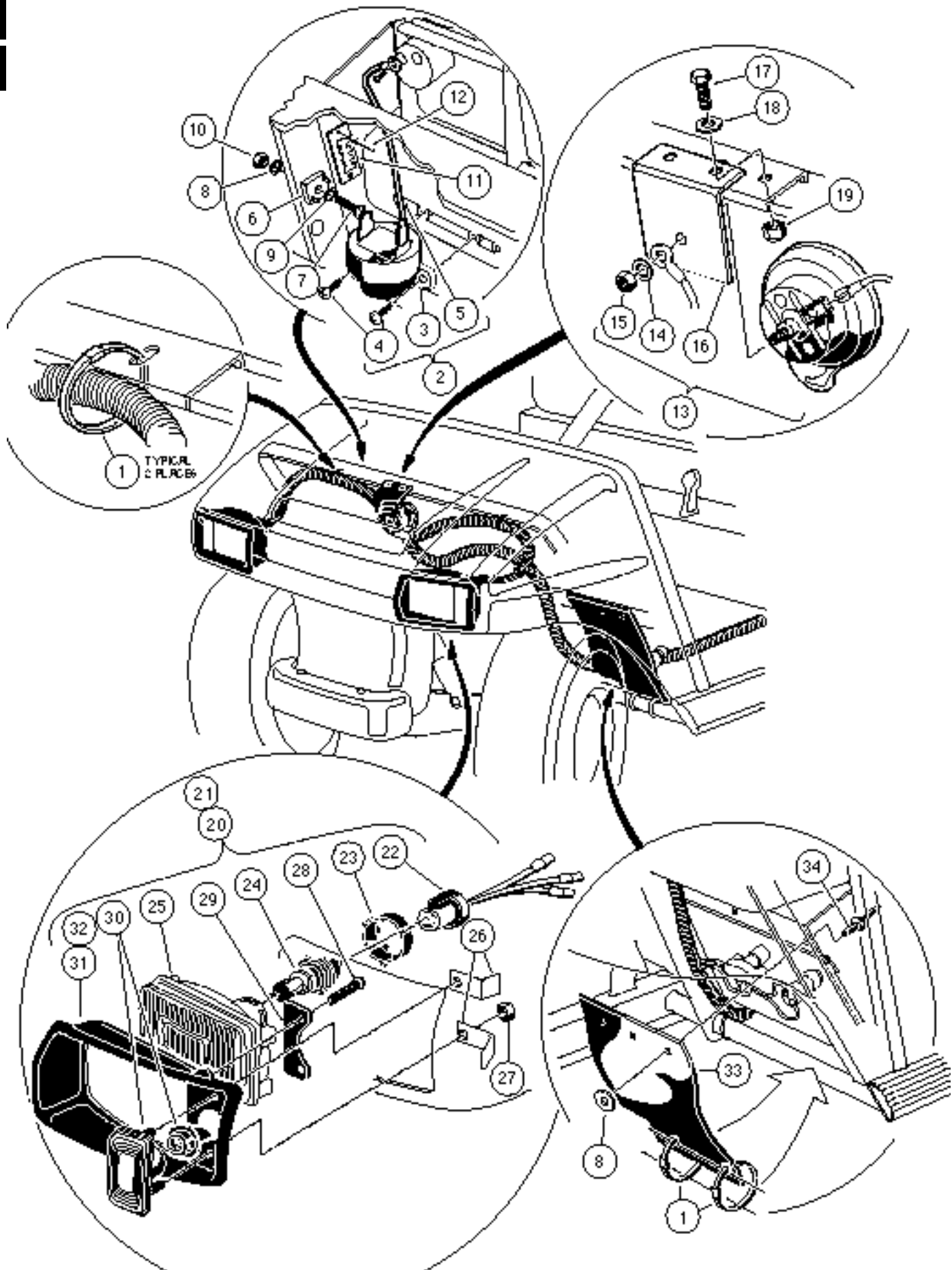


# ELECTRICAL COMPONENT BOX, GASOLINE VEHICLES RESORT VILLAGER, TRANS-PORTER/TRANS-SENDER

5

G

ITEM	PART NO.	DESCRIPTION	QTY
		1 2 3 4	
	<u>1018277-02</u>	BOX, ELECTRICAL COMPONENT, COMPLETE (INCLUDES ITEMS 1 - 39 AND PART NUMBER 1017669 - SEE PAGE 5-11).....	1
1	<u>1015372</u>	COVER, ELECTRICAL COMPONENT BOX .....	1
2	<u>1013589</u>	RING, RETAINING .....	1
3	<u>1015373</u>	CAM, ELECTRICAL BOX .....	1
4	<u>1014145</u>	BUSHING, BRONZE .....	2
5	<u>1014065</u>	WASHER, FLAT .....	1
6	<u>1015345</u>	ASSEMBLY, BELL CRANK SHAFT .....	1
7	<u>1010954</u>	STUD, BALL, 1/4 - 28 .....	1
8	0008717	NUT, NYLON LOCK , 1/4 - 28 .....	1
9	0008450	SCREW, HEX HEAD MACHINE, #10 - 24 x 1/2 .....	1
10	0000183	WASHER, FLAT, #10 .....	1
11	<u>1017243</u>	BRACKET, RELAY MOUNTING .....	1
12	0001016	WASHER, LOCK, #10 .....	1
13	0001017	NUT, HEX, #10 - 24 .....	1
14	0001242	NUT, HEX, 5/16 - 18 .....	2
15	0007893	NUT, HEX, #10 - 32 .....	2
16	1017006	WIRE ASSEMBLY, #18 ORANGE .....	1
17	1017010	WIRE ASSEMBLY, #18 WHITE .....	1
18	<u>1014119</u>	WIRE ASSEMBLY, #6 RED .....	1
19	1014948	ASSEMBLY, DIODE .....	1
20	<u>1013609</u>	SOLENOID .....	1
21	<u>1015752</u>	SCREW, HILO, #12 - 16 x 5/8 .....	5
22	<u>1016997</u>	BOX, ELECTRICAL COMPONENT .....	1
23	<u>1012295</u>	FUSE, 10 AMP .....	1
24	<u>1015737</u>	WIRE ASSEMBLY, #10 RED .....	1
25	<u>1015741</u>	BLOCK, FUSE .....	1
26	0008233	NUT, NYLON LOCK, 1/4 - 20 .....	1
27	<u>1017238</u>	REGULATOR, VOLTAGE .....	1
28	1015343	STRAP, GROUND .....	1
29	<u>1015405</u>	BOLT, CARRIAGE, 5/16 - 18 x 2 .....	1
30	<u>1015919</u>	NUT, HEX JAM, 1/4 - 20 .....	1
31	<u>1013509</u>	SCREW, HEX HEAD CAP, 1/4 - 20 x 1 3/4 .....	1
32	<u>1016896</u>	SCREW, HEX HEAD MACHINE, #4 - 40 x 1 1/8 .....	2
33	1012431	WASHER, FLAT, #4 .....	2
34	0008057	NUT, HEX, #4 - 40 .....	4
35	0008058	WASHER, LOCK, #4 .....	2
36	<u>1014807</u>	SWITCH, LIMIT .....	1
37	1017005	WIRE ASSEMBLY, #18 BLACK .....	1
38	<u>1017239</u>	RELAY .....	1
39	<u>1016423</u>	FUSE, 20 AMP .....	3



# ELECTRICAL COMPONENTS, FRONT BODY, GASOLINE RESORT VILLAGER, TRANS-PORTER/TRANS-SENDER

5

G

ITEM	PART NO.	DESCRIPTION	QTY
		1 2 3 4	
1	0008639	WRAP, TIE .....	4
2	<u>1016859</u>	KIT, REVERSE BUZZER (INCLUDES ITEMS 3, 4 AND 5) .....	1
3	<u>1016851</u>	BUZZER, REVERSE .....	1
4	<u>1016849</u>	SCREW, PAN HEAD HILO, #4 - 24 x 5/16 .....	2
5	1016857	WIRE ASSEMBLY, #18 BLACK .....	1
6	<u>1017721</u>	LIMITER, VOLTAGE .....	1
7	<u>1010909</u>	SCREW, MACHINE, #10 - 32 x 1 1/4 .....	1
8	0000183	WASHER, FLAT, #10 .....	4
9	0001016	WASHER, LOCK, #10 .....	1
10	0007893	NUT, HEX, #10 - 32 .....	1
11	<u>1016356</u>	BLOCK, TERMINAL .....	1
12	<u>1013357</u>	RIVET, ALUMINUM POP, 5/32 .....	2
13	0004029	ASSEMBLY, HORN (INCLUDES ITEMS 14, 15 AND 16) .....	1
14	0007820	WASHER, INTERNAL TOOTH, 5/16 .....	1
15	<u>1012528</u>	NUT, M8 x 1.25 .....	1
16	<u>1011825</u>	BRACKET, HORN .....	1
17	0000304	BOLT, HEX HEAD, 1/4 - 20 x 1 .....	2
18	0000332	WASHER, FLAT, 1/4 .....	2
19	0008233	NUT, NYLON LOCK, 1/4 - 20 .....	2
20	<u>1016897-01</u>	ASSEMBLY, HEADLIGHT, LEFT HAND (INCLUDES ITEMS 22 - 31) .....	1
21	<u>1016897-02</u>	ASSEMBLY, HEADLIGHT, RIGHT HAND (INCLUDES ITEMS 22 - 30 AND 32) .....	1
22	<u>1017066</u>	HARNES, HEADLIGHT WIRE .....	1
23	1017059	LOCK, BULB COLLAR .....	1
24	<u>1017060</u>	BULB, HALOGEN .....	1
25	1017061	LENS, HEADLIGHT .....	1
26	<u>1017064</u>	BRACKET, MOUNTING .....	2
27	0007893	NUT, HEX, #10 - 32 .....	2
28	<u>1013461</u>	SCREW, HI-LO, #10 - 16 x 7/16 .....	2
29	<u>1017065</u>	RETAINER, HEADLIGHT .....	1
30	<u>1017062</u>	ASSEMBLY, TURN SIGNAL LENS .....	1
31	<u>1016880</u>	BEZEL, HEADLIGHT, LEFT HAND .....	1
32	<u>1016879</u>	BEZEL, HEADLIGHT, RIGHT HAND .....	1
33	1015787	FLAP, SWITCH PROTECTOR .....	1
34	0001606	RIVET, POP, 3/16 .....	3

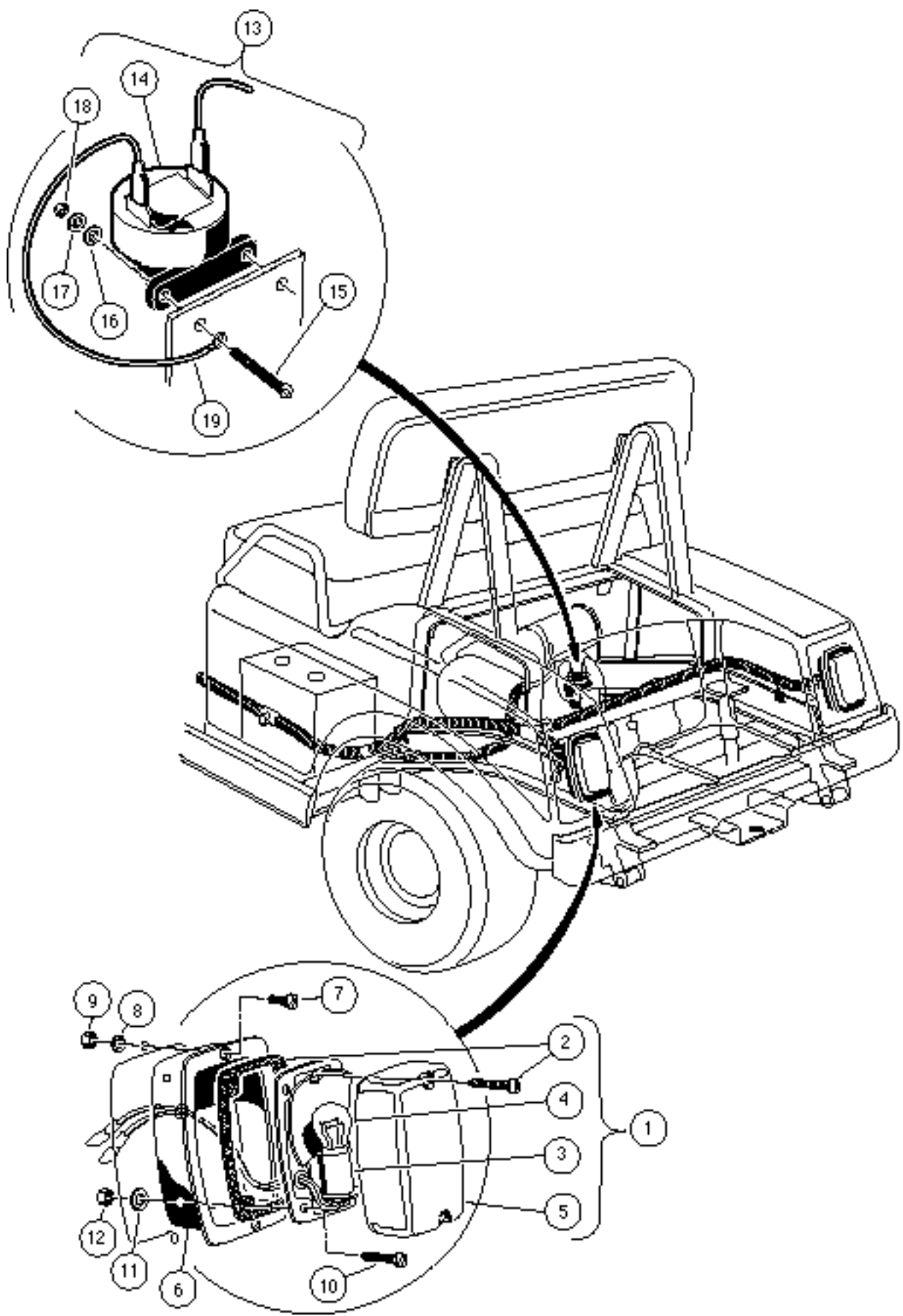


# CONTROLS AND GAUGES, GASOLINE VEHICLES RESORT VILLAGER, TRANS-PORTER/TRANS-SENDER

5

G

ITEM	PART NO.	DESCRIPTION	QTY
		1 2 3 4	
1	<u>1016630</u>	LIGHT, OIL WARNING .....	1
2	<u>1015103</u>	GAUGE, FUEL (INCLUDES ITEMS 3 AND 4) .....	1
3	N/A	NUT, BRASS .....	6
4	N/A	WASHER, EXTERNAL TOOTH LOCK .....	3
5	<u>1015104</u>	BRACKET, FUEL GAUGE .....	1
6	<u>1011571</u>	NUT, HEX, #8 - 32 .....	2
7	<u>1011610</u>	WASHER, LOCK, #8 .....	2
8	1018264-01	SWITCH, KEY (FOR VEHICLES SERIAL NUMBER 9522-436452 AND LATER) .....	1
9	<u>1018275-07</u>	SWITCH, KEY, WITH DASH PANEL ASSEMBLY WITH GAUGE OPENING (INCLUDES ITEM 10) (FOR VEHICLES PRIOR TO SERIAL NUMBER 9522-436452) ....	1
10	<u>1012505</u>	KEY (PAIR) .....	1
11	<u>1018307-01</u>	NUT, KEY SWITCH .....	1
12	1018306-01	ASSEMBLY, SCREW AND WASHER .....	5
13	<u>1018345-02</u>	CAP, KEY SWITCH .....	1
14	<u>1018511-01</u>	WASHER .....	1
15	0004034	SWITCH, LIGHT (INCLUDES ITEM 16) .....	1
16	<u>1013857</u>	KNOB, LIGHT SWITCH .....	1
17	<u>1011439</u>	SWITCH, LIMIT .....	2
18	<u>1011557</u>	SCREW, MACHINE, #6 - 32 x 1 .....	6
19	<u>1011229</u>	NUT, "K" LOCK, #6 - 32 .....	6
20	1011742	BRACKET, BRAKE LIGHT SWITCH .....	1
21	1010889	SWITCH, DIMMER .....	1
22	<u>1018713-01</u>	STAND-OFF, DIMMER SWITCH .....	2
23	<u>1018712-01</u>	SCREW, MACHINE, #10 - 32 x 1 .....	2
24	0008049	WASHER, INTERNAL TOOTH LOCK, #10 .....	2
25	0007893	NUT, HEX, #10 - 32 .....	2
26	<u>1013443</u>	BUTTON, HORN .....	1

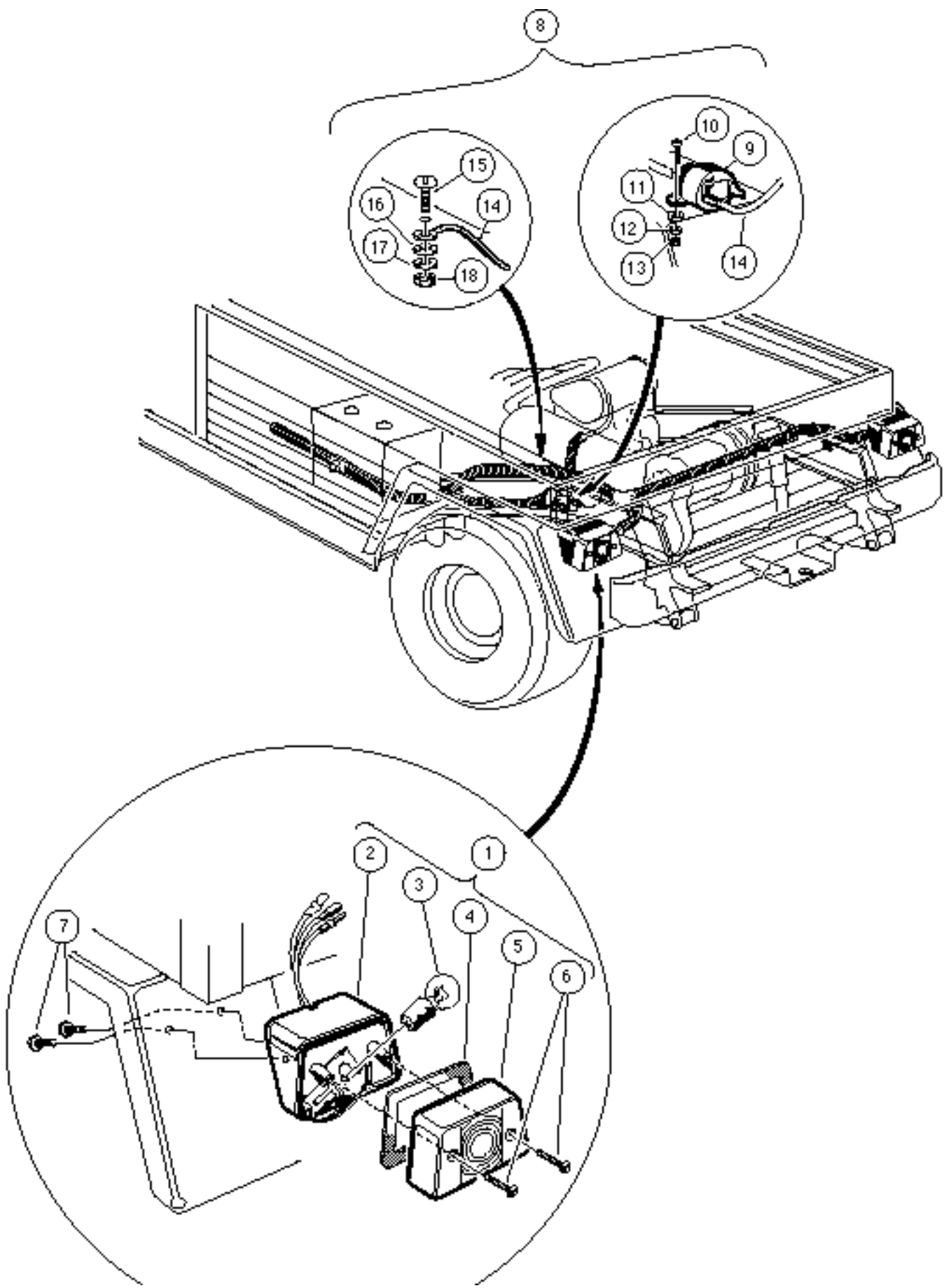


# ELECTRICAL COMPONENTS, REAR BODY GASOLINE VEHICLE - RESORT VILLAGER

5

G

ITEM	PART NO.	DESCRIPTION	QTY
		1 2 3 4	
1	1017035	ASSEMBLY, TAILLIGHT (INCLUDES ITEMS 2 - 5) .....	2
2	<u>1017699</u>	KIT, HARDWARE .....	1
3	N/A	BASE, TAILLIGHT .....	1
4	<u>1011582</u>	BULB .....	1
5	<u>1011843</u>	LENS .....	1
6	<u>1011497</u>	BEZEL .....	2
7	<u>1011498</u>	SCREW, MACHINE, #8 - 32 x 1/2 .....	4
8	<u>1011610</u>	WASHER, LOCK, #8 .....	4
9	<u>1011571</u>	NUT, HEX, #8 - 32 .....	4
10	<u>1011557</u>	SCREW, MACHINE, #6 - 32 x 1 .....	4
11	0007591	WASHER, FLAT, #6 .....	4
12	<u>1011558</u>	NUT, HEX, #6 .....	6
13	<u>1016859</u>	KIT, REVERSE BUZZER (INCLUDES ITEMS 14 - 19) .....	1
14	<u>1016851</u>	BUZZER, REVERSE .....	1
15	0008056	SCREW, ROUND HEAD, #4 - 40 x 3/4 .....	2
16	1012431	WASHER, FLAT, #4 .....	2
17	0008058	WASHER, LOCK, #4 .....	2
18	0008057	NUT, HEX, #4 - 40 .....	2
19	1016857	WIRE ASSEMBLY, #18 BLACK .....	1



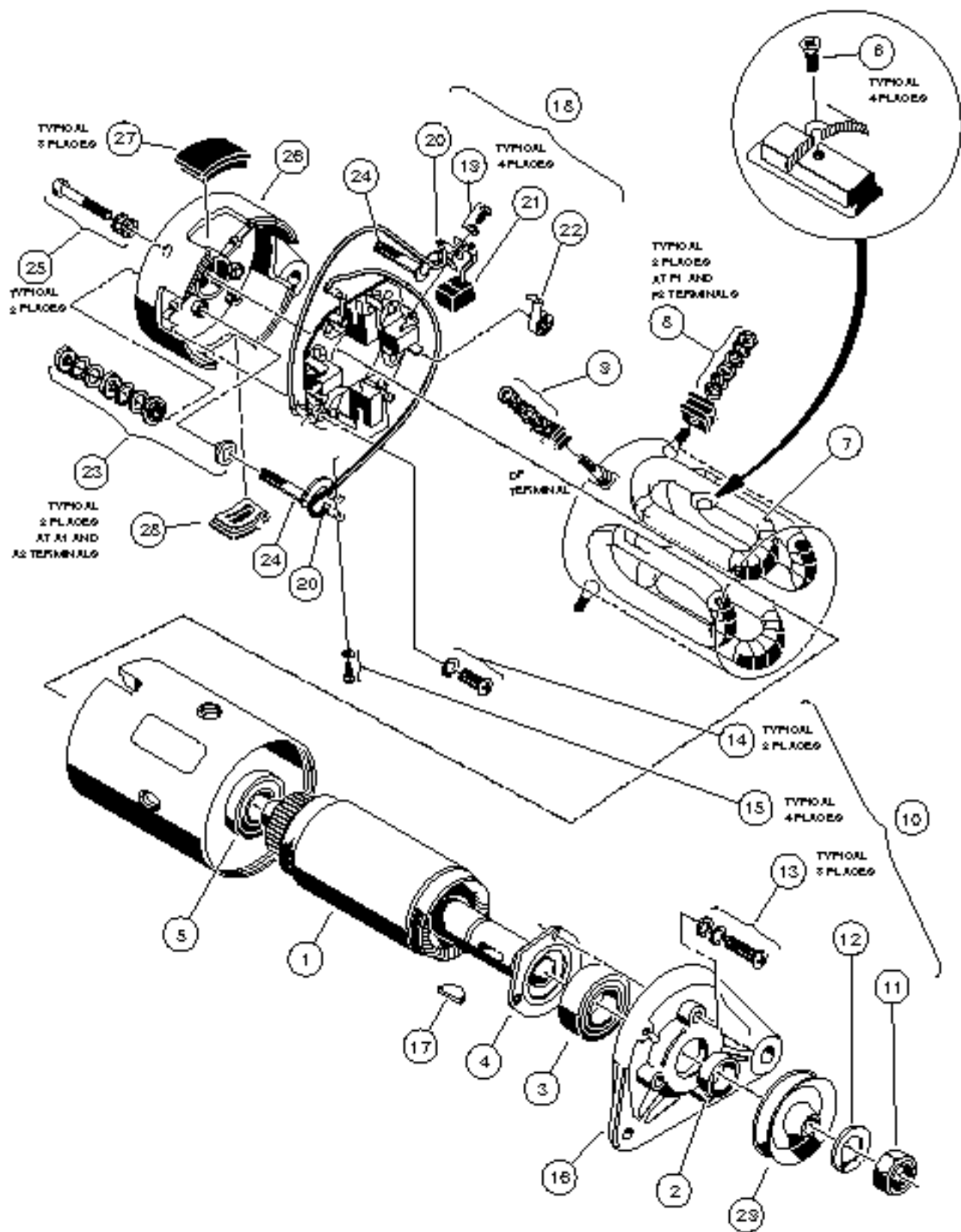


# ELECTRICAL COMPONENTS, REAR BODY GASOLINE - TRANS-PORTER/TRANS-SENDER

5

G

ITEM	PART NO.	DESCRIPTION	QTY
		1 2 3 4	
1	<u>1016717</u>	ASSEMBLY, TAILLIGHT (TRANS-PORTER/TRANS-SENDER) (INCLUDES ITEMS 2 - 6) .....	2
2	N/A	HOUSING, TAILLIGHT .....	1
3	<u>1011582</u>	BULB .....	1
4	N/A	GASKET .....	1
5	N/A	LENS .....	1
6	N/A	SCREW, LENS .....	2
7	<u>1015752</u>	SCREW, HEX WASH HEAD, #12 - 16 x 1/2 .....	4
8	<u>1016859</u>	KIT, REVERSE BUZZER (INCLUDES ITEMS 9 - 14) .....	1
9	<u>1016851</u>	BUZZER, REVERSE .....	1
10	0008056	SCREW, ROUND HEAD, #4 - 40 x 3/4 .....	2
11	1012431	WASHER, FLAT, #4 .....	2
12	0008058	WASHER, LOCK, #4 .....	2
13	0008057	NUT, HEX, #4 - 40 .....	2
14	1016857	WIRE ASSEMBLY, #18 BLACK .....	1
15	<u>1015720</u>	SCREW, PAN MACHINE, #6 - 32 x 1/2 .....	1
16	0007591	WASHER, FLAT .....	1
17	<u>1011622</u>	WASHER, LOCK, #6 .....	1
18	<u>1011558</u>	NUT, HEX, #6 - 32 .....	1

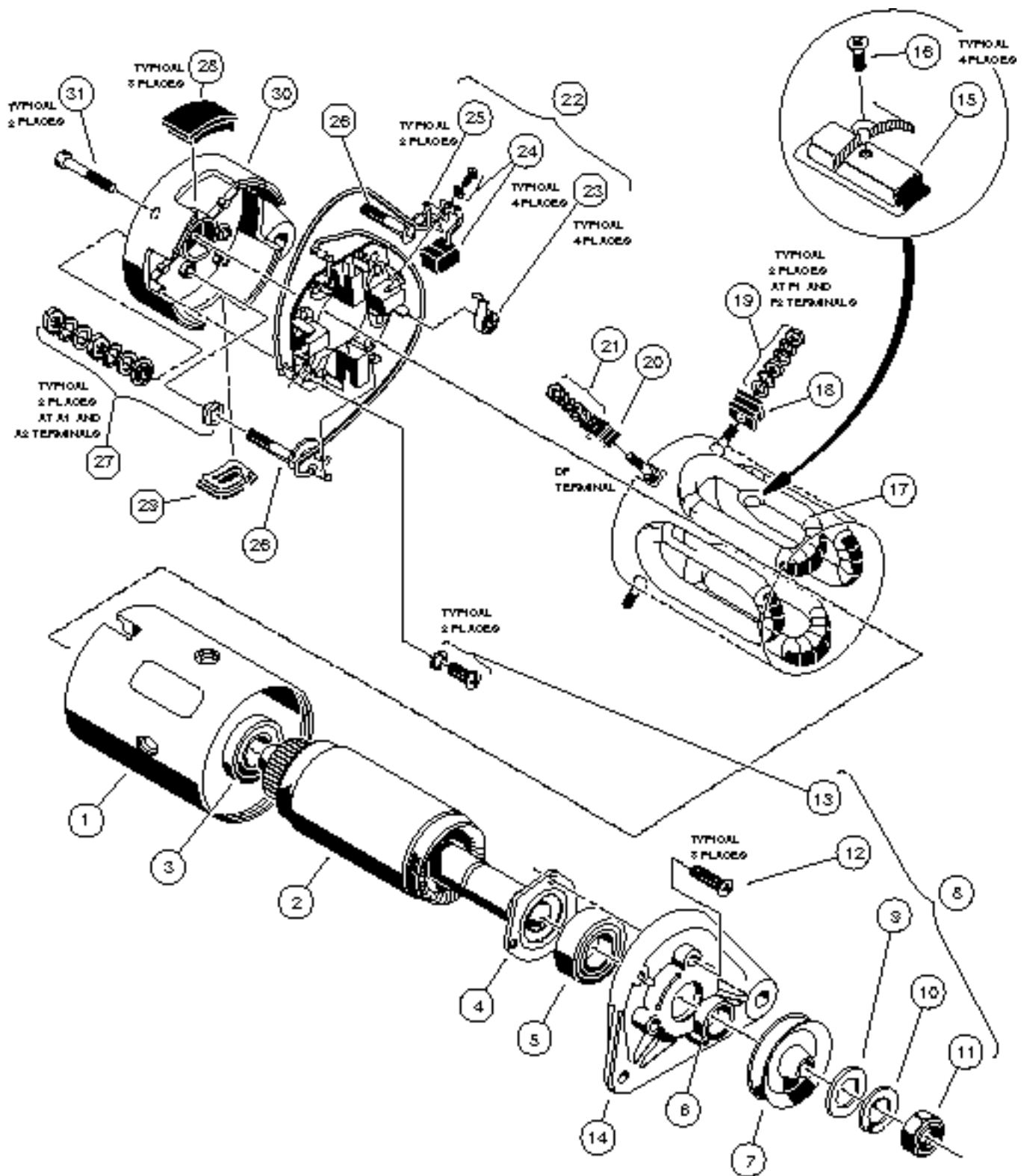


# STARTER/GENERATOR ASSEMBLY

5

G

ITEM	PART NO.	DESCRIPTION	QTY
		1 2 3 4 FOR VEHICLES PRIOR TO SERIAL NUMBER 9533-452031.	
	N/A	STARTER/GENERATOR (INCLUDES ITEMS 1 - 28) .....	1
1	<u>1013004</u>	ASSEMBLY, ARMATURE .....	1
2	<u>1013000</u>	SPACER .....	1
3	<u>1013001</u>	SHAFT, BALL BEARING OUTPUT .....	1
4	<u>1013002</u>	RETAINER, BEARING .....	1
5	<u>1013005</u>	COMMUTATOR, BALL BEARING .....	1
6	<u>1013009</u>	SCREW, POLE PIECE .....	4
7	<u>1013010</u>	ASSEMBLY, FIELD COIL .....	1
8	<u>1013007</u>	PACKAGE, TERMINAL HARDWARE (F1 AND F2) .....	2
9	<u>1013017</u>	PACKAGE, TERMINAL HARDWARE (DF) .....	1
10	<u>1013018</u>	KIT, PULLEY NUT AND SCREW (INCLUDES ITEMS 11 - 15) .....	1
11	N/A	HEX NUT, M14 x 2 .....	1
12	N/A	WASHER, LOCK, M14 .....	1
13	N/A	SCREW, CROSS - RECESSED, M5 x .8 x 18MM (WITH LOCK WASHER AND FLAT WASHER) .....	3
14	N/A	SCREW, CROSS - RECESSED, M5 x .8 x 16MM (WITH LOCK WASHER) .....	2
15	N/A	SCREW, CROSS - RECESSED, M4 x .7 x 10MM (WITH LOCK WASHER) .....	4
16	<u>1012999</u>	BELL, OUTPUT SHAFT END .....	1
17	<u>1013003</u>	KEY .....	1
18	<u>1013011</u>	ASSEMBLY, BRUSH HOLDER (INCLUDES ITEMS 19 - 22) .....	1
19	N/A	SCREW, CROSS - RECESSED, M4 x .7 x 10MM (WITH LOCK WASHER) .....	4
20	<u>1013013</u>	LEAD, CROSSOVER .....	2
21	<u>1014699</u>	PACKAGE, BRUSH (INCLUDES 4 BRUSHES) .....	1
22	<u>1013016</u>	SPRING, BRUSH .....	4
23	<u>1012990</u>	PACKAGE, TERMINAL HARDWARE (A1 AND A2) (INCLUDES 1 OF ITEM 24) .....	2
24	N/A	A CONNECTOR .....	1
25	<u>1012992</u>	BOLT, CLAMP, M6 x 1 x 180MM .....	2
26	<u>1012993</u>	BELL, COMMUTATOR END .....	1
27	<u>1012991</u>	COVER, BRUSH INSPECTION PORT .....	3
28	<u>1017653</u>	COVER, BRUSH INSPECTION PORT, WITH DRAIN .....	1
29	<u>1014289</u>	PULLEY .....	1

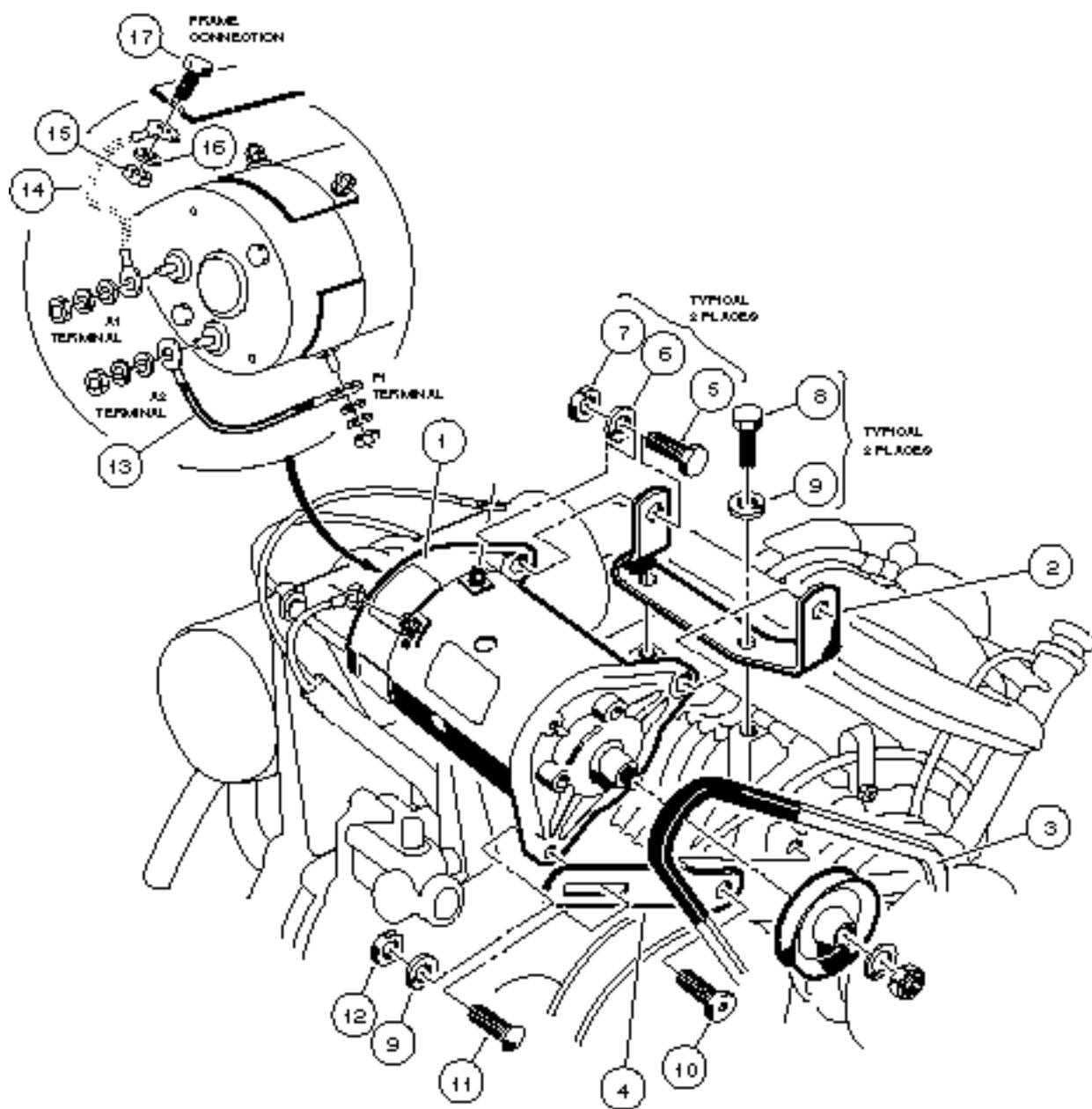


# STARTER/GENERATOR ASSEMBLY

5

G

ITEM	PART NO.	DESCRIPTION	QTY
		1 2 3 4 FOR VEHICLES SERIAL NUMBER 9533-452031 AND LATER.	
	<u>1018294-01</u>	STARTER/GENERATOR (INCLUDES ITEMS 1 - 31) .....	1
1	<u>1018752-01</u>	YOKE .....	1
2	<u>1018751-01</u>	ASSEMBLY, ARMATURE .....	1
3	<u>1013005</u>	COMMUTATOR, BALL BEARING .....	1
4	<u>1018750-01</u>	RETAINER, BEARING .....	1
5	<u>1013001</u>	BALL BEARING, OUTPUT SHAFT .....	1
6	<u>1018748-01</u>	SPACER .....	1
7	<u>1018747-01</u>	PULLEY .....	1
8	<u>1018765-01</u>	KIT, PULLEY NUT AND SCREW (INCLUDES ITEMS 9 - 13) .....	1
9	N/A	WASHER, FLAT, M8 .....	1
10	N/A	WASHER, LOCK, M14 .....	1
11	N/A	NUT, HEX, M14 x 2 .....	1
12	N/A	SCREW, CROSS - RECESSED, M5 x .8 x 18MM .....	3
13	<u>1018965-01</u>	SCREW, CROSS - RECESSED, M5 x .8 x 16MM (WITH LOCK WASHER) .....	2
14	<u>1018749-01</u>	END BELL, OUTPUT SHAFT .....	1
15	<u>1018753-01</u>	SET, POLE (SET OF 4) .....	1
16	<u>1018754-01</u>	SCREW, POLE PIECE (SET OF 4) .....	1
17	<u>1018755-01</u>	ASSEMBLY, FIELD COIL .....	1
18	<u>1018756-01</u>	SET, F MOLD .....	2
19	<u>1018776-01</u>	PACKAGE, TERMINAL HARDWARE (F1 AND F2) .....	2
20	<u>1018757-01</u>	SET, DF MOLD .....	1
21	<u>1018777-01</u>	PACKAGE, TERMINAL HARDWARE (DF) .....	1
22	<u>1013011</u>	HOLDER, BRUSH (INCLUDES ITEMS 23, 24 AND 25) .....	1
23	<u>1018781-01</u>	SPRING, BRUSH .....	4
24	<u>1018693-01</u>	PACKAGE, BRUSH (INCLUDES 4 BRUSHES, 4 SCREWS, 4 WASHERS) .....	1
25	<u>1018762-01</u>	ASSEMBLY, BRUSH CONNECTOR .....	2
26	<u>1018758-01</u>	A CONNECTOR (SET OF 2) .....	1
27	<u>1018760-01</u>	PACKAGE, TERMINAL HARDWARE (A1 AND A2) .....	2
28	<u>1018763-01</u>	COVER, BRUSH INSPECTION PORT (SET OF 4) (INCLUDES ITEM 29) .....	1
29	<u>1017653</u>	COVER, BRUSH INSPECTION PORT, WITH DRAIN .....	1
30	<u>1018764-01</u>	END BELL, COMMUTATOR .....	1
31	<u>1018790-01</u>	BOLT, CLAMP, M6 x 1 x 180MM .....	2

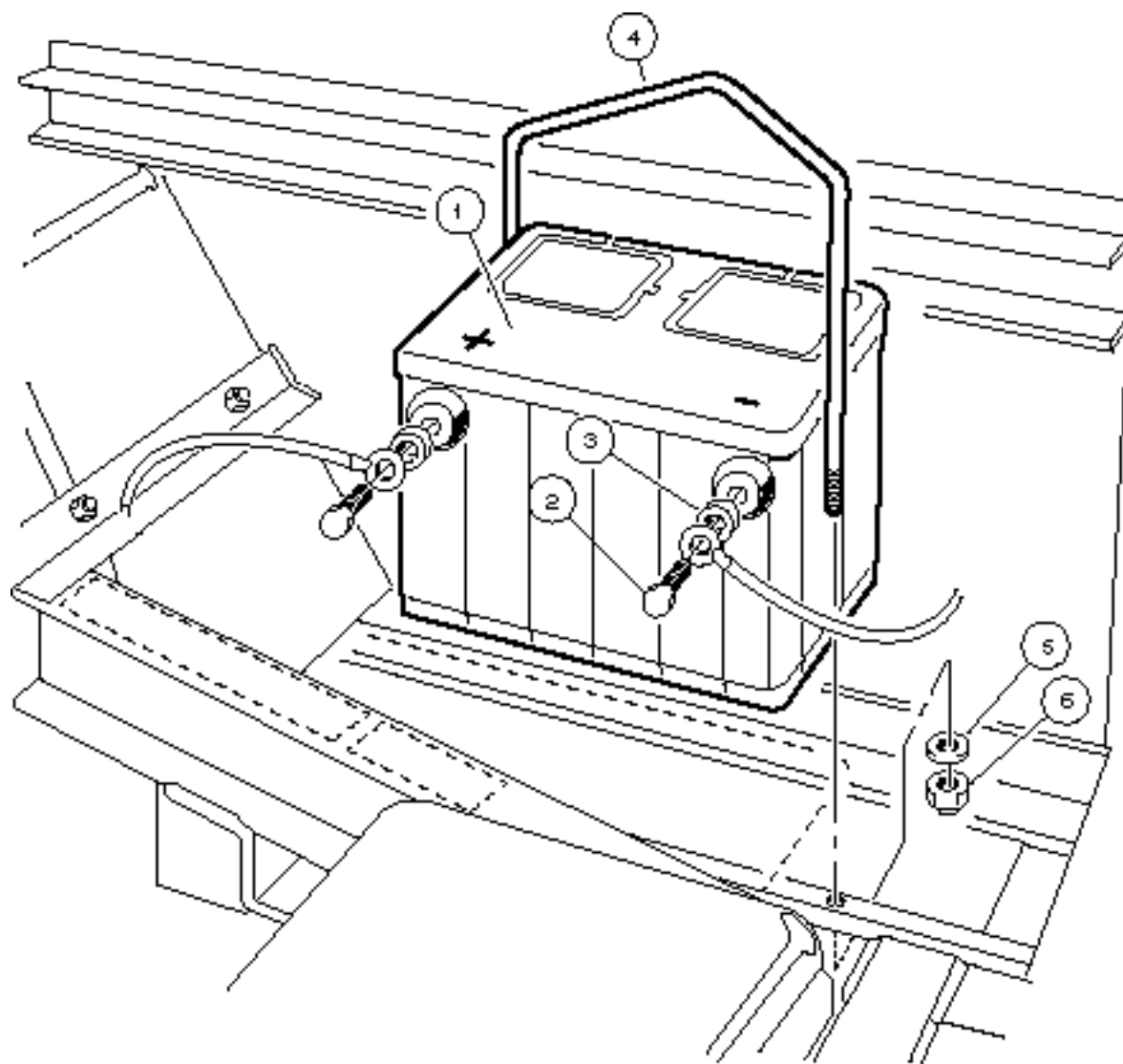


# STARTER/GENERATOR MOUNTING

5

G

ITEM	PART NO.	DESCRIPTION	QTY
		1 2 3 4	
1	N/A	STARTER/GENERATOR (VEHICLES PRIOR TO SERIAL NUMBER 9533-452031) .....	1
1	<u>1018294-01</u>	STARTER/GENERATOR (VEHICLES SERIAL NUMBER 9533-452031 AND LATER) ....	1
2	<u>1015240-01</u>	BRACKET, MOUNTING, FE 290 (TOURALL ONLY) .....	1
2	<u>1015240-02</u>	BRACKET, MOUNTING, FE 350 (RESORT VILLAGER, TRANS-PORTER/TRANS-SENDER) .....	1
3	1014290	BELT .....	1
4	<u>1016883</u>	BRACKET, ADJUSTING .....	1
5	0000705	SCREW, HEX HEAD CAP, 3/8 - 16 x 1 1/4 .....	2
6	0000357	WASHER, LOCK, 3/8 .....	2
7	0000706	NUT, HEX, 3/8 - 16 .....	2
8	<u>1015331</u>	SCREW, HEX HEAD CAP, M8 x 1.25 x 25MM .....	2
9	0007174	WASHER, LOCK, 5/16 .....	3
10	<u>1016074</u>	SCREW, TORX HEAD, M8 x 1.25 x 18MM .....	1
11	<u>1015932</u>	BOLT, CARRIAGE, 5/16 - 18 x 1 .....	1
12	0001242	NUT, HEX, 5/16 - 18 .....	1
13	<u>1012384</u>	WIRE ASSEMBLY, #6 BLACK .....	1
14	<u>1015920</u>	WIRE ASSEMBLY, #6 BRAIDED GROUND (TOURALL ONLY) .....	1
14	<u>1016380</u>	WIRE ASSEMBLY, #6 BRAIDED GROUND (RESORT VILLAGER, TRANS-PORTER/TRANS-SENDER ONLY) .....	1
15	0007473	NUT, NYLON LOCK, 5/16 - 18 .....	1
16	0001241	WASHER, FLAT, 5/16 .....	1
17	0007173	SCREW, HEX HEAD CAP, 5/16 - 18 x 3/4 .....	1





# BATTERY MOUNTING - GASOLINE VEHICLES

5

G

ITEM	PART NO.	DESCRIPTION	QTY
		1 2 3 4	
1	<u>1012328</u>	BATTERY, 12 VOLT .....	1
2	<u>1014375</u>	SCREW, HEX HEAD CAP, STAINLESS STEEL, 3/8 - 16 x 1/2 .....	2
3	<u>1014374</u>	SPACER, BATTERY TERMINAL BOLT .....	2
4	<u>1013882</u>	HOLD-DOWN, BATTERY .....	1
5	1011964	WASHER, FLAT, STAINLESS STEEL, 1/4 .....	2
6	1015068	NUT, NYLON LOCK, STAINLESS STEEL, 1/4 - 20 .....	2

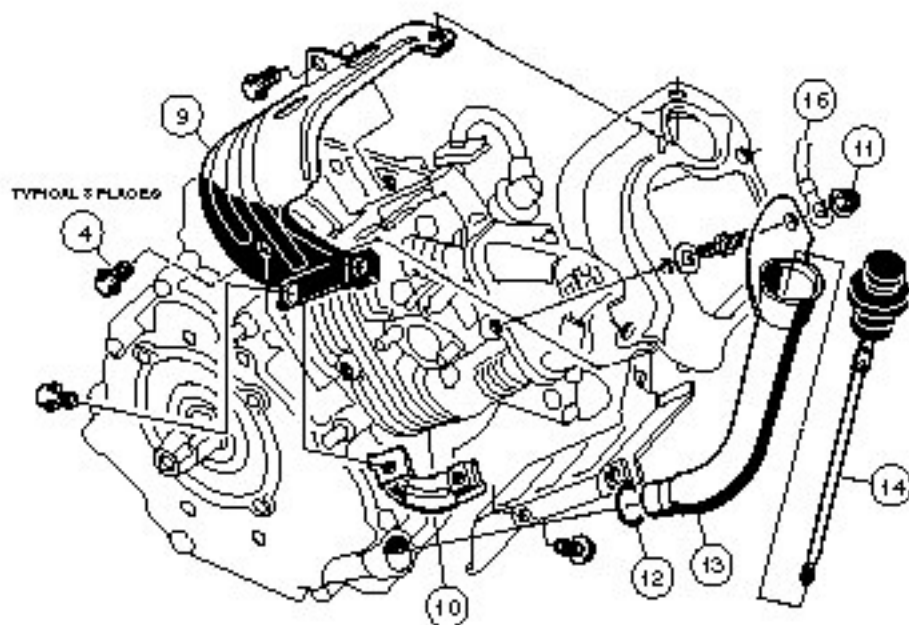
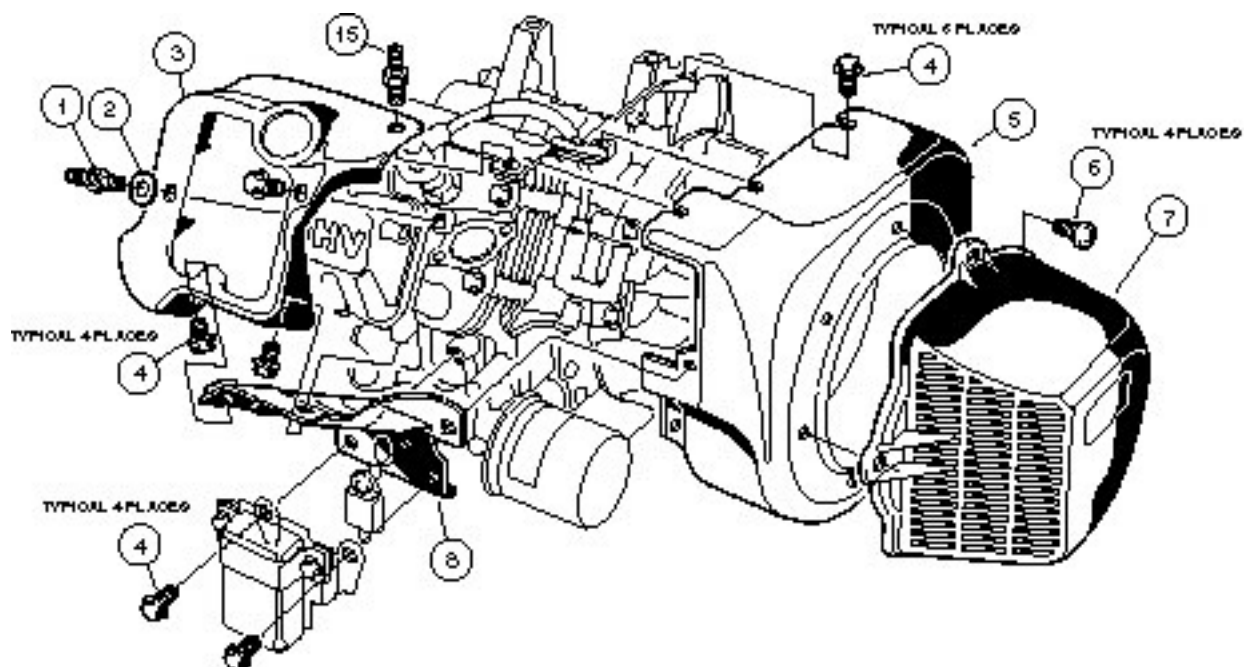


# ENGINE

---

6

G

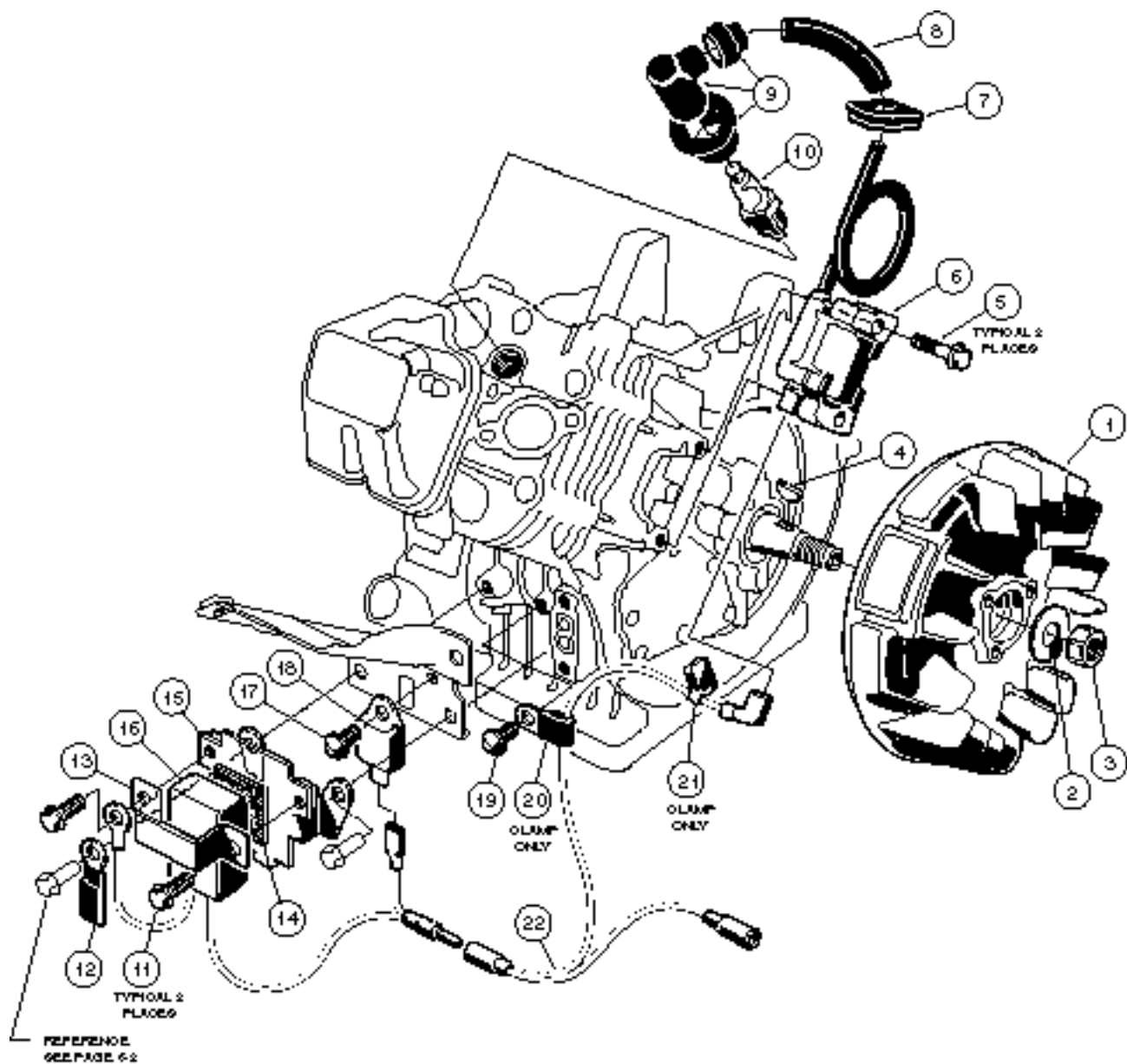


# FE 290 ENGINE - TOURALL VEHICLE

6

G

ITEM	PART NO.	DESCRIPTION	QTY
		1 2 3 4	
	<u>1015731</u>	FE 290 OHV GASOLINE ENGINE, COMPLETE .....	1
1	<u>1016507</u>	BOLT, 2-ENDED, M6 x 1 x 29MM .....	1
2	<u>1016512</u>	WASHER, FLAT, 6MM .....	1
3	<u>1016524</u>	SHROUD, ENGINE, FE 290 .....	1
4	<u>1016456</u>	BOLT, FLANGED, M6 x 1 x 12MM .....	17
5	<u>1016534</u>	HOUSING, FAN .....	1
6	<u>1015969</u>	SCREW, PAN HEAD, M6 x 1 x 14MM .....	4
7	<u>1015649</u>	SHROUD, FAN .....	1
8	<u>1016526</u>	SHROUD, ENGINE, FE 290 (LOWER) .....	1
9	<u>1016525</u>	SHROUD, ENGINE, FE 290 (UPPER) .....	1
10	<u>1016443</u>	BRACKET .....	1
11	<u>1016547</u>	NUT, M6 x 1 .....	1
12	<u>1016539</u>	O-RING .....	1
13	<u>1016536</u>	TUBE, OIL FILLER, FE 290 .....	1
14	<u>1016531</u>	DIPSTICK .....	1
15	<u>1017221</u>	SCREW, 2-ENDED, M6 x 1 x 46MM .....	1
16	<u>1015332</u>	WIRE ASSEMBLY, #10 BRAIDED GROUND .....	1

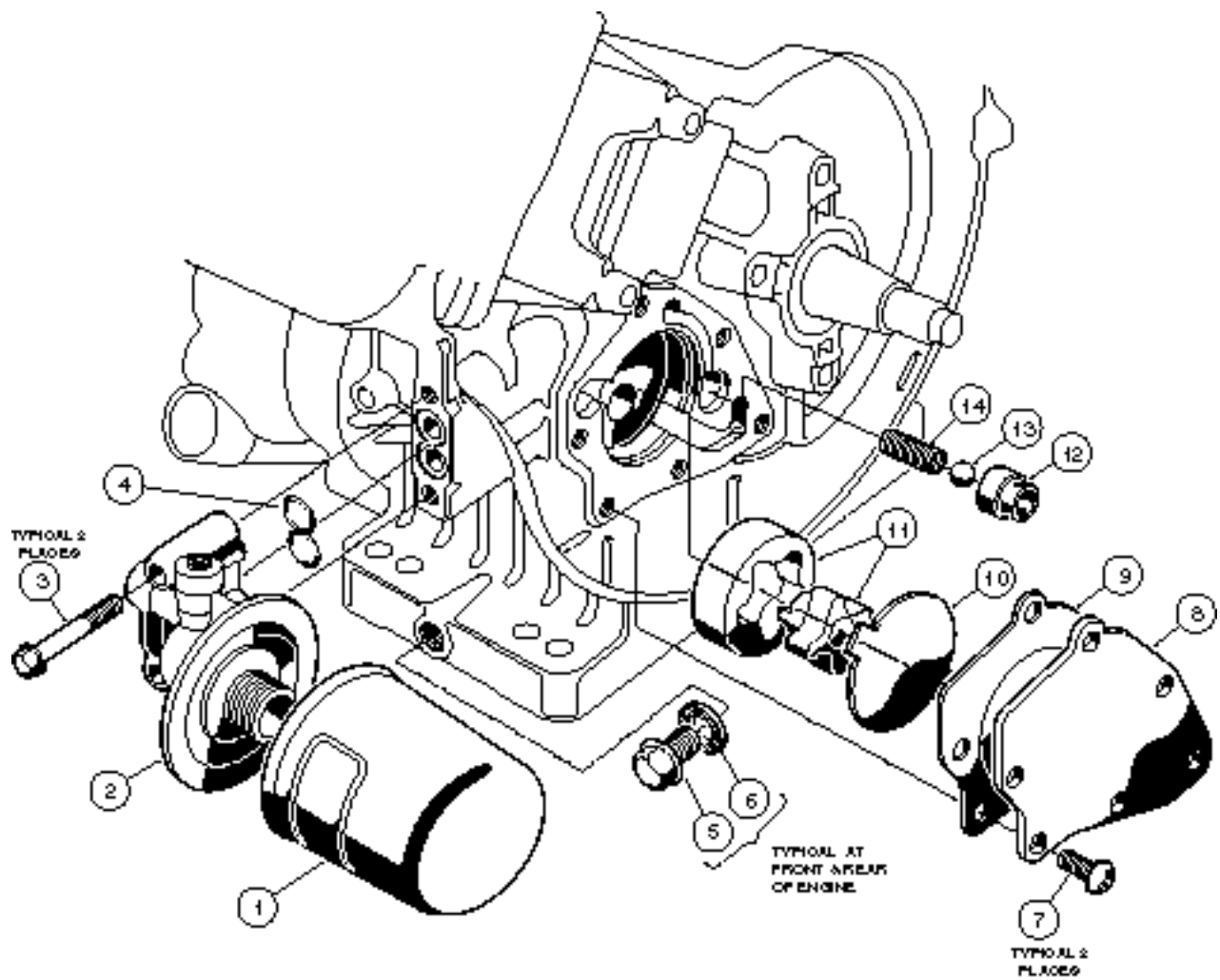


# FE 290 ENGINE - TOURALL VEHICLE

6

G

ITEM	PART NO.	DESCRIPTION	QTY
		1 2 3 4	
1	<u>1016495</u>	FLYWHEEL, COMPLETE .....	1
2	<u>1016548</u>	WASHER, FLAT, 16MM .....	1
3	<u>1016505</u>	NUT, HEX, M16 x 2 .....	1
4	<u>1016562</u>	KEY .....	1
5	<u>1016455</u>	BOLT, FLANGED, M5 x .8 x 25MM .....	2
6	<u>1016492</u>	COIL, IGNITION .....	1
7	<u>1016578</u>	GROMMET .....	1
8	<u>1016588</u>	TUBE, 7MM x 70MM .....	1
9	<u>1016493</u>	ASSEMBLY, PLUG CAP .....	1
10	1016111	SPARK PLUG - OHV .....	1
11	1016456	BOLT, FLANGED, M6 x 1 x 12MM .....	2
12	<u>1012981</u>	CLAMP .....	1
13	<u>1016579</u>	MOUNT, RPM LIMITER .....	1
14	1016586	DAMPER, RPM LIMITER .....	1
15	1016445	BRACKET, RPM LIMITER .....	1
16	<u>1016511</u>	LIMITER, RPM - OHV .....	1
17	<u>1016497</u>	SCREW, CROSS PAN HEAD, M5 x .8 x 8MM .....	1
18	<u>1016491</u>	IGNITER - OHV .....	1
19	<u>1016544</u>	SCREW, CROSS PAN HEAD SELF-TAPPING, M5 x .8 x 12MM .....	1
20	<u>1016561</u>	CLAMP .....	1
21	<u>1016587</u>	CLAMP .....	1
22	<u>1016503</u>	WIRE, LEAD .....	1



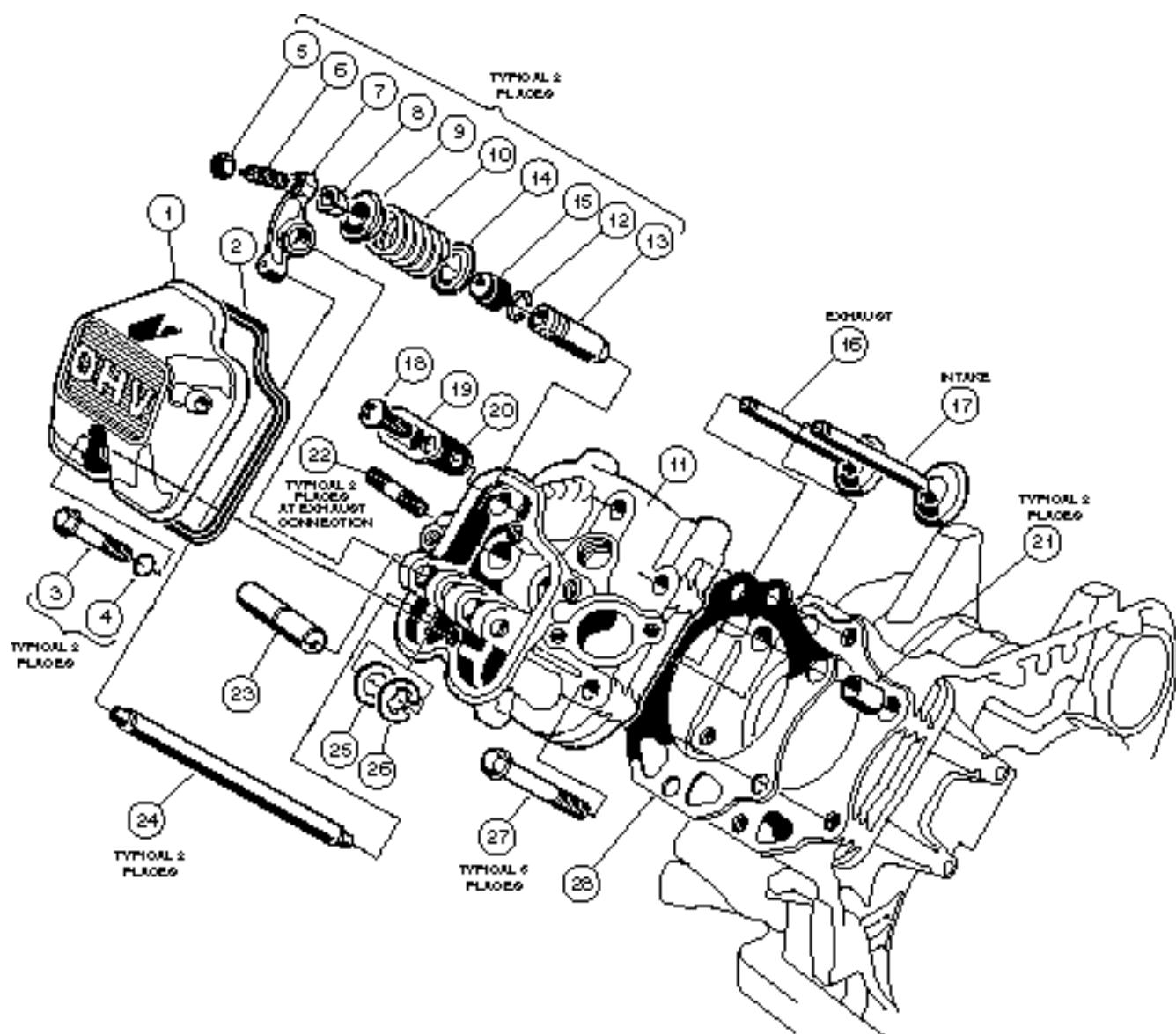


# FE 290 ENGINE - TOURALL VEHICLE

6

G

ITEM	PART NO.	DESCRIPTION	QTY
		1 2 3 4	
1	<u>1016467</u>	ASSEMBLY, OIL FILTER, OHV .....	1
2	<u>1016502</u>	BRACKET, OIL FILTER .....	1
3	<u>1016457</u>	BOLT, FLANGED HEX HEAD, M6 x 1 x 40MM .....	2
4	<u>1016570</u>	O-RING, OIL FILTER MOUNT .....	1
5	<u>1016576</u>	PLUG, DRAIN, FE 290 .....	2
6	<u>1016432</u>	GASKET, DRAIN PLUG .....	2
7	<u>1016498</u>	SCREW, CROSS PAN HEAD, M6 x 1 x 12MM .....	6
8	<u>1016484</u>	COVER, PUMP .....	1
9	<u>1016435</u>	GASKET, OIL PUMP .....	1
10	<u>1016473</u>	PLATE, OIL PUMP .....	1
11	<u>1016482-03</u>	PUMP, OIL, AND ROTOR .....	1
12	<u>1016429</u>	SEAT, VALVE .....	1
13	<u>1016537</u>	BALL, STEEL, PRESSURE RELIEF .....	1
14	<u>1016581</u>	SPRING .....	1

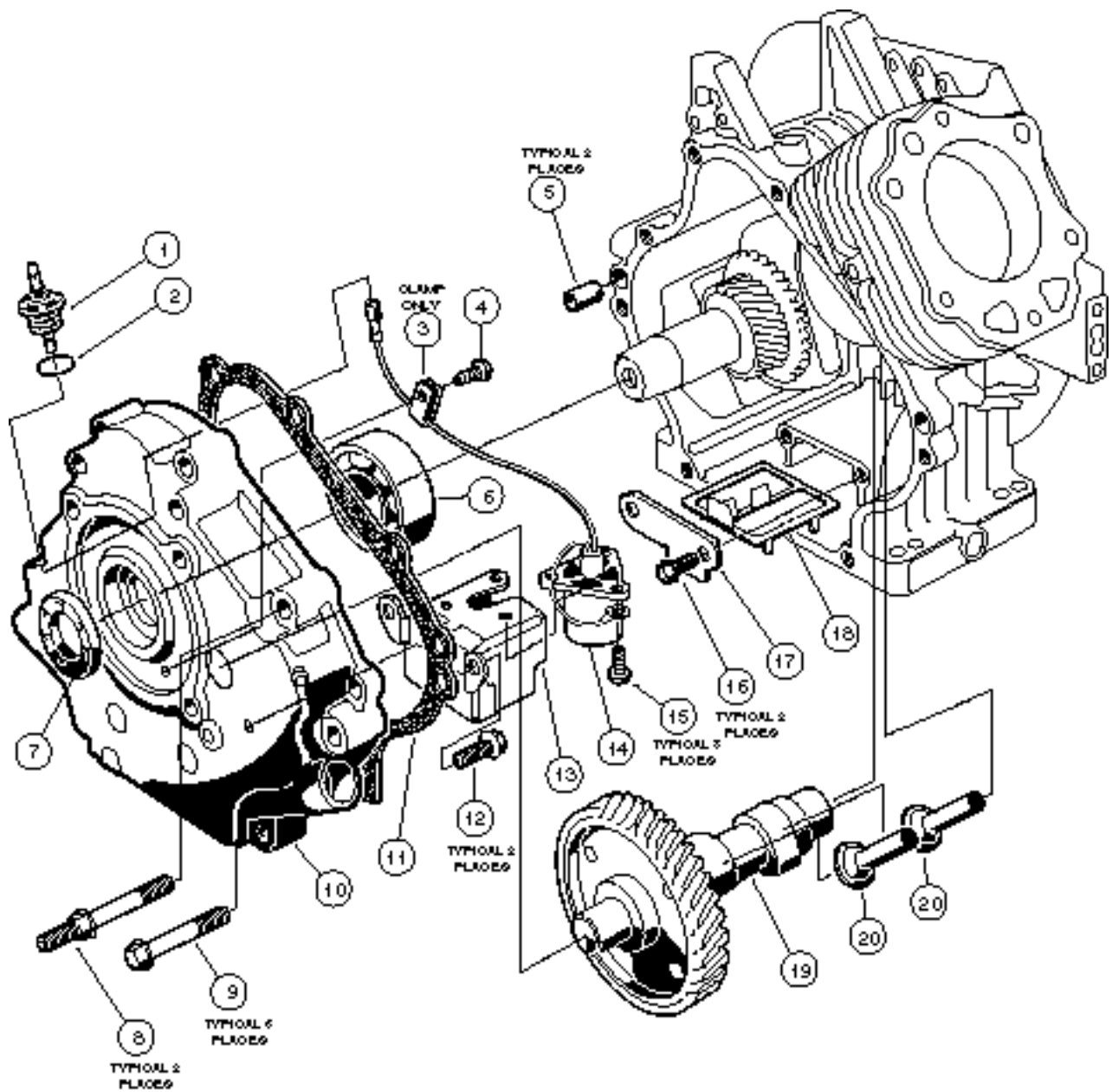


# FE 290 ENGINE - TOURALL VEHICLE

6

G

ITEM	PART NO.	DESCRIPTION	QTY
		1 2 3 4	
1	<u>1016442</u>	CASE, ROCKER .....	1
2	<u>1016436</u>	GASKET, ROCKER CASE .....	1
3	<u>1016583</u>	BOLT, FLANGED, M6 x 1 x 35MM .....	2
4	<u>1016569</u>	O-RING .....	2
5	<u>1016545</u>	NUT, HEX, M5 x .8 .....	2
6	<u>1016542</u>	SCREW, STUD, M5 x .8 .....	2
7	<u>1016451</u>	ARM, ROCKER .....	2
8	<u>1016450</u>	COLLET .....	2
9	<u>1016449</u>	RETAINER, VALVE SPRING .....	2
10	<u>1016523</u>	SPRING, ENGINE VALVE .....	2
11	<u>1016431</u>	ASSEMBLY, CYLINDER HEAD, OHV (INCLUDES ITEMS 12 AND 13) .....	1
12	<u>1016560</u>	RING, SNAP .....	2
13	<u>1016519</u>	GUIDE, VALVE .....	2
14	<u>1016479</u>	SEAT, SPRING .....	2
15	<u>1016566</u>	SEAL, VALVE .....	2
16	<u>1016448</u>	VALVE, EXHAUST .....	1
17	<u>1016447</u>	VALVE, INTAKE .....	1
18	<u>1016544</u>	SCREW, CROSS PAN HEAD SELF-TAPPING, M5 x .8 x 12MM .....	1
19	<u>1016474</u>	PLATE .....	1
20	<u>1016483</u>	VALVE .....	1
21	<u>1016563</u>	PIN .....	2
22	<u>1016489</u>	BOLT, STUD, M8 x 1.25 x 29MM .....	2
23	<u>1016452</u>	SHAFT, ROCKER .....	1
24	<u>1016471</u>	ROD, PUSH .....	2
25	<u>1016549</u>	WASHER, FLAT, M12 .....	1
26	<u>1016517</u>	CIRCLIP, TYPE-E .....	1
27	<u>1016458</u>	BOLT, FLANGED, M8 x 1.25 x 45MM .....	6
28	<u>1016430</u>	GASKET, HEAD .....	1

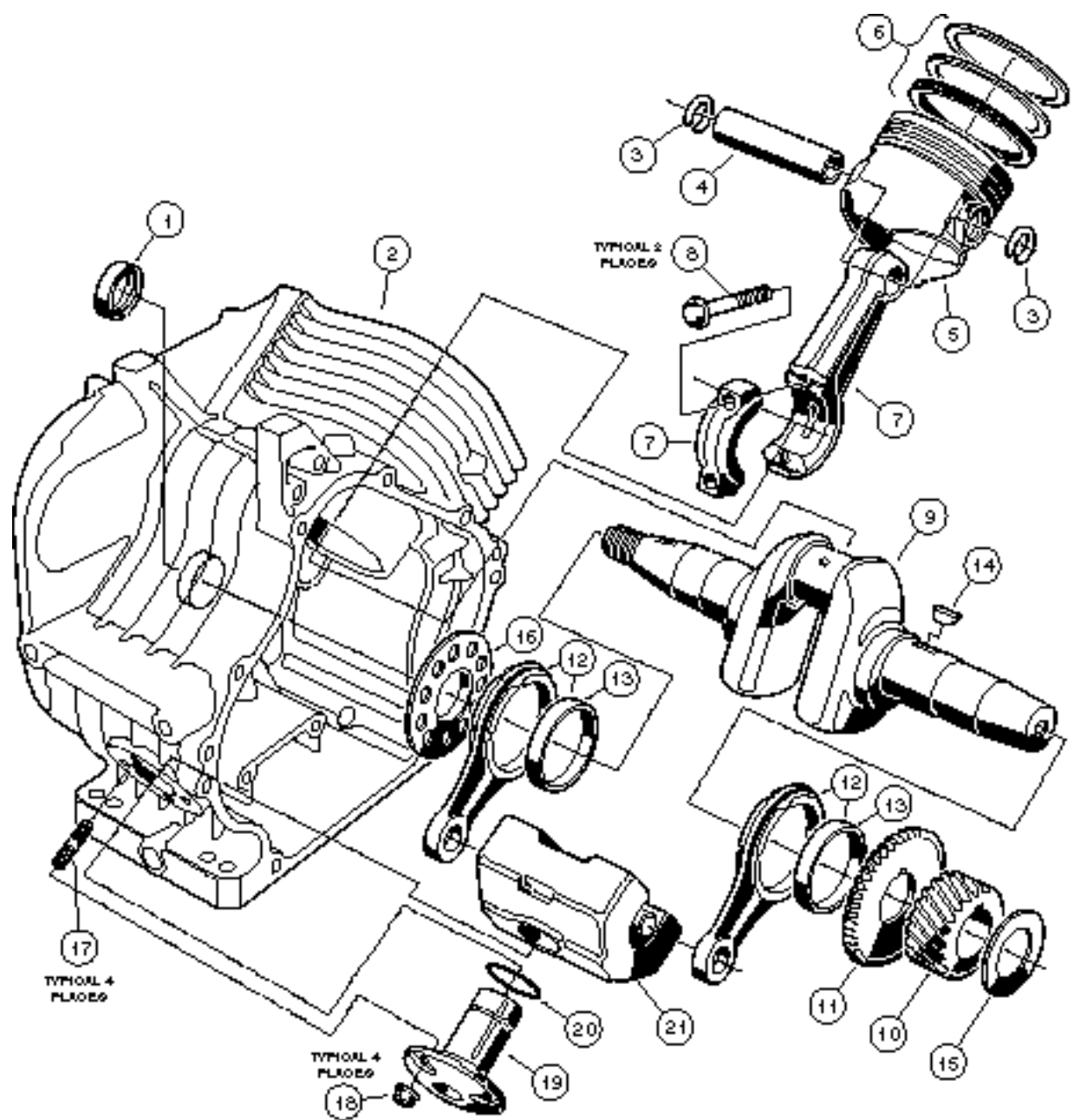


# FE 290 ENGINE - TOURALL VEHICLE

6

G

ITEM	PART NO.	DESCRIPTION	QTY
		1 2 3 4	
1	<u>1016535</u>	CONNECTOR, CORD .....	1
2	<u>1016538</u>	O-RING .....	1
3	<u>1016506</u>	CLAMP .....	1
4	<u>1016544</u>	SCREW, CROSS PAN HEAD SELF-TAPPING, M5 x .8 x 12MM .....	1
5	<u>1016564</u>	PIN .....	2
6	1016565	BEARING, BALL .....	1
7	<u>1016567</u>	SEAL, CRANKSHAFT .....	1
8	<u>1016584</u>	BOLT, 2-ENDED, M8 x 1.25 x 69MM .....	2
9	<u>1016458</u>	BOLT, FLANGED, M8 x 1.25 x 45MM .....	6
10	<u>1016520</u>	COVER, CRANKCASE .....	1
11	<u>1016446</u>	GASKET, CRANKCASE COVER .....	1
12	1016456	BOLT, FLANGED, M6 x 1 x 12MM .....	2
13	<u>1016510</u>	BRACKET, OIL LEVEL SWITCH .....	1
14	1016494	SENSOR, OIL LEVEL .....	1
15	<u>1016496</u>	SCREW, CROSS PAN HEAD, M4 x .7 x 8MM .....	3
16	<u>1016454</u>	BOLT, FLANGED, M5 x .8 x 8MM .....	2
17	<u>1016472</u>	PLATE, OIL FILTER SCREEN .....	1
18	<u>1016521</u>	SCREEN, OIL FILTER .....	1
19	1016528	CAMSHAFT, COMPLETE .....	1
20	1016453	TAPPET .....	2

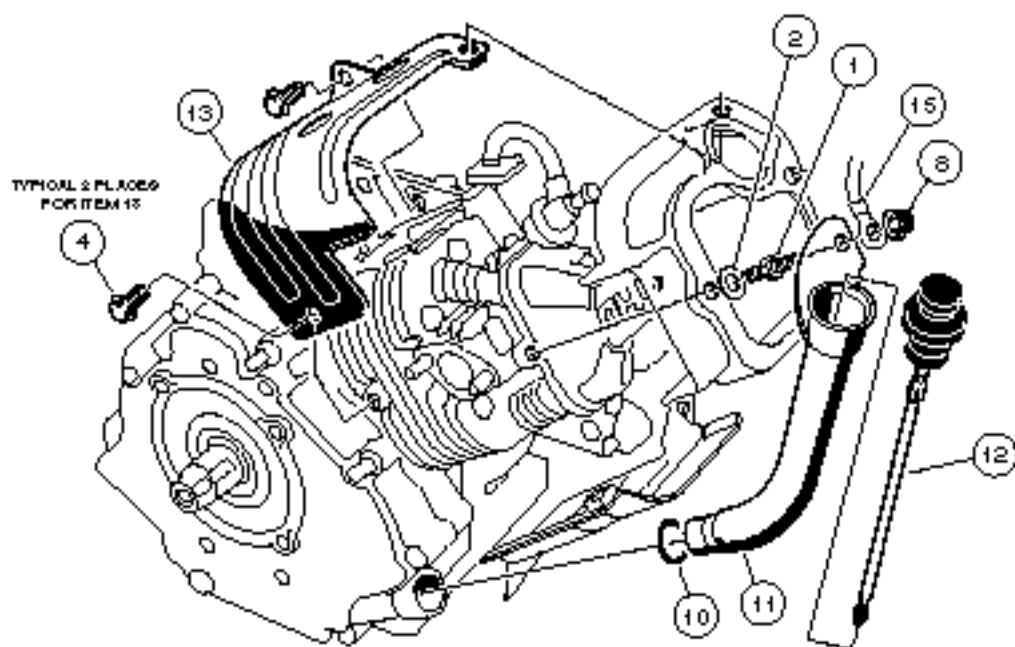
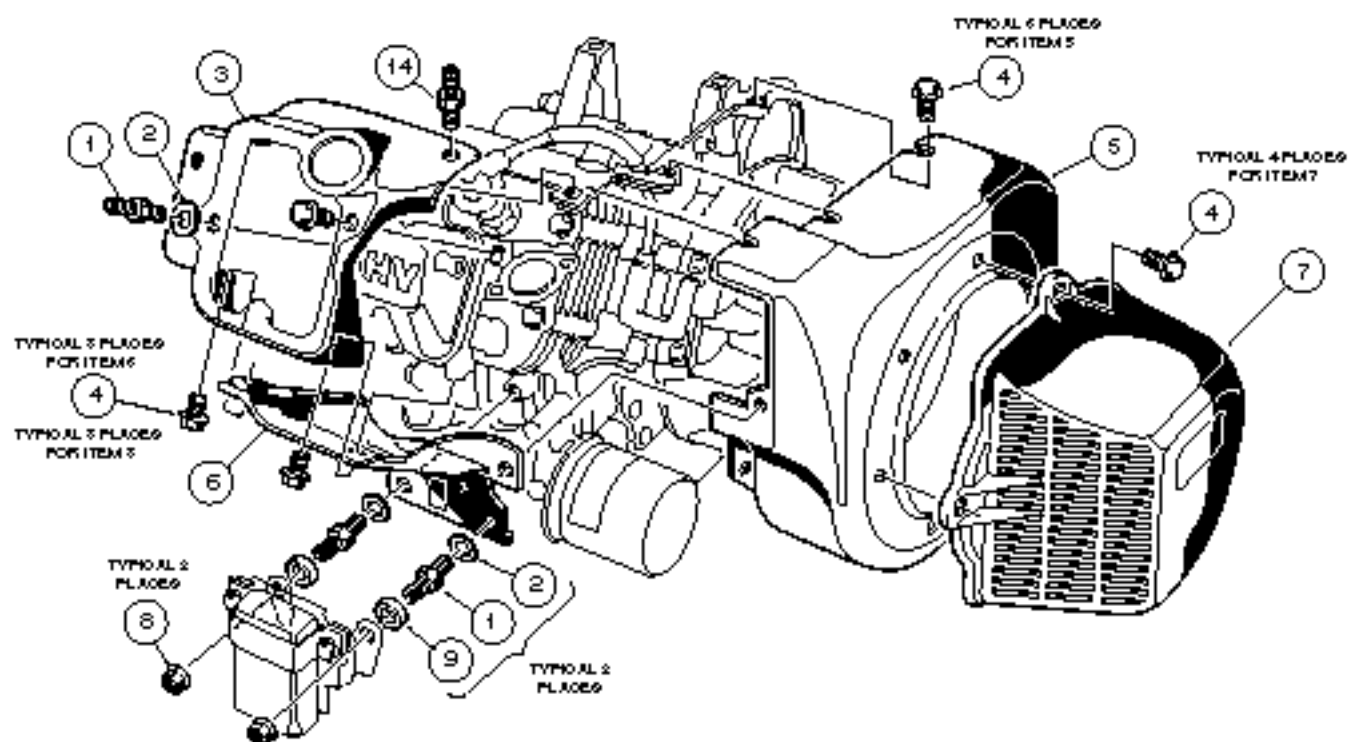


# FE 290 ENGINE - TOURALL VEHICLE

6

G

ITEM	PART NO.	DESCRIPTION	QTY
		1 2 3 4	
1	<u>1016568</u>	SEAL, OIL .....	1
2	<u>1016529</u>	CRANKCASE, COMPLETE, OHV .....	1
3	<u>1016558</u>	RING, SNAP .....	2
4	1016460	PIN, PISTON .....	1
5	<u>1016459-01</u>	PISTON, STANDARD .....	1
5	1016459-02	PISTON, .25MM OVERSIZED .....	1
5	<u>1016459-03</u>	PISTON, .50MM OVERSIZED .....	1
6	<u>1016461-01</u>	RING SET, PISTON, STANDARD .....	1
6	1016461-02	RING SET, PISTON, .25MM OVERSIZED .....	1
6	<u>1016461-03</u>	RING SET, PISTON, .50MM OVERSIZED .....	1
7	<u>1016475-01</u>	ASSEMBLY, CONNECTING ROD, STANDARD (INCLUDES 2 EACH OF ITEM 8) .....	1
7	1016475-02	ASSEMBLY, CONNECTING ROD, .50MM UNDERSIZED (INCLUDES 2 EACH OF ITEM 8) .....	1
8	<u>1016509</u>	BOLT, HEX HEAD, M7 x 1 x 36MM .....	2
9	1016468	CRANKSHAFT, OHV (INCLUDES ITEMS 10, 11 AND 12) .....	1
10	<u>1016533</u>	GEAR, HELICAL .....	1
11	<u>1016532</u>	GEAR, SPUR .....	1
12	<u>1016516</u>	ASSEMBLY, CONNECTING ROD (INCLUDES ITEM 13) .....	2
13	1016580	BEARING, PLAIN .....	2
14	<u>1016562</u>	KEY .....	1
15	<u>1016550-01</u>	SHIM, CRANKSHAFT, 1.13MM THICK .....	A/R
15	<u>1016550-02</u>	SHIM, CRANKSHAFT, 1.18MM THICK .....	A/R
15	<u>1016550-03</u>	SHIM, CRANKSHAFT, 1.23MM THICK .....	A/R
15	<u>1016550-04</u>	SHIM, CRANKSHAFT, 1.28MM THICK .....	A/R
15	<u>1016550-05</u>	SHIM, CRANKSHAFT, 1.33MM THICK .....	A/R
15	<u>1016550-06</u>	SHIM, CRANKSHAFT, 1.38MM THICK .....	A/R
15	<u>1016550-07</u>	SHIM, CRANKSHAFT, 1.43MM THICK .....	A/R
15	<u>1016550-08</u>	SHIM, CRANKSHAFT, 1.48MM THICK .....	A/R
15	<u>1016550-09</u>	SHIM, CRANKSHAFT, 1.53MM THICK .....	A/R
16	1016559	SPACER .....	1
17	<u>1016541</u>	BOLT, STUD, M6 x 1 x 22MM .....	4
18	1016547	NUT, FLANGED, M6 x 1 .....	4
19	1016470	SHAFT, GUIDE COUNTERBALANCE .....	1
20	<u>1016571</u>	O-RING .....	1
21	<u>1016469</u>	WEIGHT, COUNTERBALANCE .....	1

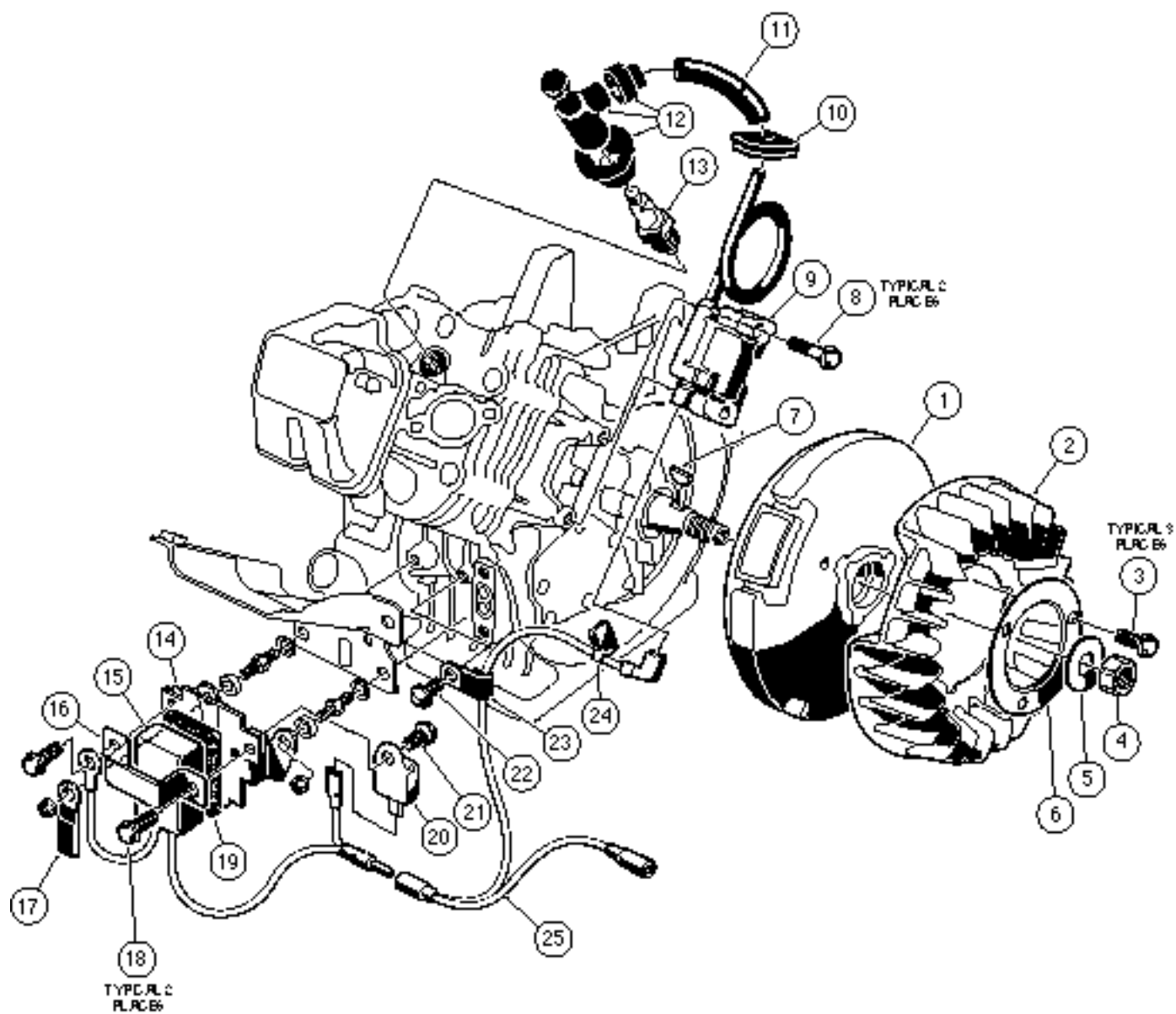




# FE 350 ENGINE RESORT VILLAGER, TRANS-PORTER/TRANS-SENDER

**6**  
**G**

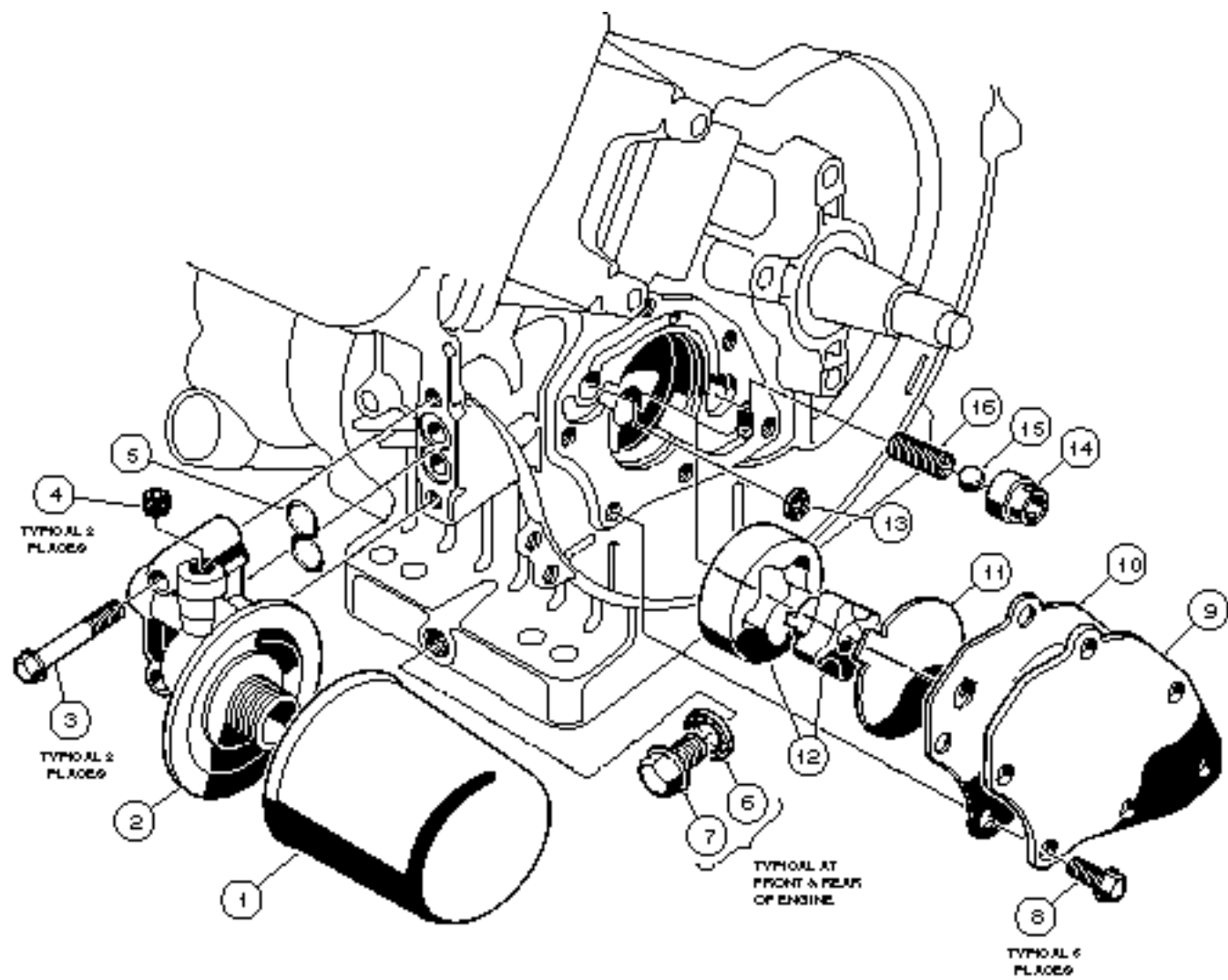
ITEM	PART NO.	DESCRIPTION	QTY
		1 2 3 4	
	1016809	FE 350 OHV GASOLINE ENGINE, COMPLETE .....	1
1	<u>1016507</u>	SCREW, 2-ENDED, M6 x 1 x 29MM .....	3
2	<u>1016512</u>	WASHER, FLAT, 6 MM .....	3
3	<u>1017474</u>	SHROUD, CYLINDER HEAD .....	1
4	<u>1016456</u>	BOLT, FLANGED, M6 x 1 x 12MM .....	18
5	<u>1017485</u>	HOUSING, FAN .....	1
6	<u>1017476</u>	SHROUD, LOWER CYLINDER .....	1
7	<u>1015649</u>	SHROUD, FAN .....	1
8	<u>1016547</u>	NUT, M6 x 1 .....	3
9	<u>1017500</u>	SPACER .....	2
10	<u>1016539</u>	O-RING .....	1
11	<u>1017486</u>	TUBE, OIL FILLER .....	1
12	<u>1016531</u>	DIPSTICK .....	1
13	<u>1017475</u>	SHROUD, UPPER CYLINDER .....	1
14	<u>1017221</u>	BOLT, 2-ENDED HEX, M6 x 1 x 46MM .....	1
15	<u>1015332</u>	WIRE ASSEMBLY, #10 BRAIDED GROUND .....	1



# FE 350 ENGINE RESORT VILLAGER, TRANS-PORTER/TRANS-SENDER

**6**  
**G**

ITEM	PART NO.	DESCRIPTION	QTY
		1 2 3 4	
1	<u>1017464</u>	FLYWHEEL .....	1
2	<u>1017482</u>	FAN, FLYWHEEL .....	1
3	<u>1017448</u>	SCREW, FLANGED HEX HEAD, M6 x 1 x 10MM .....	3
4	<u>1017467</u>	NUT, HEX, 18MM FINE .....	1
5	<u>1017490</u>	WASHER, FLAT, 18MM .....	1
6	<u>1017455</u>	PLATE, FLYWHEEL FAN .....	1
7	<u>1016562</u>	KEY .....	1
8	<u>1016455</u>	SCREW, HEX HEAD FLANGED, M5 x 0.8 x 25MM .....	2
9	<u>1016492</u>	COIL, IGNITION .....	1
10	<u>1016578</u>	GROMMET .....	1
11	<u>1016588</u>	TUBE, 7MM I.D. x 10MM O.D. x 70MM LG. ....	1
12	<u>1017463</u>	ASSEMBLY, PLUG CAP .....	1
13	<u>1018811-01</u>	PLUG, SPARK .....	1
14	1016445	BRACKET, RPM LIMITER .....	1
15	<u>1016511</u>	LIMITER, RPM .....	1
16	<u>1016579</u>	MOUNT, RPM LIMITER .....	1
17	<u>1012981</u>	CLAMP .....	1
18	1016456	SCREW, FLANGED HEX HEAD, M6 x 1 x 12MM .....	2
19	1016586	DAMPER .....	1
20	<u>1016491</u>	IGNITER .....	1
21	<u>1016497</u>	SCREW, CROSS PAN HEAD, M5 x .08 x 8MM .....	1
22	<u>1016544</u>	SCREW, CROSS PAN HEAD SELF-TAPPING, M5 x 12MM .....	1
23	<u>1016561</u>	CLAMP .....	1
24	<u>1016587</u>	CLAMP .....	1
25	<u>1016503</u>	WIRE, LEAD .....	1

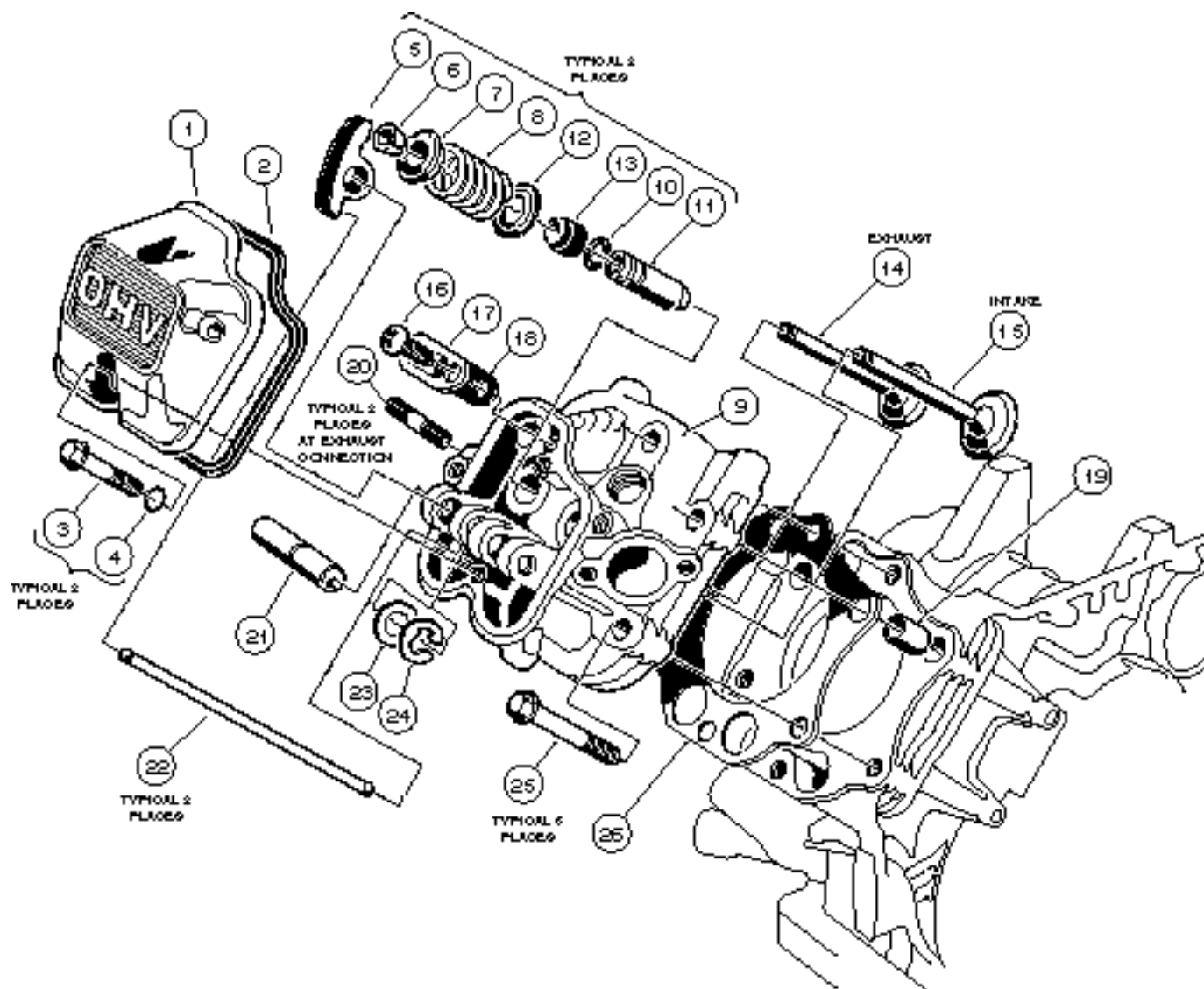


# FE 350 ENGINE

## RESORT VILLAGER, TRANS-PORTER/TRANS-SENDER

**6**  
**G**

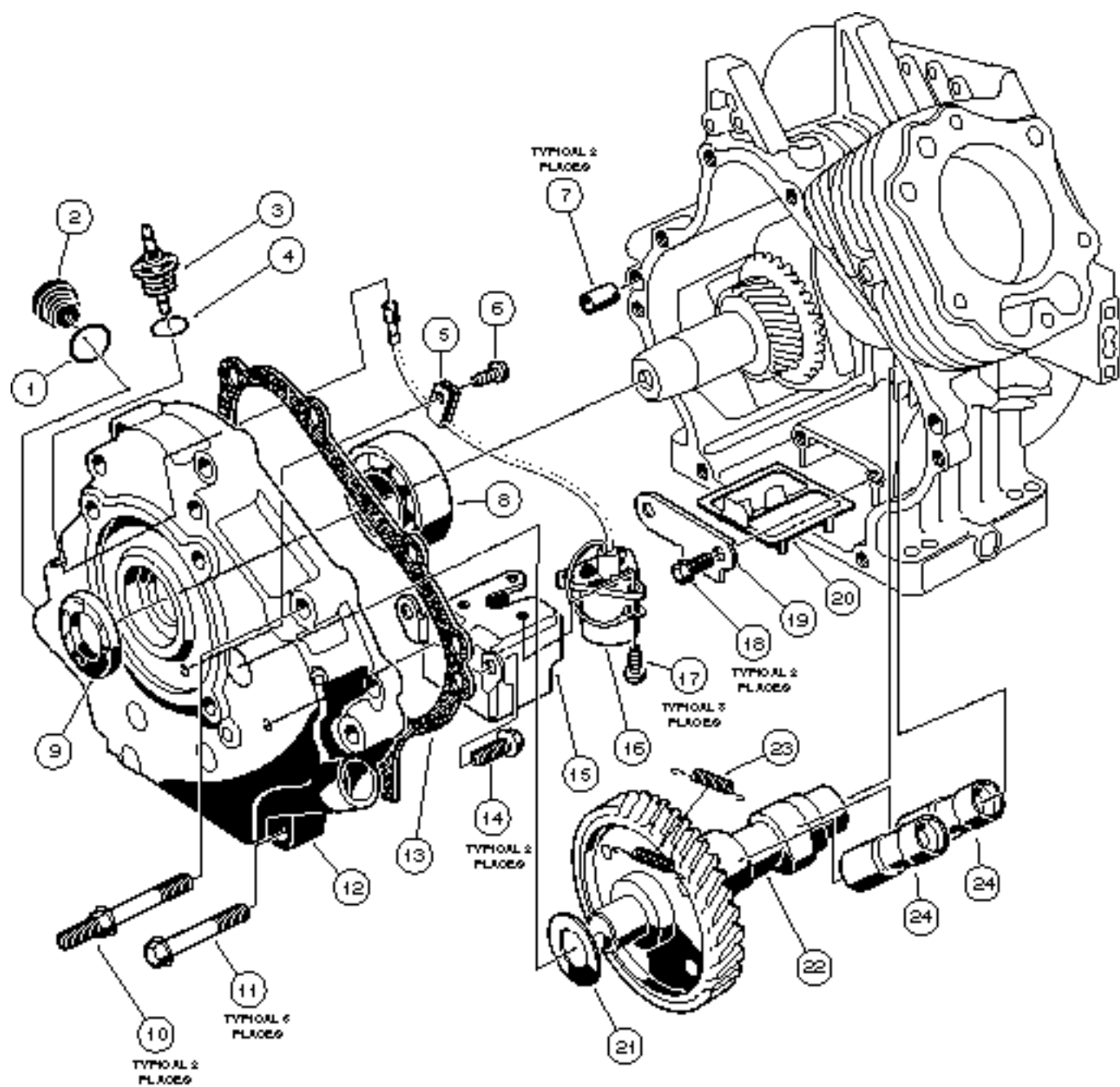
ITEM	PART NO.	DESCRIPTION	QTY
		1 2 3 4	
1	<u>1016467</u>	OIL FILTER .....	1
2	<u>1016502</u>	BRACKET, OIL FILTER .....	1
3	<u>1016457</u>	BOLT, FLANGED HEX HEAD, M6 x 1 x 40MM .....	2
4	<u>1017507</u>	PLUG .....	2
5	<u>1016570</u>	O-RING .....	1
6	<u>1016432</u>	GASKET, DRAIN PLUG .....	2
7	<u>1016576</u>	PLUG, DRAIN .....	2
8	<u>1017456</u>	SCREW, FLANGED HEX HEAD, M6 x 1 x 12MM .....	6
9	<u>1016484</u>	COVER, PUMP .....	1
10	<u>1016435</u>	GASKET, OIL PUMP .....	1
11	<u>1016473</u>	PLATE, OIL PUMP .....	1
12	<u>1016482-03</u>	PUMP, OIL, AND ROTOR .....	1
13	<u>1017458</u>	FILTER .....	1
14	<u>1016429</u>	SEAT, VALVE .....	1
15	<u>1016537</u>	BALL, STEEL, PRESSURE RELIEF .....	1
16	<u>1016581</u>	SPRING .....	1



# FE 350 ENGINE RESORT VILLAGER, TRANS-PORTER/TRANS-SENDER

**6**  
**G**

ITEM	PART NO.	DESCRIPTION	QTY
		1 2 3 4	
1	<u>1016442</u>	CASE, ROCKER .....	1
2	<u>1016436</u>	GASKET, ROCKER CASE .....	1
3	<u>1016583</u>	BOLT, FLANGED, M6 x 1 x 35MM .....	2
4	<u>1016569</u>	O-RING .....	2
5	<u>1017446</u>	ARM, ROCKER .....	2
6	<u>1016450</u>	COLLET .....	4
7	<u>1016449</u>	RETAINER, VALVE SPRING .....	2
8	<u>1017473</u>	SPRING, ENGINE VALVE .....	2
9	<u>1017435</u>	ASSEMBLY, CYLINDER HEAD, FE 350 (INCLUDES ITEMS 10 AND 11) .....	1
10	<u>1016560</u>	RING, SNAP .....	2
11	<u>1016519</u>	GUIDE, VALVE .....	2
12	<u>1016479</u>	SEAT, SPRING .....	2
13	<u>1016566</u>	SEAL, VALVE .....	2
14	<u>1017445</u>	VALVE, EXHAUST .....	1
15	<u>1017444</u>	VALVE, INTAKE .....	1
16	<u>1016544</u>	SCREW, CROSS PAN HEAD SELF-TAPPING, M5 x .8 x 12MM .....	1
17	<u>1016474</u>	PLATE .....	1
18	<u>1016483</u>	VALVE .....	1
19	<u>1016563</u>	PIN .....	2
20	<u>1016489</u>	BOLT, STUD, M8 x 1.25 x 29MM .....	2
21	<u>1016452</u>	SHAFT, ROCKER .....	1
22	<u>1017454</u>	ROD, PUSH .....	2
23	<u>1016549</u>	WASHER, FLAT, M12 .....	1
24	<u>1016517</u>	CIRCLIP, TYPE-E .....	1
25	<u>1016458</u>	BOLT, FLANGED, M8 x 1.25 x 45MM .....	6
26	<u>1017434</u>	GASKET, HEAD .....	1

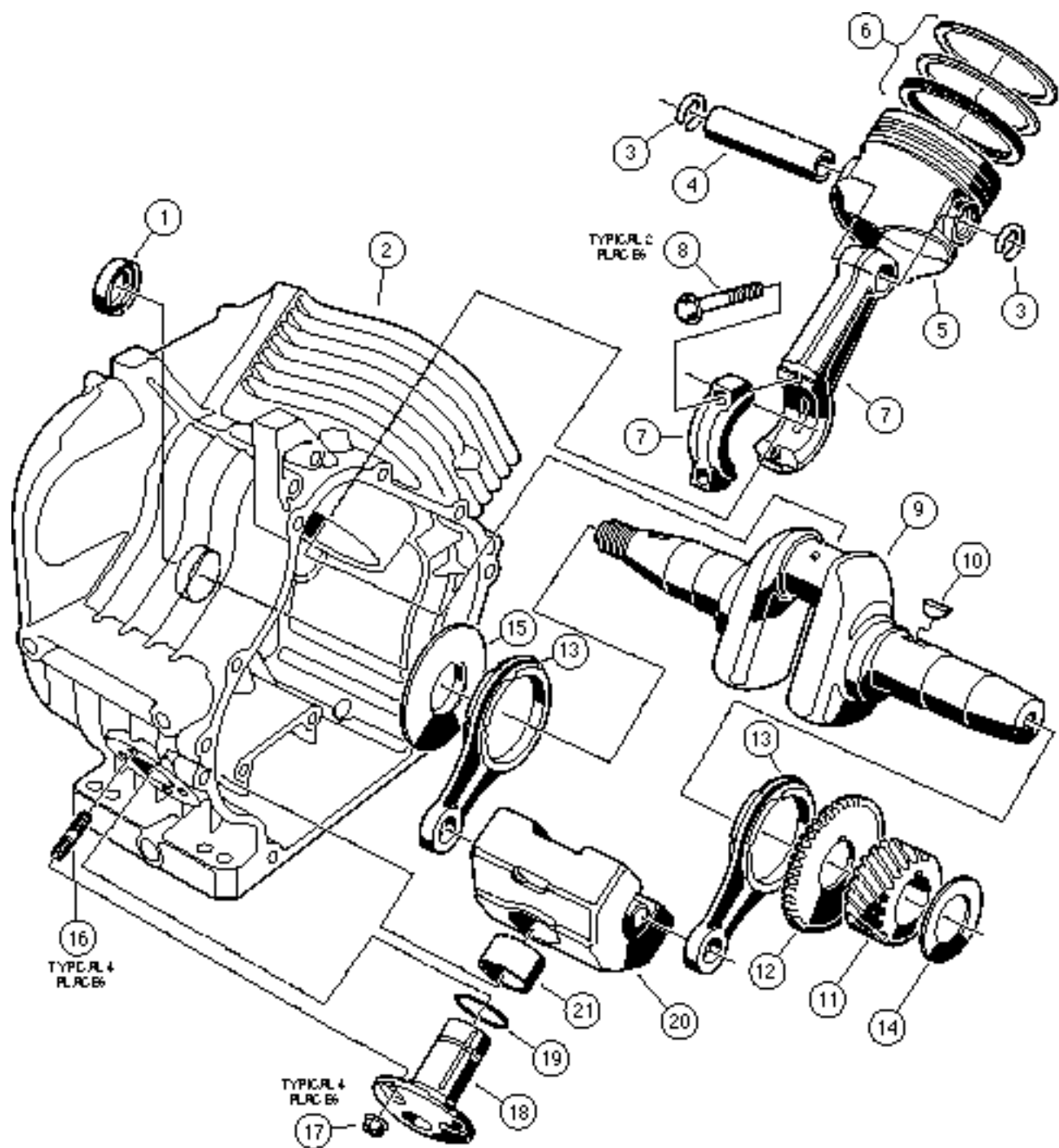




# FE 350 ENGINE RESORT VILLAGER, TRANS-PORTER/TRANS-SENDER

**6**  
**G**

ITEM	PART NO.	DESCRIPTION	QTY
		1 2 3 4	
1	<u>1016538</u>	O-RING .....	1
2	<u>1017508</u>	PLUG .....	1
3	<u>1016535</u>	CONNECTOR, OIL SENDING UNIT .....	1
4	<u>1016538</u>	O-RING .....	1
5	<u>1016506</u>	CLAMP .....	1
6	<u>1016544</u>	SCREW, CROSS PAN HEAD SELF-TAPPING, M5 x .8 x 12MM .....	1
7	<u>1016564</u>	PIN .....	2
8	<u>1017487</u>	BEARING, CRANKSHAFT .....	1
9	<u>1017504</u>	SEAL, CRANKSHAFT .....	1
10	<u>1016584</u>	SCREW, 2-ENDED FLANGED, M8 x 1.25 x 69MM .....	2
11	<u>1017514</u>	BOLT, FLANGED, M8 x 1.25 x 45MM .....	6
12	<u>1017472</u>	COVER, CRANKCASE .....	1
13	<u>1017443</u>	GASKET, CRANKCASE COVER .....	1
14	<u>1017513</u>	BOLT, FLANGED, M6 x 1 x 12MM .....	2
15	<u>1016510</u>	BRACKET, OIL LEVEL SWITCH .....	1
16	<u>1016494</u>	SENSOR, OIL LEVEL .....	1
17	<u>1016496</u>	SCREW, CROSS PAN HEAD, M4 x .7 x 8MM .....	3
18	<u>1016454</u>	BOLT, FLANGED, M5 x .8 x 8MM .....	2
19	<u>1016472</u>	PLATE, OIL FILTER SCREEN .....	1
20	<u>1016521</u>	SCREEN, OIL FILTER .....	1
21	<u>1017518-01</u>	SHIM, 0.3MM THICK .....	A/R
21	<u>1017518-02</u>	SHIM, 0.4MM THICK .....	A/R
21	<u>1017518-03</u>	SHIM, 0.5MM THICK .....	A/R
22	<u>1017478</u>	CAMSHAFT, FE 350 (INCLUDES ITEM 23) .....	1
23	<u>1017511</u>	SPRING .....	1
24	<u>1017447</u>	LIFTER, HYDRAULIC .....	2



# FE 350 ENGINE RESORT VILLAGER, TRANS-PORTER/TRANS-SENDER

6

G

ITEM	PART NO.	DESCRIPTION	QTY
		1 2 3 4	
1	<u>1017503</u>	SEAL, OIL .....	1
2	<u>1017479</u>	CRANKCASE, COMPLETE, FE 350 .....	1
3	<u>1017502</u>	RING, SNAP .....	2
4	1017450	PIN, PISTON .....	1
5	<u>1017449-01</u>	PISTON, STANDARD .....	1
5	<u>1017449-02</u>	PISTON, .50MM OVERSIZED .....	1
6	<u>1017451-01</u>	RING SET, PISTON, STANDARD .....	1
6	<u>1017451-02</u>	RING SET, PISTON, .50MM OVERSIZED .....	1
7	1017457-01	ASSEMBLY, CONNECTING ROD, STANDARD (INCLUDES 2 EACH OF ITEM 8) .....	1
7	<u>1017457-02</u>	ASSEMBLY, CONNECTING ROD, .50MM UNDERSIZED (INCLUDES 2 EACH OF ITEM 8) .....	1
8	<u>1017512</u>	BOLT, HEX HEAD, M7 x 1 x 36MM .....	2
9	<u>1017452</u>	CRANKSHAFT, COMPLETE, FE 350 (INCLUDES ITEMS 10 - 13) .....	1
10	<u>1016562</u>	KEY .....	1
11	<u>1016533</u>	GEAR, HELICAL .....	1
12	<u>1016532</u>	GEAR, SPUR .....	1
13	1017457	ROD .....	2
14	<u>1017733-01</u>	SHIM, CRANKSHAFT, 1.18MM THICK .....	A/R
14	<u>1017733-02</u>	SHIM, CRANKSHAFT, 1.25MM THICK .....	A/R
14	<u>1017733-03</u>	SHIM, CRANKSHAFT, 1.32MM THICK .....	A/R
14	<u>1017733-04</u>	SHIM, CRANKSHAFT, 1.39MM THICK .....	A/R
14	<u>1017733-05</u>	SHIM, CRANKSHAFT, 1.46MM THICK .....	A/R
14	<u>1017733-06</u>	SHIM, CRANKSHAFT, 1.53MM THICK .....	A/R
14	<u>1017733-07</u>	SHIM, CRANKSHAFT, 1.60MM THICK .....	A/R
14	<u>1017733-08</u>	SHIM, CRANKSHAFT, 1.67MM THICK .....	A/R
14	<u>1017733-09</u>	SHIM, CRANKSHAFT, 1.74MM THICK .....	A/R
14	<u>1017733-10</u>	SHIM, CRANKSHAFT, 1.11MM THICK .....	A/R
14	<u>1017733-11</u>	SHIM, CRANKSHAFT, 1.81MM THICK .....	A/R
15	<u>1017502</u>	SPACER .....	1
16	<u>1016541</u>	BOLT, STUD, M6 x 1 x 22MM .....	4
17	1016547	NUT, FLANGED, M6 x 1 .....	4
18	1016470	SHAFT, GUIDE COUNTERBALANCE .....	1
19	<u>1016571</u>	O-RING .....	1
20	<u>1017453</u>	WEIGHT, COUNTERBALANCE (INCLUDES ITEM 21) .....	1
21	1017510	BEARING .....	1

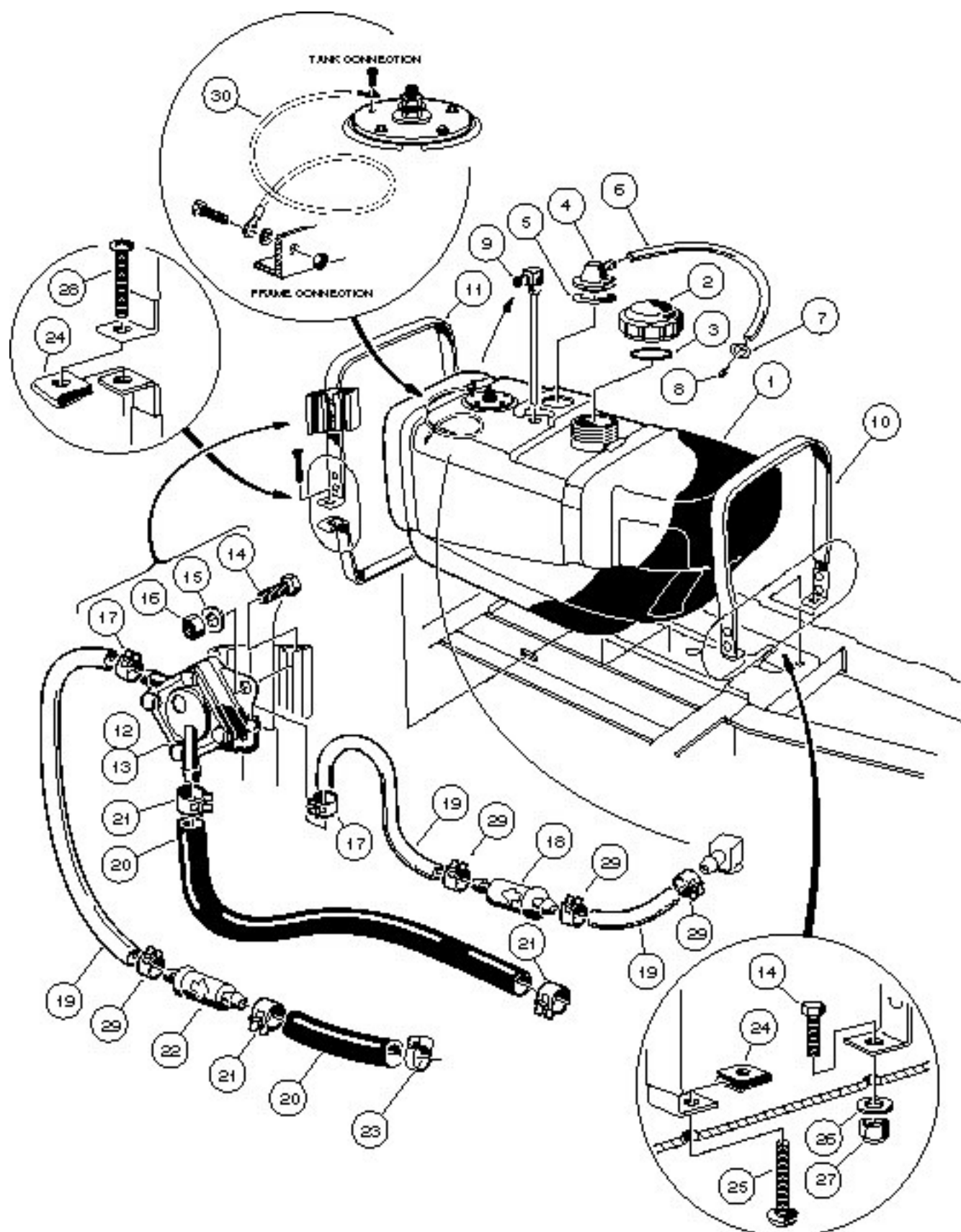


# FUEL, INTAKE, AND GOVERNOR SYSTEMS

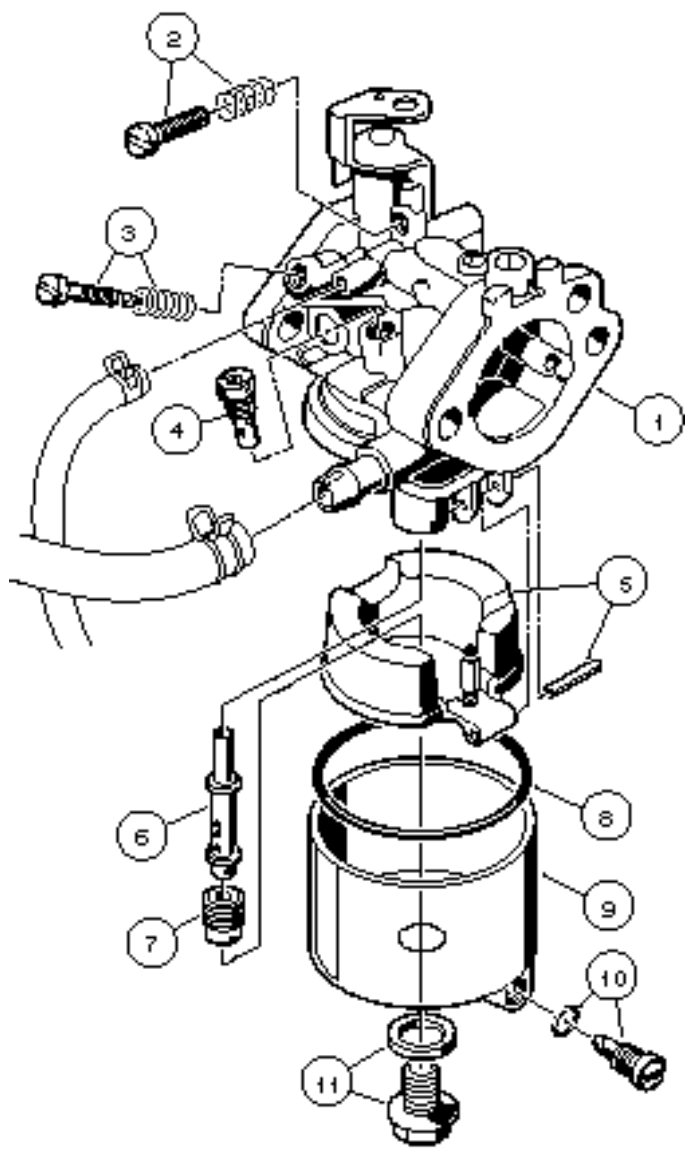
---

7

G



ITEM	PART NO.	DESCRIPTION	QTY
		1 2 3 4	
1	1016004	KIT, FUEL TANK, WITH SENDING UNIT (INCLUDES ITEMS 2 - 8) .....	1
2	<u>1015188</u>	CAP, FUEL TANK, NONVENTED (INCLUDES GASKET) .....	1
3	<u>1014535</u>	GASKET, FUEL CAP .....	1
4	<u>1015143</u>	ASSEMBLY, FUEL TANK VENT .....	1
5	<u>1015139</u>	GROMMET, INSULATION .....	1
6	<u>1015137</u>	LINE, BULK (FUEL TANK VENT) .....	A/R
7	<u>1016059</u>	CLIP, STUD .....	1
8	<u>1018244-01</u>	BARB, VENT .....	1
9	1012619	TUBE, FUEL PICK-UP .....	1
10	<u>1014928</u>	ASSEMBLY, REAR FUEL STRAP .....	1
11	<u>1014927</u>	ASSEMBLY, FRONT FUEL STRAP .....	1
12	<u>1014523</u>	PUMP, FUEL IMPULSE, SQUARE BODY .....	1
13	<u>1014524</u>	PUMP, FUEL IMPULSE, SQUARE BODY REBUILD KIT .....	1
14	0007847	SCREW, HEX HEAD CAP, 1/4 - 20 x 3/4 .....	3
15	0000451	WASHER, LOCK, 1/4 .....	2
16	0001028	NUT, HEX, 1/4 - 20 .....	2
17	<u>1013134-01</u>	CLAMP, HOSE (BLACK) .....	2
18	1013684	FILTER , PRIMARY FUEL (WHITE) .....	1
19	<u>1012293</u>	LINE, BULK FUEL (YELLOW) .....	A/R
20	<u>1013692</u>	LINE, BULK FUEL (BLACK) .....	A/R
21	<u>1012649</u>	CLAMP, HOSE (RED) .....	3
22	1014522	FILTER, SECONDARY FUEL (BLUE) .....	1
23	<u>1013687</u>	CLAMP, HOSE, 3/8 .....	1
24	<u>1014116</u>	NUT, U-TYPE SPEED, 1/4 - 20 .....	2
25	<u>1013176</u>	SCREW, PHILLIPS TRUSS HEAD, 1/4 - 20 x 2 1/2 .....	1
26	0000332	WASHER, FLAT, 1/4 .....	1
27	0008233	NUT, NYLON INSERT LOCK, 1/4 - 20 .....	1
28	<u>1011988</u>	SCREW, PHILLIPS TRUSS HEAD, 1/4 - 20 x 2 .....	1
29	<u>1013134-02</u>	CLAMP, HOSE (GREEN) .....	4
30	1015921	WIRE ASSEMBLY, #16 BLACK .....	1
	<u>1015014</u>	KIT, FUEL TANK SERVICE (INCLUDES ITEMS 10, 11, 14, 15, 16, 19, 20, 24, 26, 27 AND 28) .....	1



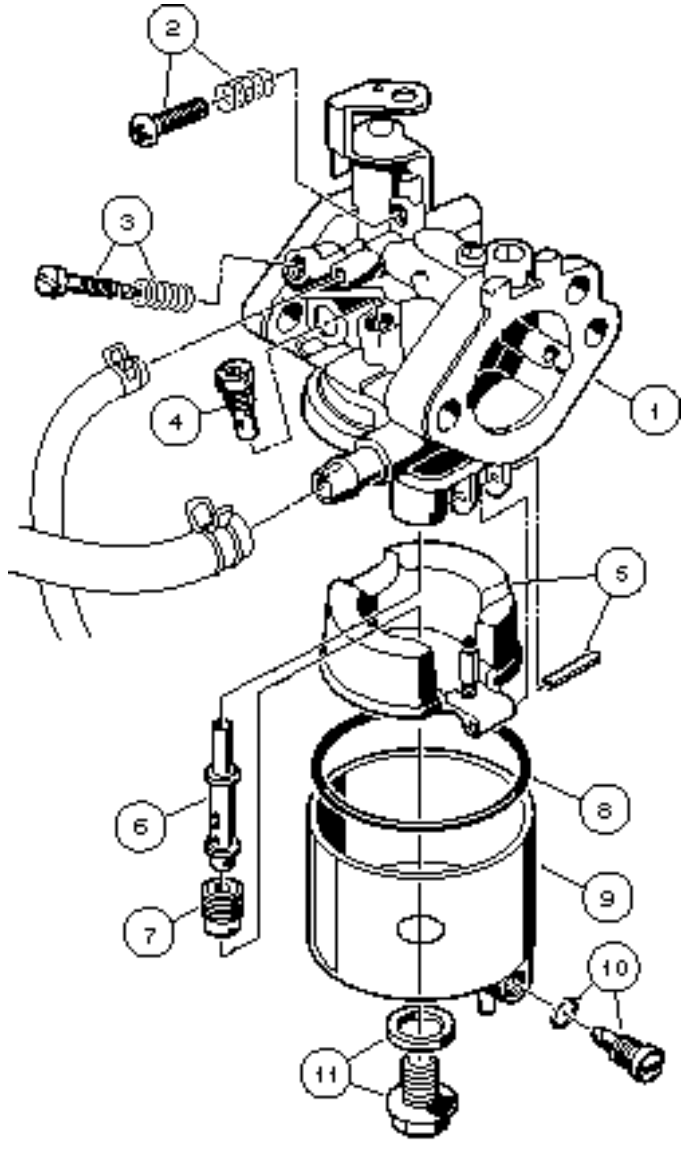


# CARBURETOR ASSEMBLY, FE 290 - TOURALL

7

G

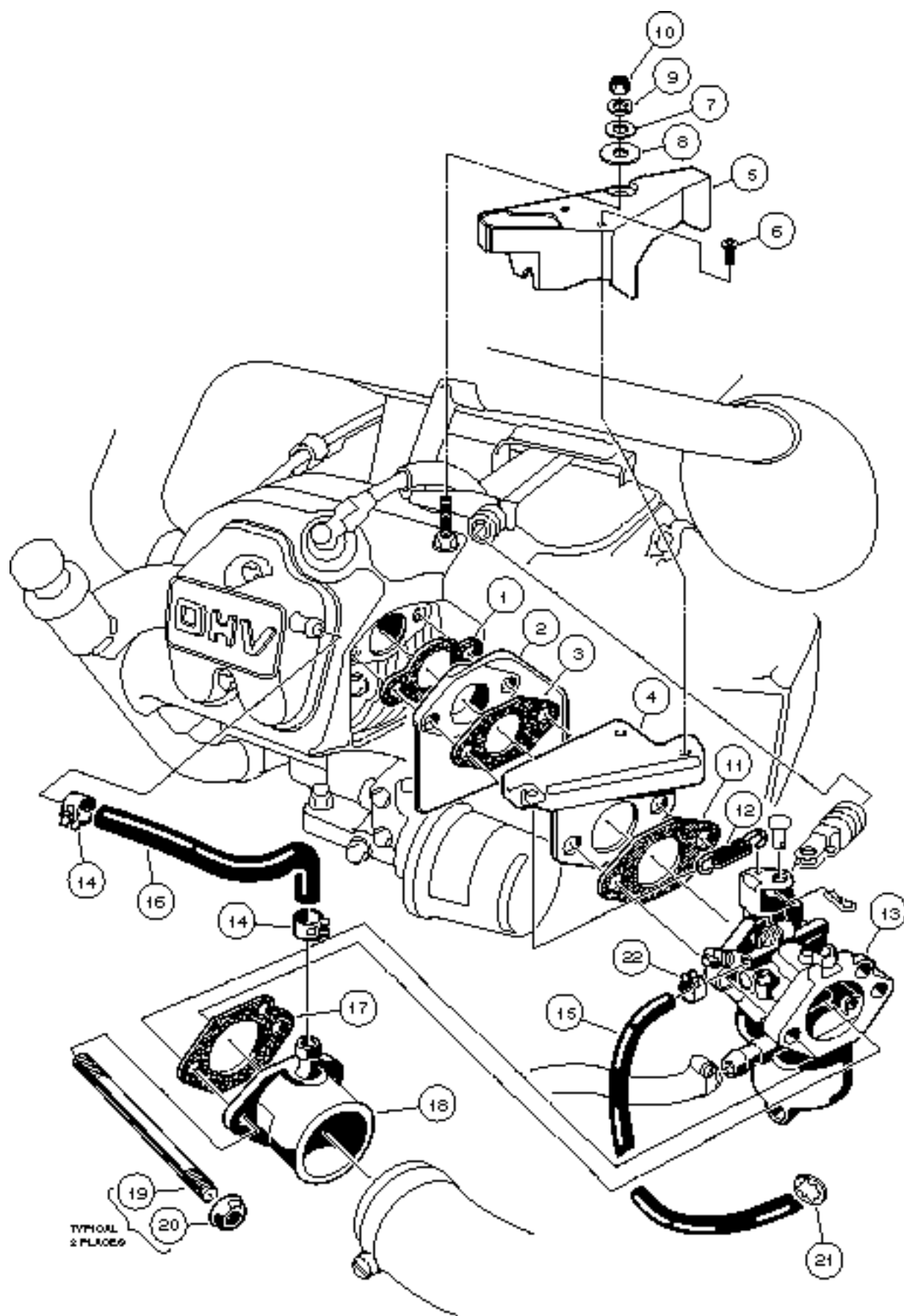
ITEM	PART NO.	DESCRIPTION	QTY
		1 2 3 4	
1	<u>1016478</u>	ASSEMBLY, CARBURETOR (INCLUDES ITEMS 2 - 11) .....	1
2	<u>1016501</u>	ASSEMBLY, IDLE SCREW .....	1
3	<u>1016500</u>	ASSEMBLY, PILOT AIR SCREW .....	1
4	<u>1016574</u>	JET, PILOT, #45 .....	1
5	<u>1016486</u>	ASSEMBLY, FLOAT .....	1
6	<u>1016530</u>	NOZZLE, MAIN .....	1
		STANDARD JETTING:	
7	<u>1016425-80</u>	JET, MAIN, 0 - 3,000 FEET .....	A/R
7	<u>1016425-78</u>	JET, MAIN, 3,000 - 5,000 FEET .....	A/R
7	<u>1016425-75</u>	JET, MAIN, 5,000 - 8,000 FEET .....	A/R
7	<u>1016425-72</u>	JET, MAIN, 8,000 - 10,000 FEET .....	A/R
7	<u>1016425-70</u>	JET, MAIN, 10,000 FEET AND ABOVE .....	A/R
		BEST COLD STARTING:	
7	<u>1016425-82</u>	JET, MAIN, 0 - 3,000 FEET .....	A/R
7	<u>1016425-80</u>	JET, MAIN, 3,000 - 5,000 FEET .....	A/R
7	<u>1016425-78</u>	JET, MAIN, 5,000 - 8,000 FEET .....	A/R
7	<u>1016425-75</u>	JET, MAIN, 8,000 - 10,000 FEET .....	A/R
7	<u>1016425-72</u>	JET, MAIN, 10,000 FEET AND ABOVE .....	A/R
8	<u>1016437</u>	GASKET, FLOAT CHAMBER .....	1
9	<u>1016487</u>	ASSEMBLY, FLOAT CHAMBER (INCLUDES ITEM 10) .....	1
10	<u>1016499</u>	ASSEMBLY, SCREW .....	1
11	<u>1016585</u>	ASSEMBLY, BOLT .....	1



# CARBURETOR ASSEMBLY, FE 350 RESORT VILLAGER, TRANS-PORTER/TRANS-SENDER

**7**  
**G**

ITEM	PART NO.	DESCRIPTION	QTY
		1 2 3 4	
1	1017459	ASSEMBLY, CARBURETOR (INCLUDES ITEMS 2 - 11) .....	1
2	<u>1017465</u>	ASSEMBLY, IDLE SCREW .....	1
3	<u>1016500</u>	ASSEMBLY, PILOT AIR SCREW .....	1
4	<u>1017506</u>	JET, PILOT, #48 .....	1
5	1016486	ASSEMBLY, FLOAT .....	1
6	<u>1017480</u>	NOZZLE, MAIN .....	1
7	<u>1016425-92</u>	JET, MAIN, 0 - 3000 FEET .....	A/R
7	<u>1016425-90</u>	JET, MAIN, 3000 - 5000 FEET .....	A/R
7	<u>1016425-88</u>	JET, MAIN, 5000 - 8000 FEET .....	A/R
7	<u>1016425-85</u>	JET, MAIN, 8000 - 10,000 FEET .....	A/R
7	<u>1016425-82</u>	JET, MAIN, 10,000 FEET AND HIGHER .....	A/R
8	<u>1016437</u>	GASKET, FLOAT CHAMBER .....	1
9	<u>1017461</u>	ASSEMBLY, FLOAT CHAMBER (INCLUDES ITEM 10) .....	1
10	<u>1016499</u>	ASSEMBLY, SCREW .....	1
11	1016585	ASSEMBLY, BOLT .....	1

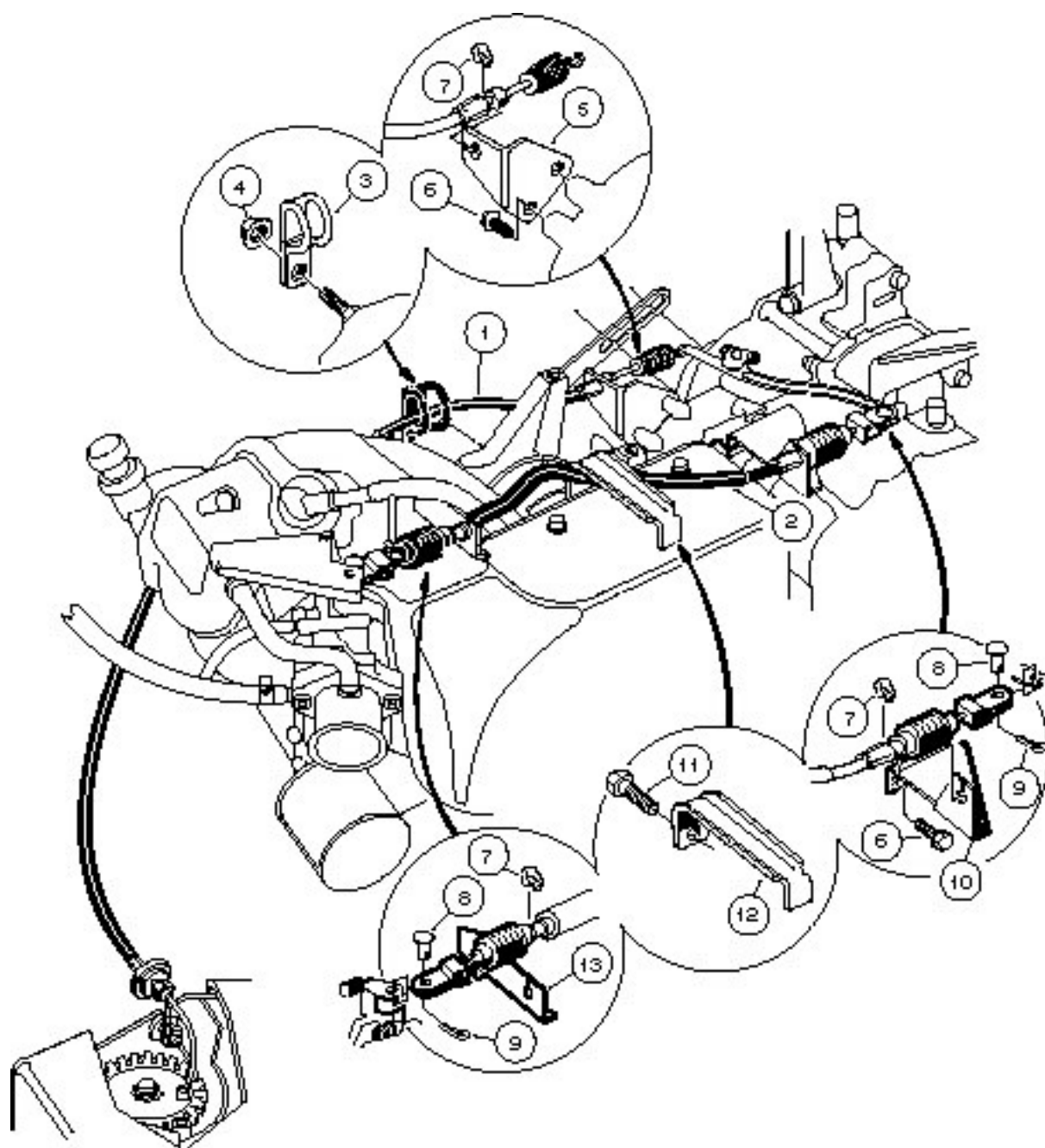


# CARBURETOR INSTALLATION

7

G

ITEM	PART NO.	DESCRIPTION	QTY
		1 2 3 4	
1	<u>1016440</u>	GASKET, INSULATOR .....	1
2	<u>1016481</u>	INSULATOR, CARBURETOR .....	1
3	<u>1016439</u>	GASKET, CARBURETOR INSULATOR TO THROTTLE BRACKET .....	1
4	<u>1016444</u>	BRACKET, THROTTLE .....	1
5	<u>1018202-01</u>	GUARD, GOVERNOR (TOURALL ONLY) .....	1
6	<u>1016103</u>	SCREW, PAN/TORX HEAD SELF-TAPPING, #6 - 32 x 1/4 (TOURALL ONLY) .....	2
7	0000332	WASHER, FLAT, 1/4 (TOURALL ONLY) .....	1
8	0000334	WASHER, FLAT, 3/8 (TOURALL ONLY) .....	1
9	0000451	WASHER, LOCK, 1/4 (TOURALL ONLY) .....	1
10	<u>1018876-01</u>	NUT, NYLON LOCK, M6 x 1 (TOURALL ONLY) .....	1
11	<u>1016441</u>	GASKET, THROTTLE BRACKET TO CARBURETOR .....	1
12	<u>1016582</u>	SPRING, THROTTLE RETURN .....	1
13	1017459	ASSEMBLY, CARBURETOR .....	1
14	<u>1013746</u>	CLAMP, HOSE .....	2
15	<u>1015877-01</u>	TUBE, AIR VENT .....	1
16	<u>1016572</u>	TUBE, CRANKCASE VENT .....	1
17	<u>1016438</u>	GASKET, CARBURETOR TO INTAKE MANIFOLD .....	1
18	1016480	PIPE, INTAKE .....	1
19	<u>1016490</u>	SCREW, 2-ENDED STUD, M6 x 1 x 92MM .....	2
20	1016547	NUT, FLANGED, M6 x 1 .....	2
21	<u>1016059</u>	CLIP, STUD .....	1
22	<u>1012849</u>	CLAMP, HOSE .....	1

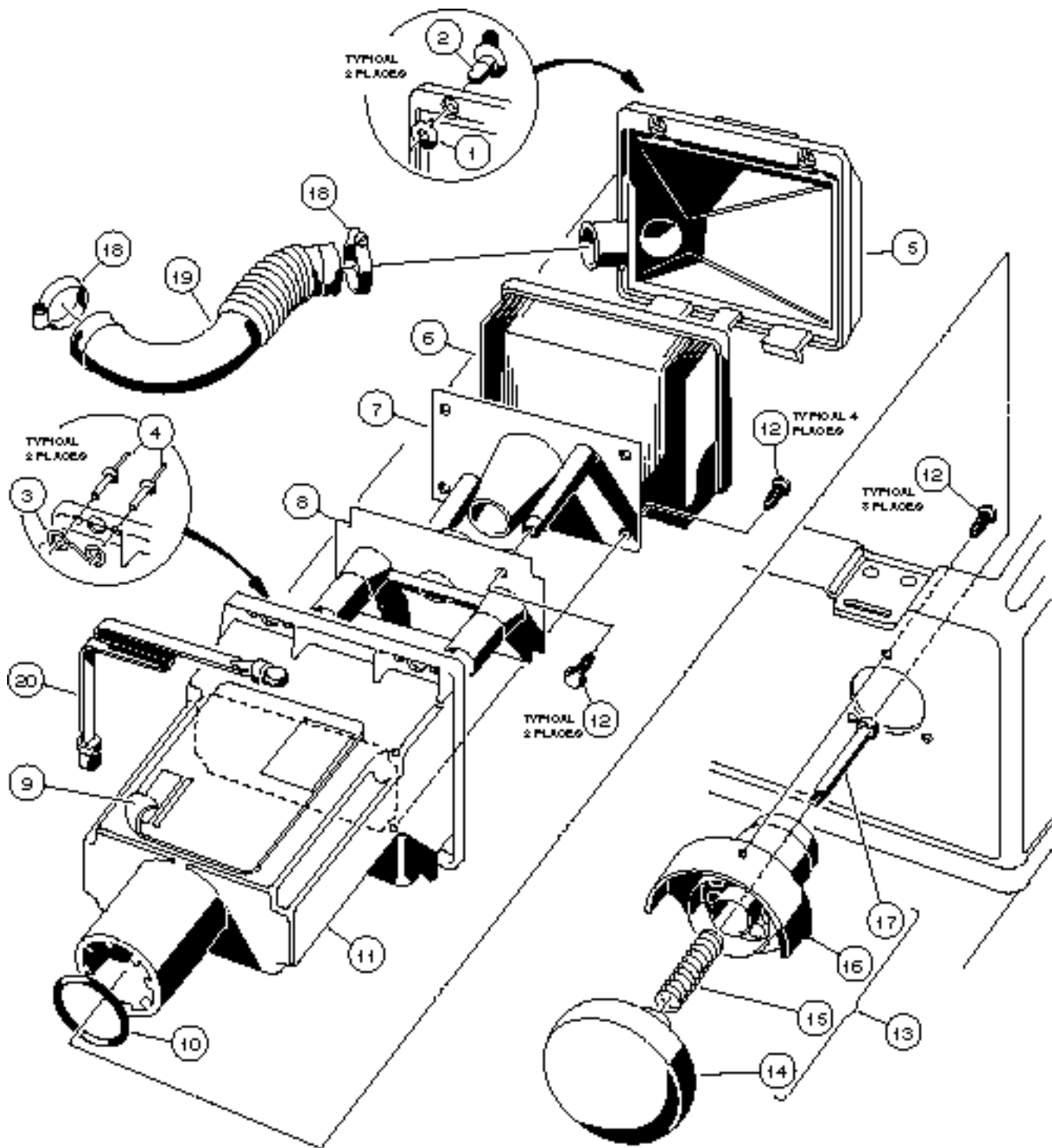


# GOVERNOR AND ACCELERATOR CABLES

7

G

ITEM	PART NO.	DESCRIPTION	QTY
		1 2 3 4	
1	<u>1015225</u>	CABLE, ACCELERATOR .....	1
2	<u>1015226-02</u>	CABLE, GOVERNOR .....	1
3	<u>1013700</u>	CLAMP, CABLE RETAINING .....	2
4	<u>1016546</u>	NUT, FLANGED HEX, M8 x 1.25 .....	2
5	<u>1015410</u>	BRACKET, ACCELERATOR SUPPORT .....	1
6	<u>1012285</u>	SCREW, HEX HEAD MACHINE, 1/4 - 20 x 5/8 .....	4
7	<u>1016202</u>	"E" RING .....	3
8	<u>1015408</u>	PIN, GOVERNOR CABLE CLEVIS .....	2
9	<u>1014413</u>	PIN, HAIR SPRING COTTER, 1/8 I.D. x 5/8 .....	2
10	<u>1015411</u>	BRACKET, SUPPORT .....	1
11	<u>1016456</u>	BOLT, FLANGED, M6 x 1 x 12MM .....	1
12	<u>1016057</u>	CLAMP, THROTTLE CABLE .....	1
13	<u>1015845</u>	BRACKET, GOVERNOR CABLE ENGINE .....	1

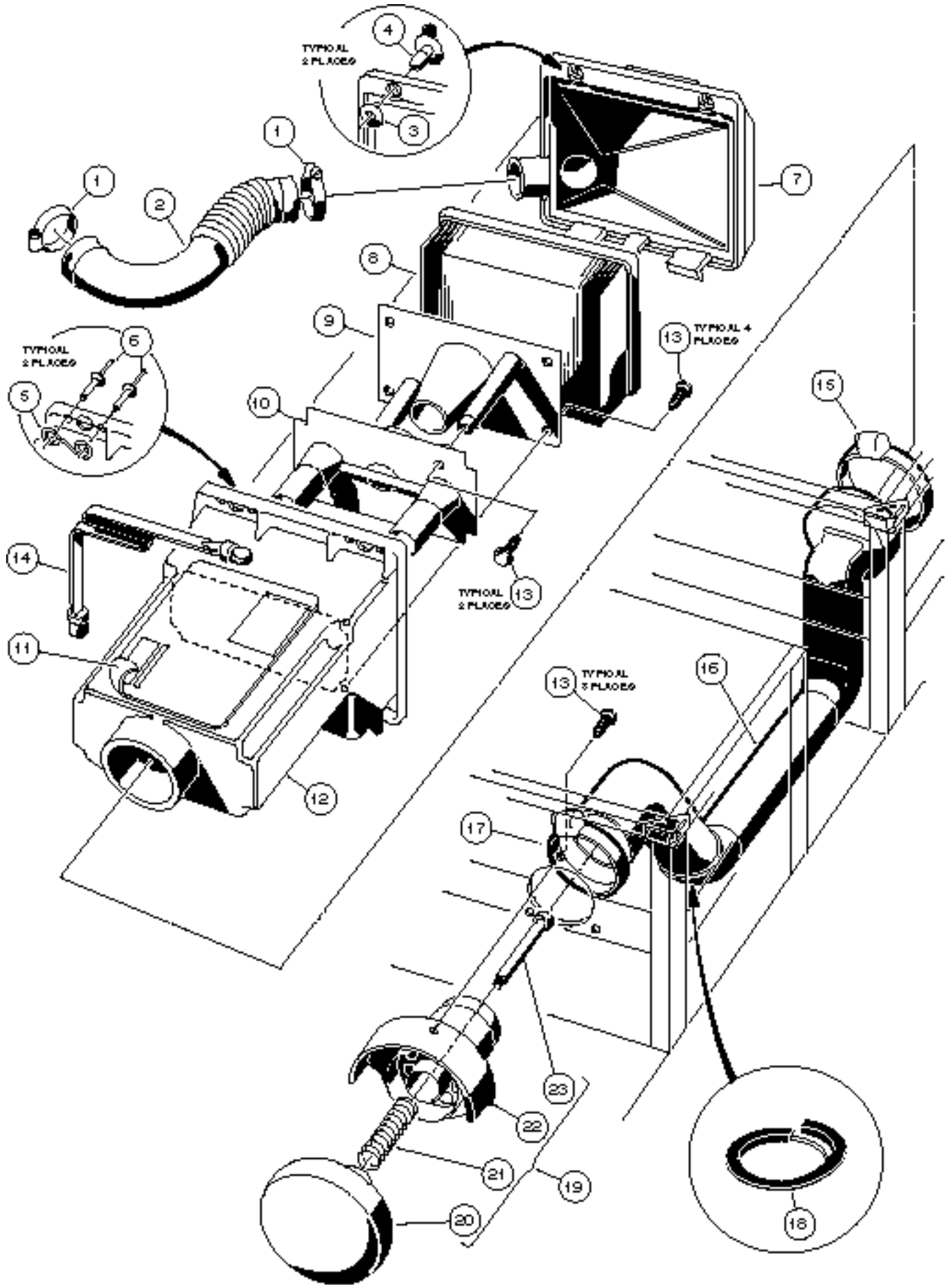




# EXPANSION CHAMBER, CHOKE, AND FILTER FE 290 - TOURALL

**7**  
**G**

ITEM	PART NO.	DESCRIPTION	QTY
		1 2 3 4	
	<u>1015431</u>	ASSEMBLY, INTAKE EXPANSION CHAMBER (INCLUDES ITEMS 1 - 12) .....	1
1	<u>1015291</u>	RETAINER, STUD, #6 .....	2
2	<u>1015290</u>	STUD, WING HEAD, #6 .....	2
3	<u>1015292</u>	SPRING, RECEPTACLE, #6 .....	2
4	<u>1015727</u>	RIVET, POP, 1/8 .....	4
5	<u>1015293</u>	COVER, EXPANSION CHAMBER .....	1
6	<u>1015426</u>	ELEMENT, AIR FILTER .....	1
7	<u>1015542</u>	BAFFLE, SECONDARY AIR BOX .....	1
8	<u>1015541</u>	BAFFLE, PRIMARY AIR BOX .....	1
9	<u>1016062</u>	DECAL, SERVICE .....	1
10	<u>1015425</u>	O-RING .....	1
11	<u>1015540</u>	CHAMBER, EXPANSION .....	1
12	<u>1015289</u>	SCREW, HI-LO HEX, #10 - 16 x 5/8 .....	9
13	<u>1015745</u>	ASSEMBLY, CHOKE (INCLUDES ITEMS 14 - 17) .....	1
14	<u>1012629</u>	COVER, CHOKE .....	1
15	<u>1012633</u>	SPRING, CHOKE .....	1
16	<u>1015485</u>	BASE, CHOKE .....	1
17	<u>1012634</u>	SCREW, HEX SOCKET HEAD SHOULDER, 1/4 - 20 x 2 .....	1
18	<u>1015430</u>	CLAMP, HOSE (AIR INTAKE) .....	2
19	<u>1016228</u>	HOSE, INTAKE .....	1
20	<u>1015577</u>	STRAP, EXPANSION CHAMBER RETENSION .....	1



# EXPANSION CHAMBER, CHOKE, AND FILTER, FE350 RESORT VILLAGER, TRANS-PORTER/TRANS-SENDER

ITEM	PART NO.	DESCRIPTION	QTY
		1 2 3 4	
1	<u>1015430</u>	CLAMP, HOSE (AIR INTAKE) .....	2
2	<u>1016228</u>	HOSE, INTAKE .....	1
	1016787	ASSEMBLY, INTAKE EXPANSION CHAMBER (INCLUDES ITEMS 3 - 13) .....	1
3	<u>1015291</u>	RETAINER, STUD, #6 .....	2
4	<u>1015290</u>	STUD, WING HEAD, #6 .....	2
5	<u>1015292</u>	SPRING, RECEPTACLE, #6 .....	2
6	<u>1015727</u>	RIVET, POP, 1/8 .....	4
7	1015293	COVER, EXPANSION CHAMBER .....	1
8	<u>1015426</u>	ELEMENT, AIR FILTER .....	1
9	<u>1015542</u>	BAFFLE, SECONDARY AIR BOX .....	1
10	<u>1015541</u>	BAFFLE, PRIMARY AIR BOX .....	1
11	1016062	DECAL, SERVICE .....	1
12	1016788	CHAMBER, EXPANSION .....	1
13	<u>1015289</u>	SCREW, HI-LO HEX HEAD, #10 - 16 x 5/8 .....	9
14	<u>1015577</u>	STRAP, EXPANSION CHAMBER RETENSION .....	1
15	<u>1015716</u>	CLAMP, HOSE (AIR INTAKE) .....	1
16	1016786	PLENUM, AIR INTAKE .....	1
17	<u>1012349</u>	CLAMP, HOSE .....	1
18	<u>1016804</u>	GROMMET, FLEXIBLE (TRANS-PORTER/TRANS-SENDER ONLY) .....	1
19	1015745	ASSEMBLY, CHOKE (INCLUDES ITEMS 20 - 23) .....	1
20	<u>1012629</u>	COVER, CHOKE .....	1
21	<u>1012633</u>	SPRING, CHOKE .....	1
22	<u>1015485</u>	BASE, CHOKE .....	1
23	<u>1012634</u>	SCREW, HEX SOCKET HEAD SHOULDER, 1/4 - 20 x 2 .....	1

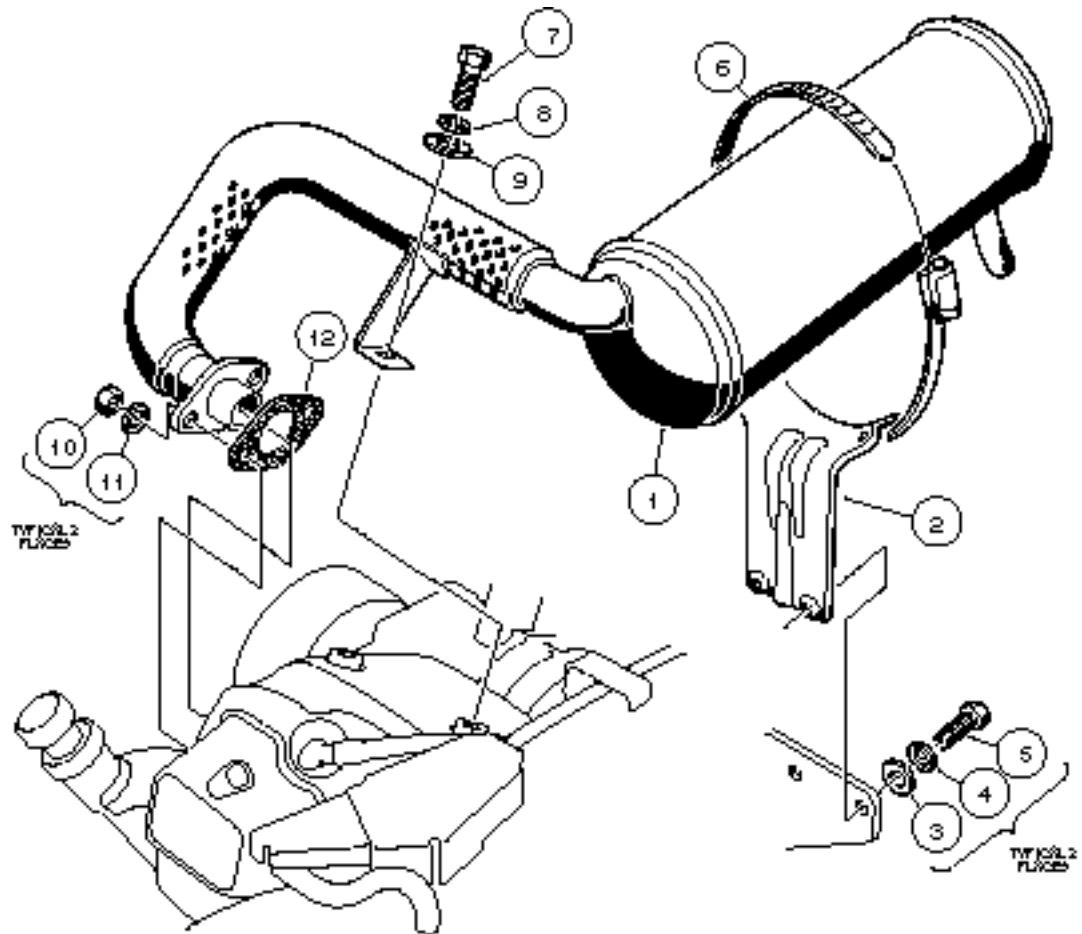


# EXHAUST SYSTEM

---

8

G

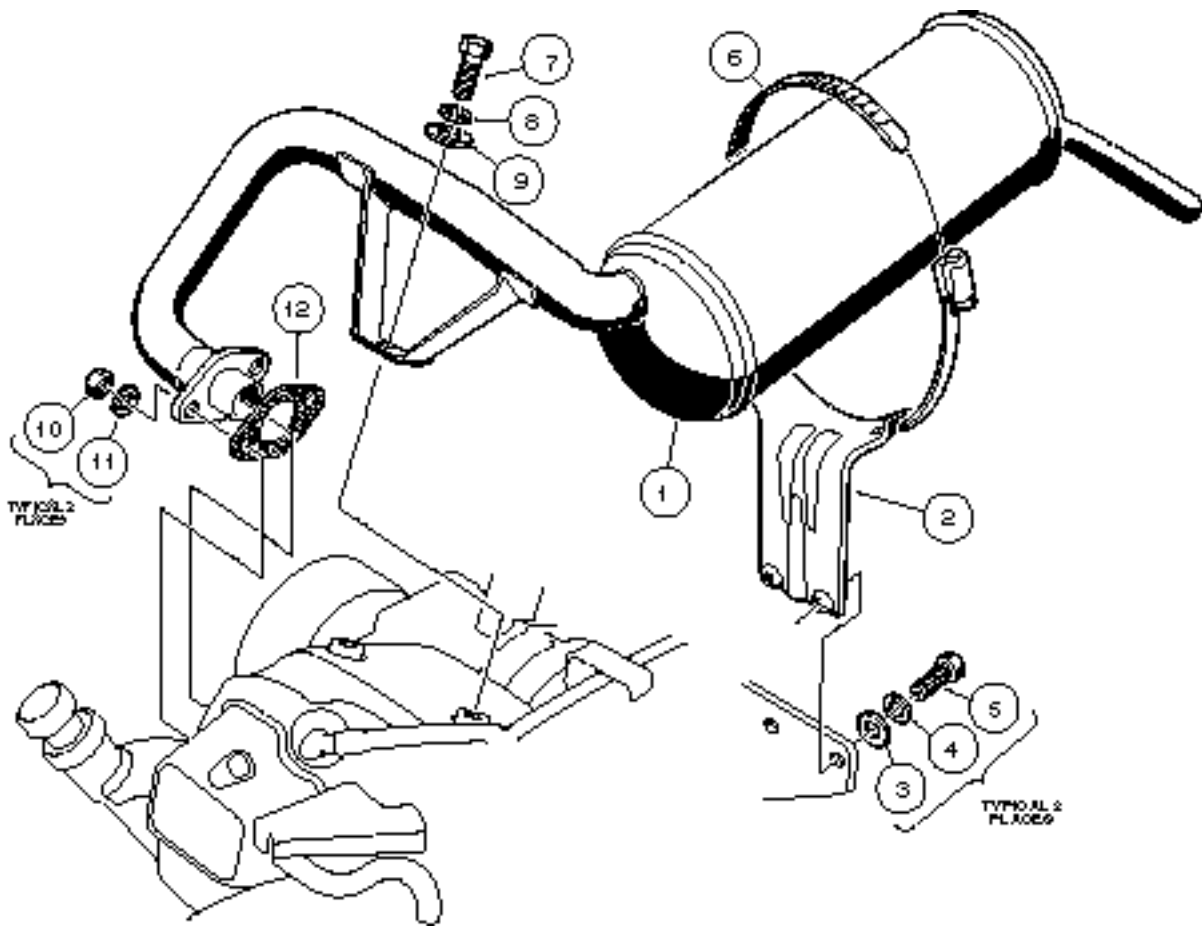


# EXHAUST SYSTEM, FE 290 ENGINE - TOURALL

8

G

ITEM	PART NO.	DESCRIPTION	QTY
		1 2 3 4	
1	<u>1018593-01</u>	MUFFLER .....	1
2	<u>1015814</u>	BRACKET, MUFFLER MOUNTING .....	1
3	0000332	WASHER, FLAT, 1/4 .....	2
4	0000451	WASHER, LOCK, 1/4 .....	2
5	0007847	SCREW, HEX HEAD, 1/4 - 20 X 3/4 .....	2
6	1017689	CLAMP, MUFFLER .....	1
7	<u>1012830</u>	SCREW, HEX HEAD CAP, M8 X 1.25 X 22MM .....	1
8	0007174	WASHER, LOCK, 5/16 .....	1
9	<u>1011697</u>	WASHER, FLAT, 5/16 .....	1
10	<u>1012528</u>	NUT, HEX, M8 X 1.25 .....	2
11	<u>1013734</u>	WASHER, LOCK, 8MM .....	2
12	<u>1015330</u>	GASKET, EXHAUST .....	1





# EXHAUST SYSTEM, FE 350 ENGINE RESORT VILLAGER, TRANS-PORTER/TRANS-SENDER

**8**  
**G**

ITEM	PART NO.	DESCRIPTION	QTY
		1 2 3 4	
1	<u>1018594-01</u>	MUFFLER .....	1
2	<u>1015814</u>	BRACKET, MUFFLER MOUNTING .....	1
3	0000332	WASHER, FLAT, 1/4 .....	2
4	0000451	WASHER, LOCK, 1/4 .....	2
5	0007847	SCREW, HEX HEAD, 1/4 - 20 x 3/4 .....	2
6	1017689	CLAMP, MUFFLER .....	1
7	<u>1012830</u>	SCREW, HEX HEAD CAP, M8 x 1.25 x 22MM .....	1
8	0007174	WASHER, LOCK, 5/16 .....	1
9	<u>1011697</u>	WASHER, FLAT, 5/16 .....	1
10	<u>1012528</u>	NUT, HEX, M8 x 1.25 .....	2
11	<u>1013734</u>	WASHER, LOCK, 8MM .....	2
12	<u>1016904</u>	GASKET, EXHAUST .....	1

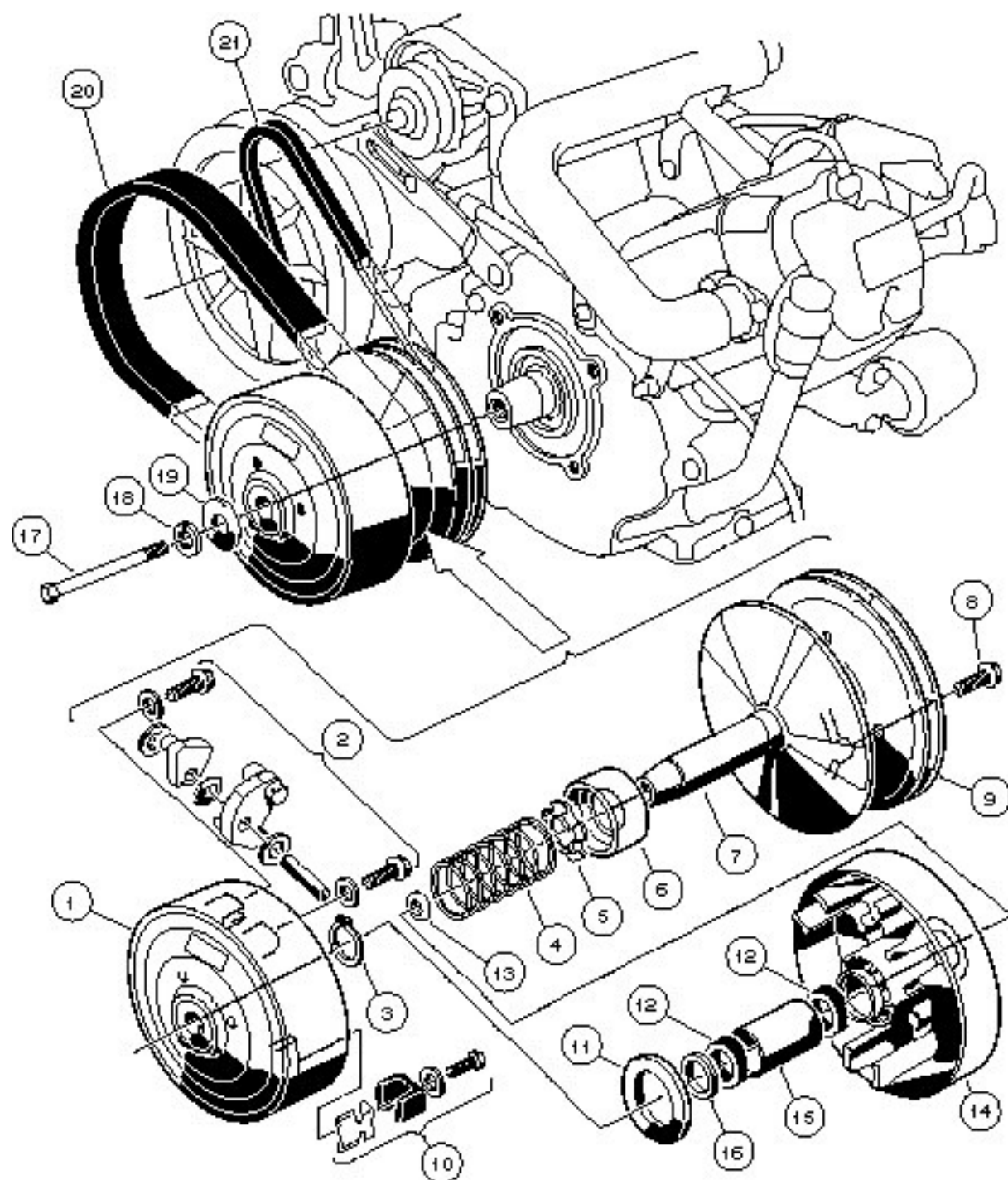


# TORQUE CONVERTER

---

9

G

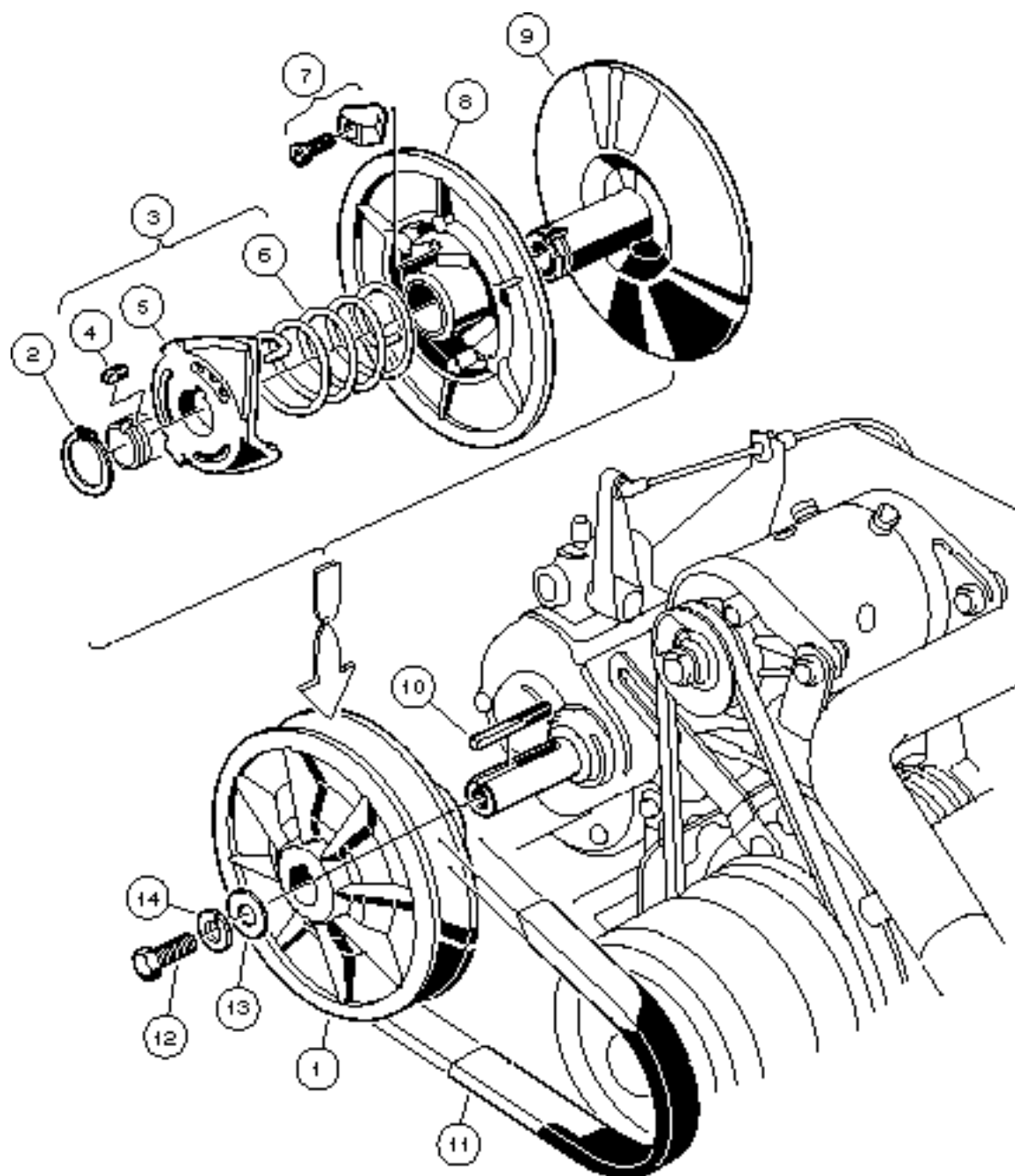


# DRIVE CLUTCH

9

G

ITEM	PART NO.	DESCRIPTION	QTY
		1 2 3 4	
	<u>1016378-02</u>	ASSEMBLY, DRIVE CLUTCH (TOURALL ONLY) (INCLUDES ITEMS 1 - 16) .....	1
	<u>1016378-04</u>	ASSEMBLY, DRIVE CLUTCH (RESORT VILLAGER, TRANS-PORTER/TRANS-SENDER) (INCLUDES ITEMS 1 - 16) .....	1
1	1014059	ASSEMBLY, DRIVE HUB .....	1
2	<u>1016801</u>	KIT, DRIVE CLUTCH WEIGHT .....	1
3	<u>1014057</u>	RING, RETAINING .....	1
4	<u>1014051</u>	SPRING, DRIVE CLUTCH (TOURALL ONLY) .....	1
4	<u>1016901</u>	SPRING, DRIVE CLUTCH (RESORT VILLAGER, TRANS-PORTER/TRANS-SENDER) .	1
5	<u>1014050</u>	SPRING, RETAINER .....	1
6	1014049	BEARING, IDLER .....	1
7	<u>1017383-01</u>	ASSEMBLY, FIXED FACE (INCLUDES ITEMS 8 AND 9) .....	1
8	N/A	SCREW, WASHER HEAD HEX MACHINE .....	3
9	N/A	PULLEY .....	1
10	<u>1014453</u>	KIT, DRIVE CLUTCH BUTTON .....	1
11	1014058	WASHER, THRUST .....	1
12	<u>1014056</u>	RING, SPIRAL BACK-UP .....	2
13	<u>1016289</u>	SPACER, FIXED FACE SHAFT .....	1
14	1014052	ASSEMBLY, MOVABLE FACE (INCLUDES ITEMS 15 AND 16) .....	1
15	N/A	BUSHING .....	1
16	<u>1014055</u>	RETAINER .....	1
17	1012441	SCREW, HEX HEAD CAP, 3/8 - 24 x 5 1/2 .....	1
18	0000357	WASHER, LOCK, 3/8 .....	1
19	0000808	WASHER, FLAT, 3/8 .....	1
20	<u>1016203</u>	BELT, DRIVE (TOURALL ONLY) .....	1
20	<u>1017188</u>	BELT, DRIVE (RESORT VILLAGER, TRANS-PORTER/TRANS-SENDER) .....	1
21	1014290	BELT, STARTER/GENERATOR .....	1



# DRIVEN CLUTCH

9

G

ITEM	PART NO.	DESCRIPTION	QTY
		1 2 3 4	
1	<u>1016360-01</u>	ASSEMBLY, DRIVEN CLUTCH (INCLUDES ITEMS 2 - 9) .....	1
2	<u>1014080</u>	RING, RETAINING .....	1
3	<u>1017755</u>	KIT, CAM (INCLUDES ITEMS 4, 5 AND 6) .....	1
4	<u>1014078</u>	KEY .....	1
5	N/A	CAM .....	1
6	N/A	SPRING .....	1
7	<u>1014454</u>	KIT, BUTTON .....	1
8	<u>1014072</u>	ASSEMBLY, MOVEABLE FACE, WITH BUSHING .....	1
9	1014458	ASSEMBLY, FIXED FACE .....	1
10	1012455	KEY, SQUARE TRANSMISSION .....	1
11	<u>1016203</u>	BELT, DRIVE (TOURALL ONLY) .....	1
11	<u>1017188</u>	BELT, DRIVE (RESORT VILLAGER, TRANS-PORTER/TRANS-SENDER) .....	1
12	0007173	SCREW, HEX HEAD CAP, 5/16 - 18 x 3/4 .....	1
13	<u>1017327</u>	WASHER, MOUNTING .....	1
14	0007174	WASHER, LOCK, 5/16 .....	1



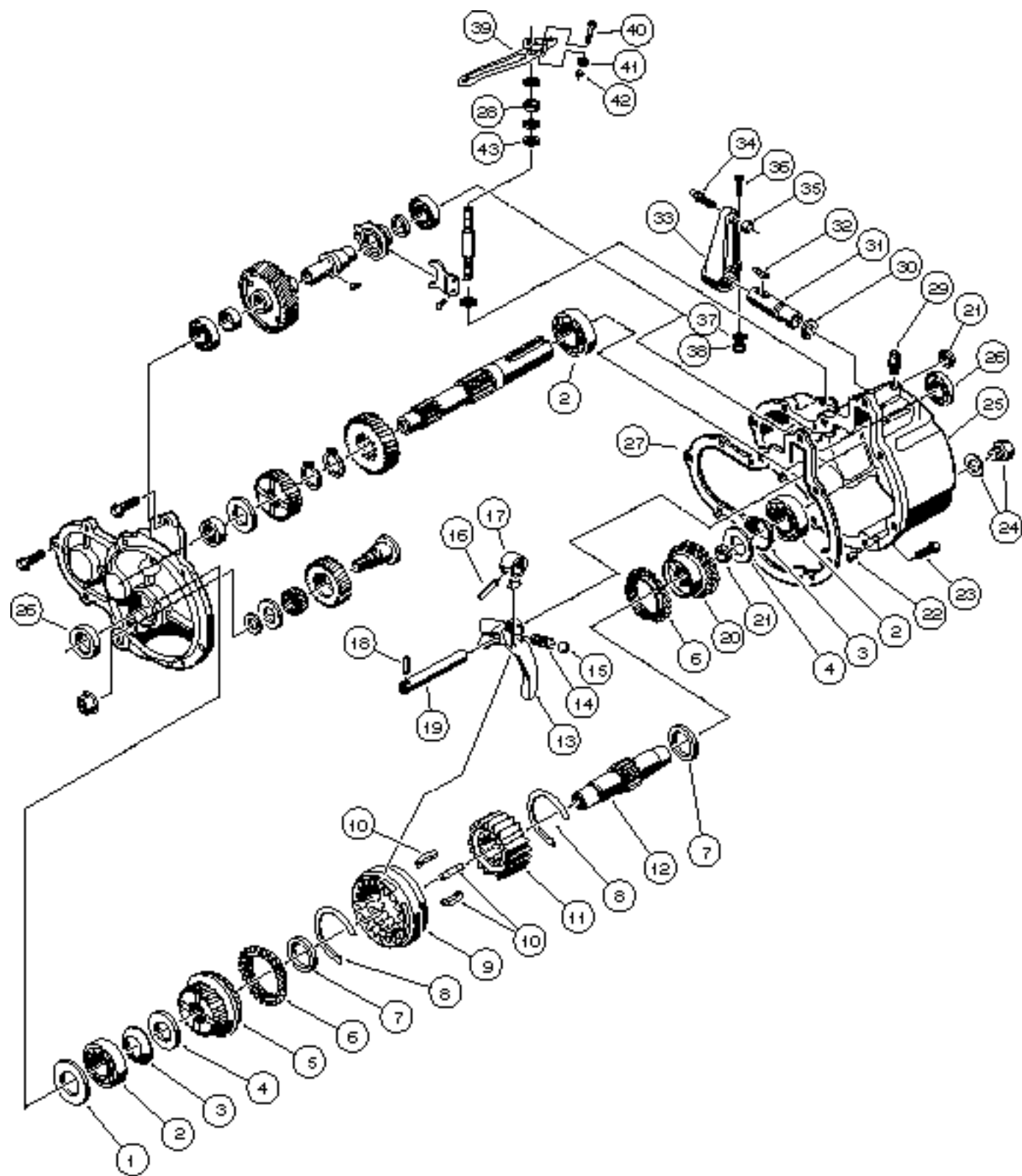


# TRANSMISSION

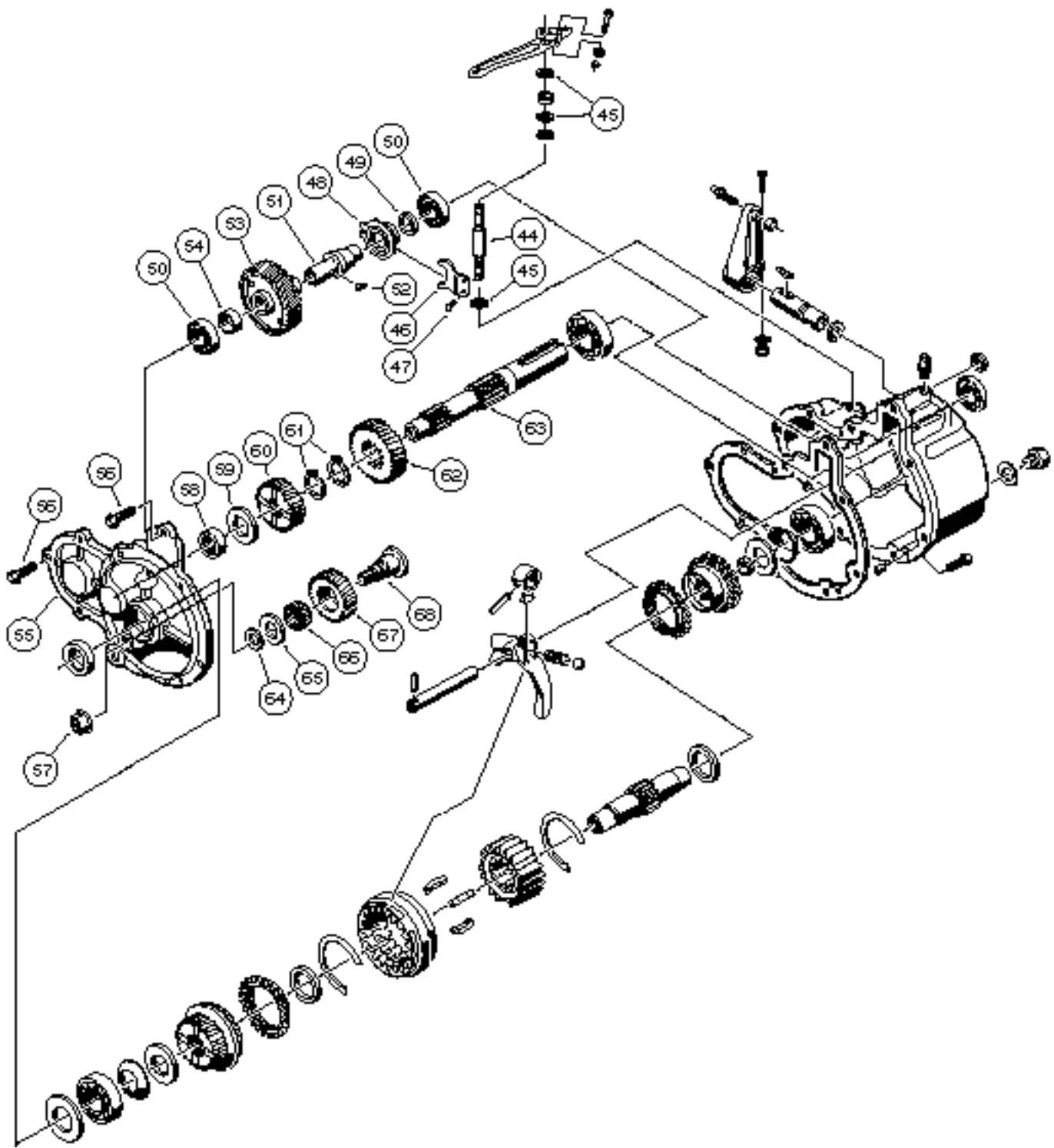
---

**10**

**G**



ITEM	PART NO.	DESCRIPTION	QTY
		1 2 3 4	
	<u>1015747</u>	TRANSMISSION .....	1
1	<u>1012783</u>	SHIM, 0.2MM .....	A/R
1	<u>1012784</u>	SHIM, 0.1MM .....	A/R
2	0007336	BEARING, BALL .....	3
3	<u>1016338</u>	WASHER, SPRING .....	2
4	<u>1016337</u>	WASHER, THRUST .....	2
5	<u>1012737</u>	ASSEMBLY, GEAR, 34 TOOTH .....	1
6	<u>1012742</u>	RING, SYNCHRONIZER .....	2
7	<u>1012743</u>	WASHER, THRUST .....	2
8	<u>1012741</u>	SPRING, SYNCHRONIZER .....	2
9	<u>1012739</u>	SLEEVE, CLUTCH .....	1
10	<u>1012740</u>	INSERT, SYNCHRONIZER .....	3
11	<u>1012738</u>	HUB, CLUTCH .....	1
12	<u>1012734</u>	SHAFT, OUTPUT .....	1
13	<u>1012746</u>	ARM, SLEEVE SHIFT .....	1
14	<u>1012748</u>	SPRING, SHIFTER .....	1
15	<u>1012747</u>	BALL, SHIFTER .....	1
16	<u>1012752</u>	PIN, ROLL .....	1
17	<u>1012750</u>	LEVER, SHIFTER ARM, INSIDE .....	1
18	<u>1012749</u>	PIN, ROLL .....	1
19	<u>1012745</u>	ROD, SHIFT .....	1
20	<u>1016591</u>	ASSEMBLY, GEAR, 28 TOOTH .....	1
21	<u>1012735</u>	PLUG .....	2
22	<u>1012710</u>	PIN, DOWEL .....	2
23	<u>1012719</u>	SCREW, HEX HEAD CAP, M6 x 1 x 14MM .....	1
24	<u>1013759</u>	PLUG, FILL, WITH GASKET .....	1
25	<u>1013960</u>	CASE, GEAR, WITHOUT LOCKOUT OPENING .....	1
26	<u>1012714</u>	SEAL, OIL .....	2
27	1012717	GASKET, CASE .....	1
28	<u>1012767</u>	SEAL, OIL .....	1
29	<u>1012711</u>	BREATHER .....	1
30	<u>1012754</u>	O-RING .....	1
31	<u>1012751</u>	SHAFT, SHIFTER .....	1
32	<u>1017231</u>	KEY, WOODRUFF .....	1
33	<u>1016341</u>	LEVER, TRANSMISSION SHIFTER .....	1
34	<u>1010954</u>	STUD, BALL, 1/4 - 28 x 9/16 .....	1
35	0008717	NUT, NYLON LOCK, 1/4 - 28 .....	1
36	<u>1017082</u>	SCREW, HEX WASHER HEAD, #10 - 32 x 3/4 .....	1
37	0000183	WASHER, FLAT, #10 .....	1
38	<u>1013061</u>	NUT, NYLON LOCK, #10 - 32 .....	1
39	<u>1015710</u>	ARM, GOVERNOR LEVER .....	1
40	<u>1016686</u>	BOLT, HEX, M6 x 1 x 28MM .....	1
41	<u>1016513</u>	WASHER, FLAT, M6 .....	1
42	<u>1012919</u>	NUT, M6 x 1 .....	1
43	<u>1012765</u>	WASHER, FLAT, M8 .....	1



ITEM	PART NO.	DESCRIPTION	QTY
		1 2 3 4	
44	<u>1012762</u>	SHAFT, GOVERNOR ARM .....	1
45	<u>1012766</u>	RING, SNAP .....	3
46	<u>1012763</u>	ARM, GOVERNOR, INTERNAL .....	1
47	<u>1012764</u>	SCREW, M4 x .7 x 6MM .....	2
48	<u>1012757</u>	SLEEVE, GOVERNOR .....	1
49	<u>1012758</u>	SPACER, THIN .....	1
50	<u>1012761</u>	BEARING, BALL .....	2
51	<u>1016598</u>	SHAFT, GOVERNOR .....	1
52	<u>1012760</u>	KEY, GOVERNOR SHAFT .....	1
53	<u>1012755</u>	GEAR, GOVERNOR, 41 TOOTH .....	1
54	<u>1012759</u>	SPACER, THICK .....	1
55	<u>1016592</u>	COVER .....	1
56	<u>1012718</u>	SCREW, HEX HEAD CAP, M6 x 1 x 20MM .....	4
57	<u>1012733</u>	NUT, FLANGE, M8 x 1.75 .....	1
58	<u>1012716</u>	BEARING, NEEDLE .....	1
59	<u>1012723</u>	WASHER, THRUST, 3.0MM .....	A/R
59	<u>1012724</u>	WASHER, THRUST, 3.3MM (WHITE) .....	A/R
59	<u>1012725</u>	WASHER, THRUST, 3.6MM (YELLOW) .....	A/R
60	<u>1012722</u>	GEAR, 25 TOOTH .....	1
61	<u>1012727</u>	RING, SNAP .....	2
62	<u>1016594</u>	GEAR, 29 TOOTH .....	1
63	<u>1012720</u>	SHAFT, INPUT .....	1
64	<u>1012732</u>	O-RING .....	1
65	<u>1012730</u>	WASHER, THRUST .....	1
66	<u>1012731</u>	BEARING, NEEDLE .....	1
67	<u>1012729</u>	GEAR, REVERSE IDLER .....	1
68	<u>1012728</u>	SHAFT, IDLER .....	1

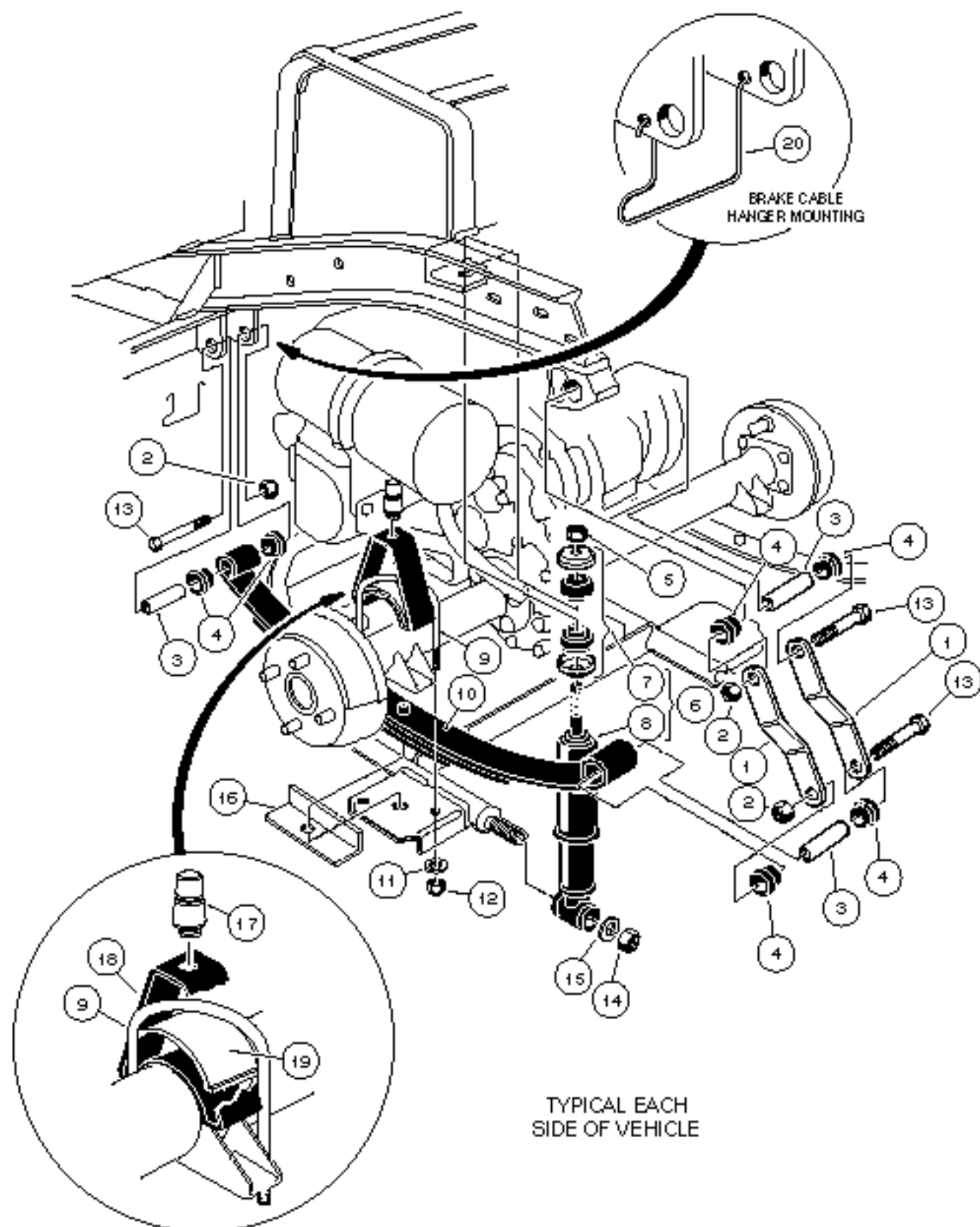


# REAR SUSPENSION GASOLINE VEHICLES

---

**11**

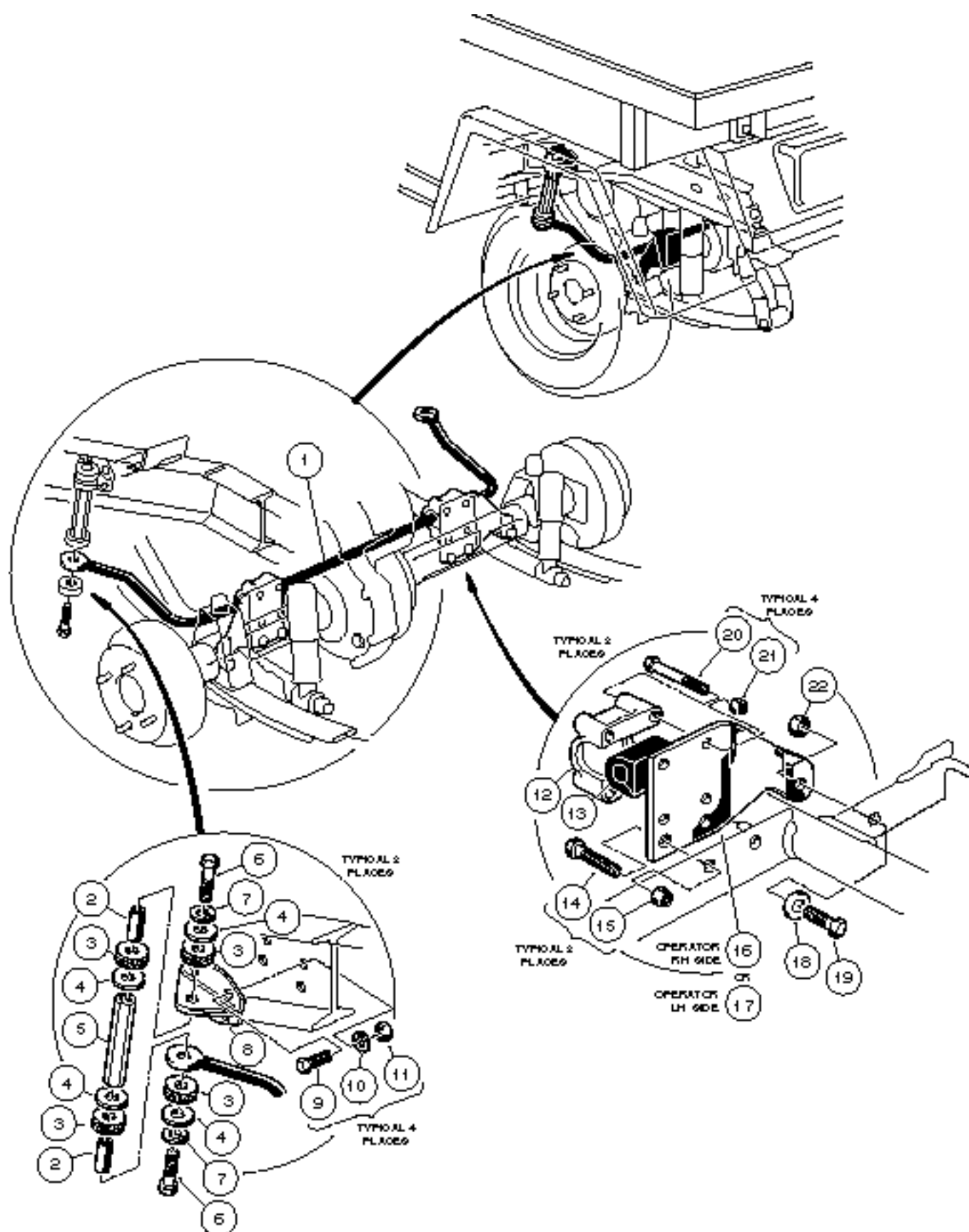
**G**





# REAR SUSPENSION - GASOLINE VEHICLES

ITEM	PART NO.	DESCRIPTION	QTY
		1 2 3 4	
1	<u>1012304</u>	SHACKLE, REAR SPRING .....	4
2	0008754	NUT, NYLON LOCK, 3/8 - 16 .....	6
3	<u>1012303</u>	BUSHING, STEEL .....	4
4	<u>1015583</u>	BUSHING, URETHANE .....	12
5	<u>1010145</u>	NUT, HEX, 3/8 - 24 .....	2
6	<u>1012781</u>	KIT, SHOCK ABSORBER (INCLUDES ITEMS 7 AND 8) .....	2
7	<u>1011415</u>	KIT, SHOCK ABSORBER CUSHION .....	2
8	<u>1014234</u>	SHOCK ABSORBER, REAR .....	2
9	<u>1014902</u>	"U" BOLT .....	2
10	<u>1014675</u>	SPRING, REAR LEAF .....	2
11	<u>1014557</u>	WASHER, FLAT, 7/16 .....	4
12	<u>1014555</u>	NUT, NYLON LOCK, 7/16 - 24 .....	4
13	0008755	SCREW, HEX HEAD CAP, 3/8 - 16 x 3 3/8 .....	6
14	1010188	NUT, DIMPLED LOCK, 5/8 - 11 .....	2
15	<u>1010193</u>	WASHER, FLAT, 5/8 .....	2
16	1014573	RETAINER, LEAF SPRING .....	2
17	<u>1017235</u>	BUMPER, SUSPENSION OVERLOAD .....	2
18	1014546-02	MOUNT, SUSPENSION OVERLOAD BUMPER .....	2
19	<u>1014901</u>	SPACER, SUSPENSION OVERLOAD BUMPER .....	2
20	<u>1013207</u>	HANGER, BRAKE CABLE .....	2

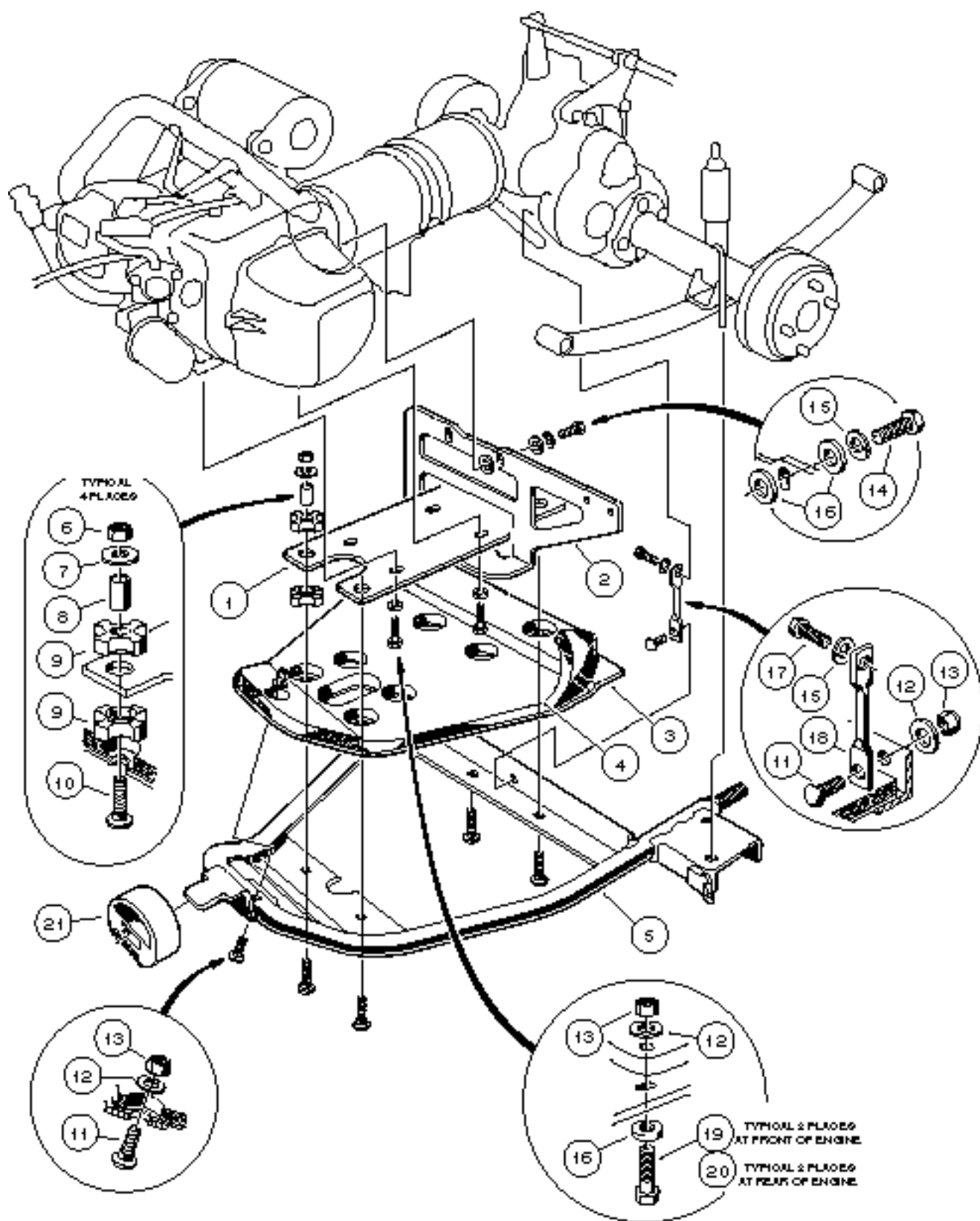


# STABILIZER BAR GASOLINE VEHICLES WITH 350 ENGINES

**11**

**G**

ITEM	PART NO.	DESCRIPTION	QTY
		1 2 3 4	
1	<u>1015760</u>	BAR, STABILIZER, 3/4 DIAMETER .....	1
2	<u>1015457</u>	SPACER .....	4
3	<u>1015453</u>	MOUNT, COMPRESSION .....	8
4	0000808	WASHER, FLAT, 3/8 .....	8
5	<u>1016814</u>	LINK, STABILIZER BAR .....	2
6	0008861	SCREW, HEX HEAD CAP, 3/8 - 16 x 1 3/4 .....	4
7	0000357	WASHER, LOCK, 3/8 .....	4
8	<u>1016813</u>	BRACKET, STABILIZER BAR MOUNTING .....	2
9	0007173	SCREW, HEX HEAD CAP, 5/16 - 18 x 3/4 .....	8
10	0007174	WASHER, LOCK, 3/8 .....	8
11	0001242	NUT, HEX, 5/16 - 18 .....	8
12	<u>1015614</u>	SUPPORT, STABILIZER BAR BUSHING .....	2
13	<u>1015613</u>	BUSHING, STABILIZER BAR .....	2
14	0000705	SCREW, HEX HEAD CAP, 3/8 - 16 x 1 1/4 .....	4
15	0008754	NUT, NYLON LOCK, 3/8 - 16 .....	4
16	1017144	PLATE, TRUSS, RIGHT SIDE .....	1
17	1017143	PLATE, TRUSS, LEFT SIDE .....	1
18	<u>1017233</u>	WASHER, HARDENED, 5/16 .....	2
19	1017232	SCREW, HEX HEAD CAP, 5/16 - 24 x 1 .....	2
20	0007311	SCREW, HEX HEAD CAP, 1/4 - 20 x 2 .....	8
21	0008233	NUT, NYLON LOCK, 1/4 - 20 .....	8
22	<u>1017237</u>	NUT, SERRATED FLANGE LOCK .....	2



# INNER FRAME - GASOLINE VEHICLES

**11**

**G**

ITEM	PART NO.	DESCRIPTION	QTY
		1 2 3 4	
1	<u>1016869</u>	PLATE, INNER FRAME MOUNTING .....	1
2	<u>1016206</u>	PLATE, MUFFLER MOUNTING .....	1
3	1016196	PAN, BELLY .....	1
4	1016197	INSULATION, BELLY PAN SOUND .....	1
5	<u>1016870</u>	ASSEMBLY, INNER FRAME WELD .....	1
6	0008754	NUT, NYLON LOCK, 3/8 - 16 .....	4
7	0000808	WASHER, FLAT, 3/8 .....	4
8	<u>1017033</u>	BUSHING, STEEL .....	4
9	1016810	MOUNT, ENGINE .....	8
10	<u>1012428</u>	BOLT, CARRIAGE, 3/8 - 16 x 2 1/4 .....	4
11	<u>1015932</u>	BOLT, CARRIAGE, 5/16 - 18 x 1 .....	1
12	0001241	WASHER, FLAT, 5/16 .....	6
13	0007473	NUT, NYLON LOCK, 5/16 - 18 .....	6
14	<u>1015709</u>	SCREW, HEX HEAD CAP, M8 x 1.25 x 30MM .....	2
15	0007174	WASHER, LOCK, 5/16 .....	3
16	1012571	WASHER, HEAVY FLAT, 5/16 .....	8
17	<u>1010577</u>	SCREW, HEX HEAD CAP, 5/16 - 18 x 1 1/2 .....	1
18	1016200-02	SUPPORT, TRANSMISSION STRAP .....	1
19	0008963	SCREW, HEX HEAD CAP, 5/16 - 18 x 1 3/4 .....	2
20	0008916	SCREW, HEX HEAD CAP, 5/16 - 18 x 2 .....	2
21	1012164	SNUBBER, INNER FRAME .....	1

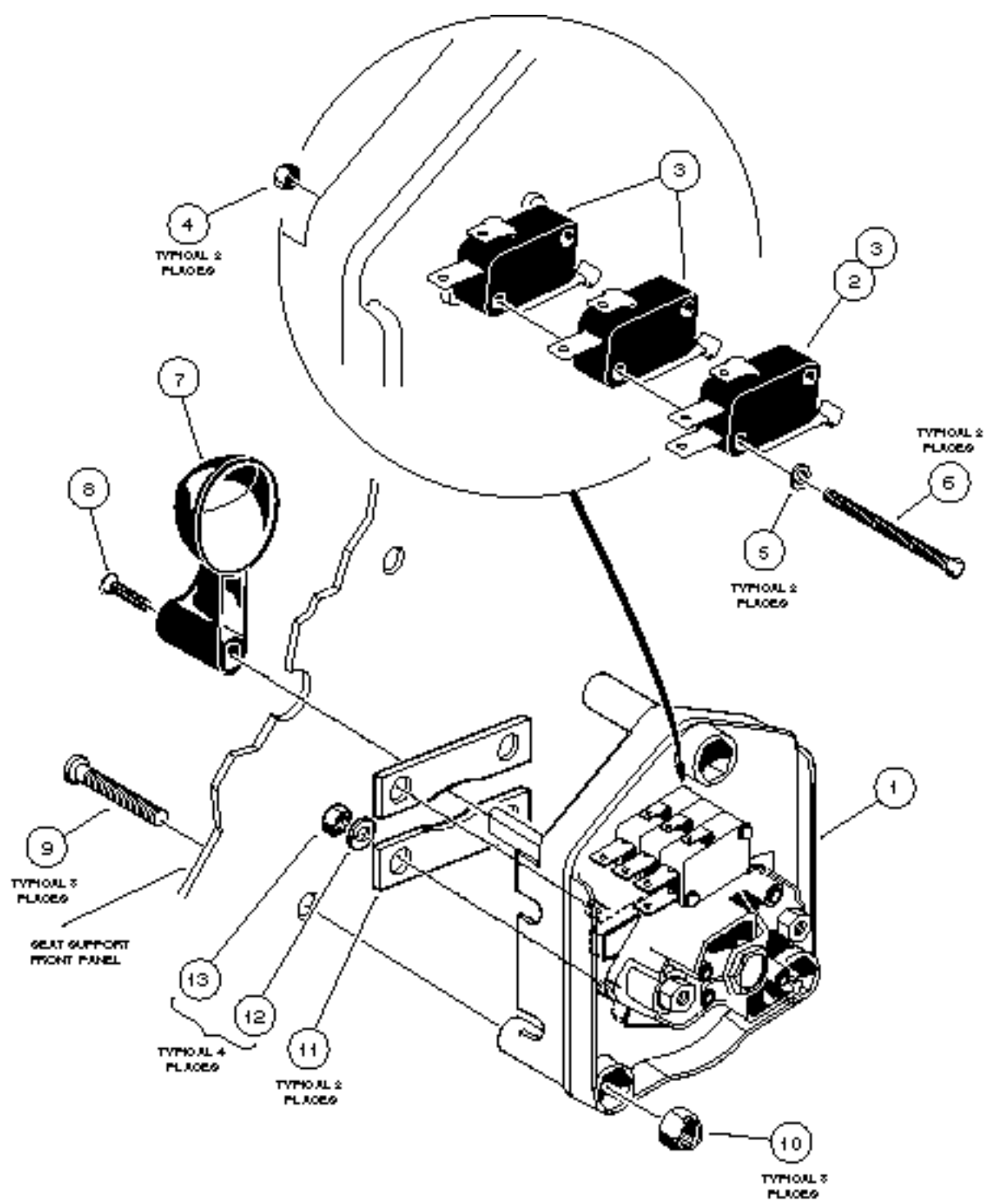


# ELECTRICAL SYSTEM ELECTRIC VEHICLES

---

12

E





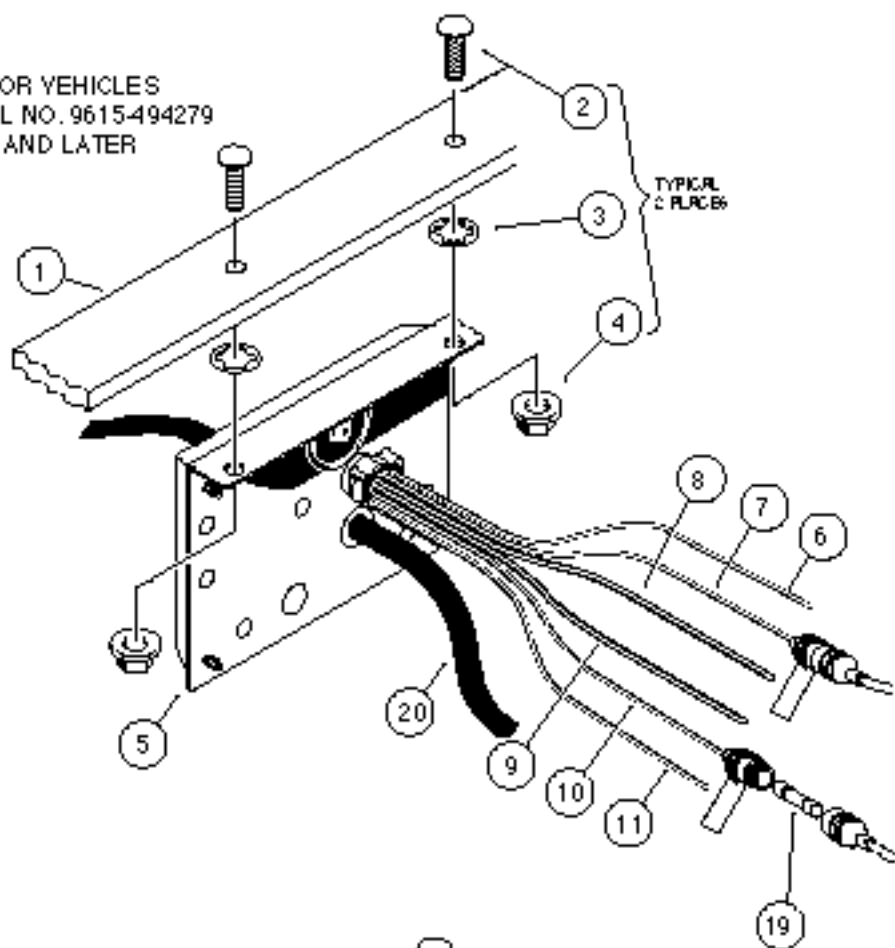
# FORWARD AND REVERSE SWITCH ELECTRIC VEHICLES

**12**

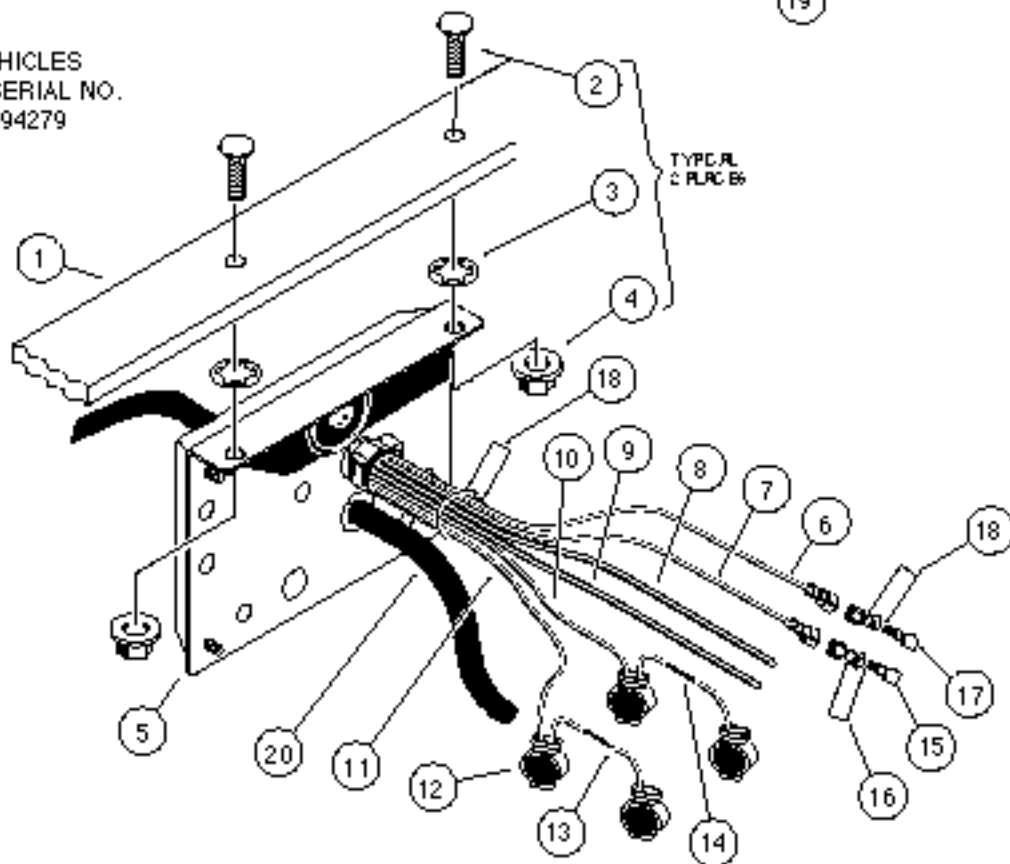
**E**

ITEM	PART NO.	DESCRIPTION	QTY
		1 2 3 4	
1	<u>1017530-05</u>	ASSEMBLY, FOWARD AND REVERSE SWITCH (INCLUDES ITEMS 2 - 6) (FOR VEHICLES SERIAL NUMBER 9529-445799 AND LATER) .....	1
1	<u>1017530-04</u>	ASSEMBLY, FOWARD AND REVERSE SWITCH (INCLUDES ITEMS 3 - 6) (FOR VEHICLES PRIOR TO SERIAL NUMBER 9529-445799) .....	1
2	<u>1014807</u>	SWITCH, LIMIT (FOR 107530-05 ONLY) .....	1
3	<u>1014808</u>	SWITCH, LIMIT (QUANTITY 3 ON F&R SWITCH PART NO. <u>1017530-04</u> ) .....	2
4	0008057	NUT, HEX, #4 - 40 .....	2
5	0008058	WASHER, LOCK, #4 .....	2
6	<u>1014871</u>	SCREW, HEX WASHER HEAD, #4 - 40 x 2 .....	2
7	<u>1012987</u>	HANDLE, FORWARD AND REVERSE SWITCH .....	1
8	<u>1013198</u>	SCREW, PHILLIPS HEAD MACHINE, #8 - 32 x 5/8 .....	1
9	1016845	SCREW, PHILLIPS TRUSS HEAD, 1/4 - 20 x 2 1/8 .....	3
10	0008233	NUT, NYLON LOCK, 1/4 - 20 .....	3
11	<u>1017799</u>	BAR, BUSS .....	2
12	0000451	WASHER, LOCK, 1/4 .....	4
13	0001028	NUT, HEX, 1/4 - 20 .....	4

FOR VEHICLES  
SERIAL NO. 9615-494279  
AND LATER



FOR VEHICLES  
PRIOR TO SERIAL NO.  
9615-494279



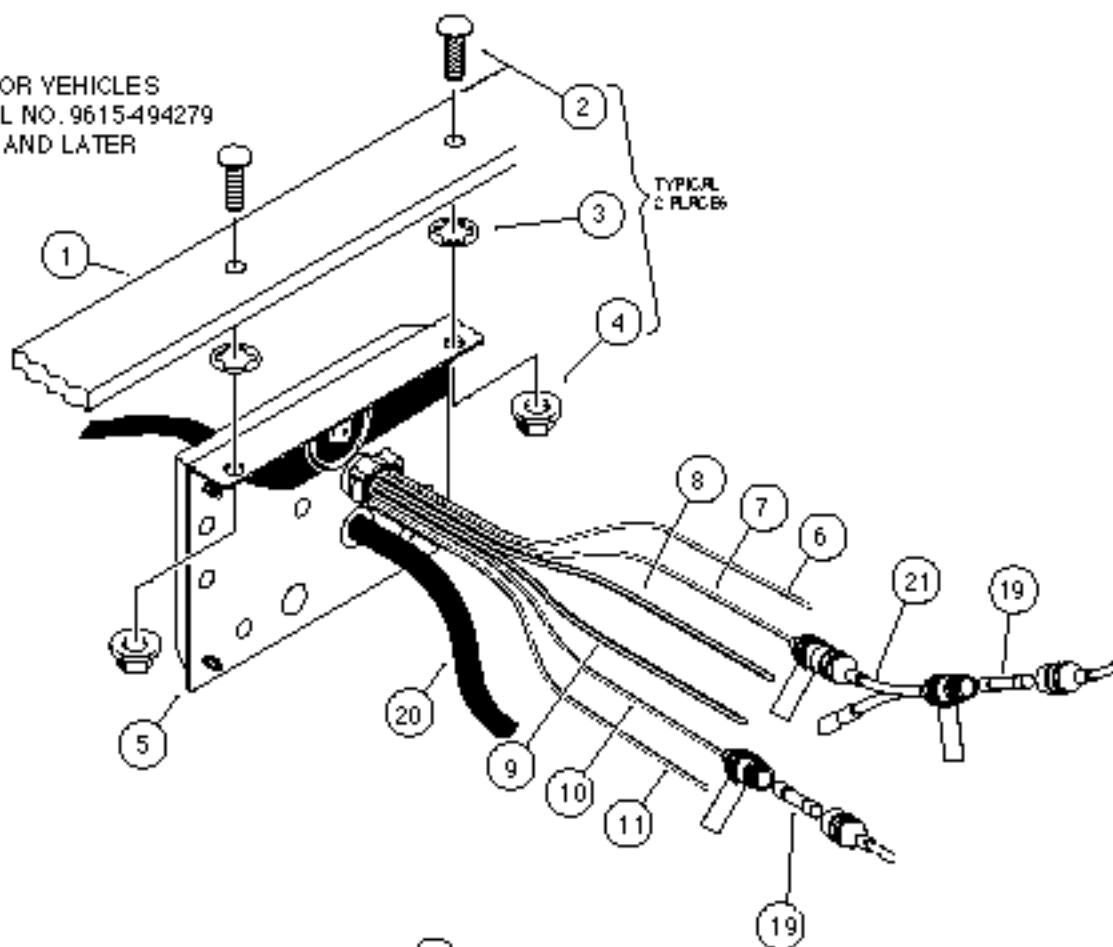
# ON-BOARD COMPUTER TOURALL, RESORT VILLAGER

**12**

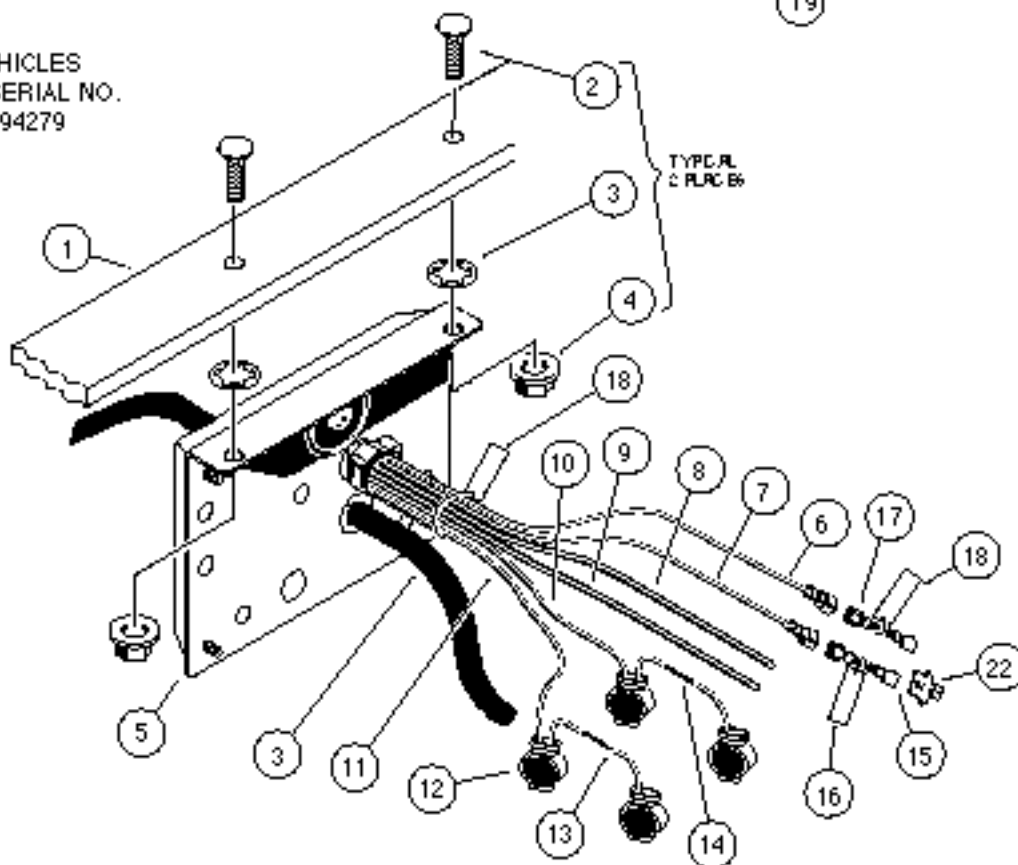
**E**

ITEM	PART NO.	DESCRIPTION	QTY
		1 2 3 4	
1	1015837	PLATE, CONTROLLER MOUNTING (TOURALL AND LATE MODEL RESORT VILLAGER) .	1
1	1018207-01	BRACKET, COMPUTER MOUNTING (EARLY MODEL RESORT VILLAGER) .....	1
2	<u>1017203</u>	BOLT, CARRIAGE, 1/4 - 20 x 1 .....	2
3	<u>1016631</u>	NUT, PUSH, 3/16 .....	2
4	<u>1018356-01</u>	NUT, HEX FLANGED LOCK, 1/4 - 20 .....	2
5	1018006-01	COMPUTER, ON-BOARD (INCLUDES ITEMS 2 - 20) .....	1
6	N/A	WIRE ASSEMBLY, #18 BROWN .....	1
7	N/A	WIRE ASSEMBLY, #18 GRAY .....	1
8	N/A	WIRE ASSEMBLY, #10 BLACK .....	1
9	N/A	WIRE ASSEMBLY, #10 BLACK .....	1
10	N/A	WIRE ASSEMBLY, #18 RED .....	1
11	N/A	WIRE ASSEMBLY, #18 YELLOW .....	1
12	<u>1018843-01</u>	CONNECTOR, SILICON FILLED (FOR VEHICLES PRIOR TO SERIAL NUMBER 9615-494279) .....	4
13	<u>1018779-01</u>	ASSEMBLY, FUSE, YELLOW WIRE (FOR VEHICLES PRIOR TO SERIAL NUMBER 9615-494279) .....	1
14	<u>1018778-01</u>	ASSEMBLY, FUSE, RED WIRE (FOR VEHICLES PRIOR TO SERIAL NUMBER 9615-494279) .....	1
15	1018633-01	FUSE ASSEMBLY, 1/4 AMP (AT GRAY WIRE) (FOR VEHICLES PRIOR TO SERIAL NUMBER 9615-494279) (INCLUDES ITEM 16) .....	1
16	N/A	LABEL, WARNING .....	1
17	<u>1018633-02</u>	ASSEMBLY, FUSE, 1/4 AMP (AT BROWN WIRE) (FOR VEHICLES PRIOR TO SERIAL NUMBER 9615-494279) .....	1
18	1018844-01	LABEL, RED WARNING .....	2
19	<u>1018949-01</u>	FUSE ASSEMBLY, 3/8 AMP (FOR VEHICLES SERIAL NUMBER 9615-494279 AND LATER) .....	2
20	1018278-01	KIT, GROUND WIRE, #6 BLACK (TOURALL ONLY) .....	1
20	<u>1018278-02</u>	KIT, GROUND WIRE, #6 BLACK (RESORT VILLAGER ONLY) .....	1

FOR VEHICLES  
SERIAL NO. 9615-494279  
AND LATER



FOR VEHICLES  
PRIOR TO SERIAL NO.  
9615-494279



# ON-BOARD COMPUTER TRANS-PORTER/TRANS-SENDER

**12**

**E**

ITEM	PART NO.	DESCRIPTION	QTY
		1 2 3 4	
1	1018206-01	BRACKET, COMPUTER MOUNTING .....	1
2	<u>1017203</u>	BOLT, CARRIAGE, 1/4 - 20 x 1 .....	2
3	<u>1016631</u>	NUT, PUSH, 3/16 .....	2
4	<u>1018356-01</u>	NUT, HEX FLANGED LOCK, 1/4 - 20 .....	2
5	1018006-02	COMPUTER, ON-BOARD (INCLUDES ITEMS 2 - 20) .....	1
6	N/A	WIRE ASSEMBLY, #18 BROWN .....	1
7	N/A	WIRE ASSEMBLY, #18 GRAY .....	1
8	N/A	WIRE ASSEMBLY, #10 BLACK .....	1
9	N/A	WIRE ASSEMBLY, #10 BLACK .....	1
10	N/A	WIRE ASSEMBLY, #18 RED .....	1
11	N/A	WIRE ASSEMBLY, #18 YELLOW .....	1
12	<u>1018843-01</u>	CONNECTOR, SILICON FILLED (FOR VEHICLES PRIOR TO SERIAL NUMBER 9615-494279) .....	4
13	<u>1018778-01</u>	ASSEMBLY, FUSE, RED WIRE (FOR VEHICLES PRIOR TO SERIAL NUMBER 9615-494279) .....	1
14	<u>1018779-01</u>	ASSEMBLY, FUSE, YELLOW WIRE (FOR VEHICLES PRIOR TO SERIAL NUMBER 9615-494279.) .....	1
15	1018633-01	FUSE ASSEMBLY, 1/4 AMP (AT GRAY WIRE) (FOR VEHICLES PRIOR TO SERIAL NUMBER 9615-494279) (INCLUDES ITEM 12) .....	1
16	N/A	LABEL, WARNING .....	1
17	<u>1018633-02</u>	ASSEMBLY, FUSE, 1/4 AMP (AT BROWN WIRE) (FOR VEHICLES PRIOR TO SERIAL NUMBER 9615-494279) .....	1
18	1018844-01	LABEL, RED WARNING .....	2
19	<u>1018949-01</u>	FUSE ASSEMBLY, 3/8 AMP (FOR VEHICLES SERIAL NUMBER 9615-494279 AND LATER) .....	3
20	<u>1018278-02</u>	KIT, GROUND WIRE, #6 BLACK (TRANS-PORTER/TRANS-SENDER) .....	1
21	<u>1018968-01</u>	ASSEMBLY, 3-WAY PLUG (FOR VEHICLES SERIAL NUMBER 9615-494279 AND LATER) .....	1
22	1018085-01	ADAPTER, RECEPTACLE AND TABS FASTON (FOR VEHICLES PRIOR TO SERIAL NUMBER 9615-494279) .....	1

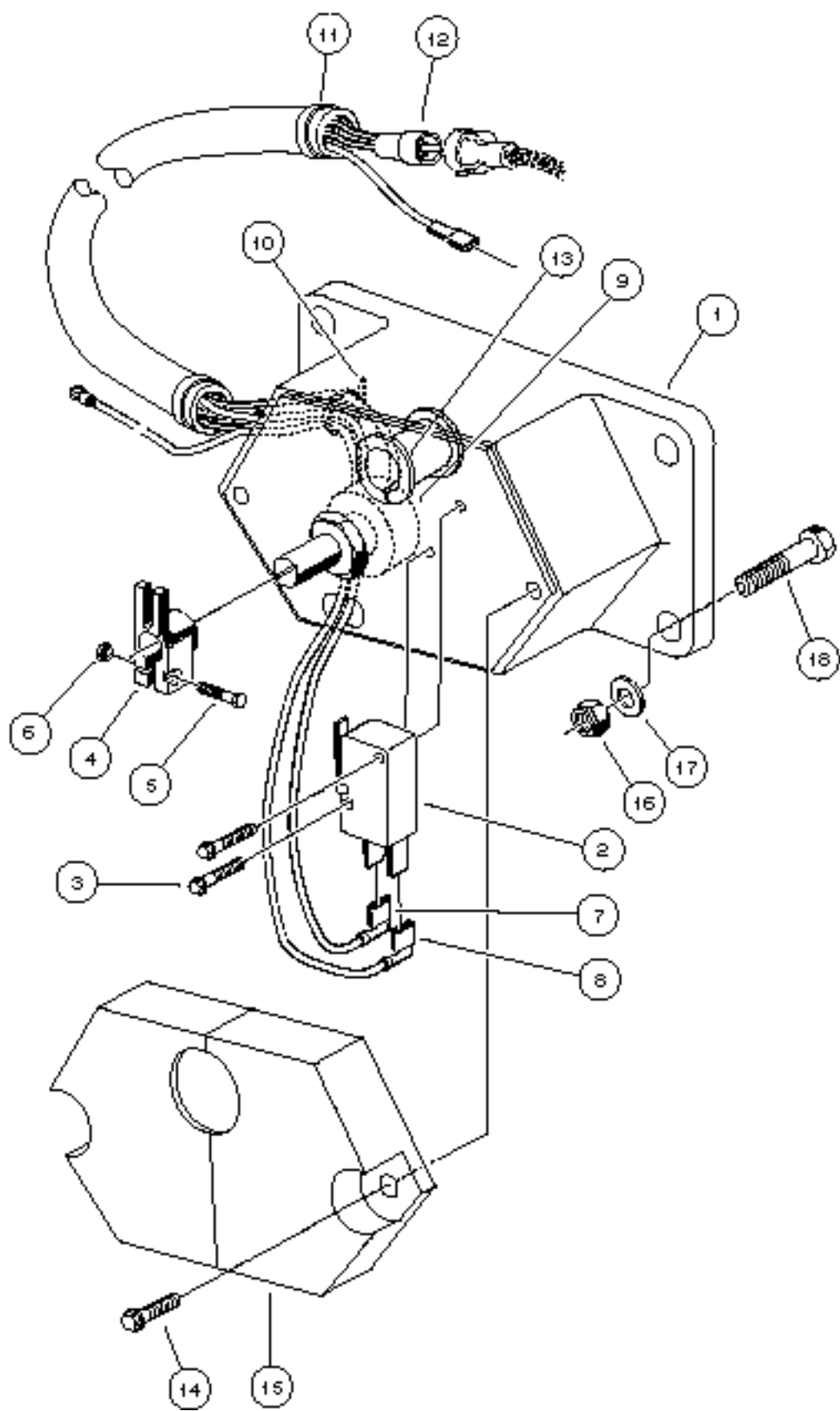


# MULTI-STEP POTENTIOMETER

12

E

ITEM	PART NO.	DESCRIPTION	QTY
		1 2 3 4 FOR VEHICLES PRIOR TO SERIAL NUMBER 9529-445799.	
	<u>1016012</u>	ASSEMBLY, WIPER SWITCH (INCLUDES ITEMS 1 - 41) .....	1
1	<u>1014999</u>	ASSEMBLY, WIPER SWITCH CASE, 6 SPEED .....	1
2	0000451	WASHER, LOCK, 1/4 .....	17
3	<u>1014253</u>	NUT, BRASS HEX JAM, 1/4 - 20 .....	3
4	0007473	NUT, NYLON LOCK, 5/16 - 18 .....	1
5	<u>1012353</u>	STUD, SHORT BALL, 1/4 - 28 .....	1
6	<u>1014003</u>	CRANK, BELL .....	1
7	0008449	NUT, DIMPLED LOCK, 1/4 - 28 .....	1
8	<u>1012903</u>	BEARING, BRONZE .....	2
9	<u>1014189</u>	SCREW, HEX HEAD CAP, 1/4 - 20 x 2 .....	1
10	<u>1013886</u>	COVER, WIPER SWITCH .....	1
11	0007893	NUT, HEX, #10 - 32 .....	1
12	<u>1014017</u>	CARRIER, WIPER SWITCH ARM .....	1
13	<u>1013998</u>	SPRING, WIPER SWITCH BRUSH .....	1
14	<u>1014000</u>	STUD, WIPER SWITCH ADJUSTING .....	1
15	<u>1014019</u>	SCREW, SELF-TAPPING, #4 - 40 x 3/8 .....	1
16	0008058	WASHER, LOCK #4 .....	3
17	<u>1013887</u>	ARM, SPEED SWITCH .....	1
18	<u>1013860</u>	ASSEMBLY, SWITCH BRUSH .....	1
19	0008056	SCREW, ROUND HEAD MACHINE, #4 - 40 x 3/4 .....	2
20	<u>1014807</u>	SWITCH, LIMIT .....	1
21	<u>1014010</u>	GROMMET, SPLIT .....	1
22	0008057	NUT, HEX, #4 - 40 .....	2
23	1014414	BUMPER, WIPER SWITCH .....	1
24	<u>1014413</u>	PIN, HAIR SPRING COTTER .....	1
25	<u>1017692</u>	CAP, PROTECTOR .....	1
26	1016061	PROTECTOR, WIPER SWITCH RESISTOR .....	1
27	<u>1018269-01</u>	ASSEMBLY, RESISTOR, 300 .....	2
28	<u>1018269-02</u>	ASSEMBLY, RESISTOR, 390 .....	1
29	<u>1016015</u>	ASSEMBLY, RESISTOR, 750 .....	1
30	<u>1018269-03</u>	ASSEMBLY, RESISTOR, 1000 .....	1
31	<u>1018269-04</u>	ASSEMBLY, RESISTOR, 2200 .....	1
32	1014839	ASSEMBLY, WIRE, #18 GREEN/WHITE .....	1
33	1016142	ASSEMBLY, WIRE, #18 BLUE .....	1
34	<u>1013266</u>	SCREW, PHILLIPS TRUSS HEAD, #8 - 18 x 1/2 .....	2
35	<u>1013529</u>	WASHER, FLAT, #8 .....	4
36	<u>1011571</u>	NUT, HEX, #8 - 32 .....	2
37	<u>1016090</u>	STAND-OFF, HEX MALE/FEMALE, #8 - 32 .....	2
38	<u>1012076</u>	WASHER, EXTERNAL TOOTH LOCK, #8 .....	4
39	<u>1016018</u>	ASSEMBLY, WIRE, #18 BLACK (WITH RESISTOR) .....	1
40	1016019	ASSEMBLY, WIRE, #18 WHITE .....	1
41	0001014	NUT, BRASS HEX, 1/4 - 20 .....	15
42	<u>1014109</u>	BOLT, CARRIAGE, #10 - 24 x 1 .....	2
43	<u>1016175</u>	WASHER, LOCK, #10 .....	2
44	0001017	NUT, HEX, #10 - 24 .....	2
45	1014367	SHIM, WIPER SWITCH .....	1





# CONTINUOUSLY VARIABLE POTENTIOMETER

12

E

ITEM	PART NO.	DESCRIPTION	QTY
		1 2 3 4 FOR VEHICLES SERIAL NUMBER 9529-445799 AND LATER.	
	1017392	ASSEMBLY, POTENTIOMETER HOUSING (INCLUDES ITEMS 1 - 13) .....	1
1	N/A	HOUSING, ACCELERATOR .....	1
2	<u>1017830</u>	SWITCH, LIMIT .....	1
3	<u>1018226-01</u>	SCREW, HEX WASHER, #4 - 24 .....	2
4	<u>1018090-01</u>	LEVER, POTENTIOMETER .....	1
5	<u>1017853</u>	SCREW, HEX HEAD, #6 - 32 x 3/4 .....	1
6	<u>1011229</u>	NUT, LOCK, "K", #6 - 32 .....	1
7	1017393	WIRE ASSEMBLY, #18 BLUE .....	1
8	1017394	WIRE ASSEMBLY, #18 GREEN/WHITE .....	1
9	N/A	POTENTIOMETER .....	1
10	0008168	WRAP, TIE .....	3
11	N/A	CONDUIT, ELECTRICAL .....	1
12	<u>1018573-01</u>	RECEPTACLE .....	1
13	<u>1017424</u>	BEARING, PIVOT SUPPORT .....	1
14	<u>1018043-01</u>	SCREW, HI-LO HEX HEAD, #8 - 18 x 1/2 .....	2
15	<u>1017743</u>	COVER, ACCELERATOR .....	1
16	0008233	NUT, NYLON LOCK, 1/4 - 20 .....	4
17	0000332	WASHER, FLAT, 1/4 .....	4
18	<u>1018619-01</u>	SCREW, HEX HEAD CAP, 1/4 - 20 x 1 1/8 .....	4



# WIRING - ELECTRIC TOURALL WITH MULTI-STEP POTENTIOMETER

**12**

**E**

ITEM	PART NO.	DESCRIPTION	QTY
		1 2 3 4 FOR VEHICLES PRIOR TO SERIAL NUMBER 9529-445799.	
	<u>1017942-02</u>	HARNESS, POWERDRIVE POWER WIRING (INCLUDES ITEMS 1 - 12)	
1	1015865	WIRE ASSEMBLY, #18 RED .....	1
2	1016122	WIRE ASSEMBLY, #18 WHITE/BLACK .....	1
3	1016135	WIRE ASSEMBLY, #18 RED .....	1
4	1016121	WIRE ASSEMBLY, #18 GREEN .....	1
5	<u>1014854</u>	WIRE ASSEMBLY, #6 ORANGE .....	1
6	<u>1018109</u>	WIRE ASSEMBLY, #6 BLUE .....	1
7	1017993	WIRE ASSEMBLY, #18 RED/WHITE .....	1
8	1017956	WIRE ASSEMBLY, #18 BROWN .....	1
9	<u>1018110</u>	WIRE ASSEMBLY, #6 BLUE .....	1
10	1015864	WIRE ASSEMBLY, #18 WHITE .....	1
11	1016133	WIRE ASSEMBLY, #18 BLUE .....	1
12	1016134	WIRE ASSEMBLY, #18 ORANGE .....	1
13	<u>1016018</u>	WIRE ASSEMBLY, #18 BLACK (WITH RESISTOR) .....	1
14	<u>1015769</u>	WIRE ASSEMBLY, #6 WHITE .....	1
15	N/A	WIRE ASSEMBLY, #18 RED (PART OF ON-BOARD COMPUTER ASSEMBLY) .....	1
16	<u>1014947</u>	ASSEMBLY, RESISTOR .....	1
17	<u>1015859</u>	WIRE ASSEMBLY, #6 RED .....	1
18	1014978	ASSEMBLY, DIODE .....	1
19	N/A	WIRE ASSEMBLY, #18 YELLOW (PART OF ON-BOARD COMPUTER ASSEMBLY) .....	1
20	N/A	WIRE ASSEMBLY, #10 BLACK (PART OF ON-BOARD COMPUTER ASSEMBLY) .....	1
21	1018278-01	KIT, GROUND WIRE, #6 BLACK .....	1
22	<u>1015858</u>	WIRE ASSEMBLY, #6 YELLOW .....	1
23	<u>1015861</u>	WIRE ASSEMBLY, #6 WHITE .....	1
24	<u>1015860</u>	WIRE ASSEMBLY, #6 GREEN .....	1
25	N/A	WIRE ASSEMBLY, #10 GREY (PART OF ON-BOARD COMPUTER ASSEMBLY) .....	1
26	N/A	WIRE ASSEMBLY, #10 BLACK (PART OF ON-BOARD COMPUTER ASSEMBLY) .....	1
27	N/A	WIRE ASSEMBLY, #10 RED (PART OF FUSE AND RECEPTACLE ASSEMBLY) .....	1
28	1017394	WIRE ASSEMBLY, #18 GREEN/WHITE .....	1
29	1015863	WIRE ASSEMBLY, #18 BLACK .....	1
30	1015864	WIRE ASSEMBLY, #18 WHITE .....	1
31	1017967	WIRE ASSEMBLY, #18 ORANGE/WHITE .....	1
32	1017957	WIRE ASSEMBLY, #6 BLACK .....	5

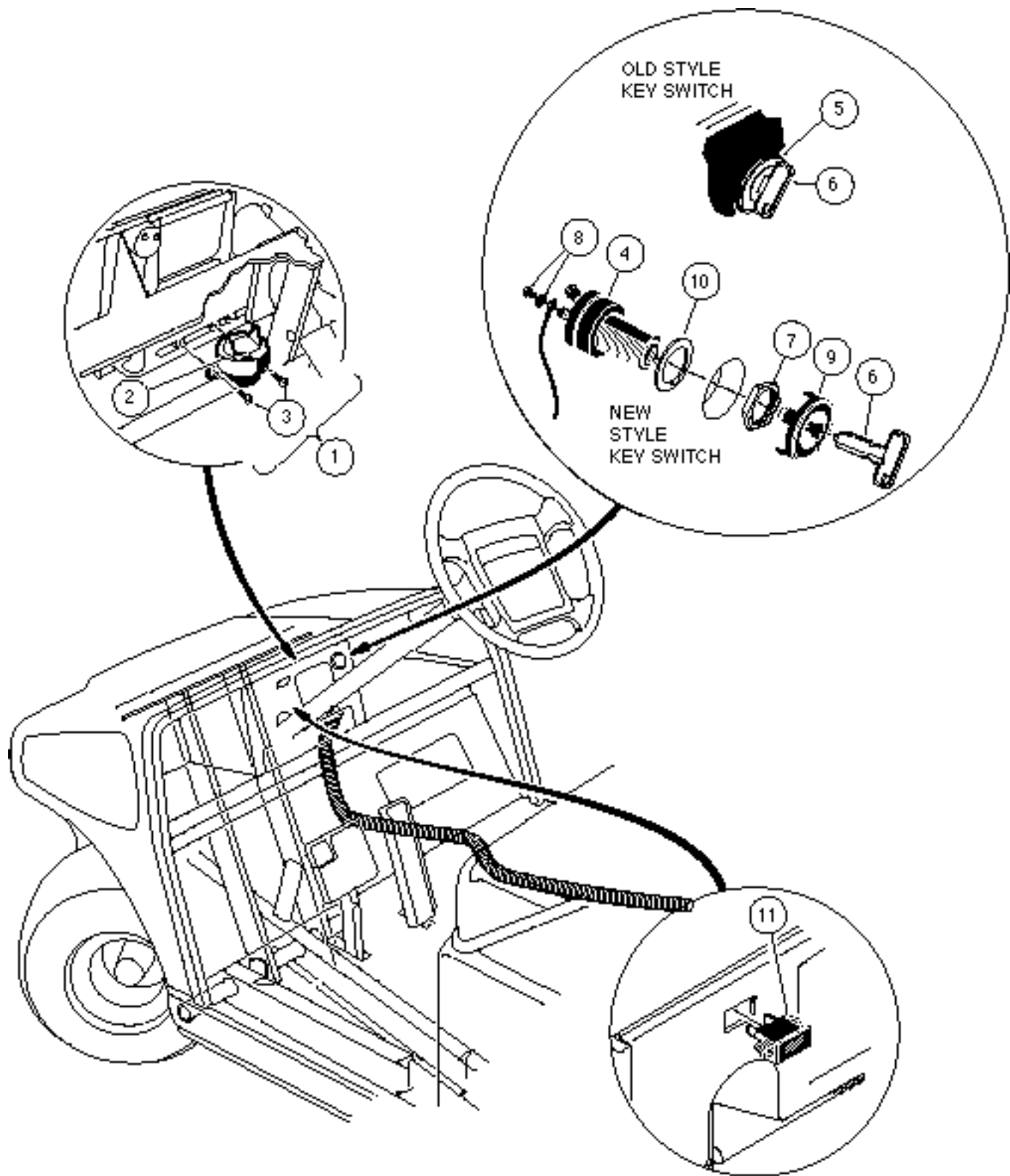


# WIRING - ELECTRIC TOURALL WITH CONTINUOUSLY VARIABLE POTENTIOMETER

**12**

**E**

ITEM	PART NO.	DESCRIPTION	QTY
		1 2 3 4 FOR VEHICLES SERIAL NUMBER 9529-445799 AND LATER.	
	1017942-05	WIRE HARNESS (INCLUDES ITEMS 1 - 16) .....	1
1	1017956	WIRE ASSEMBLY, #18 BROWN .....	1
2	1016121	WIRE ASSEMBLY, #18 GREEN .....	1
3	1016135	WIRE ASSEMBLY, #18 RED .....	1
4	1016134	WIRE ASSEMBLY, #18 ORANGE .....	1
5	<u>1018651-01</u>	ASSEMBLY, 3-WAY PLUG (INCLUDES #18 PURPLE, #18 YELLOW AND ITEM 6) ...	1
6	1018830-01	WIRE ASSEMBLY, #18 BLACK (INCLUDES RESISTOR AND #18 WHITE WIRE) ..	1
7	1018403-01	WIRE ASSEMBLY, #18 GREEN .....	1
8	1016122	WIRE ASSEMBLY, #18 WHITE/BLACK .....	1
9	<u>1018110</u>	WIRE ASSEMBLY, #6 BLUE .....	1
10	<u>1015856</u>	WIRE ASSEMBLY, #6 WHITE .....	1
11	<u>1014854</u>	WIRE ASSEMBLY, #6 ORANGE .....	1
12	1017993	WIRE ASSEMBLY, #18 RED/WHITE .....	1
13	<u>1015858</u>	WIRE ASSEMBLY, #6 YELLOW .....	1
14	<u>1015861</u>	WIRE ASSEMBLY, #6 WHITE .....	1
15	<u>1018109</u>	WIRE ASSEMBLY, #6 BLUE .....	1
16	<u>1015860</u>	WIRE ASSEMBLY, #6 GREEN .....	1
17	1018865	WIRE ASSEMBLY, #18 RED .....	1
18	1016133	WIRE ASSEMBLY, #18 BLUE .....	1
19	1017967-01	WIRE ASSEMBLY, #18 ORANGE/WHITE .....	1
20	1017394	WIRE ASSEMBLY, #18 GREEN/WHITE .....	1
21	N/A	WIRE ASSEMBLY, #10 BLACK (PART OF ON-BOARD COMPUTER ASSEMBLY) .....	1
22	N/A	WIRE ASSEMBLY, #18 GREY (PART OF ON-BOARD COMPUTER ASSEMBLY) .....	1
23	N/A	WIRE ASSEMBLY, #10 RED (PART OF FUSE AND RECEPTACLE ASSEMBLY) .....	1
24	N/A	WIRE ASSEMBLY, #18 YELLOW (PART OF ON-BOARD COMPUTER ASSEMBLY) .....	1
25	N/A	WIRE ASSEMBLY, #18 RED (PART OF ON-BOARD COMPUTER ASSEMBLY) .....	1
26	N/A	WIRE ASSEMBLY, #10 BLACK (PART OF ON-BOARD COMPUTER ASSEMBLY) .....	1
27	1018278-01	KIT, GROUND WIRE, #6 BLACK .....	1
28	1018673-01	WIRE ASSEMBLY, #6 RED .....	1
29	<u>1017948</u>	ASSEMBLY, DIODE .....	1
30	<u>1017947</u>	ASSEMBLY, RESISTOR .....	1
31	1017957	WIRE ASSEMBLY, #6 BLACK .....	5

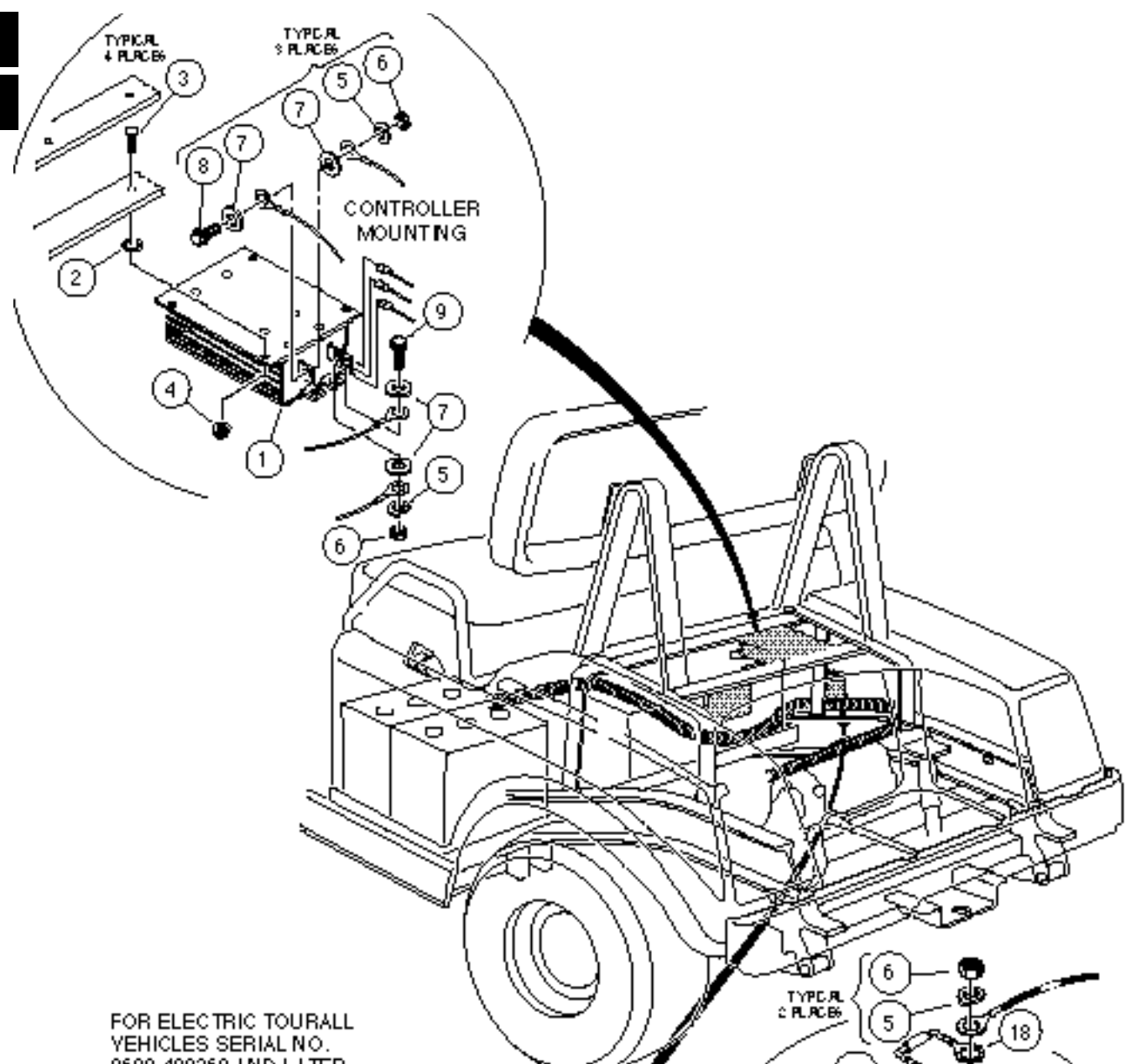


# ELECTRICAL COMPONENTS, FRONT BODY ELECTRIC VEHICLE - TOURALL

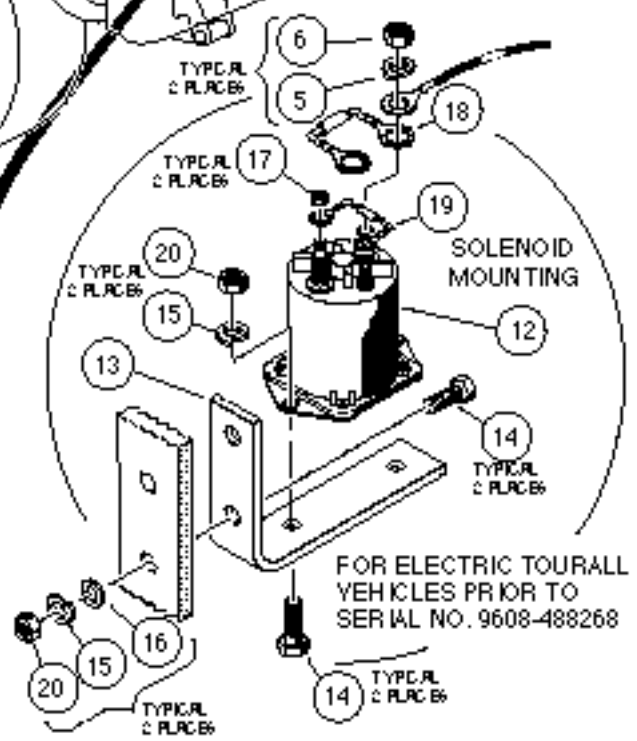
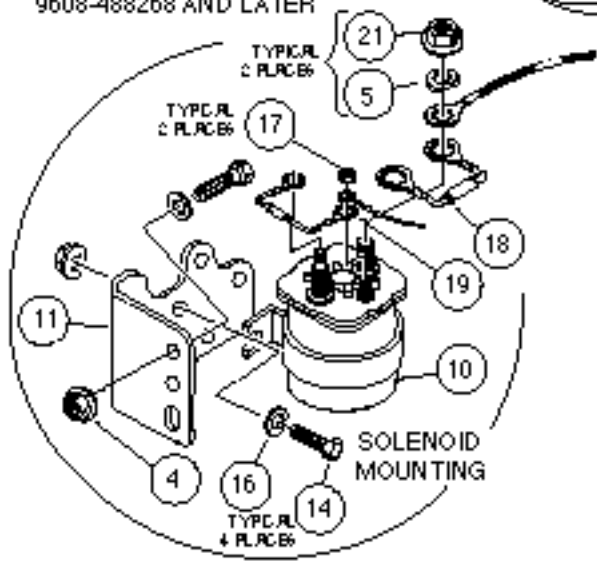
**12**

**E**

ITEM	PART NO.	DESCRIPTION	QTY
		1 2 3 4	
1	<u>1016859</u>	KIT, REVERSE BUZZER (INCLUDES ITEMS 2 AND 3) .....	1
2	<u>1016851</u>	BUZZER, REVERSE .....	1
3	<u>1016849</u>	SCREW, PAN HEAD HILO, #4 - 24 x 5/16 .....	2
4	<u>1018262-01</u>	SWITCH, KEY (FOR VEHICLES SERIAL NUMBER 9522-436452 AND LATER) .....	1
5	<u>1012531</u>	SWITCH, KEY (INCLUDES ITEM 6) (FOR VEHICLES PRIOR TO SERIAL NUMBER 9522-436452) .....	1
6	<u>1012505</u>	KEY (PAIR) .....	1
7	<u>1018307-01</u>	NUT, KEY SWITCH .....	1
8	<u>1018306-01</u>	ASSEMBLY, SCREW AND WASHER .....	2
9	<u>1018345-02</u>	CAP, KEY SWITCH .....	1
10	<u>1018511-01</u>	WASHER .....	1
11	<u>1018025-01</u>	LIGHT, BATTERY WARNING .....	1



FOR ELECTRIC TOURALL VEHICLES SERIAL NO. 9608-488268 AND LATER



FOR ELECTRIC TOURALL VEHICLES PRIOR TO SERIAL NO. 9608-488268

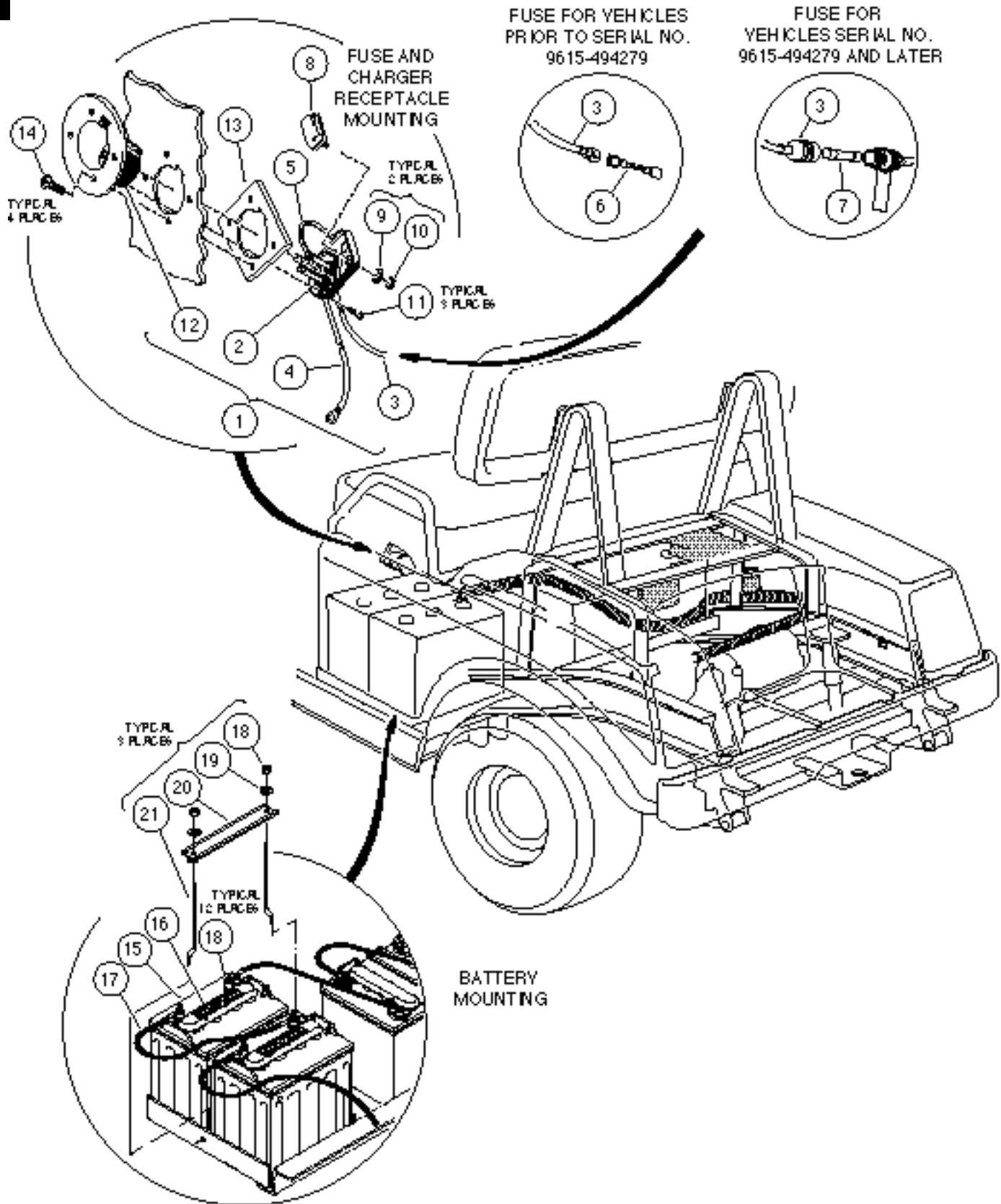


# ELECTRICAL COMPONENTS, REAR BODY ELECTRIC VEHICLE - TOURALL

**12**

**E**

ITEM	PART NO.	DESCRIPTION	QTY
		1 2 3 4	
1	1018008	CONTROLLER, 48 VOLT (225 AMP) (FOR VEHICLES PRIOR TO SERIAL NUMBER 9529-445799) .....	1
1	1018402-02	CONTROLLER, 48 VOLT (235 AMP) (FOR VEHICLES WITH SERIAL NUMBERS BETWEEN 9529-445799 AND 9608-488268) ...	1
1	<u>1018402-03</u>	CONTROLLER, 48 VOLT (300 AMP) (FOR VEHICLES SERIAL NUMBER 9608-488268 AND LATER) .....	1
2	<u>1016631</u>	NUT, PUSH .....	4
3	<u>1017203</u>	BOLT, CARRIAGE, 1/4 - 20 x 1 .....	4
4	<u>1018356-01</u>	NUT, HEX FLANGED LOCK, 1/4 - 20 .....	8
5	0007174	WASHER, LOCK, 5/16 .....	6
6	0001242	NUT, HEX, 5/16 - 18 .....	6
7	0001241	WASHER, FLAT, 5/16 .....	8
8	0007173	BOLT, HEX HEAD, 5/16 - 18 x 3/4 .....	3
9	0001218	BOLT, HEX HEAD, 5/16 - 18 x 1 1/4 .....	1
10	<u>1018836-01</u>	SOLENOID, 48 VOLT (FOR VEHICLES SERIAL NUMBER 9608-488268 AND LATER) ..	1
11	<u>1018837-01</u>	BRACKET, SOLENOID MOUNTING (FOR VEHICLES SERIAL NUMBER 9608-488268 AND LATER) .....	1
12	<u>1018070-01</u>	SOLENOID, 48 VOLT (FOR VEHICLES PRIOR TO SERIAL NUMBER 9608-488268) ....	1
13	<u>1015838</u>	BRACKET, SOLENOID MOUNTING (FOR VEHICLES PRIOR TO SERIAL NUMBER 9608-488268) .....	1
14	0007847	BOLT, HEX HEAD, 1/4 - 20 x 3/4 .....	4
15	0000451	WASHER, LOCK, 1/4 .....	4
16	0000332	WASHER, FLAT, 1/4 .....	4
17	0007893	NUT, HEX, #10 - 32 .....	2
18	<u>1014947</u>	ASSEMBLY, RESISTOR .....	1
19	1014948	ASSEMBLY, DIODE .....	1
20	0001028	NUT, HEX, 1/4 - 20 .....	4
21	<u>1017237</u>	NUT, FLANGED LOCK, 5/16 - 24 .....	2

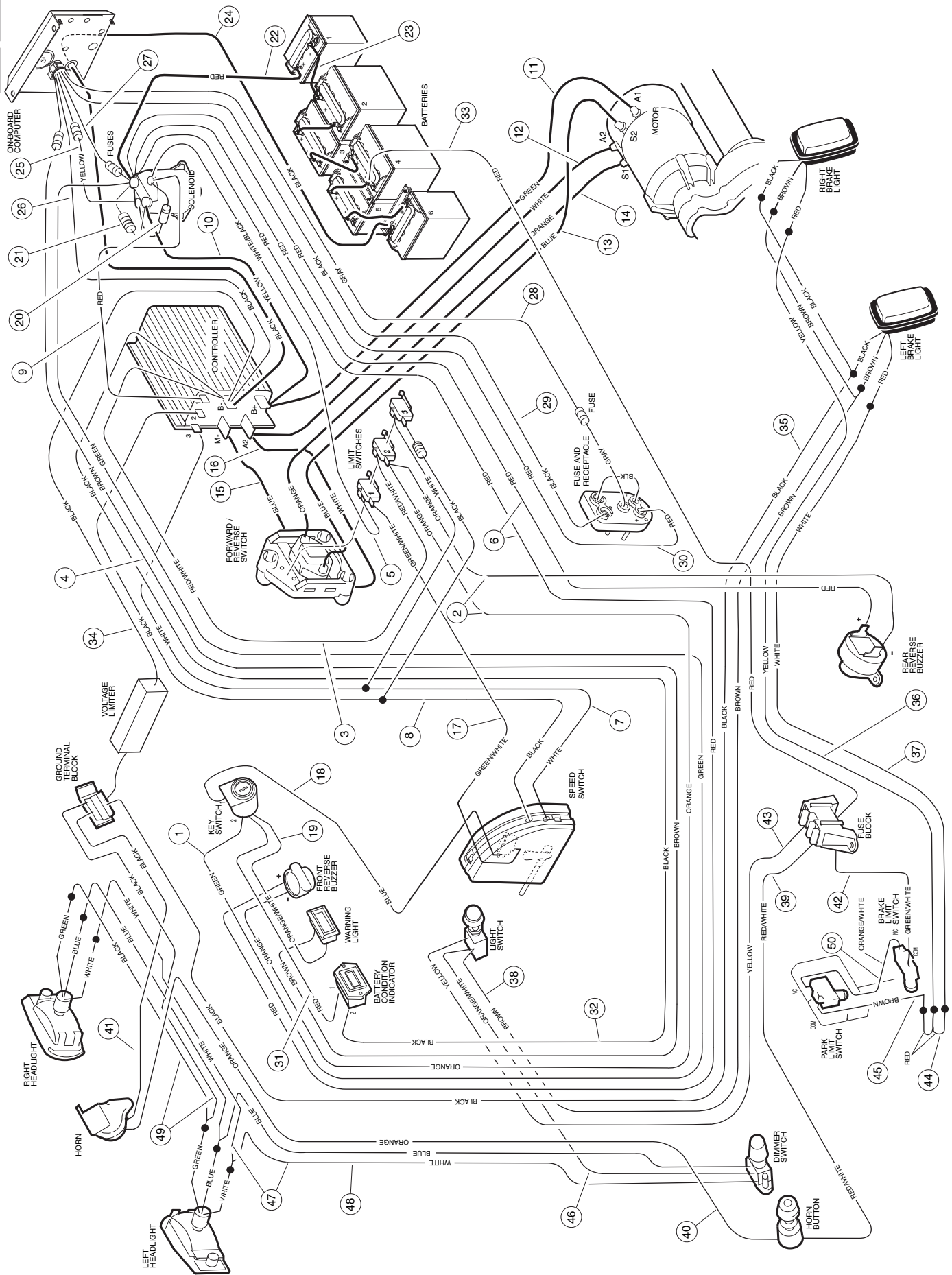


# ELECTRICAL COMPONENTS, REAR BODY ELECTRIC VEHICLE - TOURALL

**12**

**E**

ITEM	PART NO.	DESCRIPTION	QTY
		1 2 3 4	
1	<u>1018021-01</u>	KIT, FUSE AND RECEPTACLE (INCLUDES ITEMS 2 - 12) .....	1
2	1018468-01	ASSEMBLY, FUSE AND RECEPTACLE (INCLUDES ITEMS 3 - 11) .....	1
3	N/A	WIRE ASSEMBLY, #10 GREY .....	1
4	N/A	WIRE ASSEMBLY, #10 RED .....	1
5	N/A	WIRE ASSEMBLY, #10 BLACK .....	1
6	1018633-01	ASSEMBLY, FUSE, 1/4 AMP (FOR VEHICLES PRIOR TO SERIAL NUMBER 9615-494279) .....	1
7	<u>1018949-01</u>	ASSEMBLY, FUSE, 3/8 AMP (FOR VEHICLES SERIAL NUMBER 9615-494279 AND LATER) .....	1
8	<u>1017968-01</u>	ASSEMBLY, FUSE, 48 VOLT (INCLUDES ITEMS 9 AND 10) .....	1
9	<u>1018038</u>	WASHER, NARROW TYPE 13, #10 .....	2
10	<u>1018028</u>	NUT, SERRATED, #10 - 32 .....	2
11	<u>1017705</u>	SCREW, PHILLIPS PAN HEAD, #8 TYPE AB .....	3
12	<u>1017965-01</u>	BEZEL, RECEPTACLE .....	1
13	<u>1018010-01</u>	PLATE, RECEPTACLE BACKING .....	1
14	<u>1018320-01</u>	SCREW, PHILLIPS PAN HEAD, #7 - 18 x 3/4 .....	4
15	<u>1017977-01</u>	BATTERY, 8 VOLT POWERDRIVE .....	6
16	<u>1017978-01</u>	CAP, BATTERY, 4 PORT GANG .....	6
17	1017957	WIRE ASSEMBLY, #6 BLACK .....	5
18	<u>1014304</u>	NUT, STAINLESS STEEL HEX, 5/16 - 18 .....	18
19	<u>1011578</u>	WASHER, FLAT, TYPE B WIDE, 5/16 .....	6
20	<u>1018030-01</u>	HOLD-DOWN, BATTERY .....	3
21	1013683	BOLT, "J" .....	6

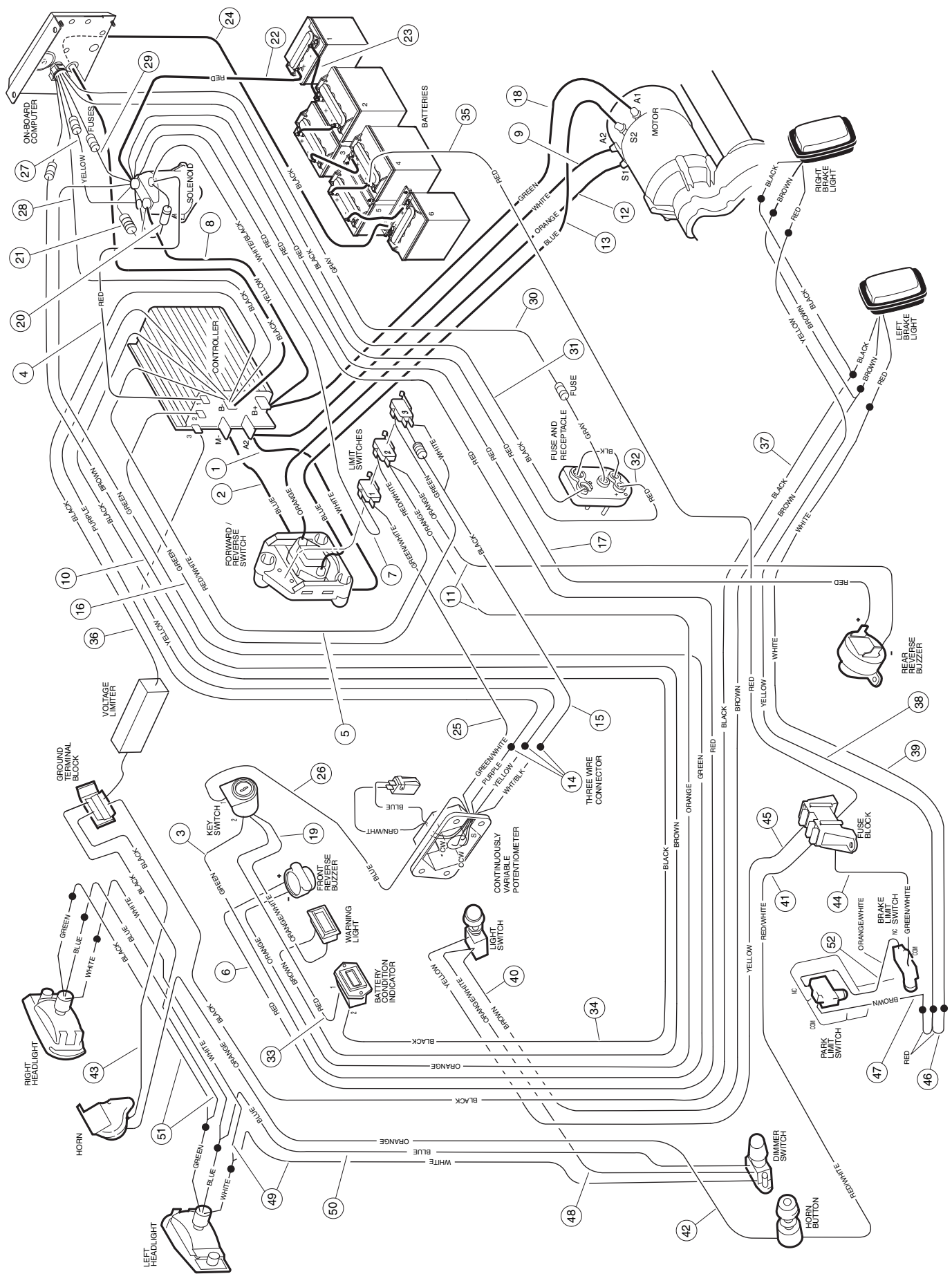


# WIRING - RESORT VILLAGER WITH MULTI-STEP POTENTIOMETER

12

E

ITEM	PART NO.	DESCRIPTION	QTY
		1 2 3 4 FOR VEHICLES PRIOR TO SERIAL NUMBER 9529-445799.	
	<u>1018195-02</u>	WIRE HARNESS (INCLUDES ITEMS 1 - 6) .....	1
1	1017520	WIRE ASSEMBLY, #18 GREEN .....	1
2	1018212-01	WIRE ASSEMBLY, #18 ORANGE .....	1
3	1018199-02	WIRE ASSEMBLY, #18 RED/WHITE .....	1
4	1018211-01	WIRE ASSEMBLY, #18 BROWN .....	1
5	1018200-02	WIRE ASSEMBLY, #18 WHITE/BLACK .....	1
6	1018214-01	WIRE ASSEMBLY, #18 RED .....	1
7	1018196-01	WIRE ASSEMBLY, #18 WHITE .....	1
8	1018198-01	WIRE ASSEMBLY, #18 BLACK (WITH RESISTOR) .....	1
9	1016738	WIRE ASSEMBLY, #18 RED .....	1
10	<u>1016732</u>	WIRE ASSEMBLY, #6 YELLOW .....	1
11	1016731	WIRE ASSEMBLY, #6 GREEN .....	1
12	1016730	WIRE ASSEMBLY, #6 WHITE .....	1
13	1016735	WIRE ASSEMBLY, #6 BLUE .....	1
14	<u>1016736</u>	WIRE ASSEMBLY, #6 ORANGE .....	1
15	1016728	WIRE ASSEMBLY, #6 BLUE .....	1
16	<u>1016729</u>	WIRE ASSEMBLY, #6 WHITE .....	1
17	1017394	WIRE ASSEMBLY, #18 GREEN/WHITE .....	1
18	1017393	WIRE ASSEMBLY, #18 BLUE .....	1
19	1017967-01	WIRE ASSEMBLY, #18 ORANGE/WHITE .....	1
20	<u>1017948</u>	ASSEMBLY, DIODE .....	1
21	<u>1017947</u>	ASSEMBLY, RESISTOR .....	1
22	1016734	WIRE ASSEMBLY, #6 RED .....	1
23	1017957	WIRE ASSEMBLY, #6 BLACK .....	5
24	<u>1018278-02</u>	KIT, GROUND WIRE, #6 BLACK .....	1
25	N/A	WIRE ASSEMBLY, #18 YELLOW (PART OF ON-BOARD COMPUTER ASSEMBLY) .....	1
26	N/A	WIRE ASSEMBLY, #10 BLACK (PART OF ON-BOARD COMPUTER ASSEMBLY) .....	1
27	N/A	WIRE ASSEMBLY, #18 RED (PART OF ON-BOARD COMPUTER ASSEMBLY) .....	1
28	N/A	WIRE ASSEMBLY, #18 GREY (PART OF ON-BOARD COMPUTER ASSEMBLY) .....	1
29	N/A	WIRE ASSEMBLY, #10 BLACK (PART OF ON-BOARD COMPUTER ASSEMBLY) .....	1
30	N/A	WIRE ASSEMBLY, #10 RED (PART OF FUSE AND RECEPTACLE ASSEMBLY) .....	1
31	<u>1018181-01</u>	WIRE ASSEMBLY, #18 RED .....	1
32	1018588-01	WIRE ASSEMBLY, #18 BLACK .....	1
33	<u>1018106-01</u>	WIRE ASSEMBLY, #10 RED .....	1
34	N/A	WIRE ASSEMBLY, #10 BLACK (PART OF VOLTAGE LIMITER ASSEMBLY) .....	1
35	1018369-01	WIRE ASSEMBLY, #18 BLACK .....	1
	<u>1017878</u>	WIRE HARNESS, LIGHTING (INCLUDES ITEMS 36 - 50) .....	1
36	1017887	WIRE ASSEMBLY, #16 YELLOW .....	1
37	1017888	WIRE ASSEMBLY, #16 WHITE .....	1
38	1017924	WIRE ASSEMBLY, #16 BROWN .....	1
39	1017925	WIRE ASSEMBLY, #16 RED/WHITE .....	1
40	1016307	WIRE ASSEMBLY, #16 ORANGE .....	1
41	1016308	WIRE ASSEMBLY, #16 BLACK .....	1
42	1017927	WIRE ASSEMBLY, #16 GREEN/WHITE .....	1
43	1017926	WIRE ASSEMBLY, #14 YELLOW .....	1
44	1016409	WIRE ASSEMBLY, #18 RED .....	1
45	1016314	WIRE ASSEMBLY, #16 BROWN .....	1
46	1016315	WIRE ASSEMBLY, #16 ORANGE/WHITE .....	1
47	1016323	WIRE ASSEMBLY, #16 WHITE .....	1
48	1017052	WIRE ASSEMBLY, #18 BLUE .....	1
49	1016326	WIRE ASSEMBLY, #16 BLACK .....	1
50	1016309	WIRE ASSEMBLY, #16 ORANGE/WHITE .....	1



# WIRING - RESORT VILLAGER WITH CONTINUOUSLY VARIABLE POTENTIOMETER

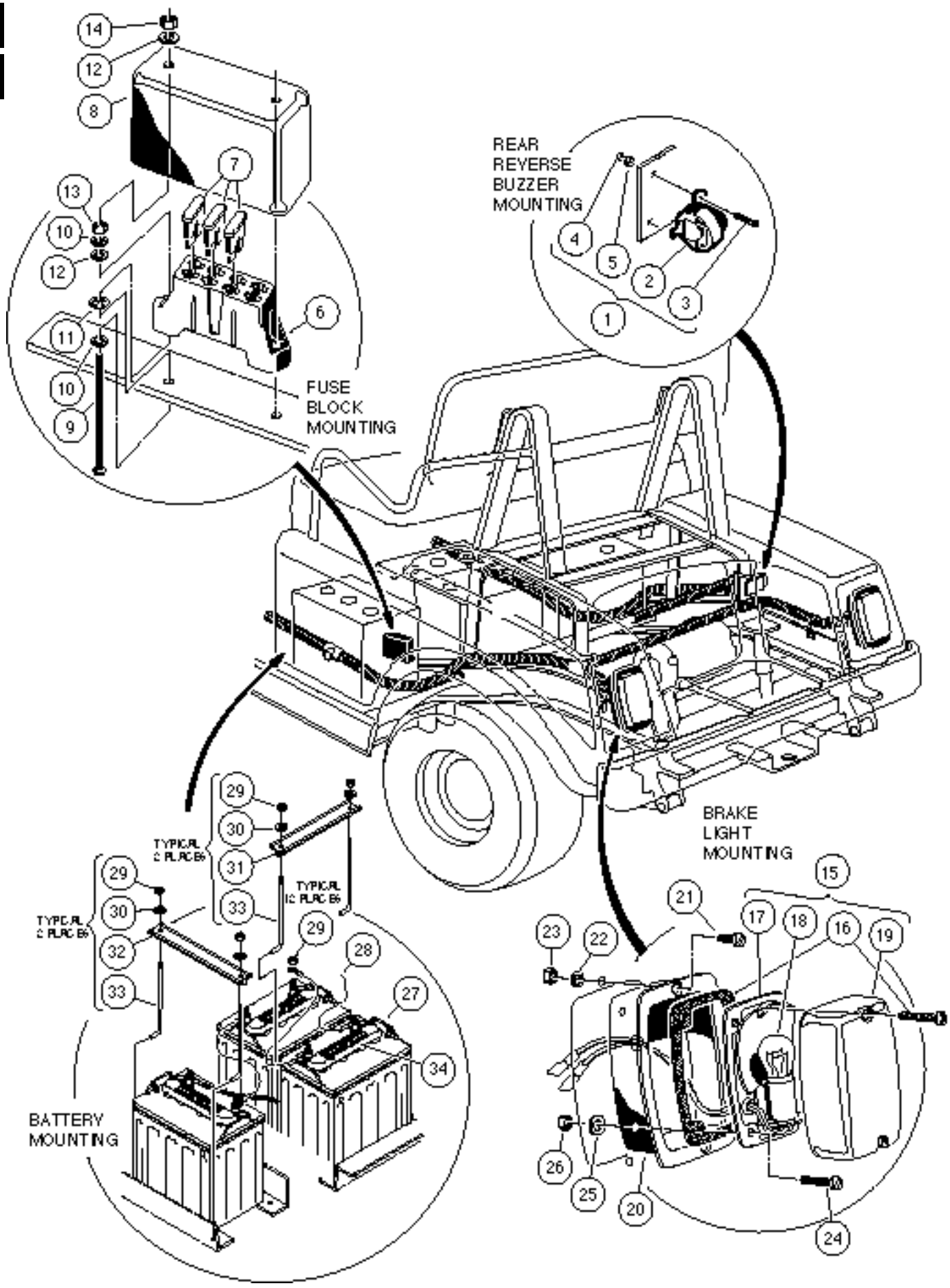
ITEM	PART NO.	DESCRIPTION	QTY
		1 2 3 4	
		FOR VEHICLES SERIAL NUMBER 9529-445799 AND LATER.	
	1018595-02	WIRE HARNESS, CONTROLLER (INCLUDES ITEMS 1 - 18) .....	1
1	1018691-02	WIRE ASSEMBLY, #6 WHITE .....	1
2	1018577-01	WIRE ASSEMBLY, #6 BLUE .....	1
3	1018578-01	WIRE ASSEMBLY, #18 GREEN .....	1
4	1015865	WIRE ASSEMBLY, #18 RED .....	1
5	1018581-01	WIRE ASSEMBLY, #18 RED/WHITE .....	1
6	1018582-01	WIRE ASSEMBLY, #18 RED .....	1
7	1018583-01	WIRE ASSEMBLY, #18 WHITE/BLACK .....	1
8	<u>1018772-01</u>	WIRE ASSEMBLY, #6 YELLOW .....	1
9	<u>1018774-01</u>	WIRE ASSEMBLY, #6 WHITE .....	1
10	1018584-01	WIRE ASSEMBLY, #18 BROWN .....	1
11	1018585-01	WIRE ASSEMBLY, #18 ORANGE .....	1
12	<u>1018586-01</u>	WIRE ASSEMBLY, #6 ORANGE .....	1
13	<u>1018587-01</u>	WIRE ASSEMBLY, #6 BLUE .....	1
14	<u>1018651-05</u>	ASSEMBLY, 3-WAY PLUG (INCLUDES #18 PURPLE, #18 YELLOW AND ITEM 15) .....	1
15	1018830-01	WIRE ASSEMBLY, #18 BLACK (INCLUDES RESISTOR AND #18 WHITE WIRE) .....	1
16	1018403-05	WIRE ASSEMBLY, #18 GREEN .....	1
17	1018767-01	WIRE ASSEMBLY, #18 RED .....	1
18	1018773-01	WIRE ASSEMBLY, #6 GREEN .....	1
19	1017967-01	WIRE ASSEMBLY, #18 ORANGE/WHITE .....	1
20	<u>1017948</u>	ASSEMBLY, DIODE .....	1
21	<u>1017947</u>	ASSEMBLY, RESISTOR .....	1
22	1018775-01	WIRE ASSEMBLY, #6 RED .....	1
23	1017957	WIRE ASSEMBLY, #6 BLACK .....	5
24	<u>1018278-02</u>	KIT, GROUND WIRE, #6 BLACK .....	1
25	1018252-01	WIRE ASSEMBLY, #16 GREEN/WHITE .....	1
26	1016133	WIRE ASSEMBLY, #18 BLUE .....	1
27	N/A	WIRE ASSEMBLY, #18 YELLOW (PART OF ON-BOARD COMPUTER ASSEMBLY) .....	1
28	N/A	WIRE ASSEMBLY, #10 BLACK (PART OF ON-BOARD COMPUTER ASSEMBLY) .....	1
29	N/A	WIRE ASSEMBLY, #18 RED (PART OF ON-BOARD COMPUTER ASSEMBLY) .....	1
30	N/A	WIRE ASSEMBLY, #18 GREY (PART OF ON-BOARD COMPUTER ASSEMBLY) .....	1
31	N/A	WIRE ASSEMBLY, #10 BLACK (PART OF ON-BOARD COMPUTER ASSEMBLY) .....	1
32	N/A	WIRE ASSEMBLY, #10 RED (PART OF FUSE AND RECEPTACLE ASSEMBLY) .....	1
33	<u>1018181-01</u>	WIRE ASSEMBLY, #18 RED .....	1
34	<u>1018588-01</u>	WIRE ASSEMBLY, #18 BLACK .....	1
35	<u>1018106-01</u>	WIRE ASSEMBLY, #10 RED .....	1
36	N/A	WIRE ASSEMBLY, #10 BLACK (PART OF VOLTAGE LIMITER ASSEMBLY) .....	1
37	1018369-01	WIRE ASSEMBLY, #18 BLACK .....	1
38	<u>1017878</u>	WIRE HARNESS, LIGHTING (INCLUDES ITEMS 38 - 52) .....	1
39	1017887	WIRE ASSEMBLY, #16 YELLOW .....	1
40	1017888	WIRE ASSEMBLY, #16 WHITE .....	1
41	1017924	WIRE ASSEMBLY, #16 BROWN .....	1
42	1017925	WIRE ASSEMBLY, #16 RED/WHITE .....	1
43	1016307	WIRE ASSEMBLY, #16 ORANGE .....	1
44	1016308	WIRE ASSEMBLY, #16 BLACK .....	1
45	1017927	WIRE ASSEMBLY, #16 GREEN/WHITE .....	1
46	1017926	WIRE ASSEMBLY, #14 YELLOW .....	1
47	1016409	WIRE ASSEMBLY, #18 RED .....	1
48	1016314	WIRE ASSEMBLY, #16 BROWN .....	1
49	1016315	WIRE ASSEMBLY, #16 ORANGE/WHITE .....	1
50	1016323	WIRE ASSEMBLY, #16 WHITE .....	1
51	1017052	WIRE ASSEMBLY, #18 BLUE .....	1
52	1016326	WIRE ASSEMBLY, #16 BLACK .....	1
53	1016309	WIRE ASSEMBLY, #16 ORANGE/WHITE .....	1





# ELECTRICAL COMPONENTS, CENTER BODY (EARLY MODEL) ELECTRIC - RESORT VILLAGER

ITEM	PART NO.	DESCRIPTION	QTY
		1 2 3 4 FOR VEHICLES MADE IN EARLY 1995.	
1	<u>1018021-01</u>	KIT, FUSE AND RECEPTACLE (INCLUDES ITEMS 2 - 12) .....	1
2	1018468-01	ASSEMBLY, FUSE AND RECEPTACLE (INCLUDES ITEMS 3 - 11) .....	1
3	N/A	WIRE ASSEMBLY, #10 GREY .....	1
4	N/A	WIRE ASSEMBLY, #10 RED .....	1
5	N/A	WIRE ASSEMBLY, #10 BLACK .....	1
6	1018633-01	FUSE ASSEMBLY, 1/4 AMP (FOR VEHICLES PRIOR TO SERIAL NUMBER 9615-494279) .....	1
7	<u>1018949-01</u>	FUSE ASSEMBLY, 3/8 AMP (FOR VEHICLES SERIAL NUMBER 9615-494279 AND LATER) .....	1
8	<u>1017968-01</u>	ASSEMBLY, FUSE, 48 VOLT (INCLUDES ITEMS 9 AND 10) .....	1
9	<u>1018038</u>	WASHER, NARROW TYPE 13, #10 .....	2
10	<u>1018028</u>	NUT, SERRATED, #10 - 32 .....	2
11	<u>1017705</u>	SCREW, PHILLIPS PAN HEAD, #18 TYPE AB .....	3
12	<u>1017965-01</u>	BEZEL, RECEPTACLE .....	1
13	<u>1018010-01</u>	PLATE, RECEPTACLE BACKING .....	1
14	<u>1018320-01</u>	SCREW, PHILLIPS PAN HEAD, #7 - 18 x 3/4 .....	4
15	1015066	BOLT, CARRIAGE, 1/4 - 20 x 3/4 .....	6
16	0000332	WASHER, FLAT, 1/4 .....	8
17	0000451	WASHER, LOCK, 1/4 .....	8
18	0001028	NUT, HEX, 1/4 - 20 .....	8
19	0008233	NUT, NYLON LOCK, 1/4 - 20 .....	2
20	<u>1018070-01</u>	SOLENOID, 48 VOLT (FOR VEHICLES PRIOR TO SERIAL NUMBER 9608-488268) ...	1
21	<u>1015838</u>	BRACKET, SOLENOID MOUNTING .....	1
22	0007893	NUT, HEX, #10 - 32 .....	2
23	<u>1014947</u>	ASSEMBLY, RESISTOR .....	1
24	1014948	ASSEMBLY, DIODE .....	1
25	0007847	BOLT, HEX HEAD, 1/4 - 20 x 3/4 .....	2
26	1018008	CONTROLLER, 48 VOLT (225 AMP) (FOR VEHICLES PRIOR TO SERIAL NUMBER 9529-445799) .....	1
26	1018402-02	CONTROLLER, 48 VOLT (235 AMP) (FOR VEHICLES WITH SERIAL NUMBERS BETWEEN 9529-445799 AND 9608-488268) ...	1
27	0007173	BOLT, HEX HEAD, 5/16 - 18 x 3/4 .....	3
28	0001241	WASHER, FLAT, 5/16 .....	8
29	0007174	WASHER, LOCK, 5/16 .....	6
30	0001242	NUT, HEX, 5/16 - 18 .....	6
31	0001218	BOLT, HEX HEAD, 5/16 - 18 x 1 1/4 .....	1
32	<u>1018108-01</u>	KIT, VOLTAGE LIMITER (INCLUDES ITEM 33) .....	1
33	1018367-02	COMPOUND, HEAT SINK .....	A/R

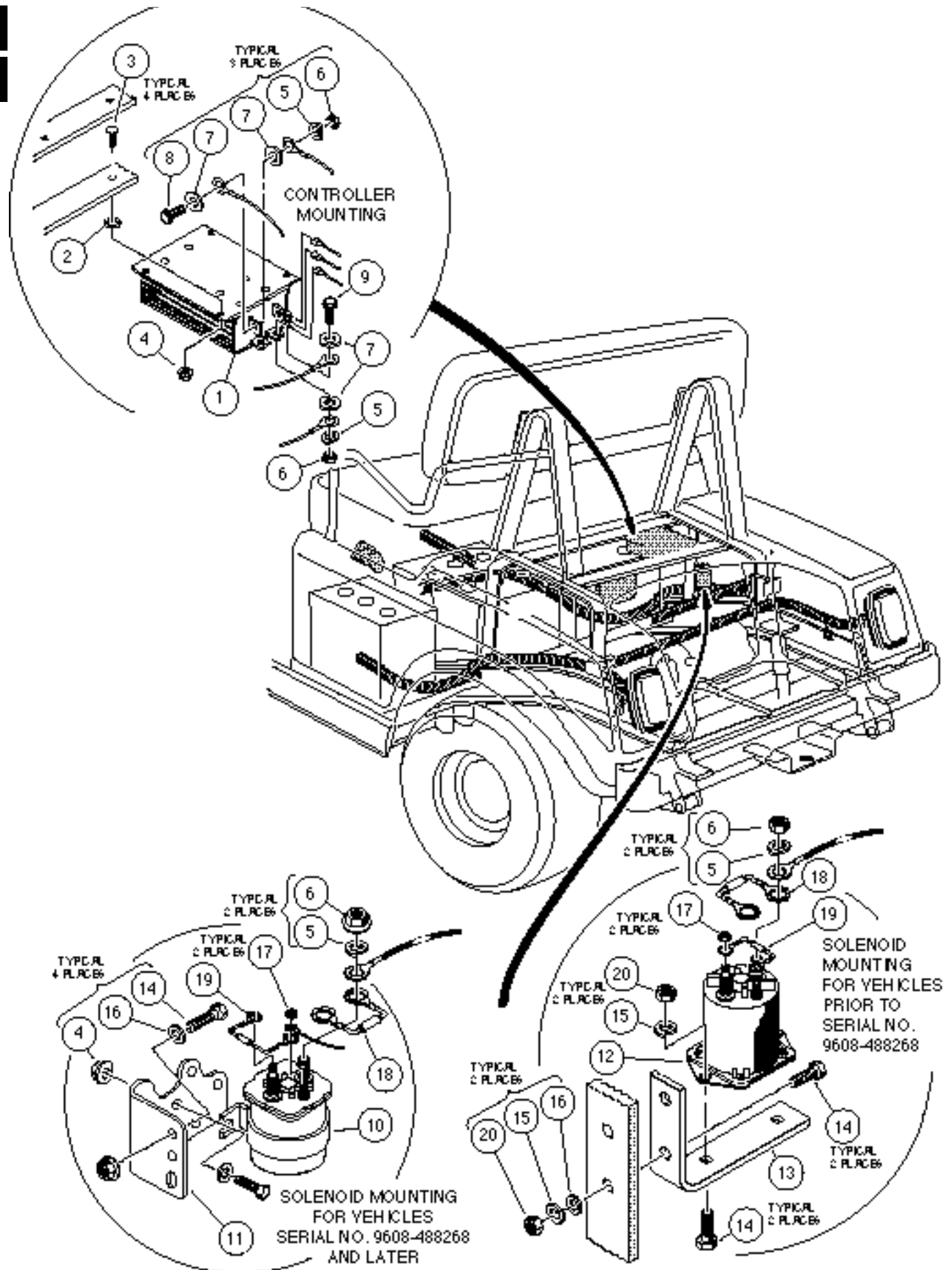


# ELECTRICAL COMPONENTS, REAR BODY (EARLY MODEL) ELECTRIC - RESORT VILLAGER

**12**

**E**

ITEM	PART NO.	DESCRIPTION	QTY
		1 2 3 4 FOR VEHICLES MADE IN EARLY 1995.	
1	<u>1016859</u>	KIT, REVERSE BUZZER (INCLUDES ITEMS 2 - 5) .....	1
2	<u>1016851</u>	BUZZER, REVERSE .....	1
3	0008056	SCREW, MACHINE, #4 - 40 x 3/4 .....	2
4	0008057	NUT, HEX, #4 - 40 .....	2
5	0008058	WASHER, LOCK, #4 .....	2
6	<u>1015741</u>	BLOCK, FUSE .....	1
7	<u>1016423</u>	FUSE, 20 AMP .....	3
8	1016363	COVER, FUSE BLOCK .....	1
9	<u>1016366</u>	SCREW, MACHINE, #10 - 24 x 3 .....	2
10	<u>1011610</u>	WASHER, LOCK, #10 .....	4
11	<u>1016631</u>	NUT, PUSH .....	2
12	0000183	WASHER, FLAT, #10 .....	4
13	0001017	NUT, HEX, #10 - 24 .....	2
14	<u>1012438</u>	NUT, NYLON LOCK, #10 - 24 .....	2
15	1017035	ASSEMBLY, TAILLIGHT (INCLUDES ITEMS 16 - 19) .....	2
16	<u>1017699</u>	KIT, HARDWARE .....	1
17	N/A	BASE, TAILLIGHT .....	1
18	<u>1011582</u>	BULB .....	1
19	<u>1011843</u>	LENS .....	1
20	<u>1011497</u>	BEZEL .....	2
21	<u>1011498</u>	SCREW, MACHINE, #8 - 32 x 1/2 .....	4
22	<u>1011610</u>	WASHER, LOCK, #8 .....	4
23	<u>1011571</u>	NUT, HEX, #8 - 32 .....	4
24	<u>1011557</u>	SCREW, MACHINE, #6 - 32 x 1 .....	4
25	0007591	WASHER, FLAT, #6 .....	4
26	<u>1011558</u>	NUT, HEX, #6 .....	6
27	<u>1017977-01</u>	BATTERY, 8-VOLT .....	6
28	1017957	WIRE ASSEMBLY, #6 BLACK .....	5
29	<u>1014304</u>	NUT, HEX, 5/16-18 .....	20
30	<u>1011578</u>	WASHER, FLAT, TYPE B WIDE, 5/16 .....	8
31	<u>1018030-01</u>	HOLD-DOWN, BATTERY, SHORT .....	2
32	<u>1018030-02</u>	HOLD-DOWN, BATTERY, LONG .....	2
33	<u>1016682-01</u>	ROD, BATTERY HOLD-DOWN .....	8
34	<u>1017978-01</u>	CAP, BATTERY, 4 PORT GANG .....	6

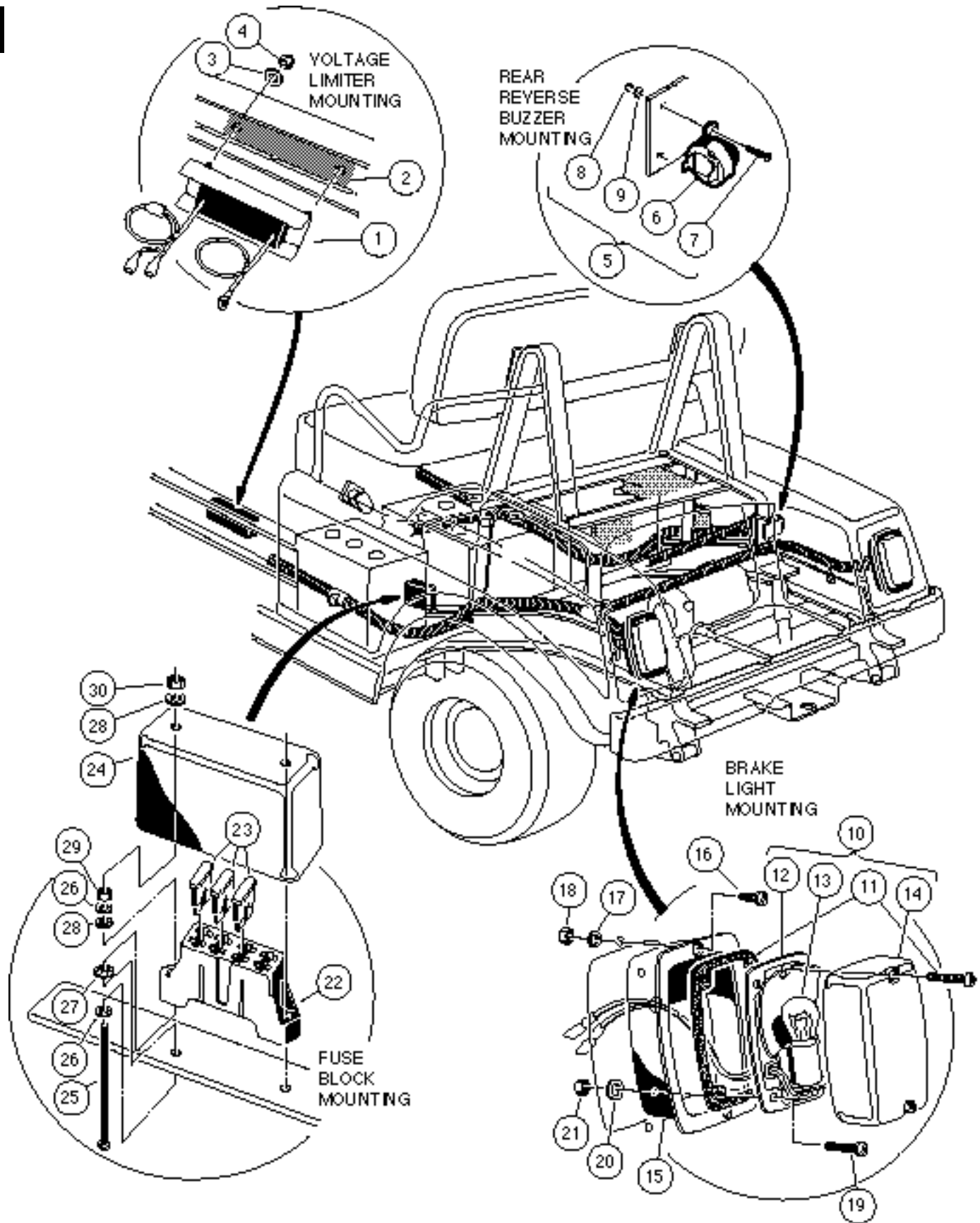


# ELECTRICAL COMPONENTS, REAR BODY (LATE MODEL) ELECTRIC - RESORT VILLAGER

**12**

**E**

ITEM	PART NO.	DESCRIPTION	QTY
		1 2 3 4 FOR VEHICLES MADE IN LATE 1995 AND ALL 1996.	
1	1018008	CONTROLLER, 48 VOLT (225 AMP) (FOR VEHICLES PRIOR TO SERIAL NUMBER 9529-445799).....	1
1	1018402-02	CONTROLLER, 48 VOLT (235 AMP) (FOR VEHICLES WITH SERIAL NUMBERS BETWEEN 9529-445799 AND 9608-488268) ...	1
1	<u>1018402-03</u>	CONTROLLER, 48 VOLT (300 AMP) (FOR VEHICLES SERIAL NUMBER 9608-488268 AND LATER) .....	1
2	<u>1016631</u>	NUT, PUSH .....	4
3	<u>1017203</u>	BOLT, CARRIAGE, 1/4 - 20 x 1 .....	4
4	<u>1018356-01</u>	NUT, HEX FLANGED LOCK, 1/4 - 20 .....	8
5	0007174	WASHER, LOCK, 5/16 .....	6
6	0001242	NUT, HEX, 5/16 - 18 .....	6
7	0001241	WASHER, FLAT, 5/16 .....	8
8	0007173	BOLT, HEX HEAD, 5/16 - 18 x 3/4 .....	3
9	0001218	BOLT, HEX HEAD, 5/16 - 18 x 1 1/4 .....	1
10	<u>1018836-01</u>	SOLENOID, 48 VOLT (FOR VEHICLES SERIAL NUMBER 9608-488268 AND LATER) .....	1
11	<u>1018837-01</u>	BRACKET, SOLENOID MOUNTING (FOR VEHICLES SERIAL NUMBER 9608-488268 AND LATER) .....	1
12	<u>1018070-01</u>	SOLENOID, 48 VOLT (FOR VEHICLES PRIOR TO SERIAL NUMBER 9608-488268) .....	1
13	<u>1015838</u>	BRACKET, SOLENOID MOUNTING (FOR VEHICLES PRIOR TO SERIAL NUMBER 9608-488268) .....	1
14	0007847	BOLT, HEX HEAD, 1/4 - 20 x 3/4 .....	4
15	0000451	WASHER, LOCK, 1/4 .....	4
16	0000332	WASHER, FLAT, 1/4 .....	4
17	0007893	NUT, HEX, #10 - 32 .....	2
18	<u>1014947</u>	ASSEMBLY, RESISTOR .....	1
19	1014948	ASSEMBLY, DIODE .....	1
20	0001028	NUT, HEX, 1/4 - 20 .....	4
21	<u>1017237</u>	NUT, HEX FLANGED LOCK, 5/16 - 24 .....	2

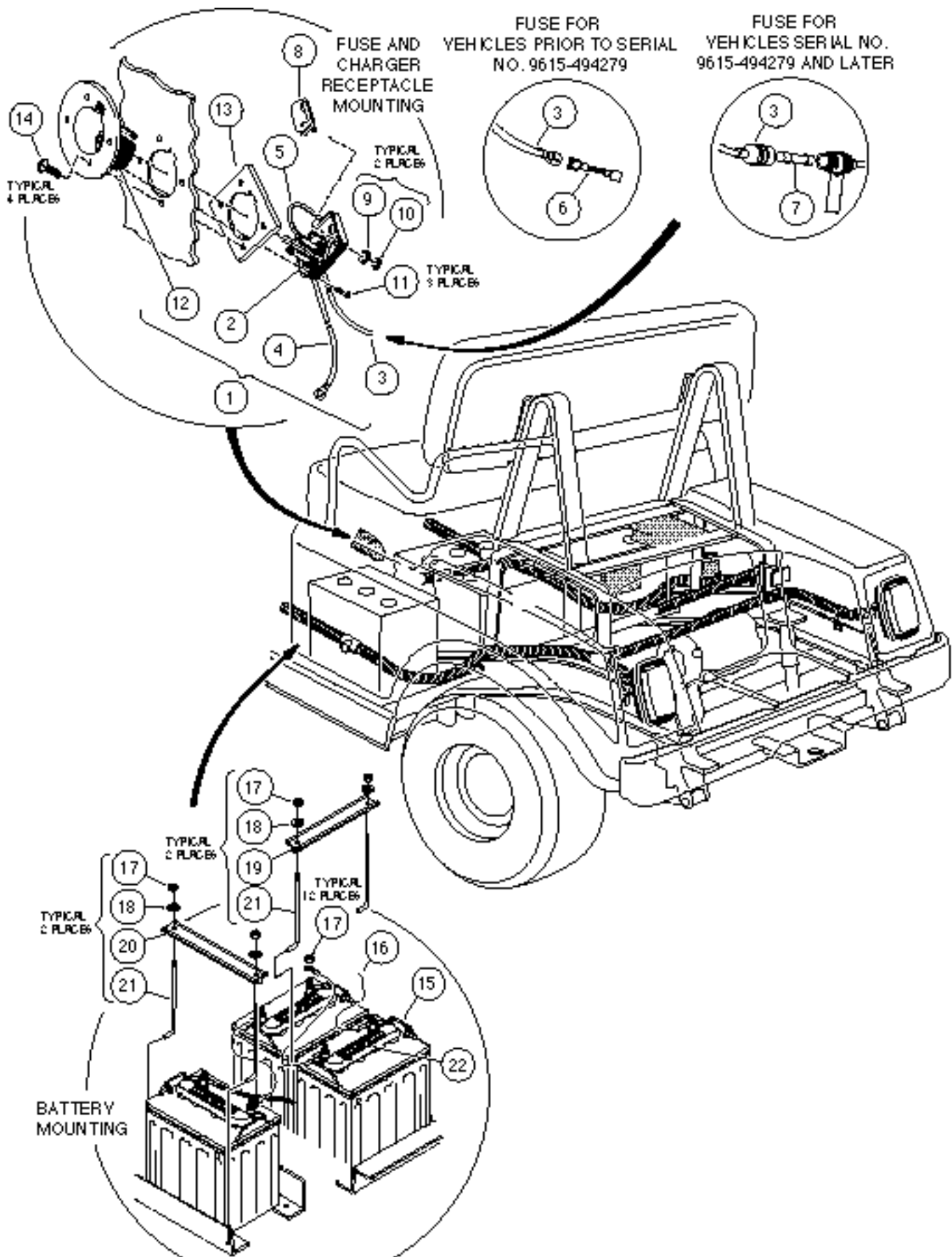


# ELECTRICAL COMPONENTS, REAR BODY (LATE MODEL) ELECTRIC - RESORT VILLAGER

**12**

**E**

ITEM	PART NO.	DESCRIPTION	QTY
		1 2 3 4 FOR VEHICLES MADE IN LATE 1995 AND ALL 1996.	
1	<u>1018108-01</u>	KIT, VOLTAGE LIMITER (INCLUDES ITEM 2) .....	1
2	1018367-02	COMPOUND, HEAT SINK .....	A/R
3	0000332	WASHER, FLAT, 1/4 .....	2
4	0008233	NUT, NYLON LOCK, 1/4 - 20 .....	2
5	<u>1016859</u>	KIT, REVERSE BUZZER (INCLUDES ITEMS 6 - 9) .....	1
6	<u>1016851</u>	BUZZER, REVERSE .....	1
7	0008056	SCREW, MACHINE, #4 - 40 x 3/4 .....	2
8	0008057	NUT, HEX, #4 - 40 .....	2
9	0008058	WASHER, LOCK, #4 .....	2
10	1017035	ASSEMBLY, TAILLIGHT (INCLUDES ITEMS 11 - 14) .....	2
11	<u>1017699</u>	KIT, HARDWARE .....	1
12	N/A	BASE, TAILLIGHT .....	1
13	<u>1011582</u>	BULB .....	1
14	<u>1011843</u>	LENS .....	1
15	<u>1011497</u>	BEZEL .....	2
16	<u>1011498</u>	SCREW, MACHINE, #8 - 32 x 1/2 .....	4
17	<u>1011610</u>	WASHER, LOCK, #8 .....	4
18	<u>1011571</u>	NUT, HEX, #8 - 32 .....	4
19	<u>1011557</u>	SCREW, MACHINE, #6 - 32 x 1 .....	4
20	0007591	WASHER, FLAT, #6 .....	4
21	<u>1011558</u>	NUT, HEX, #6 .....	6
22	<u>1015741</u>	BLOCK, FUSE .....	1
23	<u>1016423</u>	FUSE, 20 AMP .....	3
24	1016363	COVER, FUSE BLOCK .....	1
25	<u>1016366</u>	SCREW, MACHINE, #10 - 24 x 3 .....	2
26	<u>1011610</u>	WASHER, LOCK, #10 .....	4
27	<u>1016631</u>	NUT, PUSH .....	2
28	0000183	WASHER, FLAT, #10 .....	4
29	0001017	NUT, HEX, #10 - 24 .....	2
30	<u>1012438</u>	NUT, NYLON LOCK, #10 - 24 .....	2

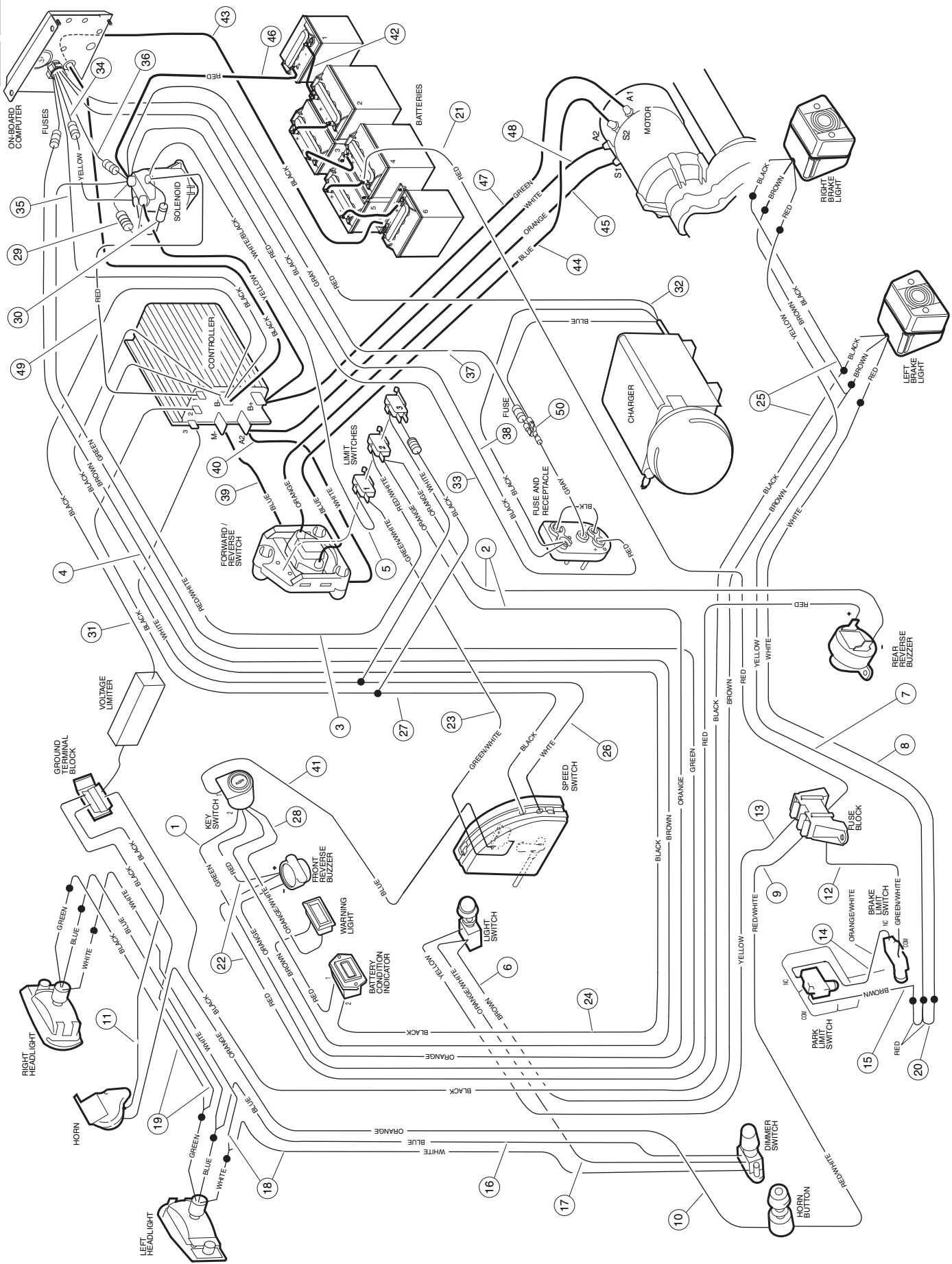




# ELECTRICAL COMPONENTS, REAR BODY (LATE MODEL) ELECTRIC - RESORT VILLAGER

12  
E

ITEM	PART NO.	DESCRIPTION	QTY
		1 2 3 4 FOR VEHICLES MADE IN LATE 1995 AND ALL 1996.	
1	<u>1018021-01</u>	KIT, FUSE AND RECEPTACLE (INCLUDES ITEMS 2 - 12) .....	1
2	1018468-01	ASSEMBLY, FUSE AND RECEPTACLE (INCLUDES ITEMS 3 - 11) .....	1
3	N/A	WIRE ASSEMBLY, #10 GREY .....	1
4	N/A	WIRE ASSEMBLY, #10 RED .....	1
5	N/A	WIRE ASSEMBLY, #10 BLACK .....	1
6	1018633-01	FUSE ASSEMBLY, 1/4 AMP (FOR VEHICLES PRIOR TO SERIAL NUMBER 9615-494279) .....	1
7	<u>1018949-01</u>	FUSE ASSEMBLY, 3/8 AMP (FOR VEHICLES SERIAL NUMBER 9615-494279 AND LATER) .....	1
8	<u>1017968-01</u>	ASSEMBLY, FUSE, 48 VOLT (INCLUDES ITEMS 9 AND 10) .....	1
9	<u>1018038</u>	WASHER, NARROW TYPE 13, #10 .....	2
10	<u>1018028</u>	NUT, SERRATED, #10 - 32 .....	2
11	<u>1017705</u>	SCREW, PHILLIPS PAN HEAD, #8 TYPE AB .....	3
12	<u>1017965-01</u>	BEZEL, RECEPTACLE .....	1
13	<u>1018010-01</u>	PLATE, RECEPTACLE BACKING .....	1
14	<u>1018320-01</u>	SCREW, PHILLIPS PAN HEAD, #7 - 18 x 3/4 .....	4
15	<u>1017977-01</u>	BATTERY, 8-VOLT .....	6
16	1017957	WIRE ASSEMBLY, #6 BLACK .....	5
17	<u>1014304</u>	NUT, HEX, 5/16 - 18 .....	20
18	<u>1011578</u>	WASHER, FLAT, TYPE B WIDE, 5/16 .....	8
19	<u>1018030-01</u>	HOLD-DOWN, BATTERY, SHORT .....	2
20	<u>1018030-02</u>	HOLD-DOWN, BATTERY, LONG .....	2
21	<u>1016682-01</u>	ROD, BATTERY HOLD-DOWN .....	8
22	<u>1017978-01</u>	CAP, BATTERY, 4 PORT GANG .....	6

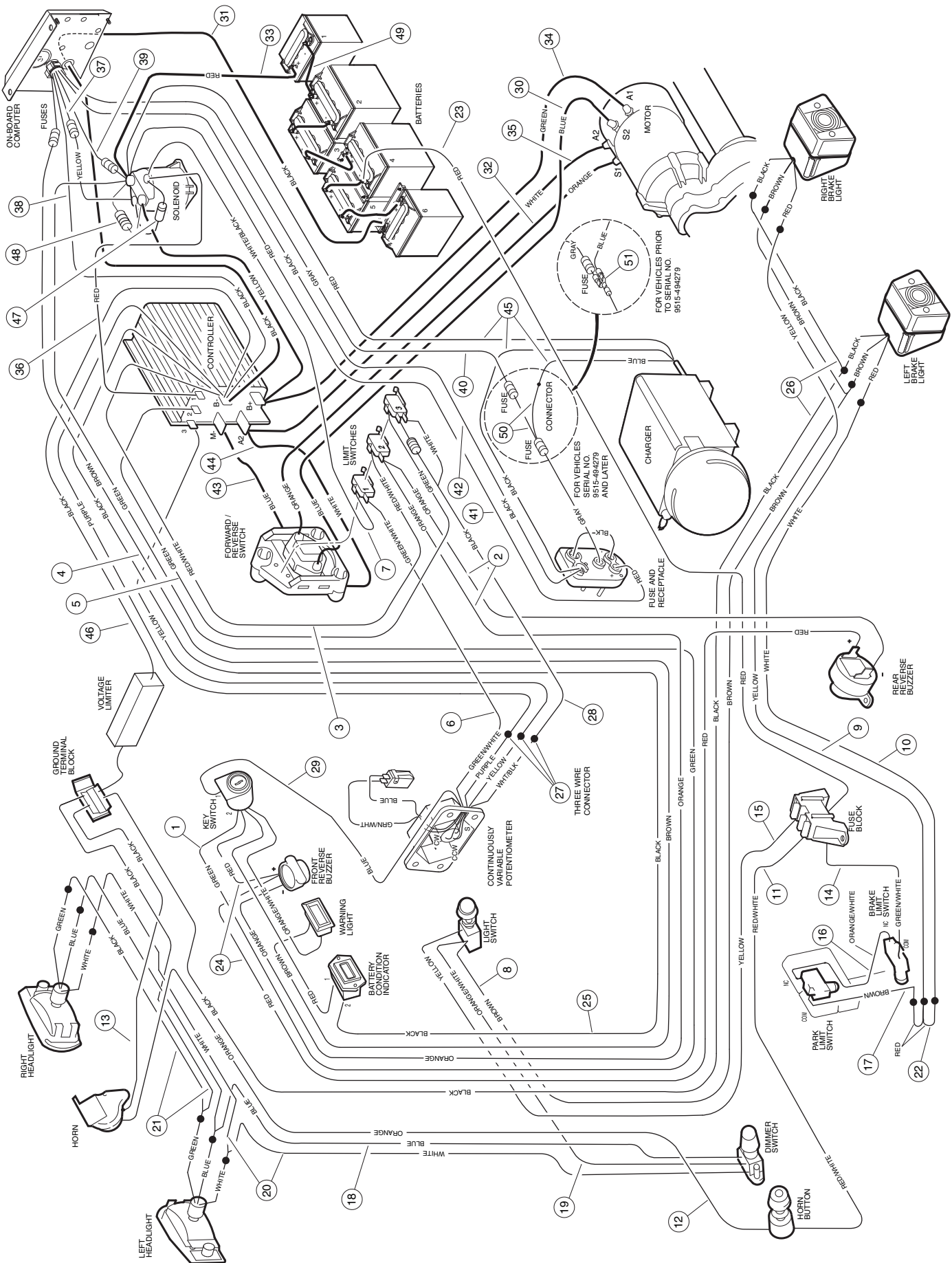


# WIRING - TRANS-PORTER/TRANS-SENDER WITH MULTI-STEP POTENTIOMETER

12

E

ITEM	PART NO.	DESCRIPTION	QTY
		1 2 3 4	
		FOR VEHICLES PRIOR TO SERIAL NUMBER 9529-445799.	
	<u>1018195-01</u>	WIRE HARNESS (INCLUDES ITEMS 1 - 25) .....	1
1	1016687	WIRE ASSEMBLY, #18 GREEN .....	1
2	1016688	WIRE ASSEMBLY, #18 ORANGE .....	1
3	1018199-01	WIRE ASSEMBLY, #18 RED/WHITE .....	1
4	1018211-02	WIRE ASSEMBLY, #18 BROWN .....	1
5	1018200-01	WIRE ASSEMBLY, #18 WHITE/BLACK .....	1
6	1016699	WIRE ASSEMBLY, #18 BROWN .....	1
7	1016774	WIRE ASSEMBLY, #18 YELLOW .....	1
8	1016695	WIRE ASSEMBLY, #18 WHITE .....	1
9	1016696	WIRE ASSEMBLY, #16 RED/WHITE .....	1
10	1016307	WIRE ASSEMBLY, #16 ORANGE .....	1
11	1016308	WIRE ASSEMBLY, #16 BLACK .....	1
12	1016700	WIRE ASSEMBLY, #18 GREEN/WHITE .....	1
13	1016697	WIRE ASSEMBLY, #14 YELLOW .....	1
14	1016309	WIRE ASSEMBLY, #16 ORANGE/WHITE .....	1
15	1016314	WIRE ASSEMBLY, #16 BROWN .....	1
16	1017052	WIRE ASSEMBLY, #18 BLUE .....	1
17	1016315	WIRE ASSEMBLY, #16 ORANGE/WHITE .....	1
18	1016323	WIRE ASSEMBLY, #16 WHITE .....	1
19	1016326	WIRE ASSEMBLY, #16 BLACK .....	1
20	1016409	WIRE ASSEMBLY, #18 RED .....	1
21	1016698	WIRE ASSEMBLY, #10 RED .....	1
22	1016748	WIRE ASSEMBLY, #18 RED .....	1
23	1018252-01	WIRE ASSEMBLY, #16 GREEN/WHITE .....	1
24	<u>1018182-01</u>	WIRE ASSEMBLY, #18 BLACK .....	1
25	1018369-01	WIRE ASSEMBLY, #18 BLACK .....	1
26	1018196-01	WIRE ASSEMBLY, #18 WHITE .....	1
27	1018198-01	WIRE ASSEMBLY, #18 BLACK (WITH RESISTOR) .....	1
28	1017967-01	WIRE ASSEMBLY, #18 ORANGE/WHITE .....	1
29	<u>1014947</u>	ASSEMBLY, RESISTOR .....	1
30	1014948	ASSEMBLY, DIODE .....	1
31	N/A	WIRE ASSEMBLY, #10 BLACK (PART OF VOLTAGE LIMITER ASSEMBLY) .....	1
32	N/A	WIRE ASSEMBLY, #10 BLUE, #10 RED, #10 BLACK (PART OF ON-BOARD CHARGER) .....	1
33	N/A	WIRE ASSEMBLY, #10 RED (PART OF FUSE AND RECEPTACLE ASSEMBLY) .....	1
34	N/A	WIRE ASSEMBLY, #18 YELLOW (PART OF ON-BOARD COMPUTER ASSEMBLY) .....	1
35	N/A	WIRE ASSEMBLY, #10 BLACK (PART OF ON-BOARD COMPUTER ASSEMBLY) .....	1
36	N/A	WIRE ASSEMBLY, #18 RED (PART OF ON-BOARD COMPUTER ASSEMBLY) .....	1
37	N/A	WIRE ASSEMBLY, #18 GREY (PART OF ON-BOARD COMPUTER ASSEMBLY) .....	1
38	N/A	WIRE ASSEMBLY, #10 BLACK (PART OF ON-BOARD COMPUTER ASSEMBLY) .....	1
39	1016728	WIRE ASSEMBLY, #6 BLUE .....	1
40	<u>1016729</u>	WIRE ASSEMBLY, #6 WHITE .....	1
41	1017393	WIRE ASSEMBLY, #18 BLUE .....	1
42	1017957	WIRE ASSEMBLY, #6 BLACK .....	5
43	<u>1018278-02</u>	KIT, GROUND WIRE, #6 BLACK .....	1
44	1016735	WIRE ASSEMBLY, #6 BLUE .....	1
45	<u>1016736</u>	WIRE ASSEMBLY, #6 ORANGE .....	1
46	1016734	WIRE ASSEMBLY, #6 RED .....	1
47	1016731	WIRE ASSEMBLY, #6 GREEN .....	1
48	1016730	WIRE ASSEMBLY, #6 WHITE .....	1
49	1016738	WIRE ASSEMBLY, #18 RED .....	1
50	1018085-01	ADAPTER, RECEPTACLE AND TABS FASTON .....	1

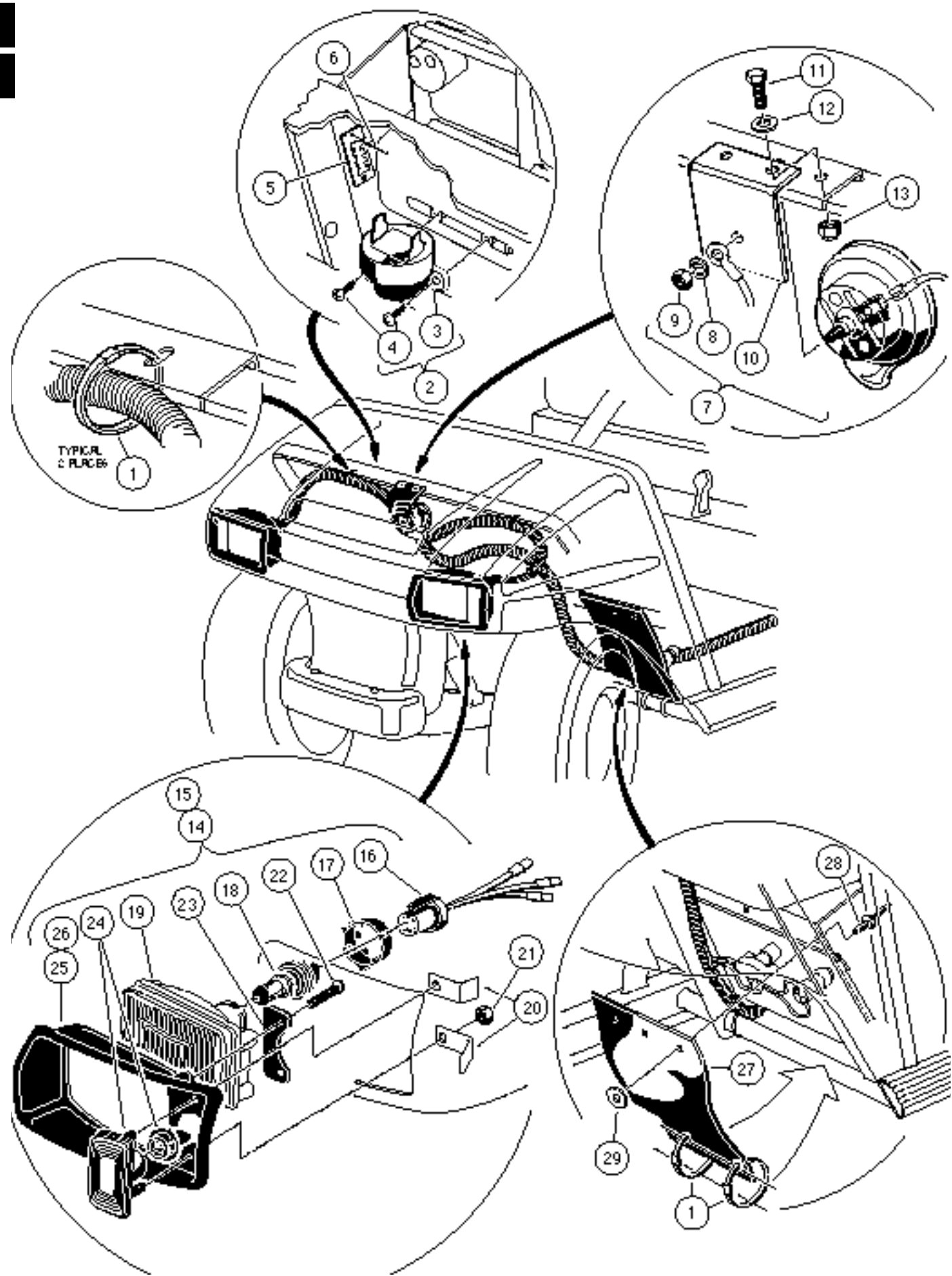


# WIRING - TRANS-PORTER/TRANS-SENDER WITH CONTINUOUSLY VARIABLE POTENTIOMETER

12

E

ITEM	PART NO.	DESCRIPTION	QTY
		1 2 3 4	
		FOR VEHICLES SERIAL NUMBER 9529-445799 AND LATER.	
	<u>1018195-01</u>	WIRE HARNESS (CONTAINS ITEMS 1 - 28).....	1
1	1016687	WIRE ASSEMBLY, #18 GREEN .....	1
2	1016688	WIRE ASSEMBLY, #18 ORANGE .....	1
3	1018199-01	WIRE ASSEMBLY, #18 RED/WHITE .....	1
4	1018211-02	WIRE ASSEMBLY, #18 BROWN .....	1
5	1018403-02	WIRE ASSEMBLY, #18 GREEN .....	1
6	1018252-01	WIRE ASSEMBLY, #16 GREEN/WHITE .....	1
7	1018200-01	WIRE ASSEMBLY, #18 WHITE/BLACK .....	1
8	1016699	WIRE ASSEMBLY, #18 BROWN .....	1
9	1016774	WIRE ASSEMBLY, #18 YELLOW .....	1
10	1016695	WIRE ASSEMBLY, #18 WHITE .....	1
11	1016696	WIRE ASSEMBLY, #16 RED/WHITE .....	1
12	1016307	WIRE ASSEMBLY, #16 ORANGE .....	1
13	1016308	WIRE ASSEMBLY, #16 BLACK .....	1
14	1016700	WIRE ASSEMBLY, #18 GREEN/WHITE .....	1
15	1016697	WIRE ASSEMBLY, #14 YELLOW .....	1
16	1016309	WIRE ASSEMBLY, #16 ORANGE/WHITE .....	1
17	1016314	WIRE ASSEMBLY, #16 BROWN .....	1
18	1017052	WIRE ASSEMBLY, #18 BLUE .....	1
19	1016315	WIRE ASSEMBLY, #16 ORANGE/WHITE .....	1
20	1016323	WIRE ASSEMBLY, #16 WHITE .....	1
21	1016326	WIRE ASSEMBLY, #16 BLACK .....	1
22	1016409	WIRE ASSEMBLY, #18 RED .....	1
23	1016698	WIRE ASSEMBLY, #10 RED .....	1
24	1016748	WIRE ASSEMBLY, #18 RED .....	1
25	<u>1018182-01</u>	WIRE ASSEMBLY, #18 BLACK .....	1
26	1018369-01	WIRE ASSEMBLY, #18 BLACK .....	1
27	<u>1018651-02</u>	ASSEMBLY, 3 - WAY PLUG (INCLUDES #18 PURPLE, #18 YELLOW AND ITEM 28) .....	1
28	1018830-01	WIRE ASSEMBLY, #18 BLACK (INCLUDES RESISTOR AND #18 WHITE WIRE) .....	1
29	1016133	WIRE ASSEMBLY, #18 BLUE .....	1
30	1016735	WIRE ASSEMBLY, #6 BLUE .....	1
31	<u>1018278-02</u>	KIT, GROUND WIRE, #6 BLACK .....	1
32	<u>1016736</u>	WIRE ASSEMBLY, #6 ORANGE .....	1
33	1016734	WIRE ASSEMBLY, #6 RED .....	1
34	1016731	WIRE ASSEMBLY, #6 GREEN .....	1
35	1016730	WIRE ASSEMBLY, #6 WHITE .....	1
36	1016738	WIRE ASSEMBLY, #18 RED .....	1
37	N/A	WIRE ASSEMBLY, #18 YELLOW (PART OF ON-BOARD COMPUTER ASSEMBLY) .....	1
38	N/A	WIRE ASSEMBLY, #10 BLACK (PART OF ON-BOARD COMPUTER ASSEMBLY) .....	1
39	N/A	WIRE ASSEMBLY, #18 RED (PART OF ON-BOARD COMPUTER ASSEMBLY) .....	1
40	N/A	WIRE ASSEMBLY, #18 GREY (PART OF ON-BOARD COMPUTER ASSEMBLY) .....	1
41	N/A	WIRE ASSEMBLY, #10 RED (PART OF FUSE AND RECEPTACLE ASSEMBLY) .....	1
42	N/A	WIRE ASSEMBLY, #10 BLACK (PART OF ON-BOARD COMPUTER ASSEMBLY) .....	1
43	1016728	WIRE ASSEMBLY, #6 BLUE .....	1
44	<u>1016729</u>	WIRE ASSEMBLY, #6 WHITE .....	1
45	N/A	WIRE ASSEMBLY, #10 BLUE, #10 RED, #10 BLACK (PART OF ON-BOARD CHARGER)...	1
46	N/A	WIRE ASSEMBLY, #10 BLACK (PART OF VOLTAGE LIMITER ASSEMBLY) .....	1
47	<u>1017948</u>	ASSEMBLY, DIODE .....	1
48	<u>1017947</u>	ASSEMBLY, RESISTOR .....	1
49	1017957	WIRE ASSEMBLY, #6 BLACK .....	5
50	<u>1018968-01</u>	ASSEMBLY, 3-WAY PLUG (FOR VEHICLES SERIAL NUMBER 9615-494279 AND LATER)..	1
51	1018085-01	ADAPTER, RECEPTACLE AND TABS FASTON .....	1

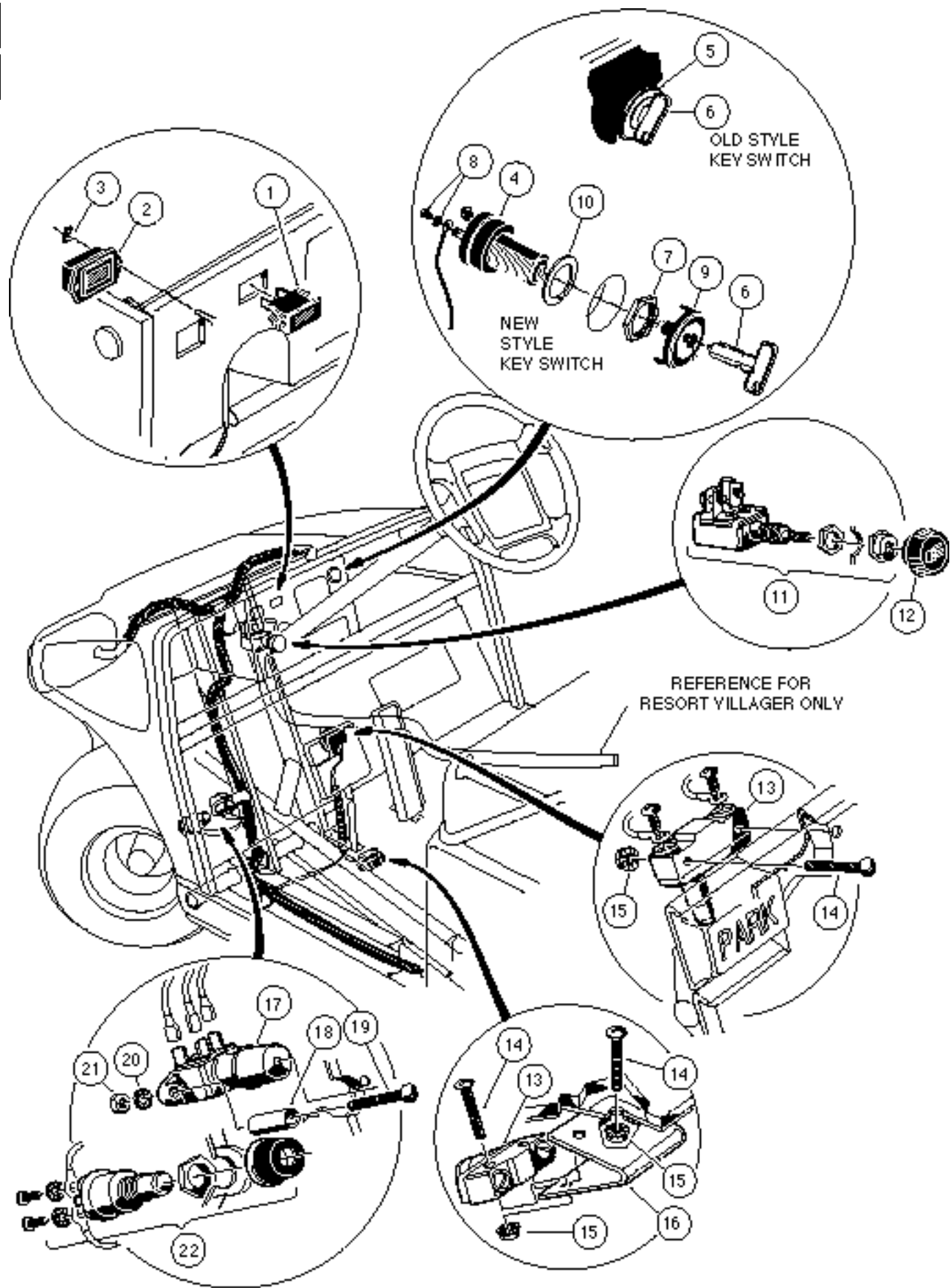


# ELECTRICAL COMPONENTS, FRONT BODY, ELECTRIC RESORT VILLAGER, TRANS-PORTER/TRANS-SENDER

12

E

ITEM	PART NO.	DESCRIPTION	QTY
		1 2 3 4	
1	0008639	WRAP, TIE .....	4
2	<u>1016859</u>	KIT, REVERSE BUZZER (INCLUDES ITEMS 3 AND 4) .....	1
3	<u>1016851</u>	BUZZER, REVERSE .....	1
4	<u>1016849</u>	SCREW, PAN HEAD HI-LO, #4 - 24 x 5/16 .....	2
5	<u>1016356</u>	BLOCK, TERMINAL .....	1
6	<u>1013357</u>	RIVET, ALUMINUM POP, 5/32 .....	2
7	0004029	ASSEMBLY, HORN (INCLUDES ITEMS 8, 9 AND 10) .....	1
8	0007820	WASHER, INTERNAL TOOTH, 5/16 .....	1
9	<u>1012528</u>	NUT, M8 x 1 1/4 .....	1
10	<u>1011825</u>	BRACKET, HORN .....	1
11	0000304	BOLT, HEX HEAD, 1/4 - 20 x 1 .....	2
12	0000332	WASHER, FLAT, 1/4 .....	2
13	0008233	NUT, NYLON LOCK, 1/4 - 20 .....	2
14	<u>1016897-01</u>	ASSEMBLY, HEADLIGHT, LEFT HAND (INCLUDES ITEMS 16 - 25) .....	1
15	<u>1016897-02</u>	ASSEMBLY, HEADLIGHT, RIGHT HAND (INCLUDES ITEMS 16 - 24 AND 26) .....	1
16	<u>1017066</u>	HARNES, HEADLIGHT WIRE .....	1
17	1017059	LOCK, BULB COLLAR .....	1
18	<u>1017060</u>	BULB, HALOGEN .....	1
19	1017061	LENS, HEADLIGHT .....	1
20	<u>1017064</u>	BRACKET, MOUNTING .....	2
21	0007893	NUT, HEX, #10 - 32 .....	2
22	<u>1013461</u>	SCREW, HI-LO, #10 - 16 .....	2
23	<u>1017065</u>	RETAINER, HEADLIGHT .....	1
24	<u>1017062</u>	ASSEMBLY, TURN SIGNAL LENS .....	1
25	<u>1016880</u>	BEZEL, HEADLIGHT, LEFT HAND .....	1
26	<u>1016879</u>	BEZEL, HEADLIGHT, RIGHT HAND .....	1
27	1015787	FLAP, SWITCH PROTECTOR .....	1
28	0001606	RIVET, POP, 3/16 .....	3
29	0000183	WASHER, FLAT, #10 .....	3



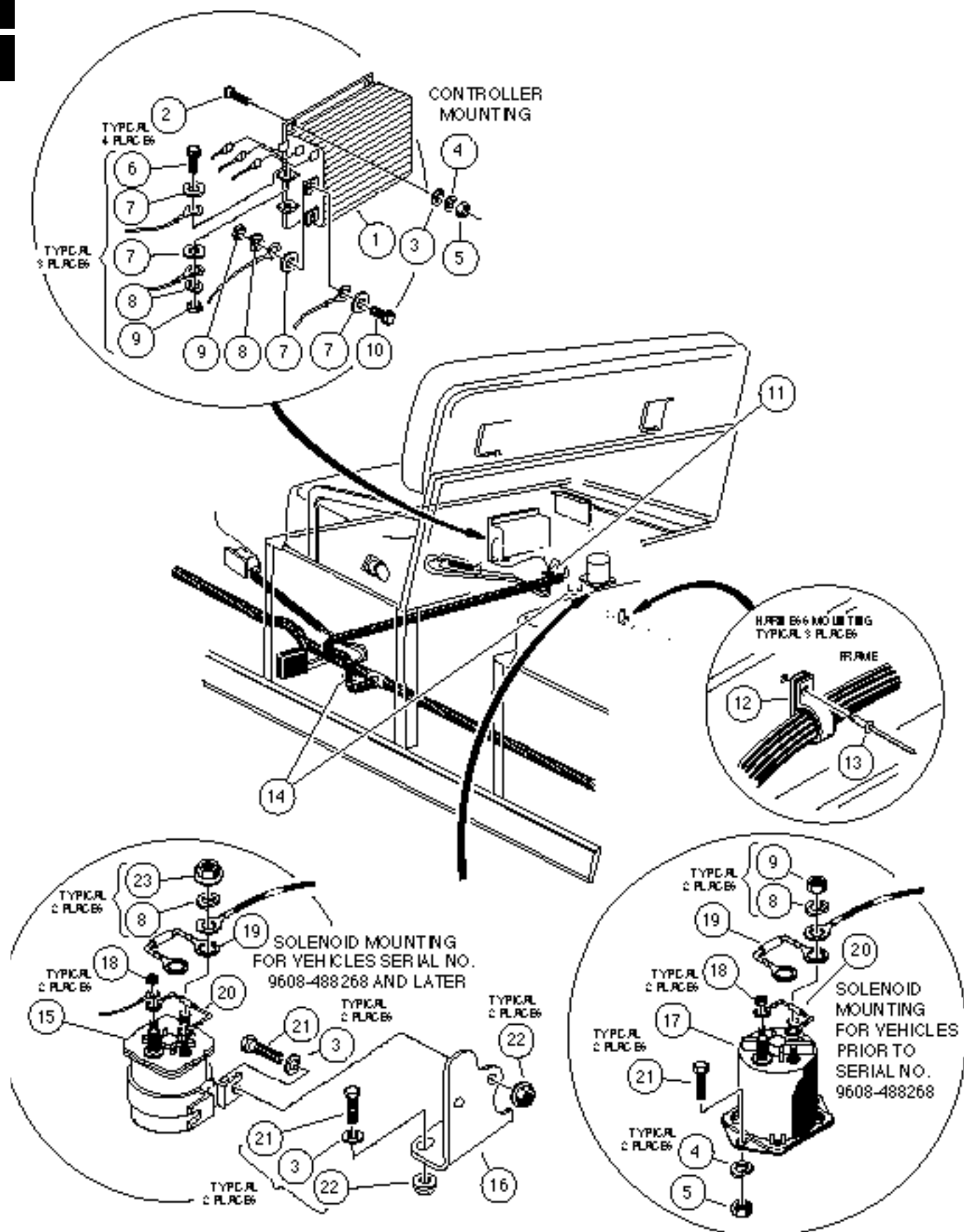


# CONTROLS AND GAUGES, ELECTRIC VEHICLES RESORT VILLAGER, TRANS-PORTER/TRANS-SENDER

**12**

**E**

ITEM	PART NO.	DESCRIPTION	QTY
		1 2 3 4	
1	<u>1018025-01</u>	LIGHT, BATTERY WARNING .....	1
2	<u>1018142-01</u>	INDICATOR, BATTERY .....	1
3	<u>1018147-01</u>	RETAINER, PUSH ON .....	2
4	<u>1018262-01</u>	SWITCH, KEY (FOR VEHICLES SERIAL NUMBER 9522-436452 AND LATER) .....	1
5	<u>1012531</u>	SWITCH, KEY (INCLUDES ITEM 6) (FOR VEHICLES PRIOR TO SERIAL NUMBER 9522-436452) .....	1
6	<u>1012505</u>	KEY (PAIR) .....	1
7	<u>1018307-01</u>	NUT, KEY SWITCH .....	1
8	<u>1018306-01</u>	ASSEMBLY, SCREW AND WASHER .....	2
9	<u>1018345-02</u>	CAP, KEY SWITCH .....	1
10	<u>1018511-01</u>	WASHER .....	1
11	0004034	SWITCH, LIGHT (INCLUDES ITEM 12) .....	1
12	<u>1013857</u>	KNOB, LIGHT SWITCH .....	1
13	<u>1011439</u>	SWITCH, LIMIT .....	2
14	<u>1011557</u>	SCREW, MACHINE, #6 - 32 x 1 .....	6
15	<u>1011229</u>	NUT, "K" LOCK, #6 - 32 .....	6
16	1011742	BRACKET, BRAKE LIGHT SWITCH .....	1
17	1010889	SWITCH, DIMMER .....	1
18	<u>1018713-01</u>	STAND-OFF, DIMMER SWITCH .....	2
19	<u>1018712-01</u>	SCREW, MACHINE, #10 - 32 x 1 .....	2
20	0008049	WASHER, INTERNAL TOOTH LOCK, #10 .....	2
21	0007893	NUT, HEX, #10 - 32 .....	2
22	<u>1013443</u>	BUTTON, HORN .....	1

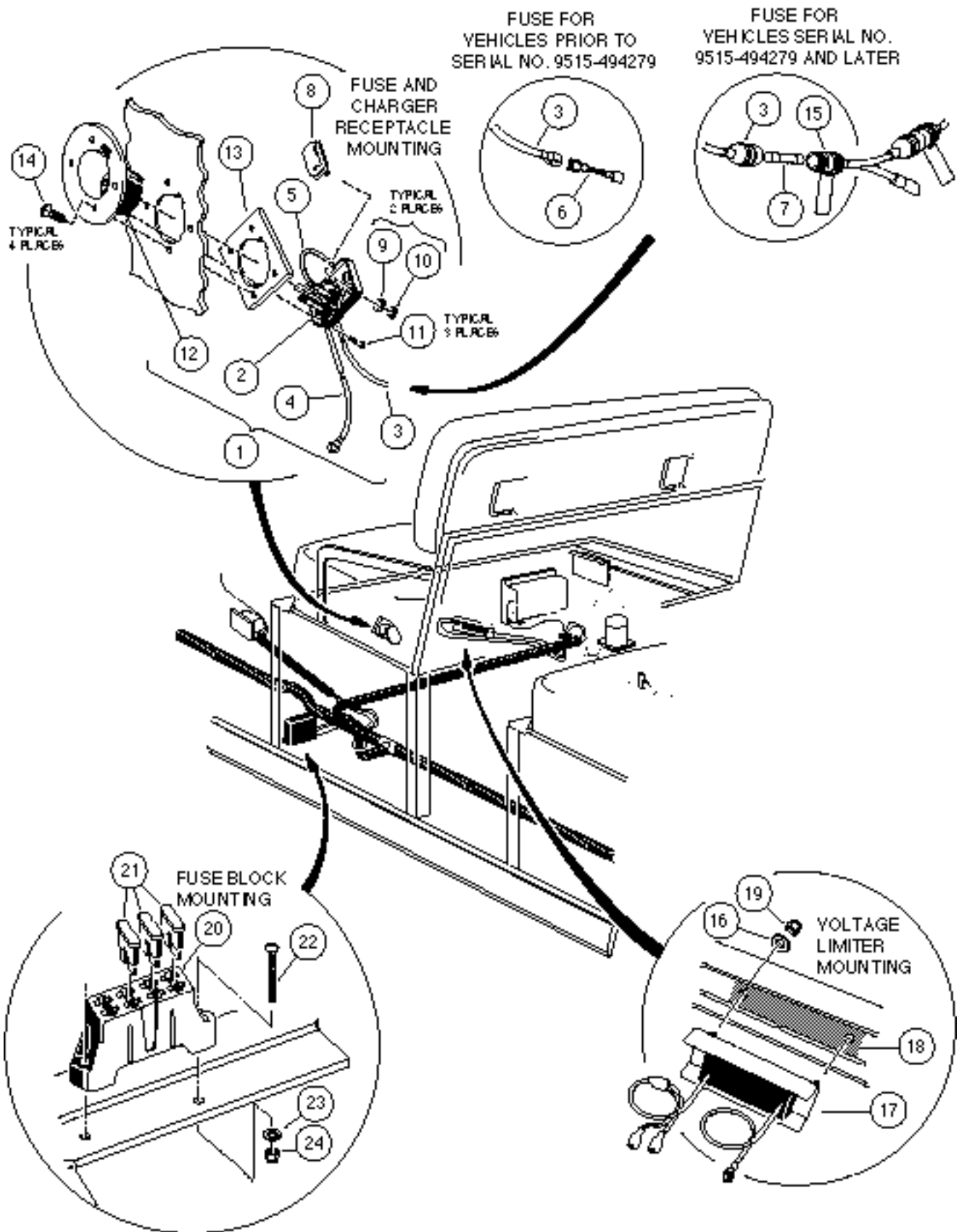


# ELECTRICAL COMPONENTS, CENTER BODY ELECTRIC - TRANS-PORTER/TRANS-SENDER

**12**

**E**

ITEM	PART NO.	DESCRIPTION	QTY
		1 2 3 4	
1	1018008	CONTROLLER, 48 VOLT (225 AMP) (FOR VEHICLES PRIOR TO SERIAL NUMBER 9529-445799) .....	1
1	1018402-02	CONTROLLER, 48 VOLT (235 AMP) (FOR VEHICLES WITH SERIAL NUMBERS BETWEEN 9529-445799 AND 9608-488268) ...	1
1	<u>1018402-03</u>	CONTROLLER, 48 VOLT (300 AMP) (FOR VEHICLES SERIAL NUMBER 9608-488268 AND LATER) .....	1
2	1015066	SCREW, ROUND HEAD, 1/4 - 20 x 3/4 .....	4
3	0000332	WASHER, FLAT, 1/4 .....	8
4	0000451	WASHER, LOCK, 1/4 .....	6
5	0001028	NUT, HEX, 1/4 - 20 .....	2
6	0007173	BOLT, HEX HEAD, 5/16 - 18 x 3/4 .....	3
7	0001241	WASHER, FLAT, 5/16 .....	8
8	0007174	WASHER, LOCK, 5/16 .....	6
9	0001242	NUT, HEX, 5/16 - 18 .....	6
10	0001218	BOLT, HEX HEAD, 5/16 - 18 x 1 1/4 .....	1
11	<u>1018024-01</u>	GROMMET, 5/8 .....	1
12	<u>1012022</u>	CLAMP, CABLE .....	3
13	0001606	RIVET, POP .....	3
14	1016706	GROMMET, 1 1/4 .....	2
15	<u>1018836-01</u>	SOLENOID, 48 VOLT (FOR VEHICLES SERIAL NUMBER 9608-488268 AND LATER) ..	1
16	<u>1018837-01</u>	BRACKET, SOLENOID MOUNTING (FOR VEHICLES SERIAL NUMBER 9608-488268 AND LATER) .....	1
17	<u>1018070-01</u>	SOLENOID, 48 VOLT (FOR VEHICLES PRIOR TO SERIAL NUMBER 9608-488268) ....	1
18	0007893	NUT, HEX, #10 - 32 .....	2
19	<u>1014947</u>	ASSEMBLY, RESISTOR .....	1
20	1014948	ASSEMBLY, DIODE .....	1
21	0007847	BOLT, HEX HEAD, 1/4 - 20 x 3/4 .....	2
22	<u>1018356-01</u>	NUT, HEX FLANGED LOCK, 1/4 - 20 .....	4
23	<u>1017237</u>	NUT, FLANGED LOCK, 5/16 - 24 .....	2

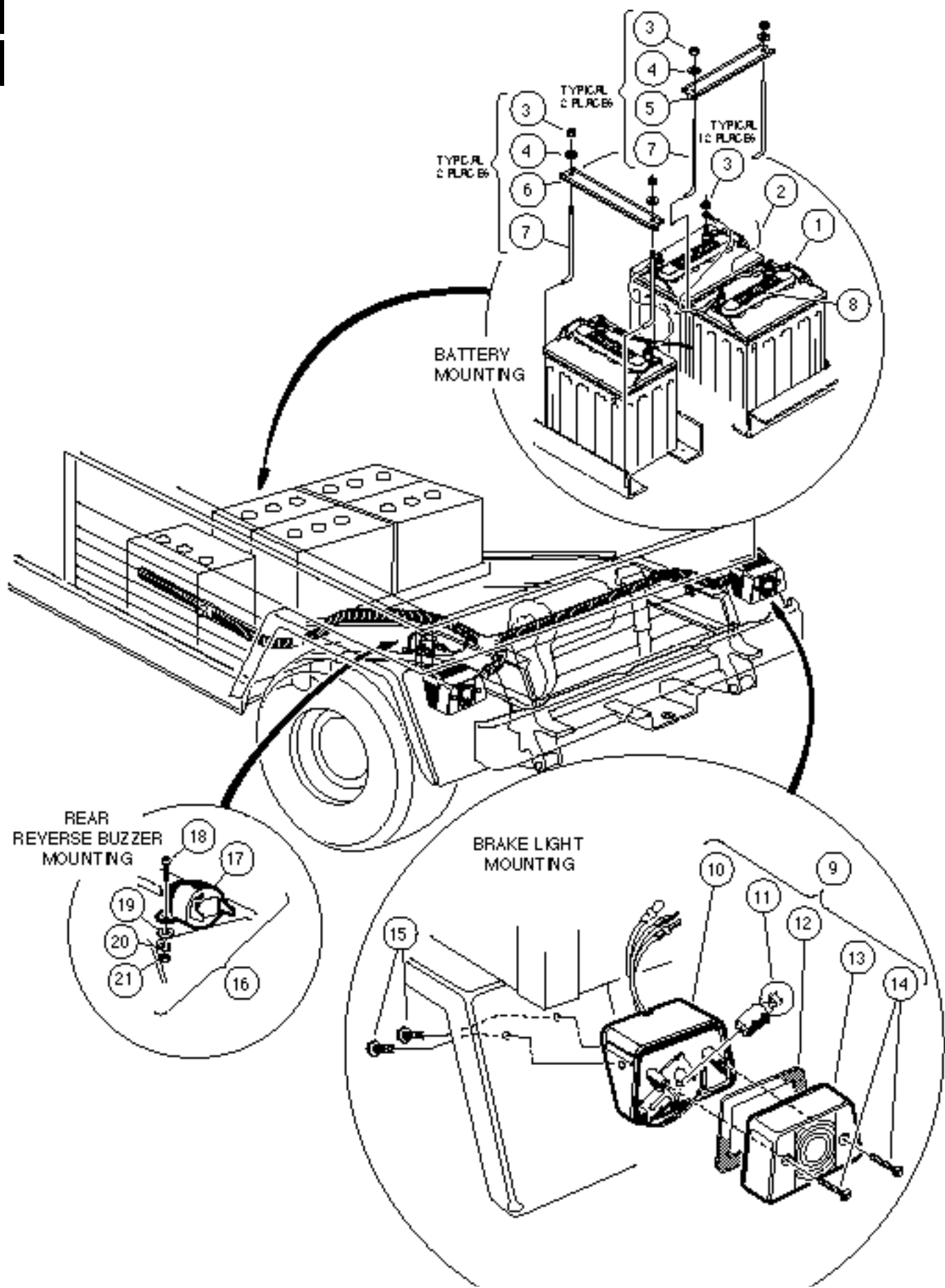


# ELECTRICAL COMPONENTS, CENTER BODY ELECTRIC - TRANS-PORTER/TRANS-SENDER

**12**

**E**

ITEM	PART NO.	DESCRIPTION	QTY
		1 2 3 4	
1	<u>1018021-01</u>	KIT, FUSE AND RECEPTACLE (INCLUDES ITEMS 2 - 12) .....	1
2	1018468-01	ASSEMBLY, FUSE AND RECEPTACLE (INCLUDES ITEMS 3 - 11) .....	1
3	N/A	WIRE ASSEMBLY, #10 GREY .....	1
4	N/A	WIRE ASSEMBLY, #10 RED .....	1
5	N/A	WIRE ASSEMBLY, #10 BLACK .....	1
6	1018633-01	FUSE ASSEMBLY, 1/4 AMP (FOR VEHICLES PRIOR TO SERIAL NUMBER 9615-494279) .....	1
7	<u>1018949-01</u>	FUSE ASSEMBLY, 3/8 AMP (FOR VEHICLES SERIAL NUMBER 9615-494279 AND LATER) .....	1
8	<u>1017968-01</u>	ASSEMBLY, FUSE, 48 VOLT (INCLUDES ITEMS 9 AND 10) .....	1
9	<u>1018038</u>	WASHER, NARROW TYPE 13, #10 .....	2
10	<u>1018028</u>	NUT, SERRATED, #10 - 32 .....	2
11	<u>1017705</u>	SCREW, PHILLIPS PAN HEAD, #8 TYPE AB .....	3
12	<u>1017965-01</u>	BEZEL, RECEPTACLE .....	1
13	<u>1018010-01</u>	PLATE, RECEPTACLE BACKING .....	1
14	<u>1018320-01</u>	SCREW, PHILLIPS PAN HEAD, #7 - 18 x 3/4 .....	4
15	<u>1018968-01</u>	ASSEMBLY, 3-WAY PLUG (FOR VEHICLES SERIAL NUMBER 9615-494279 AND LATER) .....	1
16	0000332	WASHER, FLAT, 1/4 .....	2
17	<u>1018108-01</u>	LIMITER, VOLTAGE (INCLUDES ITEM 18) .....	1
18	1018367-02	COMPOUND, HEAT SINK .....	A/R
19	0008233	NUT, NYLON LOCK, 1/4 - 20 .....	2
20	<u>1015741</u>	BLOCK, FUSE .....	1
21	<u>1016423</u>	FUSE, 20 AMP .....	3
22	<u>1010909</u>	SCREW, ROUND HEAD, #10 - 32 x 1 1/4 .....	2
23	0000183	WASHER, FLAT, #10 .....	2
24	<u>1013061</u>	NUT, NYLON LOCK, #10 - 32 .....	2

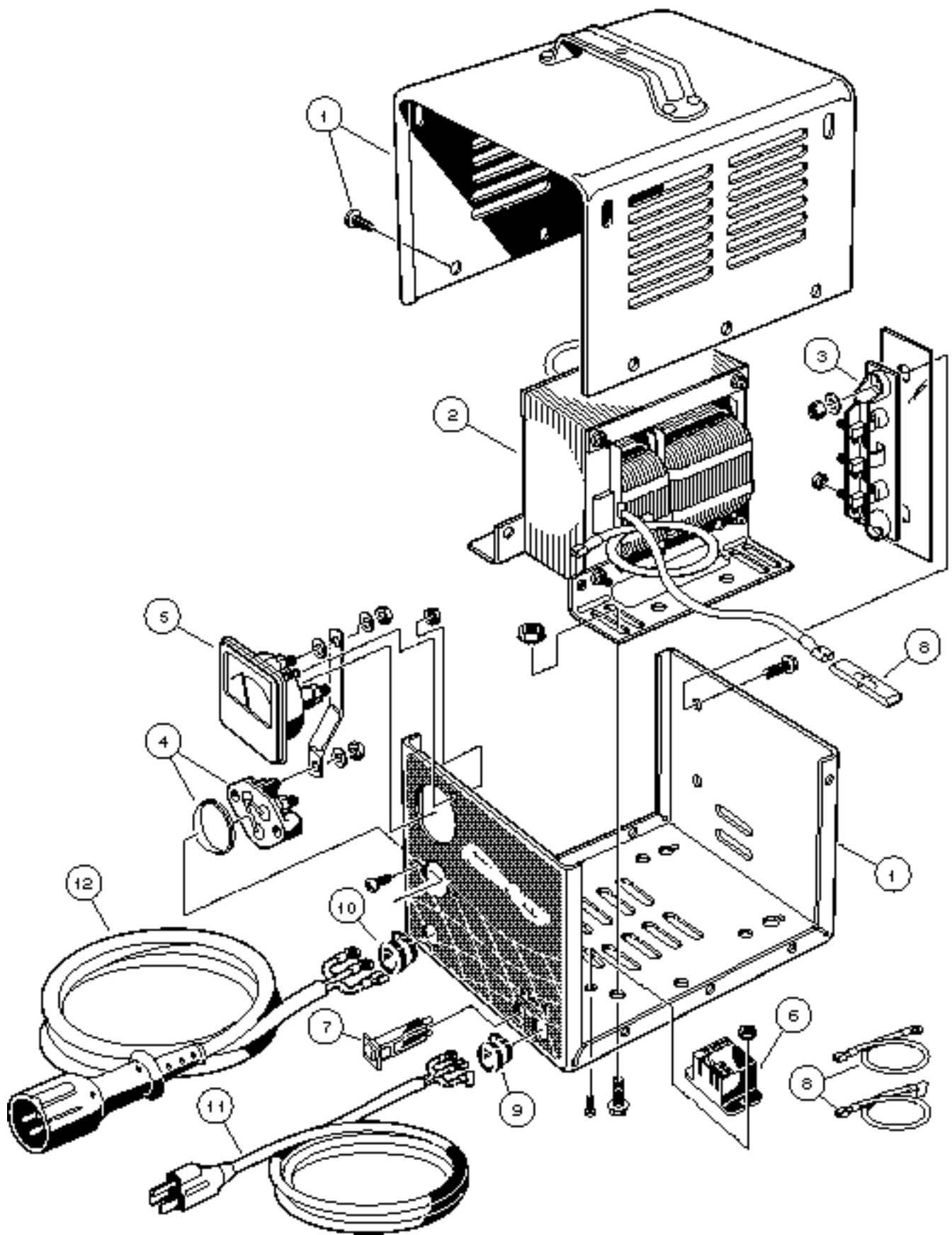


# ELECTRICAL COMPONENTS, REAR BODY ELECTRIC - TRANS-PORTER/TRANS-SENDER

**12**

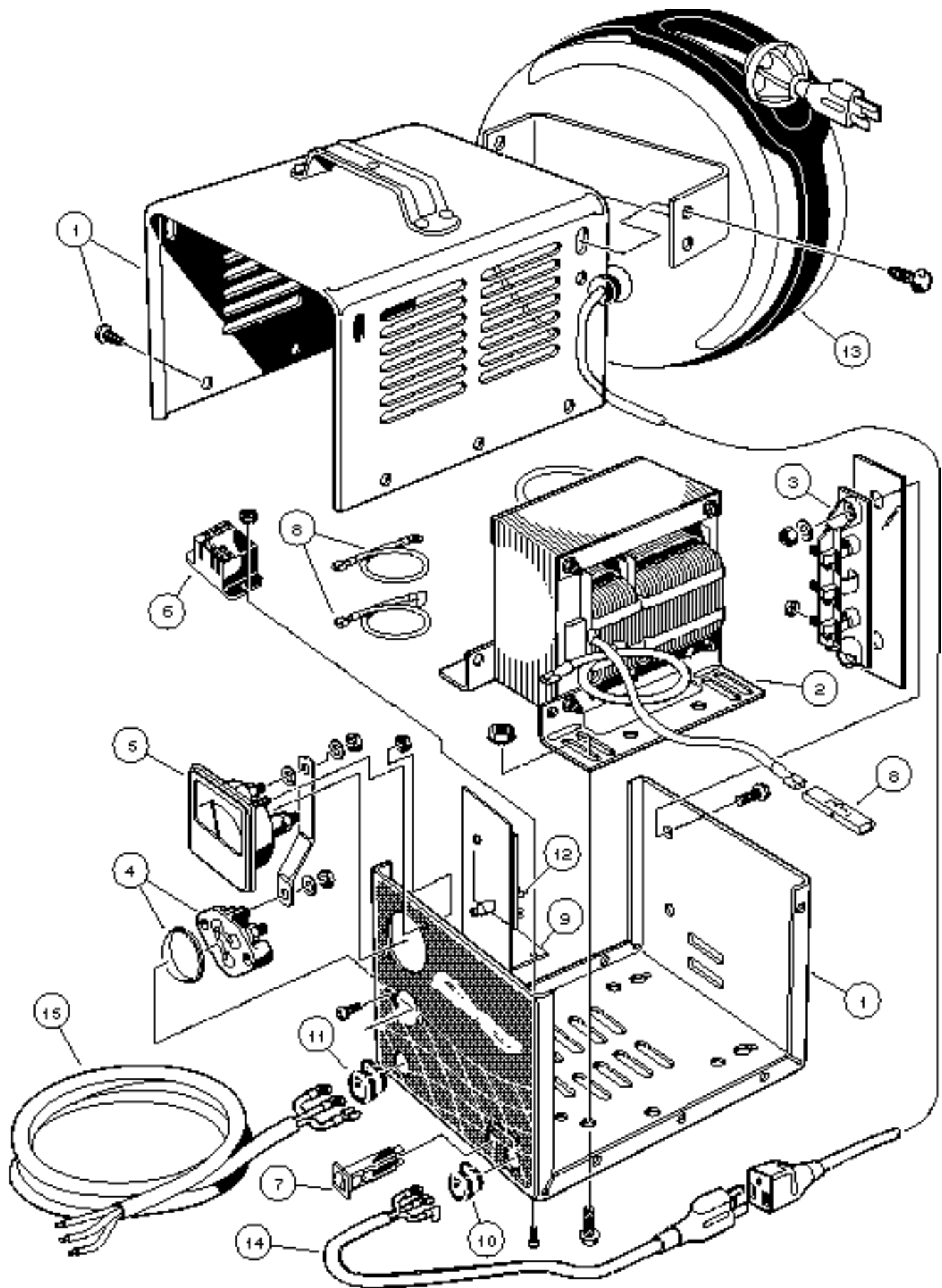
**E**

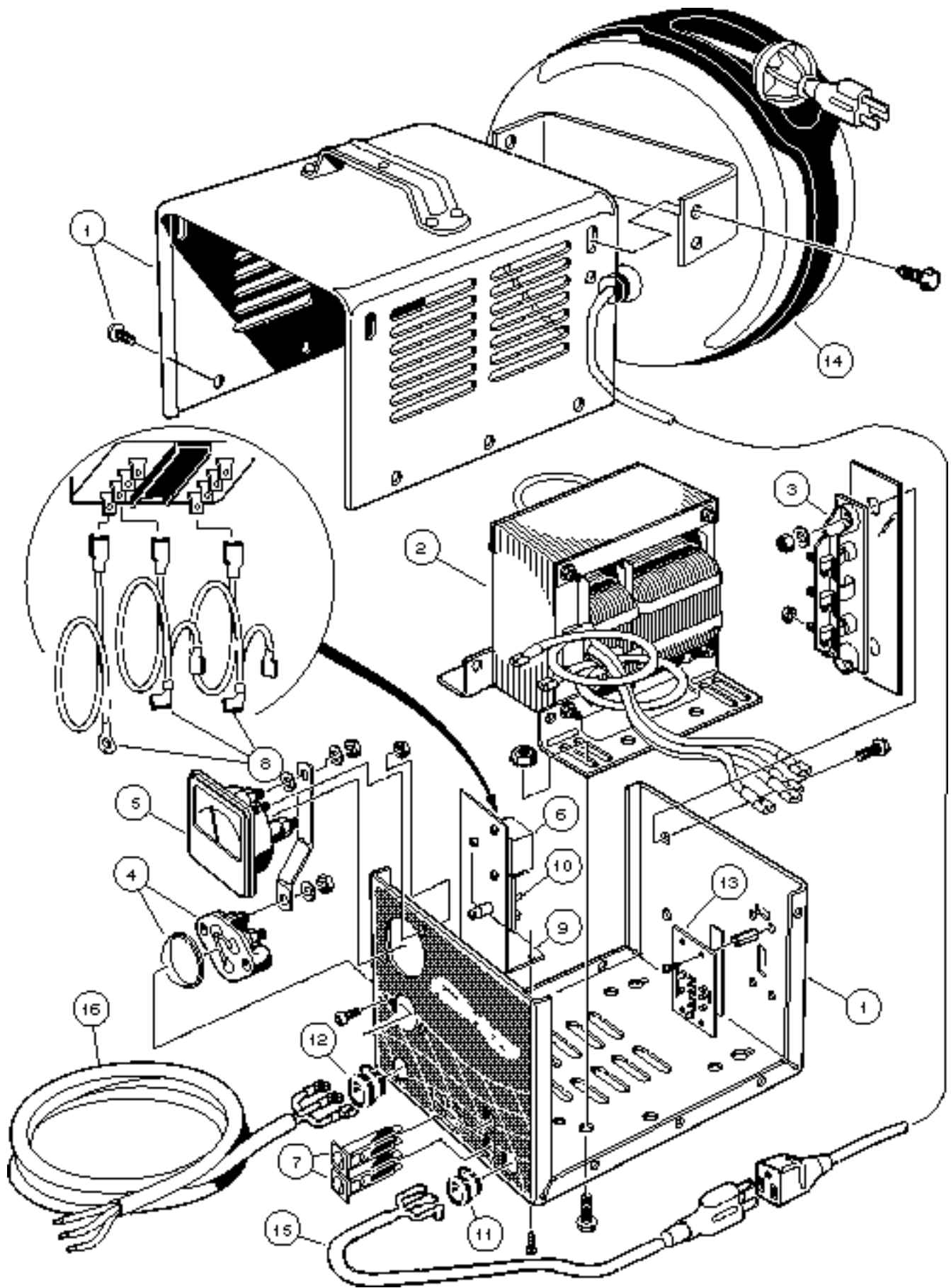
ITEM	PART NO.	DESCRIPTION	QTY
		1 2 3 4	
1	<u>1017977-01</u>	BATTERY, 8-VOLT .....	6
2	1017957	WIRE ASSEMBLY, #6 BLACK .....	5
3	<u>1014304</u>	NUT, HEX, STAINLESS STEEL, 5/16 -18 .....	20
4	<u>1011578</u>	WASHER, FLAT, TYPE B WIDE, 5/16 .....	8
5	<u>1018030-01</u>	HOLD-DOWN, BATTERY, SHORT .....	2
6	<u>1018030-02</u>	HOLD-DOWN, BATTERY, LONG .....	2
7	<u>1016682-01</u>	ROD, BATTERY HOLD-DOWN .....	8
8	<u>1017978-01</u>	CAP, BATTERY, 4 PORT GANG .....	6
9	<u>1016717</u>	ASSEMBLY, TAILLIGHT (INCLUDES ITEMS 10 - 14) .....	2
10	N/A	HOUSING, TAILLIGHT .....	1
11	<u>1011582</u>	BULB .....	1
12	N/A	GASKET .....	1
13	N/A	LENS .....	1
14	N/A	SCREW, LENS .....	2
15	<u>1015752</u>	SCREW, HI-LO, #12 - 16 x 5/8 .....	2
16	<u>1016859</u>	KIT, REVERSE BUZZER (INCLUDES ITEMS 17 - 21) .....	1
17	<u>1016851</u>	BUZZER, REVERSE .....	1
18	0008056	SCREW, ROUND HEAD, #4 - 40 x 3/4 .....	2
19	1012431	WASHER, FLAT, #4 .....	2
20	0008058	WASHER, LOCK, #4 .....	2
21	0008057	NUT, HEX, #4 - 40 .....	2











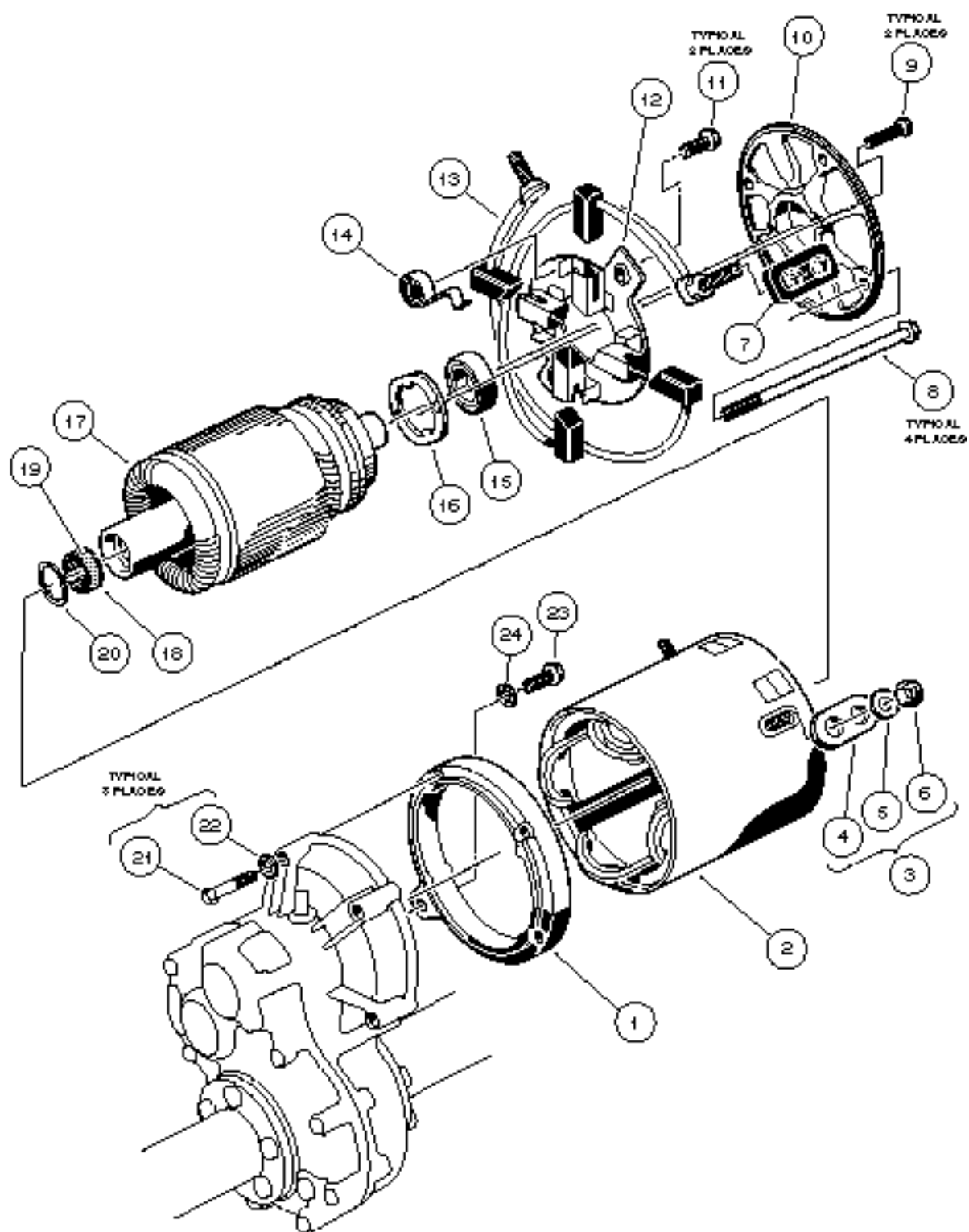


# ELECTRIC MOTOR

---

14

E



# MOTOR, POWERDRIVE 48 VOLT

14

E

ITEM	PART NO.	DESCRIPTION	QTY
		1 2 3 4	
	1018133-01	ASSEMBLY, 48 VOLT MOTOR, 3.10 HP (INCLUDES ITEMS 1 - 24) .....	1
1	<u>1017944</u>	SHIELD, END .....	1
2	<u>1017958</u>	ASSEMBLY, STATOR SHELL AND WINDING .....	1
3	<u>1017947</u>	PACKAGE, HARDWARE (INCLUDES ITEMS 4 - 7) .....	1
4	N/A	BUSHING, INSULATOR .....	2
5	N/A	WASHER, FLAT, 5/16 .....	4
6	N/A	NUT, LOCK, 5/16 - 18 .....	4
7	N/A	BUSHING, INSULATOR .....	2
8	<u>1017961</u>	SCREW, CLAMP .....	4
9	<u>1017953</u>	SCREW, BEARING RETAINER .....	2
10	<u>1017951</u>	SHIELD, END .....	1
11	<u>1017949</u>	SCREW, BRUSH HOLDER .....	2
12	<u>1017948</u>	RIGGING, BRUSH .....	1
13	<u>1017946</u>	PACKAGE, BRUSH (2 PIECES) .....	1
14	1011411	PACKAGE, BRUSH SPRING (4 PIECES) .....	1
15	<u>1011290</u>	BEARING, BALL .....	1
16	<u>1017950</u>	RETAINER, BEARING .....	1
17	N/A	ARMATURE .....	1
18	<u>1017891-01</u>	RING, GUIDE .....	1
19	<u>1018132-02</u>	LOCKTITE, 3 GRAM TUBE .....	A/R
20	<u>1018228-01</u>	RING, INTERNAL RETAINING .....	1
21	1014201	BOLT, HEX HEAD, 1/4 - 20 x 2 1/4 .....	3
22	0000451	WASHER, LOCK, 1/4 .....	3
23	<u>1010934</u>	BOLT, HEX HEAD, 5/16 - 18 x 1 .....	1
24	0007174	WASHER, LOCK, 5/16 .....	1



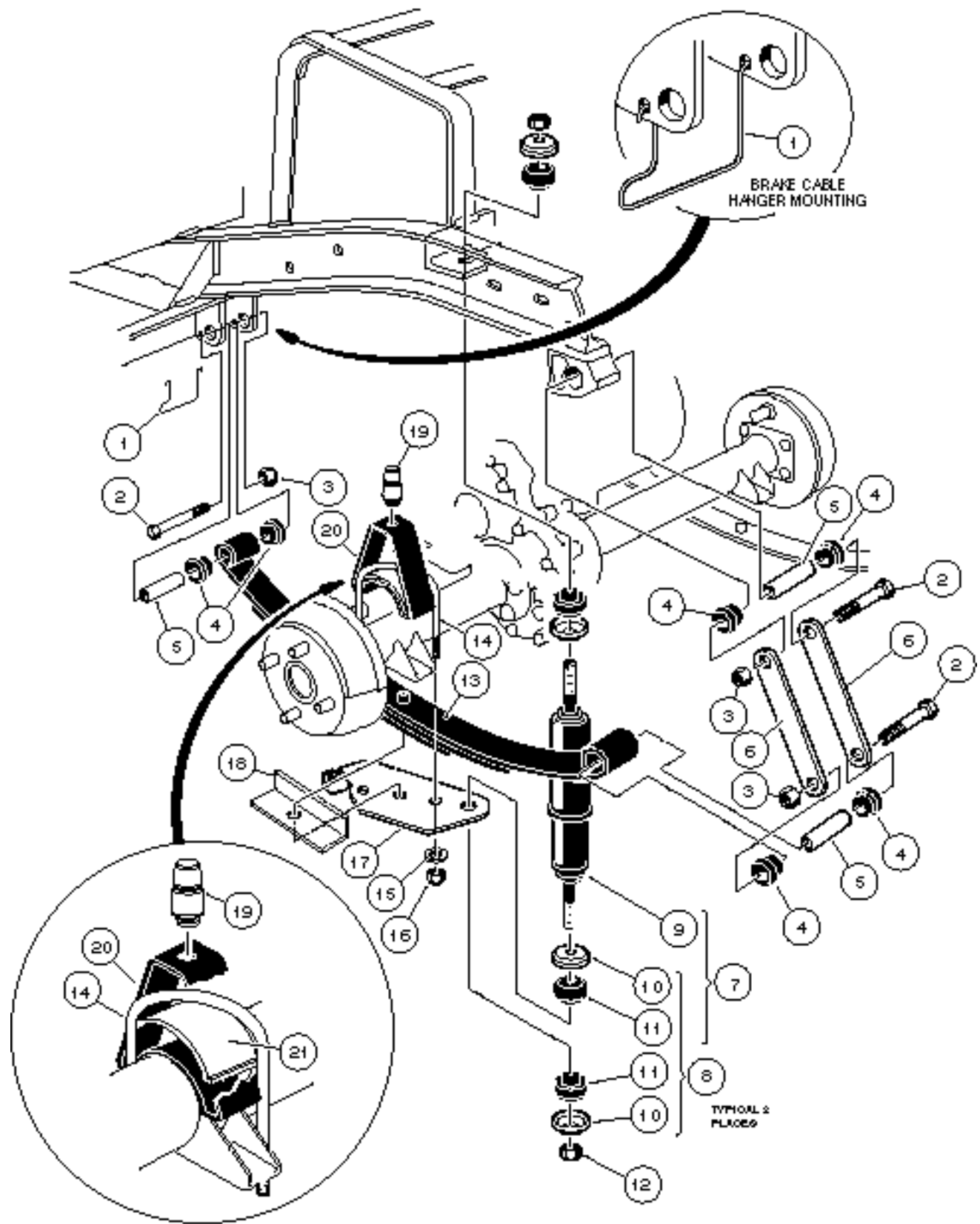


# REAR SUSPENSION ELECTRIC VEHICLES

---

**15**

**E**



TYPICAL EACH SIDE OF VEHICLE

# REAR SUSPENSION - ELECTRIC VEHICLES

15

E

ITEM	PART NO.	DESCRIPTION	QTY
		1 2 3 4	
1	<u>1013207</u>	HANGER, BRAKE CABLE .....	2
2	0008755	SCREW, HEX HEAD CAP, 3/8 - 16 x 3 1/8 .....	6
3	<u>1010138</u>	NUT, DIMPLED LOCK, 3/8 - 16 .....	6
4	<u>1015583</u>	BUSHING, URETHANE .....	12
5	<u>1012303</u>	BUSHING, STEEL .....	6
6	0007569	PLATE, SPRING SHACKLE .....	4
7	<u>1013164</u>	KIT, SHOCK ABSORBER (INCLUDES ITEMS 9, 10, AND 11) .....	2
8	<u>1011415</u>	KIT, SHOCK ABSORBER CUSHION (INCLUDES 2 EACH OF ITEMS 10 AND 11) .....	4
9	<u>1014236</u>	ABSORBER, SHOCK .....	2
10	N/A	RETAINER, SHOCK ABSORBER CUSHION .....	8
11	N/A	CUSHION, SHOCK ABSORBER .....	8
12	<u>1010145</u>	NUT, HEX HEAD, 3/8 - 24 .....	4
13	<u>1014675</u>	SPRING, REAR LEAF .....	2
14	<u>1014902</u>	BOLT, "U" .....	2
15	<u>1014557</u>	WASHER, FLAT, 7/16 .....	4
16	<u>1014555</u>	NUT, NYLON LOCK, 7/16 - 14 .....	4
17	1012182	MOUNT, SHOCK, LEFT HAND .....	1
17	1012181	MOUNT, SHOCK, RIGHT HAND .....	1
18	1014573	RETAINER, LEAF SPRING .....	2
19	<u>1017235</u>	BUMPER, SUSPENSION OVERLOAD .....	2
20	<u>1014549-02</u>	MOUNT, SUSPENSION OVERLOAD BUMPER .....	2
21	<u>1014901</u>	SPACER, SUSPENSION OVERLOAD BUMPER .....	2



# SAFETY DECALS

---

**16**

**G**

**E**

**SAFETY WARNING LABEL**

<p><b>WARNING</b>                    PLEASE READ ALL INSTRUCTIONS, WARNINGS, LABELS, AND TAGS BEFORE USING.</p>	<ul style="list-style-type: none"> <li>• Read (operating) Instructions Label before using vehicle.</li> <li>• Never exceed 11 mph on (4x4) vehicles.</li> <li>• Vehicle should be driven only in specified areas by trained personnel.</li> </ul>	<ul style="list-style-type: none"> <li>• Do not use on public roads.</li> <li>• Only use for its intended use.</li> <li>• Operator should be age 16 or older (or the local minimum age).</li> <li>• Do not use with alcohol or drugs.</li> <li>• Do not use with impaired judgment.</li> </ul>	<ul style="list-style-type: none"> <li>• Always wear seat belt and do not operate vehicle.</li> <li>• Keep away from, and do not touch, the hot motor.</li> <li>• Do not operate vehicle when fuel filler cap is open.</li> <li>• Do not operate vehicle.</li> <li>• Do not operate if you are pregnant, have a heart condition, or are taking medication.</li> <li>• Do not operate vehicle if you are under the influence of alcohol or drugs.</li> <li>• Do not operate vehicle if you are tired or drowsy.</li> <li>• Do not operate vehicle if you are ill or have a headache.</li> <li>• Do not operate vehicle if you are wearing a hat or sunglasses.</li> <li>• Do not operate vehicle if you are wearing a hat or sunglasses.</li> <li>• Do not operate vehicle if you are wearing a hat or sunglasses.</li> </ul>
--	---	--	--

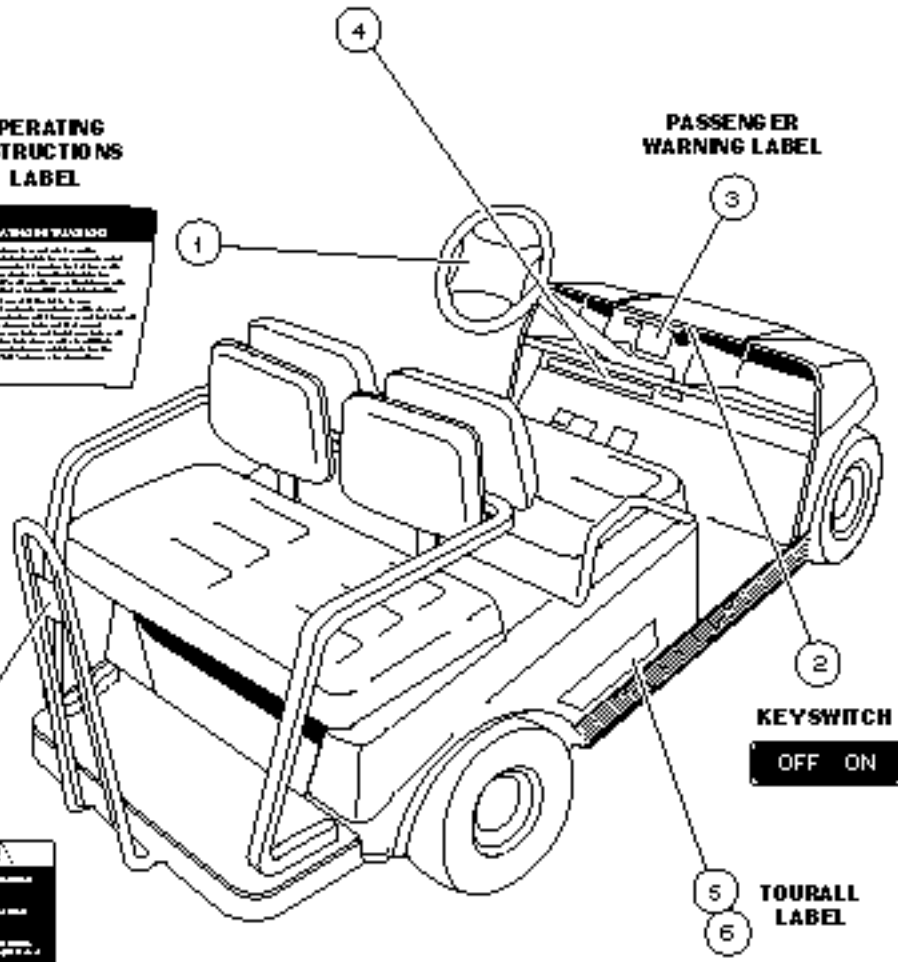
**OPERATING INSTRUCTIONS LABEL**



**PASSENGER WARNING LABEL**



**PASSENGER WARNING LABEL (ON CENTER DASH & REAR HANDRAIL FACING SEAT)**



**TOURALL LABEL**

# SAFETY DECALS TOURALL

16

G

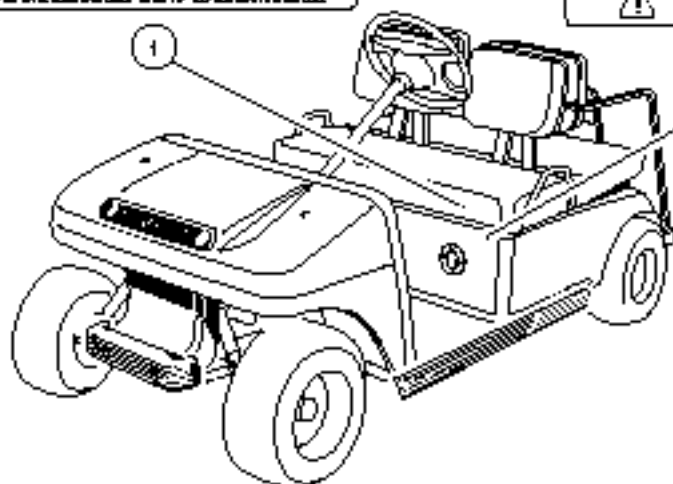
E

ITEM	PART NO.	DESCRIPTION	QTY GAS	QTY ELEC
		1 2 3 4		
1	1016216	DECAL, OPERATING INSTRUCTIONS .....	1	1
2	<u>1018251-01</u>	DECAL, KEY SWITCH .....	1	1
3	1017057	DECAL, PASSENGER WARNING .....	2	2
4	<u>1014883</u>	DECAL, SAFE OPERATION WARNING .....	1	1
5	1014782	DECAL, TOURALL (LEFT SIDE) .....	1	1
6	1014783	DECAL, TOURALL (RIGHT SIDE) .....	1	1

**DANGER LABEL  
(ON BODY UNDER SEAT)**

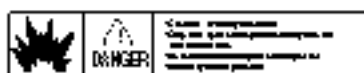


**SPEED SWITCH  
CAUTION LABEL  
(ON MULTI-STEP POTENTIOMETER)  
(FOR VEHICLES  
PRIOR TO SERIAL NUMBER 9529-45799)**

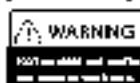


**ELECTRIC  
VEHICLE**

**GASOLINE TANK  
DANGER LABEL  
(ON BODY ADJACENT TO  
FUEL TANK)**



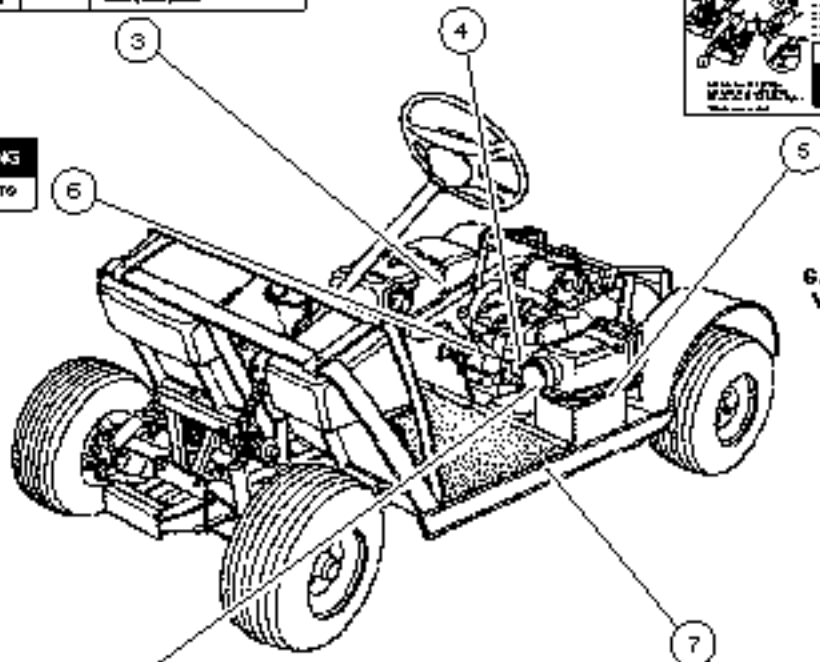
**HOT MANIFOLD AND  
MUFFLER LABEL  
(ON ENGINE)**



**PERIODIC SERVICE  
SCHEDULE LABEL  
(ON AIR INTAKE BOX)**



**MOVING PARTS  
LABEL  
(ON FRAME)**



**GASOLINE  
VEHICLE**



**DANGER LABEL  
(ON BODY UNDER SEAT)**



**FRAME GROUND  
WARNING LABEL  
(ON FRAME)**



# SAFETY DECALS TOURALL

16

G

E

ITEM	PART NO.	DESCRIPTION	QTY GAS	QTY ELEC
		1 2 3 4		
1	<u>1013677</u>	DECAL, BATTERY DANGER/POISON .....	1	1
2	1016109	DECAL, WIPER SWITCH CAUTION (FOR VEHICLES PRIOR TO SERIAL NUMBER 9529-445799) .....		1
3	1015476	DECAL, GASOLINE DANGER .....	1	
4	1017257	DECAL, HOT MANIFOLD WARNING .....	1	
5	1016062	DECAL, PERIODIC SERVICE SCHEDULE .....	1	
6	1015475	DECAL, MOVING PARTS WARNING .....	1	
7	1015474	DECAL, NEGATIVE FRAME GROUND WARNING .....	1	

**OPERATING INSTRUCTIONS GASOLINE VEHICLE**



**OPERATING INSTRUCTIONS ELECTRIC VEHICLE**

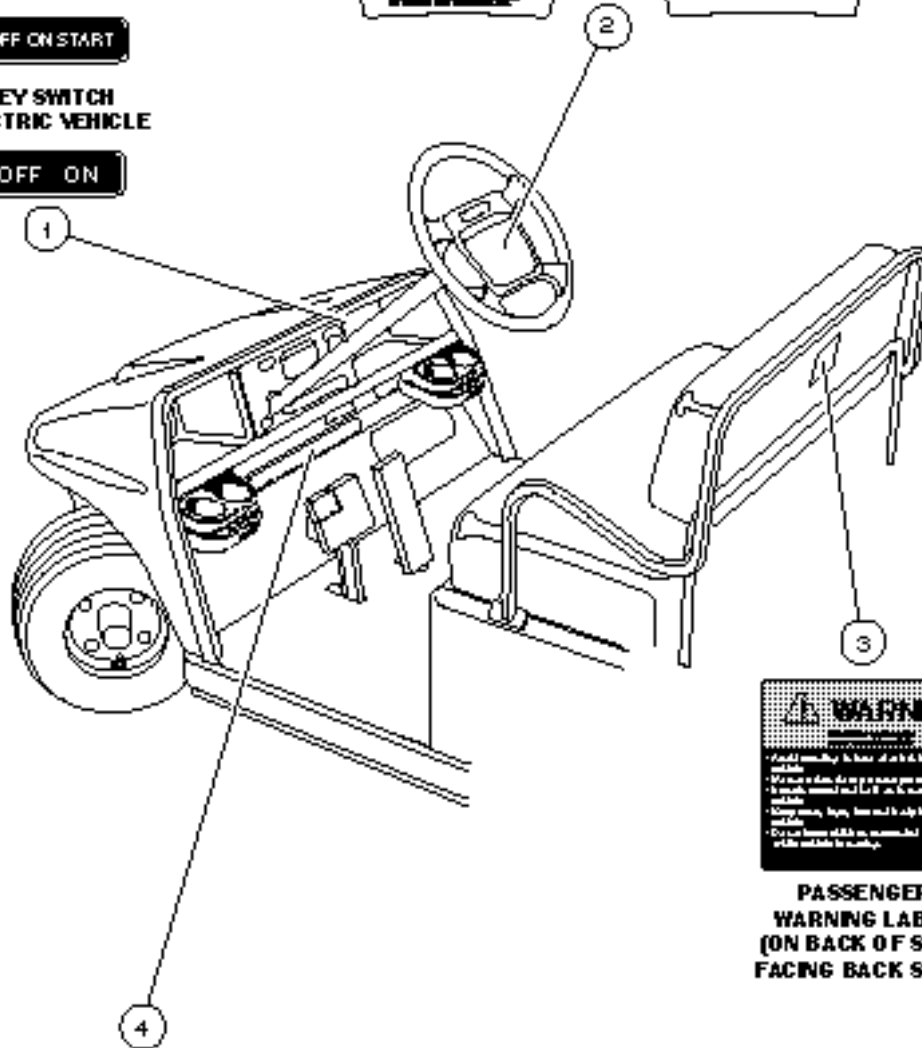


**KEY SWITCH GASOLINE VEHICLE**

OFF ON START

**KEY SWITCH ELECTRIC VEHICLE**

OFF ON



**PASSENGER WARNING LABEL (ON BACK OF SEAT FACING BACK SEAT)**

<p><b>WARNING</b></p> <p>Failure to read, understand, and follow these instructions may result in death or serious injury.</p>	<ul style="list-style-type: none"> <li>• Do not operate this vehicle while under the influence of alcohol, drugs, or medication.</li> <li>• Do not operate this vehicle while drowsy or fatigued.</li> <li>• Do not operate this vehicle while talking on a handheld mobile phone or using any other electronic device while driving.</li> </ul>	<ul style="list-style-type: none"> <li>• Always use proper tie-down technique to secure loads.</li> <li>• Do not exceed the rated capacity of the vehicle.</li> <li>• Do not use the vehicle to tow or pull any other vehicle or trailer.</li> <li>• Do not use the vehicle to transport passengers or cargo.</li> </ul>	<ul style="list-style-type: none"> <li>• Always use proper tie-down technique to secure loads.</li> <li>• Do not exceed the rated capacity of the vehicle.</li> <li>• Do not use the vehicle to tow or pull any other vehicle or trailer.</li> <li>• Do not use the vehicle to transport passengers or cargo.</li> </ul>	<ul style="list-style-type: none"> <li>• Always use proper tie-down technique to secure loads.</li> <li>• Do not exceed the rated capacity of the vehicle.</li> <li>• Do not use the vehicle to tow or pull any other vehicle or trailer.</li> <li>• Do not use the vehicle to transport passengers or cargo.</li> </ul>
--	--	--	--	--

**SAFETY WARNING LABEL**

# SAFETY DECALS RESORT VILLAGER

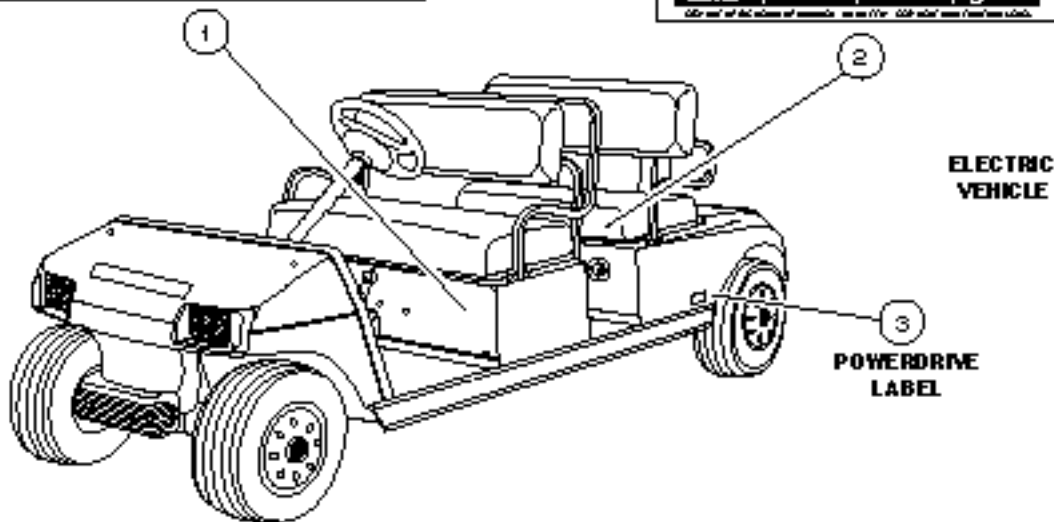
**16**  
**G**  
**E**

ITEM	PART NO.	DESCRIPTION	QTY GAS	QTY ELEC
		1 2 3 4		
1	<u>1018251-02</u>	DECAL, KEY SWITCH (GASOLINE VEHICLE ONLY) .....	1	
1	<u>1018251-01</u>	DECAL, KEY SWITCH (ELECTRIC VEHICLE ONLY) .....		1
2	1016932	DECAL, OPERATING INSTRUCTIONS (GASOLINE VEHICLE ONLY) .....	1	
2	1016216	DECAL, OPERATING INSTRUCTIONS (ELECTRIC VEHICLE ONLY) .....		1
3	1016789	DECAL, PASSENGER WARNING .....	1	1
4	<u>1014883</u>	DECAL, SAFE OPERATION WARNING .....	1	1

**SPEED SWITCH  
CAUTION LABEL  
(ON MULTI-STEP POTENTIOMETER)  
(FOR VEHICLES  
PRIOR TO SERIAL  
NUMBER 9529-445793)**



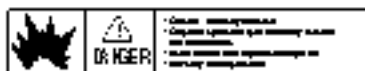
**DANGER LABEL  
(ON BODY UNDER SEAT)**



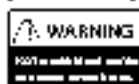
**ELECTRIC  
VEHICLE**

**3  
POWERDRIVE  
LABEL**

**GASOLINE TANK  
DANGER LABEL  
(ON BODY ADJACENT TO  
FUEL TANK)**



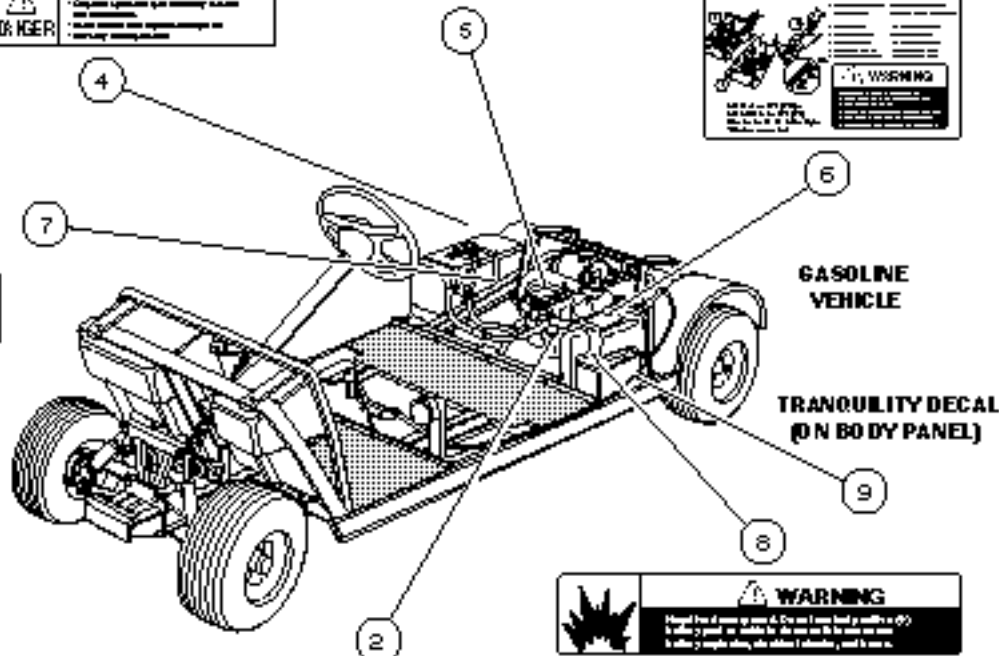
**HOT MANIFOLD AND  
MUFFLER LABEL  
(ON ENGINE)**



**PERIODIC SERVICE  
SCHEDULE LABEL  
(ON AIR INTAKE BOX)**

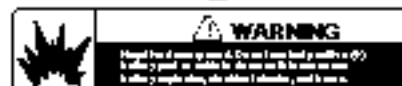


**MOVING PARTS  
LABEL  
(ON FRAME)**



**GASOLINE  
VEHICLE**

**TRANQUILITY DECAL  
(ON BODY PANEL)**



**FRAME GROUND  
WARNING LABEL  
(ON FRAME)**



**DANGER LABEL  
(ON BODY UNDER SEAT)**

# SAFETY DECALS RESORT VILLAGER

**16**

**G**

**E**

ITEM	PART NO.	DESCRIPTION	QTY GAS	QTY ELEC
		1 2 3 4		
1	1016109	DECAL, WIPER SWITCH CAUTION (FOR VEHICLES PRIOR TO SERIAL NUMBER 9529-445799) .....		1
2	<u>1013677</u>	DECAL, BATTERY DANGER/POISON .....	1	1
3	<u>1018304-01</u>	DECAL, POWERDRIVE GOLD .....		2
4	1015476	DECAL, GASOLINE DANGER .....	1	
5	1017257	DECAL, HOT MANIFOLD WARNING .....	1	
6	1016062	DECAL, PERIODIC SERVICE SCHEDULE .....	1	
7	1015475	DECAL, MOVING PARTS WARNING .....	1	
8	1015474	DECAL, NEGATIVE FRAME GROUND WARNING .....	1	
9	1016476-01	DECAL, TRANQUILITY .....	1	



# SAFETY DECALS TRANS-PORTER/TRANS-SENDER

16

G

E

ITEM	PART NO.	DESCRIPTION	QTY GAS	QTY ELEC
		1 2 3 4		
1	1015539	DECAL, VEHICLE LOADING .....	1	1
2	<u>1018251-02</u>	DECAL, KEY SWITCH (GASOLINE VEHICLE ONLY) .....	1	
2	<u>1018251-01</u>	DECAL, KEY SWITCH (ELECTRIC VEHICLE ONLY) .....		1
3	1016932	DECAL, OPERATING INSTRUCTIONS (GASOLINE VEHICLE ONLY) .....	1	
3	1016216	DECAL, OPERATING INSTRUCTIONS (ELECTRIC VEHICLE ONLY) .....		1
4	<u>1014883</u>	DECAL, SAFE OPERATION WARNING .....	1	1
5	<u>1016757</u>	DECAL, SIDE FRONT .....	2	2

**SPEED SWITCH  
CAUTION LABEL  
(ON MULTI-STEP POTENTIOMETER)  
(FOR VEHICLES  
PRIOR TO SERIAL  
NUMBER 9529-445799)**

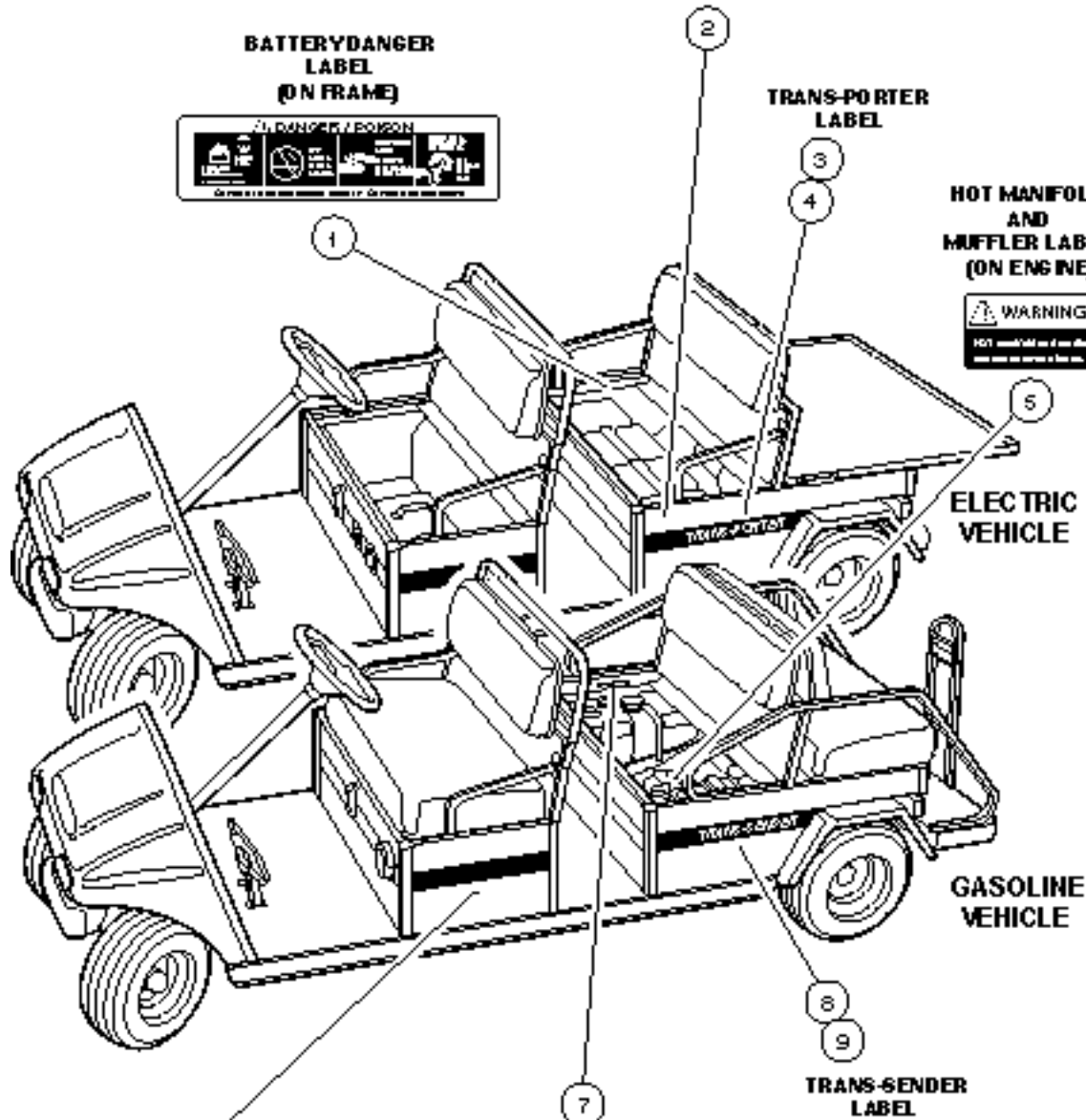
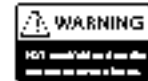
**CAUTION**  **DO NOT OPERATE VEHICLE WITHOUT COVER IN PLACE • DO NOT DIRECT WATER STREAM AT THIS SWITCH**

**BATTERY DANGER LABEL  
(ON FRAME)**



**TRANSPORTER LABEL**

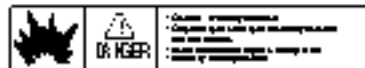
**HOT MANIFOLD AND MUFFLER LABEL  
(ON ENGINE)**



**ELECTRIC VEHICLE**

**GASOLINE VEHICLE**

**6**  
**SIDE DECAL FRONT**



**GASOLINE TANK  
DANGER LABEL  
(ON FRAME ADJACENT  
TO FUEL TANK)**

**8**  
**9**  
**TRANSDUCER LABEL**



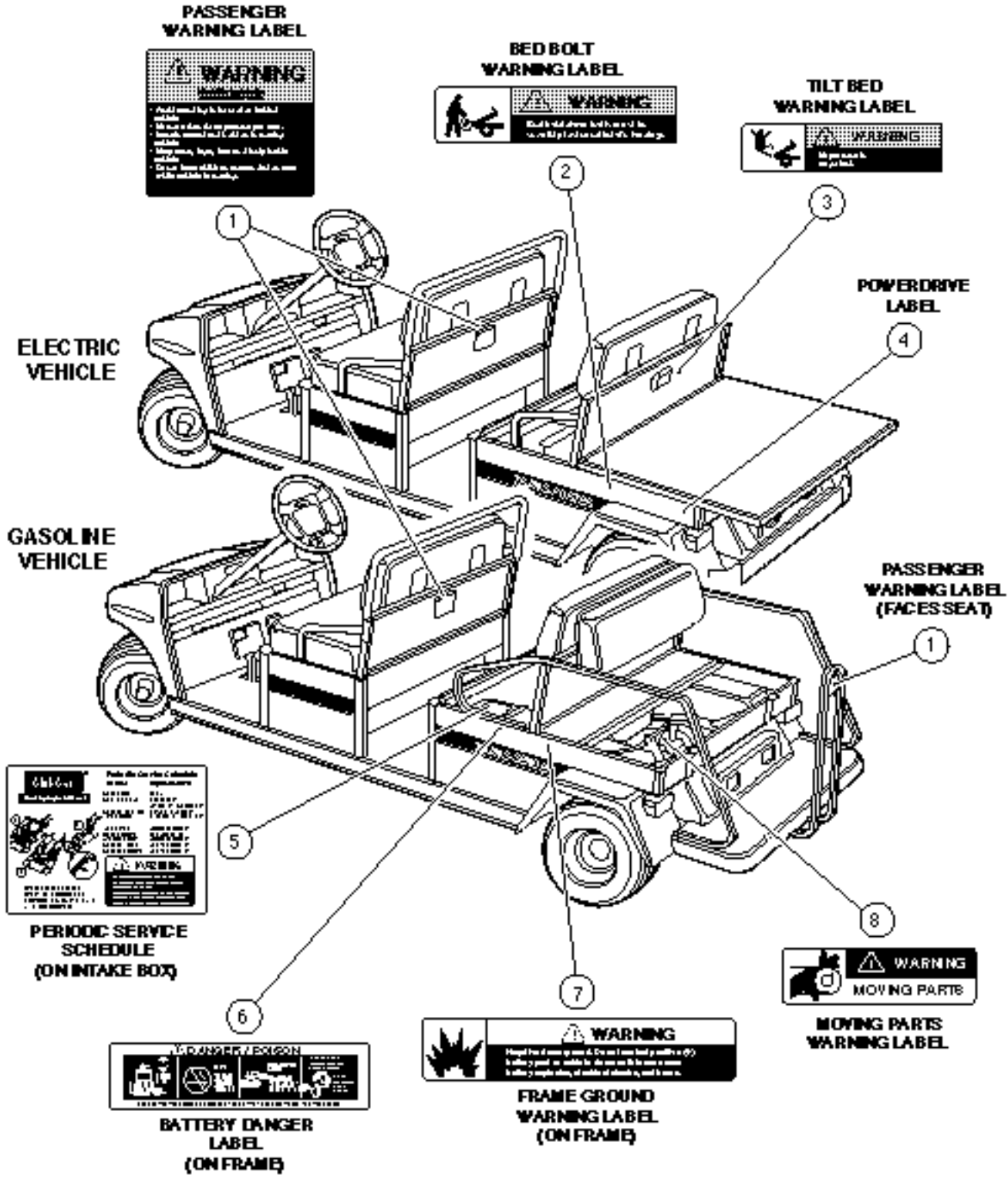
# SAFETY DECALS TRANS-PORTER/TRANS-SENDER

**16**

**G**

**E**

ITEM	PART NO.	DESCRIPTION	QTY GAS	QTY ELEC
		1 2 3 4		
1	<u>1013677</u>	DECAL, BATTERY DANGER/POISON .....	1	1
2	1016109	DECAL, WIPER SWITCH CAUTION (FOR VEHICLES PRIOR TO SERIAL NUMBER 9529-445799) .....		1
3	<u>1016725-01</u>	DECAL, TRANS-PORTER (RIGHT SIDE) .....	1	1
4	<u>1016725-02</u>	DECAL, TRANS-PORTER (LEFT SIDE) .....	1	1
5	1017257	DECAL, HOT MANIFOLD WARNING .....	1	
6	<u>1016757</u>	DECAL, SIDE FRONT .....	2	2
7	1015476	DECAL, GASOLINE DANGER .....	1	
8	<u>1016726-01</u>	DECAL, TRANS-SENDER (RIGHT SIDE) .....	1	1
9	<u>1016726-02</u>	DECAL, TRANS-SENDER (LEFT SIDE) .....	1	1



# SAFETY DECALS TRANS-PORTER/TRANS-SENDER

16

G

E

ITEM	PART NO.	DESCRIPTION	QTY GAS	QTY ELEC
		1 2 3 4		
1	1016789	DECAL, PASSENGER WARNING .....	2	2
2	1017078	DECAL, BED BOLT WARNING (TRANS-PORTER ONLY) .....	1	1
3	1015539	DECAL, TILT BED WARNING (TRANS-PORTER ONLY) .....	1	1
4	1018304-02	DECAL, POWERDRIVE BLACK LABEL .....		2
5	1016062	DECAL, PERIODIC SERVICE SCHEDULE .....	1	
6	<u>1013677</u>	DECAL, BATTERY DANGER/POISON .....	1	1
7	1015474	DECAL, NEGATIVE FRAME GROUND WARNING .....	1	
8	1015475	DECAL, MOVING PARTS WARNING .....	1	



# MAINTENANCE AND SERVICE TOOLS

17

G

E

DESCRIPTION	PART NUMBER
ACCELERATOR PEDAL ADJUSTMENT TOOL .....	1018710-01
ADHESION PROMOTER - ARMORFLEX .....	1016985
ARMORFLEX REPAIR KIT .....	1017295
BATTERY DISCHARGE MACHINE .....	1018319-01
BATTERY TERMINAL PROTECTOR .....	1014305
BATTERY THERMOMETER .....	1011767
BEARING AND OIL SEAL REMOVER ASSEMBLY .....	1016417
BEARING DRIVER SET .....	1016416
BEARING PULLER .....	1012811
BEARING PULLER WEDGE ATTACHMENT .....	1012812
BRAKE ADJUSTING TOOL .....	1013582
CALIBRATION TEST MODULE .....	1018871-01
CAM INSTALLATION TOOL .....	1018084-01
CLUTCH ALIGNMENT TOOL .....	1014498
CLUTCH TOOL KIT .....	1014510
COMMUNICATION DISPLAY MODULE .....	1018318-01
COMPRESSION GAUGE .....	1016410-01
ADAPTER .....	1016410-02
CONTINUITY TESTER .....	1011273
DRIVE CLUTCH PULLER .....	1014496
DRY MOLY LUBRICANT .....	1012151
FLY WHEEL PULLER KIT .....	1016627
GEAR YOKE .....	1016418
GUIDE RING REMOVAL TOOL .....	1018256-01
GUIDE RING INSERTION TOOL .....	1018255-01
HYDROMETER .....	1011478
INTERNAL RETAINING RING PLIERS .....	1013593
KEY SWITCH TOOL (FOR VEHICLES PRIOR TO SERIAL NUMBER 9522-436452) .....	1012801
LOCTITE .....	1018132-02
PIN EXTRACTOR TOOL .....	1018855-01
PISTON RING COMPRESSOR KIT .....	1016414
PISTON RING PLIERS .....	1016415
RETAINING RING PLIERS - 45° EXTERNAL .....	1012549
RETAINING RING PLIERS - 90° INTERNAL .....	1012560
SAFETY FIRST CARD (50 PER PACK) .....	1018231-01
SEAL PULLER .....	1012809
STARTER/GENERATOR BELT TENSION TOOL .....	1016867
STEERING COLUMN BEARING PRESS TOOL .....	1014264
STEERING COLUMN RETAINING RING TOOL .....	1014259
TACHOMETER .....	1016112
TOUCH-UP PAINT - BEIGE .....	1017097-01
TOUCH-UP PAINT - WHITE .....	1017097-02
TOUCH-UP PAINT - GRAY .....	1017097-04
TOUCH-UP PAINT - RED .....	1017097-06
TOUCH-UP PAINT - DARK BLUE .....	1017097-08
TOUCH-UP PAINT - DARK GREEN .....	1017097-09

PLEASE REFER TO THE MAINTENANCE AND SERVICE MANUAL FOR PROPER TOOL APPLICATION.

# MAINTENANCE AND SERVICE TOOLS

## DESCRIPTION

## PART NUMBER

TRANSMISSION TOOL KIT .....	1014115
TRANSAXLE PINION SEAL TOOL .....	1014161
TRANSAXLE AXLE SEAL TOOL .....	1014162
TUNE-UP KIT (FE 290) .....	1016110-02
TUNE-UP KIT (FE 350) .....	1016110-03
VALVE CLEARANCE ADJUSTER SCREW HOLDER .....	1016413
VALVE GUIDE REAMER .....	1016412-01
ARBOR .....	1016412-02
VALVE SEAT CUTTER HOLDER BAR .....	1016551
VALVE SEAT CUTTER HOLDER .....	1016552
VALVE SEAT CUTTER 45° (32MM DIAMETER) .....	1016553
VALVE SEAT CUTTER 45° (35MM DIAMETER) .....	1016554
VALVE SEAT CUTTER 32° (35MM DIAMETER) .....	1016555
VALVE SPRING COMPRESSOR .....	1016411-01
VOLT OHM METER .....	1011480

PLEASE REFER TO THE MAINTENANCE AND SERVICE MANUAL FOR PROPER TOOL APPLICATION.



