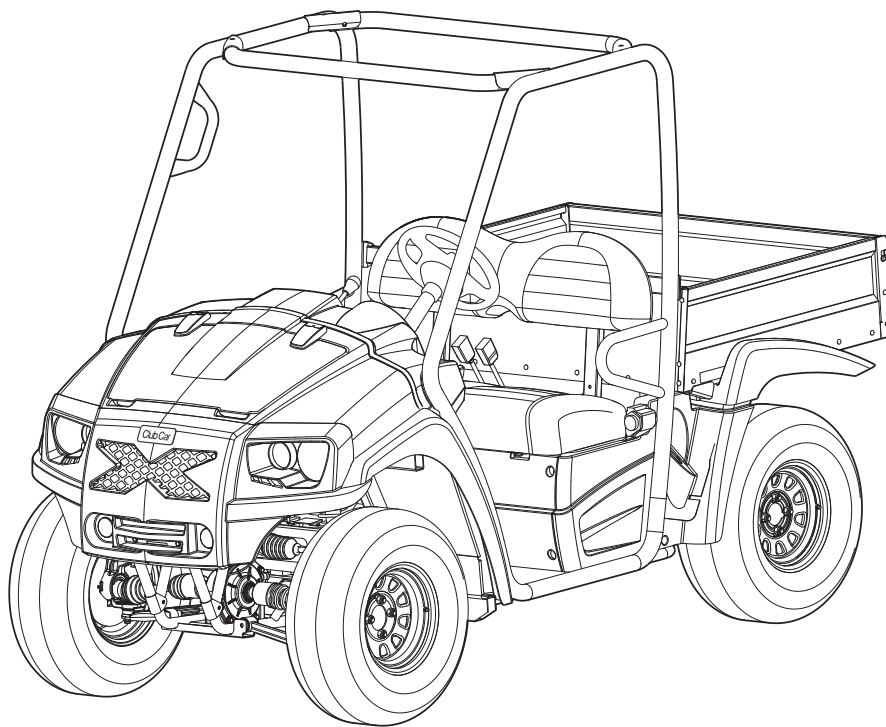




# 2009 XRT 950 Illustrated Parts List



## XRT 950 Gasoline Vehicles

Manual Number 103472632  
Edition Code A



# USING THE ILLUSTRATED PARTS LIST

---

## **⚠ WARNING**

- **This manual is to be used only for identification and ordering of service parts. Be sure to read and use the maintenance and service manual before attempting any vehicle repairs.**

This manual covers all XRT 950 vehicles built during the 2009 model year.

The manual is divided into sections. Note that there are two or three flags on the outside edge of each page. The first flag contains the section number of which that page is a part. The other flag (or flags) contains the letter D, E, or G, signifying that the page pertains to the diesel, electric, or gasoline vehicles only.

Use the Table of Contents to find the sections and pages that contain the parts and assemblies you seek. The Table of Contents lists section numbers, and under them, the individual page titles and numbers to be found in that section. The index can be used to find specific parts and assemblies. The index is divided into numerical and alphabetical listings with the page numbers in italic text.

There is a two-page spread for each individual page title in the Table of Contents. On the left-hand page is an illustration showing the parts in their relative positions; the parts are each tagged with an item number in a balloon. The right-hand page is the parts list page, and gives the page title at the top, then the item numbers (corresponding to the numbers on the illustration), part descriptions, and quantity of parts used.

Note that a part description may be indented. This indention corresponds to a parts assembly level indicated by the numbers 1, 2, 3, and 4 at the top left corner of the parts description area of the parts list page. A part that is indented to *level 2* is a component of the *level 1* part (assembly) that it is listed under. A *level 3* part is a component of the *level 2* part that it is listed under, and a *level 4* part is a component of the *level 3* part preceding it. In each case, the part quantity given for a level 2, 3, or 4 part is the quantity used per next higher level assembly of which it is a component. A part that is not indented is a *level 1* part. This means that the quantity given is the quantity used per the portion of the vehicle illustrated on that particular spread.



P. O. Box 204658  
Augusta, Georgia 30917-4658 USA  
Telephone 706-863-3000  
Service Parts Fax 706-855-7413  
[www.clubcar.com](http://www.clubcar.com)

## HOW TO ORDER PARTS

Replacement parts and accessories can be obtained from our network of authorized dealers and distributors. You can obtain the name and phone number of your closest authorized Club Car dealer or distributor by visiting our web site at [www.clubcardealer.com](http://www.clubcardealer.com), by calling our toll-free Service Parts and Technical Assistance hotline at (800) 872-2246 or (706) 863-3000, extension 3887, or by scanning this Quick Response (QR) code to be taken to the Club Car dealer locator. **Refer to Figure 1.** Download a QR code reader such as RedLaser or Barcode Scanner to your cell phone or tablet.



Figure 1 Dealer Locator QR Code

## CUSTOMER SATISFACTION SURVEY

Let your voice be heard!

Please take time to participate in the Technical Publications satisfaction survey. Obtaining feedback from our customers is important to the department's continuous improvement process. The online survey takes less than five minutes and responses will help the department to examine current performance as well as identify areas for future improvement.

Our top priority is to provide timely, accurate, and user friendly manuals.

The online satisfaction survey can be found at: <http://bit.ly/1w9uFMh>



Figure 2 Survey QR Code

**NOTE:** *This illustrated parts list represents the most current information at the time of publication. Club Car, Inc. is continually working to further improve its vehicles and other products. These improvements may affect the parts used to service the vehicle. Any modification and/or significant change in specifications will be forwarded to all Club Car and Carryall distributors/dealers and will, when applicable, appear in future editions of this illustrated parts list.*

*Club Car, Inc. reserves the right to change specifications and designs at any time without notice and without the obligation of making changes to units previously sold.*

Copyright © 2008, 2016 Club Car, Inc.  
Club Car and ArmorFlex  
are registered trademarks of Club Car, Inc.  
This manual effective October 1, 2008.

# CONTENTS

---

## SECTION 1 – BODY AND TRIM

---

Tube Brush Guard .....	1-3
Receiver Hitch – Front .....	1-5
Receiver Hitch – Rear .....	1-7
Fascia .....	1-9
Floor Plate and Panel .....	1-11
Frame Components .....	1-13
Rear Skid Plate .....	1-15
Canopy and Doors .....	1-17
Tilt Bed Hinge and Latch .....	1-19
Fenders and Rear Body Panels .....	1-21
Closeout Panels .....	1-23
Cowl .....	1-25
Front Skid Plate .....	1-27
Dash .....	1-29
Heat Shield .....	1-31
Bench Seats .....	1-33
Seat Belts .....	1-35
ROPS .....	1-37
Box Bed .....	1-39

---

## SECTION 2 – WHEELS AND TIRES

---

Wheels and Tires – 9 Inch .....	2-3
Wheels and Tires – 11 Inch .....	2-5

---

## SECTION 3 – DECALS

---

Badging Decals .....	3-3
Safety Decals .....	3-5
Safety Decals, Continued .....	3-7

---

## SECTION 4 – LIGHTS, CONTROLS, AND INDICATORS

---

Headlights .....	4-3
Headlight Covers .....	4-5
Taillights .....	4-7

---

## SECTION 5 – BRAKE SYSTEM AND PEDALS

---

Master Cylinder with Integral Reservoir .....	5-3
Front Brakes .....	5-5

# CONTENTS

---

Rear Brakes .....	5-7
Pedal Group .....	5-9
Park Brake .....	5-11

## SECTION 6 – STEERING AND SUSPENSION

---

Steering .....	6-3
Steering Wheel .....	6-5
Front Suspension .....	6-7
Rear Suspension .....	6-9
Springs & Shocks .....	6-11

## SECTION 7 – ELECTRICAL SYSTEM

---

Electrical Components .....	7-3
-----------------------------	-----

## SECTION 8 – ENGINE

---

B&S Tune-Up Kit, XRT 950 .....	8-3
Engine and Engine Mounting .....	8-5
Electrical Components – Engine .....	8-7
Governor Control Brackets and Springs .....	8-9
Crankshaft and Pistons .....	8-11
Engine Shroud .....	8-13
Starter Motor .....	8-15
Oil Pump, Oil Filter and Crankcase Cover .....	8-17
Cylinder Head & Valves .....	8-19
Cylinder Assembly .....	8-21
Flywheel .....	8-23
Engine Gaskets and Seals .....	8-25
Intake Manifold .....	8-27

## SECTION 9 – FUEL SYSTEM

---

Fuel Pump and Filter .....	9-3
Air Cleaner .....	9-5
Carburetor .....	9-7
Carburetor Overhaul Kit .....	9-9
Remote Air Cleaner .....	9-11
California Fuel System .....	9-13
Standard Fuel System .....	9-15
Fuel Tank .....	9-17

# CONTENTS

Nano Fuel Tank .....	9-19
Carbon Canister .....	9-21

## SECTION 10 – EXHAUST SYSTEM

Exhaust System .....	10-3
----------------------	------

## SECTION 11 – CLUTCHES

Clutch Cover – Sealed .....	11-3
Drive Clutch .....	11-5
Drive Belt .....	11-7
Driven Clutch .....	11-9

## SECTION 12 – DRIVETRAIN COMPONENTS

Transaxle – 2WD .....	12-3
Transaxle Housing – 2WD .....	12-5
Transaxle Reduction Shaft Assembly – 2WD .....	12-7
Transaxle Input Shaft – 2WD .....	12-9
Transaxle Reverse Shaft Assembly – 2WD .....	12-11
Transaxle Shift Assembly – 2WD .....	12-13
Transaxle Axle Housing Assembly – 2WD .....	12-15
Transaxle Differential Gear Assembly – 2WD .....	12-17
Transaxle Differential Lock Assembly – 2WD .....	12-19
Transaxle – 4WD .....	12-21
Transaxle Housing – 4WD .....	12-23
Transaxle Reduction Shaft Assembly – 4WD .....	12-25
Transaxle Input Shaft – 4WD .....	12-27
Transaxle Reverse Shaft Assembly – 4WD .....	12-29
Transaxle Shift Assembly – 4WD .....	12-31
Transaxle Axle Housing Assembly – 4WD .....	12-33
Transaxle Differential Gear Assembly – 4WD .....	12-35
Transaxle Differential Lock Assembly – 4WD .....	12-37
Transaxle Power Take-Off Assembly – 4WD .....	12-39
Half Shafts .....	12-41
Forward/Reverse Shifter – 2WD .....	12-43
Forward/Reverse Shifter – 4WD .....	12-45
Control Cables – 2WD .....	12-47
Control Cables – 4WD .....	12-49
Accelerator Cable Kit .....	12-51
Front Differential .....	12-53

# CONTENTS

---

Prop Shafts .....	12-55
-------------------	-------

## **SECTION 13 – MAINTENANCE AND SERVICE TOOLS**

---

Maintenance and Service Tools – AWD/950 .....	13-3
Maintenance and Service Tools – AWD/950, Continued .....	13-5
Maintenance and Service Tools – AWD/950, Continued .....	13-7

## **SECTION i – INDEX**

---

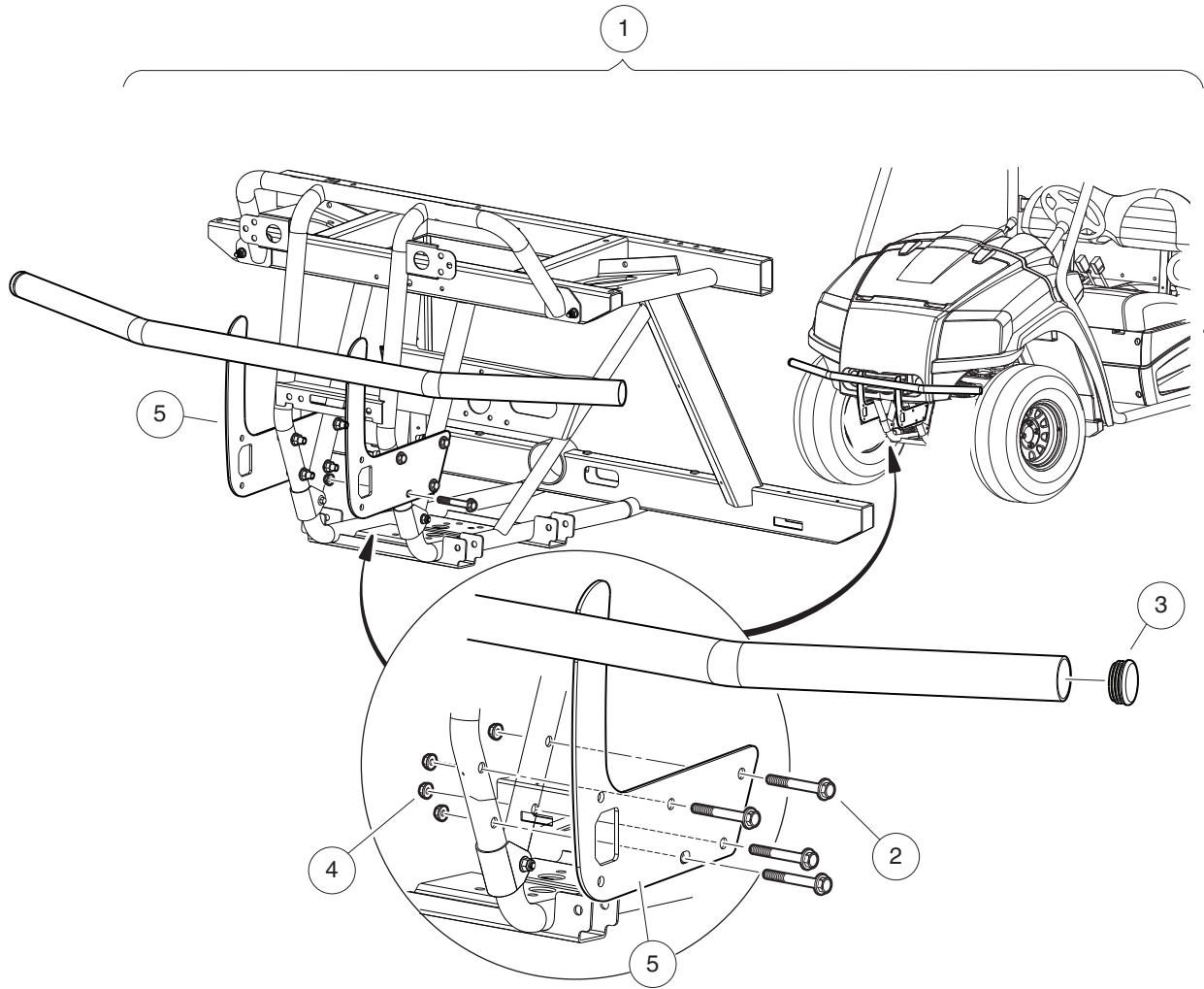


# BODY AND TRIM

---

1

G

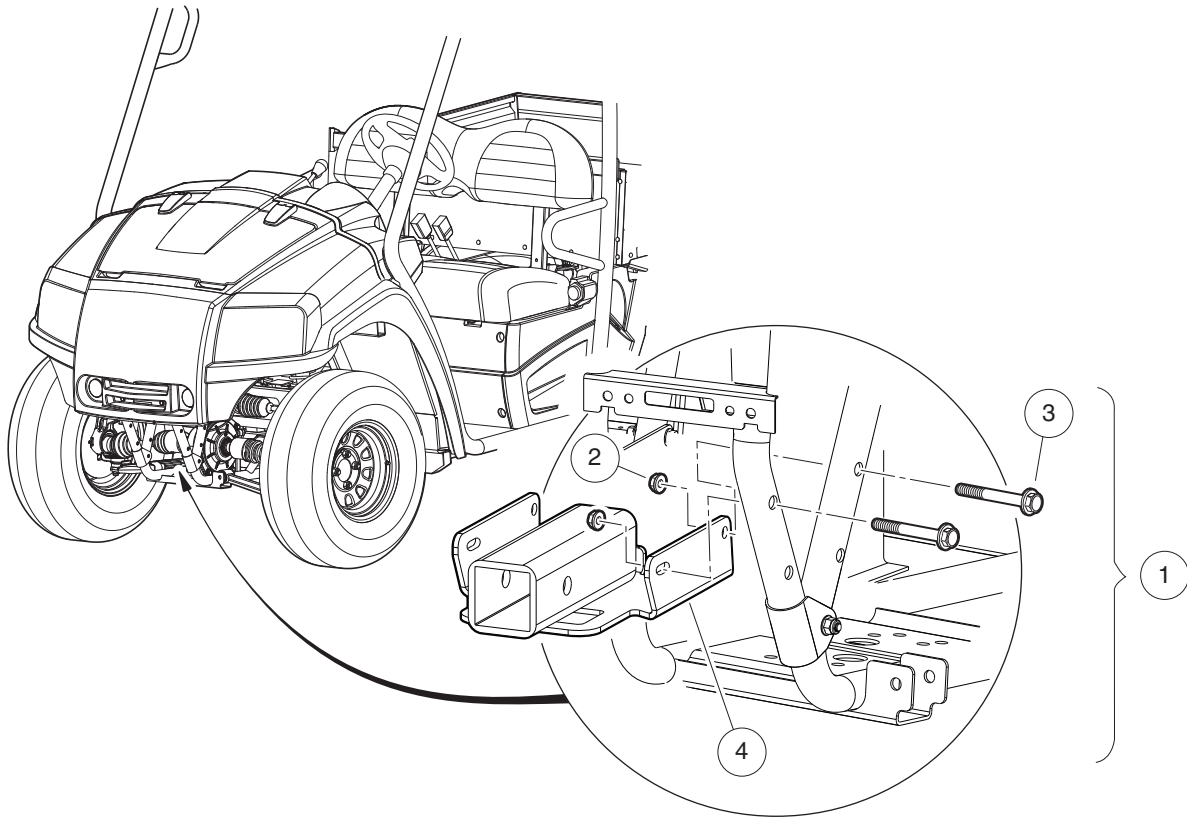


000871-001

# TUBE BRUSH GUARD

ITEM	PART NO.	DESCRIPTION	QTY
		<b>1 2 3 4</b>	
1	<u>103536101</u>	Kit, Brshgrd, Tube (includes items 2 through 5) .....	1
2	<u>102925201</u>	Bolt, Flg, M10x1.5x55, Patch .....	8
3	<u>103215401</u>	Plug, Tube, Round, 1-3/4" .....	2
4	<u>103231801</u>	Nut, Flg, M10 X 1.25 Hex Blk .....	8
5	N/A	Weldment, Brshgrd, Tube .....	1

**1**  
**G**

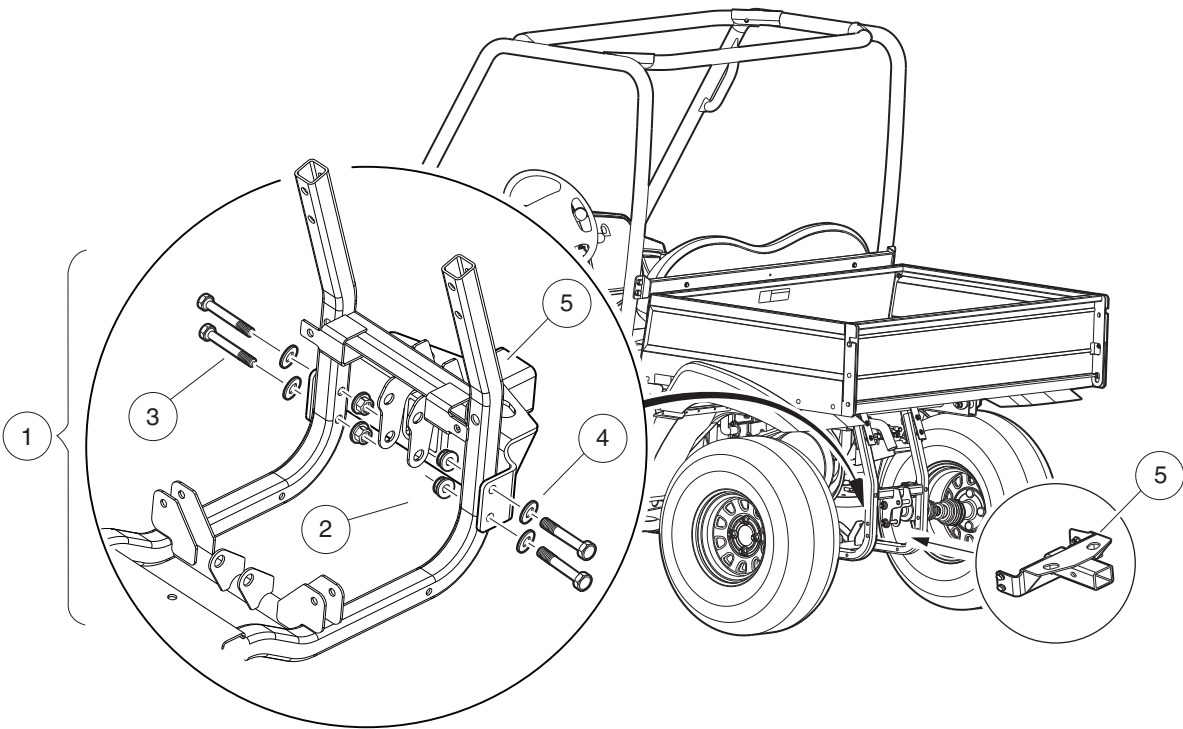


000873-001

# RECEIVER HITCH – FRONT

ITEM	PART NO.	DESCRIPTION	QTY
1	<u>103542601</u>	1 2 3 4 Kit, 2" Front Receiver (includes items 2 through 4) .....	1
2	<u>102670701</u>	Nut, Flange, M10 X 1.5 Nylon .....	4
3	<u>102925201</u>	Bolt, Flg, M10x1.5x55, Patch .....	4
4	N/A	Weldment, Hitch, Channel .....	1

**1**  
**G**

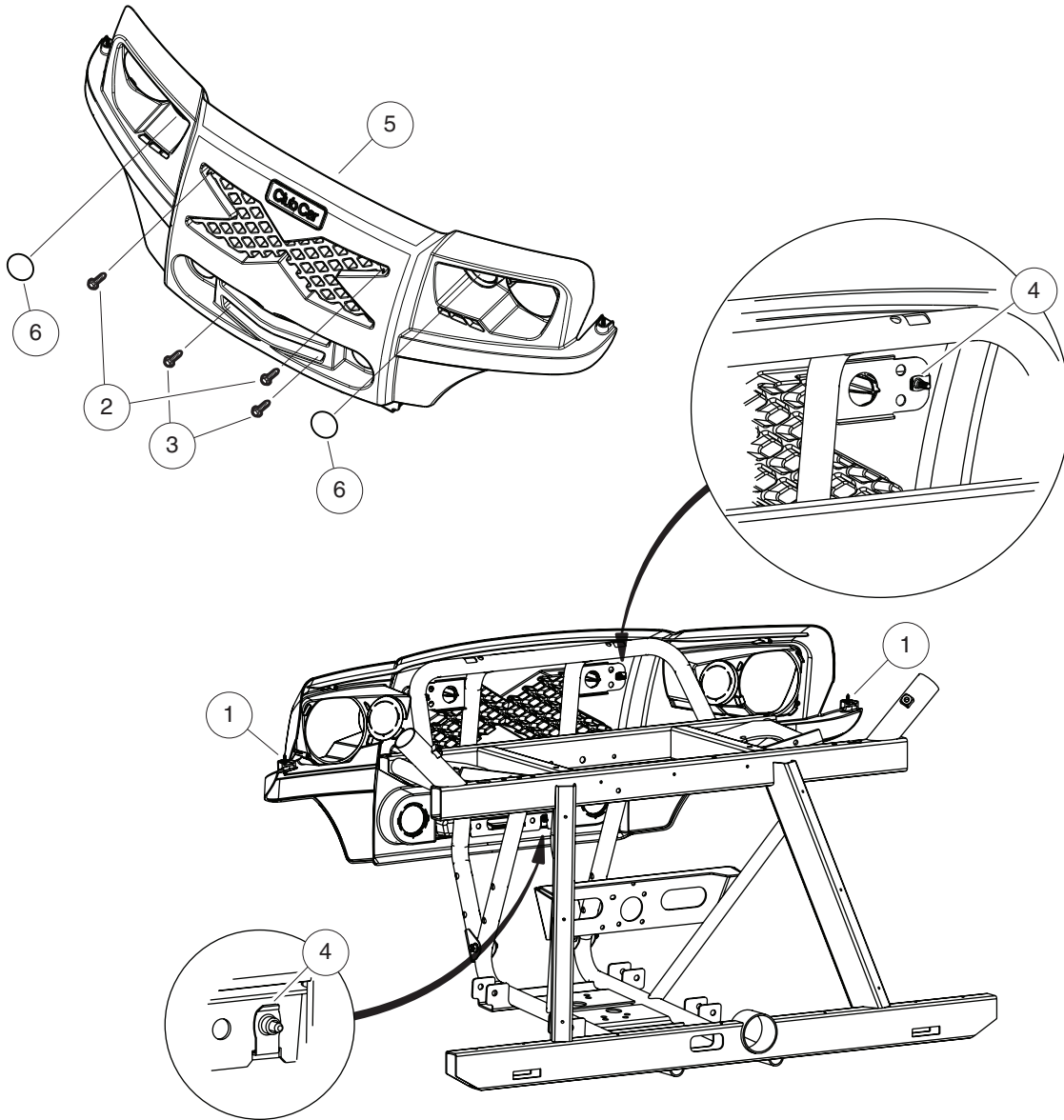


000873-002

# RECEIVER HITCH – REAR

ITEM	PART NO.	DESCRIPTION	QTY
		<b>1 2 3 4</b>	
1	<u>103528101</u>	Kit, Receiver, Rear, XRT 950 (includes items 2 through 5) .....	1
2	<u>102617201</u>	Nut, Flanged, M10 X 1.5, Mechanically Deformed .....	4
3	<u>102718001</u>	Bolt, M10 X 55, Zn-Ni (Black) .....	4
4	<u>102718101</u>	Washer, Hard, M10, Zn-Ni/Blk .....	4
5	N/A	Asm, Receiver, Rear .....	1

**1**  
**G**



000879-001

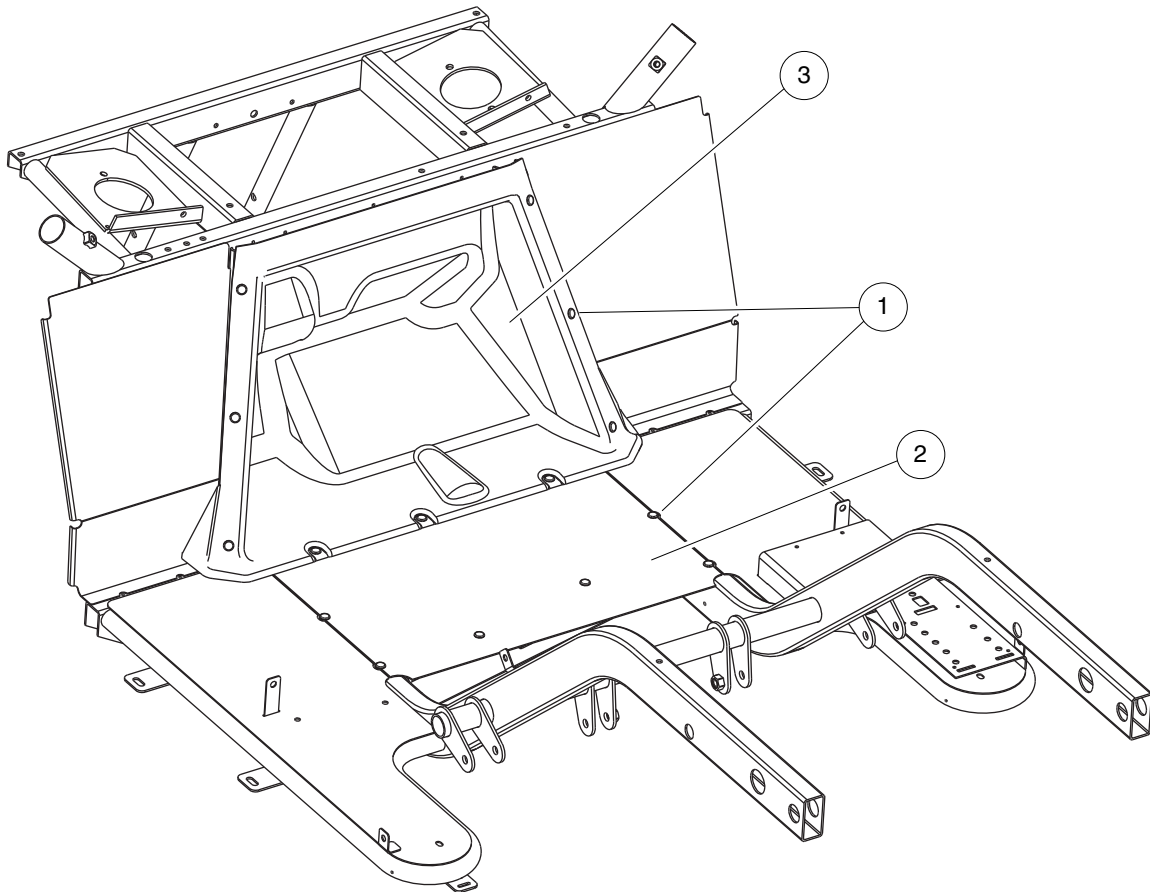


# FASCIA

ITEM	PART NO.	DESCRIPTION	QTY
		<b>1 2 3 4</b>	
1	<u>102296020</u>	Screw-torx Pan Head Pt, M6x20 .....	2
2	<u>102296140</u>	Bolt, Flanged Head, M6x1.0x40 .....	2
3	<u>102296530</u>	Screw - M6 X 1.0 X 30 Sems .....	2
4	<u>102296601</u>	U-Nut, M6-1.0, Prevailing Torque .....	4
5	<u>103065801</u>	Fascia, Xrt .....	1
6	<u>103536301</u>	Reflector, Yellow, 3" .....	2

**1**  
**G**

**1**  
**G**



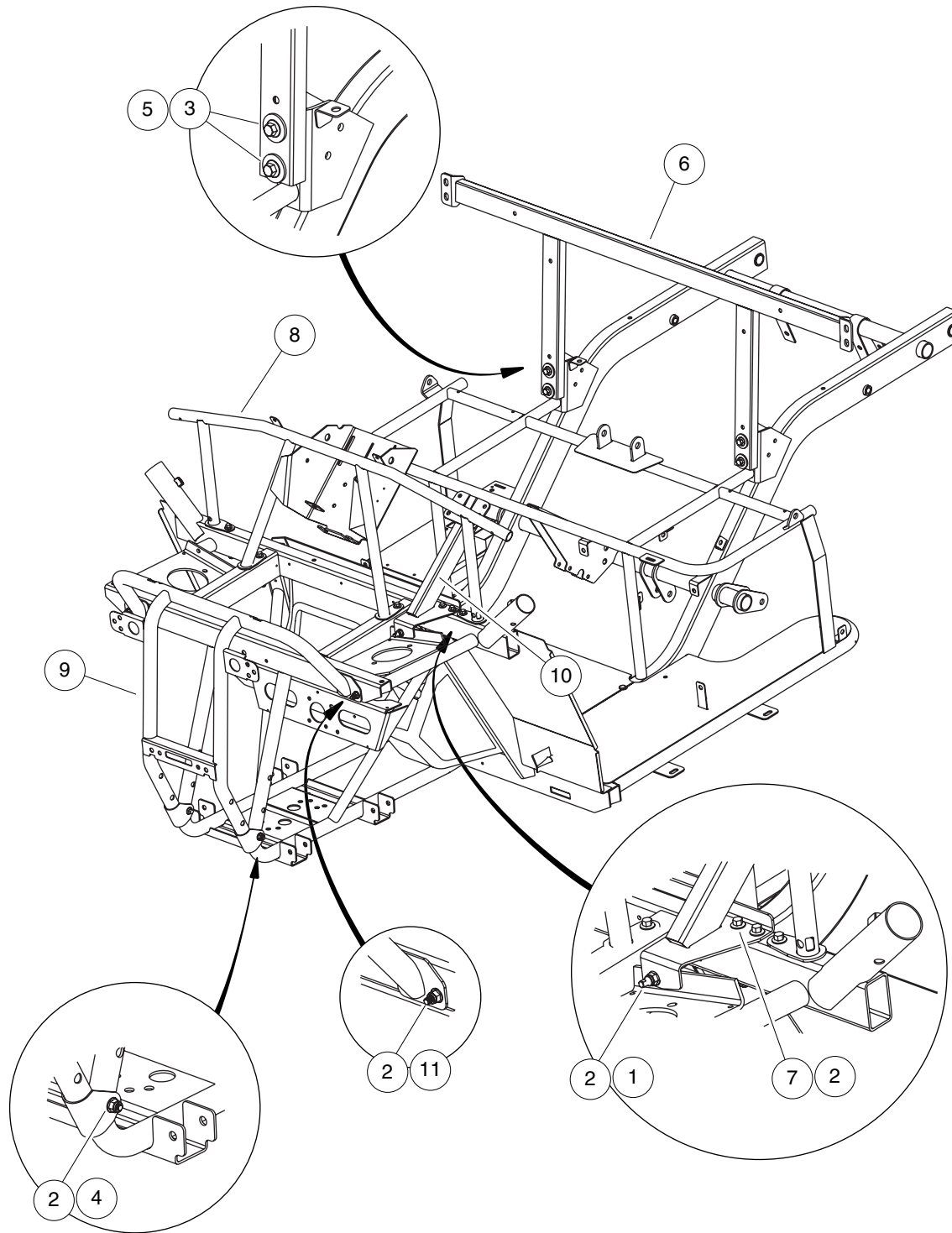
000885-001

# FLOOR PLATE AND PANEL

ITEM	PART NO.	DESCRIPTION	QTY
		<b>1 2 3 4</b>	
1	<u>103400001</u>	3/16 X 1.19 Alum Rivet, Blk .....	20
2	<u>103490301</u>	Plate, Floor, Middle .....	1
3	<u>103632601</u>	Closeout, Pedal, Thermoformed .....	1

1

G

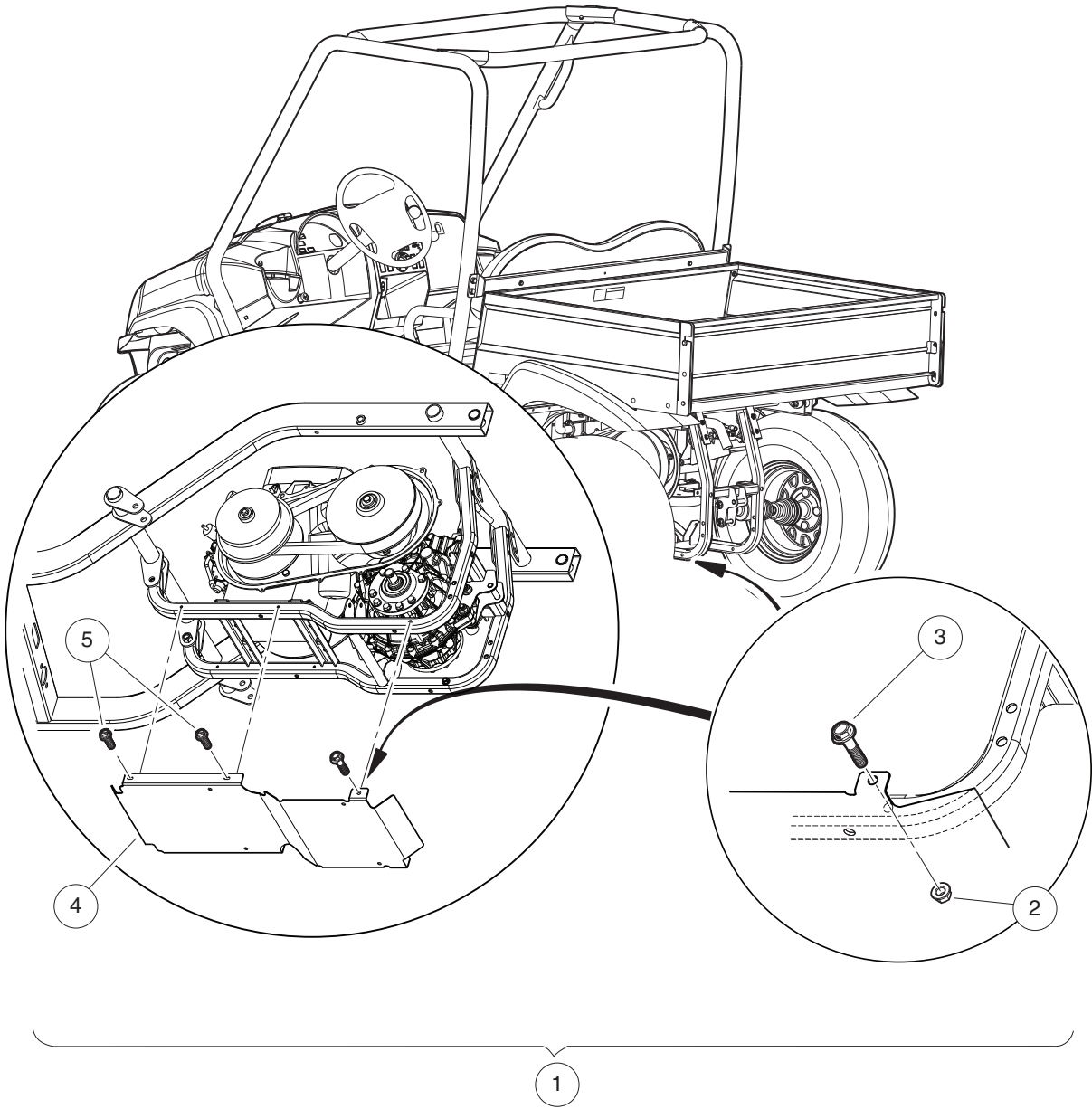


000911-001

# FRAME COMPONENTS

ITEM	PART NO.	DESCRIPTION	QTY
		1 2 3 4	
1	<u>102298130</u>	Bolt, Flange Head, M8 X 30.0 .....	1
2	<u>102298401</u>	Nut,m8,all Metal Lock .....	11
3	<u>102491501</u>	Washer, Hard, M10 .....	4
4	<u>102719501</u>	Bolt Flanged Head, M8x1.25 X 50 with Loctite .....	2
5	<u>102925201</u>	Bolt, Flg, M10x1.5x55, Patch .....	4
6	<u>103075801</u>	Weldment, Mtg, Seat Back .....	1
7	<u>103146801</u>	Bolt, Flg, M8 X 1.25 X 80 .....	6
8	<u>103152001</u>	Weldment, Supp, Dash .....	1
9	<u>103154001</u>	Weldment, Mtg, Fascia .....	1
10	<u>103432601</u>	Weldment, Supp, Steering .....	1
11	<u>103531201</u>	Bolt, Flg, M8 X 1.25 X 60 .....	2

**1**  
**G**



000874-002

# REAR SKID PLATE

ITEM	PART NO.	DESCRIPTION	QTY
		1 2 3 4	
1	<u>103575401</u>	Kit, Skidplate, Rear, Xrt950 (includes items 2 through 5) .....	1
2	<u>102298401</u>	Nut,m8,all Metal Lock .....	2
3	<u>102956101</u>	Bolt, M8 X 45, Flanged, Black .....	2
4	N/A	Plate, Skid, Rear, 4x4 .....	1
5	<u>103517901</u>	Scr, 1/4-20 X 1.25 Hwhcs, Tt .....	4


**1**

**G**

1

G


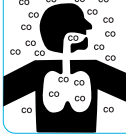
6



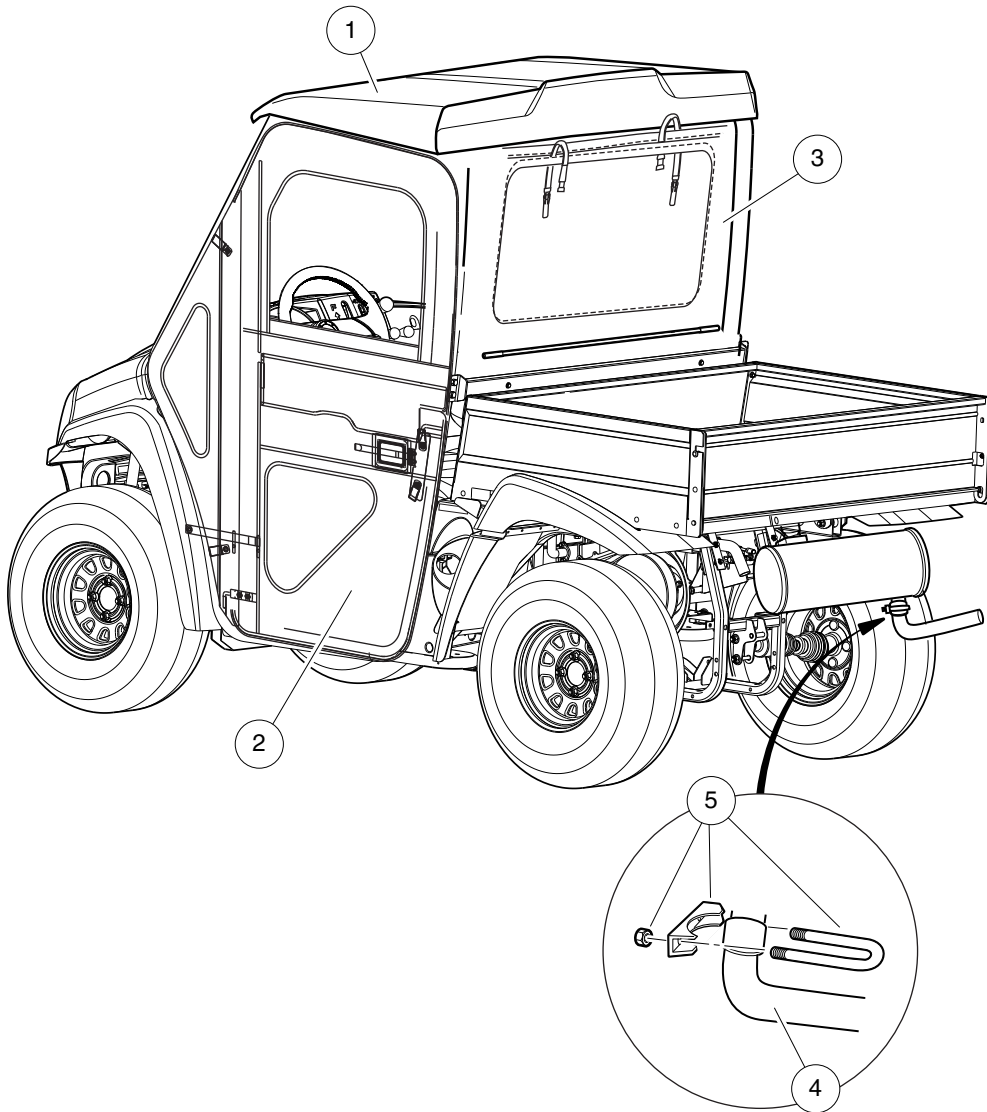
**WARNING**

**CARBON MONOXIDE CAN CAUSE ILLNESS, SERIOUS INJURY, OR DEATH**

The engine produces carbon monoxide, which is a deadly, odorless, colorless gas that can quickly accumulate in an enclosed cab. Do not run the engine in a parked vehicle without proper cab ventilation. Move to fresh air if you feel nausea, headache, dizziness, drowsiness, or weakness.



103619901



000914-001

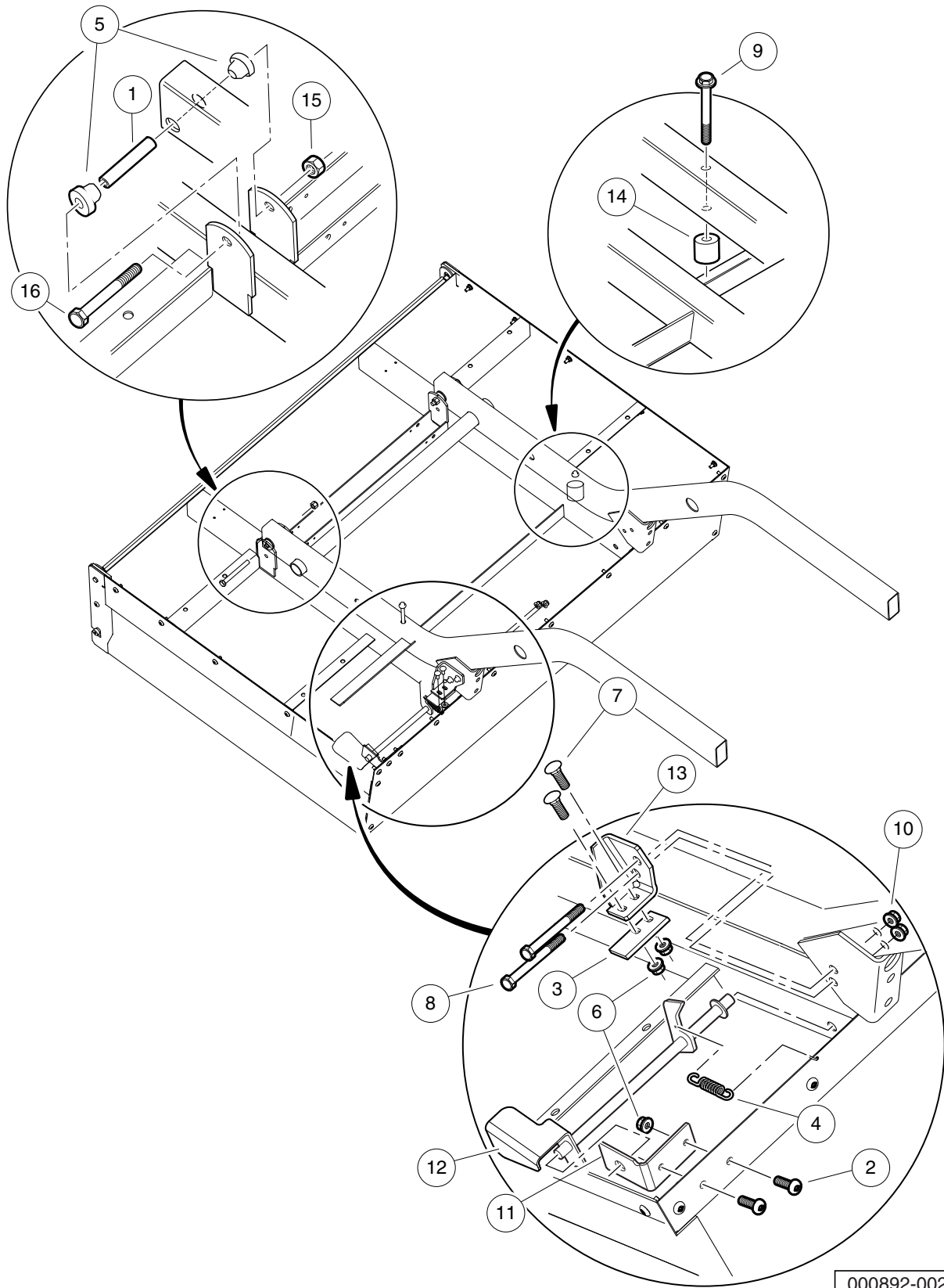


# CANOPY AND DOORS

ITEM	PART NO.	DESCRIPTION	QTY
		<b>1 2 3 4</b>	
1	<u>103517503</u>	Kit, Canopy, Bestop, Gen 3 .....	1
2	<u>103524002</u>	Kit, Door, Bestop .....	1
3	<u>103540802</u>	Kit, Backlite, Bestop, Gen 2 .....	1
4	<u>103618501</u>	Pipe, Extension, Xrt 950 .....	1
5	<u>103618601</u>	Clamp, Exhaust, 1.25" Diameter .....	1
6	<u>103619901</u>	Decal, Warn, Co, Cab .....	1

**1**  
**G**

**1**  
**G**

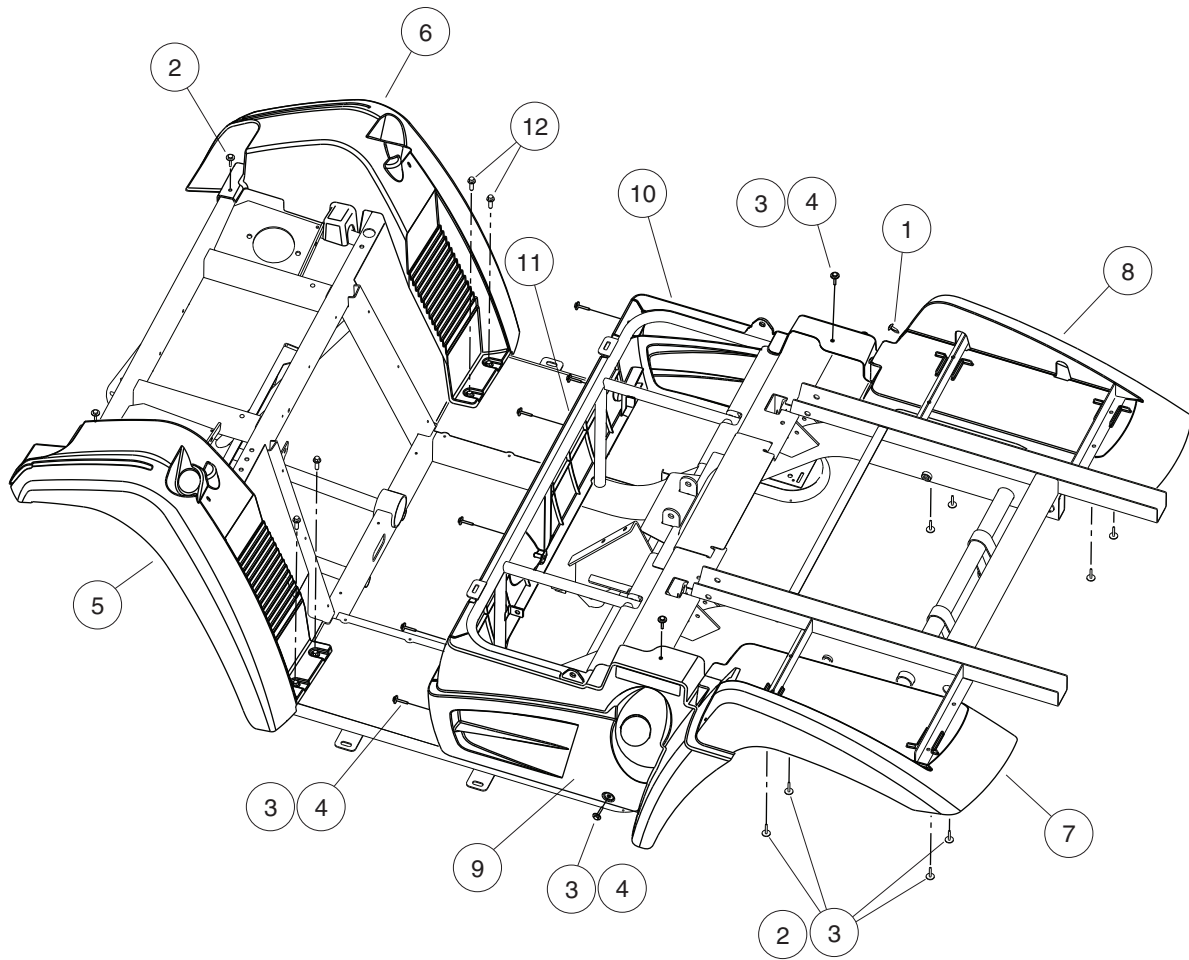


000892-002

# TILT BED HINGE AND LATCH

ITEM	PART NO.	DESCRIPTION	QTY
		<b>1 2 3 4</b>	
1	<u>1012303</u>	Bushing, Steel .....	2
2	<u>1014415</u>	Screw, 1/4-20 X 0.75 Torx Truss-Head .....	2
3	<u>1015277</u>	Latch Plate, Tilt Bed .....	1
4	<u>1015391</u>	Extension, Spring Latch .....	1
5	<u>1015583</u>	Bushing, Urethane .....	4
6	<u>101835601</u>	Locknut, 1/4-20 Hex Whiz .....	4
7	<u>101958601</u>	Carriage Bolt, 1/4-20 X 0.75 .....	2
8	<u>102298170</u>	Bolt - Flange Hd, M8 X 70.0 .....	2
9	<u>102298185</u>	Bolt - Flange Hd, M8 X 85.0 .....	2
10	102618601	Lock Nut, Flange, M8 X 1.25 Nylon .....	2
11	N/A	Angle, Mtg, Bed, Latch .....	1
12	<u>103436401</u>	Weldment, Handle, Bed Latch .....	1
13	<u>103498601</u>	Weldment, Mtg, Latch Plate .....	1
14	<u>103509501</u>	Bumper, Rubber, 38 Mm Dia .....	2
15	<u>8754</u>	Locknut, 3/8-16 Hex .....	2
16	<u>8755</u>	Screw, 3/8-16 X 3.375 Hex Cap .....	2

**1**  
**G**



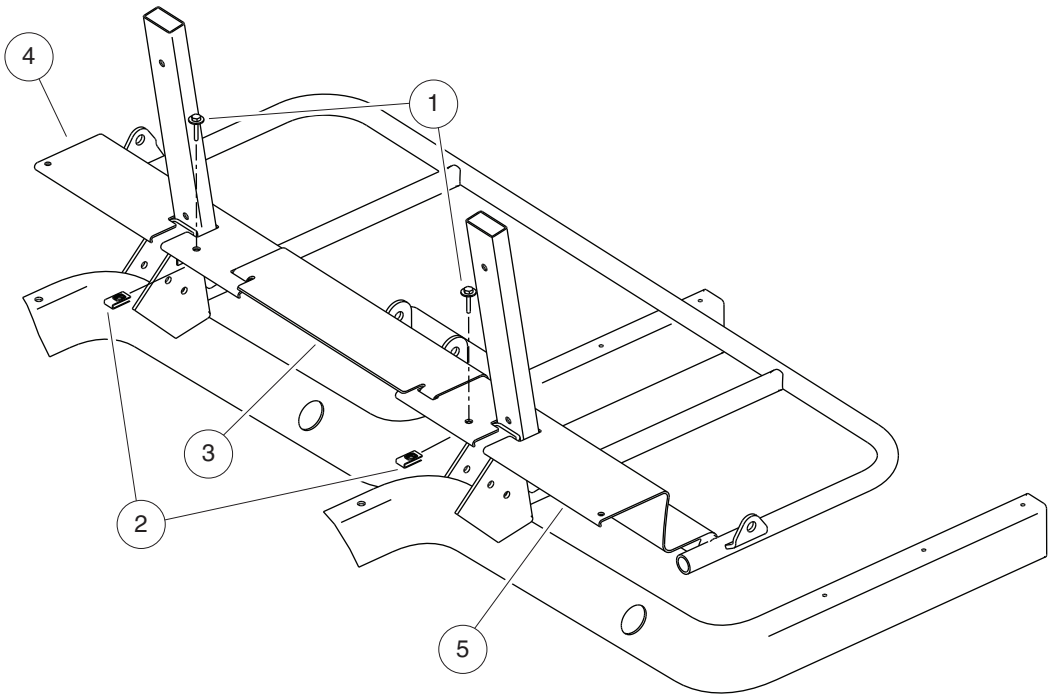
000877-001

## FENDERS AND REAR BODY PANELS

ITEM	PART NO.	DESCRIPTION	QTY
		1 2 3 4	
1	<u>102025701</u>	Screw, Tuflok Panel, 1/4 .....	4
2	<u>102296530</u>	Screw - M6 X 1.0 X 30 Sems .....	10
3	<u>102296601</u>	U-Nut, M6-1.0, Prevailing Torque .....	18
4	<u>102297125</u>	Screw, M6-1.0x25.4, Thread-Forming, SEMS .....	10
5	<u>103050401</u>	Fender, Front, Ds .....	1
6	<u>103050501</u>	Fender, Front, Ps .....	1
7	<u>103050601</u>	Fender, Rear, Ds, Black .....	1
8	<u>103050701</u>	Fender, Rear, Ps, Black .....	1
9	<u>103050801</u>	Panel, Ds, Blk .....	1
10	<u>103050901</u>	Panel, Ps, Blk .....	1
11	<u>103051001</u>	Panel, Center, Blk .....	1
12	<u>103400001</u>	3/16 X 1.19 Alum Rivet, Blk .....	4
13	<u>103441501</u>	Flap, Mud, Common (not shown) .....	2

**1**  
**G**

**1**  
**G**



000890-001

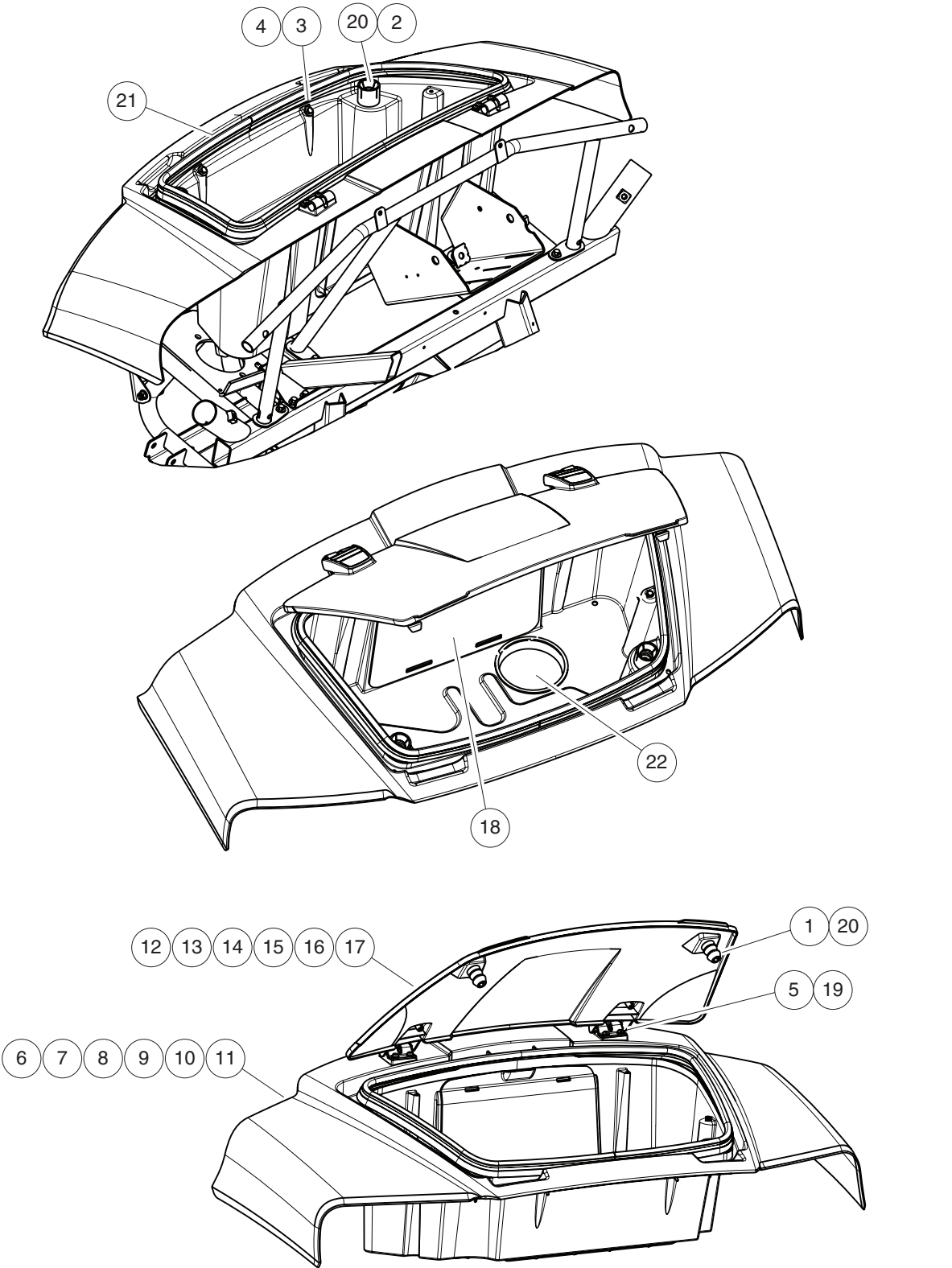
# CLOSEOUT PANELS

ITEM	PART NO.	DESCRIPTION	QTY
		1 2 3 4	
1	<u>102296530</u>	Screw - M6 X 1.0 X 30 Sems .....	2
2	<u>102296601</u>	U-Nut, M6-1.0, Prevailing Torque .....	2
3	<u>103512101</u>	Close Out, Center .....	1
4	<u>103512201</u>	Close Out, Left .....	1
5	<u>103512202</u>	Close Out, Right .....	1

**1**

**G**

**1**  
**G**



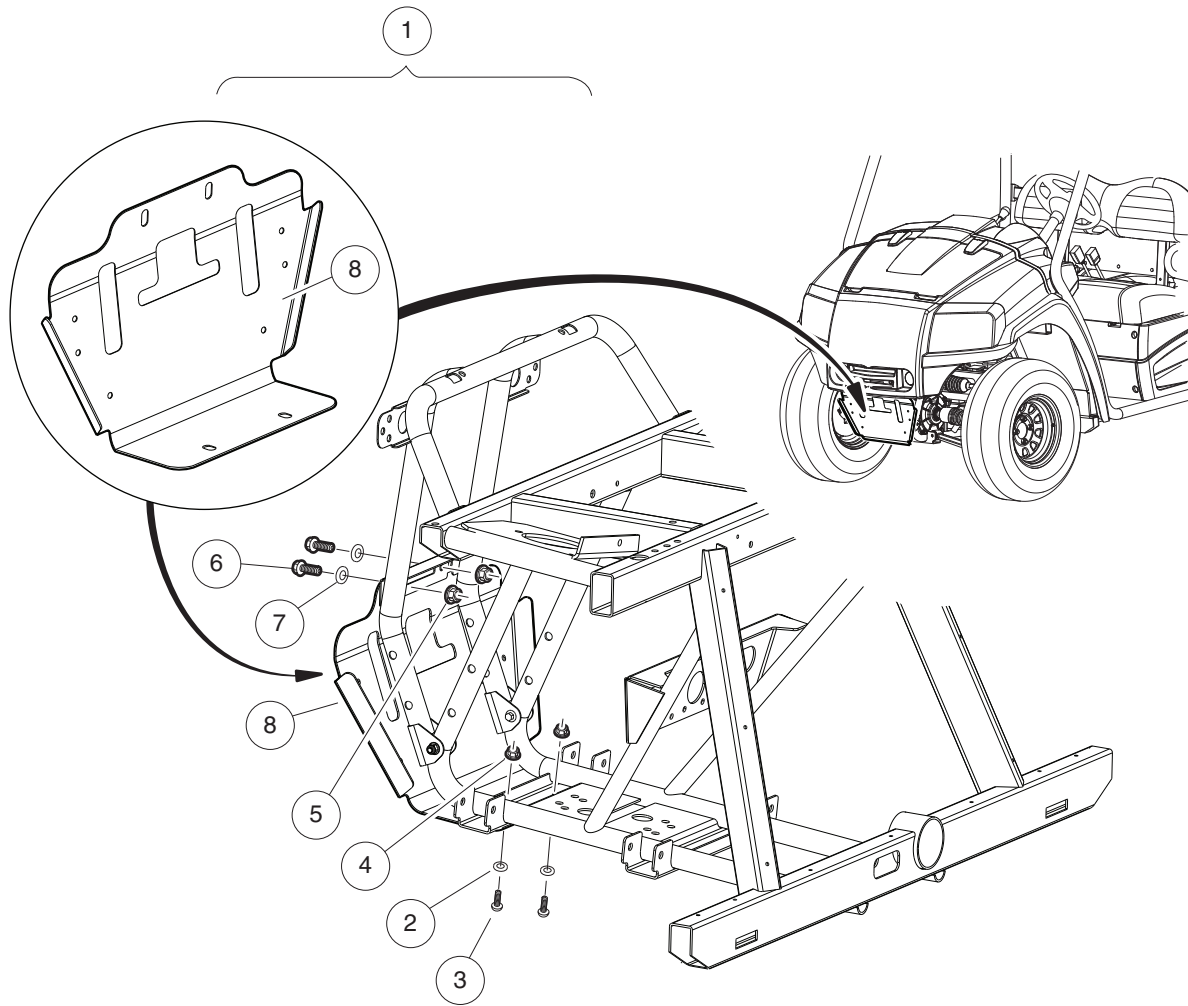
000876-001



# COWL

ITEM	PART NO.	DESCRIPTION	QTY
		<b>1 2 3 4</b>	
1	<u>102059001</u>	Seat Holder Base .....	2
2	<u>102061101</u>	Seat Holder Cup .....	2
3	<u>102296530</u>	Screw - M6 X 1.0 X 30 Sems .....	2
4	<u>102296601</u>	U-Nut, M6-1.0, Prevailing Torque .....	2
5	<u>102297230</u>	Screw, M6, Torx, Interlock Thread .....	8
6	<u>103065620</u>	Cowl, Storage, Drk Grn, Svc .....	1
7	<u>103065624</u>	Cowl, Storage, Drk Gry, Svc .....	1
8	<u>103065625</u>	Cowl, Storage, Red, Svc .....	1
9	<u>103065626</u>	Cowl, Storage, White, Svc .....	1
10	N/A	Cowl, Storage, Nstd, Svc .....	1
11	<u>103065628</u>	Cowl, Storage, Rthwhd, Svc .....	1
12	<u>103065720</u>	Hood, Storage Cvr, Dgrn, Svc .....	1
13	<u>103065724</u>	Hood, Storage Cvr, Dgry, Svc .....	1
14	<u>103065725</u>	Hood, Storage Cvr, Red, Svc .....	1
15	<u>103065726</u>	Hood, Storage Cvr, White, Svc .....	1
16	N/A	Hood, Storage Cvr, Nstd, Svc .....	1
17	<u>103065728</u>	Hood, Storage Cvr, Rthwhd, Svc .....	1
18	<u>103430801</u>	Cover, Access, Black .....	1
19	<u>103431001</u>	Bracket, Hinge .....	2
20	<u>103539901</u>	Screw, Round Hd, M5.5 X 38 .....	4
21	<u>103540201</u>	Seal, Bulb, 13 X 27 X 1888 Mm .....	1
22	<u>103541301</u>	Cap, Ldpe, 122 Mm .....	1

**1**  
**G**



000874-001

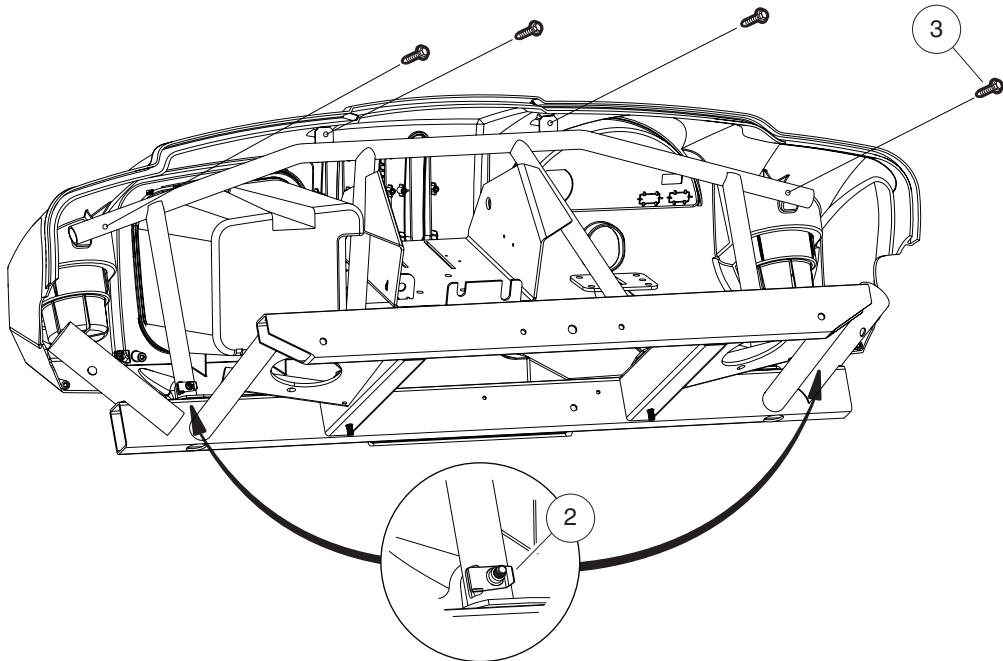
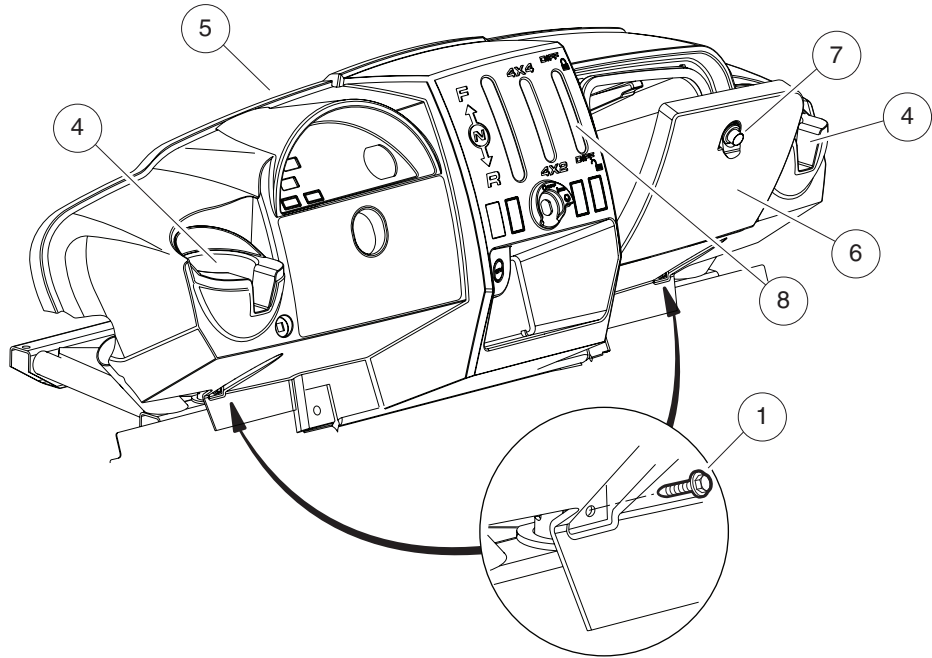
# FRONT SKID PLATE

ITEM	PART NO.	DESCRIPTION	QTY
		1 2 3 4	
1	<u>103647601</u>	Kit, Front Skidplate, Xrt950 (includes items 2 through 8) .....	1
2	<u>102296301</u>	Washer, M6x18x1.6 Flat .....	2
3	<u>102296920</u>	Screw, M6, Torx Button Head, Sems .....	2
4	<u>102541501</u>	Nut-m6x1.0 Fl Mtl Lock,blk .....	2
5	<u>102617201</u>	Nut, Flanged, M10 X 1.5, Mechanically Deformed .....	2
6	<u>102711601</u>	Bolt, Flange Head, M10 X 1.5 X 25 .....	2
7	<u>102718101</u>	Washer, Hard, M10, Zn-Ni/Blk .....	2
8	<u>103647501</u>	Plate, Skid, Front, Xrt950 .....	1

1

G

**1**  
**G**

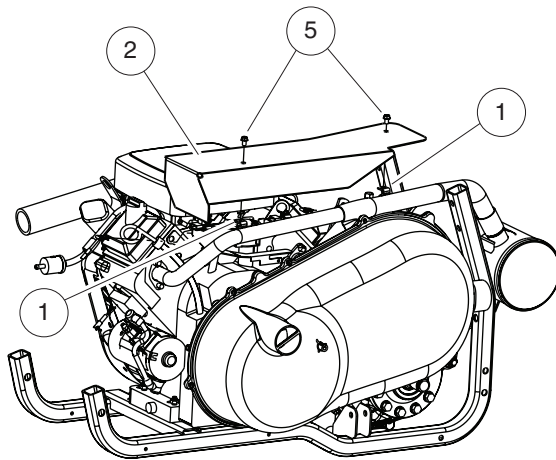
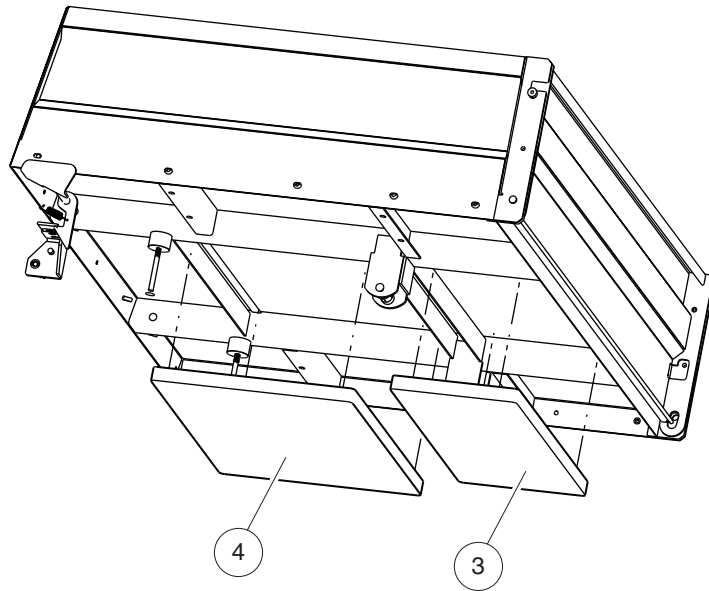


000878-001

# DASH

ITEM	PART NO.	DESCRIPTION	QTY
		<b>1 2 3 4</b>	
1	<u>102296140</u>	Bolt, Flanged Head, M6x1.0x40 .....	2
2	<u>102296601</u>	U-Nut, M6-1.0, Prevailing Torque .....	2
3	<u>102297230</u>	Screw, M6, Torx, Interlock Thread .....	4
4	<u>102883401</u>	Cup Holder, Utility .....	2
5	<u>103050201</u>	Dash- Control Mount .....	1
6	<u>103050301</u>	Cover, Dash .....	1
7	<u>103182701</u>	Latch, Push Close .....	1
8	<u>103430901</u>	Cover, Shifter .....	1

**1**  
**G**

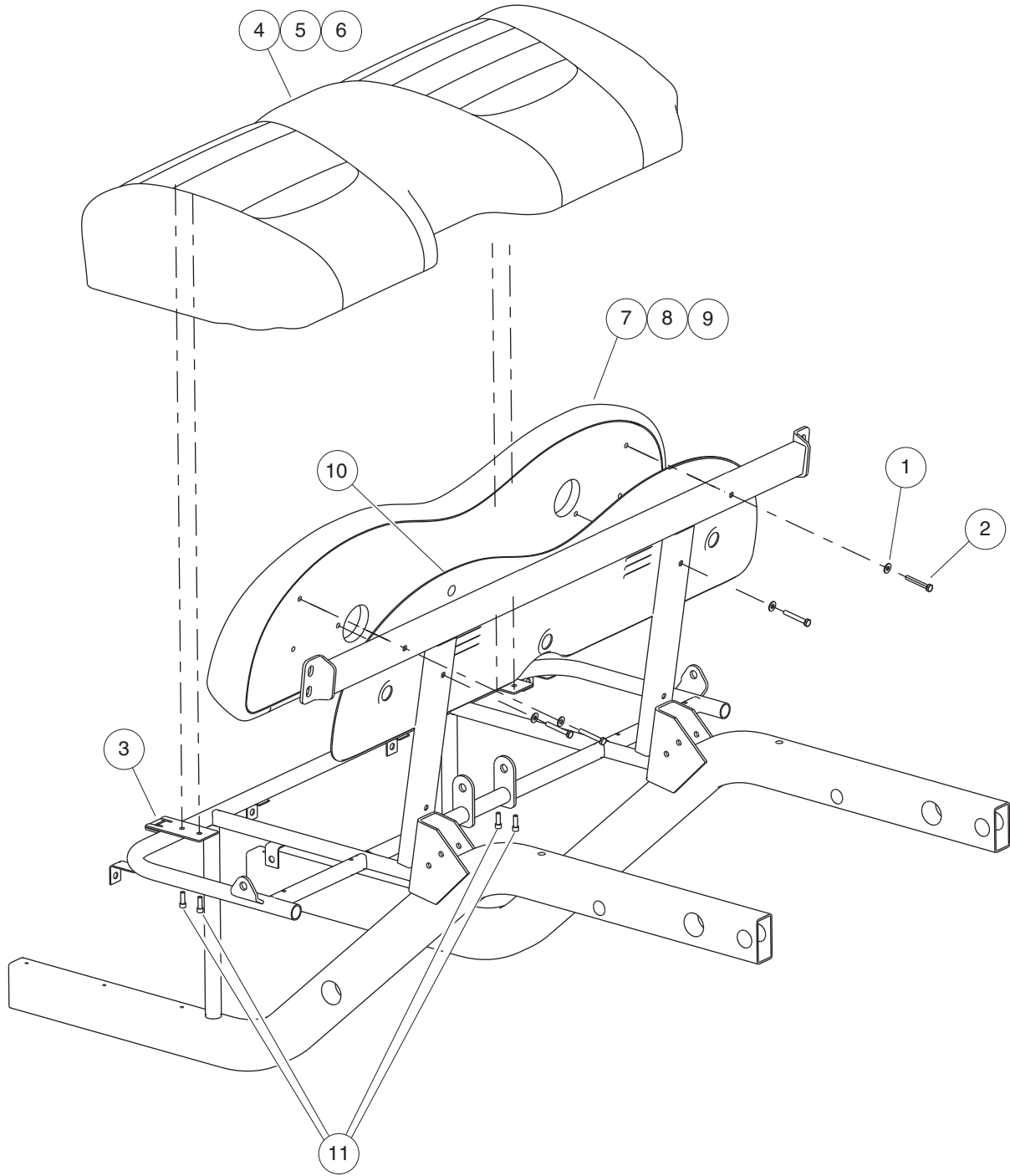


000875-001

# HEAT SHIELD

ITEM	PART NO.	DESCRIPTION	QTY
		<b>1 2 3 4</b>	
1	<u>1014116</u>	Nut, 1/4-20 Speed .....	2
2	<u>103525701</u>	Shield, Exhaust, Heat .....	1
3	<u>103534701</u>	Foam, Barrier, Heat, Bed, Rear .....	1
4	<u>103534801</u>	Foam, Barrier, Heat, Bed, Frnt .....	1
5	<u>103541501</u>	Screw, Tapping, 1/4-20 X .375 .....	2

**1**  
**G**



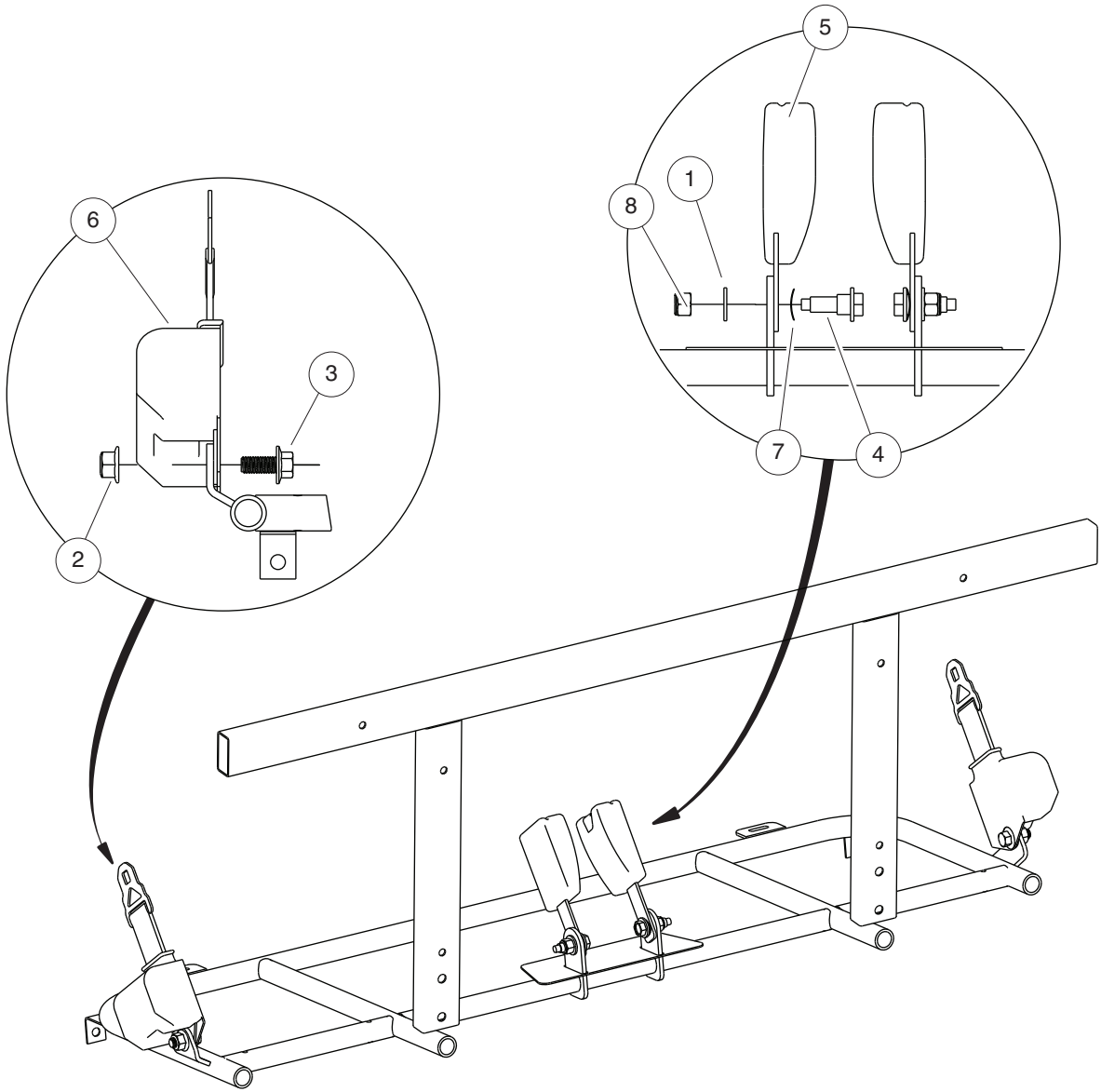
1034300D



# BENCH SEATS

**1**  
**G**

ITEM	PART NO.	DESCRIPTION	QTY
		<b>1 2 3 4</b>	
1	1011964	Washer, 1/4 Flat .....	4
2	<u>102343601</u>	Screw, 1/4-20 X 1 3/4 Ss Hx Ca .....	4
3	<u>103443201</u>	Plate, Hinge, Seat .....	2
4	<u>103455001</u>	Seat Bottom, Bench, Gray .....	1
5	<u>103455002</u>	Seat Bottom, Bench, Black .....	1
6	103455003	Seat Bottom, Bench, Tan .....	1
7	<u>103456001</u>	Seat Back, Bench, Gray .....	1
8	<u>103456002</u>	Seat Back, Bench, Black .....	1
9	103456003	Seat Back, Bench, Tan .....	1
10	<u>103580301</u>	Cap, Seatback, One Piece .....	1
11	<u>103629501</u>	Screw, 1/4-20 X .75 Shcs .....	4



000902-001

# SEAT BELTS

**1**  
**G**

ITEM	PART NO.	DESCRIPTION	QTY
		<b>1 2 3 4</b>	
1	<u>1014557</u>	Washer, 7/16 Flat .....	2
2	<u>102620301</u>	Ln Flg, M12 X 1.75, Md, Black .....	2
3	<u>103245101</u>	Bolt Flg, M12x1.75 X 25 Black .....	2
4	<u>103529601</u>	Bolt, Shoulder, 15 Mm .....	2
5	<u>103529701</u>	Asm, Buckle, Seat-belt .....	2
6	<u>103529801</u>	Retractor, Seat-belt .....	2
7	<u>103530701</u>	Washer, Spring, 15 Mm Id .....	2
8	<u>103534201</u>	Lock Nut, 7/16-20 Nylon .....	2

**⚠ WARNING**

- Do not modify or remove Roll-over Protective Structure (ROPS).
- Replace ROPS if damaged. Do not attempt repair.
- Use seat belts during operation. Do not jump from vehicle.
- Keep away from drop-offs, steep slopes, and unstable surfaces.

ccc1102961201

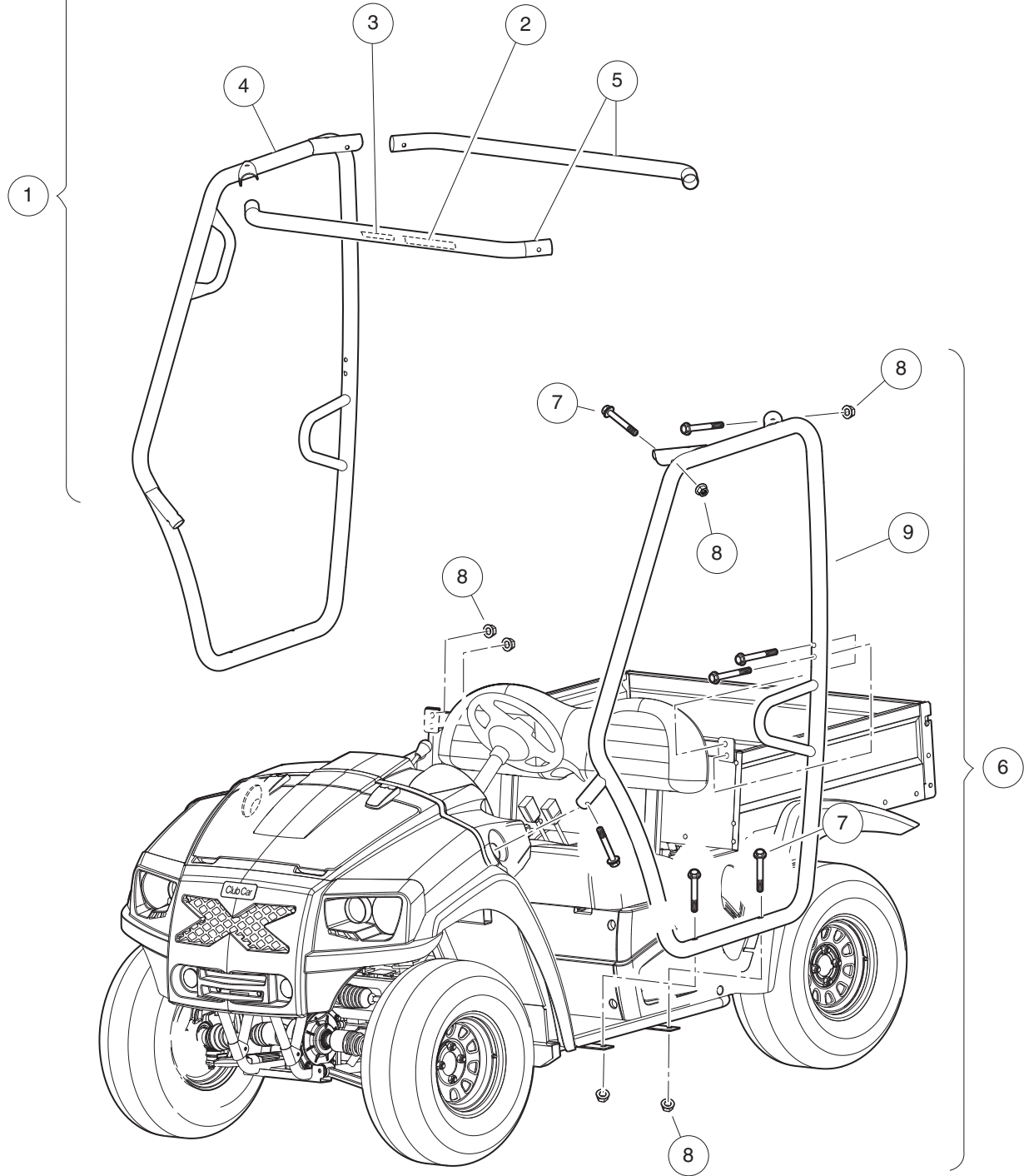
**UNDER 16**

**⚠ WARNING**

**YOUNG DRIVERS INCREASE CHANCE OF DEATH**

- Young drivers may not be able to control vehicle.
- No drivers younger than 16 years old.
- Do not leave children unattended on vehicle.

ccc1102455401

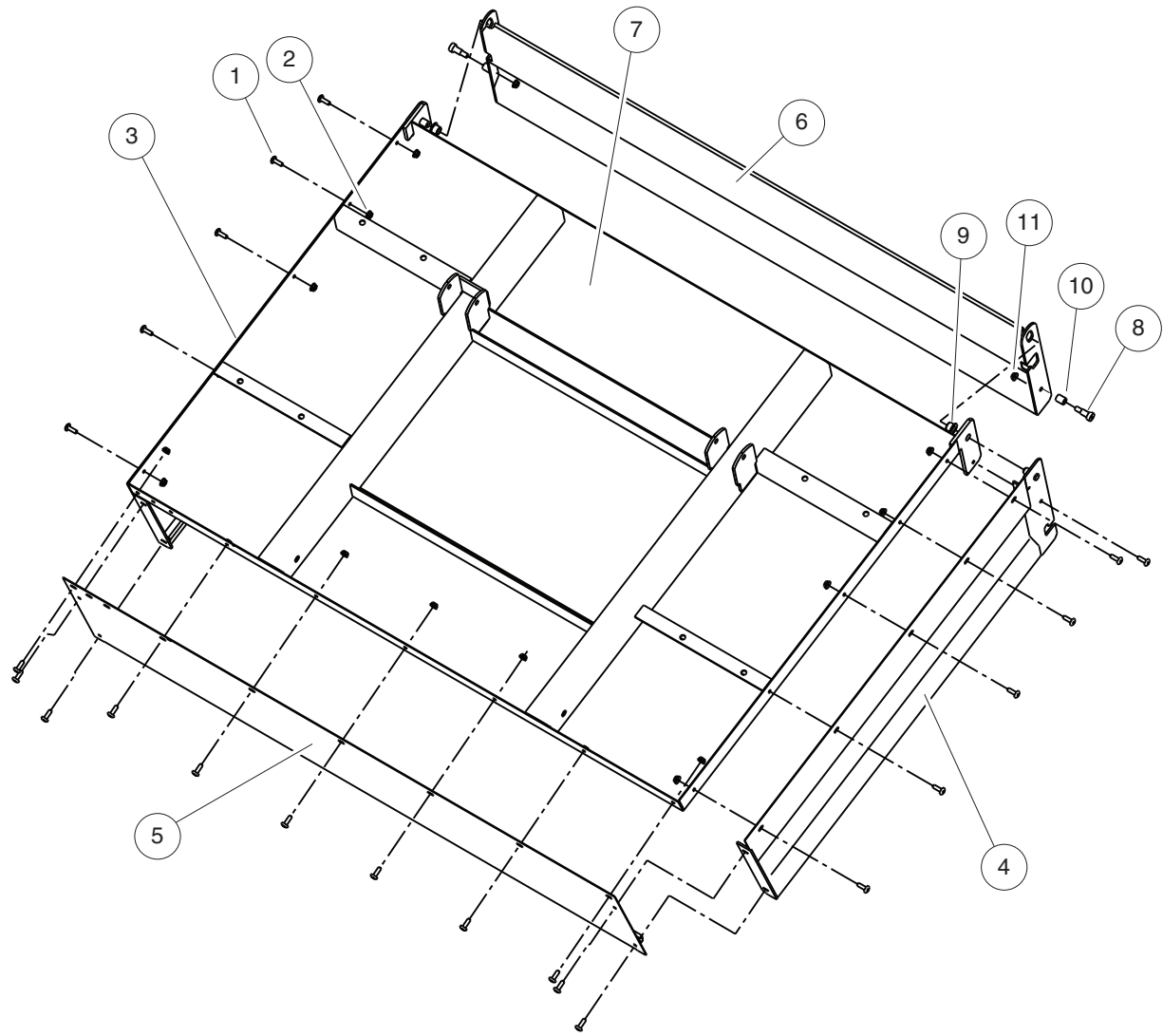


000872-001

# ROPS

ITEM	PART NO.	DESCRIPTION	QTY
		<b>1 2 3 4</b>	
1	<u>103461901</u>	Kit, Rops, Pass Side (includes items 2 through 5) .....	1
2	<u>102459401</u>	Decal, Young Driver Warning .....	1
3	<u>102961201</u>	Decal, Warning, AWD ROPS .....	1
4	103440101	Weldment, Rops, Pass .....	1
5	103440601	Tube, Cross, Rops, Top .....	2
6	<u>103462001</u>	Kit, Rops, Drv Side (includes items 7 through 9) .....	1
7	<u>102988701</u>	Bolt, Flanged, M10 X 1.5 X 65 .....	14
8	<u>103216401</u>	Nut, Flanged, M10 x 1.5, Black .....	12
9	103440001	Weldment, Rops, Driver .....	1

**1**  
**G**



000892-001

# BOX BED

ITEM	PART NO.	DESCRIPTION	QTY
		<b>1 2 3 4</b>	
1	<u>1014415</u>	Screw, 1/4-20 X 0.75 Torx Truss-Head .....	23
2	<u>101835601</u>	Locknut, 1/4-20 Hex Whiz .....	23
3	<u>103433301</u>	Weldment, Bed Panel, Drv .....	1
4	<u>103433302</u>	Weldment, Bed Panel, Pas .....	1
5	<u>103434201</u>	Panel, Front, Bed .....	1
6	<u>103434501</u>	Weldment, Gate, Bed .....	1
7	<u>103435001</u>	Weldment, Bed Bottom, 400 Lb .....	1
8	<u>103522501</u>	Bolt, Shoulder, M10 X 16mm .....	2
9	<u>103587201</u>	Bushing, Fl, 12.7 Id X 15.9 Od .....	2
10	<u>103587301</u>	Bushing, 10 Mm Id X 16 Mm Lg .....	2
11	<u>103602301</u>	Nut, Flg, Hex, M8-1.25 .....	2

**1**  
**G**

1

G



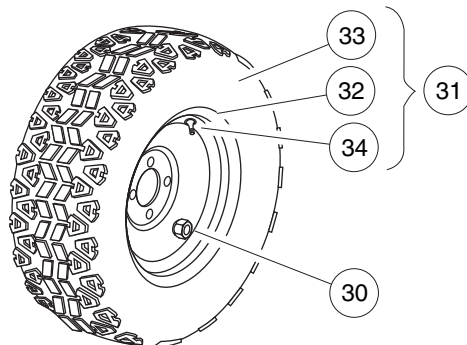
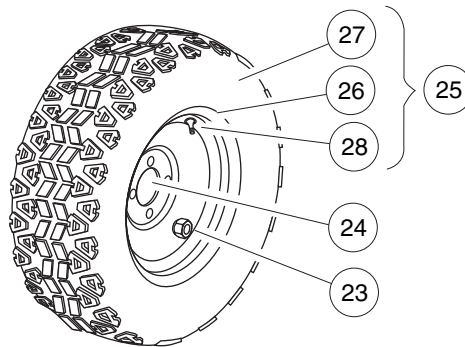
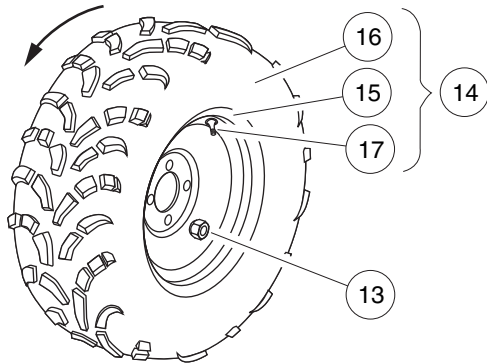
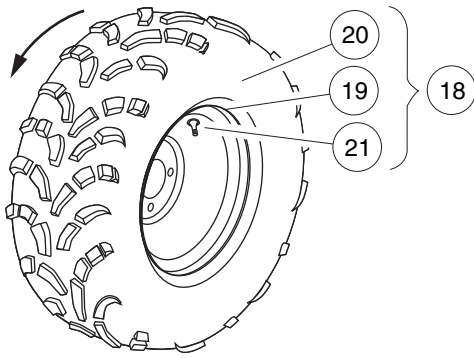
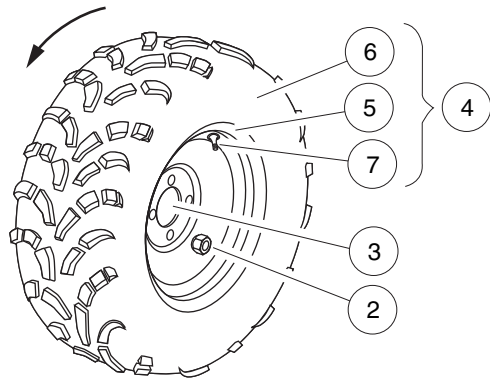
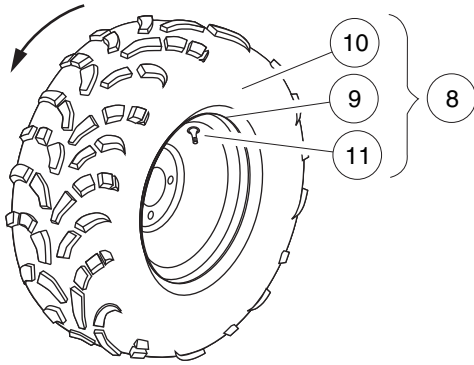
# WHEELS AND TIRES

---

2

G

**2**  
**G**



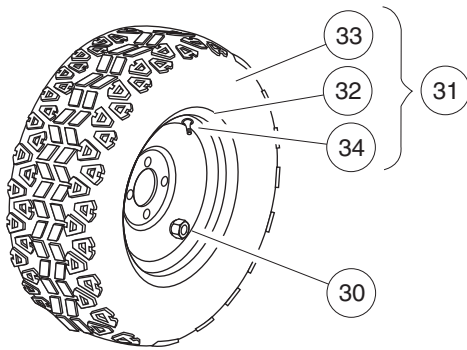
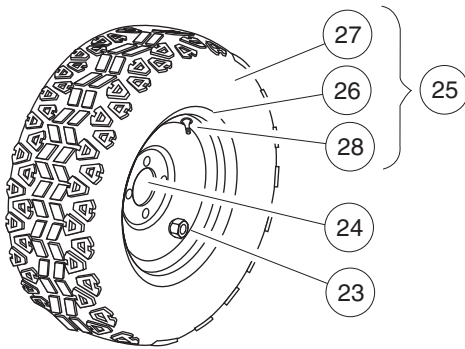
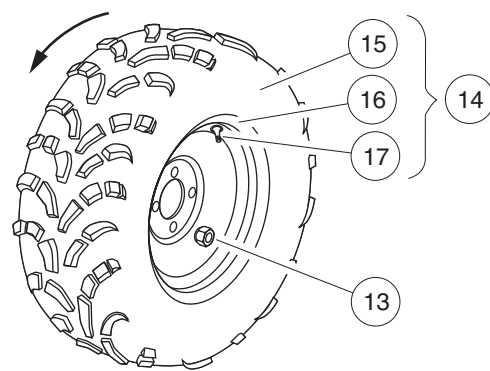
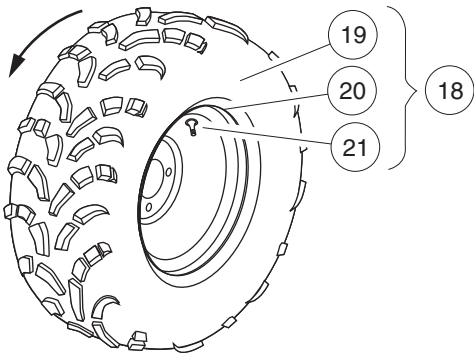
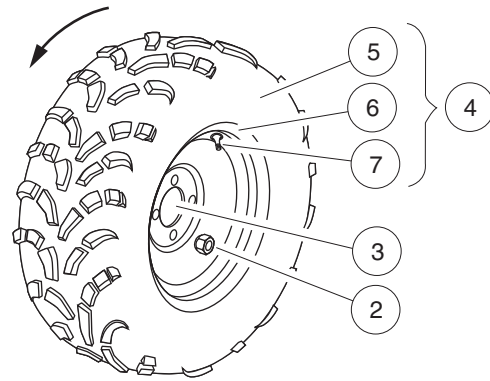
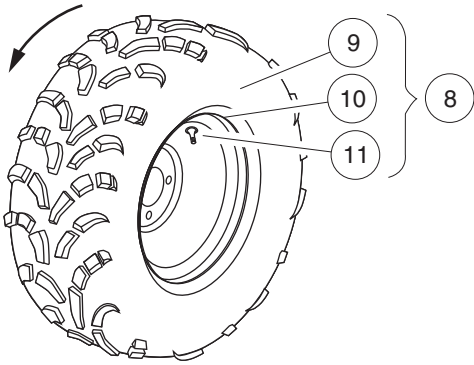
000913-001

## WHEELS AND TIRES – 9 INCH

ITEM	PART NO.	DESCRIPTION	QTY
		<b>1 2 3 4</b>	
1	N/A	Alloy Mud Front (includes items 2 through 8) .....	1
2	<u>102540701</u>	Lug Nut, 1/2" Closed End .....	8
3	<u>103532801</u>	Cap, Center, Chrome .....	2
4	<u>103540503</u>	Tire/whl Asm, Alloy, Mud Lh F (includes items 5 through 7) .....	1
5	<u>103525001</u>	Wheel, Alloy .....	1
6	<u>103572301</u>	Tire, Mud 25x9.00-12 Nhs .....	1
7	<u>7310</u>	Valve Stem, Black Plastic .....	1
8	<u>103540506</u>	Tire/whl Asm, Alloy, Mud Rh F (includes items 9 through 11) .....	1
9	<u>103525001</u>	Wheel, Alloy .....	1
10	<u>103572301</u>	Tire, Mud 25x9.00-12 Nhs .....	1
11	<u>7310</u>	Valve Stem, Black Plastic .....	1
12	N/A	Black Mud Front (includes items 13 through 18) .....	1
13	<u>102736901</u>	Nut, Lug, 1/2-20 SAE J2283 .....	8
14	<u>103540502</u>	Tire/whl Asm, Steel, Mud Lh F (includes items 15 through 17) .....	1
15	<u>103234503</u>	Wheel, 10 Window, Black .....	1
16	<u>103572301</u>	Tire, Mud 25x9.00-12 Nhs .....	1
17	<u>7310</u>	Valve Stem, Black Plastic .....	1
18	<u>103540505</u>	Tire/whl Asm, Steel, Mud Rh F (includes items 19 through 21) .....	1
19	<u>103234503</u>	Wheel, 10 Window, Black .....	1
20	<u>103572301</u>	Tire, Mud 25x9.00-12 Nhs .....	1
21	<u>7310</u>	Valve Stem, Black Plastic .....	1
22	N/A	Alloy Hdat Front (includes items 23 through 25) .....	1
23	<u>102540701</u>	Lug Nut, 1/2" Closed End .....	8
24	<u>103532801</u>	Cap, Center, Chrome .....	2
25	<u>103540504</u>	Tire/whl Asm, Alloy Hdat F (includes items 26 through 28) .....	2
26	<u>103525001</u>	Wheel, Alloy .....	1
27	<u>103572401</u>	Tire, Hdat 25x9.00-12 Nhs .....	1
28	<u>7310</u>	Valve Stem, Black Plastic .....	1
29	N/A	Black Hdat Front (includes items 30 and 31) .....	1
30	<u>102736901</u>	Nut, Lug, 1/2-20 SAE J2283 .....	8
31	<u>103540501</u>	Tire/whl Asm, Steel, Hdat F (includes items 32 through 34) .....	2
32	<u>103234503</u>	Wheel, 10 Window, Black .....	1
33	<u>103572401</u>	Tire, Hdat 25x9.00-12 Nhs .....	1
34	<u>7310</u>	Valve Stem, Black Plastic .....	1

**2**  
**G**

**2**  
**G**



000913-002

## WHEELS AND TIRES – 11 INCH

ITEM	PART NO.	DESCRIPTION	QTY
		<b>1 2 3 4</b>	
1	N/A	Alloy Mud Rear (includes items 2 through 8) .....	1
2	<u>102540701</u>	Lug Nut, 1/2" Closed End .....	8
3	<u>103532801</u>	Cap, Center, Chrome .....	2
4	<u>103540602</u>	Tire/whl Asm, Alloy, Mud Rh R (includes items 5 through 7) .....	1
5	<u>102945701</u>	Tire, Mud, 4ply, 25x11-12 .....	1
6	<u>103525001</u>	Wheel, Alloy .....	1
7	<u>7310</u>	Valve Stem, Black Plastic .....	1
8	<u>103540606</u>	Tire/whl Asm, Alloy, Mud Lh R (includes items 9 through 11) .....	1
9	<u>102945701</u>	Tire, Mud, 4ply, 25x11-12 .....	1
10	<u>103525001</u>	Wheel, Alloy .....	1
11	<u>7310</u>	Valve Stem, Black Plastic .....	1
12	N/A	Black Mud Rear (includes items 13 through 18) .....	1
13	<u>102736901</u>	Nut, Lug, 1/2-20 SAE J2283 .....	8
14	<u>102943808</u>	Wheel/Tire Assy, Driver Side, Mud, 25x11-12, Black (includes items 15 through 17) ..	1
15	<u>102945701</u>	Tire, Mud, 4ply, 25x11-12 .....	1
16	<u>103234503</u>	Wheel, 10 Window, Black .....	1
17	<u>7310</u>	Valve Stem, Black Plastic .....	1
18	<u>102943809</u>	Wheel/Tire Assy, Pass. Side, Mud, 25x11-12, Black (includes items 19 through 21) .....	1
19	<u>102945701</u>	Tire, Mud, 4ply, 25x11-12 .....	1
20	<u>103234503</u>	Wheel, 10 Window, Black .....	1
21	<u>7310</u>	Valve Stem, Black Plastic .....	1
22	N/A	Alloy Hdat Rear (includes items 23 through 25) .....	1
23	<u>102540701</u>	Lug Nut, 1/2" Closed End .....	8
24	<u>103532801</u>	Cap, Center, Chrome .....	2
25	<u>103540601</u>	Tire/whl Asm, Alloy, Hdat R (includes items 26 through 28) .....	2
26	<u>103525001</u>	Wheel, Alloy .....	1
27	<u>103600001</u>	Tire, Hdat 25x11.00-12 Nhs .....	1
28	<u>7310</u>	Valve Stem, Black Plastic .....	1
29	N/A	Black Hdat Rear (includes items 30 and 31) .....	1
30	<u>102736901</u>	Nut, Lug, 1/2-20 SAE J2283 .....	8
31	<u>103540603</u>	Tire/whl Asm, Steel, Hdat R (includes items 32 through 34) .....	1
32	<u>103234503</u>	Wheel, 10 Window, Black .....	1
33	<u>103600001</u>	Tire, Hdat 25x11.00-12 Nhs .....	1
34	<u>7310</u>	Valve Stem, Black Plastic .....	1

**2**  
**G**

2

G

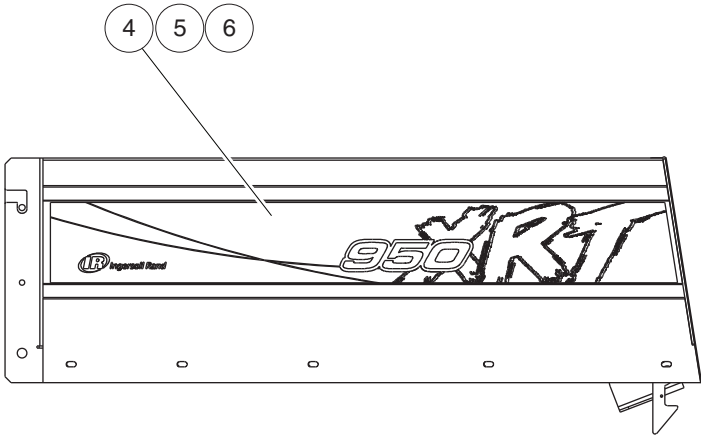
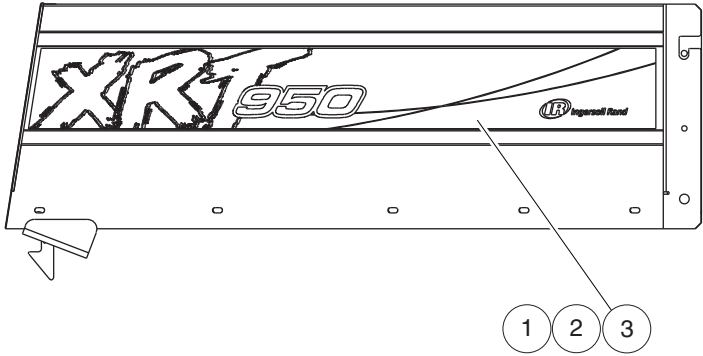
# DECALS

---

3

G

**3**  
**G**



000881-003



# BADGING DECALS

ITEM	PART NO.	DESCRIPTION	QTY
		1 2 3 4	
1	<u>103518010</u>	Decal, Bed, Xrt950, Dk Grn, Ds .....	1
2	<u>103518015</u>	Decal, Bed, Xrt950, Red, Ds .....	1
3	<u>103518017</u>	Decal, Bed, Xrt950, Ntrl, Ds .....	1
4	<u>103518110</u>	Decal, Bed, Xrt950, Dk Grn, Ps .....	1
5	<u>103518115</u>	Decal, Bed, Xrt950, Red, Ps .....	1
6	<u>103518117</u>	Decal, Bed, Xrt950, Ntrl, Ps .....	1
7	<u>103518201</u>	Decal, Club Car, 51 X 144 .....	1
8	<u>103533401</u>	Decal, 4x4, 51 X 133 .....	1

3

G

**UNDER 16**

**WARNING**

YOUNG DRIVERS INCREASE CHANCE OF DEATH

- Young drivers may not be able to control vehicle.
- No drivers younger than 16 years old.
- Do not leave children unattended on vehicle.

CCI 102459401

**WARNING**

- Do not modify or remove Roll-over Protective Structure (ROPS).
- Replace ROPS if damaged. Do not attempt repair.
- Use seat belts during operation. Do not jump from vehicle.
- Keep away from drop-offs, steep slopes, and unstable surfaces.

CCI 102961201

**WARNING**

CARBON MONOXIDE CAN CAUSE ILLNESS, SERIOUS INJURY, OR DEATH

The engine produces carbon monoxide, which is a deadly, odorless, colorless gas that can quickly accumulate in an enclosed cab. Do not run the engine in a parked vehicle without proper cab ventilation. Move to fresh air if you feel nausea, headache, dizziness, drowsiness, or weakness.

CCI 103619901

Use Only DOT 5 Brake Fluid

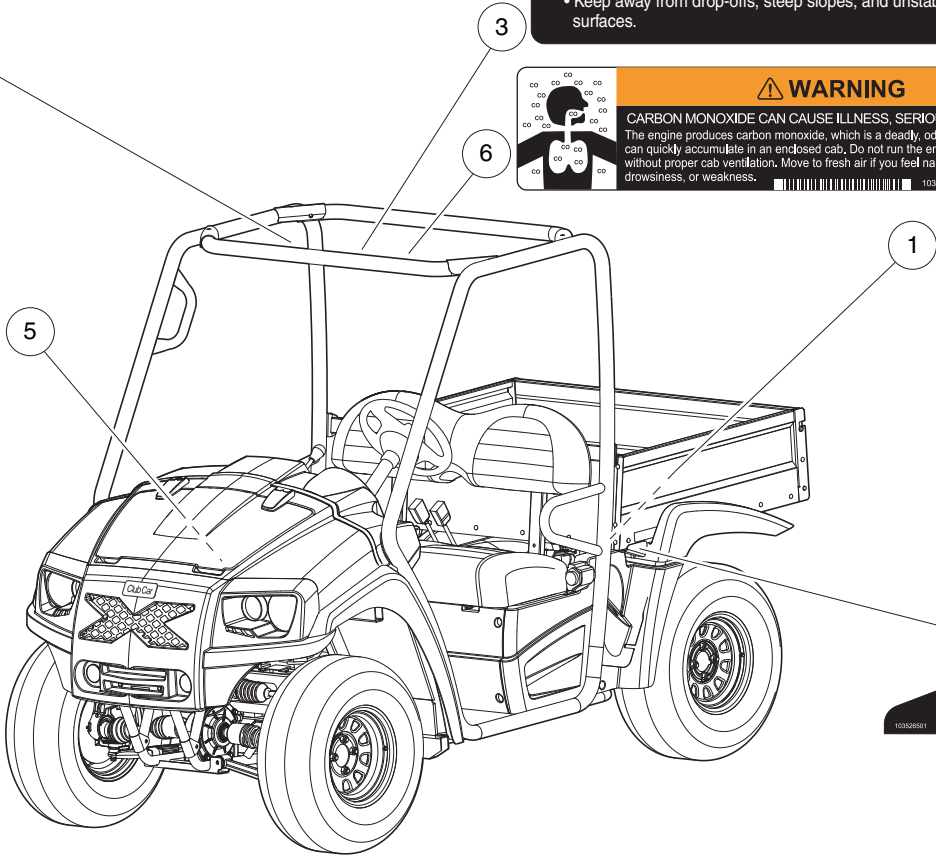
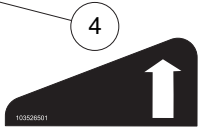
CCI 103532701

**WARNING**

CRUSH AREA

STAY CLEAR

CCI 1016094-01



# SAFETY DECALS

ITEM	PART NO.	DESCRIPTION	QTY
		<b>1 2 3 4</b>	
1	<u>101609401</u>	Decal, Crush Area Warning .....	2
2	<u>102459401</u>	Decal, Young Driver Warning .....	1
3	<u>102961201</u>	Decal, Warning, AWD ROPS .....	1
4	<u>103526501</u>	Decal, Operation, Bed Latch .....	1
5	<u>103532701</u>	Decal, Brake Fluid, Dot 5 .....	1
6	<u>103619901</u>	Decal, Warn, Co, Cab .....	1

3

G

**OPERATING INSTRUCTIONS**

- Read owner's manual and vehicle safety warnings.
- Study and understand controls.
- FASTEN SEAT BELTS** before operating vehicle.

**TO START ENGINE**

- Place shift lever in NEUTRAL (N) and press brake pedal.
- Turn key to START and hold until engine starts.

**TO OPERATE VEHICLE**

- Turn wheels to desired direction and ensure path is clear.
- With vehicle stopped and engine at idle, select vehicle direction:  
F - Forward, N - Neutral, R - Reverse
- Use lever to select 4 X 2 or 4 X 4, if so equipped.
- Use lever to lock or unlock the differential.
- Hold brake pedal and release park brake.
- Slowly press accelerator pedal to increase speed.
- Stop the vehicle before shifting to Forward or Reverse.
- Stop the vehicle before locking or unlocking the differential.

**TO STOP VEHICLE**

- Release accelerator pedal and push brake pedal.

**BEFORE LEAVING VEHICLE**

- Turn key to OFF and remove key.
- Place shift lever in NEUTRAL (N).
- Firmly set park brake.

**WARNING**  
**ROLLOVER OR FALLING OFF MAY CAUSE DEATH**

- Read owner's manual and operating instructions.
- FASTEN SEAT BELTS.** Remain seated while moving.
- Drive slowly in turns.
- Drive straight up and down slopes.
- Do not start vehicle until all occupants are seated.
- Two (2) persons per bench seat maximum.
- Operate from driver side only and not on public roads.
- Keep entire body inside vehicle while moving.
- Children requiring a child safety seat must not ride on vehicle. Comply with state and local laws pertaining to child safety.
- Do not operate while under the influence of alcohol or drugs.
- Unlock differential on paved surfaces to maintain steering control.
- Never attempt jumps.

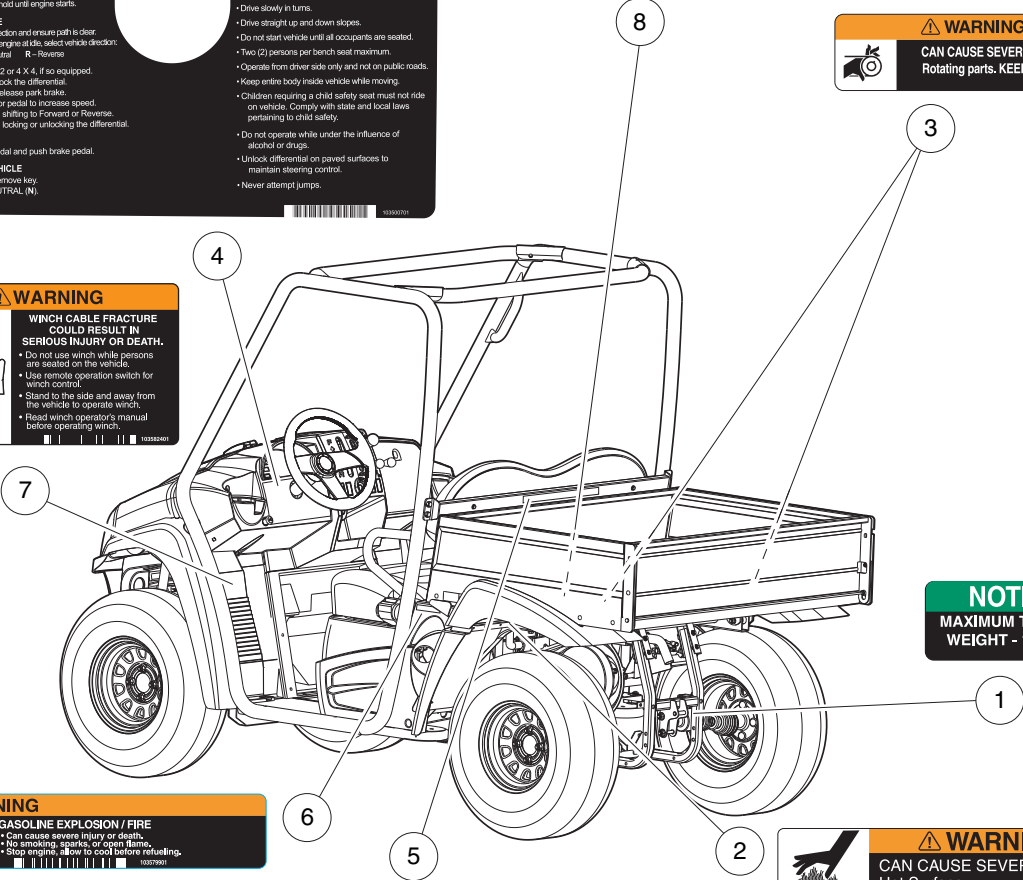
**WARNING**  
Negative frame ground. Can cause severe injury. Do not contact positive (+) battery post or cables to frame. Disconnect negative battery cable first.

**WARNING**  
Excessive speed can cause severe injury or death. Do not tamper with engine governor adjustment. 10326501

**WARNING**  
CAN CAUSE SEVERE INJURY  
Rotating parts. KEEP CLEAR. CCI 102460201

**WARNING**  
WINCH CABLE FRACTURE COULD RESULT IN SERIOUS INJURY OR DEATH.

- Do not use winch while persons are seated on the vehicle.
- Use remote operation switch for winch control.
- Stand to the side and away from the vehicle to operate winch.
- Read winch operator's manual before operating winch.



**NOTICE**  
MAXIMUM TONGUE WEIGHT - 150 lbs. CCI 1011553

**WARNING**  
GASOLINE EXPLOSION / FIRE

- Can cause severe injury or death.
- No smoking, sparks, or open flame.
- Stop engine, allow to cool before refueling.

**WARNING**  
CAN CAUSE SEVERE BURNS  
Hot Surface CCI 102458901

**VEHICLE LOADING**

- Read owner's manual and warnings on dash.
- Maximum gross vehicle weight: 2135 lb. (968 kg)
- Maximum cargo bed load: 400 lb. (181 kg)
- Reduce maximum cargo bed load by the weight of optional equipment.
- Maximum gross trailer weight: 1,100 lb. (499 kg)
- Maximum trailer hitch tongue weight: 150 lb. force (667 N).

**WARNING**  
PREVENT VEHICLE ROLL-OVER:

- Place cargo forward in the cargo bed and distribute evenly side to side. Secure load.
- On uneven or steep terrain reduce speed and load. Avoid stopping on or backing down steep hills.
- Avoid top-heavy loads. See owner's manual.

**WARNING**  
RIDING IN CARGO BED CAN CAUSE SEVERE INJURY OR DEATH.

- Do not ride in cargo bed.

## SAFETY DECALS, CONTINUED

ITEM	PART NO.	DESCRIPTION	QTY
		1 2 3 4	
1	<u>1011553</u>	Decal, Trailer Hitch .....	1
2	<u>102458901</u>	Decal, Hot Surface Warning .....	1
3	<u>102460201</u>	Decal, Rotating Parts Warning .....	1
4	<u>103500701</u>	Decal, Operator, Warn/instr .....	1
5	<u>103526201</u>	Decal, Vehicle Loading, 2135lb .....	1
6	<u>103579901</u>	Decal, Warn, Gas Fuel Loading .....	1
7	<u>103582401</u>	Decal-winch, Warning .....	1
8	<u>103596501</u>	Decal, Frame Ground, Long .....	1

**3**  
**G**

3

G

# LIGHTS, CONTROLS, AND INDICATORS

---

4

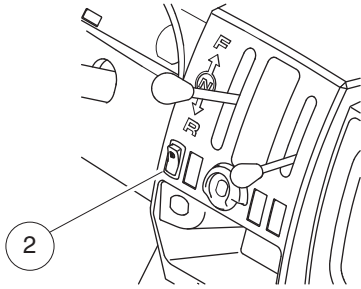
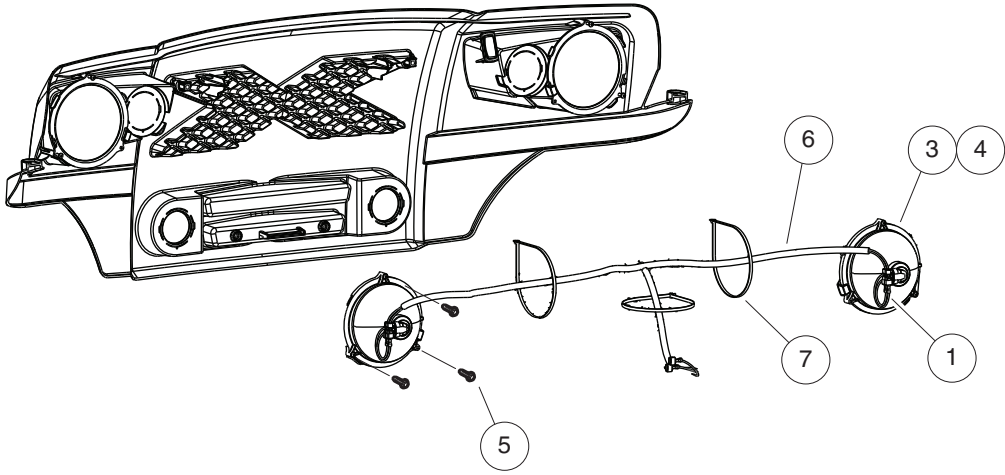
G

E

4

G

E



000880-001



# HEADLIGHTS

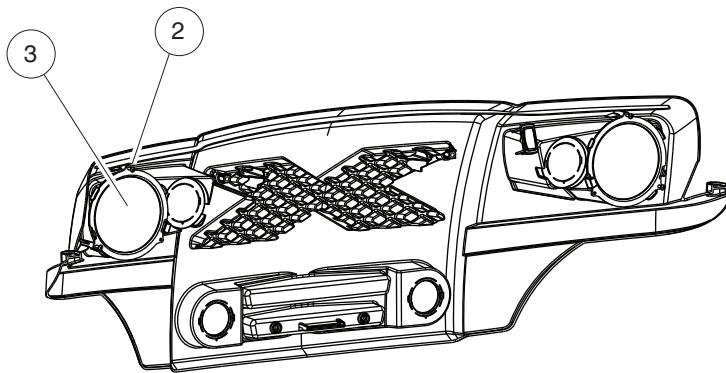
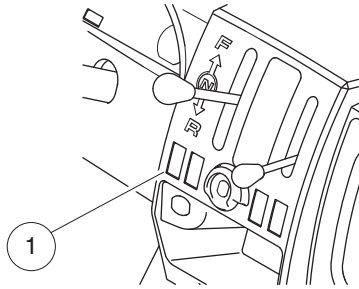
ITEM	PART NO.	DESCRIPTION	QTY
		<b>1 2 3 4</b>	
1	<u>101987901</u>	Connector, Harness Assembly, Headlight .....	2
2	<u>102869401</u>	Switch, Rocker, Light .....	1
3	<u>102894401</u>	Headlight, 6 In Round (includes item 4) .....	2
4	<u>102535101</u>	Bulb, Headlight, 37.5 W .....	1
5	<u>103218104</u>	Screw, #8x1.25 Ab Thd, Hex Hd .....	4
6	<u>103521401</u>	Harness, Hd Light, Single Pair .....	1
7	<u>8639</u>	Tie Wrap, 11" Nylon .....	3

**4**  
**G**  
**E**

4

G

E



000880-010

# HEADLIGHT COVERS

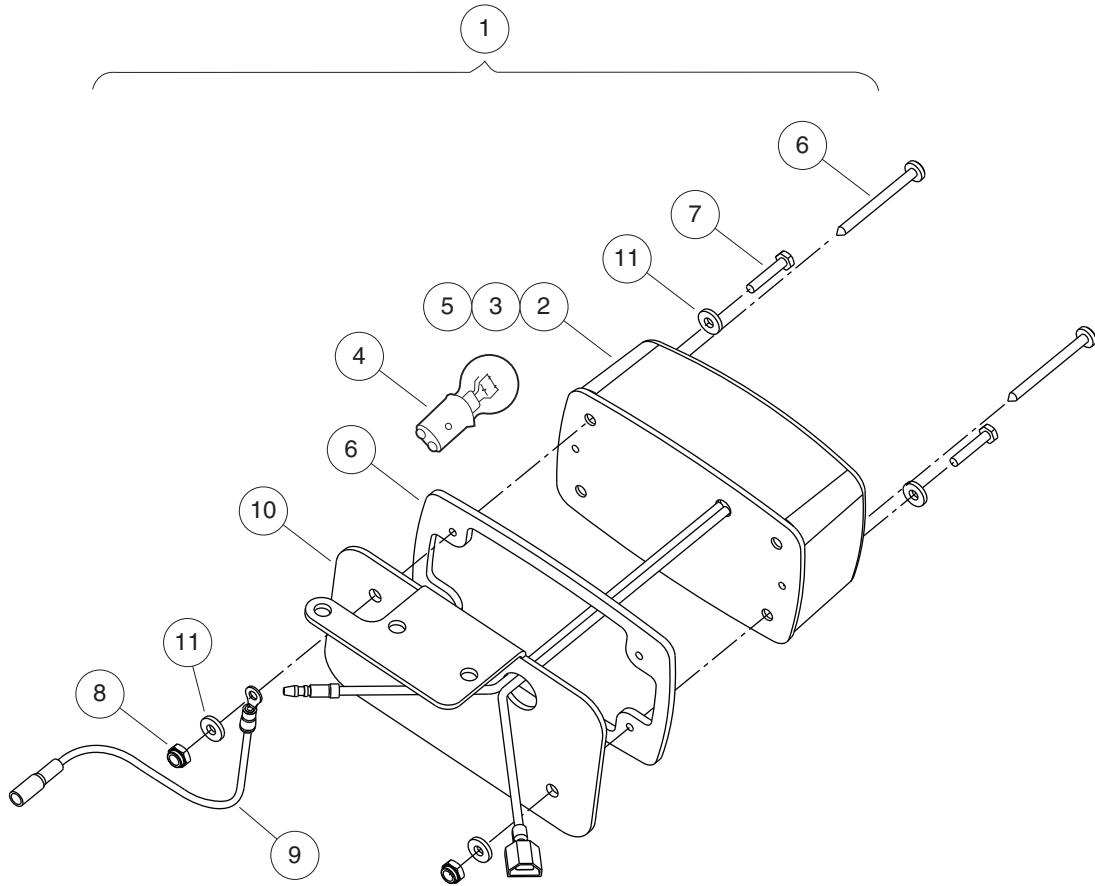
ITEM	PART NO.	DESCRIPTION	QTY
		1 2 3 4	
1	<u>103180101</u>	Cover, Hole, Switch, Rocker .....	1
2	<u>103218104</u>	Screw, #8x1.25 Ab Thd, Hex Hd .....	4
3	<u>103462301</u>	Cover, HI, Flat .....	2
<p>Note: For vehicles with the Headlight Delete option.</p>			

**4**

**G**

**E**

**4**  
**G**  
**E**



000916-002

# TAILLIGHTS

ITEM	PART NO.	DESCRIPTION	QTY
		<b>1 2 3 4</b>	
1	<u>103577401</u>	ASM, TAILLIGHT, 950 (includes items 2 through 11) .....	1
2	1017035	Taillight Assembly (includes items 3 through 6) .....	1
3	N/A	Light, Tail (includes items 4 and 5) .....	1
4	<u>1011582</u>	Taillight Bulb .....	1
5	<u>1011843</u>	Taillight Lens .....	1
6	<u>1017699</u>	Hardware Kit, Tail Light .....	1
7	<u>1017853</u>	Screw, #6-32 X 0.75 Hex-Head Machine .....	2
8	<u>101932201</u>	Locknut, #6-32 Nylon .....	2
9	<u>102672701</u>	Wire Asm, Ground, Taillight .....	1
10	<u>103577101</u>	Bracket, Light, Brake .....	1
11	<u>7591</u>	Washer, #6, Flat .....	4

**4**  
**G**  
**E**

**4**

**G**

**E**

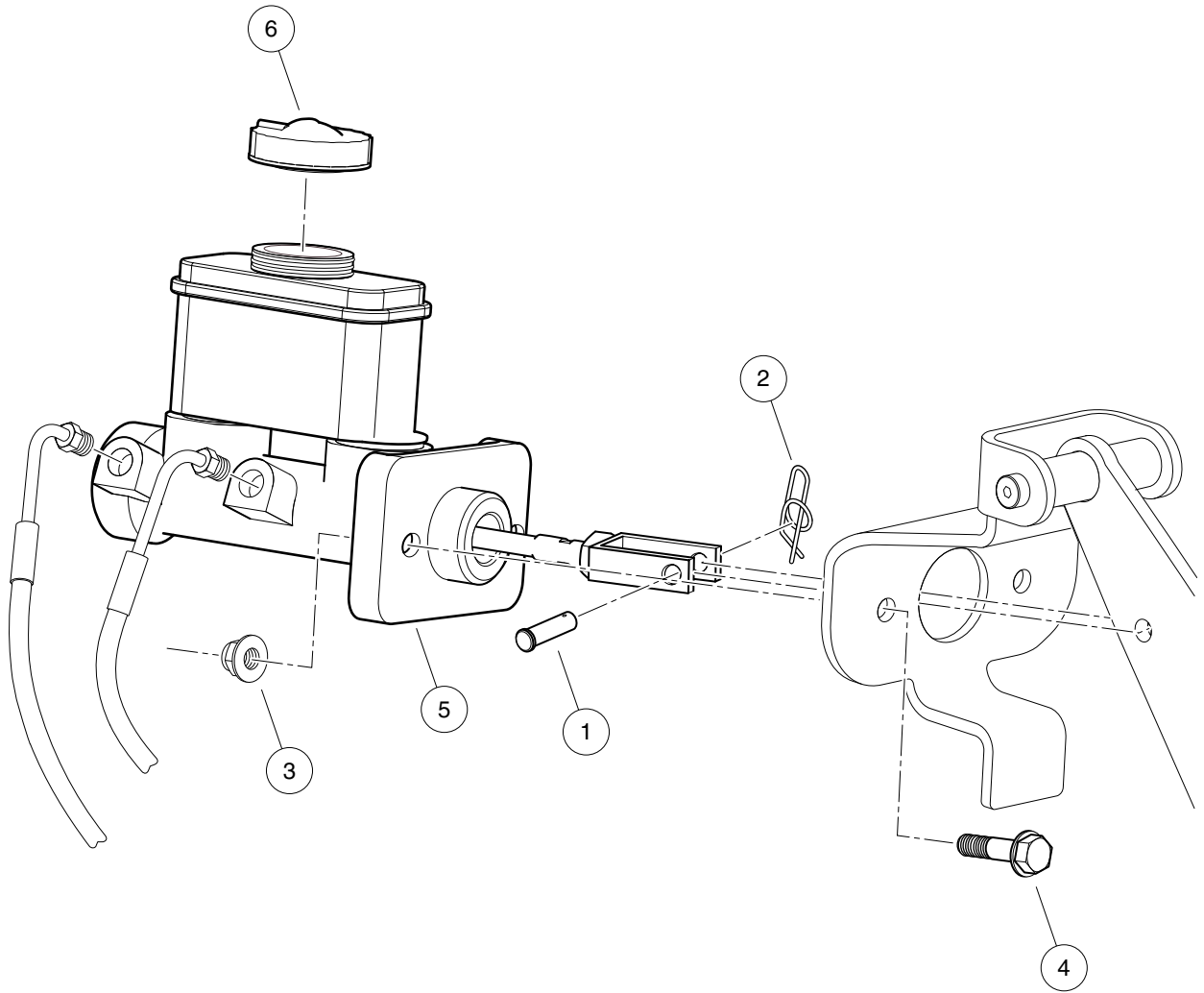
# BRAKE SYSTEM AND PEDALS

---

5

G

**5**  
**G**



000792-001

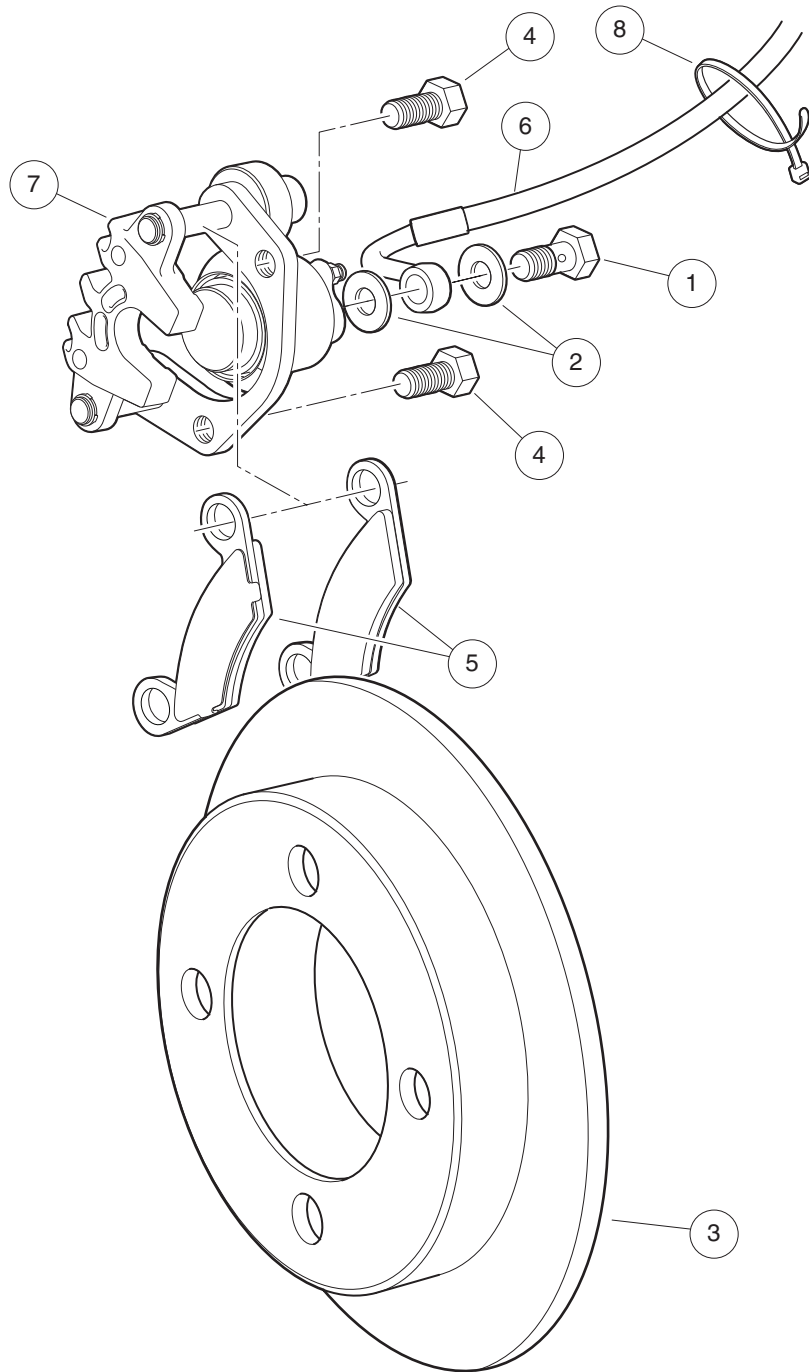


# MASTER CYLINDER WITH INTEGRAL RESERVOIR

ITEM	PART NO.	DESCRIPTION	QTY
		1 2 3 4	
1	<u>101082903</u>	Pin, Clevis, 5/16 X 1 .....	1
2	<u>102176901</u>	Pin, Rue .....	1
3	<u>102298401</u>	Nut, M8, All Metal Lock .....	2
4	<u>102618401</u>	Bolt Flanged Head, M8 X 1.25 X 35 .....	2
5	<u>103376101</u>	Cylinder, Master, Integral Res .....	1
6	<u>103380701</u>	Cap, Filler, Master Cylinder .....	1

5

G



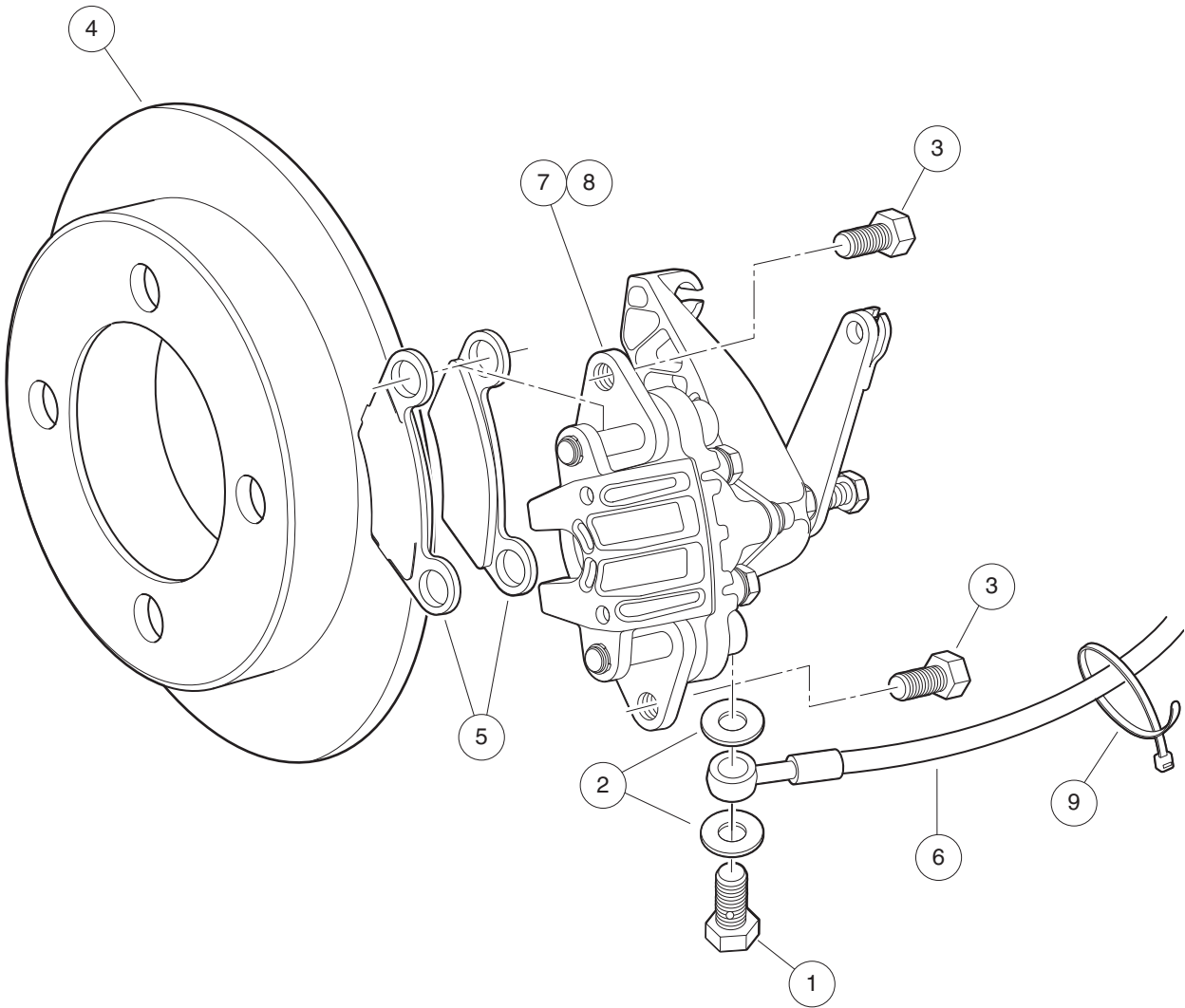
000067-006

# FRONT BRAKES

ITEM	PART NO.	DESCRIPTION	QTY
		<b>1 2 3 4</b>	
1	<u>102488001</u>	Bolt, Banjo, M10x1x19 .....	2
2	<u>102491601</u>	Washer, Copper, M10 Crush .....	4
3	<u>103077501</u>	Rotor, Disc, Brake .....	2
4	<u>103147101</u>	Bolt, 3/8-24x 1.0 Loctite .....	4
5	<u>103160101</u>	Kit, Brake Pad, 7646 .....	1
6	<u>103460301</u>	Assembly, Brake Line, Front .....	1
7	<u>103574301</u>	Caliper, Brake, Front, w/pad 7646 .....	2
8	<u>8639</u>	Tie Wrap, 11" Nylon .....	2

**5**  
**G**

**5**  
**G**



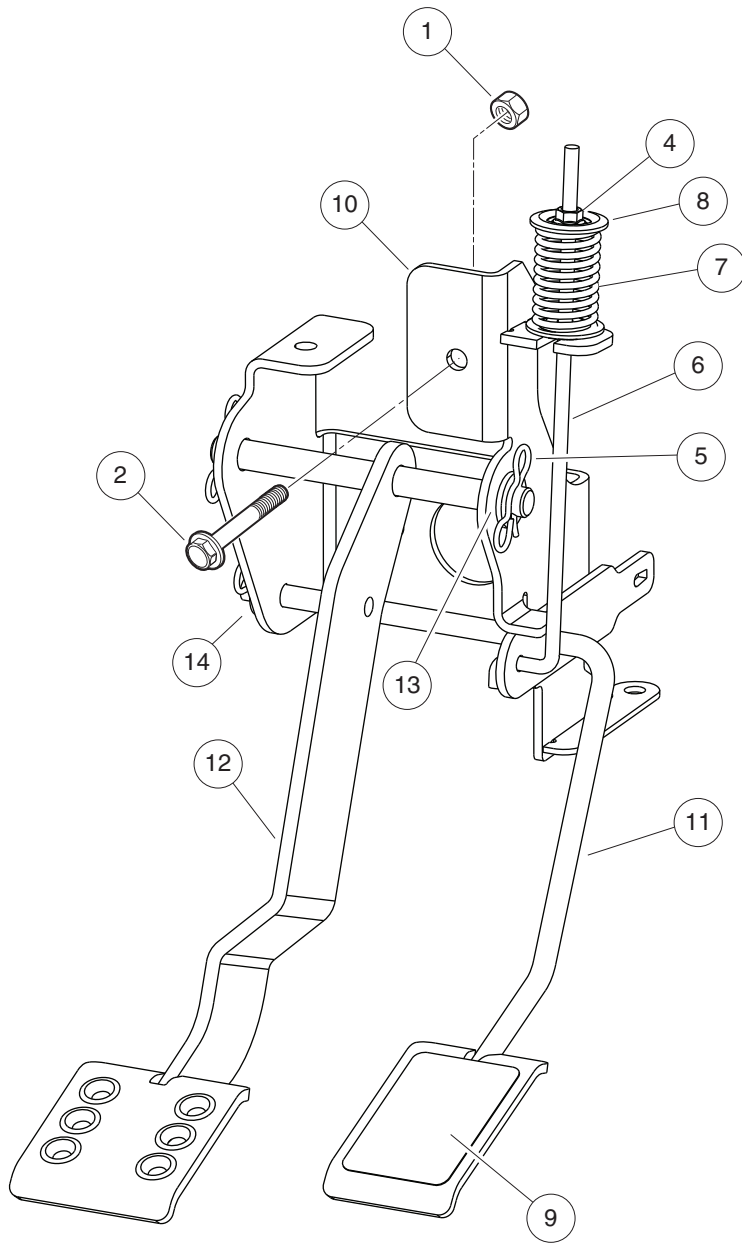
00068-007

# REAR BRAKES

ITEM	PART NO.	DESCRIPTION	QTY
		<b>1 2 3 4</b>	
1	<u>102488001</u>	Bolt, Banjo, M10x1x19 .....	2
2	<u>102491601</u>	Washer, Copper, M10 Crush .....	4
3	<u>102493301</u>	Bolt, Flange Head, 3/8-24x.750 with Loctite .....	4
4	<u>103077501</u>	Rotor, Disc, Brake .....	2
5	<u>103160101</u>	Kit, Brake Pad, 7646 .....	1
6	<u>103460401</u>	Assembly, Brake Line, Rear .....	1
7	<u>103523602</u>	Caliper, Brake, Rear, LH, with Park Brake .....	1
8	<u>103523702</u>	Caliper, Brake, Rear, RH, with Park Brake .....	1
9	<u>8639</u>	Tie Wrap, 11" Nylon .....	2

**5**  
**G**

**5**  
**G**

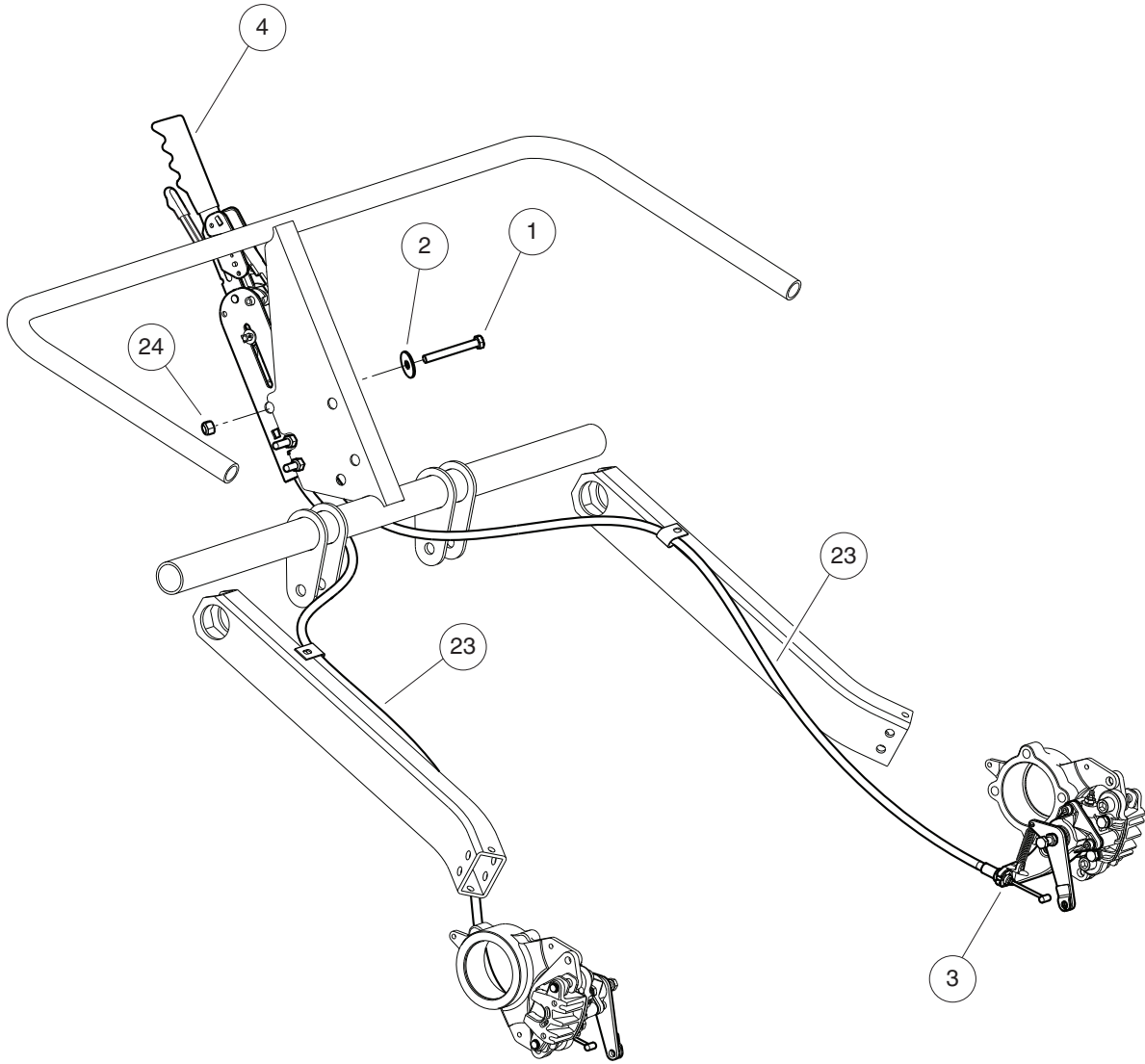


000895-001

# PEDAL GROUP

ITEM	PART NO.	DESCRIPTION	QTY
		1 2 3 4	
1	<u>102298401</u>	Nut, M8, All Metal Lock .....	1
2	<u>103531201</u>	Bolt, Flg, M8 X 1.25 X 60 .....	1
3	N/A	Asm, Group, Pedal (includes items 4 through 14) .....	1
4	<u>102296401</u>	Nut, M6x1.0, Flange, Metal Lock .....	1
5	<u>102323101</u>	Pin, Bow Tie Locking .....	3
6	<u>102416501</u>	Pullrod, Spring, Compression .....	1
7	<u>102445201</u>	Spring, Comp, Pedal, Pullrod .....	1
8	<u>102461401</u>	Washer, Retaining Spring, 7mm .....	2
9	<u>102479301</u>	Pad, Grip Tape, Accelerator .....	1
10	N/A	Weldment, Brkt, Pedals .....	1
11	N/A	Weldment, Pedal, Accel, 950 .....	1
12	N/A	Weldment, Pedal, Brake, 6 Hole .....	1
13	<u>96701412</u>	Washer, M12 Hard .....	2
14	<u>96741046</u>	Washer, M10, Hard .....	2

5  
G



000894-002



# PARK BRAKE

ITEM	PART NO.	DESCRIPTION	QTY
		<b>1 2 3 4</b>	
1	<u>1010921</u>	Screw, 5/16-18 X 2.50 Hex Cap .....	3
2	<u>1011578</u>	Washer, 5/16 Type B Flat .....	6
3	<u>1011779</u>	E-Clip, 1/2 .....	2
4	<u>103532301</u>	Park Brake Assy, Overcentre (includes items 5 through 22) .....	1
5	<u>103148701</u>	Grip, Brake, Park, O/c .....	1
6	<u>103148801</u>	Cover, Lever, Release .....	1
7	<u>103148901</u>	Switch, Brake, Park .....	1
8	<u>103149001</u>	Pin, Clevis, Brake, Park .....	1
9	<u>103149101</u>	Washer, Clevis, Pin, P/b .....	1
10	<u>103149201</u>	E-clip, Pin, Brake, Park .....	1
11	<u>103149301</u>	Pin, Clevis, Brake, Park, D7.9 .....	1
12	<u>103149401</u>	Compensator, Link, Brake, Park .....	1
13	<u>103149501</u>	Spacer, Brake, Park .....	1
14	<u>103149601</u>	Spacer, Mtg, Brake, Park .....	1
15	<u>103149701</u>	Clamp, Cable, Brake, Park .....	1
16	<u>103149801</u>	Pin, Split, Clevis .....	1
17	<u>103149901</u>	Washer, M3, Brake, Park .....	1
18	<u>103160001</u>	Screw, M3 X 20, Cheese, Hd .....	1
19	<u>103751001</u>	Cable, Handbrake, Front Exit .....	1
20	<u>103751701</u>	Handbrake, Front Cable Exit .....	1
21	<u>103755101</u>	Boot, Handbrake, Front Exit .....	1
22	<u>103763401</u>	Switch, Park Brake .....	1
23	<u>103532401</u>	Cable, Park Brake, Overcentre .....	2
24	<u>7473</u>	Locknut, 5/16-18 Nylon Insert .....	3

**5**  
**G**

5

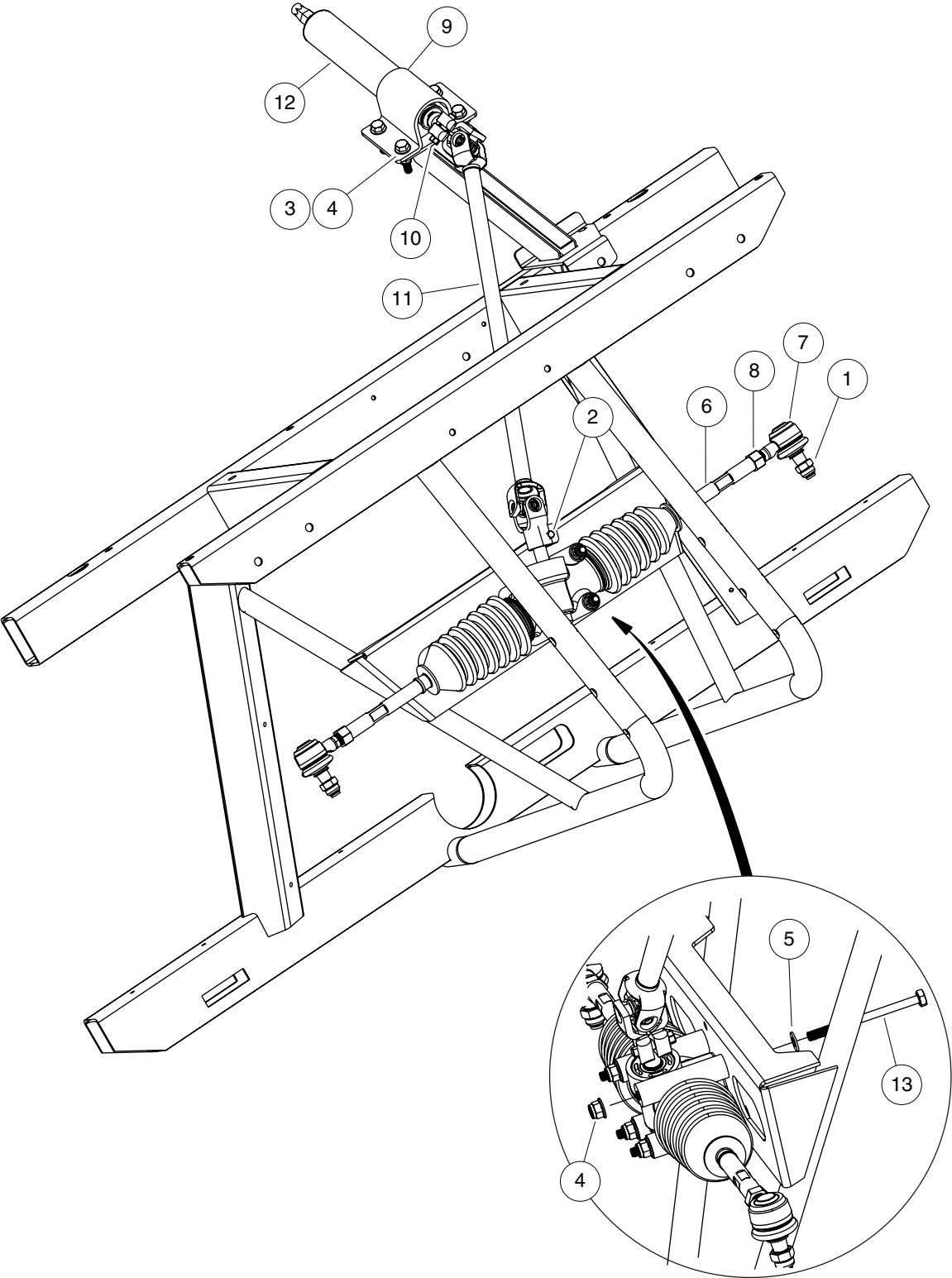
G

# STEERING AND SUSPENSION

---

6

G

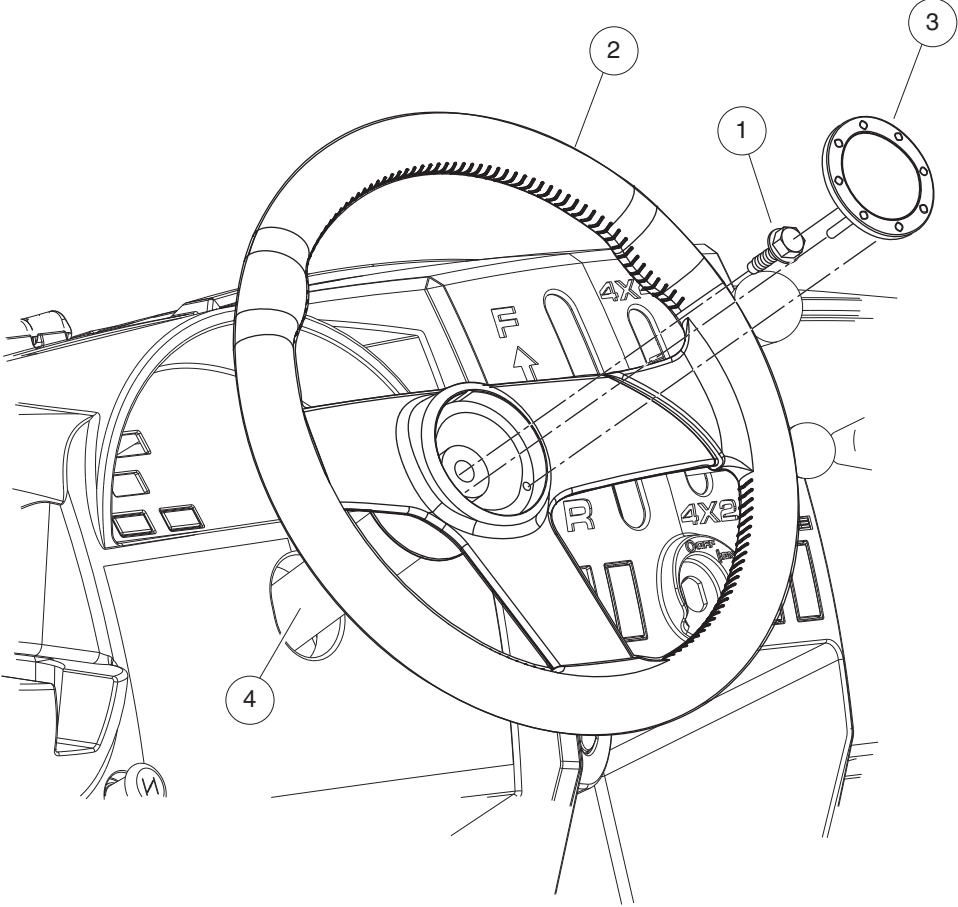


000896-001

# STEERING

ITEM	PART NO.	DESCRIPTION	QTY
		<b>1 2 3 4</b>	
1	<u>102022901</u>	Locknut, M12-1.25 Nylon .....	2
2	<u>102298130</u>	Bolt, Flange Head, M8 X 30.0 .....	1
3	<u>102618401</u>	Bolt Flanged Head, M8 X 1.25 X 35 .....	4
4	102618601	Lock Nut, Flange, M8 X 1.25 Nylon .....	8
5	<u>102661001</u>	Washer, Plain, M8 .....	8
6	<u>103106201</u>	Asm, Rack, Steering (includes items 7 and 8) .....	1
7	<u>103148301</u>	Ball Joint, Steering Rack .....	1
8	<u>103148401</u>	Nut, Jam, Steering Rack .....	1
9	103106301	Asm, Steering Column (includes items 10 through 12) .....	1
10	<u>102298130</u>	Bolt, Flange Head, M8 X 30.0 .....	1
11	<u>103090001</u>	Shaft, Intermediate, Xrt .....	1
12	<u>103529901</u>	Column, Steering W/o I-shaft .....	1
13	103146601	Bolt, Flg, M8 X 1.25 X 100 .....	4

**6**  
**G**

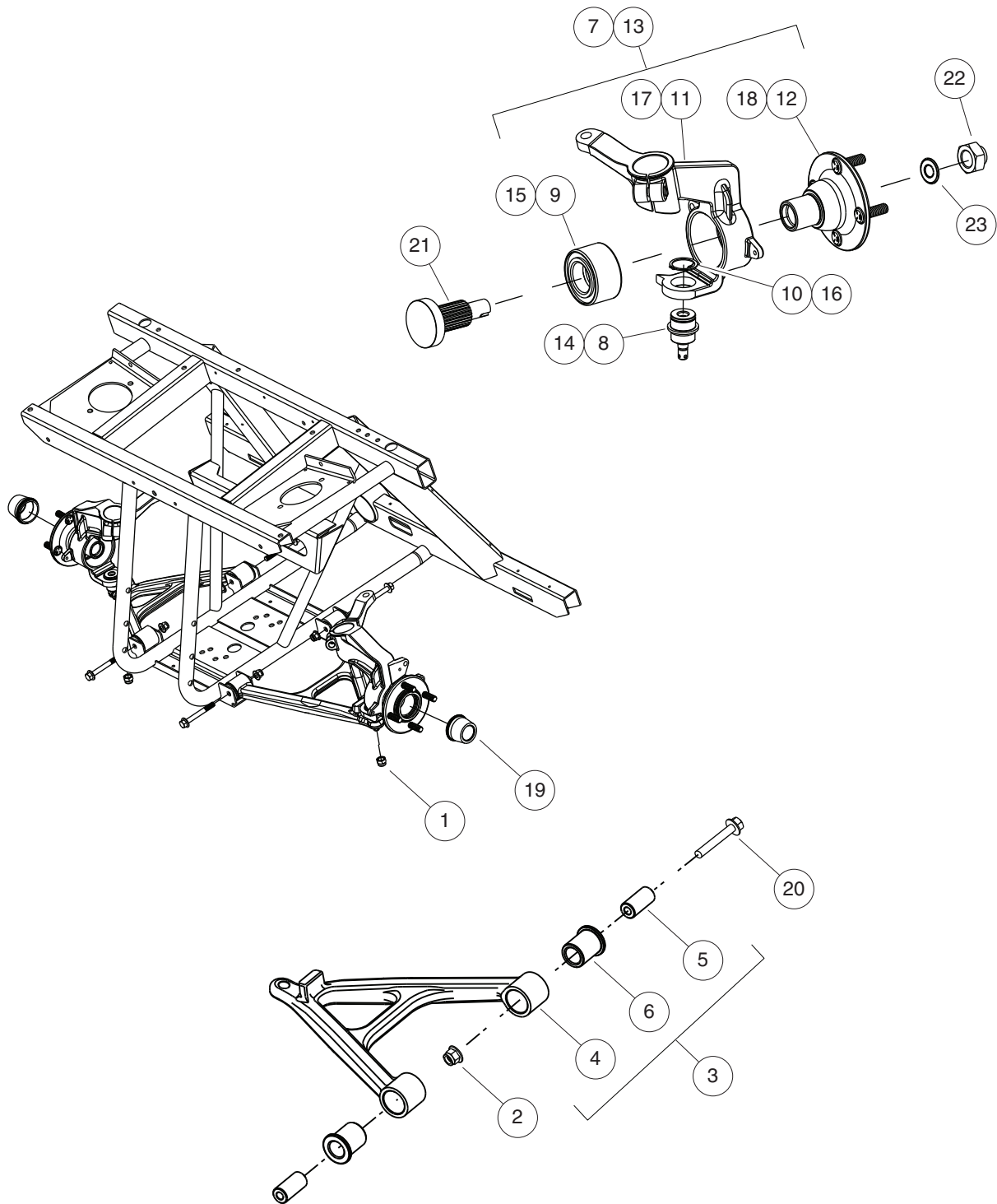


000900-001

# STEERING WHEEL

ITEM	PART NO.	DESCRIPTION	QTY
		<b>1 2 3 4</b>	
1	102290120	Bolt, M10 X 20 Hex Washer Hd .....	1
2	<u>102363802</u>	Steering Wheel, Viper, Hex Hub .....	1
3	<u>102367101</u>	Cap, Steering Wheel, Viper .....	1
4	<u>102571301</u>	Shroud, Steering Column .....	1

**6**  
**G**



000904-001



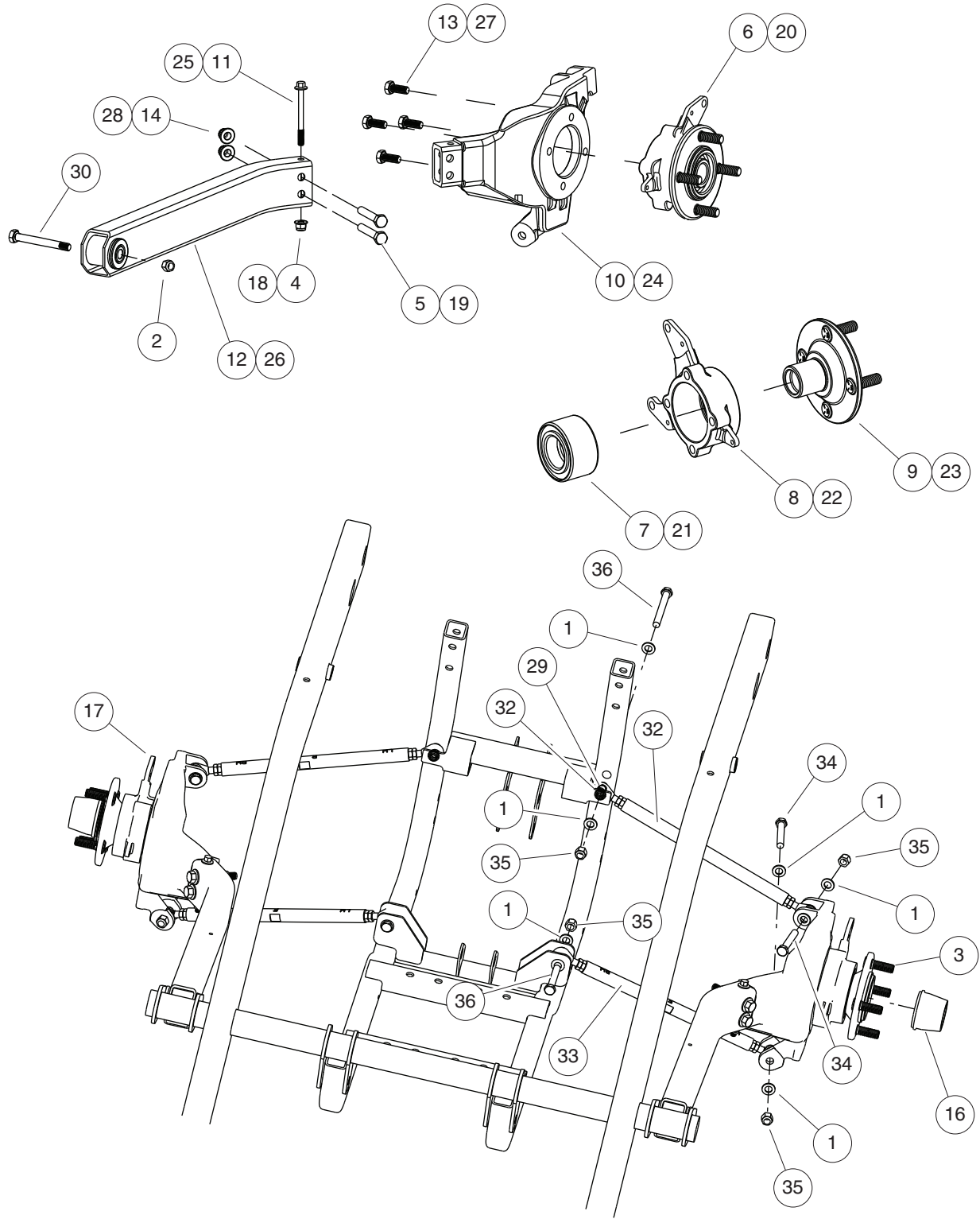
# FRONT SUSPENSION

ITEM	PART NO.	DESCRIPTION	QTY
		1 2 3 4	
1	<u>102022901</u>	Locknut, M12-1.25 Nylon .....	2
2	<u>102670701</u>	Nut, Flange, M10 X 1.5 Nylon .....	4
3	<u>103077201</u>	Asm, A- Arm (includes items 4 through 6) .....	2
4	N/A	A-arm .....	1
5	<u>103145801</u>	Sleeve, A-arm .....	2
6	<u>103148501</u>	Bushing, A-arm Front .....	2
7	<u>103105101</u>	Asm, Upright, Rh (includes items 8 through 12) .....	1
8	<u>102361901</u>	Joint, Ball .....	1
9	<u>102464301</u>	Bearing .....	1
10	<u>102722301</u>	Ring, Retaining, Ext, 1-1/4" .....	1
11	N/A	Strut, Rh, Machined .....	1
12	<u>103147501</u>	Asm, Wheel Hub, Front .....	1
13	<u>103105201</u>	Asm, Upright, Lh (includes items 14 through 18) .....	1
14	<u>102361901</u>	Joint, Ball .....	1
15	<u>102464301</u>	Bearing .....	1
16	<u>102722301</u>	Ring, Retaining, Ext, 1-1/4" .....	1
17	N/A	Strut, Lh, Machined .....	1
18	<u>103147501</u>	Asm, Wheel Hub, Front .....	1
19	<u>103145701</u>	Cap, Wheel, Rubber .....	2
20	<u>103147001</u>	Bolt, Flg, M10 X 1.5 X 80 .....	4
21	<u>103444301</u>	Shaft, Retention, Front, 2wd .....	2
22	<u>103596301</u>	Nut, Stake, M18, Halfshaft .....	2
23	<u>103600701</u>	Washer, Flat, M18 .....	2

**6**

**G**

**6**  
**G**



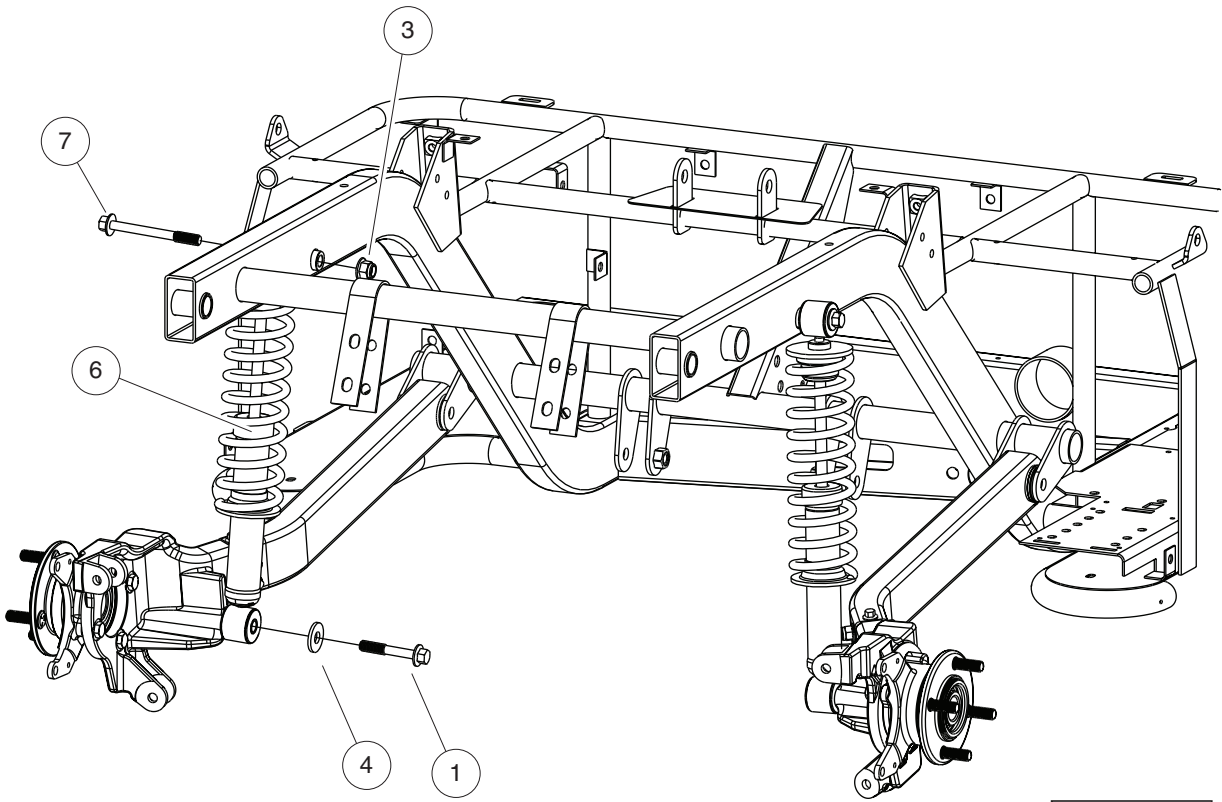
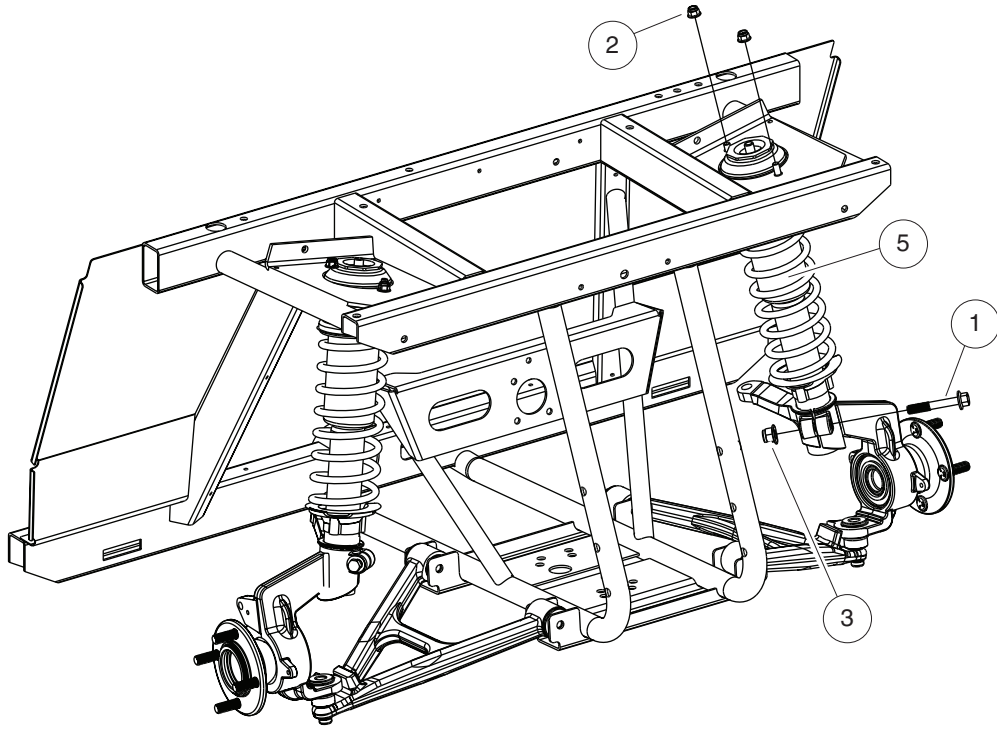
000905-002

# REAR SUSPENSION

ITEM	PART NO.	DESCRIPTION	QTY
		1 2 3 4	
1	<u>1011990</u>	Washer, 3/8 Flat .....	16
2	<u>102620501</u>	Nut, Flange, M12x1.75, Nylon Grade 10 .....	2
3	<u>103137601</u>	Asm, Trailing Arm, Rh (includes items 4 through 15) .....	1
4	<u>102618601</u>	Lock Nut, Flange, M8 X 1.25 Nylon .....	1
5	<u>102988701</u>	Bolt, Flanged, M10 X 1.5 X 65 .....	2
6	<u>103105401</u>	Asm, Upright, Rear (includes items 7 through 9) .....	1
7	<u>102464301</u>	Bearing .....	1
8	<u>103078102</u>	Holder, Bearing, Rear, Rs .....	1
9	<u>103146201</u>	Asm, Wheel Hub, Rear .....	1
10	<u>103146101</u>	Anchor, Trailing Arm, Rh .....	1
11	<u>103146801</u>	Bolt, Flg, M8 X 1.25 X 80 .....	1
12	<u>103146901</u>	Asm, Swing, Arm .....	1
13	<u>103147201</u>	Bolt, M10 X 1.5 X 25 .....	4
14	<u>103216401</u>	Nut, Flanged, M10 x 1.5, Black .....	2
15	<u>96741046</u>	Washer, M10, Hard .....	2
16	<u>103145701</u>	Cap, Wheel, Rubber .....	2
17	<u>103145901</u>	Asm, Trailing Arm, Lh (includes items 18 through 28) .....	1
18	<u>102618601</u>	Lock Nut, Flange, M8 X 1.25 Nylon .....	1
19	<u>102988701</u>	Bolt, Flanged, M10 X 1.5 X 65 .....	2
20	<u>103105401</u>	Asm, Upright, Rear (includes items 21 through 23) .....	1
21	<u>102464301</u>	Bearing .....	1
22	<u>103078102</u>	Holder, Bearing, Rear, Rs .....	1
23	<u>103146201</u>	Asm, Wheel Hub, Rear .....	1
24	<u>103113001</u>	Anchor, Trailing Arm, Lh .....	1
25	<u>103146801</u>	Bolt, Flg, M8 X 1.25 X 80 .....	1
26	<u>103146901</u>	Asm, Swing, Arm .....	1
27	<u>103147201</u>	Bolt, M10 X 1.5 X 25 .....	4
28	<u>103216401</u>	Nut, Flanged, M10 x 1.5, Black .....	2
29	<u>103146401</u>	Sleeve, Link, Short .....	2
30	<u>103146501</u>	Bolt, Flg, M12 X 1.75 X 80 .....	2
31	<u>103534001</u>	Spacer, Lat-link (not shown) .....	14
32	<u>103534402</u>	Asm, Lat-link Rear Chrome .....	2
33	<u>103534403</u>	Asm, Lat-link Front, Chrome .....	2
34	<u>2402</u>	Screw, 3/8-16 X 2.25 Hx Hd Cap .....	6
35	<u>8754</u>	Locknut, 3/8-16 Hex .....	8
36	<u>8755</u>	Screw, 3/8-16 X 3.375 Hex Cap .....	2

**6**

**G**



000906-001

# SPRINGS & SHOCKS

ITEM	PART NO.	DESCRIPTION	QTY
		<b>1 2 3 4</b>	
1	<u>102616301</u>	Bolt, Flange Head, M12 X 1.75 X 70 .....	4
2	<u>102618601</u>	Lock Nut, Flange, M8 X 1.25 Nylon .....	4
3	<u>102620501</u>	Nut, Flange, M12x1.75, Nylon Grade 10 .....	4
4	<u>102684501</u>	Washer, M12 Hard Regular .....	2
5	<u>103075901</u>	Cartridge, Strut, Front .....	2
6	<u>103113301</u>	Shock Absorber, Rear .....	2
7	<u>103146701</u>	Bolt, Flg, M12 X 1.75 X 110 .....	2

6

G

6

G

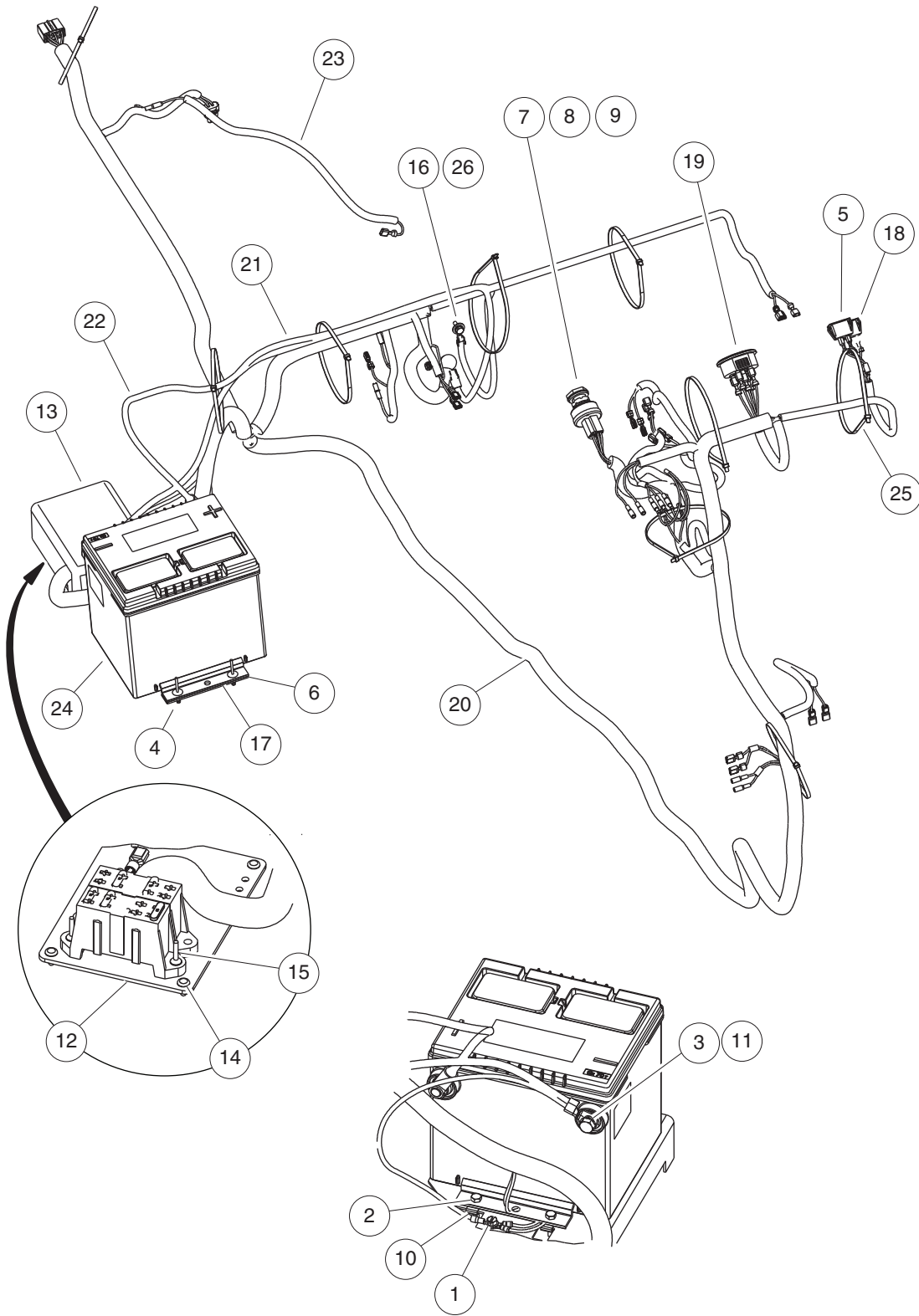
# ELECTRICAL SYSTEM

---

7

G

**7**  
**G**



000898-001



# ELECTRICAL COMPONENTS

ITEM	PART NO.	DESCRIPTION	QTY
		1 2 3 4	
1	<u>1010545</u>	Screw, Hex Washer Head 1/4-14 X .75 .....	1
2	<u>1012769</u>	Screw, M6-1.00 X 25mm Hex Cap .....	2
3	<u>1014375</u>	Screw, 3/8-16 X 0.50, Stainless Steel, Hex-Head .....	2
4	<u>1015392</u>	Rivet, 3/16 Pop .....	2
5	<u>1016630</u>	Light, Oil .....	1
6	<u>101898001</u>	Clamp, Battery .....	2
7	<u>102044702</u>	Key Switch 12v Key Start .....	1
8	<u>102051601</u>	Spacer, Keyswitch .....	1
9	<u>102051701</u>	Nut, Key Switch .....	1
10	<u>102296601</u>	U-Nut, M6-1.0, Prevailing Torque .....	2
11	<u>102355301</u>	Lockwasher, 3/8 Split Ss .....	2
12	<u>102420401</u>	Plate, Electrical .....	1
13	<u>102420501</u>	Cover, Electrical .....	1
14	<u>102447901</u>	Fastener, Push-in .....	4
15	<u>102448001</u>	Rivet, Drive .....	2
16	<u>102490301</u>	Bolt, M6 X 1 X 16, Loctite .....	1
17	<u>102686501</u>	Spacer, Battery .....	1
18	<u>103247601</u>	Light, Indicator, Brake Sys .....	1
19	<u>103348101</u>	Gauge, Fuel-hour, Sep Gnd .....	1
20	<u>103422201</u>	Harness, Main, Xrt950 .....	1
21	<u>103443801</u>	Cable, B-, Xrt950 .....	1
22	<u>103443901</u>	Cable, B+, Xrt950 .....	1
23	<u>103479801</u>	Jumpr, Xrt950, Oil Pres Swth .....	1
24	<u>103496801</u>	Battery, Start, 12v .....	1
25	<u>8639</u>	Tie Wrap, 11" Nylon .....	9
26	<u>96705199</u>	Washer, M6 .....	1

7  
G

7

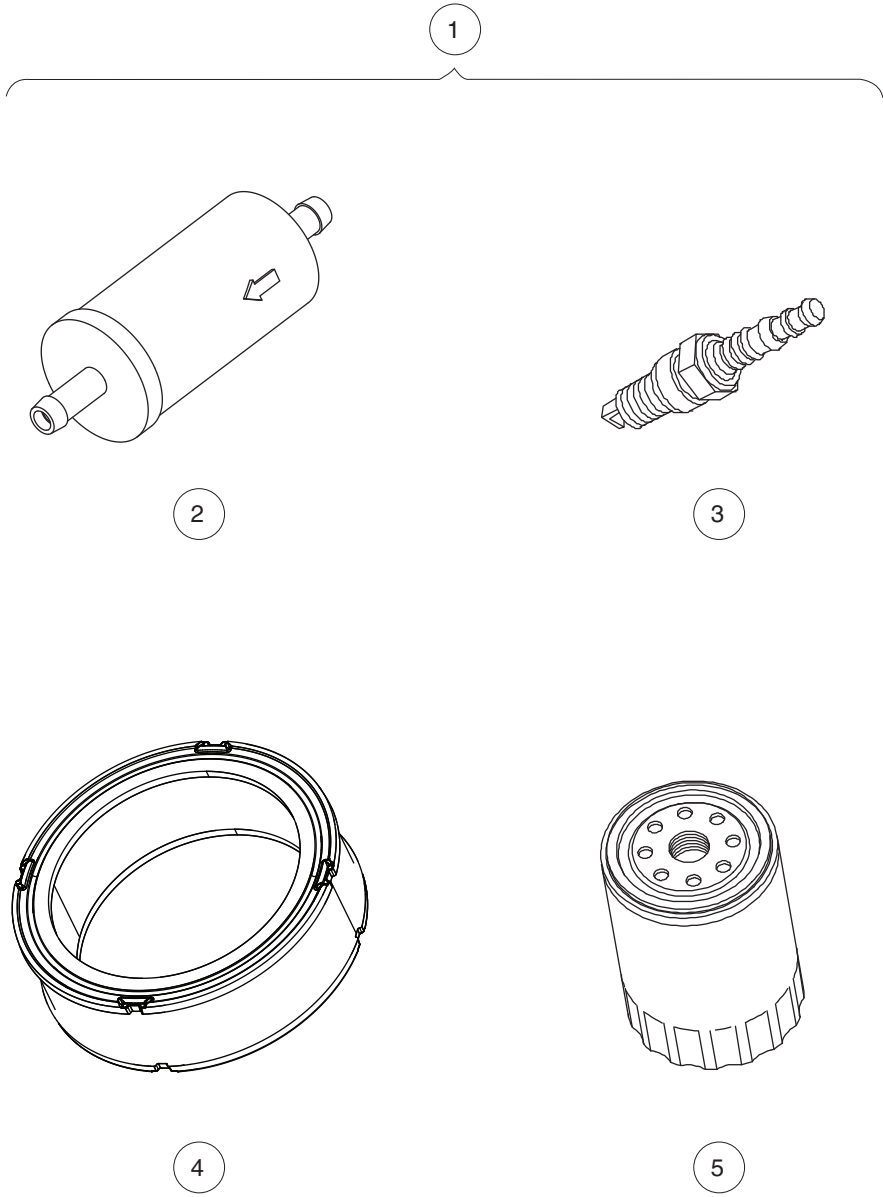
G

# ENGINE

---

8

G



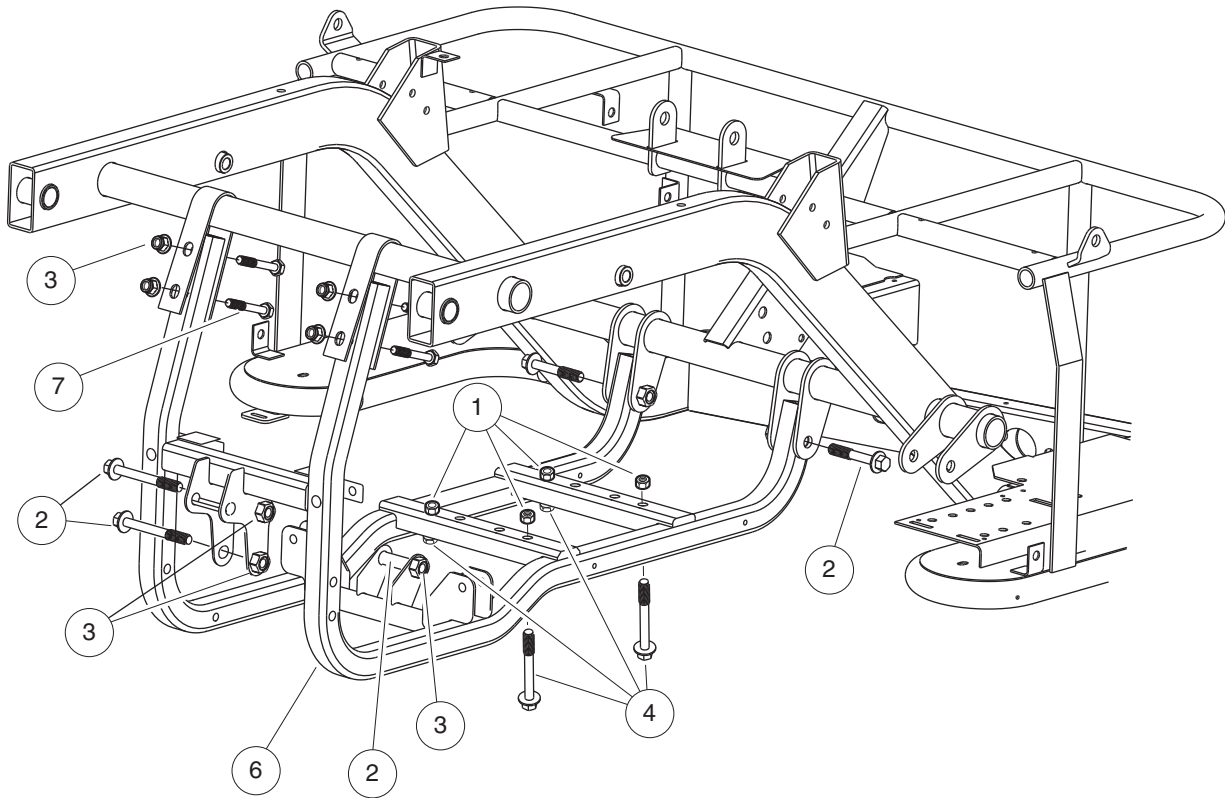
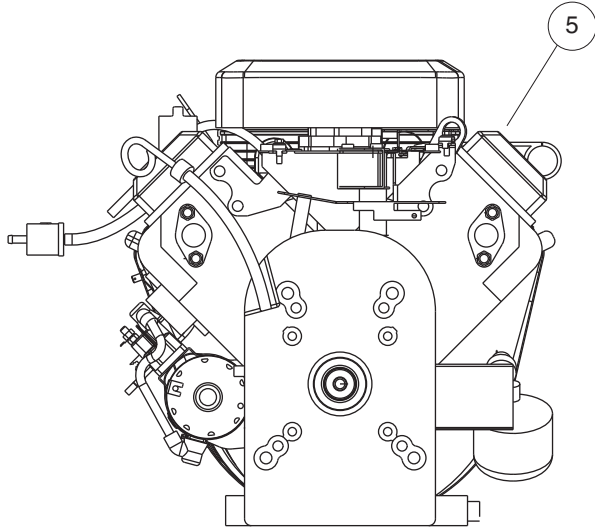
000992-005

# B&S TUNE-UP KIT, XRT 950

ITEM	PART NO.	DESCRIPTION	QTY
		1 2 3 4	
1	<u>AM1274301</u>	Vanguard V-twin Tune Up Kit (includes items 2 through 5) .....	1
2	<u>103552401</u>	Filter, Fuel, B & S 14 Hp .....	1
3	<u>103554801</u>	Plug, Spark, B&s 14 Hp .....	2
4	<u>103556401</u>	Filter, Air Cleaner Cartridge .....	1
5	<u>103566401</u>	Filter, Oil .....	1

8

G



000888-002

# ENGINE AND ENGINE MOUNTING

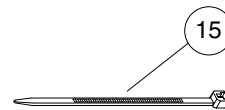
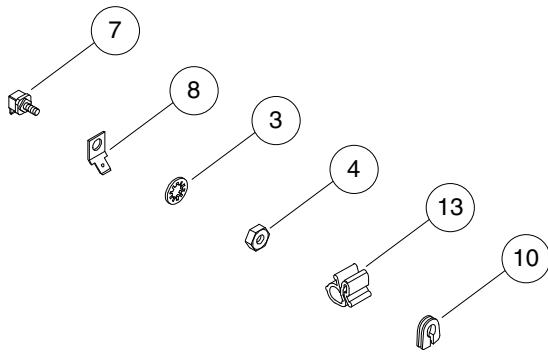
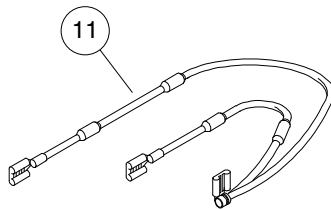
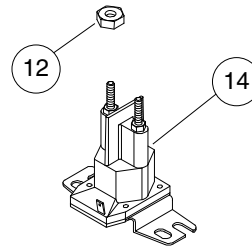
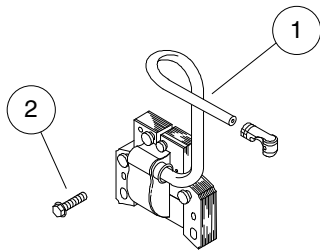
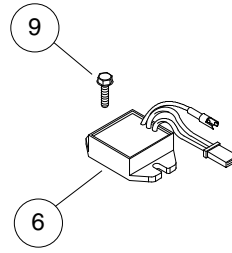
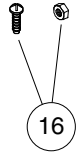
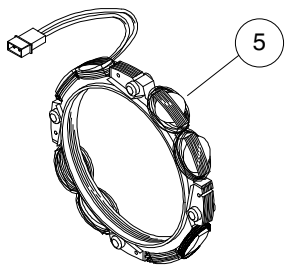
ITEM	PART NO.	DESCRIPTION	QTY
		1 2 3 4	
1	<u>102298401</u>	Nut, M8, All Metal Lock .....	4
2	<u>102616301</u>	Bolt, Flange Head, M12 X 1.75 X 70 .....	3
3	<u>102670701</u>	Nut, Flange, M10 X 1.5 Nylon .....	4
4	<u>102719501</u>	Bolt Flanged Head, M8x1.25 X 50 with Loctite .....	4
5	<u>103413301</u>	Engine, B&s, 14hp W/starter .....	1
6	N/A	Weldment, Subframe, Powertrain .....	1
7	<u>96715552</u>	Bolt, M10 X 1.50 X 65 .....	4

**8**

**G**

8

G



000889-014



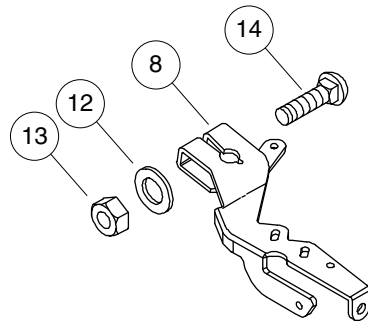
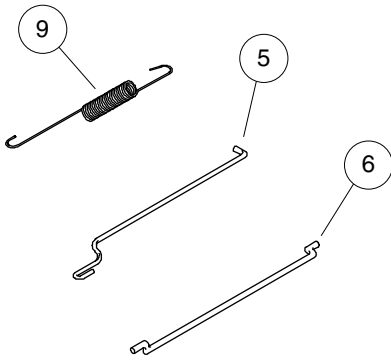
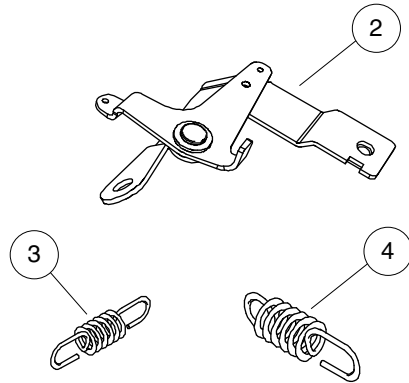
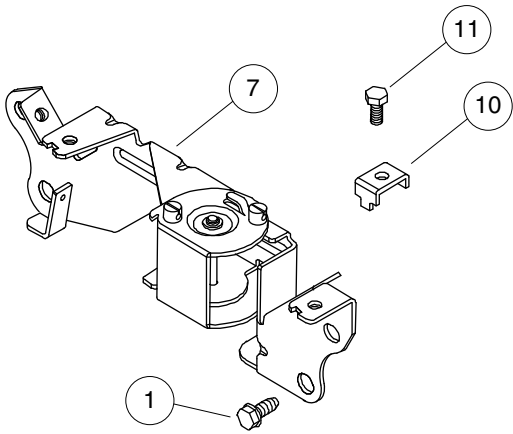
# ELECTRICAL COMPONENTS – ENGINE

ITEM	PART NO.	DESCRIPTION	QTY
		1 2 3 4	
1	<u>103554601</u>	Armature, Magneto .....	2
2	<u>103554701</u>	Screw, Magneto Armature .....	1
3	<u>103555301</u>	Washer, Ground Terminal .....	1
4	<u>103555601</u>	Nut, Ground Terminal .....	1
5	<u>103556901</u>	Alternator, 10 - 16 Amp .....	1
6	<u>103557201</u>	Regulator .....	1
7	<u>103557601</u>	Insulator, B&s 14 Hp .....	1
8	<u>103557801</u>	Terminal, Ground .....	1
9	<u>103558201</u>	Screw, Regulator .....	2
10	<u>103558301</u>	Grommet, B & S 14 Hp .....	1
11	<u>103559401</u>	Assembly, Wire, 2 .....	1
12	<u>103561001</u>	Nut, Starter Solenoid .....	2
13	<u>103561701</u>	Clip, Wire .....	1
14	<u>103564501</u>	Solenoid, Starter .....	1
15	<u>103567101</u>	Tie, Cable .....	1
16	<u>103567301</u>	Kit, Screw & Washer .....	1

**8**

**G**

**8**  
**G**



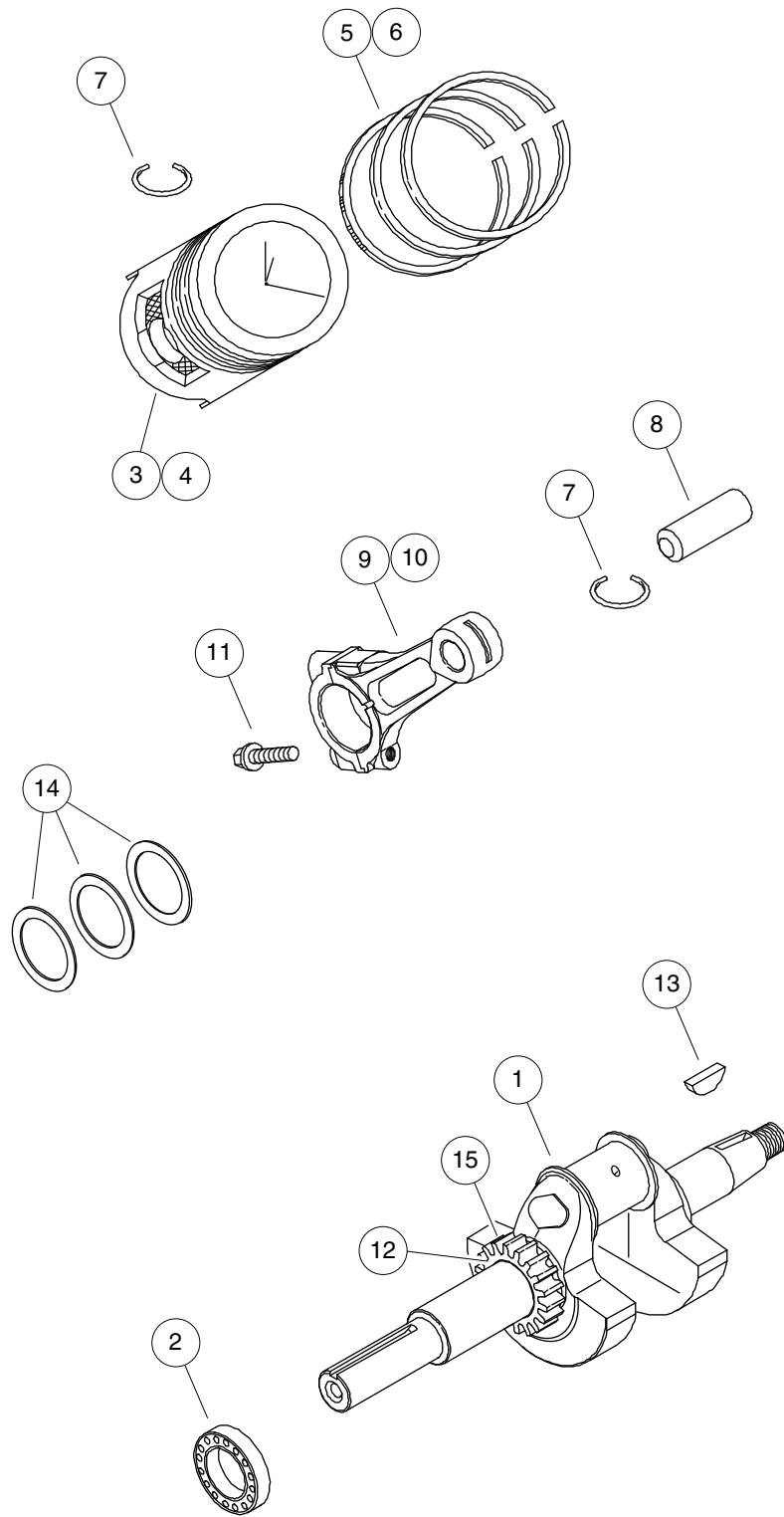
000889-013

# GOVERNOR CONTROL BRACKETS AND SPRINGS

ITEM	PART NO.	DESCRIPTION	QTY
		1 2 3 4	
1	<u>103551001</u>	Screw, Control Bracket .....	4
2	<u>103551301</u>	Crank, Bell .....	1
3	<u>103551501</u>	Spring, Governor .....	1
4	<u>103551601</u>	Spring, Governor Idle .....	1
5	<u>103551701</u>	Link, Throttle .....	1
6	<u>103551801</u>	Link, Choke .....	1
7	<u>103551901</u>	Bracket, Control .....	1
8	<u>103552001</u>	Lever, Governor Control .....	1
9	<u>103552201</u>	Spring, Governor Link .....	1
10	<u>103552601</u>	Clamp, Casing .....	1
11	<u>103552701</u>	Screw, Casing Clamp .....	1
12	<u>103553301</u>	Washer, Gov Control Lever .....	1
13	<u>103557401</u>	Nut, Governor Control Lever .....	1
14	<u>103558801</u>	Bolt, Governor Control Lever .....	1

**8**

**G**



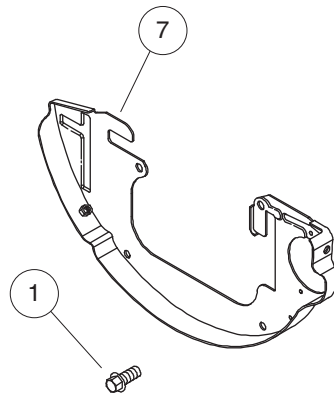
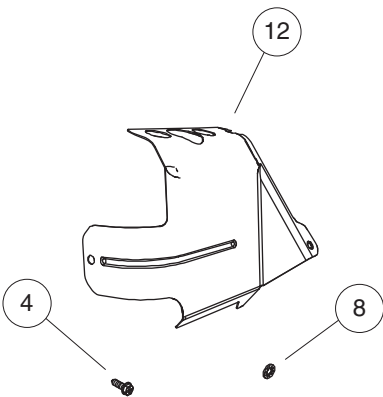
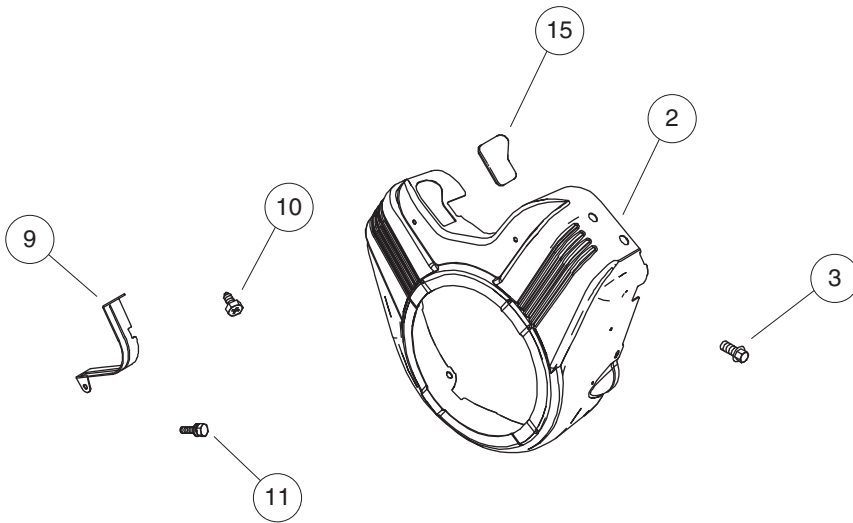
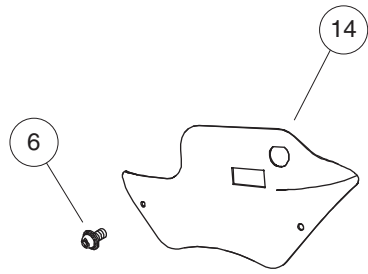
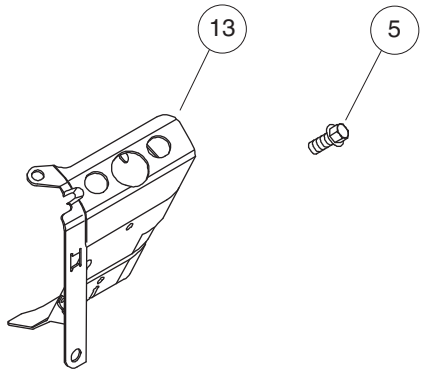
000903-003

# CRANKSHAFT AND PISTONS

ITEM	PART NO.	DESCRIPTION	QTY
		1 2 3 4	
1	<u>103545101</u>	Crankshaft, B&s 14 Hp .....	1
2	<u>103545201</u>	Bearing, Ball .....	1
3	N/A	Assembly, Piston .....	2
4	N/A	Assembly, Piston,.020"over .....	2
5	N/A	Set, Ring .....	2
6	N/A	Set, Ring, .020" Oversize .....	2
7	<u>103546201</u>	Lock, Piston Pin .....	2
8	<u>103546301</u>	Piston, Pin .....	2
9	<u>103546401</u>	Rod, Connecting .....	2
10	<u>103546501</u>	Rod, Connection, .020"under .....	2
11	<u>103546601</u>	Screw, Connecting Rod .....	4
12	<u>103550401</u>	Key, Timing .....	1
13	<u>103555701</u>	Key, Woodruff .....	1
14	<u>103559601</u>	Shim, Bearing End Play .....	1
15	<u>103562101</u>	Gear, Timing .....	1

**8**  
**G**

**8**  
**G**



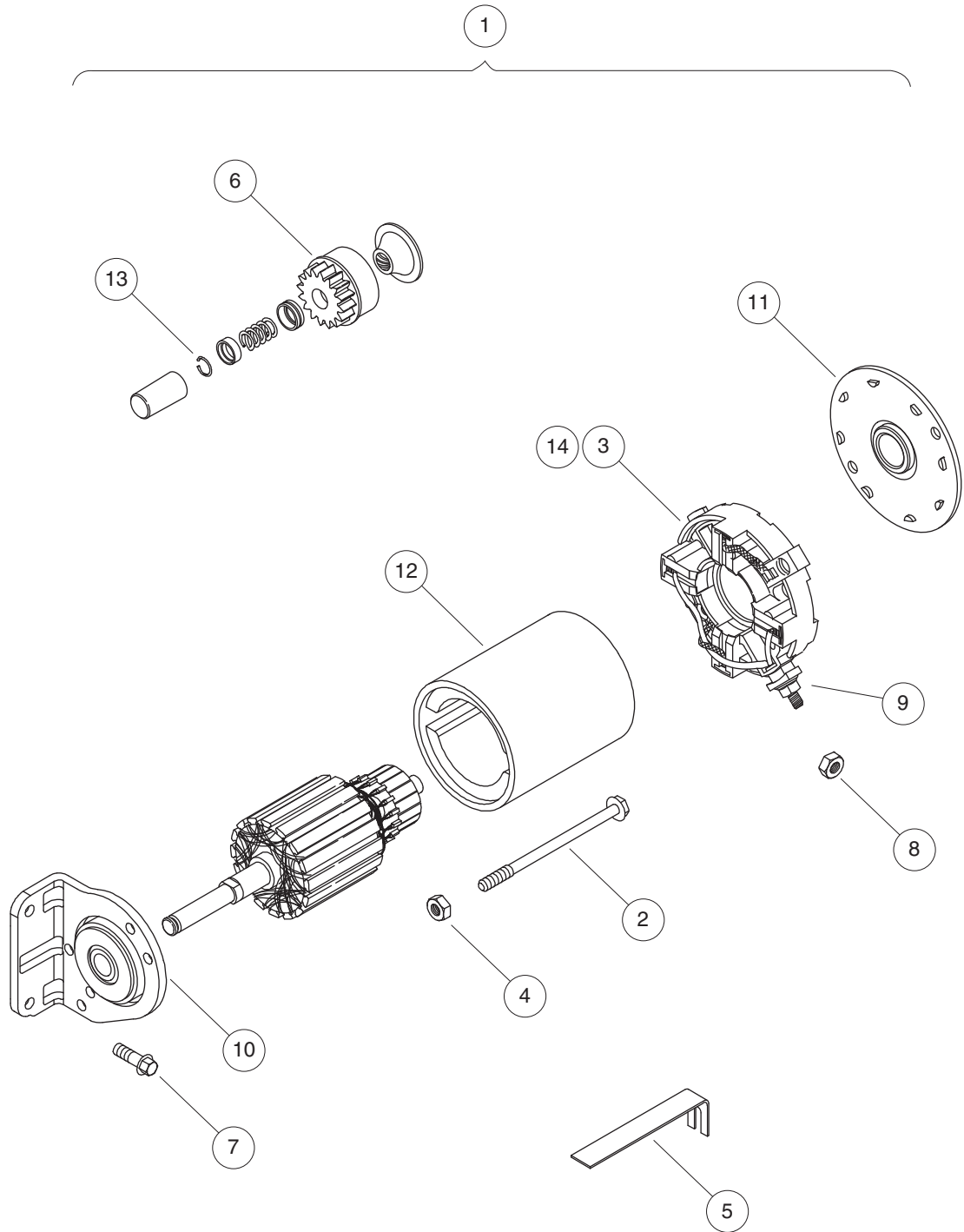
000889-010

# ENGINE SHROUD

ITEM	PART NO.	DESCRIPTION	QTY
		1 2 3 4	
1	<u>103551201</u>	Screw, Back Plate .....	4
2	<u>103553501</u>	Housing, Blower .....	1
3	<u>103553601</u>	Screw, Housing, Blower .....	6
4	<u>103554301</u>	Screw, Cylinder Head Cover, 1 .....	6
5	<u>103556501</u>	Screw, Air Guide Cover .....	10
6	<u>103557501</u>	Screw, Carburetor Cover .....	2
7	<u>103559101</u>	Plate, Back, B & S 14 Hp .....	1
8	<u>103560401</u>	Washer, Cylinder Head Cover, 1 .....	6
9	<u>103561501</u>	Cover, Starter Drive .....	1
10	<u>103561801</u>	Screw, Starter Drive Cover, 1 .....	1
11	<u>103561901</u>	Screw, Starter Drive Cover, 2 .....	1
12	<u>103563601</u>	Cover, Air Guide, 1 .....	1
13	<u>103563701</u>	Cover, Air Guide, 2 .....	1
14	<u>103564101</u>	Cover, Carburetor .....	1
15	<u>103566901</u>	Plug, Blower, Housing .....	1

**8**

**G**



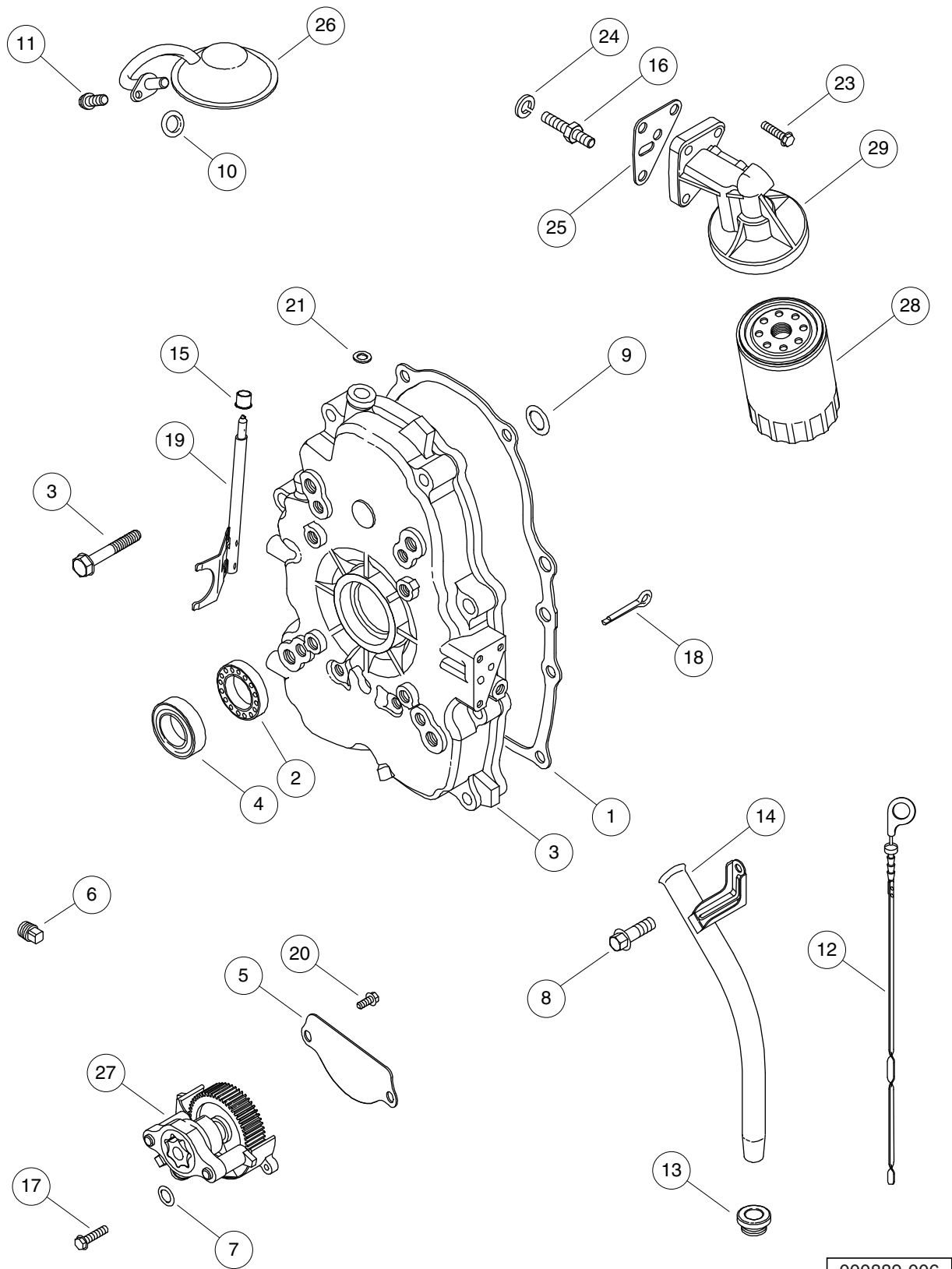
000889-009



# STARTER MOTOR

ITEM	PART NO.	DESCRIPTION	QTY
		<b>1 2 3 4</b>	
1	<u>103553901</u>	Motor, Starter (includes items 2 through 14) .....	1
2	<u>103554001</u>	Screw, Starter Motor .....	2
3	<u>103554101</u>	Set, Brush .....	1
4	<u>103556001</u>	Nut, Starter Motor .....	2
5	<u>103557301</u>	Strap, Starter .....	1
6	<u>103557701</u>	Drive, Starter .....	1
7	<u>103561201</u>	Screw, Drive Cap .....	2
8	<u>103562401</u>	Nut, Brush Retainer, 1 .....	1
9	<u>103562501</u>	Nut, Brush Retainer, 2 .....	1
10	N/A	Cap, Drive .....	1
11	<u>103562701</u>	Cap, End, B & S 14 Hp .....	1
12	N/A	Housing, Starter .....	1
13	<u>103567001</u>	Ring, Retaining, B & S 14 Hp .....	1
14	<u>103567401</u>	Retainer, Brush .....	1

**8**  
**G**



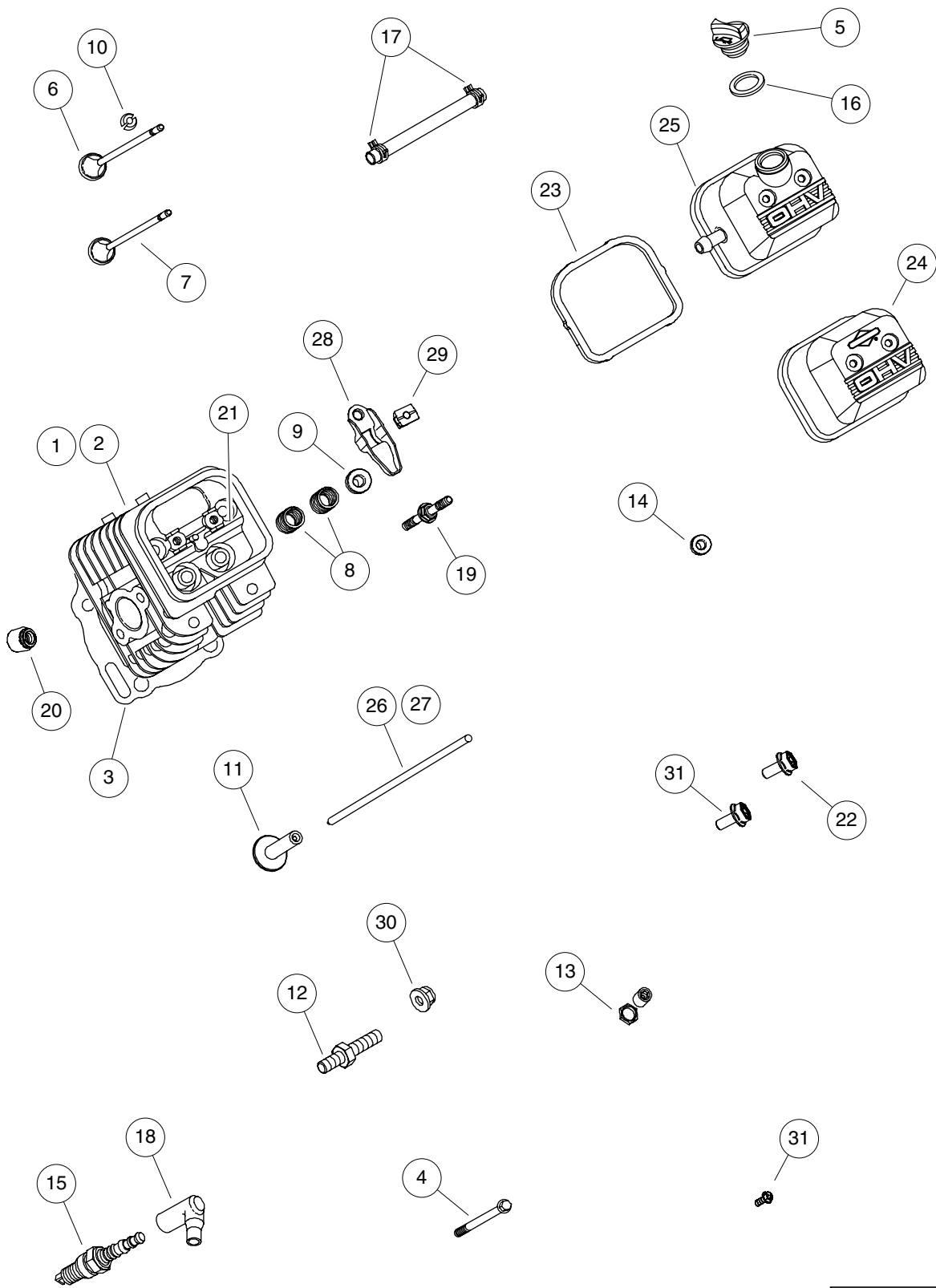
000889-006

## OIL PUMP, OIL FILTER AND CRANKCASE COVER

ITEM	PART NO.	DESCRIPTION	QTY
		1 2 3 4	
1	<u>103544801</u>	Gasket, Crankcase .....	1
2	<u>103545201</u>	Bearing, Ball .....	1
3	<u>103545301</u>	Cover, Crankcase .....	1
4	<u>103545401</u>	Seal, Oil, Pto Side .....	1
5	<u>103547101</u>	Deflector, Oil .....	1
6	<u>103548301</u>	Plug, Oil .....	1
7	<u>103552801</u>	Seal, O Ring, Oil Pump .....	1
8	<u>103553401</u>	Screw, Dipstick Tube .....	1
9	<u>103556301</u>	Seal, O Ring, Crankcase Cover .....	1
10	<u>103556801</u>	Seal, O Ring, Oil Pump Screen .....	1
11	<u>103557001</u>	Screw, Oil Pump Screen .....	1
12	<u>103557901</u>	Dipstick, B & S 14 Hp .....	1
13	<u>103558001</u>	Seal, Dipstick Tube .....	1
14	<u>103558101</u>	Tube, Dipstick .....	1
15	<u>103558601</u>	Bushing, Gov Crank, 2 .....	1
16	<u>103558901</u>	Stud, Oil Filter Adapter .....	3
17	<u>103559501</u>	Screw, Oil Pump .....	2
18	<u>103559901</u>	Retainer, Governor Shaft .....	1
19	<u>103560001</u>	Crank, Governor .....	1
20	<u>103560701</u>	Screw, Oil Deflector .....	2
21	<u>103561101</u>	Seal, Governor Shaft .....	1
22	<u>103561301</u>	Cover, Oil Filter, B&S 14 Hp (not shown) .....	1
23	<u>103562001</u>	Screw, Oil Filter Adapter .....	3
24	<u>103563101</u>	Washer, Oil Filter Adapter .....	3
25	<u>103565201</u>	Gasket, Oil Adapter, 1 .....	1
26	<u>103565601</u>	Screen, Oil Pump .....	1
27	<u>103566001</u>	Pump, Oil .....	1
28	<u>103566401</u>	Filter, Oil .....	1
29	<u>103566501</u>	Adapter, Oil Filter .....	1

**8**

**G**



000903-002

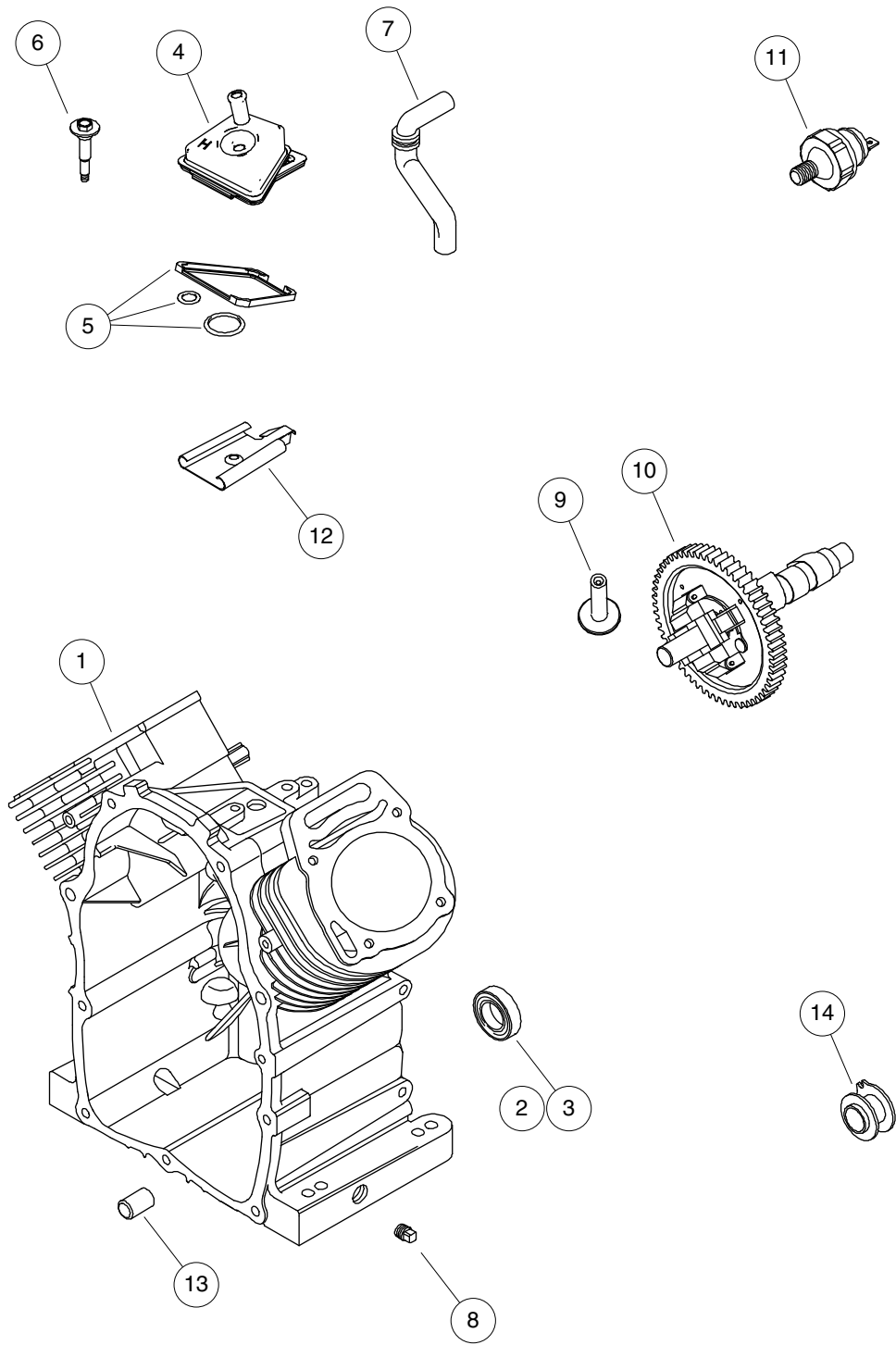
# CYLINDER HEAD & VALVES

ITEM	PART NO.	DESCRIPTION	QTY
		1 2 3 4	
1	<u>103544001</u>	Head, Cylinder, 1 .....	1
2	<u>103544101</u>	Head, Cylinder, 2 .....	1
3	<u>103544201</u>	Gasket, Cylinder Head .....	2
4	<u>103544901</u>	Screw, Cylinder Head .....	8
5	<u>103545501</u>	Cap, Oil Fill .....	1
6	<u>103546701</u>	Valve, Exhaust .....	2
7	<u>103546801</u>	Valve, Intake .....	2
8	<u>103546901</u>	Spring Valve, B&s 14 Hp .....	4
9	<u>103547201</u>	Retainer, Valve .....	4
10	<u>103547301</u>	Keeper, Valve .....	4
11	<u>103547401</u>	Tappet, Valve .....	4
12	<u>103550501</u>	Stud, Exhaust Manifold .....	4
13	<u>103551101</u>	Adjuster, Rocker Arm .....	4
14	<u>103553001</u>	Washer, Sealing, Rocker, Cover .....	4
15	<u>103554801</u>	Plug, Spark, B&s 14 Hp .....	2
16	<u>103554901</u>	Gasket, Dipstick .....	1
17	<u>103559701</u>	Clamp, Hose, 1 .....	2
18	<u>103560301</u>	Boot, Spark Plug .....	2
19	<u>103563201</u>	Stud, Rocker Arm, B & S 14 Hp .....	4
20	<u>103563801</u>	Seal, Valve .....	4
21	<u>103563901</u>	Bushing, Valve Guide .....	4
22	<u>103565001</u>	Screw, Ac Base To Cart, 1 .....	1
23	<u>103565701</u>	Gasket, Rocker Cover .....	2
24	<u>103565801</u>	Cover, Rocker, 1 .....	1
25	<u>103565901</u>	Cover, Rocker, 2 .....	1
26	<u>103566201</u>	Rod, Push, Intake, Steel .....	2
27	<u>103566301</u>	Rod, Push, Exhaust, Aluminum .....	2
28	<u>103566601</u>	Arm, Rocker .....	4
29	<u>103567701</u>	Pivot, Rocker Arm, B&s 14 Hp .....	4
30	<u>103567901</u>	Nut, Exhaust Manifold .....	4
31	<u>103568001</u>	Screw, Rocker Cover Stud .....	4

8

G

**8**  
**G**



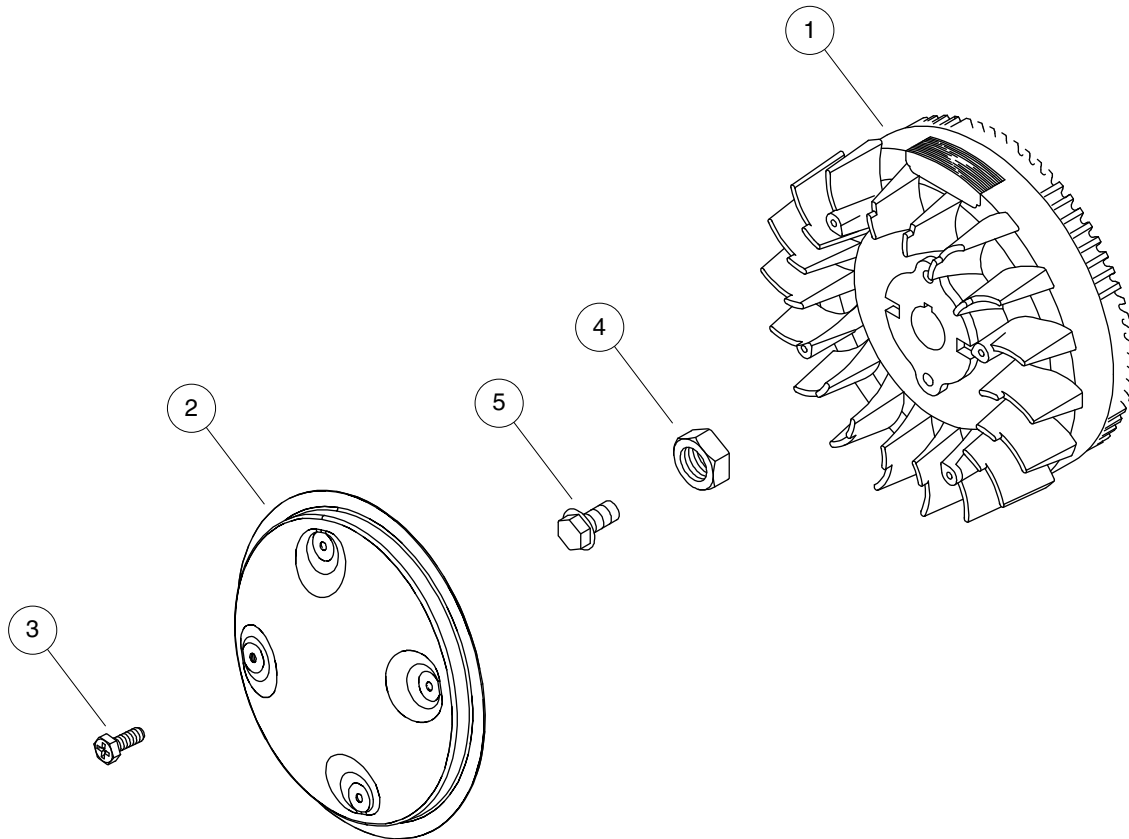
000903-001

# CYLINDER ASSEMBLY

ITEM	PART NO.	DESCRIPTION	QTY
		1 2 3 4	
1	<u>103543701</u>	Assembly, Cylinder .....	1
2	<u>103543801</u>	Kit, Bush & Seal, Magneto Side .....	1
3	<u>103543901</u>	Seal, Oil, Magneto Side .....	1
4	<u>103544301</u>	Assembly, Breather .....	1
5	<u>103544401</u>	Gasket, Breather .....	1
6	<u>103544501</u>	Screw, Breather Assembly .....	1
7	<u>103544701</u>	Tube, Breather .....	1
8	<u>103545001</u>	Plug, Oil Drain .....	1
9	<u>103547401</u>	Tappet, Valve .....	4
10	<u>103547501</u>	Camshaft .....	1
11	<u>103552301</u>	Switch, Oil Pressure, B&s 14hp .....	1
12	<u>103559001</u>	Baffle, Breather .....	1
13	<u>103561401</u>	Pin, Locating .....	2
14	<u>103566101</u>	Spool, Governor .....	1

8

G



000889-011



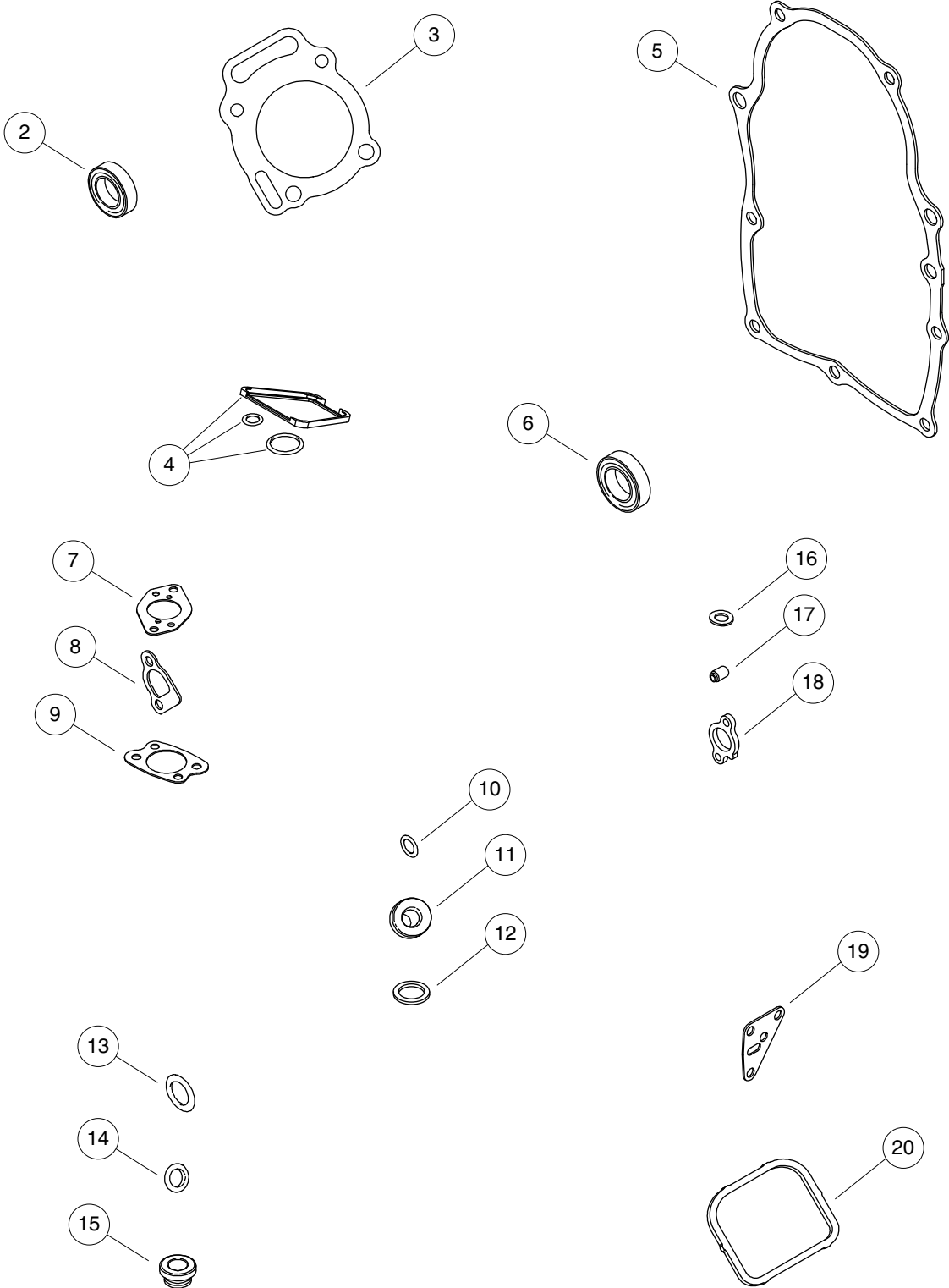
# FLYWHEEL

ITEM	PART NO.	DESCRIPTION	QTY
		<b>1 2 3 4</b>	
1	<u>103545701</u>	Flywheel, B&S 14 Hp .....	1
2	<u>103548001</u>	Screen, Rotating .....	1
3	<u>103548101</u>	Screw, Rotating Screen .....	4
4	<u>103554501</u>	Nut, Flywheel .....	1
5	<u>103566801</u>	Screw, Flywheel .....	1

**8**  
**G**

8

G



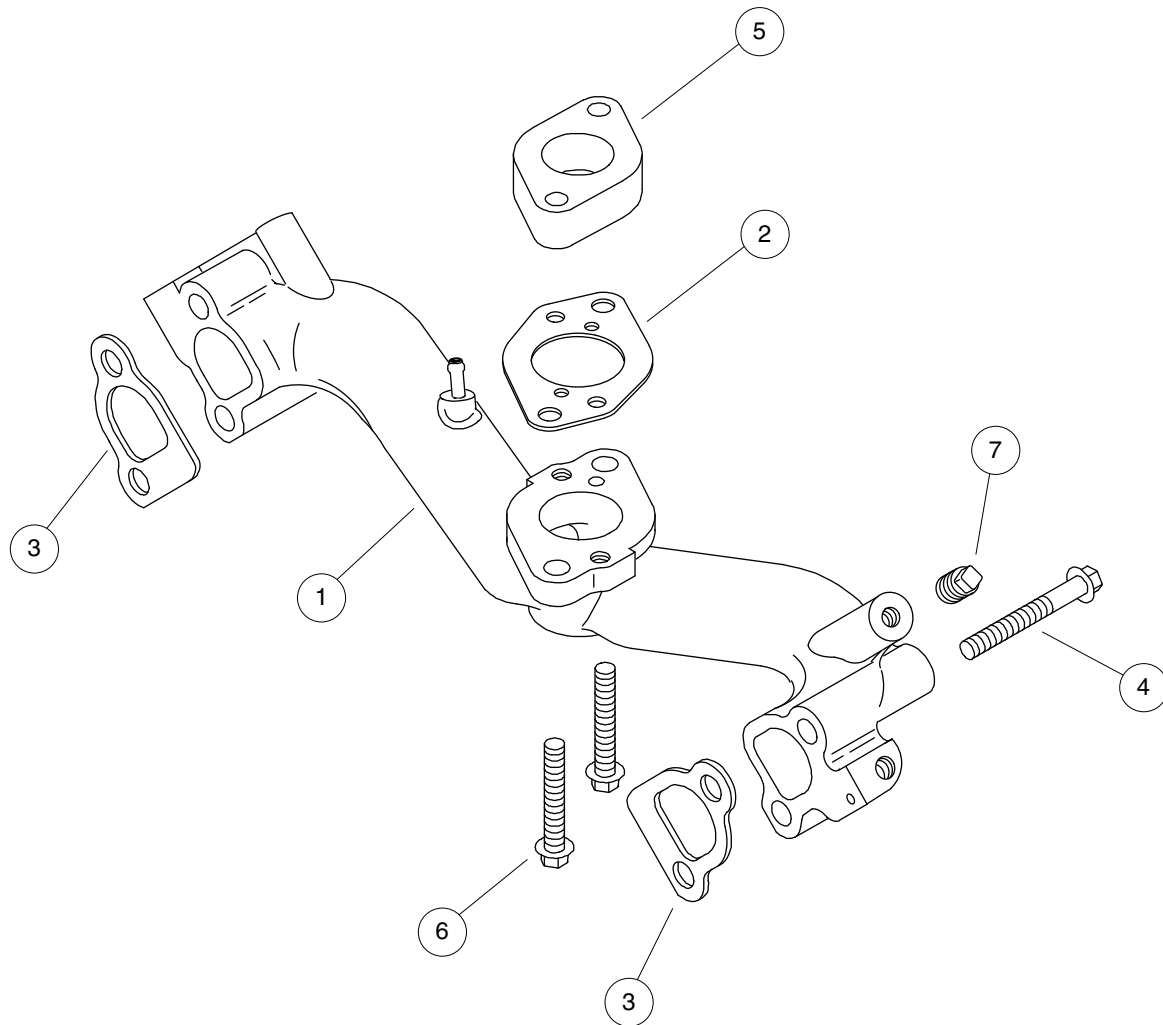
000889-002

# ENGINE GASKETS AND SEALS

ITEM	PART NO.	DESCRIPTION	QTY
		1 2 3 4	
1	<u>103555201</u>	Gasket, Set, Engine (includes items 2 through 20) .....	1
2	<u>103543901</u>	Seal, Oil, Magneto Side .....	1
3	<u>103544201</u>	Gasket, Cylinder Head .....	2
4	<u>103544401</u>	Gasket, Breather .....	1
5	<u>103544801</u>	Gasket, Crankcase .....	1
6	<u>103545401</u>	Seal, Oil, Pto Side .....	1
7	<u>103547701</u>	Gasket, Intake, Manifold-carb .....	1
8	<u>103547801</u>	Gasket, Intake .....	2
9	<u>103550701</u>	Gasket, Air Cleaner .....	1
10	<u>103552801</u>	Seal, O Ring, Oil Pump .....	1
11	<u>103553001</u>	Washer, Sealing, Rocker, Cover .....	4
12	<u>103554901</u>	Gasket, Dipstick .....	1
13	<u>103556301</u>	Seal, O Ring, Crankcase Cover .....	1
14	<u>103556801</u>	Seal, O Ring, Oil Pump Screen .....	1
15	<u>103558001</u>	Seal, Dipstick Tube .....	1
16	<u>103561101</u>	Seal, Governor Shaft .....	1
17	<u>103563801</u>	Seal, Valve .....	4
18	<u>103564201</u>	Gasket, Exhaust .....	2
19	<u>103565201</u>	Gasket, Oil Adapter, 1 .....	1
20	<u>103565701</u>	Gasket, Rocker Cover .....	2

**8**

**G**



000889-005

# INTAKE MANIFOLD

ITEM	PART NO.	DESCRIPTION	QTY
		1 2 3 4	
1	<u>103547601</u>	Manifold, Intake .....	1
2	<u>103547701</u>	Gasket, Intake, Manifold-carb .....	1
3	<u>103547801</u>	Gasket, Intake .....	2
4	<u>103547901</u>	Screw, Intake Manifold .....	4
5	<u>103549901</u>	Spacer, Carburetor .....	1
6	<u>103555501</u>	Screw, Carburetor .....	2
7	<u>103556101</u>	Plug, B & S 14 Hp .....	1

8

G

8

G

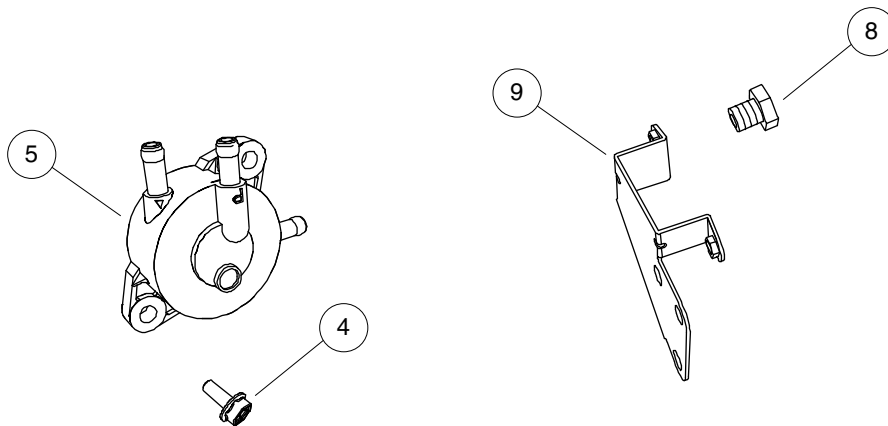
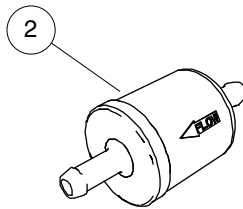
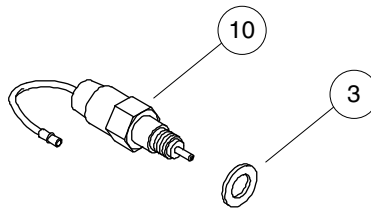
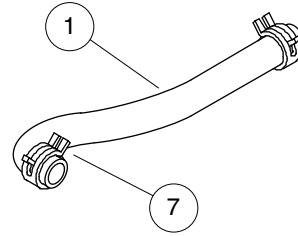
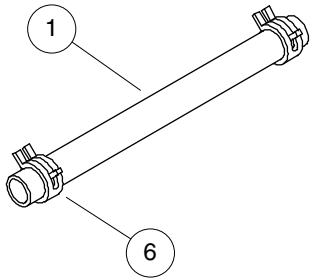
# FUEL SYSTEM

---

9

G

**9**  
**G**



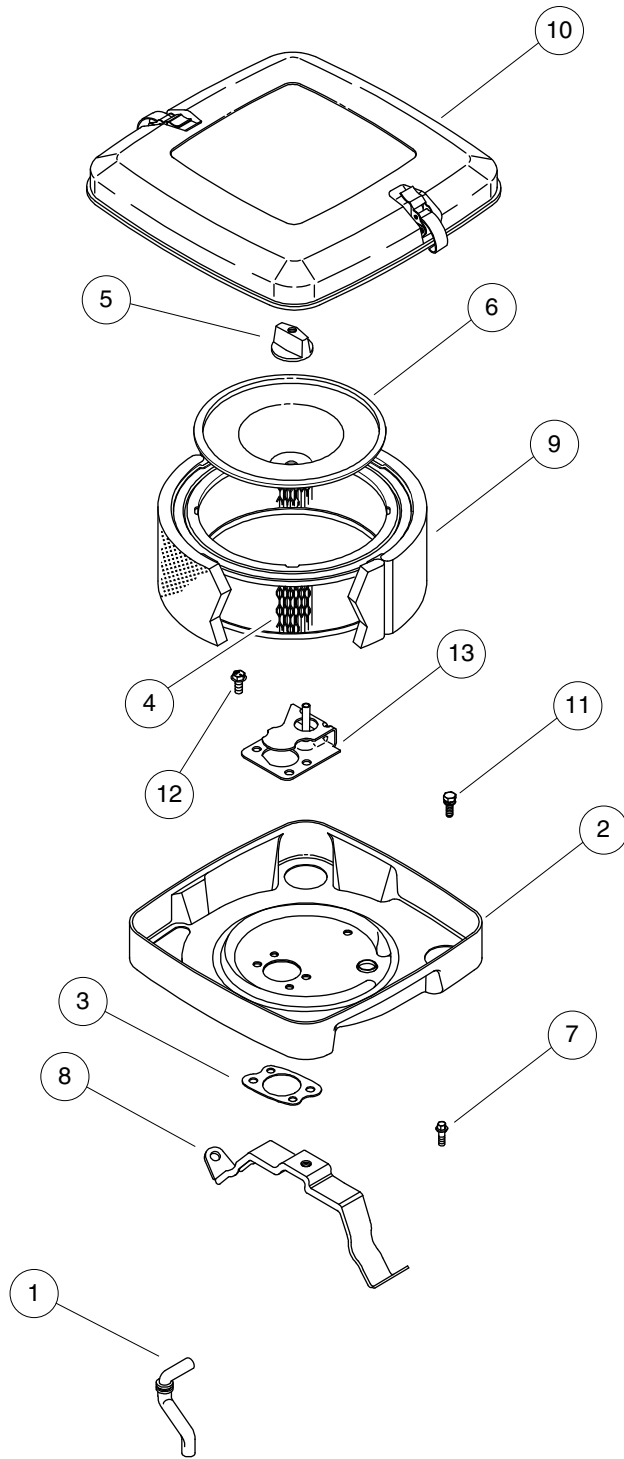
000889-012



# FUEL PUMP AND FILTER

ITEM	PART NO.	DESCRIPTION	QTY
		1 2 3 4	
1	<u>102865101</u>	Fuel Line, 1/4 (available by the foot) .....	1
2	<u>103552401</u>	Filter, Fuel, B & S 14 Hp .....	1
3	<u>103553201</u>	Washer, Sealing, Solenoid .....	1
4	103555801	Screw, Fuel Pump .....	2
5	<u>103555901</u>	Pump, Fuel .....	1
6	<u>103559701</u>	Clamp, Hose, 1 .....	2
7	<u>103559801</u>	Clamp, Hose, 2 .....	2
8	<u>103560101</u>	Screw, Fuel Pump Bracket .....	3
9	<u>103562301</u>	Bracket, Fuel Pump .....	1
10	<u>103564601</u>	Solenoid, Fuel .....	1

9  
G



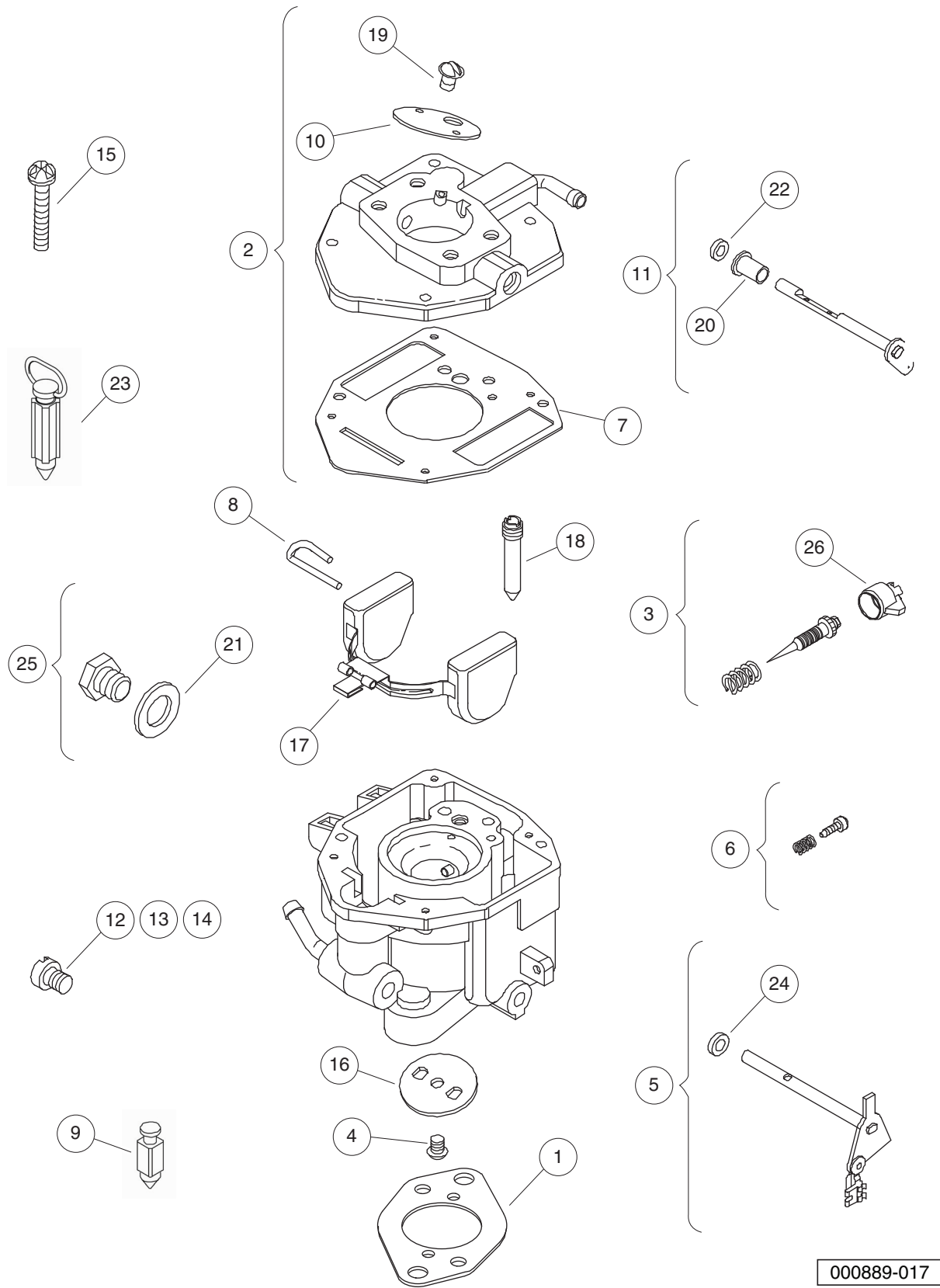
000889-007

# AIR CLEANER

ITEM	PART NO.	DESCRIPTION	QTY
		<b>1 2 3 4</b>	
1	<u>103544701</u>	Tube, Breather .....	1
2	<u>103550601</u>	Base, Air Cleaner, Metal .....	1
3	<u>103550701</u>	Gasket, Air Cleaner .....	1
4	<u>103556401</u>	Filter, Air Cleaner Cartridge .....	1
5	<u>103556701</u>	Knob, Air Cleaner .....	1
6	<u>103560601</u>	Retainer, Air Filter .....	1
7	<u>103563301</u>	Screw, Ac Mounting Strap .....	2
8	<u>103563501</u>	Strap, Ac Mounting .....	1
9	<u>103564801</u>	Filter, Pre Cleaner .....	1
10	<u>103564901</u>	Cover, Air Cleaner .....	1
11	<u>103565001</u>	Screw, Ac Base To Cart, 1 .....	4
12	<u>103565101</u>	Screw, Ac Base To Cart, 2 .....	4
13	<u>103565401</u>	Shield, Carburetor .....	1

**9**  
**G**

9  
G

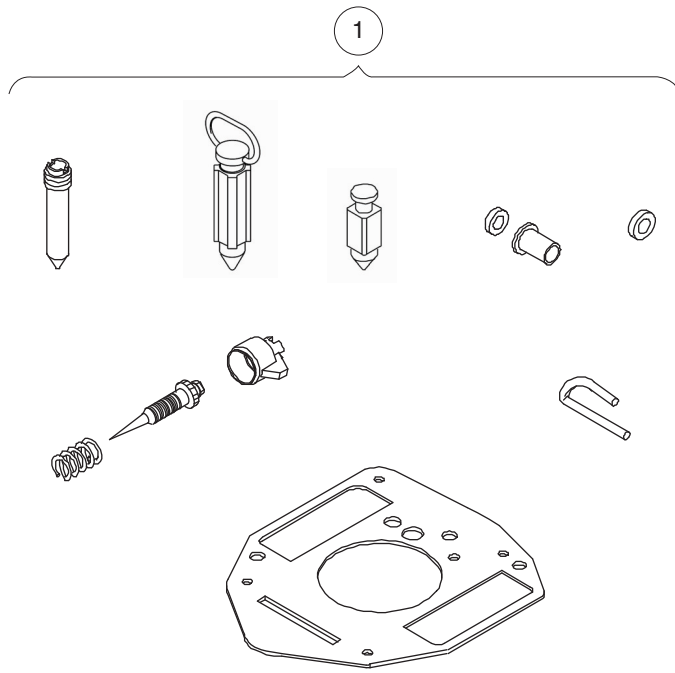


000889-017

# CARBURETOR

ITEM	PART NO.	DESCRIPTION	QTY
		1 2 3 4	
1	<u>103547701</u>	Gasket, Intake, Manifold-carb .....	1
2	<u>103548401</u>	Body, Upper Carburetor .....	1
3	<u>103548501</u>	Kit, Idle Mixture .....	1
4	<u>103548601</u>	Screw, Throttle Valve .....	1
5	<u>103548701</u>	Shaft, Throttle .....	1
6	<u>103548801</u>	Kit, Idle Speed .....	1
7	<u>103548901</u>	Gasket, Carburetor Body .....	1
8	<u>103549001</u>	Pin, Float Hinge .....	1
9	<u>103549101</u>	Valve, Float Needle .....	1
10	<u>103549201</u>	Valve, Choke .....	1
11	<u>103549301</u>	Shaft, Choke .....	1
12	<u>103549401</u>	Jet, Main, 0-5000 Ft (0-1500m) .....	1
13	<u>103549501</u>	Jet, Main, 5000-9000 Ft (1500-2700m) .....	1
14	<u>103549601</u>	Jet, Main, 9000-up Ft (2700m-up) .....	1
15	<u>103549701</u>	Screw, Carb Body .....	4
16	<u>103550101</u>	Valve, Throttle .....	1
17	<u>103550201</u>	Float, Carburetor .....	1
18	<u>103550301</u>	Nozzle, Carburetor, Standard .....	1
19	<u>103552101</u>	Screw, Choke Valve .....	1
20	<u>103552501</u>	Bushing, Choke Shaft .....	1
21	<u>103553101</u>	Washer, Sealing, Carb Plug .....	1
22	<u>103560201</u>	Seal, Choke & Throttle Shaft .....	1
23	<u>103560901</u>	Kit, Needle & Seat .....	1
24	<u>103562901</u>	Spacer, Throttle .....	1
25	<u>103564701</u>	Plug, Carburetor .....	1
26	<u>103567501</u>	Cap, Limiter .....	1

9  
G



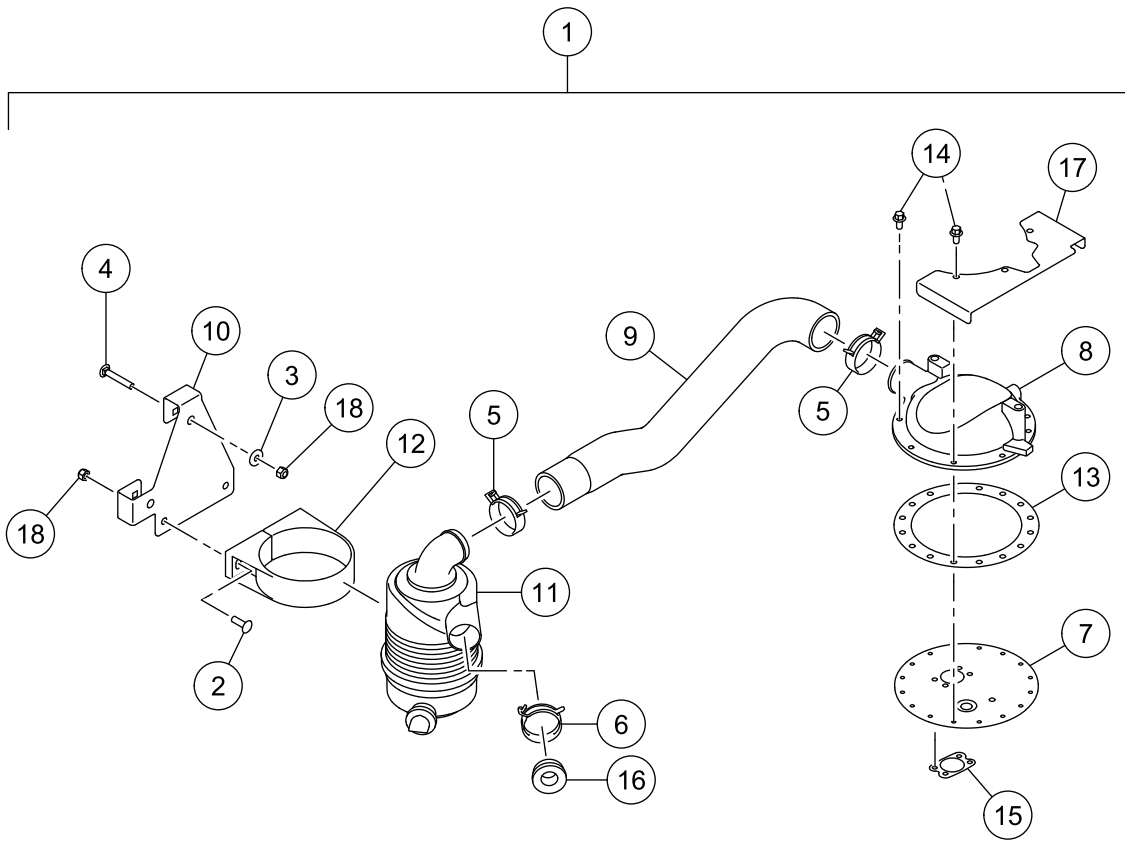
000889-015

# CARBURETOR OVERHAUL KIT

ITEM	PART NO.	DESCRIPTION	QTY
1	<u>103549801</u>	<div style="display: flex; justify-content: space-between; margin-bottom: 5px;"> <span>1</span> <span>2</span> <span>3</span> <span>4</span> </div> Kit, Carburetor Overhaul .....	1

9

G

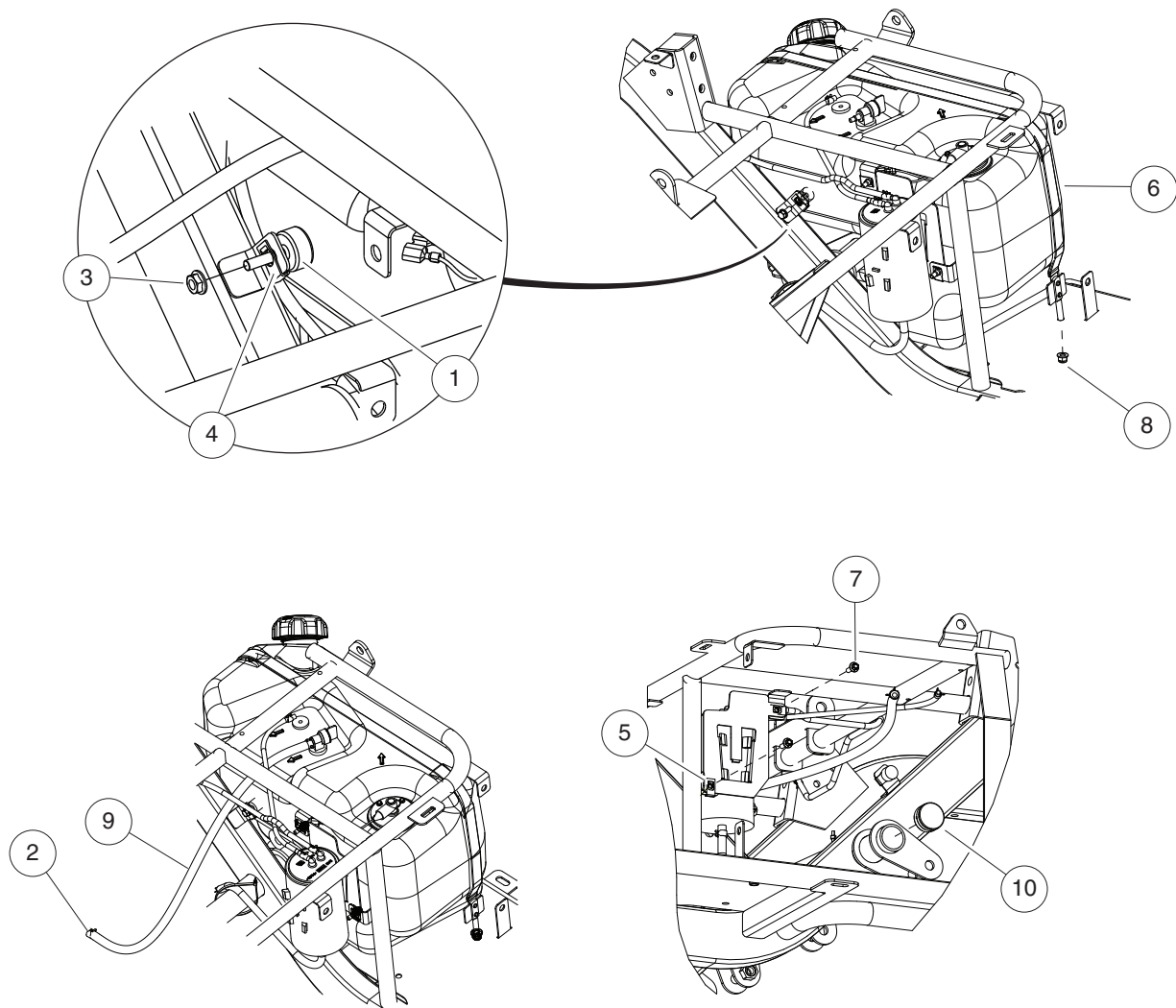




# REMOTE AIR CLEANER

ITEM	PART NO.	DESCRIPTION	QTY
		<b>1 2 3 4</b>	
1	<u>103531001</u>	Kit, Air Cleaner, Remote (includes items 2 through 18) .....	1
2	<u>1010435</u>	Bolt, Carriage, 5/16-18 X 1.00 .....	2
3	<u>1015075</u>	Washer, 5/16 Flat Type A .....	2
4	<u>1015405</u>	Bolt, Carriage, 5/16-18 X 2.0 .....	2
5	<u>102411209</u>	Clamp, Hose, Ctb 55mm Dia. ....	2
6	<u>102558301</u>	Clamp, Air Intake, Prec .....	1
7	<u>103441101</u>	Plate, Adapter, Remote Air .....	1
8	<u>103441201</u>	Adapter, Remote Air .....	1
9	<u>103441301</u>	Hose, Intake, Remote .....	1
10	<u>103460001</u>	Brkt, Mtg, Air Intake, Remote .....	1
11	<u>103526701</u>	Canister, Filter, Air, Asm .....	1
12	<u>103527201</u>	Bracket, Mounting, Ac, 4" .....	1
13	<u>103576901</u>	Gasket, Remote Intake .....	1
14	<u>103577001</u>	Scr, Hex Flg, M6 X 1 X 12, Bs .....	8
15	<u>103581401</u>	Gasket, Carb, B&s .....	1
16	<u>103689801</u>	Restrictor, Intake, Remote .....	1
17	<u>103751101</u>	Guard, Remote Intake, Xrt950 .....	1
18	<u>7473</u>	Locknut, 5/16-18 Nylon Insert .....	4

**9**  
**G**



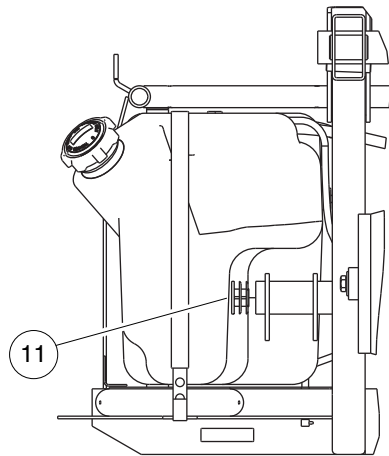
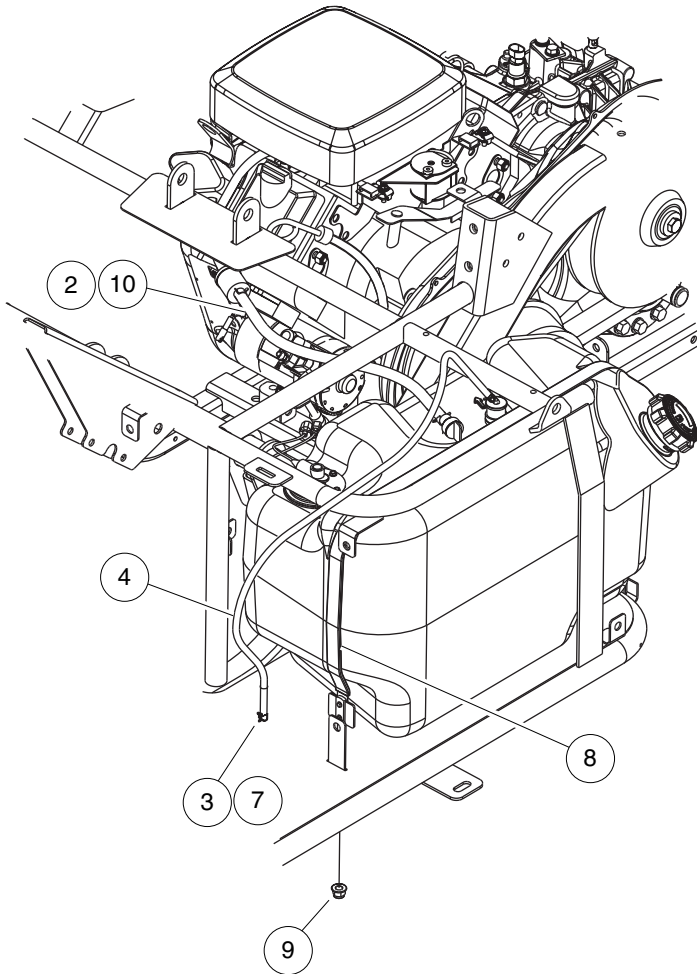
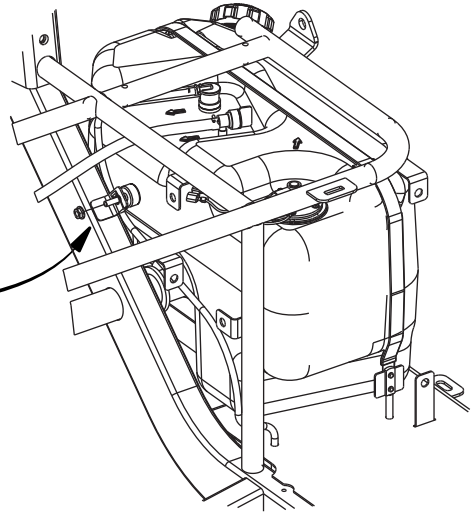
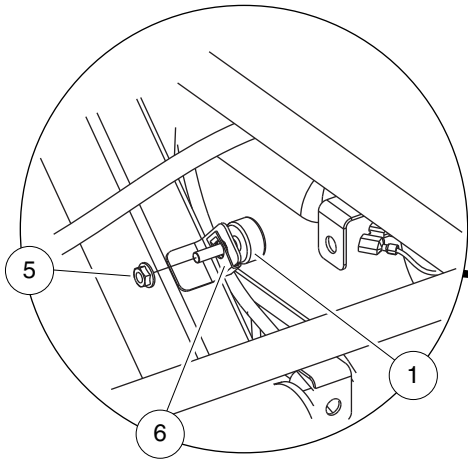
000912-003

# CALIFORNIA FUEL SYSTEM

ITEM	PART NO.	DESCRIPTION	QTY
		1 2 3 4	
1	<u>1010878</u>	Bumper, Rubber .....	1
2	<u>1012649</u>	Clamp, 0.460 Red Hose .....	2
3	<u>1015661</u>	Nut, Lock Hx Flanged 1/4-20 .....	1
4	1016952	U-Nut, 1/4-20 .....	1
5	<u>102296601</u>	U-Nut, M6-1.0, Prevailing Torque .....	2
6	<u>102426301</u>	Strap, Tank, Fuel .....	1
7	<u>102541401</u>	Bolt-m6x1.0x20 Hex Flhd Blk-I .....	2
8	102618601	Lock Nut, Flange, M8 X 1.25 Nylon .....	1
9	<u>102865101</u>	Fuel Line, 1/4 (available by the foot) .....	1
10	<u>103588601</u>	Plug, Ribbed, Round, 1.5" .....	1

**9**

**G**



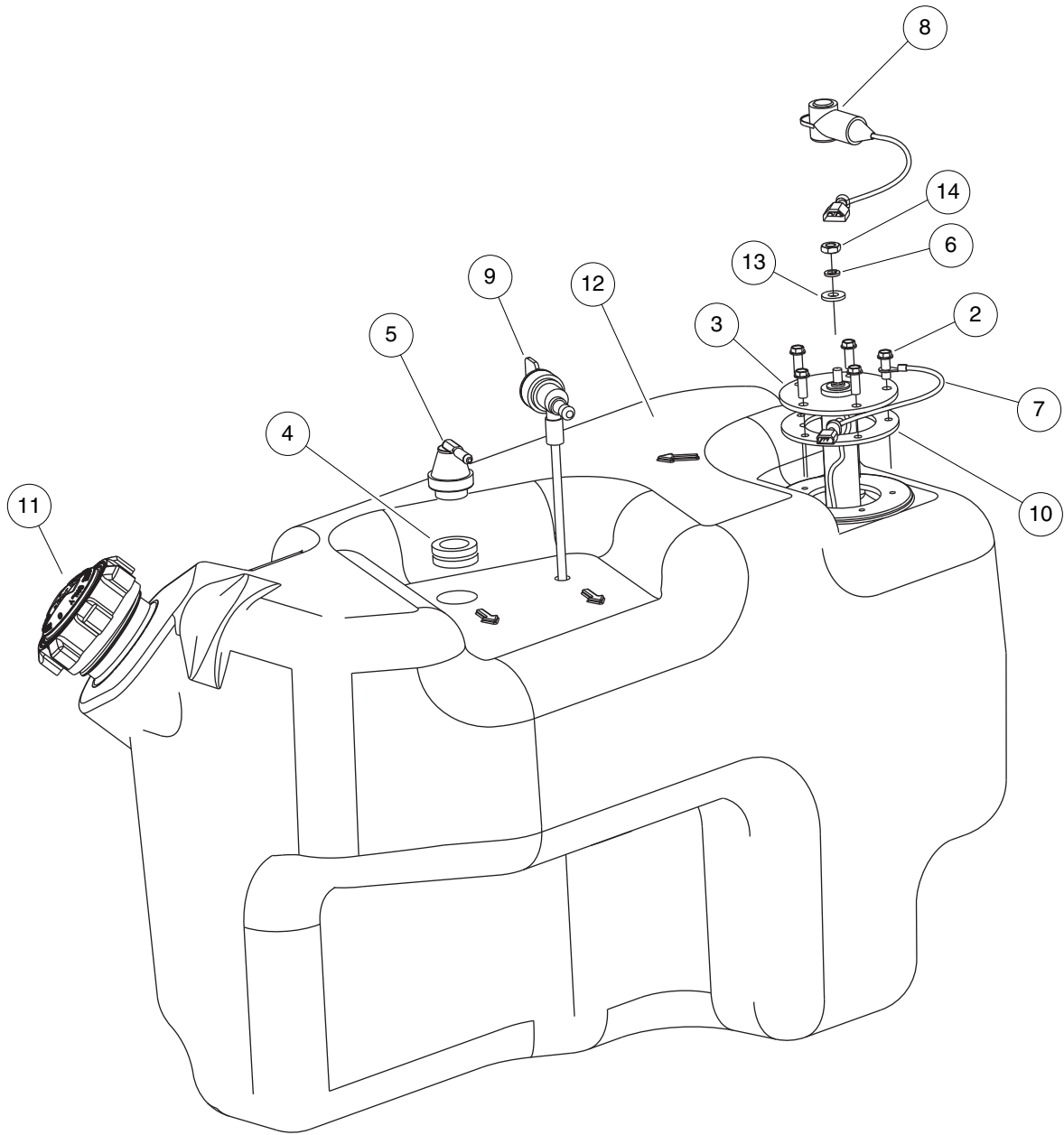
000912-001

# STANDARD FUEL SYSTEM

ITEM	PART NO.	DESCRIPTION	QTY
		<b>1 2 3 4</b>	
1	<u>1010878</u>	Bumper, Rubber .....	1
2	<u>1012649</u>	Clamp, 0.460 Red Hose .....	2
3	<u>1013746</u>	Clamp, 0.301 ID Hose .....	2
4	<u>1015137</u>	Fuel Line, 3/16 (available by the foot) .....	1
5	<u>1015661</u>	Nut, Lock Hx Flanged 1/4-20 .....	1
6	1016952	U-Nut, 1/4-20 .....	1
7	<u>101824401</u>	Vent Barb .....	1
8	<u>102426301</u>	Strap, Tank, Fuel .....	1
9	102618601	Lock Nut, Flange, M8 X 1.25 Nylon .....	1
10	<u>102865101</u>	Fuel Line, 1/4 (available by the foot) .....	1
11	<u>103588601</u>	Plug, Ribbed, Round, 1.5" .....	1

**9**

**G**

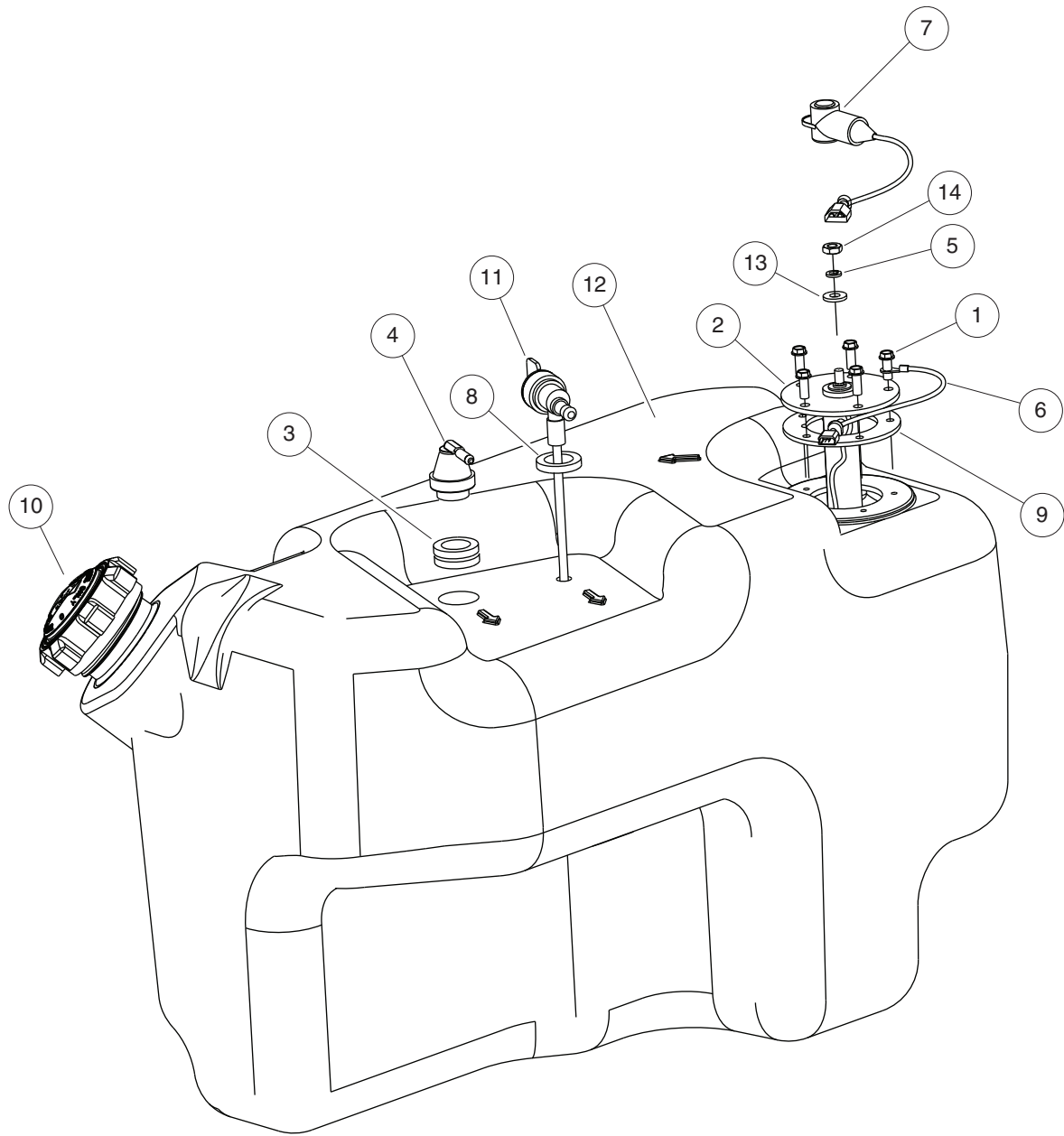


000883-001

# FUEL TANK

**9**  
**G**

ITEM	PART NO.	DESCRIPTION	QTY
		<b>1 2 3 4</b>	
1	<u>103450001</u>	Asm, Tank, Fuel, Xrt950 (includes items 2 through 14) .....	1
2	<u>1013461</u>	Screw, #10-16 Hex-Head Hi-Lo .....	5
3	<u>1013462</u>	Sending Unit, Fuel Level * .....	1
4	<u>1015139</u>	Insulation Grommet .....	1
5	<u>1015143</u>	Vent, Fuel Tank .....	1
6	<u>1016</u>	Lockwasher, #10 Split .....	1
7	N/A	Wire Asm, Blk, 170mm .....	1
8	N/A	Wire Asm, Org, 170mm .....	1
9	<u>102513701</u>	Valve - Fuel Pickup Tube .....	1
10	<u>102522001</u>	Gasket, Rubber .....	1
11	<u>102751601</u>	Cap, Fuel Tank, Gasoline .....	1
12	<u>103449901</u>	Tank, Fuel, Xrt950 .....	1
13	<u>183</u>	Washer, #10, Type A, Flat .....	1
14	<u>8797</u>	Nut, #10-32 Brass Hex .....	1
		* Note: Must replace fuel sending unit gasket when servicing this component.	



000883-001

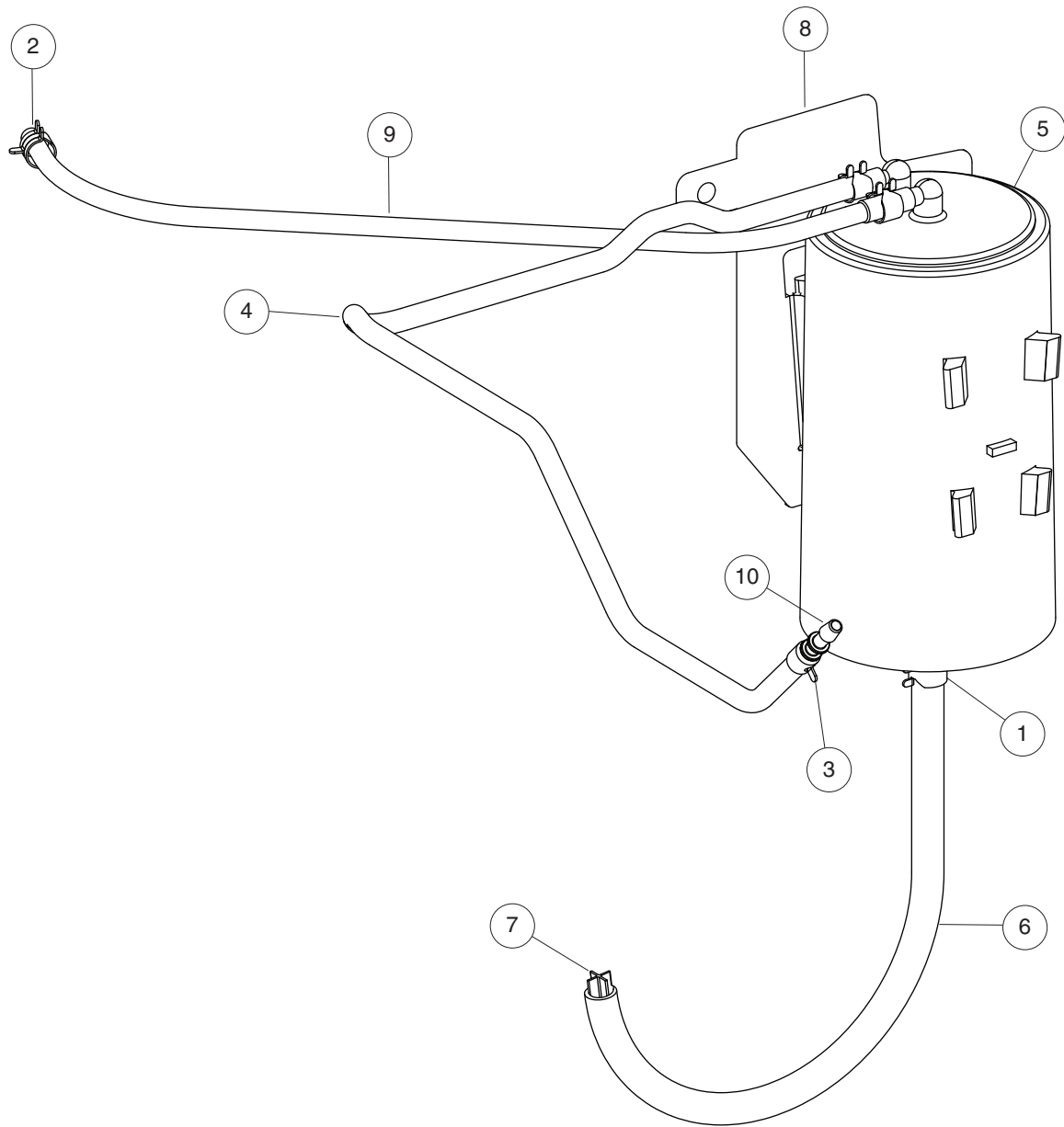


# NANO FUEL TANK

ITEM	PART NO.	DESCRIPTION	QTY
		1 2 3 4	
1	<u>1013461</u>	Screw, #10-16 Hex-Head Hi-Lo .....	5
2	<u>1013462</u>	Sending Unit, Fuel Level * .....	1
3	<u>1015139</u>	Insulation Grommet .....	1
4	<u>1015143</u>	Vent, Fuel Tank .....	1
5	<u>1016</u>	Lockwasher, #10 Split .....	1
6	N/A	Wire Asm, Blk, 170mm .....	1
7	N/A	Wire Asm, Org, 170mm .....	1
8	<u>102406701</u>	Bushing, Line, Return .....	1
9	<u>102522001</u>	Gasket, Rubber .....	1
10	<u>103372101</u>	Cap, Fuel Tank, Gas, Ratchet .....	1
11	<u>103372301</u>	Valve, Fuel, 259mm .....	1
12	103485901	Tank, Fuel, Xrt950, Nano .....	1
13	<u>183</u>	Washer, #10, Type A, Flat .....	1
14	<u>8797</u>	Nut, #10-32 Brass Hex .....	1
		* Note: Must replace fuel sending unit gasket when servicing this component.	

9  
G

9  
G



103486701A

# CARBON CANISTER

ITEM	PART NO.	DESCRIPTION	QTY
		1 2 3 4	
1	<u>1012649</u>	Clamp, 0.460 Red Hose .....	1
2	<u>101313402</u>	Clamp, Green Hose .....	2
3	<u>1013746</u>	Clamp, 0.301 ID Hose .....	3
4	<u>101587703</u>	Hose, Fuel, Vent, 22" Long .....	1
5	<u>103372401</u>	Canister, Carbon .....	1
6	N/A	Hose, Vent, 5/16 I.D., Bulk .....	0.5
7	N/A	Vent, Barb, 5/16 I.D. Hose .....	1
8	<u>103452001</u>	Brkt, Mtg, Carbon Canister .....	1
9	<u>103452101</u>	Hose, Vent, Carbon Canister .....	1
10	<u>103460201</u>	Adapter, Barb, Purge Line .....	1

9  
G

9

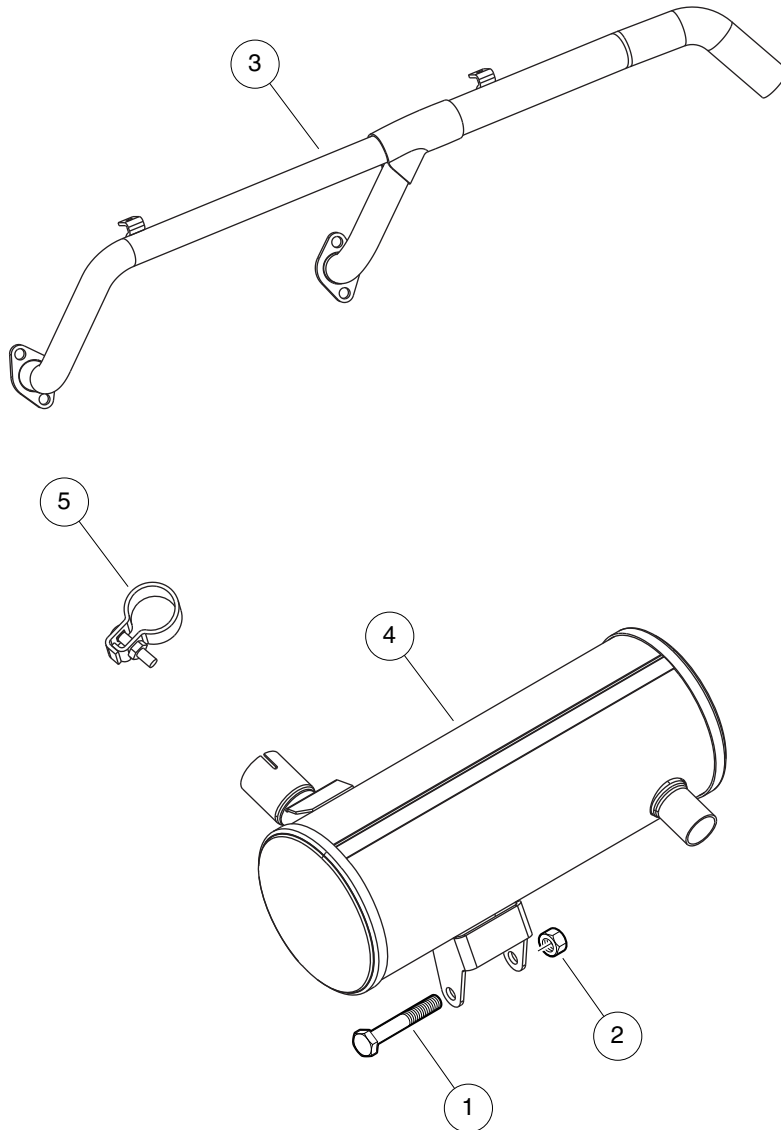
G

# EXHAUST SYSTEM

---

10

G



000907-001

# EXHAUST SYSTEM

ITEM	PART NO.	DESCRIPTION	QTY
		1 2 3 4	
1	<u>102298170</u>	Bolt - Flange Hd, M8 X 70.0 .....	4
2	<u>102298401</u>	Nut, M8, All Metal Lock .....	1
3	<u>103417001</u>	Manifold, Exhaust, B&s 14hp .....	1
4	<u>103417101</u>	Muffler, B&S 14hp .....	1
5	<u>103614501</u>	Clamp, Muffler, 1.42 Dia .....	1

10

G

**10**

**G**

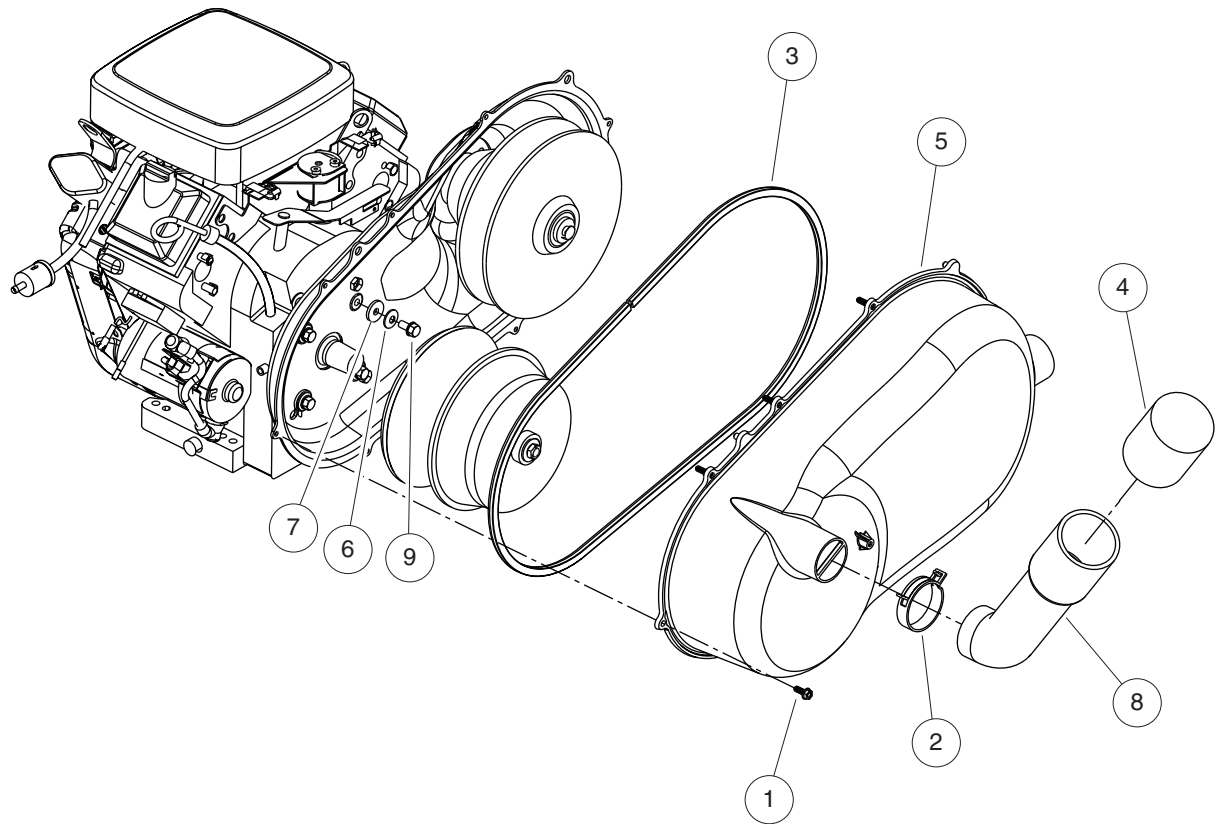


# CLUTCHES

---

11

G



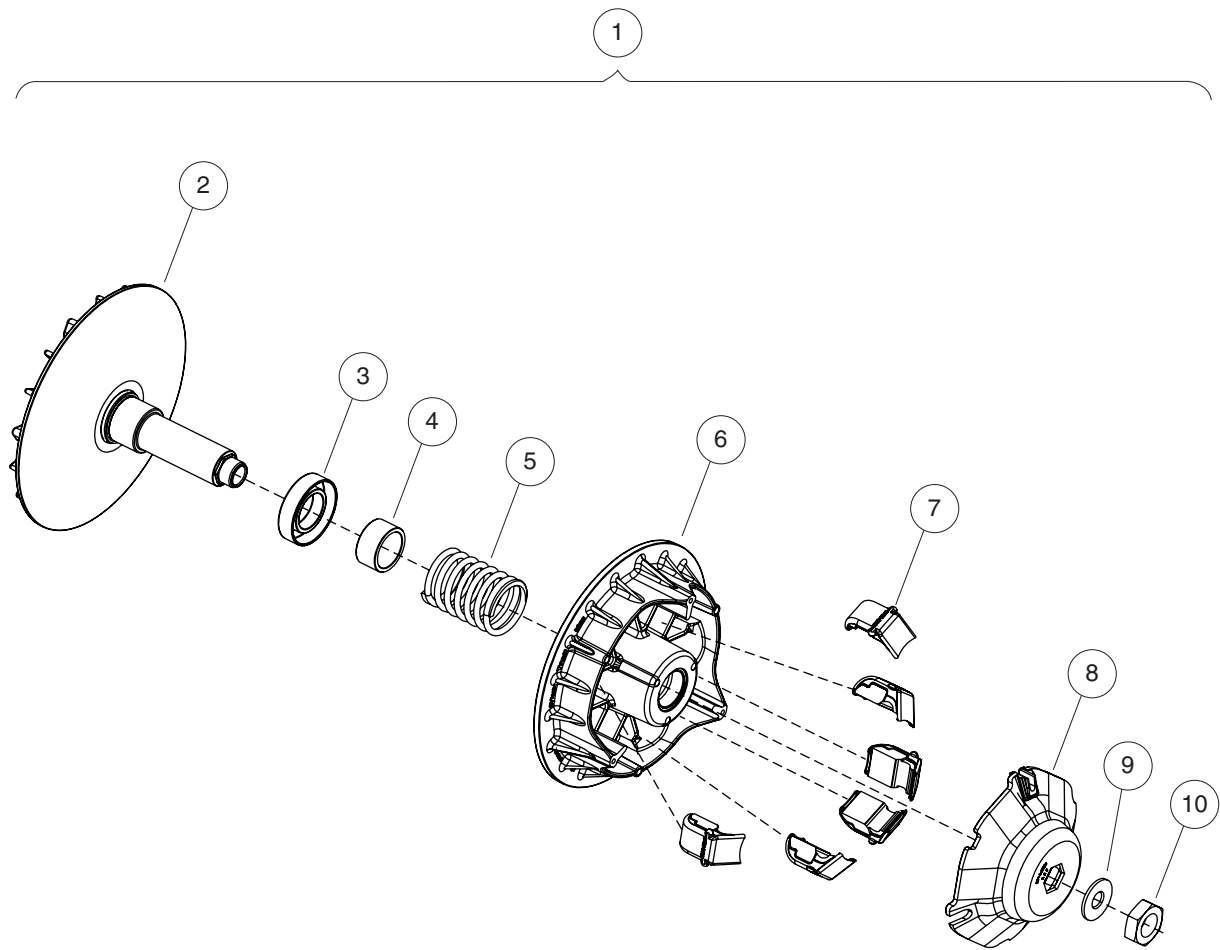
000882-001

# CLUTCH COVER – SEALED

ITEM	PART NO.	DESCRIPTION	QTY
		1 2 3 4	
1	<u>102296716</u>	Screw, M6 X 16 Tt Hx Fl Hd .....	8
2	<u>102411210</u>	Clamp, Hose, Ctb 64mm .....	1
3	<u>102481302</u>	Gasket, Cover, Cvt, Xrt 950 .....	1
4	<u>102628001</u>	Filter, Inlet, Cover, CVT .....	1
5	<u>103447501</u>	Cover, Cvt, Outer .....	1
6	<u>103572201</u>	Washer, 5/16, Cone .....	4
7	<u>103572701</u>	Washer, 5/16, Neoprene .....	4
8	<u>103688201</u>	Hose, Intake, Cvt, Xrt950 .....	1
9	<u>103784101</u>	Screw, Bhsoc, 5/16-24x.63 Ptch .....	4

11

G

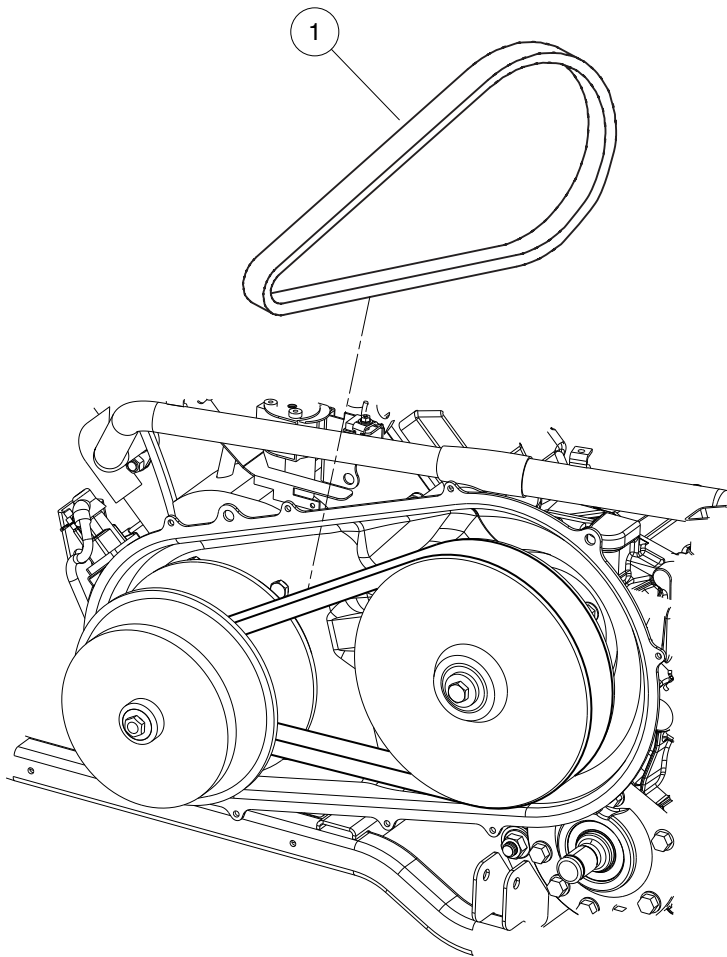


000901-001

# DRIVE CLUTCH

ITEM	PART NO.	DESCRIPTION	QTY
		<b>1 2 3 4</b>	
1	<u>103414401</u>	Clutch, Drive, Cvtech (includes items 2 through 11) .....	1
2	<u>103518501</u>	Asm, Fixed Flange, Drive (includes item 3) .....	1
3	<u>103683401</u>	Bearing, Idler, Cvtech .....	1
4	<u>103518601</u>	Seat, Spring, Drive .....	1
5	<u>103518701</u>	Stopper, Drive .....	1
6	<u>103518801</u>	Spring, Drive .....	1
7	<u>103518901</u>	Flange, Sliding, Drive .....	1
8	<u>103519001</u>	Asm, Block .....	6
9	<u>103519101</u>	Asm, Cap .....	1
10	<u>103519201</u>	Washer, Lock, M20 .....	1
11	<u>103519301</u>	Nut, Hex, M20x1.5 .....	1

**11**  
**G**



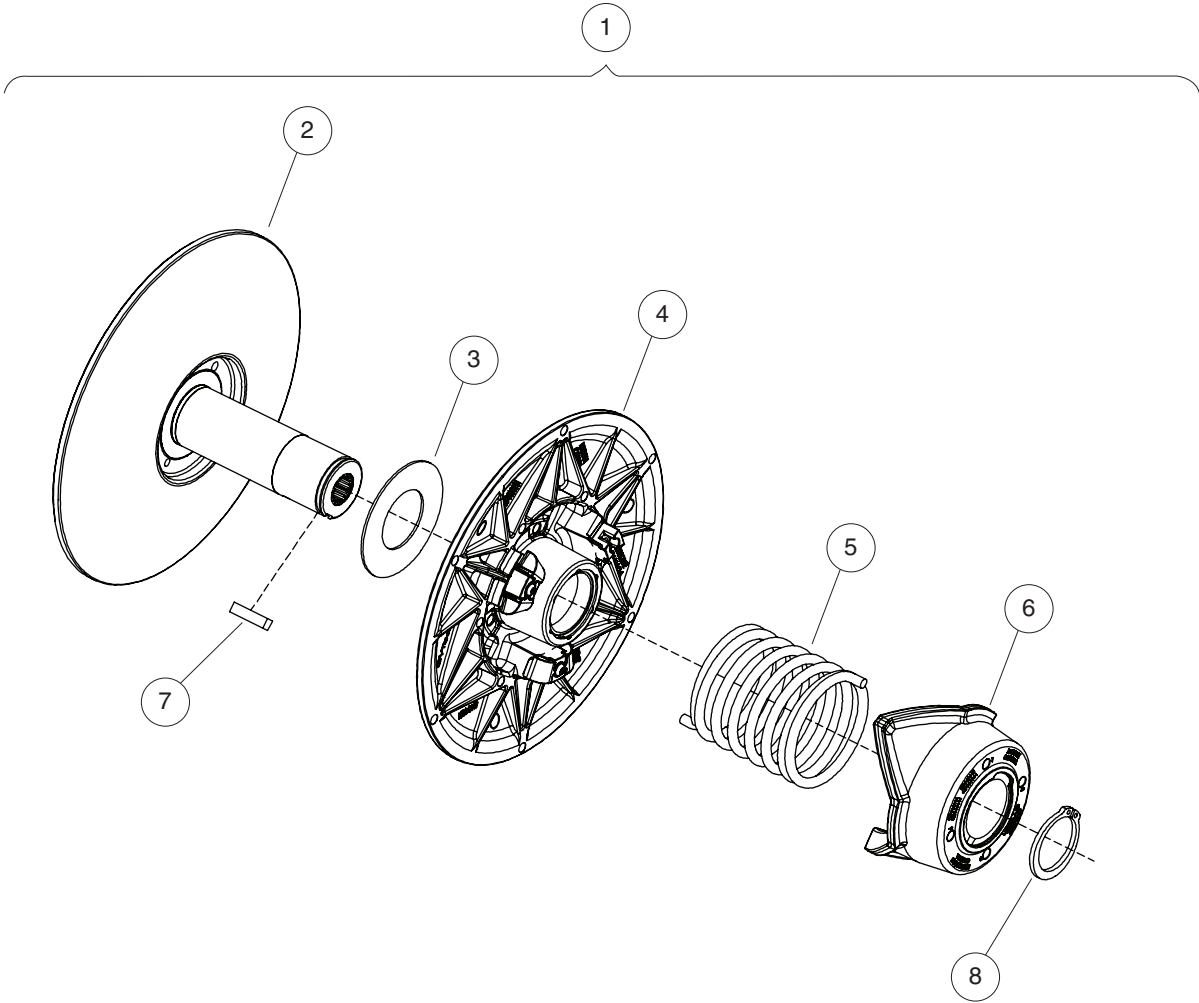
000915-001

# DRIVE BELT

**11**

**G**

ITEM	PART NO.	DESCRIPTION	QTY
1	<u>103416101</u>	1 2 3 4 Belt, Cvt .....	1



000901-002



# DRIVEN CLUTCH

ITEM	PART NO.	DESCRIPTION	QTY
		<b>1 2 3 4</b>	
1	<u>103414501</u>	Clutch, Driven, Cvtech (includes items 2 through 8) (includes items 2 through 8) .....	1
2	<u>103516101</u>	Flange, Fixed, Driven .....	1
3	<u>103516201</u>	Washer, Driven Clutch, Cvtech .....	1
4	<u>103516301</u>	Asm, Flange, Sliding, Driven .....	1
5	<u>103516401</u>	Spring, Driven Clutch, Cvtech .....	1
6	<u>103516501</u>	Cam, Machined .....	1
7	<u>103516601</u>	Key, Cam .....	1
8	<u>103516701</u>	Ring, Snap, External .....	1

**11**  
**G**

11

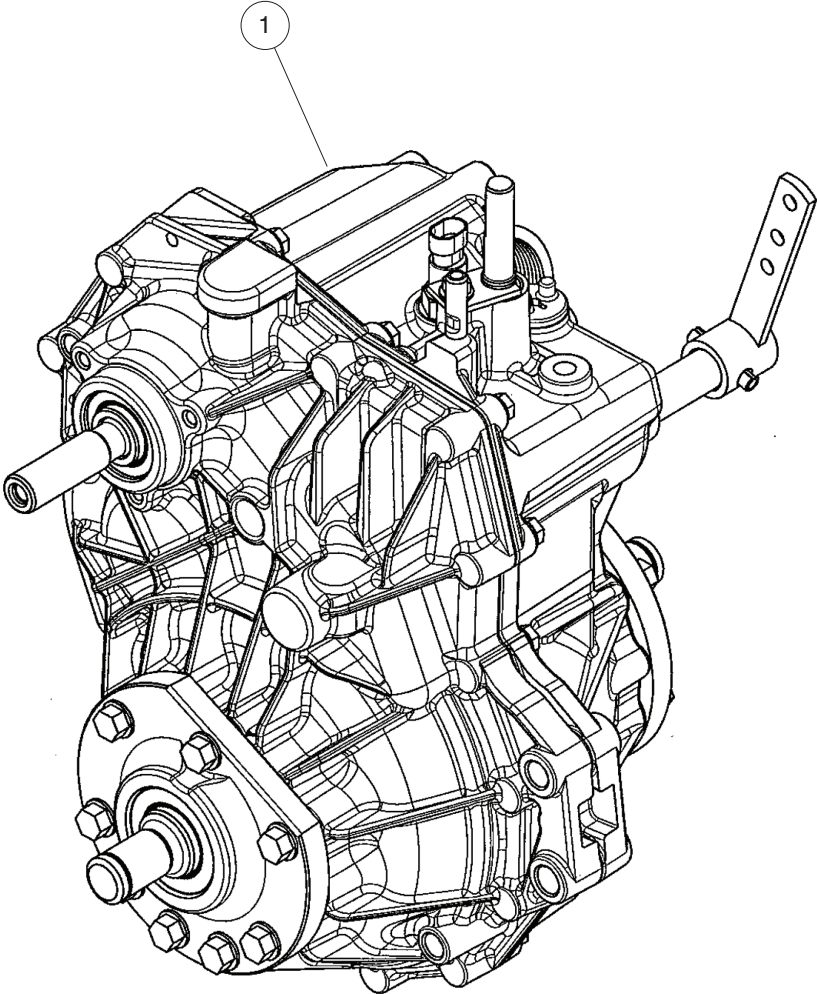
G

# DRIVETRAIN COMPONENTS

---

12

G



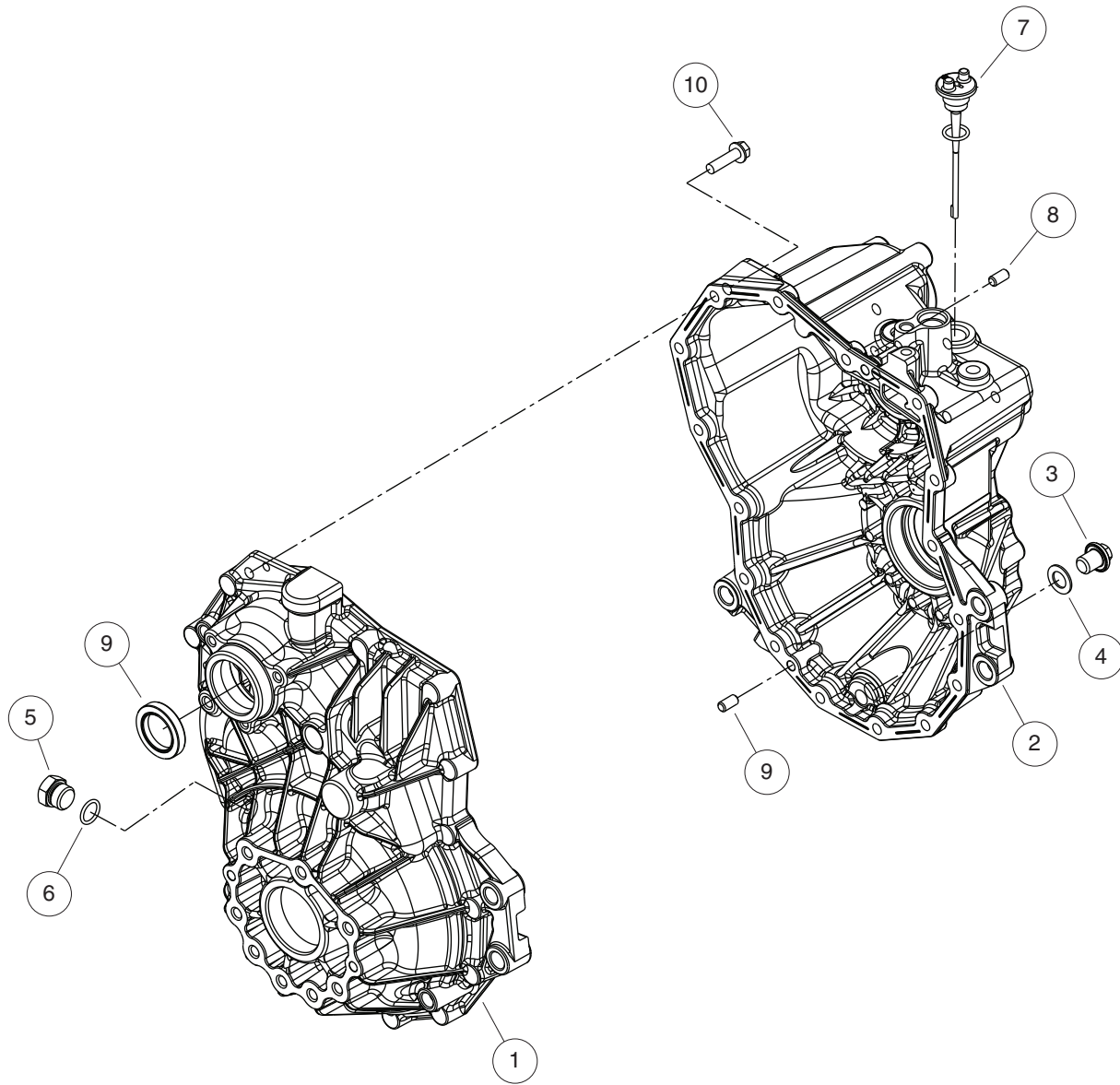
000909-010

# TRANSAXLE – 2WD

ITEM	PART NO.	DESCRIPTION	QTY
1	<u>103061201</u>	<div style="display: flex; justify-content: space-between; margin-bottom: 5px;"> <span>1</span> <span>2</span> <span>3</span> <span>4</span> </div> Transaxle, Kanzaki, Uv30c, 2wd .....	1

12

G



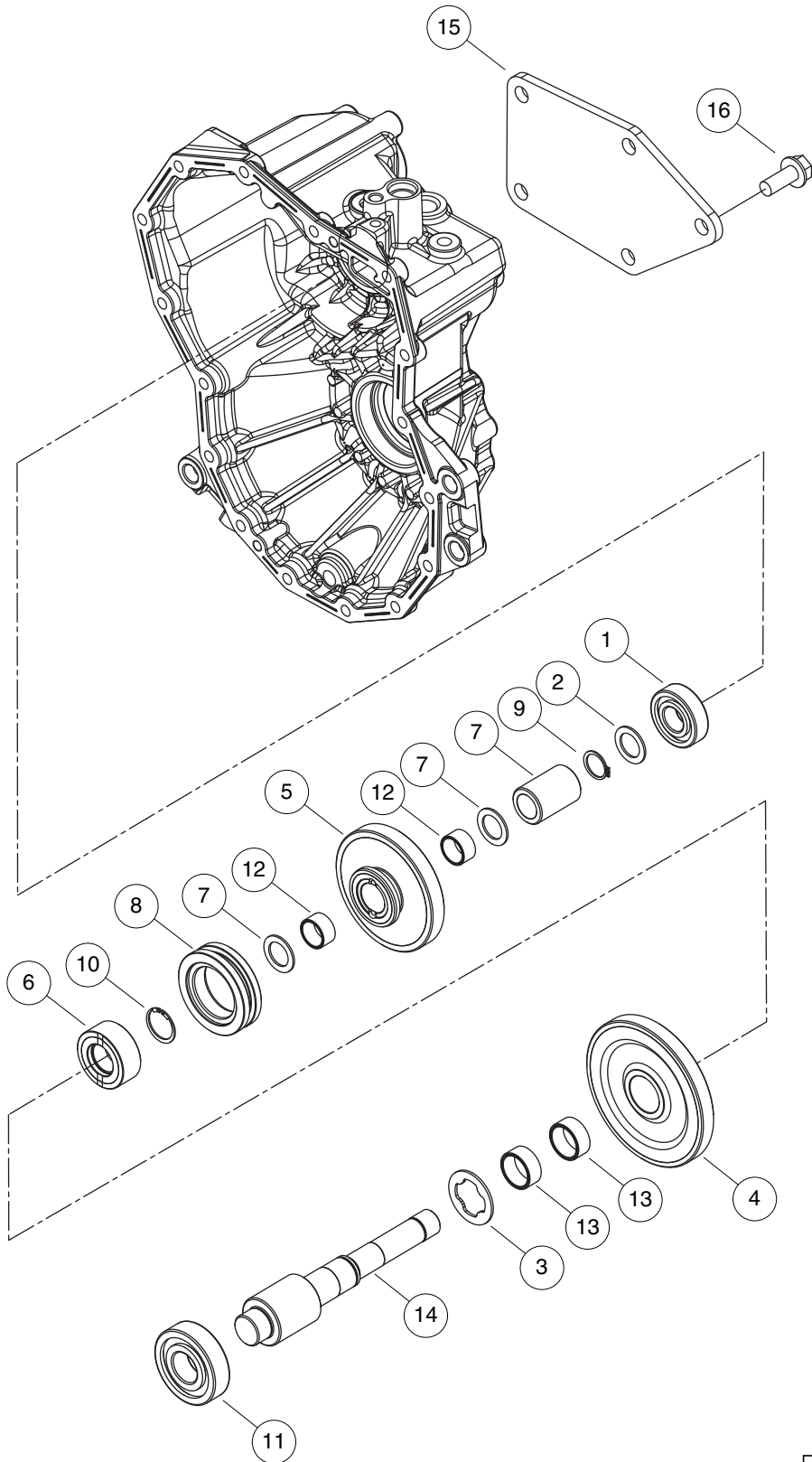
000909-001

# TRANSAXLE HOUSING – 2WD

ITEM	PART NO.	DESCRIPTION	QTY
		1 2 3 4	
1	<u>103602601</u>	Housing, Transaxle, Kanzaki, L .....	1
2	<u>103602701</u>	Housing, Transaxle, Kanzaki, R .....	1
3	<u>103602801</u>	Bolt, M14x16, T/a Hsng Asm .....	1
4	<u>103602901</u>	Washer, Drain Plug, T/a Hsng .....	1
5	<u>103603001</u>	Plug, 3/4-16, W/p Cmp .....	1
6	<u>103603101</u>	Packing, P 16.0, Transaxle .....	1
7	<u>103603201</u>	Dip Stick Cmp, T/a Hsng Asm .....	1
8	<u>103603301</u>	Pin, 8x14, Transaxle .....	2
9	<u>103603401</u>	Seal, Tc304508, T/a Hsng Asm .....	1
10	<u>103603501</u>	Bolt, M8x30 .....	16

12

G



000909-005

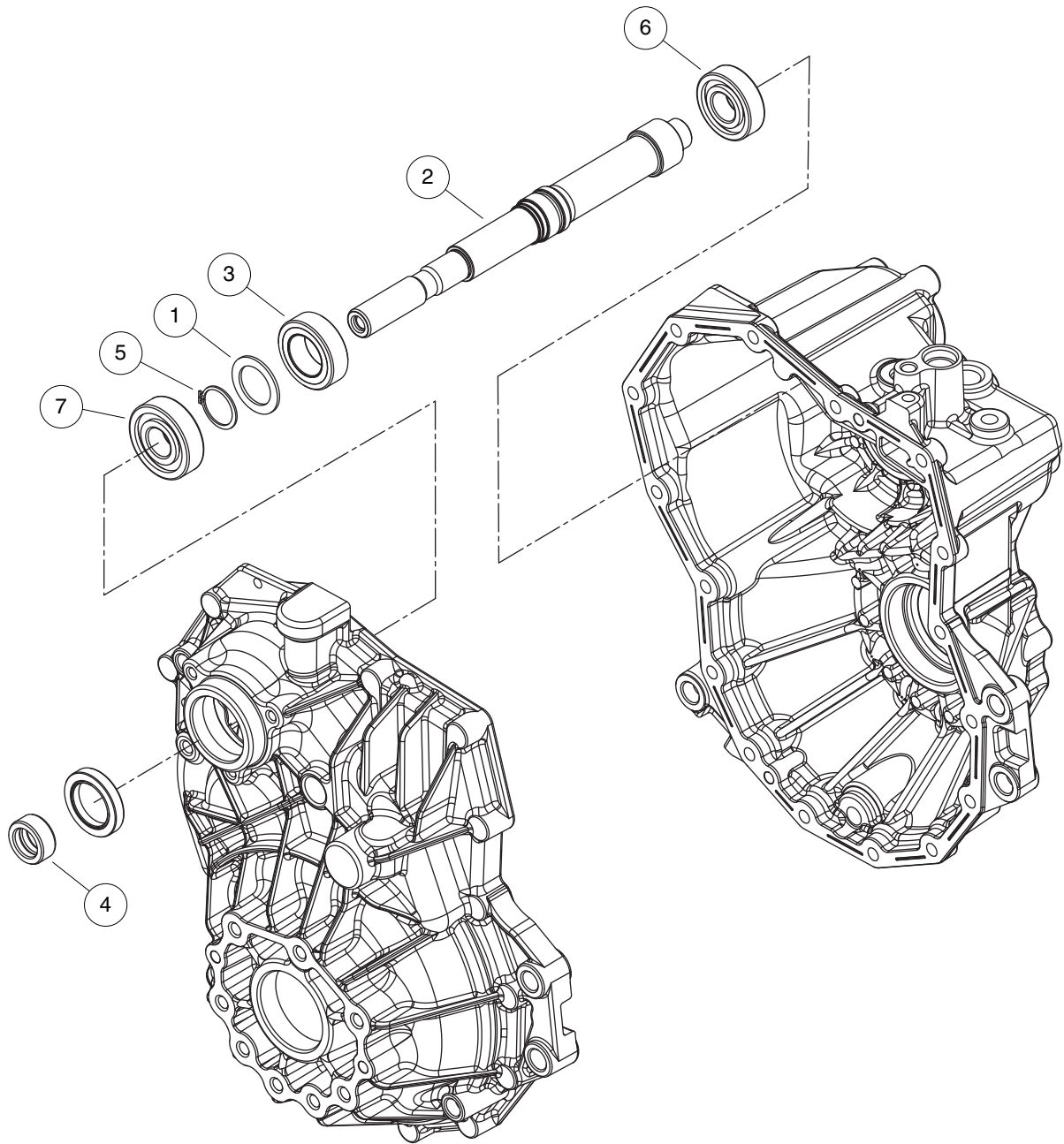


# TRANSAXLE REDUCTION SHAFT ASSEMBLY – 2WD

ITEM	PART NO.	DESCRIPTION	QTY
		1 2 3 4	
1	<u>103604101</u>	Bearing, 6204, Transaxle .....	1
2	<u>103604301</u>	Washer, 20x30x1.6, Redn Shaft .....	3
3	<u>103604401</u>	Washer 25x44x2, Redn Shaft Asm .....	1
4	<u>103604601</u>	Gear, Reduction, Fwd .....	1
5	<u>103604701</u>	Gear, Reduction, Rev .....	1
6	<u>103604801</u>	Collar, Spline, Redn Shaft Asm .....	1
7	<u>103604901</u>	Collar, Redn Shaft Asm .....	1
8	<u>103605001</u>	Shifter, Redn Shaft Asm .....	1
9	<u>103605101</u>	Ring, 20, Transaxle .....	1
10	<u>103605201</u>	Ring, 24, Redn Shaft Asm .....	1
11	<u>103605301</u>	Bearing, 6305 Ntn, Redn Shaft .....	1
12	<u>103605401</u>	Needle, 202413, Redn Shaft Asm .....	2
13	<u>103605501</u>	Needle, 253013, Transaxle .....	2
14	<u>103605601</u>	Shaft, Reduction, 2wd .....	1
15	<u>103610301</u>	Cover, Pto, Frt Drive Cover .....	1
16	<u>103610401</u>	Bolt, 8x20, Frt Drive Cover .....	5

12

G



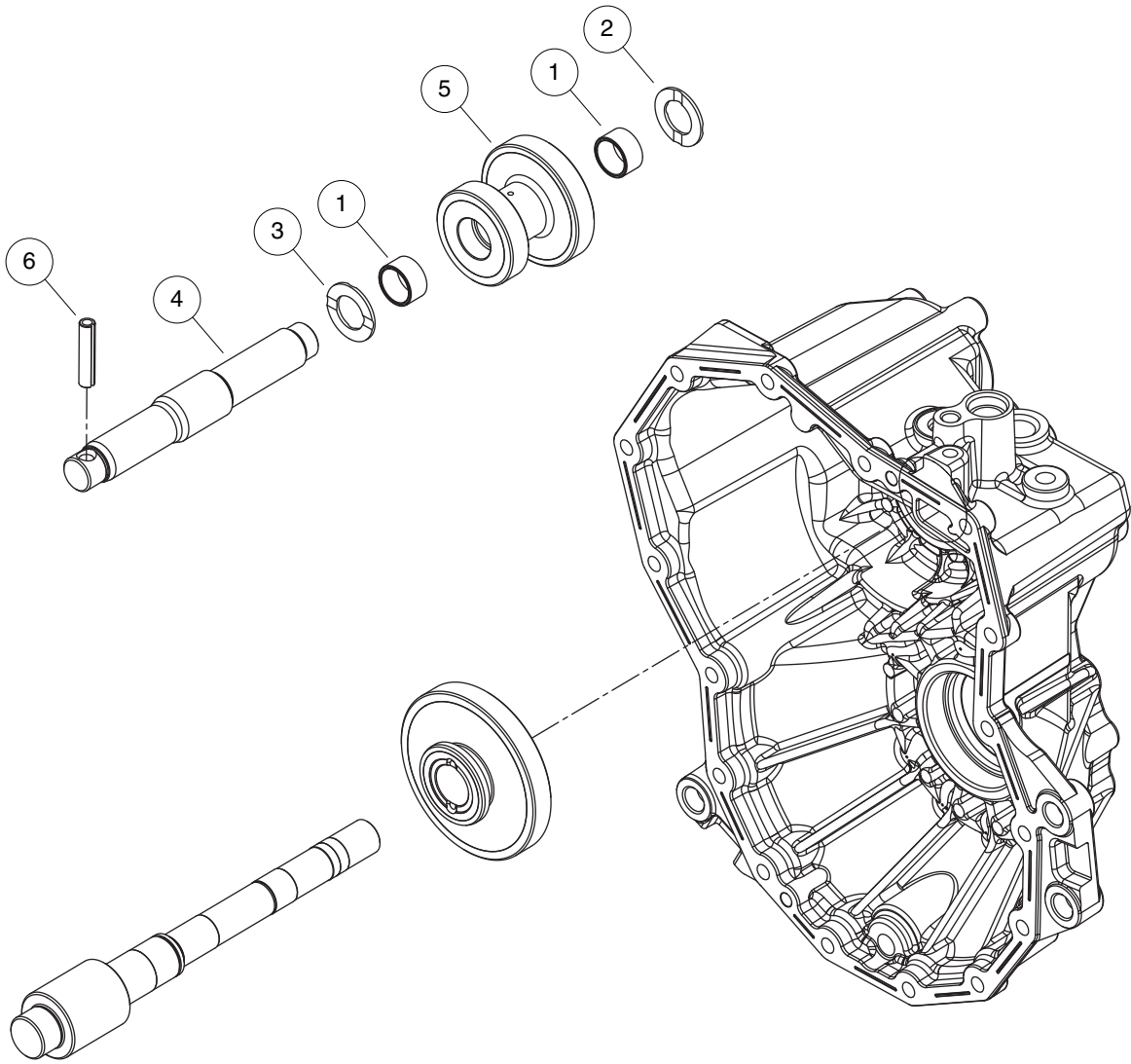
000909-003

# TRANSAXLE INPUT SHAFT – 2WD

ITEM	PART NO.	DESCRIPTION	QTY
		1 2 3 4	
1	<u>103603601</u>	Washer, 27x40x2, I/p Shaft .....	1
2	<u>103603701</u>	Shaft, Input, Transaxle .....	1
3	<u>103603801</u>	Gear, Input, I/p Shaft Asm .....	1
4	<u>103603901</u>	Sleeve, 20x30x13, I/p Shaft .....	1
5	<u>103604001</u>	Ring, 26, I/p Shaft Asm .....	1
6	<u>103604101</u>	Bearing, 6204, Transaxle .....	1
7	<u>103604201</u>	Bearing, 6304, I/p Shaft Asm .....	1

12

G



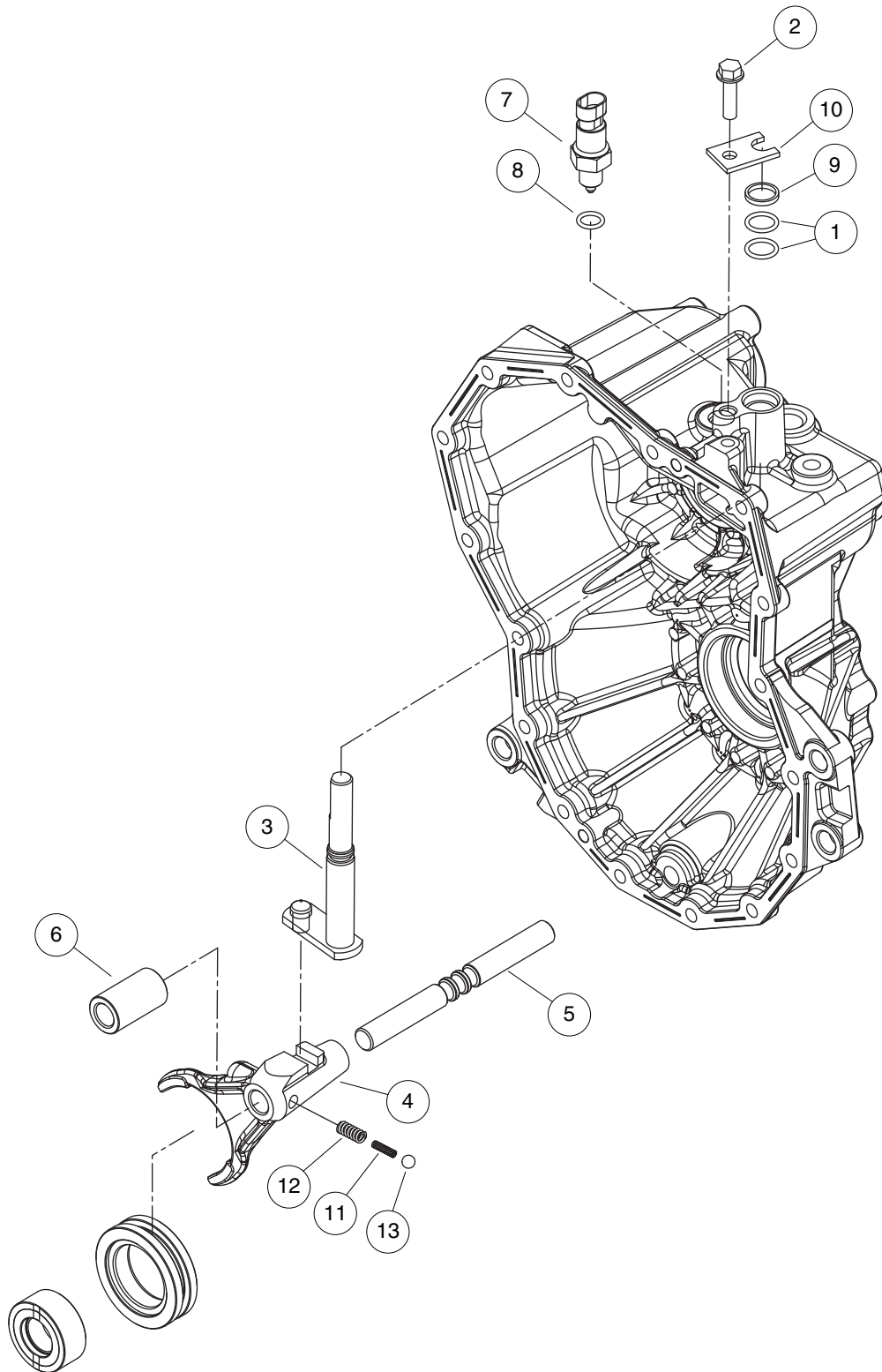
000909-006

## TRANSAXLE REVERSE SHAFT ASSEMBLY – 2WD

ITEM	PART NO.	DESCRIPTION	QTY
		1 2 3 4	
1	<u>103605501</u>	Needle, 253013, Transaxle .....	2
2	<u>103605701</u>	Washer, 20x34x2, Rev Shaft Asm .....	1
3	<u>103605801</u>	Washer, 25x36x2, Rev Shaft Asm .....	1
4	<u>103605901</u>	Shaft, Idle, Rev .....	1
5	<u>103606001</u>	Gear, Idle, Rev .....	1
6	<u>103606101</u>	Pin, 8.0ax 40, Transaxle .....	1

12

G



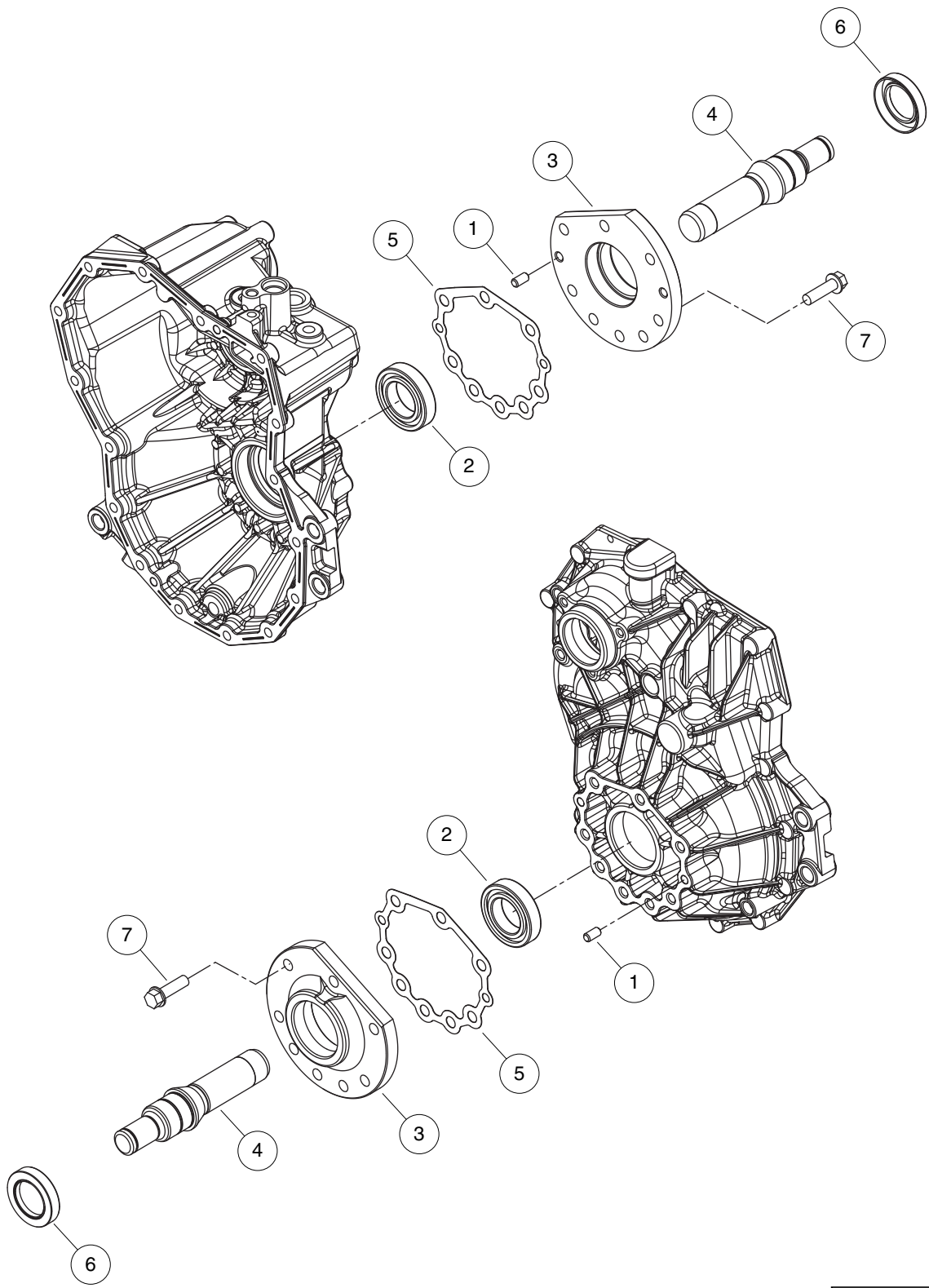
000909-007

# TRANSAXLE SHIFT ASSEMBLY – 2WD

ITEM	PART NO.	DESCRIPTION	QTY
		1 2 3 4	
1	<u>103603101</u>	Packing, P 16.0, Transaxle .....	2
2	<u>103603501</u>	Bolt, M8x30 .....	1
3	<u>103606201</u>	Arm, Shift, Cmp .....	1
4	<u>103606301</u>	Fork, Shift .....	1
5	<u>103606401</u>	Shaft, Shift Fork .....	1
6	<u>103606501</u>	Collar, Fork Shaft .....	1
7	<u>103606601</u>	Switch, Safety, Cmp .....	1
8	<u>103606701</u>	Packing, P12.5, Shift Asm .....	1
9	<u>103606801</u>	Collar, Shift Arm .....	1
10	<u>103606901</u>	Plate, Keep, Transaxle .....	1
11	<u>103607001</u>	Spring, Inner, Shift Asm .....	1
12	<u>103607101</u>	Spring, 23, Shift Asm .....	1
13	<u>103607201</u>	Ball, 5/16, Shift Asm .....	1

12

G



000909-009

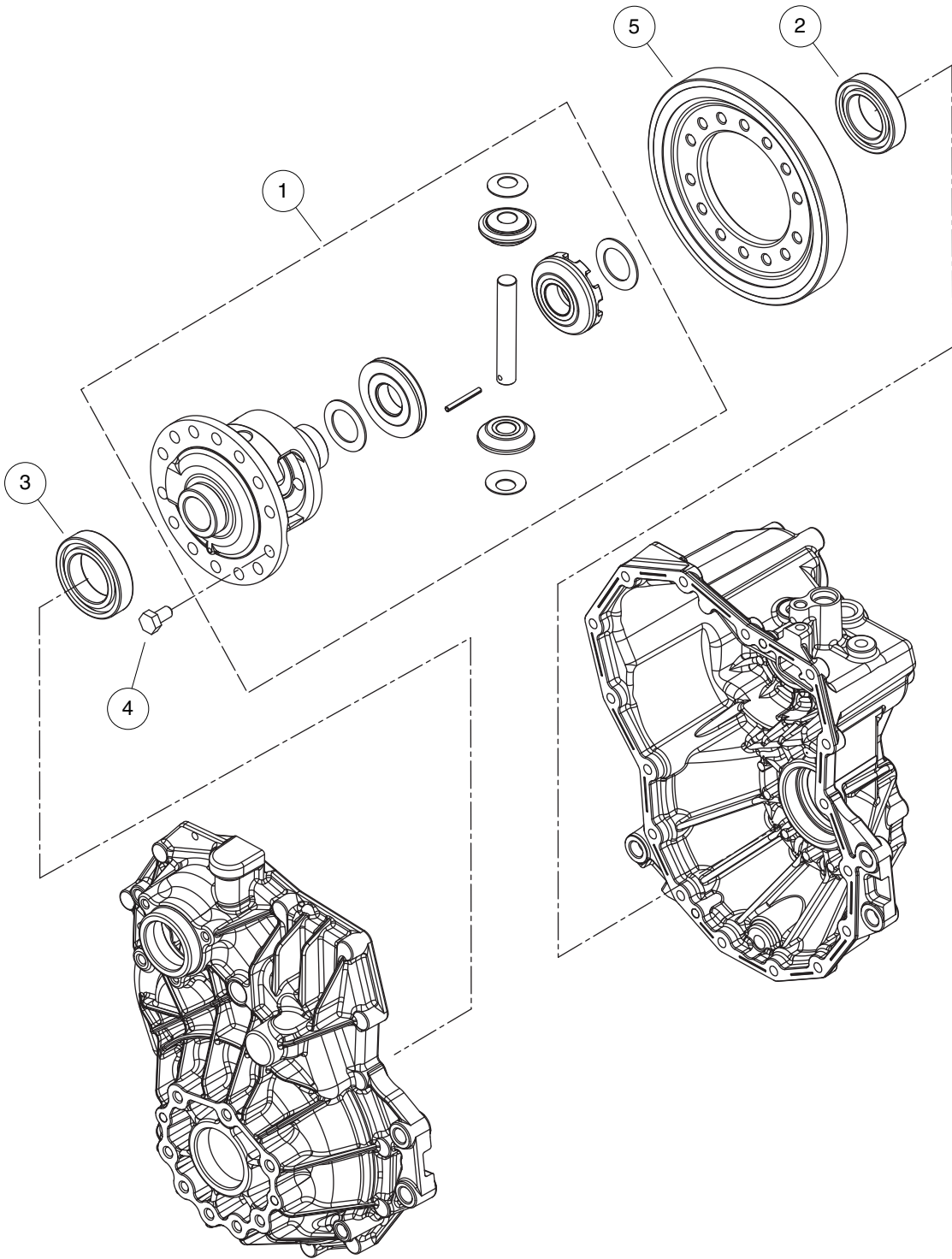


# TRANSAXLE AXLE HOUSING ASSEMBLY – 2WD

ITEM	PART NO.	DESCRIPTION	QTY
		1 2 3 4	
1	<u>103603301</u>	Pin, 8x14, Transaxle .....	4
2	<u>103608801</u>	Bearing, 6007 Ntn, Transaxle .....	2
3	<u>103609801</u>	Housing, Axle, Kanzaki .....	2
4	<u>103609901</u>	Shaft, Axle, Kanzaki .....	2
5	<u>103610001</u>	Packing, Axle Housing, Kanzaki .....	2
6	<u>103610101</u>	Seal, Tc355511, Axle Hsng Asm .....	2
7	<u>103610201</u>	Bolt, 10 X 35, Axle Hsng Asm .....	16

12

G



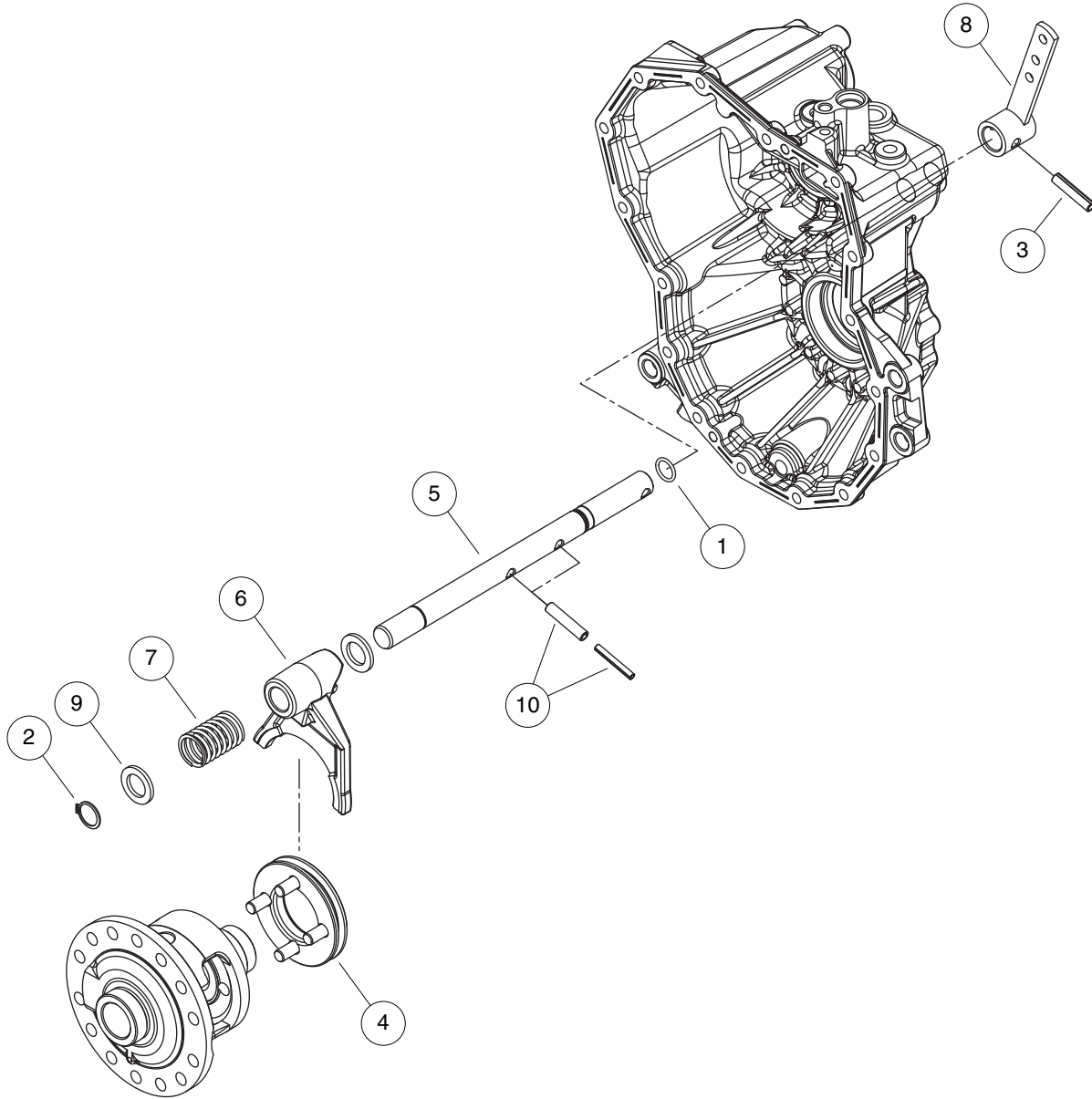
000909-011

# TRANSAXLE DIFFERENTIAL GEAR ASSEMBLY – 2WD

ITEM	PART NO.	DESCRIPTION	QTY
		1 2 3 4	
1	<u>103610501</u>	Differential, Cmp, T/a Kanzaki .....	1
2	<u>103610701</u>	Bearing, 6008 Ntn, Diff .....	1
3	<u>103610801</u>	Bearing, 6009 Ntn, Diff .....	1
4	<u>103610901</u>	Bolt 10x20 .....	14
5	<u>103611701</u>	Final Gear .....	1

12

G

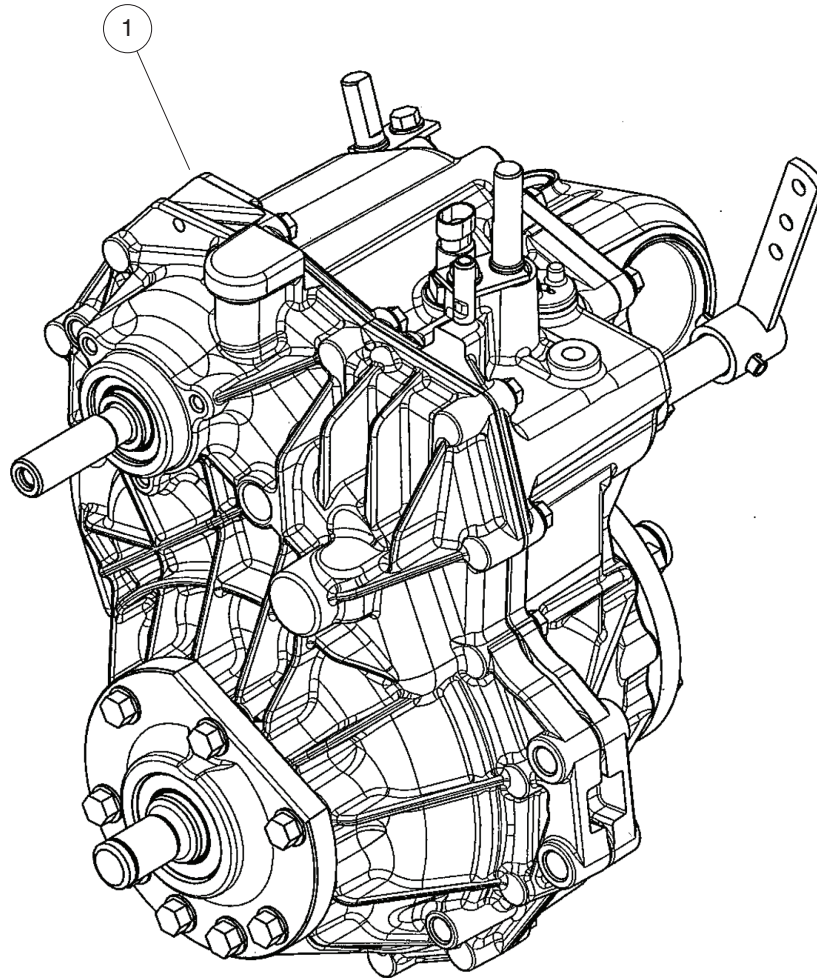


000909-012

# TRANSAXLE DIFFERENTIAL LOCK ASSEMBLY – 2WD

ITEM	PART NO.	DESCRIPTION	QTY
		1 2 3 4	
1	<u>103603101</u>	Packing, P 16.0, Transaxle .....	1
2	<u>103605101</u>	Ring, 20, Transaxle .....	1
3	<u>103606101</u>	Pin, 8.0ax 40, Transaxle .....	2
4	<u>103611001</u>	Slider, Diff.lock .....	1
5	<u>103611101</u>	Shaft, Diff.lock .....	1
6	<u>103611201</u>	Fork, Diff. Lock .....	1
7	<u>103611301</u>	Spring, Diff. Lock .....	1
8	<u>103611401</u>	Arm, Diff. Lock Cmp .....	1
9	<u>103611501</u>	Spacer, 20x32x3.2, Diff Lock .....	2
10	<u>103611601</u>	Spring Pin, Cmp .....	2

**12**  
**G**



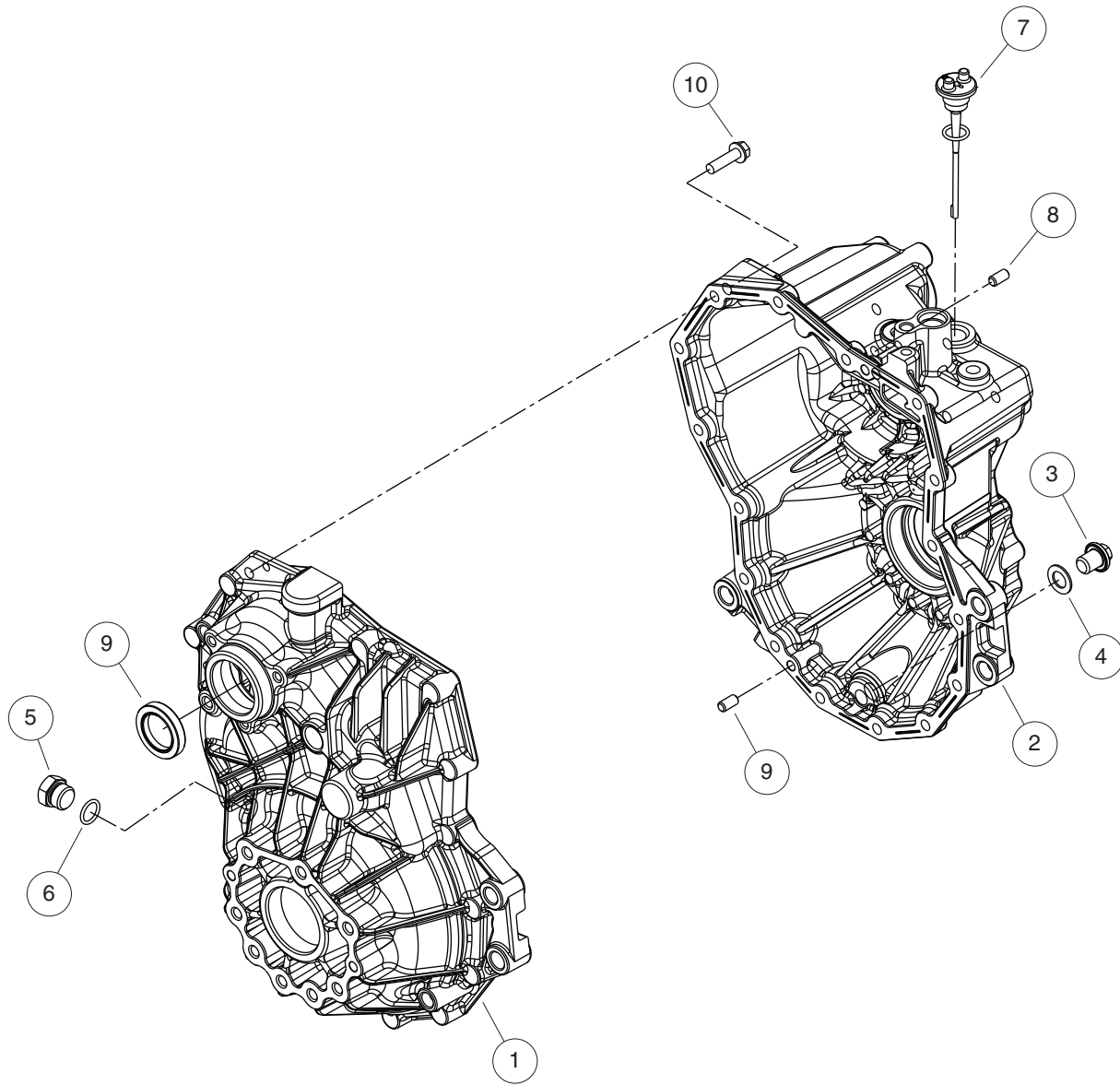
000909-013

# TRANSAXLE - 4WD

ITEM	PART NO.	DESCRIPTION	QTY
1	<u>103061202</u>	<div style="display: flex; justify-content: space-between; margin-bottom: 5px;"> <span>1</span> <span>2</span> <span>3</span> <span>4</span> </div> Transaxle, Kanzaki, Uv30c, 4wd .....	1

12

G



000909-001

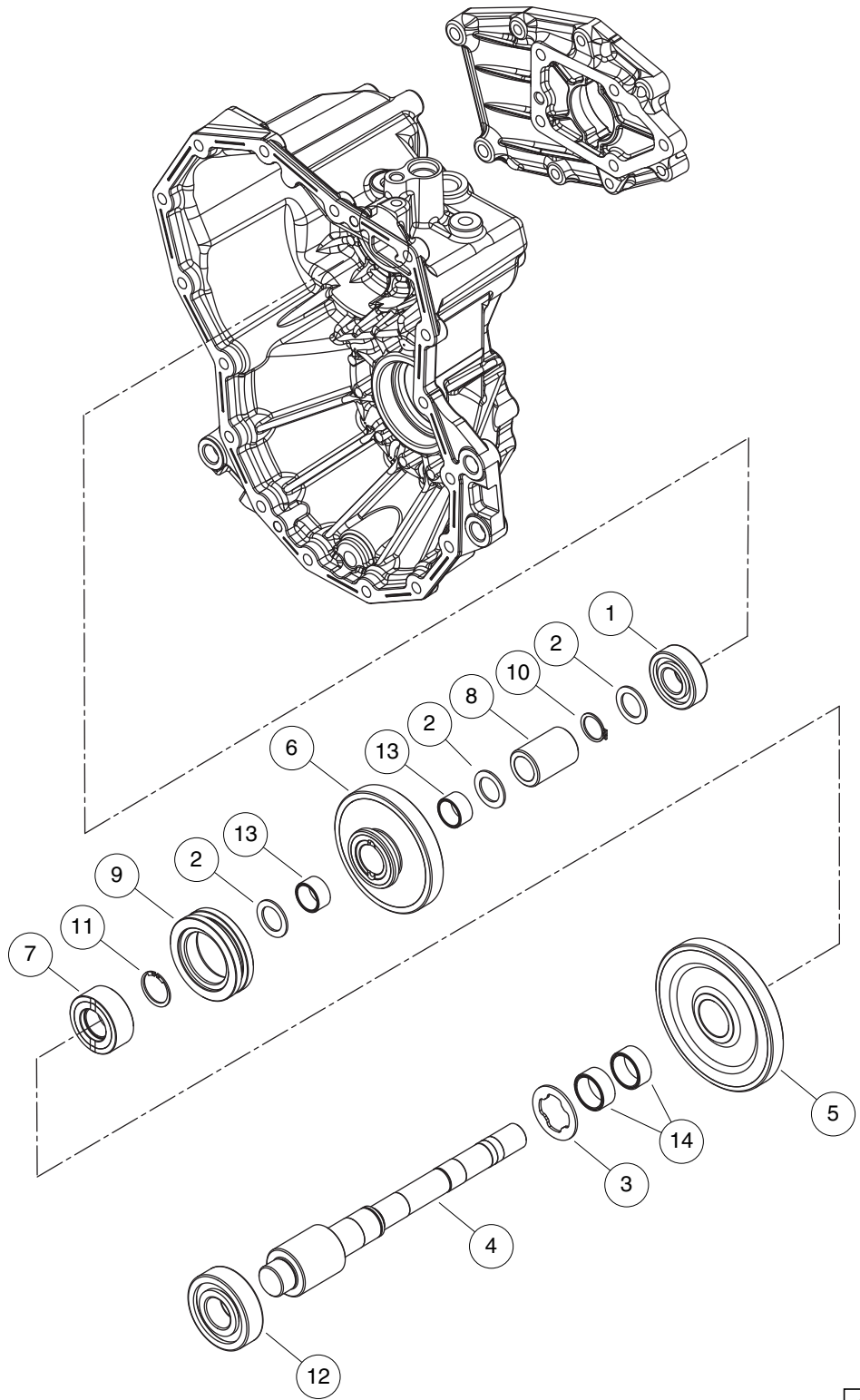


# TRANSAXLE HOUSING – 4WD

ITEM	PART NO.	DESCRIPTION	QTY
		1 2 3 4	
1	<u>103602601</u>	Housing, Transaxle, Kanzaki, L .....	1
2	<u>103602701</u>	Housing, Transaxle, Kanzaki, R .....	1
3	<u>103602801</u>	Bolt, M14x16, T/a Hsng Asm .....	1
4	<u>103602901</u>	Washer, Drain Plug, T/a Hsng .....	1
5	<u>103603001</u>	Plug, 3/4-16, W/p Cmp .....	1
6	<u>103603101</u>	Packing, P 16.0, Transaxle .....	1
7	<u>103603201</u>	Dip Stick Cmp, T/a Hsng Asm .....	1
8	<u>103603301</u>	Pin, 8x14, Transaxle .....	2
9	<u>103603401</u>	Seal, Tc304508, T/a Hsng Asm .....	1
10	<u>103603501</u>	Bolt, M8x30 .....	16

12

G



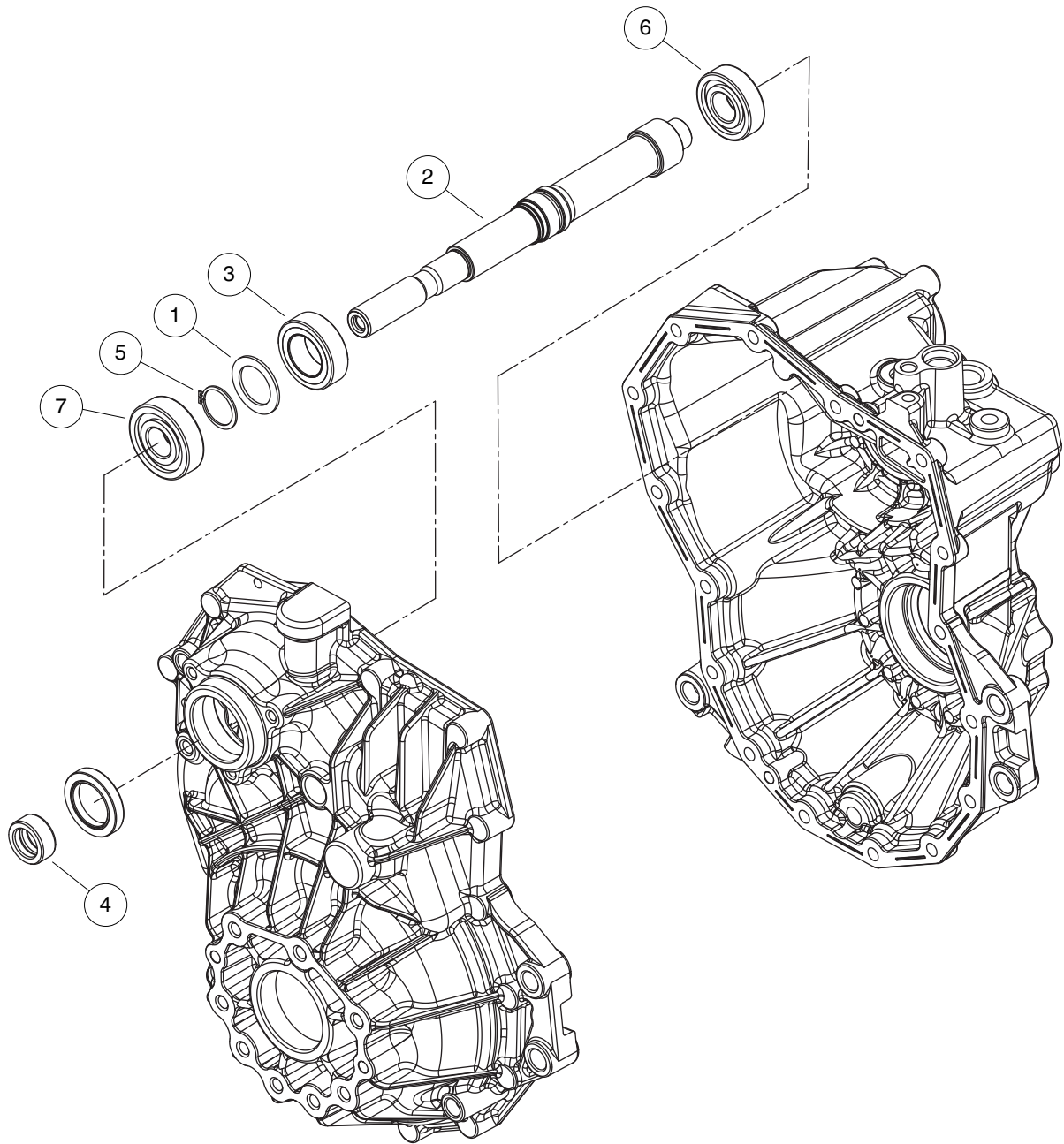
000909-004

# TRANSAXLE REDUCTION SHAFT ASSEMBLY – 4WD

ITEM	PART NO.	DESCRIPTION	QTY
		1 2 3 4	
1	<u>103604101</u>	Bearing, 6204, Transaxle .....	1
2	<u>103604301</u>	Washer, 20x30x1.6, Redn Shaft .....	3
3	<u>103604401</u>	Washer 25x44x2, Redn Shaft Asm .....	1
4	<u>103604501</u>	Shaft, Reduction, 4wd .....	1
5	<u>103604601</u>	Gear, Reduction, Fwd .....	1
6	<u>103604701</u>	Gear, Reduction, Rev .....	1
7	<u>103604801</u>	Collar, Spline, Redn Shaft Asm .....	1
8	<u>103604901</u>	Collar, Redn Shaft Asm .....	1
9	<u>103605001</u>	Shifter, Redn Shaft Asm .....	1
10	<u>103605101</u>	Ring, 20, Transaxle .....	1
11	<u>103605201</u>	Ring, 24, Redn Shaft Asm .....	1
12	<u>103605301</u>	Bearing, 6305 Ntn, Redn Shaft .....	1
13	<u>103605401</u>	Needle, 202413, Redn Shaft Asm .....	2
14	<u>103605501</u>	Needle, 253013, Transaxle .....	2

12

G



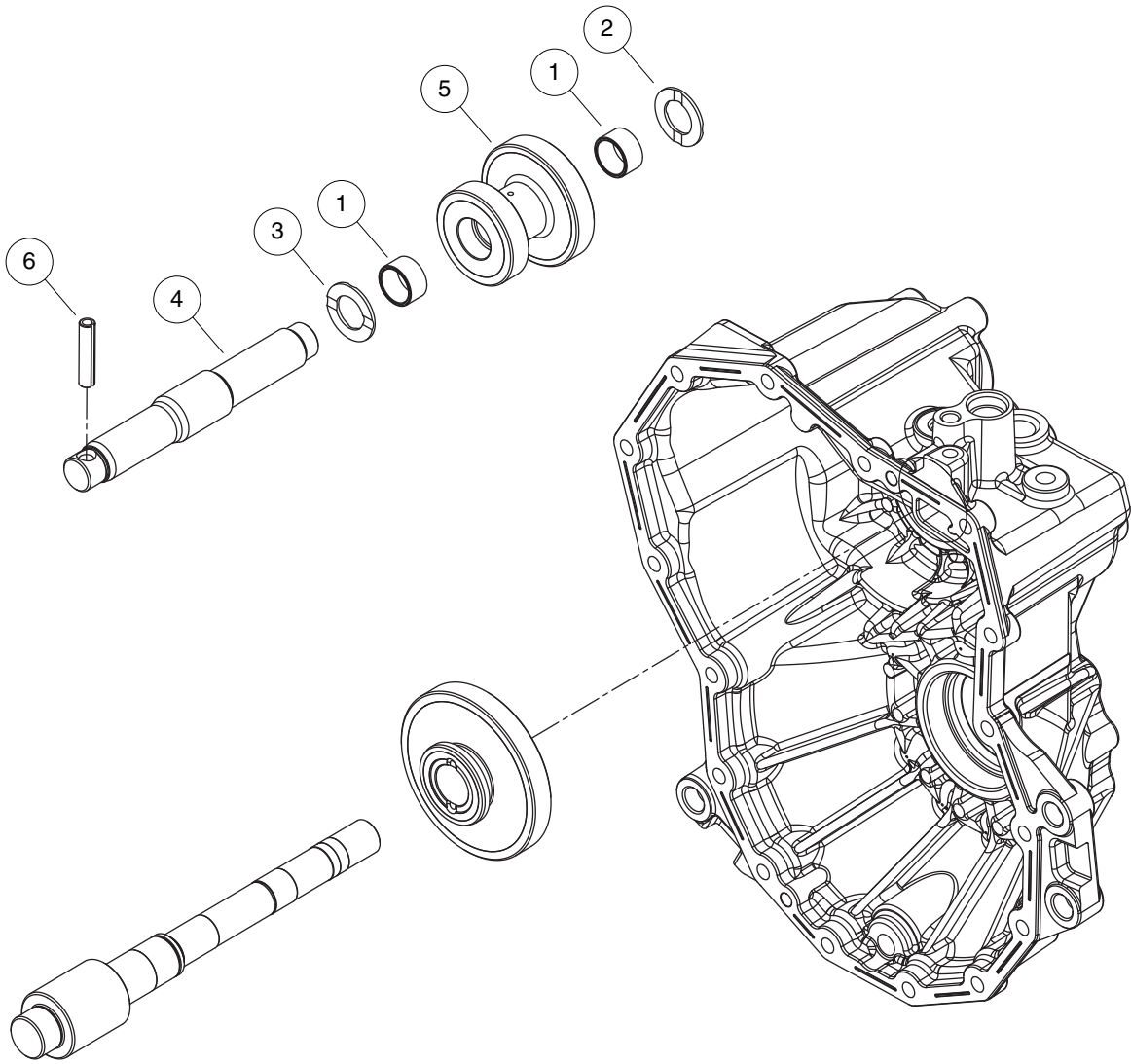
000909-003

# TRANSAXLE INPUT SHAFT – 4WD

ITEM	PART NO.	DESCRIPTION	QTY
		1 2 3 4	
1	<u>103603601</u>	Washer, 27x40x2, I/p Shaft .....	1
2	<u>103603701</u>	Shaft, Input, Transaxle .....	1
3	<u>103603801</u>	Gear, Input, I/p Shaft Asm .....	1
4	<u>103603901</u>	Sleeve, 20x30x13, I/p Shaft .....	1
5	<u>103604001</u>	Ring, 26, I/p Shaft Asm .....	1
6	<u>103604101</u>	Bearing, 6204, Transaxle .....	1
7	<u>103604201</u>	Bearing, 6304, I/p Shaft Asm .....	1

12

G

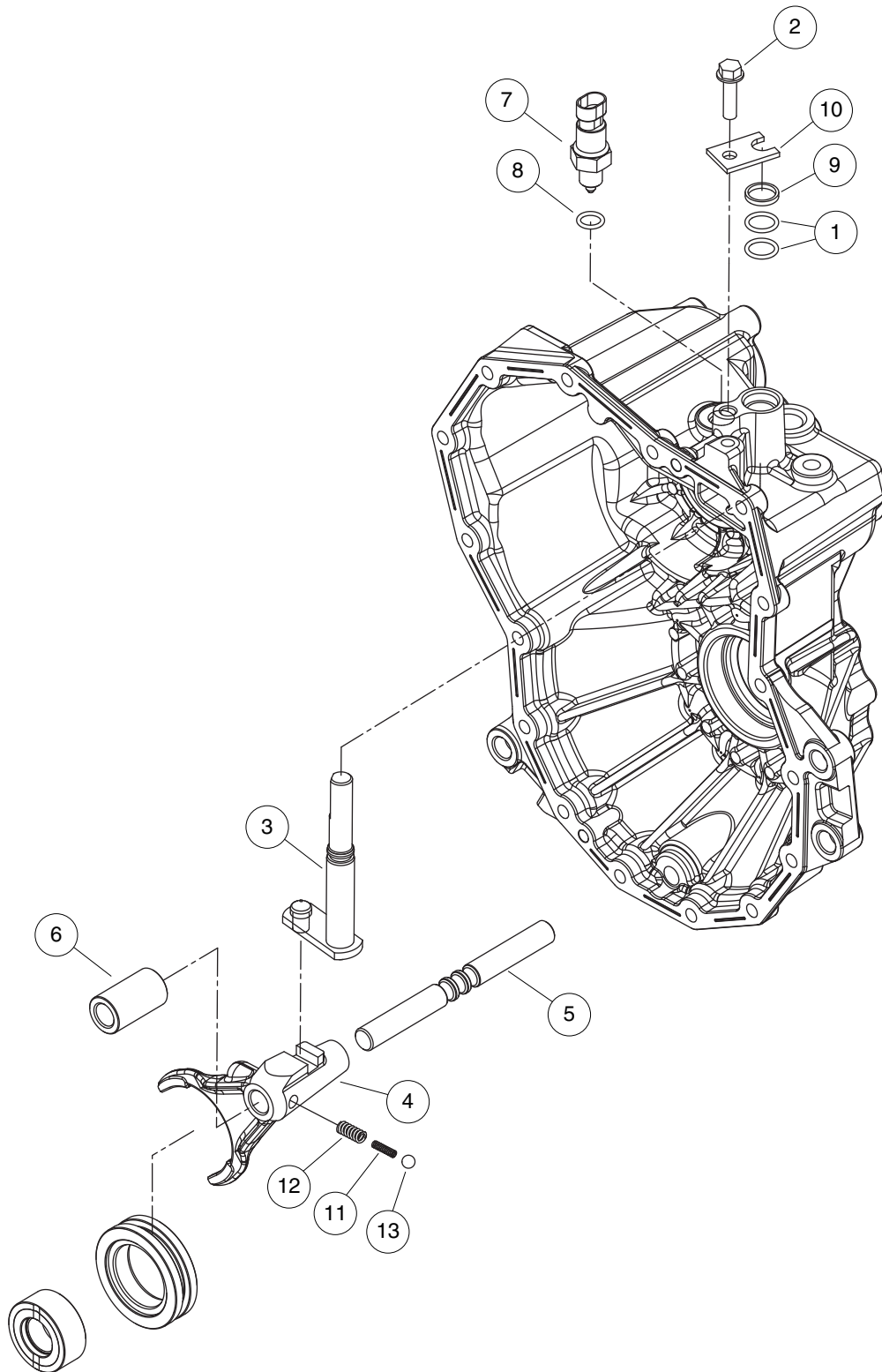


000909-006

## TRANSAXLE REVERSE SHAFT ASSEMBLY – 4WD

ITEM	PART NO.	DESCRIPTION	QTY
		1 2 3 4	
1	<u>103605501</u>	Needle, 253013, Transaxle .....	2
2	<u>103605701</u>	Washer, 20x34x2, Rev Shaft Asm .....	1
3	<u>103605801</u>	Washer, 25x36x2, Rev Shaft Asm .....	1
4	<u>103605901</u>	Shaft, Idle, Rev .....	1
5	<u>103606001</u>	Gear, Idle, Rev .....	1
6	<u>103606101</u>	Pin, 8.0ax 40, Transaxle .....	1

**12**  
**G**



000909-007

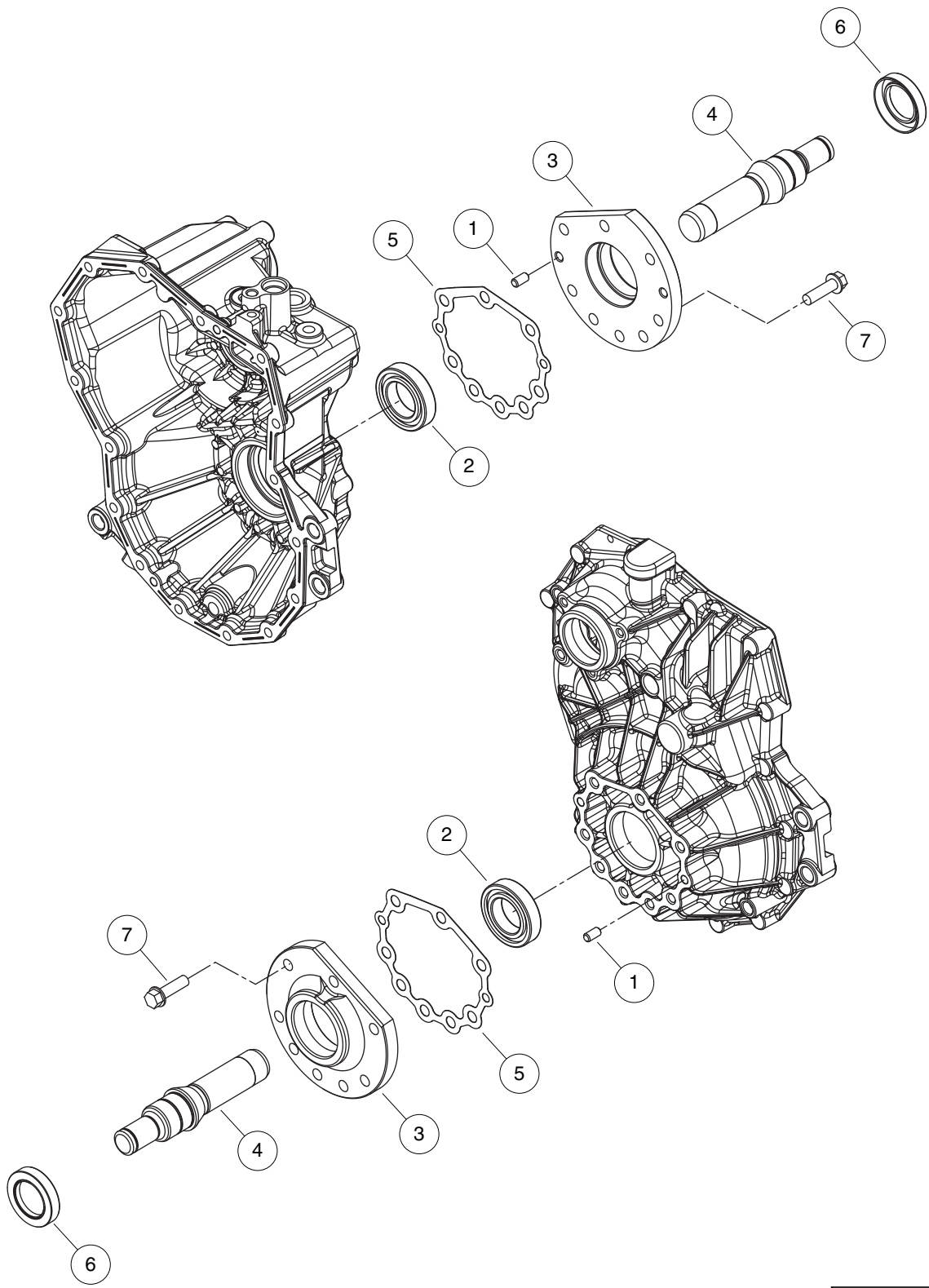


# TRANSAXLE SHIFT ASSEMBLY – 4WD

ITEM	PART NO.	DESCRIPTION	QTY
		1 2 3 4	
1	<u>103603101</u>	Packing, P 16.0, Transaxle .....	2
2	<u>103603501</u>	Bolt, M8x30 .....	1
3	<u>103606201</u>	Arm, Shift, Cmp .....	1
4	<u>103606301</u>	Fork, Shift .....	1
5	<u>103606401</u>	Shaft, Shift Fork .....	1
6	<u>103606501</u>	Collar, Fork Shaft .....	1
7	<u>103606601</u>	Switch, Safety, Cmp .....	1
8	<u>103606701</u>	Packing, P12.5, Shift Asm .....	1
9	<u>103606801</u>	Collar, Shift Arm .....	1
10	<u>103606901</u>	Plate, Keep, Transaxle .....	1
11	<u>103607001</u>	Spring, Inner, Shift Asm .....	1
12	<u>103607101</u>	Spring, 23, Shift Asm .....	1
13	<u>103607201</u>	Ball, 5/16, Shift Asm .....	1

12

G



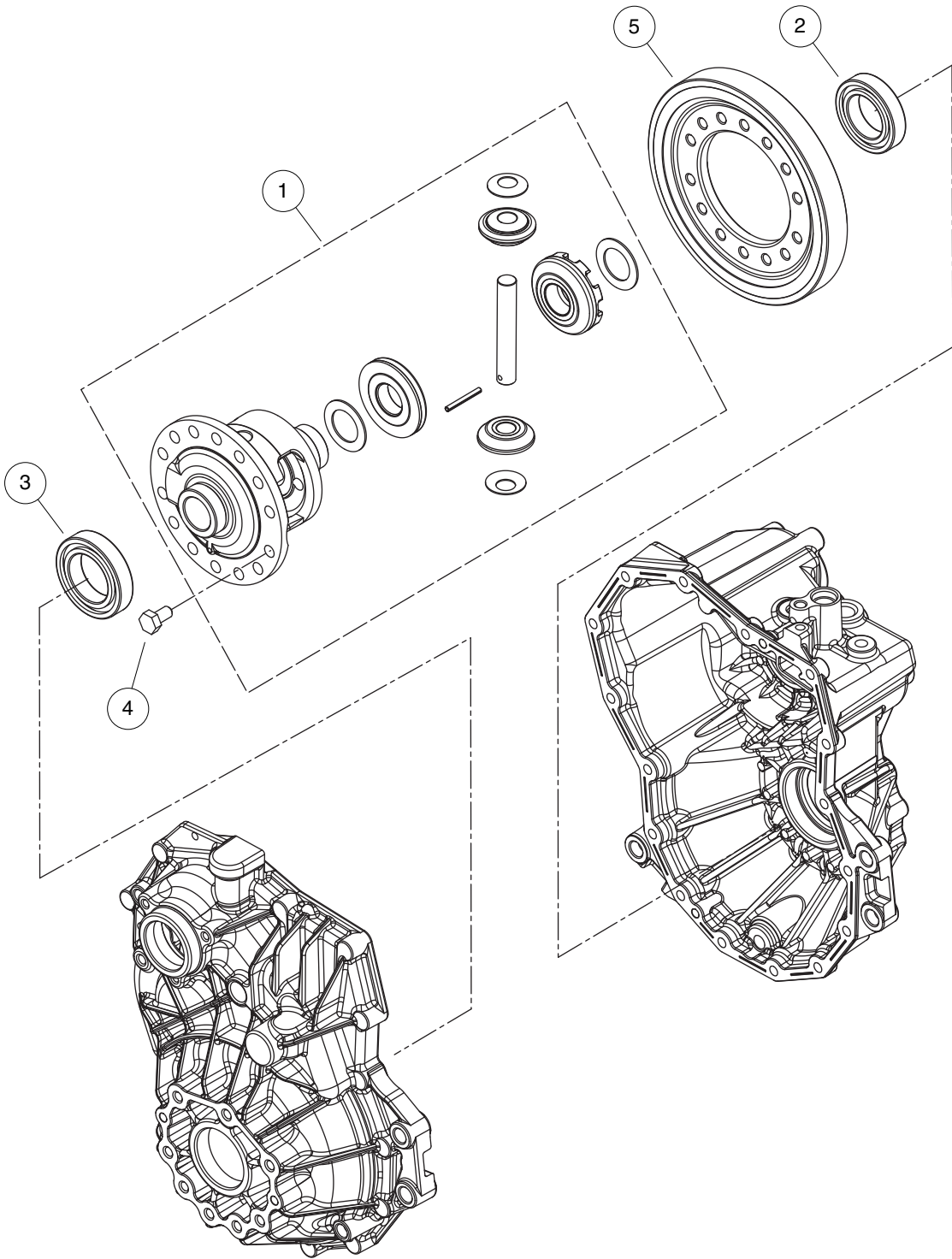
000909-009

# TRANSAXLE AXLE HOUSING ASSEMBLY – 4WD

ITEM	PART NO.	DESCRIPTION	QTY
		<b>1 2 3 4</b>	
1	<u>103603301</u>	Pin, 8x14, Transaxle .....	4
2	<u>103608801</u>	Bearing, 6007 Ntn, Transaxle .....	2
3	<u>103609801</u>	Housing, Axle, Kanzaki .....	2
4	<u>103609901</u>	Shaft, Axle, Kanzaki .....	2
5	<u>103610001</u>	Packing, Axle Housing, Kanzaki .....	2
6	<u>103610101</u>	Seal, Tc355511, Axle Hsng Asm .....	2
7	<u>103610201</u>	Bolt, 10 X 35, Axle Hsng Asm .....	16

12

G



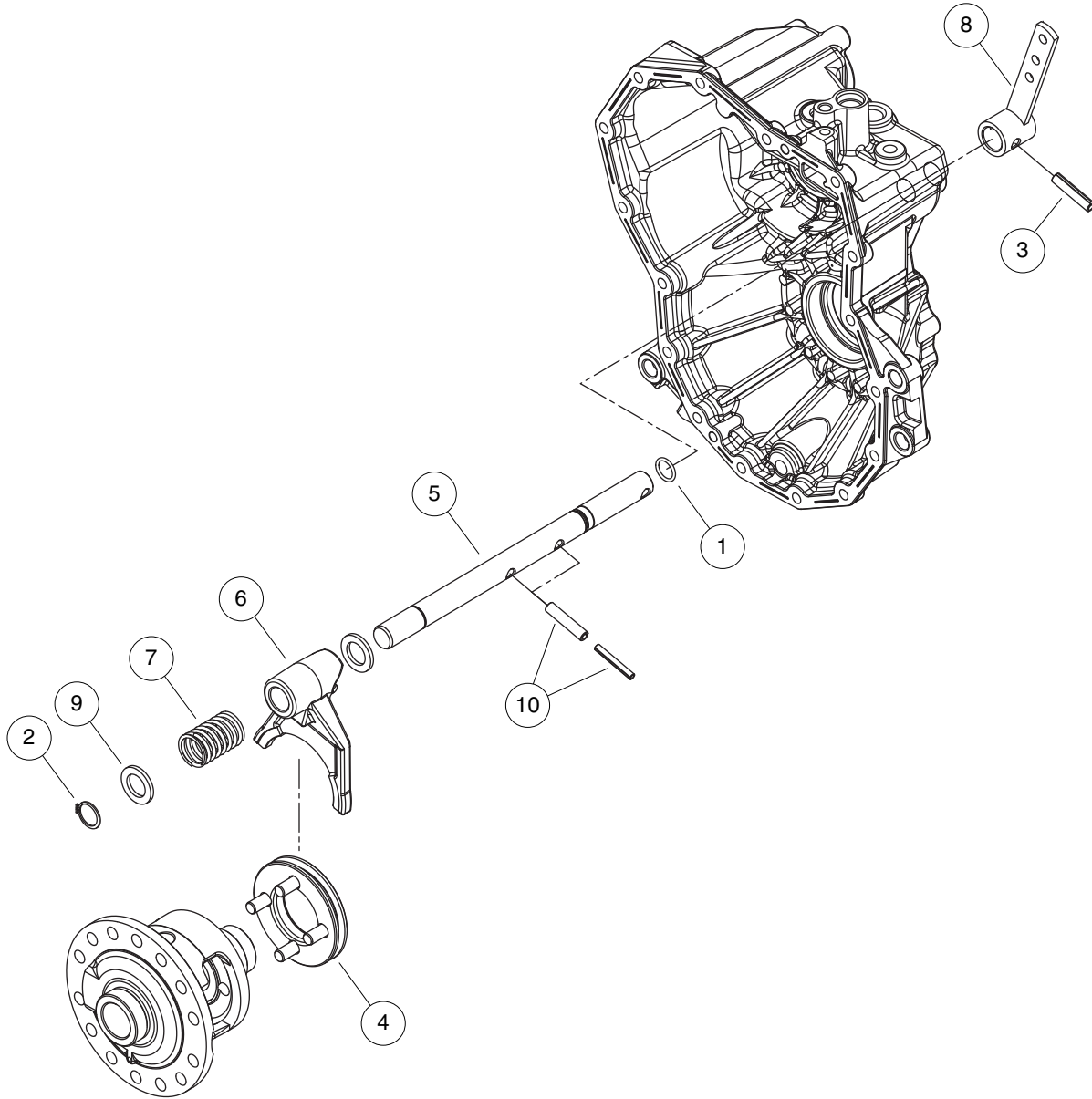
000909-011

# TRANSAXLE DIFFERENTIAL GEAR ASSEMBLY – 4WD

ITEM	PART NO.	DESCRIPTION	QTY
		1 2 3 4	
1	<u>103610501</u>	Differential, Cmp, T/a Kanzaki .....	1
2	<u>103610701</u>	Bearing, 6008 Ntn, Diff .....	1
3	<u>103610801</u>	Bearing, 6009 Ntn, Diff .....	1
4	<u>103610901</u>	Bolt 10x20 .....	14
5	<u>103611701</u>	Final Gear .....	1

12

G



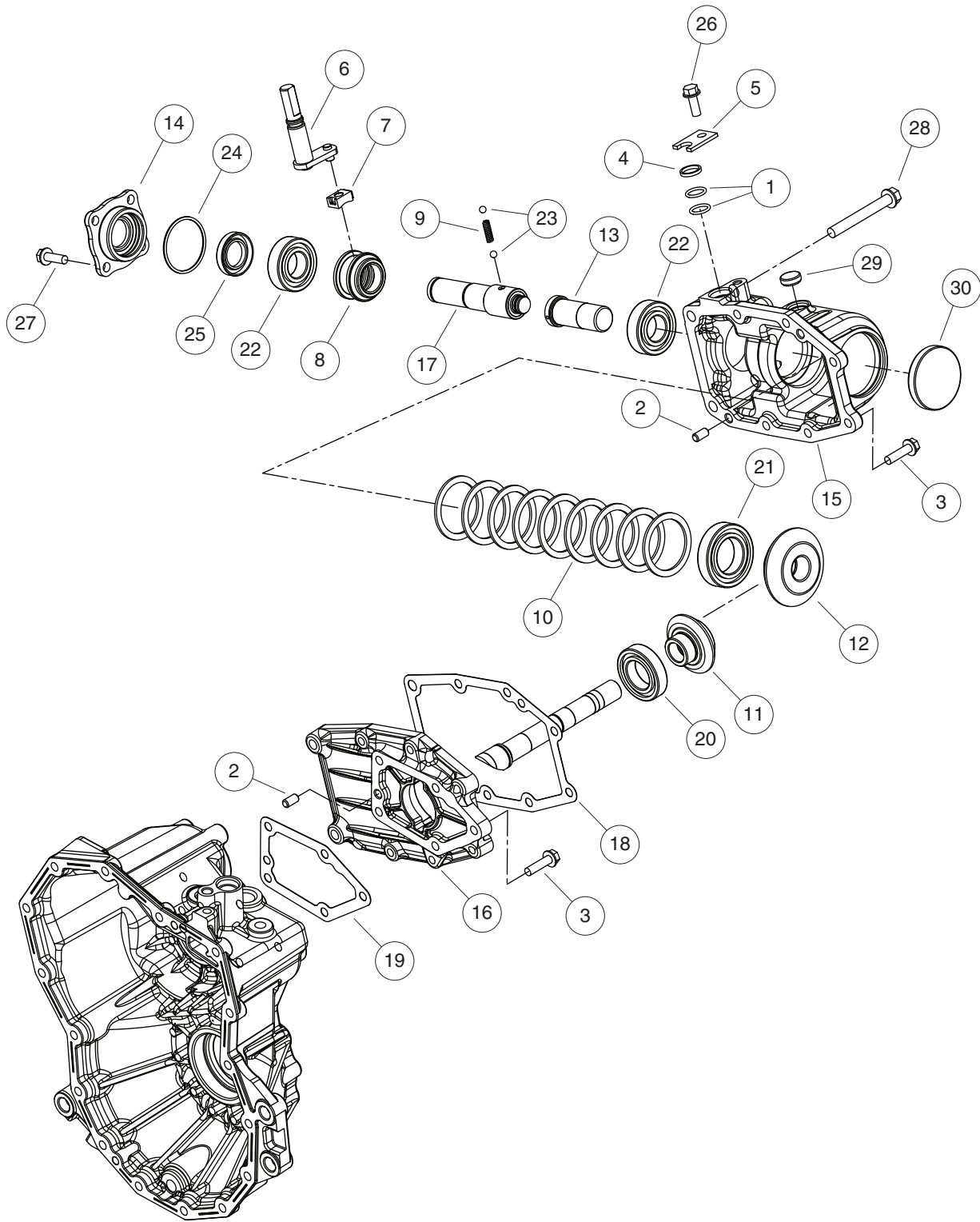
000909-012

# TRANSAXLE DIFFERENTIAL LOCK ASSEMBLY – 4WD

ITEM	PART NO.	DESCRIPTION	QTY
		1 2 3 4	
1	<u>103603101</u>	Packing, P 16.0, Transaxle .....	1
2	<u>103605101</u>	Ring, 20, Transaxle .....	1
3	<u>103606101</u>	Pin, 8.0ax 40, Transaxle .....	2
4	<u>103611001</u>	Slider, Diff.lock .....	1
5	<u>103611101</u>	Shaft, Diff.lock .....	1
6	<u>103611201</u>	Fork, Diff. Lock .....	1
7	<u>103611301</u>	Spring, Diff. Lock .....	1
8	<u>103611401</u>	Arm, Diff. Lock Cmp .....	1
9	<u>103611501</u>	Spacer, 20x32x3.2, Diff Lock .....	2
10	<u>103611601</u>	Spring Pin, Cmp .....	2

**12**  
**G**

**12**  
**G**



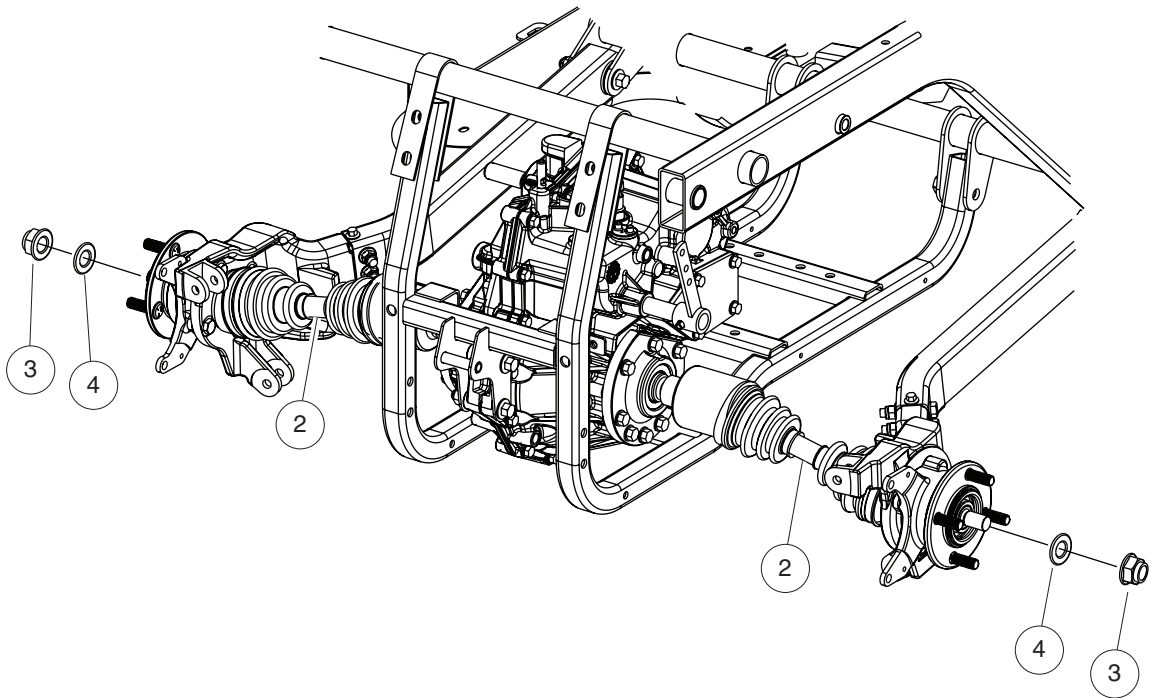
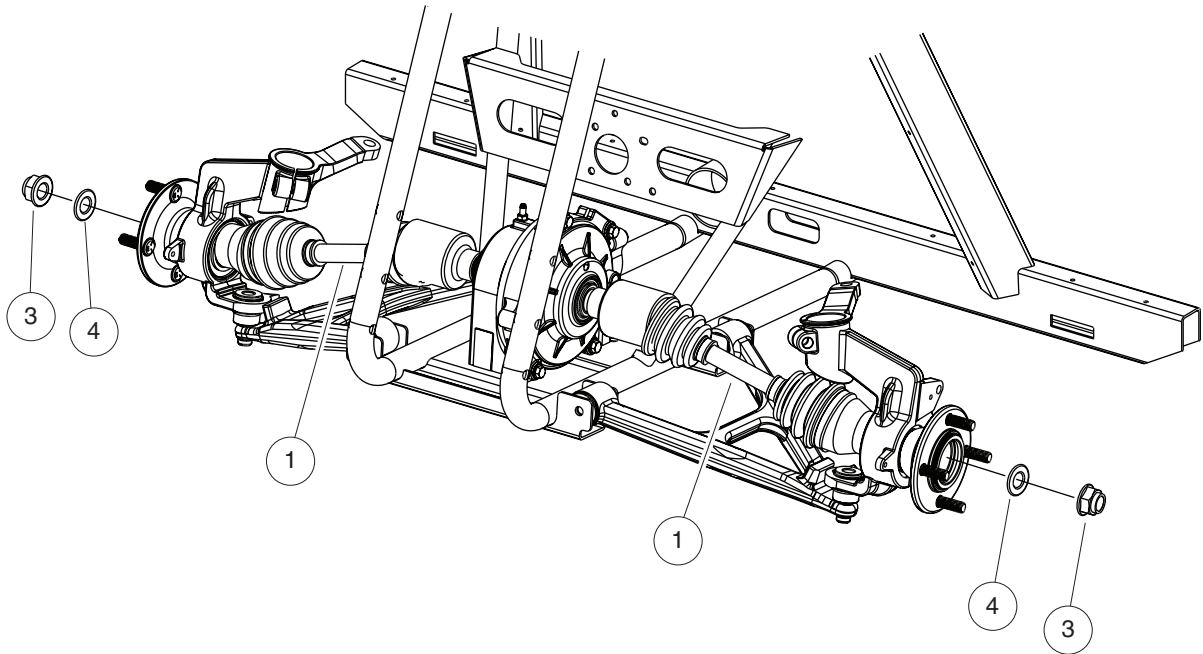
000909-008



## TRANSAXLE POWER TAKE-OFF ASSEMBLY – 4WD

ITEM	PART NO.	DESCRIPTION	QTY
		1 2 3 4	
1	<u>103603101</u>	Packing, P 16.0, Transaxle .....	2
2	<u>103603301</u>	Pin, 8x14, Transaxle .....	2
3	<u>103603501</u>	Bolt, M8x30 .....	11
4	<u>103606801</u>	Collar, Shift Arm .....	1
5	<u>103606901</u>	Plate, Keep, Transaxle .....	1
6	<u>103607301</u>	Arm, Shift, 4wd Cmp .....	1
7	<u>103607401</u>	Block, Shift, Pto Frt Asm .....	1
8	<u>103607501</u>	Collar, Front Shift .....	1
9	<u>103607601</u>	Spring, 26, Pto Frt Asm .....	1
10	<u>103607701</u>	Kit, Shim, Pto Frt Asm .....	1
11	<u>103607801</u>	Gear, Front Drive, 20t .....	1
12	<u>103607901</u>	Gear, Front Drive, 26t .....	1
13	<u>103608001</u>	Shaft, Front Drive .....	1
14	<u>103608101</u>	Cap, Front Drive .....	1
15	<u>103608201</u>	Case, Front Drive .....	1
16	<u>103608301</u>	Cover, Front Drive .....	1
17	<u>103608401</u>	Shaft, Pto, Transaxle, Kanzaki .....	1
18	<u>103608501</u>	Packing, Front Drive .....	1
19	<u>103608601</u>	Packing, Pto Frt Asm .....	1
20	<u>103608701</u>	Bearing, 6006 Ntn, Pto Frt Asm .....	1
21	<u>103608801</u>	Bearing, 6007 Ntn, Transaxle .....	1
22	<u>103608901</u>	Bearing, 6205 Ntn, Pto Frt Asm .....	2
23	<u>103609001</u>	Ball, 1/4, Pto Frt Asm .....	2
24	<u>103609101</u>	Packing, G50.0, Pto Frt Asm .....	1
25	<u>103609201</u>	Seal, Tc254208, Pto Frt Asm .....	1
26	<u>103609301</u>	Bolt, 8x 22, Pto Frt Asm .....	1
27	<u>103609401</u>	Bolt, 8x 25, Pto Frt Asm .....	4
28	<u>103609501</u>	Bolt, 10x 80, Pto Frt Asm .....	2
29	<u>103609601</u>	Cap, Sealing 20, Pto Frt Asm .....	1
30	<u>103609701</u>	Cap, Sealing 62, Pto Frt Asm .....	1

**12**  
**G**



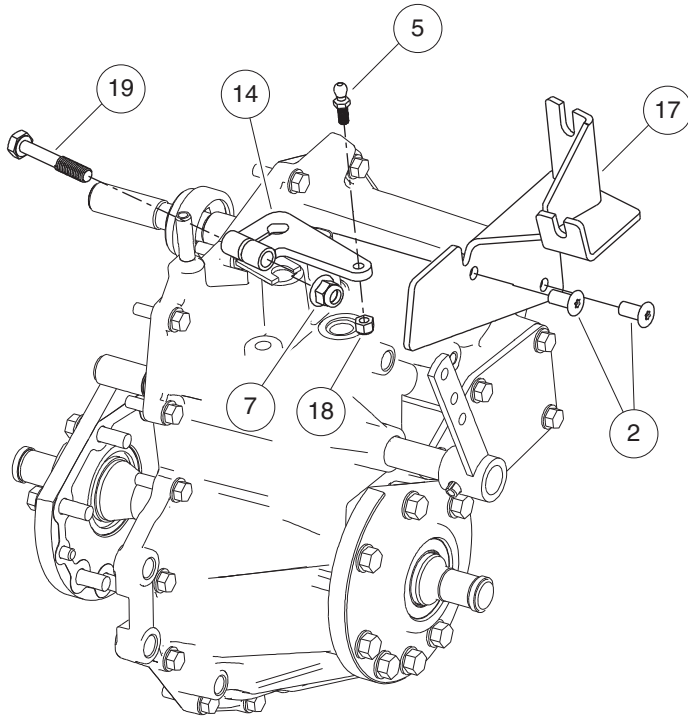
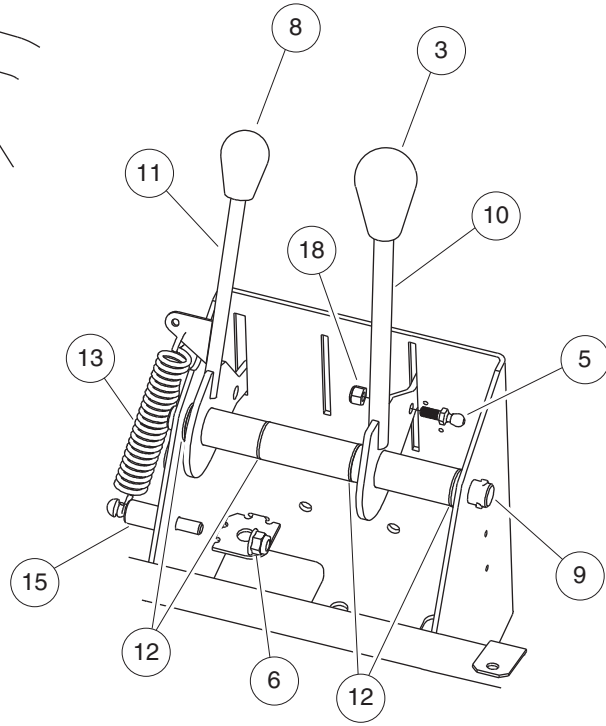
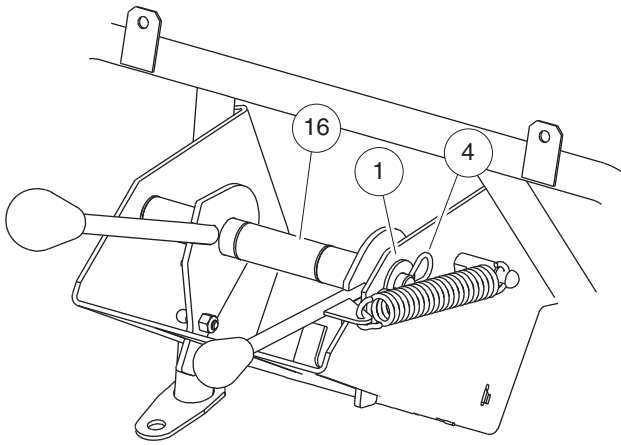
000897-001

# HALF SHAFTS

ITEM	PART NO.	DESCRIPTION	QTY
		<b>1 2 3 4</b>	
1	103417701	Halfshaft, Front, 4x4 .....	2
2	103498001	Halfshaft, Rear, 4x4 .....	2
3	<u>103596301</u>	Nut, Stake, M18, Halfshaft .....	4
4	<u>103600701</u>	Washer, Flat, M18 .....	4

**12**  
**G**

12  
G



000899-002

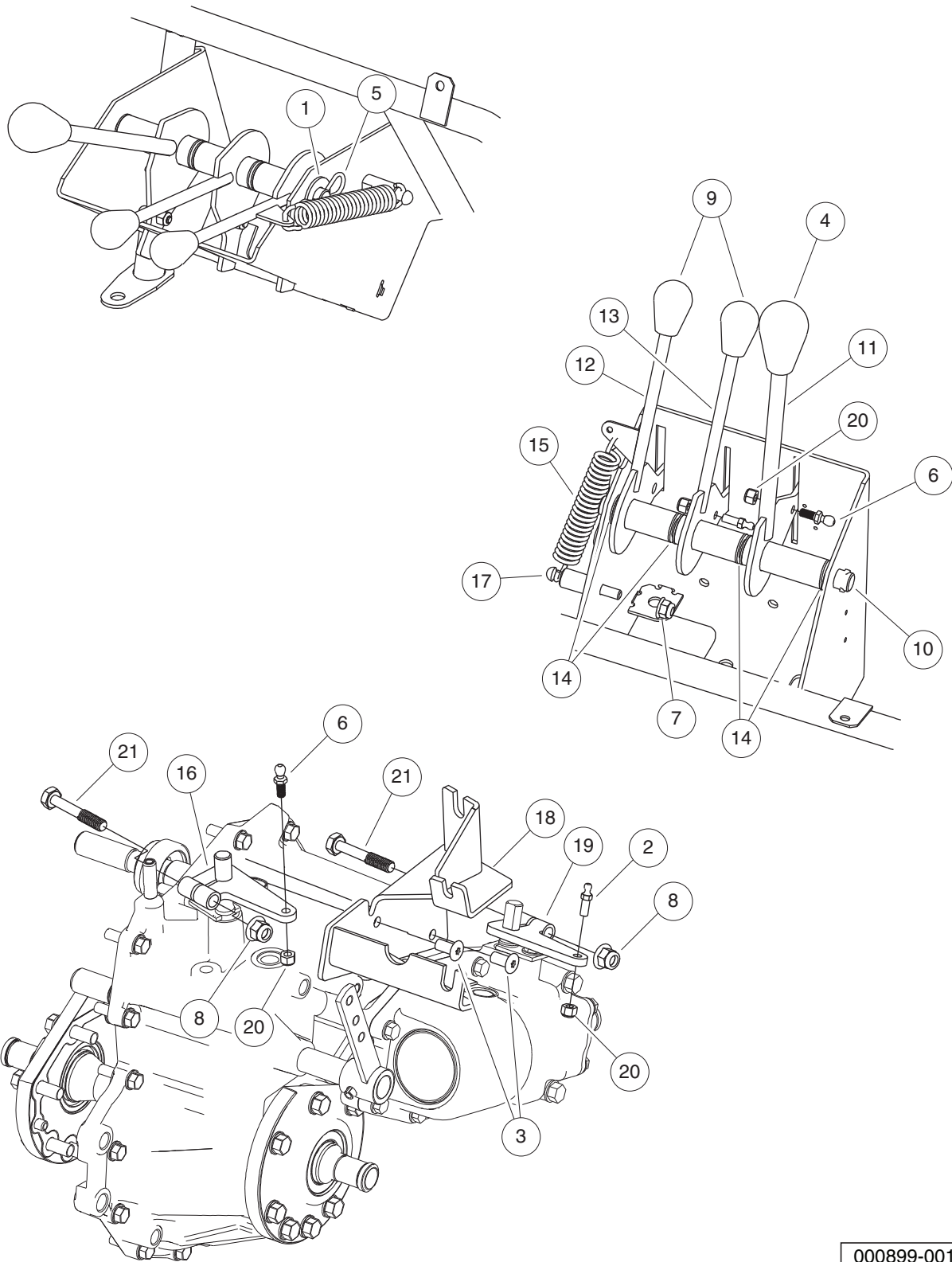
## FORWARD/REVERSE SHIFTER – 2WD

ITEM	PART NO.	DESCRIPTION	QTY
		1 2 3 4	
1	<u>1010193</u>	Washer, 5/8 Type A Plain Flat .....	1
2	<u>1016074</u>	Screw, M8-1.25 X 18mm Torx .....	2
3	<u>102376001</u>	Knob, FNR, Shifter .....	1
4	<u>102518901</u>	Pin, Bow Tie 0.120 X 2.750 .....	1
5	<u>102615701</u>	Stud, Ball, .346 Dia .....	2
6	<u>102618601</u>	Lock Nut, Flange, M8 X 1.25 Nylon .....	1
7	<u>102670701</u>	Nut, Flange, M10 X 1.5 Nylon .....	1
8	<u>103114801</u>	Knob, Black, 32mm Dia .....	1
9	<u>103134001</u>	Pin, Shifter, Controls .....	1
10	<u>103419201</u>	Weldment, Shifter, Dash, Fnr .....	1
11	<u>103419501</u>	Weldment, Shifter, Diff .....	1
12	<u>103420201</u>	Bushing, Flange, 16 Id X 19 .....	4
13	<u>103420301</u>	Spring, Ext, 22mmx 119mm .....	1
14	<u>103438001</u>	Weldment, Lever, Trans, Fnr .....	1
15	<u>103482301</u>	Stud, Mtg, Spring .....	1
16	<u>103585201</u>	Spacer, 16.5 Id X 58 Mm .....	1
17	<u>103597402</u>	Weldment, Brkt, Cable, 2wd .....	1
18	<u>8717</u>	Locknut, Nylon Insert, 1/4-28 .....	2
19	<u>96704960</u>	Bolt, M10 X 1.5 X 60 .....	1

12

G

**12**  
**G**



000899-001

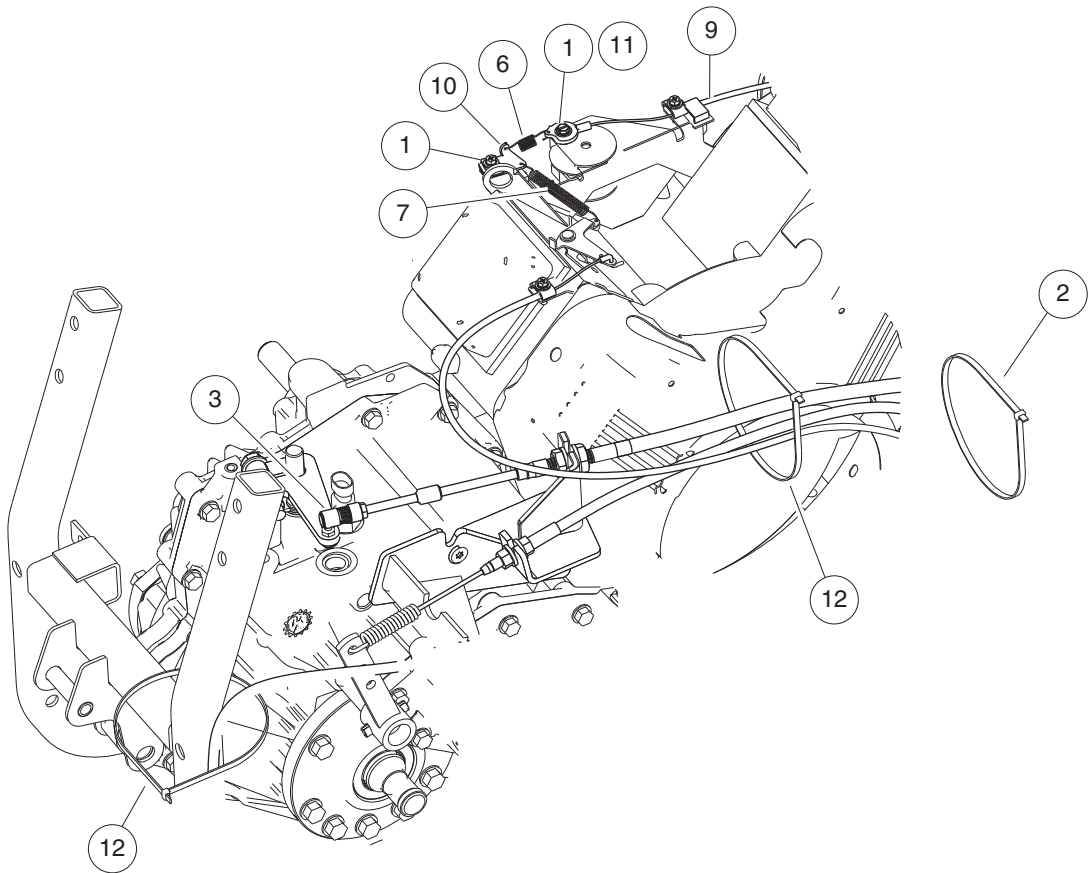
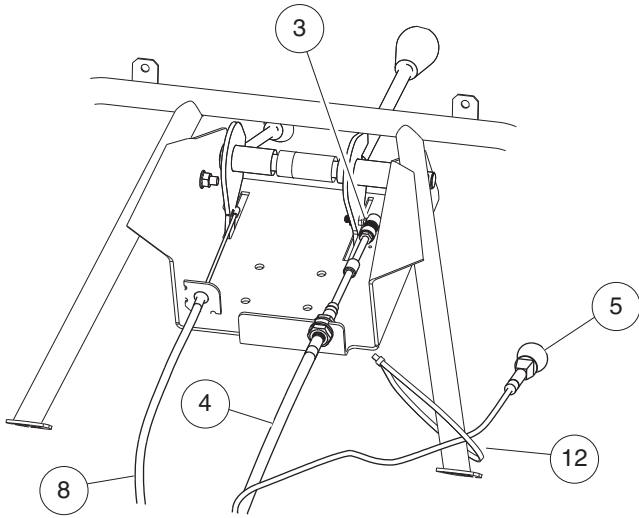
## FORWARD/REVERSE SHIFTER – 4WD

ITEM	PART NO.	DESCRIPTION	QTY
		1 2 3 4	
1	<u>1010193</u>	Washer, 5/8 Type A Plain Flat .....	1
2	<u>1010954</u>	Stud, Ball, 1/4-28 X 0.560 .....	2
3	<u>1016074</u>	Screw, M8-1.25 X 18mm Torx .....	2
4	<u>102376001</u>	Knob, FNR, Shifter .....	1
5	<u>102518901</u>	Pin, Bow Tie 0.120 X 2.750 .....	1
6	<u>102615701</u>	Stud, Ball, .346 Dia .....	2
7	<u>102618601</u>	Lock Nut, Flange, M8 X 1.25 Nylon .....	1
8	<u>102670701</u>	Nut, Flange, M10 X 1.5 Nylon .....	2
9	<u>103114801</u>	Knob, Black, 32mm Dia .....	2
10	<u>103134001</u>	Pin, Shifter, Controls .....	1
11	<u>103419201</u>	Weldment, Shifter, Dash, Fnr .....	1
12	<u>103419501</u>	Weldment, Shifter, Diff .....	1
13	<u>103419701</u>	Weldment, Shifter, 4x4 .....	1
14	<u>103420201</u>	Bushing, Flange, 16 Id X 19 .....	6
15	<u>103420301</u>	Spring, Ext, 22mmx 119mm .....	1
16	<u>103438001</u>	Weldment, Lever, Trans, Fnr .....	1
17	<u>103482301</u>	Stud, Mtg, Spring .....	1
18	<u>103597401</u>	Weldment, Brkt, Cable, 4wd .....	1
19	<u>103597501</u>	Weldment, Lever, Axle, 4x4 .....	1
20	<u>8717</u>	Locknut, Nylon Insert, 1/4-28 .....	4
21	<u>96704960</u>	Bolt, M10 X 1.5 X 60 .....	2

**12**

**G**

**12**  
**G**



000910-002



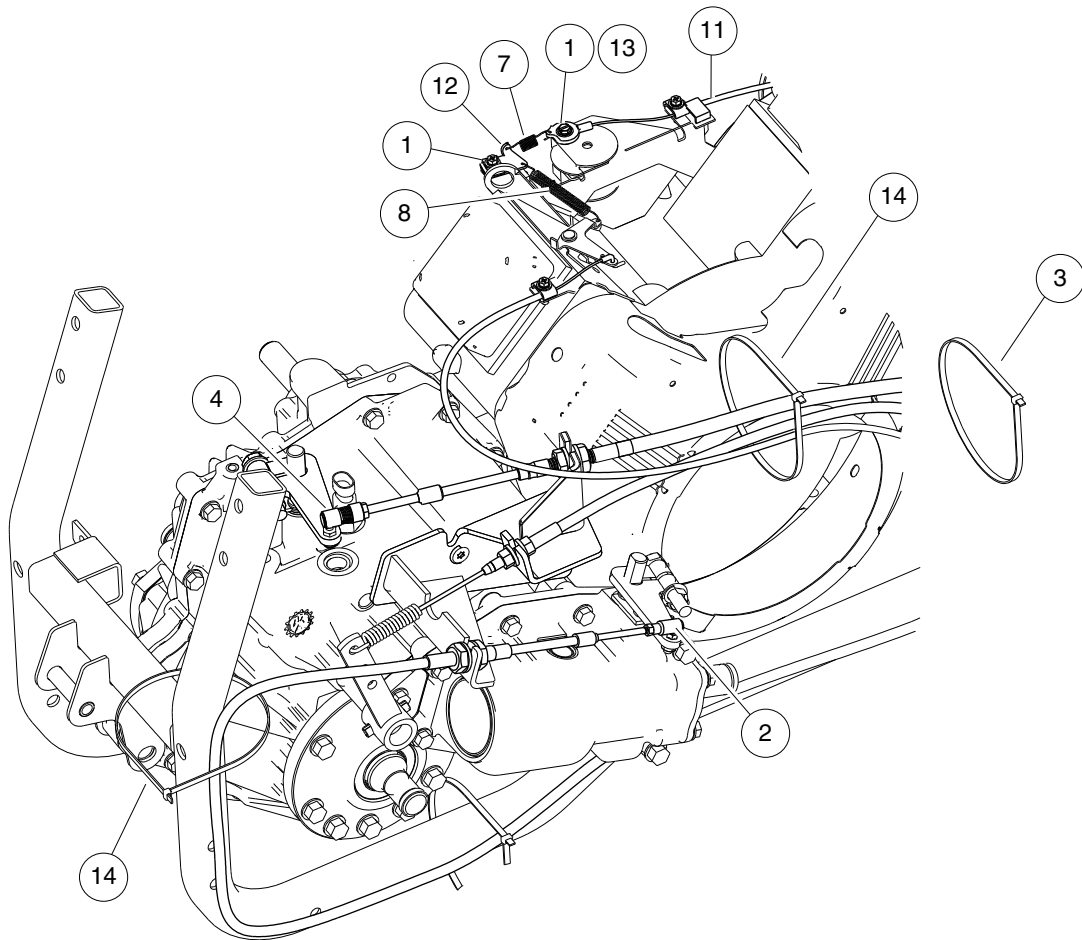
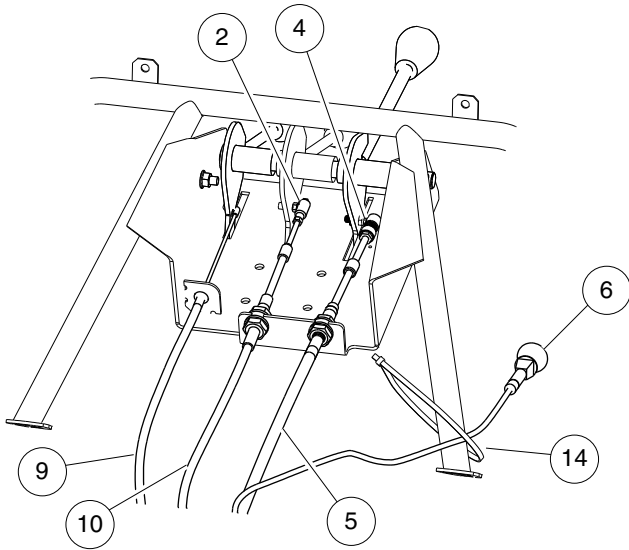
## CONTROL CABLES – 2WD

ITEM	PART NO.	DESCRIPTION	QTY
		1 2 3 4	
1	<u>1012126</u>	Screw, #10-32 X .625 Hx Washer .....	2
2	<u>102025401</u>	Tie Wrap, Heavy Duty .....	1
3	<u>102615801</u>	Joint, Ball, .346 Dia .....	2
4	<u>103106401</u>	Cable, Trans, Fnr .....	1
5	<u>103433201</u>	Cable, Choke, B&s .....	1
6	<u>103481901</u>	Spring, Ext, 9mm Dia .....	1
7	<u>103595601</u>	Spring, Ext, 7mm Dai, X 55 .....	1
8	<u>103599301</u>	Cable, Trans, Diff-lock .....	1
9	<u>103600301</u>	Cable, Accelerator, B&s .....	1
10	<u>103618701</u>	Bkt, Spring, Engine, B&s .....	1
11	<u>183</u>	Washer, #10, Type A, Flat .....	1
12	<u>8639</u>	Tie Wrap, 11" Nylon .....	10
<p>Note: Accelerator Cable 103600301 is no longer available. Use Accelerator Cable Kit number 103813101.</p>			

12

G

**12**  
**G**



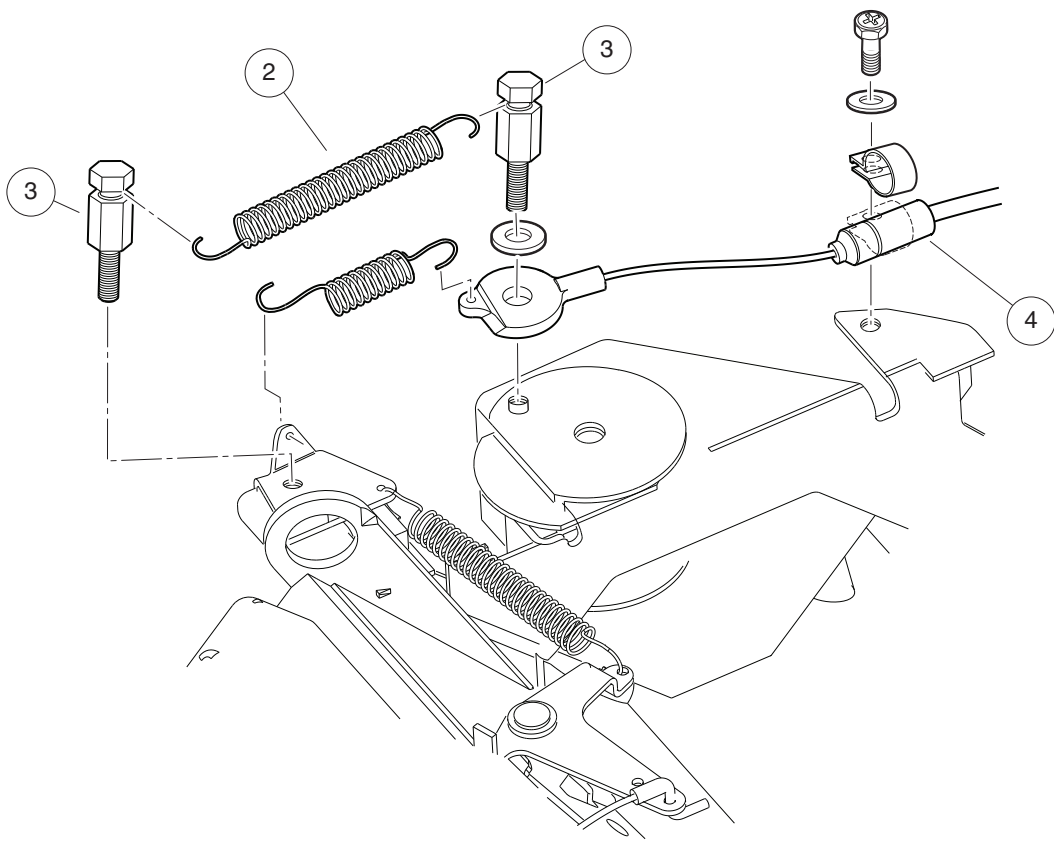
000910-001

## CONTROL CABLES – 4WD

ITEM	PART NO.	DESCRIPTION	QTY
		1 2 3 4	
1	<u>1012126</u>	Screw, #10-32 X .625 Hx Washer .....	2
2	<u>1012333</u>	Joint, #10-32 Ball .....	2
3	<u>102025401</u>	Tie Wrap, Heavy Duty .....	1
4	<u>102615801</u>	Joint, Ball, .346 Dia .....	2
5	<u>103106401</u>	Cable, Trans, Fnr .....	1
6	<u>103433201</u>	Cable, Choke, B&s .....	1
7	<u>103481901</u>	Spring, Ext, 9mm Dia .....	1
8	<u>103595601</u>	Spring, Ext, 7mm Dai, X 55 .....	1
9	<u>103599301</u>	Cable, Trans, Diff-lock .....	1
10	<u>103600201</u>	Cable, Transaxle, 3228 Mm .....	1
11	103600301	Cable, Accelerator, B&s .....	1
12	<u>103618701</u>	Bkt, Spring, Engine, B&s .....	1
13	<u>183</u>	Washer, #10, Type A, Flat .....	1
14	<u>8639</u>	Tie Wrap, 11" Nylon .....	13
<p>Note: Accelerator Cable 103600301 is no longer available. Use Accelerator Cable Kit number 103813101.</p>			

12

G



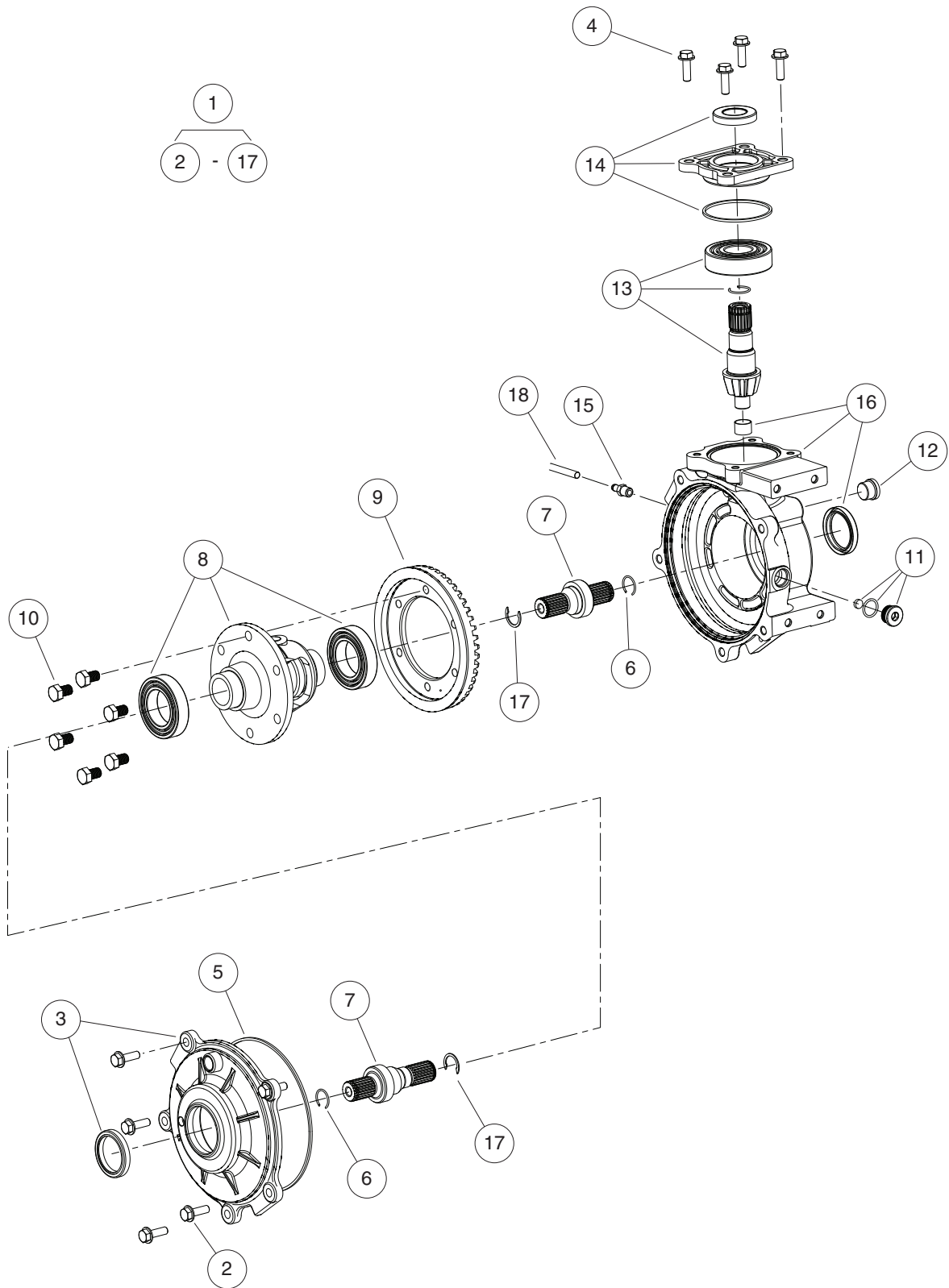
000910-003

# ACCELERATOR CABLE KIT

**12**

**G**

ITEM	PART NO.	DESCRIPTION	QTY
		1 2 3 4	
1	<u>103813101</u>	Kit, Accel Cable, Epdm Seals (includes items 2 through 4) .....	1
2	<u>103595601</u>	Spring, Ext, 7mm Dai, X 55 .....	1
3	<u>103788401</u>	Stud, Threaded, #10-32 .....	2
4	<u>103806801</u>	Cable, Accel, Epdm Bell/wiper .....	1
<p style="margin-left: 40px;">Note: Use this kit to replace Accelerator Cable 103600301.</p>			



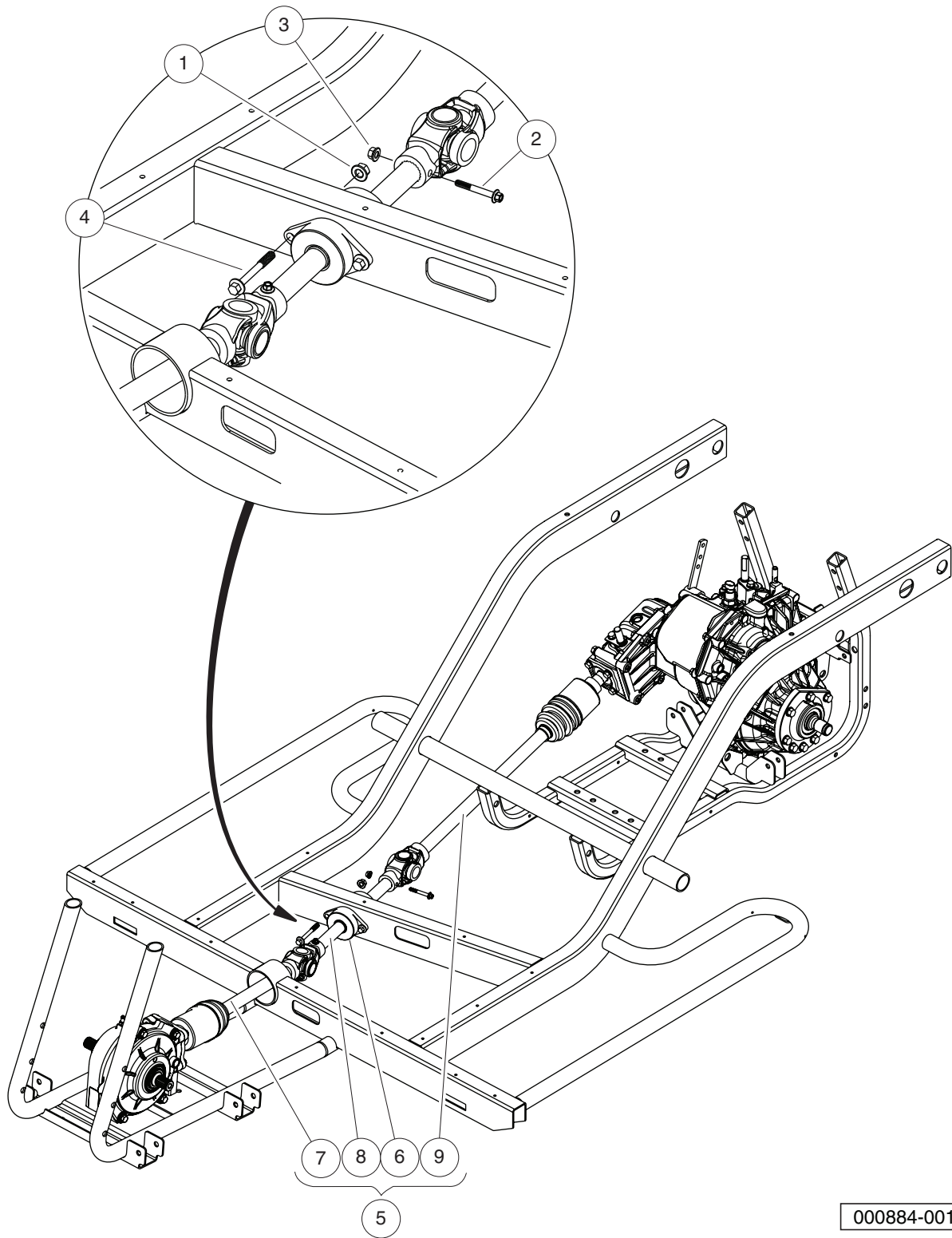
000908-001

# FRONT DIFFERENTIAL

ITEM	PART NO.	DESCRIPTION	QTY
		<b>1 2 3 4</b>	
1	<u>103416801</u>	Diff, Front, Open, Hilliard (includes items 2 through 17) .....	1
2	<u>102491001</u>	Bolt, Flanged Head, 3/8-16x1.0 with Loctite .....	4
3	<u>103568201</u>	Assembly, Output Cover .....	1
4	<u>103568301</u>	Kit, Cover Bolt .....	1
5	<u>103568401</u>	Kit, Seal .....	1
6	<u>103568501</u>	Kit, External Retaining Ring .....	1
7	<u>103568601</u>	Kit, Stub Shaft .....	1
8	<u>103568701</u>	Kit, Open Differential .....	1
9	<u>103568801</u>	Ring Gear .....	1
10	<u>103568901</u>	Kit, Ring Gear Bolt .....	1
11	<u>103569001</u>	Assembly, Drain Plug .....	1
12	<u>103569101</u>	Plug, 3/4-16 Hollow Head .....	1
13	<u>103569201</u>	Kit, Pinion Gear .....	1
14	<u>103569301</u>	Kit, Input Cover .....	1
15	<u>103569401</u>	Vent Fitting .....	1
16	<u>103569501</u>	Kit, Gearcase Assembly .....	1
17	<u>103569601</u>	Kit, Internal Retaining Ring .....	1
18	<u>103601001</u>	Hose, Vent, Yellow, Front Diff .....	1

12

G



000884-001



# PROP SHAFTS

ITEM	PART NO.	DESCRIPTION	QTY
		<b>1 2 3 4</b>	
1	<u>102298401</u>	Nut,m8,all Metal Lock .....	2
2	<u>102541445</u>	Bolt-m6x1.0x45 Hex Flhd,blk .....	2
3	<u>102541501</u>	Nut-m6x1.0 Fl Mtl Lock,blk .....	2
4	<u>102618301</u>	Bolt, Flanged Head, M8 X 1.25 X 65 .....	2
5	N/A	Asm, Prop Shaft, 4x4 (includes items 6 through 9) .....	1
6	<u>103422901</u>	Bearing, Propshaft .....	1
7	<u>103437401</u>	Propshaft, Front, 4x4 .....	1
8	<u>103437501</u>	Propshaft, Center, 4x4 .....	1
9	<u>103437601</u>	Propshaft, Rear, 4x4 .....	1

**12**  
**G**

12

G

# MAINTENANCE AND SERVICE TOOLS

---

13

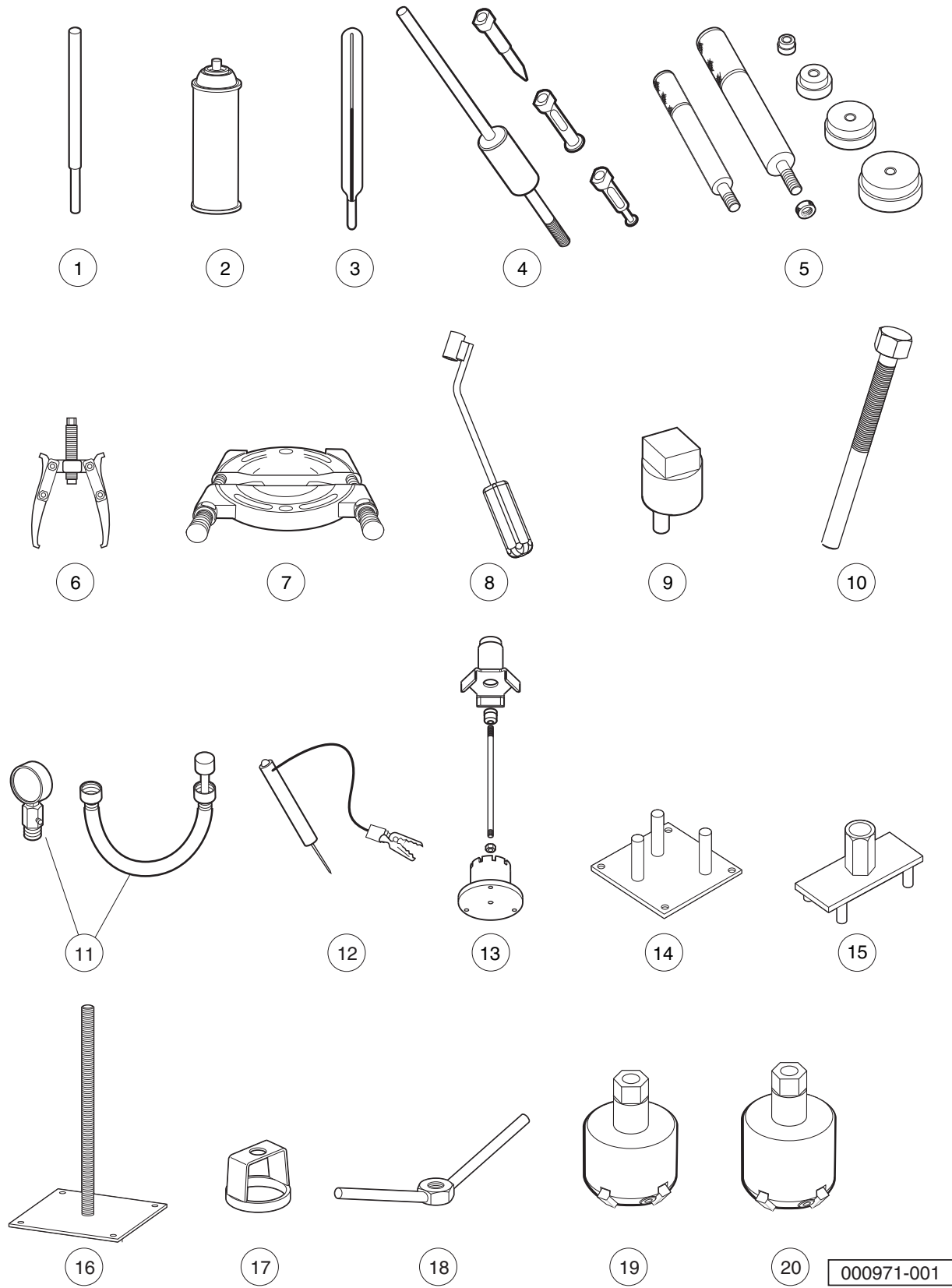
G

D

13

G

D



000971-001

# MAINTENANCE AND SERVICE TOOLS – AWD/950

ITEM	PART NO.	DESCRIPTION	QTY GAS	QTY DIESEL
		<p style="margin: 0;"><b>1 2 3 4</b></p> <p style="margin: 0;">The following tool list includes all tools available from Club Car for maintenance and service procedures on AWD-based and XRT950-based utility vehicles, both past and present models. Be sure to carefully examine the tool list for applicability to your vehicle before ordering.</p>		
1	<u>101641202</u>	Arbor .....	1	1
2	<u>1014305</u>	Battery Terminal Protector Spray .....	1	1
3	<u>1011767</u>	Battery Thermometer .....	1	1
4	<u>1016417</u>	Bearing and Oil Seal Remover Assembly .....	1	1
5	<u>1016416</u>	Bearing Driver Set .....	1	1
6	<u>1012811</u>	Bearing Puller .....	1	1
7	<u>1012812</u>	Bearing Puller Wedge Attachment .....	1	1
8	<u>102555501</u>	Brake Cable Release Tool .....	1	1
9	<u>102447101</u>	Camber Adjustment Tool (for AWD vehicles).....	1	1
10	<u>102686101</u>	Clutch Removal Tool (for AWD vehicles).....	1	1
11	<u>101641002</u>	Compression Gauge and Adapter .....	1	
12	<u>1011273</u>	Continuity Tester .....	1	1
13	<u>103865301</u>	Drive Clutch Service Tool (for AWD vehicles with 3-weight drive clutch) .....	1	1
14	<u>102601501</u>	Drive ClutchFixed Sheave Tool (for AWD vehicles with 2-weight drive clutch) .....	1	1
15	<u>102607501</u>	Drive Clutch Spider Removal Tool (for AWD vehicles with 2-weight drive clutch) .....	1	1
16	<u>102603501</u>	Driven Clutch Spring Compression Base (for use with items 17 and 18) (for AWD vehicles) .....	1	1
17	<u>102605201</u>	Driven Clutch Spring Compression Collar (for use with items 16 and 18) (for AWD vehicles) .....	1	1
18	<u>102606101</u>	Driven Clutch Spring Compression Nut (for use with items 16 and 17) (for AWD vehicles) .....	1	1
19	<u>102773801</u>	Cutter, Valve Seat, #122.....	1	
20	<u>102773901</u>	Cutter, Valve Seat #115.....	1	
		<p style="margin: 10px 0;">Items 19 and 20 are for AWD vehicles with Honda GX620 gasoline engines.</p> <p style="margin: 10px 0;">Please refer to the maintenance and service manual for proper tool application.</p>		

13

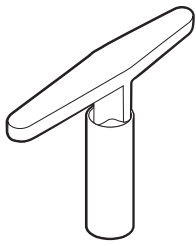
G

D

13

G

D



21



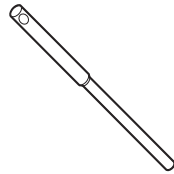
22



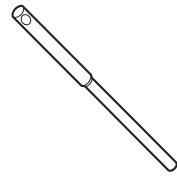
23



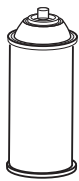
24



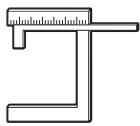
25



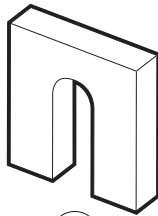
26



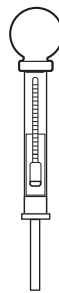
27



28



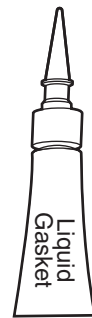
29



30



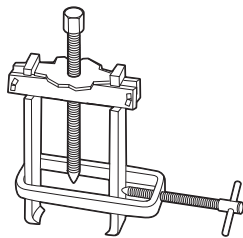
31



32



33



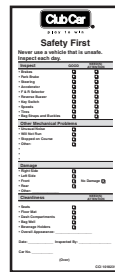
34



35



36



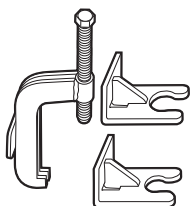
37



38



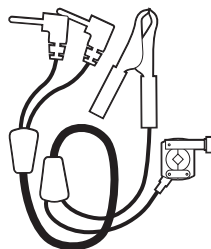
39



40



41



42



46



47

000971-002

# MAINTENANCE AND SERVICE TOOLS – AWD/950, CONTINUED

ITEM	PART NO.	DESCRIPTION	QTY GAS	QTY DIESEL
		1 2 3 4		
21	<u>102774101</u>	Wrench, T, #505.....	1	
22	<u>102774101</u>	Adapter, T-Wrench.....	1	
23	<u>102675401</u>	Cutter, Valve Seat, 60 Degree.....	1	
24	<u>102774201</u>	Pilot, 6.6 MM.....	1	
25	<u>102774301</u>	Pilot, 6.62 MM.....	1	
26	<u>102774401</u>	Pilot, 6.65 MM.....	1	
27	<u>1012151</u>	Dry Moly Lubricant.....	1	1
28	<u>102669901</u>	Gauge, Carburetor Float Level (for AWD vehicles with Honda GX620 Gasoline Engines).....	1	
29	<u>1016418</u>	Gear Yoke.....	1	1
30	<u>1011478</u>	Hydrometer.....	1	1
31	<u>1013593</u>	Internal Retaining Ring Pliers.....	1	1
32	<u>101928701</u>	Liquid Gasket (transaxle case).....	1	1
33	<u>101997207</u>	Paint, Touch-Up – Black.....	1	1
33	<u>101997205</u>	Paint, Touch-Up – Dark Gray.....	1	1
33	<u>101997209</u>	Paint, Touch-Up – Dark Green.....	1	1
33	<u>101997204</u>	Paint, Touch-Up – Gray.....	1	1
33	<u>101997203</u>	Paint, Touch-Up – Red.....	1	1
34	<u>102668801</u>	Puller, Special Use (for AWD vehicles with Kubota D722 Diesel Engines).....		1
35	<u>1012549</u>	Retaining Ring Pliers, 45° External.....	1	1
36	<u>1012560</u>	Retaining Ring Pliers, 90° Internal.....	1	1
37	<u>101823101</u>	Safety First Card (50 per pack).....	1	1
38	<u>1012809</u>	Seal Puller.....	1	1
39	<u>102330901</u>	Spanner Wrench (for coil over shock front suspension vehicles only).....	1	1
40	<u>102061201</u>	Steering Wheel Puller Tool.....	1	1
41	<u>AM10753</u>	Tachometer (includes gasoline engine pick up lead only).....	1	1
42	<u>AM10771</u>	Tachometer Diesel Probe (for use with item 41).....		1
43	<u>AM11804</u>	Tune-Up Kit, Gx620 (for Honda Engines) (includes air filter, spark plug, oil filter, fuel filters) (not shown).....	1	
44	<u>AM11805</u>	Tune-Up Kit, D722 (for Kubota Engines) (includes air filter, oil filter, fuel filters, water separator filter) (not shown).....		1
45	<u>AM1232401</u>	Tune-Up Kit, FH680D (for Kawasaki V-Twin Engines) (includes oil filter, fuel filter, air filter, and spark plugs) (not shown).....	1	
46	<u>102674601</u>	Valve Guide Driver (for AWD vehicles with Honda GX620 Gasoline Engines).....	1	
47	<u>102674401</u>	Valve Guide Reamer, 6.6 mm (for AWD vehicles with Honda GX620 Gasoline Engines).....	1	
		Items 21 through 26, 28, 46 and 47 are for AWD vehicles with Honda GX620 gasoline engines.		
		Please refer to the maintenance and service manual for proper tool application.		

13

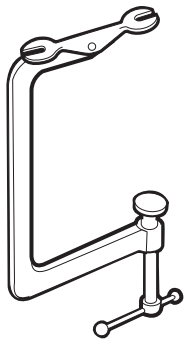
G

D

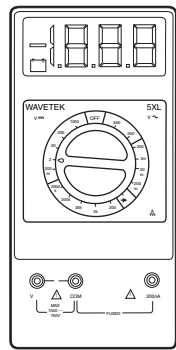
13

G

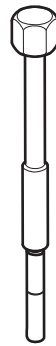
D



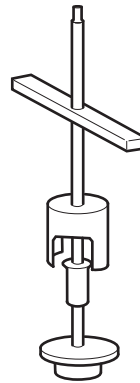
48



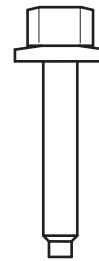
49



50



51



52

000971-003



# MAINTENANCE AND SERVICE TOOLS – AWD/950, CONTINUED

ITEM	PART NO.	DESCRIPTION	QTY GAS	QTY DIESEL
		1 2 3 4		
48	<u>101641101</u>	Valve Spring Compressor .....	1	
49	1011480	Volt Ohm Meter .....	1	1
50	<u>103601401</u>	Puller, Drive Clutch* (for XRT 950 vehicles only).....	1	
51	<u>103601701</u>	Tool, Disassembly, Driven Clutch (for XRT 950 vehicles only).....	1	
52	<u>103600501</u>	Screw, Driven Clutch, M6* (for XRT 950 vehicles only).....	1	
<p style="margin-left: 40px;">Items 50 through 52 are for XRT 950 vehicles only.</p> <p style="margin-left: 40px;">*Note: The XRT 950 Drive Clutch Puller (item 50) requires the use of Screw, Driven Clutch (item 52) to remove the drive belt.</p>				

13

G

D



# INDEX

## Part Number and Page

AM10753	13-5	1015137	9-15	102297230	1-25, 1-29
AM10771	13-5	1015139	9-17, 9-19	102298130	1-13, 6-3
AM1274301	8-3	1015143	9-17, 9-19	102298170	1-19, 10-3
183	9-17, 9-19, 12-47, 12-49	1015277	1-19	102298185	1-19
1016	9-17, 9-19	1015391	1-19	102298401	1-13, 1-15, 5-3, 5-9, 8-5, 10-3, 12-55
2402	6-9	1015392	7-3	102323101	5-9
7310	2-3, 2-5	1015405	9-11	102330901	13-5
7473	5-11, 9-11	1015583	1-19	102343601	1-33
7591	4-7	1015661	9-13, 9-15	102355301	7-3
8639	4-3, 5-5, 5-7, 7-3, 12-47, 12-49	101587703	9-21	102361901	6-7
8717	12-43, 12-45	1016074	12-43, 12-45	102363802	6-5
8754	1-19, 6-9	101609401	3-5	102367101	6-5
8755	1-19, 6-9	101641002	13-3	102376001	12-43, 12-45
8797	9-17, 9-19	101641101	13-7	102406701	9-19
1010193	12-43, 12-45	101641202	13-3	102411209	9-11
1010435	9-11	1016416	13-3	102411210	11-3
1010545	7-3	1016417	13-3	102416501	5-9
101082903	5-3	1016418	13-5	102420401	7-3
1010878	9-13, 9-15	1016630	7-3	102420501	7-3
1010921	5-11	1016952	9-13, 9-15	102426301	9-13, 9-15
1010954	12-45	1017035	4-7	102445201	5-9
1011273	13-3	1017699	4-7	102447101	13-3
1011478	13-5	1017853	4-7	102447901	7-3
1011480	13-7	101823101	13-5	102448001	7-3
1011553	3-7	101824401	9-15	102458901	3-7
1011578	5-11	101835601	1-19, 1-39	102459401	1-37, 3-5
1011582	4-7	101898001	7-3	102460201	3-7
1011767	13-3	101928701	13-5	102461401	5-9
1011779	5-11	101932201	4-7	102464301	6-7, 6-9
1011843	4-7	101958601	1-19	102479301	5-9
1011964	1-33	101972003	13-5	102481302	11-3
1011990	6-9	101972004	13-5	102488001	5-5, 5-7
1012126	12-47, 12-49	101972005	13-5	102490301	7-3
1012151	13-5	101972007	13-5	102491001	12-53
1012303	1-19	101972009	13-5	102491501	1-13
1012333	12-49	101987901	4-3	102491601	5-5, 5-7
1012549	13-5	102022901	6-3, 6-7	102493301	5-7
1012560	13-5	102025401	12-47, 12-49	102513701	9-17
1012649	9-13, 9-15, 9-21	102025701	1-21	102518901	12-43, 12-45
1012769	7-3	102044702	7-3	102522001	9-17, 9-19
1012809	13-5	102051601	7-3	102535101	4-3
1012811	13-3	102051701	7-3	102540701	2-3, 2-5
1012812	13-3	102059001	1-25	102541401	9-13
101313402	9-21	102061101	1-25	102541445	12-55
1013461	9-17, 9-19	102061201	13-5	102541501	1-27, 12-55
1013462	9-17, 9-19	102176901	5-3	102555501	13-3
1013593	13-5	102290120	6-5	102558301	9-11
1013746	9-15, 9-21	102296020	1-9	102571301	6-5
1014116	1-31	102296140	1-9, 1-29	102601501	13-3
1014305	13-3	102296301	1-27	102603501	13-3
1014375	7-3	102296401	5-9	102605201	13-3
1014415	1-19, 1-39	102296530	1-9, 1-21, 1-23, 1-25	102606101	13-3
1014557	1-35	102296601	1-9, 1-21, 1-23, 1-25, 1-29, 7-3, 9-13	102607501	13-3
1015075	9-11	102296716	11-3	102615701	12-43, 12-45
		102296920	1-27	102615801	12-47, 12-49
		102297125	1-21	102616301	6-11, 8-5

# INDEX

102617201	1-7, 1-27	103065624	1-25	103149801	5-11
102618301	12-55	103065625	1-25	103149901	5-11
102618401	5-3, 6-3	103065626	1-25	103152001	1-13
102618601	1-19, 6-3, 6-9, 6-11, 9-13, 9-15, 12-43, 12-45	103065628	1-25	103154001	1-13
102620301	1-35	103065720	1-25	103160001	5-11
102620501	6-9, 6-11	103065724	1-25	103160101	5-5, 5-7
102628001	11-3	103065725	1-25	103180101	4-5
102661001	6-3	103065726	1-25	103182701	1-29
102668801	13-5	103065728	1-25	103215401	1-3
102669901	13-5	103065801	1-9	103216401	1-37, 6-9
102670701	1-5, 6-7, 8-5, 12-43, 12-45	103075801	1-13	103218104	4-3, 4-5
102672701	4-7	103075901	6-11	103231801	1-3
102674001	13-3	103077201	6-7	103234503	2-3, 2-5
102674101	13-3	103077501	5-5, 5-7	103245101	1-35
102674201	13-5	103078102	6-9	103247601	7-3
102674401	13-5	103090001	6-3	103348101	7-3
102674601	13-5	103105101	6-7	103372101	9-19
102675001	13-5	103105201	6-7	103372301	9-19
102675101	13-5	103105401	6-9	103372401	9-21
102675201	13-5	103106201	6-3	103376101	5-3
102675301	13-5	103106301	6-3	103380701	5-3
102675401	13-5	103106401	12-47, 12-49	103400001	1-11, 1-21
102684501	6-11	103113001	6-9	103413301	8-5
102686101	13-3	103113301	6-11	103414401	11-5
102686501	7-3	103114801	12-43, 12-45	103414501	11-9
102711601	1-27	103134001	12-43, 12-45	103416101	11-7
102718001	1-7	103137601	6-9	103416801	12-53
102718101	1-7, 1-27	103145701	6-7, 6-9	103417001	10-3
102719501	1-13, 8-5	103145801	6-7	103417101	10-3
102722301	6-7	103145901	6-9	103417701	12-41
102736901	2-3, 2-5	103146101	6-9	103419201	12-43, 12-45
102751601	9-17	103146201	6-9	103419501	12-43, 12-45
102865101	9-3, 9-13, 9-15	103146401	6-9	103419701	12-45
102869401	4-3	103146501	6-9	103420201	12-43, 12-45
102883401	1-29	103146601	6-3	103420301	12-43, 12-45
102894401	4-3	103146701	6-11	103422201	7-3
102925201	1-3, 1-5, 1-13	103146801	1-13, 6-9	103422901	12-55
102943808	2-5	103146901	6-9	103430801	1-25
102943809	2-5	103147001	6-7	103430901	1-29
102945701	2-5	103147101	5-5	103431001	1-25
102956101	1-15	103147201	6-9	103432601	1-13
102961201	1-37, 3-5	103147501	6-7	103433201	12-47, 12-49
102988701	1-37, 6-9	103148301	6-3	103433301	1-39
103050201	1-29	103148401	6-3	103433302	1-39
103050301	1-29	103148501	6-7	103434201	1-39
103050401	1-21	103148701	5-11	103434501	1-39
103050501	1-21	103148801	5-11	103435001	1-39
103050601	1-21	103148901	5-11	103436401	1-19
103050701	1-21	103149001	5-11	103437401	12-55
103050801	1-21	103149101	5-11	103437501	12-55
103050901	1-21	103149201	5-11	103437601	12-55
103051001	1-21	103149301	5-11	103438001	12-43, 12-45
103061201	12-3	103149401	5-11	103440001	1-37
103061202	12-21	103149501	5-11	103440101	1-37
103065620	1-25	103149601	5-11	103440601	1-37
		103149701	5-11	103441101	9-11

# INDEX

103441201	9-11	103518701	11-5	103543801	8-21
103441301	9-11	103518801	11-5	103543901	8-21, 8-25
103441501	1-21	103518901	11-5	103544001	8-19
103443201	1-33	103519001	11-5	103544101	8-19
103443801	7-3	103519101	11-5	103544201	8-19, 8-25
103443901	7-3	103519201	11-5	103544301	8-21
103444301	6-7	103519301	11-5	103544401	8-21, 8-25
103447501	11-3	103521401	4-3	103544501	8-21
103449901	9-17	103522501	1-39	103544701	8-21, 9-5
103450001	9-17	103523602	5-7	103544801	8-17, 8-25
103452001	9-21	103523702	5-7	103544901	8-19
103452101	9-21	103524002	1-17	103545001	8-21
103455001	1-33	103525001	2-3, 2-5	103545101	8-11
103455002	1-33	103525701	1-31	103545201	8-11, 8-17
103455003	1-33	103526201	3-7	103545301	8-17
103456001	1-33	103526501	3-5	103545401	8-17, 8-25
103456002	1-33	103526701	9-11	103545501	8-19
103456003	1-33	103527201	9-11	103545701	8-23
103460001	9-11	103528101	1-7	103546201	8-11
103460201	9-21	103529601	1-35	103546301	8-11
103460301	5-5	103529701	1-35	103546401	8-11
103460401	5-7	103529801	1-35	103546501	8-11
103461901	1-37	103529901	6-3	103546601	8-11
103462001	1-37	103530701	1-35	103546701	8-19
103462301	4-5	103531001	9-11	103546801	8-19
103479801	7-3	103531201	1-13, 5-9	103546901	8-19
103481901	12-47, 12-49	103532301	5-11	103547101	8-17
103482301	12-43, 12-45	103532401	5-11	103547201	8-19
103485901	9-19	103532701	3-5	103547301	8-19
103490301	1-11	103532801	2-3, 2-5	103547401	8-19, 8-21
103496801	7-3	103533401	3-3	103547501	8-21
103498001	12-41	103534001	6-9	103547601	8-27
103498601	1-19	103534201	1-35	103547701	8-25, 8-27, 9-7
103500701	3-7	103534402	6-9	103547801	8-25, 8-27
103509501	1-19	103534403	6-9	103547901	8-27
103512101	1-23	103534701	1-31	103548001	8-23
103512201	1-23	103534801	1-31	103548101	8-23
103512202	1-23	103536101	1-3	103548301	8-17
103516101	11-9	103536301	1-9	103548401	9-7
103516201	11-9	103539901	1-25	103548501	9-7
103516301	11-9	103540201	1-25	103548601	9-7
103516401	11-9	103540501	2-3	103548701	9-7
103516501	11-9	103540502	2-3	103548801	9-7
103516601	11-9	103540503	2-3	103548901	9-7
103516701	11-9	103540504	2-3	103549001	9-7
103517503	1-17	103540505	2-3	103549101	9-7
103517901	1-15	103540506	2-3	103549201	9-7
103518010	3-3	103540601	2-5	103549301	9-7
103518015	3-3	103540602	2-5	103549401	9-7
103518017	3-3	103540603	2-5	103549501	9-7
103518110	3-3	103540606	2-5	103549601	9-7
103518115	3-3	103540802	1-17	103549701	9-7
103518117	3-3	103541301	1-25	103549801	9-9
103518201	3-3	103541501	1-31	103549901	8-27
103518501	11-5	103542601	1-5	103550101	9-7
103518601	11-5	103543701	8-21	103550201	9-7

# INDEX

103550301	9-7	103557301	8-15	103564501	8-7
103550401	8-11	103557401	8-9	103564601	9-3
103550501	8-19	103557501	8-13	103564701	9-7
103550601	9-5	103557601	8-7	103564801	9-5
103550701	8-25, 9-5	103557701	8-15	103564901	9-5
103551001	8-9	103557801	8-7	103565001	8-19, 9-5
103551101	8-19	103557901	8-17	103565101	9-5
103551201	8-13	103558001	8-17, 8-25	103565201	8-17, 8-25
103551301	8-9	103558101	8-17	103565401	9-5
103551501	8-9	103558201	8-7	103565601	8-17
103551601	8-9	103558301	8-7	103565701	8-19, 8-25
103551701	8-9	103558601	8-17	103565801	8-19
103551801	8-9	103558801	8-9	103565901	8-19
103551901	8-9	103558901	8-17	103566001	8-17
103552001	8-9	103559001	8-21	103566101	8-21
103552101	9-7	103559101	8-13	103566201	8-19
103552201	8-9	103559401	8-7	103566301	8-19
103552301	8-21	103559501	8-17	103566401	8-3, 8-17
103552401	8-3, 9-3	103559601	8-11	103566501	8-17
103552501	9-7	103559701	8-19, 9-3	103566601	8-19
103552601	8-9	103559801	9-3	103566801	8-23
103552701	8-9	103559901	8-17	103566901	8-13
103552801	8-17, 8-25	103560001	8-17	103567001	8-15
103553001	8-19, 8-25	103560101	9-3	103567101	8-7
103553101	9-7	103560201	9-7	103567301	8-7
103553201	9-3	103560301	8-19	103567401	8-15
103553301	8-9	103560401	8-13	103567501	9-7
103553401	8-17	103560601	9-5	103567701	8-19
103553501	8-13	103560701	8-17	103567901	8-19
103553601	8-13	103560901	9-7	103568001	8-19
103553901	8-15	103561001	8-7	103568201	12-53
103554001	8-15	103561101	8-17, 8-25	103568301	12-53
103554101	8-15	103561201	8-15	103568401	12-53
103554301	8-13	103561301	8-17	103568501	12-53
103554501	8-23	103561401	8-21	103568601	12-53
103554601	8-7	103561501	8-13	103568701	12-53
103554701	8-7	103561701	8-7	103568801	12-53
103554801	8-3, 8-19	103561801	8-13	103568901	12-53
103554901	8-19, 8-25	103561901	8-13	103569001	12-53
103555201	8-25	103562001	8-17	103569101	12-53
103555301	8-7	103562101	8-11	103569201	12-53
103555501	8-27	103562301	9-3	103569301	12-53
103555601	8-7	103562401	8-15	103569401	12-53
103555701	8-11	103562501	8-15	103569501	12-53
103555801	9-3	103562701	8-15	103569601	12-53
103555901	9-3	103562901	9-7	103572201	11-3
103556001	8-15	103563101	8-17	103572301	2-3
103556101	8-27	103563201	8-19	103572401	2-3
103556301	8-17, 8-25	103563301	9-5	103572701	11-3
103556401	8-3, 9-5	103563501	9-5	103574301	5-5
103556501	8-13	103563601	8-13	103575401	1-15
103556701	9-5	103563701	8-13	103576901	9-11
103556801	8-17, 8-25	103563801	8-19, 8-25	103577001	9-11
103556901	8-7	103563901	8-19	103577101	4-7
103557001	8-17	103564101	8-13	103577401	4-7
103557201	8-7	103564201	8-25	103579901	3-7

# INDEX

103580301	1-33	103606101	12-11, 12-19, 12-29, 12-37	103614501	10-3
103581401	9-11	103606201	12-13, 12-31	103618501	1-17
103582401	3-7	103606301	12-13, 12-31	103618601	1-17
103585201	12-43	103606401	12-13, 12-31	103618701	12-47, 12-49
103587201	1-39	103606501	12-13, 12-31	103619901	1-17, 3-5
103587301	1-39	103606601	12-13, 12-31	103629501	1-33
103588601	9-13, 9-15	103606701	12-13, 12-31	103632601	1-11
103595601	12-47, 12-49, 12-51	103606801	12-13, 12-31, 12-39	103647501	1-27
103596301	6-7, 12-41	103606901	12-13, 12-31, 12-39	103647601	1-27
103596501	3-7	103607001	12-13, 12-31	103683401	11-5
103597401	12-45	103607101	12-13, 12-31	103688201	11-3
103597402	12-43	103607201	12-13, 12-31	103689801	9-11
103597501	12-45	103607301	12-39	103751001	5-11
103599301	12-47, 12-49	103607401	12-39	103751101	9-11
103600001	2-5	103607501	12-39	103751701	5-11
103600201	12-49	103607601	12-39	103755101	5-11
103600301	12-47, 12-49	103607701	12-39	103763401	5-11
103600701	6-7, 12-41	103607801	12-39	103784101	11-3
103601001	12-53	103607901	12-39	103788401	12-51
103602301	1-39	103608001	12-39	103806801	12-51
103602601	12-5, 12-23	103608101	12-39	103813101	12-51
103602701	12-5, 12-23	103608201	12-39	103865301	13-3
103602801	12-5, 12-23	103608301	12-39	96701412	5-9
103602901	12-5, 12-23	103608401	12-39	96704960	12-43, 12-45
103603001	12-5, 12-23	103608501	12-39	96705199	7-3
103603101	12-5, 12-13, 12-19, 12-23, 12-31, 12-37, 12-39	103608601	12-39	96715552	8-5
103603201	12-5, 12-23	103608701	12-39	96741046	5-9, 6-9
103603301	12-5, 12-15, 12-23, 12-33, 12-39	103608801	12-15, 12-33, 12-39		
103603401	12-5, 12-23	103608901	12-39		
103603501	12-5, 12-13, 12-23, 12-31, 12-39	103609001	12-39	<b>A</b>	
103603601	12-9, 12-27	103609101	12-39	a-arm	6-7
103603701	12-9, 12-27	103609201	12-39	accelerator pedal	5-9
103603801	12-9, 12-27	103609301	12-39	access cove	1-25
103603901	12-9, 12-27	103609401	12-39	adjuster, rocker arm	8-19
103604001	12-9, 12-27	103609501	12-39	adpiter, oil filter	8-17
103604101	12-7, 12-9, 12-25, 12-27	103609601	12-39	air cleaner base	9-5
103604201	12-9, 12-27	103609701	12-39	air cleaner cover	9-5
103604301	12-7, 12-25	103609801	12-15, 12-33	air cleaner filter cartridge	8-3, 9-5
103604401	12-7, 12-25	103609901	12-15, 12-33	air cleaner gasket	8-25, 9-5
103604501	12-25	103610001	12-15, 12-33	air cleaner knob	9-5
103604601	12-7, 12-25	103610101	12-15, 12-33	air filter retainer	9-5
103604701	12-7, 12-25	103610201	12-15, 12-33	air guide cover	8-13
103604801	12-7, 12-25	103610301	12-7	alternator	8-7
103604901	12-7, 12-25	103610401	12-7	anchor, trailing arm, lh	6-9
103605001	12-7, 12-25	103610501	12-17, 12-35	anchor, trailing arm, rh	6-9
103605101	12-7, 12-19, 12-25, 12-37	103610701	12-17, 12-35	arbor	13-3
103605201	12-7, 12-25	103610801	12-17, 12-35	arm, rocker	8-19
103605301	12-7, 12-25	103610901	12-17, 12-35	armature, magneto	8-7
103605401	12-7, 12-25	103611001	12-19, 12-37	assembly	
103605501	12-7, 12-11, 12-25, 12-29	103611101	12-19, 12-37	filler cap	5-3
103605601	12-7	103611201	12-19, 12-37	fuel cap	9-19
103605701	12-11, 12-29	103611301	12-19, 12-37	fuel tank vent	9-17, 9-19
103605801	12-11, 12-29	103611401	12-19, 12-37	headlight harness	4-3
103605901	12-11, 12-29	103611501	12-19, 12-37	wire	9-17, 9-19
103606001	12-11, 12-29	103611601	12-19, 12-37	axle lever, 4x4	12-45
		103611701	12-17, 12-35		

# INDEX

## B

back plate 8-13  
baffle, breather 8-21  
ball bearing 8-11, 8-17  
ball joint 6-7, 12-47, 12-49  
ball stud 12-43, 12-45  
banjo bolt 5-5, 5-7  
barb, vent 9-15  
barrier, heat, bed, frnt 1-31  
barrier, heat, bed, rear 1-31  
base, air cleaner 9-5  
base, seat holder 1-25  
battery  
    12-volt, side-post 7-3  
battery clamp 7-3  
battery spacer 7-3  
battery terminal protector spray 13-3  
battery thermometer 13-3  
bearing  
    hub 6-7, 6-9  
bearing and oil seal remover 13-3  
bearing driver set 13-3  
bearing puller 13-3  
bearing puller wedge 13-3  
bearing, ball 8-11, 8-17  
bed bottom 1-39  
bed gate 1-39  
bed latch handle 1-19  
bed panel, lh 1-39  
bed panel, rh 1-39  
bed, latch 1-19  
bell crank 8-9  
belt, cvt 11-7  
bench seat back 1-33  
block 11-5  
blower housing 8-13  
blower housing plug 8-13  
body panel, center 1-21  
body, upper carburetor 9-7  
bolt  
    banjo 5-5, 5-7  
boot, spark plug 8-19  
bracket  
    carbon canister 9-21  
bracket, cable, 4wd 12-45  
bracket, control 8-9  
bracket, fuel pump 9-3  
bracket, hinge 1-25  
bracket, light, brake 4-7  
bracket, pedals 5-9  
bracket, supp, steering 1-13  
brake cable release tool 13-3  
brake caliper, front 5-5  
brake caliper, rear 5-7  
brake light bracket 4-7

brake line, front 5-5  
brake line, rear 5-7  
brake pad service kit 5-5, 5-7  
brake pedal 5-9  
brake rotor 5-5, 5-7  
brake system indicator light 7-3  
brake, park 5-11  
breather 8-21  
breather baffle 8-21  
breather gasket 8-21, 8-25  
breather tube 8-21, 9-5  
brush retainer 8-15  
brush set 8-15  
brushgard, tube 1-3  
buckle, seat-belt 1-35  
bulb, headlight 4-3  
bulb, tail light 4-7  
bumper  
    rubber 9-13, 9-15  
bumper, rubber 1-19  
bushing  
    choke shaft 9-7  
    gov crank 8-17  
    return line 9-19  
    steel 1-19  
    urethane 1-19  
    valve guide 8-19

## C

cable bracket, 4x4 12-45  
cable, choke 12-47, 12-49  
cable, park brake 5-11  
cable, trans, diff-lock 12-47, 12-49  
cable, trans, fnr 12-47, 12-49  
caliper, brake, front 5-5  
caliper, brake, rear 5-7  
cam 11-9  
camber adjustment tool 13-3  
camshaft 8-21  
canister, carbon, fuel tank 9-21  
cap  
    center, alloy wheel 2-3, 2-5  
    filler 5-3  
    fuel tank 9-17  
    fuel, gas, ratchet 9-19  
    steering wheel 6-5  
cap, drive 8-15  
cap, end 8-15  
cap, limiter 9-7  
cap, oil fill 8-19  
cap, seatback 1-33  
cap, wheel, rubber 6-7, 6-9  
carbon canister 9-21  
carburetor air vent tube 9-21  
carburetor cover 8-13  
carburetor float 9-7  
carburetor float level tool 13-5  
carburetor gasket, body 9-7  
carburetor plug 9-7  
carburetor shield 9-5  
carburetor spacer 8-27  
carburetor, upper body 9-7  
card, safety first 13-5  
cartridge, strut, front 6-11  
casing clamp 8-9  
choke cable 12-47, 12-49  
choke link 8-9  
choke shaft 9-7  
choke shaft bushing 9-7  
choke valve 9-7  
clamp  
    battery 7-3  
    casing 8-9  
    hose 8-19, 9-3, 9-11, 9-13, 9-15, 9-21  
    hose, green 9-21  
    muffler 10-3  
clevis pin 5-3  
clip, wire 8-7  
clutch removal tool 13-3  
clutch, drive 11-5  
clutch, driven 11-9  
column, steering 6-3  
compression gauge 13-3  
compressor, valve spring 13-7  
connecting rod 8-11  
continuity tester 13-3  
control bracket 8-9  
cover  
    access 1-25  
    air cleaner 9-5  
    air guide 8-13  
    carburetor 8-13  
    crankcase 8-17  
    cvt, outer 11-3  
    dash 1-29  
    electrical 7-3  
    oil filter 8-17  
    output 12-53  
    rocker 8-19  
    rocker switch hole 4-5  
    shifter 1-29  
    starter drive 8-13  
    steering column 6-5  
cowl 1-25  
crank, bell 8-9  
crank, governor 8-17  
crankcase cover 8-17  
crankcase gasket 8-17, 8-25  
crankshaft 8-11  
cup holder 1-29  
cup holder, seat 1-25  
cutter, valve seat 13-5



# INDEX

cvt belt 11-7  
cvt cover gasket 11-3  
cvt cover, outer 11-3  
cylinder 8-21  
cylinder head 8-19  
cylinder head gasket 8-19, 8-25  
cylinder, master 5-3

## D

dash- control mount 1-29  
dash cover 1-29  
dash support 1-13  
decal  
    4x4 3-3  
    bed 3-3  
    brake fluid, dot 5 3-5  
    club car, 51 x 144 3-3  
    crush area warning 3-5  
    frame ground, long 3-7  
    hot surface warning 3-7  
    operation, bed latch 3-5  
    operator, warn/instr 3-7  
    ROPS warning 1-37, 3-5  
    rotating parts warning 3-7  
    trailer hitch 3-7  
    under 16 warning 1-37, 3-5  
    vehicle loading 3-7  
    warn, co, cab 1-17, 3-5  
    warn, gas fuel loading 3-7  
    winch, warning 3-7  
deflector, oil 8-17  
diesel tachometer probe 13-5  
differential, front 12-53  
dipstick gasket 8-19, 8-25  
dipstick 8-17  
dipstick tube 8-17  
drain plug 12-53  
drive cap 8-15  
drive clutch 11-5  
drive clutch fixed sheave tool 13-3  
drive clutch service tool 13-3  
drive clutch spider removal tool 13-3  
drive flange 11-5  
drive spring 11-5  
drive, starter 8-15  
driven clutch 11-9  
driven clutch spring compression base tool 13-3  
driven clutch spring compression collar tool 13-3  
driven clutch spring compression nut tool 13-3  
dry moly lubricant 13-5

## E

E-clip 5-11

end cap 8-15  
engine 8-5  
engine gasket set 8-25  
exhaust gasket 8-25  
exhaust manifold 10-3  
exhaust manifold stud 8-19  
exhaust valve 8-19  
extension, spring latch 1-19

## F

fascia 1-9  
fascia mount 1-13  
fastener, push-in 7-3  
fender, front, lh 1-21  
fender, front, rh 1-21  
fender, rear, lh 1-21  
fender, rear, rh 1-21  
filler cap 5-3  
filter  
    inlet cover 11-3  
filter, air cleaner cartridge 8-3, 9-5  
filter, fuel 8-3, 9-3  
filter, oil 8-3, 8-17  
filter, pre cleaner 9-5  
fitting, vent 12-53  
flange, drive 11-5  
flange, fixed, driven 11-9  
flange, sliding, drive 11-5  
flange, sliding, driven 11-9  
float needle valve 9-7  
float, carburetor 9-7  
floor plate, middle 1-11  
flywheel 8-23  
FNR lever, transmission 12-43, 12-45  
fnr shifter, dash 12-43, 12-45  
fuel filter 8-3, 9-3  
fuel gauge sending unit 9-17, 9-19  
fuel gauge/hour meter 7-3  
fuel line 9-3, 9-13, 9-15  
fuel pickup tube 9-17  
fuel pump 9-3  
fuel pump bracket 9-3  
fuel solenoid 9-3  
fuel tank 9-17  
fuel tank cap 9-17  
fuel tank strap 9-13, 9-15  
fuel tank vent 9-17, 9-19

## G

gasket  
    air cleaner 8-25, 9-5  
    breather 8-21, 8-25  
    carburetor body 9-7  
    cover, cvt 11-3  
    crankcase 8-17, 8-25

cylinder head 8-19, 8-25  
dipstick 8-19, 8-25  
exhaust 8-25  
intake 8-25, 8-27  
intake, manifold-carb 8-25, 8-27, 9-7  
liquid 13-5  
oil adapter 8-17, 8-25  
rocker cover 8-19, 8-25  
sending unit 9-17, 9-19  
set, engine 8-25  
gate, bed 1-39  
gauge  
    compression 13-3  
    fuel-hour 7-3  
gear yoke 13-5  
gear, timing 8-11  
governor control lever 8-9  
governor crank 8-17  
governor crank bushing 8-17  
governor shaft retainer 8-17  
governor spool 8-21  
grip tape, accelerator pad 5-9  
grommet 8-7, 9-17, 9-19  
ground terminal 8-7

## H

halfshaft, front, 4x4 12-41  
halfshaft, rear, 4x4 12-41  
handle, bed latch 1-19  
harness, main 7-3  
head, cylinder 8-19  
headlight 4-3  
headlight bulb 4-3  
headlight harness 4-3  
heat shield, exhaust 1-31  
heat shield, front 1-31  
heat shield, rear 1-31  
hinge seat plate 1-33  
hinge, bracket 1-25  
hitch, channel 1-5  
holder  
    cup 1-29  
hood 1-25  
hose  
    fuel 9-3, 9-13, 9-15  
    vent 9-21  
hose clamp 8-19, 9-3  
hose clamp, green 9-21  
hose, vent, front diff 12-53  
hour meter 7-3  
housing, blower 8-13  
housing, starter 8-15  
hub, wheel, front 6-7, 6-9  
hydrometer 13-5

# INDEX

- I**  
insulator 8-7  
intake gasket 8-25, 8-27  
intake manifold 8-27  
intake valve 8-19  
intake, carburetor-manifold, gasket 8-25, 8-27, 9-7  
intermediate shaft 6-3  
internal retaining ring pliers 13-5
- J**  
jet, main, 0-5000 ft (0-1500m) 9-7  
jet, main, 5000-9000 ft (1500-2700m) 9-7  
jet, main, 9000-up ft (2700m-up) 9-7  
joint  
    ball 6-7, 12-47, 12-49  
jumper, oil pressure switch 7-3
- K**  
keeper, valve 8-19  
key switch 7-3  
key switch spacer 7-3  
key, cam 11-9  
key, timing 8-11  
key, woodruff 8-11  
keyswitch nut 7-3  
kit  
    backlite 1-17  
    brake pad service 5-5, 5-7  
    brushgrd, tube 1-3  
    bushing & seal, magneto side 8-21  
    carburetor overhaul 9-9  
    cover bolt 12-53  
    door 1-17  
    external retaining ring 12-53  
    front receiver 1-5  
    gearcase assembly 12-53  
    idle mixture 9-7  
    idle speed 9-7  
    input cover 12-53  
    internal retaining ring 12-53  
    needle & seat 9-7  
    open differential 12-53  
    pinion gear 12-53  
    receiver, rear 1-7  
    ring gear bolt 12-53  
    rops, lh 1-37  
    rops, rh 1-37  
    screw & washer 8-7  
    seal 12-53  
    skidplate, rear 1-15  
    stub shaft 12-53  
    taillight hardware 4-7  
    tune-up 13-5  
knob, air cleaner 9-5  
knob, black 12-43, 12-45  
knob, forward/reverse 12-43, 12-45
- L**  
latch 1-29  
latch plate mount 1-19  
latch plate, tilt bed 1-19  
latch, bed 1-19  
lateral link spacer 6-9  
lat-link, front 6-9  
lat-link, rear 6-9  
lens, taillight 4-7  
lever, axle, 4x4 12-45  
lever, governor control 8-9  
lever, trans, FNR 12-43, 12-45  
light  
    oil 7-3  
light, indicator, brake sys 7-3  
limiter cap 9-7  
line, fuel 9-15  
link, choke 8-9  
link, throttle 8-9  
liquid gasket 13-5  
low oil warning light 7-3  
lubricant, dry moly 13-5  
lug nut 2-3, 2-5
- M**  
magneto armature 8-7  
main harness 7-3  
manifold, exhaust 10-3  
manifold, intake 8-27  
master cylinder 5-3  
meter, volt ohm 13-7  
motor, starter 8-15  
mount, fascia 1-13  
mount, latch plate 1-19  
mount, seat back 1-13  
muffler 10-3  
muffler clamp 10-3
- N**  
nozzle, carburetor, standard 9-7  
nut, keyswitch 7-3  
nut, lug 2-3, 2-5
- O**  
oil adapter gasket 8-17, 8-25  
oil deflector 8-17  
oil drain plug 8-21  
oil fill cap 8-19  
oil filter 8-3, 8-17  
oil filter adapter 8-17  
oil filter cover 8-17  
oil plug 8-17  
oil pressure switch 8-21  
oil pressure switch jumper 7-3  
oil pump 8-17  
oil pump screen 8-17  
oil warning light, low 7-3  
output cover 12-53
- P**  
panel  
    body, center 1-21  
    body, lh 1-21  
    body, rh 1-21  
    closeout, center 1-23  
    closeout, rh 1-23  
    front, bed 1-39  
panel, bed, lh 1-39  
panel, bed, rh 1-39  
park brake 5-11  
park brake cable 5-11  
pedal bracket 5-9  
pedal group 5-9  
pedal, accelerator 5-9  
pedal, brake 5-9  
pin, clevis 5-3  
pin, piston 8-11  
piston 8-11  
piston, pin 8-11  
pivot, rocker arm 8-19  
plate  
    electrical 7-3  
    latch 1-19  
plate, back 8-13  
plate, floor, middle 1-11  
plate, hinge, seat 1-33  
plate, skid, rear 1-15  
pliers  
    internal retaining ring 13-5  
    retaining ring 13-5  
plug  
    tube 1-3  
plug, blower, housing 8-13  
plug, carburetor 9-7  
plug, drain 12-53  
plug, oil 8-17  
plug, oil drain 8-21  
plug, sprak 8-3, 8-19  
powertrain subframe 8-5  
pre cleaner filter 9-5  
prop shaft, 4x4 12-55  
propshaft, center, 4x4 12-55  
propshaft, front, 4x4 12-55  
propshaft, rear, 4x4 12-55  
protector spray, battery terminal 13-3  
puller  
    bearing 13-3  
    clutch 13-3

# INDEX

seal 13-5  
special use tool 13-5  
pullrod, compression spring 5-9  
pump, fuel 9-3  
pump, oil 8-17  
push rod, exhaust 8-19  
push rod, intake 8-19

## R

rack, steering 6-3  
receiver, rear 1-7  
reflector 1-9  
regulator 8-7  
remover, bearing and oil seal 13-3  
retainer, air filter 9-5  
retainer, brush 8-15  
retainer, governor shaft 8-17  
retainer, valve 8-19  
retaining ring pliers 13-5  
retractor, seat-belt 1-35  
ring  
retaining, ext 6-7  
ring gear, gear, ring 12-53  
ring set 8-11  
ring set, oversize 8-11  
ring, retaining 8-15  
ring, snap, external 11-9  
rocker arm 8-19  
rocker arm adjuster 8-19  
rocker arm pivot 8-19  
rocker cover 8-19  
rocker cover gasket 8-19, 8-25  
rocker switch (lights) 4-3  
rod, connecting 8-11  
rod, connection, under sized 8-11  
rod, push, exhaust 8-19  
rod, push, intake 8-19  
ROPS cross tube, top 1-37  
ROPS warning decal 1-37, 3-5  
ROPS, lh 1-37  
ROPS, rh 1-37  
rotor disc brake 5-5, 5-7

## S

safety first card 13-5  
screen, oil pump 8-17  
screen, rotating 8-23  
seal  
bulb 1-25  
choke & throttle shaft 9-7  
dipstick tube 8-17, 8-25  
governor shaft 8-17, 8-25  
o ring, crankcase cover 8-17, 8-25  
o ring, oil pump 8-17, 8-25  
o ring, oil pump screen 8-17, 8-25

oil, magneto side 8-21, 8-25  
oil, pto side 8-17, 8-25  
valve 8-19, 8-25  
seal puller 13-5  
seat back mount 1-13  
seat back, bench 1-33  
seat belt buckle 1-35  
seat bottom, bench 1-33  
seat holder base 1-25  
seat, spring, drive 11-5  
seatback cap 1-33  
seat-belt retainer 1-35  
sending unit, fuel gauge 9-17, 9-19  
shaft, choke 9-7  
shaft, intermediate 6-3  
shaft, retention, front, 2wd 6-7  
shaft, throttle 9-7  
shield, carburetor 9-5  
shield, exhaust, heat 1-31  
shifter cover 1-29  
shifter, 4x4 12-45  
shifter, dash, fnr 12-43, 12-45  
shifter, diff 12-43, 12-45  
shim, bearing end play 8-11  
shock absorber, rear 6-11  
shroud  
steering column 6-5  
skid plate, rear 1-15  
sleeve, a-arm 6-7  
sleeve, link, short 6-9  
solenoid, fuel 9-3  
solenoid, starter 8-7  
spacer 12-43  
key switch 7-3  
spacer, battery 7-3  
spacer, carburetor 8-27  
spacer, lat-link 6-9  
spacer, throttle 9-7  
spanner wrench 13-5  
spark plug 8-3, 8-19  
spark plug boot 8-19  
spool, governor 8-21  
spray, battery terminal protector 13-3  
spring  
drive 11-5  
driven clutch, cvtech 11-9  
extension 1-19  
governor 8-9  
governor idle 8-9  
governor link 8-9  
pedal 5-9  
valve 8-19  
spring mounting stud 12-43, 12-45  
starter drive cover 8-13  
starter housing 8-15  
starter motor 8-15

starter solenoid 8-7  
starter, drive 8-15  
steel bushing 1-19  
steering column 6-3  
steering column cover 6-5  
steering column shroud 6-5  
steering rack 6-3  
steering support bracket 1-13  
steering wheel 6-5  
steering wheel puller tool 13-5  
stem, valve 2-3, 2-5  
stopper, drive 11-5  
strap, ac mounting 9-5  
strap, fuel tank 9-13, 9-15  
strap, starter 8-15  
strut cartridge, front 6-11  
strut, lh 6-7  
strut, rh 6-7  
stud, ball 12-43, 12-45  
stud, exhaust manifold 8-19  
stud, mtg, spring 12-43, 12-45  
stud, oil filter adapter 8-17  
stud, rocker arm, 8-19  
subframe, powertrain 8-5  
support, dash 1-13  
swing arm 6-9  
switch  
key 7-3  
light rocker 4-3  
switch, oil pressure 8-21

## T

tachometer 13-5  
tachometer probe, diesel 13-5  
tail light bulb 4-7  
taillight 4-7  
taillight assembly 4-7  
taillight hardware kit 4-7  
taillight lens 4-7  
tank, fuel 9-17  
tape, grip, accelerator pad 5-9  
tappet, valve 8-19, 8-21  
terminal, ground 8-7  
tester, continuity 13-3  
thermometer, battery 13-3  
throttle link 8-9  
throttle shaft 9-7  
throttle spacer 9-7  
throttle valve 9-7  
tie wrap 4-3, 5-5, 5-7, 7-3, 12-47, 12-49  
timing gear 8-11  
tire  
mud 2-5  
tire assembly, black 2-5  
tires 2-5  
tool

# INDEX

brake cable release 13-3  
camber adjustment 13-3  
carburetor float level 13-5  
cT-wrench 13-5  
drive clutch fixed sheave 13-3  
drive clutch service 13-3  
drive clutch spider removal 13-3  
driven clutch spring compression base 13-3  
driven clutch spring compression collar 13-3  
driven clutch spring compression nut 13-3  
puller, special use 13-5  
steering wheel puller 13-5  
valve guide driver 13-5  
valve seat cutter 13-3  
trailing arm anchor, lh 6-9  
trailing arm anchor, rh 6-9  
trailing arm, lh 6-9  
trailing arm, rh 6-9  
transaxle, 2wd 12-3  
transaxle, 4wd 12-21  
tube  
    carburetor air vent 9-21  
    fuel pickup 9-17  
tube, breather 8-21, 9-5  
tube, dipstick 8-17  
tune-up kit 13-5  
T-wrench tool 13-5

## U

upright, rear 6-9  
upright, rh 6-7  
urethane bushing 1-19

## V

valve guide bushing 8-19  
valve guide driver tool 13-5  
valve keeper 8-19  
valve retainer 8-19  
valve seat cutter 13-5  
valve seat cutter tool 13-3  
valve spring 8-19  
valve spring compressor 13-7  
valve stem 2-3, 2-5  
valve tappet 8-19, 8-21  
valve, choke 9-7  
valve, exhaust 8-19  
valve, float needle 9-7  
valve, intake 8-19  
valve, throttle 9-7  
vent barb 9-15  
vent fitting 12-53  
vent hose, front diff 12-53  
vent, barb 9-21  
volt ohm meter 13-7

## W

warning light, low oil 7-3  
wedge, bearing puller 13-3  
wheel  
    steel 2-3, 2-5  
    steering 6-5  
wheel cap, alloy 2-3, 2-5  
wheel cap, rubber 6-7, 6-9  
wheel hub, front 6-7  
wheel hub, rear 6-9  
wheel, alloy 2-3, 2-5  
wheel, front 2-3  
wheel, rear 2-5  
wire asm, ground, taillight 4-7  
wire assembly 9-17, 9-19  
wire clip 8-7  
wrap, tie 4-3, 5-5, 5-7, 7-3, 12-47, 12-49  
wrench, spanner 13-5

## Y

yoke, gear 13-5









**Club Car, Inc.**  
P.O. Box 204658  
Augusta, GA 30917-4658  
USA

**Web** [www.clubcar.com](http://www.clubcar.com)  
**Phone** 1.706.863.3000  
1.800.ClubCar  
**Int'l** +1 706.863.3000  
**Fax** 1.706.863.5808