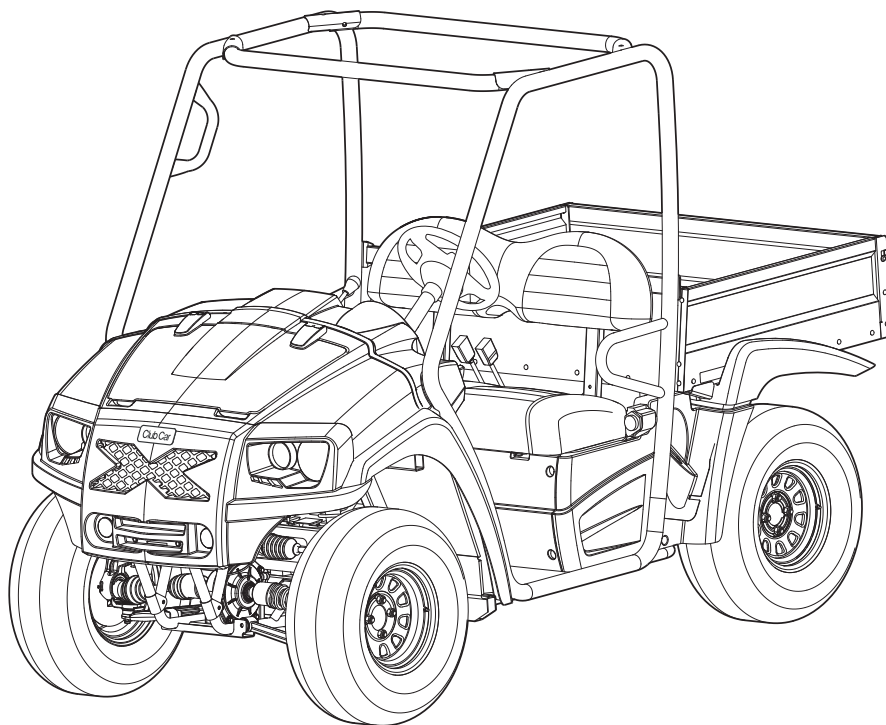




2012 XRT 950 Illustrated Parts List



XRT 950 Gasoline Vehicles

Manual Number 103897315
Edition Code A

USING THE ILLUSTRATED PARTS LIST

⚠ WARNING

- **This manual is to be used only for identification and ordering of service parts. Be sure to read and use the maintenance and service manual before attempting any vehicle repairs.**

This manual covers all XRT 950 vehicles built during the 2012 model year.

The manual is divided into sections. Note that there are two or three flags on the outside edge of each page. The first flag contains the section number of which that page is a part. The other flag (or flags) contains the letter D, E, or G, signifying that the page pertains to the diesel, electric, or gasoline vehicles only.

Use the Table of Contents to find the sections and pages that contain the parts and assemblies you seek. The Table of Contents lists section numbers, and under them, the individual page titles and numbers to be found in that section. The index can be used to find specific parts and assemblies. The index is divided into numerical and alphabetical listings with the page numbers in italic text.

There is a two-page spread for each individual page title in the Table of Contents. On the left-hand page is an illustration showing the parts in their relative positions; the parts are each tagged with an item number in a balloon. The right-hand page is the parts list page, and gives the page title at the top, then the item numbers (corresponding to the numbers on the illustration), part descriptions, and quantity of parts used.

Note that a part description may be indented. This indention corresponds to a parts assembly level indicated by the numbers 1, 2, 3, and 4 at the top left corner of the parts description area of the parts list page. A part that is indented to *level 2* is a component of the *level 1* part (assembly) that it is listed under. A *level 3* part is a component of the *level 2* part that it is listed under, and a *level 4* part is a component of the *level 3* part preceding it. In each case, the part quantity given for a level 2, 3, or 4 part is the quantity used per next higher level assembly of which it is a component. A part that is not indented is a *level 1* part. This means that the quantity given is the quantity used per the portion of the vehicle illustrated on that particular spread.

HOW TO ORDER PARTS

Replacement parts and accessories can be obtained from our network of authorized dealers and distributors. You can obtain the name and phone number of your closest authorized Club Car dealer or distributor by visiting our web site at www.clubcar.com and clicking on the "Distributor Search" link or by calling our toll-free Service Parts and Technical Assistance hotline at (800) 872-2246 or (706) 863-3000, extension 3887.



P. O. Box 204658
Augusta, Georgia 30917-4658 USA
Telephone 706-863-3000
Service Parts Fax 706-855-7413
www.clubcar.com

NOTE: *This illustrated parts list represents the most current information at the time of publication. Club Car, LLC. is continually working to further improve its vehicles and other products. These improvements may affect the parts used to service the vehicle. Any modification and/or significant change in specifications will be forwarded to all Club Car and Carryall distributors/dealers and will, when applicable, appear in future editions of this illustrated parts list.*

Club Car, LLC. reserves the right to change specifications and designs at any time without notice and without the obligation of making changes to units previously sold.

Copyright © 2012 Club Car, LLC.
Club Car is a registered trademark of Club Car, LLC.
This manual effective August 1, 2011.

CONTENTS

SECTION 1 – BODY AND TRIM

Tube Brush Guard	1-3
Receiver Hitch – Front	1-5
Receiver Hitch – Rear	1-7
Fascia	1-9
Floor Plate and Panel	1-11
Frame Components	1-13
Rear Skid Plate	1-15
Canopy and Doors	1-17
Tilt Bed Hinge and Latch	1-19
Fenders and Rear Body Panels	1-21
Closeout Panels	1-23
Cowl	1-25
Cowl and Hood – Late Model Year Red	1-27
Front Skid Plate	1-29
Dash	1-31
Heat Shield	1-33
Bench Seats	1-35
Seat Belts	1-37
ROPS	1-39
Box Bed	1-41

SECTION 2 – WHEELS AND TIRES

Wheels, Alloy	2-3
Wheels, Steel	2-5
Tires – 9 Inch	2-7
Tires – 11 Inch	2-9

SECTION 3 – DECALS

Badging Decals	3-3
Safety Decals	3-5
Safety Decals, Continued	3-7

SECTION 4 – LIGHTS, CONTROLS, AND INDICATORS

Headlights	4-3
Headlight Covers	4-5
Taillights	4-7

CONTENTS

SECTION 5 – BRAKE SYSTEM AND PEDALS

Master Cylinder with Integral Reservoir	5-3
Front Brakes	5-5
Rear Brakes	5-7
Pedal Group	5-9
Park Brake	5-11

SECTION 6 – STEERING AND SUSPENSION

Steering	6-3
Steering Wheel	6-5
Front Suspension	6-7
Rear Suspension	6-9
Springs & Shocks	6-11

SECTION 7 – ELECTRICAL SYSTEM

Electrical Components, 2WD – To SN: KR1225-287643	7-3
Electrical Components, 2WD – From SN: KR1225-287644	7-5
Electrical Components – Manual 4WD	7-7
Electrical Components – Auto 4WD	7-9
Front Differential Electrical Components	7-11

SECTION 8 – ENGINE

B&S Tune-Up Kit, XRT 950	8-3
Engine and Engine Mounting	8-5
Electrical Components – Engine	8-7
Governor Control Brackets and Springs	8-9
Engine Shroud	8-11
Starter Motor	8-13
Oil Pump, Oil Filter and Crankcase Cover	8-15
Cylinder Head & Valves	8-17
Cylinder Assembly	8-19
Crankshaft and Pistons	8-21
Flywheel	8-23
Engine Gaskets and Seals	8-25
Intake Manifold	8-27

SECTION 9 – FUEL SYSTEM

Fuel Pump and Filter	9-3
----------------------------	-----

CONTENTS

Air Cleaner	9-5
Carburetor	9-7
Carburetor Overhaul Kit	9-9
Remote Air Cleaner	9-11
Fuel System	9-13
Nano Fuel Tank	9-15
Carbon Canister	9-17

SECTION 10 – EXHAUST SYSTEM

Exhaust System	10-3
----------------------	------

SECTION 11 – CLUTCHES

Clutch Cover – Sealed	11-3
Drive Clutch	11-5
Drive Belt	11-7
Driven Clutch	11-9

SECTION 12 – DRIVETRAIN COMPONENTS – 2WD

Transaxle, 2WD – To SN: KR1225-287643	12-3
Transaxle, 2WD – From SN: KR1225-287644	12-5
Transaxle Housing, 2WD – To SN: KR1225-287643	12-7
Transaxle Housing, 2WD – From SN: KR1225-287644	12-9
Transaxle Reduction Shaft Assembly – 2WD	12-11
Transaxle Input Shaft – 2WD	12-13
Transaxle Reverse Shaft Assembly – 2WD	12-15
Transaxle Shift Assembly, 2WD – To SN: KR1225-287643	12-17
Transaxle Shift Assembly, 2WD – From SN: KR1225-287644	12-19
Transaxle Axle Housing Assembly – 2WD	12-21
Transaxle Differential Gear Assembly – 2WD	12-23
Transaxle Differential Lock Assembly – 2WD	12-25
Forward/Reverse Shifter – 2WD and Auto 4WD	12-27
Control Cables – 2WD and Auto 4WD	12-29

SECTION 13 – DRIVETRAIN COMPONENTS – 4WD

Transaxle – Manual 4WD	13-3
Transaxle – Auto 4WD	13-5
Transaxle Housing – Manual 4WD	13-7
Transaxle Housing – Auto 4WD	13-9

CONTENTS

Transaxle Reduction Shaft Assembly – Manual 4WD	13-11
Transaxle Reduction Shaft Assembly – Auto 4WD	13-13
Transaxle Input Shaft – 4WD	13-15
Transaxle Reverse Shaft Assembly – 4WD	13-17
Transaxle Shift Assembly – Manual 4WD	13-19
Transaxle Shift Assembly – Auto 4WD	13-21
Transaxle Axle Housing Assembly – 4WD	13-23
Transaxle Differential Gear Assembly – 4WD	13-25
Transaxle Differential Lock Assembly – 4WD	13-27
Transaxle Power Take-Off Assembly – Manual 4WD	13-29
Transaxle Power Take-Off Assembly – Auto 4WD	13-31
Half Shafts – Manual 4WD	13-33
Half Shafts – Auto 4WD	13-35
Forward/Reverse Shifter – 2WD and Auto 4WD	13-37
Forward/Reverse Shifter – Manual 4WD	13-39
Control Cables – 2WD and Auto 4WD	13-41
Control Cables – Manual 4WD	13-43
Front Differential – Manual 4WD	13-45
Front Differential – Auto 4WD	13-47
Front Differential, Auto 4WD – Output Cover Assembly	13-49
Front Differential, Auto 4WD – Race/Output Hub Assembly	13-51
Front Differential, Auto 4WD – Minor Repair Kit	13-53
Front Differential, Auto 4WD – Input Cover Assembly	13-55
Front Differential, Auto 4WD – Gear Kit	13-57
Front Differential, Auto 4WD – Gearcase Assembly	13-59
Prop Shafts	13-61

SECTION 14 – MAINTENANCE AND SERVICE TOOLS

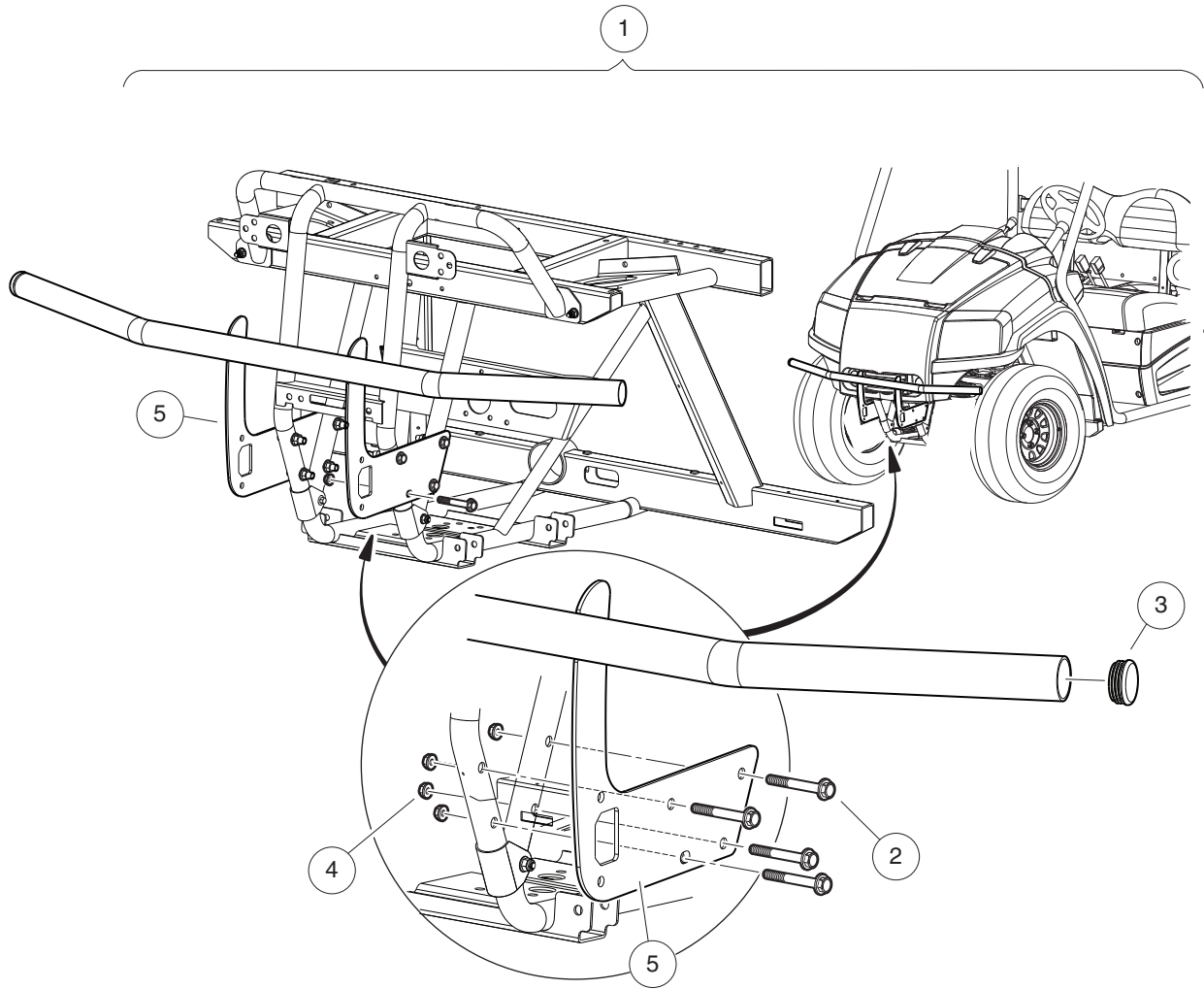
Maintenance and Service Tools – AWD/950	14-3
Maintenance and Service Tools – AWD/950, Continued	14-5
Maintenance and Service Tools – AWD/950, Continued	14-7

SECTION i – INDEX

BODY AND TRIM

1

G



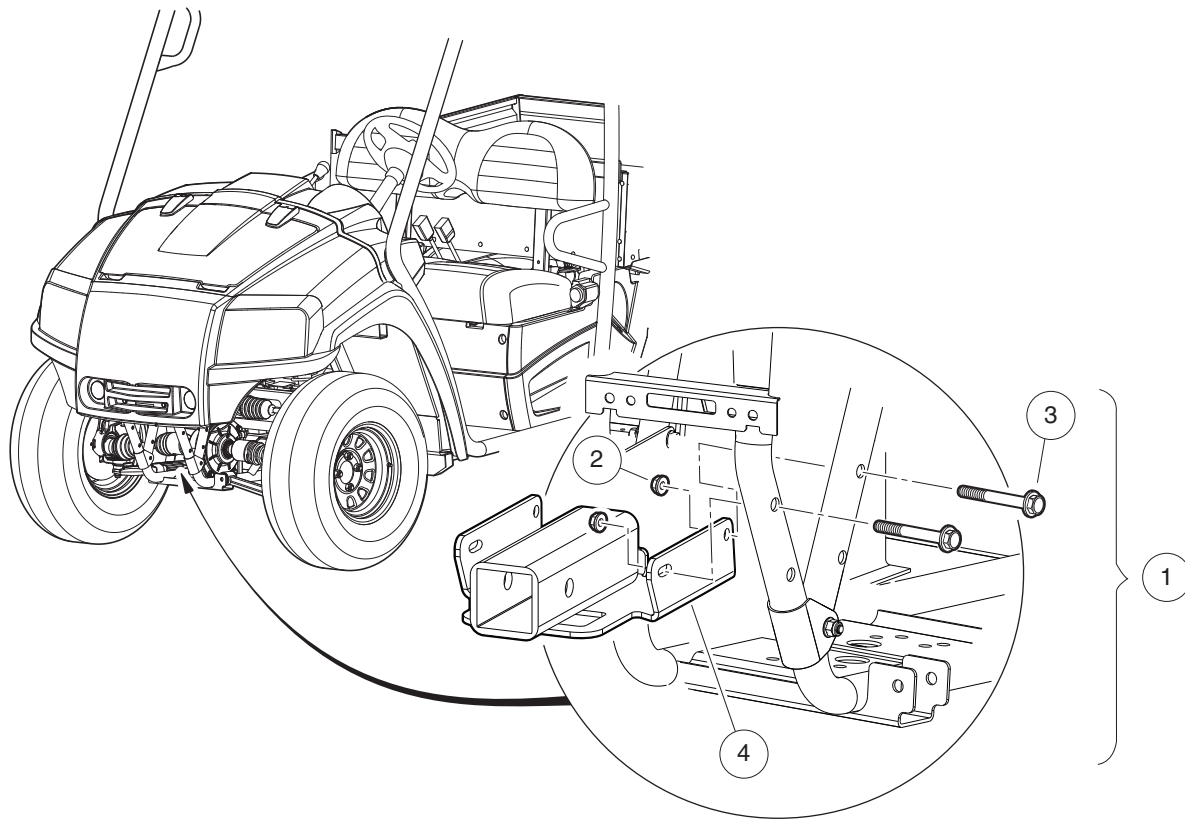
000871-001

TUBE BRUSH GUARD

ITEM	PART NO.	DESCRIPTION	QTY
		1 2 3 4	
1	<u>103536101</u>	Kit, Brshgrd, Tube (includes items 2 through 5)	1
2	<u>102925201</u>	Bolt, Flg, M10x1.5x55, Patch	8
3	<u>103215401</u>	Plug, Tube, Round, 1-3/4"	2
4	<u>103231801</u>	Nut, Flg, M10 X 1.25 Hex Blk	8
5	N/A	Weldment, Brshgrd, Tube	1

1

G

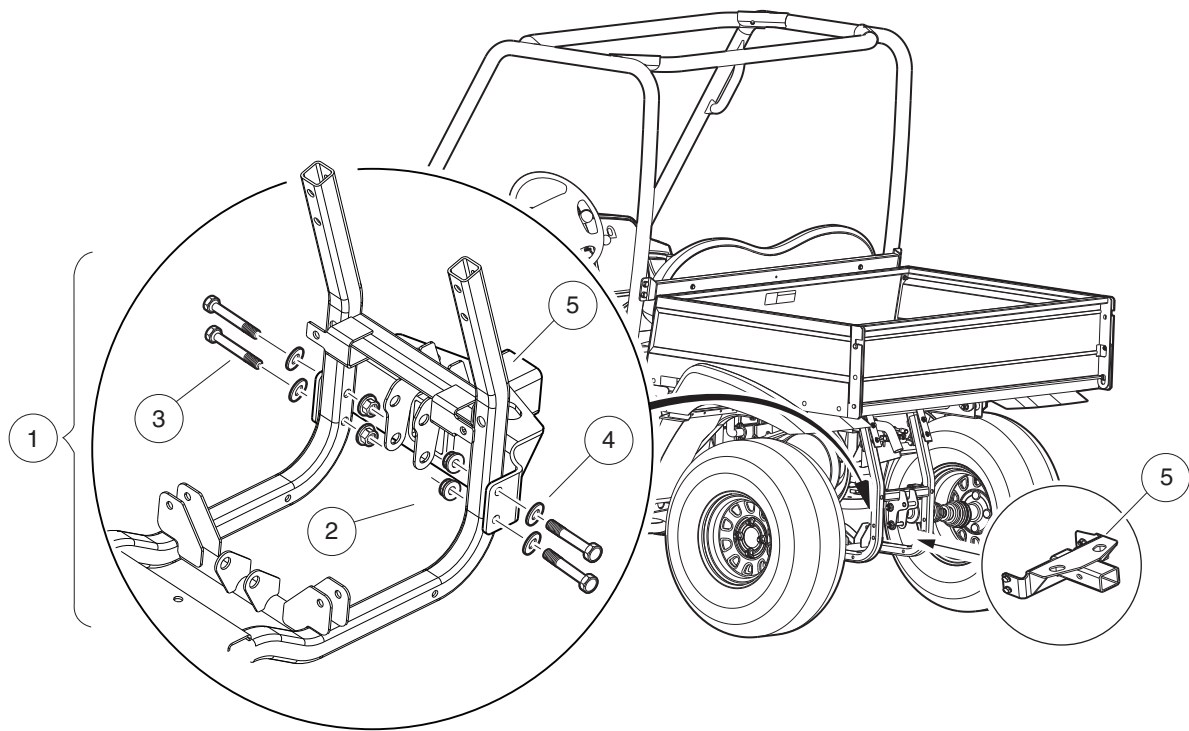


000873-001

RECEIVER HITCH – FRONT

ITEM	PART NO.	DESCRIPTION	QTY
		1 2 3 4 Kit, 2" Front Receiver (includes items 2 through 4)	1
1	<u>103542601</u>	Kit, 2" Front Receiver (includes items 2 through 4)	1
2	<u>102670701</u>	Nut, Flange, M10 X 1.5 Nylon	4
3	<u>102925201</u>	Bolt, Flg, M10x1.5x55, Patch	4
4	N/A	Weldment, Hitch, Channel	1

1
G

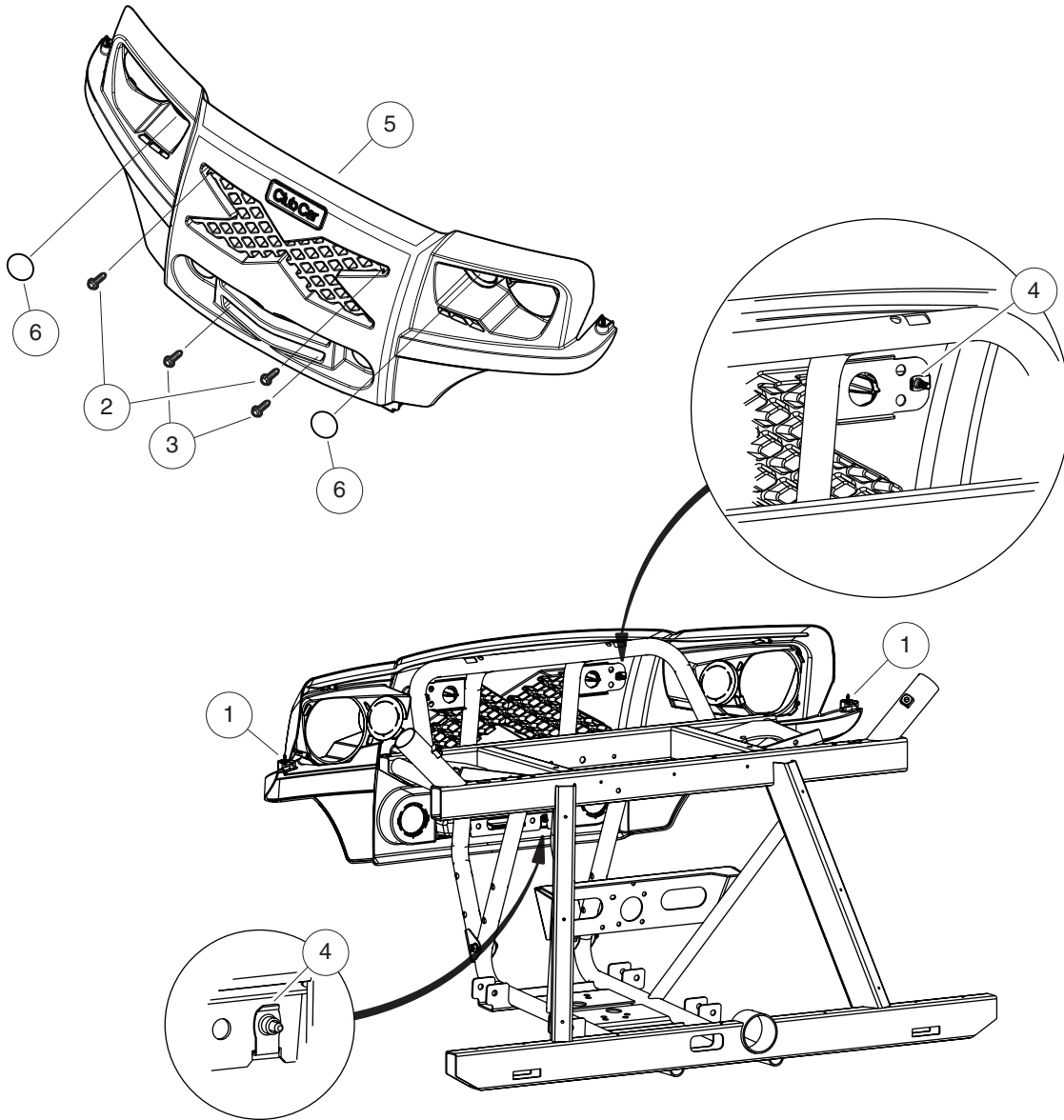


000873-002

RECEIVER HITCH – REAR

ITEM	PART NO.	DESCRIPTION	QTY
		1 2 3 4	
1	<u>103528101</u>	Kit, Receiver, Rear, XRT 950 (includes items 2 through 5)	1
2	<u>102617201</u>	Nut, Flanged, M10 X 1.5, Mechanically Deformed	4
3	<u>102718001</u>	Bolt, M10 X 55, Zn-Ni (Black)	4
4	<u>102718101</u>	Washer, Hard, M10, Zn-Ni/Blk	4
5	N/A	Asm, Receiver, Rear	1

1
G



000879-001

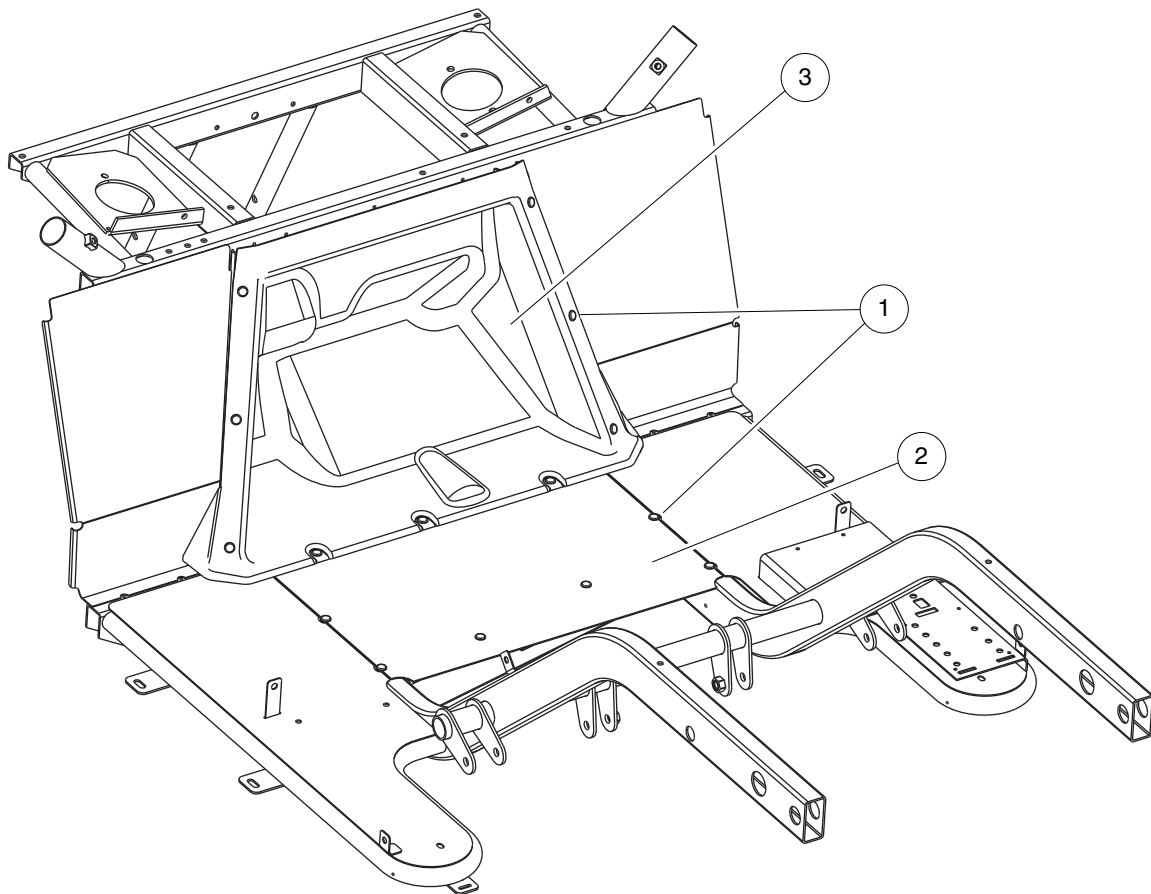
FASCIA

ITEM	PART NO.	DESCRIPTION	QTY
		1 2 3 4	
1	<u>102296020</u>	Screw-torx Pan Head Pt, M6x20	2
2	<u>102296140</u>	Bolt, Flanged Head, M6x1.0x40	2
3	<u>102296530</u>	Screw - M6 X 1.0 X 30 Sems	2
4	<u>102296601</u>	U-Nut, M6-1.0, Prevailing Torque	4
5	<u>103065801</u>	Fascia, Xrt	1
6	<u>103536301</u>	Reflector, Yellow, 3"	2

1
G

1

G



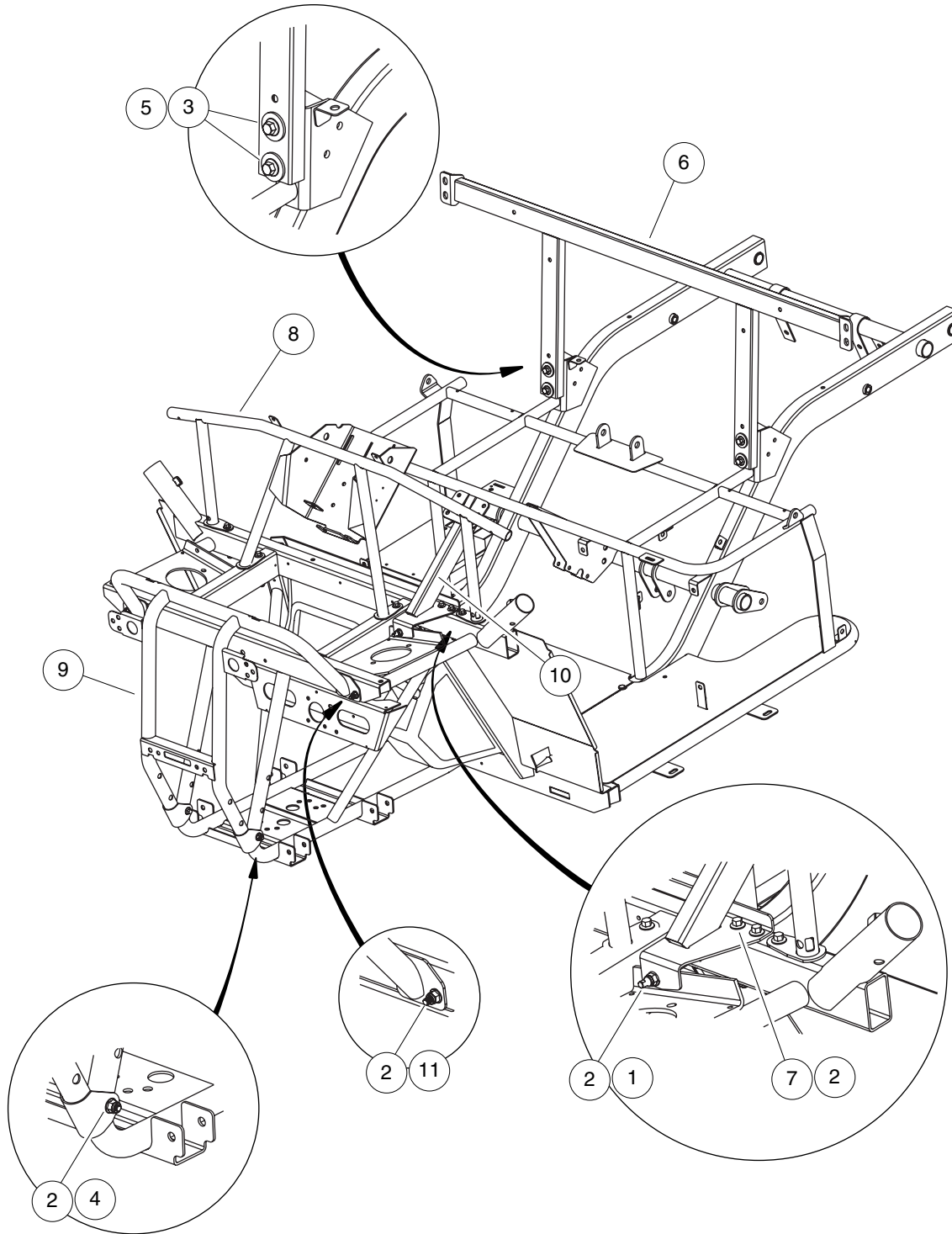
000885-001

FLOOR PLATE AND PANEL

ITEM	PART NO.	DESCRIPTION	QTY
		1 2 3 4	
1	<u>103400001</u>	3/16 X 1.19 Alum Rivet, Blk	20
2	<u>103490301</u>	Plate, Floor, Middle	1
3	<u>103632601</u>	Closeout, Pedal, Thermoformed	1

1

G



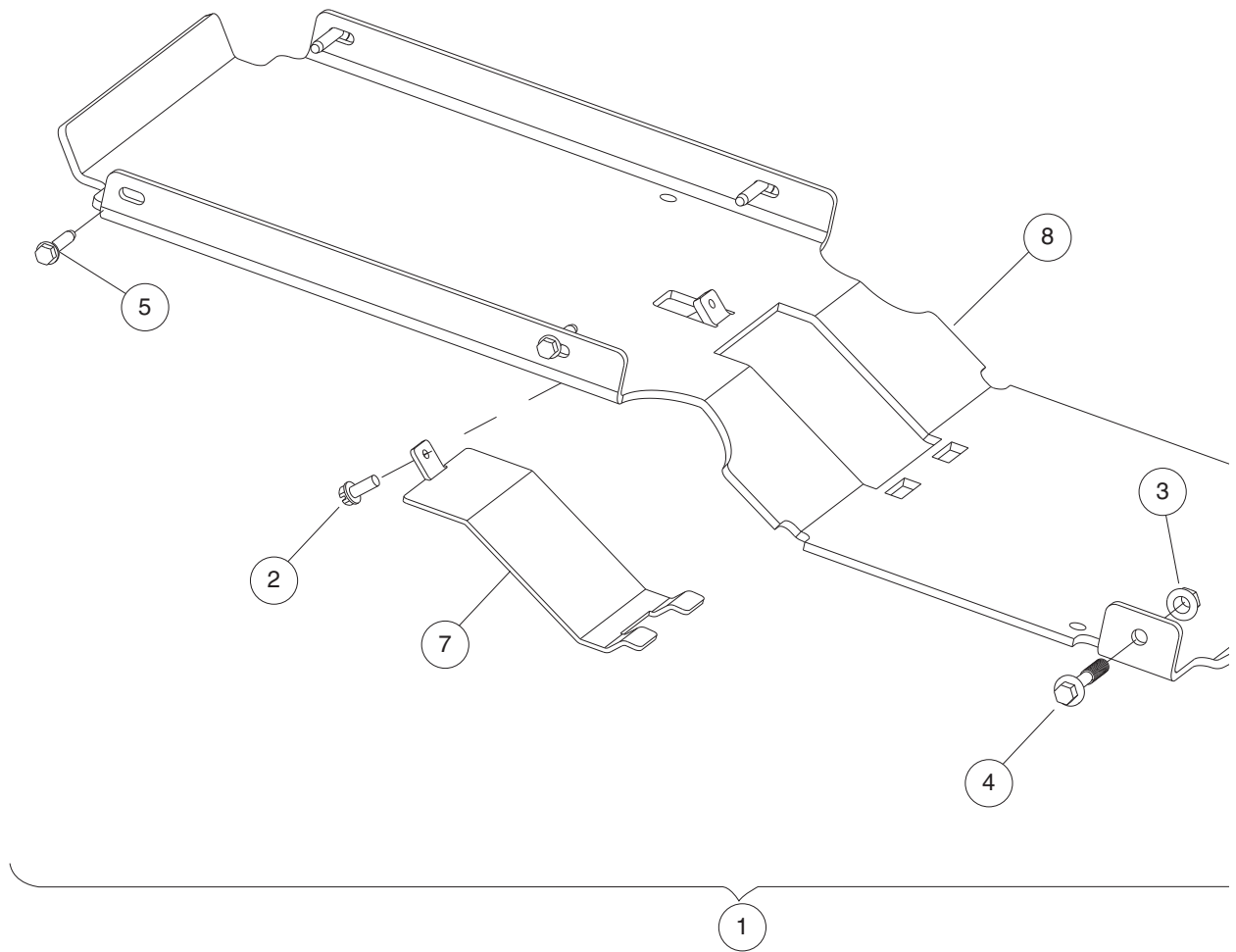
000911-001

FRAME COMPONENTS

ITEM	PART NO.	DESCRIPTION	QTY
		1 2 3 4	
1	<u>102298130</u>	Bolt, Flange Head, M8 X 30.0	1
2	<u>102298401</u>	Nut,m8,all Metal Lock	11
3	<u>102491501</u>	Washer, Hard, M10	4
4	<u>102719501</u>	Bolt Flanged Head, M8x1.25 X 50 with Loctite	2
5	<u>102925201</u>	Bolt, Flg, M10x1.5x55, Patch	4
6	<u>103075801</u>	Weldment, Mtg, Seat Back	1
7	<u>103146801</u>	Bolt, Flg, M8 X 1.25 X 80	6
8	<u>103152001</u>	Weldment, Supp, Dash	1
9	<u>103154001</u>	Weldment, Mtg, Fascia	1
10	<u>103432601</u>	Weldment, Supp, Steering	1
11	<u>103531201</u>	Bolt, Flg, M8 X 1.25 X 60	2

1
G

1
G



000

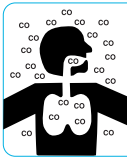
REAR SKID PLATE

ITEM	PART NO.	DESCRIPTION	QTY
		1 2 3 4	
1	<u>103855601</u>	Kit, Plate, Skid, Engine, Rear (includes items 2 through 8)	1
2	<u>1012285</u>	Screw, 1/4 X 0.625 Hex-Head	1
3	<u>102298401</u>	Nut,m8,all Metal Lock	2
4	<u>102956101</u>	Bolt, M8 X 45, Flanged, Black	2
5	<u>103517901</u>	Scr, 1/4-20 X 1.25 Hwhcs, Tt	4
6	N/A	Instr, Kit, Skidplate, Rear (not shown)	1
7	<u>103832101</u>	Plate, Cover, Skid	1
8	<u>103855501</u>	Plate, Skid, Engine, Rear	1

1

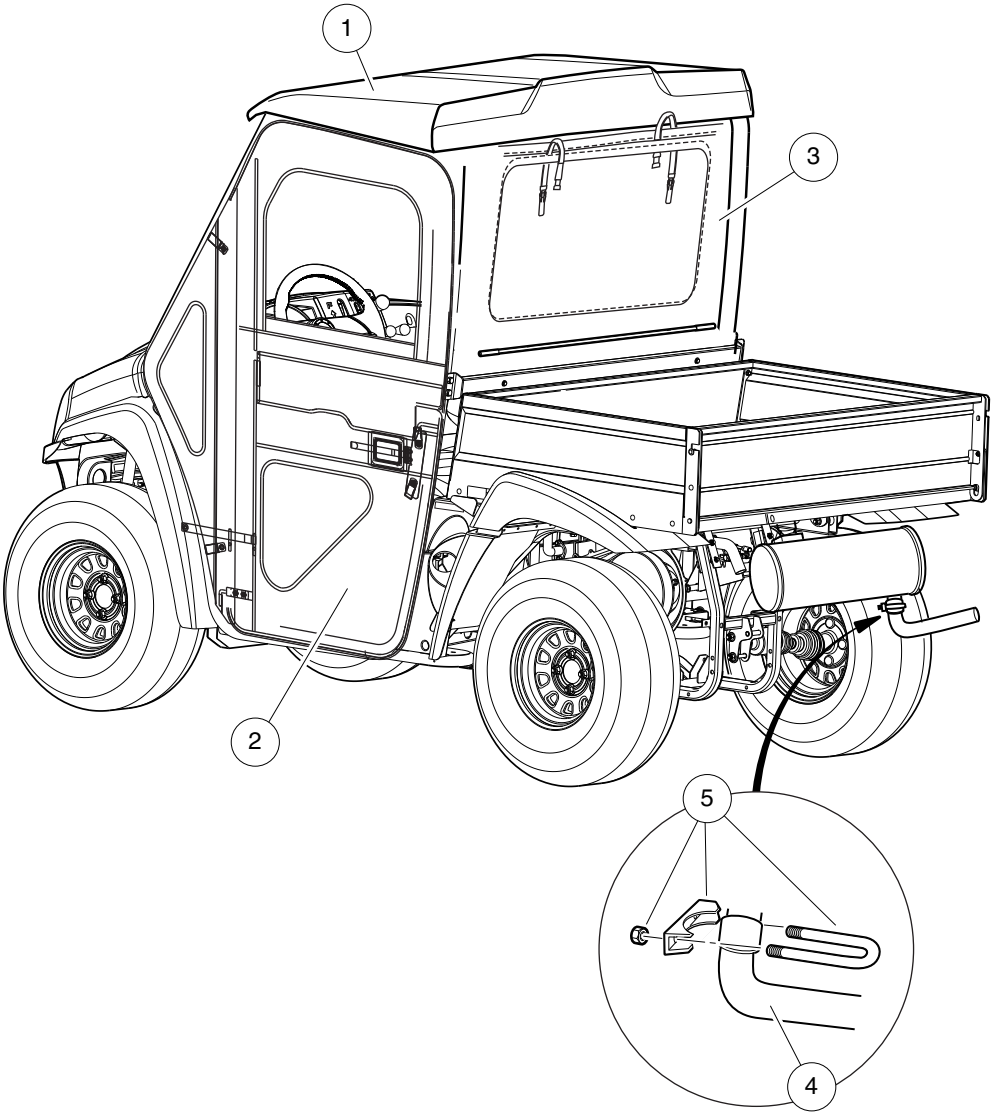
G

6



⚠ WARNING
CARBON MONOXIDE CAN CAUSE ILLNESS, SERIOUS INJURY, OR DEATH
The engine produces carbon monoxide, which is a deadly, odorless, colorless gas that can quickly accumulate in an enclosed cab. Do not run the engine in a parked vehicle without proper cab ventilation. Move to fresh air if you feel nausea, headache, dizziness, drowsiness, or weakness.

103619901



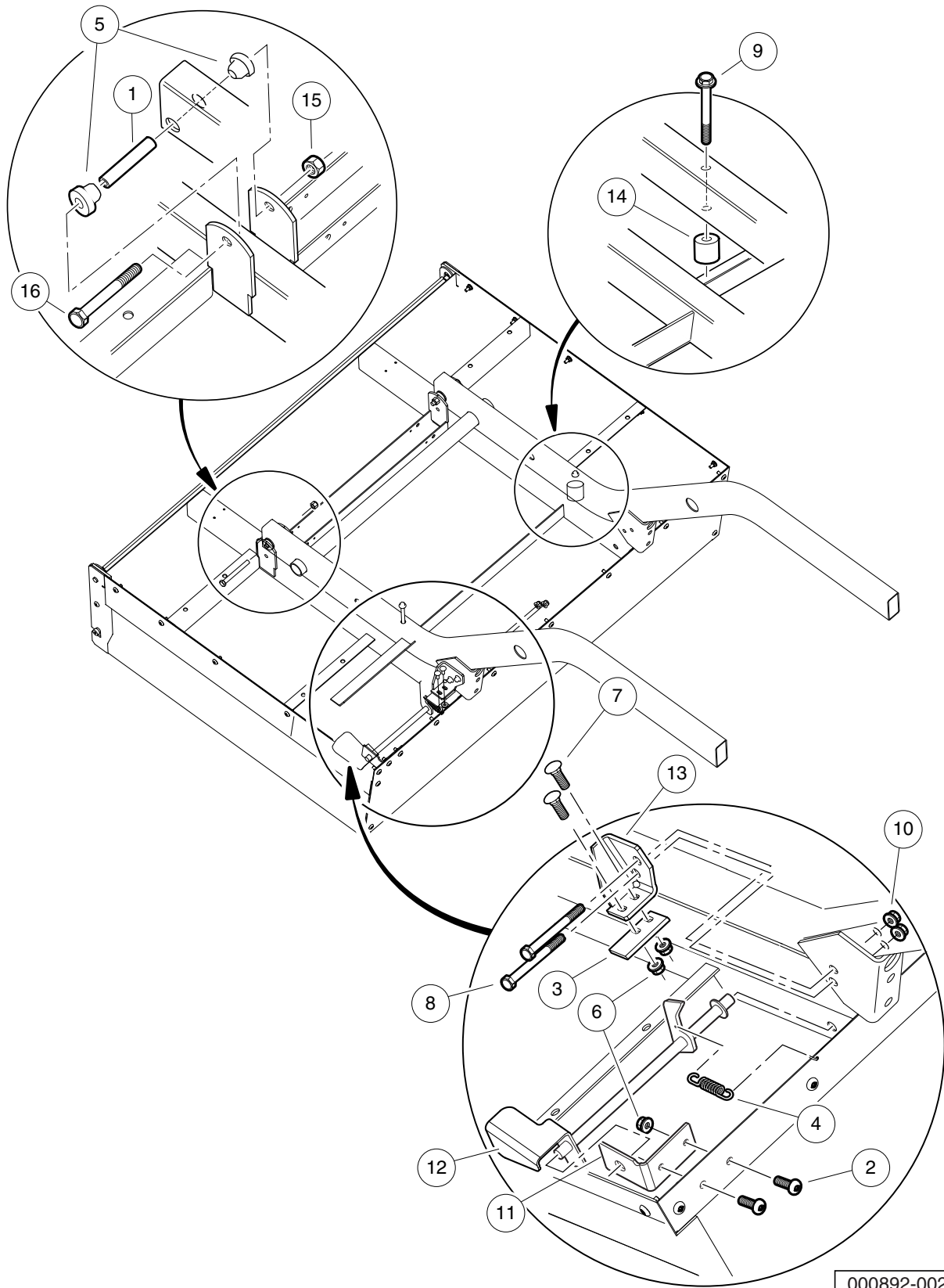
000914-001

CANOPY AND DOORS

ITEM	PART NO.	DESCRIPTION	QTY
		1 2 3 4	
1	<u>103517503</u>	Kit, Canopy, Bestop, Gen 3	1
2	<u>103524002</u>	Kit, Door, Bestop	1
3	<u>103540802</u>	Kit, Backlite, Bestop, Gen 2	1
4	<u>103618501</u>	Pipe, Extension, Xrt 950	1
5	<u>103618601</u>	Clamp, Exhaust, 1.25" Diameter	1
6	<u>103619901</u>	Decal, Warn, Co, Cab	1

1
G

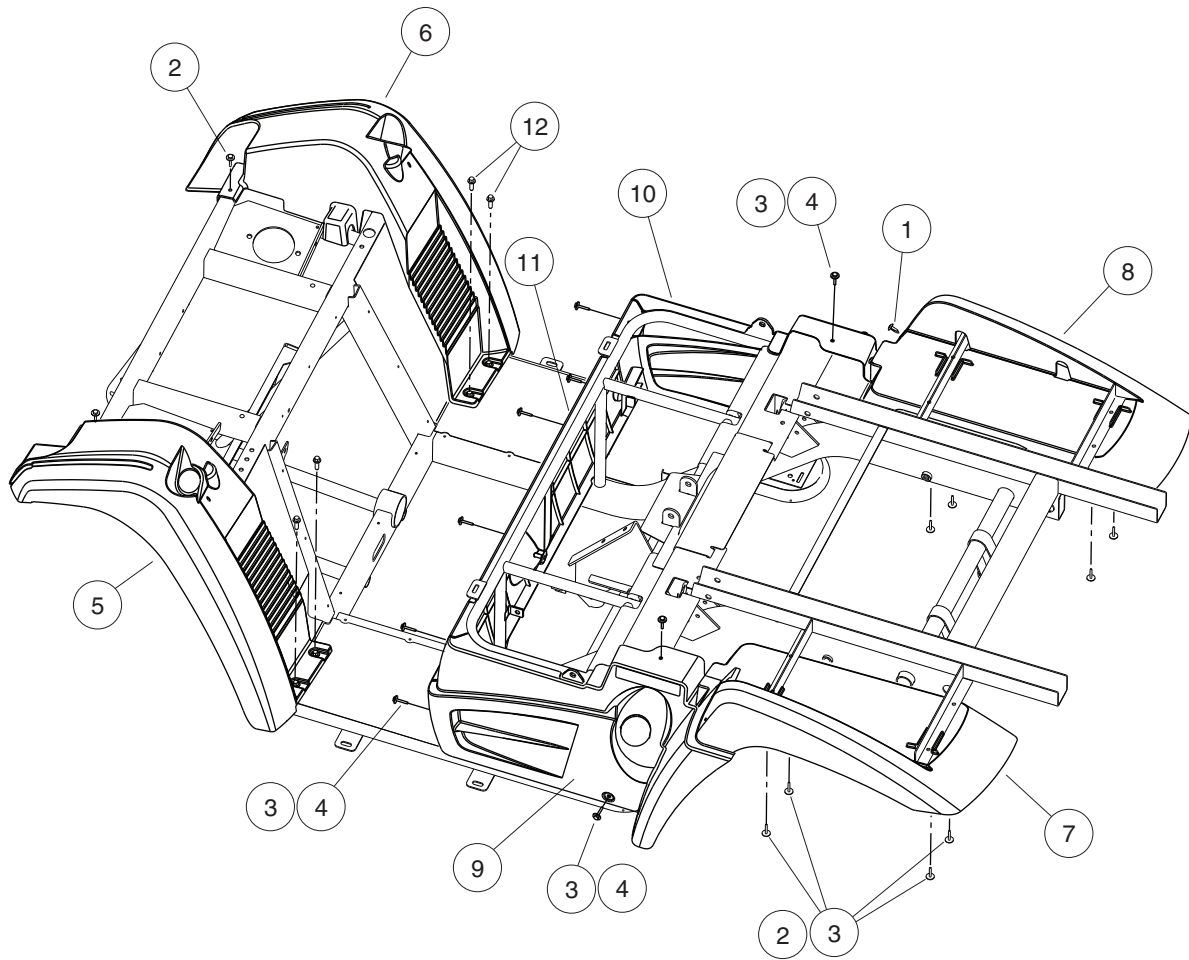
1
G



TILT BED HINGE AND LATCH

ITEM	PART NO.	DESCRIPTION	QTY
		1 2 3 4	
1	<u>1012303</u>	Bushing, Steel	2
2	<u>1014415</u>	Screw, 1/4-20 X 0.75 Torx Truss-Head	2
3	<u>1015277</u>	Latch Plate, Tilt Bed	1
4	<u>1015391</u>	Extension, Spring Latch	1
5	<u>1015583</u>	Bushing, Urethane	4
6	<u>101835601</u>	Locknut, 1/4-20 Hex Whiz	4
7	<u>101958601</u>	Carriage Bolt, 1/4-20 X 0.75	2
8	<u>102298170</u>	Bolt - Flange Hd, M8 X 70.0	2
9	<u>102298185</u>	Bolt - Flange Hd, M8 X 85.0	2
10	102618601	Lock Nut, Flange, M8 X 1.25 Nylon	2
11	N/A	Angle, Mtg, Bed, Latch	1
12	<u>103436401</u>	Weldment, Handle, Bed Latch	1
13	<u>103498601</u>	Weldment, Mtg, Latch Plate	1
14	<u>103509501</u>	Bumper, Rubber, 38 Mm Dia	2
15	<u>8754</u>	Locknut, 3/8-16 Hex	2
16	<u>8755</u>	Screw, 3/8-16 X 3.375 Hex Cap	2

1
G



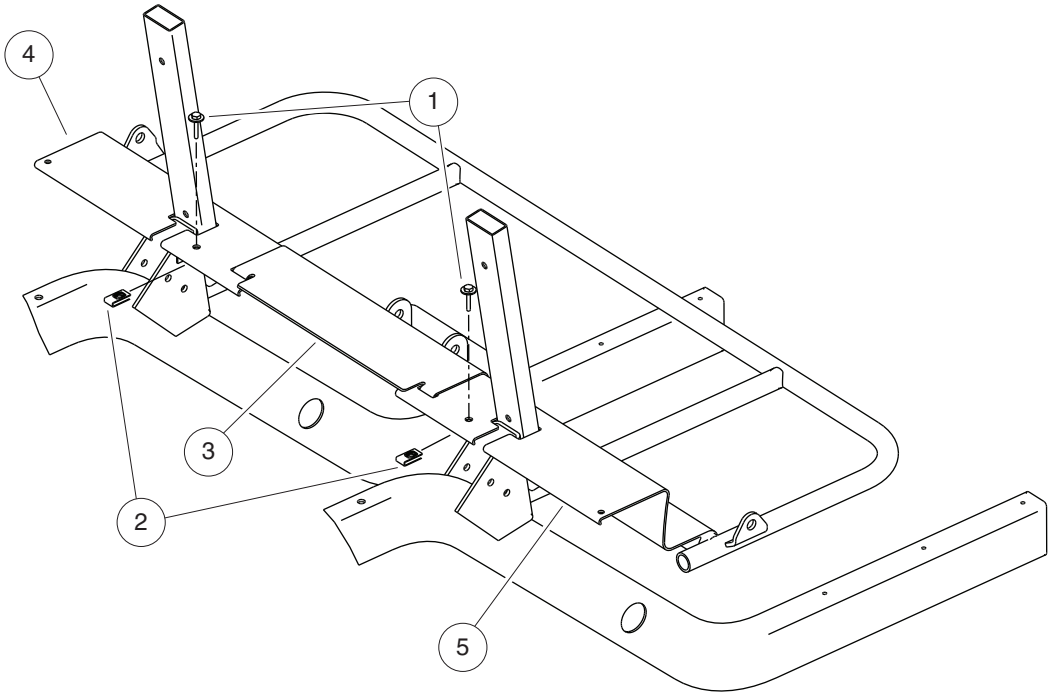
000877-001

FENDERS AND REAR BODY PANELS

ITEM	PART NO.	DESCRIPTION	QTY
		1 2 3 4	
1	<u>102025701</u>	Screw, Tuflok Panel, 1/4	4
2	<u>102296530</u>	Screw - M6 X 1.0 X 30 Sems	10
3	<u>102296601</u>	U-Nut, M6-1.0, Prevailing Torque	18
4	<u>102297125</u>	Screw, M6-1.0x25.4, Thread-Forming, SEMS	10
5	<u>103050401</u>	Fender, Front, Ds	1
6	<u>103050501</u>	Fender, Front, Ps	1
7	<u>103050601</u>	Fender, Rear, Ds, Black	1
8	<u>103050701</u>	Fender, Rear, Ps, Black	1
9	<u>103050801</u>	Panel, Ds, Blk	1
10	<u>103050901</u>	Panel, Ps, Blk	1
11	<u>103051001</u>	Panel, Center, Blk	1
12	<u>103400001</u>	3/16 X 1.19 Alum Rivet, Blk	4
13	<u>103441501</u>	Flap, Mud, Common (not shown)	2

1
G

1
G



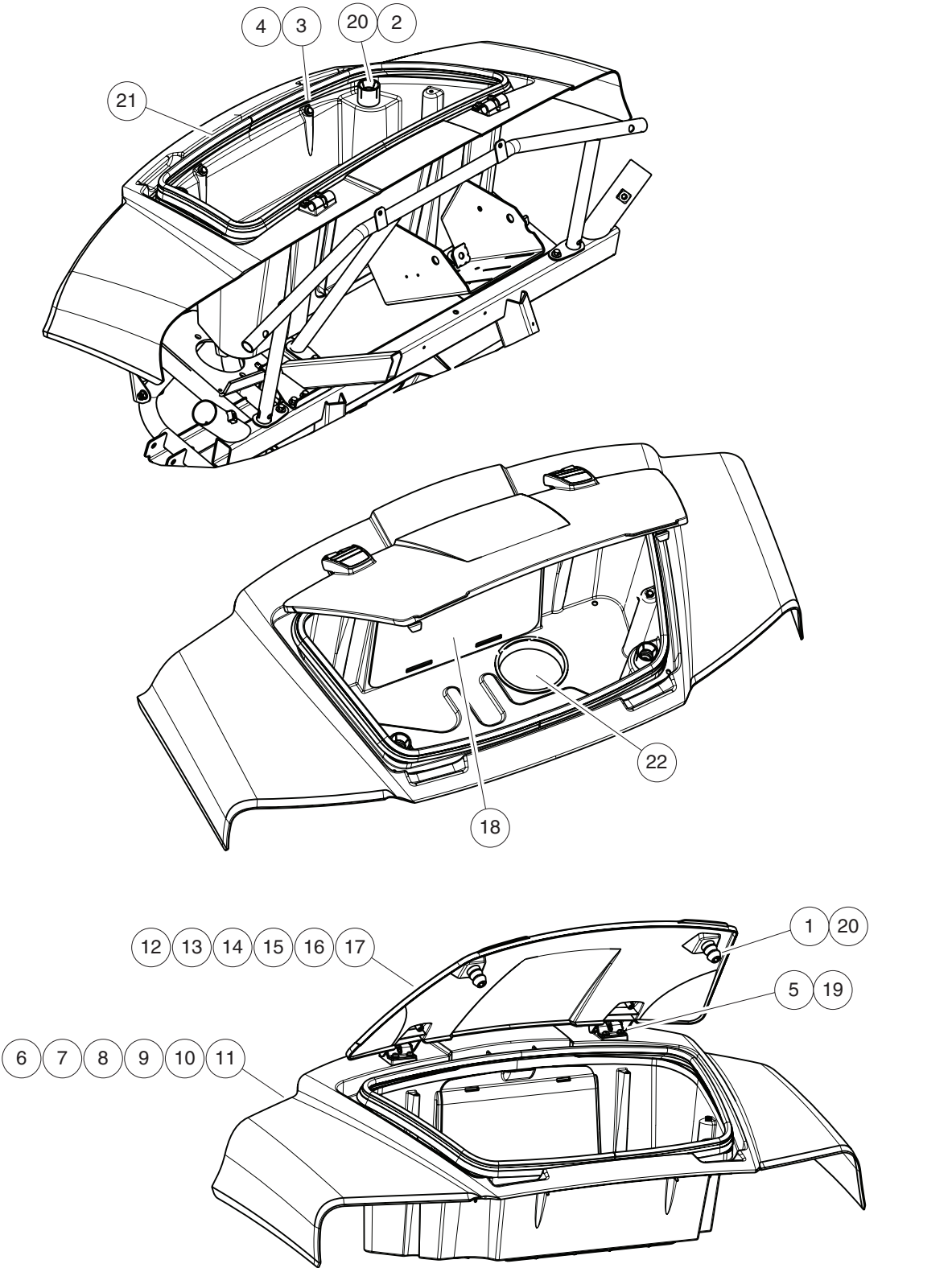
000890-001

CLOSEOUT PANELS

ITEM	PART NO.	DESCRIPTION	QTY
		1 2 3 4	
1	<u>102296530</u>	Screw - M6 X 1.0 X 30 Sems	2
2	<u>102296601</u>	U-Nut, M6-1.0, Prevailing Torque	2
3	<u>103512101</u>	Close Out, Center	1
4	<u>103512201</u>	Close Out, Left	1
5	<u>103512202</u>	Close Out, Right	1

1
G

1
G



000876-001

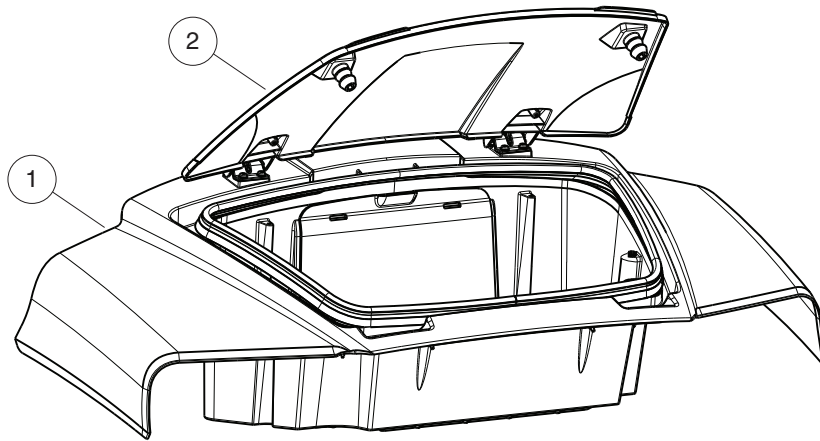
COWL

ITEM	PART NO.	DESCRIPTION	QTY
		1 2 3 4	
1	<u>102059001</u>	Seat Holder Base	2
2	<u>102061101</u>	Seat Holder Cup	2
3	<u>102296530</u>	Screw - M6 X 1.0 X 30 Sems	2
4	<u>102296601</u>	U-Nut, M6-1.0, Prevailing Torque	2
5	<u>102297230</u>	Screw, M6, Torx, Interlock Thread	8
6	<u>103065620</u>	Cowl, Storage, Drk Grn, Svc	1
7	<u>103065624</u>	Cowl, Storage, Drk Gry, Svc	1
8	<u>103065625</u>	Cowl, Storage, Red, Svc	1
9	<u>103065626</u>	Cowl, Storage, White, Svc	1
10	N/A	Cowl, Storage, Nstd, Svc	1
11	<u>103065628</u>	Cowl, Storage, Rthwhd, Svc	1
12	<u>103065720</u>	Hood, Storage Cvr, Dgrn, Svc	1
13	<u>103065724</u>	Hood, Storage Cvr, Dgry, Svc	1
14	<u>103065725</u>	Hood, Storage Cvr, Red, Svc	1
15	<u>103065726</u>	Hood, Storage Cvr, White, Svc	1
16	N/A	Hood, Storage Cvr, Nstd, Svc	1
17	<u>103065728</u>	Hood, Storage Cvr, Rthwhd, Svc	1
18	<u>103430801</u>	Cover, Access, Black	1
19	<u>103431001</u>	Bracket, Hinge	2
20	<u>103539901</u>	Screw, Round Hd, M5.5 X 38	4
21	<u>103540201</u>	Seal, Bulb, 13 X 27 X 1888 Mm	1
22	<u>103541301</u>	Cap, Ldpe, 122 Mm	1

1
G

1

G

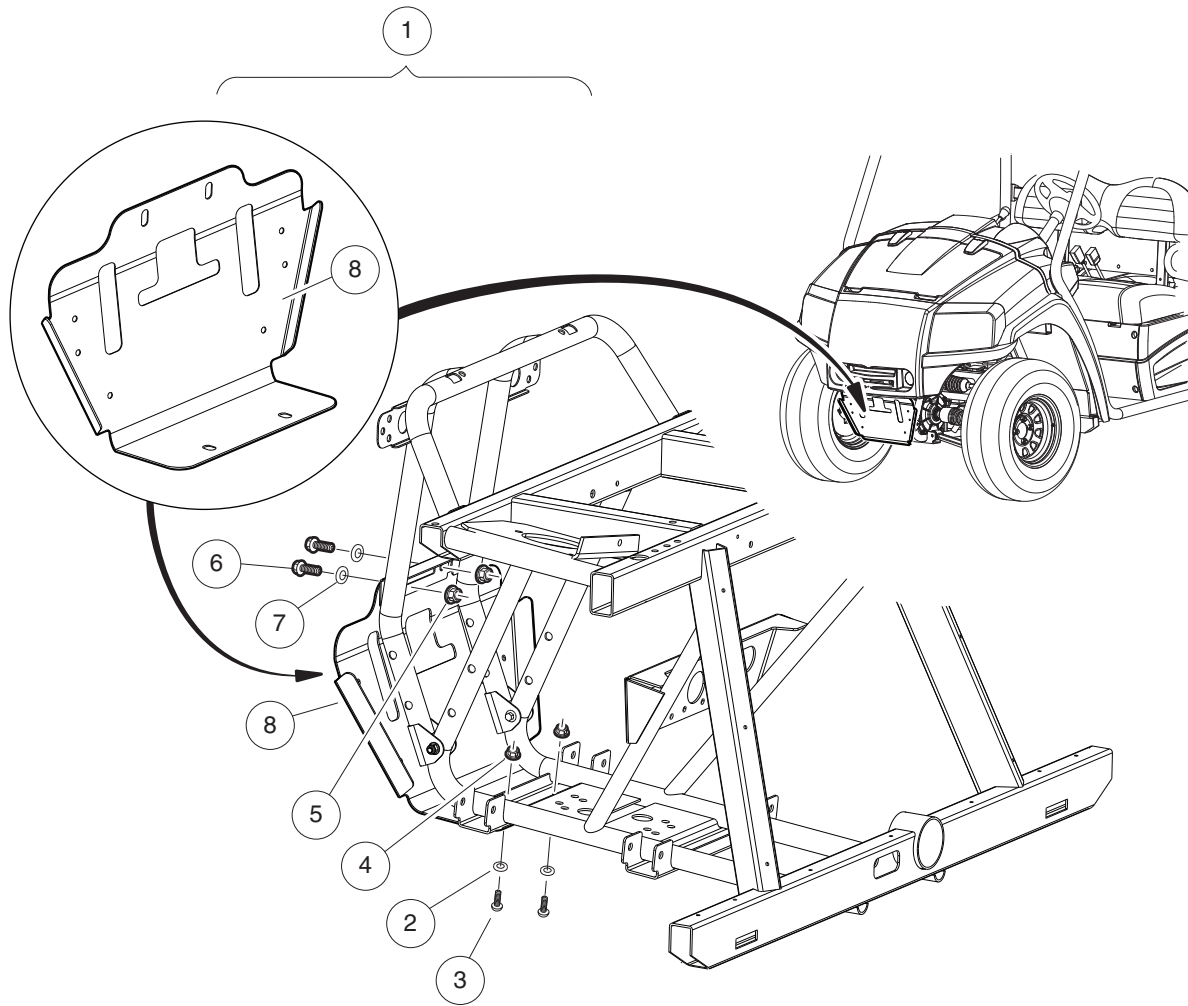


000876-003

COWL AND HOOD – LATE MODEL YEAR RED

ITEM	PART NO.	DESCRIPTION	QTY
1	<u>103959040</u>	1 2 3 4 Cowl, Strge, Awd Red, Svc	1
2	<u>103959140</u>	Hood, Strg, Awd Red, Svc	1

1
G



000874-001

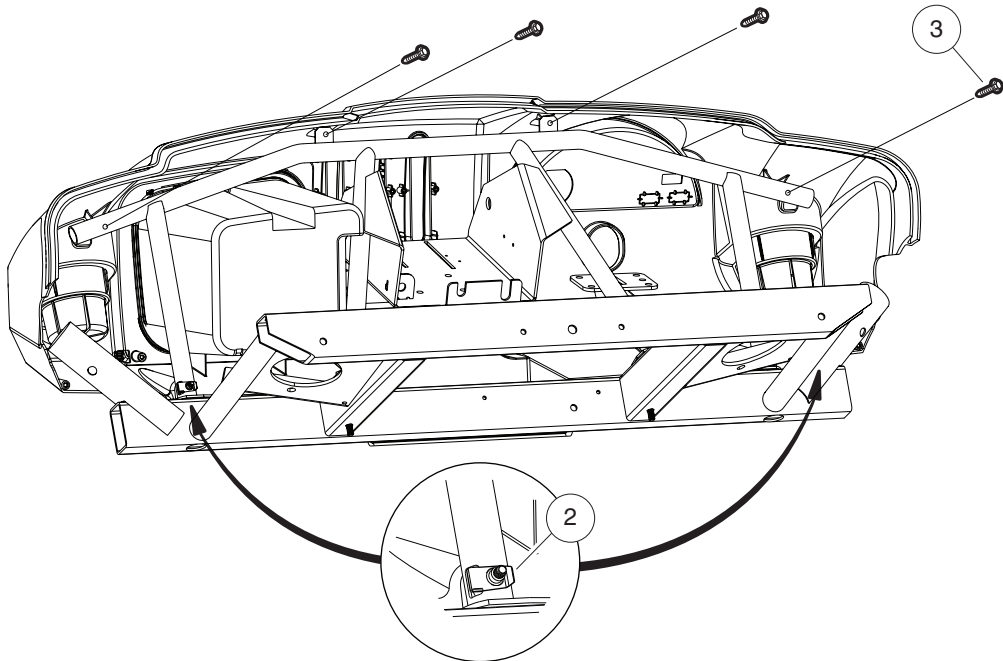
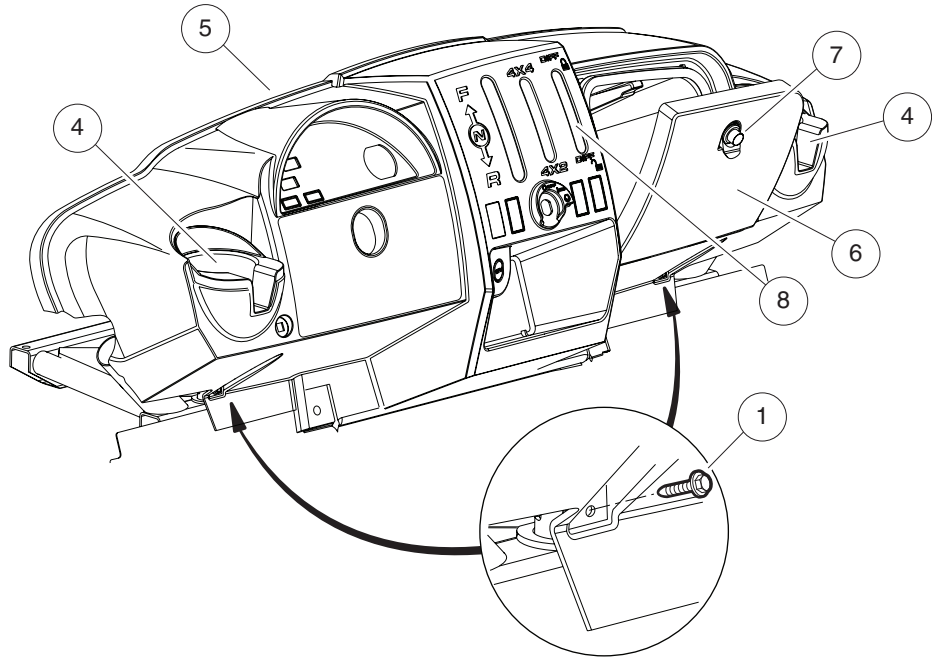
FRONT SKID PLATE

ITEM	PART NO.	DESCRIPTION	QTY
		1 2 3 4	
1	<u>103647601</u>	Kit, Front Skidplate, Xrt950 (includes items 2 through 8)	1
2	<u>102296301</u>	Washer, M6x18x1.6 Flat	2
3	<u>102296920</u>	Screw, M6, Torx Button Head, Sems	2
4	<u>102541501</u>	Nut-m6x1.0 Fl Mtl Lock,blk	2
5	<u>102617201</u>	Nut, Flanged, M10 X 1.5, Mechanically Deformed	2
6	<u>102711601</u>	Bolt, Flange Head, M10 X 1.5 X 25	2
7	<u>102718101</u>	Washer, Hard, M10, Zn-Ni/Blk	2
8	<u>103647501</u>	Plate, Skid, Front, Xrt950	1

1

G

1
G

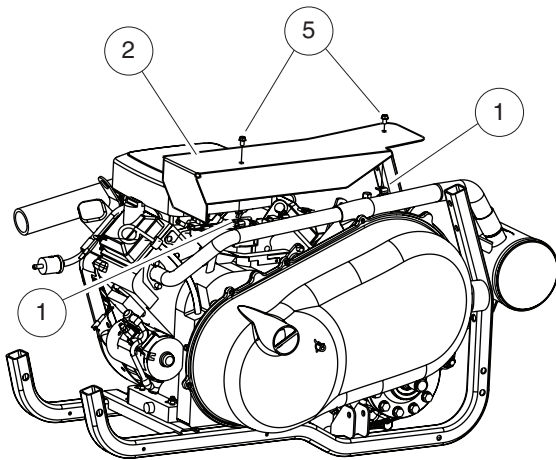
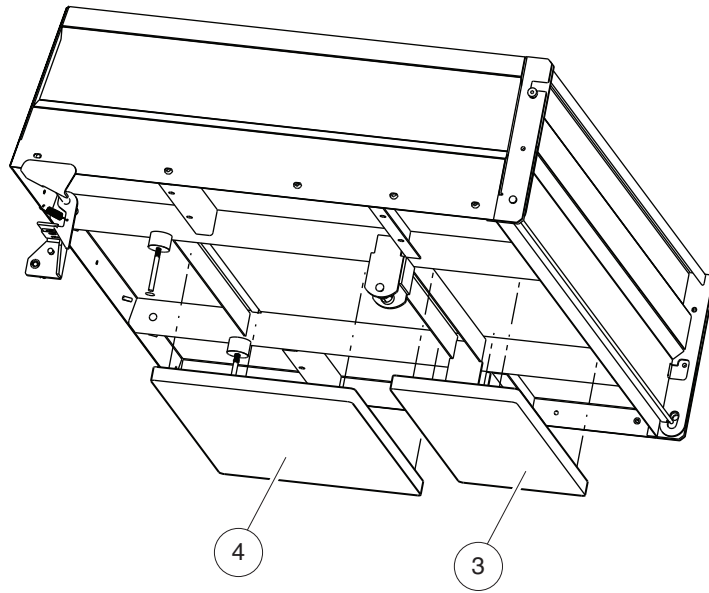


000878-001

DASH

ITEM	PART NO.	DESCRIPTION	QTY
		1 2 3 4	
1	<u>102296140</u>	Bolt, Flanged Head, M6x1.0x40	2
2	<u>102296601</u>	U-Nut, M6-1.0, Prevailing Torque	2
3	<u>102297230</u>	Screw, M6, Torx, Interlock Thread	4
4	<u>102883401</u>	Cup Holder, Utility	2
5	<u>103050201</u>	Dash- Control Mount	1
6	<u>103050301</u>	Cover, Dash	1
7	<u>103182701</u>	Latch, Push Close	1
8	<u>103430901</u>	Cover, Shifter	1

1
G

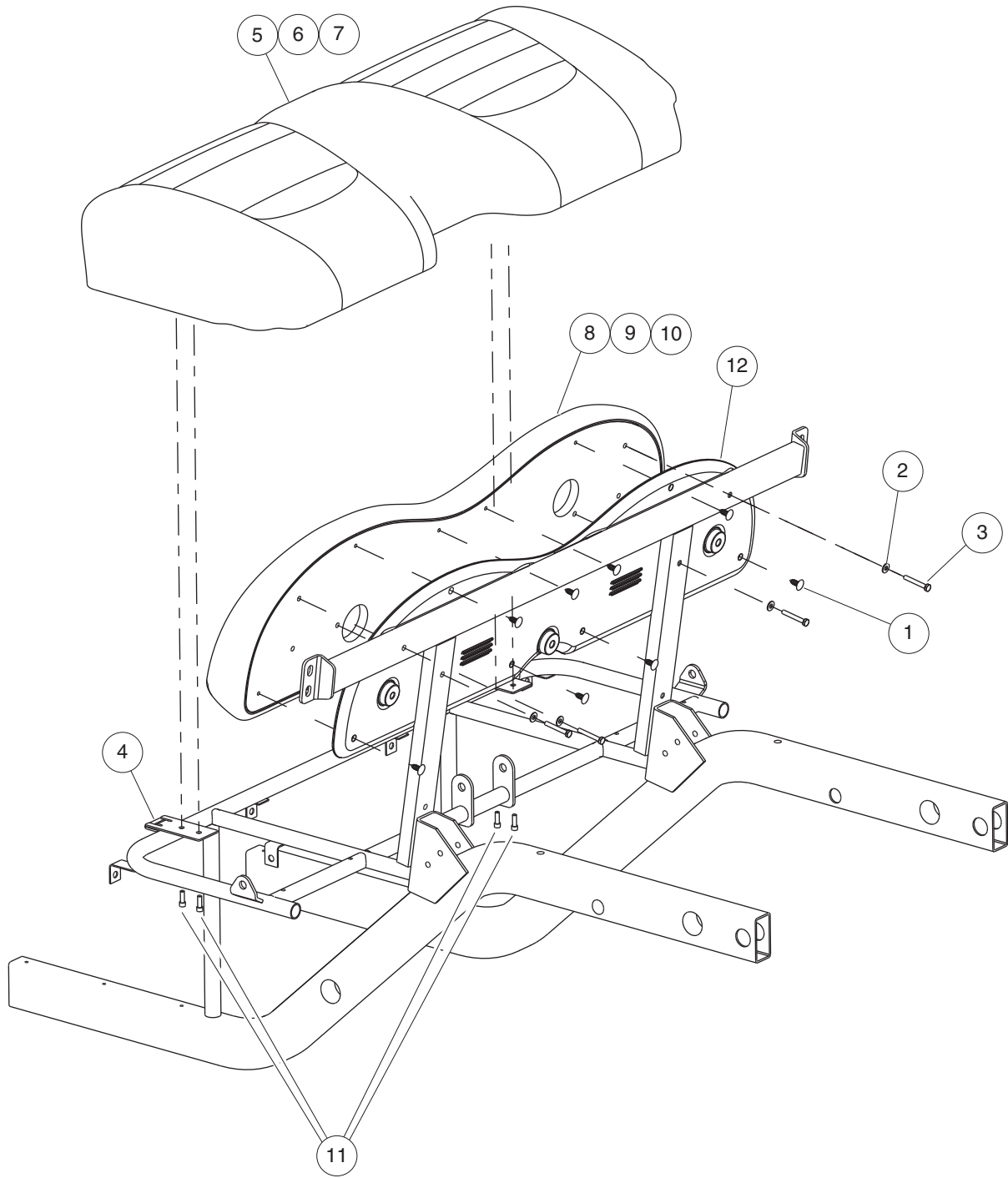


000875-001

HEAT SHIELD

ITEM	PART NO.	DESCRIPTION	QTY
		1 2 3 4	
1	<u>1014116</u>	Nut, 1/4-20 Speed	2
2	<u>103525701</u>	Shield, Exhaust, Heat	1
3	<u>103534701</u>	Foam, Barrier, Heat, Bed, Rear	1
4	<u>103534801</u>	Foam, Barrier, Heat, Bed, Frnt	1
5	<u>103541501</u>	Screw, Tapping, 1/4-20 X .375	2

1
G



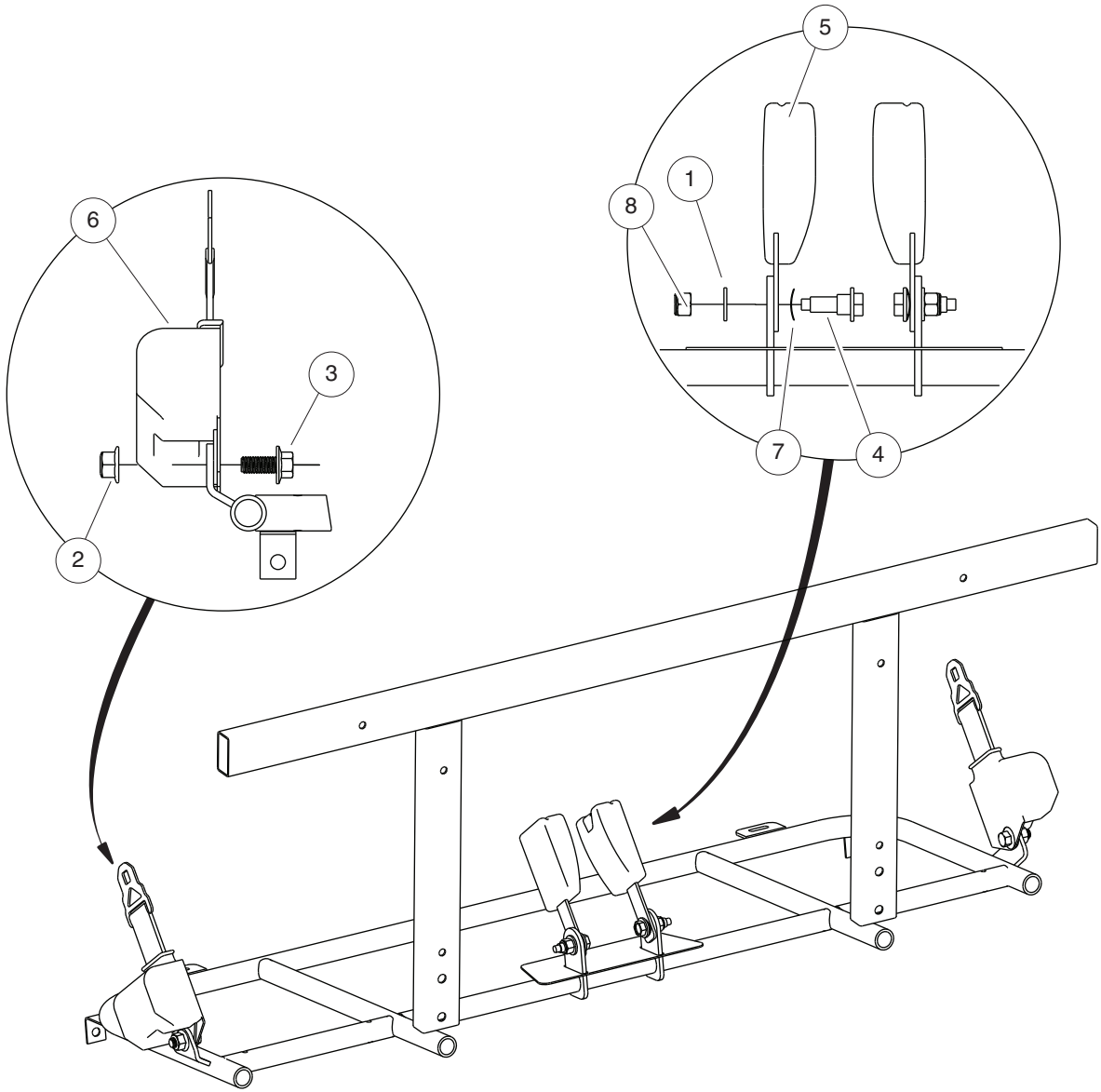
1034300F

BENCH SEATS

ITEM	PART NO.	DESCRIPTION	QTY
		1 2 3 4	
1	<u>1010434</u>	Barrel - Plastic	8
2	1011964	Washer, 1/4 Flat	4
3	<u>102343601</u>	Screw, 1/4-20 X 1 3/4 Ss Hx Ca	4
4	<u>103443201</u>	Plate, Hinge, Seat	2
5	<u>103455001</u>	Seat Bottom, Bench, Gray	1
6	<u>103455002</u>	Seat Bottom, Bench, Black	1
7	103455003	Seat Bottom, Bench, Tan	1
8	<u>103456001</u>	Seat Back, Bench, Gray	1
9	<u>103456002</u>	Seat Back, Bench, Black	1
10	103456003	Seat Back, Bench, Tan	1
11	<u>103629501</u>	Screw, 1/4-20 X .75 Shcs	4
12	<u>103831101</u>	Cap, Seatback, Vented	1

1
G

1
G



000902-001

SEAT BELTS

ITEM	PART NO.	DESCRIPTION	QTY
		1 2 3 4	
1	<u>1014557</u>	Washer, 7/16 Flat	2
2	<u>102620301</u>	Ln Flg, M12 X 1.75, Md, Black	2
3	<u>103245101</u>	Bolt Flg, M12x1.75 X 25 Black	2
4	<u>103529601</u>	Bolt, Shoulder, 15 Mm	2
5	<u>103529701</u>	Asm, Buckle, Seat-belt	2
6	<u>103529801</u>	Retractor, Seat-belt	2
7	<u>103530701</u>	Washer, Spring, 15 Mm Id	2
8	<u>103534201</u>	Lock Nut, 7/16-20 Nylon	2

1

G

⚠ WARNING

- Do not modify or remove Roll-over Protective Structure (ROPS).
- Replace ROPS if damaged. Do not attempt repair.
- Use seat belts during operation. Do not jump from vehicle.
- Keep away from drop-offs, steep slopes, and unstable surfaces.

ccc1102961201

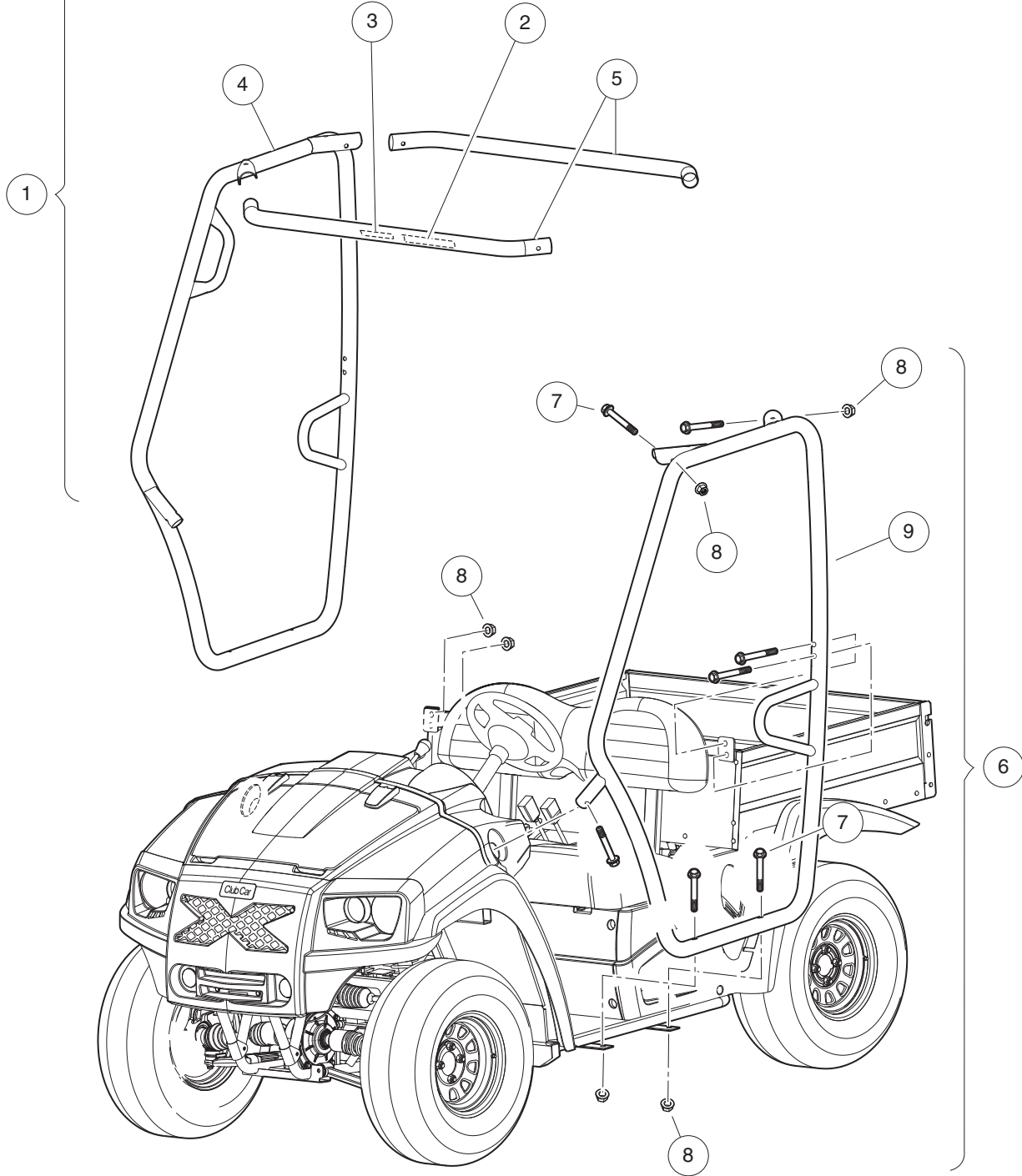
UNDER 16

⚠ WARNING

YOUNG DRIVERS INCREASE CHANCE OF DEATH

- Young drivers may not be able to control vehicle.
- No drivers younger than 16 years old.
- Do not leave children unattended on vehicle.

ccc1102455401

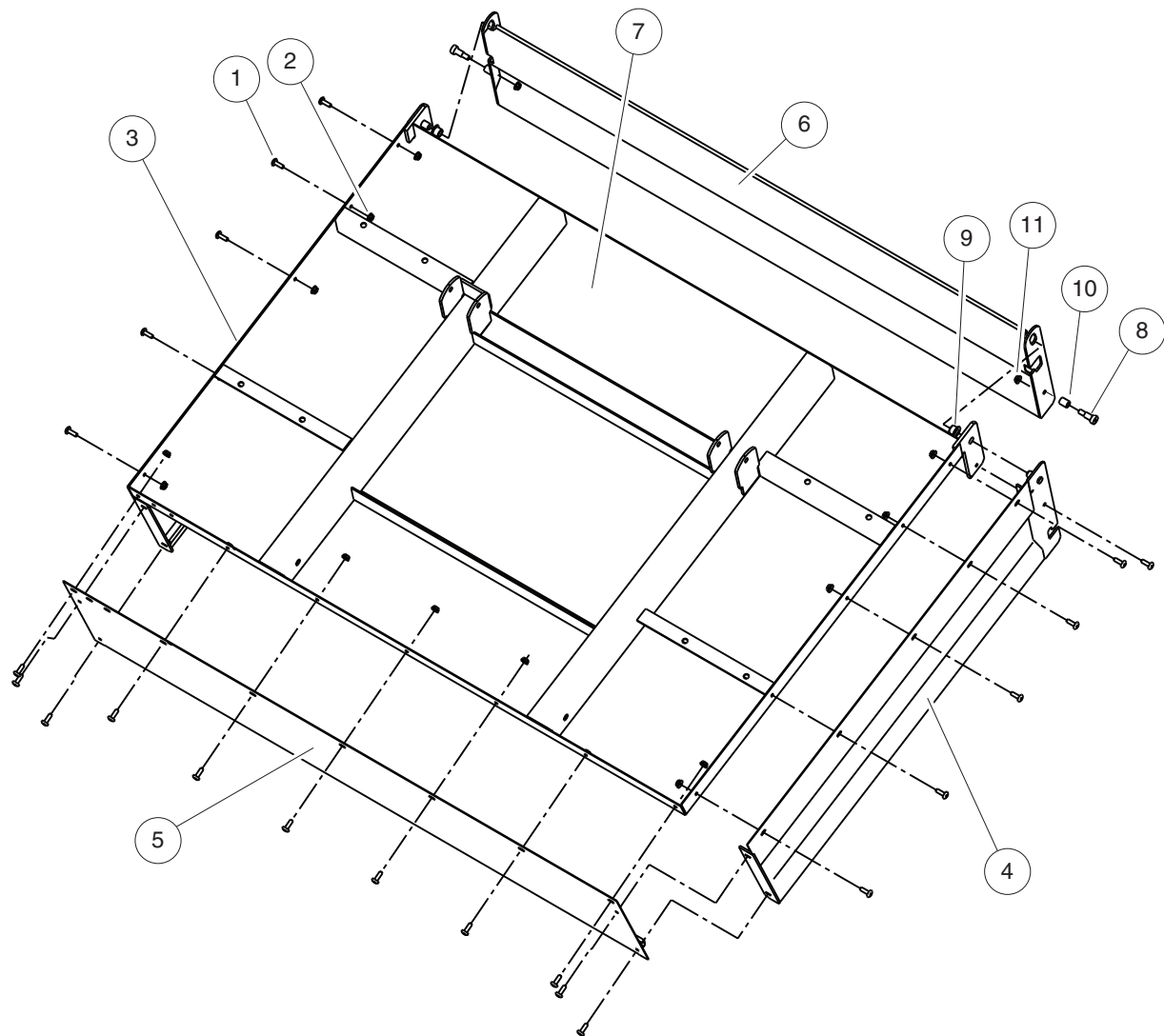


000872-001

ROPS

ITEM	PART NO.	DESCRIPTION	QTY
		1 2 3 4	
1	<u>103461901</u>	Kit, Rops, Pass Side (includes items 2 through 5)	1
2	<u>102459401</u>	Decal, Young Driver Warning	1
3	<u>102961201</u>	Decal, Warning, AWD ROPS	1
4	103440101	Weldment, Rops, Pass	1
5	103440601	Tube, Cross, Rops, Top	2
6	<u>103462001</u>	Kit, Rops, Drv Side (includes items 7 through 9)	1
7	<u>102988701</u>	Bolt, Flanged, M10 X 1.5 X 65	14
8	<u>103216401</u>	Nut, Flanged, M10 x 1.5, Black	12
9	103440001	Weldment, Rops, Driver	1

1
G



000892-001

BOX BED

ITEM	PART NO.	DESCRIPTION	QTY
		1 2 3 4	
1	<u>1014415</u>	Screw, 1/4-20 X 0.75 Torx Truss-Head	23
2	<u>101835601</u>	Locknut, 1/4-20 Hex Whiz	23
3	<u>103433301</u>	Weldment, Bed Panel, Drv	1
4	<u>103433302</u>	Weldment, Bed Panel, Pas	1
5	<u>103434201</u>	Panel, Front, Bed	1
6	<u>103434501</u>	Weldment, Gate, Bed	1
7	<u>103435001</u>	Weldment, Bed Bottom, 400 Lb	1
8	<u>103522501</u>	Bolt, Shoulder, M10 X 16mm	2
9	<u>103587201</u>	Bushing, Fl, 12.7 Id X 15.9 Od	2
10	<u>103587301</u>	Bushing, 10 Mm Id X 16 Mm Lg	2
11	<u>103602301</u>	Nut, Flg, Hex, M8-1.25	2

1
G

1

G

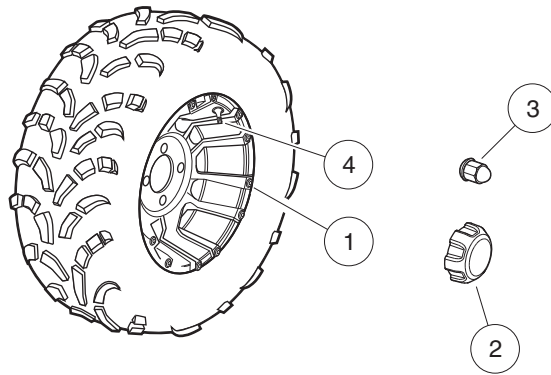
WHEELS AND TIRES

2

G

2

G



000913-003

WHEELS, ALLOY

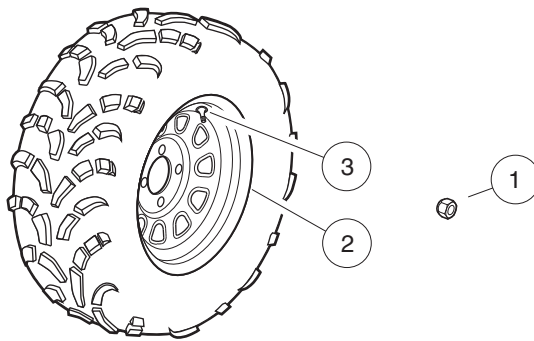
ITEM	PART NO.	DESCRIPTION	QTY
		1 2 3 4	
1	<u>103525002</u>	Wheel, Alloy	1
2	<u>103532801</u>	Cap, Center, Chrome	1
3	<u>103699801</u>	Lug Nut, 13/16 X 1/2-20, CE	4
4	<u>7310</u>	Valve Stem, Black Plastic	1

2

G

2

G



000913-004

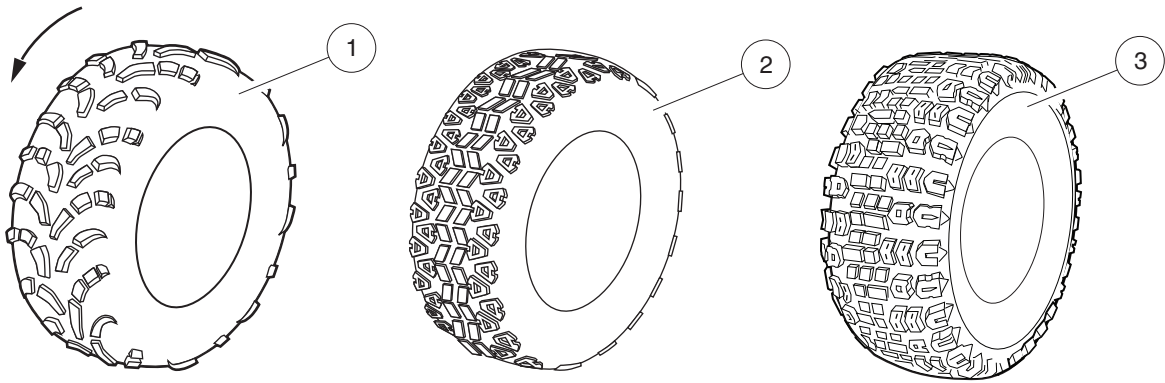
WHEELS, STEEL

ITEM	PART NO.	DESCRIPTION	QTY
		1 2 3 4	
1	<u>102736901</u>	Nut, Lug, 1/2-20 SAE J2283	4
2	<u>103234503</u>	Wheel, 10 Window, Black	1
3	<u>7310</u>	Valve Stem, Black Plastic	1

2

G

2
G



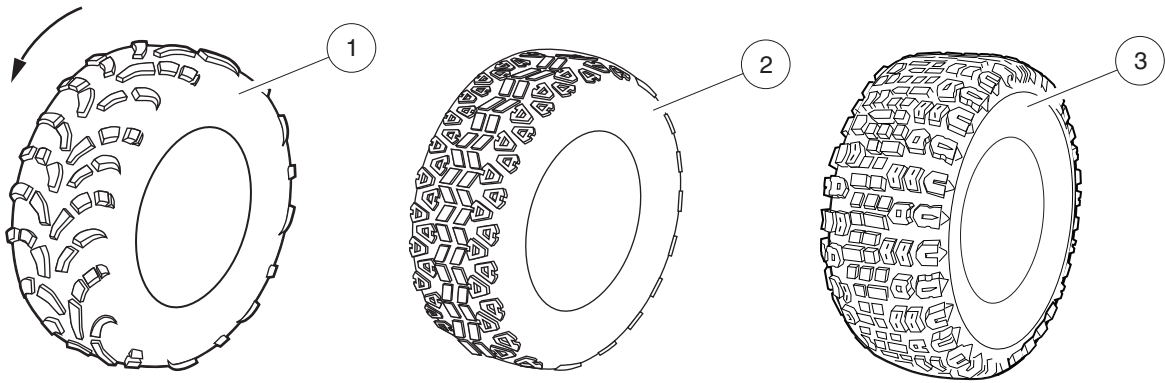
000913-005

TIRES – 9 INCH

ITEM	PART NO.	DESCRIPTION	QTY
1	<u>103572301</u>	1 2 3 4 Tire, Mud 25x9.00-12 Nhs	1
2	<u>103572401</u>	Tire, Hdat 25x9.00-12 Nhs	1
3	<u>103778401</u>	Tire, At, K502, 25x9-12	1
<p>Note: Item 1 is a directional specific tire. Please note the direction when installing the tire.</p>			

2
G

2
G



000913-005

TIRES – 11 INCH

ITEM	PART NO.	DESCRIPTION	QTY
		1 2 3 4	
1	<u>102945701</u>	Tire, Mud, 4ply, 25x11-12	1
2	<u>103600001</u>	Tire, Hdat 25x11.00-12 Nhs	1
3	<u>103778601</u>	Tire, All Terrain, K502, 25x11-12	1
		<p>Note: Item 1 is a directional specific tire. Please note the direction when installing the tire.</p>	

2

G

2

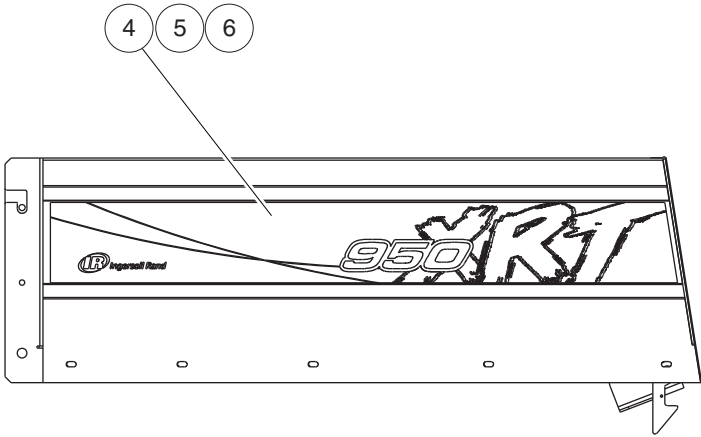
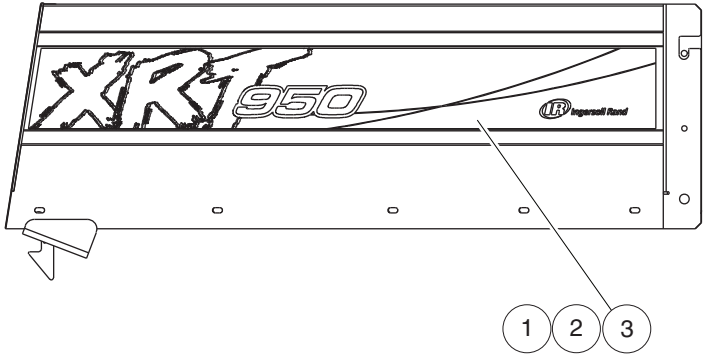
G

DECALS

3

G

3
G



000881-003

BADGING DECALS

ITEM	PART NO.	DESCRIPTION	QTY
		1 2 3 4	
1	<u>103518010</u>	Decal, Bed, Xrt950, Dk Grn, Ds	1
2	<u>103518015</u>	Decal, Bed, Xrt950, Red, Ds	1
3	<u>103518017</u>	Decal, Bed, Xrt950, Ntrl, Ds	1
4	<u>103518110</u>	Decal, Bed, Xrt950, Dk Grn, Ps	1
5	<u>103518115</u>	Decal, Bed, Xrt950, Red, Ps	1
6	<u>103518117</u>	Decal, Bed, Xrt950, Ntrl, Ps	1
7	<u>103518201</u>	Decal, Club Car, 51 X 144	1
8	<u>103533401</u>	Decal, 4x4, 51 X 133	1

3

G

UNDER 16

WARNING

YOUNG DRIVERS INCREASE CHANCE OF DEATH

- Young drivers may not be able to control vehicle.
- No drivers younger than 16 years old.
- Do not leave children unattended on vehicle.

CCI 102459401

WARNING

- Do not modify or remove Roll-over Protective Structure (ROPS).
- Replace ROPS if damaged. Do not attempt repair.
- Use seat belts during operation. Do not jump from vehicle.
- Keep away from drop-offs, steep slopes, and unstable surfaces.

CCI 102961201

WARNING

CARBON MONOXIDE CAN CAUSE ILLNESS, SERIOUS INJURY, OR DEATH

The engine produces carbon monoxide, which is a deadly, odorless, colorless gas that can quickly accumulate in an enclosed cab. Do not run the engine in a parked vehicle without proper cab ventilation. Move to fresh air if you feel nausea, headache, dizziness, drowsiness, or weakness.

CCI 103619901

Use Only DOT 5 Brake Fluid

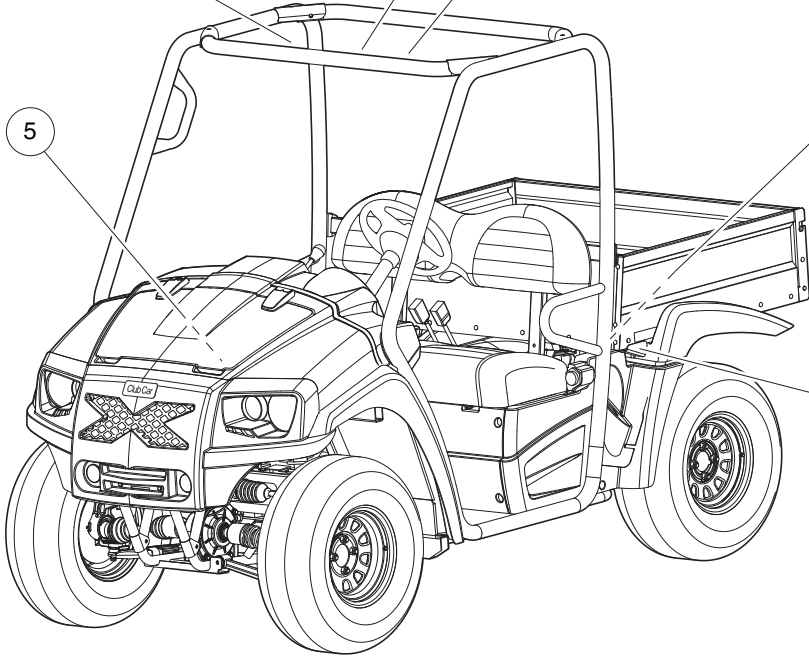
CCI 103532701

WARNING

CRUSH AREA

STAY CLEAR

CCI 1016094-01



SAFETY DECALS

ITEM	PART NO.	DESCRIPTION	QTY
		1 2 3 4	
1	<u>101609401</u>	Decal, Crush Area Warning	2
2	<u>102459401</u>	Decal, Young Driver Warning	1
3	<u>102961201</u>	Decal, Warning, AWD ROPS	1
4	<u>103526501</u>	Decal, Operation, Bed Latch	1
5	<u>103532701</u>	Decal, Brake Fluid, Dot 5	1
6	<u>103619901</u>	Decal, Warn, Co, Cab	1

3

G

OPERATING INSTRUCTIONS

- Read owner's manual and vehicle safety warnings.
- Study and understand controls.
- FASTEN SEAT BELTS** before operating vehicle.

TO START ENGINE

- Place shift lever in NEUTRAL (N) and press brake pedal.
- Turn key to START and hold until engine starts.

TO OPERATE VEHICLE

- Turn wheels to desired direction and ensure path is clear.
- With vehicle stopped and engine at idle, select vehicle direction:
 - F - Forward
 - N - Neutral
 - R - Reverse
- Use lever to select 4 X 2 or 4 X 4, if so equipped.
- Use lever to lock or unlock the differential.
- Hold brake pedal and release park brake.
- Slowly press accelerator pedal to increase speed.
- Stop the vehicle before shifting to Forward or Reverse.
- Stop the vehicle before locking or unlocking the differential.

TO STOP VEHICLE

- Release accelerator pedal and push brake pedal.

BEFORE LEAVING VEHICLE

- Turn key to OFF and remove key.
- Place shift lever in NEUTRAL (N).
- Firmly set park brake.

WARNING
ROLLOVER OR FALLING OFF MAY CAUSE DEATH

- Read owner's manual and operating instructions.
- FASTEN SEAT BELTS.** Remain seated while moving.
- Drive slowly in turns.
- Drive straight up and down slopes.
- Do not start vehicle until all occupants are seated.
- Two (2) persons per bench seat maximum.
- Operate from driver side only and not on public roads.
- Keep entire body inside vehicle while moving.
- Children requiring a child safety seat must not ride on vehicle. Comply with state and local laws pertaining to child safety.
- Do not operate while under the influence of alcohol or drugs.
- Unlock differential on paved surfaces to maintain steering control.
- Never attempt jumps.

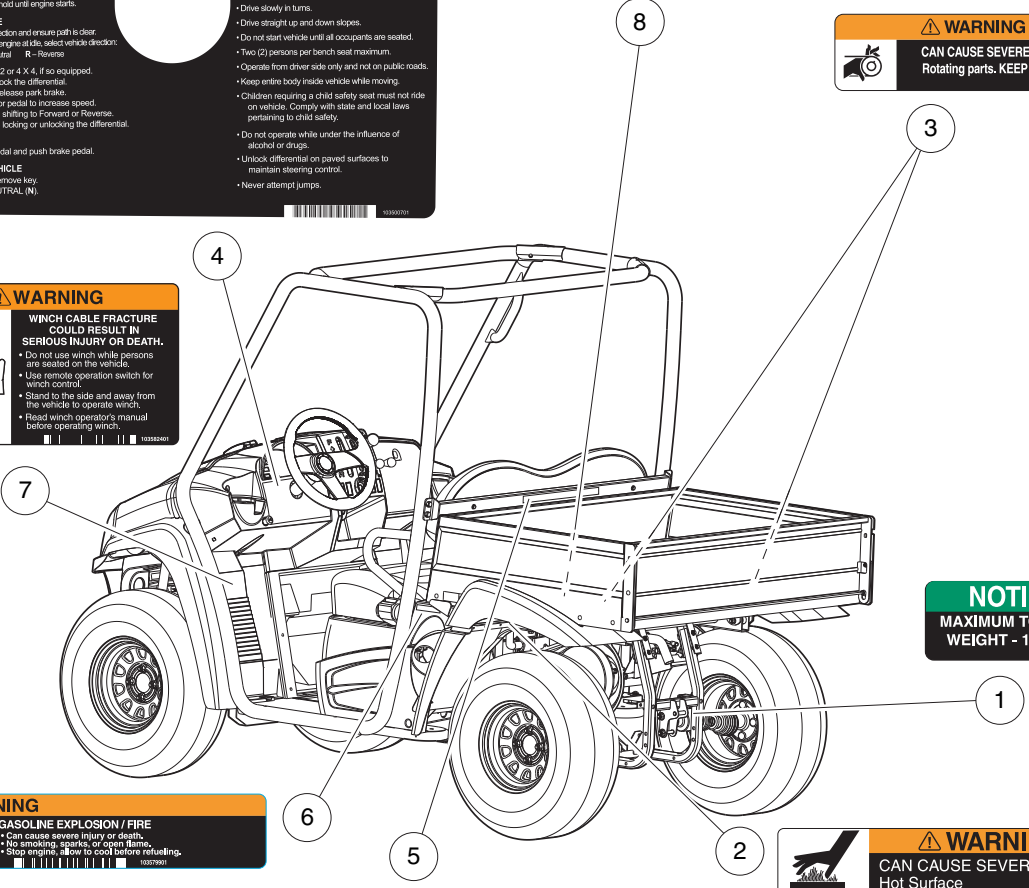
WARNING
 Negative frame ground. Can cause severe injury. Do not contact positive (+) battery post or cables to frame. Disconnect negative battery cable first.

WARNING
 Excessive speed can cause severe injury or death. Do not tamper with engine governor adjustment. 10326501

WARNING
 CAN CAUSE SEVERE INJURY
 Rotating parts. KEEP CLEAR. CCI 102460201

WARNING
WINCH CABLE FRACTURE COULD RESULT IN SERIOUS INJURY OR DEATH.

- Do not use winch while persons are seated on the vehicle.
- Use remote operation switch for winch control.
- Stand to the side and away from the vehicle to operate winch.
- Read winch operator's manual before operating winch.



NOTICE
 MAXIMUM TONGUE WEIGHT - 150 lbs. CCI 1011553

WARNING
GASOLINE EXPLOSION / FIRE

- Can cause severe injury or death.
- No smoking, sparks, or open flame.
- Stop engine, allow to cool before refueling.

WARNING
 CAN CAUSE SEVERE BURNS
 Hot Surface CCI 102458901

VEHICLE LOADING

- Read owner's manual and warnings on dash.
- Maximum gross vehicle weight: 2135 lb. (968 kg)
- Maximum cargo bed load: 400 lb. (181 kg)
- Reduce maximum cargo bed load by the weight of optional equipment.
- Maximum gross trailer weight: 1,100 lb. (499 kg).
- Maximum trailer hitch tongue weight: 150 lb. force (667 N).

WARNING
PREVENT VEHICLE ROLL-OVER:

- Place cargo forward in the cargo bed and distribute evenly side to side. Secure load.
- On uneven or steep terrain reduce speed and load. Avoid stopping on or backing down steep hills.
- Avoid top-heavy loads. See owner's manual.

WARNING
RIDING IN CARGO BED CAN CAUSE SEVERE INJURY OR DEATH.

- Do not ride in cargo bed.

SAFETY DECALS, CONTINUED

ITEM	PART NO.	DESCRIPTION	QTY
		1 2 3 4	
1	<u>1011553</u>	Decal, Trailer Hitch	1
2	<u>102458901</u>	Decal, Hot Surface Warning	1
3	<u>102460201</u>	Decal, Rotating Parts Warning	1
4	<u>103500701</u>	Decal, Operator, Warn/instr	1
5	<u>103526201</u>	Decal, Vehicle Loading, 2135lb	1
6	<u>103579901</u>	Decal, Warn, Gas Fuel Loading	1
7	<u>103582401</u>	Decal-winch, Warning	1
8	<u>103596501</u>	Decal, Frame Ground, Long	1

3
G

3

G

LIGHTS, CONTROLS, AND INDICATORS

4

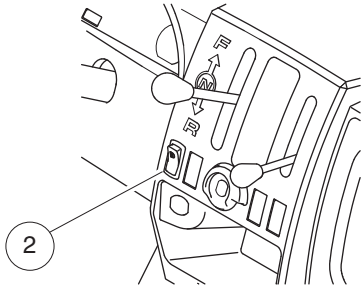
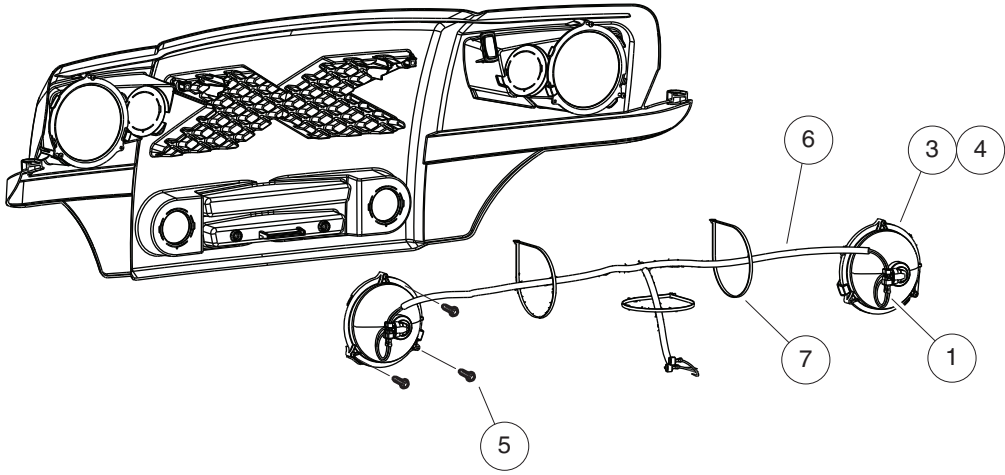
G

E

4

G

E



000880-001

HEADLIGHTS

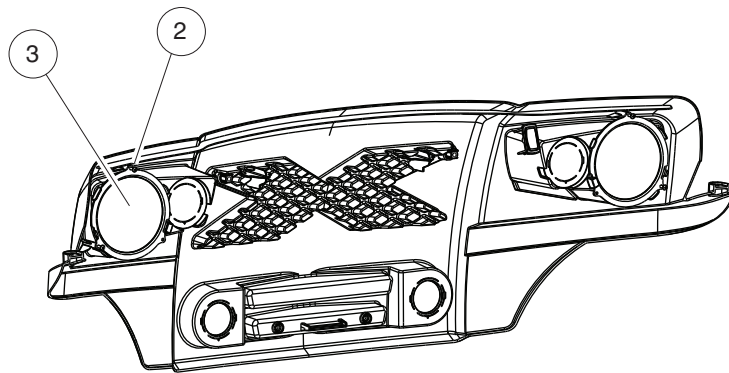
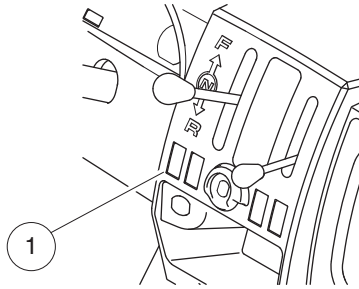
ITEM	PART NO.	DESCRIPTION	QTY
		1 2 3 4	
1	<u>101987901</u>	Connector, Harness Assembly, Headlight	2
2	<u>102869401</u>	Switch, Rocker, Light	1
3	<u>102894401</u>	Headlight, 6 In Round (includes item 4)	2
4	<u>102535101</u>	Bulb, Headlight, 37.5 W	1
5	<u>103218104</u>	Screw, #8x1.25 Ab Thd, Hex Hd	4
6	<u>103521401</u>	Harness, Hd Light, Single Pair	1
7	<u>8639</u>	Tie Wrap, 11" Nylon	3

4
G
E

4

G

E



000880-010

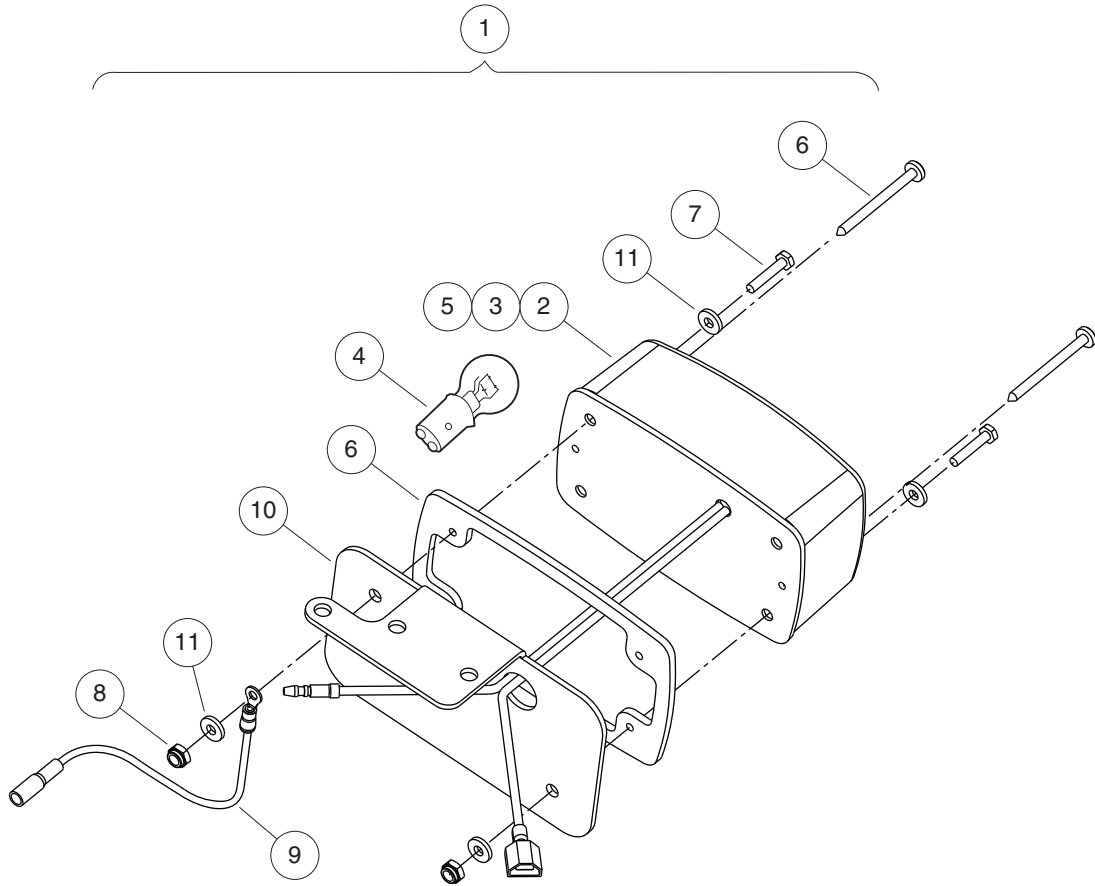
HEADLIGHT COVERS

ITEM	PART NO.	DESCRIPTION	QTY
		1 2 3 4	
1	<u>103180101</u>	Cover, Hole, Switch, Rocker	1
2	<u>103218104</u>	Screw, #8x1.25 Ab Thd, Hex Hd	4
3	<u>103462301</u>	Cover, HI, Flat	2
<p>Note: For vehicles with the Headlight Delete option.</p>			

4

G

E



000916-002

TAILLIGHTS

ITEM	PART NO.	DESCRIPTION	QTY
		1 2 3 4	
1	<u>103577401</u>	ASM, TAILLIGHT, 950 (includes items 2 through 11)	1
2	1017035	Taillight Assembly (includes items 3 through 6)	1
3	N/A	Light, Tail (includes items 4 and 5)	1
4	<u>1011582</u>	Taillight Bulb	1
5	<u>1011843</u>	Taillight Lens	1
6	<u>1017699</u>	Hardware Kit, Tail Light	1
7	<u>1017853</u>	Screw, #6-32 X 0.75 Hex-Head Machine	2
8	<u>101932201</u>	Locknut, #6-32 Nylon	2
9	<u>102672701</u>	Wire Asm, Ground, Taillight	1
10	<u>103577101</u>	Bracket, Light, Brake	1
11	<u>7591</u>	Washer, #6, Flat	4

4
G
E

4

G

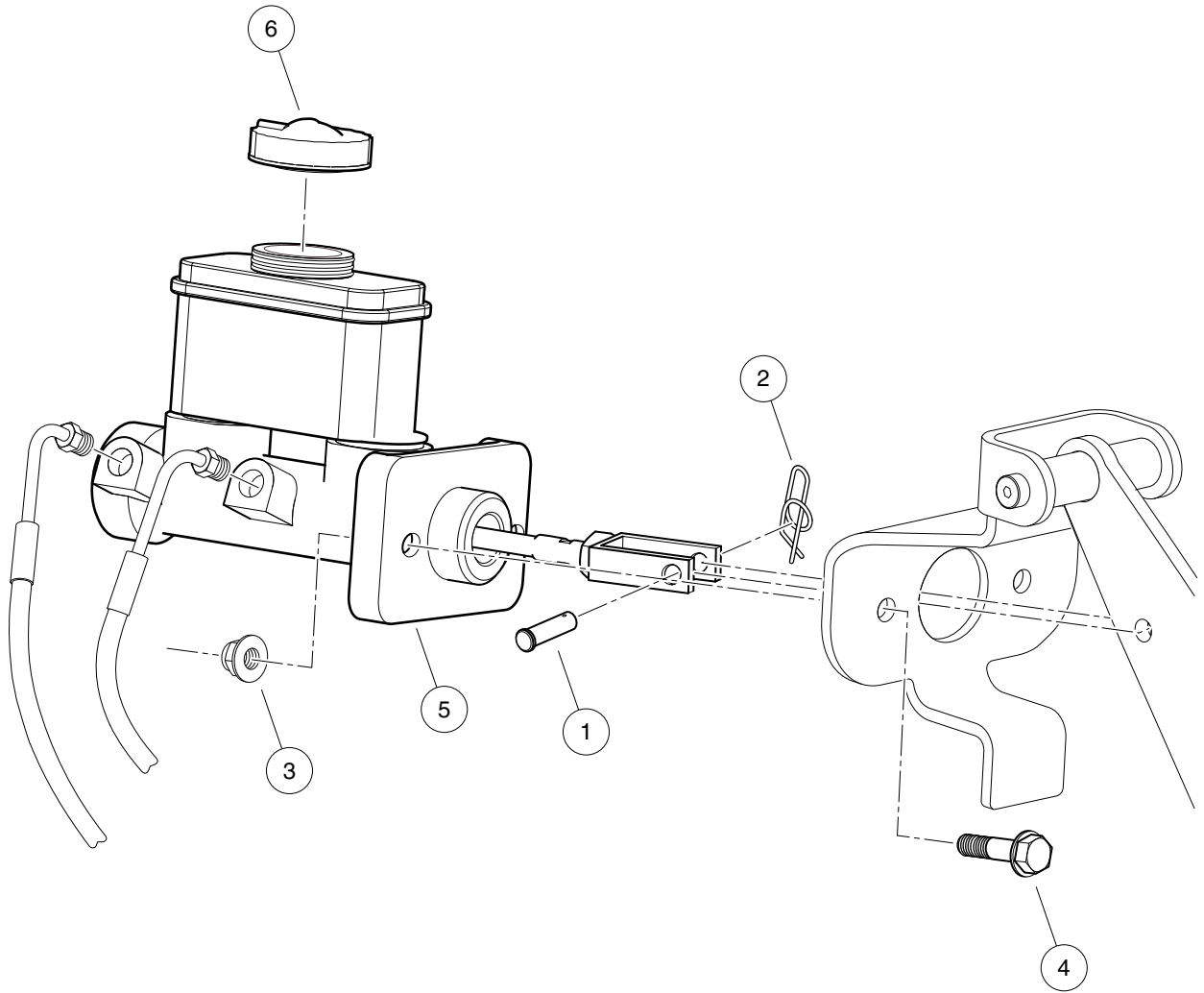
E

BRAKE SYSTEM AND PEDALS

5

G

5
G



000792-001

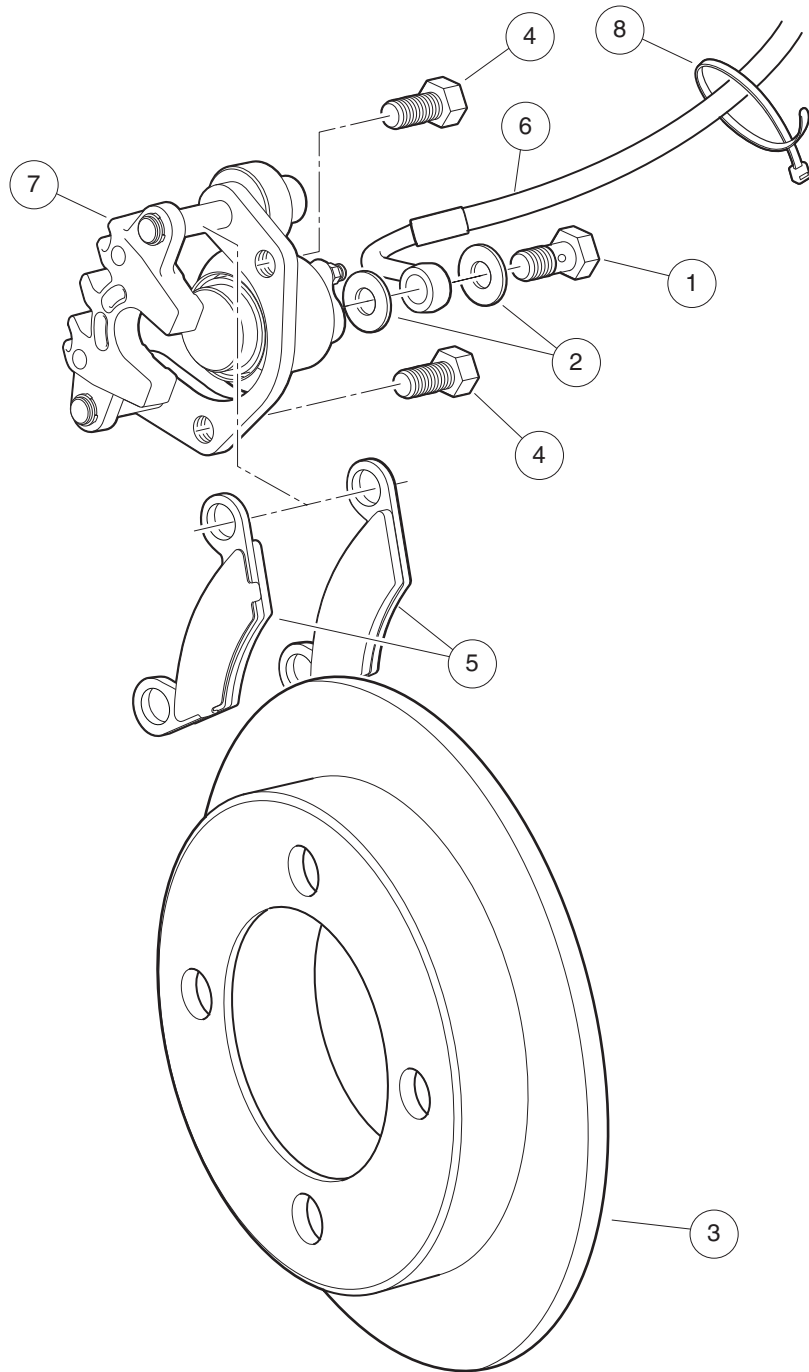
MASTER CYLINDER WITH INTEGRAL RESERVOIR

ITEM	PART NO.	DESCRIPTION	QTY
		1 2 3 4	
1	<u>101082903</u>	Pin, Clevis, 5/16 X 1	1
2	<u>102176901</u>	Pin, Rue	1
3	<u>102298401</u>	Nut, M8, All Metal Lock	2
4	<u>102618401</u>	Bolt Flanged Head, M8 X 1.25 X 35	2
5	<u>103376101</u>	Cylinder, Master, Integral Res	1
6	<u>103380701</u>	Cap, Filler, Master Cylinder	1

5

G

5
G



000067-006

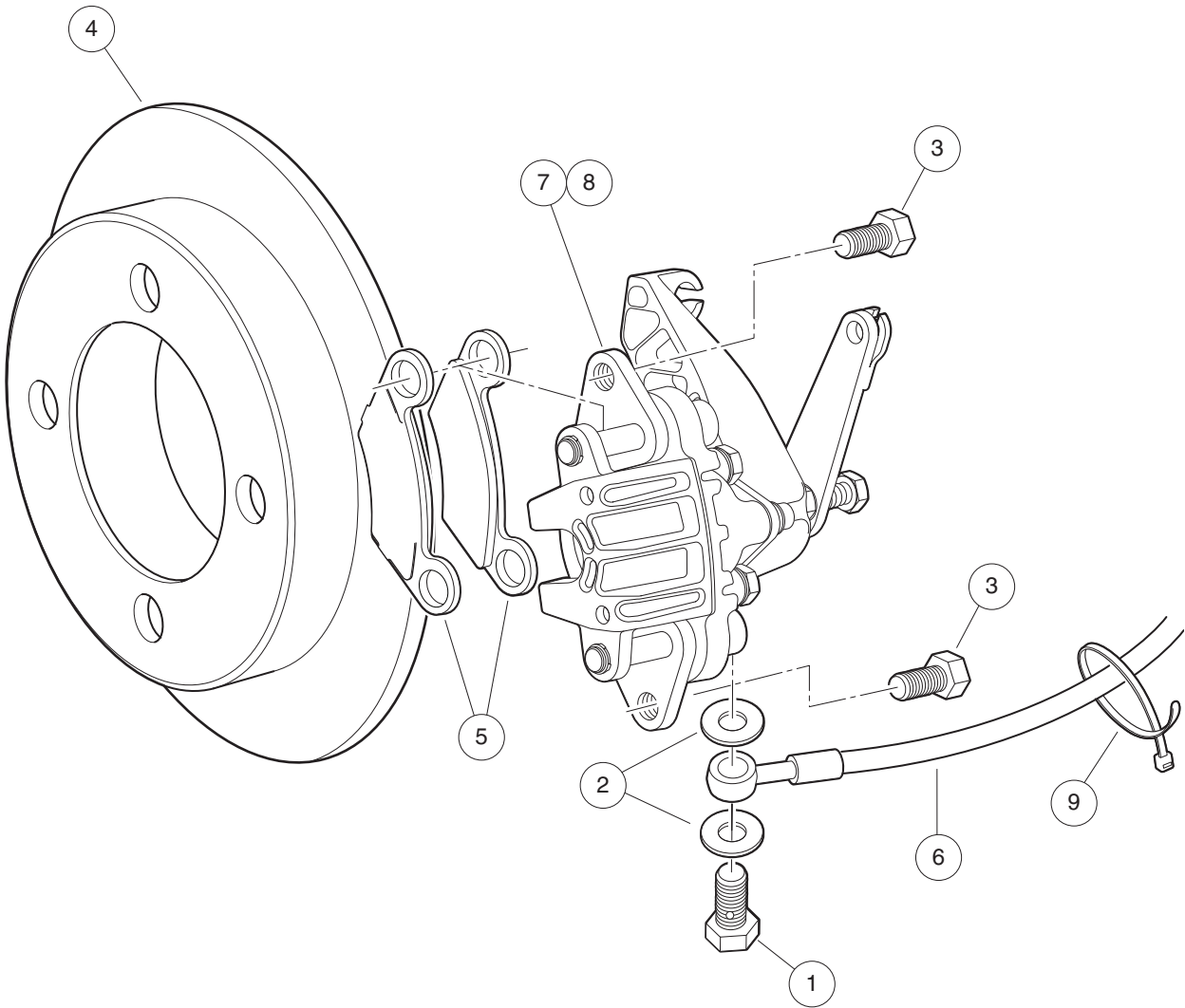
FRONT BRAKES

ITEM	PART NO.	DESCRIPTION	QTY
		1 2 3 4	
1	<u>102488001</u>	Bolt, Banjo, M10x1x19	2
2	<u>102491601</u>	Washer, Copper, M10 Crush	4
3	<u>103077501</u>	Rotor, Disc, Brake	2
4	<u>103147101</u>	Bolt, 3/8-24x 1.0 Loctite	4
5	<u>103160101</u>	Kit, Brake Pad, 7646	1
6	<u>103460301</u>	Assembly, Brake Line, Front	1
7	<u>103574301</u>	Caliper, Brake, Front, w/pad 7646	2
8	<u>8639</u>	Tie Wrap, 11" Nylon	2

5

G

5
G



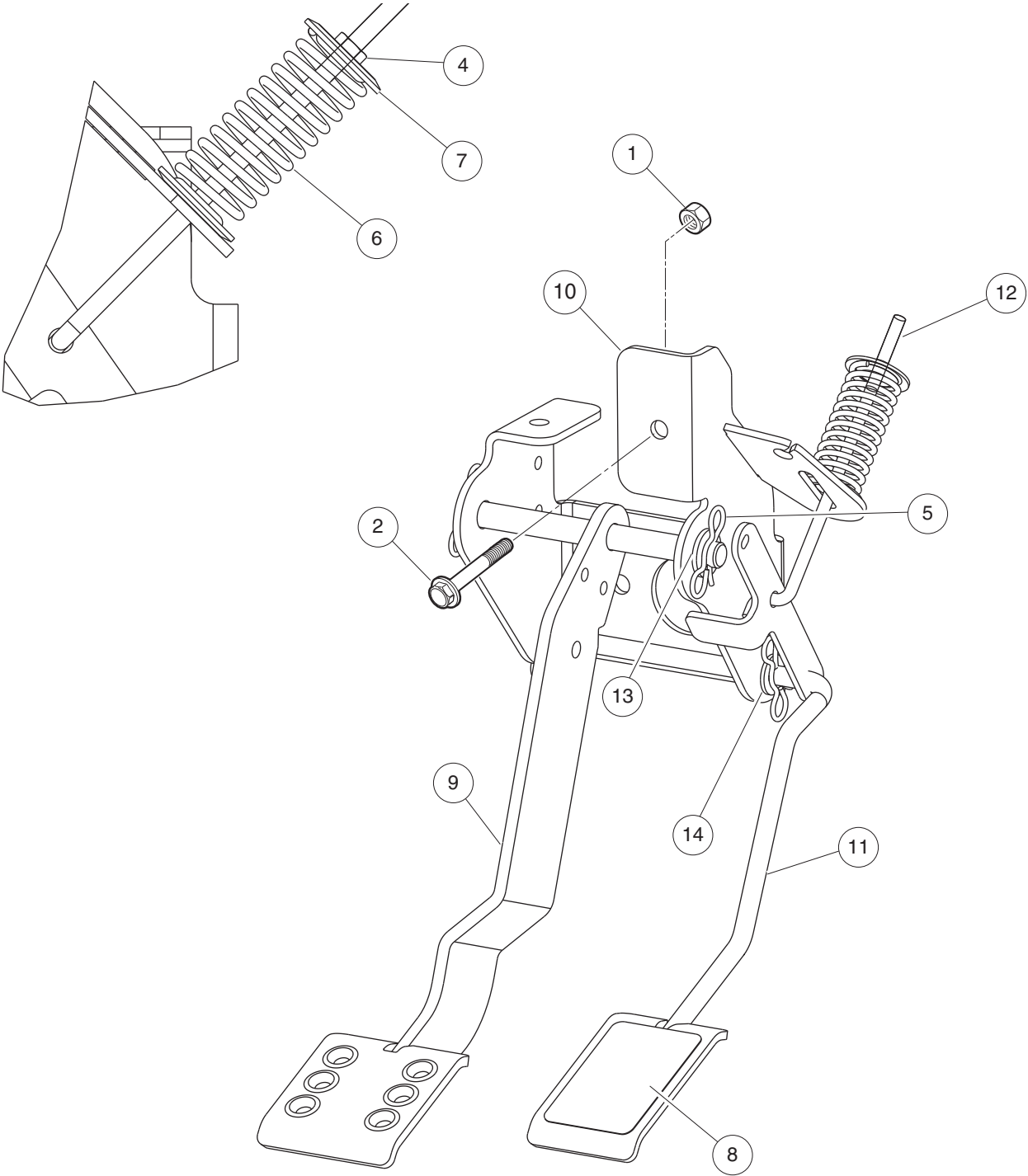
000068-007

REAR BRAKES

ITEM	PART NO.	DESCRIPTION	QTY
		1 2 3 4	
1	<u>102488001</u>	Bolt, Banjo, M10x1x19	2
2	<u>102491601</u>	Washer, Copper, M10 Crush	4
3	<u>102493301</u>	Bolt, Flange Head, 3/8-24x.750 with Loctite	4
4	<u>103077501</u>	Rotor, Disc, Brake	2
5	<u>103160101</u>	Kit, Brake Pad, 7646	1
6	<u>103460401</u>	Assembly, Brake Line, Rear	1
7	<u>103523602</u>	Caliper, Brake, Rear, LH, with Park Brake	1
8	<u>103523702</u>	Caliper, Brake, Rear, RH, with Park Brake	1
9	<u>8639</u>	Tie Wrap, 11" Nylon	2

5
G

5
G



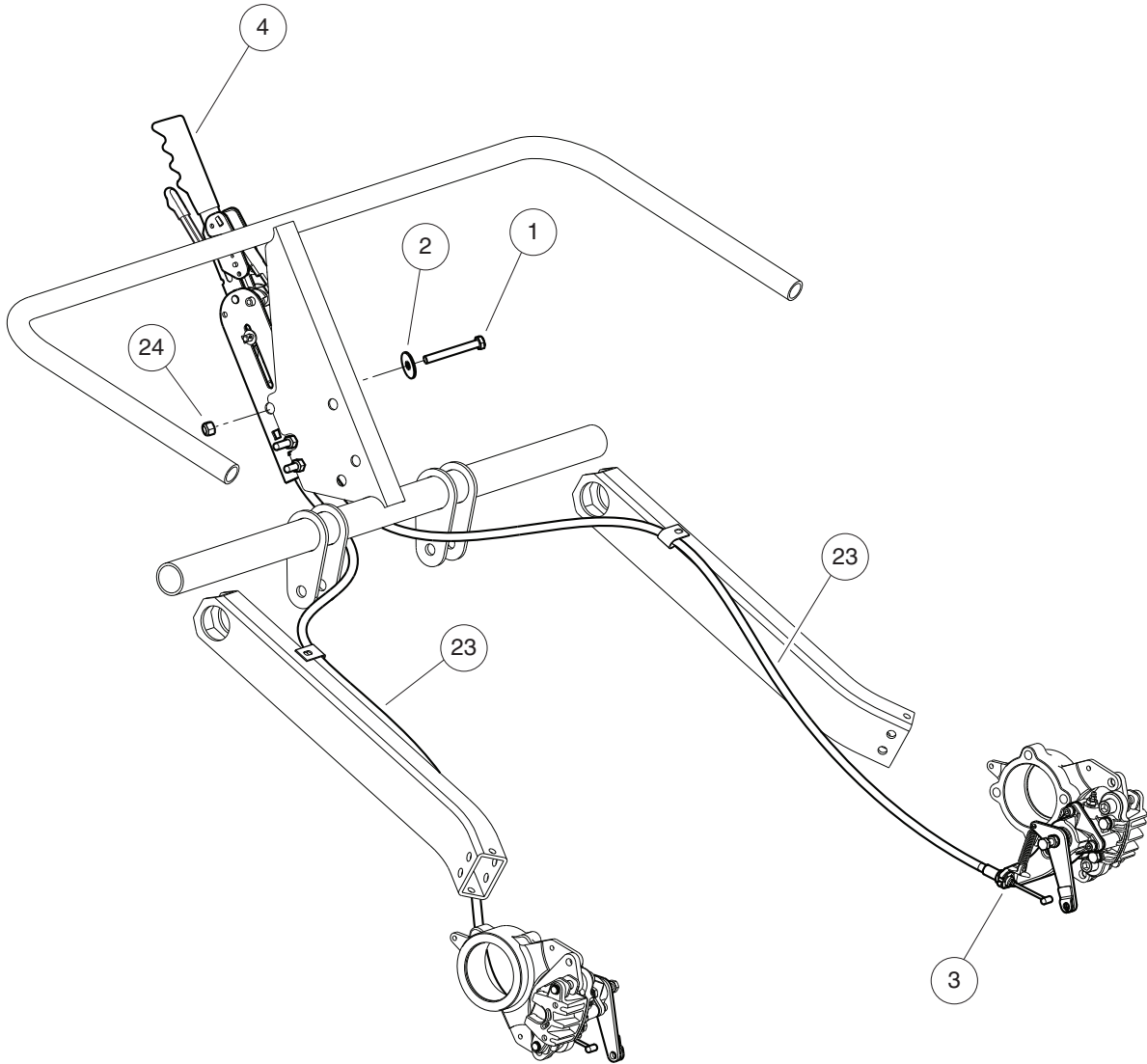
103816801B

PEDAL GROUP

ITEM	PART NO.	DESCRIPTION	QTY
		1 2 3 4	
1	<u>102298401</u>	Nut, M8, All Metal Lock	1
2	<u>103531201</u>	Bolt, Flg, M8 X 1.25 X 60	1
3	<u>103816801</u>	Asm, Pedals, 4x4, Rc (includes items 4 through 14)	1
4	<u>102296401</u>	Nut, M6x1.0, Flange, Metal Lock	1
5	<u>102323101</u>	Pin, Bow Tie Locking	4
6	<u>102445201</u>	Spring, Comp, Pedal, Pullrod	1
7	<u>102461401</u>	Washer, Retaining Spring, 7mm	2
8	<u>102479301</u>	Pad, Grip Tape, Accelerator	1
9	N/A	Weldment, Pedal, Brake, 6 Hole	1
10	<u>103798701</u>	Weldment, Pedal Brkt, Xrt950	1
11	<u>103799501</u>	Weldment, Accel Pedal, Xrt950	1
12	<u>103883201</u>	Rod, Accelerator Return, J	1
13	<u>96701412</u>	Washer, M12 Hard	2
14	<u>96741046</u>	Washer, M10, Hard	2

5
G

5
G



000894-002

PARK BRAKE

ITEM	PART NO.	DESCRIPTION	QTY
		1 2 3 4	
1	<u>1010921</u>	Screw, 5/16-18 X 2.50 Hex Cap	3
2	<u>1011578</u>	Washer, 5/16 Type B Flat	6
3	<u>1011779</u>	E-Clip, 1/2	2
4	<u>103532301</u>	Park Brake Assy, Overcentre (includes items 5 through 22)	1
5	<u>103148701</u>	Grip, Brake, Park, O/c	1
6	<u>103148801</u>	Cover, Lever, Release	1
7	<u>103148901</u>	Switch, Brake, Park	1
8	<u>103149001</u>	Pin, Clevis, Brake, Park	1
9	<u>103149101</u>	Washer, Clevis, Pin, P/b	1
10	<u>103149201</u>	E-clip, Pin, Brake, Park	1
11	<u>103149301</u>	Pin, Clevis, Brake, Park, D7.9	1
12	<u>103149401</u>	Compensator, Link, Brake, Park	1
13	<u>103149501</u>	Spacer, Brake, Park	1
14	<u>103149601</u>	Spacer, Mtg, Brake, Park	1
15	<u>103149701</u>	Clamp, Cable, Brake, Park	1
16	<u>103149801</u>	Pin, Split, Clevis	1
17	<u>103149901</u>	Washer, M3, Brake, Park	1
18	<u>103160001</u>	Screw, M3 X 20, Cheese, Hd	1
19	<u>103751001</u>	Cable, Handbrake, Front Exit	1
20	<u>103751701</u>	Handbrake, Front Cable Exit	1
21	<u>103755101</u>	Boot, Handbrake, Front Exit	1
22	<u>103763401</u>	Switch, Park Brake	1
23	103665301	Cable, Park Brake, Overcenter	2
24	<u>7473</u>	Locknut, 5/16-18 Nylon Insert	3

5
G

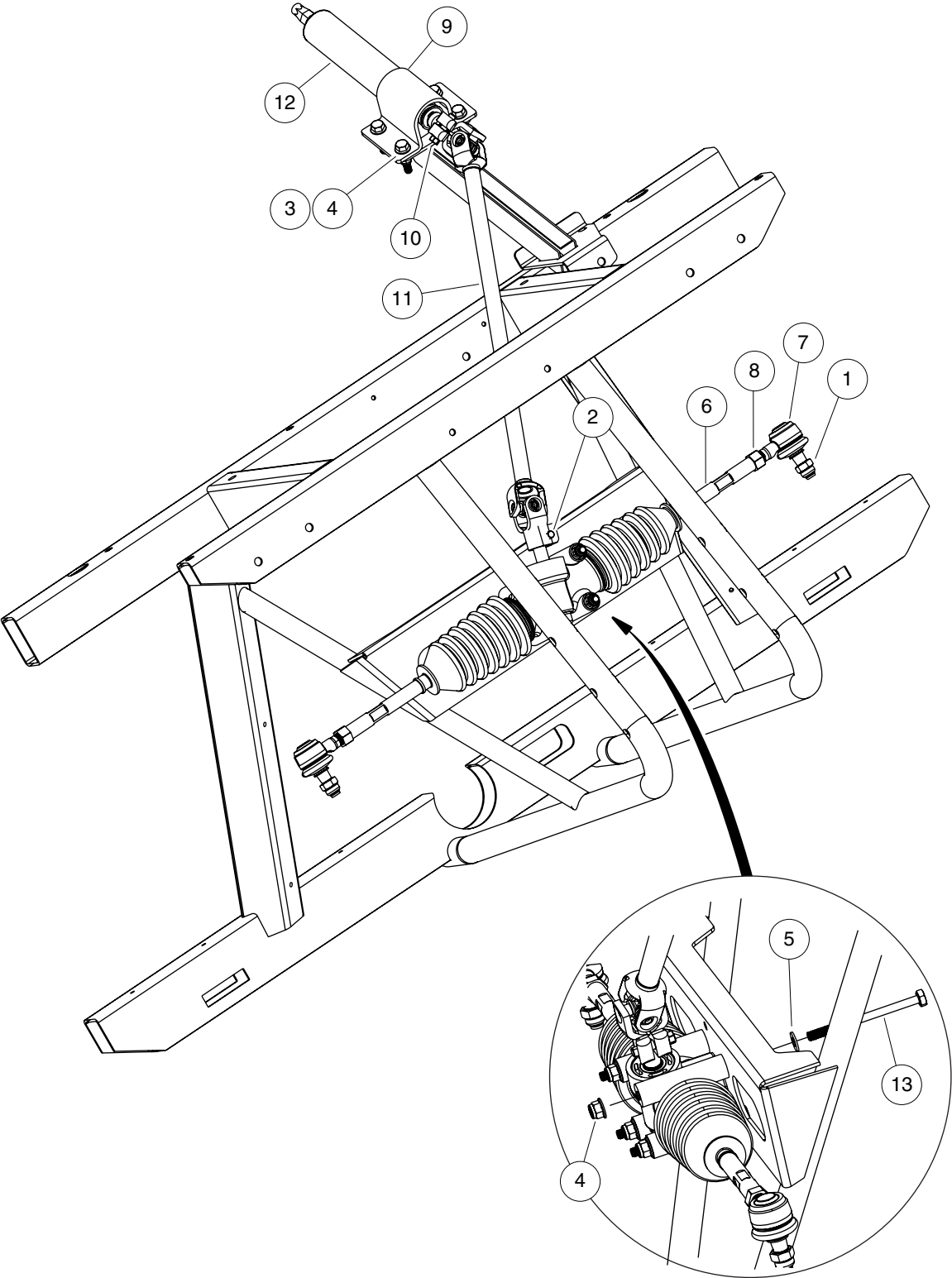
5

G

STEERING AND SUSPENSION

6

G



000896-001

STEERING

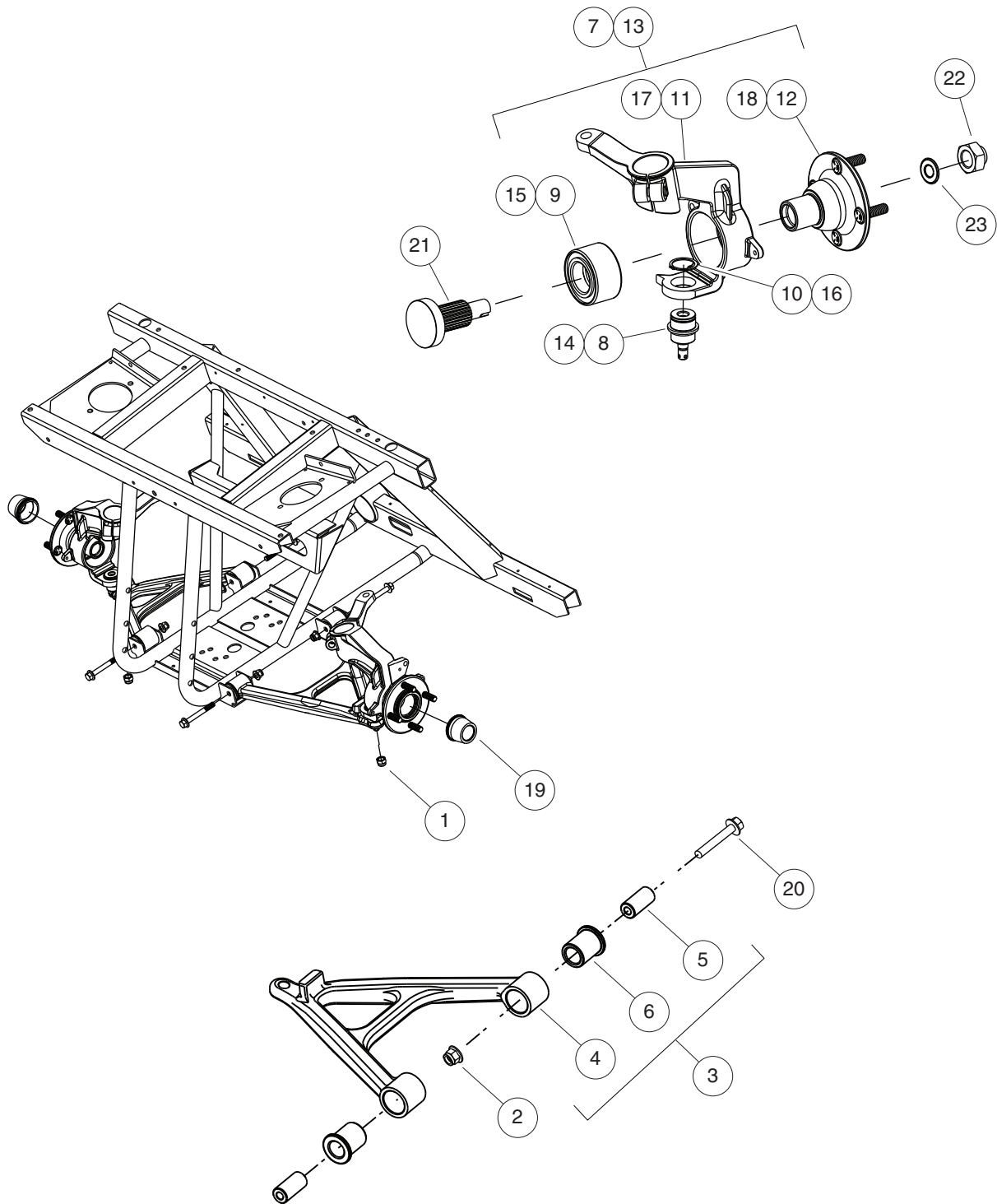
ITEM	PART NO.	DESCRIPTION	QTY
		1 2 3 4	
1	<u>102022901</u>	Locknut, M12-1.25 Nylon	2
2	<u>102298130</u>	Bolt, Flange Head, M8 X 30.0	1
3	<u>102618401</u>	Bolt Flanged Head, M8 X 1.25 X 35	4
4	102618601	Lock Nut, Flange, M8 X 1.25 Nylon	8
5	<u>102661001</u>	Washer, Plain, M8	8
6	<u>103106201</u>	Asm, Rack, Steering (includes items 7 and 8)	1
7	<u>103148301</u>	Ball Joint, Steering Rack	1
8	<u>103148401</u>	Nut, Jam, Steering Rack	1
9	103106301	Asm, Steering Column (includes items 10 through 12)	1
10	<u>102298130</u>	Bolt, Flange Head, M8 X 30.0	1
11	<u>103090001</u>	Shaft, Intermediate, Xrt	1
12	<u>103529901</u>	Column, Steering W/o I-shaft	1
13	103146601	Bolt, Flg, M8 X 1.25 X 100	4

6
G

STEERING WHEEL

ITEM	PART NO.	DESCRIPTION	QTY
		1 2 3 4	
1	102290120	Bolt, M10 X 20 Hex Washer Hd	1
2	<u>102363802</u>	Steering Wheel, Viper, Hex Hub	1
3	<u>102367101</u>	Cap, Steering Wheel, Viper	1
4	<u>102571301</u>	Shroud, Steering Column	1

6
G



000904-001

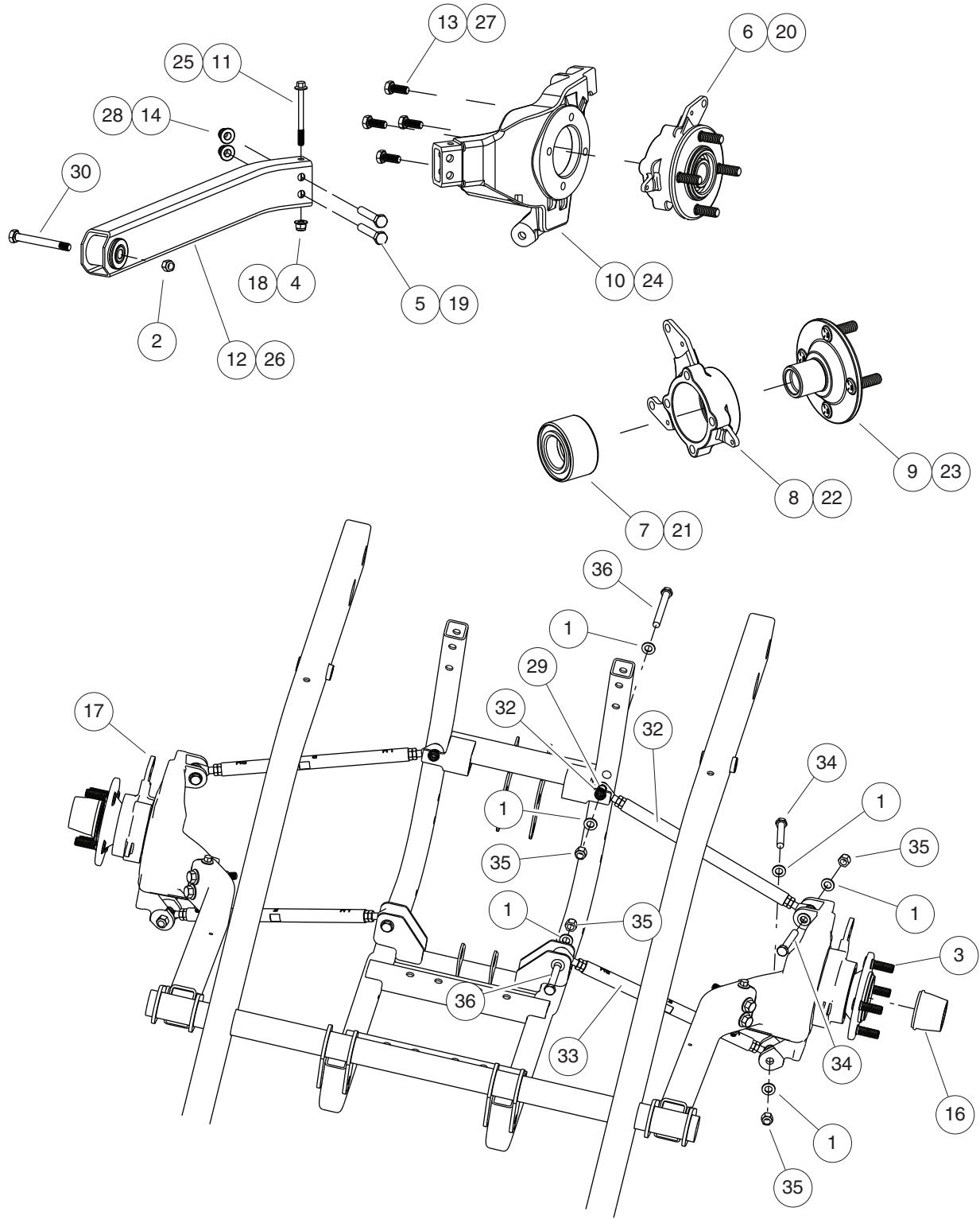
FRONT SUSPENSION

ITEM	PART NO.	DESCRIPTION	QTY
		1 2 3 4	
1	<u>102022901</u>	Locknut, M12-1.25 Nylon	2
2	<u>102670701</u>	Nut, Flange, M10 X 1.5 Nylon	4
3	<u>103077201</u>	Asm, A- Arm (includes items 4 through 6)	2
4	N/A	A-arm	1
5	<u>103145801</u>	Sleeve, A-arm	2
6	<u>103148501</u>	Bushing, A-arm Front	2
7	<u>103105101</u>	Asm, Upright, Rh (includes items 8 through 12)	1
8	<u>102361901</u>	Joint, Ball	1
9	<u>102464301</u>	Bearing	1
10	<u>102722301</u>	Ring, Retaining, Ext, 1-1/4"	1
11	N/A	Strut, Rh, Machined	1
12	<u>103147501</u>	Asm, Wheel Hub, Front	1
13	<u>103105201</u>	Asm, Upright, Lh (includes items 14 through 18)	1
14	<u>102361901</u>	Joint, Ball	1
15	<u>102464301</u>	Bearing	1
16	<u>102722301</u>	Ring, Retaining, Ext, 1-1/4"	1
17	N/A	Strut, Lh, Machined	1
18	<u>103147501</u>	Asm, Wheel Hub, Front	1
19	<u>103145701</u>	Cap, Wheel, Rubber	2
20	<u>103147001</u>	Bolt, Flg, M10 X 1.5 X 80	4
21	<u>103444301</u>	Shaft, Retention, Front, 2wd	2
22	<u>103596301</u>	Nut, Stake, M18, Halfshaft	2
23	<u>103600701</u>	Washer, Flat, M18	2

6

G

6
G

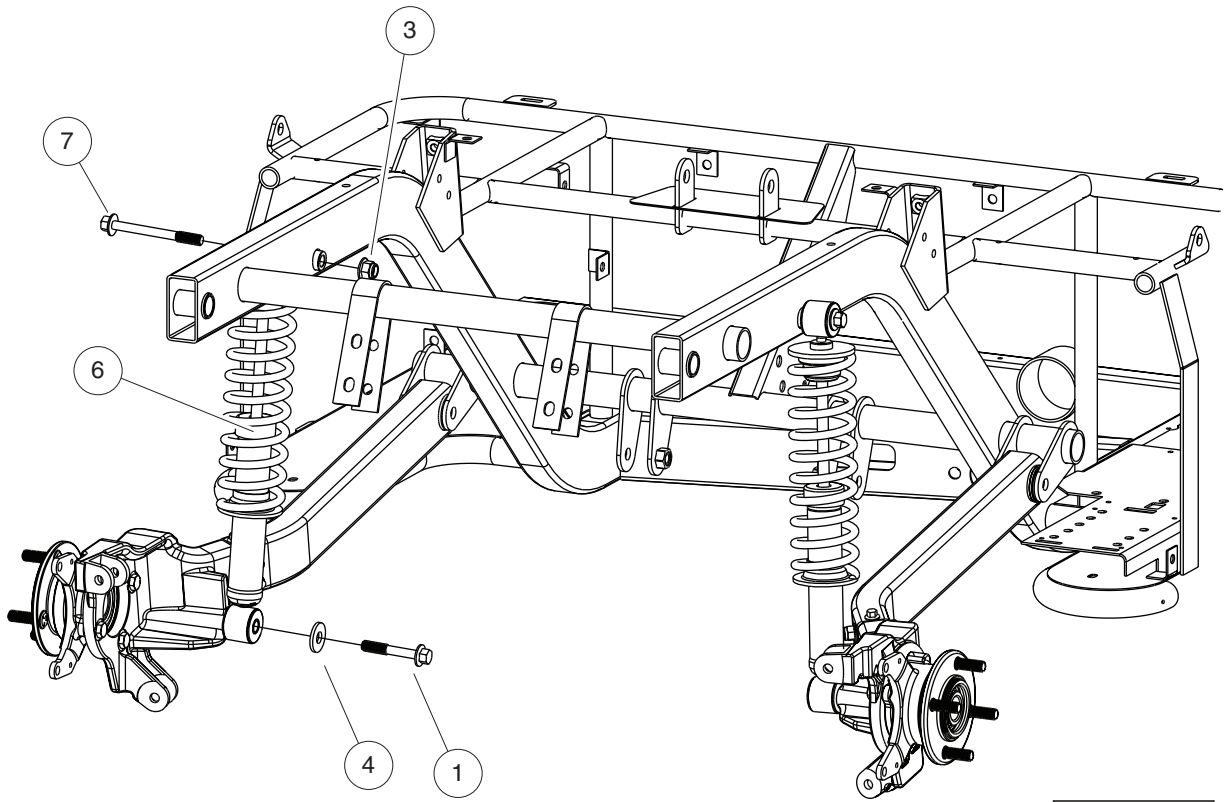
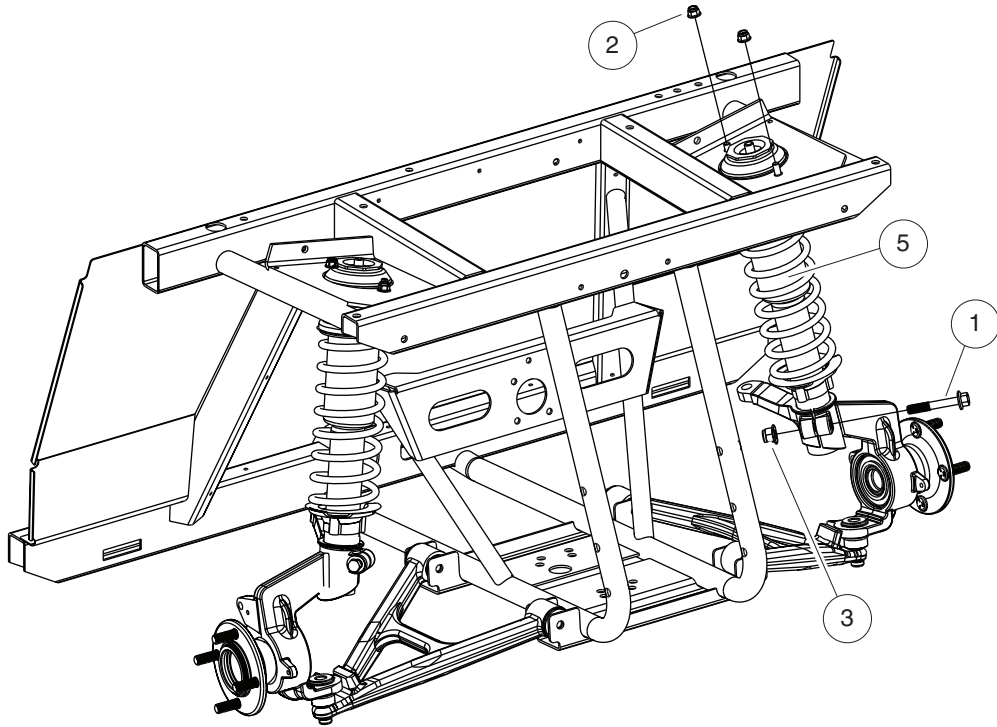


000905-002

REAR SUSPENSION

ITEM	PART NO.	DESCRIPTION	QTY
		1 2 3 4	
1	<u>1011990</u>	Washer, 3/8 Flat	16
2	<u>102620501</u>	Nut, Flange, M12x1.75, Nylon Grade 10	2
3	<u>103137601</u>	Asm, Trailing Arm, Rh (includes items 4 through 15)	1
4	<u>102618601</u>	Lock Nut, Flange, M8 X 1.25 Nylon	1
5	<u>102988701</u>	Bolt, Flanged, M10 X 1.5 X 65	2
6	<u>103105401</u>	Asm, Upright, Rear (includes items 7 through 9)	1
7	<u>102464301</u>	Bearing	1
8	<u>103078102</u>	Holder, Bearing, Rear, Rs	1
9	<u>103146201</u>	Asm, Wheel Hub, Rear	1
10	<u>103146101</u>	Anchor, Trailing Arm, Rh	1
11	<u>103146801</u>	Bolt, Flg, M8 X 1.25 X 80	1
12	<u>103146901</u>	Asm, Swing, Arm	1
13	<u>103147201</u>	Bolt, M10 X 1.5 X 25	4
14	<u>103216401</u>	Nut, Flanged, M10 x 1.5, Black	2
15	<u>96741046</u>	Washer, M10, Hard	2
16	<u>103145701</u>	Cap, Wheel, Rubber	2
17	<u>103145901</u>	Asm, Trailing Arm, Lh (includes items 18 through 28)	1
18	<u>102618601</u>	Lock Nut, Flange, M8 X 1.25 Nylon	1
19	<u>102988701</u>	Bolt, Flanged, M10 X 1.5 X 65	2
20	<u>103105401</u>	Asm, Upright, Rear (includes items 21 through 23)	1
21	<u>102464301</u>	Bearing	1
22	<u>103078102</u>	Holder, Bearing, Rear, Rs	1
23	<u>103146201</u>	Asm, Wheel Hub, Rear	1
24	<u>103113001</u>	Anchor, Trailing Arm, Lh	1
25	<u>103146801</u>	Bolt, Flg, M8 X 1.25 X 80	1
26	<u>103146901</u>	Asm, Swing, Arm	1
27	<u>103147201</u>	Bolt, M10 X 1.5 X 25	4
28	<u>103216401</u>	Nut, Flanged, M10 x 1.5, Black	2
29	<u>103146401</u>	Sleeve, Link, Short	2
30	<u>103146501</u>	Bolt, Flg, M12 X 1.75 X 80	2
31	<u>103534001</u>	Spacer, Lat-link (not shown)	14
32	<u>103534402</u>	Asm, Lat-link Rear Chrome	2
33	<u>103534403</u>	Asm, Lat-link Front, Chrome	2
34	<u>2402</u>	Screw, 3/8-16 X 2.25 Hx Hd Cap	6
35	<u>8754</u>	Locknut, 3/8-16 Hex	8
36	<u>8755</u>	Screw, 3/8-16 X 3.375 Hex Cap	2

6
G



000906-001

SPRINGS & SHOCKS

ITEM	PART NO.	DESCRIPTION	QTY
		1 2 3 4	
1	<u>102616301</u>	Bolt, Flange Head, M12 X 1.75 X 70	4
2	<u>102618601</u>	Lock Nut, Flange, M8 X 1.25 Nylon	4
3	<u>102620501</u>	Nut, Flange, M12x1.75, Nylon Grade 10	4
4	<u>102684501</u>	Washer, M12 Hard Regular	2
5	<u>103075901</u>	Cartridge, Strut, Front	2
6	<u>103113301</u>	Shock Absorber, Rear	2
7	<u>103146701</u>	Bolt, Flg, M12 X 1.75 X 110	2

6

G

6

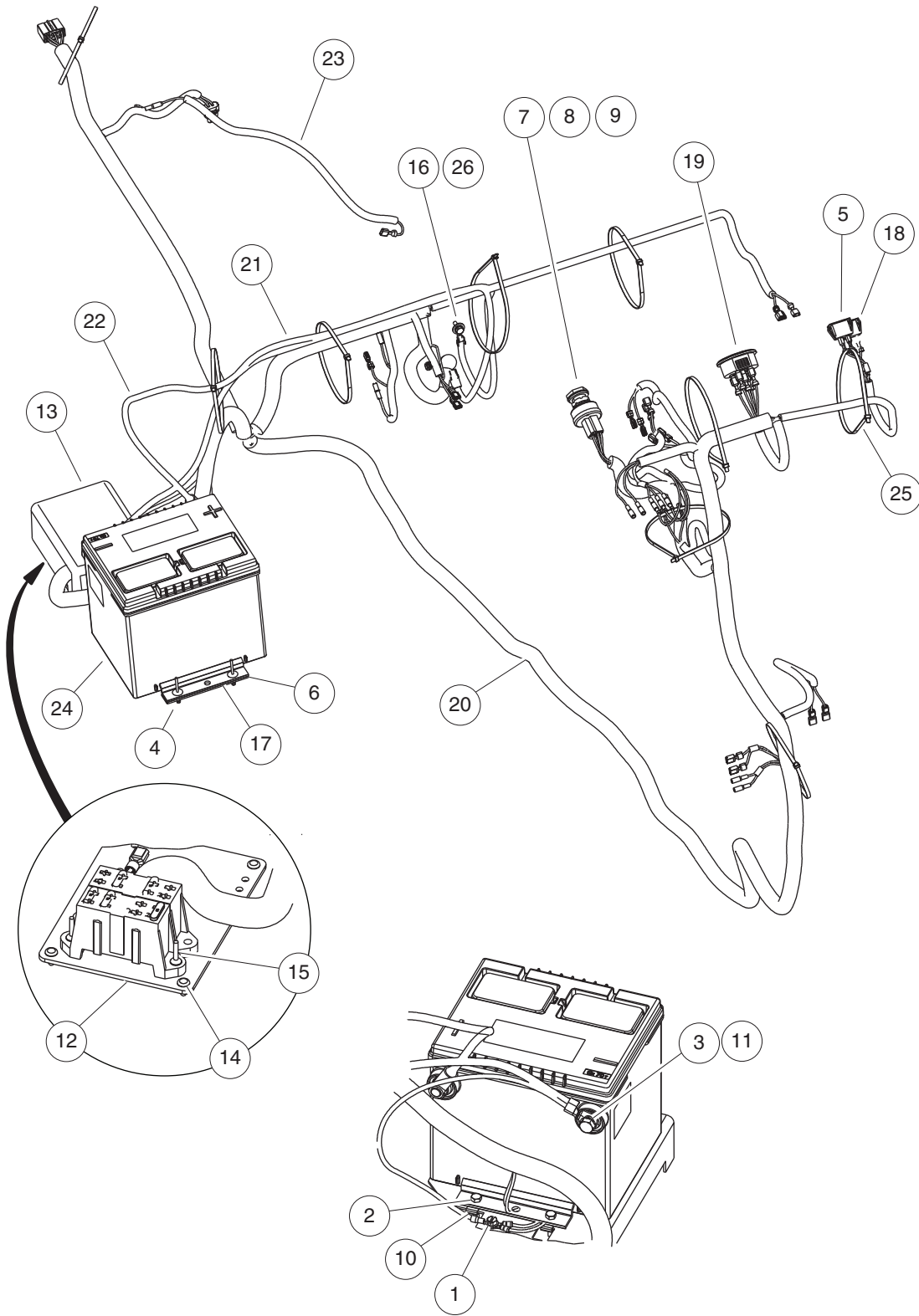
G

ELECTRICAL SYSTEM

7

G

7
G



000898-001

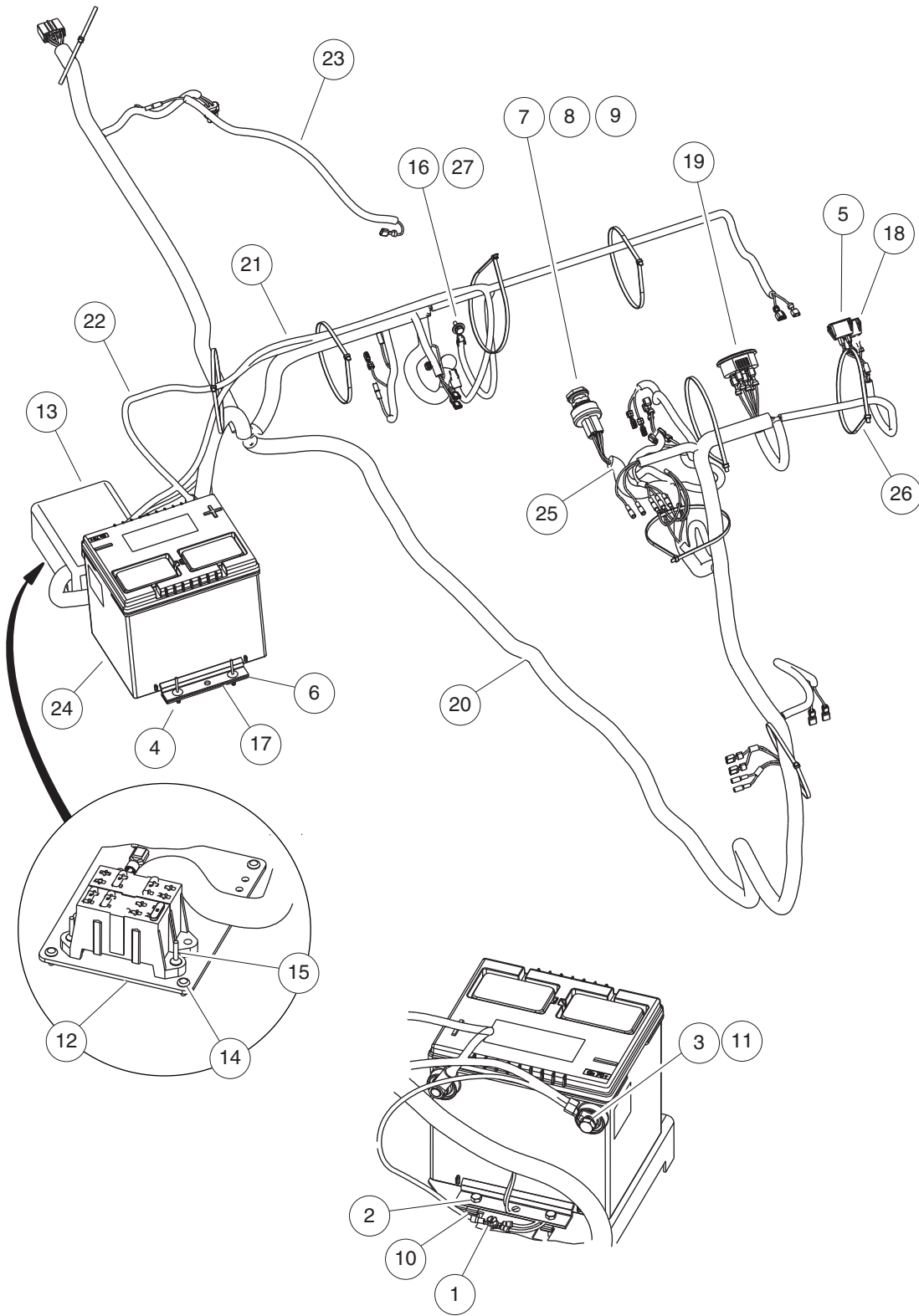
ELECTRICAL COMPONENTS, 2WD – TO SN: KR1225-287643

ITEM	PART NO.	DESCRIPTION	QTY
		1 2 3 4	
1	<u>1010545</u>	Screw, Hex Washer Head 1/4-14 X .75	1
2	<u>1012769</u>	Screw, M6-1.00 X 25mm Hex Cap	2
3	<u>1014375</u>	Screw, 3/8-16 X 0.50, Stainless Steel, Hex-Head	2
4	<u>1015392</u>	Rivet, 3/16 Pop	2
5	<u>1016630</u>	Light, Oil	1
6	<u>101898001</u>	Clamp, Battery	2
7	<u>102044702</u>	Key Switch 12v Key Start	1
8	<u>102051601</u>	Spacer, Keyswitch	1
9	<u>102051701</u>	Nut, Key Switch	1
10	<u>102296601</u>	U-Nut, M6-1.0, Prevailing Torque	2
11	<u>102355301</u>	Lockwasher, 3/8 Split Ss	2
12	<u>102420401</u>	Plate, Electrical	1
13	<u>102420501</u>	Cover, Electrical	1
14	<u>102447901</u>	Fastener, Push-in	4
15	<u>102448001</u>	Rivet, Drive	2
16	<u>102490301</u>	Bolt, M6 X 1 X 16, Loctite	1
17	<u>102686501</u>	Spacer, Battery	1
18	<u>103247601</u>	Light, Indicator, Brake Sys	1
19	<u>103348101</u>	Gauge, Fuel-hour, Sep Gnd	1
20	<u>103422201</u>	Harness, Main, Xrt950	1
21	<u>103443801</u>	Cable, B-, Xrt950	1
22	<u>103443901</u>	Cable, B+, Xrt950	1
23	<u>103479801</u>	Jumpr, Xrt950, Oil Pres Swth	1
24	<u>103496801</u>	Battery, Start, 12v	1
25	<u>103699701</u>	Subharness, Dash, Xrt950	1
26	<u>8639</u>	Tie Wrap, 11" Nylon	9
27	<u>96705199</u>	Washer, M6	1

7

G

7
G



000898-001

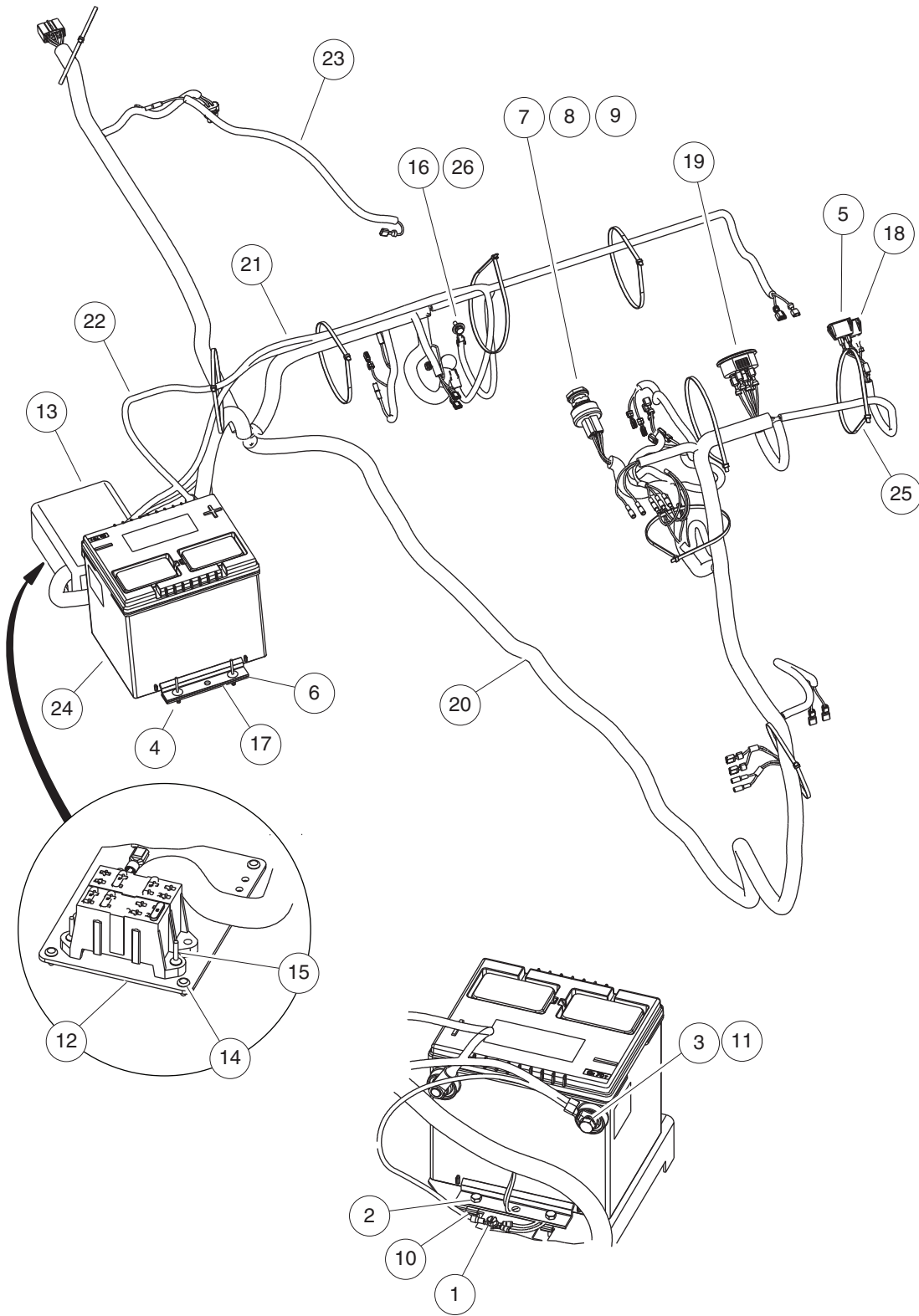
ELECTRICAL COMPONENTS, 2WD – FROM SN: KR1225-287644

ITEM	PART NO.	DESCRIPTION	QTY
		1 2 3 4	
1	<u>1010545</u>	Screw, Hex Washer Head 1/4-14 X .75	1
2	<u>1012769</u>	Screw, M6-1.00 X 25mm Hex Cap	2
3	<u>1014375</u>	Screw, 3/8-16 X 0.50, Stainless Steel, Hex-Head	2
4	<u>1015392</u>	Rivet, 3/16 Pop	2
5	<u>1016630</u>	Light, Oil	1
6	<u>101898001</u>	Clamp, Battery	2
7	<u>102044702</u>	Key Switch 12v Key Start	1
8	<u>102051601</u>	Spacer, Keyswitch	1
9	<u>102051701</u>	Nut, Key Switch	1
10	<u>102296601</u>	U-Nut, M6-1.0, Prevailing Torque	2
11	<u>102355301</u>	Lockwasher, 3/8 Split Ss	2
12	<u>102420401</u>	Plate, Electrical	1
13	<u>102420501</u>	Cover, Electrical	1
14	<u>102447901</u>	Fastener, Push-in	4
15	<u>102448001</u>	Rivet, Drive	2
16	<u>102490301</u>	Bolt, M6 X 1 X 16, Loctite	1
17	<u>102686501</u>	Spacer, Battery	1
18	<u>103247601</u>	Light, Indicator, Brake Sys	1
19	<u>103348101</u>	Gauge, Fuel-hour, Sep Gnd	1
20	<u>103443801</u>	Cable, B-, Xrt950	1
21	<u>103443901</u>	Cable, B+, Xrt950	1
22	<u>103479801</u>	Jumpr, Xrt950, Oil Pres Swth	1
23	<u>103496801</u>	Battery, Start, 12v	1
24	<u>103873101</u>	Harness, Main, 950	1
25	<u>103873201</u>	Subharness, Dash, 950	1
26	<u>8639</u>	Tie Wrap, 11" Nylon	9
27	<u>96705199</u>	Washer, M6	1

7

G

7
G



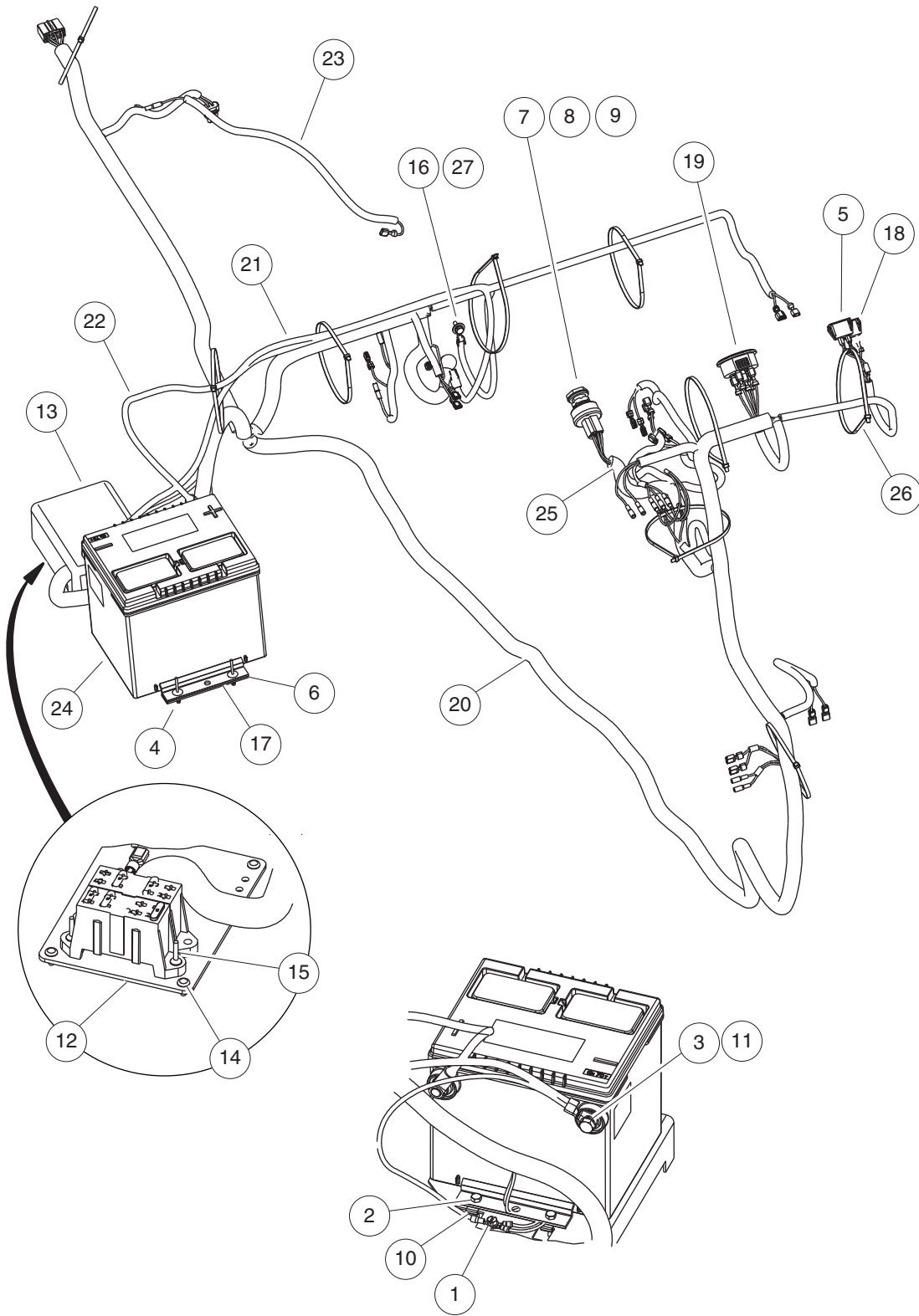
000898-001

ELECTRICAL COMPONENTS – MANUAL 4WD

ITEM	PART NO.	DESCRIPTION	QTY
		1 2 3 4	
1	<u>1010545</u>	Screw, Hex Washer Head 1/4-14 X .75	1
2	<u>1012769</u>	Screw, M6-1.00 X 25mm Hex Cap	2
3	<u>1014375</u>	Screw, 3/8-16 X 0.50, Stainless Steel, Hex-Head	2
4	<u>1015392</u>	Rivet, 3/16 Pop	2
5	<u>1016630</u>	Light, Oil	1
6	<u>101898001</u>	Clamp, Battery	2
7	<u>102044702</u>	Key Switch 12v Key Start	1
8	<u>102051601</u>	Spacer, Keyswitch	1
9	<u>102051701</u>	Nut, Key Switch	1
10	<u>102296601</u>	U-Nut, M6-1.0, Prevailing Torque	2
11	<u>102355301</u>	Lockwasher, 3/8 Split Ss	2
12	<u>102420401</u>	Plate, Electrical	1
13	<u>102420501</u>	Cover, Electrical	1
14	<u>102447901</u>	Fastener, Push-in	4
15	<u>102448001</u>	Rivet, Drive	2
16	<u>102490301</u>	Bolt, M6 X 1 X 16, Loctite	1
17	<u>102686501</u>	Spacer, Battery	1
18	<u>103247601</u>	Light, Indicator, Brake Sys	1
19	<u>103348101</u>	Gauge, Fuel-hour, Sep Gnd	1
20	<u>103422201</u>	Harness, Main, Xrt950	1
21	<u>103443801</u>	Cable, B-, Xrt950	1
22	<u>103443901</u>	Cable, B+, Xrt950	1
23	<u>103479801</u>	Jumpr, Xrt950, Oil Pres Swth	1
24	<u>103496801</u>	Battery, Start, 12v	1
25	<u>103699701</u>	Subharness, Dash, Xrt950	1
26	<u>8639</u>	Tie Wrap, 11" Nylon	9
27	<u>96705199</u>	Washer, M6	1

7
G

7
G

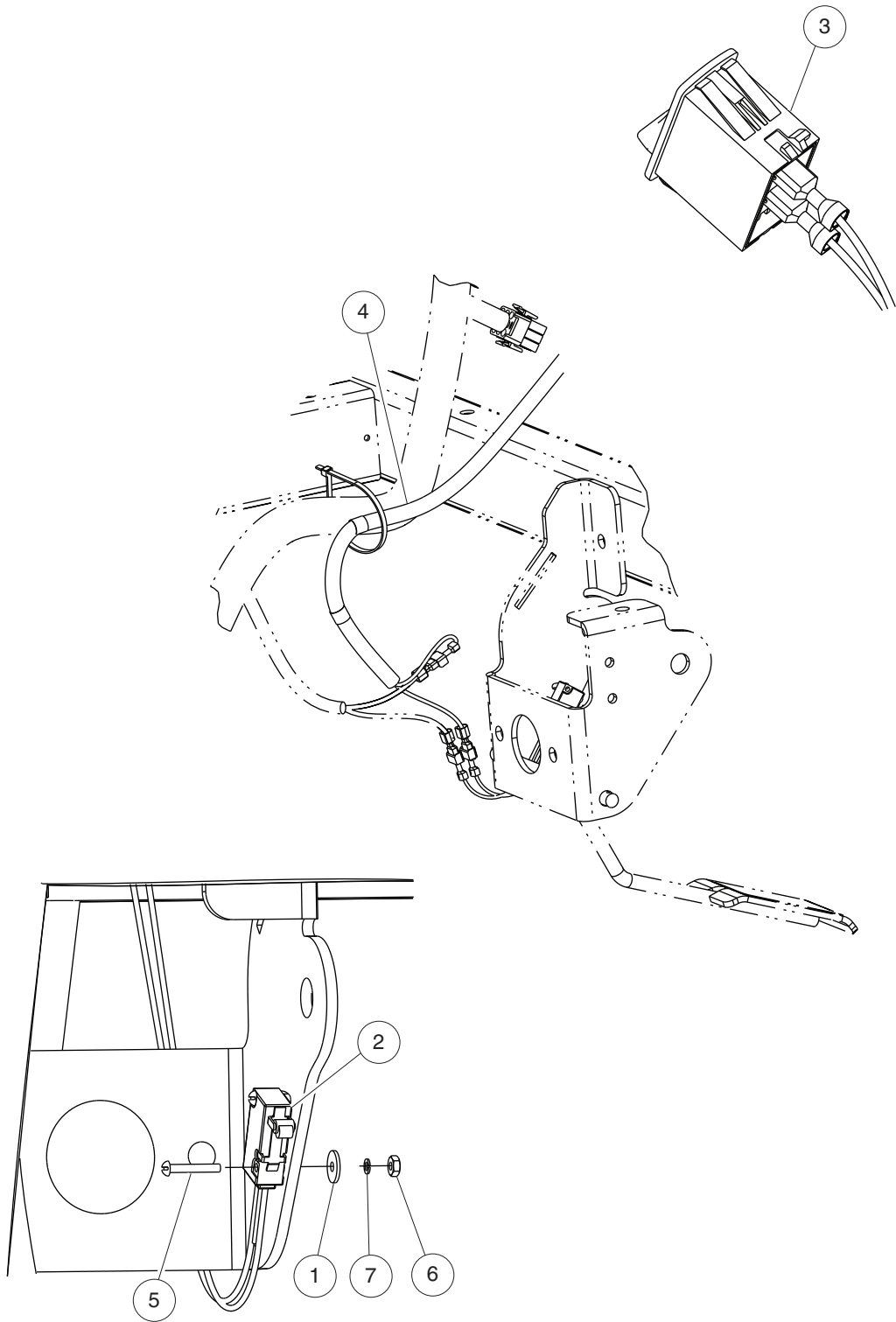


000898-001

ELECTRICAL COMPONENTS – AUTO 4WD

ITEM	PART NO.	DESCRIPTION	QTY
		1 2 3 4	
1	<u>1010545</u>	Screw, Hex Washer Head 1/4-14 X .75	1
2	<u>1012769</u>	Screw, M6-1.00 X 25mm Hex Cap	2
3	<u>1014375</u>	Screw, 3/8-16 X 0.50, Stainless Steel, Hex-Head	2
4	<u>1015392</u>	Rivet, 3/16 Pop	2
5	<u>1016630</u>	Light, Oil	1
6	<u>101898001</u>	Clamp, Battery	2
7	<u>102044702</u>	Key Switch 12v Key Start	1
8	<u>102051601</u>	Spacer, Keyswitch	1
9	<u>102051701</u>	Nut, Key Switch	1
10	<u>102296601</u>	U-Nut, M6-1.0, Prevailing Torque	2
11	<u>102355301</u>	Lockwasher, 3/8 Split Ss	2
12	<u>102420401</u>	Plate, Electrical	1
13	<u>102420501</u>	Cover, Electrical	1
14	<u>102447901</u>	Fastener, Push-in	4
15	<u>102448001</u>	Rivet, Drive	2
16	<u>102490301</u>	Bolt, M6 X 1 X 16, Loctite	1
17	<u>102686501</u>	Spacer, Battery	1
18	<u>103247601</u>	Light, Indicator, Brake Sys	1
19	<u>103348101</u>	Gauge, Fuel-hour, Sep Gnd	1
20	<u>103443801</u>	Cable, B-, Xrt950	1
21	<u>103443901</u>	Cable, B+, Xrt950	1
22	<u>103479801</u>	Jumpr, Xrt950, Oil Pres Swth	1
23	<u>103496801</u>	Battery, Start, 12v	1
24	<u>103873101</u>	Harness, Main, 950	1
25	<u>103873201</u>	Subharness, Dash, 950	1
26	<u>8639</u>	Tie Wrap, 11" Nylon	9
27	<u>96705199</u>	Washer, M6	1

7
G



000898-003

FRONT DIFFERENTIAL ELECTRICAL COMPONENTS

ITEM	PART NO.	DESCRIPTION	QTY
		1 2 3 4	
1	<u>1011034</u>	Washer, #4 Type B Wide Flat	2
2	<u>103327201</u>	Asm, Switch, Limit, Awd	1
3	<u>103835901</u>	Switch, Spst, Rocker, 4x4	1
4	<u>103929801</u>	Jumper, Difflock Disable	1
5	<u>8056</u>	Screw, #4-40 X 0.75 Round-Head Machine	2
6	<u>8057</u>	Nut, #4-40 Hex Machine	2
7	<u>8058</u>	Lockwasher, #4 Split	2

7
G

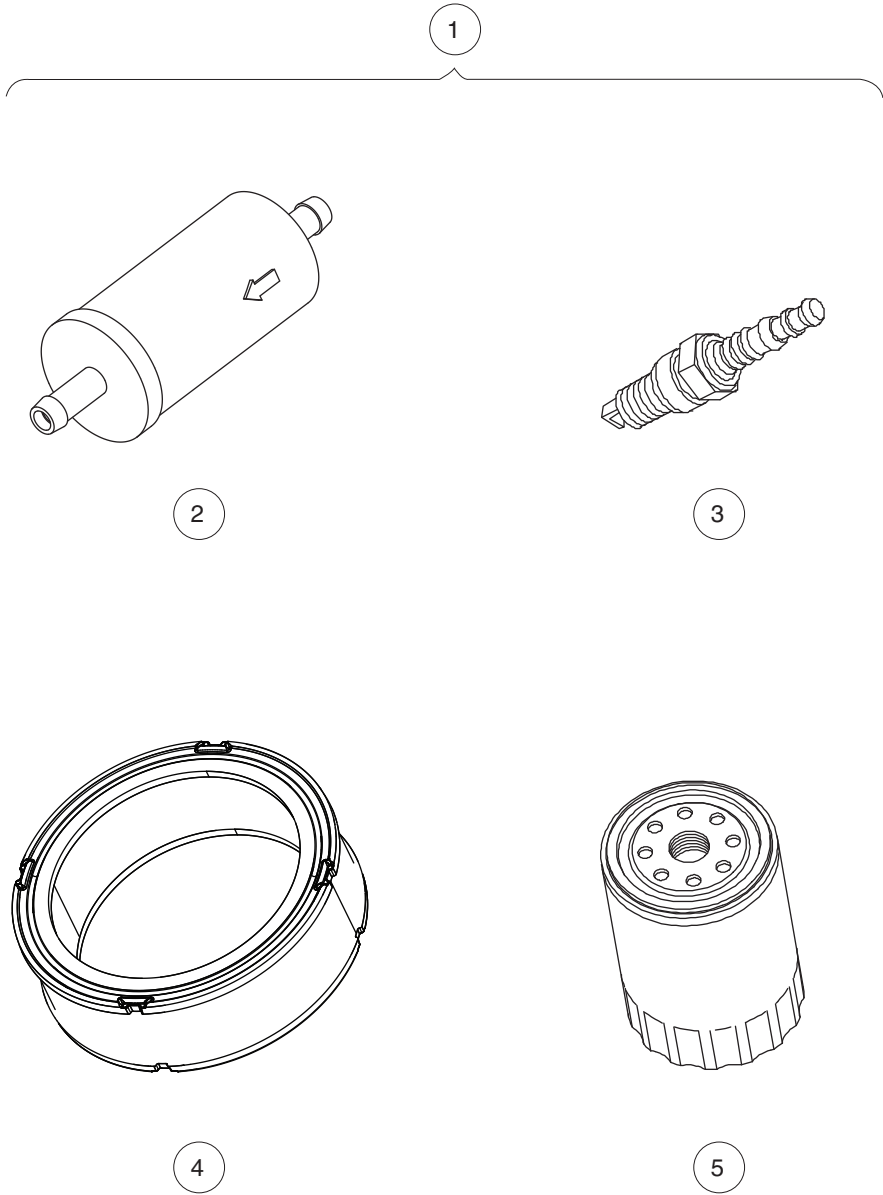
7

G

ENGINE

8

G



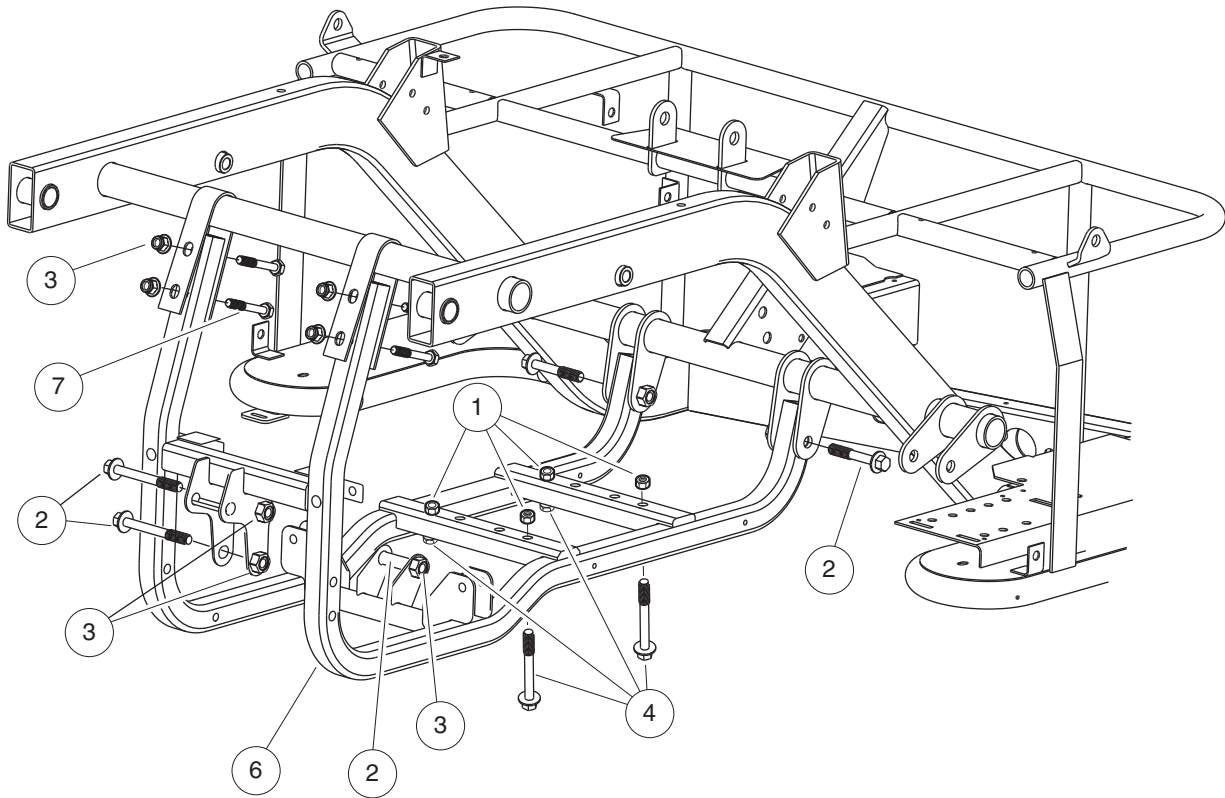
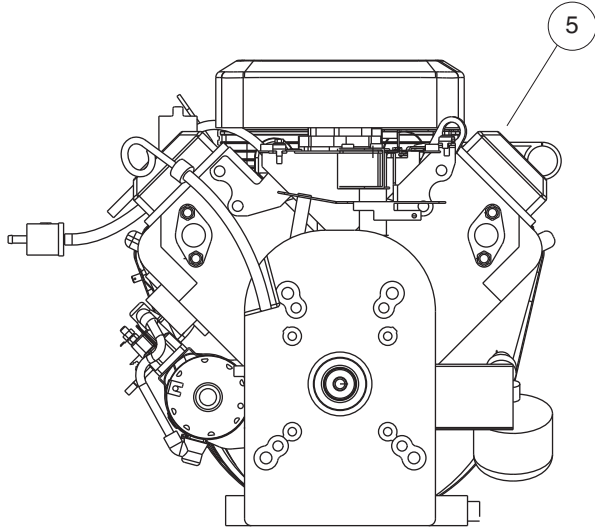
000992-005

B&S TUNE-UP KIT, XRT 950

ITEM	PART NO.	DESCRIPTION	QTY
		1 2 3 4	
1	<u>AM1274301</u>	Vanguard V-twin Tune Up Kit (includes items 2 through 5)	1
2	<u>103552401</u>	Filter, Fuel, B & S 14 Hp	1
3	<u>103554801</u>	Plug, Spark, B&s 14 Hp	2
4	<u>103556401</u>	Filter, Air Cleaner Cartridge	1
5	<u>103566401</u>	Filter, Oil	1

8

G



000888-002

ENGINE AND ENGINE MOUNTING

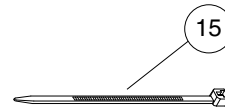
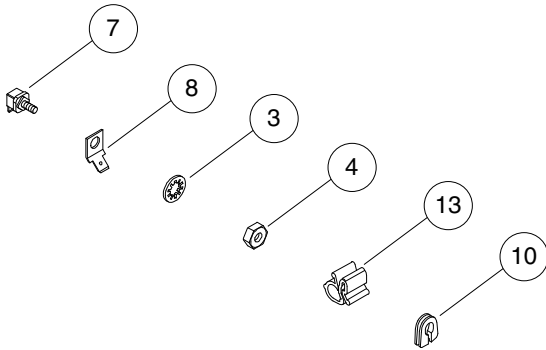
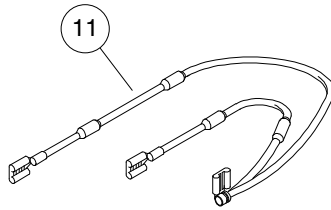
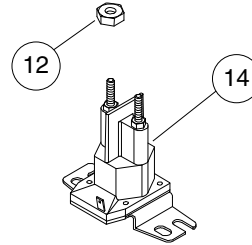
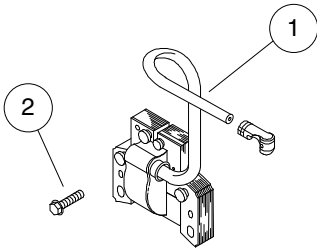
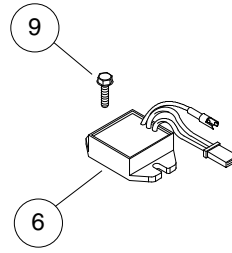
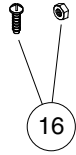
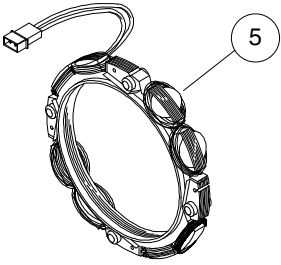
ITEM	PART NO.	DESCRIPTION	QTY
		1 2 3 4	
1	<u>102298401</u>	Nut, M8, All Metal Lock	4
2	<u>102616301</u>	Bolt, Flange Head, M12 X 1.75 X 70	3
3	<u>102670701</u>	Nut, Flange, M10 X 1.5 Nylon	4
4	<u>102719501</u>	Bolt Flanged Head, M8x1.25 X 50 with Loctite	4
5	<u>103413301</u>	Engine, B&s, 14hp W/starter	1
6	N/A	Weldment, Subframe, Powertrain	1
7	<u>96715552</u>	Bolt, M10 X 1.50 X 65	4

8

G

8

G



000889-014

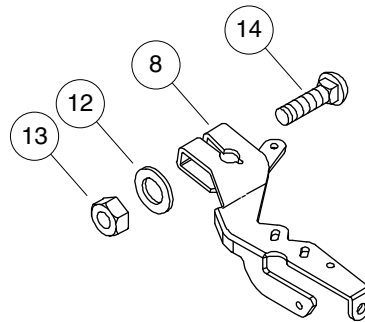
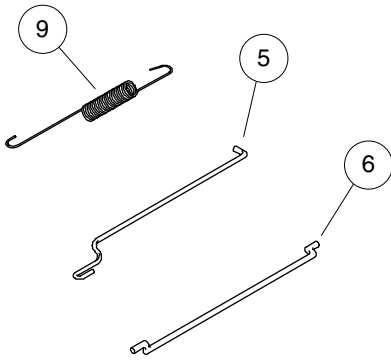
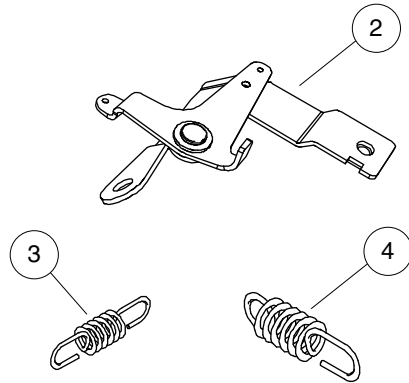
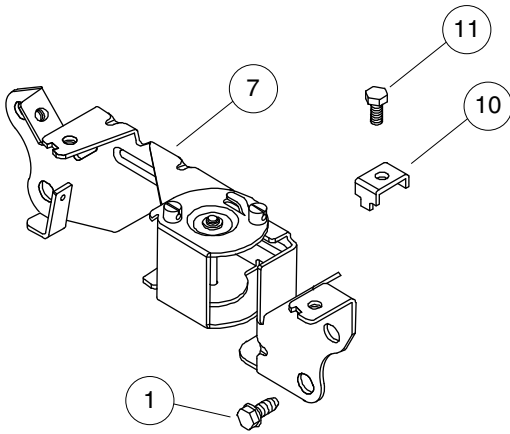
ELECTRICAL COMPONENTS – ENGINE

ITEM	PART NO.	DESCRIPTION	QTY
		1 2 3 4	
1	<u>103554601</u>	Armature, Magneto	2
2	<u>103554701</u>	Screw, Magneto Armature	1
3	<u>103555301</u>	Washer, Ground Terminal	1
4	<u>103555601</u>	Nut, Ground Terminal	1
5	<u>103556901</u>	Alternator, 10 - 16 Amp	1
6	<u>103557201</u>	Regulator	1
7	<u>103557601</u>	Insulator, B&s 14 Hp	1
8	<u>103557801</u>	Terminal, Ground	1
9	<u>103558201</u>	Screw, Regulator	2
10	<u>103558301</u>	Grommet, B & S 14 Hp	1
11	<u>103559401</u>	Assembly, Wire, 2	1
12	<u>103561001</u>	Nut, Starter Solenoid	2
13	<u>103561701</u>	Clip, Wire	1
14	<u>103564501</u>	Solenoid, Starter	1
15	<u>103567101</u>	Tie, Cable	1
16	<u>103567301</u>	Kit, Screw & Washer	1

8

G

8
G



000889-013

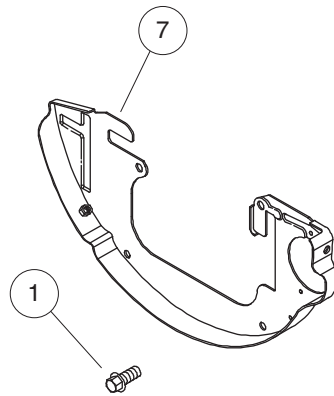
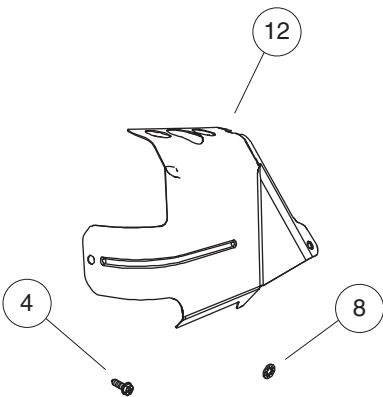
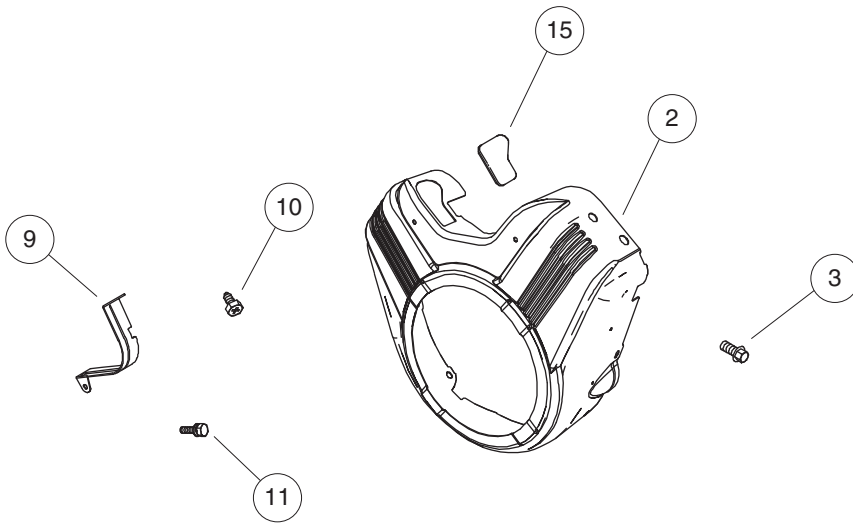
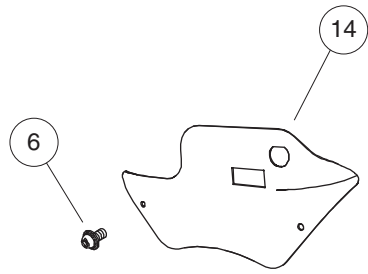
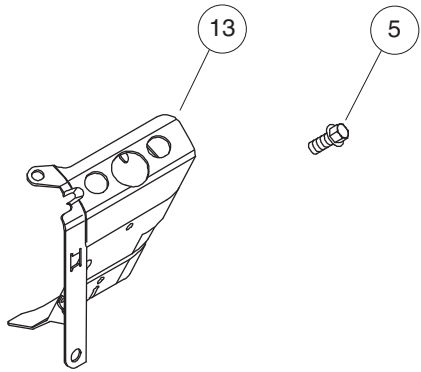
GOVERNOR CONTROL BRACKETS AND SPRINGS

ITEM	PART NO.	DESCRIPTION	QTY
		1 2 3 4	
1	<u>103551001</u>	Screw, Control Bracket	4
2	<u>103551301</u>	Crank, Bell	1
3	<u>103551501</u>	Spring, Governor	1
4	<u>103551601</u>	Spring, Governor Idle	1
5	<u>103551701</u>	Link, Throttle	1
6	<u>103551801</u>	Link, Choke	1
7	<u>103551901</u>	Bracket, Control	1
8	<u>103552001</u>	Lever, Governor Control	1
9	<u>103552201</u>	Spring, Governor Link	1
10	<u>103552601</u>	Clamp, Casing	1
11	<u>103552701</u>	Screw, Casing Clamp	1
12	<u>103553301</u>	Washer, Gov Control Lever	1
13	<u>103557401</u>	Nut, Governor Control Lever	1
14	<u>103558801</u>	Bolt, Governor Control Lever	1

8

G

8
G



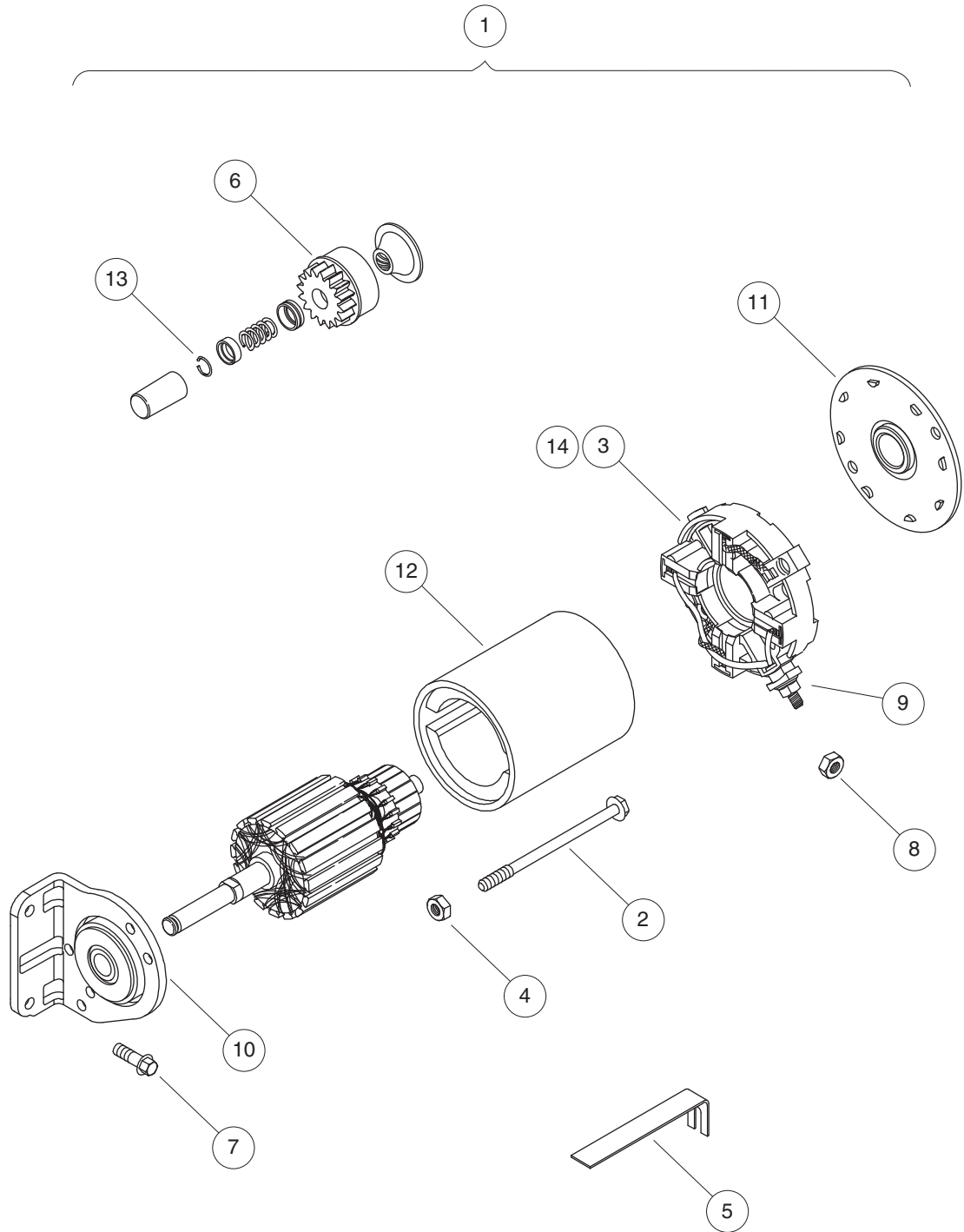
000889-010

ENGINE SHROUD

ITEM	PART NO.	DESCRIPTION	QTY
		1 2 3 4	
1	<u>103551201</u>	Screw, Back Plate	4
2	<u>103553501</u>	Housing, Blower	1
3	<u>103553601</u>	Screw, Housing, Blower	6
4	<u>103554301</u>	Screw, Cylinder Head Cover, 1	6
5	<u>103556501</u>	Screw, Air Guide Cover	10
6	<u>103557501</u>	Screw, Carburetor Cover	2
7	<u>103559101</u>	Plate, Back, B & S 14 Hp	1
8	<u>103560401</u>	Washer, Cylinder Head Cover, 1	6
9	<u>103561501</u>	Cover, Starter Drive	1
10	<u>103561801</u>	Screw, Starter Drive Cover, 1	1
11	<u>103561901</u>	Screw, Starter Drive Cover, 2	1
12	<u>103563601</u>	Cover, Air Guide, 1	1
13	<u>103563701</u>	Cover, Air Guide, 2	1
14	<u>103564101</u>	Cover, Carburetor	1
15	<u>103566901</u>	Plug, Blower, Housing	1

8

G

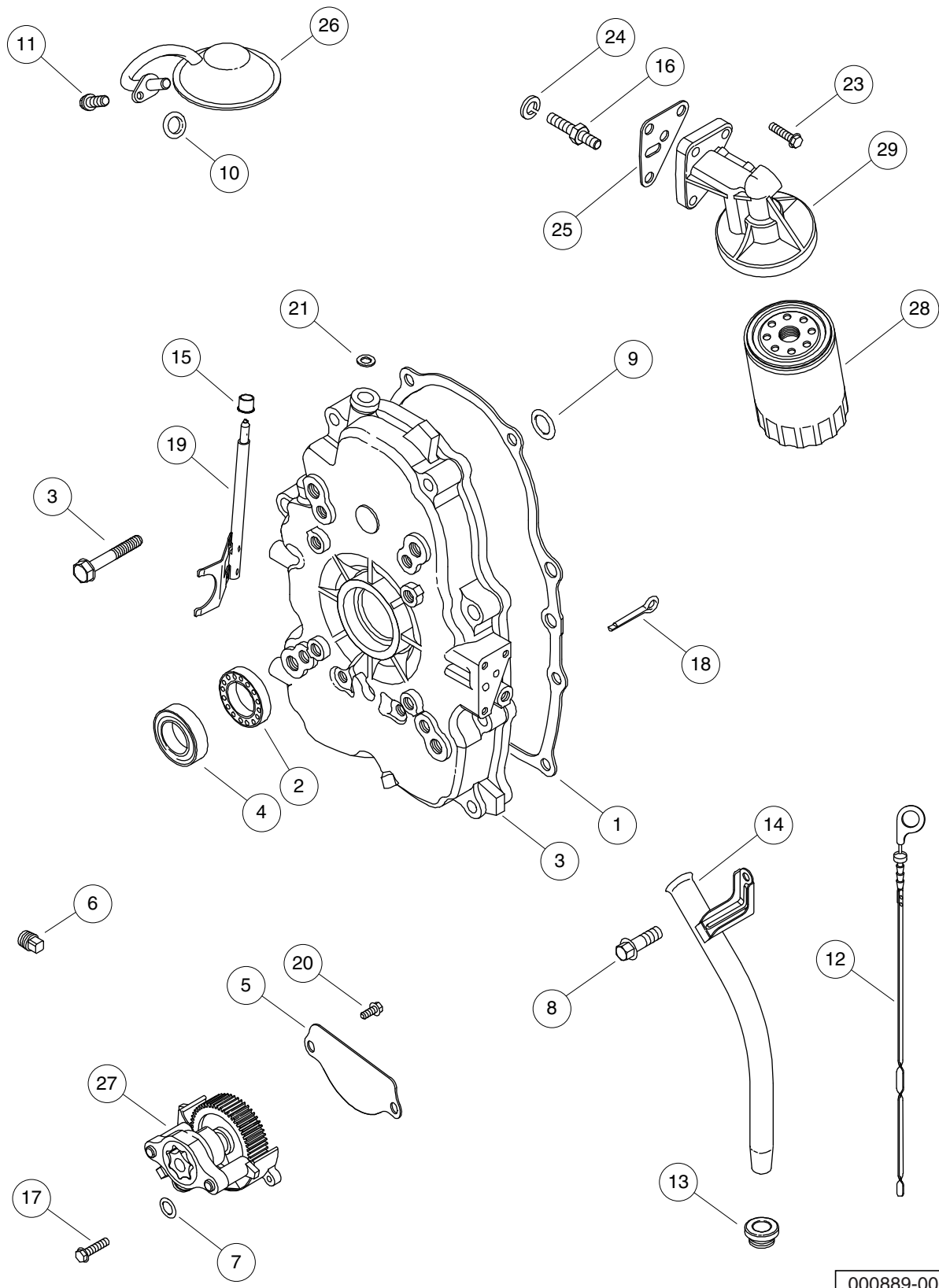


000889-009

STARTER MOTOR

ITEM	PART NO.	DESCRIPTION	QTY
		1 2 3 4	
1	<u>103553901</u>	Motor, Starter (includes items 2 through 14)	1
2	<u>103554001</u>	Screw, Starter Motor	2
3	<u>103554101</u>	Set, Brush	1
4	<u>103556001</u>	Nut, Starter Motor	2
5	<u>103557301</u>	Strap, Starter	1
6	<u>103557701</u>	Drive, Starter	1
7	<u>103561201</u>	Screw, Drive Cap	2
8	<u>103562401</u>	Nut, Brush Retainer, 1	1
9	<u>103562501</u>	Nut, Brush Retainer, 2	1
10	N/A	Cap, Drive	1
11	<u>103562701</u>	Cap, End, B & S 14 Hp	1
12	N/A	Housing, Starter	1
13	<u>103567001</u>	Ring, Retaining, B & S 14 Hp	1
14	<u>103567401</u>	Retainer, Brush	1

8
G



000889-006

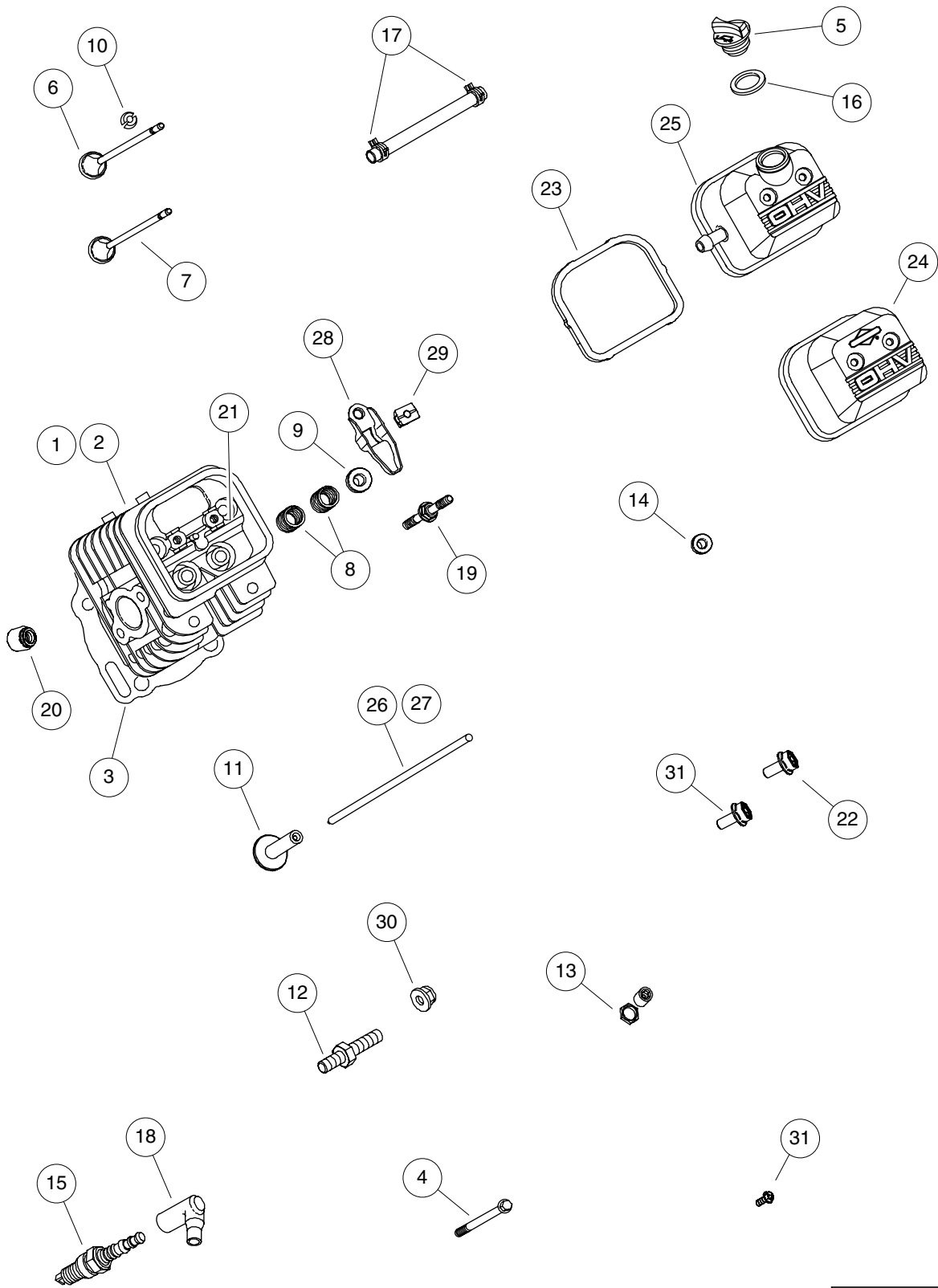
OIL PUMP, OIL FILTER AND CRANKCASE COVER

ITEM	PART NO.	DESCRIPTION	QTY
		1 2 3 4	
1	<u>103544801</u>	Gasket, Crankcase	1
2	<u>103545201</u>	Bearing, Ball	1
3	<u>103545301</u>	Cover, Crankcase	1
4	<u>103545401</u>	Seal, Oil, Pto Side	1
5	<u>103547101</u>	Deflector, Oil	1
6	<u>103548301</u>	Plug, Oil	1
7	<u>103552801</u>	Seal, O Ring, Oil Pump	1
8	<u>103553401</u>	Screw, Dipstick Tube	1
9	<u>103556301</u>	Seal, O Ring, Crankcase Cover	1
10	<u>103556801</u>	Seal, O Ring, Oil Pump Screen	1
11	<u>103557001</u>	Screw, Oil Pump Screen	1
12	<u>103557901</u>	Dipstick, B & S 14 Hp	1
13	<u>103558001</u>	Seal, Dipstick Tube	1
14	<u>103558101</u>	Tube, Dipstick	1
15	<u>103558601</u>	Bushing, Gov Crank, 2	1
16	<u>103558901</u>	Stud, Oil Filter Adapter	3
17	<u>103559501</u>	Screw, Oil Pump	2
18	<u>103559901</u>	Retainer, Governor Shaft	1
19	<u>103560001</u>	Crank, Governor	1
20	<u>103560701</u>	Screw, Oil Deflector	2
21	<u>103561101</u>	Seal, Governor Shaft	1
22	<u>103561301</u>	Cover, Oil Filter, B&S 14 Hp (not shown)	1
23	<u>103562001</u>	Screw, Oil Filter Adapter	3
24	<u>103563101</u>	Washer, Oil Filter Adapter	3
25	<u>103565201</u>	Gasket, Oil Adapter, 1	1
26	<u>103565601</u>	Screen, Oil Pump	1
27	<u>103566001</u>	Pump, Oil	1
28	<u>103566401</u>	Filter, Oil	1
29	<u>103566501</u>	Adapter, Oil Filter	1

8

G

8
G



000903-002

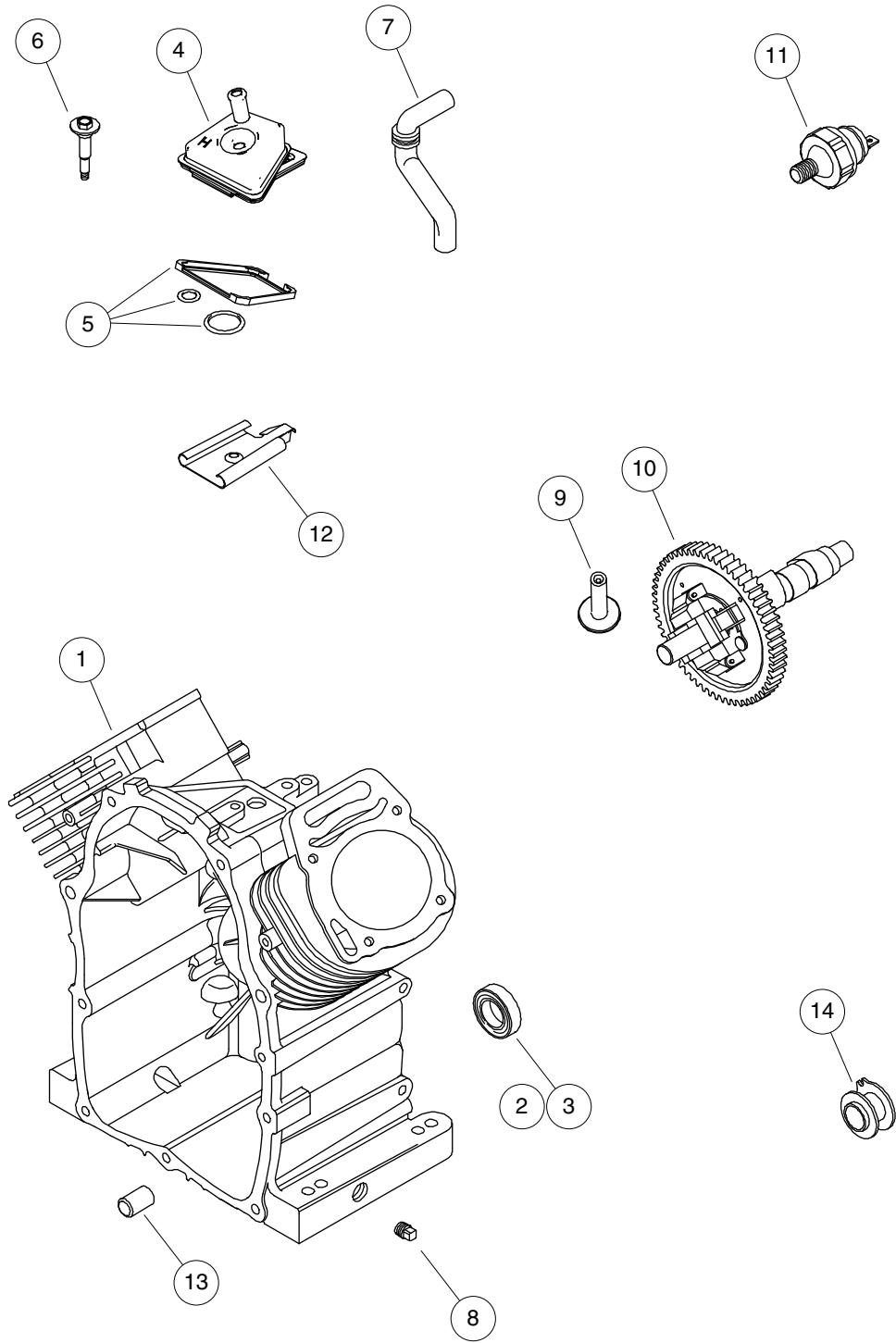
CYLINDER HEAD & VALVES

ITEM	PART NO.	DESCRIPTION	QTY
		1 2 3 4	
1	<u>103544001</u>	Head, Cylinder, 1	1
2	<u>103544101</u>	Head, Cylinder, 2	1
3	<u>103544201</u>	Gasket, Cylinder Head	2
4	<u>103544901</u>	Screw, Cylinder Head	8
5	<u>103545501</u>	Cap, Oil Fill	1
6	<u>103546701</u>	Valve, Exhaust	2
7	<u>103546801</u>	Valve, Intake	2
8	<u>103546901</u>	Spring Valve, B&s 14 Hp	4
9	<u>103547201</u>	Retainer, Valve	4
10	<u>103547301</u>	Keeper, Valve	4
11	<u>103547401</u>	Tappet, Valve	4
12	<u>103550501</u>	Stud, Exhaust Manifold	4
13	<u>103551101</u>	Adjuster, Rocker Arm	4
14	<u>103553001</u>	Washer, Sealing, Rocker, Cover	4
15	<u>103554801</u>	Plug, Spark, B&s 14 Hp	2
16	<u>103554901</u>	Gasket, Dipstick	1
17	<u>103559701</u>	Clamp, Hose, 1	2
18	<u>103560301</u>	Boot, Spark Plug	2
19	<u>103563201</u>	Stud, Rocker Arm, B & S 14 Hp	4
20	<u>103563801</u>	Seal, Valve	4
21	<u>103563901</u>	Bushing, Valve Guide	4
22	<u>103565001</u>	Screw, Ac Base To Cart, 1	1
23	<u>103565701</u>	Gasket, Rocker Cover	2
24	<u>103565801</u>	Cover, Rocker, 1	1
25	<u>103565901</u>	Cover, Rocker, 2	1
26	<u>103566201</u>	Rod, Push, Intake, Steel	2
27	<u>103566301</u>	Rod, Push, Exhaust, Aluminum	2
28	<u>103566601</u>	Arm, Rocker	4
29	<u>103567701</u>	Pivot, Rocker Arm, B&s 14 Hp	4
30	<u>103567901</u>	Nut, Exhaust Manifold	4
31	<u>103568001</u>	Screw, Rocker Cover Stud	4

8

G

8
G



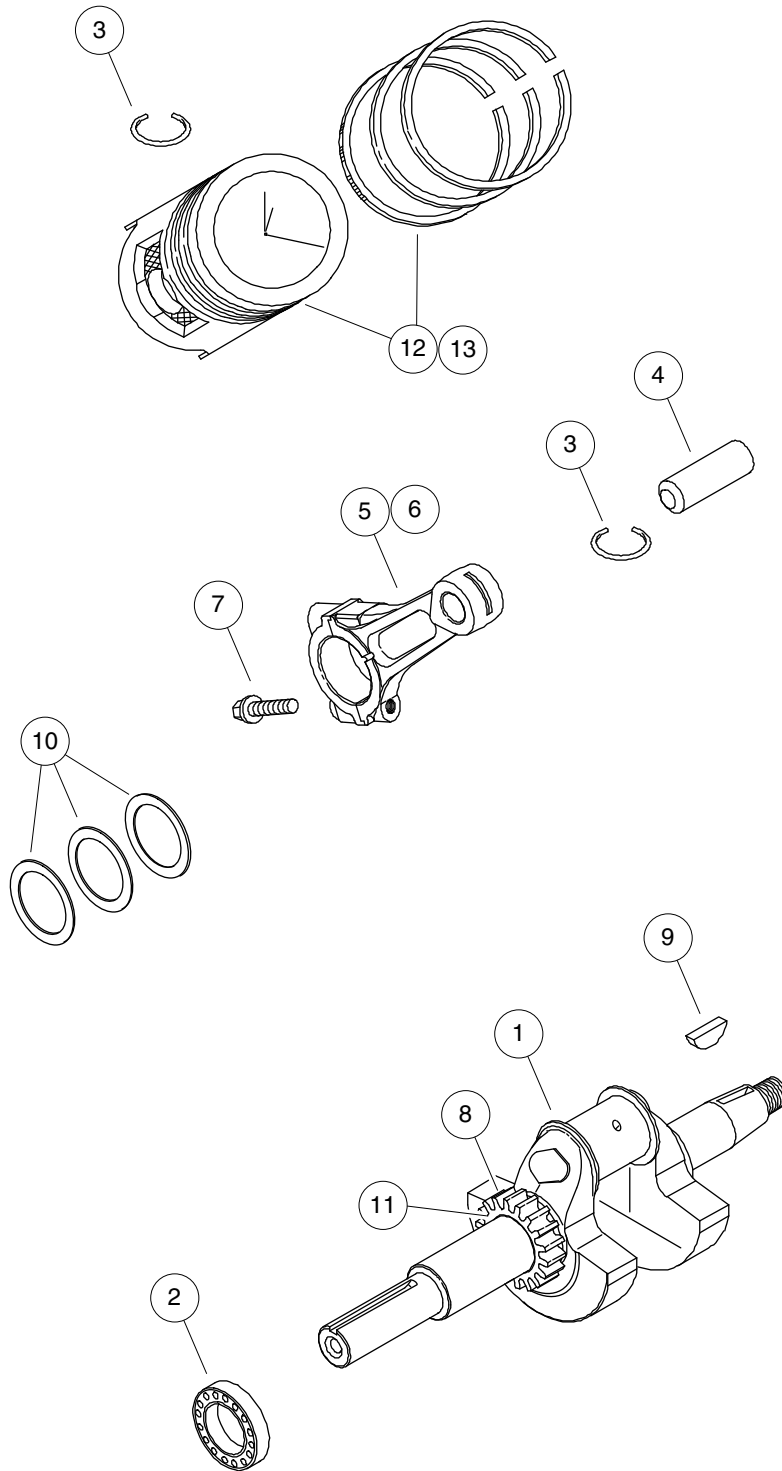
000903-001

CYLINDER ASSEMBLY

ITEM	PART NO.	DESCRIPTION	QTY
		1 2 3 4	
1	<u>103543701</u>	Assembly, Cylinder	1
2	<u>103543801</u>	Kit, Bush & Seal, Magneto Side	1
3	<u>103543901</u>	Seal, Oil, Magneto Side	1
4	<u>103544301</u>	Assembly, Breather	1
5	<u>103544401</u>	Gasket, Breather	1
6	<u>103544501</u>	Screw, Breather Assembly	1
7	<u>103544701</u>	Tube, Breather	1
8	<u>103545001</u>	Plug, Oil Drain	1
9	<u>103547401</u>	Tappet, Valve	4
10	<u>103547501</u>	Camshaft	1
11	<u>103552301</u>	Switch, Oil Pressure, B&s 14hp	1
12	<u>103559001</u>	Baffle, Breather	1
13	<u>103561401</u>	Pin, Locating	2
14	<u>103566101</u>	Spool, Governor	1

8

G



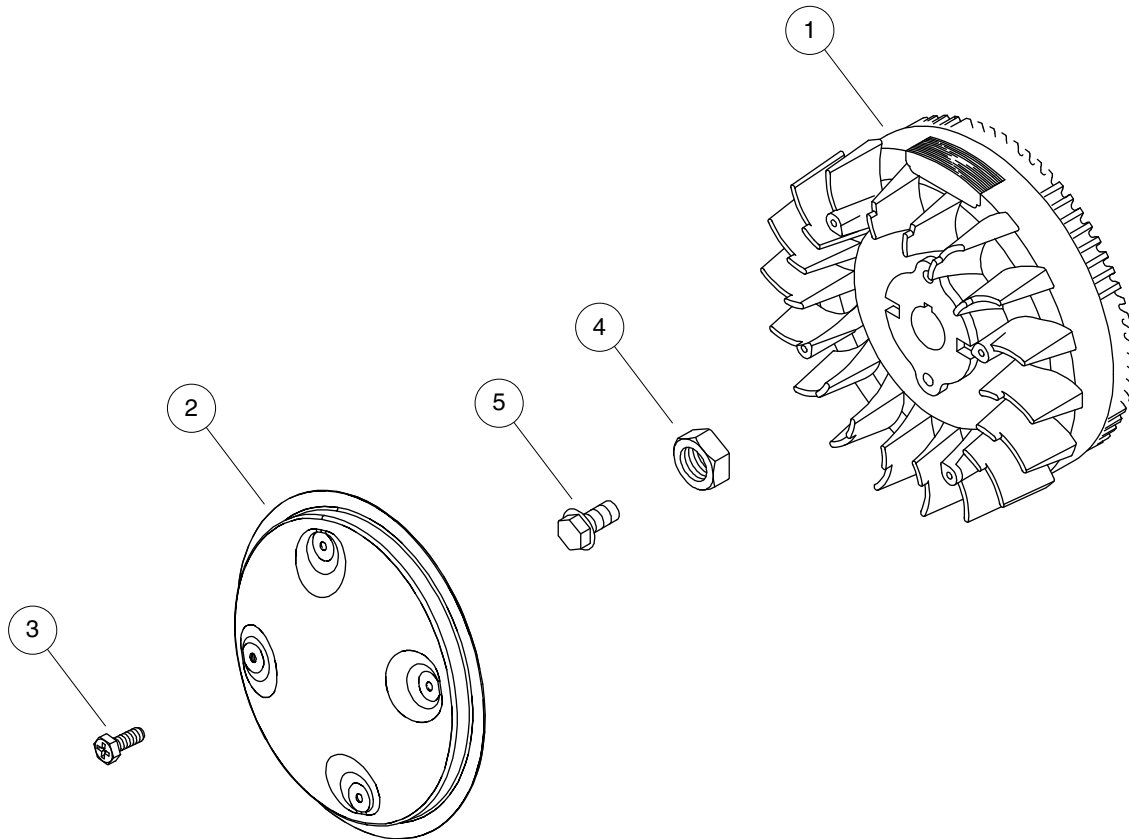
000903-004

CRANKSHAFT AND PISTONS

ITEM	PART NO.	DESCRIPTION	QTY
		1 2 3 4	
1	<u>103545101</u>	Crankshaft, B&s 14 Hp	1
2	<u>103545201</u>	Bearing, Ball	1
3	<u>103546201</u>	Lock, Piston Pin	2
4	<u>103546301</u>	Piston, Pin	2
5	<u>103546401</u>	Rod, Connecting	2
6	<u>103546501</u>	Rod, Connection, .020"under	2
7	<u>103546601</u>	Screw, Connecting Rod	4
8	<u>103550401</u>	Key, Timing	1
9	<u>103555701</u>	Key, Woodruff	1
10	<u>103559601</u>	Shim, Bearing End Play	1
11	<u>103562101</u>	Gear, Timing	1
12	<u>103779201</u>	Piston W Rings, B&s	2
13	<u>103779202</u>	Piston W Rings, B&s, Oversized	2

8

G



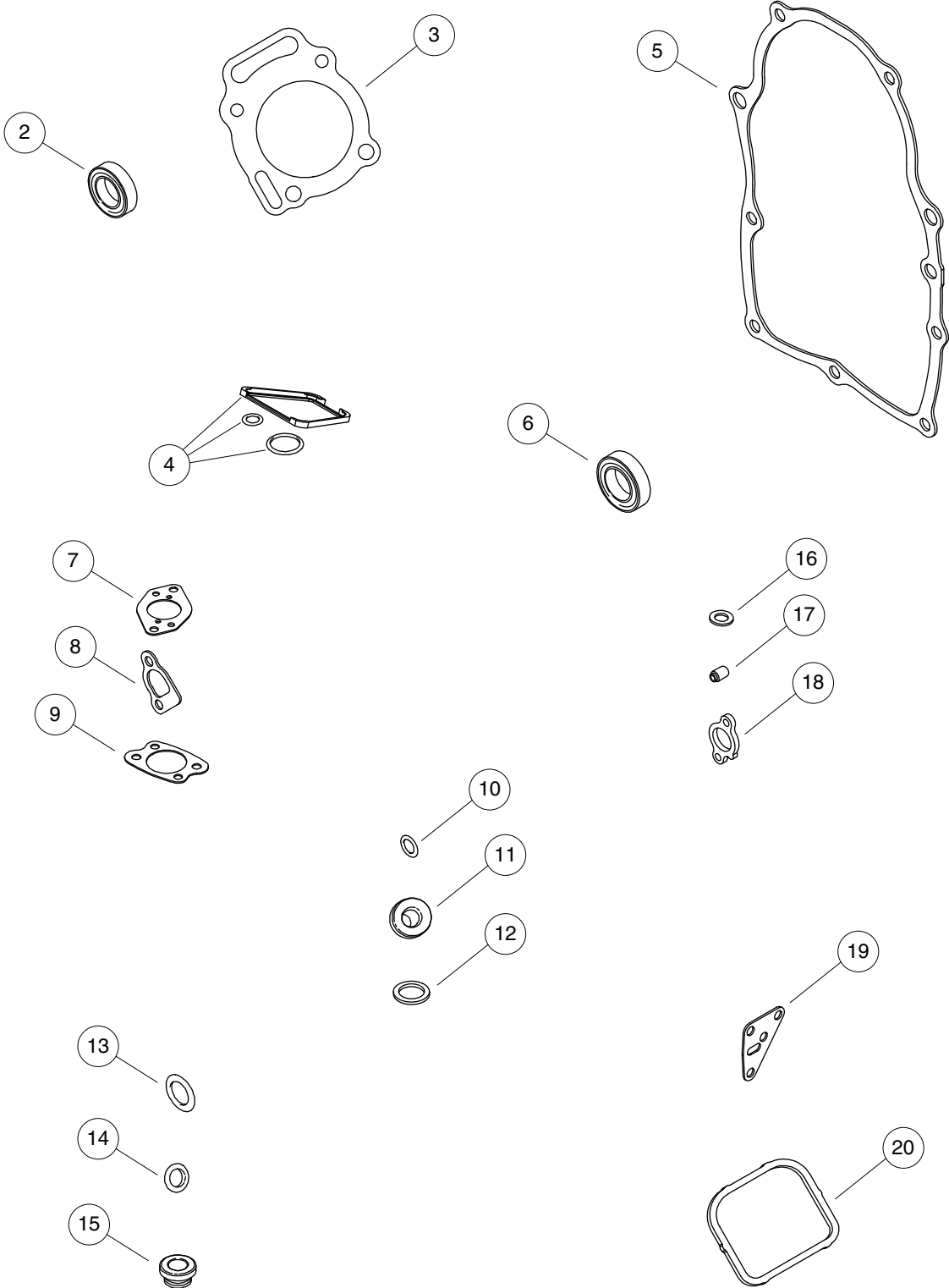
000889-011

FLYWHEEL

ITEM	PART NO.	DESCRIPTION	QTY
		1 2 3 4	
1	<u>103545701</u>	Flywheel, B&S 14 Hp	1
2	<u>103548001</u>	Screen, Rotating	1
3	<u>103548101</u>	Screw, Rotating Screen	4
4	<u>103554501</u>	Nut, Flywheel	1
5	<u>103566801</u>	Screw, Flywheel	1

8
G

8
G



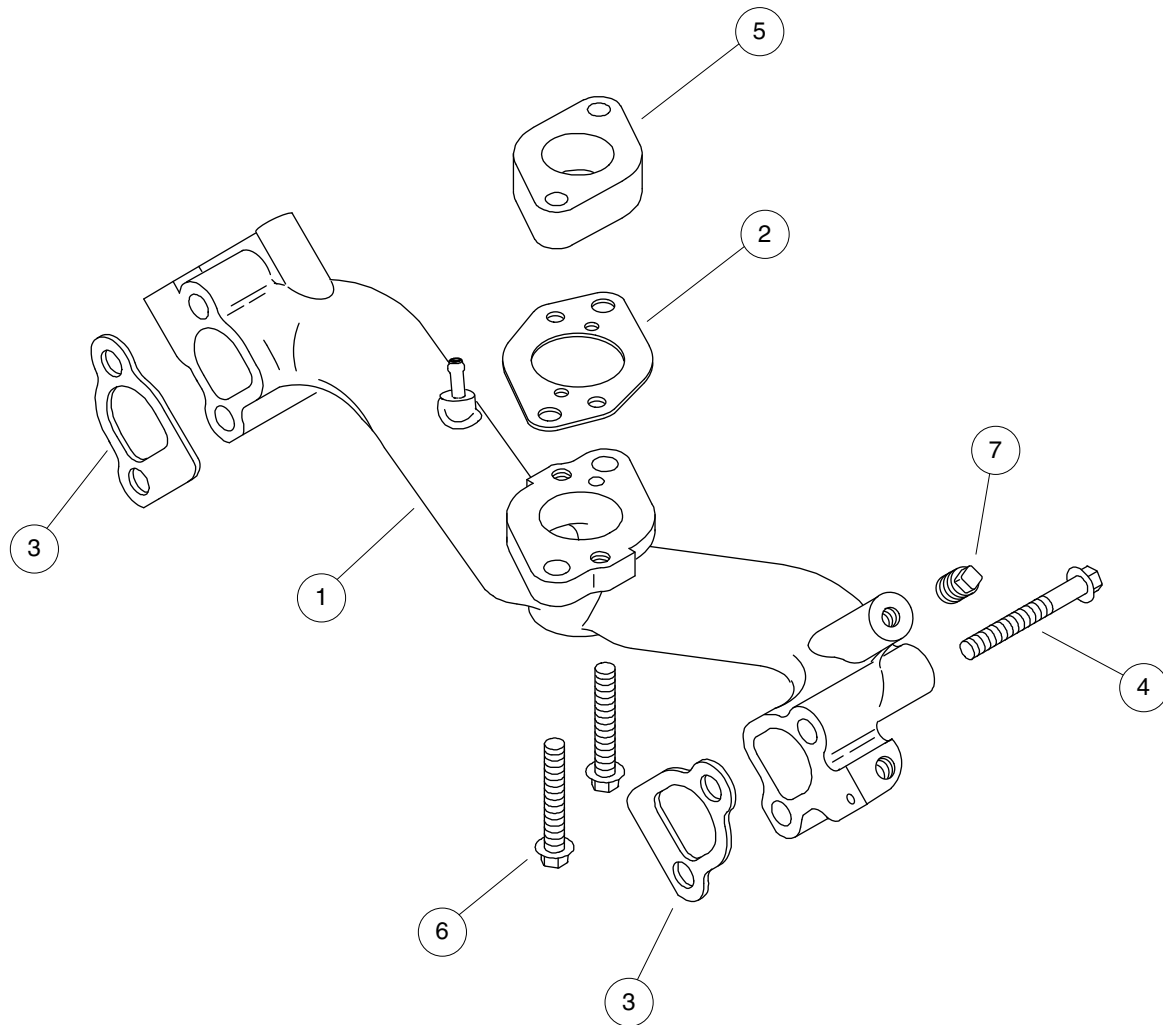
000889-002

ENGINE GASKETS AND SEALS

ITEM	PART NO.	DESCRIPTION	QTY
		1 2 3 4	
1	<u>103555201</u>	Gasket, Set, Engine (includes items 2 through 20)	1
2	<u>103543901</u>	Seal, Oil, Magneto Side	1
3	<u>103544201</u>	Gasket, Cylinder Head	2
4	<u>103544401</u>	Gasket, Breather	1
5	<u>103544801</u>	Gasket, Crankcase	1
6	<u>103545401</u>	Seal, Oil, Pto Side	1
7	<u>103547701</u>	Gasket, Intake, Manifold-carb	1
8	<u>103547801</u>	Gasket, Intake	2
9	<u>103550701</u>	Gasket, Air Cleaner	1
10	<u>103552801</u>	Seal, O Ring, Oil Pump	1
11	<u>103553001</u>	Washer, Sealing, Rocker, Cover	4
12	<u>103554901</u>	Gasket, Dipstick	1
13	<u>103556301</u>	Seal, O Ring, Crankcase Cover	1
14	<u>103556801</u>	Seal, O Ring, Oil Pump Screen	1
15	<u>103558001</u>	Seal, Dipstick Tube	1
16	<u>103561101</u>	Seal, Governor Shaft	1
17	<u>103563801</u>	Seal, Valve	4
18	<u>103564201</u>	Gasket, Exhaust	2
19	<u>103565201</u>	Gasket, Oil Adapter, 1	1
20	<u>103565701</u>	Gasket, Rocker Cover	2

8

G



000889-005

INTAKE MANIFOLD

ITEM	PART NO.	DESCRIPTION	QTY
		1 2 3 4	
1	<u>103547601</u>	Manifold, Intake	1
2	<u>103547701</u>	Gasket, Intake, Manifold-carb	1
3	<u>103547801</u>	Gasket, Intake	2
4	<u>103547901</u>	Screw, Intake Manifold	4
5	<u>103549901</u>	Spacer, Carburetor	1
6	<u>103555501</u>	Screw, Carburetor	2
7	<u>103556101</u>	Plug, B & S 14 Hp	1

8

G

8

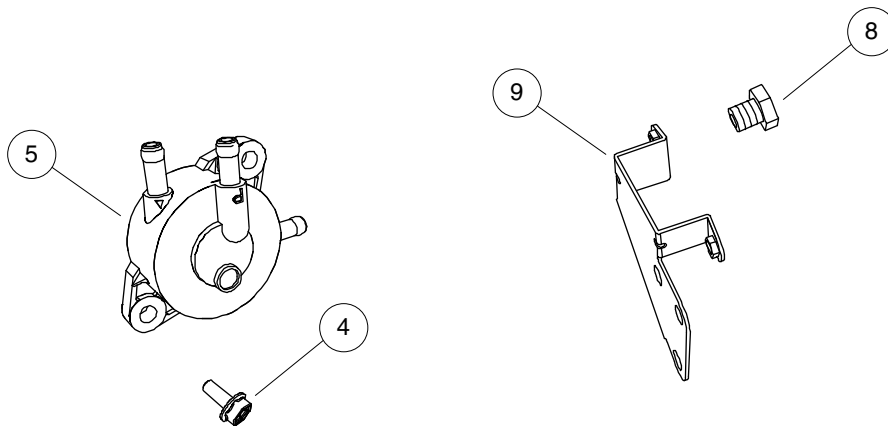
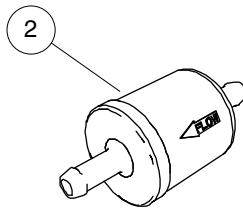
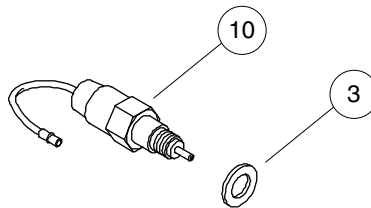
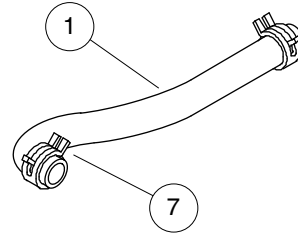
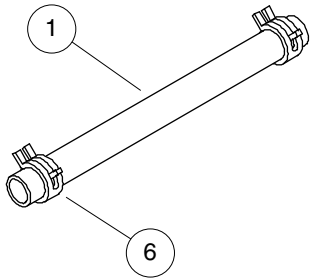
G

FUEL SYSTEM

9

G

9
G



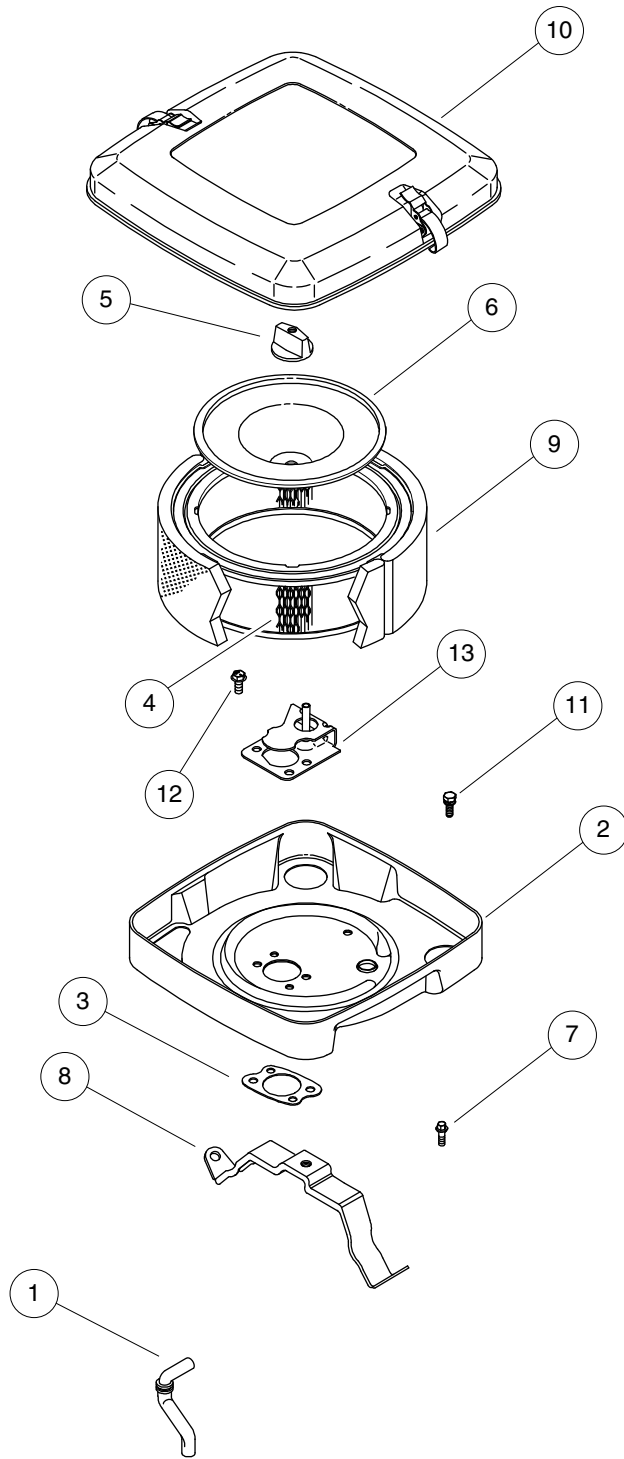
000889-012

FUEL PUMP AND FILTER

ITEM	PART NO.	DESCRIPTION	QTY
		1 2 3 4	
1	<u>102865101</u>	Fuel Line, 1/4 (available by the foot)	1
2	<u>103552401</u>	Filter, Fuel, B & S 14 Hp	1
3	<u>103553201</u>	Washer, Sealing, Solenoid	1
4	103555801	Screw, Fuel Pump	2
5	<u>103555901</u>	Pump, Fuel	1
6	<u>103559701</u>	Clamp, Hose, 1	2
7	<u>103559801</u>	Clamp, Hose, 2	2
8	<u>103560101</u>	Screw, Fuel Pump Bracket	3
9	<u>103562301</u>	Bracket, Fuel Pump	1
10	<u>103564601</u>	Solenoid, Fuel	1

9

G

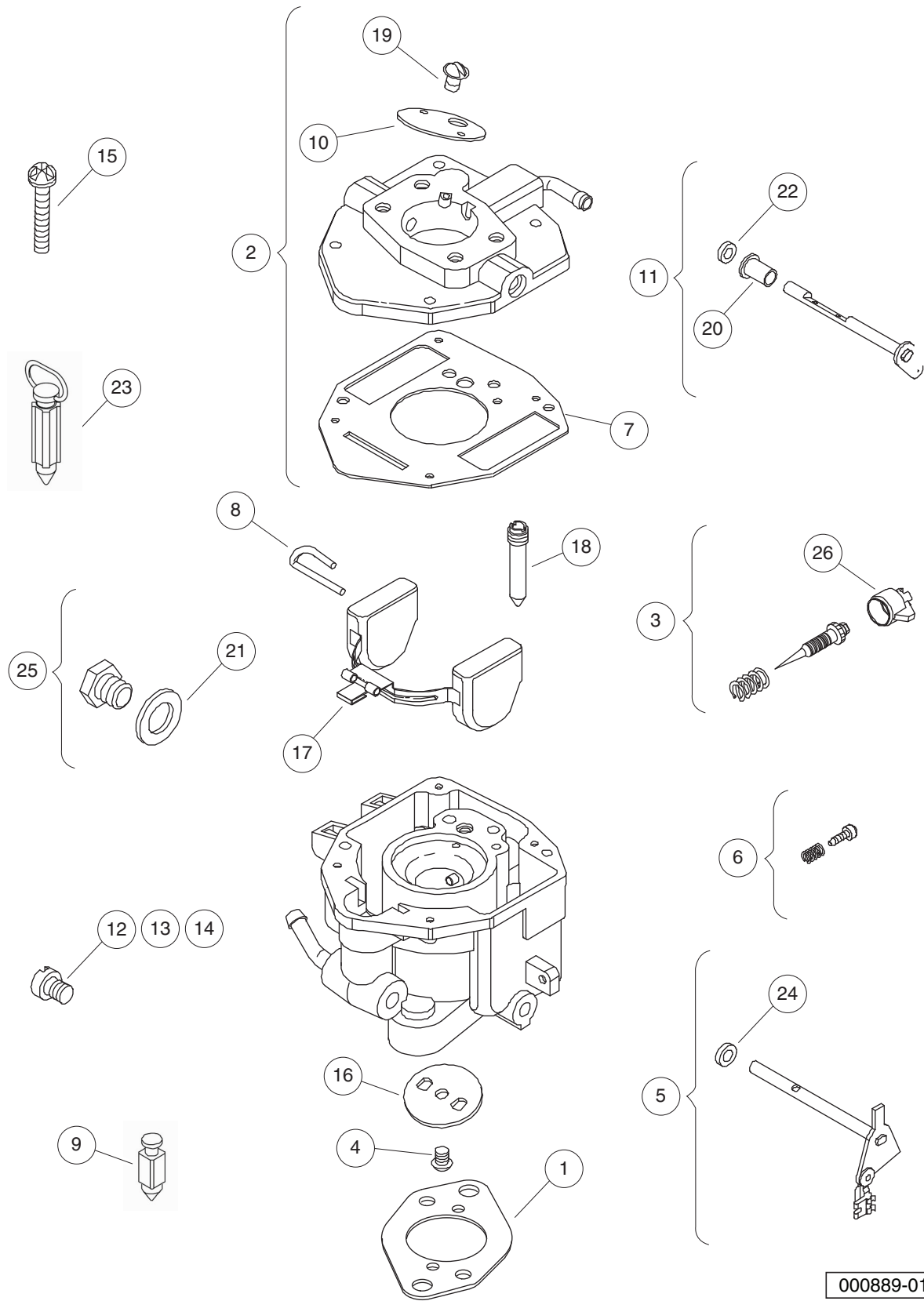


000889-007

AIR CLEANER

ITEM	PART NO.	DESCRIPTION	QTY
		1 2 3 4	
1	<u>103544701</u>	Tube, Breather	1
2	<u>103550601</u>	Base, Air Cleaner, Metal	1
3	<u>103550701</u>	Gasket, Air Cleaner	1
4	<u>103556401</u>	Filter, Air Cleaner Cartridge	1
5	<u>103556701</u>	Knob, Air Cleaner	1
6	<u>103560601</u>	Retainer, Air Filter	1
7	<u>103563301</u>	Screw, Ac Mounting Strap	2
8	<u>103563501</u>	Strap, Ac Mounting	1
9	<u>103564801</u>	Filter, Pre Cleaner	1
10	<u>103564901</u>	Cover, Air Cleaner	1
11	<u>103565001</u>	Screw, Ac Base To Cart, 1	4
12	<u>103565101</u>	Screw, Ac Base To Cart, 2	4
13	<u>103565401</u>	Shield, Carburetor	1

9
G



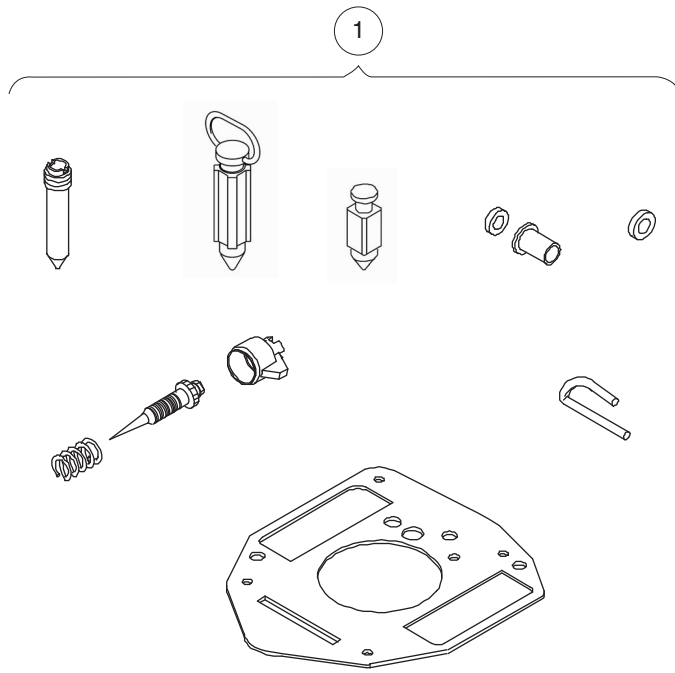
000889-017

CARBURETOR

ITEM	PART NO.	DESCRIPTION	QTY
		1 2 3 4	
1	<u>103547701</u>	Gasket, Intake, Manifold-carb	1
2	<u>103548401</u>	Body, Upper Carburetor	1
3	<u>103548501</u>	Kit, Idle Mixture	1
4	<u>103548601</u>	Screw, Throttle Valve	1
5	<u>103548701</u>	Shaft, Throttle	1
6	<u>103548801</u>	Kit, Idle Speed	1
7	<u>103548901</u>	Gasket, Carburetor Body	1
8	<u>103549001</u>	Pin, Float Hinge	1
9	<u>103549101</u>	Valve, Float Needle	1
10	<u>103549201</u>	Valve, Choke	1
11	<u>103549301</u>	Shaft, Choke	1
12	<u>103549401</u>	Jet, Main, 0-5000 Ft (0-1500m)	1
13	<u>103549501</u>	Jet, Main, 5000-9000 Ft (1500-2700m)	1
14	<u>103549601</u>	Jet, Main, 9000-up Ft (2700m-up)	1
15	<u>103549701</u>	Screw, Carb Body	4
16	<u>103550101</u>	Valve, Throttle	1
17	<u>103550201</u>	Float, Carburetor	1
18	<u>103550301</u>	Nozzle, Carburetor, Standard	1
19	<u>103552101</u>	Screw, Choke Valve	1
20	<u>103552501</u>	Bushing, Choke Shaft	1
21	<u>103553101</u>	Washer, Sealing, Carb Plug	1
22	<u>103560201</u>	Seal, Choke & Throttle Shaft	1
23	<u>103560901</u>	Kit, Needle & Seat	1
24	<u>103562901</u>	Spacer, Throttle	1
25	<u>103564701</u>	Plug, Carburetor	1
26	<u>103567501</u>	Cap, Limiter	1

9

G



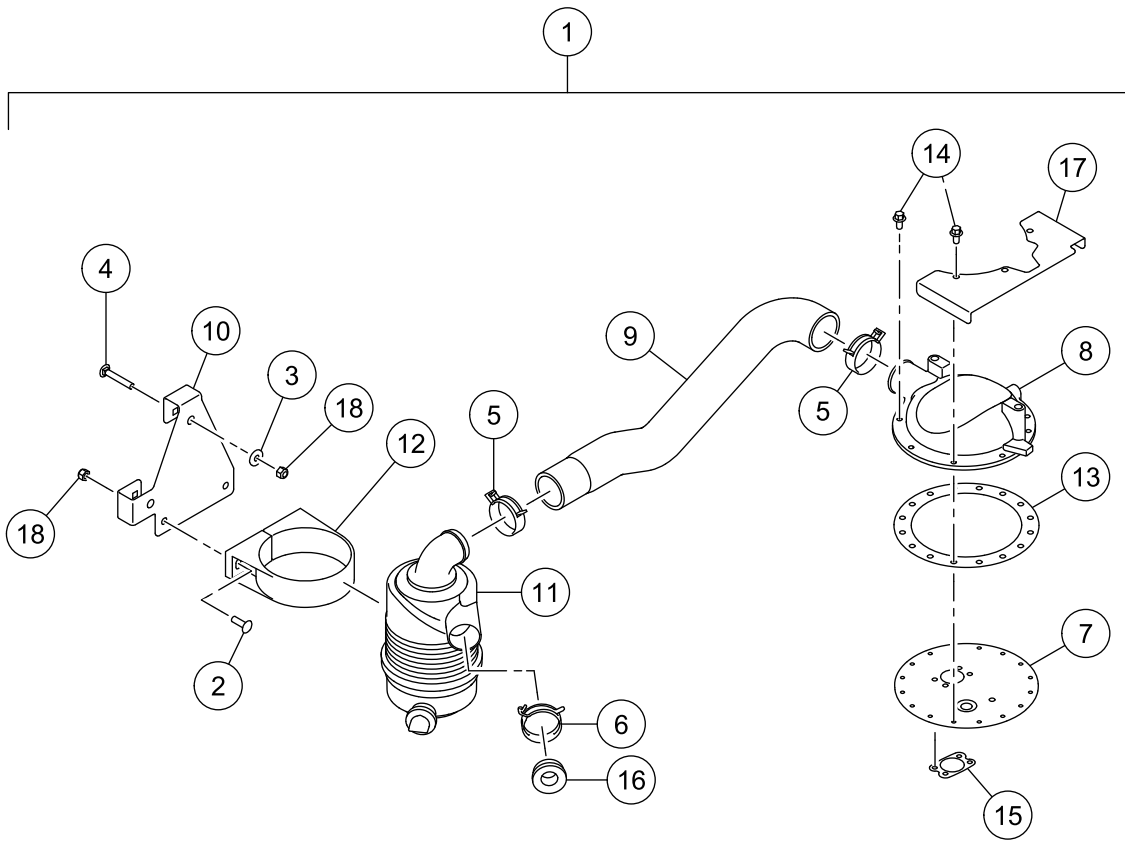
000889-015

CARBURETOR OVERHAUL KIT

ITEM	PART NO.	DESCRIPTION	QTY
1	<u>103549801</u>	<div style="display: flex; justify-content: space-between; margin-bottom: 5px;"> 1 2 3 4 </div> Kit, Carburetor Overhaul	1

9

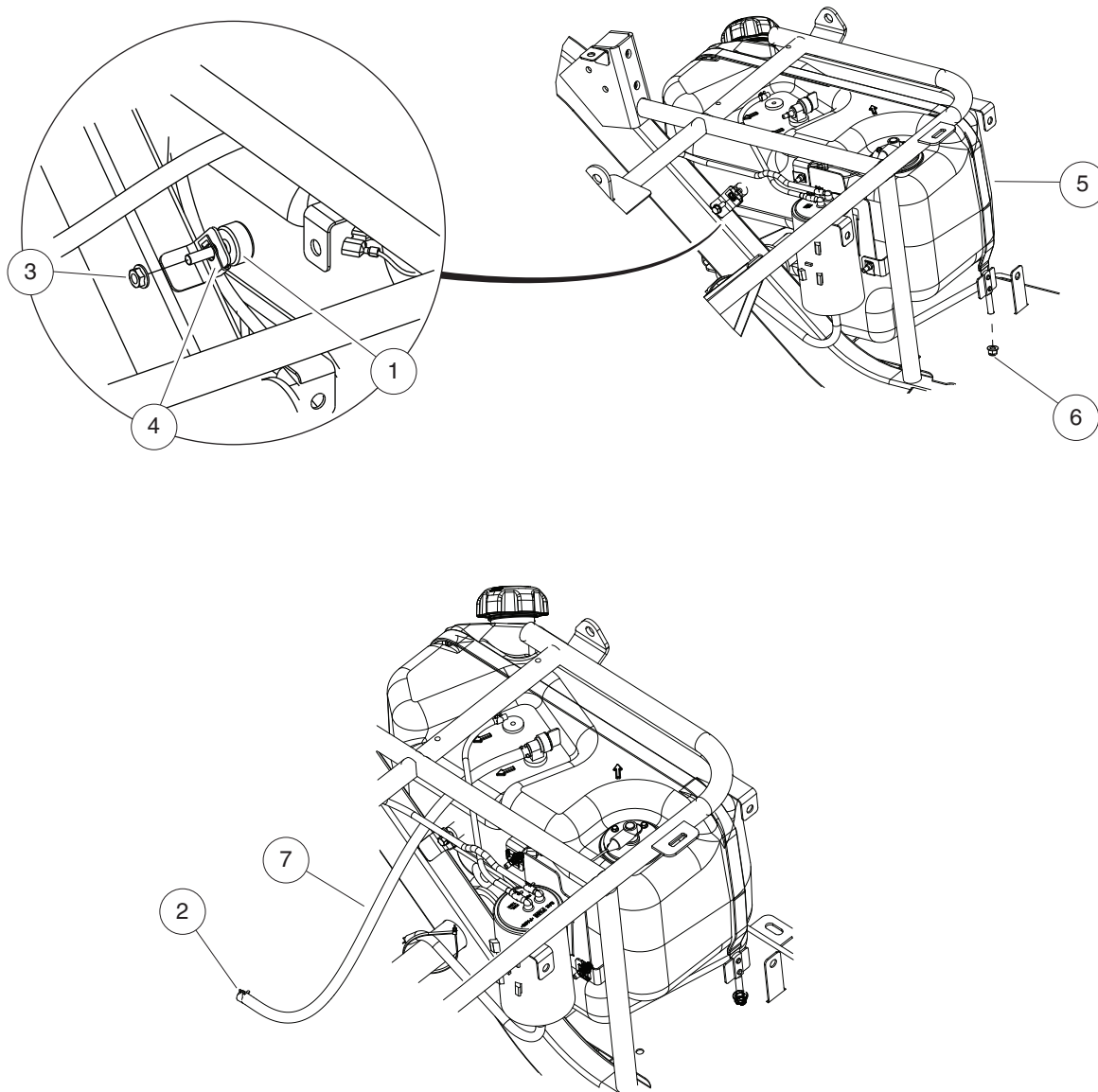
G



REMOTE AIR CLEANER

ITEM	PART NO.	DESCRIPTION	QTY
		1 2 3 4	
1	<u>103531001</u>	Kit, Air Cleaner, Remote (includes items 2 through 18)	1
2	<u>1010435</u>	Bolt, Carriage, 5/16-18 X 1.00	2
3	<u>1015075</u>	Washer, 5/16 Flat Type A	2
4	<u>1015405</u>	Bolt, Carriage, 5/16-18 X 2.0	2
5	<u>102411209</u>	Clamp, Hose, Ctb 55mm Dia.	2
6	<u>102558301</u>	Clamp, Air Intake, Prec	1
7	<u>103441101</u>	Plate, Adapter, Remote Air	1
8	<u>103441201</u>	Adapter, Remote Air	1
9	<u>103441301</u>	Hose, Intake, Remote	1
10	<u>103460001</u>	Brkt, Mtg, Air Intake, Remote	1
11	<u>103526701</u>	Canister, Filter, Air, Asm	1
12	<u>103527201</u>	Bracket, Mounting, Ac, 4"	1
13	<u>103576901</u>	Gasket, Remote Intake	1
14	<u>103577001</u>	Scr, Hex Flg, M6 X 1 X 12, Bs	8
15	<u>103581401</u>	Gasket, Carb, B&s	1
16	<u>103689801</u>	Restrictor, Intake, Remote	1
17	<u>103751101</u>	Guard, Remote Intake, Xrt950	1
18	<u>7473</u>	Locknut, 5/16-18 Nylon Insert	4

9
G

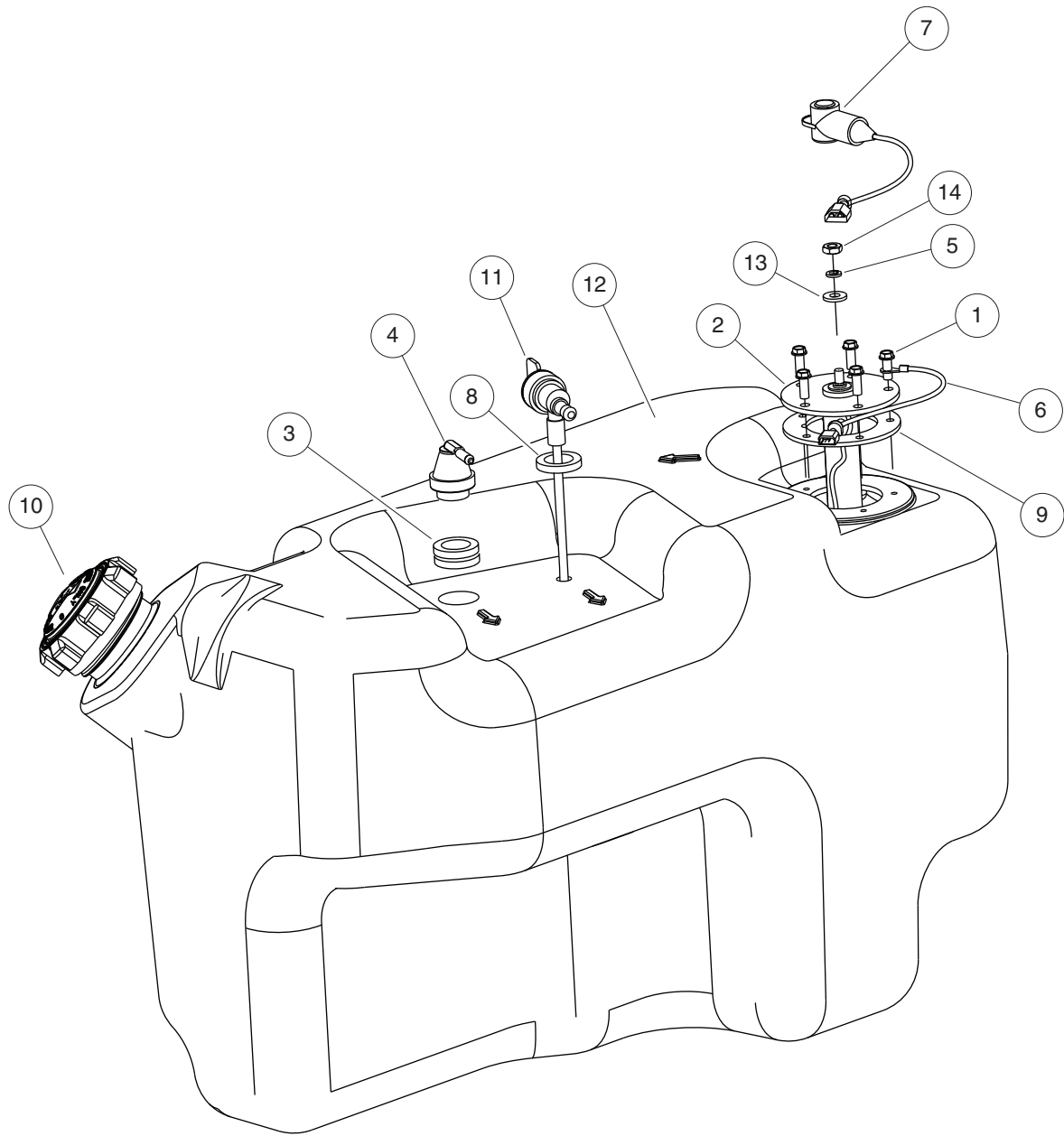


000912-006

FUEL SYSTEM

ITEM	PART NO.	DESCRIPTION	QTY
		1 2 3 4	
1	<u>1010878</u>	Bumper, Rubber	1
2	<u>1012649</u>	Clamp, 0.460 Red Hose	2
3	<u>1015661</u>	Nut, Lock Hx Flanged 1/4-20	1
4	1016952	U-Nut, 1/4-20	1
5	<u>102426301</u>	Strap, Tank, Fuel	1
6	102618601	Lock Nut, Flange, M8 X 1.25 Nylon	1
7	<u>47560464001</u>	Hose, Fuel 1/4saej1737 Bulk	16

9
G



000883-001

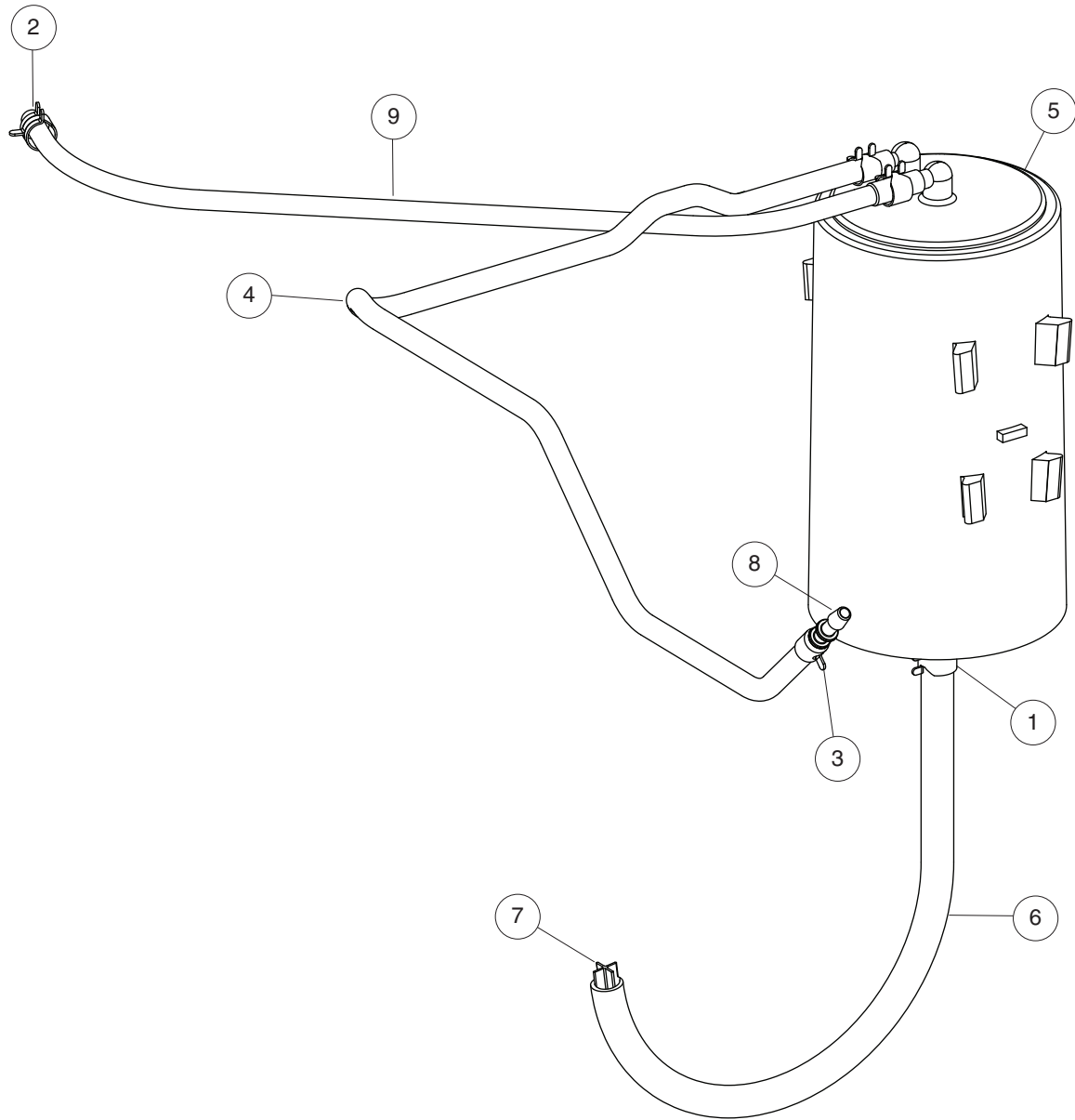
NANO FUEL TANK

ITEM	PART NO.	DESCRIPTION	QTY
		1 2 3 4	
1	<u>1013461</u>	Screw, #10-16 Hex-Head Hi-Lo	5
2	<u>1013462</u>	Sending Unit, Fuel Level *	1
3	<u>1015139</u>	Insulation Grommet	1
4	<u>1015143</u>	Vent, Fuel Tank	1
5	<u>1016</u>	Lockwasher, #10 Split	1
6	N/A	Wire Asm, Blk, 170mm	1
7	N/A	Wire Asm, Org, 170mm	1
8	<u>102406701</u>	Bushing, Line, Return	1
9	<u>102522001</u>	Gasket, Rubber	1
10	<u>103372101</u>	Cap, Fuel Tank, Gas, Ratchet	1
11	<u>103372301</u>	Valve, Fuel, 259mm	1
12	103485901	Tank, Fuel, Xrt950, Nano	1
13	<u>183</u>	Washer, #10, Type A, Flat	1
14	<u>8797</u>	Nut, #10-32 Brass Hex	1
		* Note: Must replace fuel sending unit gasket when servicing this component.	

9

G

9
G



103486701B

CARBON CANISTER

ITEM	PART NO.	DESCRIPTION	QTY
		1 2 3 4	
1	<u>1012649</u>	Clamp, 0.460 Red Hose	1
2	<u>101313402</u>	Clamp, Green Hose	2
3	<u>1013746</u>	Clamp, 0.301 ID Hose	3
4	<u>101587703</u>	Hose, Fuel, Vent, 22" Long	1
5	<u>103372401</u>	Canister, Carbon	1
6	N/A	Hose, Vent, 5/16 I.D., Bulk	0.5
7	N/A	Vent, Barb, 5/16 I.D. Hose	1
8	<u>103460201</u>	Adapter, Barb, Purge Line	1
9	<u>103851202</u>	Hose, Vent Flared, 15.75 Inch	1

9
G

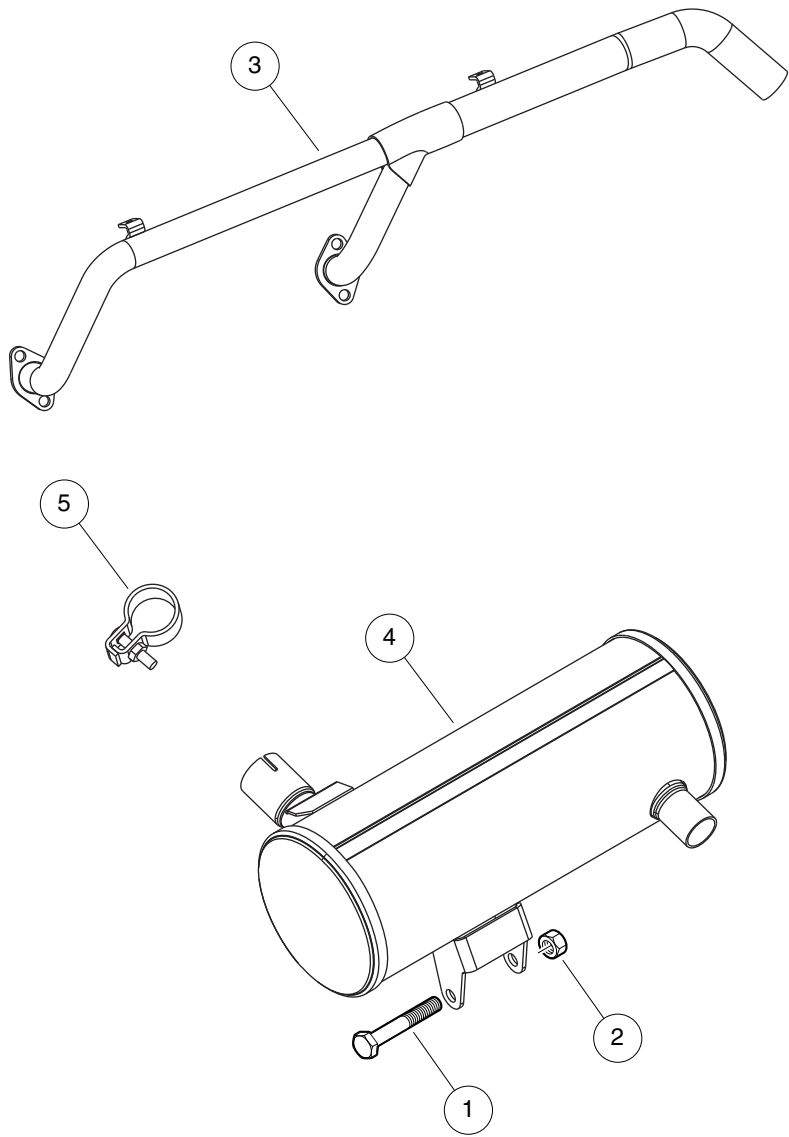
9

G

EXHAUST SYSTEM

10

G



000907-001

EXHAUST SYSTEM

ITEM	PART NO.	DESCRIPTION	QTY
		1 2 3 4	
1	<u>102298170</u>	Bolt - Flange Hd, M8 X 70.0	4
2	<u>102298401</u>	Nut, M8, All Metal Lock	1
3	<u>103417001</u>	Manifold, Exhaust, B&s 14hp	1
4	<u>103417101</u>	Muffler, B&S 14hp	1
5	<u>103614501</u>	Clamp, Muffler, 1.42 Dia	1

10

G

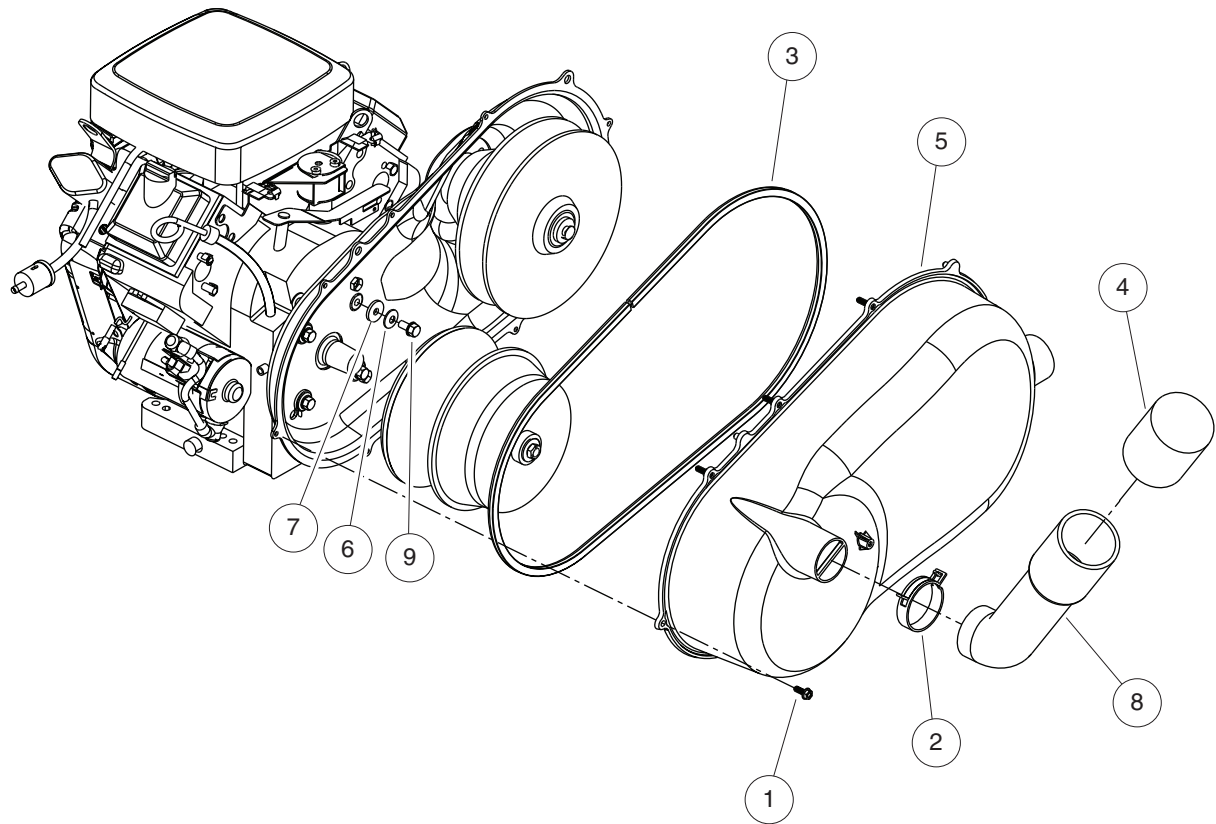
10

G

CLUTCHES

11

G



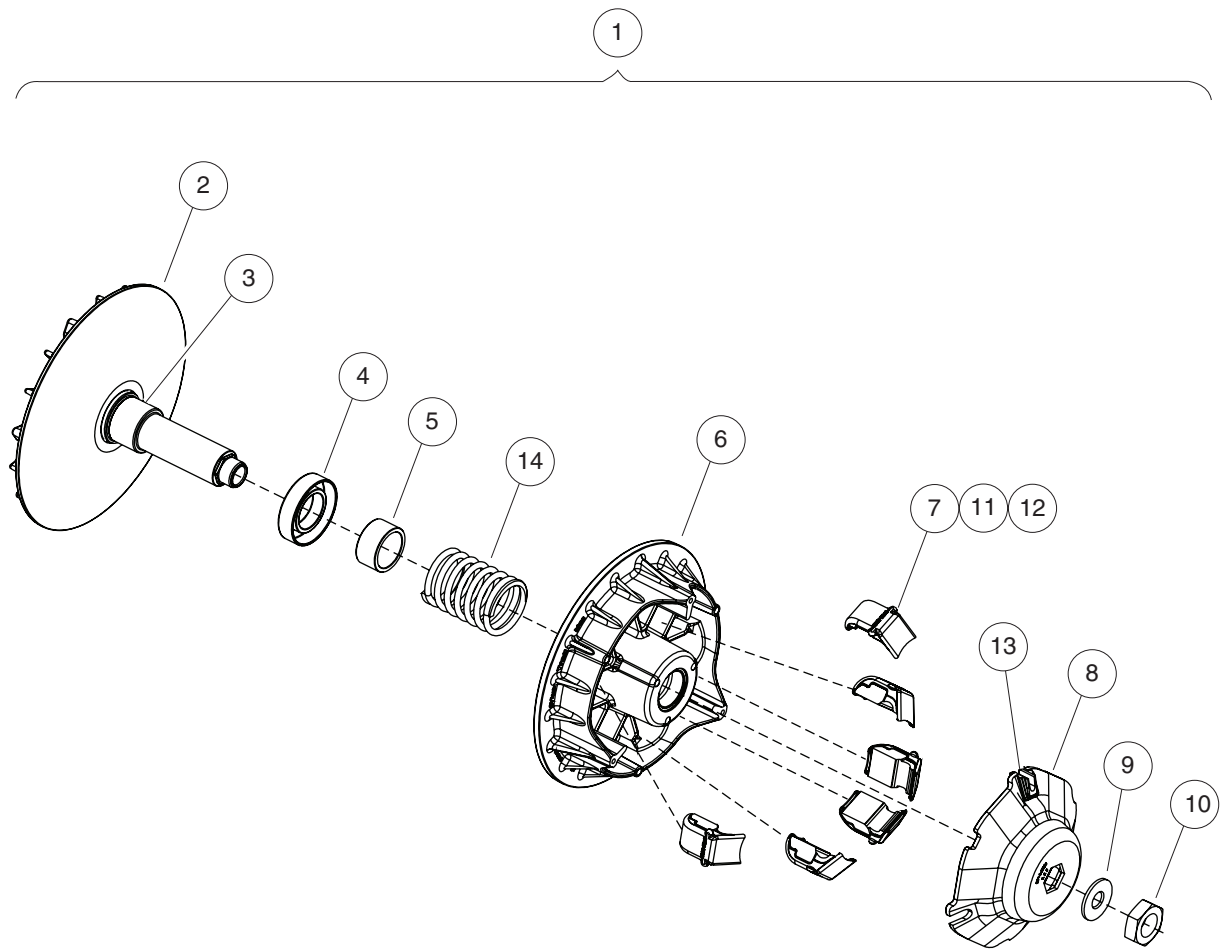
000882-001

CLUTCH COVER – SEALED

ITEM	PART NO.	DESCRIPTION	QTY
		1 2 3 4	
1	<u>102296716</u>	Screw, M6 X 16 Tt Hx Fl Hd	8
2	<u>102411210</u>	Clamp, Hose, Ctb 64mm	1
3	<u>102481302</u>	Gasket, Cover, Cvt, Xrt 950	1
4	<u>102628001</u>	Filter, Inlet, Cover, CVT	1
5	<u>103447501</u>	Cover, Cvt, Outer	1
6	<u>103572201</u>	Washer, 5/16, Cone	4
7	<u>103572701</u>	Washer, 5/16, Neoprene	4
8	<u>103688201</u>	Hose, Intake, Cvt, Xrt950	1
9	<u>103784101</u>	Screw, Bhsoc, 5/16-24x.63 Ptch	4

11

G

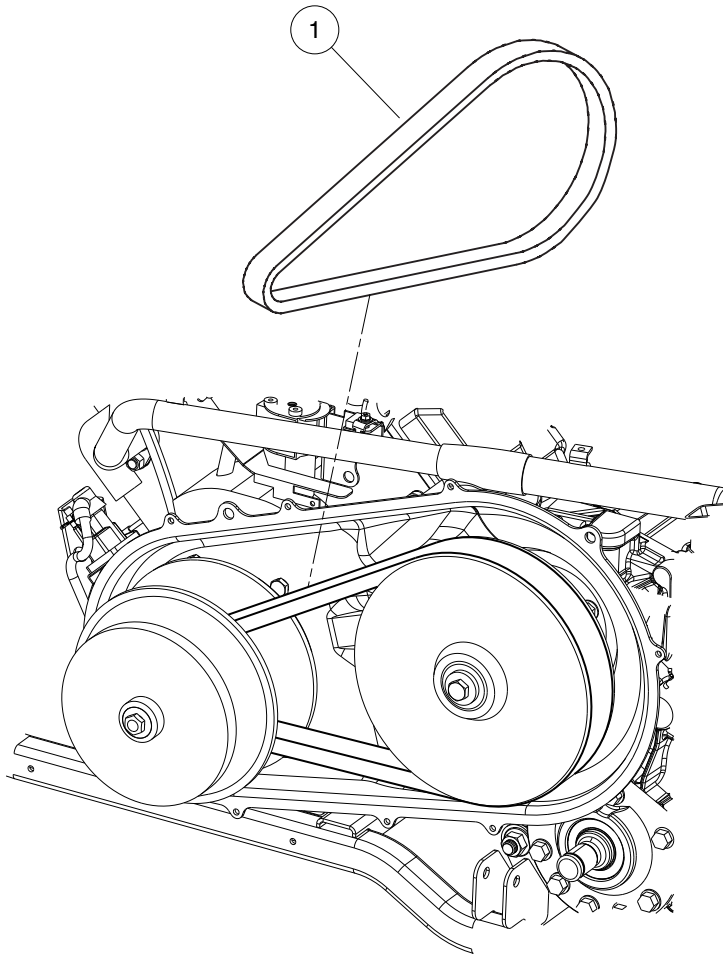


000901-005

DRIVE CLUTCH

ITEM	PART NO.	DESCRIPTION	QTY
		1 2 3 4	
1	<u>103869801</u>	Clutch, Primary, Xrt950, Re (includes items 2 through 14)	1
2	<u>103518501</u>	Asm, Fixed Flange, Drive (includes item 3)	1
3	<u>103683401</u>	Bearing, Idler, Cvtech	1
4	<u>103518601</u>	Seat, Spring, Drive	1
5	<u>103518701</u>	Stopper, Drive	1
6	<u>103518901</u>	Flange, Sliding, Drive	1
7	<u>103519001</u>	Asm, Block	6
8	<u>103519101</u>	Asm, Cap	1
9	<u>103519201</u>	Washer, Lock, M20	1
10	<u>103519301</u>	Nut, Hex, M20x1.5	1
11	103683501	Overlay, Plastic, Drive Weight	6
12	103683601	Weight, Centrifugal, Cvtech	6
13	<u>103683701</u>	Guide, Cap, Cvtech	3
14	<u>103870401</u>	Spring, Primary, 950	1

11
G



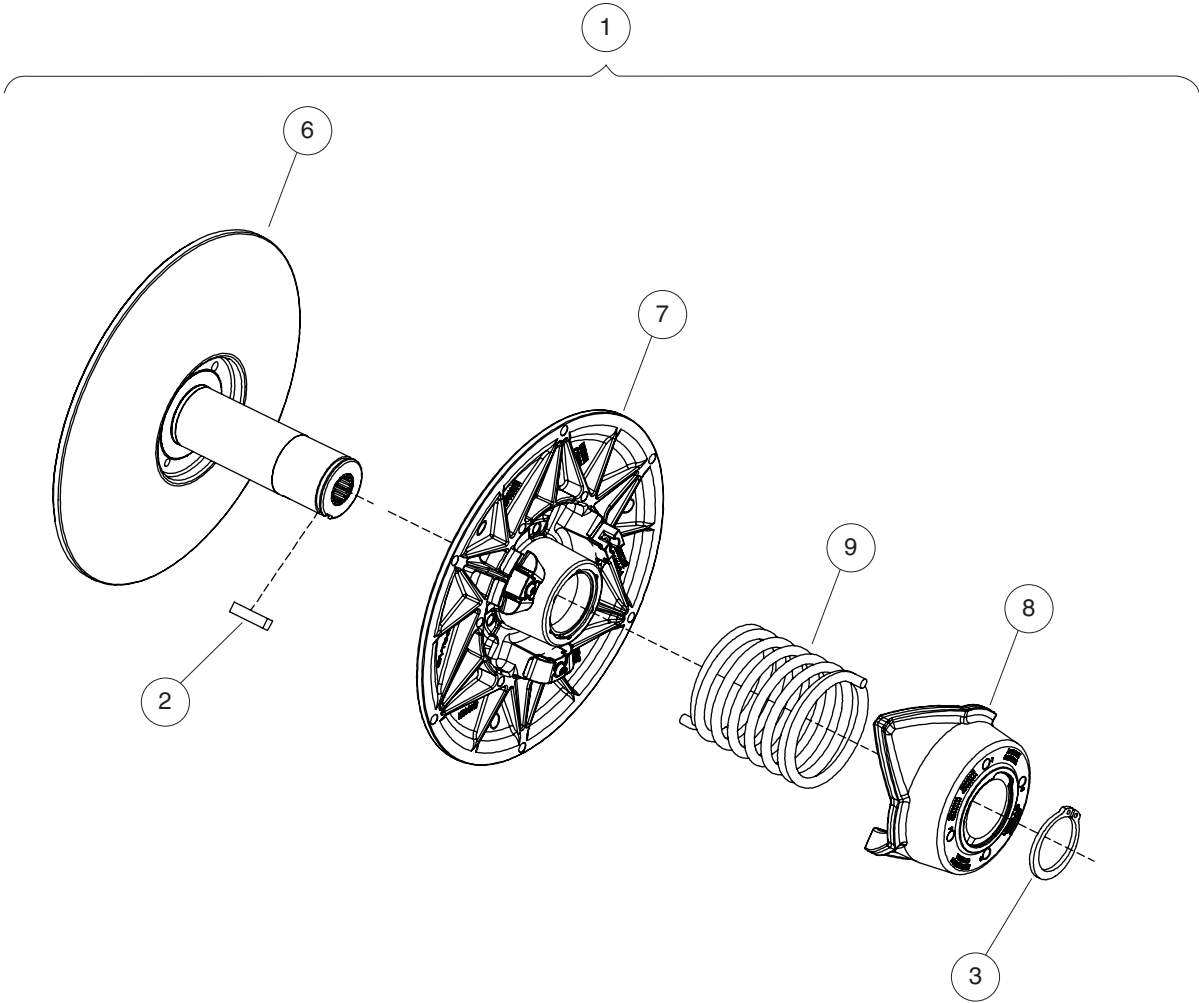
000915-001

DRIVE BELT

11

G

ITEM	PART NO.	DESCRIPTION	QTY
1	<u>103416101</u>	1 2 3 4 Belt, Cvt	1



000901-006

DRIVEN CLUTCH

ITEM	PART NO.	DESCRIPTION	QTY
		1 2 3 4	
1	<u>103869901</u>	Clutch, Secondary, Xrt950, Re (includes items 2 through 9)	1
2	<u>103516601</u>	Key, Cam	1
3	<u>103516701</u>	Ring, Snap, External	1
4	<u>103683801</u>	Shoe, Cam, Cvtech	3
5	<u>103683901</u>	Screw, Button Hd, Cam Shoe	3
6	<u>103870001</u>	Flange, Fixed, Secondary, 950	1
7	<u>103870101</u>	Moveable Flange, Sec, 950	1
8	<u>103870201</u>	Cam, Machined, Sec, 950	1
9	<u>103870301</u>	Spring, Secondary, 950	1

11
G

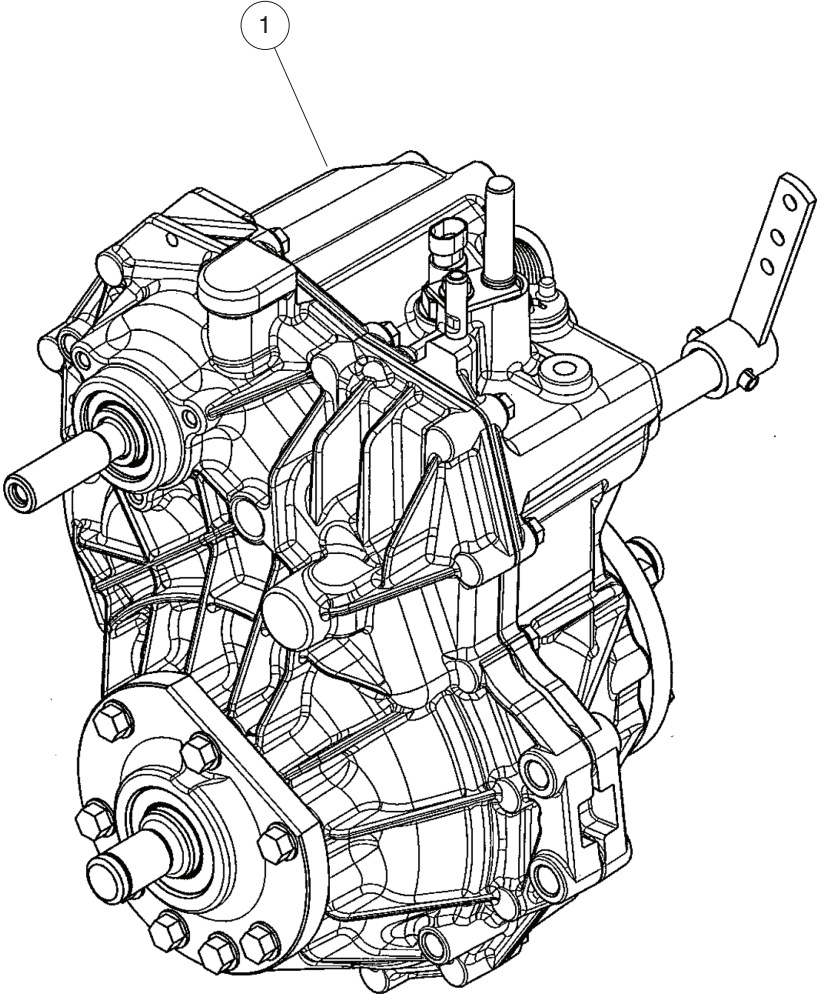
11

G

DRIVETRAIN COMPONENTS – 2WD

12

G



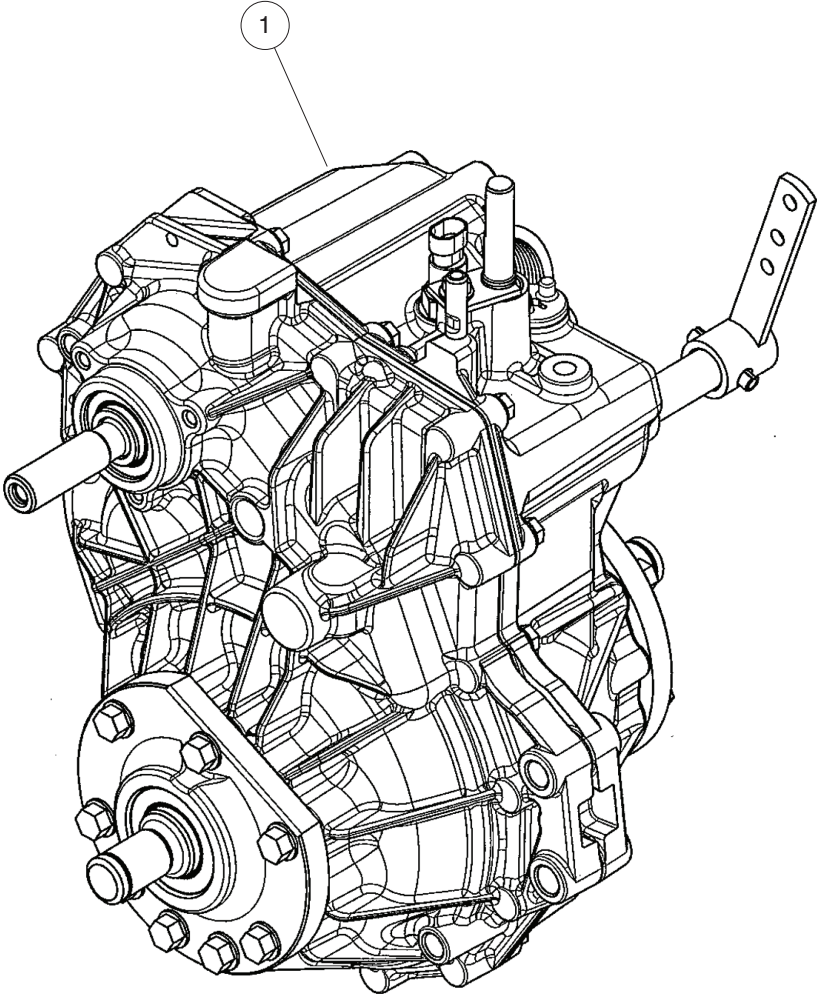
000909-010

TRANSAXLE, 2WD – TO SN: KR1225-287643

ITEM	PART NO.	DESCRIPTION	QTY
1	<u>103061201</u>	<div style="display: flex; justify-content: space-between; margin-bottom: 5px;"> 1 2 3 4 </div> Transaxle, Kanzaki, Uv30c, 2wd	1

12

G



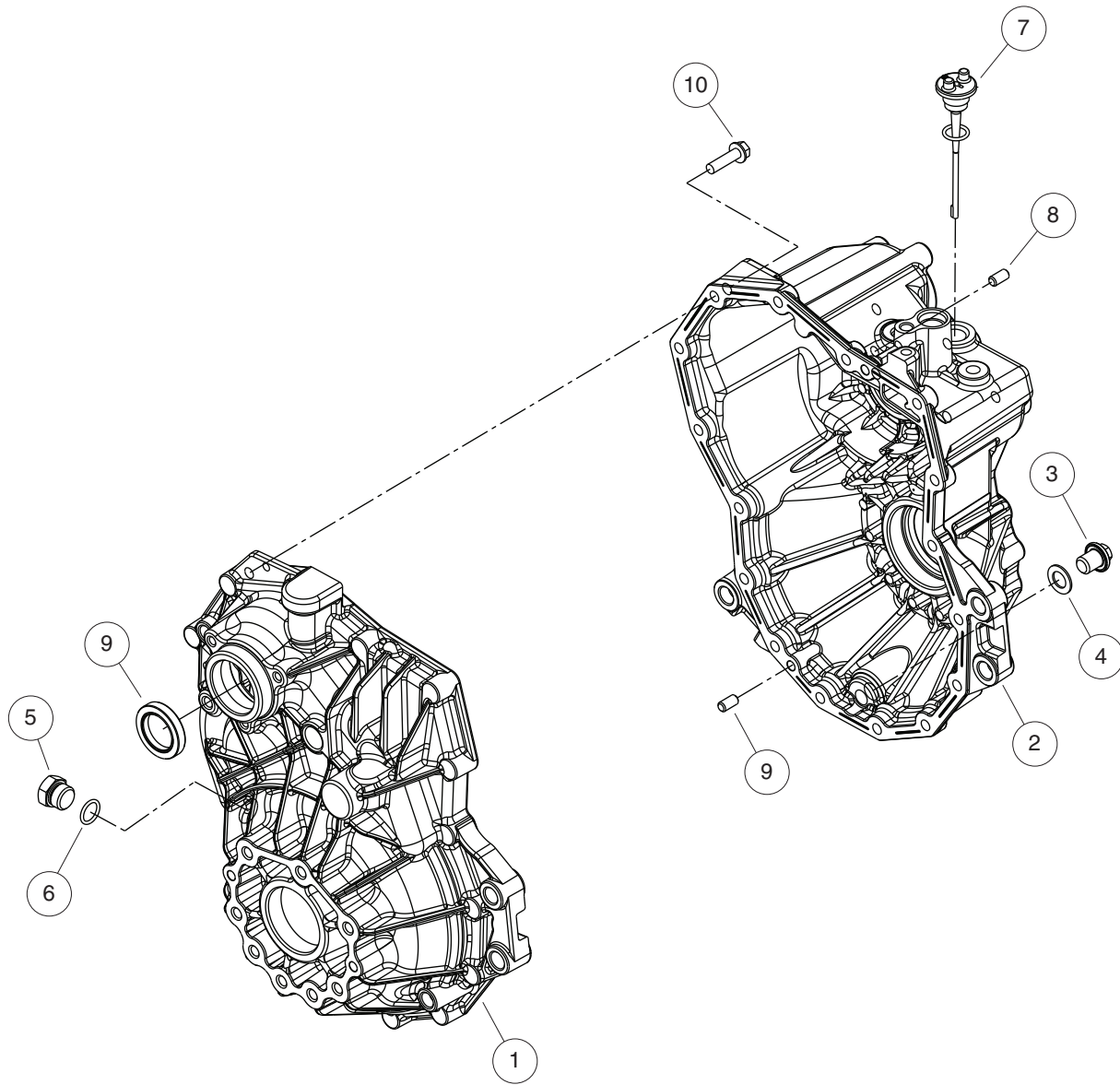
000909-010

TRANSAXLE, 2WD – FROM SN: KR1225-287644

ITEM	PART NO.	DESCRIPTION	QTY
1	<u>103646401</u>	<div style="display: flex; justify-content: space-between; margin-bottom: 5px;"> 1 2 3 4 </div> Transaxle, Uv31c, 2wd	1

12

G



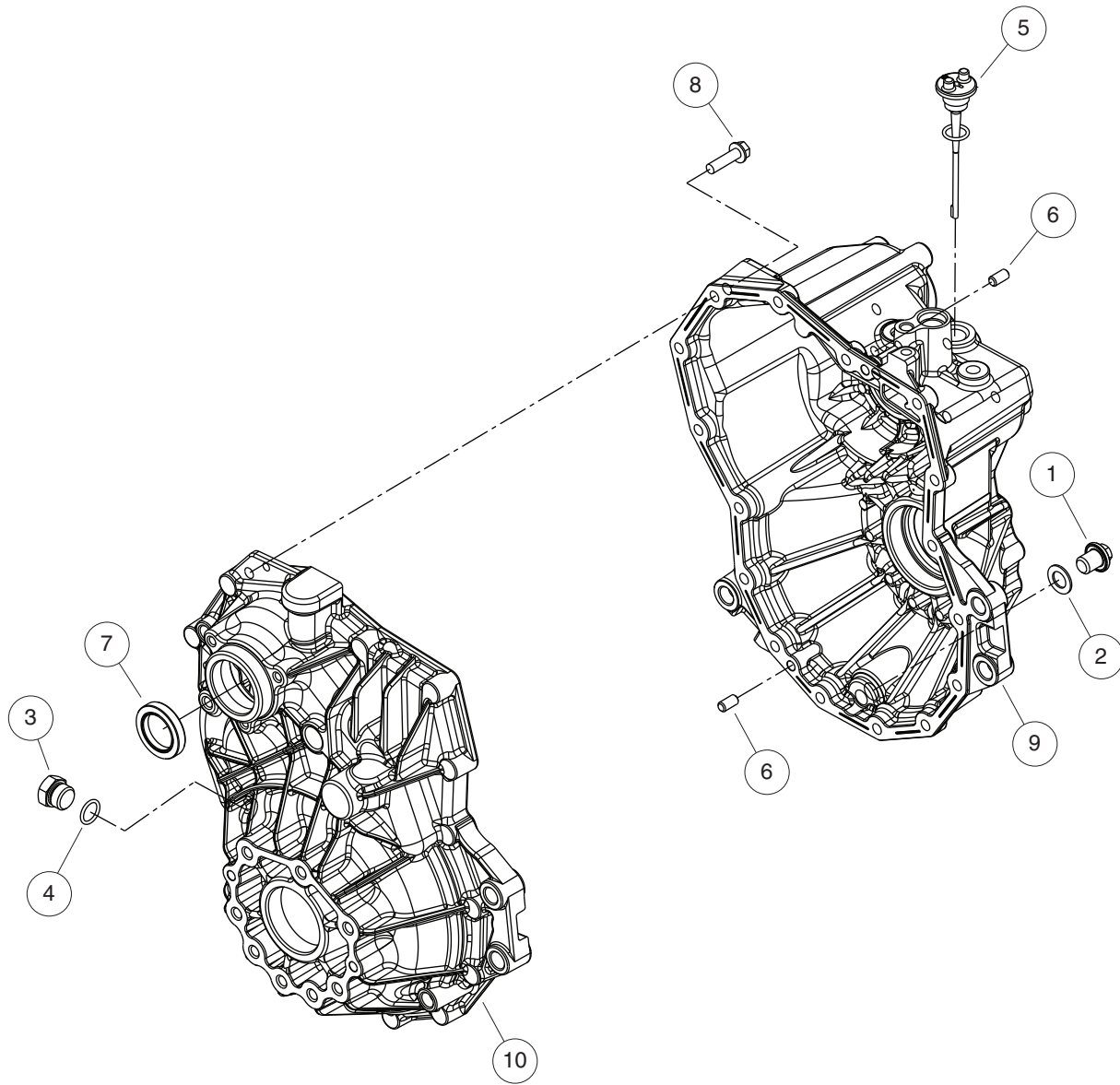
000909-001

TRANSAXLE HOUSING, 2WD – TO SN: KR1225-287643

ITEM	PART NO.	DESCRIPTION	QTY
		1 2 3 4	
1	<u>103602601</u>	Housing, Transaxle, Kanzaki, L	1
2	<u>103602701</u>	Housing, Transaxle, Kanzaki, R	1
3	<u>103602801</u>	Bolt, M14x16, T/a Hsng Asm	1
4	<u>103602901</u>	Washer, Drain Plug, T/a Hsng	1
5	<u>103603001</u>	Plug, 3/4-16, W/p Cmp	1
6	<u>103603101</u>	Packing, P 16.0, Transaxle	1
7	<u>103603201</u>	Dip Stick Cmp, T/a Hsng Asm	1
8	<u>103603301</u>	Pin, 8x14, Transaxle	2
9	<u>103603401</u>	Seal, Tc304508, T/a Hsng Asm	1
10	<u>103603501</u>	Bolt, M8x30	16

12

G

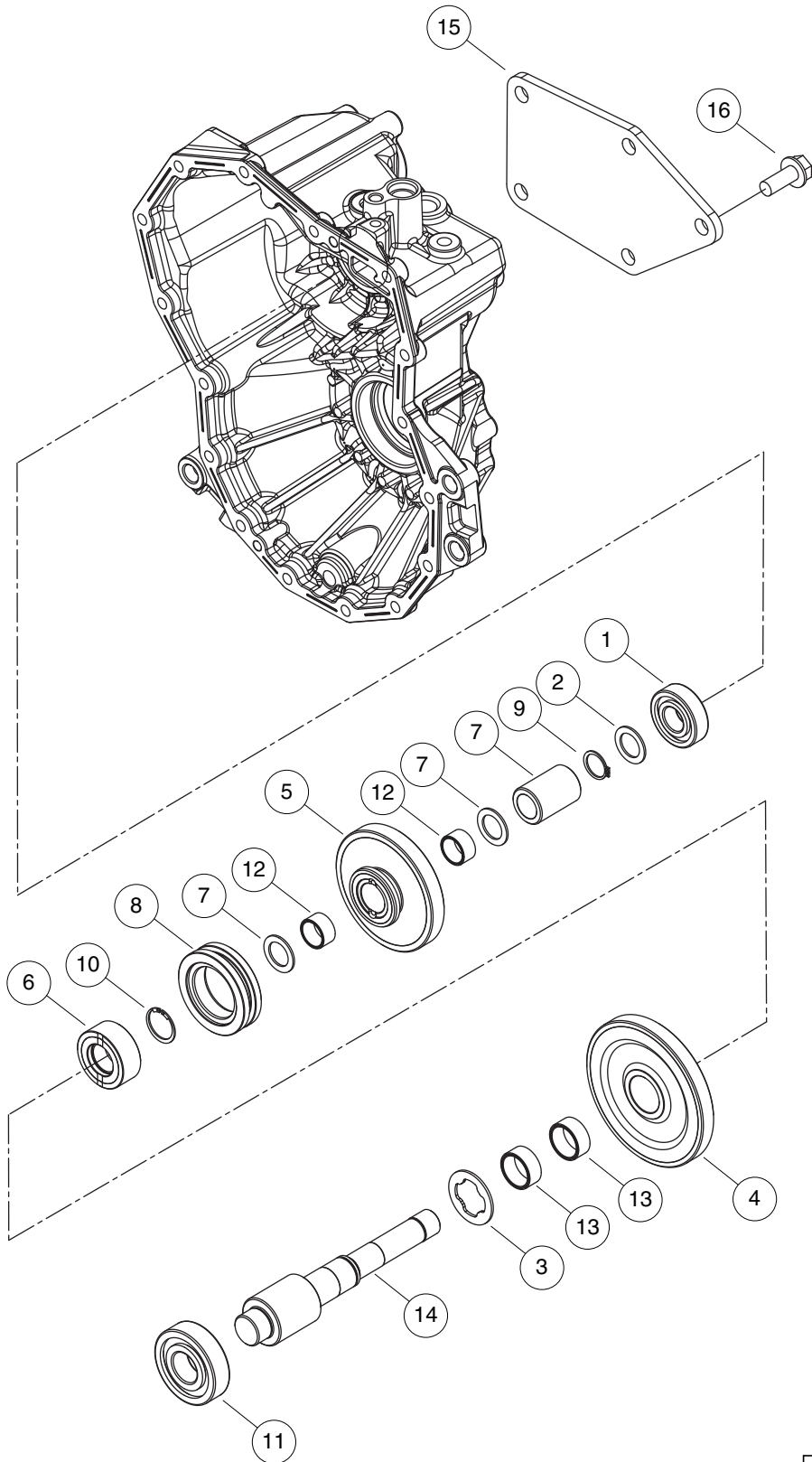


000909-017

TRANSAXLE HOUSING, 2WD – FROM SN: KR1225-287644

ITEM	PART NO.	DESCRIPTION	QTY
		1 2 3 4	
1	<u>103602801</u>	Bolt, M14x16, T/a Hsng Asm	1
2	<u>103602901</u>	Washer, Drain Plug, T/a Hsng	1
3	<u>103603001</u>	Plug, 3/4-16, W/p Cmp	1
4	<u>103603101</u>	Packing, P 16.0, Transaxle	1
5	<u>103603201</u>	Dip Stick Cmp, T/a Hsng Asm	1
6	<u>103603301</u>	Pin, 8x14, Transaxle	2
7	<u>103603401</u>	Seal, Tc304508, T/a Hsng Asm	1
8	<u>103603501</u>	Bolt, M8x30	16
9	<u>103905301</u>	Housing, Transaxle, Uv31c	1
10	<u>103905401</u>	Cover, Transaxle, Uv31c	1

12
G



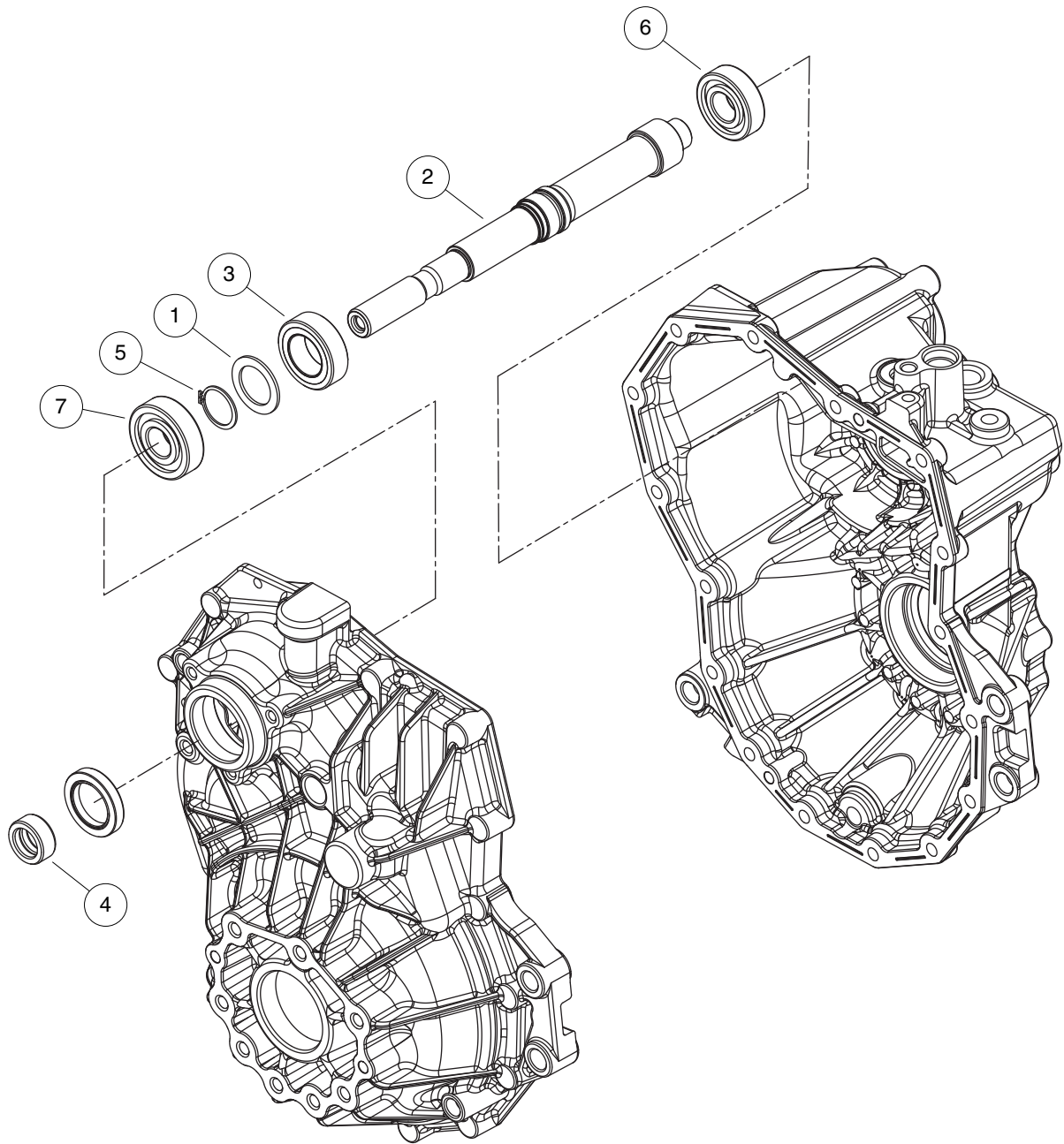
000909-005

TRANSAXLE REDUCTION SHAFT ASSEMBLY – 2WD

ITEM	PART NO.	DESCRIPTION	QTY
		1 2 3 4	
1	<u>103604101</u>	Bearing, 6204, Transaxle	1
2	<u>103604301</u>	Washer, 20x30x1.6, Redn Shaft	3
3	<u>103604401</u>	Washer 25x44x2, Redn Shaft Asm	1
4	<u>103604601</u>	Gear, Reduction, Fwd	1
5	<u>103604701</u>	Gear, Reduction, Rev	1
6	<u>103604801</u>	Collar, Spline, Redn Shaft Asm	1
7	<u>103604901</u>	Collar, Redn Shaft Asm	1
8	<u>103605001</u>	Shifter, Redn Shaft Asm	1
9	<u>103605101</u>	Ring, 20, Transaxle	1
10	<u>103605201</u>	Ring, 24, Redn Shaft Asm	1
11	<u>103605301</u>	Bearing, 6305 Ntn, Redn Shaft	1
12	<u>103605401</u>	Needle, 202413, Redn Shaft Asm	2
13	<u>103605501</u>	Needle, 253013, Transaxle	2
14	<u>103605601</u>	Shaft, Reduction, 2wd	1
15	<u>103610301</u>	Cover, Pto, Frt Drive Cover	1
16	<u>103610401</u>	Bolt, 8x20, Frt Drive Cover	5

12

G

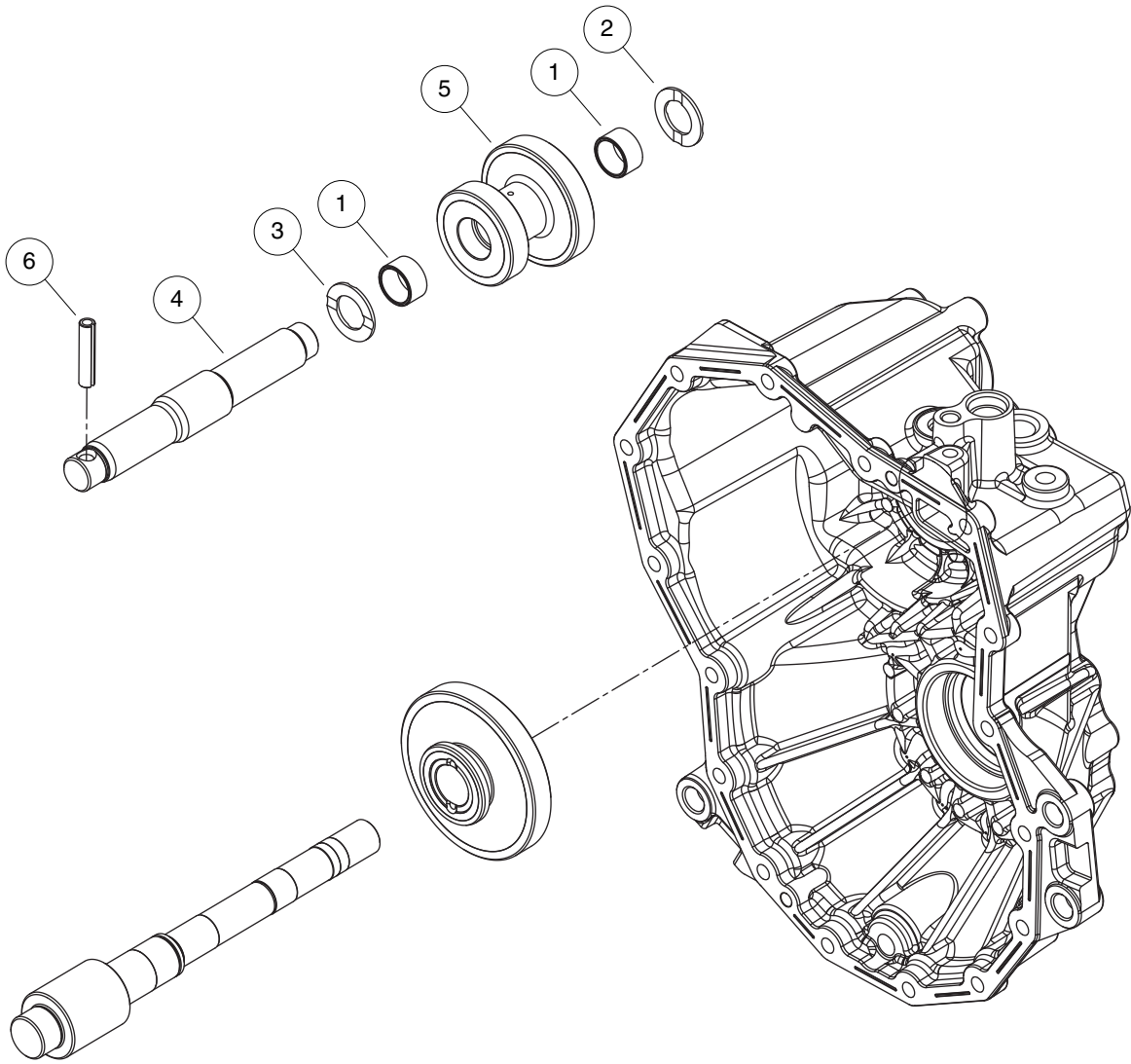


000909-003

TRANSAXLE INPUT SHAFT – 2WD

ITEM	PART NO.	DESCRIPTION	QTY
		1 2 3 4	
1	<u>103603601</u>	Washer, 27x40x2, I/p Shaft	1
2	<u>103603701</u>	Shaft, Input, Transaxle	1
3	<u>103603801</u>	Gear, Input, I/p Shaft Asm	1
4	<u>103603901</u>	Sleeve, 20x30x13, I/p Shaft	1
5	<u>103604001</u>	Ring, 26, I/p Shaft Asm	1
6	<u>103604101</u>	Bearing, 6204, Transaxle	1
7	<u>103604201</u>	Bearing, 6304, I/p Shaft Asm	1

12
G



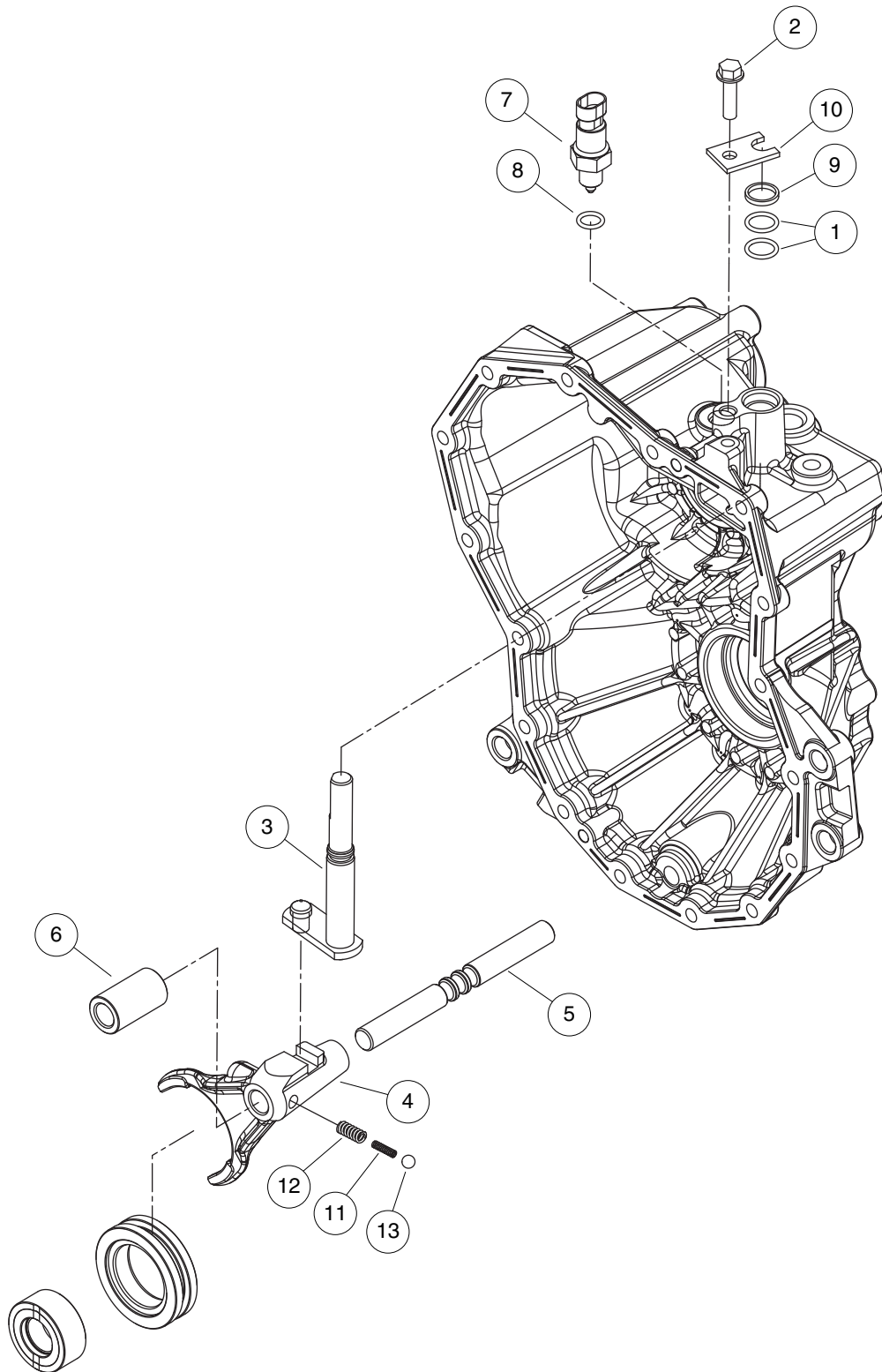
000909-006

TRANSAXLE REVERSE SHAFT ASSEMBLY – 2WD

ITEM	PART NO.	DESCRIPTION	QTY
		1 2 3 4	
1	<u>103605501</u>	Needle, 253013, Transaxle	2
2	<u>103605701</u>	Washer, 20x34x2, Rev Shaft Asm	1
3	<u>103605801</u>	Washer, 25x36x2, Rev Shaft Asm	1
4	<u>103605901</u>	Shaft, Idle, Rev	1
5	<u>103606001</u>	Gear, Idle, Rev	1
6	<u>103606101</u>	Pin, 8.0ax 40, Transaxle	1

12

G



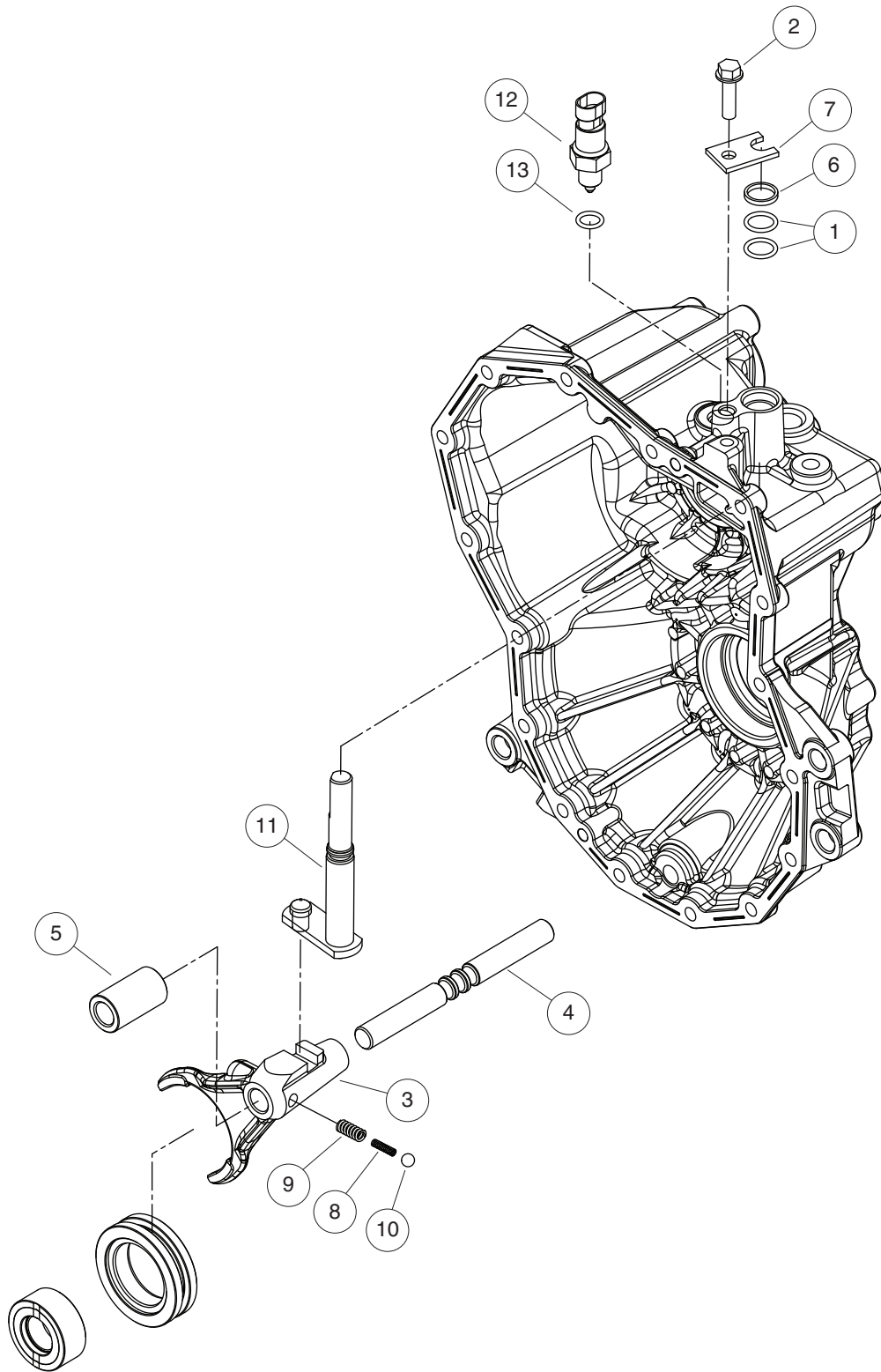
000909-007

TRANSAXLE SHIFT ASSEMBLY, 2WD – TO SN: KR1225-287643

ITEM	PART NO.	DESCRIPTION	QTY
		1 2 3 4	
1	<u>103603101</u>	Packing, P 16.0, Transaxle	2
2	<u>103603501</u>	Bolt, M8x30	1
3	<u>103606201</u>	Arm, Shift, Cmp	1
4	<u>103606301</u>	Fork, Shift	1
5	<u>103606401</u>	Shaft, Shift Fork	1
6	<u>103606501</u>	Collar, Fork Shaft	1
7	<u>103606601</u>	Switch, Safety, Cmp	1
8	<u>103606701</u>	Packing, P12.5, Shift Asm	1
9	<u>103606801</u>	Collar, Shift Arm	1
10	<u>103606901</u>	Plate, Keep, Transaxle	1
11	<u>103607001</u>	Spring, Inner, Shift Asm	1
12	<u>103607101</u>	Spring, 23, Shift Asm	1
13	<u>103607201</u>	Ball, 5/16, Shift Asm	1

12

G



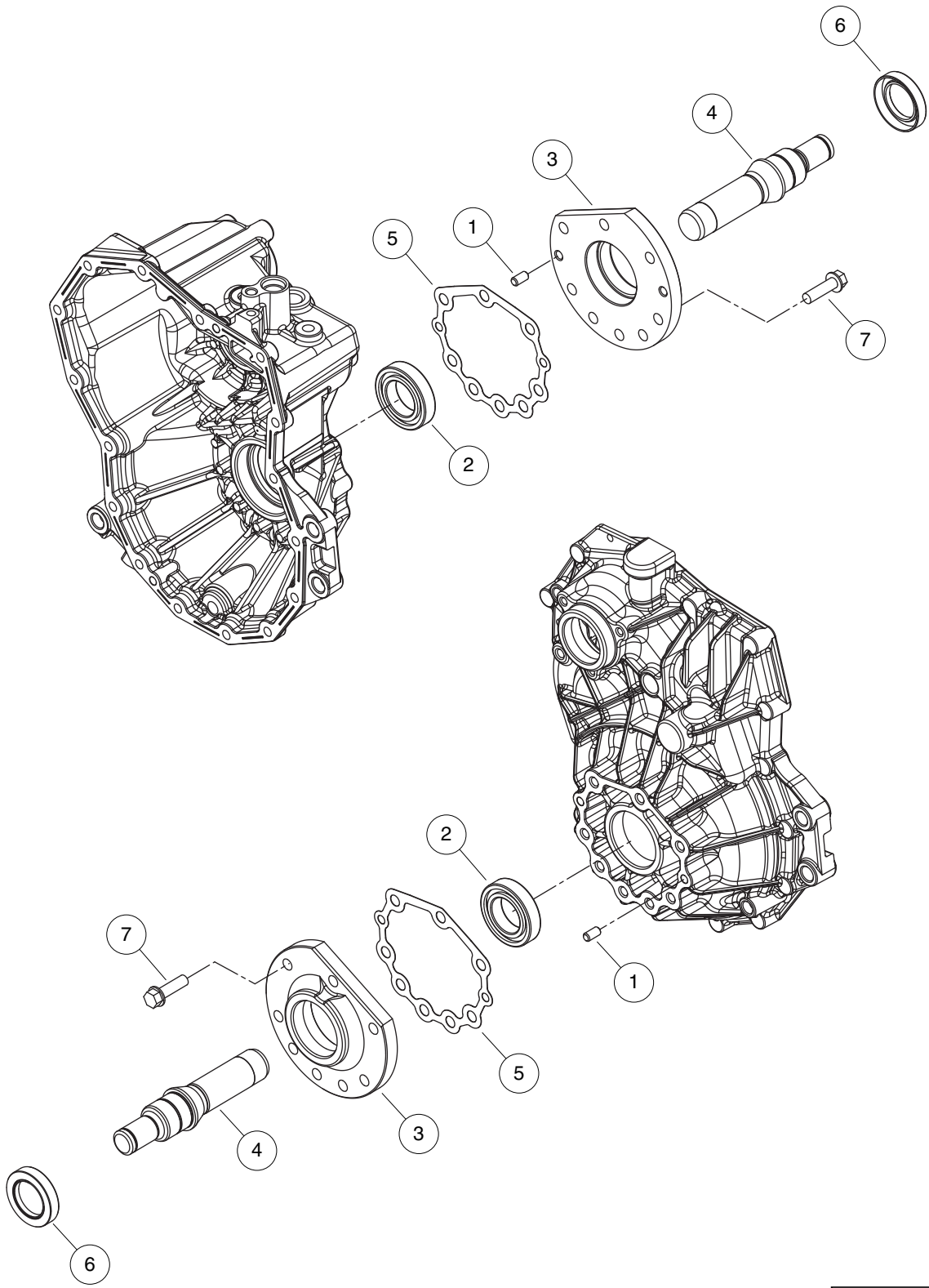
000909-018

TRANSAXLE SHIFT ASSEMBLY, 2WD – FROM SN: KR1225-287644

ITEM	PART NO.	DESCRIPTION	QTY
		1 2 3 4	
1	<u>103603101</u>	Packing, P 16.0, Transaxle	2
2	<u>103603501</u>	Bolt, M8x30	1
3	<u>103606301</u>	Fork, Shift	1
4	<u>103606401</u>	Shaft, Shift Fork	1
5	<u>103606501</u>	Collar, Fork Shaft	1
6	<u>103606801</u>	Collar, Shift Arm	1
7	<u>103606901</u>	Plate, Keep, Transaxle	1
8	<u>103607001</u>	Spring, Inner, Shift Asm	1
9	<u>103607101</u>	Spring, 23, Shift Asm	1
10	<u>103607201</u>	Ball, 5/16, Shift Asm	1
11	<u>103902901</u>	Shift Arm, Complete, Al	1
12	<u>103903101</u>	Switch, Neutral Start, Al	1
13	<u>103903201</u>	O-ring, Switch, Al	1

12

G

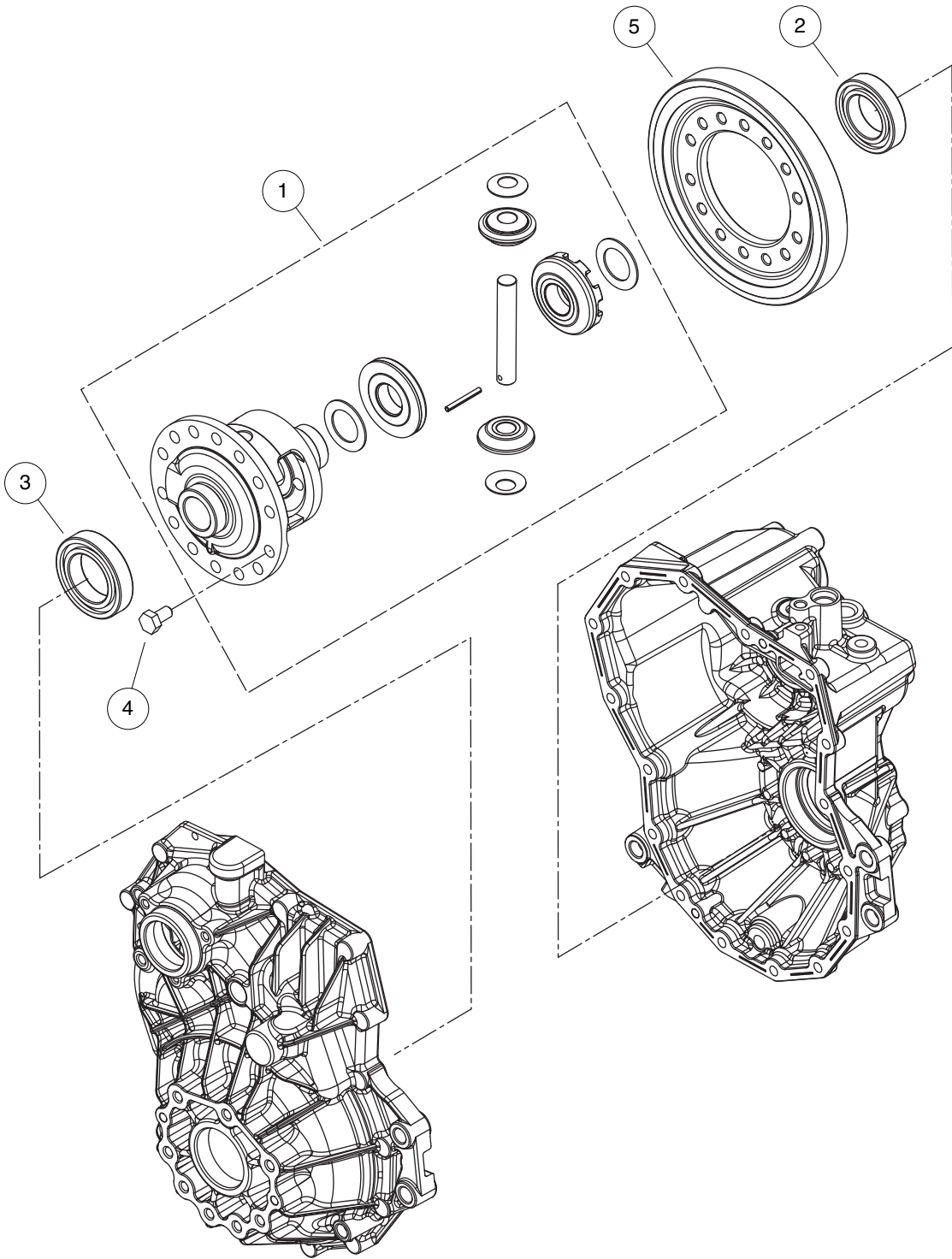


000909-009

TRANSAXLE AXLE HOUSING ASSEMBLY – 2WD

ITEM	PART NO.	DESCRIPTION	QTY
		1 2 3 4	
1	<u>103603301</u>	Pin, 8x14, Transaxle	4
2	<u>103608801</u>	Bearing, 6007 Ntn, Transaxle	2
3	<u>103609801</u>	Housing, Axle, Kanzaki	2
4	<u>103609901</u>	Shaft, Axle, Kanzaki	2
5	<u>103610001</u>	Packing, Axle Housing, Kanzaki	2
6	<u>103610101</u>	Seal, Tc355511, Axle Hsng Asm	2
7	<u>103610201</u>	Bolt, 10 X 35, Axle Hsng Asm	16

12
G



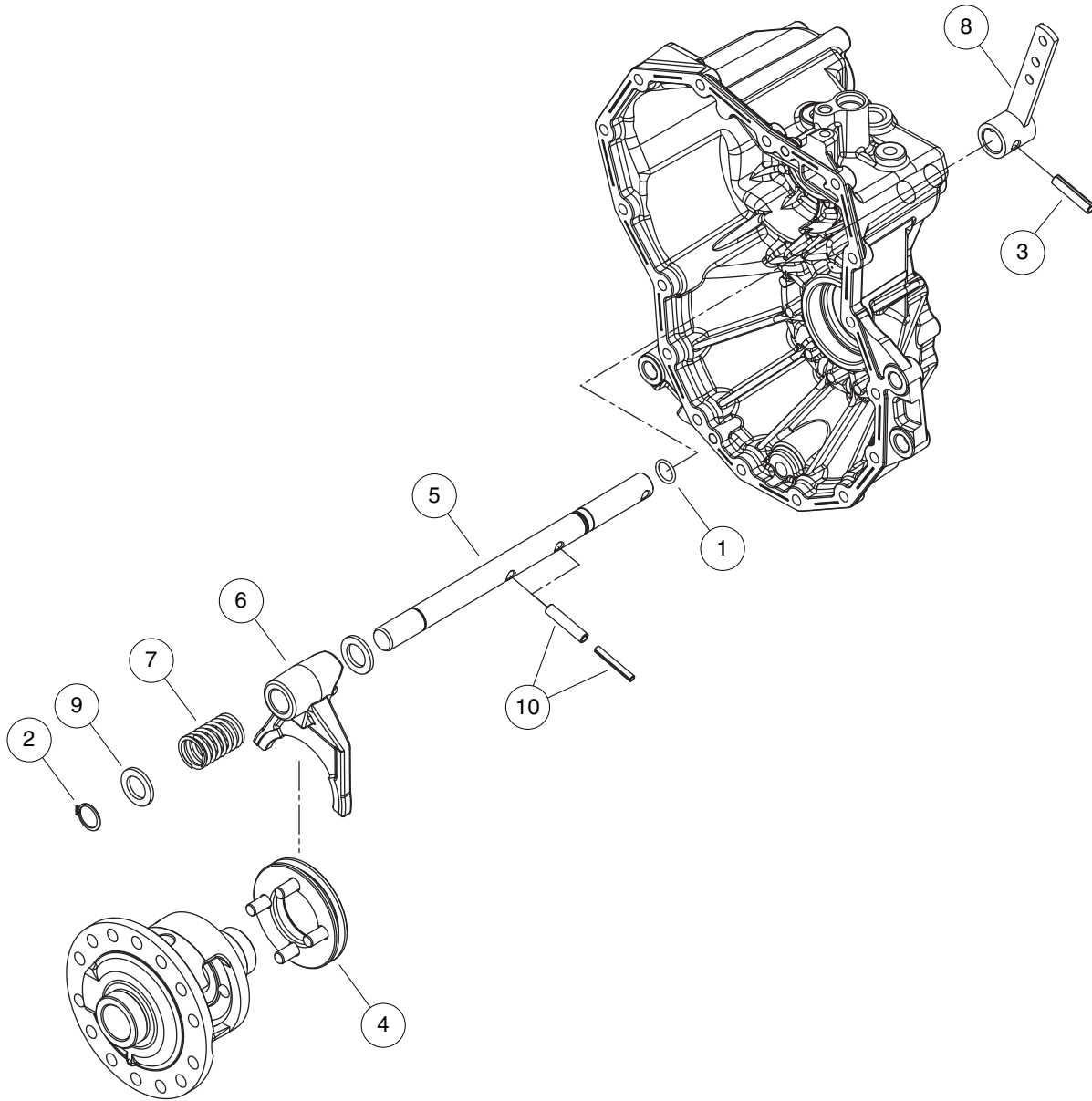
000909-011

TRANSAXLE DIFFERENTIAL GEAR ASSEMBLY – 2WD

ITEM	PART NO.	DESCRIPTION	QTY
		1 2 3 4	
1	<u>103610501</u>	Differential, Cmp, T/a Kanzaki	1
2	<u>103610701</u>	Bearing, 6008 Ntn, Diff	1
3	<u>103610801</u>	Bearing, 6009 Ntn, Diff	1
4	<u>103610901</u>	Bolt 10x20	14
5	<u>103611701</u>	Final Gear	1

12

G



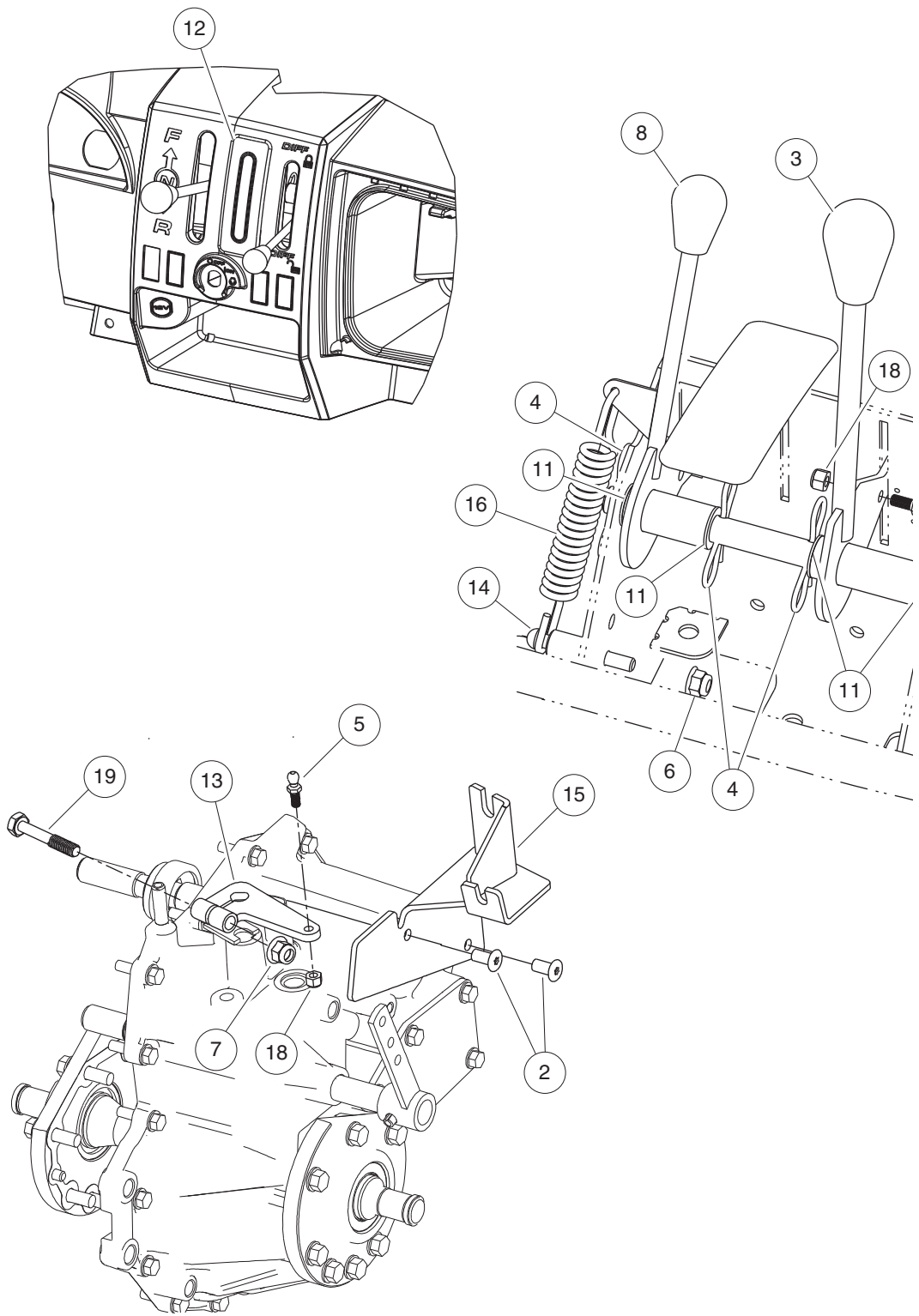
000909-012

TRANSAXLE DIFFERENTIAL LOCK ASSEMBLY – 2WD

ITEM	PART NO.	DESCRIPTION	QTY
		1 2 3 4	
1	<u>103603101</u>	Packing, P 16.0, Transaxle	1
2	<u>103605101</u>	Ring, 20, Transaxle	1
3	<u>103606101</u>	Pin, 8.0ax 40, Transaxle	2
4	<u>103611001</u>	Slider, Diff.lock	1
5	<u>103611101</u>	Shaft, Diff.lock	1
6	<u>103611201</u>	Fork, Diff. Lock	1
7	<u>103611301</u>	Spring, Diff. Lock	1
8	<u>103611401</u>	Arm, Diff. Lock Cmp	1
9	<u>103611501</u>	Spacer, 20x32x3.2, Diff Lock	2
10	<u>103611601</u>	Spring Pin, Cmp	2

12

G



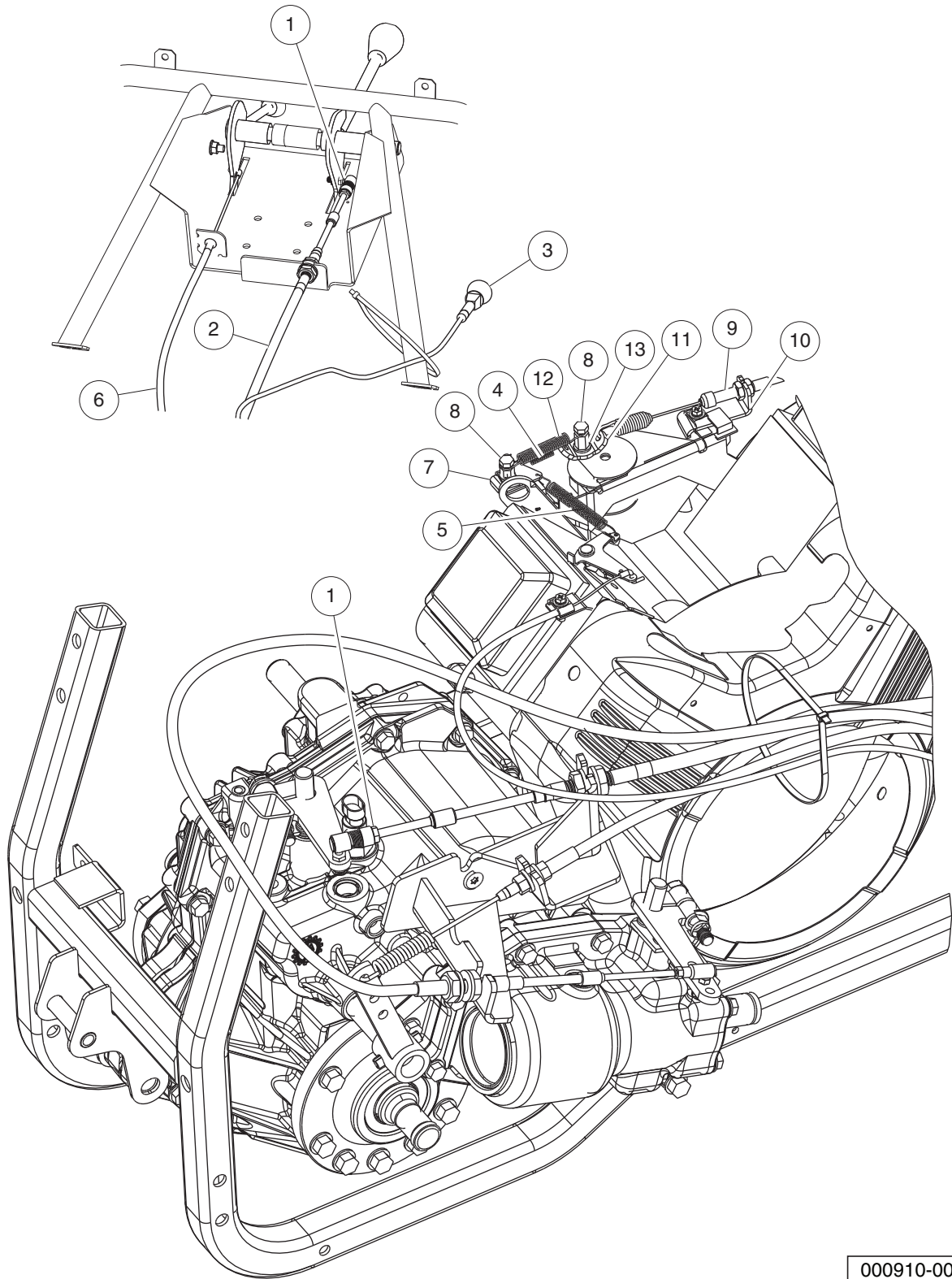
[

FORWARD/REVERSE SHIFTER – 2WD AND AUTO 4WD

ITEM	PART NO.	DESCRIPTION	QTY
		1 2 3 4	
1	<u>1010193</u>	Washer, 5/8 Type A Plain Flat	1
2	<u>1016074</u>	Screw, M8-1.25 X 18mm Torx	2
3	<u>102376001</u>	Knob, FNR, Shifter	1
4	<u>102518901</u>	Pin, Bow Tie 0.120 X 2.750	3
5	<u>102615701</u>	Stud, Ball, .346 Dia	2
6	<u>102618601</u>	Lock Nut, Flange, M8 X 1.25 Nylon	1
7	<u>102670701</u>	Nut, Flange, M10 X 1.5 Nylon	1
8	<u>103114801</u>	Knob, Black, 32mm Dia	1
9	<u>103419201</u>	Weldment, Shifter, Dash, Fnr	1
10	<u>103419501</u>	Weldment, Shifter, Diff	1
11	<u>103420201</u>	Bushing, Flange, 16 Id X 19	4
12	<u>103430901</u>	Cover, Shifter	1
13	<u>103438001</u>	Weldment, Lever, Trans, Fnr	1
14	<u>103482301</u>	Stud, Mtg, Spring	1
15	<u>103597402</u>	Weldment, Brkt, Cable, 2wd	1
16	<u>103710501</u>	Spring, Ext, 22mm Dia X 148 Mm	1
17	103893801	Shaft, Controls, Xrt950	1
18	<u>8717</u>	Locknut, Nylon Insert, 1/4-28	2
19	<u>96704960</u>	Bolt, M10 X 1.5 X 60	1

12

G



000910-007

CONTROL CABLES – 2WD AND AUTO 4WD

ITEM	PART NO.	DESCRIPTION	QTY
		1 2 3 4	
1	<u>102615801</u>	Joint, Ball, .346 Dia	2
2	<u>103106401</u>	Cable, Trans, Fnr	1
3	<u>103433201</u>	Cable, Choke, B&s	1
4	<u>103481901</u>	Spring, Ext, 9mm Dia	1
5	<u>103595601</u>	Spring, Ext, 7mm Dai, X 55	1
6	<u>103599301</u>	Cable, Trans, Diff-lock	1
7	<u>103618701</u>	Bkt, Spring, Engine, B&s	1
8	<u>103788401</u>	Stud, Threaded, #10-32	2
9	<u>103799001</u>	Cable, Accel, Epdm, Ot Spring	1
10	<u>103799101</u>	Brkt, Accel Cable Gov Mount	1
11	<u>103799201</u>	Brkt, Accel Swivel, Xrt950	1
12	<u>103799401</u>	Spring, Ext 8od X .94w X 68.4l	1
13	<u>183</u>	Washer, #10, Type A, Flat	1

12
G

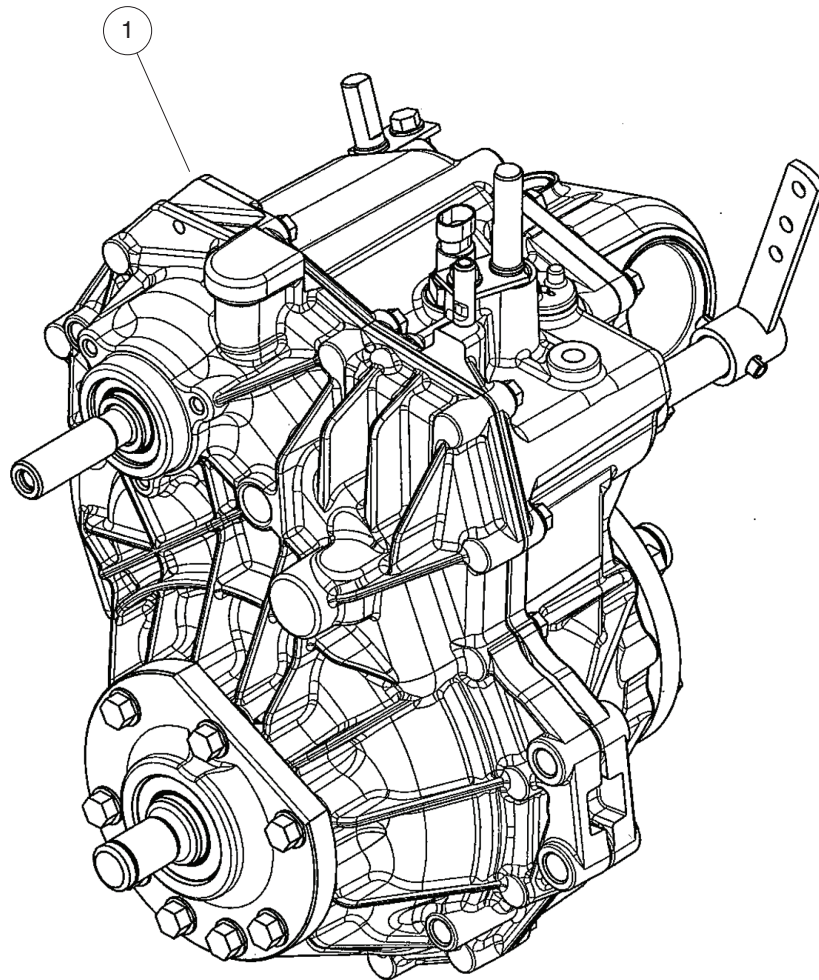
12

G

DRIVETRAIN COMPONENTS – 4WD

13

G



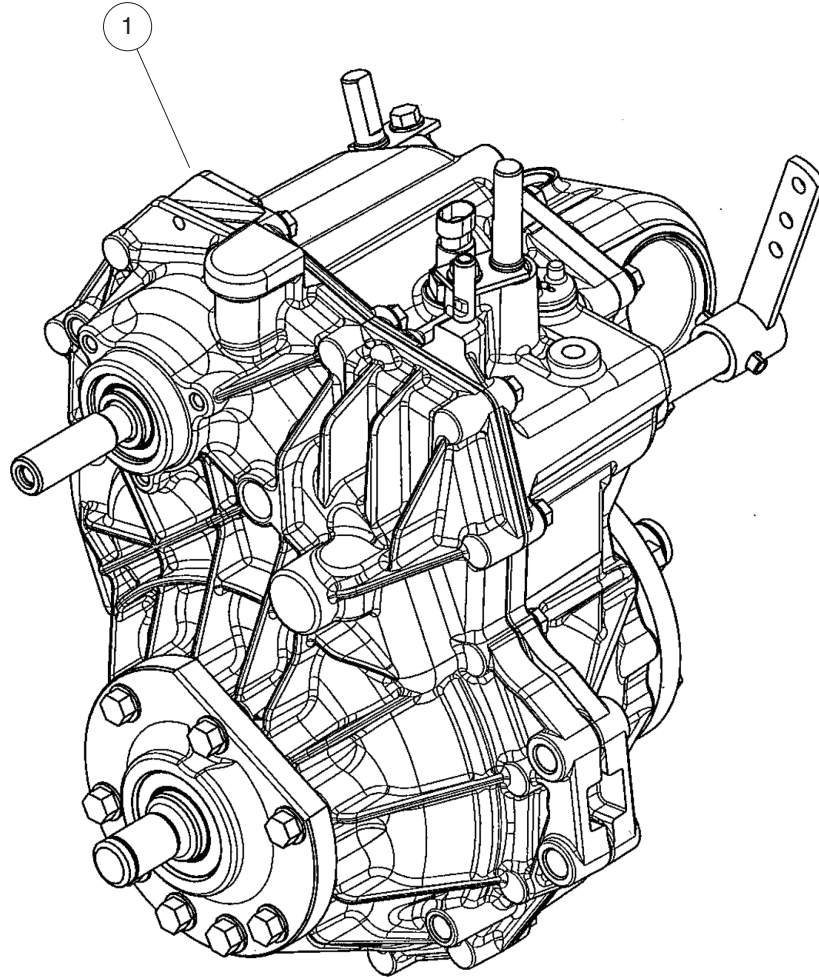
000909-013

TRANSAXLE – MANUAL 4WD

ITEM	PART NO.	DESCRIPTION	QTY
1	<u>103061202</u>	1 2 3 4 Transaxle, Kanzaki, Uv30c, 4wd	1

13

G



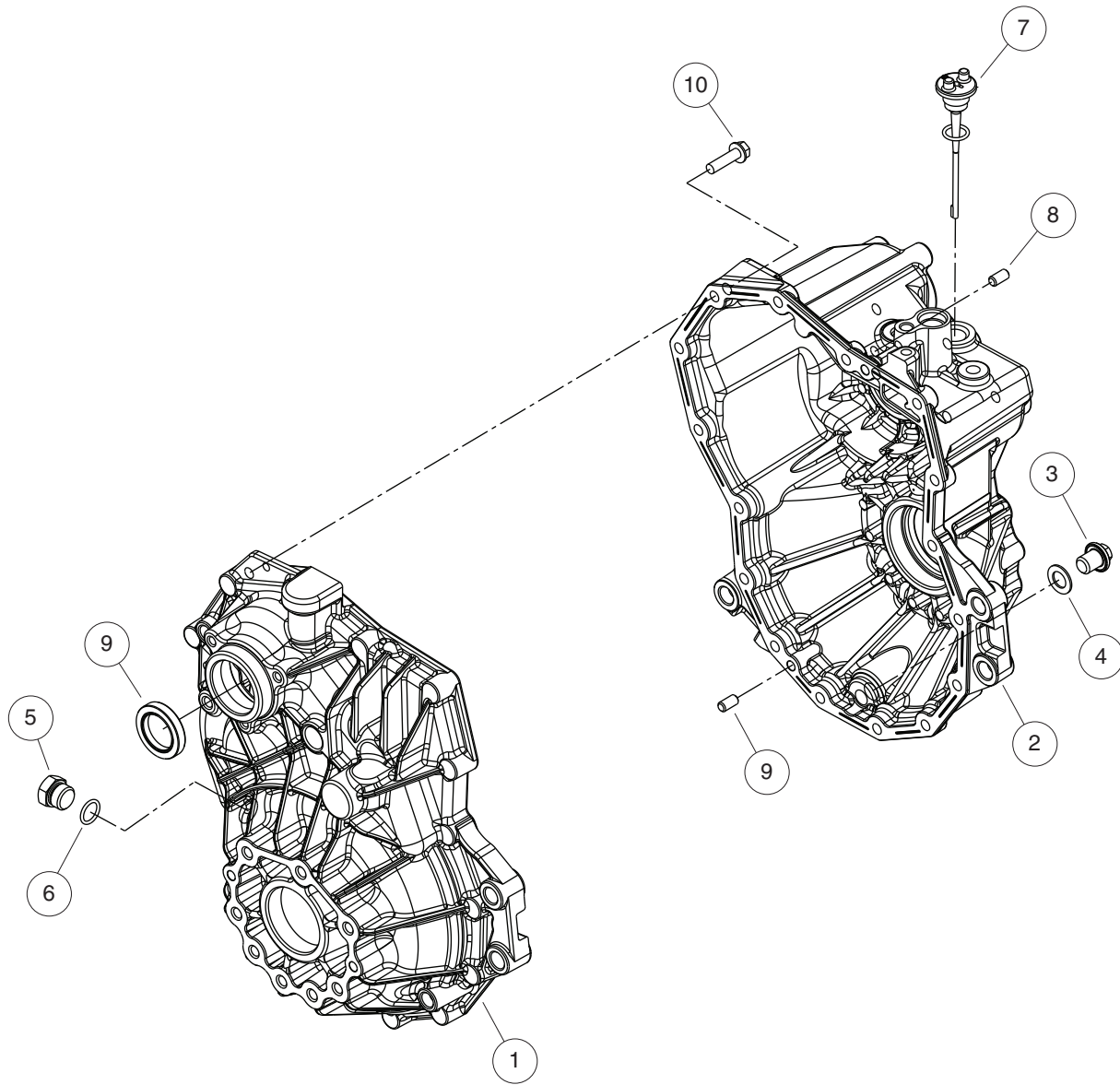
000909-013

TRANSAXLE – AUTO 4WD

ITEM	PART NO.	DESCRIPTION	QTY
1	<u>103646402</u>	<div style="display: flex; justify-content: space-between; margin-bottom: 5px;"> 1 2 3 4 </div> Transaxle, Uv31c, 4wd, Auto	1

13

G

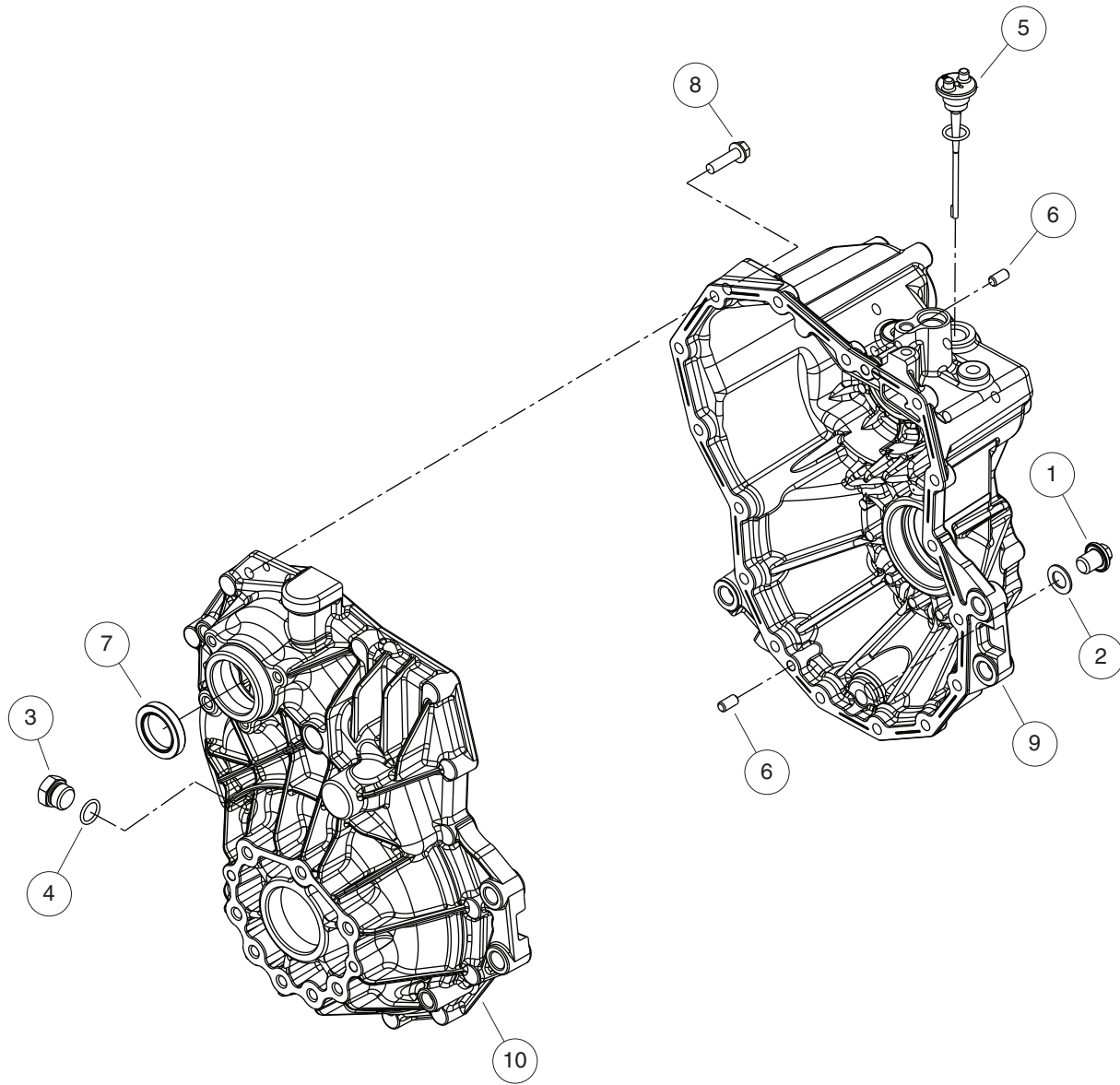


000909-001

TRANSAXLE HOUSING – MANUAL 4WD

ITEM	PART NO.	DESCRIPTION	QTY
		1 2 3 4	
1	<u>103602601</u>	Housing, Transaxle, Kanzaki, L	1
2	<u>103602701</u>	Housing, Transaxle, Kanzaki, R	1
3	<u>103602801</u>	Bolt, M14x16, T/a Hsng Asm	1
4	<u>103602901</u>	Washer, Drain Plug, T/a Hsng	1
5	<u>103603001</u>	Plug, 3/4-16, W/p Cmp	1
6	<u>103603101</u>	Packing, P 16.0, Transaxle	1
7	<u>103603201</u>	Dip Stick Cmp, T/a Hsng Asm	1
8	<u>103603301</u>	Pin, 8x14, Transaxle	2
9	<u>103603401</u>	Seal, Tc304508, T/a Hsng Asm	1
10	<u>103603501</u>	Bolt, M8x30	16

13
G

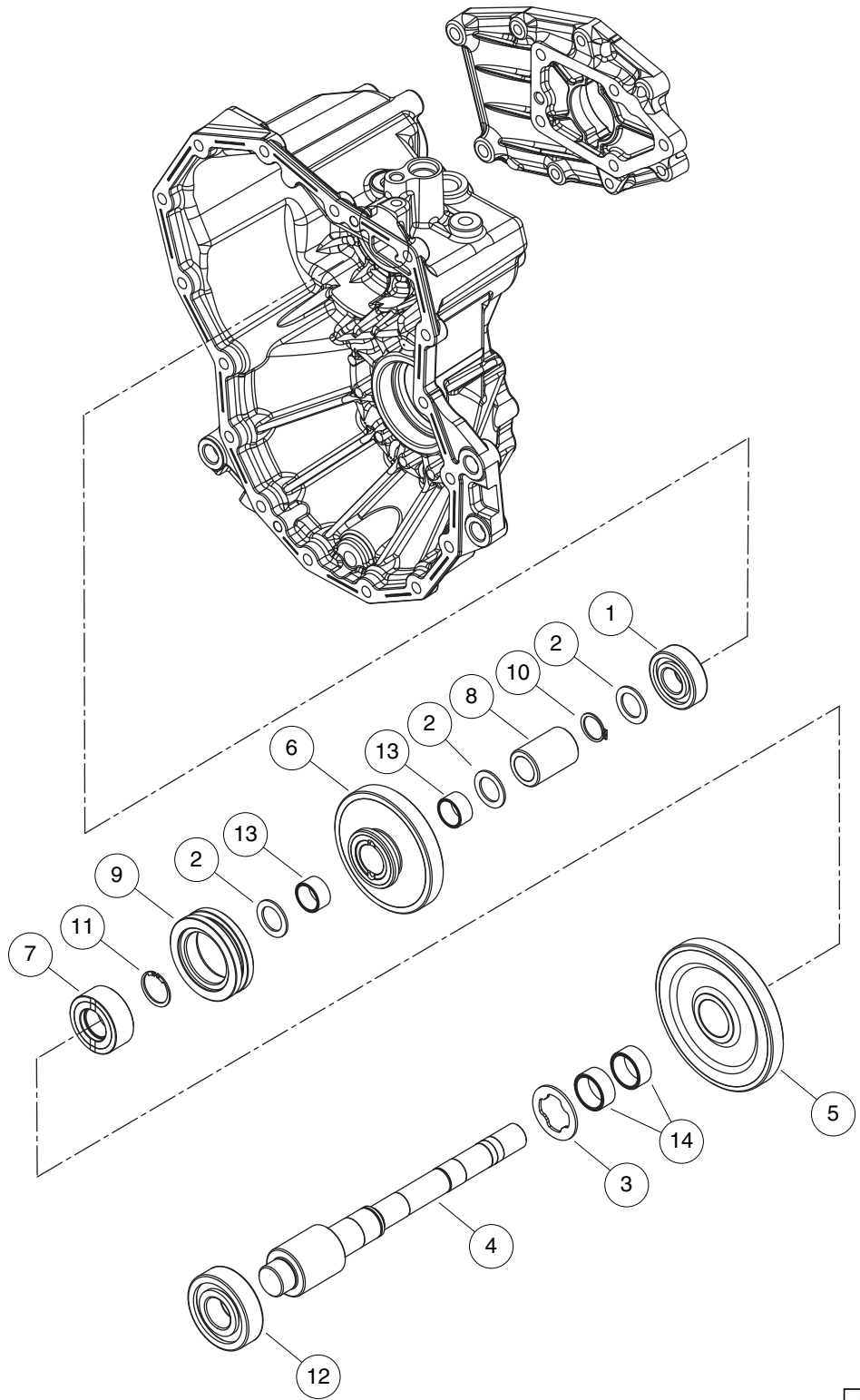


000909-017

TRANSAXLE HOUSING – AUTO 4WD

ITEM	PART NO.	DESCRIPTION	QTY
		1 2 3 4	
1	<u>103602801</u>	Bolt, M14x16, T/a Hsng Asm	1
2	<u>103602901</u>	Washer, Drain Plug, T/a Hsng	1
3	<u>103603001</u>	Plug, 3/4-16, W/p Cmp	1
4	<u>103603101</u>	Packing, P 16.0, Transaxle	1
5	<u>103603201</u>	Dip Stick Cmp, T/a Hsng Asm	1
6	<u>103603301</u>	Pin, 8x14, Transaxle	2
7	<u>103603401</u>	Seal, Tc304508, T/a Hsng Asm	1
8	<u>103603501</u>	Bolt, M8x30	16
9	<u>103905301</u>	Housing, Transaxle, Uv31c	1
10	<u>103905401</u>	Cover, Transaxle, Uv31c	1

13
G



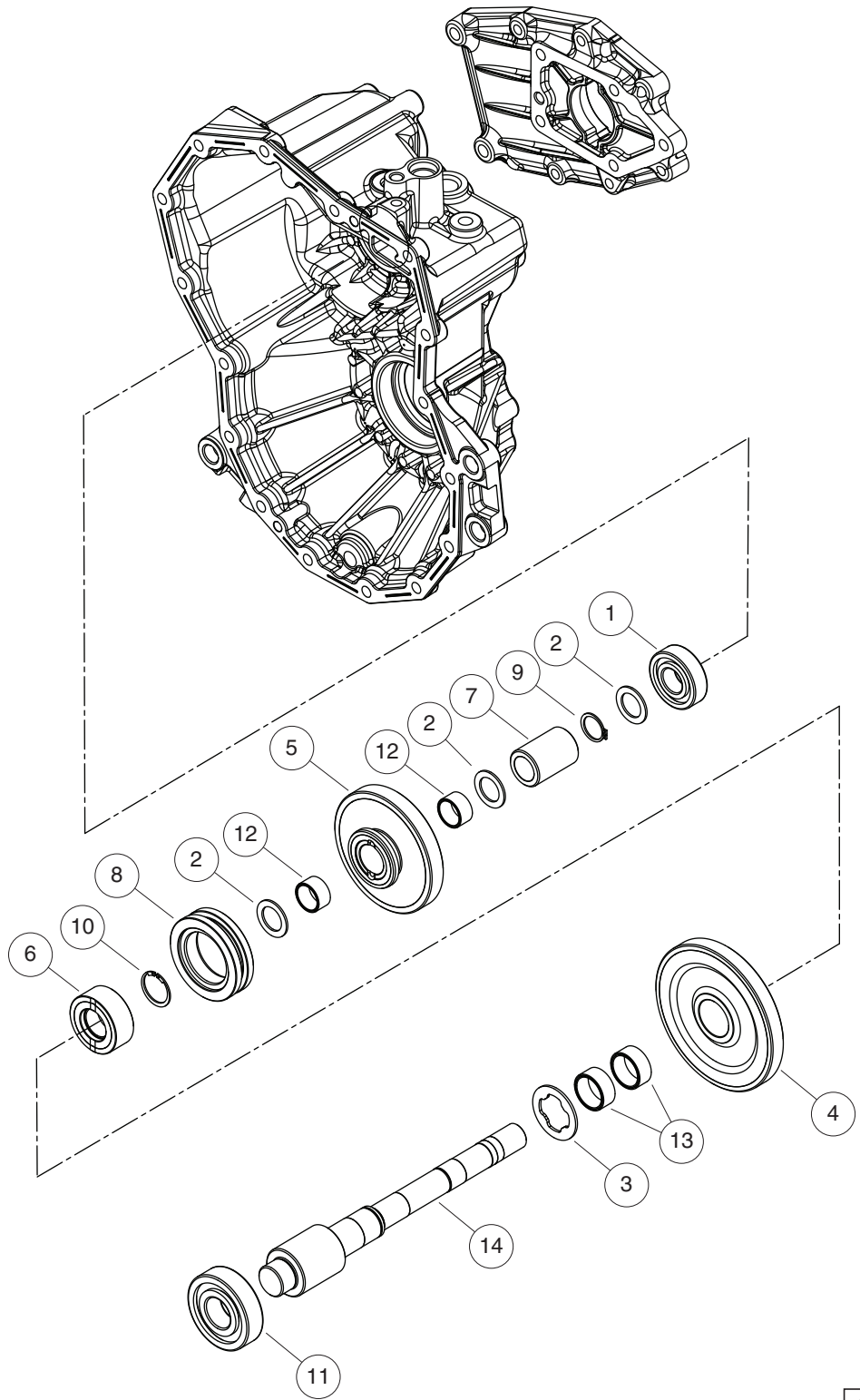
000909-004

TRANSAXLE REDUCTION SHAFT ASSEMBLY – MANUAL 4WD

ITEM	PART NO.	DESCRIPTION	QTY
		1 2 3 4	
1	<u>103604101</u>	Bearing, 6204, Transaxle	1
2	<u>103604301</u>	Washer, 20x30x1.6, Redn Shaft	3
3	<u>103604401</u>	Washer 25x44x2, Redn Shaft Asm	1
4	<u>103604501</u>	Shaft, Reduction, 4wd	1
5	<u>103604601</u>	Gear, Reduction, Fwd	1
6	<u>103604701</u>	Gear, Reduction, Rev	1
7	<u>103604801</u>	Collar, Spline, Redn Shaft Asm	1
8	<u>103604901</u>	Collar, Redn Shaft Asm	1
9	<u>103605001</u>	Shifter, Redn Shaft Asm	1
10	<u>103605101</u>	Ring, 20, Transaxle	1
11	<u>103605201</u>	Ring, 24, Redn Shaft Asm	1
12	<u>103605301</u>	Bearing, 6305 Ntn, Redn Shaft	1
13	<u>103605401</u>	Needle, 202413, Redn Shaft Asm	2
14	<u>103605501</u>	Needle, 253013, Transaxle	2

13

G



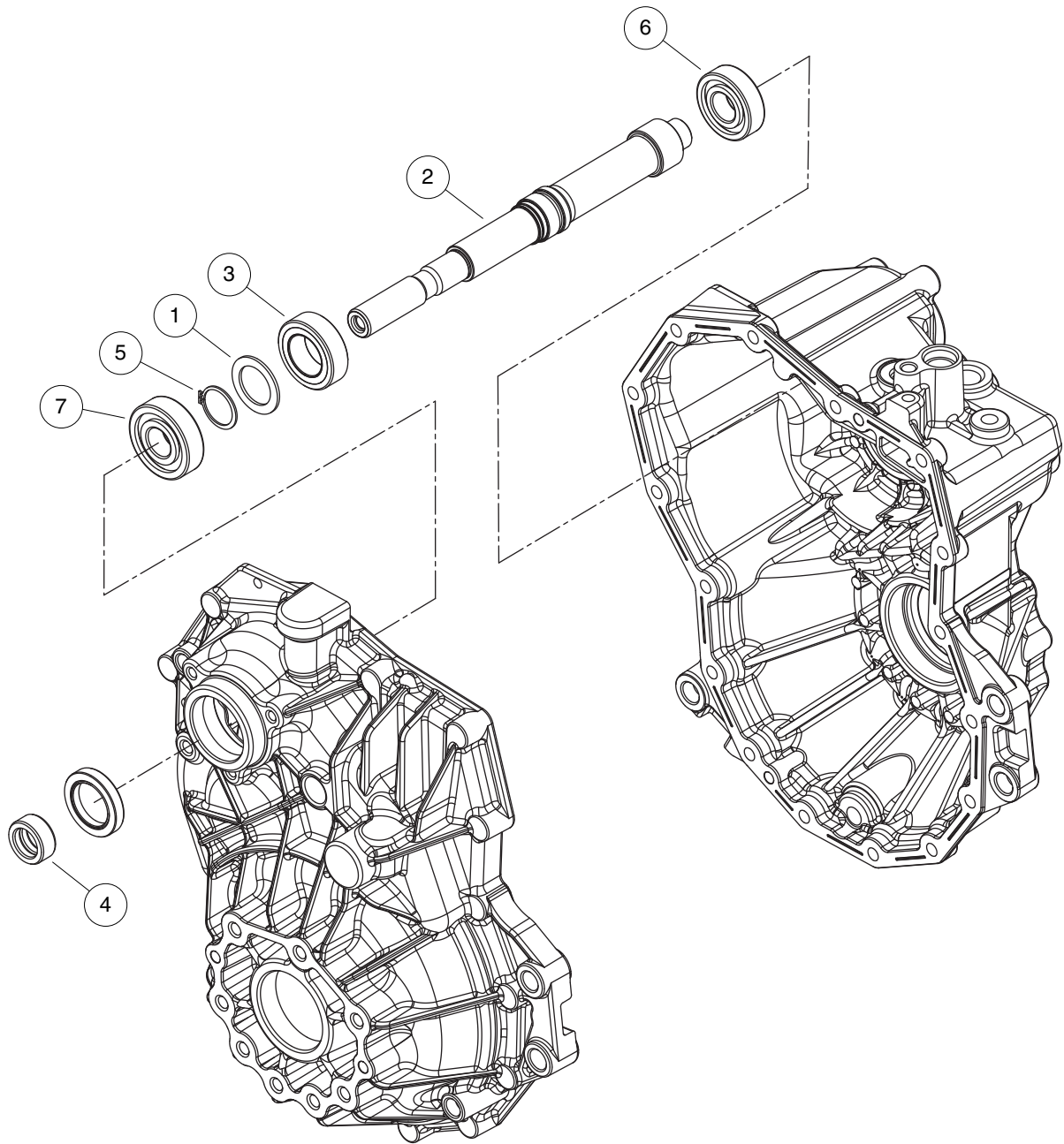
000909-019

TRANSAXLE REDUCTION SHAFT ASSEMBLY – AUTO 4WD

ITEM	PART NO.	DESCRIPTION	QTY
		1 2 3 4	
1	<u>103604101</u>	Bearing, 6204, Transaxle	1
2	<u>103604301</u>	Washer, 20x30x1.6, Redn Shaft	3
3	<u>103604401</u>	Washer 25x44x2, Redn Shaft Asm	1
4	<u>103604601</u>	Gear, Reduction, Fwd	1
5	<u>103604701</u>	Gear, Reduction, Rev	1
6	<u>103604801</u>	Collar, Spline, Redn Shaft Asm	1
7	<u>103604901</u>	Collar, Redn Shaft Asm	1
8	<u>103605001</u>	Shifter, Redn Shaft Asm	1
9	<u>103605101</u>	Ring, 20, Transaxle	1
10	<u>103605201</u>	Ring, 24, Redn Shaft Asm	1
11	<u>103605301</u>	Bearing, 6305 Ntn, Redn Shaft	1
12	<u>103605401</u>	Needle, 202413, Redn Shaft Asm	2
13	<u>103605501</u>	Needle, 253013, Transaxle	2
14	<u>103902801</u>	Shaft, Reduction, 4wd, Al	1

13

G



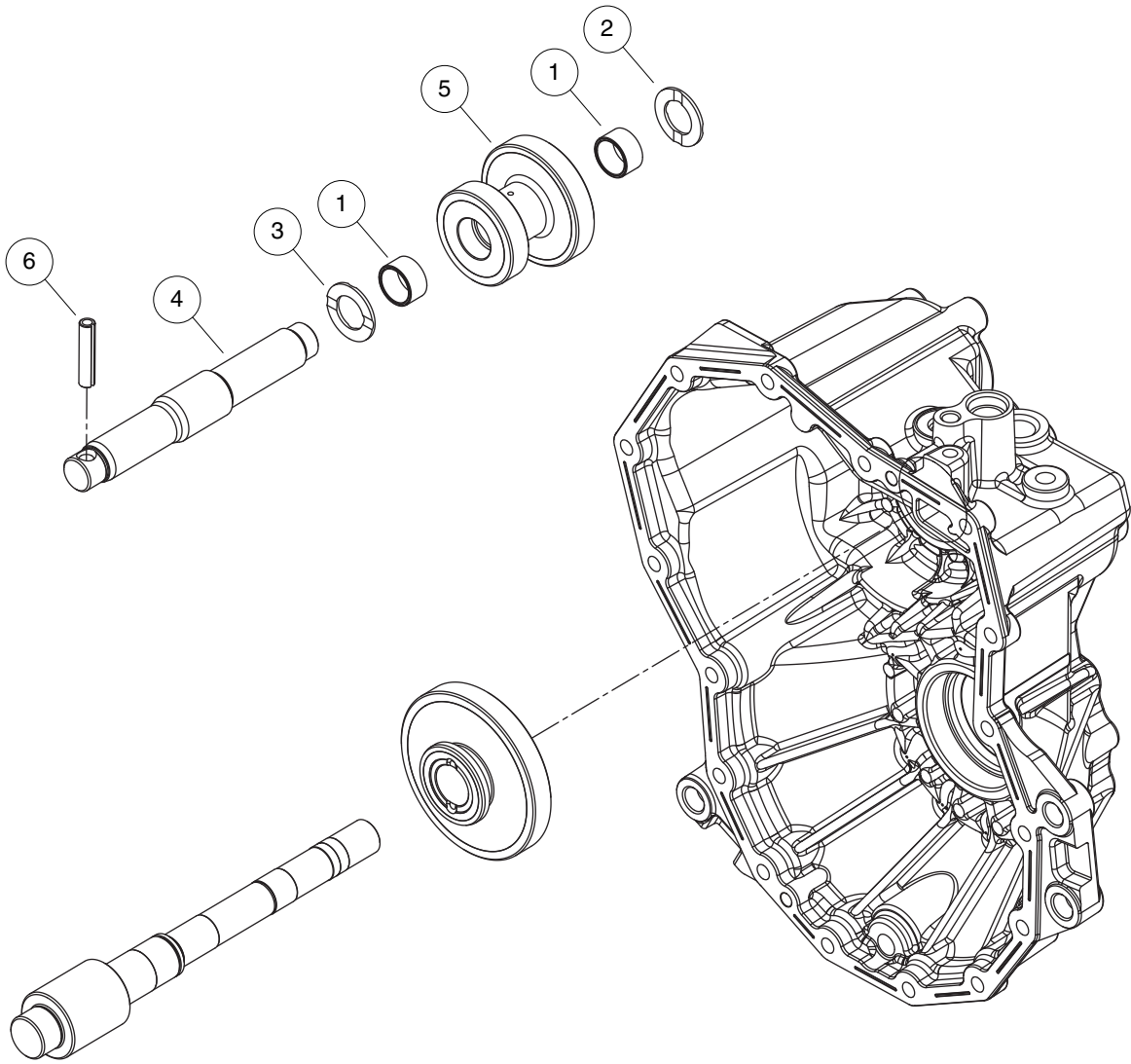
000909-003

TRANSAXLE INPUT SHAFT – 4WD

ITEM	PART NO.	DESCRIPTION	QTY
		1 2 3 4	
1	<u>103603601</u>	Washer, 27x40x2, I/p Shaft	1
2	<u>103603701</u>	Shaft, Input, Transaxle	1
3	<u>103603801</u>	Gear, Input, I/p Shaft Asm	1
4	<u>103603901</u>	Sleeve, 20x30x13, I/p Shaft	1
5	<u>103604001</u>	Ring, 26, I/p Shaft Asm	1
6	<u>103604101</u>	Bearing, 6204, Transaxle	1
7	<u>103604201</u>	Bearing, 6304, I/p Shaft Asm	1

13

G

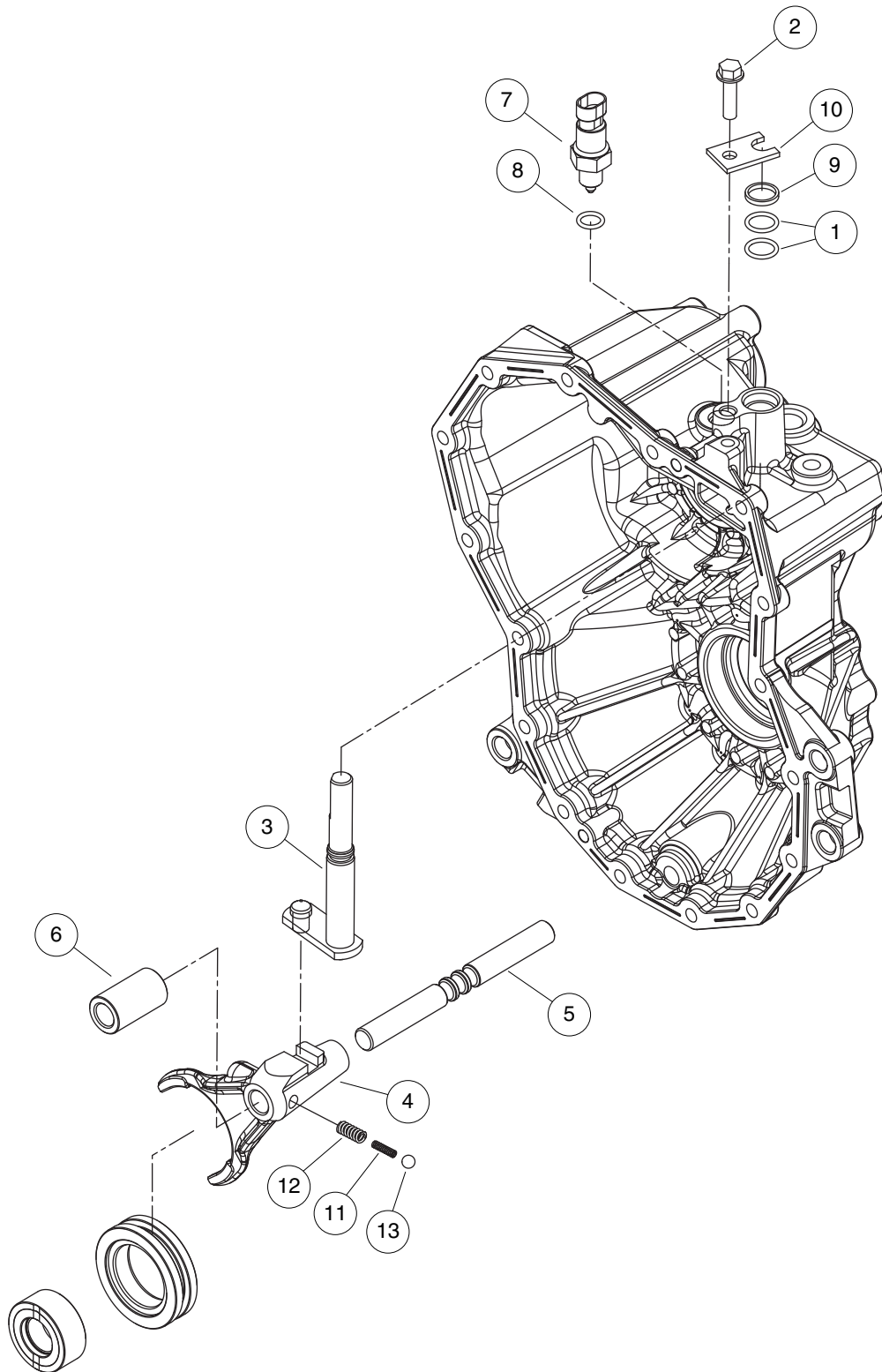


000909-006

TRANSAXLE REVERSE SHAFT ASSEMBLY – 4WD

ITEM	PART NO.	DESCRIPTION	QTY
		1 2 3 4	
1	<u>103605501</u>	Needle, 253013, Transaxle	2
2	<u>103605701</u>	Washer, 20x34x2, Rev Shaft Asm	1
3	<u>103605801</u>	Washer, 25x36x2, Rev Shaft Asm	1
4	<u>103605901</u>	Shaft, Idle, Rev	1
5	<u>103606001</u>	Gear, Idle, Rev	1
6	<u>103606101</u>	Pin, 8.0ax 40, Transaxle	1

13
G



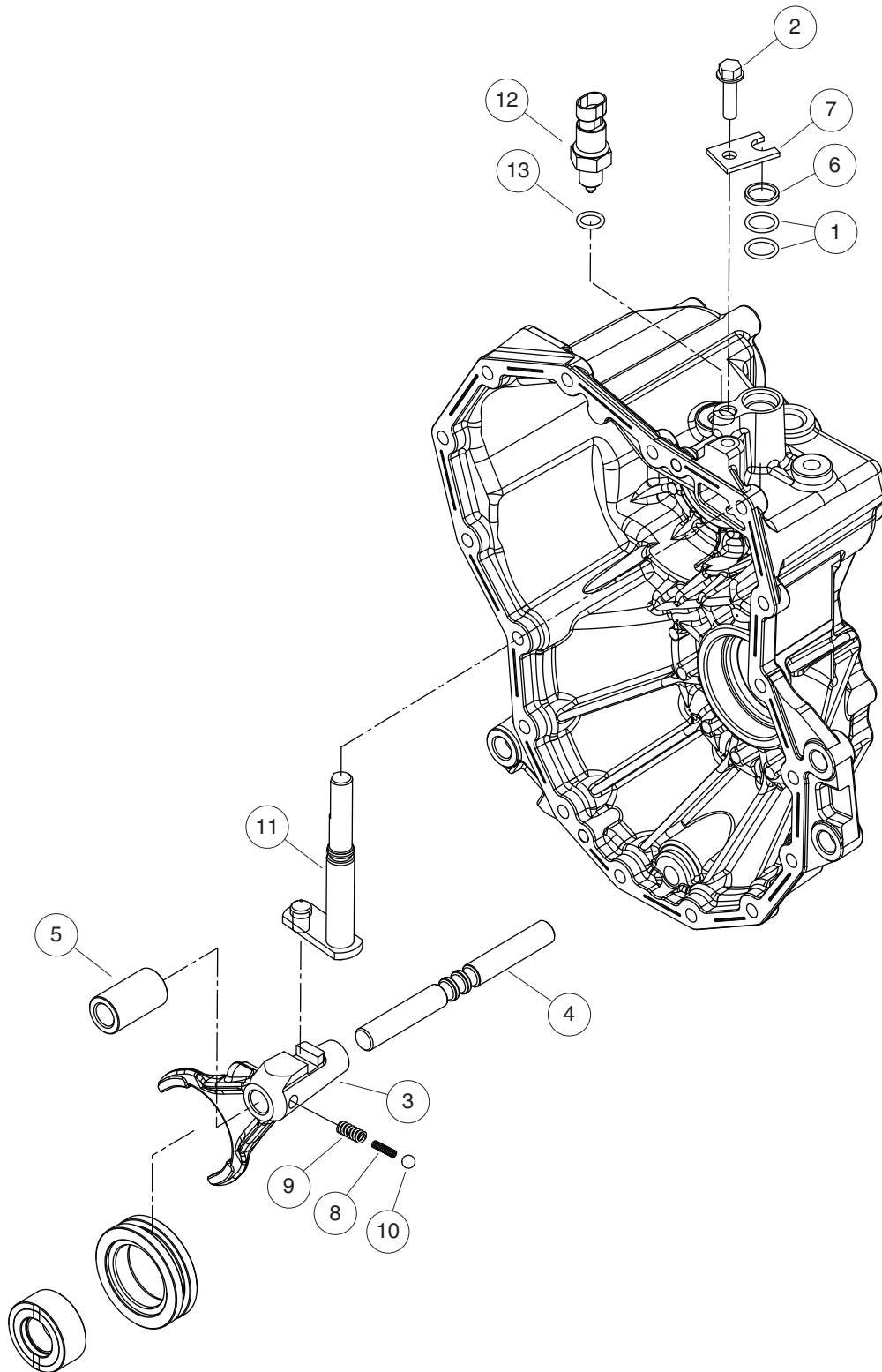
000909-007

TRANSAXLE SHIFT ASSEMBLY – MANUAL 4WD

ITEM	PART NO.	DESCRIPTION	QTY
		1 2 3 4	
1	<u>103603101</u>	Packing, P 16.0, Transaxle	2
2	<u>103603501</u>	Bolt, M8x30	1
3	<u>103606201</u>	Arm, Shift, Cmp	1
4	<u>103606301</u>	Fork, Shift	1
5	<u>103606401</u>	Shaft, Shift Fork	1
6	<u>103606501</u>	Collar, Fork Shaft	1
7	<u>103606601</u>	Switch, Safety, Cmp	1
8	<u>103606701</u>	Packing, P12.5, Shift Asm	1
9	<u>103606801</u>	Collar, Shift Arm	1
10	<u>103606901</u>	Plate, Keep, Transaxle	1
11	<u>103607001</u>	Spring, Inner, Shift Asm	1
12	<u>103607101</u>	Spring, 23, Shift Asm	1
13	<u>103607201</u>	Ball, 5/16, Shift Asm	1

13

G



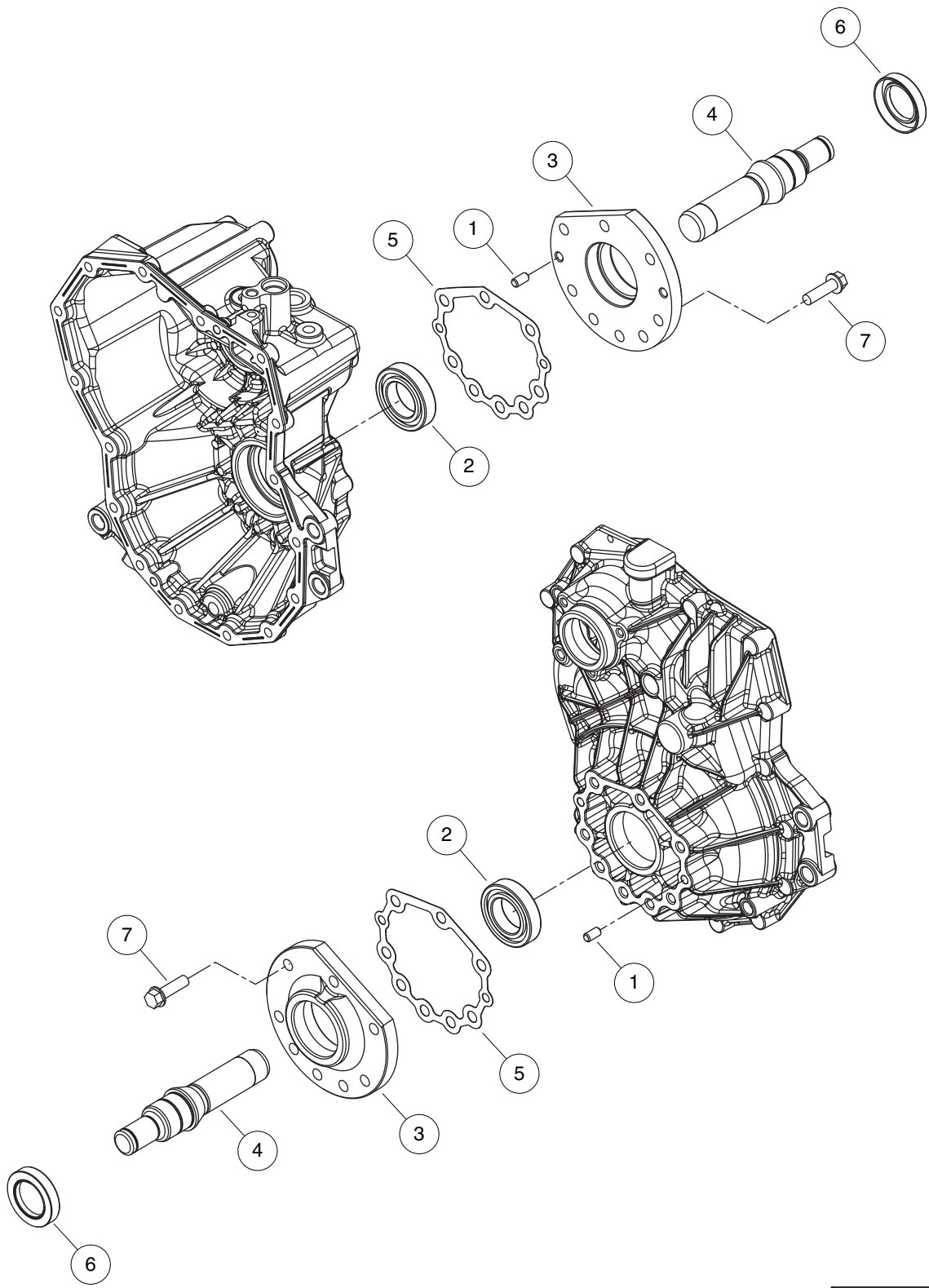
000909-018

TRANSAXLE SHIFT ASSEMBLY – AUTO 4WD

ITEM	PART NO.	DESCRIPTION	QTY
		1 2 3 4	
1	<u>103603101</u>	Packing, P 16.0, Transaxle	2
2	<u>103603501</u>	Bolt, M8x30	1
3	<u>103606301</u>	Fork, Shift	1
4	<u>103606401</u>	Shaft, Shift Fork	1
5	<u>103606501</u>	Collar, Fork Shaft	1
6	<u>103606801</u>	Collar, Shift Arm	1
7	<u>103606901</u>	Plate, Keep, Transaxle	1
8	<u>103607001</u>	Spring, Inner, Shift Asm	1
9	<u>103607101</u>	Spring, 23, Shift Asm	1
10	<u>103607201</u>	Ball, 5/16, Shift Asm	1
11	<u>103902901</u>	Shift Arm, Complete, Al	1
12	<u>103903101</u>	Switch, Neutral Start, Al	1
13	<u>103903201</u>	O-ring, Switch, Al	1

13

G



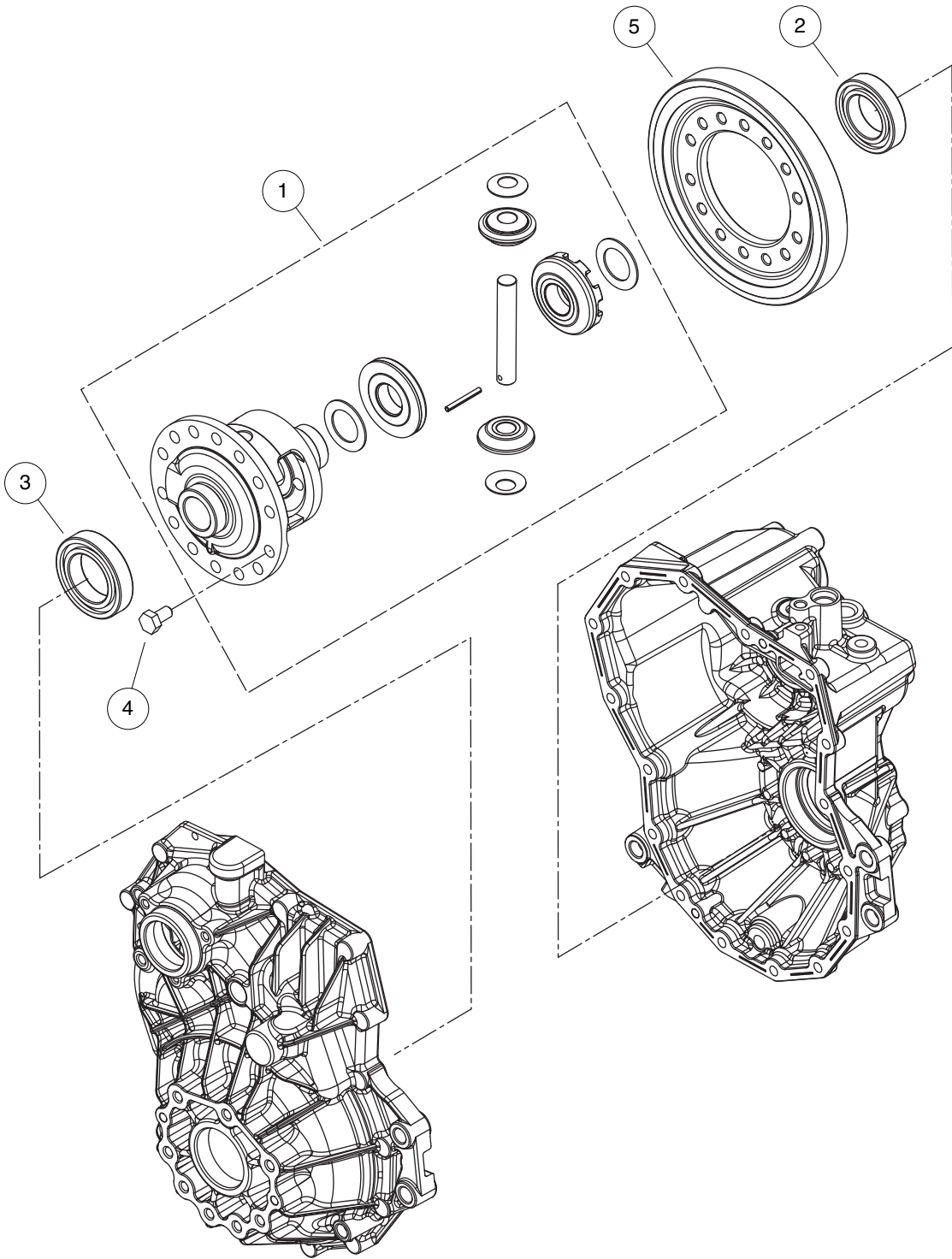
000909-009

TRANSAXLE AXLE HOUSING ASSEMBLY – 4WD

ITEM	PART NO.	DESCRIPTION	QTY
		1 2 3 4	
1	<u>103603301</u>	Pin, 8x14, Transaxle	4
2	<u>103608801</u>	Bearing, 6007 Ntn, Transaxle	2
3	<u>103609801</u>	Housing, Axle, Kanzaki	2
4	<u>103609901</u>	Shaft, Axle, Kanzaki	2
5	<u>103610001</u>	Packing, Axle Housing, Kanzaki	2
6	<u>103610101</u>	Seal, Tc355511, Axle Hsng Asm	2
7	<u>103610201</u>	Bolt, 10 X 35, Axle Hsng Asm	16

13

G



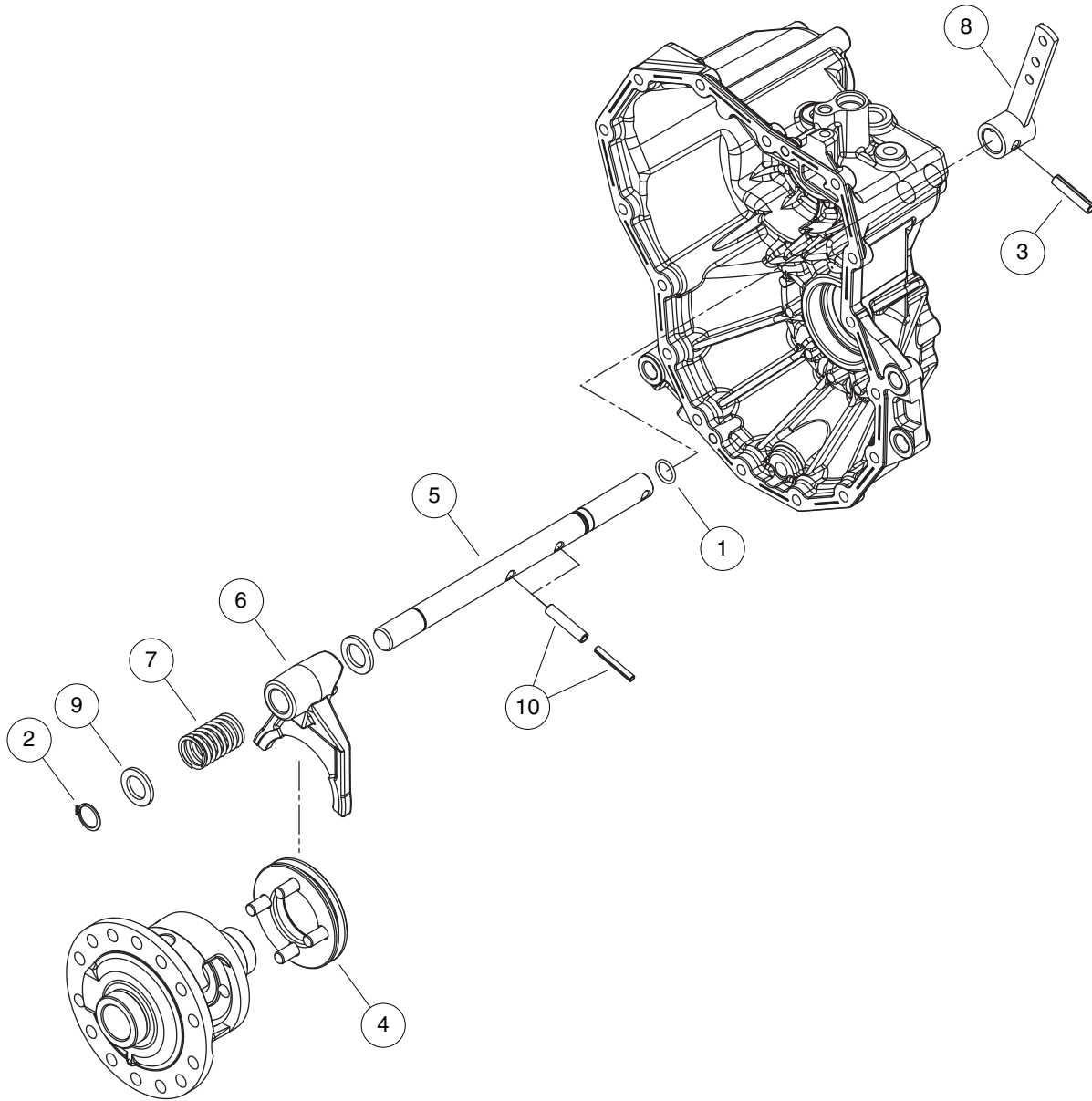
000909-011

TRANSAXLE DIFFERENTIAL GEAR ASSEMBLY – 4WD

ITEM	PART NO.	DESCRIPTION	QTY
		1 2 3 4	
1	<u>103610501</u>	Differential, Cmp, T/a Kanzaki	1
2	<u>103610701</u>	Bearing, 6008 Ntn, Diff	1
3	<u>103610801</u>	Bearing, 6009 Ntn, Diff	1
4	<u>103610901</u>	Bolt 10x20	14
5	<u>103611701</u>	Final Gear	1

13

G



000909-012

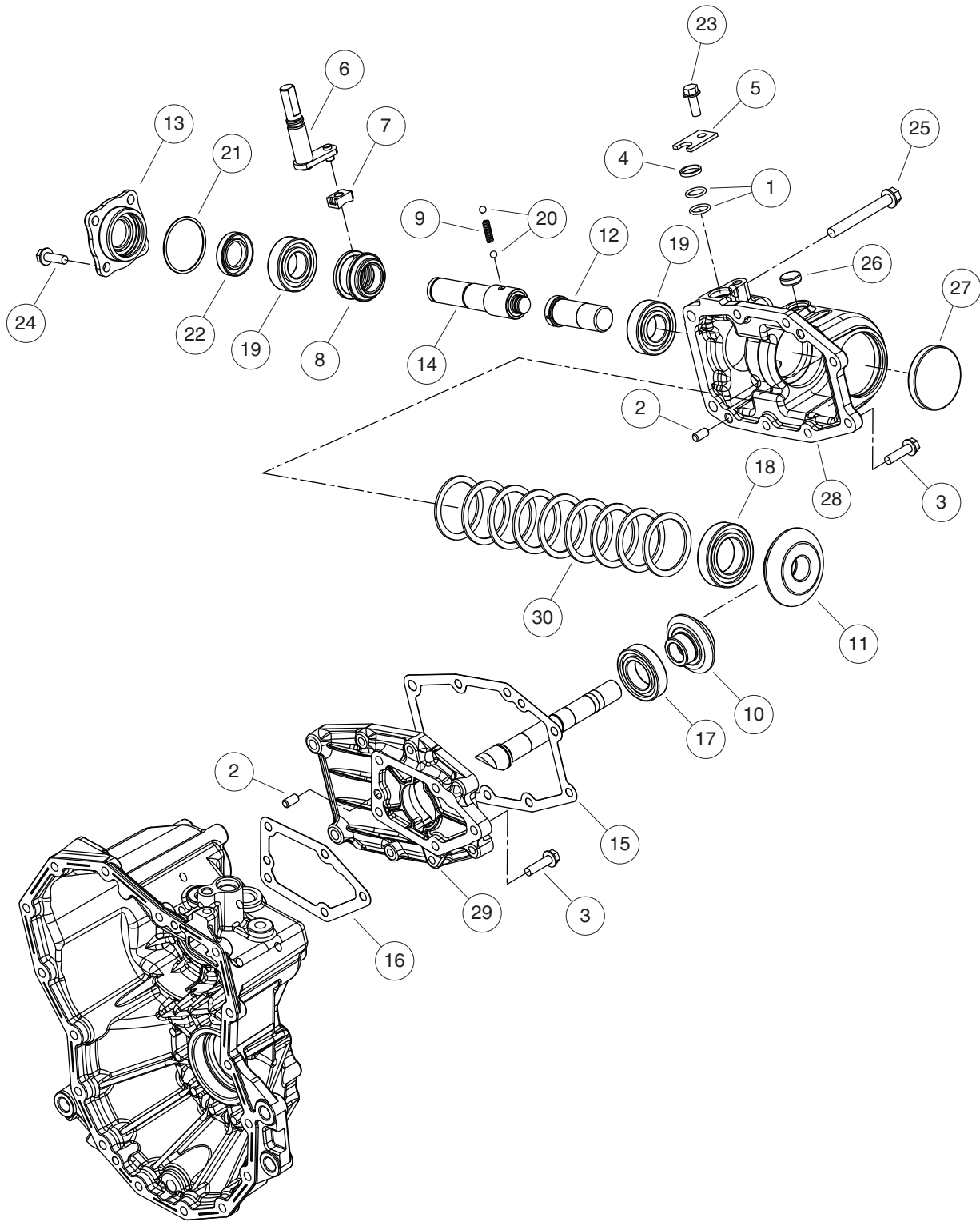
TRANSAXLE DIFFERENTIAL LOCK ASSEMBLY – 4WD

ITEM	PART NO.	DESCRIPTION	QTY
		1 2 3 4	
1	<u>103603101</u>	Packing, P 16.0, Transaxle	1
2	<u>103605101</u>	Ring, 20, Transaxle	1
3	<u>103606101</u>	Pin, 8.0ax 40, Transaxle	2
4	<u>103611001</u>	Slider, Diff.lock	1
5	<u>103611101</u>	Shaft, Diff.lock	1
6	<u>103611201</u>	Fork, Diff. Lock	1
7	<u>103611301</u>	Spring, Diff. Lock	1
8	<u>103611401</u>	Arm, Diff. Lock Cmp	1
9	<u>103611501</u>	Spacer, 20x32x3.2, Diff Lock	2
10	<u>103611601</u>	Spring Pin, Cmp	2

13

G

13
G



000909-015

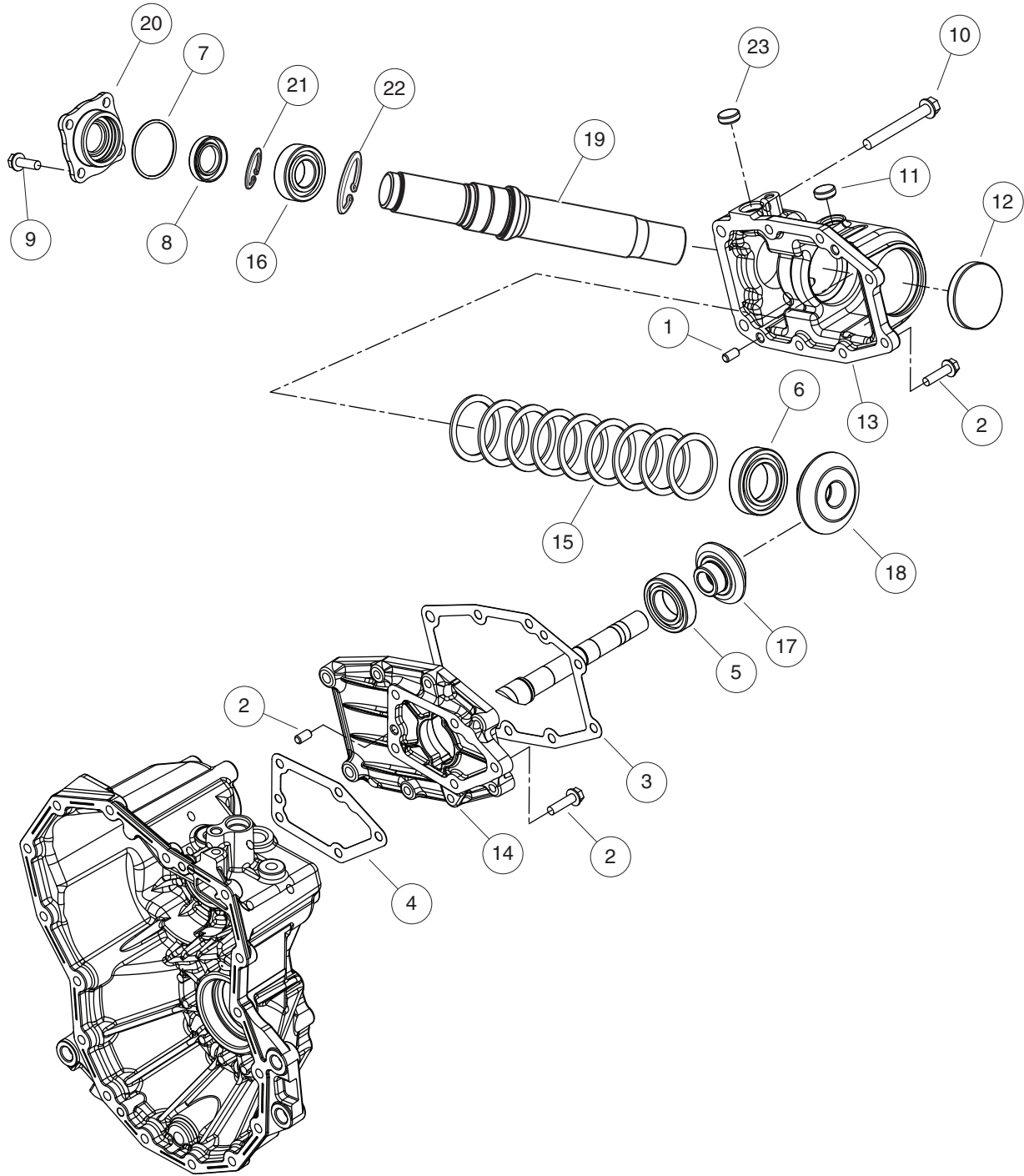
TRANSAXLE POWER TAKE-OFF ASSEMBLY – MANUAL 4WD

ITEM	PART NO.	DESCRIPTION	QTY
		1 2 3 4	
1	<u>103603101</u>	Packing, P 16.0, Transaxle	2
2	<u>103603301</u>	Pin, 8x14, Transaxle	2
3	<u>103603501</u>	Bolt, M8x30	11
4	<u>103606801</u>	Collar, Shift Arm	1
5	<u>103606901</u>	Plate, Keep, Transaxle	1
6	<u>103607301</u>	Arm, Shift, 4wd Cmp	1
7	<u>103607401</u>	Block, Shift, Pto Frt Asm	1
8	<u>103607501</u>	Collar, Front Shift	1
9	<u>103607601</u>	Spring, 26, Pto Frt Asm	1
10	<u>103607801</u>	Gear, Front Drive, 20t	1
11	<u>103607901</u>	Gear, Front Drive, 26t	1
12	<u>103608001</u>	Shaft, Front Drive	1
13	<u>103608101</u>	Cap, Front Drive	1
14	<u>103608401</u>	Shaft, Pto, Transaxle, Kanzaki	1
15	<u>103608501</u>	Packing, Front Drive	1
16	<u>103608601</u>	Packing, Pto Frt Asm	1
17	<u>103608701</u>	Bearing, 6006 Ntn, Pto Frt Asm	1
18	<u>103608801</u>	Bearing, 6007 Ntn, Transaxle	1
19	<u>103608901</u>	Bearing, 6205 Ntn, Pto Frt Asm	2
20	<u>103609001</u>	Ball, 1/4, Pto Frt Asm	2
21	<u>103609101</u>	Packing, G50.0, Pto Frt Asm	1
22	<u>103609201</u>	Seal, Tc254208, Pto Frt Asm	1
23	<u>103609301</u>	Bolt, 8x 22, Pto Frt Asm	1
24	<u>103609401</u>	Bolt, 8x 25, Pto Frt Asm	4
25	<u>103609501</u>	Bolt, 10x 80, Pto Frt Asm	2
26	<u>103609601</u>	Cap, Sealing 20, Pto Frt Asm	1
27	<u>103609701</u>	Cap, Sealing 62, Pto Frt Asm	1
28	<u>103799701</u>	Case, Front Drive, No Shim	1
29	<u>103799801</u>	Cover, Front Drive, Shim	1
30	<u>103799901</u>	Kit, Shim, Pto, Case Side	1

13

G

13
G



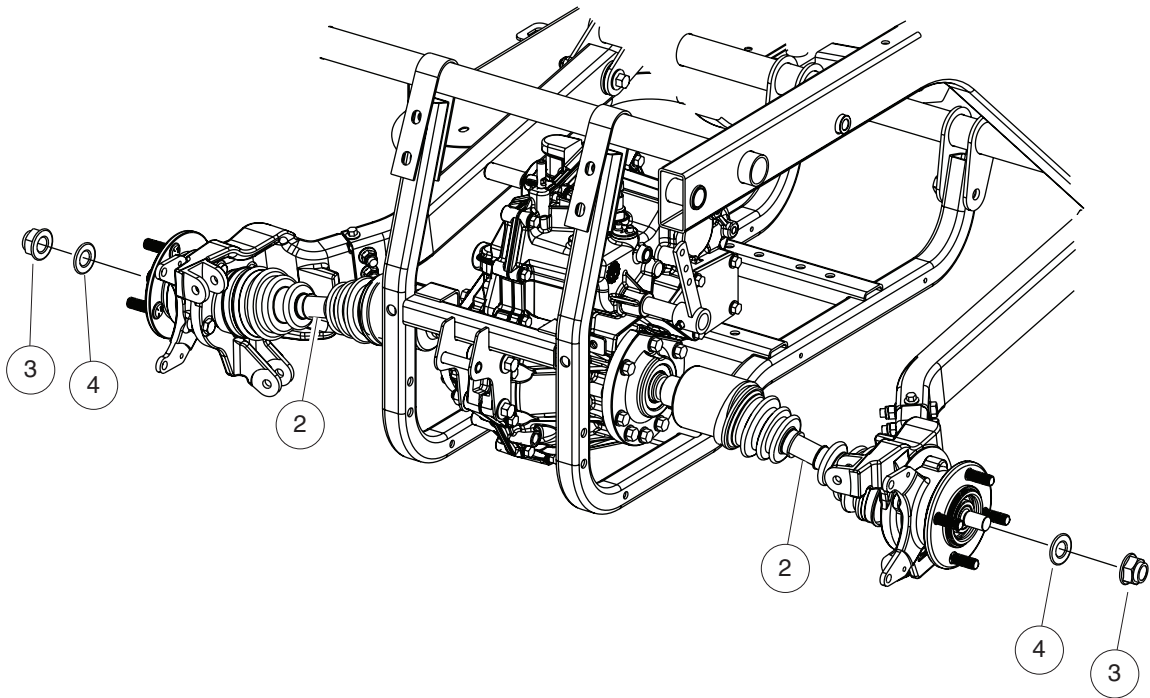
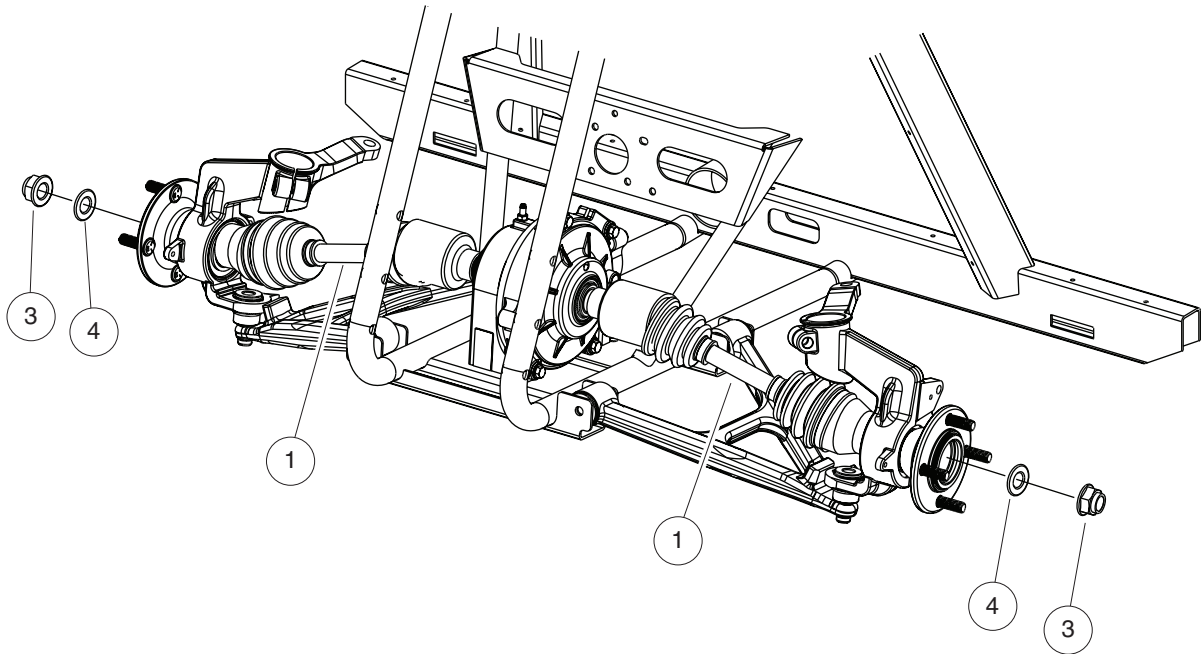
000909-016

TRANSAXLE POWER TAKE-OFF ASSEMBLY – AUTO 4WD

ITEM	PART NO.	DESCRIPTION	QTY
		1 2 3 4	
1	<u>103603301</u>	Pin, 8x14, Transaxle	2
2	<u>103603501</u>	Bolt, M8x30	11
3	<u>103608501</u>	Packing, Front Drive	1
4	<u>103608601</u>	Packing, Pto Frt Asm	1
5	<u>103608701</u>	Bearing, 6006 Ntn, Pto Frt Asm	1
6	<u>103608801</u>	Bearing, 6007 Ntn, Transaxle	1
7	<u>103609101</u>	Packing, G50.0, Pto Frt Asm	1
8	<u>103609201</u>	Seal, Tc254208, Pto Frt Asm	1
9	<u>103609401</u>	Bolt, 8x 25, Pto Frt Asm	4
10	<u>103609501</u>	Bolt, 10x 80, Pto Frt Asm	2
11	<u>103609601</u>	Cap, Sealing 20, Pto Frt Asm	1
12	<u>103609701</u>	Cap, Sealing 62, Pto Frt Asm	1
13	<u>103799701</u>	Case, Front Drive, No Shim	1
14	<u>103799801</u>	Cover, Front Drive, Shim	1
15	<u>103799901</u>	Kit, Shim, Pto, Case Side	1
16	<u>103903301</u>	Bearing, Pto Shaft Output, Al	1
17	<u>103903401</u>	Gear, 12t, Pto, Input	1
18	<u>103903501</u>	Gear, 26t, Pto, Output	1
19	<u>103903601</u>	Shaft, Pto, Al	1
20	<u>103903701</u>	Cap, Front Drive, Al	1
21	<u>103903801</u>	Snap Ring, External, Pto Shaft	1
22	<u>103903901</u>	Snap Ring, Internal, Pto Shaft	1
23	<u>103904001</u>	Cap, Shift Shaft, Al	1

13

G



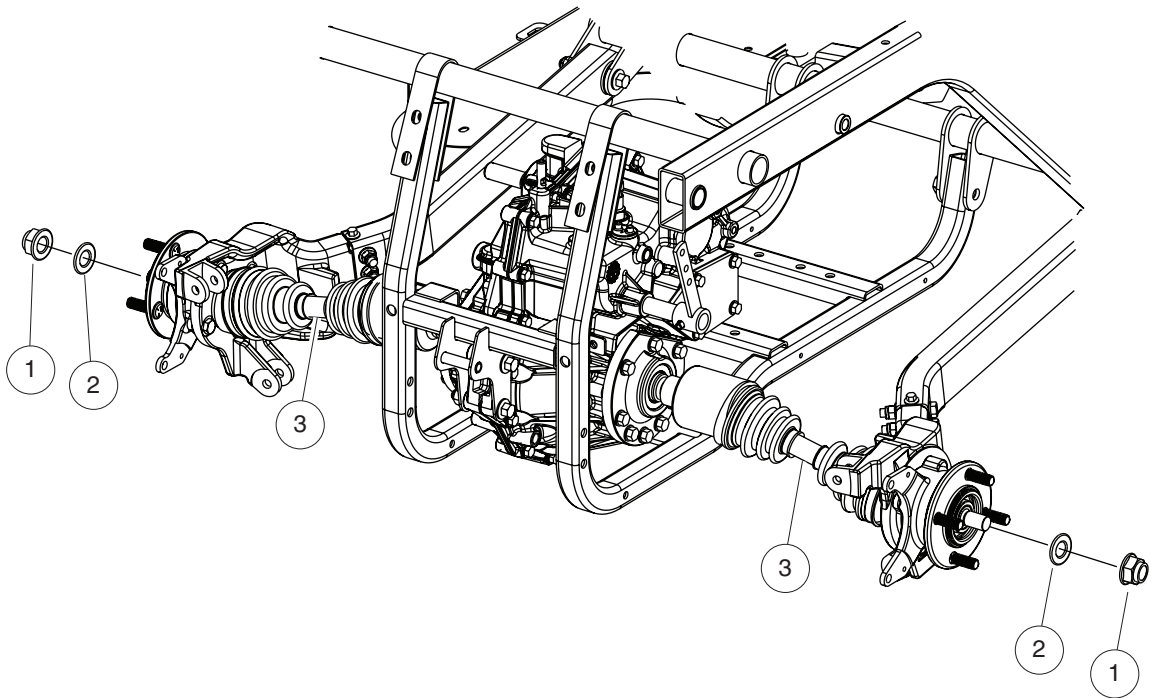
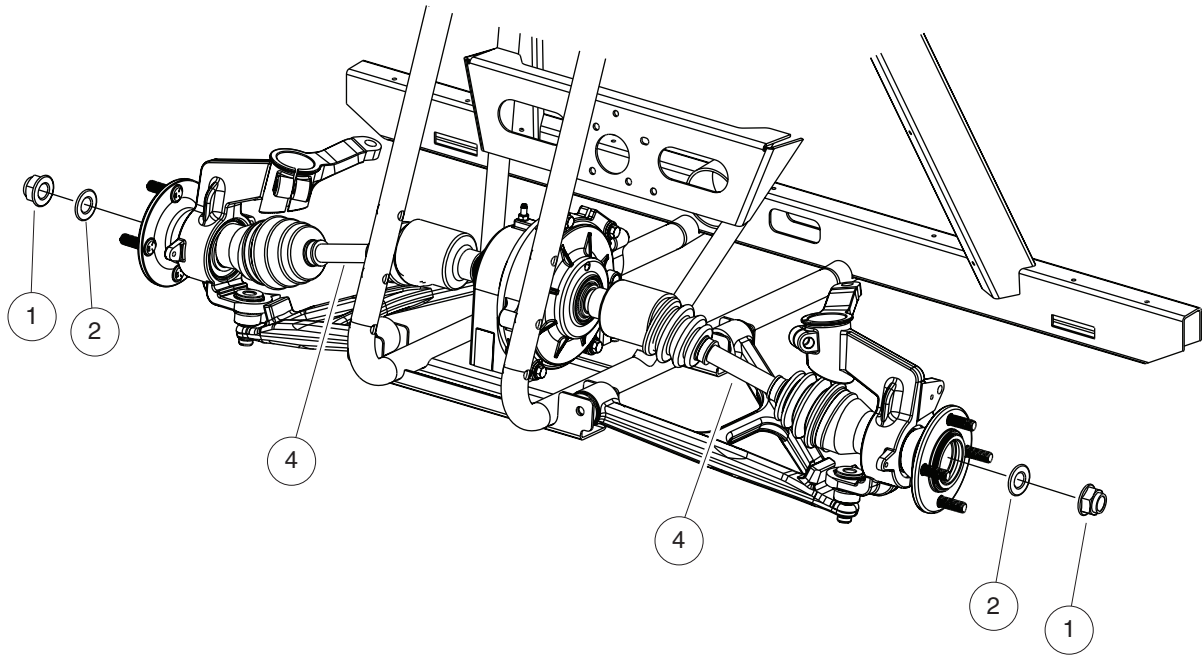
000897-001

HALF SHAFTS – MANUAL 4WD

ITEM	PART NO.	DESCRIPTION	QTY
		1 2 3 4	
1	103417701	Halfshaft, Front, 4x4	2
2	103498001	Halfshaft, Rear, 4x4	2
3	<u>103596301</u>	Nut, Stake, M18, Halfshaft	4
4	<u>103600701</u>	Washer, Flat, M18	4

13

G



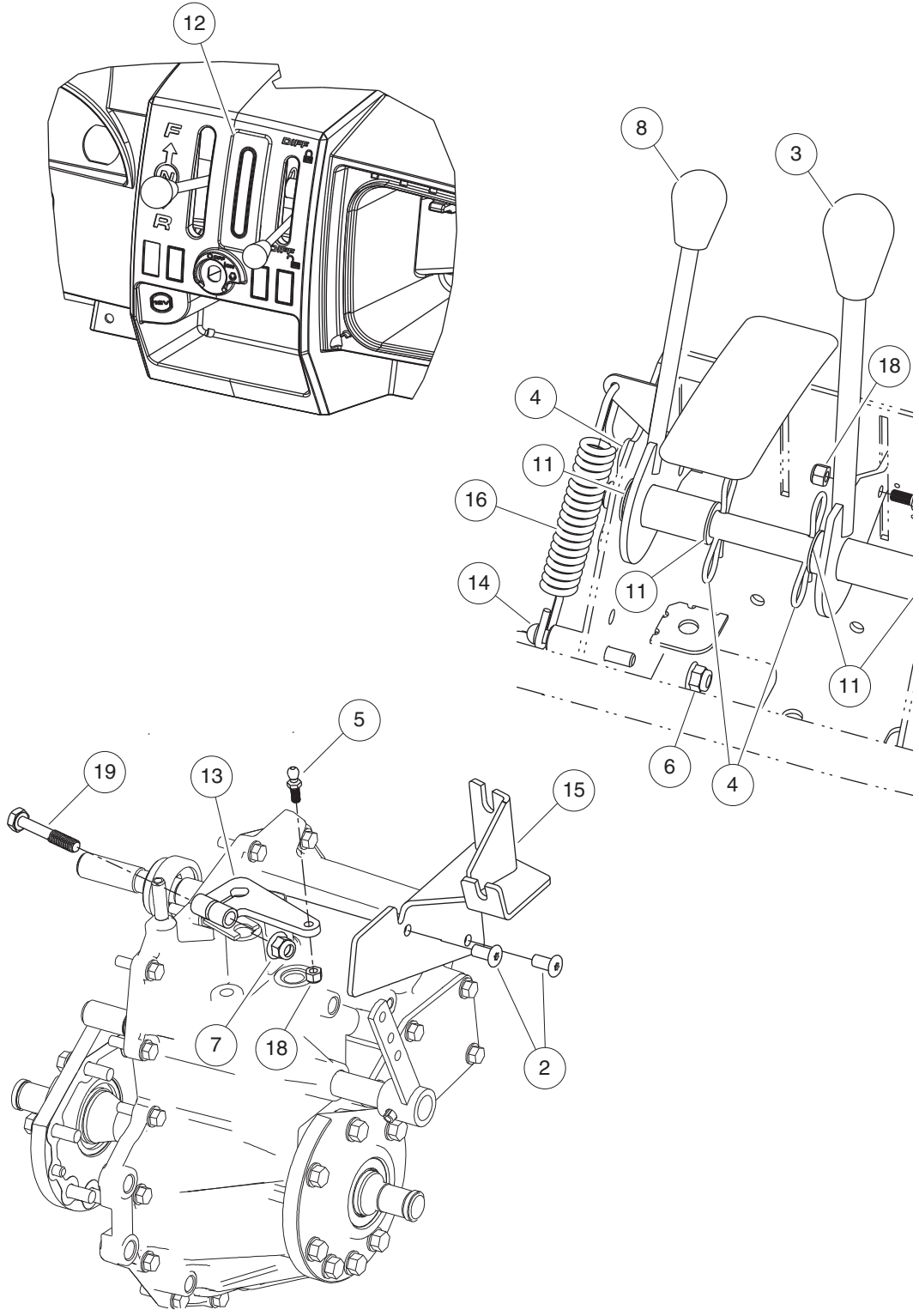
000897-002

HALF SHAFTS – AUTO 4WD

ITEM	PART NO.	DESCRIPTION	QTY
		1 2 3 4	
1	<u>103596301</u>	Nut, Stake, M18, Halfshaft	4
2	<u>103600701</u>	Washer, Flat, M18	4
3	<u>103638201</u>	Halfshaft, Rear, Xrt950	2
4	<u>103831901</u>	Halfshaft, Front, Xrt950, Auto	2

13

G



[

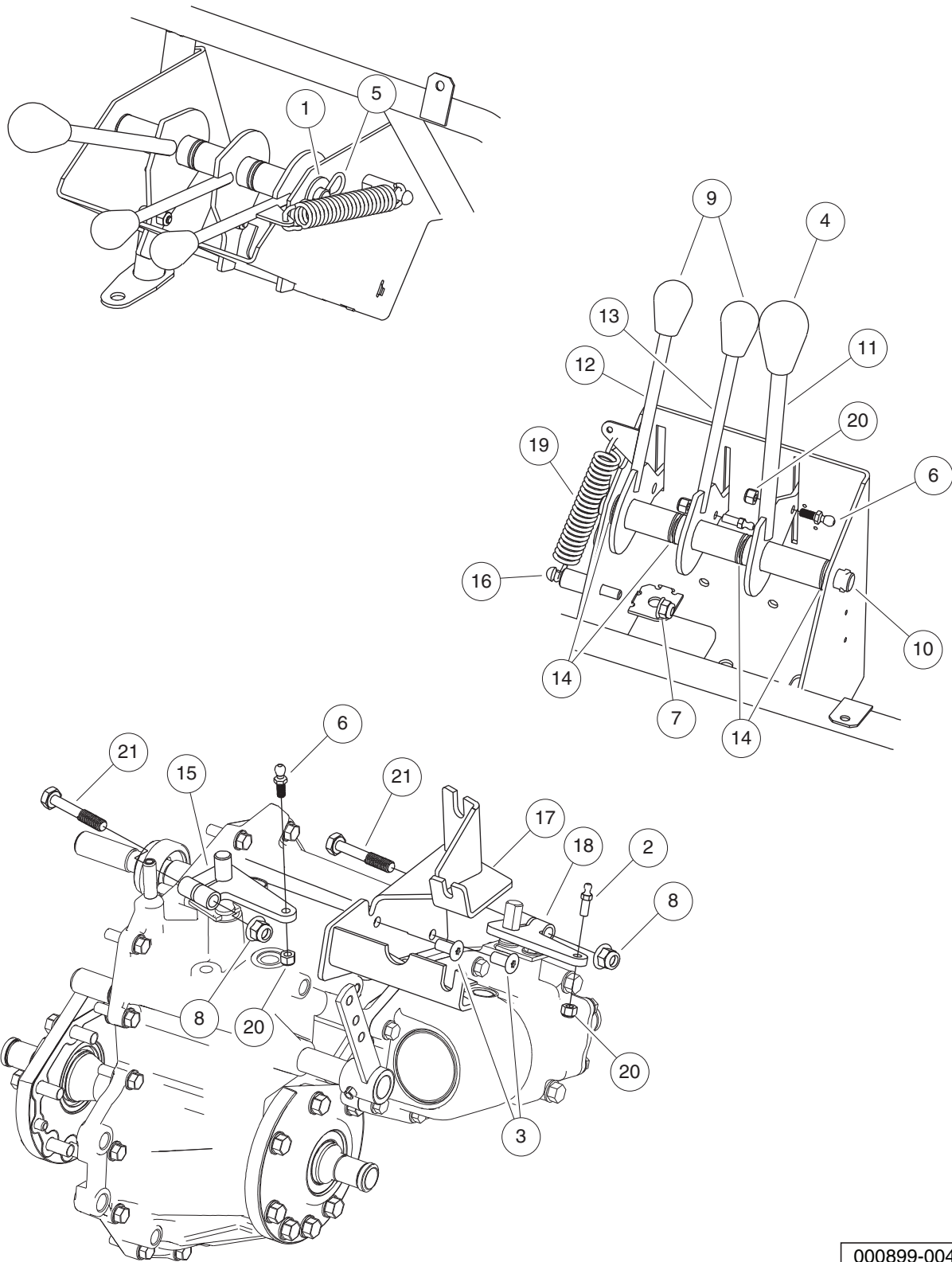
FORWARD/REVERSE SHIFTER – 2WD AND AUTO 4WD

ITEM	PART NO.	DESCRIPTION	QTY
		1 2 3 4	
1	<u>1010193</u>	Washer, 5/8 Type A Plain Flat	1
2	<u>1016074</u>	Screw, M8-1.25 X 18mm Torx	2
3	<u>102376001</u>	Knob, FNR, Shifter	1
4	<u>102518901</u>	Pin, Bow Tie 0.120 X 2.750	3
5	<u>102615701</u>	Stud, Ball, .346 Dia	2
6	<u>102618601</u>	Lock Nut, Flange, M8 X 1.25 Nylon	1
7	<u>102670701</u>	Nut, Flange, M10 X 1.5 Nylon	1
8	<u>103114801</u>	Knob, Black, 32mm Dia	1
9	<u>103419201</u>	Weldment, Shifter, Dash, Fnr	1
10	<u>103419501</u>	Weldment, Shifter, Diff	1
11	<u>103420201</u>	Bushing, Flange, 16 Id X 19	4
12	<u>103430901</u>	Cover, Shifter	1
13	<u>103438001</u>	Weldment, Lever, Trans, Fnr	1
14	<u>103482301</u>	Stud, Mtg, Spring	1
15	<u>103597402</u>	Weldment, Brkt, Cable, 2wd	1
16	<u>103710501</u>	Spring, Ext, 22mm Dia X 148 Mm	1
17	103893801	Shaft, Controls, Xrt950	1
18	<u>8717</u>	Locknut, Nylon Insert, 1/4-28	2
19	<u>96704960</u>	Bolt, M10 X 1.5 X 60	1

13

G

13
G



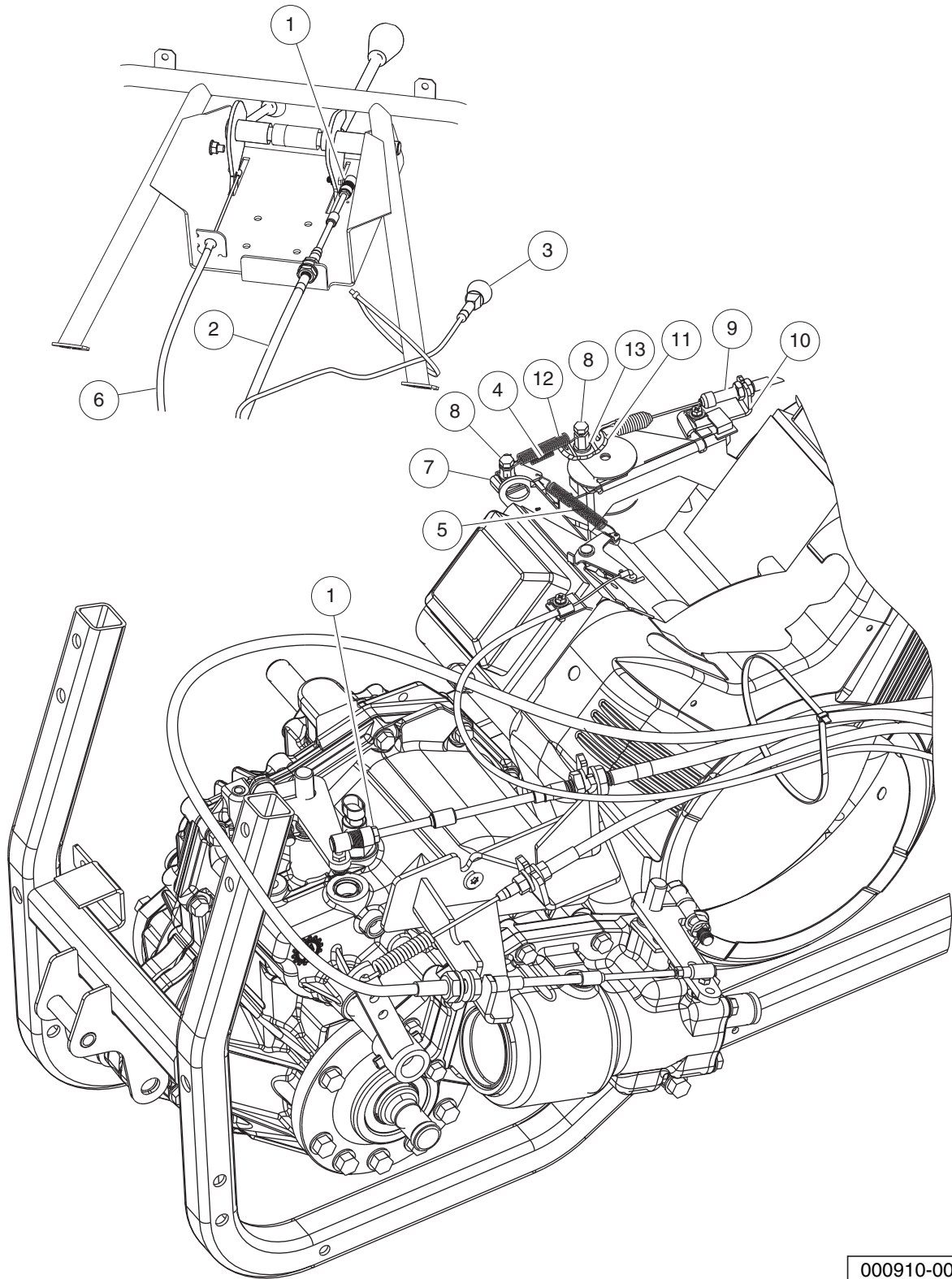
000899-004

FORWARD/REVERSE SHIFTER – MANUAL 4WD

ITEM	PART NO.	DESCRIPTION	QTY
		1 2 3 4	
1	<u>1010193</u>	Washer, 5/8 Type A Plain Flat	1
2	<u>1010954</u>	Stud, Ball, 1/4-28 X 0.560	2
3	<u>1016074</u>	Screw, M8-1.25 X 18mm Torx	2
4	<u>102376001</u>	Knob, FNR, Shifter	1
5	<u>102518901</u>	Pin, Bow Tie 0.120 X 2.750	1
6	<u>102615701</u>	Stud, Ball, .346 Dia	2
7	<u>102618601</u>	Lock Nut, Flange, M8 X 1.25 Nylon	1
8	<u>102670701</u>	Nut, Flange, M10 X 1.5 Nylon	2
9	<u>103114801</u>	Knob, Black, 32mm Dia	2
10	<u>103134001</u>	Pin, Shifter, Controls	1
11	<u>103419201</u>	Weldment, Shifter, Dash, Fnr	1
12	<u>103419501</u>	Weldment, Shifter, Diff	1
13	<u>103419701</u>	Weldment, Shifter, 4x4	1
14	<u>103420201</u>	Bushing, Flange, 16 Id X 19	6
15	<u>103438001</u>	Weldment, Lever, Trans, Fnr	1
16	<u>103482301</u>	Stud, Mtg, Spring	1
17	<u>103597401</u>	Weldment, Brkt, Cable, 4wd	1
18	<u>103597501</u>	Weldment, Lever, Axle, 4x4	1
19	<u>103710501</u>	Spring, Ext, 22mm Dia X 148 Mm	1
20	<u>8717</u>	Locknut, Nylon Insert, 1/4-28	4
21	<u>96704960</u>	Bolt, M10 X 1.5 X 60	2

13

G

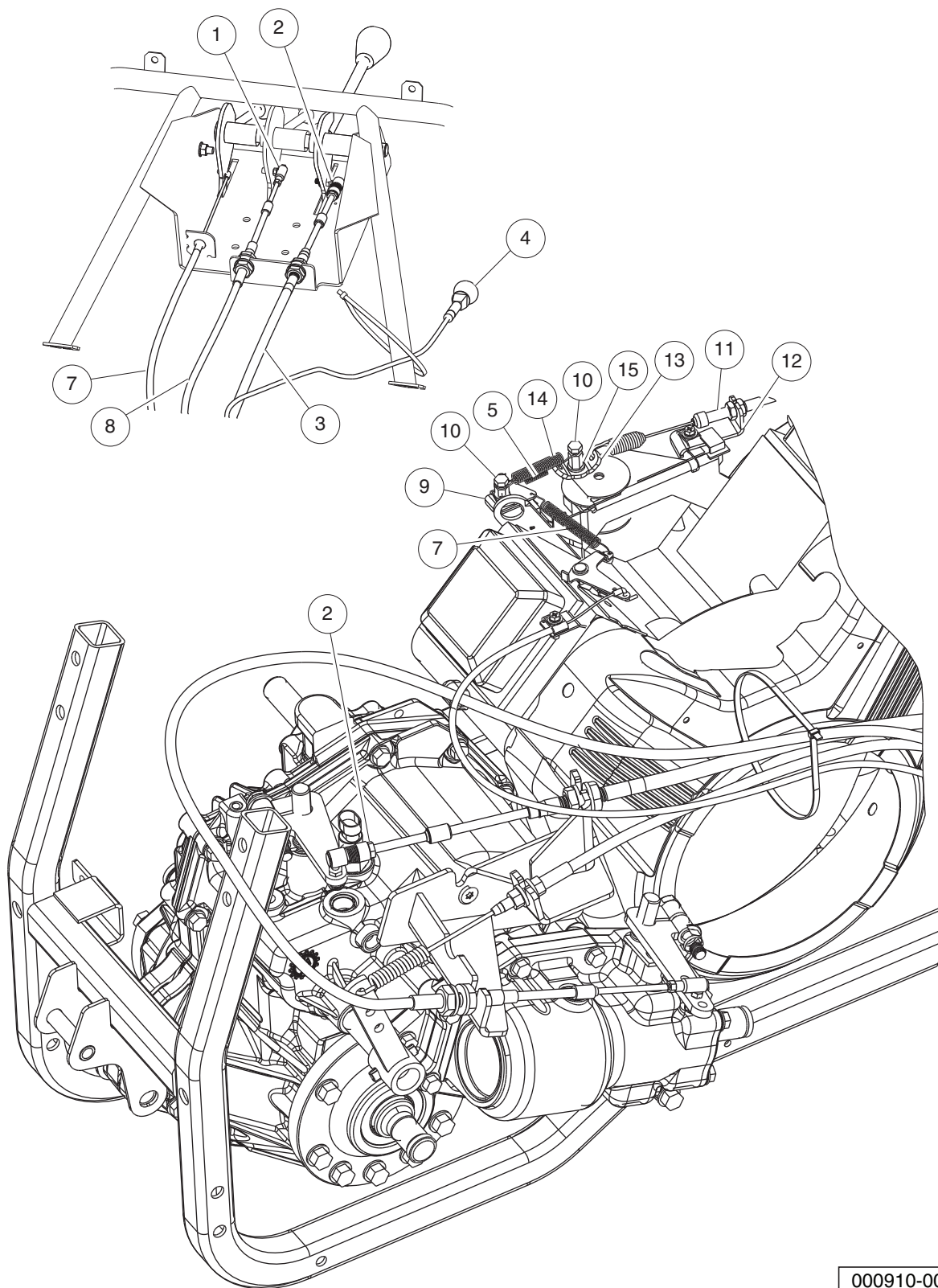


000910-007

CONTROL CABLES – 2WD AND AUTO 4WD

ITEM	PART NO.	DESCRIPTION	QTY
		1 2 3 4	
1	<u>102615801</u>	Joint, Ball, .346 Dia	2
2	<u>103106401</u>	Cable, Trans, Fnr	1
3	<u>103433201</u>	Cable, Choke, B&s	1
4	<u>103481901</u>	Spring, Ext, 9mm Dia	1
5	<u>103595601</u>	Spring, Ext, 7mm Dai, X 55	1
6	<u>103599301</u>	Cable, Trans, Diff-lock	1
7	<u>103618701</u>	Bkt, Spring, Engine, B&s	1
8	<u>103788401</u>	Stud, Threaded, #10-32	2
9	<u>103799001</u>	Cable, Accel, Epdm, Ot Spring	1
10	<u>103799101</u>	Brkt, Accel Cable Gov Mount	1
11	<u>103799201</u>	Brkt, Accel Swivel, Xrt950	1
12	<u>103799401</u>	Spring, Ext 8od X .94w X 68.4l	1
13	<u>183</u>	Washer, #10, Type A, Flat	1

13
G



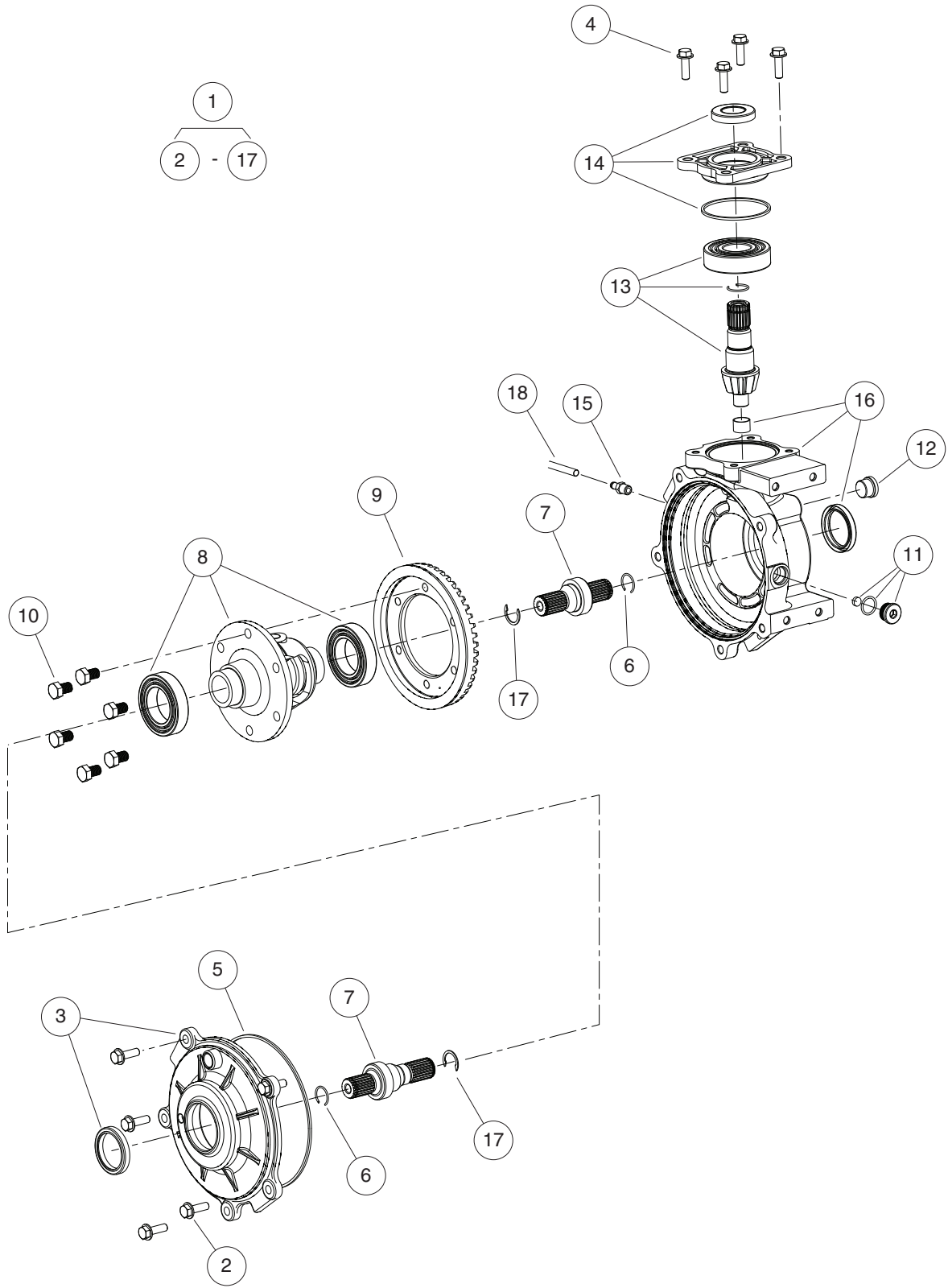
000910-008

CONTROL CABLES – MANUAL 4WD

ITEM	PART NO.	DESCRIPTION	QTY
		1 2 3 4	
1	<u>1012333</u>	Joint, #10-32 Ball	2
2	<u>102615801</u>	Joint, Ball, .346 Dia	2
3	<u>103106401</u>	Cable, Trans, Fnr	1
4	<u>103433201</u>	Cable, Choke, B&s	1
5	<u>103481901</u>	Spring, Ext, 9mm Dia	1
6	<u>103595601</u>	Spring, Ext, 7mm Dai, X 55	1
7	<u>103599301</u>	Cable, Trans, Diff-lock	1
8	<u>103600201</u>	Cable, Transaxle, 3228 Mm	1
9	<u>103618701</u>	Bkt, Spring, Engine, B&s	1
10	<u>103788401</u>	Stud, Threaded, #10-32	2
11	<u>103799001</u>	Cable, Accel, Epdm, Ot Spring	1
12	<u>103799101</u>	Brkt, Accel Cable Gov Mount	1
13	<u>103799201</u>	Brkt, Accel Swivel, Xrt950	1
14	<u>103799401</u>	Spring, Ext 8od X .94w X 68.4l	1
15	<u>183</u>	Washer, #10, Type A, Flat	1

13

G



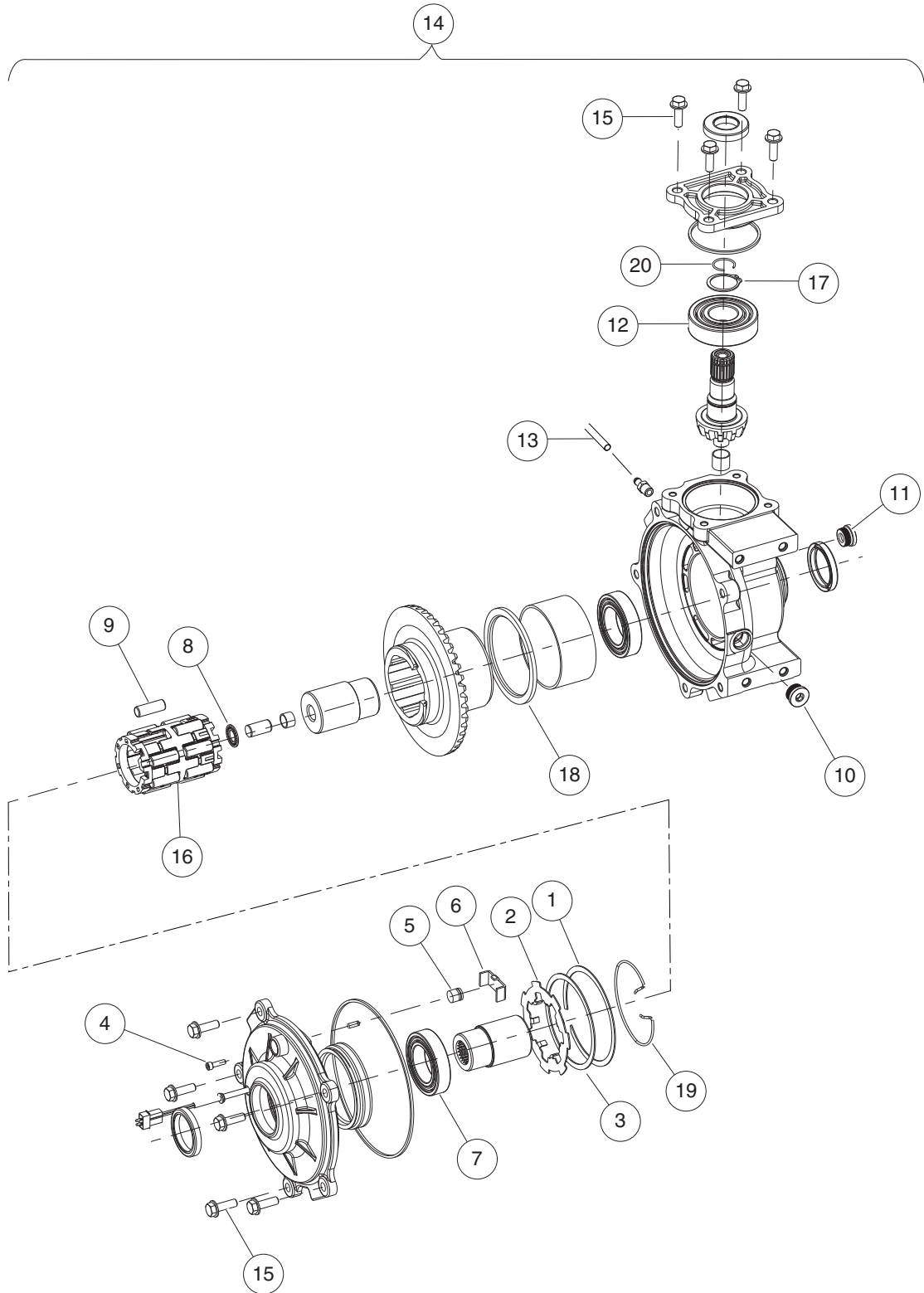
000908-001

FRONT DIFFERENTIAL – MANUAL 4WD

ITEM	PART NO.	DESCRIPTION	QTY
		1 2 3 4	
1	<u>103416801</u>	Diff, Front, Open, Hilliard (includes items 2 through 17)	1
2	<u>102491001</u>	Bolt, Flanged Head, 3/8-16x1.0 with Loctite	4
3	<u>103568201</u>	Assembly, Output Cover	1
4	<u>103568301</u>	Kit, Cover Bolt	1
5	<u>103568401</u>	Kit, Seal	1
6	<u>103568501</u>	Kit, External Retaining Ring	1
7	<u>103568601</u>	Kit, Stub Shaft	1
8	<u>103568701</u>	Kit, Open Differential	1
9	<u>103568801</u>	Ring Gear	1
10	<u>103568901</u>	Kit, Ring Gear Bolt	1
11	<u>103569001</u>	Assembly, Drain Plug	1
12	<u>103569101</u>	Plug, 3/4-16 Hollow Head	1
13	<u>103569201</u>	Kit, Pinion Gear	1
14	<u>103569301</u>	Kit, Input Cover	1
15	<u>103569401</u>	Vent Fitting	1
16	<u>103569501</u>	Kit, Gearcase Assembly	1
17	<u>103569601</u>	Kit, Internal Retaining Ring	1
18	<u>103601001</u>	Hose, Vent, Yellow, Front Diff	1

13

G



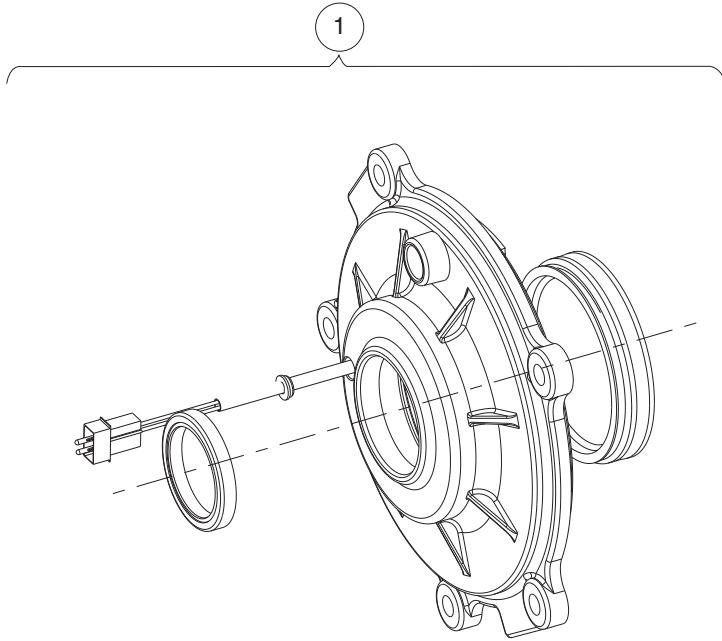
103787001

FRONT DIFFERENTIAL – AUTO 4WD

ITEM	PART NO.	DESCRIPTION	QTY
		1 2 3 4	
1	<u>102438701</u>	Retaining, Ring Internal	1
2	<u>102438801</u>	Plate, Armature	1
3	<u>102438901</u>	Shim, Armature, Plate	1
4	<u>102439001</u>	Set Screw, #10-24 UNC-3A with Patch	1
5	<u>102439101</u>	Thrust Button	1
6	<u>102439201</u>	Thrust Plate	1
7	<u>102439301</u>	Bearing, Ball	1
8	<u>102439501</u>	Bearing, Needle	1
9	<u>102439801</u>	Kit, Roller (contains 14 rollers)	1
10	<u>102440101</u>	Kit, Assy, Drain Plug	1
11	<u>102440301</u>	Plug, Oil Fill	1
12	<u>102440501</u>	Bearing, Ball	1
13	<u>103601001</u>	Hose, Vent, Yellow, Front Diff	1
14	<u>103787001</u>	Diff, Front, Autolock	1
15	<u>103898701</u>	Bolt Kit, Front Diff	9
16	<u>103898801</u>	Roll Cage Assembly, Front Diff	1
17	<u>103898901</u>	Retaining Ring, Input Shaft	1
18	<u>103899101</u>	Shim, Gear, Front Diff	1
19	<u>103899201</u>	Torsion Return Spring, Fd	1
20	<u>103899401</u>	Retaining Ring, Prop Shaft	1

13

G



103898501

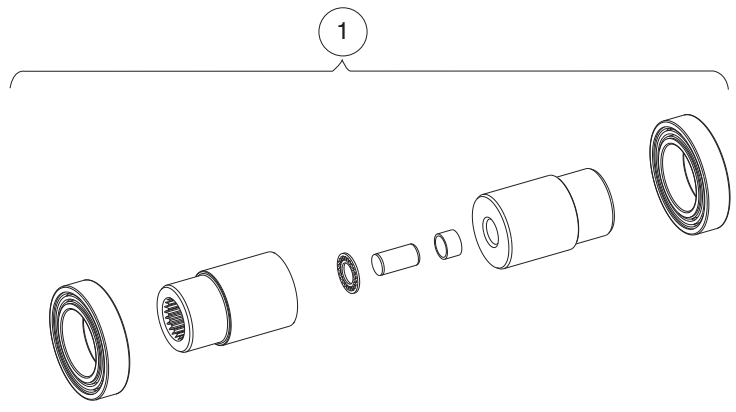
FRONT DIFFERENTIAL, AUTO 4WD – OUTPUT COVER ASSEMBLY

ITEM	PART NO.	DESCRIPTION	QTY
1	<u>103898501</u>	1 2 3 4 Output Cover Asm, Front Diff	1

13
G

13

G



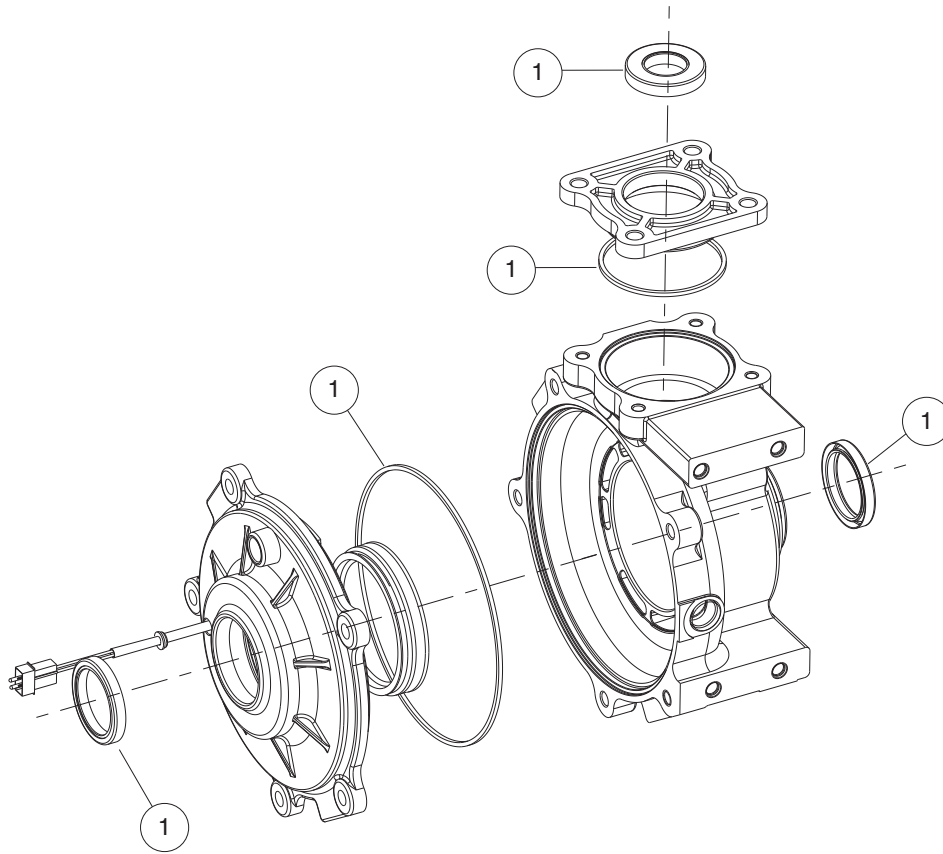
103898601

FRONT DIFFERENTIAL, AUTO 4WD – RACE/OUTPUT HUB ASSEMBLY

ITEM	PART NO.	DESCRIPTION	QTY
1	<u>103898601</u>	1 2 3 4 Race/output Hub Assy, Frt Diff	1

13

G



102438601

FRONT DIFFERENTIAL, AUTO 4WD – MINOR REPAIR KIT

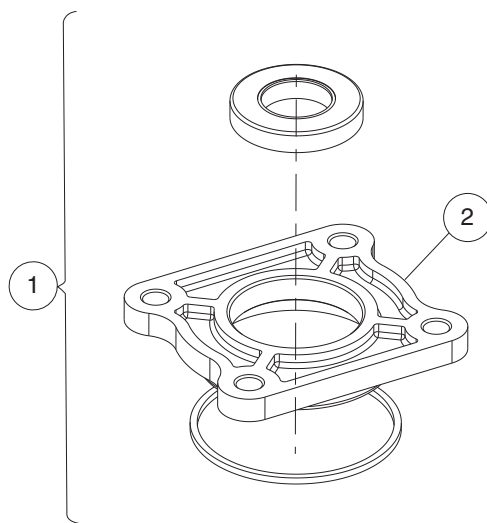
ITEM	PART NO.	DESCRIPTION	QTY
1	<u>102438601</u>	<p>1 2 3 4</p> <p>Kit, Minor Repair (contains oil seals and O-rings)</p>	1

13

G

13

G



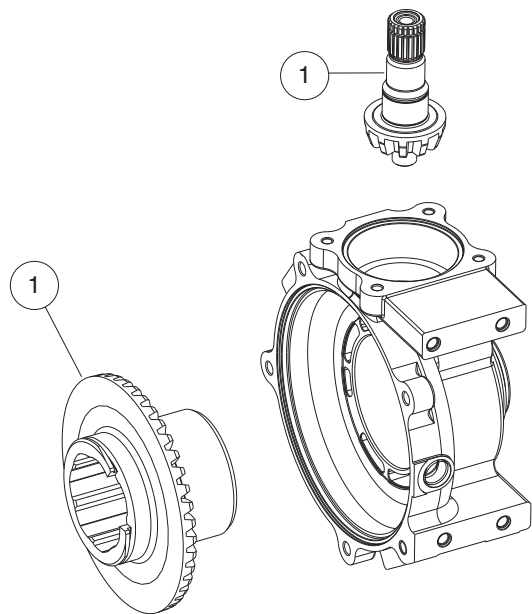
102440201

FRONT DIFFERENTIAL, AUTO 4WD – INPUT COVER ASSEMBLY

ITEM	PART NO.	DESCRIPTION	QTY
		1 2 3 4	
1	<u>102440201</u>	Kit, Assy, Input Cover Plate (includes items 2 through 4)	1
2	<u>102440601</u>	Cover, Input, Machined	1
3	N/A	O-Ring	1
4	N/A	Oil Seal, Triple-Lipped	1

13

G



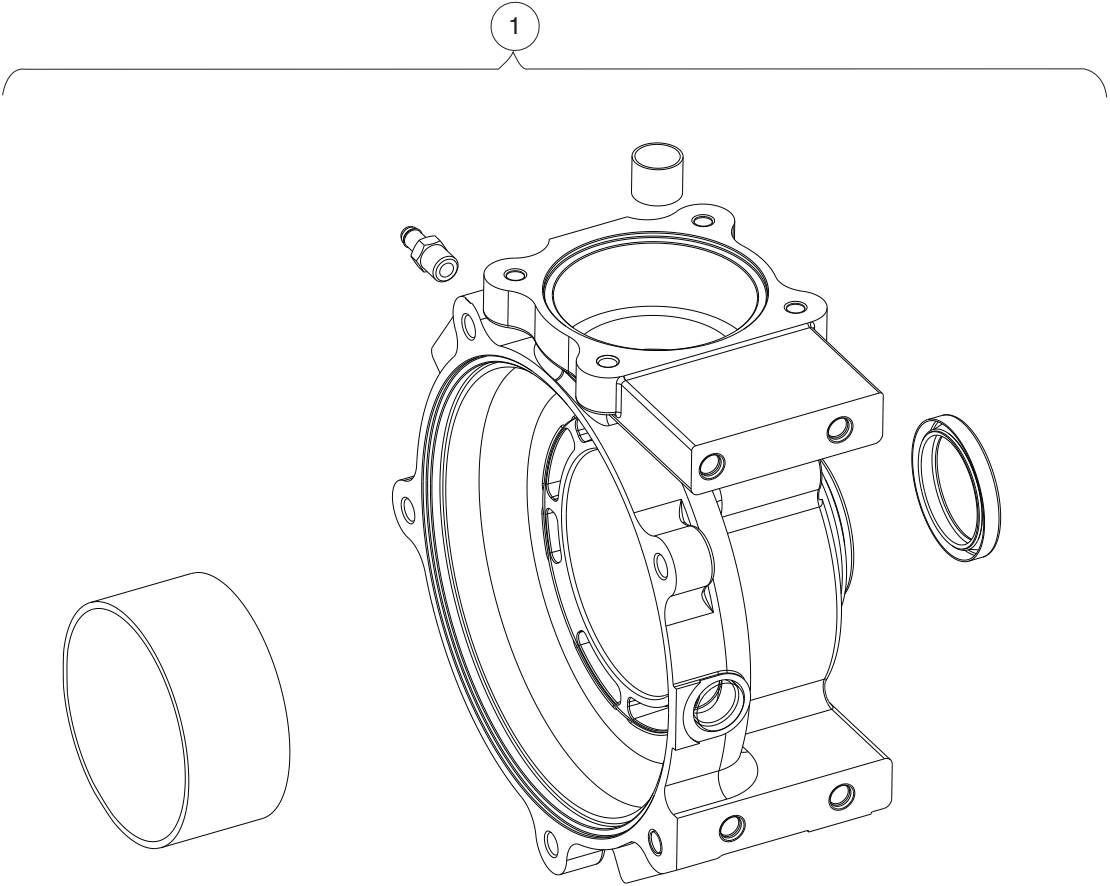
103899001

FRONT DIFFERENTIAL, AUTO 4WD – GEAR KIT

ITEM	PART NO.	DESCRIPTION	QTY
1	<u>103899001</u>	1 2 3 4 Kit - Gear, Hard Turned, Fd	1

13

G



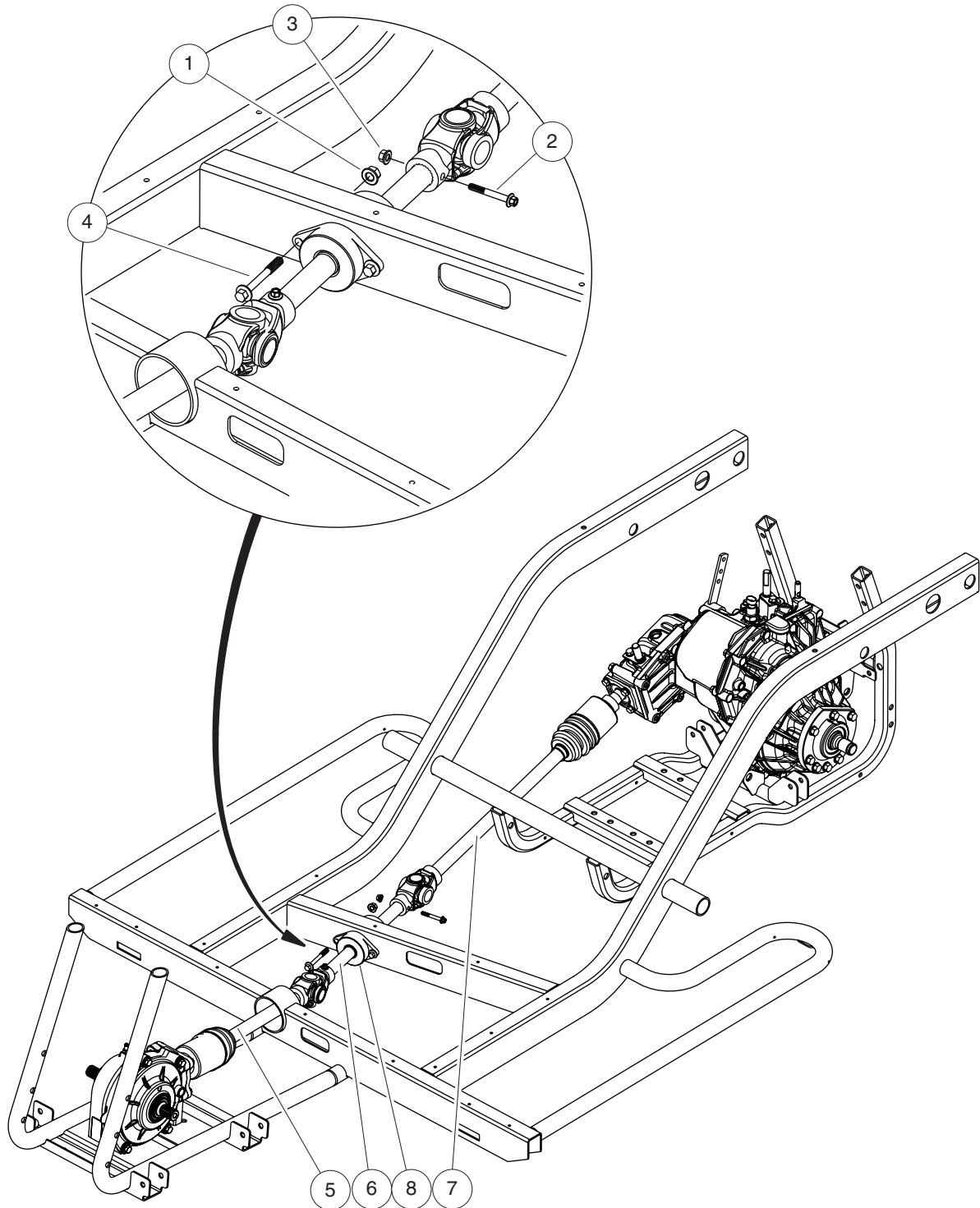
103899301

FRONT DIFFERENTIAL, AUTO 4WD – GEARCASE ASSEMBLY

ITEM	PART NO.	DESCRIPTION	QTY
1	<u>103899301</u>	1 2 3 4 Gearcase Assembly, Fd	1

13

G



000884-002

PROP SHAFTS

ITEM	PART NO.	DESCRIPTION	QTY
		1 2 3 4	
1	<u>102298401</u>	Nut,m8,all Metal Lock	2
2	<u>102541445</u>	Bolt-m6x1.0x45 Hex Flhd,blk	2
3	<u>102541501</u>	Nut-m6x1.0 Fl Mtl Lock,blk	2
4	<u>102618301</u>	Bolt, Flanged Head, M8 X 1.25 X 65	2
5	<u>103437401</u>	Propshaft, Front, 4x4	1
6	<u>103437501</u>	Propshaft, Center, 4x4	1
7	<u>103437601</u>	Propshaft, Rear, 4x4	1
8	<u>103930301</u>	Bearing, Propshaft, 6205-2rs	1

13
G

13

G

MAINTENANCE AND SERVICE TOOLS

14

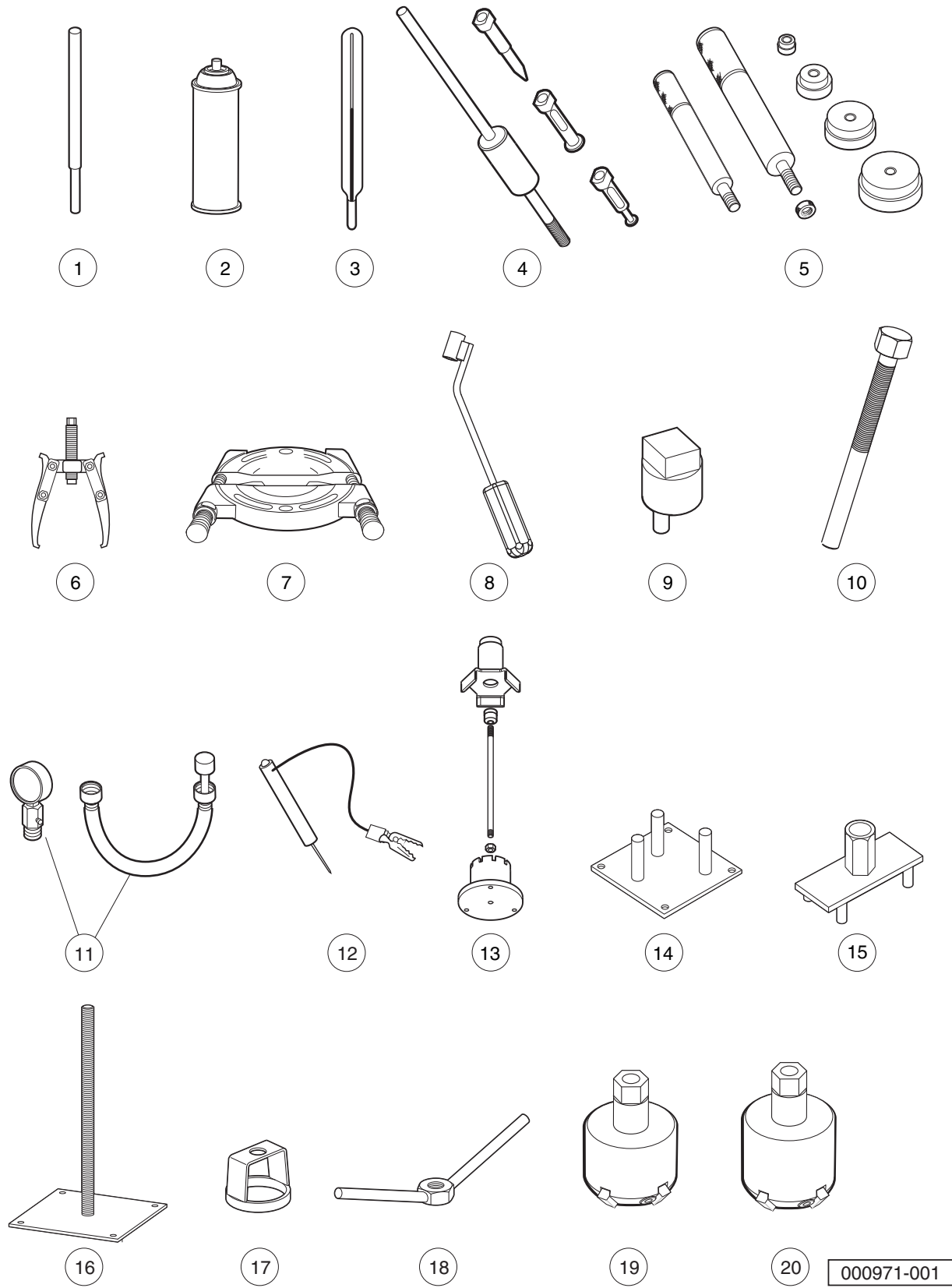
G

D

14

G

D



000971-001

MAINTENANCE AND SERVICE TOOLS – AWD/950

ITEM	PART NO.	DESCRIPTION	QTY GAS	QTY DIESEL
		<p>1 2 3 4</p> <p>The following tool list includes all tools available from Club Car for maintenance and service procedures on AWD-based and XRT950-based utility vehicles, both past and present models. Be sure to carefully examine the tool list for applicability to your vehicle before ordering.</p>		
1	<u>101641202</u>	Arbor	1	1
2	<u>1014305</u>	Battery Terminal Protector Spray	1	1
3	<u>1011767</u>	Battery Thermometer	1	1
4	<u>1016417</u>	Bearing and Oil Seal Remover Assembly	1	1
5	<u>1016416</u>	Bearing Driver Set	1	1
6	<u>1012811</u>	Bearing Puller	1	1
7	<u>1012812</u>	Bearing Puller Wedge Attachment	1	1
8	<u>102555501</u>	Brake Cable Release Tool	1	1
9	<u>102447101</u>	Camber Adjustment Tool (for AWD vehicles).....	1	1
10	<u>102686101</u>	Clutch Removal Tool (for AWD vehicles).....	1	1
11	<u>101641002</u>	Compression Gauge and Adapter	1	
12	<u>1011273</u>	Continuity Tester	1	1
13	<u>103865301</u>	Drive Clutch Service Tool (for AWD vehicles with 3-weight drive clutch)	1	1
14	<u>102601501</u>	Drive ClutchFixed Sheave Tool (for AWD vehicles with 2-weight drive clutch)	1	1
15	<u>102607501</u>	Drive Clutch Spider Removal Tool (for AWD vehicles with 2-weight drive clutch)	1	1
16	<u>102603501</u>	Driven Clutch Spring Compression Base (for use with items 17 and 18) (for AWD vehicles)	1	1
17	<u>102605201</u>	Driven Clutch Spring Compression Collar (for use with items 16 and 18) (for AWD vehicles)	1	1
18	<u>102606101</u>	Driven Clutch Spring Compression Nut (for use with items 16 and 17) (for AWD vehicles)	1	1
19	<u>102773801</u>	Cutter, Valve Seat, #122.....	1	
20	<u>102773901</u>	Cutter, Valve Seat #115.....	1	
		<p>Items 19 and 20 are for AWD vehicles with Honda GX620 gasoline engines.</p> <p>Please refer to the maintenance and service manual for proper tool application.</p>		

14

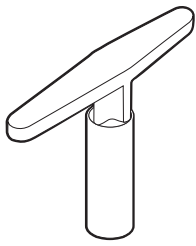
G

D

14

G

D



21



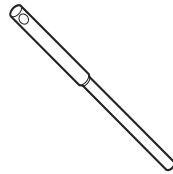
22



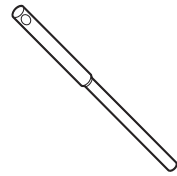
23



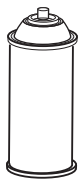
24



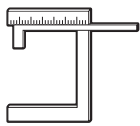
25



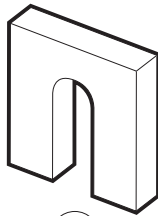
26



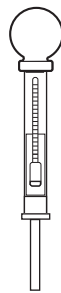
27



28



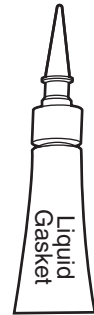
29



30



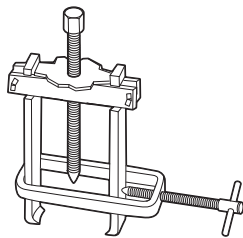
31



32



33



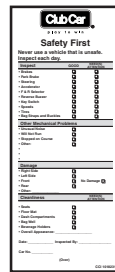
34



35



36



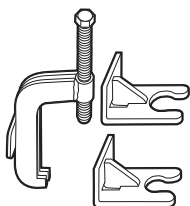
37



38



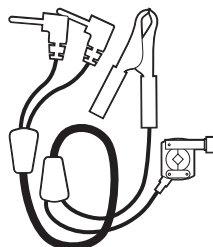
39



40



41



42



46



47

000971-002

MAINTENANCE AND SERVICE TOOLS – AWD/950, CONTINUED

ITEM	PART NO.	DESCRIPTION	QTY GAS	QTY DIESEL
		1 2 3 4		
21	<u>102774101</u>	Wrench, T, #505.....	1	
22	<u>102774101</u>	Adapter, T-Wrench.....	1	
23	<u>102675401</u>	Cutter, Valve Seat, 60 Degree.....	1	
24	<u>102774201</u>	Pilot, 6.6 MM.....	1	
25	<u>102774301</u>	Pilot, 6.62 MM.....	1	
26	<u>102774401</u>	Pilot, 6.65 MM.....	1	
27	<u>1012151</u>	Dry Moly Lubricant.....	1	1
28	<u>102669901</u>	Gauge, Carburetor Float Level (for AWD vehicles with Honda GX620 Gasoline Engines).....	1	
29	<u>1016418</u>	Gear Yoke.....	1	1
30	<u>1011478</u>	Hydrometer.....	1	1
31	<u>1013593</u>	Internal Retaining Ring Pliers.....	1	1
32	<u>101928701</u>	Liquid Gasket (transaxle case).....	1	1
33	<u>101997207</u>	Paint, Touch-Up – Black.....	1	1
33	<u>101997205</u>	Paint, Touch-Up – Dark Gray.....	1	1
33	<u>101997209</u>	Paint, Touch-Up – Dark Green.....	1	1
33	<u>101997204</u>	Paint, Touch-Up – Gray.....	1	1
33	<u>101997203</u>	Paint, Touch-Up – Red.....	1	1
34	<u>102668801</u>	Puller, Special Use (for AWD vehicles with Kubota D722 Diesel Engines).....		1
35	<u>1012549</u>	Retaining Ring Pliers, 45° External.....	1	1
36	<u>1012560</u>	Retaining Ring Pliers, 90° Internal.....	1	1
37	<u>101823101</u>	Safety First Card (50 per pack).....	1	1
38	<u>1012809</u>	Seal Puller.....	1	1
39	<u>102330901</u>	Spanner Wrench (for coil over shock front suspension vehicles only).....	1	1
40	<u>102061201</u>	Steering Wheel Puller Tool.....	1	1
41	<u>AM10753</u>	Tachometer (includes gasoline engine pick up lead only).....	1	1
42	<u>AM10771</u>	Tachometer Diesel Probe (for use with item 41).....		1
43	<u>AM11804</u>	Tune-Up Kit, Gx620 (for Honda Engines) (includes air filter, spark plug, oil filter, fuel filters) (not shown).....	1	
44	<u>AM11805</u>	Tune-Up Kit, D722 (for Kubota Engines) (includes air filter, oil filter, fuel filters, water separator filter) (not shown).....		1
45	<u>AM1232401</u>	Tune-Up Kit, FH680D (for Kawasaki V-Twin Engines) (includes oil filter, fuel filter, air filter, and spark plugs) (not shown).....	1	
46	<u>102674601</u>	Valve Guide Driver (for AWD vehicles with Honda GX620 Gasoline Engines).....	1	
47	<u>102674401</u>	Valve Guide Reamer, 6.6 mm (for AWD vehicles with Honda GX620 Gasoline Engines).....	1	
		Items 21 through 26, 28, 46 and 47 are for AWD vehicles with Honda GX620 gasoline engines.		
		Please refer to the maintenance and service manual for proper tool application.		

14

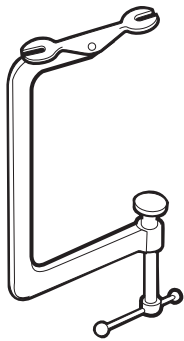
G

D

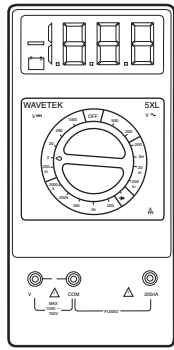
14

G

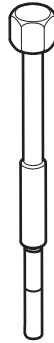
D



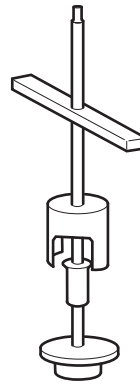
48



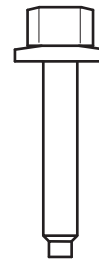
49



50



51



52

000971-003

MAINTENANCE AND SERVICE TOOLS – AWD/950, CONTINUED

ITEM	PART NO.	DESCRIPTION	QTY GAS	QTY DIESEL
		1 2 3 4		
48	<u>101641101</u>	Valve Spring Compressor	1	
49	1011480	Volt Ohm Meter	1	1
50	<u>103601401</u>	Puller, Drive Clutch* (for XRT 950 vehicles only).....	1	
51	<u>103601701</u>	Tool, Disassembly, Driven Clutch (for XRT 950 vehicles only).....	1	
52	<u>103600501</u>	Screw, Driven Clutch, M6* (for XRT 950 vehicles only).....	1	
<p>Items 50 through 52 are for XRT 950 vehicles only.</p> <p>*Note: The XRT 950 Drive Clutch Puller (item 50) requires the use of Screw, Driven Clutch (item 52) to remove the drive belt.</p>				

14

G

D

INDEX

Part Number and Page

AM10753	14-5	1014305	14-3	102296716	11-3
AM10771	14-5	1014375	7-3, 7-5, 7-7, 7-9	102296920	1-29
AM1274301	8-3	1014415	1-19, 1-41	102297125	1-21
183	9-15, 12-29, 13-41, 13-43	1014557	1-37	102297230	1-25, 1-31
1016	9-15	1015075	9-11	102298130	1-13, 6-3
2402	6-9	1015139	9-15	102298170	1-19, 10-3
7310	2-3, 2-5	1015143	9-15	102298185	1-19
7473	5-11, 9-11	1015277	1-19	102298401	1-13, 1-15, 5-3, 5-9, 8-5, 10-3, 13-61
7591	4-7	1015391	1-19	102323101	5-9
8056	7-11	1015392	7-3, 7-5, 7-7, 7-9	102330901	14-5
8057	7-11	1015405	9-11	102343601	1-35
8058	7-11	1015583	1-19	102355301	7-3, 7-5, 7-7, 7-9
8639	4-3, 5-5, 5-7, 7-3, 7-5, 7-7, 7-9	1015661	9-13	102361901	6-7
8717	12-27, 13-37, 13-39	101587703	9-17	102363802	6-5
8754	1-19, 6-9	1016074	12-27, 13-37, 13-39	102367101	6-5
8755	1-19, 6-9	101609401	3-5	102376001	12-27, 13-37, 13-39
8797	9-15	101641002	14-3	102406701	9-15
1010193	12-27, 13-37, 13-39	101641101	14-7	102411209	9-11
1010434	1-35	101641202	14-3	102411210	11-3
1010435	9-11	1016416	14-3	102420401	7-3, 7-5, 7-7, 7-9
1010545	7-3, 7-5, 7-7, 7-9	1016417	14-3	102420501	7-3, 7-5, 7-7, 7-9
101082903	5-3	1016418	14-5	102426301	9-13
1010878	9-13	1016630	7-3, 7-5, 7-7, 7-9	102438601	13-53
1010921	5-11	1016952	9-13	102438701	13-47
1010954	13-39	1017035	4-7	102438801	13-47
1011034	7-11	1017699	4-7	102438901	13-47
1011273	14-3	1017853	4-7	102439001	13-47
1011478	14-5	101823101	14-5	102439101	13-47
1011480	14-7	101835601	1-19, 1-41	102439201	13-47
1011553	3-7	101898001	7-3, 7-5, 7-7, 7-9	102439301	13-47
1011578	5-11	101928701	14-5	102439501	13-47
1011582	4-7	101932201	4-7	102439801	13-47
1011767	14-3	101958601	1-19	102440101	13-47
1011779	5-11	101972003	14-5	102440201	13-55
1011843	4-7	101972004	14-5	102440301	13-47
1011964	1-35	101972005	14-5	102440501	13-47
1011990	6-9	101972007	14-5	102440601	13-55
1012151	14-5	101972009	14-5	102445201	5-9
1012285	1-15	101987901	4-3	102447101	14-3
1012303	1-19	102022901	6-3, 6-7	102447901	7-3, 7-5, 7-7, 7-9
1012333	13-43	102025701	1-21	102448001	7-3, 7-5, 7-7, 7-9
1012549	14-5	102044702	7-3, 7-5, 7-7, 7-9	102458901	3-7
1012560	14-5	102051601	7-3, 7-5, 7-7, 7-9	102459401	1-39, 3-5
1012649	9-13, 9-17	102051701	7-3, 7-5, 7-7, 7-9	102460201	3-7
1012769	7-3, 7-5, 7-7, 7-9	102059001	1-25	102461401	5-9
1012809	14-5	102061101	1-25	102464301	6-7, 6-9
1012811	14-3	102061201	14-5	102479301	5-9
1012812	14-3	102176901	5-3	102481302	11-3
101313402	9-17	102290120	6-5	102488001	5-5, 5-7
1013461	9-15	102296020	1-9	102490301	7-3, 7-5, 7-7, 7-9
1013462	9-15	102296140	1-9, 1-31	102491001	13-45
1013593	14-5	102296301	1-29	102491501	1-13
1013746	9-17	102296401	5-9	102491601	5-5, 5-7
1014116	1-33	102296530	1-9, 1-21, 1-23, 1-25	102493301	5-7
		102296601	1-9, 1-21, 1-23, 1-25, 1-31, 7-3, 7-5, 7-7, 7-9	102518901	12-27, 13-37, 13-39
				102522001	9-15

INDEX

102535101	4-3	103050301	1-31	103148701	5-11
102541445	13-61	103050401	1-21	103148801	5-11
102541501	1-29, 13-61	103050501	1-21	103148901	5-11
102555501	14-3	103050601	1-21	103149001	5-11
102558301	9-11	103050701	1-21	103149101	5-11
102571301	6-5	103050801	1-21	103149201	5-11
102601501	14-3	103050901	1-21	103149301	5-11
102603501	14-3	103051001	1-21	103149401	5-11
102605201	14-3	103061201	12-3	103149501	5-11
102606101	14-3	103061202	13-3	103149601	5-11
102607501	14-3	103065620	1-25	103149701	5-11
102615701	12-27, 13-37, 13-39	103065624	1-25	103149801	5-11
102615801	12-29, 13-41, 13-43	103065625	1-25	103149901	5-11
102616301	6-11, 8-5	103065626	1-25	103152001	1-13
102617201	1-7, 1-29	103065628	1-25	103154001	1-13
102618301	13-61	103065720	1-25	103160001	5-11
102618401	5-3, 6-3	103065724	1-25	103160101	5-5, 5-7
102618601	1-19, 6-3, 6-9, 6-11, 9-13, 12-27, 13-37, 13-39	103065725	1-25	103180101	4-5
102620301	1-37	103065726	1-25	103182701	1-31
102620501	6-9, 6-11	103065728	1-25	103215401	1-3
102628001	11-3	103065801	1-9	103216401	1-39, 6-9
102661001	6-3	103075801	1-13	103218104	4-3, 4-5
102668801	14-5	103075901	6-11	103231801	1-3
102669901	14-5	103077201	6-7	103234503	2-5
102670701	1-5, 6-7, 8-5, 12-27, 13-37, 13-39	103077501	5-5, 5-7	103245101	1-37
102672701	4-7	103078102	6-9	103247601	7-3, 7-5, 7-7, 7-9
102674001	14-3	103090001	6-3	103327201	7-11
102674101	14-3	103105101	6-7	103348101	7-3, 7-5, 7-7, 7-9
102674201	14-5	103105201	6-7	103372101	9-15
102674401	14-5	103105401	6-9	103372301	9-15
102674601	14-5	103106201	6-3	103372401	9-17
102675001	14-5	103106301	6-3	103376101	5-3
102675101	14-5	103106401	12-29, 13-41, 13-43	103380701	5-3
102675201	14-5	103113001	6-9	103400001	1-11, 1-21
102675301	14-5	103113301	6-11	103413301	8-5
102675401	14-5	103114801	12-27, 13-37, 13-39	103416101	11-7
102684501	6-11	103134001	13-39	103416801	13-45
102686101	14-3	103137601	6-9	103417001	10-3
102686501	7-3, 7-5, 7-7, 7-9	103145701	6-7, 6-9	103417101	10-3
102711601	1-29	103145801	6-7	103417701	13-33
102718001	1-7	103145901	6-9	103419201	12-27, 13-37, 13-39
102718101	1-7, 1-29	103146101	6-9	103419501	12-27, 13-37, 13-39
102719501	1-13, 8-5	103146201	6-9	103419701	13-39
102722301	6-7	103146401	6-9	103420201	12-27, 13-37, 13-39
102736901	2-5	103146501	6-9	103422201	7-3, 7-7
102865101	9-3	103146601	6-3	103430801	1-25
102869401	4-3	103146701	6-11	103430901	1-31, 12-27, 13-37
102883401	1-31	103146801	1-13, 6-9	103431001	1-25
102894401	4-3	103146901	6-9	103432601	1-13
102925201	1-3, 1-5, 1-13	103147001	6-7	103433201	12-29, 13-41, 13-43
102945701	2-9	103147101	5-5	103433301	1-41
102956101	1-15	103147201	6-9	103433302	1-41
102961201	1-39, 3-5	103147501	6-7	103434201	1-41
102988701	1-39, 6-9	103148301	6-3	103434501	1-41
103050201	1-31	103148401	6-3	103435001	1-41
		103148501	6-7	103436401	1-19

INDEX

103437401	13-61	103518901	11-5	103545201	8-15, 8-21
103437501	13-61	103519001	11-5	103545301	8-15
103437601	13-61	103519101	11-5	103545401	8-15, 8-25
103438001	12-27, 13-37, 13-39	103519201	11-5	103545501	8-17
103440001	1-39	103519301	11-5	103545701	8-23
103440101	1-39	103521401	4-3	103546201	8-21
103440601	1-39	103522501	1-41	103546301	8-21
103441101	9-11	103523602	5-7	103546401	8-21
103441201	9-11	103523702	5-7	103546501	8-21
103441301	9-11	103524002	1-17	103546601	8-21
103441501	1-21	103525002	2-3	103546701	8-17
103443201	1-35	103525701	1-33	103546801	8-17
103443801	7-3, 7-5, 7-7, 7-9	103526201	3-7	103546901	8-17
103443901	7-3, 7-5, 7-7, 7-9	103526501	3-5	103547101	8-15
103444301	6-7	103526701	9-11	103547201	8-17
103447501	11-3	103527201	9-11	103547301	8-17
103455001	1-35	103528101	1-7	103547401	8-17, 8-19
103455002	1-35	103529601	1-37	103547501	8-19
103455003	1-35	103529701	1-37	103547601	8-27
103456001	1-35	103529801	1-37	103547701	8-25, 8-27, 9-7
103456002	1-35	103529901	6-3	103547801	8-25, 8-27
103456003	1-35	103530701	1-37	103547901	8-27
103460001	9-11	103531001	9-11	103548001	8-23
103460201	9-17	103531201	1-13, 5-9	103548101	8-23
103460301	5-5	103532301	5-11	103548301	8-15
103460401	5-7	103532701	3-5	103548401	9-7
103461901	1-39	103532801	2-3	103548501	9-7
103462001	1-39	103533401	3-3	103548601	9-7
103462301	4-5	103534001	6-9	103548701	9-7
103479801	7-3, 7-5, 7-7, 7-9	103534201	1-37	103548801	9-7
103481901	12-29, 13-41, 13-43	103534402	6-9	103548901	9-7
103482301	12-27, 13-37, 13-39	103534403	6-9	103549001	9-7
103485901	9-15	103534701	1-33	103549101	9-7
103490301	1-11	103534801	1-33	103549201	9-7
103496801	7-3, 7-5, 7-7, 7-9	103536101	1-3	103549301	9-7
103498001	13-33	103536301	1-9	103549401	9-7
103498601	1-19	103539901	1-25	103549501	9-7
103500701	3-7	103540201	1-25	103549601	9-7
103509501	1-19	103540802	1-17	103549701	9-7
103512101	1-23	103541301	1-25	103549801	9-9
103512201	1-23	103541501	1-33	103549901	8-27
103512202	1-23	103542601	1-5	103550101	9-7
103516601	11-9	103543701	8-19	103550201	9-7
103516701	11-9	103543801	8-19	103550301	9-7
103517503	1-17	103543901	8-19, 8-25	103550401	8-21
103517901	1-15	103544001	8-17	103550501	8-17
103518010	3-3	103544101	8-17	103550601	9-5
103518015	3-3	103544201	8-17, 8-25	103550701	8-25, 9-5
103518017	3-3	103544301	8-19	103551001	8-9
103518110	3-3	103544401	8-19, 8-25	103551101	8-17
103518115	3-3	103544501	8-19	103551201	8-11
103518117	3-3	103544701	8-19, 9-5	103551301	8-9
103518201	3-3	103544801	8-15, 8-25	103551501	8-9
103518501	11-5	103544901	8-17	103551601	8-9
103518601	11-5	103545001	8-19	103551701	8-9
103518701	11-5	103545101	8-21	103551801	8-9

INDEX

103551901	8-9	103558901	8-15	103566001	8-15
103552001	8-9	103559001	8-19	103566101	8-19
103552101	9-7	103559101	8-11	103566201	8-17
103552201	8-9	103559401	8-7	103566301	8-17
103552301	8-19	103559501	8-15	103566401	8-3, 8-15
103552401	8-3, 9-3	103559601	8-21	103566501	8-15
103552501	9-7	103559701	8-17, 9-3	103566601	8-17
103552601	8-9	103559801	9-3	103566801	8-23
103552701	8-9	103559901	8-15	103566901	8-11
103552801	8-15, 8-25	103560001	8-15	103567001	8-13
103553001	8-17, 8-25	103560101	9-3	103567101	8-7
103553101	9-7	103560201	9-7	103567301	8-7
103553201	9-3	103560301	8-17	103567401	8-13
103553301	8-9	103560401	8-11	103567501	9-7
103553401	8-15	103560601	9-5	103567701	8-17
103553501	8-11	103560701	8-15	103567901	8-17
103553601	8-11	103560901	9-7	103568001	8-17
103553901	8-13	103561001	8-7	103568201	13-45
103554001	8-13	103561101	8-15, 8-25	103568301	13-45
103554101	8-13	103561201	8-13	103568401	13-45
103554301	8-11	103561301	8-15	103568501	13-45
103554501	8-23	103561401	8-19	103568601	13-45
103554601	8-7	103561501	8-11	103568701	13-45
103554701	8-7	103561701	8-7	103568801	13-45
103554801	8-3, 8-17	103561801	8-11	103568901	13-45
103554901	8-17, 8-25	103561901	8-11	103569001	13-45
103555201	8-25	103562001	8-15	103569101	13-45
103555301	8-7	103562101	8-21	103569201	13-45
103555501	8-27	103562301	9-3	103569301	13-45
103555601	8-7	103562401	8-13	103569401	13-45
103555701	8-21	103562501	8-13	103569501	13-45
103555801	9-3	103562701	8-13	103569601	13-45
103555901	9-3	103562901	9-7	103572201	11-3
103556001	8-13	103563101	8-15	103572301	2-7
103556101	8-27	103563201	8-17	103572401	2-7
103556301	8-15, 8-25	103563301	9-5	103572701	11-3
103556401	8-3, 9-5	103563501	9-5	103574301	5-5
103556501	8-11	103563601	8-11	103576901	9-11
103556701	9-5	103563701	8-11	103577001	9-11
103556801	8-15, 8-25	103563801	8-17, 8-25	103577101	4-7
103556901	8-7	103563901	8-17	103577401	4-7
103557001	8-15	103564101	8-11	103579901	3-7
103557201	8-7	103564201	8-25	103581401	9-11
103557301	8-13	103564501	8-7	103582401	3-7
103557401	8-9	103564601	9-3	103587201	1-41
103557501	8-11	103564701	9-7	103587301	1-41
103557601	8-7	103564801	9-5	103595601	12-29, 13-41, 13-43
103557701	8-13	103564901	9-5	103596301	6-7, 13-33, 13-35
103557801	8-7	103565001	8-17, 9-5	103596501	3-7
103557901	8-15	103565101	9-5	103597401	13-39
103558001	8-15, 8-25	103565201	8-15, 8-25	103597402	12-27, 13-37
103558101	8-15	103565401	9-5	103597501	13-39
103558201	8-7	103565601	8-15	103599301	12-29, 13-41, 13-43
103558301	8-7	103565701	8-17, 8-25	103600001	2-9
103558601	8-15	103565801	8-17	103600201	13-43
103558801	8-9	103565901	8-17	103600701	6-7, 13-33, 13-35

INDEX

103601001	13-45, 13-47	103607801	13-29	103688201	11-3
103602301	1-41	103607901	13-29	103689801	9-11
103602601	12-7, 13-7	103608001	13-29	103699701	7-3, 7-7
103602701	12-7, 13-7	103608101	13-29	103699801	2-3
103602801	12-7, 12-9, 13-7, 13-9	103608401	13-29	103710501	12-27, 13-37, 13-39
103602901	12-7, 12-9, 13-7, 13-9	103608501	13-29, 13-31	103751001	5-11
103603001	12-7, 12-9, 13-7, 13-9	103608601	13-29, 13-31	103751101	9-11
103603101	12-7, 12-9, 12-17, 12-19, 12-25, 13-7, 13-9, 13-19, 13-21, 13-27, 13-29	103608701	13-29, 13-31	103751701	5-11
103603201	12-7, 12-9, 13-7, 13-9	103608801	12-21, 13-23, 13-29, 13-31	103755101	5-11
103603301	12-7, 12-9, 12-21, 13-7, 13-9, 13-23, 13-29, 13-31	103608901	13-29	103763401	5-11
103603401	12-7, 12-9, 13-7, 13-9	103609001	13-29	103778401	2-7
103603501	12-7, 12-9, 12-17, 12-19, 13-7, 13-9, 13-19, 13-21, 13-29, 13-31	103609101	13-29, 13-31	103778601	2-9
103603601	12-13, 13-15	103609201	13-29, 13-31	103779201	8-21
103603701	12-13, 13-15	103609301	13-29	103779202	8-21
103603801	12-13, 13-15	103609401	13-29, 13-31	103784101	11-3
103603901	12-13, 13-15	103609501	13-29, 13-31	103787001	13-47
103604001	12-13, 13-15	103609601	13-29, 13-31	103788401	12-29, 13-41, 13-43
103604101	12-11, 12-13, 13-11, 13-13, 13-15	103609701	13-29, 13-31	103798701	5-9
103604201	12-13, 13-15	103609801	12-21, 13-23	103799001	12-29, 13-41, 13-43
103604301	12-11, 13-11, 13-13	103609901	12-21, 13-23	103799101	12-29, 13-41, 13-43
103604401	12-11, 13-11, 13-13	103610001	12-21, 13-23	103799201	12-29, 13-41, 13-43
103604501	13-11	103610101	12-21, 13-23	103799401	12-29, 13-41, 13-43
103604601	12-11, 13-11, 13-13	103610201	12-21, 13-23	103799501	5-9
103604701	12-11, 13-11, 13-13	103610301	12-11	103799701	13-29, 13-31
103604801	12-11, 13-11, 13-13	103610401	12-11	103799801	13-29, 13-31
103604901	12-11, 13-11, 13-13	103610501	12-23, 13-25	103799901	13-29, 13-31
103605001	12-11, 13-11, 13-13	103610701	12-23, 13-25	103816801	5-9
103605101	12-11, 12-25, 13-11, 13-13, 13-27	103610801	12-23, 13-25	103831101	1-35
103605201	12-11, 13-11, 13-13	103610901	12-23, 13-25	103831901	13-35
103605301	12-11, 13-11, 13-13	103611001	12-25, 13-27	103832101	1-15
103605401	12-11, 13-11, 13-13	103611101	12-25, 13-27	103835901	7-11
103605501	12-11, 12-15, 13-11, 13-13, 13-17	103611201	12-25, 13-27	103851202	9-17
103605601	12-11	103611301	12-25, 13-27	103855501	1-15
103605701	12-15, 13-17	103611401	12-25, 13-27	103855601	1-15
103605801	12-15, 13-17	103611501	12-25, 13-27	103865301	14-3
103605901	12-15, 13-17	103611601	12-25, 13-27	103869801	11-5
103606001	12-15, 13-17	103611701	12-23, 13-25	103869901	11-9
103606101	12-15, 12-25, 13-17, 13-27	103614501	10-3	103870001	11-9
103606201	12-17, 13-19	103618501	1-17	103870101	11-9
103606301	12-17, 12-19, 13-19, 13-21	103618601	1-17	103870201	11-9
103606401	12-17, 12-19, 13-19, 13-21	103618701	12-29, 13-41, 13-43	103870301	11-9
103606501	12-17, 12-19, 13-19, 13-21	103619901	1-17, 3-5	103870401	11-5
103606601	12-17, 13-19	103629501	1-35	103873101	7-5, 7-9
103606701	12-17, 13-19	103632601	1-11	103873201	7-5, 7-9
103606801	12-17, 12-19, 13-19, 13-21, 13-29	103638201	13-35	103883201	5-9
103606901	12-17, 12-19, 13-19, 13-21, 13-29	103646401	12-5	103893801	12-27, 13-37
103607001	12-17, 12-19, 13-19, 13-21	103646402	13-5	103898501	13-49
103607101	12-17, 12-19, 13-19, 13-21	103647501	1-29	103898601	13-51
103607201	12-17, 12-19, 13-19, 13-21	103647601	1-29	103898701	13-47
103607301	13-29	103665301	5-11	103898801	13-47
103607401	13-29	103683401	11-5	103898901	13-47
103607501	13-29	103683501	11-5	103899001	13-57
103607601	13-29	103683601	11-5	103899101	13-47
		103683701	11-5	103899201	13-47
		103683801	11-9	103899301	13-59
		103683901	11-9	103899401	13-47

INDEX

103902801 13-13
103902901 12-19, 13-21
103903101 12-19, 13-21
103903201 12-19, 13-21
103903301 13-31
103903401 13-31
103903501 13-31
103903601 13-31
103903701 13-31
103903801 13-31
103903901 13-31
103904001 13-31
103905301 12-9, 13-9
103905401 12-9, 13-9
103929801 7-11
103930301 13-61
103959040 1-27
103959140 1-27
47560464001 9-13
96701412 5-9
96704960 12-27, 13-37, 13-39
96705199 7-3, 7-5, 7-7, 7-9
96715552 8-5
96741046 5-9, 6-9

A

a-arm 6-7
access cove 1-25
adjuster, rocker arm 8-17
adppter, oil filter 8-15
air cleaner base 9-5
air cleaner cover 9-5
air cleaner filter cartridge 8-3, 9-5
air cleaner gasket 8-25, 9-5
air cleaner knob 9-5
air filter retainer 9-5
air guide cover 8-11
alternator 8-7
anchor, trailing arm, lh 6-9
anchor, trailing arm, rh 6-9
arbor 14-3
arm, rocker 8-17
armature, magneto 8-7
assembly
filler cap 5-3
fuel cap 9-15
fuel tank vent 9-15
headlight harness 4-3
wire 9-15
axle lever, 4x4 13-39

B

back plate 8-11
baffle, breather 8-19
ball bearing 8-15, 8-21

ball joint 6-7, 12-29, 13-41, 13-43
ball stud 12-27, 13-37, 13-39
banjo bolt 5-5, 5-7
barrel, plastic 1-35
barrier, heat, bed, frnt 1-33
barrier, heat, bed, rear 1-33
base, air cleaner 9-5
base, seat holder 1-25
battery
12-volt, side-post 7-3, 7-5, 7-7, 7-9
battery clamp 7-3, 7-5, 7-7, 7-9
battery spacer 7-3, 7-5, 7-7, 7-9
battery terminal protector spray 14-3
battery thermometer 14-3
bearing
hub 6-7, 6-9
needle 13-47
bearing and oil seal remover 14-3
bearing driver set 14-3
bearing puller 14-3
bearing puller wedge 14-3
bearing, ball 8-15, 8-21
bed bottom 1-41
bed gate 1-41
bed latch handle 1-19
bed panel, lh 1-41
bed panel, rh 1-41
bed, latch 1-19
bell crank 8-9
belt, cvt 11-7
bench seat back 1-35
bench seat back cap 1-35
block 11-5
blower housing 8-11
blower housing plug 8-11
body panel, center 1-21
body, upper carburetor 9-7
bolt
banjo 5-5, 5-7
boot, spark plug 8-17
bracket, cable, 4wd 13-39
bracket, control 8-9
bracket, fuel pump 9-3
bracket, hinge 1-25
bracket, light, brake 4-7
bracket, supp, steering 1-13
brake cable release tool 14-3
brake caliper, front 5-5
brake caliper, rear 5-7
brake light bracket 4-7
brake line, front 5-5
brake line, rear 5-7
brake pad service kit 5-5, 5-7
brake pedal 5-9
brake rotor 5-5, 5-7
brake system indicator light 7-3, 7-5, 7-7, 7-9

brake, park 5-11
breather 8-19
breather baffle 8-19
breather gasket 8-19, 8-25
breather tube 8-19, 9-5
brush retainer 8-13
brush set 8-13
brushgard, tube 1-3
buckle, seat-belt 1-37
bulb, headlight 4-3
bulb, tail light 4-7
bumper
rubber 9-13
bumper, rubber 1-19
bushing
choke shaft 9-7
gov crank 8-15
return line 9-15
steel 1-19
urethane 1-19
valve guide 8-17
button, thrust 13-47

C

cable bracket, 4x4 13-39
cable, choke 12-29, 13-41, 13-43
cable, trans, diff-lock 12-29, 13-41, 13-43
cable, trans, fnr 12-29, 13-41, 13-43
caliper, brake, front 5-5
caliper, brake, rear 5-7
camber adjustment tool 14-3
camshaft 8-19
canister, carbon, fuel tank 9-17
cap
center, alloy wheel 2-3
filler 5-3
fuel, gas, ratchet 9-15
steering wheel 6-5
cap, drive 8-13
cap, end 8-13
cap, limiter 9-7
cap, oil fill 8-17
cap, wheel, rubber 6-7, 6-9
carbon canister 9-17
carburetor air vent tube 9-17
carburetor cover 8-11
carburetor float 9-7
carburetor float level tool 14-5
carburetor gasket, body 9-7
carburetor plug 9-7
carburetor shield 9-5
carburetor spacer 8-27
carburetor, upper body 9-7
card, safety first 14-5
cartridge, strut, front 6-11
casing clamp 8-9

INDEX

choke cable 12-29, 13-41, 13-43
choke link 8-9
choke shaft 9-7
choke shaft bushing 9-7
choke valve 9-7
clamp
 battery 7-3, 7-5, 7-7, 7-9
 casing 8-9
 hose 8-17, 9-3, 9-11, 9-13, 9-17
 hose, green 9-17
 muffler 10-3
clevis pin 5-3
clip, wire 8-7
clutch removal tool 14-3
column, steering 6-3
compression gauge 14-3
compressor, valve spring 14-7
connecting rod 8-21
continuity tester 14-3
control bracket 8-9
cover
 access 1-25
 air cleaner 9-5
 air guide 8-11
 carburetor 8-11
 crankcase 8-15
 cvt, outer 11-3
 dash 1-31
 electrical 7-3, 7-5, 7-7, 7-9
 input 13-55
 oil filter 8-15
 output 13-45
 rocker 8-17
 rocker switch hole 4-5
 shifter 1-31, 12-27, 13-37
 starter drive 8-11
 steering column 6-5
cowl 1-25
crank, bell 8-9
crank, governor 8-15
crankcase cover 8-15
crankcase gasket 8-15, 8-25
crankshaft 8-21
cup holder 1-31
cup holder, seat 1-25
cutter, valve seat 14-5
cvt belt 11-7
cvt cover gasket 11-3
cvt cover, outer 11-3
cylinder 8-19
cylinder head 8-17
cylinder head gasket 8-17, 8-25
cylinder, master 5-3

D

dash- control mount 1-31

dash cover 1-31
dash support 1-13
decal
 4x4 3-3
 bed 3-3
 brake fluid, dot 5 3-5
 club car, 51 x 144 3-3
 crush area warning 3-5
 frame ground, long 3-7
 hot surface warning 3-7
 operation, bed latch 3-5
 operator, warn/instr 3-7
 ROPS warning 1-39, 3-5
 rotating parts warning 3-7
 trailer hitch 3-7
 under 16 warning 1-39, 3-5
 vehicle loading 3-7
 warn, co, cab 1-17, 3-5
 warn, gas fuel loading 3-7
 winch, warning 3-7

deflector, oil 8-15
diesel tachometer probe 14-5
differential, front 13-45
dipstick gasket 8-17, 8-25
dipstick 8-15
dipstick tube 8-15
drain plug 13-45
drive cap 8-13
drive clutch fixed sheave tool 14-3
drive clutch service tool 14-3
drive clutch spider removal tool 14-3
drive flange 11-5
drive, starter 8-13
driven clutch spring compression base tool 14-3
driven clutch spring compression collar tool 14-3
driven clutch spring compression nut tool 14-3
dry moly lubricant 14-5

E

E-clip 5-11
end cap 8-13
engine 8-5
engine gasket set 8-25
exhaust gasket 8-25
exhaust manifold 10-3
exhaust manifold stud 8-17
exhaust valve 8-17
extension, spring latch 1-19

F

fascia 1-9
fascia mount 1-13
fastener, push-in 7-3, 7-5, 7-7, 7-9

fender, front, lh 1-21
fender, front, rh 1-21
fender, rear, lh 1-21
fender, rear, rh 1-21
filler cap 5-3
filter
 inlet cover 11-3
filter, air cleaner cartridge 8-3, 9-5
filter, fuel 8-3, 9-3
filter, oil 8-3, 8-15
filter, pre cleaner 9-5
fitting, vent 13-45
flange, drive 11-5
flange, sliding, drive 11-5
float needle valve 9-7
float, carburetor 9-7
floor plate, middle 1-11
flywheel 8-23
FNR lever, transmission 12-27, 13-37, 13-39
fnr shifter, dash 12-27, 13-37, 13-39
fuel filter 8-3, 9-3
fuel gauge sending unit 9-15
fuel gauge/hour meter 7-3, 7-5, 7-7, 7-9
fuel line 9-3
fuel pump 9-3
fuel pump bracket 9-3
fuel solenoid 9-3
fuel tank strap 9-13
fuel tank vent 9-15

G

gasket
 air cleaner 8-25, 9-5
 breather 8-19, 8-25
 carburetor body 9-7
 cover, cvt 11-3
 crankcase 8-15, 8-25
 cylinder head 8-17, 8-25
 dipstick 8-17, 8-25
 exhaust 8-25
 intake 8-25, 8-27
 intake, manifold-carb 8-25, 8-27, 9-7
 liquid 14-5
 oil adapter 8-15, 8-25
 rocker cover 8-17, 8-25
 sending unit 9-15
 set, engine 8-25
gate, bed 1-41
gauge
 compression 14-3
 fuel-hour 7-3, 7-5, 7-7, 7-9
gear yoke 14-5
gear, timing 8-21
governor control lever 8-9
governor crank 8-15
governor crank bushing 8-15

INDEX

governor shaft retainer 8-15
governor spool 8-19
grip tape, accelerator pad 5-9
grommet 8-7, 9-15
ground terminal 8-7

H

halfshaft, front, 4x4 13-33
halfshaft, rear, 4x4 13-33
handle, bed latch 1-19
harness, main 7-3, 7-7
head, cylinder 8-17
headlight 4-3
headlight bulb 4-3
headlight harness 4-3
heat shield, exhaust 1-33
heat shield, front 1-33
heat shield, rear 1-33
hinge seat plate 1-35
hinge, bracket 1-25
hitch, channel 1-5
holder
 cup 1-31
hood 1-25
hose
 fuel 9-3
 vent 9-17
hose clamp 8-17, 9-3
hose clamp, green 9-17
hose, vent, front diff 13-45, 13-47
hour meter 7-3, 7-5, 7-7, 7-9
housing, blower 8-11
housing, starter 8-13
hub, wheel, front 6-7, 6-9
hydrometer 14-5

I

insulator 8-7
intake gasket 8-25, 8-27
intake manifold 8-27
intake valve 8-17
intake, carburetor-manifold, gasket 8-25, 8-27, 9-7
intermediate shaft 6-3
internal retaining ring pliers 14-5

J

jet, main, 0-5000 ft (0-1500m) 9-7
jet, main, 5000-9000 ft (1500-2700m) 9-7
jet, main, 9000-up ft (2700m-up) 9-7
joint
 ball 6-7, 12-29, 13-41, 13-43
jumper, oil pressure switch 7-3, 7-5, 7-7, 7-9

K

keeper, valve 8-17
key switch 7-3, 7-5, 7-7, 7-9
key switch spacer 7-3, 7-5, 7-7, 7-9
key, cam 11-9
key, timing 8-21
key, woodruff 8-21
keyswitch nut 7-3, 7-5, 7-7, 7-9
kit
 backlite 1-17
 brake pad service 5-5, 5-7
 brushgrd, tube 1-3
 bushing & seal, magneto side 8-19
 carburetor overhaul 9-9
 cover bolt 13-45
 cover plate, input 13-55
 door 1-17
 drain plug 13-47
 external retaining ring 13-45
 front receiver 1-5
 gearcase assembly 13-45
 idle mixture 9-7
 idle speed 9-7
 input cover 13-45
 internal retaining ring 13-45
 needle & seat 9-7
 open differential 13-45
 pinion gear 13-45
 receiver, rear 1-7
 repair, minor 13-53
 ring gear bolt 13-45
 roller 13-47
 rops, lh 1-39
 rops, rh 1-39
 screw & washer 8-7
 seal 13-45
 stub shaft 13-45
 taillight hardware 4-7
 tune-up 14-5
knob, air cleaner 9-5
knob, black 12-27, 13-37, 13-39
knob, forward/reverse 12-27, 13-37, 13-39

L

latch 1-31
latch plate mount 1-19
latch plate, tilt bed 1-19
latch, bed 1-19
lateral link spacer 6-9
lat-link, front 6-9
lat-link, rear 6-9
lens, taillight 4-7
lever, axle, 4x4 13-39
lever, governor control 8-9
lever, trans, FNR 12-27, 13-37, 13-39

light

oil 7-3, 7-5, 7-7, 7-9
light, indicator, brake sys 7-3, 7-5, 7-7, 7-9
limit switch 7-11
limiter cap 9-7
link, choke 8-9
link, throttle 8-9
liquid gasket 14-5
low oil warning light 7-3, 7-5, 7-7, 7-9
lubricant, dry moly 14-5

M

magneto armature 8-7
main harness 7-3, 7-7
manifold, exhaust 10-3
manifold, intake 8-27
master cylinder 5-3
meter, volt ohm 14-7
motor, starter 8-13
mount, fascia 1-13
mount, latch plate 1-19
mount, seat back 1-13
muffler 10-3
muffler clamp 10-3

N

nozzle, carburetor, standard 9-7
nut, keyswitch 7-3, 7-5, 7-7, 7-9

O

oil adapter gasket 8-15, 8-25
oil deflector 8-15
oil drain plug 8-19
oil fill cap 8-17
oil filter 8-3, 8-15
oil filter adapter 8-15
oil filter cover 8-15
oil plug 8-15
oil pressure switch 8-19
oil pressure switch jumper 7-3, 7-5, 7-7, 7-9
oil pump 8-15
oil pump screen 8-15
oil seal 13-55
oil warning light, low 7-3, 7-5, 7-7, 7-9
O-ring 13-55
output cover 13-45

P

panel
 body, center 1-21
 body, lh 1-21
 body, rh 1-21
 closeout, center 1-23
 closeout, rh 1-23
 front, bed 1-41

INDEX

panel, bed, lh 1-41
panel, bed, rh 1-41
park brake 5-11
pedal, brake 5-9
pin, clevis 5-3
pin, piston 8-21
piston, pin 8-21
pivot, rocker arm 8-17
plate
 armature 13-47
 electrical 7-3, 7-5, 7-7, 7-9
 latch 1-19
 thrust 13-47
plate, back 8-11
plate, floor, middle 1-11
plate, hinge, seat 1-35
pliers
 internal retaining ring 14-5
 retaining ring 14-5
plug
 oil fill 13-47
 tube 1-3
plug, blower, housing 8-11
plug, carburetor 9-7
plug, drain 13-45
plug, oil 8-15
plug, oil drain 8-19
plug, sprak 8-3, 8-17
powertrain subframe 8-5
pre cleaner filter 9-5
propshaft, center, 4x4 13-61
propshaft, front, 4x4 13-61
propshaft, rear, 4x4 13-61
protector spray, battery terminal 14-3
puller
 bearing 14-3
 clutch 14-3
 seal 14-5
 special use tool 14-5
pump, fuel 9-3
pump, oil 8-15
push rod, exhaust 8-17
push rod, intake 8-17

R

rack, steering 6-3
receiver, rear 1-7
reflector 1-9
regulator 8-7
remover, bearing and oil seal 14-3
retainer, air filter 9-5
retainer, brush 8-13
retainer, governor shaft 8-15
retainer, valve 8-17
retaining ring pliers 14-5
retractor, seat-belt 1-37

ring
 retaining, ext 6-7
ring gear, gear, ring 13-45
ring, retaining 8-13
ring, snap, external 11-9
rocker arm 8-17
rocker arm adjuster 8-17
rocker arm pivot 8-17
rocker cover 8-17
rocker cover gasket 8-17, 8-25
rocker switch (lights) 4-3
rod
 "J" 5-9
rod, connecting 8-21
rod, connection, under sized 8-21
rod, push, exhaust 8-17
rod, push, intake 8-17
ROPS cross tube, top 1-39
ROPS warning decal 1-39, 3-5
ROPS, lh 1-39
ROPS, rh 1-39
rotor disc brake 5-5, 5-7

S

safety first card 14-5
screen, oil pump 8-15
screen, rotating 8-23
seal
 bulb 1-25
 choke & throttle shaft 9-7
 dipstick tube 8-15, 8-25
 governor shaft 8-15, 8-25
 o ring, crankcase cover 8-15, 8-25
 o ring, oil pump 8-15, 8-25
 o ring, oil pump screen 8-15, 8-25
 oil 13-55
 oil, magneto side 8-19, 8-25
 oil, pto side 8-15, 8-25
 valve 8-17, 8-25
seal puller 14-5
seat back cap, bench 1-35
seat back mount 1-13
seat back, bench 1-35
seat belt buckle 1-37
seat bottom, bench 1-35
seat holder base 1-25
seat, spring, drive 11-5
seat-belt retainer 1-37
sending unit, fuel gauge 9-15
shaft, choke 9-7
shaft, intermediate 6-3
shaft, retention, front, 2wd 6-7
shaft, throttle 9-7
shield, carburetor 9-5
shield, exhaust, heat 1-33
shifter cover 1-31, 12-27, 13-37

shifter, 4x4 13-39
shifter, dash, fnr 12-27, 13-37, 13-39
shifter, diff 12-27, 13-37, 13-39
shim, armature plate 13-47
shim, bearing end play 8-21
shock absorber, rear 6-11
shroud
 steering column 6-5
sleeve, a-arm 6-7
sleeve, link, short 6-9
solenoid, fuel 9-3
solenoid, starter 8-7
spacer
 key switch 7-3, 7-5, 7-7, 7-9
spacer, battery 7-3, 7-5, 7-7, 7-9
spacer, carburetor 8-27
spacer, lat-link 6-9
spacer, throttle 9-7
spanner wrench 14-5
spark plug 8-3, 8-17
spark plug boot 8-17
spool, governor 8-19
spray, battery terminal protector 14-3
spring
 extension 1-19
 governor 8-9
 governor idle 8-9
 governor link 8-9
 pedal 5-9
 valve 8-17
spring mounting stud 12-27, 13-37, 13-39
starter drive cover 8-11
starter housing 8-13
starter motor 8-13
starter solenoid 8-7
starter, drive 8-13
steel bushing 1-19
steering column 6-3
steering column cover 6-5
steering column shroud 6-5
steering rack 6-3
steering support bracket 1-13
steering wheel 6-5
steering wheel puller tool 14-5
stem, valve 2-3, 2-5
stopper, drive 11-5
strap, ac mounting 9-5
strap, fuel tank 9-13
strap, starter 8-13
strut cartridge, front 6-11
strut, lh 6-7
strut, rh 6-7
stud, ball 12-27, 13-37, 13-39
stud, exhaust manifold 8-17
stud, mtg, spring 12-27, 13-37, 13-39
stud, oil filter adapter 8-15

INDEX

stud, rocker arm, 8-17
subframe, powertrain 8-5
support, dash 1-13
swing arm 6-9
switch
 key 7-3, 7-5, 7-7, 7-9
 light rocker 4-3
 limit 7-11
switch, oil pressure 8-19

T

tachometer 14-5
tachometer probe, diesel 14-5
tail light bulb 4-7
taillight 4-7
taillight assembly 4-7
taillight hardware kit 4-7
taillight lens 4-7
tape, grip, accelerator pad 5-9
tappet, valve 8-17, 8-19
terminal, ground 8-7
tester, continuity 14-3
thermometer, battery 14-3
throttle link 8-9
throttle shaft 9-7
throttle spacer 9-7
throttle valve 9-7
thrust button 13-47
thrust plate 13-47
tie wrap 4-3, 5-5, 5-7, 7-3, 7-5, 7-7, 7-9
timing gear 8-21
tire
 all-terrain 2-9
 mud 2-9
tires 2-9
tool
 brake cable release 14-3
 camber adjustment 14-3
 carburetor float level 14-5
 cT-wrench 14-5
 drive clutch fixed sheave 14-3
 drive clutch service 14-3
 drive clutch spider removal 14-3
 driven clutch spring compression base 14-3
 driven clutch spring compression collar 14-3
 driven clutch spring compression nut 14-3
 puller, special use 14-5
 steering wheel puller 14-5
 valve guide driver 14-5
 valve seat cutter 14-3
trailing arm anchor, lh 6-9
trailing arm anchor, rh 6-9
trailing arm, lh 6-9
trailing arm, rh 6-9

transaxle, 2wd 12-3
transaxle, 4wd 13-3
tube
 carburetor air vent 9-17
tube, breather 8-19, 9-5
tube, dipstick 8-15
tune-up kit 14-5
T-wrench tool 14-5

U

upright, rear 6-9
upright, rh 6-7
urethane bushing 1-19

V

valve guide bushing 8-17
valve guide driver tool 14-5
valve keeper 8-17
valve retainer 8-17
valve seat cutter 14-5
valve seat cutter tool 14-3
valve spring 8-17
valve spring compressor 14-7
valve stem 2-3, 2-5
valve tappet 8-17, 8-19
valve, choke 9-7
valve, exhaust 8-17
valve, float needle 9-7
valve, intake 8-17
valve, throttle 9-7
vent fitting 13-45
vent hose, front diff 13-45, 13-47
vent, barb 9-17
volt ohm meter 14-7

W

warning light, low oil 7-3, 7-5, 7-7, 7-9
wedge, bearing puller 14-3
wheel
 alloy 2-3
 steel 2-5
 steering 6-5
wheel cap, alloy 2-3
wheel cap, rubber 6-7, 6-9
wheel hub, front 6-7
wheel hub, rear 6-9
wire asm, ground, taillight 4-7
wire assembly 9-15
wire clip 8-7
wrap, tie 4-3, 5-5, 5-7, 7-3, 7-5, 7-7, 7-9
wrench, spanner 14-5

Y

yoke, gear 14-5



Club Car, Inc.
P.O. Box 204658
Augusta, GA 30917-4658
USA

Web www.clubcar.com
Phone 1.706.863.3000
1.800.ClubCar
Int'l +1 706.863.3000
Fax 1.706.863.5808