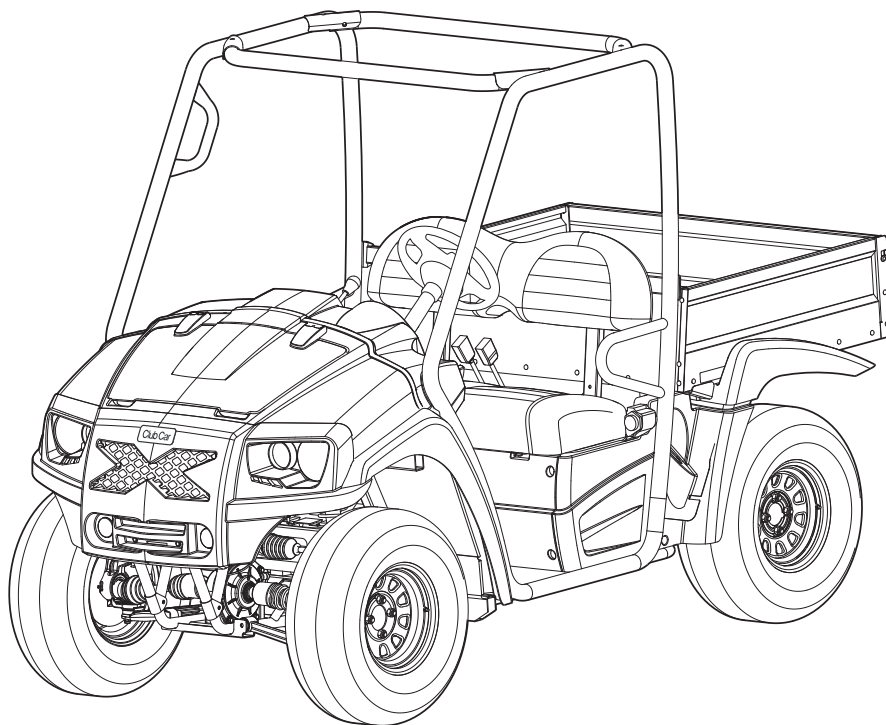




2014 XRT 950 Illustrated Parts List



XRT 950 Gasoline Vehicles

Manual Number 105062816
Edition Code A

USING THE ILLUSTRATED PARTS LIST

⚠ WARNING

- **This manual is to be used only for identification and ordering of service parts. Be sure to read and use the maintenance and service manual before attempting any vehicle repairs.**

This manual covers all XRT 950 vehicles built during the 2014 model year.

The manual is divided into sections. Note that there are two or three flags on the outside edge of each page. The first flag contains the section number of which that page is a part. The other flag (or flags) contains the letter D, E, or G, signifying that the page pertains to the diesel, electric, or gasoline vehicles only.

Use the Table of Contents to find the sections and pages that contain the parts and assemblies you seek. The Table of Contents lists section numbers, and under them, the individual page titles and numbers to be found in that section. The index can be used to find specific parts and assemblies. The index is divided into numerical and alphabetical listings with the page numbers in italic text.

There is a two-page spread for each individual page title in the Table of Contents. On the left-hand page is an illustration showing the parts in their relative positions; the parts are each tagged with an item number in a balloon. The right-hand page is the parts list page, and gives the page title at the top, then the item numbers (corresponding to the numbers on the illustration), part descriptions, and quantity of parts used.

Note that a part description may be indented. This indention corresponds to a parts assembly level indicated by the numbers 1, 2, 3, and 4 at the top left corner of the parts description area of the parts list page. A part that is indented to *level 2* is a component of the *level 1* part (assembly) that it is listed under. A *level 3* part is a component of the *level 2* part that it is listed under, and a *level 4* part is a component of the *level 3* part preceding it. In each case, the part quantity given for a level 2, 3, or 4 part is the quantity used per next higher level assembly of which it is a component. A part that is not indented is a *level 1* part. This means that the quantity given is the quantity used per the portion of the vehicle illustrated on that particular spread.

HOW TO ORDER PARTS

Replacement parts and accessories can be obtained from our network of authorized dealers and distributors. You can obtain the name and phone number of your closest authorized Club Car dealer or distributor by visiting our web site at www.clubcar.com and clicking on the "Distributor Search" link or by calling our toll-free Service Parts and Technical Assistance hotline at (800) 872-2246 or (706) 863-3000, extension 3887.



P. O. Box 204658
Augusta, Georgia 30917-4658 USA
Telephone 706-863-3000
Service Parts Fax 706-855-7413
www.clubcar.com

NOTE: *This illustrated parts list represents the most current information at the time of publication. Club Car, LLC. is continually working to further improve its vehicles and other products. These improvements may affect the parts used to service the vehicle. Any modification and/or significant change in specifications will be forwarded to all Club Car and Carryall distributors/dealers and will, when applicable, appear in future editions of this illustrated parts list.*

Club Car, LLC. reserves the right to change specifications and designs at any time without notice and without the obligation of making changes to units previously sold.

Copyright © 2014 Club Car, LLC.
Club Car is a registered trademark of Club Car, LLC.
This manual effective August 1, 2013.

CONTENTS

SECTION 1 – BODY AND TRIM

| | |
|------------------------------------|------|
| Tube Brush Guard | 1-3 |
| Receiver Hitch – Front | 1-5 |
| Receiver Hitch – Rear | 1-7 |
| Fascia | 1-9 |
| Floor Plate and Panel | 1-11 |
| Frame Components | 1-13 |
| Rear Skid Plate | 1-15 |
| Canopy and Doors | 1-17 |
| Tilt Bed Hinge and Latch | 1-19 |
| Fenders and Rear Body Panels | 1-21 |
| Closeout Panels | 1-23 |
| Cowl | 1-25 |
| Front Skid Plate | 1-27 |
| Dash | 1-29 |
| Heat Shield | 1-31 |
| Bench Seats | 1-33 |
| Seat Belts | 1-35 |
| ROPS | 1-37 |
| Box Bed | 1-39 |

SECTION 2 – WHEELS AND TIRES

| | |
|-----------------------|-----|
| Wheels, Alloy | 2-3 |
| Wheels, Steel | 2-5 |
| Tires – 9 Inch | 2-7 |
| Tires – 11 Inch | 2-9 |

SECTION 3 – DECALS

| | |
|--------------------------------|-----|
| Badging Decals | 3-3 |
| Safety Decals | 3-5 |
| Safety Decals, Continued | 3-7 |

SECTION 4 – LIGHTS, CONTROLS, AND INDICATORS

| | |
|------------------------|-----|
| Headlights | 4-3 |
| Headlight Covers | 4-5 |
| Taillights | 4-7 |

CONTENTS

SECTION 5 – BRAKE SYSTEM AND PEDALS

| | |
|---|------|
| Master Cylinder with Integral Reservoir | 5-3 |
| Front Brakes | 5-5 |
| Rear Brakes | 5-7 |
| Pedal Group | 5-9 |
| Park Brake | 5-11 |

SECTION 6 – STEERING AND SUSPENSION

| | |
|------------------------|------|
| Steering | 6-3 |
| Steering Wheel | 6-5 |
| Front Suspension | 6-7 |
| Rear Suspension | 6-9 |
| Springs & Shocks | 6-11 |

SECTION 7 – ELECTRICAL SYSTEM

| | |
|--|-----|
| Electrical Components | 7-3 |
| Front Differential Electrical Components | 7-5 |

SECTION 8 – ENGINE

| | |
|--|------|
| B&S Tune-Up, XRT 950 | 8-3 |
| Engine and Engine Mounting | 8-5 |
| Electrical Components – Engine | 8-7 |
| Governor Control Brackets and Springs | 8-9 |
| Engine Shroud | 8-11 |
| Starter Motor | 8-13 |
| Oil Pump, Oil Filter and Crankcase Cover | 8-15 |
| Cylinder Head & Valves | 8-17 |
| Cylinder Assembly | 8-19 |
| Crankshaft and Pistons | 8-21 |
| Flywheel | 8-23 |
| Engine Gaskets and Seals | 8-25 |
| Intake Manifold | 8-27 |

SECTION 9 – FUEL SYSTEM

| | |
|-------------------------------|-----|
| Fuel Pump and Filter | 9-3 |
| Air Cleaner | 9-5 |
| Carburetor | 9-7 |
| Carburetor Overhaul Kit | 9-9 |

CONTENTS

| | |
|--------------------------|------|
| Remote Air Cleaner | 9-11 |
| Fuel System | 9-13 |
| Nano Fuel Tank | 9-15 |
| Carbon Canister | 9-17 |

SECTION 10 – EXHAUST SYSTEM

| | |
|----------------------|------|
| Exhaust System | 10-3 |
|----------------------|------|

SECTION 11 – CLUTCHES

| | |
|-----------------------------|------|
| Clutch Cover – Sealed | 11-3 |
| Drive Clutch | 11-5 |
| Drive Belt | 11-7 |
| Driven Clutch | 11-9 |

SECTION 12 – DRIVETRAIN COMPONENTS – 2WD

| | |
|--|-------|
| Transaxle – 2WD | 12-3 |
| Transaxle Housing – 2WD | 12-5 |
| Transaxle Reduction Shaft Assembly – 2WD | 12-7 |
| Transaxle Input Shaft – 2WD | 12-9 |
| Transaxle Reverse Shaft Assembly – 2WD | 12-11 |
| Transaxle Shift Assembly – 2WD | 12-13 |
| Transaxle Axle Housing Assembly – 2WD | 12-15 |
| Transaxle Differential Gear Assembly – 2WD | 12-17 |
| Transaxle Differential Lock Assembly – 2WD | 12-19 |
| Forward/Reverse Shifter | 12-21 |
| Control Cables | 12-23 |

SECTION 13 – DRIVETRAIN COMPONENTS – 4WD

| | |
|--|-------|
| Transaxle – 4WD | 13-3 |
| Transaxle Housing – 4WD | 13-5 |
| Transaxle Reduction Shaft Assembly – 4WD | 13-7 |
| Transaxle Input Shaft – 4WD | 13-9 |
| Transaxle Reverse Shaft Assembly – 4WD | 13-11 |
| Transaxle Shift Assembly – 4WD | 13-13 |
| Transaxle Axle Housing Assembly – 4WD | 13-15 |
| Transaxle Differential Gear Assembly – 4WD | 13-17 |
| Transaxle Differential Lock Assembly – 4WD | 13-19 |
| Transaxle Power Take-Off Assembly – 4WD | 13-21 |

CONTENTS

| | |
|--|-------|
| Half Shafts – 4WD | 13-23 |
| Forward/Reverse Shifter | 13-25 |
| Control Cables | 13-27 |
| Front Differential – 4WD | 13-29 |
| Front Differential, 4WD – Output Cover Assembly | 13-31 |
| Front Differential, 4WD – Race/Output Hub Assembly | 13-33 |
| Front Differential, 4WD – Minor Repair Kit | 13-35 |
| Front Differential, 4WD – Input Cover Assembly | 13-37 |
| Front Differential, 4WD – Gear Kit | 13-39 |
| Front Differential, 4WD – Gearcase Assembly | 13-41 |
| Prop Shafts | 13-43 |

SECTION 14 – MAINTENANCE AND SERVICE TOOLS

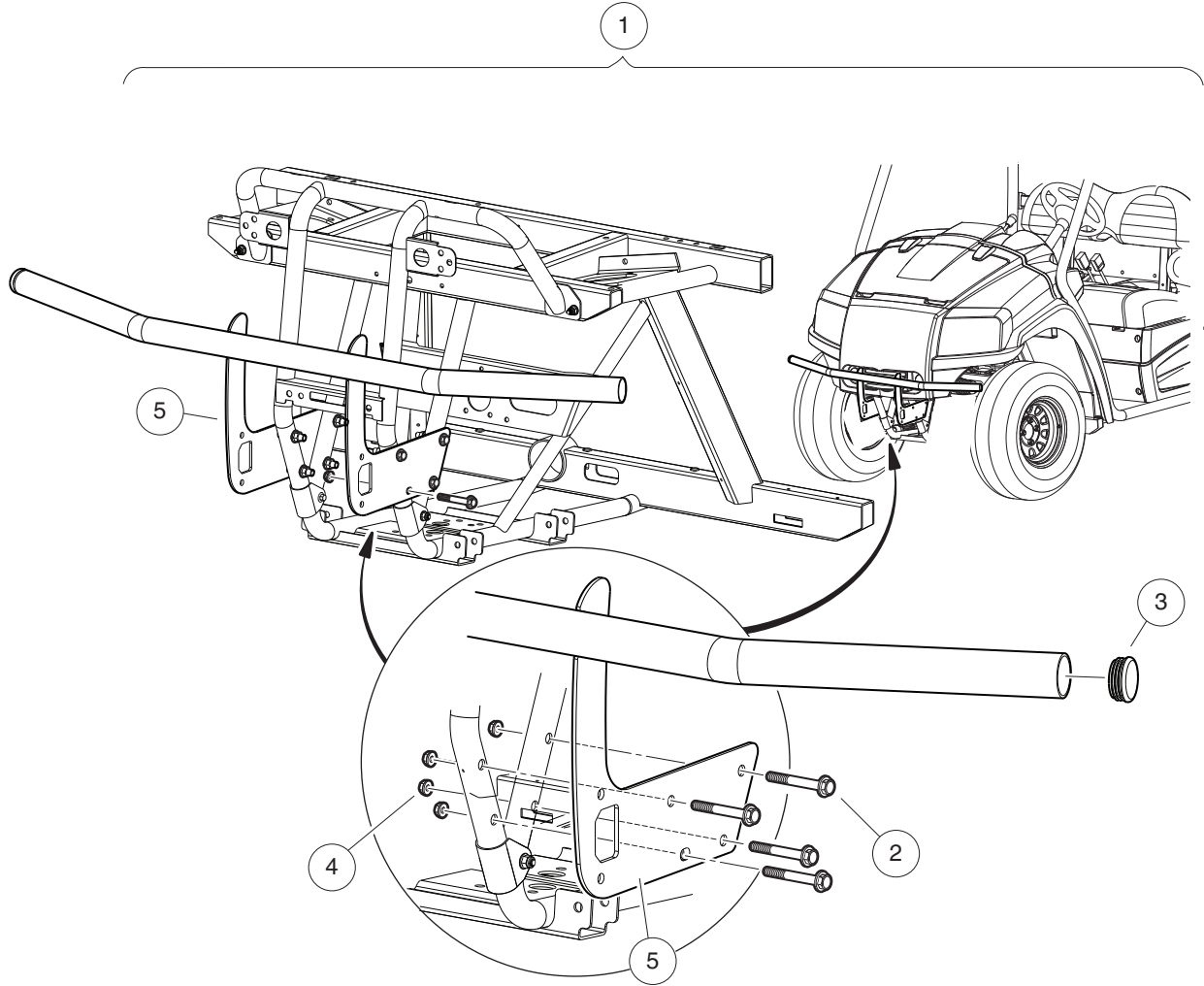
| | |
|--|------|
| Maintenance and Service Tools – AWD/950 | 14-3 |
| Maintenance and Service Tools – AWD/950, Continued | 14-5 |
| Maintenance and Service Tools – AWD/950, Continued | 14-7 |

SECTION i – INDEX

BODY AND TRIM

1

G



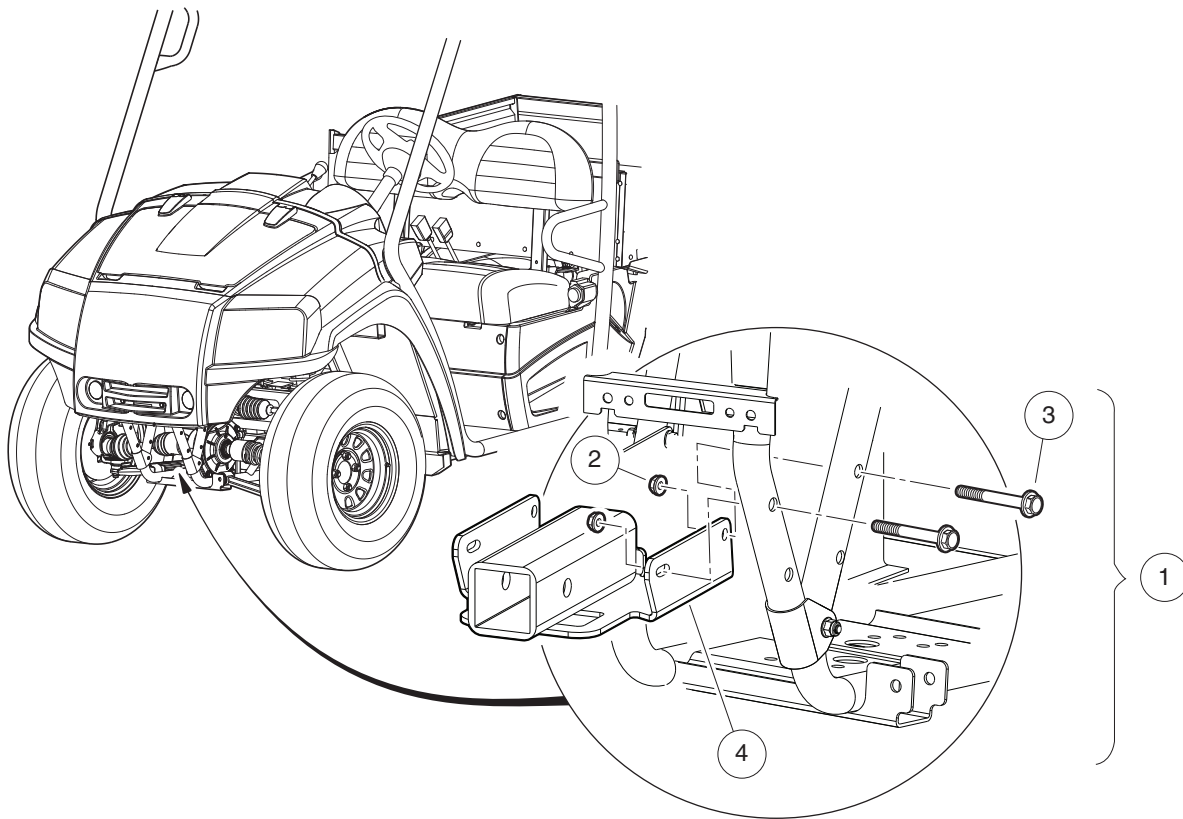
000871-001

TUBE BRUSH GUARD

| ITEM | PART NO. | DESCRIPTION | QTY |
|------|------------------|---|-----|
| | | 1 2 3 4 | |
| 1 | <u>103536101</u> | Kit, Brshgrd, Tube (includes items 2 through 5) | 1 |
| 2 | <u>102925201</u> | Bolt, Flg, M10x1.5x55, Patch | 8 |
| 3 | <u>103215401</u> | Plug, Tube, Round, 1-3/4" | 2 |
| 4 | <u>103231801</u> | Nut, Flg, M10 X 1.25 Hex Blk | 8 |
| 5 | N/A | Weldment, Brshgrd, Tube | 1 |

1
G

1
G

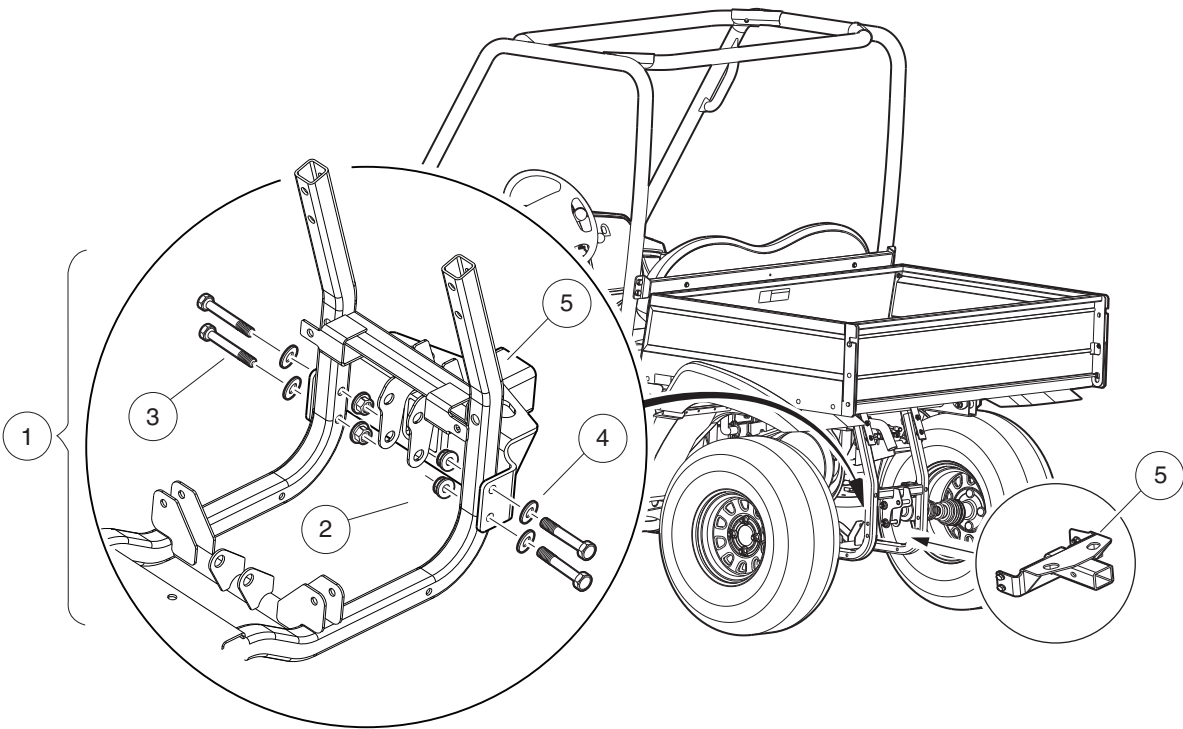


000873-001

RECEIVER HITCH – FRONT

| ITEM | PART NO. | DESCRIPTION | QTY |
|------|------------------|--|-----|
| 1 | <u>103542601</u> | 1 2 3 4 Kit, 2" Front Receiver (includes items 2 through 4) | 1 |
| 2 | <u>102670701</u> | Nut, Flange, M10 X 1.5 Nylon | 4 |
| 3 | <u>102925201</u> | Bolt, Flg, M10x1.5x55, Patch | 4 |
| 4 | N/A | Weldment, Hitch, Channel | 1 |

1
G

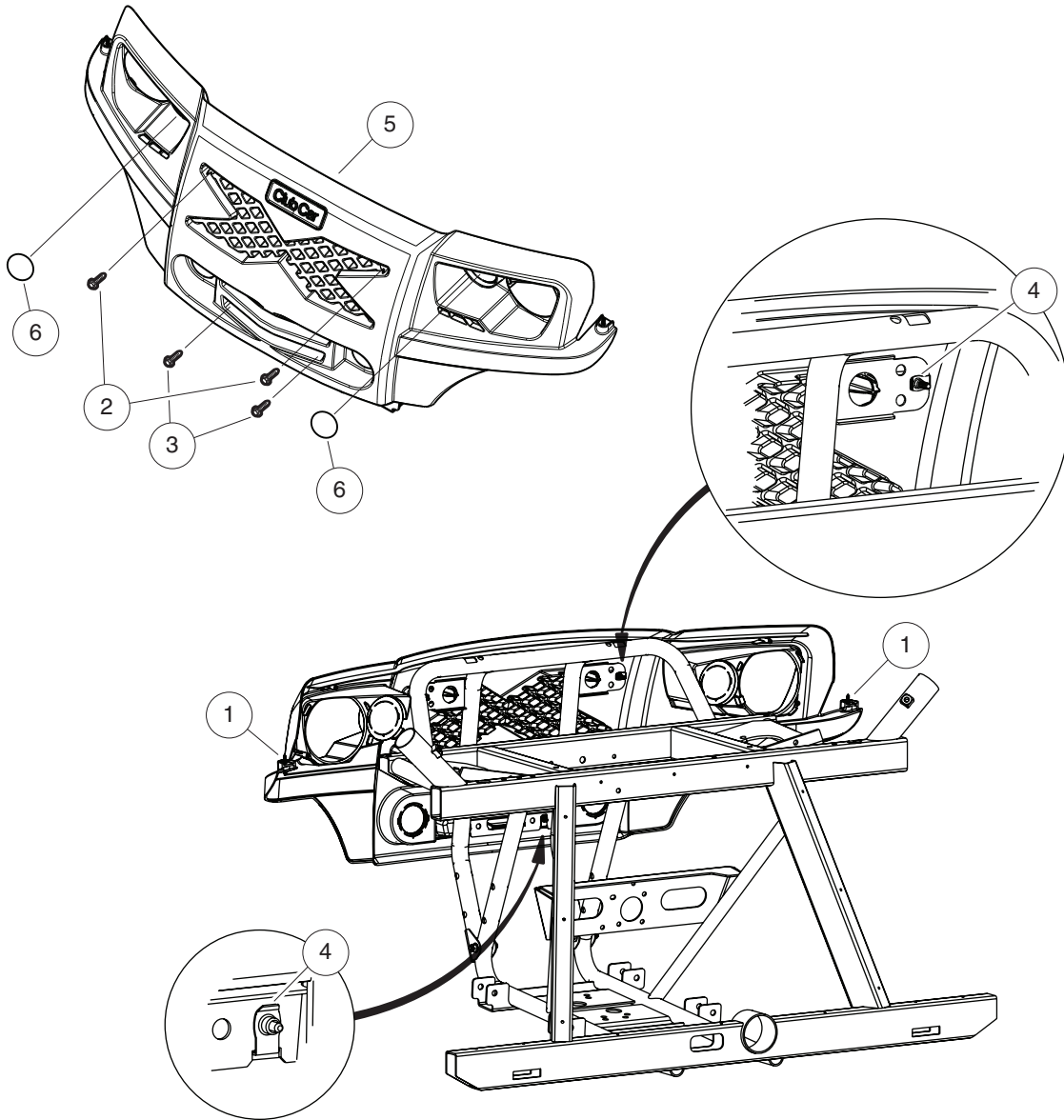


000873-002

RECEIVER HITCH – REAR

| ITEM | PART NO. | DESCRIPTION | QTY |
|------|------------------|---|-----|
| | | 1 2 3 4 | |
| 1 | <u>103528101</u> | Kit, Receiver, Rear, XRT 950 (includes items 2 through 5) | 1 |
| 2 | <u>102617201</u> | Nut, Flanged, M10 X 1.5, Mechanically Deformed | 4 |
| 3 | <u>102718001</u> | Bolt, M10 X 55, Zn-Ni (Black) | 4 |
| 4 | <u>102718101</u> | Washer, Hard, M10, Zn-Ni/Blk | 4 |
| 5 | N/A | Asm, Receiver, Rear | 1 |

1
G



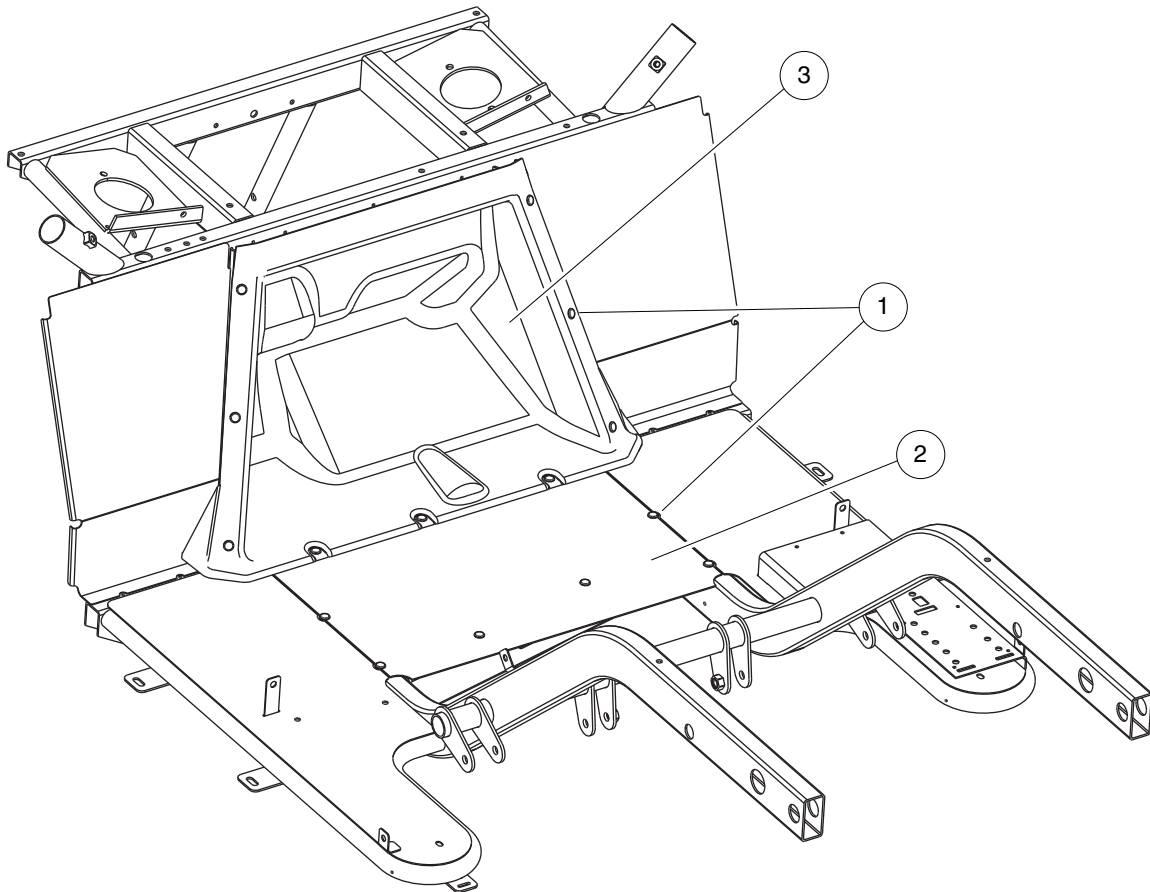
000879-001

FASCIA

| ITEM | PART NO. | DESCRIPTION | QTY |
|------|------------------|--|-----|
| | | 1 2 3 4 | |
| 1 | <u>102296020</u> | Screw-torx Pan Head Pt, M6x20 | 2 |
| 2 | <u>102296140</u> | Bolt, Flanged Head, M6x1.0x40 | 2 |
| 3 | <u>102296530</u> | Screw - M6 X 1.0 X 30 Sems | 2 |
| 4 | <u>102296601</u> | U-Nut, M6-1.0, Prevailing Torque | 4 |
| 5 | <u>103065801</u> | Fascia, Xrt | 1 |
| 6 | <u>103536301</u> | Reflector, Yellow, 3" | 2 |

1
G

1
G



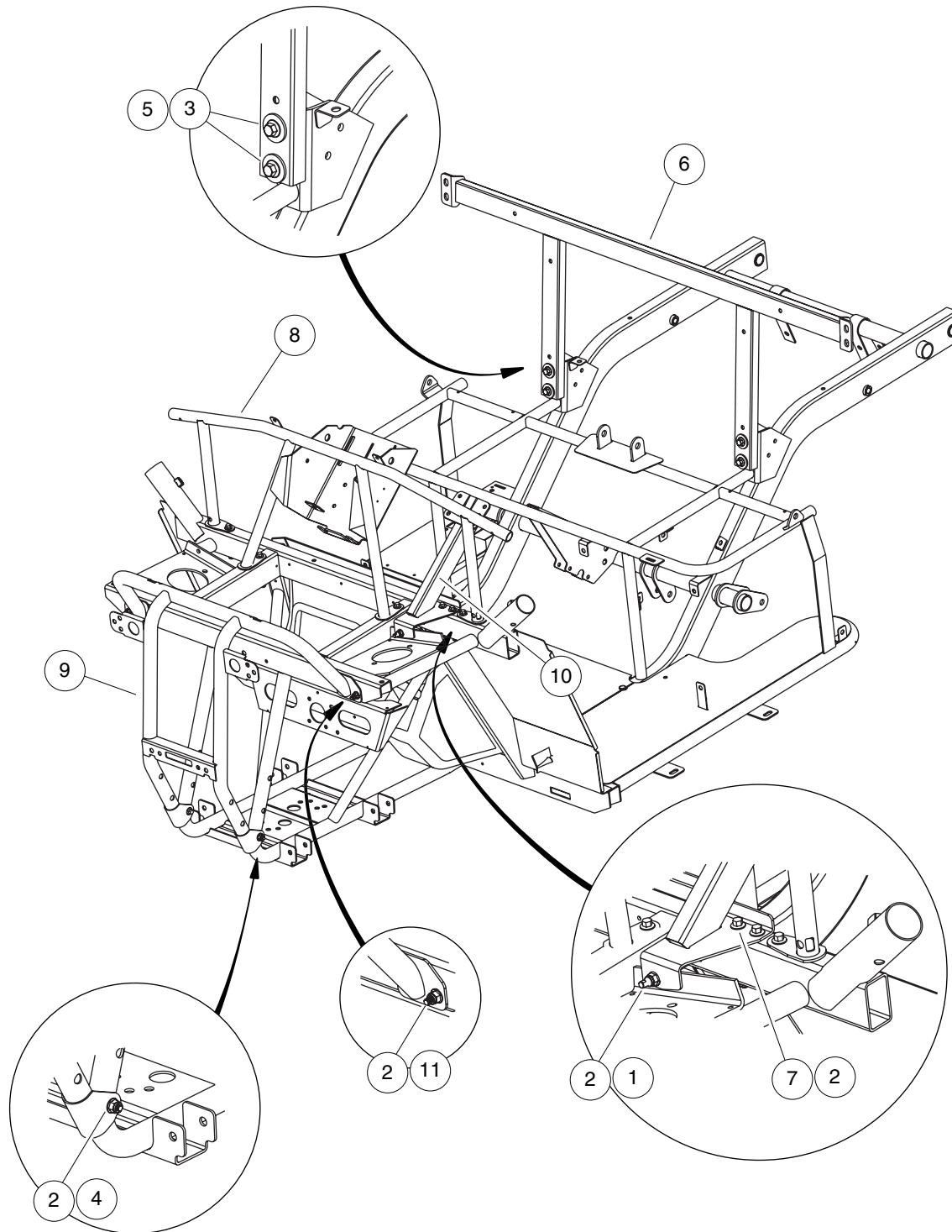
000885-001

FLOOR PLATE AND PANEL

| ITEM | PART NO. | DESCRIPTION | QTY |
|------|------------------|-------------------------------------|-----|
| | | 1 2 3 4 | |
| 1 | <u>103400001</u> | 3/16 X 1.19 Alum Rivet, Blk | 20 |
| 2 | <u>103490301</u> | Plate, Floor, Middle | 1 |
| 3 | <u>103632601</u> | Closeout, Pedal, Thermoformed | 1 |

1

G



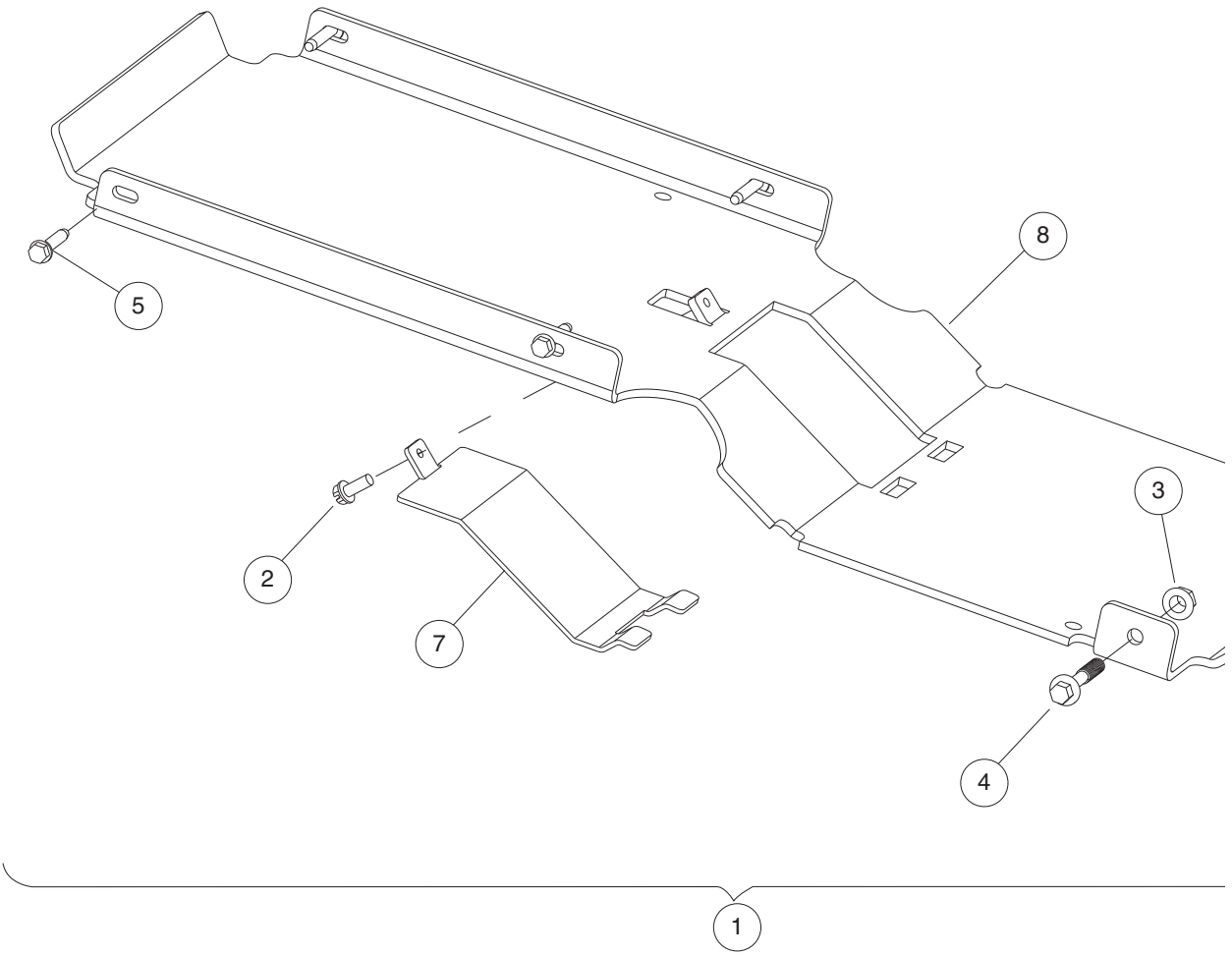
000911-001

FRAME COMPONENTS

| ITEM | PART NO. | DESCRIPTION | QTY |
|------|------------------|--|-----|
| | | 1 2 3 4 | |
| 1 | <u>102298130</u> | Bolt, Flange Head, M8 X 30.0 | 1 |
| 2 | <u>102298401</u> | Nut,m8,all Metal Lock | 11 |
| 3 | <u>102491501</u> | Washer, Hard, M10 | 4 |
| 4 | <u>102719501</u> | Bolt Flanged Head, M8x1.25 X 50 with Loctite | 2 |
| 5 | <u>102925201</u> | Bolt, Flg, M10x1.5x55, Patch | 4 |
| 6 | <u>103075801</u> | Weldment, Mtg, Seat Back | 1 |
| 7 | <u>103146801</u> | Bolt, Flg, M8 X 1.25 X 80 | 6 |
| 8 | <u>103152001</u> | Weldment, Supp, Dash | 1 |
| 9 | <u>103154001</u> | Weldment, Mtg, Fascia | 1 |
| 10 | <u>103432601</u> | Weldment, Supp, Steering | 1 |
| 11 | <u>103531201</u> | Bolt, Flg, M8 X 1.25 X 60 | 2 |

1
G

1
G



000

REAR SKID PLATE

| ITEM | PART NO. | DESCRIPTION | QTY |
|------|------------------|---|-----|
| | | 1 2 3 4 | |
| 1 | <u>103855601</u> | Kit, Plate, Skid, Engine, Rear (includes items 2 through 8) | 1 |
| 2 | <u>1012285</u> | Screw, 1/4 X 0.625 Hex-Head | 1 |
| 3 | <u>102298401</u> | Nut,m8,all Metal Lock | 2 |
| 4 | <u>102956101</u> | Bolt, M8 X 45, Flanged, Black | 2 |
| 5 | <u>103517901</u> | Scr, 1/4-20 X 1.25 Hwhcs, Tt | 4 |
| 6 | N/A | Instr, Kit, Skidplate, Rear (not shown) | 1 |
| 7 | <u>103832101</u> | Plate, Cover, Skid | 1 |
| 8 | <u>103855501</u> | Plate, Skid, Engine, Rear | 1 |

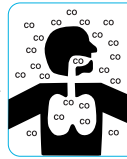
1

G

1

G

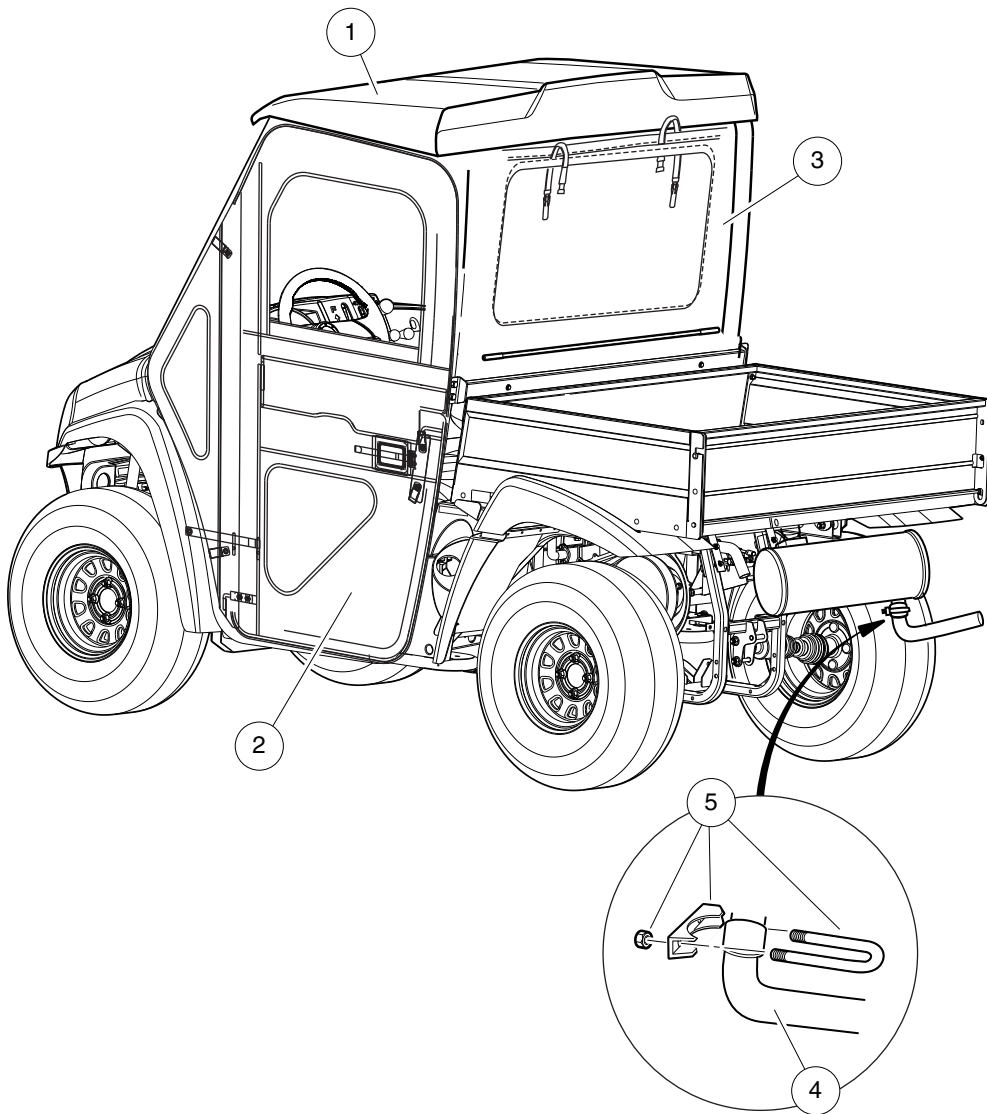
6



⚠ WARNING

CARBON MONOXIDE CAN CAUSE ILLNESS, SERIOUS INJURY, OR DEATH
The engine produces carbon monoxide, which is a deadly, odorless, colorless gas that can quickly accumulate in an enclosed cab. Do not run the engine in a parked vehicle without proper cab ventilation. Move to fresh air if you feel nausea, headache, dizziness, drowsiness, or weakness.

103619901



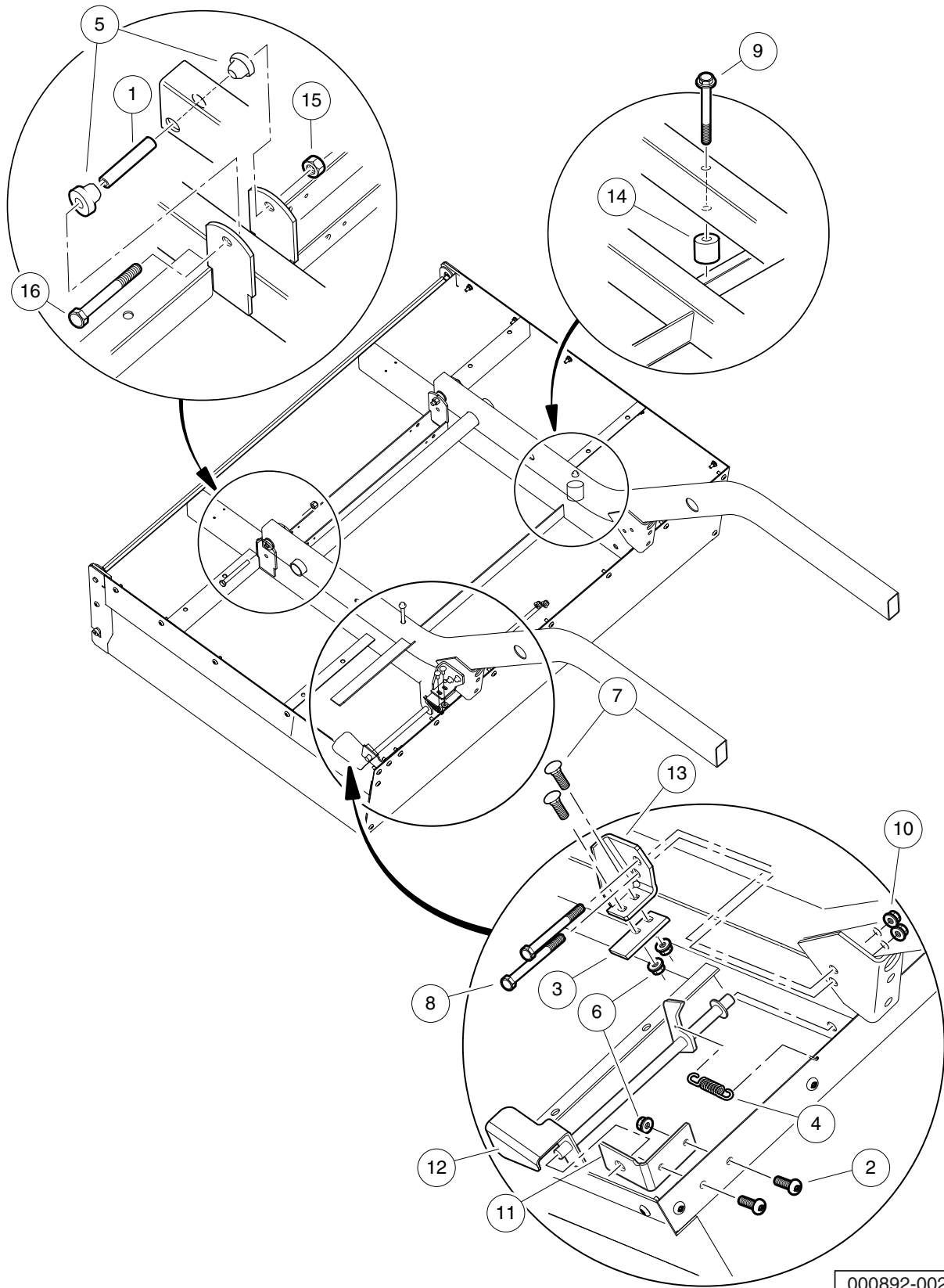
000914-001

CANOPY AND DOORS

| ITEM | PART NO. | DESCRIPTION | QTY |
|------|------------------|--------------------------------------|-----|
| | | 1 2 3 4 | |
| 1 | <u>103517503</u> | Kit, Canopy, Bestop, Gen 3 | 1 |
| 2 | <u>103524002</u> | Kit, Door, Bestop | 1 |
| 3 | <u>103540802</u> | Kit, Backlite, Bestop, Gen 2 | 1 |
| 4 | <u>103618501</u> | Pipe, Extension, Xrt 950 | 1 |
| 5 | <u>103618601</u> | Clamp, Exhaust, 1.25" Diameter | 1 |
| 6 | <u>103619901</u> | Decal, Warn, Co, Cab | 1 |

1
G

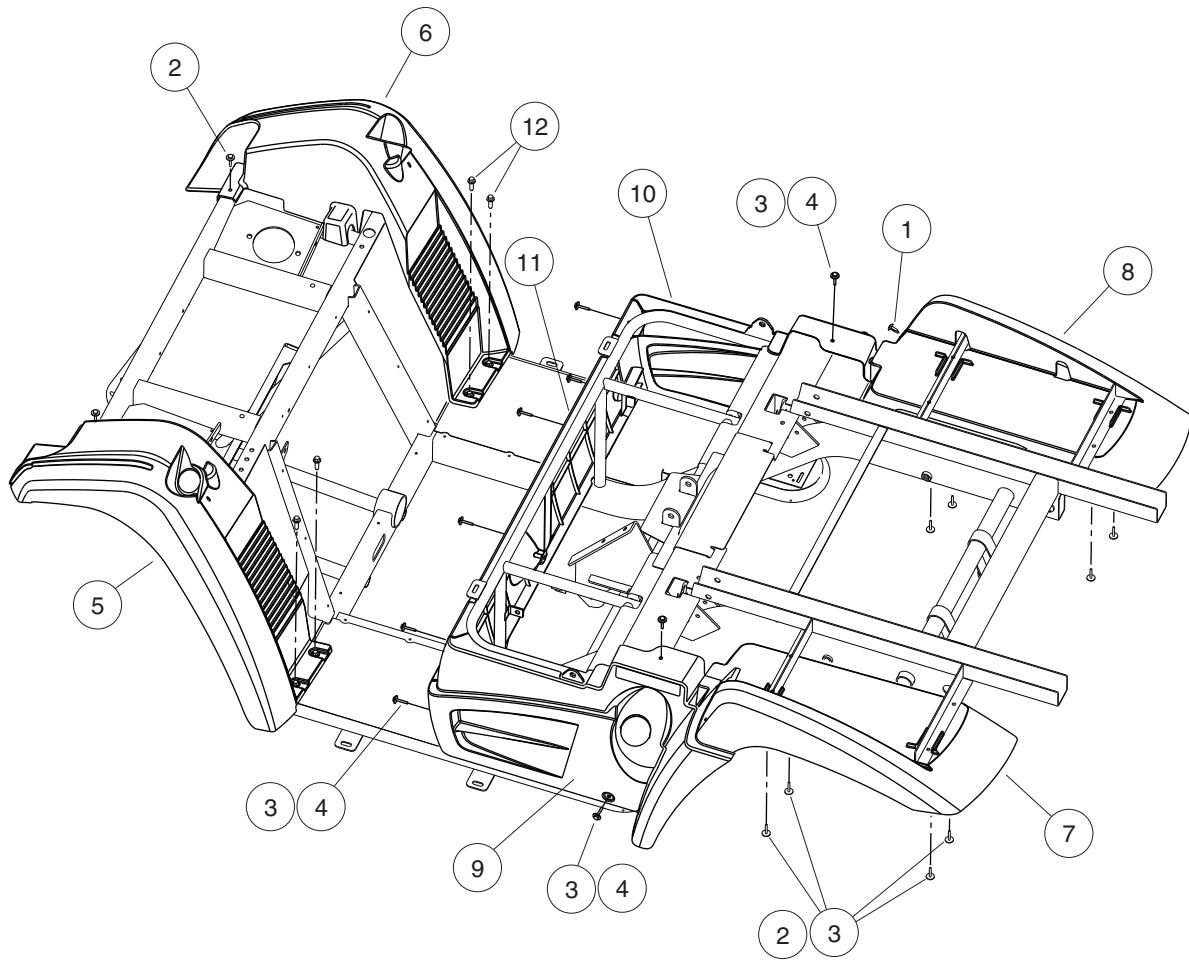
1
G



TILT BED HINGE AND LATCH

| ITEM | PART NO. | DESCRIPTION | QTY |
|------|------------------|--|-----|
| | | 1 2 3 4 | |
| 1 | <u>1012303</u> | Bushing, Steel | 2 |
| 2 | <u>1014415</u> | Screw, 1/4-20 X 0.75 Torx Truss-Head | 2 |
| 3 | <u>1015277</u> | Latch Plate, Tilt Bed | 1 |
| 4 | <u>1015391</u> | Extension, Spring Latch | 1 |
| 5 | <u>1015583</u> | Bushing, Urethane | 4 |
| 6 | <u>101835601</u> | Locknut, 1/4-20 Hex Whiz | 4 |
| 7 | <u>101958601</u> | Carriage Bolt, 1/4-20 X 0.75 | 2 |
| 8 | <u>102298170</u> | Bolt - Flange Hd, M8 X 70.0 | 2 |
| 9 | <u>102298185</u> | Bolt - Flange Hd, M8 X 85.0 | 2 |
| 10 | <u>102618601</u> | Lock Nut, Flange, M8 X 1.25 Nylon | 2 |
| 11 | N/A | Angle, Mtg, Bed, Latch | 1 |
| 12 | <u>103436401</u> | Weldment, Handle, Bed Latch | 1 |
| 13 | <u>103498601</u> | Weldment, Mtg, Latch Plate | 1 |
| 14 | <u>103509501</u> | Bumper, Rubber, 38 Mm Dia | 2 |
| 15 | <u>8754</u> | Locknut, 3/8-16 Hex | 2 |
| 16 | <u>8755</u> | Screw, 3/8-16 X 3.375 Hex Cap | 2 |

1
G

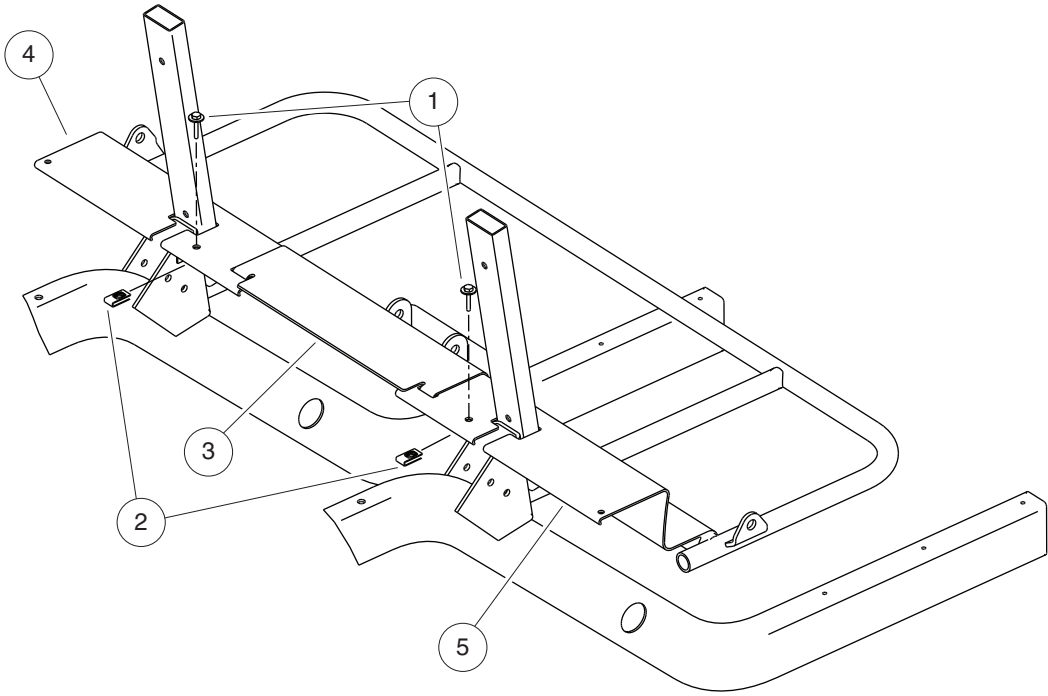


000877-001

FENDERS AND REAR BODY PANELS

| ITEM | PART NO. | DESCRIPTION | QTY |
|------|------------------|--|-----|
| | | 1 2 3 4 | |
| 1 | <u>102025701</u> | Screw, Tuflok Panel, 1/4 | 4 |
| 2 | <u>102296530</u> | Screw - M6 X 1.0 X 30 Sems | 10 |
| 3 | <u>102296601</u> | U-Nut, M6-1.0, Prevailing Torque | 18 |
| 4 | <u>102297125</u> | Screw, M6-1.0x25.4, Thread-Forming, SEMS | 10 |
| 5 | <u>103050401</u> | Fender, Front, Ds | 1 |
| 6 | <u>103050501</u> | Fender, Front, Ps | 1 |
| 7 | <u>103050601</u> | Fender, Rear, Ds, Black | 1 |
| 8 | <u>103050701</u> | Fender, Rear, Ps, Black | 1 |
| 9 | <u>103050801</u> | Panel, Ds, Blk | 1 |
| 10 | <u>103050901</u> | Panel, Ps, Blk | 1 |
| 11 | <u>103051001</u> | Panel, Center, Blk | 1 |
| 12 | <u>103400001</u> | 3/16 X 1.19 Alum Rivet, Blk | 4 |
| 13 | <u>103441501</u> | Flap, Mud, Common (not shown) | 2 |

1
G



000890-001

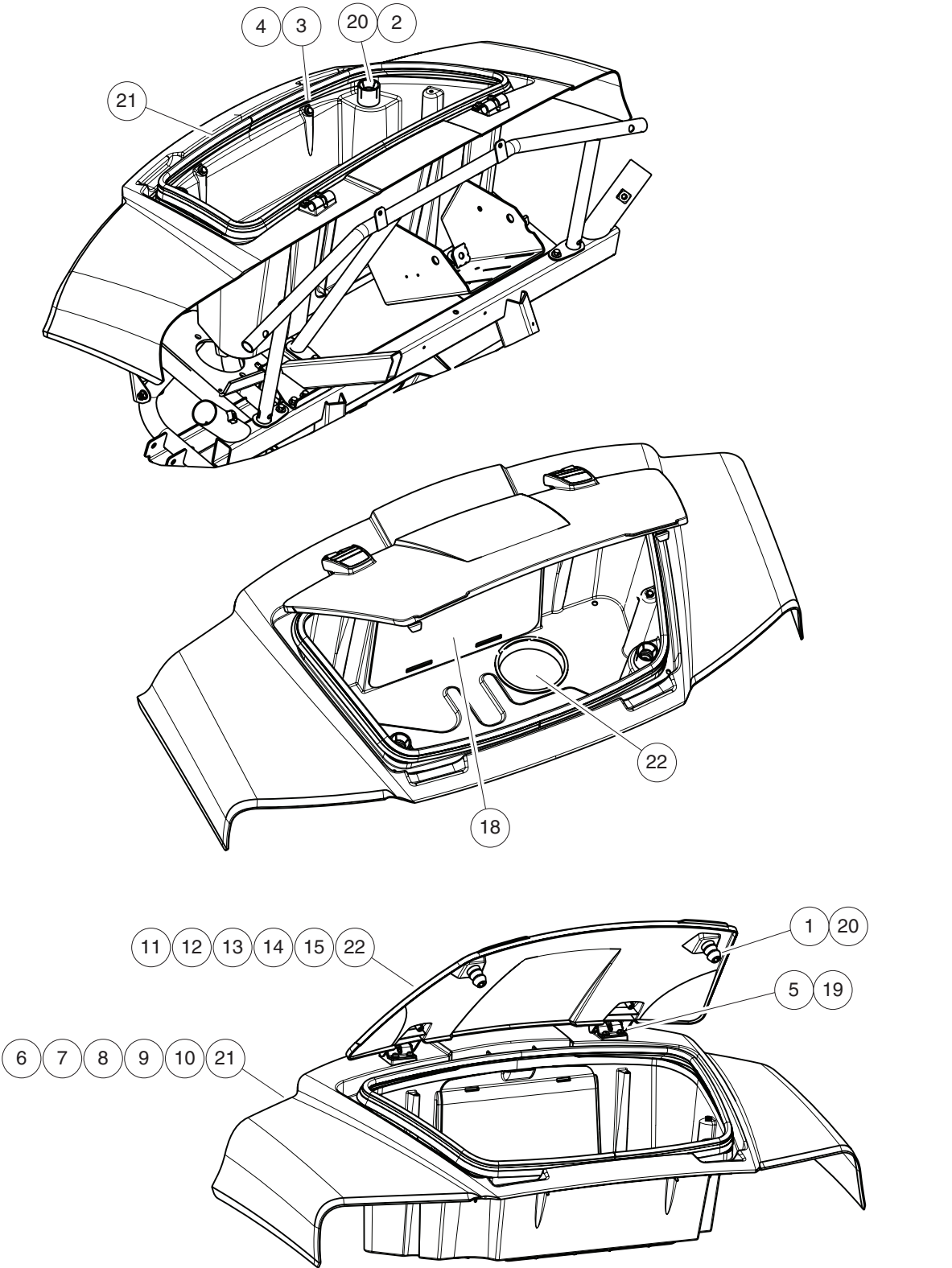
CLOSEOUT PANELS

| ITEM | PART NO. | DESCRIPTION | QTY |
|------|------------------|--|-----|
| | | 1 2 3 4 | |
| 1 | <u>102296530</u> | Screw - M6 X 1.0 X 30 Sems | 2 |
| 2 | <u>102296601</u> | U-Nut, M6-1.0, Prevailing Torque | 2 |
| 3 | <u>103512101</u> | Close Out, Center | 1 |
| 4 | <u>103512201</u> | Close Out, Left | 1 |
| 5 | <u>103512202</u> | Close Out, Right | 1 |

1

G

1
G

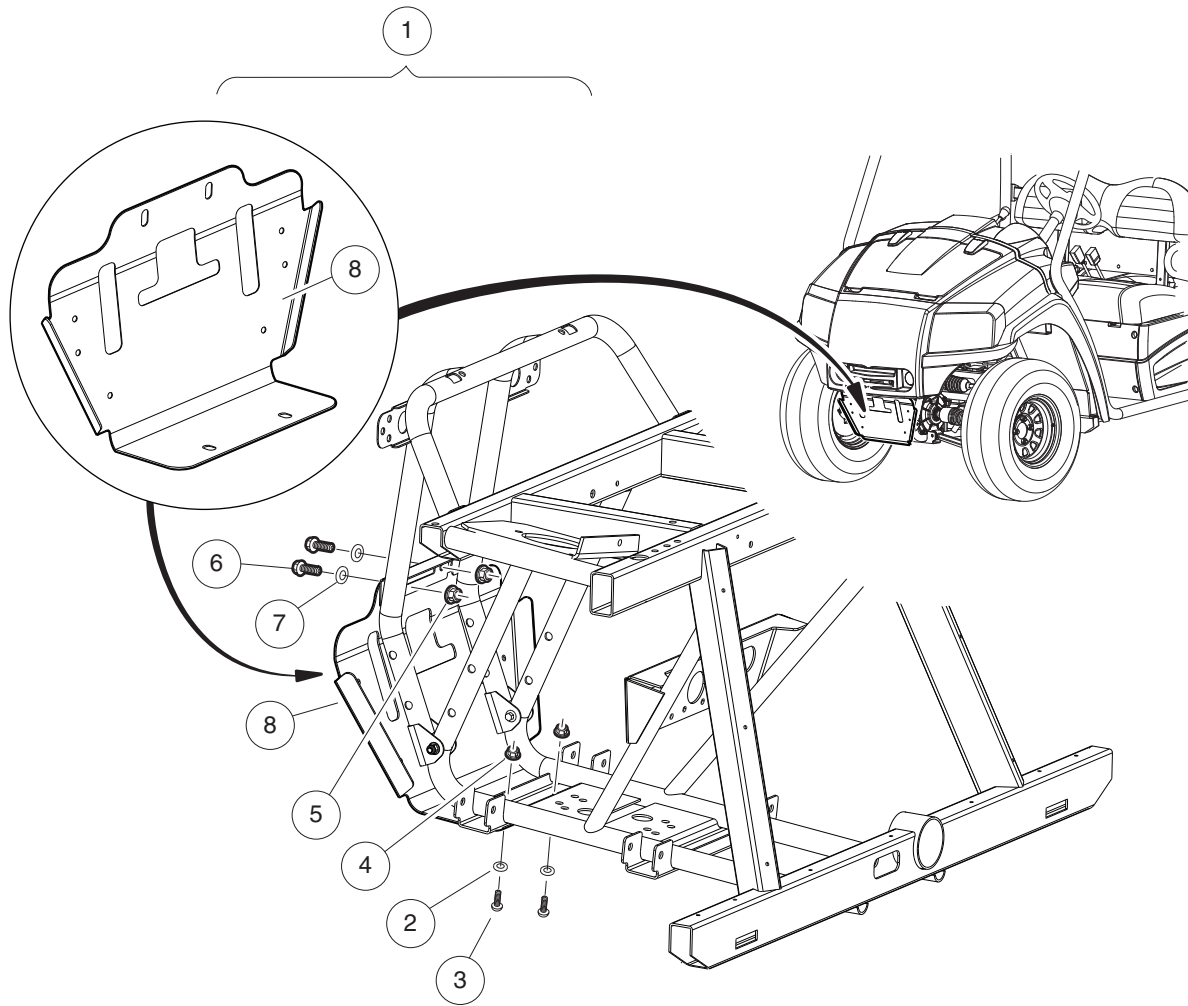


000876-004

COWL

| ITEM | PART NO. | DESCRIPTION | QTY |
|------|------------------|---|-----|
| | | 1 2 3 4 | |
| 1 | <u>102059001</u> | Seat Holder Base | 2 |
| 2 | <u>102061101</u> | Seat Holder Cup | 2 |
| 3 | <u>102296530</u> | Screw - M6 X 1.0 X 30 Sems | 2 |
| 4 | <u>102296601</u> | U-Nut, M6-1.0, Prevailing Torque | 2 |
| 5 | <u>102297230</u> | Screw, M6, Torx, Interlock Thread | 8 |
| 6 | <u>103065620</u> | Cowl, Storage, Drk Grn, Svc | 1 |
| 7 | <u>103065624</u> | Cowl, Storage, Drk Gry, Svc | 1 |
| 8 | <u>103065626</u> | Cowl, Storage, White, Svc | 1 |
| 9 | N/A | Cowl, Storage, Nstd, Svc | 1 |
| 10 | <u>103065628</u> | Cowl, Storage, Rthwhd, Svc | 1 |
| 11 | <u>103065720</u> | Hood, Storage Cvr, Dgrn, Svc | 1 |
| 12 | <u>103065724</u> | Hood, Storage Cvr, Dgry, Svc | 1 |
| 13 | <u>103065726</u> | Hood, Storage Cvr, White, Svc | 1 |
| 14 | N/A | Hood, Storage Cvr, Nstd, Svc | 1 |
| 15 | <u>103065728</u> | Hood, Storage Cvr, Rthwhd, Svc | 1 |
| 16 | <u>103430801</u> | Cover, Access, Black | 1 |
| 17 | <u>103431001</u> | Bracket, Hinge | 2 |
| 18 | <u>103539901</u> | Screw, Round Hd, M5.5 X 38 | 4 |
| 19 | <u>103540201</u> | Seal, Bulb, 13 X 27 X 1888 Mm | 1 |
| 20 | <u>103541301</u> | Cap, Ldpe, 122 Mm | 1 |
| 21 | <u>103959040</u> | Cowl, Strge, Awd Red, Svc | 1 |
| 22 | <u>103959140</u> | Hood, Strg, Awd Red, Svc | 1 |

1
G



000874-001

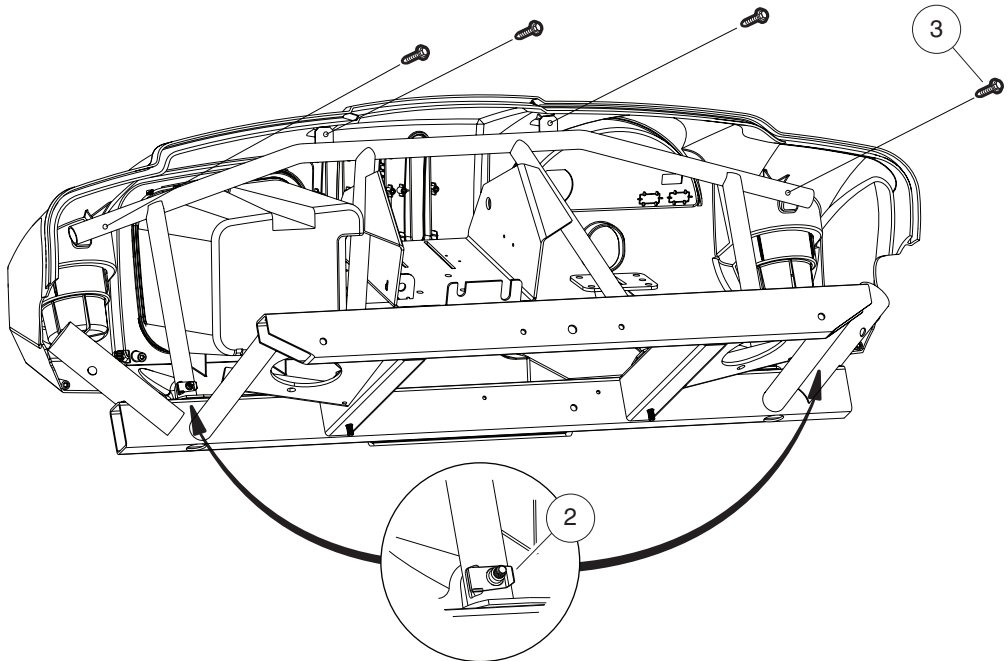
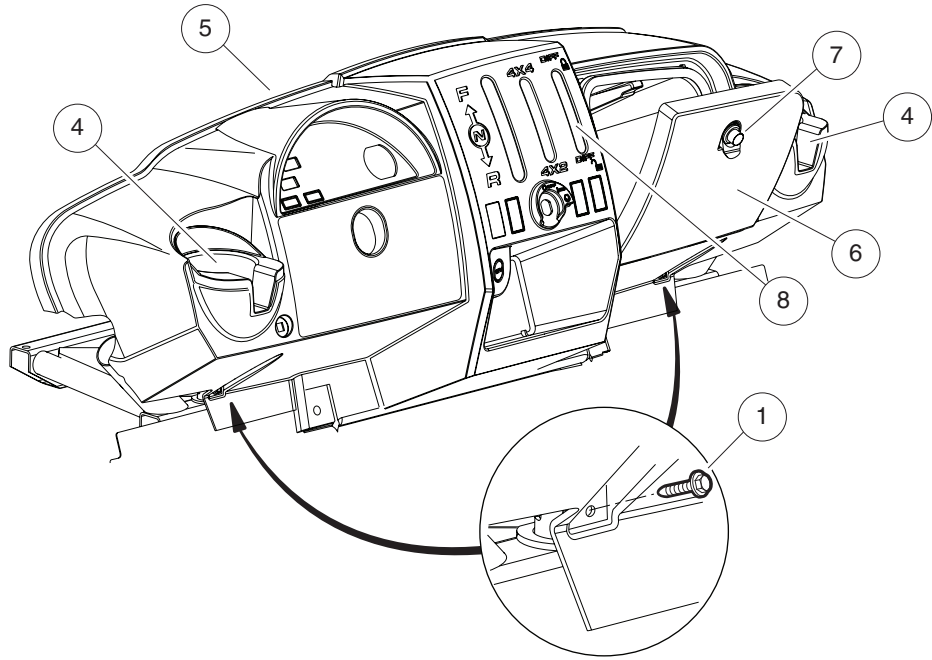
FRONT SKID PLATE

| ITEM | PART NO. | DESCRIPTION | QTY |
|------|------------------|---|-----|
| | | 1 2 3 4 | |
| 1 | <u>103647601</u> | Kit, Front Skidplate, Xrt950 (includes items 2 through 8) | 1 |
| 2 | <u>102296301</u> | Washer, M6x18x1.6 Flat | 2 |
| 3 | <u>102296920</u> | Screw, M6, Torx Button Head, Sems | 2 |
| 4 | <u>102541501</u> | Nut-m6x1.0 Fl Mtl Lock,blk | 2 |
| 5 | <u>102617201</u> | Nut, Flanged, M10 X 1.5, Mechanically Deformed | 2 |
| 6 | <u>102711601</u> | Bolt, Flange Head, M10 X 1.5 X 25 | 2 |
| 7 | <u>102718101</u> | Washer, Hard, M10, Zn-Ni/Blk | 2 |
| 8 | <u>103647501</u> | Plate, Skid, Front, Xrt950 | 1 |

1

G

1
G

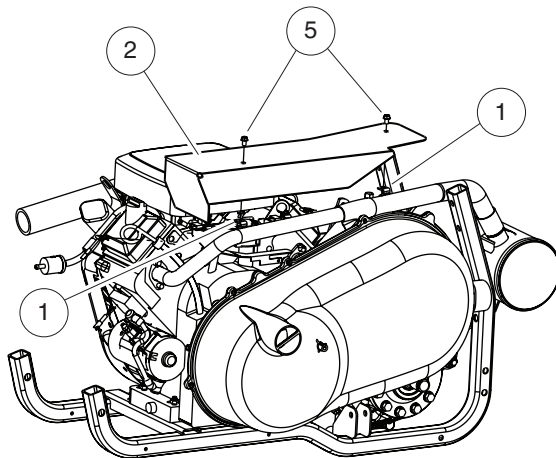
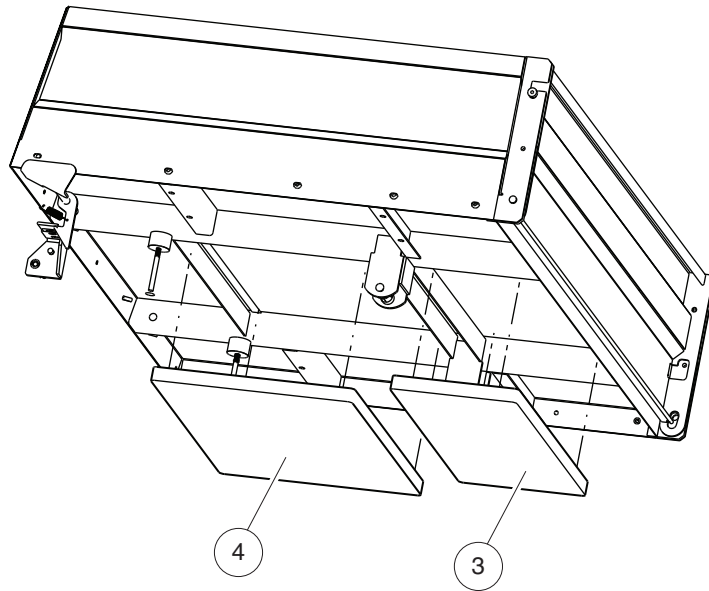


000878-001

DASH

| ITEM | PART NO. | DESCRIPTION | QTY |
|------|------------------|---|-----|
| | | 1 2 3 4 | |
| 1 | <u>102296140</u> | Bolt, Flanged Head, M6x1.0x40 | 2 |
| 2 | <u>102296601</u> | U-Nut, M6-1.0, Prevailing Torque | 2 |
| 3 | <u>102297230</u> | Screw, M6, Torx, Interlock Thread | 4 |
| 4 | <u>102883401</u> | Cup Holder, Utility | 2 |
| 5 | <u>103050201</u> | Dash- Control Mount | 1 |
| 6 | <u>103050301</u> | Cover, Dash | 1 |
| 7 | <u>103182701</u> | Latch, Push Close | 1 |
| 8 | <u>103430901</u> | Cover, Shifter | 1 |

1
G

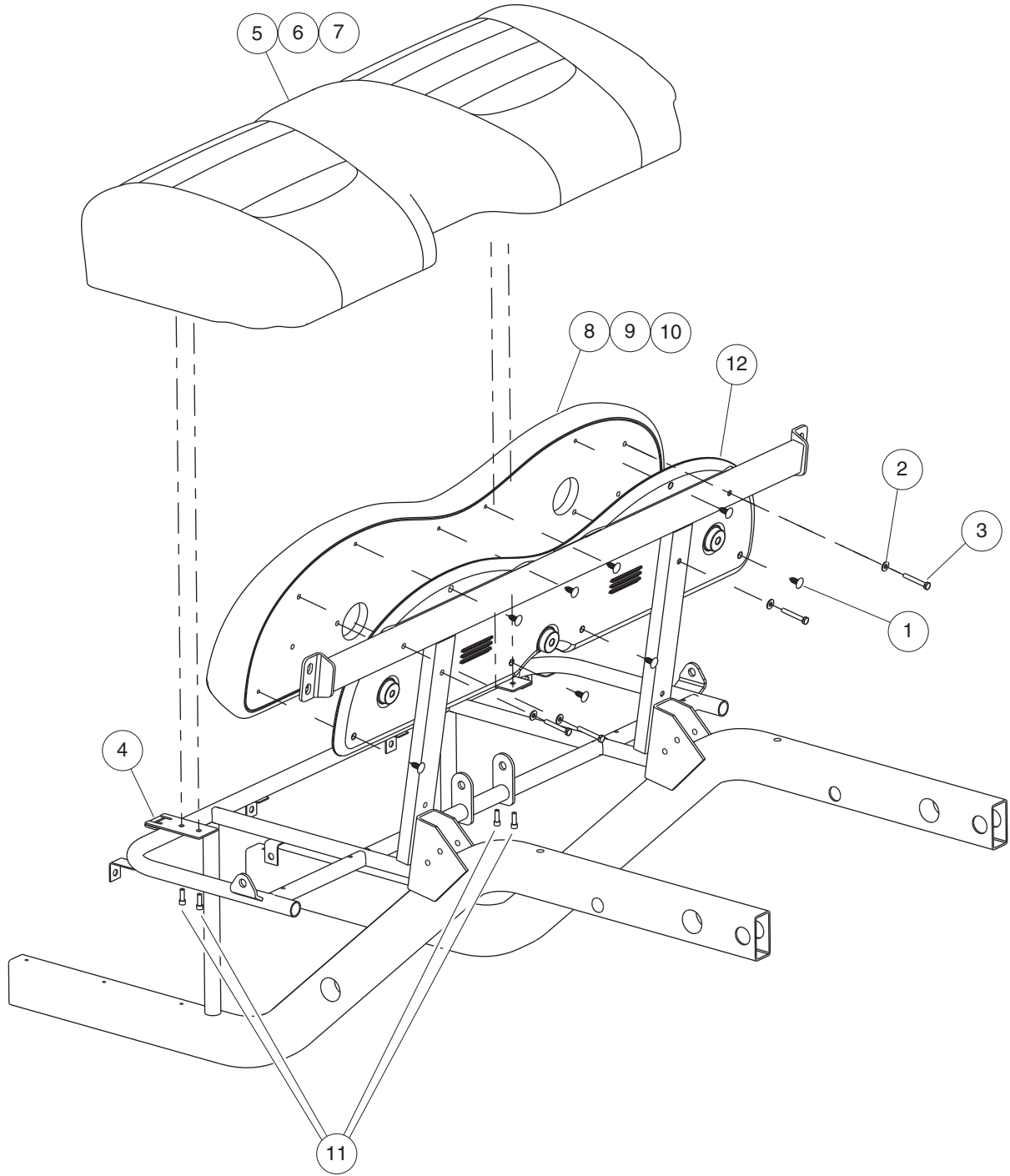


000875-001

HEAT SHIELD

| ITEM | PART NO. | DESCRIPTION | QTY |
|------|------------------|--------------------------------------|-----|
| | | 1 2 3 4 | |
| 1 | <u>1014116</u> | Nut, 1/4-20 Speed | 2 |
| 2 | <u>103525701</u> | Shield, Exhaust, Heat | 1 |
| 3 | <u>103534701</u> | Foam, Barrier, Heat, Bed, Rear | 1 |
| 4 | <u>103534801</u> | Foam, Barrier, Heat, Bed, Frnt | 1 |
| 5 | <u>103541501</u> | Screw, Tapping, 1/4-20 X .375 | 2 |

1
G



1034300F

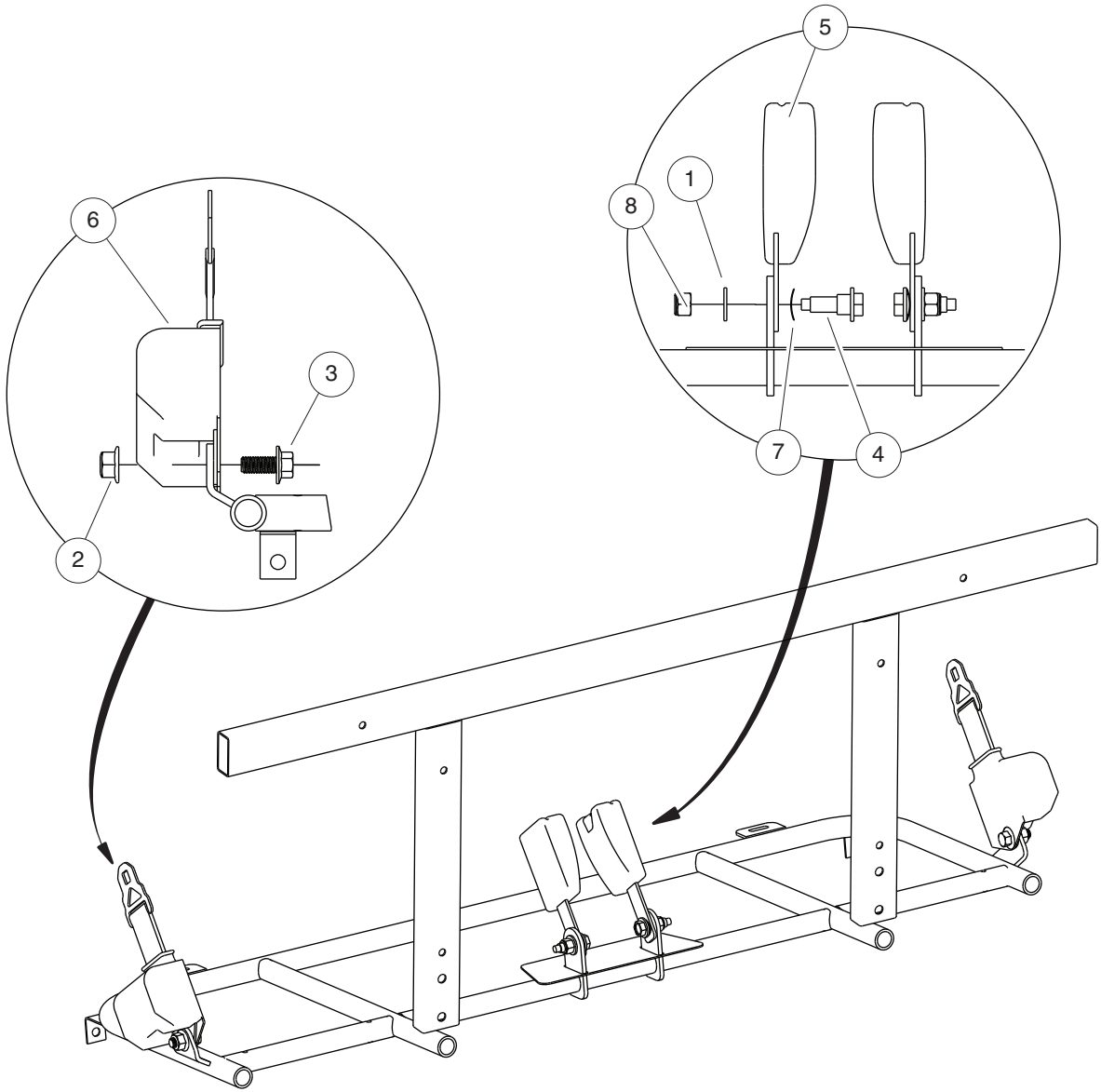
BENCH SEATS

| ITEM | PART NO. | DESCRIPTION | QTY |
|------|------------------|--------------------------------------|-----|
| | | 1 2 3 4 | |
| 1 | <u>1010434</u> | Barrel - Plastic | 8 |
| 2 | 1011964 | Washer, 1/4 Flat | 4 |
| 3 | <u>102343601</u> | Screw, 1/4-20 X 1 3/4 Ss Hx Ca | 4 |
| 4 | <u>103443201</u> | Plate, Hinge, Seat | 2 |
| 5 | <u>103455001</u> | Seat Bottom, Bench, Gray | 1 |
| 6 | <u>103455002</u> | Seat Bottom, Bench, Black | 1 |
| 7 | 103455003 | Seat Bottom, Bench, Tan | 1 |
| 8 | <u>103456001</u> | Seat Back, Bench, Gray | 1 |
| 9 | <u>103456002</u> | Seat Back, Bench, Black | 1 |
| 10 | 103456003 | Seat Back, Bench, Tan | 1 |
| 11 | <u>103629501</u> | Screw, 1/4-20 X .75 Shcs | 4 |
| 12 | <u>103831101</u> | Cap, Seatback, Vented | 1 |

1

G

1
G



000902-001

SEAT BELTS

1
G

| ITEM | PART NO. | DESCRIPTION | QTY |
|------|------------------|-------------------------------------|-----|
| | | 1 2 3 4 | |
| 1 | <u>1014557</u> | Washer, 7/16 Flat | 2 |
| 2 | <u>102620301</u> | Ln Flg, M12 X 1.75, Md, Black | 2 |
| 3 | <u>103245101</u> | Bolt Flg, M12x1.75 X 25 Black | 2 |
| 4 | <u>103529601</u> | Bolt, Shoulder, 15 Mm | 2 |
| 5 | <u>103529701</u> | Asm, Buckle, Seat-belt | 2 |
| 6 | <u>103529801</u> | Retractor, Seat-belt | 2 |
| 7 | <u>103530701</u> | Washer, Spring, 15 Mm Id | 2 |
| 8 | <u>103534201</u> | Lock Nut, 7/16-20 Nylon | 2 |

⚠ WARNING

- Do not modify or remove Roll-over Protective Structure (ROPS).
- Replace ROPS if damaged. Do not attempt repair.
- Use seat belts during operation. Do not jump from vehicle.
- Keep away from drop-offs, steep slopes, and unstable surfaces.

ccc1102961201

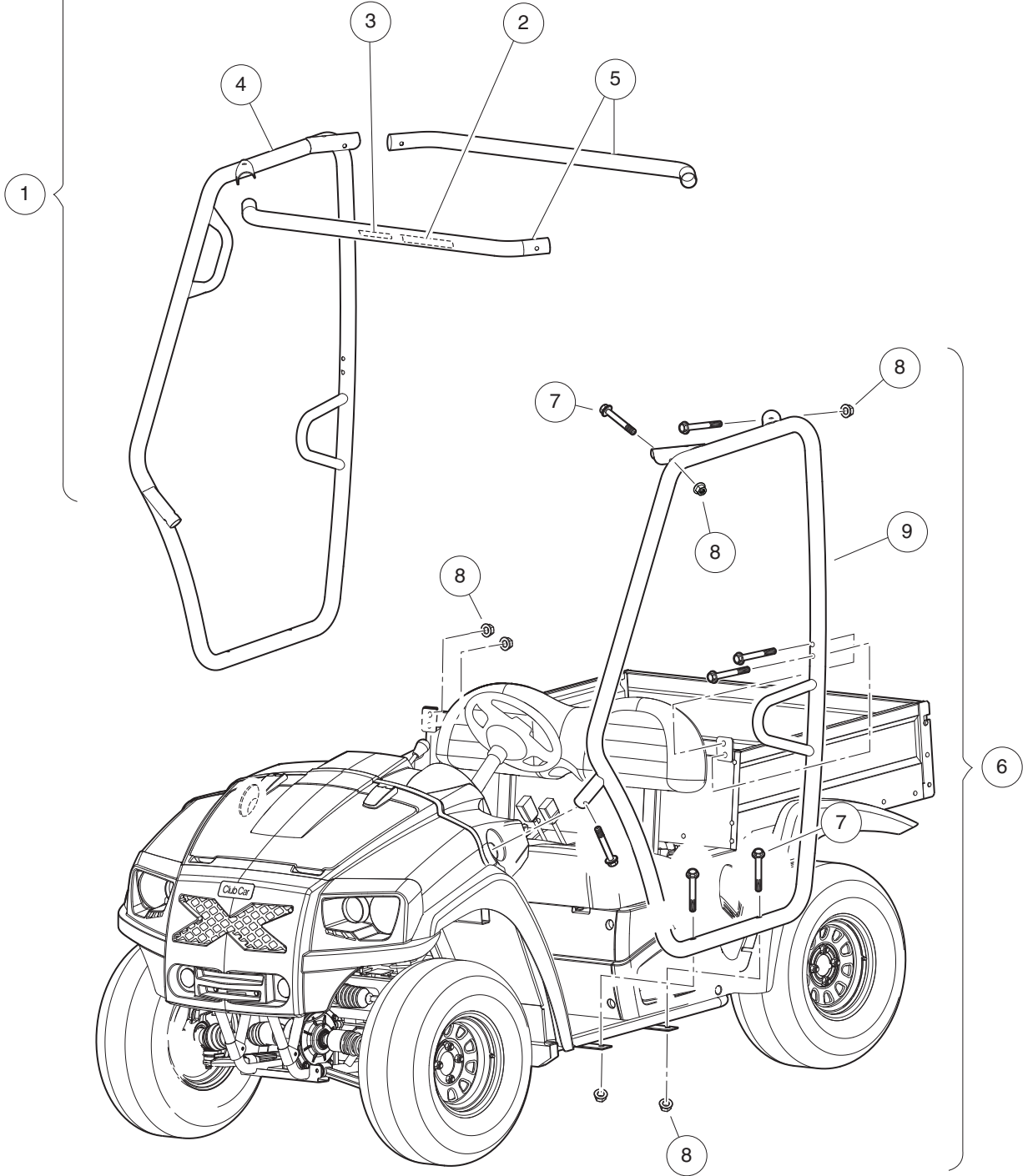
UNDER 16

⚠ WARNING

YOUNG DRIVERS INCREASE CHANCE OF DEATH

- Young drivers may not be able to control vehicle.
- No drivers younger than 16 years old.
- Do not leave children unattended on vehicle.

ccc1102455401

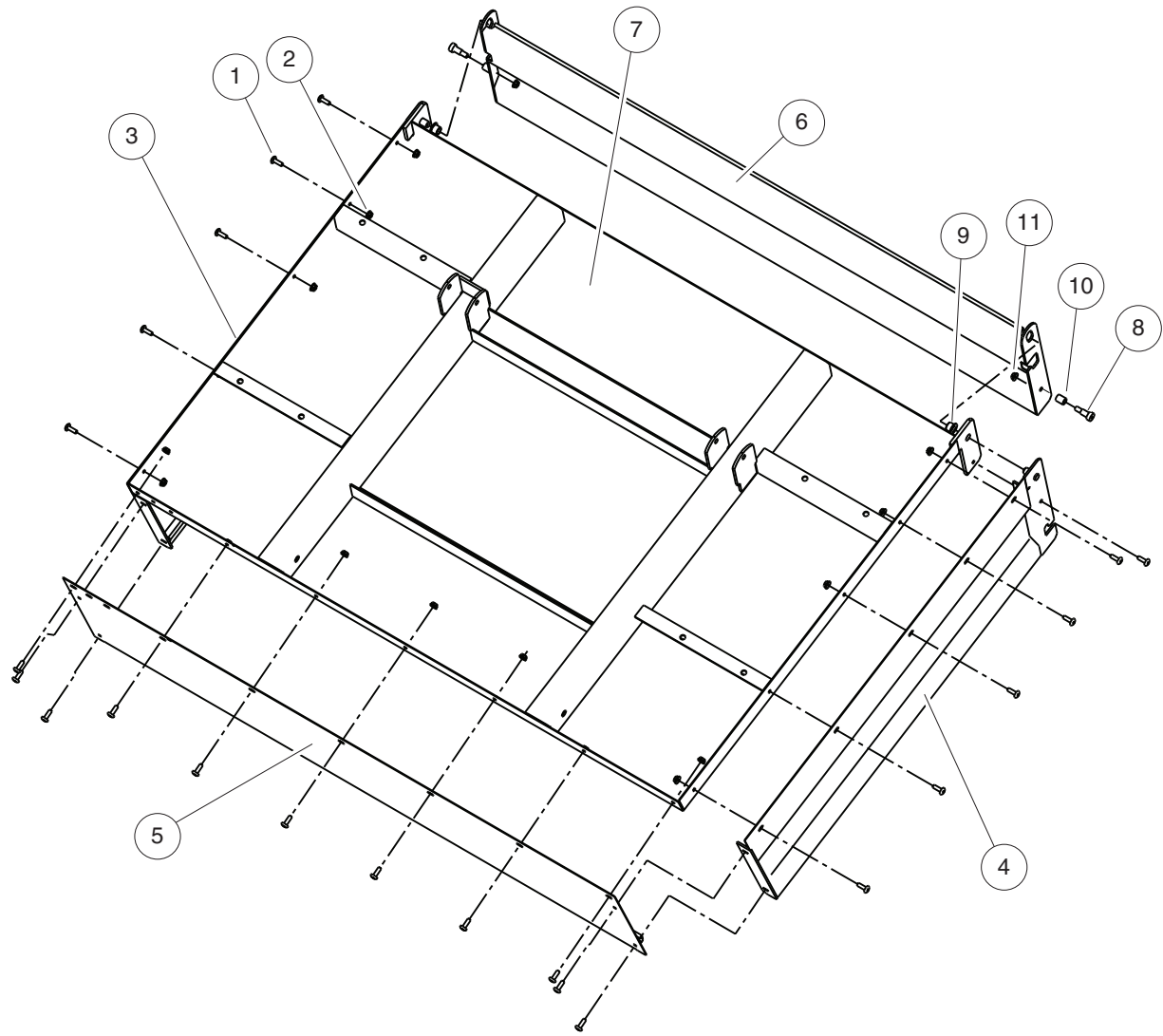


000872-001

ROPS

| ITEM | PART NO. | DESCRIPTION | QTY |
|------|------------------|---|-----|
| | | 1 2 3 4 | |
| 1 | <u>103461901</u> | Kit, Rops, Pass Side (includes items 2 through 5) | 1 |
| 2 | <u>102459401</u> | Decal, Young Driver Warning | 1 |
| 3 | <u>102961201</u> | Decal, Warning, AWD ROPS | 1 |
| 4 | 103440101 | Weldment, Rops, Pass | 1 |
| 5 | 103440601 | Tube, Cross, Rops, Top | 2 |
| 6 | <u>103462001</u> | Kit, Rops, Drv Side (includes items 7 through 9) | 1 |
| 7 | <u>102988701</u> | Bolt, Flanged, M10 X 1.5 X 65 | 14 |
| 8 | <u>103216401</u> | Nut, Flanged, M10 x 1.5, Black | 12 |
| 9 | 103440001 | Weldment, Rops, Driver | 1 |

1
G



000892-001

BOX BED

| ITEM | PART NO. | DESCRIPTION | QTY |
|------|------------------|--|-----|
| | | 1 2 3 4 | |
| 1 | <u>1014415</u> | Screw, 1/4-20 X 0.75 Torx Truss-Head | 23 |
| 2 | <u>101835601</u> | Locknut, 1/4-20 Hex Whiz | 23 |
| 3 | <u>103433301</u> | Weldment, Bed Panel, Drv | 1 |
| 4 | <u>103433302</u> | Weldment, Bed Panel, Pas | 1 |
| 5 | <u>103434201</u> | Panel, Front, Bed | 1 |
| 6 | <u>103434501</u> | Weldment, Gate, Bed | 1 |
| 7 | <u>103435001</u> | Weldment, Bed Bottom, 400 Lb | 1 |
| 8 | <u>103522501</u> | Bolt, Shoulder, M10 X 16mm | 2 |
| 9 | <u>103587201</u> | Bushing, Fl, 12.7 Id X 15.9 Od | 2 |
| 10 | <u>103587301</u> | Bushing, 10 Mm Id X 16 Mm Lg | 2 |
| 11 | <u>103602301</u> | Nut, Flg, Hex, M8-1.25 | 2 |

1
G

1

G

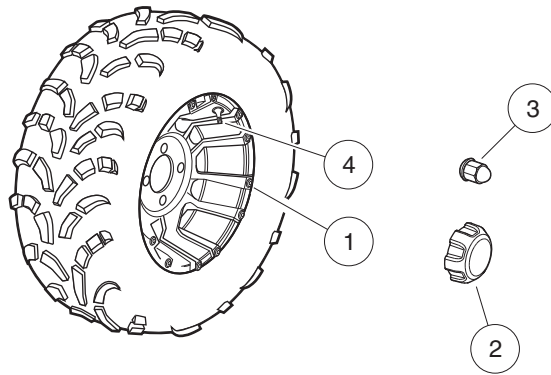
WHEELS AND TIRES

2

G

2

G



000913-003

WHEELS, ALLOY

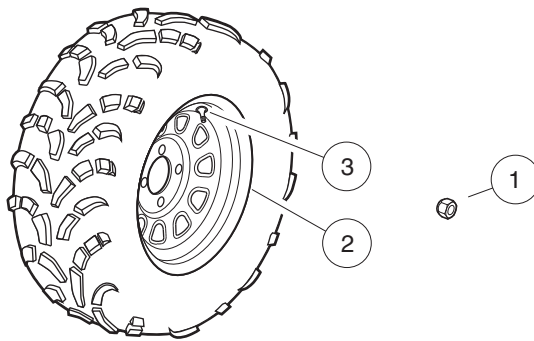
| ITEM | PART NO. | DESCRIPTION | QTY |
|------|------------------|-----------------------------------|-----|
| | | 1 2 3 4 | |
| 1 | <u>103525002</u> | Wheel, Alloy | 1 |
| 2 | <u>103532801</u> | Cap, Center, Chrome | 1 |
| 3 | <u>103699801</u> | Lug Nut, 13/16 X 1/2-20, CE | 4 |
| 4 | <u>7310</u> | Valve Stem, Black Plastic | 1 |

2

G

2

G



000913-004

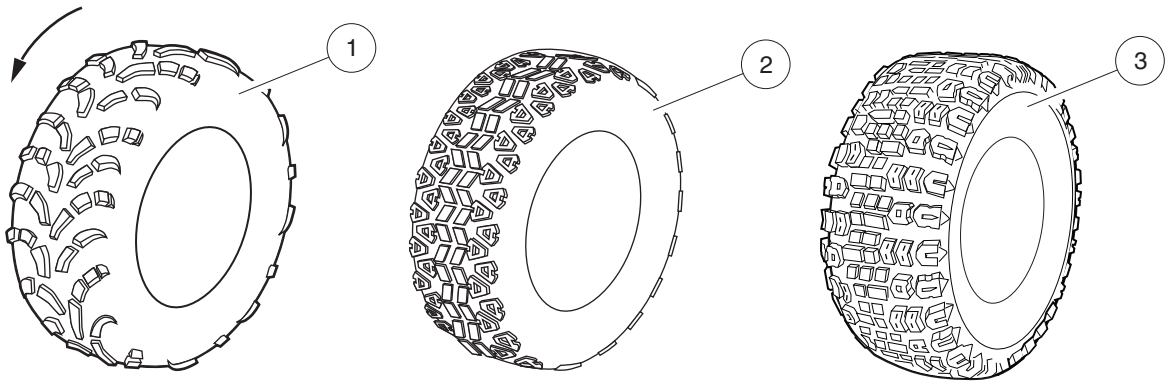
WHEELS, STEEL

| ITEM | PART NO. | DESCRIPTION | QTY |
|------|------------------|----------------------------------|-----|
| | | 1 2 3 4 | |
| 1 | <u>102736901</u> | Nut, Lug, 1/2-20 SAE J2283 | 4 |
| 2 | <u>103234503</u> | Wheel, 10 Window, Black | 1 |
| 3 | <u>7310</u> | Valve Stem, Black Plastic | 1 |

2

G

2
G



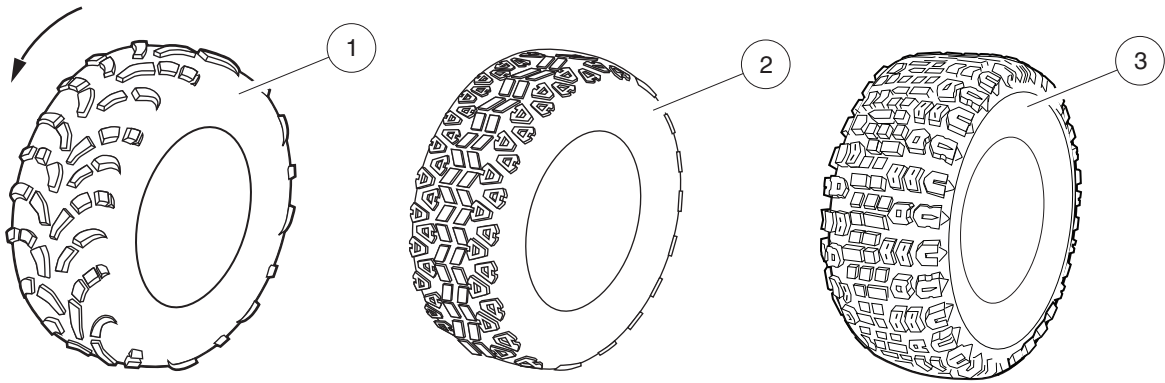
000913-005

TIRES – 9 INCH

| ITEM | PART NO. | DESCRIPTION | QTY |
|---|------------------|---|-----|
| 1 | <u>103572301</u> | 1 2 3 4 Tire, Mud 25x9.00-12 Nhs | 1 |
| 2 | <u>103572401</u> | Tire, Hdat 25x9.00-12 Nhs | 1 |
| 3 | <u>103778401</u> | Tire, At, K502, 25x9-12 | 1 |
| <p>Note: Item 1 is a directional specific tire. Please note the direction when installing the tire.</p> | | | |

2
G

2
G



000913-005

TIRES – 11 INCH

| ITEM | PART NO. | DESCRIPTION | QTY |
|------|------------------|---|-----|
| | | 1 2 3 4 | |
| 1 | <u>102945701</u> | Tire, Mud, 4ply, 25x11-12 | 1 |
| 2 | <u>103600001</u> | Tire, Hdat 25x11.00-12 Nhs | 1 |
| 3 | <u>103778601</u> | Tire, All Terrain, K502, 25x11-12 | 1 |
| | | <p>Note: Item 1 is a directional specific tire. Please note the direction when installing the tire.</p> | |

2

G

2

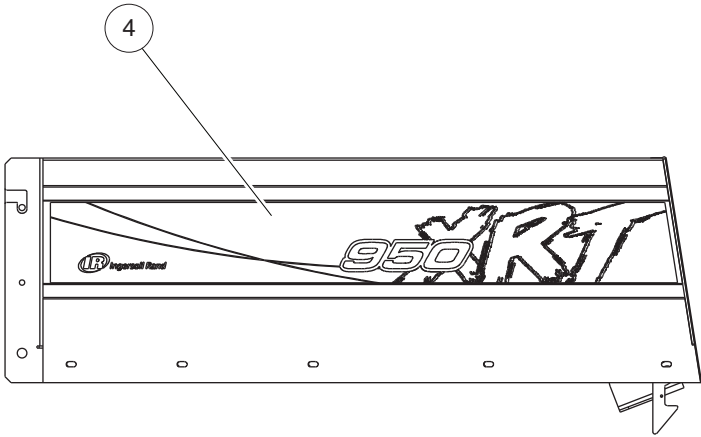
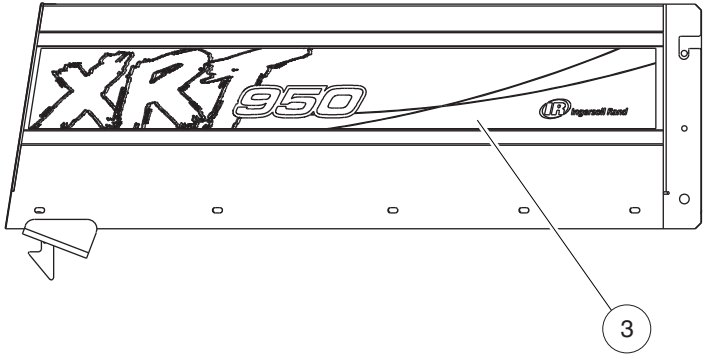
G

DECALS

3

G

3
G



000881-005

BADGING DECALS

| ITEM | PART NO. | DESCRIPTION | QTY |
|------|------------------|---------------------------------|-----|
| | | 1 2 3 4 | |
| 1 | <u>103518201</u> | Decal, Club Car, 51 X 144 | 1 |
| 2 | <u>103533401</u> | Decal, 4x4, 51 X 133 | 1 |
| 3 | <u>103945501</u> | Decal, Side, Bed, 950, Ds | 1 |
| 4 | <u>103945502</u> | Decal, Side, Bed, 950, Ps | 1 |

3

G

UNDER 16

WARNING

YOUNG DRIVERS INCREASE CHANCE OF DEATH

- Young drivers may not be able to control vehicle.
- No drivers younger than 16 years old.
- Do not leave children unattended on vehicle.

CCI 102459401

WARNING

- Do not modify or remove Roll-over Protective Structure (ROPS).
- Replace ROPS if damaged. Do not attempt repair.
- Use seat belts during operation. Do not jump from vehicle.
- Keep away from drop-offs, steep slopes, and unstable surfaces.

CCI 102961201

WARNING

CARBON MONOXIDE CAN CAUSE ILLNESS, SERIOUS INJURY, OR DEATH

The engine produces carbon monoxide, which is a deadly, odorless, colorless gas that can quickly accumulate in an enclosed cab. Do not run the engine in a parked vehicle without proper cab ventilation. Move to fresh air if you feel nausea, headache, dizziness, drowsiness, or weakness.

103619901

Use Only DOT 5 Brake Fluid

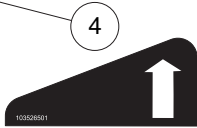
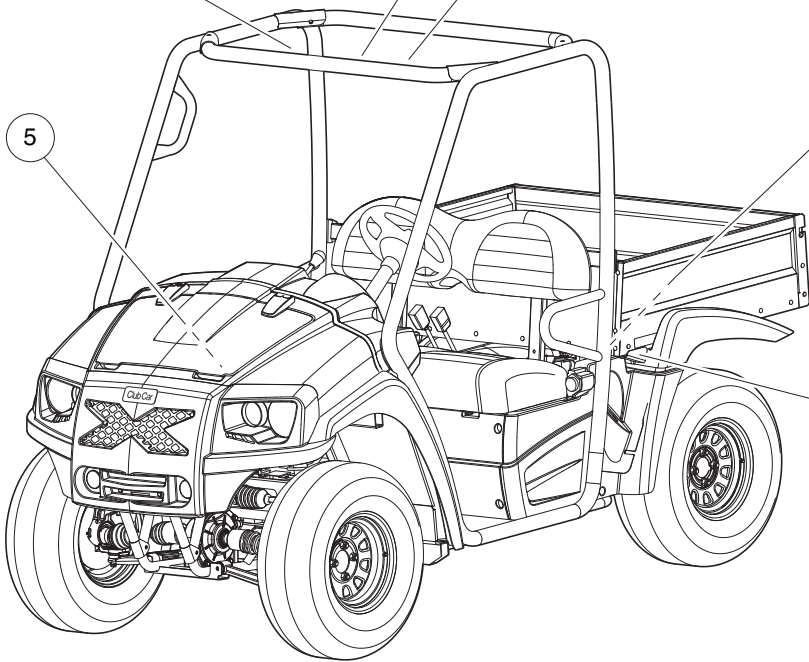
CCI 103532701

WARNING

CRUSH AREA

STAY CLEAR

CCI 1016094-01



SAFETY DECALS

| ITEM | PART NO. | DESCRIPTION | QTY |
|------|------------------|-----------------------------------|-----|
| | | 1 2 3 4 | |
| 1 | <u>101609401</u> | Decal, Crush Area Warning | 2 |
| 2 | <u>102459401</u> | Decal, Young Driver Warning | 1 |
| 3 | <u>102961201</u> | Decal, Warning, AWD ROPS | 1 |
| 4 | <u>103526501</u> | Decal, Operation, Bed Latch | 1 |
| 5 | <u>103532701</u> | Decal, Brake Fluid, Dot 5 | 1 |
| 6 | <u>103619901</u> | Decal, Warn, Co, Cab | 1 |

3

G

OPERATING INSTRUCTIONS

- Read owner's manual and vehicle safety warnings.
- Study and understand controls.
- **FASTEN SEAT BELTS** before operating vehicle.

TO START ENGINE

- Place shift lever in NEUTRAL (N) and press brake pedal.
- Turn key to START and hold until engine starts.

TO OPERATE VEHICLE

- Turn wheels to desired direction and ensure path is clear.
- With vehicle stopped and engine at idle, select vehicle direction:
F - Forward, N - Neutral, R - Reverse
- Use lever to select 4 X 2 or 4 X 4, if so equipped.
- Use lever to lock or unlock the differential.
- Hold brake pedal and release park brake.
- Slowly press accelerator pedal to increase speed.
- Stop the vehicle before shifting to Forward or Reverse.
- Stop the vehicle before locking or unlocking the differential.

TO STOP VEHICLE

- Release accelerator pedal and push brake pedal.

BEFORE LEAVING VEHICLE

- Turn key to OFF and remove key.
- Place shift lever in NEUTRAL (N).
- Firmly set park brake.

WARNING
ROLLOVER OR FALLING OFF MAY CAUSE DEATH

- Read owner's manual and operating instructions.
- **FASTEN SEAT BELTS.** Remain seated while moving.
- Drive slowly in turns.
- Drive straight up and down slopes.
- Do not start vehicle until all occupants are seated.
- Two (2) persons per bench seat maximum.
- Operate from driver side only and not on public roads.
- Keep entire body inside vehicle while moving.
- Children requiring a child safety seat must not ride on vehicle. Comply with state and local laws pertaining to child safety.
- Do not operate while under the influence of alcohol or drugs.
- Unlock differential on paved surfaces to maintain steering control.
- Never attempt jumps.

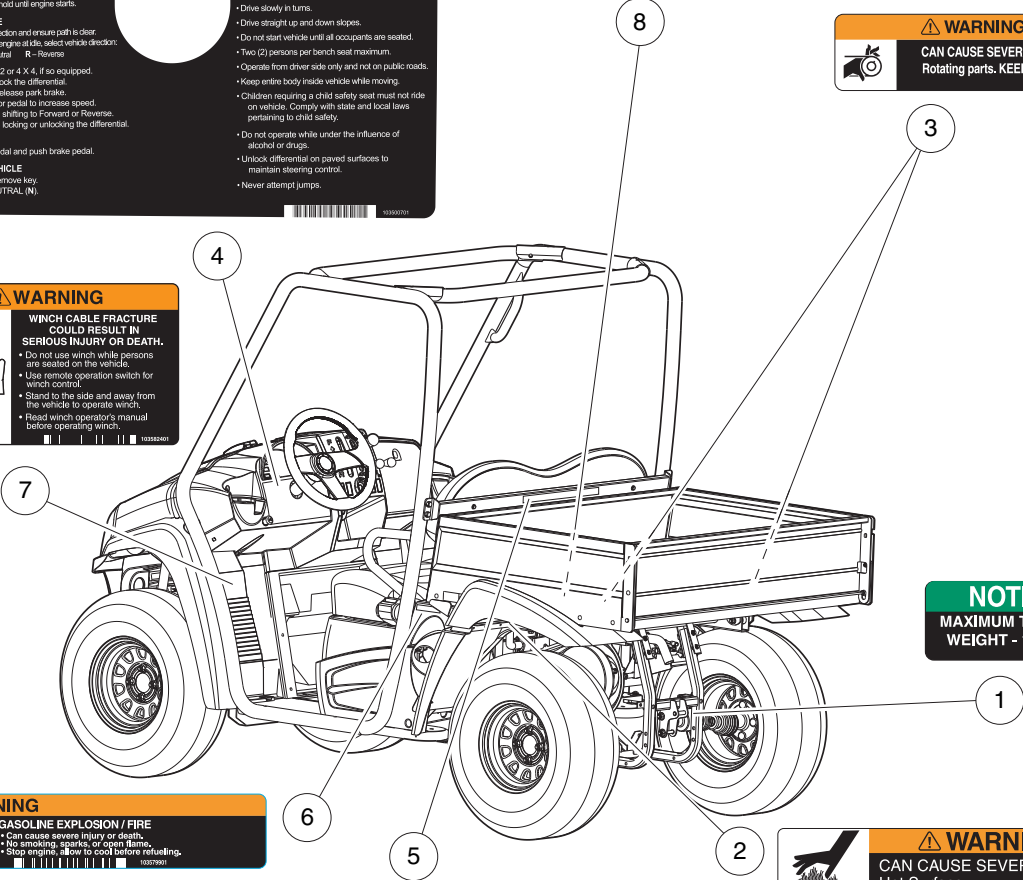
WARNING
Negative frame ground. Can cause severe injury. Do not contact positive (+) battery post or cables to frame. Disconnect negative battery cable first.

WARNING
Excessive speed can cause severe injury or death. Do not tamper with engine governor adjustment. 10326501

WARNING
CAN CAUSE SEVERE INJURY
Rotating parts. KEEP CLEAR. CCI 102460201

WARNING
WINCH CABLE FRACTURE COULD RESULT IN SERIOUS INJURY OR DEATH.

- Do not use winch while persons are seated on the vehicle.
- Use remote operation switch for winch control.
- Stand to the side and away from the vehicle to operate winch.
- Read winch operator's manual before operating winch.



NOTICE
MAXIMUM TONGUE WEIGHT - 150 lbs.
CCI 1011553

WARNING
GASOLINE EXPLOSION / FIRE

- Can cause severe injury or death.
- No smoking, sparks, or open flame.
- Stop engine, allow to cool before refueling.

WARNING
CAN CAUSE SEVERE BURNS
Hot Surface CCI 102458901

VEHICLE LOADING

- Read owner's manual and warnings on dash.
- Maximum gross vehicle weight: 2135 lb. (968 kg)
- Maximum cargo bed load: 400 lb. (181 kg)
- Reduce maximum cargo bed load by the weight of optional equipment.
- Maximum gross trailer weight: 1,100 lb. (499 kg).
- Maximum trailer hitch tongue weight: 150 lb. force (667 N).

PREVENT VEHICLE ROLL-OVER:

- Place cargo forward in the cargo bed and distribute evenly side to side. Secure load.
- On uneven or steep terrain reduce speed and load. Avoid stopping on or backing down steep hills.
- Avoid top-heavy loads. See owner's manual.

WARNING
RIDING IN CARGO BED CAN CAUSE SEVERE INJURY OR DEATH.

- Do not ride in cargo bed.

SAFETY DECALS, CONTINUED

| ITEM | PART NO. | DESCRIPTION | QTY |
|------|------------------|--------------------------------------|-----|
| | | 1 2 3 4 | |
| 1 | <u>1011553</u> | Decal, Trailer Hitch | 1 |
| 2 | <u>102458901</u> | Decal, Hot Surface Warning | 1 |
| 3 | <u>102460201</u> | Decal, Rotating Parts Warning | 1 |
| 4 | <u>103500701</u> | Decal, Operator, Warn/instr | 1 |
| 5 | <u>103526201</u> | Decal, Vehicle Loading, 2135lb | 1 |
| 6 | <u>103579901</u> | Decal, Warn, Gas Fuel Loading | 1 |
| 7 | <u>103582401</u> | Decal-winch, Warning | 1 |
| 8 | <u>103596501</u> | Decal, Frame Ground, Long | 1 |

3

G

3

G

LIGHTS, CONTROLS, AND INDICATORS

4

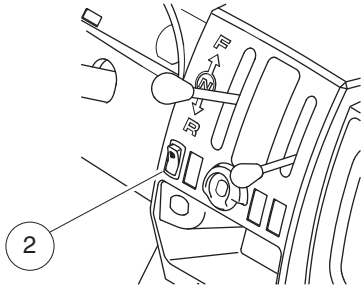
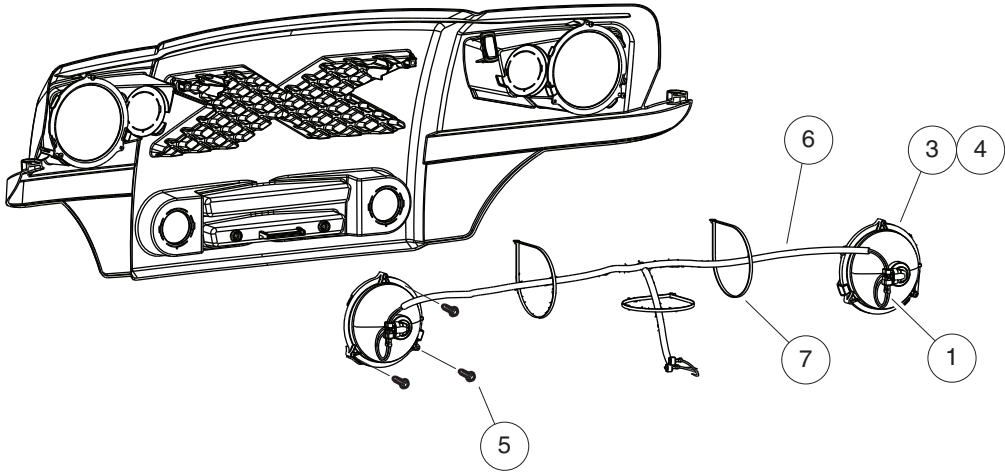
G

E

4

G

E



000880-001

HEADLIGHTS

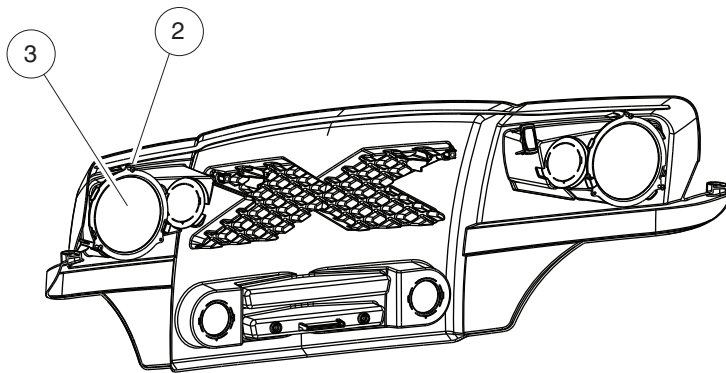
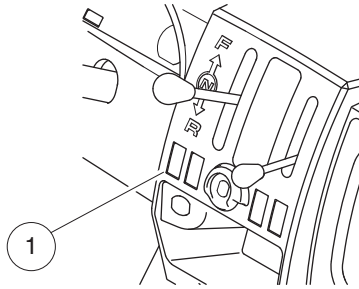
| ITEM | PART NO. | DESCRIPTION | QTY |
|------|------------------|---|-----|
| | | 1 2 3 4 | |
| 1 | <u>101987901</u> | Connector, Harness Assembly, Headlight | 2 |
| 2 | <u>102869401</u> | Switch, Rocker, Light | 1 |
| 3 | <u>102894401</u> | Headlight, 6 In Round (includes item 4) | 2 |
| 4 | <u>102535101</u> | Bulb, Headlight, 37.5 W | 1 |
| 5 | <u>103218104</u> | Screw, #8x1.25 Ab Thd, Hex Hd | 4 |
| 6 | <u>103521401</u> | Harness, Hd Light, Single Pair | 1 |
| 7 | <u>8639</u> | Tie Wrap, 11" Nylon | 3 |

4
G
E

4

G

E



000880-010

HEADLIGHT COVERS

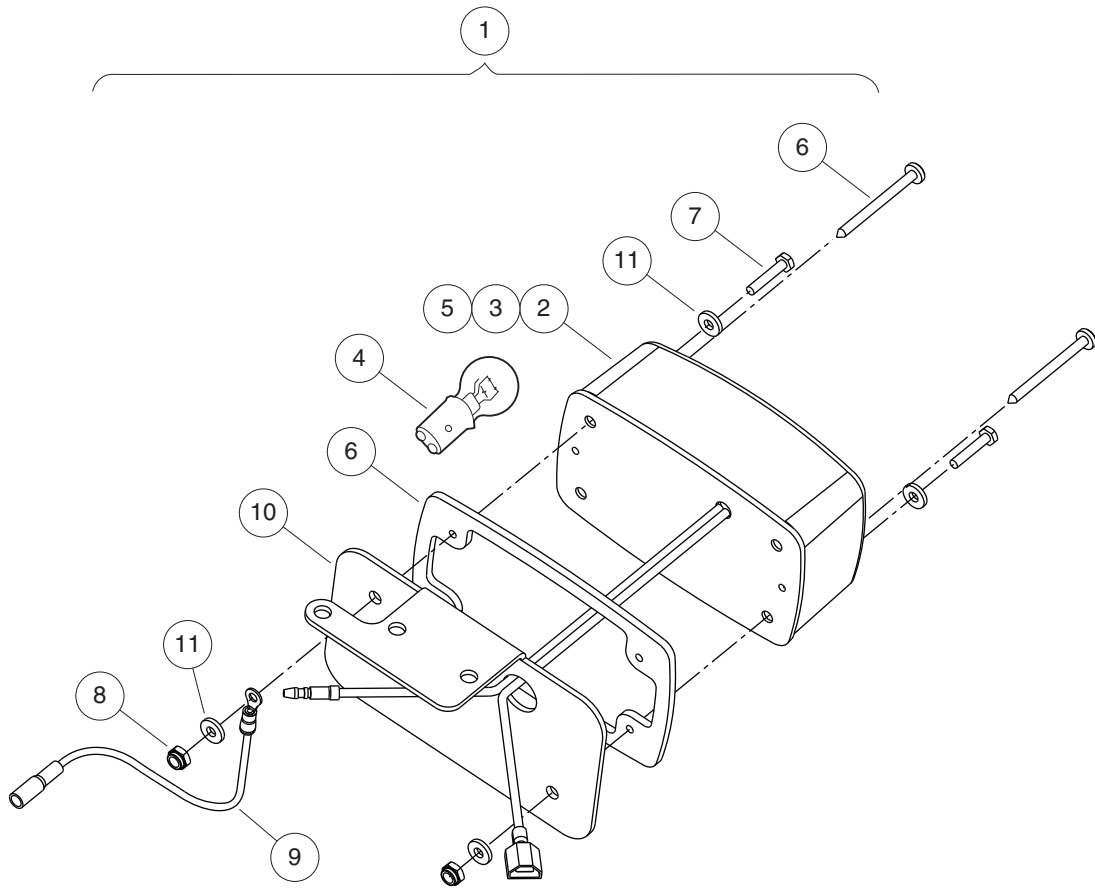
| ITEM | PART NO. | DESCRIPTION | QTY |
|---|------------------|-------------------------------------|-----|
| | | 1 2 3 4 | |
| 1 | <u>103180101</u> | Cover, Hole, Switch, Rocker | 1 |
| 2 | <u>103218104</u> | Screw, #8x1.25 Ab Thd, Hex Hd | 4 |
| 3 | <u>103462301</u> | Cover, HI, Flat | 2 |
| <p>Note: For vehicles with the Headlight Delete option.</p> | | | |

4

G

E

4
G
E



000916-002

TAILLIGHTS

| ITEM | PART NO. | DESCRIPTION | QTY |
|------|------------------|---|-----|
| | | 1 2 3 4 | |
| 1 | <u>103577401</u> | ASM, TAILLIGHT, 950 (includes items 2 through 11) | 1 |
| 2 | 1017035 | Taillight Assembly (includes items 3 through 6) | 1 |
| 3 | N/A | Light, Tail (includes items 4 and 5) | 1 |
| 4 | <u>1011582</u> | Taillight Bulb | 1 |
| 5 | <u>1011843</u> | Taillight Lens | 1 |
| 6 | <u>1017699</u> | Hardware Kit, Tail Light | 1 |
| 7 | <u>1017853</u> | Screw, #6-32 X 0.75 Hex-Head Machine | 2 |
| 8 | <u>101932201</u> | Locknut, #6-32 Nylon | 2 |
| 9 | <u>102672701</u> | Wire Asm, Ground, Taillight | 1 |
| 10 | <u>103577101</u> | Bracket, Light, Brake | 1 |
| 11 | <u>7591</u> | Washer, #6, Flat | 4 |

4
G
E

4

G

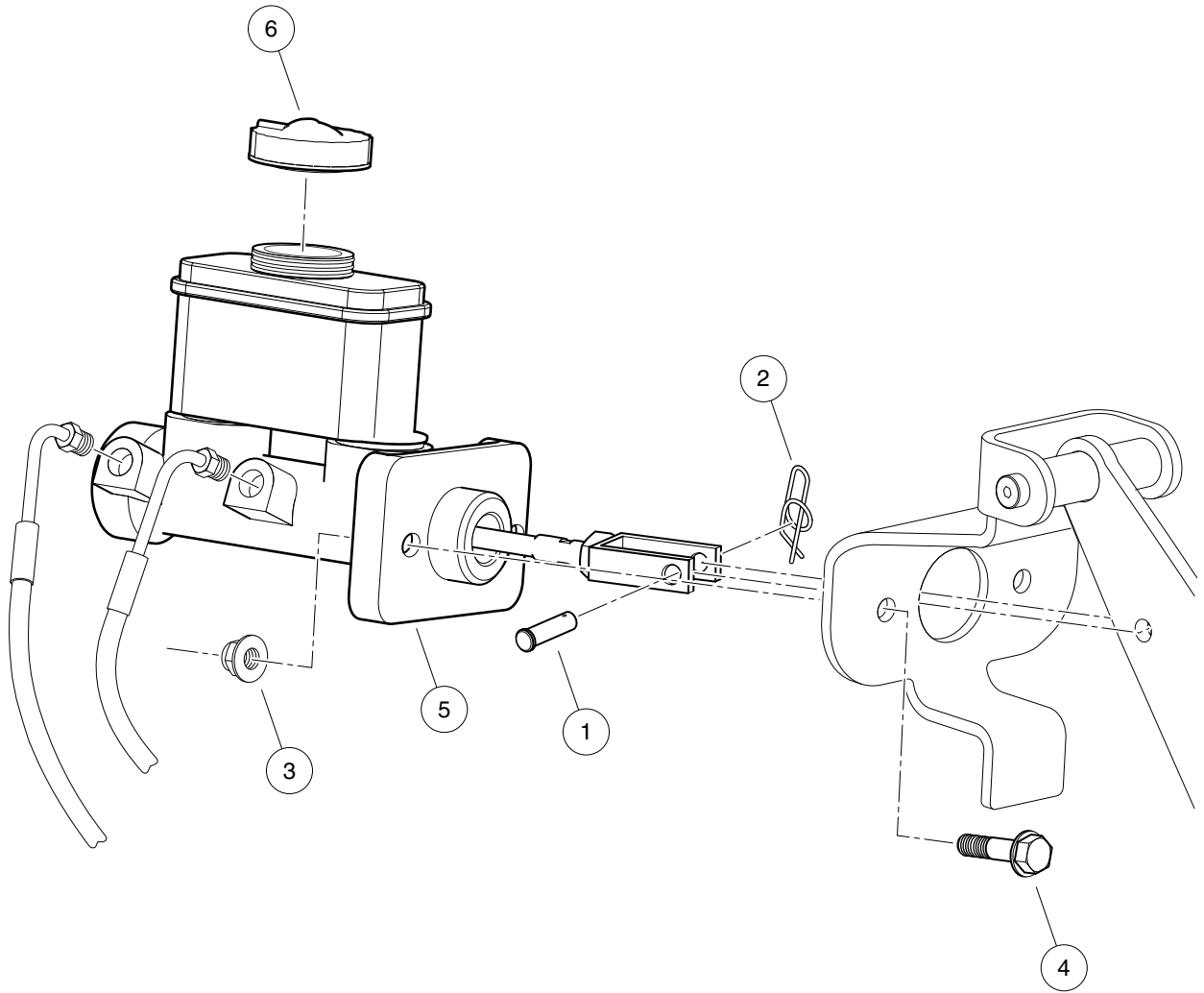
E

BRAKE SYSTEM AND PEDALS

5

G

5
G



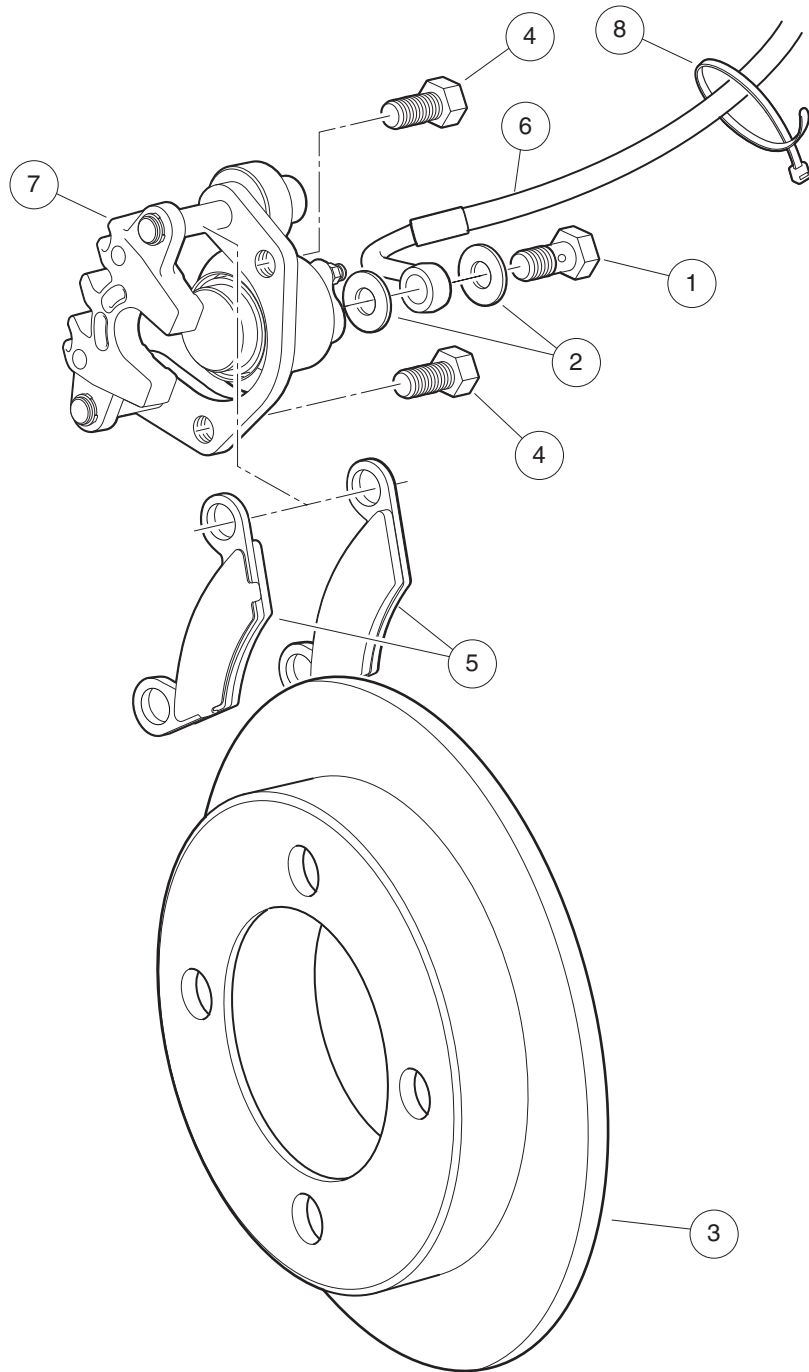
000792-001

MASTER CYLINDER WITH INTEGRAL RESERVOIR

| ITEM | PART NO. | DESCRIPTION | QTY |
|------|------------------|---|-----|
| | | 1 2 3 4 | |
| 1 | <u>101082903</u> | Pin, Clevis, 5/16 X 1 | 1 |
| 2 | <u>102176901</u> | Pin, Rue | 1 |
| 3 | <u>102298401</u> | Nut, M8, All Metal Lock | 2 |
| 4 | <u>102618401</u> | Bolt Flanged Head, M8 X 1.25 X 35 | 2 |
| 5 | <u>103376101</u> | Cylinder, Master, Integral Res | 1 |
| 6 | <u>103380701</u> | Cap, Filler, Master Cylinder | 1 |

5

G



000067-006

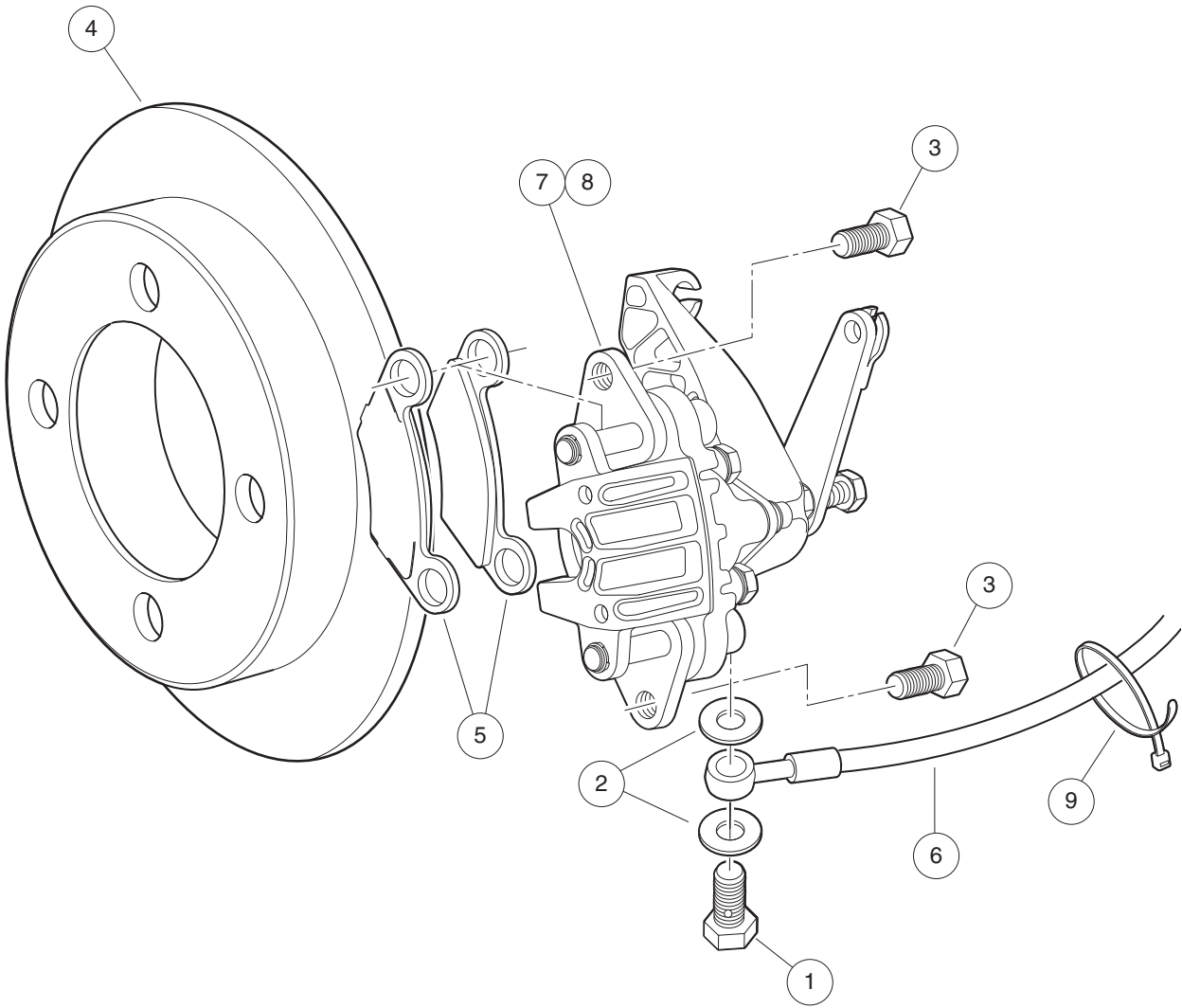
FRONT BRAKES

| ITEM | PART NO. | DESCRIPTION | QTY |
|------|------------------|---|-----|
| | | 1 2 3 4 | |
| 1 | <u>102488001</u> | Bolt, Banjo, M10x1x19 | 2 |
| 2 | <u>102491601</u> | Washer, Copper, M10 Crush | 4 |
| 3 | <u>103077501</u> | Rotor, Disc, Brake | 2 |
| 4 | <u>103147101</u> | Bolt, 3/8-24x 1.0 Loctite | 4 |
| 5 | <u>103160101</u> | Kit, Brake Pad, 7646 | 1 |
| 6 | <u>103460301</u> | Assembly, Brake Line, Front | 1 |
| 7 | <u>103574301</u> | Caliper, Brake, Front, w/pad 7646 | 2 |
| 8 | <u>8639</u> | Tie Wrap, 11" Nylon | 2 |

5

G

5
G



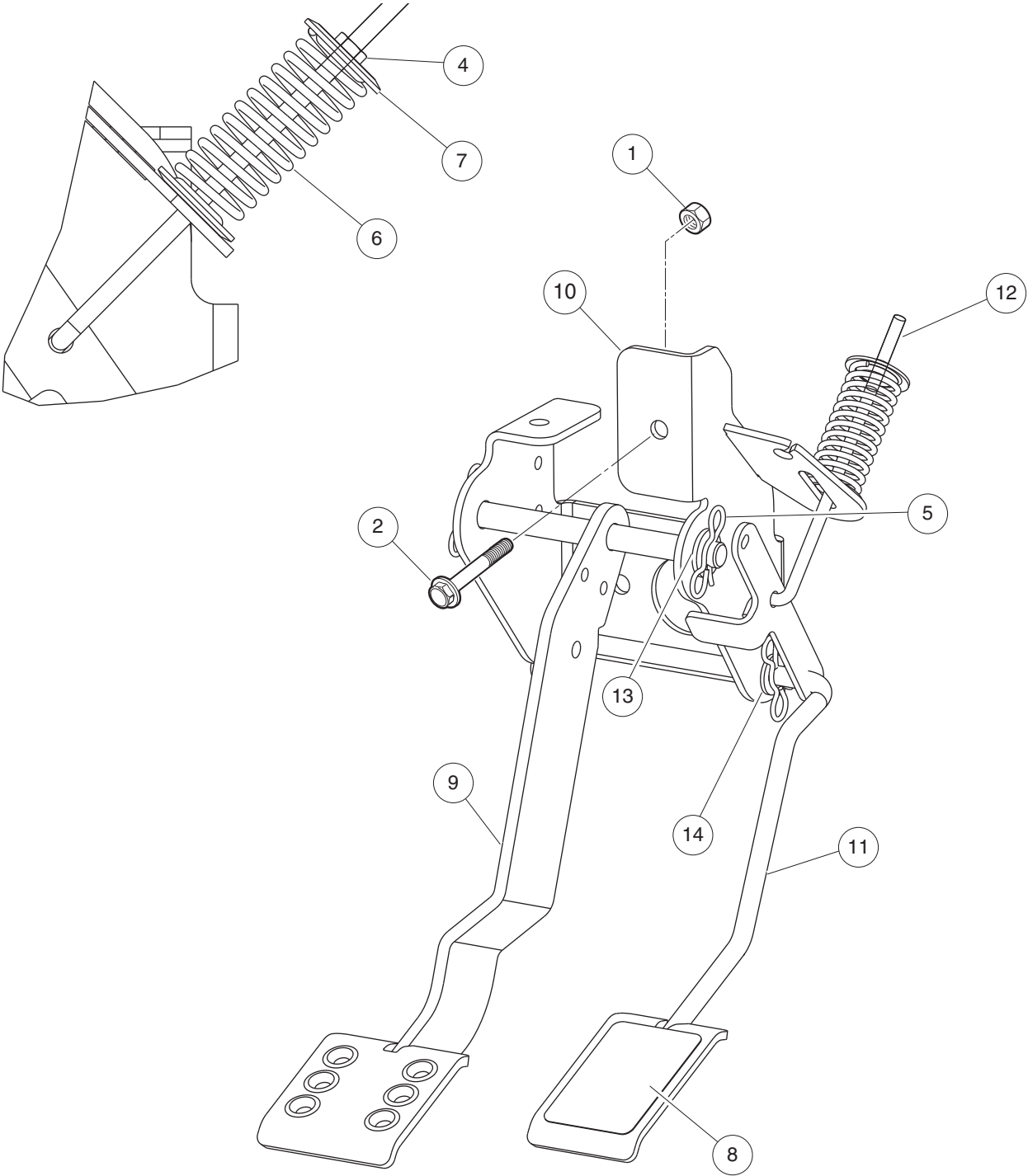
000068-007

REAR BRAKES

| ITEM | PART NO. | DESCRIPTION | QTY |
|------|------------------|---|-----|
| | | 1 2 3 4 | |
| 1 | <u>102488001</u> | Bolt, Banjo, M10x1x19 | 2 |
| 2 | <u>102491601</u> | Washer, Copper, M10 Crush | 4 |
| 3 | <u>102493301</u> | Bolt, Flange Head, 3/8-24x.750 with Loctite | 4 |
| 4 | <u>103077501</u> | Rotor, Disc, Brake | 2 |
| 5 | <u>103160101</u> | Kit, Brake Pad, 7646 | 1 |
| 6 | <u>103460401</u> | Assembly, Brake Line, Rear | 1 |
| 7 | <u>103523602</u> | Caliper, Brake, Rear, LH, with Park Brake | 1 |
| 8 | <u>103523702</u> | Caliper, Brake, Rear, RH, with Park Brake | 1 |
| 9 | <u>8639</u> | Tie Wrap, 11" Nylon | 2 |

5
G

5
G



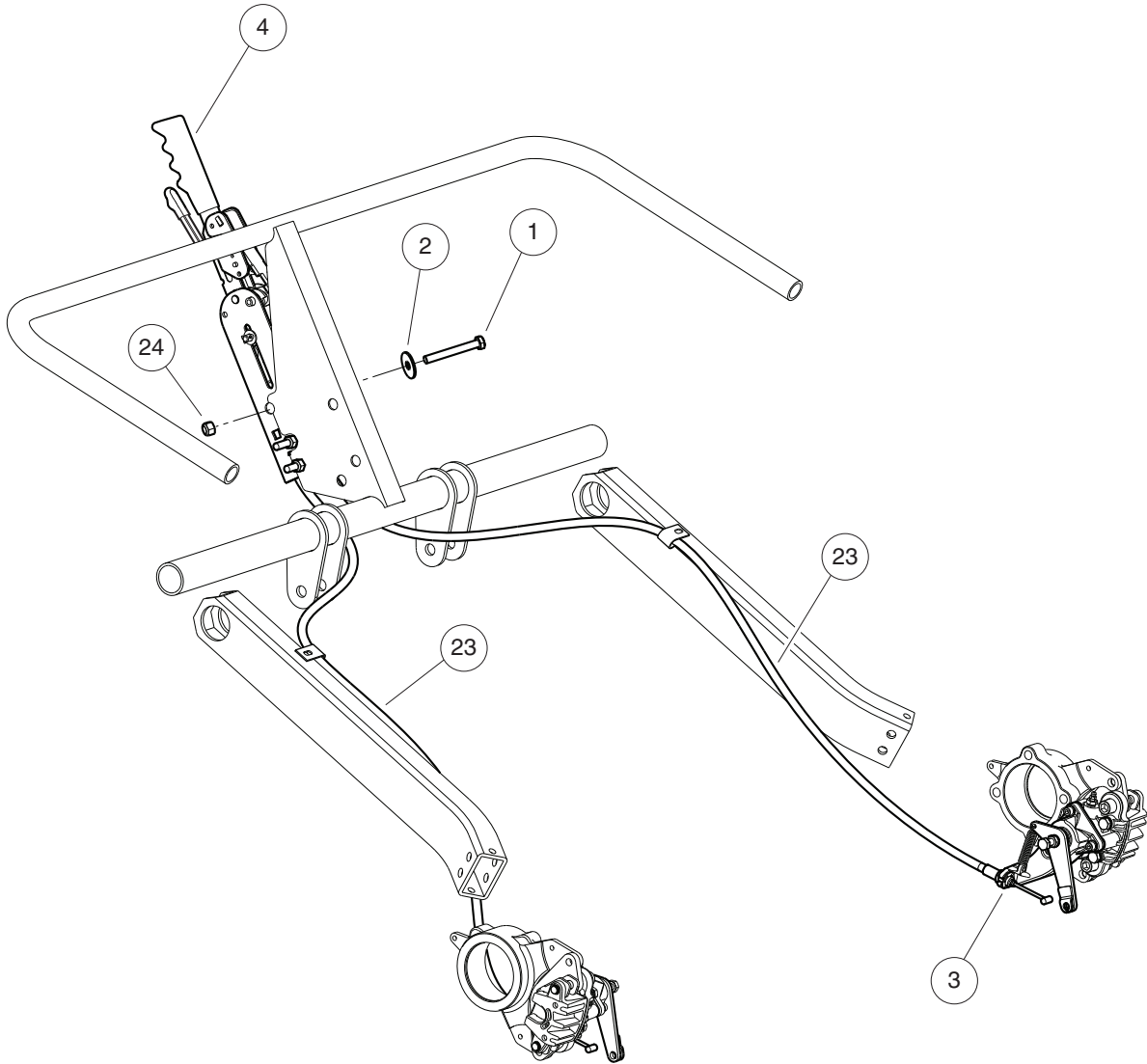
103816801B

PEDAL GROUP

| ITEM | PART NO. | DESCRIPTION | QTY |
|------|------------------|--|-----|
| | | 1 2 3 4 | |
| 1 | <u>102298401</u> | Nut, M8, All Metal Lock | 1 |
| 2 | <u>103531201</u> | Bolt, Flg, M8 X 1.25 X 60 | 1 |
| 3 | <u>103816801</u> | Asm, Pedals, 4x4, Rc (includes items 4 through 14) | 1 |
| 4 | <u>102296401</u> | Nut, M6x1.0, Flange, Metal Lock | 1 |
| 5 | <u>102323101</u> | Pin, Bow Tie Locking | 4 |
| 6 | <u>102445201</u> | Spring, Comp, Pedal, Pullrod | 1 |
| 7 | <u>102461401</u> | Washer, Retaining Spring, 7mm | 2 |
| 8 | <u>102479301</u> | Pad, Grip Tape, Accelerator | 1 |
| 9 | N/A | Weldment, Pedal, Brake, 6 Hole | 1 |
| 10 | <u>103798701</u> | Weldment, Pedal Brkt, Xrt950 | 1 |
| 11 | <u>103799501</u> | Weldment, Accel Pedal, Xrt950 | 1 |
| 12 | <u>103883201</u> | Rod, Accelerator Return, J | 1 |
| 13 | <u>96701412</u> | Washer, M12 Hard | 2 |
| 14 | <u>96741046</u> | Washer, M10, Hard | 2 |

5
G

5
G



000894-002

PARK BRAKE

| ITEM | PART NO. | DESCRIPTION | QTY |
|------|------------------|---|-----|
| | | 1 2 3 4 | |
| 1 | <u>1010921</u> | Screw, 5/16-18 X 2.50 Hex Cap | 3 |
| 2 | <u>1011578</u> | Washer, 5/16 Type B Flat | 6 |
| 3 | <u>1011779</u> | E-Clip, 1/2 | 2 |
| 4 | <u>103532301</u> | Park Brake Assy, Overcentre (includes items 5 through 22) | 1 |
| 5 | <u>103148701</u> | Grip, Brake, Park, O/c | 1 |
| 6 | <u>103148801</u> | Cover, Lever, Release | 1 |
| 7 | <u>103148901</u> | Switch, Brake, Park | 1 |
| 8 | <u>103149001</u> | Pin, Clevis, Brake, Park | 1 |
| 9 | <u>103149101</u> | Washer, Clevis, Pin, P/b | 1 |
| 10 | <u>103149201</u> | E-clip, Pin, Brake, Park | 1 |
| 11 | <u>103149301</u> | Pin, Clevis, Brake, Park, D7.9 | 1 |
| 12 | <u>103149401</u> | Compensator, Link, Brake, Park | 1 |
| 13 | <u>103149501</u> | Spacer, Brake, Park | 1 |
| 14 | <u>103149601</u> | Spacer, Mtg, Brake, Park | 1 |
| 15 | <u>103149701</u> | Clamp, Cable, Brake, Park | 1 |
| 16 | <u>103149801</u> | Pin, Split, Clevis | 1 |
| 17 | <u>103149901</u> | Washer, M3, Brake, Park | 1 |
| 18 | <u>103160001</u> | Screw, M3 X 20, Cheese, Hd | 1 |
| 19 | <u>103751001</u> | Cable, Handbrake, Front Exit | 1 |
| 20 | <u>103751701</u> | Handbrake, Front Cable Exit | 1 |
| 21 | <u>103755101</u> | Boot, Handbrake, Front Exit | 1 |
| 22 | <u>103763401</u> | Switch, Park Brake | 1 |
| 23 | 103665301 | Cable, Park Brake, Overcenter | 2 |
| 24 | <u>7473</u> | Locknut, 5/16-18 Nylon Insert | 3 |

5
G

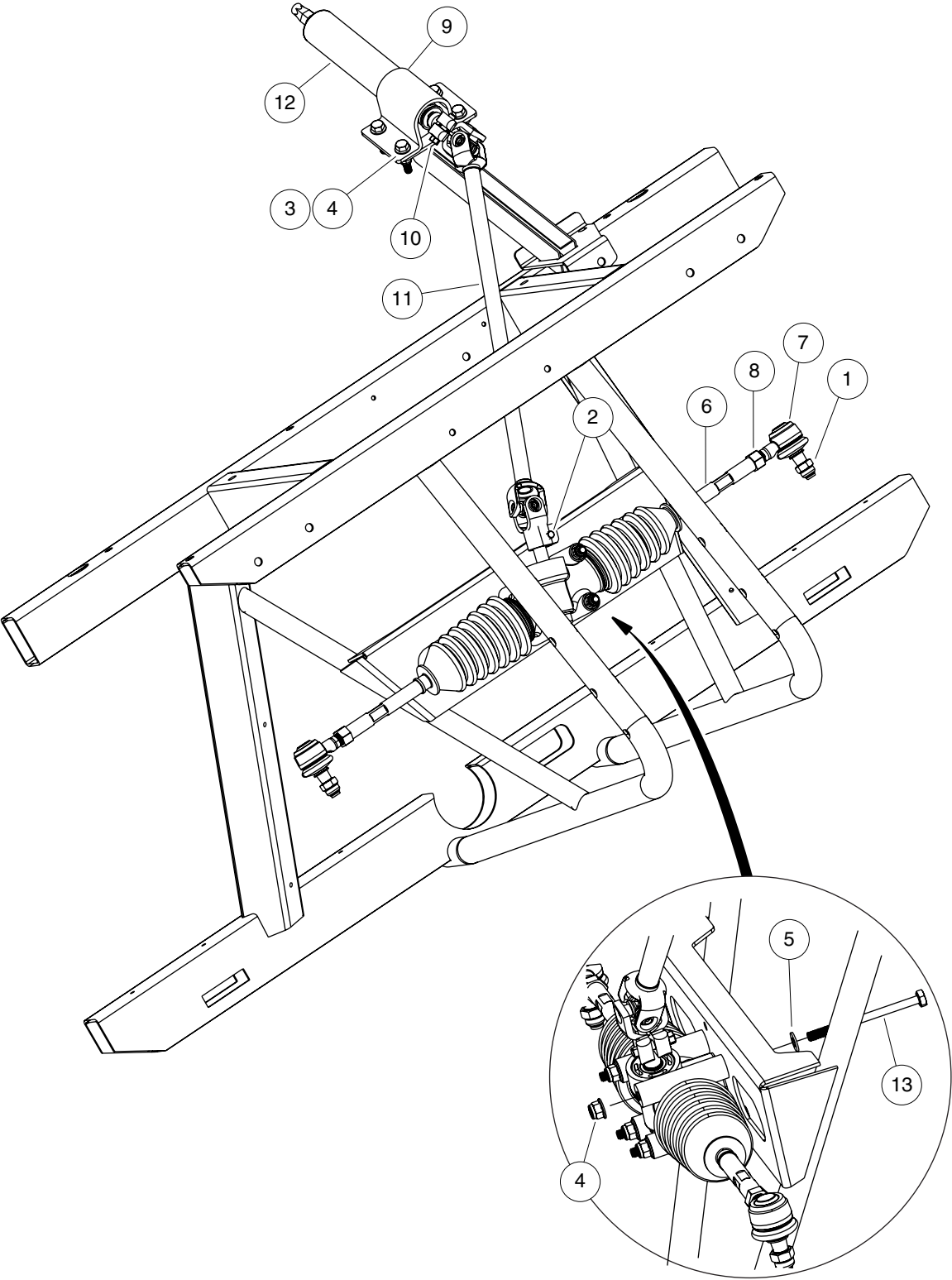
5

G

STEERING AND SUSPENSION

6

G



000896-001

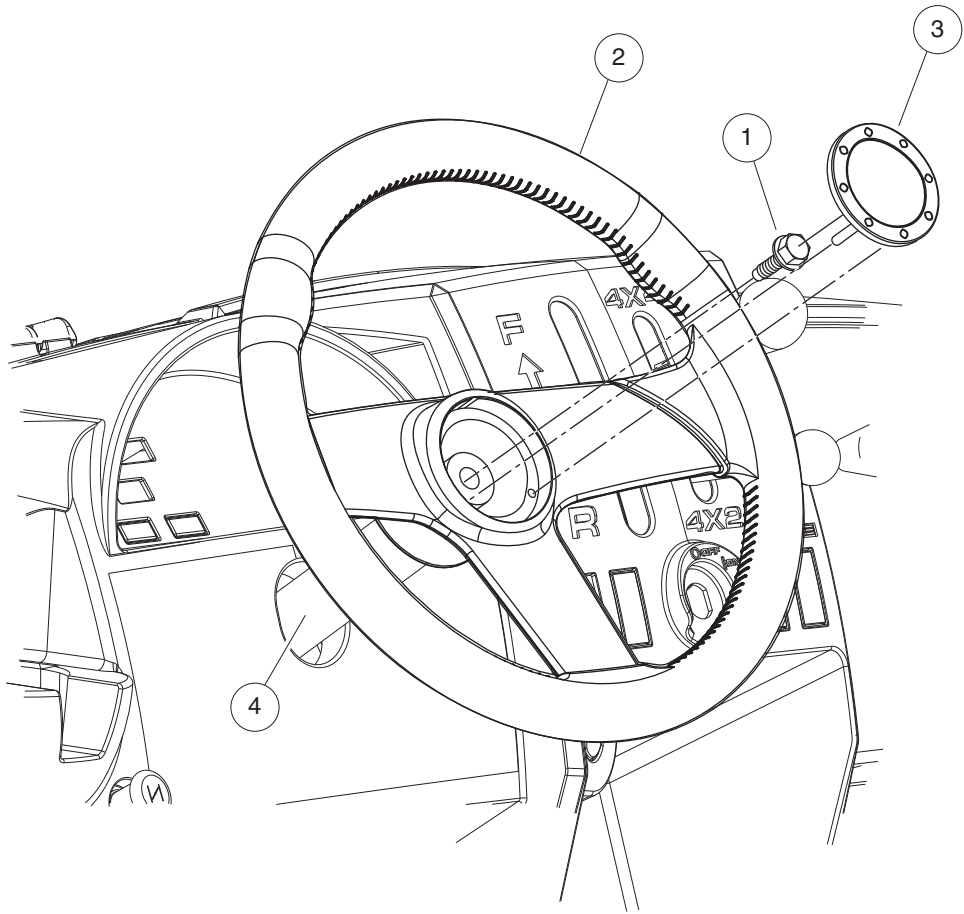
STEERING

| ITEM | PART NO. | DESCRIPTION | QTY |
|------|------------------|---|-----|
| | | 1 2 3 4 | |
| 1 | <u>102022901</u> | Locknut, M12-1.25 Nylon | 2 |
| 2 | <u>102298130</u> | Bolt, Flange Head, M8 X 30.0 | 1 |
| 3 | <u>102618401</u> | Bolt Flanged Head, M8 X 1.25 X 35 | 4 |
| 4 | 102618601 | Lock Nut, Flange, M8 X 1.25 Nylon | 8 |
| 5 | <u>102661001</u> | Washer, Plain, M8 | 8 |
| 6 | <u>103106201</u> | Asm, Rack, Steering (includes items 7 and 8) | 1 |
| 7 | <u>103148301</u> | Ball Joint, Steering Rack | 1 |
| 8 | <u>103148401</u> | Nut, Jam, Steering Rack | 1 |
| 9 | 103106301 | Asm, Steering Column (includes items 10 through 12) | 1 |
| 10 | <u>102298130</u> | Bolt, Flange Head, M8 X 30.0 | 1 |
| 11 | <u>103090001</u> | Shaft, Intermediate, Xrt | 1 |
| 12 | 103529901 | Column, Steering W/o I-shaft | 1 |
| 13 | 103146601 | Bolt, Flg, M8 X 1.25 X 100 | 4 |

6
G

6

G



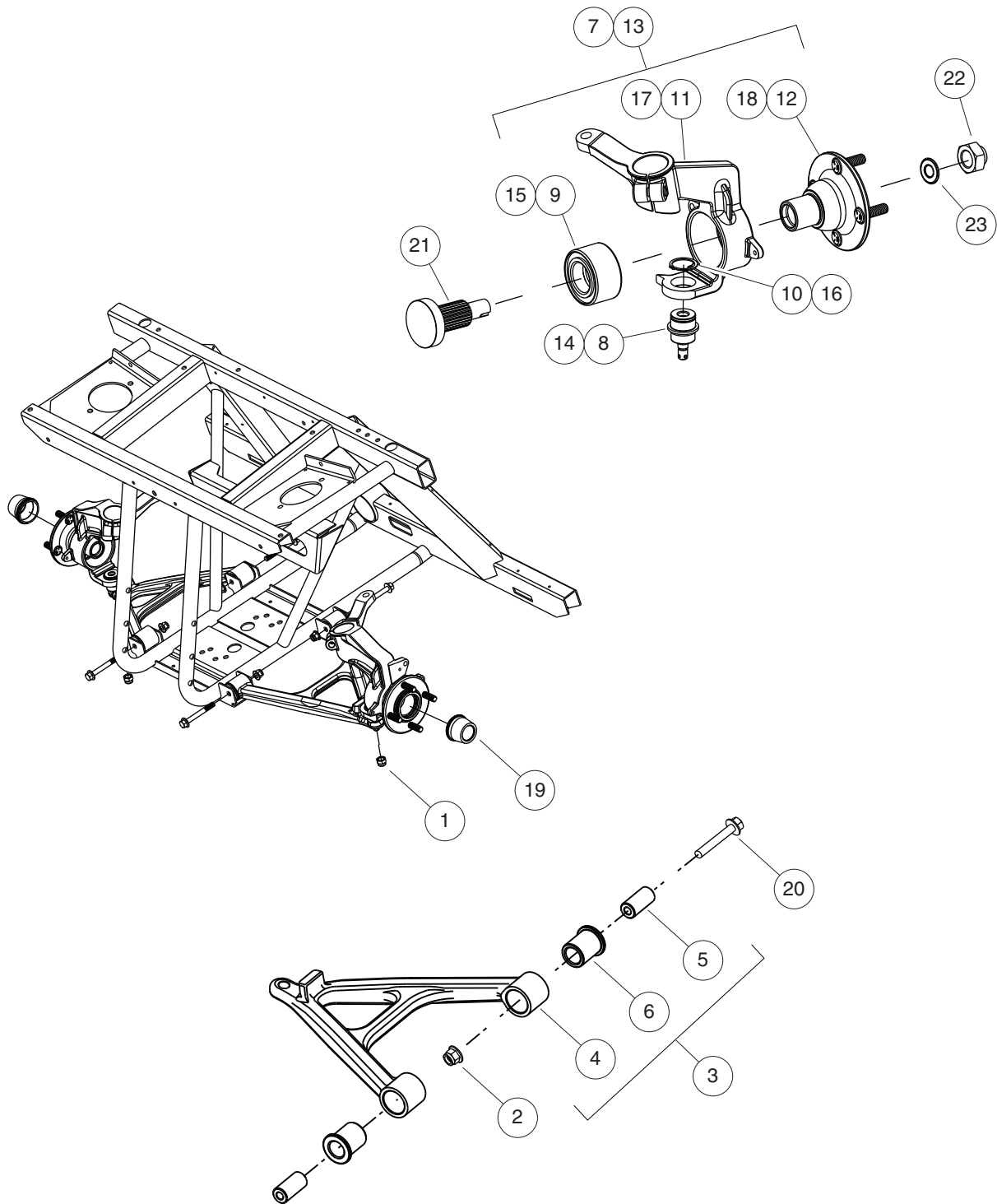
000900-001

STEERING WHEEL

| ITEM | PART NO. | DESCRIPTION | QTY |
|------|------------------|--------------------------------------|-----|
| | | 1 2 3 4 | |
| 1 | 102290120 | Bolt, M10 X 20 Hex Washer Hd | 1 |
| 2 | <u>102363802</u> | Steering Wheel, Viper, Hex Hub | 1 |
| 3 | <u>102367101</u> | Cap, Steering Wheel, Viper | 1 |
| 4 | <u>102571301</u> | Shroud, Steering Column | 1 |

6
G

6
G



000904-001

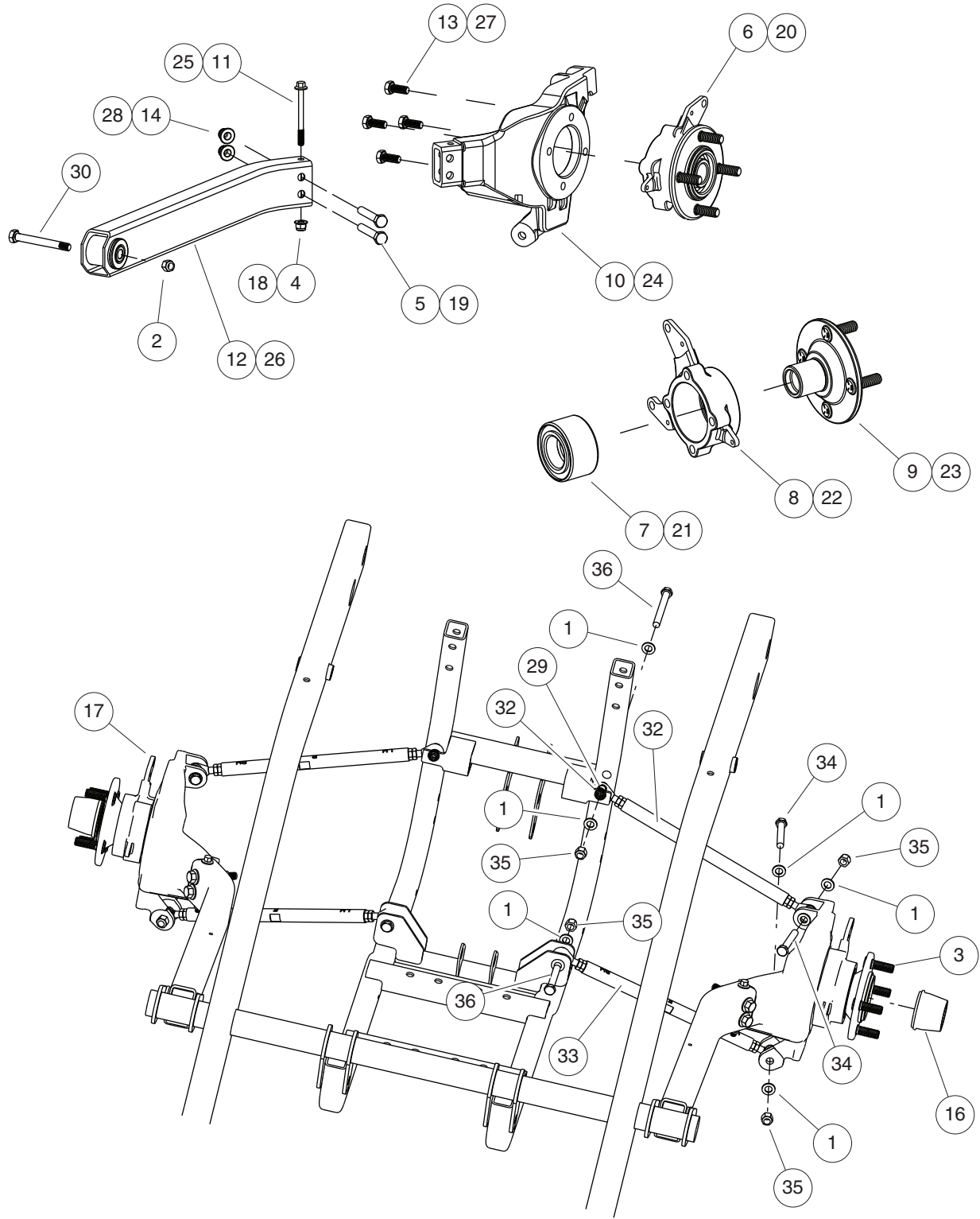
FRONT SUSPENSION

| ITEM | PART NO. | DESCRIPTION | QTY |
|------|------------------|---|-----|
| | | 1 2 3 4 | |
| 1 | <u>102022901</u> | Locknut, M12-1.25 Nylon | 2 |
| 2 | <u>102670701</u> | Nut, Flange, M10 X 1.5 Nylon | 4 |
| 3 | <u>103077201</u> | Asm, A- Arm (includes items 4 through 6) | 2 |
| 4 | N/A | A-arm | 1 |
| 5 | <u>103145801</u> | Sleeve, A-arm | 2 |
| 6 | <u>103148501</u> | Bushing, A-arm Front | 2 |
| 7 | <u>103105101</u> | Asm, Upright, Rh (includes items 8 through 12) | 1 |
| 8 | <u>102361901</u> | Joint, Ball | 1 |
| 9 | <u>102464301</u> | Bearing | 1 |
| 10 | <u>102722301</u> | Ring, Retaining, Ext, 1-1/4" | 1 |
| 11 | N/A | Strut, Rh, Machined | 1 |
| 12 | <u>103147501</u> | Asm, Wheel Hub, Front | 1 |
| 13 | <u>103105201</u> | Asm, Upright, Lh (includes items 14 through 18) | 1 |
| 14 | <u>102361901</u> | Joint, Ball | 1 |
| 15 | <u>102464301</u> | Bearing | 1 |
| 16 | <u>102722301</u> | Ring, Retaining, Ext, 1-1/4" | 1 |
| 17 | N/A | Strut, Lh, Machined | 1 |
| 18 | <u>103147501</u> | Asm, Wheel Hub, Front | 1 |
| 19 | <u>103145701</u> | Cap, Wheel, Rubber | 2 |
| 20 | <u>103147001</u> | Bolt, Flg, M10 X 1.5 X 80 | 4 |
| 21 | <u>103444301</u> | Shaft, Retention, Front, 2wd | 2 |
| 22 | <u>103596301</u> | Nut, Stake, M18, Halfshaft | 2 |
| 23 | <u>103600701</u> | Washer, Flat, M18 | 2 |

6

G

6
G



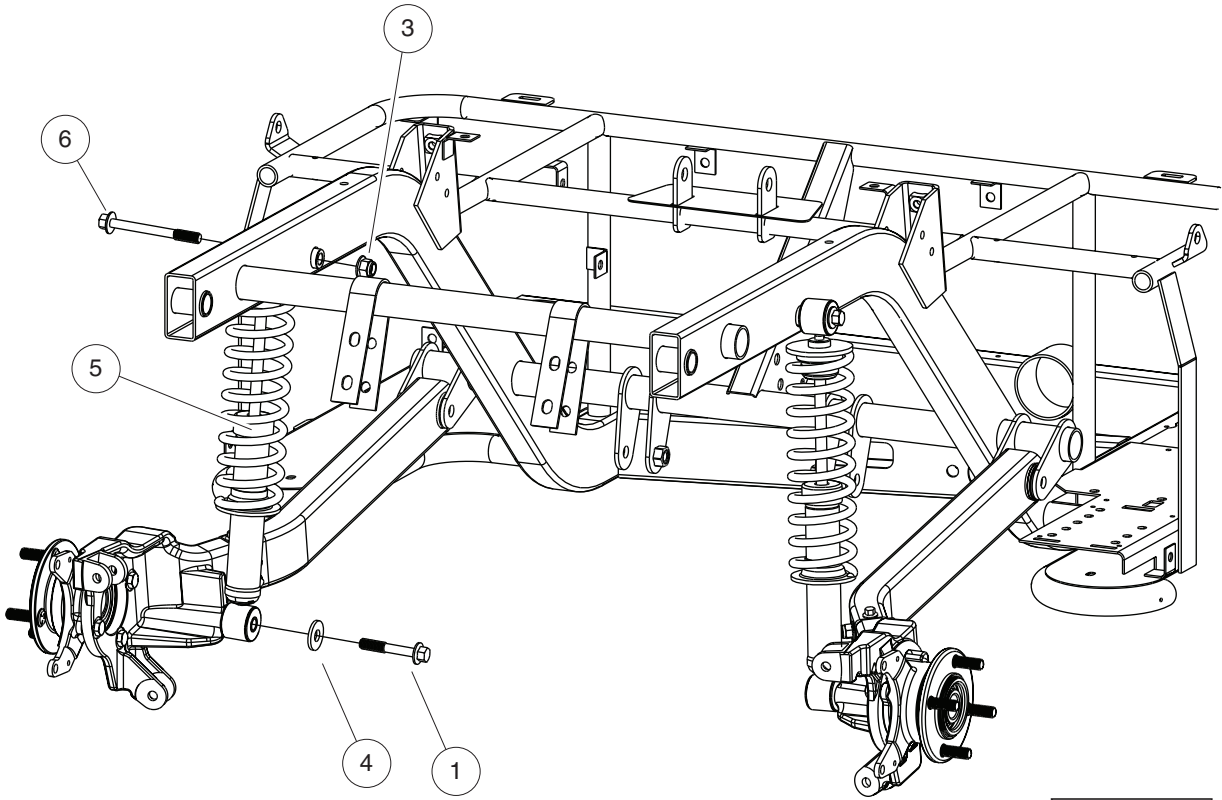
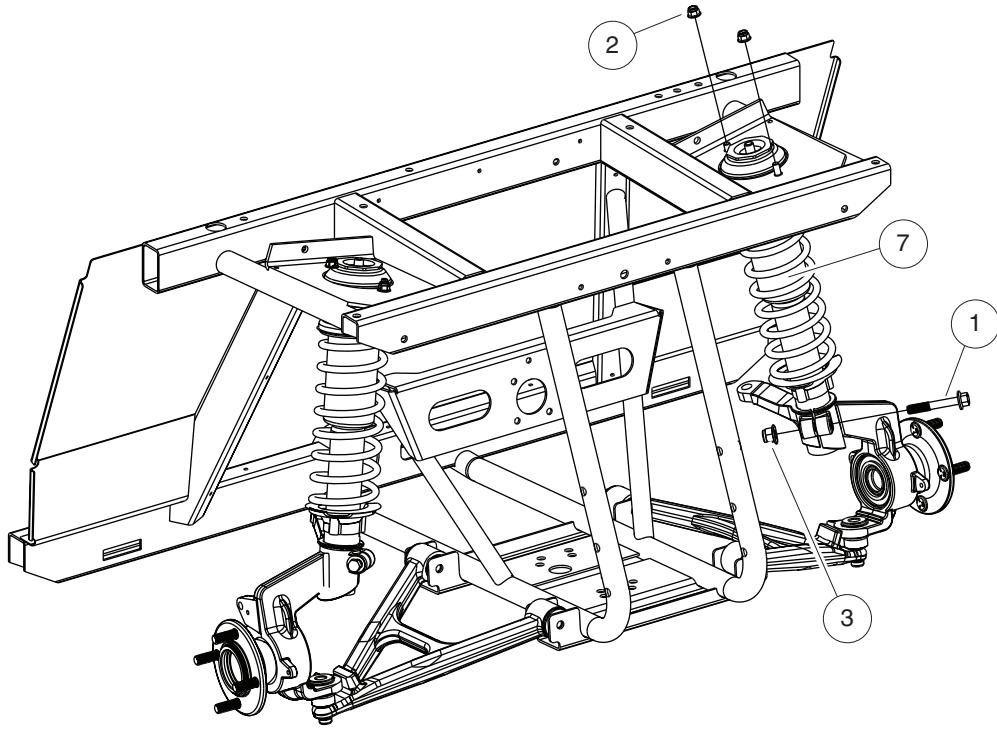
000905-002

REAR SUSPENSION

| ITEM | PART NO. | DESCRIPTION | QTY |
|------|------------------|--|-----|
| | | 1 2 3 4 | |
| 1 | <u>1011990</u> | Washer, 3/8 Flat | 16 |
| 2 | <u>102620501</u> | Nut, Flange, M12x1.75, Nylon Grade 10 | 2 |
| 3 | <u>103137601</u> | Asm, Trailing Arm, Rh (includes items 4 through 15) | 1 |
| 4 | <u>102618601</u> | Lock Nut, Flange, M8 X 1.25 Nylon | 1 |
| 5 | <u>102988701</u> | Bolt, Flanged, M10 X 1.5 X 65 | 2 |
| 6 | <u>103105401</u> | Asm, Upright, Rear (includes items 7 through 9) | 1 |
| 7 | <u>102464301</u> | Bearing | 1 |
| 8 | <u>103078102</u> | Holder, Bearing, Rear, Rs | 1 |
| 9 | <u>103146201</u> | Asm, Wheel Hub, Rear | 1 |
| 10 | <u>103146101</u> | Anchor, Trailing Arm, Rh | 1 |
| 11 | <u>103146801</u> | Bolt, Flg, M8 X 1.25 X 80 | 1 |
| 12 | <u>103146901</u> | Asm, Swing, Arm | 1 |
| 13 | <u>103147201</u> | Bolt, M10 X 1.5 X 25 | 4 |
| 14 | <u>103216401</u> | Nut, Flanged, M10 x 1.5, Black | 2 |
| 15 | <u>96741046</u> | Washer, M10, Hard | 2 |
| 16 | <u>103145701</u> | Cap, Wheel, Rubber | 2 |
| 17 | <u>103145901</u> | Asm, Trailing Arm, Lh (includes items 18 through 28) | 1 |
| 18 | <u>102618601</u> | Lock Nut, Flange, M8 X 1.25 Nylon | 1 |
| 19 | <u>102988701</u> | Bolt, Flanged, M10 X 1.5 X 65 | 2 |
| 20 | <u>103105401</u> | Asm, Upright, Rear (includes items 21 through 23) | 1 |
| 21 | <u>102464301</u> | Bearing | 1 |
| 22 | <u>103078102</u> | Holder, Bearing, Rear, Rs | 1 |
| 23 | <u>103146201</u> | Asm, Wheel Hub, Rear | 1 |
| 24 | <u>103113001</u> | Anchor, Trailing Arm, Lh | 1 |
| 25 | <u>103146801</u> | Bolt, Flg, M8 X 1.25 X 80 | 1 |
| 26 | <u>103146901</u> | Asm, Swing, Arm | 1 |
| 27 | <u>103147201</u> | Bolt, M10 X 1.5 X 25 | 4 |
| 28 | <u>103216401</u> | Nut, Flanged, M10 x 1.5, Black | 2 |
| 29 | <u>103146401</u> | Sleeve, Link, Short | 2 |
| 30 | <u>103146501</u> | Bolt, Flg, M12 X 1.75 X 80 | 2 |
| 31 | <u>103534001</u> | Spacer, Lat-link (not shown) | 14 |
| 32 | <u>103534402</u> | Asm, Lat-link Rear Chrome | 2 |
| 33 | <u>103534403</u> | Asm, Lat-link Front, Chrome | 2 |
| 34 | <u>2402</u> | Screw, 3/8-16 X 2.25 Hx Hd Cap | 6 |
| 35 | <u>8754</u> | Locknut, 3/8-16 Hex | 8 |
| 36 | <u>8755</u> | Screw, 3/8-16 X 3.375 Hex Cap | 2 |

6

G



000906-002

SPRINGS & SHOCKS

| ITEM | PART NO. | DESCRIPTION | QTY |
|------|------------------|---|-----|
| | | 1 2 3 4 | |
| 1 | <u>102616301</u> | Bolt, Flange Head, M12 X 1.75 X 70 | 4 |
| 2 | <u>102618601</u> | Lock Nut, Flange, M8 X 1.25 Nylon | 4 |
| 3 | <u>102620501</u> | Nut, Flange, M12x1.75, Nylon Grade 10 | 4 |
| 4 | <u>102684501</u> | Washer, M12 Hard Regular | 2 |
| 5 | <u>103113301</u> | Shock Absorber, Rear | 2 |
| 6 | <u>103146701</u> | Bolt, Flg, M12 X 1.75 X 110 | 2 |
| 7 | <u>103933601</u> | Strut, Front | 2 |

6

G

6

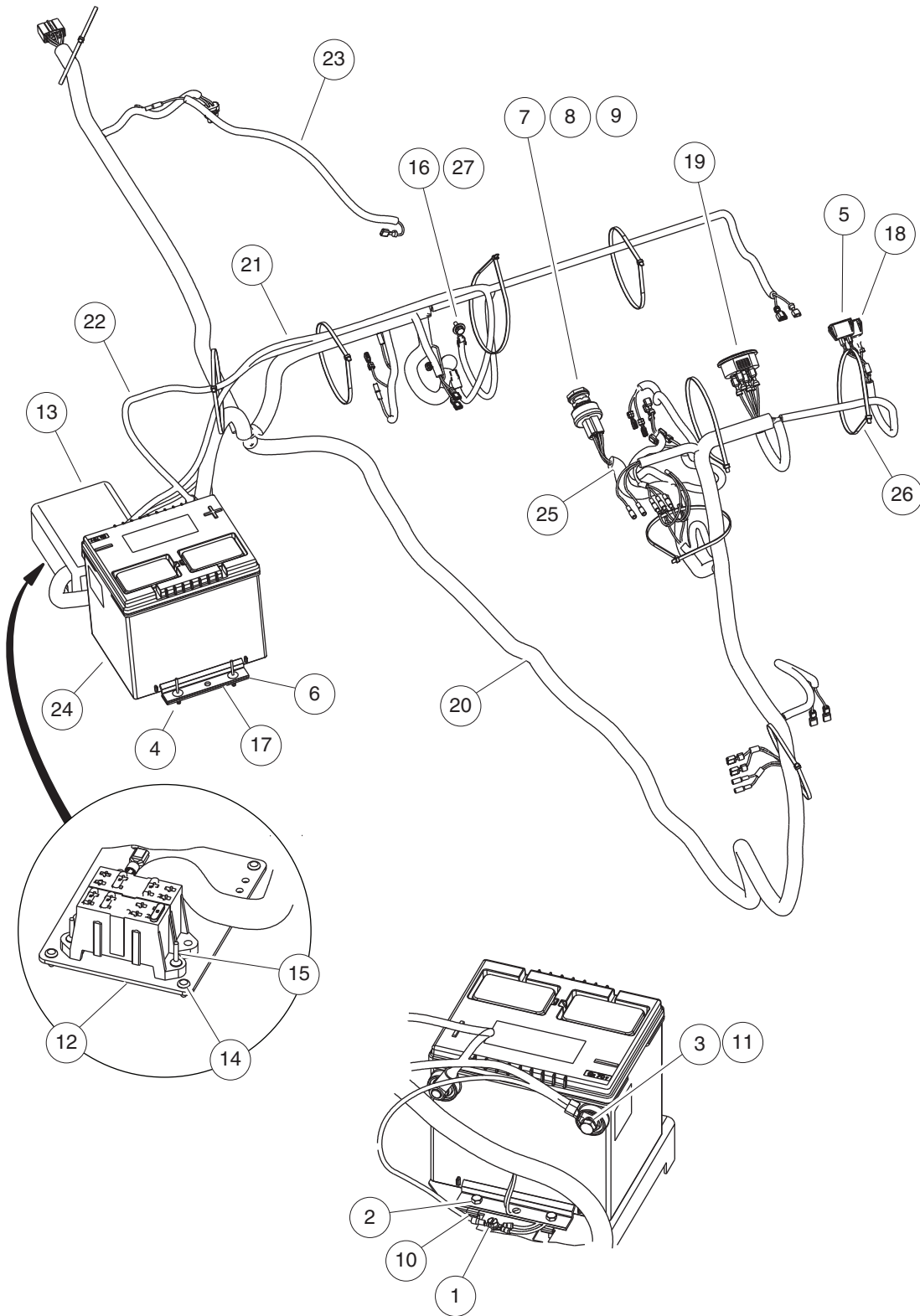
G

ELECTRICAL SYSTEM

7

G

7
G

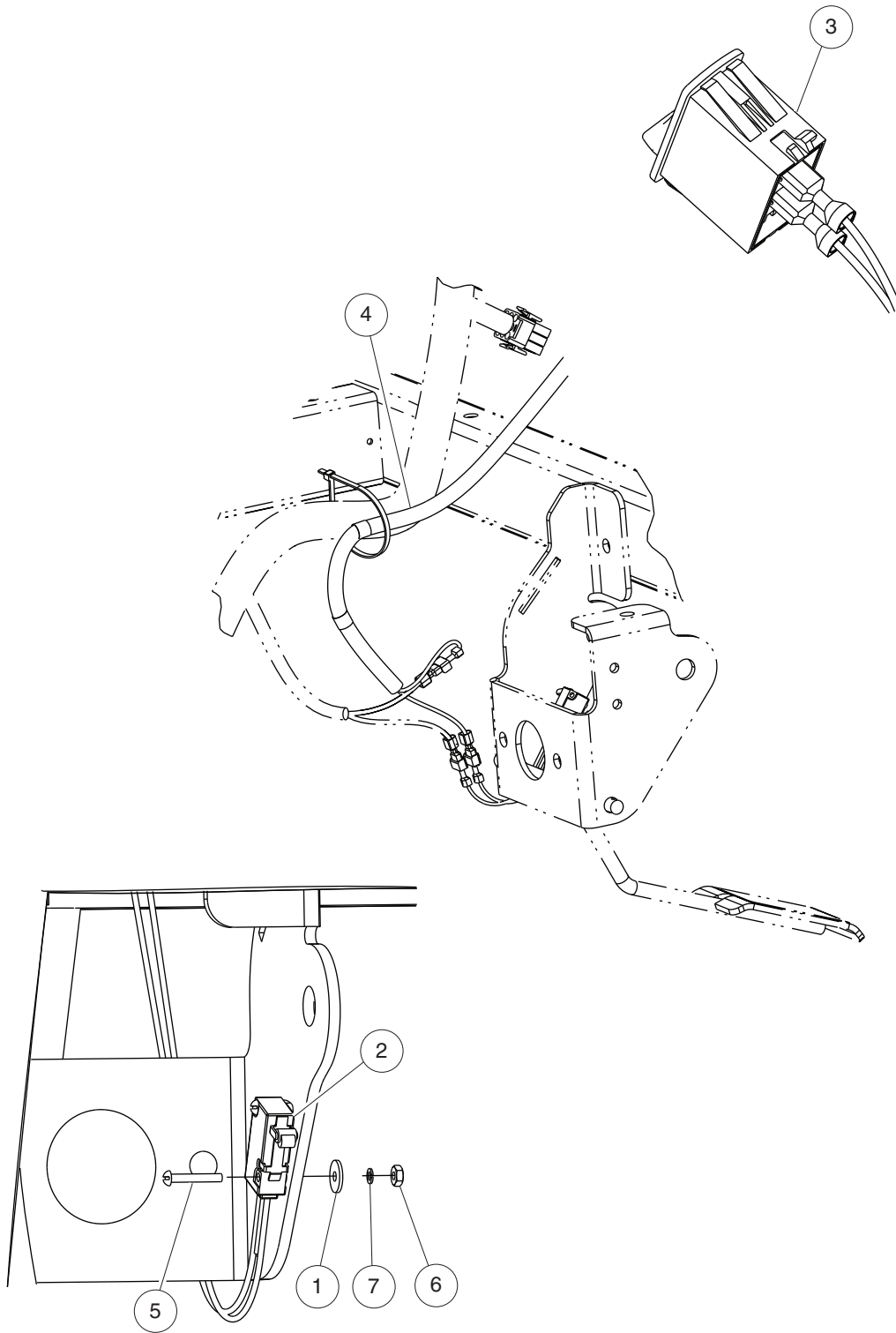


000898-001

ELECTRICAL COMPONENTS

| ITEM | PART NO. | DESCRIPTION | QTY |
|------|------------------|---|-----|
| | | 1 2 3 4 | |
| 1 | <u>1010545</u> | Screw, Hex Washer Head 1/4-14 X .75 | 1 |
| 2 | <u>1012769</u> | Screw, M6-1.00 X 25mm Hex Cap | 2 |
| 3 | <u>1014375</u> | Screw, 3/8-16 X 0.50, Stainless Steel, Hex-Head | 2 |
| 4 | <u>1015392</u> | Rivet, 3/16 Pop | 2 |
| 5 | <u>1016630</u> | Light, Oil | 1 |
| 6 | <u>101898001</u> | Clamp, Battery | 2 |
| 7 | <u>102044702</u> | Key Switch 12v Key Start | 1 |
| 8 | <u>102051601</u> | Spacer, Keyswitch | 1 |
| 9 | <u>102051701</u> | Nut, Key Switch | 1 |
| 10 | <u>102296601</u> | U-Nut, M6-1.0, Prevailing Torque | 2 |
| 11 | <u>102355301</u> | Lockwasher, 3/8 Split Ss | 2 |
| 12 | <u>102420401</u> | Plate, Electrical | 1 |
| 13 | <u>102420501</u> | Cover, Electrical | 1 |
| 14 | <u>102447901</u> | Fastener, Push-in | 4 |
| 15 | <u>102448001</u> | Rivet, Drive | 2 |
| 16 | <u>102490301</u> | Bolt, M6 X 1 X 16, Loctite | 1 |
| 17 | <u>102686501</u> | Spacer, Battery | 1 |
| 18 | <u>103247601</u> | Light, Indicator, Brake Sys | 1 |
| 19 | <u>103348101</u> | Gauge, Fuel-hour, Sep Gnd | 1 |
| 20 | <u>103443801</u> | Cable, B-, Xrt950 | 1 |
| 21 | <u>103443901</u> | Cable, B+, Xrt950 | 1 |
| 22 | <u>103479801</u> | Jumpr, Xrt950, Oil Pres Swth | 1 |
| 23 | <u>103496801</u> | Battery, Start, 12v | 1 |
| 24 | <u>103873101</u> | Harness, Main, 950 | 1 |
| 25 | <u>103873201</u> | Subharness, Dash, 950 | 1 |
| 26 | <u>8639</u> | Tie Wrap, 11" Nylon | 9 |
| 27 | <u>96705199</u> | Washer, M6 | 1 |

7
G



000898-003

FRONT DIFFERENTIAL ELECTRICAL COMPONENTS

| ITEM | PART NO. | DESCRIPTION | QTY |
|------|------------------|--|-----|
| | | 1 2 3 4 | |
| 1 | <u>1011034</u> | Washer, #4 Type B Wide Flat | 2 |
| 2 | <u>103327201</u> | Asm, Switch, Limit, Awd | 1 |
| 3 | <u>103835901</u> | Switch, Spst, Rocker, 4x4 | 1 |
| 4 | <u>103929801</u> | Jumper, Difflock Disable | 1 |
| 5 | <u>8056</u> | Screw, #4-40 X 0.75 Round-Head Machine | 2 |
| 6 | <u>8057</u> | Nut, #4-40 Hex Machine | 2 |
| 7 | <u>8058</u> | Lockwasher, #4 Split | 2 |

7
G

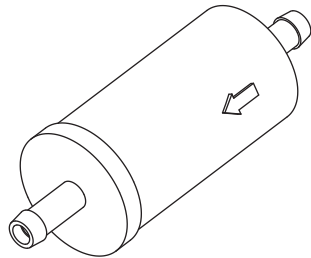
7

G

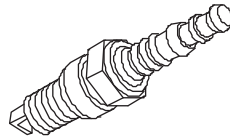
ENGINE

8

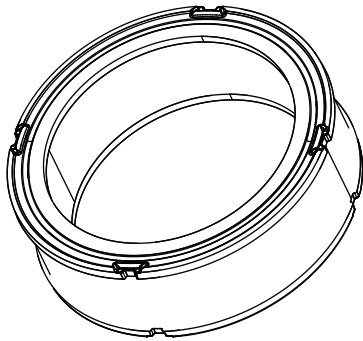
G



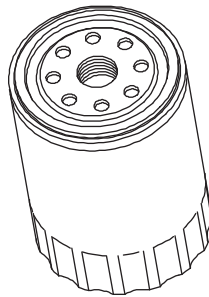
1



2



4



3

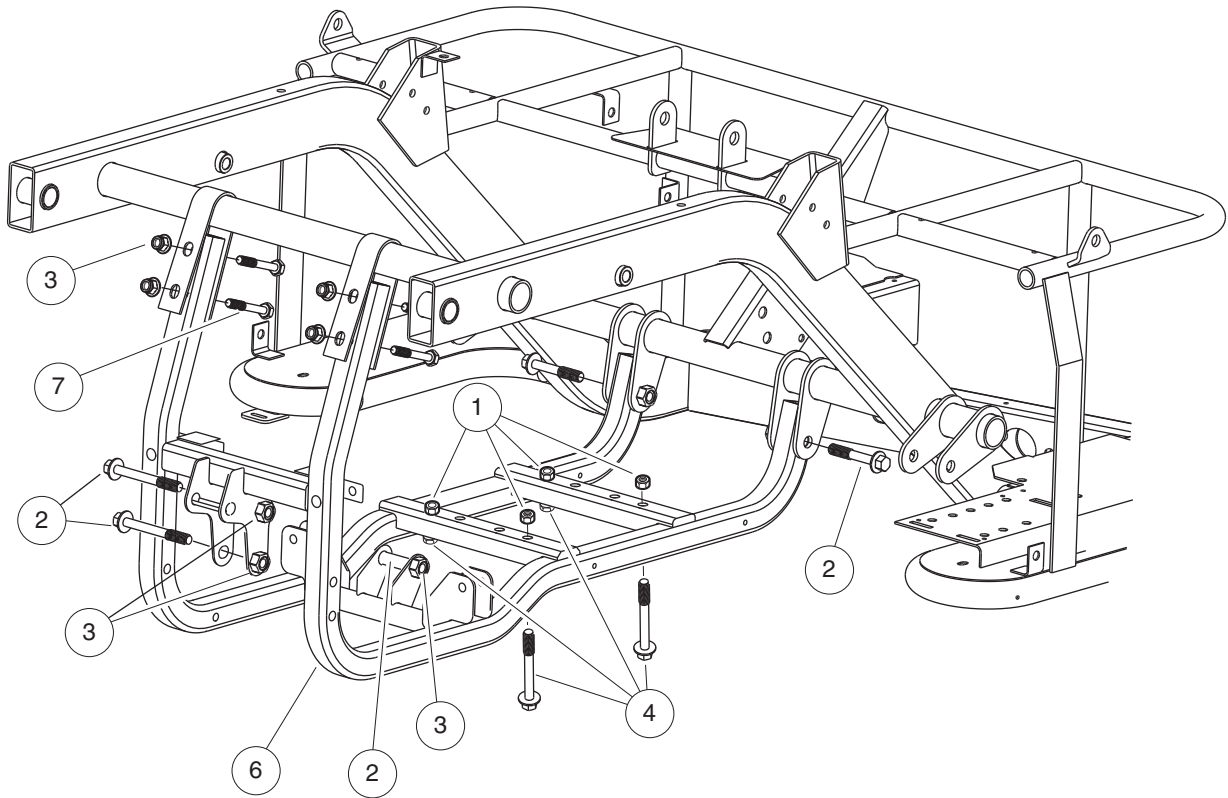
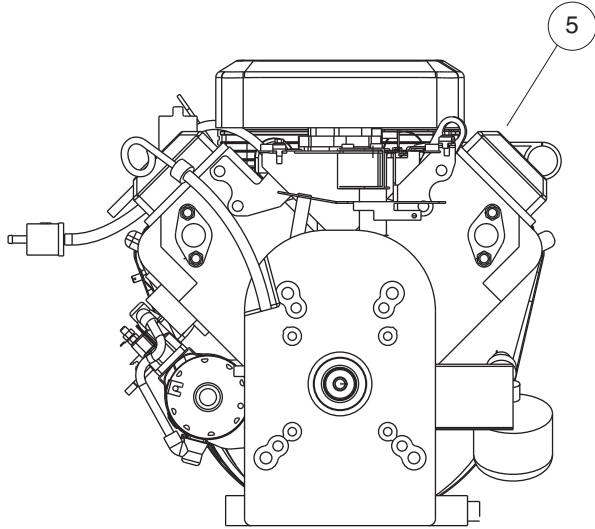
000992-006

B&S TUNE-UP, XRT 950

| ITEM | PART NO. | DESCRIPTION | QTY |
|------|------------------|-----------------------------------|-----|
| | | 1 2 3 4 | |
| 1 | <u>103552401</u> | Filter, Fuel, B & S 14 Hp | 1 |
| 2 | <u>103554801</u> | Plug, Spark, B&s 14 Hp | 1 |
| 3 | <u>103566401</u> | Filter, Oil, B&s Vanguard | 1 |
| 4 | <u>105066501</u> | Filter, Cartridge, B&s 14hp | 1 |

8

G



000888-002

ENGINE AND ENGINE MOUNTING

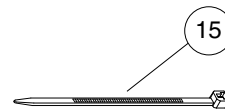
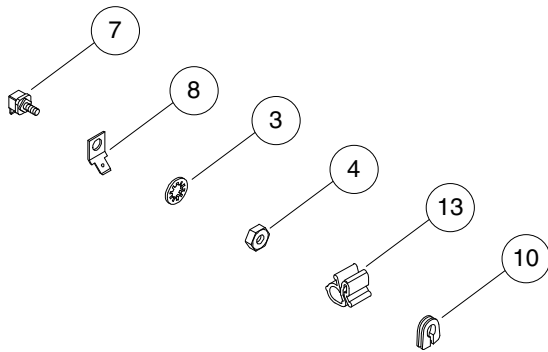
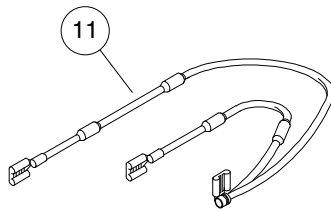
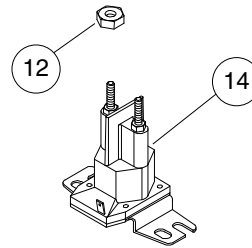
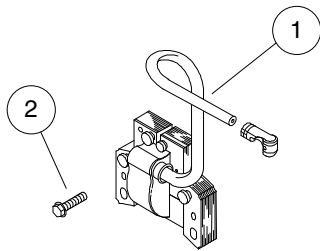
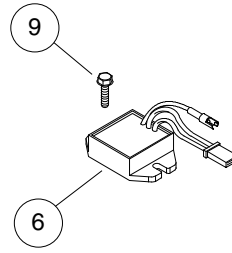
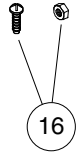
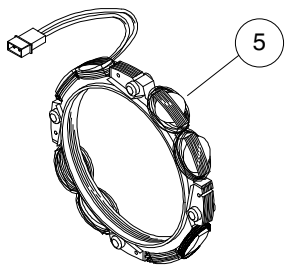
| ITEM | PART NO. | DESCRIPTION | QTY |
|------|------------------|--|-----|
| | | 1 2 3 4 | |
| 1 | <u>102298401</u> | Nut, M8, All Metal Lock | 4 |
| 2 | <u>102616301</u> | Bolt, Flange Head, M12 X 1.75 X 70 | 3 |
| 3 | <u>102670701</u> | Nut, Flange, M10 X 1.5 Nylon | 4 |
| 4 | <u>102719501</u> | Bolt Flanged Head, M8x1.25 X 50 with Loctite | 4 |
| 5 | <u>103413301</u> | Engine, B&s, 14hp W/starter | 1 |
| 6 | N/A | Weldment, Subframe, Powertrain | 1 |
| 7 | <u>96715552</u> | Bolt, M10 X 1.50 X 65 | 4 |

8

G

8

G



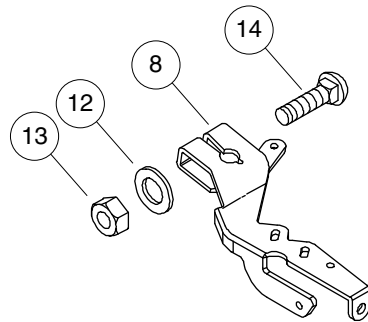
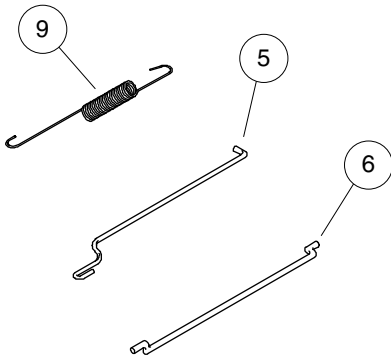
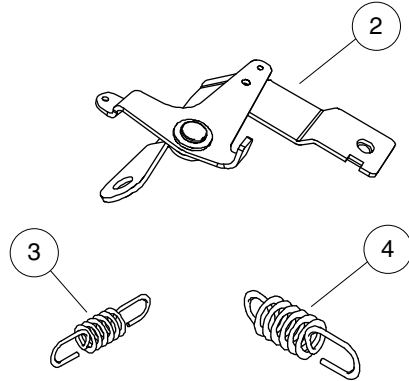
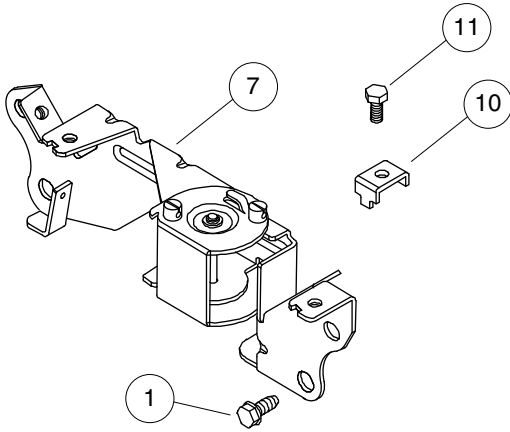
000889-014

ELECTRICAL COMPONENTS – ENGINE

| ITEM | PART NO. | DESCRIPTION | QTY |
|------|------------------|-------------------------------|-----|
| | | 1 2 3 4 | |
| 1 | <u>103554601</u> | Armature, Magneto | 2 |
| 2 | <u>103554701</u> | Screw, Magneto Armature | 1 |
| 3 | <u>103555301</u> | Washer, Ground Terminal | 1 |
| 4 | <u>103555601</u> | Nut, Ground Terminal | 1 |
| 5 | <u>103556901</u> | Alternator, 10 - 16 Amp | 1 |
| 6 | <u>103557201</u> | Regulator | 1 |
| 7 | <u>103557601</u> | Insulator, B&s 14 Hp | 1 |
| 8 | <u>103557801</u> | Terminal, Ground | 1 |
| 9 | <u>103558201</u> | Screw, Regulator | 2 |
| 10 | <u>103558301</u> | Grommet, B & S 14 Hp | 1 |
| 11 | <u>103559401</u> | Assembly, Wire, 2 | 1 |
| 12 | <u>103561001</u> | Nut, Starter Solenoid | 2 |
| 13 | <u>103561701</u> | Clip, Wire | 1 |
| 14 | <u>103564501</u> | Solenoid, Starter | 1 |
| 15 | <u>103567101</u> | Tie, Cable | 1 |
| 16 | <u>103567301</u> | Kit, Screw & Washer | 1 |

8
G

8
G



000889-013

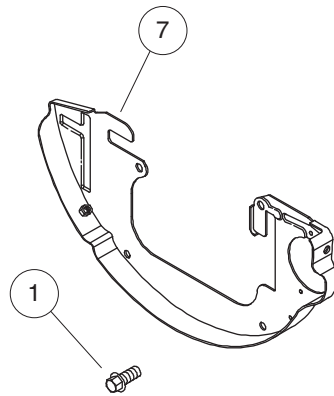
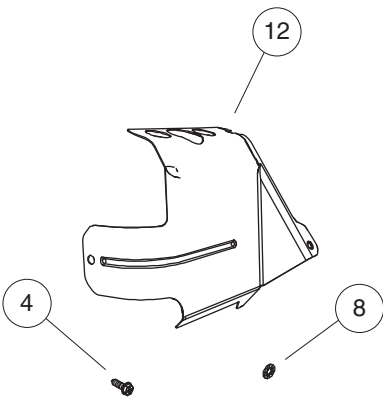
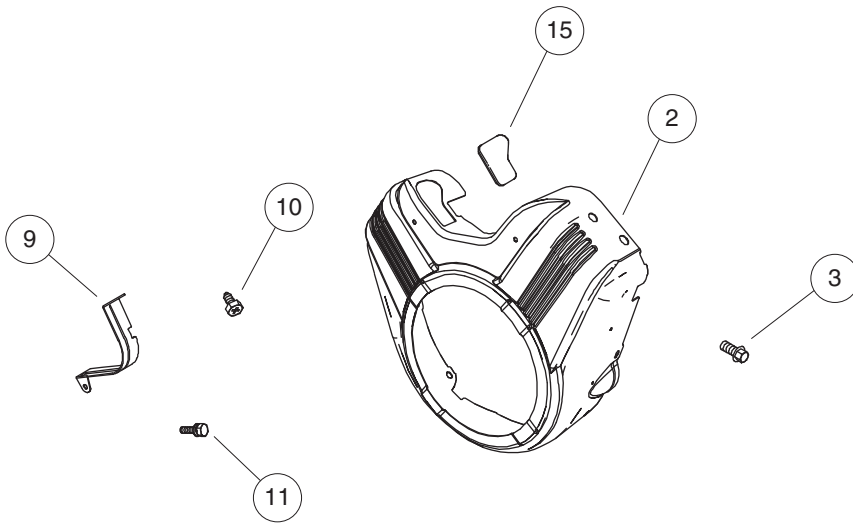
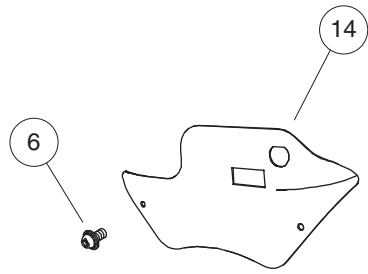
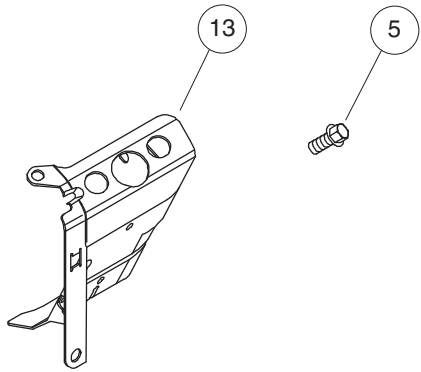
GOVERNOR CONTROL BRACKETS AND SPRINGS

| ITEM | PART NO. | DESCRIPTION | QTY |
|------|------------------|------------------------------------|-----|
| | | 1 2 3 4 | |
| 1 | <u>103551001</u> | Screw, Control Bracket | 4 |
| 2 | <u>103551301</u> | Crank, Bell | 1 |
| 3 | <u>103551501</u> | Spring, Governor | 1 |
| 4 | <u>103551601</u> | Spring, Governor Idle | 1 |
| 5 | <u>103551701</u> | Link, Throttle | 1 |
| 6 | <u>103551801</u> | Link, Choke | 1 |
| 7 | <u>103551901</u> | Bracket, Control | 1 |
| 8 | <u>103552001</u> | Lever, Governor Control | 1 |
| 9 | <u>103552201</u> | Spring, Governor Link | 1 |
| 10 | <u>103552601</u> | Clamp, Casing | 1 |
| 11 | <u>103552701</u> | Screw, Casing Clamp | 1 |
| 12 | <u>103553301</u> | Washer, Gov Control Lever | 1 |
| 13 | <u>103557401</u> | Nut, Governor Control Lever | 1 |
| 14 | <u>103558801</u> | Bolt, Governor Control Lever | 1 |

8

G

8
G



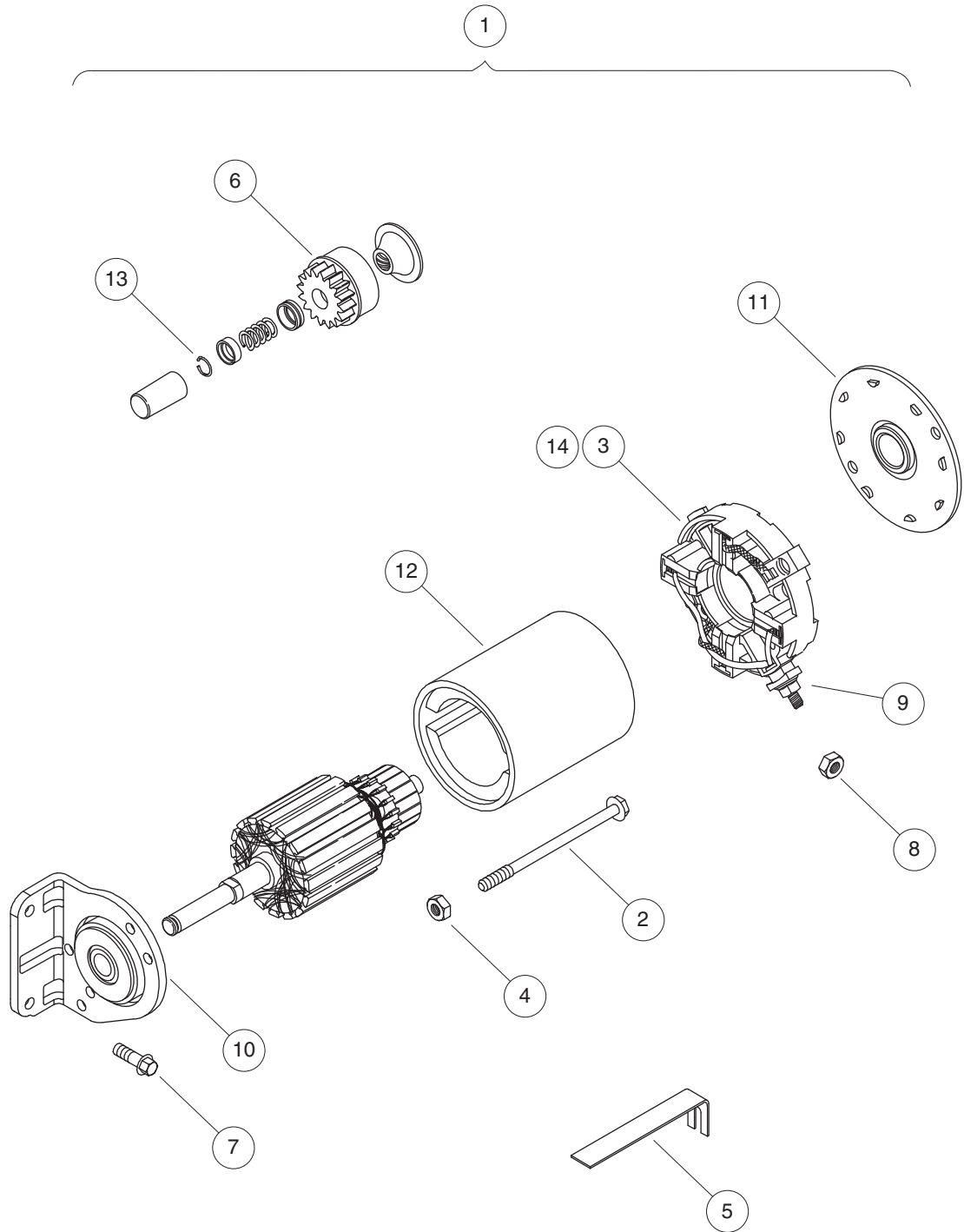
000889-010

ENGINE SHROUD

| ITEM | PART NO. | DESCRIPTION | QTY |
|------|------------------|--------------------------------------|-----|
| | | 1 2 3 4 | |
| 1 | <u>103551201</u> | Screw, Back Plate | 4 |
| 2 | <u>103553501</u> | Housing, Blower | 1 |
| 3 | <u>103553601</u> | Screw, Housing, Blower | 6 |
| 4 | <u>103554301</u> | Screw, Cylinder Head Cover, 1 | 6 |
| 5 | <u>103556501</u> | Screw, Air Guide Cover | 10 |
| 6 | <u>103557501</u> | Screw, Carburetor Cover | 2 |
| 7 | <u>103559101</u> | Plate, Back, B & S 14 Hp | 1 |
| 8 | <u>103560401</u> | Washer, Cylinder Head Cover, 1 | 6 |
| 9 | <u>103561501</u> | Cover, Starter Drive | 1 |
| 10 | <u>103561801</u> | Screw, Starter Drive Cover, 1 | 1 |
| 11 | <u>103561901</u> | Screw, Starter Drive Cover, 2 | 1 |
| 12 | <u>103563601</u> | Cover, Air Guide, 1 | 1 |
| 13 | <u>103563701</u> | Cover, Air Guide, 2 | 1 |
| 14 | <u>103564101</u> | Cover, Carburetor | 1 |
| 15 | <u>103566901</u> | Plug, Blower, Housing | 1 |

8

G

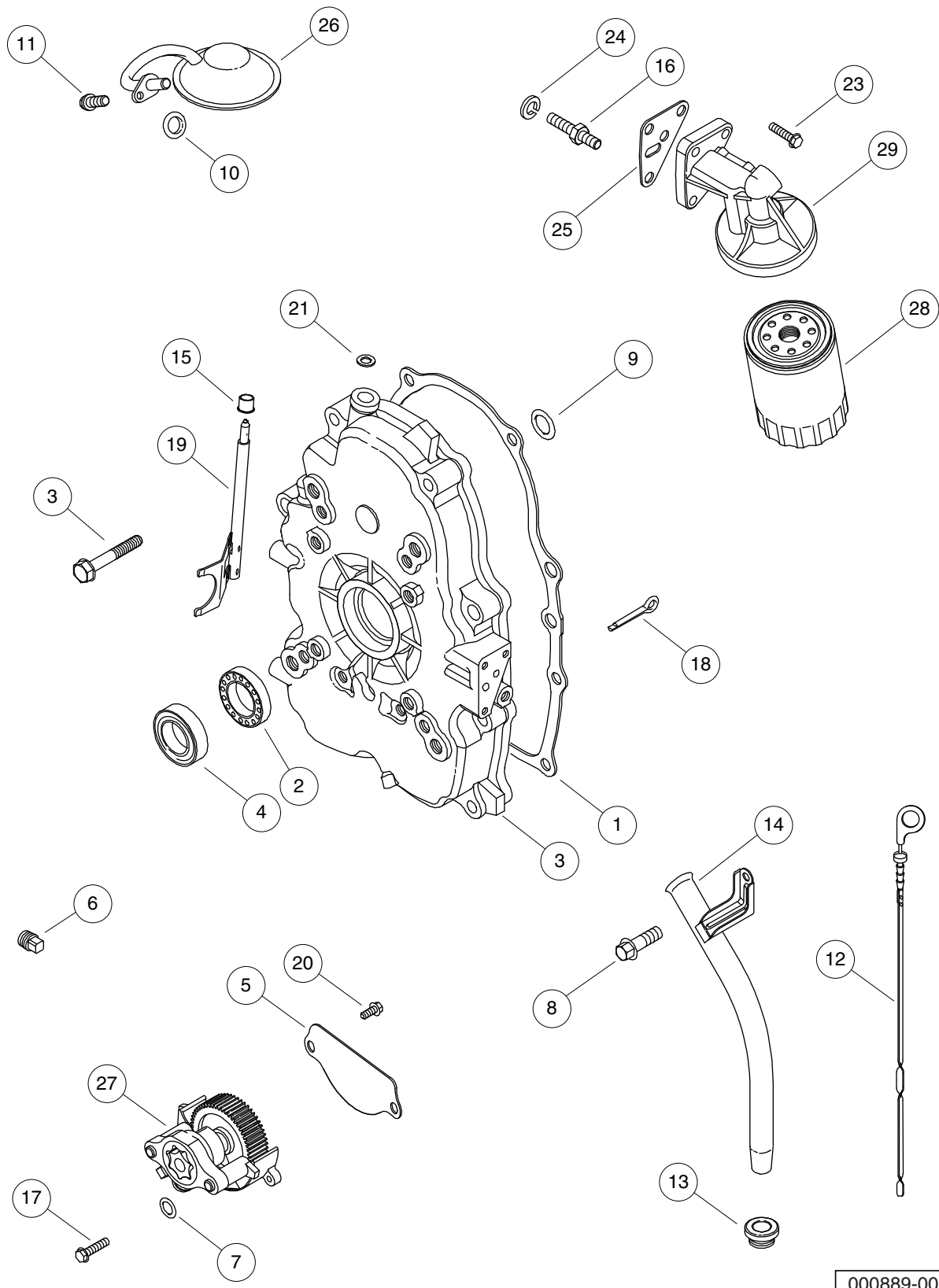


000889-009

STARTER MOTOR

| ITEM | PART NO. | DESCRIPTION | QTY |
|------|------------------|--|-----|
| | | 1 2 3 4 | |
| 1 | <u>103553901</u> | Motor, Starter (includes items 2 through 14) | 1 |
| 2 | <u>103554001</u> | Screw, Starter Motor | 2 |
| 3 | <u>103554101</u> | Set, Brush | 1 |
| 4 | <u>103556001</u> | Nut, Starter Motor | 2 |
| 5 | <u>103557301</u> | Strap, Starter | 1 |
| 6 | <u>103557701</u> | Drive, Starter | 1 |
| 7 | <u>103561201</u> | Screw, Drive Cap | 2 |
| 8 | <u>103562401</u> | Nut, Brush Retainer, 1 | 1 |
| 9 | <u>103562501</u> | Nut, Brush Retainer, 2 | 1 |
| 10 | N/A | Cap, Drive | 1 |
| 11 | <u>103562701</u> | Cap, End, B & S 14 Hp | 1 |
| 12 | N/A | Housing, Starter | 1 |
| 13 | <u>103567001</u> | Ring, Retaining, B & S 14 Hp | 1 |
| 14 | <u>103567401</u> | Retainer, Brush | 1 |

8
G



000889-006

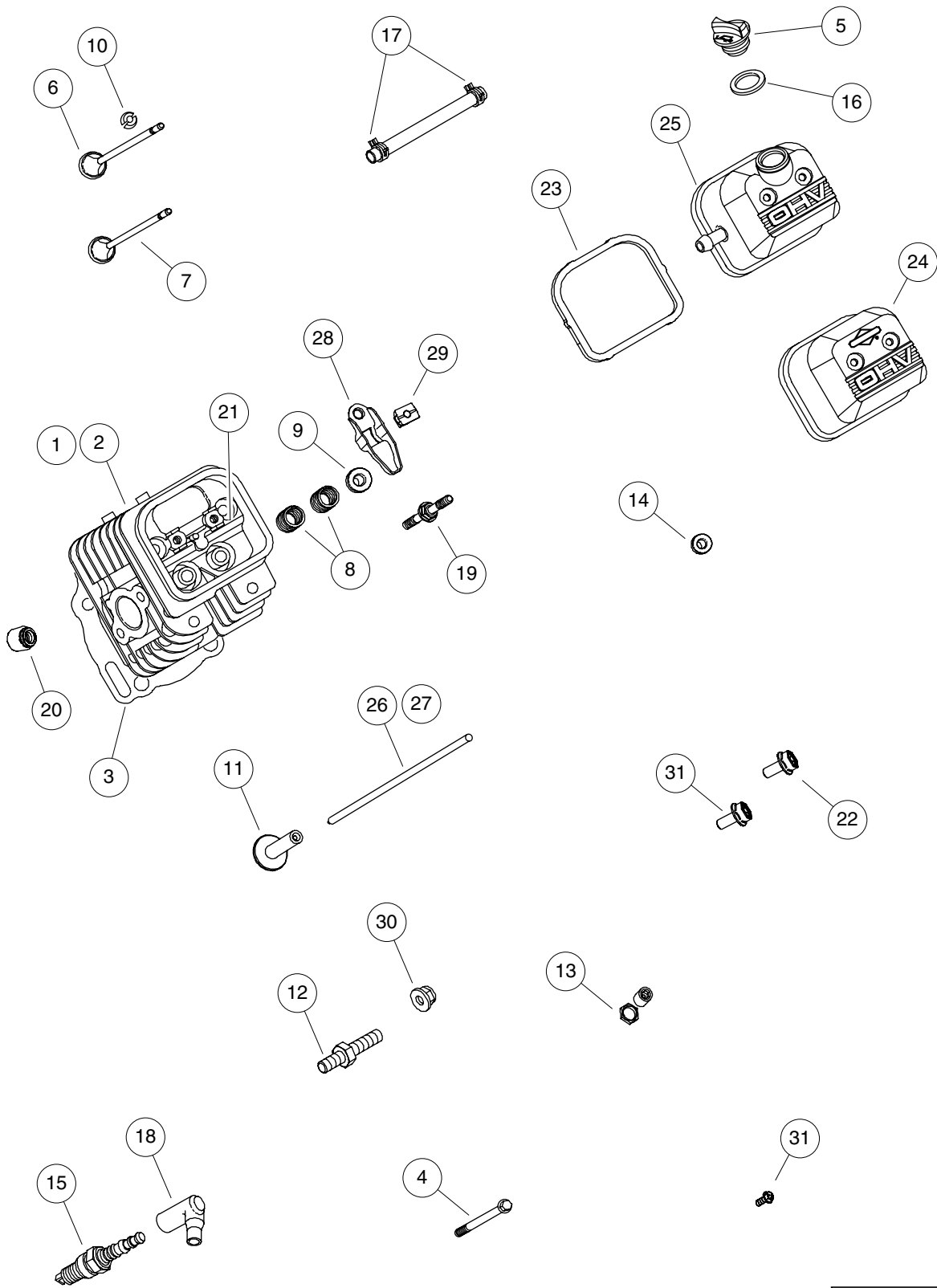
OIL PUMP, OIL FILTER AND CRANKCASE COVER

| ITEM | PART NO. | DESCRIPTION | QTY |
|------|------------------|--|-----|
| | | 1 2 3 4 | |
| 1 | <u>103544801</u> | Gasket, Crankcase | 1 |
| 2 | <u>103545201</u> | Bearing, Ball | 1 |
| 3 | <u>103545301</u> | Cover, Crankcase | 1 |
| 4 | <u>103545401</u> | Seal, Oil, Pto Side | 1 |
| 5 | <u>103547101</u> | Deflector, Oil | 1 |
| 6 | <u>103548301</u> | Plug, Oil | 1 |
| 7 | <u>103552801</u> | Seal, O Ring, Oil Pump | 1 |
| 8 | <u>103553401</u> | Screw, Dipstick Tube | 1 |
| 9 | <u>103556301</u> | Seal, O Ring, Crankcase Cover | 1 |
| 10 | <u>103556801</u> | Seal, O Ring, Oil Pump Screen | 1 |
| 11 | <u>103557001</u> | Screw, Oil Pump Screen | 1 |
| 12 | <u>103557901</u> | Dipstick, B & S 14 Hp | 1 |
| 13 | <u>103558001</u> | Seal, Dipstick Tube | 1 |
| 14 | <u>103558101</u> | Tube, Dipstick | 1 |
| 15 | <u>103558601</u> | Bushing, Gov Crank, 2 | 1 |
| 16 | <u>103558901</u> | Stud, Oil Filter Adapter | 3 |
| 17 | <u>103559501</u> | Screw, Oil Pump | 2 |
| 18 | <u>103559901</u> | Retainer, Governor Shaft | 1 |
| 19 | <u>103560001</u> | Crank, Governor | 1 |
| 20 | <u>103560701</u> | Screw, Oil Deflector | 2 |
| 21 | <u>103561101</u> | Seal, Governor Shaft | 1 |
| 22 | <u>103561301</u> | Cover, Oil Filter, B&S 14 Hp (not shown) | 1 |
| 23 | <u>103562001</u> | Screw, Oil Filter Adapter | 3 |
| 24 | <u>103563101</u> | Washer, Oil Filter Adapter | 3 |
| 25 | <u>103565201</u> | Gasket, Oil Adapter, 1 | 1 |
| 26 | <u>103565601</u> | Screen, Oil Pump | 1 |
| 27 | <u>103566001</u> | Pump, Oil | 1 |
| 28 | <u>103566401</u> | Filter, Oil | 1 |
| 29 | <u>103566501</u> | Adapter, Oil Filter | 1 |

8

G

8
G



000903-002

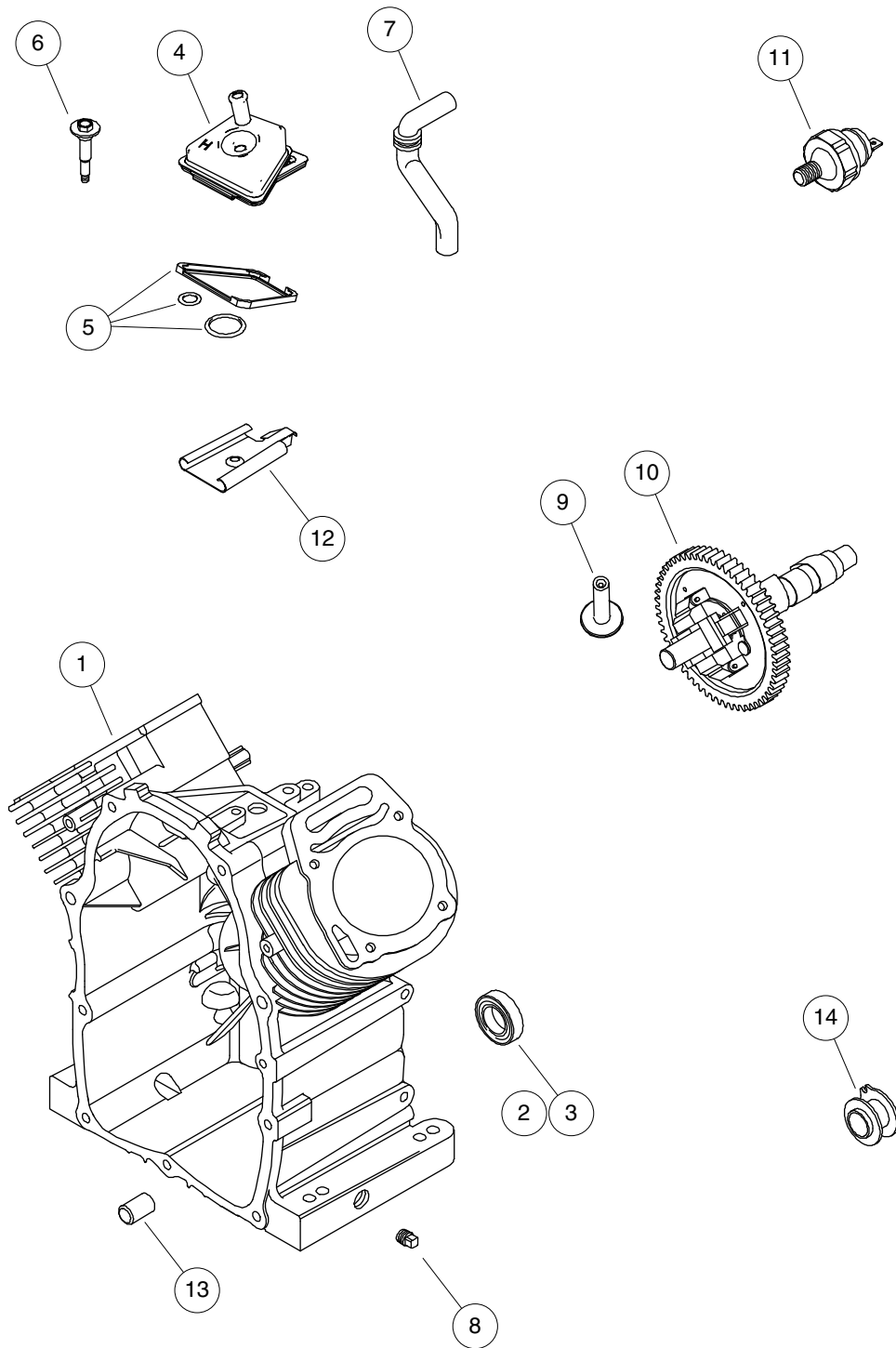
CYLINDER HEAD & VALVES

| ITEM | PART NO. | DESCRIPTION | QTY |
|------|------------------|--------------------------------------|-----|
| | | 1 2 3 4 | |
| 1 | <u>103544001</u> | Head, Cylinder, 1 | 1 |
| 2 | <u>103544101</u> | Head, Cylinder, 2 | 1 |
| 3 | <u>103544201</u> | Gasket, Cylinder Head | 2 |
| 4 | <u>103544901</u> | Screw, Cylinder Head | 8 |
| 5 | <u>103545501</u> | Cap, Oil Fill | 1 |
| 6 | <u>103546701</u> | Valve, Exhaust | 2 |
| 7 | <u>103546801</u> | Valve, Intake | 2 |
| 8 | <u>103546901</u> | Spring Valve, B&s 14 Hp | 4 |
| 9 | <u>103547201</u> | Retainer, Valve | 4 |
| 10 | <u>103547301</u> | Keeper, Valve | 4 |
| 11 | <u>103547401</u> | Tappet, Valve | 4 |
| 12 | <u>103550501</u> | Stud, Exhaust Manifold | 4 |
| 13 | <u>103551101</u> | Adjuster, Rocker Arm | 4 |
| 14 | <u>103553001</u> | Washer, Sealing, Rocker, Cover | 4 |
| 15 | <u>103554801</u> | Plug, Spark, B&s 14 Hp | 2 |
| 16 | <u>103554901</u> | Gasket, Dipstick | 1 |
| 17 | <u>103559701</u> | Clamp, Hose, 1 | 2 |
| 18 | <u>103560301</u> | Boot, Spark Plug | 2 |
| 19 | <u>103563201</u> | Stud, Rocker Arm, B & S 14 Hp | 4 |
| 20 | <u>103563801</u> | Seal, Valve | 4 |
| 21 | <u>103563901</u> | Bushing, Valve Guide | 4 |
| 22 | <u>103565001</u> | Screw, Ac Base To Cart, 1 | 1 |
| 23 | <u>103565701</u> | Gasket, Rocker Cover | 2 |
| 24 | <u>103565801</u> | Cover, Rocker, 1 | 1 |
| 25 | <u>103565901</u> | Cover, Rocker, 2 | 1 |
| 26 | <u>103566201</u> | Rod, Push, Intake, Steel | 2 |
| 27 | <u>103566301</u> | Rod, Push, Exhaust, Aluminum | 2 |
| 28 | <u>103566601</u> | Arm, Rocker | 4 |
| 29 | <u>103567701</u> | Pivot, Rocker Arm, B&s 14 Hp | 4 |
| 30 | <u>103567901</u> | Nut, Exhaust Manifold | 4 |
| 31 | <u>103568001</u> | Screw, Rocker Cover Stud | 4 |

8
G

8

G



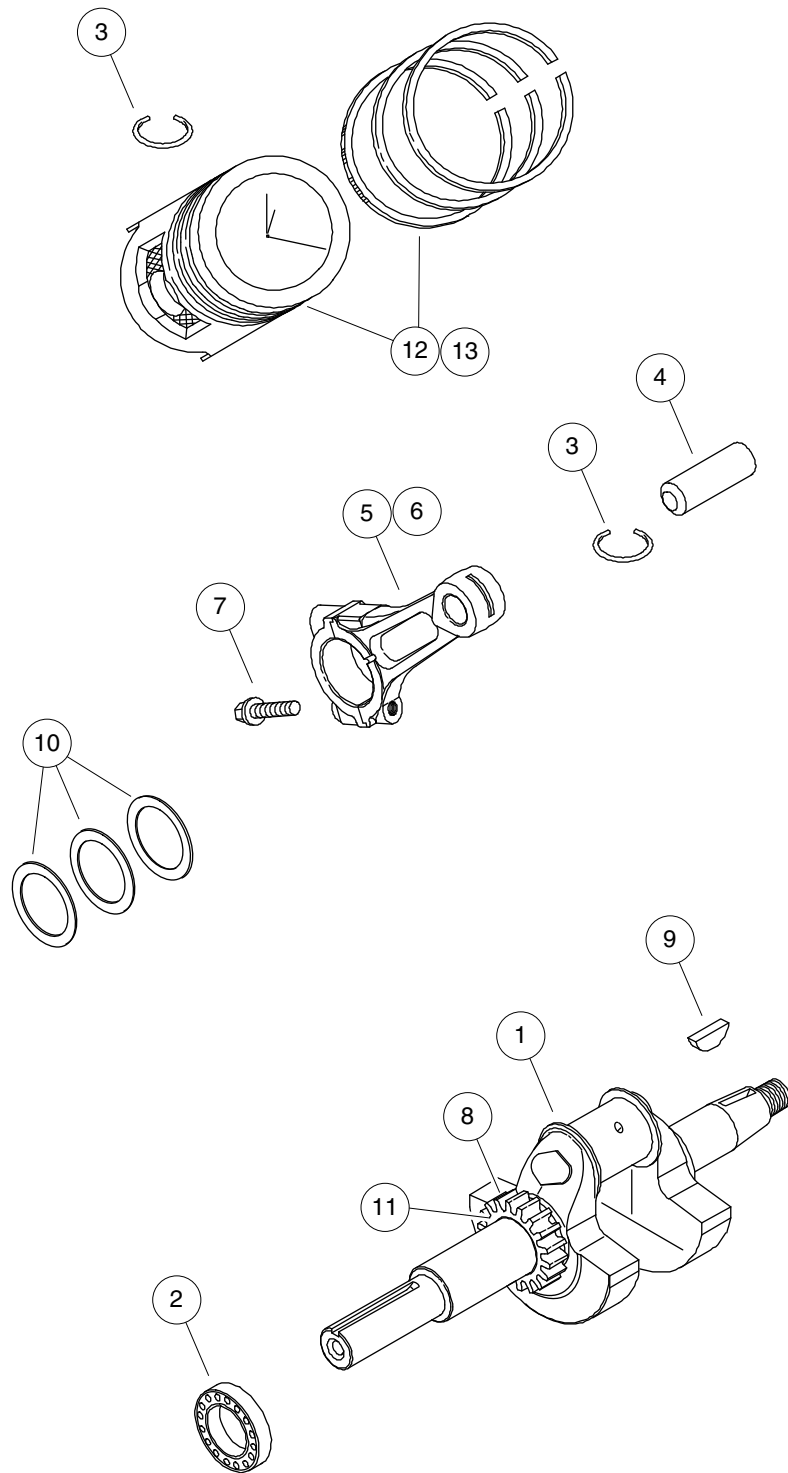
000903-001

CYLINDER ASSEMBLY

| ITEM | PART NO. | DESCRIPTION | QTY |
|------|------------------|--------------------------------------|-----|
| | | 1 2 3 4 | |
| 1 | <u>103543701</u> | Assembly, Cylinder | 1 |
| 2 | <u>103543801</u> | Kit, Bush & Seal, Magneto Side | 1 |
| 3 | <u>103543901</u> | Seal, Oil, Magneto Side | 1 |
| 4 | <u>103544301</u> | Assembly, Breather | 1 |
| 5 | <u>103544401</u> | Gasket, Breather | 1 |
| 6 | <u>103544501</u> | Screw, Breather Assembly | 1 |
| 7 | <u>103544701</u> | Tube, Breather | 1 |
| 8 | <u>103545001</u> | Plug, Oil Drain | 1 |
| 9 | <u>103547401</u> | Tappet, Valve | 4 |
| 10 | <u>103547501</u> | Camshaft | 1 |
| 11 | <u>103552301</u> | Switch, Oil Pressure, B&s 14hp | 1 |
| 12 | <u>103559001</u> | Baffle, Breather | 1 |
| 13 | <u>103561401</u> | Pin, Locating | 2 |
| 14 | <u>103566101</u> | Spool, Governor | 1 |

8

G



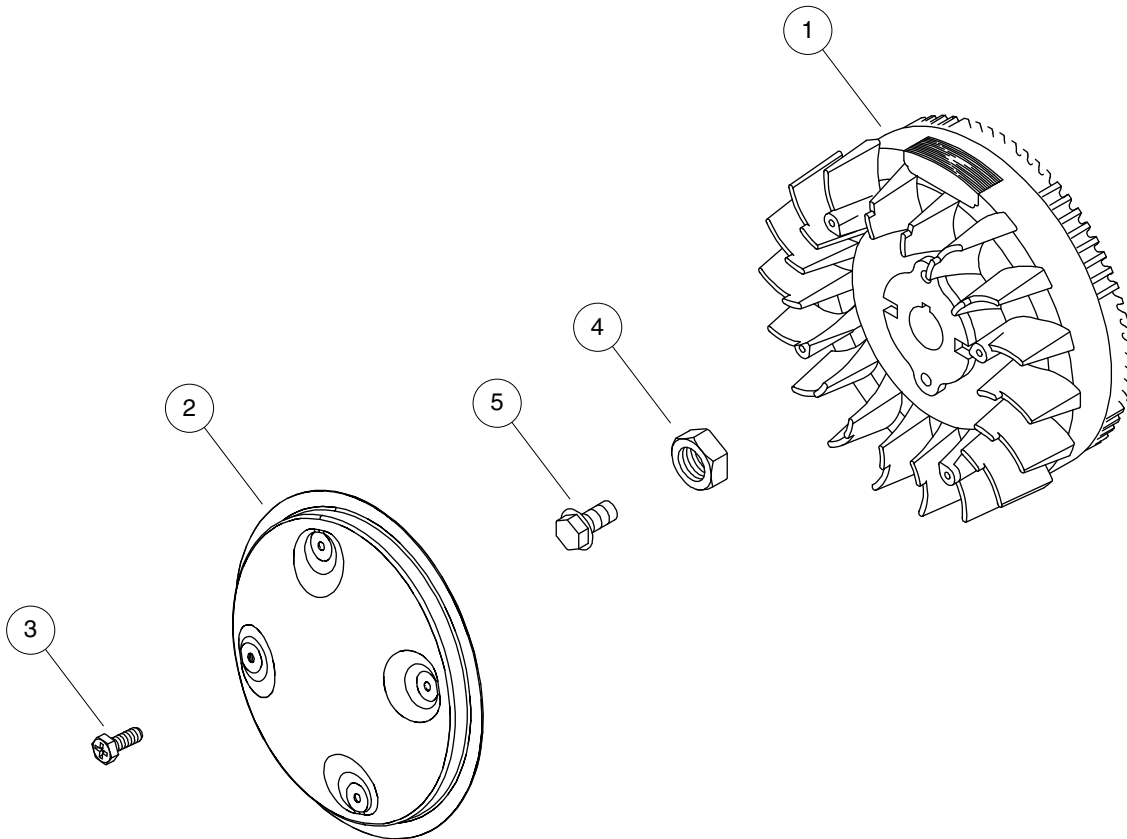
000903-004

CRANKSHAFT AND PISTONS

| ITEM | PART NO. | DESCRIPTION | QTY |
|------|------------------|--------------------------------------|-----|
| | | 1 2 3 4 | |
| 1 | <u>103545101</u> | Crankshaft, B&s 14 Hp | 1 |
| 2 | <u>103545201</u> | Bearing, Ball | 1 |
| 3 | <u>103546201</u> | Lock, Piston Pin | 2 |
| 4 | <u>103546301</u> | Piston, Pin | 2 |
| 5 | <u>103546401</u> | Rod, Connecting | 2 |
| 6 | <u>103546501</u> | Rod, Connection, .020"under | 2 |
| 7 | <u>103546601</u> | Screw, Connecting Rod | 4 |
| 8 | <u>103550401</u> | Key, Timing | 1 |
| 9 | <u>103555701</u> | Key, Woodruff | 1 |
| 10 | <u>103559601</u> | Shim, Bearing End Play | 1 |
| 11 | <u>103562101</u> | Gear, Timing | 1 |
| 12 | <u>103779201</u> | Piston W Rings, B&s | 2 |
| 13 | <u>103779202</u> | Piston W Rings, B&s, Oversized | 2 |

8

G



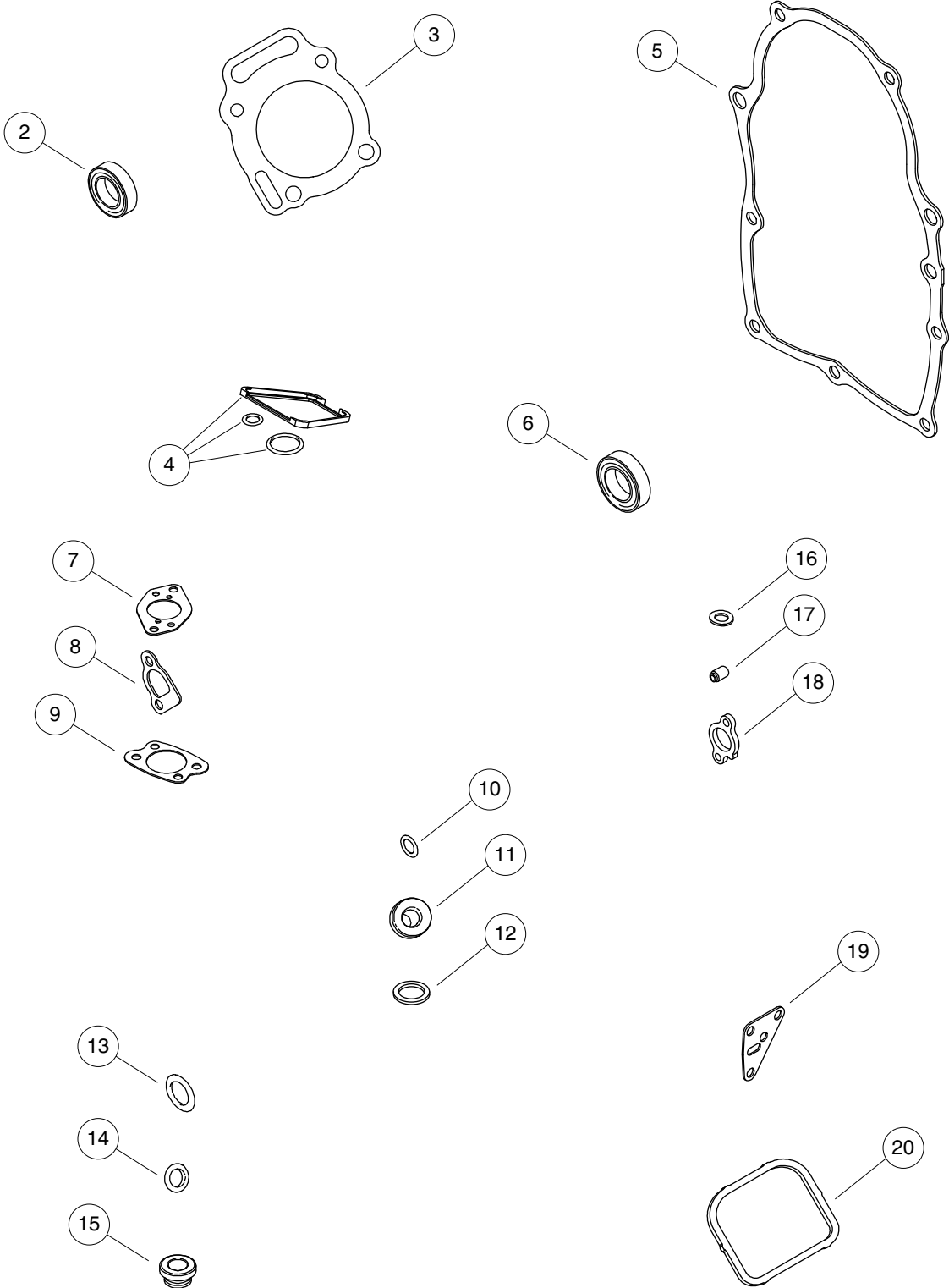
000889-011

FLYWHEEL

| ITEM | PART NO. | DESCRIPTION | QTY |
|------|------------------|------------------------------|-----|
| | | 1 2 3 4 | |
| 1 | <u>103545701</u> | Flywheel, B&S 14 Hp | 1 |
| 2 | <u>103548001</u> | Screen, Rotating | 1 |
| 3 | <u>103548101</u> | Screw, Rotating Screen | 4 |
| 4 | <u>103554501</u> | Nut, Flywheel | 1 |
| 5 | <u>103566801</u> | Screw, Flywheel | 1 |

8
G

8
G



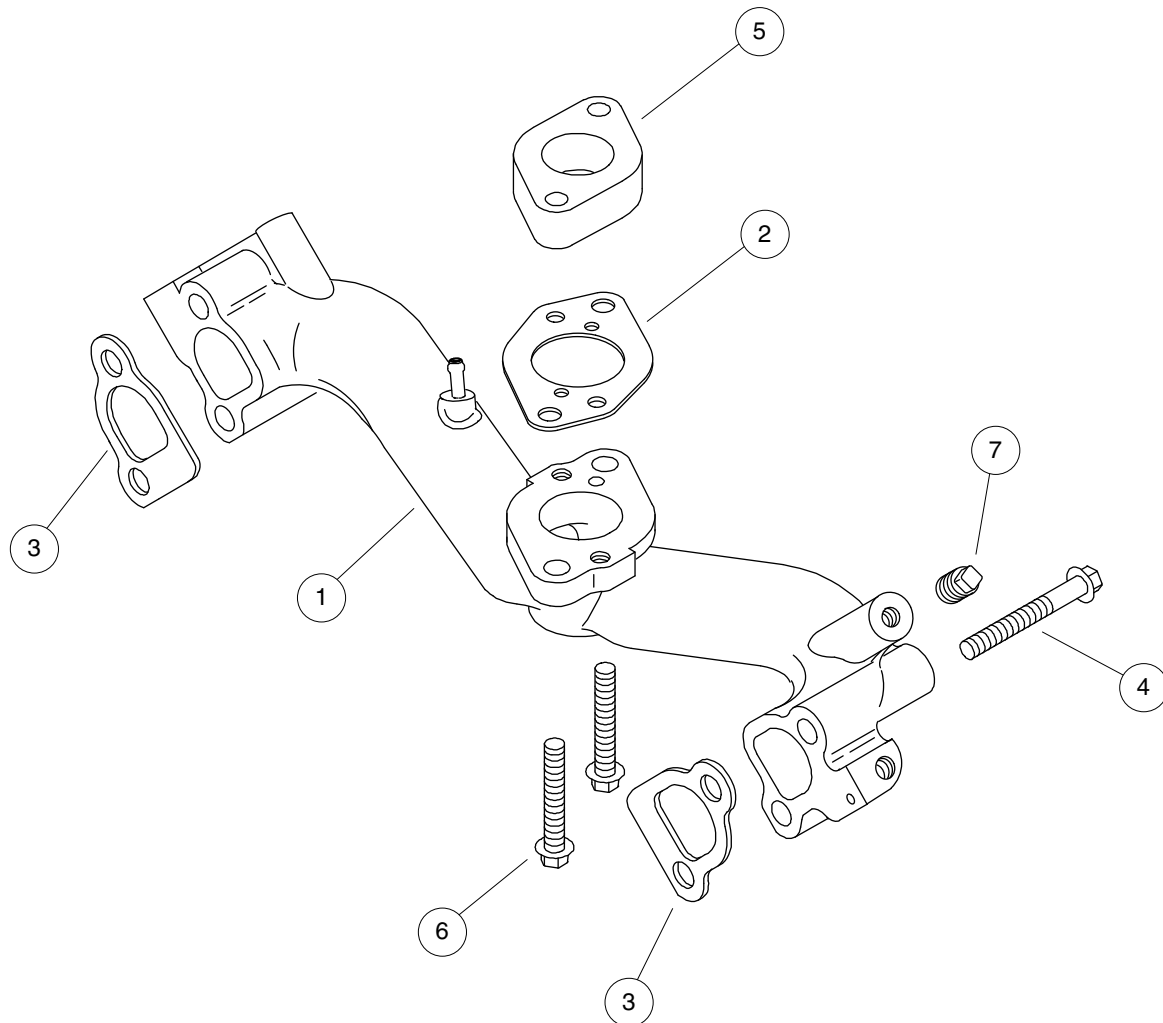
000889-002

ENGINE GASKETS AND SEALS

| ITEM | PART NO. | DESCRIPTION | QTY |
|------|------------------|---|-----|
| | | 1 2 3 4 | |
| 1 | <u>103555201</u> | Gasket, Set, Engine (includes items 2 through 20) | 1 |
| 2 | <u>103543901</u> | Seal, Oil, Magneto Side | 1 |
| 3 | <u>103544201</u> | Gasket, Cylinder Head | 2 |
| 4 | <u>103544401</u> | Gasket, Breather | 1 |
| 5 | <u>103544801</u> | Gasket, Crankcase | 1 |
| 6 | <u>103545401</u> | Seal, Oil, Pto Side | 1 |
| 7 | <u>103547701</u> | Gasket, Intake, Manifold-carb | 1 |
| 8 | <u>103547801</u> | Gasket, Intake | 2 |
| 9 | <u>103550701</u> | Gasket, Air Cleaner | 1 |
| 10 | <u>103552801</u> | Seal, O Ring, Oil Pump | 1 |
| 11 | <u>103553001</u> | Washer, Sealing, Rocker, Cover | 4 |
| 12 | <u>103554901</u> | Gasket, Dipstick | 1 |
| 13 | <u>103556301</u> | Seal, O Ring, Crankcase Cover | 1 |
| 14 | <u>103556801</u> | Seal, O Ring, Oil Pump Screen | 1 |
| 15 | <u>103558001</u> | Seal, Dipstick Tube | 1 |
| 16 | <u>103561101</u> | Seal, Governor Shaft | 1 |
| 17 | <u>103563801</u> | Seal, Valve | 4 |
| 18 | <u>103564201</u> | Gasket, Exhaust | 2 |
| 19 | <u>103565201</u> | Gasket, Oil Adapter, 1 | 1 |
| 20 | <u>103565701</u> | Gasket, Rocker Cover | 2 |

8

G



000889-005

INTAKE MANIFOLD

| ITEM | PART NO. | DESCRIPTION | QTY |
|------|------------------|-------------------------------------|-----|
| | | 1 2 3 4 | |
| 1 | <u>103547601</u> | Manifold, Intake | 1 |
| 2 | <u>103547701</u> | Gasket, Intake, Manifold-carb | 1 |
| 3 | <u>103547801</u> | Gasket, Intake | 2 |
| 4 | <u>103547901</u> | Screw, Intake Manifold | 4 |
| 5 | <u>103549901</u> | Spacer, Carburetor | 1 |
| 6 | <u>103555501</u> | Screw, Carburetor | 2 |
| 7 | <u>103556101</u> | Plug, B & S 14 Hp | 1 |

8

G

8

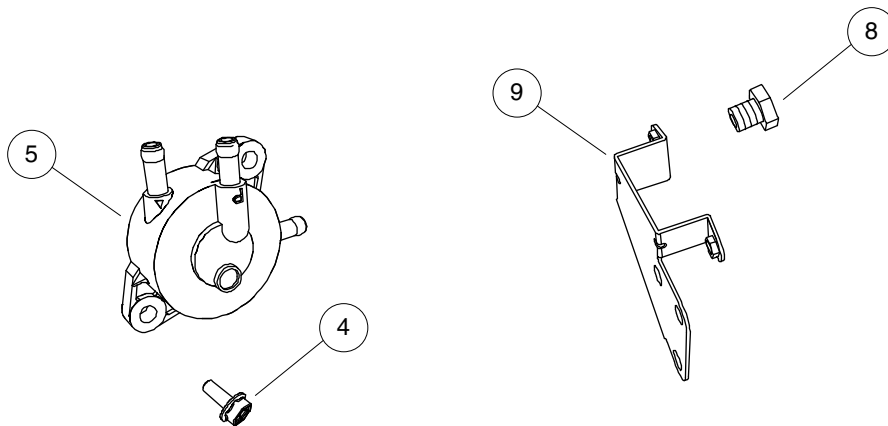
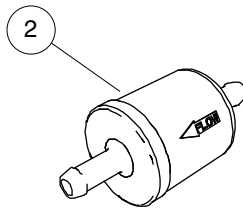
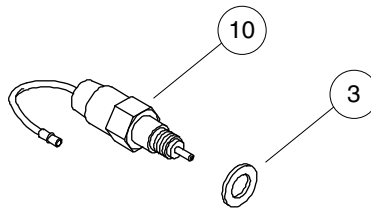
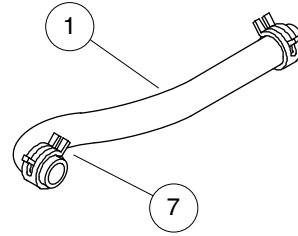
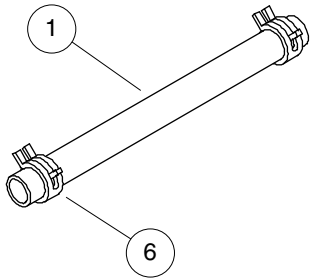
G

FUEL SYSTEM

9

G

9
G

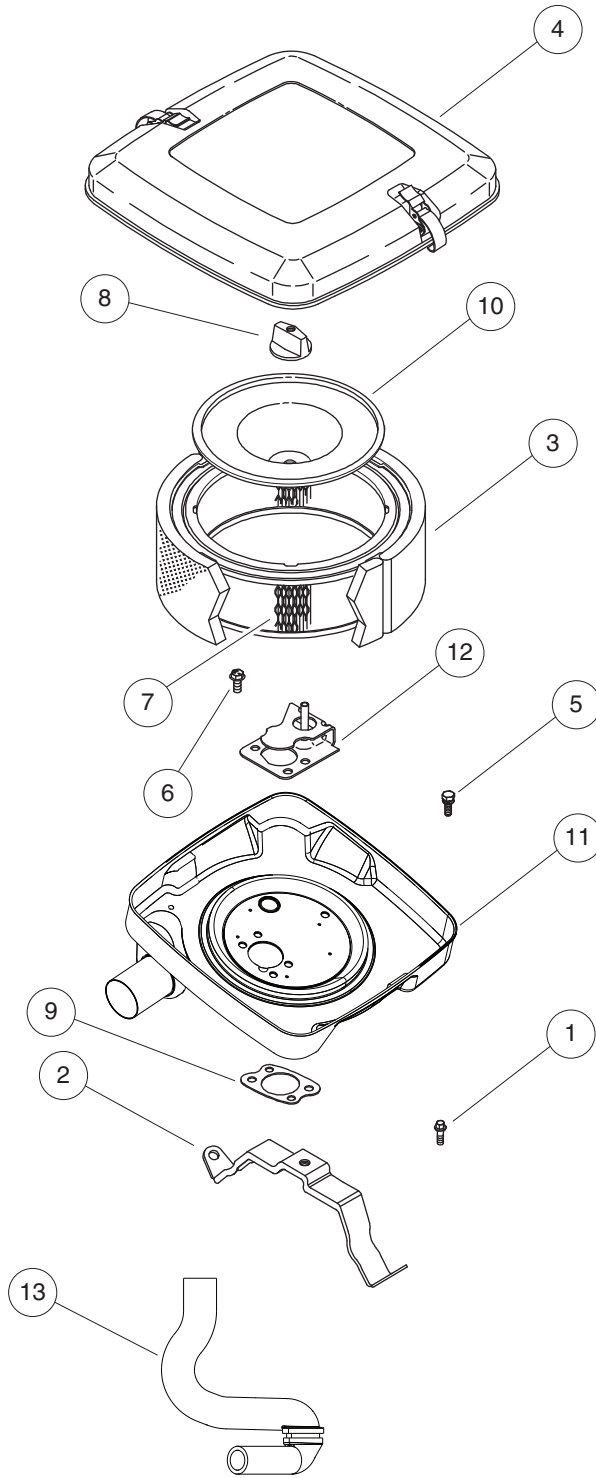


000889-012

FUEL PUMP AND FILTER

| ITEM | PART NO. | DESCRIPTION | QTY |
|------|------------------|--|-----|
| | | 1 2 3 4 | |
| 1 | <u>102865101</u> | Fuel Line, 1/4 (available by the foot) | 1 |
| 2 | <u>103552401</u> | Filter, Fuel, B & S 14 Hp | 1 |
| 3 | <u>103553201</u> | Washer, Sealing, Solenoid | 1 |
| 4 | 103555801 | Screw, Fuel Pump | 2 |
| 5 | <u>103555901</u> | Pump, Fuel | 1 |
| 6 | <u>103559701</u> | Clamp, Hose, 1 | 2 |
| 7 | <u>103559801</u> | Clamp, Hose, 2 | 2 |
| 8 | <u>103560101</u> | Screw, Fuel Pump Bracket | 3 |
| 9 | <u>103562301</u> | Bracket, Fuel Pump | 1 |
| 10 | <u>103564601</u> | Solenoid, Fuel | 1 |

9
G



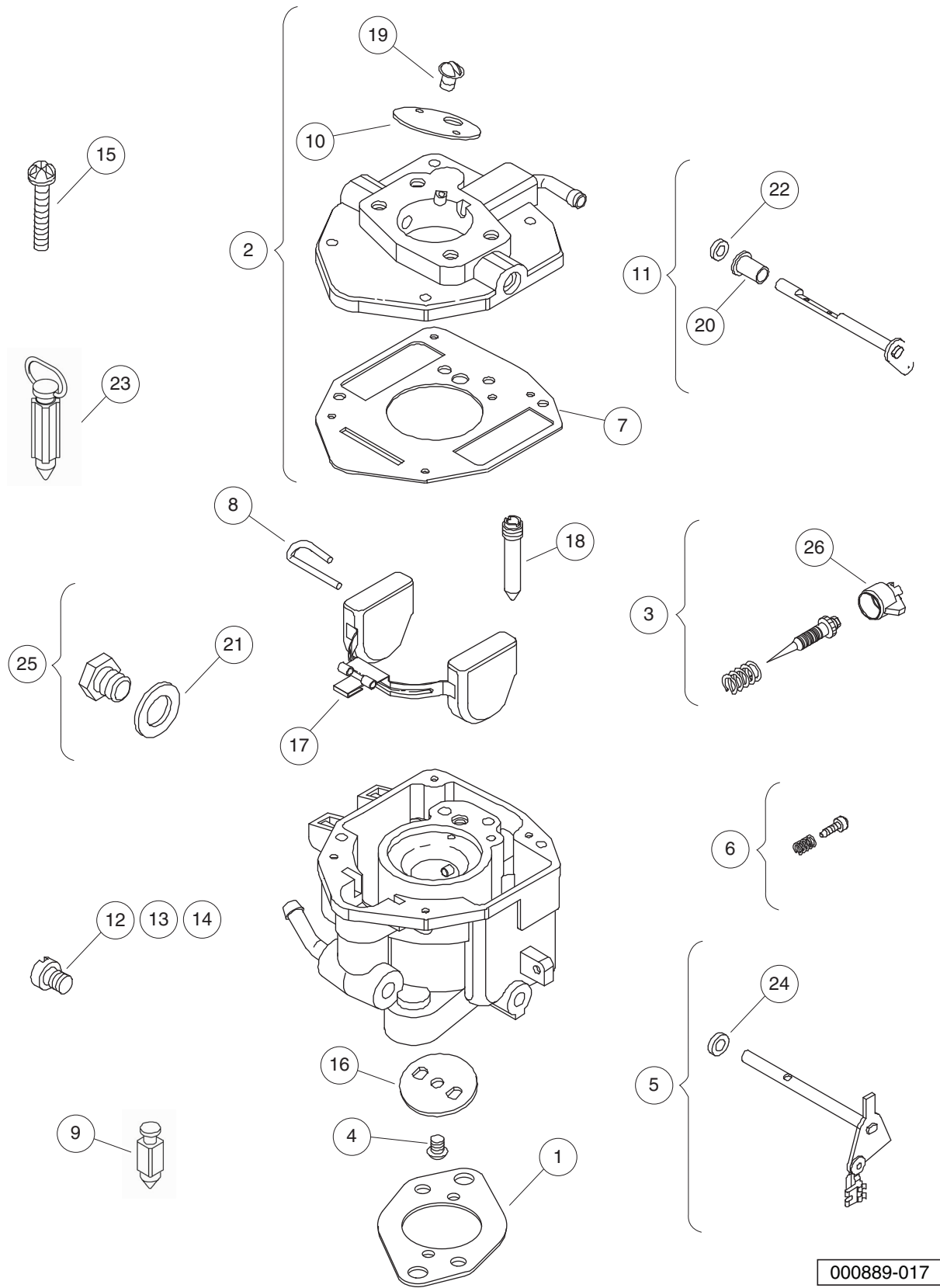
000889-020

AIR CLEANER

| ITEM | PART NO. | DESCRIPTION | QTY |
|------|------------------|--------------------------------------|-----|
| | | 1 2 3 4 | |
| 1 | <u>103563301</u> | Screw, Ac Mounting Strap | 2 |
| 2 | <u>103563501</u> | Strap, Ac Mounting | 1 |
| 3 | <u>103564801</u> | Filter, Pre Cleaner | 1 |
| 4 | <u>103564901</u> | Cover, Air Cleaner | 1 |
| 5 | <u>103565001</u> | Screw, Ac Base To Cart, 1 | 4 |
| 6 | <u>103565101</u> | Screw, Ac Base To Cart, 2 | 4 |
| 7 | <u>105066501</u> | Filter, Cartridge, B&s 14hp | 1 |
| 8 | <u>105066601</u> | Knob, Air Clnr Assy, B&s 14hp | 1 |
| 9 | <u>105066701</u> | Gasket, Air Clnr, B&s 14hp | 1 |
| 10 | <u>105066801</u> | Plate, Air Filter, B&s 14hp | 1 |
| 11 | <u>105066901</u> | Base, Air Clnr, Assy, B&s 14hp | 1 |
| 12 | <u>105067001</u> | Shield, Spitback, B&s 14hp | 1 |
| 13 | <u>105067101</u> | Breather Hose, B&s 14hp | 1 |

9
G

9
G

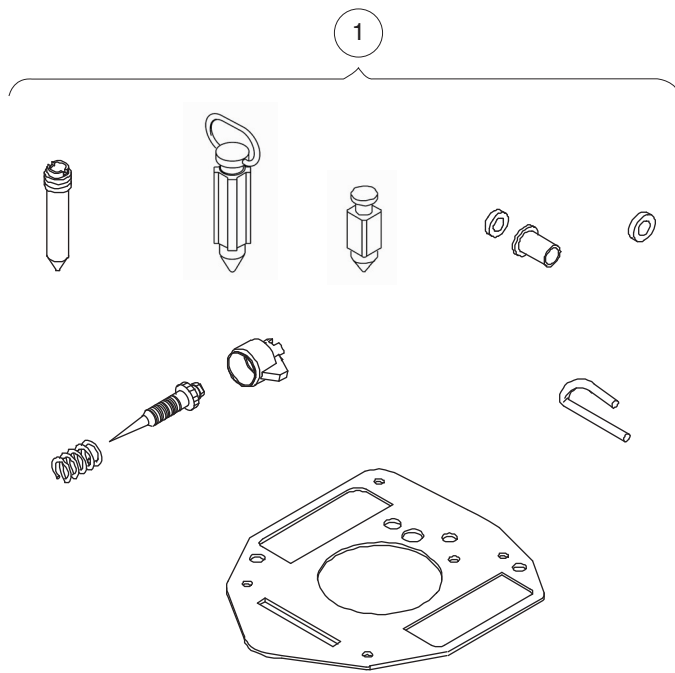


000889-017

CARBURETOR

| ITEM | PART NO. | DESCRIPTION | QTY |
|------|------------------|--|-----|
| | | 1 2 3 4 | |
| 1 | <u>103547701</u> | Gasket, Intake, Manifold-carb | 1 |
| 2 | <u>103548401</u> | Body, Upper Carburetor | 1 |
| 3 | <u>103548501</u> | Kit, Idle Mixture | 1 |
| 4 | <u>103548601</u> | Screw, Throttle Valve | 1 |
| 5 | <u>103548701</u> | Shaft, Throttle | 1 |
| 6 | <u>103548801</u> | Kit, Idle Speed | 1 |
| 7 | <u>103548901</u> | Gasket, Carburetor Body | 1 |
| 8 | <u>103549001</u> | Pin, Float Hinge | 1 |
| 9 | <u>103549101</u> | Valve, Float Needle | 1 |
| 10 | <u>103549201</u> | Valve, Choke | 1 |
| 11 | <u>103549301</u> | Shaft, Choke | 1 |
| 12 | <u>103549401</u> | Jet, Main, 0-5000 Ft (0-1500m) | 1 |
| 13 | <u>103549501</u> | Jet, Main, 5000-9000 Ft (1500-2700m) | 1 |
| 14 | <u>103549601</u> | Jet, Main, 9000-up Ft (2700m-up) | 1 |
| 15 | <u>103549701</u> | Screw, Carb Body | 4 |
| 16 | <u>103550101</u> | Valve, Throttle | 1 |
| 17 | <u>103550201</u> | Float, Carburetor | 1 |
| 18 | <u>103550301</u> | Nozzle, Carburetor, Standard | 1 |
| 19 | <u>103552101</u> | Screw, Choke Valve | 1 |
| 20 | <u>103552501</u> | Bushing, Choke Shaft | 1 |
| 21 | <u>103553101</u> | Washer, Sealing, Carb Plug | 1 |
| 22 | <u>103560201</u> | Seal, Choke & Throttle Shaft | 1 |
| 23 | <u>103560901</u> | Kit, Needle & Seat | 1 |
| 24 | <u>103562901</u> | Spacer, Throttle | 1 |
| 25 | <u>103564701</u> | Plug, Carburetor | 1 |
| 26 | <u>103567501</u> | Cap, Limiter | 1 |

9
G



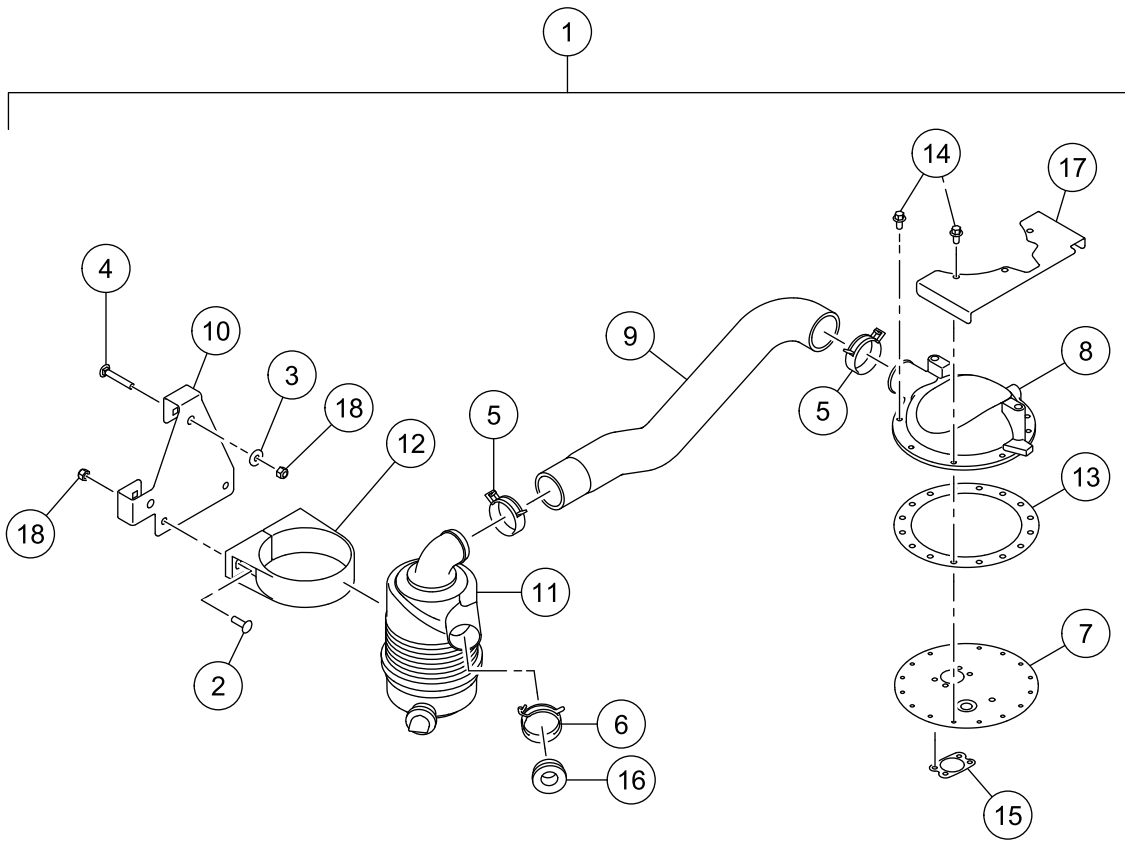
000889-015

CARBURETOR OVERHAUL KIT

| ITEM | PART NO. | DESCRIPTION | QTY |
|------|------------------|--|-----|
| 1 | <u>103549801</u> | <div style="display: flex; justify-content: space-between; margin-bottom: 5px;"> 1 2 3 4 </div> Kit, Carburetor Overhaul | 1 |

9

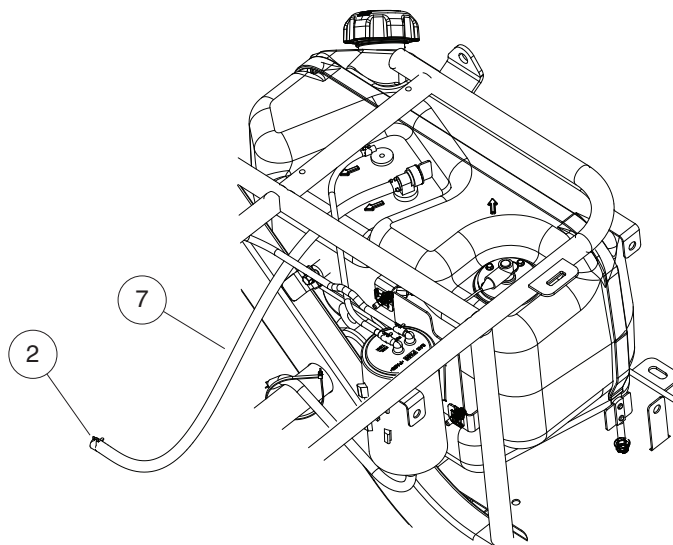
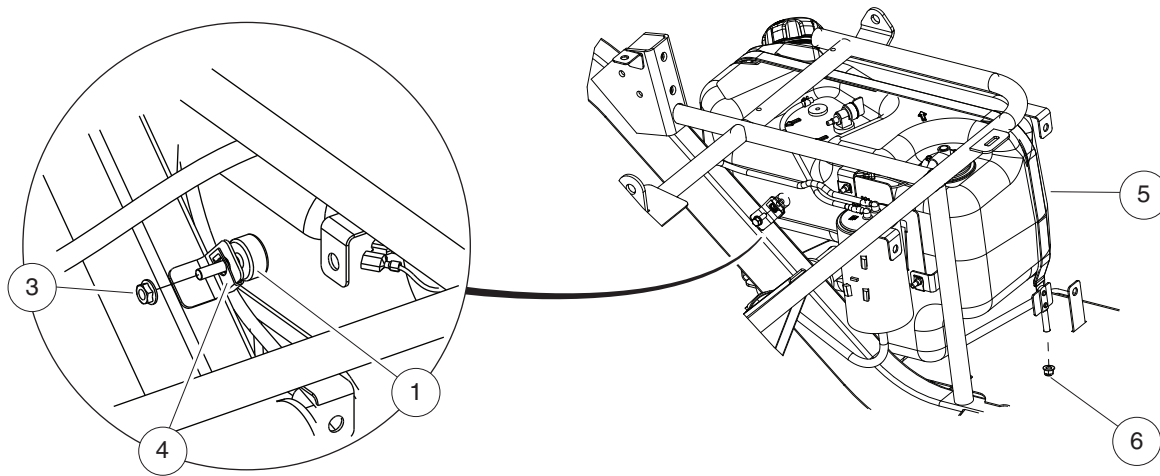
G



REMOTE AIR CLEANER

| ITEM | PART NO. | DESCRIPTION | QTY |
|------|------------------|--|-----|
| | | 1 2 3 4 | |
| 1 | <u>103531001</u> | Kit, Air Cleaner, Remote (includes items 2 through 18) | 1 |
| 2 | <u>1010435</u> | Bolt, Carriage, 5/16-18 X 1.00 | 2 |
| 3 | <u>1015075</u> | Washer, 5/16 Flat Type A | 2 |
| 4 | <u>1015405</u> | Bolt, Carriage, 5/16-18 X 2.0 | 2 |
| 5 | <u>102411209</u> | Clamp, Hose, Ctb 55mm Dia. | 2 |
| 6 | <u>102558301</u> | Clamp, Air Intake, Prec | 1 |
| 7 | <u>103441101</u> | Plate, Adapter, Remote Air | 1 |
| 8 | <u>103441201</u> | Adapter, Remote Air | 1 |
| 9 | <u>103441301</u> | Hose, Intake, Remote | 1 |
| 10 | <u>103460001</u> | Brkt, Mtg, Air Intake, Remote | 1 |
| 11 | <u>103526701</u> | Canister, Filter, Air, Asm | 1 |
| 12 | <u>103527201</u> | Bracket, Mounting, Ac, 4" | 1 |
| 13 | <u>103576901</u> | Gasket, Remote Intake | 1 |
| 14 | <u>103577001</u> | Scr, Hex Flg, M6 X 1 X 12, Bs | 8 |
| 15 | <u>103581401</u> | Gasket, Carb, B&s | 1 |
| 16 | <u>103689801</u> | Restrictor, Intake, Remote | 1 |
| 17 | <u>103751101</u> | Guard, Remote Intake, Xrt950 | 1 |
| 18 | <u>7473</u> | Locknut, 5/16-18 Nylon Insert | 4 |

9
G

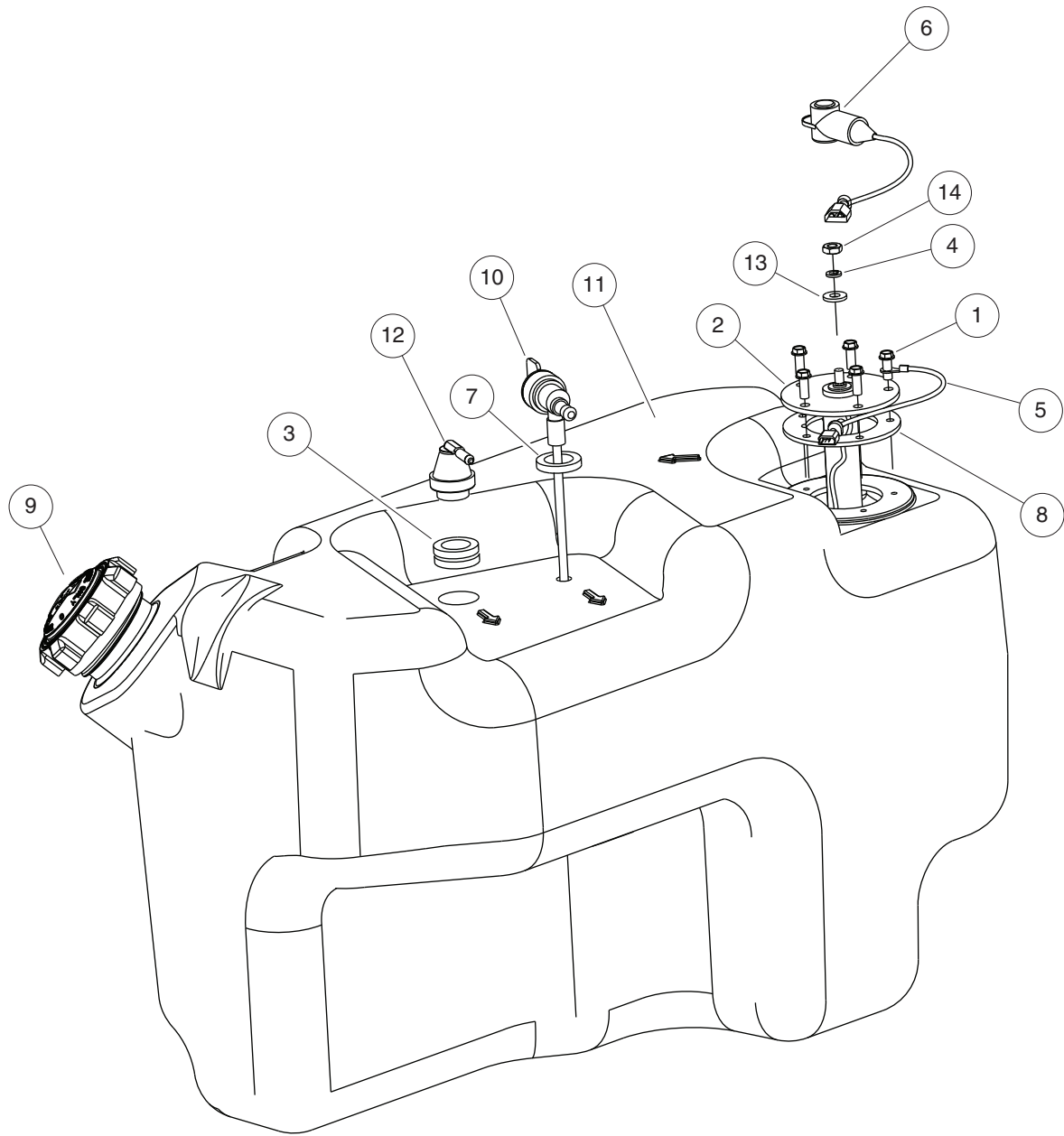


000912-006

FUEL SYSTEM

| ITEM | PART NO. | DESCRIPTION | QTY |
|------|--------------------|---|-----|
| | | 1 2 3 4 | |
| 1 | <u>1010878</u> | Bumper, Rubber | 1 |
| 2 | <u>1012649</u> | Clamp, 0.460 Red Hose | 2 |
| 3 | <u>1015661</u> | Nut, Lock Hx Flanged 1/4-20 | 1 |
| 4 | 1016952 | U-Nut, 1/4-20 | 1 |
| 5 | <u>102426301</u> | Strap, Tank, Fuel | 1 |
| 6 | 102618601 | Lock Nut, Flange, M8 X 1.25 Nylon | 1 |
| 7 | <u>47560464001</u> | Hose, Fuel 1/4saej1737 Bulk | 16 |

9
G



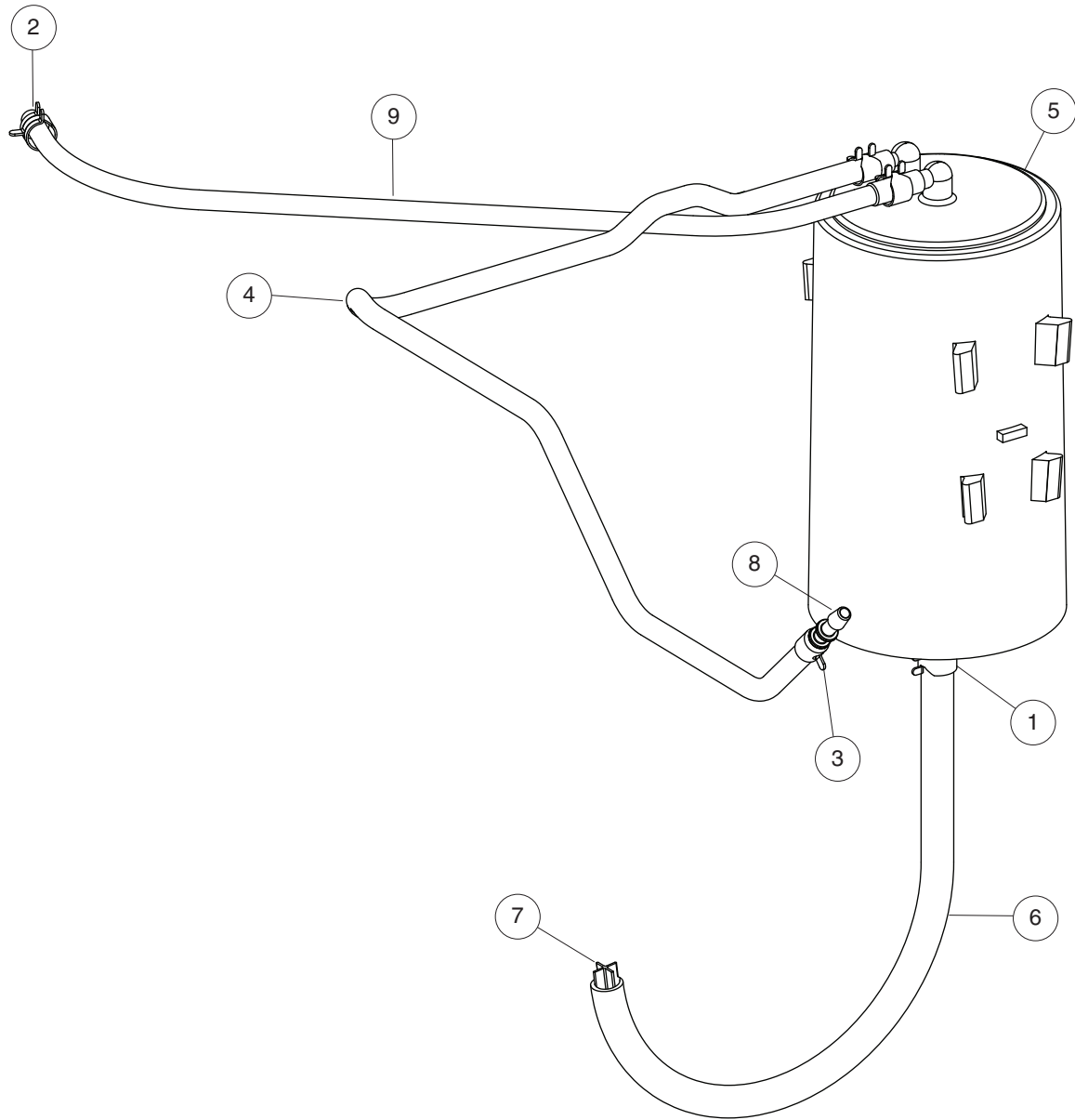
000883-004

NANO FUEL TANK

| ITEM | PART NO. | DESCRIPTION | QTY |
|------|------------------|--|-----|
| | | 1 2 3 4 | |
| 1 | <u>1013461</u> | Screw, #10-16 Hex-Head Hi-Lo | 5 |
| 2 | <u>1013462</u> | Sending Unit, Fuel Level * | 1 |
| 3 | <u>1015139</u> | Insulation Grommet | 1 |
| 4 | <u>1016</u> | Lockwasher, #10 Split | 1 |
| 5 | N/A | Wire Asm, Blk, 170mm | 1 |
| 6 | N/A | Wire Asm, Org, 170mm | 1 |
| 7 | <u>102406701</u> | Bushing, Line, Return | 1 |
| 8 | <u>102522001</u> | Gasket, Rubber | 1 |
| 9 | <u>103372101</u> | Cap, Fuel Tank, Gas, Ratchet | 1 |
| 10 | <u>103372301</u> | Valve, Fuel, 259mm | 1 |
| 11 | 103788201 | Tank, Fuel, Xrt950, Nano | 1 |
| 12 | <u>103905201</u> | Assembly, Vent, Fuel, 1/4 Inch O.D. | 1 |
| 13 | <u>183</u> | Washer, #10, Type A, Flat | 1 |
| 14 | <u>8797</u> | Nut, #10-32 Brass Hex | 1 |
| | | * Note: Must replace fuel sending unit gasket when servicing this component. | |

9
G

9
G



103486701B

CARBON CANISTER

| ITEM | PART NO. | DESCRIPTION | QTY |
|------|------------------|-------------------------------------|-----|
| | | 1 2 3 4 | |
| 1 | <u>1012649</u> | Clamp, 0.460 Red Hose | 1 |
| 2 | <u>101313402</u> | Clamp, Green Hose | 2 |
| 3 | <u>1013746</u> | Clamp, 0.301 ID Hose | 3 |
| 4 | <u>101587703</u> | Hose, Fuel, Vent, 22" Long | 1 |
| 5 | <u>103372401</u> | Canister, Carbon | 1 |
| 6 | N/A | Hose, Vent, 5/16 I.D., Bulk | 0.5 |
| 7 | N/A | Vent, Barb, 5/16 I.D. Hose | 1 |
| 8 | <u>103460201</u> | Adapter, Barb, Purge Line | 1 |
| 9 | <u>103851202</u> | Hose, Vent Flared, 15.75 Inch | 1 |

9

G

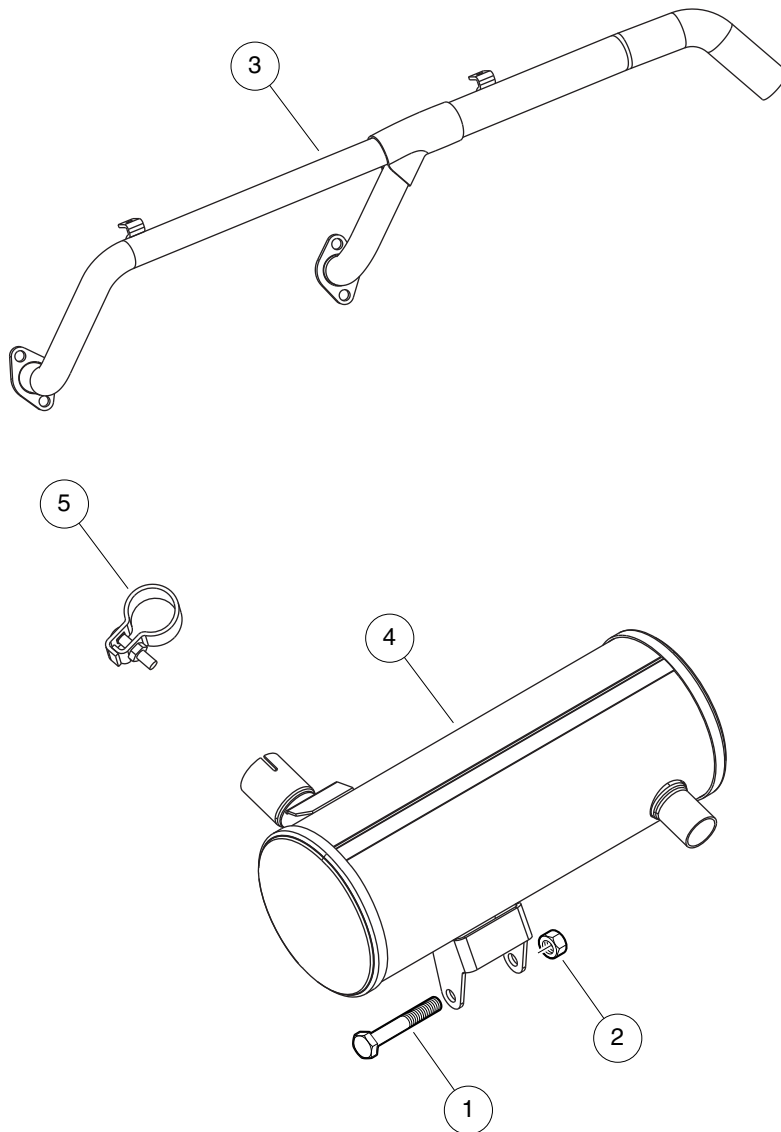
9

G

EXHAUST SYSTEM

10

G



000907-001

EXHAUST SYSTEM

| ITEM | PART NO. | DESCRIPTION | QTY |
|------|------------------|-----------------------------------|-----|
| | | 1 2 3 4 | |
| 1 | <u>102298170</u> | Bolt - Flange Hd, M8 X 70.0 | 4 |
| 2 | <u>102298401</u> | Nut, M8, All Metal Lock | 1 |
| 3 | <u>103417001</u> | Manifold, Exhaust, B&s 14hp | 1 |
| 4 | <u>103417101</u> | Muffler, B&S 14hp | 1 |
| 5 | <u>103614501</u> | Clamp, Muffler, 1.42 Dia | 1 |

10

G

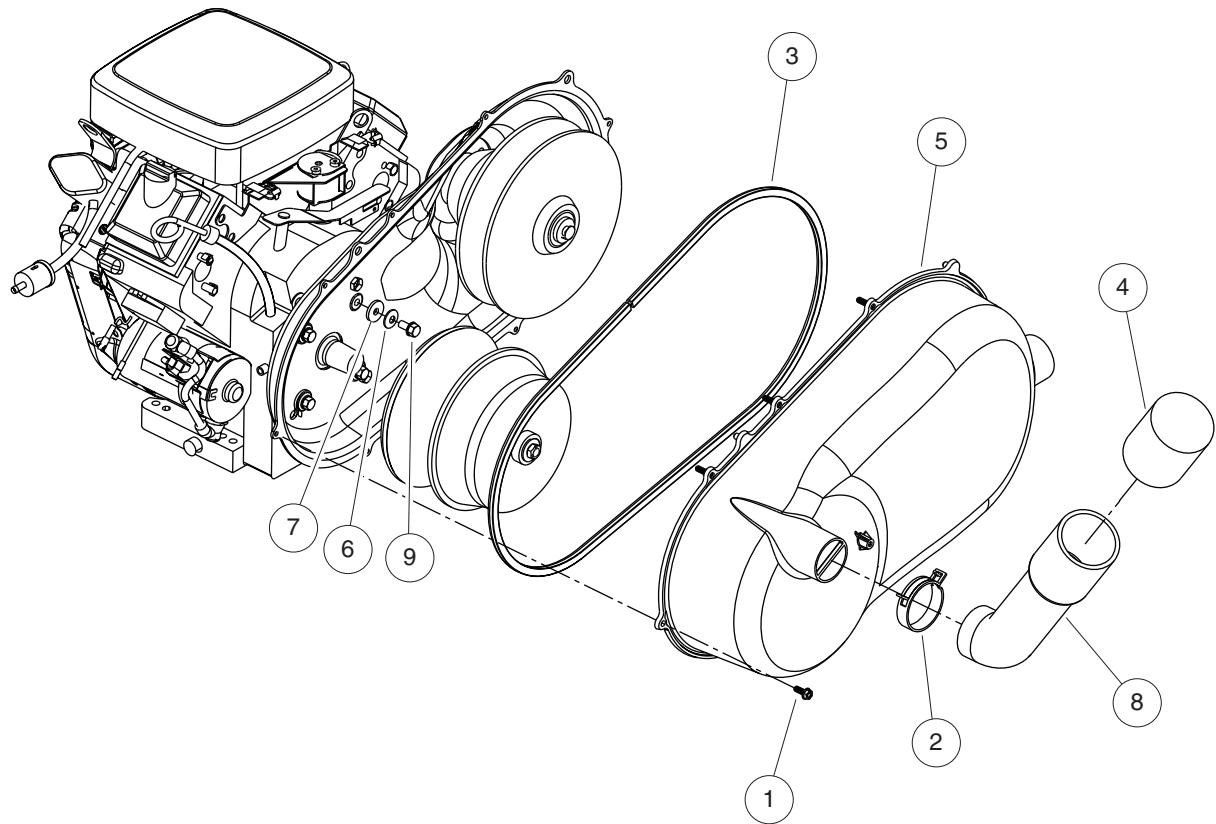
10

G

CLUTCHES

11

G



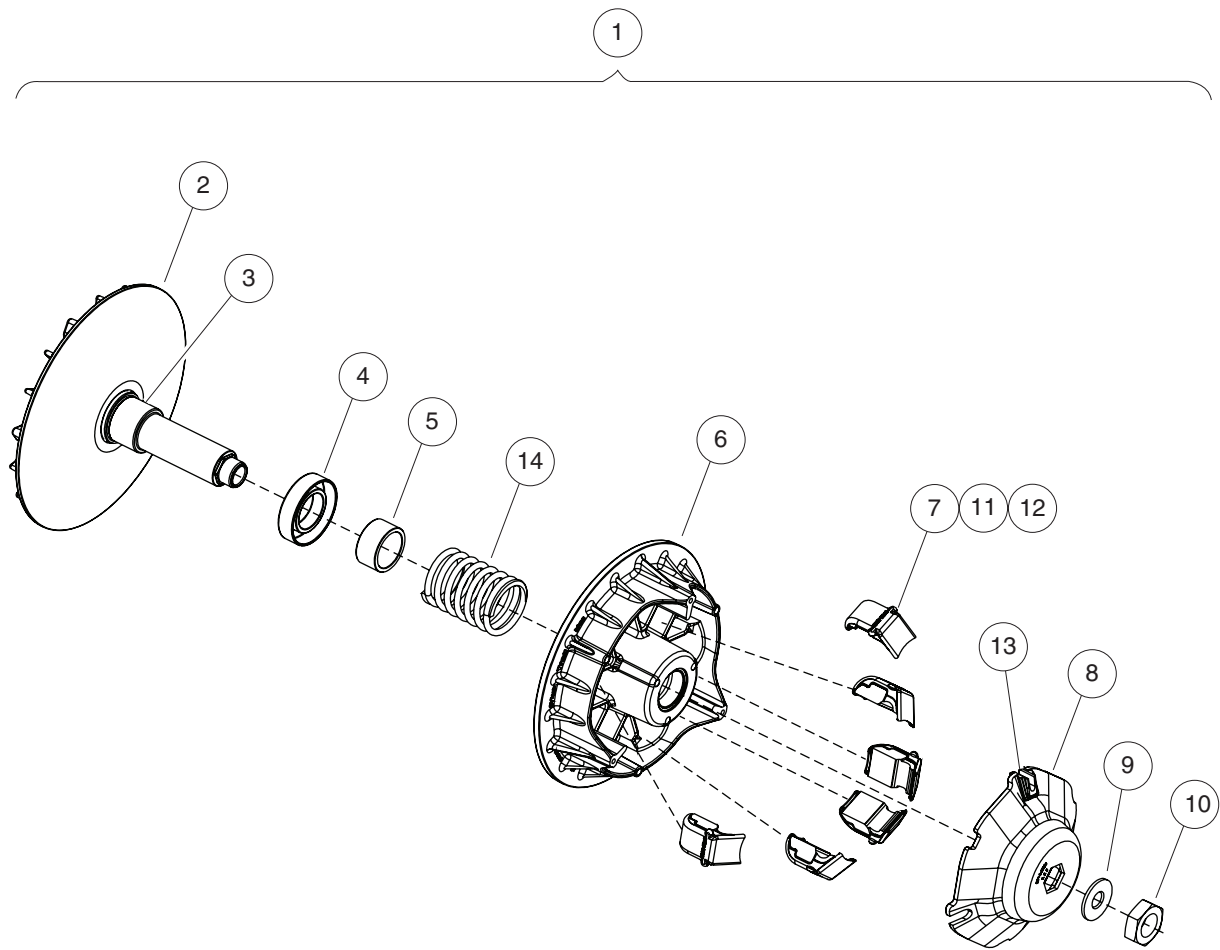
000882-001

CLUTCH COVER – SEALED

| ITEM | PART NO. | DESCRIPTION | QTY |
|------|------------------|--------------------------------------|-----|
| | | 1 2 3 4 | |
| 1 | <u>102296716</u> | Screw, M6 X 16 Tt Hx Fl Hd | 8 |
| 2 | <u>102411210</u> | Clamp, Hose, Ctb 64mm | 1 |
| 3 | <u>102481302</u> | Gasket, Cover, Cvt, Xrt 950 | 1 |
| 4 | <u>102628001</u> | Filter, Inlet, Cover, CVT | 1 |
| 5 | <u>103447501</u> | Cover, Cvt, Outer | 1 |
| 6 | <u>103572201</u> | Washer, 5/16, Cone | 4 |
| 7 | <u>103572701</u> | Washer, 5/16, Neoprene | 4 |
| 8 | <u>103688201</u> | Hose, Intake, Cvt, Xrt950 | 1 |
| 9 | <u>103784101</u> | Screw, Bhsoc, 5/16-24x.63 Ptch | 4 |

11

G

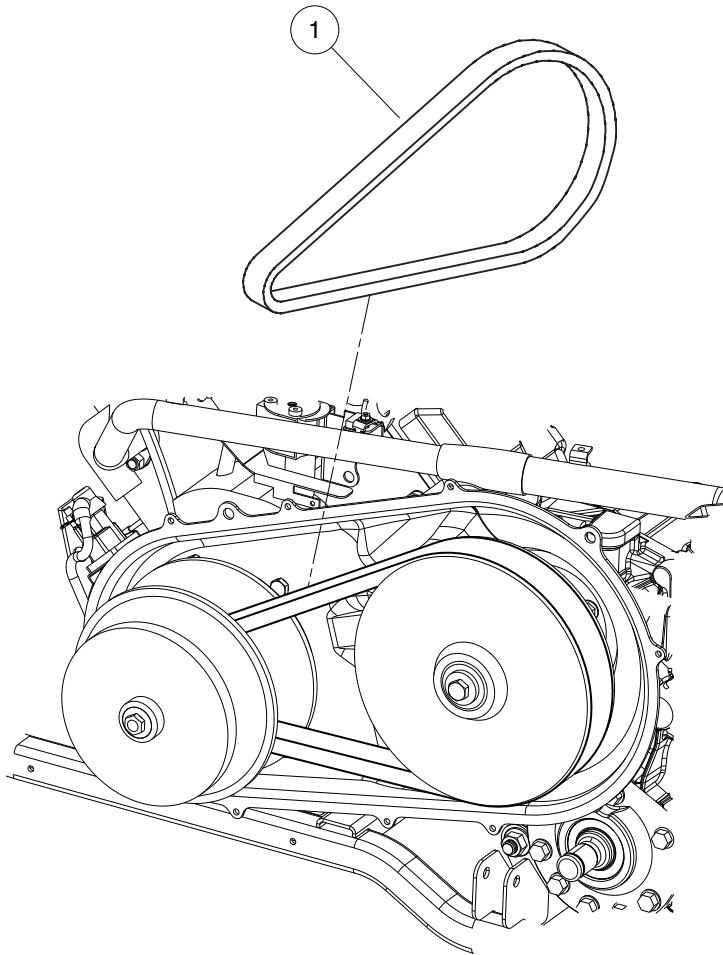


000901-005

DRIVE CLUTCH

| ITEM | PART NO. | DESCRIPTION | QTY |
|------|------------------|---|-----|
| | | 1 2 3 4 | |
| 1 | <u>103869801</u> | Clutch, Primary, Xrt950, Re (includes items 2 through 14) | 1 |
| 2 | <u>103518501</u> | Asm, Fixed Flange, Drive (includes item 3) | 1 |
| 3 | <u>103683401</u> | Bearing, Idler, Cvtech | 1 |
| 4 | <u>103518601</u> | Seat, Spring, Drive | 1 |
| 5 | <u>103518701</u> | Stopper, Drive | 1 |
| 6 | <u>103518901</u> | Flange, Sliding, Drive | 1 |
| 7 | <u>103519001</u> | Asm, Block | 6 |
| 8 | <u>103519101</u> | Asm, Cap | 1 |
| 9 | <u>103519201</u> | Washer, Lock, M20 | 1 |
| 10 | <u>103519301</u> | Nut, Hex, M20x1.5 | 1 |
| 11 | 103683501 | Overlay, Plastic, Drive Weight | 6 |
| 12 | 103683601 | Weight, Centrifugal, Cvtech | 6 |
| 13 | <u>103683701</u> | Guide, Cap, Cvtech | 3 |
| 14 | <u>103870401</u> | Spring, Primary, 950 | 1 |

11
G

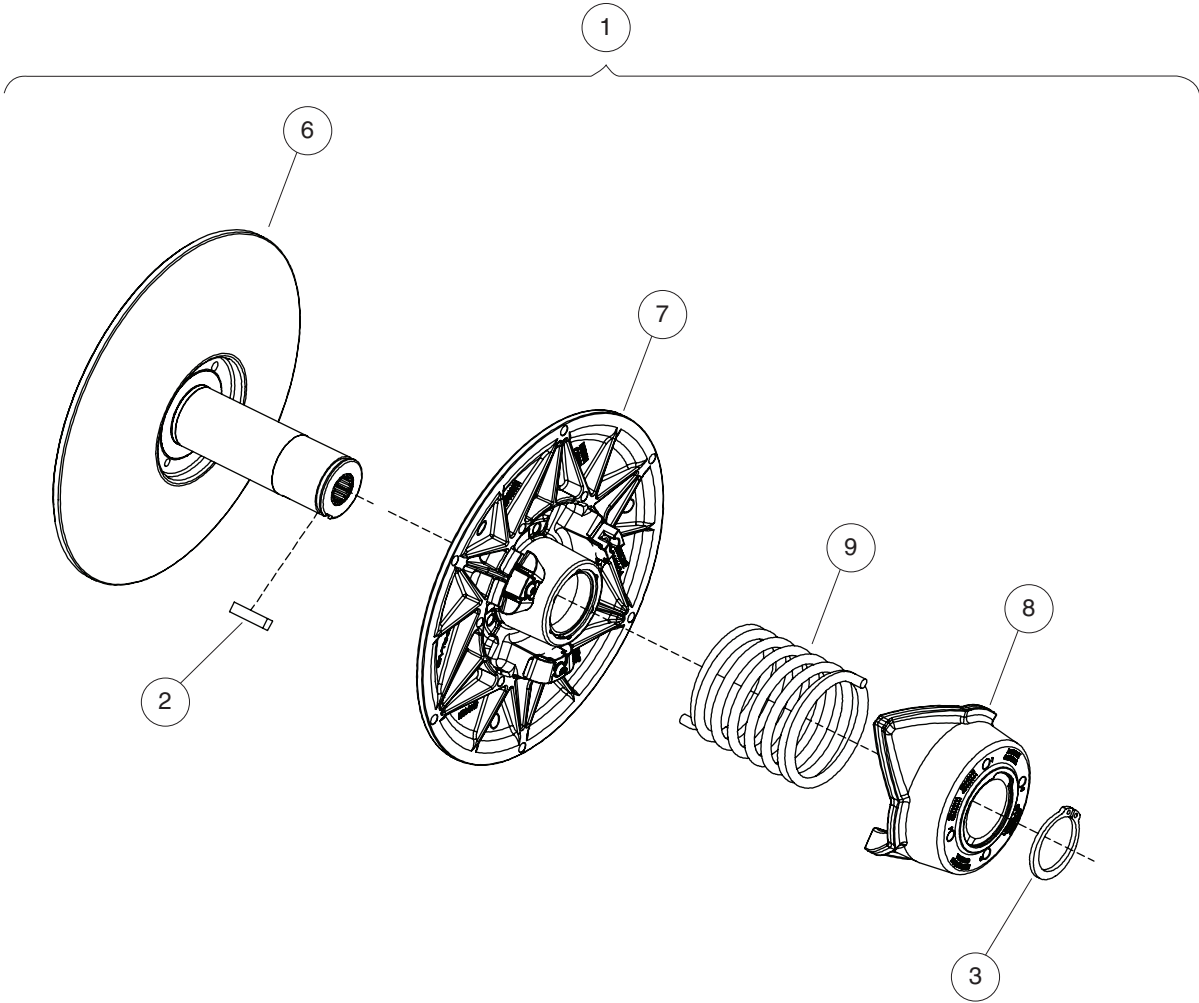


000915-001

DRIVE BELT

| ITEM | PART NO. | DESCRIPTION | QTY |
|------|------------------|----------------------------|-----|
| 1 | <u>103416101</u> | 1 2 3 4 Belt, Cvt | 1 |

11
G



000901-006

DRIVEN CLUTCH

| ITEM | PART NO. | DESCRIPTION | QTY |
|------|------------------|--|-----|
| | | 1 2 3 4 | |
| 1 | <u>103869901</u> | Clutch, Secondary, Xrt950, Re (includes items 2 through 9) | 1 |
| 2 | <u>103516601</u> | Key, Cam | 1 |
| 3 | <u>103516701</u> | Ring, Snap, External | 1 |
| 4 | <u>103683801</u> | Shoe, Cam, Cvtech | 3 |
| 5 | <u>103683901</u> | Screw, Button Hd, Cam Shoe | 3 |
| 6 | <u>103870001</u> | Flange, Fixed, Secondary, 950 | 1 |
| 7 | <u>103870101</u> | Moveable Flange, Sec, 950 | 1 |
| 8 | <u>103870201</u> | Cam, Machined, Sec, 950 | 1 |
| 9 | <u>103870301</u> | Spring, Secondary, 950 | 1 |

11
G

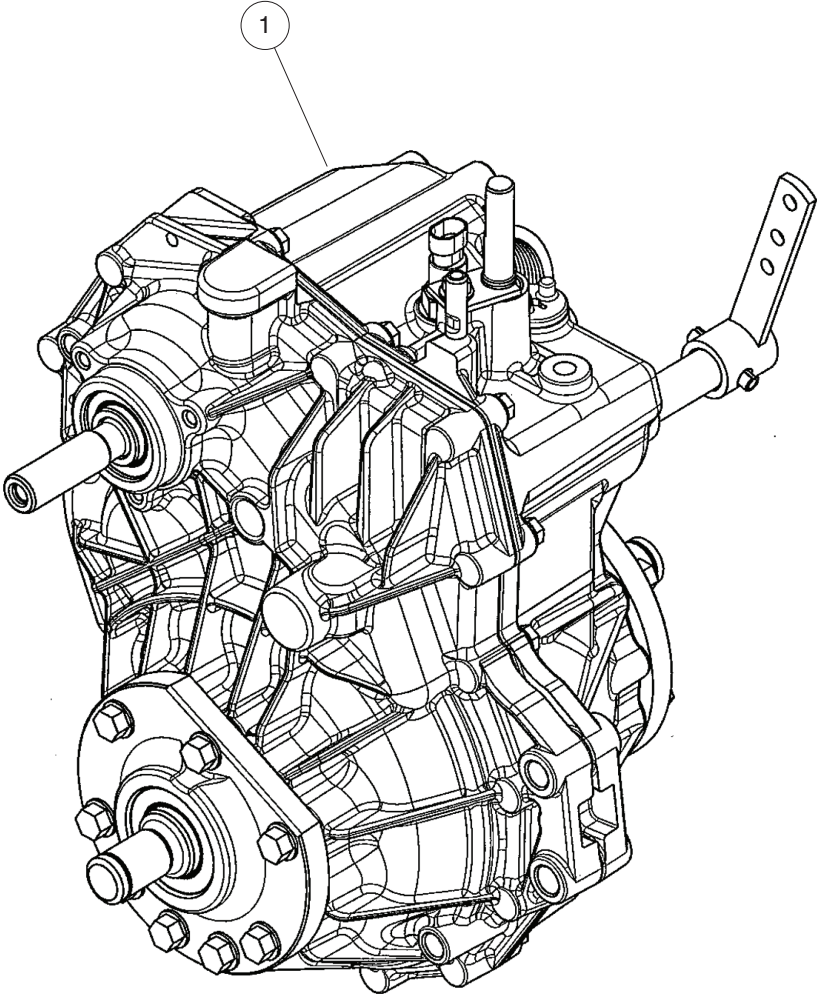
11

G

DRIVETRAIN COMPONENTS – 2WD

12

G



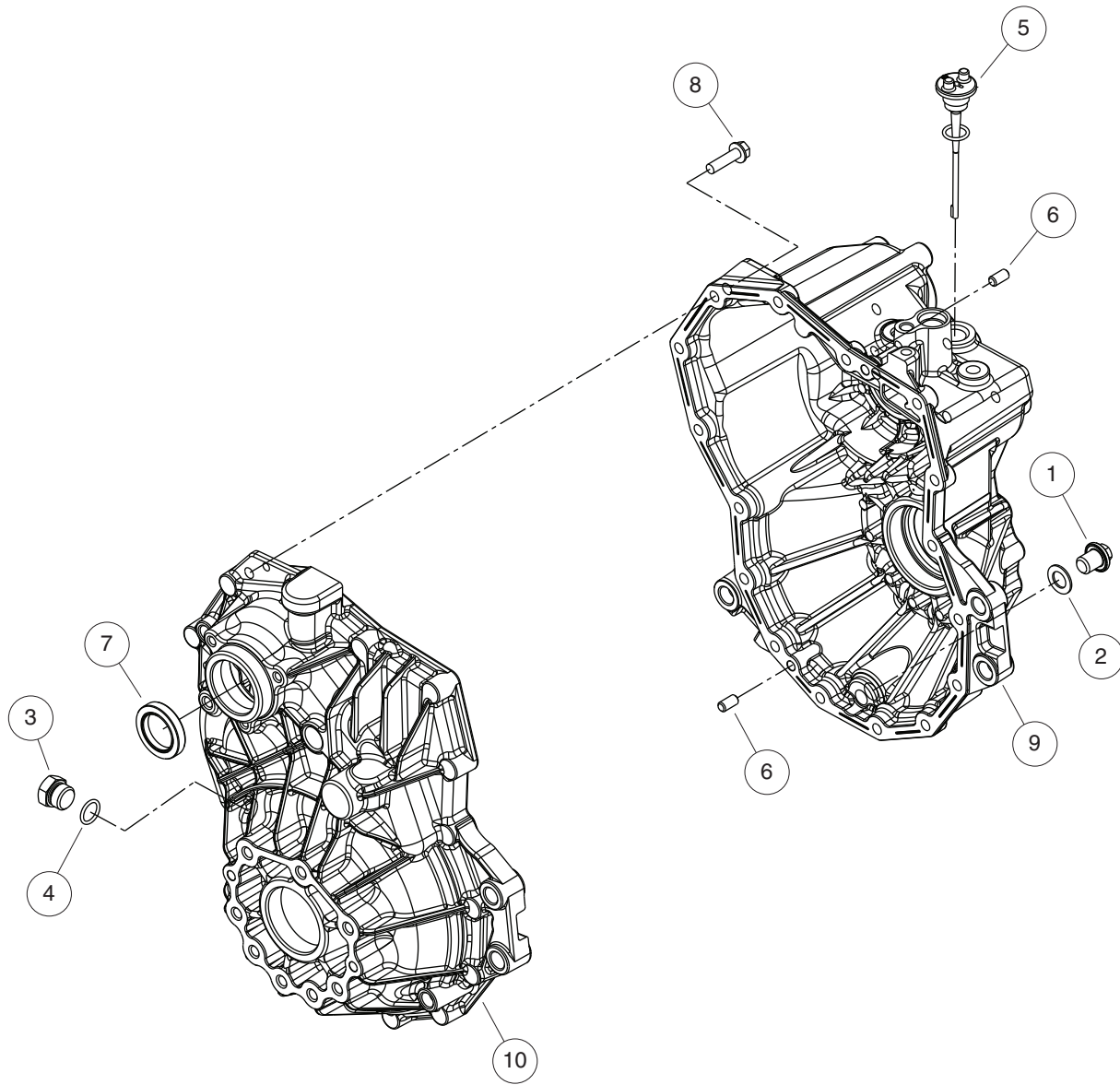
000909-010

TRANSAXLE – 2WD

| ITEM | PART NO. | DESCRIPTION | QTY |
|------|------------------|---|-----|
| 1 | <u>103646401</u> | <div style="display: flex; justify-content: space-between; margin-bottom: 5px;"> 1 2 3 4 </div> Transaxle, Uv31c, 2wd | 1 |

12

G



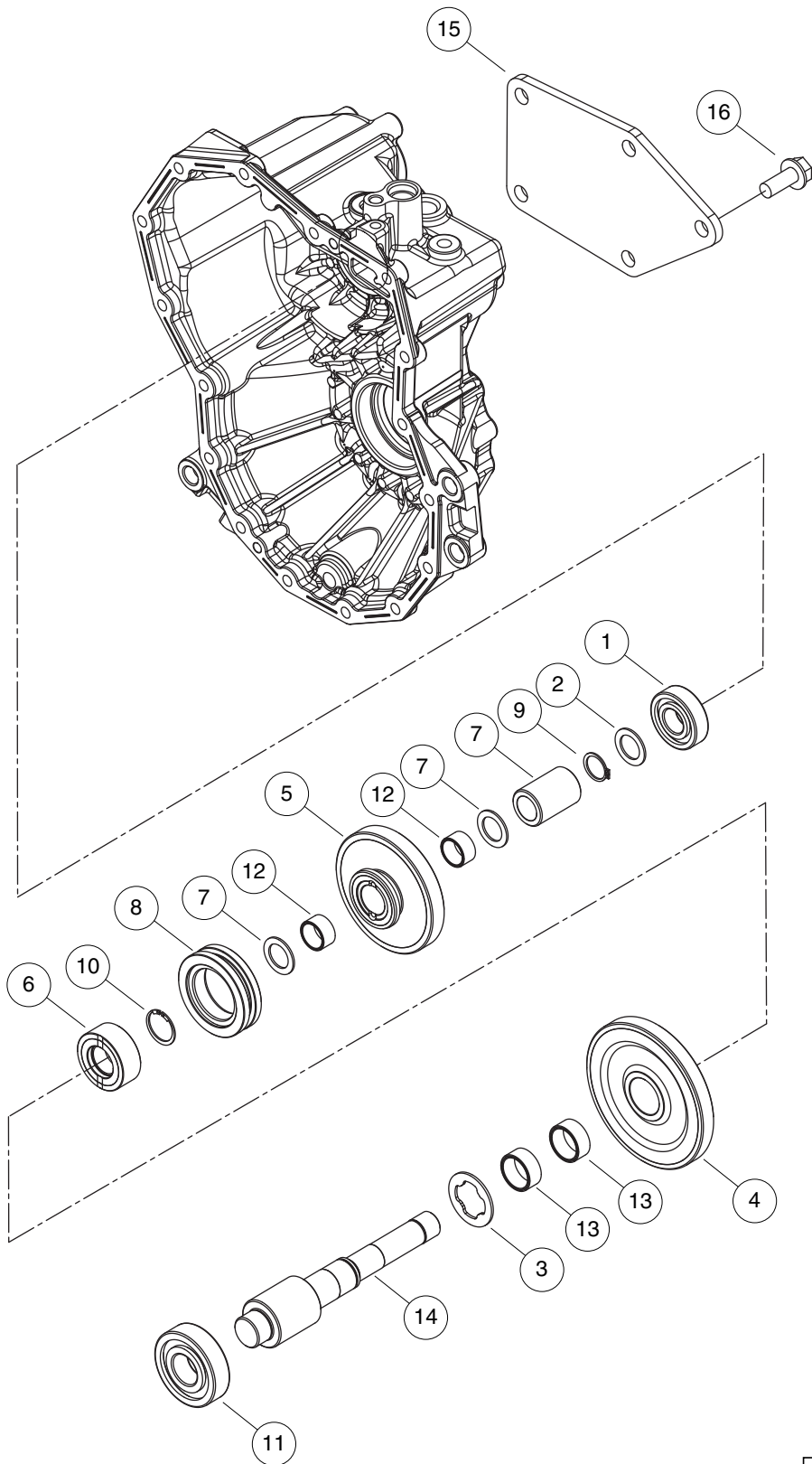
000909-017

TRANSAXLE HOUSING – 2WD

| ITEM | PART NO. | DESCRIPTION | QTY |
|------|------------------|------------------------------------|-----|
| | | 1 2 3 4 | |
| 1 | <u>103602801</u> | Bolt, M14x16, T/a Hsng Asm | 1 |
| 2 | <u>103602901</u> | Washer, Drain Plug, T/a Hsng | 1 |
| 3 | <u>103603001</u> | Plug, 3/4-16, W/p Cmp | 1 |
| 4 | <u>103603101</u> | Packing, P 16.0, Transaxle | 1 |
| 5 | <u>103603201</u> | Dip Stick Cmp, T/a Hsng Asm | 1 |
| 6 | <u>103603301</u> | Pin, 8x14, Transaxle | 2 |
| 7 | <u>103603401</u> | Seal, Tc304508, T/a Hsng Asm | 1 |
| 8 | <u>103603501</u> | Bolt, M8x30 | 16 |
| 9 | <u>103905301</u> | Housing, Transaxle, Uv31c | 1 |
| 10 | <u>103905401</u> | Cover, Transaxle, Uv31c | 1 |

12

G



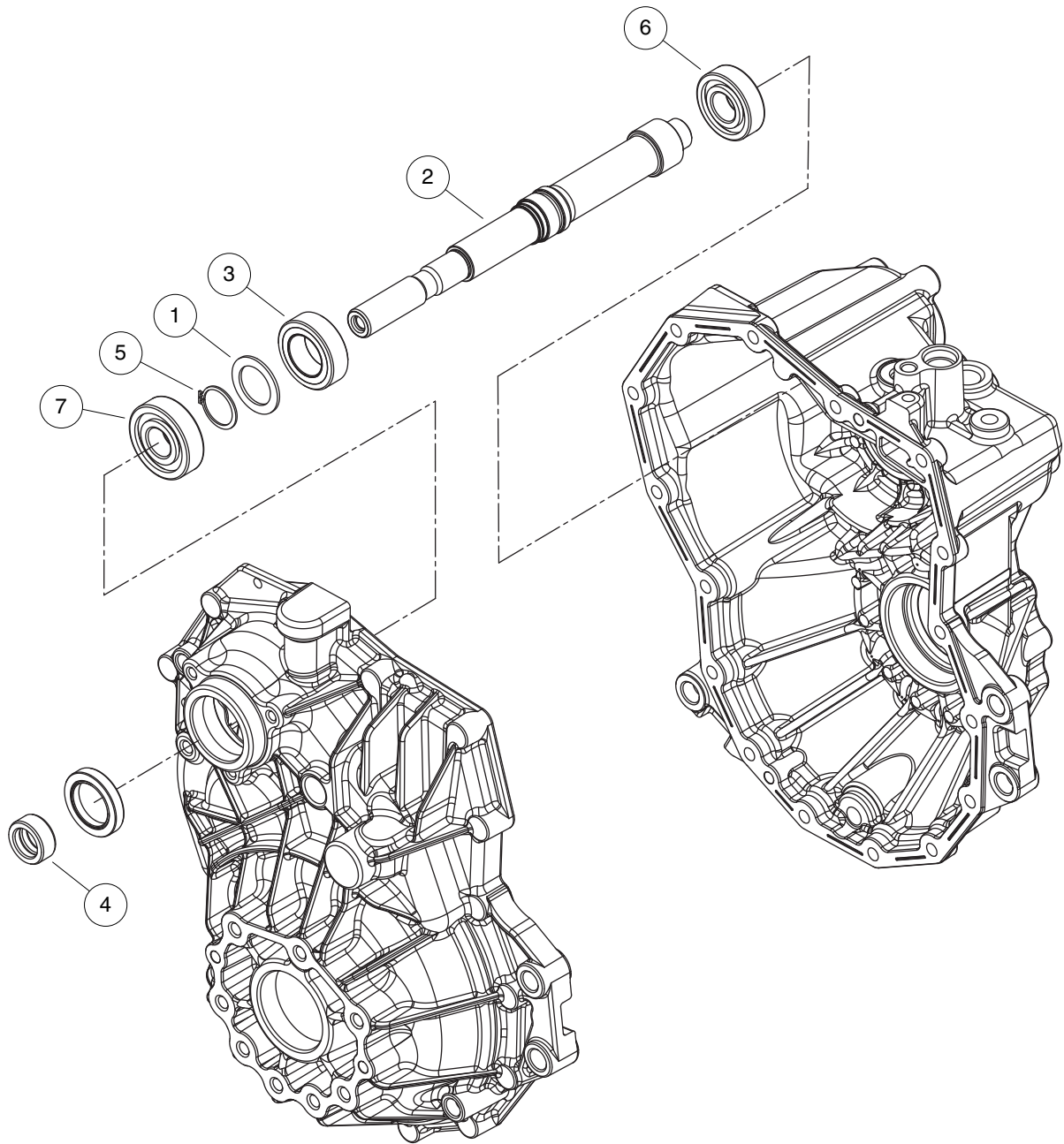
000909-005

TRANSAXLE REDUCTION SHAFT ASSEMBLY – 2WD

| ITEM | PART NO. | DESCRIPTION | QTY |
|------|------------------|--------------------------------------|-----|
| | | 1 2 3 4 | |
| 1 | <u>103604101</u> | Bearing, 6204, Transaxle | 1 |
| 2 | <u>103604301</u> | Washer, 20x30x1.6, Redn Shaft | 3 |
| 3 | <u>103604401</u> | Washer 25x44x2, Redn Shaft Asm | 1 |
| 4 | <u>103604601</u> | Gear, Reduction, Fwd | 1 |
| 5 | <u>103604701</u> | Gear, Reduction, Rev | 1 |
| 6 | <u>103604801</u> | Collar, Spline, Redn Shaft Asm | 1 |
| 7 | <u>103604901</u> | Collar, Redn Shaft Asm | 1 |
| 8 | <u>103605001</u> | Shifter, Redn Shaft Asm | 1 |
| 9 | <u>103605101</u> | Ring, 20, Transaxle | 1 |
| 10 | <u>103605201</u> | Ring, 24, Redn Shaft Asm | 1 |
| 11 | <u>103605301</u> | Bearing, 6305 Ntn, Redn Shaft | 1 |
| 12 | <u>103605401</u> | Needle, 202413, Redn Shaft Asm | 2 |
| 13 | <u>103605501</u> | Needle, 253013, Transaxle | 2 |
| 14 | <u>103605601</u> | Shaft, Reduction, 2wd | 1 |
| 15 | <u>103610301</u> | Cover, Pto, Frt Drive Cover | 1 |
| 16 | <u>103610401</u> | Bolt, 8x20, Frt Drive Cover | 5 |

12

G

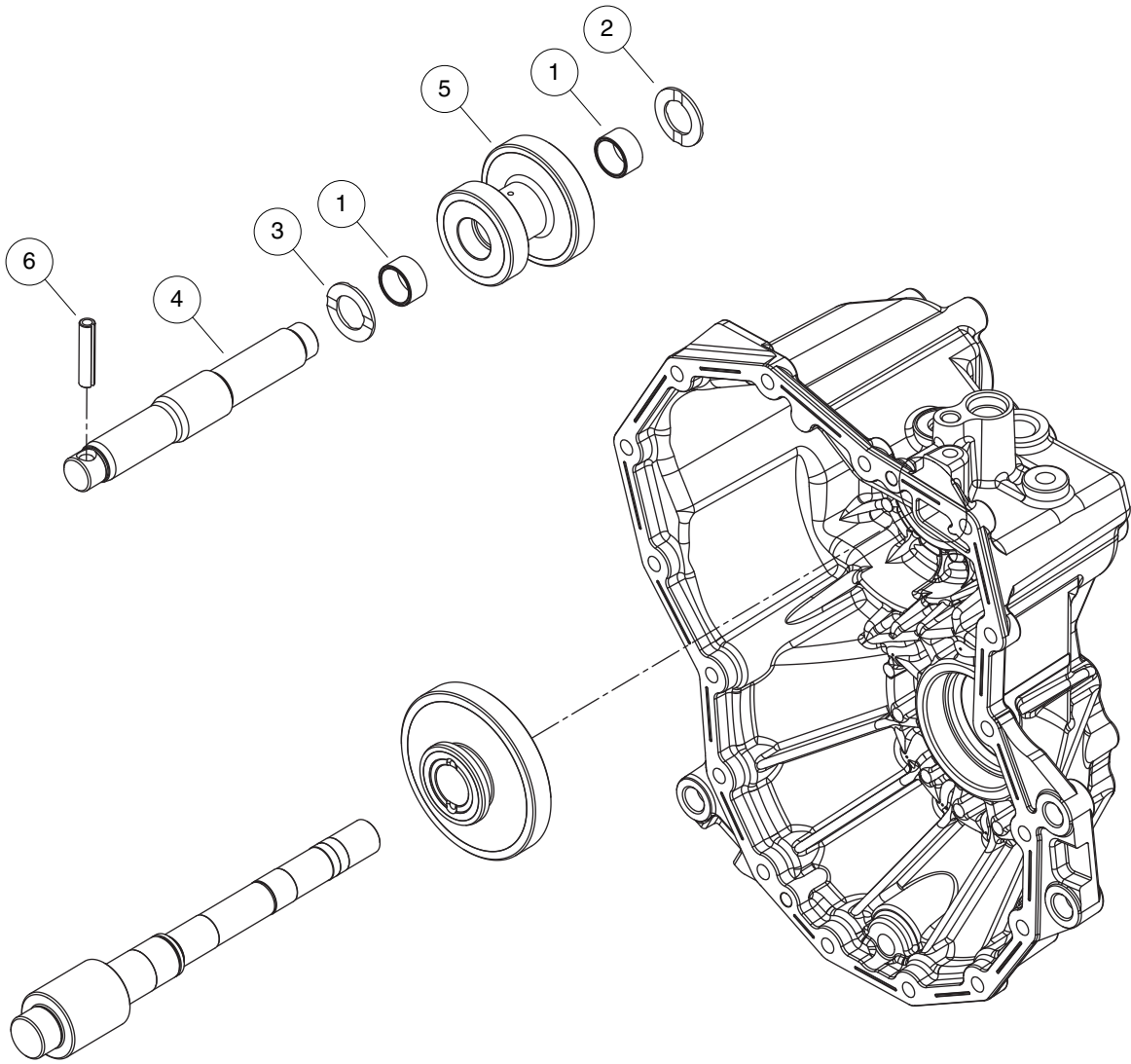


000909-003

TRANSAXLE INPUT SHAFT – 2WD

| ITEM | PART NO. | DESCRIPTION | QTY |
|------|------------------|------------------------------------|-----|
| | | 1 2 3 4 | |
| 1 | <u>103603601</u> | Washer, 27x40x2, I/p Shaft | 1 |
| 2 | <u>103603701</u> | Shaft, Input, Transaxle | 1 |
| 3 | <u>103603801</u> | Gear, Input, I/p Shaft Asm | 1 |
| 4 | <u>103603901</u> | Sleeve, 20x30x13, I/p Shaft | 1 |
| 5 | <u>103604001</u> | Ring, 26, I/p Shaft Asm | 1 |
| 6 | <u>103604101</u> | Bearing, 6204, Transaxle | 1 |
| 7 | <u>103604201</u> | Bearing, 6304, I/p Shaft Asm | 1 |

12
G



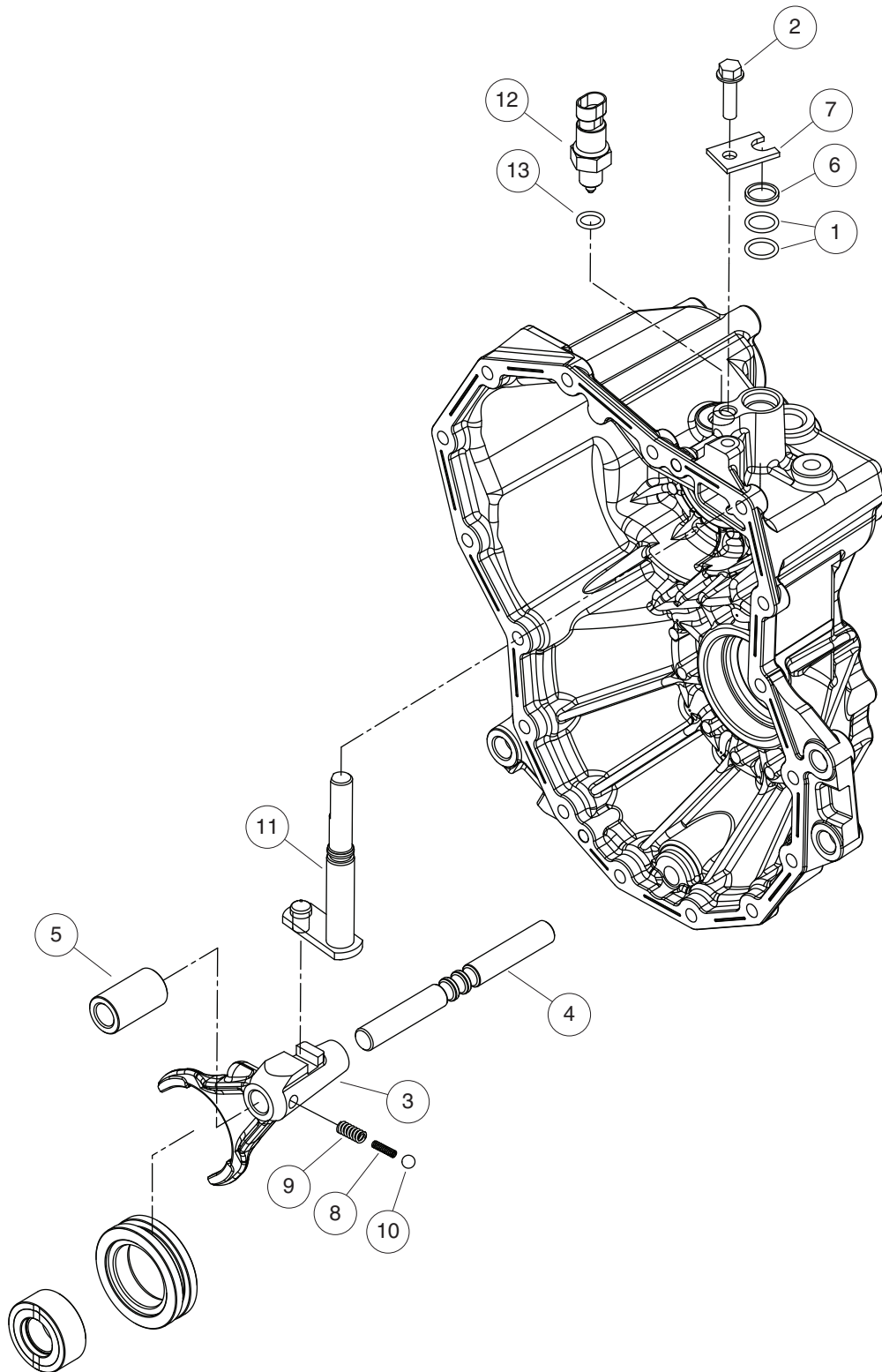
000909-006

TRANSAXLE REVERSE SHAFT ASSEMBLY – 2WD

| ITEM | PART NO. | DESCRIPTION | QTY |
|------|------------------|--------------------------------------|-----|
| | | 1 2 3 4 | |
| 1 | <u>103605501</u> | Needle, 253013, Transaxle | 2 |
| 2 | <u>103605701</u> | Washer, 20x34x2, Rev Shaft Asm | 1 |
| 3 | <u>103605801</u> | Washer, 25x36x2, Rev Shaft Asm | 1 |
| 4 | <u>103605901</u> | Shaft, Idle, Rev | 1 |
| 5 | <u>103606001</u> | Gear, Idle, Rev | 1 |
| 6 | <u>103606101</u> | Pin, 8.0ax 40, Transaxle | 1 |

12

G



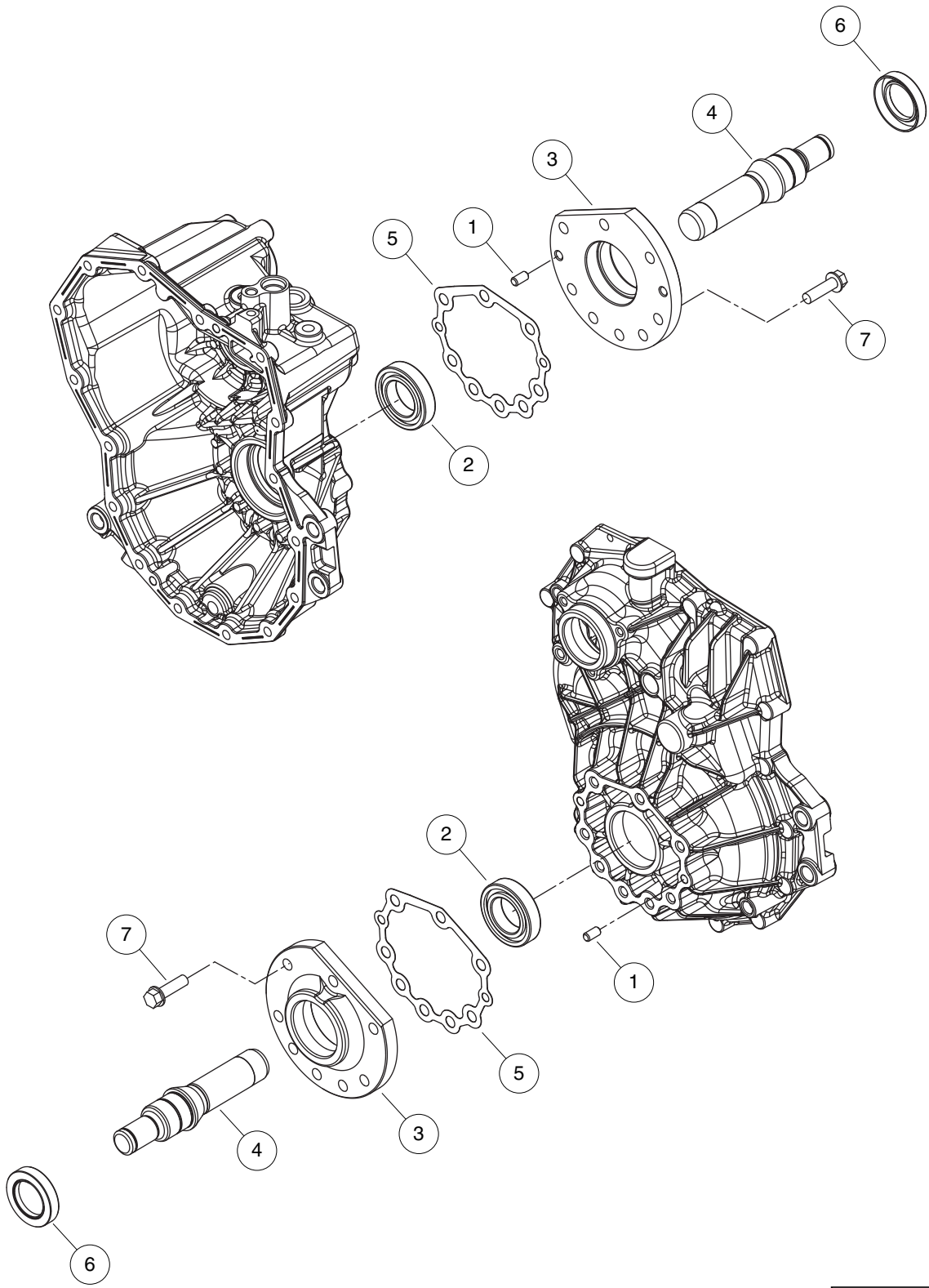
000909-018

TRANSAXLE SHIFT ASSEMBLY – 2WD

| ITEM | PART NO. | DESCRIPTION | QTY |
|------|------------------|----------------------------------|-----|
| | | 1 2 3 4 | |
| 1 | <u>103603101</u> | Packing, P 16.0, Transaxle | 2 |
| 2 | <u>103603501</u> | Bolt, M8x30 | 1 |
| 3 | <u>103606301</u> | Fork, Shift | 1 |
| 4 | <u>103606401</u> | Shaft, Shift Fork | 1 |
| 5 | <u>103606501</u> | Collar, Fork Shaft | 1 |
| 6 | <u>103606801</u> | Collar, Shift Arm | 1 |
| 7 | <u>103606901</u> | Plate, Keep, Transaxle | 1 |
| 8 | <u>103607001</u> | Spring, Inner, Shift Asm | 1 |
| 9 | <u>103607101</u> | Spring, 23, Shift Asm | 1 |
| 10 | <u>103607201</u> | Ball, 5/16, Shift Asm | 1 |
| 11 | <u>103902901</u> | Shift Arm, Complete, Al | 1 |
| 12 | <u>103903101</u> | Switch, Neutral Start, Al | 1 |
| 13 | <u>103903201</u> | O-ring, Switch, Al | 1 |

12

G



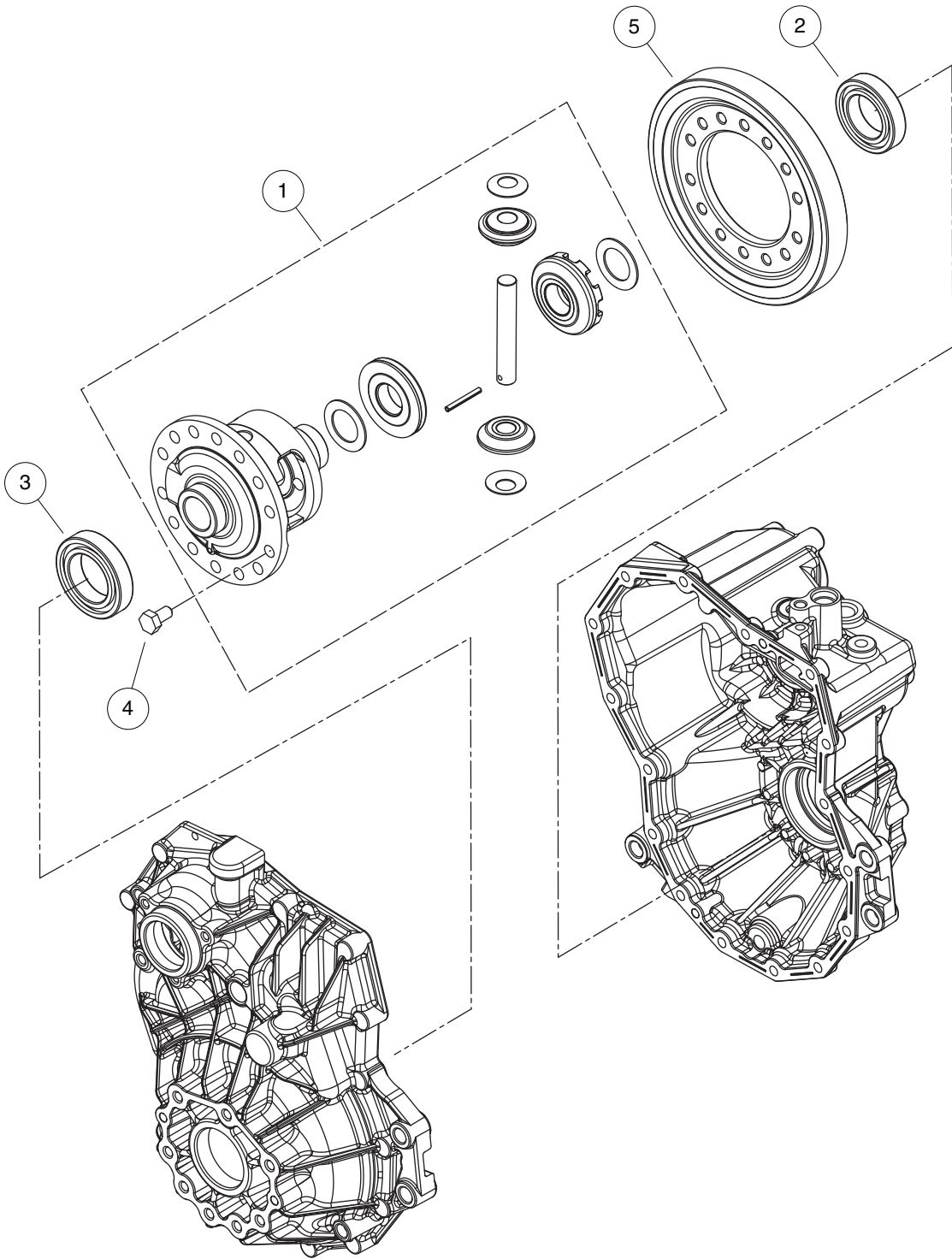
000909-009

TRANSAXLE AXLE HOUSING ASSEMBLY – 2WD

| ITEM | PART NO. | DESCRIPTION | QTY |
|------|------------------|--------------------------------------|-----|
| | | 1 2 3 4 | |
| 1 | <u>103603301</u> | Pin, 8x14, Transaxle | 4 |
| 2 | <u>103608801</u> | Bearing, 6007 Ntn, Transaxle | 2 |
| 3 | <u>103609801</u> | Housing, Axle, Kanzaki | 2 |
| 4 | <u>103609901</u> | Shaft, Axle, Kanzaki | 2 |
| 5 | <u>103610001</u> | Packing, Axle Housing, Kanzaki | 2 |
| 6 | <u>103610101</u> | Seal, Tc355511, Axle Hsng Asm | 2 |
| 7 | <u>103610201</u> | Bolt, 10 X 35, Axle Hsng Asm | 16 |

12

G



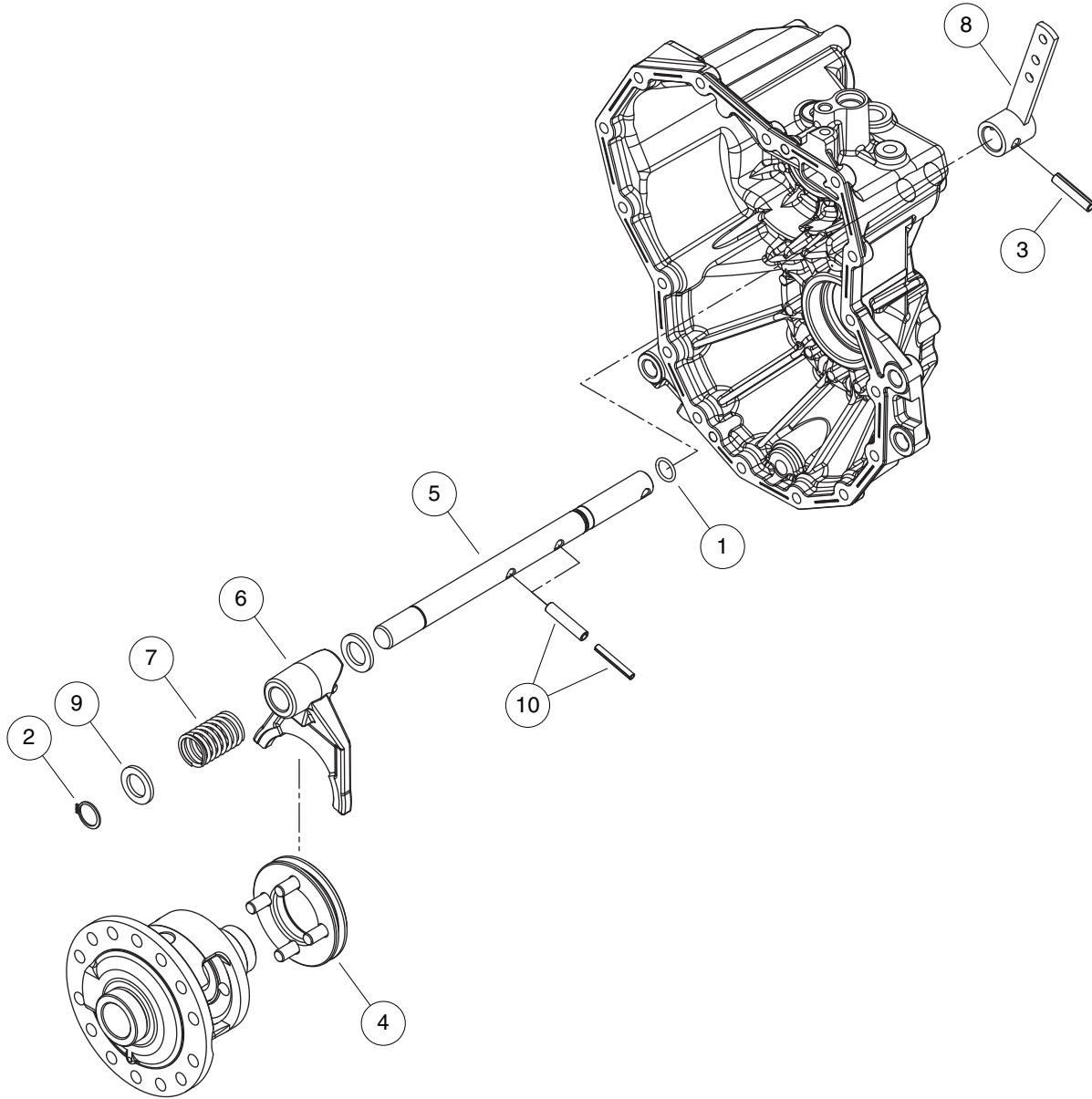
000909-011

TRANSAXLE DIFFERENTIAL GEAR ASSEMBLY – 2WD

| ITEM | PART NO. | DESCRIPTION | QTY |
|------|------------------|--------------------------------------|-----|
| | | 1 2 3 4 | |
| 1 | <u>103610501</u> | Differential, Cmp, T/a Kanzaki | 1 |
| 2 | <u>103610701</u> | Bearing, 6008 Ntn, Diff | 1 |
| 3 | <u>103610801</u> | Bearing, 6009 Ntn, Diff | 1 |
| 4 | <u>103610901</u> | Bolt 10x20 | 14 |
| 5 | <u>103611701</u> | Final Gear | 1 |

12

G



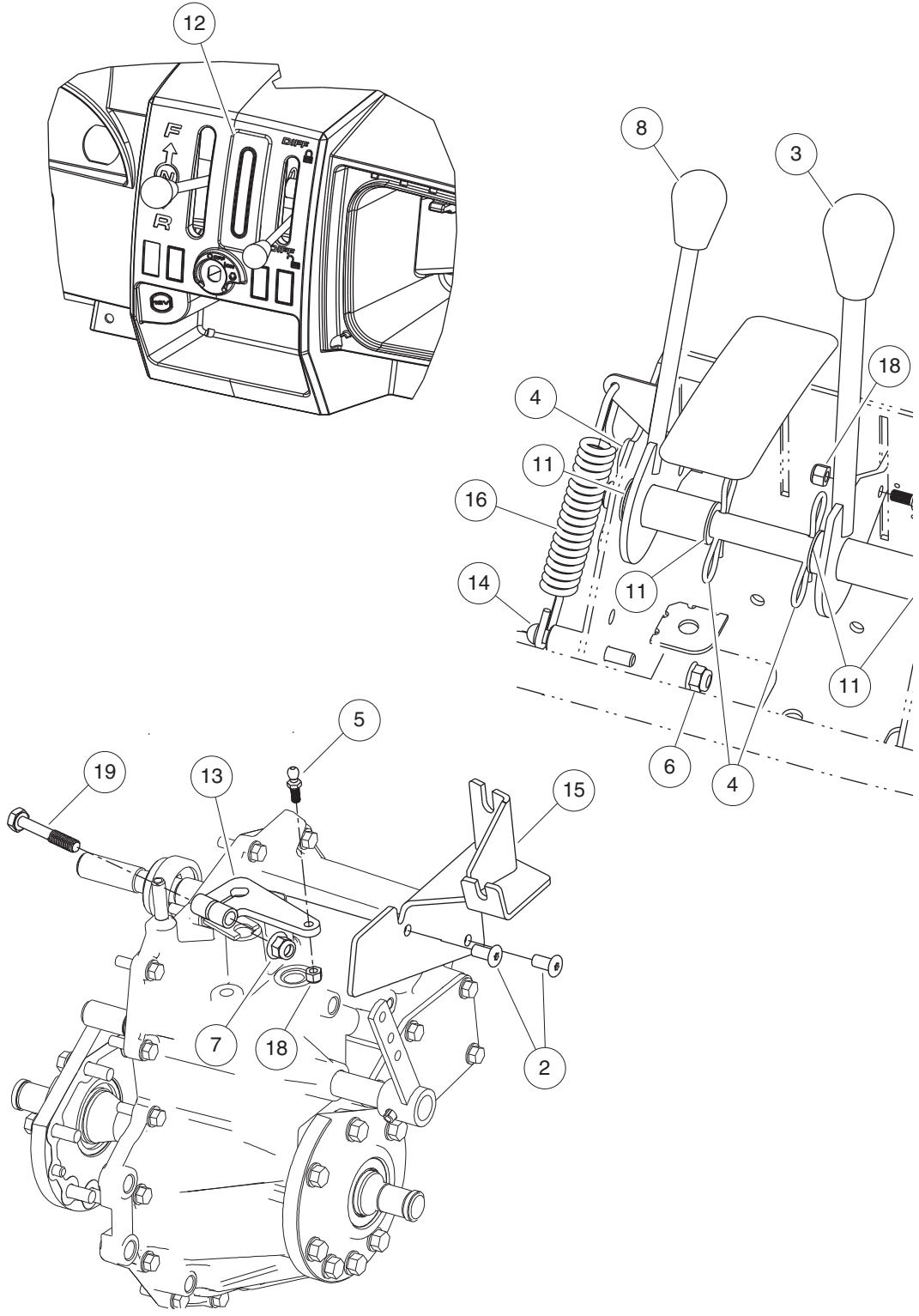
000909-012

TRANSAXLE DIFFERENTIAL LOCK ASSEMBLY – 2WD

| ITEM | PART NO. | DESCRIPTION | QTY |
|------|------------------|------------------------------------|-----|
| | | 1 2 3 4 | |
| 1 | <u>103603101</u> | Packing, P 16.0, Transaxle | 1 |
| 2 | <u>103605101</u> | Ring, 20, Transaxle | 1 |
| 3 | <u>103606101</u> | Pin, 8.0ax 40, Transaxle | 2 |
| 4 | <u>103611001</u> | Slider, Diff.lock | 1 |
| 5 | <u>103611101</u> | Shaft, Diff.lock | 1 |
| 6 | <u>103611201</u> | Fork, Diff. Lock | 1 |
| 7 | <u>103611301</u> | Spring, Diff. Lock | 1 |
| 8 | <u>103611401</u> | Arm, Diff. Lock Cmp | 1 |
| 9 | <u>103611501</u> | Spacer, 20x32x3.2, Diff Lock | 2 |
| 10 | <u>103611601</u> | Spring Pin, Cmp | 2 |

12

G

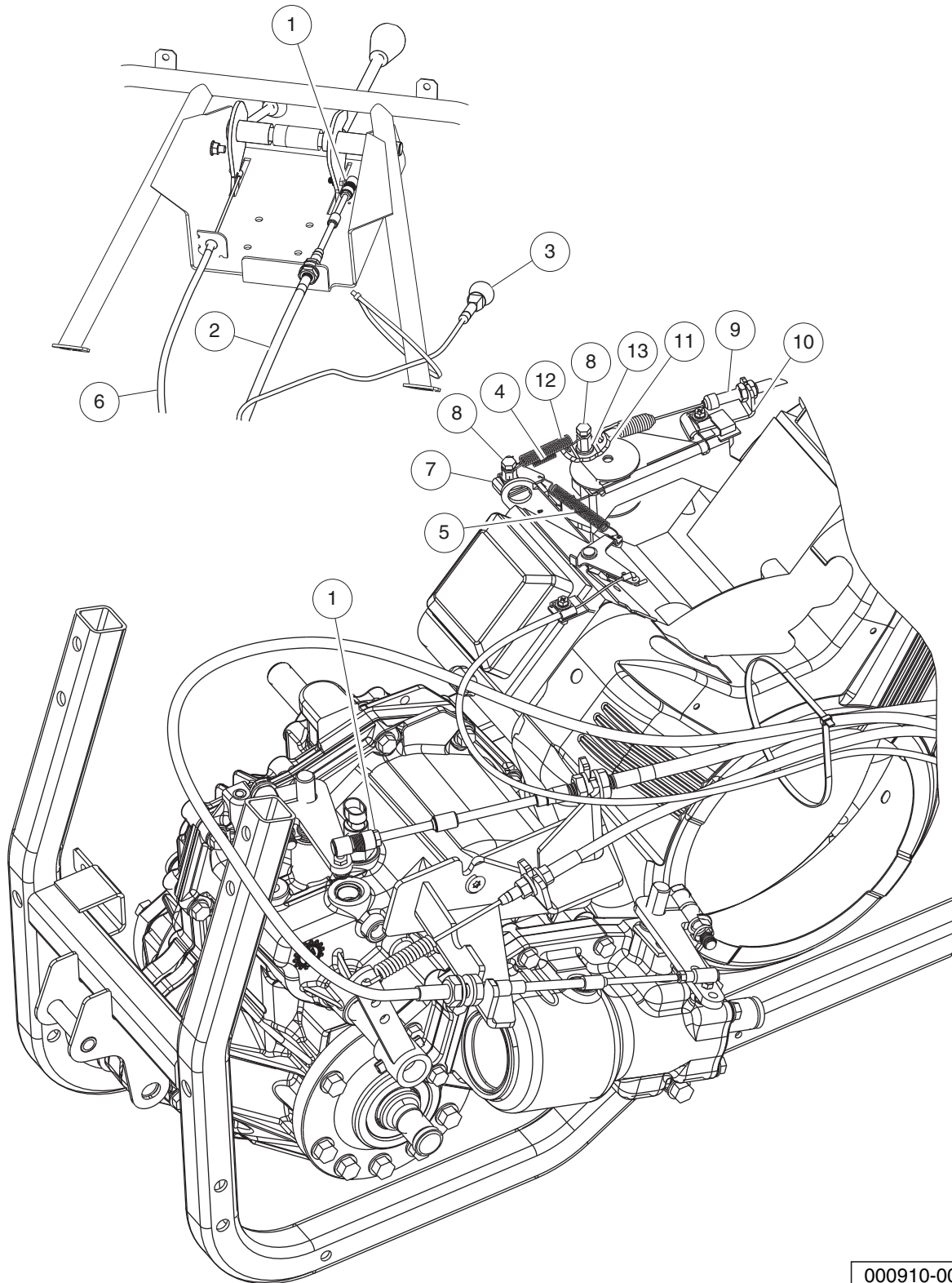


[

FORWARD/REVERSE SHIFTER

| ITEM | PART NO. | DESCRIPTION | QTY |
|------|------------------|---|-----|
| | | 1 2 3 4 | |
| 1 | <u>1010193</u> | Washer, 5/8 Type A Plain Flat | 1 |
| 2 | <u>1016074</u> | Screw, M8-1.25 X 18mm Torx | 2 |
| 3 | <u>102376001</u> | Knob, FNR, Shifter | 1 |
| 4 | <u>102518901</u> | Pin, Bow Tie 0.120 X 2.750 | 3 |
| 5 | <u>102615701</u> | Stud, Ball, .346 Dia | 2 |
| 6 | <u>102618601</u> | Lock Nut, Flange, M8 X 1.25 Nylon | 1 |
| 7 | <u>102670701</u> | Nut, Flange, M10 X 1.5 Nylon | 1 |
| 8 | <u>103114801</u> | Knob, Black, 32mm Dia | 1 |
| 9 | <u>103419201</u> | Weldment, Shifter, Dash, Fnr | 1 |
| 10 | <u>103419501</u> | Weldment, Shifter, Diff | 1 |
| 11 | <u>103420201</u> | Bushing, Flange, 16 Id X 19 | 4 |
| 12 | <u>103430901</u> | Cover, Shifter | 1 |
| 13 | <u>103438001</u> | Weldment, Lever, Trans, Fnr | 1 |
| 14 | <u>103482301</u> | Stud, Mtg, Spring | 1 |
| 15 | <u>103597402</u> | Weldment, Brkt, Cable, 2wd | 1 |
| 16 | <u>103710501</u> | Spring, Ext, 22mm Dia X 148 Mm | 1 |
| 17 | 103893801 | Shaft, Controls, Xrt950 | 1 |
| 18 | <u>8717</u> | Locknut, Nylon Insert, 1/4-28 | 2 |
| 19 | <u>96704960</u> | Bolt, M10 X 1.5 X 60 | 1 |

12
G



000910-007

CONTROL CABLES

12
G

| ITEM | PART NO. | DESCRIPTION | QTY |
|------|------------------|--------------------------------------|-----|
| | | 1 2 3 4 | |
| 1 | <u>102615801</u> | Joint, Ball, .346 Dia | 2 |
| 2 | <u>103106401</u> | Cable, Trans, Fnr | 1 |
| 3 | <u>103433201</u> | Cable, Choke, B&s | 1 |
| 4 | <u>103481901</u> | Spring, Ext, 9mm Dia | 1 |
| 5 | <u>103595601</u> | Spring, Ext, 7mm Dai, X 55 | 1 |
| 6 | <u>103599301</u> | Cable, Trans, Diff-lock | 1 |
| 7 | <u>103618701</u> | Bkt, Spring, Engine, B&s | 1 |
| 8 | <u>103788401</u> | Stud, Threaded, #10-32 | 2 |
| 9 | <u>103799001</u> | Cable, Accel, Epdm, Ot Spring | 1 |
| 10 | <u>103799101</u> | Brkt, Accel Cable Gov Mount | 1 |
| 11 | <u>103799201</u> | Brkt, Accel Swivel, Xrt950 | 1 |
| 12 | <u>103799401</u> | Spring, Ext 8od X .94w X 68.4l | 1 |
| 13 | <u>183</u> | Washer, #10, Type A, Flat | 1 |

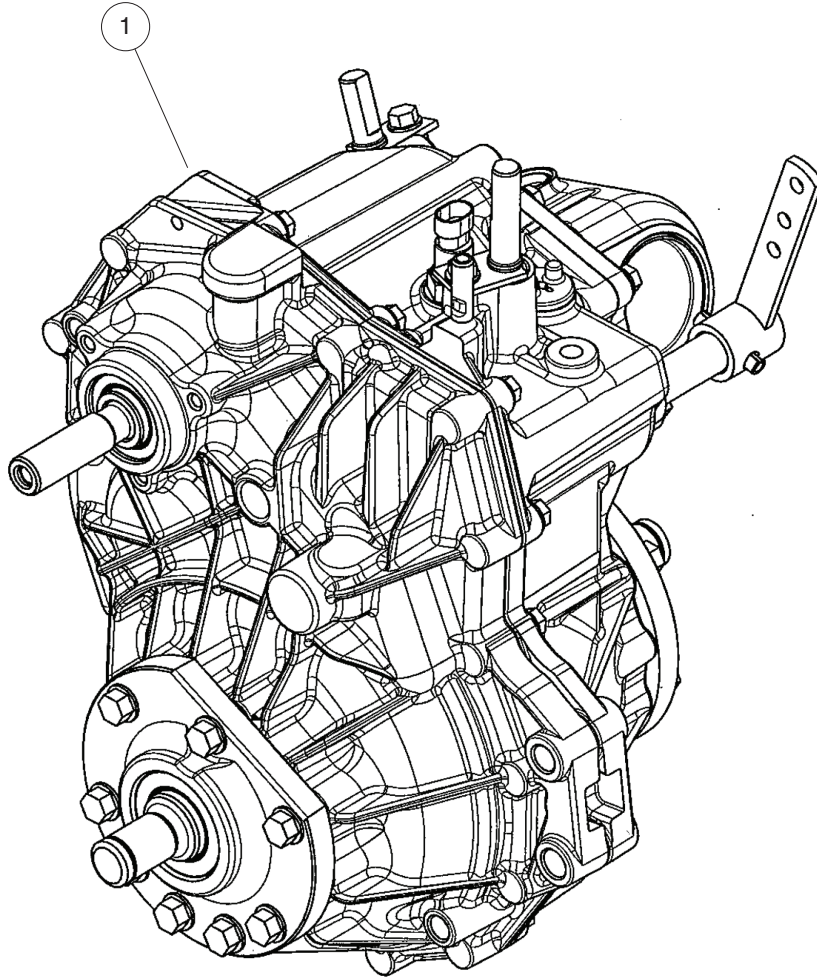
12

G

DRIVETRAIN COMPONENTS – 4WD

13

G

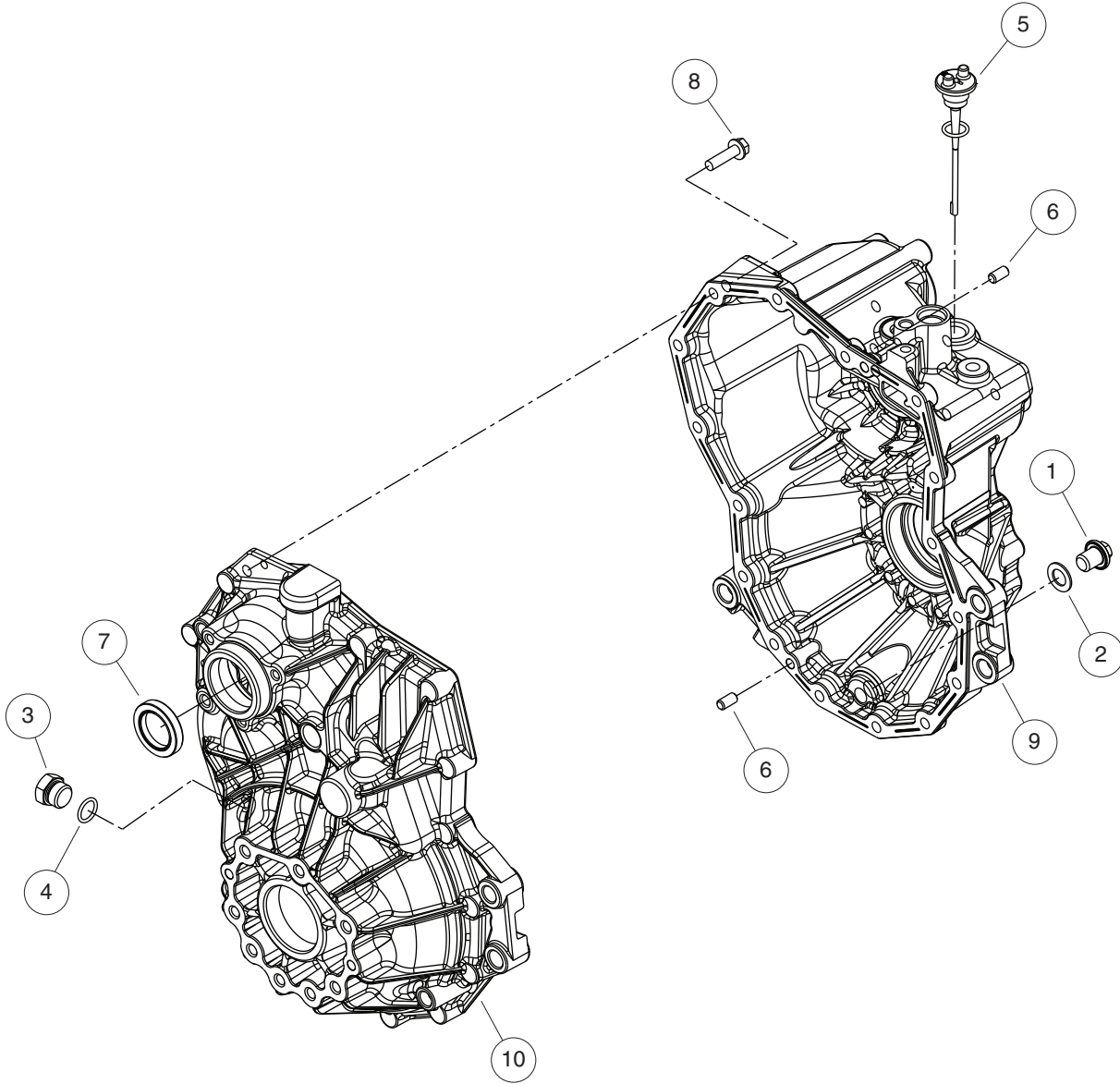


000909-013

TRANSAXLE - 4WD

| ITEM | PART NO. | DESCRIPTION | QTY |
|------|------------------|--|-----|
| 1 | <u>103646402</u> | 1 2 3 4 Transaxle, Uv31c, 4wd, Auto | 1 |

13
G



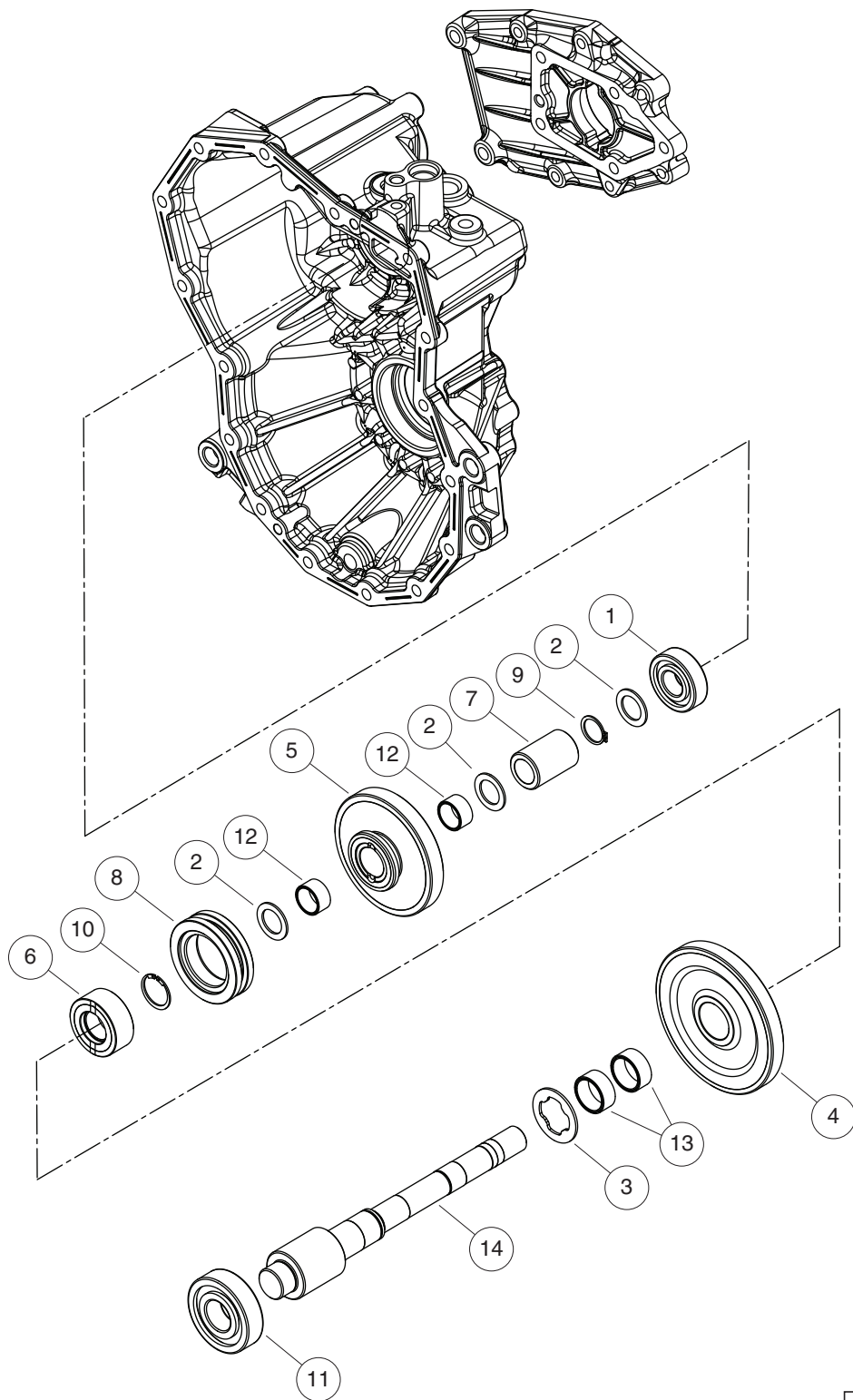
000909-017

TRANSAXLE HOUSING – 4WD

| ITEM | PART NO. | DESCRIPTION | QTY |
|------|------------------|------------------------------------|-----|
| | | 1 2 3 4 | |
| 1 | <u>103602801</u> | Bolt, M14x16, T/a Hsng Asm | 1 |
| 2 | <u>103602901</u> | Washer, Drain Plug, T/a Hsng | 1 |
| 3 | <u>103603001</u> | Plug, 3/4-16, W/p Cmp | 1 |
| 4 | <u>103603101</u> | Packing, P 16.0, Transaxle | 1 |
| 5 | <u>103603201</u> | Dip Stick Cmp, T/a Hsng Asm | 1 |
| 6 | <u>103603301</u> | Pin, 8x14, Transaxle | 2 |
| 7 | <u>103603401</u> | Seal, Tc304508, T/a Hsng Asm | 1 |
| 8 | <u>103603501</u> | Bolt, M8x30 | 16 |
| 9 | <u>103905301</u> | Housing, Transaxle, Uv31c | 1 |
| 10 | <u>103905401</u> | Cover, Transaxle, Uv31c | 1 |

13

G



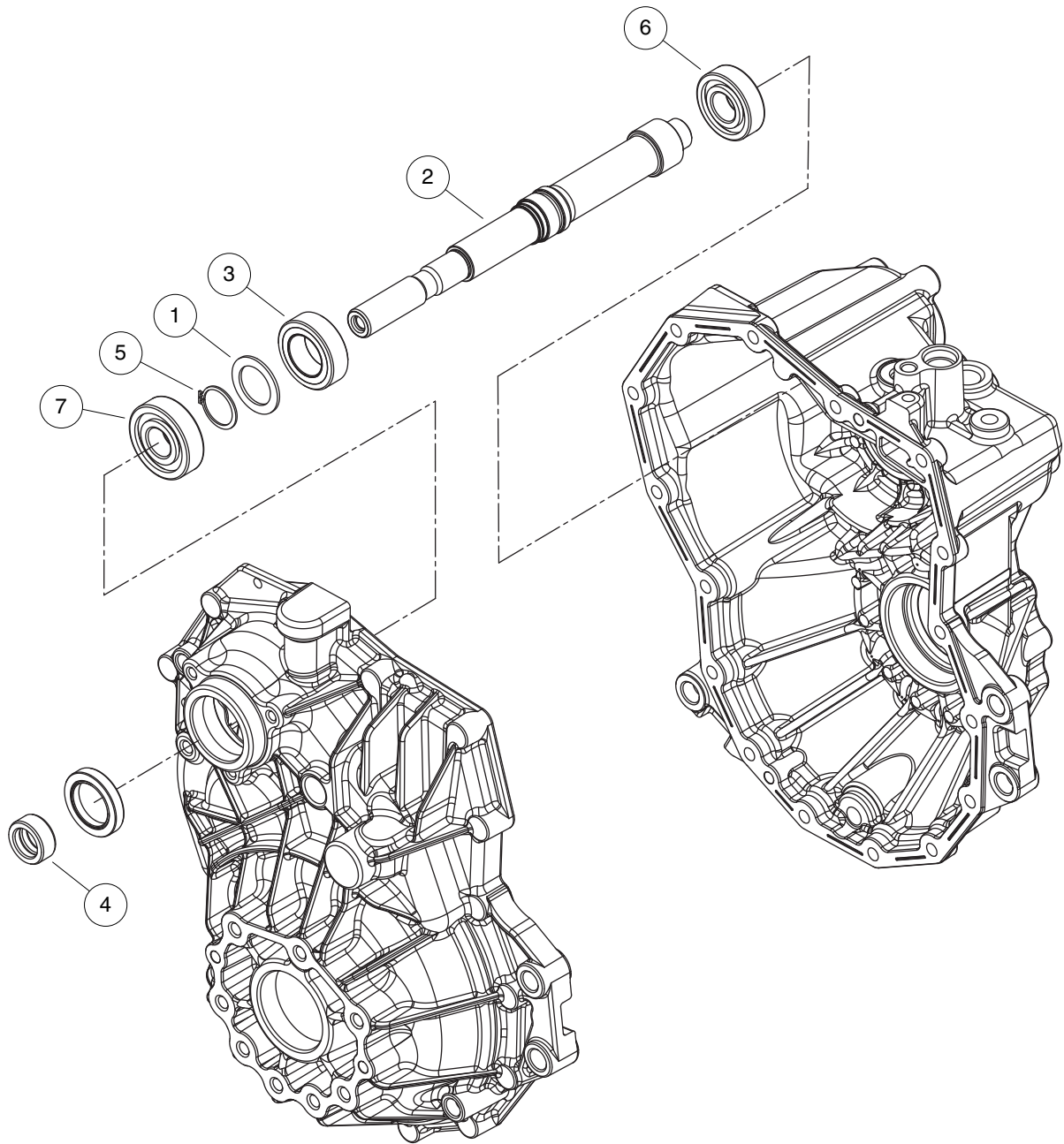
000909-019

TRANSAXLE REDUCTION SHAFT ASSEMBLY – 4WD

| ITEM | PART NO. | DESCRIPTION | QTY |
|------|------------------|--------------------------------------|-----|
| | | 1 2 3 4 | |
| 1 | <u>103604101</u> | Bearing, 6204, Transaxle | 1 |
| 2 | <u>103604301</u> | Washer, 20x30x1.6, Redn Shaft | 3 |
| 3 | <u>103604401</u> | Washer 25x44x2, Redn Shaft Asm | 1 |
| 4 | <u>103604601</u> | Gear, Reduction, Fwd | 1 |
| 5 | <u>103604701</u> | Gear, Reduction, Rev | 1 |
| 6 | <u>103604801</u> | Collar, Spline, Redn Shaft Asm | 1 |
| 7 | <u>103604901</u> | Collar, Redn Shaft Asm | 1 |
| 8 | <u>103605001</u> | Shifter, Redn Shaft Asm | 1 |
| 9 | <u>103605101</u> | Ring, 20, Transaxle | 1 |
| 10 | <u>103605201</u> | Ring, 24, Redn Shaft Asm | 1 |
| 11 | <u>103605301</u> | Bearing, 6305 Ntn, Redn Shaft | 1 |
| 12 | <u>103605401</u> | Needle, 202413, Redn Shaft Asm | 2 |
| 13 | <u>103605501</u> | Needle, 253013, Transaxle | 2 |
| 14 | <u>103902801</u> | Shaft, Reduction, 4wd, Al | 1 |

13

G

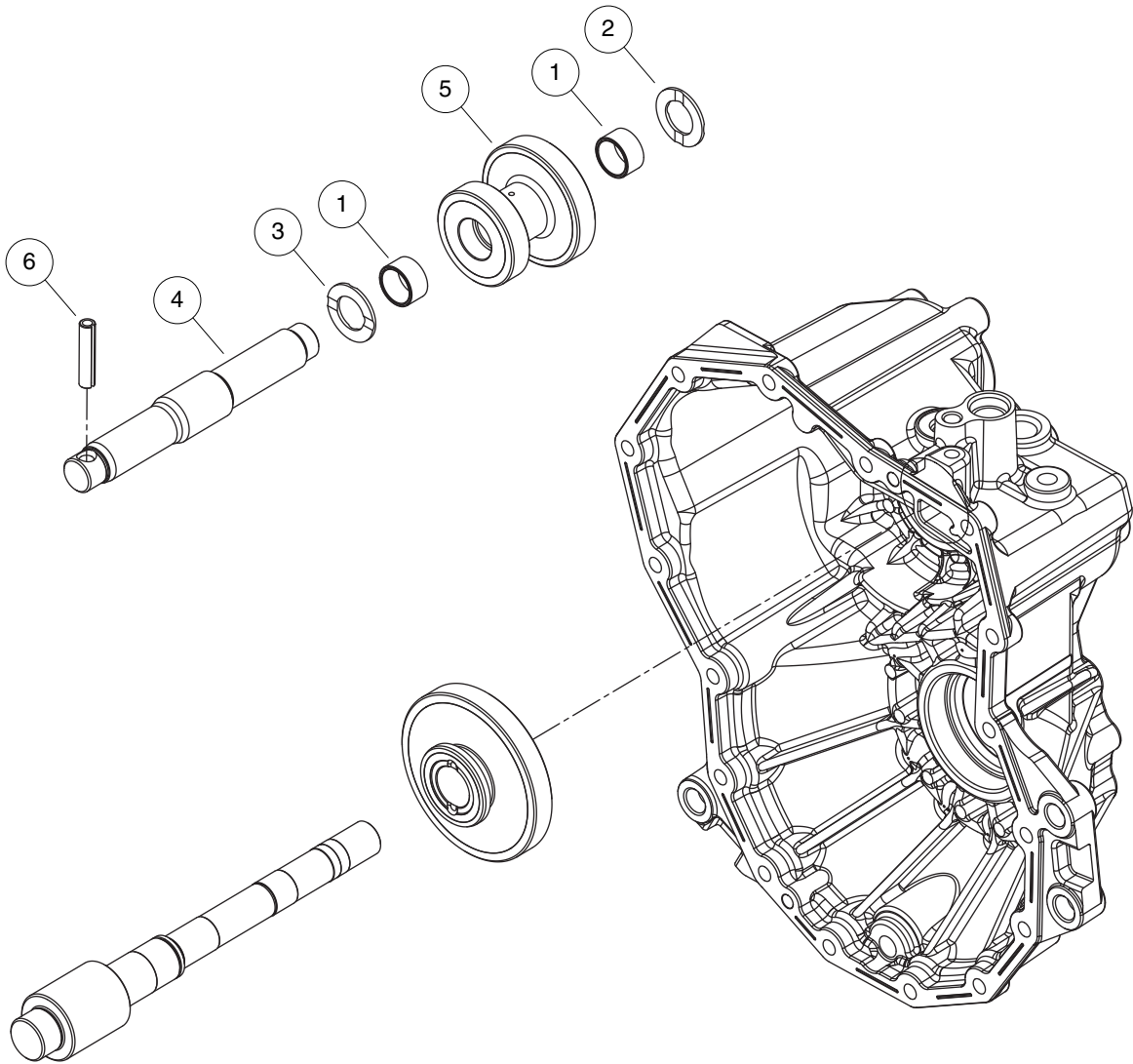


000909-003

TRANSAXLE INPUT SHAFT – 4WD

| ITEM | PART NO. | DESCRIPTION | QTY |
|------|------------------|------------------------------------|-----|
| | | 1 2 3 4 | |
| 1 | <u>103603601</u> | Washer, 27x40x2, I/p Shaft | 1 |
| 2 | <u>103603701</u> | Shaft, Input, Transaxle | 1 |
| 3 | <u>103603801</u> | Gear, Input, I/p Shaft Asm | 1 |
| 4 | <u>103603901</u> | Sleeve, 20x30x13, I/p Shaft | 1 |
| 5 | <u>103604001</u> | Ring, 26, I/p Shaft Asm | 1 |
| 6 | <u>103604101</u> | Bearing, 6204, Transaxle | 1 |
| 7 | <u>103604201</u> | Bearing, 6304, I/p Shaft Asm | 1 |

13
G



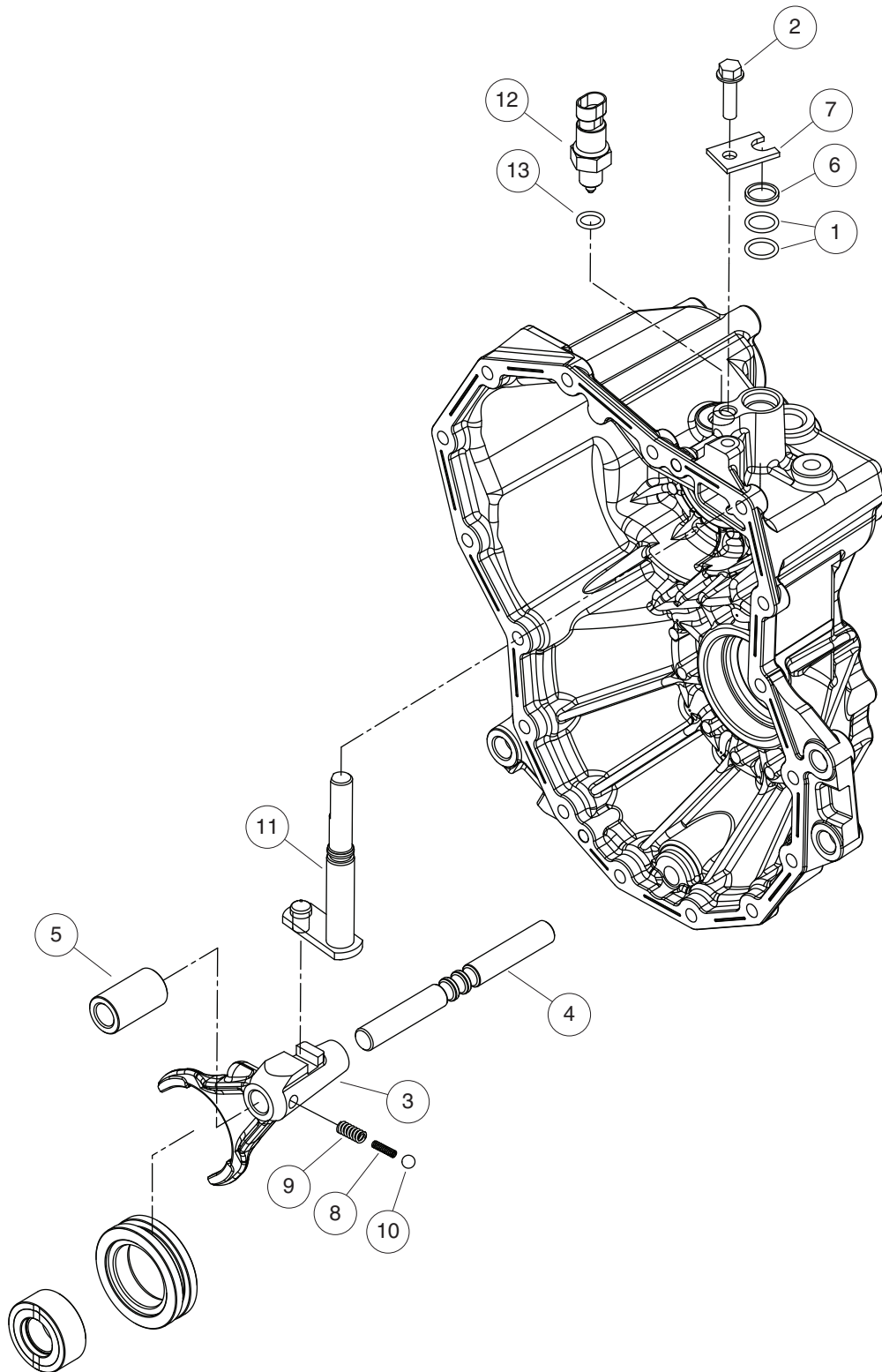
000909-006

TRANSAXLE REVERSE SHAFT ASSEMBLY – 4WD

| ITEM | PART NO. | DESCRIPTION | QTY |
|------|------------------|--------------------------------------|-----|
| | | 1 2 3 4 | |
| 1 | <u>103605501</u> | Needle, 253013, Transaxle | 2 |
| 2 | <u>103605701</u> | Washer, 20x34x2, Rev Shaft Asm | 1 |
| 3 | <u>103605801</u> | Washer, 25x36x2, Rev Shaft Asm | 1 |
| 4 | <u>103605901</u> | Shaft, Idle, Rev | 1 |
| 5 | <u>103606001</u> | Gear, Idle, Rev | 1 |
| 6 | <u>103606101</u> | Pin, 8.0ax 40, Transaxle | 1 |

13

G



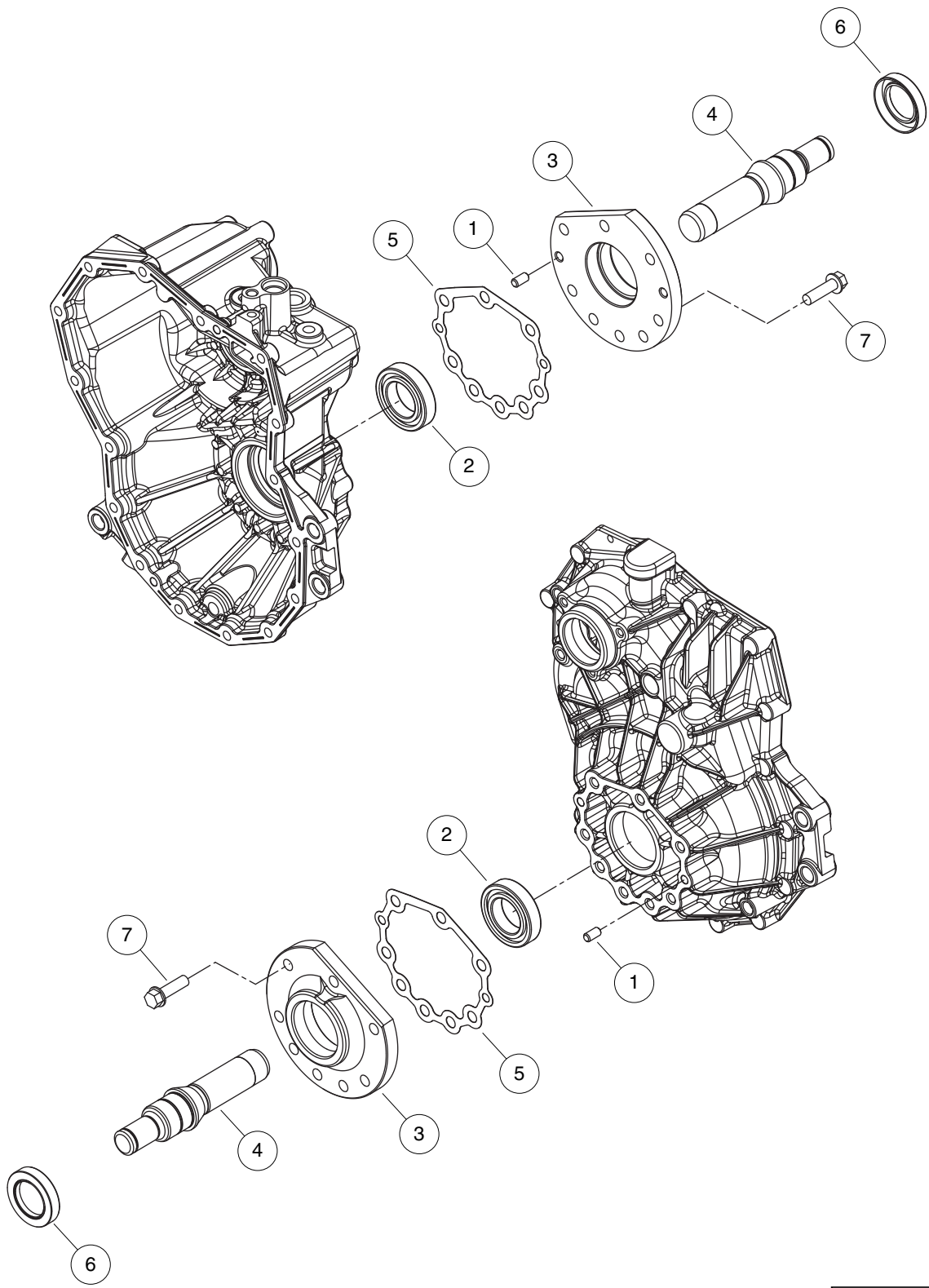
000909-018

TRANSAXLE SHIFT ASSEMBLY – 4WD

| ITEM | PART NO. | DESCRIPTION | QTY |
|------|------------------|----------------------------------|-----|
| | | 1 2 3 4 | |
| 1 | <u>103603101</u> | Packing, P 16.0, Transaxle | 2 |
| 2 | <u>103603501</u> | Bolt, M8x30 | 1 |
| 3 | <u>103606301</u> | Fork, Shift | 1 |
| 4 | <u>103606401</u> | Shaft, Shift Fork | 1 |
| 5 | <u>103606501</u> | Collar, Fork Shaft | 1 |
| 6 | <u>103606801</u> | Collar, Shift Arm | 1 |
| 7 | <u>103606901</u> | Plate, Keep, Transaxle | 1 |
| 8 | <u>103607001</u> | Spring, Inner, Shift Asm | 1 |
| 9 | <u>103607101</u> | Spring, 23, Shift Asm | 1 |
| 10 | <u>103607201</u> | Ball, 5/16, Shift Asm | 1 |
| 11 | <u>103902901</u> | Shift Arm, Complete, Al | 1 |
| 12 | <u>103903101</u> | Switch, Neutral Start, Al | 1 |
| 13 | <u>103903201</u> | O-ring, Switch, Al | 1 |

13

G



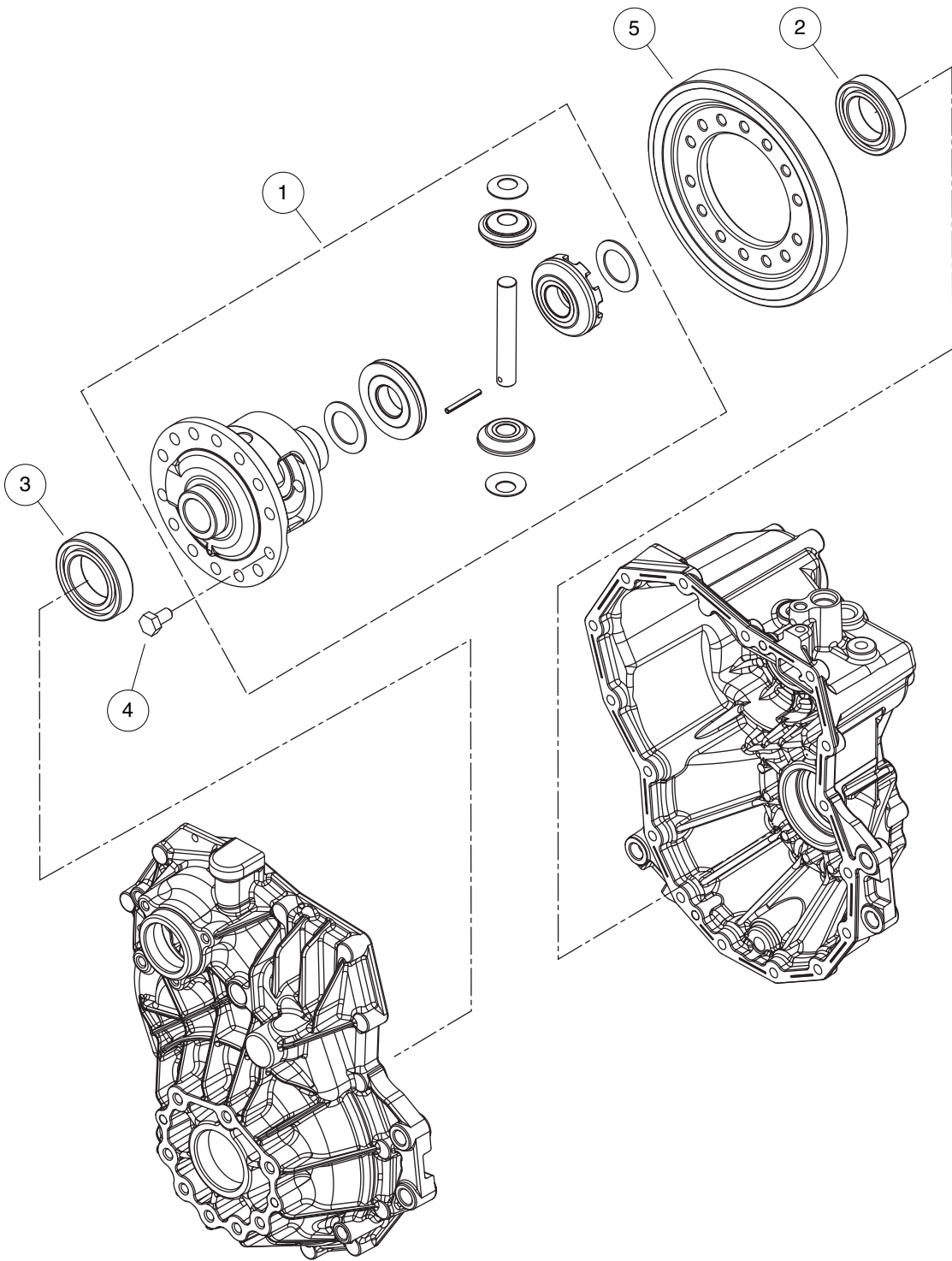
000909-009

TRANSAXLE AXLE HOUSING ASSEMBLY – 4WD

| ITEM | PART NO. | DESCRIPTION | QTY |
|------|------------------|--------------------------------------|-----|
| | | 1 2 3 4 | |
| 1 | <u>103603301</u> | Pin, 8x14, Transaxle | 4 |
| 2 | <u>103608801</u> | Bearing, 6007 Ntn, Transaxle | 2 |
| 3 | <u>103609801</u> | Housing, Axle, Kanzaki | 2 |
| 4 | <u>103609901</u> | Shaft, Axle, Kanzaki | 2 |
| 5 | <u>103610001</u> | Packing, Axle Housing, Kanzaki | 2 |
| 6 | <u>103610101</u> | Seal, Tc355511, Axle Hsng Asm | 2 |
| 7 | <u>103610201</u> | Bolt, 10 X 35, Axle Hsng Asm | 16 |

13

G



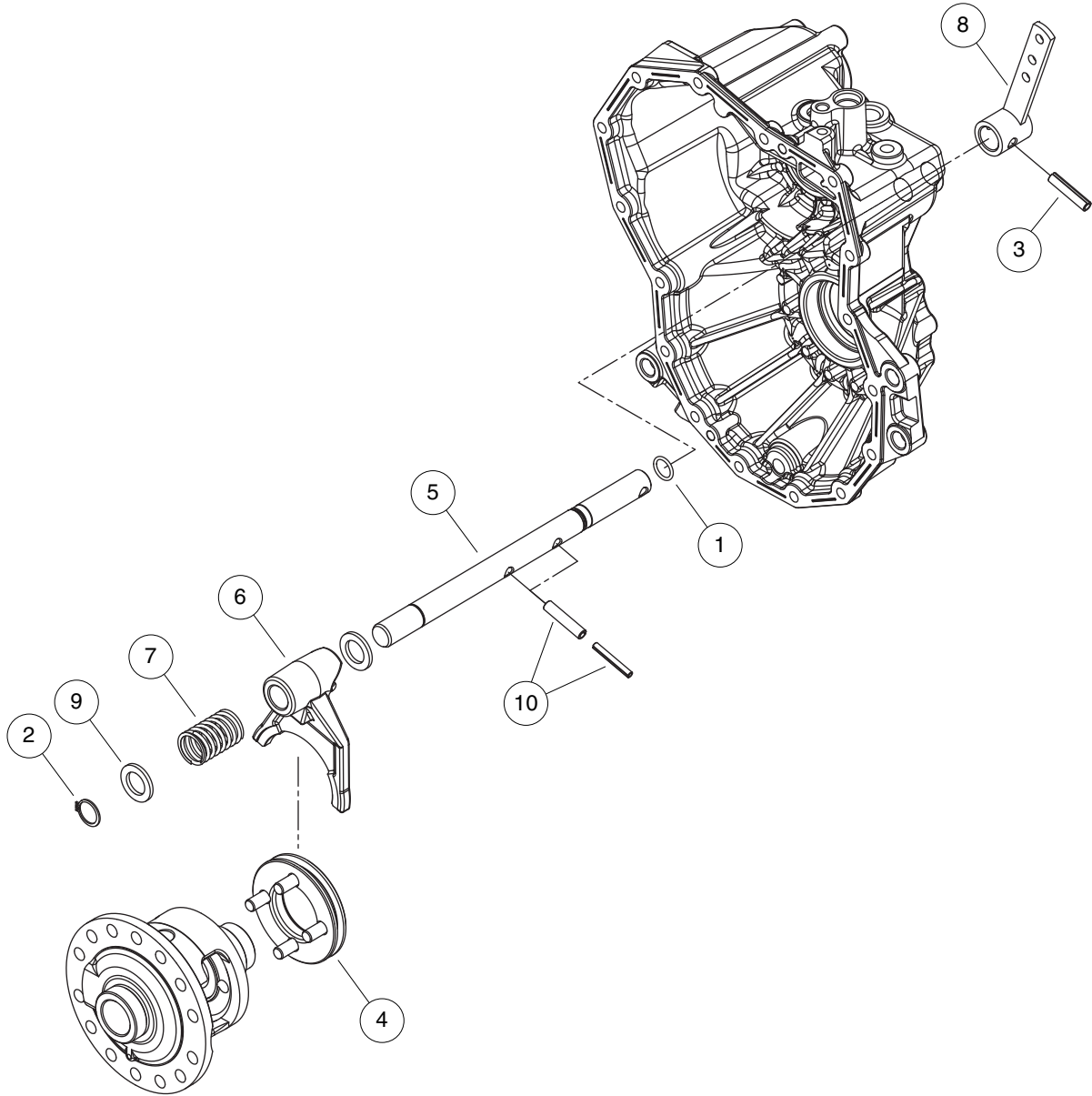
000909-011

TRANSAXLE DIFFERENTIAL GEAR ASSEMBLY – 4WD

| ITEM | PART NO. | DESCRIPTION | QTY |
|------|------------------|--------------------------------------|-----|
| | | 1 2 3 4 | |
| 1 | <u>103610501</u> | Differential, Cmp, T/a Kanzaki | 1 |
| 2 | <u>103610701</u> | Bearing, 6008 Ntn, Diff | 1 |
| 3 | <u>103610801</u> | Bearing, 6009 Ntn, Diff | 1 |
| 4 | <u>103610901</u> | Bolt 10x20 | 14 |
| 5 | <u>103611701</u> | Final Gear | 1 |

13

G



000909-012

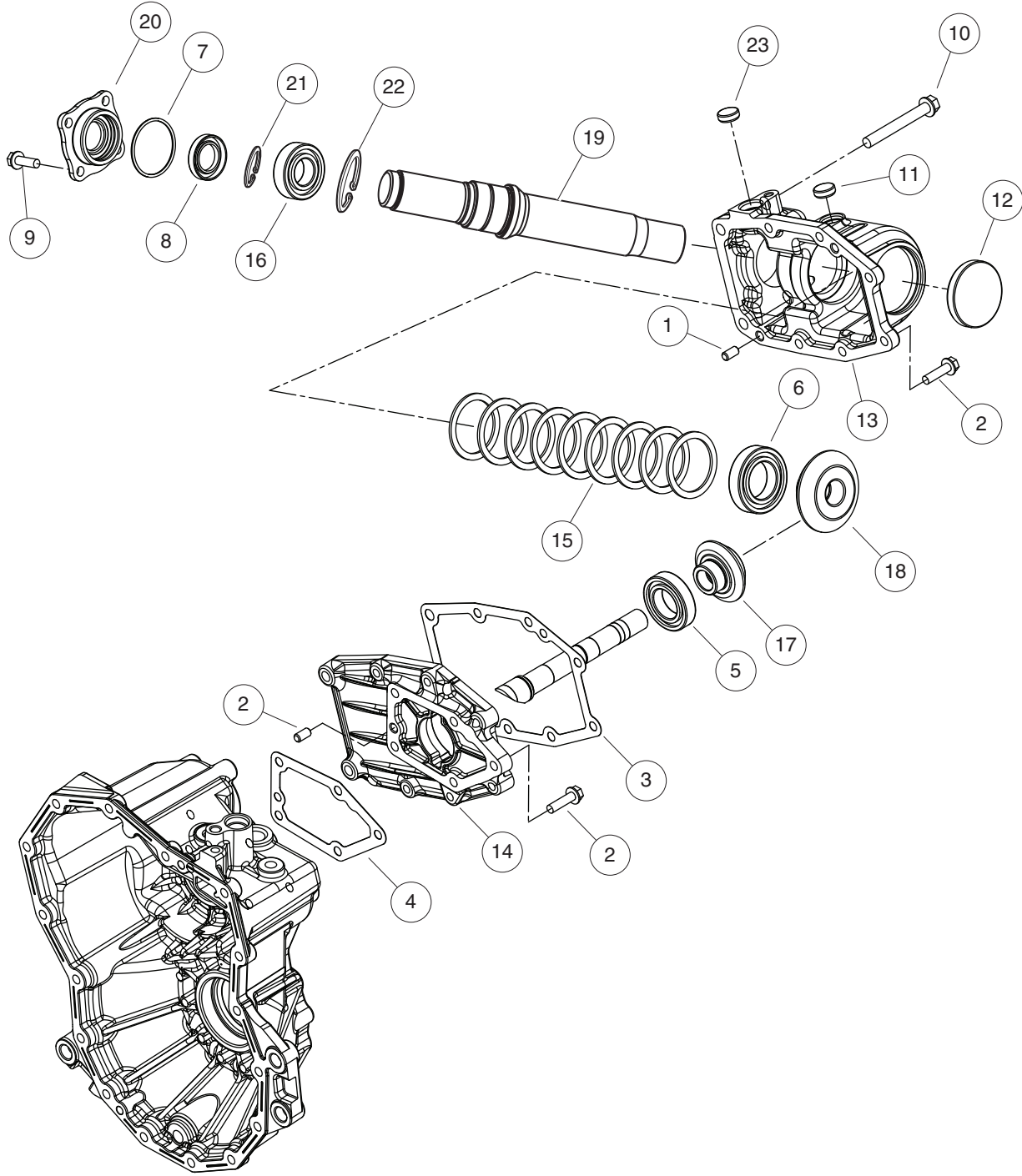
TRANSAXLE DIFFERENTIAL LOCK ASSEMBLY – 4WD

| ITEM | PART NO. | DESCRIPTION | QTY |
|------|------------------|------------------------------------|-----|
| | | 1 2 3 4 | |
| 1 | <u>103603101</u> | Packing, P 16.0, Transaxle | 1 |
| 2 | <u>103605101</u> | Ring, 20, Transaxle | 1 |
| 3 | <u>103606101</u> | Pin, 8.0ax 40, Transaxle | 2 |
| 4 | <u>103611001</u> | Slider, Diff.lock | 1 |
| 5 | <u>103611101</u> | Shaft, Diff.lock | 1 |
| 6 | <u>103611201</u> | Fork, Diff. Lock | 1 |
| 7 | <u>103611301</u> | Spring, Diff. Lock | 1 |
| 8 | <u>103611401</u> | Arm, Diff. Lock Cmp | 1 |
| 9 | <u>103611501</u> | Spacer, 20x32x3.2, Diff Lock | 2 |
| 10 | <u>103611601</u> | Spring Pin, Cmp | 2 |

13

G

13
G

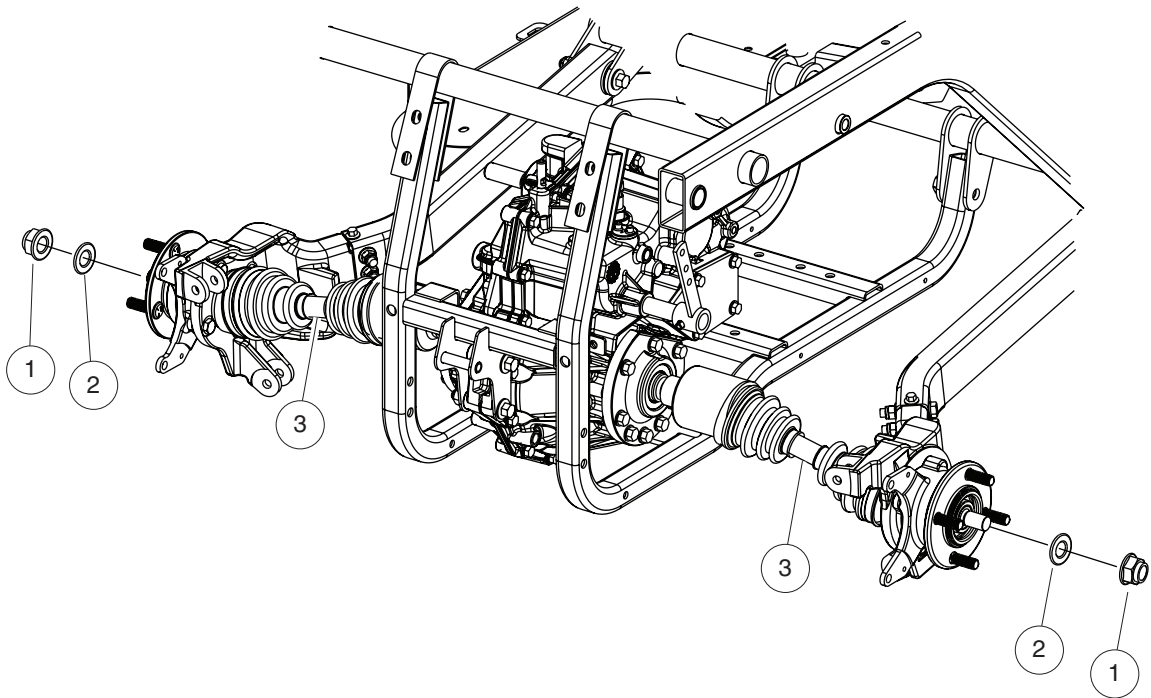
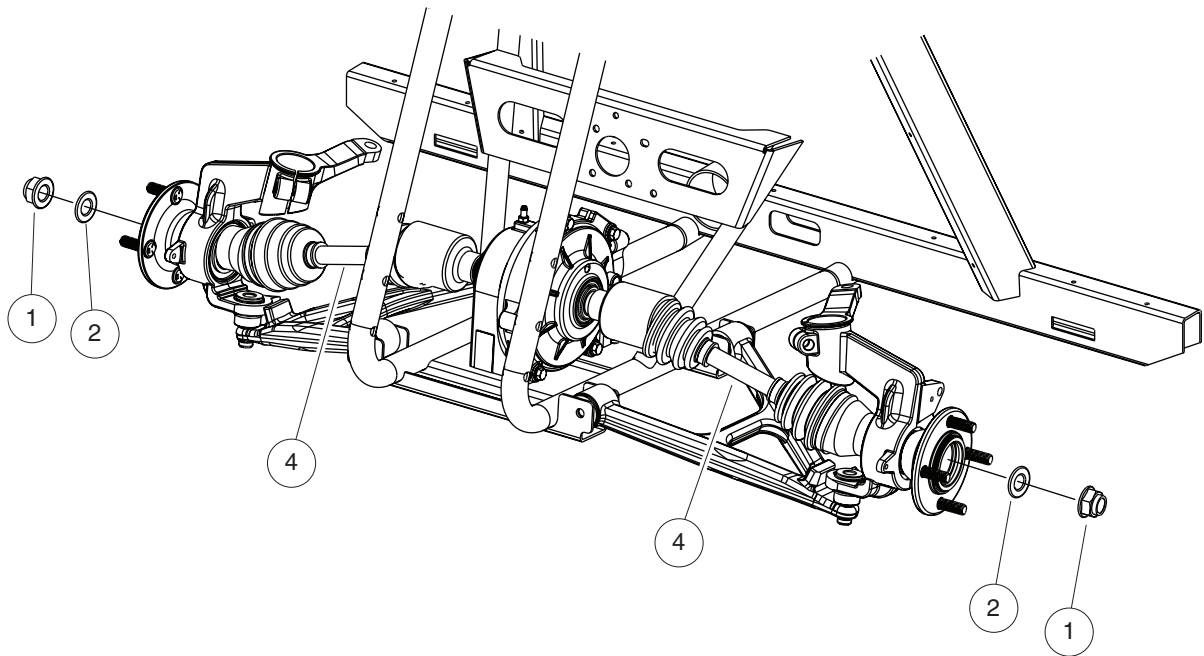


000909-016

TRANSAXLE POWER TAKE-OFF ASSEMBLY – 4WD

| ITEM | PART NO. | DESCRIPTION | QTY |
|------|------------------|--------------------------------------|-----|
| | | 1 2 3 4 | |
| 1 | <u>103603301</u> | Pin, 8x14, Transaxle | 2 |
| 2 | <u>103603501</u> | Bolt, M8x30 | 11 |
| 3 | <u>103608501</u> | Packing, Front Drive | 1 |
| 4 | <u>103608601</u> | Packing, Pto Frt Asm | 1 |
| 5 | <u>103608701</u> | Bearing, 6006 Ntn, Pto Frt Asm | 1 |
| 6 | <u>103608801</u> | Bearing, 6007 Ntn, Transaxle | 1 |
| 7 | <u>103609101</u> | Packing, G50.0, Pto Frt Asm | 1 |
| 8 | <u>103609201</u> | Seal, Tc254208, Pto Frt Asm | 1 |
| 9 | <u>103609401</u> | Bolt, 8x 25, Pto Frt Asm | 4 |
| 10 | <u>103609501</u> | Bolt, 10x 80, Pto Frt Asm | 2 |
| 11 | <u>103609601</u> | Cap, Sealing 20, Pto Frt Asm | 1 |
| 12 | <u>103609701</u> | Cap, Sealing 62, Pto Frt Asm | 1 |
| 13 | <u>103799701</u> | Case, Front Drive, No Shim | 1 |
| 14 | <u>103799801</u> | Cover, Front Drive, Shim | 1 |
| 15 | <u>103799901</u> | Kit, Shim, Pto, Case Side | 1 |
| 16 | <u>103903301</u> | Bearing, Pto Shaft Output, Al | 1 |
| 17 | <u>103903401</u> | Gear, 12t, Pto, Input | 1 |
| 18 | <u>103903501</u> | Gear, 26t, Pto, Output | 1 |
| 19 | <u>103903601</u> | Shaft, Pto, Al | 1 |
| 20 | <u>103903701</u> | Cap, Front Drive, Al | 1 |
| 21 | <u>103903801</u> | Snap Ring, External, Pto Shaft | 1 |
| 22 | <u>103903901</u> | Snap Ring, Internal, Pto Shaft | 1 |
| 23 | <u>103904001</u> | Cap, Shift Shaft, Al | 1 |

13
G



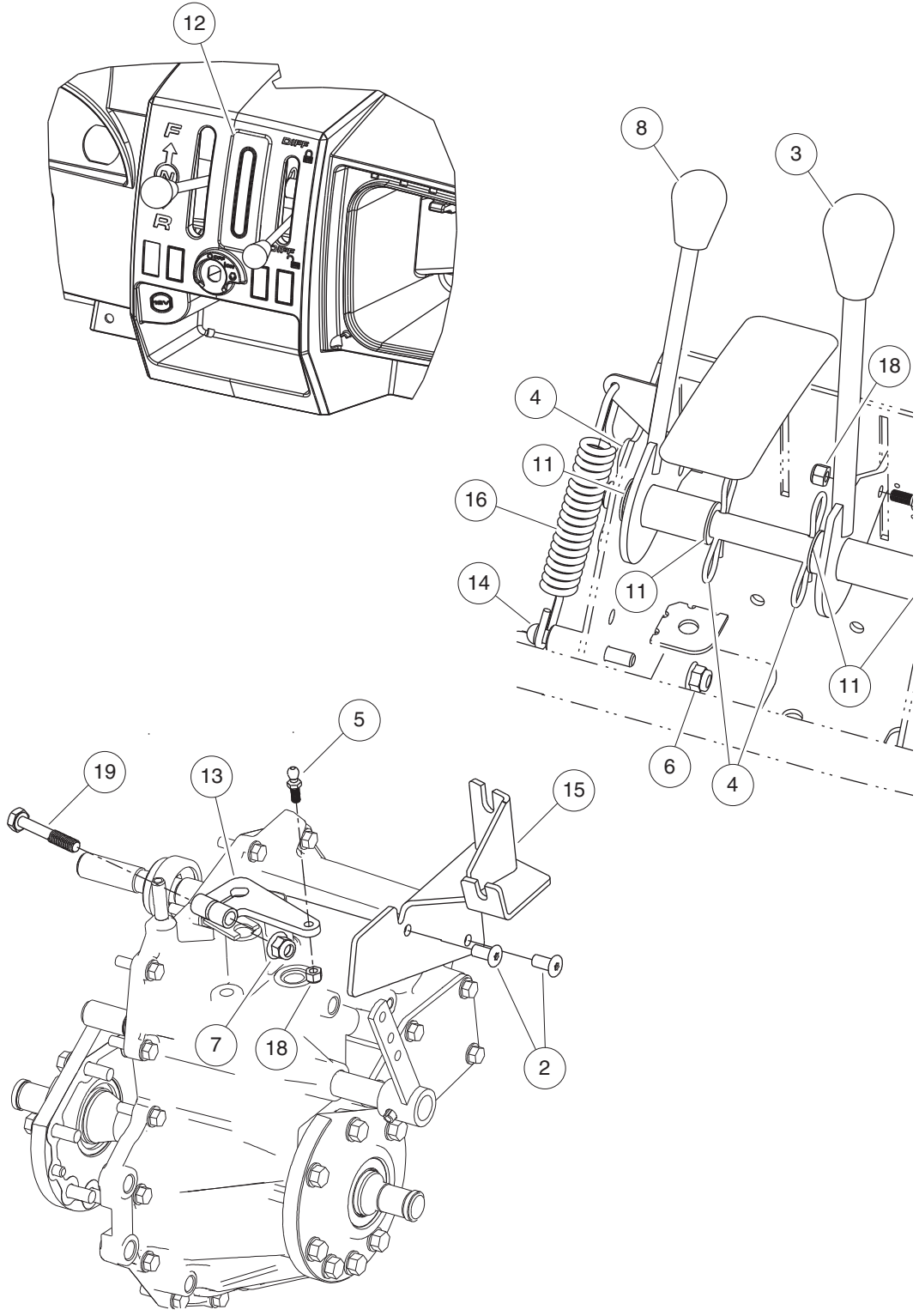
000897-002

HALF SHAFTS – 4WD

| ITEM | PART NO. | DESCRIPTION | QTY |
|------|------------------|--------------------------------------|-----|
| | | 1 2 3 4 | |
| 1 | <u>103596301</u> | Nut, Stake, M18, Halfshaft | 4 |
| 2 | <u>103600701</u> | Washer, Flat, M18 | 4 |
| 3 | <u>103638201</u> | Halfshaft, Rear, Xrt950 | 2 |
| 4 | <u>103831901</u> | Halfshaft, Front, Xrt950, Auto | 2 |

13

G



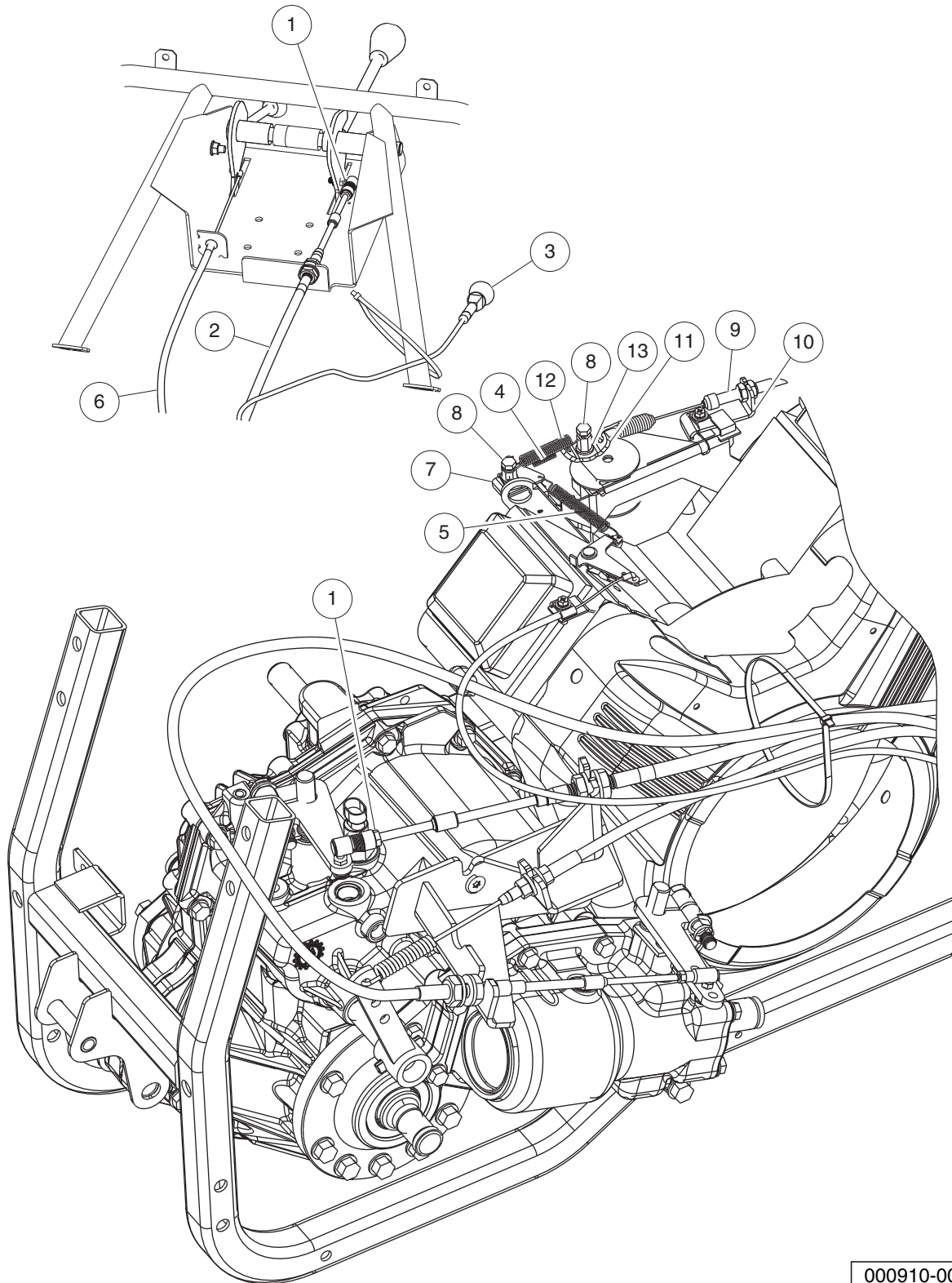
[

FORWARD/REVERSE SHIFTER

| ITEM | PART NO. | DESCRIPTION | QTY |
|------|------------------|---|-----|
| | | 1 2 3 4 | |
| 1 | <u>1010193</u> | Washer, 5/8 Type A Plain Flat | 1 |
| 2 | <u>1016074</u> | Screw, M8-1.25 X 18mm Torx | 2 |
| 3 | <u>102376001</u> | Knob, FNR, Shifter | 1 |
| 4 | <u>102518901</u> | Pin, Bow Tie 0.120 X 2.750 | 3 |
| 5 | <u>102615701</u> | Stud, Ball, .346 Dia | 2 |
| 6 | <u>102618601</u> | Lock Nut, Flange, M8 X 1.25 Nylon | 1 |
| 7 | <u>102670701</u> | Nut, Flange, M10 X 1.5 Nylon | 1 |
| 8 | <u>103114801</u> | Knob, Black, 32mm Dia | 1 |
| 9 | <u>103419201</u> | Weldment, Shifter, Dash, Fnr | 1 |
| 10 | <u>103419501</u> | Weldment, Shifter, Diff | 1 |
| 11 | <u>103420201</u> | Bushing, Flange, 16 Id X 19 | 4 |
| 12 | <u>103430901</u> | Cover, Shifter | 1 |
| 13 | <u>103438001</u> | Weldment, Lever, Trans, Fnr | 1 |
| 14 | <u>103482301</u> | Stud, Mtg, Spring | 1 |
| 15 | <u>103597402</u> | Weldment, Brkt, Cable, 2wd | 1 |
| 16 | <u>103710501</u> | Spring, Ext, 22mm Dia X 148 Mm | 1 |
| 17 | 103893801 | Shaft, Controls, Xrt950 | 1 |
| 18 | <u>8717</u> | Locknut, Nylon Insert, 1/4-28 | 2 |
| 19 | <u>96704960</u> | Bolt, M10 X 1.5 X 60 | 1 |

13

G



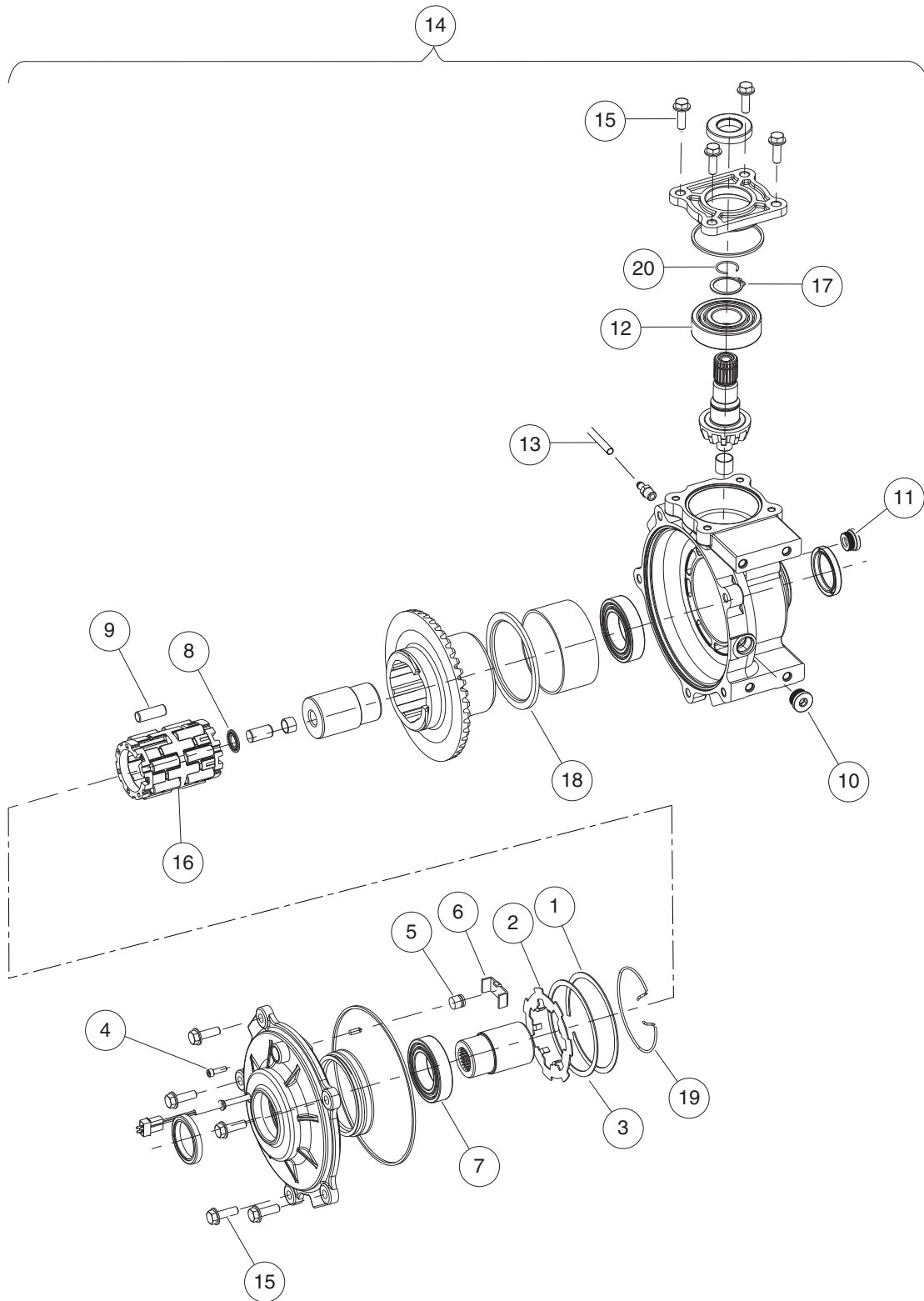
000910-007

CONTROL CABLES

13

G

| ITEM | PART NO. | DESCRIPTION | QTY |
|------|------------------|--------------------------------------|-----|
| | | 1 2 3 4 | |
| 1 | <u>102615801</u> | Joint, Ball, .346 Dia | 2 |
| 2 | <u>103106401</u> | Cable, Trans, Fnr | 1 |
| 3 | <u>103433201</u> | Cable, Choke, B&s | 1 |
| 4 | <u>103481901</u> | Spring, Ext, 9mm Dia | 1 |
| 5 | <u>103595601</u> | Spring, Ext, 7mm Dai, X 55 | 1 |
| 6 | <u>103599301</u> | Cable, Trans, Diff-lock | 1 |
| 7 | <u>103618701</u> | Bkt, Spring, Engine, B&s | 1 |
| 8 | <u>103788401</u> | Stud, Threaded, #10-32 | 2 |
| 9 | <u>103799001</u> | Cable, Accel, Epdm, Ot Spring | 1 |
| 10 | <u>103799101</u> | Brkt, Accel Cable Gov Mount | 1 |
| 11 | <u>103799201</u> | Brkt, Accel Swivel, Xrt950 | 1 |
| 12 | <u>103799401</u> | Spring, Ext 8od X .94w X 68.4l | 1 |
| 13 | <u>183</u> | Washer, #10, Type A, Flat | 1 |



103787001

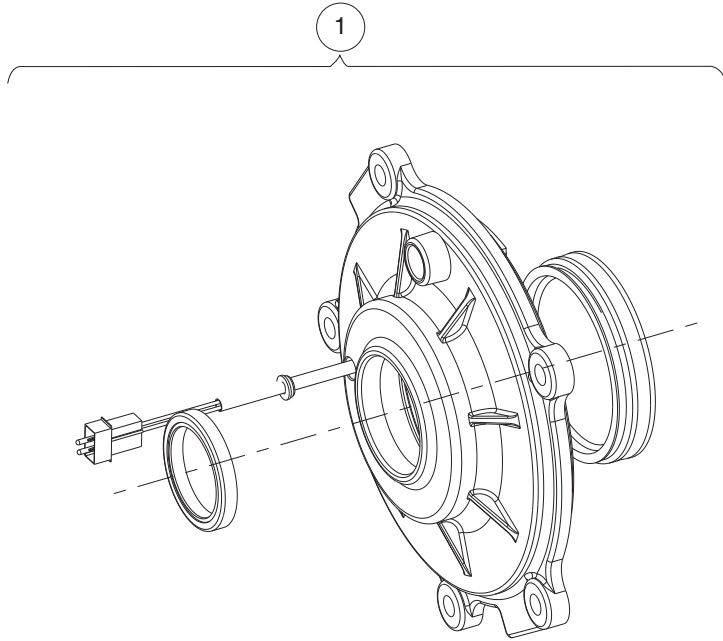
FRONT DIFFERENTIAL – 4WD

| ITEM | PART NO. | DESCRIPTION | QTY |
|------|------------------|---|-----|
| | | 1 2 3 4 | |
| 1 | <u>102438701</u> | Retaining, Ring Internal | 1 |
| 2 | <u>102438801</u> | Plate, Armature | 1 |
| 3 | <u>102438901</u> | Shim, Armature, Plate | 1 |
| 4 | <u>102439001</u> | Set Screw, #10-24 UNC-3A with Patch | 1 |
| 5 | <u>102439101</u> | Thrust Button | 1 |
| 6 | <u>102439201</u> | Thrust Plate | 1 |
| 7 | <u>102439301</u> | Bearing, Ball | 1 |
| 8 | <u>102439501</u> | Bearing, Needle | 1 |
| 9 | <u>102439801</u> | Kit, Roller (contains 14 rollers) | 1 |
| 10 | <u>102440101</u> | Kit, Assy, Drain Plug | 1 |
| 11 | <u>102440301</u> | Plug, Oil Fill | 1 |
| 12 | <u>102440501</u> | Bearing, Ball | 1 |
| 13 | <u>103601001</u> | Hose, Vent, Yellow, Front Diff | 1 |
| 14 | <u>103787001</u> | Diff, Front, Autolock | 1 |
| 15 | <u>103898701</u> | Bolt Kit, Front Diff | 9 |
| 16 | <u>103898801</u> | Roll Cage Assembly, Front Diff | 1 |
| 17 | <u>103898901</u> | Retaining Ring, Input Shaft | 1 |
| 18 | <u>103899101</u> | Shim, Gear, Front Diff | 1 |
| 19 | <u>103899201</u> | Torsion Return Spring, Fd | 1 |
| 20 | <u>103899401</u> | Retaining Ring, Prop Shaft | 1 |

13
G

13

G



103898501

FRONT DIFFERENTIAL, 4WD – OUTPUT COVER ASSEMBLY

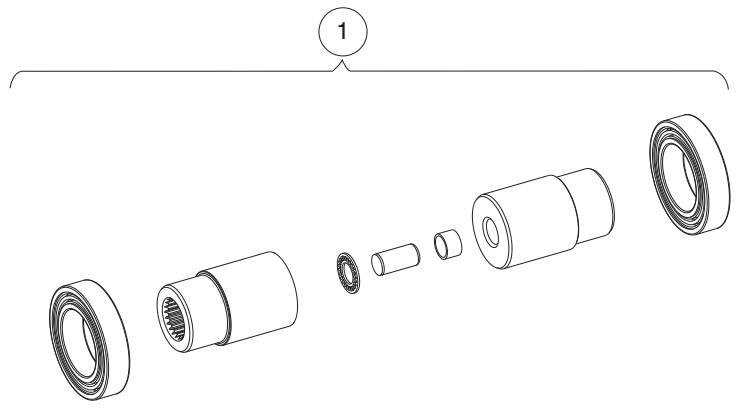
| ITEM | PART NO. | DESCRIPTION | QTY |
|------|------------------|---|-----|
| 1 | <u>103898501</u> | 1 2 3 4 Output Cover Asm, Front Diff | 1 |

13

G

13

G



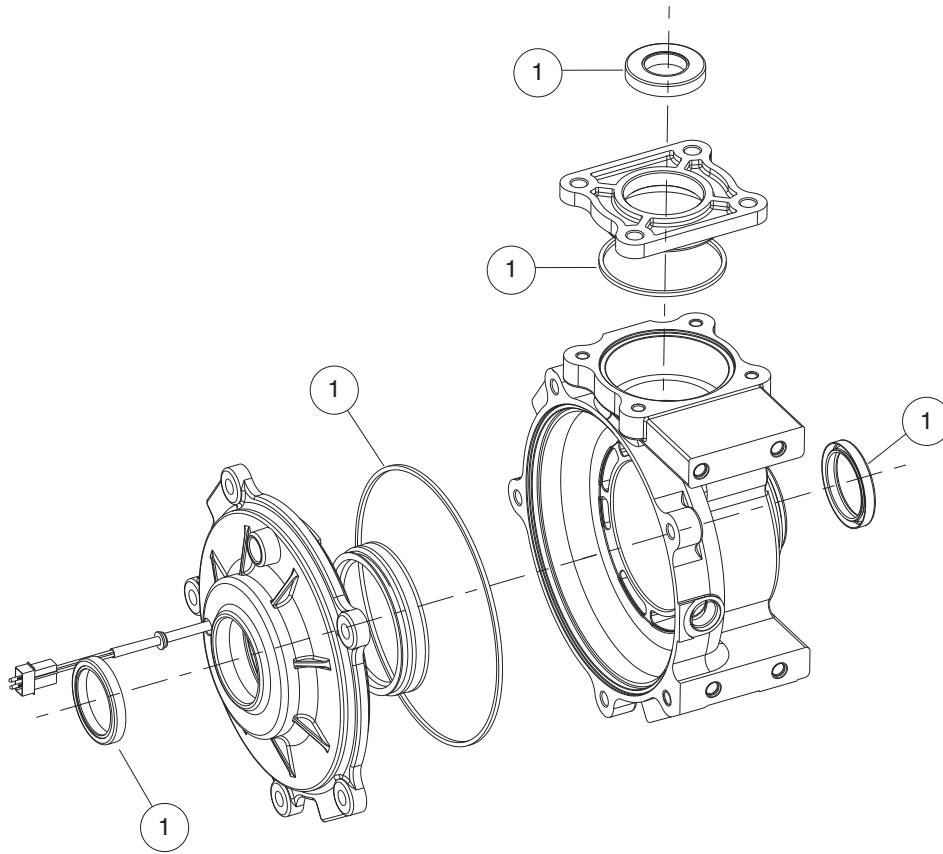
103898601

FRONT DIFFERENTIAL, 4WD – RACE/OUTPUT HUB ASSEMBLY

| ITEM | PART NO. | DESCRIPTION | QTY |
|------|------------------|--|-----|
| 1 | <u>103898601</u> | <div style="display: flex; justify-content: space-between; margin-bottom: 5px;"> 1 2 3 4 </div> Race/output Hub Assy, Frt Diff | 1 |

13

G



102438601

FRONT DIFFERENTIAL, 4WD – MINOR REPAIR KIT

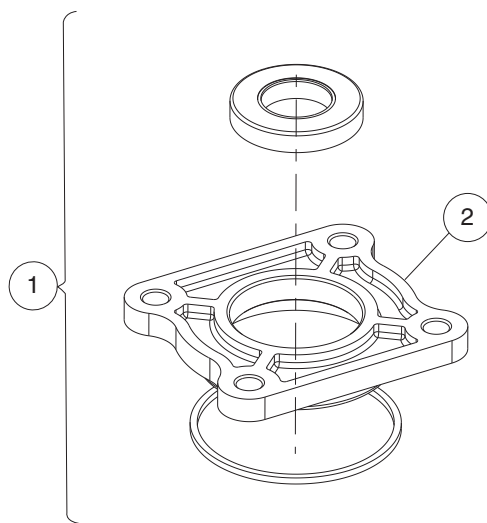
| ITEM | PART NO. | DESCRIPTION | QTY |
|------|------------------|--|-----|
| 1 | <u>102438601</u> | <p>1 2 3 4</p> <p>Kit, Minor Repair (contains oil seals and O-rings)</p> | 1 |

13

G

13

G



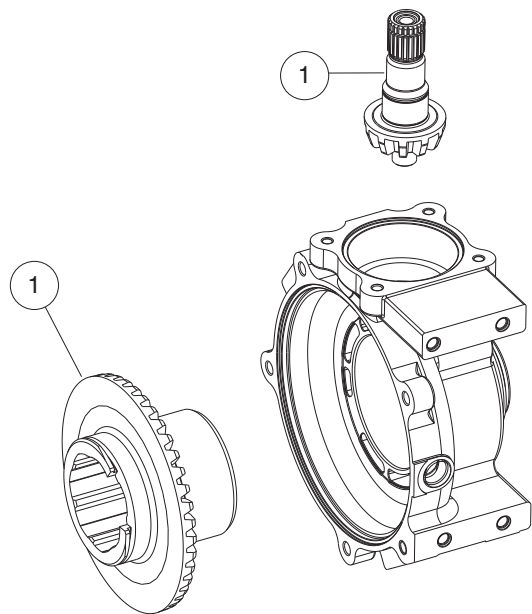
102440201

FRONT DIFFERENTIAL, 4WD – INPUT COVER ASSEMBLY

| ITEM | PART NO. | DESCRIPTION | QTY |
|------|------------------|---|-----|
| | | 1 2 3 4 | |
| 1 | <u>102440201</u> | Kit, Assy, Input Cover Plate (includes items 2 through 4) | 1 |
| 2 | <u>102440601</u> | Cover, Input, Machined | 1 |
| 3 | N/A | O-Ring | 1 |
| 4 | N/A | Oil Seal, Triple-Lipped | 1 |

13

G



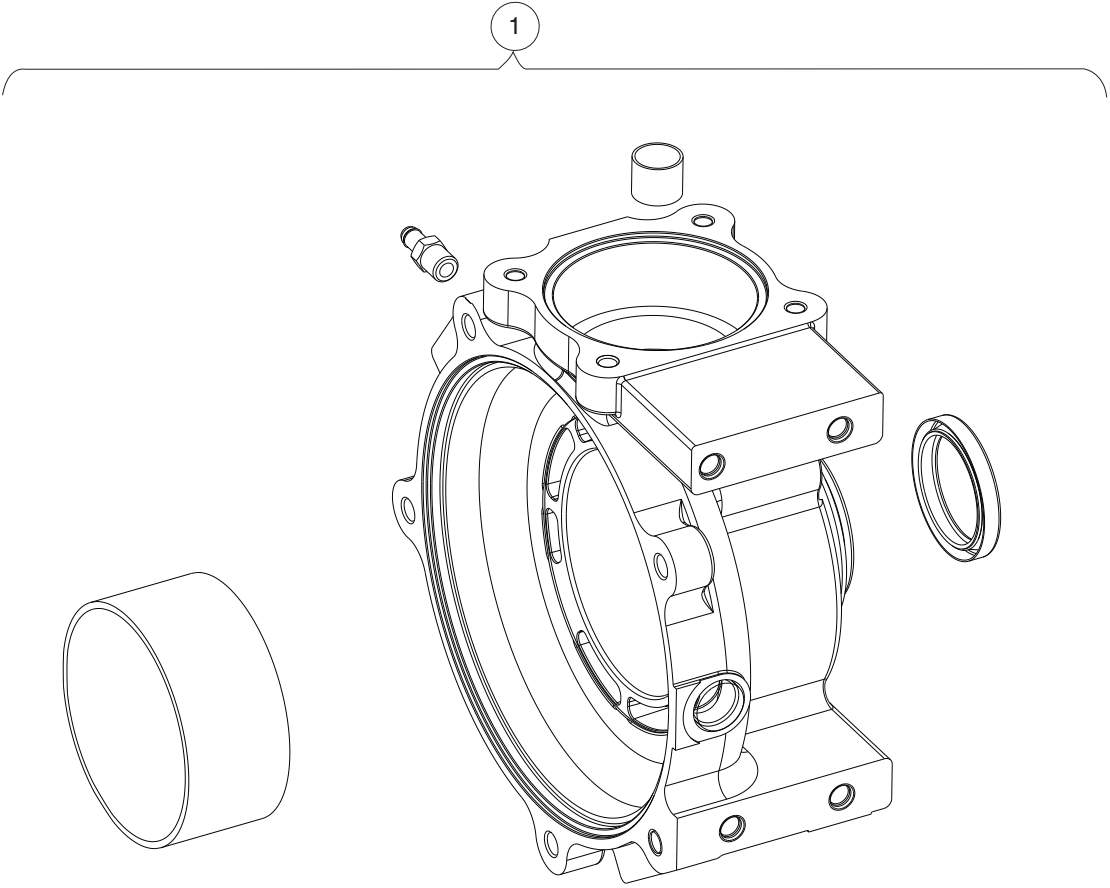
103899001

FRONT DIFFERENTIAL, 4WD – GEAR KIT

| ITEM | PART NO. | DESCRIPTION | QTY |
|------|------------------|---|-----|
| 1 | <u>103899001</u> | <div style="display: flex; justify-content: space-between; margin-bottom: 5px;"> 1 2 3 4 </div> Kit - Gear, Hard Turned, Fd | 1 |

13

G



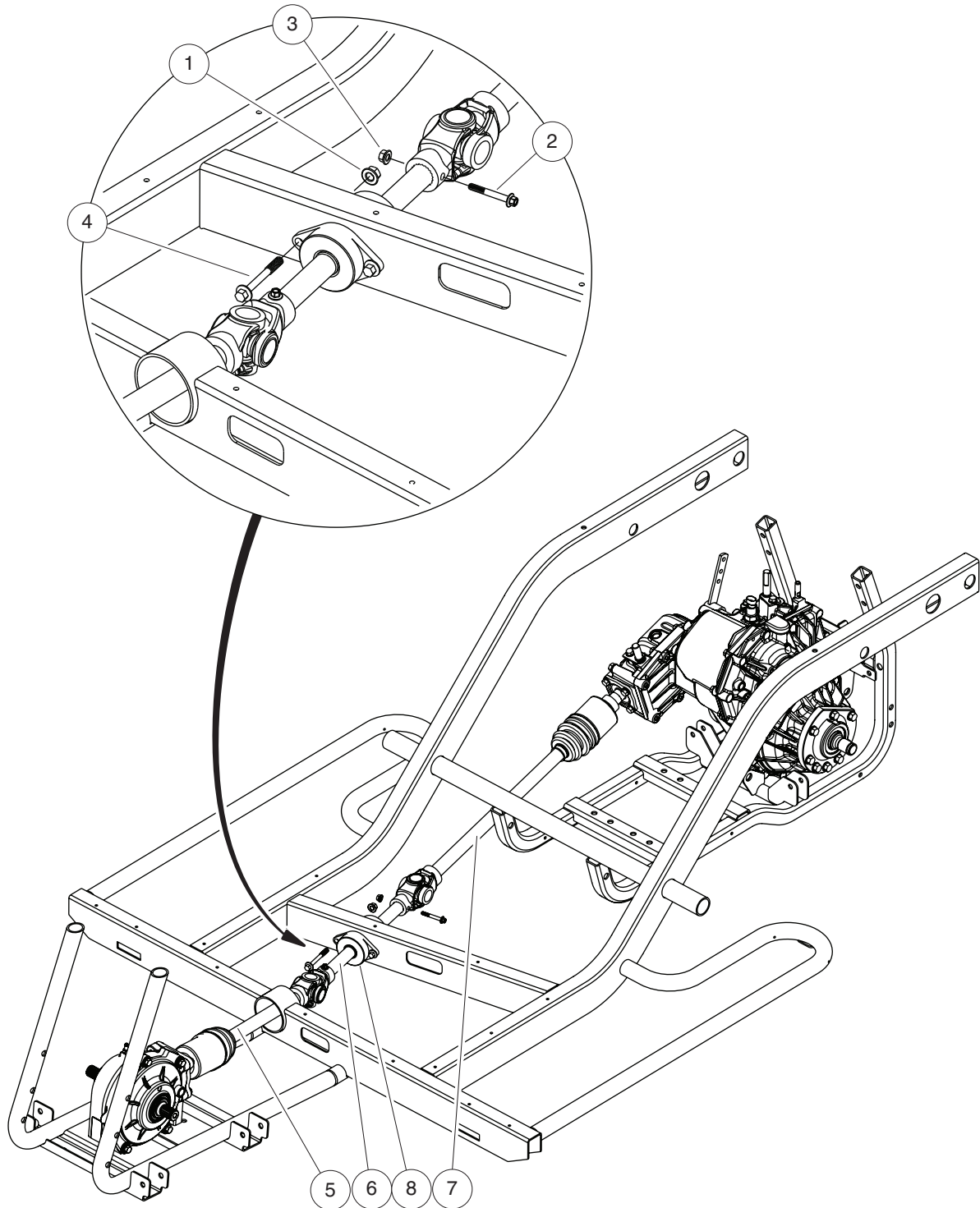
103899301

FRONT DIFFERENTIAL, 4WD – GEARCASE ASSEMBLY

| ITEM | PART NO. | DESCRIPTION | QTY |
|------|------------------|--|-----|
| 1 | <u>103899301</u> | 1 2 3 4 Gearcase Assembly, Fd | 1 |

13

G



000884-002

PROP SHAFTS

| ITEM | PART NO. | DESCRIPTION | QTY |
|------|------------------|--|-----|
| | | 1 2 3 4 | |
| 1 | <u>102298401</u> | Nut,m8,all Metal Lock | 2 |
| 2 | <u>102541445</u> | Bolt-m6x1.0x45 Hex Flhd,blk | 2 |
| 3 | <u>102541501</u> | Nut-m6x1.0 Fl Mtl Lock,blk | 2 |
| 4 | <u>102618301</u> | Bolt, Flanged Head, M8 X 1.25 X 65 | 2 |
| 5 | <u>103437401</u> | Propshaft, Front, 4x4 | 1 |
| 6 | <u>103437501</u> | Propshaft, Center, 4x4 | 1 |
| 7 | <u>103437601</u> | Propshaft, Rear, 4x4 | 1 |
| 8 | <u>103930301</u> | Bearing, Propshaft, 6205-2rs | 1 |

13
G

13

G

MAINTENANCE AND SERVICE TOOLS

14

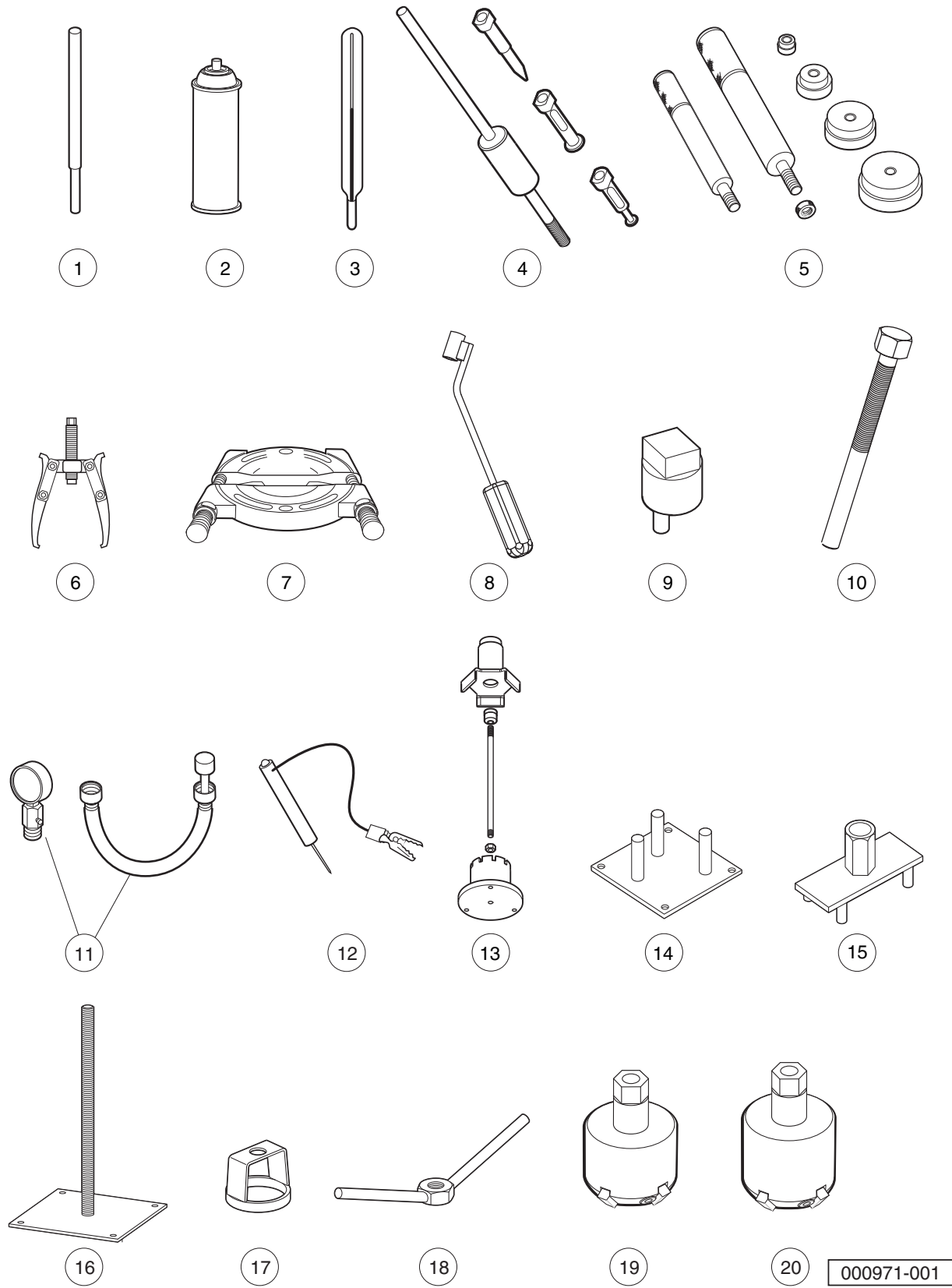
G

D

14

G

D



000971-001

MAINTENANCE AND SERVICE TOOLS – AWD/950

| ITEM | PART NO. | DESCRIPTION | QTY GAS | QTY DIESEL |
|------|------------------|--|------------|---------------|
| | | <p>1 2 3 4</p> <p>The following tool list includes all tools available from Club Car for maintenance and service procedures on AWD-based and XRT950-based utility vehicles, both past and present models. Be sure to carefully examine the tool list for applicability to your vehicle before ordering.</p> | | |
| 1 | <u>101641202</u> | Arbor | 1 | 1 |
| 2 | <u>1014305</u> | Battery Terminal Protector Spray | 1 | 1 |
| 3 | <u>1011767</u> | Battery Thermometer | 1 | 1 |
| 4 | <u>1016417</u> | Bearing and Oil Seal Remover Assembly | 1 | 1 |
| 5 | <u>1016416</u> | Bearing Driver Set | 1 | 1 |
| 6 | <u>1012811</u> | Bearing Puller | 1 | 1 |
| 7 | <u>1012812</u> | Bearing Puller Wedge Attachment | 1 | 1 |
| 8 | <u>102555501</u> | Brake Cable Release Tool | 1 | 1 |
| 9 | <u>102447101</u> | Camber Adjustment Tool (for AWD vehicles)..... | 1 | 1 |
| 10 | <u>102686101</u> | Clutch Removal Tool (for AWD vehicles)..... | 1 | 1 |
| 11 | <u>101641002</u> | Compression Gauge and Adapter | 1 | |
| 12 | <u>1011273</u> | Continuity Tester | 1 | 1 |
| 13 | <u>103865301</u> | Drive Clutch Service Tool (for AWD vehicles with 3-weight drive clutch) | 1 | 1 |
| 14 | <u>102601501</u> | Drive ClutchFixed Sheave Tool (for AWD vehicles with 2-weight drive clutch) | 1 | 1 |
| 15 | <u>102607501</u> | Drive Clutch Spider Removal Tool (for AWD vehicles with 2-weight drive clutch) | 1 | 1 |
| 16 | <u>102603501</u> | Driven Clutch Spring Compression Base (for use with items 17 and 18) (for AWD vehicles) | 1 | 1 |
| 17 | <u>102605201</u> | Driven Clutch Spring Compression Collar (for use with items 16 and 18) (for AWD vehicles) | 1 | 1 |
| 18 | <u>102606101</u> | Driven Clutch Spring Compression Nut (for use with items 16 and 17) (for AWD vehicles) | 1 | 1 |
| 19 | <u>102773801</u> | Cutter, Valve Seat, #122..... | 1 | |
| 20 | <u>102773901</u> | Cutter, Valve Seat #115..... | 1 | |
| | | <p>Items 19 and 20 are for AWD vehicles with Honda GX620 gasoline engines.</p> <p>Please refer to the maintenance and service manual for proper tool application.</p> | | |

14

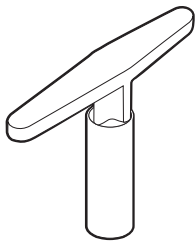
G

D

14

G

D



21



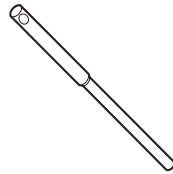
22



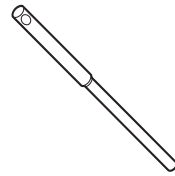
23



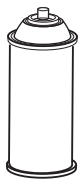
24



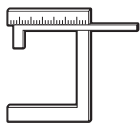
25



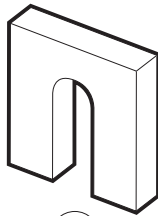
26



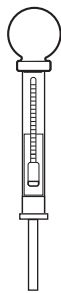
27



28



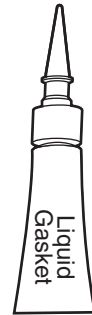
29



30



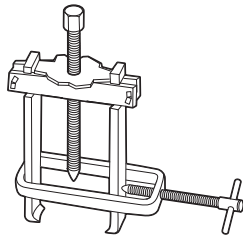
31



32



33



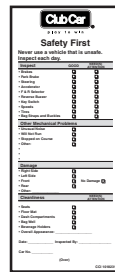
34



35



36



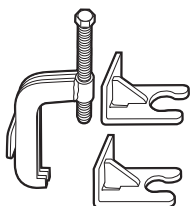
37



38



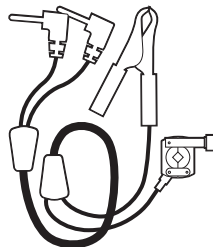
39



40



41



42



46



47

000971-002

MAINTENANCE AND SERVICE TOOLS – AWD/950, CONTINUED

| ITEM | PART NO. | DESCRIPTION | QTY GAS | QTY DIESEL |
|------|------------------|---|------------|---------------|
| | | 1 2 3 4 | | |
| 21 | <u>102774101</u> | Wrench, T, #505..... | 1 | |
| 22 | <u>102774101</u> | Adapter, T-Wrench..... | 1 | |
| 23 | <u>102675401</u> | Cutter, Valve Seat, 60 Degree..... | 1 | |
| 24 | <u>102774201</u> | Pilot, 6.6 MM..... | 1 | |
| 25 | <u>102774301</u> | Pilot, 6.62 MM..... | 1 | |
| 26 | <u>102774401</u> | Pilot, 6.65 MM..... | 1 | |
| 27 | <u>1012151</u> | Dry Moly Lubricant..... | 1 | 1 |
| 28 | <u>102669901</u> | Gauge, Carburetor Float Level (for AWD vehicles with Honda GX620 Gasoline Engines)..... | 1 | |
| 29 | <u>1016418</u> | Gear Yoke..... | 1 | 1 |
| 30 | <u>1011478</u> | Hydrometer..... | 1 | 1 |
| 31 | <u>1013593</u> | Internal Retaining Ring Pliers..... | 1 | 1 |
| 32 | <u>101928701</u> | Liquid Gasket (transaxle case)..... | 1 | 1 |
| 33 | <u>101997207</u> | Paint, Touch-Up – Black..... | 1 | 1 |
| 33 | <u>101997205</u> | Paint, Touch-Up – Dark Gray..... | 1 | 1 |
| 33 | <u>101997209</u> | Paint, Touch-Up – Dark Green..... | 1 | 1 |
| 33 | <u>101997204</u> | Paint, Touch-Up – Gray..... | 1 | 1 |
| 33 | <u>101997203</u> | Paint, Touch-Up – Red..... | 1 | 1 |
| 34 | <u>102668801</u> | Puller, Special Use (for AWD vehicles with Kubota D722 Diesel Engines)..... | | 1 |
| 35 | <u>1012549</u> | Retaining Ring Pliers, 45° External..... | 1 | 1 |
| 36 | <u>1012560</u> | Retaining Ring Pliers, 90° Internal..... | 1 | 1 |
| 37 | <u>101823101</u> | Safety First Card (50 per pack)..... | 1 | 1 |
| 38 | <u>1012809</u> | Seal Puller..... | 1 | 1 |
| 39 | <u>102330901</u> | Spanner Wrench (for coil over shock front suspension vehicles only)..... | 1 | 1 |
| 40 | <u>102061201</u> | Steering Wheel Puller Tool..... | 1 | 1 |
| 41 | <u>AM10753</u> | Tachometer (includes gasoline engine pick up lead only)..... | 1 | 1 |
| 42 | <u>AM10771</u> | Tachometer Diesel Probe (for use with item 41)..... | | 1 |
| 43 | <u>AM11804</u> | Tune-Up Kit, Gx620 (for Honda Engines) (includes air filter, spark plug, oil filter, fuel filters) (not shown)..... | 1 | |
| 44 | <u>AM11805</u> | Tune-Up Kit, D722 (for Kubota Engines) (includes air filter, oil filter, fuel filters, water separator filter) (not shown)..... | | 1 |
| 45 | <u>AM1232401</u> | Tune-Up Kit, FH680D (for Kawasaki V-Twin Engines) (includes oil filter, fuel filter, air filter, and spark plugs) (not shown)..... | 1 | |
| 46 | <u>102674601</u> | Valve Guide Driver (for AWD vehicles with Honda GX620 Gasoline Engines)..... | 1 | |
| 47 | <u>102674401</u> | Valve Guide Reamer, 6.6 mm (for AWD vehicles with Honda GX620 Gasoline Engines)..... | 1 | |
| | | Items 21 through 26, 28, 46 and 47 are for AWD vehicles with Honda GX620 gasoline engines. | | |
| | | Please refer to the maintenance and service manual for proper tool application. | | |

14

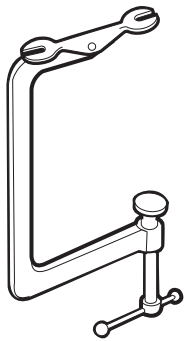
G

D

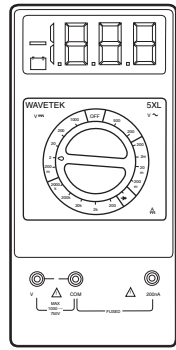
14

G

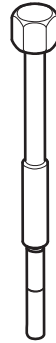
D



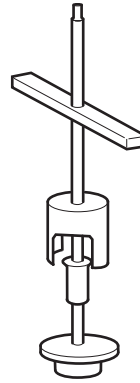
48



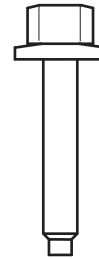
49



50



51



52

000971-003

MAINTENANCE AND SERVICE TOOLS – AWD/950, CONTINUED

| ITEM | PART NO. | DESCRIPTION | QTY GAS | QTY DIESEL |
|--|------------------|---|------------|---------------|
| | | 1 2 3 4 | | |
| 48 | <u>101641101</u> | Valve Spring Compressor | 1 | |
| 49 | 1011480 | Volt Ohm Meter | 1 | 1 |
| 50 | <u>103601401</u> | Puller, Drive Clutch* (for XRT 950 vehicles only)..... | 1 | |
| 51 | <u>103601701</u> | Tool, Disassembly, Driven Clutch (for XRT 950 vehicles only)..... | 1 | |
| 52 | <u>103600501</u> | Screw, Driven Clutch, M6* (for XRT 950 vehicles only)..... | 1 | |
| <p style="margin-left: 40px;">Items 50 through 52 are for XRT 950 vehicles only.</p> <p style="margin-left: 40px;">*Note: The XRT 950 Drive Clutch Puller (item 50) requires the use of Screw, Driven Clutch (item 52) to remove the drive belt.</p> | | | | |

14

G

D

INDEX

Part Number and Page

| | | | | | |
|-----------|--------------------|-----------|----------------------------------|-----------|--|
| AM10753 | 14-5 | 1014557 | 1-35 | 102298170 | 1-19, 10-3 |
| AM10771 | 14-5 | 1015075 | 9-11 | 102298185 | 1-19 |
| 183 | 9-15, 12-23, 13-27 | 1015139 | 9-15 | 102298401 | 1-13, 1-15, 5-3, 5-9, 8-5, 10-3, 13-43 |
| 1016 | 9-15 | 1015277 | 1-19 | 102323101 | 5-9 |
| 2402 | 6-9 | 1015391 | 1-19 | 102330901 | 14-5 |
| 7310 | 2-3, 2-5 | 1015392 | 7-3 | 102343601 | 1-33 |
| 7473 | 5-11, 9-11 | 1015405 | 9-11 | 102355301 | 7-3 |
| 7591 | 4-7 | 1015583 | 1-19 | 102361901 | 6-7 |
| 8056 | 7-5 | 1015661 | 9-13 | 102363802 | 6-5 |
| 8057 | 7-5 | 101587703 | 9-17 | 102367101 | 6-5 |
| 8058 | 7-5 | 1016074 | 12-21, 13-25 | 102376001 | 12-21, 13-25 |
| 8639 | 4-3, 5-5, 5-7, 7-3 | 101609401 | 3-5 | 102406701 | 9-15 |
| 8717 | 12-21, 13-25 | 101641002 | 14-3 | 102411209 | 9-11 |
| 8754 | 1-19, 6-9 | 101641101 | 14-7 | 102411210 | 11-3 |
| 8755 | 1-19, 6-9 | 101641202 | 14-3 | 102420401 | 7-3 |
| 8797 | 9-15 | 1016416 | 14-3 | 102420501 | 7-3 |
| 1010193 | 12-21, 13-25 | 1016417 | 14-3 | 102426301 | 9-13 |
| 1010434 | 1-33 | 1016418 | 14-5 | 102438601 | 13-35 |
| 1010435 | 9-11 | 1016630 | 7-3 | 102438701 | 13-29 |
| 1010545 | 7-3 | 1016952 | 9-13 | 102438801 | 13-29 |
| 101082903 | 5-3 | 1017035 | 4-7 | 102438901 | 13-29 |
| 1010878 | 9-13 | 1017699 | 4-7 | 102439001 | 13-29 |
| 1010921 | 5-11 | 1017853 | 4-7 | 102439101 | 13-29 |
| 1011034 | 7-5 | 101823101 | 14-5 | 102439201 | 13-29 |
| 1011273 | 14-3 | 101835601 | 1-19, 1-39 | 102439301 | 13-29 |
| 1011478 | 14-5 | 101898001 | 7-3 | 102439501 | 13-29 |
| 1011480 | 14-7 | 101928701 | 14-5 | 102439801 | 13-29 |
| 1011553 | 3-7 | 101932201 | 4-7 | 102440101 | 13-29 |
| 1011578 | 5-11 | 101958601 | 1-19 | 102440201 | 13-37 |
| 1011582 | 4-7 | 101972003 | 14-5 | 102440301 | 13-29 |
| 1011767 | 14-3 | 101972004 | 14-5 | 102440501 | 13-29 |
| 1011779 | 5-11 | 101972005 | 14-5 | 102440601 | 13-37 |
| 1011843 | 4-7 | 101972007 | 14-5 | 102445201 | 5-9 |
| 1011964 | 1-33 | 101972009 | 14-5 | 102447101 | 14-3 |
| 1011990 | 6-9 | 101987901 | 4-3 | 102447901 | 7-3 |
| 1012151 | 14-5 | 102022901 | 6-3, 6-7 | 102448001 | 7-3 |
| 1012285 | 1-15 | 102025701 | 1-21 | 102458901 | 3-7 |
| 1012303 | 1-19 | 102044702 | 7-3 | 102459401 | 1-37, 3-5 |
| 1012549 | 14-5 | 102051601 | 7-3 | 102460201 | 3-7 |
| 1012560 | 14-5 | 102051701 | 7-3 | 102461401 | 5-9 |
| 1012649 | 9-13, 9-17 | 102059001 | 1-25 | 102464301 | 6-7, 6-9 |
| 1012769 | 7-3 | 102061101 | 1-25 | 102479301 | 5-9 |
| 1012809 | 14-5 | 102061201 | 14-5 | 102481302 | 11-3 |
| 1012811 | 14-3 | 102176901 | 5-3 | 102488001 | 5-5, 5-7 |
| 1012812 | 14-3 | 102290120 | 6-5 | 102490301 | 7-3 |
| 101313402 | 9-17 | 102296020 | 1-9 | 102491501 | 1-13 |
| 1013461 | 9-15 | 102296140 | 1-9, 1-29 | 102491601 | 5-5, 5-7 |
| 1013462 | 9-15 | 102296301 | 1-27 | 102493301 | 5-7 |
| 1013593 | 14-5 | 102296401 | 5-9 | 102518901 | 12-21, 13-25 |
| 1013746 | 9-17 | 102296530 | 1-9, 1-21, 1-23, 1-25 | 102522001 | 9-15 |
| 1014116 | 1-31 | 102296601 | 1-9, 1-21, 1-23, 1-25, 1-29, 7-3 | 102535101 | 4-3 |
| 1014305 | 14-3 | 102296716 | 11-3 | 102541445 | 13-43 |
| 1014375 | 7-3 | 102296920 | 1-27 | 102541501 | 1-27, 13-43 |
| 1014415 | 1-19, 1-39 | 102297125 | 1-21 | 102555501 | 14-3 |
| | | 102297230 | 1-25, 1-29 | 102558301 | 9-11 |
| | | 102298130 | 1-13, 6-3 | 102571301 | 6-5 |

INDEX

| | | | | | |
|-----------|--|-----------|--------------|-----------|--------------------|
| 102601501 | 14-3 | 103050901 | 1-21 | 103149901 | 5-11 |
| 102603501 | 14-3 | 103051001 | 1-21 | 103152001 | 1-13 |
| 102605201 | 14-3 | 103065620 | 1-25 | 103154001 | 1-13 |
| 102606101 | 14-3 | 103065624 | 1-25 | 103160001 | 5-11 |
| 102607501 | 14-3 | 103065626 | 1-25 | 103160101 | 5-5, 5-7 |
| 102615701 | 12-21, 13-25 | 103065628 | 1-25 | 103180101 | 4-5 |
| 102615801 | 12-23, 13-27 | 103065720 | 1-25 | 103182701 | 1-29 |
| 102616301 | 6-11, 8-5 | 103065724 | 1-25 | 103215401 | 1-3 |
| 102617201 | 1-7, 1-27 | 103065726 | 1-25 | 103216401 | 1-37, 6-9 |
| 102618301 | 13-43 | 103065728 | 1-25 | 103218104 | 4-3, 4-5 |
| 102618401 | 5-3, 6-3 | 103065801 | 1-9 | 103231801 | 1-3 |
| 102618601 | 1-19, 6-3, 6-9, 6-11, 9-13, 12-21, 13-25 | 103075801 | 1-13 | 103234503 | 2-5 |
| 102620301 | 1-35 | 103077201 | 6-7 | 103245101 | 1-35 |
| 102620501 | 6-9, 6-11 | 103077501 | 5-5, 5-7 | 103247601 | 7-3 |
| 102628001 | 11-3 | 103078102 | 6-9 | 103327201 | 7-5 |
| 102661001 | 6-3 | 103090001 | 6-3 | 103348101 | 7-3 |
| 102668801 | 14-5 | 103105101 | 6-7 | 103372101 | 9-15 |
| 102669901 | 14-5 | 103105201 | 6-7 | 103372301 | 9-15 |
| 102670701 | 1-5, 6-7, 8-5, 12-21, 13-25 | 103105401 | 6-9 | 103372401 | 9-17 |
| 102672701 | 4-7 | 103106201 | 6-3 | 103376101 | 5-3 |
| 102674001 | 14-3 | 103106301 | 6-3 | 103380701 | 5-3 |
| 102674101 | 14-3 | 103106401 | 12-23, 13-27 | 103400001 | 1-11, 1-21 |
| 102674201 | 14-5 | 103113001 | 6-9 | 103413301 | 8-5 |
| 102674401 | 14-5 | 103113301 | 6-11 | 103416101 | 11-7 |
| 102674601 | 14-5 | 103114801 | 12-21, 13-25 | 103417001 | 10-3 |
| 102675001 | 14-5 | 103137601 | 6-9 | 103417101 | 10-3 |
| 102675101 | 14-5 | 103145701 | 6-7, 6-9 | 103419201 | 12-21, 13-25 |
| 102675201 | 14-5 | 103145801 | 6-7 | 103419501 | 12-21, 13-25 |
| 102675301 | 14-5 | 103145901 | 6-9 | 103420201 | 12-21, 13-25 |
| 102675401 | 14-5 | 103146101 | 6-9 | 103430801 | 1-25 |
| 102684501 | 6-11 | 103146201 | 6-9 | 103430901 | 1-29, 12-21, 13-25 |
| 102686101 | 14-3 | 103146401 | 6-9 | 103431001 | 1-25 |
| 102686501 | 7-3 | 103146501 | 6-9 | 103432601 | 1-13 |
| 102711601 | 1-27 | 103146601 | 6-3 | 103433201 | 12-23, 13-27 |
| 102718001 | 1-7 | 103146701 | 6-11 | 103433301 | 1-39 |
| 102718101 | 1-7, 1-27 | 103146801 | 1-13, 6-9 | 103433302 | 1-39 |
| 102719501 | 1-13, 8-5 | 103146901 | 6-9 | 103434201 | 1-39 |
| 102722301 | 6-7 | 103147001 | 6-7 | 103434501 | 1-39 |
| 102736901 | 2-5 | 103147101 | 5-5 | 103435001 | 1-39 |
| 102865101 | 9-3 | 103147201 | 6-9 | 103436401 | 1-19 |
| 102869401 | 4-3 | 103147501 | 6-7 | 103437401 | 13-43 |
| 102883401 | 1-29 | 103148301 | 6-3 | 103437501 | 13-43 |
| 102894401 | 4-3 | 103148401 | 6-3 | 103437601 | 13-43 |
| 102925201 | 1-3, 1-5, 1-13 | 103148501 | 6-7 | 103438001 | 12-21, 13-25 |
| 102945701 | 2-9 | 103148701 | 5-11 | 103440001 | 1-37 |
| 102956101 | 1-15 | 103148801 | 5-11 | 103440101 | 1-37 |
| 102961201 | 1-37, 3-5 | 103148901 | 5-11 | 103440601 | 1-37 |
| 102988701 | 1-37, 6-9 | 103149001 | 5-11 | 103441101 | 9-11 |
| 103050201 | 1-29 | 103149101 | 5-11 | 103441201 | 9-11 |
| 103050301 | 1-29 | 103149201 | 5-11 | 103441301 | 9-11 |
| 103050401 | 1-21 | 103149301 | 5-11 | 103441501 | 1-21 |
| 103050501 | 1-21 | 103149401 | 5-11 | 103443201 | 1-33 |
| 103050601 | 1-21 | 103149501 | 5-11 | 103443801 | 7-3 |
| 103050701 | 1-21 | 103149601 | 5-11 | 103443901 | 7-3 |
| 103050801 | 1-21 | 103149701 | 5-11 | 103444301 | 6-7 |
| | | 103149801 | 5-11 | 103447501 | 11-3 |

INDEX

| | | | | | |
|-----------|--------------|-----------|-----------------|-----------|------------|
| 103455001 | 1-33 | 103532301 | 5-11 | 103548301 | 8-15 |
| 103455002 | 1-33 | 103532701 | 3-5 | 103548401 | 9-7 |
| 103455003 | 1-33 | 103532801 | 2-3 | 103548501 | 9-7 |
| 103456001 | 1-33 | 103533401 | 3-3 | 103548601 | 9-7 |
| 103456002 | 1-33 | 103534001 | 6-9 | 103548701 | 9-7 |
| 103456003 | 1-33 | 103534201 | 1-35 | 103548801 | 9-7 |
| 103460001 | 9-11 | 103534402 | 6-9 | 103548901 | 9-7 |
| 103460201 | 9-17 | 103534403 | 6-9 | 103549001 | 9-7 |
| 103460301 | 5-5 | 103534701 | 1-31 | 103549101 | 9-7 |
| 103460401 | 5-7 | 103534801 | 1-31 | 103549201 | 9-7 |
| 103461901 | 1-37 | 103536101 | 1-3 | 103549301 | 9-7 |
| 103462001 | 1-37 | 103536301 | 1-9 | 103549401 | 9-7 |
| 103462301 | 4-5 | 103539901 | 1-25 | 103549501 | 9-7 |
| 103479801 | 7-3 | 103540201 | 1-25 | 103549601 | 9-7 |
| 103481901 | 12-23, 13-27 | 103540802 | 1-17 | 103549701 | 9-7 |
| 103482301 | 12-21, 13-25 | 103541301 | 1-25 | 103549801 | 9-9 |
| 103490301 | 1-11 | 103541501 | 1-31 | 103549901 | 8-27 |
| 103496801 | 7-3 | 103542601 | 1-5 | 103550101 | 9-7 |
| 103498601 | 1-19 | 103543701 | 8-19 | 103550201 | 9-7 |
| 103500701 | 3-7 | 103543801 | 8-19 | 103550301 | 9-7 |
| 103509501 | 1-19 | 103543901 | 8-19, 8-25 | 103550401 | 8-21 |
| 103512101 | 1-23 | 103544001 | 8-17 | 103550501 | 8-17 |
| 103512201 | 1-23 | 103544101 | 8-17 | 103550701 | 8-25 |
| 103512202 | 1-23 | 103544201 | 8-17, 8-25 | 103551001 | 8-9 |
| 103516601 | 11-9 | 103544301 | 8-19 | 103551101 | 8-17 |
| 103516701 | 11-9 | 103544401 | 8-19, 8-25 | 103551201 | 8-11 |
| 103517503 | 1-17 | 103544501 | 8-19 | 103551301 | 8-9 |
| 103517901 | 1-15 | 103544701 | 8-19 | 103551501 | 8-9 |
| 103518201 | 3-3 | 103544801 | 8-15, 8-25 | 103551601 | 8-9 |
| 103518501 | 11-5 | 103544901 | 8-17 | 103551701 | 8-9 |
| 103518601 | 11-5 | 103545001 | 8-19 | 103551801 | 8-9 |
| 103518701 | 11-5 | 103545101 | 8-21 | 103551901 | 8-9 |
| 103518901 | 11-5 | 103545201 | 8-15, 8-21 | 103552001 | 8-9 |
| 103519001 | 11-5 | 103545301 | 8-15 | 103552101 | 9-7 |
| 103519101 | 11-5 | 103545401 | 8-15, 8-25 | 103552201 | 8-9 |
| 103519201 | 11-5 | 103545501 | 8-17 | 103552301 | 8-19 |
| 103519301 | 11-5 | 103545701 | 8-23 | 103552401 | 8-3, 9-3 |
| 103521401 | 4-3 | 103546201 | 8-21 | 103552501 | 9-7 |
| 103522501 | 1-39 | 103546301 | 8-21 | 103552601 | 8-9 |
| 103523602 | 5-7 | 103546401 | 8-21 | 103552701 | 8-9 |
| 103523702 | 5-7 | 103546501 | 8-21 | 103552801 | 8-15, 8-25 |
| 103524002 | 1-17 | 103546601 | 8-21 | 103553001 | 8-17, 8-25 |
| 103525002 | 2-3 | 103546701 | 8-17 | 103553101 | 9-7 |
| 103525701 | 1-31 | 103546801 | 8-17 | 103553201 | 9-3 |
| 103526201 | 3-7 | 103546901 | 8-17 | 103553301 | 8-9 |
| 103526501 | 3-5 | 103547101 | 8-15 | 103553401 | 8-15 |
| 103526701 | 9-11 | 103547201 | 8-17 | 103553501 | 8-11 |
| 103527201 | 9-11 | 103547301 | 8-17 | 103553601 | 8-11 |
| 103528101 | 1-7 | 103547401 | 8-17, 8-19 | 103553901 | 8-13 |
| 103529601 | 1-35 | 103547501 | 8-19 | 103554001 | 8-13 |
| 103529701 | 1-35 | 103547601 | 8-27 | 103554101 | 8-13 |
| 103529801 | 1-35 | 103547701 | 8-25, 8-27, 9-7 | 103554301 | 8-11 |
| 103529901 | 6-3 | 103547801 | 8-25, 8-27 | 103554501 | 8-23 |
| 103530701 | 1-35 | 103547901 | 8-27 | 103554601 | 8-7 |
| 103531001 | 9-11 | 103548001 | 8-23 | 103554701 | 8-7 |
| 103531201 | 1-13, 5-9 | 103548101 | 8-23 | 103554801 | 8-3, 8-17 |

INDEX

| | | | | | |
|-----------|------------|-----------|------------|-----------|---|
| 103554901 | 8-17, 8-25 | 103562301 | 9-3 | 103587201 | 1-39 |
| 103555201 | 8-25 | 103562401 | 8-13 | 103587301 | 1-39 |
| 103555301 | 8-7 | 103562501 | 8-13 | 103595601 | 12-23, 13-27 |
| 103555501 | 8-27 | 103562701 | 8-13 | 103596301 | 6-7, 13-23 |
| 103555601 | 8-7 | 103562901 | 9-7 | 103596501 | 3-7 |
| 103555701 | 8-21 | 103563101 | 8-15 | 103597402 | 12-21, 13-25 |
| 103555801 | 9-3 | 103563201 | 8-17 | 103599301 | 12-23, 13-27 |
| 103555901 | 9-3 | 103563301 | 9-5 | 103600001 | 2-9 |
| 103556001 | 8-13 | 103563501 | 9-5 | 103600701 | 6-7, 13-23 |
| 103556101 | 8-27 | 103563601 | 8-11 | 103601001 | 13-29 |
| 103556301 | 8-15, 8-25 | 103563701 | 8-11 | 103602301 | 1-39 |
| 103556501 | 8-11 | 103563801 | 8-17, 8-25 | 103602801 | 12-5, 13-5 |
| 103556801 | 8-15, 8-25 | 103563901 | 8-17 | 103602901 | 12-5, 13-5 |
| 103556901 | 8-7 | 103564101 | 8-11 | 103603001 | 12-5, 13-5 |
| 103557001 | 8-15 | 103564201 | 8-25 | 103603101 | 12-5, 12-13, 12-19, 13-5, 13-13, 13-19 |
| 103557201 | 8-7 | 103564501 | 8-7 | 103603201 | 12-5, 13-5 |
| 103557301 | 8-13 | 103564601 | 9-3 | 103603301 | 12-5, 12-15, 13-5, 13-15, 13-21 |
| 103557401 | 8-9 | 103564701 | 9-7 | 103603401 | 12-5, 13-5 |
| 103557501 | 8-11 | 103564801 | 9-5 | 103603501 | 12-5, 12-13, 13-5, 13-13, 13-21 |
| 103557601 | 8-7 | 103564901 | 9-5 | 103603601 | 12-9, 13-9 |
| 103557701 | 8-13 | 103565001 | 8-17, 9-5 | 103603701 | 12-9, 13-9 |
| 103557801 | 8-7 | 103565101 | 9-5 | 103603801 | 12-9, 13-9 |
| 103557901 | 8-15 | 103565201 | 8-15, 8-25 | 103603901 | 12-9, 13-9 |
| 103558001 | 8-15, 8-25 | 103565601 | 8-15 | 103604001 | 12-9, 13-9 |
| 103558101 | 8-15 | 103565701 | 8-17, 8-25 | 103604101 | 12-7, 12-9, 13-7, 13-9 |
| 103558201 | 8-7 | 103565801 | 8-17 | 103604201 | 12-9, 13-9 |
| 103558301 | 8-7 | 103565901 | 8-17 | 103604301 | 12-7, 13-7 |
| 103558601 | 8-15 | 103566001 | 8-15 | 103604401 | 12-7, 13-7 |
| 103558801 | 8-9 | 103566101 | 8-19 | 103604601 | 12-7, 13-7 |
| 103558901 | 8-15 | 103566201 | 8-17 | 103604701 | 12-7, 13-7 |
| 103559001 | 8-19 | 103566301 | 8-17 | 103604801 | 12-7, 13-7 |
| 103559101 | 8-11 | 103566401 | 8-3, 8-15 | 103604901 | 12-7, 13-7 |
| 103559401 | 8-7 | 103566501 | 8-15 | 103605001 | 12-7, 13-7 |
| 103559501 | 8-15 | 103566601 | 8-17 | 103605101 | 12-7, 12-19, 13-7, 13-19 |
| 103559601 | 8-21 | 103566801 | 8-23 | 103605201 | 12-7, 13-7 |
| 103559701 | 8-17, 9-3 | 103566901 | 8-11 | 103605301 | 12-7, 13-7 |
| 103559801 | 9-3 | 103567001 | 8-13 | 103605401 | 12-7, 13-7 |
| 103559901 | 8-15 | 103567101 | 8-7 | 103605501 | 12-7, 12-11, 13-7, 13-11 |
| 103560001 | 8-15 | 103567301 | 8-7 | 103605601 | 12-7 |
| 103560101 | 9-3 | 103567401 | 8-13 | 103605701 | 12-11, 13-11 |
| 103560201 | 9-7 | 103567501 | 9-7 | 103605801 | 12-11, 13-11 |
| 103560301 | 8-17 | 103567701 | 8-17 | 103605901 | 12-11, 13-11 |
| 103560401 | 8-11 | 103567901 | 8-17 | 103606001 | 12-11, 13-11 |
| 103560701 | 8-15 | 103568001 | 8-17 | 103606101 | 12-11, 12-19, 13-11, 13-19 |
| 103560901 | 9-7 | 103572201 | 11-3 | 103606301 | 12-13, 13-13 |
| 103561001 | 8-7 | 103572301 | 2-7 | 103606401 | 12-13, 13-13 |
| 103561101 | 8-15, 8-25 | 103572401 | 2-7 | 103606501 | 12-13, 13-13 |
| 103561201 | 8-13 | 103572701 | 11-3 | 103606801 | 12-13, 13-13 |
| 103561301 | 8-15 | 103574301 | 5-5 | 103606901 | 12-13, 13-13 |
| 103561401 | 8-19 | 103576901 | 9-11 | 103607001 | 12-13, 13-13 |
| 103561501 | 8-11 | 103577001 | 9-11 | 103607101 | 12-13, 13-13 |
| 103561701 | 8-7 | 103577101 | 4-7 | 103607201 | 12-13, 13-13 |
| 103561801 | 8-11 | 103577401 | 4-7 | 103608501 | 13-21 |
| 103561901 | 8-11 | 103579901 | 3-7 | 103608601 | 13-21 |
| 103562001 | 8-15 | 103581401 | 9-11 | 103608701 | 13-21 |
| 103562101 | 8-21 | 103582401 | 3-7 | | |

INDEX

| | | | | | |
|-----------|---------------------|-----------|--------------|--------------------------|-------------------|
| 103608801 | 12-15, 13-15, 13-21 | 103779201 | 8-21 | 103904001 | 13-21 |
| 103609101 | 13-21 | 103779202 | 8-21 | 103905201 | 9-15 |
| 103609201 | 13-21 | 103784101 | 11-3 | 103905301 | 12-5, 13-5 |
| 103609401 | 13-21 | 103787001 | 13-29 | 103905401 | 12-5, 13-5 |
| 103609501 | 13-21 | 103788201 | 9-15 | 103929801 | 7-5 |
| 103609601 | 13-21 | 103788401 | 12-23, 13-27 | 103930301 | 13-43 |
| 103609701 | 13-21 | 103798701 | 5-9 | 103933601 | 6-11 |
| 103609801 | 12-15, 13-15 | 103799001 | 12-23, 13-27 | 103945501 | 3-3 |
| 103609901 | 12-15, 13-15 | 103799101 | 12-23, 13-27 | 103945502 | 3-3 |
| 103610001 | 12-15, 13-15 | 103799201 | 12-23, 13-27 | 103959040 | 1-25 |
| 103610101 | 12-15, 13-15 | 103799401 | 12-23, 13-27 | 103959140 | 1-25 |
| 103610201 | 12-15, 13-15 | 103799501 | 5-9 | 105066501 | 8-3, 9-5 |
| 103610301 | 12-7 | 103799701 | 13-21 | 105066601 | 9-5 |
| 103610401 | 12-7 | 103799801 | 13-21 | 105066701 | 9-5 |
| 103610501 | 12-17, 13-17 | 103799901 | 13-21 | 105066801 | 9-5 |
| 103610701 | 12-17, 13-17 | 103816801 | 5-9 | 105066901 | 9-5 |
| 103610801 | 12-17, 13-17 | 103831101 | 1-33 | 105067001 | 9-5 |
| 103610901 | 12-17, 13-17 | 103831901 | 13-23 | 105067101 | 9-5 |
| 103611001 | 12-19, 13-19 | 103832101 | 1-15 | 47560464001 | 9-13 |
| 103611101 | 12-19, 13-19 | 103835901 | 7-5 | 96701412 | 5-9 |
| 103611201 | 12-19, 13-19 | 103851202 | 9-17 | 96704960 | 12-21, 13-25 |
| 103611301 | 12-19, 13-19 | 103855501 | 1-15 | 96705199 | 7-3 |
| 103611401 | 12-19, 13-19 | 103855601 | 1-15 | 96715552 | 8-5 |
| 103611501 | 12-19, 13-19 | 103865301 | 14-3 | 96741046 | 5-9, 6-9 |
| 103611601 | 12-19, 13-19 | 103869801 | 11-5 | | |
| 103611701 | 12-17, 13-17 | 103869901 | 11-9 | A | |
| 103614501 | 10-3 | 103870001 | 11-9 | a-arm | 6-7 |
| 103618501 | 1-17 | 103870101 | 11-9 | access cove | 1-25 |
| 103618601 | 1-17 | 103870201 | 11-9 | adjuster, rocker arm | 8-17 |
| 103618701 | 12-23, 13-27 | 103870301 | 11-9 | adpter, oil filter | 8-15 |
| 103619901 | 1-17, 3-5 | 103870401 | 11-5 | air cleaner cover | 9-5 |
| 103629501 | 1-33 | 103873101 | 7-3 | air cleaner gasket | 8-25 |
| 103632601 | 1-11 | 103873201 | 7-3 | air guide cover | 8-11 |
| 103638201 | 13-23 | 103883201 | 5-9 | alternator | 8-7 |
| 103646401 | 12-3 | 103893801 | 12-21, 13-25 | anchor, trailing arm, lh | 6-9 |
| 103646402 | 13-3 | 103898501 | 13-31 | anchor, trailing arm, rh | 6-9 |
| 103647501 | 1-27 | 103898601 | 13-33 | arbor | 14-3 |
| 103647601 | 1-27 | 103898701 | 13-29 | arm, rocker | 8-17 |
| 103665301 | 5-11 | 103898801 | 13-29 | armature, magneto | 8-7 |
| 103683401 | 11-5 | 103898901 | 13-29 | assembly | |
| 103683501 | 11-5 | 103899001 | 13-39 | filler cap | 5-3 |
| 103683601 | 11-5 | 103899101 | 13-29 | fuel cap | 9-15 |
| 103683701 | 11-5 | 103899201 | 13-29 | headlight harness | 4-3 |
| 103683801 | 11-9 | 103899301 | 13-41 | wire | 9-15 |
| 103683901 | 11-9 | 103899401 | 13-29 | | |
| 103688201 | 11-3 | 103902801 | 13-7 | B | |
| 103689801 | 9-11 | 103902901 | 12-13, 13-13 | back plate | 8-11 |
| 103699801 | 2-3 | 103903101 | 12-13, 13-13 | baffle, breather | 8-19 |
| 103710501 | 12-21, 13-25 | 103903201 | 12-13, 13-13 | ball bearing | 8-15, 8-21 |
| 103751001 | 5-11 | 103903301 | 13-21 | ball joint | 6-7, 12-23, 13-27 |
| 103751101 | 9-11 | 103903401 | 13-21 | ball stud | 12-21, 13-25 |
| 103751701 | 5-11 | 103903501 | 13-21 | banjo bolt | 5-5, 5-7 |
| 103755101 | 5-11 | 103903601 | 13-21 | barrel, plastic | 1-33 |
| 103763401 | 5-11 | 103903701 | 13-21 | barrier, heat, bed, frnt | 1-31 |
| 103778401 | 2-7 | 103903801 | 13-21 | barrier, heat, bed, rear | 1-31 |
| 103778601 | 2-9 | 103903901 | 13-21 | | |

INDEX

- base, seat holder 1-25
 - battery
 - 12-volt, side-post 7-3
 - battery clamp 7-3
 - battery spacer 7-3
 - battery terminal protector spray 14-3
 - battery thermometer 14-3
 - bearing
 - hub 6-7, 6-9
 - needle 13-29
 - bearing and oil seal remover 14-3
 - bearing driver set 14-3
 - bearing puller 14-3
 - bearing puller wedge 14-3
 - bearing, ball 8-15, 8-21
 - bed bottom 1-39
 - bed gate 1-39
 - bed latch handle 1-19
 - bed panel, lh 1-39
 - bed panel, rh 1-39
 - bed, latch 1-19
 - bell crank 8-9
 - belt, cvt 11-7
 - bench seat back 1-33
 - bench seat back cap 1-33
 - block 11-5
 - blower housing 8-11
 - blower housing plug 8-11
 - body panel, center 1-21
 - body, upper carburetor 9-7
 - bolt
 - banjo 5-5, 5-7
 - boot, spark plug 8-17
 - bracket, control 8-9
 - bracket, fuel pump 9-3
 - bracket, hinge 1-25
 - bracket, light, brake 4-7
 - bracket, supp, steering 1-13
 - brake cable release tool 14-3
 - brake caliper, front 5-5
 - brake caliper, rear 5-7
 - brake light bracket 4-7
 - brake line, front 5-5
 - brake line, rear 5-7
 - brake pad service kit 5-5, 5-7
 - brake pedal 5-9
 - brake rotor 5-5, 5-7
 - brake system indicator light 7-3
 - brake, park 5-11
 - breather 8-19
 - breather baffle 8-19
 - breather gasket 8-19, 8-25
 - breather tube 8-19
 - brush retainer 8-13
 - brush set 8-13
 - brushgard, tube 1-3
 - buckle, seat-belt 1-35
 - bulb, headlight 4-3
 - bulb, tail light 4-7
 - bumper
 - rubber 9-13
 - bumper, rubber 1-19
 - bushing
 - choke shaft 9-7
 - gov crank 8-15
 - return line 9-15
 - steel 1-19
 - urethane 1-19
 - valve guide 8-17
 - button, thrust 13-29
- ## C
- cable, choke 12-23, 13-27
 - cable, trans, diff-lock 12-23, 13-27
 - cable, trans, fnr 12-23, 13-27
 - caliper, brake, front 5-5
 - caliper, brake, rear 5-7
 - camber adjustment tool 14-3
 - camshaft 8-19
 - canister, carbon, fuel tank 9-17
 - cap
 - center, alloy wheel 2-3
 - filler 5-3
 - fuel, gas, ratchet 9-15
 - steering wheel 6-5
 - cap, drive 8-13
 - cap, end 8-13
 - cap, limiter 9-7
 - cap, oil fill 8-17
 - cap, wheel, rubber 6-7, 6-9
 - carbon canister 9-17
 - carburetor air vent tube 9-17
 - carburetor cover 8-11
 - carburetor float 9-7
 - carburetor float level tool 14-5
 - carburetor gasket, body 9-7
 - carburetor plug 9-7
 - carburetor spacer 8-27
 - carburetor, upper body 9-7
 - card, safety first 14-5
 - casing clamp 8-9
 - choke cable 12-23, 13-27
 - choke link 8-9
 - choke shaft 9-7
 - choke shaft bushing 9-7
 - choke valve 9-7
 - clamp
 - battery 7-3
 - casing 8-9
 - hose 8-17, 9-3, 9-11, 9-13, 9-17
 - hose, green 9-17
 - muffler 10-3
 - clevis pin 5-3
 - clip, wire 8-7
 - clutch removal tool 14-3
 - column, steering 6-3
 - compression gauge 14-3
 - compressor, valve spring 14-7
 - connecting rod 8-21
 - continuity tester 14-3
 - control bracket 8-9
 - cover
 - access 1-25
 - air cleaner 9-5
 - air guide 8-11
 - carburetor 8-11
 - crankcase 8-15
 - cvt, outer 11-3
 - dash 1-29
 - electrical 7-3
 - input 13-37
 - oil filter 8-15
 - rocker 8-17
 - rocker switch hole 4-5
 - shifter 1-29, 12-21, 13-25
 - starter drive 8-11
 - steering column 6-5
 - cowl 1-25
 - crank, bell 8-9
 - crank, governor 8-15
 - crankcase cover 8-15
 - crankcase gasket 8-15, 8-25
 - crankshaft 8-21
 - cup holder 1-29
 - cup holder, seat 1-25
 - cutter, valve seat 14-5
 - cvt belt 11-7
 - cvt cover gasket 11-3
 - cvt cover, outer 11-3
 - cylinder 8-19
 - cylinder head 8-17
 - cylinder head gasket 8-17, 8-25
 - cylinder, master 5-3
- ## D
- dash- control mount 1-29
 - dash cover 1-29
 - dash support 1-13
 - decal
 - 4x4 3-3
 - brake fluid, dot 5 3-5
 - club car, 51 x 144 3-3
 - crush area warning 3-5
 - frame ground, long 3-7
 - hot surface warning 3-7
 - operation, bed latch 3-5
 - operator, warn/instr 3-7
 - ROPS warning 1-37, 3-5

INDEX

rotating parts warning 3-7
trailer hitch 3-7
under 16 warning 1-37, 3-5
vehicle loading 3-7
warn, co, cab 1-17, 3-5
warn, gas fuel loading 3-7
winch, warning 3-7
deflector, oil 8-15
diesel tachometer probe 14-5
dipstick gasket 8-17, 8-25
dipstick 8-15
dipstick tube 8-15
drive cap 8-13
drive clutch fixed sheave tool 14-3
drive clutch service tool 14-3
drive clutch spider removal tool 14-3
drive flange 11-5
drive, starter 8-13
driven clutch spring compression base tool 14-3
driven clutch spring compression collar tool 14-3
driven clutch spring compression nut tool 14-3
dry moly lubricant 14-5

E

E-clip 5-11
end cap 8-13
engine 8-5
engine gasket set 8-25
exhaust gasket 8-25
exhaust manifold 10-3
exhaust manifold stud 8-17
exhaust valve 8-17
extension, spring latch 1-19

F

fascia 1-9
fascia mount 1-13
fastener, push-in 7-3
fender, front, lh 1-21
fender, front, rh 1-21
fender, rear, lh 1-21
fender, rear, rh 1-21
filler cap 5-3
filter
inlet cover 11-3
filter, fuel 8-3, 9-3
filter, oil 8-3, 8-15
filter, pre cleaner 9-5
flange, drive 11-5
flange, sliding, drive 11-5
float needle valve 9-7
float, carburetor 9-7
floor plate, middle 1-11

flywheel 8-23
FNR lever, transmission 12-21, 13-25
fnr shifter, dash 12-21, 13-25
fuel filter 8-3, 9-3
fuel gauge sending unit 9-15
fuel gauge/hour meter 7-3
fuel line 9-3
fuel pump 9-3
fuel pump bracket 9-3
fuel solenoid 9-3
fuel tank strap 9-13

G

gasket
air cleaner 8-25
breather 8-19, 8-25
carburetor body 9-7
cover, cvt 11-3
crankcase 8-15, 8-25
cylinder head 8-17, 8-25
dipstick 8-17, 8-25
exhaust 8-25
intake 8-25, 8-27
intake, manifold-carb 8-25, 8-27, 9-7
liquid 14-5
oil adapter 8-15, 8-25
rocker cover 8-17, 8-25
sending unit 9-15
set, engine 8-25
gate, bed 1-39
gauge
compression 14-3
fuel-hour 7-3
gear yoke 14-5
gear, timing 8-21
governor control lever 8-9
governor crank 8-15
governor crank bushing 8-15
governor shaft retainer 8-15
governor spool 8-19
grip tape, accelerator pad 5-9
grommet 8-7, 9-15
ground terminal 8-7

H

handle, bed latch 1-19
head, cylinder 8-17
headlight 4-3
headlight bulb 4-3
headlight harness 4-3
heat shield, exhaust 1-31
heat shield, front 1-31
heat shield, rear 1-31
hinge seat plate 1-33
hinge, bracket 1-25

hitch, channel 1-5
holder
cup 1-29
hood 1-25
hose
fuel 9-3
vent 9-17
hose clamp 8-17, 9-3
hose clamp, green 9-17
hose, vent, front diff 13-29
hour meter 7-3
housing, blower 8-11
housing, starter 8-13
hub, wheel, front 6-7, 6-9
hydrometer 14-5

I

insulator 8-7
intake gasket 8-25, 8-27
intake manifold 8-27
intake valve 8-17
intake, carburetor-manifold, gasket 8-25, 8-27, 9-7
intermediate shaft 6-3
internal retaining ring pliers 14-5

J

jet, main, 0-5000 ft (0-1500m) 9-7
jet, main, 5000-9000 ft (1500-2700m) 9-7
jet, main, 9000-up ft (2700m-up) 9-7
joint
ball 6-7, 12-23, 13-27
jumper, oil pressure switch 7-3

K

keeper, valve 8-17
key switch 7-3
key switch spacer 7-3
key, cam 11-9
key, timing 8-21
key, woodruff 8-21
keyswitch nut 7-3
kit
backlite 1-17
brake pad service 5-5, 5-7
brushgrd, tube 1-3
bushing & seal, magneto side 8-19
carburetor overhaul 9-9
cover plate, input 13-37
door 1-17
drain plug 13-29
front receiver 1-5
idle mixture 9-7
idle speed 9-7
needle & seat 9-7

INDEX

receiver, rear 1-7
repair, minor 13-35
roller 13-29
rops, lh 1-37
rops, rh 1-37
screw & washer 8-7
taillight hardware 4-7
tune-up 14-5
knob, black 12-21, 13-25
knob, forward/reverse 12-21, 13-25

L

latch 1-29
latch plate mount 1-19
latch plate, tilt bed 1-19
latch, bed 1-19
lateral link spacer 6-9
lat-link, front 6-9
lat-link, rear 6-9
lens, taillight 4-7
lever, governor control 8-9
lever, trans, FNR 12-21, 13-25
light
 oil 7-3
light, indicator, brake sys 7-3
limit switch 7-5
limiter cap 9-7
link, choke 8-9
link, throttle 8-9
liquid gasket 14-5
low oil warning light 7-3
lubricant, dry moly 14-5

M

magneto armature 8-7
manifold, exhaust 10-3
manifold, intake 8-27
master cylinder 5-3
meter, volt ohm 14-7
motor, starter 8-13
mount, fascia 1-13
mount, latch plate 1-19
mount, seat back 1-13
muffler 10-3
muffler clamp 10-3

N

nozzle, carburetor, standard 9-7
nut, keyswitch 7-3

O

oil adapter gasket 8-15, 8-25
oil deflector 8-15
oil drain plug 8-19
oil fill cap 8-17

oil filter 8-3, 8-15
oil filter adapter 8-15
oil filter cover 8-15
oil plug 8-15
oil pressure switch 8-19
oil pressure switch jumper 7-3
oil pump 8-15
oil pump screen 8-15
oil seal 13-37
oil warning light, low 7-3
O-ring 13-37

P

panel
 body, center 1-21
 body, lh 1-21
 body, rh 1-21
 closeout, center 1-23
 closeout, rh 1-23
 front, bed 1-39
panel, bed, lh 1-39
panel, bed, rh 1-39
park brake 5-11
pedal, brake 5-9
pin, clevis 5-3
pin, piston 8-21
piston, pin 8-21
pivot, rocker arm 8-17
plate
 armature 13-29
 electrical 7-3
 latch 1-19
 thrust 13-29
plate, back 8-11
plate, floor, middle 1-11
plate, hinge, seat 1-33
pliers
 internal retaining ring 14-5
 retaining ring 14-5
plug
 oil fill 13-29
 tube 1-3
plug, blower, housing 8-11
plug, carburetor 9-7
plug, oil 8-15
plug, oil drain 8-19
plug, sprak 8-3, 8-17
powertrain subframe 8-5
pre cleaner filter 9-5
propshaft, center, 4x4 13-43
propshaft, front, 4x4 13-43
propshaft, rear, 4x4 13-43
protector spray, battery terminal 14-3
puller
 bearing 14-3
 clutch 14-3

seal 14-5
 special use tool 14-5
pump, fuel 9-3
pump, oil 8-15
push rod, exhaust 8-17
push rod, intake 8-17

R

rack, steering 6-3
receiver, rear 1-7
reflector 1-9
regulator 8-7
remover, bearing and oil seal 14-3
retainer, brush 8-13
retainer, governor shaft 8-15
retainer, valve 8-17
retaining ring pliers 14-5
retractor, seat-belt 1-35
ring
 retaining, ext 6-7
ring, retaining 8-13
ring, snap, external 11-9
rocker arm 8-17
rocker arm adjuster 8-17
rocker arm pivot 8-17
rocker cover 8-17
rocker cover gasket 8-17, 8-25
rocker switch (lights) 4-3
rod
 "J" 5-9
rod, connecting 8-21
rod, connection, under sized 8-21
rod, push, exhaust 8-17
rod, push, intake 8-17
ROPS cross tube, top 1-37
ROPS warning decal 1-37, 3-5
ROPS, lh 1-37
ROPS, rh 1-37
rotor disc brake 5-5, 5-7

S

safety first card 14-5
screen, oil pump 8-15
screen, rotating 8-23
seal
 bulb 1-25
 choke & throttle shaft 9-7
 dipstick tube 8-15, 8-25
 governor shaft 8-15, 8-25
 o ring, crankcase cover 8-15, 8-25
 o ring, oil pump 8-15, 8-25
 o ring, oil pump screen 8-15, 8-25
 oil 13-37
 oil, magneto side 8-19, 8-25
 oil, pto side 8-15, 8-25

INDEX

valve 8-17, 8-25
seal puller 14-5
seat back cap, bench 1-33
seat back mount 1-13
seat back, bench 1-33
seat belt buckle 1-35
seat bottom, bench 1-33
seat holder base 1-25
seat, spring, drive 11-5
seat-belt retainer 1-35
sending unit, fuel gauge 9-15
shaft, choke 9-7
shaft, intermediate 6-3
shaft, retention, front, 2wd 6-7
shaft, throttle 9-7
shield, exhaust, heat 1-31
shifter cover 1-29, 12-21, 13-25
shifter, dash, fnr 12-21, 13-25
shifter, diff 12-21, 13-25
shim, armature plate 13-29
shim, bearing end play 8-21
shock absorber, rear 6-11
shroud
 steering column 6-5
sleeve, a-arm 6-7
sleeve, link, short 6-9
solenoid, fuel 9-3
solenoid, starter 8-7
spacer
 key switch 7-3
spacer, battery 7-3
spacer, carburetor 8-27
spacer, lat-link 6-9
spacer, throttle 9-7
spanner wrench 14-5
spark plug 8-3, 8-17
spark plug boot 8-17
spool, governor 8-19
spray, battery terminal protector 14-3
spring
 extension 1-19
 governor 8-9
 governor idle 8-9
 governor link 8-9
 pedal 5-9
 valve 8-17
spring mounting stud 12-21, 13-25
starter drive cover 8-11
starter housing 8-13
starter motor 8-13
starter solenoid 8-7
starter, drive 8-13
steel bushing 1-19
steering column 6-3
steering column cover 6-5
steering column shroud 6-5

steering rack 6-3
steering support bracket 1-13
steering wheel 6-5
steering wheel puller tool 14-5
stem, valve 2-3, 2-5
stopper, drive 11-5
strap, ac mounting 9-5
strap, fuel tank 9-13
strap, starter 8-13
strut, lh 6-7
strut, rh 6-7
stud, ball 12-21, 13-25
stud, exhaust manifold 8-17
stud, mtg, spring 12-21, 13-25
stud, oil filter adapter 8-15
stud, rocker arm, 8-17
subframe, powertrain 8-5
support, dash 1-13
swing arm 6-9
switch
 key 7-3
 light rocker 4-3
 limit 7-5
switch, oil pressure 8-19

T

tachometer 14-5
tachometer probe, diesel 14-5
tail light bulb 4-7
taillight 4-7
taillight assembly 4-7
taillight hardware kit 4-7
taillight lens 4-7
tape, grip, accelerator pad 5-9
tappet, valve 8-17, 8-19
terminal, ground 8-7
tester, continuity 14-3
thermometer, battery 14-3
throttle link 8-9
throttle shaft 9-7
throttle spacer 9-7
throttle valve 9-7
thrust button 13-29
thrust plate 13-29
tie wrap 4-3, 5-5, 5-7, 7-3
timing gear 8-21
tire
 all-terrain 2-9
 mud 2-9
tires 2-9
tool
 brake cable release 14-3
 camber adjustment 14-3
 carburetor float level 14-5
 cT-wrench 14-5
 drive clutch fixed sheave 14-3

drive clutch service 14-3
drive clutch spider removal 14-3
driven clutch spring compression base 14-3
driven clutch spring compression collar 14-3
driven clutch spring compression nut 14-3
puller, special use 14-5
steering wheel puller 14-5
valve guide driver 14-5
valve seat cutter 14-3
trailing arm anchor, lh 6-9
trailing arm anchor, rh 6-9
trailing arm, lh 6-9
trailing arm, rh 6-9
tube
 carburetor air vent 9-17
tube, breather 8-19
tube, dipstick 8-15
tune-up kit 14-5
T-wrench tool 14-5

U

upright, rear 6-9
upright, rh 6-7
urethane bushing 1-19

V

valve guide bushing 8-17
valve guide driver tool 14-5
valve keeper 8-17
valve retainer 8-17
valve seat cutter 14-5
valve seat cutter tool 14-3
valve spring 8-17
valve spring compressor 14-7
valve stem 2-3, 2-5
valve tappet 8-17, 8-19
valve, choke 9-7
valve, exhaust 8-17
valve, float needle 9-7
valve, intake 8-17
valve, throttle 9-7
vent
 fuel tank 9-15
vent hose, front diff 13-29
vent, barb 9-17
volt ohm meter 14-7

W

warning light, low oil 7-3
wedge, bearing puller 14-3
wheel
 alloy 2-3
 steel 2-5

INDEX

steering 6-5
wheel cap, alloy 2-3
wheel cap, rubber 6-7, 6-9
wheel hub, front 6-7
wheel hub, rear 6-9
wire asm, ground, taillight 4-7
wire assembly 9-15
wire clip 8-7
wrap, tie 4-3, 5-5, 5-7, 7-3
wrench, spanner 14-5

Y

yoke, gear 14-5



Club Car, Inc.
P.O. Box 204658
Augusta, GA 30917-4658
USA

Web www.clubcar.com
Phone 1.706.863.3000
1.800.ClubCar
Int'l +1 706.863.3000
Fax 1.706.863.5808