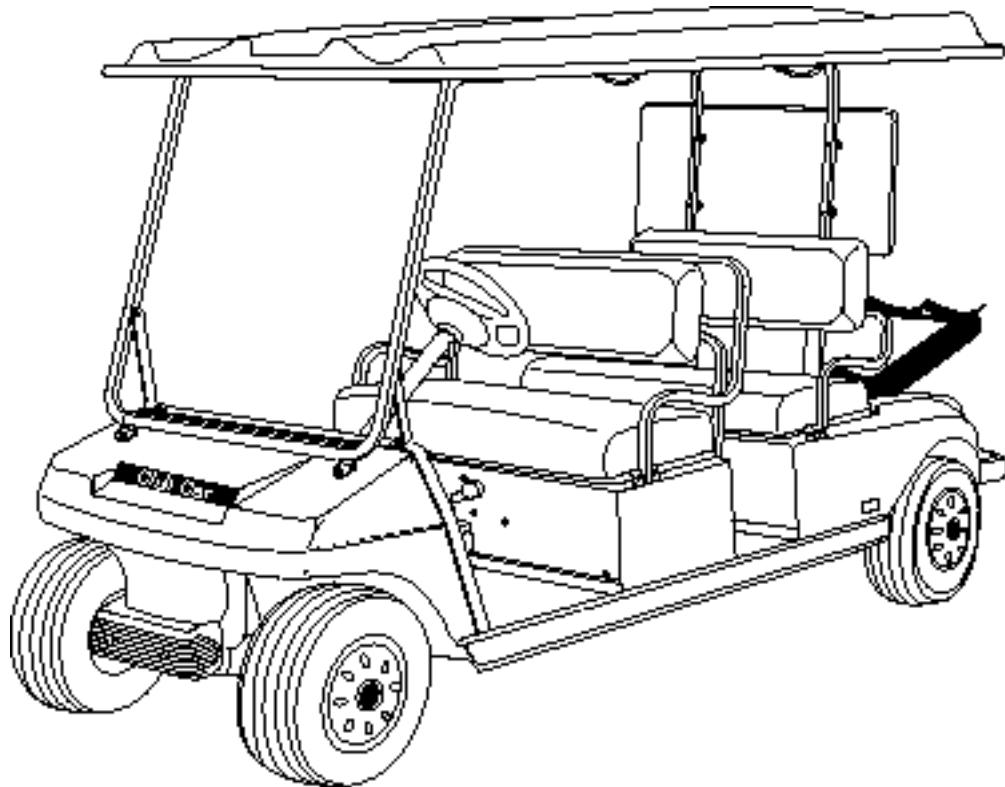




1997
ILLUSTRATED
PARTS LIST



DS LIMO GOLF CARS
GASOLINE/ELECTRIC

MANUAL NUMBER 1019285-06
PRINT CODE 1096B0898A

USING THE ILLUSTRATED PARTS LIST

WARNING

- **THIS MANUAL IS TO BE USED ONLY FOR IDENTIFICATION AND ORDERING OF SERVICE PARTS. BE SURE TO READ AND USE THE MAINTENANCE AND SERVICE MANUAL BEFORE ATTEMPTING ANY VEHICLE REPAIRS.**

This manual covers the 1997 Club Car Limo vehicle. See Important Notice on the following page.

The manual is divided into 23 sections. Sections 1 through 5 pertain to both gasoline and PowerDrive® electric vehicles, sections 6 through 11 pertain to gasoline vehicles only, sections 12 through 15 pertain to PowerDrive electric vehicles only, and sections 16 - 23 pertain to gasoline vehicles produced early in the model year (See Important Notice on the following page). Note that there are two or three flags on the outside edge of each page. The first flag contains the section number of which that page is a part. The other flag (or flags) contains either the letter *G* or *E*, signifying that the page pertains to either the gasoline or PowerDrive electric vehicle only, or to both the gasoline and PowerDrive electric vehicles.

Use the Table of Contents to find the sections and pages that contain the parts and assemblies you seek. The Table of Contents lists section titles and numbers, and under them, the individual page titles and numbers to be found in that section.

You will also find vehicle models and serial numbers specified within the listings for individual page titles. These model and serial number specifications identify the vehicles on which parts usage as described on a particular page either began or ended. Have the serial number(s) of your vehicle(s) at hand and read the listings carefully when using the table of contents.

Typically, there is a two-page spread for each individual page title in the Table of Contents (however, some titles required several spreads). On the left-hand page is an illustration showing the parts in their relative positions; the parts are each tagged with an item number in a balloon. The right-hand page is the parts list page, and gives the page title at the top, then the item numbers (corresponding to the numbers on the illustration), part descriptions, and quantity of parts used. Some item numbers have more than one part number because several models and/or configurations of a component are represented together on one spread.

Note that a part description may be indented. This indentation corresponds to a parts assembly level indicated by the numbers 1, 2, 3, and 4 at the top left corner of the parts description area of the parts list page. A part that is indented to *level 2* is a component of the *level 1* part (assembly) that it is listed under. A *level 3* part is a component of the *level 2* part that it is listed under, and a *level 4* part is a component of the *level 3* part preceding it. In each case, the part quantity given for a level 2, 3, or 4 part *is the quantity used per next higher level assembly of which it is a component*. A part that is not indented is a *level 1* part. This means that the quantity given is the quantity used per the portion of the vehicle illustrated on that particular spread.

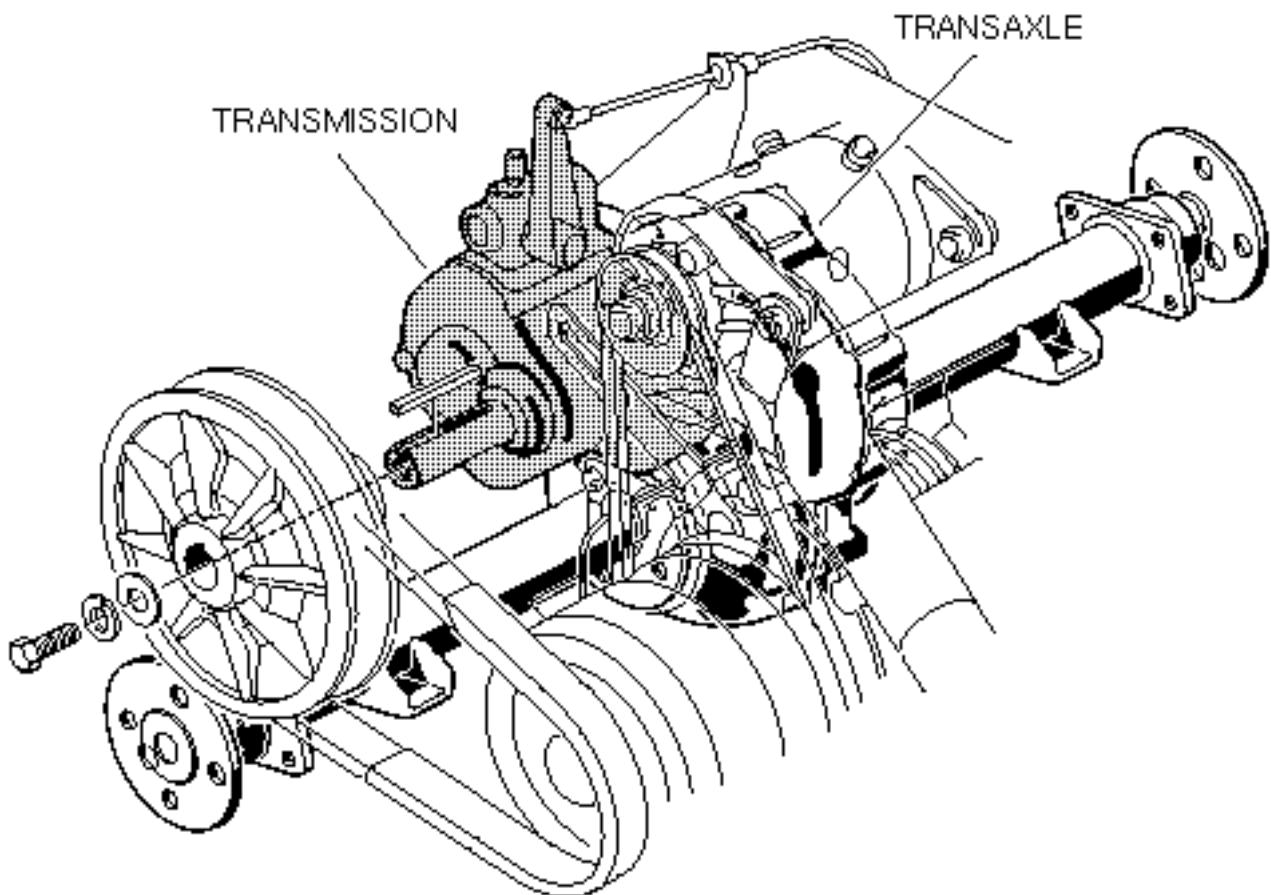


P. O. Box 204658
Augusta, Georgia 30917-4658 USA
Telephone 706-863-3000
Service Parts Fax 706-855-7413

© 1996, CLUB CAR INC.
All rights reserved.
This manual effective August 1, 1996

⚠ IMPORTANT NOTICE!

- ALL EARLY 1997 CLUB CAR LIMOS WITH 350 ENGINES (SERIAL NUMBER 9710-563082 AND EARLIER) MAINTAINED THE 1996 POWERTRAIN CONFIGURATION UTILIZING SEPARATE TRANSMISSION AND TRANSAXLE UNITS. IF YOUR VEHICLE HAS SEPARATE TRANSMISSION AND TRANSAXLE UNITS AS SHOWN BELOW, USE SECTIONS 1 THROUGH 4 AND 16 THROUGH 23 WHEN ORDERING PARTS.
- GASOLINE LIMOS PRODUCED LATER IN 1997 (SERIAL NUMBER 9710-563083 AND LATER) UTILIZED THE UNITIZED TRANSAXLE POWERTRAIN THAT IS ILLUSTRATED IN SECTION 11 OF THIS MANUAL. IF YOUR VEHICLE HAS THE UNITIZED TRANSAXLE ILLUSTRATED ON PAGES 11-2 THROUGH 11-7, USE SECTIONS 1 THROUGH 11 WHEN ORDERING PARTS.



CONTENTS

MAINTENANCE AND SERVICE TOOLS	SECTION 1
THIS SECTION OF THIS MANUAL CONTAINS A LIST OF MAINTENANCE AND SERVICE TOOLS AVAILABLE FROM CLUB CAR	
	1-2
BODY AND TRIM	SECTION 2
FRONT BODY	2-3
CENTER BODY AND TRIM	2-5
REAR BODY AND FENDER	2-7
SEATS AND SUPPORT STRUCTURES	2-9
REAR BUMPER	2-11
BAG RACK ASSEMBLY	2-13
CANOPY KIT	2-15 - 2-17
WINDSHIELD KIT	2-19
WHEELS AND TIRES	2-21
SAFETY DECALS	SECTION 3
SAFETY DECALS	3-3 - 3-5
BRAKES, PEDAL, AND CABLE ASSEMBLIES	SECTION 4
REAR BRAKE ASSEMBLY	4-3
BRAKE PEDAL AND CABLE ASSEMBLY	4-5
FRONT BRAKE ASSEMBLY	4-7
ACCELERATOR PEDAL ASSEMBLY - GASOLINE VEHICLE	4-9
ACCELERATOR PEDAL ASSEMBLY - ELECTRIC VEHICLE	4-11
STEERING, FRONT AND REAR SUSPENSION	SECTION 5
STEERING COLUMN	5-3
STEERING GEAR ASSEMBLY	5-5
FRONT SUSPENSION, UPPER	5-7
FRONT SUSPENSION, LOWER	5-9
REAR SUSPENSION	5-11
STABILIZER BAR - GASOLINE VEHICLE	5-13
ELECTRICAL SYSTEM - GASOLINE VEHICLE	SECTION 6
FORWARD AND REVERSE SHIFTER ASSEMBLY - GASOLINE VEHICLE	6-3
WIRING - GASOLINE VEHICLE	6-5
ELECTRICAL COMPONENT BOX - GASOLINE VEHICLE	6-7
ELECTRICAL COMPONENTS, FRONT BODY - GASOLINE VEHICLE	6-9
ELECTRICAL COMPONENTS, REAR BODY - GASOLINE VEHICLE	6-11
STARTER/GENERATOR ASSEMBLY	6-13
STARTER/GENERATOR MOUNTING	6-15
BATTERY MOUNTING - GASOLINE VEHICLE	6-17
ENGINE	SECTION 7
FE 350 ENGINE	7-3 - 7-13
ENGINE MOUNTING	7-15

CONTENTS

FUEL, INTAKE, AND GOVERNOR SYSTEMS	SECTION	8
FUEL SYSTEM	8-3	
CARBURETOR ASSEMBLY	8-5	
CARBURETOR INSTALLATION	8-7	
GOVERNOR AND ACCELERATOR CABLES	8-9	
EXPANSION CHAMBER, CHOKE, AND FILTER	8-11	
EXHAUST SYSTEM	SECTION	9
EXHAUST SYSTEM	9-3	
TORQUE CONVERTER	SECTION	10
DRIVE CLUTCH	10-3	
DRIVEN CLUTCH	10-5	
UNITIZED TRANSAXLE - GASOLINE VEHICLE	SECTION	11
UNITIZED TRANSAXLE - GASOLINE VEHICLE	11-3 - 11-7	
ELECTRICAL SYSTEM - POWERDRIVE ELECTRIC VEHICLE	SECTION	12
FORWARD AND REVERSE SWITCH - POWERDRIVE ELECTRIC VEHICLE	12-3	
CONTINUOUSLY VARIABLE POTENTIOMETER	12-5	
WIRING - POWERDRIVE ELECTRIC VEHICLE	12-7	
ELECTRICAL COMPONENTS, FRONT BODY - POWERDRIVE ELECTRIC VEHICLE	12-9	
ELECTRICAL COMPONENTS, CENTER BODY - POWERDRIVE ELECTRIC VEHICLE	12-11 - 12-15	
ELECTRICAL COMPONENTS, REAR BODY - POWERDRIVE ELECTRIC VEHICLE	12-17	
BATTERY CHARGER	SECTION	13
POWERDRIVE BATTERY CHARGER - EXPORT	13-3	
MOTOR - POWERDRIVE ELECTRIC VEHICLE	SECTION	14
MOTOR - POWERDRIVE ELECTRIC VEHICLE	14-3	
TRANSAXLE - POWERDRIVE ELECTRIC VEHICLE	SECTION	15
TRANSAXLE - POWERDRIVE ELECTRIC VEHICLE	15-3	
STEERING, FRONT AND REAR SUSPENSION	SECTION	16
STEERING COLUMN	16-3	
STEERING GEAR ASSEMBLY	16-5	
FRONT SUSPENSION, UPPER	16-7	
FRONT SUSPENSION, LOWER	16-9	
REAR SUSPENSION	16-11	
STABILIZER BAR - GASOLINE VEHICLE	16-13	
INNER FRAME	16-15	
ELECTRICAL SYSTEM - GASOLINE VEHICLE	SECTION	17
FORWARD AND REVERSE SHIFTER ASSEMBLY - GASOLINE VEHICLE	17-3	
WIRING - GASOLINE VEHICLE	17-5	
ELECTRICAL COMPONENT BOX - GASOLINE VEHICLE	17-7	
ELECTRICAL COMPONENTS, FRONT BODY - GASOLINE VEHICLE	17-9	
ELECTRICAL COMPONENTS, REAR BODY - GASOLINE VEHICLE	17-11	
STARTER/GENERATOR ASSEMBLY	17-13	

CONTENTS

STARTER/GENERATOR MOUNTING	17-15	
BATTERY MOUNTING - GASOLINE VEHICLE	17-17	
ENGINE		SECTION 18
FE 350 ENGINE	18-3 - 18-13	
FUEL, INTAKE, AND GOVERNOR SYSTEMS		SECTION 19
FUEL SYSTEM	19-3	
CARBURETOR ASSEMBLY	19-5	
CARBURETOR INSTALLATION	19-7	
GOVERNOR AND ACCELERATOR CABLES	19-9	
EXPANSION CHAMBER, CHOKE, AND FILTER	19-11	
EXHAUST SYSTEM		SECTION 20
EXHAUST SYSTEM	20-3	
TORQUE CONVERTER		SECTION 21
DRIVE CLUTCH	21-3	
DRIVEN CLUTCH	21-5	
TRANSAXLE - GASOLINE VEHICLE		SECTION 22
TRANSAXLE - GASOLINE VEHICLE	22-3	
TRANSMISSION - GASOLINE VEHICLE		SECTION 23
TRANSMISSION - GASOLINE VEHICLE	23-3	

MAINTENANCE AND SERVICE TOOLS

1

G

E

MAINTENANCE AND SERVICE TOOLS

DESCRIPTION

PART NUMBER

ACCELERATOR PEDAL ADJUSTMENT TOOL	1018710-01
ADAPTER PLUG ASSEMBLY	1018945-01
ADHESION PROMOTER - ARMORFLEX®	1016985
ADHESIVE, GUIDE RING, 3 GRAM TUBE	1018132-02
ARMORFLEX REPAIR KIT	1017295
BATTERY DISCHARGE MACHINE, 36/48 VOLT	1018319-01
BATTERY TERMINAL PROTECTOR SPRAY	1014305
BATTERY THERMOMETER	1011767
BEARING AND OIL SEAL REMOVER ASSEMBLY	1016417
BEARING DRIVER SET	1016416
BEARING PULLER	1012811
BEARING PULLER WEDGE ATTACHMENT	1012812
CALIBRATION TEST MODULE	1018871-01
CAM INSTALLATION TOOL	1018084-01
CLUTCH TOOL KIT	1014510
CLUTCH ALIGNMENT TOOL (USED ON EARLY 1997 MODEL VEHICLES)	1014498
DRIVE CLUTCH PULLER	1014496
CLUTCH DRIVE HUB PULLER	1014497
DRIVEN CLUTCH CAM PULLER	1014508
DRIVEN CLUTCH PULLER PLUG	1014507
DRIVEN CLUTCH HOLDER TOOL ASSEMBLY	1015524
PRESS WELDMENT	1018091-01
COMMUNICATION DISPLAY MODULE	1018318-01
COMPRESSION GAUGE WITH ADAPTER	1016410-02
CONTINUITY TESTER	1011273
DRY MOLY LUBRICANT	1012151
FLY WHEEL PULLER KIT	1016627
GEAR YOKE	1016418
GOVERNOR SHAFT INSTALLATION TOOL	1019331-01
HEAT SINK COMPOUND	1018367-02
HYDROMETER	1011478
INTERNAL RETAINING RING PLIERS	1013593
LIQUID GASKET (TRANSAXLE CASE)	1019287-01
PISTON RING COMPRESSOR KIT	1016414
PISTON RING PLIERS	1016415
RETAINING RING PLIERS - 45° EXTERNAL	1012549
RETAINING RING PLIERS - 90° INTERNAL	1012560
SAFETY FIRST CARD (50 PER PACK)	1018231-01
SEAL PULLER	1012809
STARTER/GENERATOR BELT TENSION TOOL	1016867
STEERING COLUMN BEARING PRESS TOOL	1014264
STEERING COLUMN RETAINING RING TOOL	1014259
TACHOMETER	1016112

MAINTENANCE AND SERVICE TOOLS

1

G

E

DESCRIPTION	PART NUMBER
TOUCH-UP PAINT, LACQUER - WHITE	1017097-02
TRANSAXLE PINION SEAL TOOL	1014161
TRANSAXLE AXLE SEAL TOOL	1014162
TUNE-UP KIT (FE 350)	1016110-03
VALVE CLEARANCE ADJUSTER SCREW HOLDER	1016413
VALVE GUIDE REAMER	1016412-01
ARBOR	1016412-02
VALVE SEAT CUTTER HOLDER BAR	1016551
VALVE SEAT CUTTER HOLDER	1016552
VALVE SEAT CUTTER 45° (32MM DIAMETER)	1016553
VALVE SEAT CUTTER 45° (35MM DIAMETER)	1016554
VALVE SEAT CUTTER 32° (35MM DIAMETER)	1016555
VALVE SPRING COMPRESSOR	1016411-01
VOLT OHM METER	1011480

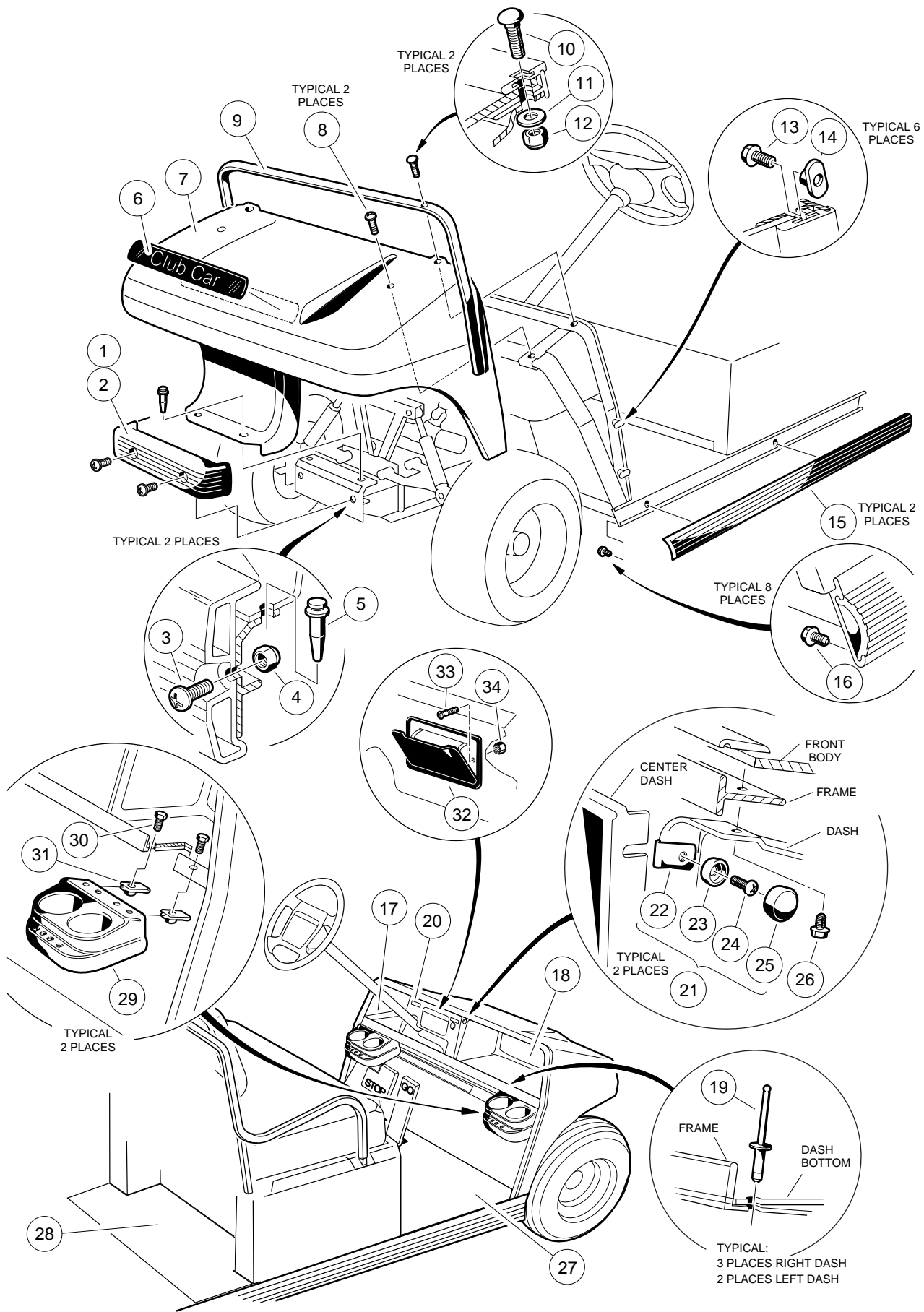
PLEASE REFER TO THE MAINTENANCE AND SERVICE MANUAL FOR PROPER TOOL APPLICATION.

BODY AND TRIM

2

G

E



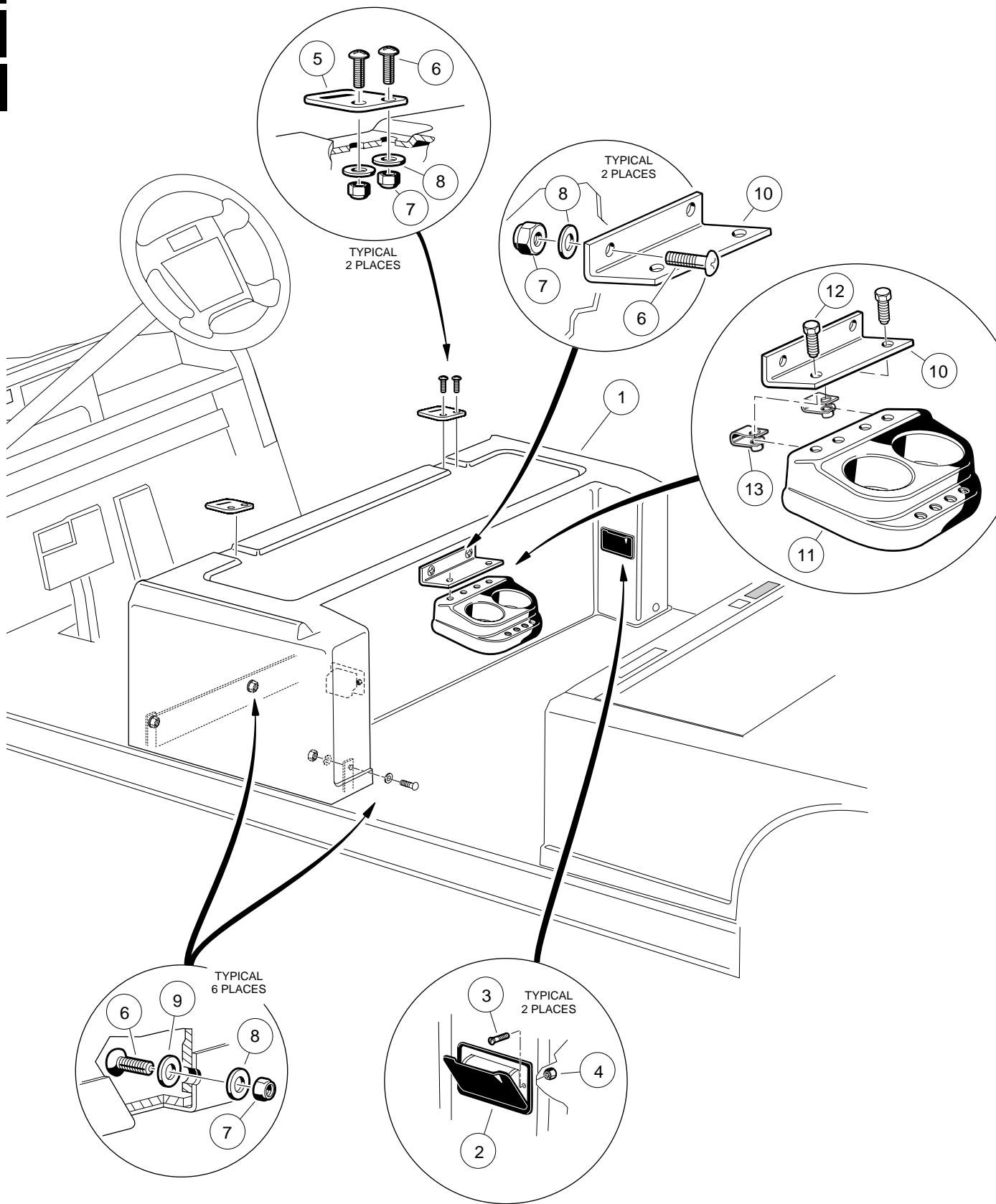
FRONT BODY

2

G

E

ITEM	PART NO.	DESCRIPTION	QTY GAS	QTY ELEC
		1 2 3 4		
1	<u>1017080</u>	KIT, FRONT BUMPER (INCLUDES ITEMS 2 - 5)	1	1
2	<u>1016868</u>	BUMPER, FRONT	1	1
3	0007251	SCREW, PHILLIPS TRUSS HEAD, 5/16 - 18 x 1	2	2
4	0007473	NUT, NYLON LOCK, 5/16 - 18	2	2
5	<u>1016967</u>	RIVET, BLIND PUSH TYPE	2	2
6	<u>1014198</u>	NAMEPLATE - GOLD	1	1
7	<u>1016925-02</u>	BODY, FRONT - WHITE	1	1
8	0007251	SCREW, PHILLIPS TRUSS HEAD, 5/16 - 18 x 1	2	2
9	<u>1011014</u>	TRIM, FRONT BODY	1	1
10	<u>1010435</u>	BOLT, CARRIAGE, 5/16 - 18 x 1	2	2
11	0001241	WASHER, FLAT, 5/16	2	2
12	0007473	NUT, NYLON LOCK, 5/16 - 18	2	2
13	<u>1011017</u>	SCREW, FLANGE LOCK, 8 - 32 x 3/8	6	6
14	1011394	NUT, SLAB BASE "T" (PACKAGE OF 4 PIECES)	1	1
15	<u>1016711</u>	TRIM, SIDE BUMPER GUARD	2	2
16	<u>1012047</u>	SCREW, SELF-TAPPING, #8 - 32 x 3/8	8	8
17	1013344	COMPONENT, LEFT DASH, BLACK	1	1
18	<u>1013343</u>	COMPONENT, RIGHT DASH, BLACK	1	1
19	0007973	RIVET, ALUMINUM POP, 3/16	5	5
20	1016604-04	PANEL, CENTER DASH	1	1
21	<u>1014645</u>	KIT, SNAP WASHER, BLACK (INCLUDES ITEMS 22 - 26)	1	1
22	N/A	NUT, SPEED, #10 - 32	1	1
23	N/A	WASHER, CUP, #10	1	1
24	N/A	SCREW, SHEET METAL, #10 x 3/4	1	1
25	N/A	COVER, SCREW HEAD	1	1
26	<u>1011017</u>	SCREW, FLANGE LOCK	2	2
27	<u>1015032</u>	MAT, FLOOR, FRONT	1	1
28	<u>1017289</u>	MAT, FLOOR, REAR	1	1
29	<u>1017083-01</u>	KIT, DRINK HOLDER (INCLUDES ITEMS 30 AND 31)	2	2
30	0007847	BOLT, HEX HEAD, 1/4 - 20 x 3/4	2	2
31	1016952	NUT, "U", 1/4 - 20	2	2
32	1011230	KIT, ASHTRAY (INCLUDES ITEMS 33 AND 34)	1	1
33	<u>1011226</u>	SCREW, OVAL COUNTERSUNK HEAD, #6 - 32 x 5/8	2	2
34	<u>1011229</u>	NUT, "K" LOCK, #6 - 32	2	2



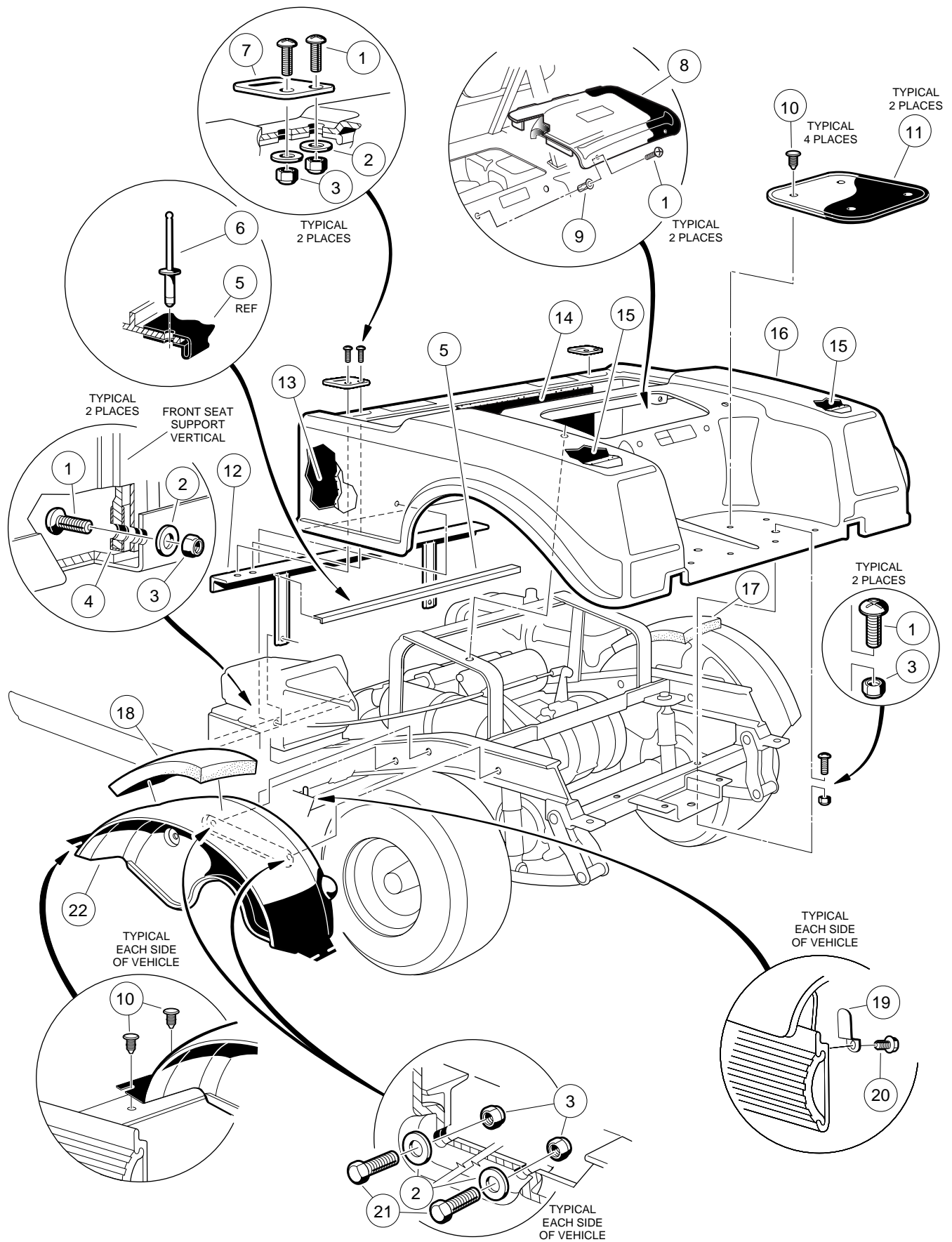
CENTER BODY AND TRIM

2

G

E

ITEM	PART NO.	DESCRIPTION	QTY GAS	QTY ELEC
		1 2 3 4		
1	<u>1017316-02</u>	BODY, CENTER, WHITE	1	1
2	1011230	KIT, ASHTRAY (INCLUDES ITEMS 3 AND 4)	2	2
3	<u>1011226</u>	SCREW, OVAL COUNTERSUNK HEAD, #6 - 32 x 5/8	2	2
4	<u>1011229</u>	NUT, "K" LOCK, #6 - 32	2	2
5	1012412	PLATE, SEAT HINGE	2	2
6	0008251	SCREW, PHILLIPS TRUSS HEAD, 1/4 - 20 x 1	12	12
7	0008233	NUT, NYLON LOCK, 1/4 - 20	12	12
8	0000332	WASHER, FLAT, 1/4	12	12
9	<u>1014528</u>	WASHER, FLAT, PLASTIC, 1/4	6	6
10	<u>1017832</u>	PLATE, DRINK HOLDER MOUNTING	1	1
11	<u>1017083-01</u>	KIT, DRINK HOLDER INCLUDES ITEMS 12 AND 13)	1	1
12	0007847	BOLT, HEX HEAD, 1/4 - 20 x 3/4	2	2
13	1016952	NUT, "U"	2	2



REAR BODY AND FENDER

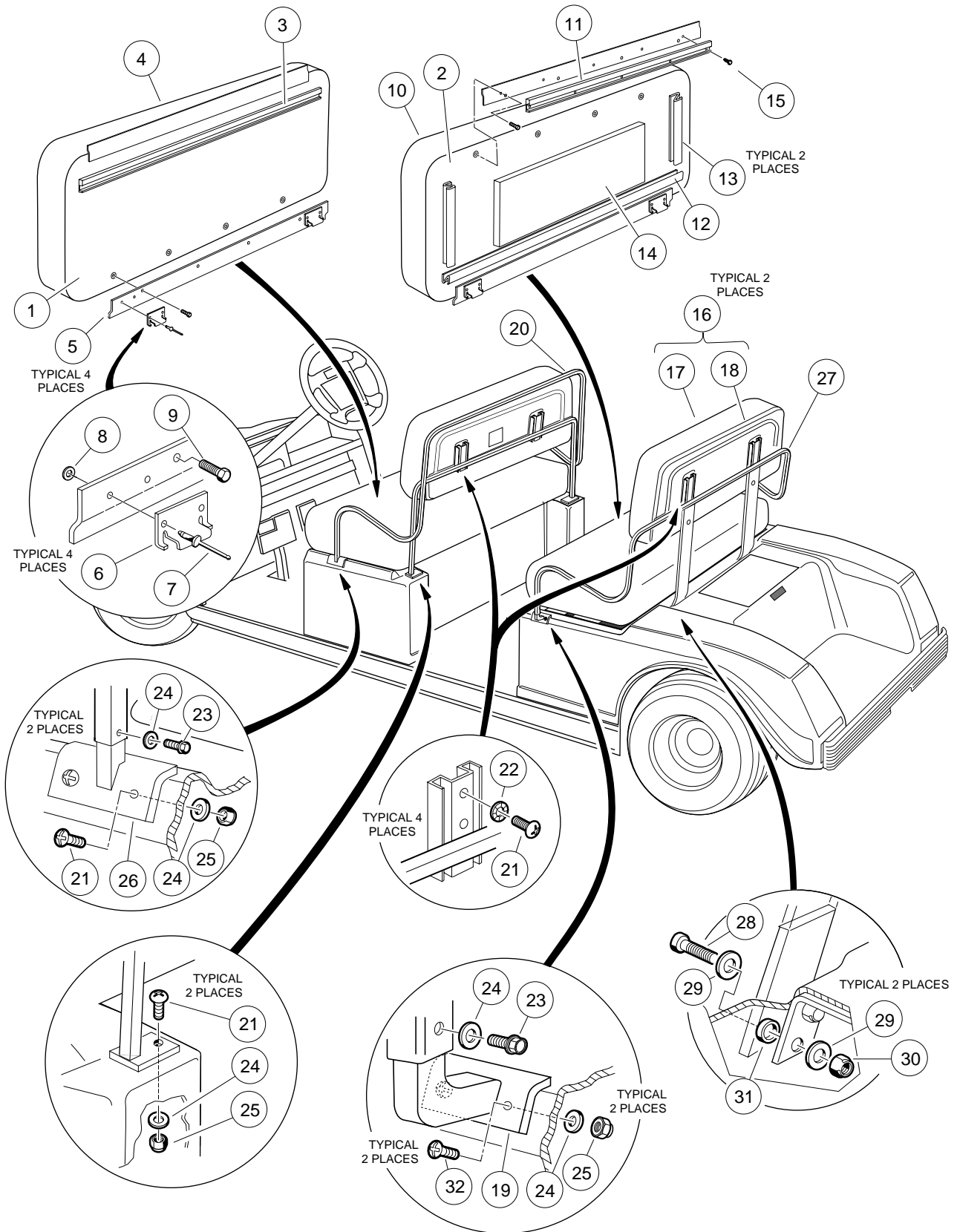
2

G

E

ITEM	PART NO.	DESCRIPTION	QTY GAS	QTY ELEC
		1 2 3 4		
1	0008251	SCREW, PHILLIPS TRUSS HEAD, 1/4 - 20 x 1	10	10
2	0000332	WASHER, FLAT, 1/4	10	10
3	0008233	NUT, NYLON LOCK, 1/4 - 20	12	12
4	<u>1019041-01</u>	PLATE, BODY KICK	1	1
5	<u>1018370-01</u>	INSULATOR, BATTERY (ELECTRIC VEHICLE ONLY)		1
6	<u>1013357</u>	RIVET, POP (ELECTRIC VEHICLE ONLY)		2
7	1012412	PLATE, BODY HINGE	2	2
8	<u>1015829-02</u>	ASSEMBLY, ACCESS DOOR (BLACK) (GASOLINE VEHICLE ONLY)	1	
8	<u>1013032</u>	DOOR, ACCESS (BLACK) (ELECTRIC VEHICLE ONLY)		1
9	<u>1015525</u>	NUT, BLIND, 1/4 - 20	2	2
10	<u>1010434</u>	BARREL, PLASTIC	12	12
11	<u>1014392</u>	MAT, BAG REST	2	2
12	<u>1017141</u>	SUPPORT, FRONT BODY	1	1
13	1017113	INSULATION, SOUND, LEFT SIDE BODY (GASOLINE VEHICLE ONLY)	1	
14	1016963	INSULATION, SOUND, FRONT (GASOLINE VEHICLE ONLY)	1	
15	1015420	INSULATION, SOUND, BODY LEFT/RIGHT FENDER (GASOLINE VEHICLE ONLY)	2	
16	<u>1017287-02</u>	BODY, WHITE (GASOLINE VEHICLE AND ELECTRIC VEHICLE WITHOUT OPENING FOR CHARGER RECEPTACLE)	1	1
17	1015422	INSULATION, SOUND, RIGHT SIDE FENDER, SHORT (GASOLINE VEHICLE ONLY)	1	
18	1015421	INSULATION, SOUND, LEFT SIDE FENDER, LONG (GASOLINE VEHICLE ONLY)	1	
19	<u>1017748</u>	CLIP, BODY KEEPER	2	2
20	<u>1012047</u>	SCREW, SELF-TAPPING, #8 - 32 x 3/8	2	2
21	0007847	SCREW, HEX WASHER HEAD, 1/4 - 20 x 3/4	4	4
22	1017936	FENDER, INNER	2	2

SEATS VIEWED FROM THE BOTTOM



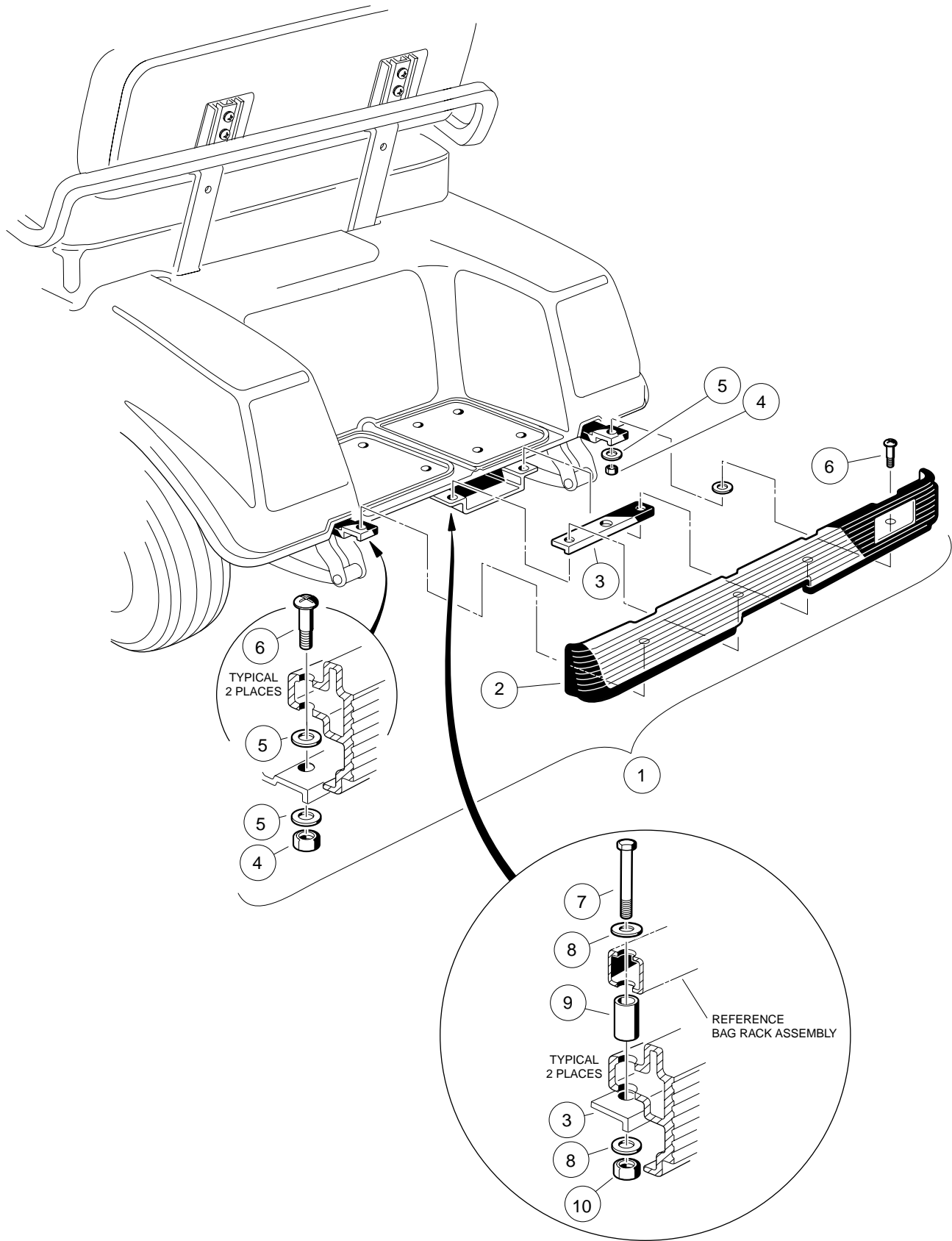
SEATS AND SUPPORT STRUCTURES

2

G

E

ITEM	PART NO.	DESCRIPTION	QTY GAS	QTY ELEC
		1 2 3 4		
1	<u>1017282-01</u>	ASSEMBLY, FIRST SEAT BOTTOM, WHITE (INCLUDES ITEMS 3 - 9)	1	1
2	<u>1017282-05</u>	ASSEMBLY, SECOND SEAT BOTTOM, WHITE (INCLUDES ITEMS 5 - 15)	1	1
3	<u>1013312</u>	BUMPER, SEAT, LONG (FIRST SEAT ONLY)	1	1
4	<u>1015627-02</u>	COVER, VINYL SEAT BOTTOM, WHITE (FIRST SEAT ONLY)	1	1
5	<u>1017695</u>	BRACKET, SEAT SUPPORT	2	2
6	<u>1011652</u>	PLATE, SEAT HINGE	2	2
7	<u>1018809-01</u>	RIVET, POP, STAINLESS STEEL, 3/16	4	4
8	<u>1018817-01</u>	WASHER, FLAT, STAINLESS STEEL, #8	4	4
9	0000304	SCREW, HEX HEAD CAP, 1/4 - 20 x 1	8	8
10	<u>1015627-05</u>	COVER, VINYL SEAT BOTTOM, WHITE (SECOND SEAT ONLY)	1	1
11	<u>1012597</u>	BUMPER, SEAT (SECOND SEAT ONLY)	1	1
12	<u>1012657</u>	GASKET, SEAT, LONG (SECOND SEAT ONLY)	1	1
13	<u>1012656</u>	GASKET, SEAT, SHORT (SECOND SEAT ONLY)	2	2
14	<u>1017283</u>	INSULATION, SOUND (SECOND SEAT ONLY)	1	1
15	<u>1017384</u>	SCREW, WASHER HEAD TAP, #12 (SECOND SEAT ONLY)	5	5
16	<u>1016777-01</u>	ASSEMBLY, SEAT BACK, WHITE (INCLUDES ITEMS 17 AND 18)	2	2
17	<u>1016755-02</u>	COVER, VINYL SEAT BACK, WHITE	1	1
18	1016751	CAP, SEAT BACK, BLACK	1	1
19	<u>1018507-01</u>	WELDMENT, ARMREST MOUNTING (SECOND SEAT ONLY)	2	2
20	<u>1017259</u>	WELDMENT, FRONT ARMREST	1	1
21	<u>1015902</u>	SCREW, PHILLIPS TRUSS HEAD, 1/4 - 20 x 1 1/4	10	10
22	0008304	WASHER, LOCK, 1/4	8	8
23	<u>1012285</u>	SCREW, THREAD-ROLLING, 1/4 - 20 x 5/8	4	4
24	0000332	WASHER, FLAT, 1/4	14	14
25	0008233	NUT, NYLON LOCK, 1/4 - 20	10	10
26	<u>1017310</u>	WELDMENT, ARMREST MOUNTING (FIRST SEAT ONLY)	2	2
27	<u>1018509-01</u>	WELDMENT, REAR ARMREST (WIDE)	1	1
28	0001218	SCREW, HEX HEAD CAP, 5/16 - 18 x 1 1/4	4	4
29	0001241	WASHER, FLAT, 5/16	8	8
30	0007473	NUT, NYLON LOCK, 5/16 - 18	4	4
31	1017774	SPACER, BODY	4	4
32	0008251	SCREW, PHILLIPS TRUSS HEAD, 1/4 - 20 x 1	4	4



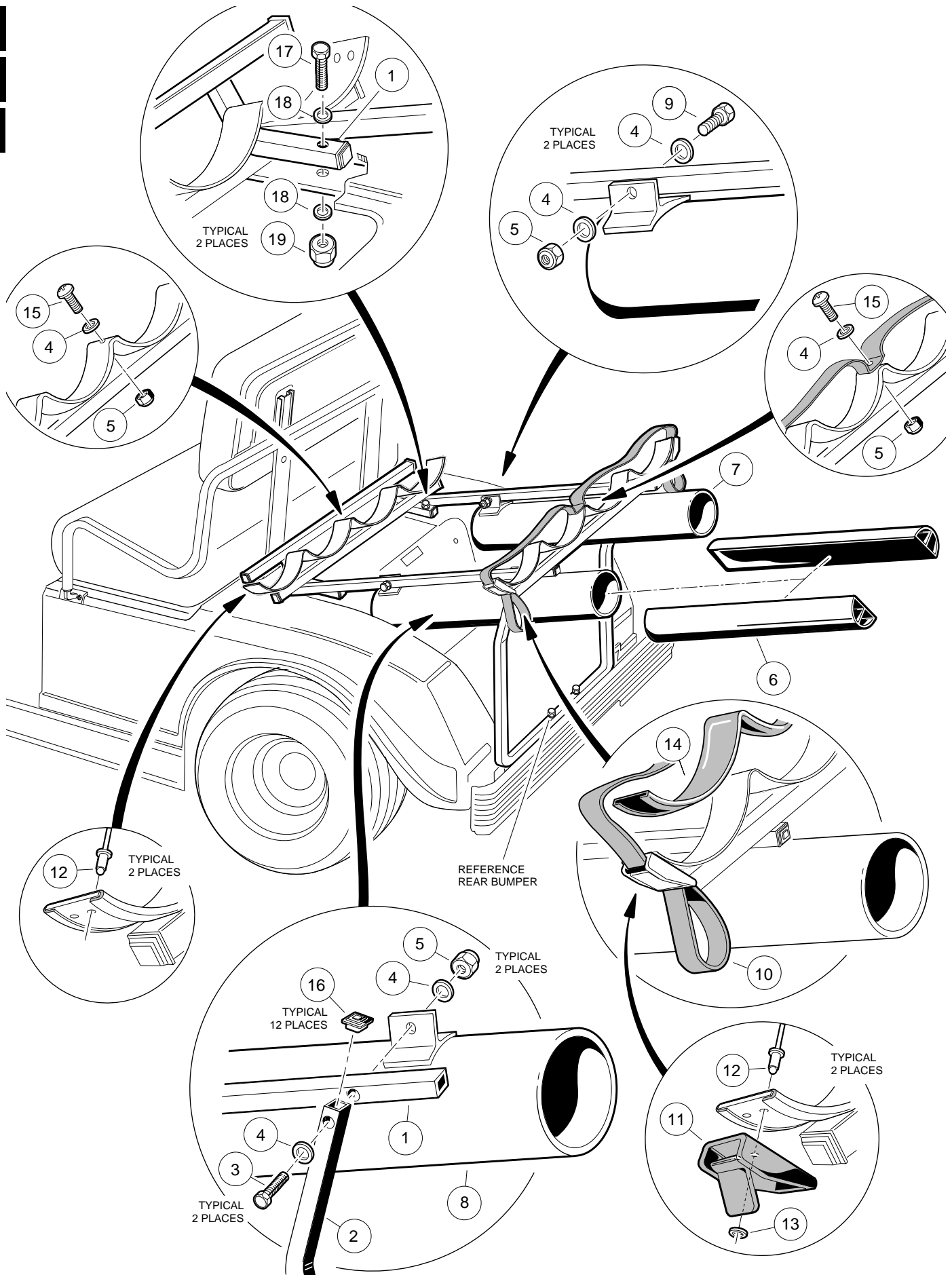
REAR BUMPER

2

G

E

ITEM	PART NO.	DESCRIPTION	QTY GAS	QTY ELEC
		1 2 3 4		
1	<u>1017079</u>	KIT, REAR BUMPER (INCLUDES ITEMS 2 - 6)	1	1
2	<u>1016379</u>	BUMPER, REAR	1	1
3	<u>1016875</u>	PLATE, MOUNTING, LONG	1	1
4	0007473	NUT, NYLON LOCK, 5/16 - 18	2	2
5	<u>1011697</u>	WASHER, SPECIAL, 5/16	4	4
6	<u>1016876</u>	BOLT, PHILLIPS TRUSS HEAD SHOULDER, 3/8 - 18 x 2	2	2
7	0000343	SCREW, HEX HEAD CAP, 1/4 - 20 x 3	2	2
8	0000332	WASHER, FLAT, 1/4	4	4
9	<u>1017841</u>	SPACER, STEEL	2	2
10	0008233	NUT, NYLON LOCK, 1/4 - 20	2	2



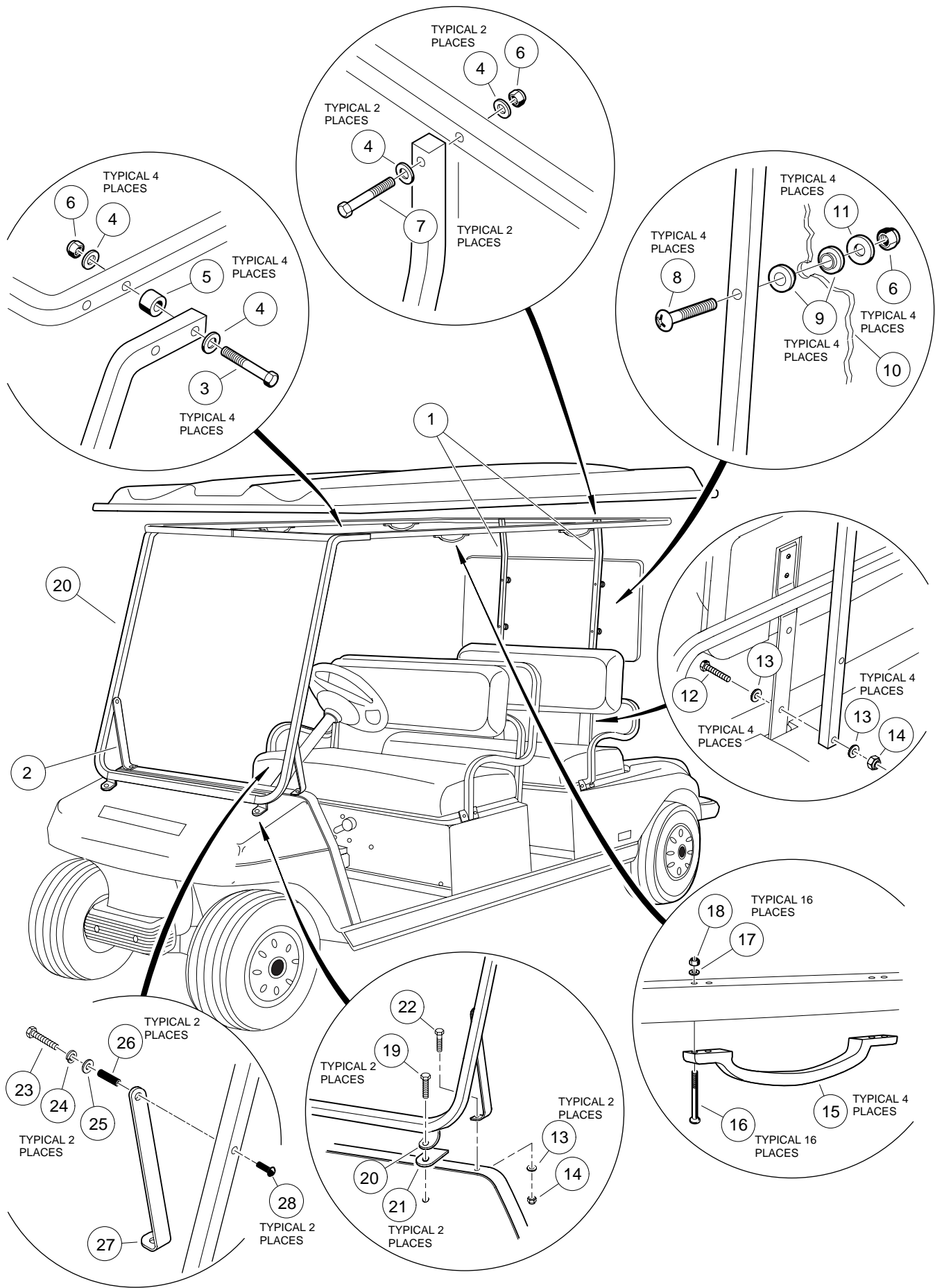
BAG RACK ASSEMBLY

2

G

E

ITEM	PART NO.	DESCRIPTION	QTY GAS	QTY ELEC
		1 2 3 4		
	<u>1017298-01</u>	ASSEMBLY, BAG RACK (INCLUDES ITEMS 1 - 16)	1	1
1	<u>1017249</u>	WELDMENT, BAG RACK	1	1
2	<u>1017672</u>	SUPPORT, BAG RACK	1	1
3	<u>1012159</u>	SCREW, HEX HEAD CAP, 1/4 - 20 x 2 3/4	2	2
4	0000332	WASHER, FLAT, 1/4	10	10
5	0008233	NUT, NYLON LOCK, 1/4 - 20	6	6
6	1017292	TUBE, PUTTER DIVIDER	2	2
7	<u>1017294-01</u>	WELDMENT, PUTTER TUBE, RIGHT HAND	1	1
8	<u>1017294-02</u>	WELDMENT, PUTTER TUBE, LEFT HAND	1	1
9	<u>1013509</u>	SCREW, HEX HEAD CAP, 1/4 - 20 x 1 3/4	2	2
10	<u>1017299</u>	STRAP, BAG	1	1
11	<u>1017284</u>	BUCKLE, BAG STRAP	2	2
12	0001606	POP RIVET, 3/16	8	8
13	0000183	WASHER, FLAT, #10	4	4
14	<u>1017281</u>	COVER, VINYL RACK	2	2
15	0008248	SCREW, TRUSS HEAD, 1/4 - 20 x 3/4	2	2
16	<u>1017271</u>	PLUG, TUBE FINISHING	12	12
17	<u>1010921</u>	SCREW, HEX HEAD, 5/16 - 18 x 2 1/2	2	2
18	0001241	WASHER, FLAT, 1/4	4	4
19	0007473	NUT, NYLON LOCK, 5/16 - 18	2	2



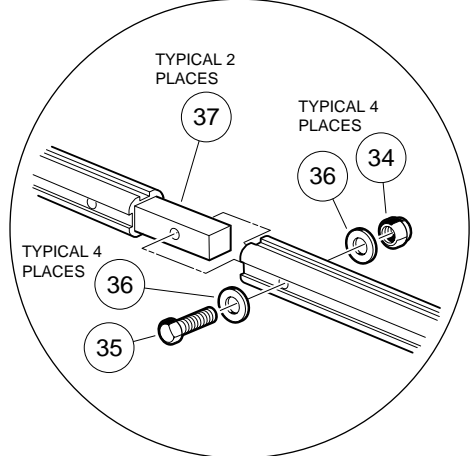
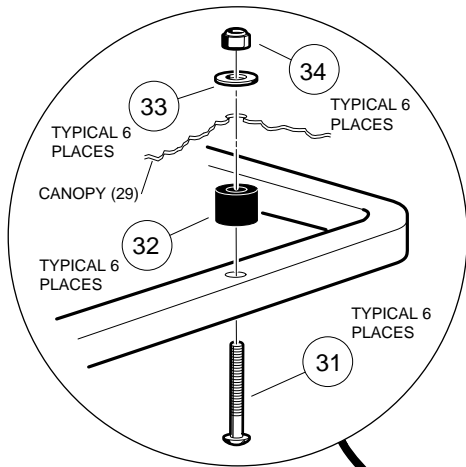
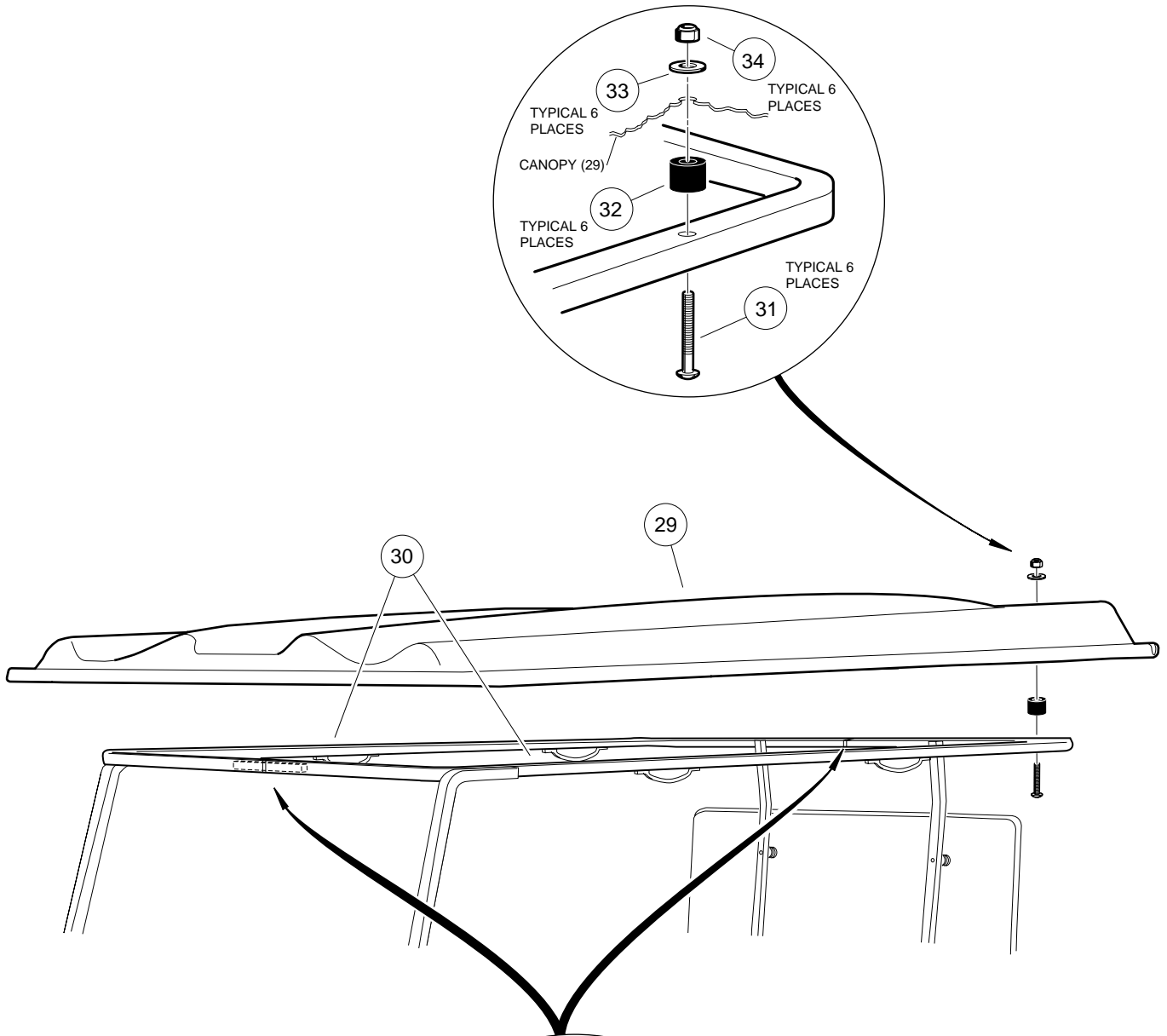
CANOPY KIT

2

G

E

ITEM	PART NO.	DESCRIPTION	QTY GAS	QTY ELEC
		1 2 3 4		
	<u>1017357-01</u>	KIT, CANOPY (INCLUDES ITEMS 1 - 37. SEE ALSO PAGE 2-17)	1	1
1	<u>1017351</u>	SUPPORT, REAR CANOPY	2	2
2	<u>1011862</u>	BRACE, KNEE, RIGHT	1	1
3	<u>1012462</u>	SCREW, HEX HEAD CAP, 1/4 - 20 x 3 1/2	4	4
4	0000332	WASHER, FLAT, 1/4	12	12
5	<u>1016848</u>	SPACER	4	4
6	0008233	NUT, NYLON LOCK, 1/4 - 20	10	10
7	0000324	SCREW, HEX HEAD CAP, 1/4 - 20 x 2 1/2	2	2
8	<u>1011988</u>	SCREW, PHILLIPS TRUSS HEAD, 1/4 - 20 x 2	4	4
9	<u>1015453</u>	MOUNT, COMPRESSION	8	8
10	1017417	WINDOW, REAR	1	1
11	<u>1014306</u>	WASHER, WIDE FLAT, 1/4	4	4
12	0008963	SCREW, HEX CAP, 5/16 - 18 x 1 3/4	4	4
13	0001241	WASHER, FLAT, 5/16	10	10
14	0007473	NUT, NYLON LOCK, 5/16 - 18	6	6
15	<u>1017420</u>	HANDLE, CANOPY	4	4
16	<u>1017789</u>	SCREW, ROUND HEAD, #10 - 24 x 1 1/2	16	16
17	0000183	WASHER, FLAT, #10	16	16
18	<u>1012438</u>	NUT, NYLON LOCK, #10 - 24	16	16
19	<u>1011937</u>	SCREW, HEX HEAD, 5/16 - 18 x 1 1/4 (WITH THREAD-LOCKING COMPOUND)	2	2
20	<u>1011868</u>	ASSEMBLY, WINDSHIELD FRAME	1	1
21	<u>1011883</u>	PAD, FRAME MOUNTING	2	2
22	0001218	SCREW, HEX HEAD CAP, 5/16 - 18	2	2
23	0001703	SCREW, HEX HEAD, 1/4 - 20 x 1 1/2	2	2
24	<u>1011965</u>	WASHER, LOCK, 1/4	2	2
25	1011964	WASHER, FLAT, 1/4	2	2
26	<u>1010237</u>	BUSHING	2	2
27	<u>1011865</u>	BRACE, KNEE, LEFT	1	1
28	1011878	NUT, "T" CAPPED, 1/4 - 20	2	2



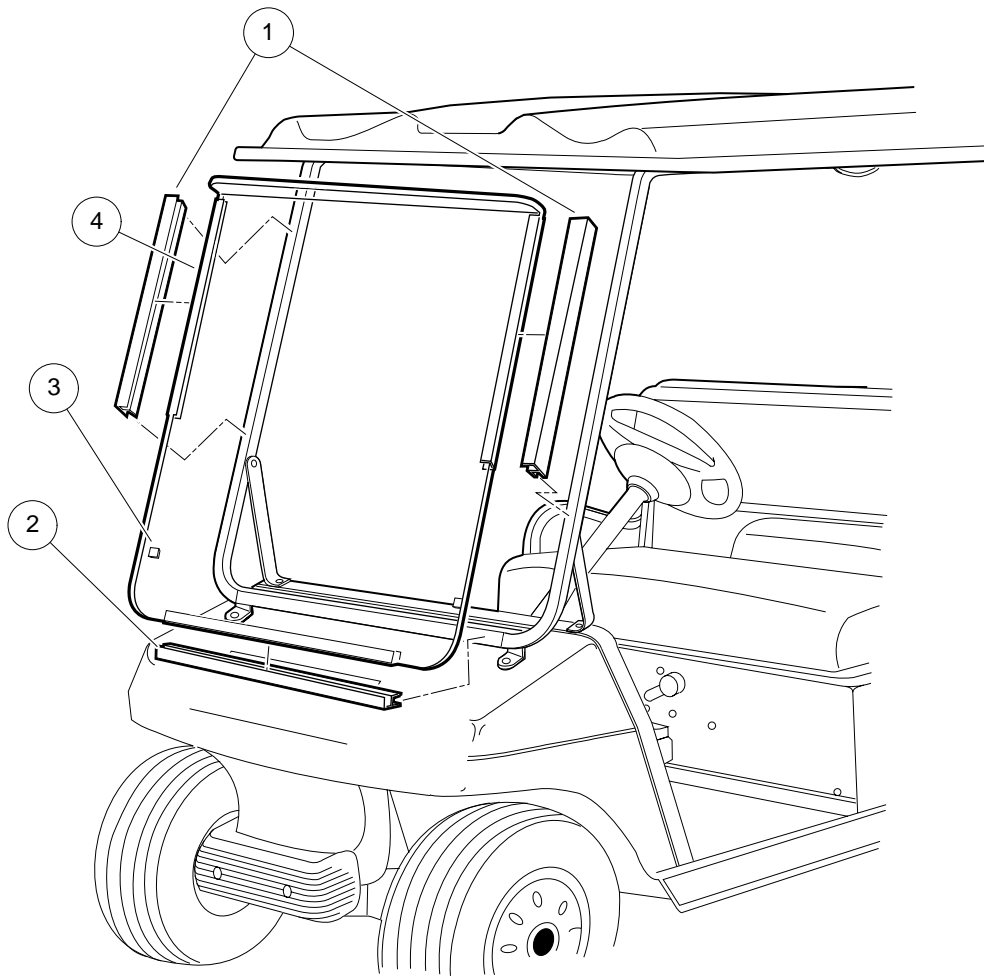
CANOPY KIT

2

G

E

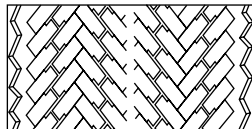
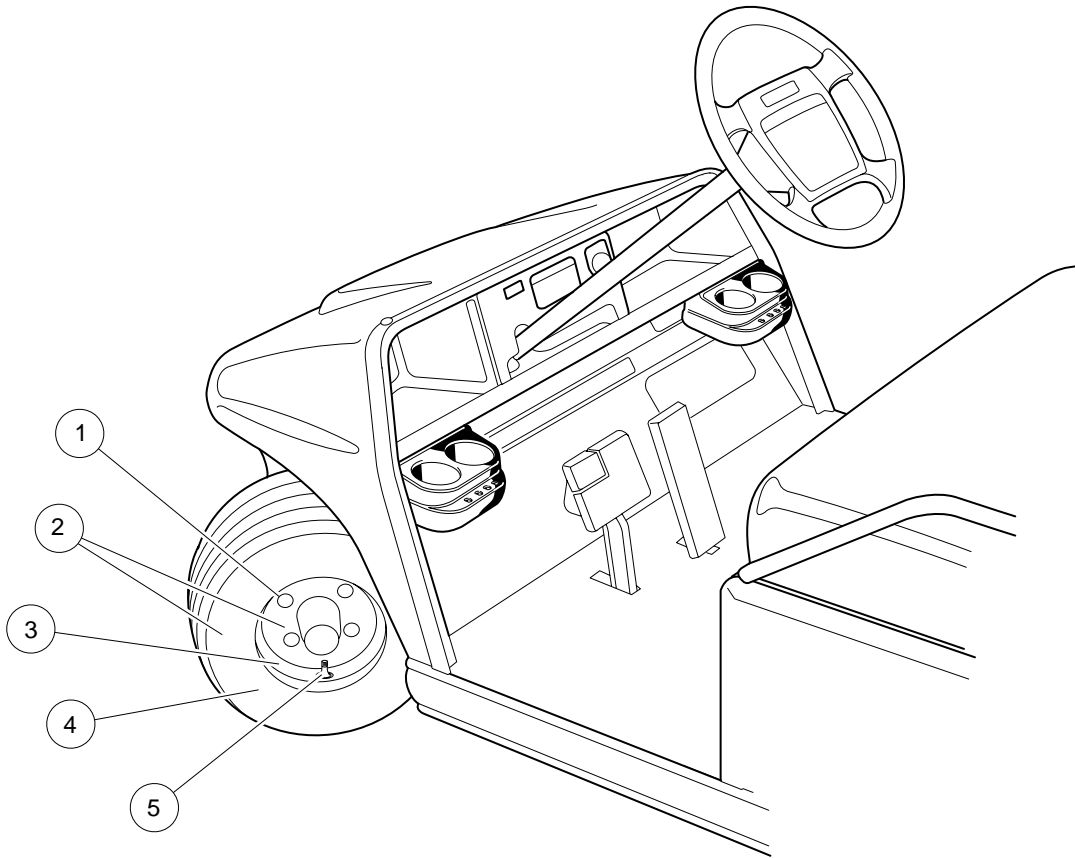
ITEM	PART NO.	DESCRIPTION	QTY GAS	QTY ELEC
		1 2 3 4 CANOPY KIT, CONTINUED		
29	<u>1017356-01</u>	CANOPY - WHITE	1	1
30	<u>1017350</u>	CANOPY, FRAME HALF	2	2
31	1016845	SCREW, PHILLIPS TRUSS HEAD, 1/4 - 20 x 2 1/8	6	6
32	<u>1010142</u>	CUSHION, SHOCK ABSORBER	6	6
33	<u>1014306</u>	WASHER, WIDE FLAT, 1/4	6	6
34	0008233	NUT, NYLON LOCK, 1/4 - 20	10	10
35	0001703	SCREW, HEX HEAD, 1/4 - 20 x 1 1/2	4	4
36	0000332	WASHER, FLAT, 1/4	8	8
37	<u>1016795</u>	BAR, SPLICE	2	2



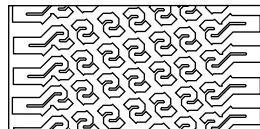
WINDSHIELD KIT

2
G
E

ITEM	PART NO.	DESCRIPTION	QTY GAS	QTY ELEC
		1 2 3 4		
	1017333	KIT, WINDSHIELD (INCLUDES ITEMS 1 - 4).....	1	1
1	1014441	CHANNEL, WINDSHIELD (SIDES)	2	2
2	1014437	CHANNEL, WINDSHIELD (BOTTOM)	1	1
3	<u>1011897</u>	BUMPER, PROTECTIVE	2	2
4	1014436	SEALANT, VINYL	A/R	A/R



POWER RIB



SOFTRAC

WHEELS AND TIRES

2

G

E

ITEM	PART NO.	DESCRIPTION	QTY GAS	QTY ELEC
		1 2 3 4		
1	<u>1010984</u>	NUT, LUG	16	16
2	<u>1016514-06</u>	ASSEMBLY, WHITE TIRE AND WHEEL, POWER RIB, SIX PLY, 18 x 8.5 (REAR ONLY)	2	2
2	<u>1016514-09</u>	ASSEMBLY, WHITE TIRE AND WHEEL, POWER RIB, SIX PLY, 18 x 6.5 (FRONT ONLY)	2	2
2	<u>1016514-07</u>	ASSEMBLY, WHITE TIRE AND WHEEL, SOFTRAC, SIX PLY, 18 x 8.5 (REAR ONLY)	2	2
3	<u>1014771</u>	WHEEL, WHITE, 8.5 WIDE TIRE (REAR ONLY)	2	2
3	<u>1019184-02</u>	WHEEL, WHITE, 6.5 WIDE TIRE (FRONT ONLY)	2	2
4	1017370	TIRE, UNMOUNTED, POWER RIB, SIX PLY, 18 x 8.5 (REAR ONLY)	2	2
4	<u>1018849-01</u>	TIRE, UNMOUNTED, POWER RIB, SIX PLY, 18 x 6.5 (FRONT ONLY)	2	2
4	1017693	TIRE, UNMOUNTED, SOFTRAC, SIX PLY, 18 x 8.5 (REAR ONLY)	2	2
5	0007310	STEM, VALVE	4	4

SAFETY DECALS

3

G

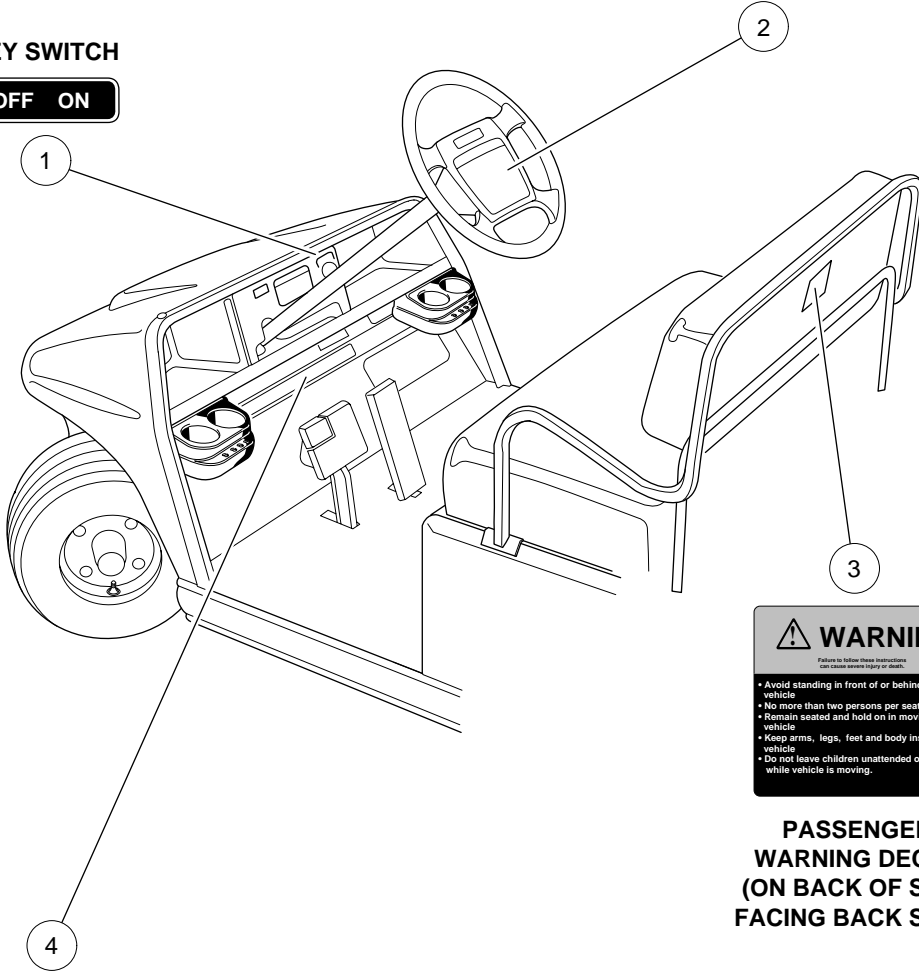
E

OPERATING INSTRUCTIONS

OPERATING INSTRUCTIONS

- Read owner's manual prior to operation.
- Study and understand controls. Be sure everyone is seated.
- Before driving, read safety warnings located above pedals.
- Make sure wheels are turned in desired direction.
- Turn key to "ON" position and be sure nothing is in your path.
- Select direction by placing shift lever in desired position:
F - Forward N - Neutral R - Reverse
- *Vehicle will start moving when accelerator pedal is depressed.
- Slowly depress accelerator pedal to increase speed. Park brake will release when accelerator pedal is depressed.
- To stop, release accelerator pedal and depress brake pedal.
- After stopping, firmly depress park brake until it locks.
- Place forward and reverse switch in neutral position.
- Turn key "OFF" and remove key when not in use.

KEY SWITCH



WARNING
Failure to follow these instructions can cause severe injury or death.

- Avoid standing in front of or behind vehicle
- No more than two persons per seat.
- Remain seated and hold on in moving vehicle
- Keep arms, legs, feet and body inside vehicle
- Do not leave children unattended on seat while vehicle is moving.

PASSENGER WARNING DECAL (ON BACK OF SEAT FACING BACK SEAT)

<p>WARNING</p> <p>Failure to follow these instructions can cause severe injury or death.</p>	<ul style="list-style-type: none"> • Read operating instructions before using vehicle. • Never stand in front or behind vehicle. • Vehicle should be driven only in specified areas by trained persons. 	<ul style="list-style-type: none"> • Do not use on public roads. • Only two persons per front seat. • Operate vehicle from driver's side only. • Do not start vehicle until all people are seated. 	<ul style="list-style-type: none"> • Remain seated and hold on in moving vehicle. • Keep arms, legs, feet and body inside vehicle. • Stop vehicle before changing direction. Buzzer will sound in reverse. • Drive slowly in turns. 	<ul style="list-style-type: none"> • Drive slowly straight up and down slopes. • Set park brake before leaving vehicle. • Remove key when vehicle is not in use. • Place shift lever in neutral when vehicle is not in use.
---	--	--	---	---

SAFETY WARNING DECAL

SAFETY DECALS

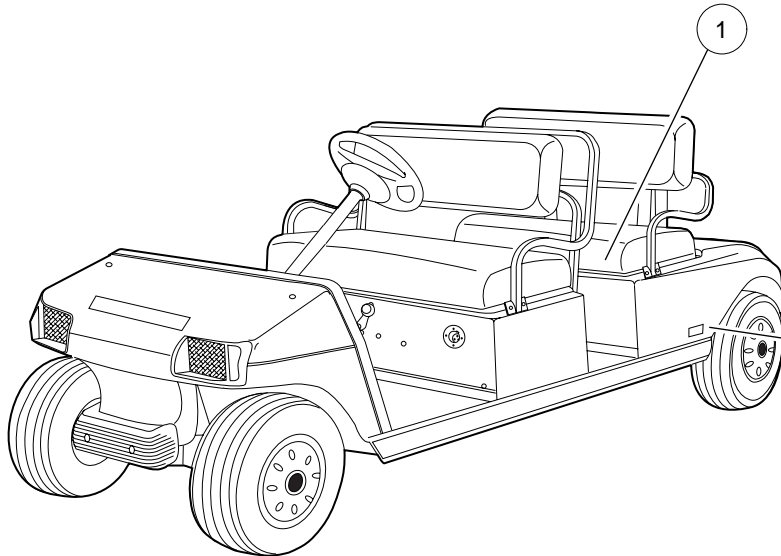
3

G

E

ITEM	PART NO.	DESCRIPTION	QTY GAS	QTY ELEC
		1 2 3 4		
1	<u>1018251-01</u>	DECAL, KEY SWITCH	1	1
2	1016216	DECAL, OPERATING INSTRUCTIONS	1	1
3	1016789	DECAL, PASSENGER WARNING	1	1
4	<u>1014883</u>	DECAL, SAFE OPERATION WARNING	1	1

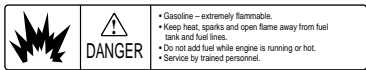
**DANGER DECAL
(ON BODY UNDER SEAT)**



**ELECTRIC
VEHICLE**

**7
INGERSOLL-RAND DECAL
(ON BODY PANEL)**

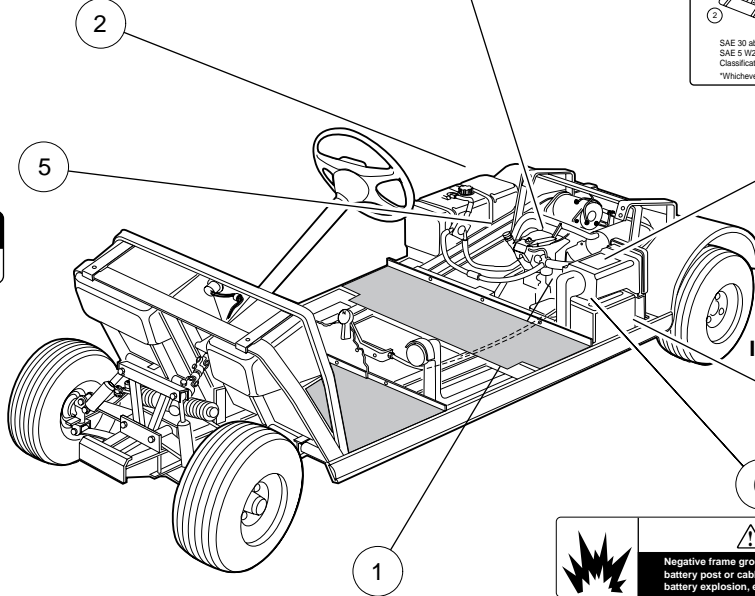
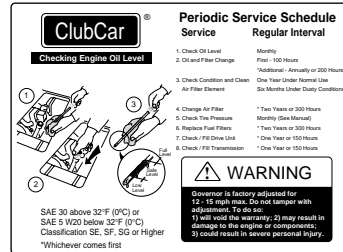
**GASOLINE TANK
DANGER DECAL
(ON BODY ADJACENT TO
FUEL TANK)**



**HOT MANIFOLD AND
MUFFLER DECAL
(ON ENGINE)**



**PERIODIC SERVICE
SCHEDULE DECAL
(ON AIR INTAKE BOX)**

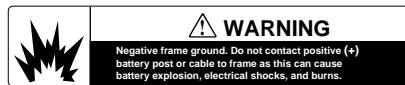


**MOVING PARTS
DECAL
(ON FRAME)**



**GASOLINE
VEHICLE**

**INGERSOLL-RAND DECAL
(ON BODY PANEL)**



**FRAME GROUND
WARNING DECAL
(ON FRAME)**



**DANGER DECAL
(ON BODY UNDER SEAT)**

SAFETY DECALS

3

G

E

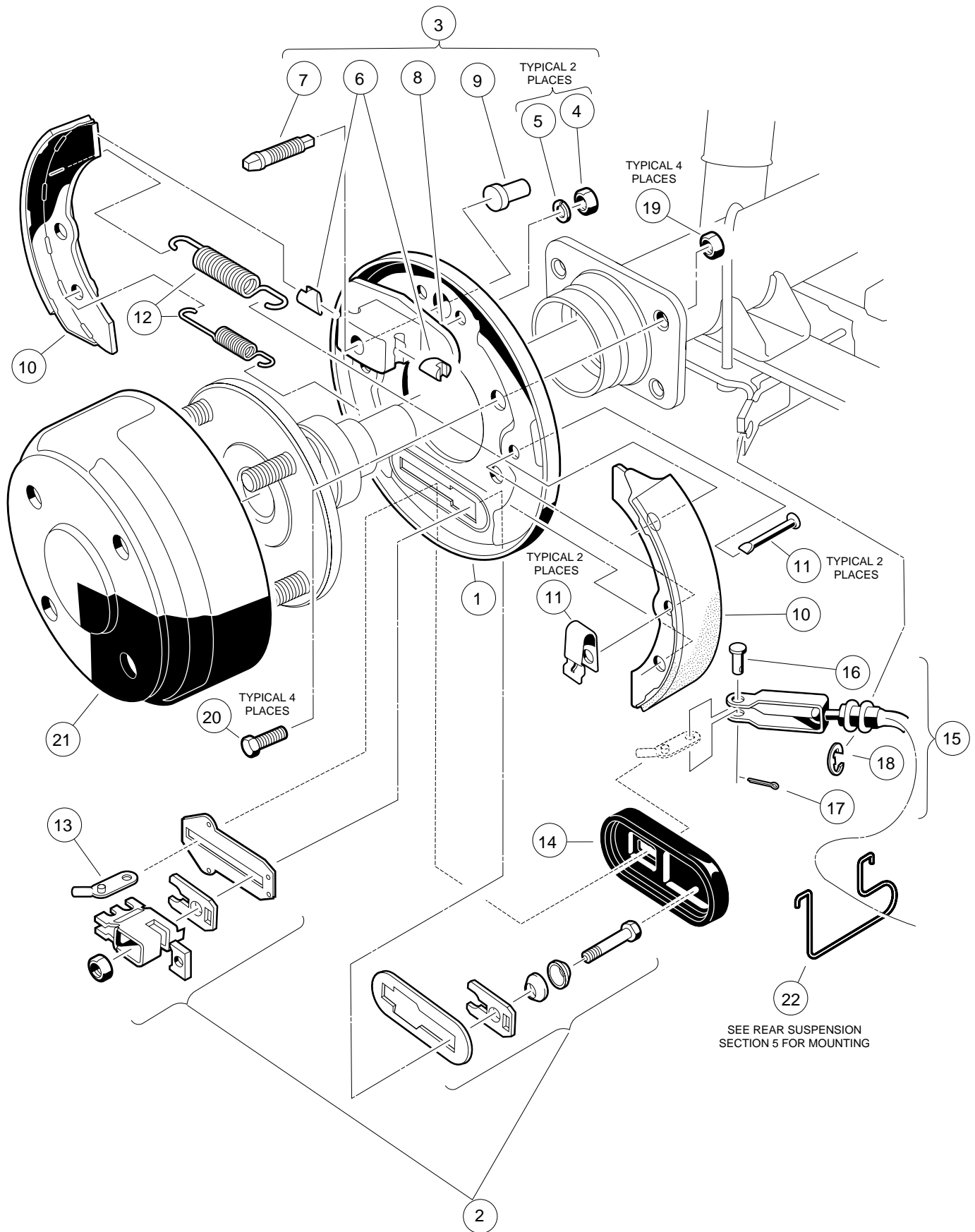
ITEM	PART NO.	DESCRIPTION	QTY GAS	QTY ELEC
		1 2 3 4		
1	<u>1013677</u>	DECAL, BATTERY DANGER/POISON	1	1
2	1015476	DECAL, GASOLINE DANGER	1	
3	1017257	DECAL, HOT MANIFOLD WARNING	1	
4	1016062	DECAL, PERIODIC SERVICE SCHEDULE	1	
5	1015475	DECAL, MOVING PARTS WARNING	1	
6	1015474	DECAL, NEGATIVE FRAME GROUND WARNING	1	
7	<u>1019219-01</u>	DECAL, INGERSOLL-RAND	2	2

BRAKES, PEDAL, AND CABLE ASSEMBLIES

4

G

E



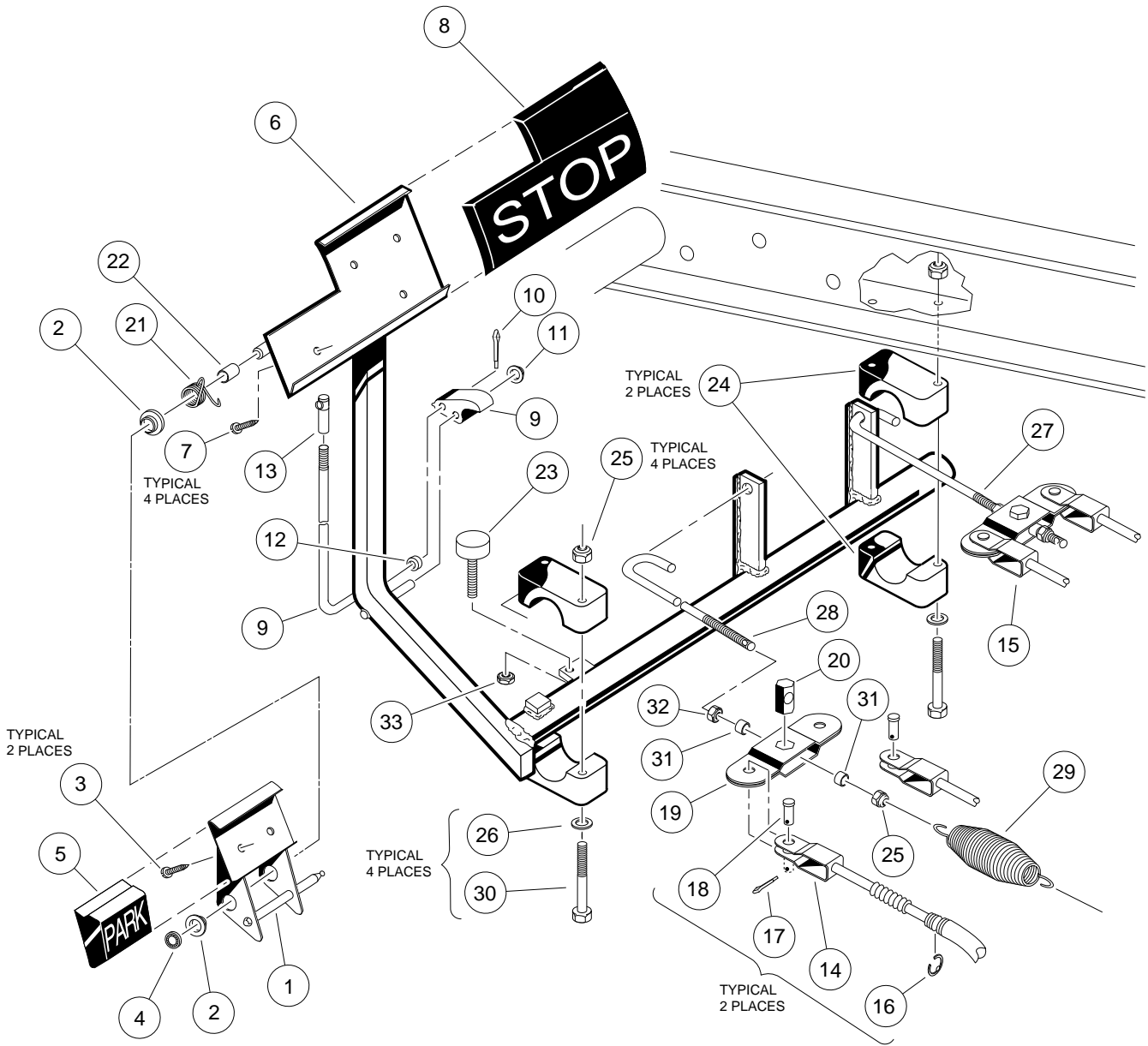
REAR BRAKE ASSEMBLY

4

G

E

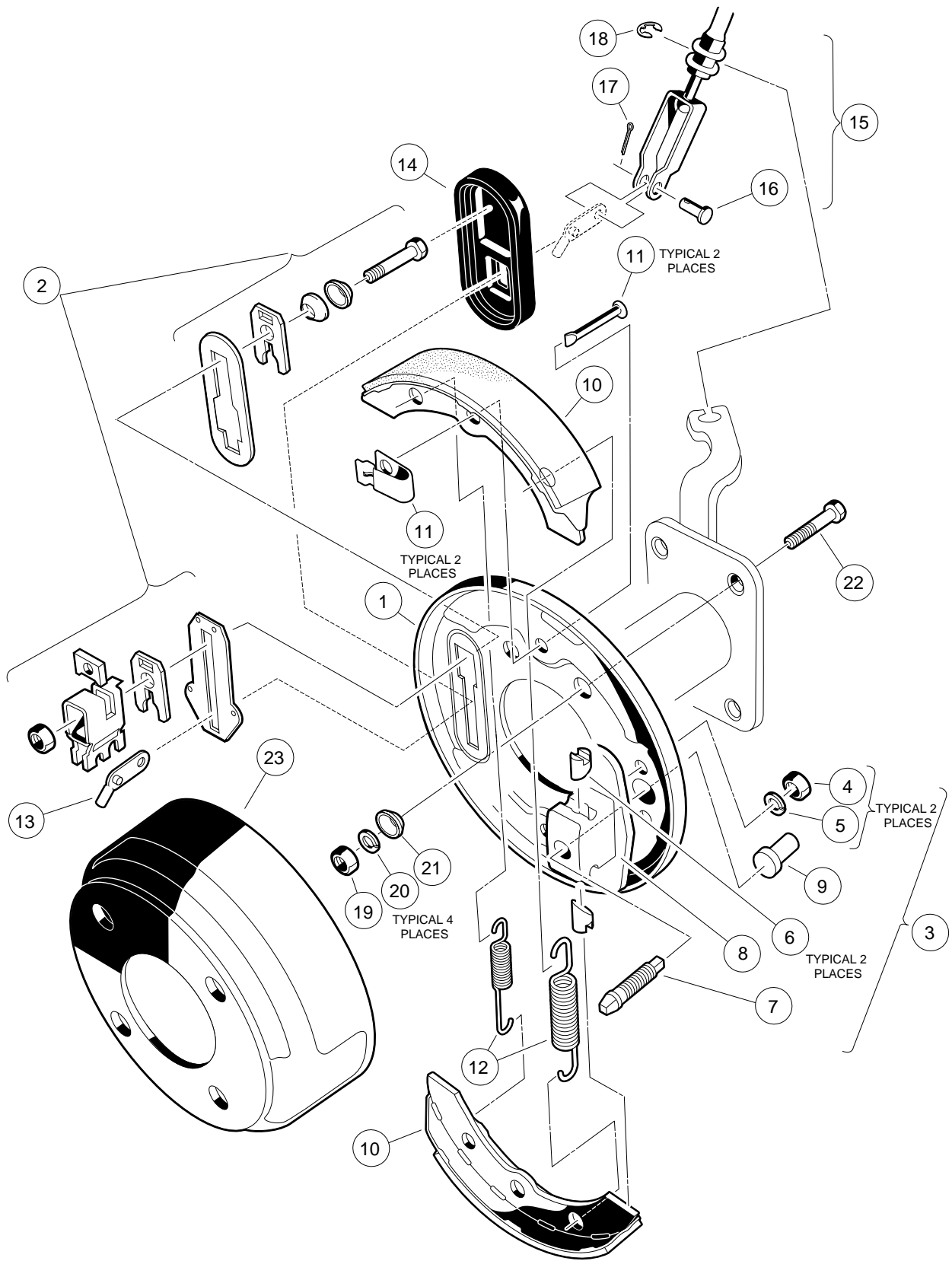
ITEM	PART NO.	DESCRIPTION	QTY GAS	QTY ELEC
		1 2 3 4		
	<u>1016573</u>	CLUSTER, RIGHT BRAKE, WITHOUT BRAKE DRUM (INCLUDES ITEMS 1 - 14)	1	1
	<u>1016557</u>	CLUSTER, LEFT BRAKE, WITHOUT BRAKE DRUM (INCLUDES ITEMS 1 - 14)	1	1
1	1011494	PLATE, BACKING, LEFT SIDE	1	1
1	<u>1011154</u>	PLATE, BACKING, RIGHT SIDE	1	1
2	<u>1011465</u>	KIT, BRAKE ACTUATOR	1	1
3	<u>1011467</u>	KIT, ANCHOR BODY (INCLUDES ITEMS 4 - 9)	1	1
4	<u>1011114</u>	NUT, M6 x 1	2	2
5	0000451	WASHER, LOCK, 1/4	2	2
6	N/A	PISTON, ANCHOR	2	2
7	N/A	BOLT, ADJUSTMENT	1	1
8	N/A	BODY, ANCHOR	1	1
9	<u>1011303</u>	CAP, ADJUSTMENT BOLT	1	1
10	<u>1011463-02</u>	PACKAGE, BRAKE SHOE (FOUR PIECES) (NON-ASBESTOS)	1	1
11	<u>1011466</u>	KIT, SHOE RETAINER (FOUR PIECES)	1	1
12	<u>1011464</u>	PACKAGE, BRAKE SPRING (FOUR PIECES)	1	1
13	N/A	ARM, BRAKE LEVER	1	1
14	<u>1010850</u>	COVER, DUST	1	1
15	<u>1011403</u>	KIT, BRAKE CABLE (INCLUDES ITEMS 16, 17 AND 18)	2	2
16	<u>1010829</u>	PIN, CLEVIS, 5/16	2	2
17	<u>0001035</u>	PIN, COTTER, 3/32 x 1	2	2
18	<u>1011779</u>	CLIP, "E", 1/2	2	2
19	<u>1013924</u>	NUT, CONE LOCK, GRADE 8, 5/16 - 24	8	8
20	<u>1014153</u>	BOLT, BRAKE CLUSTER MOUNTING	8	8
21	<u>1017911-01</u>	DRUM, BRAKE	2	2
22	<u>1013207</u>	HANGER, BRAKE CABLE	2	2



BRAKE PEDAL AND CABLE ASSEMBLY

4
G
E

ITEM	PART NO.	DESCRIPTION	QTY GAS	QTY ELEC
		1 2 3 4		
1	<u>1011418</u>	KIT, PARK BRAKE PEDAL (INCLUDES ITEMS 2 - 5)	1	1
2	<u>0001032</u>	BUSHING, NYLON	2	2
3	<u>0007716</u>	SCREW, SLOTTED HEX WASHER HEAD, #10 -16 x 1/2	2	2
4	<u>1013876</u>	NUT, PUSH, 3/8	1	1
5	<u>1013870</u>	PAD, PARK BRAKE	1	1
6	<u>1018782-01</u>	KIT, BRAKE PEDAL (INCLUDES ITEMS 7 AND 8)	1	1
7	<u>0007716</u>	SCREW, SLOTTED HEX WASHER HEAD, #10 - 16 x 1/2	4	4
8	<u>1013869</u>	PAD, BRAKE PEDAL	1	1
9	<u>1016173</u>	KIT, PARK BRAKE ROD AND PAWL (INCLUDES ITEMS 10 - 13)	1	1
10	<u>1017029</u>	PIN, COTTER, 7/64 x 1/2	1	1
11	<u>1010877</u>	NUT, PUSH, 5/16	1	1
12	<u>1010805</u>	SLEEVE, PARK BRAKE ROD	1	1
13	<u>1010932</u>	JOINT, BALL, 1/4 - 28	1	1
14	<u>1011403</u>	KIT, BRAKE CABLE, REAR (INCLUDES ITEMS 16, 17 AND 18)	2	2
15	<u>1018746-01</u>	KIT, BRAKE CABLE, FRONT (INCLUDES ITEMS 16, 17 AND 18)	2	2
16	<u>1011779</u>	CLIP, "E", 1/2	2	2
17	<u>0001035</u>	PIN, COTTER, 3/32 x 1	2	2
18	<u>1010829</u>	PIN, CLEVIS, 5/16	2	2
19	<u>1017211</u>	KIT, EQUALIZER AND PIVOT LIMITER (INCLUDES ITEM 20)	2	2
20	N/A	PIN, EQUALIZER PIVOT	1	1
21	<u>1010933</u>	SPRING, PARK BRAKE TORSION	1	1
22	<u>1010927</u>	SPACER, PARK BRAKE	1	1
23	<u>1010878</u>	STOP, BRAKE	1	1
24	<u>1011402</u>	PACKAGE, BRAKE MOUNTING BLOCK (CONTAINS UPPER AND LOWER FOR LEFT AND RIGHT SIDES)	1	1
25	<u>0007473</u>	NUT, NYLON LOCK, 5/16 - 18	6	6
26	<u>0001241</u>	WASHER, FLAT, 5/16	4	4
27	<u>1018687-01</u>	ROD, EQUALIZER, FRONT	1	1
28	<u>1016708-01</u>	ROD, EQUALIZER, REAR	1	1
29	<u>1013532</u>	SPRING, BRAKE RETURN	1	1
30	<u>1010921</u>	SCREW, HEX HEAD CAP, 5/16 - 18 x 2 1/2	4	4
31	<u>1018653-01</u>	SPACER, EQUALIZER	4	4
32	<u>0001242</u>	NUT, HEX, 5/16 - 18	2	2
33	<u>0001028</u>	NUT, HEX, 1/4 - 20	1	1



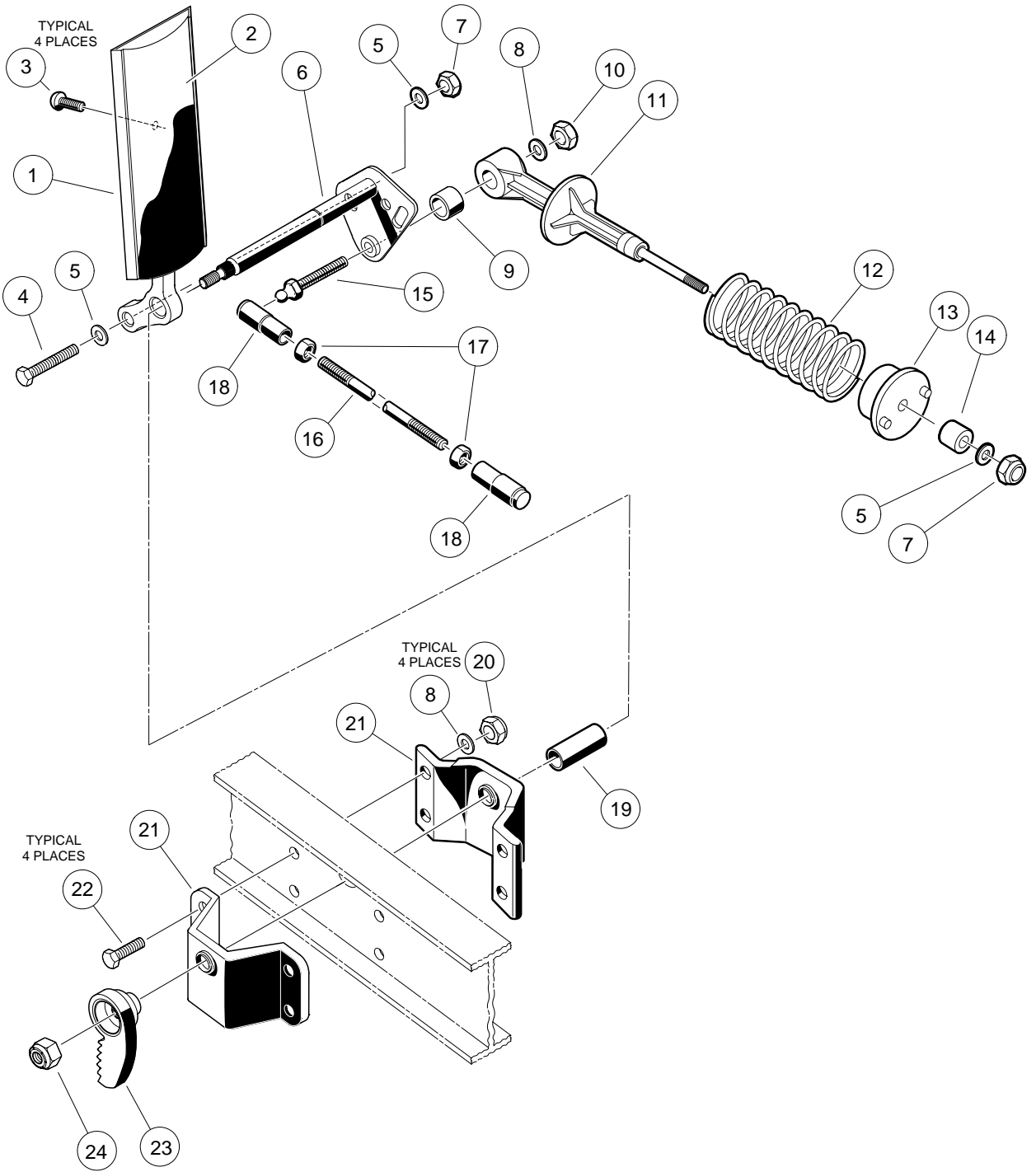
FRONT BRAKE ASSEMBLY

4

G

E

ITEM	PART NO.	DESCRIPTION	QTY GAS	QTY ELEC
		1 2 3 4		
	<u>1016573</u>	CLUSTER, RIGHT BRAKE, WITHOUT BRAKE DRUM (INCLUDES ITEMS 1 - 14)	1	1
	<u>1016557</u>	CLUSTER, LEFT BRAKE, WITHOUT BRAKE DRUM (INCLUDES ITEMS 1 - 14)	1	1
1	<u>1011154</u>	PLATE, BACKING, RIGHT SIDE	1	1
1	<u>1011494</u>	PLATE, BACKING, LEFT SIDE	1	1
2	<u>1011465</u>	KIT, BRAKE ACTUATOR	1	1
3	<u>1011467</u>	KIT, ANCHOR BODY (INCLUDES ITEMS 4 - 9)	1	1
4	<u>1011114</u>	NUT, M6 x 1	2	2
5	0000451	WASHER, LOCK, 1/4	2	2
6	N/A	PISTON, ANCHOR	2	2
7	N/A	BOLT, ADJUSTMENT	1	1
8	N/A	BODY, ANCHOR	1	1
9	<u>1011303</u>	CAP, ADJUSTMENT BOLT	1	1
10	<u>1011463-02</u>	PACKAGE, BRAKE SHOE (FOUR PIECES) (NON-ASBESTOS)	1	1
11	<u>1011466</u>	KIT, SHOE RETAINER (FOUR PIECE)	1	1
12	<u>1011464</u>	PACKAGE, BRAKE SPRING (FOUR PIECES)	1	1
13	N/A	ARM, BRAKE LEVER	1	1
14	<u>1010850</u>	COVER, DUST	1	1
15	<u>1018746-01</u>	KIT, BRAKE CABLE, FRONT (INCLUDES ITEMS 16, 17 AND 18)	2	2
16	<u>1010829</u>	PIN, CLEVIS, 5/16	2	2
17	<u>0001035</u>	PIN, COTTER, 3/32 x 1	2	2
18	<u>1011779</u>	CLIP, "E", 1/2	2	2
19	<u>1018727-01</u>	NUT, HEX, 5/16 - 24	8	8
20	0007174	WASHER, LOCK, 5/16 x 24	8	8
21	<u>1018690-01</u>	WASHER, CONE	8	8
22	<u>1017232</u>	BOLT, HEX HEAD, 5/16 - 24 x 1	8	8
23	<u>1011137</u>	DRUM, BRAKE	2	2



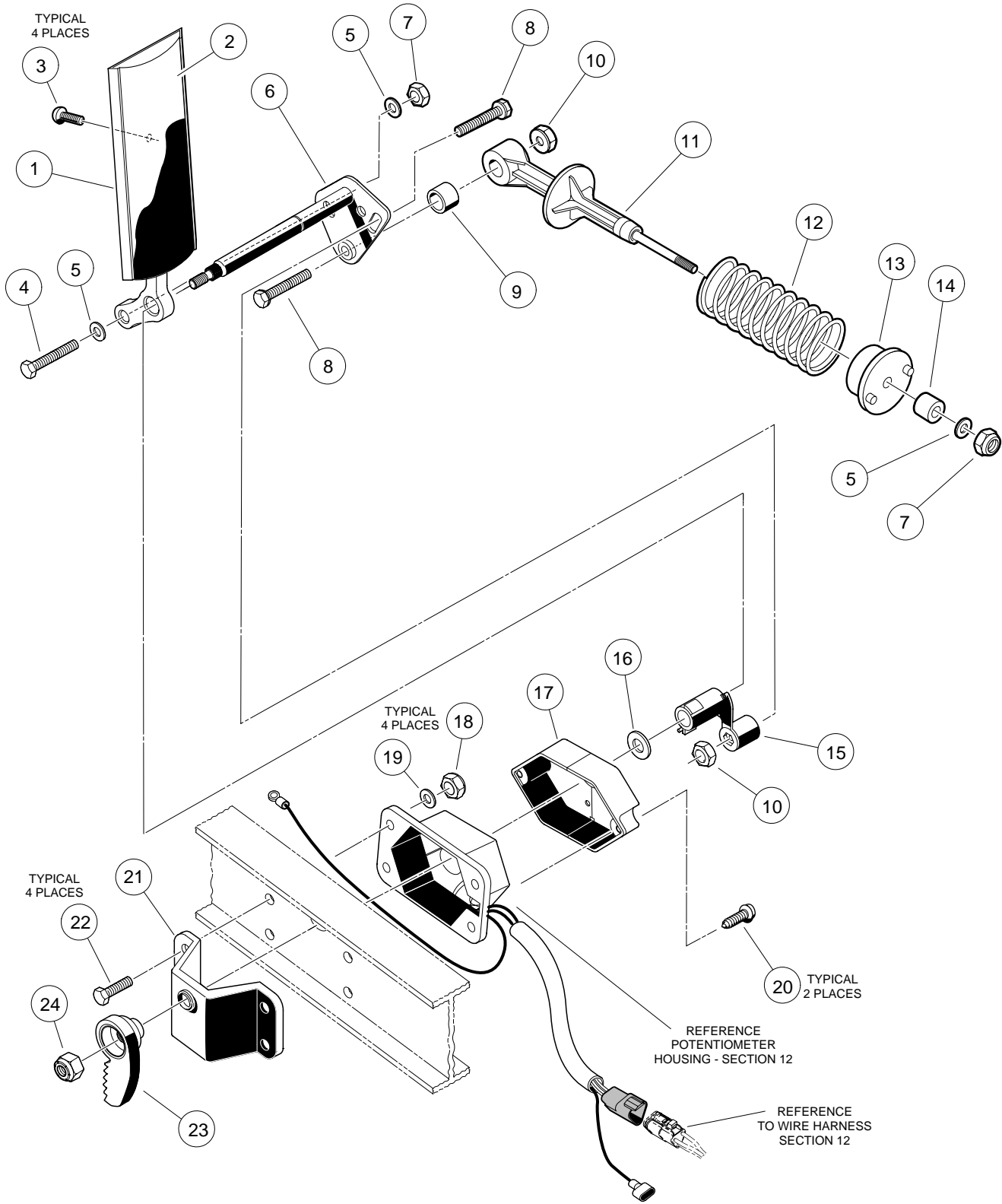
ACCELERATOR PEDAL ASSEMBLY GASOLINE VEHICLE

4

G

E

ITEM	PART NO.	DESCRIPTION	QTY GAS	QTY ELEC
		1 2 3 4		
1	<u>1017696</u>	SUB-ASSEMBLY, ACCELERATOR PEDAL (INCLUDES ITEMS 2 AND 3)	1	
2	1013871	PAD, PEDAL	1	
3	0007716	SCREW, SLOTTED HEX WASHER HEAD, #10 - 16 x 1/2	4	
4	0001218	SCREW, HEX CAP, 5/16 - 18 x 1 1/4	1	
5	0001241	WASHER, FLAT, 5/16	3	
6	1017325	ASSEMBLY, ACCELERATOR PIVOT ROD	1	
7	0007473	NUT, NYLON LOCK, 5/16 - 18	2	
8	0000332	WASHER, FLAT, 1/4	5	
9	<u>1017424</u>	BEARING, PIVOT SUPPORT	1	
10	0008717	NUT, NYLON LOCK, 1/4 - 28	1	
11	<u>1018174-01</u>	RETAINER, SPRING	1	
12	1017962-01	SPRING, RETURN	1	
13	<u>1017378</u>	CUP, SPRING	1	
14	<u>1017380</u>	BUMPER, RETURN SPRING	1	
15	1018188-01	STUD, BALL	1	
16	<u>1016747-02</u>	ASSEMBLY, ACCELERATOR ROD (INCLUDES ITEMS 17 AND 18)	1	
17	<u>1011084</u>	NUT, UNF HEX JAM, 1/4 - 28	2	
18	<u>1011734</u>	JOINT, SPRING-LOADED BALL	2	
19	<u>1011700</u>	SPACER	1	
20	0008233	NUT, NYLON LOCK, 1/4 - 20	4	
21	<u>1011694</u>	SUPPORT, ACCELERATOR PIVOT ROD	2	
22	<u>1018619-01</u>	SCREW, HEX CAP, 1/4 - 20 x 1 1/8	4	
23	<u>1017322</u>	RATCHET, PARK BRAKE	1	
24	0008754	NUT, NYLON LOCK, 3/8 x 16	1	



ACCELERATOR PEDAL ASSEMBLY POWERDRIVE ELECTRIC VEHICLE

4

G

E

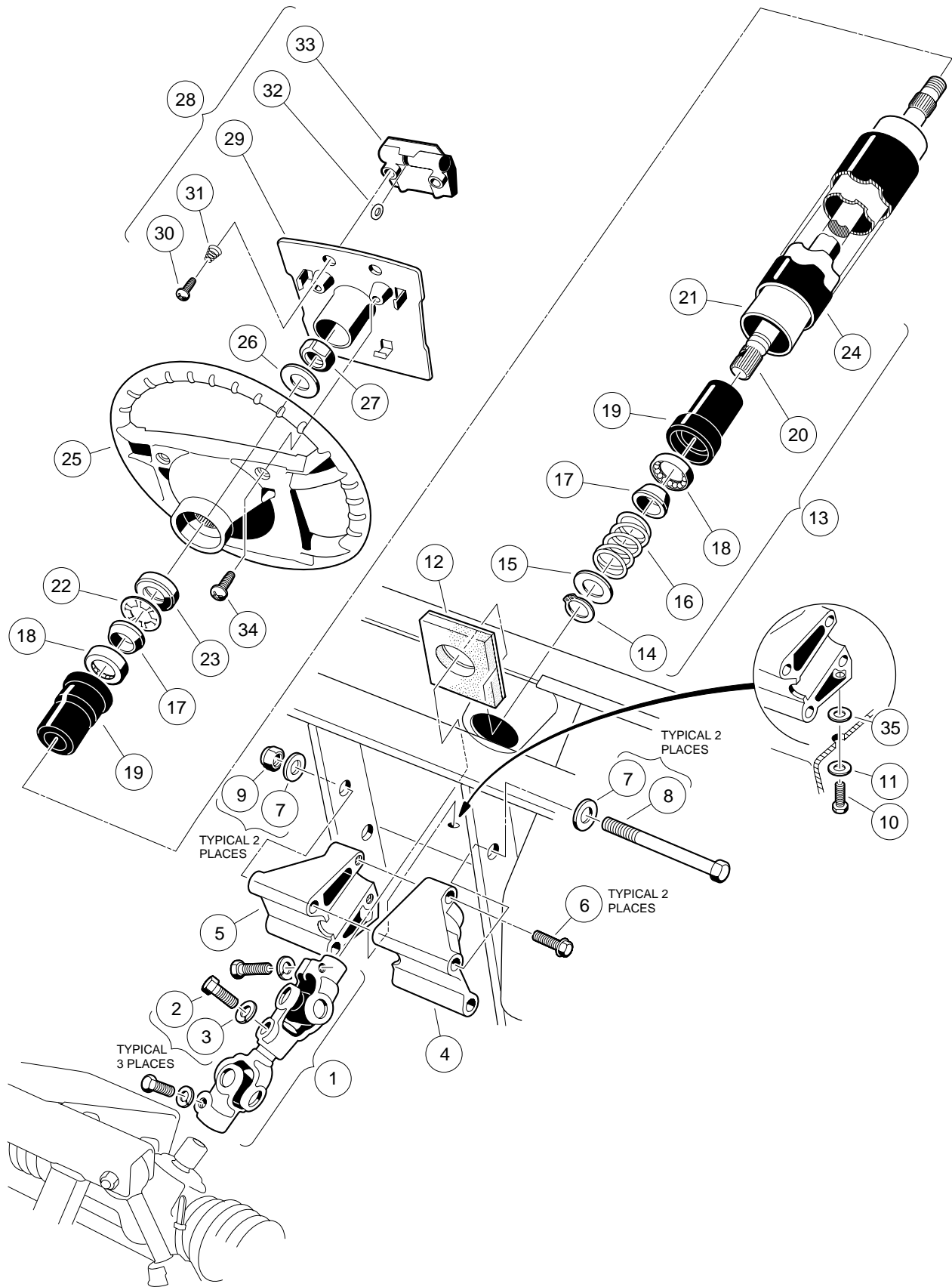
ITEM	PART NO.	DESCRIPTION	QTY GAS	QTY ELEC
		1 2 3 4		
1	<u>1017696</u>	SUB-ASSEMBLY, ACCELERATOR PEDAL (INCLUDES ITEMS 2 AND 3)		1
2	1013871	PAD, PEDAL		1
3	0007716	SCREW, SLOTTED HEX WASHER HEAD, #10 - 16 x 1/2		4
4	0001218	SCREW, HEX CAP, 5/16 - 18 x 1 1/4		1
5	0001241	WASHER, FLAT, 5/16		3
6	1017325	ASSEMBLY, ACCELERATOR PIVOT ROD		1
7	0007473	NUT, NYLON LOCK, 5/16 - 18		2
8	<u>1018620-01</u>	SCREW, HEX HEAD CAP, 1/4 - 20 x 1 3/8		2
9	<u>1017424</u>	BEARING, PIVOT SUPPORT		1
10	<u>1015661</u>	NUT, FLANGE LOCK, 1/4 - 20		2
11	<u>1018174-01</u>	RETAINER, SPRING		1
12	1017962-01	SPRING, RETURN		1
13	<u>1017378</u>	CUP, SPRING		1
14	<u>1017380</u>	BUMPER, RETURN SPRING		1
15	<u>1017400</u>	LEVER, ACTUATOR		1
16	<u>1018042-01</u>	WASHER, PLASTIC, 1/2		1
17	<u>1017743</u>	COVER, ACCELERATOR		1
18	0008233	NUT, NYLON LOCK, 1/4 - 20		4
19	0000332	WASHER, FLAT, 1/4		4
20	<u>1018043-01</u>	SCREW, HI-LO HEX HEAD, #8 - 18 x 1/2		2
21	<u>1011694</u>	SUPPORT, ACCELERATOR PIVOT ROD		1
22	<u>1018619-01</u>	SCREW, HEX CAP, 1/4 - 20 x 1 1/8		4
23	<u>1017322</u>	RATCHET, PARK BRAKE		1
24	0008754	NUT, NYLON LOCK, 3/8 x 16		1

STEERING, FRONT AND REAR SUSPENSION

5

G

E



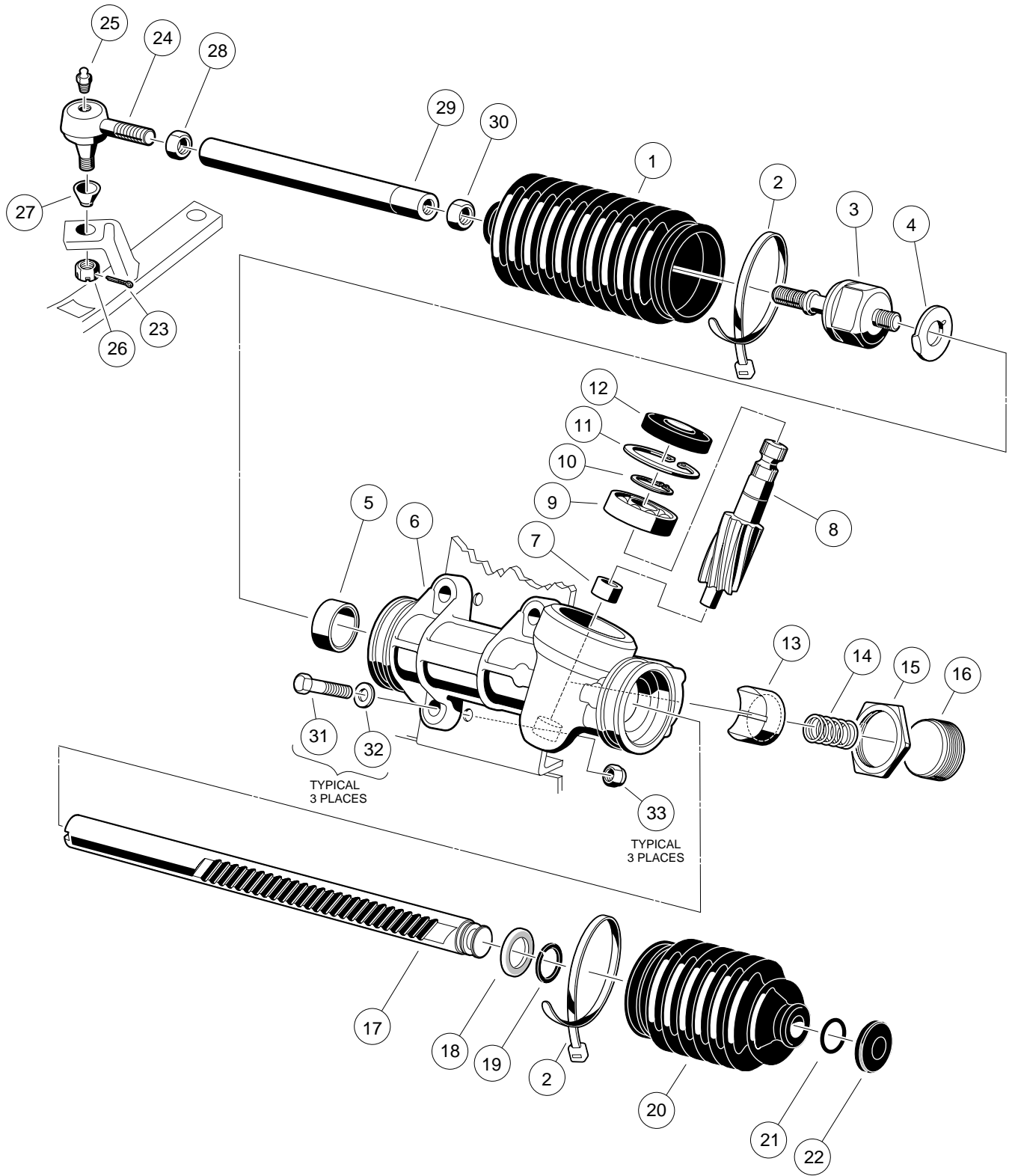
STEERING COLUMN

5

G

E

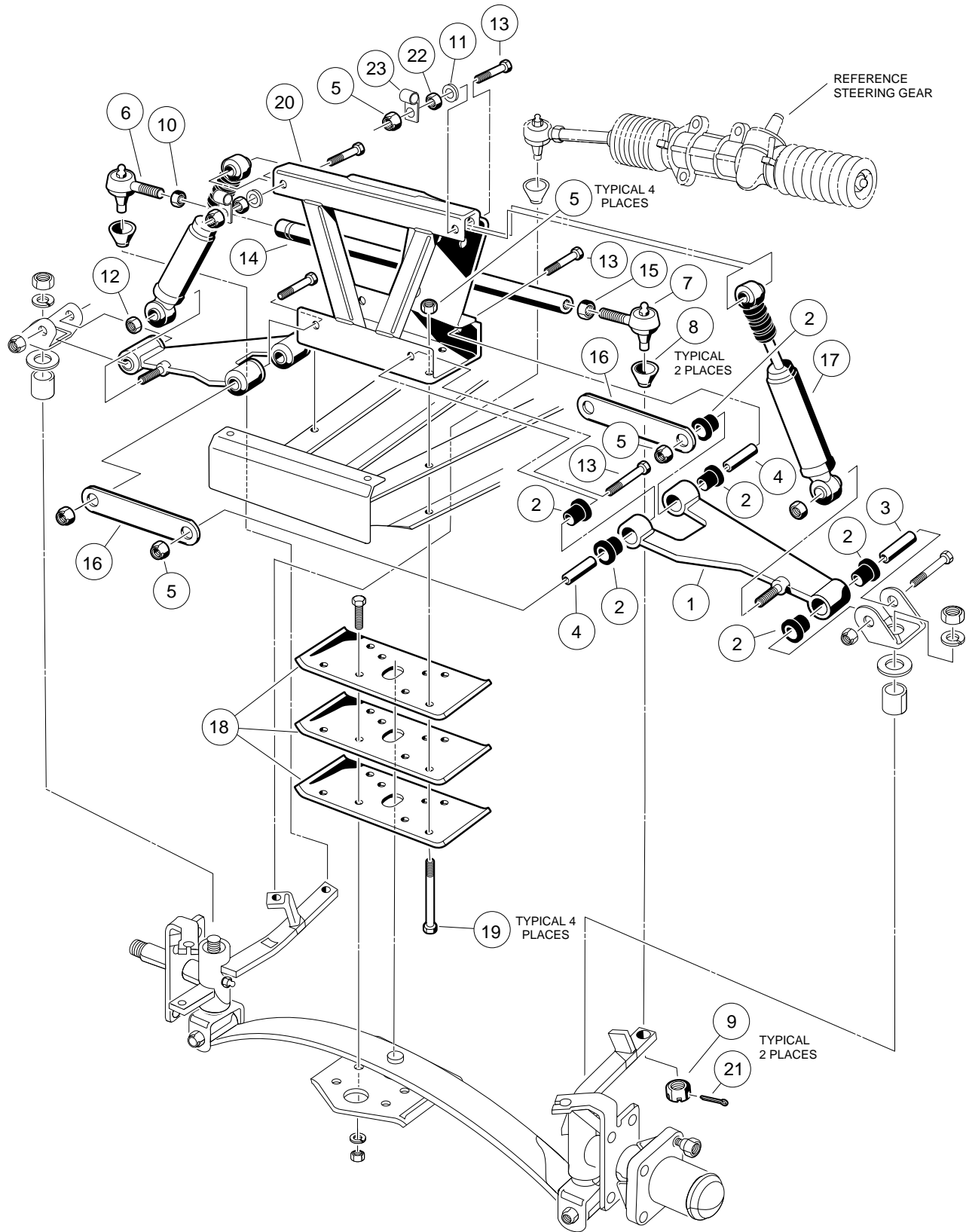
ITEM	PART NO.	DESCRIPTION	QTY GAS	QTY ELEC
		1 2 3 4		
1	<u>1013861</u>	JOINT, COMPOUND STEERING (INCLUDES ITEMS 2 AND 3)	1	1
2	<u>1017226</u>	SCREW, HEX HEAD CAP, M8 x 1.25 x 30MM	3	3
3	0007174	WASHER, LOCK, 5/16	3	3
4	1016185	MOUNT, STEERING COLUMN, LEFT HAND	1	1
5	1016184	MOUNT, STEERING COLUMN, RIGHT HAND	1	1
6	<u>1016269</u>	SCREW, HEX WASHER HEAD THREAD-FORMING, 5/16 - 18 x 2	2	2
7	0000334	WASHER, FLAT, 3/8	4	4
8	<u>1016183</u>	SCREW, HEX HEAD CAP, 3/8 - 16 x 6 3/4	2	2
9	0008754	NUT, NYLON LOCK, 3/8 - 16	2	2
10	<u>1014288</u>	SCREW, HEX WASHER HEAD THREAD-FORMING, 5/16 - 18 x 3/4	1	1
11	<u>1011697</u>	WASHER, FLAT, 5/16	1	1
12	<u>1012499</u>	BOOT, STEERING COLUMN	1	1
13	<u>1017313</u>	ASSEMBLY, STEERING COLUMN (INCLUDES ITEMS 14 - 23)	1	1
14	<u>1012605</u>	RING, RETAINING	1	1
15	<u>1012604</u>	WASHER, STEEL, 5/8	1	1
16	<u>1014217</u>	SPRING, COMPRESSION	1	1
17	1014125	WEDGE	2	2
18	<u>1014213</u>	ASSEMBLY, BEARING	2	2
19	<u>1014126</u>	SEAT, BEARING	2	2
20	<u>1017315</u>	SHAFT, STEERING COLUMN	1	1
21	<u>1017314</u>	COLUMN, ALUMINUM STEERING	1	1
22	1014214	RING, RETAINING	1	1
23	<u>1014211</u>	SEAL, BEARING	1	1
24	1016263	COVER, STEERING COLUMN	1	1
25	<u>1016156</u>	WHEEL, STEERING	1	1
26	<u>1012604</u>	WASHER, STEEL, 5/8	1	1
27	<u>1017273</u>	NUT, NYLON LOCK, 5/8 - 18	1	1
28	1016219	ASSEMBLY, SCORECARD PLATE (INCLUDES ITEMS 29 - 33)	1	1
29	N/A	PLATE, STEERING WHEEL	1	1
30	<u>1012565</u>	SCREW, ROUND HEAD, #12 - 14 x 1	2	2
31	<u>1012566</u>	SPRING, TAPERED COMPRESSION	2	2
32	<u>1016214</u>	GRIP, PENCIL	2	2
33	1016154	CLIP, SCORE CARD	1	1
34	<u>1016663</u>	SCREW, TYPE A PHILLIPS, #12 - 11 x 5/8	2	2
35	<u>1011578</u>	WASHER, TYPE B FLAT, 5/16	1	1



STEERING GEAR ASSEMBLY

5
G
E

ITEM	PART NO.	DESCRIPTION	QTY GAS	QTY ELEC
		1 2 3 4		
	<u>1018783-02</u>	ASSEMBLY, STEERING GEAR BOX (INCLUDES ITEMS 1 - 22)	1	1
1	<u>1013035</u>	SEAL, DUST, LONG	1	1
2	0008990	WRAP, TIE	2	2
3	<u>1018802-01</u>	ASSEMBLY, INNER BALL JOINT	1	1
4	<u>1018803-01</u>	WASHER, TAB	2	2
5	N/A	BUSHING, RACK	1	1
6	N/A	BOX, STEERING GEAR	1	1
7	N/A	BEARING, LOWER PINION	1	1
8	N/A	PINION, STEERING	1	1
9	<u>1018794-01</u>	BEARING, UPPER PINION	1	1
10	<u>1018799-01</u>	RING, C-TYPE STOP	1	1
11	1013051	RING, SNAP	1	1
12	<u>1013052</u>	SEAL, DUST, STEERING PINION	1	1
13	<u>1018797-01</u>	GUIDE, STEERING RACK	1	1
14	<u>1018798-01</u>	SPRING, YOKE	1	1
15	<u>1013044</u>	NUT, LOCK, RACK SCREW	1	1
16	N/A	SCREW, RACK GUIDE	1	1
17	N/A	RACK, STEERING	1	1
18	<u>1018795-01</u>	WASHER, STOP	2	2
19	1018796-01	RING, C-TYPE STOP	1	1
20	1018800-	SEAL, DUST, SHORT	1	1
21	1018801-01	O-RING, DUST SEAL RETAINING	1	1
22	1019260-01	CAP, RACK END DUST	1	1
23	<u>0001035</u>	PIN, COTTER, 3/32 x 1	1	1
24	0007540	BALL JOINT, LEFT HAND THREAD (INCLUDES ITEMS 25, 26 AND 27)	1	1
25	<u>1015597</u>	FITTING, THREAD FORM GREASE, 1/4 - 28	1	1
26	<u>0007602</u>	NUT, HEX SLOTTED, 3/8 - 24	1	1
27	<u>1011930</u>	BOOT, DUST	1	1
28	0007555	NUT, HEX, LEFT HAND THREAD, 1/2 - 20	1	1
29	<u>1012467</u>	LINK, RACK AND PINION DRAG	1	1
30	1013042	NUT, HEX, M12 x 1.75	1	1
31	0001624	BOLT, HEX HEAD, 3/8 - 16 x 1 1/2	3	3
32	0000334	WASHER, FLAT, 3/8	3	3
33	<u>1010138</u>	NUT, DIMPLED LOCK, 3/8 - 16	3	3



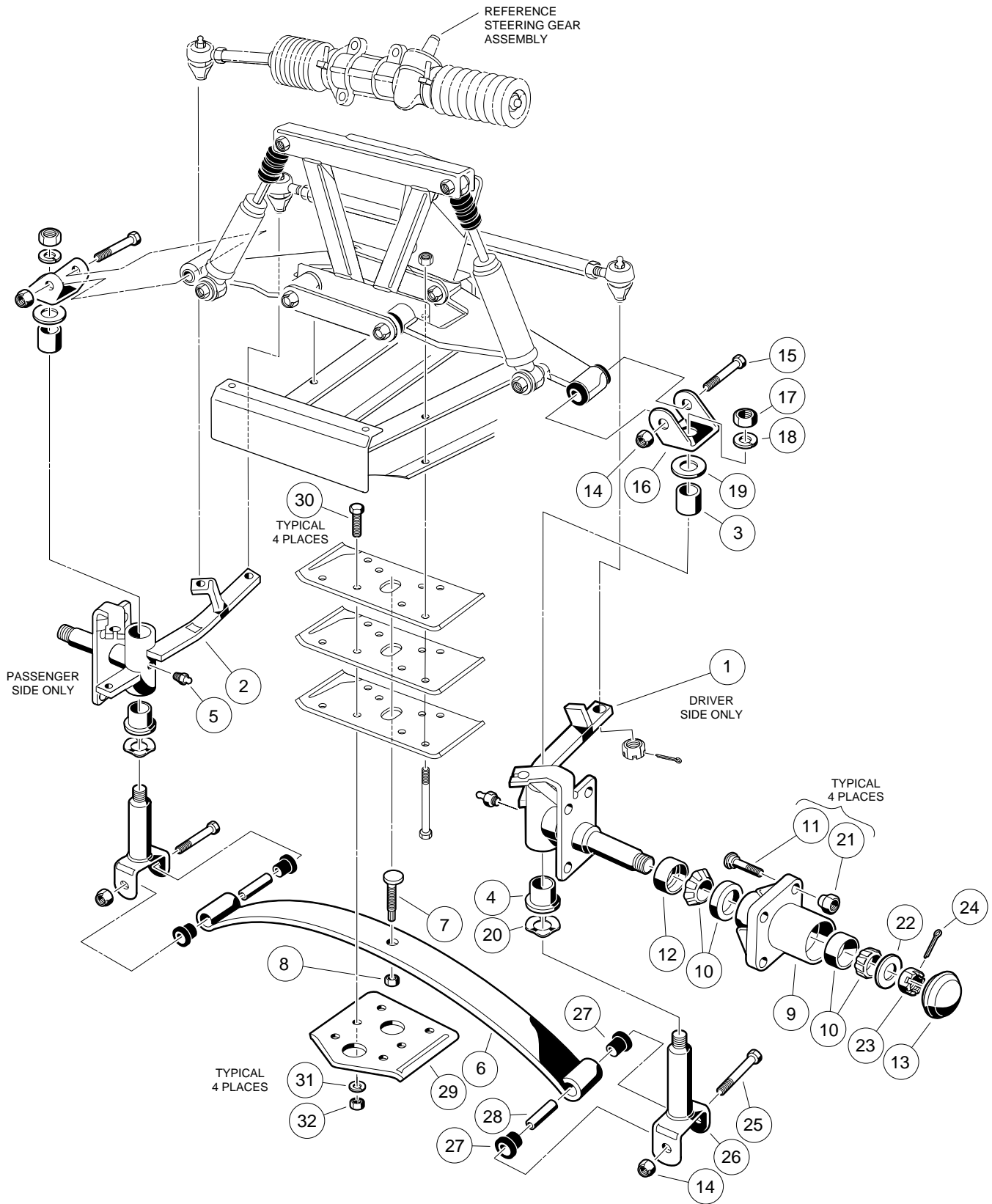
FRONT SUSPENSION, UPPER

5

G

E

ITEM	PART NO.	DESCRIPTION	QTY GAS	QTY ELEC
		1 2 3 4		
1	<u>1016353</u>	ASSEMBLY, DELTA A-PLATE (INCLUDES ITEMS 2, 3 AND 4)	2	2
2	<u>1016346</u>	BUSHING, URETHANE	6	6
3	<u>1016350</u>	SLEEVE, DELTA OUTER	1	1
4	<u>1016349</u>	SLEEVE, DELTA INNER	2	2
5	0008754	NUT, NYLON LOCK, 3/8 - 16	10	10
6	0007539	BALL JOINT (INCLUDES ITEMS 8 AND 9)	1	1
7	0007540	BALL JOINT, LEFT HAND THREAD (INCLUDES ITEMS 8 AND 9)	1	1
8	<u>1011930</u>	SEAL, DUST	1	1
9	<u>0007602</u>	NUT, SLOTTED HEX, 3/8 - 24	1	1
10	0001308	NUT, HEX, 1/2 - 20	1	1
11	0000334	WASHER, FLAT, 3/8	2	2
12	<u>1010138</u>	NUT, DIMPLED LOCK, 3/8 - 16	2	2
13	0002402	BOLT, HEX HEAD, 3/8 - 16 x 2 1/4	6	6
14	<u>1010219</u>	ROD, TIE	1	1
15	0007555	NUT, HEX, LEFT HAND THREAD, 1/2 - 20	1	1
16	<u>1017266</u>	STRAP, A-PLATE	2	2
17	<u>1018706-01</u>	SHOCK ABSORBER, FRONT	2	2
18	<u>1010124</u>	PLATE, SPRING MOUNTING	3	3
19	<u>1018705-01</u>	BOLT, HEX HEAD, 3/8 - 16 x 4 3/4	4	4
20	<u>1016385</u>	ASSEMBLY, DELTA SHOCK AND GEAR SUPPORT	1	1
21	<u>0001035</u>	PIN, COTTER, 3/32 x 1	2	2
22	0000706	NUT, HEX, 3/8 - 16	2	2
23	<u>1019353-01</u>	CLAMP, BRAKE CABLE (PART OF BRAKE CABLE ASSEMBLY)	2	2



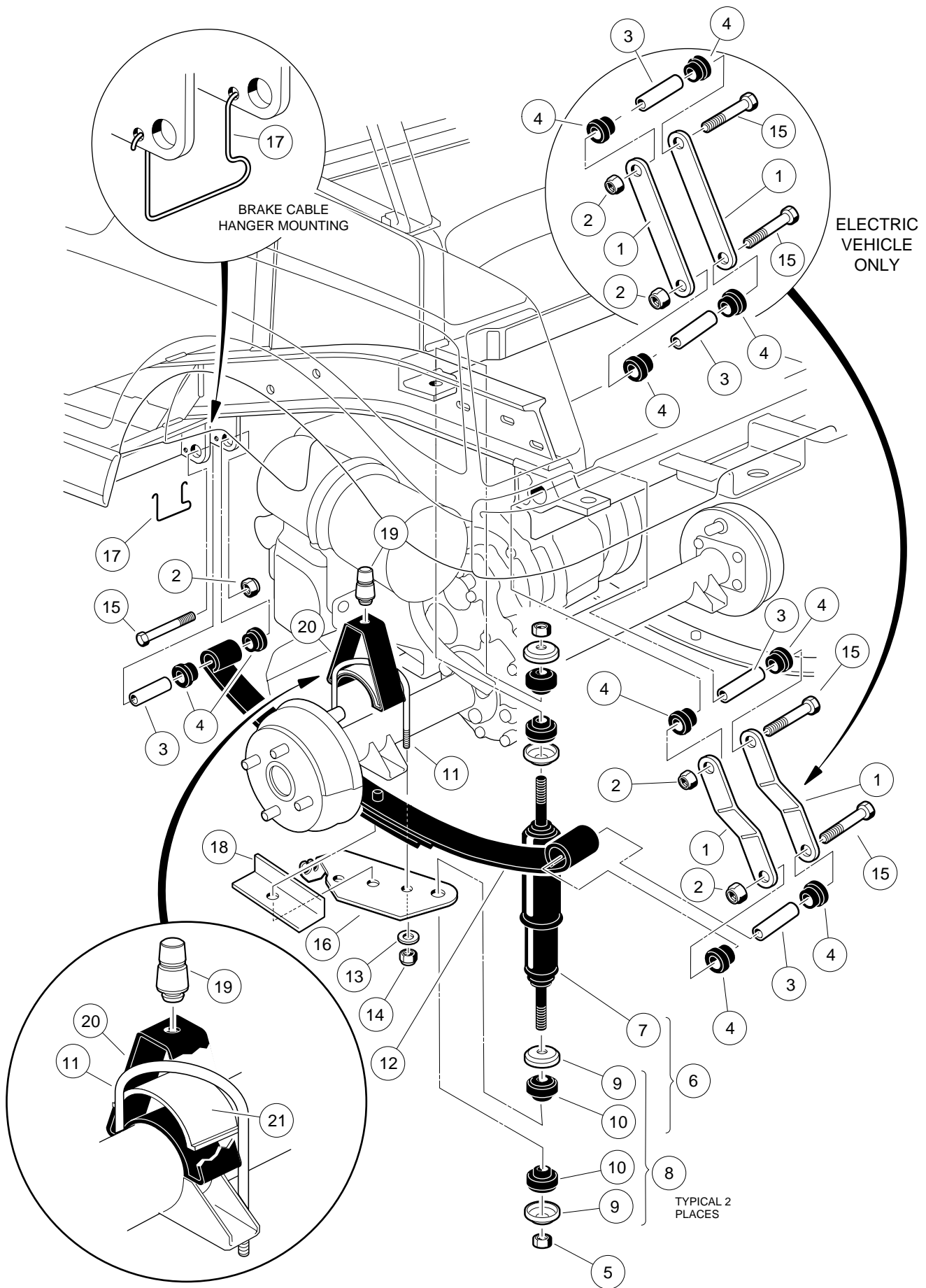
FRONT SUSPENSION, LOWER

5

G

E

ITEM	PART NO.	DESCRIPTION	QTY GAS	QTY ELEC
		1 2 3 4		
1	1018769-01	ASSEMBLY, LEFT SPINDLE (INCLUDES ITEMS 3, 4 AND 5)	1	1
2	<u>1018770-01</u>	ASSEMBLY, RIGHT SPINDLE (INCLUDES ITEMS 3, 4 AND 5)	1	1
3	0008067	BUSHING, BRONZE SPINDLE	1	1
4	0007048	BUSHING, BRONZE	1	1
5	<u>1015597</u>	FITTING, GREASE, 1/4 - 28	1	1
6	<u>1012030</u>	SPRING, TAPERED LEAF	1	1
7	0008745	ASSEMBLY, ECCENTRIC	1	1
8	0000706	NUT, HEX, 3/8 - 16	1	1
9	<u>1011892</u>	ASSEMBLY, HUB (INCLUDES ITEMS 10 - 13)	2	2
10	<u>1011393</u>	PACKAGE, HUB BEARING	2	2
11	<u>1011304</u>	STUD, LUG, 1/2 - 20	4	4
12	<u>1013135</u>	SEAL, DOUBLE LIP	1	1
13	<u>1011887</u>	COVER, DUST	1	1
14	0008754	NUT, NYLON LOCK, 3/8 - 16	4	4
15	<u>1016387</u>	SCREW, HEX HEAD CAP, 3/8 - 16 x 2 3/4	2	2
16	<u>1016384</u>	CLEVIS, UPPER DELTA	2	2
17	0001308	NUT, HEX, 1/2 - 20	2	2
18	0000209	WASHER, SPLIT LOCK, 1/2	2	2
19	<u>1010150</u>	BEARING, THRUST	2	2
20	<u>1016389</u>	WASHER, KINGPIN WAVE	2	2
21	<u>1010984</u>	NUT, LUG	8	8
22	<u>1010005</u>	WASHER, FLAT, 3/4	2	2
23	0007840	NUT, HEX SLOTTED, 3/4 - 16	2	2
24	0007910	PIN, COTTER, 5/32 x 1	2	2
25	0008755	SCREW, HEX HEAD CAP, 3/8 - 16 x 3 3/8	2	2
26	<u>1016386</u>	KINGPIN	2	2
27	<u>1015583</u>	BUSHING, URETHANE	4	4
28	<u>1012303</u>	BUSHING, STEEL	2	2
29	<u>1014276</u>	PLATE, FRONT SPRING RETAINER	1	1
30	<u>1010177</u>	SCREW, HEX HEAD CAP, 3/8 - 16 x 2	4	4
31	0000357	WASHER, LOCK, 3/8	4	4
32	0000706	NUT, HEX, 3/8 - 16	4	4



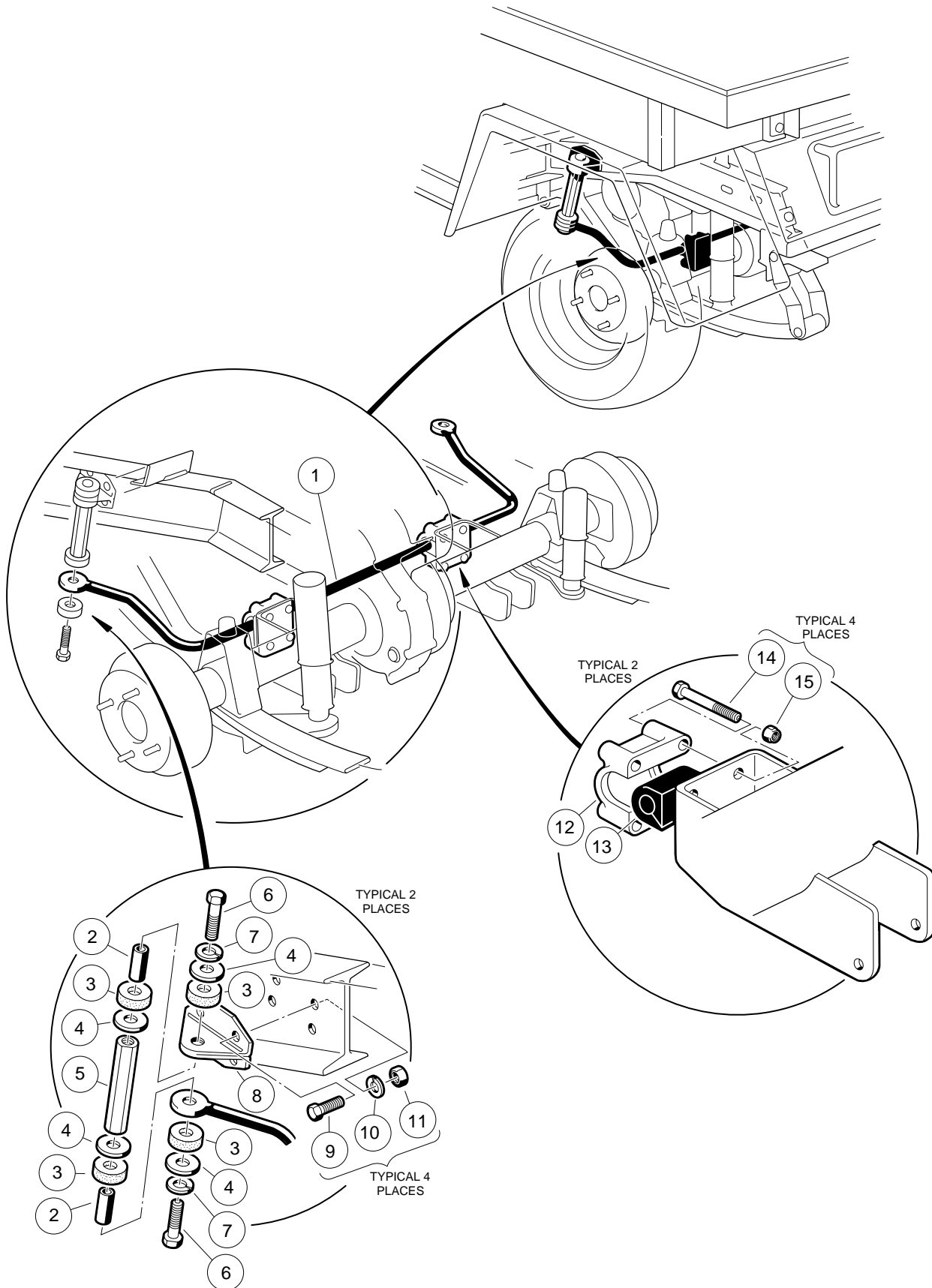
REAR SUSPENSION

5

G

E

ITEM	PART NO.	DESCRIPTION	QTY GAS	QTY ELEC
		1 2 3 4 BEFORE ORDERING FROM THIS PAGE, SEE NOTE ON PAGE ii AT THE BEGINNING OF THIS MANUAL.		
1	<u>1012304</u>	SHACKLE, REAR SPRING (GASOLINE VEHICLE ONLY)	4	
1	0007569	SHACKLE, REAR SPRING (POWERDRIVE ELECTRIC VEHICLE ONLY)		4
2	0008754	NUT, NYLON LOCK, 3/8 - 16	6	6
3	<u>1012303</u>	BUSHING, STEEL	6	6
4	<u>1015583</u>	BUSHING, URETHANE	12	12
5	<u>1010145</u>	NUT, UNF HEX, 3/8 - 24	4	4
6	<u>1013164</u>	KIT, SHOCK ABSORBER (INCLUDES ITEMS 7, 9 AND 10)	1	1
7	<u>1014236</u>	SHOCK ABSORBER, REAR	2	2
8	<u>1011415</u>	KIT, SHOCK ABSORBER CUSHION (INCLUDES ITEMS 9 AND 10)	4	4
9	N/A	RETAINER, SHOCK ABSORBER CUSHION	8	8
10	N/A	CUSHION, SHOCK ABSORBER	8	8
11	<u>1014902</u>	BOLT, "U"	2	2
12	<u>1014675</u>	SPRING, REAR LEAF	2	2
13	<u>1014557</u>	WASHER, FLAT, 7/16	4	4
14	<u>1014555</u>	NUT, NYLON LOCK, 7/16 - 24	4	4
15	0008755	SCREW, HEX HEAD CAP, 3/8 - 16 x 3 3/8	6	6
16	1012182	BRACKET, SHOCK MOUNT, LEFT	1	1
16	1012181	BRACKET, SHOCK MOUNT, RIGHT	1	1
17	<u>1013207</u>	HANGER, BRAKE CABLE	2	2
18	1014573	RETAINER, SPRING	2	2
19	<u>1017235</u>	BUMPER, JOUNCE	2	2
20	1014546-02	MOUNT, BUMPER (GASOLINE VEHICLE ONLY)	2	
20	<u>1014549-02</u>	MOUNT, BUMPER (POWERDRIVE ELECTRIC VEHICLE ONLY)		2
21	<u>1014901</u>	SPACER, OVERLOAD BUMPER	2	2



STABILIZER BAR - GASOLINE VEHICLE

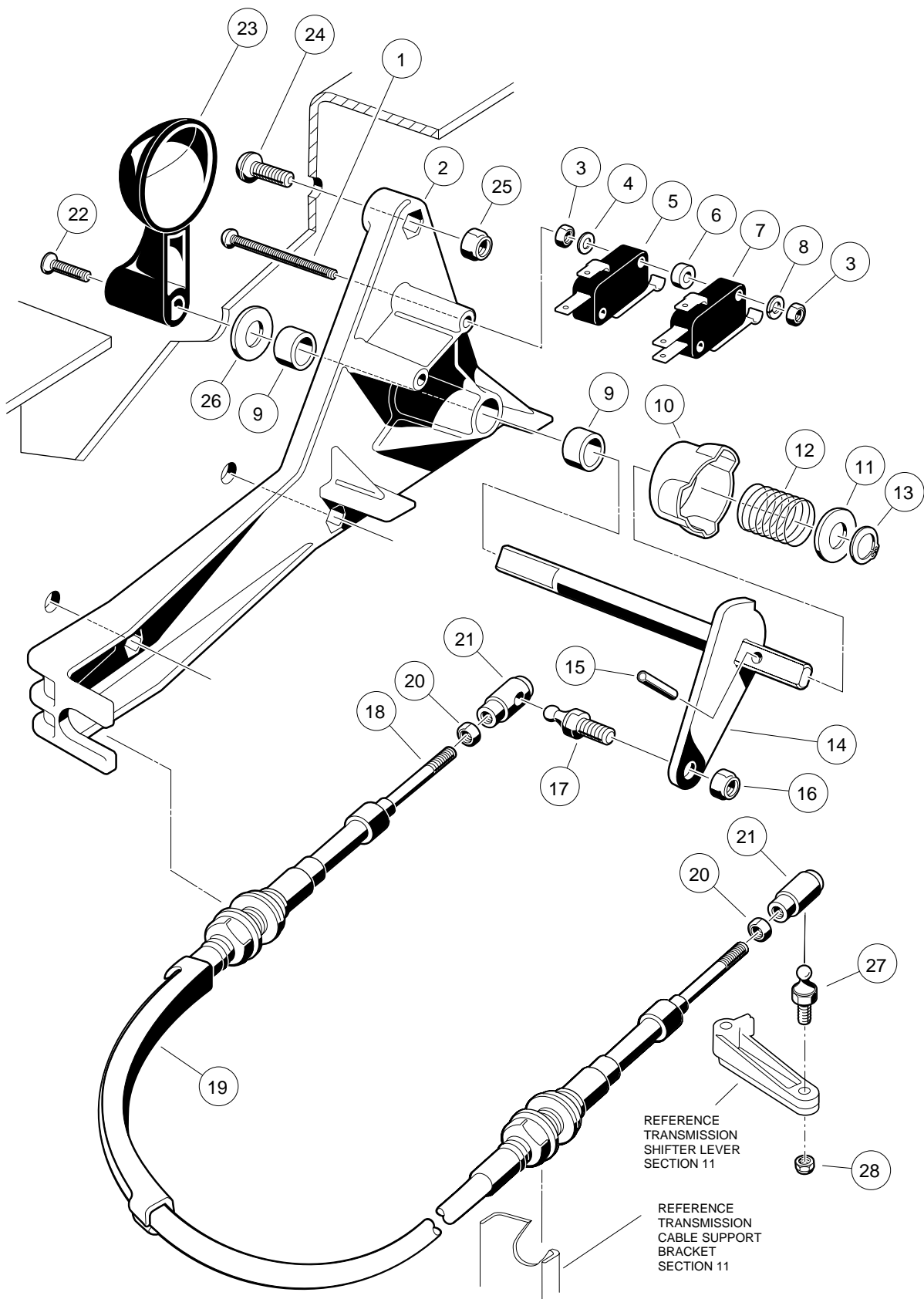
5
G
E

ITEM	PART NO.	DESCRIPTION	QTY GAS	QTY ELEC
		1 2 3 4 BEFORE ORDERING FROM THIS PAGE, SEE NOTE ON PAGE <i>ii</i> AT THE BEGINNING OF THIS MANUAL.		
1	<u>1015760</u>	BAR, STABILIZER, 3/4 DIAMETER	1	
2	<u>1015457</u>	SPACER	4	
3	<u>1015453</u>	MOUNT, COMPRESSION	8	
4	0000808	WASHER, FLAT, 3/8	8	
5	<u>1016814</u>	LINK, STABILIZER BAR	2	
6	0008861	SCREW, HEX HEAD CAP, 3/8 - 16 x 1 3/4	4	
7	0000357	WASHER, LOCK, 3/8	4	
8	<u>1016813</u>	BRACKET, STABILIZER BAR MOUNTING	2	
9	0007173	SCREW, HEX HEAD CAP, 5/16 - 18 x 3/4	8	
10	0007174	WASHER, LOCK, 3/8	8	
11	0001242	NUT, HEX, 5/16 - 18	8	
12	<u>1015614</u>	SUPPORT, STABILIZER BAR BUSHING	2	
13	<u>1015613</u>	BUSHING, STABILIZER BAR	2	
14	0007311	SCREW, HEX HEAD CAP, 1/4 - 20 x 2	8	
15	0008233	NUT, NYLON LOCK, 1/4 - 20	8	

ELECTRICAL SYSTEM GASOLINE VEHICLE

6

G

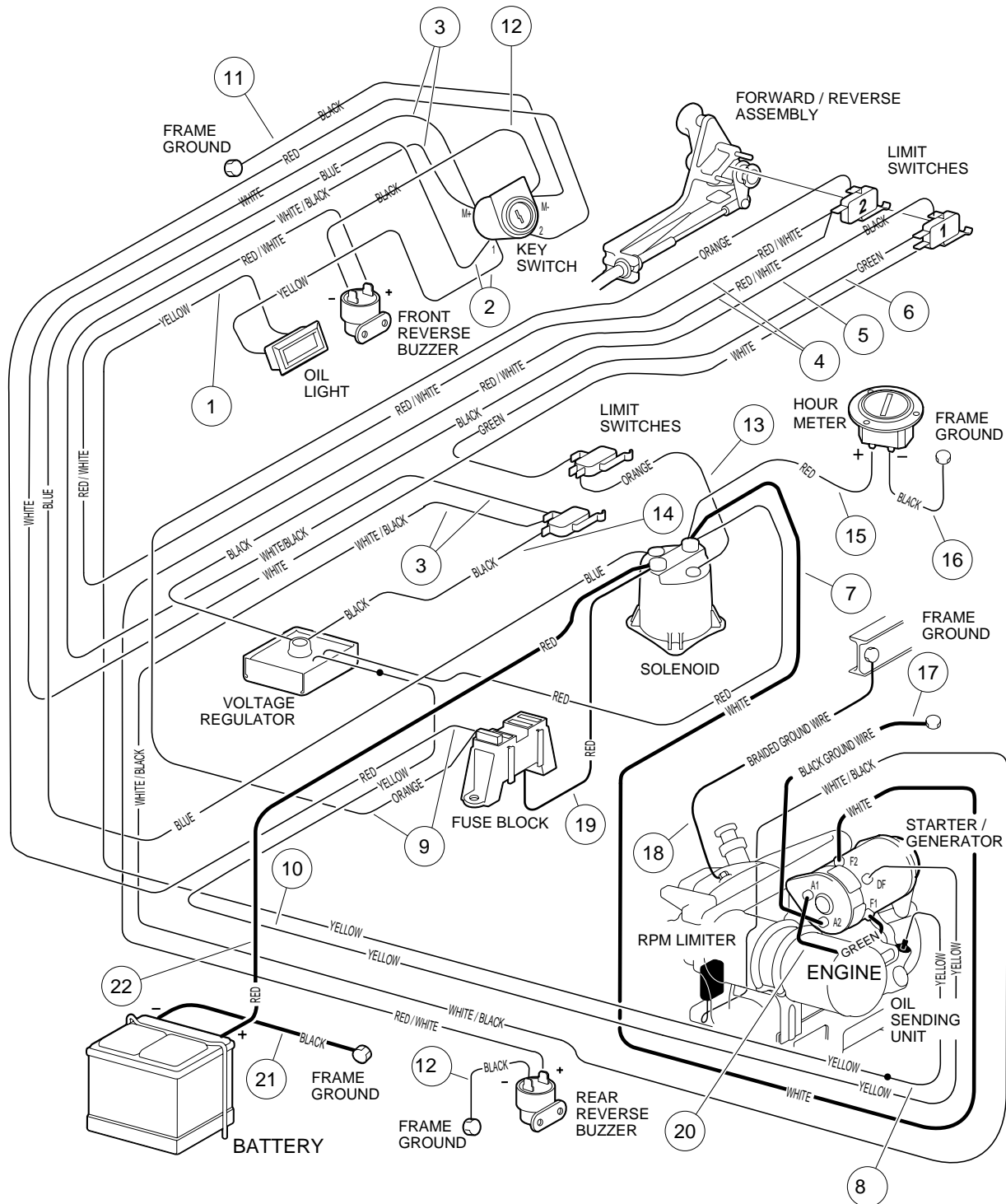


FORWARD AND REVERSE SHIFTER ASSEMBLY GASOLINE VEHICLE

6

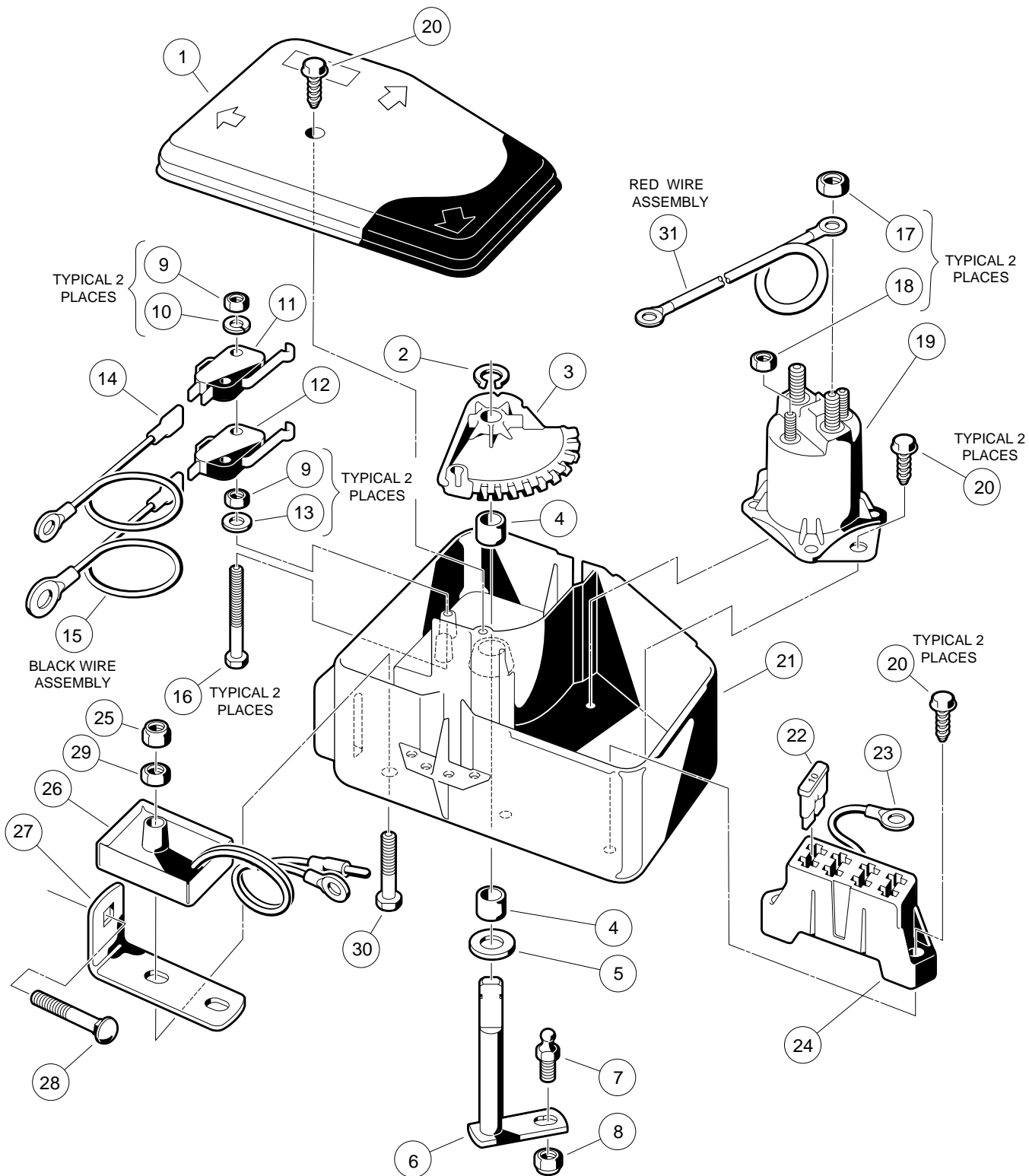
G

ITEM	PART NO.	DESCRIPTION	QTY
		1 2 3 4 BEFORE ORDERING FROM THIS PAGE, SEE NOTE ON PAGE ii AT THE BEGINNING OF THIS MANUAL.	
	1016947	ASSEMBLY, FORWARD AND REVERSE SHIFTER (INCLUDES ITEMS 1 - 17)	1
1	<u>1012594</u>	SCREW, MACHINE, #4 - 40 x 1 1/2	2
2	<u>1016342</u>	BASE, FORWARD AND REVERSE SHIFTER	1
3	0008057	NUT, HEX HEAD, #4 - 40	4
4	1012431	WASHER, FLAT, #4	2
5	<u>1014808</u>	SWITCH, LIMIT	1
6	<u>1014727</u>	WASHER, NYLON FLAT, #4	2
7	<u>1014807</u>	SWITCH, LIMIT	1
8	0008058	WASHER, LOCK, #4	2
9	<u>1014145</u>	BUSHING, BRONZE	2
10	1014089	KIT, NEUTRAL LOCK-OUT CAM (INCLUDES ITEM 11)	1
11	<u>1014065</u>	WASHER, FLAT	1
12	<u>1013590</u>	SPRING, FORWARD AND REVERSE CAM	1
13	<u>1013589</u>	RING, RETAINING	1
14	1013587	WELDMENT, FORWARD AND REVERSE BELL CRANK	1
15	<u>1013591</u>	PIN, ROLL, 1/8	1
16	0008717	NUT, NYLON LOCK, 1/4 - 28	1
17	<u>1010954</u>	STUD, BALL, 1/4 - 28 x 1/4	1
18	<u>1016727-01</u>	CABLE, TRANSMISSION (INCLUDES ITEMS 19 - 21)	1
19	N/A	BRACE, SHIFTER CABLE	1
20	0007893	NUT, HEX, #10 - 32	2
21	<u>1012333</u>	JOINT, BALL	2
22	<u>1013198</u>	SCREW, PHILLIPS OVAL COUNTERSUNK MACHINE, #8 - 32 x 5/8	1
23	<u>1012987</u>	HANDLE, FORWARD AND REVERSE SWITCH	1
24	0008248	SCREW, PHILLIPS TRUSS HEAD, 1/4 - 20 x 3/4	4
25	0008233	NUT, NYLON LOCK, 1/4 - 20	4
26	<u>1014065</u>	WASHER, FLAT	1
27	<u>1010954</u>	STUD, BALL, 1/4 - 28 x 1/4	1
28	0008717	NUT, NYLON LOCK, 1/4 - 28	1



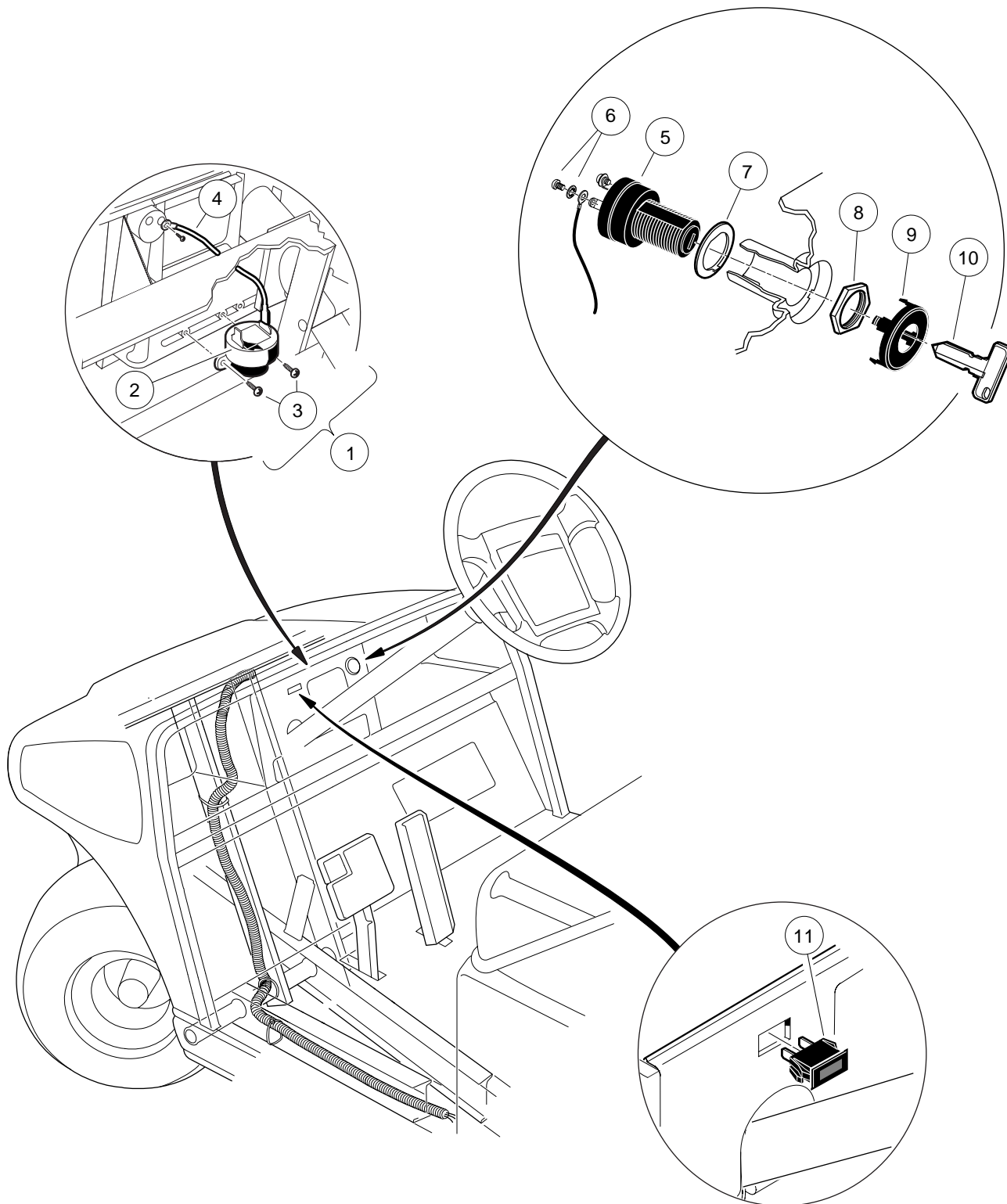
WIRING - GASOLINE VEHICLE

ITEM	PART NO.	DESCRIPTION	QTY
		1 2 3 4	
		BEFORE ORDERING FROM THIS PAGE, SEE NOTE ON PAGE <i>ii</i> AT THE BEGINNING OF THIS MANUAL.	
	1017355-02	ASSEMBLY, WIRE HARNESS (INCLUDES ITEMS 1 - 10)	1
1	N/A	WIRE ASSEMBLY, #18 YELLOW	1
2	N/A	WIRE ASSEMBLY, #18 YELLOW, #18 BLUE	1
3	N/A	WIRE ASSEMBLY, #18 WHITE/BLACK, #18 WHITE	1
4	N/A	WIRE ASSEMBLY, #18 RED/WHITE	1
5	N/A	WIRE ASSEMBLY, #18 BLACK	1
6	N/A	WIRE ASSEMBLY, #18 GREEN	1
7	<u>1015769</u>	WIRE ASSEMBLY, #6 WHITE	1
8	N/A	WIRE ASSEMBLY, #18 YELLOW	1
9	N/A	WIRE ASSEMBLY, #16 RED, #16 ORANGE	1
10	N/A	WIRE ASSEMBLY, #16 YELLOW	1
11	N/A	WIRE ASSEMBLY, #18 BLACK	1
12	N/A	WIRE ASSEMBLY, #18 BLACK (PART OF REVERSE BUZZER KIT)	2
13	N/A	WIRE ASSEMBLY, #16 ORANGE	1
14	N/A	WIRE ASSEMBLY, #16 BLACK	1
15	N/A	WIRE ASSEMBLY, #18 RED	1
16	N/A	WIRE ASSEMBLY, #18 BLACK	1
17	<u>1016380</u>	WIRE ASSEMBLY, #6 BLACK GROUND	1
18	<u>1015332</u>	WIRE ASSEMBLY, #10 BRAIDED GROUND	1
19	<u>1015737</u>	WIRE ASSEMBLY, #10 RED	1
20	<u>1018373-01</u>	WIRE ASSEMBLY, #6 GREEN	1
21	<u>1012382</u>	WIRE ASSEMBLY, #6 BLACK	1
22	<u>1014119</u>	WIRE ASSEMBLY, #6 RED	1



ELECTRICAL COMPONENT BOX - GASOLINE VEHICLE

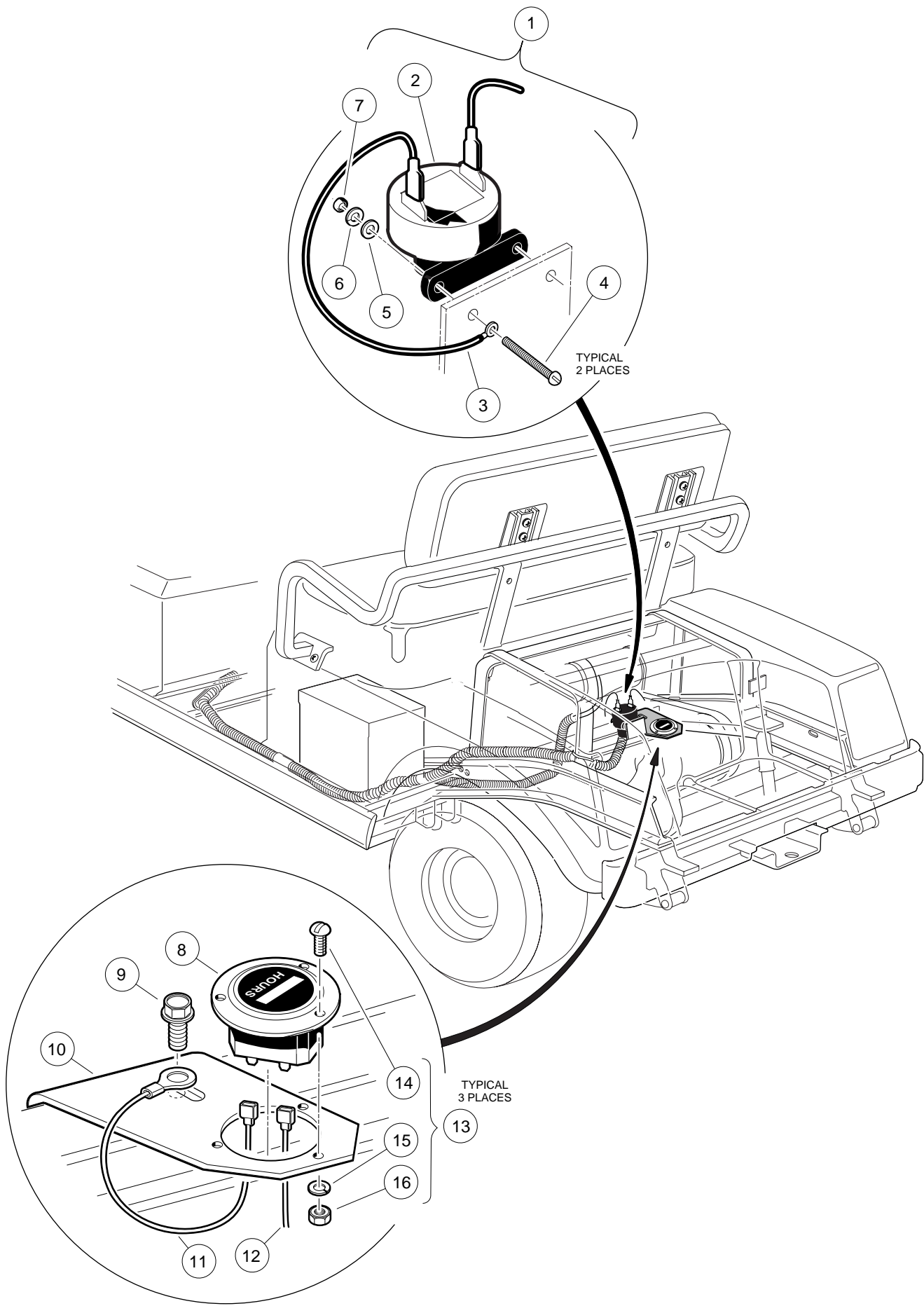
ITEM	PART NO.	DESCRIPTION	QTY
		1 2 3 4 BEFORE ORDERING FROM THIS PAGE, SEE NOTE ON PAGE ii AT THE BEGINNING OF THIS MANUAL.	
	1018276-03	BOX, ELECTRICAL COMPONENT, COMPLETE (INCLUDES ITEMS 1 - 31 AND 1017355-02 - SEE PAGE 6-5 OF THIS SUPPLEMENT)	1
1	<u>1015372</u>	COVER, ELECTRICAL COMPONENT BOX	1
2	<u>1013589</u>	RING, RETAINING	1
3	<u>1015373</u>	CAM, ELECTRICAL BOX	1
4	<u>1014145</u>	BUSHING, BRONZE	2
5	<u>1014065</u>	WASHER, FLAT	1
6	1015345	ASSEMBLY, BELL CRANK SHAFT	1
7	<u>1010954</u>	STUD, BALL, 1/4 - 28	1
8	0008717	NUT, NYLON LOCK, 1/4 - 28	1
9	0008057	NUT, HEX, #4 - 40	4
10	0008058	WASHER, LOCK, #4	2
11	<u>1014807</u>	SWITCH, LIMIT	1
12	<u>1014808</u>	SWITCH, LIMIT	1
13	1012431	WASHER, FLAT, #4	2
14	1016401	WIRE ASSEMBLY, #16 ORANGE	1
15	1016402	WIRE ASSEMBLY, #16 BLACK	1
16	<u>1015878</u>	SCREW, HEX HEAD MACHINE, #4 - 40 x 1 5/8	2
17	0001242	NUT, HEX, 5/16 - 18	2
18	0007893	NUT, HEX, #10 - 32	2
19	<u>1013609</u>	SOLENOID, 12 VOLT	1
20	<u>1015752</u>	SCREW, HI-LO, #12 - 16 x 5/8	5
21	<u>1015371</u>	BOX, ELECTRICAL COMPONENT	1
22	<u>1012295</u>	FUSE, 10 AMP	1
23	<u>1015737</u>	WIRE ASSEMBLY, #10 RED	1
24	<u>1015741</u>	BLOCK, FUSE	1
25	0008233	NUT, NYLON LOCK, 1/4 - 20	1
26	<u>1015777</u>	ASSEMBLY, VOLTAGE REGULATOR	1
27	1015343	STRAP, GROUND	1
28	<u>1015405</u>	BOLT, CARRIAGE, 5/16 - 18 x 2	1
29	<u>1015919</u>	NUT, HEX JAM, 1/4 - 20	1
30	<u>1013509</u>	SCREW, HEX HEAD CAP, 1/4 - 20 x 1 3/4	1
31	<u>1014119</u>	WIRE ASSEMBLY, #6 RED	1



ELECTRICAL COMPONENTS, FRONT BODY GASOLINE VEHICLE

6
G

ITEM	PART NO.	DESCRIPTION	QTY
		1 2 3 4	
1	<u>1016859</u>	KIT, REVERSE BUZZER (INCLUDES ITEMS 2, 3 AND 4)	1
2	<u>1016851</u>	BUZZER, REVERSE	1
3	<u>1016849</u>	SCREW, PAN HEAD HI-LO, #4 - 24 x 5/16	2
4	N/A	WIRE ASSEMBLY, #18 BLACK	1
5	<u>1018263-01</u>	SWITCH, KEY	1
6	<u>1018306-01</u>	ASSEMBLY, SCREW AND WASHER	4
7	<u>1018511-01</u>	WASHER	1
8	<u>1018307-01</u>	NUT, KEY SWITCH	1
9	<u>1018345-02</u>	CAP, KEY SWITCH	1
10	<u>1012505</u>	KEY (PAIR)	1
11	<u>1016630</u>	LIGHT, OIL WARNING (WITH INTERNAL RESISTOR)	1

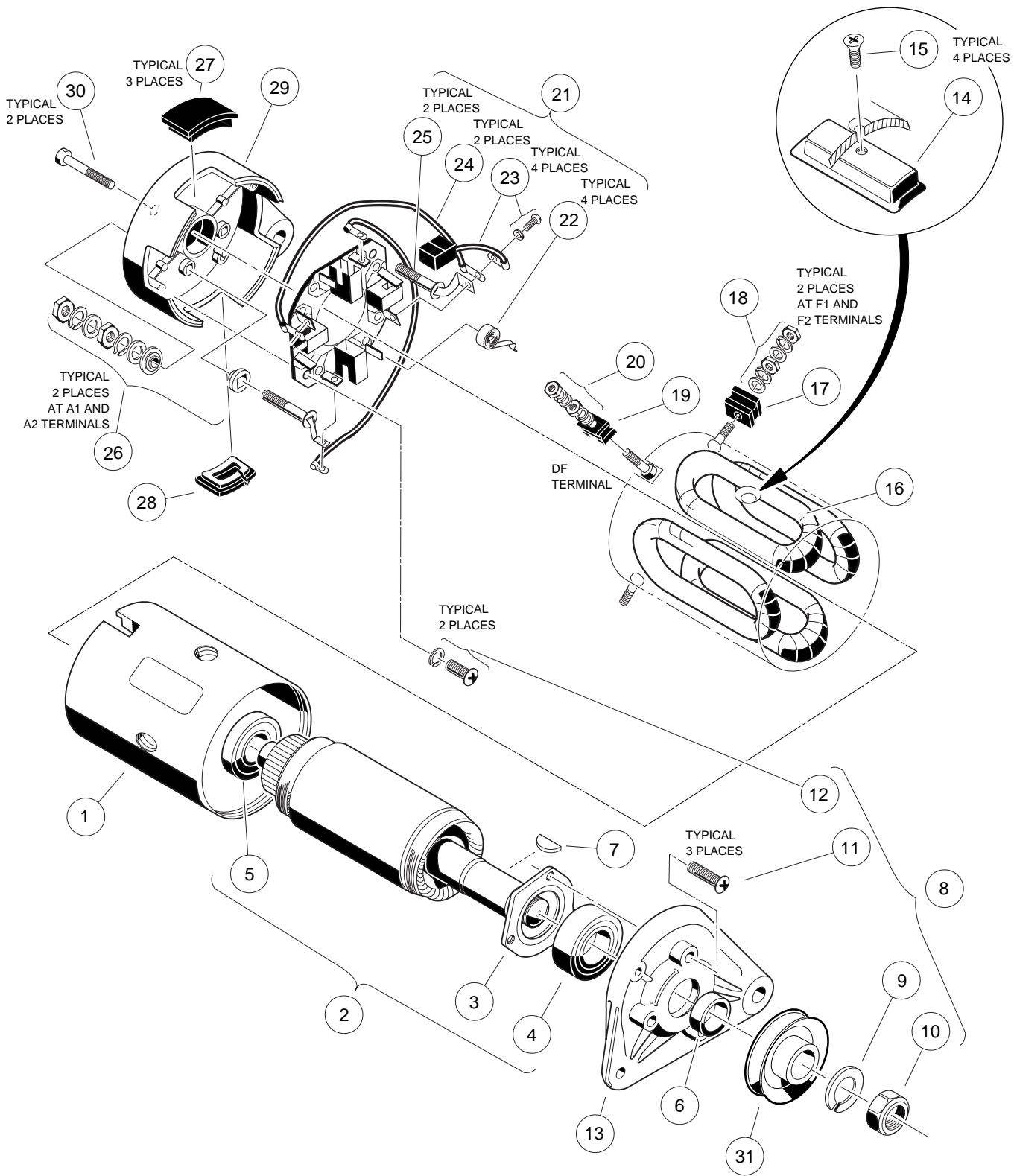


ELECTRICAL COMPONENTS, REAR BODY GASOLINE VEHICLE

6

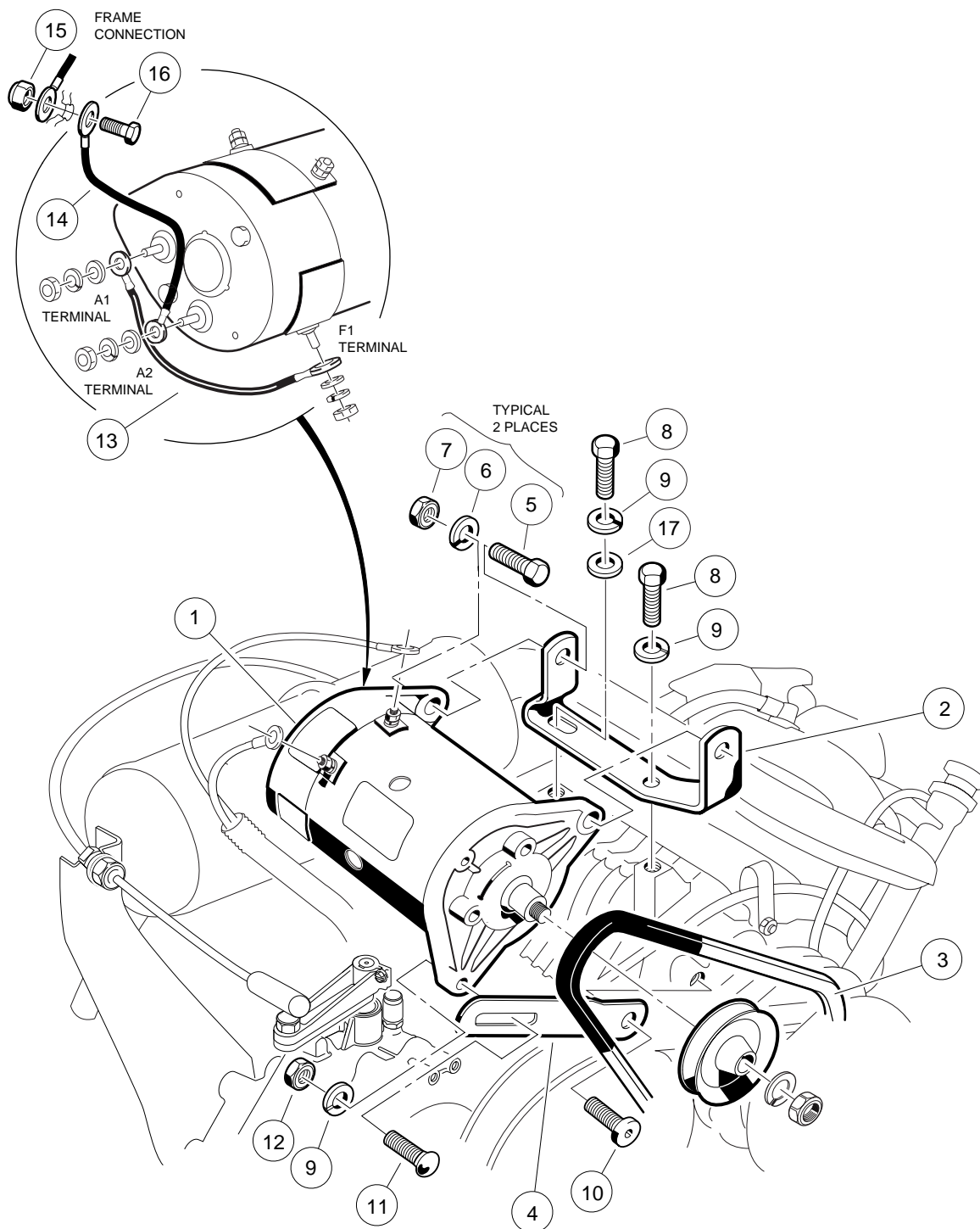
G

ITEM	PART NO.	DESCRIPTION	QTY
		1 2 3 4	
1	<u>1016859</u>	KIT, REVERSE BUZZER (INCLUDES ITEMS 1 - 7)	1
2	<u>1016851</u>	BUZZER, REVERSE	1
3	N/A	WIRE ASSEMBLY, #18 BLACK	1
4	0008056	SCREW, ROUND HEAD, #4 - 40 x 3/4	2
5	1012431	WASHER, FLAT, #4	2
6	0008058	WASHER, LOCK, #4	2
7	0008057	NUT, HEX, #4 - 40	2
8	1013578	KIT, HOUR METER, 12 VOLT (INCLUDES ITEMS 9 - 16)	1
9	<u>1012285</u>	SCREW, THREAD-ROLLING, #1/4 - 20 x 5/8	1
10	<u>1013547</u>	BRACKET, HOUR METER MOUNTING	1
11	N/A	WIRE ASSEMBLY, #18 BLACK	1
12	N/A	WIRE ASSEMBLY, #18 RED	1
13	<u>1016862</u>	KIT, HARDWARE, HOUR METER MOUNTING (INCLUDES ITEMS 14 - 16)	1
14	N/A	SCREW, ROUND HEAD, #6 - 32 x 1/2	3
15	N/A	WASHER, LOCK, #6 - 32	3
16	N/A	NUT, HEX, #6 - 32	3



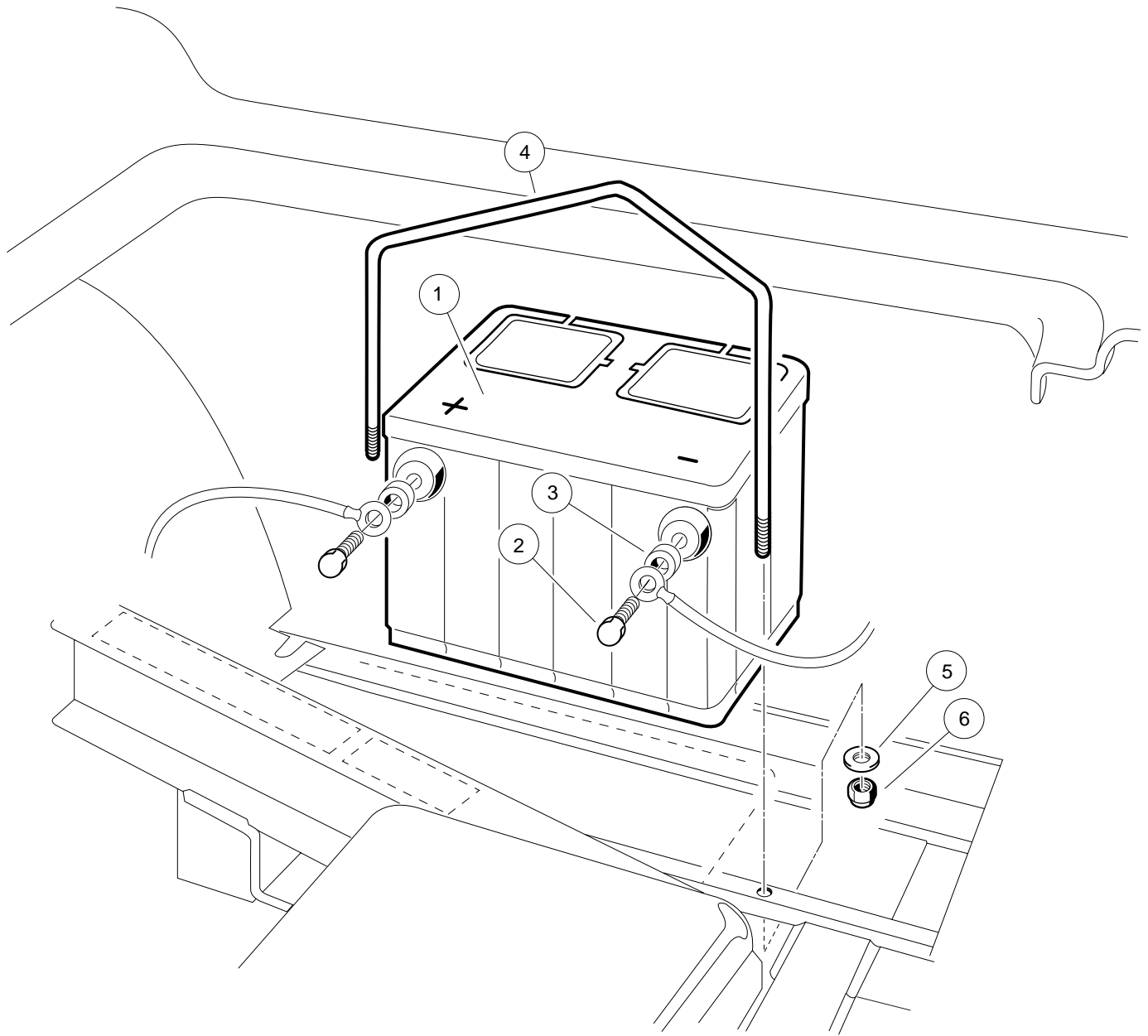
STARTER/GENERATOR ASSEMBLY

ITEM	PART NO.	DESCRIPTION	QTY
		1 2 3 4	
		BEFORE ORDERING FROM THIS PAGE, SEE NOTE ON PAGE ii AT THE BEGINNING OF THIS MANUAL.	
	<u>1018337-01</u>	STARTER/GENERATOR (CLOCKWISE ROTATION) (INCLUDES ITEMS 1 - 30)	1
1	<u>1018752-01</u>	HOUSING, FIELD COIL	1
2	<u>1018751-01</u>	ASSEMBLY, ARMATURE (INCLUDES ITEMS 3, 4 AND 5)	1
3	<u>1018750-01</u>	RETAINER, BEARING	1
4	<u>1013001</u>	BALL BEARING, OUTPUT SHAFT	1
5	<u>1013005</u>	COMMUTATOR, BALL BEARING	1
6	<u>1018748-01</u>	SPACER	1
7	<u>1013003</u>	KEY, WOODRUFF	1
8	<u>1018765-01</u>	KIT, PULLEY NUT AND SCREW (INCLUDES ITEMS 9 - 12)	1
9	N/A	WASHER, LOCK, M14	1
10	N/A	NUT, HEX, M14 x 2	1
11	N/A	SCREW, CROSS - RECESSED, M5 x .8 x 18MM	3
12	<u>1018965-01</u>	SCREW, CROSS - RECESSED, M5 x .8 x 16MM (WITH LOCK WASHER)	2
13	<u>1018749-01</u>	END BELL, OUTPUT SHAFT	1
14	<u>1018753-01</u>	SET, POLE (SET OF 4)	1
15	<u>1018754-01</u>	SCREW, POLE PIECE (SET OF 4)	1
16	<u>1018755-01</u>	ASSEMBLY, FIELD COIL	1
17	<u>1018756-01</u>	SET, F MOLD	2
18	<u>1018776-01</u>	PACKAGE, TERMINAL HARDWARE (F1 AND F2)	2
19	<u>1018757-01</u>	SET, DF MOLD	1
20	<u>1018777-01</u>	PACKAGE, TERMINAL HARDWARE (DF)	1
21	<u>1013011-02</u>	HOLDER, BRUSH (INCLUDES ITEMS 22 - 25)	1
22	<u>1018781-01</u>	SPRING, BRUSH	4
23	<u>1018693-02</u>	PACKAGE, BRUSH (INCLUDES 4 BRUSHES, 4 SCREWS, 4 WASHERS)	1
24	<u>1018762-02</u>	ASSEMBLY, BRUSH CONNECTOR	2
25	<u>1018758-02</u>	A CONNECTOR (SET OF 2)	1
26	<u>1018760-01</u>	PACKAGE, TERMINAL HARDWARE (A1 AND A2)	2
27	<u>1018763-01</u>	COVER, BRUSH INSPECTION PORT (SET OF 4) (INCLUDES ITEM 28)	1
28	<u>1017653</u>	COVER, BRUSH INSPECTION PORT, WITH DRAIN	1
29	<u>1018764-02</u>	END BELL, COMMUTATOR	1
30	<u>1018790-01</u>	BOLT, CLAMP, M6 x 1 x 180MM	2
31	<u>1014289</u>	PULLEY	1



STARTER/GENERATOR MOUNTING

ITEM	PART NO.	DESCRIPTION	QTY
		1 2 3 4 BEFORE ORDERING FROM THIS PAGE, SEE NOTE ON PAGE ii AT THE BEGINNING OF THIS MANUAL.	
1	<u>1018337-01</u>	STARTER/GENERATOR (CLOCKWISE ROTATION)	1
2	<u>1015240-02</u>	BRACKET, MOUNTING, FE 350	1
3	<u>1019167-01</u>	BELT	1
4	<u>1016883</u>	BRACKET, ADJUSTING	1
5	0000705	SCREW, HEX HEAD CAP, 3/8 - 16 x 1 1/4	2
6	0000357	WASHER, LOCK, 3/8	2
7	0000706	NUT, HEX, 3/8 - 16	2
8	1019035-01	SCREW, HEX HEAD CAP, M8 x 1.25 x 24MM	2
9	0007174	WASHER, LOCK, 5/16	3
10	<u>1016074</u>	SCREW, TORX HEAD, M8 x 1.25 x 18MM	1
11	<u>1015932</u>	BOLT, CARRIAGE, 5/16 - 18 x 1	1
12	0001242	NUT, HEX, 5/16 - 18	1
13	<u>1018373-01</u>	WIRE ASSEMBLY, #6 GREEN	1
14	<u>1016380</u>	WIRE ASSEMBLY, #6 BLACK GROUND	1
15	0007473	NUT, NYLON LOCK, 5/16 - 18	1
16	0007173	SCREW, HEX HEAD CAP, 5/16 - 18 x 3/4	1
17	0001241	WASHER, FLAT, 5/16	1

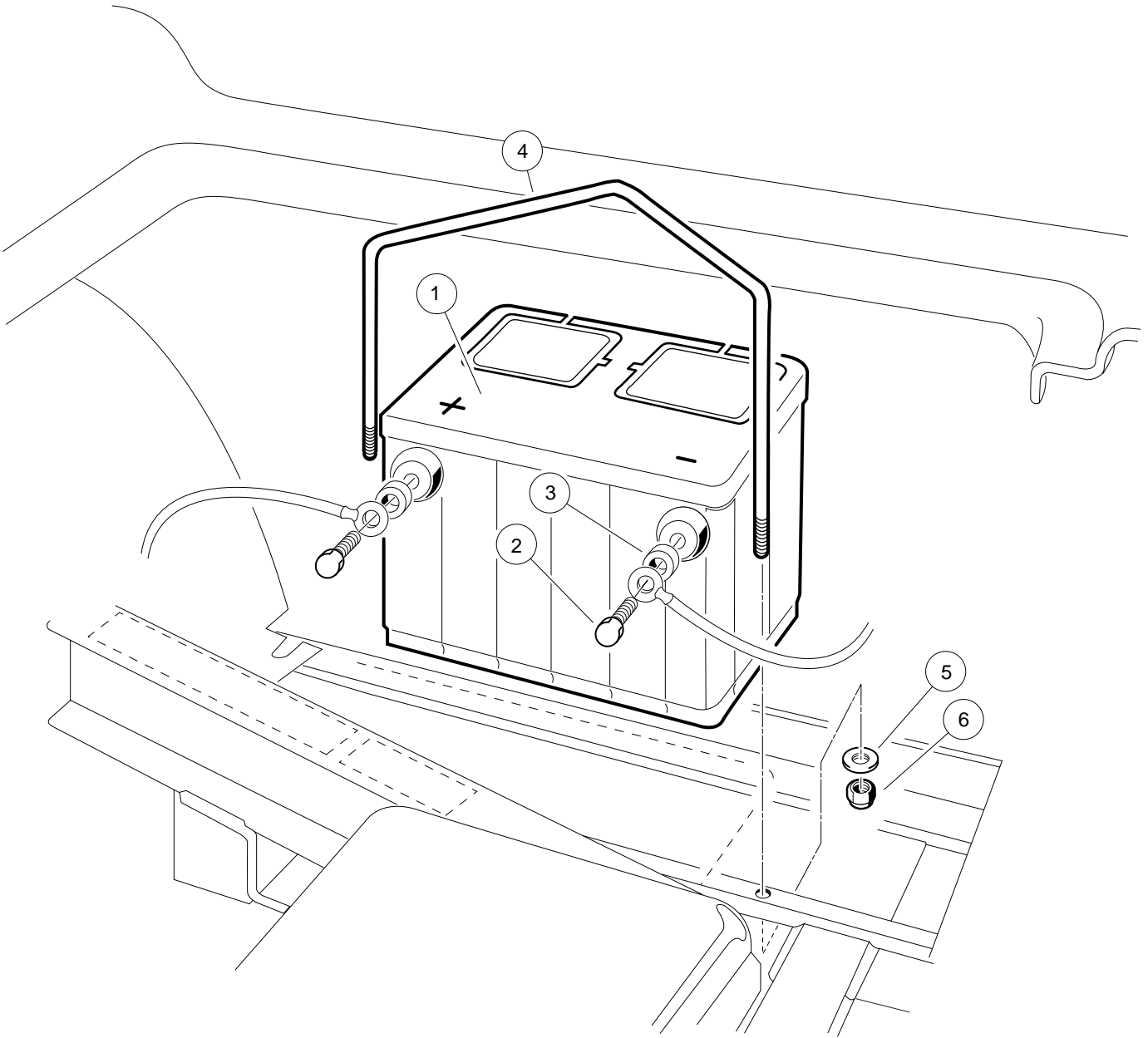


BATTERY MOUNTING - GASOLINE VEHICLE

6

G

ITEM	PART NO.	DESCRIPTION	QTY
		1 2 3 4	
1	<u>1012328</u>	BATTERY, 12 VOLT	1
2	<u>1014375</u>	SCREW, HEX HEAD CAP, STAINLESS STEEL, 3/8 - 16 x 1/2	2
3	<u>1014374</u>	SPACER, BATTERY TERMINAL BOLT, STAINLESS STEEL	2
4	<u>1013882</u>	HOLD-DOWN, BATTERY, STAINLESS STEEL	1
5	1011964	WASHER, FLAT, STAINLESS STEEL, 1/4	2
6	1015068	NUT, NYLON LOCK, STAINLESS STEEL, 1/4 - 20	2



BATTERY MOUNTING - GASOLINE VEHICLE

6

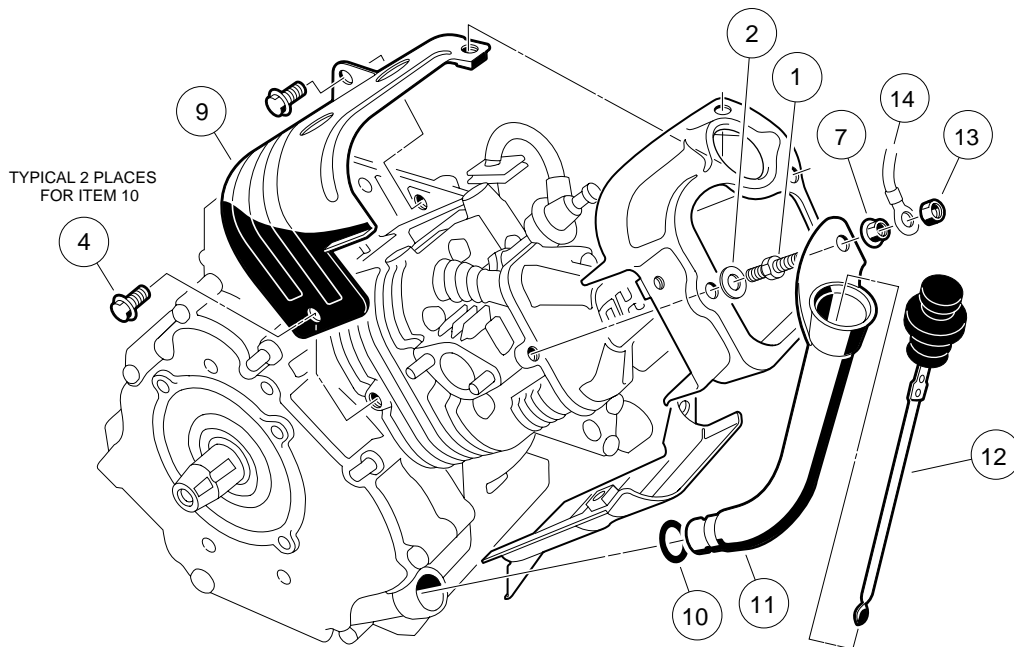
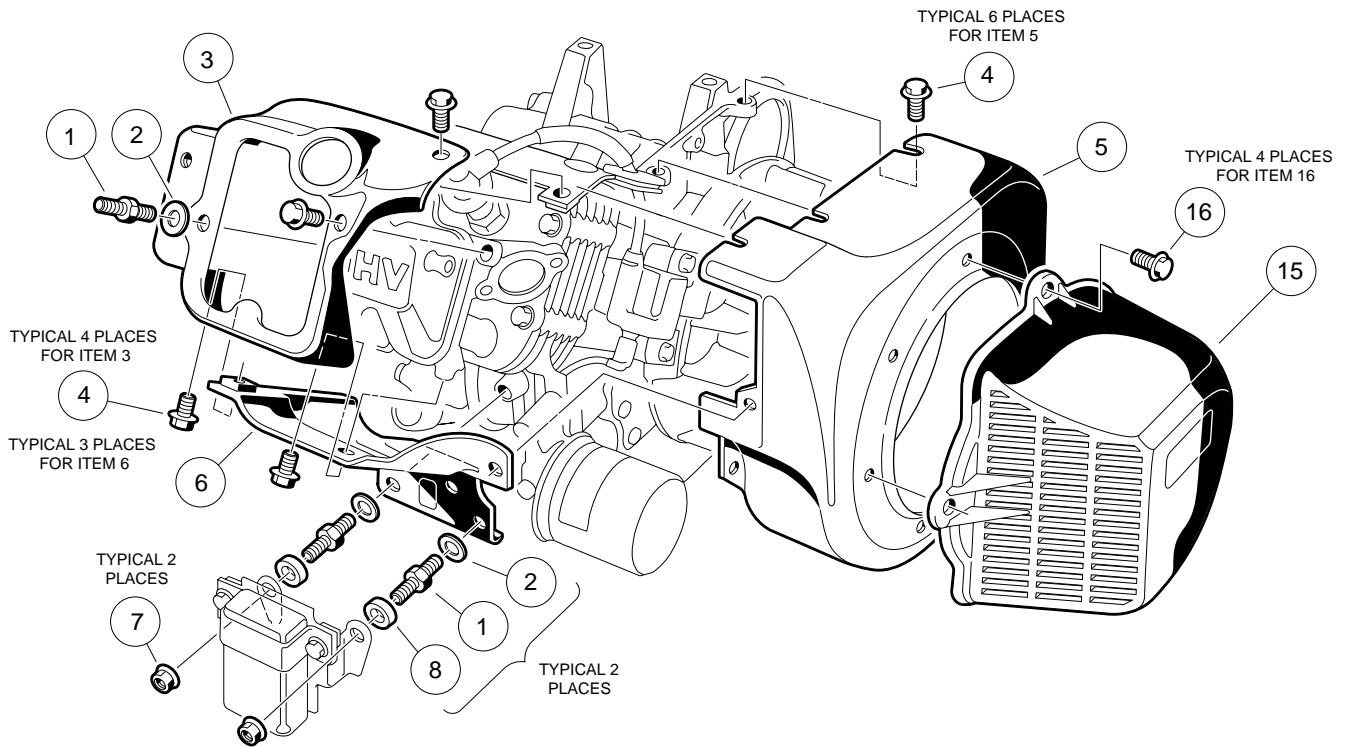
G

ITEM	PART NO.	DESCRIPTION	QTY
		1 2 3 4	
1	<u>1012328</u>	BATTERY, 12 VOLT	1
2	<u>1014375</u>	SCREW, HEX HEAD CAP, STAINLESS STEEL, 3/8 - 16 x 1/2	2
3	<u>1014374</u>	SPACER, BATTERY TERMINAL BOLT, STAINLESS STEEL	2
4	<u>1013882</u>	HOLD-DOWN, BATTERY, STAINLESS STEEL	1
5	1011964	WASHER, FLAT, STAINLESS STEEL, 1/4	2
6	1015068	NUT, NYLON LOCK, STAINLESS STEEL, 1/4 - 20	2

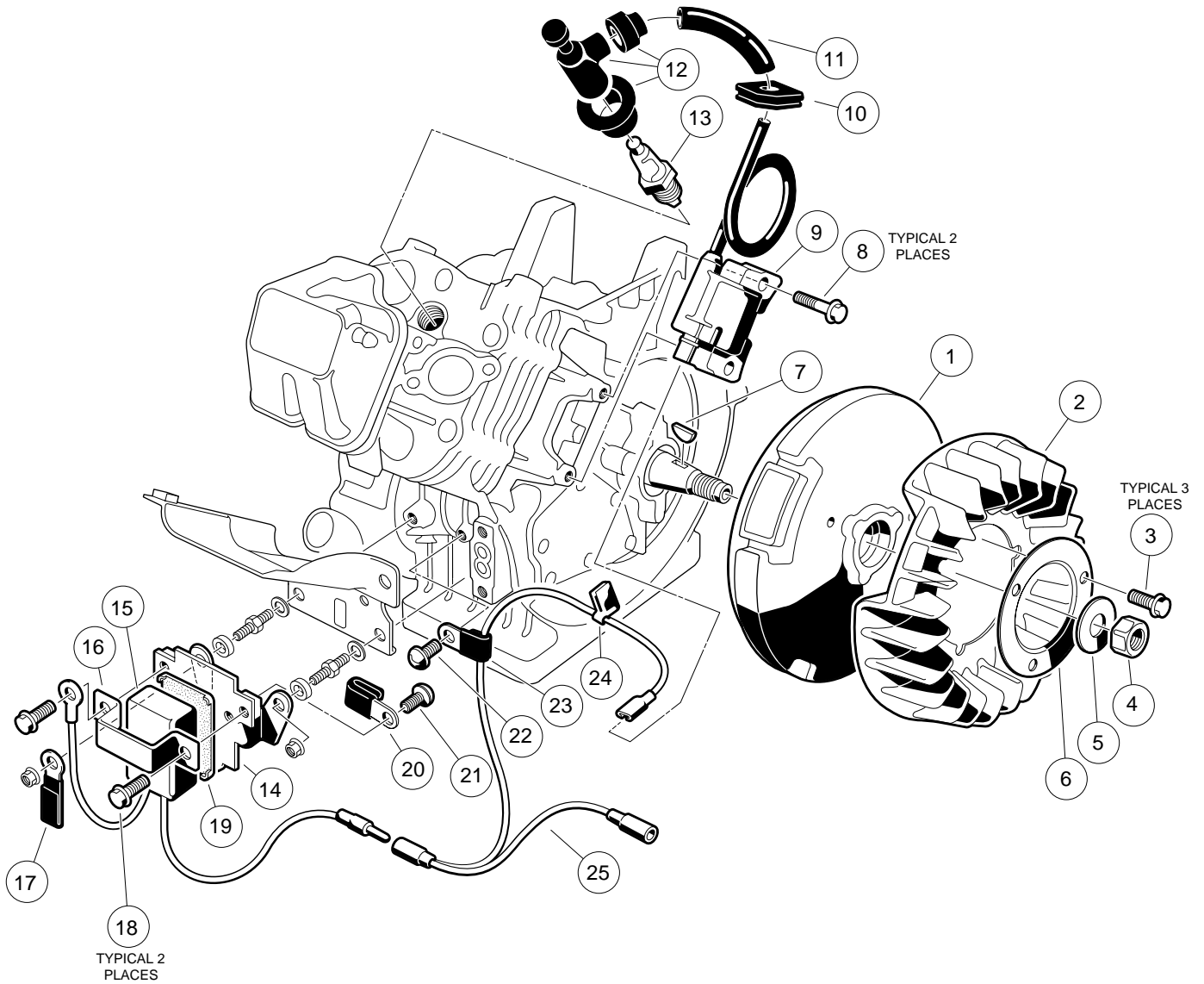
ENGINE

7

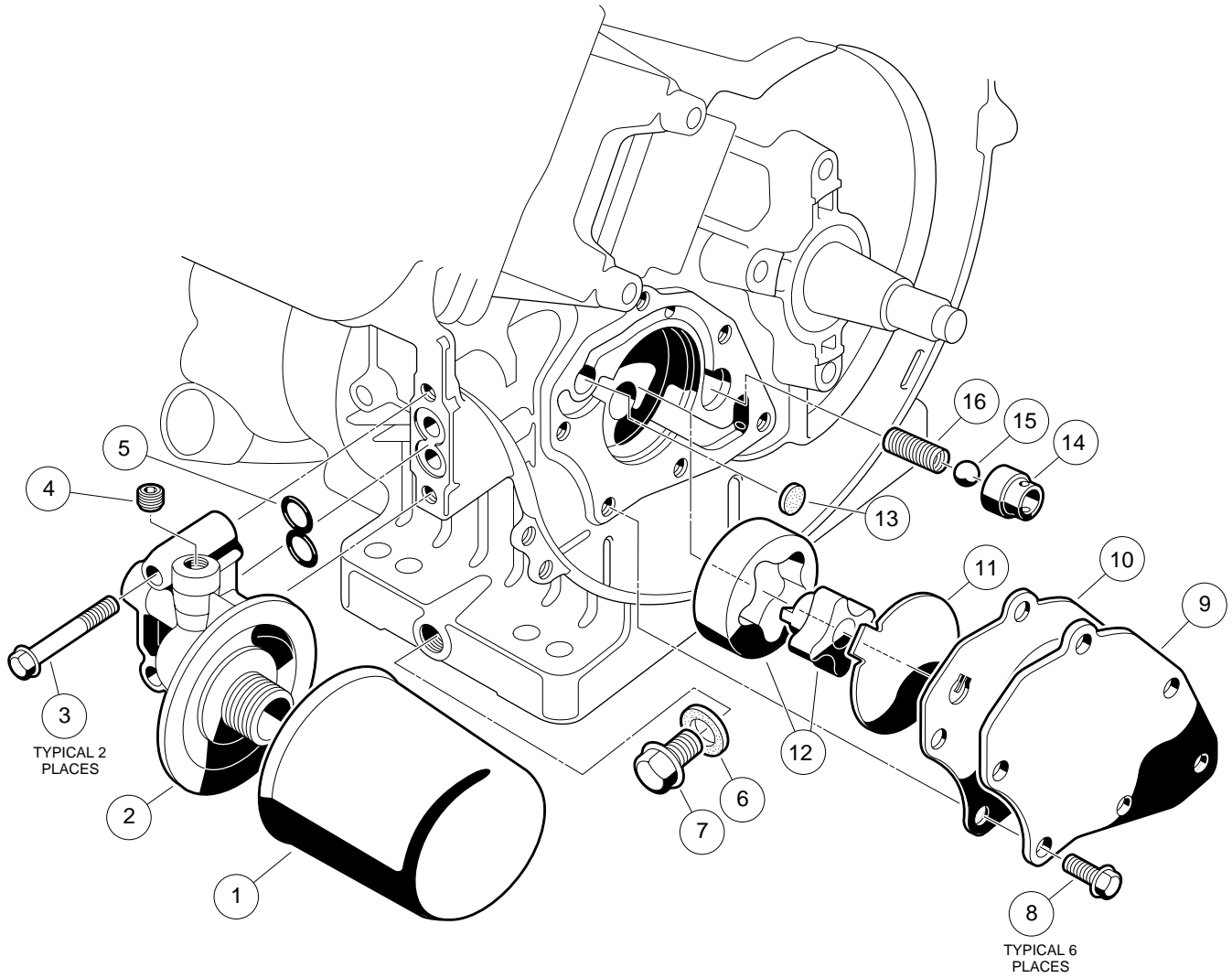
G



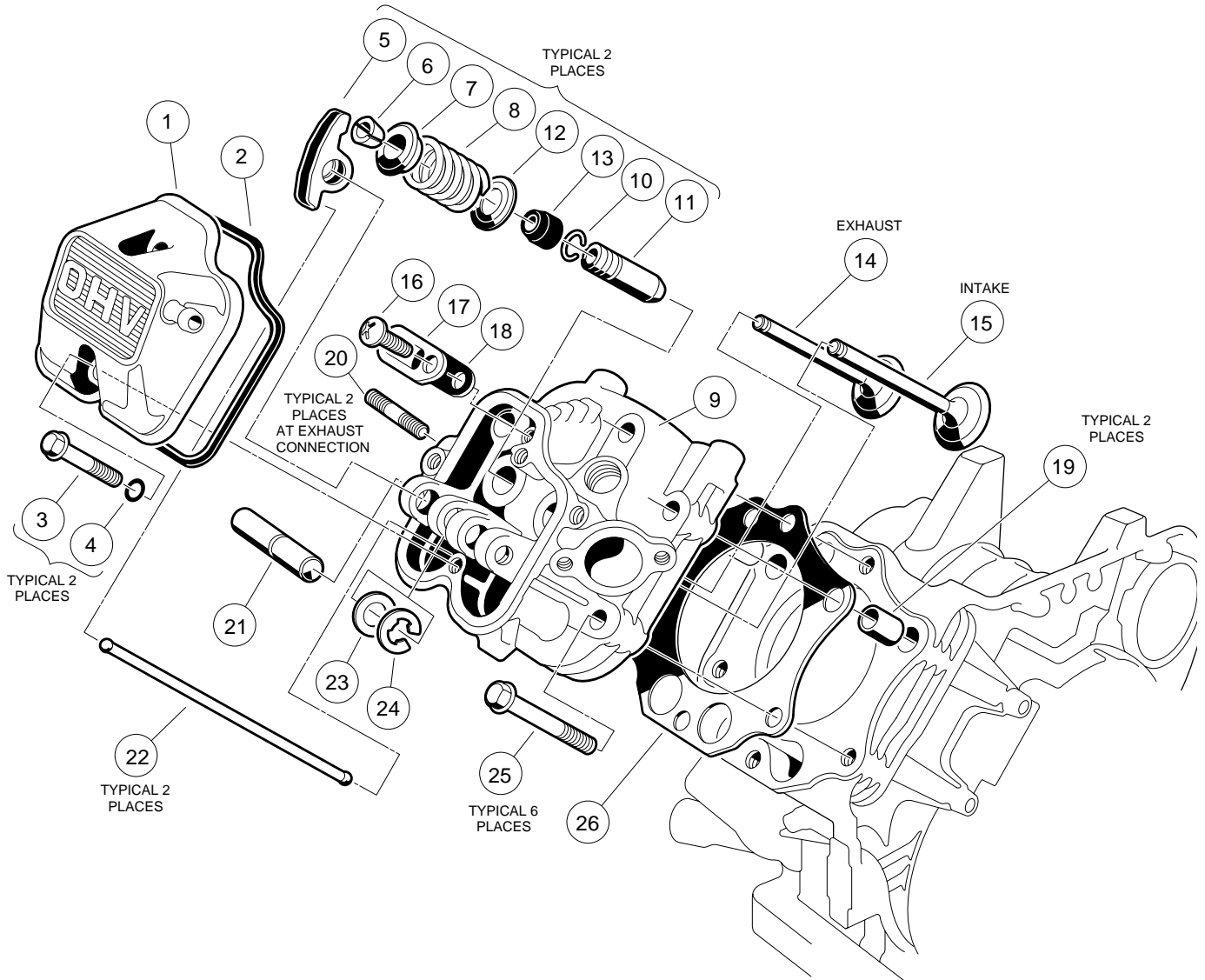
ITEM	PART NO.	DESCRIPTION	QTY
		1 2 3 4 BEFORE ORDERING FROM THIS PAGE, SEE NOTE ON PAGE ii AT THE BEGINNING OF THIS MANUAL.	
	<u>1018338-02</u>	FE 350 OHV GASOLINE ENGINE, COMPLETE (WITHOUT COMPRESSION RELEASE) (CLOCKWISE) (DOES NOT INCLUDE ITEMS 13 - 16)	1
1	<u>1016507</u>	SCREW, 2-ENDED, M6 x 1 x 29MM	3
2	<u>1016512</u>	WASHER, FLAT, 6 MM	3
3	<u>1017474</u>	SHROUD, CYLINDER HEAD	1
4	1016456	BOLT, FLANGED, M6 x 1 x 12MM	15
5	<u>1019161-01</u>	HOUSING, FAN	1
6	<u>1017476</u>	SHROUD, LOWER CYLINDER	1
7	1016547	NUT, M6 x 1	3
8	<u>1017500</u>	SPACER	2
9	<u>1017475</u>	SHROUD, UPPER CYLINDER	1
10	<u>1016539</u>	O-RING	1
11	<u>1017486</u>	TUBE, OIL FILLER	1
12	1016531	DIPSTICK	1
13	<u>1011114</u>	NUT, M6 x 1	1
14	<u>1015332</u>	WIRE ASSEMBLY, #10 BRAIDED GROUND	1
15	<u>1015649</u>	SHROUD, FAN	1
16	<u>1015969</u>	SCREW, PAN HEAD, M6 x 1 x 14 MM	4



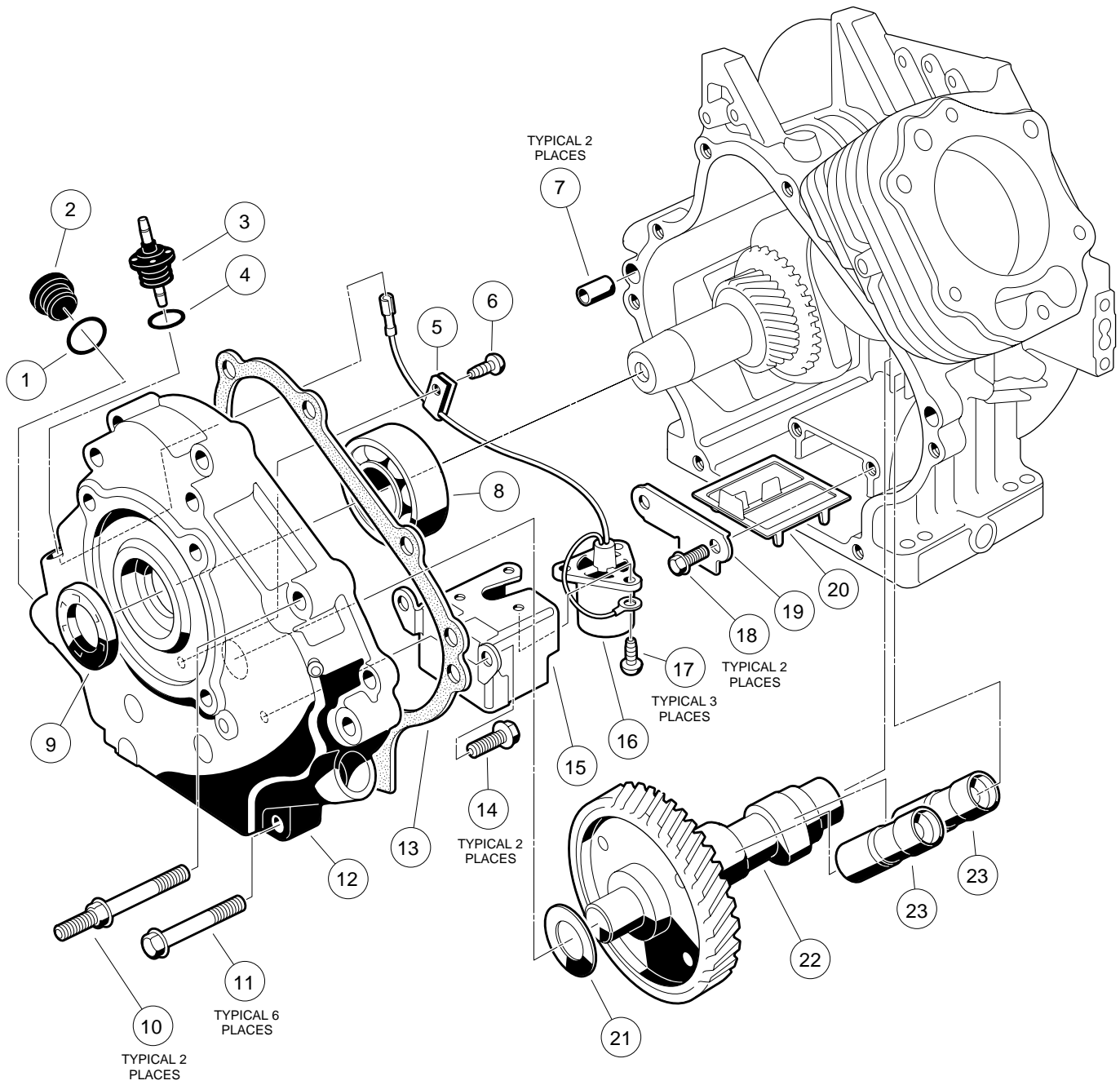
ITEM	PART NO.	DESCRIPTION	QTY
		1 2 3 4 BEFORE ORDERING FROM THIS PAGE, SEE NOTE ON PAGE ii AT THE BEGINNING OF THIS MANUAL.	
1	<u>1019162-01</u>	FLYWHEEL	1
2	<u>1019163-01</u>	FAN, FLYWHEEL	1
3	<u>1017448</u>	SCREW, FLANGED HEX HEAD, M6 x 1 x 10MM	3
4	<u>1017467</u>	NUT, HEX, 18MM FINE	1
5	<u>1017490</u>	WASHER, FLAT, 18MM	1
6	<u>1017455</u>	PLATE, FLYWHEEL FAN	1
7	<u>1016562</u>	KEY	1
8	<u>1016455</u>	SCREW, HEX HEAD FLANGED, M5 x 0.8 x 25MM	2
9	<u>1019092-01</u>	COIL, IGNITION (WITH INTERNAL IGNITER)	1
10	<u>1016578</u>	GROMMET	1
11	<u>1016588</u>	TUBE, 7MM I.D. x 10MM O.D. x 70MM LG.	1
12	<u>1017463</u>	ASSEMBLY, PLUG CAP	1
13	<u>1018811-01</u>	PLUG, SPARK	1
14	1016445	BRACKET, RPM LIMITER	1
15	1019094-01	LIMITER, RPM	1
16	<u>1016579</u>	BAND, RPM LIMITER MOUNT	1
17	<u>1012981</u>	CLAMP	1
18	1016456	SCREW, FLANGED HEX HEAD, M6 x 1 x 12MM	2
19	1016586	DAMPER	1
20	1019095-01	CLAMP	1
21	<u>1016497</u>	SCREW, CROSS PAN HEAD, M5 x .08 x 8MM	1
22	<u>1016544</u>	SCREW, CROSS PAN HEAD SELF-TAPPING, M5 x 12MM	1
23	<u>1016561</u>	CLAMP	1
24	<u>1016587</u>	CLAMP	1
25	<u>1019093-01</u>	WIRE, LEAD	1



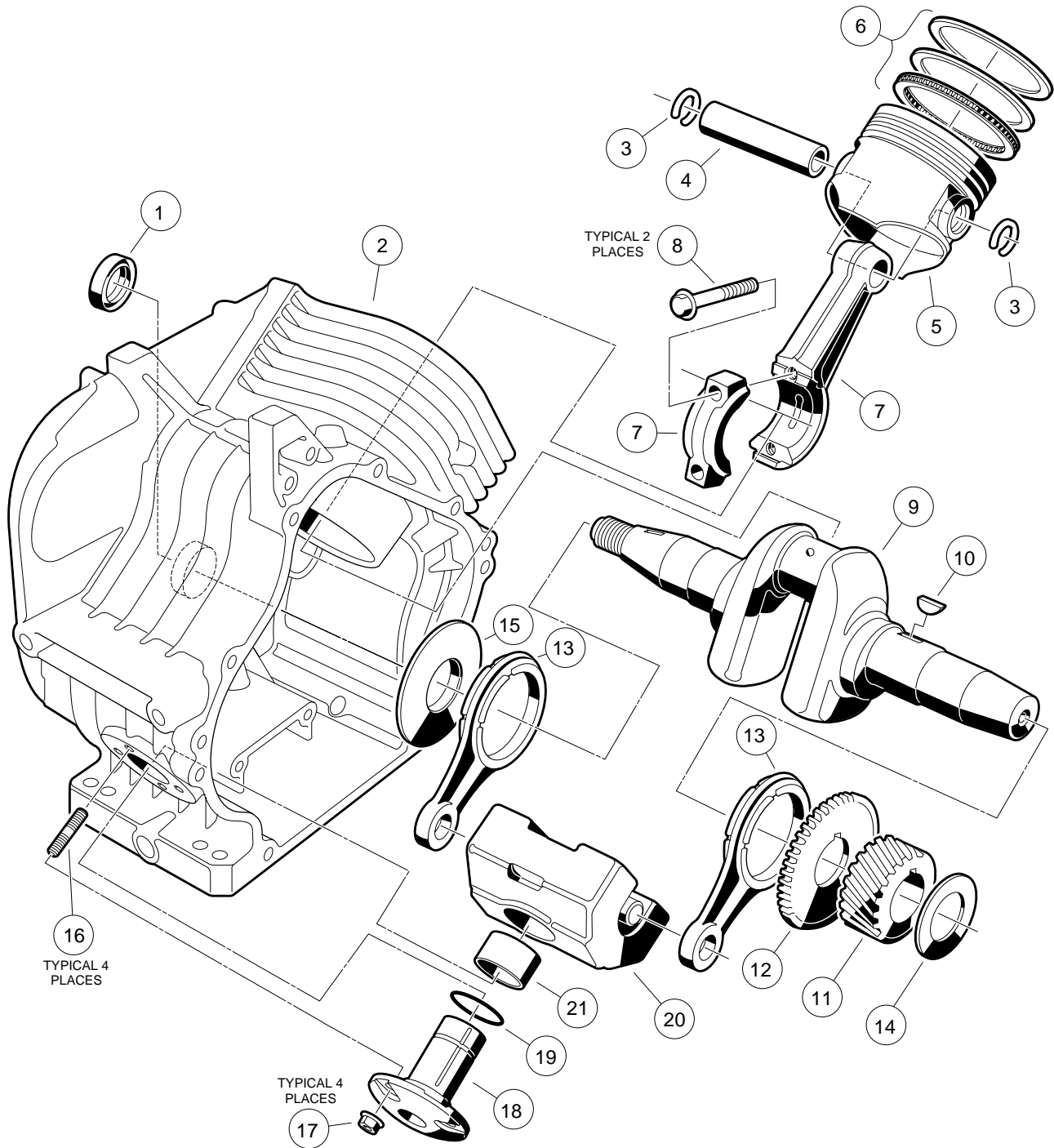
ITEM	PART NO.	DESCRIPTION	QTY
<p>1 2 3 4</p>			
<p>BEFORE ORDERING FROM THIS PAGE, SEE NOTE ON PAGE ii AT THE BEGINNING OF THIS MANUAL.</p>			
1	<u>1016467</u>	OIL FILTER	1
2	<u>1016502</u>	BRACKET, OIL FILTER	1
3	<u>1016457</u>	BOLT, FLANGED HEX HEAD, M6 x 1 x 40MM	2
4	<u>1017507</u>	PLUG	1
5	<u>1016570</u>	O-RING	1
6	<u>1016432</u>	GASKET, DRAIN PLUG	1
7	1016576	PLUG, DRAIN	1
8	<u>1017456</u>	SCREW, FLANGED HEX HEAD, M6 x 1 x 12MM	6
9	<u>1017460</u>	COVER, PUMP	1
10	<u>1017442</u>	GASKET, OIL PUMP	1
11	<u>1016473</u>	PLATE, OIL PUMP	1
12	<u>1016482-03</u>	PUMP, OIL, AND ROTOR	1
13	<u>1017458</u>	FILTER	1
14	1016429	SEAT, VALVE	1
15	<u>1016537</u>	BALL, STEEL, PRESSURE RELIEF	1
16	<u>1016581</u>	SPRING	1



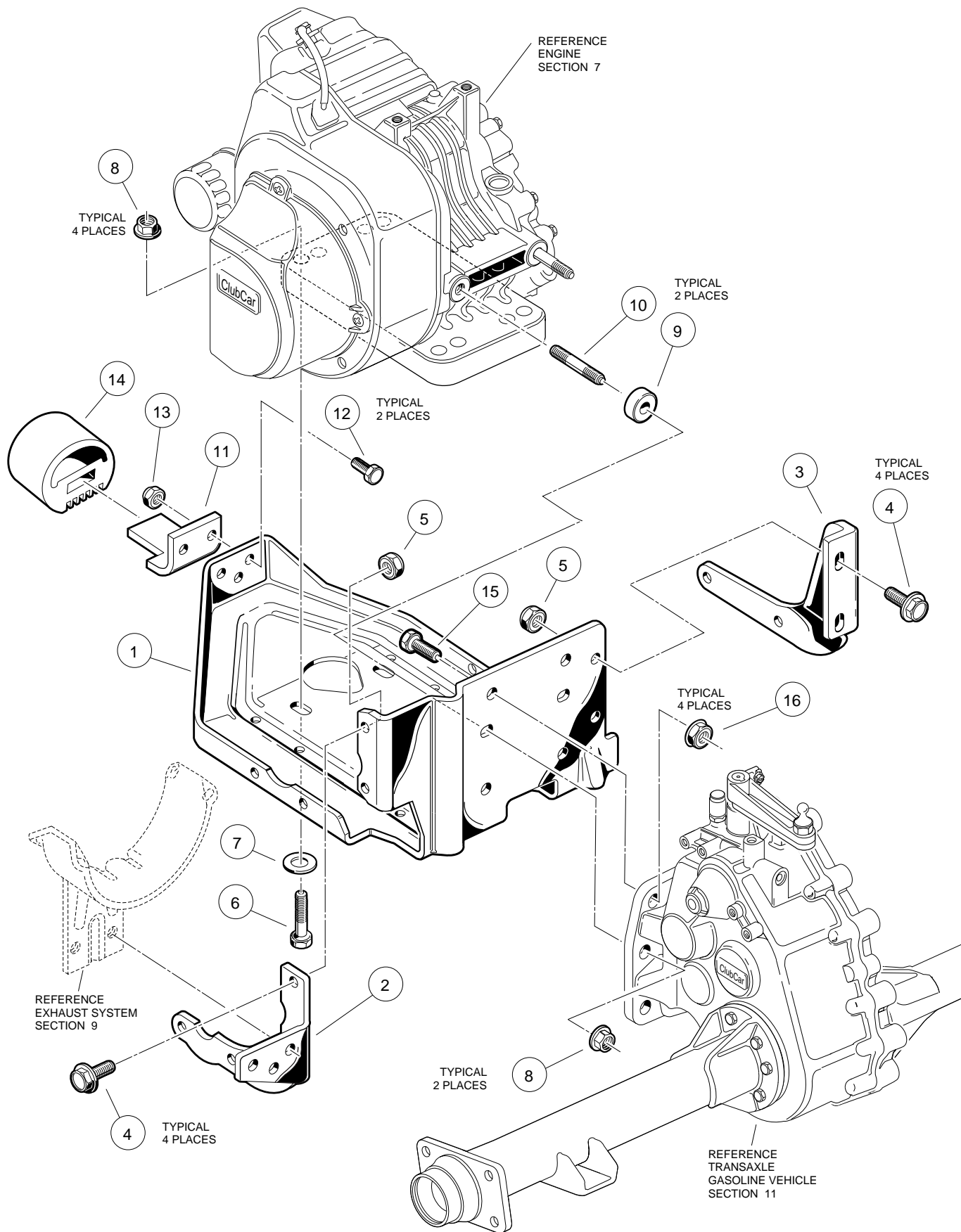
ITEM	PART NO.	DESCRIPTION	QTY
		1 2 3 4 BEFORE ORDERING FROM THIS PAGE, SEE NOTE ON PAGE ii AT THE BEGINNING OF THIS MANUAL.	
1	<u>1016442</u>	CASE, ROCKER	1
2	<u>1016436</u>	GASKET, ROCKER CASE	1
3	<u>1016583</u>	BOLT, FLANGED, M6 x 1 x 35MM	2
4	<u>1016569</u>	O-RING	2
5	<u>1017446</u>	ARM, ROCKER	2
6	<u>1016450</u>	COLLET	4
7	<u>1016449</u>	RETAINER, VALVE SPRING	2
8	<u>1017473</u>	SPRING, ENGINE VALVE	2
9	<u>1017435</u>	ASSEMBLY, CYLINDER HEAD, FE 350 (INCLUDES ITEMS 10 AND 11)	1
10	<u>1016560</u>	RING, SNAP	2
11	<u>1016519</u>	GUIDE, VALVE	2
12	<u>1016479</u>	SEAT, SPRING	2
13	<u>1016566</u>	SEAL, VALVE	2
14	<u>1017445</u>	VALVE, EXHAUST	1
15	<u>1017444</u>	VALVE, INTAKE	1
16	<u>1016544</u>	SCREW, CROSS PAN HEAD SELF-TAPPING, M5 x .8 x 12MM	1
17	<u>1016474</u>	PLATE	1
18	<u>1016483</u>	VALVE	1
19	<u>1016563</u>	PIN	2
20	<u>1016489</u>	BOLT, STUD, M8 x 1.25 x 29MM	2
21	<u>1016452</u>	SHAFT, ROCKER	1
22	<u>1017454</u>	ROD, PUSH	2
23	<u>1016549</u>	WASHER, FLAT, M12	1
24	<u>1016517</u>	CIRCLIP, TYPE-E	1
25	<u>1016458</u>	BOLT, FLANGED, M8 x 1.25 x 45MM	6
26	<u>1017434</u>	GASKET, HEAD	1



ITEM	PART NO.	DESCRIPTION	QTY
		1 2 3 4 BEFORE ORDERING FROM THIS PAGE, SEE NOTE ON PAGE ii AT THE BEGINNING OF THIS MANUAL.	
1	<u>1016538</u>	O-RING	1
2	<u>1017508</u>	PLUG	1
3	<u>1016535</u>	CONNECTOR, OIL SENDING UNIT	1
4	<u>1016538</u>	O-RING	1
5	<u>1016506</u>	CLAMP	1
6	<u>1016544</u>	SCREW, CROSS PAN HEAD SELF-TAPPING, M5 x .8 x 12MM	1
7	<u>1016564</u>	PIN	2
8	<u>1017487</u>	BEARING, CRANKSHAFT	1
9	<u>1017504</u>	SEAL, CRANKSHAFT	1
10	<u>1016584</u>	SCREW, 2-ENDED FLANGED, M8 x 1.25 x 69MM	2
11	<u>1017514</u>	BOLT, FLANGED, M8 x 1.25 x 45MM	6
12	<u>1017472</u>	COVER, CRANKCASE	1
13	<u>1017443</u>	GASKET, CRANKCASE COVER	1
14	<u>1017513</u>	BOLT, FLANGED, M6 x 1 x 12MM	2
15	<u>1016510</u>	BRACKET, OIL LEVEL SWITCH	1
16	<u>1016494</u>	SENSOR, OIL LEVEL	1
17	<u>1016496</u>	SCREW, CROSS PAN HEAD, M4 x .7 x 8MM	3
18	<u>1016454</u>	BOLT, FLANGED, M5 x .8 x 8MM	2
19	<u>1016472</u>	PLATE, OIL FILTER SCREEN	1
20	<u>1016521</u>	SCREEN, OIL FILTER	1
21	<u>1017518-01</u>	SHIM, 0.3MM THICK	A/R
21	<u>1017518-02</u>	SHIM, 0.4MM THICK	A/R
21	<u>1017518-03</u>	SHIM, 0.5MM THICK	A/R
22	<u>1019476-01</u>	CAMSHAFT, FE 350	1
23	<u>1017447</u>	LIFTER, HYDRAULIC	2



ITEM	PART NO.	DESCRIPTION	QTY
		1 2 3 4	
		BEFORE ORDERING FROM THIS PAGE, SEE NOTE ON PAGE ii AT THE BEGINNING OF THIS MANUAL.	
1	<u>1017503</u>	SEAL, OIL	1
2	<u>1019160-01</u>	CRANKCASE, COMPLETE, FE 350 (CLOCKWISE)	1
3	<u>1017502</u>	RING, SNAP	2
4	<u>1017450</u>	PIN, PISTON	1
5	<u>1017449-01</u>	PISTON, STANDARD	1
5	<u>1017449-02</u>	PISTON, .50MM OVERSIZED	1
6	<u>1017451-01</u>	RING SET, PISTON, STANDARD	1
6	<u>1017451-02</u>	RING SET, PISTON, .50MM OVERSIZED	1
7	<u>1017457-01</u>	ASSEMBLY, CONNECTING ROD, STANDARD (INCLUDES 2 EACH OF ITEM 8)	1
7	<u>1017457-02</u>	ASSEMBLY, CONNECTING ROD, .50MM UNDERSIZED) (INCLUDES 2 EACH OF ITEM 8)	1
8	<u>1017512</u>	BOLT, HEX HEAD, M7 x 1 x 36MM	2
9	<u>1019223-02</u>	CRANKSHAFT, COMPLETE, FE 350 (INCLUDES ITEMS 10 - 13)	1
10	<u>1016562</u>	KEY	1
11	<u>1016533</u>	GEAR, HELICAL	1
12	<u>1016532</u>	GEAR, SPUR	1
13	<u>1017471</u>	ROD	2
14	<u>1017733-01</u>	SHIM, CRANKSHAFT, 1.18MM THICK	A/R
14	<u>1017733-02</u>	SHIM, CRANKSHAFT, 1.25MM THICK	A/R
14	<u>1017733-03</u>	SHIM, CRANKSHAFT, 1.32MM THICK	A/R
14	<u>1017733-04</u>	SHIM, CRANKSHAFT, 1.39MM THICK	A/R
14	<u>1017733-05</u>	SHIM, CRANKSHAFT, 1.46MM THICK	A/R
14	<u>1017733-06</u>	SHIM, CRANKSHAFT, 1.53MM THICK	A/R
14	<u>1017733-07</u>	SHIM, CRANKSHAFT, 1.60MM THICK	A/R
14	<u>1017733-08</u>	SHIM, CRANKSHAFT, 1.67MM THICK	A/R
14	<u>1017733-09</u>	SHIM, CRANKSHAFT, 1.74MM THICK	A/R
14	<u>1017733-10</u>	SHIM, CRANKSHAFT, 1.11MM THICK	A/R
14	<u>1017733-11</u>	SHIM, CRANKSHAFT, 1.81MM THICK	A/R
15	<u>1017502</u>	SPACER	1
16	<u>1016541</u>	BOLT, STUD, M6 x 1 x 22MM	4
17	<u>1016547</u>	NUT, FLANGED, M6 x 1	4
18	<u>1016470</u>	SHAFT, GUIDE COUNTERBALANCE	1
19	<u>1016571</u>	O-RING	1
20	<u>1017453</u>	WEIGHT, COUNTERBALANCE (INCLUDES ITEM 21)	1
21	<u>1017510</u>	BEARING	1

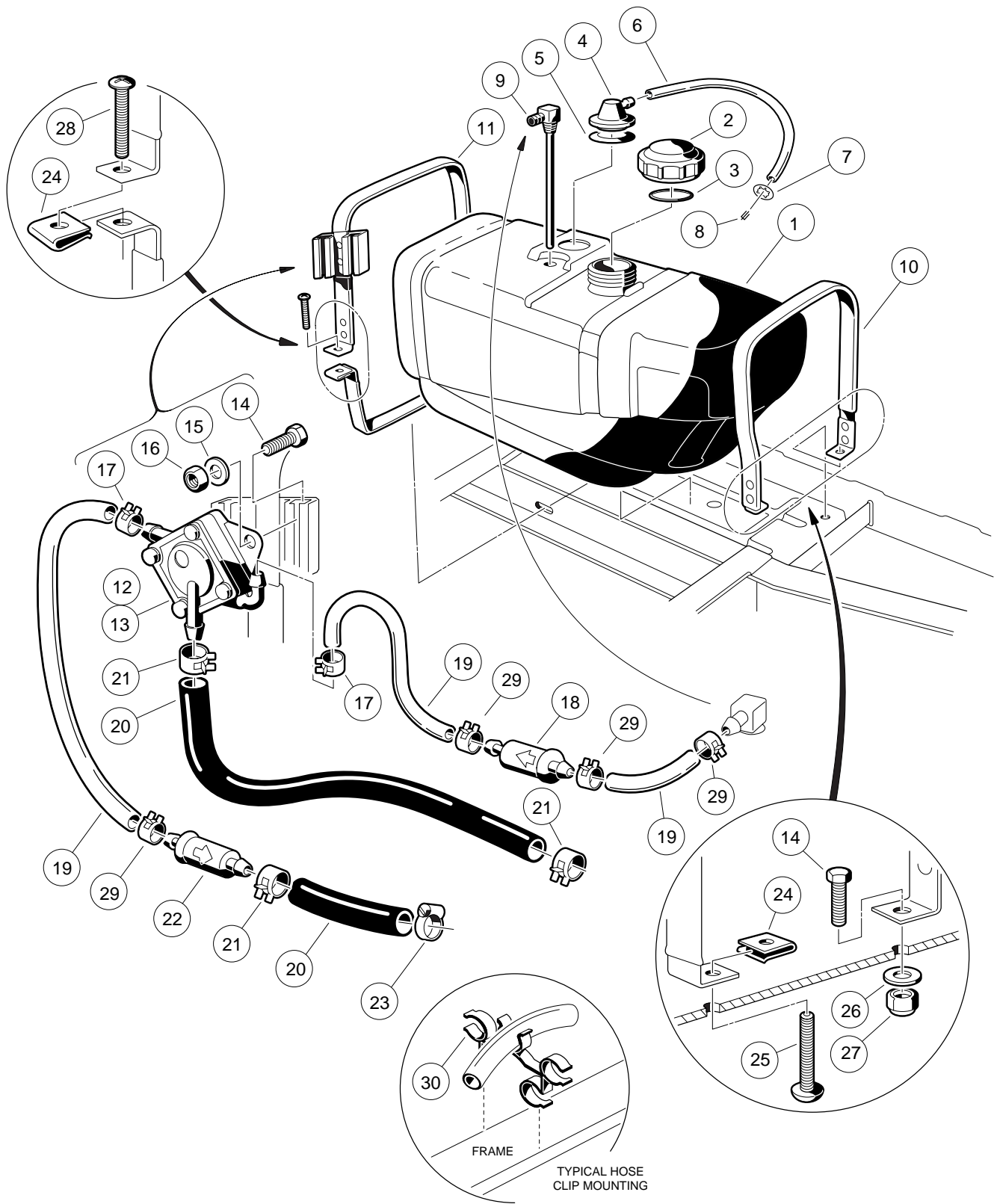


ITEM	PART NO.	DESCRIPTION	QTY
		1 2 3 4 BEFORE ORDERING FROM THIS PAGE, SEE NOTE ON PAGE ii AT THE BEGINNING OF THIS MANUAL.	
1	<u>1018271-01</u>	PLATE, MOUNTING	1
2	<u>1018327-01</u>	STIFFENER, FLYWHEEL SIDE	1
3	<u>1018326-01</u>	STIFFENER, DRIVE CLUTCH SIDE	1
4	<u>1018848-01</u>	SCREW, HEX HEAD, 5/16 - 24 x 7/8	8
5	<u>1013924</u>	NUT, HEX LOCK, CONE, 5/16 - 24	8
6	<u>1018559-01</u>	SCREW, HEX HEAD CAP, M8 x 1.25 x 43MM	4
7	1012571	WASHER, HEAVY FLAT, 5/16	4
8	1018330-01	NUT, FLANGE, M8 x 1.25	6
9	<u>1018321-01</u>	SPACER	2
10	<u>1018332-01</u>	STUD, M8	2
11	<u>1018346-01</u>	BRACKET, SNUBBER	1
12	1018347-01	SCREW, HEX HEAD CAP, 5/6 - 18 x 7/8	2
13	0007473	NUT, NYLON LOCK, 5/16 - 18	2
14	1012164	SNUBBER, INNER FRAME	1
15	<u>1018333-01</u>	SCREW, HEX HEAD CAP, M10 x 1.5 x 30MM	4
16	<u>1018329-01</u>	NUT, FLANGE, M10 x 1.25	4

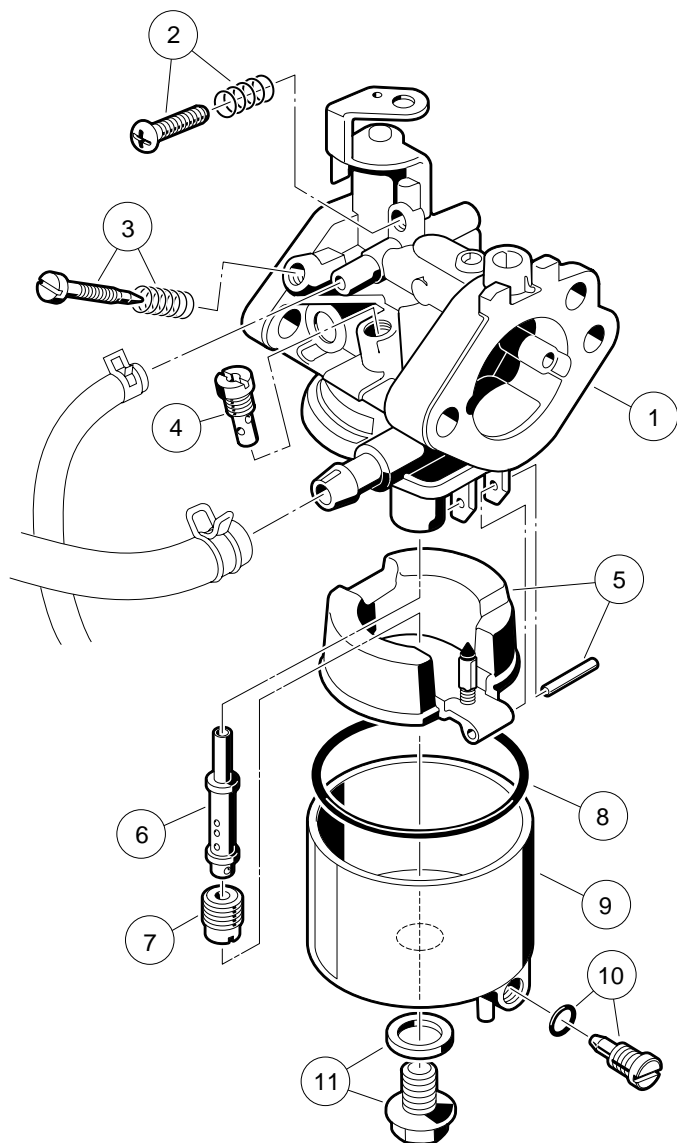
FUEL, INTAKE, AND GOVERNOR SYSTEMS

8

G



ITEM	PART NO.	DESCRIPTION	QTY
		1 2 3 4	
1	<u>1016003</u>	KIT, FUEL TANK, (INCLUDES ITEMS 2 - 9)	1
2	<u>1015188</u>	CAP, FUEL TANK, NON-VENTED (INCLUDES GASKET)	1
3	<u>1014535</u>	GASKET, FUEL CAP	1
4	<u>1015143</u>	ASSEMBLY, FUEL TANK VENT	1
5	<u>1015139</u>	GROMMET, INSULATION	1
6	<u>1015137</u>	LINE, BULK (FUEL TANK VENT)	A/R
7	<u>1016059</u>	CLIP, STUD	1
8	<u>1018244-01</u>	BARB, VENT	1
9	<u>1012619</u>	TUBE, FUEL PICK-UP	1
10	<u>1014928</u>	ASSEMBLY, REAR FUEL STRAP	1
11	<u>1014927</u>	ASSEMBLY, FRONT FUEL STRAP	1
12	<u>1014523</u>	PUMP, FUEL IMPULSE, SQUARE BODY	1
13	<u>1014524</u>	PUMP, FUEL IMPULSE, SQUARE BODY REBUILD KIT	1
14	<u>0007847</u>	SCREW, HEX HEAD CAP, 1/4 - 20 x 3/4	3
15	<u>0000451</u>	WASHER, LOCK, 1/4	2
16	<u>0001028</u>	NUT, HEX, 1/4 - 20	2
17	<u>1013134-01</u>	CLAMP, HOSE (BLACK)	2
18	<u>1013684</u>	FILTER, PRIMARY FUEL (WHITE)	1
19	<u>1012293</u>	LINE, BULK FUEL (YELLOW)	A/R
20	<u>1013692</u>	LINE, BULK FUEL (BLACK)	A/R
21	<u>1012649</u>	CLAMP, HOSE (RED)	3
22	<u>1014522</u>	FILTER, SECONDARY FUEL (BLUE)	1
23	<u>1013687</u>	CLAMP, HOSE, 3/8	1
24	<u>1014116</u>	NUT, U-TYPE SPEED, 1/4 - 20	2
25	<u>1013176</u>	SCREW, PHILLIPS TRUSS HEAD, 1/4 - 20 x 2 1/2	1
26	<u>0000332</u>	WASHER, FLAT, 1/4	1
27	<u>0008233</u>	NUT, NYLON LOCK, 1/4 - 20	1
28	<u>1011988</u>	SCREW, PHILLIPS TRUSS HEAD, 1/4 - 20 x 2	1
29	<u>1013134-02</u>	CLAMP, HOSE (GREEN)	4
30	<u>1016666</u>	CLIP, BLACK FUEL	2
	<u>1015014</u>	KIT, FUEL TANK SERVICE (INCLUDES ITEMS 10, 11, 14, 15, 16, 19, 20, 24, 26, 27 AND 28)	A/R

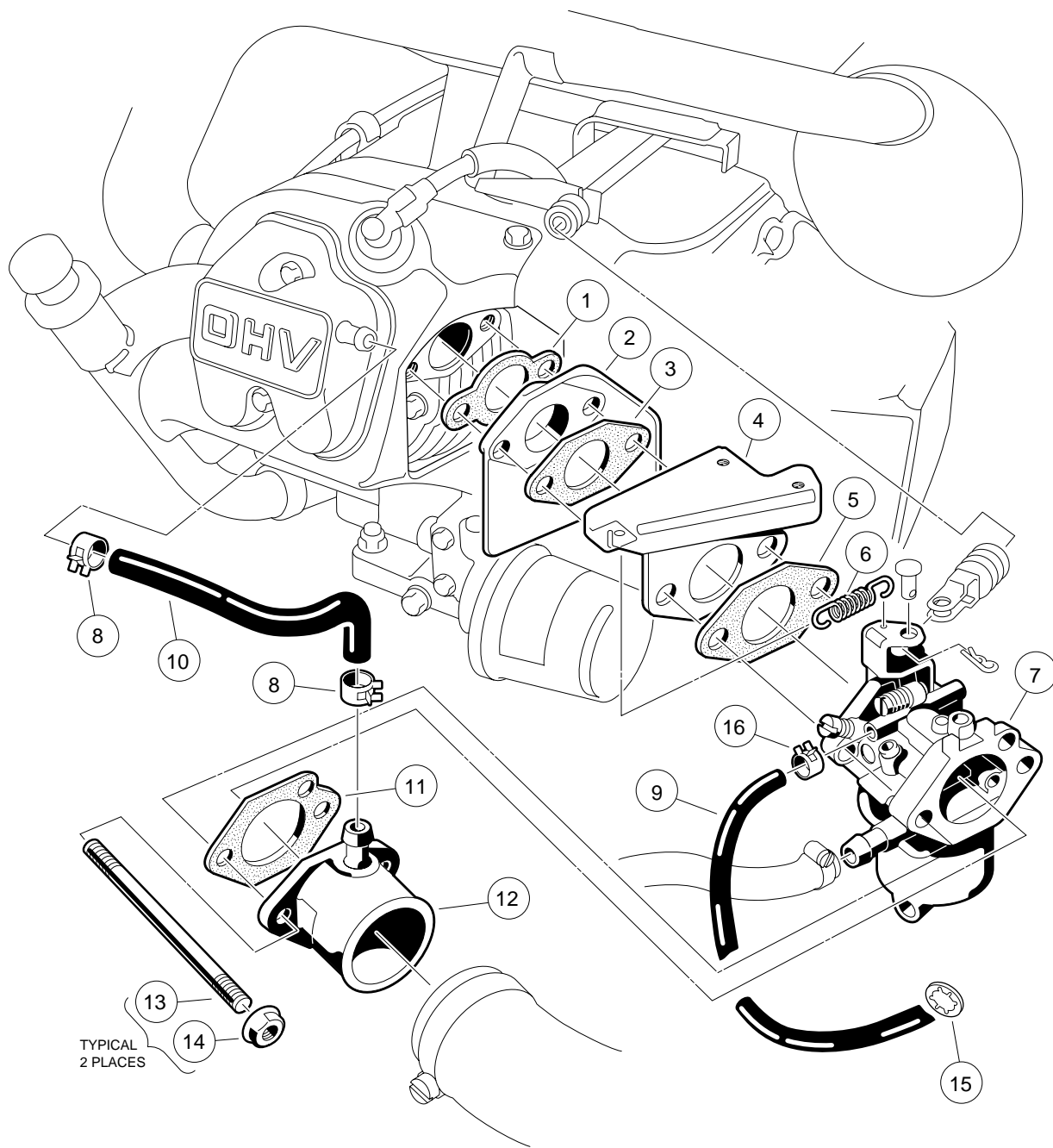


CARBURETOR ASSEMBLY

8

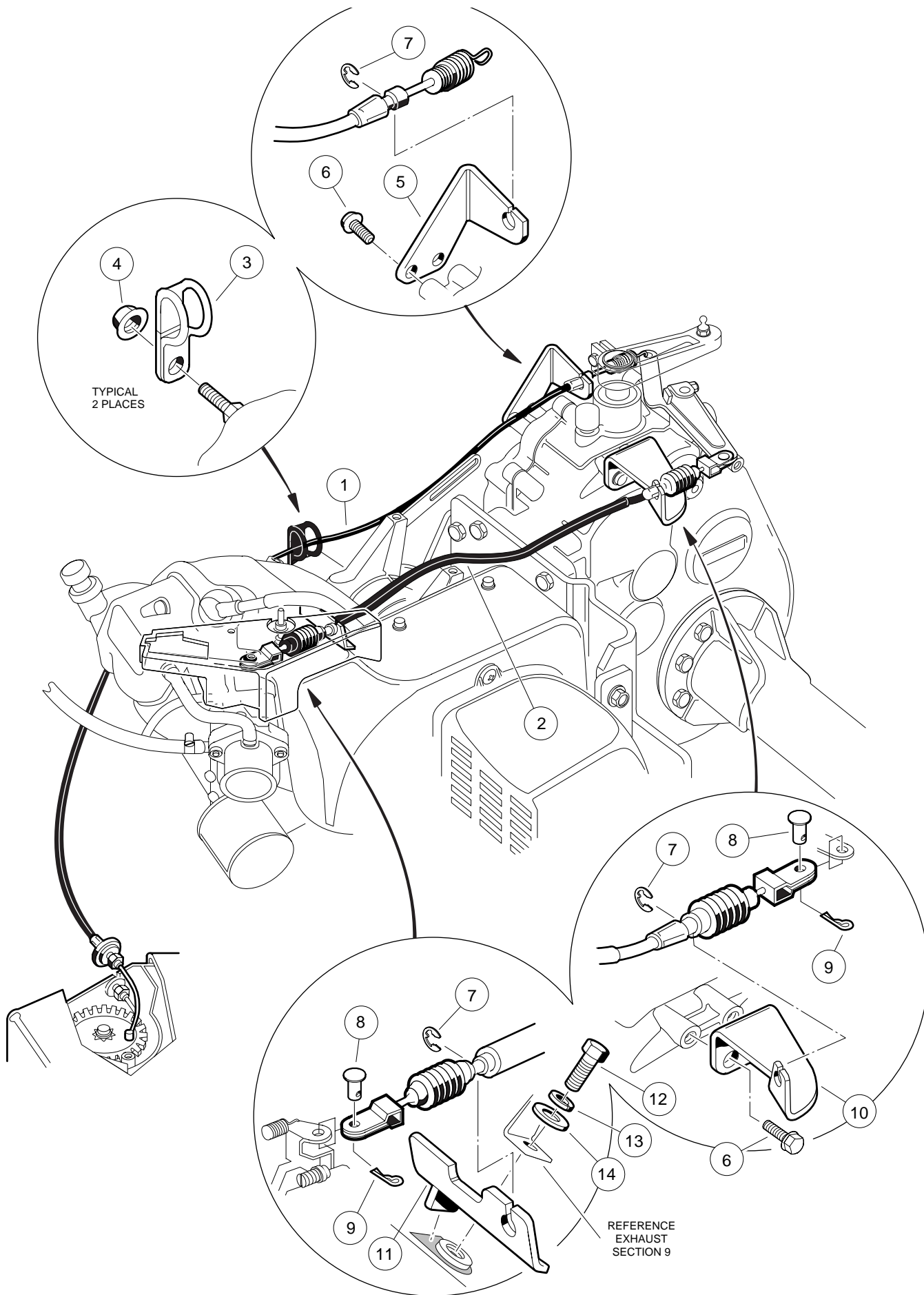
G

ITEM	PART NO.	DESCRIPTION	QTY
		1 2 3 4	
1	1017459	ASSEMBLY, CARBURETOR (INCLUDES ITEMS 2 - 11)	1
2	<u>1017465</u>	ASSEMBLY, IDLE SCREW	1
3	<u>1016500</u>	ASSEMBLY, PILOT AIR SCREW	1
4	<u>1016574</u>	JET, PILOT, #45	1
5	1016486	ASSEMBLY, FLOAT	1
6	<u>1017480</u>	NOZZLE, MAIN	1
7	<u>1016425-92</u>	JET, MAIN, 0 - 3000 FEET	A/R
7	<u>1016425-90</u>	JET, MAIN, 3000 - 5000 FEET	A/R
7	<u>1016425-88</u>	JET, MAIN, 5000 - 8000 FEET	A/R
7	<u>1016425-85</u>	JET, MAIN, 8000 - 10,000 FEET	A/R
7	<u>1016425-82</u>	JET, MAIN, 10,000 FEET AND HIGHER	A/R
8	<u>1016437</u>	GASKET, FLOAT CHAMBER	1
9	<u>1017461</u>	ASSEMBLY, FLOAT CHAMBER (INCLUDES ITEM 10)	1
10	<u>1016499</u>	ASSEMBLY, SCREW	1
11	1016585	ASSEMBLY, BOLT	1



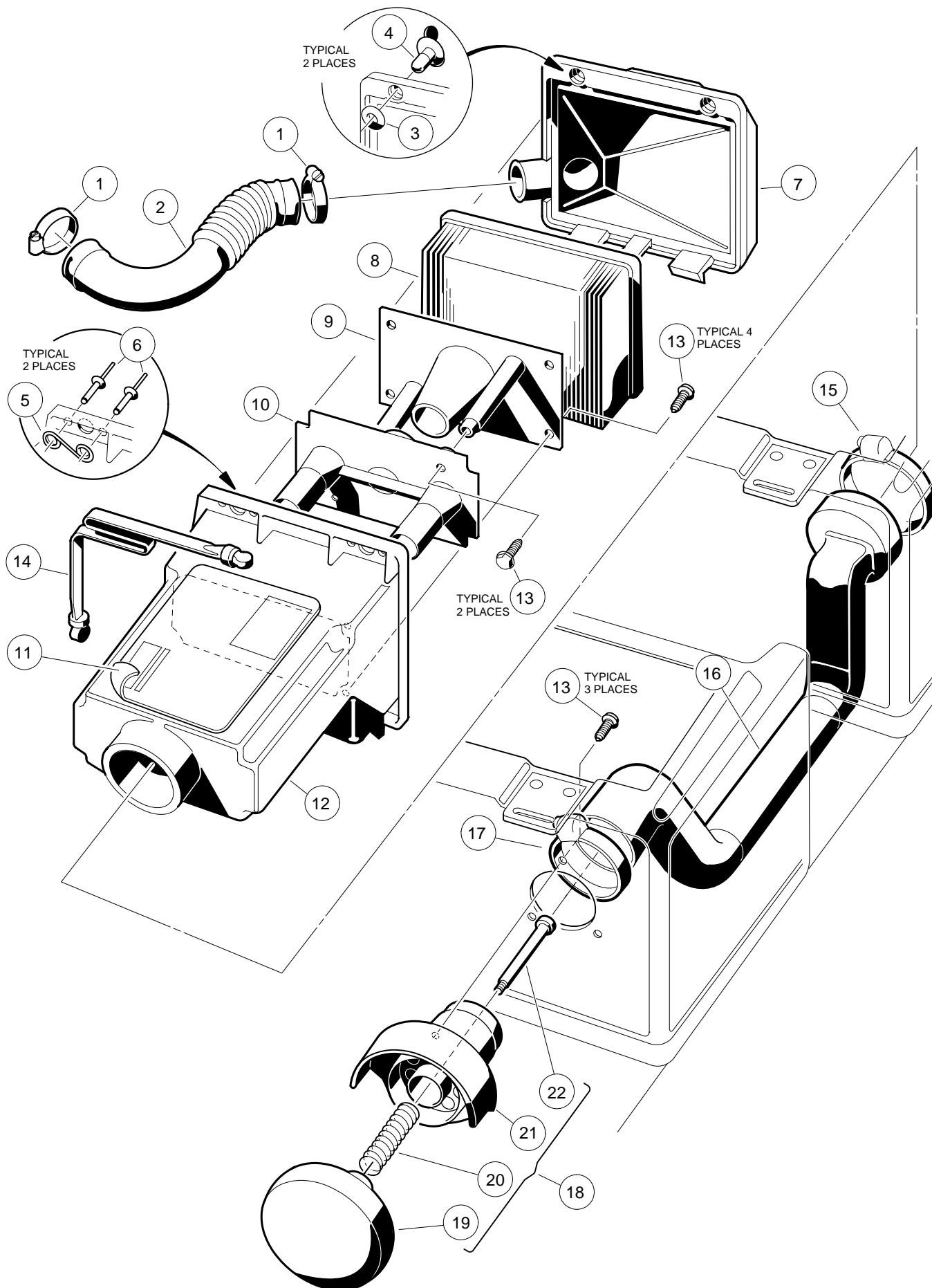
CARBURETOR INSTALLATION

ITEM	PART NO.	DESCRIPTION	QTY
		1 2 3 4	
1	<u>1016440</u>	GASKET, INSULATOR	1
2	<u>1016481</u>	INSULATOR, CARBURETOR	1
3	<u>1016439</u>	GASKET, CARBURETOR INSULATOR TO THROTTLE BRACKET	1
4	<u>1016444</u>	BRACKET, THROTTLE	1
5	<u>1016441</u>	GASKET, THROTTLE BRACKET TO CARBURETOR	1
6	<u>1016582</u>	SPRING, THROTTLE RETURN	1
7	1017459	ASSEMBLY, CARBURETOR	1
8	<u>1017466</u>	CLAMP, HOSE	2
9	<u>1015137</u>	LINE, BULK VENT	1
10	<u>1016572</u>	TUBE, CRANKCASE VENT	1
11	<u>1016438</u>	GASKET, CARBURETOR TO INTAKE MANIFOLD	1
12	1016480	PIPE, INTAKE	1
13	<u>1016490-02</u>	SCREW, 2-ENDED STUD, M6 x 1 x 92MM	2
14	1016547	NUT, FLANGED, M6 x 1	2
15	<u>1016059</u>	CLIP, STUD	1
16	<u>1013746</u>	CLAMP, HOSE	1



GOVERNOR AND ACCELERATOR CABLES

ITEM	PART NO.	DESCRIPTION	QTY
		1 2 3 4 BEFORE ORDERING FROM THIS PAGE, SEE NOTE ON PAGE <i>ii</i> AT THE BEGINNING OF THIS MANUAL.	
1	<u>1018325-01</u>	CABLE, ACCELERATOR	1
2	<u>1018324-02</u>	CABLE, GOVERNOR	1
3	<u>1013700</u>	CLAMP, CABLE RETAINING	2
4	<u>1016546</u>	NUT, FLANGED HEX, M8 x 1.25	2
5	1018323-01	BRACKET, ACCELERATOR SUPPORT	1
6	<u>1012285</u>	SCREW, HEX HEAD THREAD-ROLLING, 1/4 - 20 x 5/8	4
7	<u>1016202</u>	"E" RING	3
8	<u>1015408</u>	PIN, GOVERNOR CABLE CLEVIS	2
9	<u>1014413</u>	PIN, HAIR SPRING COTTER, 1/8 I.D. x 5/8	2
10	1018322-01	BRACKET, SUPPORT	1
11	<u>1015845</u>	BRACKET, GOVERNOR CABLE ENGINE	1
12	1019035-01	SCREW, HEX HEAD CAP, M8 x 1.25 x 24 MM	1
13	0007174	WASHER, LOCK, 5/16	1
14	<u>1011697</u>	WASHER, FLAT, 5/16	1



EXPANSION CHAMBER, CHOKE, AND FILTER

8

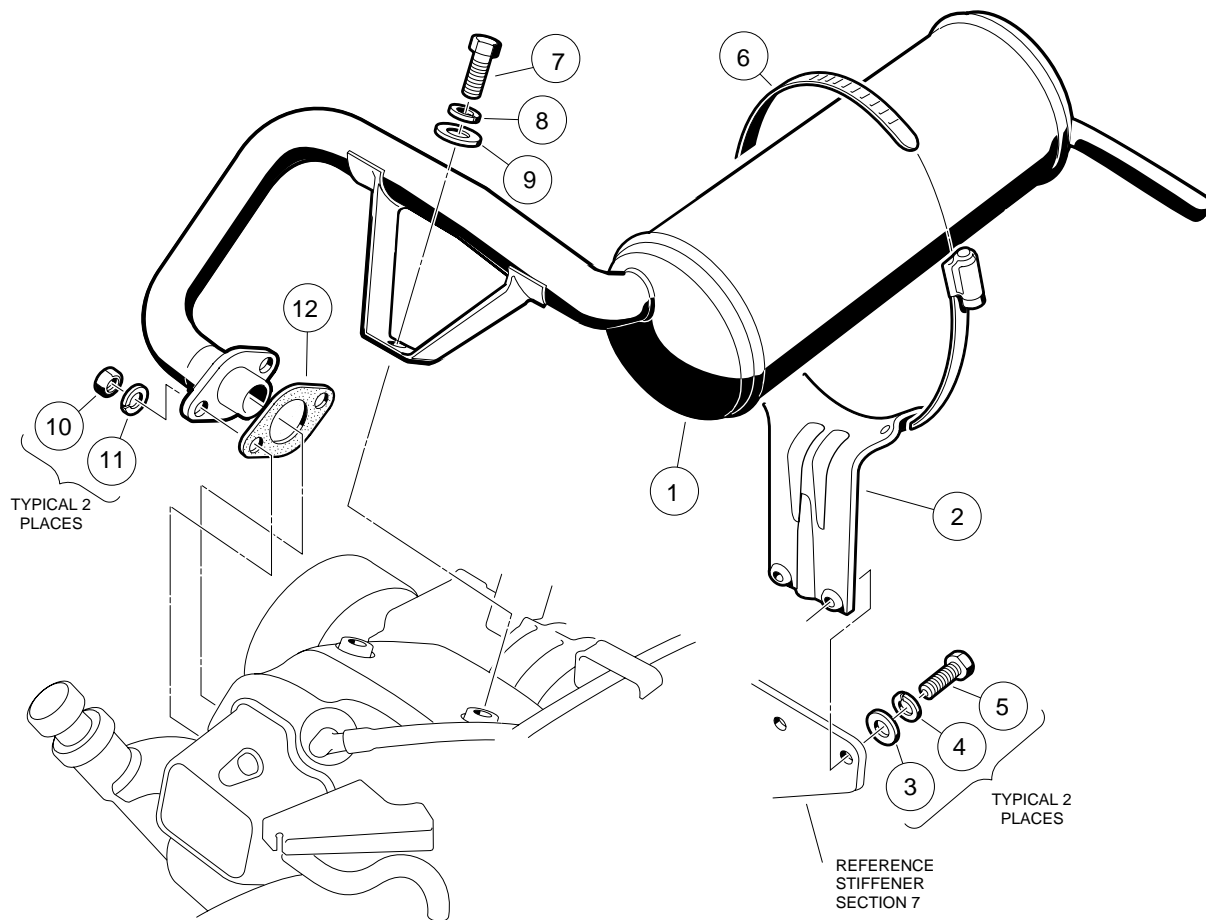
G

ITEM	PART NO.	DESCRIPTION	QTY
		1 2 3 4	
1	<u>1015430</u>	CLAMP, AIR INTAKE HOSE	2
2	<u>1016228</u>	HOSE, INTAKE	1
	<u>1016787</u>	ASSEMBLY, INTAKE EXPANSION CHAMBER (INCLUDES ITEMS 3 - 13)	1
3	<u>1015291</u>	RETAINER, STUD, #6	2
4	<u>1015290</u>	STUD, WING HEAD, #6	2
5	<u>1015292</u>	SPRING, RECEPTACLE, #6	2
6	<u>1015727</u>	RIVET, POP, 1/8	4
7	<u>1015293</u>	COVER, EXPANSION CHAMBER	1
8	<u>1015426</u>	ELEMENT, AIR FILTER	1
9	<u>1015542</u>	BAFFLE, SECONDARY AIR BOX	1
10	<u>1015541</u>	BAFFLE, PRIMARY AIR BOX	1
11	<u>1016062</u>	DECAL, SERVICE	1
12	<u>1016788</u>	CHAMBER, EXPANSION	1
13	<u>1015289</u>	SCREW, HI-LO HEX HEAD, #10 - 16 x 5/8	9
14	<u>1015577</u>	STRAP, EXPANSION CHAMBER RETENSION	1
15	<u>1015716</u>	CLAMP, AIR INTAKE HOSE	1
16	<u>1016786</u>	PLENUM, AIR INTAKE	1
17	<u>1012349</u>	CLAMP, HOSE	1
18	<u>1015745</u>	ASSEMBLY, CHOKE (INCLUDES ITEMS 19 - 22)	1
19	<u>1012629</u>	COVER, CHOKE	1
20	<u>1012633</u>	SPRING, CHOKE	1
21	<u>1015485</u>	BASE, CHOKE	1
22	<u>1012634</u>	SCREW, HEX SOCKET HEAD SHOULDER, 1/4 - 20 x 2	1

EXHAUST SYSTEM

9

G



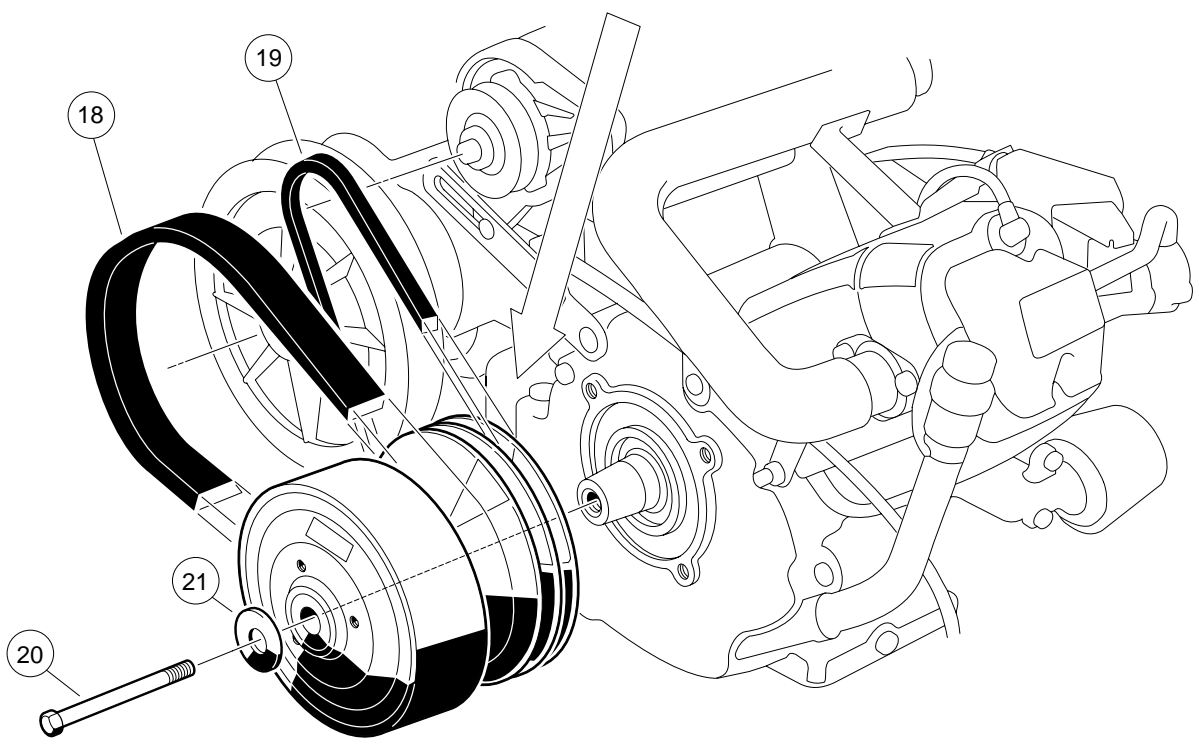
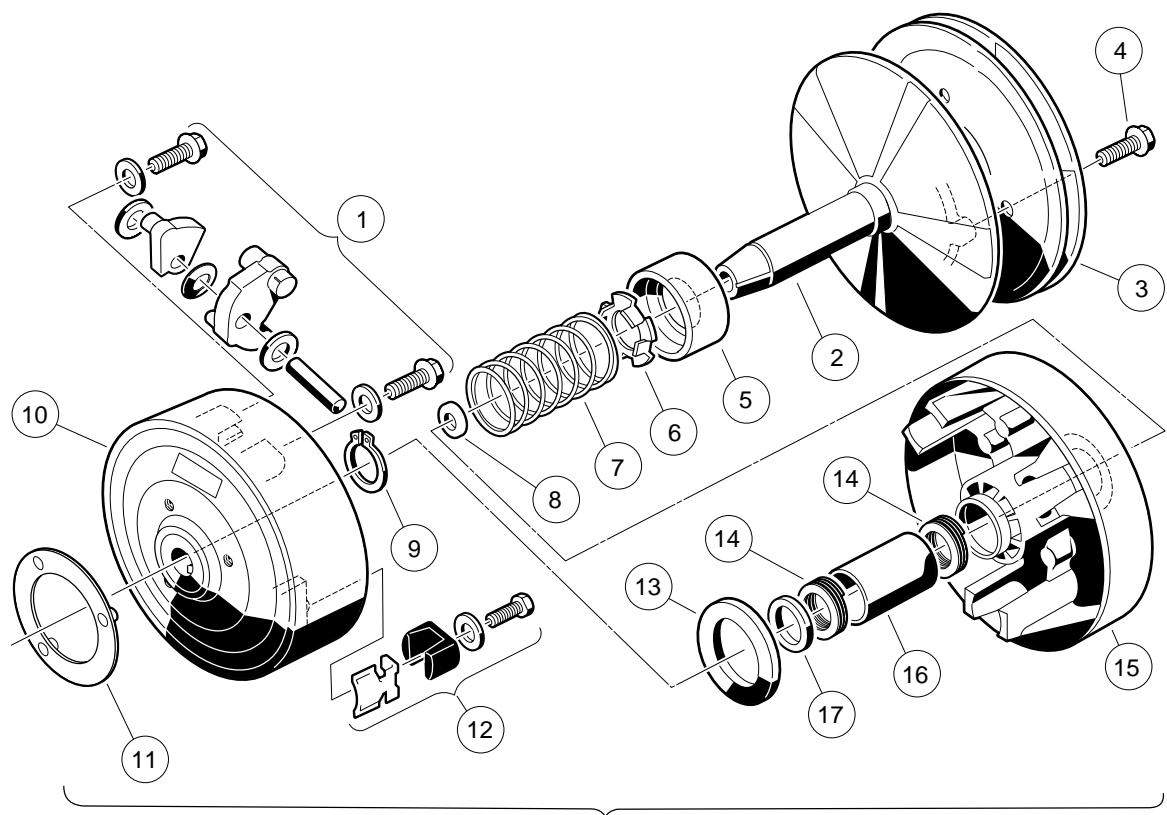
EXHAUST SYSTEM

ITEM	PART NO.	DESCRIPTION	QTY
		1 2 3 4	
1	<u>1018594-01</u>	SYSTEM, EXHAUST	1
2	<u>1015814</u>	BRACKET, MUFFLER MOUNTING	1
3	0000332	WASHER, FLAT, 1/4	2
4	0000451	WASHER, LOCK, 1/4	2
5	0007847	SCREW, HEX HEAD, 1/4 - 20 x 3/4	2
6	1017689	CLAMP, MUFFLER	1
7	1019035-01	SCREW, HEX HEAD CAP, M8 x 1.25 x 24MM	1
8	0007174	WASHER, LOCK, 5/16	1
9	<u>1011697</u>	WASHER, FLAT, 5/16	1
10	<u>1012528</u>	NUT, HEX, M8 x 1.25	2
11	<u>1013734</u>	WASHER, LOCK, 8MM	2
12	<u>1016904</u>	GASKET, EXHAUST	1

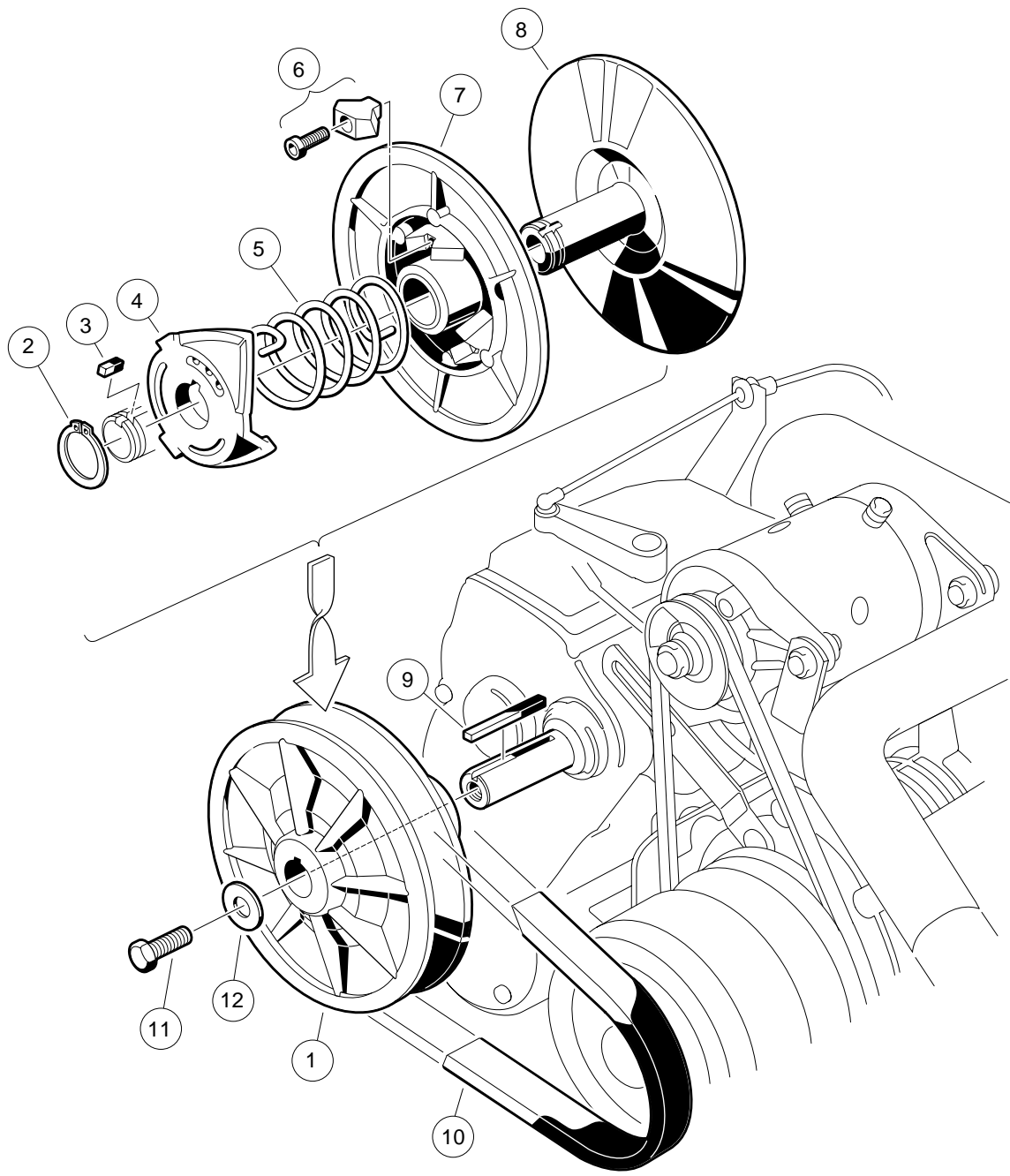
TORQUE CONVERTER

10

G



ITEM	PART NO.	DESCRIPTION	QTY
		1 2 3 4	
		BEFORE ORDERING FROM THIS PAGE, SEE NOTE ON PAGE ii AT THE BEGINNING OF THIS MANUAL.	
	<u>1018339-02</u>	ASSEMBLY, DRIVE CLUTCH (INCLUDES ITEMS 1 - 17)	1
1	<u>1016801</u>	KIT, DRIVE CLUTCH WEIGHT	1
2	<u>1017383-01</u>	ASSEMBLY, FIXED FACE (INCLUDES ITEMS 3 AND 4)	1
3	N/A	PULLEY	1
4	N/A	SCREW, WASHER HEAD HEX MACHINE	3
5	1014049	BEARING, IDLER	1
6	<u>1014050</u>	SPRING, RETAINER	1
7	<u>1014051</u>	SPRING, DRIVE CLUTCH - BLACK	1
8	<u>1016289</u>	SPACER, FIXED FACE SHAFT	1
9	<u>1014057</u>	RING, RETAINING	1
10	1014059	ASSEMBLY, DRIVE HUB	1
11	<u>1019256-01</u>	PLUG, DRIVE CLUTCH	1
12	<u>1014453</u>	KIT, DRIVE CLUTCH BUTTON	1
13	1014058	WASHER, THRUST	1
14	<u>1014056</u>	RING, SPIRAL BACK-UP	2
15	1014052	ASSEMBLY, MOVABLE FACE (INCLUDES ITEMS 16 AND 17)	1
16	N/A	BUSHING	1
17	<u>1014055</u>	RETAINER	1
18	<u>1017188</u>	BELT, DRIVE	1
19	<u>1019167-01</u>	BELT, STARTER/GENERATOR	1
20	<u>1019165-01</u>	SCREW, HEX HEAD CAP, 3/8 - 24 x 5 1/2 (LEFT HAND THREADS)	1
21	<u>1017328</u>	WASHER, MOUNTING - GREEN	1

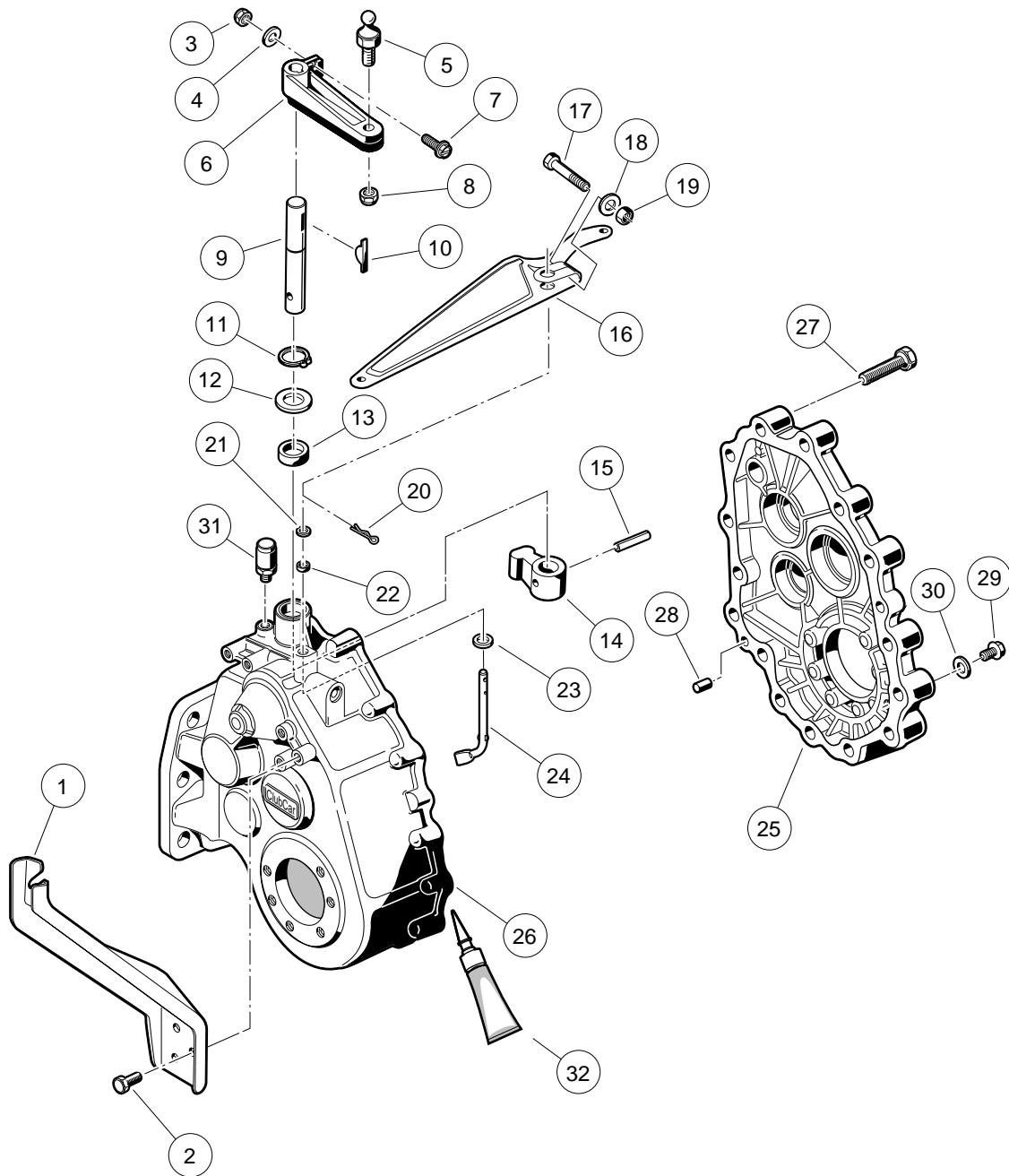


ITEM	PART NO.	DESCRIPTION	QTY
		1 2 3 4 BEFORE ORDERING FROM THIS PAGE, SEE NOTE ON PAGE ii AT THE BEGINNING OF THIS MANUAL.	
1	<u>1018340-01</u>	ASSEMBLY, DRIVEN CLUTCH (INCLUDES ITEMS 2 - 8)	1
2	<u>1014080</u>	RING, RETAINING	1
3	<u>1014078</u>	KEY	1
4	<u>1017686</u>	CAM	1
5	<u>1018362-01</u>	SPRING - GREEN	1
6	<u>1014454</u>	KIT, BUTTON (INCLUDES THREE BUTTONS AND THREE SCREWS)	1
7	<u>1014072</u>	ASSEMBLY, MOVABLE FACE, WITH BUSHING	1
8	<u>1014070</u>	ASSEMBLY, FIXED FACE	1
9	<u>1018334-01</u>	KEY, SQUARE TRANSMISSION	1
10	<u>1017188</u>	BELT, DRIVE	1
11	0007173	SCREW, HEX HEAD CAP, 5/16 - 18 x 3/4	1
12	<u>1017327</u>	WASHER, MOUNTING - YELLOW	1

UNITIZED TRANSAXLE GASOLINE VEHICLE

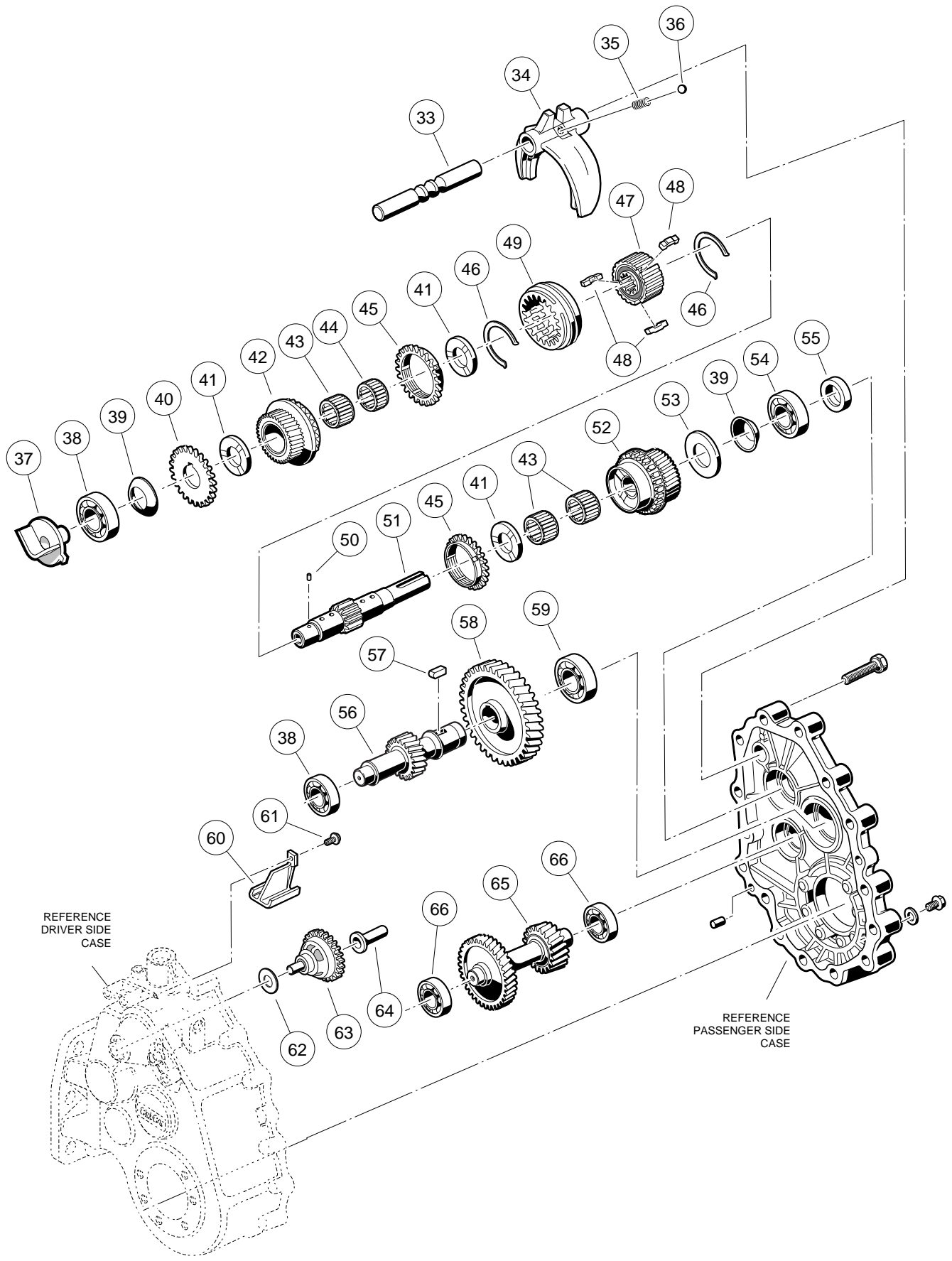
11

G



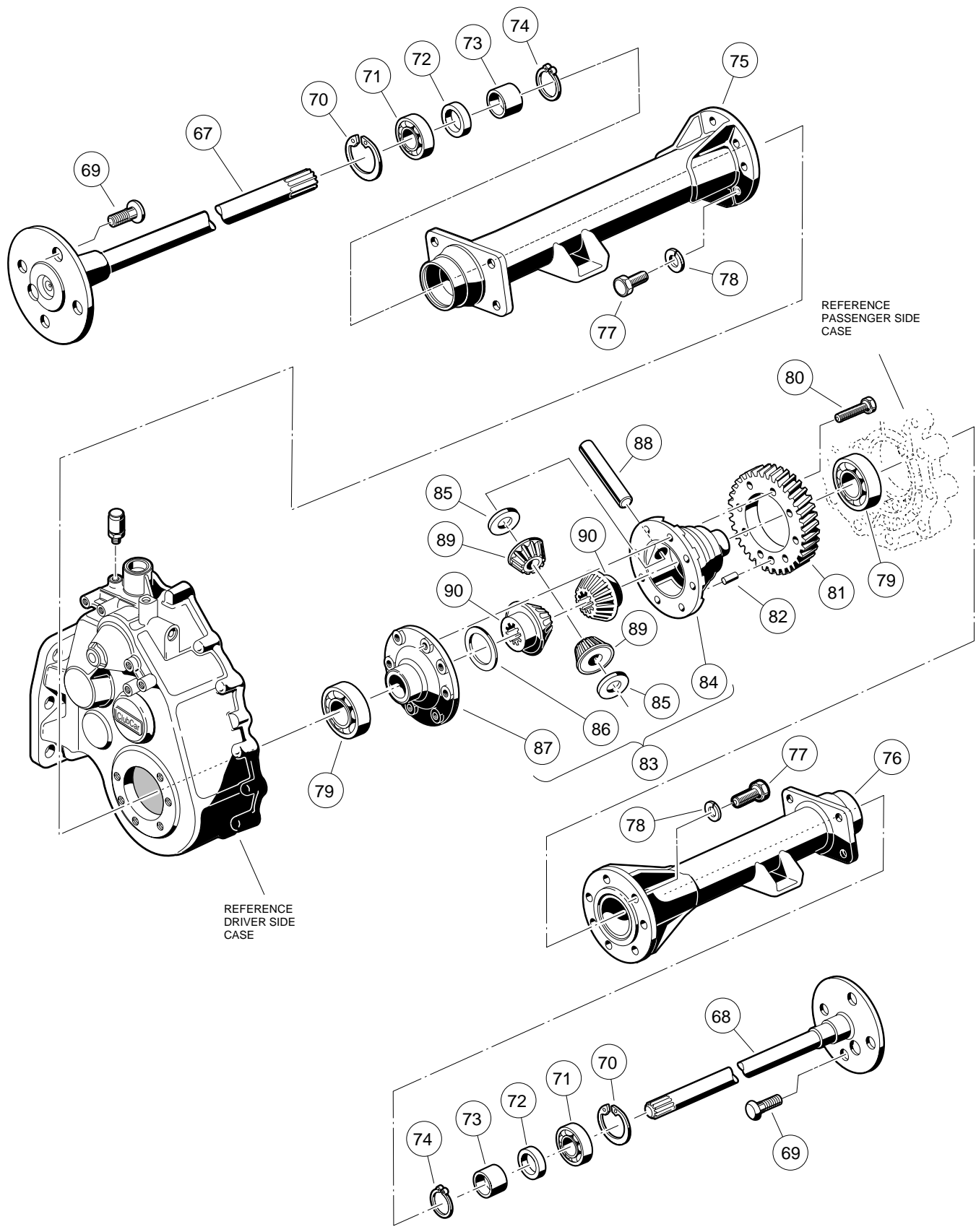
UNITIZED TRANSAXLE - GASOLINE VEHICLE

ITEM	PART NO.	DESCRIPTION	QTY
		1 2 3 4	
		BEFORE ORDERING FROM THIS PAGE, SEE NOTE ON PAGE ii AT THE BEGINNING OF THIS MANUAL.	
1	<u>1019226-01</u>	BRACKET, TRANSMISSION CABLE SUPPORT	1
2	<u>1012285</u>	SCREW, THREAD ROLLING, 1/4 - 20 x 5/8	3
	<u>1018336-02</u>	TRANSAXLE, UNITIZED (INCLUDES ITEMS 3 - 90)	1
3	<u>1013061</u>	NUT, NYLON LOCK, #10 - 32	1
4	0000183	WASHER, FLAT, #10	1
5	<u>1010954</u>	STUD, BALL, 1/4 - 28 x 9/16	1
6	<u>1016341</u>	LEVER, TRANSMISSION SHIFTER	1
7	<u>1017082</u>	SCREW, HEX WASHER HEAD, #10 - 32 x 3/4	1
8	0008717	NUT, NYLON LOCK, 1/4 - 28	1
9	<u>1018902-01</u>	SHAFT, SHIFTER	1
10	<u>1017231</u>	KEY, WOODRUFF	1
11	<u>1019273-01</u>	RING, SNAP	1
12	<u>1018929-01</u>	WASHER, FLAT	1
13	<u>1019272-01</u>	SEAL, OIL	1
14	<u>1018901-01</u>	LEVER, SHIFTER	1
15	<u>1012752</u>	PIN, ROLL	1
16	<u>1018348-01</u>	ARM, GOVERNOR LEVER	1
17	<u>1018861-01</u>	SCREW, SQUARE HEAD, 1/4 - 20 x 1	1
18	0000332	WASHER, FLAT	1
19	0008233	NUT, NYLON LOCK, 1/4 - 20	1
20	<u>1019286-01</u>	PIN, COTTER	1
21	<u>1016513</u>	WASHER, FLAT	1
22	<u>1019271-01</u>	SEAL, OIL	1
23	<u>1018938-01</u>	WASHER	1
24	<u>1018913-01</u>	ARM, PIVOT	1
25	<u>1018906-01</u>	GEAR CASE (RIGHT)	1
26	<u>1018905-01</u>	GEAR CASE (LEFT)	1
27	<u>1019269-01</u>	BOLT, FLANGED, M8 x 1.25 x 40MM	15
28	<u>1012896</u>	PIN, DOWEL	2
29	<u>1013759</u>	PLUG, DRAIN (INCLUDES ITEM 30)	2
30	<u>1016432</u>	GASKET	1
31	<u>1012711</u>	BREATHER	1
32	<u>1019287-01</u>	GASKET, LIQUID, 8.8 OZ. (250 GRAMS)	A/R



UNITIZED TRANSAXLE - GASOLINE VEHICLE

ITEM	PART NO.	DESCRIPTION	QTY
		1 2 3 4	
		BEFORE ORDERING FROM THIS PAGE, SEE NOTE ON PAGE <i>ii</i> AT THE BEGINNING OF THIS MANUAL.	
33	1018920-01	ROD, SHIFT	1
34	1018900-01	FORK, SHIFT	1
35	1012748	SPRING	1
36	1012747	BALL, STEEL	1
37	1018894-01	GUIDE	1
38	0007336	BEARING, BALL	4
39	1016338	WASHER, SPRING	2
40	1018924-01	GEAR, SPUR	1
41	1018922-01	PLATE, THRUST	3
42	1018897-01	ASSEMBLY, GEAR, INPUT, 28 TOOTH	1
43	1019276-01	BEARING, NEEDLE	3
44	1019275-01	BEARING, NEEDLE	1
45	1012742	RING, SYNCHRONIZER	2
46	1012741	SPRING, SYNCHRONIZER	2
47	1019279-01	SLEEVE, SYNCHRONIZER	1
48	1012740	INSERT, SYNCHRONIZER	3
49	1019280-01	HUB, SYNCHRONIZER CLUTCH	1
50	1019277-01	PIN, DOWEL	1
51	1018899-01	SHAFT, INPUT	1
52	1018896-01	ASSEMBLY, GEAR, INPUT, 25 TOOTH	1
53	1016337	WASHER, THRUST	1
54	1019278-01	BEARING, BALL	1
55	1012714	SEAL, OIL, INPUT SHAFT	1
56	1018926-01	GEAR, 17 TOOTH	1
57	1018932-01	KEY	1
58	1018925-01	GEAR, 61 TOOTH	1
59	1019281-01	BEARING, BALL	1
60	1018895-01	GUIDE, OIL	1
61	1019282-01	SCREW, M8 x 1.25 x 10 MM	1
62	1018939-01	WASHER	1
63	1018923-01	ASSEMBLY, GOVERNOR	1
64	1018916-01	SLEEVE	1
65	1018919-01	GEAR, CLUSTER IDLER	1
66	0007335	BEARING, BALL	2



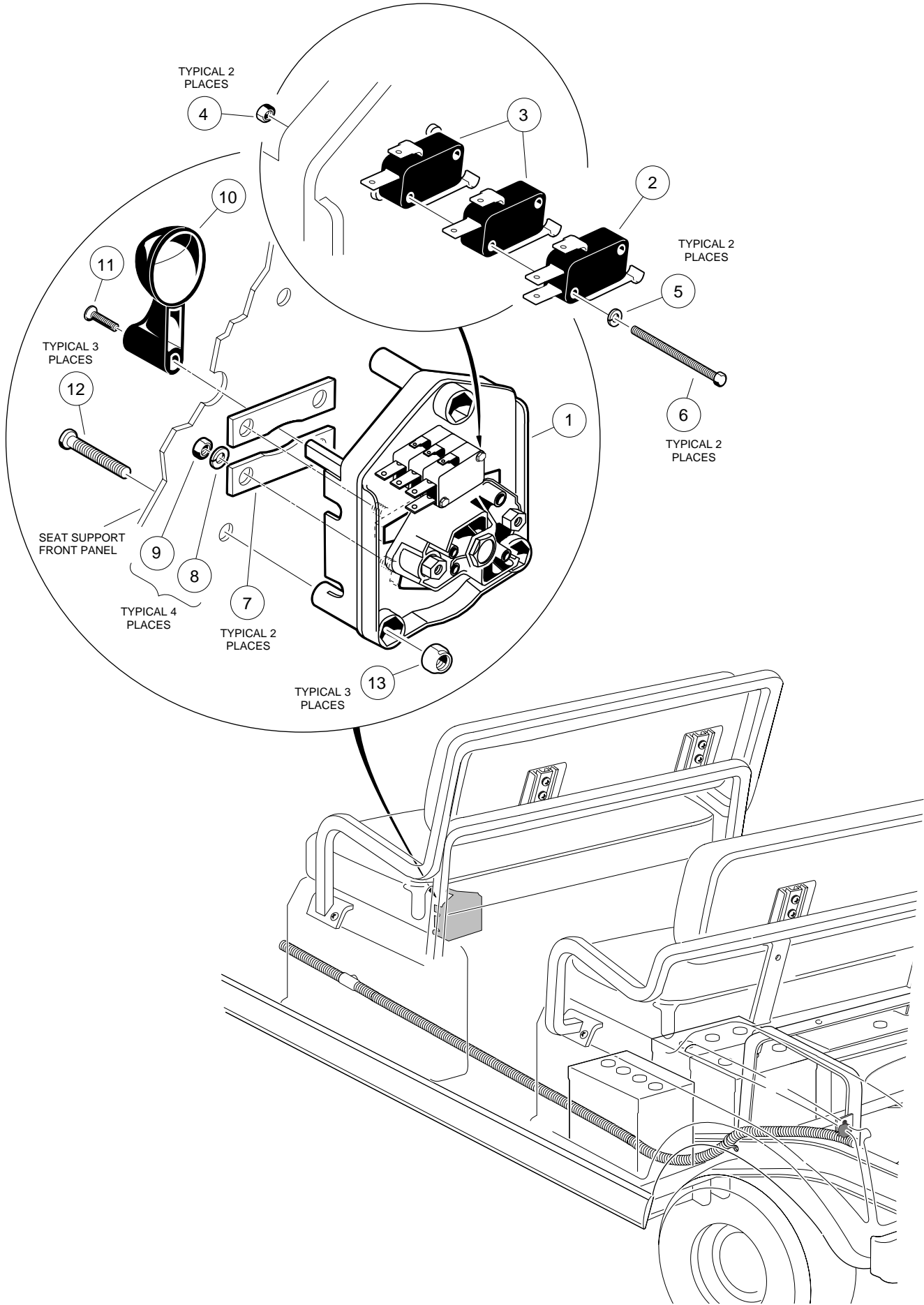
UNITIZED TRANSAXLE - GASOLINE VEHICLE

ITEM	PART NO.	DESCRIPTION	QTY
		1 2 3 4	
		BEFORE ORDERING FROM THIS PAGE, SEE NOTE ON PAGE ii AT THE BEGINNING OF THIS MANUAL.	
67	<u>1018914-01</u>	ASSEMBLY, AXLE, LEFT (INCLUDES ITEMS 69 - 74)	1
68	<u>1018915-01</u>	ASSEMBLY, AXLE, RIGHT (INCLUDES ITEMS 69 - 74)	1
69	<u>1013787</u>	STUD, LUG	4
70	<u>1013792</u>	RING, RETAINING	1
71	<u>1011291</u>	BEARING, OUTER AXLE TUBE	1
72	<u>1013794</u>	SEAL, OIL	1
73	<u>1014207</u>	BUSHING, 25 MM I. D.	1
74	<u>1016672</u>	RING, RETAINING	1
75	<u>1018912-01</u>	ASSEMBLY, AXLE TUBE, LEFT SIDE	1
76	<u>1018911-01</u>	ASSEMBLY, AXLE TUBE, RIGHT SIDE	1
77	<u>1013790</u>	BOLT, M10 x 1.5 x 30MM	14
78	<u>1013791</u>	WASHER, LOCK, M10	14
79	<u>0007330</u>	BEARING, INNER AXLE TUBE	2
80	<u>1019283-01</u>	BOLT, M8 x 1.25 x 37MM	8
81	<u>1018927-01</u>	GEAR, OUTPUT	1
82	<u>1014193</u>	PIN, DOWEL	1
83	<u>1019105-01</u>	KIT, DIFFERENTIAL GEAR CASE (INCLUDES ITEMS 84 - 87)	1
84	<u>1013768</u>	CASE, GEAR CARRIER	1
85	<u>1013774</u>	PLATE, THRUST (IDLER GEAR)	2
86	<u>1013773</u>	PLATE, THRUST (DIFFERENTIAL GEAR)	1
87	<u>1013769</u>	COVER, GEAR CASE	1
88	<u>1013772</u>	PIN, DIFFERENTIAL	1
89	<u>1013770</u>	GEAR, DIFFERENTIAL IDLER	2
90	<u>1013771</u>	GEAR, DIFFERENTIAL	2

ELECTRICAL SYSTEM POWERDRIVE ELECTRIC VEHICLE

12

E

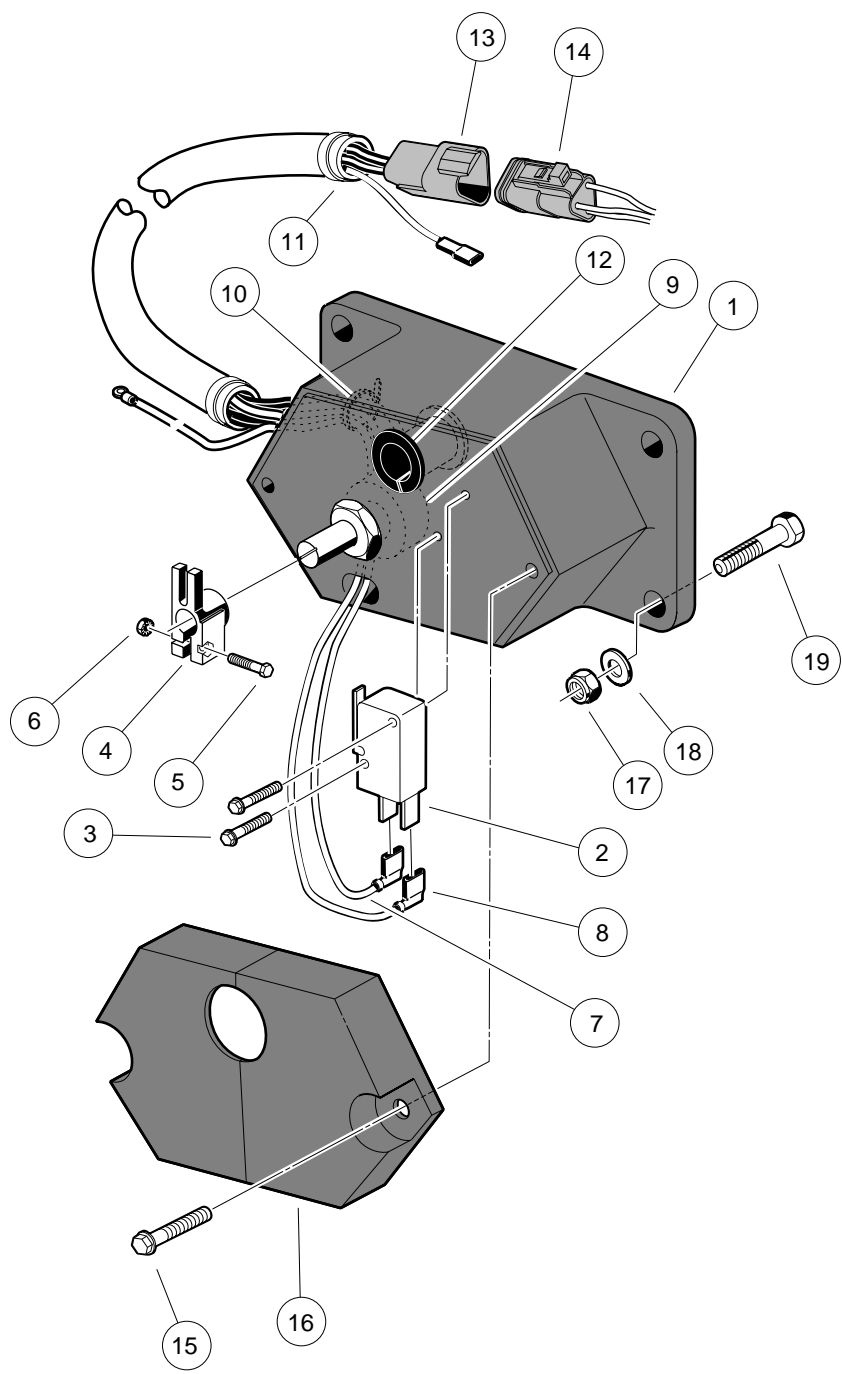


FORWARD AND REVERSE SWITCH POWERDRIVE ELECTRIC VEHICLE

12

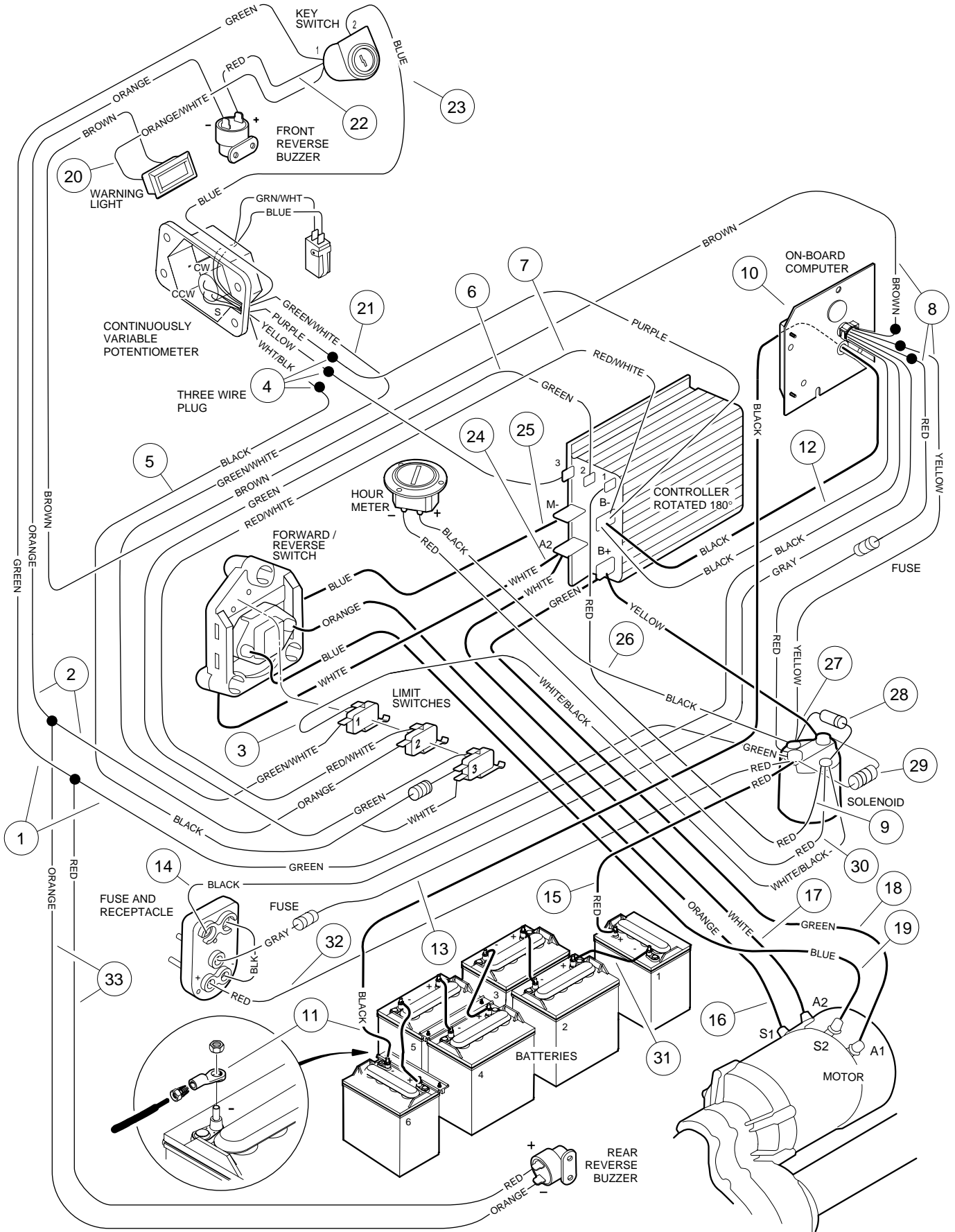
E

ITEM	PART NO.	DESCRIPTION	QTY
		1 2 3 4	
1	<u>1017530-05</u>	ASSEMBLY, FORWARD AND REVERSE SWITCH (INCLUDES ITEMS 2 - 9)	1
2	<u>1014807</u>	SWITCH, LIMIT	1
3	<u>1014808</u>	SWITCH, LIMIT	2
4	0008057	NUT, HEX, #4 - 40	2
5	0008058	WASHER, LOCK, #4	2
6	<u>1014871</u>	SCREW, HEX WASHER HEAD, #4 - 40 x 2	2
7	<u>1017799</u>	BAR, BUS.....	2
8	0000451	WASHER, LOCK, 1/4	4
9	0001028	NUT, HEX, 1/4 - 20	4
10	<u>1012987</u>	HANDLE, FORWARD AND REVERSE SWITCH	1
11	<u>1013198</u>	SCREW, PHILLIPS HEAD MACHINE, #8 - 32 x 5/8	1
12	1016845	SCREW, PHILLIPS TRUSS HEAD, 1/4 - 20 x 2 1/8	3
13	0008233	NUT, NYLON LOCK, 1/4 - 20	3



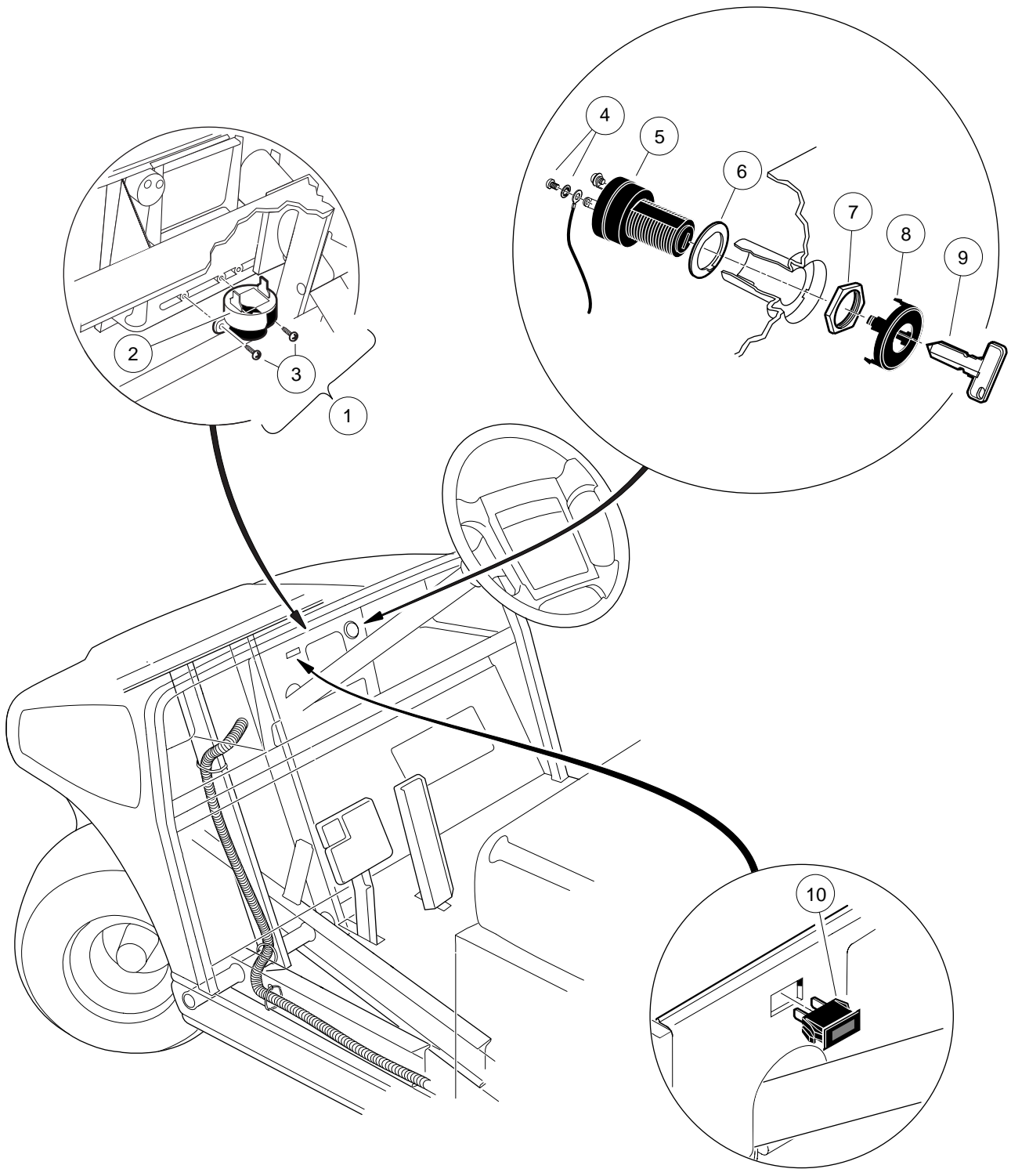
CONTINUOUSLY VARIABLE POTENTIOMETER

ITEM	PART NO.	DESCRIPTION	QTY
		1 2 3 4	
	<u>1017392-01</u>	ASSEMBLY, POTENTIOMETER HOUSING WITH GRAY PLUG (INCLUDES ITEMS 1 - 13)	1
1	N/A	HOUSING, ACCELERATOR	1
2	<u>1017830</u>	SWITCH, LIMIT	1
3	<u>1018226-01</u>	SCREW, HEX WASHER HEAD THREAD-ROLLING, #4 - 24	2
4	<u>1018090-01</u>	LEVER, POTENTIOMETER	1
5	<u>1017853</u>	SCREW, HEX HEAD, #6 - 32 x 3/4	1
6	<u>1011229</u>	NUT, LOCK, "K", #6 - 32	1
7	1017393	WIRE ASSEMBLY, #18 BLUE	1
8	1017394	WIRE ASSEMBLY, #18 GREEN/WHITE	1
9	N/A	POTENTIOMETER	1
10	0008168	WRAP, TIE	3
11	N/A	CONDUIT, ELECTRICAL	1
12	<u>1017424</u>	BEARING, PIVOT SUPPORT	1
13	<u>1018951-01</u>	HOUSING, FEMALE, 3-WIRE, GRAY	1
14	<u>1019201-01</u>	HOUSING, MALE, 3-WIRE, GRAY	1
15	<u>1018043-01</u>	SCREW, HI-LO HEX HEAD, #8 - 18 x 1/2	2
16	<u>1017743</u>	COVER, ACCELERATOR	1
17	0008233	NUT, NYLON LOCK, 1/4 - 20	4
18	0000332	WASHER, FLAT, 1/4	4
19	<u>1018619-01</u>	SCREW, HEX HEAD CAP, 1/4 - 20 x 1 1/8	4



WIRING - POWERDRIVE ELECTRIC VEHICLE

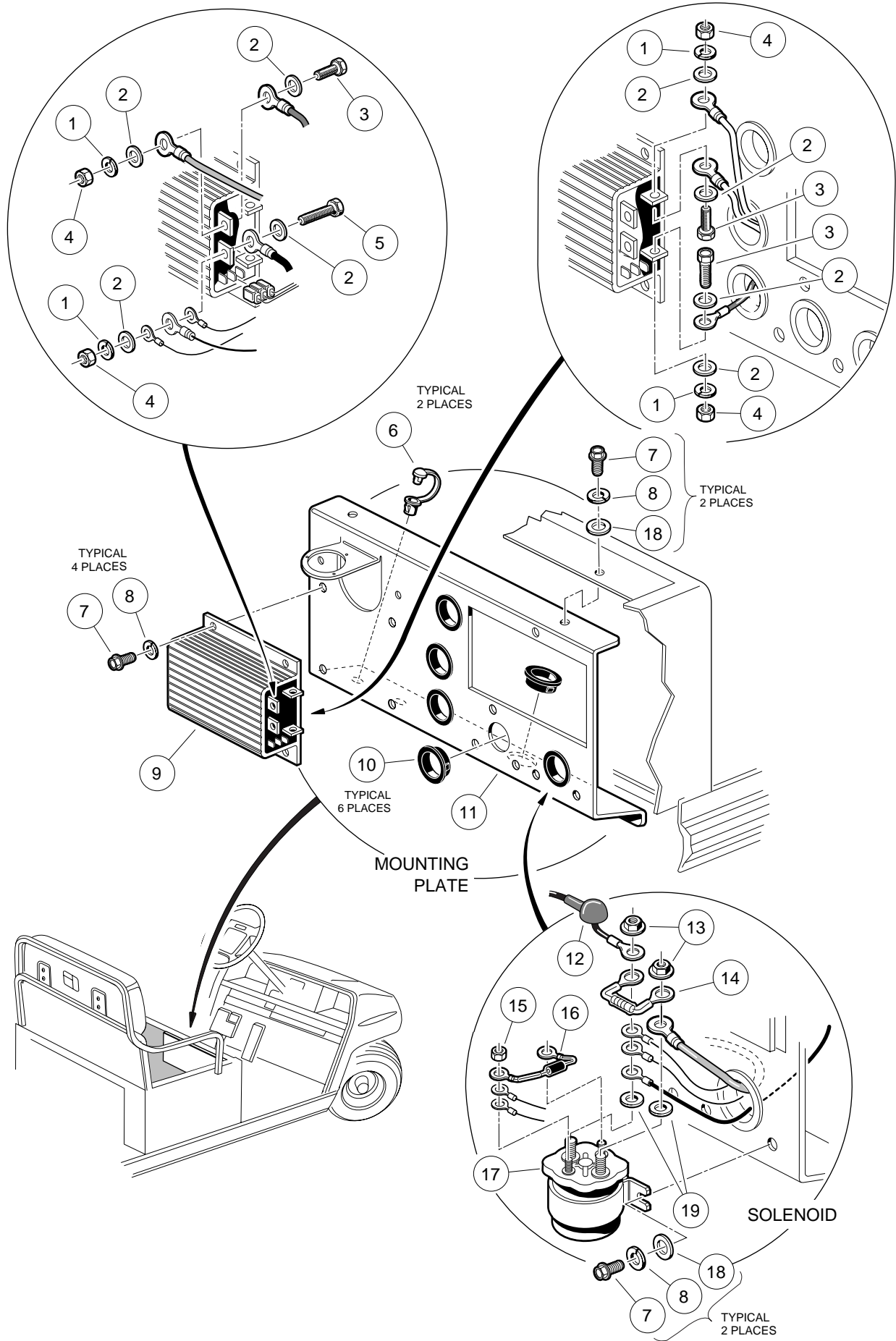
ITEM	PART NO.	DESCRIPTION	QTY
		1 2 3 4	
	<u>1019116-01</u>	WIRE HARNESS, POWER (INCLUDES ITEMS 1 - 9)	1
1	N/A	WIRE ASSEMBLY, #18 GREEN	1
2	N/A	WIRE ASSEMBLY, #18 ORANGE	1
3	N/A	WIRE ASSEMBLY, #18 WHITE/BLACK	1
4	<u>1018651-06</u>	ASSEMBLY, 3-PIN PLUG (INCLUDES #18 PURPLE, #18 YELLOW AND ITEM 5)	1
5	<u>1018830-01</u>	WIRE ASSEMBLY, #18 BLACK (INCLUDES RESISTOR AND #18 WHITE WIRE) ..	1
6	N/A	WIRE ASSEMBLY, #18 GREEN	1
7	N/A	WIRE ASSEMBLY, #18 RED/WHITE	1
8	<u>1019308-01</u>	ASSEMBLY, 3-PIN PLUG (INCLUDES #18 BROWN, #18 YELLOW, AND #18 RED)...	1
9	N/A	WIRE ASSEMBLY, #18 RED	1
	<u>1019101-02</u>	WIRE HARNESS, POWER (INCLUDES ITEMS 10-19)	1
10	<u>1019629-02</u>	COMPUTER, ON-BOARD (SEE PAGE 12-13) (INCLUDES ITEMS 11-14)	1
11	<u>1018278-02</u>	KIT, WIRE AND TERMINAL, #6 BLACK	1
12	N/A	WIRE ASSEMBLY, #10 BLACK	1
13	N/A	WIRE ASSEMBLY, #18 GREY	1
14	N/A	WIRE ASSEMBLY, #10 BLACK	1
15	<u>1019045-02</u>	WIRE ASSEMBLY, #6 RED	1
16	<u>1019047-02</u>	WIRE ASSEMBLY, #6 ORANGE	1
17	<u>1019089-02</u>	WIRE ASSEMBLY, #6 WHITE	1
18	<u>1019044-02</u>	WIRE ASSEMBLY, #6 GREEN	1
19	<u>1019046-02</u>	WIRE ASSEMBLY, #6 BLUE	1
20	N/A	WIRE ASSEMBLY, #18 ORANGE/WHITE (PART OF BATTERY LIGHT)	1
21	N/A	WIRE ASSEMBLY, #18 GREEN/WHITE	1
22	N/A	WIRE ASSEMBLY, #18 RED	1
23	N/A	WIRE ASSEMBLY, #18 BLUE (PART OF POTENTIOMETER ASSEMBLY)	1
24	<u>1016729</u>	WIRE ASSEMBLY, #6 WHITE	1
25	<u>1019088-01</u>	WIRE ASSEMBLY, #6 BLUE	1
26	N/A	WIRE ASSEMBLY, #18 BLACK	1
27	<u>1016732</u>	WIRE ASSEMBLY, #6 YELLOW	1
28	<u>1014948</u>	ASSEMBLY, DIODE	1
29	<u>1014947</u>	ASSEMBLY, RESISTOR	1
30	N/A	WIRE ASSEMBLY, #18 RED	1
31	<u>1017957-01</u>	WIRE ASSEMBLY, #6 BLACK	5
32	N/A	WIRE ASSEMBLY, #10 RED (PART OF FUSE AND RECEPTACLE ASSEMBLY)	1
33	<u>1019190-01</u>	WIRE HARNESS, REAR REVERSE BUZZER	1



ELECTRICAL COMPONENTS, FRONT BODY POWERDRIVE ELECTRIC VEHICLE

12
E

ITEM	PART NO.	DESCRIPTION	QTY
		1 2 3 4	
1	<u>1016859</u>	KIT, REVERSE BUZZER (INCLUDES ITEMS 2 AND 3)	1
2	<u>1016851</u>	BUZZER, REVERSE	1
3	<u>1016849</u>	SCREW, PAN HEAD HI-LO, #4 - 24 x 5/16	2
4	1018306-01	ASSEMBLY, SCREW AND WASHER	2
5	<u>1018262-01</u>	SWITCH, KEY	1
6	<u>1018511-01</u>	WASHER	1
7	<u>1018307-01</u>	NUT, KEY SWITCH	1
8	<u>1018345-02</u>	CAP, KEY SWITCH	1
9	<u>1012505</u>	KEY (PAIR)	1
10	<u>1018025-01</u>	LIGHT, BATTERY WARNING	1

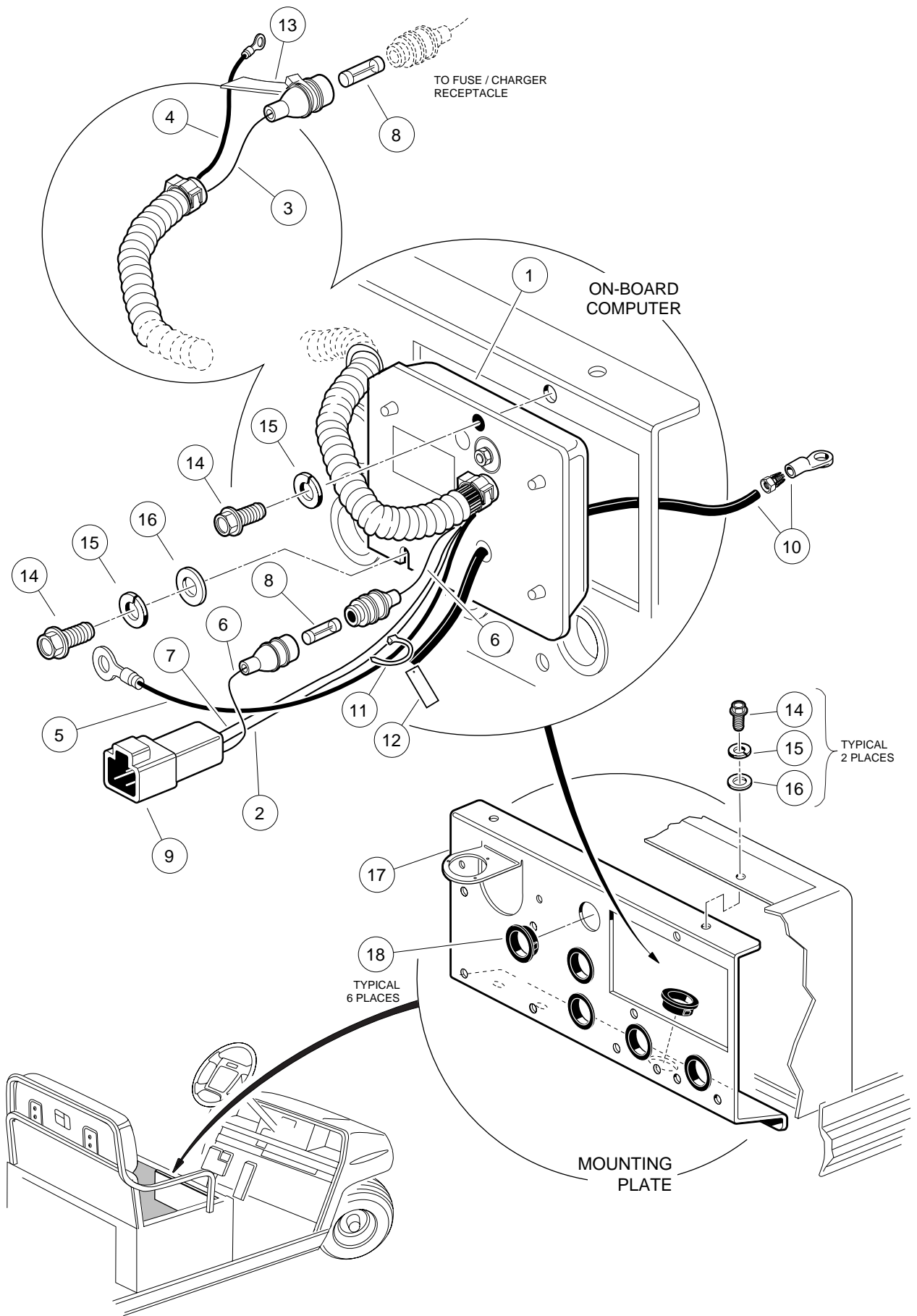


ELECTRICAL COMPONENTS, CENTER BODY POWERDRIVE ELECTRIC VEHICLE

12

E

ITEM	PART NO.	DESCRIPTION	QTY
		1 2 3 4	
1	0007174	WASHER, LOCK, 5/16	4
2	0001241	WASHER, FLAT, 5/16	8
3	0007173	BOLT, HEX HEAD, 5/16 - 18 x 3/4	3
4	0001242	NUT, HEX, 5/16 - 18	4
5	0001218	BOLT, HEX HEAD, 5/16 - 18 x 1 1/4	1
6	<u>1019183-01</u>	CLAMP, WIRE	2
7	<u>1012285</u>	SCREW, HEX HEAD THREAD-ROLLING, 1/4 - 20 x 5/8	8
8	0000451	WASHER, LOCK, 1/4	8
9	<u>1018402-03</u>	CONTROLLER, 48 VOLT (300 AMP)	1
10	<u>1019243-01</u>	BUSHING, SNAP	6
11	<u>1019117-01</u>	PLATE, MOUNTING	1
12	<u>1019026-01</u>	BOOT, WIRE	1
13	<u>1017237</u>	NUT, FLANGED LOCK, 5/16 - 24	2
14	<u>1014947</u>	ASSEMBLY, RESISTOR	1
15	0007893	NUT, HEX, #10 - 32	2
16	1014948	ASSEMBLY, DIODE	1
17	<u>1018836-01</u>	SOLENOID, 48 VOLT	1
18	0000332	WASHER, FLAT, 1/4	4
19	<u>1019344-01</u>	WASHER, FLAT BRASS, 5/16	2

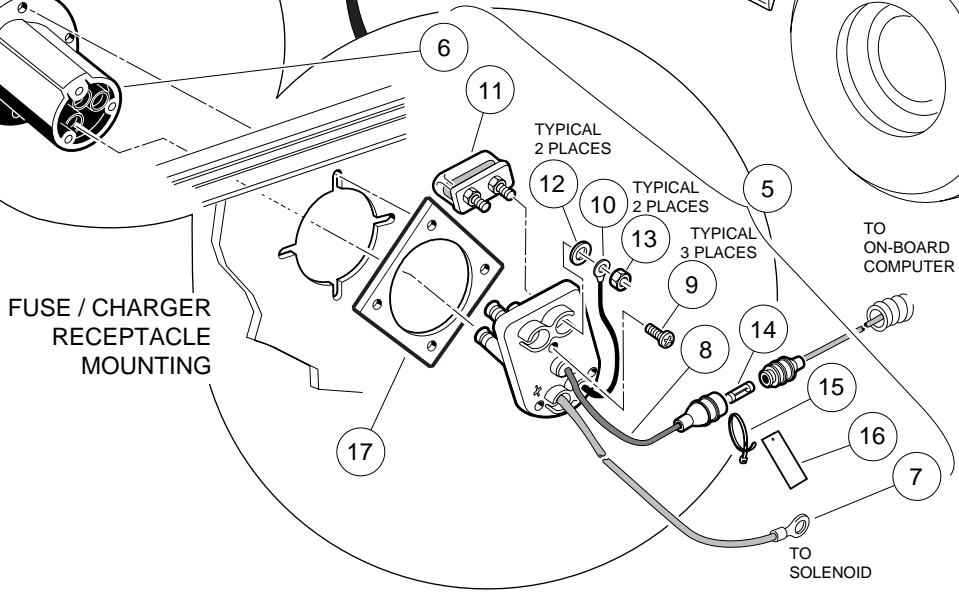
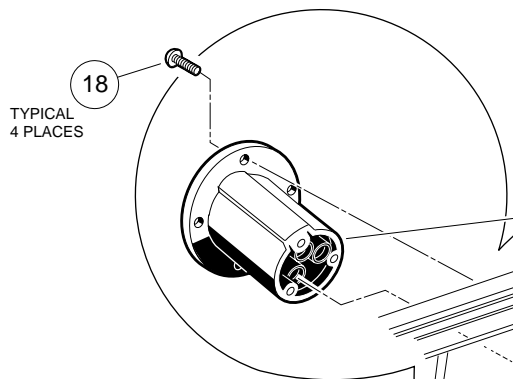
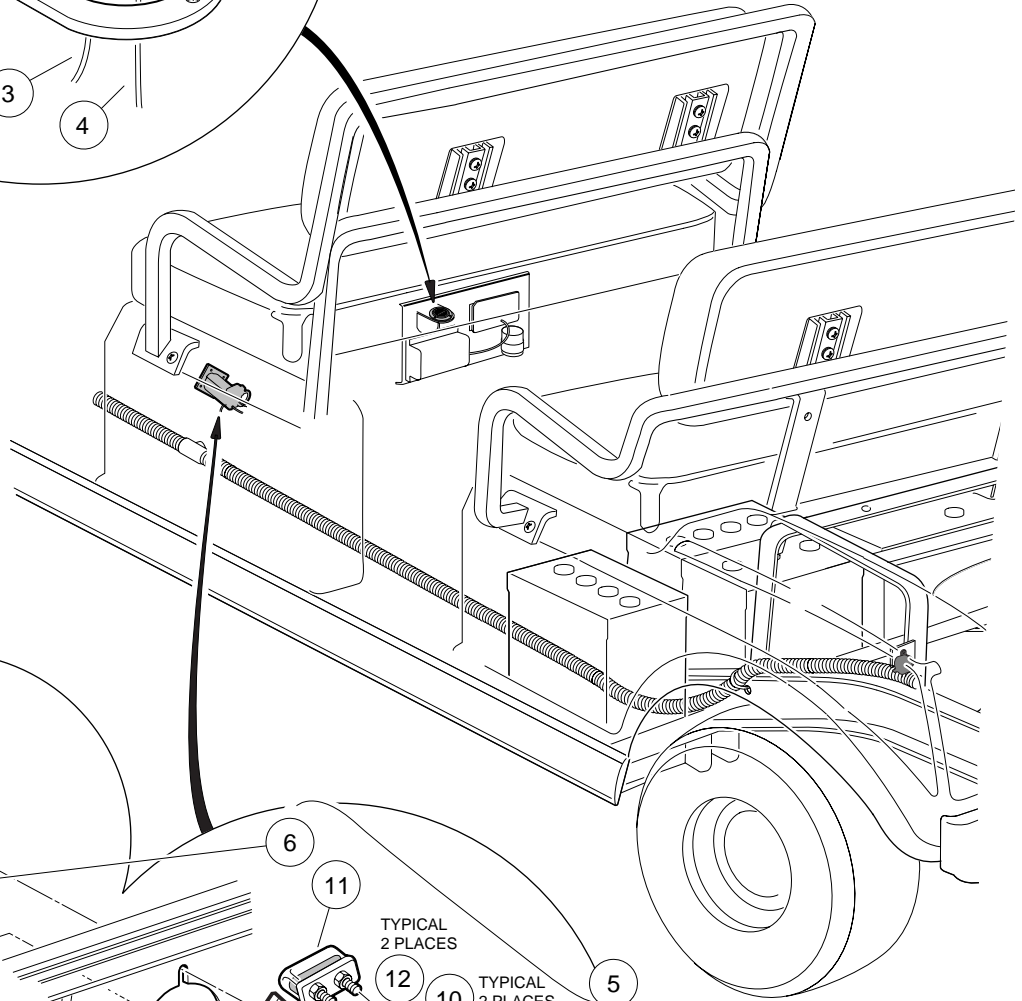
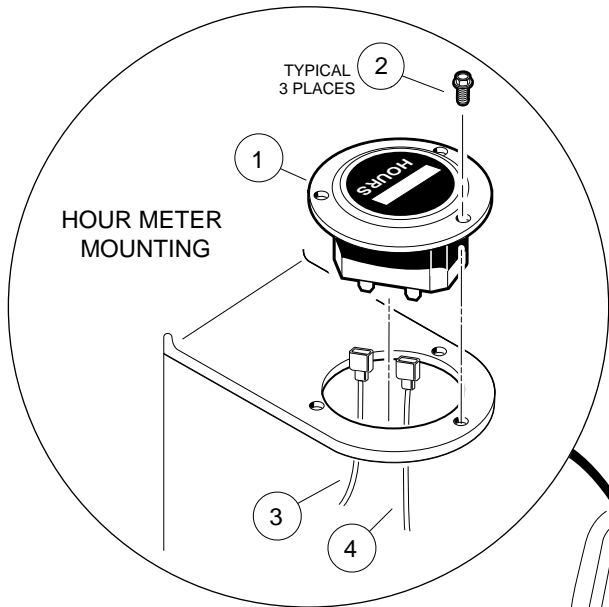


ELECTRICAL COMPONENTS, CENTER BODY POWERDRIVE ELECTRIC VEHICLE

12

E

ITEM	PART NO.	DESCRIPTION	QTY
		1 2 3 4	
1	<u>1019629-02</u>	COMPUTER, ON-BOARD (INCLUDES ITEMS 2 - 13)	1
2	N/A	WIRE ASSEMBLY, #18 BROWN	1
3	N/A	WIRE ASSEMBLY, #18 GRAY	1
4	N/A	WIRE ASSEMBLY, #10 BLACK	1
5	N/A	WIRE ASSEMBLY, #10 BLACK	1
6	N/A	WIRE ASSEMBLY, #18 RED	1
7	N/A	WIRE ASSEMBLY, #18 YELLOW	1
8	<u>1018949-01</u>	FUSE ASSEMBLY, 3/8 AMP	3
9	<u>1019324-01</u>	CONNECTOR, FOUR WIRE	1
10	<u>1018278-02</u>	KIT, WIRE AND TERMINAL, #6 BLACK	1
11	0008168	WRAP, TIE	2
12	1018844-01	LABEL	1
13	1019349-01	LABEL	1
14	<u>1012285</u>	SCREW, HEX HEAD THREAD ROLLING, 1/4 - 20 x 5/8	4
15	0000451	WASHER, LOCK, 1/4	4
16	0000332	WASHER, FLAT, 1/4	3
17	<u>1019117-01</u>	PLATE, MOUNTING	1
18	<u>1019243-01</u>	BUSHING, SNAP	6

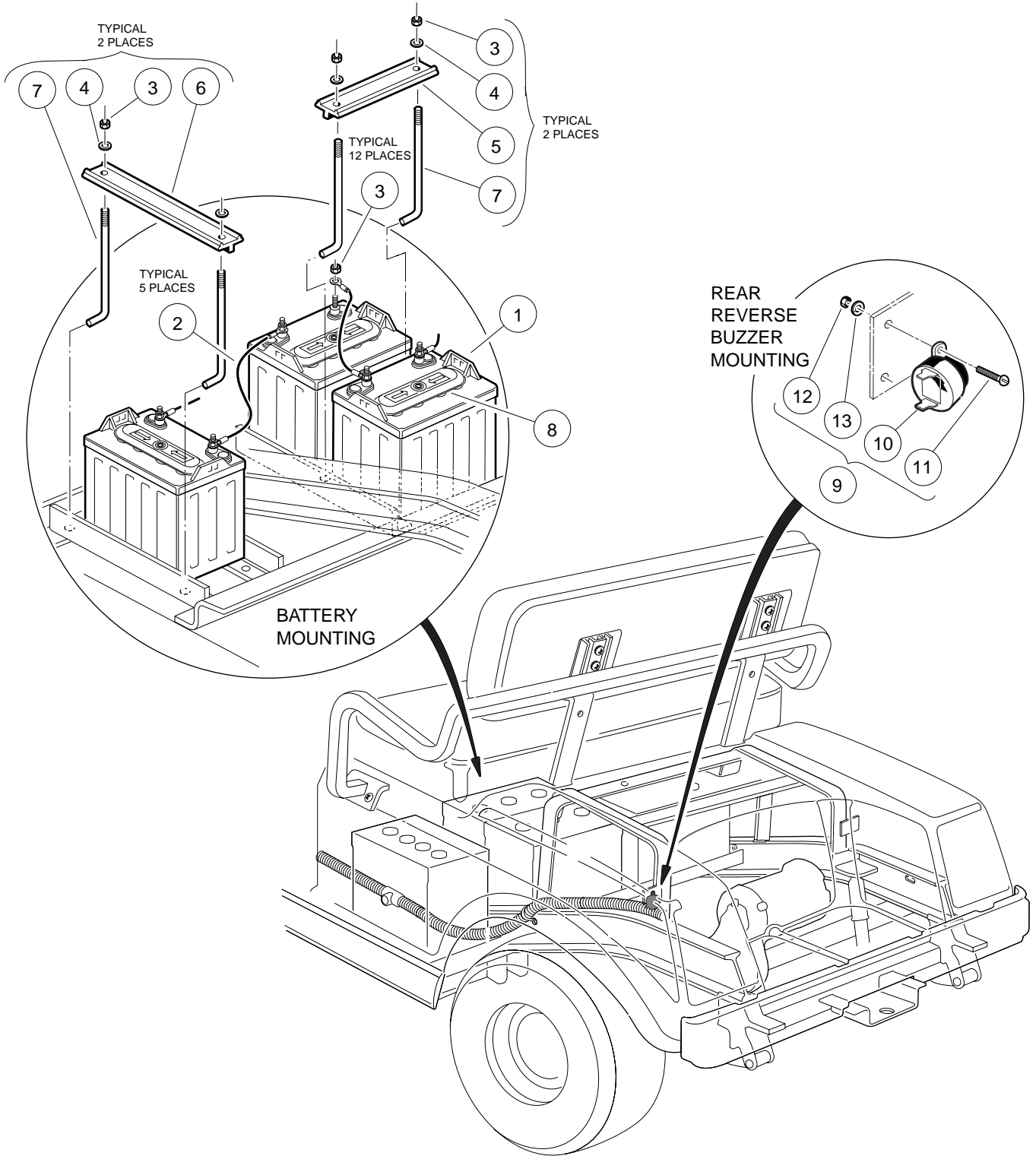


ELECTRICAL COMPONENTS, CENTER BODY POWERDRIVE ELECTRIC VEHICLE

12

E

ITEM	PART NO.	DESCRIPTION	QTY
		1 2 3 4	
1	<u>1013579</u>	KIT, HOUR METER, 48 VOLT (INCLUDES ITEMS 2, 3 AND 4)	1
2	<u>1014540</u>	SCREW, THREAD-ROLLING, #6 - 32 x 3/8	3
3	N/A	WIRE ASSEMBLY, #18 RED	1
4	N/A	WIRE ASSEMBLY, #18 BLACK	1
5	<u>1018021-01</u>	KIT, FUSE AND RECEPTACLE (INCLUDES ITEMS 6 - 16)	1
6	<u>1017965-01</u>	BEZEL, RECEPTACLE	1
7	N/A	WIRE ASSEMBLY, #10 RED	1
8	N/A	WIRE ASSEMBLY, SENSE LEAD, GREY	1
9	<u>1017705</u>	SCREW, PHILLIPS PAN HEAD, #8 TYPE AB	3
10	N/A	WIRE ASSEMBLY, #10 BLACK	1
11	<u>1017968-01</u>	FUSE ASSEMBLY (INCLUDES ITEMS 12 AND 13)	1
12	<u>1018038</u>	WASHER, NARROW TYPE 13, #10	2
13	<u>1018028</u>	NUT, SERRATED, #10 - 32	2
14	<u>1018949-01</u>	FUSE ASSEMBLY, 3/8 AMP	1
15	0008168	WRAP, TIE	1
16	1019349-01	LABEL	1
17	<u>1018010-01</u>	PLATE, RECEPTACLE BACKING	1
18	<u>1018320-01</u>	SCREW, PHILLIPS PAN HEAD, #7 - 18 x 3/4	4



ELECTRICAL COMPONENTS, REAR BODY POWERDRIVE ELECTRIC VEHICLE

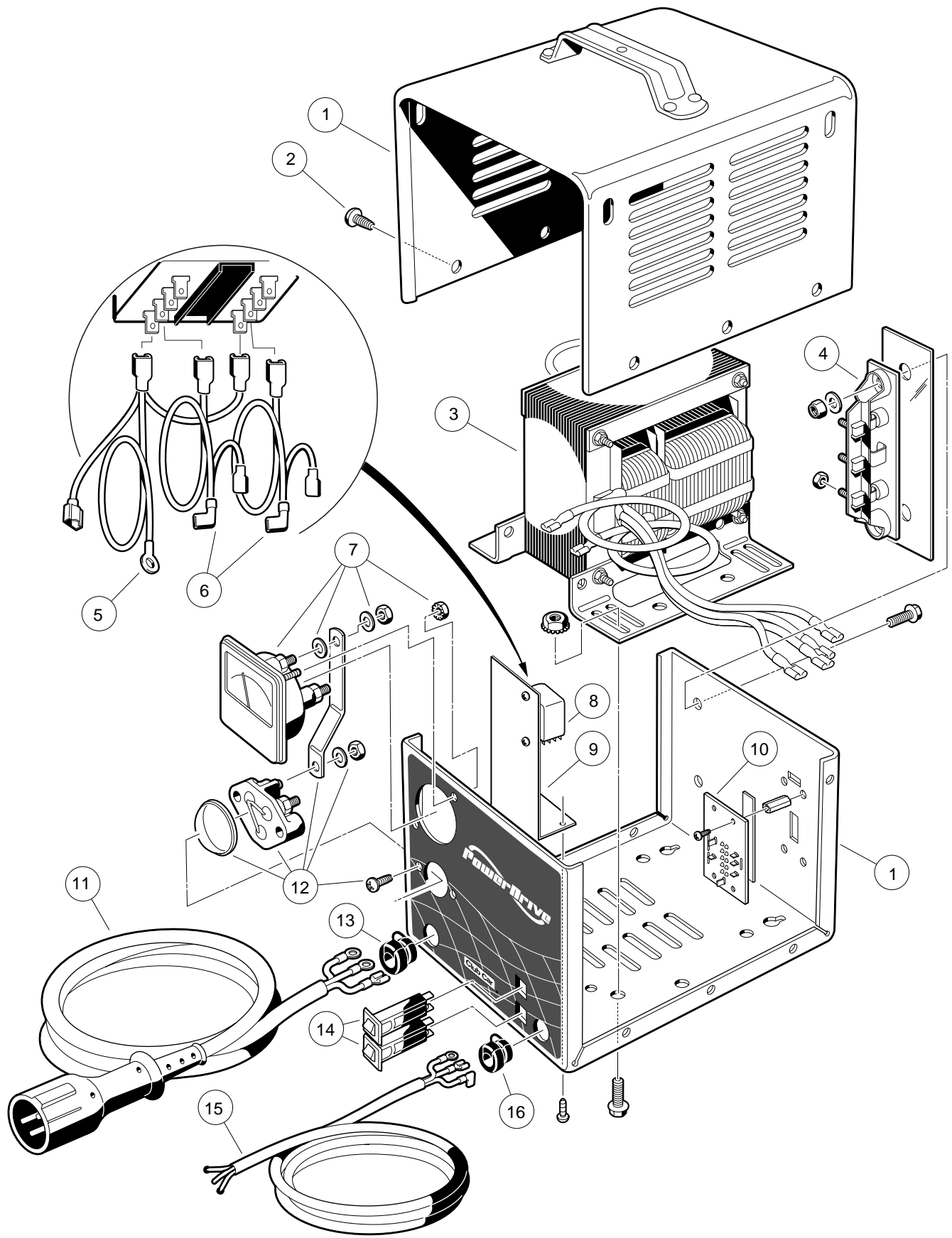
12
E

ITEM	PART NO.	DESCRIPTION	QTY
		1 2 3 4	
1	<u>1017977-01</u>	BATTERY, 8-VOLT	6
1	<u>1017977-02</u>	BATTERY, 8-VOLT, DRY	6
2	<u>1017957-01</u>	WIRE ASSEMBLY, #6 BLACK	5
3	<u>1014304</u>	NUT, HEX, STAINLESS STEEL, 5/16 -18	20
4	<u>1011578</u>	WASHER, FLAT, TYPE B WIDE, 5/16	8
5	<u>1018030-01</u>	HOLD-DOWN, BATTERY, SHORT	2
6	<u>1018030-02</u>	HOLD-DOWN, BATTERY, LONG	2
7	<u>1016682-01</u>	ROD, BATTERY HOLD-DOWN	8
8	<u>1017978-01</u>	CAP, BATTERY, 4 PORT GANG	6
9	<u>1016859</u>	KIT, REVERSE BUZZER (INCLUDES ITEMS 10 - 13)	1
10	<u>1016851</u>	BUZZER, REVERSE	1
11	0008056	SCREW, MACHINE, #4 - 40 x 3/4	2
12	0008057	NUT, HEX, #4 - 40	2
13	0008058	WASHER, LOCK, #4	2

BATTERY CHARGER

13

E



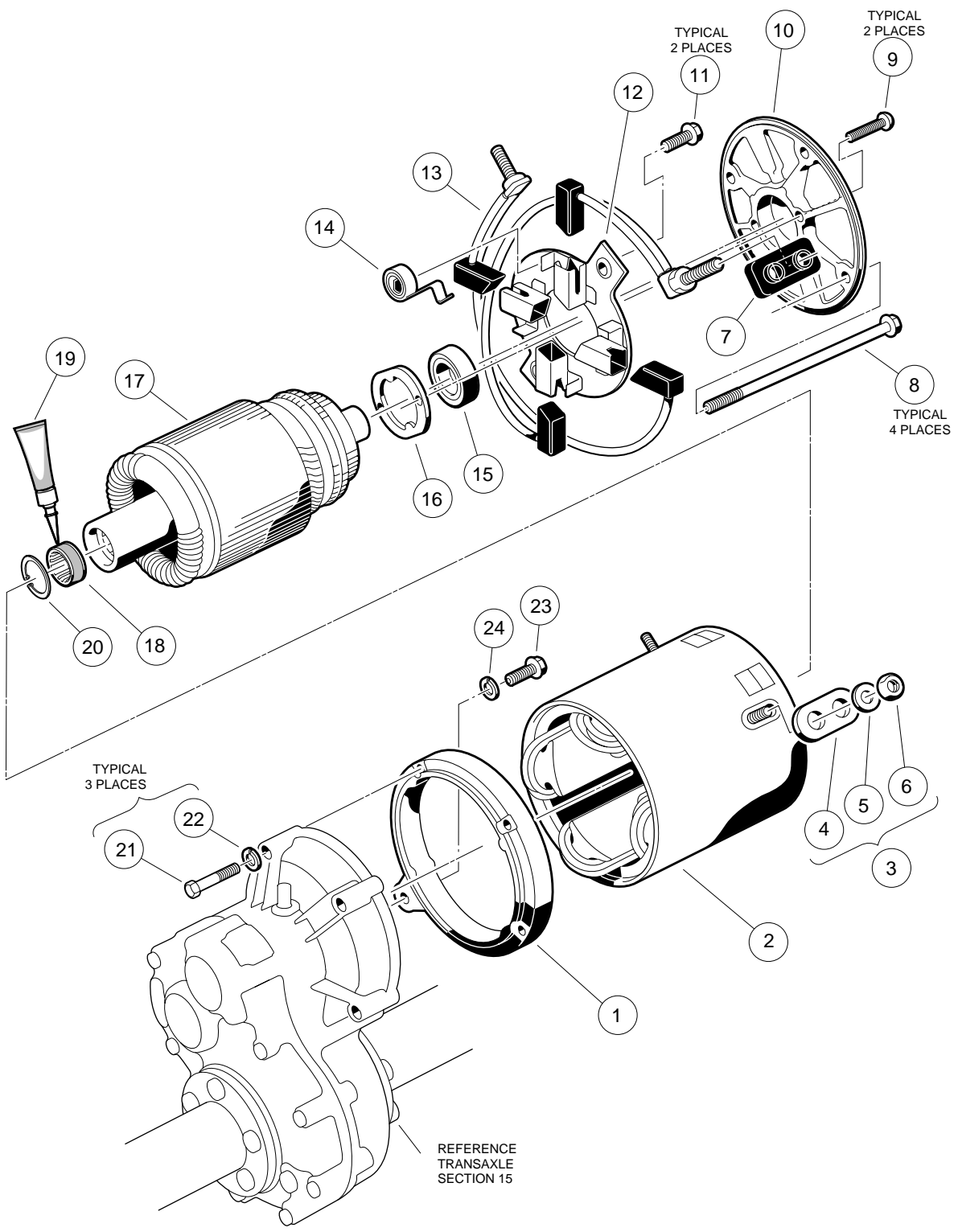
POWERDRIVE BATTERY CHARGER - EXPORT

ITEM	PART NO.	DESCRIPTION	QTY
		1 2 3 4	
	<u>1018315-03</u>	CHARGER, BATTERY, POWERDRIVE, EXPORT WITH 4-POSITION SWITCH 100 - 200 - 220 - 240 VAC, 48 VDC 50/60 HZ (MODEL NUMBER 18780-11) (INCLUDES ITEMS 1 - 16) 103 INCH DC CORD WITH MALE 3-PIN PLUG, 12 AWG 74 INCH AC CORD WITH NO PLUG	1
	1018315-04	CHARGER, BATTERY, POWERDRIVE EXPORT WITH 4-POSITION SWITCH 100 - 200 - 220 - 240 VAC, 48 VDC 50/60 HZ (MODEL NUMBER 18780-18) (INCLUDES ITEMS 1 - 16) 144 INCH DC CORD WITH MALE 3-PIN PLUG, 12 AWG 108 INCH AC CORD WITH NO PLUG	1
1	<u>1018381-01</u>	ASSEMBLY, CASE (INCLUDES ITEM 2)	1
2	0007577	SCREW, PAN HEAD, SELF-TAPPING, #10 - 16 x 1/2	10
3	1018382-01	ASSEMBLY, TRANSFORMER	1
4	<u>1015914</u>	ASSEMBLY, HEATSINK, WITH DIODES (INCLUDES MOUNTING HARDWARE)	1
5	1019144-01	ASSEMBLY, VOLTAGE SUPPRESSOR	1
6	1018385-01	KIT, WIRE ASSEMBLY	1
7	<u>1018285-01</u>	AMMETER (INCLUDES HARDWARE)	1
8	<u>1018383-01</u>	RELAY, POWER, 48 VDC (INCLUDES MOUNTING HARDWARE)	1
9	<u>1018387-01</u>	BRACKET, POWER RELAY MOUNTING	1
10	1018386-01	SWITCH, 4-POSITION, SLIDE	1
11	<u>1018289-01</u>	CORDSET, DC, 113 INCHES LONG WITH MALE 3-PIN PLUG, 12 AWG	1
11	<u>1018289-02</u>	CORDSET, DC, 154 INCHES LONG WITH MALE 3-PIN PLUG, 12 AWG	1
11	<u>1018289-03</u>	CORDSET, DC, 250 INCHES LONG WITH MALE 3-PIN PLUG, 12 AWG	1
12	<u>1012101</u>	ASSEMBLY, FUSE (INCLUDES HARDWARE)	1
13	<u>1012098</u>	BUSHING, STRAIN RELIEF, DC CORD, 12 AWG	1
14	1018384-01	BREAKER, CIRCUIT, 15 AMP	2
15	<u>1018317-01</u>	CORDSET, AC, 80 INCHES LONG, WITH LEADS (NO PLUG)	1
15	<u>1018317-02</u>	CORDSET, AC, 116 INCHES LONG, WITH LEADS (NO PLUG)	1
16	<u>1015917</u>	BUSHING, STRAIN RELIEF, AC CORD	1

MOTOR POWERDRIVE ELECTRIC VEHICLE

14

E



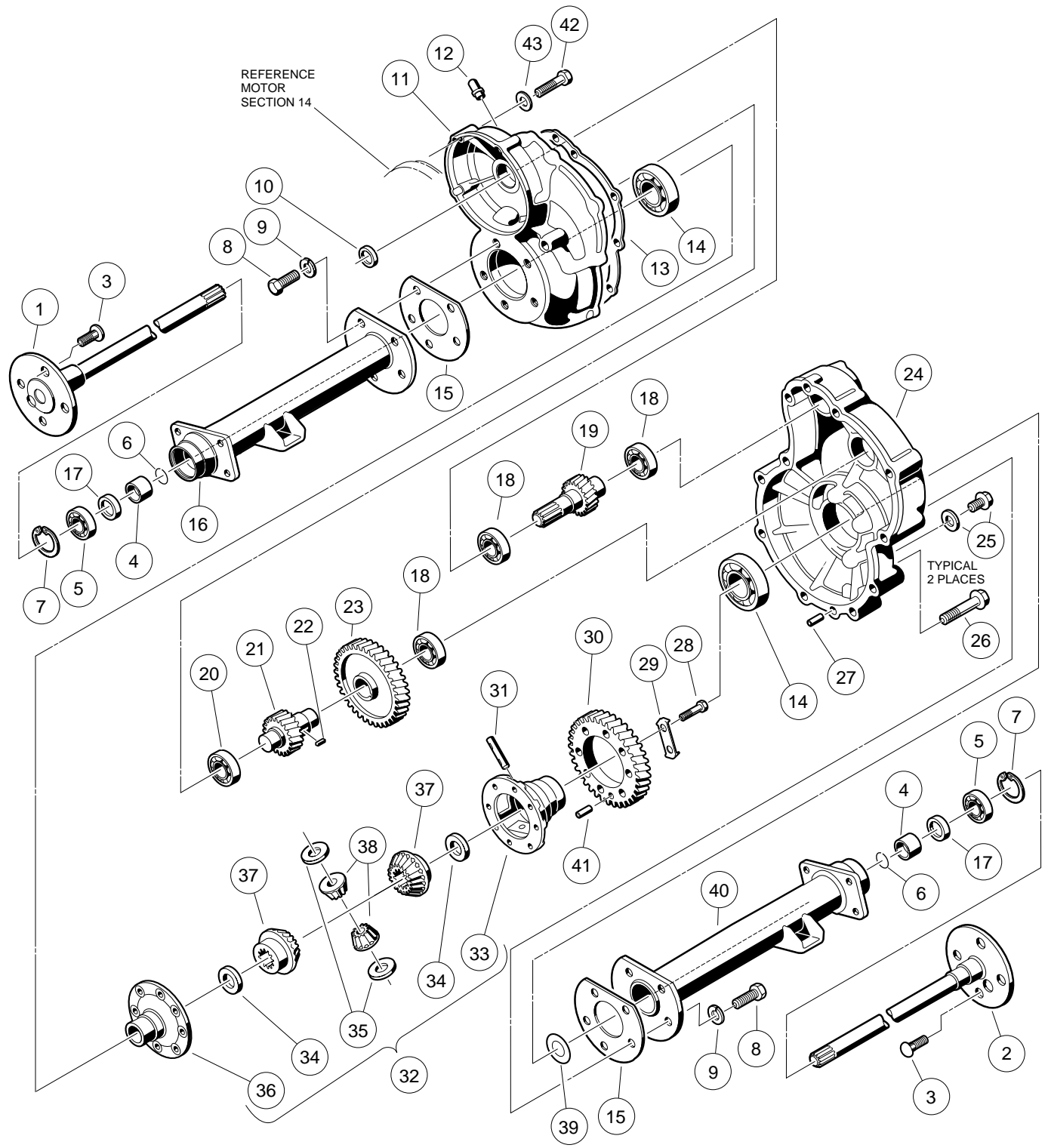
MOTOR - POWERDRIVE ELECTRIC VEHICLE

ITEM	PART NO.	DESCRIPTION	QTY
		1 2 3 4	
	1018133-01	ASSEMBLY, 48 VOLT MOTOR, 3.10 HP (INCLUDES ITEMS 1 - 20)	1
1	<u>1017944</u>	SHIELD, END	1
2	<u>1017958</u>	ASSEMBLY, STATOR SHELL AND WINDING	1
3	<u>1017947</u>	PACKAGE, HARDWARE (INCLUDES ITEMS 4 - 7)	1
4	N/A	BUSHING, INSULATOR	2
5	N/A	WASHER, FLAT, 5/16	4
6	N/A	NUT, HEX, 5/16 - 18	4
7	N/A	BUSHING, INSULATOR	2
8	<u>1017961</u>	SCREW, CLAMP	4
9	<u>1017953</u>	SCREW, BEARING RETAINER	2
10	<u>1017951</u>	SHIELD, END	1
11	<u>1017949</u>	SCREW, BRUSH HOLDER	2
12	<u>1017948</u>	RIGGING, BRUSH	1
13	<u>1017946</u>	PACKAGE, BRUSH (2 PIECES)	1
14	1011411	PACKAGE, BRUSH SPRING (4 PIECES)	1
15	<u>1011290</u>	BEARING, BALL	1
16	<u>1017950</u>	RETAINER, BEARING	1
17	N/A	ARMATURE	1
18	<u>1017891-01</u>	RING, GUIDE	1
19	<u>1018132-02</u>	ADHESIVE, GUIDE RING, 3 GRAM TUBE	A/R
20	<u>1018228-01</u>	RING, INTERNAL RETAINING	1
21	1014201	BOLT, HEX HEAD, 1/4 - 20 x 2 1/4	3
22	0000451	WASHER, LOCK, 1/4	3
23	<u>1010934</u>	BOLT, HEX HEAD, 5/16 - 18 x 1	1
24	0007174	WASHER, LOCK, 5/16	1

TRANSAXLE POWERDRIVE ELECTRIC VEHICLE

15

E



TRANSAXLE - POWERDRIVE ELECTRIC VEHICLE

ITEM	PART NO.	DESCRIPTION	QTY
		1 2 3 4	
	1017683-02	TRANSAXLE (INCLUDES ITEMS 1 - 41)	1
1	1013785	AXLE ASSEMBLY, RIGHT (INCLUDES ITEMS 3 - 7)	1
2	1013786	AXLE ASSEMBLY, LEFT (INCLUDES ITEMS 3 - 7)	1
3	<u>1013787</u>	STUD, LUG	8
4	1014207	BUSHING, 25 MM I. D.	1
5	<u>1011291</u>	BEARING, OUTER AXLE TUBE	2
6	<u>1016672</u>	RING, RETAINING	2
7	<u>1013792</u>	CIRCLIP, TYPE C	2
8	<u>1013790</u>	BOLT, M10 x 1.5 x 30MM	10
9	<u>1013791</u>	WASHER, LOCK, 13/32	10
10	<u>1013775</u>	SEAL, OIL, INPUT SHAFT	1
11	1013756	GEAR CASE, RIGHT	1
12	<u>1012711</u>	BREATHER	1
13	<u>1013758</u>	GASKET, CASE	1
14	0007330	BEARING, INNER AXLE TUBE	2
15	<u>1013789</u>	GASKET, AXLE TUBE	2
16	1017704	ASSEMBLY, AXLE TUBE, RIGHT SIDE	1
17	<u>1013794</u>	SEAL, OIL, AXLE SHAFT	2
18	0007335	BEARING, INPUT GEAR	3
19	<u>1013764</u>	SHAFT, INPUT	1
20	0007336	BEARING, INTERMEDIATE GEAR	1
21	<u>1013766</u>	GEAR, INTERMEDIATE, SMALL	1
22	<u>1013780</u>	KEY, SUNK	1
23	1013765	GEAR, INTERMEDIATE, LARGE	1
24	1013757	GEAR CASE, LEFT	1
25	<u>1013759</u>	PLUG, FILL, WITH GASKET	2
26	<u>1013763</u>	BOLT, M6 x 1 x 50MM	10
27	<u>1012710</u>	PIN, DOWEL	2
28	<u>1013779</u>	BOLT, M8 x 1.25 x 37MM	8
29	<u>1013782</u>	PLATE, LOCK	4
30	<u>1013767</u>	GEAR, OUTPUT	1
31	<u>1013772</u>	PIN, DIFFERENTIAL	1
32	<u>1019105-01</u>	KIT, DIFFERENTIAL GEAR CASE (INCLUDES ITEMS 33 - 36)	1
33	1013768	GEAR CASE, DIFFERENTIAL (LEFT)	1
34	<u>1013773</u>	PLATE, THRUST (DIFFERENTIAL GEAR)	2
35	<u>1013774</u>	PLATE, THRUST (IDLER GEAR)	2
36	1013769	GEAR CASE, DIFFERENTIAL (RIGHT)	1
37	1013771	GEAR, DIFFERENTIAL	2
38	<u>1013770</u>	GEAR, DIFFERENTIAL IDLER	2
39	<u>1013781</u>	SHIM	1
40	<u>1017703</u>	ASSEMBLY, AXLE TUBE, LEFT SIDE	1
41	<u>1014193</u>	PIN, DOWEL	1
42	1014201	BOLT, HEX HEAD, 1/4 - 20 x 2 1/4	3
43	0000451	WASHER, LOCK, 1/4	3



Club Car, Inc.
P.O. Box 204658
Augusta, GA 30917-4658
USA

Web www.clubcar.com
Phone 1.706.863.3000
1.800.ClubCar
Int'l +1 706.863.3000
Fax 1.706.863.5808