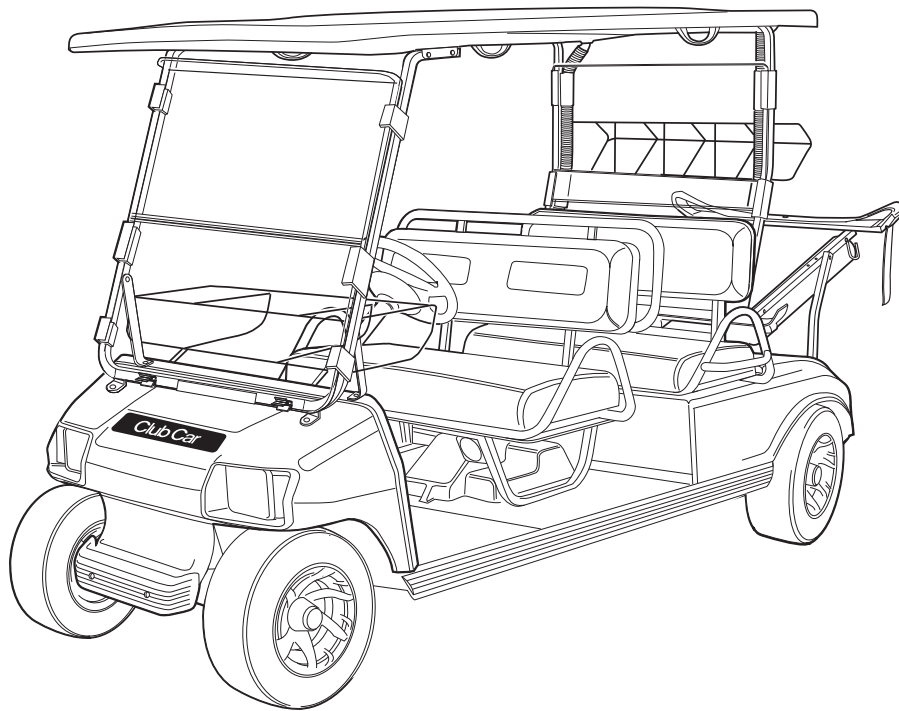




**2008
Limo
Illustrated Parts List**



Gasoline and Electric Vehicles

Manual Number 103373006
Edition Code 0907L0112K

USING THE ILLUSTRATED PARTS LIST

⚠ WARNING

- **This manual is to be used only for identification and ordering of service parts. Be sure to read and use the maintenance and service manual before attempting any vehicle repairs.**

This manual covers 2008 Limo golf cars equipped with manual brakes.

The manual is divided into sections. Note that there are two or three flags on the outside edge of each page. The first flag contains the section number of which that page is a part. The other flag (or flags) contains the letter G or E, signifying that the page pertains to the electric or gasoline vehicles only.

Use the Table of Contents to find the sections and pages that contain the parts and assemblies you seek. The Table of Contents lists section numbers, and under them, the individual page titles and numbers to be found in that section. The index can be used to find specific parts and assemblies.

There is a two-page spread for each individual page title in the Table of Contents. On the left-hand page is an illustration showing the parts in their relative positions; the parts are each tagged with an item number in a balloon. The right-hand page is the parts list page, and gives the page title at the top, then the item numbers (corresponding to the numbers on the illustration), part descriptions, and quantity of parts used.

Note that a part description may be indented. This indentation corresponds to a parts assembly level indicated by the numbers 1, 2, 3, and 4 at the top left corner of the parts description area of the parts list page. A part that is indented to *level 2* is a component of the *level 1* part (assembly) that it is listed under. A *level 3* part is a component of the *level 2* part that it is listed under, and a *level 4* part is a component of the *level 3* part preceding it. In each case, the part quantity given for a level 2, 3, or 4 part is the quantity used per next higher level assembly of which it is a component. A part that is not indented is a *level 1* part. This means that the quantity given is the quantity used per the portion of the vehicle illustrated on that particular spread.

HOW TO ORDER PARTS

Replacement parts and accessories can be obtained from our network of authorized dealers and distributors. You can obtain the name and phone number of your closest authorized Club Car dealer or distributor by visiting our web site at www.clubcar.com and clicking on the "Distributor Search" link or by calling our toll-free Service Parts and Technical Assistance hotline at (800) 872-2246 or (706) 863-3000, extension 3887.



P. O. Box 204658
Augusta, Georgia 30917-4658 USA
Telephone 706-863-3000
Service Parts Fax 706-855-7413
www.clubcar.com

NOTE: *This illustrated parts list represents the most current information at the time of publication. Club Car, Inc. is continually working to further improve its vehicles and other products. These improvements may affect the parts used to service the vehicle. Any modification and/or significant change in specifications will be forwarded to all Club Car and Carryall distributors/dealers and will, when applicable, appear in future editions of this illustrated parts list.*

Club Car, Inc. reserves the right to change specifications and designs at any time without notice and without the obligation of making changes to units previously sold.

Copyright © 2007 Club Car, Inc.
Club Car and *ArmorFlex*
are registered trademarks of Club Car, Inc.
This manual effective August 10, 2007.

2008 Limo Gasoline and Electric Vehicles Illustrated Parts List

CONTENTS

SECTION 1 – BODY AND TRIM

| | |
|-------------------------------------|------|
| Rear Access Door | 1-3 |
| Windshield | 1-5 |
| Rear Windshield | 1-7 |
| Baskets | 1-9 |
| Canopy | 1-11 |
| Canopy Drain Kit | 1-13 |
| Cargo Nets | 1-15 |
| Front Bumper | 1-17 |
| Heavy-Duty Front Bumper Kit | 1-19 |
| Inner Fender | 1-21 |
| Front Body | 1-23 |
| Rear Body Without Lights | 1-25 |
| Rear Body With Lights | 1-27 |
| Dash – Electric Vehicles | 1-29 |
| Dash – Gasoline Vehicles | 1-31 |
| Cup Holder and Ashtrays | 1-33 |
| Seat Support | 1-35 |
| Seats, Buff | 1-37 |
| Seats, White | 1-39 |
| Closeout, Under Seat | 1-41 |
| Floormats – Gasoline Vehicles | 1-43 |
| Floormats – Electric Vehicles | 1-45 |
| Bag Rest Mats | 1-47 |
| Bagrack | 1-49 |
| Rear Bumper | 1-51 |

SECTION 2 – WHEELS AND TIRES

| | |
|------------------------|-----|
| Wheel Covers | 2-3 |
| Wheels and Tires | 2-5 |

SECTION 3 – SAFETY DECALS

| | |
|--|------|
| Safety Decals, Electric Vehicles | 3-3 |
| Safety Decals, Electric Vehicles - Continued | 3-5 |
| Safety Decals, Gasoline Vehicles | 3-7 |
| Safety Decals, Gasoline Vehicles - Continued | 3-9 |
| Fleet Numbering Decals | 3-11 |

CONTENTS

SECTION 4 – BRAKES, PEDAL, AND CABLE ASSEMBLIES

| | |
|--|------|
| Brake Pedal Assembly | 4-3 |
| Accelerator Pedal Assembly – Electric Vehicles with MCOR | 4-5 |
| Pedal Group – Gasoline Vehicles | 4-7 |
| Pedal Group – Gasoline Vehicles, Continued | 4-9 |
| Pedal Group – Electric Vehicles | 4-11 |
| Pedal Group – Electric Vehicles, Continued | 4-13 |

SECTION 5 – STEERING, BRAKE CLUSTERS, FRONT AND REAR SUSPENSION

| | |
|--|------|
| Steering Column | 5-3 |
| Steering Wheel | 5-5 |
| Front Suspension Components | 5-7 |
| Front Suspension Components, Continued | 5-9 |
| Drive Unit Mounting | 5-11 |
| Rear Suspension – Leaf Springs and Shocks | 5-13 |
| Brake Clusters and Spindles – Driver Side | 5-15 |
| Brake Clusters and Spindles – Passenger Side | 5-17 |

SECTION 6 – ELECTRICAL SYSTEM – GASOLINE VEHICLE

| | |
|--|------|
| Headlights | 6-3 |
| Starter/Generator Assembly Model G425419 – Gasoline Vehicles | 6-5 |
| FE350 Starter/Generator Mounting – Gasoline Vehicles | 6-7 |
| Reverse Buzzer Kit | 6-9 |
| Headlight Switch | 6-11 |
| Tail Lights | 6-13 |
| Operation and Maintenance Switch | 6-15 |
| Wire Harness – Gasoline Vehicle | 6-19 |
| Electrical Component Box – Gasoline Vehicles | 6-21 |
| Electrical System Miscellaneous Hardware – Gasoline Vehicles | 6-25 |
| Controls and Cables | 6-27 |

SECTION 7 – FE350 ENGINE WITHOUT ACR

| | |
|--|------|
| AS11 FE350 Engine without ACR (Automatic Compression Release) – Shrouds and Brackets | 7-3 |
| AS11 FE350 Engine – Ignition Components and Flywheel | 7-5 |
| FE350 Engine – Oil Circulation | 7-7 |
| AS11 FE350 Engine – Cylinder Head | 7-9 |
| AS11 FE350 Engine without ACR – Crankcase, Camshaft, and Oil Sensor | 7-11 |
| AS11 FE350 Engine – Crankcase and Crankshaft | 7-13 |

CONTENTS

| | |
|-----------------------------|------|
| FE350 Engine Mounting | 7-15 |
|-----------------------------|------|

| | |
|--|--|
| SECTION 8 – FUEL, INTAKE, AND GOVERNOR SYSTEM | |
|--|--|

| | |
|--|------|
| Fuel System with Electric Fuel Pump | 8-3 |
| Fuel Tank with Fuel Level Sending Unit | 8-5 |
| Carburetor Assembly – FE350 | 8-7 |
| Carburetor Installation – FE350 | 8-9 |
| Intake Duct and Air Box Assembly | 8-11 |

| | |
|-----------------------------------|--|
| SECTION 9 – EXHAUST SYSTEM | |
|-----------------------------------|--|

| | |
|------------------------------|-----|
| Exhaust System – FE350 | 9-3 |
| Spark Arrestor Kit | 9-5 |

| | |
|--------------------------------------|--|
| SECTION 10 – TORQUE CONVERTER | |
|--------------------------------------|--|

| | |
|--------------------------|------|
| Drive Clutch | 10-3 |
| Drive Belt – FE350 | 10-5 |
| Driven Clutch | 10-7 |

| | |
|--|--|
| SECTION 11 – UNITIZED TRANSAXLE | |
|--|--|

| | |
|--|------|
| Transaxle – Gasoline Vehicles, Gear Cases and Brackets | 11-3 |
| Transaxle – Gasoline Vehicles, Transmission and Gear Reduction | 11-5 |
| Transaxle – Gasoline Vehicles, Differential and Axles | 11-7 |
| Differential Guard | 11-9 |

| | |
|---|--|
| SECTION 12 – GRAZIANO TRANSAXLE – GASOLINE VEHICLE | |
|---|--|

| | |
|--|------|
| Graziano Transaxle – Gasoline Vehicles | 12-3 |
| Graziano Transaxle – Gasoline Vehicles | 12-5 |
| Graziano Transaxle – Gasoline Vehicles | 12-7 |

| | |
|--|--|
| SECTION 13 – ELECTRICAL SYSTEM – ELECTRIC VEHICLE | |
|--|--|

| | |
|--|-------|
| Headlights | 13-3 |
| Reverse Buzzer Kit | 13-5 |
| Headlight Switch | 13-7 |
| Tail Lights | 13-9 |
| Charger Receptacle | 13-11 |
| Electrical System – Tow/Run Switch | 13-13 |
| Wiring – Electric Vehicle | 13-17 |

CONTENTS

| | |
|-------------------------------------|-------|
| Component Mounting Plate | 13-19 |
| Electrical System – Batteries | 13-21 |
| Single Point Watering System | 13-23 |

SECTION 14 – ELECTRIC MOTOR

| | |
|---------------------------------------|------|
| Drive Unit Mounting | 14-3 |
| Electric Motor (Model DA5-4006) | 14-5 |

SECTION 15 – TRANSAXLE – ELECTRIC VEHICLE

| | |
|----------------------------|------|
| Transaxle – (Type G) | 15-3 |
|----------------------------|------|

SECTION 16 – BATTERY CHARGER

| | |
|--|-------|
| PowerDrive 3 Battery Charger, Domestic | 16-3 |
| PowerDrive 2 Battery Charger (Model 22110), Domestic | 16-5 |
| PowerDrive Battery Charger (Model 17930), Domestic | 16-7 |
| PowerDrive Battery Charger (Model 18780), Export | 16-9 |
| PowerDrive Battery Charger (Model 20310), European | 16-11 |

SECTION 17 – MAINTENANCE AND SERVICE TOOLS

| | |
|--|-------|
| Maintenance and Service Tools | 17-3 |
| Maintenance and Service Tools, Continued | 17-5 |
| Maintenance and Service Tools, Continued | 17-7 |
| Maintenance and Service Tools, Continued | 17-9 |
| Maintenance and Service Tools, Continued | 17-11 |

SECTION i – INDEX

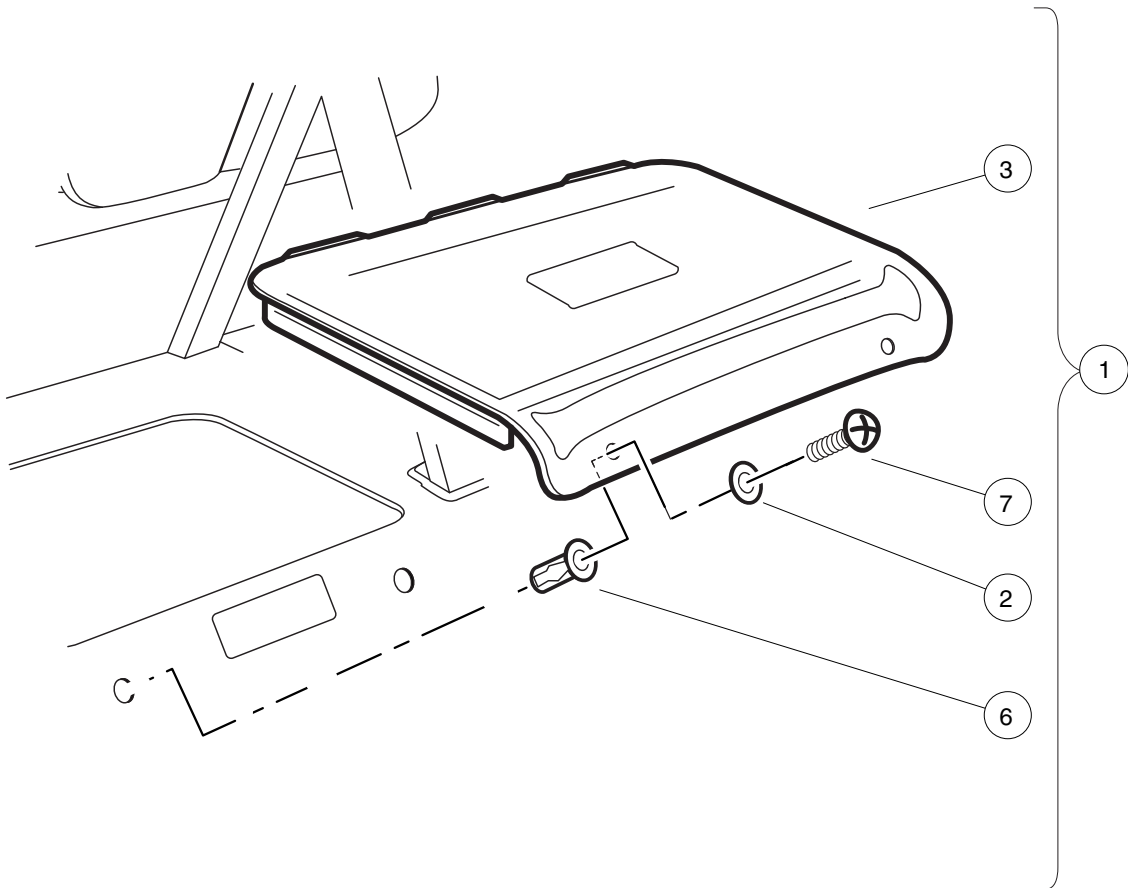
BODY AND TRIM

1

G

E

1
G
E

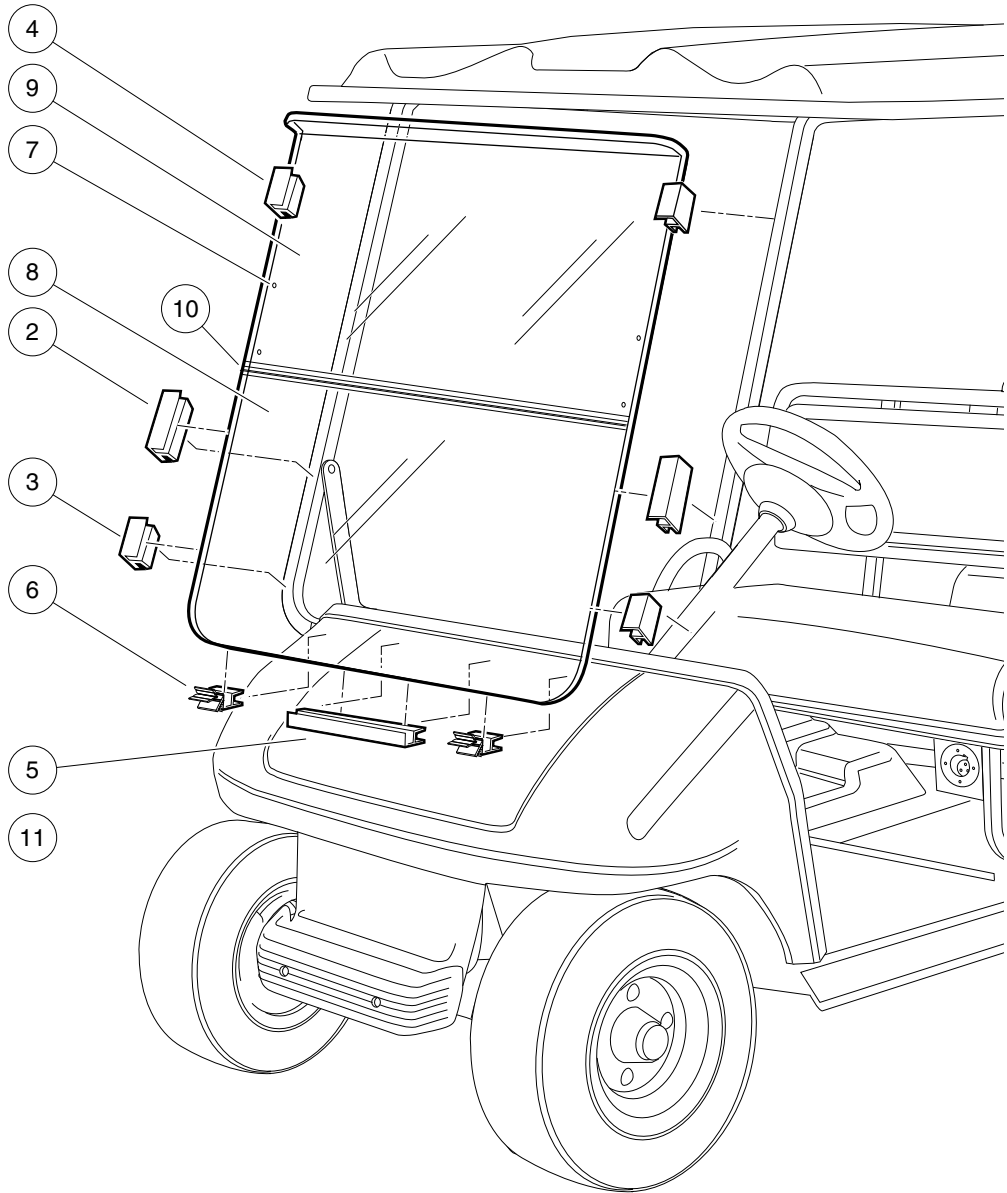


000783-001

REAR ACCESS DOOR

| ITEM | PART NO. | DESCRIPTION | QTY |
|------|----------------|---|-----|
| | | 1 2 3 4 | |
| 1 | <u>1013218</u> | Kit, Access Door Black (includes items 2 through 7) | 1 |
| 2 | <u>1012581</u> | Washer, 0.609-inch OD, Nylon Cup | 2 |
| 3 | <u>1013032</u> | Molded Access Door Black | 1 |
| 4 | <u>1013216</u> | Plug, Button | 2 |
| 5 | N/A | Instruction Sheet Access Door | 1 |
| 6 | <u>1015525</u> | Nut, 1/4-20 Blind | 2 |
| 7 | <u>8251</u> | Screw, 1/4-20 X 1.0 Truss-Head Machine | 2 |

1
G
E



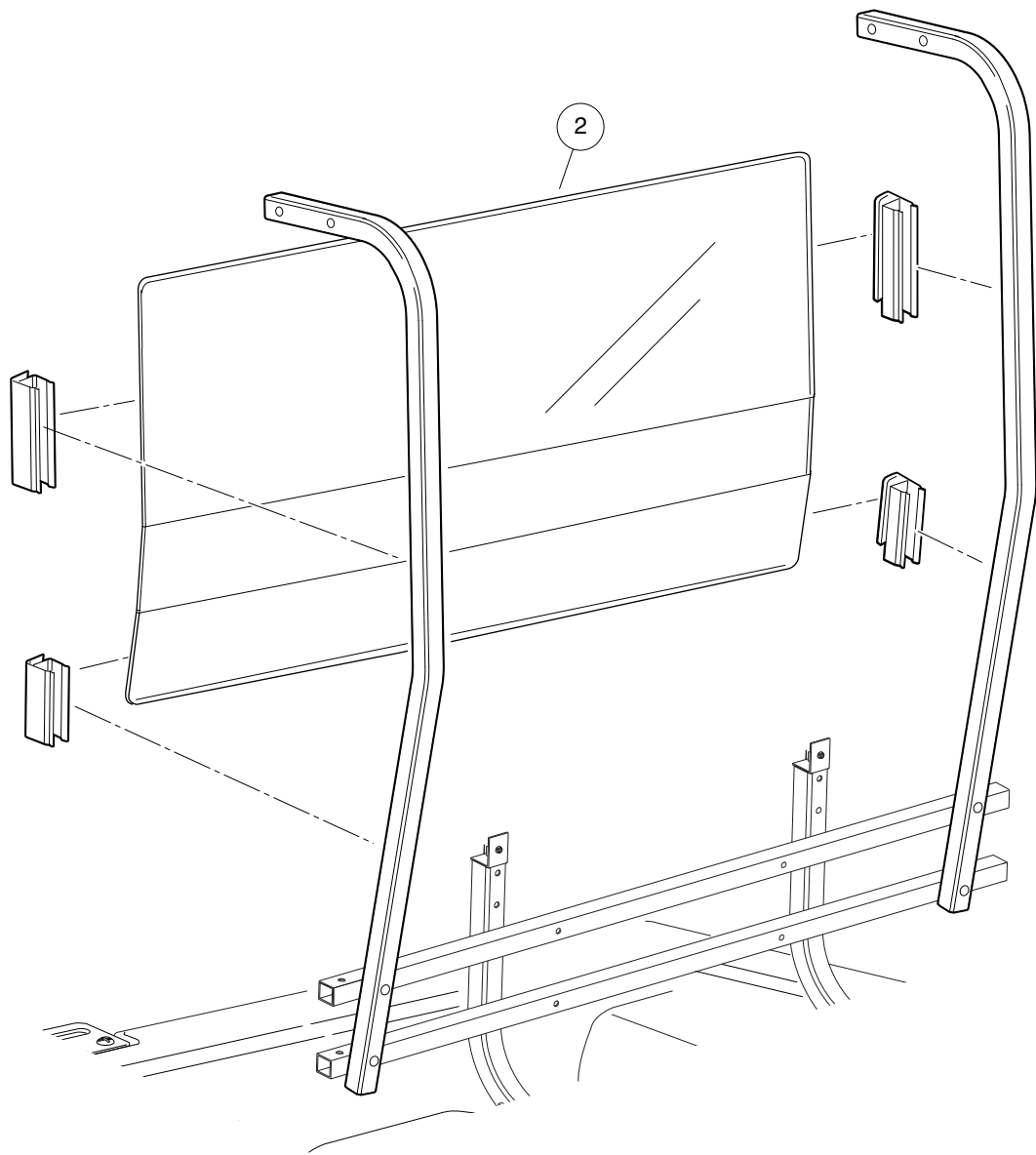
000773-001

WINDSHIELD

| ITEM | PART NO. | DESCRIPTION | QTY |
|------|------------------|--|-----|
| | | 1 2 3 4 | |
| 1 | <u>102962801</u> | Kit, Windshield, Folding, Wide (includes items 2 through 11) | 1 |
| 2 | <u>102005701</u> | 5" Plastic Extrusion | 2 |
| 3 | <u>102005702</u> | Clip, 2 " Long | 2 |
| 4 | <u>102005801</u> | Rubber Clip W/glue | 2 |
| 5 | <u>102163001</u> | Windshield Channel | 1 |
| 6 | <u>102163101</u> | Channel with Receiver Clip | 2 |
| 7 | N/A | Clear Bump On | 4 |
| 8 | N/A | Windshield, Folding, Lower | 1 |
| 9 | N/A | Windshield, Folding, Upper | 1 |
| 10 | N/A | Hinge, Windshield | 1 |
| 11 | N/A | Instr, Windshield, Limo Rstl | 1 |

1
G
E

1
G
E



000781-001

REAR WINDSHIELD

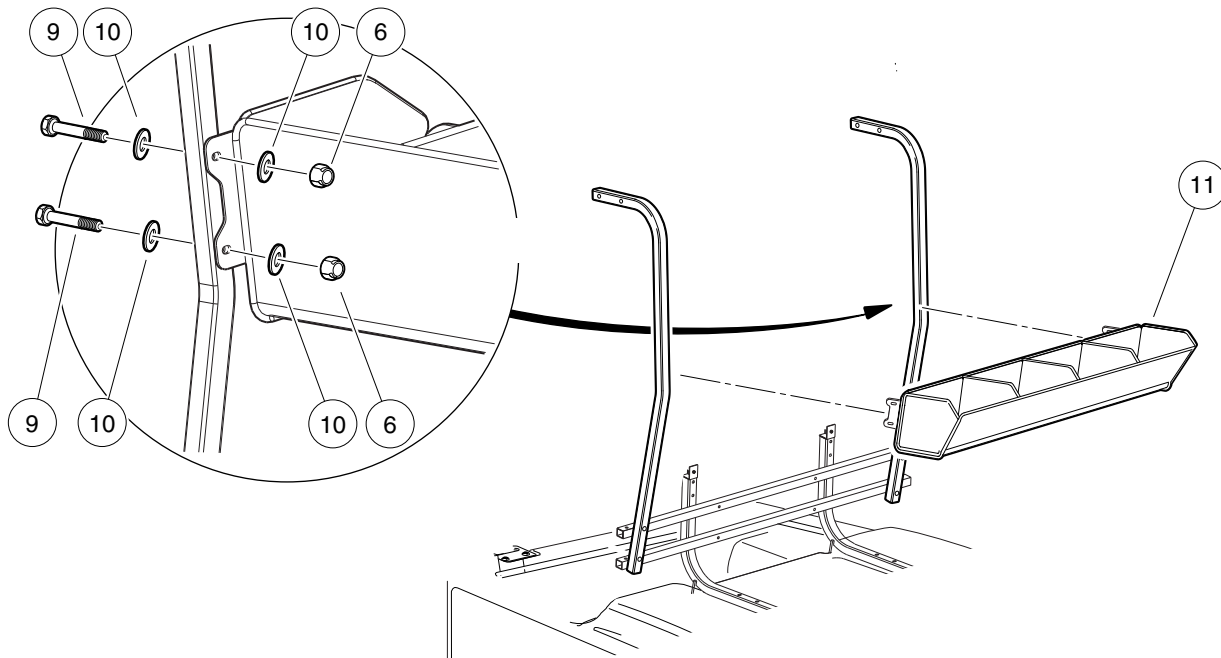
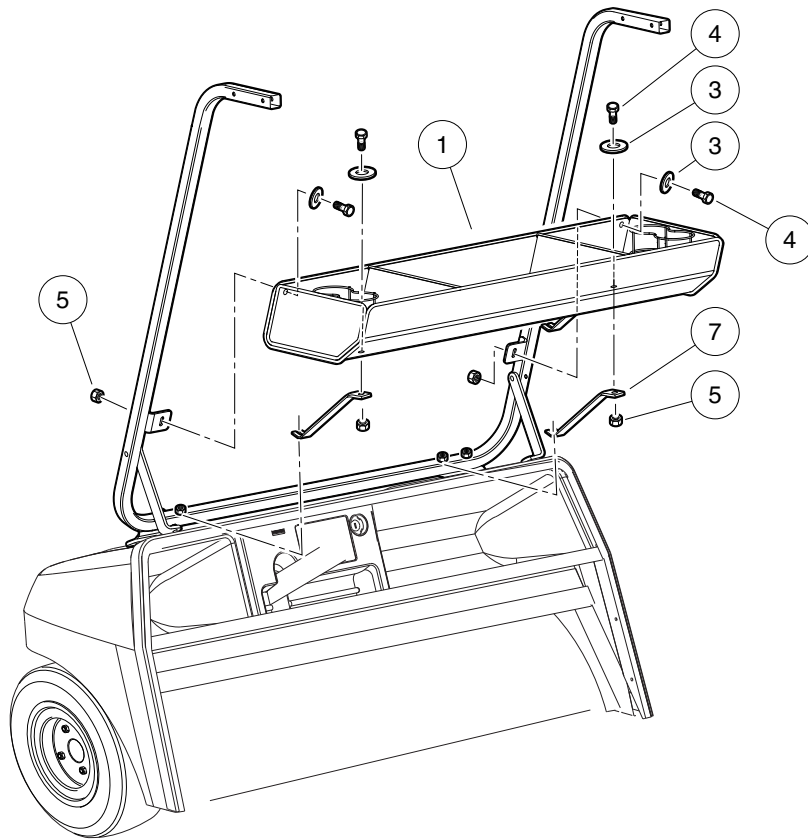
| ITEM | PART NO. | DESCRIPTION | QTY |
|------|------------------|--|-----|
| | | 1 2 3 4 | |
| 1 | <u>103231601</u> | Kit, Ws, Rear, Wide (includes items 2 and 3) | 1 |
| 2 | N/A | Windshield, Rear, Wide | 1 |
| 3 | N/A | Instruction, Kit, Rr Ws, Wide | 1 |

1

G

E

1
G
E



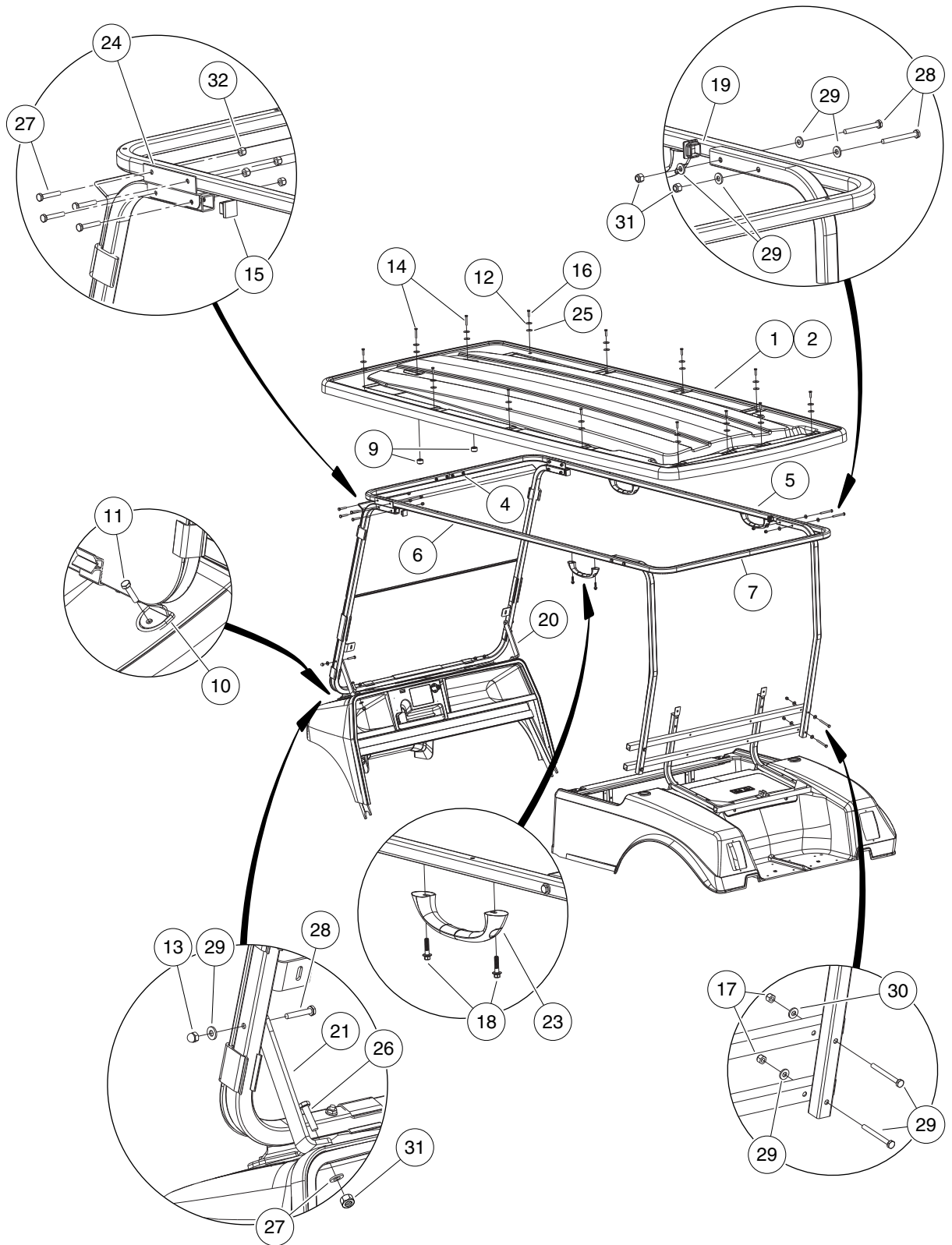
000774-001

BASKETS

| ITEM | PART NO. | DESCRIPTION | QTY |
|------|------------------|---|-----|
| | | 1 2 3 4 | |
| 1 | <u>103194401</u> | Basket, Storage, Front | 1 |
| 2 | <u>103357401</u> | Kit, Hrdwr, Basket, Frnt & Rr (includes items 3 through 10) | 1 |
| 3 | <u>1014306</u> | Washer, 1/4" Type B Flat | 4 |
| 4 | <u>1015521</u> | Screw, 1/4-20 X .88 Hex Hd Cap | 4 |
| 5 | <u>1015661</u> | Nut, Lock Hx Flanged 1/4-20 | 4 |
| 6 | <u>102242401</u> | Nut - Nylon Insert W/cap | 4 |
| 7 | <u>102967801</u> | Bracket, Support, Basket, Frnt | 2 |
| 8 | N/A | Instr, Kit, Basket Hardware | 1 |
| 9 | <u>1703</u> | Screw, 1/4-20 X 1.50 Hx Hd Cap | 4 |
| 10 | <u>332</u> | Washer, 1/4 Type A Narrow Flat | 8 |
| 11 | <u>103375201</u> | Basket, Equipment, Rear | 1 |

1
G
E

1
G
E



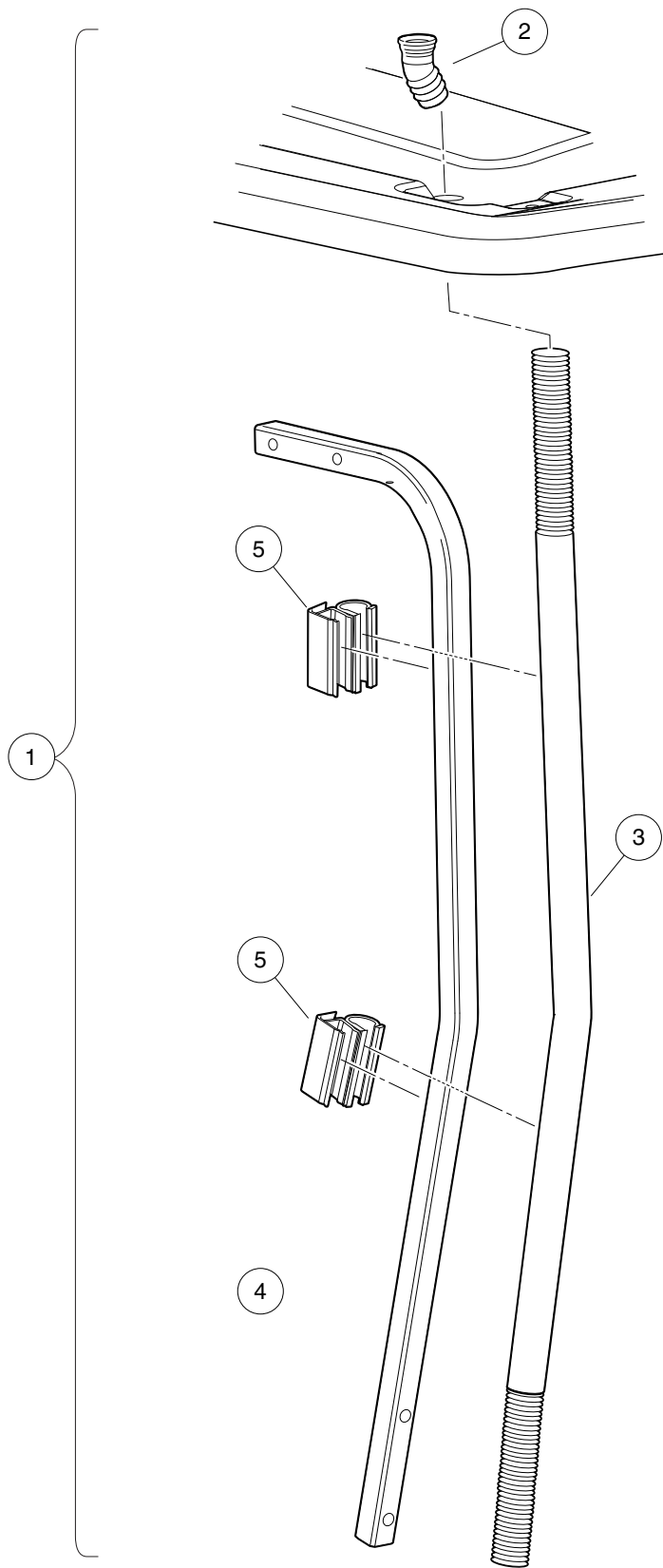
000775-002

CANOPY

| ITEM | PART NO. | DESCRIPTION | QTY |
|------|------------------|---|-----|
| | | 1 2 3 4 | |
| 1 | <u>102955301</u> | Canopy, Stretch, White | 1 |
| 2 | <u>102955302</u> | Canopy, Stretch, Beige | 1 |
| 3 | <u>103367701</u> | Assembly, Canopy Frame, Long (includes items 4 through 7) | 1 |
| 4 | <u>1012285</u> | Screw, 1/4 X 0.625 Hex-Head | 8 |
| 5 | N/A | Frame Half, Canopy, Long, Rh | 1 |
| 6 | N/A | Frame Half, Canopy, Long, Lh | 1 |
| 7 | N/A | Bar, Splice, Long | 2 |
| 8 | <u>103367801</u> | Kit, Hrdw, Canopy (includes items 9 through 32) | 1 |
| 9 | <u>1010142</u> | Cushion, Shock Absorber | 2 |
| 10 | <u>1011883</u> | Pad, Windshield Frame Mounting | 2 |
| 11 | <u>1011937</u> | Bolt, 5/16-18 X 1.25 Hex Head | 2 |
| 12 | <u>1014306</u> | Washer, 1/4" Type B Flat | 14 |
| 13 | <u>1015091</u> | Nut, 1/4-20 Stainless-Steel Center-Lock Cap | 2 |
| 14 | <u>1016916</u> | Screw, 1/4-20 X 1.50 Hex-Head Cap | 2 |
| 15 | <u>1017271</u> | Finishing Plug | 2 |
| 16 | <u>101954301</u> | Screw, 1/4-20 X 0.75 Hex-Head Cap | 12 |
| 17 | <u>102242401</u> | Nut - Nylon Insert W/cap | 4 |
| 18 | <u>102541425</u> | Bolt-m6x1.0x25 Hex Flhd, Blk-l | 6 |
| 19 | <u>102581201</u> | Plug, Square - 25.4 mm | 2 |
| 20 | <u>103224601</u> | Brace, Windshield, Left | 1 |
| 21 | <u>103224701</u> | Brace, Windshield, Right | 1 |
| 22 | N/A | Instr, Canopy, Limo Rstl | 1 |
| 23 | <u>103367101</u> | Hand Hold, Canopy, Plastic | 3 |
| 24 | <u>103367401</u> | Bracket, Support, Canopy | 2 |
| 25 | <u>103522401</u> | Washer, Rubber, 7.1 Mm Id | 14 |
| 26 | <u>1218</u> | Screw, 5/16-18 X 1.25 Hex-Head Cap | 2 |
| 27 | <u>1241</u> | Washer, 5/16 Type A Flat | 2 |
| 28 | <u>1703</u> | Screw, 1/4-20 X 1.50 Hx Hd Cap | 10 |
| 29 | <u>324</u> | Screw, 1/4-20 X 2.50 Hx Hd Cap | 8 |
| 30 | <u>332</u> | Washer, 1/4 Type A Narrow Flat | 12 |
| 31 | <u>7473</u> | Locknut, 5/16-18 Nylon Insert | 2 |
| 32 | <u>8233</u> | Locknut, 1/4-20 Nylon Insert | 12 |

1
G
E

1
G
E



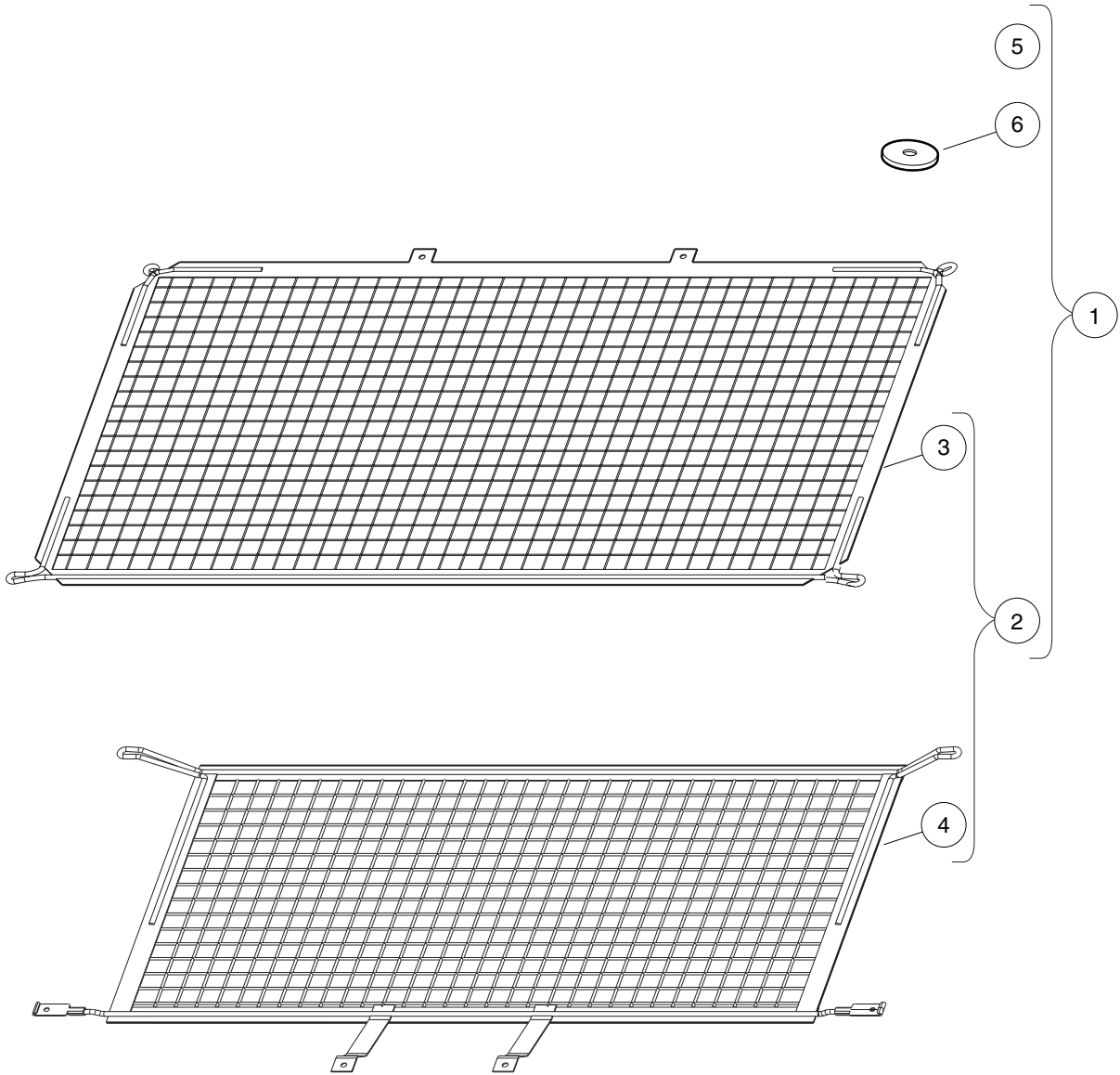
000776-001

CANOPY DRAIN KIT

| ITEM | PART NO. | DESCRIPTION | QTY |
|------|------------------|---|-----|
| | | 1 2 3 4 | |
| 1 | <u>103213101</u> | Kit, Drain, Canopy (includes items 2 through 5) | 1 |
| 2 | <u>103203001</u> | Grommet, Drain, Canopy, Angled | 2 |
| 3 | <u>103213001</u> | Tubing, Drain, Canopy | 2 |
| 4 | N/A | Instr, Drain, Canopy | 1 |
| 5 | <u>103411601</u> | Clip, Rear Windshld/drain Tube | 4 |

1
G
E

1
G
E

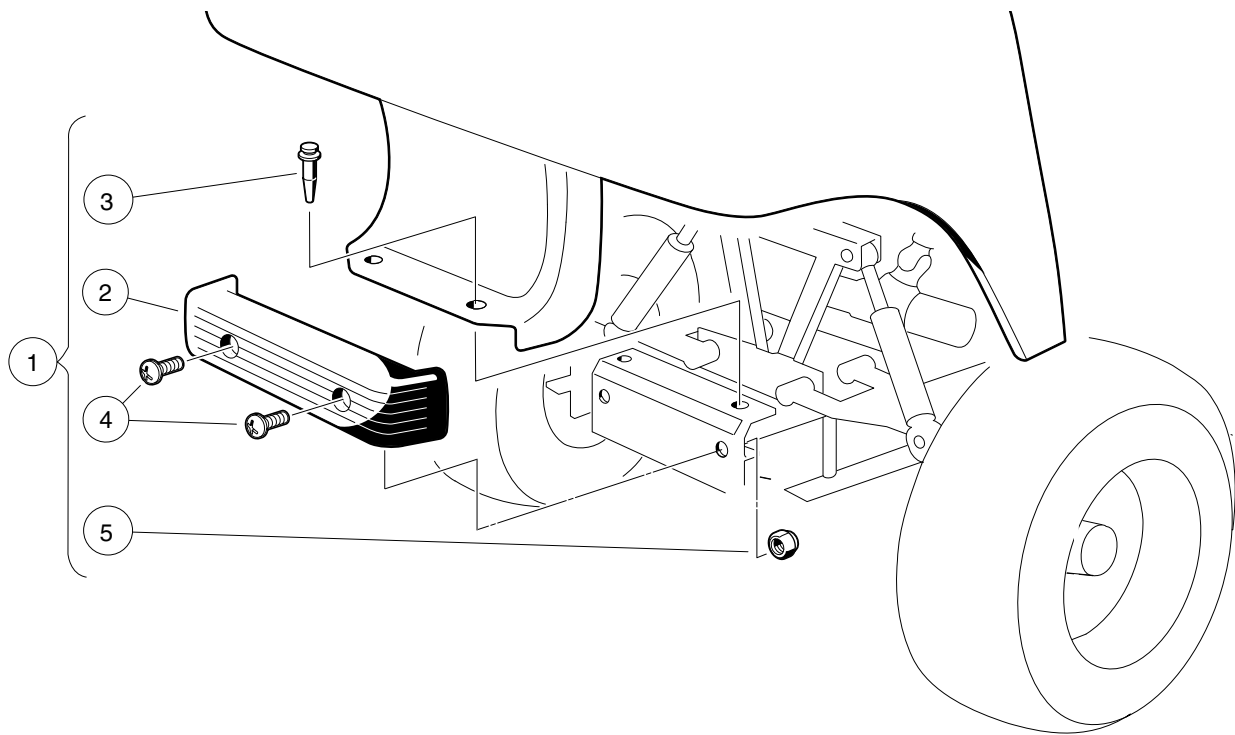


000772-001

CARGO NETS

| ITEM | PART NO. | DESCRIPTION | QTY |
|------|------------------|---|-----|
| | | 1 2 3 4 | |
| 1 | <u>103238802</u> | Kit, Cargo Nets, Field (includes items 2 through 6) | 1 |
| 2 | 103238801 | Nets, Cargo, Front & Rear (includes items 3 and 4) | 1 |
| 3 | N/A | Net, Cargo, Front | 1 |
| 4 | N/A | Net, Cargo, Rear | 1 |
| 5 | N/A | Instr, Net, Cargo | 1 |
| 6 | <u>103375101</u> | Washer, Rubber, 1" Od X .25" Id | 10 |

1
G
E



000743-001

FRONT BUMPER

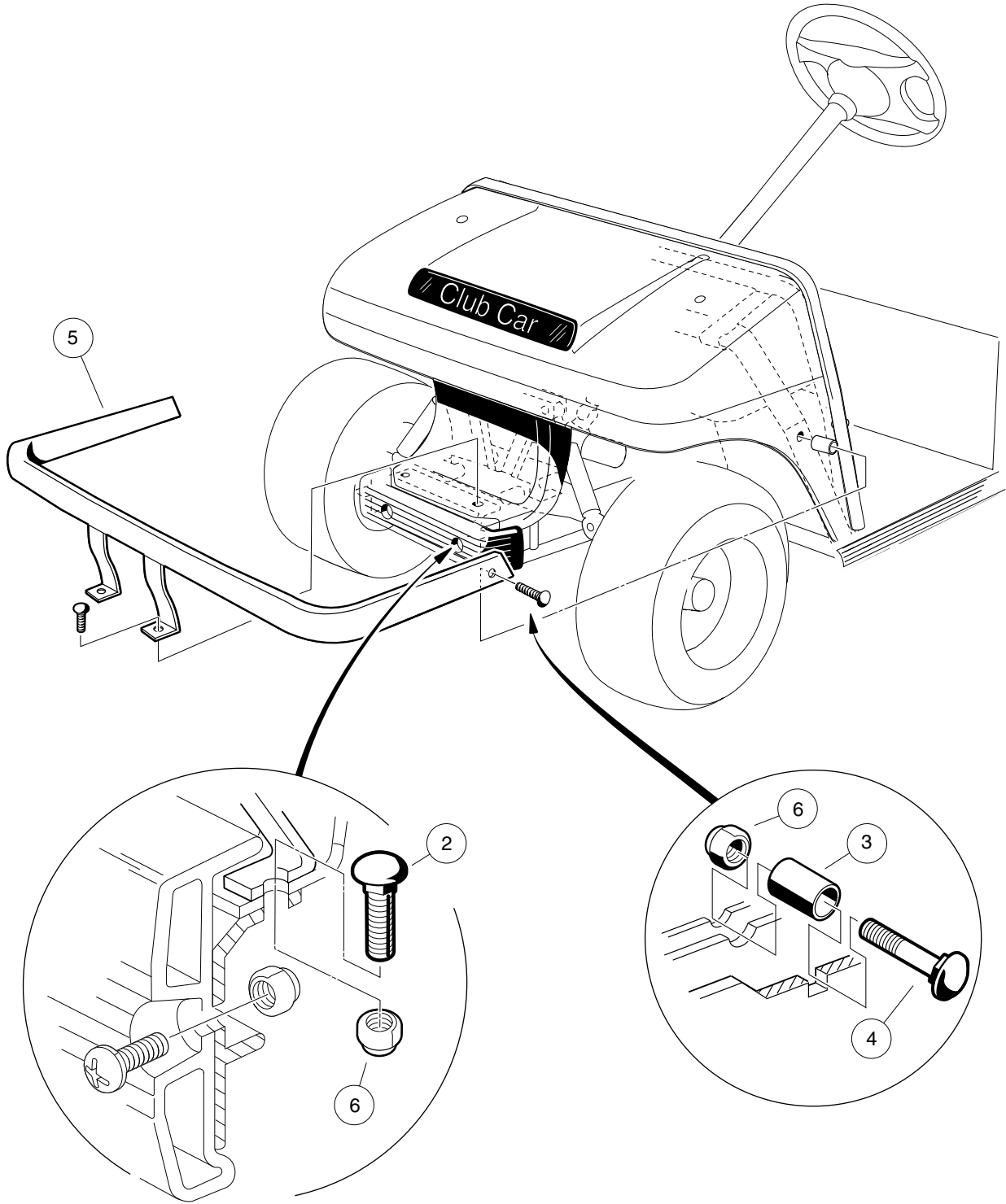
| ITEM | PART NO. | DESCRIPTION | QTY |
|------|----------------|--|-----|
| | | 1 2 3 4 | |
| 1 | <u>1017080</u> | Kit, Front Bumper (includes items 2 through 5) | 1 |
| 2 | <u>1016868</u> | Front Bumper | 1 |
| 3 | <u>1016967</u> | Blind Rivet, Push Type | 2 |
| 4 | <u>7251</u> | Screw, 5/16-18 x 1.0 Truss-Head | 2 |
| 5 | <u>7473</u> | Locknut, 5/16-18 Nylon Insert | 2 |

1

G

E

1
G
E



APM-000037-001

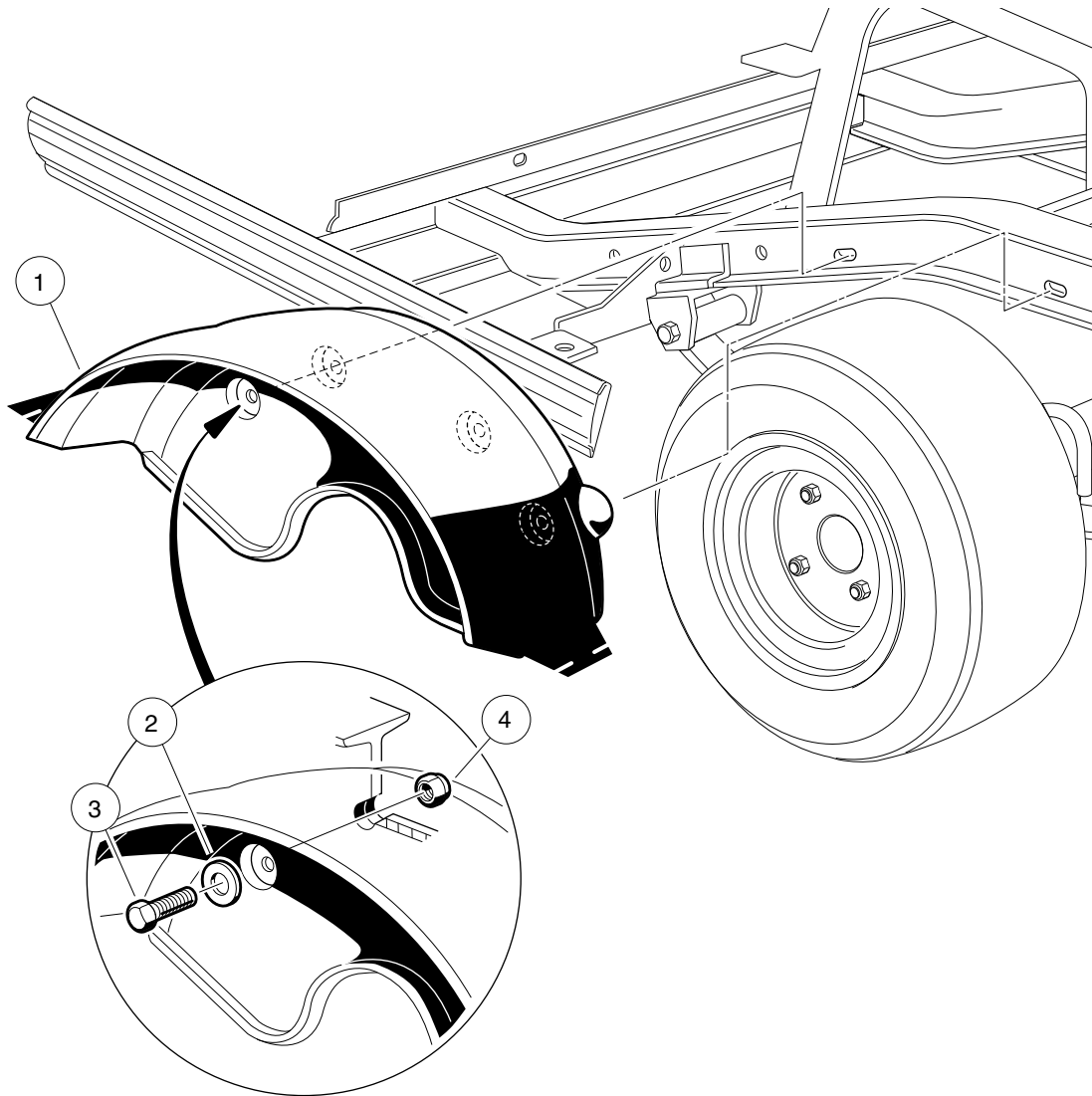
HEAVY-DUTY FRONT BUMPER KIT

| ITEM | PART NO. | DESCRIPTION | QTY |
|------|------------------|---|-----|
| | | 1 2 3 4 | |
| 1 | <u>101734802</u> | Kit, Heavy-Duty Bumper (includes items 2 through 6) | 1 |
| 2 | <u>1010435</u> | Bolt, Carriage, 5/16-18 X 1.00 | 2 |
| 3 | <u>1010546</u> | Spacer | 2 |
| 4 | <u>1015405</u> | Bolt, Carriage, 5/16-18 X 2.0 | 2 |
| 5 | N/A | Weldment, Heavy Duty Bumper | 1 |
| 6 | <u>7473</u> | Locknut, 5/16-18 Nylon Insert | 4 |

1

G

E

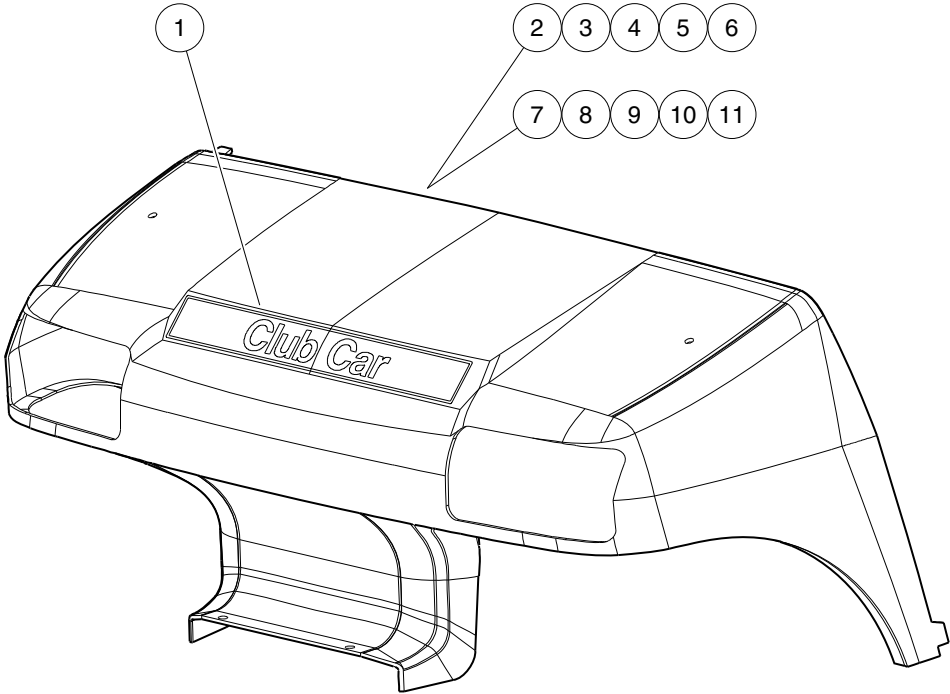


000747-001

INNER FENDER

| ITEM | PART NO. | DESCRIPTION | QTY |
|------|----------------|---|-----|
| 1 | <u>1017936</u> | 1 2 3 4 Fender, Inner | 2 |
| 2 | <u>332</u> | Washer, 1/4 Type A Narrow Flat | 4 |
| 3 | <u>7847</u> | Screw, 1/4-20 X 0.75 Hex-Head Cap | 4 |
| 4 | <u>8233</u> | Locknut, 1/4-20 Nylon Insert | 4 |

1
G
E



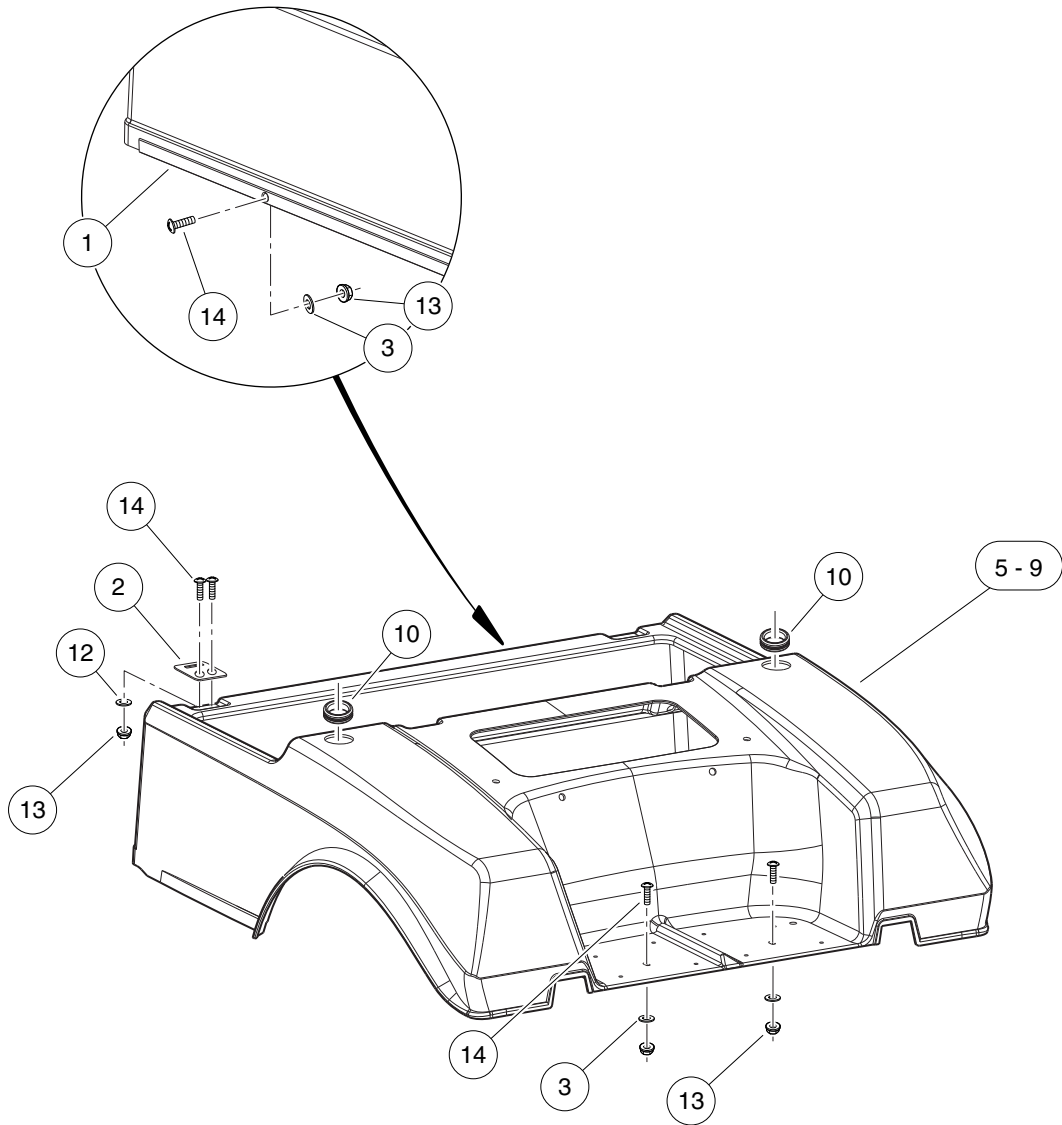
000748-001

FRONT BODY

| ITEM | PART NO. | DESCRIPTION | QTY |
|------|------------------|---|-----|
| | | 1 2 3 4 | |
| 1 | <u>101414801</u> | Nameplate, Club Car Amber | 1 |
| 2 | <u>101692501</u> | Cowl, TPO, Beige | 1 |
| 3 | <u>101692502</u> | Cowl, TPO, White | 1 |
| 4 | <u>101692510</u> | Cowl, TPO, Dark Green | 1 |
| 5 | <u>101692512</u> | Cowl, TPO, Classic Blue (Navy) | 1 |
| 6 | <u>101692513</u> | Cowl, TPO, Burgundy | 1 |
| 7 | <u>101693901</u> | Cowl with Headlight Opening, TPO, Beige | 1 |
| 8 | <u>101693902</u> | Cowl with Headlight Opening, TPO, White | 1 |
| 9 | <u>101693909</u> | Cowl with Headlight Opening, TPO, Dark Green | 1 |
| 10 | <u>101693911</u> | Cowl with Headlight Opening, TPO, Classic Blue (Navy) | 1 |
| 11 | <u>101693912</u> | Cowl with Headlight Opening, TPO, Burgundy | 1 |
| 12 | N/A | Opt, Color, 5 Pass, Elec | 1 |
| 13 | N/A | Opt, Color, 5 Pass, Gas | 1 |

1
G
E

1
G
E



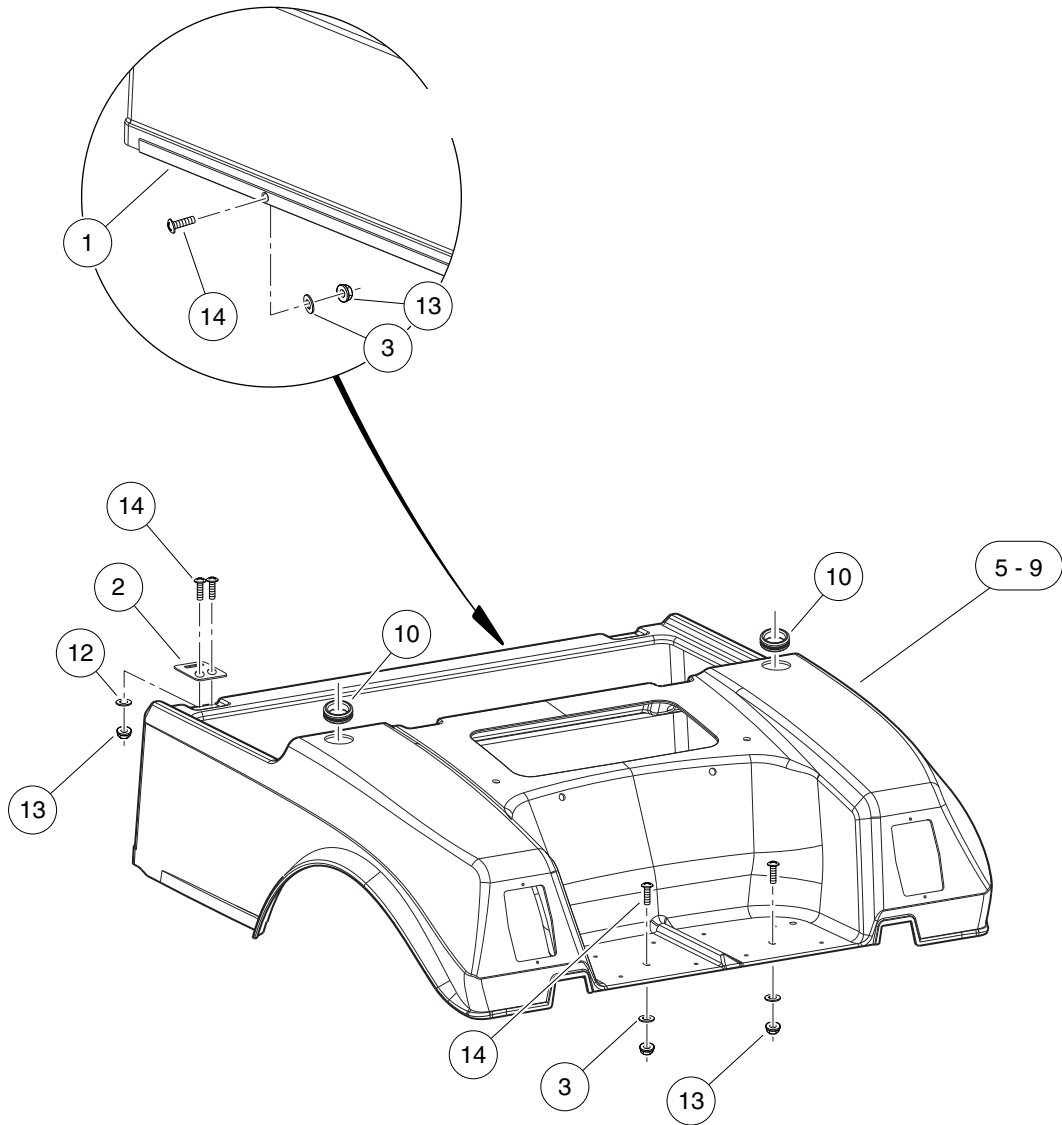
000749-001

REAR BODY WITHOUT LIGHTS

| ITEM | PART NO. | DESCRIPTION | QTY |
|------|------------------|--|-----|
| | | 1 2 3 4 | |
| 1 | <u>1010993</u> | Body Kick Plate | 1 |
| 2 | <u>1012412</u> | Body, Hinge Plate | 2 |
| 3 | <u>1014306</u> | Washer, 1/4" Type B Flat | 4 |
| 4 | <u>102842401</u> | Decal, IQ Plus | 1 |
| 5 | <u>103219601</u> | Body, Trimmed -g/e Beige | 1 |
| 6 | <u>103219602</u> | Body, Trimmed -g/e White | 1 |
| 7 | <u>103219609</u> | Body, Trimmed -g/e Dk Green | 1 |
| 8 | <u>103219611</u> | Body, Trimmed -g/e Classic Blu | 1 |
| 9 | <u>103219612</u> | Body, Trimmed -g/e Burgundy | 1 |
| 10 | <u>103252301</u> | Grommet, Body, Drain Tube | 2 |
| 11 | N/A | Opt, Color, 5 Pass, Elec | 1 |
| 12 | <u>332</u> | Washer, 1/4 Type A Narrow Flat | 4 |
| 13 | <u>8233</u> | Locknut, 1/4-20 Nylon Insert | 8 |
| 14 | <u>8251</u> | Screw, 1/4-20 X 1.0 Truss-Head Machine | 8 |

1
G
E

1
G
E



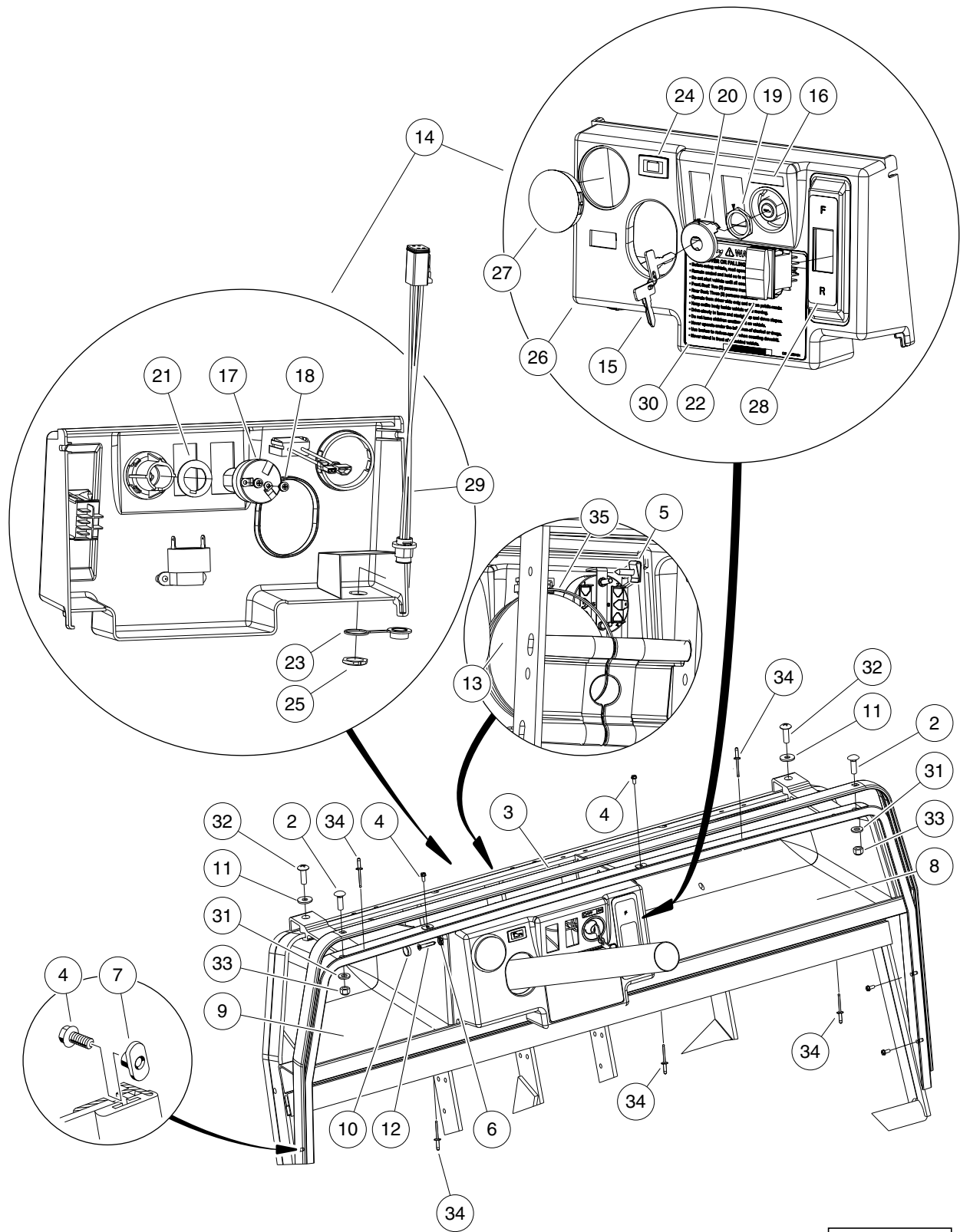
000749-002

REAR BODY WITH LIGHTS

| ITEM | PART NO. | DESCRIPTION | QTY |
|------|------------------|--|-----|
| | | 1 2 3 4 | |
| 1 | <u>1010993</u> | Body Kick Plate | 1 |
| 2 | <u>1012412</u> | Body, Hinge Plate | 2 |
| 3 | <u>1014306</u> | Washer, 1/4" Type B Flat | 4 |
| 4 | <u>102842401</u> | Decal, IQ Plus | 2 |
| 5 | <u>103219631</u> | Body, Trimmed -beige Lts | 1 |
| 6 | <u>103219632</u> | Body, Trimmed -white Lts | 1 |
| 7 | <u>103219639</u> | Body, Trimmed -dk Green Lts | 1 |
| 8 | <u>103219641</u> | Body, Trimmed -classic Blue Lt | 1 |
| 9 | <u>103219642</u> | Body, Trimmed -burgundy Lts | 1 |
| 10 | <u>103252301</u> | Grommet, Body, Drain Tube | 2 |
| 11 | N/A | Opt, Color, 5 Pass, Elec | 1 |
| 12 | <u>332</u> | Washer, 1/4 Type A Narrow Flat | 4 |
| 13 | <u>8233</u> | Locknut, 1/4-20 Nylon Insert | 8 |
| 14 | <u>8251</u> | Screw, 1/4-20 X 1.0 Truss-Head Machine | 8 |

1
G
E

1
G
E



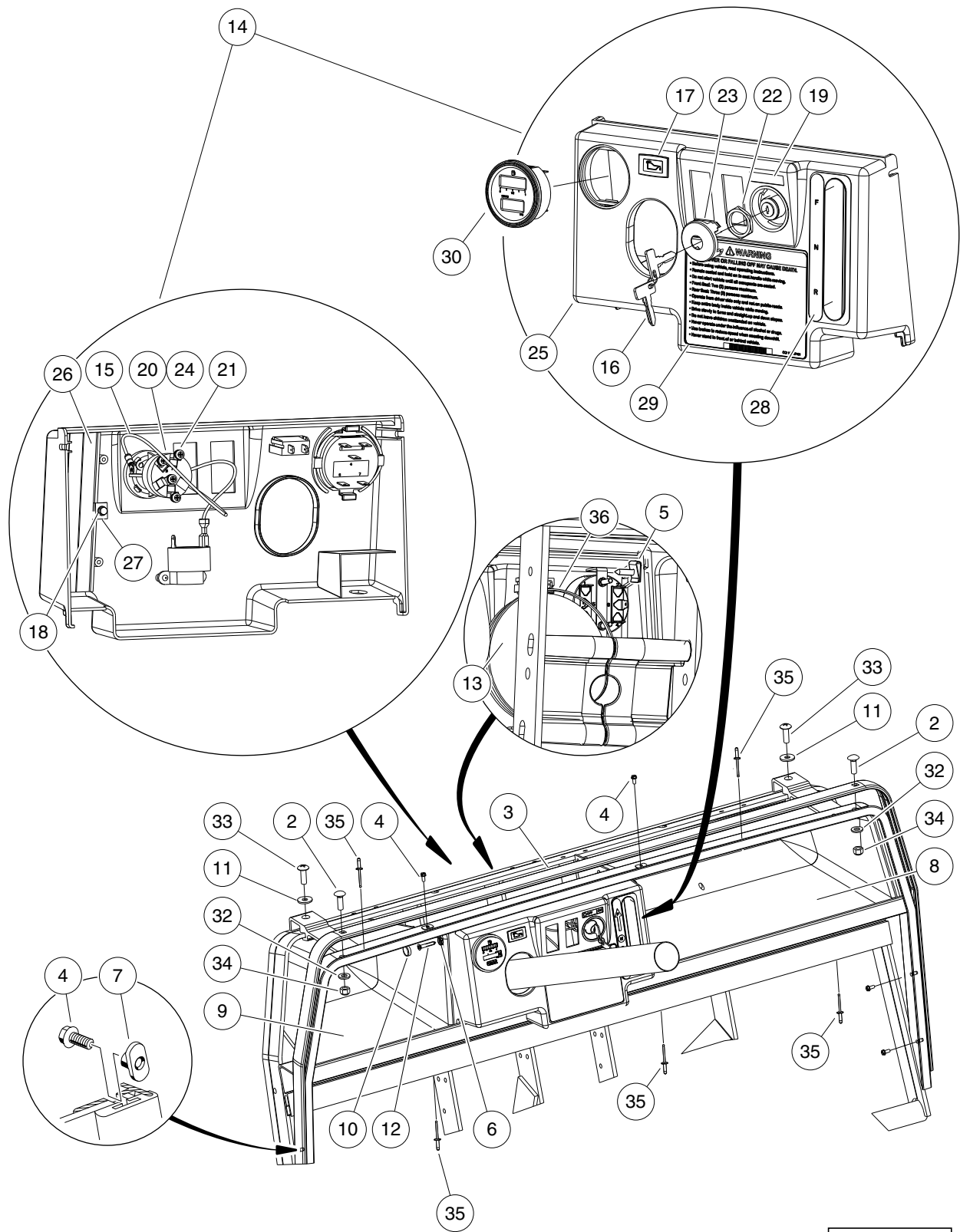
000741-001

DASH – ELECTRIC VEHICLES

| ITEM | PART NO. | DESCRIPTION | QTY |
|------|------------------|--|-----|
| | | 1 2 3 4 | |
| 1 | N/A | Instl, Dash, Limo, Ele, Mb (includes items 2 through 35) | 1 |
| 2 | <u>1010435</u> | Bolt, Carriage, 5/16-18 X 1.00 | 2 |
| 3 | <u>1011014</u> | Trim, Cowl | 1 |
| 4 | <u>1011017</u> | Screw, #8-32 X 0.375 | 6 |
| 5 | <u>1011019</u> | Nut, Speed | 2 |
| 6 | <u>1011382</u> | Washer, #10 Pan-Head Screw | 2 |
| 7 | <u>1011394</u> | T-Nut Package (Set of 4) | 1 |
| 8 | <u>1013343</u> | Dash Component, Passenger-Side, Black | 1 |
| 9 | <u>1013344</u> | Dash Component, Driver-Side | 1 |
| 10 | <u>1013494</u> | Cover, Screw Head | 2 |
| 11 | <u>1015075</u> | Washer, 5/16 Flat Type A | 2 |
| 12 | <u>1015528</u> | Screw, #10 x 1-1/4 Phillips Head | 2 |
| 13 | <u>102278001</u> | Boot, Steering Column Round | 1 |
| 14 | N/A | Asm, Dash, Ele, Limo, Mb (includes items 15 through 30) | 1 |
| 15 | <u>1012505</u> | Keys (set of 2) | 1 |
| 16 | <u>101825101</u> | Decal, Off/On | 1 |
| 17 | <u>101826201</u> | Key Switch, On/Off | 1 |
| 18 | <u>101830601</u> | Screw and Washer Assembly | 2 |
| 19 | <u>101830701</u> | Nut, Key Switch | 1 |
| 20 | <u>101834502</u> | Cap, Black Key Switch | 1 |
| 21 | <u>101851101</u> | Washer, Key Switch | 1 |
| 22 | <u>101856002</u> | Switch, Rocker, Single-Pole | 1 |
| 23 | <u>102196901</u> | Dust Cap | 1 |
| 24 | <u>102508701</u> | Light, Battery | 1 |
| 25 | <u>102572401</u> | Nut, Diagnostic Port, Prec | 1 |
| 26 | <u>102977002</u> | Panel, Dash, Center, Gas (Instrument Panel) | 1 |
| 27 | <u>103198301</u> | Plug, Hole, Round, 2.0 In | 1 |
| 28 | <u>103210301</u> | Decal, Forward/Reverse, Electric | 1 |
| 29 | <u>103218601</u> | Harness, Diagnostic Port | 1 |
| 30 | N/A | Decal, Warning, Dash | 1 |
| 31 | <u>1241</u> | Washer, 5/16 Type A Flat | 2 |
| 32 | <u>7251</u> | Screw, 5/16-18 x 1.0 Truss-Head | 2 |
| 33 | <u>7473</u> | Locknut, 5/16-18 Nylon Insert | 2 |
| 34 | <u>7973</u> | Rivet, 3/16 X .400 Blind | 5 |
| 35 | <u>8639</u> | Tie Wrap, 11" Nylon | 1 |

1
G
E

1
G
E



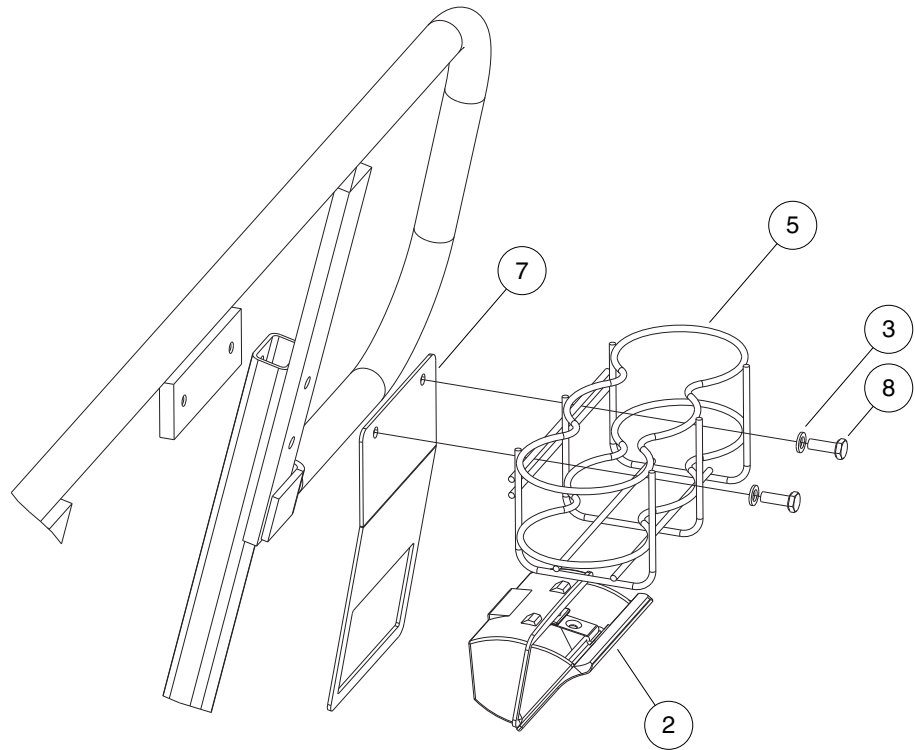
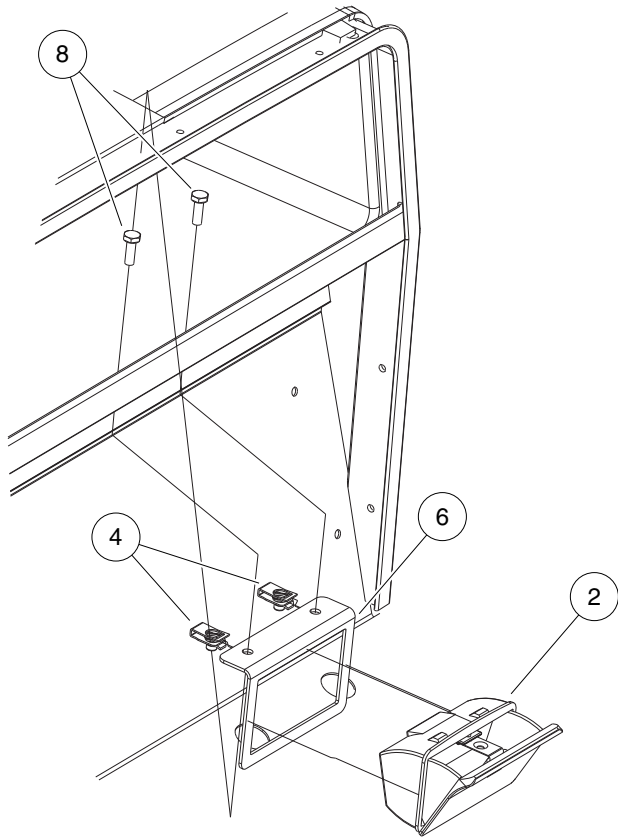
000741-002

DASH – GASOLINE VEHICLES

| ITEM | PART NO. | DESCRIPTION | QTY |
|------|------------------|--|-----|
| | | 1 2 3 4 | |
| 1 | N/A | Instl, Dash, Limo, Gas, Mb (includes items 2 through 36) | 1 |
| 2 | <u>1010435</u> | Bolt, Carriage, 5/16-18 X 1.00 | 2 |
| 3 | <u>1011014</u> | Trim, Cowl | 1 |
| 4 | <u>1011017</u> | Screw, #8-32 X 0.375 | 6 |
| 5 | <u>1011019</u> | Nut, Speed | 2 |
| 6 | <u>1011382</u> | Washer, #10 Pan-Head Screw | 2 |
| 7 | <u>1011394</u> | T-Nut Package (Set of 4) | 1 |
| 8 | <u>1013343</u> | Dash Component, Passenger-Side, Black | 1 |
| 9 | <u>1013344</u> | Dash Component, Driver-Side | 1 |
| 10 | <u>1013494</u> | Cover, Screw Head | 2 |
| 11 | <u>1015075</u> | Washer, 5/16 Flat Type A | 2 |
| 12 | <u>1015528</u> | Screw, #10 x 1-1/4 Phillips Head | 2 |
| 13 | <u>102278001</u> | Boot, Steering Column Round | 1 |
| 14 | N/A | Asm, Dash, Gas, Limo, Mb (includes items 15 through 30) | 1 |
| 15 | <u>1012396</u> | Wire Assy #18 Black | 1 |
| 16 | <u>1012505</u> | Keys (set of 2) | 1 |
| 17 | <u>1016630</u> | Light, Oil | 1 |
| 18 | <u>101804301</u> | Screw, #8 X 0.500, Hex-Head Hi-Lo | 2 |
| 19 | <u>101825101</u> | Decal, Off/On | 1 |
| 20 | <u>101826301</u> | Key Switch, 12-Volt, Off/On | 1 |
| 21 | <u>101830601</u> | Screw and Washer Assembly | 4 |
| 22 | <u>101830701</u> | Nut, Key Switch | 1 |
| 23 | <u>101834502</u> | Cap, Black Key Switch | 1 |
| 24 | <u>101851101</u> | Washer, Key Switch | 1 |
| 25 | <u>102977001</u> | Panel, Dash, Center, Gas (Instrument Panel) | 1 |
| 26 | <u>103199001</u> | Brush, Closeout, FNR | 2 |
| 27 | <u>103199101</u> | Washer, Retaining, Brush, FNR | 2 |
| 28 | <u>103210201</u> | Decal, Forward/Reverse, Gas | 1 |
| 29 | N/A | Decal, Warning, Dash | 1 |
| 30 | <u>103348601</u> | Gauge, Fuel-hour,sep Gnd,utl (includes item 31) | 1 |
| 31 | <u>103348201</u> | Clip, Meter, Round | 1 |
| 32 | <u>1241</u> | Washer, 5/16 Type A Flat | 2 |
| 33 | <u>7251</u> | Screw, 5/16-18 x 1.0 Truss-Head | 2 |
| 34 | <u>7473</u> | Locknut, 5/16-18 Nylon Insert | 2 |
| 35 | <u>7973</u> | Rivet, 3/16 X .400 Blind | 5 |
| 36 | <u>8639</u> | Tie Wrap, 11" Nylon | 1 |

1
G
E

1
G
E



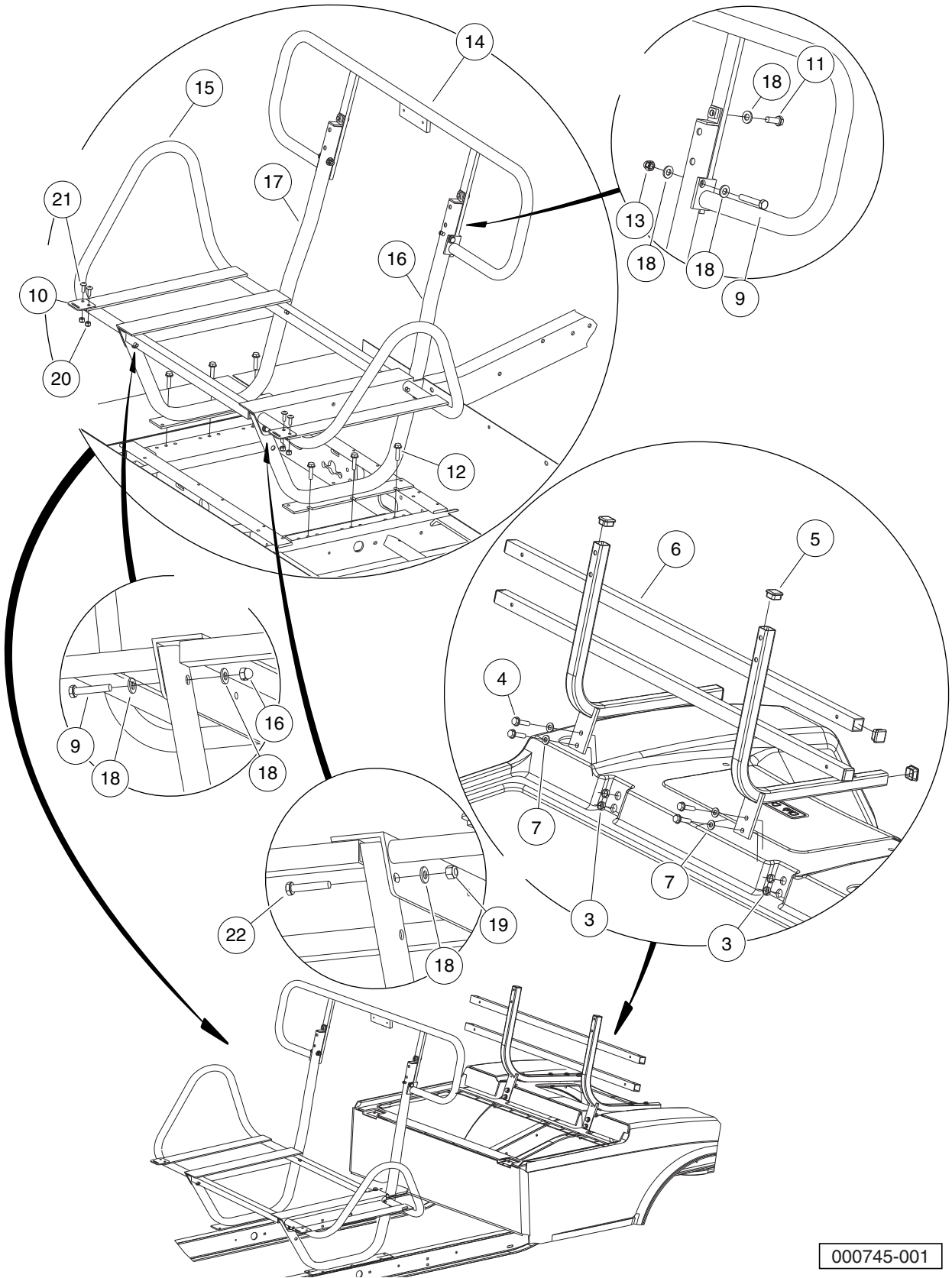
000740-001

CUP HOLDER AND ASHTRAYS

| ITEM | PART NO. | DESCRIPTION | QTY |
|------|------------------|--|-----|
| | | 1 2 3 4 | |
| 1 | N/A | Inst, Cupholder Ashtray, Limo (includes items 2 through 8) | 1 |
| 2 | N/A | Ashtray Assy | 2 |
| 3 | <u>1014007</u> | Washer, 1/4 Flat | 2 |
| 4 | 1016952 | U-Nut, 1/4-20 | 2 |
| 5 | <u>102961801</u> | Cupholder, Wireform | 1 |
| 6 | <u>102977801</u> | Bracket, Ashtray, Front | 1 |
| 7 | <u>103204901</u> | Bracket, Ashtray, Rear | 1 |
| 8 | <u>7847</u> | Screw, 1/4-20 X 0.75 Hex-Head Cap | 4 |

1
G
E

1
G
E



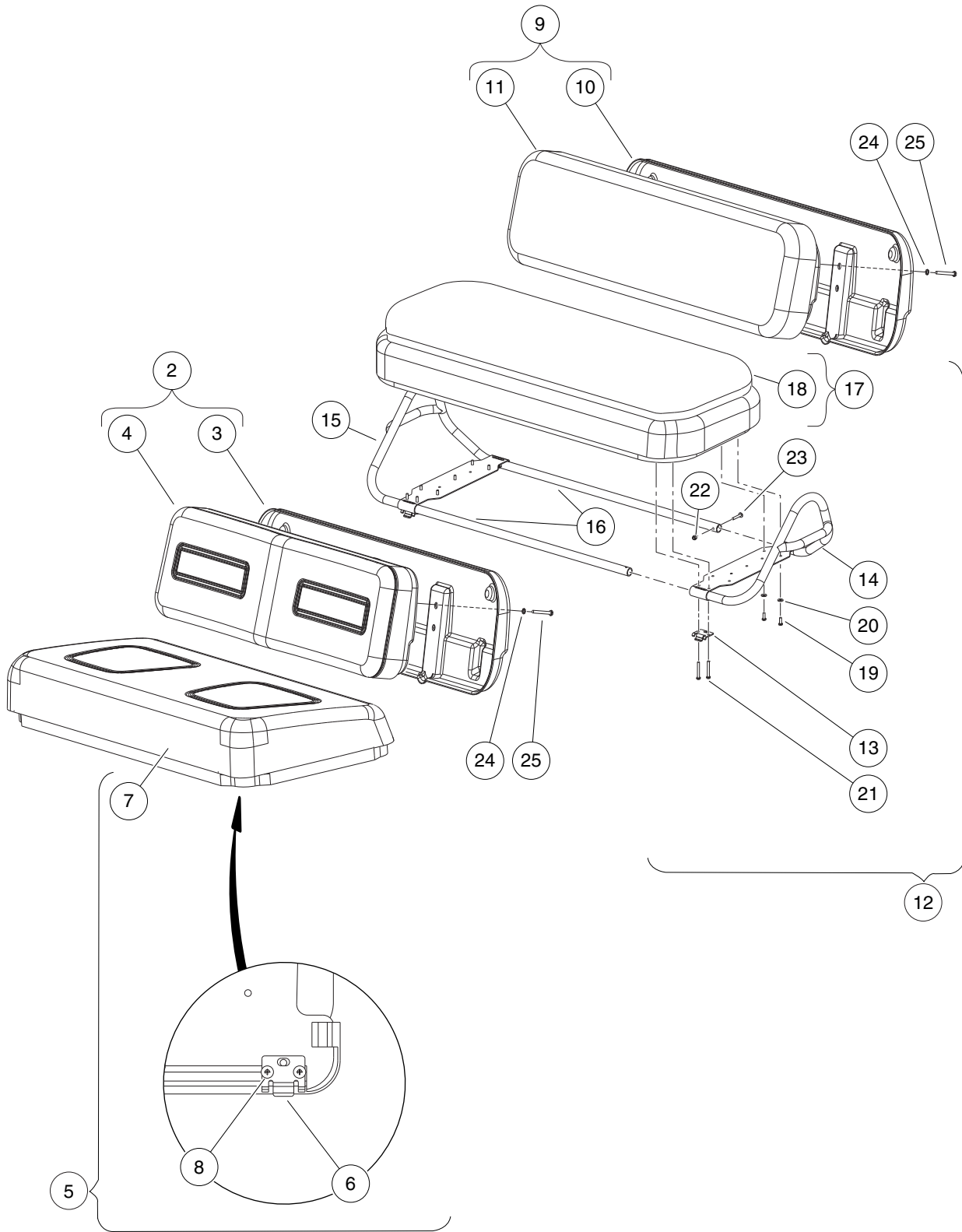
000745-001

SEAT SUPPORT

| ITEM | PART NO. | DESCRIPTION | QTY |
|------|------------------|---|-----|
| | | 1 2 3 4 | |
| 1 | N/A | Instl, Seat Structure (includes items 2 through 8) | 1 |
| 2 | N/A | Instl, Rear Seat Frame (includes items 3 through 7) | 1 |
| 3 | 1017774 | Body Spacer | 4 |
| 4 | <u>101910401</u> | Screw, 5/16-18 X 1.25 Thrd Frm | 4 |
| 5 | <u>102581201</u> | Plug, Square - 25.4 mm | 8 |
| 6 | <u>103312101</u> | Weldment, Seatframe, Rear | 1 |
| 7 | <u>1241</u> | Washer, 5/16 Type A Flat | 4 |
| 8 | N/A | Instl, Front Seat Support (includes items 9 through 22) | 1 |
| 9 | <u>1010577</u> | Bolt, Hex-Head, 5/16-18 X 1.50 | 5 |
| 10 | <u>1012412</u> | Body, Hinge Plate | 2 |
| 11 | 101834701 | Screw, 5/16-18 X .875 Hex Cap | 2 |
| 12 | <u>101910401</u> | Screw, 5/16-18 X 1.25 Thrd Frm | 6 |
| 13 | <u>103245301</u> | Nut, Hex, Cp, Mech Def, 5/16-1 | 5 |
| 14 | <u>103345101</u> | Weldment, Seat Back, Front | 1 |
| 15 | <u>103345201</u> | Weldment, Seat Bottom, Front | 1 |
| 16 | <u>103345301</u> | Wldmnt, Seat Leg, Driver, Frt | 1 |
| 17 | <u>103345401</u> | Wldmnt, Seat Leg, Pssnger, Frt | 1 |
| 18 | <u>1241</u> | Washer, 5/16 Type A Flat | 13 |
| 19 | <u>7473</u> | Locknut, 5/16-18 Nylon Insert | 1 |
| 20 | <u>8233</u> | Locknut, 1/4-20 Nylon Insert | 4 |
| 21 | <u>8248</u> | Screw, 1/4-20 X 0.75 Truss-Head Machine | 4 |
| 22 | <u>8963</u> | Screw, 5/16-18 X 1.75 Hex-Head Cap | 1 |

1
G
E

1
G
E



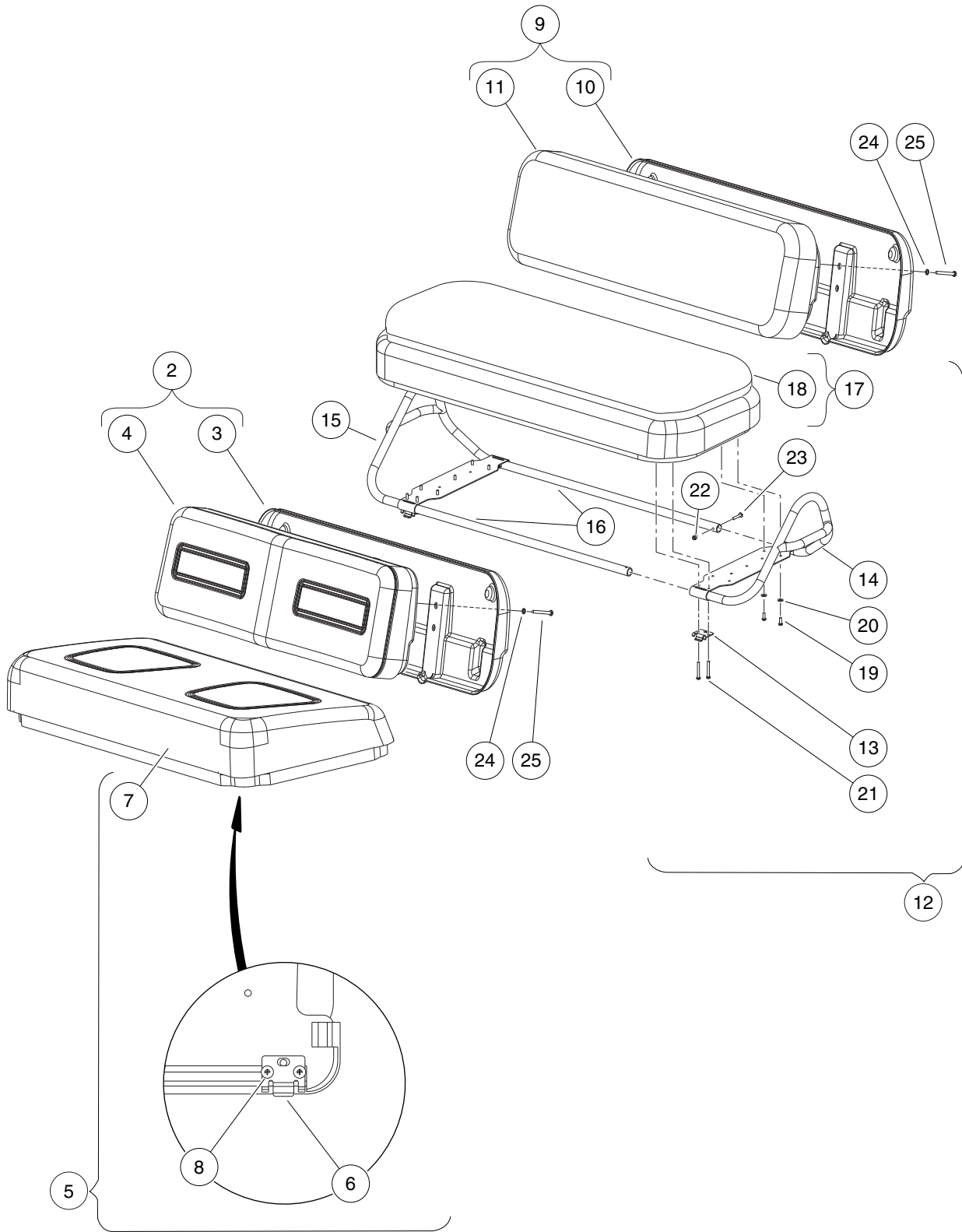
000746-001

SEATS, BUFF

| ITEM | PART NO. | DESCRIPTION | QTY |
|------|------------------|--|-----|
| | | 1 2 3 4 | |
| 1 | N/A | Color Opt, Seat, Buff (includes items 2 through 25) | 1 |
| 2 | <u>101677703</u> | Seat Back Assembly, Beige (includes items 3 and 4) | 1 |
| 3 | 1016751 | Cap, Seat Back | 1 |
| 4 | <u>101675511</u> | Vinyl Seat Back, Beige | 1 |
| 5 | <u>103212201</u> | Asm, Seat Btm, Front, Buff (includes items 6 through 8) | 1 |
| 6 | <u>1011652</u> | Hinge Plate | 2 |
| 7 | <u>101998211</u> | Vinyl Cover Seat Btm - Buffsvc | 1 |
| 8 | <u>8251</u> | Screw, 1/4-20 X 1.0 Truss-Head Machine | 4 |
| 9 | <u>103224901</u> | Seat Back Asm, 3pass-beige (includes items 10 and 11) | 1 |
| 10 | <u>103225701</u> | Cap, Seat Back-3pass | 1 |
| 11 | <u>103313801</u> | Asm, Seat Back, 3 Pass, Be | 1 |
| 12 | <u>103225001</u> | Seat Btm Asm-3pass, Beige (includes items 13 through 23) | 1 |
| 13 | <u>1011652</u> | Hinge Plate | 2 |
| 14 | N/A | Weldment, Hip, Rear,3pass,drv | 1 |
| 15 | <u>103282402</u> | Weldment, Hip, Rear,3pass,pas | 1 |
| 16 | <u>103305401</u> | Tube, Straight, Cut, 1 Od | 2 |
| 17 | <u>103313701</u> | Asm, Seat Bot, 3 Pass, Be (includes item 18) | 1 |
| 18 | N/A | Cover, Seat Bot, 3pass, Be | 1 |
| 19 | 304 | Screw, 1/4-20 X 1.0 Hex-Head Cap | 10 |
| 20 | <u>332</u> | Washer, 1/4 Type A Narrow Flat | 10 |
| 21 | <u>7311</u> | Screw, 1/4-20 X 2.00 Hex-Head Cap | 4 |
| 22 | <u>8233</u> | Locknut, 1/4-20 Nylon Insert | 2 |
| 23 | 8418 | Screw, 1/4-20 X 1.50 Phillips Truss-Head | 2 |
| 24 | <u>332</u> | Washer, 1/4 Type A Narrow Flat | 8 |
| 25 | <u>7311</u> | Screw, 1/4-20 X 2.00 Hex-Head Cap | 8 |

1
G
E

1
G
E

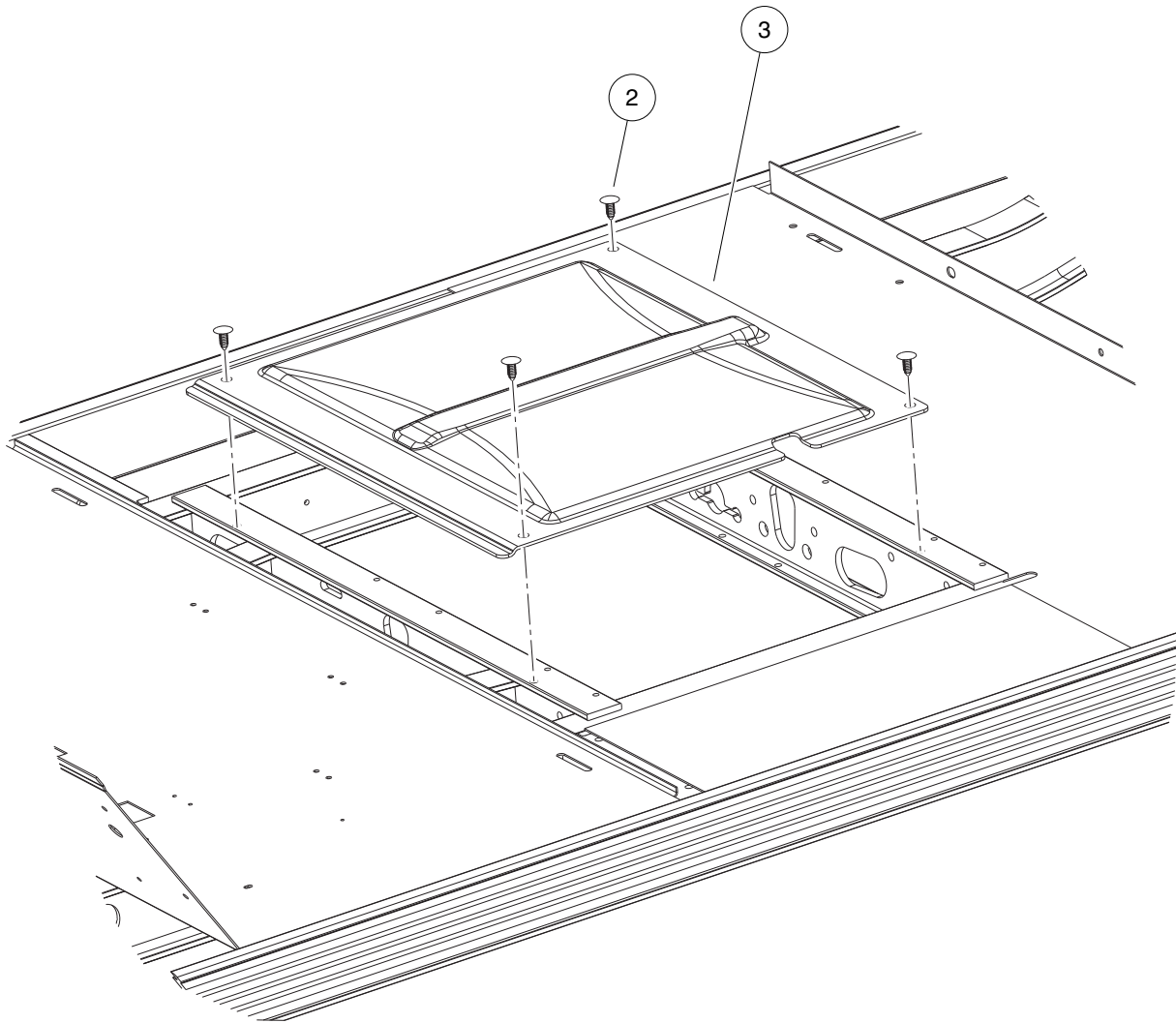


000746-001

SEATS, WHITE

| ITEM | PART NO. | DESCRIPTION | QTY |
|------|------------------|--|-----|
| | | 1 2 3 4 | |
| 1 | N/A | Color Opt, Seat, Wht (includes items 2 through 25) | 1 |
| 2 | <u>101677701</u> | Seat Back Assembly, White (includes items 3 and 4) | 1 |
| 3 | 1016751 | Cap, Seat Back | 1 |
| 4 | <u>101675512</u> | Vinyl Seat Back, White | 1 |
| 5 | <u>103212202</u> | Asm, Seat Btm, Front, White (includes items 6 through 8) | 1 |
| 6 | <u>1011652</u> | Hinge Plate | 2 |
| 7 | <u>101998212</u> | Vinyl Cover, Seat Bottom, White | 1 |
| 8 | <u>8251</u> | Screw, 1/4-20 X 1.0 Truss-Head Machine | 4 |
| 9 | <u>103224902</u> | Seat Back Asm, 3pass-white (includes items 10 and 11) | 1 |
| 10 | <u>103225701</u> | Cap, Seat Back-3pass | 1 |
| 11 | <u>103313802</u> | Asm, Seat Back, 3 Pass, Wh | 1 |
| 12 | <u>103225002</u> | Seat Btm Asm-3pass, Wht (includes items 13 through 23) | 1 |
| 13 | <u>1011652</u> | Hinge Plate | 2 |
| 14 | N/A | Weldment, Hip, Rear,3pass,drv | 1 |
| 15 | <u>103282402</u> | Weldment, Hip, Rear,3pass,pas | 1 |
| 16 | <u>103305401</u> | Tube, Straight, Cut, 1 Od | 2 |
| 17 | <u>103313702</u> | Asm, Seat Bot, 3 Pass, Wh (includes item 18) | 1 |
| 18 | N/A | Cover, Seat Bot, 3 Pass, Wh | 1 |
| 19 | 304 | Screw, 1/4-20 X 1.0 Hex-Head Cap | 10 |
| 20 | <u>332</u> | Washer, 1/4 Type A Narrow Flat | 10 |
| 21 | <u>7311</u> | Screw, 1/4-20 X 2.00 Hex-Head Cap | 4 |
| 22 | <u>8233</u> | Locknut, 1/4-20 Nylon Insert | 2 |
| 23 | 8418 | Screw, 1/4-20 X 1.50 Phillips Truss-Head | 2 |
| 24 | <u>332</u> | Washer, 1/4 Type A Narrow Flat | 8 |
| 25 | <u>7311</u> | Screw, 1/4-20 X 2.00 Hex-Head Cap | 8 |

1
G
E



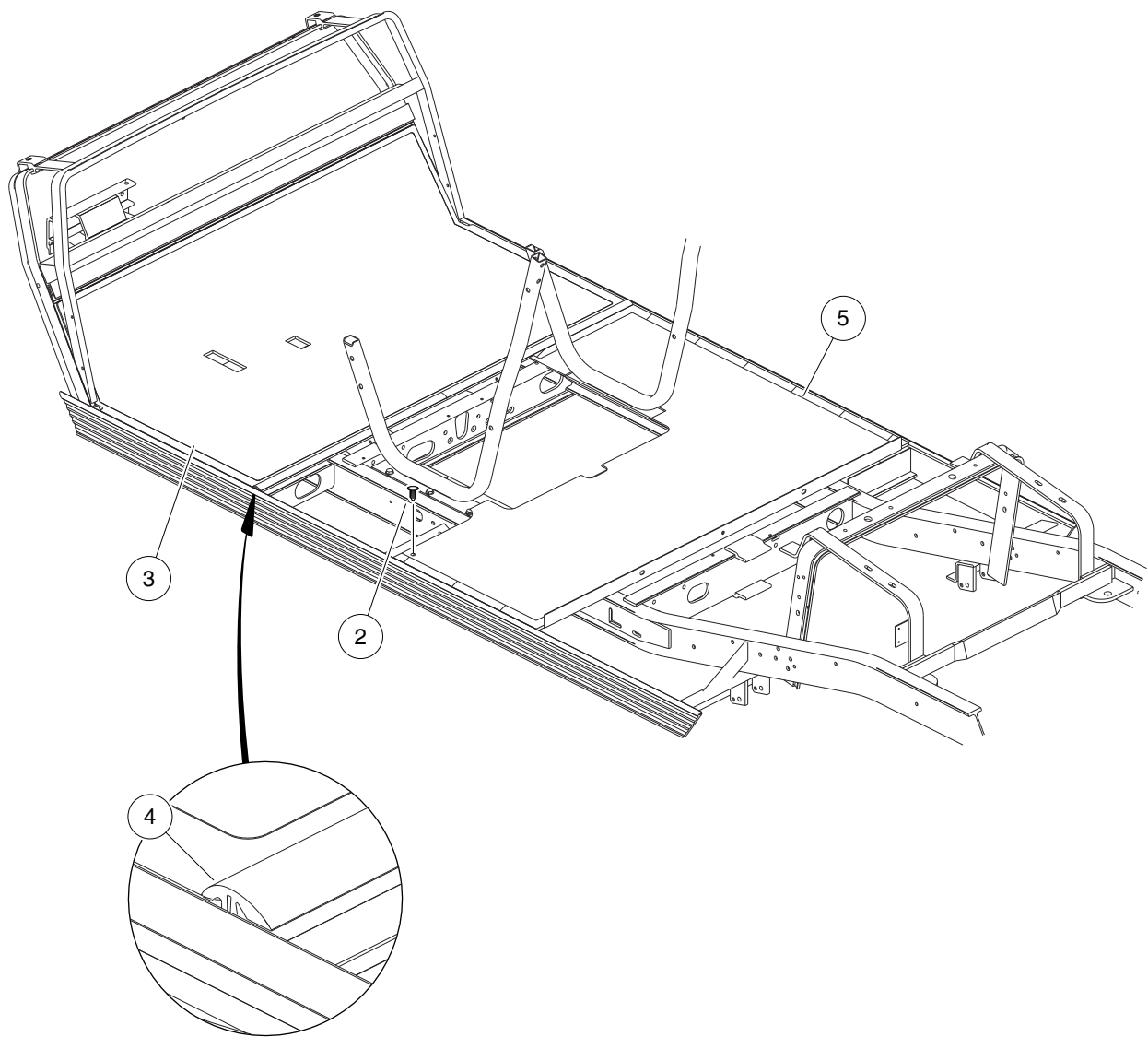
000739-001

CLOSEOUT, UNDER SEAT

| ITEM | PART NO. | DESCRIPTION | QTY |
|------|------------------|---|-----|
| 1 | N/A | 1 2 3 4 Instl, Closeout, Under Seat (includes items 2 and 3) | 1 |
| 2 | <u>1010434</u> | Barrel - Plastic | 4 |
| 3 | <u>103407001</u> | Cover, Under Seat, Manual Brk | 1 |

1
G
E

1
G
E



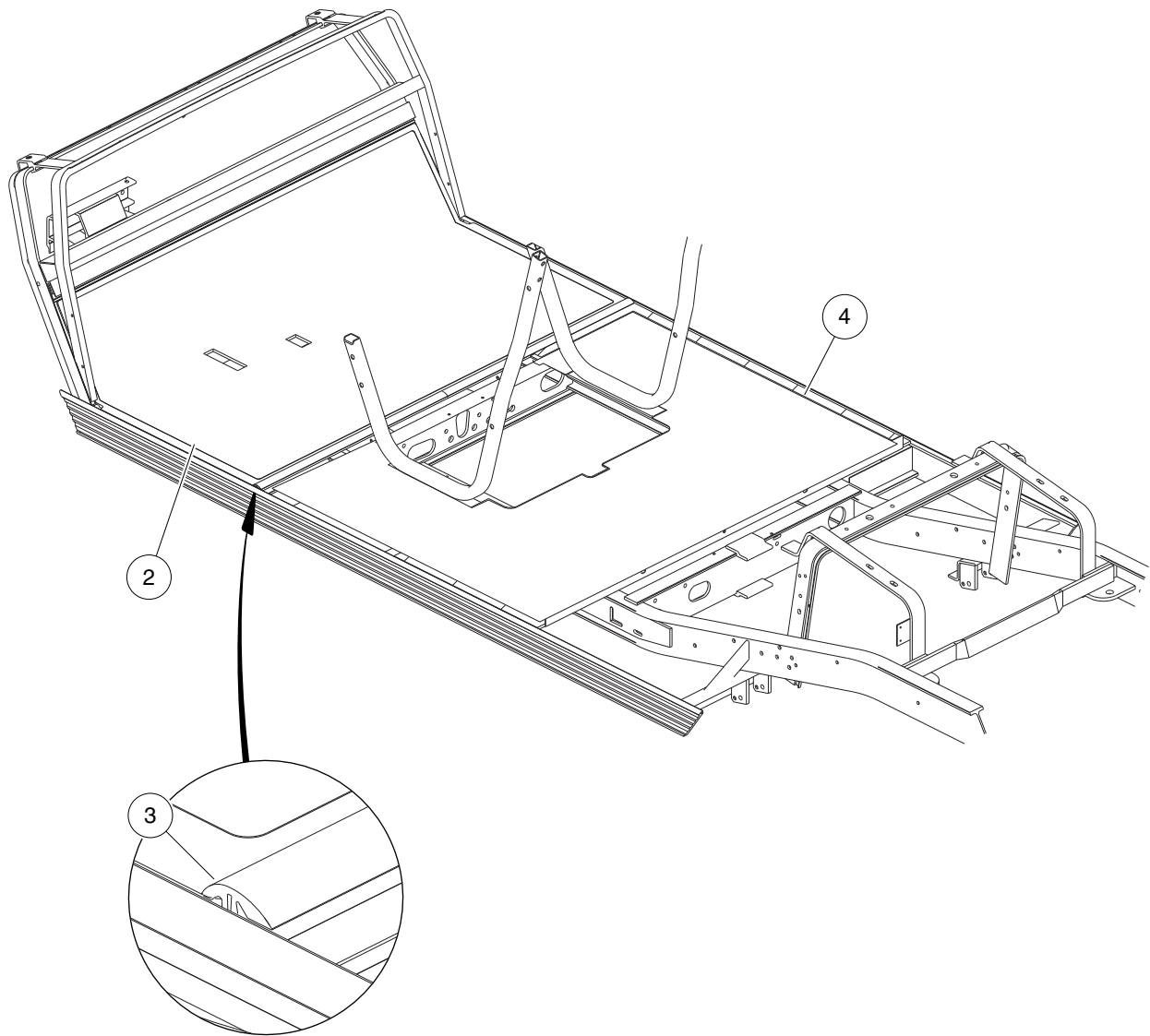
000742-001

FLOORMATS – GASOLINE VEHICLES

| ITEM | PART NO. | DESCRIPTION | QTY |
|------|------------------|--|-----|
| | | 1 2 3 4 | |
| 1 | N/A | Instl, Floormat, No Body, Gas (includes items 2 through 5) | 1 |
| 2 | <u>1010434</u> | Barrel - Plastic | 1 |
| 3 | <u>101503202</u> | Floormat | 1 |
| 4 | <u>103296101</u> | Trim, Floormat | 1 |
| 5 | <u>103296402</u> | Floormat, Rear, No Body, Gas | 1 |

1
G
E

1
G
E

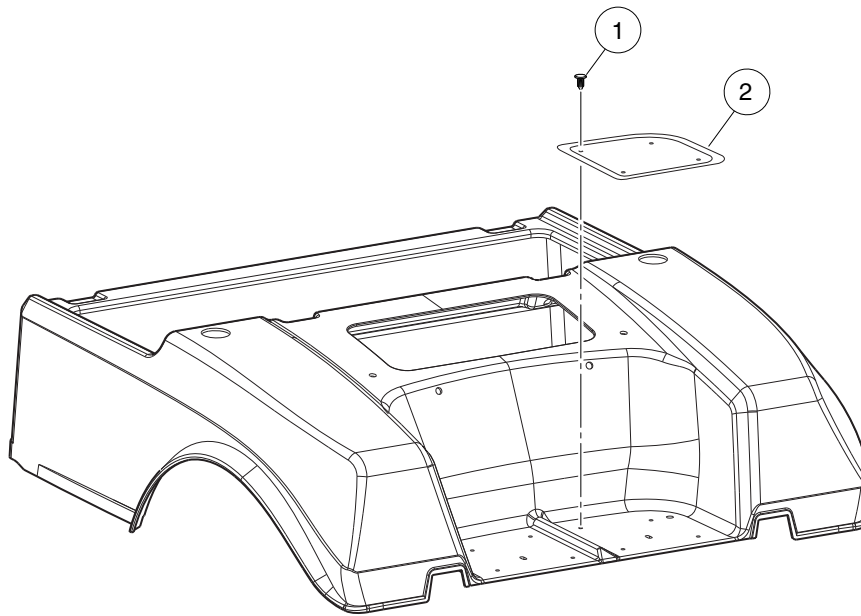


000742-002

FLOORMATS – ELECTRIC VEHICLES

| ITEM | PART NO. | DESCRIPTION | QTY |
|------|------------------|---|-----|
| | | 1 2 3 4 | |
| 1 | N/A | Instl, Floormat, No Body, Elec (includes items 2 through 4) | 1 |
| 2 | <u>101503202</u> | Floormat | 1 |
| 3 | <u>103296101</u> | Trim, Floormat | 1 |
| 4 | <u>103296401</u> | Floormat, Rear, No Body, Elec | 1 |





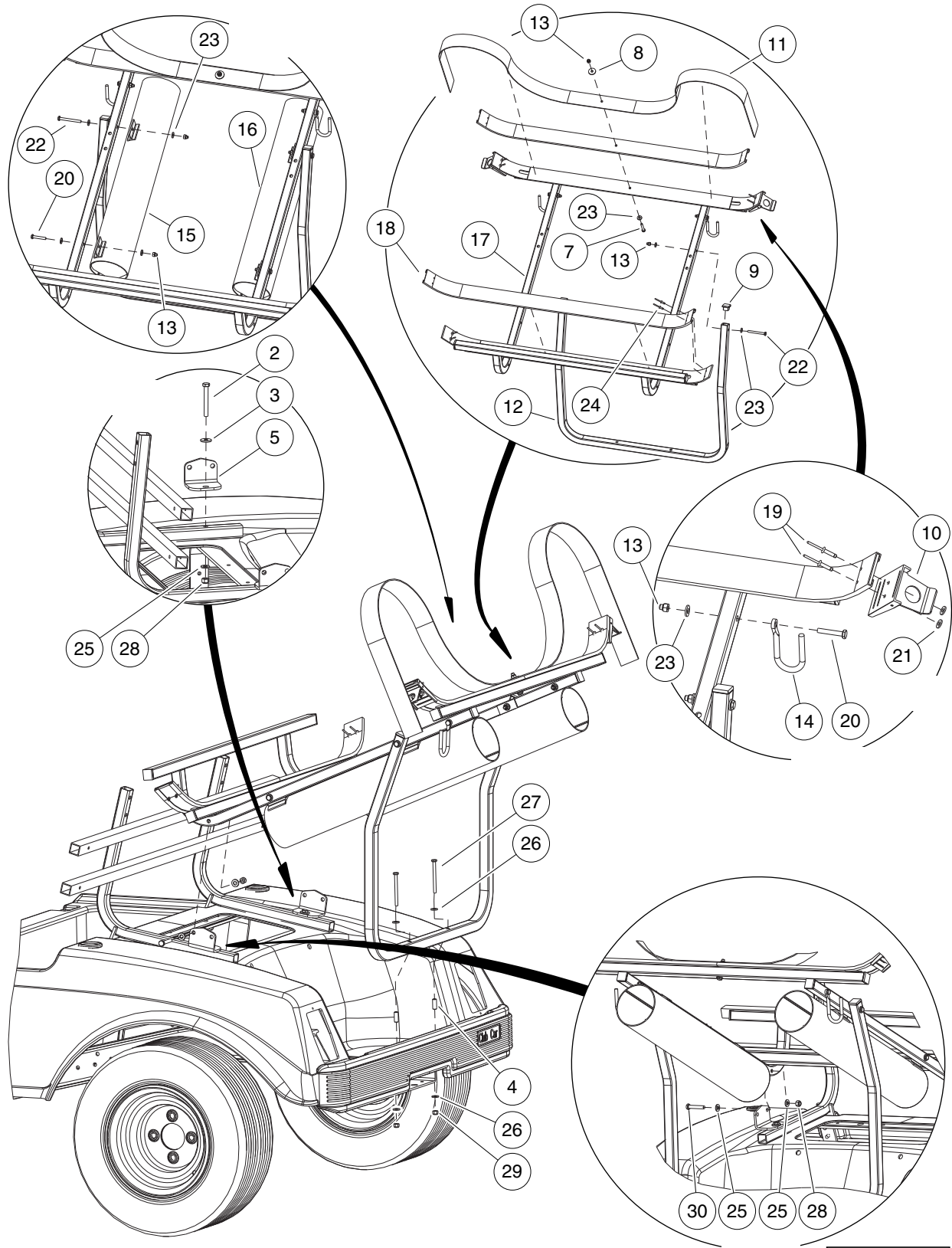
000777-001

BAG REST MATS

| ITEM | PART NO. | DESCRIPTION | QTY |
|------|----------------|-----------------------------------|-----|
| 1 | <u>1010434</u> | 1 2 3 4 Barrel - Plastic | 8 |
| 2 | <u>1014392</u> | Bag Rest Mat | 2 |

1
G
E

1
G
E

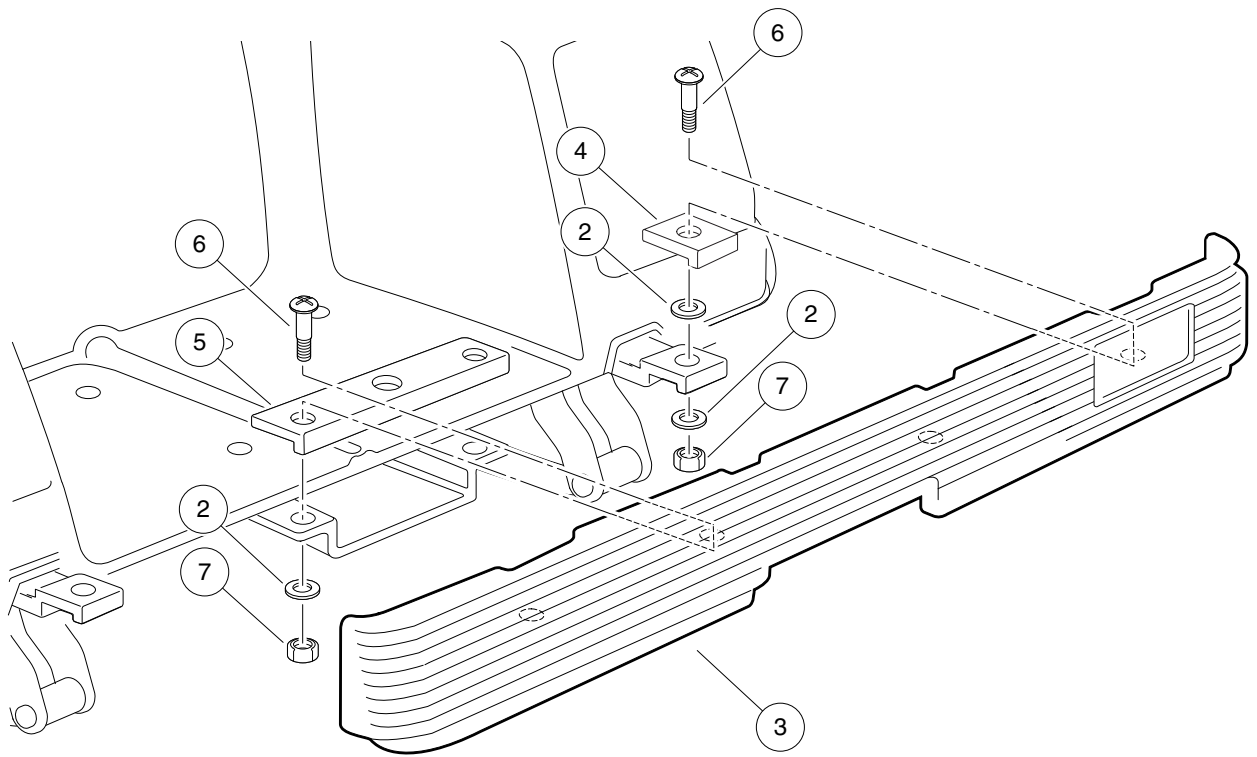


000738-001

BAGRACK

| ITEM | PART NO. | DESCRIPTION | QTY |
|------|------------------|---|-----|
| | | 1 2 3 4 | |
| 1 | N/A | Instl, Rack W/tubes, Four Bag (includes items 2 through 30) | 1 |
| 2 | <u>1010921</u> | Screw, 5/16-18 X 2.50 Hex Cap | 2 |
| 3 | <u>1011697</u> | Washer, 5/16 Flat | 2 |
| 4 | <u>1017841</u> | Spacer - Steel | 2 |
| 5 | <u>103371001</u> | Brkt, Mtg, Rack, Four Bag | 2 |
| 6 | <u>103371102</u> | Asm, Rack, Four Bag, W/tubes (includes items 7 through 24) | 1 |
| 7 | <u>1013509</u> | Screw, 1/4-20 X 1.75 Hx Hd Cap | 1 |
| 8 | <u>1014306</u> | Washer, 1/4" Type B Flat | 1 |
| 9 | <u>1017271</u> | Finishing Plug | 10 |
| 10 | <u>1017284</u> | Strap Buckle | 2 |
| 11 | <u>1017299</u> | Bag Strap Limo | 1 |
| 12 | <u>1017672</u> | Bag Rack Support | 1 |
| 13 | <u>102242401</u> | Nut - Nylon Insert W/cap | 7 |
| 14 | <u>102579601</u> | L2 Bag Hook | 2 |
| 15 | <u>102579801</u> | Putter Tube Weldment Rh | 1 |
| 16 | <u>102579802</u> | Putter Tube Weldment Lh | 1 |
| 17 | <u>103370801</u> | Weldment, Rack, Four Bag | 1 |
| 18 | <u>103380301</u> | Cover, Bagrack Slat, Vinyl | 2 |
| 19 | <u>1606</u> | Rivet, 3/16 X .500 Alum Pop | 4 |
| 20 | <u>1703</u> | Screw, 1/4-20 X 1.50 Hx Hd Cap | 2 |
| 21 | <u>183</u> | Washer, #10 Type A Flat | 4 |
| 22 | <u>324</u> | Screw, 1/4-20 X 2.50 Hx Hd Cap | 2 |
| 23 | <u>332</u> | Washer, 1/4 Type A Narrow Flat | 11 |
| 24 | <u>7973</u> | Rivet, 3/16 X .400 Blind | 4 |
| 25 | <u>1241</u> | Washer, 5/16 Type A Flat | 6 |
| 26 | <u>332</u> | Washer, 1/4 Type A Narrow Flat | 4 |
| 27 | <u>343</u> | Screw, 1/4-20 X 3.00 Hx Hd Cap | 2 |
| 28 | <u>7473</u> | Locknut, 5/16-18 Nylon Insert | 4 |
| 29 | <u>8233</u> | Locknut, 1/4-20 Nylon Insert | 2 |
| 30 | <u>8963</u> | Screw, 5/16-18 X 1.75 Hex-Head Cap | 2 |

1
G
E



000666-001

REAR BUMPER

| ITEM | PART NO. | DESCRIPTION | QTY |
|--|----------------|---|-----|
| | | 1 2 3 4 | |
| 1 | <u>1017079</u> | Kit, Rear Bumper (includes items 2 through 7) | 1 |
| 2 | <u>1011697</u> | Washer, 5/16 Flat | 6 |
| 3 | <u>1016379</u> | Bumper, Rear | 1 |
| 4 | <u>1016874</u> | Plate, Bumper Mounting, Short | 2 |
| 5 | <u>1016875</u> | Plate, Bumper Mounting, Long | 1 |
| 6 | <u>1016876</u> | Bolt, 3/8 Shoulder | 4 |
| 7 | <u>7473</u> | Locknut, 5/16-18 Nylon Insert | 4 |
| <p style="margin-left: 40px;">Note: Item 4 not used in all applications.</p> | | | |

1

G

E

1

G

E

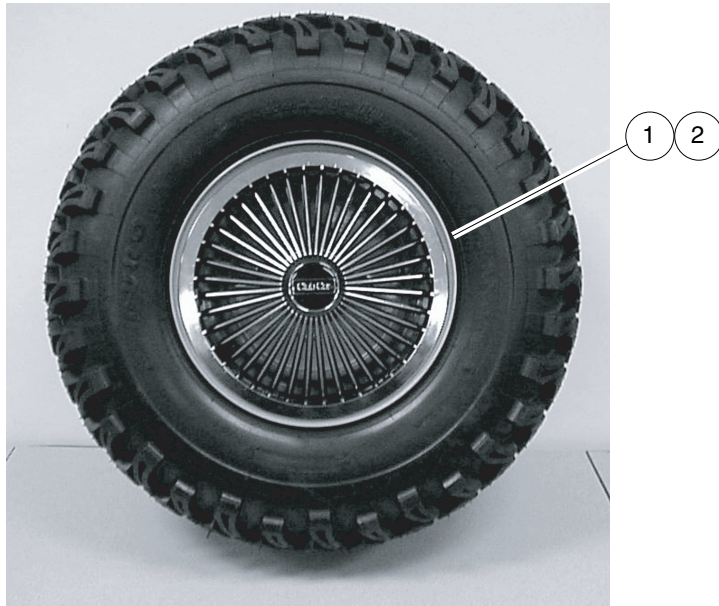
WHEELS AND TIRES

2

G

E

2
G
E



000780-001

WHEEL COVERS

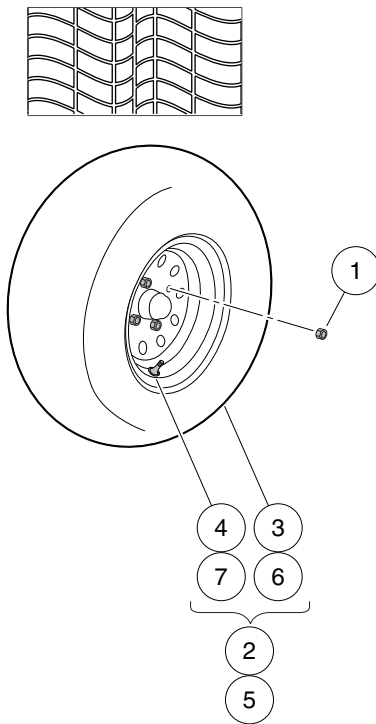
| ITEM | PART NO. | DESCRIPTION | QTY |
|------|----------|--|-----|
| 1 | AM10839 | 1 2 3 4 Wheel Cover, 10" Chrome (pair of 2) | 2 |
| 2 | AM10840 | Wheel Cover, 10" Gold (pair of 2) | 2 |

2
G
E

2

G

E



000737-001

WHEELS AND TIRES

| ITEM | PART NO. | DESCRIPTION | QTY |
|------|------------------|---|-----|
| | | 1 2 3 4 | |
| 1 | <u>1010984</u> | .500-20 Unf Lug Nut | 16 |
| 2 | <u>102979201</u> | Asm, Wheel/tire, 10" Rim, Wh (includes items 3 and 4) | 4 |
| 3 | <u>102556701</u> | Tire, Pro Tour, 205-50 X 10 | 1 |
| 4 | <u>7310</u> | Valve Stem | 1 |
| 5 | <u>102979202</u> | Asm, Wheel/tire, 10" Rim, Be (includes items 6 and 7) | 4 |
| 6 | <u>102556701</u> | Tire, Pro Tour, 205-50 X 10 | 1 |
| 7 | <u>7310</u> | Valve Stem | 1 |

2
G
E

2

G

E

SAFETY DECALS

3

G

E

⚠ WARNING

ROLLOVER OR FALLING OFF MAY CAUSE DEATH.

- Before using vehicle, read operating instructions.
- Remain seated and hold on to seat handle while moving.
- Do not start vehicle until all occupants are seated.
- Front Seat: Two (2) persons maximum.
- Rear Seat: Three (3) persons maximum.
- Operate from driver side only and not on public roads.
- Keep entire body inside vehicle while moving.
- Drive slowly in turns and straight up and down slopes.
- Do not leave children unattended on vehicle.
- Never operate under the influence of alcohol or drugs.
- Use brakes to reduce speed when coasting downhill.
- Never stand in front of or behind vehicle.

CC1 103327401

OPERATING INSTRUCTIONS

- Read owner's manual and dash-mounted safety warnings prior to driving.
- Study and understand controls.

TO OPERATE

- Turn wheels to desired direction and ensure path is clear.
- Turn key to ON position.
- While stopped, place Forward/Reverse switch in desired position:
F – Forward N – Neutral R – Reverse (Buzzer will sound)
- Park brake will release and vehicle will start moving when accelerator pedal is pressed.
- Slowly press accelerator pedal to increase speed.
- To stop, release accelerator pedal and press brake pedal.

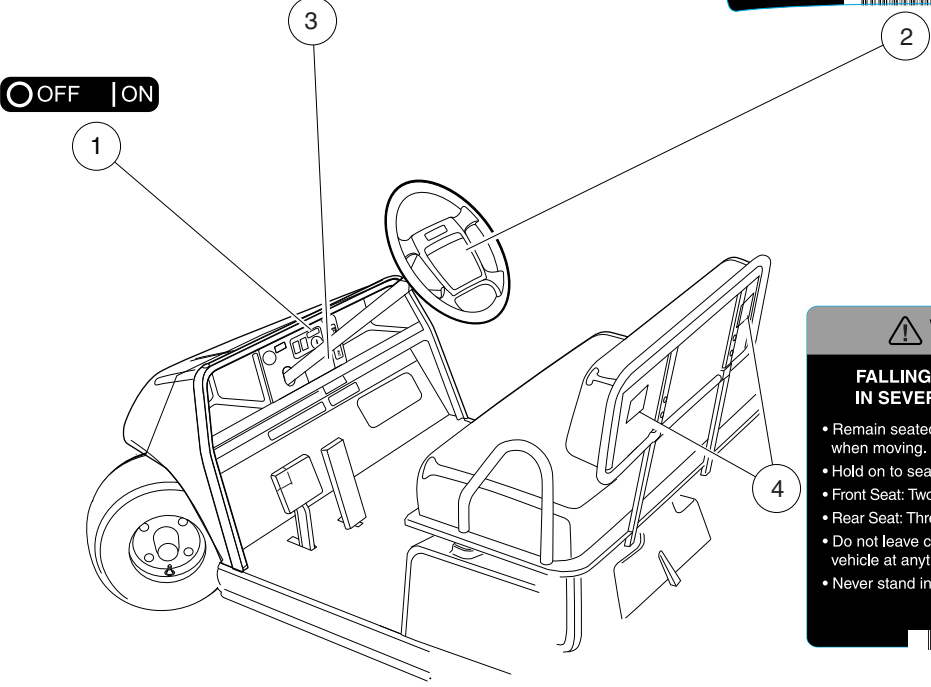
BEFORE LEAVING

- Press park brake pedal until it locks and holds vehicle.
- Place Forward/Reverse switch in NEUTRAL position.
- Turn key OFF and remove key when not in use.

MOTOR BRAKING

- Electric motor braking provides speed regulation functions.
- For parked vehicle, beeping alarm indicates vehicle roll away.
- In operation, beeping alarm indicates reduction in motor braking.
- Apply brakes to further reduce vehicle speed as required.
- System is activated only when tow switch is in the RUN position.
- When towing this vehicle, tow switch must be in the TOW position.

CC1 103316001



⚠ WARNING

FALLING OFF COULD RESULT IN SEVERE INJURY OR DEATH

- Remain seated with entire body inside vehicle when moving.
- Hold on to seat handle or handrail at all times.
- Front Seat: Two (2) persons maximum.
- Rear Seat: Three (3) persons maximum.
- Do not leave children unattended on vehicle at anytime.
- Never stand in front of or behind vehicle.

CC1 103327501

000750-001





SAFETY DECALS, ELECTRIC VEHICLES

| ITEM | PART NO. | DESCRIPTION | QTY |
|------|------------------|------------------------------------|-----|
| | | 1 2 3 4 | |
| 1 | <u>101825101</u> | Decal, Off/On | 1 |
| 2 | 102518001 | Decal, Operating Instr, Elec | 1 |
| 3 | N/A | Decal, Warning, Dash | 1 |
| 4 | <u>103327501</u> | Decal, Warning, Pass | 4 |

3
G
E






⚠ WARNING
BATTERY EXPLOSION COULD RESULT IN SEVERE PERSONAL INJURY.

- Do not store items in battery compartment.
- Place Run/Tow switch in TOW position before:
 - Disconnecting or connecting battery cables
 - Towing this vehicle
 - Extended storage
 - Servicing the vehicle

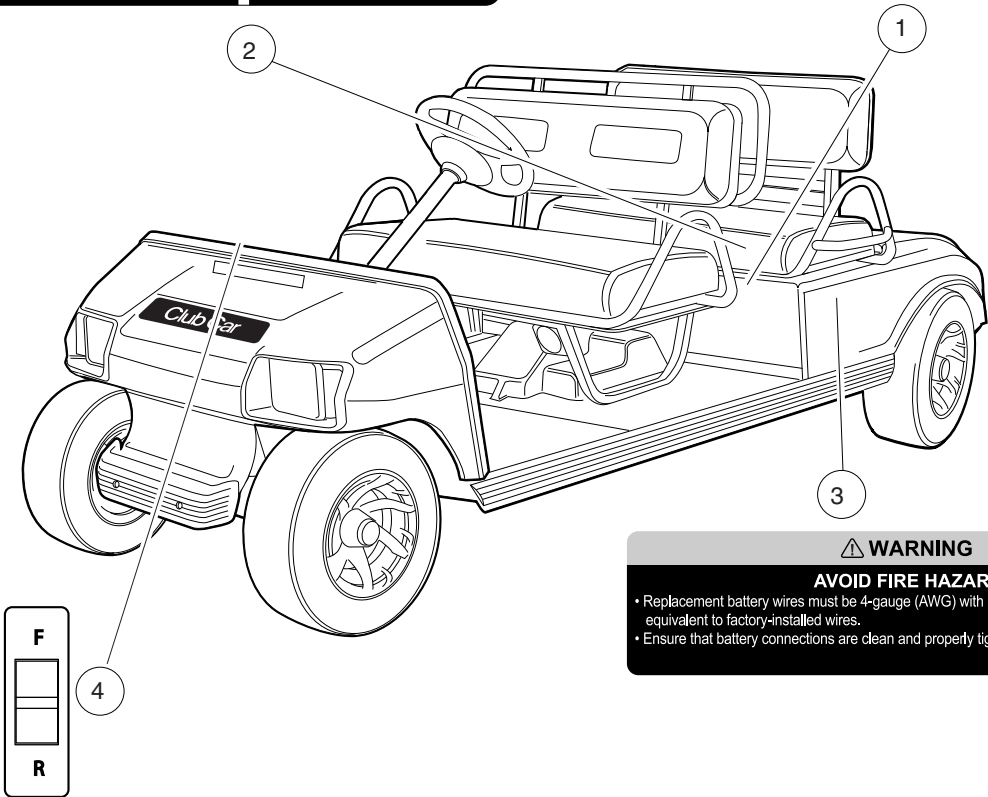
 NORMAL  TRIPPED
 TOW  RUN

CCI 102845101

⚠ DANGER / POISON

 EXPLOSIVE GASES CAN CAUSE BLINDNESS OR INJURY  SHIELD EYES
 NO SPARKS, FLAMES, SMOKING
 SULFURIC ACID CAN CAUSE BLINDNESS OR SEVERE BURNS
 FLUSH EYES IMMEDIATELY WITH WATER. GET MEDICAL HELP FAST

KEEP OUT OF THE REACH OF CHILDREN – DO NOT TIP – KEEP VENT CAPS TIGHT AND LEVEL



⚠ WARNING
AVOID FIRE HAZARD

- Replacement battery wires must be 4-gauge (AWG) with low-resistance terminals equivalent to factory-installed wires.
- Ensure that battery connections are clean and properly tightened. See owner's manual.

CCI 102967601

000750-002

SAFETY DECALS, ELECTRIC VEHICLES - CONTINUED

| ITEM | PART NO. | DESCRIPTION | QTY |
|------|------------------|--|-----|
| | | 1 2 3 4 | |
| 1 | <u>1013677</u> | Decal, Battery Danger | 1 |
| 2 | <u>102845101</u> | Decal, Tow Switch | 1 |
| 3 | <u>102967601</u> | Decal, Warning, 4 Gauge Wire | 1 |
| 4 | <u>103210301</u> | Decal, Forward/Reverse, Electric | 1 |

3
G
E

WARNING

ROLLOVER OR FALLING OFF MAY CAUSE DEATH.

- Before using vehicle, read operating instructions.
- Remain seated and hold on to seat handle while moving.
- Do not start vehicle until all occupants are seated.
- Front Seat: Two (2) persons maximum.
- Rear Seat: Three (3) persons maximum.
- Operate from driver side only and not on public roads.
- Keep entire body inside vehicle while moving.
- Drive slowly in turns and straight up and down slopes.
- Do not leave children unattended on vehicle.
- Never operate under the influence of alcohol or drugs.
- Use brakes to reduce speed when coasting downhill.
- Never stand in front of or behind vehicle.

CCI 103327401

OPERATING INSTRUCTIONS

- Read owner's manual and safety warnings located on dash panel prior to driving.
- Study and understand controls.

TO OPERATE

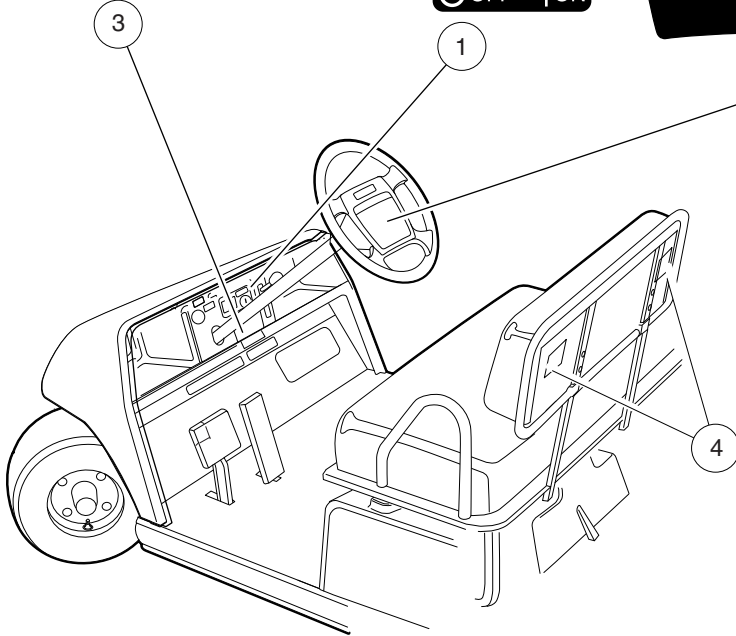
- Turn wheels to desired direction and ensure path is clear.
- Turn key to ON position.
- While stopped, place shift lever in desired position:
F—Forward N—Neutral R—Reverse (Buzzer will sound)
- Park brake will release and vehicle will start moving when accelerator pedal is pressed.
- Slowly press accelerator pedal to increase speed.
- To stop, release accelerator pedal and press brake pedal.

BEFORE LEAVING

- Press park brake pedal until it locks and holds vehicle.
- Place Forward/Reverse switch in NEUTRAL position.
- Turn key OFF and remove key when not in use.

CCI 102519201

OFF | ON



WARNING

FALLING OFF COULD RESULT IN SEVERE INJURY OR DEATH

- Remain seated with entire body inside vehicle when moving.
- Hold on to seat handle or handrail at all times.
- Front Seat: Two (2) persons maximum.
- Rear Seat: Three (3) persons maximum.
- Do not leave children unattended on vehicle at anytime.
- Never stand in front of or behind vehicle.

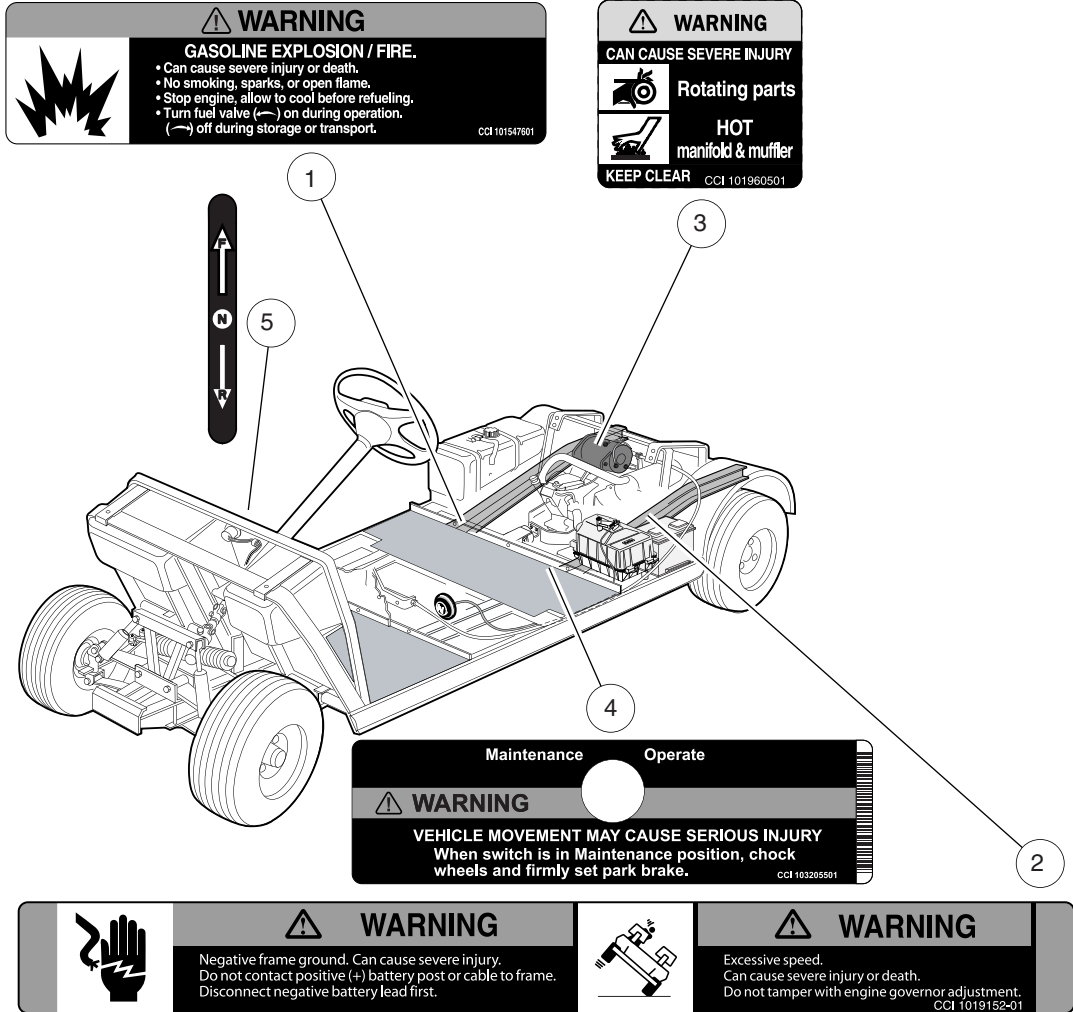
CCI 103327501

000750-003

SAFETY DECALS, GASOLINE VEHICLES

| ITEM | PART NO. | DESCRIPTION | QTY |
|------|------------------|-----------------------------------|-----|
| | | 1 2 3 4 | |
| 1 | <u>101825101</u> | Decal, Off/On | 1 |
| 2 | <u>102519201</u> | Decal, Operating Instr, Gas | 1 |
| 3 | N/A | Decal, Warning, Dash | 1 |
| 4 | <u>103327501</u> | Decal, Warning, Pass | 4 |

3
G
E



000750-004

SAFETY DECALS, GASOLINE VEHICLES - CONTINUED

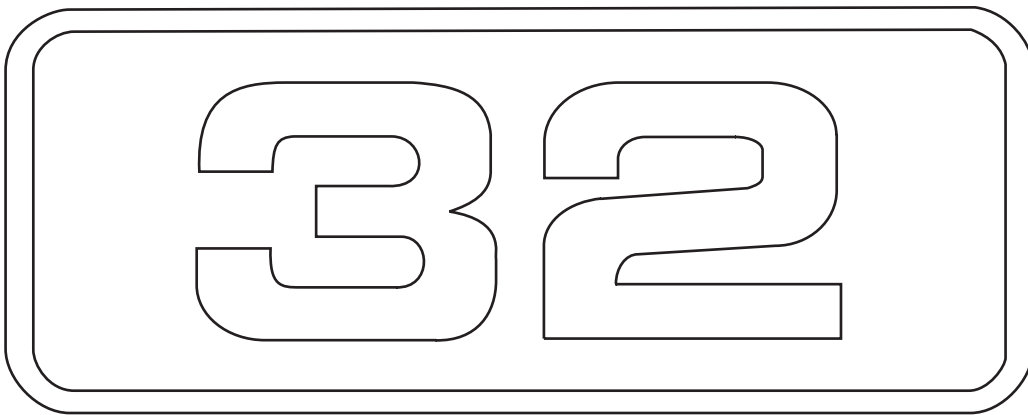
| ITEM | PART NO. | DESCRIPTION | QTY |
|------|------------------|--|-----|
| | | 1 2 3 4 | |
| 1 | <u>101547601</u> | Decal, Gasoline Explosion/Fire Warning | 1 |
| 2 | <u>101915201</u> | Decal, Frame Ground and Governor Warning | 1 |
| 3 | <u>101960501</u> | Decal, Rotating Parts/Hot Manifold | 1 |
| 4 | <u>103205501</u> | Decal, Run/Service Switch | 1 |
| 5 | <u>103210201</u> | Decal, Forward/Reverse, Gas | 1 |

3
G
E

3

G

E



000779-001

FLEET NUMBERING DECALS

| ITEM | PART NO. | DESCRIPTION | QTY |
|------|------------------|--|-----|
| 1 | <u>101217301</u> | <div style="display: flex; justify-content: space-between; margin-bottom: 5px;"> 1234 </div> Number Decal 1 Ea B/g Loose | 1 |

3

G

E

3

G

E

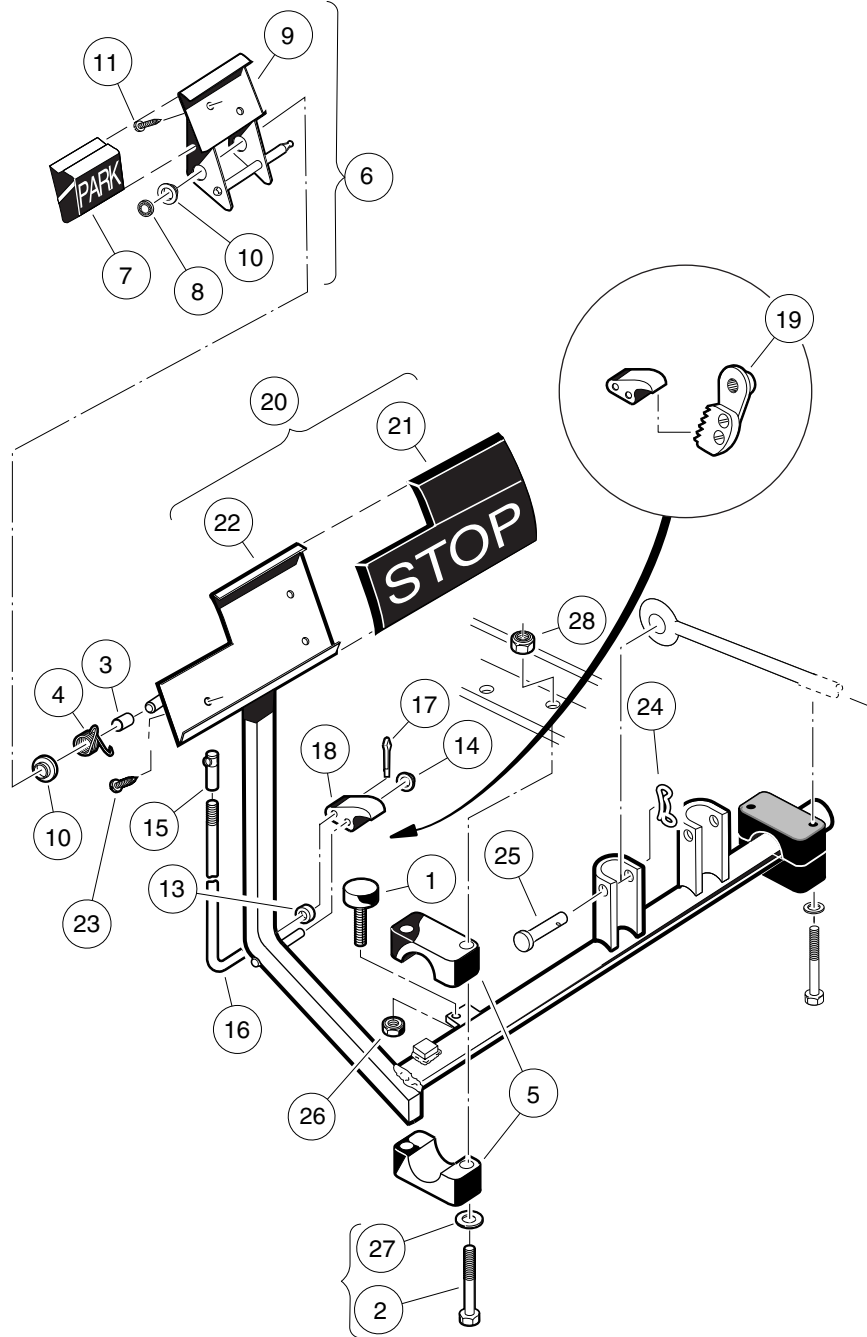
BRAKES, PEDAL, AND CABLE ASSEMBLIES

4

G

E

4
G
E



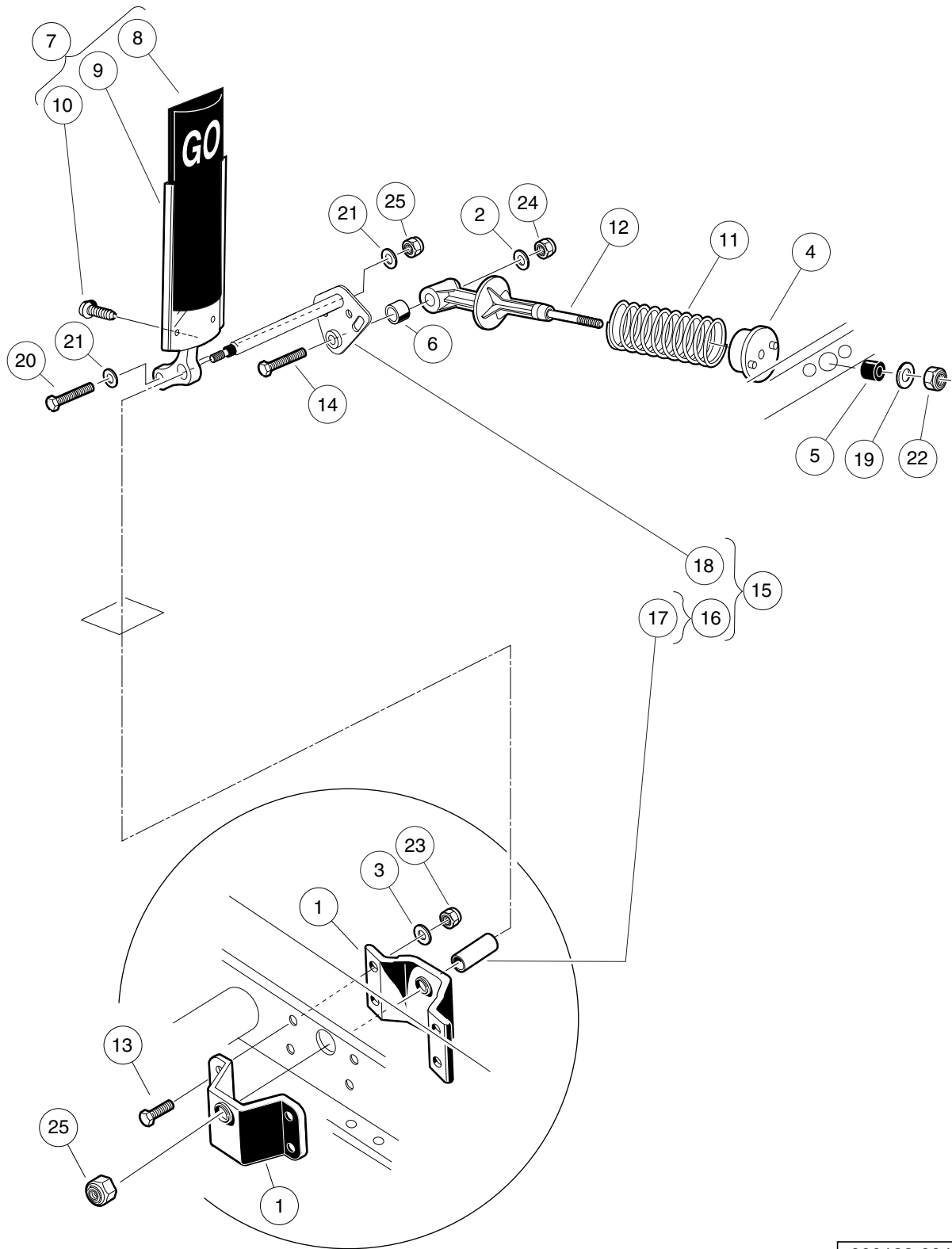
000187-003

BRAKE PEDAL ASSEMBLY

| ITEM | PART NO. | DESCRIPTION | QTY |
|------|------------------|--|-----|
| | | 1 2 3 4 | |
| 1 | <u>1010878</u> | Bumper, Rubber | 1 |
| 2 | <u>1010921</u> | Screw, 5/16-18 X 2.50 Hex Cap | 4 |
| 3 | <u>1010927</u> | Hill Brake Spacer | 1 |
| 4 | <u>1010933</u> | Spring, Hill Brake Torsion | 1 |
| 5 | <u>1011402</u> | Package, Brake Mounting Block | 1 |
| 6 | <u>1011418</u> | Kit, Hill Brake Pedal (includes items 7 through 11) | 1 |
| 7 | <u>1013870</u> | Pad, Hill Brake | 1 |
| 8 | <u>1013876</u> | Pushnut, 3/8 | 1 |
| 9 | N/A | Hill Brake Weld Assembly | 1 |
| 10 | <u>1032</u> | Bushing, Nylon | 2 |
| 11 | 7716 | Screw, #10-16 Type AB, Sheet Metal | 2 |
| 12 | <u>101187702</u> | Kit, Hill Brake Latch (includes items 13 through 19) | 1 |
| 13 | <u>1010805</u> | Sleeve, Hill Brake Rod | 1 |
| 14 | <u>1010877</u> | Pushnut, 3/8 | 1 |
| 15 | 1010932 | Ball Joint, 1/4-28 | 1 |
| 16 | N/A | Rod, Hill Brake | 1 |
| 17 | <u>1017029</u> | Pin, Cotter, 7/64 x 1/2 Stainless-Steel | 1 |
| 18 | N/A | Pawl, Hill Brake | 1 |
| 19 | 101918501 | Ratchet Assembly | 1 |
| 20 | <u>101878201</u> | Brake Pedal Kit (includes items 21 through 23) | 1 |
| 21 | <u>1013869</u> | Pad, Brake Pedal | 1 |
| 22 | N/A | Weldment, Brake Pedal 4wb Std | 1 |
| 23 | 7716 | Screw, #10-16 Type AB, Sheet Metal | 3 |
| 24 | <u>102323101</u> | Pin, Bow Tie Locking | 2 |
| 25 | <u>102323201</u> | Pin, 3/8 X 1-5/16 Clevis | 2 |
| 26 | <u>1028</u> | Nut, 1/4-20 Hex | 1 |
| 27 | <u>1241</u> | Washer, 5/16 Type A Flat | 4 |
| 28 | <u>7473</u> | Locknut, 5/16-18 Nylon Insert | 4 |

4
G
E

4
G
E



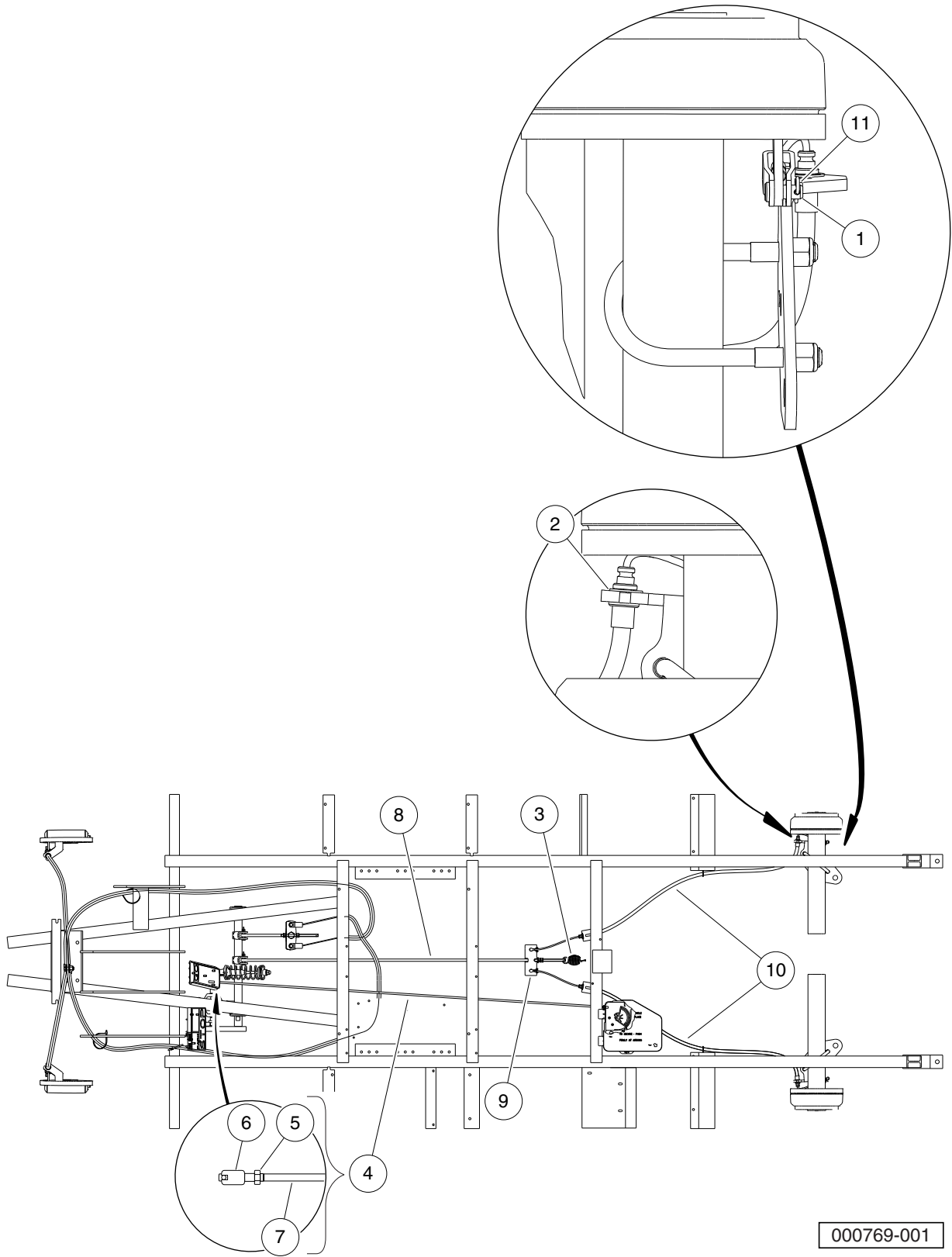
000188-004

ACCELERATOR PEDAL ASSEMBLY – ELECTRIC VEHICLES WITH MCOR

| ITEM | PART NO. | DESCRIPTION | QTY |
|------|------------------|--|-----|
| | | 1 2 3 4 | |
| 1 | <u>1011694</u> | Accelerator Bracket and Bearing Assembly | 2 |
| 2 | <u>1011931</u> | Washer, 1/4 Flat | 1 |
| 3 | <u>1014007</u> | Washer, 1/4 Flat | 4 |
| 4 | <u>1017378</u> | Cup, Spring | 1 |
| 5 | <u>1017380</u> | Bumper, Spring Return | 1 |
| 6 | <u>1017424</u> | Bearing, Pivot Support | 1 |
| 7 | <u>1017696</u> | Sub Asm, Accelerator Pedal (includes items 8 through 10) | 1 |
| 8 | 1013871 | Pad, Accelerator Pedal | 1 |
| 9 | N/A | Accelerator Pedal Weldment | 1 |
| 10 | 7716 | Screw, #10-16 Type AB, Sheet Metal | 4 |
| 11 | 101796201 | Spring, Accelerator Return | 1 |
| 12 | <u>101817401</u> | Retainer, Spring | 1 |
| 13 | <u>101861901</u> | Screw, 1/4-20 X 1.125 Hex Cap | 4 |
| 14 | <u>101862001</u> | Screw, 1/4-20 X 1.500 Flange | 1 |
| 15 | <u>102026001</u> | Kit, Accelerator Pivot Rod Assembly (includes items 16 through 18) | 1 |
| 16 | <u>1011700</u> | Spacer Assembly (includes item 17) | 1 |
| 17 | 101919801 | Spacer, Accelerator | 1 |
| 18 | N/A | Pivot Rod Weldment | 1 |
| 19 | <u>1241</u> | Washer, 5/16 Type A Flat | 1 |
| 20 | <u>1624</u> | Screw, 3/8-16 X 1.50 Hex-Head Cap | 1 |
| 21 | <u>334</u> | Washer, 3/8 Type A Flat | 2 |
| 22 | <u>7473</u> | Locknut, 5/16-18 Nylon Insert | 1 |
| 23 | <u>8233</u> | Locknut, 1/4-20 Nylon Insert | 4 |
| 24 | <u>8717</u> | Locknut, 1/4-28 Nylon Insert | 1 |
| 25 | <u>8754</u> | Locknut, 3/8-16 Hex | 2 |

4
G
E

4
G
E



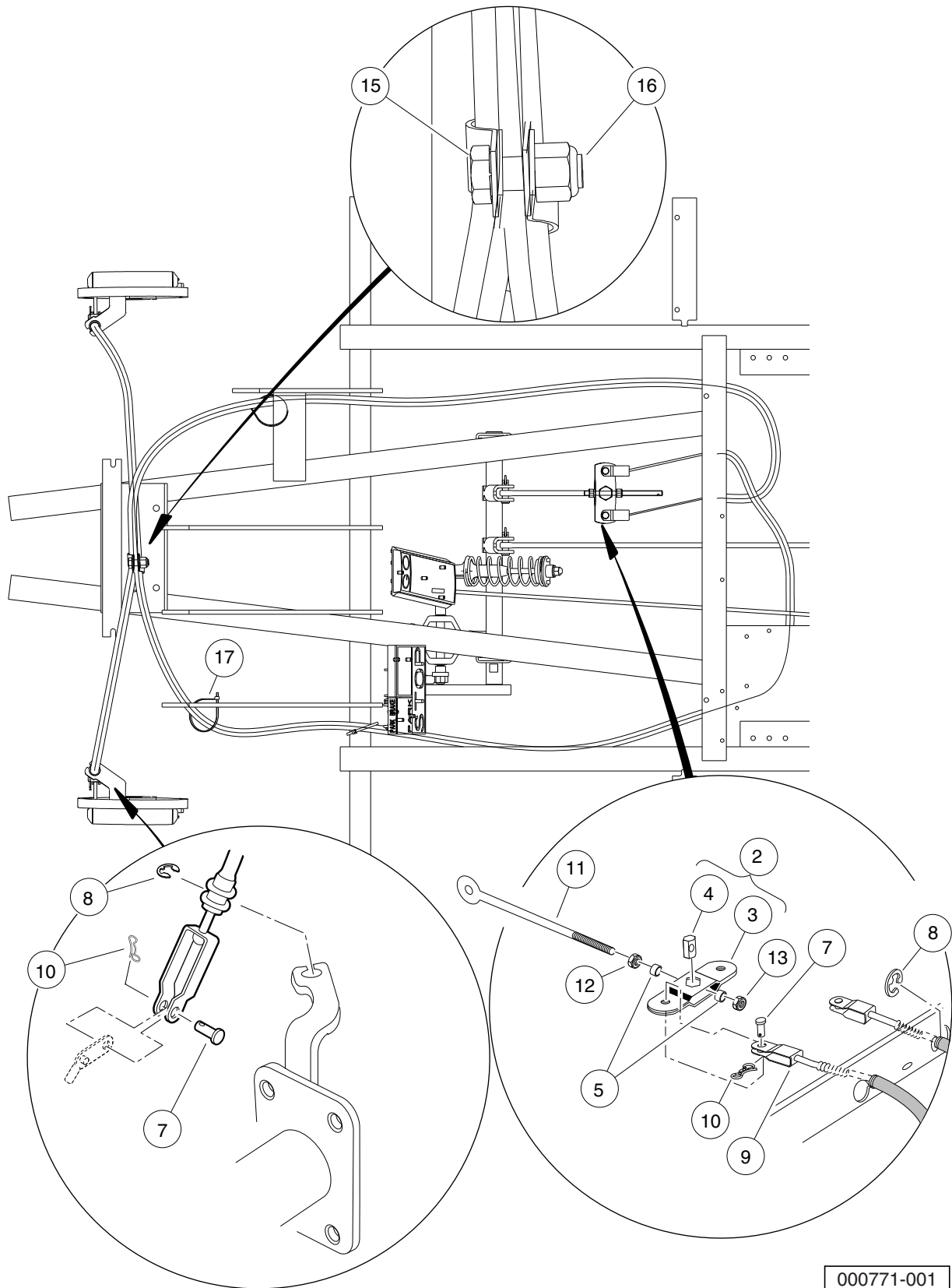
000769-001

PEDAL GROUP – GASOLINE VEHICLES

| ITEM | PART NO. | DESCRIPTION | QTY |
|------|------------------|---|-----|
| | | 1 2 3 4 | |
| 1 | <u>1010829</u> | Pin, Clevis, 5/16 X 3/4 | 2 |
| 2 | <u>1011779</u> | E-Clip, 1/2 | 2 |
| 3 | <u>1013531</u> | Spring, Brake Return | 1 |
| 4 | <u>101674702</u> | Rod, Accelerator (includes items 5 through 7) | 1 |
| 5 | <u>1011084</u> | Nut, 1/4-28 Hex Jam | 2 |
| 6 | <u>1011734</u> | Joint, Ball | 2 |
| 7 | N/A | Accelerator Rod Elec Stretch | 1 |
| 8 | 101953103 | Rod, Equalizer | 1 |
| 9 | <u>101990801</u> | Equalizer Bracket | 1 |
| 10 | 102162601 | Cable, Brake | 2 |
| 11 | <u>102292801</u> | Pin, Bow Tie Locking - .072 | 2 |

4
G
E

4
G
E



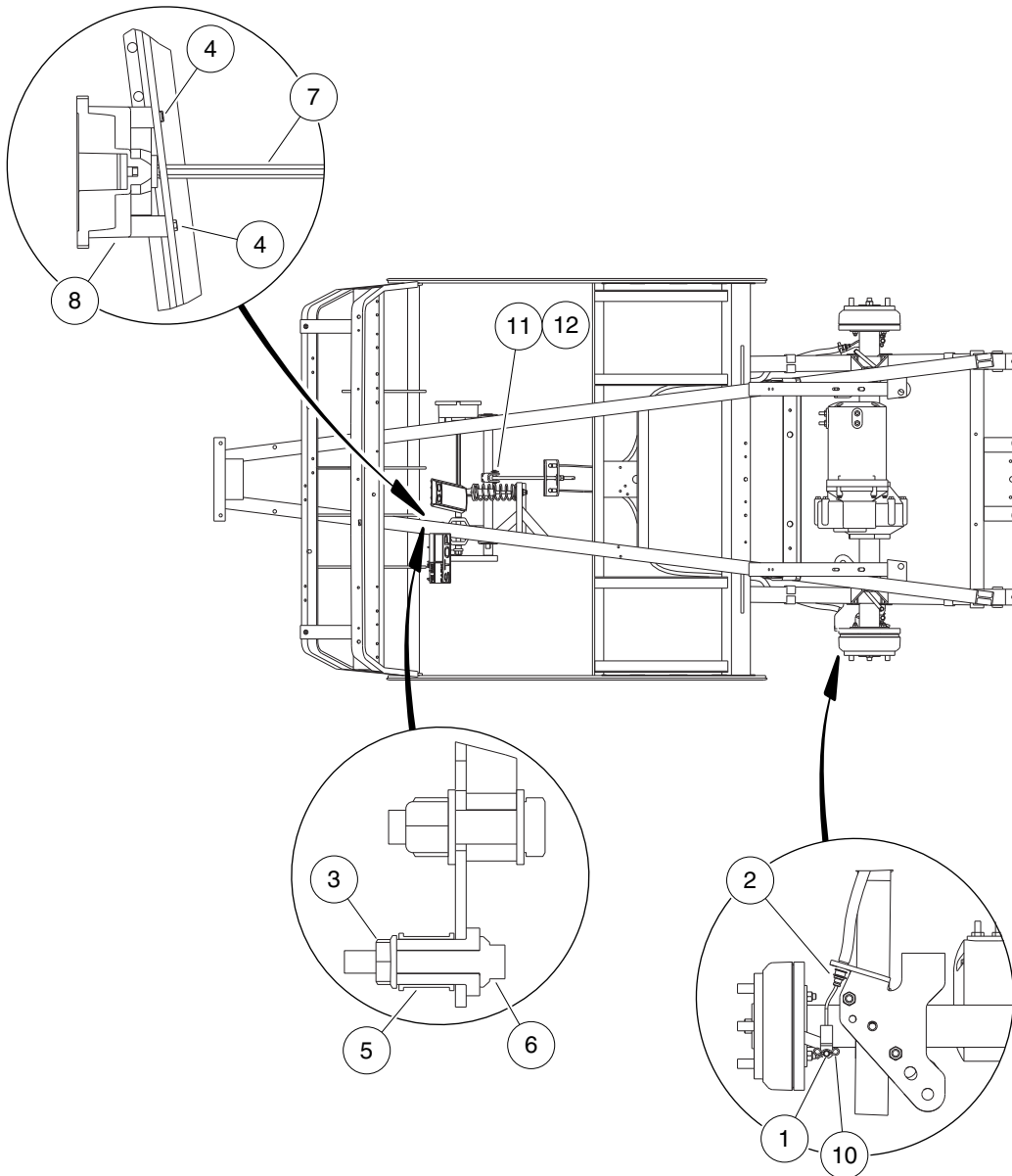
000771-001

PEDAL GROUP – GASOLINE VEHICLES, CONTINUED

| ITEM | PART NO. | DESCRIPTION | QTY |
|------|------------------|---|-----|
| | | 1 2 3 4 | |
| 1 | N/A | Asm, Brake Cable (includes items 2 through 13) | 1 |
| 2 | <u>1017211</u> | Kit, Equalizer and Pivot Limiter (includes items 3 and 4) | 1 |
| 3 | 1016319 | Equalizer Weld Assembly | 1 |
| 4 | 1016320 | Equalizer, Pivot Limiter | 1 |
| 5 | <u>101865301</u> | Spacer | 2 |
| 6 | <u>101874601</u> | Kit, Brake Cable (includes items 7 through 10) | 1 |
| 7 | <u>1010829</u> | Pin, Clevis, 5/16 X 3/4 | 4 |
| 8 | <u>1011779</u> | E-Clip, 1/2 | 4 |
| 9 | N/A | Brake Cable | 2 |
| 10 | <u>102292801</u> | Pin, Bow Tie Locking - .072 | 4 |
| 11 | <u>101953106</u> | Rod, Equalizer, 9.75" | 1 |
| 12 | <u>1242</u> | Nut, 5/16-18 Hex | 1 |
| 13 | <u>7473</u> | Locknut, 5/16-18 Nylon Insert | 1 |
| 14 | N/A | Asm, Pedal, Gas, Manual Brake | 1 |
| 15 | 320 | Screw, 3/8-16 X 1.00 Hex-Head Cap | 1 |
| 16 | <u>8754</u> | Locknut, 3/8-16 Hex | 1 |
| 17 | <u>8990</u> | Tie Wrap, 8" Nylon | 3 |

4
G
E

4
G
E



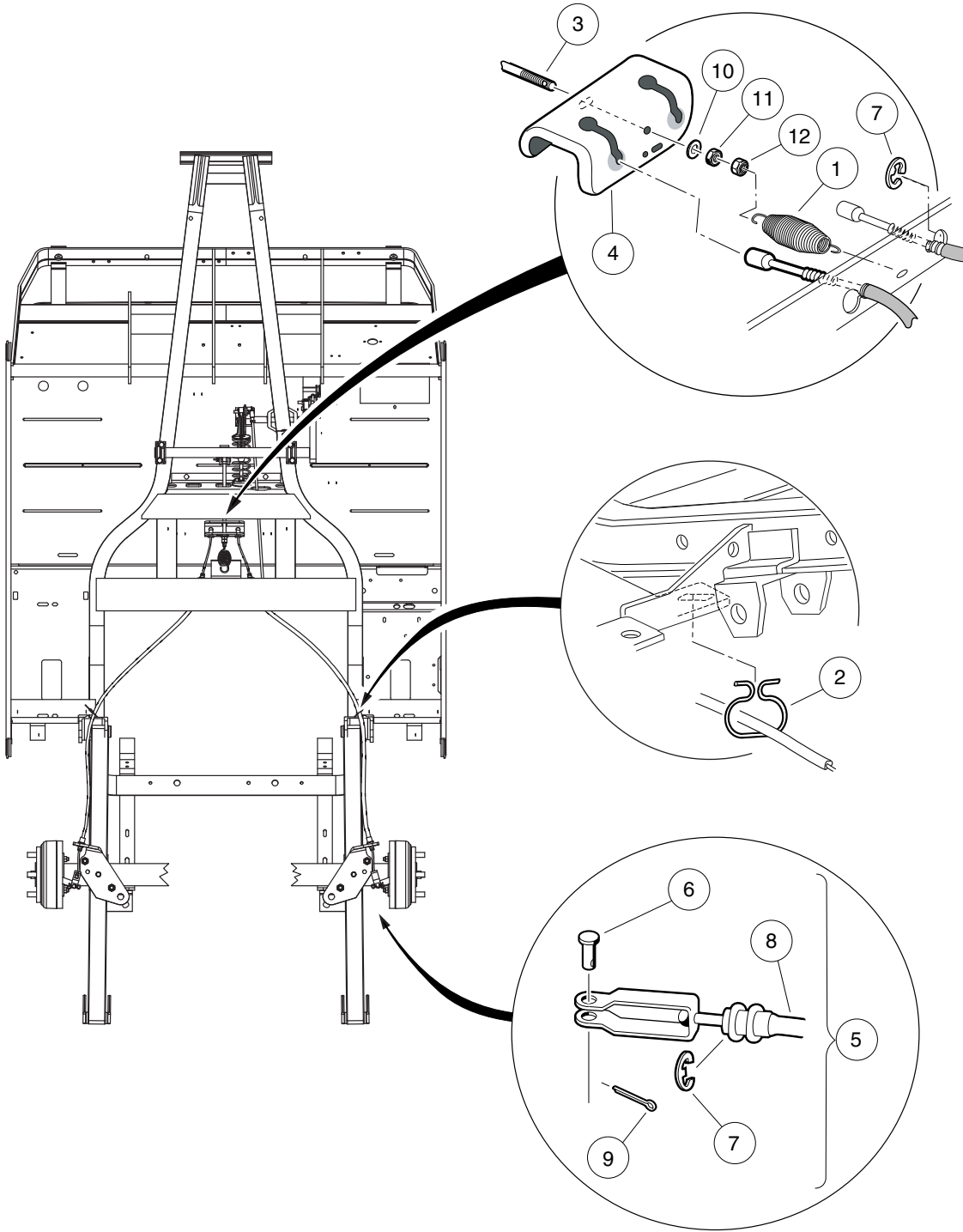
000752-001

PEDAL GROUP – ELECTRIC VEHICLES

| ITEM | PART NO. | DESCRIPTION | QTY |
|------|------------------|------------------------------------|-----|
| | | 1 2 3 4 | |
| 1 | <u>1010829</u> | Pin, Clevis, 5/16 X 3/4 | 2 |
| 2 | <u>1011779</u> | E-Clip, 1/2 | 2 |
| 3 | <u>1015661</u> | Nut, Lock Hx Flanged 1/4-20 | 1 |
| 4 | <u>1015752</u> | Screw, #12-16 X 0.625 Hi-Lo | 2 |
| 5 | <u>1017427</u> | Towbar Retainer | 1 |
| 6 | <u>101862001</u> | Screw, 1/4-20 X 1.500 Flange | 1 |
| 7 | <u>102101001</u> | Bar, Drive, Cast | 1 |
| 8 | <u>102101101</u> | MCOR | 1 |
| 9 | N/A | Instl, Pedal Group - Vil 48v | 1 |
| 10 | <u>102292801</u> | Pin, Bow Tie Locking - .072 | 2 |
| 11 | <u>102323101</u> | Pin, Bow Tie Locking | 1 |
| 12 | <u>102323201</u> | Pin, 3/8 X 1-5/16 Clevis | 1 |

4
G
E

4
G
E



000245-001

PEDAL GROUP – ELECTRIC VEHICLES, CONTINUED

| ITEM | PART NO. | DESCRIPTION | QTY |
|------|------------------|--|-----|
| | | 1 2 3 4 | |
| 1 | <u>1013531</u> | Spring, Brake Return | 1 |
| 2 | 101900801 | Hanger, Brake Cable | 2 |
| 3 | <u>101953101</u> | Rod, Equalizer, 8.91" | 1 |
| 4 | <u>101990801</u> | Equalizer Bracket | 1 |
| 5 | <u>102022101</u> | Brake Cable Kit (includes items 6 through 9) | 2 |
| 6 | <u>1010829</u> | Pin, Clevis, 5/16 X 3/4 | 1 |
| 7 | <u>1011779</u> | E-Clip, 1/2 | 2 |
| 8 | N/A | Cable, Brake, 41" | 1 |
| 9 | <u>1035</u> | Cotter Pin, 3/32 x 1 | 1 |
| 10 | <u>1241</u> | Washer, 5/16 Type A Flat | 5 |
| 11 | <u>1242</u> | Nut, 5/16-18 Hex | 1 |
| 12 | <u>7473</u> | Locknut, 5/16-18 Nylon Insert | 5 |

4
G
E

4

G

E

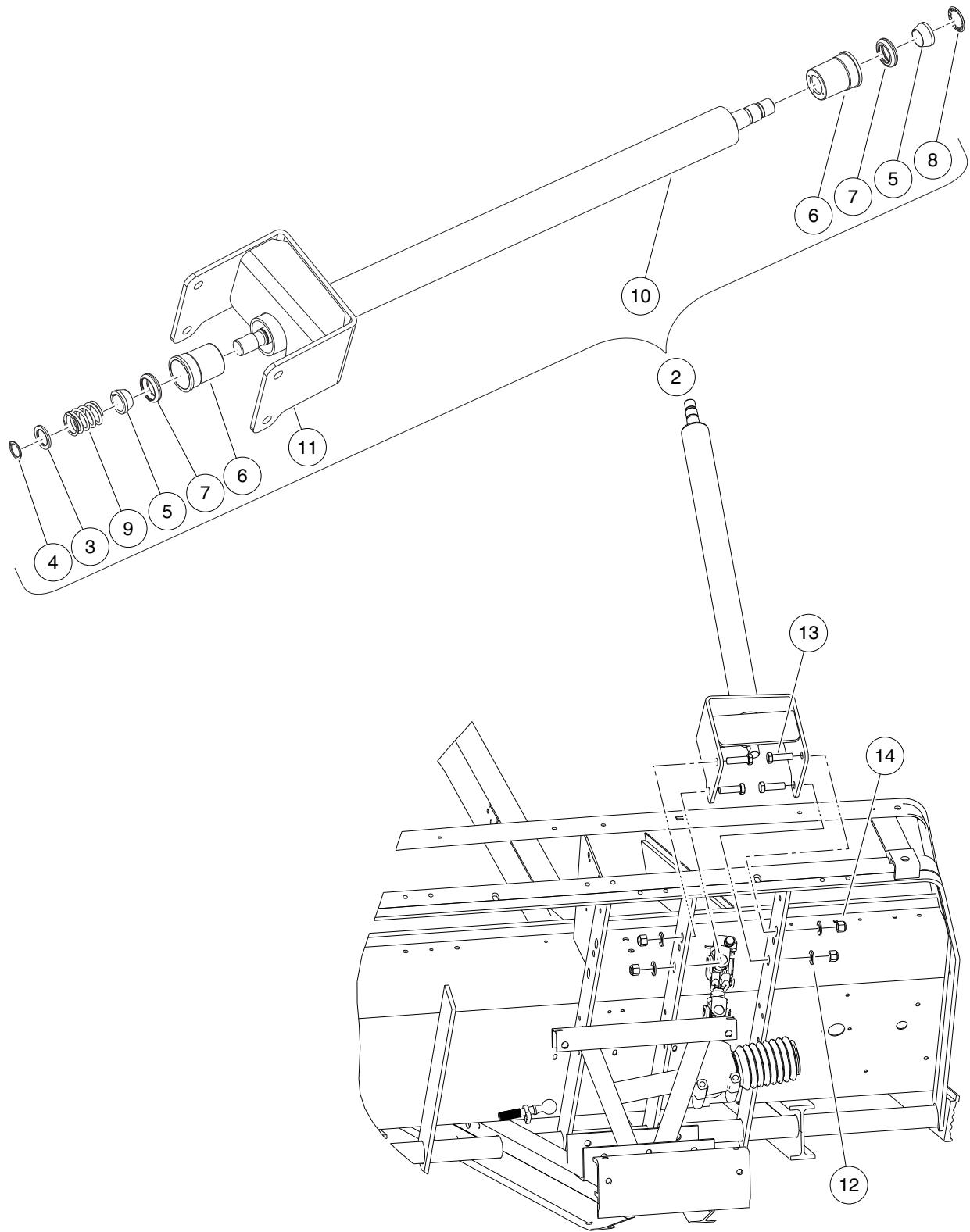
STEERING, BRAKE CLUSTERS, FRONT AND REAR SUSPENSION

5

G

E

5
G
E

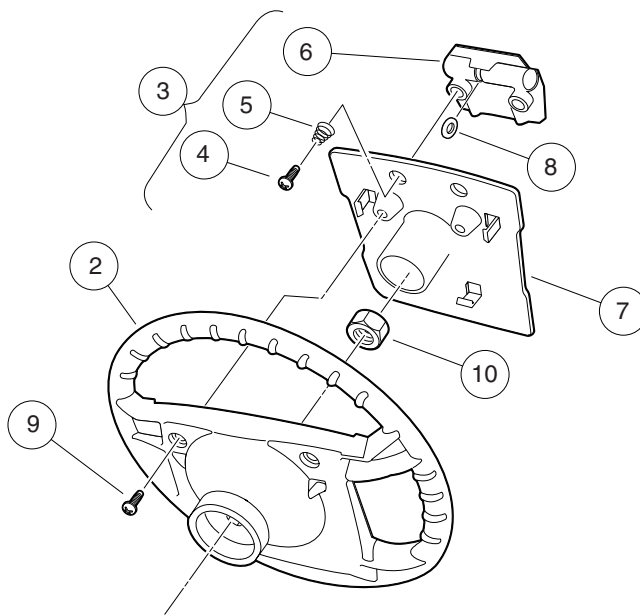


000753-001

STEERING COLUMN

| ITEM | PART NO. | DESCRIPTION | QTY |
|------|------------------|--|-----|
| | | 1 2 3 4 | |
| 1 | N/A | Instl, Steering Column (includes items 2 through 14) | 1 |
| 2 | <u>103232101</u> | Assy, Steering Column, Short (includes items 3 through 11) | 1 |
| 3 | <u>1012604</u> | Washer, 0.675 ID X 1.19 OD | 1 |
| 4 | <u>1012605</u> | Ring, 0.579 Internal Retaining | 1 |
| 5 | 1014125 | Wedge, Molded | 2 |
| 6 | <u>1014126</u> | Seat, Plastic Bearing | 2 |
| 7 | <u>1014213</u> | Bearing, Ball | 2 |
| 8 | 1014214 | Ring, Retaining | 1 |
| 9 | <u>1014217</u> | Spring, Steering Shaft | 1 |
| 10 | N/A | Shaft, Steering, 667.8 Oal | 1 |
| 11 | N/A | Weldment, Column, Short | 1 |
| 12 | <u>334</u> | Washer, 3/8 Type A Flat | 4 |
| 13 | 705 | Screw, Cap-hex Hd 3/8-16x1.25 | 4 |
| 14 | <u>8754</u> | Locknut, 3/8-16 Hex | 4 |

5
G
E

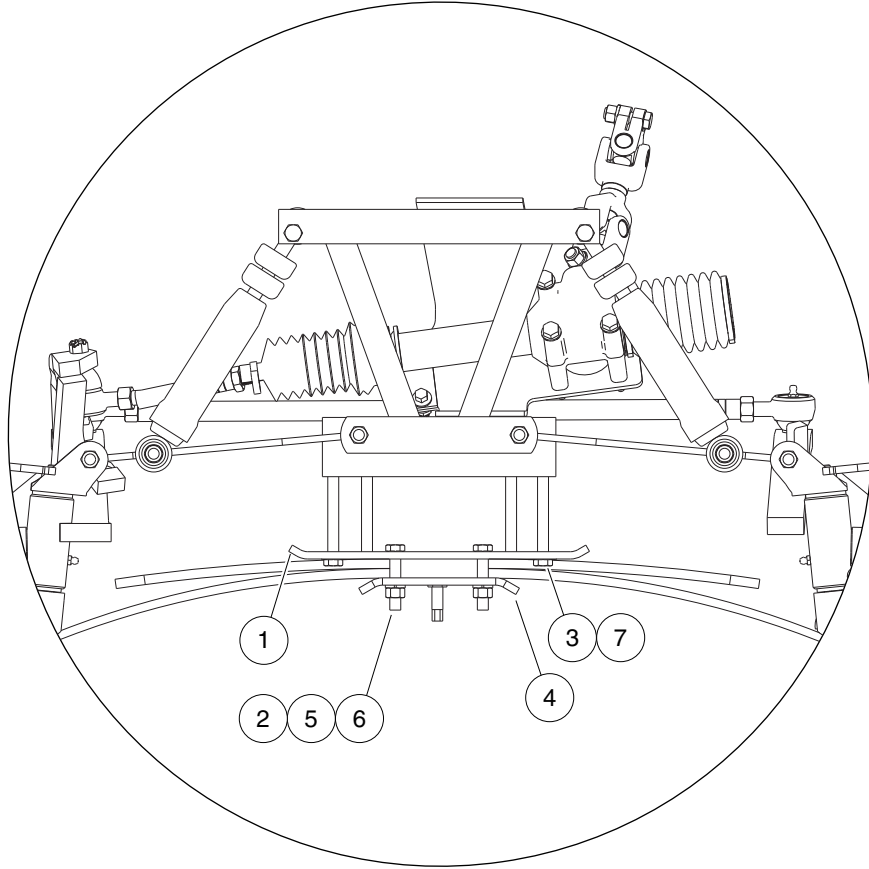


000471-002

STEERING WHEEL

| ITEM | PART NO. | DESCRIPTION | QTY |
|------|----------------|--|-----|
| | | 1 2 3 4 | |
| 1 | N/A | Scorecard Holder (includes items 2 through 10) | 1 |
| 2 | <u>1016156</u> | Wheel, Steering | 1 |
| 3 | 1016219 | Plate, Scorecard (includes items 4 through 8) | 1 |
| 4 | <u>1012565</u> | Screw, #12 Phillips Round Head | 2 |
| 5 | <u>1012566</u> | Tapered Compression Spring | 2 |
| 6 | 1016154 | Clip, Scorecard | 1 |
| 7 | N/A | Plate, Score Card | 1 |
| 8 | N/A | Pencil Grip | 1 |
| 9 | <u>1016663</u> | Screw, #12-14 X 0.625 | 2 |
| 10 | <u>1017273</u> | Nut, 5/8-18 Nylon Insert Jam | 1 |

5
G
E



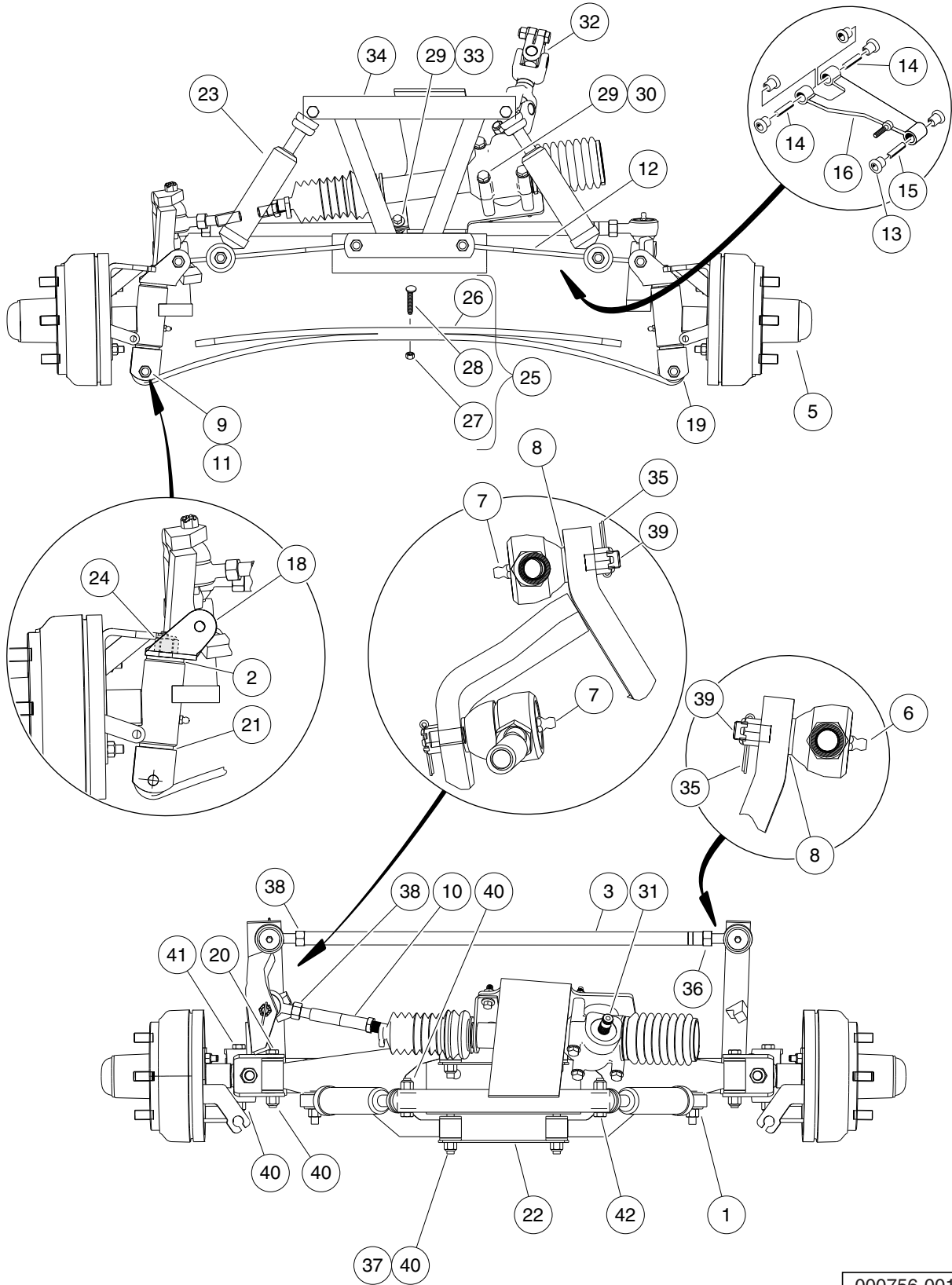
000754-001

FRONT SUSPENSION COMPONENTS

| ITEM | PART NO. | DESCRIPTION | QTY |
|------|----------------|------------------------------------|-----|
| | | 1 2 3 4 | |
| 1 | <u>1010124</u> | Plate, Spring Mount | 1 |
| 2 | <u>1010177</u> | Bolt, 3/8-16 X 2.00 Hex Head | 4 |
| 3 | <u>1010200</u> | Bolt, 3/8-16 X 4.25 Hex Head | 4 |
| 4 | <u>1014276</u> | Plate, Front Spring Retainer | 1 |
| 5 | <u>357</u> | Lockwasher, 3/8 Split | 4 |
| 6 | <u>706</u> | Nut, Hex 3/8-16 | 4 |
| 7 | <u>8754</u> | Locknut, 3/8-16 Hex | 4 |

5
G
E

5
G
E

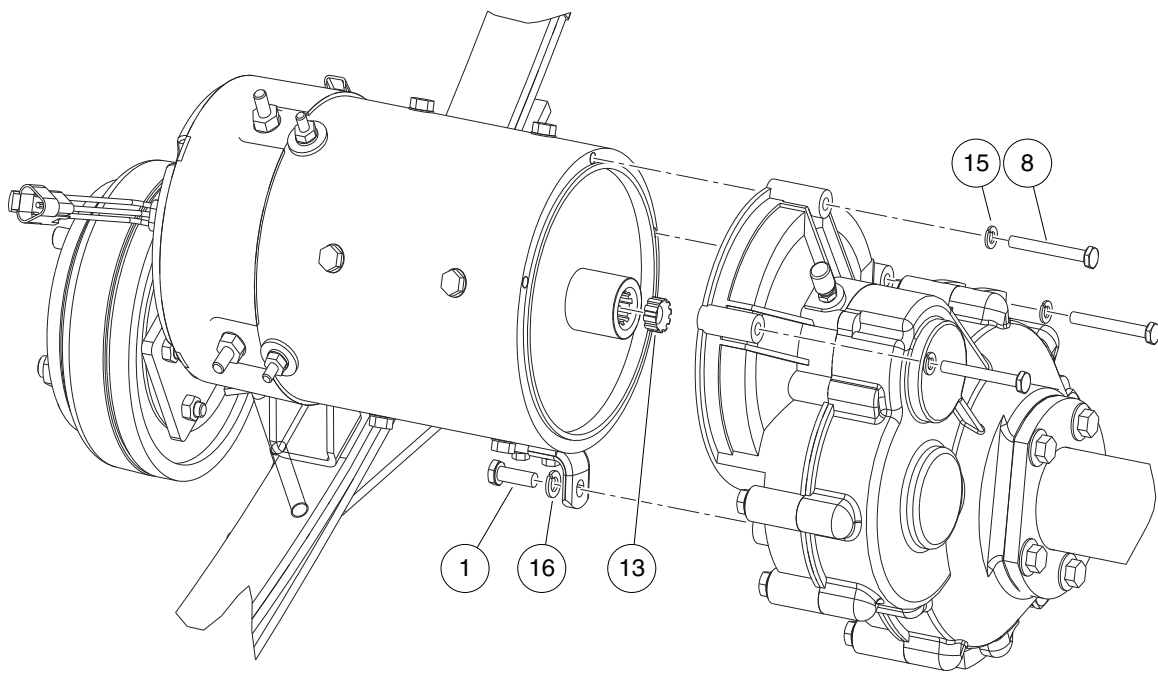


000756-001

FRONT SUSPENSION COMPONENTS, CONTINUED

| ITEM | PART NO. | DESCRIPTION | QTY |
|------|------------------|--|-----|
| | | 1 2 3 4 | |
| 1 | <u>1010138</u> | Locknut, 3/8-16 Dimpled | 2 |
| 2 | <u>1010150</u> | Bearing, Thrust | 2 |
| 3 | <u>101021902</u> | Tie Rod 20.643" Lg | 1 |
| 4 | <u>1011137</u> | Drum, Brake | 2 |
| 5 | <u>1011887</u> | Dust Cover | 2 |
| 6 | <u>1011893</u> | Socket, RH Vertical | 1 |
| 7 | <u>1011895</u> | Socket, LH Vertical | 2 |
| 8 | <u>1011930</u> | Seal, Vertical Socket Dust | 3 |
| 9 | <u>1012303</u> | Bushing, Steel | 2 |
| 10 | <u>1012467</u> | Link, Rack and Pinion Drag | 1 |
| 11 | <u>1015583</u> | Bushing, Urethane | 4 |
| 12 | <u>1016353</u> | Sub-Assembly, Delta A-Plate (includes items 13 through 16) | 2 |
| 13 | <u>1016346</u> | Bushing, Urethane | 6 |
| 14 | <u>1016349</u> | Sleeve, Delta Inner | 2 |
| 15 | <u>1016350</u> | Sleeve, Delta Outer | 1 |
| 16 | <u>1016351</u> | Delta A-Plate | 1 |
| 17 | N/A | Front Suspension Assy, Drum | 1 |
| 18 | <u>1016384</u> | Clevis, Delta Upper | 2 |
| 19 | <u>1016386</u> | King Pin Assembly | 2 |
| 20 | <u>1016387</u> | Screw, 3/8-16 X 2.75 Hx Hd Cap | 2 |
| 21 | <u>1016389</u> | Washer, 1.125 Od Wave | 2 |
| 22 | <u>1017266</u> | A-Plate Strap | 2 |
| 23 | <u>101870602</u> | Shock Absorber, Frnt, 2 Bumper | 2 |
| 24 | <u>101903101</u> | Locknut, 1/2-20 Nylon Insert | 2 |
| 25 | <u>102004001</u> | Spring, Front (includes items 26 through 28) | 1 |
| 26 | N/A | Spring, Front Leaf | 1 |
| 27 | <u>103507001</u> | Eccentric Bolt Common | 1 |
| 28 | <u>706</u> | Nut, Hex 3/8-16 | 1 |
| 29 | <u>102298401</u> | Nut,m8,all Metal Lock | 5 |
| 30 | <u>102534201</u> | Bolt - Fl Hd, M8 X 95 | 3 |
| 31 | <u>103233101</u> | Rack, Steering, Modular | 1 |
| 32 | <u>103234101</u> | Steering, I-shaft, Mod Rack | 1 |
| 33 | <u>103262201</u> | Bolt Flg Blk, M8 X 25, Loctite | 2 |
| 34 | <u>103264801</u> | Weldment, Shock & Rack Mount | 1 |
| 35 | <u>1035</u> | Cotter Pin, 3/32 x 1 | 3 |
| 36 | <u>1308</u> | Nut, 1/2-20 Hex | 1 |
| 37 | <u>2402</u> | Screw, 3/8-16 X 2.25 Hx Hd Cap | 4 |
| 38 | <u>7555</u> | Nut, 1/2-20 Hex, Left-Hand Thread | 2 |
| 39 | <u>7602</u> | Nut, 3/8-24 UNF Hex | 3 |
| 40 | <u>8754</u> | Locknut, 3/8-16 Hex | 10 |
| 41 | <u>8755</u> | Screw, 3/8-16 X 3.375 Hex Cap | 2 |
| 42 | <u>8861</u> | Bolt, 3/8-16 X 1.75 Hex | 2 |

5
G
E



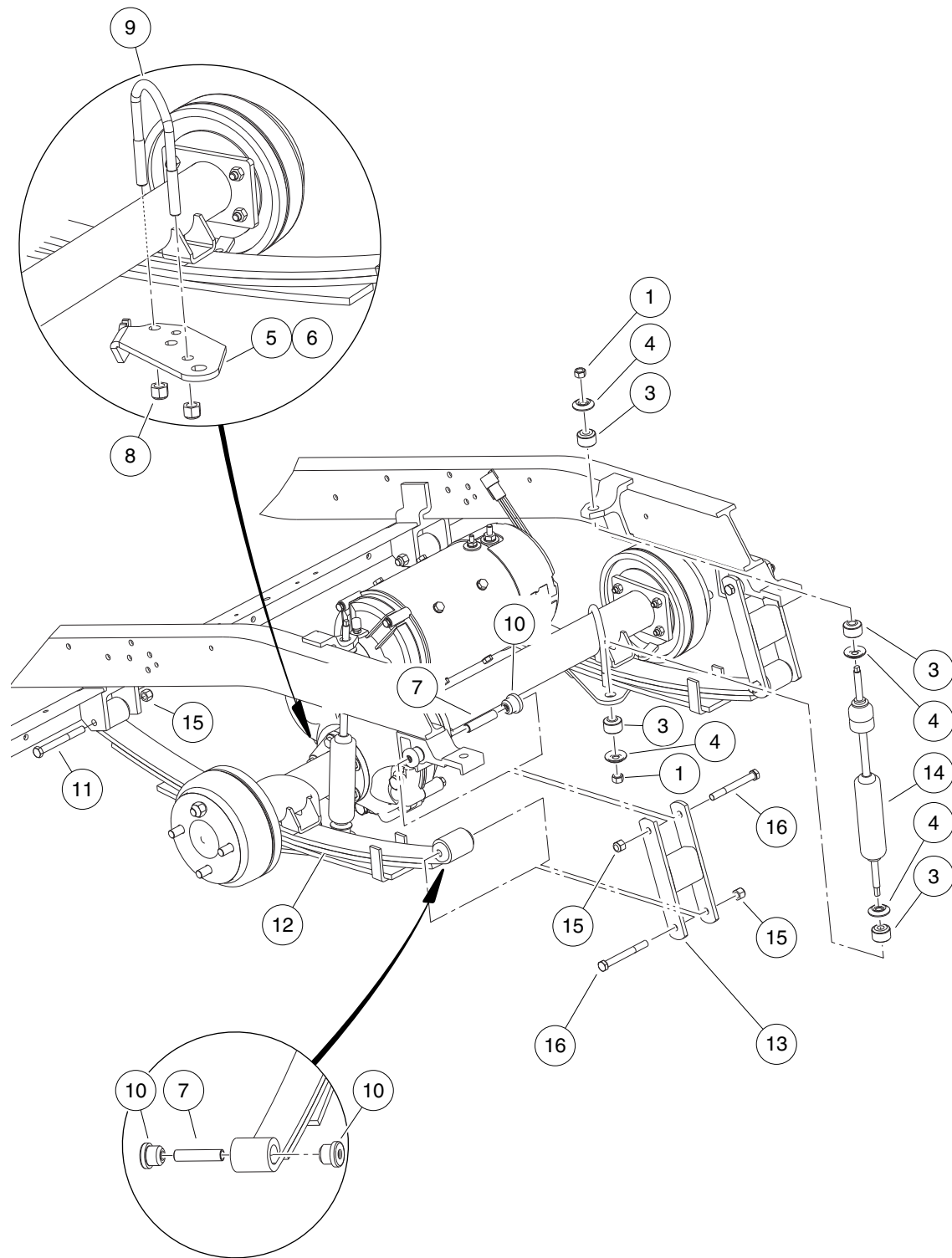
000758-001

DRIVE UNIT MOUNTING

| ITEM | PART NO. | DESCRIPTION | QTY |
|------|------------------|-------------------------------------|-----|
| | | 1 2 3 4 | |
| 1 | <u>1010934</u> | Screw, 5/16-18 X 1.00 Hex Cap | 1 |
| 2 | 1014201 | Screw, 1/4-20 X 2.25 Hex Cap | 3 |
| 3 | <u>102235201</u> | Bumper, Drive Unit | 1 |
| 4 | <u>451</u> | Lockwasher, 1/4 Split | 3 |
| 5 | <u>7174</u> | Lockwasher, 5/16 Split | 1 |

5
G
E

5
G
E



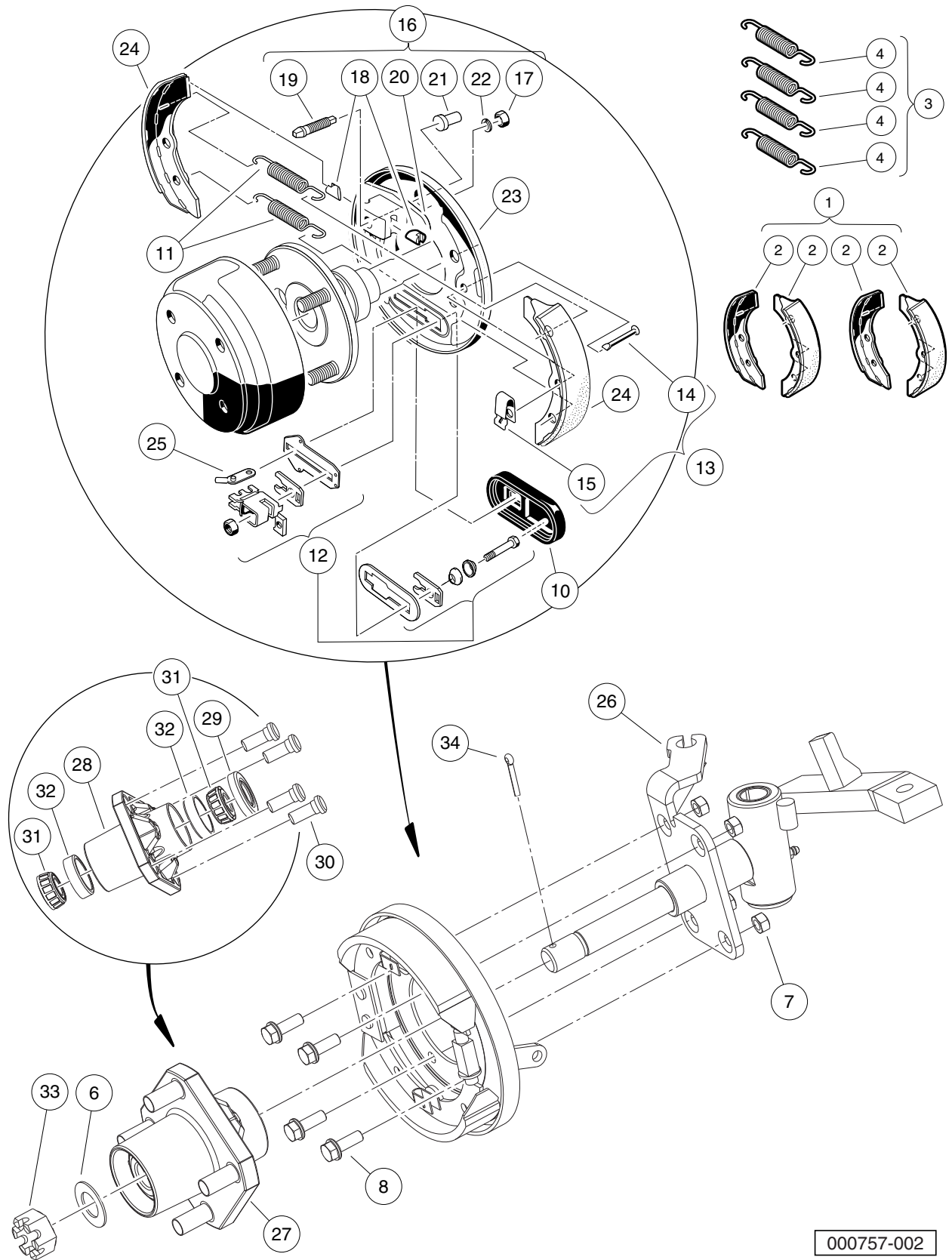
000759-001

REAR SUSPENSION – LEAF SPRINGS AND SHOCKS

| ITEM | PART NO. | DESCRIPTION | QTY |
|------|------------------|--|-----|
| | | 1 2 3 4 | |
| 1 | <u>1010145</u> | Nut, 3/8-24 Hex | 4 |
| 2 | <u>1011415</u> | Kit, Shock Absorber Cushion (includes items 3 and 4) | 1 |
| 3 | <u>1010142</u> | Cushion, Shock Absorber | 2 |
| 4 | <u>1010144</u> | Retainer, Shock Absorber Cushion | 2 |
| 5 | 1012181 | Bracket, Shock Mounting, Right (Passenger) | 1 |
| 6 | 1012182 | Bracket, Shock Mounting, Left (Driver) | 1 |
| 7 | <u>1012303</u> | Bushing, Steel | 6 |
| 8 | <u>1014555</u> | Locknut, 7/16-14 Nylon Hex | 4 |
| 9 | <u>1014902</u> | U-Bolt | 2 |
| 10 | <u>1015583</u> | Bushing, Urethane | 12 |
| 11 | <u>102066201</u> | Screw, 3/8-16 X 3.50 Hex Cap | 2 |
| 12 | <u>102871801</u> | Spring, Multi Leaf | 2 |
| 13 | <u>102917101</u> | Weldment, Shackle | 2 |
| 14 | <u>103351101</u> | Shock, Absorber, Utility | 2 |
| 15 | <u>8754</u> | Locknut, 3/8-16 Hex | 6 |
| 16 | <u>8755</u> | Screw, 3/8-16 X 3.375 Hex Cap | 4 |

5
G
E

5
G
E



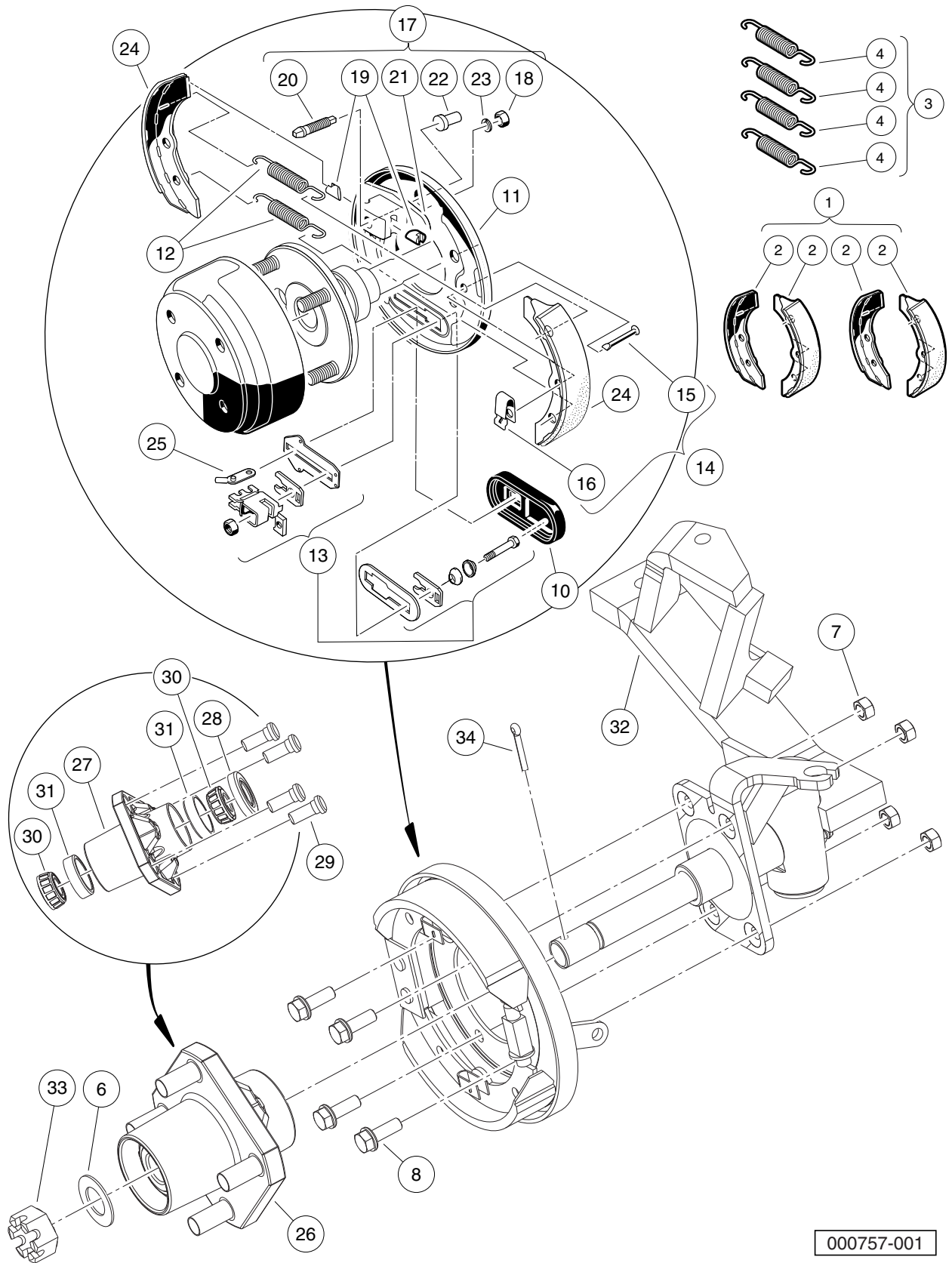
000757-002

BRAKE CLUSTERS AND SPINDLES – DRIVER SIDE

| ITEM | PART NO. | DESCRIPTION | QTY |
|------|------------------|---|-----|
| | | 1 2 3 4 | |
| 1 | <u>101146302</u> | Kit, Non-Asbestos Brake Shoe (includes item 2) | 1 |
| 2 | 101880701 | Shoe Brake Manual Adj (Available in Kit, Non-Asbestos Brake Shoe) | 4 |
| 3 | <u>1011464</u> | Package, Brake Spring (includes item 4) | 1 |
| 4 | 1011314 | Brake Spring | 4 |
| 5 | N/A | Asm, Spindle-hub-cluster, Lh (includes items 6 through 34) | 2 |
| 6 | <u>1010005</u> | Washer, 3/4 Flat | 1 |
| 7 | <u>1013924</u> | Nut, 5/16-24 Hex Head Cone | 4 |
| 8 | <u>1014153</u> | Bolt, Brake Cluster Mounting | 4 |
| 9 | <u>1016557</u> | Cluster, Brake, Driver-Side (includes items 10 through 25) | 1 |
| 10 | <u>1010850</u> | Dust Cover | 1 |
| 11 | 1011314 | Brake Spring | 2 |
| 12 | <u>1011465</u> | Kit, Brake Actuator | 1 |
| 13 | <u>1011466</u> | Kit, Shoe Retainer (includes items 14 and 15) | 1 |
| 14 | 1010953 | Pin | 2 |
| 15 | 1011301 | Shoe Clamp Spring | 2 |
| 16 | <u>1011467</u> | Kit, Anchor Body (includes items 17 through 22) | 1 |
| 17 | <u>1011114</u> | Nut, M6-1.00 Hex | 2 |
| 18 | 1011298 | Anchor Piston | 2 |
| 19 | N/A | Adjustment Bolt | 1 |
| 20 | N/A | Anchor Body Component | 1 |
| 21 | <u>1011303</u> | Adjustment Bolt Cap | 1 |
| 22 | <u>451</u> | Lockwasher, 1/4 Split | 2 |
| 23 | 1011494 | Backing Plate, Left-Hand | 1 |
| 24 | 101880701 | Shoe Brake Manual Adj (Available in Kit, Non-Asbestos Brake Shoe) | 2 |
| 25 | N/A | Arm, Brake Lever | 1 |
| 26 | <u>103334901</u> | Spindle, Drum Asm Left | 1 |
| 27 | N/A | Asm, Hub, Drum Brake (includes items 28 through 32) | 1 |
| 28 | 1011153 | Front Hub | 1 |
| 29 | <u>1013135</u> | Seal, Double Lip | 1 |
| 30 | <u>103477901</u> | Lug Stud, 1/2-20 Unf, 4037 | 4 |
| 31 | 7274 | Bearing, Front Hub Wheel | 2 |
| 32 | 7308 | Race, Front Hub Bearing | 2 |
| 33 | <u>7840</u> | Nut, 3/4-16 Hex Slotted | 1 |
| 34 | <u>7910</u> | Pin, 5/32 X 1.00 Cotter | 1 |

5
G
E

5
G
E



000757-001

BRAKE CLUSTERS AND SPINDLES – PASSENGER SIDE

| ITEM | PART NO. | DESCRIPTION | QTY |
|------|------------------|---|-----|
| | | 1 2 3 4 | |
| 1 | <u>101146302</u> | Kit, Non-Asbestos Brake Shoe (includes item 2) | 1 |
| 2 | 101880701 | Shoe Brake Manual Adj (Available in Kit, Non-Asbestos Brake Shoe) | 4 |
| 3 | <u>1011464</u> | Package, Brake Spring (includes item 4) | 1 |
| 4 | 1011314 | Brake Spring | 4 |
| 5 | N/A | Asm, Spindle-hub-cluster, Rh (includes items 6 through 34) | 2 |
| 6 | <u>1010005</u> | Washer, 3/4 Flat | 1 |
| 7 | <u>1013924</u> | Nut, 5/16-24 Hex Head Cone | 4 |
| 8 | <u>1014153</u> | Bolt, Brake Cluster Mounting | 4 |
| 9 | <u>1016573</u> | Cluster, Brake, Passenger-Side (includes items 10 through 25) | 1 |
| 10 | <u>1010850</u> | Dust Cover | 1 |
| 11 | <u>1011154</u> | Backing Plate, Right-Hand | 1 |
| 12 | 1011314 | Brake Spring | 2 |
| 13 | <u>1011465</u> | Kit, Brake Actuator | 1 |
| 14 | <u>1011466</u> | Kit, Shoe Retainer (includes items 15 and 16) | 1 |
| 15 | 1010953 | Pin | 2 |
| 16 | 1011301 | Shoe Clamp Spring | 2 |
| 17 | <u>1011467</u> | Kit, Anchor Body (includes items 18 through 23) | 1 |
| 18 | <u>1011114</u> | Nut, M6-1.00 Hex | 2 |
| 19 | 1011298 | Anchor Piston | 2 |
| 20 | N/A | Adjustment Bolt | 1 |
| 21 | N/A | Anchor Body Component | 1 |
| 22 | <u>1011303</u> | Adjustment Bolt Cap | 1 |
| 23 | <u>451</u> | Lockwasher, 1/4 Split | 2 |
| 24 | 101880701 | Shoe Brake Manual Adj (Available in Kit, Non-Asbestos Brake Shoe) | 2 |
| 25 | N/A | Arm, Brake Lever | 1 |
| 26 | N/A | Asm, Hub, Drum Brake (includes items 27 through 31) | 1 |
| 27 | 1011153 | Front Hub | 1 |
| 28 | <u>1013135</u> | Seal, Double Lip | 1 |
| 29 | <u>103477901</u> | Lug Stud, 1/2-20 Unf, 4037 | 4 |
| 30 | 7274 | Bearing, Front Hub Wheel | 2 |
| 31 | 7308 | Race, Front Hub Bearing | 2 |
| 32 | <u>103335301</u> | Spindle, Drum Asm Right | 1 |
| 33 | <u>7840</u> | Nut, 3/4-16 Hex Slotted | 1 |
| 34 | <u>7910</u> | Pin, 5/32 X 1.00 Cotter | 1 |

5
G
E

5

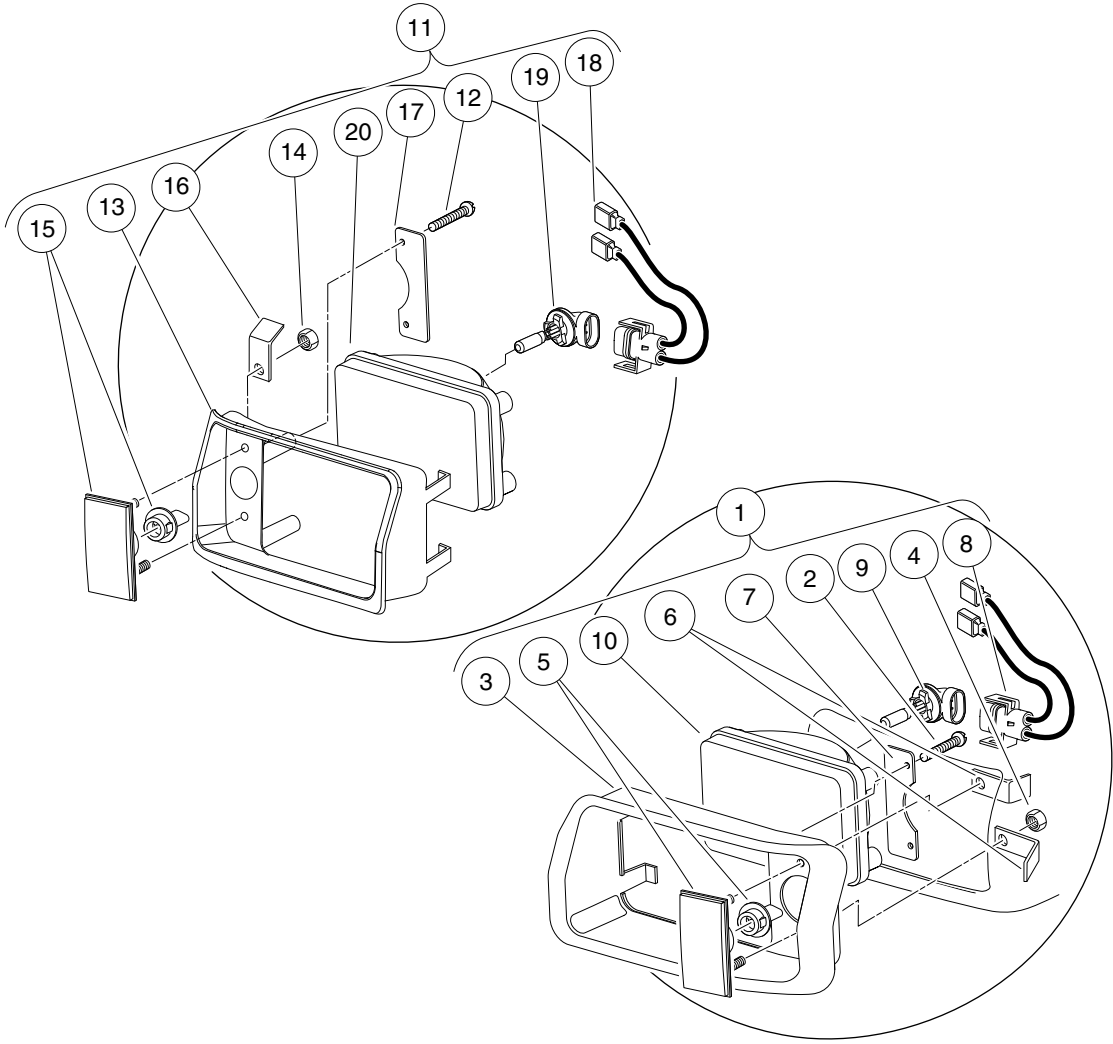
G

E

ELECTRICAL SYSTEM – GASOLINE VEHICLE

6

G



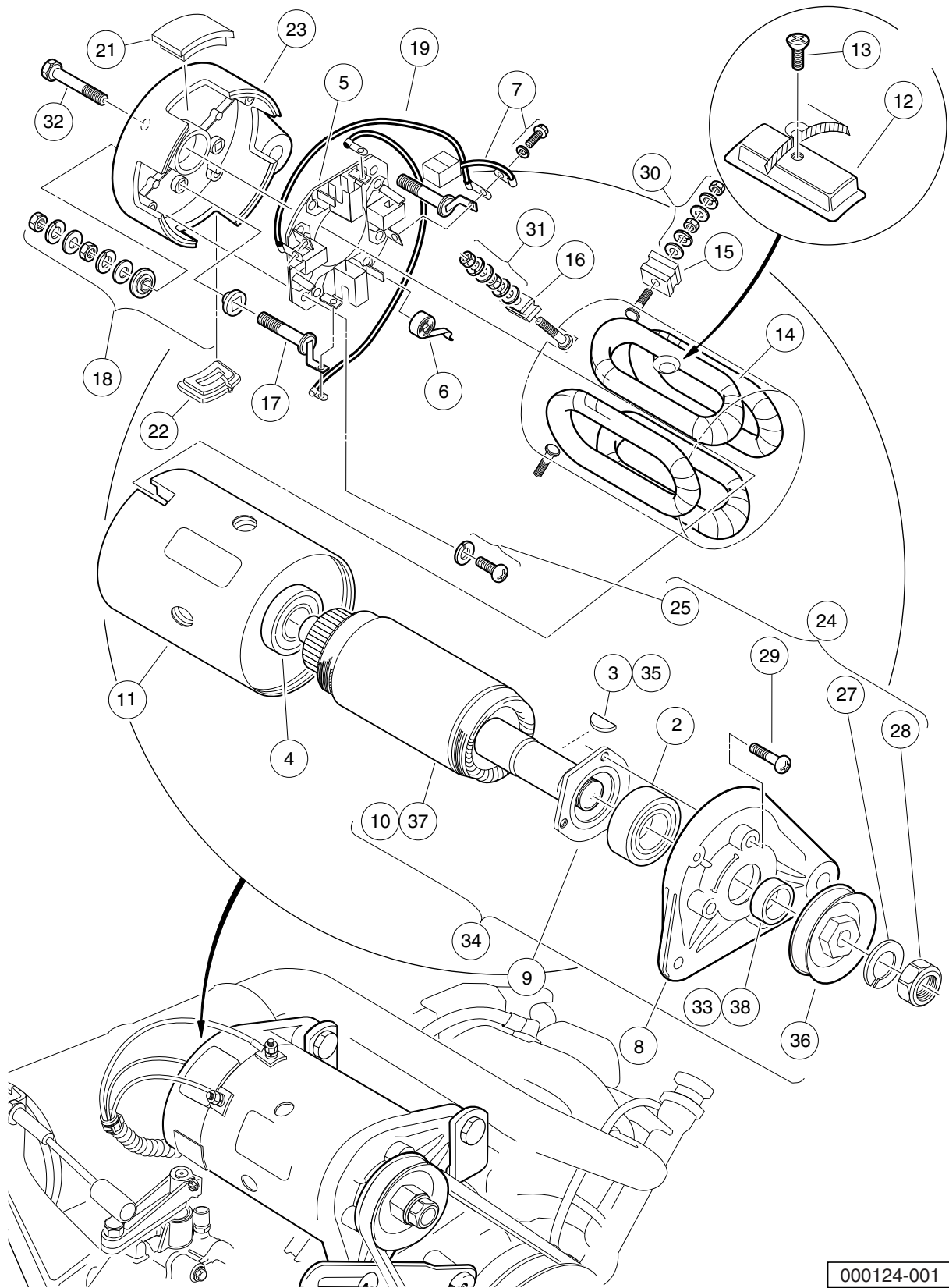
000073-001

HEADLIGHTS

| ITEM | PART NO. | DESCRIPTION | QTY |
|------|------------------|---|-----|
| | | 1 2 3 4 | |
| 1 | <u>101988001</u> | Headlight Assembly, Driver-Side Single Beam (includes items 2 through 10) | 1 |
| 2 | <u>1013461</u> | Screw, #10-16 Hex-Head Hi-Lo | 2 |
| 3 | <u>1016880</u> | Headlight Bezel, Left | 1 |
| 4 | <u>1017</u> | Nut, #10-24 Stainless-Steel Hex Machine | 2 |
| 5 | <u>1017062</u> | Turn Signal Lens Assy | 1 |
| 6 | <u>1017064</u> | Mounting Bracket | 2 |
| 7 | <u>1017065</u> | Retainer, Headlight | 1 |
| 8 | <u>101987901</u> | Connector Harness Assembly, Headlight | 1 |
| 9 | <u>101988101</u> | Bulb, Headlight | 1 |
| 10 | <u>101988201</u> | Lens, Headlight | 1 |
| 11 | <u>101988002</u> | Headlight Assy, Passenger-Side Single Beam (includes items 12 through 20) | 1 |
| 12 | <u>1013461</u> | Screw, #10-16 Hex-Head Hi-Lo | 2 |
| 13 | <u>1016879</u> | Headlight Bezel, Right | 1 |
| 14 | <u>1017</u> | Nut, #10-24 Stainless-Steel Hex Machine | 2 |
| 15 | <u>1017062</u> | Turn Signal Lens Assy | 1 |
| 16 | <u>1017064</u> | Mounting Bracket | 2 |
| 17 | <u>1017065</u> | Retainer, Headlight | 1 |
| 18 | <u>101987901</u> | Connector Harness Assembly, Headlight | 1 |
| 19 | <u>101988101</u> | Bulb, Headlight | 1 |
| 20 | <u>101988201</u> | Lens, Headlight | 1 |

6
G

6
G

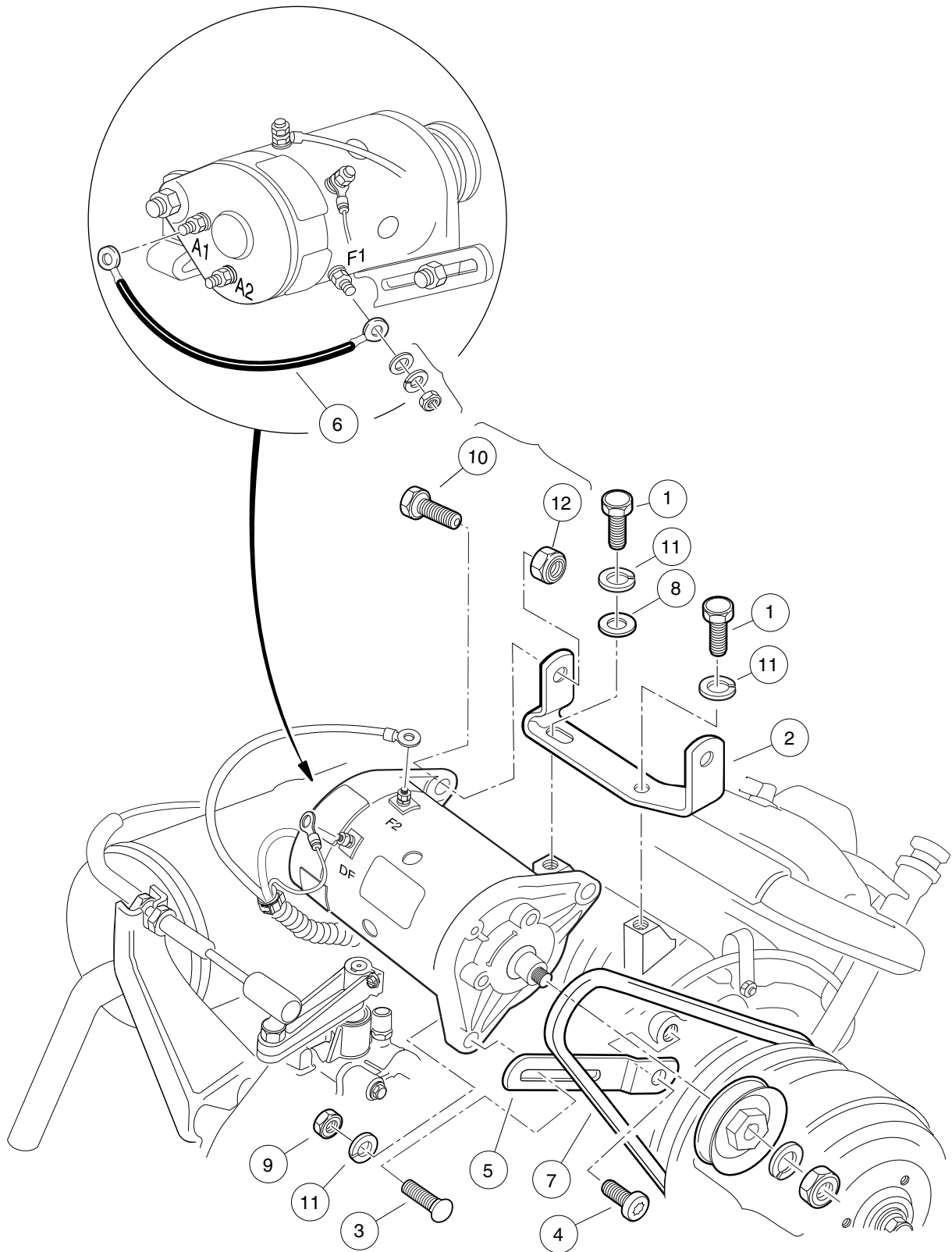


000124-001

STARTER/GENERATOR ASSEMBLY MODEL G425419 – GASOLINE VEHICLES

| ITEM | PART NO. | DESCRIPTION | QTY |
|------|------------------|--|-----|
| | | 1 2 3 4 | |
| 1 | <u>101833701</u> | Starter/Generator (cw) (includes items 2 through 33) | 1 |
| 2 | <u>1013001</u> | Bearing, Output Shaft Ball | 1 |
| 3 | <u>1013003</u> | Key, Starter/Generator | 1 |
| 4 | <u>1013005</u> | Bearing, Ball | 1 |
| 5 | <u>101301102</u> | Brush Holder Assembly (cw) (includes item 6) | 1 |
| 6 | <u>101878101</u> | Brush Spring Set | 4 |
| 7 | <u>101869302</u> | Brush and Screw Set (cw) | 1 |
| 8 | <u>101874901</u> | Front Bracket | 1 |
| 9 | <u>101875001</u> | Retainer | 1 |
| 10 | <u>101875101</u> | Armature | 1 |
| 11 | <u>101875201</u> | Field Coil Housing | 1 |
| 12 | <u>101875301</u> | Pole Set | 1 |
| 13 | <u>101875401</u> | Screw Set | 1 |
| 14 | <u>101875501</u> | Field Stator Coil Assembly | 1 |
| 15 | <u>101875601</u> | F Insulator Set | 2 |
| 16 | <u>101875701</u> | DF Insulator | 1 |
| 17 | <u>101875802</u> | A Connector (cw) | 1 |
| 18 | <u>101876001</u> | Screw and Mold Assembly | 2 |
| 19 | <u>101876202</u> | Brush Connector Assembly (cw) | 2 |
| 20 | <u>101876301</u> | Cover Set (includes items 21 and 22) | 1 |
| 21 | <u>1012991</u> | Brush Inspection Port Cover | 3 |
| 22 | <u>1017653</u> | Brush Port Cover w/Drain | 1 |
| 23 | <u>101876402</u> | Rear Bracket (cw) | 1 |
| 24 | <u>101876501</u> | Nut and Screw Set (includes items 25 through 29) | 1 |
| 25 | <u>101896501</u> | Brush Holder Asm Screw | 2 |
| 26 | N/A | Washer, M5 Flat | 1 |
| 27 | N/A | Washer, M14 Lock | 1 |
| 28 | N/A | Nut, Hex, M14 x 2 | 1 |
| 29 | N/A | Screw, M5 x 0.8 x 18mm | 3 |
| 30 | <u>101877601</u> | Nut and Washer Set | 2 |
| 31 | <u>101877701</u> | Nut and Washer Set | 1 |
| 32 | <u>101879001</u> | Through Bolt Set | 2 |
| 33 | <u>101939901</u> | Spacer | 1 |
| 34 | <u>101875102</u> | Armature Asm Conversion Kit (includes items 35 through 38) | 1 |
| 35 | <u>1013003</u> | Key, Starter/Generator | 1 |
| 36 | <u>1014289</u> | Pulley, Starter/Generator | 1 |
| 37 | <u>101875101</u> | Armature | 1 |
| 38 | <u>101939901</u> | Spacer | 1 |
| | | Note: Item 36 will ONLY fit Model G425419 Starter/Generator. | |

6
G



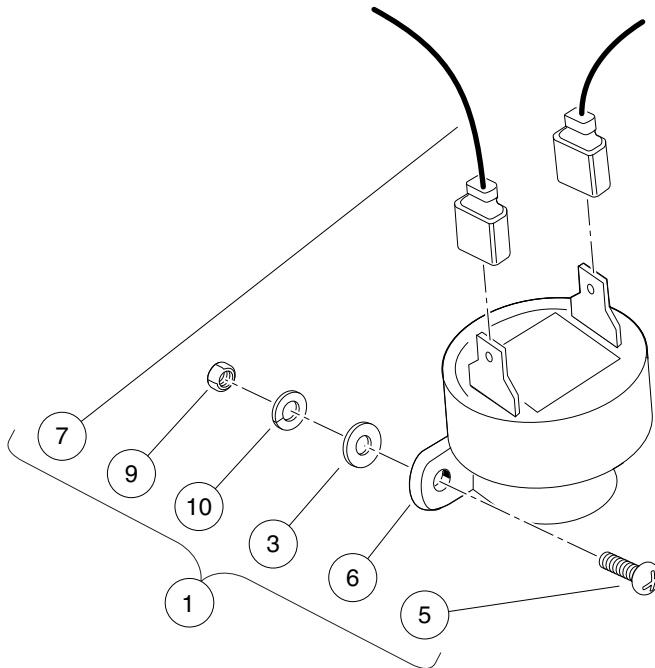
000239-001

FE350 STARTER/GENERATOR MOUNTING – GASOLINE VEHICLES

| ITEM | PART NO. | DESCRIPTION | QTY |
|------|------------------|---|-----|
| | | 1 2 3 4 | |
| 1 | <u>1012830</u> | Screw, M8-1.25 X 22 Hex-Head | 2 |
| 2 | <u>101524002</u> | Bracket, Starter/Generator Mounting | 1 |
| 3 | <u>1015932</u> | Bolt, Carriage, 5/16-18 | 1 |
| 4 | <u>1016074</u> | Screw, M8-1.25 X 18mm Torx | 1 |
| 5 | <u>1016883</u> | Bracket, Starter/Generator Adjustment | 1 |
| 6 | <u>101837301</u> | Wire Assy, #6 Green | 1 |
| 7 | <u>101916701</u> | V-Belt | 1 |
| 8 | <u>1241</u> | Washer, 5/16 Type A Flat | 1 |
| 9 | <u>1242</u> | Nut, 5/16-18 Hex | 1 |
| 10 | 705 | Screw, Cap-hex Hd 3/8-16x1.25 | 2 |
| 11 | <u>7174</u> | Lockwasher, 5/16 Split | 3 |
| 12 | <u>8754</u> | Locknut, 3/8-16 Hex | 2 |

6
G

6
G



000741-003

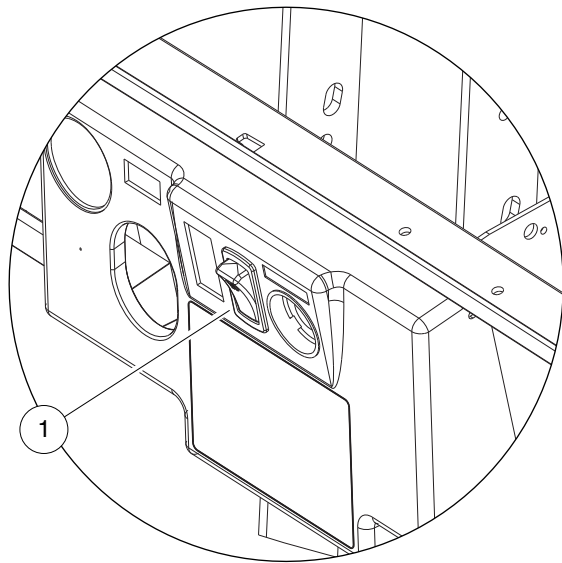
REVERSE BUZZER KIT

| ITEM | PART NO. | DESCRIPTION | QTY |
|------|----------------|---|-----|
| | | 1 2 3 4 | |
| 1 | <u>1016859</u> | Kit, Reverse Buzzer (includes items 2 through 10) | 1 |
| 2 | <u>1011229</u> | Locknut, #6-32 Whiz | 1 |
| 3 | 1012431 | Washer, #4 Flat | 2 |
| 4 | <u>1015720</u> | Screw, #6-32 X 1/2 Hex Washer-Head | 1 |
| 5 | <u>1016849</u> | Screw, #4-24 X 0.33 Pan-Head Machine | 2 |
| 6 | <u>1016851</u> | Buzzer, Reverse (9-48 VDC) | 1 |
| 7 | 1016857 | Wire Assembly Black #18 | 1 |
| 8 | <u>8056</u> | Screw, #4-40 X 0.75 Round-Head Machine | 2 |
| 9 | <u>8057</u> | Nut, #4-40 Hex Machine | 2 |
| 10 | <u>8058</u> | Lockwasher, #4 Split | 2 |

6
G

6

G



000073-003

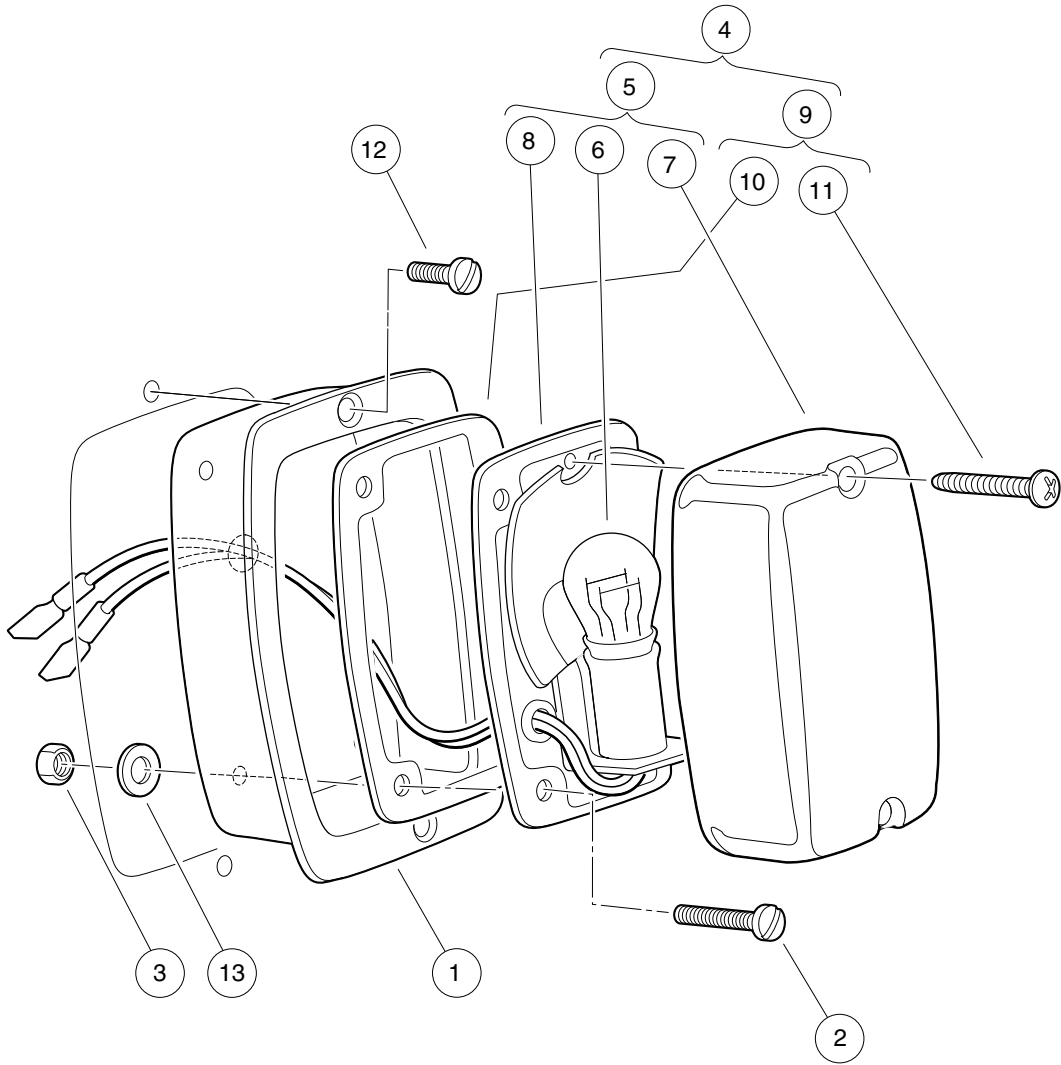
HEADLIGHT SWITCH

| ITEM | PART NO. | DESCRIPTION | QTY |
|------|------------------|---|-----|
| 1 | <u>102869401</u> | <div style="display: flex; justify-content: space-between; margin-bottom: 5px;"> 1 2 3 4 </div> Switch, Rocker, Light | 1 |

6

G

6
G



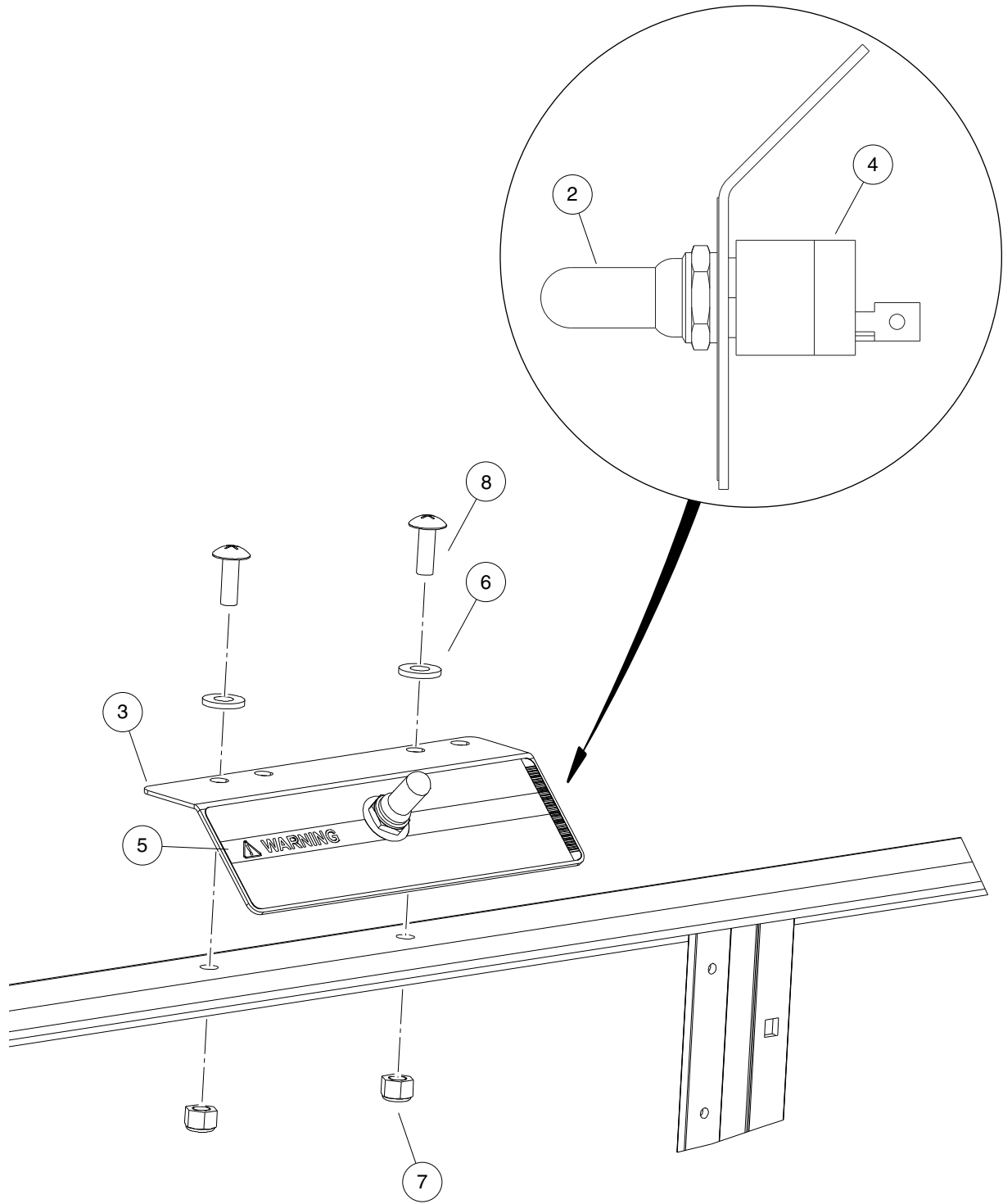
000348-006

TAIL LIGHTS

| ITEM | PART NO. | DESCRIPTION | QTY |
|------|------------------|---|-----|
| | | 1 2 3 4 | |
| 1 | <u>1011497</u> | Bezel, Taillight | 1 |
| 2 | <u>1011557</u> | Screw, #6-32 X 1.00 Hex-Head Machine | 1 |
| 3 | <u>1011558</u> | Nut, #6-32 Hex | 1 |
| 4 | 1017035 | Taillight Assembly (includes items 5 through 9) | 1 |
| 5 | N/A | Light, Tail (includes items 6 through 8) | 1 |
| 6 | <u>1011582</u> | Taillight Bulb | 1 |
| 7 | <u>1011843</u> | Taillight Lens | 1 |
| 8 | N/A | Base, Taillight | 1 |
| 9 | <u>1017699</u> | Hardware Kit, Tail Light (includes items 10 and 11) | 1 |
| 10 | N/A | Gasket | 1 |
| 11 | N/A | Screw, Tapered | 2 |
| 12 | <u>102915601</u> | Plastic Rivet - Tuflock | 1 |
| 13 | <u>7591</u> | Washer, #6 Flat | 1 |

6
G

6
G



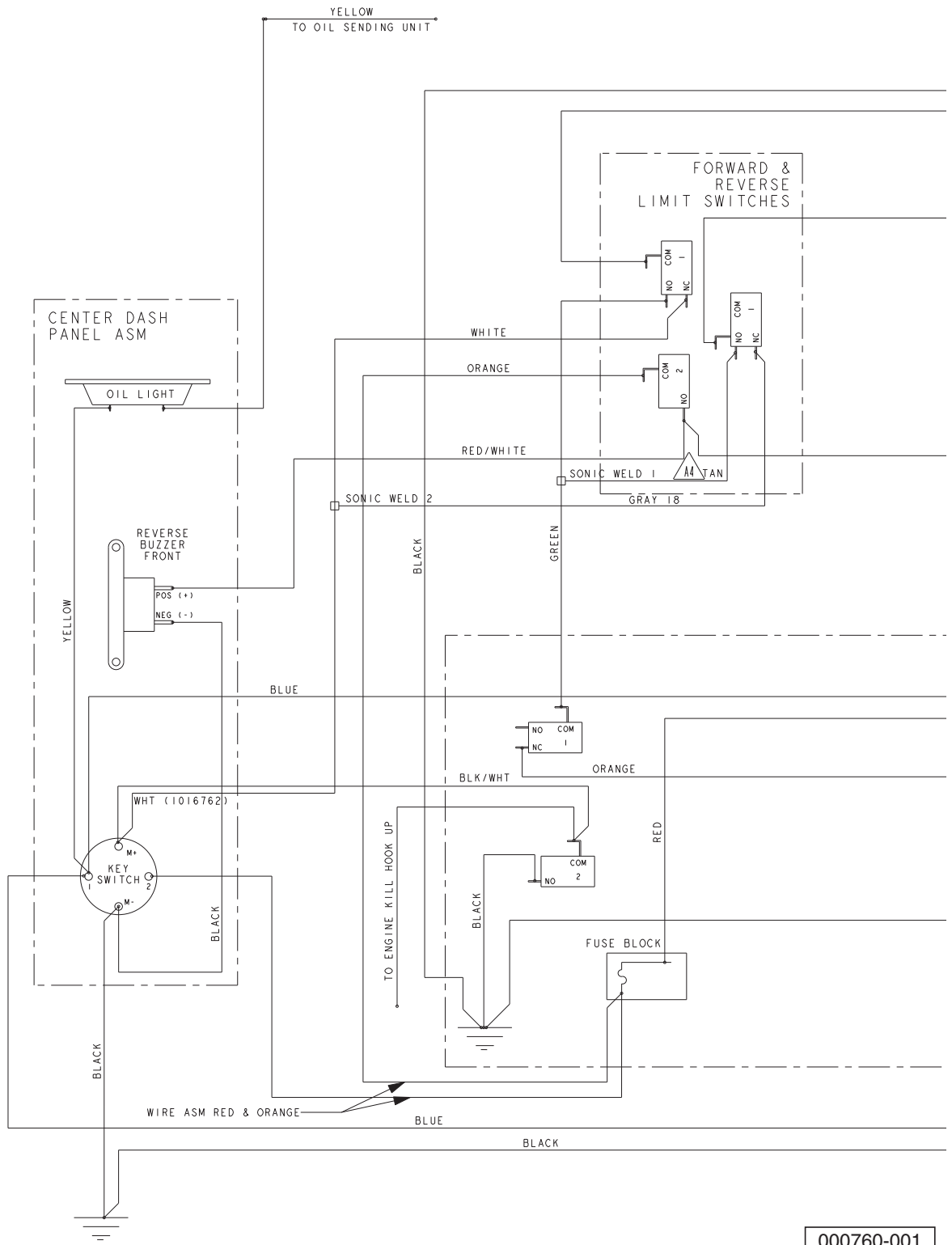
000755-001

OPERATION AND MAINTENANCE SWITCH

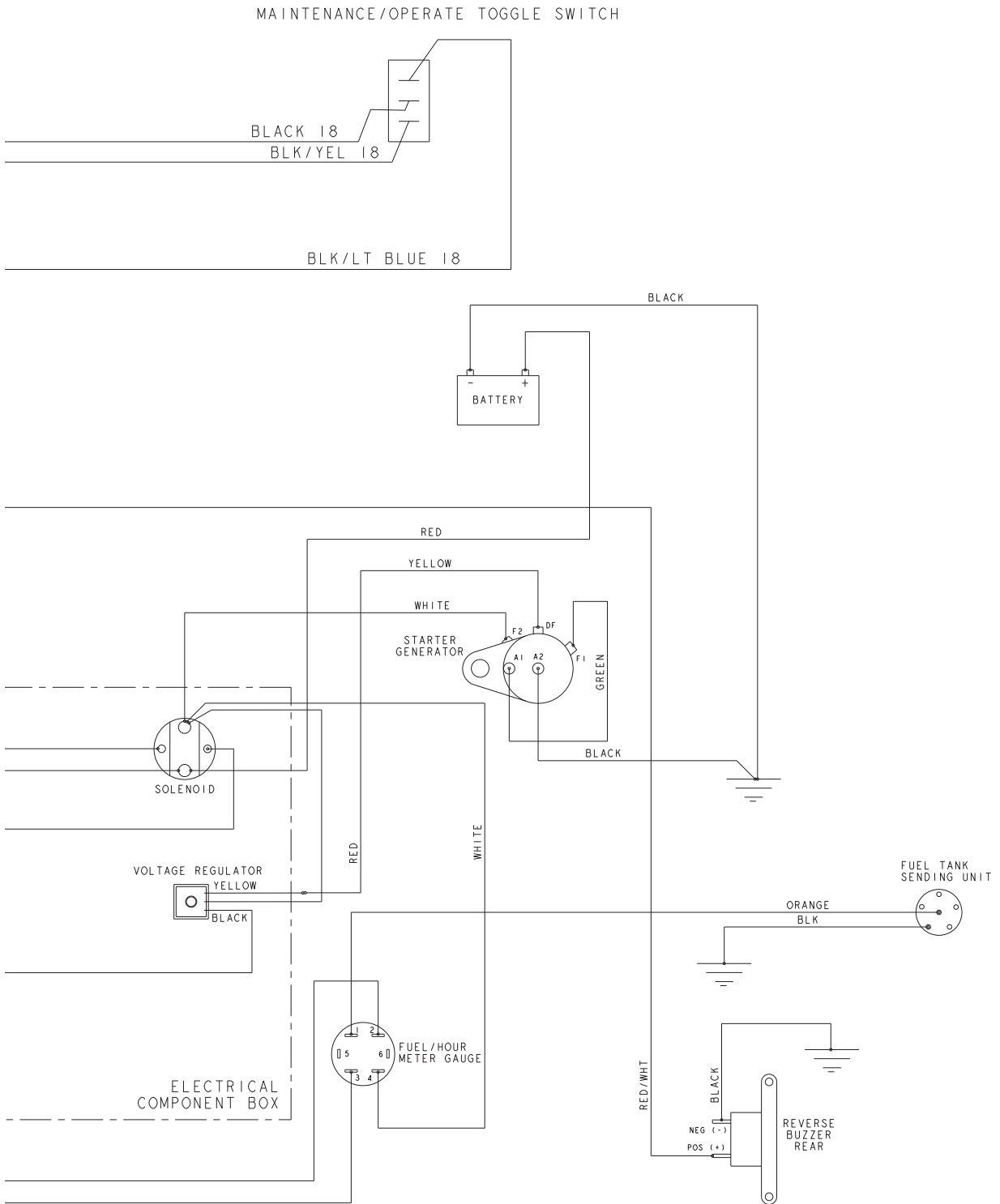
| ITEM | PART NO. | DESCRIPTION | QTY |
|------|------------------|--|-----|
| | | 1 2 3 4 | |
| 1 | N/A | Switch, Operation/Maintenance (includes items 2 through 5) | 1 |
| 2 | <u>101908401</u> | Boot, Switch | 1 |
| 3 | <u>101922501</u> | Bracket, Tow/Run Switch Mounting | 1 |
| 4 | <u>103198401</u> | Switch, Toggle, SPDT | 1 |
| 5 | <u>103205501</u> | Decal, Run/Service Switch | 1 |
| 6 | <u>332</u> | Washer, 1/4 Type A Narrow Flat | 2 |
| 7 | <u>8233</u> | Locknut, 1/4-20 Nylon Insert | 2 |
| 8 | <u>8248</u> | Screw, 1/4-20 X 0.75 Truss-Head Machine | 2 |

6

G



000760-001



000760-001

6

G

See previous two pages for illustration.

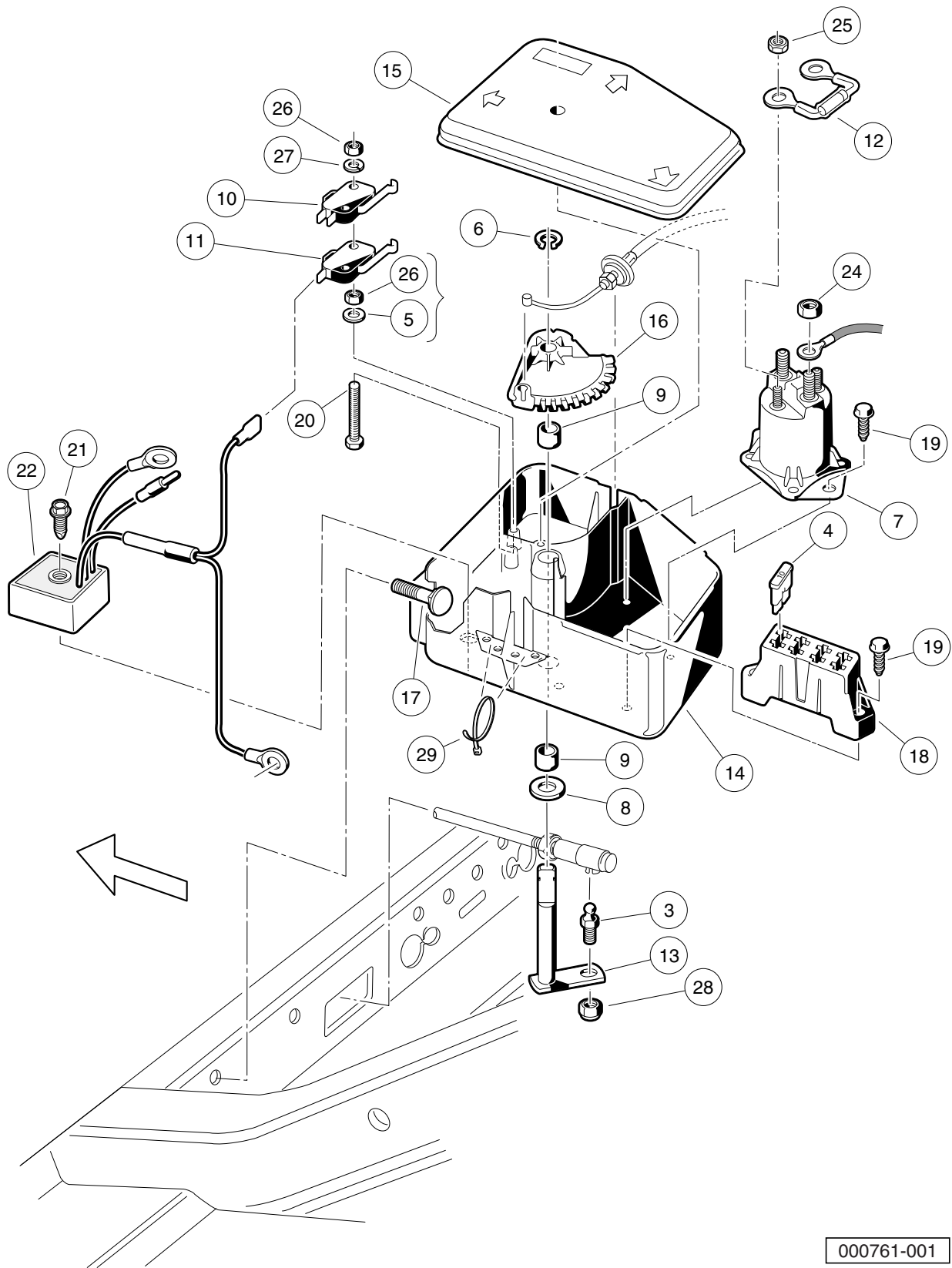
WIRE HARNESS – GASOLINE VEHICLE

| ITEM | PART NO. | DESCRIPTION | QTY |
|------|------------------|----------------------------|-----|
| | | 1 2 3 4 | |
| 1 | <u>1012382</u> | Wire Assy, #6 Black | 1 |
| 2 | <u>1014119</u> | Wire Assembly #6 Red | 1 |
| 3 | <u>1015737</u> | Wire Assy, #10 Red | 1 |
| 4 | <u>1015920</u> | Ground Wire Assembly | 1 |
| 5 | <u>103222201</u> | Asm, Wire Harness | 1 |

6

G

6
G

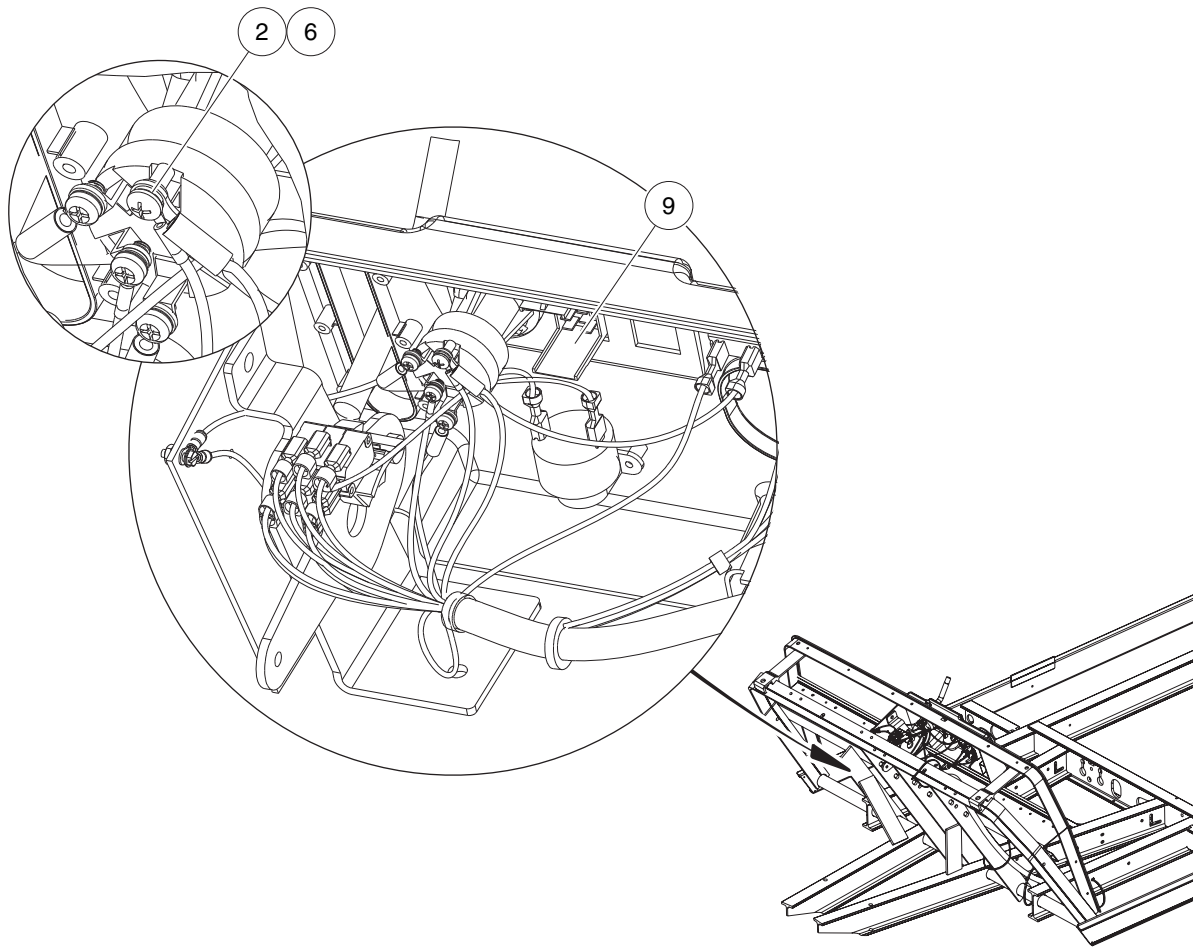


000761-001

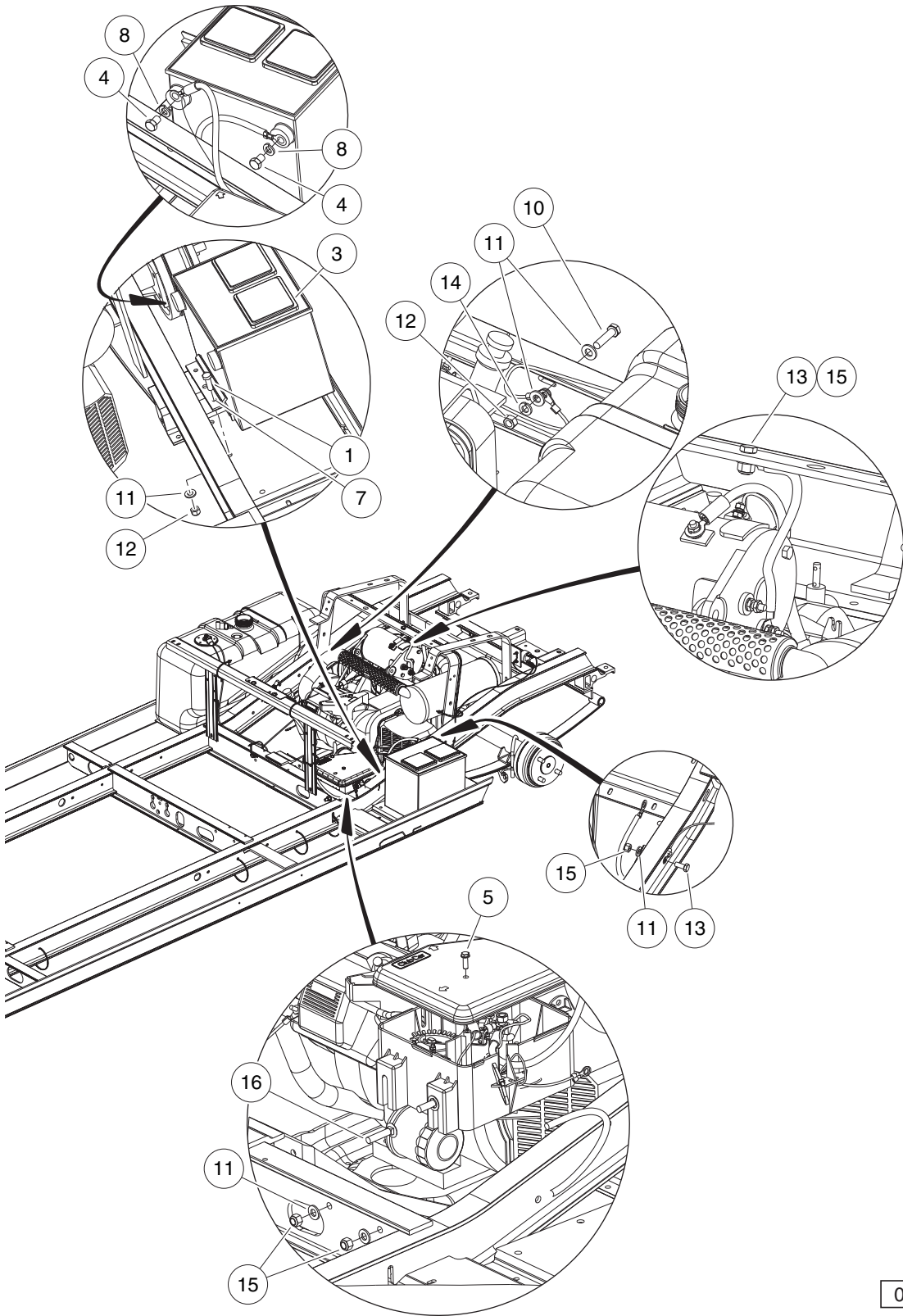
ELECTRICAL COMPONENT BOX – GASOLINE VEHICLES

| ITEM | PART NO. | DESCRIPTION | QTY |
|------|------------------|---|-----|
| | | 1 2 3 4 | |
| 1 | N/A | Instl, Elec Sys, Gas, Limo, Mb | 1 |
| 2 | N/A | Asm, Electrical Component Box (includes items 3 through 29) | 1 |
| 3 | <u>1010954</u> | Stud, 1/4-28 X 0.560 Ball | 1 |
| 4 | <u>1012295</u> | Fuse, 10-Amp | 1 |
| 5 | <u>1012431</u> | Washer, #4 Flat | 2 |
| 6 | <u>1013589</u> | Ring, 0.338" Internal Retaining | 1 |
| 7 | <u>1013609</u> | Solenoid, 12-Volt | 1 |
| 8 | <u>1014065</u> | Washer, 0.38" ID Delrin Flat | 1 |
| 9 | <u>1014145</u> | Bushing, Secondary Weight, Split | 2 |
| 10 | <u>1014807</u> | Switch, Limit | 1 |
| 11 | <u>1014808</u> | Switch, Limit | 1 |
| 12 | <u>1014948</u> | Diode | 1 |
| 13 | <u>1015345</u> | Bell Crank and Shaft Assembly | 1 |
| 14 | <u>1015371</u> | Box, Electrical Component | 1 |
| 15 | <u>1015372</u> | Cover, Electric Box | 1 |
| 16 | <u>1015373</u> | Cam, Electric Box | 1 |
| 17 | <u>1015405</u> | Bolt, Carriage, 5/16-18 X 2.0 | 1 |
| 18 | <u>1015741</u> | Fuse Block | 1 |
| 19 | <u>1015752</u> | Screw, #12-16 X 0.625 Hi-Lo | 4 |
| 20 | <u>1015878</u> | Screw, #4-40 Hex Head Machine | 2 |
| 21 | <u>101856102</u> | Screw, 1/4-15 X 1.50 Hi-lo Hex | 1 |
| 22 | <u>102711201</u> | Voltage Regulator | 1 |
| 23 | N/A | Washer, Nylon Retaining * | 1 |
| 24 | <u>1242</u> | Nut, 5/16-18 Hex | 2 |
| 25 | <u>7893</u> | Nut, #10-32 Hex | 2 |
| 26 | <u>8057</u> | Nut, #4-40 Hex Machine | 4 |
| 27 | <u>8058</u> | Lockwasher, #4 Split | 2 |
| 28 | <u>8717</u> | Locknut, 1/4-28 Nylon Insert | 1 |
| 29 | <u>8990</u> | Tie Wrap, 8" Nylon | 2 |
| | | * Note: Not used. Item is for shipping purposes only. | |

6
G



000762-001



000762-001

6

G

See previous two pages for illustration.

ELECTRICAL SYSTEM MISCELLANEOUS HARDWARE – GASOLINE VEHICLES

| ITEM | PART NO. | DESCRIPTION | QTY |
|------|------------------|---|-----|
| | | 1 2 3 4 | |
| 1 | <u>1010934</u> | Screw, 5/16-18 X 1.00 Hex Cap | 1 |
| 2 | <u>1011610</u> | Lockwasher, #8 Split Ss | 1 |
| 3 | <u>1012328</u> | Battery, 12-Volt | 1 |
| 4 | <u>1014375</u> | Screw, 3/8-16 X 0.50 Stainless Steel Hex-Head | 2 |
| 5 | <u>1015752</u> | Screw, #12-16 X 0.625 Hi-Lo | 1 |
| 6 | <u>1016092</u> | Screw, #8-32 X .44 Pan Head | 1 |
| 7 | <u>101898001</u> | Clamp, Battery | 1 |
| 8 | <u>102355301</u> | Lockwasher, #10 Split Ss | 2 |
| 9 | <u>103180101</u> | Cover, Hole, Switch, Rocker | 1 |
| 10 | 1218 | Screw, 5/16-18 X 1.25 Hex-Head Cap | 1 |
| 11 | <u>1241</u> | Washer, 5/16 Type A Flat | 7 |
| 12 | <u>1242</u> | Nut, 5/16-18 Hex | 1 |
| 13 | <u>7173</u> | Screw, 5/16-18 X 0.75 Hex-Head Cap | 2 |
| 14 | <u>7174</u> | Lockwasher, 5/16 Split | 1 |
| 15 | <u>7473</u> | Locknut, 5/16-18 Nylon Insert | 5 |
| 16 | <u>7818</u> | Bolt, Carriage, 5/16-18 X 1.5 | 1 |
| 17 | <u>8990</u> | Tie Wrap, 8" Nylon | 18 |

6
G

CONTROLS AND CABLES

| ITEM | PART NO. | DESCRIPTION | QTY |
|------|------------------|--|-----|
| | | 1 2 3 4 | |
| 1 | N/A | Instl, Controls/cable (includes items 2 through 39) | 1 |
| 2 | <u>1012333</u> | Joint, #10-32 Ball | 1 |
| 3 | <u>1012438</u> | Locknut, #10-24 Nylon Insert | 3 |
| 4 | <u>101804301</u> | Screw, #8 X 0.500, Hex-Head Hi-Lo | 1 |
| 5 | <u>101926802</u> | Cable, Choke (includes items 6 and 7) | 1 |
| 6 | <u>101933701</u> | Bezel, Choke Cable | 1 |
| 7 | N/A | Choke Cable without Bezel, Long | 1 |
| 8 | <u>101963401</u> | Locknut, 5/16-18 Hex Flange | 3 |
| 9 | <u>102376001</u> | Knob, Fnr | 1 |
| 10 | <u>102969902</u> | Asm, Shifter, Fnr, Limo (includes items 11 through 28) | 1 |
| 11 | <u>1010028</u> | Washer, 1/2 Type A Flat | 1 |
| 12 | <u>1013061</u> | Locknut, #10-32 Nylon Insert | 1 |
| 13 | <u>1014807</u> | Switch, Limit | 2 |
| 14 | <u>1014808</u> | Switch, Limit | 1 |
| 15 | <u>1015878</u> | Screw, #4-40 Hex Head Machine | 2 |
| 16 | <u>102526201</u> | Stud, Thread, 1/4-28 | 1 |
| 17 | <u>102616701</u> | Locknut, M10x1.5 Nylon Insert | 1 |
| 18 | <u>102684602</u> | Shoulder Bolt, M12 X 25.0 | 1 |
| 19 | <u>102969401</u> | Bracket, Shifter, FNR | 1 |
| 20 | <u>103173301</u> | Bushing, Greaseless, 12mm Id | 1 |
| 21 | <u>103177401</u> | Washer, Thrust, Shifter, FNR | 1 |
| 22 | <u>103192701</u> | Spring, Comp, .97 Od X.75 L | 1 |
| 23 | <u>103192901</u> | Weldment, Shift Lever, Fnr, Li | 1 |
| 24 | <u>103369501</u> | Cam, Limit Switch, Fnr Shifter | 1 |
| 25 | <u>8057</u> | Nut, #4-40 Hex Machine | 2 |
| 26 | <u>8058</u> | Lockwasher, #4 Split | 2 |
| 27 | 8104 | Screw, #10-32 X .75 Rd Hd Mach | 1 |
| 28 | <u>8717</u> | Locknut, 1/4-28 Nylon Insert | 1 |
| 29 | <u>103295101</u> | Brkt, Spt, Cable End, Fnr | 1 |
| 30 | <u>103295203</u> | Cable, Transmission, 2385mm | 1 |
| 31 | <u>103350301</u> | Cover, Air Intake, Gas | 1 |
| 32 | <u>1241</u> | Washer, 5/16 Type A Flat | 2 |
| 33 | <u>1631</u> | Screw, #10-24 X 0.75 Phillips Pan-Head | 3 |
| 34 | <u>183</u> | Washer, #10 Type A Flat | 3 |
| 35 | 304 | Screw, 1/4-20 X 1.0 Hex-Head Cap | 2 |
| 36 | <u>7173</u> | Screw, 5/16-18 X 0.75 Hex-Head Cap | 3 |
| 37 | <u>7893</u> | Nut, #10-32 Hex | 1 |
| 38 | <u>8233</u> | Locknut, 1/4-20 Nylon Insert | 2 |
| 39 | <u>8990</u> | Tie Wrap, 8" Nylon | 2 |

6

G

6

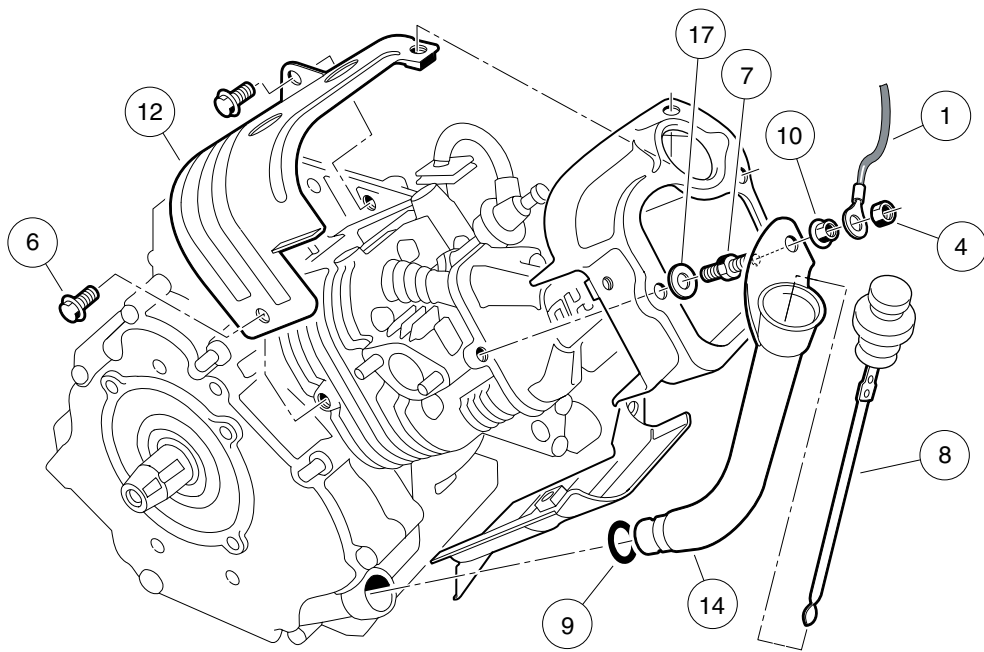
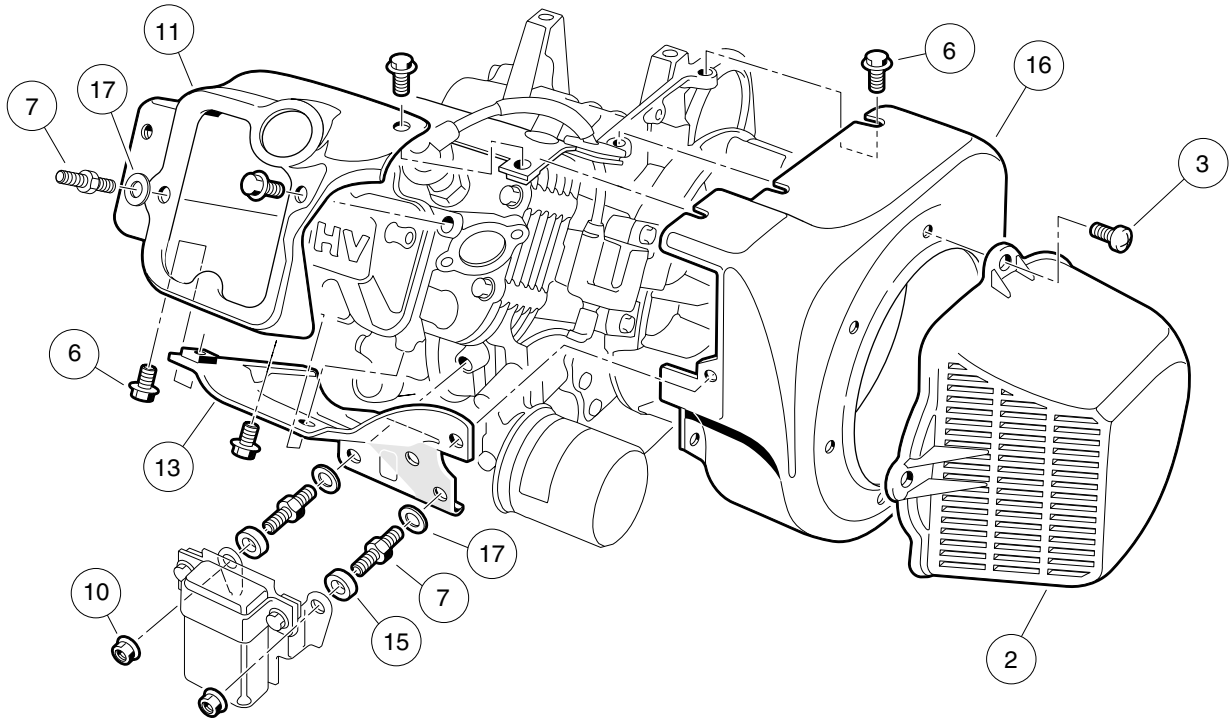
G

FE350 ENGINE WITHOUT ACR

7

G

7
G



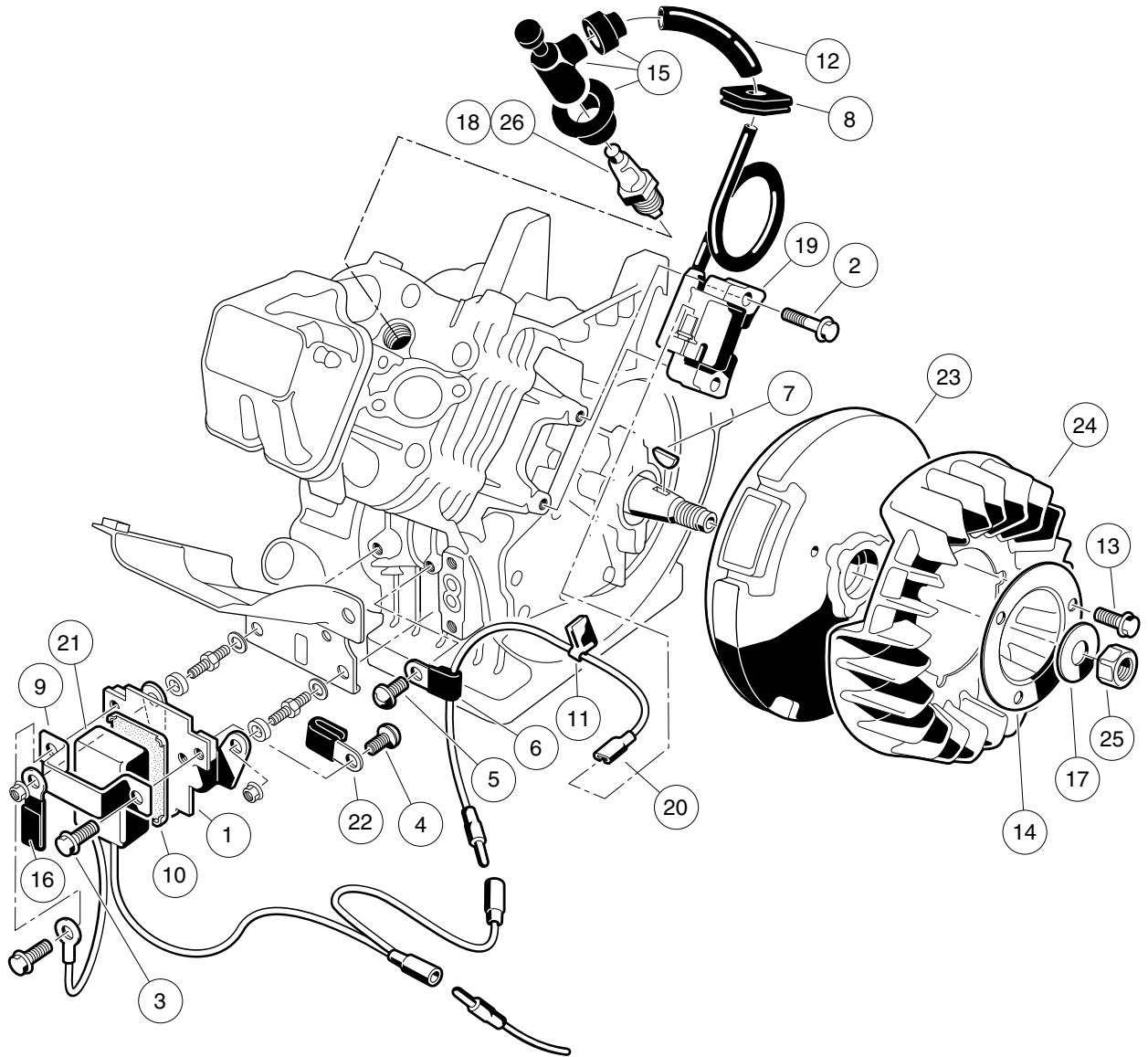
000201-001

AS11 FE350 ENGINE WITHOUT ACR (AUTOMATIC COMPRESSION RELEASE) – SHROUDS AND BRACKETS

| ITEM | PART NO. | DESCRIPTION | QTY |
|---|------------------|--|-----|
| | | 1 2 3 4 | |
| 1 | <u>1015332</u> | Wire Assembly, #10, Uninsulated | 1 |
| 2 | <u>1015649</u> | Shroud, Fan | 1 |
| 3 | <u>1015969</u> | Screw, M6-1.00 X 10mm Pan Hd | 4 |
| 4 | <u>101887601</u> | Locknut, M6-1.00 Nylon Insert | 1 |
| 5 | <u>101953802</u> | Engine, FE350 (cw) without ACR * (includes items 6 through 17) | 1 |
| 6 | <u>1016456</u> | Bolt, Flange Head, M6 x 1 x 12 mm | 14 |
| 7 | <u>1016507</u> | Bolt, Two-Ended | 3 |
| 8 | <u>1016531</u> | Dipstick | 1 |
| 9 | <u>1016539</u> | O-Ring | 1 |
| 10 | <u>1016547</u> | Nut, M6 Flange | 3 |
| 11 | <u>1017474</u> | Shroud, Engine | 1 |
| 12 | <u>1017475</u> | Shroud, Engine | 1 |
| 13 | <u>1017476</u> | Shroud, Engine | 1 |
| 14 | <u>1017486</u> | Tube, Oil Filler | 1 |
| 15 | <u>1017500</u> | Spacer 6.50 X 12 X 5.5 | 2 |
| 16 | <u>101916101</u> | Housing, FE350 Fan | 1 |
| 17 | N/A | Washer, 6mm Flat | 3 |
| * Note: FE350 engine component listings span several pages. | | | |

7

G

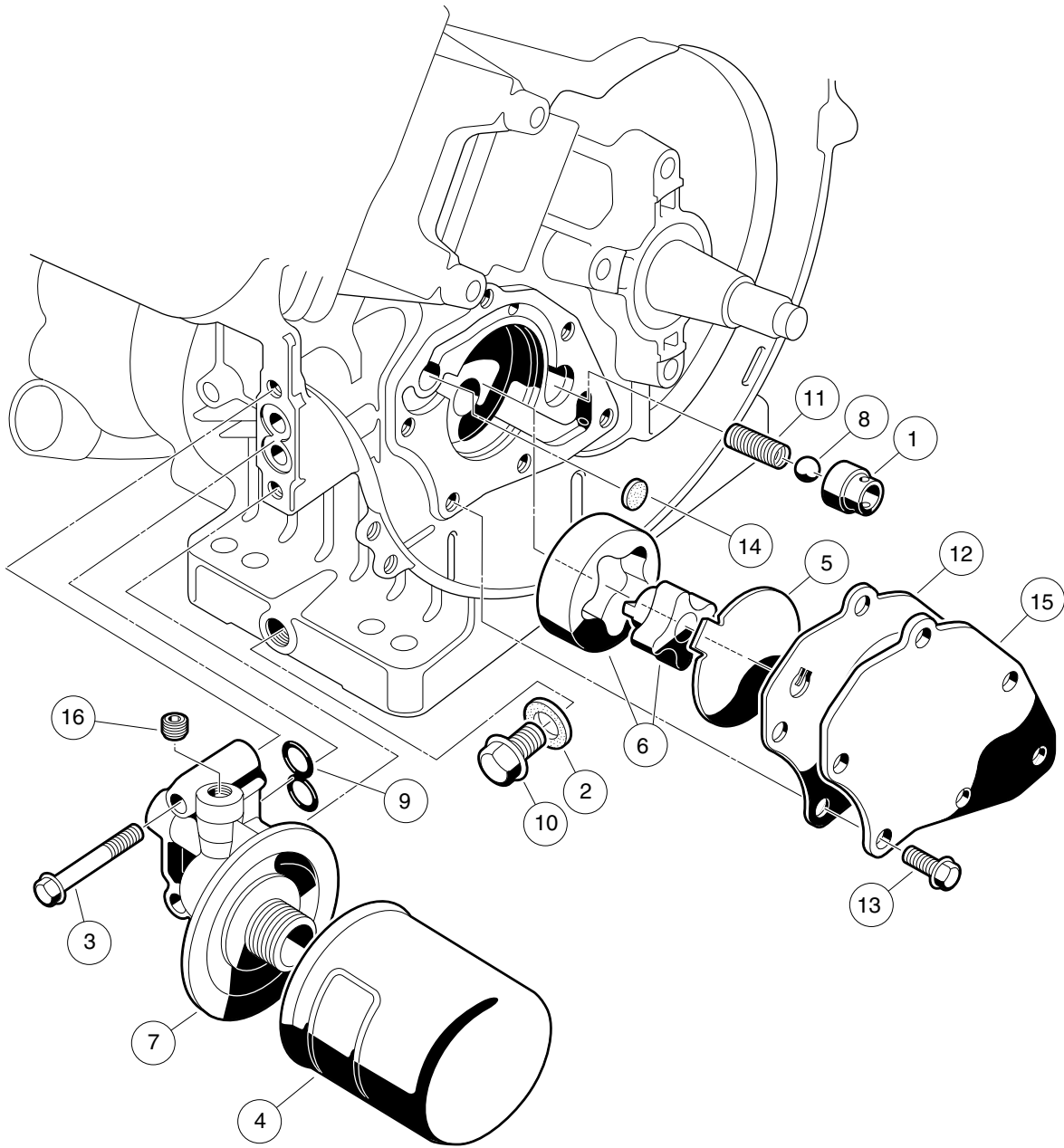


000202-001

AS11 FE350 ENGINE – IGNITION COMPONENTS AND FLYWHEEL

| ITEM | PART NO. | DESCRIPTION | QTY |
|------|------------------|---|-----|
| | | 1 2 3 4 | |
| 1 | 1016445 | Bracket, RPM Limiter | 1 |
| 2 | <u>1016455</u> | Bolt, Flange Head | 2 |
| 3 | 1016456 | Bolt, Flange Head, M6 x 1 x 12 mm | 2 |
| 4 | <u>1016497</u> | Screw, Pan WP Cross | 1 |
| 5 | <u>1016544</u> | Screw | 1 |
| 6 | <u>1016561</u> | Clamp | 1 |
| 7 | <u>1016562</u> | Key | 1 |
| 8 | <u>1016578</u> | Ignition, Grommet | 1 |
| 9 | <u>1016579</u> | Band, RPM Limiter Mount | 1 |
| 10 | 1016586 | Damper, RPM Limiter | 1 |
| 11 | <u>1016587</u> | Clamp | 1 |
| 12 | <u>1016588</u> | Tube, 7mm X 10mm X 70mm | 1 |
| 13 | <u>1017448</u> | Bolt, Flanged | 3 |
| 14 | <u>1017455</u> | Plate, Flywheel Fan | 1 |
| 15 | <u>1017463</u> | Cap Asm Plug | 1 |
| 16 | <u>1017468</u> | Clamp | 1 |
| 17 | <u>1017490</u> | Washer, Flat | 1 |
| 18 | <u>101881101</u> | Spark Plug, OHV (Autolite) | 1 |
| 19 | <u>101909201</u> | Coil, Ignition | 1 |
| 20 | <u>101909301</u> | Lead Wire Assy | 1 |
| 21 | 101909401 | Limiter, RPM | 1 |
| 22 | 101909501 | Clamp, Steel | 1 |
| 23 | <u>101916201</u> | Flywheel | 1 |
| 24 | <u>101916301</u> | Fan (cw) | 1 |
| 25 | N/A | Nut, Hex, 18 mm Fine | 1 |
| 26 | <u>AM10724</u> | Spark Plug, OHV (NGK) | 1 |

7
G

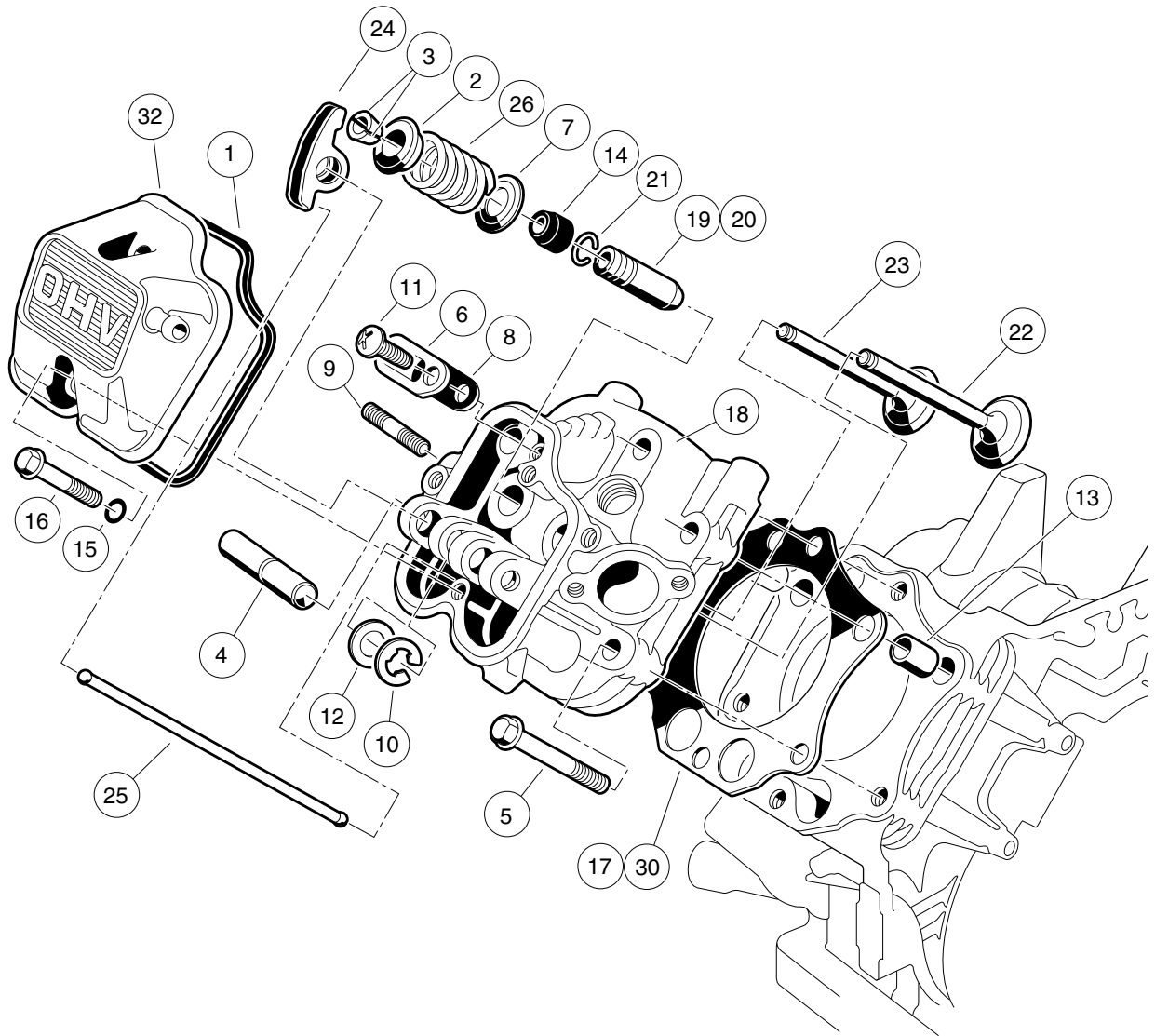


000203-001

FE350 ENGINE – OIL CIRCULATION

| ITEM | PART NO. | DESCRIPTION | QTY |
|------|------------------|------------------------------------|-----|
| | | 1 2 3 4 | |
| 1 | 1016429 | Seat, Value Oil Press Relief | 1 |
| 2 | <u>1016432</u> | Gasket, Drain Plug | 1 |
| 3 | <u>1016457</u> | Bolt, Flange Head | 2 |
| 4 | <u>1016467</u> | Filter, Oil | 1 |
| 5 | <u>1016473</u> | Plate, Oil Pump | 1 |
| 6 | <u>101648203</u> | Oil Pump And Rotor | 1 |
| 7 | <u>1016502</u> | Bracket, Oil Filter Mount | 1 |
| 8 | <u>1016537</u> | Ball, Steel, Press, Relief | 1 |
| 9 | <u>1016570</u> | O-Ring | 1 |
| 10 | 1016576 | Plug, Drain | 1 |
| 11 | <u>1016581</u> | Spring | 1 |
| 12 | <u>1017442</u> | Gasket | 1 |
| 13 | <u>1017456</u> | Bolt, Flanged | 6 |
| 14 | <u>1017458</u> | Filter | 1 |
| 15 | <u>1017460</u> | Cover, Pump | 1 |
| 16 | <u>1017507</u> | Plug | 2 |

7
G



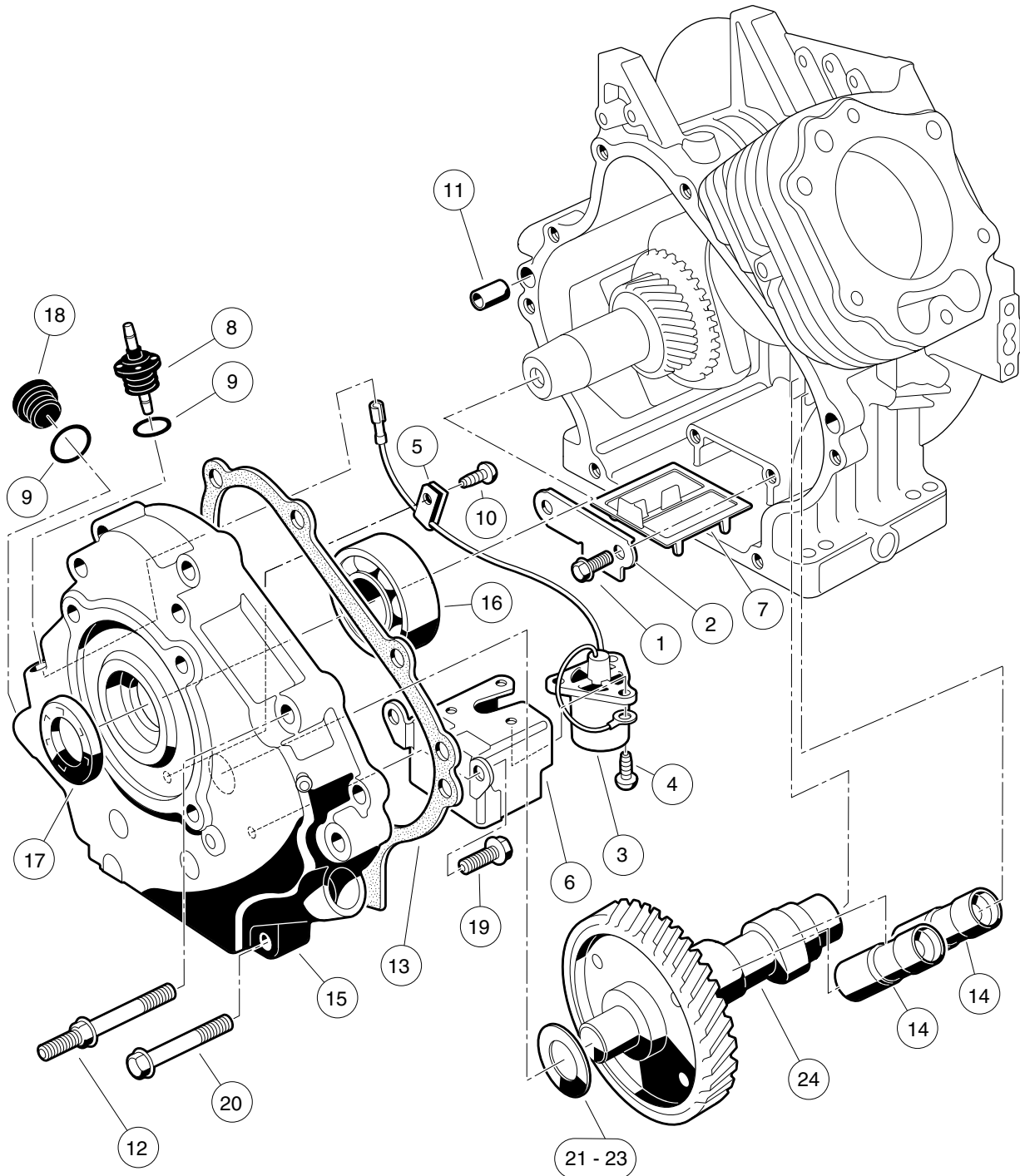
000204-001

AS11 FE350 ENGINE – CYLINDER HEAD

| ITEM | PART NO. | DESCRIPTION | QTY |
|------|------------------|---|-----|
| | | 1 2 3 4 | |
| 1 | <u>1016436</u> | Gasket, Rocker Case | 1 |
| 2 | <u>1016449</u> | Retainer, Valve Spring | 2 |
| 3 | <u>1016450</u> | Collet | 4 |
| 4 | <u>1016452</u> | Shaft, Rocker | 1 |
| 5 | <u>1016458</u> | Bolt, Flange Head, M8 x 1.25 x 45 mm | 6 |
| 6 | <u>1016474</u> | Plate | 1 |
| 7 | <u>1016479</u> | Seat, Spring | 2 |
| 8 | <u>1016483</u> | Valve | 1 |
| 9 | <u>1016489</u> | Stud, Two-Ended, M8-1.25 | 2 |
| 10 | <u>1016517</u> | Circlip, Type-E | 1 |
| 11 | <u>1016544</u> | Screw | 1 |
| 12 | <u>1016549</u> | Washer, 12.1x19x1.8 | 1 |
| 13 | <u>1016563</u> | Pin | 2 |
| 14 | <u>1016566</u> | Seal, Oil | 2 |
| 15 | <u>1016569</u> | O-Ring | 2 |
| 16 | <u>1016583</u> | Bolt, 6x35 | 2 |
| 17 | <u>1017434</u> | Gasket, Head | 1 |
| 18 | <u>1017435</u> | Assembly, Cylinder Head, FE350 (includes items 19 through 21) | 1 |
| 19 | <u>1016518</u> | Guide, Valve, Exhaust | 1 |
| 20 | <u>1016519</u> | Guide, Valve | 1 |
| 21 | <u>1016560</u> | Snap Ring | 2 |
| 22 | <u>1017444</u> | Valve, Intake | 1 |
| 23 | <u>1017445</u> | Valve, Exhaust | 1 |
| 24 | <u>1017446</u> | Arm, Rocker | 2 |
| 25 | <u>1017454</u> | Rod, Push | 2 |
| 26 | <u>1017473</u> | Spring, Engine Valve | 2 |
| 27 | <u>102304801</u> | Kit, Gasket, FE350 (includes items 28 through 31) | 1 |
| 28 | <u>1016440</u> | Gasket, Engine to Insulator | 1 |
| 29 | <u>1016904</u> | Gasket, Exhaust | 1 |
| 30 | <u>1017434</u> | Gasket, Head | 1 |
| 31 | <u>1017443</u> | Gasket, Crankcase Cover | 1 |
| 32 | <u>102753401</u> | Case, Rocker | 1 |
| | | Note: Item 28 is not a component of the FE350 engine. | |

7

G

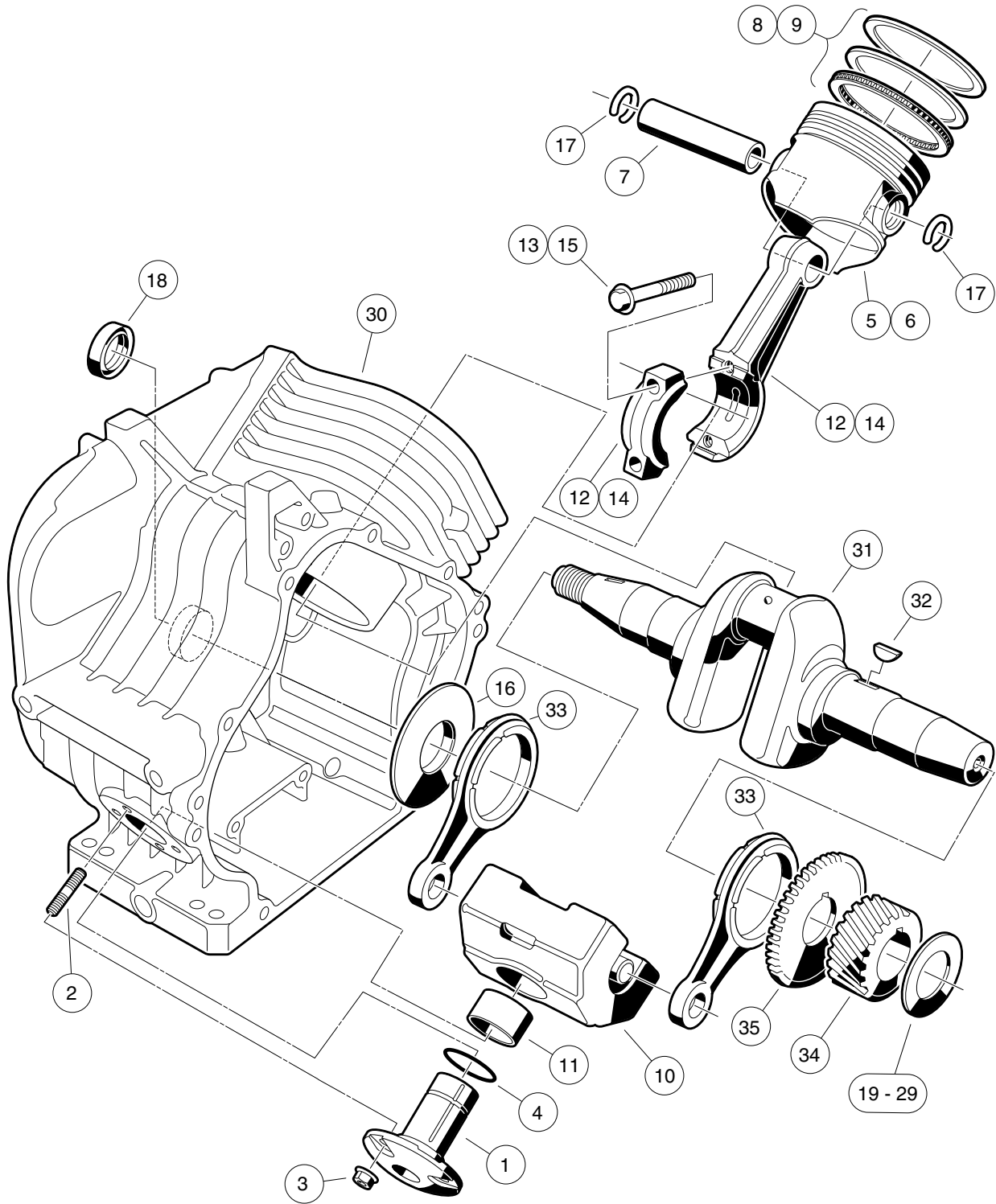


000205-002

AS11 FE350 ENGINE WITHOUT ACR – CRANKCASE, CAMSHAFT, AND OIL SENSOR

| ITEM | PART NO. | DESCRIPTION | QTY |
|------|------------------|--|-----|
| | | 1 2 3 4 | |
| 1 | <u>1016454</u> | Bolt, Flange Head, M5 x 0.8 x 8 mm | 2 |
| 2 | <u>1016472</u> | Plate, Oil Filter Screen | 1 |
| 3 | <u>1016494</u> | Sensor, Oil Level | 1 |
| 4 | <u>1016496</u> | Screw, Cross Pan-Head, M4 x 0.7 x 8 mm | 3 |
| 5 | <u>1016506</u> | Clamp | 1 |
| 6 | <u>1016510</u> | Bracket, Switch, Oil Level | 1 |
| 7 | <u>1016521</u> | Screen, Oil Filter | 1 |
| 8 | <u>1016535</u> | Connector, Cord | 1 |
| 9 | <u>1016538</u> | O-Ring | 2 |
| 10 | <u>1016544</u> | Screw | 1 |
| 11 | <u>1016564</u> | Pin | 2 |
| 12 | <u>1016584</u> | Bolt, Two-Ended, M8 x 1.25 x 69 mm | 2 |
| 13 | <u>1017443</u> | Gasket, Crankcase Cover | 1 |
| 14 | <u>1017447</u> | Adjuster, Lash | 2 |
| 15 | <u>1017472</u> | Cover Crankcase | 1 |
| 16 | <u>1017487</u> | Bearing, Ball | 1 |
| 17 | <u>1017504</u> | Seal, Oil | 1 |
| 18 | <u>1017508</u> | Plug | 1 |
| 19 | <u>1017513</u> | Bolt Switch Bracket | 2 |
| 20 | <u>1017514</u> | Screw, M8-1.25 X 45mm Hex | 6 |
| 21 | <u>101751801</u> | Shim, 0.3 | 1 |
| 22 | <u>101751802</u> | Shim, 0.4 | 1 |
| 23 | <u>101751803</u> | Shim, 0.5 | 1 |
| 24 | <u>102431001</u> | Camshaft, FE350 without ACR, 44-Tooth | 1 |

7
G



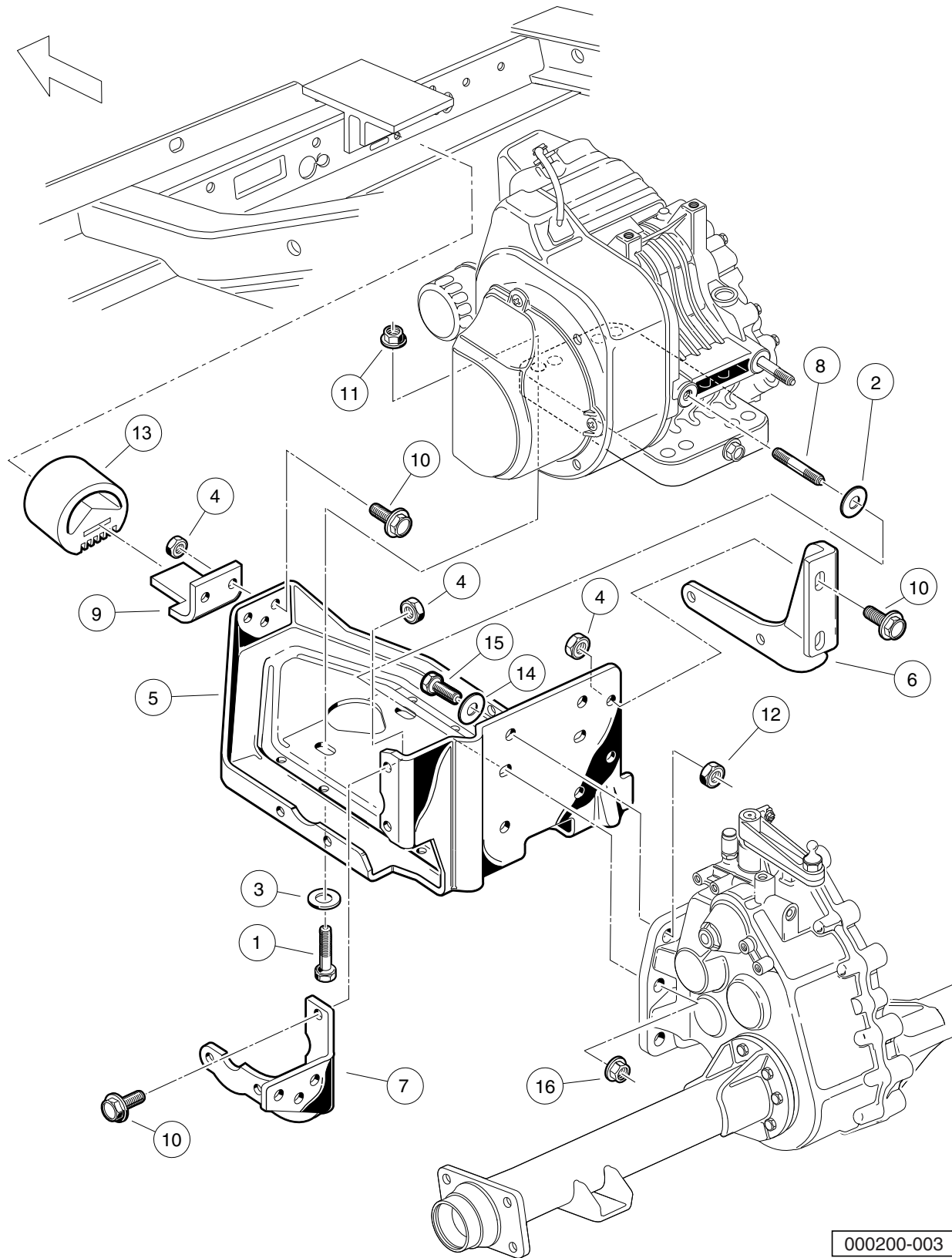
000206-001

AS11 FE350 ENGINE – CRANKCASE AND CRANKSHAFT

| ITEM | PART NO. | DESCRIPTION | QTY |
|------|------------------|--|-----|
| | | 1 2 3 4 | |
| 1 | 1016470 | Shaft, Guide, Counterbalance | 1 |
| 2 | <u>1016541</u> | Stud, 6x14 | 4 |
| 3 | 1016547 | Nut, M6 Flange | 4 |
| 4 | <u>1016571</u> | O-Ring | 1 |
| 5 | <u>101744901</u> | Piston, Standard | 1 |
| 6 | <u>101744902</u> | Piston, 0.50 mm Oversize | 1 |
| 7 | 1017450 | Pin, Piston | 1 |
| 8 | <u>101745101</u> | Ring Set, Standard Piston | 1 |
| 9 | <u>101745102</u> | Ring Set, Piston, 0.50 mm Oversize | 1 |
| 10 | <u>1017453</u> | Fe400 Counterbalance Weight (includes item 11) | 1 |
| 11 | 1017510 | Bearing, Plain | 1 |
| 12 | 101745701 | Asm, Con. Rod Std (includes item 13) | 1 |
| 13 | <u>1017512</u> | Bolt | 2 |
| 14 | <u>101745702</u> | Rod Assembly Connecting Rod 0.5mm (includes item 15) | 1 |
| 15 | <u>1017512</u> | Bolt | 2 |
| 16 | 1017501 | Spacer | 1 |
| 17 | <u>1017502</u> | Snap Ring | 2 |
| 18 | <u>1017503</u> | Seal, Oil | 1 |
| 19 | <u>101773301</u> | Shim, Crankshaft, 1.18mm | 1 |
| 20 | <u>101773302</u> | Shim, Crankshaft, 1.25mm | 1 |
| 21 | <u>101773303</u> | Shim, Crankshaft, 1.32mm | 1 |
| 22 | <u>101773304</u> | Shim, Crankshaft, 1.39mm | 1 |
| 23 | <u>101773305</u> | Shim, Crankshaft, 1.46mm | 1 |
| 24 | <u>101773306</u> | Shim, Crankshaft, 1.53mm | 1 |
| 25 | <u>101773307</u> | Shim, Crankshaft, 1.60mm | 1 |
| 26 | <u>101773308</u> | Shim, Crankshaft, 1.67mm | 1 |
| 27 | <u>101773309</u> | Shim, Crankshaft, 1.74mm | 1 |
| 28 | <u>101773310</u> | Shim, Crankshaft, 1.11 mm | 1 |
| 29 | <u>101773311</u> | Shim, Crankshaft, 1.81mm | 1 |
| 30 | <u>101916001</u> | Crankcase Complete, FE350 (cw) | 1 |
| 31 | <u>102430901</u> | Crankshaft, FE350 Left-Hand, 22-Tooth (includes items 32 through 35) | 1 |
| 32 | <u>1016562</u> | Key | 1 |
| 33 | <u>1017471</u> | Rod | 2 |
| 34 | N/A | Gear, Helical | 1 |
| 35 | N/A | Gear, Spur | 1 |

7
G

7
G



000200-003

FE350 ENGINE MOUNTING

| ITEM | PART NO. | DESCRIPTION | QTY |
|------|------------------|---------------------------------------|-----|
| | | 1 2 3 4 | |
| 1 | <u>1010577</u> | Bolt, Hex-Head, 5/16-18 X 1.50 | 4 |
| 2 | <u>1011697</u> | Washer, 5/16 Flat | 2 |
| 3 | 1012571 | Washer, 5/16 Extra Thick Flat | 4 |
| 4 | <u>1013924</u> | Nut, 5/16-24 Hex Head Cone | 10 |
| 5 | <u>101827101</u> | Plate, Engine Mounting | 1 |
| 6 | <u>101832601</u> | Stiffener (PTO Side) | 1 |
| 7 | <u>101832701</u> | Stiffener (Flywheel Side) | 1 |
| 8 | <u>101833101</u> | Stud, M8-1.25 X 50 mm Two-Ended | 2 |
| 9 | <u>101834601</u> | Snubber Bracket | 1 |
| 10 | <u>101884801</u> | Screw, 5/16-24 X 0.875 Grade-8 | 10 |
| 11 | <u>101963401</u> | Locknut, 5/16-18 Hex Flange | 4 |
| 12 | <u>102065901</u> | Locknut, 3/8-16 Flanged Dimple | 4 |
| 13 | <u>102540301</u> | Inner Frame Snubber | 1 |
| 14 | <u>334</u> | Washer, 3/8 Type A Flat | 4 |
| 15 | 705 | Screw, Cap-hex Hd 3/8-16x1.25 | 4 |
| 16 | <u>96704416</u> | Nut Flg, M8 X 1.25 Serrated | 2 |

7

G

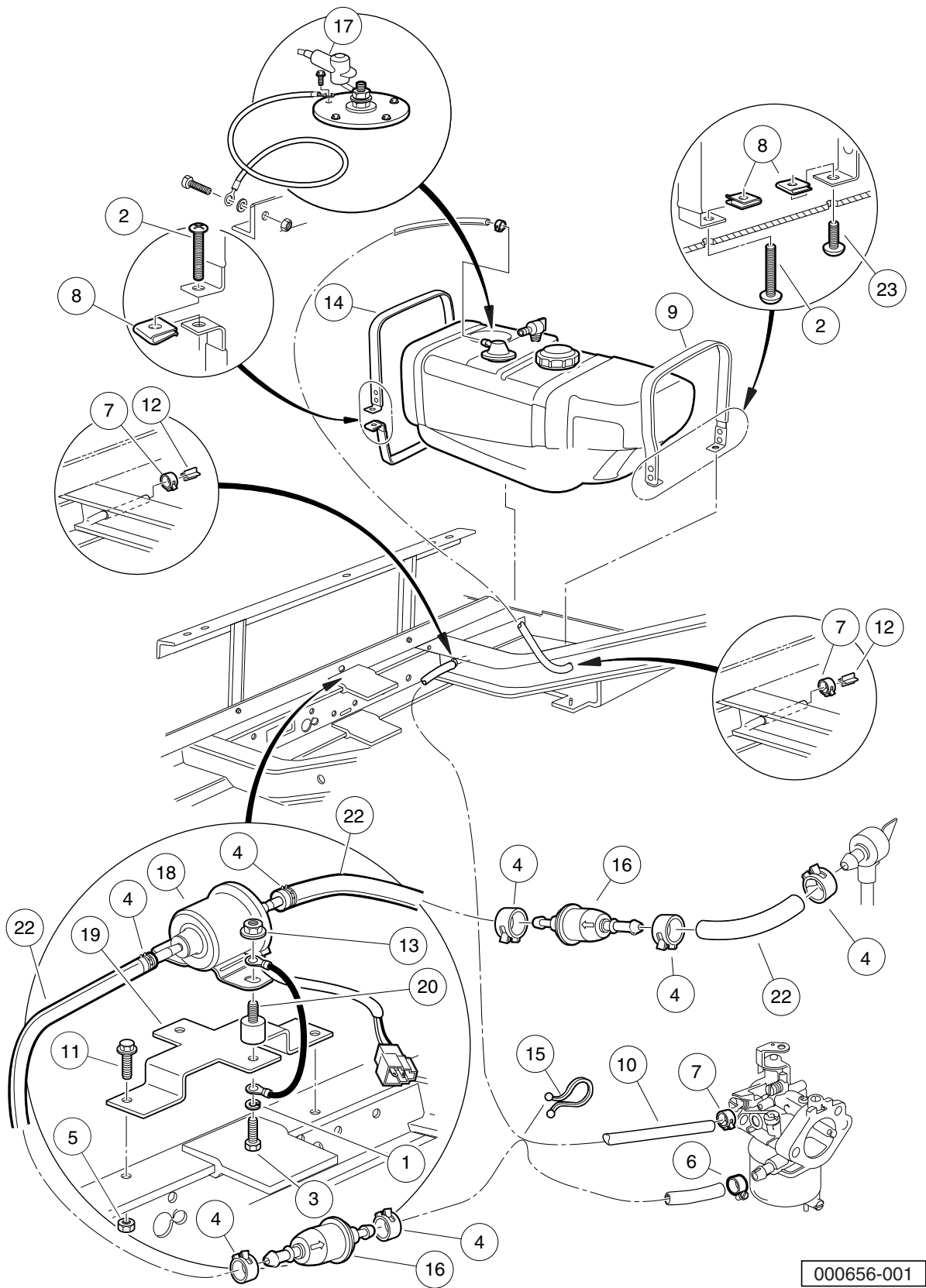
7

G

FUEL, INTAKE, AND GOVERNOR SYSTEM

8

G



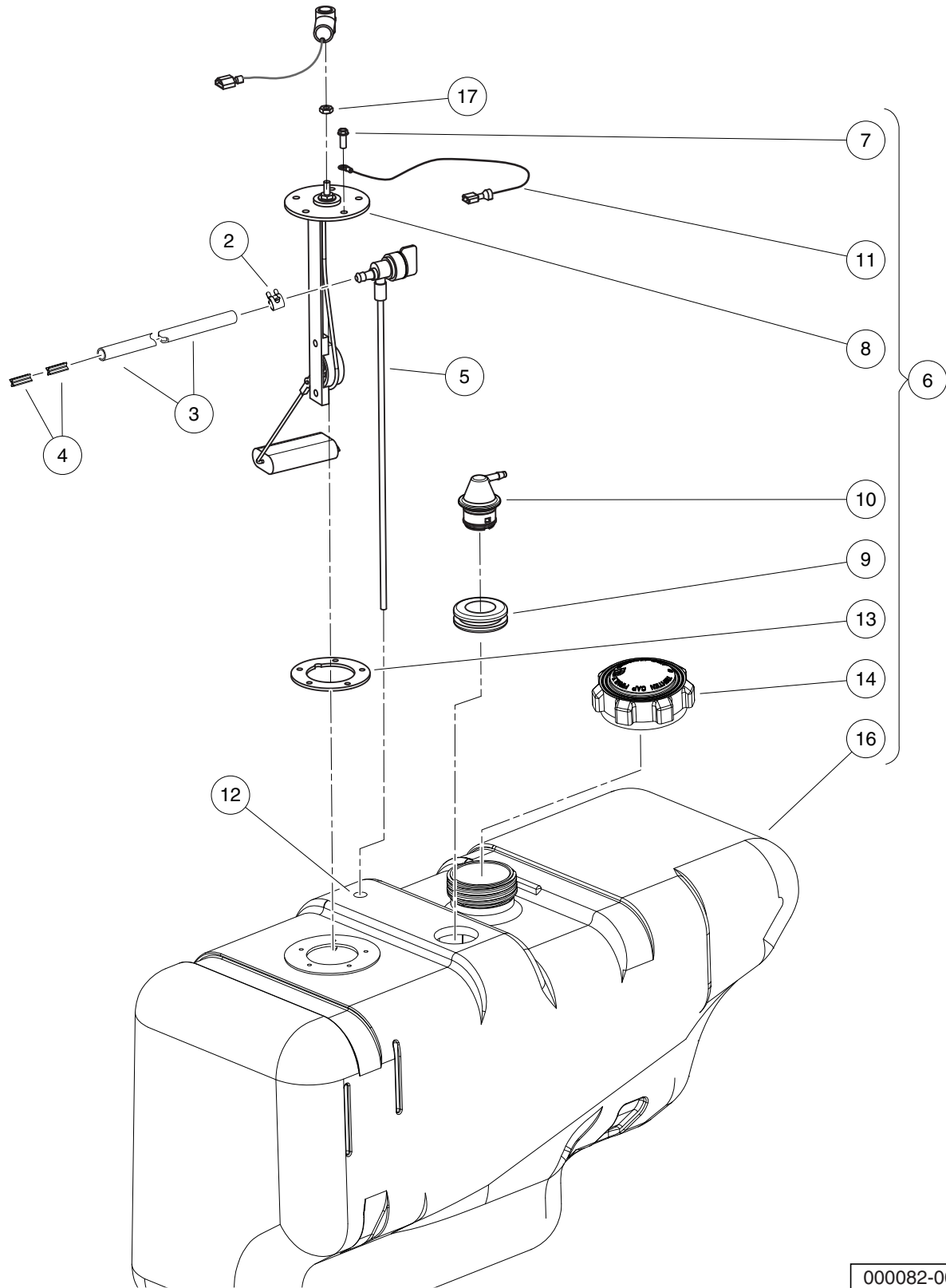
000656-001

FUEL SYSTEM WITH ELECTRIC FUEL PUMP

| ITEM | PART NO. | DESCRIPTION | QTY |
|--------------------------|------------------|--|-----|
| | | 1 2 3 4 | |
| 1 | <u>1011965</u> | Lockwasher, 1/4 Split Ss | 2 |
| 2 | <u>1011988</u> | Screw, 1/4-20 X 2.00 Phillips Truss-Head | 2 |
| 3 | <u>1012124</u> | Screw, 1/4-20 X .50 Hex Hd Cap | 2 |
| 4 | <u>1012649</u> | Clamp, 0.460 Red Hose | 7 |
| 5 | <u>1013061</u> | Locknut, #10-32 Nylon Insert | 2 |
| 6 | <u>1013687</u> | Clamp, 3/8" Hose (screw type) | 1 |
| 7 | <u>1013746</u> | Clamp, 0.301 ID Hose | 2 |
| 8 | <u>1014116</u> | Nut, 1/4-20 Speed | 3 |
| 9 | <u>1014928</u> | Fuel Strap Assembly Rear | 1 |
| 10 | <u>1015137</u> | Fuel Line (available by the foot) | 1 |
| 11 | <u>1017082</u> | Screw, #10-32 X 0.75, Hex-Head Machine | 2 |
| 12 | <u>101824401</u> | Vent Barb | 1 |
| 13 | <u>101835601</u> | Locknut, 1/4-20 Hex Whiz | 2 |
| 14 | <u>101955301</u> | Fuel Strap Assy, Front | 1 |
| 15 | <u>101987701</u> | Clamp, Plastic Tie | 1 |
| 16 | <u>102003201</u> | Filter, Fuel, 30 Micron | 2 |
| 17 | N/A | Boot Terminal, Insul | 1 |
| 18 | <u>102225101</u> | Electric Fuel Pump | 1 |
| 19 | <u>102227101</u> | Fuel Pump Bracket | 1 |
| 20 | <u>102227501</u> | Sandwich Mount | 2 |
| 21 | N/A | Fuel System Harness | 1 |
| 22 | <u>102865101</u> | Fuel Line | 1 |
| 23 | <u>8248</u> | Screw, 1/4-20 X 0.75 Truss-Head Machine | 1 |
| Note: Item 21 not shown. | | | |

8

G



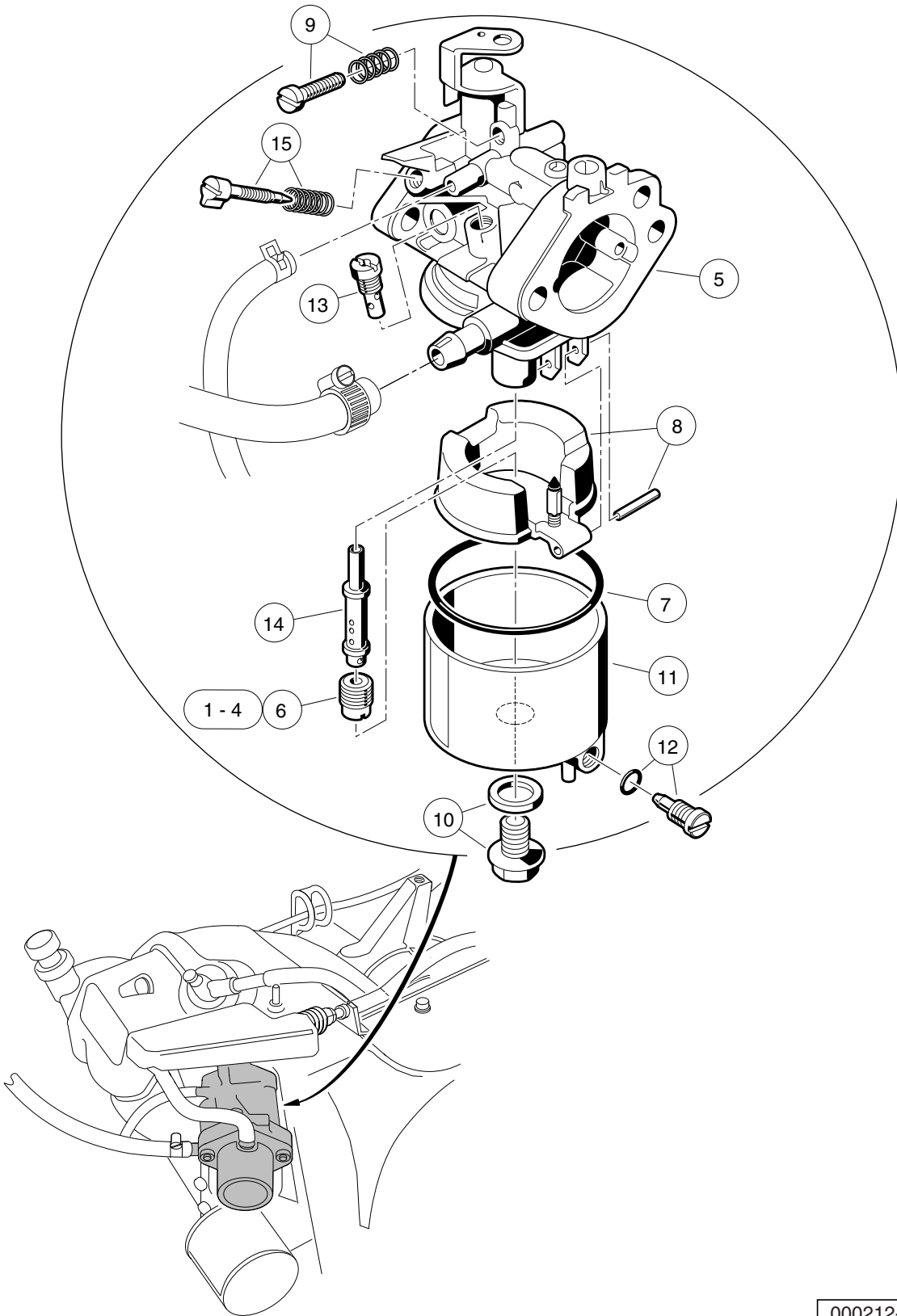
000082-003

FUEL TANK WITH FUEL LEVEL SENDING UNIT

| ITEM | PART NO. | DESCRIPTION | QTY |
|---|------------------|--|-----|
| | | 1 2 3 4 | |
| 1 | 1016004 | Tank Kit w/Sending Unit (includes items 2 through 6) | 1 |
| 2 | <u>1013746</u> | Clamp, 0.301 ID Hose | 2 |
| 3 | <u>1015137</u> | Fuel Line (available by the foot) | 1 |
| 4 | <u>101824401</u> | Vent Barb | 2 |
| 5 | 101896901 | Fuel Pickup w/Shut-Off Valve | 1 |
| 6 | <u>103651901</u> | Asm, Tank, Ds Utl W/su† Nano (includes items 7 through 16) | 1 |
| 7 | <u>1013461</u> | Screw, #10-16 Hex-Head Hi-Lo | 5 |
| 8 | <u>1013462</u> | Sending Unit, Fuel Level * | 1 |
| 9 | <u>1015139</u> | Insulation Grommet | 1 |
| 10 | <u>1015143</u> | Vent, Fuel Tank | 1 |
| 11 | 1015921 | Wire Assembly #16 Black | 1 |
| 12 | <u>102406701</u> | Bushing, Line, Return | 1 |
| 13 | <u>102522001</u> | Gasket, Rubber | 1 |
| 14 | <u>103372101</u> | Cap, Fuel Tank, Gas, Ratchet | 1 |
| 15 | <u>103372302</u> | Fuel Pickup w/Shut-Off Valve, 288mm | 1 |
| 16 | 103776901 | Tank, Fuel, Top, W/su Nano | 1 |
| 17 | <u>8797</u> | Nut, #10-32 Brass Hex | 1 |
| <p>* Note: Must replace fuel sending unit gasket when servicing this component.</p> | | | |

8

G



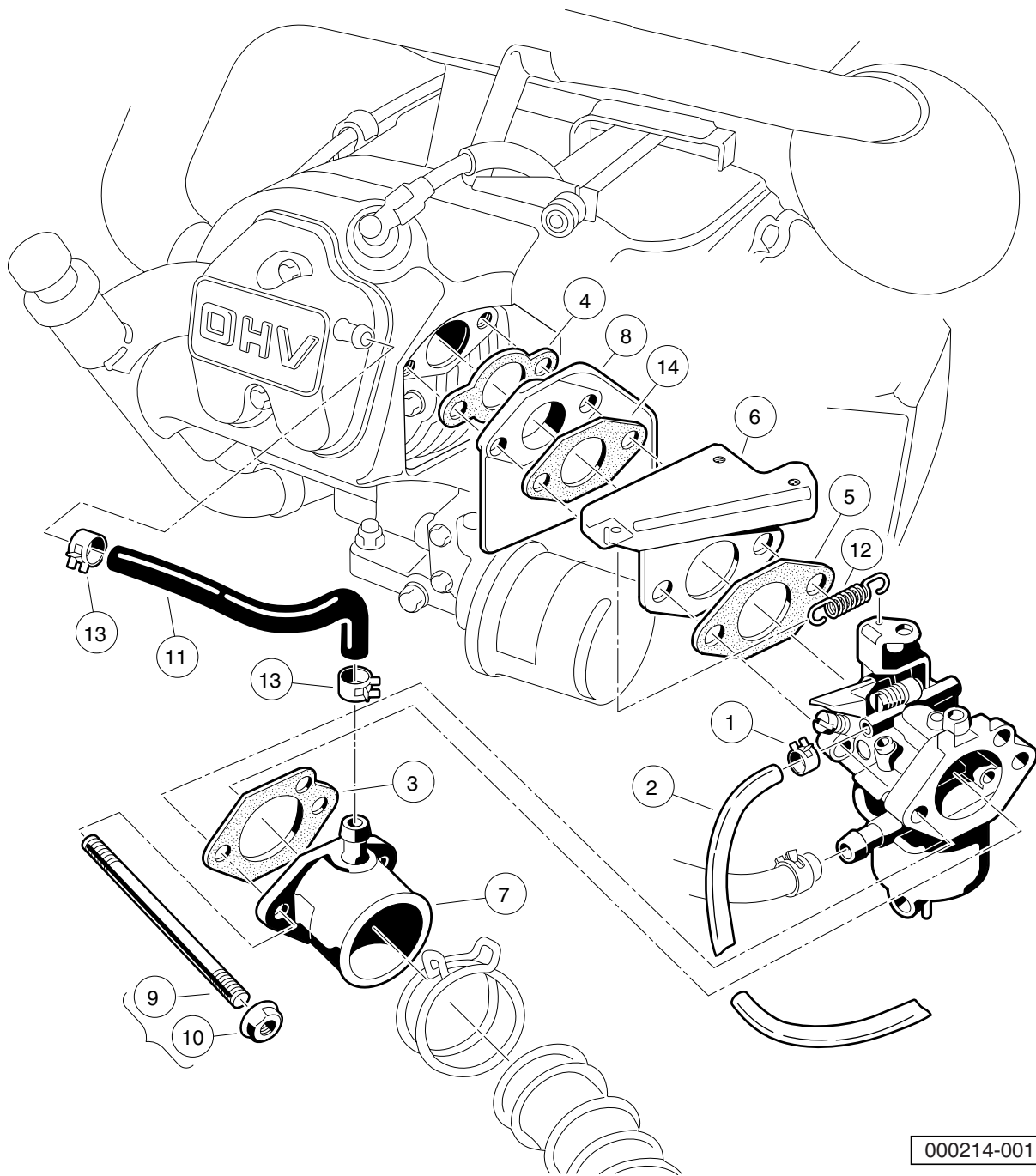
000212-001

CARBURETOR ASSEMBLY – FE350

| ITEM | PART NO. | DESCRIPTION | QTY |
|--|------------------|--|-----|
| | | 1 2 3 4 | |
| 1 | <u>101642575</u> | Jet, Altitude, # 75 | 1 |
| 2 | <u>101642578</u> | Jet, Altitude, # 78 | 1 |
| 3 | <u>101642580</u> | Jet, Altitude, # 80 | 1 |
| 4 | <u>101642582</u> | Jet, Altitude, # 82 | 1 |
| 5 | <u>101905901</u> | Carburetor, FE350D (includes items 6 through 15) | 1 |
| 6 | <u>101642585</u> | Jet, Altitude, # 85 | 1 |
| 7 | <u>1016437</u> | Gasket, Carburetor Bowl OHV | 1 |
| 8 | <u>1016486</u> | Float Assembly | 1 |
| 9 | <u>1016501</u> | Screw Assembly | 1 |
| 10 | <u>1016585</u> | Bolt | 1 |
| 11 | <u>1017461</u> | Chamber Assembly, Float (includes item 12) | 1 |
| 12 | <u>1016499</u> | Screw Assembly | 1 |
| 13 | <u>101973101</u> | Jet, #40 Pilot | 1 |
| 14 | <u>101973301</u> | Nozzle, Main | 1 |
| 15 | N/A | Assembly, Pilot Air Screw | 1 |
| <p>Note: <u>101642585</u> for 0 - 3,000 feet; <u>101642582</u> for 3,000 - 5,000 feet; <u>101642580</u> for 5,000 - 8,000 feet; <u>101642578</u> for 8,000 - 10,000 feet; <u>101642575</u> for 10,000 feet and higher.</p> | | | |

8

G



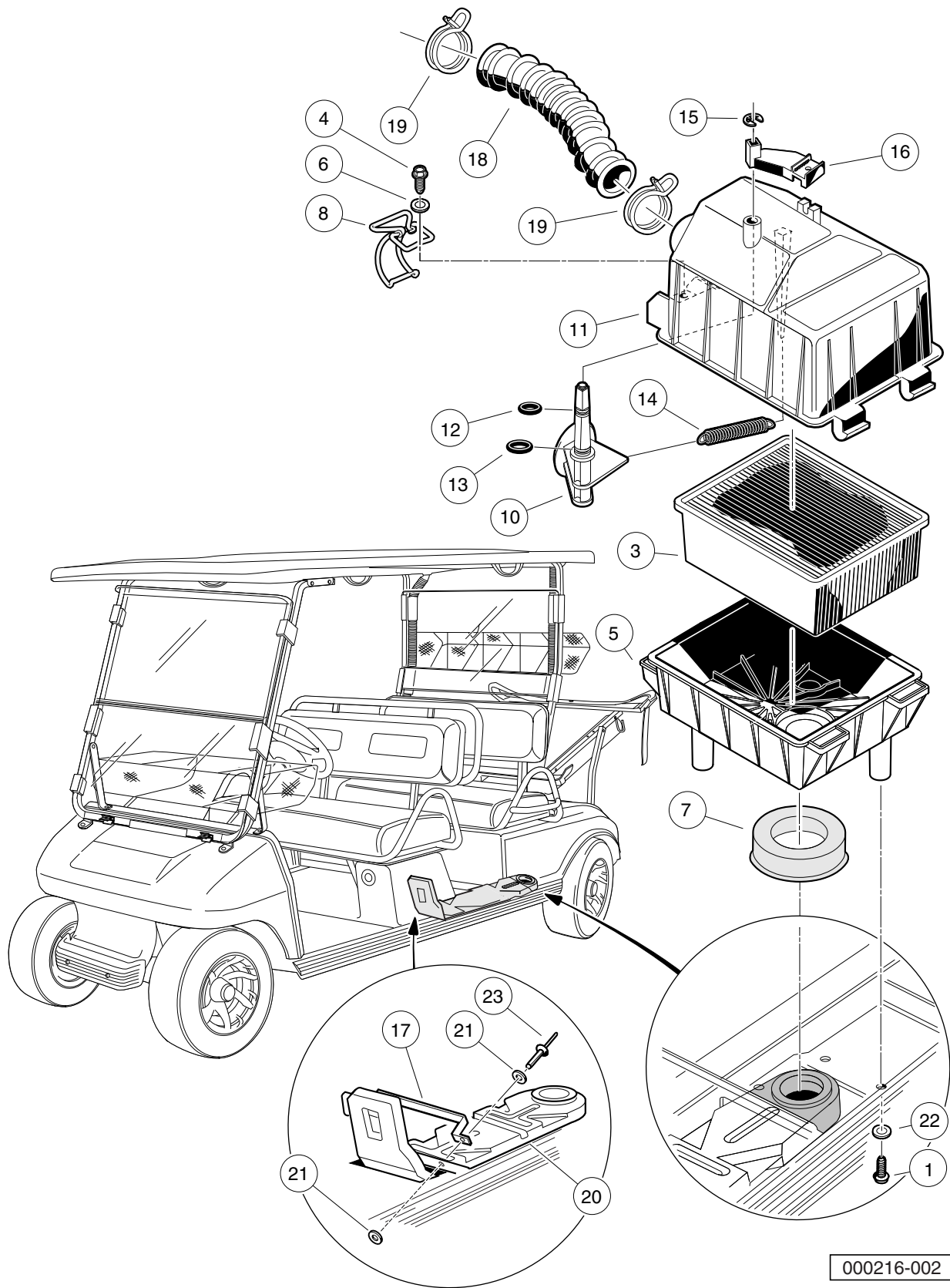
000214-001

CARBURETOR INSTALLATION – FE350

| ITEM | PART NO. | DESCRIPTION | QTY |
|------|------------------|---|-----|
| | | 1 2 3 4 | |
| 1 | <u>1013746</u> | Clamp, 0.301 ID Hose | 1 |
| 2 | <u>1015137</u> | Fuel Line (available by the foot) | 1 |
| 3 | <u>1016438</u> | Gasket, Carb To Intake Manifold | 1 |
| 4 | <u>1016440</u> | Gasket, Engine to Insulator | 1 |
| 5 | <u>1016441</u> | Gasket, Sprg Brkt To Carb OHV | 1 |
| 6 | <u>1016444</u> | Bracket, Throttle Spring Return | 1 |
| 7 | 1016480 | Pipe, Intake Manifold | 1 |
| 8 | 101648102 | Insulator, Carburetor | 1 |
| 9 | <u>101649002</u> | Stud, M6-1.00 Two-Ended | 2 |
| 10 | 1016547 | Nut, M6 Flange | 2 |
| 11 | <u>1016572</u> | Tube, Crankcase Vent | 1 |
| 12 | <u>1016582</u> | Spring, Throttle Return | 1 |
| 13 | <u>1017466</u> | Clamp | 2 |
| 14 | <u>101973401</u> | Gasket, Insulator To Bracket | 1 |

8

G



000216-002

INTAKE DUCT AND AIR BOX ASSEMBLY

| ITEM | PART NO. | DESCRIPTION | QTY |
|------|------------------|--|-----|
| | | 1 2 3 4 | |
| 1 | <u>1015752</u> | Screw, #12-16 X 0.625 Hi-Lo | 3 |
| 2 | <u>101821501</u> | Assembly, Air Box (includes items 3 through 9) | 1 |
| 3 | <u>1015426</u> | Filter, Air | 1 |
| 4 | <u>101804301</u> | Screw, #8 X 0.500, Hex-Head Hi-Lo | 2 |
| 5 | <u>101811901</u> | Bottom, Air Box | 1 |
| 6 | <u>101881701</u> | Washer, #8 Stainless-Steel Flat | 2 |
| 7 | <u>101921501</u> | Seal, Intake | 1 |
| 8 | <u>101925701</u> | Latch, Wireform | 2 |
| 9 | <u>101972801</u> | Top Assy, Air Box (includes items 10 through 16) | 1 |
| 10 | N/A | Valve, Choke | 1 |
| 11 | 101811801 | Top, Air Box | 1 |
| 12 | N/A | O-Ring, 5/16 | 1 |
| 13 | N/A | O-Ring, 3/8 | 1 |
| 14 | <u>101812301</u> | Spring, Extension Return | 1 |
| 15 | <u>101813001</u> | Retaining Ring 0.25, Shaft | 1 |
| 16 | <u>101917601</u> | Lever, Choke | 1 |
| 17 | <u>101825701</u> | Retaining Bracket | 1 |
| 18 | <u>101837101</u> | Hose, Air Intake | 1 |
| 19 | <u>101971301</u> | Clamp, 1.58" ID Hose | 2 |
| 20 | <u>103520301</u> | Duct, Air Intake, Ds | 1 |
| 21 | <u>183</u> | Washer, #10 Type A Flat | 4 |
| 22 | <u>332</u> | Washer, 1/4 Type A Narrow Flat | 3 |
| 23 | <u>7973</u> | Rivet, 3/16 X .400 Blind | 2 |
| | | Note: Item 19 is not illustrated. | |

8

G

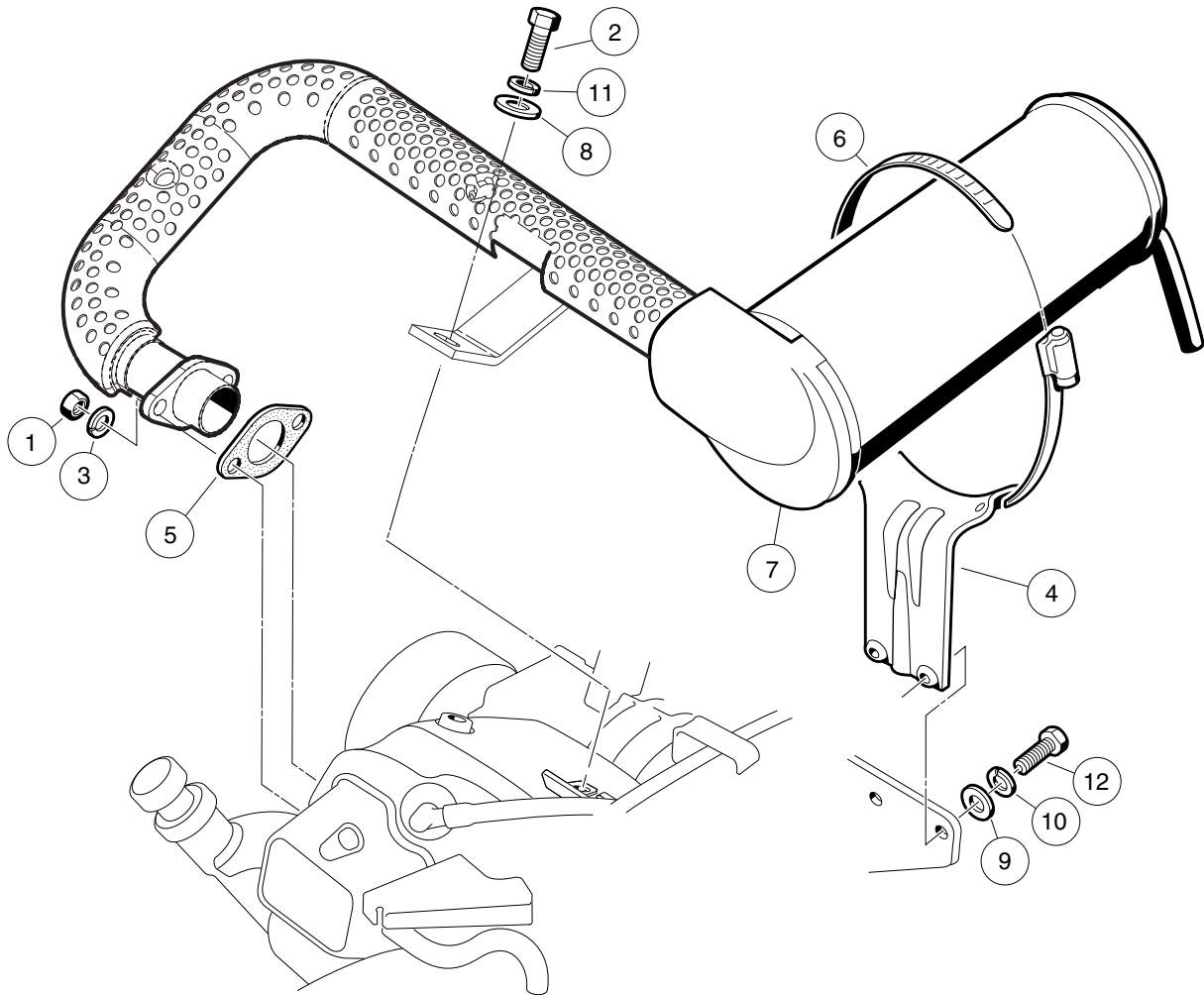
8

G

EXHAUST SYSTEM

9

G

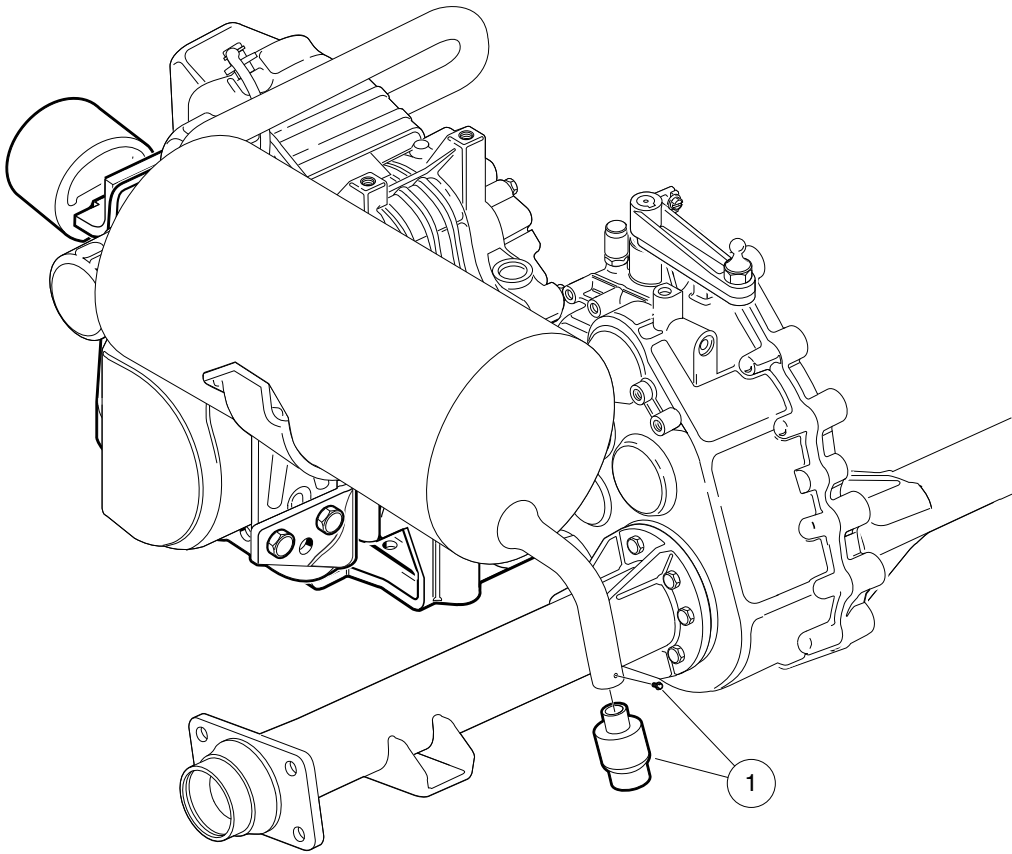


000491-001

EXHAUST SYSTEM – FE350

| ITEM | PART NO. | DESCRIPTION | QTY |
|------|------------------|---|-----|
| | | 1 2 3 4 | |
| 1 | <u>1012528</u> | Nut, M8-1.25 Hex | 2 |
| 2 | <u>1012830</u> | Screw, M8-125 X 22 Hex-Head | 1 |
| 3 | <u>1013734</u> | Lockwasher, 8mm Split | 2 |
| 4 | <u>1015814</u> | Bracket, Muffler Mounting | 1 |
| 5 | <u>1016904</u> | Gasket, Exhaust | 1 |
| 6 | 1017689 | Clamp, 5" Muffler Hose | 1 |
| 7 | <u>102585901</u> | Exhaust System, FE350, Precedent | 1 |
| 8 | <u>1241</u> | Washer, 5/16 Type A Flat | 1 |
| 9 | <u>332</u> | Washer, 1/4 Type A Narrow Flat | 2 |
| 10 | <u>451</u> | Lockwasher, 1/4 Split | 2 |
| 11 | <u>7174</u> | Lockwasher, 5/16 Split | 1 |
| 12 | <u>7847</u> | Screw, 1/4-20 X 0.75 Hex-Head Cap | 2 |

9
G



APM-000119-001

SPARK ARRESTOR KIT

| ITEM | PART NO. | DESCRIPTION | QTY |
|------|------------------|--|-----|
| 1 | <u>101629008</u> | 1 2 3 4 Spark Arrestor, 290/350 | 1 |

9

G

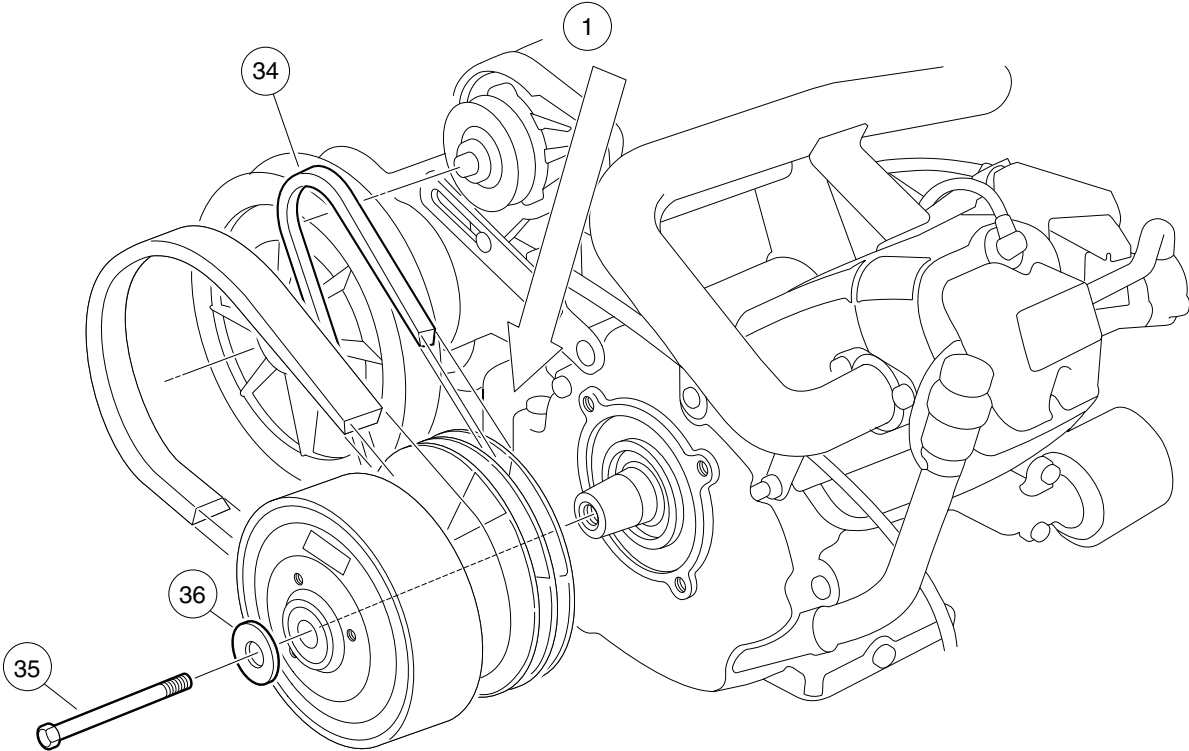
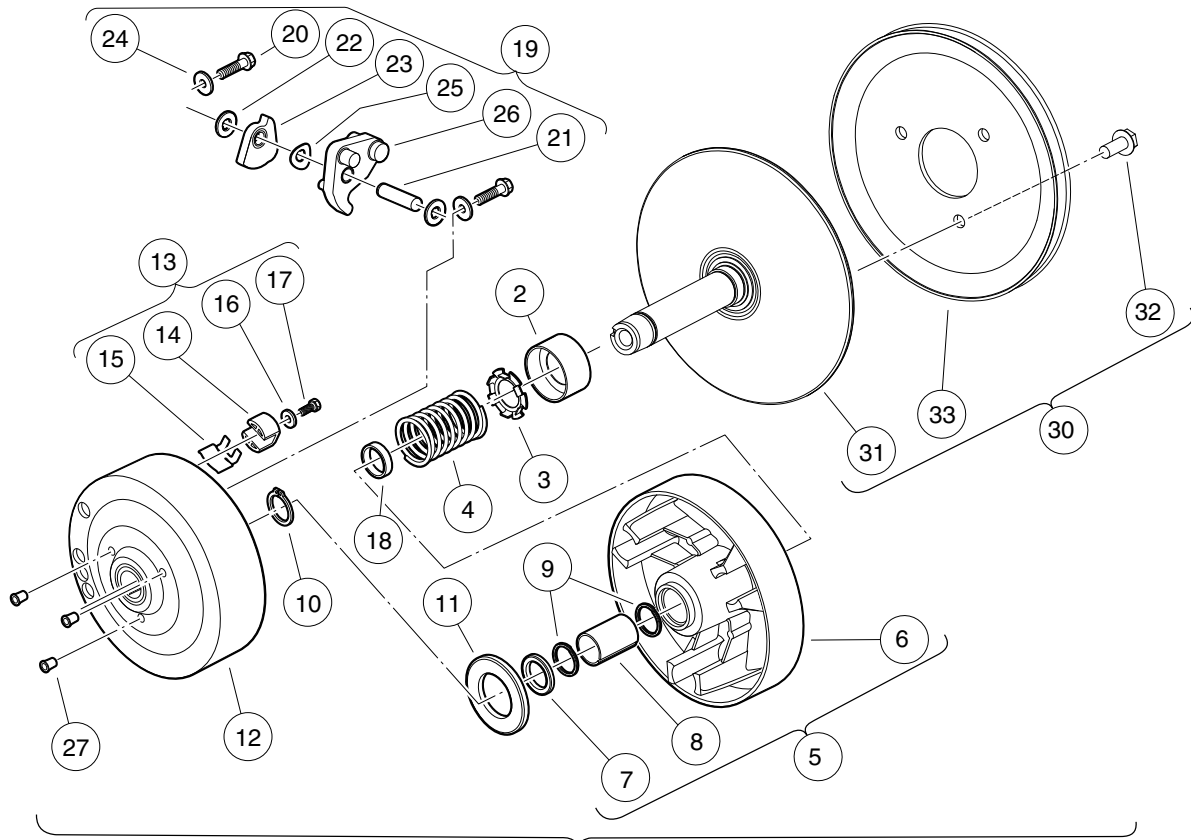
9

G

TORQUE CONVERTER

10

G



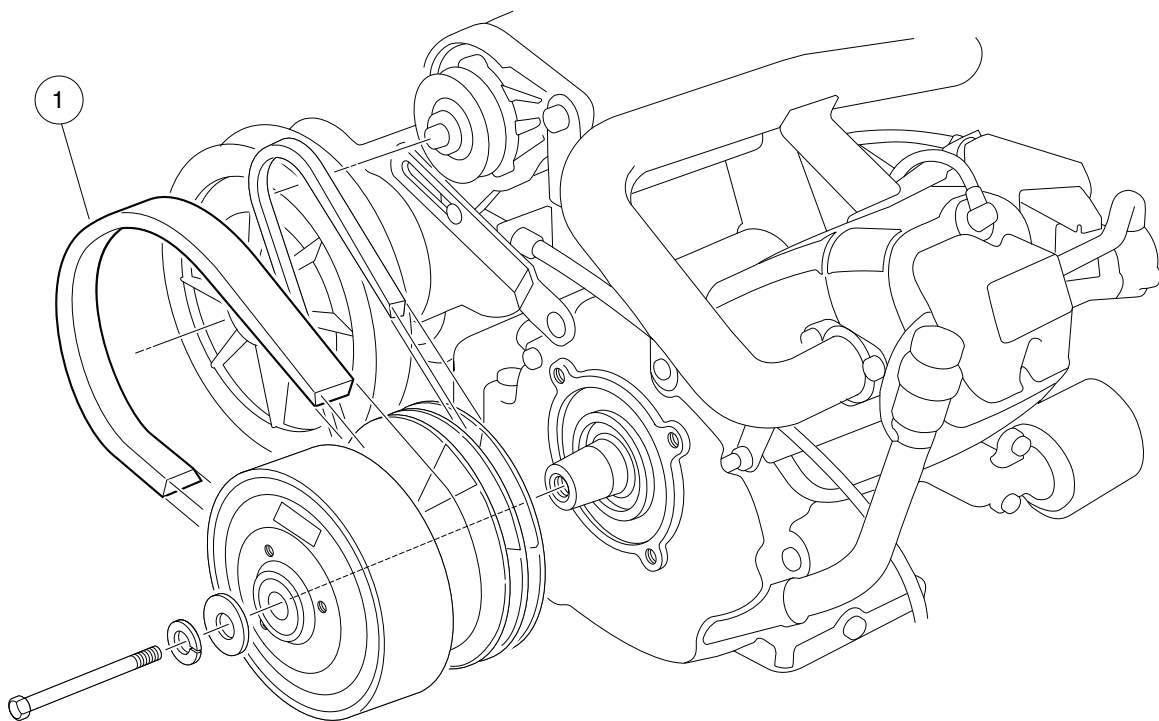
000217-001

DRIVE CLUTCH

10

G

| ITEM | PART NO. | DESCRIPTION | QTY |
|------|------------------|---|-----|
| | | 1 2 3 4 | |
| 1 | <u>101833902</u> | Clutch, Drive (includes items 2 through 28) | 1 |
| 2 | 1014049 | Bearing, Idler | 1 |
| 3 | <u>1014050</u> | Retainer, Spring | 1 |
| 4 | <u>1014051</u> | Spring, Drive Clutch | 1 |
| 5 | 1014052 | Movable-Face Assembly (includes items 6 through 8) | 1 |
| 6 | N/A | Drive Clutch Movable Face | 1 |
| 7 | <u>1014055</u> | Retainer | 1 |
| 8 | N/A | Bushing, Split, Drive Clutch | 1 |
| 9 | <u>1014056</u> | Ring, Spiral Backup | 2 |
| 10 | <u>1014057</u> | Ring, 0.810" Internal Retaining | 1 |
| 11 | 1014058 | Thrust Washer | 1 |
| 12 | 1014059 | Drive Hub Assy, Drive Clutch | 1 |
| 13 | <u>1014453</u> | Kit, Drive Clutch Button (includes items 14 through 17) | 1 |
| 14 | <u>1014062</u> | Driver, Drive Clutch | 3 |
| 15 | <u>1014287</u> | Spring, Drive Button | 3 |
| 16 | <u>183</u> | Washer, #10 Type A Flat | 3 |
| 17 | <u>8450</u> | Screw, #10-24 X 0.50 Hex-Head | 3 |
| 18 | <u>1016289</u> | Spacer, Fixed Face Shaft | 1 |
| 19 | <u>1016801</u> | Kit, Drive Clutch Weight (includes items 20 through 26) | 1 |
| 20 | <u>1014063</u> | Screw, 1/4-20 X 1.00 Hex Head | 6 |
| 21 | N/A | Pin, 0.3752 X 1.50 Dowel | 3 |
| 22 | <u>1014065</u> | Washer, 0.38" ID Delrin Flat | 6 |
| 23 | N/A | Clutch Weight, Secondary | 3 |
| 24 | N/A | Washer | 6 |
| 25 | <u>1016201</u> | Washer, Wave | 3 |
| 26 | N/A | Weight, Primary | 3 |
| 27 | <u>101925601</u> | Plug, Drive Clutch | 3 |
| 28 | <u>101929802</u> | Kit, Fxd Face Dr Asm Fe290/350 (includes items 29 and 30) | 1 |
| 29 | N/A | Desiccant Bag (Not Shown) | 1 |
| 30 | 101929801 | Assembly, Fixed-Face Drive (includes items 31 through 33) | 1 |
| 31 | N/A | Fixed Face Assembly, Drive Clutch | 1 |
| 32 | <u>1014288</u> | Screw, 5/16-18 X 0.75 Thread-Forming | 3 |
| 33 | N/A | Pulley, Clutch | 1 |
| 34 | <u>101916701</u> | V-Belt | 1 |
| 35 | <u>103345701</u> | Screw 3/8-24x5.5 Hex Loc Ptch | 1 |
| 36 | <u>808</u> | Washer, 3/8 Type B Flat | 1 |
| | | Note: Item 29 not shown. | |



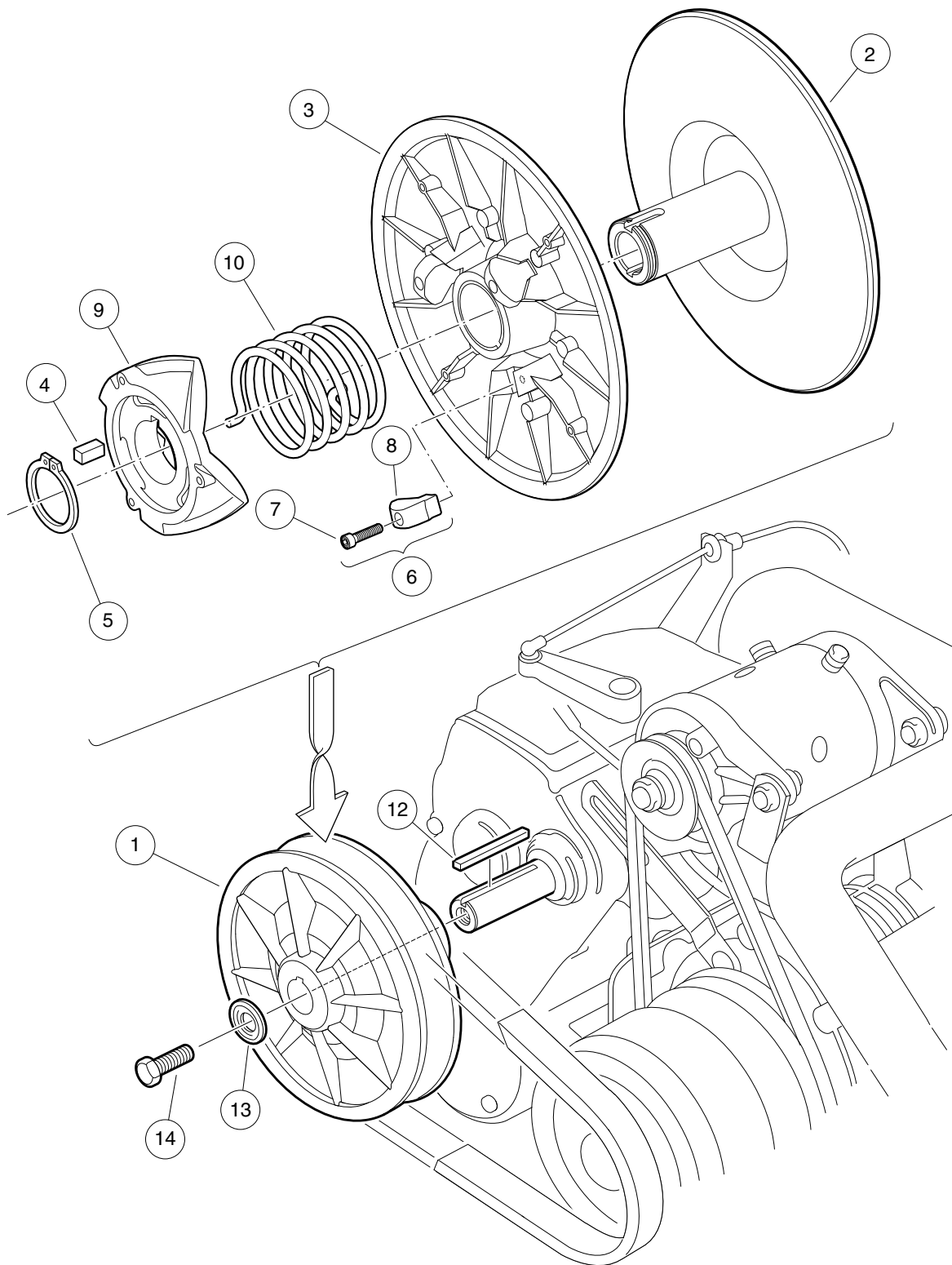
000218-001

DRIVE BELT – FE350

| ITEM | PART NO. | DESCRIPTION | QTY |
|------|----------------|---|-----|
| 1 | <u>1017188</u> | <div style="display: flex; justify-content: space-between; margin-bottom: 5px;"> 1 2 3 4 </div> Belt, Drive (FE350) | 1 |

10

G



000219-001

DRIVEN CLUTCH

| ITEM | PART NO. | DESCRIPTION | QTY |
|------|------------------|---|-----|
| | | 1 2 3 4 | |
| 1 | <u>101834001</u> | Assembly, Driven Clutch (includes items 2 through 10) | 1 |
| 2 | <u>1014070</u> | Fixed Face Assy, Driven Clutch | 1 |
| 3 | <u>1014072</u> | Movable-Face Assembly with Bushing | 1 |
| 4 | <u>1014078</u> | Key, Driven Clutch | 1 |
| 5 | <u>1014080</u> | Ring, Retaining | 1 |
| 6 | <u>1014454</u> | Kit, Driven Clutch Button (includes items 7 and 8) | 1 |
| 7 | <u>1012836</u> | Screw, #8-32 X 3/4 Socket-Head Cap | 3 |
| 8 | 1014076 | Button, Drive | 3 |
| 9 | <u>1017686</u> | Cam, Driven Clutch | 1 |
| 10 | <u>101836201</u> | Spring, Driven Clutch, Reversed | 1 |
| 11 | <u>AM10419</u> | Kit, Clutch Repair (includes items 12 through 14) | 1 |
| 12 | <u>101833401</u> | Key, 3/16 Sq X 1.50" | 1 |
| 13 | <u>102155801</u> | Washer, Driven Clutch | 1 |
| 14 | <u>102242101</u> | Screw, 5/16-18 X 3/4 Hex-Head with Patch | 1 |

10
G

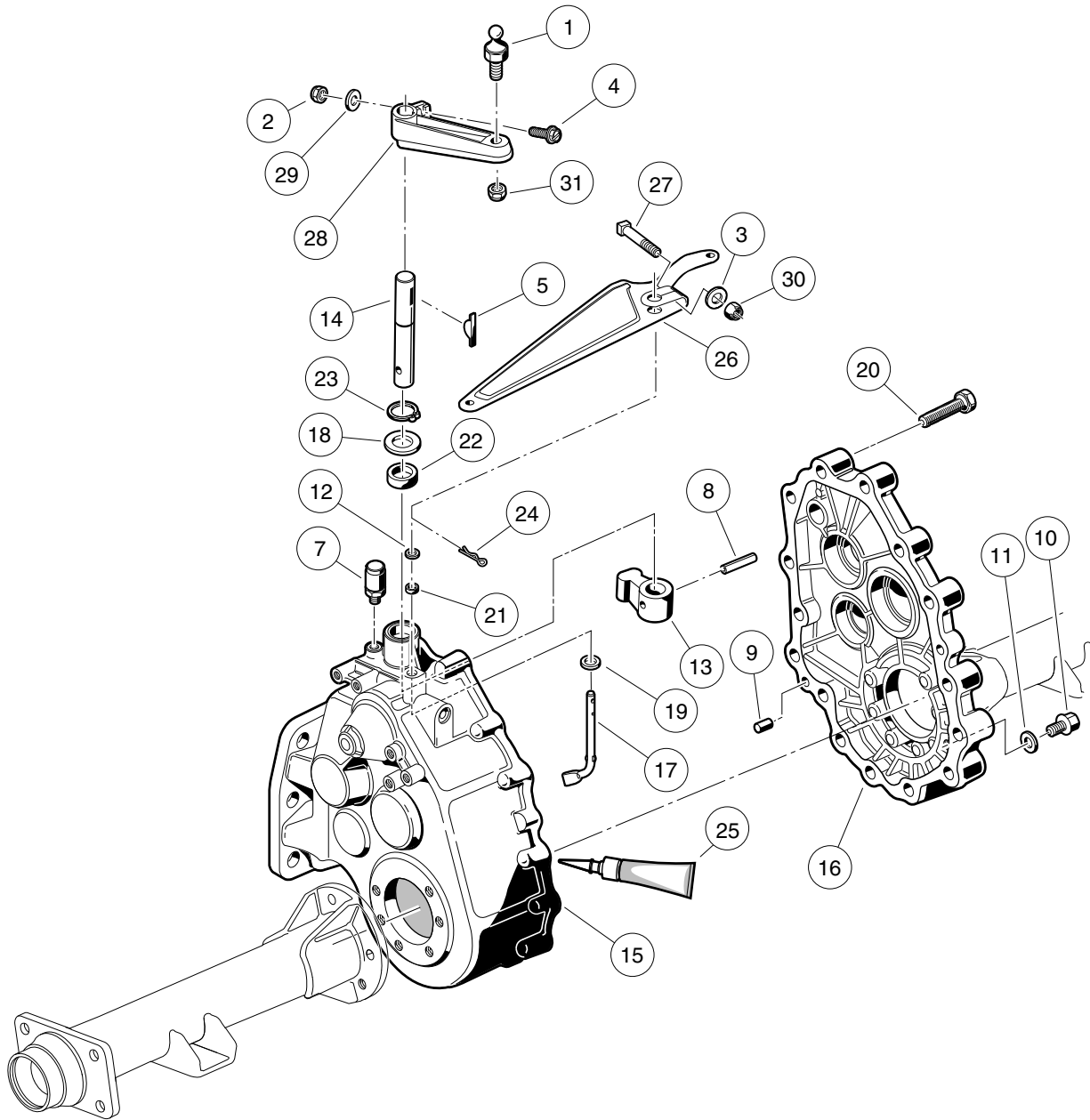
10

G

UNITIZED TRANSAXLE

11

G



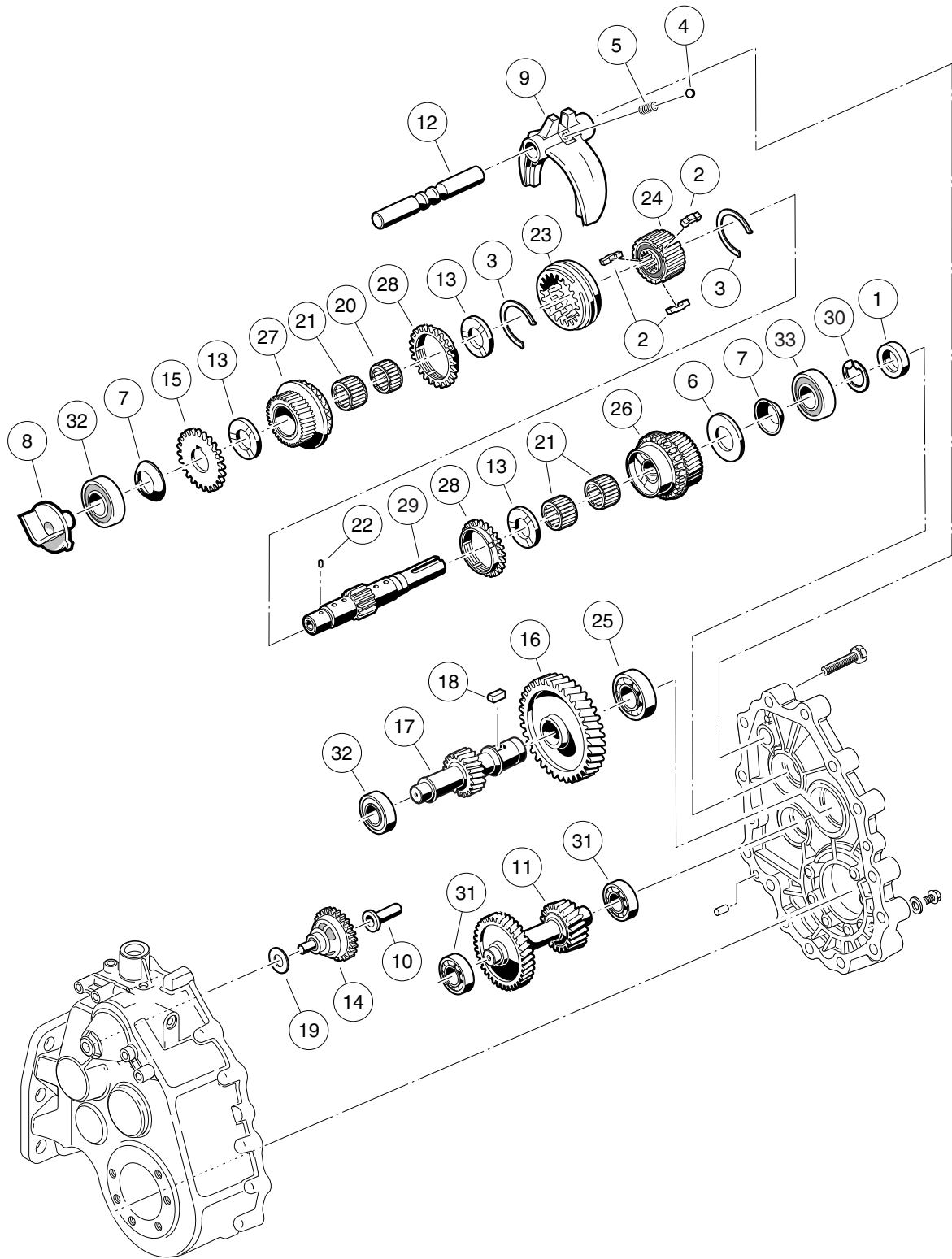
000220-004

TRANSAXLE – GASOLINE VEHICLES, GEAR CASES AND BRACKETS

| ITEM | PART NO. | DESCRIPTION | QTY |
|------|------------------|--|-----|
| | | 1 2 3 4 | |
| 1 | <u>1010954</u> | Stud, 1/4-28 X 0.560 Ball | 1 |
| 2 | <u>1013061</u> | Locknut, #10-32 Nylon Insert | 1 |
| 3 | <u>1014007</u> | Washer, 1/4 Flat | 1 |
| 4 | <u>1017082</u> | Screw, #10-32 X 0.75, Hex-Head Machine | 1 |
| 5 | <u>1017231</u> | Key, Woodruff | 1 |
| 6 | <u>101833601</u> | Transaxle, 11.77 Ratio (includes items 7 through 25) | 1 |
| 7 | <u>1012711</u> | Breather | 1 |
| 8 | <u>1012752</u> | Roll Pin | 1 |
| 9 | <u>1012896</u> | Pin, Dowel | 2 |
| 10 | <u>1013760</u> | Fill Plug | 2 |
| 11 | <u>1016432</u> | Gasket, Drain Plug | 1 |
| 12 | <u>1016513</u> | Washer, M6 Flat | 1 |
| 13 | <u>101890101</u> | Lever, Change | 1 |
| 14 | <u>101890201</u> | Shaft - Change | 1 |
| 15 | <u>101890501</u> | Gear Case (driver side) | 1 |
| 16 | <u>101890601</u> | Gear Case (passenger side) | 1 |
| 17 | <u>101891301</u> | Arm Pivot | 1 |
| 18 | <u>101892901</u> | Washer | 1 |
| 19 | <u>101893801</u> | Washer | 1 |
| 20 | <u>101926901</u> | Screw, M8-1.25 X 40mm Hex-Head | 15 |
| 21 | <u>101927101</u> | Seal, Oil | 1 |
| 22 | <u>101927201</u> | Seal, Oil | 1 |
| 23 | <u>101927301</u> | Snap Ring | 1 |
| 24 | <u>101928601</u> | Pin, Cotter | 1 |
| 25 | <u>101928701</u> | Liquid Gasket (Transaxle case) | 1 |
| 26 | <u>101834801</u> | Arm, Governor | 1 |
| 27 | <u>101886101</u> | Screw, 1/4-20 X 1.00 Square-Head | 1 |
| 28 | <u>102515401</u> | Lever, Transmission Shift | 1 |
| 29 | <u>183</u> | Washer, #10 Type A Flat | 1 |
| 30 | <u>8233</u> | Locknut, 1/4-20 Nylon Insert | 1 |
| 31 | <u>8717</u> | Locknut, 1/4-28 Nylon Insert | 1 |

11

G



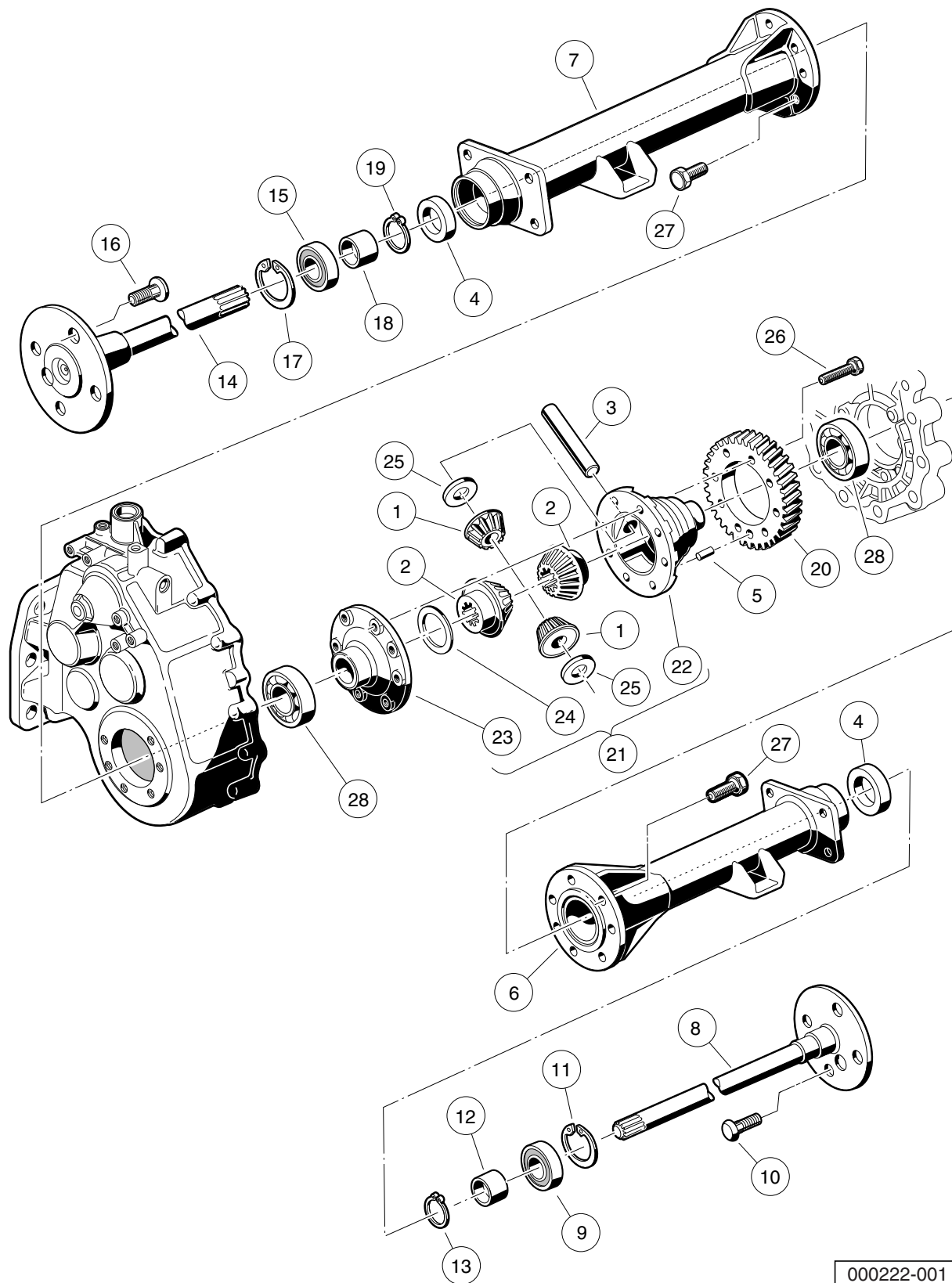
000221-001

TRANSAXLE – GASOLINE VEHICLES, TRANSMISSION AND GEAR REDUCTION

11

G

| ITEM | PART NO. | DESCRIPTION | QTY |
|---|------------------|--|-----|
| | | 1 2 3 4 | |
| 1 | <u>1012714</u> | Oil Seal | 1 |
| 2 | <u>1012740</u> | Synchro Insert | 3 |
| 3 | <u>1012741</u> | Synchro Spring | 2 |
| 4 | <u>1012747</u> | Shifter Ball | 1 |
| 5 | <u>1012748</u> | Shifter Spring | 1 |
| 6 | <u>1016337</u> | Washer, Thrust | 1 |
| 7 | <u>1016338</u> | Washer, Spring | 2 |
| 8 | <u>101889401</u> | Guide | 1 |
| 9 | <u>101890001</u> | Fork - Shift | 1 |
| 10 | <u>101891601</u> | Sleeve, Governor | 1 |
| 11 | <u>101891901</u> | Gear, Cluster | 1 |
| 12 | <u>101892001</u> | Rod, Shift | 1 |
| 13 | <u>101892201</u> | Plate, Thrust | 3 |
| 14 | <u>101892301</u> | Governor Assembly | 1 |
| 15 | <u>101892401</u> | Gear, Spur | 1 |
| 16 | <u>101892501</u> | Gear, Helical (61 Tooth) | 1 |
| 17 | <u>101892601</u> | Gear, Helical (17 Tooth) | 1 |
| 18 | <u>101893201</u> | Key Sunk | 1 |
| 19 | <u>101893901</u> | Washer | 1 |
| 20 | <u>101927501</u> | Needle Bearing | 1 |
| 21 | <u>101927601</u> | Needle Bearing | 3 |
| 22 | <u>101927701</u> | Pin, .116" Dia X 0.264 Dowel | 1 |
| 23 | <u>101927901</u> | Sleeve, Synchro | 1 |
| 24 | <u>101928001</u> | Hub, Synchro Clutch | 1 |
| 25 | <u>101928101</u> | Bearing, Ball | 1 |
| 26 | <u>101980801</u> | Gear Assembly, 16-Degree Synchro (25 Tooth) | 1 |
| 27 | <u>101980901</u> | Gear Assembly, 16-Degree Rear Synchro (28 Tooth) | 1 |
| 28 | <u>101981001</u> | Ring, 16-Degree Synchronizer | 2 |
| 29 | <u>102453001</u> | Shaft, Trans, with Circlip | 1 |
| 30 | <u>102453101</u> | Circlip | 1 |
| 31 | <u>7335</u> | Bearing | 2 |
| 32 | <u>AM10080</u> | Bearing, Ball, Sealed | 2 |
| 33 | <u>AM10081</u> | Bearing, Ball, Sealed | 1 |
| Note: Items listed on this page are components of the unitized transaxle. | | | |

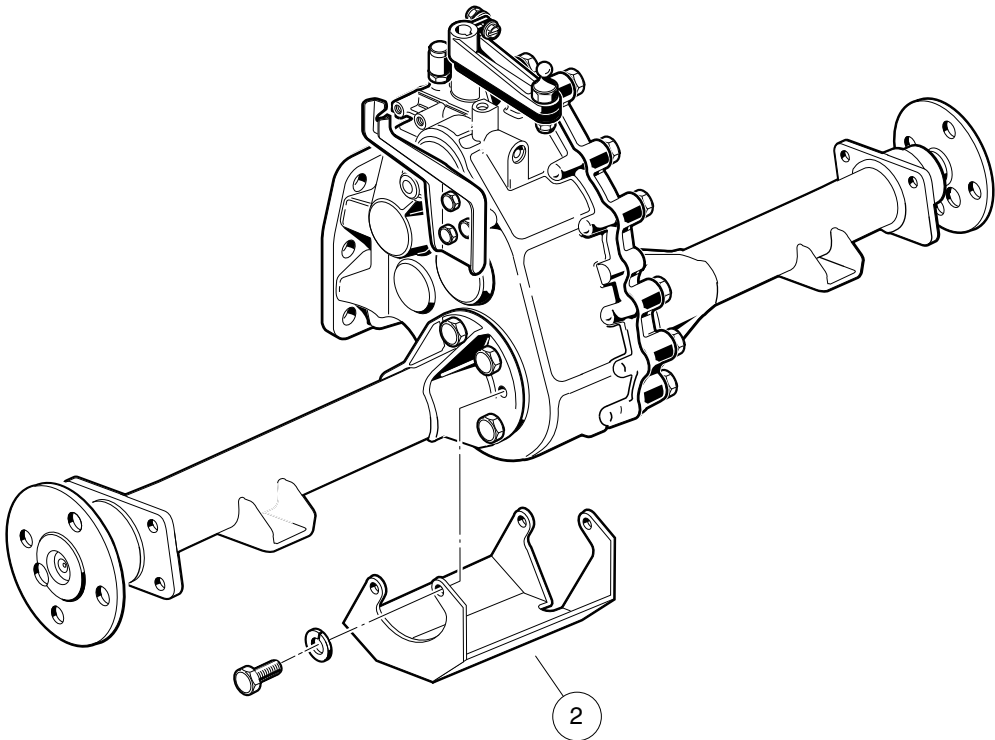


000222-001

TRANSAXLE – GASOLINE VEHICLES, DIFFERENTIAL AND AXLES

| ITEM | PART NO. | DESCRIPTION | QTY |
|------|------------------|---|-----|
| | | 1 2 3 4 | |
| 1 | <u>1013770</u> | Differential Idler Gear | 2 |
| 2 | <u>1013771</u> | Gear, Differential | 2 |
| 3 | <u>1013772</u> | Pin, Differential | 1 |
| 4 | <u>1013794</u> | Axle Shaft Oil Seal | 2 |
| 5 | <u>1014193</u> | Dowel Pin | 1 |
| 6 | <u>101890901</u> | Pipe | 1 |
| 7 | <u>101891001</u> | Pipe | 1 |
| 8 | <u>101891401</u> | Axle Assembly, Passenger Side (includes items 9 through 13) | 1 |
| 9 | <u>1011291</u> | Outer Axle, Tube Bearing | 1 |
| 10 | <u>1013787</u> | Lug Stud | 4 |
| 11 | <u>1013792</u> | Circlip Type C | 1 |
| 12 | <u>1014207</u> | Bushing | 1 |
| 13 | <u>1016672</u> | Retaining Ring | 1 |
| 14 | <u>101891501</u> | Axle Assembly, Driver-Side (includes items 15 through 19) | 1 |
| 15 | <u>1011291</u> | Outer Axle, Tube Bearing | 1 |
| 16 | <u>1013787</u> | Lug Stud | 4 |
| 17 | <u>1013792</u> | Circlip Type C | 1 |
| 18 | <u>1014207</u> | Bushing | 1 |
| 19 | <u>1016672</u> | Retaining Ring | 1 |
| 20 | <u>101892701</u> | Gear, Helical | 1 |
| 21 | <u>101910501</u> | Kit, Differential Gear Case (includes items 22 through 25) | 1 |
| 22 | <u>1013768</u> | Differential Gear Case, Left-Hand | 1 |
| 23 | <u>1013769</u> | Differential Gear Case, Right-Hand | 1 |
| 24 | <u>1013773</u> | Plate, Thrust (Differential Gear) | 1 |
| 25 | <u>1013774</u> | Plate, Thrust (Idler Gear) | 2 |
| 26 | <u>101928301</u> | Screw, M8-1.25 X 35mm Hex Head | 8 |
| 27 | <u>102031901</u> | Bolt, M10 X 1.5 X 30mm | 14 |
| 28 | <u>7330</u> | Inner Axle Tube Bearing | 2 |

11
G



000784-001

DIFFERENTIAL GUARD

| ITEM | PART NO. | DESCRIPTION | QTY |
|------|------------------|--|-----|
| 1 | <u>101932902</u> | 1 2 3 4 Diff Guard Unitized Kit (Includes Instructions) (includes item 2) | 1 |
| 2 | N/A | Guard, Unitized Differential | 1 |

11

G

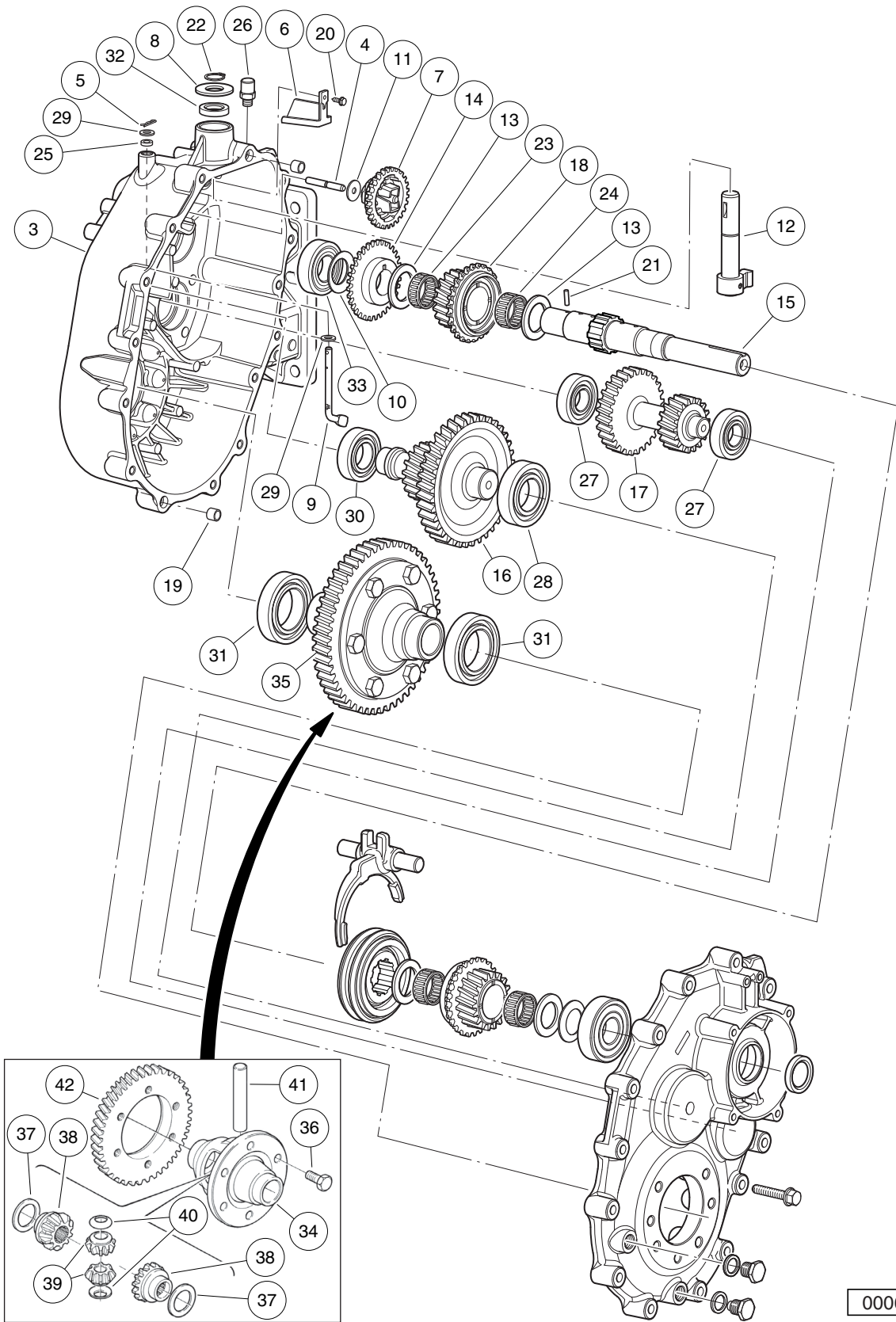
11

G

GRAZIANO TRANSAXLE – GASOLINE VEHICLE

12

G



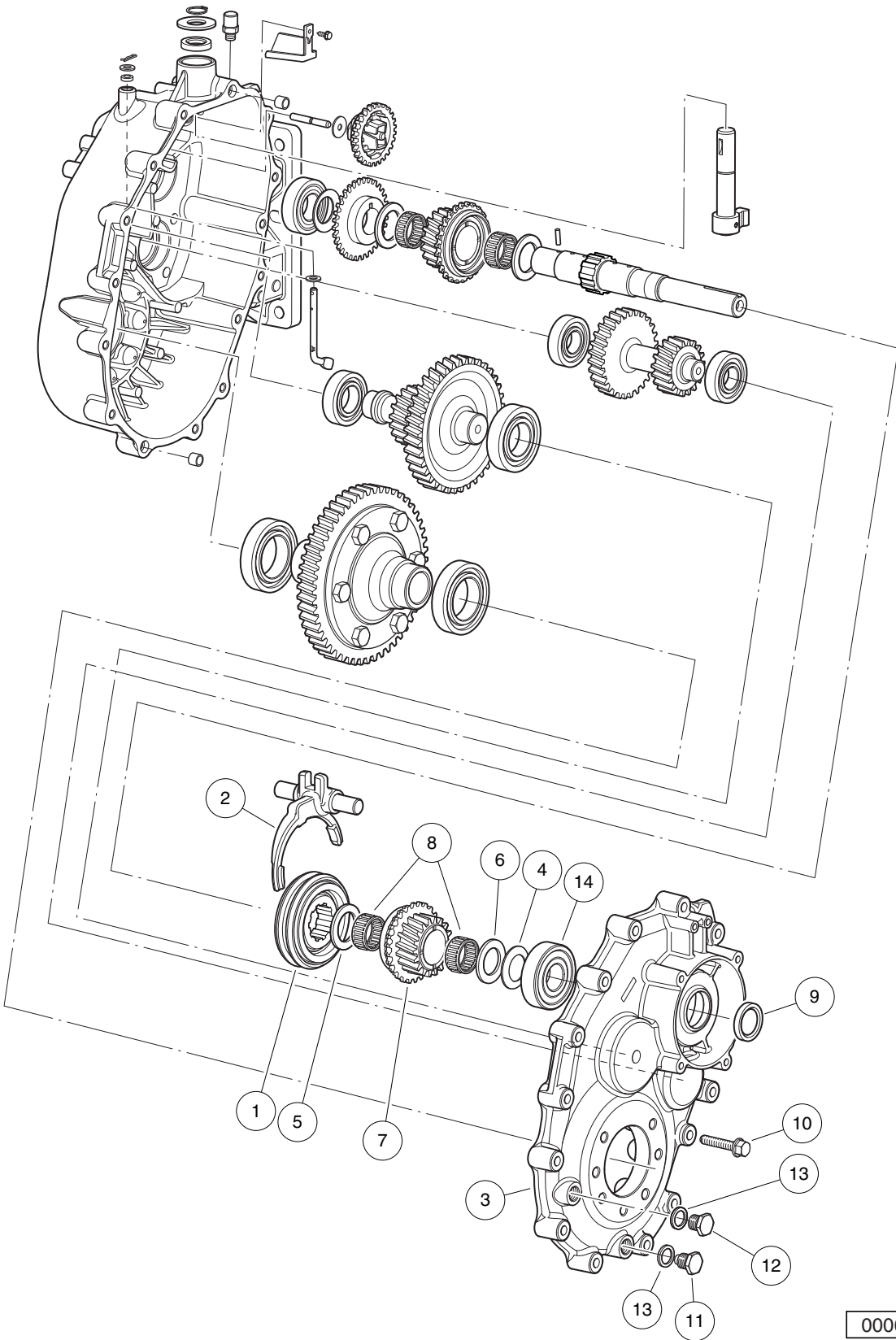
000680-001

GRAZIANO TRANSAXLE – GASOLINE VEHICLES

| ITEM | PART NO. | DESCRIPTION | QTY |
|------|------------------|---|-----|
| | | 1 2 3 4 | |
| 1 | <u>102896801</u> | Transaxle, Unitized, Graziano (includes items 2 through 35) | 1 |
| 2 | <u>102896901</u> | Gear Box, Complete (includes items 3 and 4) | 1 |
| 3 | N/A | Gear Box | 1 |
| 4 | N/A | Pin, Speed Governor | 1 |
| 5 | <u>102897401</u> | Pin, Split | 1 |
| 6 | <u>102897601</u> | Conveyor, Oil | 1 |
| 7 | <u>102897701</u> | Assembly, Speed Governor | 1 |
| 8 | <u>102897801</u> | Washer, Thrust | 1 |
| 9 | <u>102897901</u> | Lever, Speed Governor | 1 |
| 10 | <u>102898001</u> | Washer, Belleville | 1 |
| 11 | <u>102898101</u> | Bearing, Thrust | 1 |
| 12 | <u>102898201</u> | Unit, Drive Selector | 1 |
| 13 | <u>102898301</u> | Bearing, Thrust | 2 |
| 14 | <u>102898501</u> | Gear, Speed Governor | 1 |
| 15 | <u>102898601</u> | Shaft, Main | 1 |
| 16 | <u>102898701</u> | Shaft, Secondary | 1 |
| 17 | <u>102898801</u> | Shaft, Reverse Gear | 1 |
| 18 | <u>102899001</u> | Gear, Complete, 28t | 1 |
| 19 | <u>102899101</u> | Dowel | 2 |
| 20 | <u>102899201</u> | Screw | 1 |
| 21 | <u>102899301</u> | Pin | 1 |
| 22 | <u>102899401</u> | Ring, Snap | 1 |
| 23 | <u>102899501</u> | Cage, Roller | 1 |
| 24 | <u>102899601</u> | Cage, Roller | 1 |
| 25 | <u>102899701</u> | Grommet | 1 |
| 26 | <u>102899801</u> | Bleeder | 1 |
| 27 | <u>102900401</u> | Bearing | 2 |
| 28 | <u>102900501</u> | Bearing | 1 |
| 29 | <u>102900601</u> | Washer | 2 |
| 30 | <u>102900701</u> | Bearing | 1 |
| 31 | <u>102900801</u> | Bearing | 2 |
| 32 | <u>102900901</u> | Grommet | 1 |
| 33 | <u>102901001</u> | Bearing | 1 |
| 34 | <u>102901201</u> | Box, Differential | 1 |
| 35 | <u>102902001</u> | Assembly, Differential (includes items 36 through 42) | 1 |
| 36 | <u>102901301</u> | Screw, M10 X 25 | 6 |
| 37 | <u>102901401</u> | Ring, Sleeve | 2 |
| 38 | <u>102901501</u> | Gear, Sun | 2 |
| 39 | <u>102901601</u> | Gear, Planetary | 2 |
| 40 | <u>102901701</u> | Ring, Sleeve | 2 |
| 41 | <u>102901801</u> | Pin | 1 |
| 42 | <u>102901901</u> | Gear | 1 |

12
G

12
G



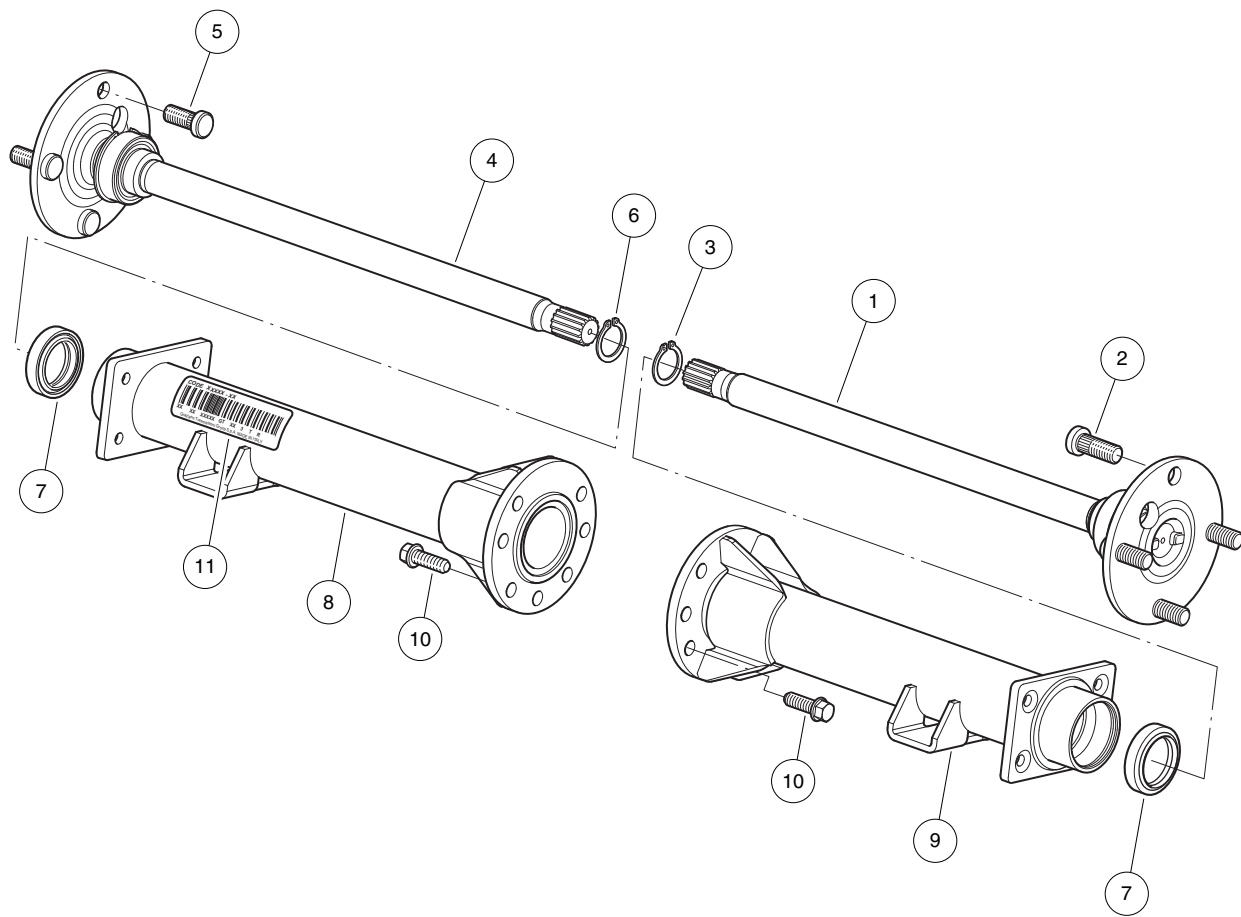
000680-002

GRAZIANO TRANSAXLE – GASOLINE VEHICLES

| ITEM | PART NO. | DESCRIPTION | QTY |
|------|------------------|---|-----|
| | | 1 2 3 4 | |
| 1 | <u>102897201</u> | Synchronizer, Complete | 1 |
| 2 | <u>102897301</u> | Fork, Complete | 1 |
| 3 | <u>102897501</u> | Cover, Box | 1 |
| 4 | <u>102898001</u> | Washer, Belleville | 1 |
| 5 | <u>102898301</u> | Bearing, Thrust | 1 |
| 6 | <u>102898401</u> | Washer, Thrust | 1 |
| 7 | <u>102898901</u> | Gear, Complete, 25t | 1 |
| 8 | <u>102899601</u> | Cage, Roller | 2 |
| 9 | <u>102899901</u> | Grommet | 1 |
| 10 | <u>102900001</u> | Screw | 15 |
| 11 | <u>102900101</u> | Plug, Magnetic | 1 |
| 12 | <u>102900201</u> | Plug | 1 |
| 13 | <u>102900301</u> | Seal | 2 |
| 14 | <u>102901101</u> | Bearing | 1 |
| | | <p>Note: Items listed on this page are components of the Graziano transaxle assembly.</p> | |

12

G



000681-001

GRAZIANO TRANSAXLE – GASOLINE VEHICLES

| ITEM | PART NO. | DESCRIPTION | QTY |
|---|------------------|---|-----|
| | | 1 2 3 4 | |
| 1 | <u>102902101</u> | Shaft, Short, Complete (includes items 2 and 3) | 1 |
| 2 | <u>102902301</u> | Bolt, Stud | 4 |
| 3 | <u>102902401</u> | Snap Ring | 1 |
| 4 | <u>102902201</u> | Shaft, Long, Complete (includes items 5 and 6) | 1 |
| 5 | <u>102902301</u> | Bolt, Stud | 4 |
| 6 | <u>102902401</u> | Snap Ring | 1 |
| 7 | <u>102902501</u> | Seal, Lip | 2 |
| 8 | <u>102902601</u> | Assembly, Tube Extension, Lh | 1 |
| 9 | <u>102902701</u> | Assembly, Tube Extension, Rh | 1 |
| 10 | <u>102902801</u> | Screw, M10 X 30 | 14 |
| 11 | N/A | Tag, Serial | 1 |
| <p>Note: Items listed on this page are components of the Graziano transaxle assembly.</p> | | | |

12

G

12

G

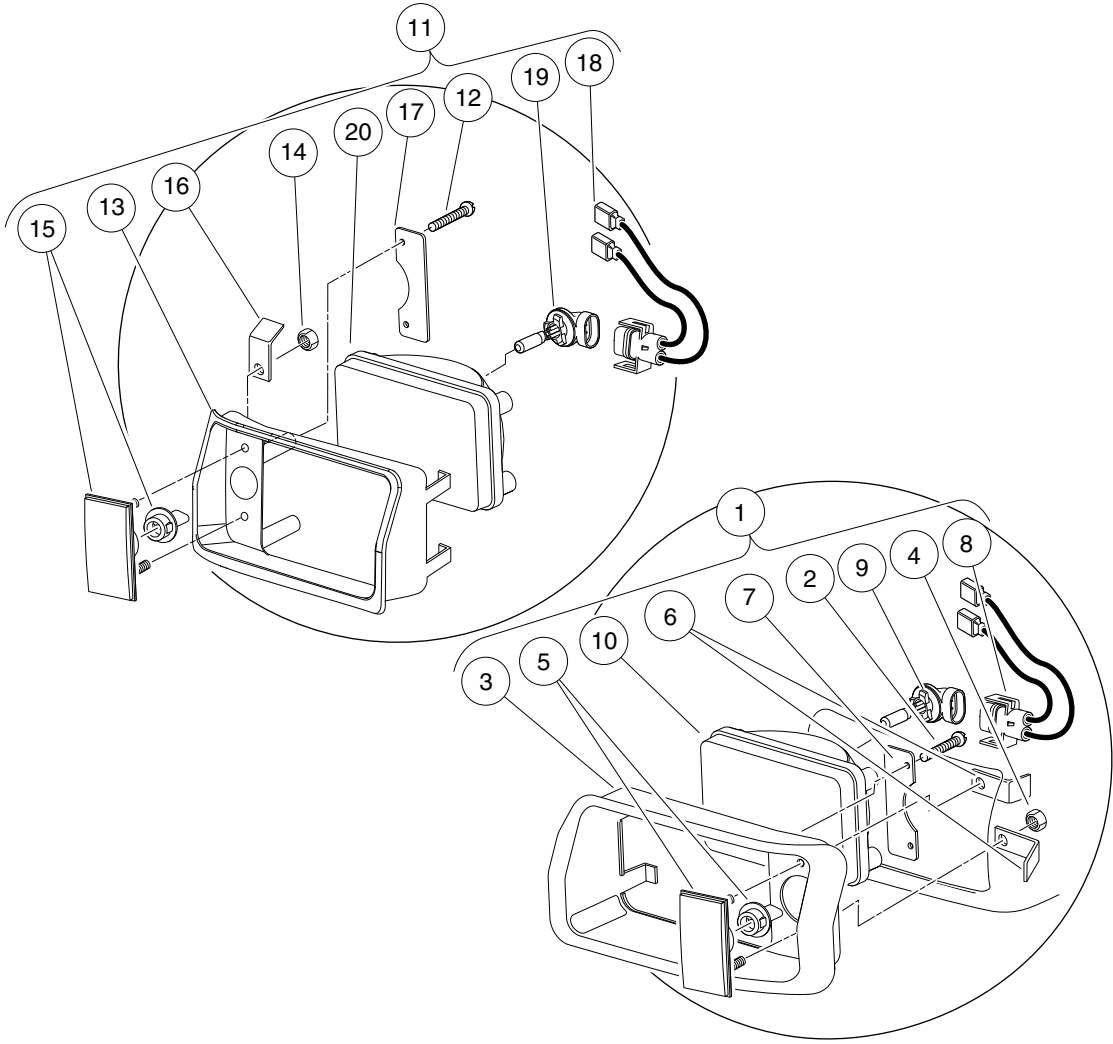
ELECTRICAL SYSTEM – ELECTRIC VEHICLE

13

E

13

E



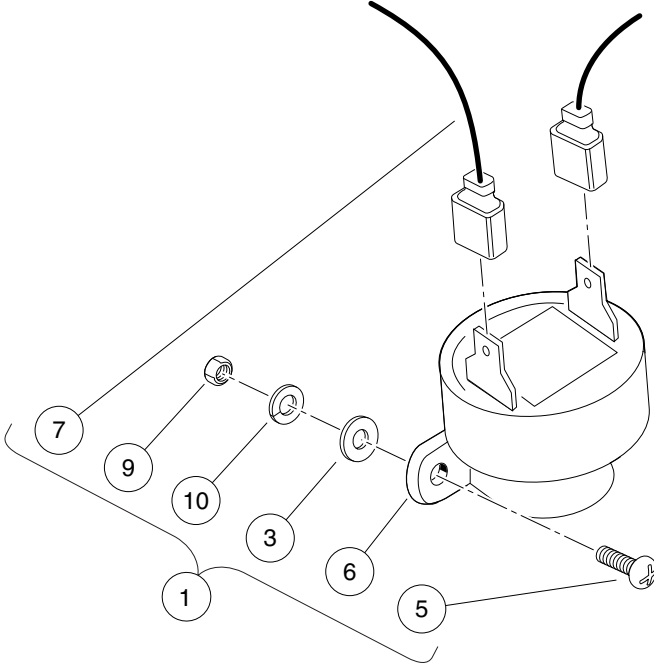
000073-001

HEADLIGHTS

13

E

| ITEM | PART NO. | DESCRIPTION | QTY |
|------|------------------|---|-----|
| | | 1 2 3 4 | |
| 1 | <u>101988001</u> | Headlight Assembly, Driver-Side Single Beam (includes items 2 through 10) | 1 |
| 2 | <u>1013461</u> | Screw, #10-16 Hex-Head Hi-Lo | 2 |
| 3 | <u>1016880</u> | Headlight Bezel, Left | 1 |
| 4 | <u>1017</u> | Nut, #10-24 Stainless-Steel Hex Machine | 2 |
| 5 | <u>1017062</u> | Turn Signal Lens Assy | 1 |
| 6 | <u>1017064</u> | Mounting Bracket | 2 |
| 7 | <u>1017065</u> | Retainer, Headlight | 1 |
| 8 | <u>101987901</u> | Connector Harness Assembly, Headlight | 1 |
| 9 | <u>101988101</u> | Bulb, Headlight | 1 |
| 10 | <u>101988201</u> | Lens, Headlight | 1 |
| 11 | <u>101988002</u> | Headlight Assy, Passenger-Side Single Beam (includes items 12 through 20) | 1 |
| 12 | <u>1013461</u> | Screw, #10-16 Hex-Head Hi-Lo | 2 |
| 13 | <u>1016879</u> | Headlight Bezel, Right | 1 |
| 14 | <u>1017</u> | Nut, #10-24 Stainless-Steel Hex Machine | 2 |
| 15 | <u>1017062</u> | Turn Signal Lens Assy | 1 |
| 16 | <u>1017064</u> | Mounting Bracket | 2 |
| 17 | <u>1017065</u> | Retainer, Headlight | 1 |
| 18 | <u>101987901</u> | Connector Harness Assembly, Headlight | 1 |
| 19 | <u>101988101</u> | Bulb, Headlight | 1 |
| 20 | <u>101988201</u> | Lens, Headlight | 1 |



000741-003

REVERSE BUZZER KIT

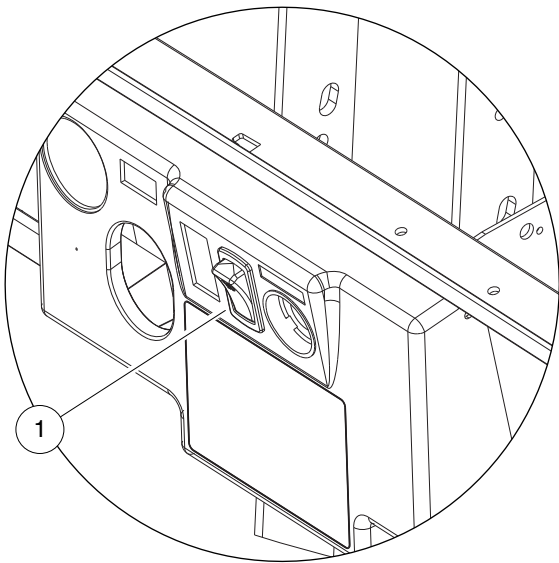
| ITEM | PART NO. | DESCRIPTION | QTY |
|------|----------------|---|-----|
| | | 1 2 3 4 | |
| 1 | <u>1016859</u> | Kit, Reverse Buzzer (includes items 2 through 10) | 1 |
| 2 | <u>1011229</u> | Locknut, #6-32 Whiz | 1 |
| 3 | 1012431 | Washer, #4 Flat | 2 |
| 4 | <u>1015720</u> | Screw, #6-32 X 1/2 Hex Washer-Head | 1 |
| 5 | <u>1016849</u> | Screw, #4-24 X 0.33 Pan-Head Machine | 2 |
| 6 | <u>1016851</u> | Buzzer, Reverse (9-48 VDC) | 1 |
| 7 | 1016857 | Wire Assembly Black #18 | 1 |
| 8 | <u>8056</u> | Screw, #4-40 X 0.75 Round-Head Machine | 2 |
| 9 | <u>8057</u> | Nut, #4-40 Hex Machine | 2 |
| 10 | <u>8058</u> | Lockwasher, #4 Split | 2 |

13

E

13

E



000073-003

HEADLIGHT SWITCH

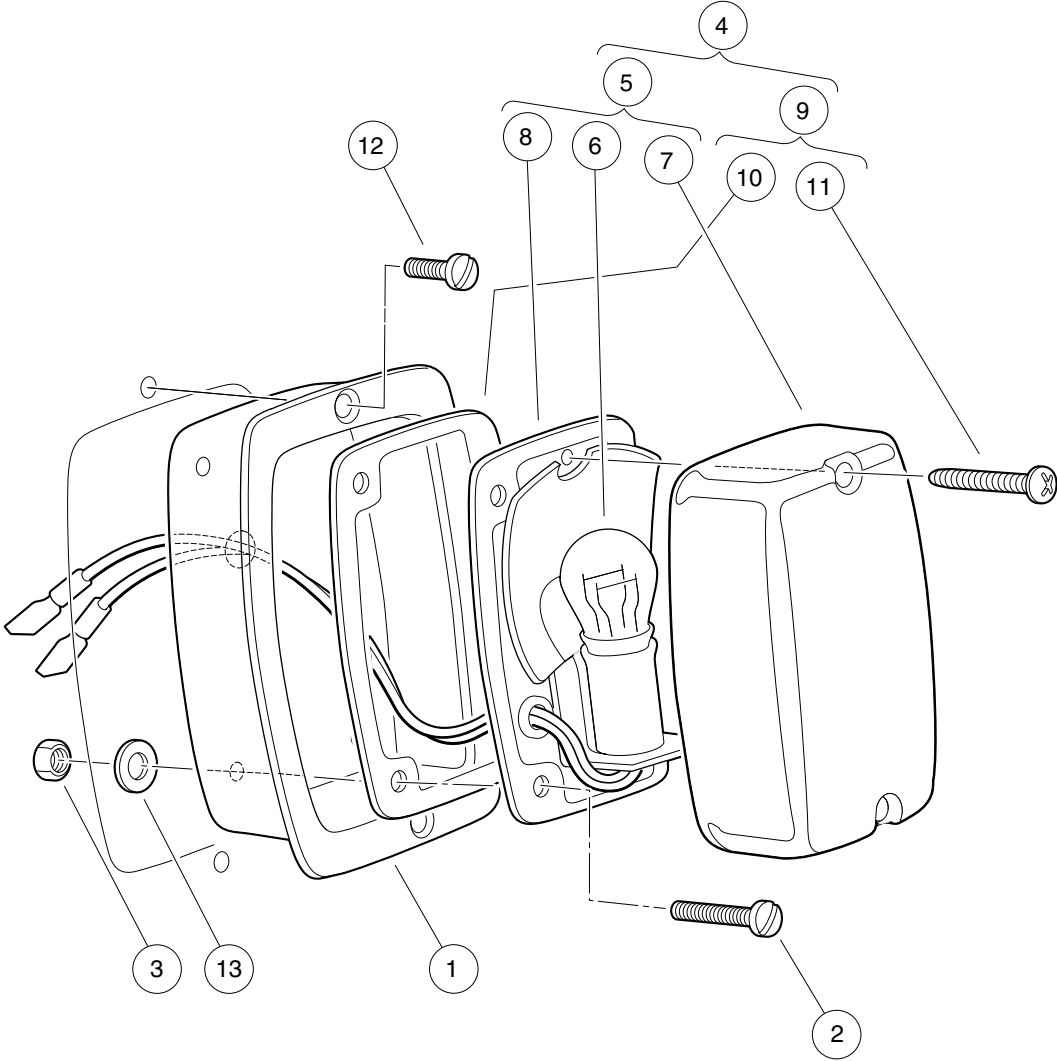
| ITEM | PART NO. | DESCRIPTION | QTY |
|------|------------------|--|-----|
| 1 | <u>102869401</u> | 1 2 3 4 Switch, Rocker, Light | 1 |

13

E

13

E



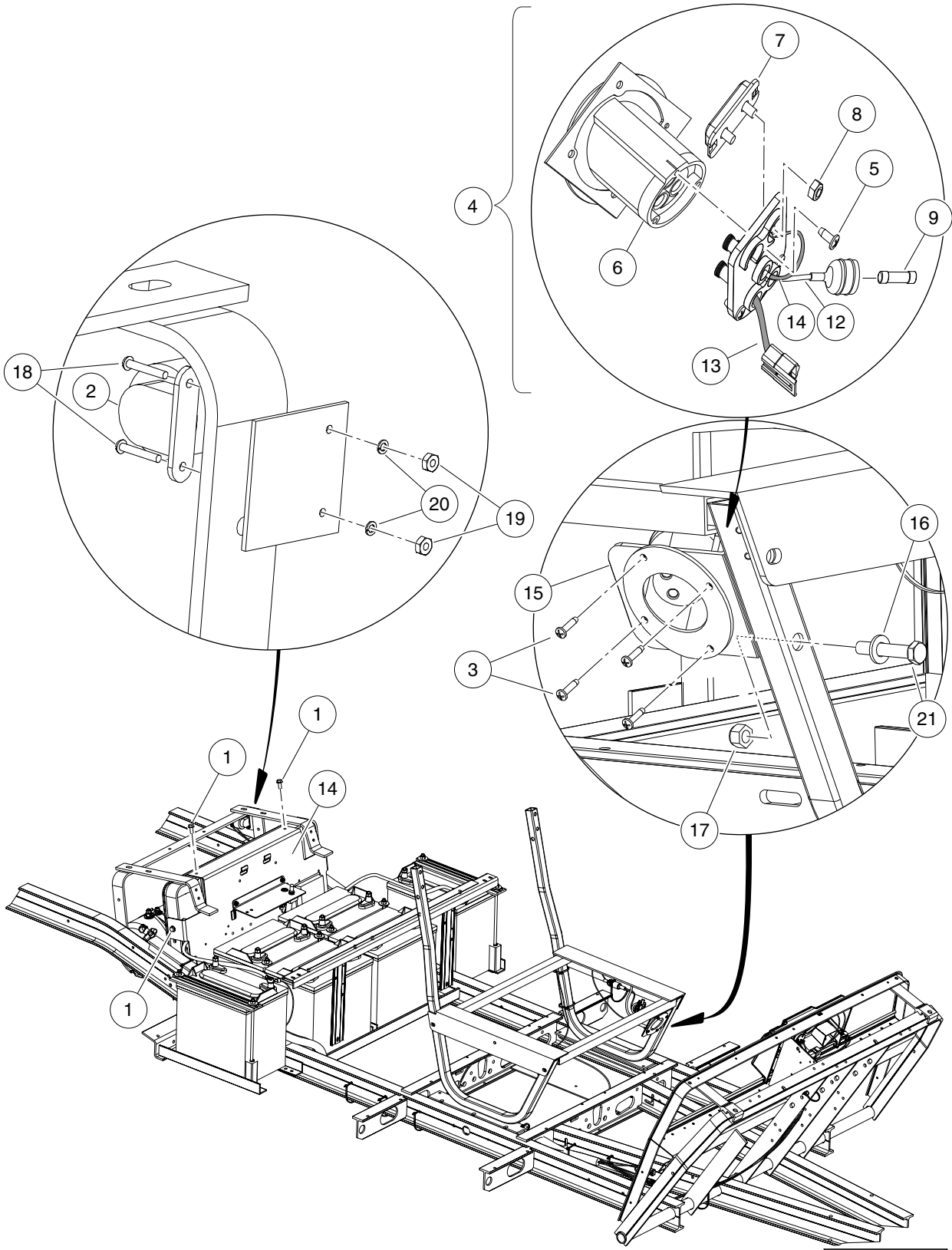
000348-006

TAIL LIGHTS

13

E

| ITEM | PART NO. | DESCRIPTION | QTY |
|------|------------------|---|-----|
| | | 1 2 3 4 | |
| 1 | <u>1011497</u> | Bezel, Taillight | 1 |
| 2 | <u>1011557</u> | Screw, #6-32 X 1.00 Hex-Head Machine | 1 |
| 3 | <u>1011558</u> | Nut, #6-32 Hex | 1 |
| 4 | 1017035 | Taillight Assembly (includes items 5 through 9) | 1 |
| 5 | N/A | Light, Tail (includes items 6 through 8) | 1 |
| 6 | <u>1011582</u> | Taillight Bulb | 1 |
| 7 | <u>1011843</u> | Taillight Lens | 1 |
| 8 | N/A | Base, Taillight | 1 |
| 9 | <u>1017699</u> | Hardware Kit, Tail Light (includes items 10 and 11) | 1 |
| 10 | N/A | Gasket | 1 |
| 11 | N/A | Screw, Tapered | 2 |
| 12 | <u>102915601</u> | Plastic Rivet - Tuflock | 1 |
| 13 | <u>7591</u> | Washer, #6 Flat | 1 |



000764-001

CHARGER RECEPTACLE

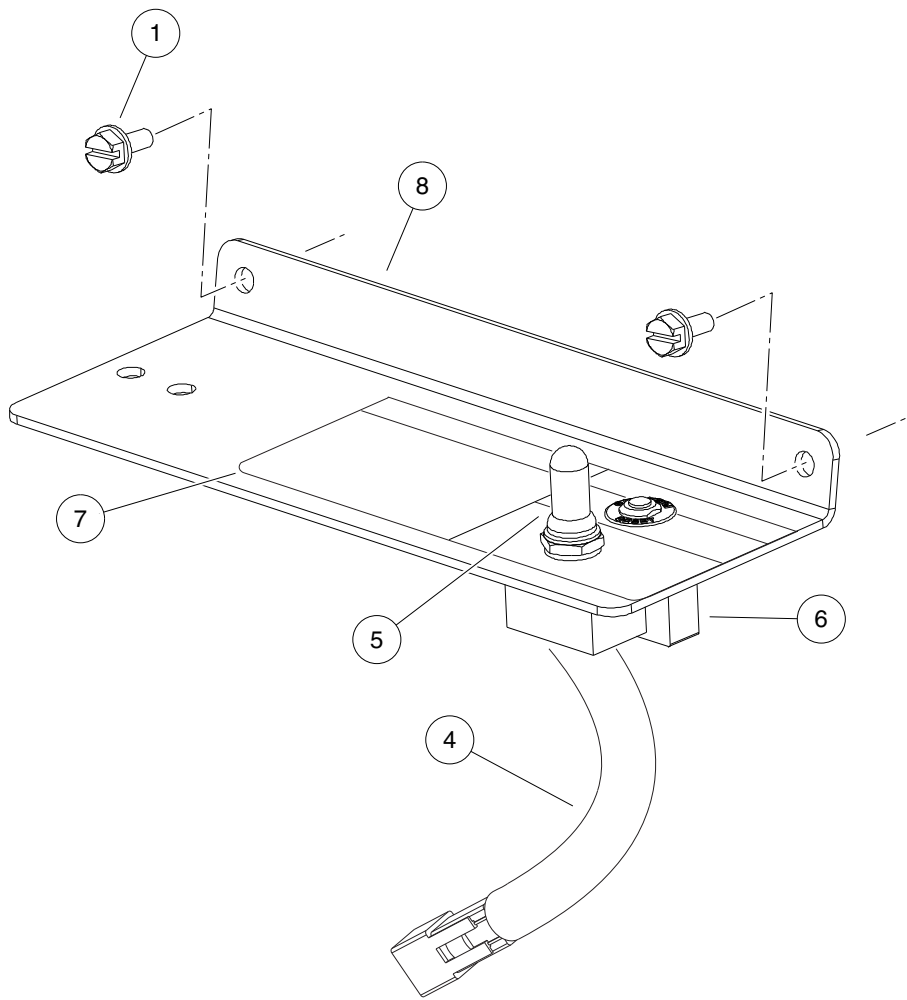
| ITEM | PART NO. | DESCRIPTION | QTY |
|------|------------------|--|-----|
| | | 1 2 3 4 | |
| 1 | <u>1014288</u> | Screw, 5/16-18 X 0.75 Thread-Forming | 4 |
| 2 | <u>1016851</u> | Buzzer, Reverse (9-48 VDC) | 1 |
| 3 | <u>101832001</u> | Screw, #7-19 X 0.625 Phillips Pan-Head Tap | 4 |
| 4 | <u>102848701</u> | Fuse and Receptacle Assembly (includes items 5 through 12) | 1 |
| 5 | <u>1017705</u> | Screw, #8 X 5/8 Phillips Pan-Head Type AB | 3 |
| 6 | <u>101796501</u> | Receptacle | 1 |
| 7 | <u>101796801</u> | Fuse Assembly (includes item 8) | 1 |
| 8 | <u>1013061</u> | Locknut, #10-32 Nylon Insert | 2 |
| 9 | N/A | Fuse, 3/8-Amp | 1 |
| 10 | N/A | Wire Assembly, Sense Lead, Gray | 1 |
| 11 | N/A | Wire Assembly, #10 Red | 1 |
| 12 | N/A | Wire Assembly, #10 Black | 1 |
| 13 | N/A | Instl, Elec Sys, 48v, Mb | 1 |
| 14 | <u>103214301</u> | Cover, Iq Plus Controller | 1 |
| 15 | <u>103244301</u> | Plate, Receptacle Back | 1 |
| 16 | <u>1241</u> | Washer, 5/16 Type A Flat | 1 |
| 17 | <u>7473</u> | Locknut, 5/16-18 Nylon Insert | 1 |
| 18 | <u>8056</u> | Screw, #4-40 X 0.75 Round-Head Machine | 2 |
| 19 | <u>8057</u> | Nut, #4-40 Hex Machine | 2 |
| 20 | <u>8058</u> | Lockwasher, #4 Split | 2 |
| 21 | <u>8963</u> | Screw, 5/16-18 X 1.75 Hex-Head Cap | 1 |

13

E

13

E



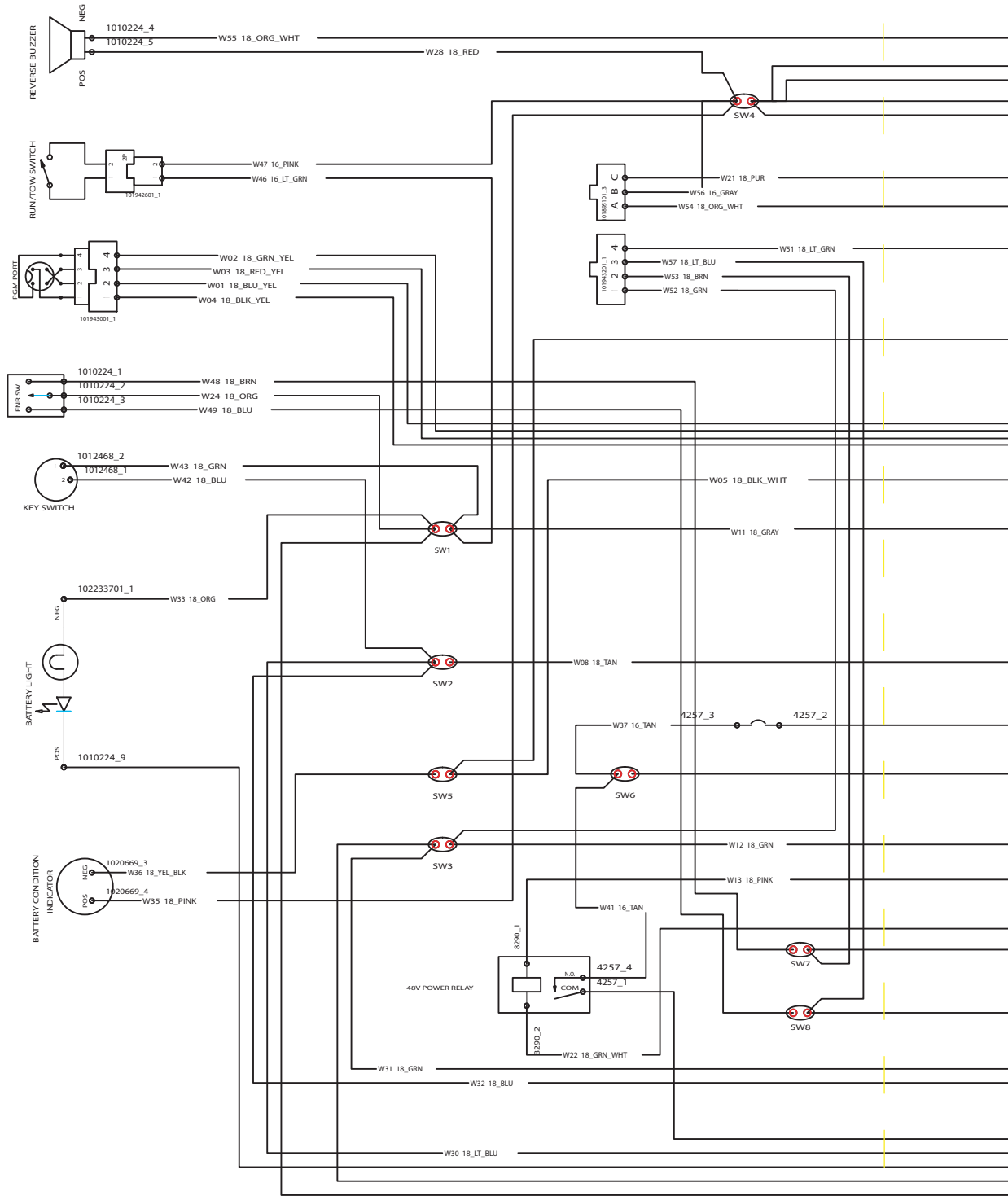
000765-001

ELECTRICAL SYSTEM – TOW/RUN SWITCH

| ITEM | PART NO. | DESCRIPTION | QTY |
|------|------------------|--|-----|
| | | 1 2 3 4 | |
| 1 | <u>102817101</u> | Screw, 1/4-20 X .50 Hex Wsh Hd | 2 |
| 2 | N/A | Instl, Elec Sys, 48v, Mb | 1 |
| 3 | N/A | Asm, Tow Switch, Elec, Mb (includes items 4 through 8) | 1 |
| 4 | <u>101908101</u> | Switch Assembly, Tow/Run | 1 |
| 5 | <u>101908401</u> | Boot, Switch | 1 |
| 6 | <u>102838101</u> | Circuit Breaker 250vac-50vdc | 1 |
| 7 | <u>102845101</u> | Decal, Tow Switch | 1 |
| 8 | <u>103259801</u> | Plate, Switch, Run/stow | 1 |

13

E



000766-001

13

E

See previous two pages for illustration.

WIRING – ELECTRIC VEHICLE

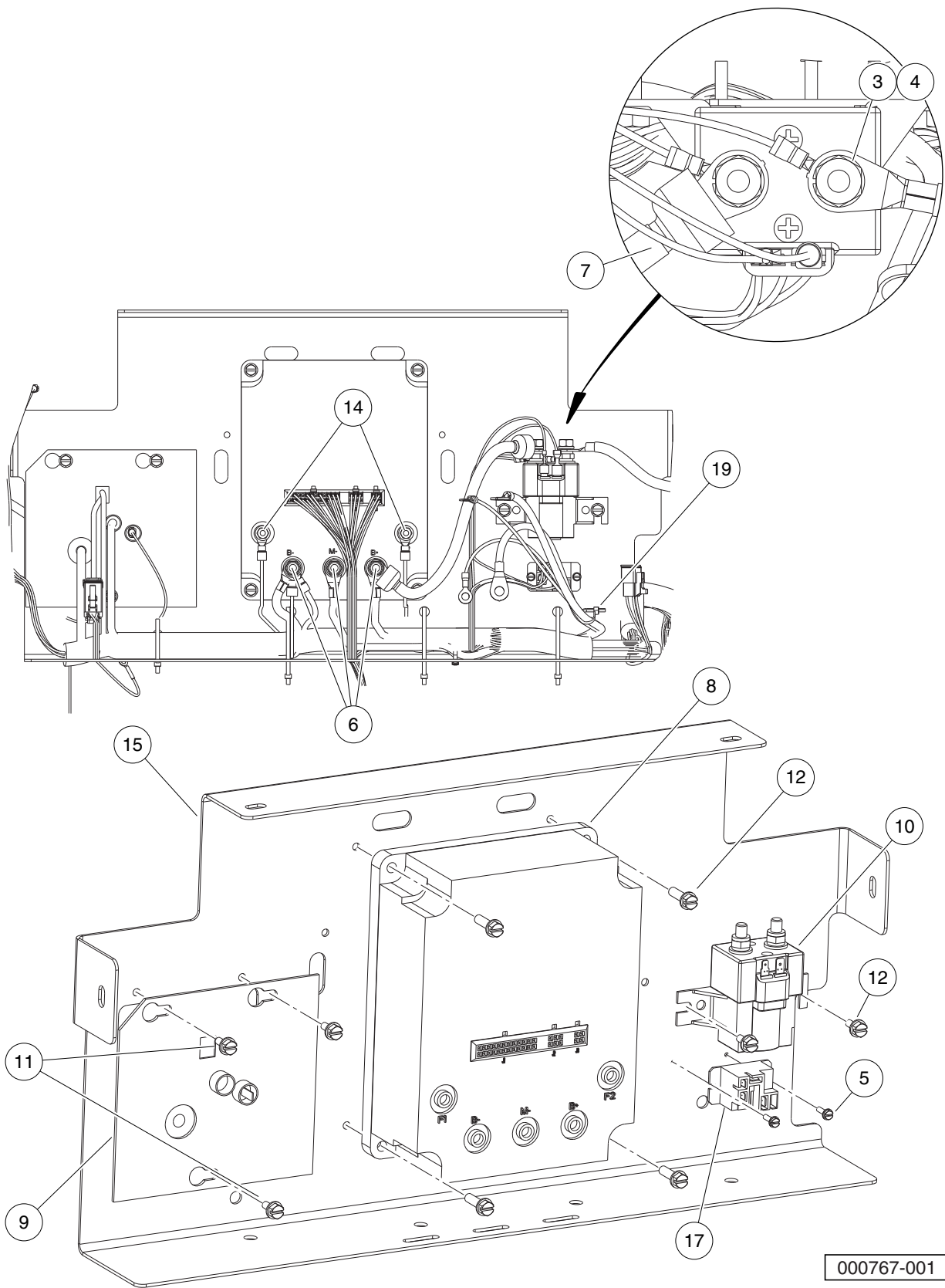
| ITEM | PART NO. | DESCRIPTION | QTY |
|------|------------------|-------------------------------------|-----|
| | | 1 2 3 4 | |
| 1 | <u>102002801</u> | Wire Assy, #4 Black | 1 |
| 2 | <u>102002901</u> | Wire Assy, #4 Black | 1 |
| 3 | N/A | Instl, Elec Sys, 48v, Mb | 1 |
| 4 | <u>103013501</u> | Wire Harness, Elec, Ctl | 1 |
| 5 | <u>103013801</u> | Wire Harness, Power, Rear Plt | 1 |

13

E

13

E



000767-001

COMPONENT MOUNTING PLATE

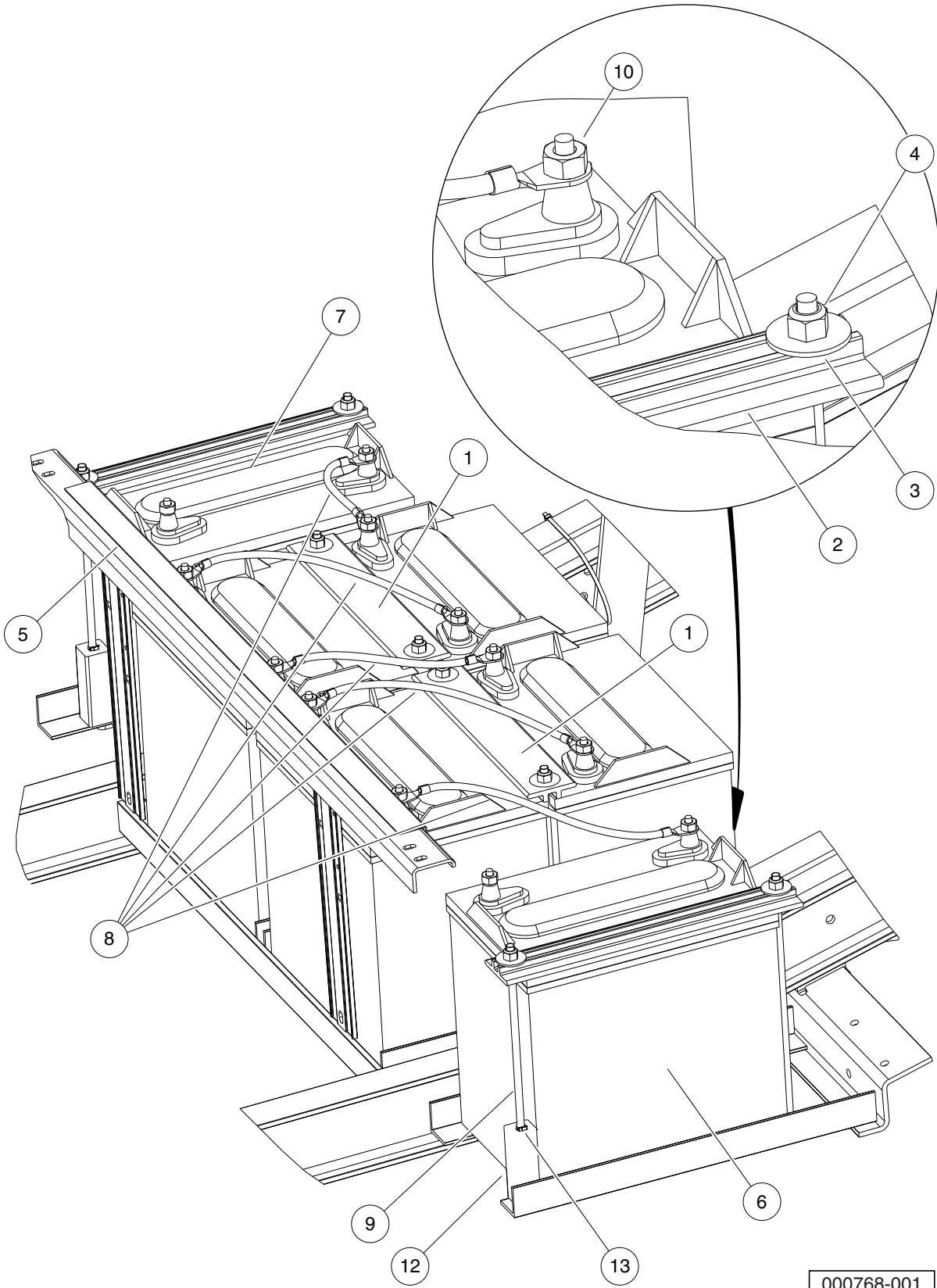
| ITEM | PART NO. | DESCRIPTION | QTY |
|------|------------------|--|-----|
| | | 1 2 3 4 | |
| 1 | N/A | Instl, Elec Sys, 48v, Mb | 1 |
| 2 | N/A | Asm, Component Mtg Plate, Ab (includes items 3 through 19) | 1 |
| 3 | <u>1012528</u> | Nut, M8-1.25 Hex | 2 |
| 4 | <u>1013734</u> | Lockwasher, 8mm Split | 2 |
| 5 | <u>1015720</u> | Screw, #6-32 X 1/2 Hex Washer-Head | 2 |
| 6 | <u>102240501</u> | Bolt, Controller, Terminal | 3 |
| 7 | <u>102440901</u> | Wire Asm, #4 Yellow, 13" | 1 |
| 8 | <u>102774501</u> | Controller, 500 Amp | 1 |
| 9 | <u>102774603</u> | Computer, Onbrd, 8x 6v, 46" | 1 |
| 10 | <u>102774701</u> | Solenoid, 48v | 1 |
| 11 | <u>102817101</u> | Screw, 1/4-20 X .50 Hex Wsh Hd | 5 |
| 12 | <u>102817201</u> | Screw, 1/4-20 X .88 Hex Wsh Hd | 4 |
| 13 | <u>102846402</u> | Asm, #4 Red Wire, 33" | 1 |
| 14 | <u>102859501</u> | Screw, M6 X 1 X 20 Ser Hex Flg | 2 |
| 15 | <u>102963301</u> | Plate, Component Mtg, Elec. | 1 |
| 16 | <u>103414901</u> | Kit, Relay, 48v 30a W/instr (includes items 17 and 18) | 1 |
| 17 | <u>103397901</u> | Relay, Spst No, 48v 30a, Pmt | 1 |
| 18 | N/A | Kit, Relay, 48v 30a Instrns | 1 |
| 19 | <u>8990</u> | Tie Wrap, 8" Nylon | 4 |

13

E

13

E



000768-001

ELECTRICAL SYSTEM – BATTERIES

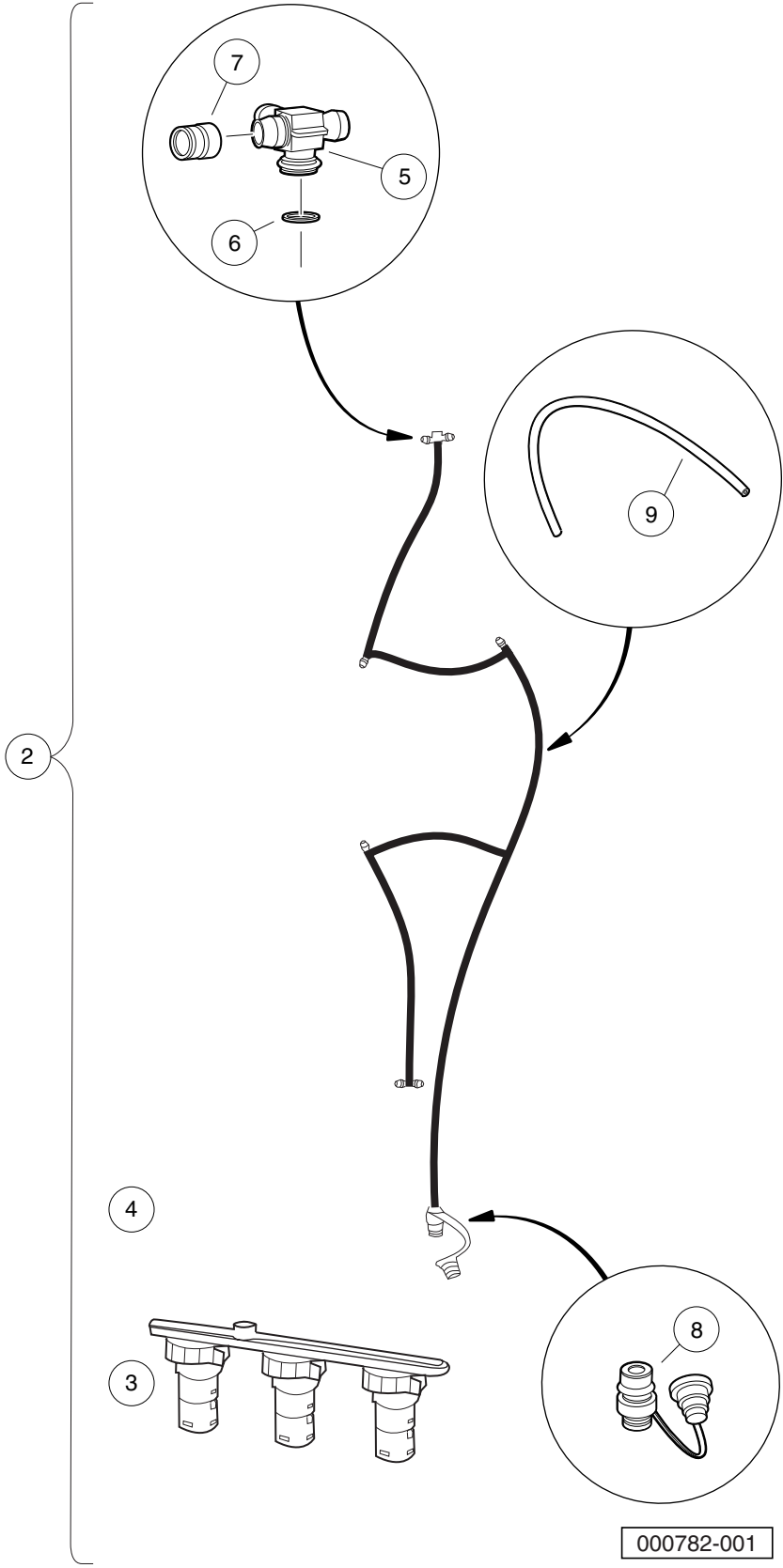
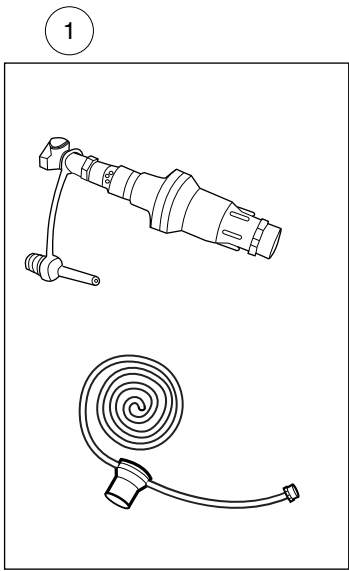
| ITEM | PART NO. | DESCRIPTION | QTY |
|------|------------------|---|-----|
| | | 1 2 3 4 | |
| 1 | <u>101090801</u> | Hold-Down, Battery | 2 |
| 2 | <u>101090802</u> | Hold-Down, Battery | 2 |
| 3 | <u>1011578</u> | Washer, 5/16 Type B Flat | 8 |
| 4 | 1015072 | Locknut, 5/16-18 Nylon Insert | 8 |
| 5 | <u>101837001</u> | Battery Insulator | 1 |
| 6 | <u>101964201</u> | Battery, 8v Trojan T890 (Wet) (includes item 7) | 6 |
| 7 | <u>101797801</u> | Cap, 4-Gang Battery | 1 |
| 8 | <u>102002801</u> | Wire Assy, #4 Black | 5 |
| 9 | <u>102845203</u> | Rod, Battery Hold Down 10.7" | 8 |
| 10 | <u>102873401</u> | 5/16-18 Heavy Hex Nut | 12 |
| 11 | N/A | Instl, Elec Sys, 48v, Mb | 1 |
| 12 | <u>102980801</u> | Extr, Plastic, 1 X 1 X 3 | 2 |
| 13 | <u>102980901</u> | Clamp, Hose, Nylon, .25 | 2 |

13

E

13

E



000782-001

SINGLE POINT WATERING SYSTEM

| ITEM | PART NO. | DESCRIPTION | QTY |
|------|------------------|---|-----|
| | | 1 2 3 4 | |
| 1 | <u>102958001</u> | Kit Regulated Hose Sply Spws | 1 |
| 2 | <u>103236801</u> | Kit, Spws, 8v (includes items 3 through 9) | 1 |
| 3 | <u>102956401</u> | Manifold, SPWS (Single-Point Watering System) | 6 |
| 4 | N/A | Instr Spws Kit Prec Ds Fr | 1 |
| 5 | <u>103226201</u> | Fitting Spws Swivel T | 6 |
| 6 | <u>103226301</u> | O-ring Spws Swivel T | 6 |
| 7 | <u>103226401</u> | Cap Spws Swivel T Red | 7 |
| 8 | <u>103226601</u> | Coupler Male Spws Supply | 1 |
| 9 | <u>103226701</u> | Tubing Spws | 1 |

13

E

13

E

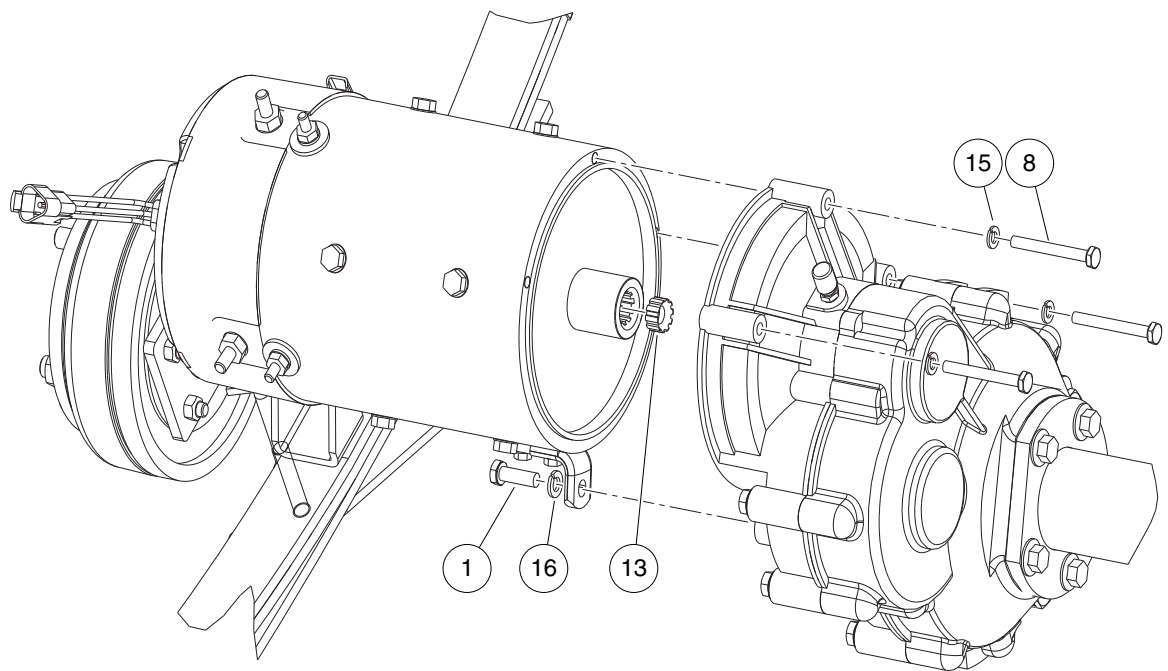
ELECTRIC MOTOR

14

E

14

E



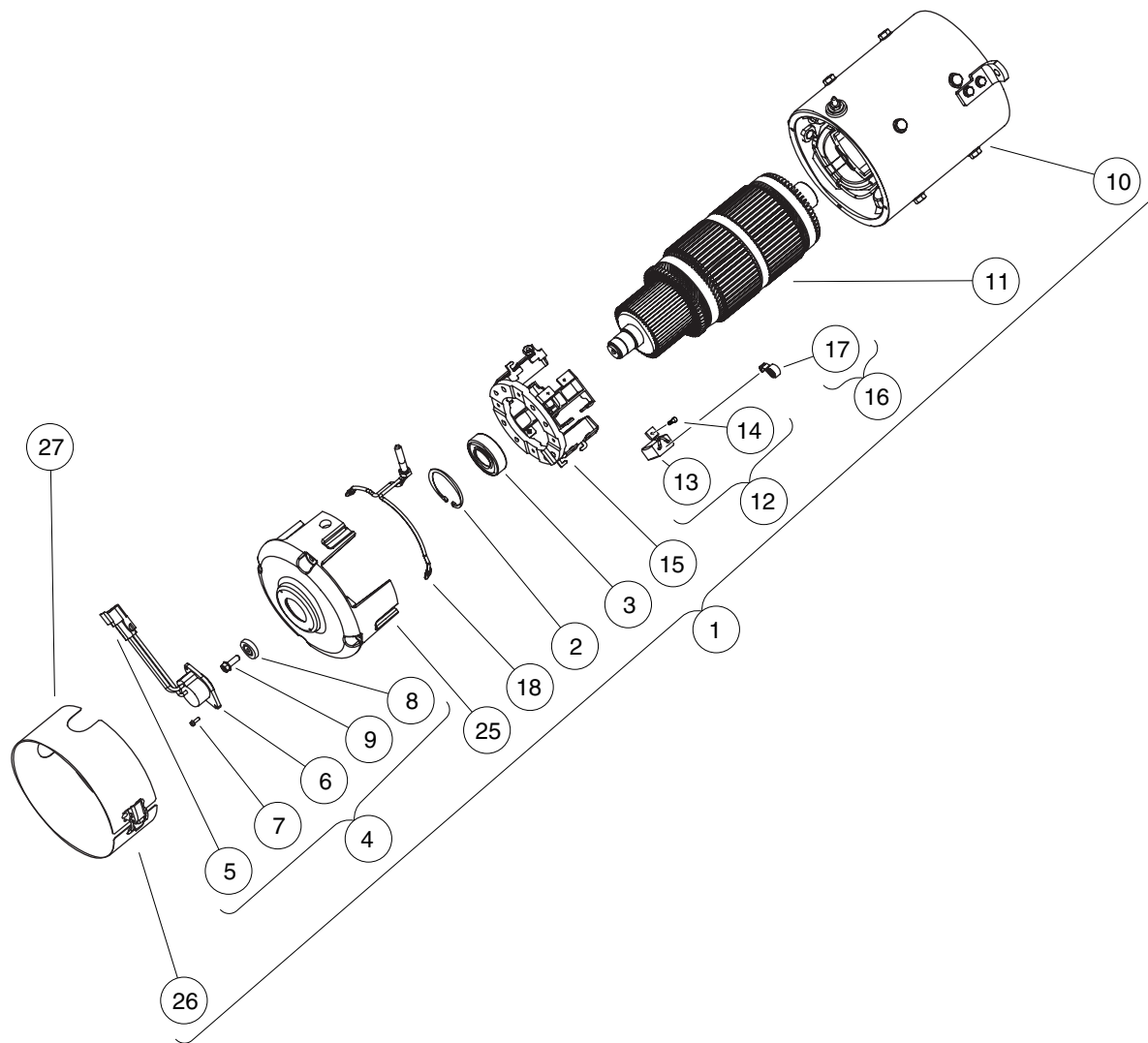
000758-001

DRIVE UNIT MOUNTING

| ITEM | PART NO. | DESCRIPTION | QTY |
|------|------------------|-------------------------------------|-----|
| | | 1 2 3 4 | |
| 1 | <u>1010934</u> | Screw, 5/16-18 X 1.00 Hex Cap | 1 |
| 2 | 1014201 | Screw, 1/4-20 X 2.25 Hex Cap | 3 |
| 3 | <u>102235201</u> | Bumper, Drive Unit | 1 |
| 4 | <u>451</u> | Lockwasher, 1/4 Split | 3 |
| 5 | <u>7174</u> | Lockwasher, 5/16 Split | 1 |

14

E



000411-003

ELECTRIC MOTOR (MODEL DA5-4006)

| ITEM | PART NO. | DESCRIPTION | QTY |
|--|------------------|---|-----|
| | | 1 2 3 4 | |
| 1 | <u>102775101</u> | IQ Plus Electric Motor, 48-VDC 3.7 hp (includes items 2 through 26) | 1 |
| 2 | <u>102186301</u> | Ring, 2.24" Internal Retaining | 1 |
| 3 | <u>102186401</u> | Bearing, Ball | 1 |
| 4 | <u>102704901</u> | Kit, Speed Sensor (includes items 5 through 9) | 1 |
| 5 | <u>101942301</u> | Kit, 3-Pin Wedge Lock | 1 |
| 6 | N/A | Sensor, Motor Speed, ADC | 1 |
| 7 | N/A | Screw, #8-32, Taptite Thread | 2 |
| 8 | N/A | Magnet, ADC Motor | 1 |
| 9 | N/A | Screw, 1/4-20 x 0.5 | 1 |
| 10 | N/A | Asm, Frame And Field, 3.7 Hp | 1 |
| 11 | N/A | Armature (Includes external hardware - not shown) | 1 |
| 12 | <u>102938601</u> | Kit, Brush, 3.7 Hp (includes items 13 and 14) | 1 |
| 13 | N/A | Brush, Motor | 8 |
| 14 | N/A | Screw, Taptite | 8 |
| 15 | <u>102938701</u> | Asm, Brush Box, 3.7 Hp | 1 |
| 16 | <u>102938801</u> | Kit, Brush Spring, 3.7 Hp (includes item 17) | 1 |
| 17 | N/A | Brush Spring | 8 |
| 18 | <u>102938901</u> | Kit, Brush Lead Asm, 3.7 Hp (includes items 19 through 24) | 1 |
| 19 | N/A | Terminal and Lead Assembly | 2 |
| 20 | N/A | Insulator, Terminal | 2 |
| 21 | N/A | Washer, Insulating | 2 |
| 22 | N/A | Washer, Flat, 5/16, Brass/Bronze | 2 |
| 23 | N/A | Nut, 5/16, Steel | 4 |
| 24 | N/A | Lockwasher, 5/16, Steel | 2 |
| 25 | <u>102939001</u> | Commutator End Head, 3.7 Hp | 1 |
| 26 | <u>102939101</u> | Sealed Headband, 3.7 Hp | 1 |
| 27 | <u>102939102</u> | Vented Headband, 3.7 HP (optional - not shown) | 1 |
| Note: Brush Lead Asm Kit includes 2 sets of wire assemblies, terminal hardware, and terminal insulators (not shown). | | | |

14

E

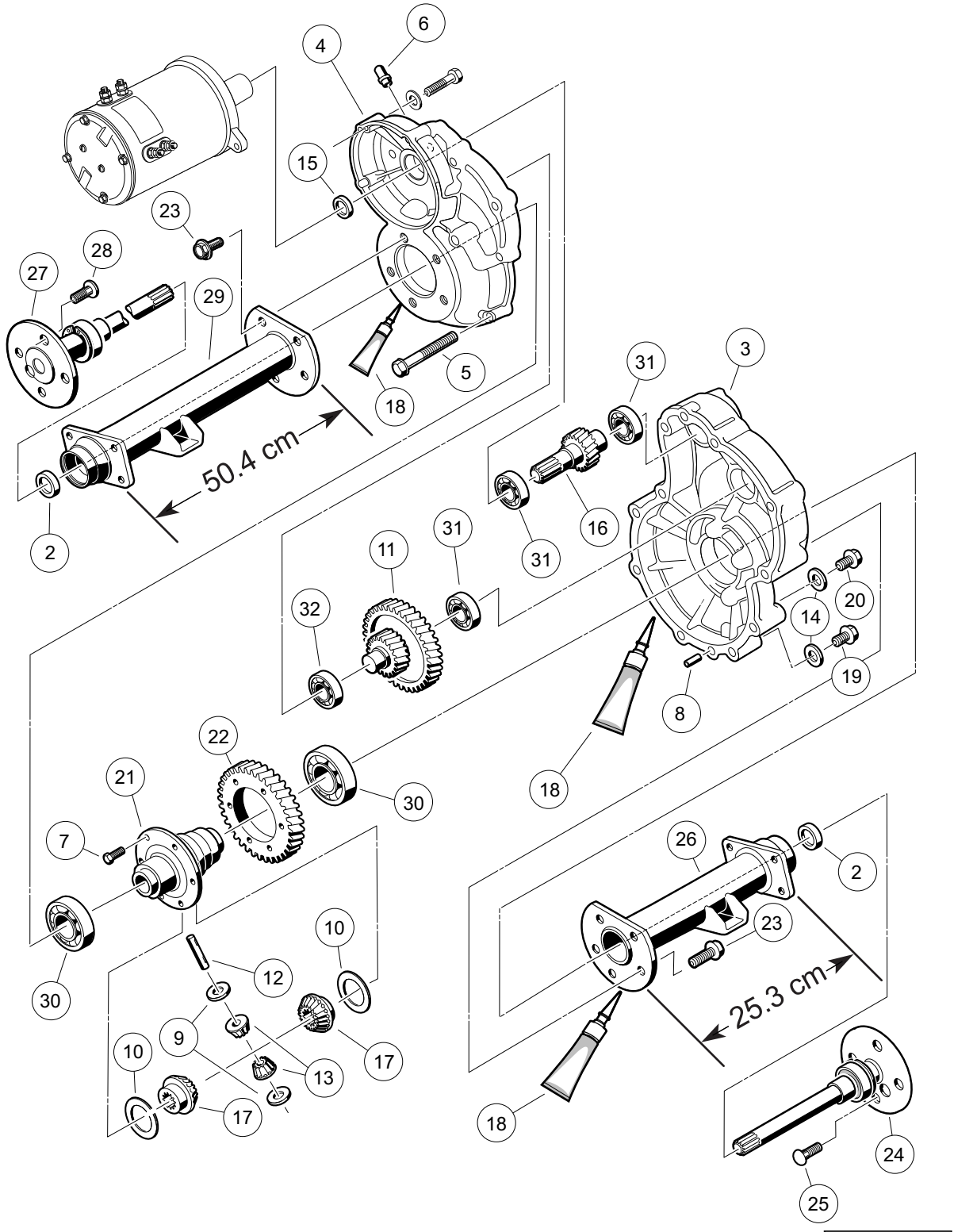
14

E

TRANSAXLE – ELECTRIC VEHICLE

15

E



000223-002

TRANSAXLE – (TYPE G)

| ITEM | PART NO. | DESCRIPTION | QTY |
|------|------------------|---|-----|
| | | 1 2 3 4 | |
| 1 | <u>102771701</u> | Transaxle, Electric (includes items 2 through 32) | 1 |
| 2 | <u>1013794</u> | Axle Shaft Oil Seal | 2 |
| 3 | <u>101895401</u> | Gear Case, Left-Hand | 1 |
| 4 | <u>101895501</u> | Gear Case, Passenger-Side | 1 |
| 5 | <u>101897001</u> | Screw, M8-1.25 X 60mm Hex-Head | 11 |
| 6 | <u>101897201</u> | Breather | 1 |
| 7 | <u>101897401</u> | Screw, M10-1.25 X 25mm | 6 |
| 8 | <u>101897601</u> | Pin, 11mm OD X 8.5mm ID X 10mm | 2 |
| 9 | <u>101903601</u> | Washer, Thrust | 2 |
| 10 | <u>101903701</u> | Washer, Thrust | 2 |
| 11 | <u>101906901</u> | Intermediate Shaft Assembly | 1 |
| 12 | <u>101922101</u> | Pin, 15.99mm X 88.7mm Dowel | 1 |
| 13 | <u>101923001</u> | Gear, Differential Idler | 2 |
| 14 | <u>101923201</u> | Gasket | 2 |
| 15 | <u>101923501</u> | Seal, Lip | 1 |
| 16 | <u>101923701</u> | Shaft, Input | 1 |
| 17 | <u>101923901</u> | Gear, Differential | 2 |
| 18 | <u>101928701</u> | Liquid Gasket (Transaxle case) | 1 |
| 19 | <u>101972101</u> | Plug, M14-1.5 X 12mm Magnetic | 1 |
| 20 | <u>101972201</u> | Plug, M14-1.5 X 12mm Hex | 1 |
| 21 | <u>102356601</u> | Housing, Differential, 6 Bolt | 1 |
| 22 | <u>102356801</u> | Gear, Differential Output, 6-Bolt | 1 |
| 23 | <u>102357001</u> | Screw, Flg Hd M10 X 1.5 X 30 | 10 |
| 24 | <u>102886301</u> | Axle Assembly, Driver-Side (includes item 25) | 1 |
| 25 | <u>101922201</u> | Lug Stud | 4 |
| 26 | <u>102886401</u> | Tube, Axle, Driver-Side | 1 |
| 27 | <u>102886501</u> | Axle Assembly, Passenger-Side (includes item 28) | 1 |
| 28 | <u>101922201</u> | Lug Stud | 4 |
| 29 | <u>102886601</u> | Tube, Axle, Passenger-Side | 1 |
| 30 | <u>7330</u> | Inner Axle Tube Bearing | 2 |
| 31 | <u>7335</u> | Bearing | 3 |
| 32 | <u>7336</u> | Bearing | 1 |

15

E

15

E

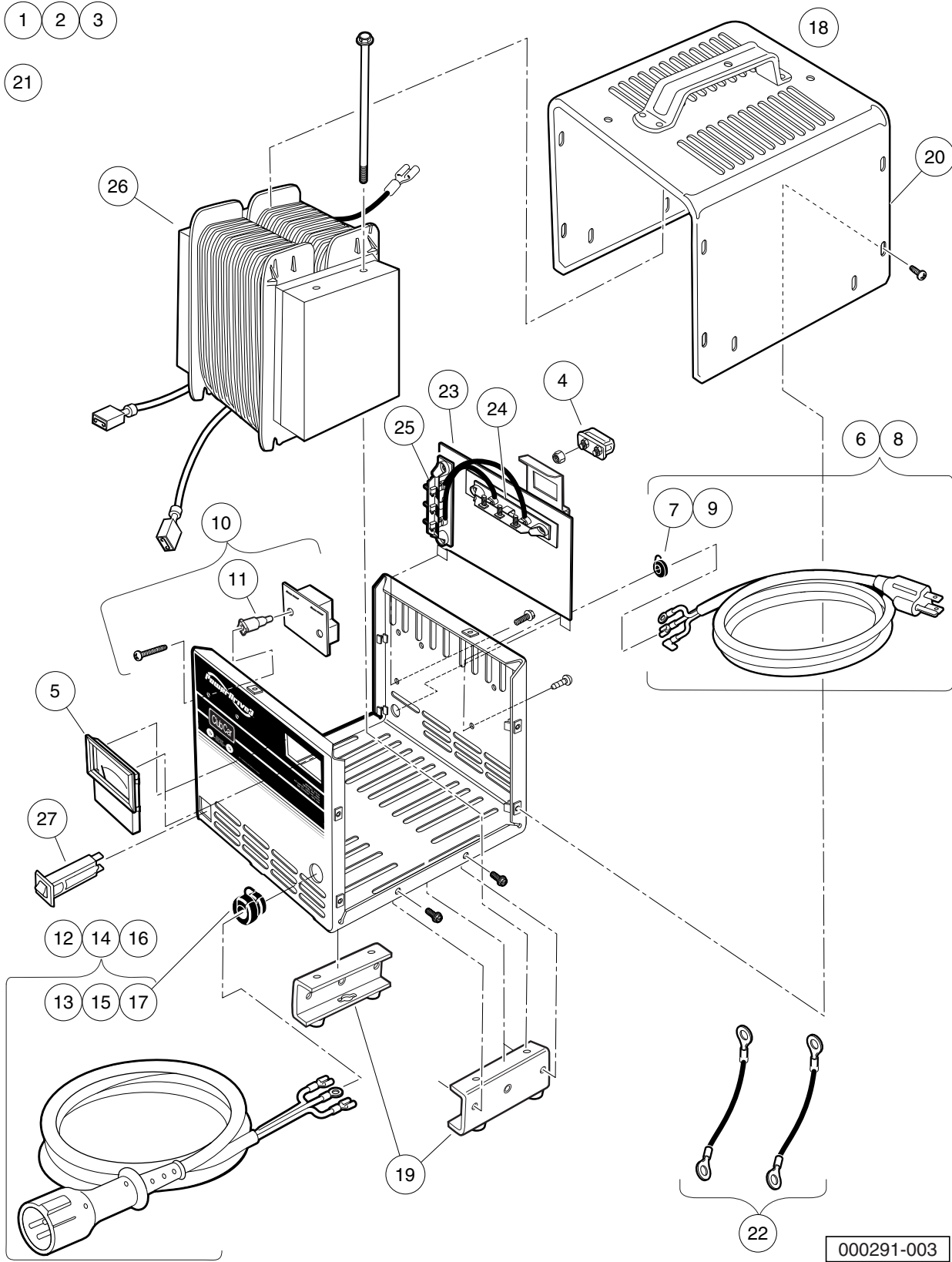
BATTERY CHARGER

16

E

1 2 3

21



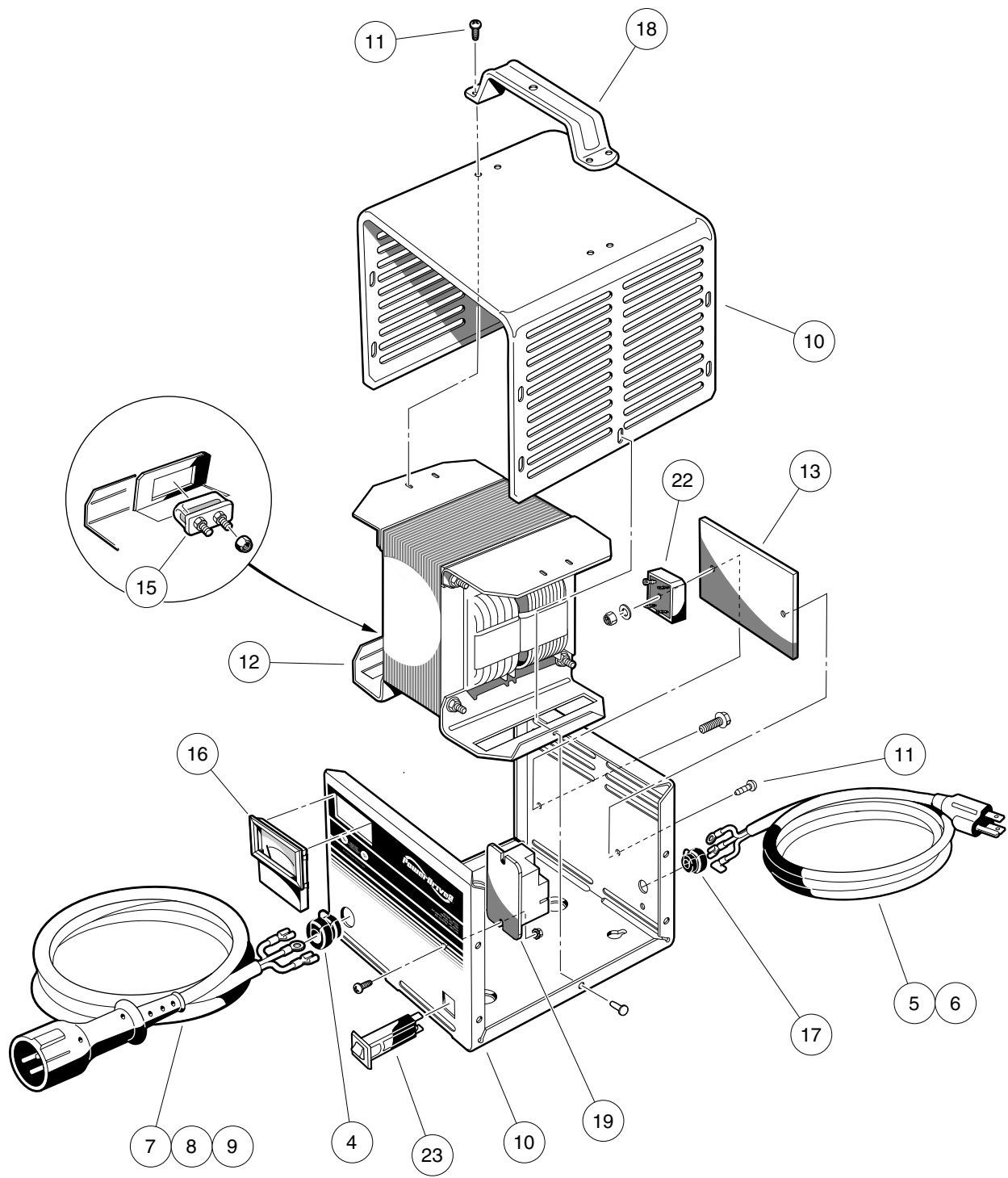
000291-003

POWERDRIVE 3 BATTERY CHARGER, DOMESTIC

| ITEM | PART NO. | DESCRIPTION | QTY |
|------|------------------|---|-----|
| | | 1 2 3 4 | |
| 1 | <u>103717001</u> | Chgr, Pd3 Stnry, 9Dc6'Ac' | 1 |
| 2 | <u>103717002</u> | Chgr, Pd3 Stnry, 12Dc9'Ac' | 1 |
| 3 | <u>103717003</u> | Chgr, Pd3 Stnry, 20Dc9'Ac'(includes items 4 through 27) | 1 |
| 4 | <u>102273701</u> | PD2 Fuse Asm | 1 |
| 5 | <u>102273801</u> | PD2 Ammeter | 1 |
| 6 | <u>103428501</u> | Kit, PD3 Cordset - AC 80" (includes item 7) | 1 |
| 7 | <u>102273901</u> | PD2 AC Cord Bushing | 1 |
| 8 | <u>103428601</u> | Kit, PD3 Cordset, - AC 114" (includes item 9) | 1 |
| 9 | <u>102273901</u> | PD2 AC Cord Bushing | 1 |
| 10 | <u>103428701</u> | Asm, PD3 Board Relay (includes item 11) | 1 |
| 11 | <u>103429701</u> | PD3 Plastic Stand-Offs | 2 |
| 12 | <u>103429001</u> | PD3 Cordset - DC 113" (includes item 13) | 1 |
| 13 | <u>1012098</u> | Bushing, DC Cord | 1 |
| 14 | <u>103429101</u> | PD3 Cordset - DC 154" (includes item 15) | 1 |
| 15 | <u>1012098</u> | Bushing, DC Cord | 1 |
| 16 | <u>103429201</u> | PD3 Cordset - DC 205" (includes item 17) | 1 |
| 17 | <u>1012098</u> | Bushing, DC Cord | 1 |
| 18 | <u>103429301</u> | Asm, PD3 Case (includes items 19 and 20) | 1 |
| 19 | <u>103434001</u> | Asm, PD3 Legs | 1 |
| 20 | <u>103439901</u> | PD3Case Top (Includes Handle) | 1 |
| 21 | <u>103429501</u> | Kit, PD3 Hardware | 1 |
| 22 | <u>103513001</u> | Wire Asm Kit Blk Pd3 | 1 |
| 23 | <u>103517401</u> | Kit Pd3 Button Diode (includes items 24 and 25) | 1 |
| 24 | <u>103512801</u> | Asm Diode Top | 1 |
| 25 | <u>103512901</u> | Asm Diode Side | 1 |
| 26 | <u>103779601</u> | Transformer, Pd3, Al | 1 |
| 27 | <u>CCX8506</u> | Circuit Breaker, 15-Amp/120-Volt | 1 |

16

E



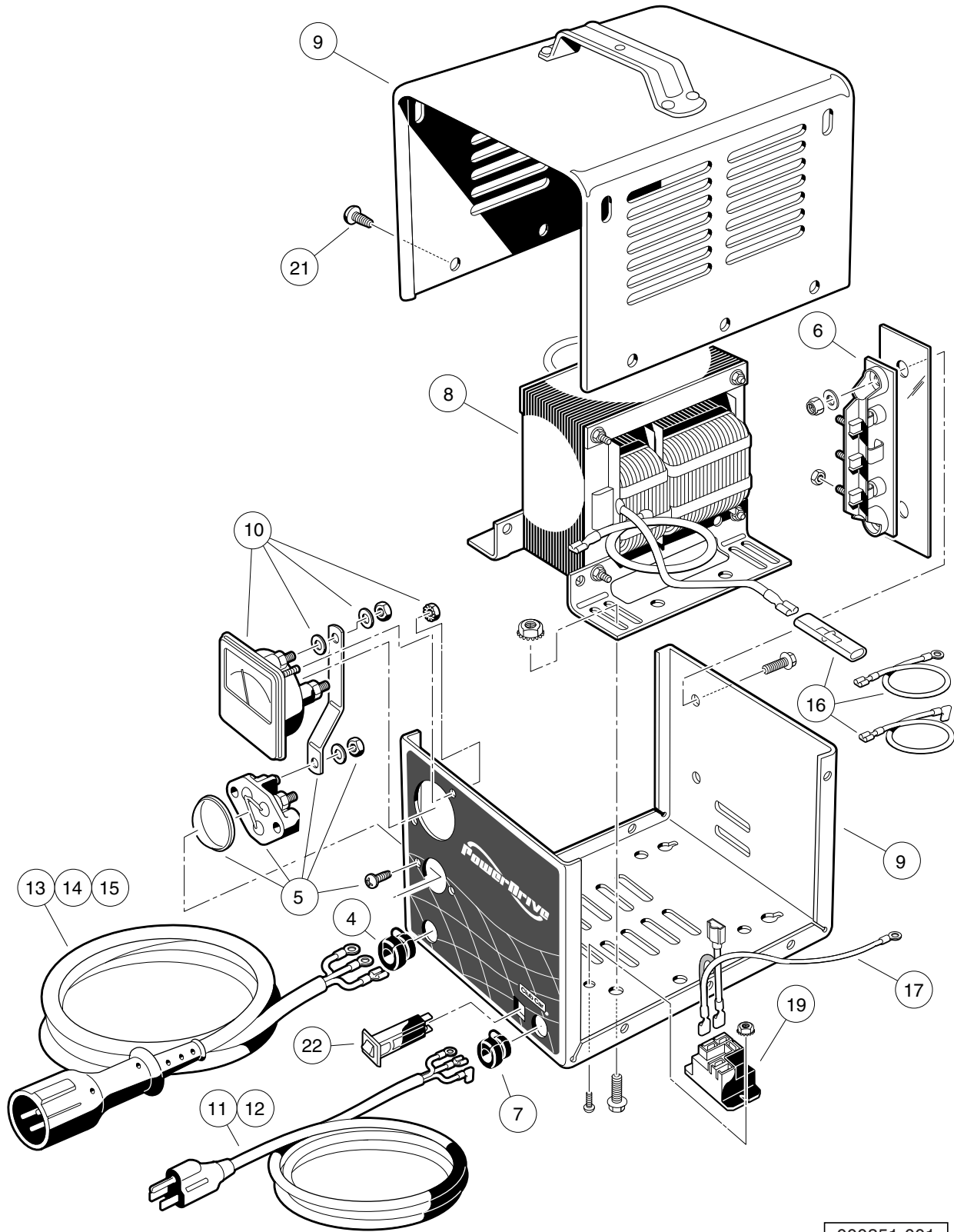
000291-001

POWERDRIVE 2 BATTERY CHARGER (MODEL 22110), DOMESTIC

| ITEM | PART NO. | DESCRIPTION | QTY |
|---|------------------|--|-----|
| | | 1 2 3 4 | |
| 1 | <u>101802204</u> | 48-V/13-A PowerDrive 2 (9-ft. DC, 6-ft. AC) | 1 |
| 2 | <u>101802205</u> | 48-V/13-A PowerDrive 2 (12-ft. DC, 9-ft. AC) | 1 |
| 3 | <u>101802206</u> | 48-V/13-A PowerDrive 2 (20-ft. DC, 9-ft. AC) (includes items 4 through 23) | 1 |
| 4 | <u>1012098</u> | Bushing, DC Cord | 1 |
| 5 | <u>101828801</u> | Cord, AC, 80-Inch (203 cm) | 1 |
| 6 | <u>101828802</u> | Cord, AC, 108-Inch (274 cm) | 1 |
| 7 | <u>101828904</u> | PD2 DC Cordset, 113-inch | 1 |
| 8 | <u>101828905</u> | PD2 DC Cordset, 154-inch | 1 |
| 9 | <u>101828906</u> | Pd2 Dc Cordset 250 Inch | 1 |
| 10 | <u>102273201</u> | PD2 Case (includes item 11) | 1 |
| 11 | 7577 | Screw, #10 X 0.50 Phillips Pan-Head | 12 |
| 12 | <u>102273301</u> | PD2 Transformer Asm | 1 |
| 13 | <u>102273401</u> | PD2 Heatsink | 1 |
| 14 | <u>102273601</u> | PD2 Wire Asm | 1 |
| 15 | <u>102273701</u> | PD2 Fuse Asm | 1 |
| 16 | <u>102273801</u> | PD2 Ammeter | 1 |
| 17 | <u>102273901</u> | PD2 AC Cord Bushing | 1 |
| 18 | <u>102274001</u> | PD2 Handle | 1 |
| 19 | <u>103414901</u> | Kit, Relay, 48v 30a W/instr (includes items 20 and 21) | 1 |
| 20 | <u>103397901</u> | Relay, Spst No, 48v 30a, Pmt | 1 |
| 21 | N/A | Kit, Relay, 48v 30a Instrns | 1 |
| 22 | <u>103517601</u> | Pd2 Rectifier Kit | 1 |
| 23 | <u>CCX8506</u> | Circuit Breaker, 15-Amp/120-Volt | 1 |
| <p>Note: Item 16 not shown. Level 1 Battery Charger part numbers include one AC and one DC cord. They do not include all of the level 2 cords listed.</p> | | | |

16

E



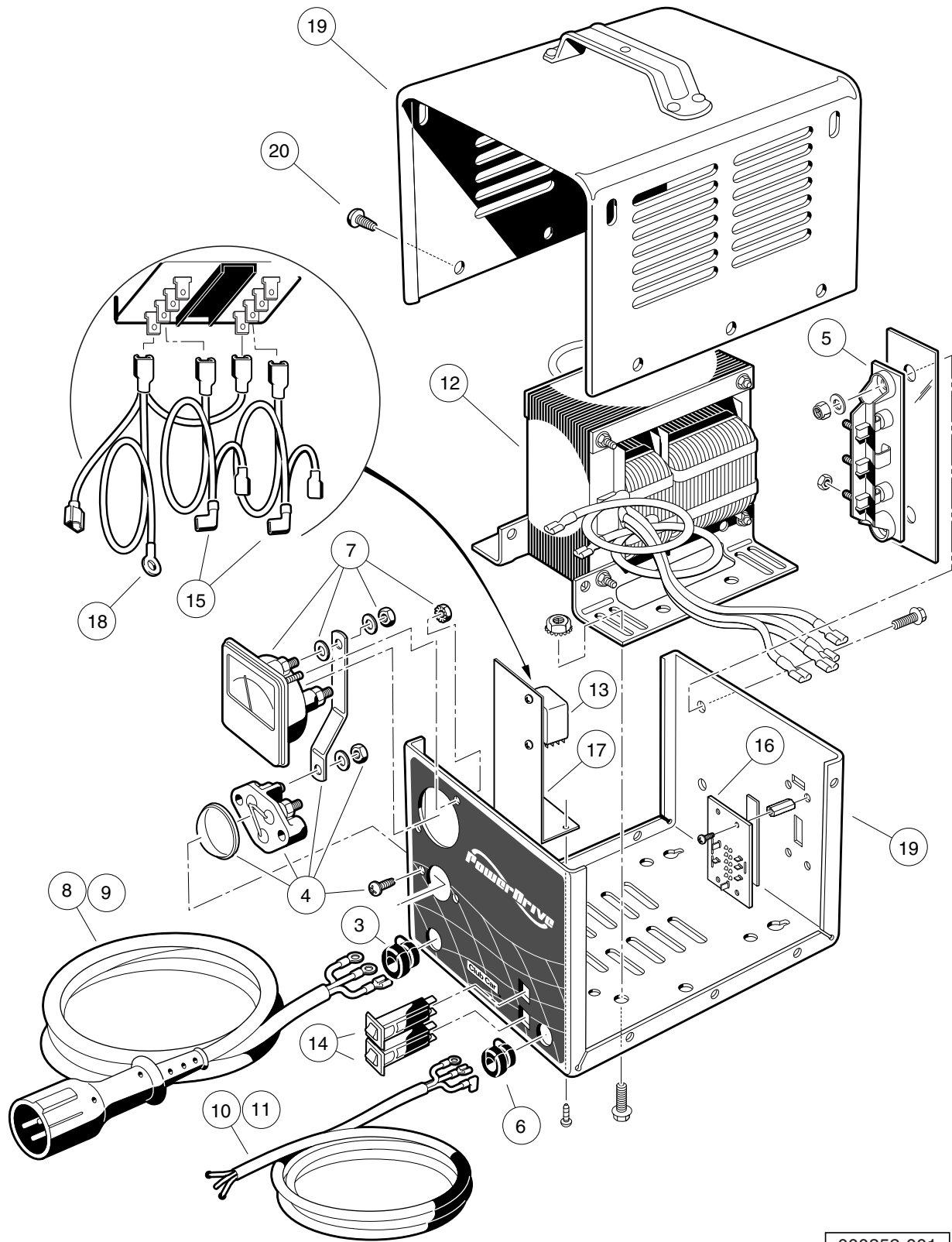
000351-001

POWERDRIVE BATTERY CHARGER (MODEL 17930), DOMESTIC

| ITEM | PART NO. | DESCRIPTION | QTY |
|------|------------------|--|-----|
| | | 1 2 3 4 | |
| 1 | <u>101802201</u> | 48V/17A PowerDrive (9-ft DC, 6-ft AC Cord) | 1 |
| 2 | <u>101802202</u> | 48V/17A PowerDrive (12-ft DC, 9-ft AC Cord) | 1 |
| 3 | <u>101802203</u> | 48V/17A PowerDrive (20-ft DC, 9-ft AC Cord) (includes items 4 through 22) | 1 |
| 4 | <u>1012098</u> | Bushing, DC Cord | 1 |
| 5 | <u>1012101</u> | Fuse Assembly | 1 |
| 6 | <u>1015914</u> | Rectifier with Heatsink Assembly | 1 |
| 7 | <u>1015917</u> | Bushing, AC Cord | 1 |
| 8 | **** | Transformer, Battery Charger | 1 |
| 9 | <u>101828301</u> | Case Assembly | 1 |
| 10 | <u>101828501</u> | Ammeter | 1 |
| 11 | <u>101828801</u> | Cord, AC, 80-Inch (203 cm) | 1 |
| 12 | <u>101828802</u> | Cord, AC, 108-Inch (274 cm) | 1 |
| 13 | <u>101828901</u> | Cord, DC, 113-Inch (287 cm) | 1 |
| 14 | <u>101828902</u> | Cord, DC, 154-Inch (391 cm) | 1 |
| 15 | <u>101828903</u> | Cord, DC, 250-Inch (635 cm) | 1 |
| 16 | <u>101831101</u> | Wire Assembly Kit | 1 |
| 17 | 101914401 | Assembly, Voltage Suppressor | 1 |
| 18 | <u>103414901</u> | Kit, Relay, 48v 30a W/instr (includes items 19 and 20) | 1 |
| 19 | <u>103397901</u> | Relay, Spst No, 48v 30a, Pmt | 1 |
| 20 | N/A | Kit, Relay, 48v 30a Instrns | 1 |
| 21 | 7577 | Screw, #10 X 0.50 Phillips Pan-Head | 10 |
| 22 | <u>CCX8506</u> | Circuit Breaker, 15-Amp/120-Volt | 1 |
| | | **** Special order item available upon request. | |
| | | Note: Level 1 Battery Charger part numbers include one AC and one DC cord. They do not include all of the level 2 cords listed. | |

16

E



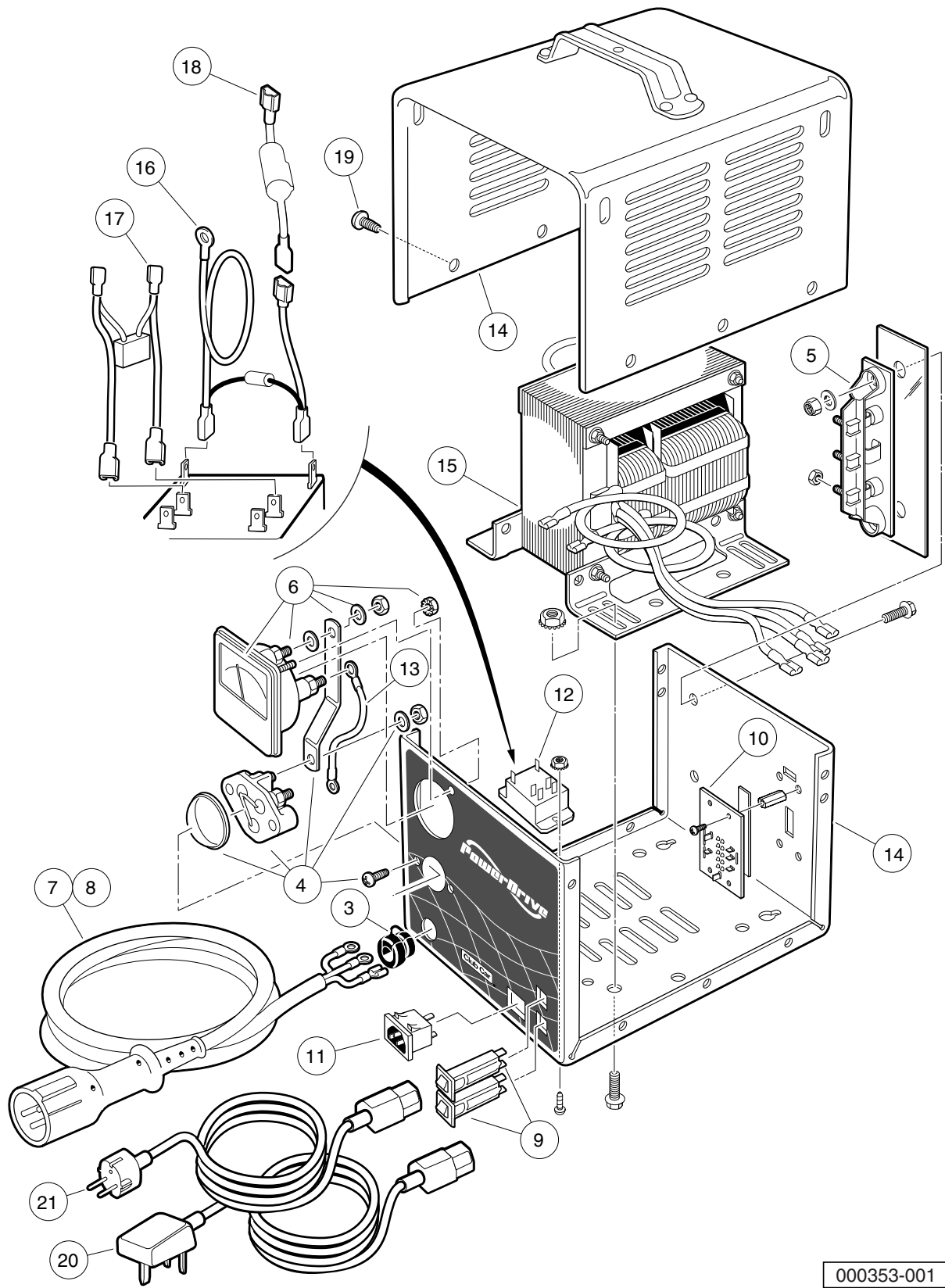
000352-001

POWERDRIVE BATTERY CHARGER (MODEL 18780), EXPORT

| ITEM | PART NO. | DESCRIPTION | QTY |
|---|------------------|---|-----|
| | | 1 2 3 4 | |
| 1 | 101831503 | Battery Charger, 48-Volt DC (8.5-ft DC, 6-ft AC) | 1 |
| 2 | 101831504 | Battery Charger, 48-Volt DC (12-ft DC, 9-ft AC) (includes items 3 through 20) | 1 |
| 3 | <u>1012098</u> | Bushing, DC Cord | 1 |
| 4 | <u>1012101</u> | Fuse Assembly | 1 |
| 5 | <u>1015914</u> | Rectifier with Heatsink Assembly | 1 |
| 6 | <u>1015917</u> | Bushing, AC Cord | 1 |
| 7 | <u>101828501</u> | Ammeter | 1 |
| 8 | <u>101828901</u> | Cord, DC, 113-Inch (287 cm) | 1 |
| 9 | <u>101828902</u> | Cord, DC, 154-Inch (391 cm) | 1 |
| 10 | <u>101831701</u> | Cord, AC, 80-Inch (203 cm), without Plug | 1 |
| 11 | <u>101831702</u> | Cord, AC, 118-Inch (203 cm), without Plug | 1 |
| 12 | 101838201 | Transformer, Export Battery Charger | 1 |
| 13 | <u>101838301</u> | Relay, Export Charger | 1 |
| 14 | 101838401 | Circuit Breaker | 2 |
| 15 | 101838501 | Kit, Wire Assembly | 1 |
| 16 | 101838601 | Four-Position Switch | 1 |
| 17 | **** | Mounting Bracket, Relay | 1 |
| 18 | 101914401 | Assembly, Voltage Suppressor | 1 |
| 19 | N/A | Case, Charger | 1 |
| 20 | 7577 | Screw, #10 X 0.50 Phillips Pan-Head | 10 |
| <p>**** Special order item available upon request.</p> <p>Note: Level 1 Battery Charger part numbers include one AC and one DC cord. They do not include all of the level 2 cords listed.</p> | | | |

16

E



000353-001

POWERDRIVE BATTERY CHARGER (MODEL 20310), EUROPEAN

16

E

| ITEM | PART NO. | DESCRIPTION | QTY |
|------|------------------|--|-----|
| | | 1 2 3 4 | |
| 1 | <u>101956201</u> | Battery Charger, 48-Volt w/ 4-Position Switch (8.5-ft DC) | 1 |
| 2 | <u>101956202</u> | Battery Charger, 48-Volt w/ 4-Pos. Switch (12-ft DC) (includes items 3 through 19) | 1 |
| 3 | <u>1012098</u> | Bushing, DC Cord | 1 |
| 4 | <u>1012101</u> | Fuse Assembly | 1 |
| 5 | <u>1015914</u> | Rectifier with Heatsink Assembly | 1 |
| 6 | <u>101828501</u> | Ammeter | 1 |
| 7 | <u>101828901</u> | Cord, DC, 113-Inch (287 cm) | 1 |
| 8 | <u>101828902</u> | Cord, DC, 154-Inch (391 cm) | 1 |
| 9 | 101838401 | Circuit Breaker | 2 |
| 10 | 101838601 | Four-Position Switch | 1 |
| 11 | 101973501 | Receptacle, AC Cord | 1 |
| 12 | <u>101987501</u> | Relay | 1 |
| 13 | N/A | Wire, Jumper | 1 |
| 14 | N/A | Case, Charger | 1 |
| 15 | **** | Transformer, European Battery Charger | 1 |
| 16 | **** | Suppressor, AC Voltage | 1 |
| 17 | **** | Assembly, Wire | 1 |
| 18 | **** | Limitter, Current | 1 |
| 19 | 7577 | Screw, #10 X 0.50 Phillips Pan-Head | 10 |
| 20 | <u>101958201</u> | Cord, UK, AC, Battery Charger | 1 |
| 21 | 101958301 | Cord, European AC, Battery Charger | 1 |
| | | **** Special order item available upon request. | |
| | | Note: Level 1 Battery Charger part numbers include one AC and one DC cord. They do not include all of the level 2 cords listed. | |

16

E

MAINTENANCE AND SERVICE TOOLS

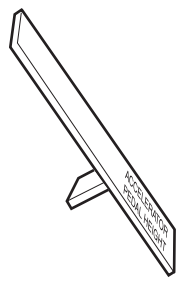
17

G

E

D

17
G
E
D



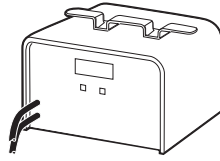
1



2



3



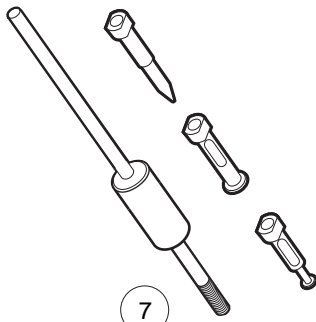
4



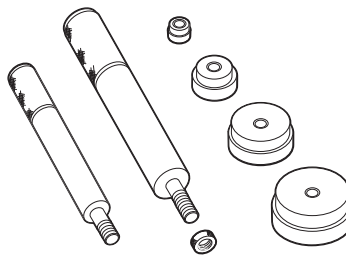
5



6



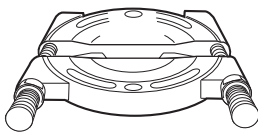
7



8



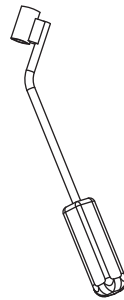
9



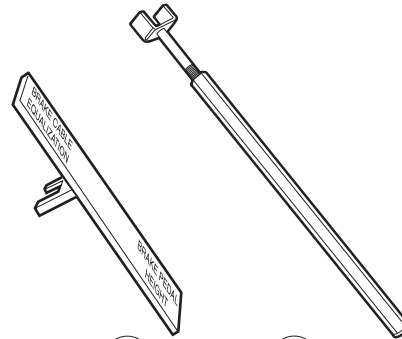
10



11



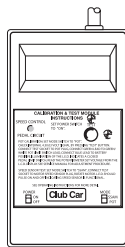
12



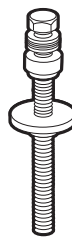
13

14

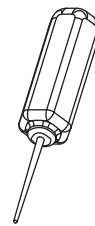
15



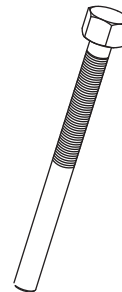
16



17



18



19

MAINTENANCE AND SERVICE TOOLS

| ITEM | PART NO. | DESCRIPTION | QTY DIESEL | QTY GAS | QTY ELEC |
|------|------------------|---|---------------|------------|-------------|
| | | <p style="text-align: center;">1 2 3 4</p> <p>The following tool list includes all tools available from Club Car for maintenance and service procedures for gasoline, electric, and/or diesel vehicles, both past and present models. Be sure to carefully examine the tool list for applicability to your vehicle before ordering.</p> | | | |
| 1 | <u>101871001</u> | Accelerator Pedal Adjustment Tool | | 1 | 1 |
| 2 | <u>101813202</u> | Adhesive, Guide Ring, 3-Gram Tube | | | 1 |
| 3 | <u>101641202</u> | Arbor | | 1 | |
| 4 | <u>101831901</u> | Battery Discharge Machine, 36/48 Volt | | | 1 |
| 5 | <u>1014305</u> | Battery Terminal Protector Spray | 1 | 1 | 1 |
| 6 | 1011767 | Battery Thermometer | 1 | 1 | 1 |
| 7 | <u>1016417</u> | Bearing and Oil Seal Remover Assembly | 1 | 1 | 1 |
| 8 | <u>1016416</u> | Bearing Driver Set | 1 | 1 | 1 |
| 9 | <u>1012811</u> | Bearing Puller | 1 | 1 | 1 |
| 10 | <u>1012812</u> | Bearing Puller Wedge Attachment | 1 | 1 | 1 |
| 11 | 1013582 | Brake Adjustment Tool (used only on vehicles with manually adjusted mechanical brakes) | | | |
| 12 | <u>102555501</u> | Brake Cable Release Tool | 1 | 1 | 1 |
| 13 | 102249901 | Brake Pedal Adjustment Tool Kit (used for the Carryall Electric Industrial Truck only) (includes items 14 and 15)..... | | | 1 |
| 14 | **** | Brake Pedal Adjustment Tool | | | 1 |
| 15 | **** | Brake Pedal Tension Tool | | | 1 |
| 16 | <u>101887101</u> | Calibration Test Module | | | 1 |
| 17 | <u>101808401</u> | Cam Installation Tool | | 1 | |
| 18 | <u>102562401</u> | Charger Bezel Tool | | | 1 |
| 19 | <u>102686101</u> | Clutch Removal Tool (for 4x4 vehicles) | 1 | 1 | |
| | | Please refer to the maintenance and service manual for proper tool application. | | | |
| | **** | Special order item available upon request | | | |

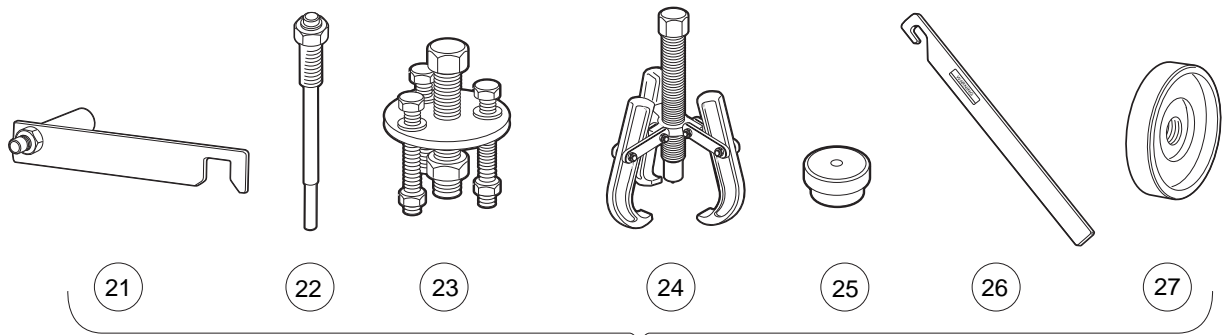
17

G

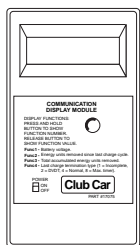
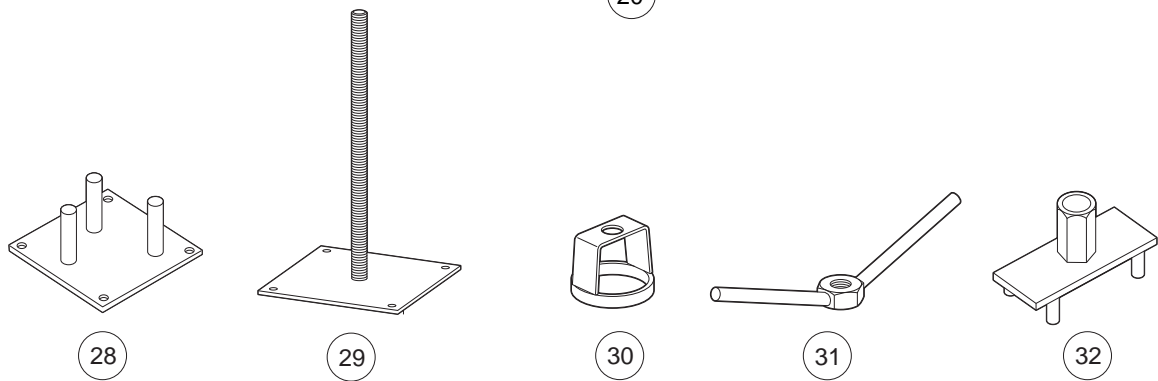
E

D

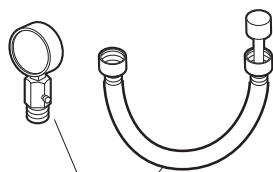
17
G
E
D



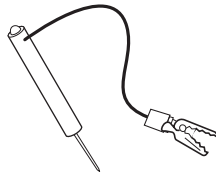
20



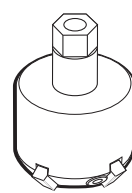
33



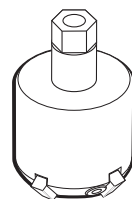
34



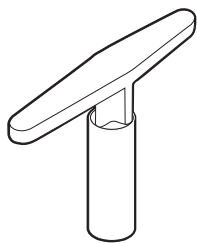
35



36



37



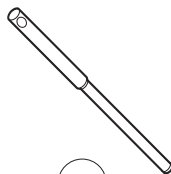
38



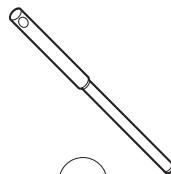
39



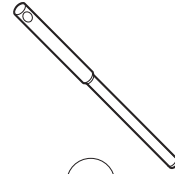
40



41



42



43

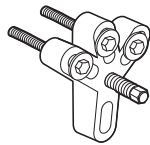
MAINTENANCE AND SERVICE TOOLS, CONTINUED

| ITEM | PART NO. | DESCRIPTION | QTY DIESEL | QTY GAS | QTY ELEC | 17 |
|------|------------------|---|---------------|------------|-------------|-----------|
| | | 1 2 3 4 | | | | G |
| 20 | <u>1014510</u> | Clutch Tool Kit (includes items 21 - 27) | | 1 | | E |
| 21 | <u>1014498</u> | Clutch Alignment Tool (for pre-unitized transaxle vehicles built prior to 1997 model year) | | 1 | | D |
| 22 | <u>1014496</u> | Drive Clutch Puller (for Kawasaki engines only) | | 1 | | |
| 23 | <u>1014497</u> | Drive Clutch Hub Puller (for Kawasaki engines only) | | 1 | | |
| 24 | <u>1014508</u> | Driven Clutch Cam Puller (for Kawasaki engines only) | | 1 | | |
| 25 | <u>1014507</u> | Driven Clutch Puller Plug (for Kawasaki engines only) | | 1 | | |
| 26 | <u>1015524</u> | Drive Clutch Holder Tool Assembly (for Kawasaki engines only) | | 1 | | |
| 27 | <u>101809101</u> | Press Weldment (for Kawasaki engines only) | | 1 | | |
| 28 | <u>102601501</u> | Drive ClutchFixed Sheave Tool (for 4x4 vehicles) | 1 | 1 | | |
| 29 | <u>102603501</u> | Driven Clutch Spring Compression Base (for use with items 30 and 31) (for 4x4 vehicles) | 1 | 1 | | |
| 30 | <u>102605201</u> | Driven Clutch Spring Compression Collar (for use with items 29 and 31) (for 4x4 vehicles) | 1 | 1 | | |
| 31 | <u>102606101</u> | Driven Clutch Spring Compression Nut (for use with items 29 and 30) (for 4x4 vehicles) | 1 | 1 | | |
| 32 | <u>102607501</u> | Drive Clutch Spider Removal Tool (for 4x4 vehicles) | 1 | 1 | | |
| 33 | 101831801 | Communication Display Module | | | 1 | |
| 34 | 101641002 | Compression Gauge and Adapter | | 1 | | |
| 35 | 1011273 | Continuity Tester | | 1 | 1 | |
| 36 | <u>102773801</u> | Cutter, Valve Seat, #122 | | 1 | | |
| 37 | <u>102773901</u> | Cutter, Valve Seat #115 | | 1 | | |
| 38 | <u>102774101</u> | Wrench, T, #505..... | | 1 | | |
| 39 | <u>102774101</u> | Adapter, T-Wrench | | 1 | | |
| 40 | 102675401 | Cutter, Valve Seat, 60 Degree (requires item 51) (for Honda GX620 Gasoline Engines) | | 1 | | |
| 41 | <u>102774201</u> | Pilot, 6.6 MM | | 1 | | |
| 42 | <u>102774301</u> | Pilot, 6.62 MM..... | | 1 | | |
| 43 | <u>102774401</u> | Pilot, 6.65 MM..... | | 1 | | |
| | | Please refer to the maintenance and service manual for proper tool application. | | | | |

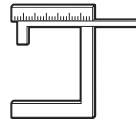
17
G
E
D



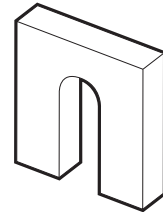
44



45



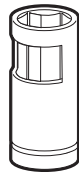
46



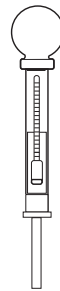
47



48



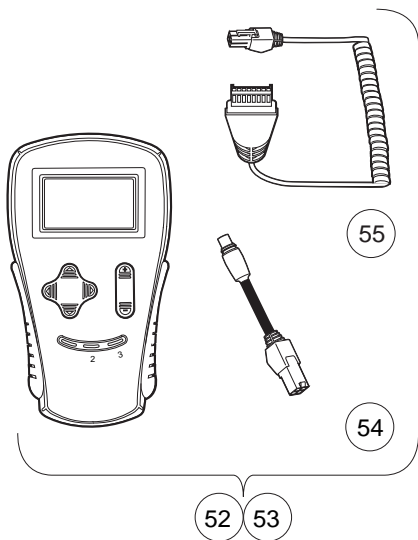
49



50



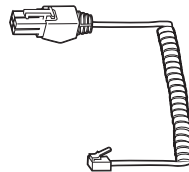
51



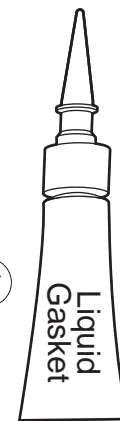
52 53

55

54



56



57



58



59 60



61

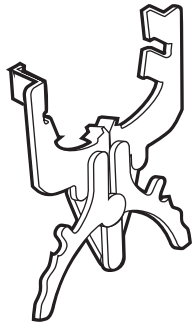
MAINTENANCE AND SERVICE TOOLS, CONTINUED

| ITEM | PART NO. | DESCRIPTION | QTY DIESEL | QTY GAS | QTY ELEC | 17 |
|------|------------------|--|---------------|------------|-------------|----|
| | | 1 2 3 4 | | | | G |
| 44 | <u>1012151</u> | Dry Moly Lubricant | 1 | 1 | 1 | E |
| 45 | <u>1016627</u> | Flywheel Puller Kit (for Kawasaki Engines) | | 1 | | D |
| 46 | <u>102669901</u> | Gauge, Carburetor Float Level (for Honda GX620 Gasoline Engines) | | 1 | | |
| 47 | <u>1016418</u> | Gear Yoke | 1 | 1 | 1 | |
| 48 | <u>101933101</u> | Governor Shaft Installation Tool (for Kawasaki Engine Vehicles) | | 1 | | |
| 49 | <u>102169401</u> | Hydraulic Brake Adjuster (for Turf/CA 272/472, Pioneer/XRT 1200, Bobcat 2100, HUV 4213) | | | 1 | |
| 50 | <u>1011478</u> | Hydrometer | 1 | 1 | 1 | |
| 51 | <u>1013593</u> | Internal Retaining Ring Pliers | 1 | 1 | 1 | |
| 52 | <u>102248803</u> | IQ Display Module (IQDM) Kit (IQ System and IQ Plus vehicles) | | | 1 | |
| | | (includes items 54 and 55) | | | | |
| 53 | <u>102248804</u> | IQ Display Module (IQDM-P) Kit (IQ System and IQ Plus vehicles) | | | 1 | |
| | | (includes items 54 and 55) | | | | |
| 54 | <u>102251501</u> | Adaptor, Cable | | | 1 | |
| 55 | <u>102241502</u> | IQDM Series 2 Cable | | | 1 | |
| 56 | <u>102241501</u> | IQDM Series 1 Cable (replacement) | | | 1 | |
| 57 | <u>101928701</u> | Liquid Gasket (transaxle case) | 1 | 1 | 1 | |
| 58 | <u>102243402</u> | Moly-Teflon Lubricant (4-oz. (113-gram) tube) | | | 1 | |
| 59 | <u>101997201</u> | Paint, Touch-Up – Beige* | | 1 | 1 | |
| 59 | <u>101997207</u> | Paint, Touch-Up – Black* | | 1 | 1 | |
| 59 | <u>101997212</u> | Paint, Touch-Up – Burgundy* | | 1 | 1 | |
| 59 | <u>101997211</u> | Paint, Touch-Up – Classic Blue (Navy)* | | 1 | 1 | |
| 59 | <u>101997205</u> | Paint, Touch-Up – Dark Gray* | 1 | 1 | 1 | |
| 59 | <u>101997209</u> | Paint, Touch-Up – Dark Green* | 1 | 1 | 1 | |
| 59 | <u>101997204</u> | Paint, Touch-Up – Gray* | 1 | 1 | 1 | |
| 59 | <u>101997203</u> | Paint, Touch-Up – Red* | 1 | 1 | 1 | |
| 59 | <u>101997206</u> | Paint, Touch-Up – Royal Blue (Pacific Blue)* | | 1 | 1 | |
| 59 | <u>101997202</u> | Paint, Touch-Up – White* | 1 | 1 | 1 | |
| 60 | <u>102562301</u> | Paint, Precedent Underbody – Gray | | 1 | 1 | |
| 61 | <u>102587201</u> | Paint Pen, Touch-Up, Precedent Underbody – Black | | 1 | 1 | |
| | | Please refer to the maintenance and service manual for proper tool application. | | | | |
| | | * Item 59 is not for use on Surlyn [®] body material, which is used on Precedent vehicles. | | | | |

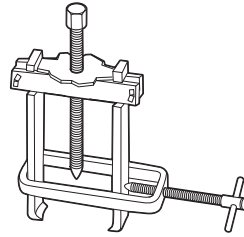
17
G
E
D



62



63



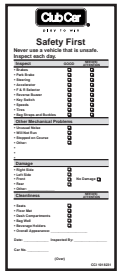
64



65



66



67



68



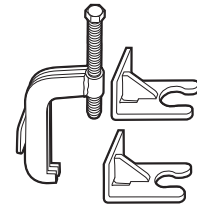
69



70



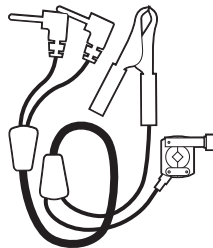
71



72



73



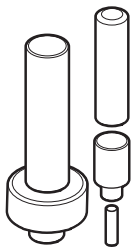
74



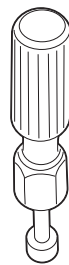
75



76



77



83



84



85



86

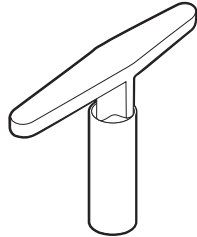
MAINTENANCE AND SERVICE TOOLS, CONTINUED

| ITEM | PART NO. | DESCRIPTION | QTY | QTY | QTY | 17 |
|------|------------------|---|--------|-----|------|----|
| | | | DIESEL | GAS | ELEC | |
| | | 1 2 3 4 | | | | G |
| 62 | <u>1016414</u> | Piston Ring Compressor Kit (FE290, FE350 and FE400 engines) | | 1 | | E |
| 63 | <u>1016415</u> | Piston Ring Pliers (for Kawasaki Engines) | | 1 | | D |
| 64 | <u>102668801</u> | Puller, Special Use (for Kubota D722 Diesel Engines) | 1 | | | |
| 65 | <u>1012549</u> | Retaining Ring Pliers, 45° External | 1 | 1 | 1 | |
| 66 | <u>1012560</u> | Retaining Ring Pliers, 90° Internal | 1 | 1 | 1 | |
| 67 | <u>101823101</u> | Safety First Card (50 per pack) | 1 | 1 | 1 | |
| 68 | <u>1012809</u> | Seal Puller | 1 | 1 | 1 | |
| 69 | <u>102330901</u> | Spanner Wrench (for coil over shock front suspension vehicles only) | 1 | 1 | | |
| 70 | <u>1014264</u> | Steering Column Bearing Press Tool | | 1 | 1 | |
| 71 | <u>1014259</u> | Steering Column Retaining Ring Tool | | 1 | 1 | |
| 72 | <u>102061201</u> | Steering Wheel Puller Tool | 1 | 1 | 1 | |
| 73 | <u>AM10753</u> | Tachometer (includes gasoline engine pick up lead only) | 1 | 1 | | |
| 74 | <u>AM10771</u> | Tachometer Diesel Probe (for use with item 73) | 1 | | | |
| 75 | <u>1014162</u> | Transaxle Axle Seal Tool | | 1 | | |
| 76 | <u>1014161</u> | Transaxle Pinion Seal Tool | | 1 | | |
| 77 | <u>1014115</u> | Transmission Tool Kit | | 1 | | |
| 78 | <u>101611003</u> | Tune-Up Kit, All OHV (for FE290, FE350, FE400 only) (includes air filter, spark plug, oil filter, fuel filters) (not shown) | | 1 | | |
| 79 | <u>AM11804</u> | Tune-Up Kit, Gx620 (for Honda Engines) (includes air filter, spark plug, oil filter, fuel filters) (not shown) | | 1 | | |
| 80 | <u>AM11805</u> | Tune-Up Kit, D722 (for Kubota Engines) (includes air filter, oil filter, fuel filters, water separator filter) (not shown) | 1 | | | |
| 81 | <u>AM1220301</u> | Tune-Up Kit, Precedent (for FE290/350 Engines) (includes air filter, spark plug, oil filter, fuel filters) (not shown) | | 1 | | |
| 82 | <u>AM1232401</u> | Tune-Up Kit, FH680D (for Kawasaki V-Twin Engines) (includes oil filter, fuel filter, air filter, and spark plugs) (not shown) | | 1 | | |
| 83 | <u>1016413</u> | Valve Clearance Adjuster Screw Holder (for FE290 engines only) | | 1 | | |
| 84 | <u>102674601</u> | Valve Guide Driver (for Honda GX620 Gasoline Engines) | | 1 | | |
| 85 | <u>101641201</u> | Valve Guide Reamer (FE290, FE350, and FE400 only) | | 1 | | |
| 86 | <u>102674401</u> | Valve Guide Reamer, 6.6 mm (for Honda GX620 Gasoline Engines) | | 1 | | |

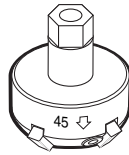
17
G
E
D



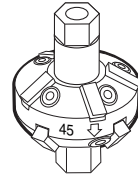
87



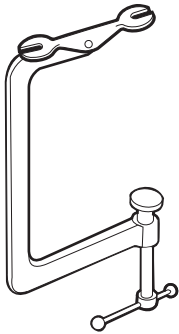
88



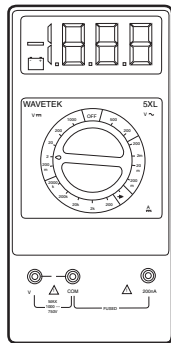
89



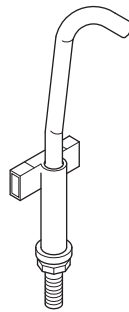
90



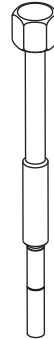
91



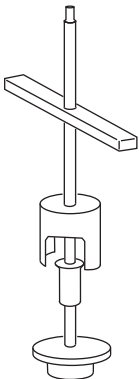
92



93



94



95



96

MAINTENANCE AND SERVICE TOOLS, CONTINUED

| ITEM | PART NO. | DESCRIPTION | QTY DIESEL | QTY GAS | QTY ELEC | 17 |
|---|------------------|--|---------------|------------|-------------|-----------|
| | | 1 2 3 4 | | | | G |
| 87 | <u>1016552</u> | Valve Seat Cutter Guide | | 1 | | E |
| 88 | <u>1016551</u> | Valve Seat Cutter T-Wrench | | 1 | | D |
| 89 | <u>1016553</u> | Valve Seat Cutter, 45° (32 mm diameter) (for FE290 engines only) | | 1 | | |
| 90 | <u>1016554</u> | Valve Seat Cutter, 45°/30° (35 mm diameter) | | 1 | | |
| 91 | <u>101641101</u> | Valve Spring Compressor | | 1 | | |
| 92 | 1011480 | Volt Ohm Meter | 1 | 1 | 1 | |
| 93 | <u>102570401</u> | Tool, Tensioning, Starter Generator (For Precedent vehicles) | | 1 | | |
| 94 | <u>103601401</u> | Puller, Drive Clutch, XRT 950* | | 1 | | |
| 95 | <u>103601701</u> | Tool, Disassembly, Driven Clutch, XRT 950 | | 1 | | |
| 96 | <u>103600501</u> | Screw, Driven Clutch Disassembly, M6, XRT 950 | | 1 | | |
| <p>*Note: The XRT 950 Drive Clutch Puller requires the use of Screw, Driven Clutch Disassembly, CCI Part Number <u>103600501</u>.</p> | | | | | | |

INDEX

Part Number and Page

| | | | | | |
|---------|--|-----------|---|-----------|-------------------------------|
| AM10753 | 17-9 | 7847 | 1-21, 1-33, 9-3 | 1011084 | 4-7 |
| AM10771 | 17-9 | 7893 | 6-21, 6-27 | 1011114 | 5-15, 5-17 |
| AM10080 | 11-5 | 7910 | 5-15, 5-17 | 1011137 | 5-9 |
| AM10081 | 11-5 | 7973 | 1-29, 1-31, 1-49, 8-11 | 1011153 | 5-15, 5-17 |
| AM10419 | 10-7 | 8056 | 6-9, 13-5, 13-11 | 1011154 | 5-17 |
| AM10724 | 7-5 | 8057 | 6-9, 6-21, 6-27, 13-5, 13-11 | 1011229 | 6-9, 13-5 |
| AM10839 | 2-3 | 8058 | 6-9, 6-21, 6-27, 13-5, 13-11 | 1011273 | 17-5 |
| AM10840 | 2-3 | 8104 | 6-27 | 1011291 | 11-7 |
| CCX8506 | 16-3, 16-5, 16-7 | 8233 | 1-11, 1-21, 1-25, 1-27, 1-35, 1-37, 1-39, 1-49, 4-5, 6-15, 6-27, 11-3 | 1011298 | 5-15, 5-17 |
| 183 | 1-49, 6-27, 8-11, 10-3, 11-3 | 8248 | 1-35, 6-15, 8-3 | 1011301 | 5-15, 5-17 |
| 304 | 1-37, 1-39, 6-27 | 8251 | 1-3, 1-25, 1-27, 1-37, 1-39 | 1011303 | 5-15, 5-17 |
| 320 | 4-9 | 8418 | 1-37, 1-39 | 1011314 | 5-15, 5-17 |
| 324 | 1-11, 1-49 | 8450 | 10-3 | 1011382 | 1-29, 1-31 |
| 332 | 1-9, 1-11, 1-21, 1-25, 1-27, 1-37, 1-39, 1-49, 6-15, 8-11, 9-3 | 8639 | 1-29, 1-31 | 1011394 | 1-29, 1-31 |
| 334 | 4-5, 5-3, 7-15 | 8717 | 4-5, 6-21, 6-27, 11-3 | 1011402 | 4-3 |
| 343 | 1-49 | 8754 | 4-5, 4-9, 5-3, 5-7, 5-9, 5-13, 6-7 | 1011415 | 5-13 |
| 357 | 5-7 | 8755 | 5-9, 5-13 | 1011418 | 4-3 |
| 451 | 5-11, 5-15, 5-17, 9-3, 14-3 | 8797 | 8-5 | 101146302 | 5-15, 5-17 |
| 705 | 5-3, 6-7, 7-15 | 8861 | 5-9 | 1011464 | 5-15, 5-17 |
| 706 | 5-7, 5-9 | 8963 | 1-35, 1-49, 13-11 | 1011465 | 5-15, 5-17 |
| 808 | 10-3 | 8990 | 4-9, 6-21, 6-25, 6-27, 13-19 | 1011466 | 5-15, 5-17 |
| 1017 | 6-3, 13-3 | 1010005 | 5-15, 5-17 | 1011467 | 5-15, 5-17 |
| 1028 | 4-3 | 1010028 | 6-27 | 1011478 | 17-7 |
| 1032 | 4-3 | 1010124 | 5-7 | 1011480 | 17-11 |
| 1035 | 4-13, 5-9 | 1010138 | 5-9 | 1011494 | 5-15 |
| 1218 | 1-11, 6-25 | 1010142 | 1-11, 5-13 | 1011497 | 6-13, 13-9 |
| 1241 | 1-11, 1-29, 1-31, 1-35, 1-49, 4-3, 4-5, 4-13, 6-7, 6-25, 6-27, 9-3, 13-11 | 1010144 | 5-13 | 1011557 | 6-13, 13-9 |
| 1242 | 4-9, 4-13, 6-7, 6-21, 6-25 | 1010145 | 5-13 | 1011558 | 6-13, 13-9 |
| 1308 | 5-9 | 1010150 | 5-9 | 1011578 | 13-21 |
| 1606 | 1-49 | 1010177 | 5-7 | 1011582 | 6-13, 13-9 |
| 1624 | 4-5 | 1010200 | 5-7 | 1011610 | 6-25 |
| 1631 | 6-27 | 101021902 | 5-9 | 1011652 | 1-37, 1-39 |
| 1703 | 1-9, 1-11, 1-49 | 1010434 | 1-41, 1-43, 1-47 | 1011694 | 4-5 |
| 2402 | 5-9 | 1010435 | 1-19, 1-29, 1-31 | 1011697 | 1-49, 1-51, 7-15 |
| 7173 | 6-25, 6-27 | 1010546 | 1-19 | 1011700 | 4-5 |
| 7174 | 5-11, 6-7, 6-25, 9-3, 14-3 | 1010577 | 1-35, 7-15 | 1011734 | 4-7 |
| 7251 | 1-17, 1-29, 1-31 | 1010805 | 4-3 | 1011767 | 17-3 |
| 7274 | 5-15, 5-17 | 1010829 | 4-7, 4-9, 4-11, 4-13 | 1011779 | 4-7, 4-9, 4-11, 4-13 |
| 7308 | 5-15, 5-17 | 1010850 | 5-15, 5-17 | 1011843 | 6-13, 13-9 |
| 7310 | 2-5 | 1010877 | 4-3 | 101187702 | 4-3 |
| 7311 | 1-37, 1-39 | 1010878 | 4-3 | 1011883 | 1-11 |
| 7330 | 11-7, 15-3 | 101090801 | 13-21 | 1011887 | 5-9 |
| 7335 | 11-5, 15-3 | 101090802 | 13-21 | 1011893 | 5-9 |
| 7336 | 15-3 | 1010921 | 1-49, 4-3 | 1011895 | 5-9 |
| 7473 | 1-11, 1-17, 1-19, 1-29, 1-31, 1-35, 1-49, 1-51, 4-3, 4-5, 4-9, 4-13, 6-25, 13-11 | 1010927 | 4-3 | 1011930 | 5-9 |
| 7555 | 5-9 | 1010932 | 4-3 | 1011931 | 4-5 |
| 7577 | 16-5, 16-7, 16-9, 16-11 | 1010933 | 4-3 | 1011937 | 1-11 |
| 7591 | 6-13, 13-9 | 1010934 | 5-11, 6-25, 14-3 | 1011965 | 8-3 |
| 7602 | 5-9 | 1010953 | 5-15, 5-17 | 1011988 | 8-3 |
| 7716 | 4-3, 4-5 | 1010954 | 6-21, 11-3 | 1012098 | 16-3, 16-5, 16-7, 16-9, 16-11 |
| 7818 | 6-25 | 1010984 | 2-5 | 1012101 | 16-7, 16-9, 16-11 |
| 7840 | 5-15, 5-17 | 1010993 | 1-25, 1-27 | 1012124 | 8-3 |
| | | 1011014 | 1-29, 1-31 | 1012151 | 17-7 |
| | | 1011017 | 1-29, 1-31 | 101217301 | 3-11 |
| | | 1011019 | 1-29, 1-31 | 1012181 | 5-13 |
| | | | | 1012182 | 5-13 |

INDEX

| | | | | | |
|-----------|------------------------|-----------|------------------|-----------|-----------------------------|
| 1012285 | 1-11 | 1013677 | 3-5 | 1014276 | 5-7 |
| 1012295 | 6-21 | 1013687 | 8-3 | 1014287 | 10-3 |
| 1012303 | 5-9, 5-13 | 1013734 | 9-3, 13-19 | 1014288 | 10-3, 13-11 |
| 1012328 | 6-25 | 1013746 | 8-3, 8-5, 8-9 | 1014289 | 6-5 |
| 1012333 | 6-27 | 1013760 | 11-3 | 1014305 | 17-3 |
| 1012382 | 6-19 | 1013768 | 11-7 | 1014306 | 1-9, 1-11, 1-25, 1-27, 1-49 |
| 1012396 | 1-31 | 1013769 | 11-7 | 1014375 | 6-25 |
| 1012412 | 1-25, 1-27, 1-35 | 1013770 | 11-7 | 1014392 | 1-47 |
| 1012431 | 6-9, 6-21, 13-5 | 1013771 | 11-7 | 1014453 | 10-3 |
| 1012438 | 6-27 | 1013772 | 11-7 | 1014454 | 10-7 |
| 1012467 | 5-9 | 1013773 | 11-7 | 1014496 | 17-5 |
| 1012505 | 1-29, 1-31 | 1013774 | 11-7 | 1014497 | 17-5 |
| 1012528 | 9-3, 13-19 | 1013787 | 11-7 | 1014498 | 17-5 |
| 1012549 | 17-9 | 1013792 | 11-7 | 1014507 | 17-5 |
| 1012560 | 17-9 | 1013794 | 11-7, 15-3 | 1014508 | 17-5 |
| 1012565 | 5-5 | 1013869 | 4-3 | 1014510 | 17-5 |
| 1012566 | 5-5 | 1013870 | 4-3 | 1014555 | 5-13 |
| 1012571 | 7-15 | 1013871 | 4-5 | 1014807 | 6-21, 6-27 |
| 1012581 | 1-3 | 1013876 | 4-3 | 1014808 | 6-21, 6-27 |
| 1012604 | 5-3 | 1013924 | 5-15, 5-17, 7-15 | 1014902 | 5-13 |
| 1012605 | 5-3 | 1014007 | 1-33, 4-5, 11-3 | 1014928 | 8-3 |
| 1012649 | 8-3 | 1014049 | 10-3 | 1014948 | 6-21 |
| 1012711 | 11-3 | 1014050 | 10-3 | 101503202 | 1-43, 1-45 |
| 1012714 | 11-5 | 1014051 | 10-3 | 1015072 | 13-21 |
| 1012740 | 11-5 | 1014052 | 10-3 | 1015075 | 1-29, 1-31 |
| 1012741 | 11-5 | 1014055 | 10-3 | 1015091 | 1-11 |
| 1012747 | 11-5 | 1014056 | 10-3 | 1015137 | 8-3, 8-5, 8-9 |
| 1012748 | 11-5 | 1014057 | 10-3 | 1015139 | 8-5 |
| 1012752 | 11-3 | 1014058 | 10-3 | 1015143 | 8-5 |
| 1012809 | 17-9 | 1014059 | 10-3 | 101524002 | 6-7 |
| 1012811 | 17-3 | 1014062 | 10-3 | 1015332 | 7-3 |
| 1012812 | 17-3 | 1014063 | 10-3 | 1015345 | 6-21 |
| 1012830 | 6-7, 9-3 | 1014065 | 6-21, 10-3 | 1015371 | 6-21 |
| 1012836 | 10-7 | 1014070 | 10-7 | 1015372 | 6-21 |
| 1012896 | 11-3 | 1014072 | 10-7 | 1015373 | 6-21 |
| 1012991 | 6-5 | 1014076 | 10-7 | 1015405 | 1-19, 6-21 |
| 1013001 | 6-5 | 1014078 | 10-7 | 1015426 | 8-11 |
| 1013003 | 6-5 | 1014080 | 10-7 | 101547601 | 3-9 |
| 1013005 | 6-5 | 1014115 | 17-9 | 1015521 | 1-9 |
| 101301102 | 6-5 | 1014116 | 8-3 | 1015524 | 17-5 |
| 1013032 | 1-3 | 1014119 | 6-19 | 1015525 | 1-3 |
| 1013061 | 6-27, 8-3, 11-3, 13-11 | 1014125 | 5-3 | 1015528 | 1-29, 1-31 |
| 1013135 | 5-15, 5-17 | 1014126 | 5-3 | 1015583 | 5-9, 5-13 |
| 1013216 | 1-3 | 1014145 | 6-21 | 1015649 | 7-3 |
| 1013218 | 1-3 | 101414801 | 1-23 | 1015661 | 1-9, 4-11 |
| 1013343 | 1-29, 1-31 | 1014153 | 5-15, 5-17 | 1015720 | 6-9, 13-5, 13-19 |
| 1013344 | 1-29, 1-31 | 1014161 | 17-9 | 1015737 | 6-19 |
| 1013461 | 6-3, 8-5, 13-3 | 1014162 | 17-9 | 1015741 | 6-21 |
| 1013462 | 8-5 | 1014193 | 11-7 | 1015752 | 4-11, 6-21, 6-25, 8-11 |
| 1013494 | 1-29, 1-31 | 1014201 | 5-11, 14-3 | 1015814 | 9-3 |
| 1013509 | 1-49 | 1014207 | 11-7 | 1015878 | 6-21, 6-27 |
| 1013531 | 4-7, 4-13 | 1014213 | 5-3 | 1015914 | 16-7, 16-9, 16-11 |
| 1013582 | 17-3 | 1014214 | 5-3 | 1015917 | 16-7, 16-9 |
| 1013589 | 6-21 | 1014217 | 5-3 | 1015920 | 6-19 |
| 1013593 | 17-7 | 1014259 | 17-9 | 1015921 | 8-5 |
| 1013609 | 6-21 | 1014264 | 17-9 | 1015932 | 6-7 |

INDEX

| | | | | | |
|-----------|-----------|-----------|----------------|-----------|------------------|
| 1015969 | 7-3 | 1016458 | 7-9 | 1016581 | 7-7 |
| 1016004 | 8-5 | 1016467 | 7-7 | 1016582 | 8-9 |
| 1016074 | 6-7 | 1016470 | 7-13 | 1016583 | 7-9 |
| 1016092 | 6-25 | 1016472 | 7-11 | 1016584 | 7-11 |
| 101611003 | 17-9 | 1016473 | 7-7 | 1016585 | 8-7 |
| 1016154 | 5-5 | 1016474 | 7-9 | 1016586 | 7-5 |
| 1016156 | 5-5 | 1016479 | 7-9 | 1016587 | 7-5 |
| 1016201 | 10-3 | 1016480 | 8-9 | 1016588 | 7-5 |
| 1016219 | 5-5 | 101648102 | 8-9 | 1016627 | 17-7 |
| 1016289 | 10-3 | 101648203 | 7-7 | 1016630 | 1-31 |
| 101629008 | 9-5 | 1016483 | 7-9 | 1016663 | 5-5 |
| 1016319 | 4-9 | 1016486 | 8-7 | 1016672 | 11-7 |
| 1016320 | 4-9 | 1016489 | 7-9 | 101674702 | 4-7 |
| 1016337 | 11-5 | 101649002 | 8-9 | 1016751 | 1-37, 1-39 |
| 1016338 | 11-5 | 1016494 | 7-11 | 101675511 | 1-37 |
| 1016346 | 5-9 | 1016496 | 7-11 | 101675512 | 1-39 |
| 1016349 | 5-9 | 1016497 | 7-5 | 101677701 | 1-39 |
| 1016350 | 5-9 | 1016499 | 8-7 | 101677703 | 1-37 |
| 1016351 | 5-9 | 1016501 | 8-7 | 1016801 | 10-3 |
| 1016353 | 5-9 | 1016502 | 7-7 | 1016849 | 6-9, 13-5 |
| 1016379 | 1-51 | 1016506 | 7-11 | 1016851 | 6-9, 13-5, 13-11 |
| 1016384 | 5-9 | 1016507 | 7-3 | 1016857 | 6-9, 13-5 |
| 1016386 | 5-9 | 1016510 | 7-11 | 1016859 | 6-9, 13-5 |
| 1016387 | 5-9 | 1016513 | 11-3 | 1016868 | 1-17 |
| 1016389 | 5-9 | 1016517 | 7-9 | 1016874 | 1-51 |
| 101641002 | 17-5 | 1016518 | 7-9 | 1016875 | 1-51 |
| 101641101 | 17-11 | 1016519 | 7-9 | 1016876 | 1-51 |
| 101641201 | 17-9 | 1016521 | 7-11 | 1016879 | 6-3, 13-3 |
| 101641202 | 17-3 | 1016531 | 7-3 | 1016880 | 6-3, 13-3 |
| 1016413 | 17-9 | 1016535 | 7-11 | 1016883 | 6-7 |
| 1016414 | 17-9 | 1016537 | 7-7 | 1016904 | 7-9, 9-3 |
| 1016415 | 17-9 | 1016538 | 7-11 | 1016916 | 1-11 |
| 1016416 | 17-3 | 1016539 | 7-3 | 101692501 | 1-23 |
| 1016417 | 17-3 | 1016541 | 7-13 | 101692502 | 1-23 |
| 1016418 | 17-7 | 1016544 | 7-5, 7-9, 7-11 | 101692510 | 1-23 |
| 101642575 | 8-7 | 1016547 | 7-3, 7-13, 8-9 | 101692512 | 1-23 |
| 101642578 | 8-7 | 1016549 | 7-9 | 101692513 | 1-23 |
| 101642580 | 8-7 | 1016551 | 17-11 | 101693901 | 1-23 |
| 101642582 | 8-7 | 1016552 | 17-11 | 101693902 | 1-23 |
| 101642585 | 8-7 | 1016553 | 17-11 | 101693909 | 1-23 |
| 1016429 | 7-7 | 1016554 | 17-11 | 101693911 | 1-23 |
| 1016432 | 7-7, 11-3 | 1016557 | 5-15 | 101693912 | 1-23 |
| 1016436 | 7-9 | 1016560 | 7-9 | 1016952 | 1-33 |
| 1016437 | 8-7 | 1016561 | 7-5 | 1016967 | 1-17 |
| 1016438 | 8-9 | 1016562 | 7-5, 7-13 | 1017029 | 4-3 |
| 1016440 | 7-9, 8-9 | 1016563 | 7-9 | 1017035 | 6-13, 13-9 |
| 1016441 | 8-9 | 1016564 | 7-11 | 1017062 | 6-3, 13-3 |
| 1016444 | 8-9 | 1016566 | 7-9 | 1017064 | 6-3, 13-3 |
| 1016445 | 7-5 | 1016569 | 7-9 | 1017065 | 6-3, 13-3 |
| 1016449 | 7-9 | 1016570 | 7-7 | 1017079 | 1-51 |
| 1016450 | 7-9 | 1016571 | 7-13 | 1017080 | 1-17 |
| 1016452 | 7-9 | 1016572 | 8-9 | 1017082 | 8-3, 11-3 |
| 1016454 | 7-11 | 1016573 | 5-17 | 1017188 | 10-5 |
| 1016455 | 7-5 | 1016576 | 7-7 | 1017211 | 4-9 |
| 1016456 | 7-3, 7-5 | 1016578 | 7-5 | 1017231 | 11-3 |
| 1016457 | 7-7 | 1016579 | 7-5 | 1017266 | 5-9 |

INDEX

| | | | | | |
|-----------|------------|-----------|----------------------|-----------|-------------|
| 1017271 | 1-11, 1-49 | 101751802 | 7-11 | 101828903 | 16-7 |
| 1017273 | 5-5 | 101751803 | 7-11 | 101828904 | 16-5 |
| 1017284 | 1-49 | 1017653 | 6-5 | 101828905 | 16-5 |
| 1017299 | 1-49 | 1017672 | 1-49 | 101828906 | 16-5 |
| 101734802 | 1-19 | 1017686 | 10-7 | 101830601 | 1-29, 1-31 |
| 1017378 | 4-5 | 1017689 | 9-3 | 101830701 | 1-29, 1-31 |
| 1017380 | 4-5 | 1017696 | 4-5 | 101831101 | 16-7 |
| 1017424 | 4-5 | 1017699 | 6-13, 13-9 | 101831503 | 16-9 |
| 1017427 | 4-11 | 1017705 | 13-11 | 101831504 | 16-9 |
| 1017434 | 7-9 | 101773301 | 7-13 | 101831701 | 16-9 |
| 1017435 | 7-9 | 101773302 | 7-13 | 101831702 | 16-9 |
| 1017442 | 7-7 | 101773303 | 7-13 | 101831801 | 17-5 |
| 1017443 | 7-9, 7-11 | 101773304 | 7-13 | 101831901 | 17-3 |
| 1017444 | 7-9 | 101773305 | 7-13 | 101832001 | 13-11 |
| 1017445 | 7-9 | 101773306 | 7-13 | 101832601 | 7-15 |
| 1017446 | 7-9 | 101773307 | 7-13 | 101832701 | 7-15 |
| 1017447 | 7-11 | 101773308 | 7-13 | 101833101 | 7-15 |
| 1017448 | 7-5 | 101773309 | 7-13 | 101833401 | 10-7 |
| 101744901 | 7-13 | 101773310 | 7-13 | 101833601 | 11-3 |
| 101744902 | 7-13 | 101773311 | 7-13 | 101833701 | 6-5 |
| 1017450 | 7-13 | 1017774 | 1-35 | 101833902 | 10-3 |
| 101745101 | 7-13 | 1017841 | 1-49 | 101834001 | 10-7 |
| 101745102 | 7-13 | 1017936 | 1-21 | 101834502 | 1-29, 1-31 |
| 1017453 | 7-13 | 101796201 | 4-5 | 101834601 | 7-15 |
| 1017454 | 7-9 | 101796501 | 13-11 | 101834701 | 1-35 |
| 1017455 | 7-5 | 101796801 | 13-11 | 101834801 | 11-3 |
| 1017456 | 7-7 | 101797801 | 13-21 | 101835601 | 8-3 |
| 101745701 | 7-13 | 101802201 | 16-7 | 101836201 | 10-7 |
| 101745702 | 7-13 | 101802202 | 16-7 | 101837001 | 13-21 |
| 1017458 | 7-7 | 101802203 | 16-7 | 101837101 | 8-11 |
| 1017460 | 7-7 | 101802204 | 16-5 | 101837301 | 6-7 |
| 1017461 | 8-7 | 101802205 | 16-5 | 101838201 | 16-9 |
| 1017463 | 7-5 | 101802206 | 16-5 | 101838301 | 16-9 |
| 1017466 | 8-9 | 101804301 | 1-31, 6-27, 8-11 | 101838401 | 16-9, 16-11 |
| 1017468 | 7-5 | 101808401 | 17-3 | 101838501 | 16-9 |
| 1017471 | 7-13 | 101809101 | 17-5 | 101838601 | 16-9, 16-11 |
| 1017472 | 7-11 | 101811801 | 8-11 | 101851101 | 1-29, 1-31 |
| 1017473 | 7-9 | 101811901 | 8-11 | 101856002 | 1-29 |
| 1017474 | 7-3 | 101812301 | 8-11 | 101856102 | 6-21 |
| 1017475 | 7-3 | 101813001 | 8-11 | 101861901 | 4-5 |
| 1017476 | 7-3 | 101813202 | 17-3 | 101862001 | 4-5, 4-11 |
| 1017486 | 7-3 | 101817401 | 4-5 | 101865301 | 4-9 |
| 1017487 | 7-11 | 101821501 | 8-11 | 101869302 | 6-5 |
| 1017490 | 7-5 | 101823101 | 17-9 | 101870602 | 5-9 |
| 1017500 | 7-3 | 101824401 | 8-3, 8-5 | 101871001 | 17-3 |
| 1017501 | 7-13 | 101825101 | 1-29, 1-31, 3-3, 3-7 | 101874601 | 4-9 |
| 1017502 | 7-13 | 101825701 | 8-11 | 101874901 | 6-5 |
| 1017503 | 7-13 | 101826201 | 1-29 | 101875001 | 6-5 |
| 1017504 | 7-11 | 101826301 | 1-31 | 101875101 | 6-5 |
| 1017507 | 7-7 | 101827101 | 7-15 | 101875102 | 6-5 |
| 1017508 | 7-11 | 101828301 | 16-7 | 101875201 | 6-5 |
| 1017510 | 7-13 | 101828501 | 16-7, 16-9, 16-11 | 101875301 | 6-5 |
| 1017512 | 7-13 | 101828801 | 16-5, 16-7 | 101875401 | 6-5 |
| 1017513 | 7-11 | 101828802 | 16-5, 16-7 | 101875501 | 6-5 |
| 1017514 | 7-11 | 101828901 | 16-7, 16-9, 16-11 | 101875601 | 6-5 |
| 101751801 | 7-11 | 101828902 | 16-7, 16-9, 16-11 | 101875701 | 6-5 |

INDEX

| | | | | | |
|-----------|------------|-----------|------------------|-----------|--------------|
| 101875802 | 6-5 | 101906901 | 15-3 | 101955301 | 8-3 |
| 101876001 | 6-5 | 101908101 | 13-13 | 101956201 | 16-11 |
| 101876202 | 6-5 | 101908401 | 6-15, 13-13 | 101956202 | 16-11 |
| 101876301 | 6-5 | 101909201 | 7-5 | 101958201 | 16-11 |
| 101876402 | 6-5 | 101909301 | 7-5 | 101958301 | 16-11 |
| 101876501 | 6-5 | 101909401 | 7-5 | 101960501 | 3-9 |
| 101877601 | 6-5 | 101909501 | 7-5 | 101963401 | 6-27, 7-15 |
| 101877701 | 6-5 | 101910401 | 1-35 | 101964201 | 13-21 |
| 101878101 | 6-5 | 101910501 | 11-7 | 101971301 | 8-11 |
| 101878201 | 4-3 | 101914401 | 16-7, 16-9 | 101972001 | 17-7 |
| 101879001 | 6-5 | 101915201 | 3-9 | 101972002 | 17-7 |
| 101880701 | 5-15, 5-17 | 101916001 | 7-13 | 101972003 | 17-7 |
| 101881101 | 7-5 | 101916101 | 7-3 | 101972004 | 17-7 |
| 101881701 | 8-11 | 101916201 | 7-5 | 101972005 | 17-7 |
| 101884801 | 7-15 | 101916301 | 7-5 | 101972006 | 17-7 |
| 101886101 | 11-3 | 101916701 | 6-7, 10-3 | 101972007 | 17-7 |
| 101887101 | 17-3 | 101917601 | 8-11 | 101972009 | 17-7 |
| 101887601 | 7-3 | 101918501 | 4-3 | 101972011 | 17-7 |
| 101889401 | 11-5 | 101919801 | 4-5 | 101972012 | 17-7 |
| 101890001 | 11-5 | 101921501 | 8-11 | 101972101 | 15-3 |
| 101890101 | 11-3 | 101922101 | 15-3 | 101972201 | 15-3 |
| 101890201 | 11-3 | 101922201 | 15-3 | 101972801 | 8-11 |
| 101890501 | 11-3 | 101922501 | 6-15 | 101973101 | 8-7 |
| 101890601 | 11-3 | 101923001 | 15-3 | 101973301 | 8-7 |
| 101890901 | 11-7 | 101923201 | 15-3 | 101973401 | 8-9 |
| 101891001 | 11-7 | 101923501 | 15-3 | 101973501 | 16-11 |
| 101891301 | 11-3 | 101923701 | 15-3 | 101980801 | 11-5 |
| 101891401 | 11-7 | 101923901 | 15-3 | 101980901 | 11-5 |
| 101891501 | 11-7 | 101925601 | 10-3 | 101981001 | 11-5 |
| 101891601 | 11-5 | 101925701 | 8-11 | 101987501 | 16-11 |
| 101891901 | 11-5 | 101926802 | 6-27 | 101987701 | 8-3 |
| 101892001 | 11-5 | 101926901 | 11-3 | 101987901 | 6-3, 13-3 |
| 101892201 | 11-5 | 101927101 | 11-3 | 101988001 | 6-3, 13-3 |
| 101892301 | 11-5 | 101927201 | 11-3 | 101988002 | 6-3, 13-3 |
| 101892401 | 11-5 | 101927301 | 11-3 | 101988101 | 6-3, 13-3 |
| 101892501 | 11-5 | 101927501 | 11-5 | 101988201 | 6-3, 13-3 |
| 101892601 | 11-5 | 101927601 | 11-5 | 101990801 | 4-7, 4-13 |
| 101892701 | 11-7 | 101927701 | 11-5 | 101998211 | 1-37 |
| 101892901 | 11-3 | 101927901 | 11-5 | 101998212 | 1-39 |
| 101893201 | 11-5 | 101928001 | 11-5 | 102002801 | 13-17, 13-21 |
| 101893801 | 11-3 | 101928101 | 11-5 | 102002901 | 13-17 |
| 101893901 | 11-5 | 101928301 | 11-7 | 102003201 | 8-3 |
| 101895401 | 15-3 | 101928601 | 11-3 | 102004001 | 5-9 |
| 101895501 | 15-3 | 101928701 | 11-3, 15-3, 17-7 | 102005701 | 1-5 |
| 101896501 | 6-5 | 101929801 | 10-3 | 102005702 | 1-5 |
| 101896901 | 8-5 | 101929802 | 10-3 | 102005801 | 1-5 |
| 101897001 | 15-3 | 101932902 | 11-9 | 102022101 | 4-13 |
| 101897201 | 15-3 | 101933101 | 17-7 | 102026001 | 4-5 |
| 101897401 | 15-3 | 101933701 | 6-27 | 102031901 | 11-7 |
| 101897601 | 15-3 | 101939901 | 6-5 | 102061201 | 17-9 |
| 101898001 | 6-25 | 101942301 | 14-5 | 102065901 | 7-15 |
| 101900801 | 4-13 | 101953101 | 4-13 | 102066201 | 5-13 |
| 101903101 | 5-9 | 101953103 | 4-7 | 102101001 | 4-11 |
| 101903601 | 15-3 | 101953106 | 4-9 | 102101101 | 4-11 |
| 101903701 | 15-3 | 101953802 | 7-3 | 102155801 | 10-7 |
| 101905901 | 8-7 | 101954301 | 1-11 | 102162601 | 4-7 |

INDEX

| | | | | | |
|-----------|-----------------|-----------|--------------|-----------|------------|
| 102163001 | 1-5 | 102562401 | 17-3 | 102897301 | 12-5 |
| 102163101 | 1-5 | 102570401 | 17-11 | 102897401 | 12-3 |
| 102169401 | 17-7 | 102572401 | 1-29 | 102897501 | 12-5 |
| 102186301 | 14-5 | 102579601 | 1-49 | 102897601 | 12-3 |
| 102186401 | 14-5 | 102579801 | 1-49 | 102897701 | 12-3 |
| 102196901 | 1-29 | 102579802 | 1-49 | 102897801 | 12-3 |
| 102225101 | 8-3 | 102581201 | 1-11, 1-35 | 102897901 | 12-3 |
| 102227101 | 8-3 | 102585901 | 9-3 | 102898001 | 12-3, 12-5 |
| 102227501 | 8-3 | 102601501 | 17-5 | 102898101 | 12-3 |
| 102235201 | 5-11, 14-3 | 102603501 | 17-5 | 102898201 | 12-3 |
| 102240501 | 13-19 | 102605201 | 17-5 | 102898301 | 12-3, 12-5 |
| 102241501 | 17-7 | 102606101 | 17-5 | 102898401 | 12-5 |
| 102241502 | 17-7 | 102607501 | 17-5 | 102898501 | 12-3 |
| 102242101 | 10-7 | 102616701 | 6-27 | 102898601 | 12-3 |
| 102242401 | 1-9, 1-11, 1-49 | 102668801 | 17-9 | 102898701 | 12-3 |
| 102243402 | 17-7 | 102669901 | 17-7 | 102898801 | 12-3 |
| 102248803 | 17-7 | 102674001 | 17-5 | 102898901 | 12-5 |
| 102249901 | 17-3 | 102674101 | 17-5 | 102899001 | 12-3 |
| 102251501 | 17-7 | 102674201 | 17-5 | 102899101 | 12-3 |
| 102273201 | 16-5 | 102674401 | 17-9 | 102899201 | 12-3 |
| 102273301 | 16-5 | 102674601 | 17-9 | 102899301 | 12-3 |
| 102273401 | 16-5 | 102675001 | 17-5 | 102899401 | 12-3 |
| 102273601 | 16-5 | 102675101 | 17-5 | 102899501 | 12-3 |
| 102273701 | 16-3, 16-5 | 102675201 | 17-5 | 102899601 | 12-3, 12-5 |
| 102273801 | 16-3, 16-5 | 102675301 | 17-5 | 102899701 | 12-3 |
| 102273901 | 16-3, 16-5 | 102675401 | 17-5 | 102899801 | 12-3 |
| 102274001 | 16-5 | 102684602 | 6-27 | 102899901 | 12-5 |
| 102278001 | 1-29, 1-31 | 102686101 | 17-3 | 102900001 | 12-5 |
| 102292801 | 4-7, 4-9, 4-11 | 102704901 | 14-5 | 102900101 | 12-5 |
| 102298401 | 5-9 | 102711201 | 6-21 | 102900201 | 12-5 |
| 102304801 | 7-9 | 102753401 | 7-9 | 102900301 | 12-5 |
| 102323101 | 4-3, 4-11 | 102771701 | 15-3 | 102900401 | 12-3 |
| 102323201 | 4-3, 4-11 | 102774501 | 13-19 | 102900501 | 12-3 |
| 102330901 | 17-9 | 102774603 | 13-19 | 102900601 | 12-3 |
| 102355301 | 6-25 | 102774701 | 13-19 | 102900701 | 12-3 |
| 102356601 | 15-3 | 102775101 | 14-5 | 102900801 | 12-3 |
| 102356801 | 15-3 | 102817101 | 13-13, 13-19 | 102900901 | 12-3 |
| 102357001 | 15-3 | 102817201 | 13-19 | 102901001 | 12-3 |
| 102376001 | 6-27 | 102838101 | 13-13 | 102901101 | 12-5 |
| 102406701 | 8-5 | 102842401 | 1-25, 1-27 | 102901201 | 12-3 |
| 102430901 | 7-13 | 102845101 | 3-5, 13-13 | 102901301 | 12-3 |
| 102431001 | 7-11 | 102845203 | 13-21 | 102901401 | 12-3 |
| 102440901 | 13-19 | 102846402 | 13-19 | 102901501 | 12-3 |
| 102453001 | 11-5 | 102848701 | 13-11 | 102901601 | 12-3 |
| 102453101 | 11-5 | 102859501 | 13-19 | 102901701 | 12-3 |
| 102508701 | 1-29 | 102865101 | 8-3 | 102901801 | 12-3 |
| 102515401 | 11-3 | 102869401 | 6-11, 13-7 | 102901901 | 12-3 |
| 102518001 | 3-3 | 102871801 | 5-13 | 102902001 | 12-3 |
| 102519201 | 3-7 | 102873401 | 13-21 | 102902101 | 12-7 |
| 102522001 | 8-5 | 102886301 | 15-3 | 102902201 | 12-7 |
| 102526201 | 6-27 | 102886401 | 15-3 | 102902301 | 12-7 |
| 102534201 | 5-9 | 102886501 | 15-3 | 102902401 | 12-7 |
| 102540301 | 7-15 | 102886601 | 15-3 | 102902501 | 12-7 |
| 102541425 | 1-11 | 102896801 | 12-3 | 102902601 | 12-7 |
| 102555501 | 17-3 | 102896901 | 12-3 | 102902701 | 12-7 |
| 102556701 | 2-5 | 102897201 | 12-5 | 102902801 | 12-7 |

INDEX

| | | | | | |
|-----------|------------|-----------|------------|--|-------------------------|
| 102915601 | 6-13, 13-9 | 103219632 | 1-27 | 103367401 | 1-11 |
| 102917101 | 5-13 | 103219639 | 1-27 | 103367701 | 1-11 |
| 102938601 | 14-5 | 103219641 | 1-27 | 103367801 | 1-11 |
| 102938701 | 14-5 | 103219642 | 1-27 | 103369501 | 6-27 |
| 102938801 | 14-5 | 103222201 | 6-19 | 103370801 | 1-49 |
| 102938901 | 14-5 | 103224601 | 1-11 | 103371001 | 1-49 |
| 102939001 | 14-5 | 103224701 | 1-11 | 103371102 | 1-49 |
| 102939101 | 14-5 | 103224901 | 1-37 | 103372101 | 8-5 |
| 102939102 | 14-5 | 103224902 | 1-39 | 103372302 | 8-5 |
| 102955301 | 1-11 | 103225001 | 1-37 | 103375101 | 1-15 |
| 102955302 | 1-11 | 103225002 | 1-39 | 103375201 | 1-9 |
| 102956401 | 13-23 | 103225701 | 1-37, 1-39 | 103380301 | 1-49 |
| 102958001 | 13-23 | 103226201 | 13-23 | 103397901 | 13-19, 16-5, 16-7 |
| 102961801 | 1-33 | 103226301 | 13-23 | 103407001 | 1-41 |
| 102962801 | 1-5 | 103226401 | 13-23 | 103411601 | 1-13 |
| 102963301 | 13-19 | 103226601 | 13-23 | 103414901 | 13-19, 16-5, 16-7 |
| 102967601 | 3-5 | 103226701 | 13-23 | 103428501 | 16-3 |
| 102967801 | 1-9 | 103231601 | 1-7 | 103428601 | 16-3 |
| 102969401 | 6-27 | 103232101 | 5-3 | 103428701 | 16-3 |
| 102969902 | 6-27 | 103233101 | 5-9 | 103429001 | 16-3 |
| 102977001 | 1-31 | 103234101 | 5-9 | 103429101 | 16-3 |
| 102977002 | 1-29 | 103236801 | 13-23 | 103429201 | 16-3 |
| 102977801 | 1-33 | 103238801 | 1-15 | 103429301 | 16-3 |
| 102979201 | 2-5 | 103238802 | 1-15 | 103429501 | 16-3 |
| 102979202 | 2-5 | 103244301 | 13-11 | 103429701 | 16-3 |
| 102980801 | 13-21 | 103245301 | 1-35 | 103434001 | 16-3 |
| 102980901 | 13-21 | 103252301 | 1-25, 1-27 | 103439901 | 16-3 |
| 103013501 | 13-17 | 103259801 | 13-13 | 103477901 | 5-15, 5-17 |
| 103013801 | 13-17 | 103262201 | 5-9 | 103507001 | 5-9 |
| 103173301 | 6-27 | 103264801 | 5-9 | 103512801 | 16-3 |
| 103177401 | 6-27 | 103282402 | 1-37, 1-39 | 103512901 | 16-3 |
| 103180101 | 6-25 | 103295101 | 6-27 | 103513001 | 16-3 |
| 103192701 | 6-27 | 103295203 | 6-27 | 103517401 | 16-3 |
| 103192901 | 6-27 | 103296101 | 1-43, 1-45 | 103517601 | 16-5 |
| 103194401 | 1-9 | 103296401 | 1-45 | 103520301 | 8-11 |
| 103198301 | 1-29 | 103296402 | 1-43 | 103522401 | 1-11 |
| 103198401 | 6-15 | 103305401 | 1-37, 1-39 | 103651901 | 8-5 |
| 103199001 | 1-31 | 103312101 | 1-35 | 103717001 | 16-3 |
| 103199101 | 1-31 | 103313701 | 1-37 | 103717002 | 16-3 |
| 103203001 | 1-13 | 103313702 | 1-39 | 103717003 | 16-3 |
| 103204901 | 1-33 | 103313801 | 1-37 | 103776901 | 8-5 |
| 103205501 | 3-9, 6-15 | 103313802 | 1-39 | 103779601 | 16-3 |
| 103210201 | 1-31, 3-9 | 103327501 | 3-3, 3-7 | 96704416 | 7-15 |
| 103210301 | 1-29, 3-5 | 103334901 | 5-15 | | |
| 103212201 | 1-37 | 103335301 | 5-17 | | |
| 103212202 | 1-39 | 103345101 | 1-35 | A | |
| 103213001 | 1-13 | 103345201 | 1-35 | absorber, shock | 5-9 |
| 103213101 | 1-13 | 103345301 | 1-35 | AC cord | 16-5, 16-7, 16-9, 16-11 |
| 103214301 | 13-11 | 103345401 | 1-35 | AC cord bushing | 16-3, 16-5 |
| 103218601 | 1-29 | 103345701 | 10-3 | AC cord receptacle | 16-11 |
| 103219601 | 1-25 | 103348201 | 1-31 | AC cordset | 16-3 |
| 103219602 | 1-25 | 103348601 | 1-31 | accelerator bracket and bearing assembly | 4-5 |
| 103219609 | 1-25 | 103350301 | 6-27 | accelerator pedal | 4-5 |
| 103219611 | 1-25 | 103351101 | 5-13 | accelerator pedal adjustment tool | 17-3 |
| 103219612 | 1-25 | 103357401 | 1-9 | accelerator pivot rod | 4-5 |
| 103219631 | 1-27 | 103367101 | 1-11 | accelerator return spring | 4-5 |
| | | | | accelerator rod | 4-7 |

INDEX

- access door 1-3
 - adapter
 - cable (IQDM) 17-7
 - adhesive, guide ring 17-3
 - adjuster
 - hydraulic brake 17-7
 - adjuster, lash 7-11
 - air box 8-11
 - air box top 8-11
 - air filter 8-11
 - air intake hose 8-11
 - ammeter 16-3, 16-5, 16-7, 16-9, 16-11
 - anchor body 5-15, 5-17
 - anchor body kit 5-15, 5-17
 - anchor, piston 5-15, 5-17
 - A-plate strap 5-9
 - A-plate, delta 5-9
 - arbor 17-3
 - arm
 - governor 11-3
 - pivot 11-3
 - rocker 7-9
 - armature 6-5, 14-5
 - armature conversion kit 6-5
 - ashtray 1-33
 - ashtray bracket 1-33
 - assembly
 - accelerator bracket and bearing 4-5
 - accelerator pivot rod 4-5
 - air box 8-11
 - air box top 8-11
 - armature 6-5
 - axle 11-7
 - bearing, steering shaft 5-3
 - bell crank and shaft 6-21
 - brush connector 6-5
 - brush holder 6-5
 - carburetor 8-7
 - connecting rod 7-13
 - cylinder head 7-9
 - delta A-plate 5-9
 - drive hub 10-3
 - driven clutch 10-7
 - driven clutch fixed-face 10-7
 - field coil 6-5
 - float 8-7
 - fuel tank vent 8-5
 - governor 11-5
 - headlight 6-3, 13-3
 - headlight harness 6-3, 13-3
 - idle screw 8-7
 - kingpin 5-9
 - moveable-face 10-3, 10-7
 - pilot air screw 8-7
 - plug cap 7-5
 - ratchet 4-3
 - score card plate 5-5
 - secondary clutch weight 10-3
 - steering wheel 5-5
 - turn signal lens 6-3, 13-3
 - axle 11-7, 12-3, 15-3
 - axle guard 11-9
 - axle shaft oil seal 11-7, 15-3
 - axle tube 15-3
- ## B
- backing plate, brake 5-15, 5-17
 - bag hook 1-49
 - bag rack 1-49
 - bag rack cover 1-49
 - bag rack mounting bracket 1-49
 - bag rack support 1-49
 - bag rack weldment 1-49
 - bag rest mat 1-47
 - bag strap 1-49
 - bag, desiccant 10-3
 - ball bearing 7-11
 - ball joint 4-3, 4-7, 5-9, 6-27
 - ball stud 6-21, 11-3
 - ball, shifter 11-5
 - ball, steel pressure relief 7-7
 - band, RPM limiter mount 7-5
 - bar, drive 4-11
 - barb, vent 8-3, 8-5
 - barrel, plastic 1-41, 1-43, 1-47
 - basket 1-9
 - hardware kit 1-9
 - basket support bracket 1-9
 - battery cap 13-21
 - battery charger 16-5, 16-7, 16-9, 16-11
 - battery charger case 16-5, 16-7, 16-9, 16-11
 - battery charger handle 16-5
 - battery charger receptacle 13-11
 - battery charger transformer 16-5, 16-7, 16-9, 16-11
 - battery clamp 6-25
 - battery discharge machine 17-3
 - battery hold-down 13-21
 - battery hold-down rod 13-21
 - battery insulator 13-21
 - battery light 1-29
 - battery terminal protector spray 17-3
 - battery thermometer 17-3
 - battery, 12-volt 6-25
 - battery, 8-volt, Trojan T890 13-21
 - bearing 15-3
 - ball 7-11
 - ball (motor) 14-5
 - front wheel hub 5-15, 5-17
 - idler 10-3
 - inner axle tube 11-7, 15-3
 - needle 11-5
 - outer axle tube 11-7
 - pivot support 4-5
 - steering shaft 5-3
 - thrust 5-9
 - bearing and oil seal remover 17-3
 - bearing driver set 17-3
 - bearing puller 17-3
 - bearing puller wedge 17-3
 - bearing seat 5-3
 - bell crank and shaft 6-21
 - belt, drive 10-5
 - belt, starter/generator 6-7, 10-3
 - bezel, choke cable 6-27
 - bezel, headlight 6-3, 13-3
 - bezel, taillight 6-13, 13-9
 - block, brake-mounting 4-3
 - block, fuse 6-21
 - body
 - beige 1-25, 1-27
 - burgundy 1-25, 1-27
 - classic blue 1-25, 1-27
 - dark green 1-25, 1-27
 - white 1-25
 - body kick plate 1-25, 1-27, 1-35
 - body, anchor 5-15, 5-17
 - body, rear 1-27
 - bolt, U- 5-13
 - boot, steering column 1-29, 1-31
 - boot, switch 6-15, 13-13
 - bottom, air box 8-11
 - box
 - air 8-11
 - electrical component 6-21
 - box, electrical component 6-21
 - brace, windshield 1-11
 - bracket
 - adjustable starter/generator 6-7
 - ashtray 1-33
 - bag rack mounting 1-49
 - basket support 1-9
 - FNR shifter 6-27
 - fuel pump 8-3
 - headlight mounting 6-3, 13-3
 - muffler mounting 9-3
 - oil filter mount 7-7
 - oil level switch 7-11
 - relay mounting 16-9
 - retaining 8-11
 - RPM limiter 7-5
 - shock absorber 5-13
 - shock mounting 5-13
 - snubber 7-15
 - starter/generator mounting 6-7
 - throttle spring return 8-9
 - Tow/Run switch 6-15
 - brake actuator kit 5-15, 5-17

INDEX

- brake adjustment tool 17-3
 - brake backing plate 5-15, 5-17
 - brake cable 4-7, 4-9, 4-13
 - brake cable equalizer 4-7, 4-9, 4-13
 - brake cable hanger 4-13
 - brake cable release tool 17-3
 - brake cluster 5-15, 5-17
 - brake drum 5-9
 - brake lever arm 5-15, 5-17
 - brake mounting block 4-3
 - brake pedal 4-3
 - brake pedal adjustment tool 17-3
 - brake pedal pad 4-3
 - brake pedal tension tool 17-3
 - brake return spring 4-7, 4-13
 - brake shoe 5-15, 5-17
 - brake spring 5-15, 5-17
 - breaker, circuit 16-3, 16-5, 16-7, 16-9, 16-11
 - breather 11-3, 15-3
 - brush and screw set 6-5
 - brush box assembly 14-5
 - brush connector 6-5
 - brush holder 6-5
 - brush inspection port cover 6-5
 - brush kit, motor 14-5
 - brush port cover 6-5
 - brush rigging 14-5
 - brush spring 14-5
 - brush spring set 6-5
 - brush, motor 14-5
 - buckle strap 1-49
 - bulb, headlight 6-3, 13-3
 - bulb, tail light 6-13, 13-9
 - bumper
 - drive unit (motor) 5-11, 14-3
 - front 1-17
 - front, heavy duty 1-19
 - front, kit 1-17
 - rear 1-51
 - rubber 4-3
 - spring return 4-5
 - bumper mounting 1-51
 - bumper, heavy duty 1-19
 - bushing 6-27, 10-3
 - AC cord 16-3, 16-5
 - nylon 4-3
 - return line 8-5
 - steel 5-9, 5-13
 - urethane 5-9, 5-13
 - button, drive 10-7
 - buzzer, reverse 6-9, 13-5, 13-11
- C**
- cable
 - brake 4-7, 4-9, 4-13
 - choke 6-27
 - FNR shifter 6-27
 - IQDM 17-7
 - calibration test module 17-3
 - cam
 - driven clutch 10-7
 - electrical component box 6-21
 - cam installation tool 17-3
 - cam, FNR shifter 6-27
 - camshaft 7-11
 - camshaft shim 7-11
 - canopy
 - beige 1-11
 - frame 1-11
 - hand hold 1-11
 - hardware kit 1-11
 - splice bar 1-11
 - support bracket 1-11
 - white 1-11
 - canopy drain grommet 1-13
 - canopy drain kit 1-13
 - canopy drain tubing 1-13
 - cap
 - battery 13-21
 - dust 1-29
 - key switch 1-29, 1-31
 - plug 7-5
 - seat back 1-37, 1-39
 - carburetor 8-7
 - carburetor float level tool 17-7
 - carburetor gasket 8-9
 - carburetor insulator 8-9
 - carburetor mounting gasket 8-9
 - card, safety first 17-9
 - cargo net 1-15
 - cargo net kit 1-15
 - cargo net, front 1-15
 - cargo net, rear 1-15
 - case
 - battery charger 16-5, 16-7, 16-9, 16-11
 - differential gear 11-7
 - gear 11-3, 15-3
 - rocker 7-9
 - case, charger 16-3
 - charger bezel tool 17-3
 - charger board relay 16-3
 - charger case 16-3
 - charger hardware 16-3
 - charger legs 16-3
 - charger receptacle 13-11
 - charger, battery 16-5, 16-7
 - choke cable 6-27
 - choke cable bezel 6-27
 - choke valve 8-11
 - circuit breaker 13-13, 16-3, 16-5, 16-7, 16-9, 16-11
 - clamp
 - battery 6-25
 - hose 8-3, 8-5, 8-9, 8-11
 - muffler hose 9-3
 - clevis, upper delta 5-9
 - clip, drain tube 1-13
 - clip, meter 1-31
 - clip, score card 5-5
 - clip, windshield 1-13
 - closeout, under seat 1-41
 - cluster idler gear 11-5
 - cluster, brake 5-15, 5-17
 - clutch alignment tool 17-5
 - clutch pulley 10-3
 - clutch removal tool 17-3
 - clutch repair kit 10-7
 - clutch tool kit 17-5
 - clutch weight 10-3
 - clutch, drive 10-3
 - clutch, driven 10-7
 - coil, field 6-5
 - coil, ignition 7-5
 - collet 7-9
 - communication display module 17-5
 - component box, electrical 6-21
 - component mounting plate, ele 13-19
 - compression gauge 17-5
 - compressor, piston ring 17-9
 - compressor, valve spring 17-11
 - computer 13-19
 - connecting rod 7-13
 - connector, a- 6-5
 - continuity tester 17-5
 - controller, speed 13-19
 - cord connector 7-11
 - cord set, DC 16-5
 - cord, AC 16-5, 16-7, 16-9, 16-11
 - cord, DC 16-7, 16-9, 16-11
 - Cordset
 - PD3, AC 114" 16-3
 - PD3, AC 80" 16-3
 - PD3, DC 113" 16-3
 - PD3, DC 154" 16-3
 - PD3, DC 205" 16-3
 - counterbalance guide shaft 7-13
 - counterbalance weight 7-13
 - coupler, SPWS 13-23
 - cover
 - brush inspection port 6-5
 - brush port 6-5
 - crankcase 7-11
 - dust 5-9, 5-15, 5-17
 - electrical box 6-21
 - oil pump 7-7
 - rocker switch hole 6-25
 - screw head 1-29, 1-31
 - cover, air intake 6-27

INDEX

cover, bag rack 1-49
cover, controller 13-11
cover, under seat 1-41
cowl 1-23
crankcase 7-13
crankcase cover 7-11
crankcase vent tube 8-9
crankshaft 7-13
crankshaft rod 7-13
crankshaft shim 7-13
cup, spring 4-5
cupholder 1-33
current limiter 16-11
cushion, shock absorber 1-11, 5-13
cutter, valve seat 17-5, 17-11

D

damper, RPM limiter 7-5
dash component 1-29, 1-31
dash panel 1-29, 1-31
dash, ele 1-29
dash, gas 1-31
DC cord 16-7, 16-9, 16-11
DC cord set 16-5
DC cordset 16-3
decal
 4-gauge wire warning 3-5
 battery danger 3-5
 car number 3-11
 driver/passenger 3-9
 FNR 1-29, 1-31, 3-5, 3-9
 frame ground 3-9
 IQ Plus 1-25, 1-27
 on/off 1-29, 1-31, 3-3, 3-7
 operating instructions (electric) 3-3
 operating instructions (gas) 3-7
 rotating parts 3-9
 run/service switch 3-9, 6-15
 Tow/Run switch 3-5, 13-13
 warning, dash 1-29, 1-31, 3-3, 3-7
 warning, pass 3-3, 3-7
delta A-plate 5-9
delta A-plate sub-assembly 5-9
desiccant bag 10-3
DF-terminal insulator 6-5
diagnostic port 1-29
diesel tachometer probe 17-9
differential
 drive unit 12-3, 15-3
differential gear 11-7, 15-3
differential gear case 11-7
differential guard 11-9
differential housing 15-3
differential idler gear 11-7
differential pin 11-7
diode 6-21

dipstick 7-3
door, access 1-3
drain plug 7-7
drain plug gasket 7-7, 11-3
drain tube clip 1-13
drain, canopy 1-13
drive bar 4-11
drive belt 10-5
drive button 10-7
drive clutch 10-3
drive clutch button 10-3
drive clutch fixed sheave tool 17-5
drive clutch fixed-face 10-3
drive clutch holder tool 17-5
drive clutch hub puller 17-5
drive clutch puller 17-5
drive clutch spider removal tool 17-5
drive clutch spring 10-3
drive clutch weight 10-3
drive hub 10-3
drive unit bumper 5-11, 14-3
drive unit guard 11-9
driven clutch 10-7
driven clutch button 10-7
driven clutch cam 10-7
driven clutch cam puller 17-5
driven clutch fixed-face assembly 10-7
driven clutch puller plug 17-5
driven clutch spring compression base tool 17-5
driven clutch spring compression collar tool 17-5
driven clutch spring compression nut tool 17-5
driver, drive clutch 10-3
drum brake, hub 5-15, 5-17
drum, brake 5-9
drum, front suspension 5-9
dry moly lubricant 17-7
dust cap 1-29
dust cover 5-9, 5-15, 5-17

E

E-clip 4-7, 4-9, 4-11, 4-13
electric fuel pump 8-3
electrical box cover 6-21
electrical component box 6-21
end bell, commutator 6-5
end bell, output shaft 6-5
end cap, motor 14-5
engine mounting plate 7-15
engine shroud 7-3
engine, FE350 CW without ACR 7-3
equalizer pivot 4-9
equalizer rod 4-7, 4-9, 4-13
equalizer, brake cable 4-7, 4-9, 4-13

exhaust system 9-3
exhaust valve 7-9

F

face, moveable 10-3, 10-7
fan housing 7-3
fan shroud 7-3
fan, flywheel 7-5
fender, inner 1-21
field coil 6-5
field coil housing 6-5
fill plug 11-3
filter
 air 8-11
 fuel 8-3
 oil 7-7
 oil pump 7-7
finishing plug 1-11, 1-49
fixed-face, drive clutch 10-3
fixed-face, driven clutch 10-7
float 8-7
floor mat 1-43, 1-45
floormat 1-43, 1-45
floormat trim 1-43, 1-45
floormat, ele 1-45
floormat, gas 1-43
flywheel 7-5
flywheel fan 7-5
flywheel fan plate 7-5
flywheel puller 17-7
FNR closeout brush 1-31
FNR shift lever 11-3
FNR shifter assembly 6-27
FNR shifter bracket 6-27
FNR shifter cable 6-27
FNR shifter cam 6-27
FNR shifter lever 6-27
folding windshield, lower 1-5
folding windshield, upper 1-5
fork, shift 11-5
frame and field, motor 14-5
front bumper 1-17
front bumper kit 1-17
front spring retainer plate 5-7
F-terminal hardware 6-5
f-terminal insulator 6-5
fuel filter 8-3
fuel gauge sending unit 8-5
fuel line 8-3, 8-5, 8-9
fuel meter 1-31
fuel pump bracket 8-3
fuel pump, electric 8-3
fuel tank 8-5
fuel tank strap 8-3
fuel tank vent 8-5
fuse 13-11, 16-7, 16-9, 16-11

INDEX

10-amp 6-21
3/8-amp 13-11
charger 16-3, 16-5
fuse and receptacle 13-11
fuse block 6-21

G

gasket 15-3
carburetor 8-9
carburetor mounting 8-7, 8-9
crankcase cover 7-9, 7-11
drain plug 7-7, 11-3
exhaust 7-9, 9-3
head 7-9
insulator 7-9, 8-9
liquid 11-3, 15-3, 17-7
rocker case 7-9
sending unit 8-5
taillight 6-13, 13-9

gasket kit, FE350 7-9
gauge, compression 17-5
gauge, fuel-hour 1-31

gear
case 11-3, 15-3
cluster idler 11-5
differential 11-7, 15-3
differential idler 11-7, 15-3
differential output 15-3
helical 7-13, 11-5, 11-7
spur 7-13, 11-5
synchro 11-5

gear yoke 17-7
governor 11-5
governor arm 11-3
governor shaft installation tool 17-7
grip, pencil 5-5
grommet 8-5
grommet, body drain tube 1-25, 1-27
guard, differential 11-9

guide
intake valve 7-9
valve 7-9
valve seat cutter 17-11

guide ring adhesive 17-3

H

hand hold, canopy 1-11
handle, battery charger 16-5
hanger, brake cable 4-13
hardware kit, charger 16-3
hardware, F-terminal 6-5
harness, wire 6-19, 8-3, 13-17
head gasket 7-9
head, cylinder 7-9
headband, sealed, motor 14-5

headband, vented, motor 14-5
headlight assembly 6-3, 13-3
headlight bulb 6-3, 13-3
headlight harness 6-3, 13-3
headlight retainer 6-3, 13-3
heatsink 16-5
heatsink and rectifier 16-7, 16-9, 16-11
heavy duty bumper 1-19
helical gear 7-13, 11-5, 11-7
hill brake rod 4-3
hill brake weld assembly 4-3
hinge plate 1-25, 1-27, 1-35, 1-37, 1-39
hold-down rod, battery 13-21
hold-down, battery 13-21
hole plug 1-29
hose, air intake 8-11
hose, fuel 8-3
hose, SPWS 13-23
hour meter 1-31

housing
3-pin 14-5
differential 15-3
fan 7-3
field coil 6-5

hub 5-15, 5-17
hub, synchronizer clutch 11-5
hydraulic brake adjuster 17-7
hydrometer 17-7

I

idle screw assembly 8-7
idler bearing 10-3
idler gear, differential 15-3
ignition coil 7-5
inner frame snubber 7-15
input shaft 15-3
insert, synchronizer 11-5

instruction
basket hardware kit 1-9
canopy drain kit 1-13
canopy kit 1-11
cargo net kit 1-15
rear windshield kit 1-7
windshield kit 1-5

instrument panel 1-29, 1-31
insulating washer 14-5
insulator gasket 7-9, 8-9
insulator, battery 13-21
insulator, carburetor 8-9
insulator, motor terminal 14-5
intake cover 6-27
intake pipe 8-9
intake valve 7-9
intermediate shaft 15-3
internal retaining ring pliers 17-7
IQ display module (IQDM) 17-7

J

jet, main 8-7
jet, pilot 8-7
joint
ball 4-3, 4-7, 6-27

K

key
crankshaft 7-5, 7-13
driven clutch 10-7
On/Off 1-29, 1-31
square 10-7
starter/generator 6-5
woodruff 11-3

key switch 1-31
key switch cap 1-29, 1-31
key switch, On/Off 1-29
kick plate, body 1-25, 1-27, 1-35
kingpin 5-9

kit
3-pin housing 14-5
accelerator pivot rod 4-5
anchor body 5-15, 5-17
basket hardware 1-9
brake cable 4-13
brake pedal 4-3
brake pedal adjustment tool 17-3
brake shoe retainer 5-15, 5-17
canopy hardware 1-11
cargo net 1-15
clutch repair 10-7
differential gear case 11-7
drive clutch button 10-3
drive clutch weight 10-3
driven clutch button 10-7
fuel tank 8-5
IQ display module (IQDM) 17-7
motor brush 14-5
motor speed sensor 14-5
park brake latch 4-3
park brake pedal 4-3
PD3 Cordest, AC 114" 16-3
PD3 Cordest, AC 80" 16-3
PD3 Cordest, DC 113" 16-3
PD3 Cordest, DC 154" 16-3
PD3 Cordest, DC 205" 16-3
PD3 hardware 16-3
reverse buzzer 6-9, 13-5
shock absorber cushion 5-13
spws 13-23
taillight hardware 6-13, 13-9
tune-up 17-9

knob, forward/reverse 6-27

INDEX

L

lash adjuster 7-11
latch, air box 8-11
latch, park brake 4-3
leaf spring 5-9, 5-13
legs, charger 16-3
lens, headlight 6-3, 13-3
lens, taillight 6-13, 13-9
lever
 change 11-3
 choke 8-11
light
 battery 1-29
 oil 1-31
limit switch 6-21, 6-27
limiter
 current 16-11
 RPM 7-5
line, fuel 8-3, 8-5, 8-9
link, rack and pinion drag 5-9
liquid gasket 11-3, 15-3, 17-7
low oil warning light 1-31
lubricant, dry moly 17-7
lubricant, moly-teflon 17-7
lug nut 2-5
lug stud 11-7, 15-3

M

magnet, speed sensor 14-5
main jet 8-7
maintenance/operation switch 6-15
manifold, SPWS 13-23
mat, floor 1-43, 1-45
MCOR 4-11
meter clip 1-31
meter, volt ohm 17-11
module
 calibration test 17-3
 communication display 17-5
moly-teflon lubricant 17-7
motor
 48-volt IQ Plus 14-5
motor brush 14-5
motor brush kit 14-5
motor brush spring 14-5
motor bumper 5-11, 14-3
motor controller 13-19
motor end cap 14-5
motor frame and field 14-5
motor headband, sealed 14-5
motor headband, vented 14-5
motor magnet, speed sensor 14-5
motor speed sensor 14-5
motor speed sensor kit 14-5
motor terminal and lead assembly 14-5

motor terminal insulator 14-5
mounting block, brake 4-3
moveable-face 10-3, 10-7
muffler hose clamp 9-3

N

nameplate, Club Car, Amber 1-23
needle bearing 11-5
net, cargo 1-15
nozzle, main 8-7
nut, lug 2-5

O

obc 13-19
oil filler tube 7-3
oil filter 7-7
oil filter mount bracket 7-7
oil filter screen 7-11
oil filter screen plate 7-11
oil level sensor 7-11
oil level switch bracket 7-11
oil pump and rotor 7-7
oil pump cover 7-7
oil pump filter 7-7
oil pump plate 7-7
oil seal 7-9, 7-11, 7-13, 11-3, 11-5
oil warning light, low 1-31
operation/maintenance switch 6-15
O-ring 7-3, 7-9, 7-11, 7-13, 13-23

P

pad
 accelerator pedal 4-5
 brake pedal 4-3
 park brake 4-3
paint, touch-up 17-7
panel, instrument 1-29, 1-31
park brake latch 4-3
park brake pedal 4-3
park brake rod sleeve 4-3
park brake spacer 4-3
park brake torsion spring 4-3
pawl 4-3
pedal asm gas 4-9
pedal group installation 4-11
pedal, accelerator 4-5
pedal, brake 4-3
pedal, park brake 4-3
pencil grip 5-5
pilot air screw assembly 8-7
pilot jet 8-7
pin, differential 11-7
pin, piston 7-13
pipe, intake 8-9
piston 7-13

piston anchor 5-15, 5-17
piston pin 7-13
piston ring 7-13
piston ring compressor 17-9
piston ring pliers 17-9
piston ring set 7-13
pivot arm 11-3
pivot support bearing 4-5
plate
 body kick 1-25, 1-27
 bumper mounting 1-51
 engine mounting 7-15
 flywheel fan 7-5
 front spring retainer 5-7
 hinge 1-25, 1-27, 1-35, 1-37, 1-39
 oil filter screen 7-11
 oil pump 7-7
 score card 5-5
 spring mounting 5-7
 thrust 11-5, 11-7
plate, receptacle back 13-11
plate, run/stow switch 13-13
pliers
 internal retaining ring 17-7
 piston ring 17-9
 retaining ring 17-9
plug 1-11, 1-49
 drain 7-7
 driven clutch puller 17-5
 fill 11-3
 hole 1-29
 spark 7-5
plug cap 7-5
pole set 6-5
port, diagnostic 1-29
press weldment 17-5
protector spray, battery terminal 17-3
puller
 bearing 17-3
 clutch 17-3
 drive clutch 17-5
 drive clutch hub 17-5
 driven clutch cam 17-5
 flywheel 17-7
 seal 17-9
 special use tool 17-9
pulley
 clutch 10-3
 starter-generator 6-5
pump, fuel, electric 8-3
push rod 7-9
putter tube 1-49

R

race, front hub bearing 5-15, 5-17
rack and pinion drag link 5-9

INDEX

- ratchet, park brake 4-3
 - reamer, valve guide 17-9
 - rear body 1-27
 - rear bumper 1-51
 - receptacle and fuse 13-11
 - receptacle back plate 13-11
 - receptacle, AC cord 16-11
 - receptacle, battery charger 13-11
 - rectifier with heatsink 16-7, 16-9, 16-11
 - regulator, voltage 6-21
 - relay 16-9, 16-11
 - relay mounting bracket 16-9
 - relay, charger board 16-3
 - remover, bearing and oil seal 17-3
 - retainer
 - accelerator pedal spring 4-5
 - brake shoe 5-15, 5-17
 - headlight 6-3, 13-3
 - shock absorber cushion 5-13
 - spring (drive clutch) 10-3
 - valve spring 7-9
 - retaining bracket 8-11
 - retaining ring 5-3
 - retaining ring pliers 17-9
 - return spring bumper 4-5
 - reverse buzzer 6-9, 13-5, 13-11
 - rim 2-5
 - ring
 - piston 7-13
 - retaining 5-3, 6-21, 10-3, 10-7
 - snap 7-9, 7-13
 - spiral backup 10-3
 - synchronizer 11-5
 - ring, piston 7-13
 - rivet, blind push 1-17
 - rock guard 11-9
 - rocker arm 7-9
 - rocker case 7-9
 - rocker case gasket 7-9
 - rocker shaft 7-9
 - rocker switch 1-29
 - rocker switch (lights) 6-11, 13-7
 - rod
 - accelerator 4-7
 - accelerator pivot 4-5
 - battery hold-down 13-21
 - connecting 7-13
 - crankshaft 7-13
 - equalizer 4-7, 4-9, 4-13
 - hill brake 4-3
 - push 7-9
 - shift 11-5
 - rod, tie 5-9
 - rotor, oil pump and 7-7
 - RPM limiter 7-5
 - RPM limiter bracket 7-5
 - RPM limiter damper 7-5
 - RPM limiter mount band 7-5
 - run/stow switch plate 13-13
- ## S
- safety first card 17-9
 - score card clip 5-5
 - score card holder 5-5
 - score card plate 5-5
 - screen, oil filter 7-11
 - screw, valve clearance adjuster 17-9
 - seal
 - intake 8-11
 - lip 15-3
 - oil 7-9, 7-11, 7-13, 11-3, 11-5, 11-7, 15-3
 - vertical socket dust 5-9
 - seal puller 17-9
 - sealant 11-3, 15-3
 - seat
 - buff 1-37
 - spring 7-9
 - valve 7-7
 - white 1-39
 - seat back 1-37, 1-39
 - seat back assembly 1-37
 - seat back cap 1-37, 1-39
 - seat back, beige 1-37
 - seat back, white 1-39
 - seat bottom cover 1-37
 - seat bottom cover, white 1-39
 - seat bottom weldment 1-35
 - seat bottom, beige 1-37
 - seat bottom, buff 1-37
 - seat bottom, white 1-39
 - seat cover, white 1-39
 - seat frame weldment 1-35
 - seat frame, rear 1-35
 - seat support, front 1-35
 - seat, bearing 5-3
 - sending unit, fuel gauge 8-5
 - sensor, motor speed 14-5
 - sensor, oil level 7-11
 - set, brush and screw 6-5
 - set, pole 6-5
 - shackle weldment 5-13
 - shaft
 - change 11-3
 - counterbalance guide 7-13
 - input 15-3
 - intermediate 15-3
 - rocker 7-9
 - transmission 11-5
 - shaft, steering 5-3
 - shift fork 11-5
 - shift lever 11-3
 - shift rod 11-5
 - shifter lever, FNR 6-27
 - shifter, FNR 6-27
 - shim, camshaft 7-11
 - shim, crankshaft 7-13
 - shock absorber 5-9, 5-13
 - shock absorber cushion 1-11, 5-13
 - shock absorber cushion retainer 5-13
 - shock mounting bracket 5-13
 - shoe, brake 5-15, 5-17
 - shroud 7-3
 - shroud, engine 7-3
 - shroud, fan 7-3
 - single point watering system 13-23
 - sleeve
 - delta A-plate 5-9
 - governor 11-5
 - park brake rod 4-3
 - synchronizer 11-5
 - snap ring 7-9, 7-13
 - snubber bracket 7-15
 - snubber, inner frame 7-15
 - socket 5-9
 - solenoid 13-19
 - solenoid, 12-volt 6-21
 - spacer
 - accelerator pivot rod 4-5
 - park brake 4-3
 - spanner wrench 17-9
 - spark arrester 9-5
 - spark plug 7-5
 - speed controller 13-19
 - speed sensor 14-5
 - speed sensor magnet 14-5
 - speed sensor, motor 14-5
 - spindle hub cluster 5-15, 5-17
 - spindle, drum 5-15, 5-17
 - spiral backup ring 10-3
 - spray, battery terminal protector 17-3
 - spring
 - accelerator return 4-5
 - brake 5-15, 5-17
 - brake return 4-7, 4-13
 - brush 6-5, 14-5
 - compression 5-5
 - drive button 10-3
 - drive clutch 10-3
 - driven clutch 10-7
 - extension return 8-11
 - leaf 5-9, 5-13
 - park brake torsion 4-3
 - shifter 11-5
 - steering shaft compression 5-3
 - synchronizer 11-5
 - throttle return 8-9
 - valve 7-9
 - spring cup 4-5

INDEX

- spring mounting plate 5-7
 - spring, motor brush 14-5
 - spur gear 7-13, 11-5
 - spws 13-23
 - SPWS coupler 13-23
 - SPWS fitting, swivel T 13-23
 - SPWS hose 13-23
 - SPWS manifold 13-23
 - SPWS tubing 13-23
 - stand-offs, plastic 16-3
 - starter/generator 6-5
 - starter/generator belt 6-7, 10-3
 - starter/generator pulley 6-5
 - steel bushing 5-9, 5-13
 - steel pressure relief ball 7-7
 - steering column 5-3
 - steering column bearing press tool 17-9
 - steering column installation 5-3
 - steering column retaining ring tool 17-9
 - steering rack 5-9
 - steering shaft 5-3
 - steering shaft compression spring 5-3
 - steering wheel 5-5
 - steering wheel puller tool 17-9
 - stem, valve 2-5
 - stiffener, flywheel side 7-15
 - stiffener, PTO side 7-15
 - storage basket 1-9
 - strap buckle 1-49
 - strap, A-plate 5-9
 - strap, bag 1-49
 - strap, fuel tank 8-3
 - stud 7-15
 - lug 11-7, 15-3
 - stud, ball 6-21, 11-3
 - suppressor, voltage 16-7, 16-9, 16-11
 - suspension, front 5-9
 - switch
 - four-position 16-9, 16-11
 - key 1-29, 1-31
 - light rocker 6-11, 13-7
 - limit 6-21, 6-27
 - rocker 1-29
 - Tow/Run 13-13
 - switch rubber boot 6-15, 13-13
 - switch, operation/maintenance 6-15
 - switch, toggle 6-15
 - synchro gear 11-5
 - synchronizer clutch hub 11-5
 - synchronizer insert 11-5
 - synchronizer sleeve 11-5
 - synchronizer spring 11-5
- T**
- 12-volt battery 6-25
 - 12-volt solenoid 6-21
 - tachometer 17-9
 - tachometer probe, diesel 17-9
 - tail light bulb 6-13, 13-9
 - taillight 6-13, 13-9
 - taillight assembly 6-13, 13-9
 - taillight base 6-13, 13-9
 - taillight bezel 6-13, 13-9
 - taillight gasket 6-13, 13-9
 - taillight hardware kit 6-13, 13-9
 - taillight lens 6-13, 13-9
 - tank, fuel 8-5
 - tester, continuity 17-5
 - thermometer, battery 17-3
 - throttle return spring 8-9
 - throttle spring return bracket 8-9
 - thrust bearing 5-9
 - thrust plate 11-5, 11-7
 - tie rod 5-9
 - tie wrap 1-29, 1-31, 4-9, 6-21, 6-25, 6-27, 13-19
 - tire 2-5
 - tire, pro tour, 205-50 x 10 2-5
 - toggle switch 6-15
 - tool
 - accelerator pedal adjustment 17-3
 - belt tensioning, starter/generator 17-11
 - brake adjustment 17-3
 - brake cable release 17-3
 - brake pedal adjustment 17-3
 - brake pedal tension 17-3
 - cam installation 17-3
 - carburetor float level 17-7
 - charger bezel 17-3
 - clutch alignment 17-5
 - cT-wrench 17-5
 - drive clutch fixed sheave 17-5
 - drive clutch holder 17-5
 - drive clutch spider removal 17-5
 - driven clutch spring compression base 17-5
 - driven clutch spring compression collar 17-5
 - driven clutch spring compression nut 17-5
 - governor shaft installation 17-7
 - puller, special use 17-9
 - steering column bearing press 17-9
 - steering column retaining ring 17-9
 - steering wheel puller 17-9
 - transaxle axle seal 17-9
 - transaxle pinion seal 17-9
 - transmission 17-9
 - valve guide driver 17-9
 - valve seat cutter 17-5
 - tool kit, clutch 17-5
 - touch-up paint 17-7
 - tow bar retainer 4-11
 - tow switch, ele 13-13
 - Tow/Run switch 13-13
 - Tow/Run switch bracket 6-15
 - transaxle 12-3, 15-3
 - transaxle axle seal tool 17-9
 - transaxle guard 11-9
 - transaxle housing 15-3
 - transaxle pinion seal tool 17-9
 - transaxle, unitized 11-3
 - transformer, battery charger 16-5, 16-7, 16-9, 16-11
 - transmission shaft 11-5
 - transmission tool 17-9
 - trim
 - cowl 1-29, 1-31
 - trim, floor mat 1-43, 1-45
 - tube
 - crankcase vent 8-9
 - oil filler 7-3
 - tube, putter 1-49
 - tubing, SPWS 13-23
 - tune-up kit 17-9
 - turn signal lens 6-3, 13-3
 - T-wrench tool 17-5
- U**
- U-bolt 5-13
 - unitized transaxle 11-3
 - upper delta clevis 5-9
 - urethane bushing 5-9, 5-13
- V**
- valve
 - choke 8-11
 - exhaust 7-9
 - fuel pickup tube 8-5
 - intake 7-9
 - reed 7-9
 - valve clearance adjuster screw 17-9
 - valve guide 7-9
 - valve guide driver tool 17-9
 - valve guide reamer 17-9
 - valve guide, intake 7-9
 - valve seat 7-7
 - valve seat cutter 17-5, 17-11
 - valve seat cutter guide 17-11
 - valve seat cutter tool 17-5
 - valve seat t-wrench 17-11
 - valve spring 7-9
 - valve spring compressor 17-11
 - valve spring retainer 7-9
 - valve stem 2-5
 - vent barb 8-3, 8-5
 - vertical socket dust seal 5-9
 - volt ohm meter 17-11
 - voltage regulator 6-21
 - voltage suppressor 16-7, 16-9, 16-11

INDEX

W

warning light, low oil 1-31
washer, insulating 14-5
wedge, bearing puller 17-3
weight
 clutch 10-3
 counterbalance 7-13
 secondary clutch 10-3
weldment
 bag rack 1-49
 press 17-5
 rear seat hip 1-37, 1-39
 seat frame 1-35
 shock and rack mount 5-9
wheel 2-5
wheel cover, chrome 2-3
wheel cover, gold 2-3
wheel, steering 5-5
windshield brace 1-11
windshield channel 1-5
windshield frame pad 1-11
windshield hinge 1-5
windshield kit, folding 1-5
windshield kit, rear 1-7
windshield, folding, lower 1-5
windshield, folding, upper 1-5
windshield, rear 1-7
wire harness 6-19, 8-3, 13-17
woodruff key 11-3
wrap, tie 1-29, 1-31, 4-9, 6-21, 6-25, 6-27, 13-19
wrench, spanner 17-9

Y

yoke, gear 17-7



Club Car, Inc.
P.O. Box 204658
Augusta, GA 30917-4658
USA

Web www.clubcar.com
Phone 1.706.863.3000
1.800.ClubCar
Int'l +1 706.863.3000
Fax 1.706.863.5808