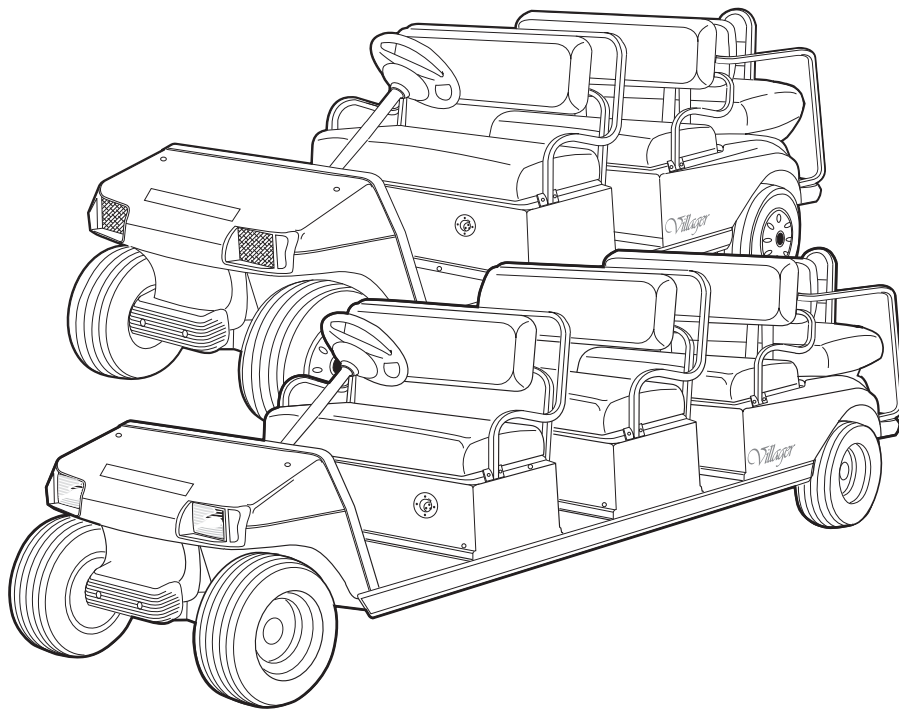




**2011**  
**Villager 6 and 8**  
**Illustrated Parts List**



**Gasoline and Electric Vehicles**

Manual Number 103814605  
Edition Code \_A



# USING THE ILLUSTRATED PARTS LIST

---

## **⚠ WARNING**

- **This manual is to be used only for identification and ordering of service parts. Be sure to read and use the maintenance and service manual before attempting any vehicle repairs.**

This manual covers all Villager 6 and 8 vehicles built during the 2011 model year.

The manual is divided into sections. Note that there are two or three flags on the outside edge of each page. The first flag contains the section number of which that page is a part. The other flag (or flags) contains the letter G or E, signifying that the page pertains to the electric or gasoline vehicles only.

Use the Table of Contents to find the sections and pages that contain the parts and assemblies you seek. The Table of Contents lists section numbers, and under them, the individual page titles and numbers to be found in that section. The index can be used to find specific parts and assemblies. The index is divided into numerical and alphabetical listings with the page numbers in italic text.

There is a two-page spread for each individual page title in the Table of Contents. On the left-hand page is an illustration showing the parts in their relative positions; the parts are each tagged with an item number in a balloon. The right-hand page is the parts list page, and gives the page title at the top, then the item numbers (corresponding to the numbers on the illustration), part descriptions, and quantity of parts used.

Note that a part description may be indented. This indention corresponds to a parts assembly level indicated by the numbers 1, 2, 3, and 4 at the top left corner of the parts description area of the parts list page. A part that is indented to *level 2* is a component of the *level 1* part (assembly) that it is listed under. A *level 3* part is a component of the *level 2* part that it is listed under, and a *level 4* part is a component of the *level 3* part preceding it. In each case, the part quantity given for a level 2, 3, or 4 part is the quantity used per next higher level assembly of which it is a component. A part that is not indented is a *level 1* part. This means that the quantity given is the quantity used per the portion of the vehicle illustrated on that particular spread.



**P. O. Box 204658**  
**Augusta, Georgia 30917-4658 USA**  
**Telephone 706-863-3000**  
**Service Parts Fax 706-855-7413**  
**[www.clubcar.com](http://www.clubcar.com)**

## HOW TO ORDER PARTS

Replacement parts and accessories can be obtained from our network of authorized dealers and distributors. You can obtain the name and phone number of your closest authorized Club Car dealer or distributor by visiting our web site at [www.clubcardealer.com](http://www.clubcardealer.com), by calling our toll-free Service Parts and Technical Assistance hotline at (800) 872-2246 or (706) 863-3000, extension 3887, or by scanning this Quick Response (QR) code to be taken to the Club Car dealer locator. **Refer to Figure 1.** Download a QR code reader such as RedLaser or Barcode Scanner to your cell phone or tablet.



Figure 1 Dealer Locator QR Code

## CUSTOMER SATISFACTION SURVEY

Let your voice be heard!

Please take time to participate in the Technical Publications satisfaction survey. Obtaining feedback from our customers is important to the department's continuous improvement process. The online survey takes less than five minutes and responses will help the department to examine current performance as well as identify areas for future improvement.

Our top priority is to provide timely, accurate, and user friendly manuals.

The online satisfaction survey can be found at: <http://bit.ly/1w9uFMh>



Figure 2 Survey QR Code

**NOTE:** *This illustrated parts list represents the most current information at the time of publication. Club Car, LLC is continually working to further improve its vehicles and other products. These improvements may affect the parts used to service the vehicle. Any modification and/or significant change in specifications will be forwarded to all Club Car and Carryall distributors/dealers and will, when applicable, appear in future editions of this illustrated parts list.*

*Club Car, LLC reserves the right to change specifications and designs at any time without notice and without the obligation of making changes to units previously sold.*

Copyright © 2010 Club Car, LLC  
Club Car and ArmorFlex  
are registered trademarks of Club Car, LLC.  
This manual effective August 1, 2010.

# CONTENTS

## SECTION 1 – BODY AND TRIM

Front Body and Trim – Turf, Utility, & Transportation .....	1-3
Splash Guard – Gasoline Vehicles Only .....	1-5
Dash Pockets and Floormat .....	1-7
Floormat, Rear – Villager & Transportation Vehicles .....	1-9
Beverage Holder – Dual .....	1-11
Mirror, Rear-View – without Cab .....	1-13
Grommets, Chassis .....	1-15
Front and Center Seat Bottoms .....	1-17
Seat Back Assembly .....	1-19
Armrests, Front – Villager 6 & 8 Vehicles .....	1-21
Windshield, Hinged .....	1-23
Windshield, Non-Hinged .....	1-25
Center Body – Villager 6 Gasoline Vehicle .....	1-27
Center Body – Villager 6 IQ Plus Vehicle .....	1-29
Center Bodies – Villager 8 Gasoline Vehicle .....	1-31
Center Bodies – Villager 8 IQ Plus Vehicle .....	1-33
Rear, Forward-Facing Seat Bottom .....	1-35
Armrests, Rear, Forward-Facing – Villager 6 & 8 Vehicles .....	1-37
Rear Body and Fender – Villager 6 & 8 .....	1-39
Heat Shield, Transporter, Vill 6 & 8, XRT800/850 Rear Body – Gas .....	1-41
Battery Insulator, Transporter, Vill 6 & 8, XRT850 Rear Body – Electric .....	1-43
Rear Access Door .....	1-45
Rear-Facing Seat Bottom – Villager Vehicles .....	1-47
Rear Footrest, Armrests and Handrails – DS Villager 4, Villager 6 and 8 .....	1-49
Canopy Kit, White – Vill. 6 with Rear-Facing Seats .....	1-51
Canopy Kit, Beige – Vill. 6 with Rear-Facing Seats .....	1-53
Canopy Kit, White – Vill. 6 with Flat Bed .....	1-55
Canopy Kit, Beige – Vill. 6 with Flat Bed .....	1-57
Canopy Kit, White – Vill. 8 with Rear-Facing Seats .....	1-59
Canopy Kit, Beige – Vill. 8 with Rear-Facing Seats .....	1-61
Canopy Kit, White – Vill. 8 with Flat Bed .....	1-63
Canopy Kit, Beige – Vill. 8 with Flat Bed .....	1-65

## SECTION 2 – WHEELS AND TIRES

Wheels (Beige) and Tires .....	2-3
Wheels (White) and Tires .....	2-5
Wheel Covers .....	2-7

# CONTENTS

---

## SECTION 3 – DECALS

---

Decals – Villager 6 Gas and IQ Plus .....	3-3
Decals – Villager 6 IQ Plus Vehicle Only .....	3-5
Decals – Villager 6 Gasoline Vehicle Only .....	3-7
Decals – Villager 8 Gas and IQ Plus .....	3-9
Decals – Villager 8 IQ Plus Vehicle Only .....	3-11
Decals – Villager 8 Gasoline Vehicle Only .....	3-13
Badging Decals – Villager .....	3-15
IQ Plus Logo Decal – IQ Plus Vehicles Only .....	3-17

---

## SECTION 4 – LIGHTS, CONTROLS, AND INDICATORS

---

Headlights .....	4-3
Lighting System Components – Transportation Gasoline Vehicles .....	4-5
Lighting System Components – CA 6 and Vill. 6 Elec. with IQ Plus Charger .....	4-7
Lighting System Components – Villager 8 Elec. with IQ Plus Charger .....	4-9
Turn Signal Kit – DS and Utility Gasoline and Electric Vehicles .....	4-11
Turn Signal (with Horn Button) Kit – DS and Utility Gas and Electric Vehicles .....	4-13
Instrument Panel and Electrical Components – CA6/Vill 6 & 8 Gas .....	4-15
Instrument Panel with Electrical Components – CA6/Vill 6/8 Elec. w/Lester Charger .....	4-17
Keys and Keyswitches, SmartKey Kit – Electric Vehicle .....	4-19
Keys and Keyswitches, Uncommon – Gas Vehicle .....	4-21
DC Converter (Isolated) – Electric Vehicle .....	4-23
DC Converter (Isolated) – CE Electric Vehicle .....	4-25
Voltage Limiter – Gasoline Vehicle .....	4-27
Strobe Light, Roof-Mounted .....	4-29
Horn with Column-Mounted Button .....	4-31
Hour Meter – IQ System and IQ Plus Electric Vehicles .....	4-33
Rear Reverse Buzzer .....	4-35
Tail Lights .....	4-37

---

## SECTION 5 – BRAKES, PEDALS, AND CABLES

---

Brake Pedal Assembly .....	5-3
Accelerator Pedal Assembly – Electric Vehicles with MCOR .....	5-5
Accelerator Pedal Assembly – Gasoline Vehicles .....	5-7
Accelerator Rod – Turf/CA 6 & Villager 6 Gas Vehicles .....	5-9
Accelerator Rod – Villager 8 Gas Vehicles .....	5-11
Front Brake Assembly – Vehicles with Four-Wheel Brakes .....	5-13
Front Brake Cables and Equalizer – Vehicles with Four-Wheel Brakes .....	5-15

# CONTENTS

---

Rear Brake Cables and Equalizer – Turf/Carryall 6 & Villager 6 .....	5-17
Rear Brake Cables and Equalizer – Villager 8 .....	5-19
Rear Brake Assembly, Manually-Adjusted – Vehicles with 4-Wheel Brakes .....	5-21

## SECTION 6 – STEERING AND SUSPENSIONS

---

Steering Gear Assembly (Wanda) – Maint.-Free Ball Joint .....	6-3
Steering Column – Utility .....	6-5
Intermediate Steering Shaft (Wanda) – Turf/CA/Villager .....	6-7
Steering Wheel .....	6-9
Steering Wheel with Clip .....	6-11
Front Spindles and Hubs – Vehicles with Four-Wheel Brakes and Maintenance-Free Ball Joints .....	6-13
Front Suspension, Upper – Villager 6 and 8 with Maintenance-Free Ball Joints .....	6-15
Front Suspension, Lower – Villager 6 with Maintenance-Free Ball Joints .....	6-17
Front Suspension, Lower – Villager 8 with Maintenance-Free Ball Joints .....	6-19
Rear Suspension – Turf/CA 2, 2 Plus, 6, and Villager Gasoline .....	6-21
Rear Suspension – Turf/CA 2, 6, and Villager IQ Plus Electric .....	6-23
Stabilizer Bar – Turf/CA 2, 2 Plus, 6, and Villager Gas .....	6-25

## SECTION 7 – ELECTRICAL SYSTEM – CARBURETED GASOLINE VEHICLES

---

Wiring – Carryall 6 and Villager 6 Gas with AMD Starter Gen .....	7-3
Wiring – Villager 8 Gas with AMD Starter Gen .....	7-5
Starter/Generator Assembly (Key-Start), Model 114-04-4001A .....	7-7
Starter/Generator Mounting – 114-0x-400xx Models .....	7-9
Operation and Maintenance Switch .....	7-11
Electrical Component Box – Carryall 6 and Villager 6/8 .....	7-13
Battery – Gasoline Utility Vehicles .....	7-15

## SECTION 8 – ENGINE (S27) W/O ACR, 50-STATE

---

FE350 Engine (S27) w/o ACR, Shrouds, and Brackets; 50-State .....	8-3
FE350 Engine (S27) – Ignition Components and Flywheel .....	8-5
FE350 Engine (S27) – Oil Circulation .....	8-7
FE350 Engine (S27) – Cylinder Head .....	8-9
FE350 Engine (S27) – Crankcase, Camshaft, and Oil Sensor .....	8-11
FE350 Engine (S27) – Crankcase and Crankshaft .....	8-13
FE350 Engine (S27) – Mounting .....	8-15

## SECTION 9 – FUEL, INTAKE, AND GOVERNOR SYSTEM

---

Fuel System and Tank without Sending Unit .....	9-3
---	-----

# CONTENTS

---

Fuel System and Tank with Sending Unit .....	9-5
Carbon Canister – To Mid-2011 Model Year .....	9-7
Carbon Canister – From Mid-2011 Model Year .....	9-9
Carburetor Assembly – FE350 S27 .....	9-11
Carburetor Mounting, Utility, FE350 S27 .....	9-13
Governor and Accelerator Cables .....	9-15
Air Intake Duct and Choke Cable – Villager 6 .....	9-17
Air Intake Duct and Choke Cable – Villager 8 .....	9-19
Air Filter and Intake Hose .....	9-21

## **SECTION 10 – EXHAUST SYSTEM**

---

Exhaust System – FE350 Engine .....	10-3
-------------------------------------	------

## **SECTION 11 – DRIVE BELT AND CLUTCHES – CARBURETED GASOLINE VEHICLES**

---

Drive Belt .....	11-3
Drive Clutch – Carryall 2 Plus and Villager 6/8 .....	11-5
Driven Clutch .....	11-7

## **SECTION 12 – UNITIZED TRANSAXLE – GASOLINE VEHICLES**

---

Forward/Reverse Shifter .....	12-3
Shifter Cable – Turf/CA 6 and Villager 6 .....	12-5
Shifter Cable – Villager 8 .....	12-7
Kawasaki Transaxle – Gear Cases and Brackets .....	12-9
Kawasaki Transaxle – F&R Transmission and Gear Reduction .....	12-11
Kawasaki Transaxle – Differential and Axles .....	12-13
Graziano Transaxle – Gear Cases and Levers .....	12-15
Graziano Transaxle – F&R Transmission and Gear Reduction .....	12-17
Graziano Transaxle -Differential and Axles .....	12-19
Differential Guard – Gasoline Vehicle .....	12-21

## **SECTION 13 – ELECTRICAL SYSTEM, ELECTRIC VEHICLES – TO EARLY-2011 MODEL YEAR**

---

Motor Controller Output Regulator (MCOR) .....	13-3
Wiring – Villager 6 IQ Plus Electric – To Early-2011 Model Year .....	13-5
Wiring – Villager 8 IQ Plus Electric – To Early-2011 Model Year .....	13-7
Battery Charger Receptacle – To Early-2011 Model Year .....	13-9
Tow/Run Switch – IQ Plus Vehicles .....	13-11
Batteries, 6-Volt, Standard Duty, JCI .....	13-13
Batteries, 6-Volt, Heavy Duty, Crown .....	13-15



# CONTENTS

---

Batteries, 6-Volt, Standard Duty, U.S. Battery .....	13-17
Batteries, 6-Volt, Heavy Duty, U.S. Battery .....	13-19
Computer, Controller, and Solenoid – for JCI & Crown Batteries – To Early-2011 Model Year .....	13-21
Computer, Controller, and Solenoid – for U.S. Battery Only – To Early-2011 Model Year .....	13-23
Ferrite Beads, CE .....	13-25

## **SECTION 14 – ELECTRICAL SYSTEM, ELECTRIC VEHICLES – FROM EARLY-2011 MODEL YEAR**

---

Motor Controller Output Regulator (MCOR) .....	14-3
Wiring – Villager 6 IQ Plus Electric – From Early-2011 Model Year .....	14-5
Wiring – Villager 8 IQ Plus Electric – From Early-2011 Model Year .....	14-7
Battery Charger Receptacle – From Early-2011 Model Year .....	14-9
Tow/Run Switch – IQ Plus Vehicles .....	14-11
Batteries, 6-Volt, Standard Duty, JCI .....	14-13
Batteries, 6-Volt, Heavy Duty, Crown .....	14-15
Batteries, 6-Volt, Standard Duty, U.S. Battery .....	14-17
Batteries, 6-Volt, Heavy Duty, U.S. Battery .....	14-19
Computer, Controller, and Solenoid – for JCI & Crown Batteries – From Early-2011 Model Year .....	14-21
Computer, Controller, and Solenoid – for U.S. Battery Only – From Early-2011 Model Year .....	14-23
Ferrite Beads, CE .....	14-25

## **SECTION 15 – MOTOR (MODEL DA5-4006) – IQ PLUS**

---

Motor (Model DA5-4006) – IQ Plus .....	15-3
--	------

## **SECTION 16 – TRANSAXLE – ELECTRIC VEHICLES**

---

Transaxle – Electric Vehicles .....	16-3
Differential Guard – Electric Vehicles .....	16-5

## **SECTION 17 – BATTERY CHARGERS – TO EARLY-2011 MODEL YEAR**

---

IQ Plus Battery Charger (Models 25730-11,-18,-19), Domestic .....	17-3
IQ Plus Battery Charger (Models 25880-11 and -18), International .....	17-5
Onboard IQ Plus Battery Charger (Model 25260-11), Domestic .....	17-7
Onboard IQ Plus Battery Charger (Model 25660-40), International .....	17-9
Onboard IQ Plus Charger and Cord Reel Mounting – To Early-2011 Model Year .....	17-11

## **SECTION 18 – BATTERY CHARGERS – FROM EARLY-2011 MODEL YEAR**

---

IQ Plus Battery Charger (Models 25730-11,-18,-19), Domestic .....	18-3
IQ Plus Battery Charger (Models 25880-11 and -18), International .....	18-5
Onboard IQ Plus Battery Charger (Model 25260-50), Domestic .....	18-7

# CONTENTS

---

Onboard IQ Plus Battery Charger (Model 25660-50), International .....	18-9
Onboard IQ Plus Charger and Cord Reel Mounting – From Early-2011 Model Year .....	18-11

## **SECTION 19 – MAINTENANCE AND SERVICE TOOLS**

---

Maintenance and Service Tools .....	19-3
Maintenance and Service Tools, Continued .....	19-5
Maintenance and Service Tools, Continued .....	19-7
Maintenance and Service Tools, Continued .....	19-9
Maintenance and Service Tools, Continued .....	19-11

## **SECTION i – INDEX**

---

# BODY AND TRIM

---

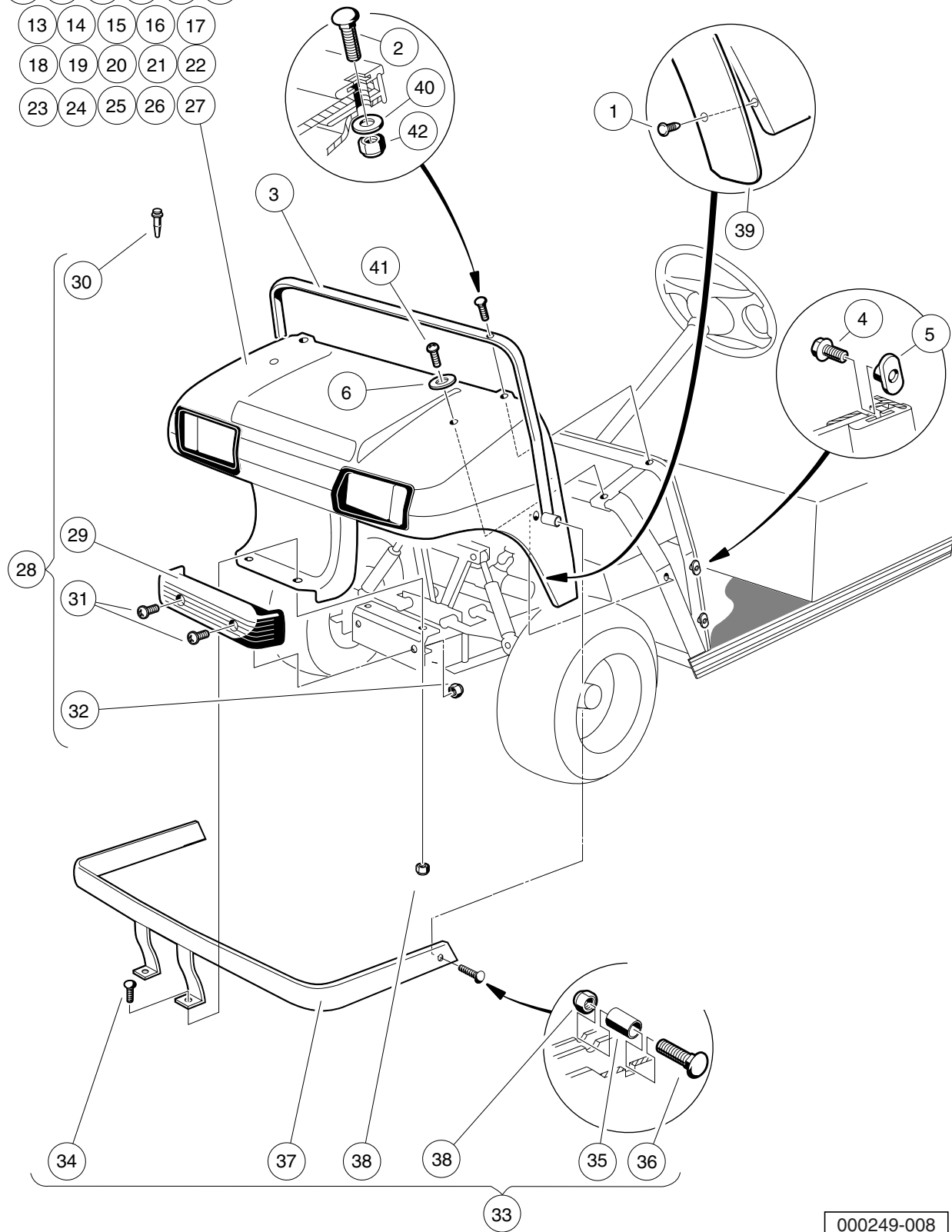
1

G

E

**1**  
**G**  
**E**

- 7 8 9 10 11 12
- 13 14 15 16 17
- 18 19 20 21 22
- 23 24 25 26 27



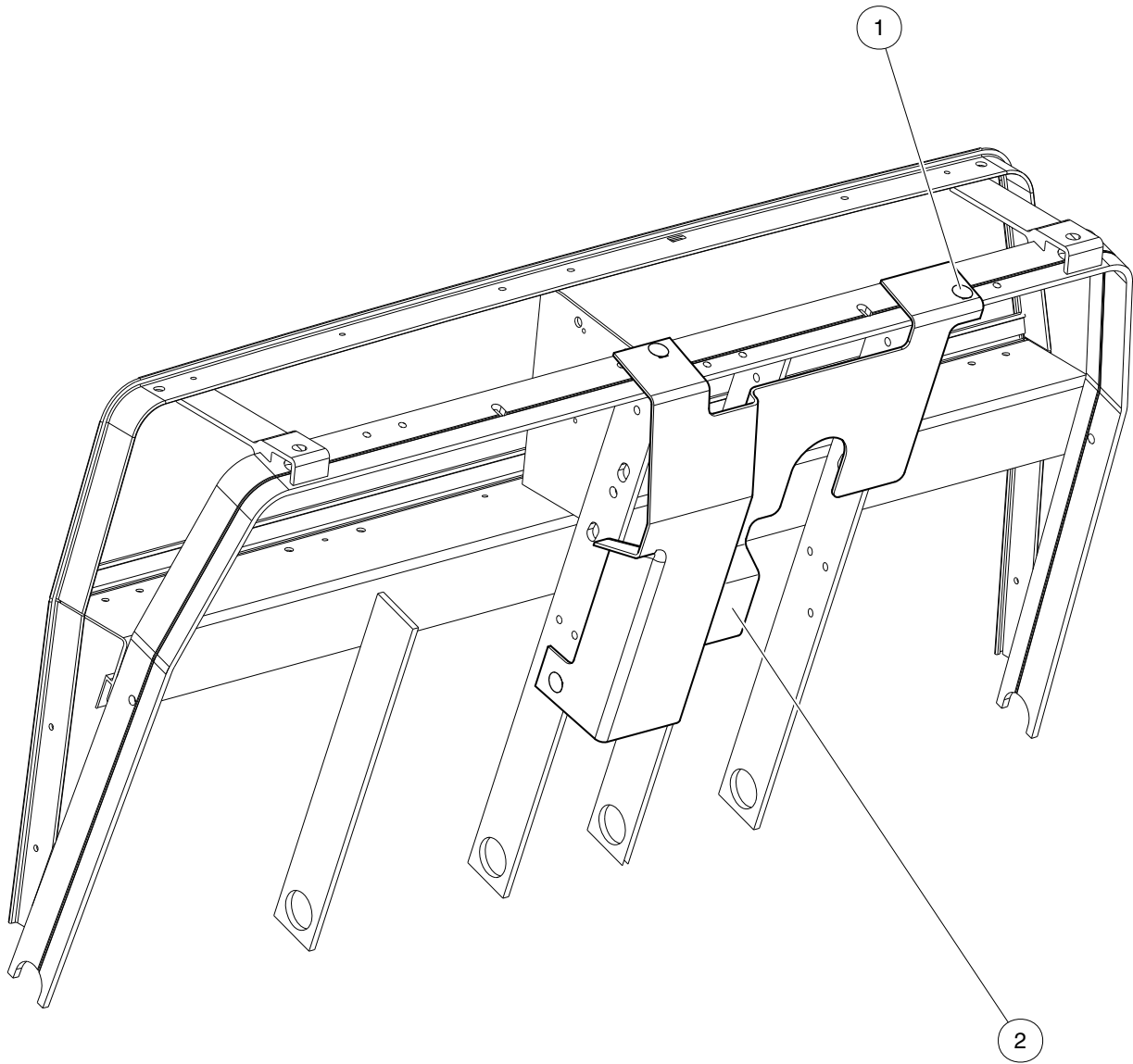
000249-008

# FRONT BODY AND TRIM – TURF, UTILITY, & TRANSPORTATION

ITEM	PART NO.	DESCRIPTION	QTY
		1 2 3 4	
1	<u>1010434</u>	Barrel - Plastic .....	12
2	<u>1010435</u>	Bolt, Carriage, 5/16-18 X 1.00 .....	2
3	<u>1011014</u>	Trim, Cowl .....	1
4	<u>1011017</u>	Screw, #8-32 X 0.375 .....	6
5	<u>1011394</u>	T-Nut Package (Set of 4) .....	1
6	<u>1015075</u>	Washer, 5/16 Flat Type A .....	2
7	<u>101692501</u>	Cowl, TPO, Beige .....	1
8	<u>101692502</u>	Cowl, TPO, White .....	1
9	<u>101692504</u>	Cowl, Tpo -gray .....	1
10	<u>101692506</u>	Cowl, TPO, Red .....	1
11	<u>101692509</u>	Cowl, TPO, Pacific Blue (Royal Blue) .....	1
12	<u>101692510</u>	Cowl, TPO, Dark Green .....	1
13	<u>101692511</u>	Cowl, TPO, Black .....	1
14	<u>101692512</u>	Cowl, TPO, Classic Blue (Navy) .....	1
15	<u>101692513</u>	Cowl, TPO, Burgundy .....	1
16	<u>101692514</u>	Cowl, TPO, Dark Gray .....	1
17	<u>101692515</u>	Cowl, TPO, Safety Yellow .....	1
18	<u>101693901</u>	Cowl with Headlight Opening, TPO, Beige .....	1
19	<u>101693902</u>	Cowl with Headlight Opening, TPO, White .....	1
20	<u>101693904</u>	Cowl with Headlight Opening, TPO, Gray .....	1
21	<u>101693906</u>	Cowl with Headlight Opening, TPO, Red .....	1
22	<u>101693909</u>	Cowl with Headlight Opening, TPO, Dark Green .....	1
23	<u>101693910</u>	Cowl with Headlight Opening, TPO, Black .....	1
24	<u>101693911</u>	Cowl with Headlight Opening, TPO, Classic Blue (Navy) .....	1
25	<u>101693912</u>	Cowl with Headlight Opening, TPO, Burgundy .....	1
26	<u>101693913</u>	Cowl with Headlight Opening, TPO, Dark Gray .....	1
27	<u>101693914</u>	Cowl with Headlight Opening, TPO, Safety Yellow .....	1
28	<u>1017080</u>	Kit, Front Bumper (includes items 29 through 32) .....	1
29	<u>1016868</u>	Front Bumper .....	1
30	<u>1016967</u>	Blind Rivet, Push Type .....	2
31	<u>7251</u>	Screw, 5/16-18 x 1.0 Truss-Head .....	2
32	<u>7473</u>	Locknut, 5/16-18 Nylon Insert .....	2
33	<u>101734802</u>	Kit, Heavy-Duty Bumper (includes items 34 through 38) .....	1
34	<u>1010435</u>	Bolt, Carriage, 5/16-18 X 1.00 .....	2
35	<u>1010546</u>	Spacer .....	2
36	<u>1015405</u>	Bolt, Carriage, 5/16-18 X 2.0 .....	2
37	N/A	Weldment, Heavy Duty Bumper .....	1
38	<u>7473</u>	Locknut, 5/16-18 Nylon Insert .....	4
39	<u>101870401</u>	Fender Extrusion .....	2
40	<u>1241</u>	Washer, 5/16 Type A Flat .....	2
41	<u>7251</u>	Screw, 5/16-18 x 1.0 Truss-Head .....	2
42	<u>7473</u>	Locknut, 5/16-18 Nylon Insert .....	2

**1**  
**G**  
**E**

**1**  
**G**  
**E**



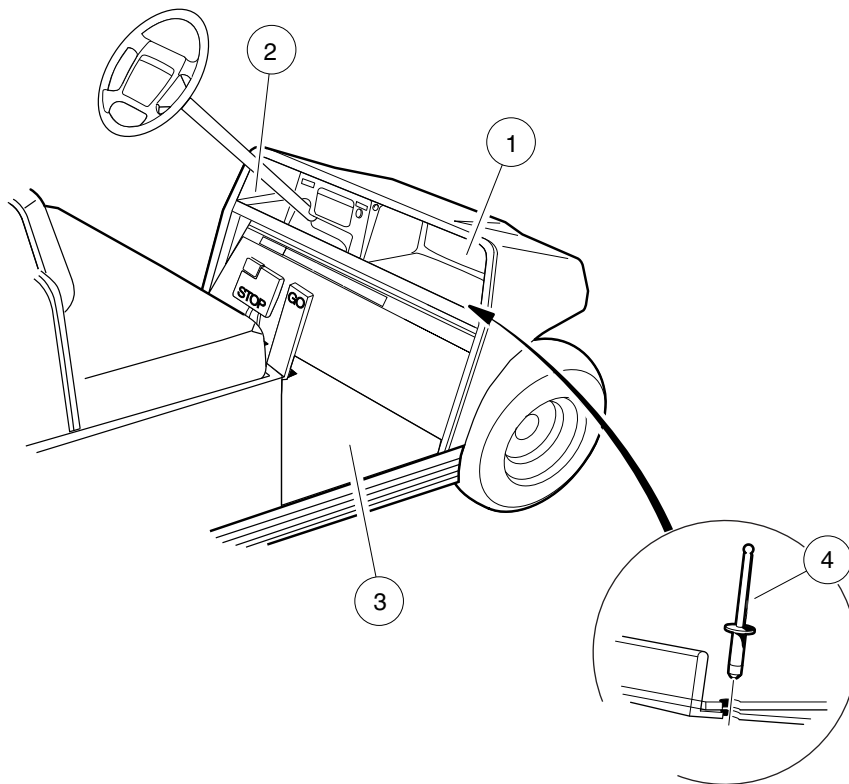
000593-002

# SPLASH GUARD – GASOLINE VEHICLES ONLY

ITEM	PART NO.	DESCRIPTION	QTY
1	<u>1010434</u>	1 2 3 4 Barrel - Plastic .....	3
2	<u>103174401</u>	Splash Guard .....	1

1  
G  
E

**1**  
**G**  
**E**



000252-002

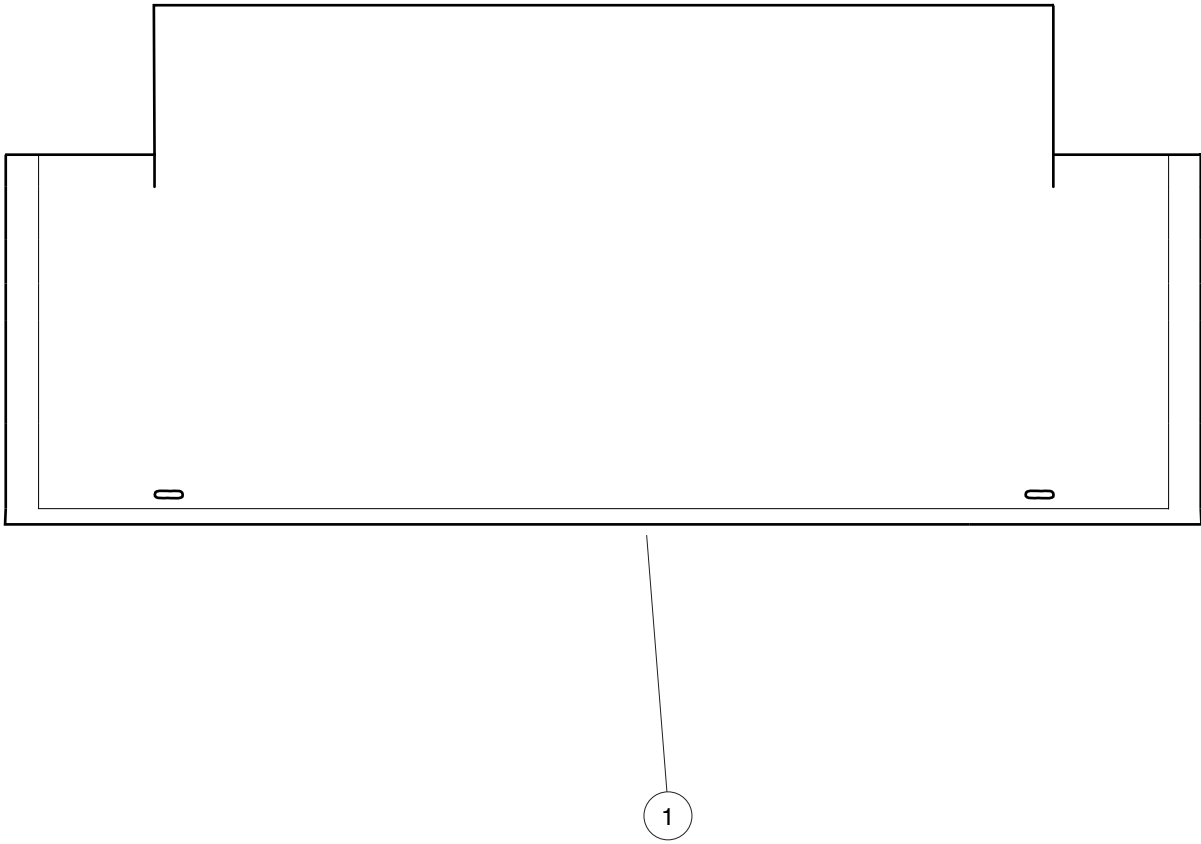


# DASH POCKETS AND FLOORMAT

ITEM	PART NO.	DESCRIPTION	QTY
		1 2 3 4	
1	<u>1013343</u>	Dash Component, Passenger-Side, Black .....	1
2	1013344	Dash Component, Driver-Side .....	1
3	<u>101503202</u>	Floormat .....	1
4	<u>7973</u>	Rivet, 3/16 X .400 Blind .....	5

1  
G  
E

**1**  
**G**  
**E**



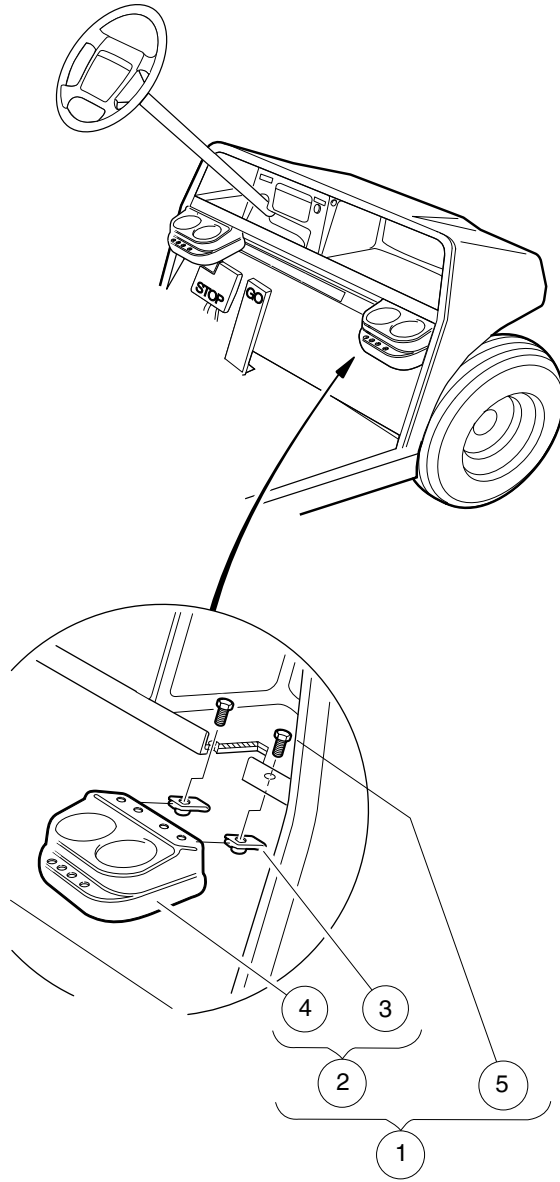
001281-001

# FLOORMAT, REAR – VILLAGER & TRANSPORTATION VEHICLES

ITEM	PART NO.	DESCRIPTION	QTY
1	<u>1017289</u>	1 2 3 4 Floormat, Rear, Limo/Villager/Transporter .....	A/R

**1**  
**G**  
**E**

**1**  
**G**  
**E**



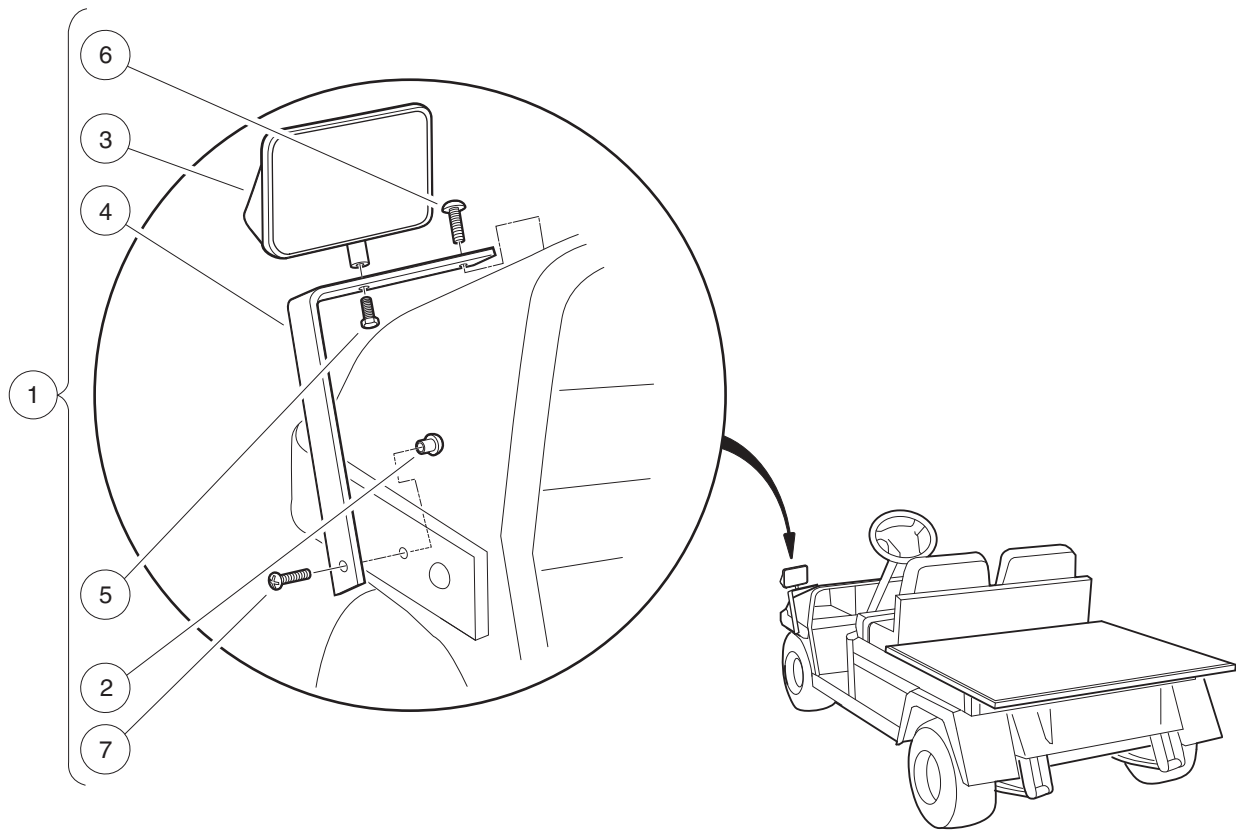
000253-002

# BEVERAGE HOLDER – DUAL

ITEM	PART NO.	DESCRIPTION	QTY
		1 2 3 4	
1	<u>101708301</u>	Drink Holder Kit (includes items 2 through 5) .....	2
2	<u>1016811</u>	Holder, Dual Cup (includes items 3 and 4) .....	1
3	1016952	U-Nut, 1/4-20 .....	2
4	N/A	Cup Holder, Dual .....	1
5	<u>7847</u>	Screw, 1/4-20 X 0.75 Hex-Head Cap .....	2

1  
G  
E

**1**  
**G**  
**E**



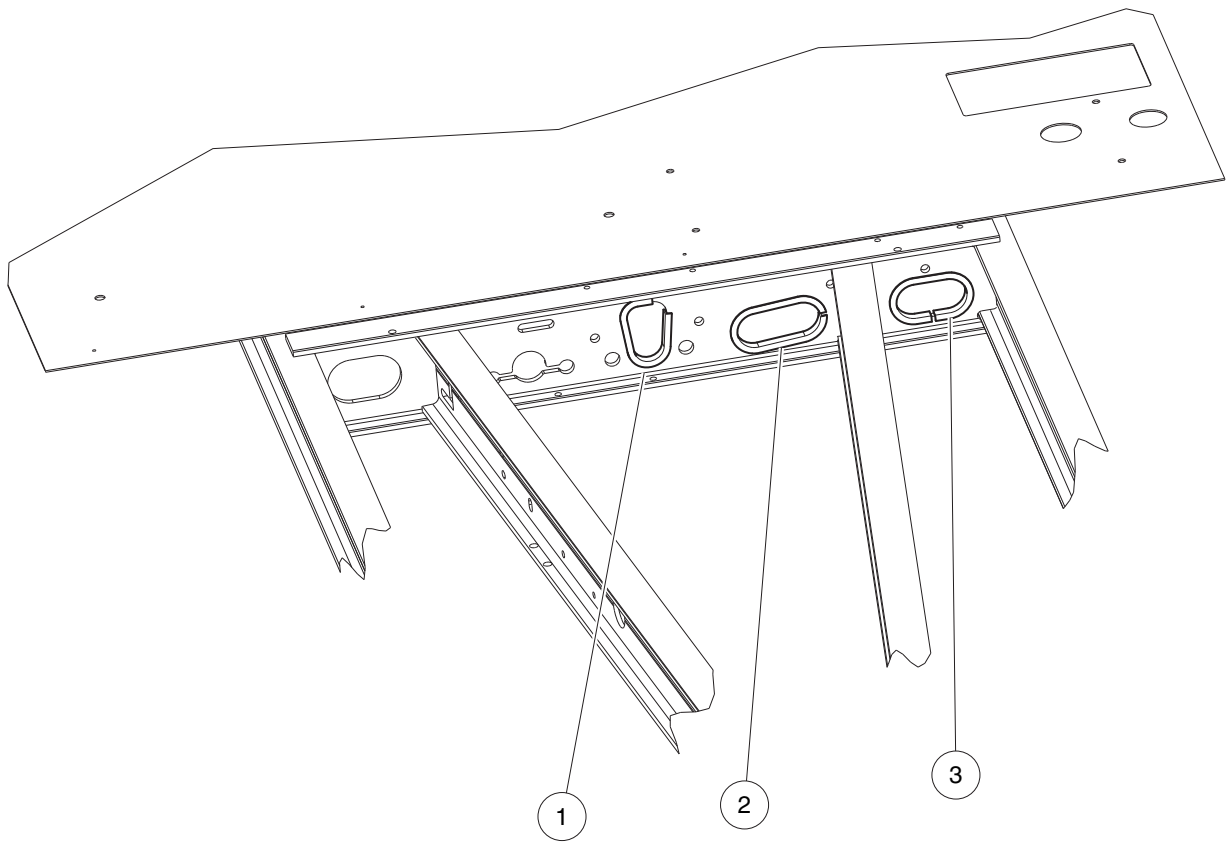
001211-001

## MIRROR, REAR-VIEW – WITHOUT CAB

ITEM	PART NO.	DESCRIPTION	QTY
		1 2 3 4	
1	<u>1013846</u>	Kit, Rear Mirror, West Coast (includes items 2 through 7) .....	1
2	1011878	T-nut, 1/4-20 X .310 Capped .....	1
3	1013824	Rear View Mirror .....	1
4	<u>1013825</u>	Mirror Mounting Bracket .....	1
5	<u>7173</u>	Screw, 5/16-18 X 0.75, Hex-Head Cap .....	1
6	<u>7251</u>	Screw, 5/16-18 x 1.0 Truss-Head .....	1
7	<u>8248</u>	Screw, 1/4-20 X 0.75, Truss-Head Machine .....	1
		Note: To install this kit, vehicle must be equipped with a heavy-duty front bumper.	

1  
G  
E

**1**  
**G**  
**E**



001221-001



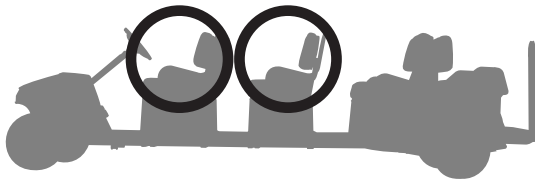
# GROMMETS, CHASSIS

ITEM	PART NO.	DESCRIPTION	QTY
		1 2 3 4	
1	<u>101806001</u>	I-beam Grommet - 5.5 .....	A/R
2	<u>101806002</u>	I-beam Grommet - 7.5 .....	A/R
3	<u>101806005</u>	I-beam Grommet - 6.75 .....	A/R

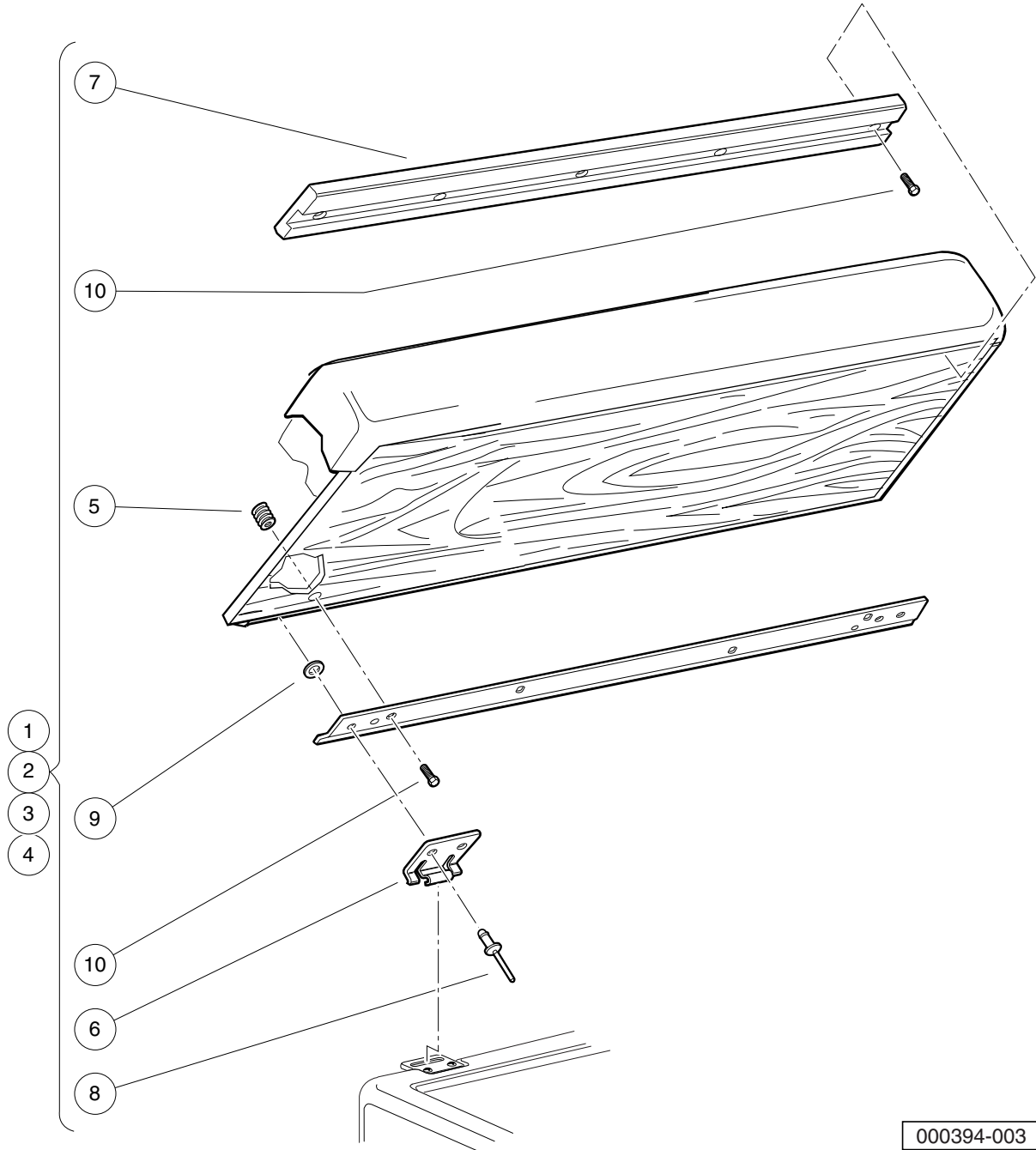
1  
G  
E

**1**  
**G**  
**E**

VILLAGER 8



VILLAGER 6

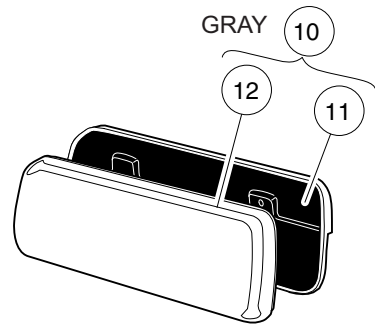
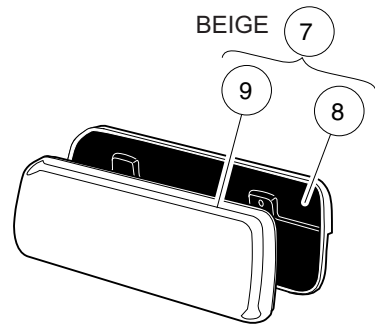
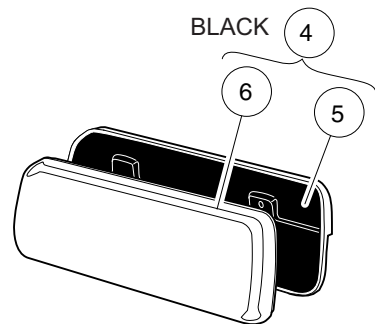
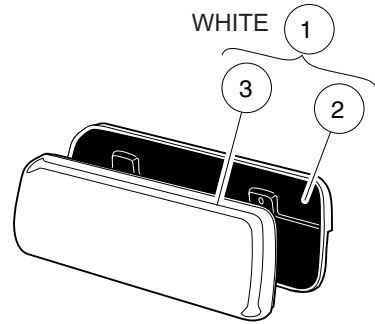


000394-003

## FRONT AND CENTER SEAT BOTTOMS

ITEM	PART NO.	DESCRIPTION	QTY	
		1 2 3 4		<b>1</b>
1	<u>101728201</u>	Seat Bottom Assembly, Front, White .....	1	<b>G</b>
2	<u>101728203</u>	Seat Bottom Assembly, Front, Beige .....	1	<b>E</b>
3	<u>101728210</u>	Seat Bottom Assembly, Front, Black .....	1	
4	<u>101728213</u>	Seat Bottom Assembly, Rear, Gray (includes items 5 through 10) .....	1	
5	1010543	Insert - Wood .....	8	
6	<u>1011652</u>	Hinge Plate .....	2	
7	<u>1013312</u>	Bumper, Seat, Long .....	1	
8	<u>101880901</u>	Rivet, 3/16, Stainless-Steel, Pop .....	4	
9	<u>101881701</u>	Washer, #8 Stainless-Steel Flat .....	4	
10	<u>101954301</u>	Screw, 1/4-20 X 0.75 Hex-Head Cap .....	8	

**1**  
**G**  
**E**



000608-001

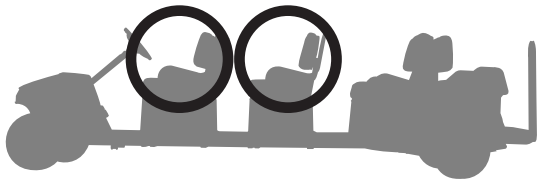
# SEAT BACK ASSEMBLY

ITEM	PART NO.	DESCRIPTION	QTY
		<b>1 2 3 4</b>	
1	<u>101677701</u>	Seat Back Assembly, White (includes items 2 and 3) .....	1
2	1016751	Cap, Seat Back .....	1
3	<u>101675512</u>	Vinyl Seat Back, White .....	1
4	<u>101677702</u>	Seat Back Assembly, Black (includes items 5 and 6) .....	1
5	1016751	Cap, Seat Back .....	1
6	<u>101675514</u>	Vinyl Seat Back, Black .....	1
7	<u>101677703</u>	Seat Back Assembly, Beige (includes items 8 and 9) .....	1
8	1016751	Cap, Seat Back .....	1
9	<u>101675511</u>	Vinyl Seat Back, Beige .....	1
10	<u>101677705</u>	Seat Back Assembly, Gray (includes items 11 and 12) .....	1
11	1016751	Cap, Seat Back .....	1
12	<u>101675515</u>	Vinyl Seat Back-nstd Svc .....	1

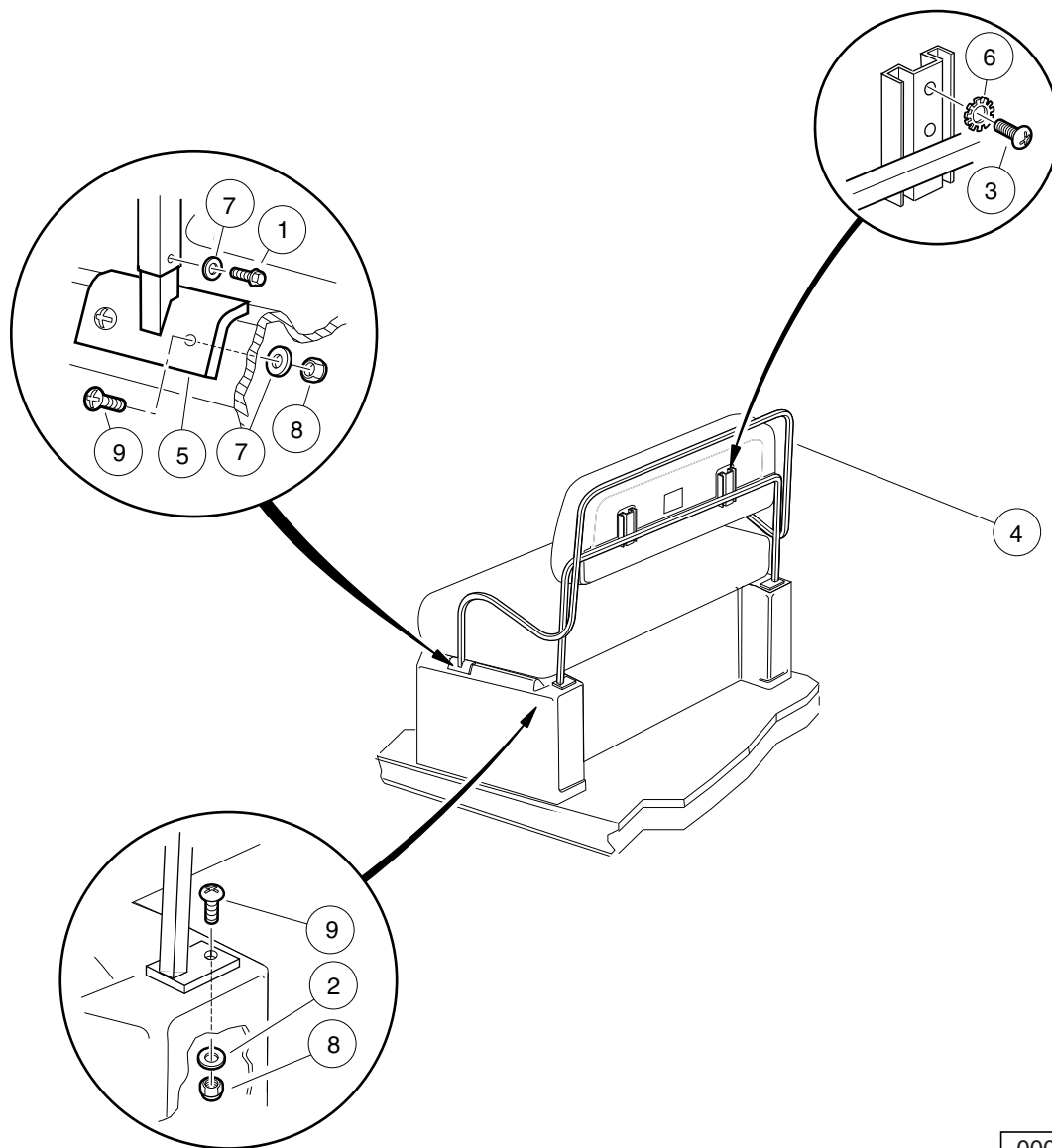
1  
G  
E

**1**  
**G**  
**E**

VILLAGER 8



VILLAGER 6



000396-003

## ARMRESTS, FRONT – VILLAGER 6 & 8 VEHICLES

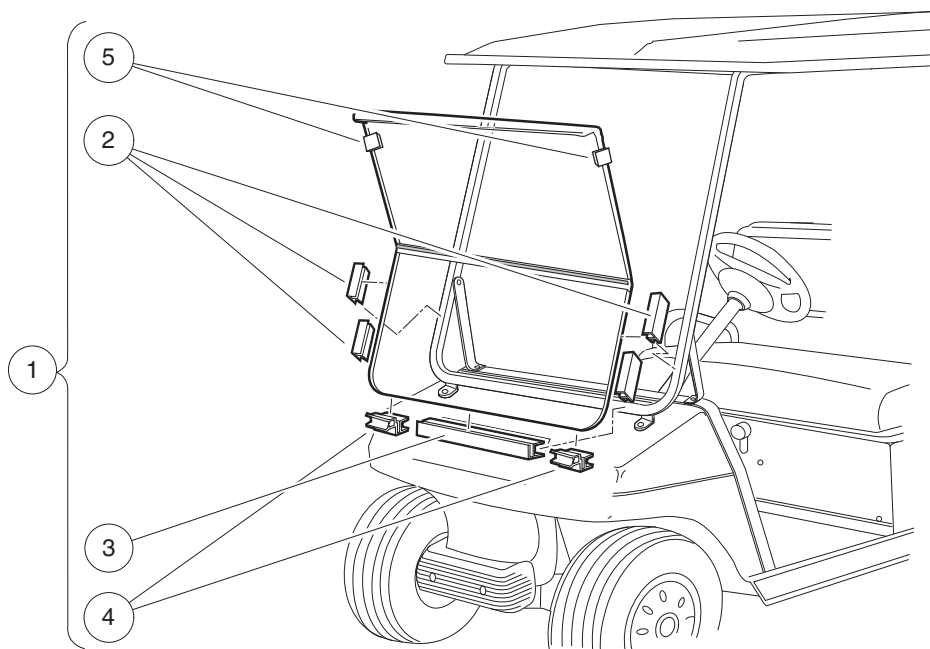
ITEM	PART NO.	DESCRIPTION	QTY
		1 2 3 4	
1	<u>1012285</u>	Screw, 1/4 X 0.625 Hex-Head .....	4
2	<u>1014306</u>	Washer, 1/4" Type B Flat .....	2
3	<u>1015902</u>	Screw, 1/4-20 X 1.25 Truss-Head .....	4
4	<u>1017259</u>	Armrest Weld Asm Front .....	1
5	<u>1017310</u>	Armrest Mounting Weldment .....	2
6	<u>101946201</u>	Washer, Lock, 0.250 External-Tooth .....	4
7	<u>332</u>	Washer, 1/4 Type A Narrow Flat .....	6
8	<u>8233</u>	Locknut, 1/4-20, Nylon Insert .....	6
9	<u>8251</u>	Screw, 1/4-20 X 1.0 Truss-Head Machine .....	6

**1**  
**G**  
**E**

1

G

E



001205-001



# WINDSHIELD, HINGED

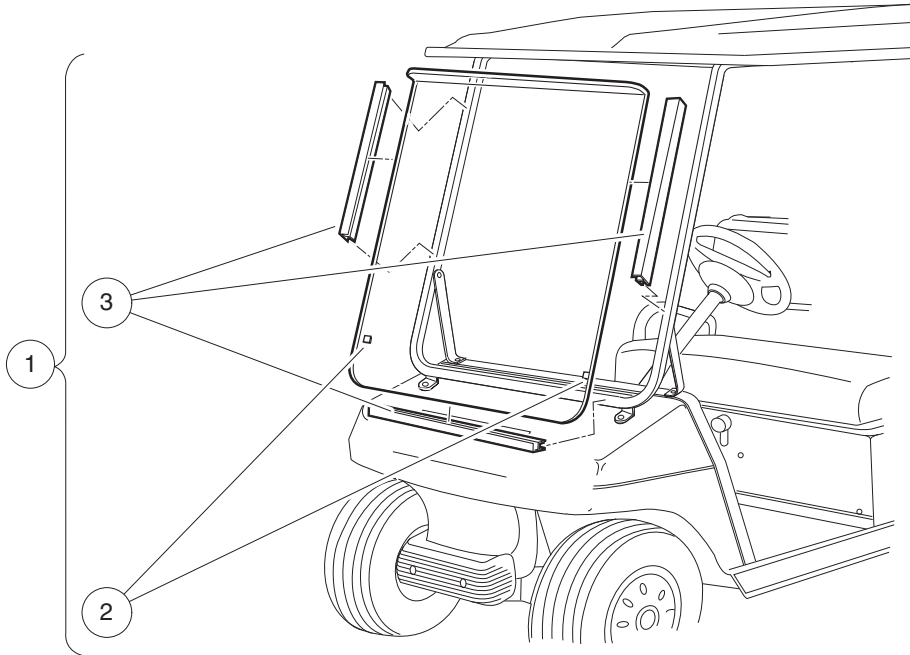
ITEM	PART NO.	DESCRIPTION	QTY
		1 2 3 4	
1	<u>101728602</u>	Hinged Windshield Kit (includes items 2 through 5) .....	1
2	<u>102005701</u>	5" Plastic Extrusion .....	4
3	<u>102163001</u>	Windshield Channel .....	1
4	<u>102163101</u>	Channel with Receiver Clip .....	2
5	N/A	Clip, Release .....	2

1  
G  
E

1

G

E



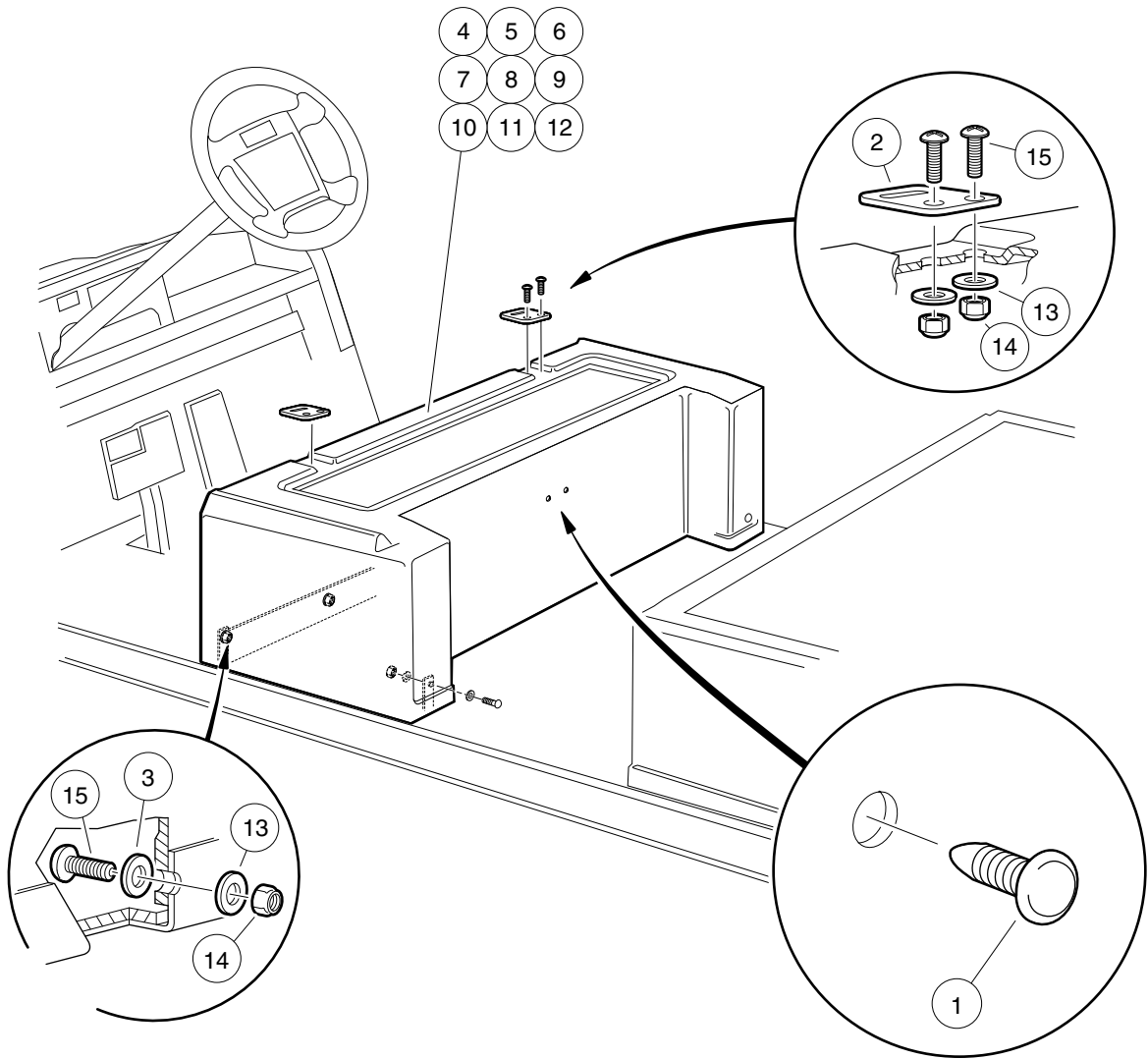
001204-001

# WINDSHIELD, NON-HINGED

ITEM	PART NO.	DESCRIPTION	QTY
		1 2 3 4	
1	1014435	Windshield Tinted One-Piece (includes items 2 and 3) .....	1
2	<u>1011897</u>	Bumper, Protective .....	2
3	<u>101444101</u>	21" Plastic Extrusion .....	3

1  
G  
E

**1**  
**G**  
**E**



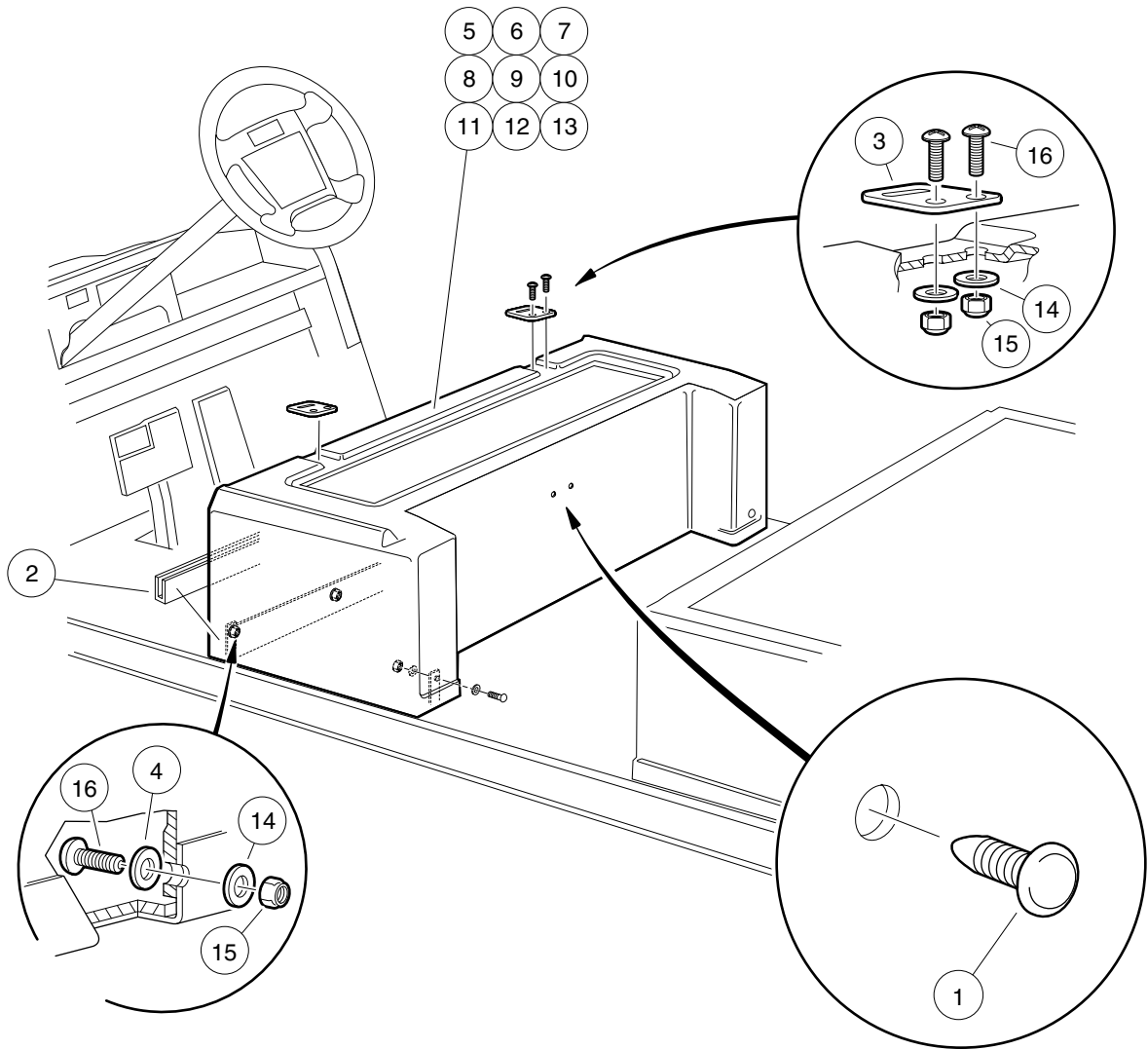
000389-004

## CENTER BODY – VILLAGER 6 GASOLINE VEHICLE

ITEM	PART NO.	DESCRIPTION	QTY
		1 2 3 4	
1	<u>1010434</u>	Barrel - Plastic .....	2
2	<u>1012412</u>	Body, Hinge Plate .....	2
3	<u>1012581</u>	Washer, 0.609-inch OD, Nylon Cup .....	6
4	<u>103274101</u>	Body, Center, Gas, Beige .....	1
5	<u>103274102</u>	Body, Center, Gas, Wht .....	1
6	<u>103274104</u>	Body, Center, Gas, Gray .....	1
7	<u>103274106</u>	Body, Center, Gas, Red .....	1
8	<u>103274108</u>	Body, Center, Gas, Pacific Bl .....	1
9	<u>103274109</u>	Body, Center, Gas, Dk Green .....	1
10	<u>103274110</u>	Body, Center, Gas, Black .....	1
11	<u>103274111</u>	Body, Center, Gas, C/blu .....	1
12	<u>103274112</u>	Body, Center, Gas, Burgundy .....	1
13	<u>332</u>	Washer, 1/4 Type A Narrow Flat .....	10
14	<u>8233</u>	Locknut, 1/4-20, Nylon Insert .....	10
15	<u>8251</u>	Screw, 1/4-20 X 1.0 Truss-Head Machine .....	10

**1**  
**G**  
**E**

**1**  
**G**  
**E**



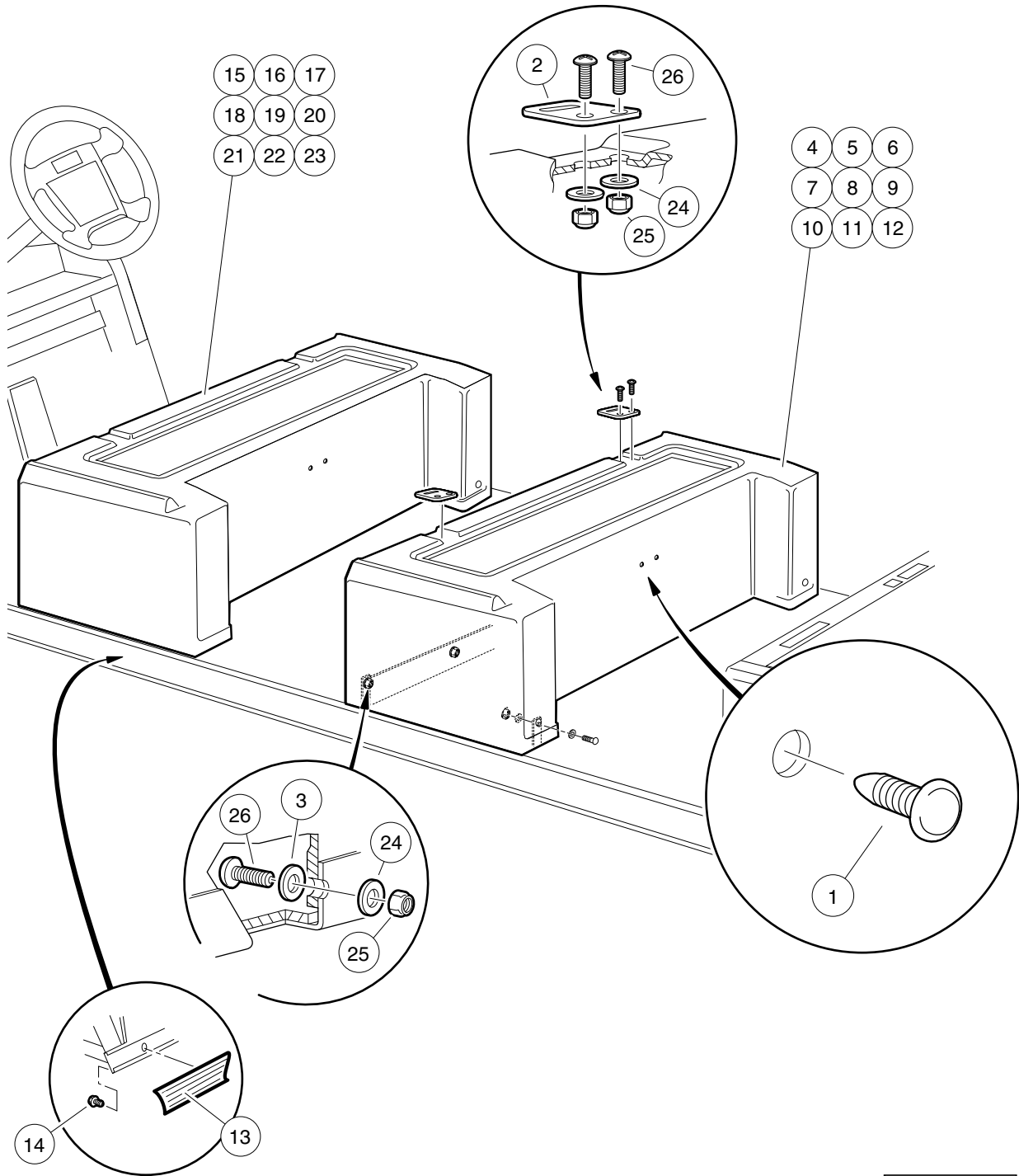
000389-005

## CENTER BODY – VILLAGER 6 IQ PLUS VEHICLE

ITEM	PART NO.	DESCRIPTION	QTY
		1 2 3 4	
1	<u>1010434</u>	Barrel - Plastic .....	2
2	<u>1010993</u>	Body Kick Plate .....	1
3	<u>1012412</u>	Body, Hinge Plate .....	2
4	<u>1012581</u>	Washer, 0.609-inch OD, Nylon Cup .....	4
5	<u>103274001</u>	Body, Center, Elec, Beige .....	1
6	<u>103274002</u>	Body, Center, Elec, Wht .....	1
7	<u>103274004</u>	Body, Center, Elec, Gray .....	1
8	<u>103274006</u>	Body, Center, Elec, Red .....	1
9	<u>103274008</u>	Body, Center, Elec, Pacific Bl .....	1
10	<u>103274009</u>	Body, Center, Elec, Dk Green .....	1
11	<u>103274010</u>	Body, Center, Elec, Black .....	1
12	<u>103274011</u>	Body, Center, Elec, C/blu .....	1
13	<u>103274012</u>	Body, Center, Elec, Burgundy .....	1
14	<u>332</u>	Washer, 1/4 Type A Narrow Flat .....	8
15	<u>8233</u>	Locknut, 1/4-20, Nylon Insert .....	8
16	<u>8251</u>	Screw, 1/4-20 X 1.0 Truss-Head Machine .....	8

**1**  
**G**  
**E**

**1**  
**G**  
**E**



000390-003

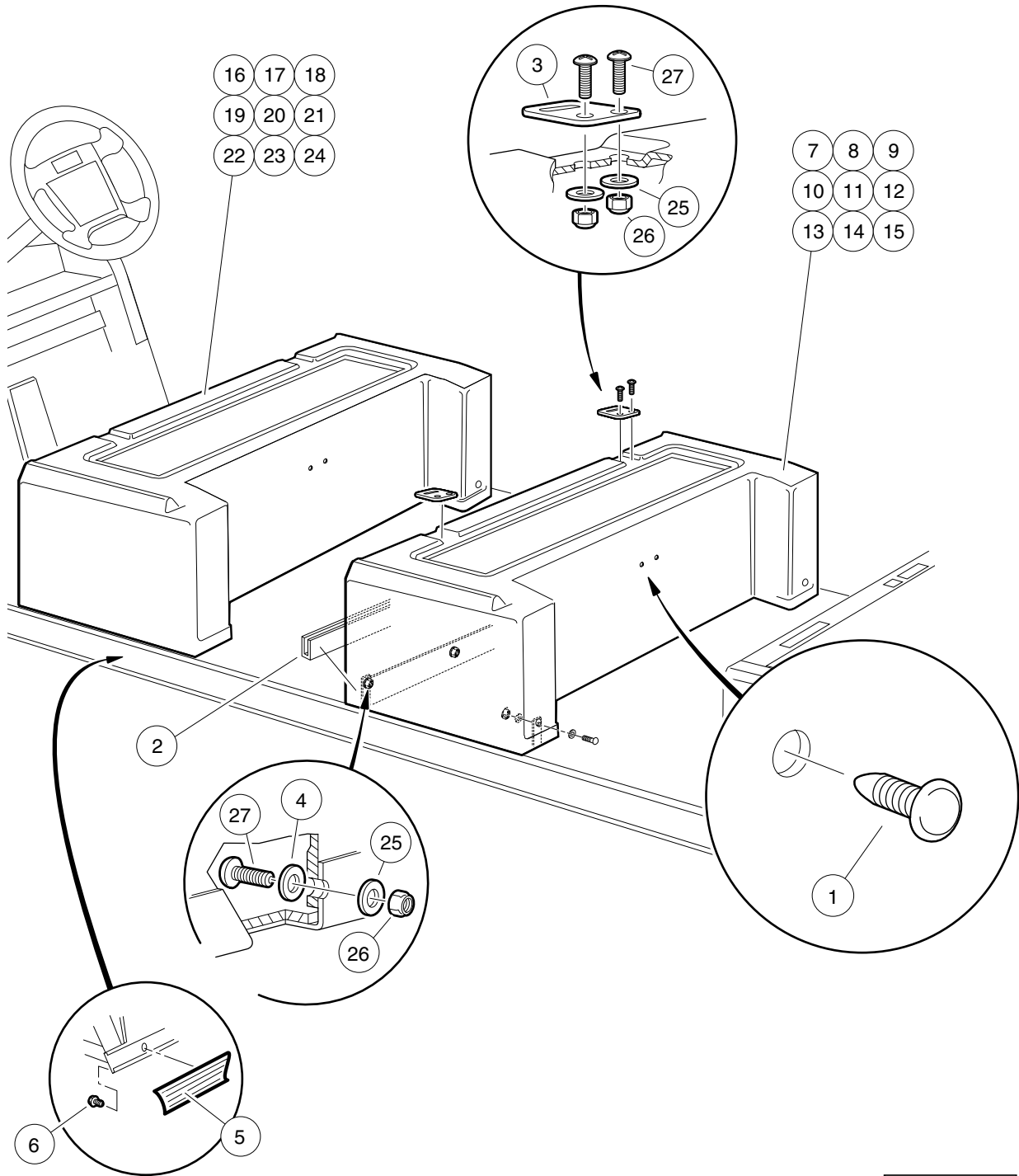


## CENTER BODIES – VILLAGER 8 GASOLINE VEHICLE

ITEM	PART NO.	DESCRIPTION	QTY
		1 2 3 4	
1	<u>1010434</u>	Barrel - Plastic .....	2
2	<u>1012412</u>	Body, Hinge Plate .....	2
3	<u>1012581</u>	Washer, 0.609-inch OD, Nylon Cup .....	6
4	<u>101788201</u>	Body, Beige, Center .....	1
5	<u>101788202</u>	Body, White, Center .....	1
6	<u>101788204</u>	Body, Gray, Center .....	1
7	<u>101788206</u>	Body, Red, Center .....	1
8	<u>101788208</u>	Body, Pacific Blue, Center .....	1
9	<u>101788209</u>	Body, Dark Green, Center .....	1
10	<u>101788210</u>	Body, Black, Center .....	1
11	<u>101788211</u>	Body, Classic Blue, Center .....	1
12	<u>101788212</u>	Body, Burgundy, Center .....	1
13	<u>101791901</u>	Bumper Guard Vinyl Trim .....	2
14	<u>102310701</u>	Screw, #8-18 x 0.375, Hex-Head Washer .....	8
15	<u>103274101</u>	Body, Center, Gas, Beige .....	1
16	<u>103274102</u>	Body, Center, Gas, Wht .....	1
17	<u>103274104</u>	Body, Center, Gas, Gray .....	1
18	<u>103274106</u>	Body, Center, Gas, Red .....	1
19	<u>103274108</u>	Body, Center, Gas, Pacific Bl .....	1
20	<u>103274109</u>	Body, Center, Gas, Dk Green .....	1
21	<u>103274110</u>	Body, Center, Gas, Black .....	1
22	<u>103274111</u>	Body, Center, Gas, C/blu .....	1
23	<u>103274112</u>	Body, Center, Gas, Burgundy .....	1
24	<u>332</u>	Washer, 1/4 Type A Narrow Flat .....	10
25	<u>8233</u>	Locknut, 1/4-20, Nylon Insert .....	10
26	<u>8251</u>	Screw, 1/4-20 X 1.0 Truss-Head Machine .....	10

**1**  
**G**  
**E**

**1**  
**G**  
**E**



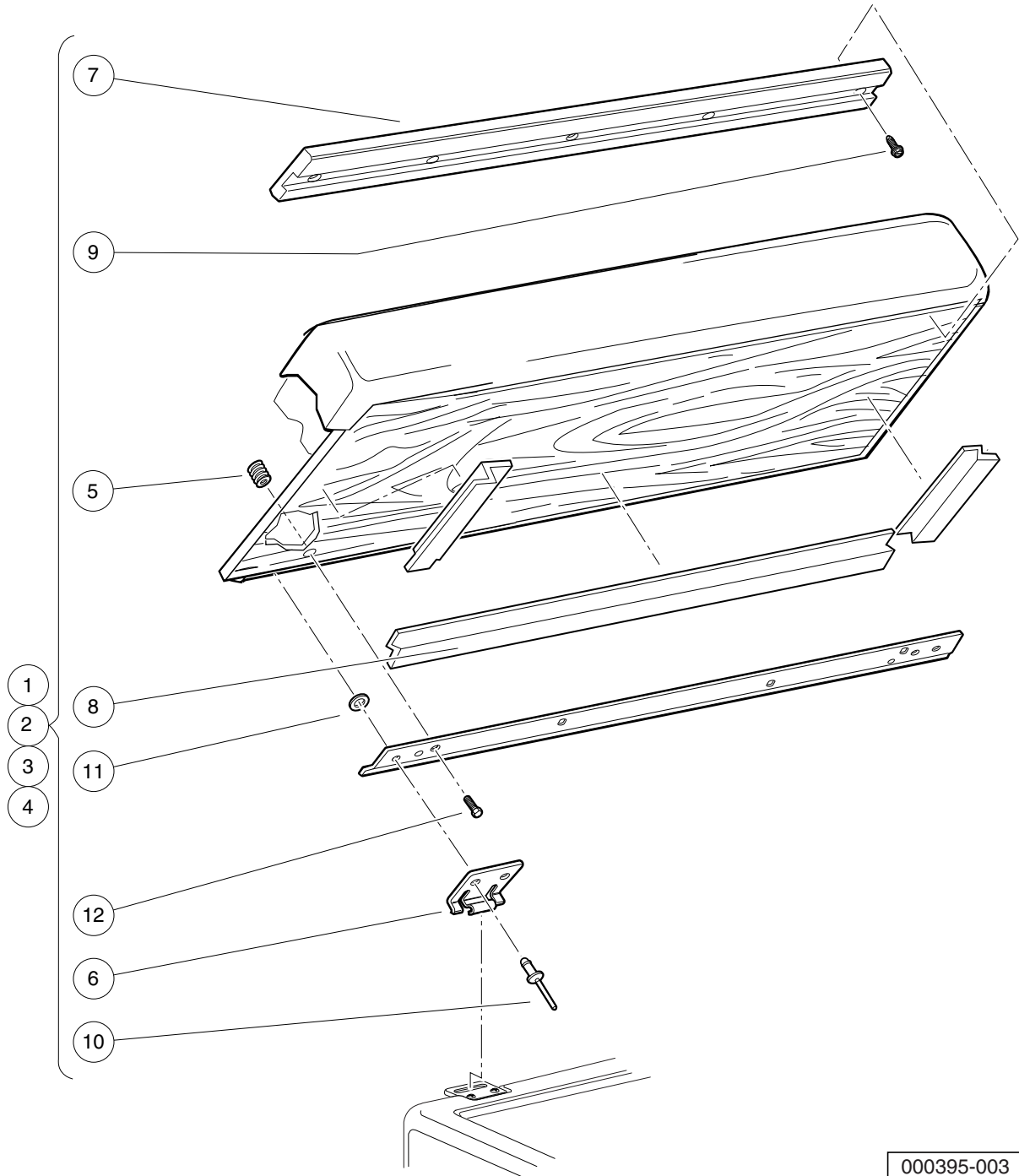
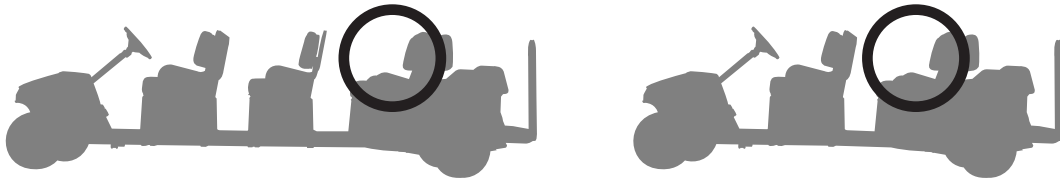
000390-004

## CENTER BODIES – VILLAGER 8 IQ PLUS VEHICLE

ITEM	PART NO.	DESCRIPTION	QTY	
		1 2 3 4		<b>1</b>
1	<u>1010434</u>	Barrel - Plastic .....	2	<b>G</b>
2	<u>1010993</u>	Body Kick Plate .....	2	<b>E</b>
3	<u>1012412</u>	Body, Hinge Plate .....	2	
4	<u>1012581</u>	Washer, 0.609-inch OD, Nylon Cup .....	4	
5	<u>101791901</u>	Bumper Guard Vinyl Trim .....	2	
6	<u>102310701</u>	Screw, #8-18 x 0.375, Hex-Head Washer .....	8	
7	<u>102945501</u>	Body, Beige, Center .....	1	
8	<u>102945502</u>	Body, White, Center .....	1	
9	<u>102945504</u>	Body, Gray, Center .....	1	
10	<u>102945506</u>	Body, Red, Center .....	1	
11	<u>102945508</u>	Body, Pacific Blue, Center .....	1	
12	<u>102945509</u>	Body, Dark Green, Center .....	1	
13	<u>102945510</u>	Body, Black, Center .....	1	
14	<u>102945511</u>	Body, Classic Blue, Center .....	1	
15	<u>102945512</u>	Body, Burgundy, Center .....	1	
16	<u>103274001</u>	Body, Center, Elec, Beige .....	1	
17	<u>103274002</u>	Body, Center, Elec, Wht .....	1	
18	<u>103274004</u>	Body, Center, Elec, Gray .....	1	
19	<u>103274006</u>	Body, Center, Elec, Red .....	1	
20	<u>103274008</u>	Body, Center, Elec, Pacific Bl .....	1	
21	<u>103274009</u>	Body, Center, Elec, Dk Green .....	1	
22	<u>103274010</u>	Body, Center, Elec, Black .....	1	
23	<u>103274011</u>	Body, Center, Elec, C/blu .....	1	
24	<u>103274012</u>	Body, Center, Elec, Burgundy .....	1	
25	<u>332</u>	Washer, 1/4 Type A Narrow Flat .....	8	
26	<u>8233</u>	Locknut, 1/4-20, Nylon Insert .....	8	
27	<u>8251</u>	Screw, 1/4-20 X 1.0 Truss-Head Machine .....	8	

VILLAGER 8

VILLAGER 6



000395-003

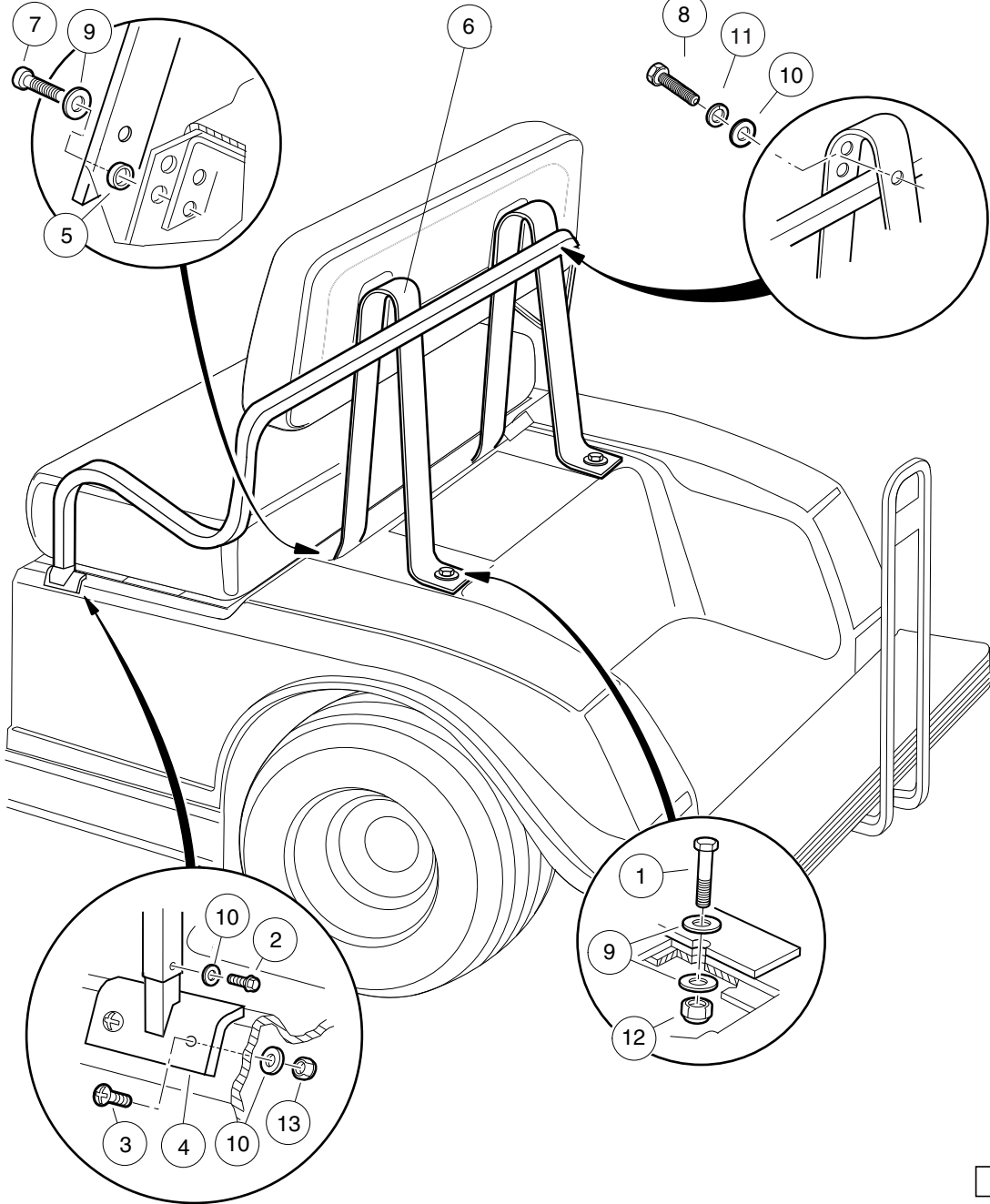
# REAR, FORWARD-FACING SEAT BOTTOM

ITEM	PART NO.	DESCRIPTION	QTY
		1 2 3 4	
1	<u>101728202</u>	Seat Bottom Assembly, Rear, White .....	1
2	<u>101728204</u>	Seat Bottom Assembly, Rear, Beige .....	1
3	<u>101728211</u>	Seat Bottom Assembly, Rear, Black .....	1
4	<u>101728214</u>	Seat Bottom Assembly, Rear, Gray (includes items 5 through 12) .....	1
5	1010543	Insert - Wood .....	8
6	<u>1011652</u>	Hinge Plate .....	2
7	<u>1012597</u>	Seat Bumper .....	1
8	<u>1012657</u>	Seat Gasket, Long .....	1
9	<u>1017384</u>	Screw, #12 X .50 Hex, Washer-Head .....	5
10	<u>101880901</u>	Rivet, 3/16, Stainless-Steel, Pop .....	4
11	<u>101881701</u>	Washer, #8 Stainless-Steel Flat .....	4
12	<u>101954301</u>	Screw, 1/4-20 X 0.75 Hex-Head Cap .....	8

1  
G  
E

VILLAGER 8

VILLAGER 6



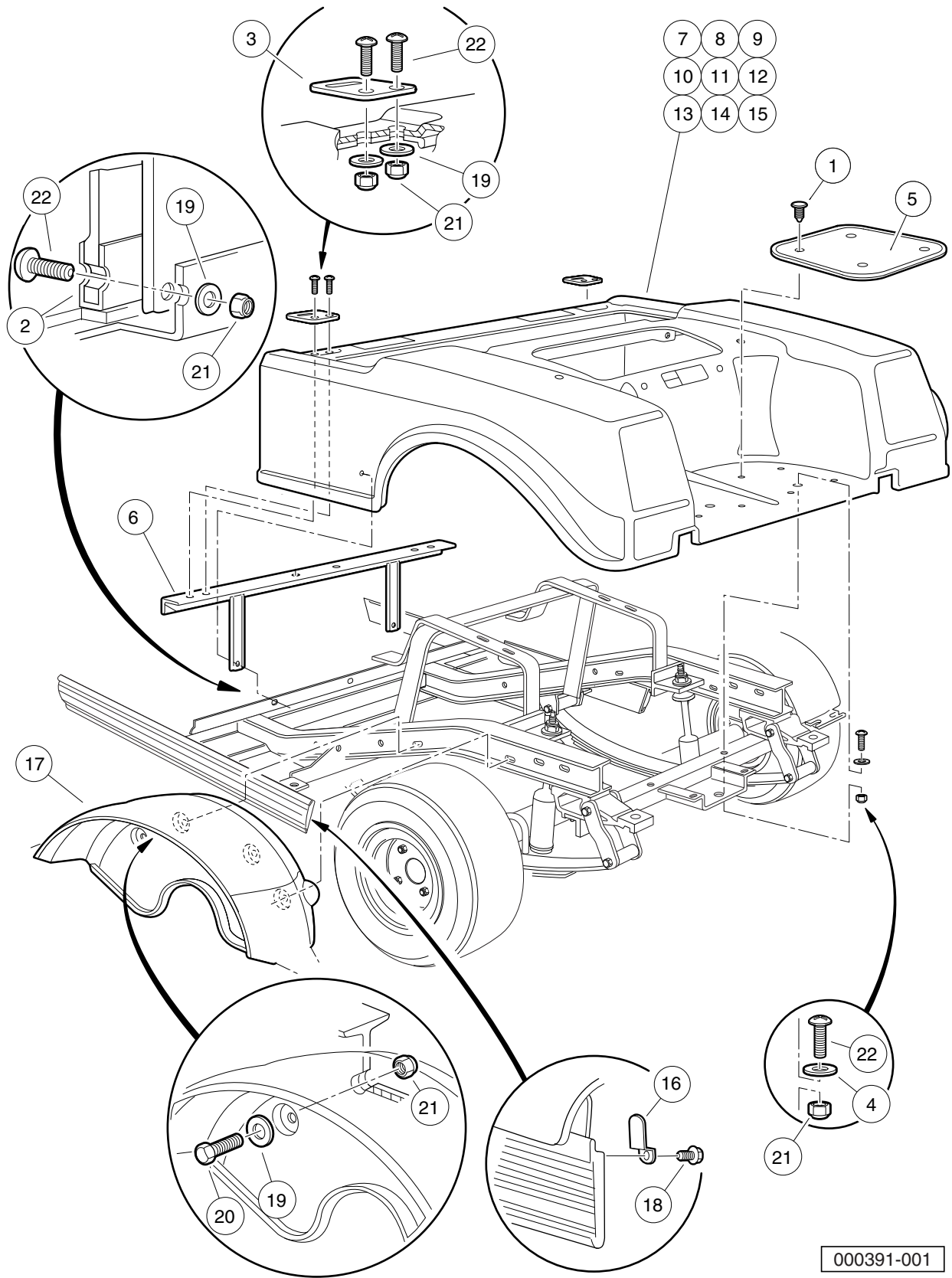
000397-002

# ARMRESTS, REAR, FORWARD-FACING – VILLAGER 6 & 8 VEHICLES

ITEM	PART NO.	DESCRIPTION	QTY
		1 2 3 4	
1	<u>1010577</u>	Bolt, Hex-Head, 5/16-18 X 1.50 .....	2
2	<u>1012285</u>	Screw, 1/4 X 0.625 Hex-Head .....	10
3	<u>1015902</u>	Screw, 1/4-20 X 1.25 Truss-Head .....	4
4	<u>1017310</u>	Armrest Mounting Weldment .....	2
5	1017774	Body Spacer .....	4
6	<u>101799201</u>	Armrest Weldment Rear .....	1
7	<u>101910401</u>	Screw, 5/16-18 X 1.25 Thrd Frm .....	4
8	<u>101954301</u>	Screw, 1/4-20 X 0.75 Hex-Head Cap .....	8
9	<u>1241</u>	Washer, 5/16 Type A Flat .....	6
10	<u>332</u>	Washer, 1/4 Type A Narrow Flat .....	14
11	<u>451</u>	Lockwasher, 1/4 Split .....	8
12	<u>7473</u>	Locknut, 5/16-18 Nylon Insert .....	2
13	<u>8233</u>	Locknut, 1/4-20, Nylon Insert .....	4

**1**  
**G**  
**E**

**1**  
**G**  
**E**



000391-001

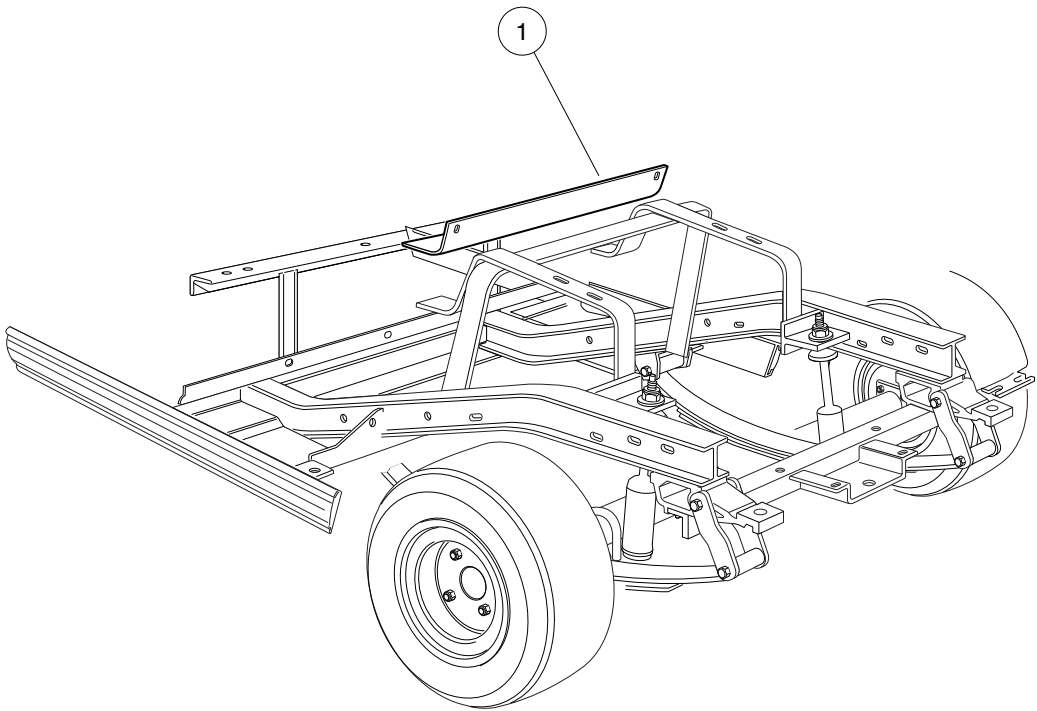
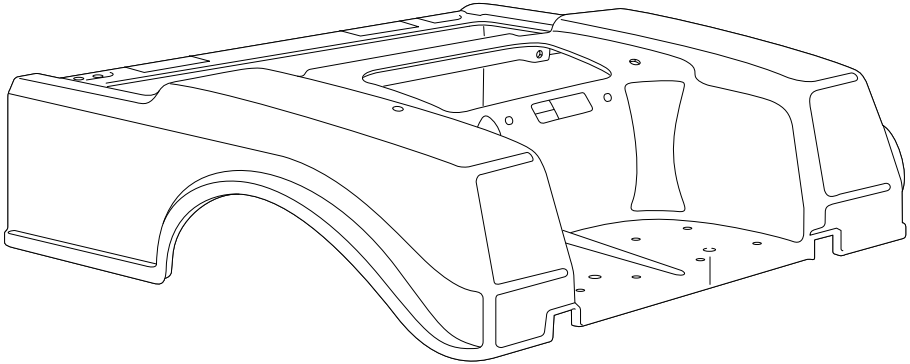


## REAR BODY AND FENDER – VILLAGER 6 & 8

ITEM	PART NO.	DESCRIPTION	QTY
		1 2 3 4	
1	<u>1010434</u>	Barrel - Plastic .....	8
2	<u>1010993</u>	Body Kick Plate .....	1
3	<u>1012412</u>	Body, Hinge Plate .....	2
4	<u>1014306</u>	Washer, 1/4" Type B Flat .....	2
5	<u>1014392</u>	Bag Rest Mat .....	2
6	<u>1017141</u>	Body Support Weldment .....	1
7	<u>101728701</u>	Body, Beige, TPO, Rear .....	1
8	<u>101728702</u>	Body, White, TPO, Rear .....	1
9	<u>101728704</u>	Body, Gray, TPO, Rear .....	1
10	<u>101728706</u>	Body, Red, TPO, Rear .....	1
11	<u>101728708</u>	Body, Royal Blue, TPO, Rear .....	1
12	<u>101728709</u>	Body, Dark Green, TPO, Rear .....	1
13	<u>101728710</u>	Body, Black, TPO, Rear .....	1
14	<u>101728711</u>	Body, Classic Blue, TPO, Rear .....	1
15	<u>101728712</u>	Body, Burgundy, TPO, Rear .....	1
16	<u>1017748</u>	Body Keeper Clip .....	2
17	<u>1017936</u>	Fender, Inner .....	2
18	<u>102310701</u>	Screw, #8-18 x 0.375, Hex-Head Washer .....	2
19	<u>332</u>	Washer, 1/4 Type A Narrow Flat .....	10
20	<u>7847</u>	Screw, 1/4-20 X 0.75 Hex-Head Cap .....	4
21	<u>8233</u>	Locknut, 1/4-20, Nylon Insert .....	12
22	<u>8251</u>	Screw, 1/4-20 X 1.0 Truss-Head Machine .....	8

**1**  
**G**  
**E**

**1**  
**G**  
**E**



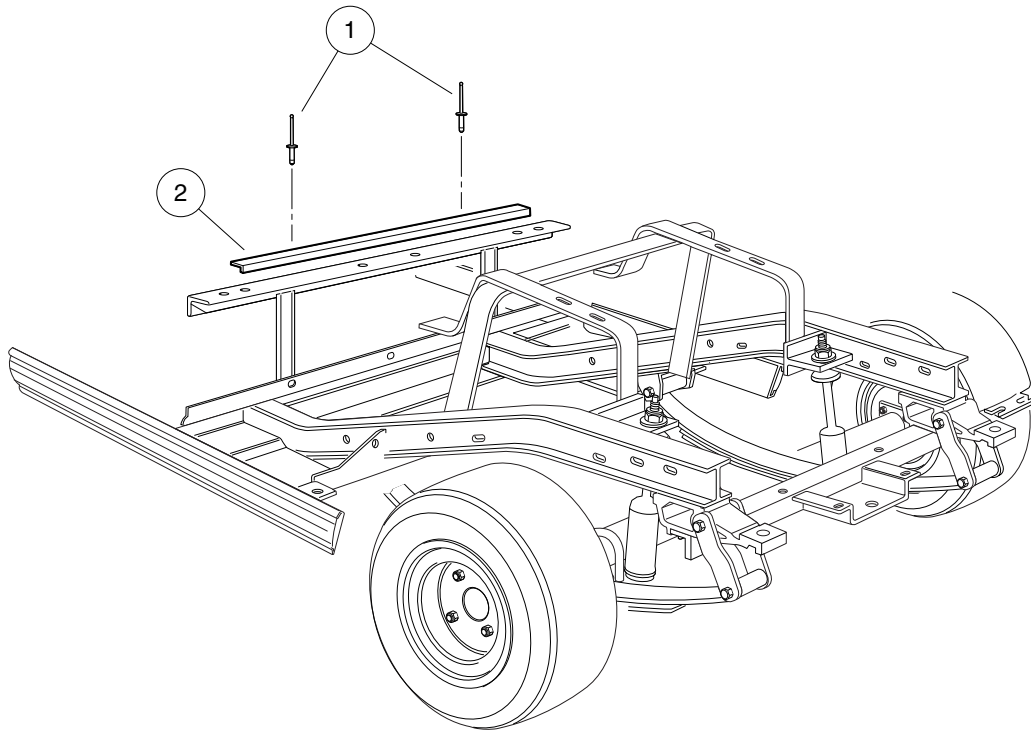
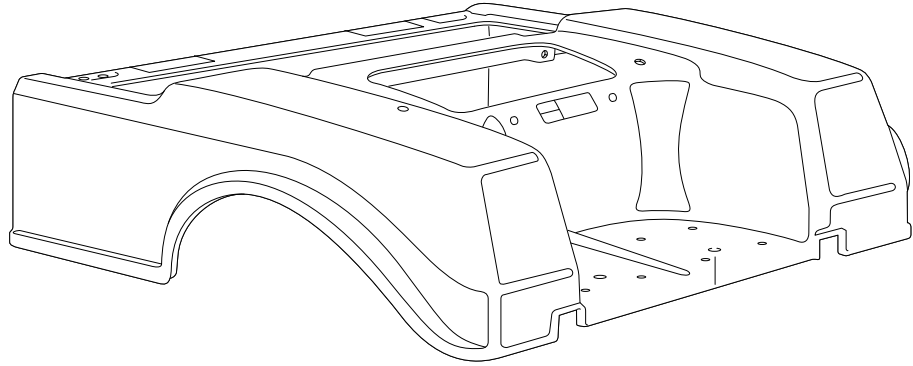
000392-001

# HEAT SHIELD, TRANSPORTER, VILL 6 & 8, XRT800/850 REAR BODY – GAS

ITEM	PART NO.	DESCRIPTION	QTY
1	<u>101806901</u>	<div style="font-size: small; margin-bottom: 5px;">1 2 3 4</div> Shield, Heat .....	1

1  
G  
E

**1**  
**G**  
**E**



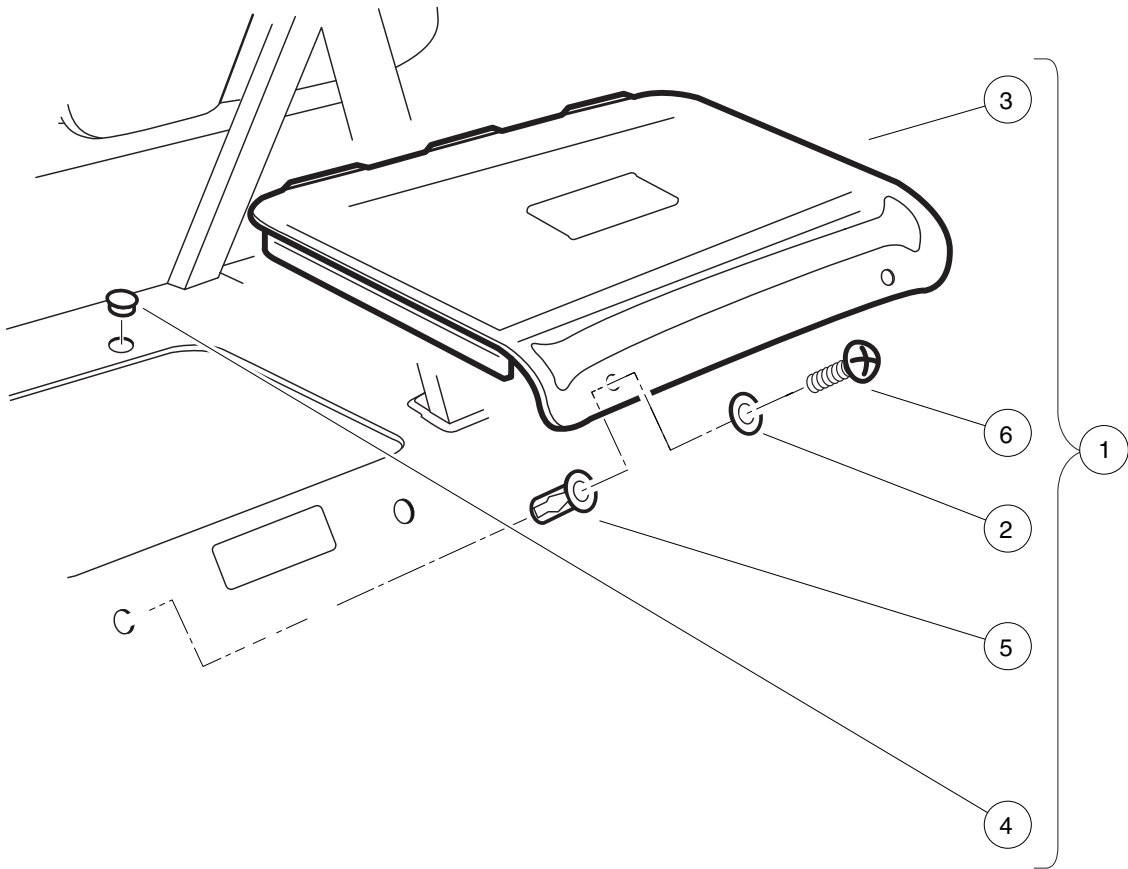
000393-001

# BATTERY INSULATOR, TRANSPORTER, VILL 6 & 8, XRT850 REAR BODY – ELECTRIC

ITEM	PART NO.	DESCRIPTION	QTY
		1 2 3 4	
1	<u>1013357</u>	Rivet, 5/32 Aluminum Pop .....	2
2	<u>101837001</u>	Battery Insulator .....	1

1  
G  
E

**1**  
**G**  
**E**



000783-002

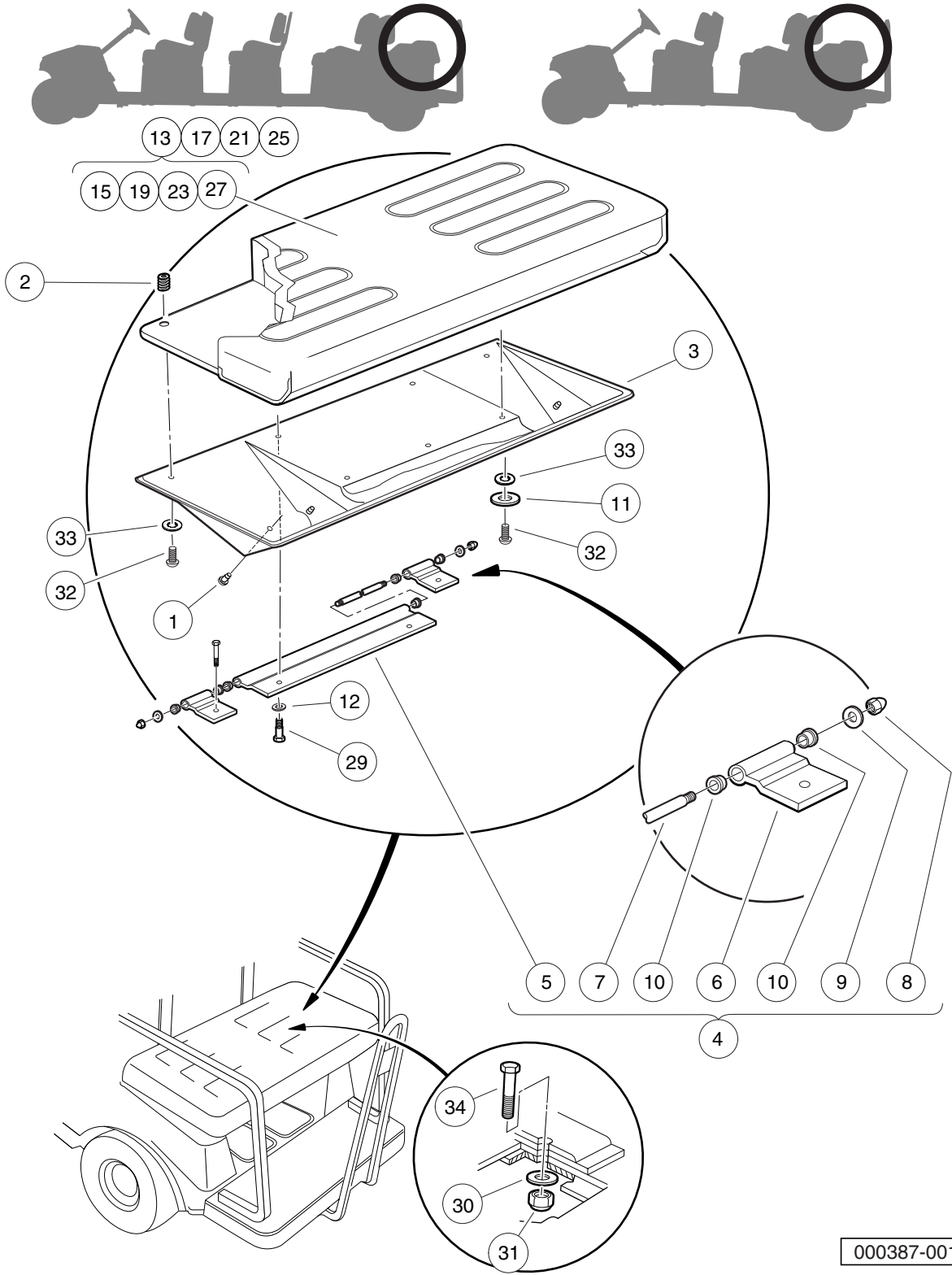
# REAR ACCESS DOOR

ITEM	PART NO.	DESCRIPTION	QTY
		1 2 3 4	
1	<u>1013218</u>	Kit, Access Door Black (includes items 2 through 6) .....	1
2	<u>1012581</u>	Washer, 0.609-inch OD, Nylon Cup .....	2
3	<u>1013032</u>	Molded Access Door Black .....	1
4	<u>1013216</u>	Plug, Button .....	2
5	<u>1015525</u>	Nut, 1/4-20 Blind .....	2
6	<u>8251</u>	Screw, 1/4-20 X 1.0 Truss-Head Machine .....	2

1  
G  
E

VILLAGER 8

VILLAGER 6



000387-001

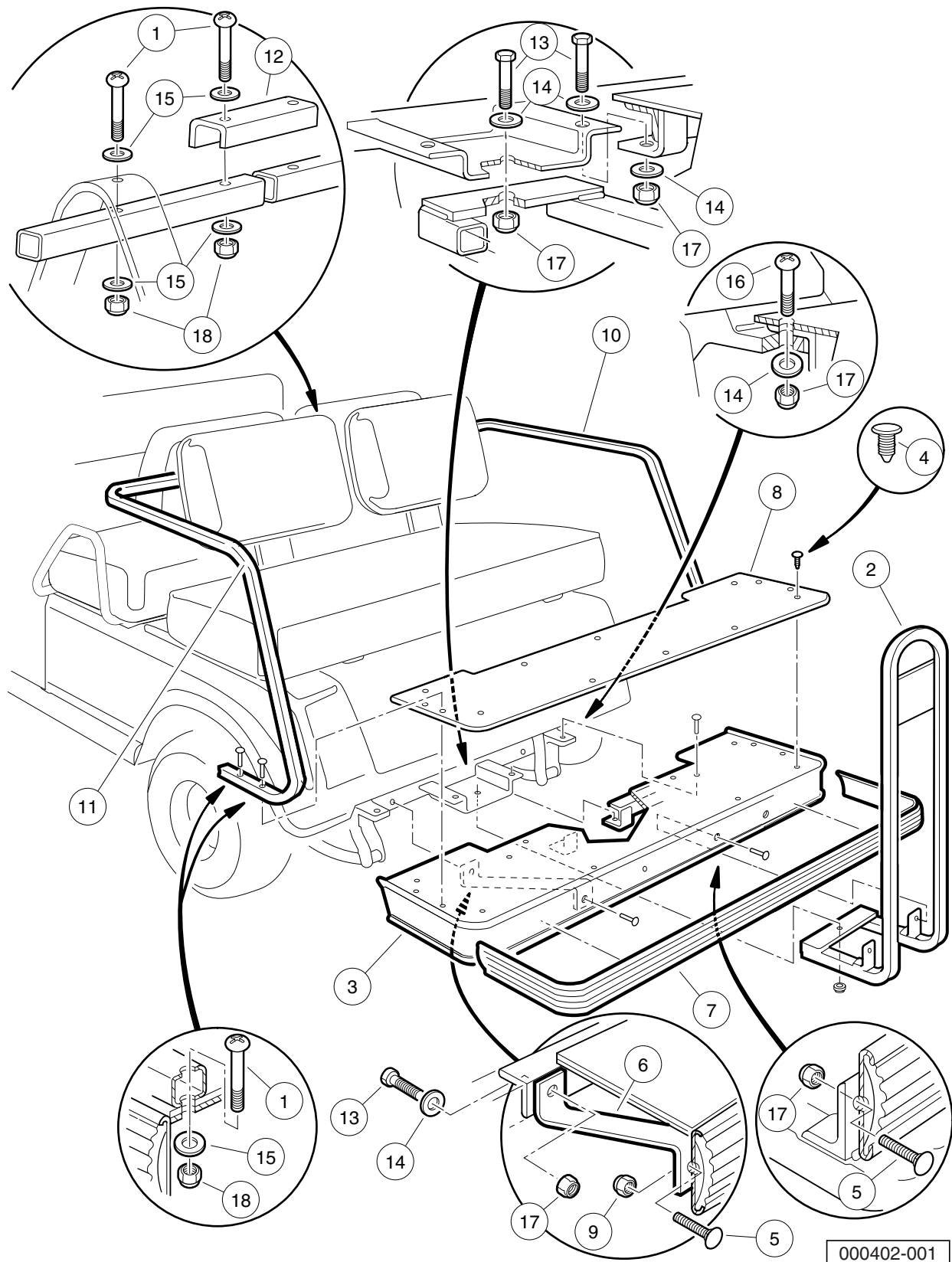


## REAR-FACING SEAT BOTTOM – VILLAGER VEHICLES

ITEM	PART NO.	DESCRIPTION	QTY
		1 2 3 4	
1	<u>1010436</u>	Bumper, Rubber .....	4
2	1010543	Insert - Wood .....	7
3	<u>1011210</u>	Seat Support 4-Passenger .....	1
4	1011219	Hinge Assembly 4 Passenger (includes items 5 through 10) .....	1
5	<u>1011220</u>	Hinge Long 4 Passenger .....	1
6	<u>1011221</u>	Hinge Short 4 Passenger .....	2
7	<u>1011222</u>	Pin, Hinge, Long, 4-Pass .....	1
8	<u>1015091</u>	Nut, 1/4-20 Stainless-Steel Center-Lock Cap .....	2
9	<u>332</u>	Washer, 1/4 Type A Narrow Flat .....	2
10	8028	Rotor Stop, FNR .....	6
11	<u>1011578</u>	Washer, 5/16 Type B Flat .....	3
12	<u>1014007</u>	Washer, 1/4, Flat .....	2
13	<u>101564804</u>	Seat Bottom Assembly, Buff (includes items 14 through 16) .....	1
14	N/A	Foam, Seat .....	1
15	<u>101562711</u>	Vinyl Cover, Seat Bottom, Buff .....	1
16	N/A	Plywood Assy .....	1
17	<u>101564805</u>	Seat Bottom Assembly, White (includes items 18 through 20) .....	1
18	N/A	Foam, Seat .....	1
19	<u>101562712</u>	Vinyl Cover, Seat Bottom, White .....	1
20	N/A	Plywood Assy .....	1
21	<u>101564807</u>	Seat Bottom Assembly, Gray (includes items 22 through 24) .....	1
22	N/A	Foam, Seat .....	1
23	<u>101562715</u>	Vinyl Cover, Seat Bottom, Gray .....	1
24	N/A	Plywood Assy .....	1
25	<u>101564808</u>	Seat Bottom Assembly, Black (includes items 26 through 28) .....	1
26	N/A	Foam, Seat .....	1
27	<u>101562714</u>	Vinyl Cover, Seat Bottom, Black .....	1
28	N/A	Plywood Assy .....	1
29	1016916	Screw, 1/4-20 X 1.50 Hex-Head Cap .....	2
30	<u>1241</u>	Washer, 5/16 Type A Flat .....	2
31	<u>7473</u>	Locknut, 5/16-18 Nylon Insert .....	2
32	<u>8251</u>	Screw, 1/4-20 X 1.0 Truss-Head Machine .....	5
33	<u>8304</u>	Lockwasher, 1/4 Type A Int.tth .....	5
34	<u>8963</u>	Screw, 5/16-18 X 1.75 Hex-Head Cap .....	2
		Note: Sub-components contained in items 17, 21, and 25 are the same as those shown for item 13, except for the vinyl seat covers.	

**1**  
**G**  
**E**

**1**  
**G**  
**E**



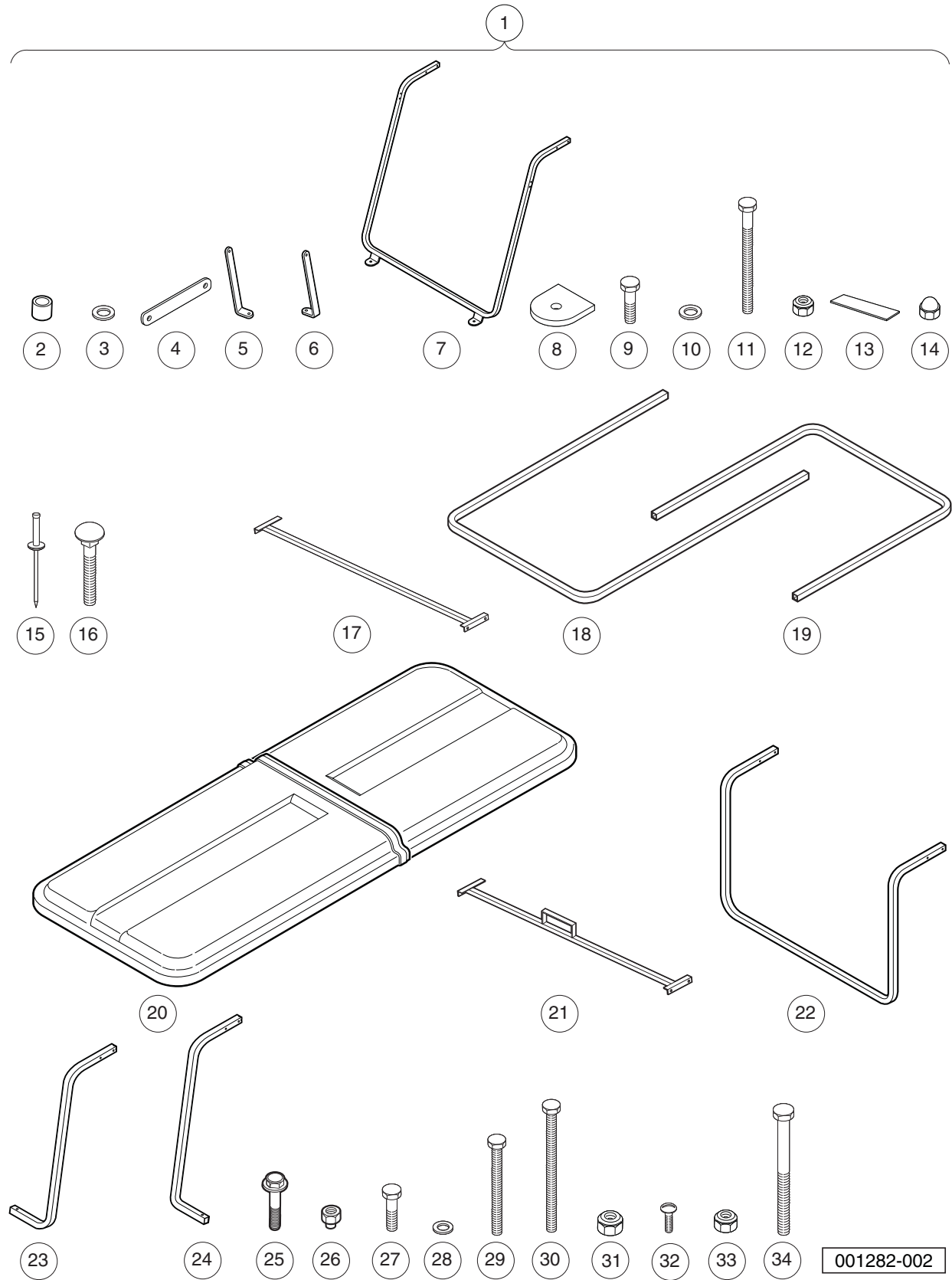
000402-001

# REAR FOOTREST, ARMRESTS AND HANDRAILS – DS VILLAGER 4, VILLAGER 6 AND 8

ITEM	PART NO.	DESCRIPTION	QTY
		1 2 3 4	
1	<u>1011988</u>	Screw, 1/4-20 X 2.00 Phillips Truss-Head .....	8
2	<u>1016842</u>	Rear Seat Handrail Weldment .....	1
3	<u>101841101</u>	Rear Foot Rest Asm (includes items 4 through 9) .....	1
4	<u>1010434</u>	Barrel - Plastic .....	8
5	<u>1010435</u>	Bolt, Carriage, 5/16-18 X 1.00 .....	4
6	<u>1016668</u>	Connecting Bar .....	2
7	<u>1016835</u>	Bumper, Side Trim .....	1
8	<u>101840901</u>	Foot Rest Mat .....	1
9	<u>7473</u>	Locknut, 5/16-18 Nylon Insert .....	2
10	<u>101841201</u>	Armrest, Seat, Rear, Right-Hand .....	1
11	<u>101841202</u>	Armrest, Seat, Rear, Left-Hand .....	1
12	<u>101841301</u>	Armrest Bracket .....	1
13	1218	Screw, 5/16-18 X 1.25 Hex-Head Cap .....	5
14	<u>1241</u>	Washer, 5/16 Type A Flat .....	9
15	<u>332</u>	Washer, 1/4 Type A Narrow Flat .....	8
16	<u>7410</u>	Screw, 5/16-18 X 1.25 Truss Hd .....	2
17	<u>7473</u>	Locknut, 5/16-18 Nylon Insert .....	9
18	<u>8233</u>	Locknut, 1/4-20, Nylon Insert .....	8

**1**  
**G**  
**E**

**1**  
**G**  
**E**

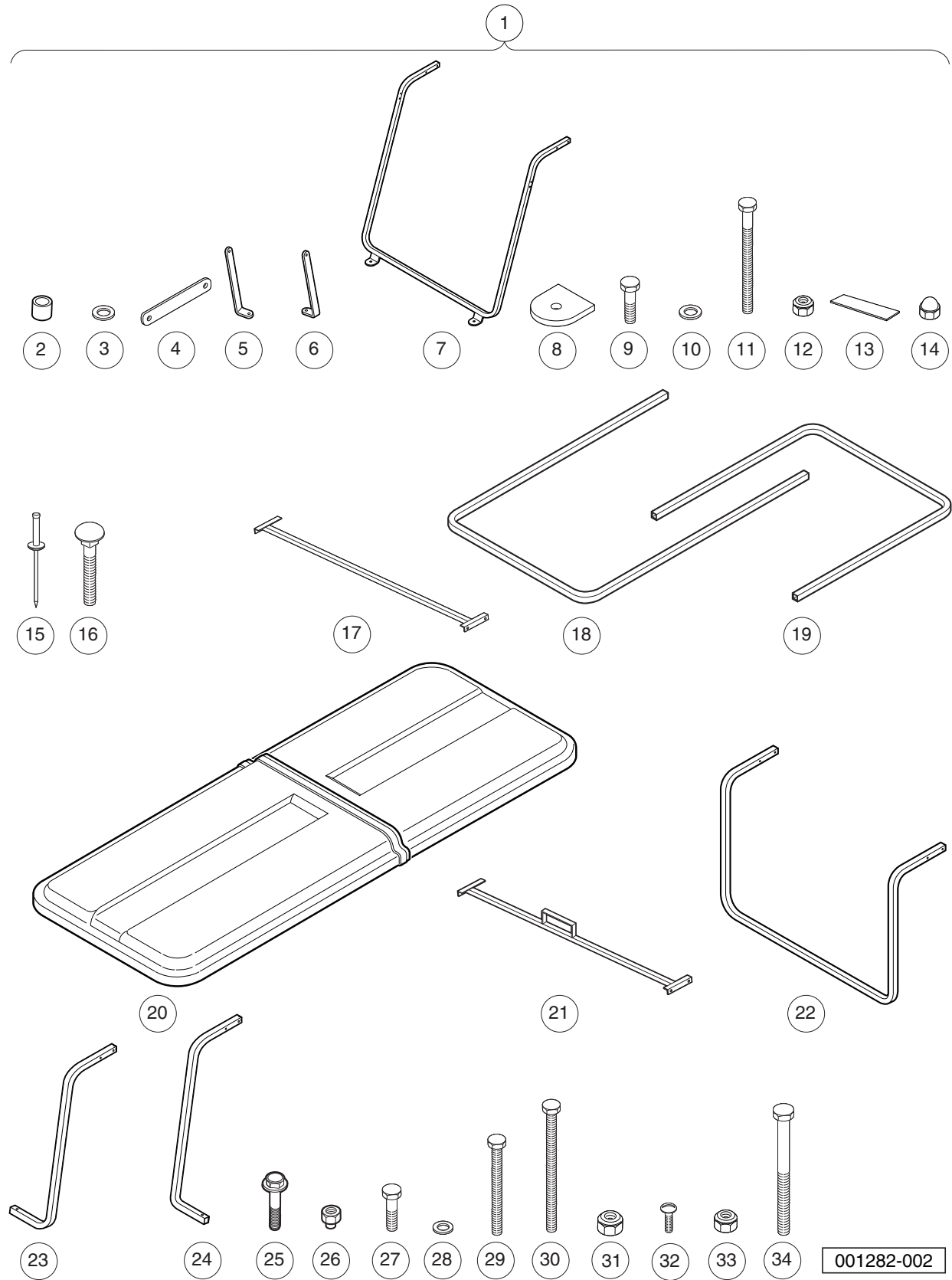


# CANOPY KIT, WHITE – VILL. 6 WITH REAR-FACING SEATS

ITEM	PART NO.	DESCRIPTION	QTY
		1 2 3 4	
1	<u>101816701</u>	Canopy Top Wht Vill W/rear St (includes items 2 through 34) .....	1
2	<u>1010237</u>	Bushing .....	2
3	<u>1011697</u>	Washer, 5/16 Flat .....	2
4	1011852	Plate, Canopy Trim .....	10
5	<u>1011862</u>	Brace, Right-Hand Canopy Mount Knee .....	1
6	<u>1011865</u>	Brace, Left-Hand Canopy Mount Knee .....	1
7	<u>1011868</u>	Weldment, Windshield Frame .....	1
8	<u>1011883</u>	Pad, Windshield Frame Mounting .....	2
9	<u>1011937</u>	Bolt, 5/16-18 X 1.25 Hex Head .....	2
10	1011964	Washer, 1/4 Flat .....	16
11	<u>1012159</u>	Bolt, 1/4-20 X 2.75 Hex-Head .....	8
12	<u>1013061</u>	Locknut, #10-32 Nylon Insert .....	8
13	<u>1014471</u>	Tape, Vinyl Foam 1/8" x 3/4" .....	20
14	<u>1015091</u>	Nut, 1/4-20 Stainless-Steel Center-Lock Cap .....	4
15	<u>1015392</u>	Rivet, 3/16 Pop .....	8
16	<u>1015405</u>	Bolt, Carriage, 5/16-18 X 2.0 .....	2
17	<u>1016781</u>	Hanger Weldment .....	1
18	<u>1016793</u>	Top Front Support .....	1
19	<u>1016794</u>	Top Rear Support .....	1
20	<u>101679902</u>	Canopy Front & Rear White .....	1
21	<u>1017185</u>	Hanger Weldment Front .....	1
22	<u>101815301</u>	Brace, Rear Canopy .....	1
23	<u>101815401</u>	Canopy Side Brace Lh .....	1
24	<u>101815402</u>	Canopy Side Brace Rh .....	1
25	<u>102076701</u>	Screw, 1/4-20 X 1.75 Hex Sems .....	2
26	<u>102242401</u>	Nut - Nylon Insert W/cap .....	2
27	1218	Screw, 5/16-18 X 1.25 Hex-Head Cap .....	2
28	<u>183</u>	Washer, #10, Type A, Flat .....	16
29	<u>324</u>	Screw, 1/4-20 X 2.50 Hx Hd Cap .....	4
30	343	Screw, 1/4-20 X 3.00 Hx Hd Cap .....	4
31	<u>7473</u>	Locknut, 5/16-18 Nylon Insert .....	2
32	8104	Screw, #10-32 X .75 Rd Hd Mach .....	8
33	<u>8233</u>	Locknut, 1/4-20, Nylon Insert .....	12
34	<u>8915</u>	Screw, 5/16-18 X 3.0 Hx Hd Cap .....	2

**1**  
**G**  
**E**

**1**  
**G**  
**E**

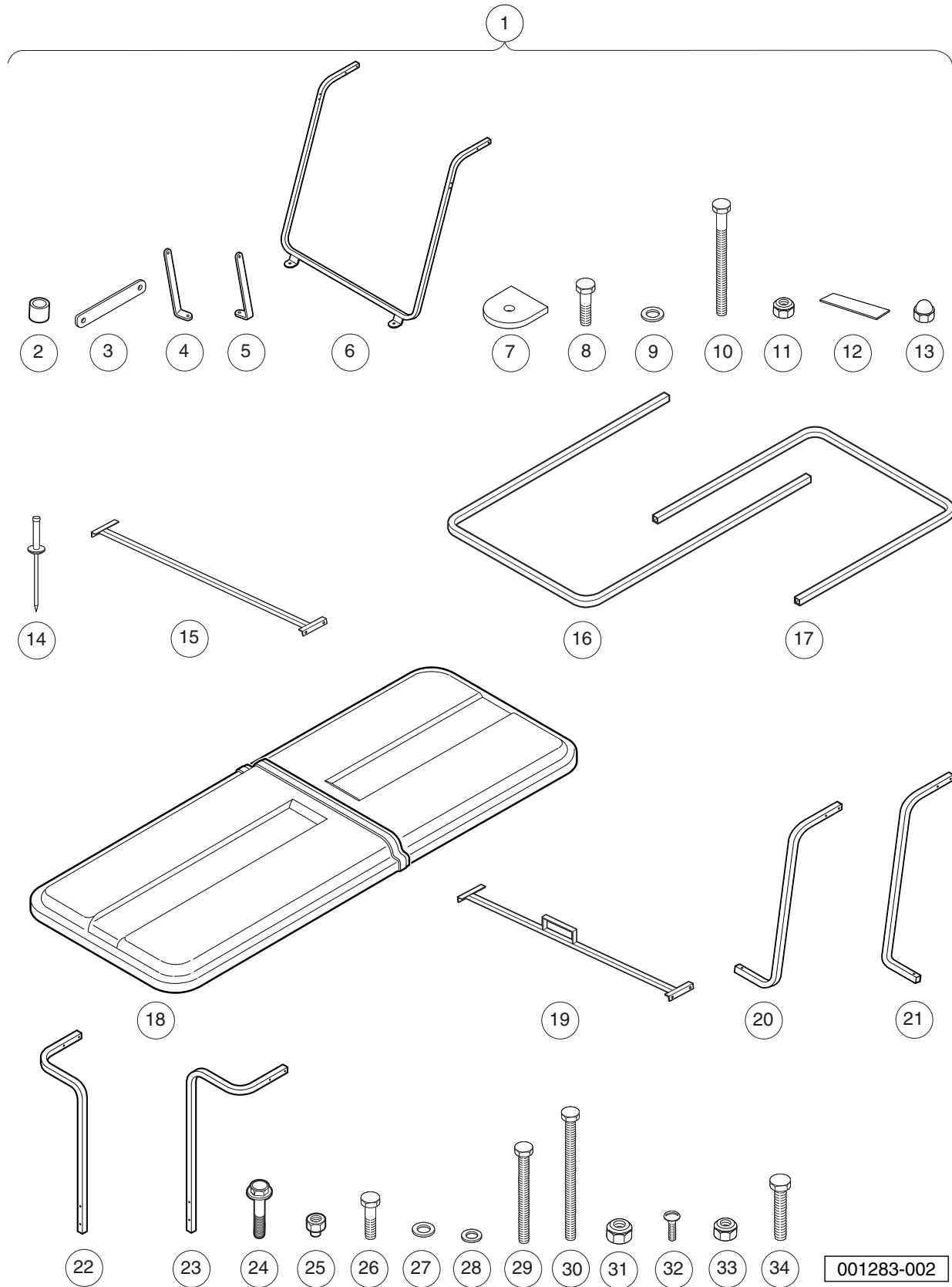


# CANOPY KIT, BEIGE – VILL. 6 WITH REAR-FACING SEATS

ITEM	PART NO.	DESCRIPTION	QTY
		1 2 3 4	
1	<u>101816702</u>	Canopy Beige Vill W/rear St (includes items 2 through 34) .....	1
2	<u>1010237</u>	Bushing .....	2
3	<u>1011697</u>	Washer, 5/16 Flat .....	2
4	<u>1011852</u>	Plate, Canopy Trim .....	10
5	<u>1011862</u>	Brace, Right-Hand Canopy Mount Knee .....	1
6	<u>1011865</u>	Brace, Left-Hand Canopy Mount Knee .....	1
7	<u>1011868</u>	Weldment, Windshield Frame .....	1
8	<u>1011883</u>	Pad, Windshield Frame Mounting .....	2
9	<u>1011937</u>	Bolt, 5/16-18 X 1.25 Hex Head .....	2
10	<u>1011964</u>	Washer, 1/4 Flat .....	16
11	<u>1012159</u>	Bolt, 1/4-20 X 2.75 Hex-Head .....	8
12	<u>1013061</u>	Locknut, #10-32 Nylon Insert .....	8
13	<u>1014471</u>	Tape, Vinyl Foam 1/8" x 3/4" .....	20
14	<u>1015091</u>	Nut, 1/4-20 Stainless-Steel Center-Lock Cap .....	4
15	<u>1015392</u>	Rivet, 3/16 Pop .....	8
16	<u>1015405</u>	Bolt, Carriage, 5/16-18 X 2.0 .....	2
17	<u>1016781</u>	Hanger Weldment .....	1
18	<u>1016793</u>	Top Front Support .....	1
19	<u>1016794</u>	Top Rear Support .....	1
20	<u>101679901</u>	Canopy Front & Rear Beige .....	1
21	<u>1017185</u>	Hanger Weldment Front .....	1
22	<u>101815301</u>	Brace, Rear Canopy .....	1
23	<u>101815401</u>	Canopy Side Brace Lh .....	1
24	<u>101815402</u>	Canopy Side Brace Rh .....	1
25	<u>102076701</u>	Screw, 1/4-20 X 1.75 Hex Sems .....	2
26	<u>102242401</u>	Nut - Nylon Insert W/cap .....	2
27	1218	Screw, 5/16-18 X 1.25 Hex-Head Cap .....	2
28	<u>183</u>	Washer, #10, Type A, Flat .....	16
29	<u>324</u>	Screw, 1/4-20 X 2.50 Hx Hd Cap .....	4
30	343	Screw, 1/4-20 X 3.00 Hx Hd Cap .....	4
31	<u>7473</u>	Locknut, 5/16-18 Nylon Insert .....	2
32	8104	Screw, #10-32 X .75 Rd Hd Mach .....	8
33	<u>8233</u>	Locknut, 1/4-20, Nylon Insert .....	12
34	<u>8915</u>	Screw, 5/16-18 X 3.0 Hx Hd Cap .....	2

**1**  
**G**  
**E**

**1**  
**G**  
**E**



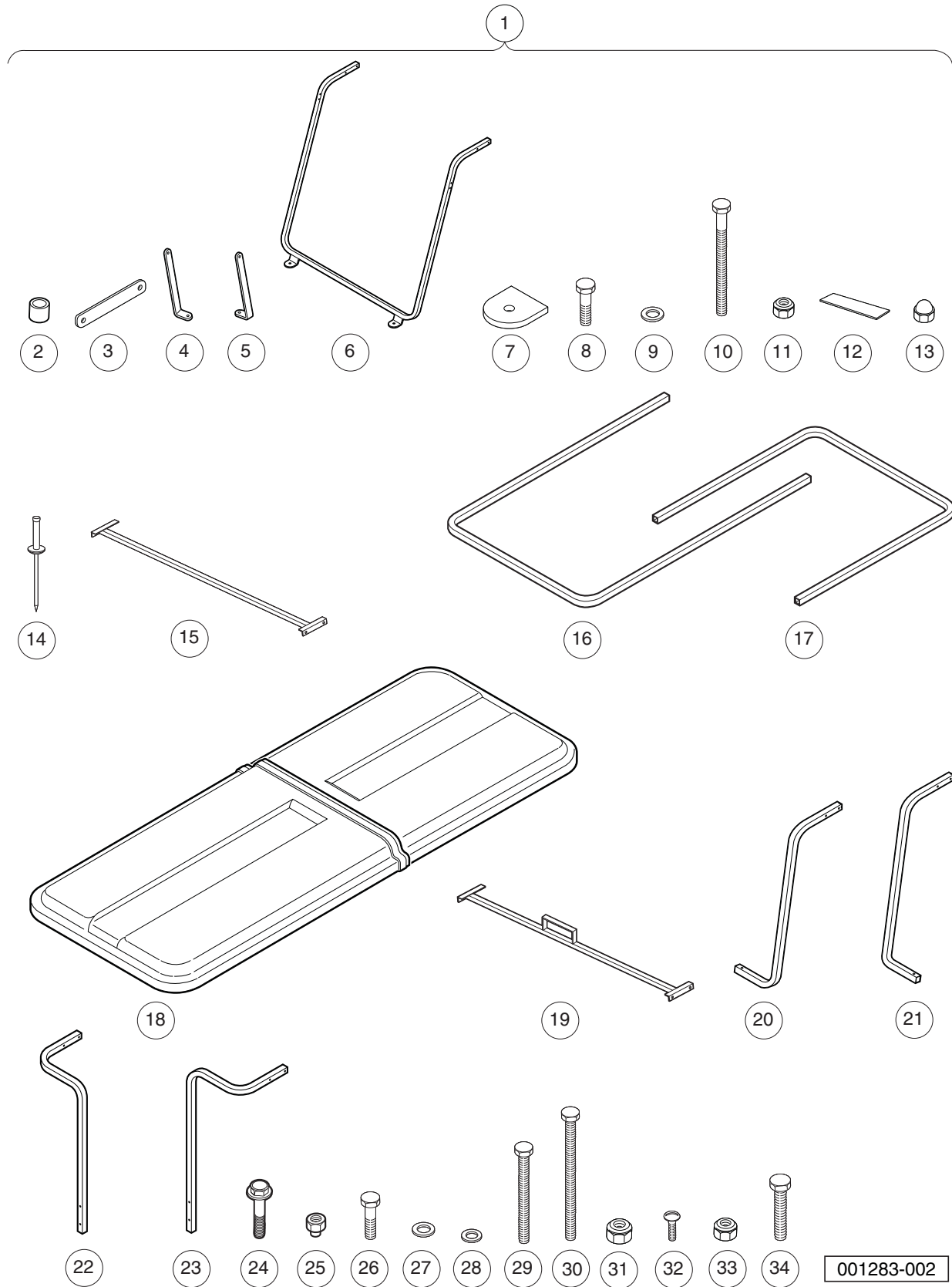


## CANOPY KIT, WHITE – VILL. 6 WITH FLAT BED

ITEM	PART NO.	DESCRIPTION	QTY
		<b>1 2 3 4</b>	
1	<u>101838001</u>	Canopy Top Wht Vill W/cargo Bd (includes items 2 through 34) .....	1
2	<u>1010237</u>	Bushing .....	2
3	<u>1011852</u>	Plate, Canopy Trim .....	10
4	<u>1011862</u>	Brace, Right-Hand Canopy Mount Knee .....	1
5	<u>1011865</u>	Brace, Left-Hand Canopy Mount Knee .....	1
6	<u>1011868</u>	Weldment, Windshield Frame .....	1
7	<u>1011883</u>	Pad, Windshield Frame Mounting .....	2
8	<u>1011937</u>	Bolt, 5/16-18 X 1.25 Hex Head .....	2
9	<u>1011964</u>	Washer, 1/4 Flat .....	16
10	<u>1012159</u>	Bolt, 1/4-20 X 2.75 Hex-Head .....	8
11	<u>1013061</u>	Locknut, #10-32 Nylon Insert .....	8
12	<u>1014471</u>	Tape, Vinyl Foam 1/8" x 3/4" .....	20
13	<u>1015091</u>	Nut, 1/4-20 Stainless-Steel Center-Lock Cap .....	4
14	<u>1015392</u>	Rivet, 3/16 Pop .....	8
15	<u>1016781</u>	Hanger Weldment .....	1
16	<u>1016793</u>	Top Front Support .....	1
17	<u>1016794</u>	Top Rear Support .....	1
18	<u>101679902</u>	Canopy Front & Rear White .....	1
19	<u>1017185</u>	Hanger Weldment Front .....	1
20	<u>101815401</u>	Canopy Side Brace Lh .....	1
21	<u>101815402</u>	Canopy Side Brace Rh .....	1
22	<u>101837801</u>	Rear Canopy Brace Rh .....	1
23	<u>101837802</u>	Rear Canopy Brace Lh .....	1
24	<u>102076701</u>	Screw, 1/4-20 X 1.75 Hex Sems .....	2
25	<u>102242401</u>	Nut - Nylon Insert W/cap .....	2
26	<u>1218</u>	Screw, 5/16-18 X 1.25 Hex-Head Cap .....	2
27	<u>1241</u>	Washer, 5/16 Type A Flat .....	4
28	<u>183</u>	Washer, #10, Type A, Flat .....	16
29	<u>324</u>	Screw, 1/4-20 X 2.50 Hx Hd Cap .....	4
30	<u>343</u>	Screw, 1/4-20 X 3.00 Hx Hd Cap .....	4
31	<u>7473</u>	Locknut, 5/16-18 Nylon Insert .....	4
32	<u>8104</u>	Screw, #10-32 X .75 Rd Hd Mach .....	8
33	<u>8233</u>	Locknut, 1/4-20, Nylon Insert .....	12
34	<u>8963</u>	Screw, 5/16-18 X 1.75 Hex-Head Cap .....	4

**1**  
**G**  
**E**

**1**  
**G**  
**E**

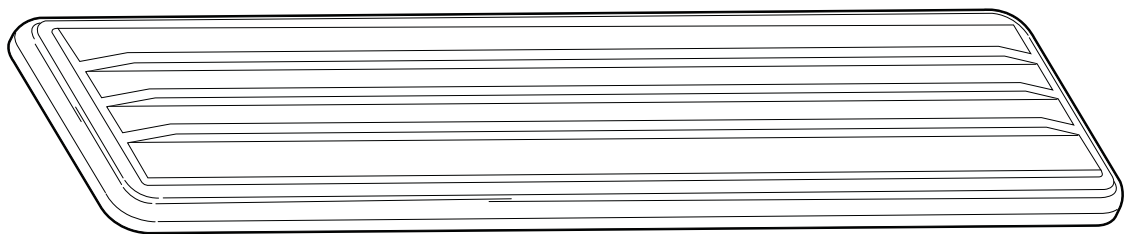
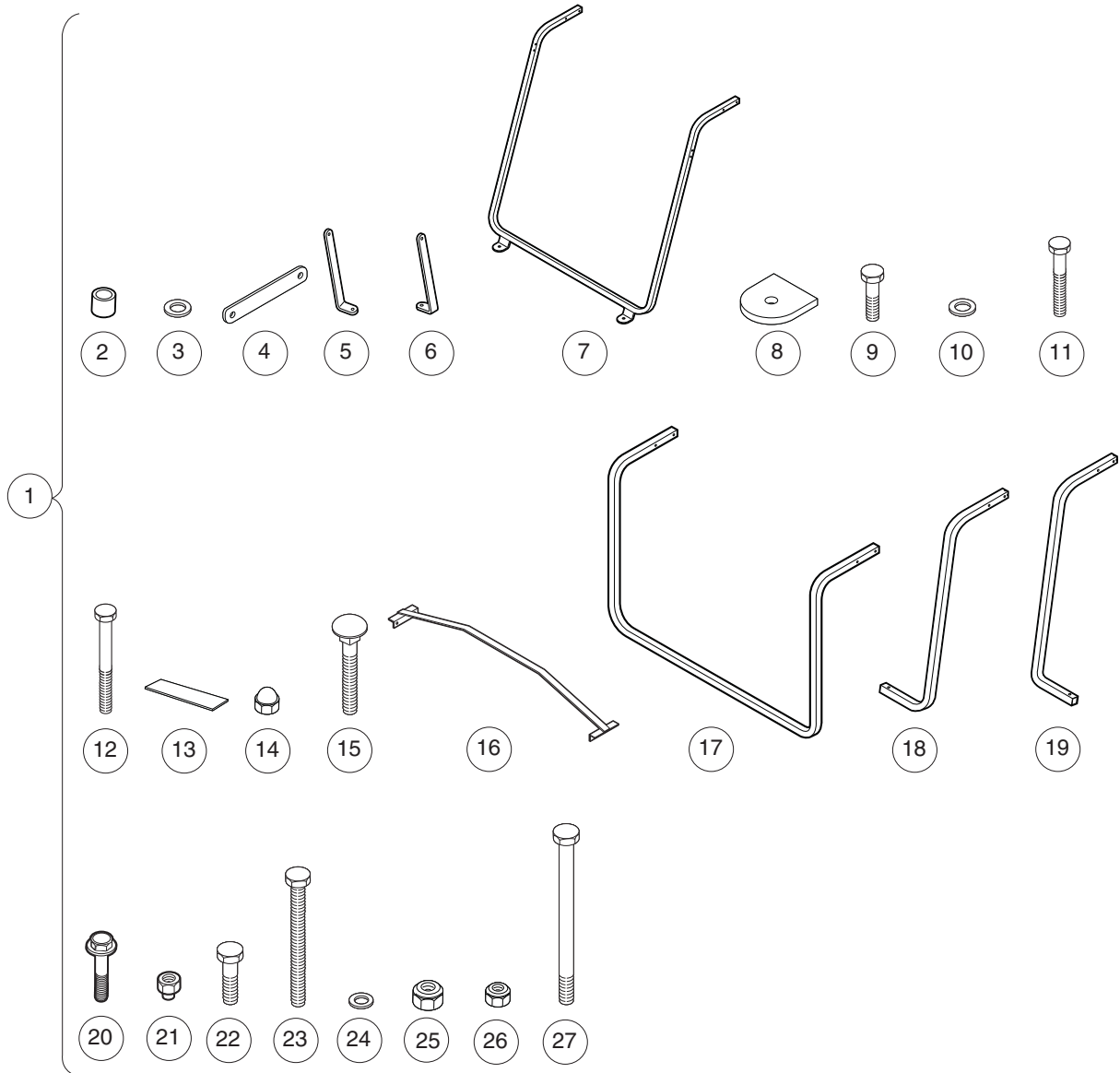


## CANOPY KIT, BEIGE – VILL. 6 WITH FLAT BED

ITEM	PART NO.	DESCRIPTION	QTY
		<b>1 2 3 4</b>	
1	<u>101838002</u>	Canopy Beige Vill W/cargo Bd (includes items 2 through 34) .....	1
2	<u>1010237</u>	Bushing .....	2
3	<u>1011852</u>	Plate, Canopy Trim .....	10
4	<u>1011862</u>	Brace, Right-Hand Canopy Mount Knee .....	1
5	<u>1011865</u>	Brace, Left-Hand Canopy Mount Knee .....	1
6	<u>1011868</u>	Weldment, Windshield Frame .....	1
7	<u>1011883</u>	Pad, Windshield Frame Mounting .....	2
8	<u>1011937</u>	Bolt, 5/16-18 X 1.25 Hex Head .....	2
9	<u>1011964</u>	Washer, 1/4 Flat .....	16
10	<u>1012159</u>	Bolt, 1/4-20 X 2.75 Hex-Head .....	8
11	<u>1013061</u>	Locknut, #10-32 Nylon Insert .....	8
12	<u>1014471</u>	Tape, Vinyl Foam 1/8" x 3/4" .....	20
13	<u>1015091</u>	Nut, 1/4-20 Stainless-Steel Center-Lock Cap .....	4
14	<u>1015392</u>	Rivet, 3/16 Pop .....	8
15	<u>1016781</u>	Hanger Weldment .....	1
16	<u>1016793</u>	Top Front Support .....	1
17	<u>1016794</u>	Top Rear Support .....	1
18	<u>101679901</u>	Canopy Front & Rear Beige .....	1
19	<u>1017185</u>	Hanger Weldment Front .....	1
20	<u>101815401</u>	Canopy Side Brace Lh .....	1
21	<u>101815402</u>	Canopy Side Brace Rh .....	1
22	<u>101837801</u>	Rear Canopy Brace Rh .....	1
23	<u>101837802</u>	Rear Canopy Brace Lh .....	1
24	<u>102076701</u>	Screw, 1/4-20 X 1.75 Hex Sems .....	2
25	<u>102242401</u>	Nut - Nylon Insert W/cap .....	2
26	<u>1218</u>	Screw, 5/16-18 X 1.25 Hex-Head Cap .....	2
27	<u>1241</u>	Washer, 5/16 Type A Flat .....	4
28	<u>183</u>	Washer, #10, Type A, Flat .....	16
29	<u>324</u>	Screw, 1/4-20 X 2.50 Hx Hd Cap .....	4
30	<u>343</u>	Screw, 1/4-20 X 3.00 Hx Hd Cap .....	4
31	<u>7473</u>	Locknut, 5/16-18 Nylon Insert .....	4
32	<u>8104</u>	Screw, #10-32 X .75 Rd Hd Mach .....	8
33	<u>8233</u>	Locknut, 1/4-20, Nylon Insert .....	12
34	<u>8963</u>	Screw, 5/16-18 X 1.75 Hex-Head Cap .....	4

**1**  
**G**  
**E**

**1**  
**G**  
**E**



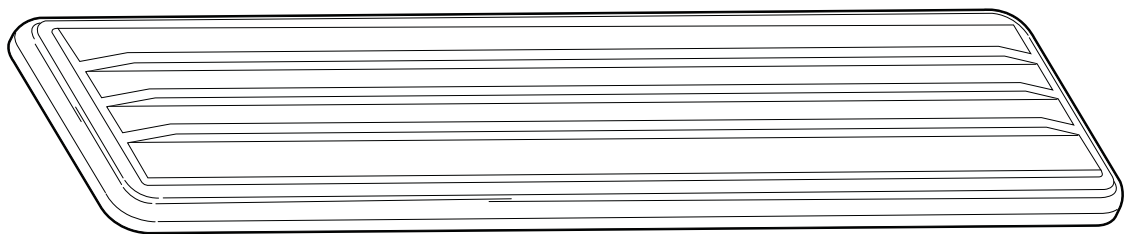
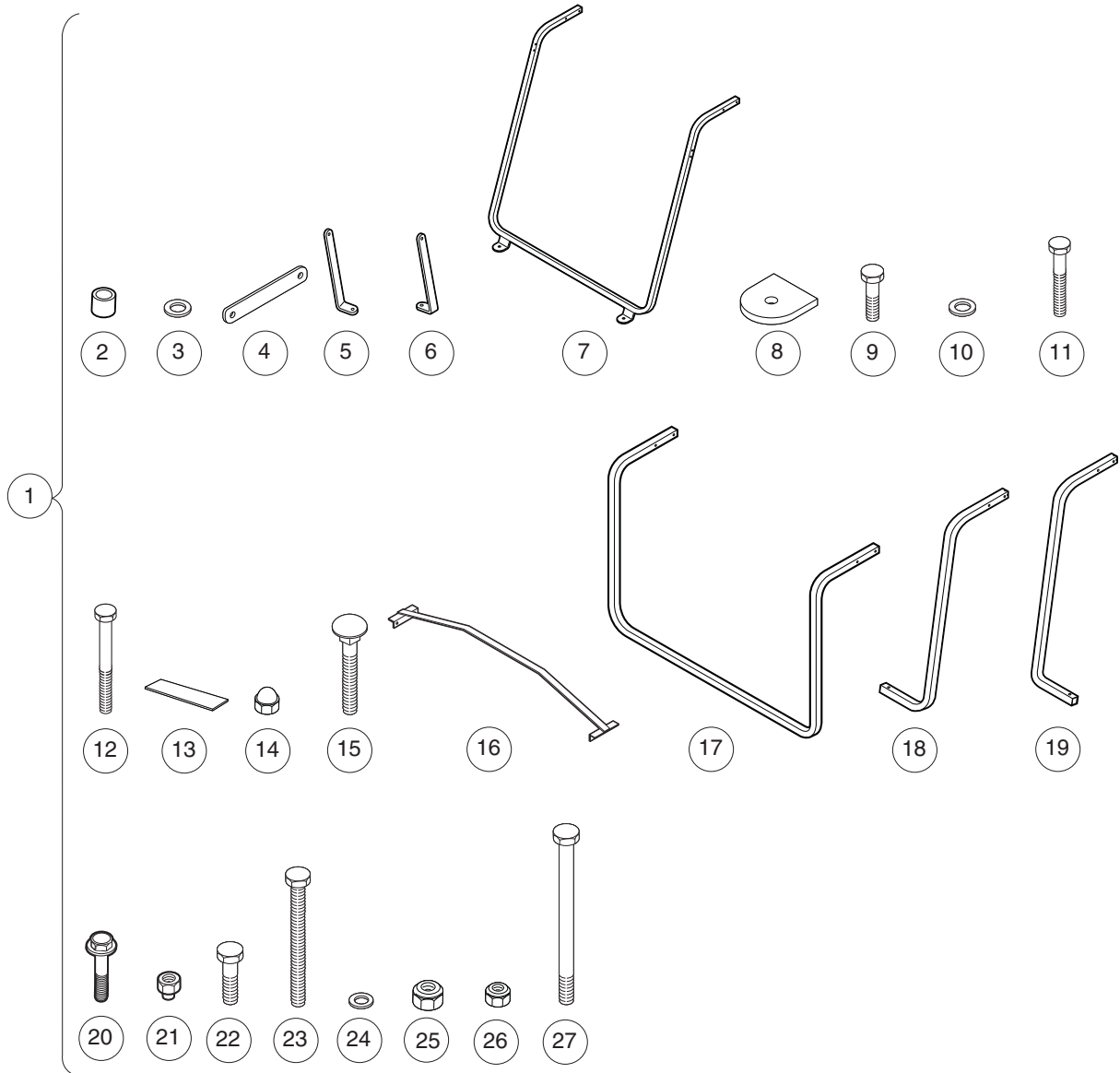
001284-002

# CANOPY KIT, WHITE – VILL. 8 WITH REAR-FACING SEATS

ITEM	PART NO.	DESCRIPTION	QTY
		1 2 3 4	
1	<u>101805801</u>	Canopy Hardware Kit (includes items 2 through 27) .....	1
2	<u>1010237</u>	Bushing .....	2
3	<u>1011697</u>	Washer, 5/16 Flat .....	2
4	1011852	Plate, Canopy Trim .....	4
5	<u>1011862</u>	Brace, Right-Hand Canopy Mount Knee .....	1
6	<u>1011865</u>	Brace, Left-Hand Canopy Mount Knee .....	1
7	<u>1011868</u>	Weldment, Windshield Frame .....	1
8	<u>1011883</u>	Pad, Windshield Frame Mounting .....	2
9	<u>1011937</u>	Bolt, 5/16-18 X 1.25 Hex Head .....	2
10	1011964	Washer, 1/4 Flat .....	2
11	<u>1013509</u>	Screw, 1/4-20 X 1.75 Hx Hd Cap .....	4
12	1014201	Screw, 1/4-20 X 2.25 Hex Cap .....	16
13	<u>1014471</u>	Tape, Vinyl Foam 1/8" x 3/4" .....	20
14	<u>1015091</u>	Nut, 1/4-20 Stainless-Steel Center-Lock Cap .....	8
15	<u>1015405</u>	Bolt, Carriage, 5/16-18 X 2.0 .....	2
16	<u>101800201</u>	Canopy Top Brace Weldment .....	2
17	<u>101805601</u>	Rear Brace XI Canopy .....	1
18	<u>101815401</u>	Canopy Side Brace Lh .....	2
19	<u>101815402</u>	Canopy Side Brace Rh .....	2
20	<u>102076701</u>	Screw, 1/4-20 X 1.75 Hex Sems .....	2
21	<u>102242401</u>	Nut - Nylon Insert W/cap .....	2
22	1218	Screw, 5/16-18 X 1.25 Hex-Head Cap .....	2
23	<u>324</u>	Screw, 1/4-20 X 2.50 Hx Hd Cap .....	12
24	<u>332</u>	Washer, 1/4 Type A Narrow Flat .....	56
25	<u>7473</u>	Locknut, 5/16-18 Nylon Insert .....	2
26	<u>8233</u>	Locknut, 1/4-20, Nylon Insert .....	24
27	<u>8915</u>	Screw, 5/16-18 X 3.0 Hx Hd Cap .....	2
28	<u>101835501</u>	XI Canopy - White .....	1

**1**  
**G**  
**E**

**1**  
**G**  
**E**



28

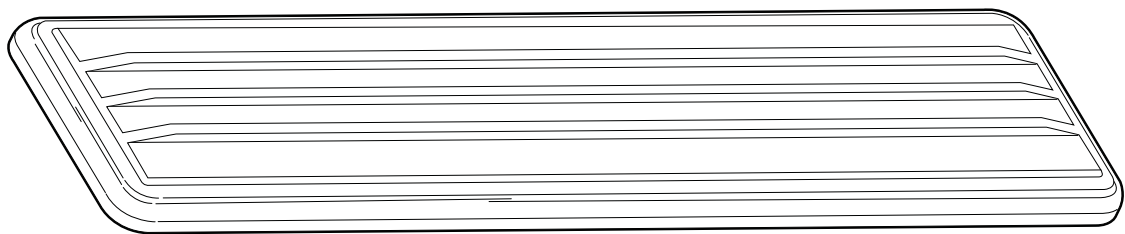
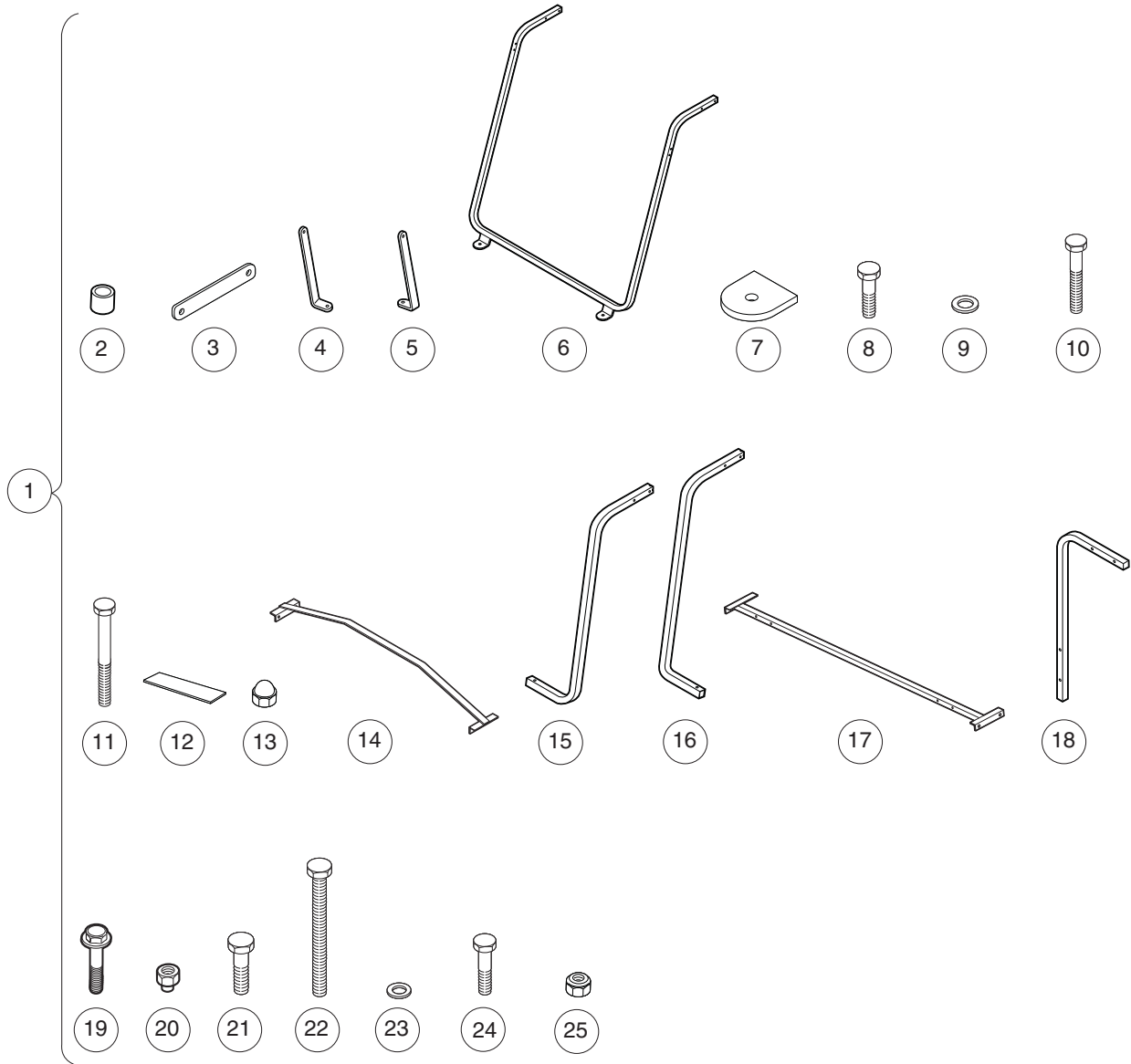
001284-002

# CANOPY KIT, BEIGE – VILL. 8 WITH REAR-FACING SEATS

ITEM	PART NO.	DESCRIPTION	QTY
		1 2 3 4	
1	<u>101805801</u>	Canopy Hardware Kit (includes items 2 through 27) .....	1
2	<u>1010237</u>	Bushing .....	2
3	<u>1011697</u>	Washer, 5/16 Flat .....	2
4	<u>1011852</u>	Plate, Canopy Trim .....	4
5	<u>1011862</u>	Brace, Right-Hand Canopy Mount Knee .....	1
6	<u>1011865</u>	Brace, Left-Hand Canopy Mount Knee .....	1
7	<u>1011868</u>	Weldment, Windshield Frame .....	1
8	<u>1011883</u>	Pad, Windshield Frame Mounting .....	2
9	<u>1011937</u>	Bolt, 5/16-18 X 1.25 Hex Head .....	2
10	<u>1011964</u>	Washer, 1/4 Flat .....	2
11	<u>1013509</u>	Screw, 1/4-20 X 1.75 Hx Hd Cap .....	4
12	<u>1014201</u>	Screw, 1/4-20 X 2.25 Hex Cap .....	16
13	<u>1014471</u>	Tape, Vinyl Foam 1/8" x 3/4" .....	20
14	<u>1015091</u>	Nut, 1/4-20 Stainless-Steel Center-Lock Cap .....	8
15	<u>1015405</u>	Bolt, Carriage, 5/16-18 X 2.0 .....	2
16	<u>101800201</u>	Canopy Top Brace Weldment .....	2
17	<u>101805601</u>	Rear Brace XI Canopy .....	1
18	<u>101815401</u>	Canopy Side Brace Lh .....	2
19	<u>101815402</u>	Canopy Side Brace Rh .....	2
20	<u>102076701</u>	Screw, 1/4-20 X 1.75 Hex Sems .....	2
21	<u>102242401</u>	Nut - Nylon Insert W/cap .....	2
22	<u>1218</u>	Screw, 5/16-18 X 1.25 Hex-Head Cap .....	2
23	<u>324</u>	Screw, 1/4-20 X 2.50 Hx Hd Cap .....	12
24	<u>332</u>	Washer, 1/4 Type A Narrow Flat .....	56
25	<u>7473</u>	Locknut, 5/16-18 Nylon Insert .....	2
26	<u>8233</u>	Locknut, 1/4-20, Nylon Insert .....	24
27	<u>8915</u>	Screw, 5/16-18 X 3.0 Hx Hd Cap .....	2
28	<u>101835502</u>	XI Canopy - Beige .....	1

1  
G  
E

**1**  
**G**  
**E**



26

001285-002

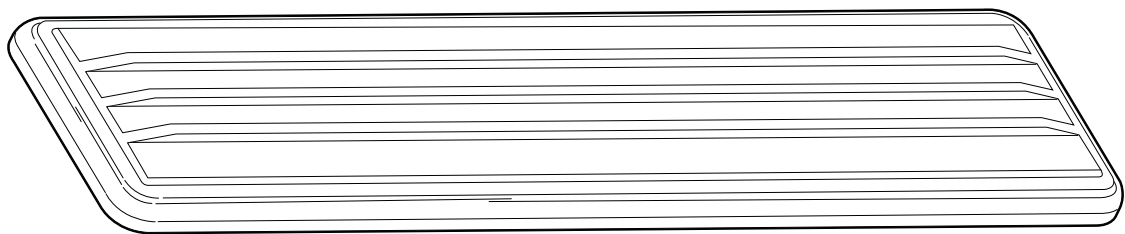
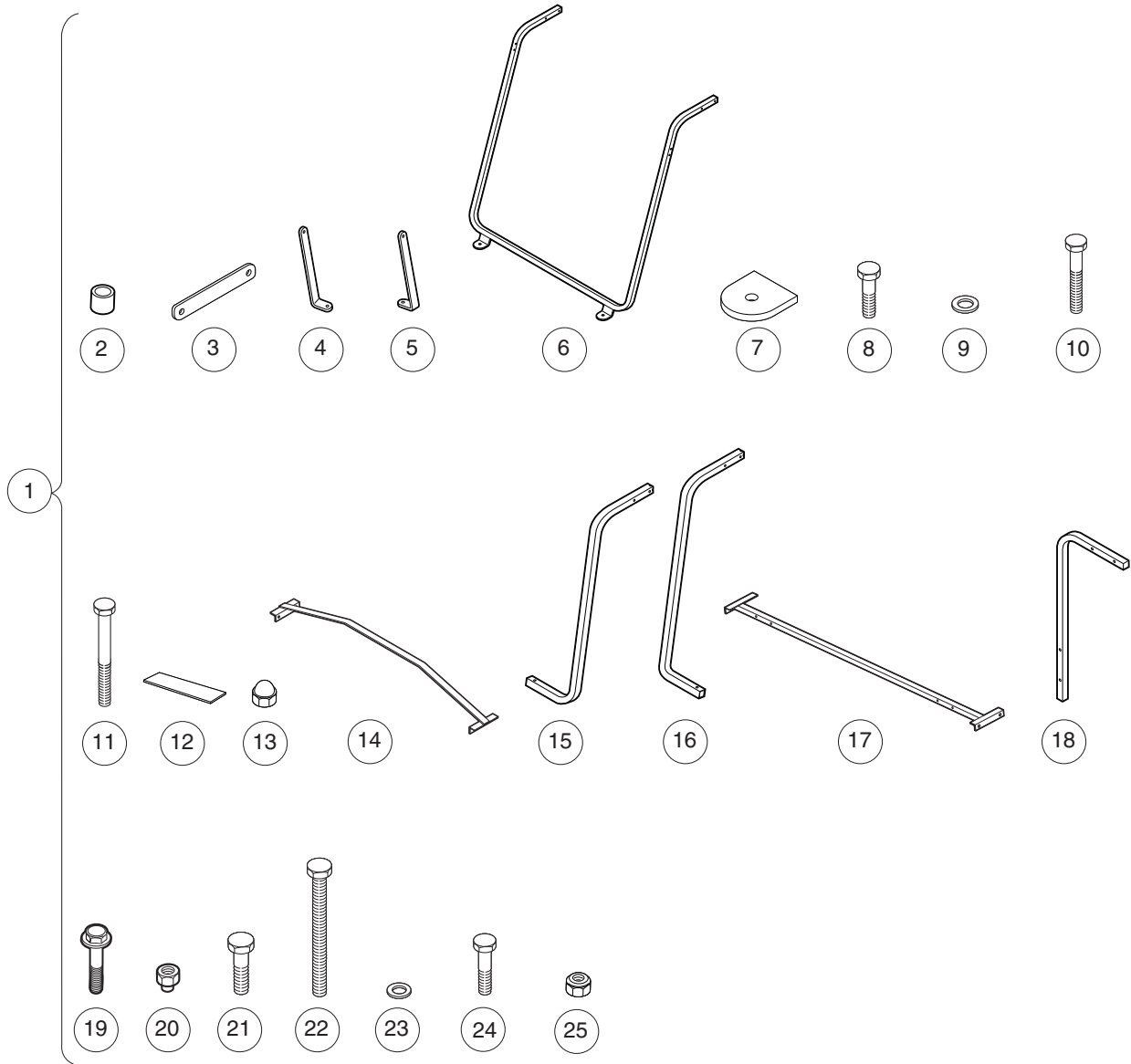


## CANOPY KIT, WHITE – VILL. 8 WITH FLAT BED

ITEM	PART NO.	DESCRIPTION	QTY
		1 2 3 4	
1	<u>101835001</u>	Kit, Rv XI Canopy Hardware (includes items 2 through 25) .....	1
2	<u>1010237</u>	Bushing .....	2
3	<u>1011852</u>	Plate, Canopy Trim .....	4
4	<u>1011862</u>	Brace, Right-Hand Canopy Mount Knee .....	1
5	<u>1011865</u>	Brace, Left-Hand Canopy Mount Knee .....	1
6	<u>1011868</u>	Weldment, Windshield Frame .....	1
7	<u>1011883</u>	Pad, Windshield Frame Mounting .....	2
8	<u>1011937</u>	Bolt, 5/16-18 X 1.25 Hex Head .....	2
9	<u>1011964</u>	Washer, 1/4 Flat .....	2
10	<u>1013509</u>	Screw, 1/4-20 X 1.75 Hx Hd Cap .....	4
11	<u>1014201</u>	Screw, 1/4-20 X 2.25 Hex Cap .....	8
12	<u>1014471</u>	Tape, Vinyl Foam 1/8" x 3/4" .....	20
13	<u>1015091</u>	Nut, 1/4-20 Stainless-Steel Center-Lock Cap .....	8
14	<u>101800201</u>	Canopy Top Brace Weldment .....	2
15	<u>101805501</u>	Side Brace XI Canopy L.h. ....	2
16	<u>101805502</u>	Side Brace XI Canopy R.h. ....	2
17	<u>101835101</u>	Rear Cross Brace XI Canopy .....	1
18	<u>101835401</u>	Rear Brace XI Canopy .....	2
19	<u>102076701</u>	Screw, 1/4-20 X 1.75 Hex Sems .....	2
20	<u>102242401</u>	Nut - Nylon Insert W/cap .....	2
21	<u>1218</u>	Screw, 5/16-18 X 1.25 Hex-Head Cap .....	2
22	<u>324</u>	Screw, 1/4-20 X 2.50 Hx Hd Cap .....	16
23	<u>332</u>	Washer, 1/4 Type A Narrow Flat .....	56
24	<u>7479</u>	Screw, 1/4-20 X 1.25 Hex-Head Cap .....	4
25	<u>8233</u>	Locknut, 1/4-20, Nylon Insert .....	24
26	<u>101835501</u>	XI Canopy - White .....	1

**1**  
**G**  
**E**

**1**  
**G**  
**E**



26

001285-002

## CANOPY KIT, BEIGE – VILL. 8 WITH FLAT BED

ITEM	PART NO.	DESCRIPTION	QTY
		1 2 3 4	
1	<u>101835001</u>	Kit, Rv XI Canopy Hardware (includes items 2 through 25) .....	1
2	<u>1010237</u>	Bushing .....	2
3	1011852	Plate, Canopy Trim .....	4
4	<u>1011862</u>	Brace, Right-Hand Canopy Mount Knee .....	1
5	<u>1011865</u>	Brace, Left-Hand Canopy Mount Knee .....	1
6	<u>1011868</u>	Weldment, Windshield Frame .....	1
7	<u>1011883</u>	Pad, Windshield Frame Mounting .....	2
8	<u>1011937</u>	Bolt, 5/16-18 X 1.25 Hex Head .....	2
9	1011964	Washer, 1/4 Flat .....	2
10	<u>1013509</u>	Screw, 1/4-20 X 1.75 Hx Hd Cap .....	4
11	1014201	Screw, 1/4-20 X 2.25 Hex Cap .....	8
12	<u>1014471</u>	Tape, Vinyl Foam 1/8" x 3/4" .....	20
13	<u>1015091</u>	Nut, 1/4-20 Stainless-Steel Center-Lock Cap .....	8
14	<u>101800201</u>	Canopy Top Brace Weldment .....	2
15	<u>101805501</u>	Side Brace XI Canopy L.h. ....	2
16	<u>101805502</u>	Side Brace XI Canopy R.h. ....	2
17	<u>101835101</u>	Rear Cross Brace XI Canopy .....	1
18	<u>101835401</u>	Rear Brace XI Canopy .....	2
19	<u>102076701</u>	Screw, 1/4-20 X 1.75 Hex Sems .....	2
20	<u>102242401</u>	Nut - Nylon Insert W/cap .....	2
21	1218	Screw, 5/16-18 X 1.25 Hex-Head Cap .....	2
22	<u>324</u>	Screw, 1/4-20 X 2.50 Hx Hd Cap .....	16
23	<u>332</u>	Washer, 1/4 Type A Narrow Flat .....	56
24	<u>7479</u>	Screw, 1/4-20 X 1.25 Hex-Head Cap .....	4
25	<u>8233</u>	Locknut, 1/4-20, Nylon Insert .....	24
26	<u>101835502</u>	XI Canopy - Beige .....	1

**1**  
**G**  
**E**

**1**

**G**

**E**

# WHEELS AND TIRES

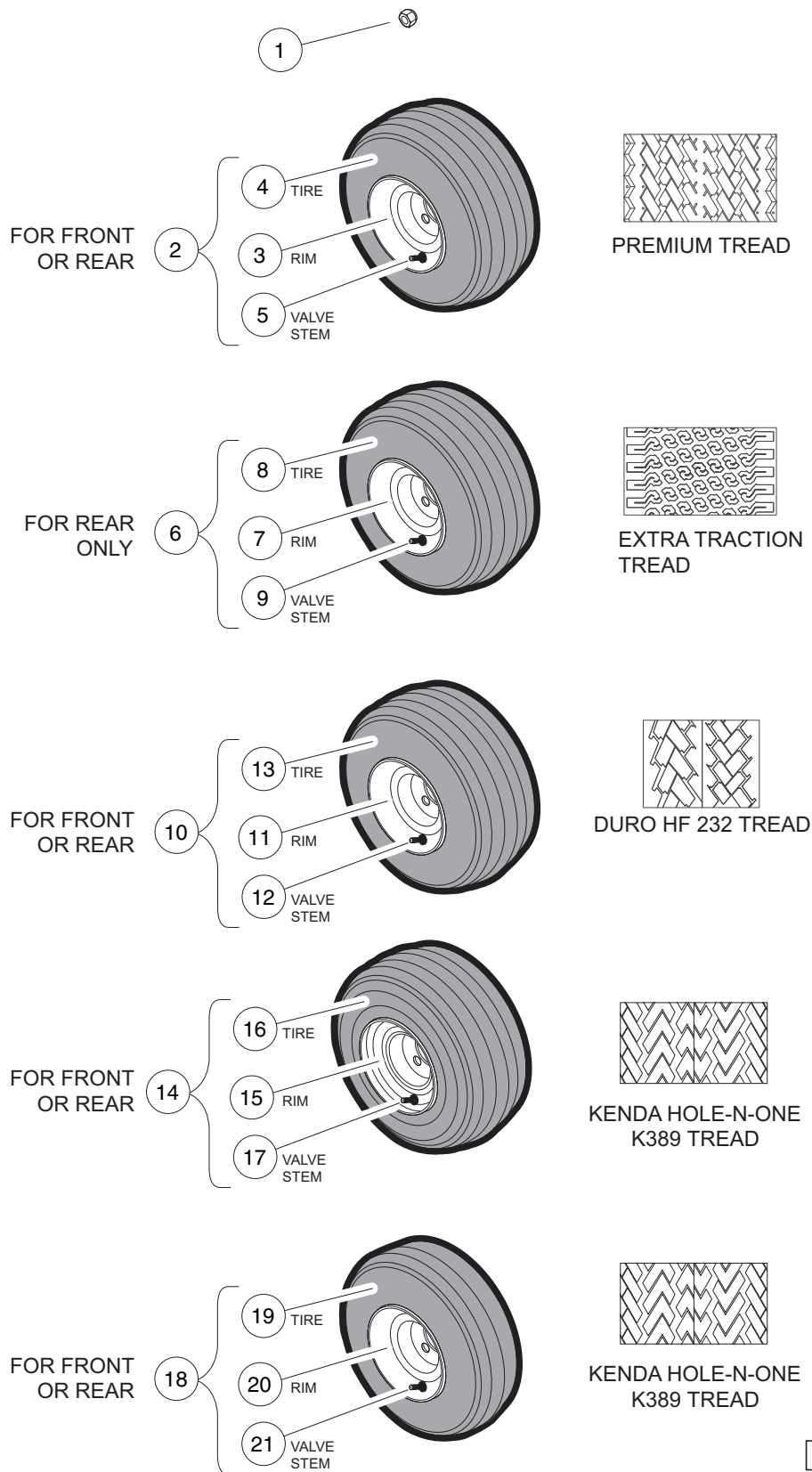
---

2

G

E

**2**  
**G**  
**E**



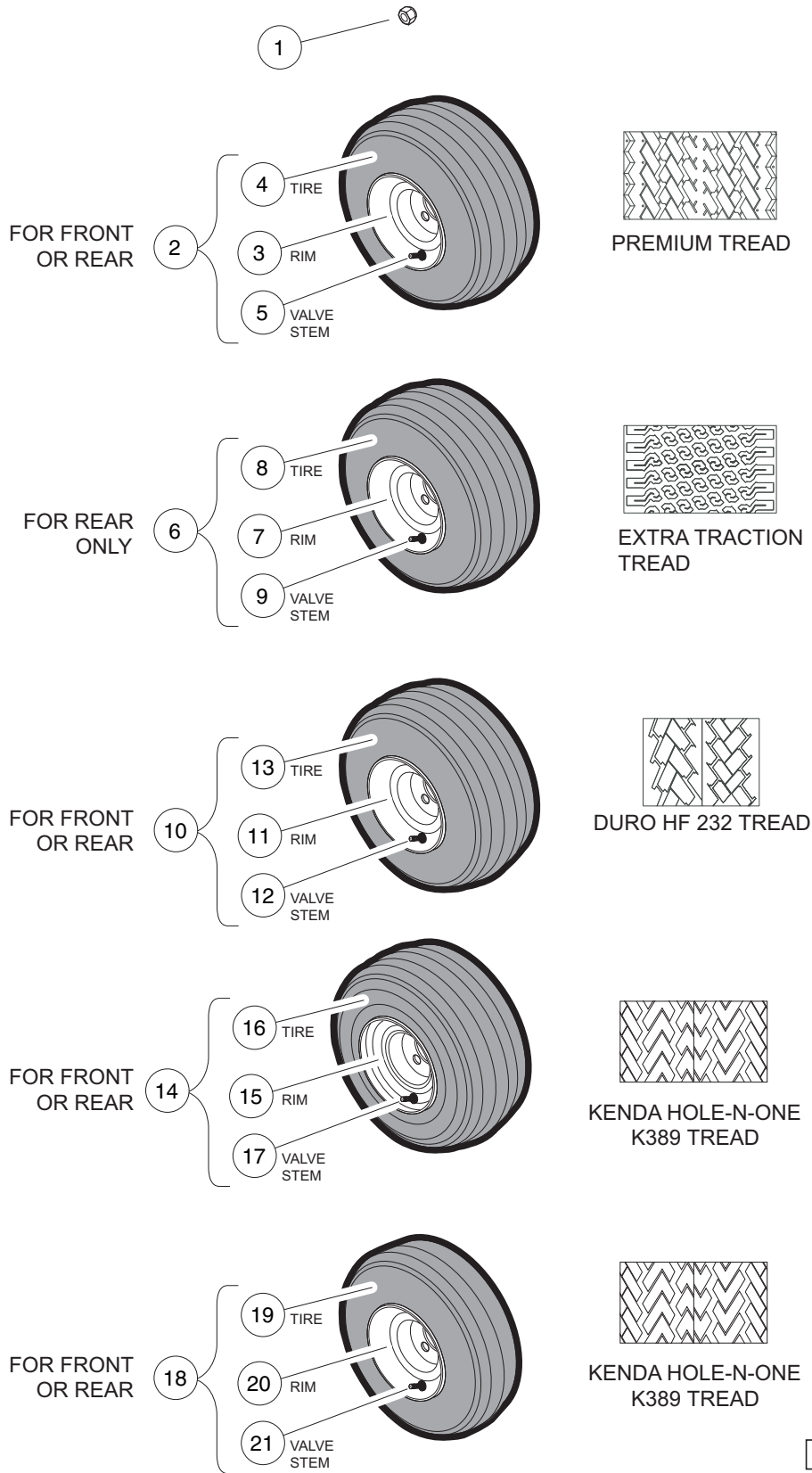
000269-017

## WHEELS (BEIGE) AND TIRES

ITEM	PART NO.	DESCRIPTION	QTY
		<b>1 2 3 4</b>	
1	<u>1010984</u>	.500-20 Unf Lug Nut .....	16
2	<u>101570506</u>	Tire/Wheel Asm, Beige, Premium Tread, 6-ply (includes items 3 through 5) .....	4
3	1015707	Wheel Rim, Beige .....	1
4	<u>101737002</u>	Tire, Unmounted .....	1
5	<u>7310</u>	Valve Stem, Black Plastic .....	1
6	<u>101570507</u>	Tire/Wheel Asm, Beige, Xtrac Tread, 6-ply (includes items 7 through 9) .....	2
7	1015707	Wheel Rim, Beige .....	1
8	<u>101769302</u>	Tire, Unmounted Xtrac 18 x 8.50-8 .....	1
9	<u>7310</u>	Valve Stem, Black Plastic .....	1
10	<u>101570514</u>	Tire/Wheel Asm, Beige, Duro HF 232 Tread (includes items 11 through 13) .....	4
11	1015707	Wheel Rim, Beige .....	1
12	<u>7310</u>	Valve Stem, Black Plastic .....	1
13	****	Tire, Unmounted, 6-Ply Rated (18.5 x 8.5 - 8) (Duro) .....	1
14	<u>101570518</u>	Asm, Tire & Wheel, Hn1, Beige (includes items 15 through 17) .....	4
15	103459103	Wheel Rim Asm, 8"x7", Beige .....	1
16	<u>103658601</u>	Tire, Kenda Hn1, 6pl .....	1
17	<u>7310</u>	Valve Stem, Black Plastic .....	1
18	<u>101570519</u>	Beige Tire Asm 6.50 Prem Tread (includes items 19 through 21) .....	4
19	<u>103722901</u>	Tire, Kenda Hole-N-One, 18x6.5 - 8, Prem, 6-Ply .....	1
20	103723001	Wheel Rim, 8 X 5.375, Beige .....	1
21	<u>7310</u>	Valve Stem, Black Plastic .....	1
		**** Special order item available upon request.	

**2**  
**G**  
**E**

**2**  
**G**  
**E**



000269-017

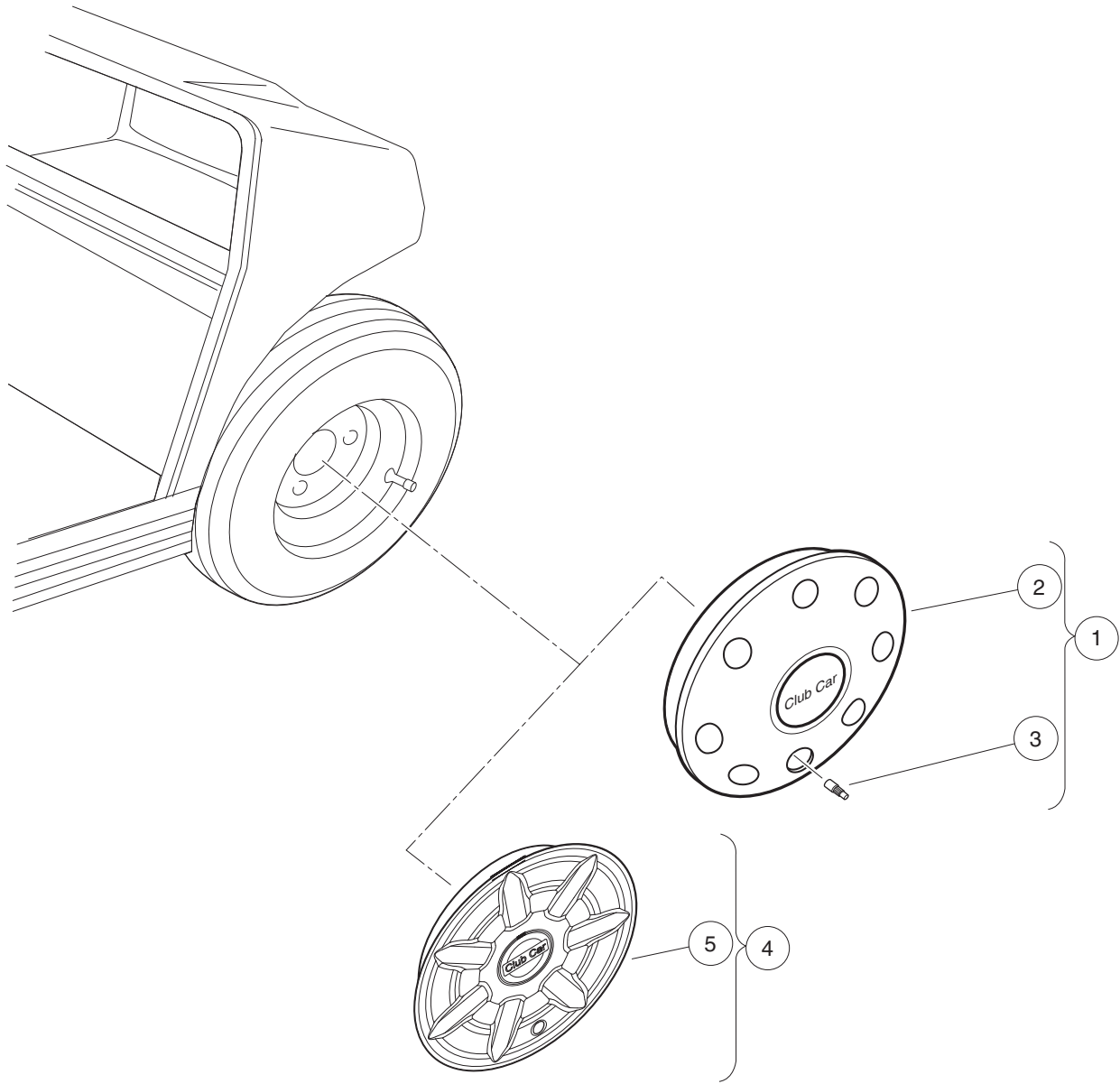


## WHEELS (WHITE) AND TIRES

ITEM	PART NO.	DESCRIPTION	QTY
		1 2 3 4	
1	<u>1010984</u>	.500-20 Unf Lug Nut .....	16
2	<u>101651406</u>	Tire/Wheel Asm, White, Premium Tread, 6-Ply (includes items 3 through 5) .....	4
3	<u>1014771</u>	Wheel Rim, White .....	1
4	<u>101737002</u>	Tire, Unmounted .....	1
5	<u>7310</u>	Valve Stem, Black Plastic .....	1
6	<u>101651407</u>	Tire/Wheel Asm, White, Extra-Traction, 6-Ply (includes items 7 through 9) .....	2
7	<u>1014771</u>	Wheel Rim, White .....	1
8	<u>101769302</u>	Tire, Unmounted Xtrac 18 x 8.50-8 .....	1
9	<u>7310</u>	Valve Stem, Black Plastic .....	1
10	<u>101651414</u>	Tire/Wheel Asm, White, Duro HF 232 (includes items 11 through 13) .....	4
11	<u>1014771</u>	Wheel Rim, White .....	1
12	<u>7310</u>	Valve Stem, Black Plastic .....	1
13	****	Tire, Unmounted, 6-Ply Rated (18.5 x 8.5 - 8) (Duro) .....	1
14	<u>101651418</u>	Tire/Wheel Asm, White, Kenda Hole-N-One, 6-Ply (includes items 15 through 17) .....	4
15	103459102	Wheel Rim Asm, 8"x7", White .....	1
16	<u>103658601</u>	Tire, Kenda Hn1, 6pl .....	1
17	<u>7310</u>	Valve Stem, Black Plastic .....	1
18	<u>101651419</u>	Tire/Wheel Asm, White, Kenda Hole-N-One, 6-Ply, Narrow (includes items 19 through 21) .....	4
19	<u>103722901</u>	Tire, Kenda Hole-N-One, 18x6.5 - 8, Prem, 6-Ply .....	1
20	103723002	Wheel Rim, 8 X 5.375, White .....	1
21	<u>7310</u>	Valve Stem, Black Plastic .....	1
		**** Special order item available upon request.	

2  
G  
E

**2**  
**G**  
**E**



001203-001

# WHEEL COVERS

ITEM	PART NO.	DESCRIPTION	QTY
		1 2 3 4	
1	<u>1012642</u>	Sport Wheel Cover Kit (each) (includes items 2 and 3) .....	4
2	1012640	Hubcap .....	1
3	<u>1012641</u>	Valve Extension .....	1
4	<u>102559901</u>	Hub Cap Kit, Prec (includes item 5) .....	1
5	<u>103694501</u>	Hub Cap, 7 Prong .....	4

2

G

E

**2**

**G**

**E**

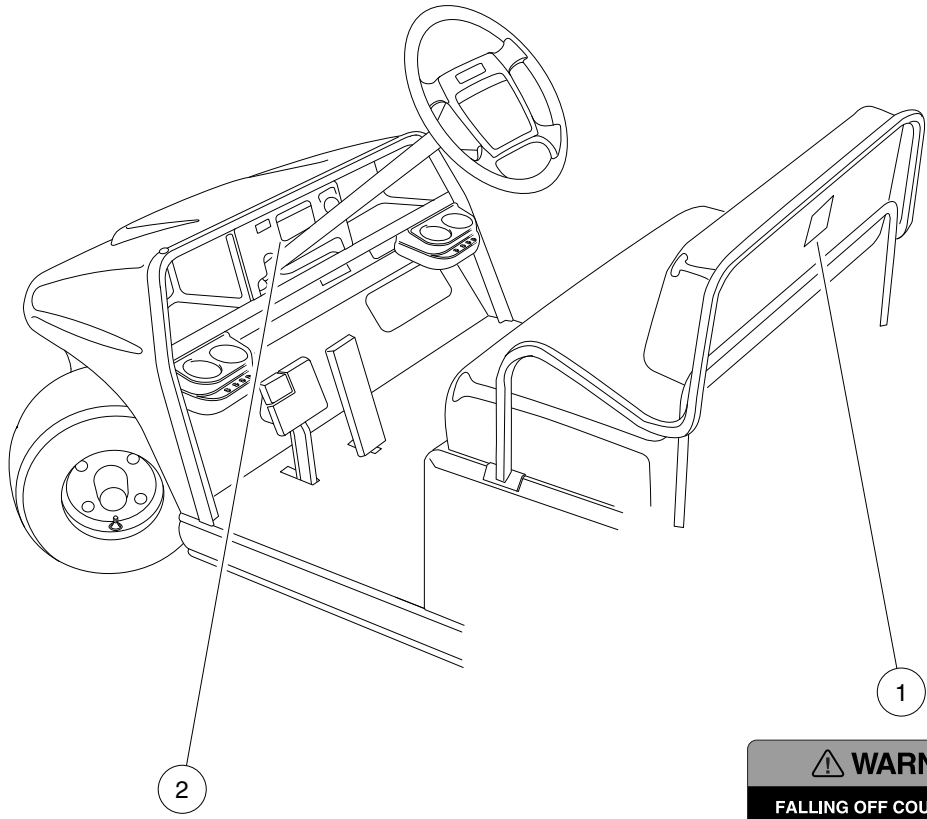
# DECALS

---

3

G

E



**⚠ WARNING**

**ROLLOVER OR FALLING OFF MAY CAUSE DEATH.**

- Before using vehicle, read operating instructions.
- Remain seated and hold on to seat handle while moving.
- Do not start vehicle until all occupants are seated.
- Two (2) persons per seat maximum.
- Operate from driver side only and not on public roads.
- Keep entire body inside vehicle while moving.
- Drive slowly in turns and straight up and down slopes.
- Do not leave children unattended on vehicle.
- Never operate under the influence of alcohol or drugs.
- Use brakes to reduce speed when coasting downhill.
- Never stand in front of or behind vehicle.

CC# 103205401

**⚠ WARNING**

**FALLING OFF COULD RESULT IN SEVERE INJURY OR DEATH**

- Remain seated with entire body inside vehicle and hold on to seat handle or handrail at all times.
- Two (2) persons per bench seat maximum.
- One (1) person per bucket seat maximum.
- Do not leave children unattended on vehicle at anytime.
- Never stand in front of or behind vehicle.

CC# 101705701

000374-002

# DECALS – VILLAGER 6 GAS AND IQ PLUS

ITEM	PART NO.	DESCRIPTION	QTY
		1 2 3 4	
1	<u>101705701</u>	Decal, Warning .....	1
2	<u>103205401</u>	Decal, Warning, Rollover, Utl .....	1

3  
G  
E

**OPERATING INSTRUCTIONS**

Before using vehicle, read owner's manual and vehicle safety warnings. Study and understand controls.

**TO OPERATE**

- Ensure wheels are turned in desired direction and path is clear.
- Turn key to ON position.
- Select FORWARD or REVERSE only when stopped.
- Release park brake fully.
- Vehicle will start moving when accelerator pedal is pressed.
- Slowly press accelerator pedal to increase speed.
- During operation, beeping alarm indicates reduction in motor braking.
- To stop, release accelerator pedal and press brake pedal.

**WARNING**

Unintended vehicle movement may cause severe injury or death. Before leaving vehicle:

- Engage park brake to lock wheels.
- Place vehicle in NEUTRAL.
- Turn key to OFF and remove key.

103783001

**DANGER / POISON**

SHIELD EYES  
EXPLOSIVE GASES CAN CAUSE BLINDNESS OR INJURY  
NO SPARKS, FLAMES, SMOKING  
SULFURIC ACID CAN CAUSE BLINDNESS OR SEVERE BURNS  
FLUSH EYES IMMEDIATELY WITH WATER GET MEDICAL HELP FAST

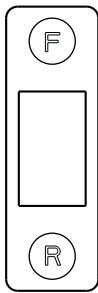
KEEP OUT OF THE REACH OF CHILDREN - DO NOT TIP - KEEP VENT CAPS TIGHT AND LEVEL

**CAUTION**

**EXPOSURE TO WATER MAY DAMAGE ELECTRONIC COMPONENTS**

- Do not operate vehicle without this cover properly installed.
- Do not direct water stream in the area of the cover without cover securely in place.
- See vehicle maintenance and service manual before servicing.

CCI 102518301



**WARNING**

**AVOID FIRE HAZARD**

- Replacement battery wires must be 4-gauge (AWG) with low-resistance terminals equivalent to factory-installed wires.
- Ensure that battery connections are clean and properly tightened. See owner's manual.

CCI 102967601

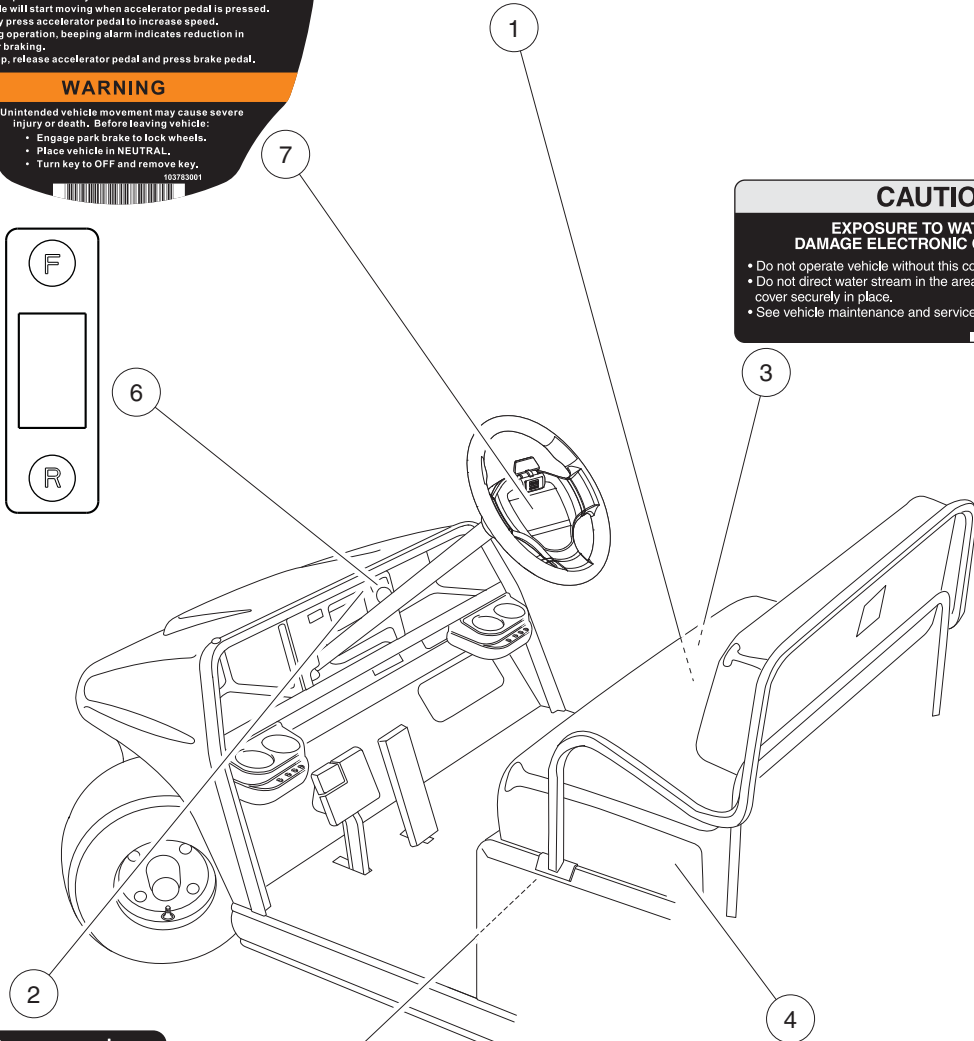
**WARNING**

**BATTERY EXPLOSION COULD RESULT IN SEVERE PERSONAL INJURY.**

- Do not store items in battery compartment.
- Place Run/Tow switch in TOW position before:
  - Disconnecting or connecting battery cables
  - Towing this vehicle
  - Extended storage
  - Servicing the vehicle

NORMAL TRIPPED  
TOW RUN

CCI 102845101



001292-001

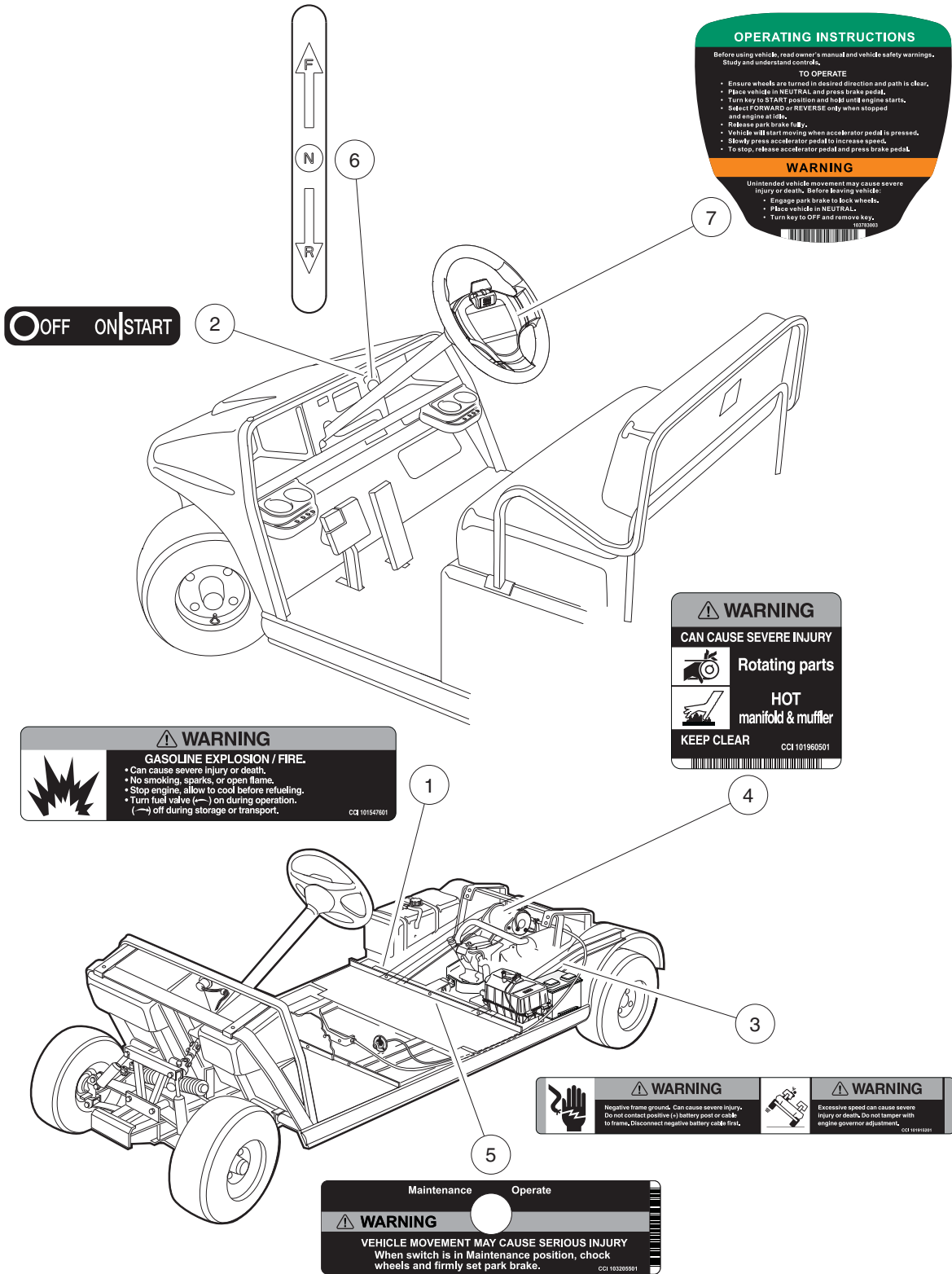


## DECALS – VILLAGER 6 IQ PLUS VEHICLE ONLY

ITEM	PART NO.	DESCRIPTION	QTY
		<b>1 2 3 4</b>	
1	<u>1013677</u>	Decal, Battery Danger .....	1
2	<u>101825101</u>	Decal, Off/On .....	1
3	<u>102518301</u>	Decal, Caution, Electrical Component Cover .....	1
4	<u>102845101</u>	Decal, Tow Switch .....	1
5	<u>102967601</u>	Decal, Warning, 4 Gauge Wire .....	1
6	<u>103210301</u>	Decal, Forward/Reverse, Electric .....	1
7	<u>103783001</u>	Decal, Op Instr, Ele .....	1

**3**  
**G**  
**E**

**3**  
**G**  
**E**



001293-001

## DECALS – VILLAGER 6 GASOLINE VEHICLE ONLY

ITEM	PART NO.	DESCRIPTION	QTY
		1 2 3 4	
1	<u>101547601</u>	Decal, Gasoline Explosion/Fire Warning .....	1
2	<u>101825102</u>	Decal, Off/On/Start .....	1
3	<u>101915201</u>	Decal, Frame Ground and Governor Warning .....	1
4	<u>101960501</u>	Decal, Rotating Parts/Hot Manifold .....	1
5	<u>103205501</u>	Decal, Run/Service Switch .....	1
6	<u>103210201</u>	Decal, Forward/Reverse, Gas .....	1
7	<u>103783003</u>	Decal, Op Instr, Gas Ks .....	1

3  
G  
E

**⚠ WARNING****ROLLOVER OR FALLING OFF MAY CAUSE DEATH.**

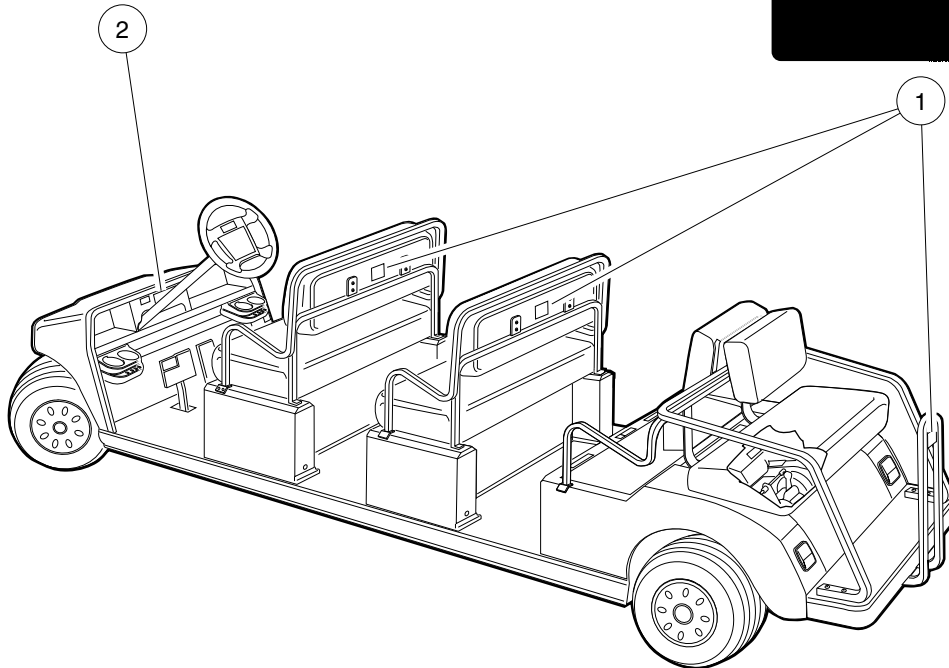
- Before using vehicle, read operating instructions.
- Remain seated and hold on to seat handle while moving.
- Do not start vehicle until all occupants are seated.
- Two (2) persons per seat maximum.
- Operate from driver side only and not on public roads.
- Keep entire body inside vehicle while moving.
- Drive slowly in turns and straight up and down slopes.
- Do not leave children unattended on vehicle.
- Never operate under the influence of alcohol or drugs.
- Use brakes to reduce speed when coasting downhill.
- Never stand in front of or behind vehicle.

CCJ 103205401

**⚠ WARNING****FALLING OFF COULD RESULT IN SEVERE INJURY OR DEATH**

- Remain seated with entire body inside vehicle and hold on to seat handle or handrail at all times.
- Two (2) persons per bench seat maximum.
- One (1) person per bucket seat maximum.
- Do not leave children unattended on vehicle at anytime.
- Never stand in front of or behind vehicle.

CCJ 101705701

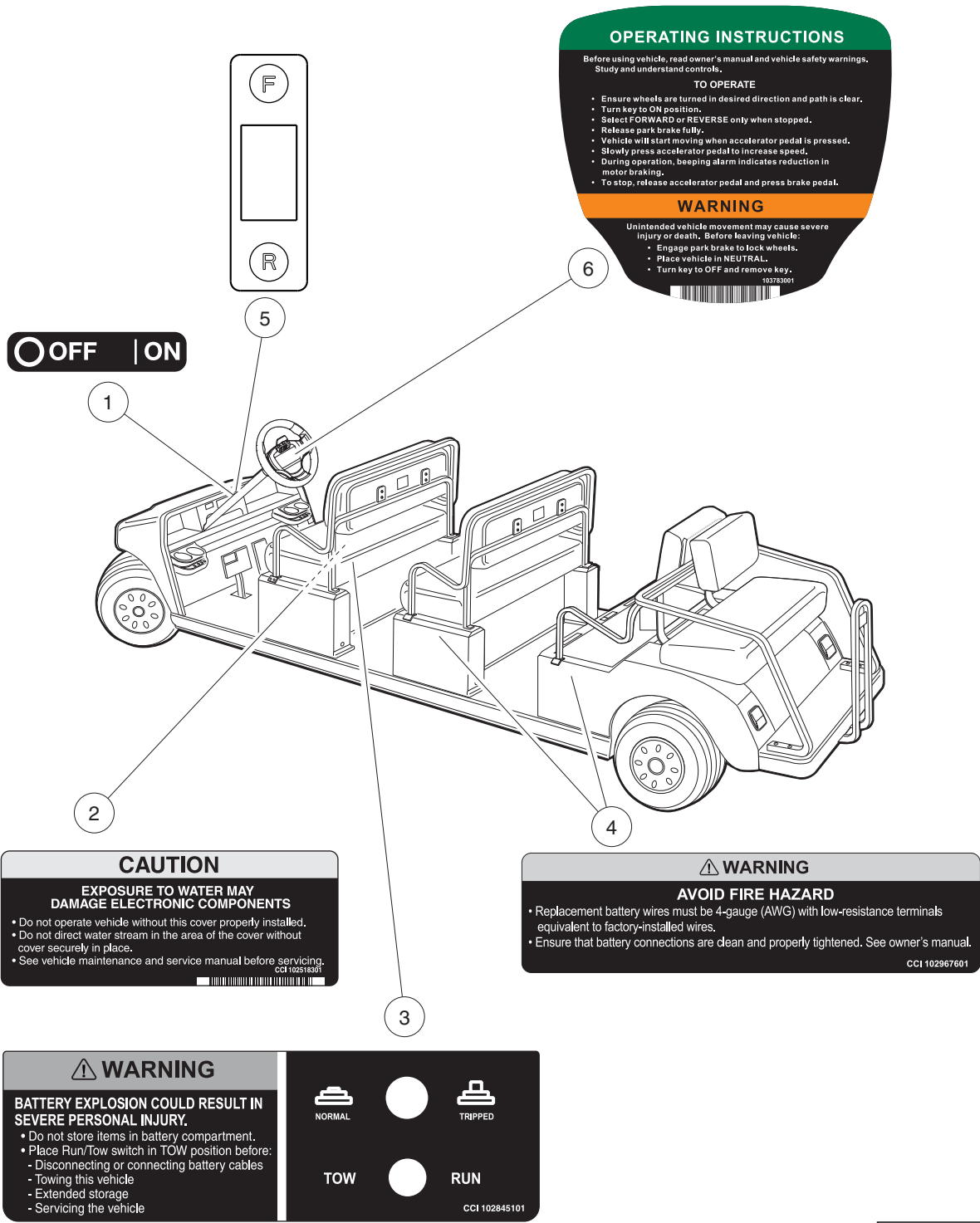


000377-002

## DECALS – VILLAGER 8 GAS AND IQ PLUS

ITEM	PART NO.	DESCRIPTION	QTY
1	<u>101705701</u>	1 2 3 4 Decal, Warning .....	3
2	<u>103205401</u>	Decal, Warning, Rollover, Utl .....	1

**3**  
**G**  
**E**



**OPERATING INSTRUCTIONS**

Before using vehicle, read owner's manual and vehicle safety warnings. Study and understand controls.

**TO OPERATE**

- Ensure wheels are turned in desired direction and path is clear.
- Turn key to ON position.
- Select FORWARD or REVERSE only when stopped.
- Release park brake fully.
- Vehicle will start moving when accelerator pedal is pressed.
- Slowly press accelerator pedal to increase speed.
- During operation, beeping alarm indicates reduction in motor braking.
- To stop, release accelerator pedal and press brake pedal.

**WARNING**

Unintended vehicle movement may cause severe injury or death. Before leaving vehicle:

- Engage park brake to lock wheels.
- Place vehicle in NEUTRAL.
- Turn key to OFF and remove key.

103763001

**OFF** | **ON**

**CAUTION**

**EXPOSURE TO WATER MAY DAMAGE ELECTRONIC COMPONENTS**

- Do not operate vehicle without this cover properly installed.
- Do not direct water stream in the area of the cover without cover securely in place.
- See vehicle maintenance and service manual before servicing.

CCI 102518301

**WARNING**

**AVOID FIRE HAZARD**

- Replacement battery wires must be 4-gauge (AWG) with low-resistance terminals equivalent to factory-installed wires.
- Ensure that battery connections are clean and properly tightened. See owner's manual.

CCI 102967601

**WARNING**

**BATTERY EXPLOSION COULD RESULT IN SEVERE PERSONAL INJURY.**

- Do not store items in battery compartment.
- Place Run/Tow switch in TOW position before:
  - Disconnecting or connecting battery cables
  - Towing this vehicle
  - Extended storage
  - Servicing the vehicle

**NORMAL**   **TRIPPED**

**TOW**   **RUN**

CCI 102845101

001294-001

## DECALS – VILLAGER 8 IQ PLUS VEHICLE ONLY

ITEM	PART NO.	DESCRIPTION	QTY
		<b>1 2 3 4</b>	
1	<u>101825101</u>	Decal, Off/On .....	1
2	<u>102518301</u>	Decal, Caution, Electrical Component Cover .....	1
3	<u>102845101</u>	Decal, Tow Switch .....	1
4	<u>102967601</u>	Decal, Warning, 4 Gauge Wire .....	2
5	<u>103210301</u>	Decal, Forward/Reverse, Electric .....	1
6	<u>103783001</u>	Decal, Op Instr, Ele .....	1

**3**  
**G**  
**E**

**OPERATING INSTRUCTIONS**

Before using vehicle, read owner's manual and vehicle safety warnings. Study and understand controls.

**TO OPERATE**

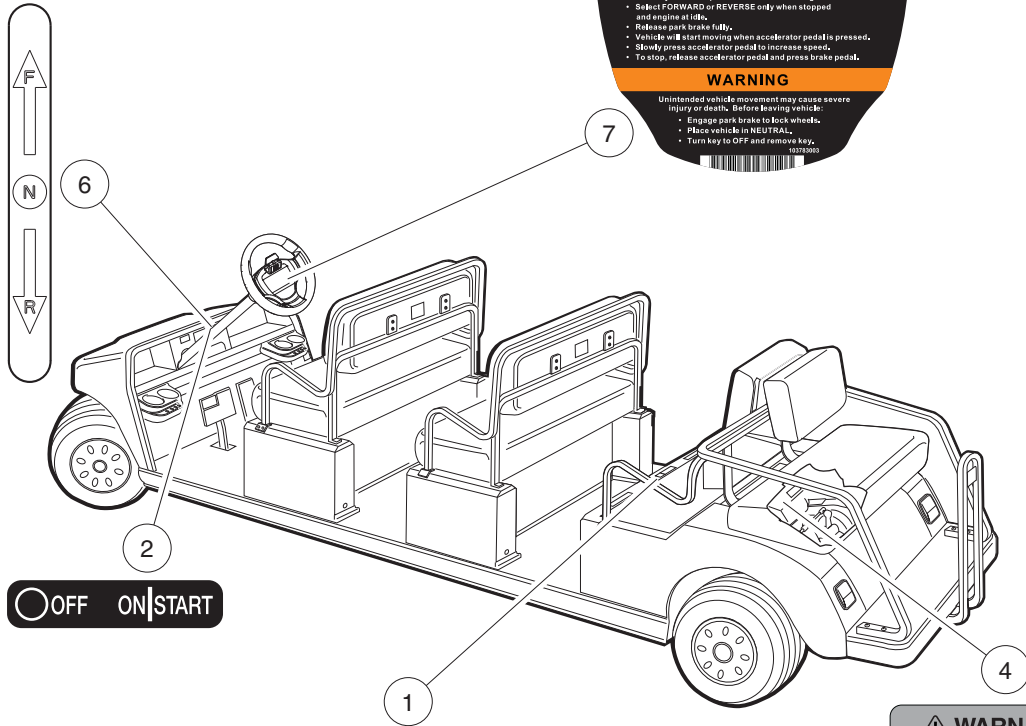
- Ensure wheels are turned in desired direction and path is clear.
- Place vehicle in NEUTRAL and press brake pedal.
- Turn key to START position and hold until engine starts.
- Select FORWARD or REVERSE only when stopped and engine at idle.
- Release park brake fully.
- Vehicle will start moving when accelerator pedal is pressed.
- Slowly press accelerator pedal to increase speed.
- To stop, release accelerator pedal and press brake pedal.

**WARNING**

Unintended vehicle movement may cause severe injury or death. Before leaving vehicle:

- Engage park brake to lock wheels.
- Place vehicle in NEUTRAL.
- Turn key to OFF and remove key.

103793003



**WARNING**

**GASOLINE EXPLOSION / FIRE.**

- Can cause severe injury or death.
- No smoking, sparks, or open flame.
- Stop engine, allow to cool before refueling.
- Turn fuel valve (←) on during operation. (→) off during storage or transport.

CC1 101547601

**WARNING**

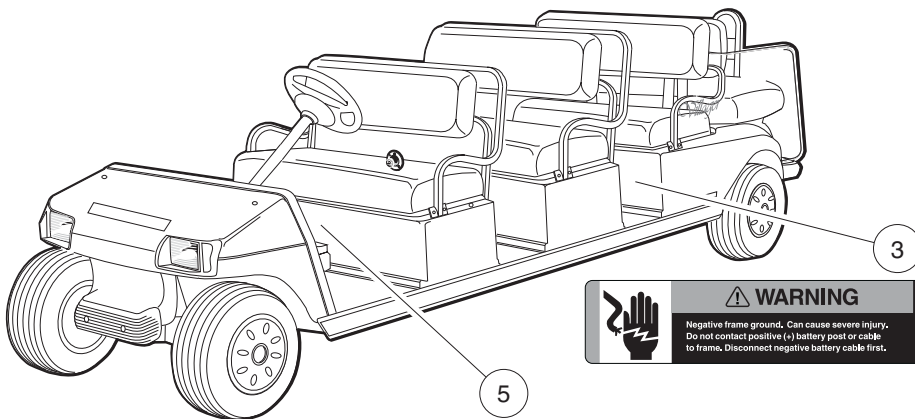
**CAN CAUSE SEVERE INJURY**

**Rotating parts**

**HOT manifold & muffler**

**KEEP CLEAR**

CC1 101960501



**WARNING**

Negative frame ground. Can cause severe injury. Do not contact positive (+) battery post or cable to frame. Disconnect negative battery cable first.

**WARNING**

Excessive speed can cause severe injury or death. Do not tamper with engine governor adjustment.

CC1 101915201

Maintenance Operate

**WARNING**

**VEHICLE MOVEMENT MAY CAUSE SERIOUS INJURY**

When switch is in Maintenance position, chock wheels and firmly set park brake.

CC1 103205501

001295-001



## DECALS – VILLAGER 8 GASOLINE VEHICLE ONLY

ITEM	PART NO.	DESCRIPTION	QTY
		1 2 3 4	
1	<u>101547601</u>	Decal, Gasoline Explosion/Fire Warning .....	1
2	<u>101825102</u>	Decal, Off/On/Start .....	1
3	<u>101915201</u>	Decal, Frame Ground and Governor Warning .....	1
4	<u>101960501</u>	Decal, Rotating Parts/Hot Manifold .....	2
5	<u>103205501</u>	Decal, Run/Service Switch .....	1
6	<u>103210201</u>	Decal, Forward/Reverse, Gas .....	1
7	<u>103783003</u>	Decal, Op Instr, Gas Ks .....	1

3  
G  
E



1

(ON FRONT OF COWL)



2

(ON REAR BODY)



3

(ON REAR BODY)

000380-001

## BADGING DECALS – VILLAGER

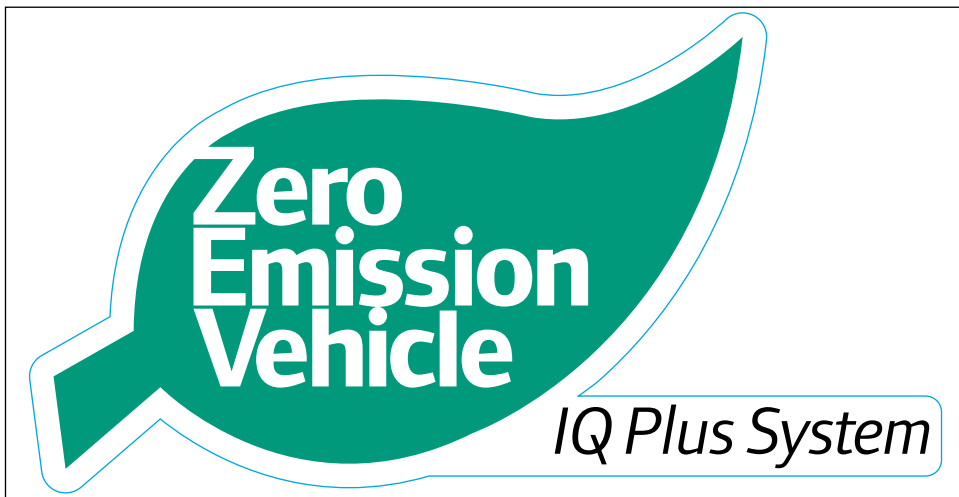
ITEM	PART NO.	DESCRIPTION	QTY
		1 2 3 4	
1	<u>1014198</u>	Nameplate Kit (gold) .....	1
2	<u>102158701</u>	Decal, Villager .....	2
3	<u>103234302</u>	Decal, Badge, IR - Gold .....	2

3  
G  
E

3

G

E



1

000422-003

## IQ PLUS LOGO DECAL – IQ PLUS VEHICLES ONLY

ITEM	PART NO.	DESCRIPTION	QTY
1	<u>103464801</u>	1 2 3 4 Decal, Iq Plus, Zev .....	2

3  
G  
E

**3**

**G**

**E**

# LIGHTS, CONTROLS, AND INDICATORS

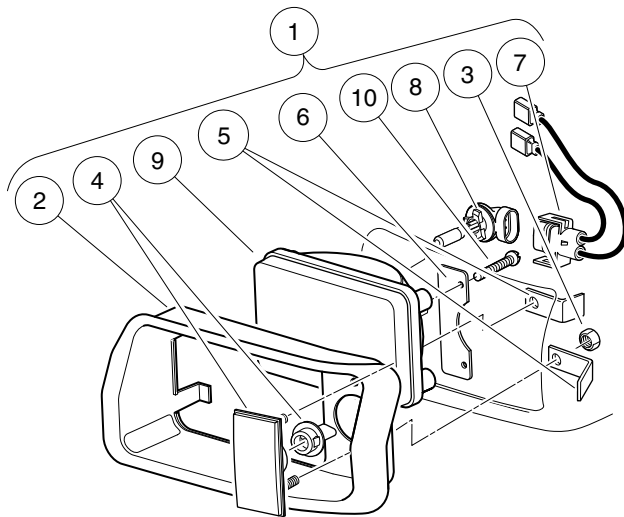
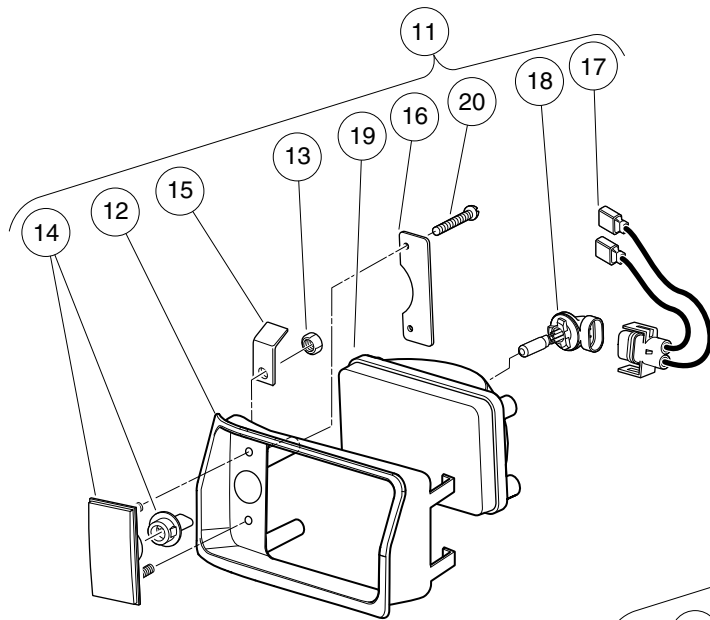
---

4

G

E

**4**  
**G**  
**E**



001097-001

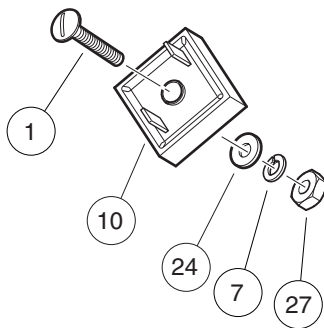
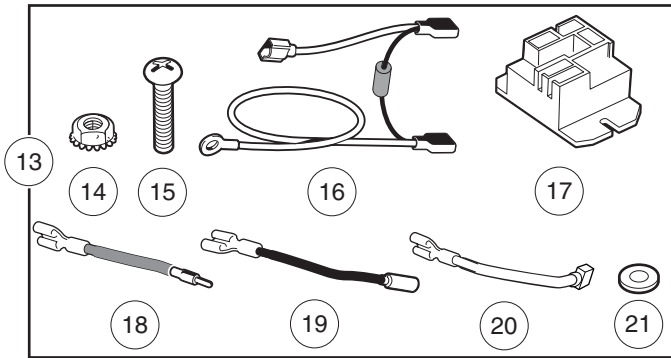
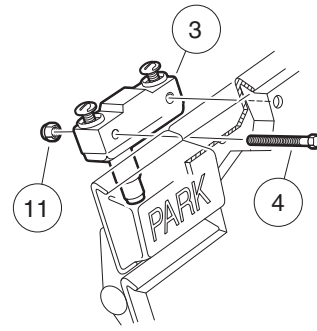
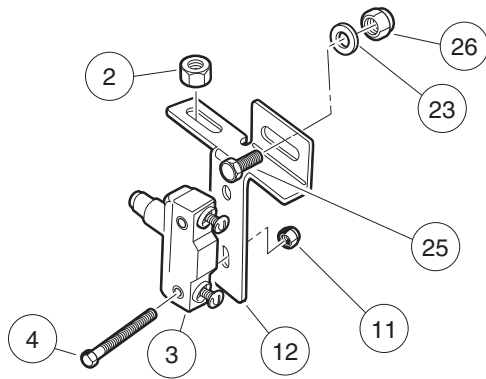
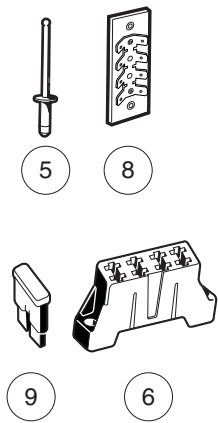


# HEADLIGHTS

ITEM	PART NO.	DESCRIPTION	QTY
		<b>1 2 3 4</b>	
1	<u>101988001</u>	Headlight Assembly, Driver-Side Single Beam (includes items 2 through 10) .....	1
2	<u>1016880</u>	Headlight Bezel, Left .....	1
3	<u>1017</u>	Nut, #10-24 Stainless-Steel Hex Machine .....	2
4	<u>1017062</u>	Turn Signal Lens Assy .....	1
5	<u>1017064</u>	Mounting Bracket .....	2
6	<u>1017065</u>	Retainer, Headlight .....	1
7	<u>101987901</u>	Connector, Harness Assembly, Headlight .....	1
8	<u>101988101</u>	Bulb, Headlight .....	1
9	<u>101988201</u>	Lens, Headlight .....	1
10	1620	Screw, #10-16 X 0.75 Pan-Head Tap .....	2
11	<u>101988002</u>	Headlight Assy, Passenger-Side Single Beam (includes items 12 through 20) .....	1
12	<u>1016879</u>	Headlight Bezel, Right .....	1
13	<u>1017</u>	Nut, #10-24 Stainless-Steel Hex Machine .....	2
14	<u>1017062</u>	Turn Signal Lens Assy .....	1
15	<u>1017064</u>	Mounting Bracket .....	2
16	<u>1017065</u>	Retainer, Headlight .....	1
17	<u>101987901</u>	Connector, Harness Assembly, Headlight .....	1
18	<u>101988101</u>	Bulb, Headlight .....	1
19	<u>101988201</u>	Lens, Headlight .....	1
20	1620	Screw, #10-16 X 0.75 Pan-Head Tap .....	2

**4**  
**G**  
**E**

**4**  
**G**  
**E**



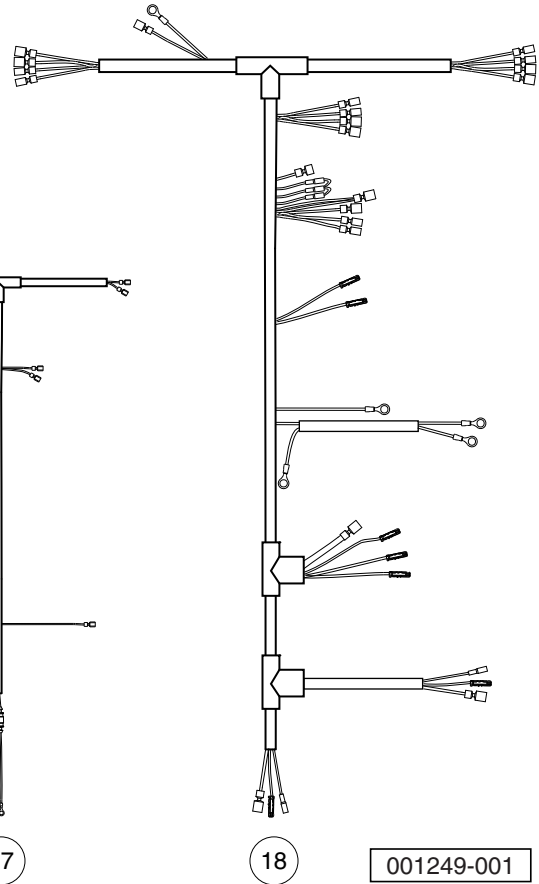
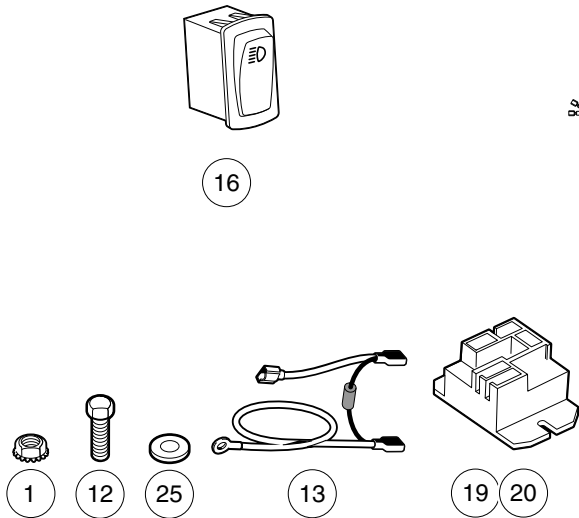
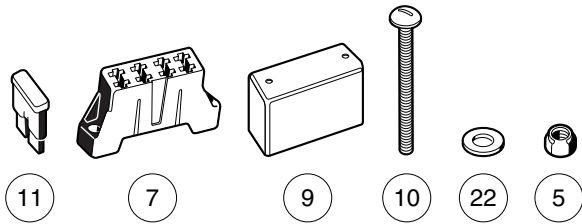
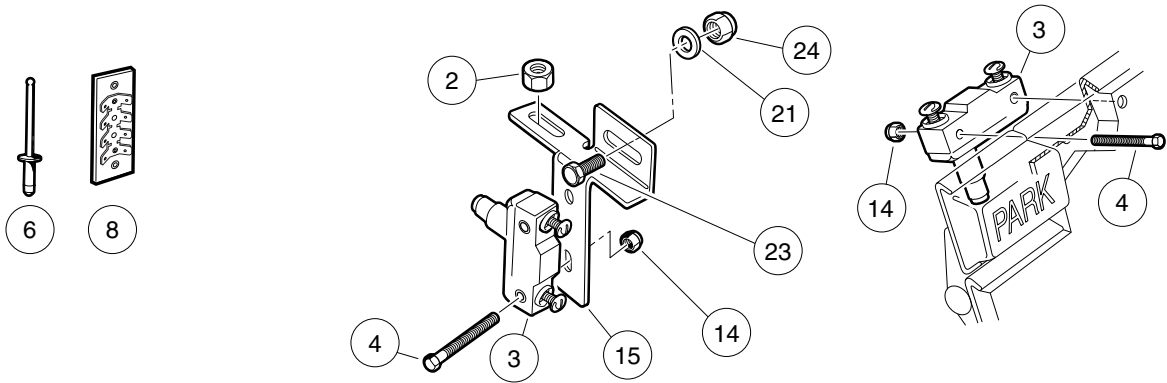
001291-001

# LIGHTING SYSTEM COMPONENTS – TRANSPORTATION GASOLINE VEHICLES

ITEM	PART NO.	DESCRIPTION	QTY
		<b>1 2 3 4</b>	
1	<u>1010909</u>	Screw, #10-32 X 1.25 Rd Hd Mch .....	1
2	<u>1011280</u>	Locknut, 5/16-18 .....	1
3	<u>1011439</u>	Switch, Limit .....	2
4	<u>1011557</u>	Screw, #6-32 X 1.00 Hex-Head Machine .....	4
5	<u>1013357</u>	Rivet, 5/32 Aluminum Pop .....	2
6	<u>1015741</u>	Fuse Block .....	1
7	<u>1016</u>	Lockwasher, #10 Split .....	1
8	<u>1016356</u>	Terminal Block with Insulator .....	1
9	<u>1016423</u>	Fuse, 20-Amp .....	3
10	<u>1017721</u>	Limiter, Voltage .....	1
11	<u>101932201</u>	Locknut, #6-32 Nylon .....	4
12	<u>101957101</u>	Bracket, Brake Light Switch .....	1
13	<u>102198701</u>	Brake Relay Kit - 12v (includes items 14 through 21) .....	1
14	<u>1011229</u>	Locknut, #6-32 Whiz .....	2
15	<u>1017853</u>	Screw, #6-32 X 0.75 Hex-Head Machine .....	2
16	<u>101914401</u>	Assembly, Voltage Suppressor .....	1
17	<u>102199001</u>	Relay, 12-Volt .....	1
18	<u>102199201</u>	Wire Asm #18 Brown .....	1
19	<u>102199301</u>	Wire Asm #18 Black .....	1
20	<u>102199401</u>	Wire Asm #18 Black .....	1
21	<u>7591</u>	Washer, #6, Flat .....	2
22	<u>102869401</u>	Switch, Rocker, Light .....	1
23	<u>1241</u>	Washer, 5/16 Type A Flat .....	1
24	<u>183</u>	Washer, #10, Type A, Flat .....	1
25	<u>7173</u>	Screw, 5/16-18 X 0.75, Hex-Head Cap .....	1
26	<u>7473</u>	Locknut, 5/16-18 Nylon Insert .....	1
27	<u>7893</u>	Nut, #10-32 Hex .....	1
		 Note: The Villager 6 and 8 gasoline models have wiring for lights built into the main wire harness.	

**4**  
**G**  
**E**

**4**  
**G**  
**E**



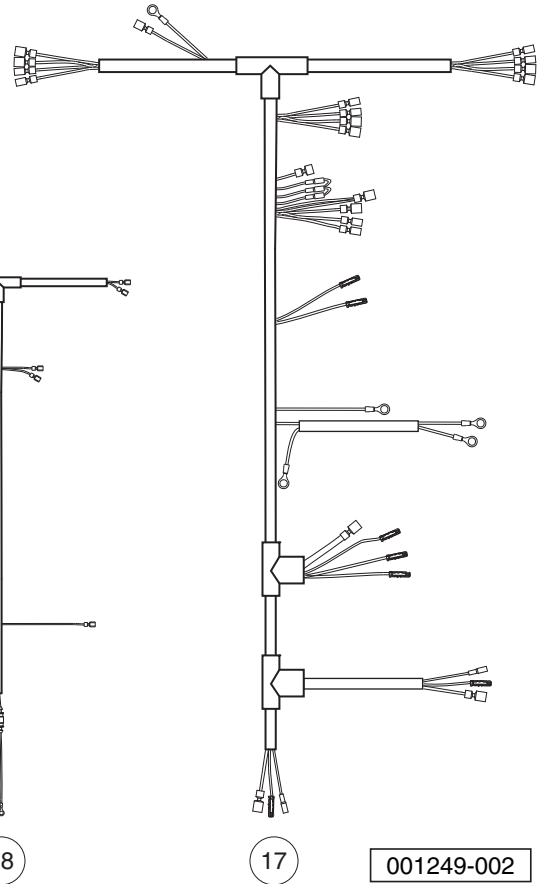
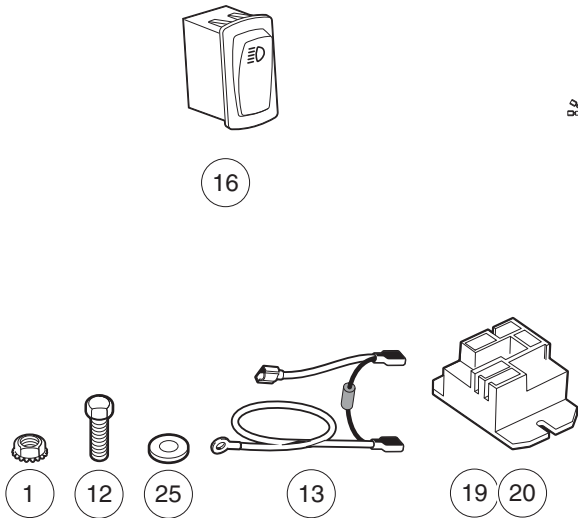
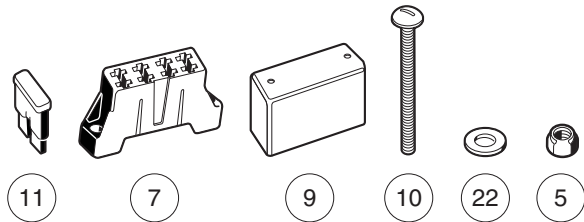
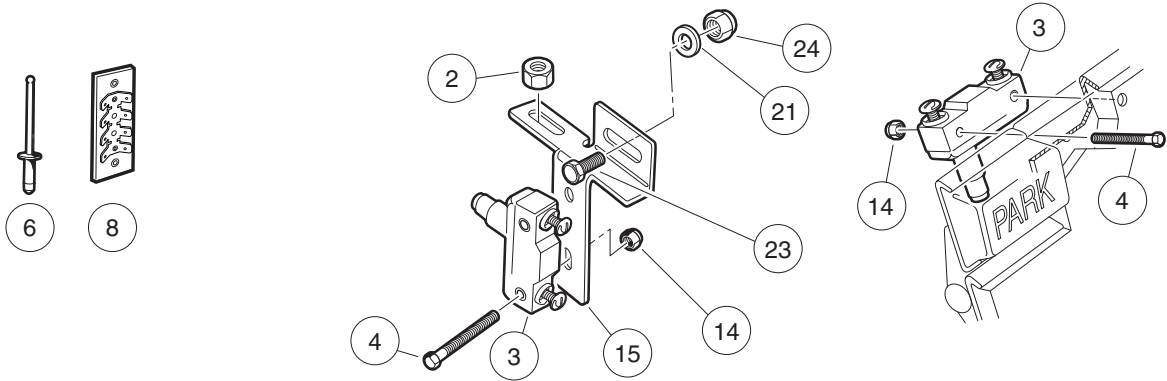
001249-001

# LIGHTING SYSTEM COMPONENTS – CA 6 AND VILL. 6 ELEC. WITH IQ PLUS CHARGER

ITEM	PART NO.	DESCRIPTION	QTY
		1 2 3 4	
1	<u>1011229</u>	Locknut, #6-32 Whiz .....	2
2	<u>1011280</u>	Locknut, 5/16-18 .....	1
3	<u>1011439</u>	Switch, Limit .....	2
4	<u>1011557</u>	Screw, #6-32 X 1.00 Hex-Head Machine .....	4
5	<u>1012438</u>	Locknut, #10-24 Nylon Insert .....	2
6	<u>1013357</u>	Rivet, 5/32 Aluminum Pop .....	2
7	<u>1015741</u>	Fuse Block .....	1
8	<u>1016356</u>	Terminal Block with Insulator .....	1
9	<u>1016363</u>	Fuse Block Cover .....	1
10	<u>1016366</u>	Screw, #10-24 X 3.0 Pan-Head Machine .....	2
11	<u>1016423</u>	Fuse, 20-Amp .....	3
12	<u>1017853</u>	Screw, #6-32 X 0.75 Hex-Head Machine .....	2
13	<u>101914401</u>	Assembly, Voltage Suppressor .....	1
14	<u>101932201</u>	Locknut, #6-32 Nylon .....	4
15	<u>101957101</u>	Bracket, Brake Light Switch .....	1
16	<u>102869401</u>	Switch, Rocker, Light .....	1
17	<u>103255701</u>	Wire Harness, Headlights-Only, CA, Electric .....	1
18	<u>103257101</u>	Wire Harness, Lighting Package, Stretch, Electric .....	1
19	<u>103414901</u>	Kit, Relay, 48v 30a W/instr (includes item 20) .....	1
20	<u>103397901</u>	Relay, Spst No, 48v 30a, Pmt .....	1
21	<u>1241</u>	Washer, 5/16 Type A Flat .....	1
22	<u>183</u>	Washer, #10, Type A, Flat .....	4
23	<u>7173</u>	Screw, 5/16-18 X 0.75, Hex-Head Cap .....	1
24	<u>7473</u>	Locknut, 5/16-18 Nylon Insert .....	1
25	<u>7591</u>	Washer, #6, Flat .....	2
		Note: Use item 17 for headlights only. NOTE 2: Use item 18 for headlights and taillights.	

4  
G  
E

**4**  
**G**  
**E**



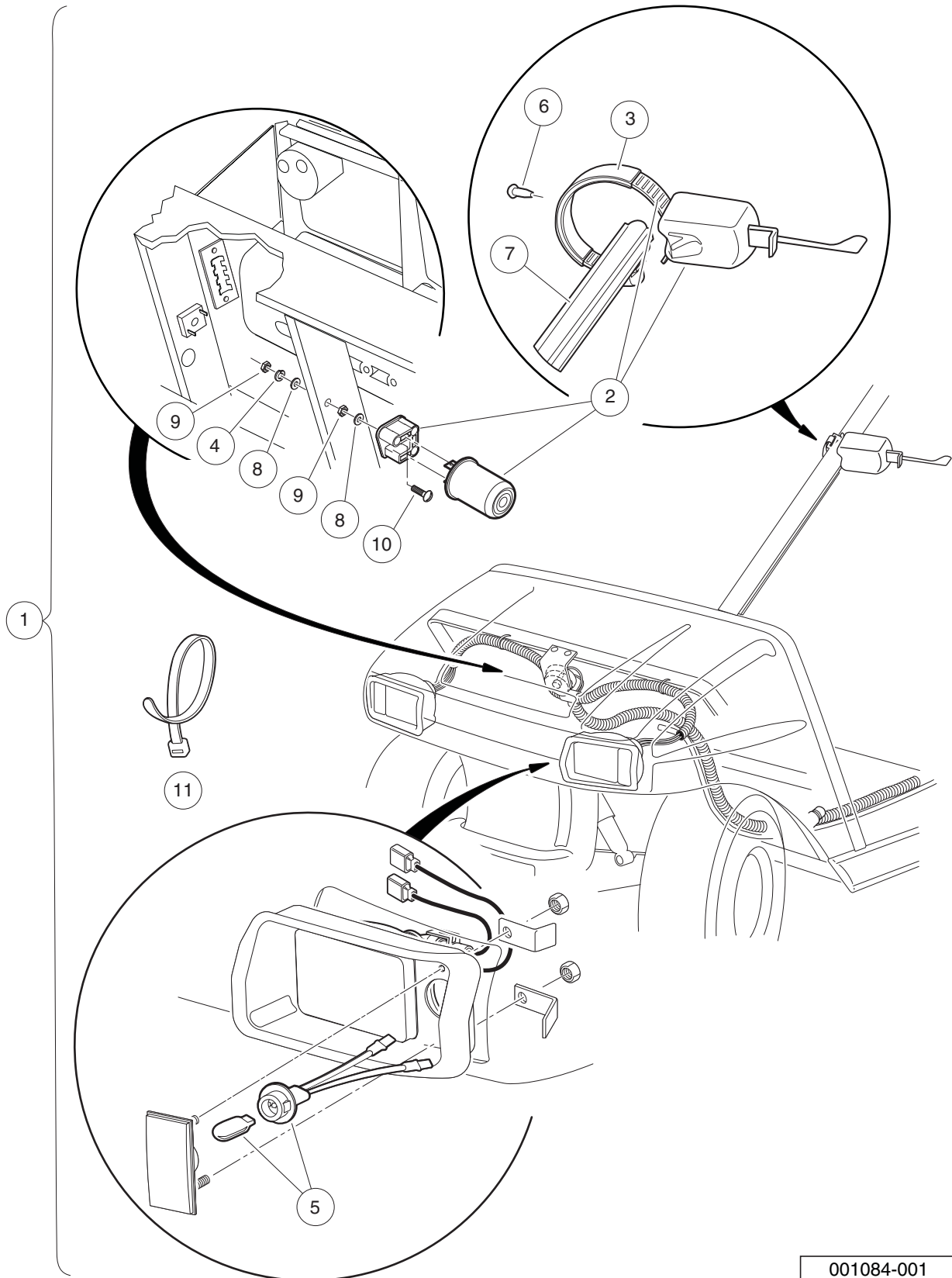
001249-002

# LIGHTING SYSTEM COMPONENTS – VILLAGER 8 ELEC. WITH IQ PLUS CHARGER

ITEM	PART NO.	DESCRIPTION	QTY
		1 2 3 4	
1	<u>1011229</u>	Locknut, #6-32 Whiz .....	2
2	<u>1011280</u>	Locknut, 5/16-18 .....	1
3	<u>1011439</u>	Switch, Limit .....	2
4	<u>1011557</u>	Screw, #6-32 X 1.00 Hex-Head Machine .....	4
5	<u>1012438</u>	Locknut, #10-24 Nylon Insert .....	2
6	<u>1013357</u>	Rivet, 5/32 Aluminum Pop .....	2
7	<u>1015741</u>	Fuse Block .....	1
8	<u>1016356</u>	Terminal Block with Insulator .....	1
9	<u>1016363</u>	Fuse Block Cover .....	1
10	<u>1016366</u>	Screw, #10-24 X 3.0 Pan-Head Machine .....	2
11	<u>1016423</u>	Fuse, 20-Amp .....	3
12	<u>1017853</u>	Screw, #6-32 X 0.75 Hex-Head Machine .....	2
13	<u>101914401</u>	Assembly, Voltage Suppressor .....	1
14	<u>101932201</u>	Locknut, #6-32 Nylon .....	4
15	<u>101957101</u>	Bracket, Brake Light Switch .....	1
16	<u>102869401</u>	Switch, Rocker, Light .....	1
17	<u>103254401</u>	Wire Harness, Lght Pkg, V8, El .....	1
18	<u>103255701</u>	Wire Harness, Headlights-Only, CA, Electric .....	1
19	<u>103414901</u>	Kit, Relay, 48v 30a W/instr (includes item 20) .....	1
20	<u>103397901</u>	Relay, Spst No, 48v 30a, Pmt .....	1
21	<u>1241</u>	Washer, 5/16 Type A Flat .....	1
22	<u>183</u>	Washer, #10, Type A, Flat .....	4
23	<u>7173</u>	Screw, 5/16-18 X 0.75, Hex-Head Cap .....	1
24	<u>7473</u>	Locknut, 5/16-18 Nylon Insert .....	1
25	<u>7591</u>	Washer, #6, Flat .....	2
		Note: Use item 18 for headlights only. NOTE 2: Use item 17 for headlights and taillights.	

4  
G  
E

**4**  
**G**  
**E**



001084-001

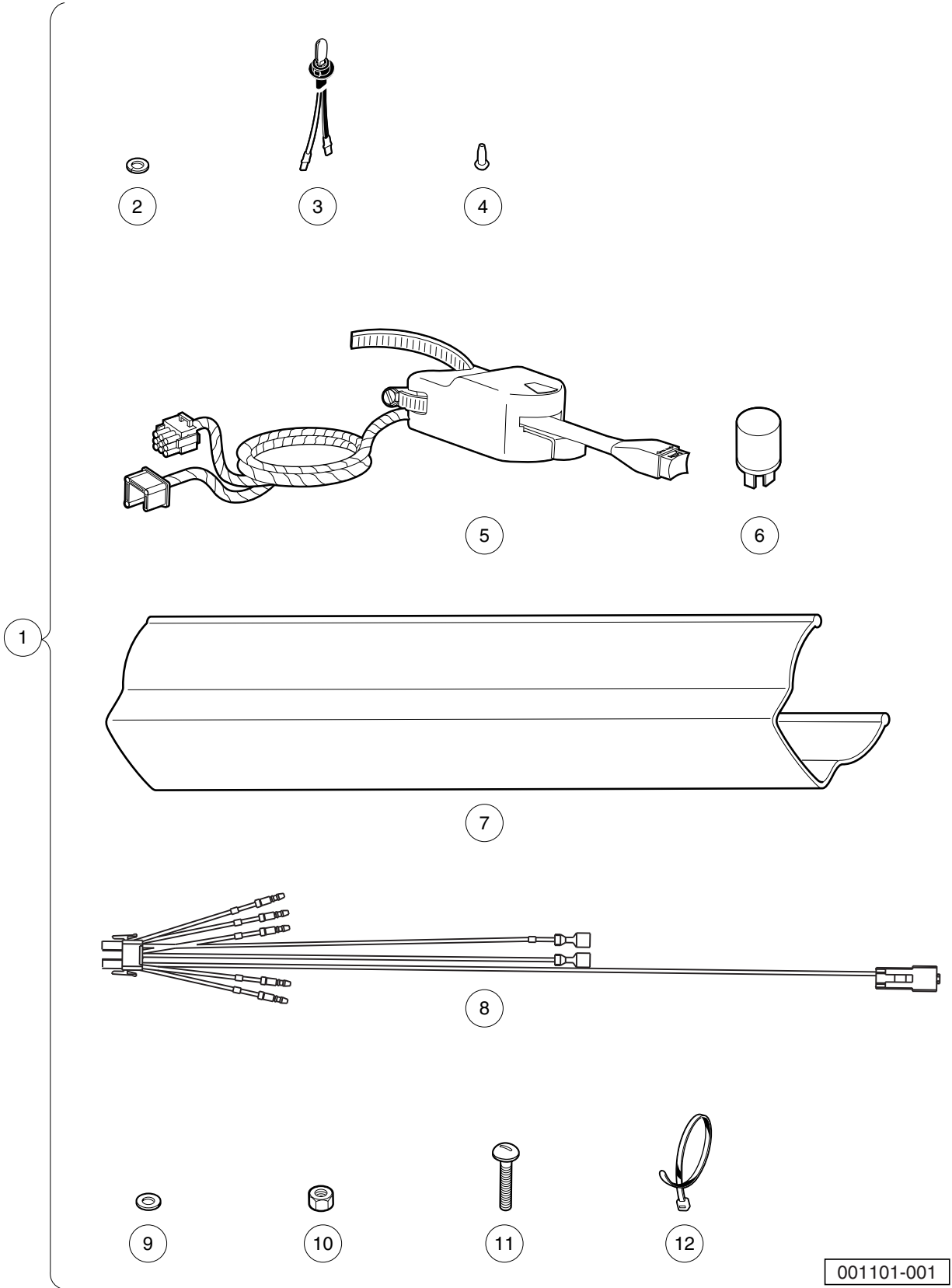


# TURN SIGNAL KIT – DS AND UTILITY GASOLINE AND ELECTRIC VEHICLES

ITEM	PART NO.	DESCRIPTION	QTY
		1 2 3 4	
1	101707402	Turn Signal Conversion Kit (includes items 2 through 11) .....	1
2	<u>1011590</u>	Switch Sub-assy, Turn Signal .....	1
3	N/A	Strap, Extrusion .....	1
4	<u>1016</u>	Lockwasher, #10 Split .....	1
5	<u>1017075</u>	Socket & Lamp Assembly .....	2
6	<u>1017724</u>	Rivet, Plastic .....	1
7	<u>102529201</u>	Wire Cover, Steering Column .....	1
8	<u>183</u>	Washer, #10, Type A, Flat .....	2
9	<u>7893</u>	Nut, #10-32 Hex .....	2
10	8104	Screw, #10-32 X .75 Rd Hd Mach .....	1
11	<u>8990</u>	Tie Wrap, 8" Nylon .....	1

4  
G  
E

**4**  
**G**  
**E**



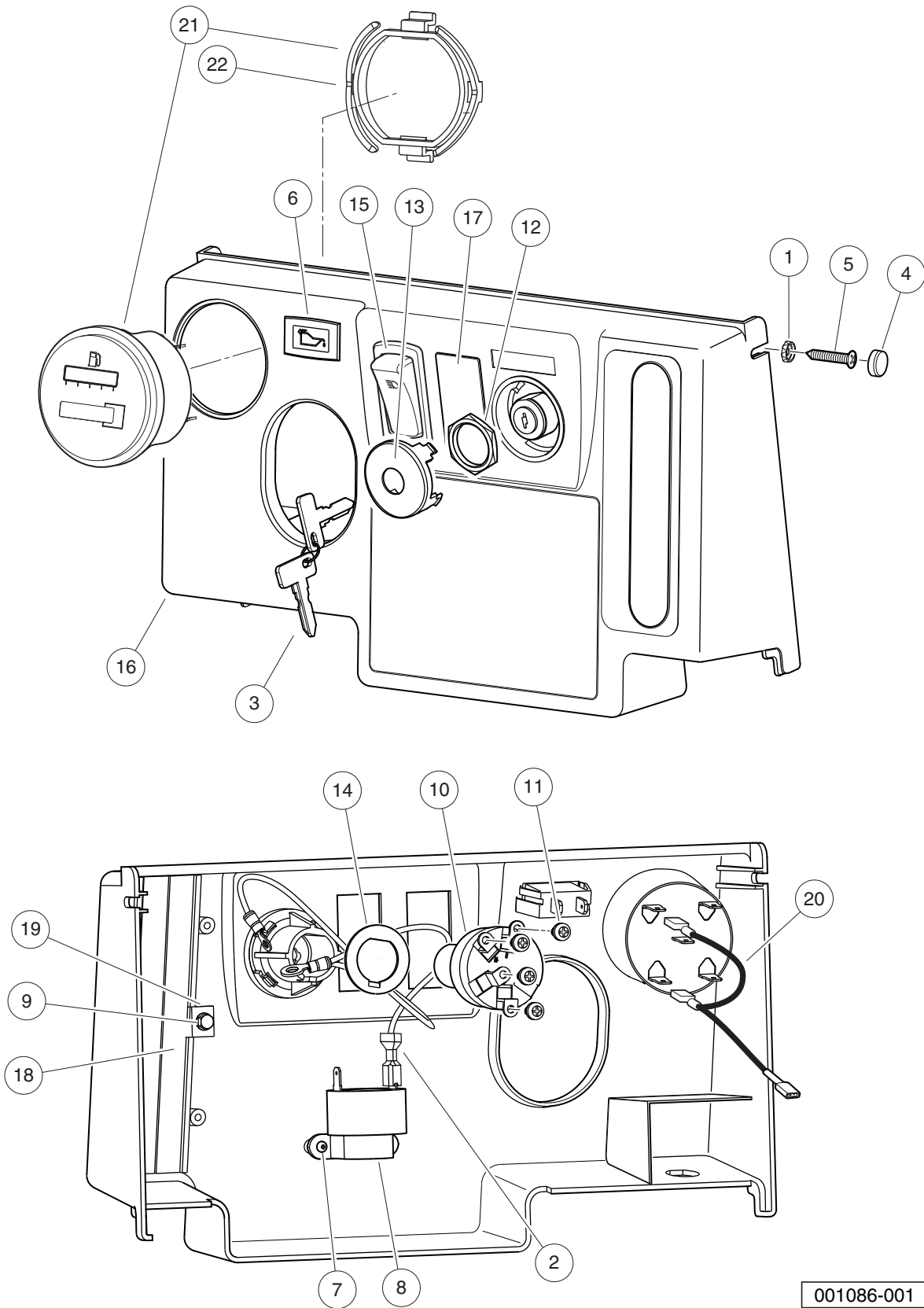
001101-001

# TURN SIGNAL (WITH HORN BUTTON) KIT – DS AND UTILITY GAS AND ELECTRIC VEHICLES

ITEM	PART NO.	DESCRIPTION	QTY
		<b>1 2 3 4</b>	
1	101707405	Kit, Turn Signal-horn (includes items 2 through 12) .....	1
2	<u>1016</u>	Lockwasher, #10 Split .....	1
3	<u>1017075</u>	Socket & Lamp Assembly .....	2
4	<u>1017724</u>	Rivet, Plastic .....	1
5	<u>102517501</u>	Turn Signal Asm (includes item 6) .....	1
6	<u>102546401</u>	Flasher Unit, Prec .....	1
7	<u>102529201</u>	Wire Cover, Steering Column .....	1
8	<u>103618001</u>	Harness, Jumper, Turn Signal .....	1
9	<u>183</u>	Washer, #10, Type A, Flat .....	2
10	<u>7893</u>	Nut, #10-32 Hex .....	2
11	8104	Screw, #10-32 X .75 Rd Hd Mach .....	1
12	<u>8990</u>	Tie Wrap, 8" Nylon .....	1

4  
G  
E

**4**  
**G**  
**E**



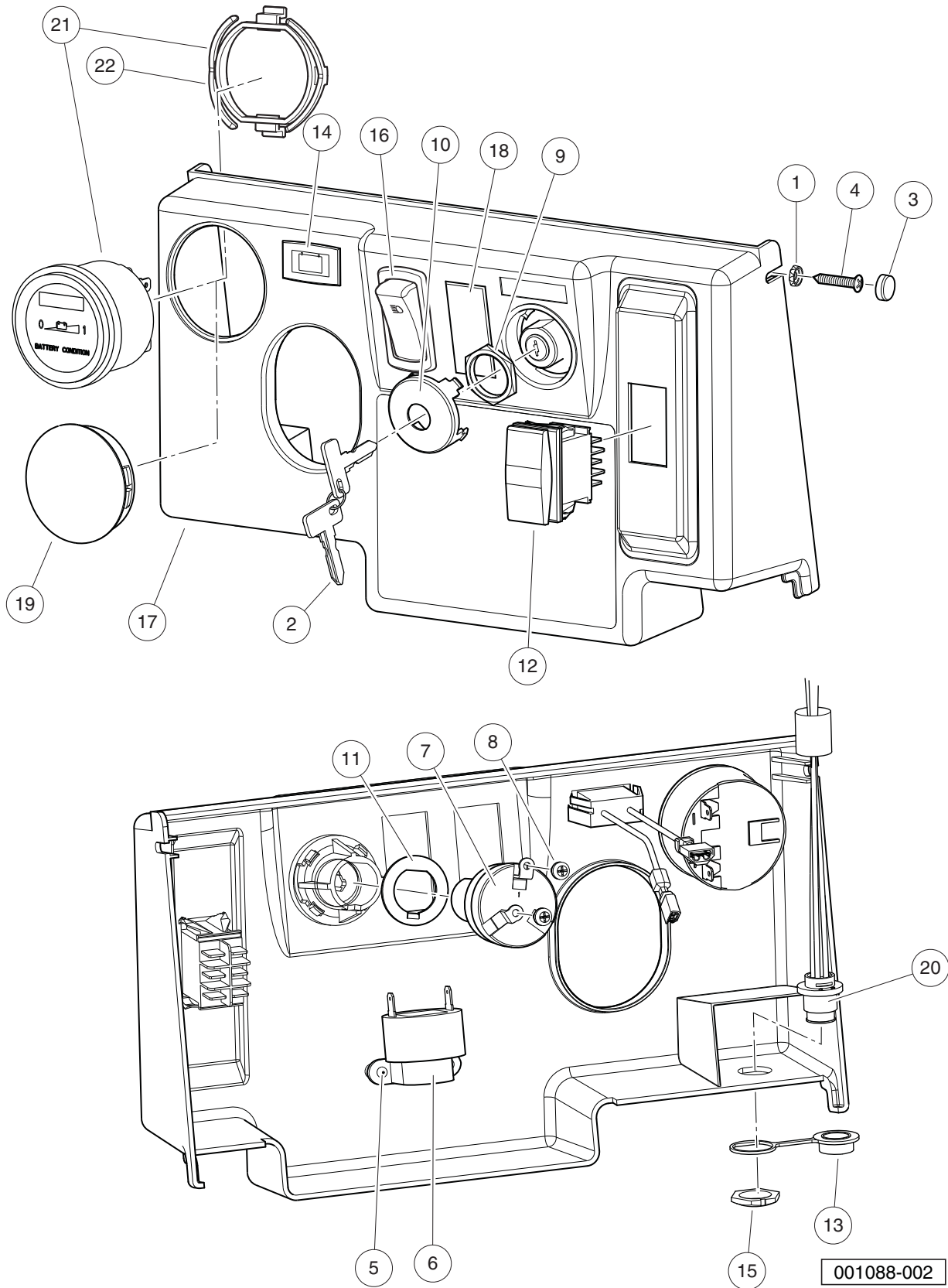
001086-001

# INSTRUMENT PANEL AND ELECTRICAL COMPONENTS – CA6/ VILL 6 & 8 GAS

ITEM	PART NO.	DESCRIPTION	QTY
		<b>1 2 3 4</b>	
1	1011382	Washer, #10 Pan-Head Screw .....	2
2	1012396	Wire Assy #18 Black .....	1
3	<u>1012505</u>	Keys (set of 2) .....	1
4	<u>1013494</u>	Cover, Screw Head .....	2
5	<u>1015528</u>	Screw, #10 x 1-1/4 Phillips Head .....	2
6	<u>1016630</u>	Light, Oil .....	1
7	<u>1016849</u>	Screw, #4-24 X 0.33, Pan-Head, Machine .....	2
8	<u>1016851</u>	Buzzer, Reverse (9-48 VDC) .....	1
9	<u>101804301</u>	Screw, #8 X 0.500, Hex-Head Hi-Lo .....	2
10	101826401	Key Switch, 12-Volt, Off/On/Start .....	1
11	101830601	Screw and Washer Assembly .....	5
12	<u>101830701</u>	Nut, Key Switch .....	1
13	<u>101834502</u>	Cap, Black Key Switch .....	1
14	<u>101851101</u>	Washer, Key Switch .....	1
15	<u>102869401</u>	Switch, Rocker, Light .....	1
16	<u>102977001</u>	Panel, Dash, Center, Gas (Instrument Panel) .....	1
17	<u>103180101</u>	Cover, Hole, Switch, Rocker .....	1
18	<u>103199001</u>	Brush, Closeout, FNR .....	2
19	<u>103199101</u>	Washer, Retaining, Brush, FNR .....	2
20	<u>103348501</u>	Asm, Wire Meter, F-h Jumper .....	1
21	<u>103348601</u>	Gauge, Fuel-hour, sep Gnd, utl (includes item 22) .....	1
22	<u>103348201</u>	Clip, Meter, Round .....	1

**4**  
**G**  
**E**

**4**  
**G**  
**E**



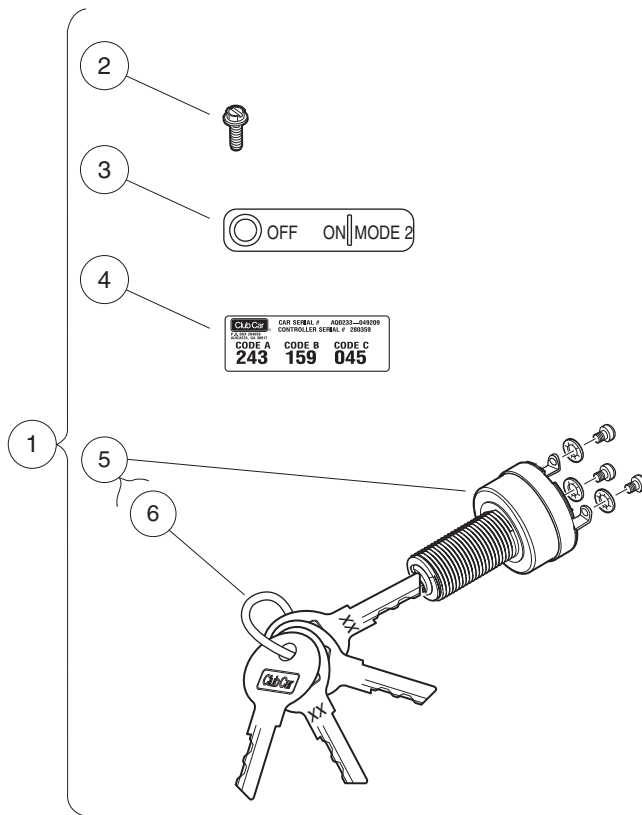
001088-002

# INSTRUMENT PANEL WITH ELECTRICAL COMPONENTS – CA6/ VILL 6/8 ELEC. W/LESTER CHARGER

ITEM	PART NO.	DESCRIPTION	QTY
		<b>1 2 3 4</b>	
1	1011382	Washer, #10 Pan-Head Screw .....	2
2	<u>1012505</u>	Keys (set of 2) .....	1
3	<u>1013494</u>	Cover, Screw Head .....	2
4	<u>1015528</u>	Screw, #10 x 1-1/4 Phillips Head .....	2
5	<u>1016849</u>	Screw, #4-24 X 0.33, Pan-Head, Machine .....	2
6	<u>1016851</u>	Buzzer, Reverse (9-48 VDC) .....	1
7	<u>101826201</u>	Key Switch, On/Off .....	1
8	101830601	Screw and Washer Assembly .....	2
9	<u>101830701</u>	Nut, Key Switch .....	1
10	<u>101834502</u>	Cap, Black Key Switch .....	1
11	<u>101851101</u>	Washer, Key Switch .....	1
12	<u>101856002</u>	Switch, Rocker, Single-Pole .....	1
13	<u>102196901</u>	Dust Cap .....	1
14	<u>102508701</u>	Light, Battery .....	1
15	<u>102572401</u>	Nut, Diagnostic Port, Prec .....	1
16	<u>102869401</u>	Switch, Rocker, Light .....	1
17	<u>102977002</u>	Panel, Dash, Center, Elec (Instrument Panel) .....	1
18	<u>103180101</u>	Cover, Hole, Switch, Rocker .....	1
19	<u>103198301</u>	Plug, Hole, Round, 2.0 In .....	1
20	<u>103218601</u>	Harness, Diagnostic Port .....	1
21	<u>103354401</u>	Gauge, Battery Cond Ind, Rnd (includes item 22) .....	1
22	<u>103348202</u>	Clip, Bci, Round .....	1

**4**  
**G**  
**E**

**4**  
**G**  
**E**



001212-001



# KEYS AND KEYSWITCHES, SMARTKEY KIT – ELECTRIC VEHICLE

ITEM	PART NO.	DESCRIPTION	QTY
		<b>1 2 3 4</b>	
1	<u>102962602</u>	Kit, Field, Smartkey (includes items 2 through 5) .....	1
2	<u>1011017</u>	Screw, #8-32 X 0.375 .....	1
3	<u>101825103</u>	Decal, Keyswitch, Iq Plus Mode .....	1
4	N/A	Decal, Passcode .....	1
5	<u>102950301</u>	Key Switch, Mode B, Iq Plus (includes item 6) .....	1
6	<u>102962303</u>	Keys, Set Of 4, Iq Plus Mode .....	1
		 Note: Not available in the EU.	

**4**  
**G**  
**E**

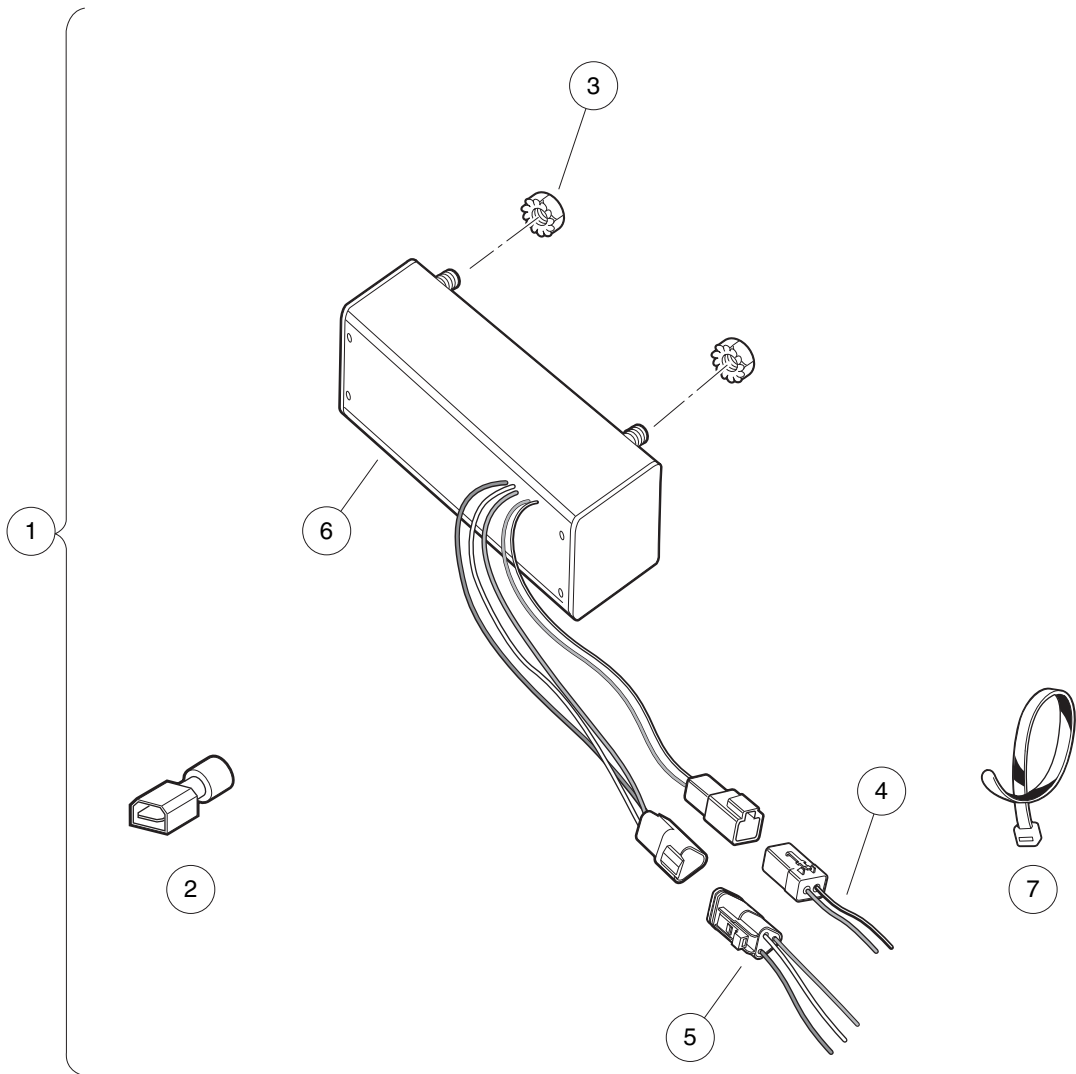


## KEYS AND KEYSWITCHES, UNCOMMON – GAS VEHICLE

ITEM	PART NO.	DESCRIPTION	QTY
		1 2 3 4	
1	<u>101830701</u>	Nut, Key Switch .....	1
2	<u>101834502</u>	Cap, Black Key Switch .....	1
3	<u>101839801</u>	Keyswtch Uncom A408 On/off/st .....	1
4	<u>101839802</u>	Keyswtch Uncom B408 On/off/st .....	1
5	<u>101839803</u>	Keyswtch Uncom C408 On/off/st .....	1
6	<u>101839804</u>	Keyswtch Uncom D408 On/off/st .....	1
7	<u>101839805</u>	Keyswtch Uncom 2a408 On/off/st .....	1
8	<u>101839806</u>	Keyswtch Uncom 2b408 On/off/st .....	1
9	<u>101839807</u>	Keyswtch Uncom 2c408 On/off/st .....	1
10	<u>101839808</u>	Keyswtch Uncom 2d408 On/off/st .....	1
11	<u>101839809</u>	Keyswtch Uncom E408 On/off/st .....	1
12	<u>101839810</u>	Keyswtch Uncom F408 On/off/st .....	1
13	<u>101839811</u>	Keyswtch Uncom 2e408 On/off/st .....	1
14	<u>101839812</u>	Keyswtch Uncom 2f408 On/off/st .....	1
15	<u>101851101</u>	Washer, Key Switch .....	1
16	<u>101974701</u>	Key, Uncommon 1a .....	1
17	<u>101974702</u>	Key, Uncommon 1b .....	1
18	<u>101974703</u>	Key, Uncommon 1c .....	1
19	<u>101974704</u>	Key, Uncommon 1d .....	1
20	<u>101974705</u>	Key, Uncommon 2a .....	1
21	<u>101974706</u>	Key, Uncommon 2b .....	1
22	<u>101974707</u>	Key, Uncommon 2c .....	1
23	<u>101974708</u>	Key, Uncommon 2d .....	1
24	<u>101974709</u>	Key, Uncommon 1e .....	1
25	<u>101974710</u>	Key, Uncommon 1f .....	1
26	<u>101974711</u>	Key, Uncommon 2e .....	1
27	<u>101974712</u>	Key, Uncommon 2f .....	1
		Note: Keyswitches <u>101839801</u> through <u>101839812</u> are for key-start, gasoline vehicles ONLY.	

4  
G  
E

**4**  
**G**  
**E**



001090-002

## DC CONVERTER (ISOLATED) – ELECTRIC VEHICLE

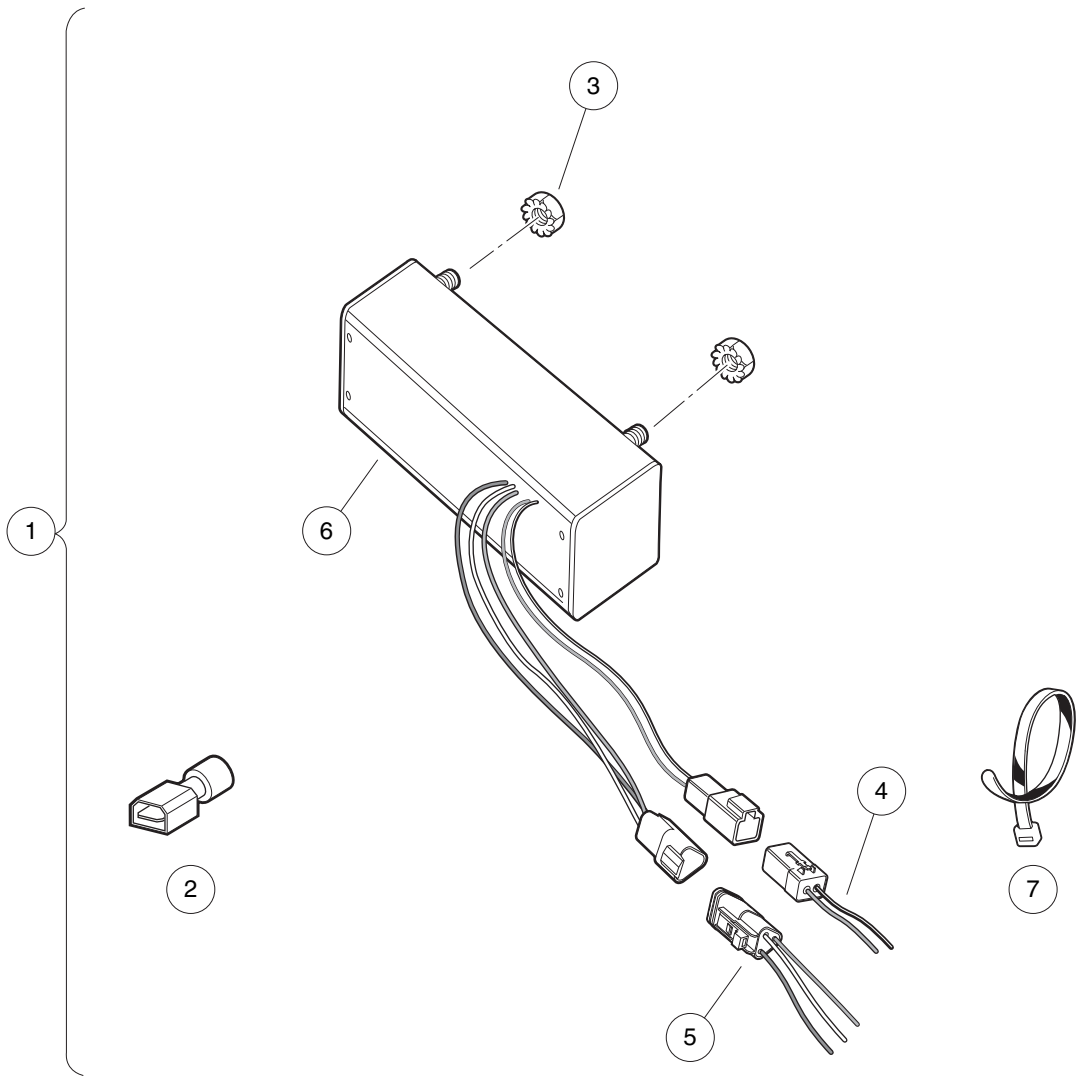
ITEM	PART NO.	DESCRIPTION	QTY
		1 2 3 4	
1	<u>102918701</u>	Kit, DC/DC Converter, IQ Plus (includes items 2 through 7) .....	1
2	<u>1016365</u>	Terminal, 1/4" Male Quick Disconnect .....	1
3	<u>101835601</u>	Locknut, 1/4-20 Hex Whiz .....	2
4	<u>102354901</u>	Harness, Dc Converter - 12v .....	1
5	<u>102890201</u>	Harness, Dc Converter, 48v .....	1
6	<u>103700301</u>	Converter, Dc/dc, Isoldt .....	1
7	<u>8990</u>	Tie Wrap, 8" Nylon .....	10

4

G

E

**4**  
**G**  
**E**



001090-002

## DC CONVERTER (ISOLATED) – CE ELECTRIC VEHICLE

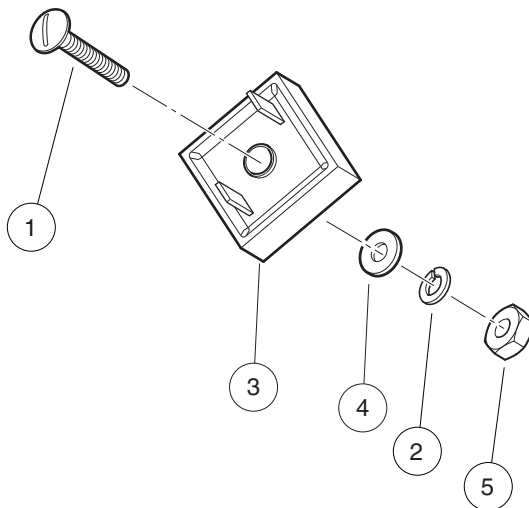
ITEM	PART NO.	DESCRIPTION	QTY
		1 2 3 4	
1	<u>102918702</u>	Kit, Dc Conv. Iq Plus Ce (includes items 2 through 7) .....	1
2	<u>1016365</u>	Terminal, 1/4" Male Quick Disconnect .....	1
3	<u>101835601</u>	Locknut, 1/4-20 Hex Whiz .....	2
4	<u>102354901</u>	Harness, Dc Converter - 12v .....	1
5	<u>102890201</u>	Harness, Dc Converter, 48v .....	1
6	<u>103802401</u>	Converter, Dc/dc, Ce .....	1
7	<u>8990</u>	Tie Wrap, 8" Nylon .....	10

4  
G  
E

4

G

E



001091-001

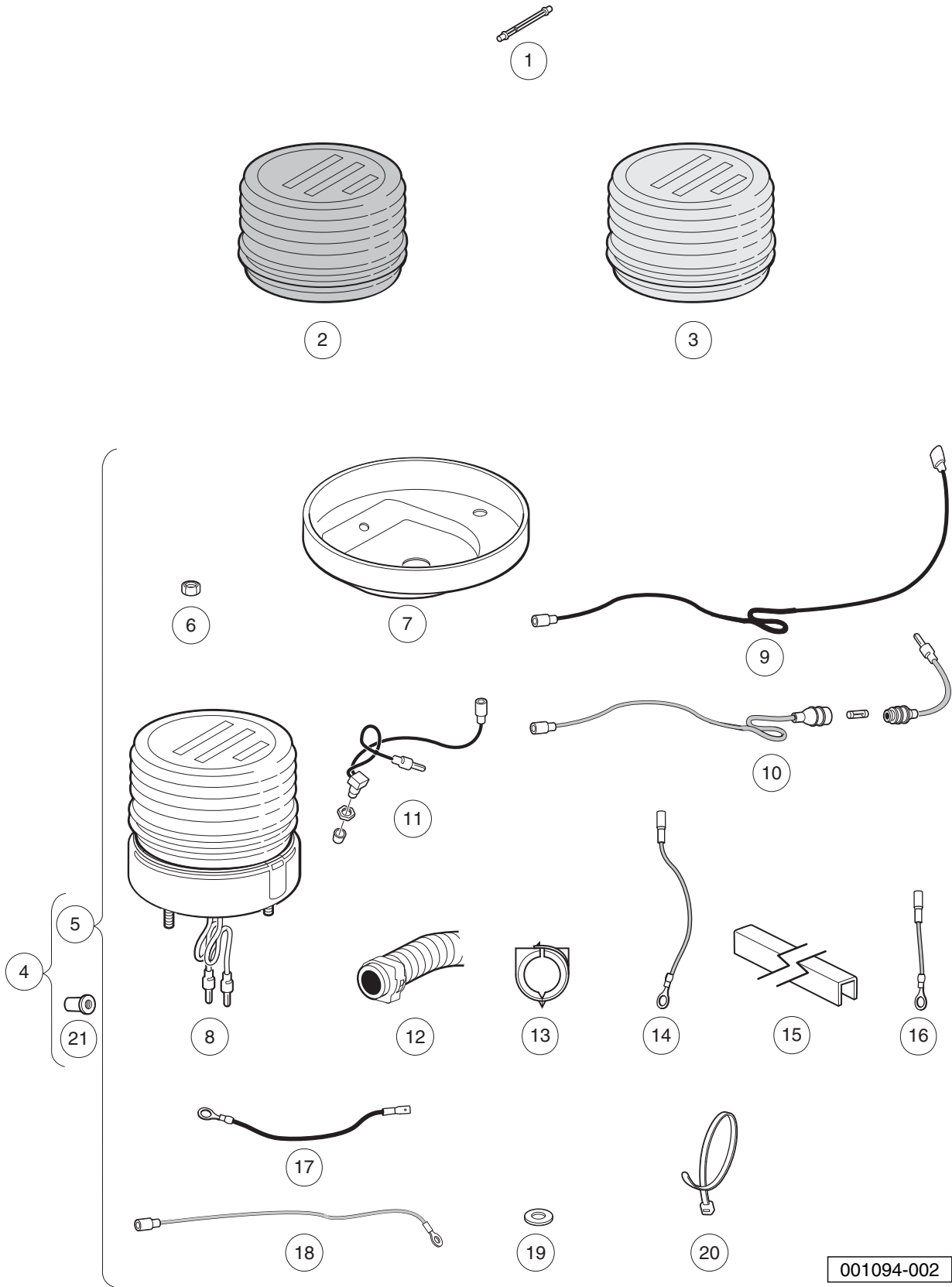


## VOLTAGE LIMITER – GASOLINE VEHICLE

ITEM	PART NO.	DESCRIPTION	QTY
		1 2 3 4	
1	<u>1010909</u>	Screw, #10-32 X 1.25 Rd Hd Mch .....	1
2	<u>1016</u>	Lockwasher, #10 Split .....	1
3	<u>1017721</u>	Limiter, Voltage .....	1
4	<u>183</u>	Washer, #10, Type A, Flat .....	1
5	<u>7893</u>	Nut, #10-32 Hex .....	1

4  
G  
E

**4**  
**G**  
**E**



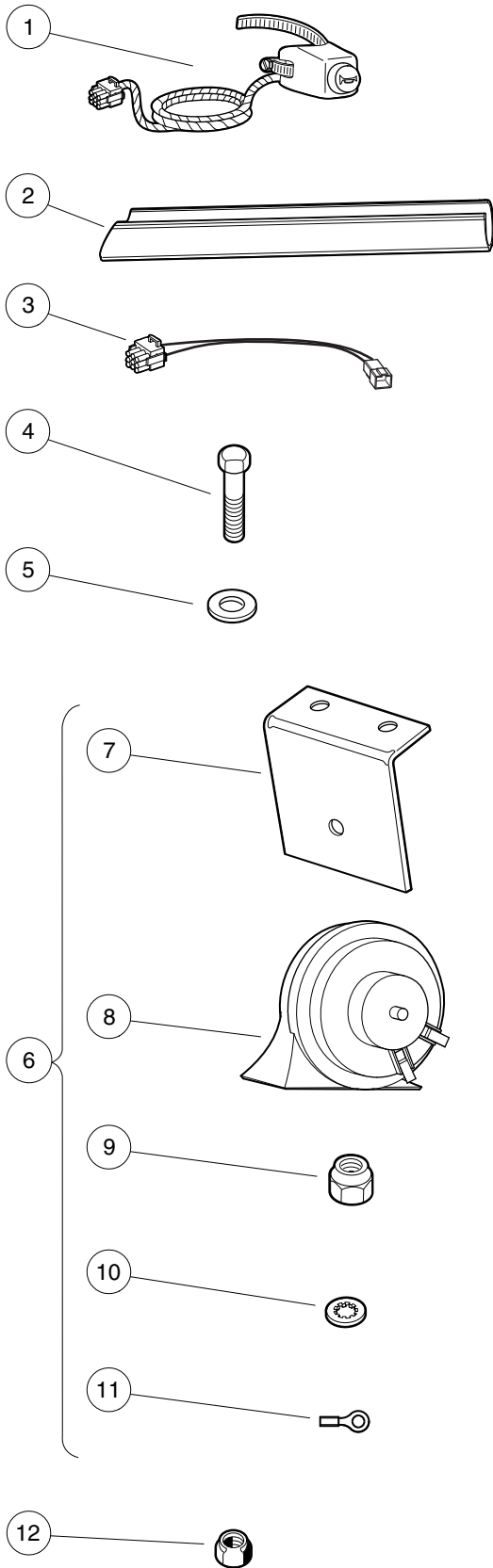
001094-002

## STROBE LIGHT, ROOF-MOUNTED

ITEM	PART NO.	DESCRIPTION	QTY
		<b>1 2 3 4</b>	
1	<u>1015526</u>	Bulb, Replacement, for Strobe Light .....	1
2	<u>AM1243701</u>	Lens, Blue, for Strobe Light .....	A/R
3	<u>AM1243801</u>	Lens, Red, for Strobe Light .....	A/R
4	<u>SVP119201</u>	Light, Roof-Mounted Strobe, Field (includes items 5 through 21) .....	A/R
5	<u>AM1243501</u>	Kit, Roof Mounted Strobe Fd (includes items 6 through 20) .....	1
6	<u>1012438</u>	Locknut, #10-24 Nylon Insert .....	2
7	<u>1015010</u>	Cover Plate Switch .....	1
8	<u>1015156</u>	Light Assembly, Strobe .....	1
9	<u>1015167</u>	#16 Black Wire Asm .....	1
10	<u>1015170</u>	Wire Assembly #16 .....	1
11	<u>1015187</u>	Switch Assembly .....	1
12	<u>1015768</u>	Split Convolute Elec Conduit .....	11
13	<u>1015770</u>	Outlet Ring - .5 Diameter .....	5
14	<u>1016230</u>	Wire Asm #16 Red .....	1
15	<u>1016267</u>	Snap On Conduit Vert. ....	1
16	<u>1016287</u>	Wire Asm #16 Red .....	1
17	<u>1016929</u>	Wire Assembly Black #16 .....	1
18	<u>101821601</u>	#18 Red Wire Assembly .....	1
19	<u>183</u>	Washer, #10, Type A, Flat .....	2
20	<u>8639</u>	Tie Wrap, 11" Nylon .....	8
21	<u>SVP493201</u>	Well Nut, 10-32 .....	3

**4**  
**G**  
**E**

**4**  
**G**  
**E**



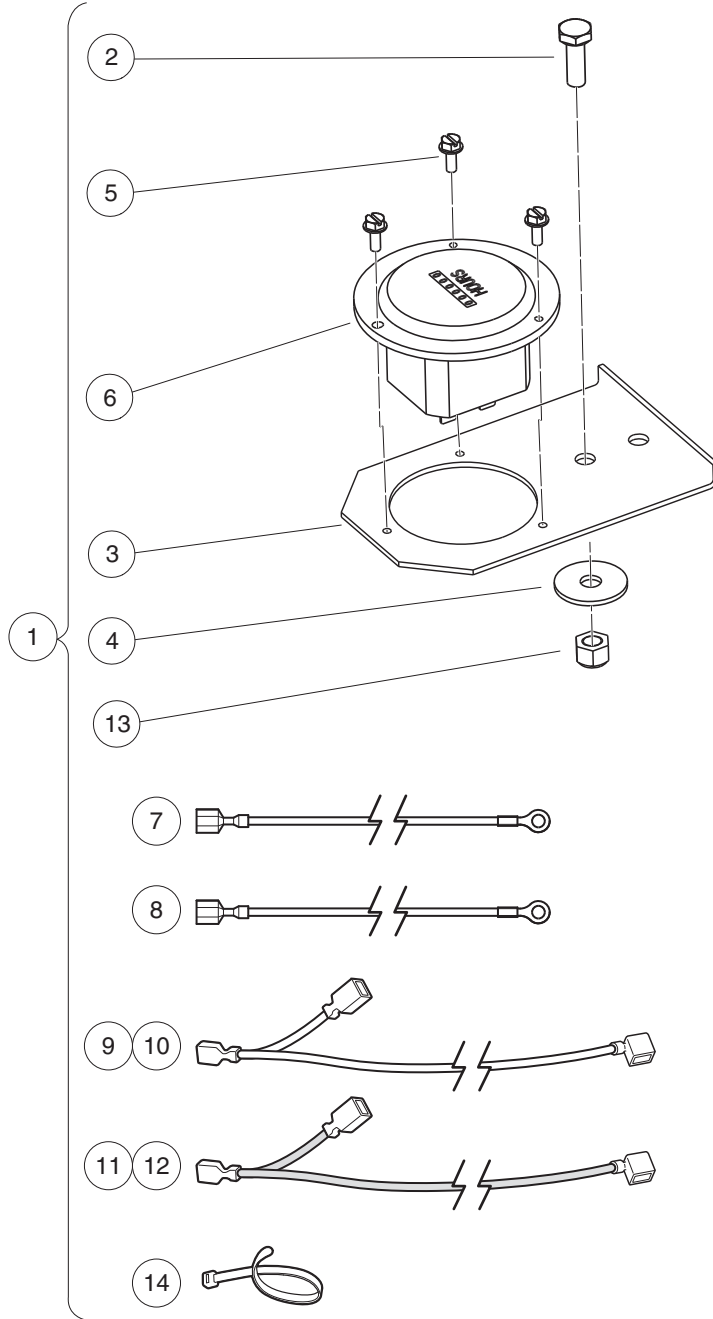
001095-002

# HORN WITH COLUMN-MOUNTED BUTTON

ITEM	PART NO.	DESCRIPTION	QTY
		<b>1 2 3 4</b>	
1	102517601	Subasm, Horn Button Harness .....	1
2	<u>102529203</u>	Wire Cover-steer Column 304 Mm .....	1
3	<u>103618101</u>	Harness, Jumper, Horn .....	1
4	304	Screw, 1/4-20 X 1.0 Hex-Head Cap .....	2
5	<u>332</u>	Washer, 1/4 Type A Narrow Flat .....	2
6	<u>4029</u>	Horn (includes items 7 through 11) .....	1
7	<u>1011825</u>	Horn Bracket .....	1
8	<u>1014530</u>	Horn, 12-VDC .....	1
9	<u>101955101</u>	Nut, M6 Hex .....	1
10	<u>7820</u>	Washer, 5/16 Internal-Tooth .....	1
11	8294	5/16 Ring Term. ....	1
12	<u>8233</u>	Locknut, 1/4-20, Nylon Insert .....	2

**4**  
**G**  
**E**

**4**  
**G**  
**E**

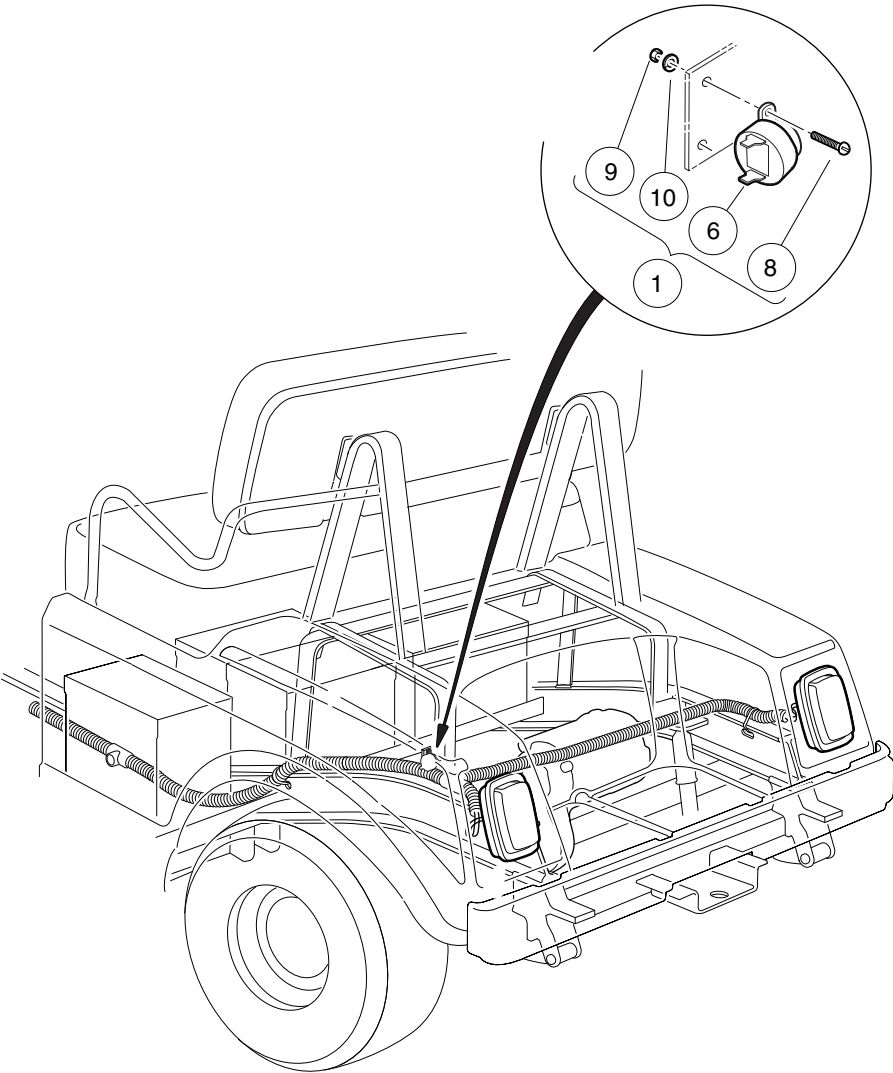


001096-001

# HOUR METER – IQ SYSTEM AND IQ PLUS ELECTRIC VEHICLES

ITEM	PART NO.	DESCRIPTION	QTY
		1 2 3 4	
1	<u>1013579</u>	Kit, Hour Meter (includes items 2 through 14) .....	1
2	<u>1012285</u>	Screw, 1/4 X 0.625 Hex-Head .....	1
3	<u>1013547</u>	Hour Meter Bracket .....	1
4	<u>1014306</u>	Washer, 1/4" Type B Flat .....	1
5	<u>1014540</u>	Screw, #6-32 X 3/8 Taptite .....	3
6	N/A	Hour Meter .....	1
7	101881501	Wire Assembly Black #18 .....	1
8	101881601	Wire Assembly Red #18 .....	1
9	<u>101997802</u>	Wire Assembly #18 Yellow .....	1
10	<u>101997803</u>	Wire Asm #18 Yellow 31" .....	1
11	<u>101997902</u>	Wire Assembly #18 Red .....	1
12	<u>101997903</u>	Wire Asm # 18 Red 31" .....	1
13	<u>8233</u>	Locknut, 1/4-20, Nylon Insert .....	1
14	<u>8990</u>	Tie Wrap, 8" Nylon .....	1
<p>Note: The kit includes components that apply to multiple vehicles. The installation instructions will specify which components are required for a specific model. After installation, discard components not used.</p>			

4  
G  
E



000433-001

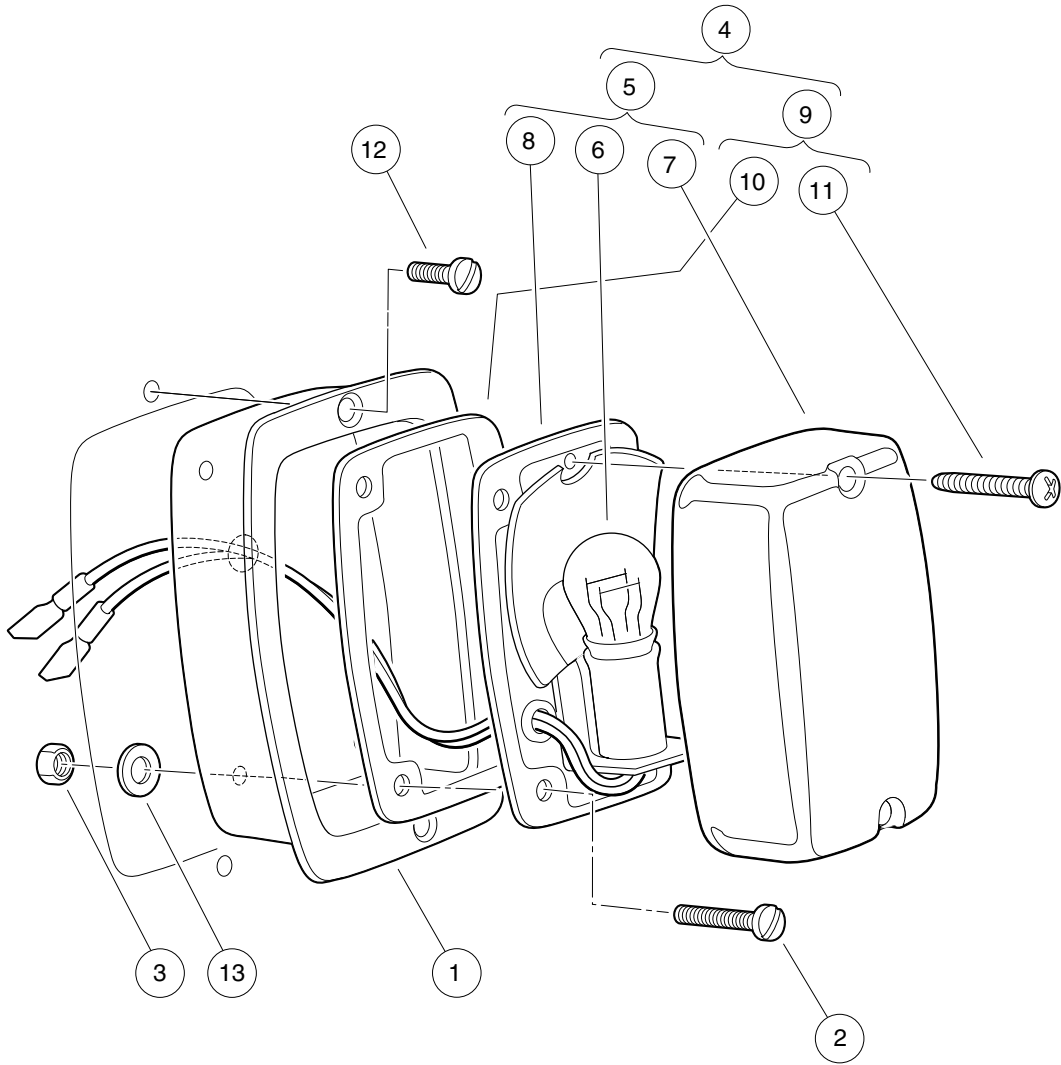


## REAR REVERSE BUZZER

ITEM	PART NO.	DESCRIPTION	QTY
		1 2 3 4	
1	<u>1016859</u>	Kit, Reverse Buzzer (includes items 2 through 10) .....	1
2	<u>1011229</u>	Locknut, #6-32 Whiz .....	1
3	1012431	Washer, #4 Flat .....	2
4	<u>1015720</u>	Screw, #6-32 X 1/2 Hex Washer-Head .....	1
5	<u>1016849</u>	Screw, #4-24 X 0.33, Pan-Head, Machine .....	2
6	<u>1016851</u>	Buzzer, Reverse (9-48 VDC) .....	1
7	1016857	Wire Assembly Black #18 .....	1
8	<u>8056</u>	Screw, #4-40 X 0.75 Round-Head Machine .....	2
9	<u>8057</u>	Nut, #4-40 Hex Machine .....	2
10	<u>8058</u>	Lockwasher, #4 Split .....	2
<p>Note: Note: Items 2 through 5 and 7 are included in the kit, but are not used in this application.</p>			

4  
G  
E

**4**  
**G**  
**E**



000348-006

# TAIL LIGHTS

ITEM	PART NO.	DESCRIPTION	QTY
		<b>1 2 3 4</b>	
1	<u>1011497</u>	Bezel, Taillight .....	1
2	<u>1011557</u>	Screw, #6-32 X 1.00 Hex-Head Machine .....	1
3	<u>1011558</u>	Nut, #6-32 Hex .....	1
4	1017035	Taillight Assembly (includes items 5 through 9) .....	1
5	N/A	Light, Tail (includes items 6 through 8) .....	1
6	<u>1011582</u>	Taillight Bulb .....	1
7	<u>1011843</u>	Taillight Lens .....	1
8	N/A	Base, Taillight .....	1
9	<u>1017699</u>	Hardware Kit, Tail Light (includes items 10 and 11) .....	1
10	N/A	Gasket .....	1
11	N/A	Screw, Tapered .....	2
12	<u>102915601</u>	Plastic Rivet - Tuflock .....	1
13	<u>7591</u>	Washer, #6, Flat .....	1

**4**  
**G**  
**E**

**4**

**G**

**E**

# **BRAKES, PEDALS, AND CABLES**

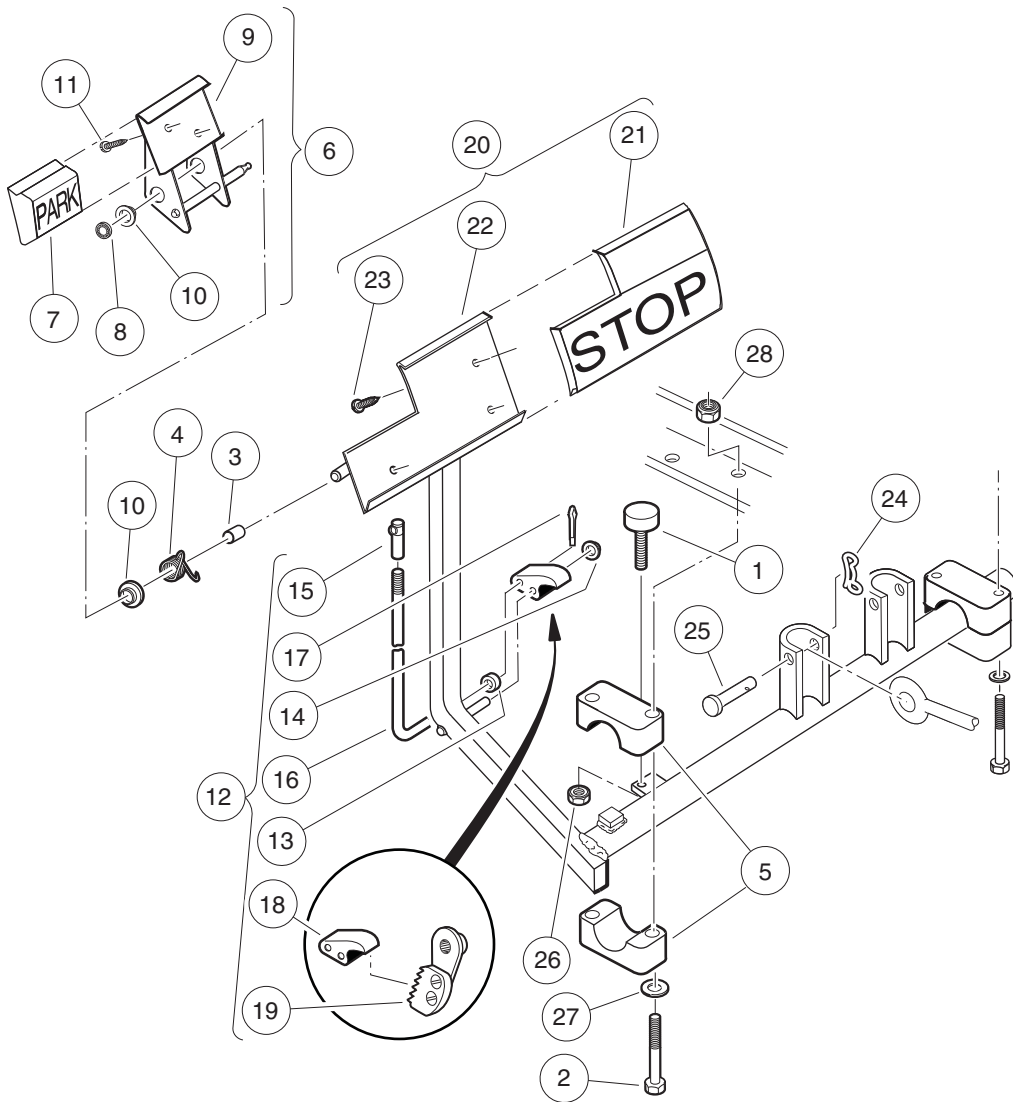
---

**5**

**G**

**E**

**5**  
**G**  
**E**



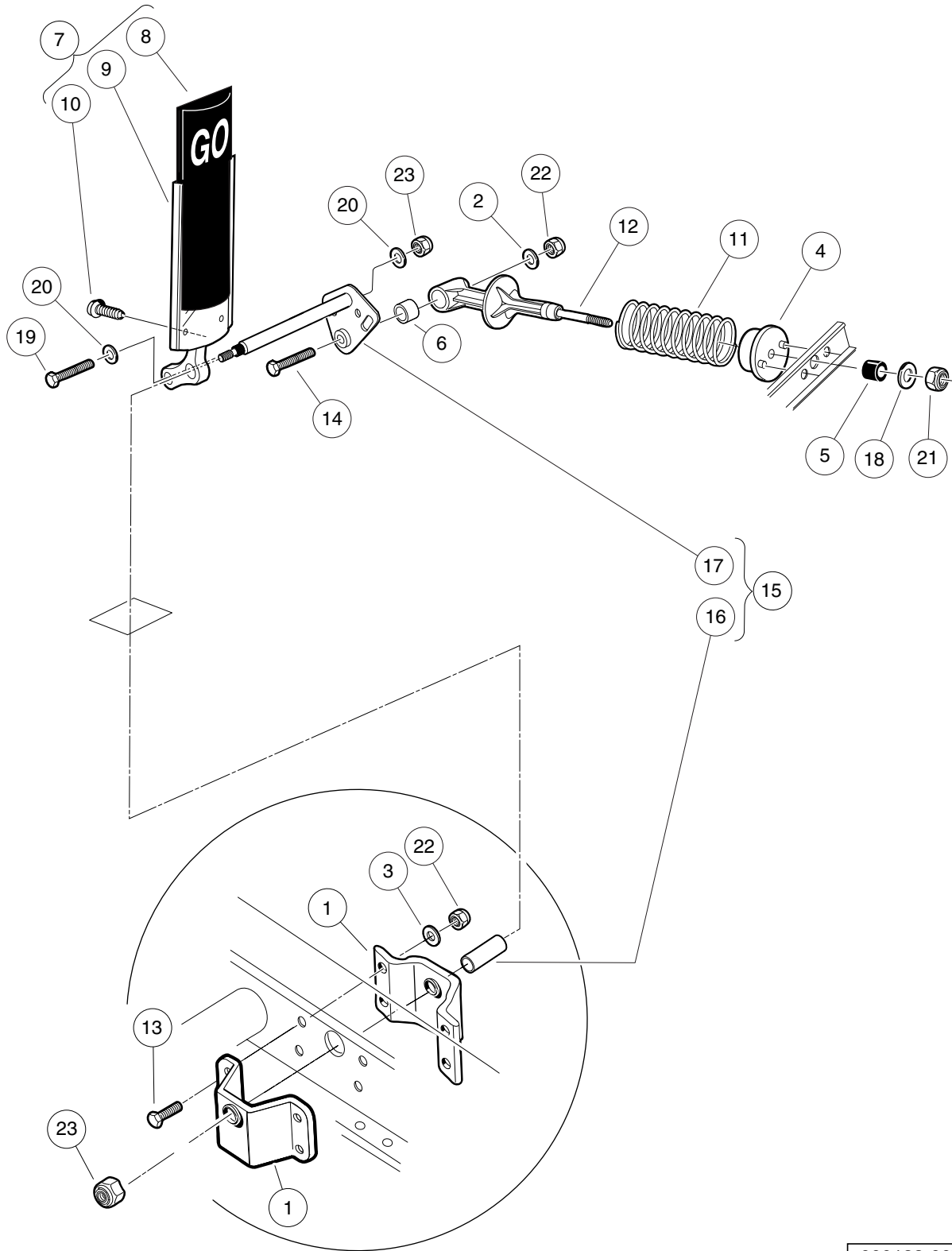
000187-001

# BRAKE PEDAL ASSEMBLY

ITEM	PART NO.	DESCRIPTION	QTY
		<b>1 2 3 4</b>	
1	<u>1010878</u>	Bumper, Rubber .....	1
2	<u>1010921</u>	Screw, 5/16-18 X 2.50 Hex Cap .....	4
3	<u>1010927</u>	Hill Brake Spacer .....	1
4	<u>1010933</u>	Spring, Hill Brake Torsion .....	1
5	<u>1011402</u>	Package, Brake Mounting Block .....	1
6	<u>1011418</u>	Kit, Hill Brake Pedal (includes items 7 through 11) .....	1
7	<u>1013870</u>	Pad, Hill Brake .....	1
8	<u>1013876</u>	Pushnut, 3/8 .....	1
9	N/A	Hill Brake Weld Assembly .....	1
10	<u>1032</u>	Bushing, Nylon .....	2
11	7716	Screw, #10-16 Type AB, Sheet Metal .....	2
12	<u>101187702</u>	Kit, Hill Brake Latch (includes items 13 through 19) .....	1
13	<u>1010805</u>	Sleeve, Hill Brake Rod .....	1
14	<u>1010877</u>	Pushnut, 3/8 .....	1
15	1010932	Ball Joint, 1/4-28 .....	1
16	N/A	Rod, Hill Brake .....	1
17	<u>1017029</u>	Pin, Cotter, 7/64 x 1/2 Stainless-Steel .....	1
18	N/A	Pawl, Hill Brake .....	1
19	101918501	Ratchet Assembly .....	1
20	<u>101878201</u>	Brake Pedal Kit (includes items 21 through 23) .....	1
21	<u>1013869</u>	Pad, Brake Pedal .....	1
22	N/A	Weldment, Brake Pedal, 2wr Std .....	1
23	7716	Screw, #10-16 Type AB, Sheet Metal .....	3
24	<u>102323101</u>	Pin, Bow Tie Locking .....	1
25	<u>102323201</u>	Pin, 3/8 X 1-5/16 Clevis .....	1
26	<u>1028</u>	Nut, 1/4-20 Hex .....	1
27	<u>1241</u>	Washer, 5/16 Type A Flat .....	4
28	<u>7473</u>	Locknut, 5/16-18 Nylon Insert .....	4

**5**  
**G**  
**E**

**5**  
**G**  
**E**



000188-007

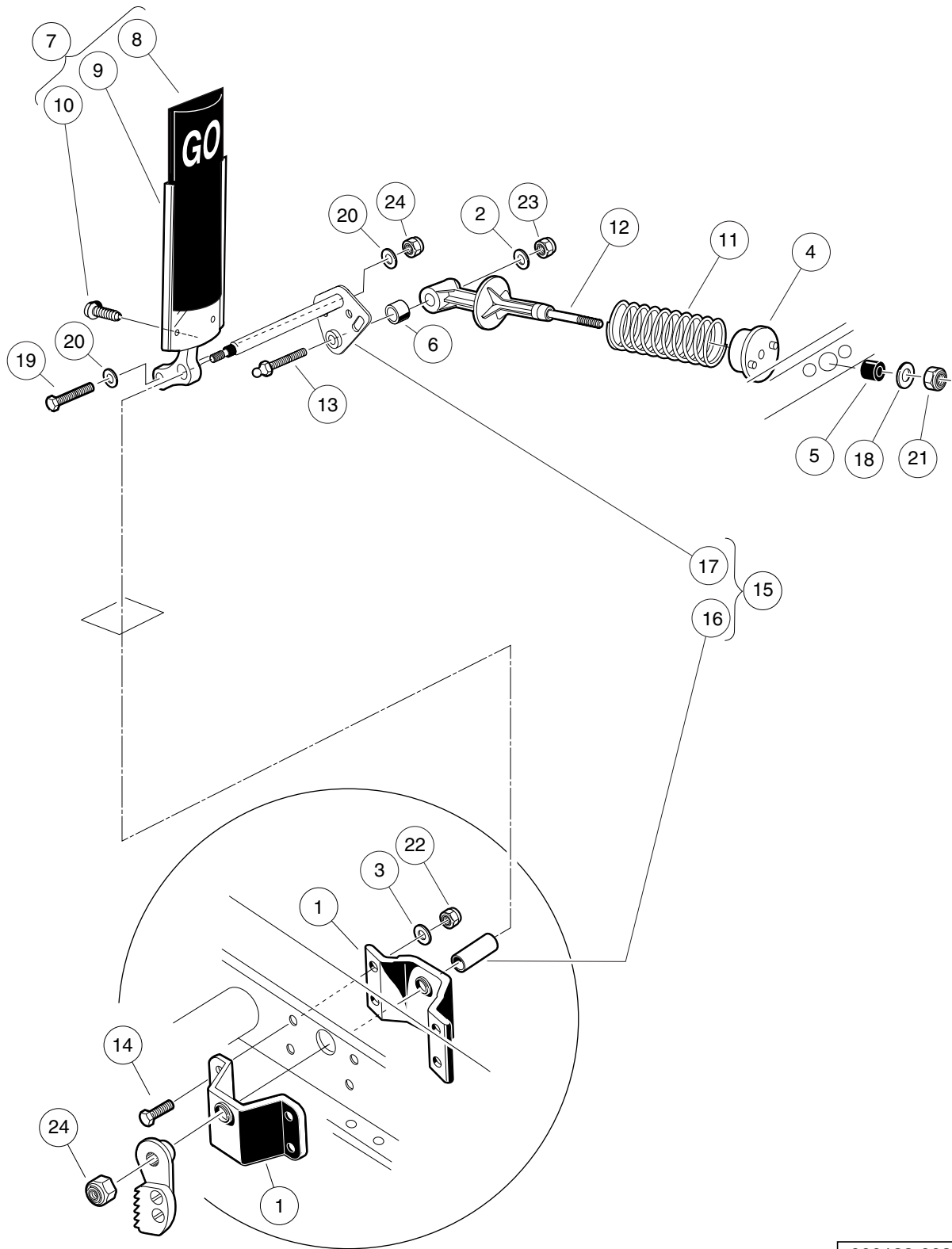


# ACCELERATOR PEDAL ASSEMBLY – ELECTRIC VEHICLES WITH MCOR

ITEM	PART NO.	DESCRIPTION	QTY
		1 2 3 4	
1	<u>1011694</u>	Accelerator Bracket and Bearing Assembly .....	2
2	<u>1011931</u>	Washer, 1/4 Flat .....	1
3	<u>1014007</u>	Washer, 1/4, Flat .....	4
4	<u>1017378</u>	Cup, Spring .....	1
5	<u>1017380</u>	Bumper, Spring Return .....	1
6	<u>1017424</u>	Bearing, Pivot Support .....	1
7	<u>1017696</u>	Sub Asm, Accelerator Pedal (includes items 8 through 10) .....	1
8	1013871	Pad, Accelerator Pedal .....	1
9	N/A	Accelerator Pedal Weldment .....	1
10	7716	Screw, #10-16 Type AB, Sheet Metal .....	4
11	101796201	Spring, Accelerator Return .....	1
12	<u>101817401</u>	Retainer, Spring .....	1
13	<u>101861901</u>	Screw, 1/4-20 X 1.125 Hex Cap .....	4
14	<u>101862001</u>	Screw, 1/4-20 X 1.500 Flange .....	1
15	<u>102026001</u>	Kit, Accelerator Pivot Rod Assembly (includes items 16 and 17) .....	1
16	101919801	Spacer, Accelerator .....	1
17	<u>102158901</u>	Pivot Rod Weldment .....	1
18	<u>1241</u>	Washer, 5/16 Type A Flat .....	1
19	<u>1624</u>	Screw, 3/8-16 X 1.50, Hex-Head Cap .....	1
20	<u>334</u>	Washer, 3/8, Type A, Flat .....	2
21	<u>7473</u>	Locknut, 5/16-18 Nylon Insert .....	1
22	<u>8233</u>	Locknut, 1/4-20, Nylon Insert .....	5
23	<u>8754</u>	Locknut, 3/8-16 Hex .....	2

**5**  
**G**  
**E**

**5**  
**G**  
**E**



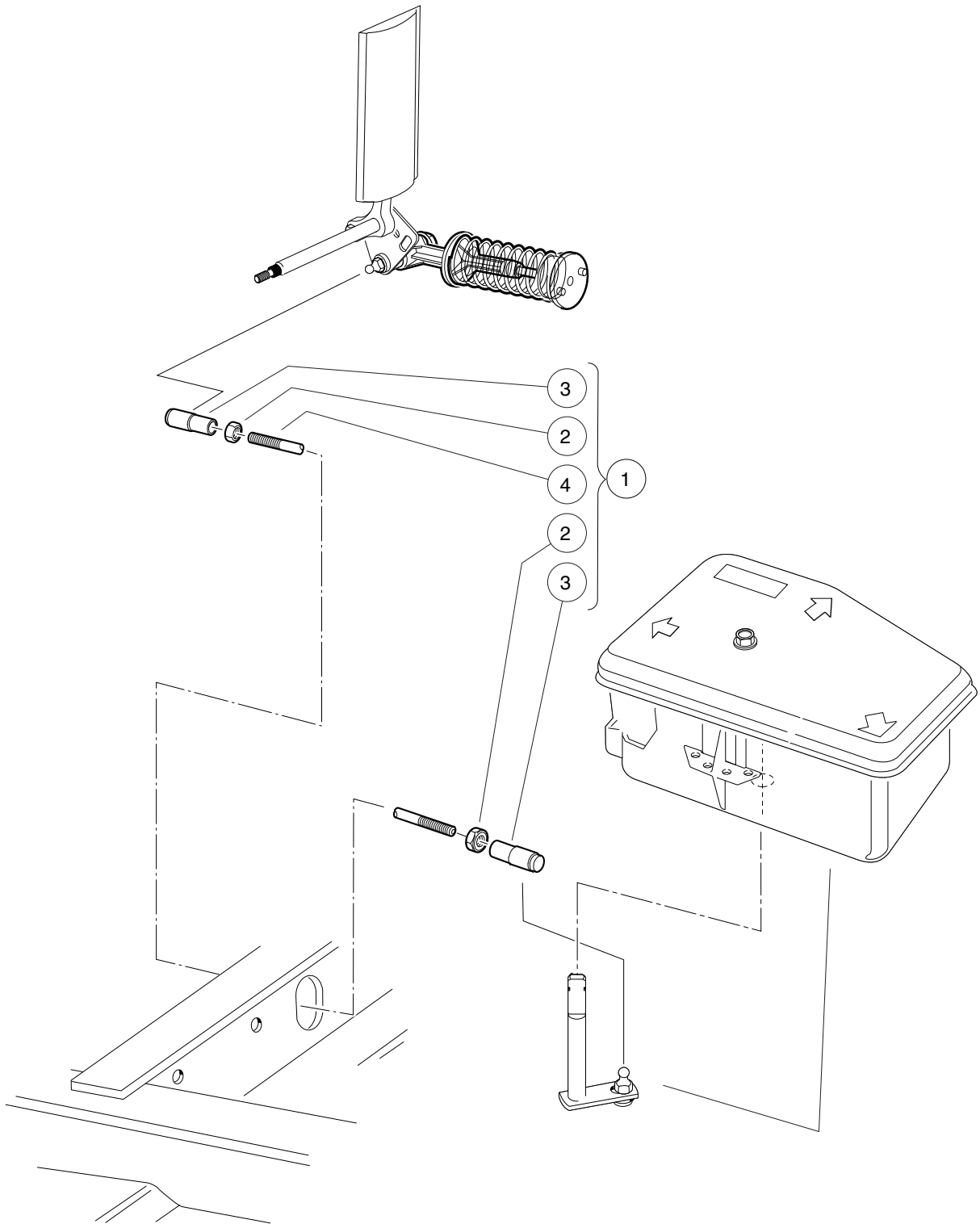
000188-008

# ACCELERATOR PEDAL ASSEMBLY – GASOLINE VEHICLES

ITEM	PART NO.	DESCRIPTION	QTY
		1 2 3 4	
1	<u>1011694</u>	Accelerator Bracket and Bearing Assembly .....	2
2	<u>1011931</u>	Washer, 1/4 Flat .....	1
3	<u>1014007</u>	Washer, 1/4, Flat .....	4
4	<u>1017378</u>	Cup, Spring .....	1
5	<u>1017380</u>	Bumper, Spring Return .....	1
6	<u>1017424</u>	Bearing, Pivot Support .....	1
7	<u>1017696</u>	Sub Asm, Accelerator Pedal (includes items 8 through 10) .....	1
8	1013871	Pad, Accelerator Pedal .....	1
9	N/A	Accelerator Pedal Weldment .....	1
10	7716	Screw, #10-16 Type AB, Sheet Metal .....	4
11	101796201	Spring, Accelerator Return .....	1
12	<u>101817401</u>	Retainer, Spring .....	1
13	101818801	Stud, 1/4-28 X 1.35 Ball .....	1
14	<u>101861901</u>	Screw, 1/4-20 X 1.125 Hex Cap .....	4
15	<u>102026001</u>	Kit, Accelerator Pivot Rod Assembly (includes items 16 and 17) .....	1
16	101919801	Spacer, Accelerator .....	1
17	<u>102158901</u>	Pivot Rod Weldment .....	1
18	<u>1241</u>	Washer, 5/16 Type A Flat .....	1
19	<u>1624</u>	Screw, 3/8-16 X 1.50, Hex-Head Cap .....	1
20	<u>334</u>	Washer, 3/8, Type A, Flat .....	2
21	<u>7473</u>	Locknut, 5/16-18 Nylon Insert .....	1
22	<u>8233</u>	Locknut, 1/4-20, Nylon Insert .....	4
23	<u>8717</u>	Locknut, Nylon Insert, 1/4-28 .....	1
24	<u>8754</u>	Locknut, 3/8-16 Hex .....	2

5  
G  
E

**5**  
**G**  
**E**



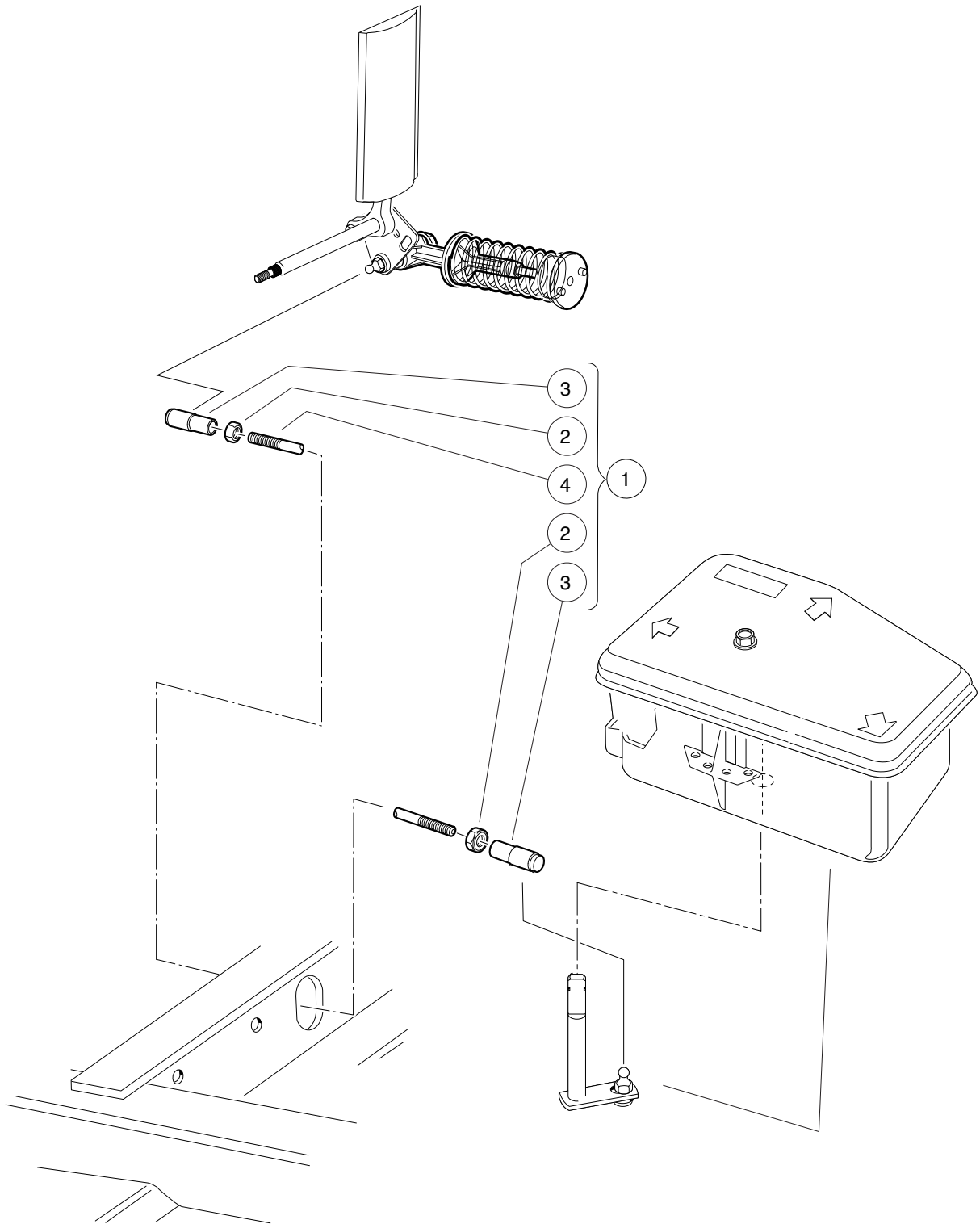
000362-001

# ACCELERATOR ROD – TURF/CA 6 & VILLAGER 6 GAS VEHICLES

ITEM	PART NO.	DESCRIPTION	QTY
		<b>1 2 3 4</b>	
1	<u>101674702</u>	Rod, Accelerator (includes items 2 through 4) .....	1
2	<u>1011084</u>	Nut, 1/4-28 Hex Jam .....	2
3	<u>1011734</u>	Joint, Ball .....	2
4	N/A	Accelerator Rod Elec Stretch .....	1

**5**  
**G**  
**E**

**5**  
**G**  
**E**



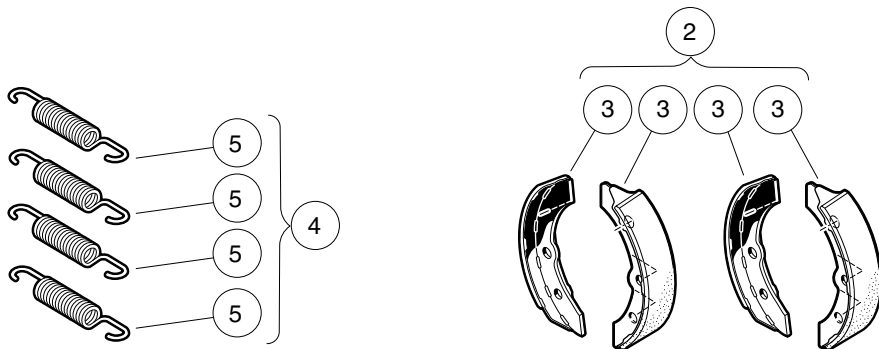
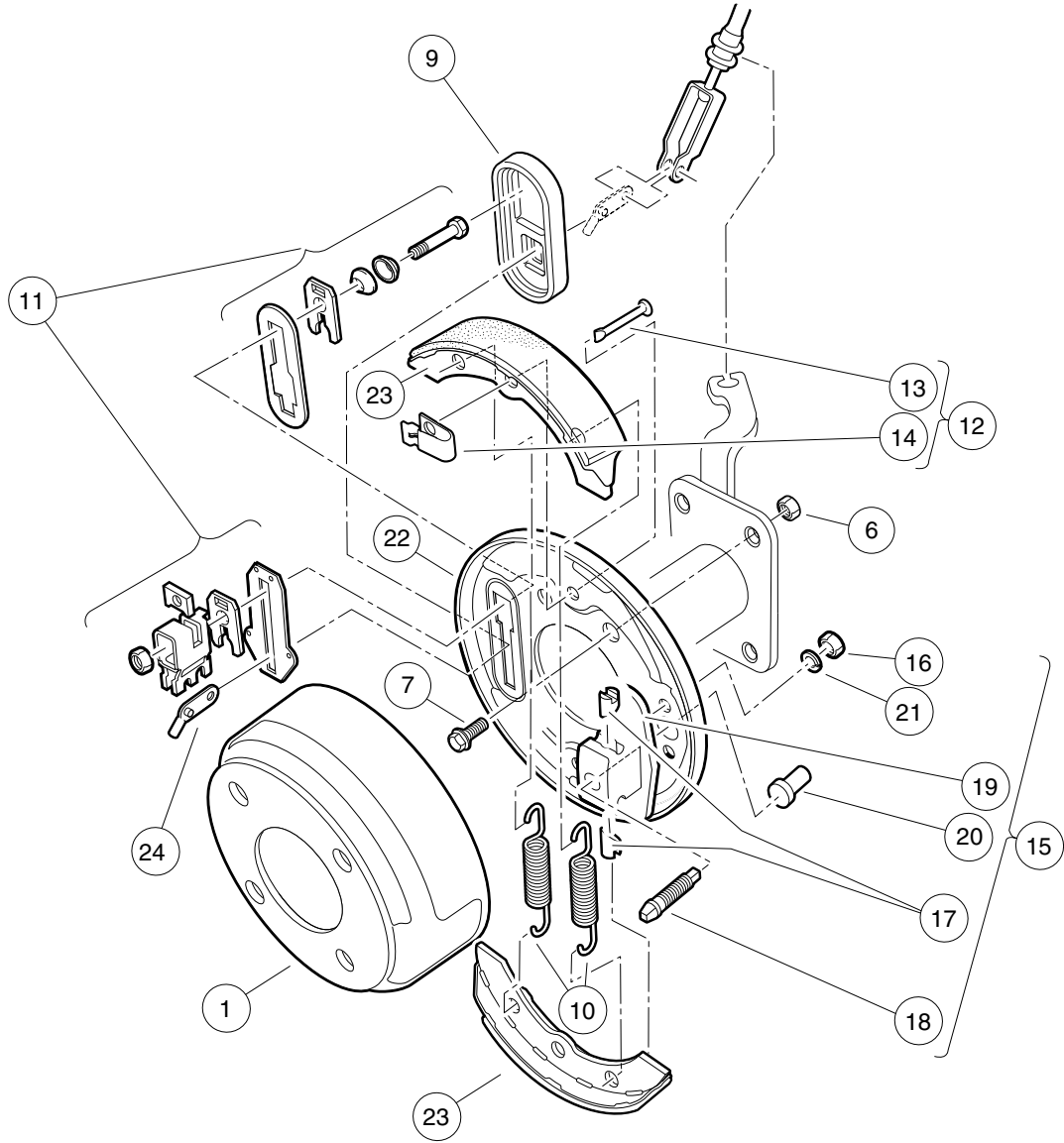
000362-001

## ACCELERATOR ROD – VILLAGER 8 GAS VEHICLES

ITEM	PART NO.	DESCRIPTION	QTY
		1 2 3 4	
1	<u>101674704</u>	Accelerator Rod Assembly, RV XL (includes items 2 through 4) .....	1
2	<u>1011084</u>	Nut, 1/4-28 Hex Jam .....	2
3	<u>1011734</u>	Joint, Ball .....	2
4	N/A	Accelerator Rod, RV XL .....	1

5  
G  
E

**5**  
**G**  
**E**



000298-001

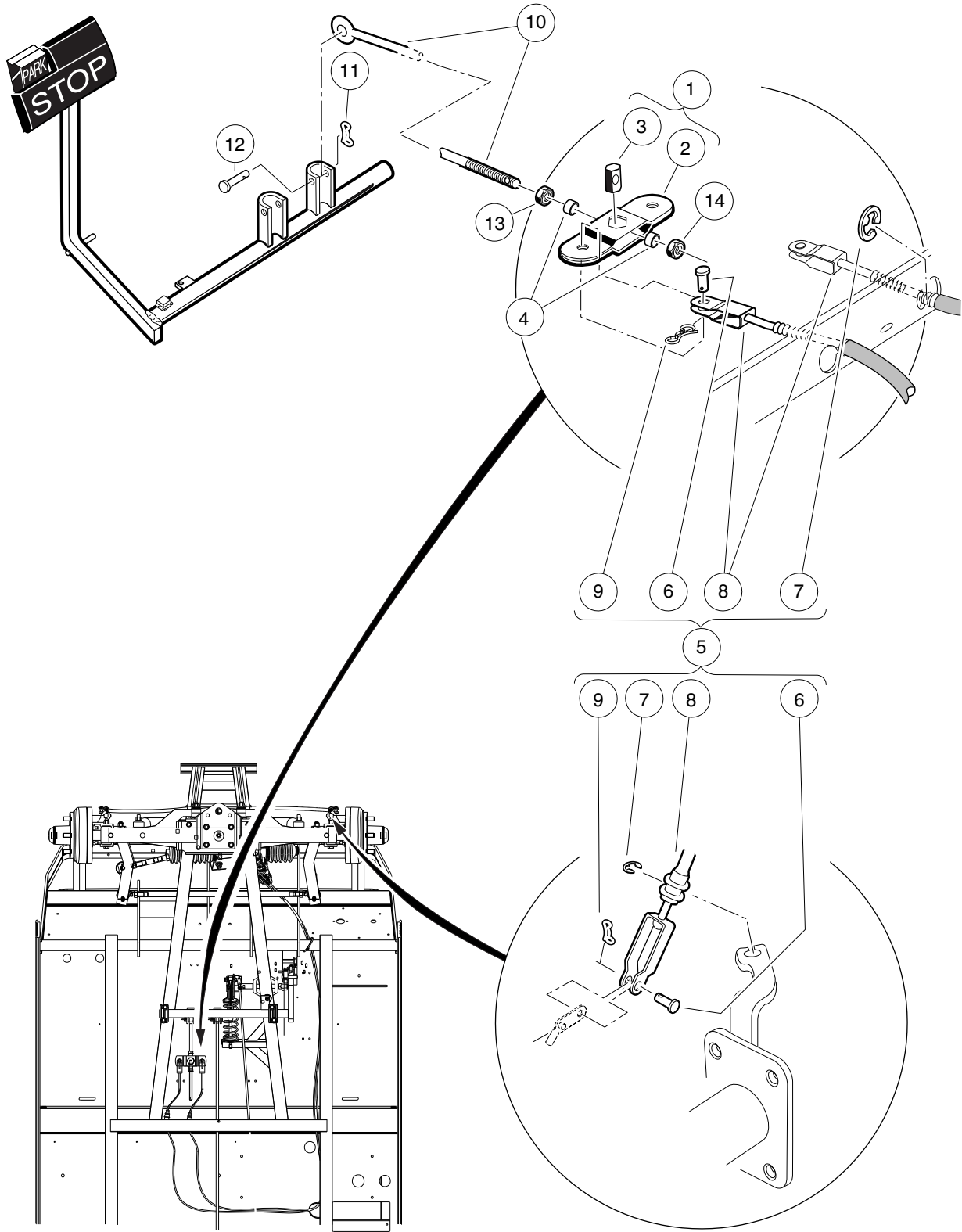


# FRONT BRAKE ASSEMBLY – VEHICLES WITH FOUR-WHEEL BRAKES

ITEM	PART NO.	DESCRIPTION	QTY
		<b>1 2 3 4</b>	
1	<u>1011137</u>	Drum, Brake .....	2
2	<u>101146302</u>	Kit, Non-Asbestos Brake Shoe (includes item 3) .....	1
3	101880701	Shoe Brake Manual Adj (Available in Kit, Non-Asbestos Brake Shoe) .....	4
4	<u>1011464</u>	Package, Brake Spring (includes item 5) .....	1
5	1011314	Brake Spring .....	4
6	<u>1013924</u>	Nut, 5/16-24, Hex Head Cone .....	8
7	<u>1014153</u>	Bolt, Brake Cluster Mounting .....	8
8	<u>1016557</u>	Cluster, Brake, Driver-Side (includes items 9 through 24) .....	1
9	<u>1010850</u>	Dust Cover .....	1
10	1011314	Brake Spring .....	2
11	<u>1011465</u>	Kit, Brake Actuator .....	1
12	<u>1011466</u>	Kit, Shoe Retainer (includes items 13 and 14) .....	1
13	N/A	Pin .....	2
14	N/A	Shoe Clamp Spring .....	2
15	<u>1011467</u>	Kit, Anchor Body (includes items 16 through 21) .....	1
16	<u>1011114</u>	Nut, M6-1.00 Hex .....	2
17	1011298	Anchor Piston .....	2
18	N/A	Adjustment Bolt .....	1
19	N/A	Anchor Body Component .....	1
20	<u>1011303</u>	Adjustment Bolt Cap .....	1
21	<u>451</u>	Lockwasher, 1/4 Split .....	2
22	1011494	Backing Plate, Left-Hand .....	1
23	101880701	Shoe Brake Manual Adj (Available in Kit, Non-Asbestos Brake Shoe) .....	2
24	N/A	Arm, Brake Lever .....	1
25	<u>1016573</u>	Cluster, Brake, Passenger-Side (includes items 26 through 41) .....	1
26	<u>1010850</u>	Dust Cover .....	1
27	<u>1011154</u>	Backing Plate, Right-Hand .....	1
28	1011314	Brake Spring .....	2
29	<u>1011465</u>	Kit, Brake Actuator .....	1
30	<u>1011466</u>	Kit, Shoe Retainer (includes items 31 and 32) .....	1
31	N/A	Pin .....	2
32	N/A	Shoe Clamp Spring .....	2
33	<u>1011467</u>	Kit, Anchor Body (includes items 34 through 39) .....	1
34	<u>1011114</u>	Nut, M6-1.00 Hex .....	2
35	1011298	Anchor Piston .....	2
36	N/A	Adjustment Bolt .....	1
37	N/A	Anchor Body Component .....	1
38	<u>1011303</u>	Adjustment Bolt Cap .....	1
39	<u>451</u>	Lockwasher, 1/4 Split .....	2
40	101880701	Shoe Brake Manual Adj (Available in Kit, Non-Asbestos Brake Shoe) .....	2
41	N/A	Arm, Brake Lever .....	1
		Note: Passenger-side brake cluster not shown. Components have a similar appearance to driver-side brake cluster components.	

**5**  
**G**  
**E**

**5**  
**G**  
**E**



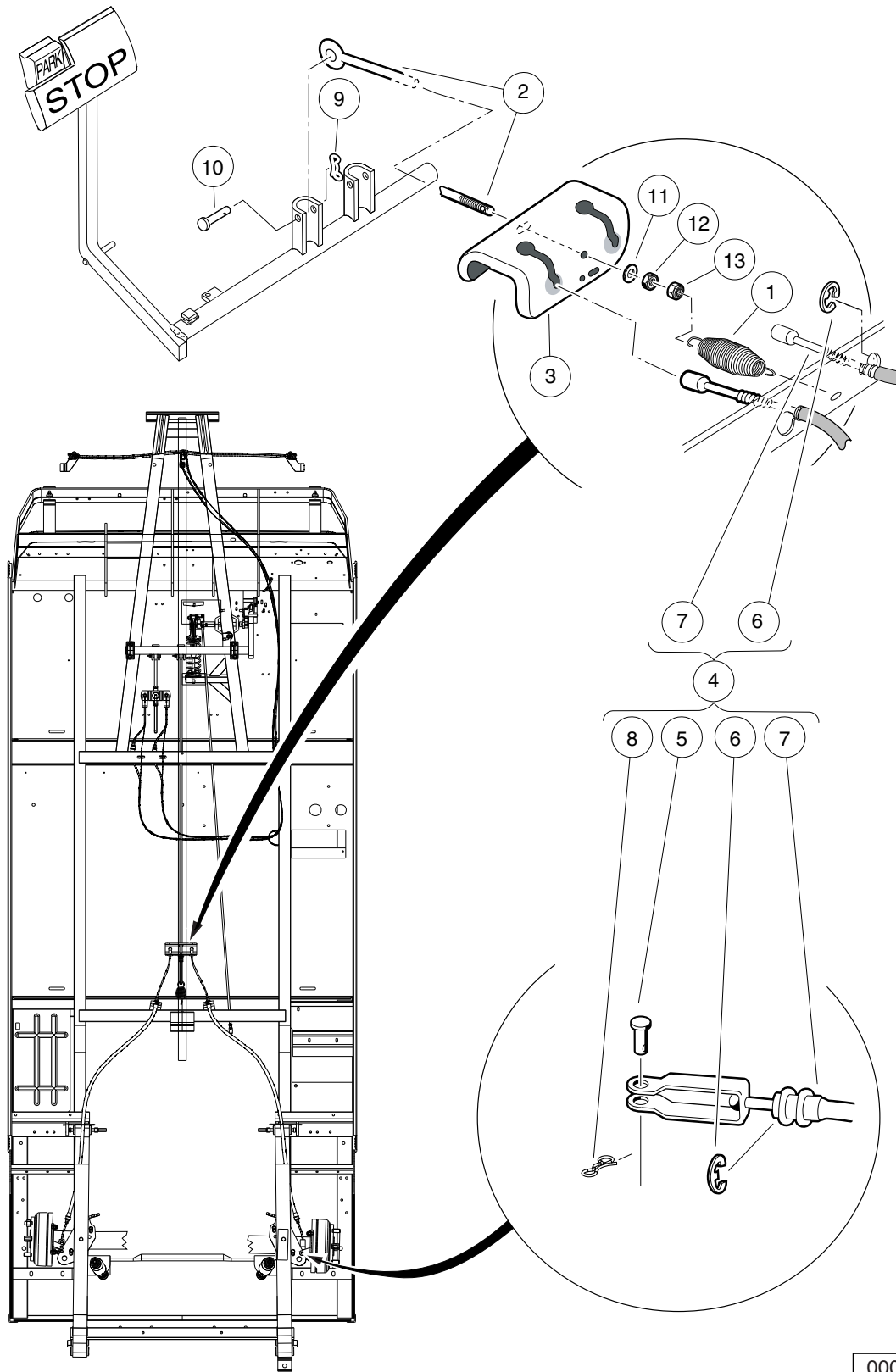
000294-001

# FRONT BRAKE CABLES AND EQUALIZER – VEHICLES WITH FOUR-WHEEL BRAKES

ITEM	PART NO.	DESCRIPTION	QTY
		1 2 3 4	
1	<u>1017211</u>	Kit, Equalizer and Pivot Limiter (includes items 2 and 3) .....	1
2	1016319	Equalizer Weld Assembly .....	1
3	1016320	Equalizer, Pivot Limiter .....	1
4	<u>101865301</u>	Spacer .....	2
5	<u>101874601</u>	Kit, Brake Cable (includes items 6 through 9) .....	1
6	<u>1010829</u>	Pin, Clevis, 5/16 X 3/4 .....	4
7	<u>1011779</u>	E-Clip, 1/2 .....	4
8	N/A	Brake Cable .....	2
9	<u>102292801</u>	Pin, Bow Tie Locking - .072 .....	4
10	<u>101953106</u>	Rod, Equalizer, 9.75" .....	1
11	<u>102323101</u>	Pin, Bow Tie Locking .....	1
12	<u>102323201</u>	Pin, 3/8 X 1-5/16 Clevis .....	1
13	<u>1242</u>	Nut, 5/16-18 Hex .....	1
14	<u>7473</u>	Locknut, 5/16-18 Nylon Insert .....	1

**5**  
**G**  
**E**

**5**  
**G**  
**E**



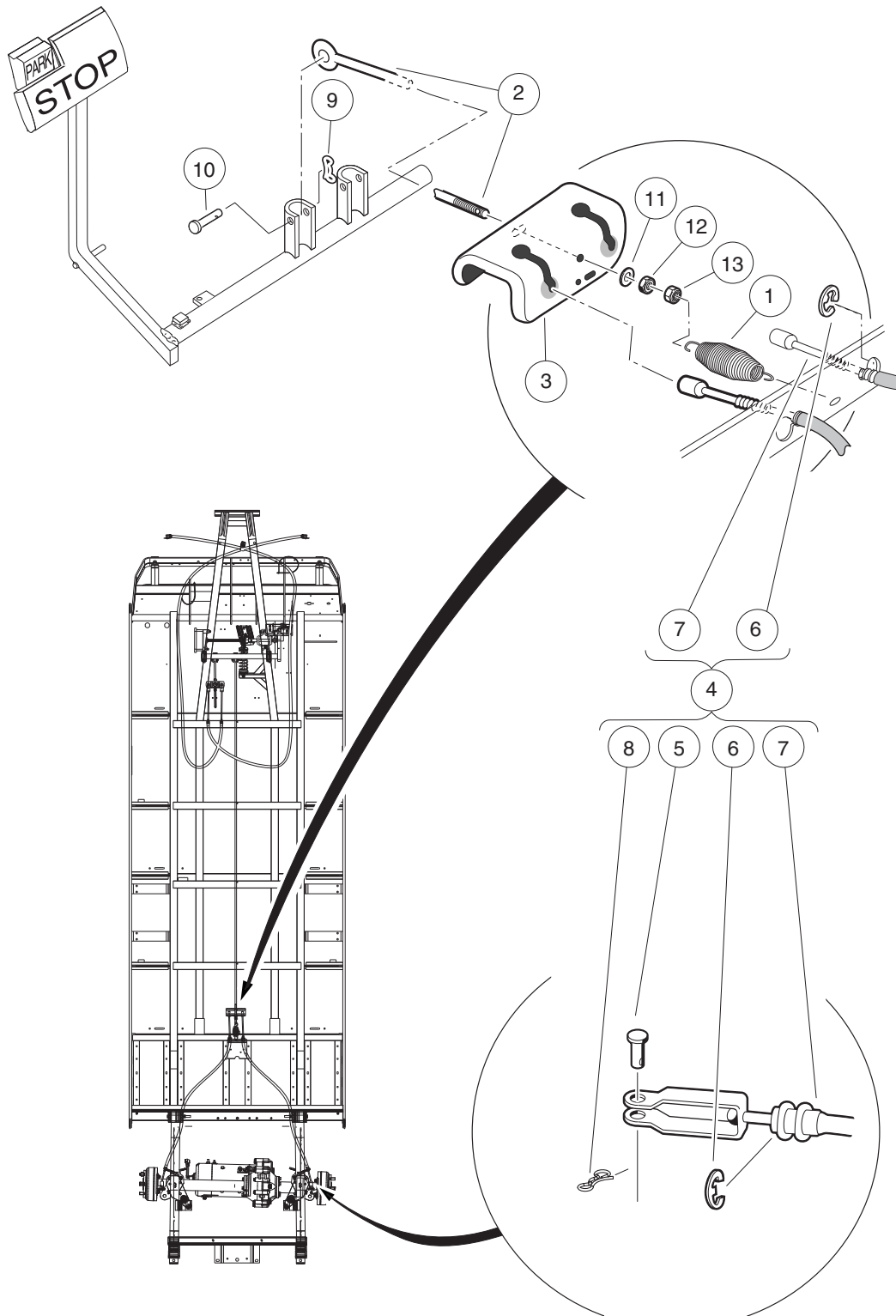
000296-004

# REAR BRAKE CABLES AND EQUALIZER – TURF/CARRYALL 6 & VILLAGER 6

ITEM	PART NO.	DESCRIPTION	QTY
		<b>1 2 3 4</b>	
1	<u>1013531</u>	Spring, Brake Return .....	1
2	101953103	Rod, Equalizer, 41.91" .....	1
3	<u>101990801</u>	Equalizer Bracket .....	1
4	<u>102166901</u>	Kit, Brake Cable Rear (includes items 5 through 8) .....	1
5	<u>1010829</u>	Pin, Clevis, 5/16 X 3/4 .....	2
6	<u>1011779</u>	E-Clip, 1/2 .....	4
7	102162601	Cable, Brake .....	2
8	<u>102292801</u>	Pin, Bow Tie Locking - .072 .....	2
9	<u>102323101</u>	Pin, Bow Tie Locking .....	1
10	<u>102323201</u>	Pin, 3/8 X 1-5/16 Clevis .....	1
11	<u>1241</u>	Washer, 5/16 Type A Flat .....	1
12	<u>1242</u>	Nut, 5/16-18 Hex .....	1
13	<u>7473</u>	Locknut, 5/16-18 Nylon Insert .....	1

**5**  
**G**  
**E**

**5**  
**G**  
**E**



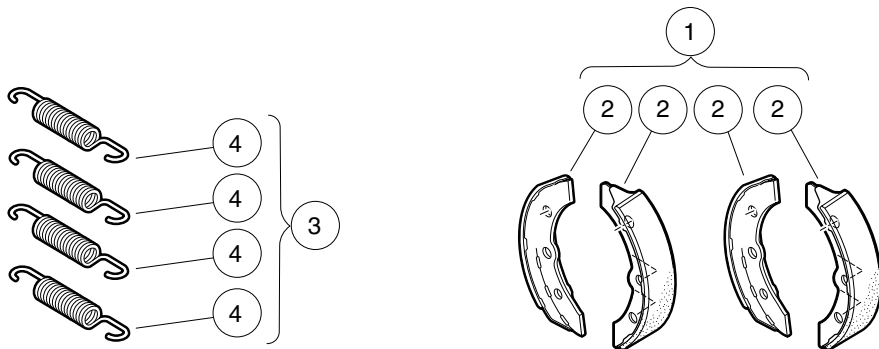
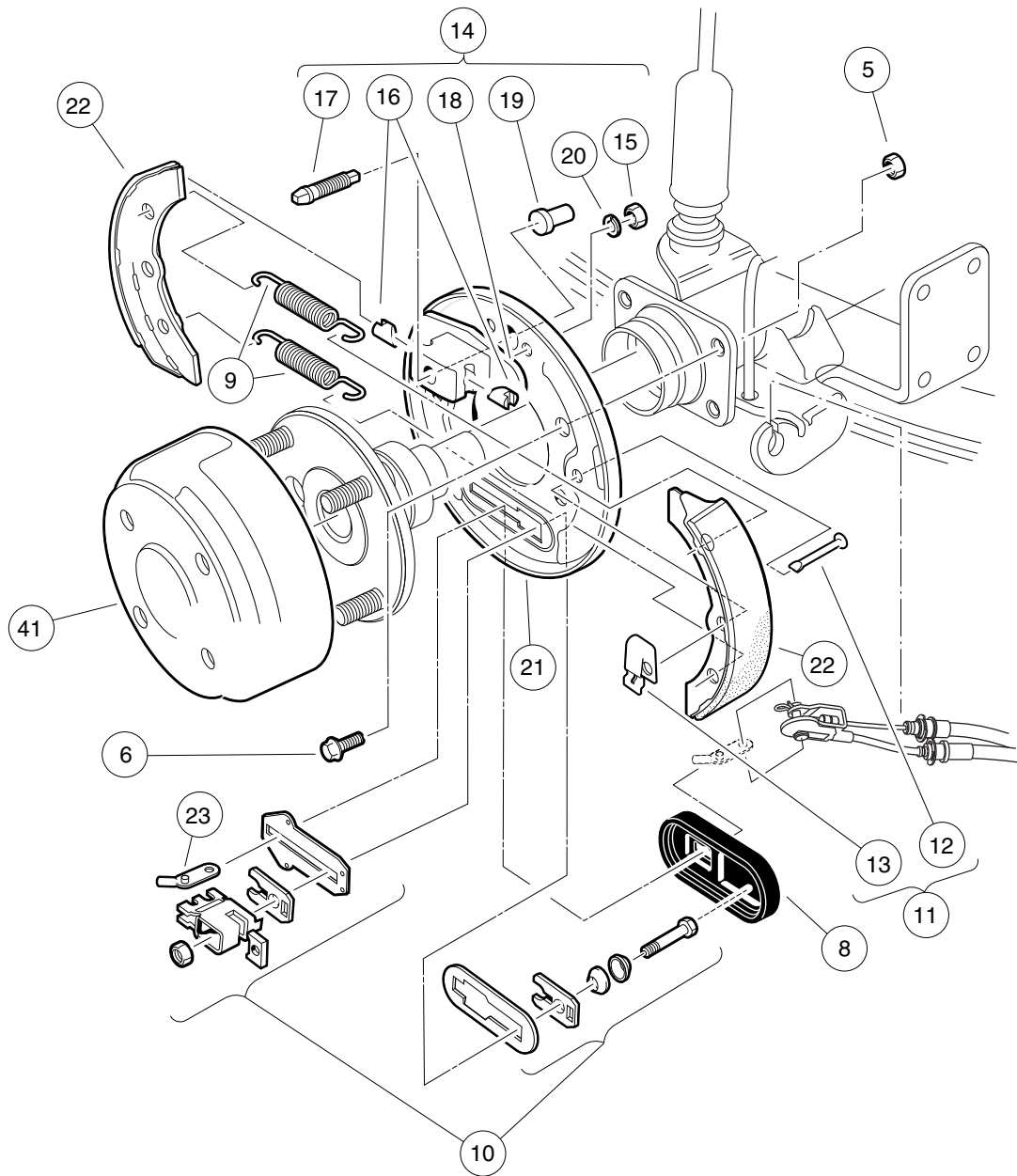
000296-003

## REAR BRAKE CABLES AND EQUALIZER – VILLAGER 8

ITEM	PART NO.	DESCRIPTION	QTY
		1 2 3 4	
1	<u>1013531</u>	Spring, Brake Return .....	1
2	<u>101953104</u>	Rod, Equalizer .....	1
3	<u>101990801</u>	Equalizer Bracket .....	1
4	<u>102166901</u>	Kit, Brake Cable Rear (includes items 5 through 8) .....	1
5	<u>1010829</u>	Pin, Clevis, 5/16 X 3/4 .....	2
6	<u>1011779</u>	E-Clip, 1/2 .....	4
7	102162601	Cable, Brake .....	2
8	<u>102292801</u>	Pin, Bow Tie Locking - .072 .....	2
9	<u>102323101</u>	Pin, Bow Tie Locking .....	1
10	<u>102323201</u>	Pin, 3/8 X 1-5/16 Clevis .....	1
11	<u>1241</u>	Washer, 5/16 Type A Flat .....	1
12	<u>1242</u>	Nut, 5/16-18 Hex .....	1
13	<u>7473</u>	Locknut, 5/16-18 Nylon Insert .....	1

**5**  
**G**  
**E**

**5**  
**G**  
**E**



000293-002



# REAR BRAKE ASSEMBLY, MANUALLY-ADJUSTED – VEHICLES WITH 4-WHEEL BRAKES

ITEM	PART NO.	DESCRIPTION	QTY
		1 2 3 4	
1	<u>101146302</u>	Kit, Non-Asbestos Brake Shoe (includes item 2) .....	1
2	101880701	Shoe Brake Manual Adj (Available in Kit, Non-Asbestos Brake Shoe) .....	4
3	<u>1011464</u>	Package, Brake Spring (includes item 4) .....	1
4	1011314	Brake Spring .....	4
5	<u>1013924</u>	Nut, 5/16-24, Hex Head Cone .....	8
6	<u>1014153</u>	Bolt, Brake Cluster Mounting .....	8
7	<u>1016557</u>	Cluster, Brake, Driver-Side (includes items 8 through 23) .....	1
8	<u>1010850</u>	Dust Cover .....	1
9	1011314	Brake Spring .....	2
10	<u>1011465</u>	Kit, Brake Actuator .....	1
11	<u>1011466</u>	Kit, Shoe Retainer (includes items 12 and 13) .....	1
12	N/A	Pin .....	2
13	N/A	Shoe Clamp Spring .....	2
14	<u>1011467</u>	Kit, Anchor Body (includes items 15 through 20) .....	1
15	<u>1011114</u>	Nut, M6-1.00 Hex .....	2
16	1011298	Anchor Piston .....	2
17	N/A	Adjustment Bolt .....	1
18	N/A	Anchor Body Component .....	1
19	<u>1011303</u>	Adjustment Bolt Cap .....	1
20	<u>451</u>	Lockwasher, 1/4 Split .....	2
21	1011494	Backing Plate, Left-Hand .....	1
22	101880701	Shoe Brake Manual Adj (Available in Kit, Non-Asbestos Brake Shoe) .....	2
23	N/A	Arm, Brake Lever .....	1
24	<u>1016573</u>	Cluster, Brake, Passenger-Side (includes items 25 through 40) .....	1
25	<u>1010850</u>	Dust Cover .....	1
26	<u>1011154</u>	Backing Plate, Right-Hand .....	1
27	1011314	Brake Spring .....	2
28	<u>1011465</u>	Kit, Brake Actuator .....	1
29	<u>1011466</u>	Kit, Shoe Retainer (includes items 30 and 31) .....	1
30	N/A	Pin .....	2
31	N/A	Shoe Clamp Spring .....	2
32	<u>1011467</u>	Kit, Anchor Body (includes items 33 through 38) .....	1
33	<u>1011114</u>	Nut, M6-1.00 Hex .....	2
34	1011298	Anchor Piston .....	2
35	N/A	Adjustment Bolt .....	1
36	N/A	Anchor Body Component .....	1
37	<u>1011303</u>	Adjustment Bolt Cap .....	1
38	<u>451</u>	Lockwasher, 1/4 Split .....	2
39	101880701	Shoe Brake Manual Adj (Available in Kit, Non-Asbestos Brake Shoe) .....	2
40	N/A	Arm, Brake Lever .....	1
41	<u>101791101</u>	Drum without Center Hole, Brake .....	2
		Note: Passenger-side brake cluster not shown. Components have a similar appearance to driver-side brake cluster components.	

**5**  
**G**  
**E**

**5**

**G**

**E**

# STEERING AND SUSPENSIONS

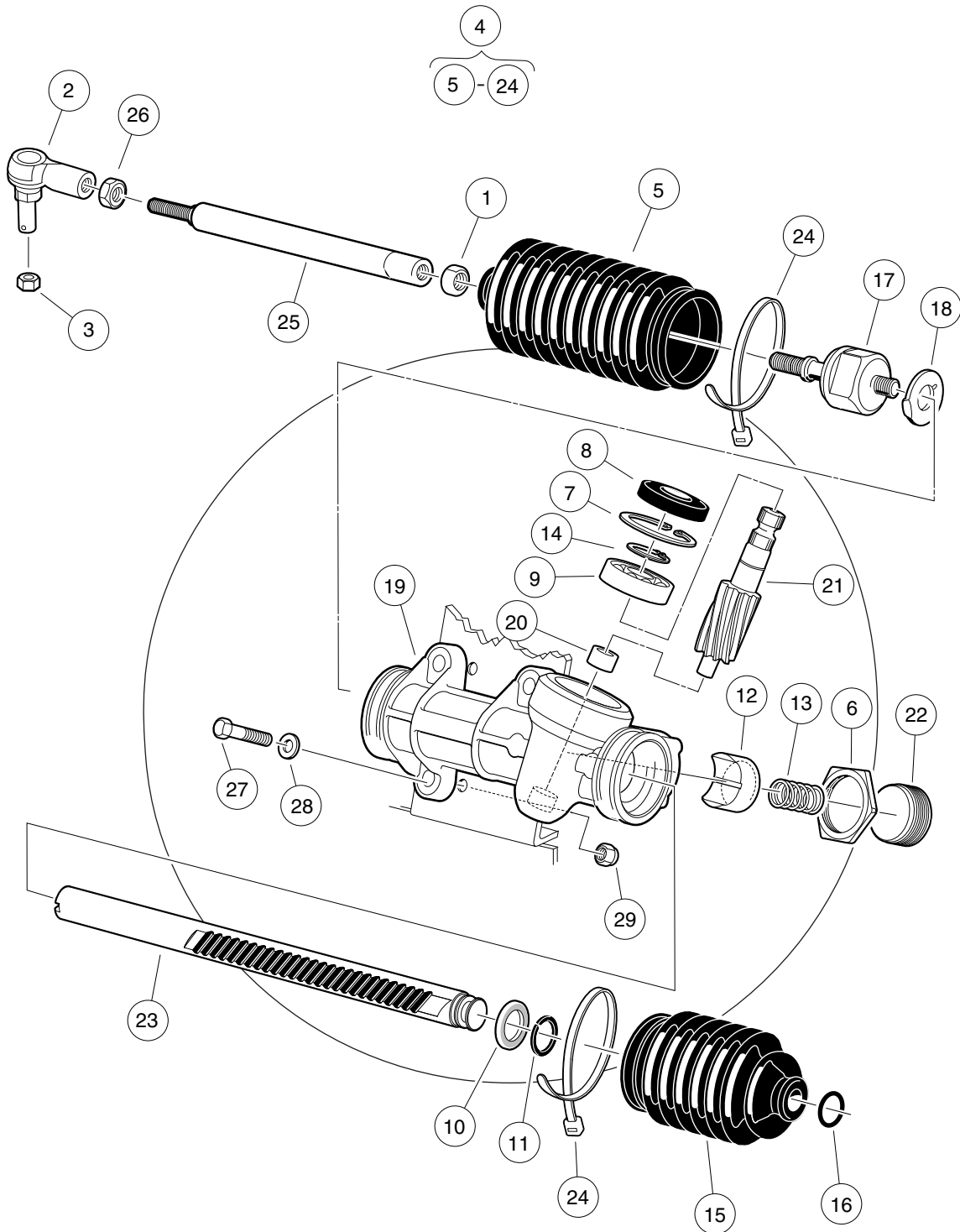
---

6

G

E

**6**  
**G**  
**E**



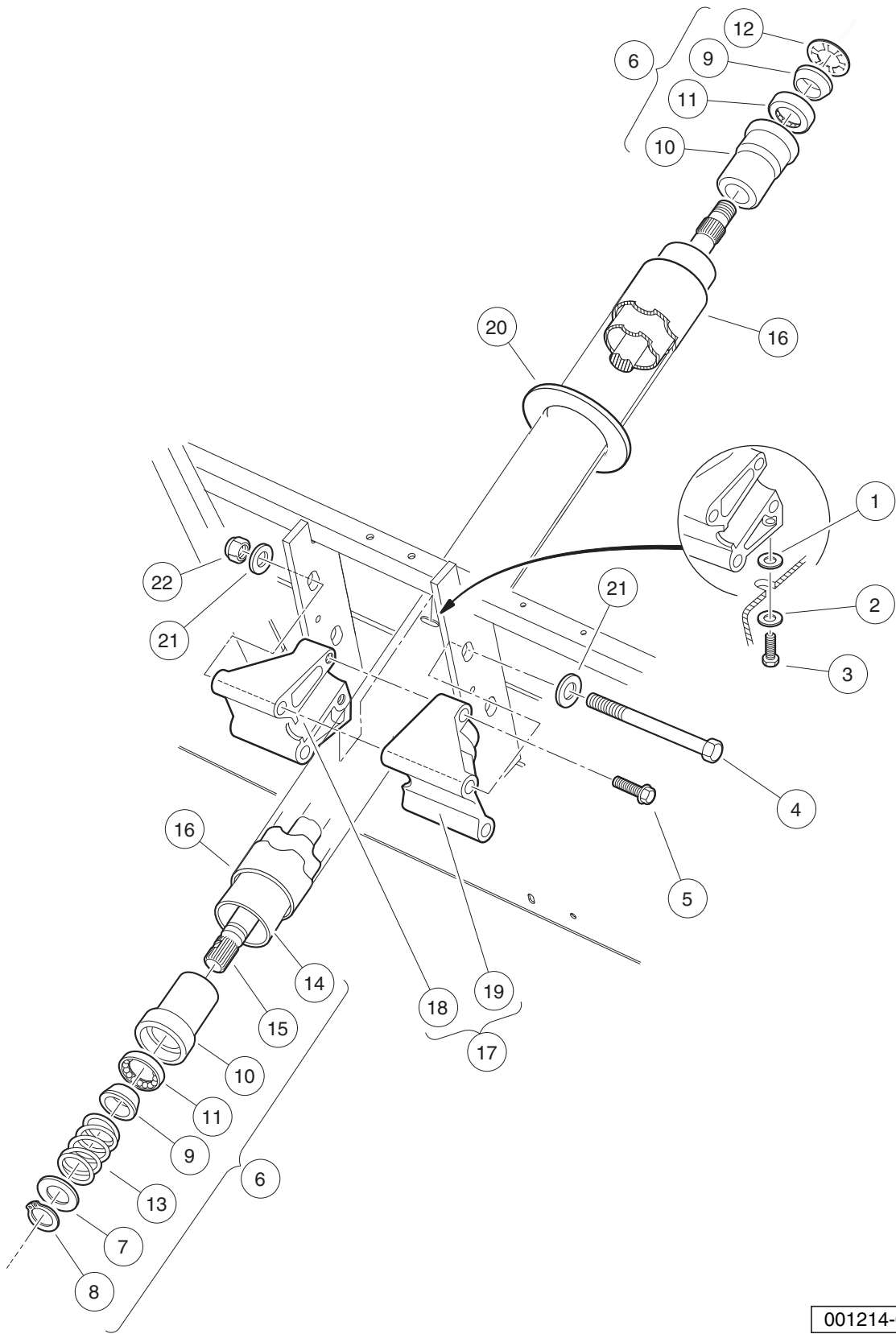
001500-002

# STEERING GEAR ASSEMBLY (WANDA) – MAINT.-FREE BALL JOINT

ITEM	PART NO.	DESCRIPTION	QTY
		<b>1 2 3 4</b>	
1	1013042	Nut, 12mm Hex .....	1
2	<u>102022602</u>	End, Tie Rod, M12 X 1.25, Lh .....	1
3	<u>102289201</u>	Nut - Hex Locking, M12 X 1.25 .....	1
4	<u>103601501</u>	Asm, Steering Rack And Pinion (includes items 5 through 24) .....	1
5	<u>1013035</u>	Bellows, Long .....	1
6	<u>1013044</u>	Rack Screw Locknut .....	1
7	N/A	Snap Ring .....	1
8	<u>1013052</u>	Seal, Steering Pinion Dust .....	1
9	<u>101879401</u>	Bearing, Ball .....	1
10	<u>101879501</u>	Stop Washer .....	1
11	101879601	Stop Ring, C-Type .....	1
12	<u>101879701</u>	Support Yoke .....	1
13	<u>101879801</u>	Rack Guide Pressure Spring .....	1
14	<u>101879901</u>	Ring, Stop, C-Type .....	1
15	<u>101880001</u>	Bellows, Short .....	1
16	101880101	Dust Seal Retaining Ring .....	1
17	<u>101880201</u>	Inner Ball Joint Asm .....	1
18	101880301	Washer, Tab .....	1
19	N/A	Box, Steering Gear .....	1
20	N/A	Bearing, Lower Pinion .....	1
21	N/A	Pinion, Steering .....	1
22	N/A	Screw, Rack Guide .....	1
23	N/A	Rack, Steering .....	1
24	<u>8990</u>	Tie Wrap, 8" Nylon .....	2
25	<u>103653401</u>	Link, Drag, Male Thd .....	1
26	<u>103653501</u>	Nut, Jam, M12-1.25, Lh .....	1
27	<u>1624</u>	Screw, 3/8-16 X 1.50, Hex-Head Cap .....	3
28	<u>334</u>	Washer, 3/8, Type A, Flat .....	3
29	<u>8754</u>	Locknut, 3/8-16 Hex .....	3

**6**  
**G**  
**E**

**6**  
**G**  
**E**



001214-001

## STEERING COLUMN – UTILITY

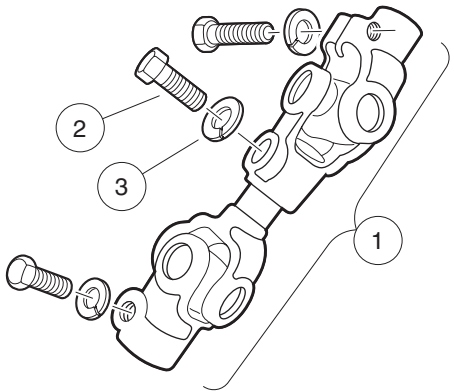
ITEM	PART NO.	DESCRIPTION	QTY
		1 2 3 4	
1	<u>1011578</u>	Washer, 5/16 Type B Flat .....	1
2	<u>1011697</u>	Washer, 5/16 Flat .....	1
3	<u>1014288</u>	Screw, 5/16-18 X 0.75, Thread-Forming .....	1
4	<u>1016183</u>	Screw, 3/8-16 X 7.00 Hex Cap .....	2
5	<u>1016269</u>	Screw, 5/16-18 Thrd Forming .....	2
6	<u>1017313</u>	Steering Shaft Assembly (includes items 7 through 15) .....	1
7	<u>1012604</u>	Washer, 0.675 ID X 1.19 OD .....	1
8	<u>1012605</u>	Ring, 0.579 Internal Retaining .....	1
9	1014125	Wedge, Molded .....	2
10	<u>1014126</u>	Seat, Plastic Bearing .....	2
11	<u>1014213</u>	Bearing, Ball .....	2
12	1014214	Ring, Retaining .....	1
13	<u>1014217</u>	Spring, Steering Shaft .....	1
14	<u>1017314</u>	Column, Aluminum Steering .....	1
15	<u>1017315</u>	Shaft Steering Column .....	1
16	<u>1017317</u>	Tube Cover, Steering Column .....	1
17	101984801	Kit, Steering Column Mounting Bracket (includes items 18 and 19) .....	1
18	N/A	Bracket, RH Steering Column Mount .....	1
19	N/A	Bracket, LH Steering column mount .....	1
20	<u>102278001</u>	Boot, Steering Column Round .....	1
21	<u>334</u>	Washer, 3/8, Type A, Flat .....	4
22	<u>8754</u>	Locknut, 3/8-16 Hex .....	2

**6**  
**G**  
**E**

6

G

E



001217-001

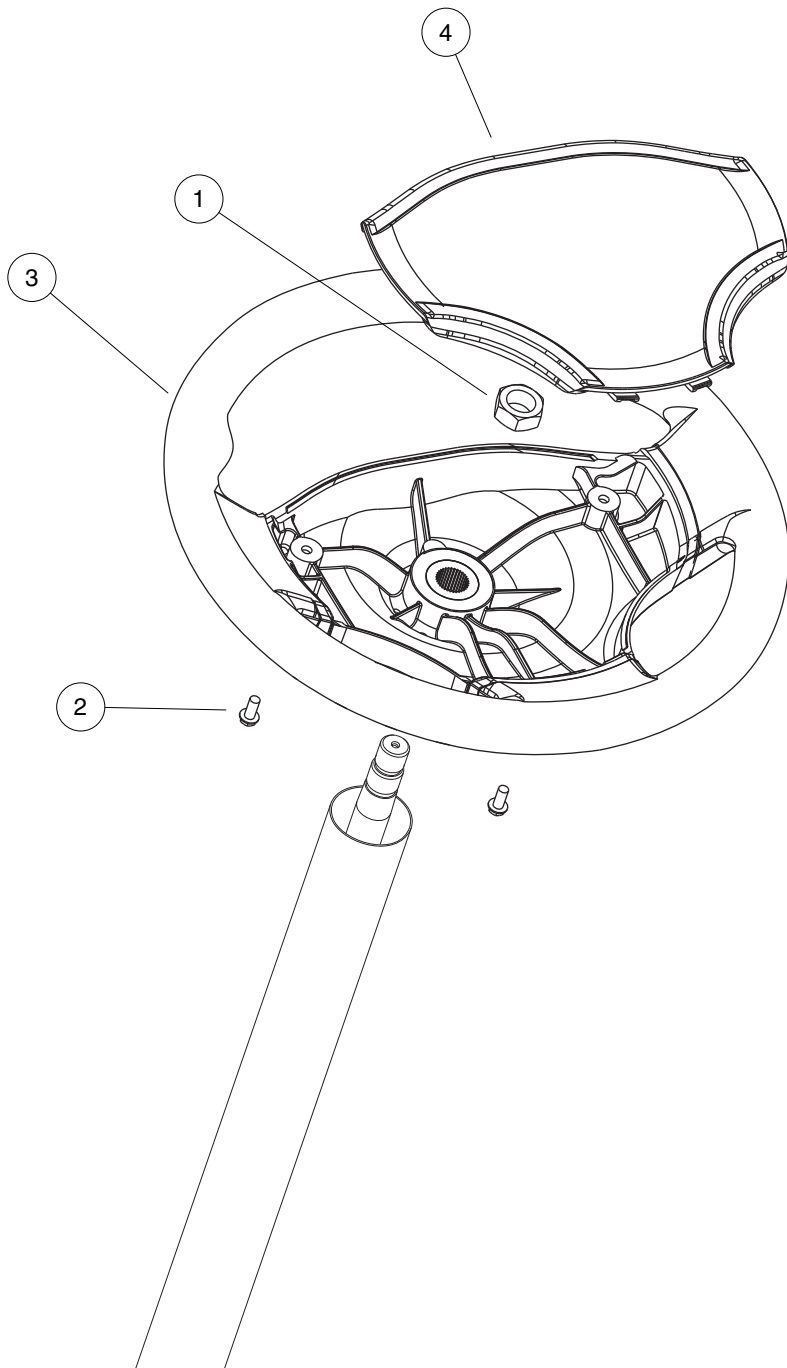


# INTERMEDIATE STEERING SHAFT (WANDA) – TURF/CA/ VILLAGER

ITEM	PART NO.	DESCRIPTION	QTY
		1 2 3 4	
1	<u>103601601</u>	Shaft, Intermediate Steering (includes items 2 and 3) .....	1
2	<u>1017226</u>	Bolt, Hex-Head, 8mm X 1.25 - 30 .....	3
3	<u>7174</u>	Lockwasher, 5/16 Split .....	3

6  
G  
E

**6**  
**G**  
**E**



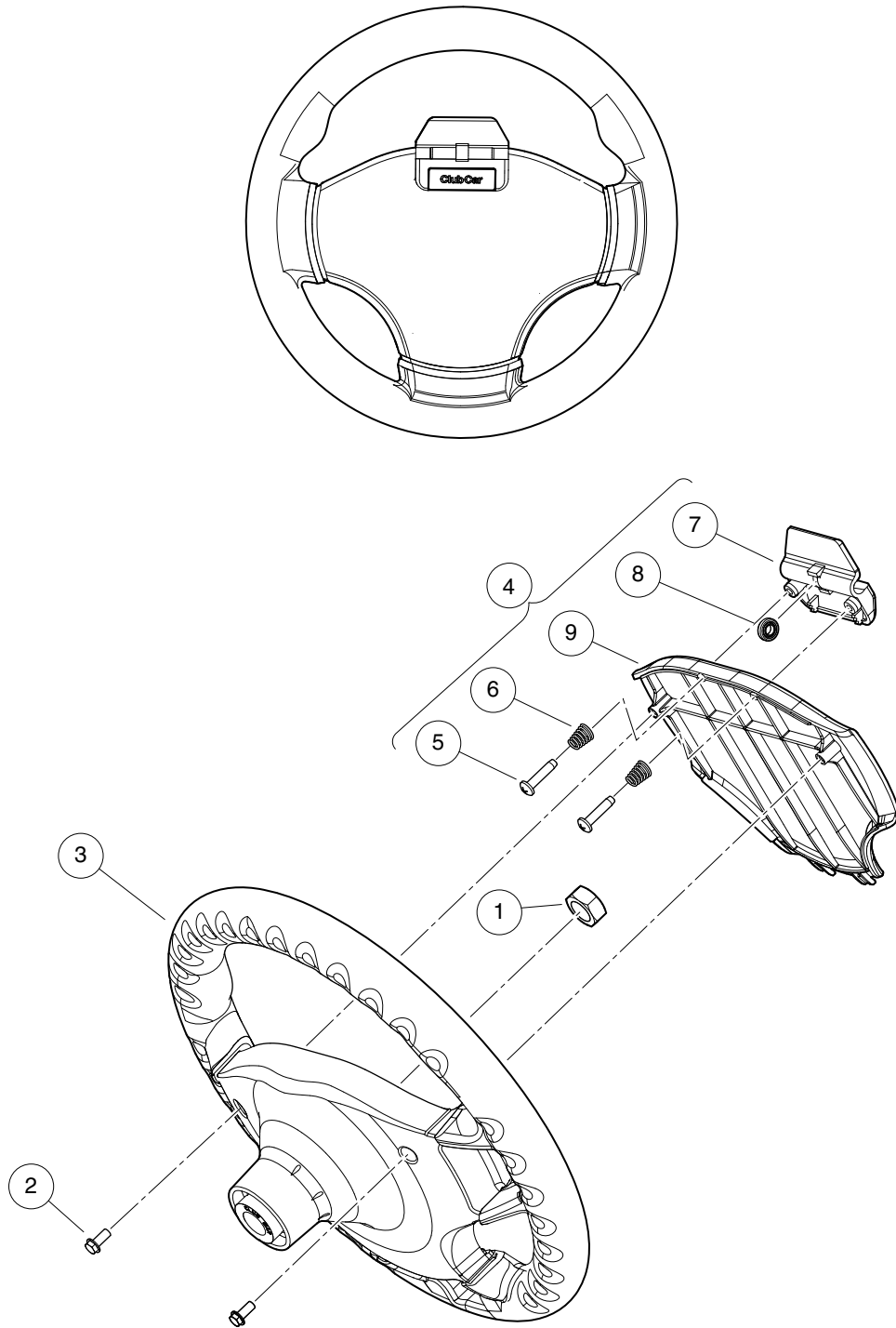
000246-007

# STEERING WHEEL

ITEM	PART NO.	DESCRIPTION	QTY
		<b>1 2 3 4</b>	
1	<u>1017273</u>	Nut, 5/8-18 Nylon Insert Jam .....	1
2	<u>101850301</u>	Screw, #12-16 X 0.50 Washer-Head Hi-Lo .....	2
3	<u>103724502</u>	Wheel, Steering, Splined .....	1
4	<u>103724602</u>	Cover, Steering Wheel, Generic .....	1

**6**  
**G**  
**E**

**6**  
**G**  
**E**



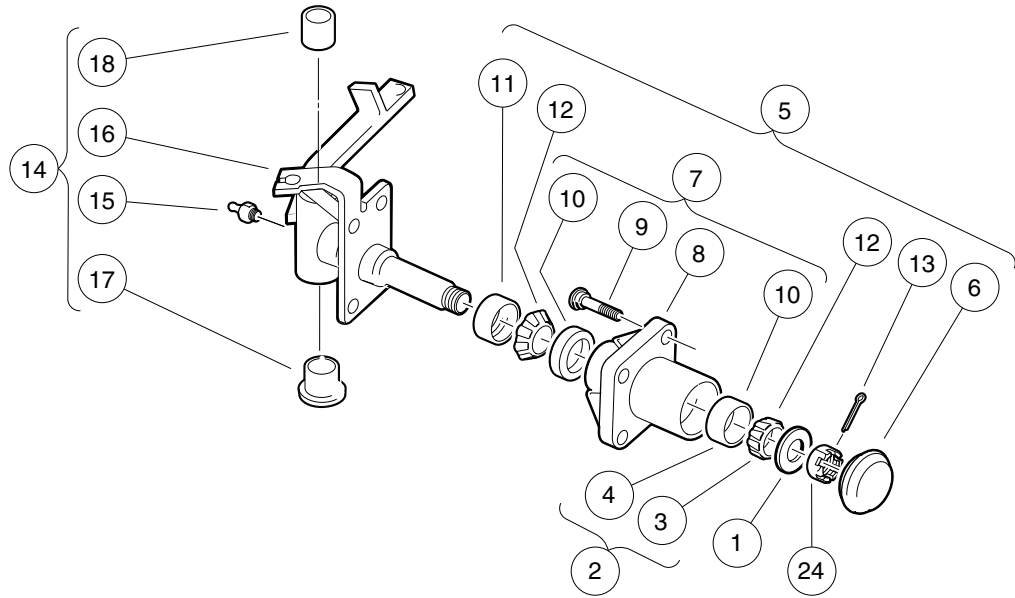
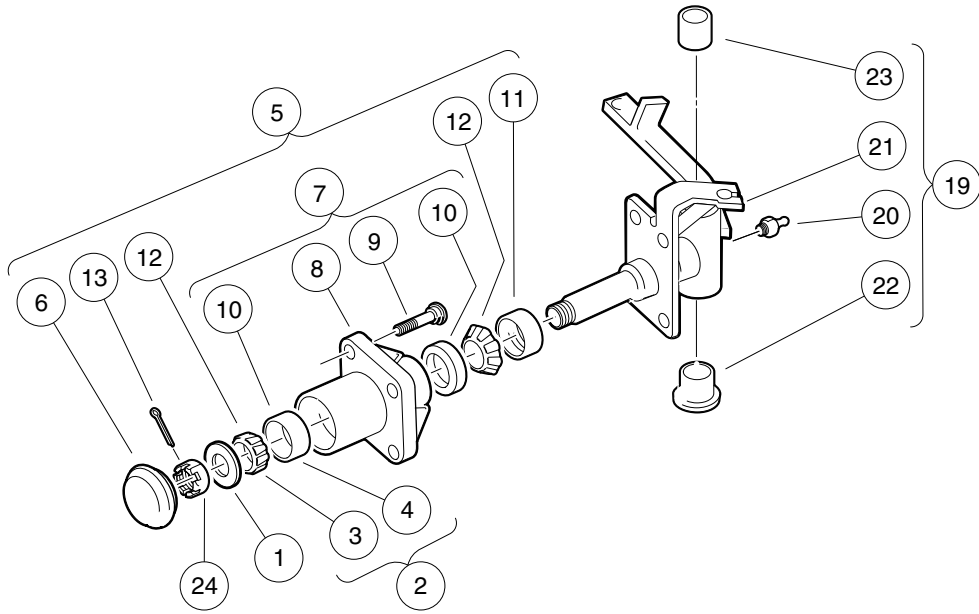
001504-001

# STEERING WHEEL WITH CLIP

ITEM	PART NO.	DESCRIPTION	QTY
		<b>1 2 3 4</b>	
1	<u>1017273</u>	Nut, 5/8-18 Nylon Insert Jam .....	1
2	<u>101850301</u>	Screw, #12-16 X 0.50 Washer-Head Hi-Lo .....	2
3	<u>103724502</u>	Wheel, Steering, Splined .....	1
4	<u>103724901</u>	Asm, Scorecard, Clip (includes items 5 through 9) .....	1
5	<u>1012565</u>	Screw, #12 Phillips Round Head .....	2
6	<u>1012566</u>	Tapered Compression Spring .....	2
7	1016154	Clip, Scorecard .....	1
8	<u>1016214</u>	Pencil Grip .....	1
9	103724601	Cover, Steering Wheel, Clip .....	1

**6**  
**G**  
**E**

**6**  
**G**  
**E**



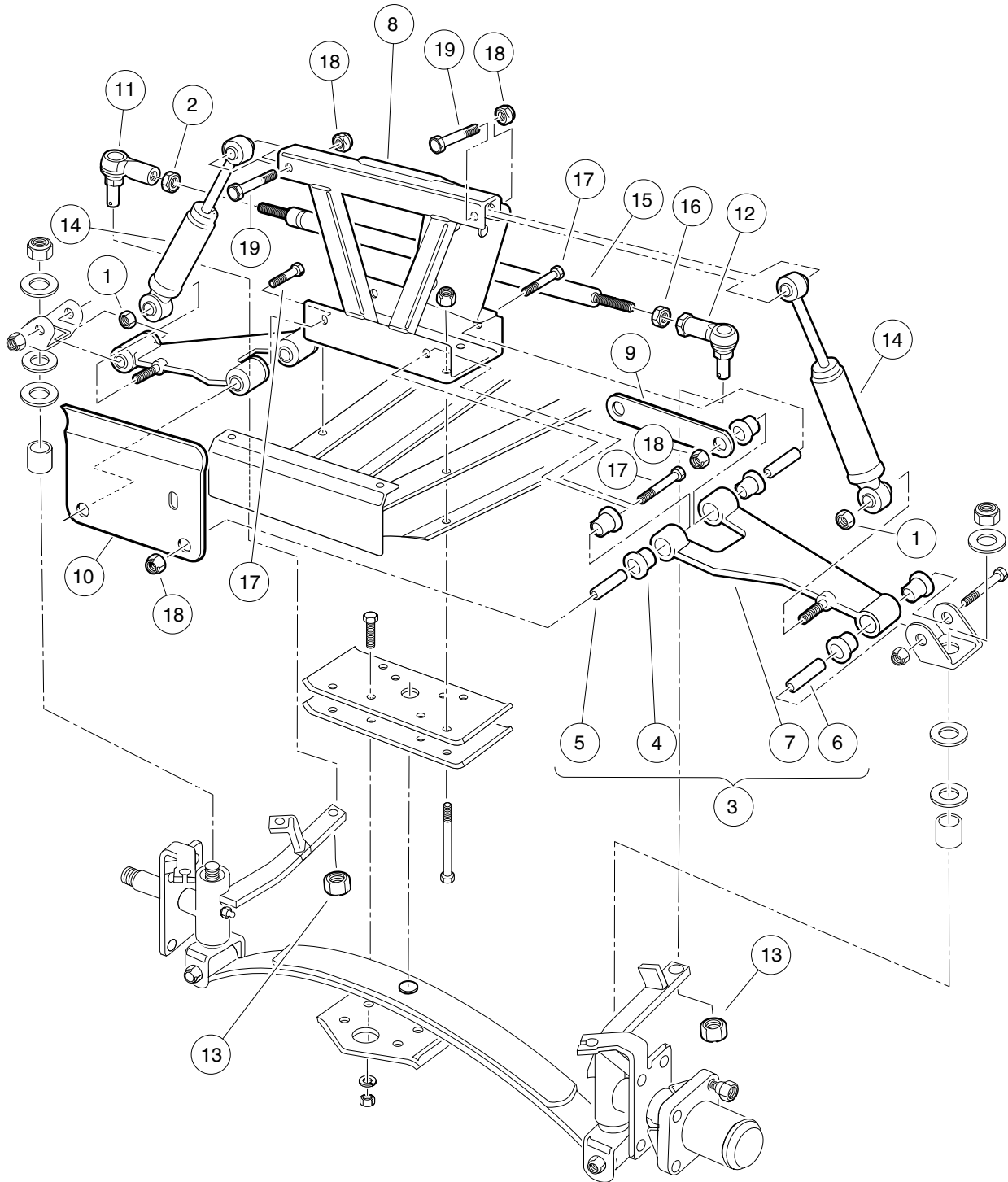
000310-002

# FRONT SPINDLES AND HUBS – VEHICLES WITH FOUR-WHEEL BRAKES AND MAINTENANCE-FREE BALL JOINTS

ITEM	PART NO.	DESCRIPTION	QTY
		<b>1 2 3 4</b>	
1	<u>1010005</u>	Washer, 3/4 Flat .....	2
2	<u>1011393</u>	Hub Bearing Package (includes items 3 and 4) .....	4
3	<u>7274</u>	Bearing, Front Hub Wheel .....	1
4	<u>7308</u>	Race, Front Hub Bearing .....	1
5	<u>1011892</u>	Hub Assembly (includes items 6 through 13) .....	2
6	<u>1011887</u>	Dust Cover .....	1
7	N/A	Hub (includes items 8 through 10) .....	1
8	N/A	Front Hub .....	1
9	<u>103477901</u>	Lug Stud, 1/2-20 Unf, 4037 .....	4
10	<u>7308</u>	Race, Front Hub Bearing .....	2
11	<u>1013135</u>	Seal, Double Lip .....	1
12	<u>7274</u>	Bearing, Front Hub Wheel .....	2
13	<u>7910</u>	Pin, 5/32 X 1.00 Cotter .....	1
14	<u>103717302</u>	Asm, Spindle, Lh, 4wb, Sp (includes items 15 through 18) .....	1
15	<u>1015597</u>	Fitting, 1/4-28 Thread-Forming Grease .....	1
16	N/A	Subasm, Spindle, Lh, 4wb .....	1
17	<u>7048</u>	Bushing, Flanged Bronze .....	1
18	<u>8067</u>	Bushing, Bronze Spindle .....	1
19	<u>103717402</u>	Asm, Spindle, Rh, 4wb, Sp (includes items 20 through 23) .....	1
20	<u>1015597</u>	Fitting, 1/4-28 Thread-Forming Grease .....	1
21	N/A	Subasm, Spindle, Rh, 4wb .....	1
22	<u>7048</u>	Bushing, Flanged Bronze .....	1
23	<u>8067</u>	Bushing, Bronze Spindle .....	1
24	<u>7840</u>	Nut, 3/4-16 Hex Slotted .....	2

**6**  
**G**  
**E**

**6**  
**G**  
**E**



001265-001

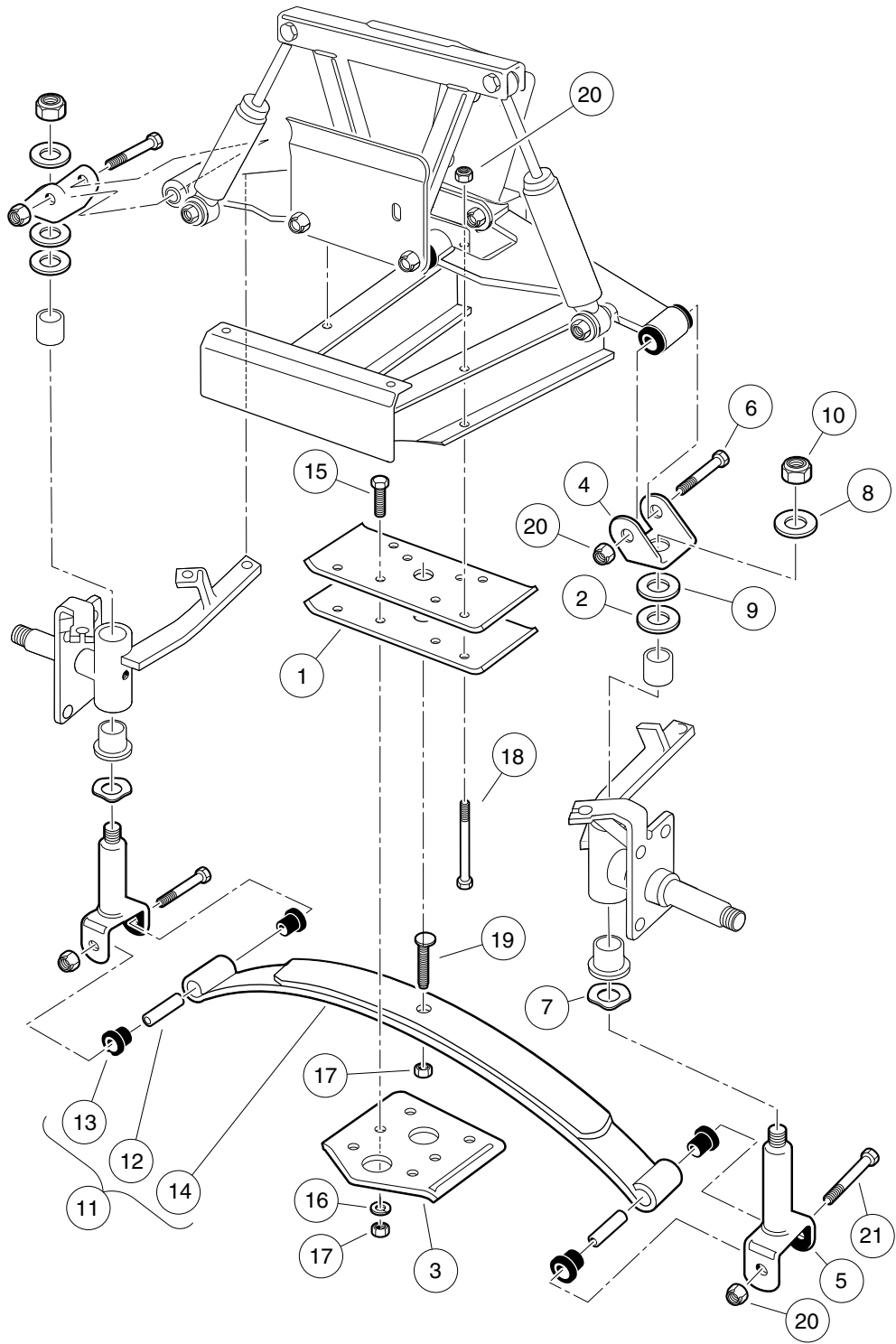


# FRONT SUSPENSION, UPPER – VILLAGER 6 AND 8 WITH MAINTENANCE-FREE BALL

ITEM	PART NO.	DESCRIPTION	QTY
		<b>1 2 3 4</b>	
1	<u>1010138</u>	Locknut, 3/8-16 Dimpled .....	2
2	<u>1013042</u>	Nut, 12mm Hex .....	1
3	<u>1016353</u>	Sub-Assembly, Delta A-Plate (includes items 4 through 7) .....	2
4	<u>1016346</u>	Bushing, Urethane .....	6
5	<u>1016349</u>	Sleeve, Delta Inner .....	2
6	<u>1016350</u>	Sleeve, Delta Outer .....	1
7	<u>1016351</u>	Delta A-Plate .....	1
8	<u>1016385</u>	Delta Shock and Gear Support Assembly .....	1
9	<u>1017266</u>	A-Plate Strap .....	1
10	<u>101955001</u>	Brake Cable Guide Bracket .....	1
11	<u>102022601</u>	End, Tie Rod M12 X 1.25 Rh .....	1
12	<u>102022602</u>	End, Tie Rod, M12 X 1.25, Lh .....	1
13	<u>102289201</u>	Nut - Hex Locking, M12 X 1.25 .....	3
14	<u>103351001</u>	Shock Absorber, Front, Common .....	2
15	<u>103354701</u>	Rod, Tie, Male Thd .....	1
16	<u>103653501</u>	Nut, Jam, M12-1.25, Lh .....	1
17	<u>2402</u>	Screw, 3/8-16 X 2.25 Hx Hd Cap .....	4
18	<u>8754</u>	Locknut, 3/8-16 Hex .....	13
19	<u>8861</u>	Bolt, 3/8-16 X 1.75 Hex .....	2

**6**  
**G**  
**E**

**6**  
**G**  
**E**

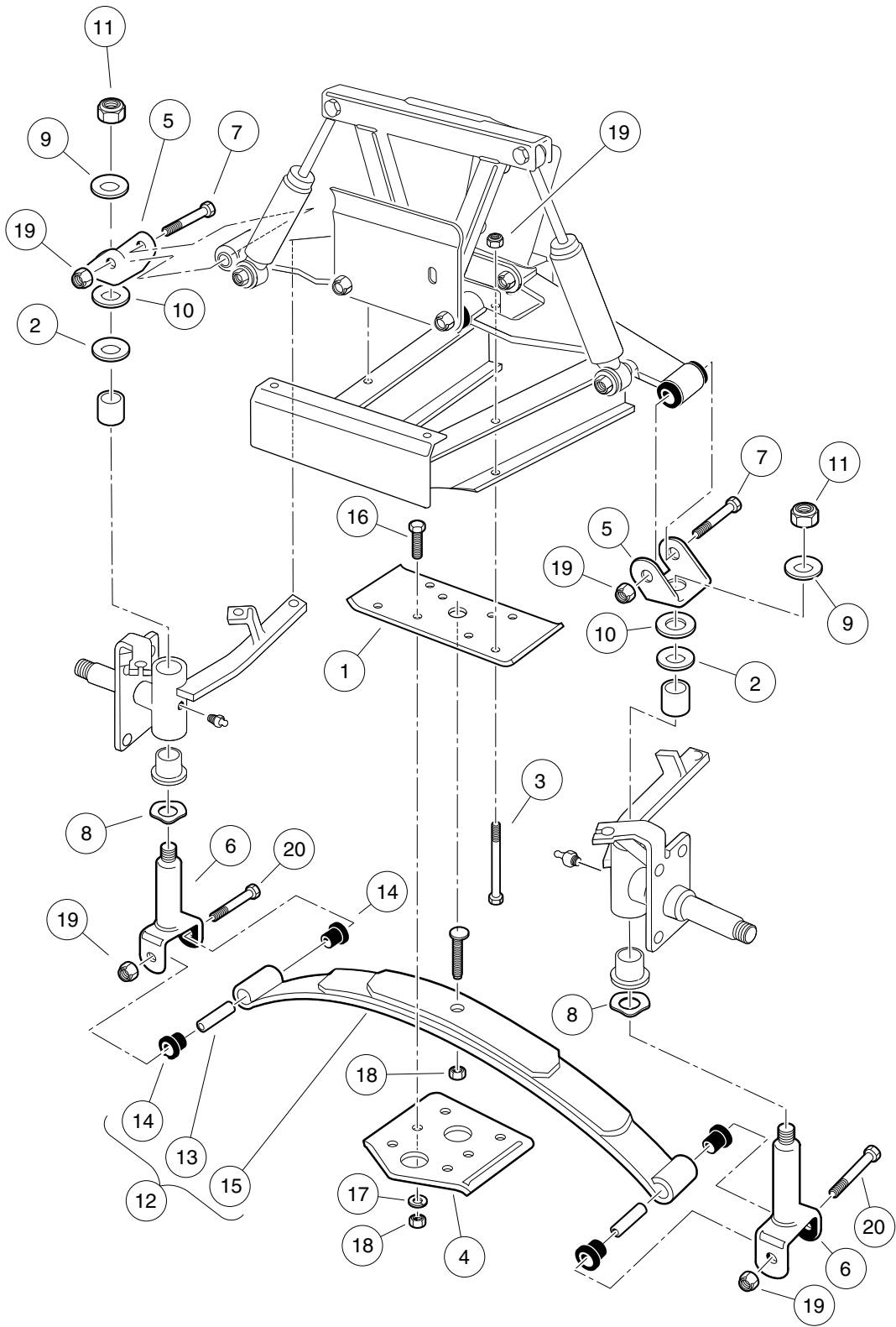


001266-001

## FRONT SUSPENSION, LOWER – VILLAGER 6 WITH MAINTENANCE-FREE BALL

ITEM	PART NO.	DESCRIPTION	QTY	<b>6</b>
		<b>1 2 3 4</b>		
1	<u>1010124</u>	Plate, Spring Mount .....	2	<b>G</b>
2	<u>1010150</u>	Bearing, Thrust .....	2	<b>E</b>
3	<u>1014276</u>	Plate, Front Spring Retainer .....	1	
4	<u>1016384</u>	Clevis, Delta Upper .....	2	
5	<u>1016386</u>	King Pin Assembly .....	2	
6	<u>1016387</u>	Screw, 3/8-16 X 2.75 Hx Hd Cap .....	2	
7	<u>1016389</u>	Washer, 1.125 Od Wave .....	2	
8	<u>102564002</u>	Washer-1/2 Conical, Yellow .....	2	
9	<u>102684501</u>	Washer, M12 Hard Regular .....	2	
10	<u>102766301</u>	Nut, 1/2-20, Center Lock .....	2	
11	<u>103628801</u>	Spring Asm, Front, 2 Leaf (includes items 12 through 14) .....	1	
12	<u>1012303</u>	Bushing, Steel .....	2	
13	<u>1015583</u>	Bushing, Urethane .....	4	
14	<u>103502701</u>	Spring, Front, 2 Leaf .....	1	
15	<u>2402</u>	Screw, 3/8-16 X 2.25 Hx Hd Cap .....	4	
16	<u>357</u>	Lockwasher, 3/8 Split .....	4	
17	<u>706</u>	Nut, Hex 3/8-16 .....	5	
18	<u>7270</u>	Bolt, 3/8-16 X 4.50 Hex Head .....	4	
19	<u>8745</u>	Screw, Eccentric Adjustment .....	1	
20	<u>8754</u>	Locknut, 3/8-16 Hex .....	8	
21	<u>8755</u>	Screw, 3/8-16 X 3.375 Hex Cap .....	2	

**6**  
**G**  
**E**



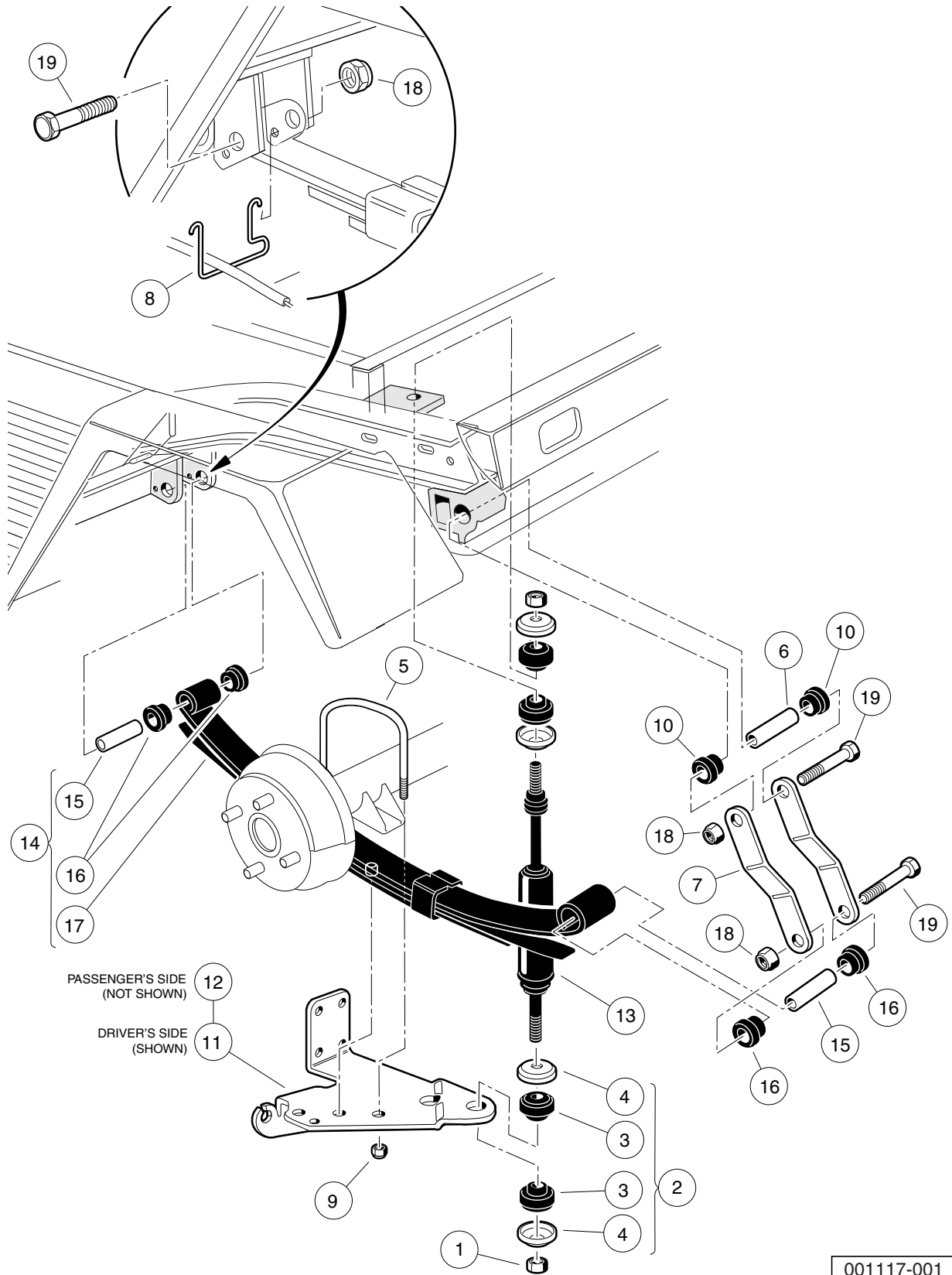
000313-005

## FRONT SUSPENSION, LOWER – VILLAGER 8 WITH MAINTENANCE-FREE BALL JOINTS

ITEM	PART NO.	DESCRIPTION	QTY
		<b>1 2 3 4</b>	
1	<u>1010124</u>	Plate, Spring Mount .....	1
2	<u>1010150</u>	Bearing, Thrust .....	2
3	<u>1010200</u>	Bolt, 3/8-16 X 4.25 Hex Head .....	4
4	<u>1014276</u>	Plate, Front Spring Retainer .....	1
5	<u>1016384</u>	Clevis, Delta Upper .....	2
6	<u>1016386</u>	King Pin Assembly .....	2
7	<u>1016387</u>	Screw, 3/8-16 X 2.75 Hx Hd Cap .....	2
8	<u>1016389</u>	Washer, 1.125 Od Wave .....	2
9	<u>102564002</u>	Washer-1/2 Conical, Yellow .....	2
10	<u>102684501</u>	Washer, M12 Hard Regular .....	2
11	<u>102766301</u>	Nut, 1/2-20, Center Lock .....	2
12	<u>103628901</u>	Spring Asm, Front, 3 Leaf (includes items 13 through 15) .....	1
13	<u>1012303</u>	Bushing, Steel .....	2
14	<u>1015583</u>	Bushing, Urethane .....	4
15	103502801	Spring, Front, 3 Leaf .....	1
16	<u>2402</u>	Screw, 3/8-16 X 2.25 Hx Hd Cap .....	4
17	<u>357</u>	Lockwasher, 3/8 Split .....	4
18	<u>706</u>	Nut, Hex 3/8-16 .....	5
19	<u>8754</u>	Locknut, 3/8-16 Hex .....	8
20	<u>8755</u>	Screw, 3/8-16 X 3.375 Hex Cap .....	2

**6**  
**G**  
**E**

**6**  
**G**  
**E**



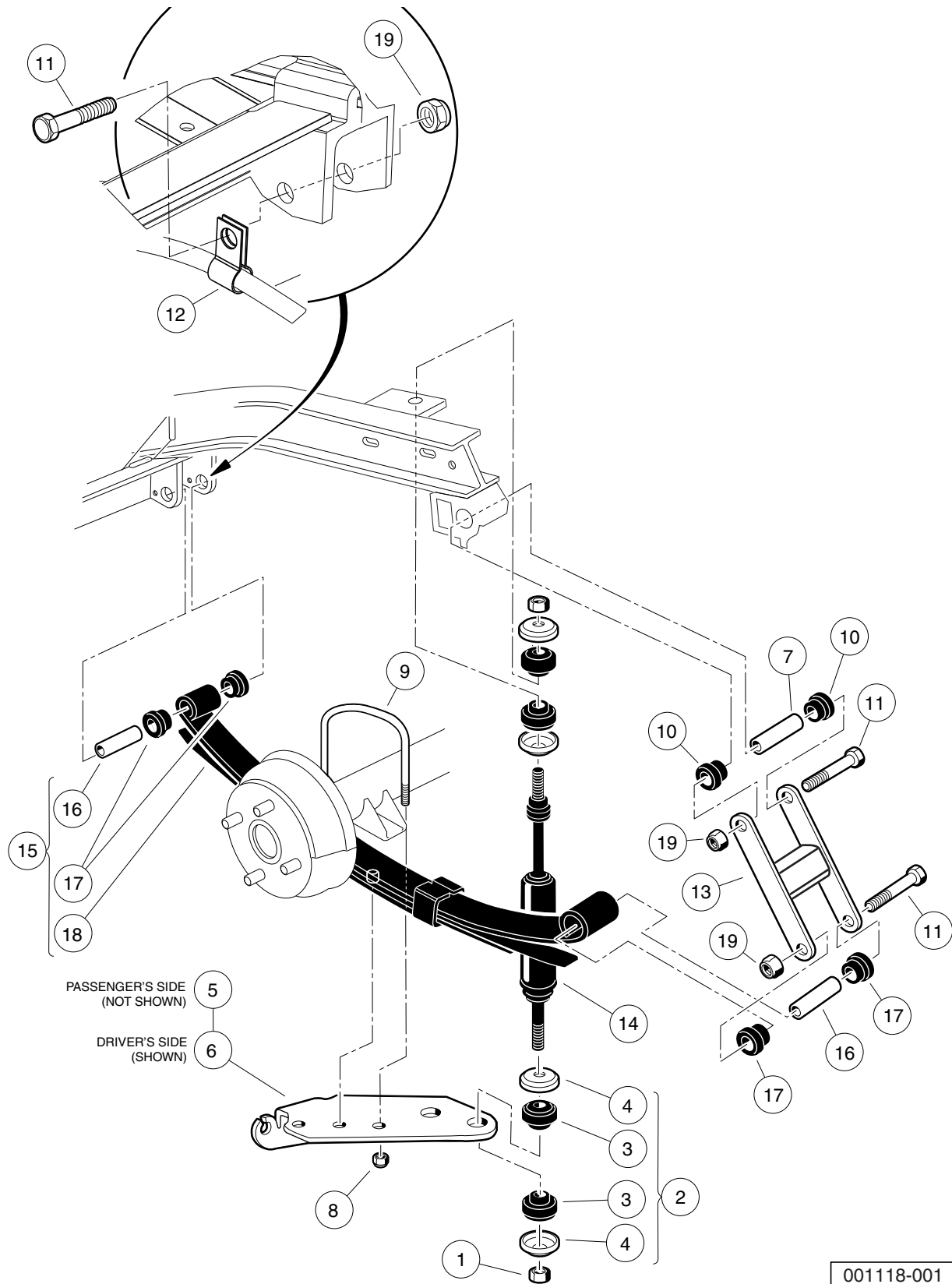
001117-001

# REAR SUSPENSION – TURF/CA 2, 2 PLUS, 6, AND VILLAGER GASOLINE

ITEM	PART NO.	DESCRIPTION	QTY
		1 2 3 4	
1	<u>1010145</u>	Nut, 3/8-24 Hex .....	4
2	<u>1011415</u>	Kit, Shock Absorber Cushion (includes items 3 and 4) .....	4
3	N/A	Cushion, Shock Absorber .....	2
4	N/A	Retainer, Shock Absorber Cushion .....	2
5	<u>1012180</u>	U-Bolt .....	2
6	<u>1012303</u>	Bushing, Steel .....	2
7	<u>1012304</u>	Shackle, Rear Spring .....	4
8	<u>1013207</u>	Hanger, Brake Cable .....	2
9	<u>1014555</u>	Locknut, 7/16-14 Nylon Hex .....	4
10	<u>101558302</u>	Bushing, Urethane, Soft .....	4
11	<u>101926501</u>	Bracket, Left-Hand .....	1
12	<u>101929401</u>	Bracket, Right .....	1
13	<u>103350901</u>	Shock Absorber, Rear, Utility .....	2
14	<u>103657301</u>	Asm-rear 3leaf Spring, 600 Lb (includes items 15 through 17) .....	2
15	<u>1012303</u>	Bushing, Steel .....	2
16	<u>101558302</u>	Bushing, Urethane, Soft .....	4
17	<u>102871801</u>	Rear Spring, 3leaf, 600 Lb/in .....	1
18	<u>8754</u>	Locknut, 3/8-16 Hex .....	6
19	<u>8755</u>	Screw, 3/8-16 X 3.375 Hex Cap .....	6
<p>Note: Only the driver-side rear suspension is shown. Parts for the passenger-side rear suspension are identical except for the leaf spring/shock mounting plate.</p>			

6  
G  
E

**6**  
**G**  
**E**



001118-001

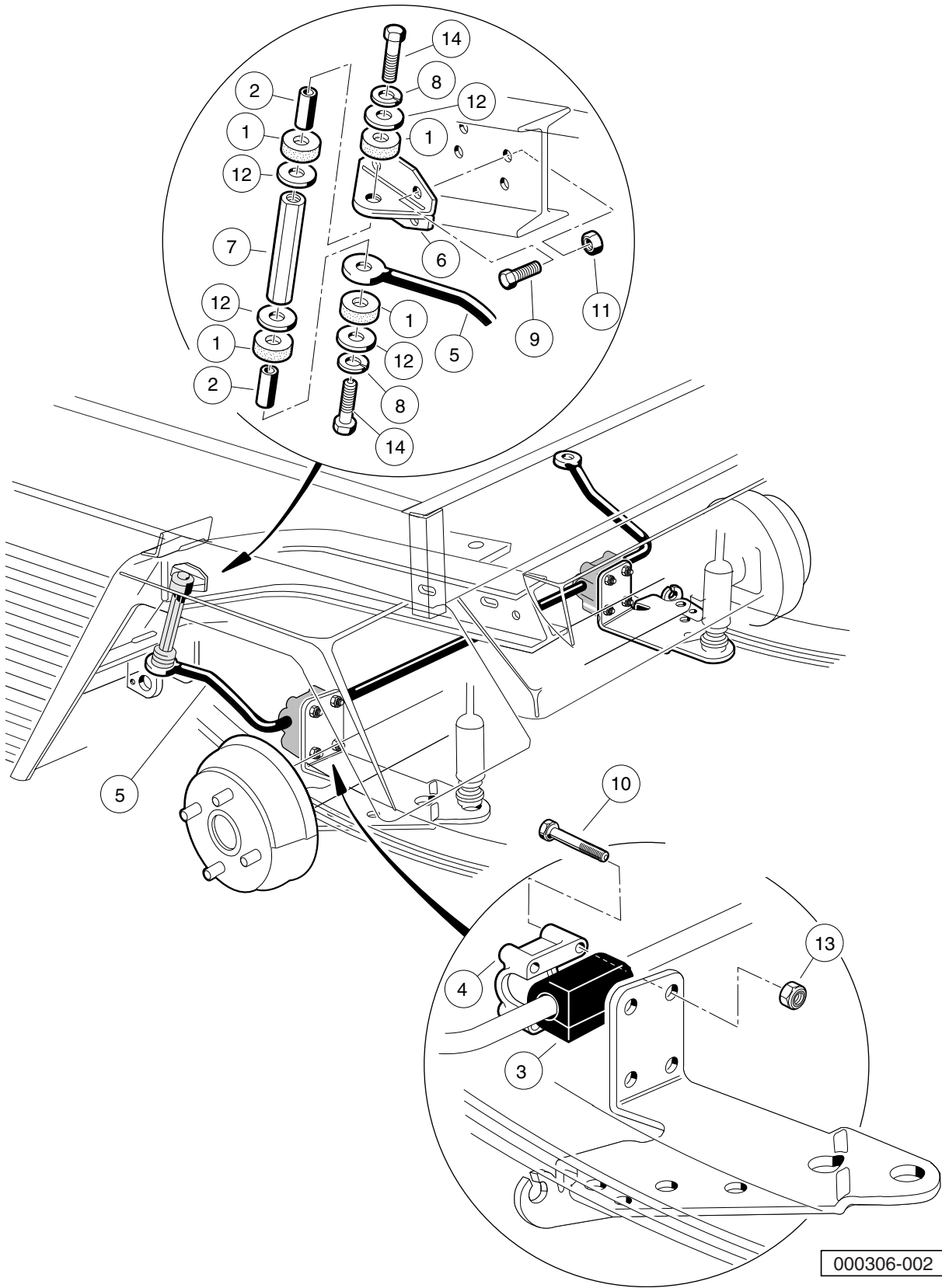


# REAR SUSPENSION – TURF/CA 2, 6, AND VILLAGER IQ PLUS ELECTRIC

ITEM	PART NO.	DESCRIPTION	QTY
		1 2 3 4	
1	<u>1010145</u>	Nut, 3/8-24 Hex .....	4
2	<u>1011415</u>	Kit, Shock Absorber Cushion (includes items 3 and 4) .....	4
3	N/A	Cushion, Shock Absorber .....	2
4	N/A	Retainer, Shock Absorber Cushion .....	2
5	1012181	Bracket, Shock Mounting, Right (Passenger) .....	1
6	1012182	Bracket, Shock Mounting, Left (Driver) .....	1
7	<u>1012303</u>	Bushing, Steel .....	2
8	<u>1014555</u>	Locknut, 7/16-14 Nylon Hex .....	4
9	<u>1014902</u>	U-Bolt .....	2
10	<u>101558302</u>	Bushing, Urethane, Soft .....	4
11	<u>102066201</u>	Screw, 3/8-16 X 3.50 Hex Cap .....	6
12	<u>102891101</u>	Clamp, Cable, Brake, Sym .....	2
13	<u>102917101</u>	Weldment, Shackle .....	2
14	<u>103351101</u>	Shock, Absorber, Utility .....	2
15	<u>103657301</u>	Asm-rear 3leaf Spring, 600 Lb (includes items 16 through 18) .....	2
16	<u>1012303</u>	Bushing, Steel .....	2
17	<u>101558302</u>	Bushing, Urethane, Soft .....	4
18	<u>102871801</u>	Rear Spring, 3leaf, 600 Lb/in .....	1
19	<u>8754</u>	Locknut, 3/8-16 Hex .....	6
<p>Note: Only the driver-side rear suspension is shown. Parts for the passenger-side rear suspension are identical except for the leaf spring/shock mounting plate.</p>			

6  
G  
E

**6**  
**G**  
**E**



# STABILIZER BAR – TURF/CA 2, 2 PLUS, 6, AND VILLAGER GAS

ITEM	PART NO.	DESCRIPTION	QTY
		1 2 3 4	
1	<u>1015453</u>	Compression Mount .....	8
2	<u>1015457</u>	Spacer, 0.720" .....	4
3	<u>1015613</u>	Bushing, Stabilizer Bar .....	2
4	<u>1015614</u>	Support, Bushing .....	2
5	<u>1015760</u>	Stabilizer Bar .....	1
6	<u>1016813</u>	Mounting Bracket, Stabilizer Bar .....	2
7	<u>1016814</u>	Link, Stabilizer Bar .....	2
8	<u>357</u>	Lockwasher, 3/8 Split .....	4
9	<u>7173</u>	Screw, 5/16-18 X 0.75, Hex-Head Cap .....	8
10	<u>7311</u>	Screw, 1/4-20 X 2.00 Hex-Head Cap .....	8
11	<u>7473</u>	Locknut, 5/16-18 Nylon Insert .....	8
12	<u>808</u>	Washer, 3/8 Type B Flat .....	8
13	<u>8233</u>	Locknut, 1/4-20, Nylon Insert .....	8
14	<u>8861</u>	Bolt, 3/8-16 X 1.75 Hex .....	4

**6**  
**G**  
**E**

**6**

**G**

**E**

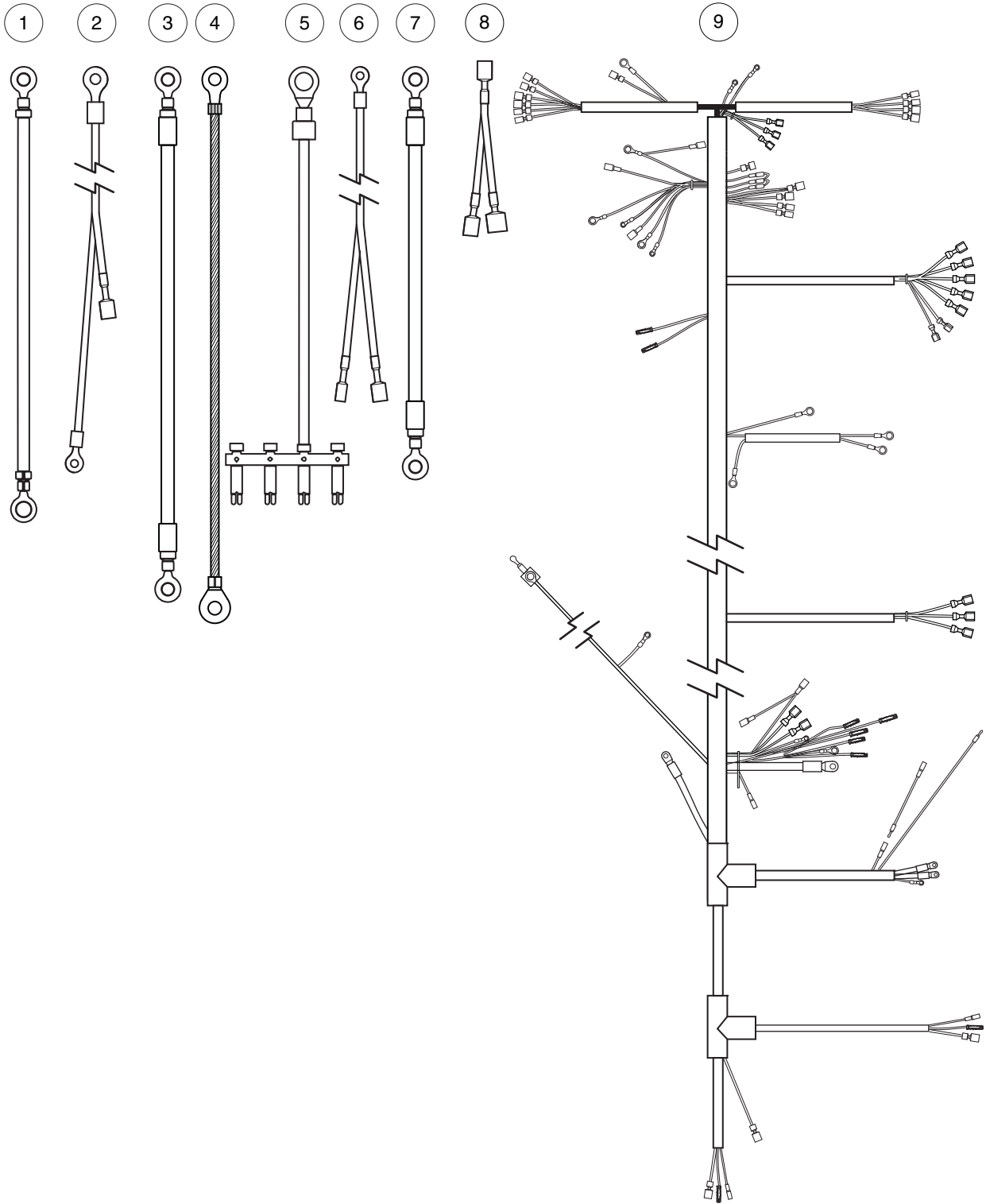
# **ELECTRICAL SYSTEM – CARBURETED GASOLINE VEHICLES**

---

**7**

**G**

**7**  
**G**



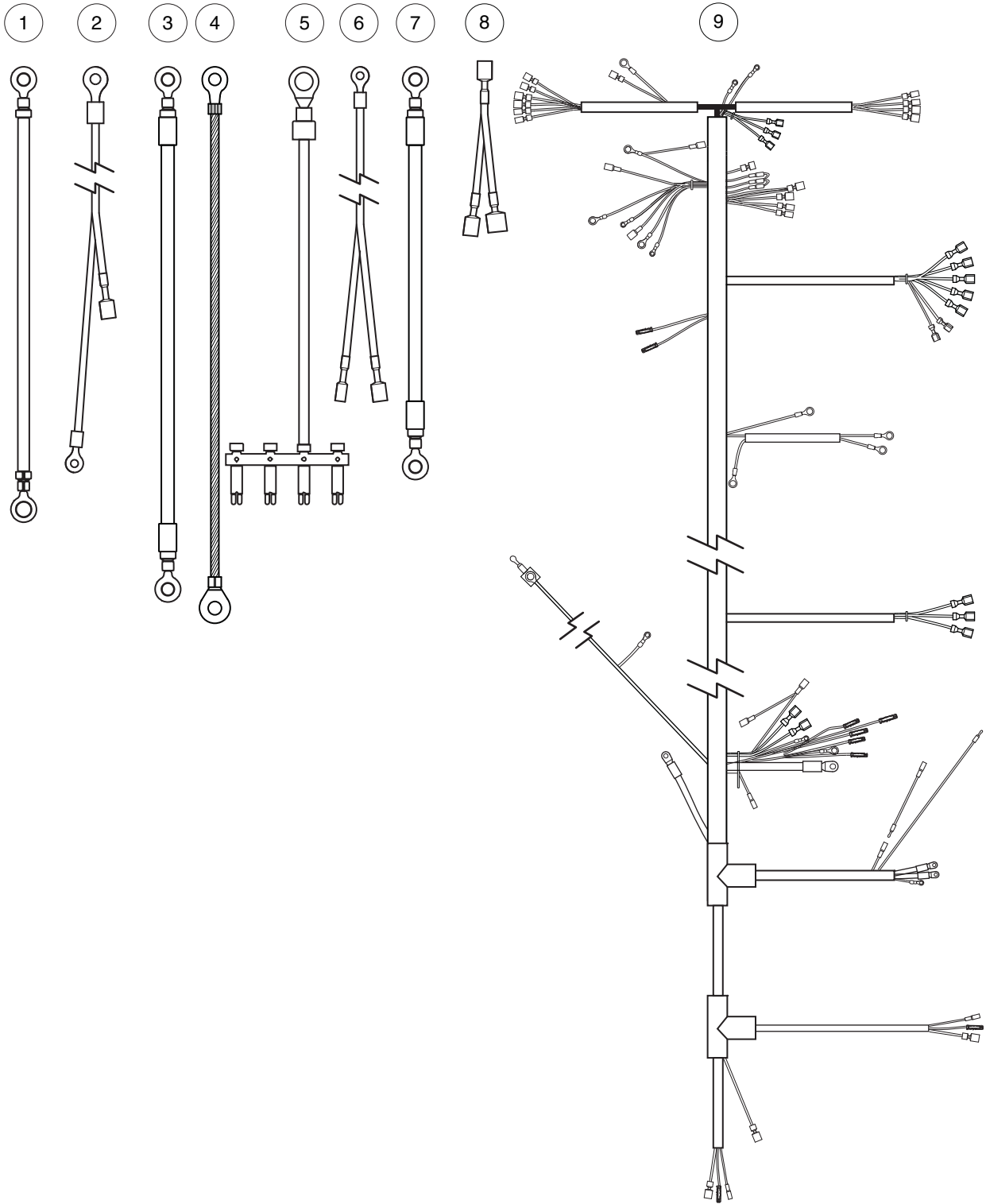
000574-003

# WIRING – CARRYALL 6 AND VILLAGER 6 GAS WITH AMD STARTER GEN

ITEM	PART NO.	DESCRIPTION	QTY
		<b>1 2 3 4</b>	
1	<u>1012382</u>	Wire Assy, #6 Black .....	1
2	<u>1012396</u>	Wire Assy #18 Black .....	1
3	<u>1014119</u>	Wire Assembly #6 Red .....	1
4	<u>1015332</u>	Wire, Ground, #10, Uninsulated .....	1
5	<u>1015737</u>	Wire Assy, #10 Red .....	1
6	<u>1017006</u>	Wire Assembly Orange #18 .....	1
7	<u>101837301</u>	Wire Assy, #6 Green .....	1
8	<u>103348501</u>	Asm, Wire Meter, F-h Jumper .....	1
9	<u>103686501</u>	Asm, Harn, Str, Gas, Amd S/g .....	1

**7**  
**G**

**7**  
**G**



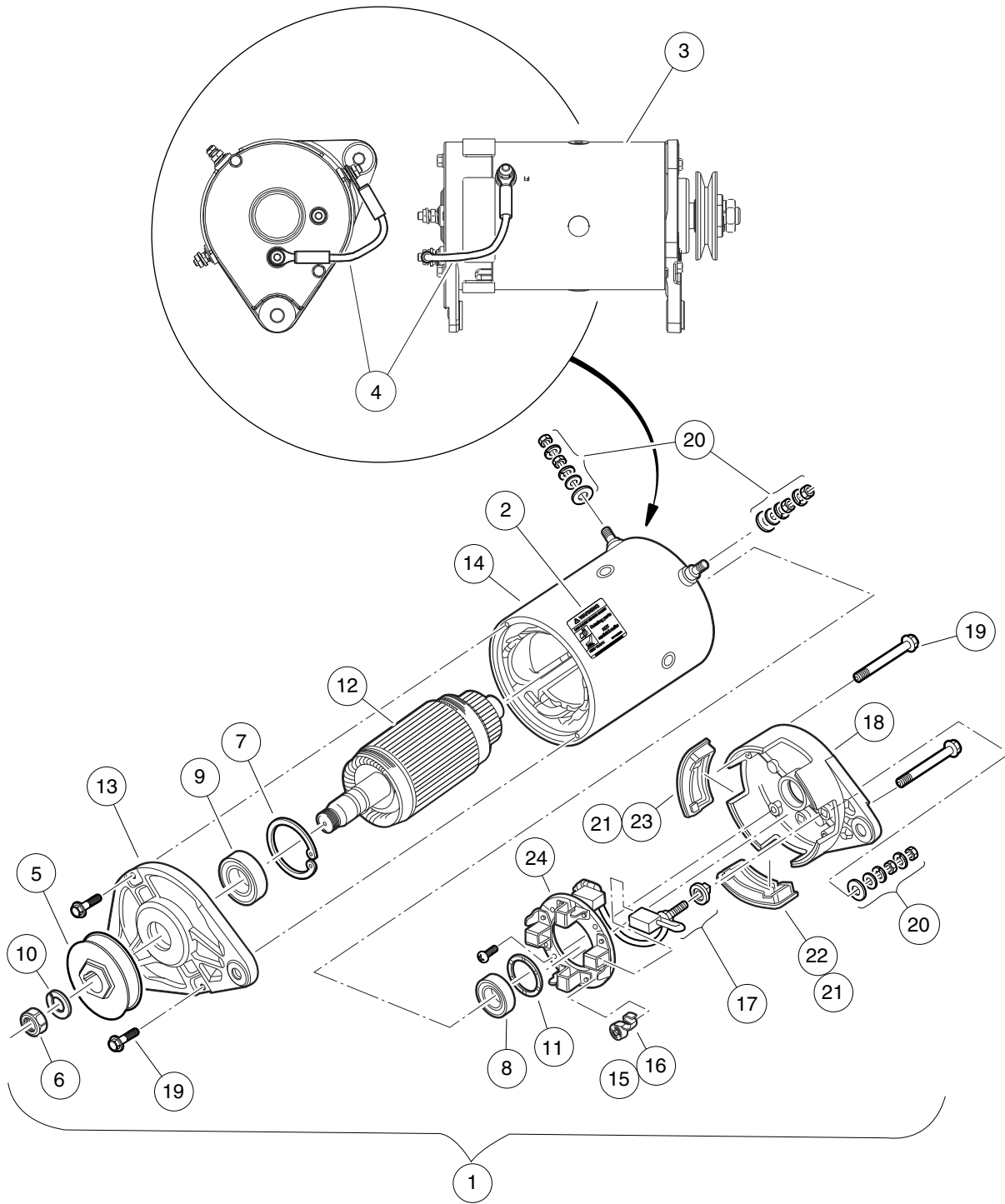
000574-003



## WIRING – VILLAGER 8 GAS WITH AMD STARTER GEN

ITEM	PART NO.	DESCRIPTION	QTY
		1 2 3 4	
1	<u>1012382</u>	Wire Assy, #6 Black .....	1
2	<u>1012396</u>	Wire Assy #18 Black .....	1
3	<u>1014119</u>	Wire Assembly #6 Red .....	1
4	<u>1015332</u>	Wire, Ground, #10, Uninsulated .....	1
5	<u>1015737</u>	Wire Assy, #10 Red .....	1
6	<u>1017006</u>	Wire Assembly Orange #18 .....	1
7	<u>101837301</u>	Wire Assy, #6 Green .....	1
8	<u>103348501</u>	Asm, Wire Meter, F-h Jumper .....	1
9	<u>103686601</u>	Asm, Harn, V8, Gas, Amd S/g .....	1

**7**  
**G**

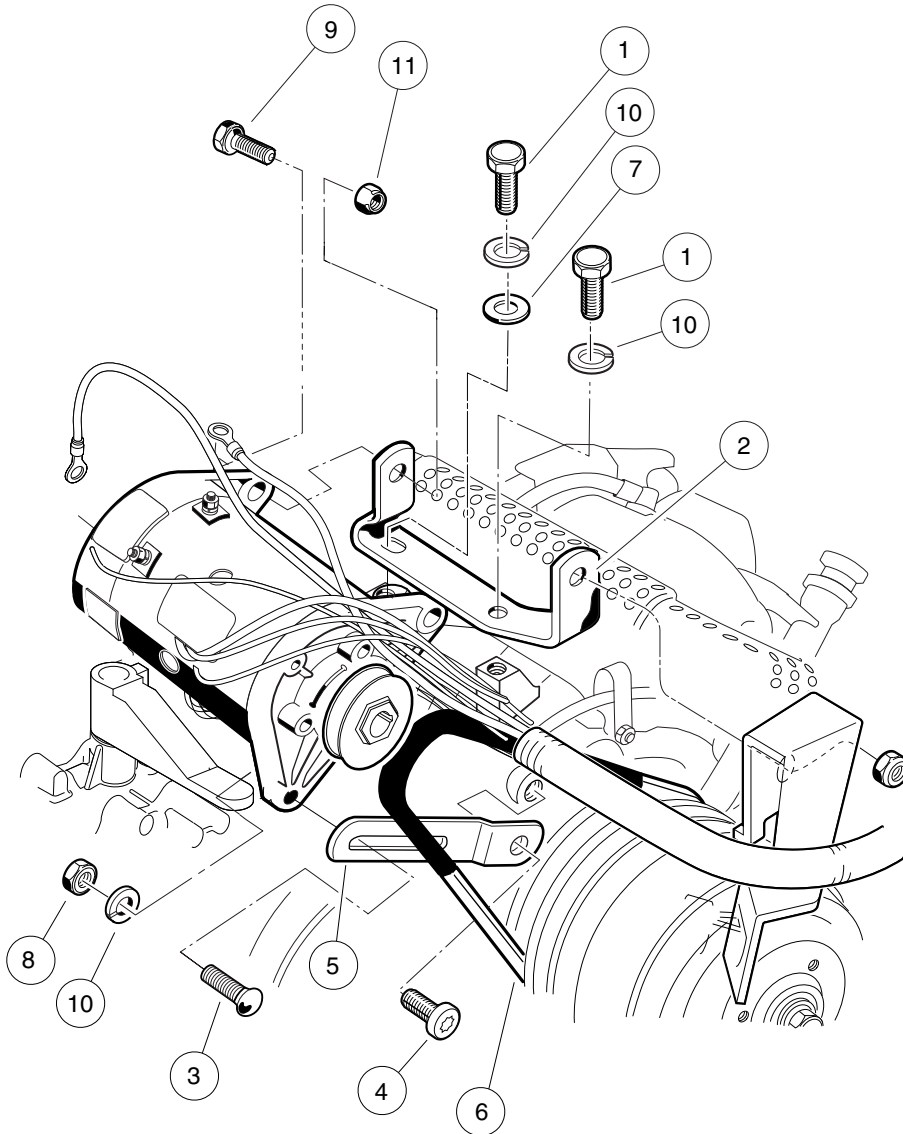


000124-005

# STARTER/GENERATOR ASSEMBLY (KEY-START), MODEL 114-04-4001A

ITEM	PART NO.	DESCRIPTION	QTY
		<b>1 2 3 4</b>	
1	<u>103678502</u>	Asm, St/gen, Bi-rot, Ks, Svc (includes items 2 and 3) .....	1
2	<u>101960501</u>	Decal, Rotating Parts/Hot Manifold .....	1
3	N/A	St/gen, Bi-rot, Util, Ks (includes items 4 through 24) .....	1
4	<u>101837301</u>	Wire Assy, #6 Green .....	1
5	<u>102711001</u>	Pulley, V-Belt .....	1
6	<u>102838701</u>	Nut, Hex, M14x2, S/G .....	1
7	<u>102838801</u>	Retainer, Front, S/G .....	1
8	<u>102838901</u>	Bearing, Ball, Front, S-g .....	1
9	<u>102839001</u>	Bearing, Ball, Front, S-g .....	1
10	<u>102839301</u>	Washer, Lock M14x2, S-g .....	1
11	<u>102841101</u>	Washer, Wave, S-g .....	1
12	N/A	Asm, Armature, Starter/Generator .....	1
13	<u>102844601</u>	Head, Drive End, S-g .....	1
14	<u>102844701</u>	Asm, Frame and Field, Starter/Generator .....	1
15	<u>103347101</u>	Kit, Spring Brush, Starter/Generator (includes item 16) .....	1
16	N/A	Spring, Brush, S-g .....	4
17	<u>103347301</u>	Set, Brush Term, S-g .....	1
18	<u>103347601</u>	Head, Comm End, S-g .....	1
19	<u>103347701</u>	Set, Fastener, Ceh Deh, S-g .....	1
20	<u>103347801</u>	Set, Term Hardware, S/G .....	1
21	<u>103347901</u>	Kit, Cover, Brush Insp, Starter/Generator (includes items 22 and 23) .....	1
22	N/A	Plug, Rubber Drain, Start/Generator .....	3
23	N/A	Cover, Inspection, S-g .....	1
24	<u>103953301</u>	Kit, Brush And Brush Holder .....	1

**7**  
**G**



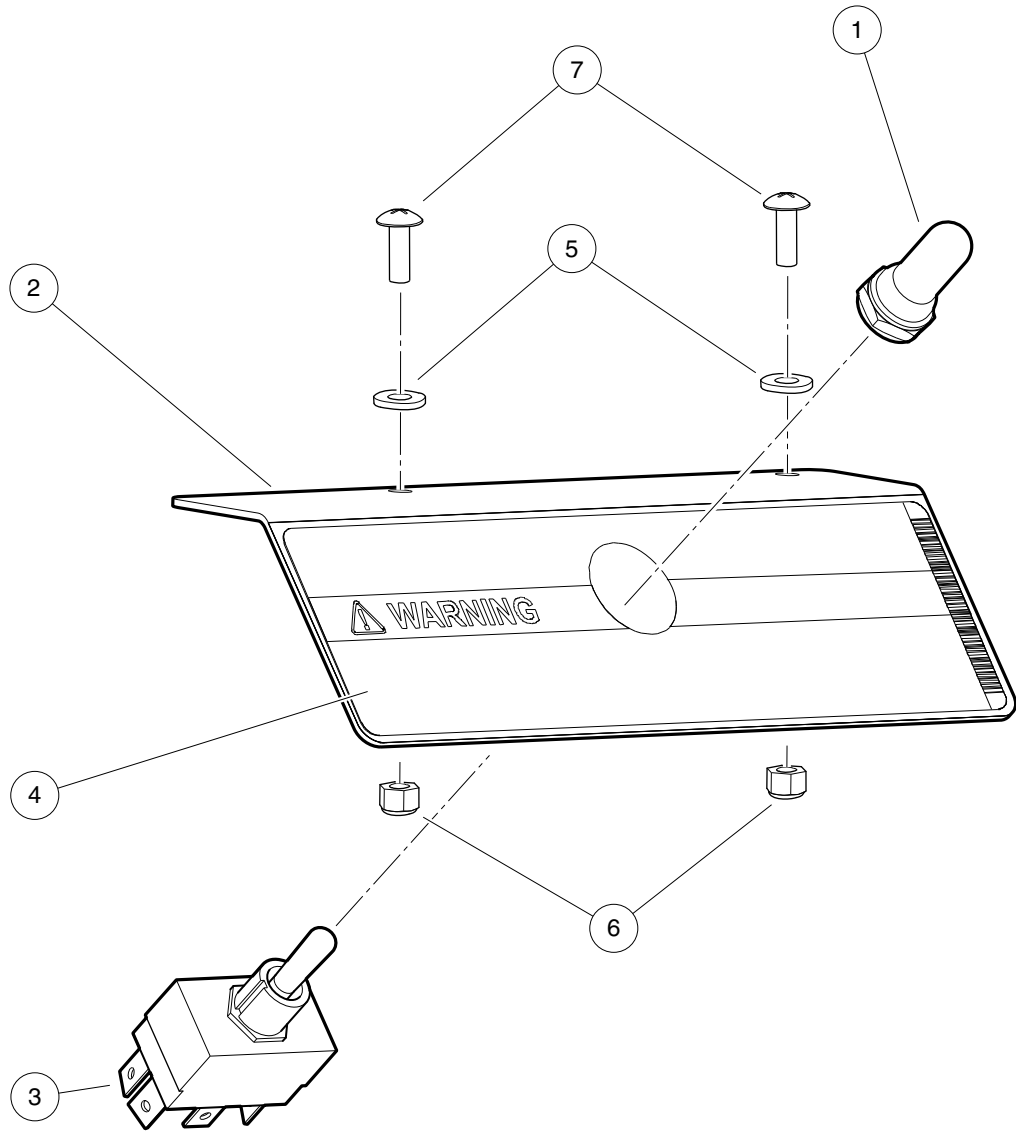
000238-005

# STARTER/GENERATOR MOUNTING – 114-0X-400XX MODELS

ITEM	PART NO.	DESCRIPTION	QTY
		<b>1 2 3 4</b>	
1	<u>1012830</u>	Screw, M8-125 X 22 Hex-Head .....	2
2	<u>101524002</u>	Bracket, Starter/Generator Mounting .....	1
3	<u>1015932</u>	Bolt, Carriage, 5/16-18 .....	1
4	<u>1016074</u>	Screw, M8-1.25 X 18mm Torx .....	1
5	<u>1016883</u>	Bracket, Starter/Generator Adjustment .....	1
6	<u>101916701</u>	V-Belt .....	1
7	<u>1241</u>	Washer, 5/16 Type A Flat .....	1
8	<u>1242</u>	Nut, 5/16-18 Hex .....	1
9	<u>1624</u>	Screw, 3/8-16 X 1.50, Hex-Head Cap .....	2
10	<u>7174</u>	Lockwasher, 5/16 Split .....	3
11	<u>8754</u>	Locknut, 3/8-16 Hex .....	2

**7**  
**G**

**7**  
**G**



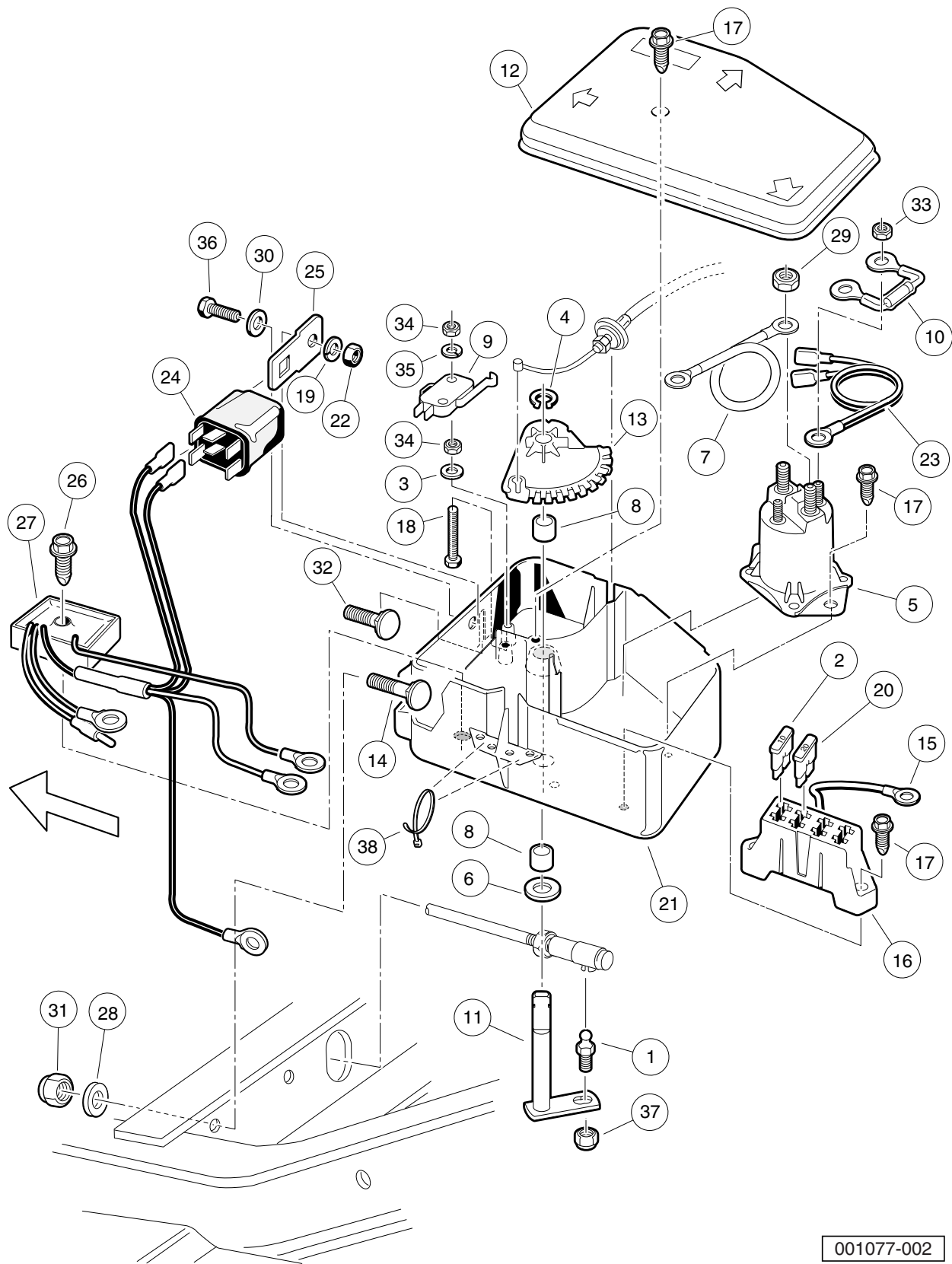
000755-003

# OPERATION AND MAINTENANCE SWITCH

ITEM	PART NO.	DESCRIPTION	QTY
		1 2 3 4	
1	<u>101908401</u>	Boot, Switch .....	1
2	<u>101922501</u>	Bracket, Tow/Run Switch Mounting .....	1
3	<u>103198401</u>	Switch, Toggle, SPDT .....	1
4	<u>103205501</u>	Decal, Run/Service Switch .....	1
5	<u>332</u>	Washer, 1/4 Type A Narrow Flat .....	2
6	<u>8233</u>	Locknut, 1/4-20, Nylon Insert .....	2
7	<u>8248</u>	Screw, 1/4-20 X 0.75, Truss-Head Machine .....	2

7

G



001077-002



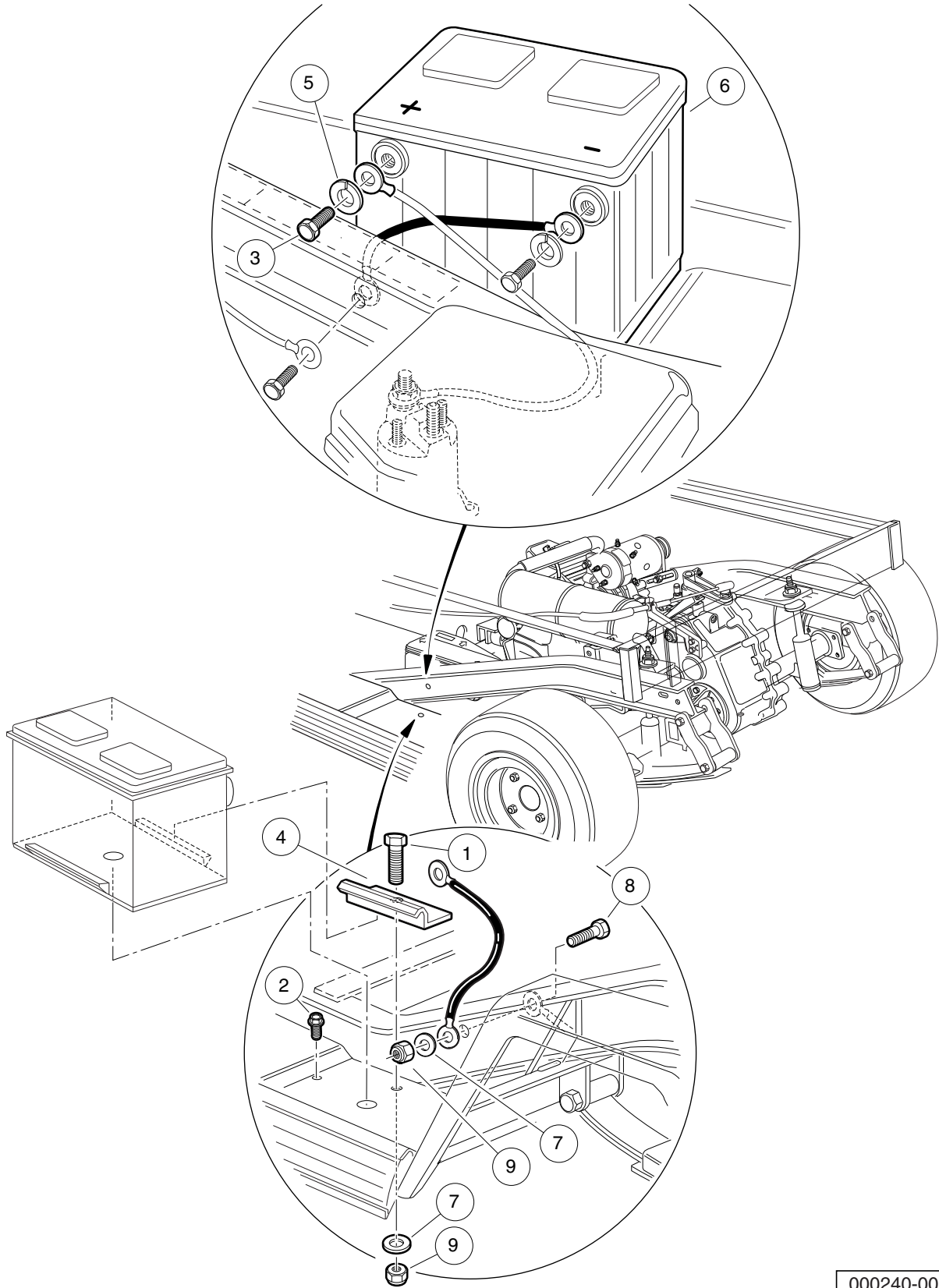
# ELECTRICAL COMPONENT BOX – CARRYALL 6 AND VILLAGER 6/8

8

**7**  
**G**

ITEM	PART NO.	DESCRIPTION	QTY
		1 2 3 4	
1	<u>1010954</u>	Stud, Ball, 1/4-28 X 0.560 .....	1
2	<u>1012295</u>	Fuse, 10-Amp .....	1
3	<u>1012431</u>	Washer, #4 Flat .....	2
4	<u>1013589</u>	Ring, Retaining, 0.338" Internal .....	1
5	<u>1013609</u>	Solenoid, 12-Volt .....	1
6	<u>1014065</u>	Washer, Flat, 0.38" ID, Delrin .....	1
7	<u>1014119</u>	Wire Assembly #6 Red .....	1
8	<u>1014145</u>	Bushing, Secondary Weight, Split .....	2
9	<u>1014807</u>	Switch, Limit .....	1
10	<u>1014948</u>	Diode .....	1
11	<u>1015345</u>	Bell Crank and Shaft Assembly .....	1
12	<u>1015372</u>	Cover, Electric Box .....	1
13	<u>1015373</u>	Cam, Electric Box .....	1
14	<u>1015405</u>	Bolt, Carriage, 5/16-18 X 2.0 .....	1
15	<u>1015737</u>	Wire Assy, #10 Red .....	1
16	<u>1015741</u>	Fuse Block .....	1
17	<u>1015752</u>	Screw, #12-16 X 0.625, Hi-Lo .....	5
18	<u>1015878</u>	Screw, #4-40 Hex Head Machine .....	2
19	<u>1016</u>	Lockwasher, #10 Split .....	1
20	<u>1016423</u>	Fuse, 20-Amp .....	1
21	<u>1016997</u>	Electrical Component Box .....	1
22	<u>1017</u>	Nut, #10-24 Stainless-Steel Hex Machine .....	1
23	<u>1017006</u>	Wire Assembly Orange #18 .....	1
24	<u>1017239</u>	Relay W/mounting Bracket .....	1
25	<u>1017243</u>	Mounting Bracket, Relay .....	1
26	<u>101856102</u>	Screw, 1/4-15 X 1.50, Hi-lo, Hex .....	1
27	<u>102803401</u>	Asm, Voltage Regulator Key Sta .....	1
28	<u>1241</u>	Washer, 5/16 Type A Flat .....	2
29	<u>1242</u>	Nut, 5/16-18 Hex .....	2
30	<u>183</u>	Washer, #10, Type A, Flat .....	1
31	<u>7473</u>	Locknut, 5/16-18 Nylon Insert .....	2
32	<u>7818</u>	Bolt, Carriage, 5/16-18 X 1.5 .....	1
33	<u>7893</u>	Nut, #10-32 Hex .....	2
34	<u>8057</u>	Nut, #4-40 Hex Machine .....	4
35	<u>8058</u>	Lockwasher, #4 Split .....	2
36	<u>8450</u>	Screw, #10-24 X 0.50, Hex-Head .....	1
37	<u>8717</u>	Locknut, Nylon Insert, 1/4-28 .....	1
38	<u>8990</u>	Tie Wrap, 8" Nylon .....	3

**7**  
**G**



000240-001

# BATTERY – GASOLINE UTILITY VEHICLES

ITEM	PART NO.	DESCRIPTION	QTY
		1 2 3 4	
1	<u>1010934</u>	Screw, 5/16-18 X 1.00 Hex Cap .....	1
2	<u>1014288</u>	Screw, 5/16-18 X 0.75, Thread-Forming .....	1
3	<u>1014375</u>	Screw, 3/8-16 X 0.50, Stainless Steel, Hex-Head .....	2
4	<u>101898001</u>	Clamp, Battery .....	1
5	<u>102355301</u>	Lockwasher, 3/8 Split Ss .....	2
6	<u>103496801</u>	Battery, Start, 12v .....	1
7	<u>1241</u>	Washer, 5/16 Type A Flat .....	2
8	<u>7173</u>	Screw, 5/16-18 X 0.75, Hex-Head Cap .....	1
9	<u>7473</u>	Locknut, 5/16-18 Nylon Insert .....	2

7

G

7

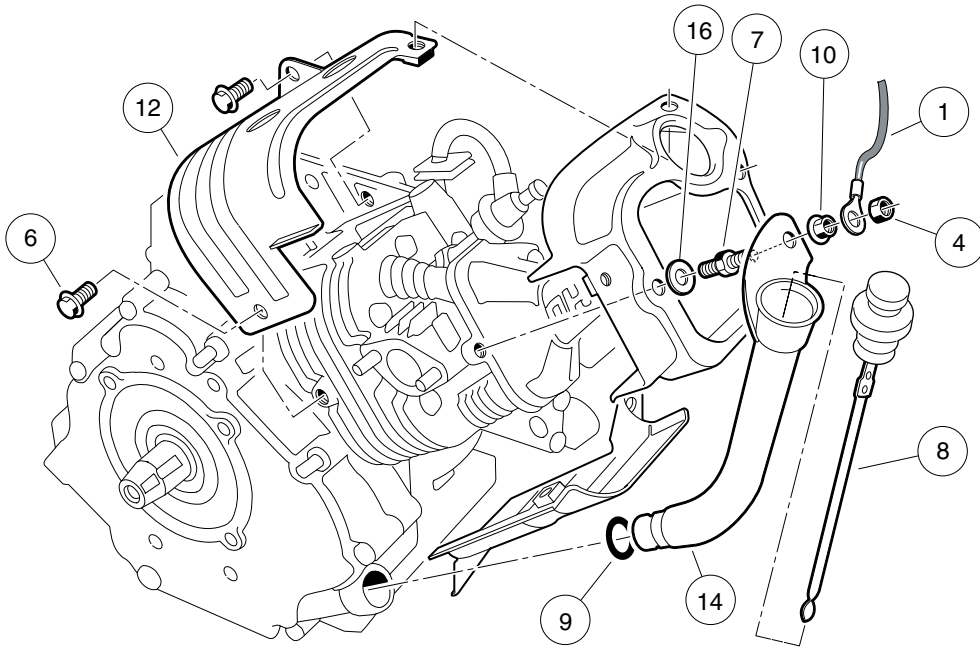
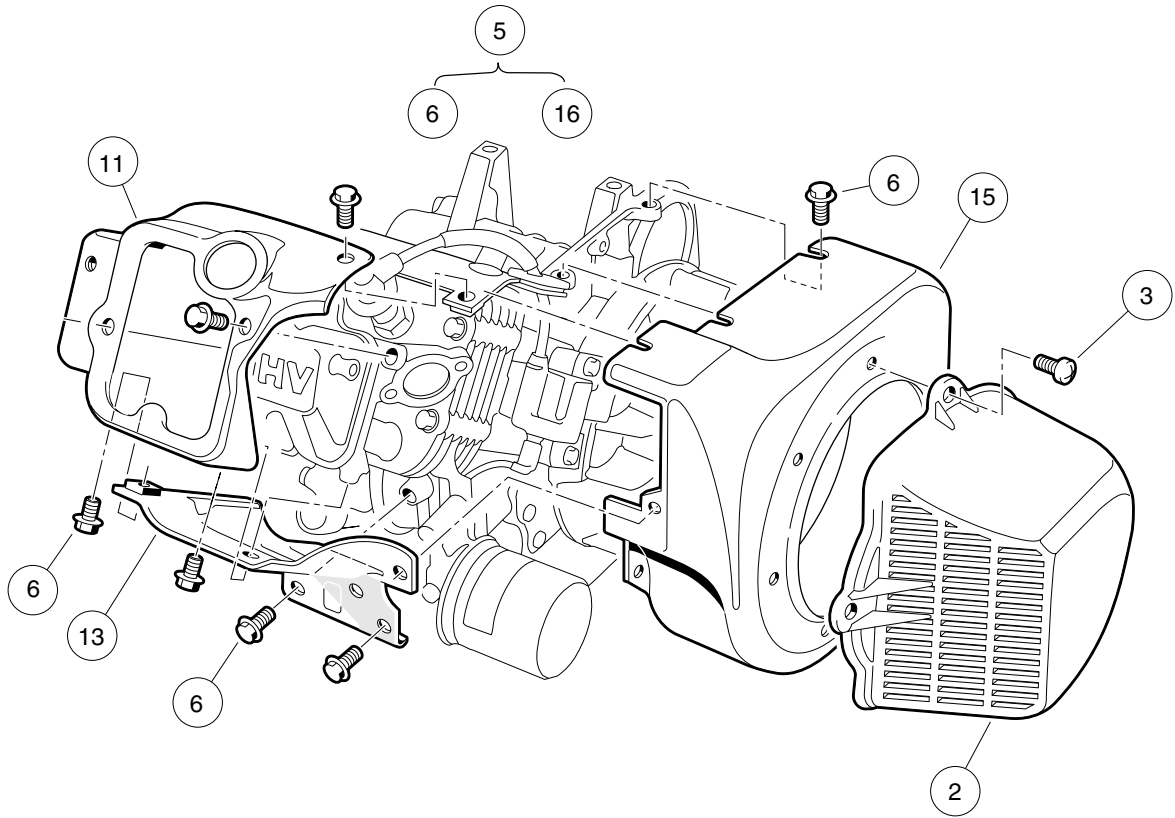
G

# ENGINE (S27) W/O ACR, 50-STATE

---

8

G



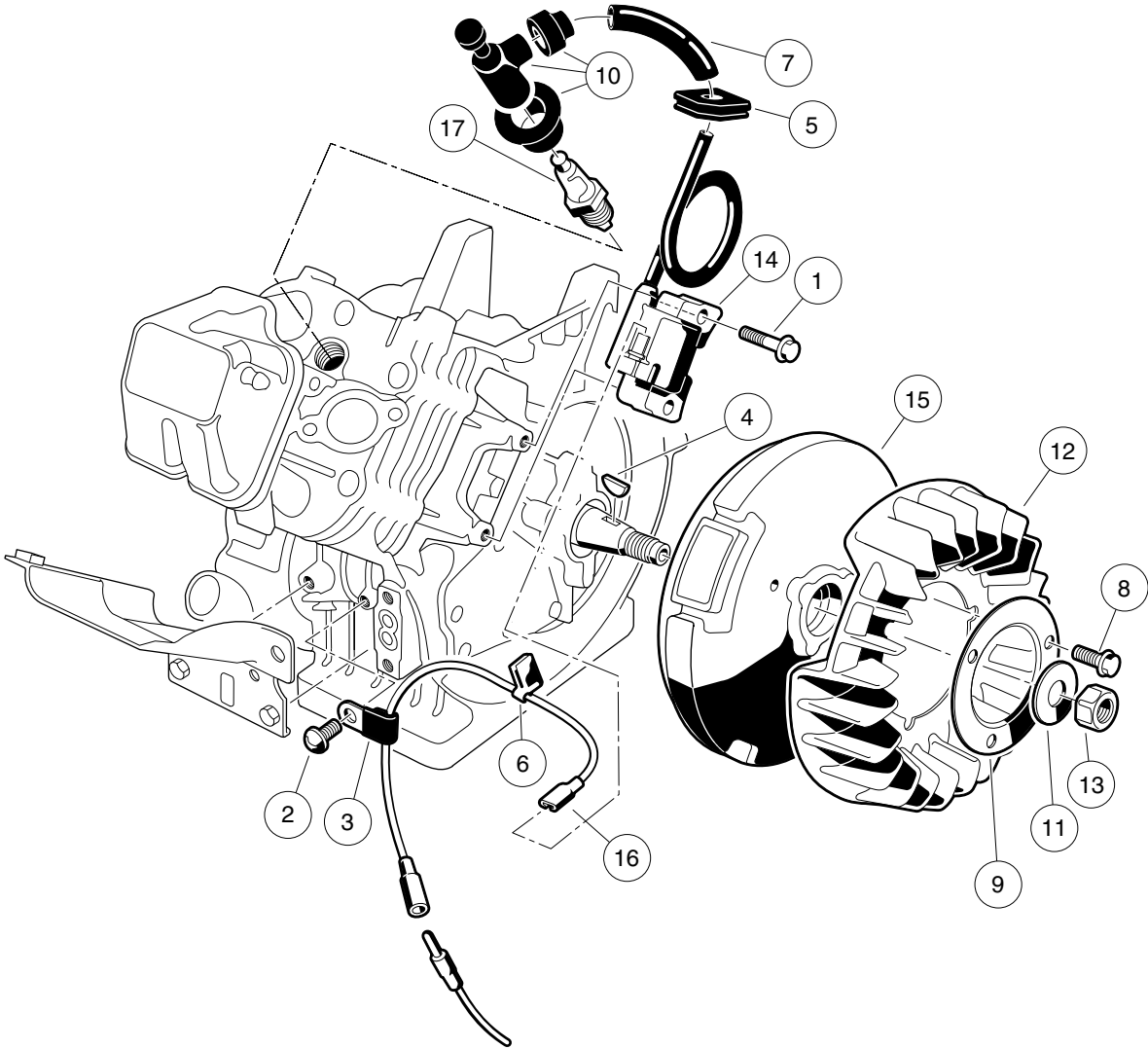
000201-002

# FE350 ENGINE (S27) W/O ACR, SHROUDS, AND BRACKETS; 50-STATE

ITEM	PART NO.	DESCRIPTION	QTY
		1 2 3 4	
1	<u>1015332</u>	Wire, Ground, #10, Uninsulated .....	1
2	<u>1015649</u>	Shroud, Fan .....	1
3	<u>1015969</u>	Screw, M6-1.00 X 10mm, Pan Hd .....	4
4	<u>101887601</u>	Locknut, M6-1.00 Nylon Insert .....	1
5	<u>103386202</u>	Engine, FE350 S27 (includes items 6 through 16) .....	1
6	1016456	Bolt, Flange Head, M6 x 1 x 12 mm .....	16
7	<u>1016507</u>	Bolt, Two-Ended .....	1
8	1016531	Dipstick .....	1
9	<u>1016539</u>	O-Ring .....	1
10	1016547	Nut, M6 Flange .....	1
11	<u>1017474</u>	Shroud, Engine .....	1
12	<u>1017475</u>	Shroud, Engine .....	1
13	<u>1017476</u>	Shroud, Engine .....	1
14	<u>1017486</u>	Tube, Oil Filler .....	1
15	<u>101916101</u>	Housing, FE350 Fan .....	1
16	N/A	Washer, 6mm Flat .....	1
<p>Note: The S27 engine meets the 2009 Federal CARB requirement for all 50 states; can be used in place of S10, S11, S23, and S24 engines; and was a running change during the 2009 model year.</p>			

8

G



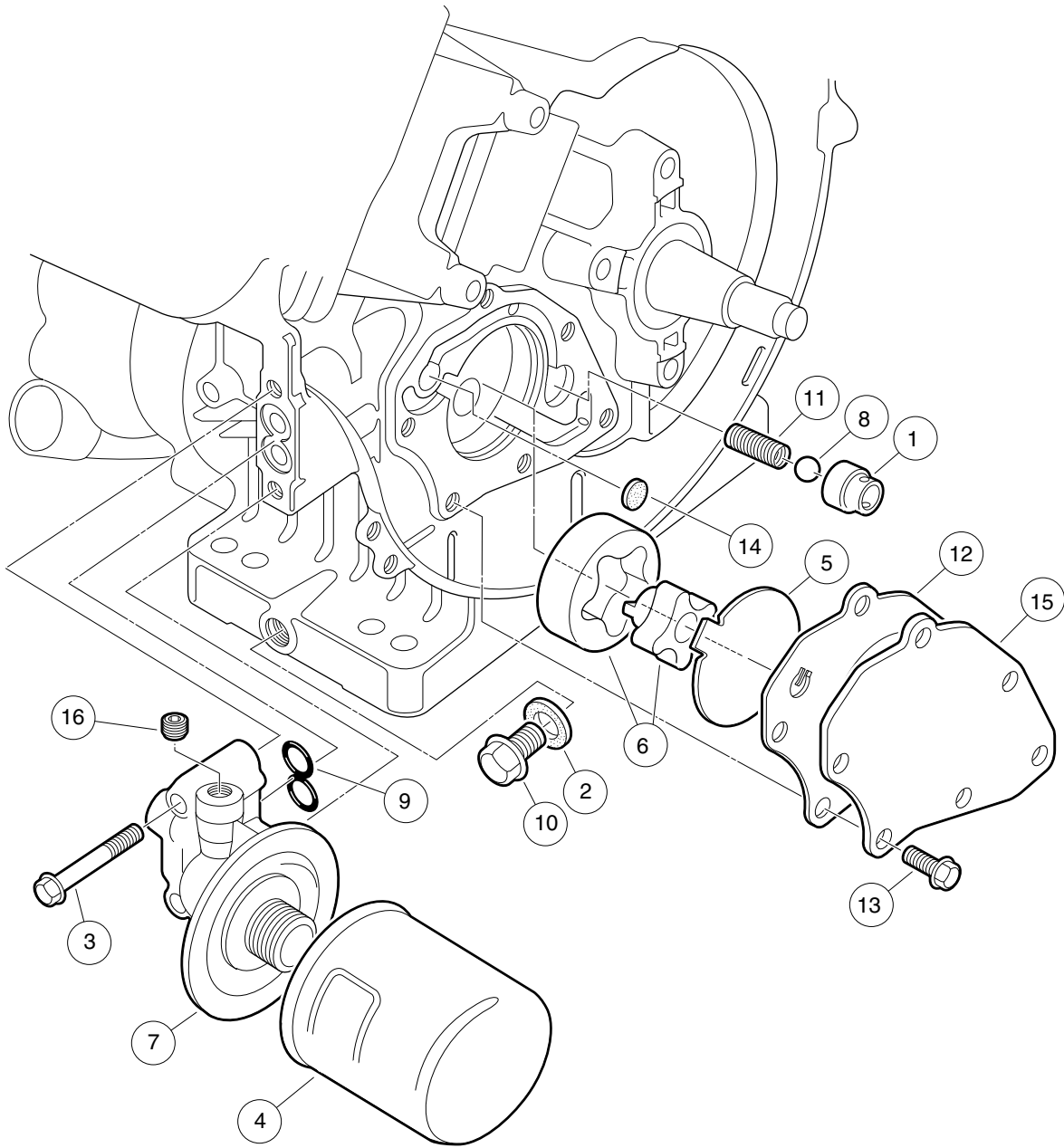
000202-004



# FE350 ENGINE (S27) – IGNITION COMPONENTS AND FLYWHEEL

ITEM	PART NO.	DESCRIPTION	QTY
		1 2 3 4	
1	<u>1016455</u>	Bolt, Flange Head .....	2
2	<u>1016544</u>	Screw .....	1
3	<u>1016561</u>	Clamp .....	1
4	<u>1016562</u>	Key .....	1
5	<u>1016578</u>	Grommet, Ignition .....	1
6	<u>1016587</u>	Clamp .....	1
7	<u>1016588</u>	Tube, 7mm X 10mm X 70mm .....	1
8	<u>1017448</u>	Bolt, Flanged .....	3
9	<u>1017455</u>	Plate, Flywheel Fan .....	1
10	<u>1017463</u>	Cap Asm, Plug .....	1
11	<u>1017490</u>	Washer, Flat .....	1
12	<u>101916301</u>	Fan (cw) .....	1
13	<u>102838401</u>	Nut, Hex, 18 mm Fine .....	1
14	<u>103616501</u>	Coil Asm, Ignition .....	1
15	<u>103616601</u>	Flywheel, Complete .....	1
16	<u>103616701</u>	Wire Lead, Ignition .....	1
17	<u>AM1232301</u>	Spark Plug, BPR2ES .....	1

**8**  
**G**



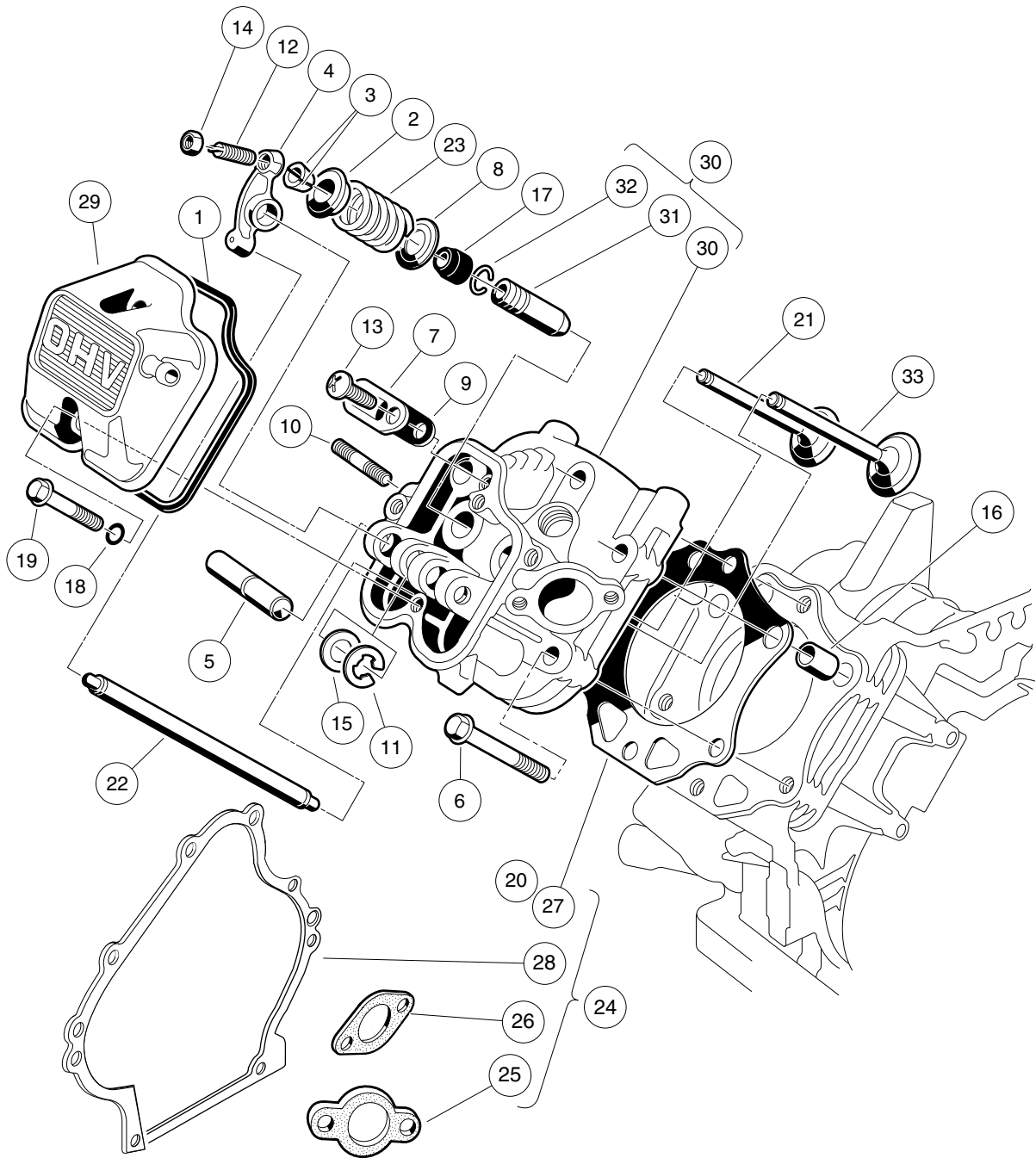
000203-001

## FE350 ENGINE (S27) – OIL CIRCULATION

ITEM	PART NO.	DESCRIPTION	QTY
		1 2 3 4	
1	1016429	Seat, Valve Oil Pressure Relief .....	1
2	<u>1016432</u>	Gasket, Drain Plug .....	1
3	<u>1016457</u>	Bolt, Flange Head .....	2
4	<u>1016467</u>	Filter, Oil .....	1
5	<u>1016473</u>	Plate, Oil Pump .....	1
6	<u>101648203</u>	Oil Pump And Rotor .....	1
7	<u>1016502</u>	Bracket, Oil Filter Mount .....	1
8	<u>1016537</u>	Ball, Steel, Press, Relief .....	1
9	<u>1016570</u>	O-Ring .....	1
10	1016576	Plug, Drain .....	1
11	<u>1016581</u>	Spring .....	1
12	<u>1017442</u>	Gasket .....	1
13	<u>1017456</u>	Bolt, Flanged .....	6
14	<u>1017458</u>	Filter .....	1
15	<u>1017460</u>	Cover, Pump .....	1
16	<u>1017507</u>	Plug .....	2

**8**

**G**



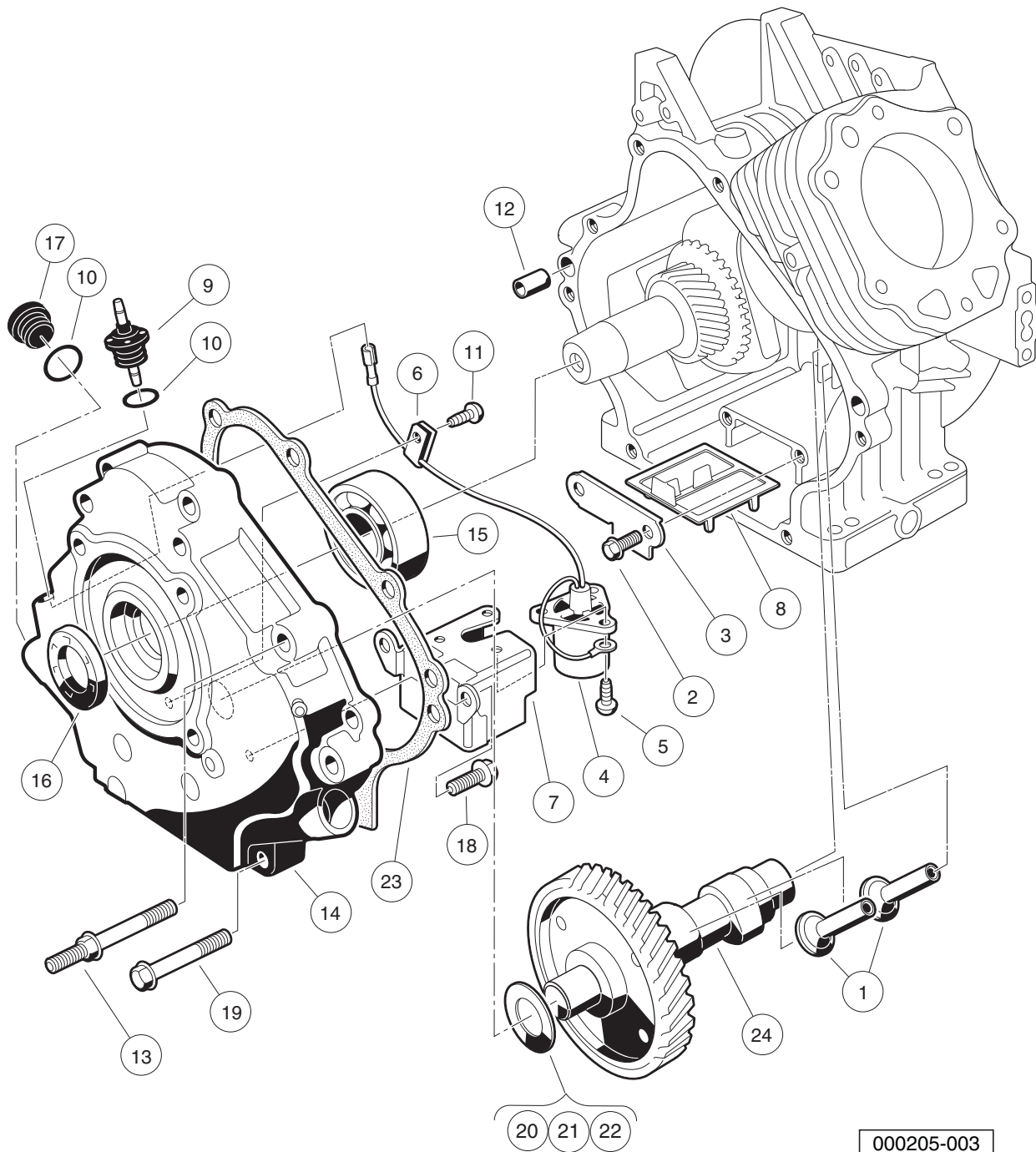
000204-007

## FE350 ENGINE (S27) – CYLINDER HEAD

ITEM	PART NO.	DESCRIPTION	QTY
		1 2 3 4	
1	<u>1016436</u>	Gasket, Rocker Case .....	1
2	<u>1016449</u>	Retainer, Valve Spring .....	2
3	<u>1016450</u>	Collet .....	4
4	<u>1016451</u>	Arm, Rocker .....	2
5	<u>1016452</u>	Shaft, Rocker .....	1
6	<u>1016458</u>	Bolt, Flange Head, M8 x 1.25 x 45 mm .....	6
7	<u>1016474</u>	Plate .....	1
8	<u>1016479</u>	Seat, Spring .....	2
9	<u>1016483</u>	Valve .....	1
10	<u>1016489</u>	Stud, Two-Ended, M8-1.25 .....	2
11	<u>1016517</u>	Circlip, Type-E .....	1
12	<u>1016542</u>	Screw .....	2
13	<u>1016544</u>	Screw .....	1
14	<u>1016545</u>	Nut .....	2
15	<u>1016549</u>	Washer, 12.1x19x1.8 .....	1
16	<u>1016563</u>	Pin .....	2
17	<u>1016566</u>	Seal, Oil .....	2
18	<u>1016569</u>	O-Ring .....	2
19	<u>1016583</u>	Bolt, 6x35 .....	2
20	<u>1017434</u>	Gasket, Head .....	1
21	<u>1017445</u>	Valve, Exhaust .....	1
22	<u>1017454</u>	Rod, Push .....	2
23	<u>1017473</u>	Spring, Engine Valve .....	2
24	<u>102304801</u>	Kit, Gasket, FE350 (includes items 25 through 28) .....	1
25	<u>1016440</u>	Gasket, Engine to Insulator .....	1
26	<u>1016904</u>	Gasket, Exhaust .....	1
27	<u>1017434</u>	Gasket, Head .....	1
28	<u>1017443</u>	Gasket, Crankcase Cover .....	1
29	<u>102753401</u>	Case, Rocker, Fe .....	1
30	<u>103615601</u>	Cylinder Head (includes items 31 and 32) .....	1
31	<u>1016519</u>	Guide, Valve, Intake, Exhaust .....	2
32	<u>1016560</u>	Snap Ring .....	2
33	<u>103616301</u>	Valve, Intake, Hard Tip .....	1
		Note: Item 25 is not a component of the FE350 engine.	

**8**

**G**

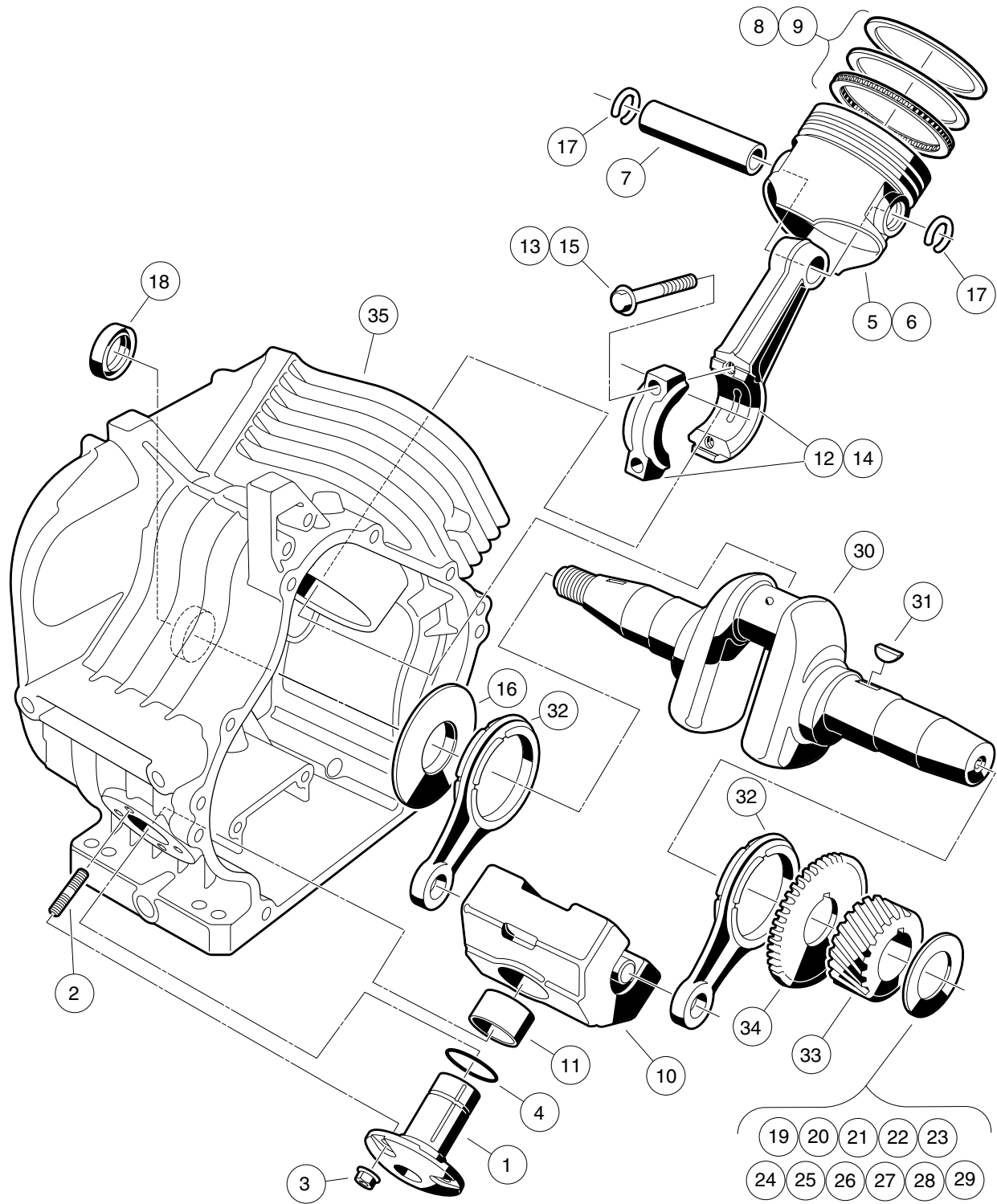


000205-003

# FE350 ENGINE (S27) – CRANKCASE, CAMSHAFT, AND OIL SENSOR

ITEM	PART NO.	DESCRIPTION	QTY
		1 2 3 4	
1	1016453	Tappet .....	2
2	<u>1016454</u>	Bolt, Flange Head, M5 x 0.8 x 8 mm .....	2
3	<u>1016472</u>	Plate, Oil Filter Screen .....	1
4	1016494	Sensor, Oil Level .....	1
5	<u>1016496</u>	Screw, Cross Pan-Head, M4 x 0.7 x 8 mm .....	3
6	<u>1016506</u>	Clamp .....	1
7	<u>1016510</u>	Bracket, Switch, Oil Level .....	1
8	<u>1016521</u>	Screen, Oil Filter .....	1
9	<u>1016535</u>	Connector, Cord .....	1
10	<u>1016538</u>	O-Ring .....	2
11	<u>1016544</u>	Screw .....	1
12	<u>1016564</u>	Pin .....	2
13	<u>1016584</u>	Bolt, Two-Ended, M8 x 1.25 x 69 mm .....	2
14	<u>1017472</u>	Cover Crankcase .....	1
15	<u>1017487</u>	Bearing, Ball .....	1
16	<u>1017504</u>	Seal, Oil .....	1
17	1017508	Plug .....	1
18	<u>1017513</u>	Bolt Switch Bracket .....	2
19	<u>1017514</u>	Screw, M8-1.25 X 45mm Hex .....	6
20	<u>101751801</u>	Shim, 0.3 .....	1
21	<u>101751802</u>	Shim, 0.4 .....	1
22	<u>101751803</u>	Shim, 0.5 .....	1
23	<u>103615901</u>	Gasket, Crankcase Cover .....	1
24	<u>103616401</u>	Camshaft, Complete .....	1

**8**  
**G**



000206-003

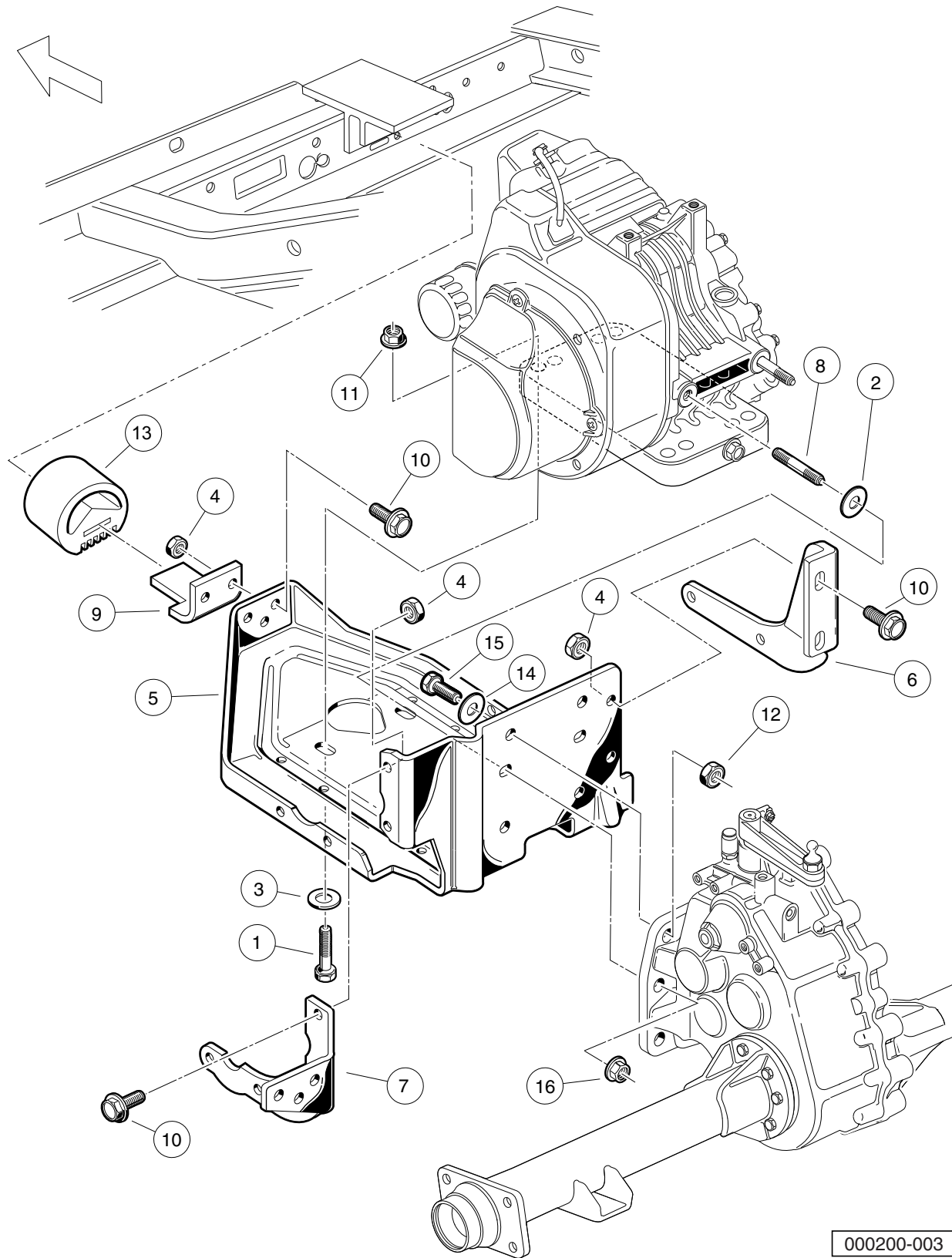


## FE350 ENGINE (S27) – CRANKCASE AND CRANKSHAFT

ITEM	PART NO.	DESCRIPTION	QTY
		1 2 3 4	
1	1016470	Shaft, Guide, Counterbalance .....	1
2	<u>1016541</u>	Stud, 6x14 .....	4
3	1016547	Nut, Flanged, M6 X 1.00 .....	4
4	<u>1016571</u>	O-Ring .....	1
5	<u>101744901</u>	Piston, Standard .....	1
6	<u>101744902</u>	Piston, 0.50 mm Oversize .....	1
7	1017450	Pin, Piston .....	1
8	<u>101745101</u>	Ring Set, Standard Piston .....	1
9	<u>101745102</u>	Ring Set, Piston, 0.50 mm Oversize .....	1
10	<u>1017453</u>	Counterbalance Weight (includes item 11) .....	1
11	1017510	Bearing, Plain .....	1
12	101745701	Asm, Con. Rod Std (includes item 13) .....	1
13	<u>1017512</u>	Bolt .....	2
14	<u>101745702</u>	Asm,Con.Rod 0.5mm U/s (includes item 15) .....	1
15	<u>1017512</u>	Bolt .....	2
16	1017501	Spacer .....	1
17	<u>1017502</u>	Snap Ring .....	2
18	<u>1017503</u>	Seal, Oil .....	1
19	<u>101773301</u>	Shim, Crankshaft, 1.18mm .....	1
20	<u>101773302</u>	Shim, Crankshaft, 1.25mm .....	1
21	<u>101773303</u>	Shim, Crankshaft, 1.32mm .....	1
22	<u>101773304</u>	Shim, Crankshaft, 1.39mm .....	1
23	<u>101773305</u>	Shim, Crankshaft, 1.46mm .....	1
24	<u>101773306</u>	Shim, Crankshaft, 1.53mm .....	1
25	<u>101773307</u>	Shim, Crankshaft, 1.60mm .....	1
26	<u>101773308</u>	Shim, Crankshaft, 1.67mm .....	1
27	<u>101773309</u>	Shim, Crankshaft, 1.74mm .....	1
28	<u>101773310</u>	Shim, Crankshaft, 1.11mm .....	1
29	<u>101773311</u>	Shim, Crankshaft, 1.81mm .....	1
30	<u>102430901</u>	Crankshaft, FE350 Left-Hand, 22-Tooth (includes items 31 through 34) .....	1
31	<u>1016562</u>	Key .....	1
32	<u>1017471</u>	Rod .....	2
33	N/A	Gear, Helical .....	1
34	N/A	Gear, Spur .....	1
35	<u>103615801</u>	Crankcase, FE350 .....	1

**8**  
**G**

**8**  
**G**



000200-003

## FE350 ENGINE (S27) – MOUNTING

ITEM	PART NO.	DESCRIPTION	QTY
		1 2 3 4	
1	<u>1010577</u>	Bolt, Hex-Head, 5/16-18 X 1.50 .....	4
2	<u>1011697</u>	Washer, 5/16 Flat .....	2
3	1012571	Washer, 5/16 Extra Thick Flat .....	4
4	<u>1013924</u>	Nut, 5/16-24, Hex Head Cone .....	10
5	<u>101827101</u>	Plate, Engine Mounting .....	1
6	<u>101832601</u>	Stiffener (PTO Side) .....	1
7	<u>101832701</u>	Stiffener (Flywheel Side) .....	1
8	<u>101833101</u>	Stud, M8-1.25 X 50 mm Two-Ended .....	2
9	<u>101834601</u>	Bracket, Snubber .....	1
10	<u>101884801</u>	Screw, 5/16-24 X 0.875, Grade-8 .....	10
11	<u>101963401</u>	Locknut, 5/16-18 Hex Flange .....	4
12	<u>102065901</u>	Locknut, 3/8-16 Flanged Dimple .....	4
13	<u>102540301</u>	Snubber, Inner Frame .....	1
14	<u>334</u>	Washer, 3/8, Type A, Flat .....	4
15	705	Screw, Cap-hex Hd 3/8-16x1.25 .....	4
16	<u>96704416</u>	Nut, Flange, M8 X 1.25 Serrated .....	2

**8**

**G**

8

G

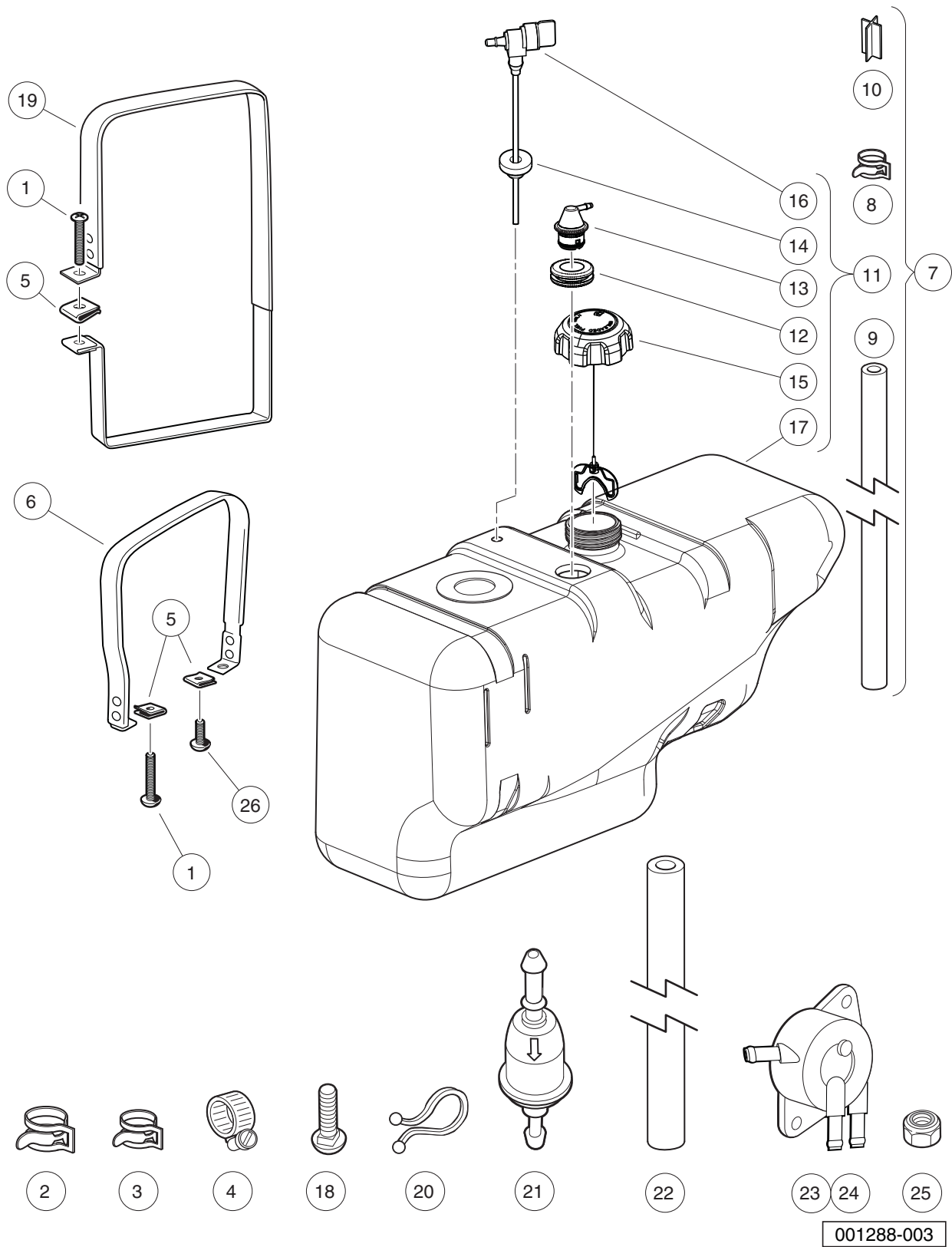
# FUEL, INTAKE, AND GOVERNOR SYSTEM

---

9

G

**9**  
**G**



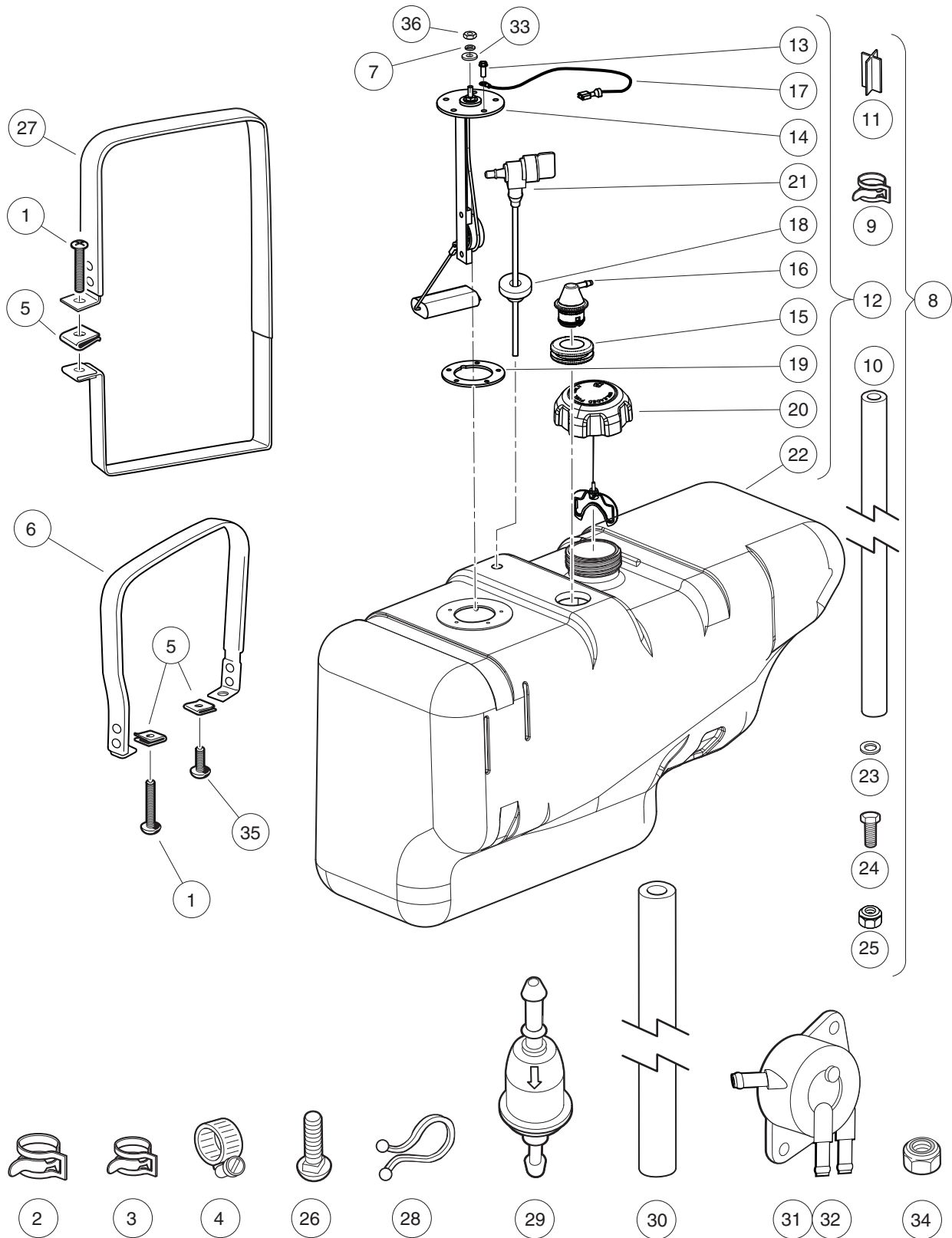
001288-003

## FUEL SYSTEM AND TANK WITHOUT SENDING UNIT

ITEM	PART NO.	DESCRIPTION	QTY
		1 2 3 4	
1	<u>1011988</u>	Screw, 1/4-20 X 2.00 Phillips Truss-Head .....	2
2	<u>1012649</u>	Clamp, 0.460 Red Hose .....	6
3	<u>101313402</u>	Clamp, Green Hose .....	2
4	<u>1013687</u>	Clamp, 3/8" Hose (screw type) .....	1
5	<u>1014116</u>	Nut, 1/4-20 Speed .....	3
6	<u>1014928</u>	Fuel Strap Assembly Rear .....	1
7	<u>1016003</u>	Kit, Fuel Tank - Vented (includes items 8 through 11) .....	1
8	<u>1013746</u>	Clamp, 0.301 ID Hose .....	2
9	<u>101587703</u>	Hose, Fuel, Vent, 22" Long .....	1
10	<u>101824401</u>	Vent Barb .....	1
11	<u>103651902</u>	Asm, Tank, Ds Utl Wo/su† Nano (includes items 12 through 17) .....	1
12	<u>1015139</u>	Insulation Grommet .....	1
13	<u>1015143</u>	Vent, Fuel Tank .....	1
14	<u>102406701</u>	Bushing, Line, Return .....	1
15	<u>103372101</u>	Cap, Fuel Tank, Gas, Ratchet .....	1
16	<u>103372302</u>	Fuel Pickup w/Shut-Off Valve, 288mm .....	1
17	103776902	Tank, Fuel, Top, Wo/su Nano .....	1
18	<u>1017203</u>	Carriage Bolt .....	2
19	<u>101955301</u>	Fuel Strap Assy, Front .....	1
20	<u>101987701</u>	Clamp, Plastic Tie .....	2
21	<u>102003201</u>	Filter, Fuel, 30 Micron .....	1
22	<u>102865101</u>	Fuel Line, 1/4 (available by the foot) .....	A/R
23	<u>103781101</u>	Kit, Fuel Pump Retrofit (includes item 24) .....	1
24	<u>103010101</u>	Pump, Fuel, Impulse, Fh .....	1
25	<u>8233</u>	Locknut, 1/4-20, Nylon Insert .....	2
26	<u>8248</u>	Screw, 1/4-20 X 0.75, Truss-Head Machine .....	1

**9**  
**G**

**9**  
**G**



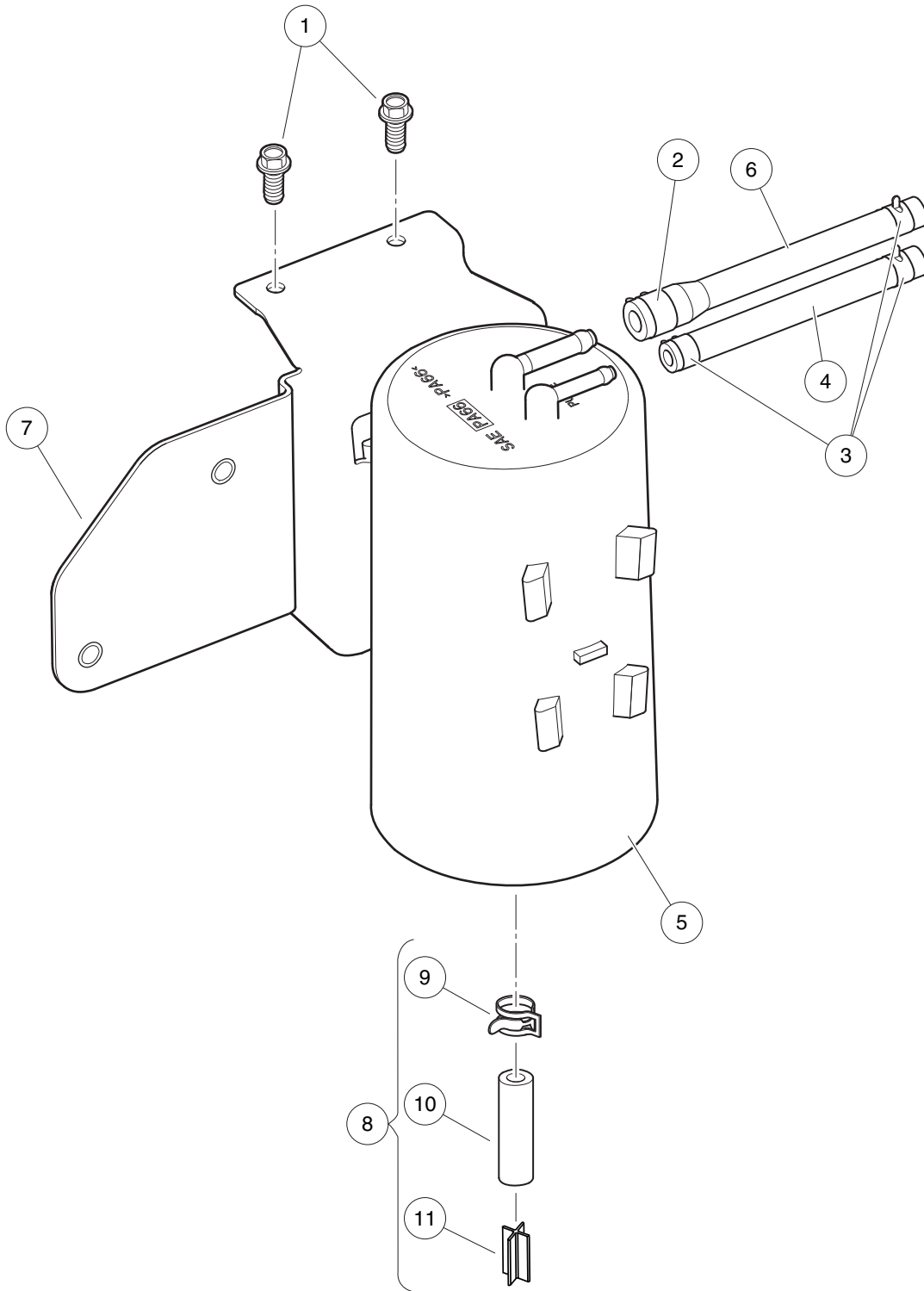
001287-003



## FUEL SYSTEM AND TANK WITH SENDING UNIT

ITEM	PART NO.	DESCRIPTION	QTY
		1 2 3 4	
1	<u>1011988</u>	Screw, 1/4-20 X 2.00 Phillips Truss-Head .....	2
2	<u>1012649</u>	Clamp, 0.460 Red Hose .....	6
3	<u>101313402</u>	Clamp, Green Hose .....	2
4	<u>1013687</u>	Clamp, 3/8" Hose (screw type) .....	1
5	<u>1014116</u>	Nut, 1/4-20 Speed .....	3
6	<u>1014928</u>	Fuel Strap Assembly Rear .....	1
7	<u>1016</u>	Lockwasher, #10 Split .....	1
8	<u>1016004</u>	Tank Kit w/Sending Unit (includes items 9 through 25) .....	1
9	<u>1013746</u>	Clamp, 0.301 ID Hose .....	2
10	<u>101587703</u>	Hose, Fuel, Vent, 22" Long .....	1
11	<u>101824401</u>	Vent Barb .....	2
12	<u>103651901</u>	Asm, Tank, Ds Utl W/su† Nano (includes items 13 through 22) .....	1
13	<u>1013461</u>	Screw, #10-16 Hex-Head Hi-Lo .....	5
14	<u>1013462</u>	Sending Unit, Fuel Level * .....	1
15	<u>1015139</u>	Insulation Grommet .....	1
16	<u>1015143</u>	Vent, Fuel Tank .....	1
17	<u>1015921</u>	Wire Assembly #16 Black .....	1
18	<u>102406701</u>	Bushing, Line, Return .....	1
19	<u>102522001</u>	Gasket, Rubber .....	1
20	<u>103372101</u>	Cap, Fuel Tank, Gas, Ratchet .....	1
21	<u>103372302</u>	Fuel Pickup w/Shut-Off Valve, 288mm .....	1
22	<u>103776901</u>	Tank, Fuel, Top, W/su Nano .....	1
23	<u>1241</u>	Washer, 5/16 Type A Flat .....	1
24	<u>7173</u>	Screw, 5/16-18 X 0.75, Hex-Head Cap .....	1
25	<u>7473</u>	Locknut, 5/16-18 Nylon Insert .....	1
26	<u>1017203</u>	Carriage Bolt .....	2
27	<u>101955301</u>	Fuel Strap Assy, Front .....	1
28	<u>101987701</u>	Clamp, Plastic Tie .....	1
29	<u>102003201</u>	Filter, Fuel, 30 Micron .....	1
30	<u>102865101</u>	Fuel Line, 1/4 (available by the foot) .....	A/R
31	<u>103781101</u>	Kit, Fuel Pump Retrofit (includes item 32) .....	1
32	<u>103010101</u>	Pump, Fuel, Impulse, Fh .....	1
33	<u>183</u>	Washer, #10, Type A, Flat .....	1
34	<u>8233</u>	Locknut, 1/4-20, Nylon Insert .....	2
35	<u>8248</u>	Screw, 1/4-20 X 0.75, Truss-Head Machine .....	1
36	<u>8797</u>	Nut, #10-32 Brass Hex .....	1
		* Note: Must replace fuel sending unit gasket when servicing this component.	

**9**  
**G**

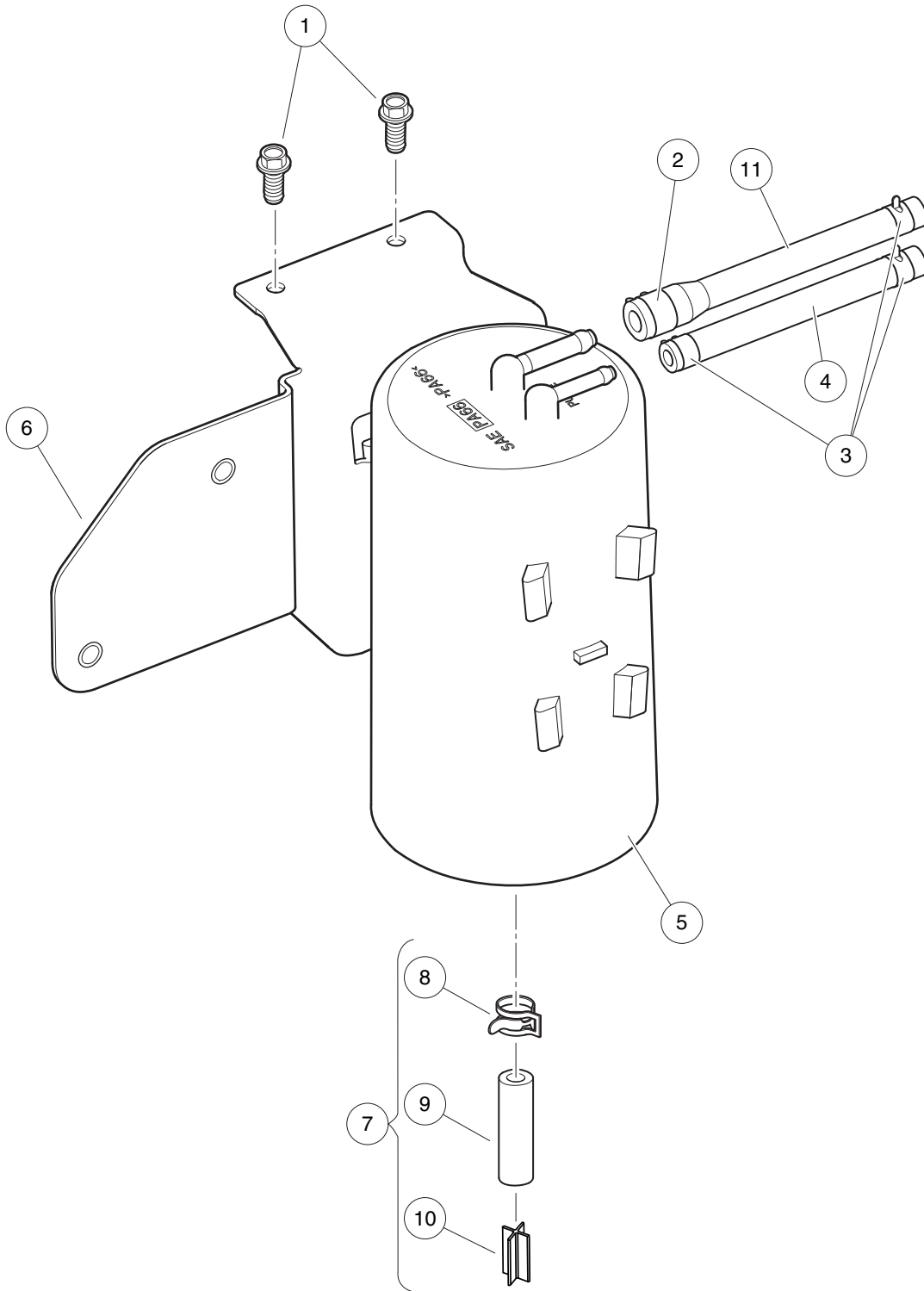


000980-007

## CARBON CANISTER – TO MID-2011 MODEL YEAR

ITEM	PART NO.	DESCRIPTION	QTY
		1 2 3 4	
1	<u>1012285</u>	Screw, 1/4 X 0.625 Hex-Head .....	2
2	<u>101313402</u>	Clamp, Green Hose .....	1
3	<u>1013746</u>	Clamp, 0.301 ID Hose .....	3
4	<u>1015137</u>	Fuel Line, 3/16 (available by the foot) .....	A/R
5	<u>103372401</u>	Canister, Carbon .....	1
6	<u>103372504</u>	Hose, Vent, Flare, 9" .....	1
7	<u>103372801</u>	Bracket, Carbon Canister, Sw .....	1
8	<u>103418601</u>	Asm, Vent Line, Utility (includes items 9 through 11) .....	1
9	<u>1012649</u>	Clamp, 0.460 Red Hose .....	1
10	N/A	Hose, Vent, 5/16 I.D., Bulk .....	A/R
11	N/A	Vent, Barb, 5/16 I.D. Hose .....	1

**9**  
**G**

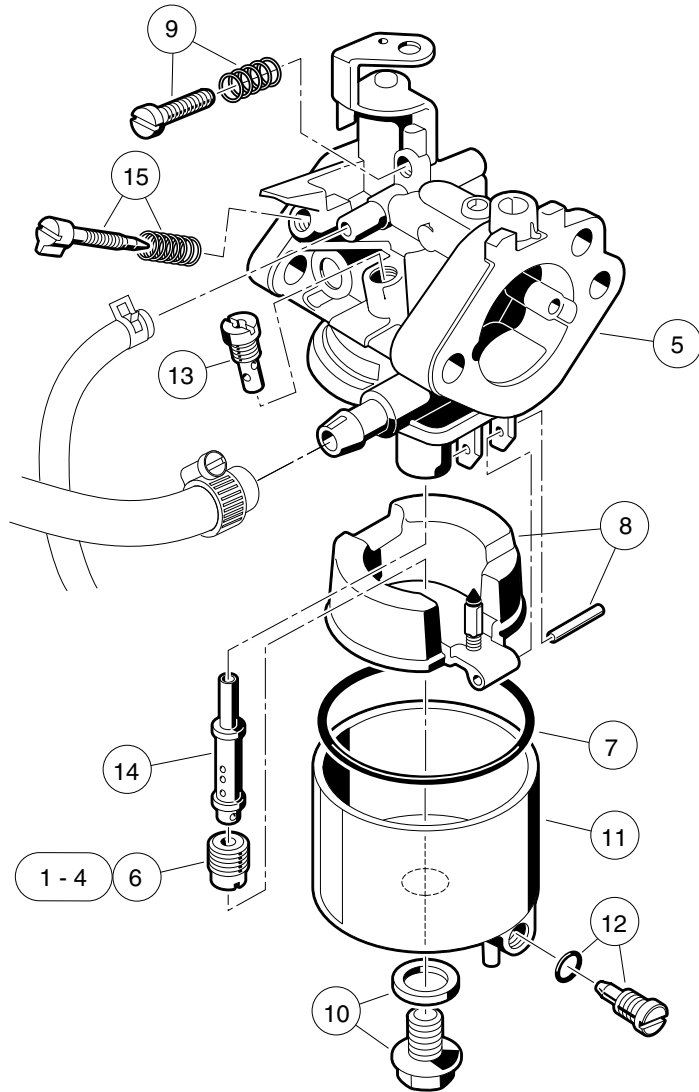


000980-008

## CARBON CANISTER – FROM MID-2011 MODEL YEAR

ITEM	PART NO.	DESCRIPTION	QTY
		1 2 3 4	
1	<u>1012285</u>	Screw, 1/4 X 0.625 Hex-Head .....	2
2	<u>101313402</u>	Clamp, Green Hose .....	1
3	<u>1013746</u>	Clamp, 0.301 ID Hose .....	3
4	<u>1015137</u>	Fuel Line, 3/16 (available by the foot) .....	A/R
5	<u>103372401</u>	Canister, Carbon .....	1
6	<u>103372801</u>	Bracket, Carbon Canister, Sw .....	1
7	<u>103418601</u>	Asm, Vent Line, Utility (includes items 8 through 10) .....	1
8	<u>1012649</u>	Clamp, 0.460 Red Hose .....	1
9	N/A	Hose, Vent, 5/16 I.D., Bulk .....	A/R
10	N/A	Vent, Barb, 5/16 I.D. Hose .....	1
11	<u>103851201</u>	Hose, Vent Flared, 9.0 Inch .....	1

**9**  
**G**



000212-002

## CARBURETOR ASSEMBLY – FE350 S27

ITEM	PART NO.	DESCRIPTION	QTY
		1 2 3 4	
1	<u>101642575</u>	Jet, Altitude, # 75 .....	1
2	<u>101642578</u>	Jet, Altitude, # 78 .....	1
3	<u>101642580</u>	Jet, Altitude, # 80 .....	1
4	<u>101642582</u>	Jet, Altitude, # 82 .....	1
5	<u>103617101</u>	Carburetor, FE350 S27 (includes items 6 through 15) .....	1
6	<u>101642585</u>	Jet, Altitude, # 85 .....	1
7	<u>1016437</u>	Gasket, Carburetor Bowl OHV .....	1
8	1016486	Float Assembly .....	1
9	<u>1016501</u>	Screw Assembly .....	1
10	1016585	Bolt .....	1
11	<u>1017461</u>	Chamber Assembly, Float (includes item 12) .....	1
12	<u>1016499</u>	Screw Assembly .....	1
13	<u>101973101</u>	Jet, #40 Pilot .....	1
14	<u>101973301</u>	Nozzle, Main .....	1
15	N/A	Assembly, Pilot Air Screw .....	1
Note: <u>101642585</u> for 0 - 3,200 feet; <u>101642582</u> for 3,200 - 6,500 feet; <u>101642580</u> for 6,500 - 9,800 feet; <u>101642578</u> for 9,800 feet and above.			

9

G



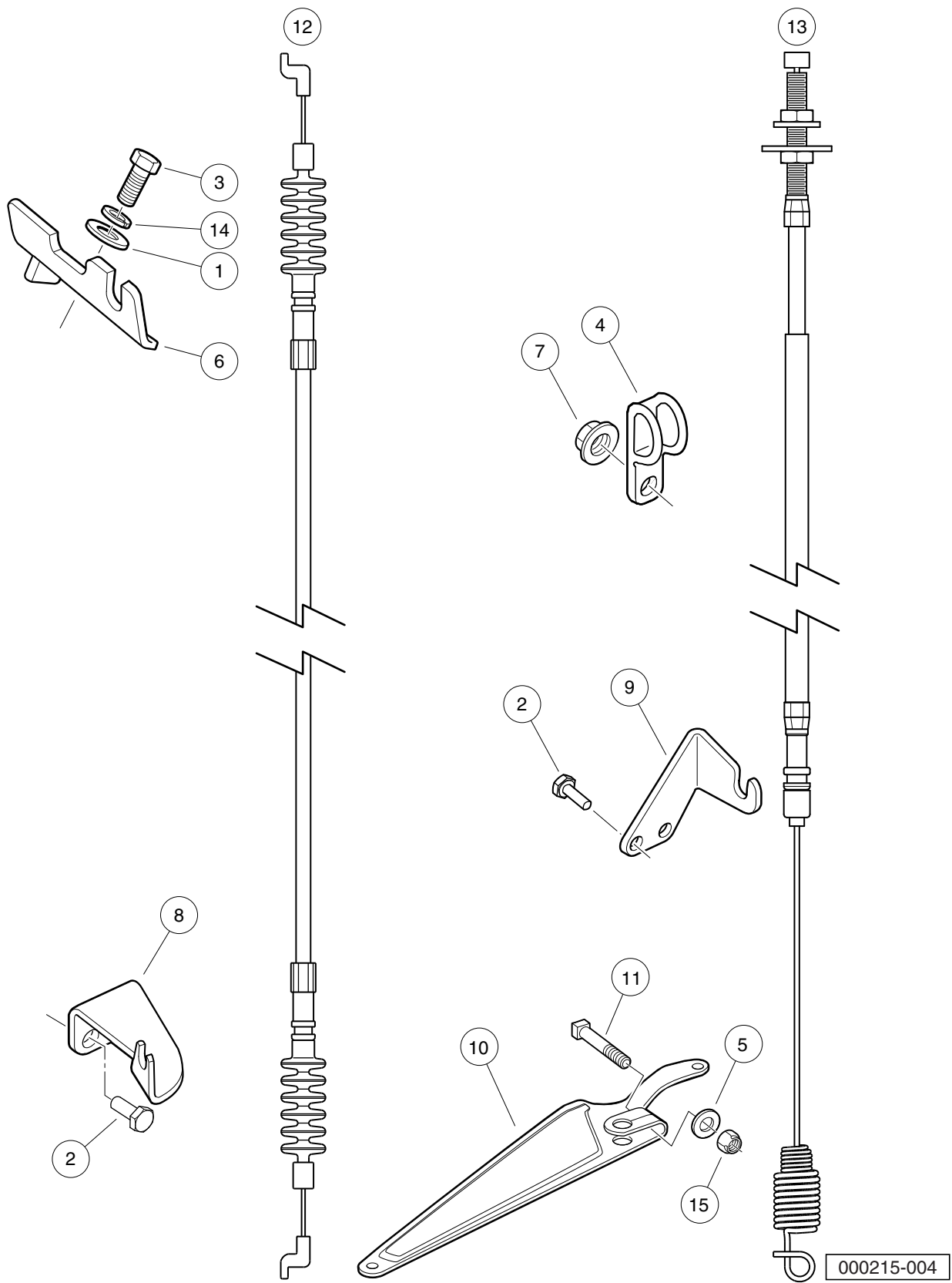


## CARBURETOR MOUNTING, UTILITY, FE350 S27

ITEM	PART NO.	DESCRIPTION	QTY
		1 2 3 4	
1	<u>1013746</u>	Clamp, 0.301 ID Hose .....	1
2	<u>1015137</u>	Fuel Line, 3/16 (available by the foot) .....	1
3	<u>1016438</u>	Gasket, Carb To Intake Manifold .....	1
4	<u>1016440</u>	Gasket, Engine to Insulator .....	1
5	<u>1016441</u>	Gasket, Sprg Brkt To Carb OHV .....	1
6	<u>1016444</u>	Bracket, Throttle Spring Return .....	1
7	101648102	Insulator, Carburetor .....	1
8	<u>101649002</u>	Stud, M6-1.00 Two-Ended .....	2
9	1016547	Nut, M6 Flange .....	2
10	<u>1016572</u>	Tube, Crankcase Vent .....	1
11	<u>1016582</u>	Spring, Throttle Return .....	1
12	<u>1017466</u>	Clamp .....	2
13	<u>101973401</u>	Gasket, Insulator To Bracket .....	1
14	103507101	Carburetor Adapter w/ Tap .....	1
15	103507201	Plug, Intake Manifold, Carb .....	1
16	103507301	Bracket, Intake Manifold, Carb .....	1

9

G



## GOVERNOR AND ACCELERATOR CABLES

ITEM	PART NO.	DESCRIPTION	QTY
		1 2 3 4	
1	<u>1011697</u>	Washer, 5/16 Flat .....	1
2	<u>1012285</u>	Screw, 1/4 X 0.625 Hex-Head .....	4
3	<u>1012830</u>	Screw, M8-125 X 22 Hex-Head .....	1
4	<u>1013700</u>	Clamp .....	2
5	<u>1014007</u>	Washer, 1/4, Flat .....	1
6	<u>101584502</u>	Bracket, Governor Cable Snap-In .....	1
7	<u>1016546</u>	Nut .....	2
8	<u>101832202</u>	Bracket, Rear Governor Cable Snap-In .....	1
9	<u>101832302</u>	Bracket, Rear Accelerator Cable Snap-In .....	1
10	<u>101834801</u>	Arm, Governor .....	1
11	<u>101886101</u>	Screw, 1/4-20 X 1.00, Square-Head .....	1
12	<u>102336001</u>	Cable, Governor, Snap-In .....	1
13	<u>102336101</u>	Cable, Accelerator, Snap-In .....	1
14	<u>7174</u>	Lockwasher, 5/16 Split .....	1
15	<u>8233</u>	Locknut, 1/4-20, Nylon Insert .....	1

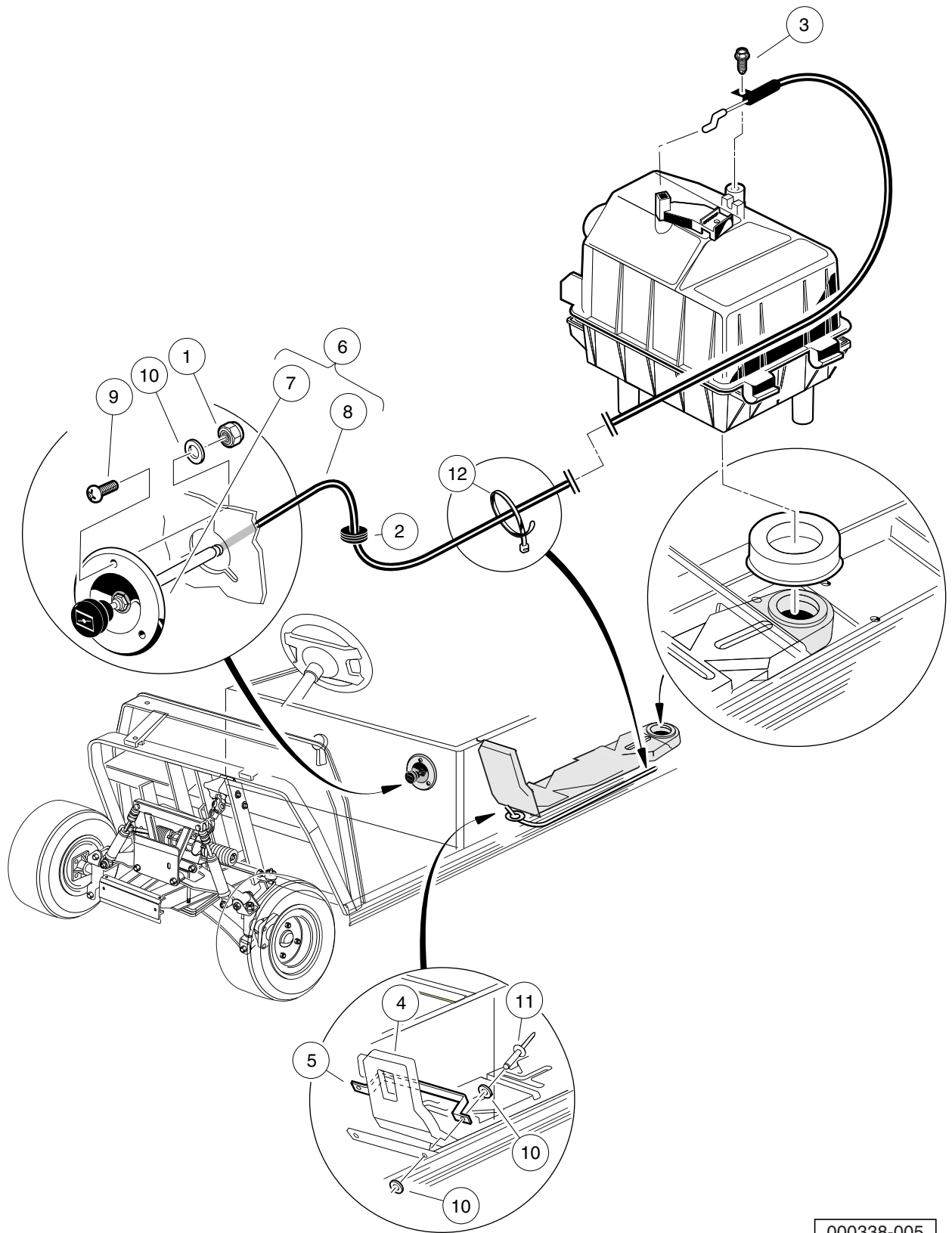
9  
G



## AIR INTAKE DUCT AND CHOKE CABLE – VILLAGER 6

ITEM	PART NO.	DESCRIPTION	QTY
		1 2 3 4	
1	<u>1012438</u>	Locknut, #10-24 Nylon Insert .....	3
2	<u>1015139</u>	Insulation Grommet .....	1
3	<u>101804301</u>	Screw, #8 X 0.500, Hex-Head Hi-Lo .....	1
4	<u>101811301</u>	Duct, Intake .....	1
5	<u>101825701</u>	Retaining Bracket .....	1
6	<u>101926802</u>	Cable, Choke (includes items 7 and 8) .....	1
7	<u>101933701</u>	Bezel, Choke Cable .....	1
8	N/A	Choke Cable without Bezel, Long .....	1
9	<u>1631</u>	Screw, #10-24 X 0.75 Phillips Pan-Head .....	3
10	<u>183</u>	Washer, #10, Type A, Flat .....	7
11	<u>7973</u>	Rivet, 3/16 X .400 Blind .....	2
12	<u>8639</u>	Tie Wrap, 11" Nylon .....	2

9  
G

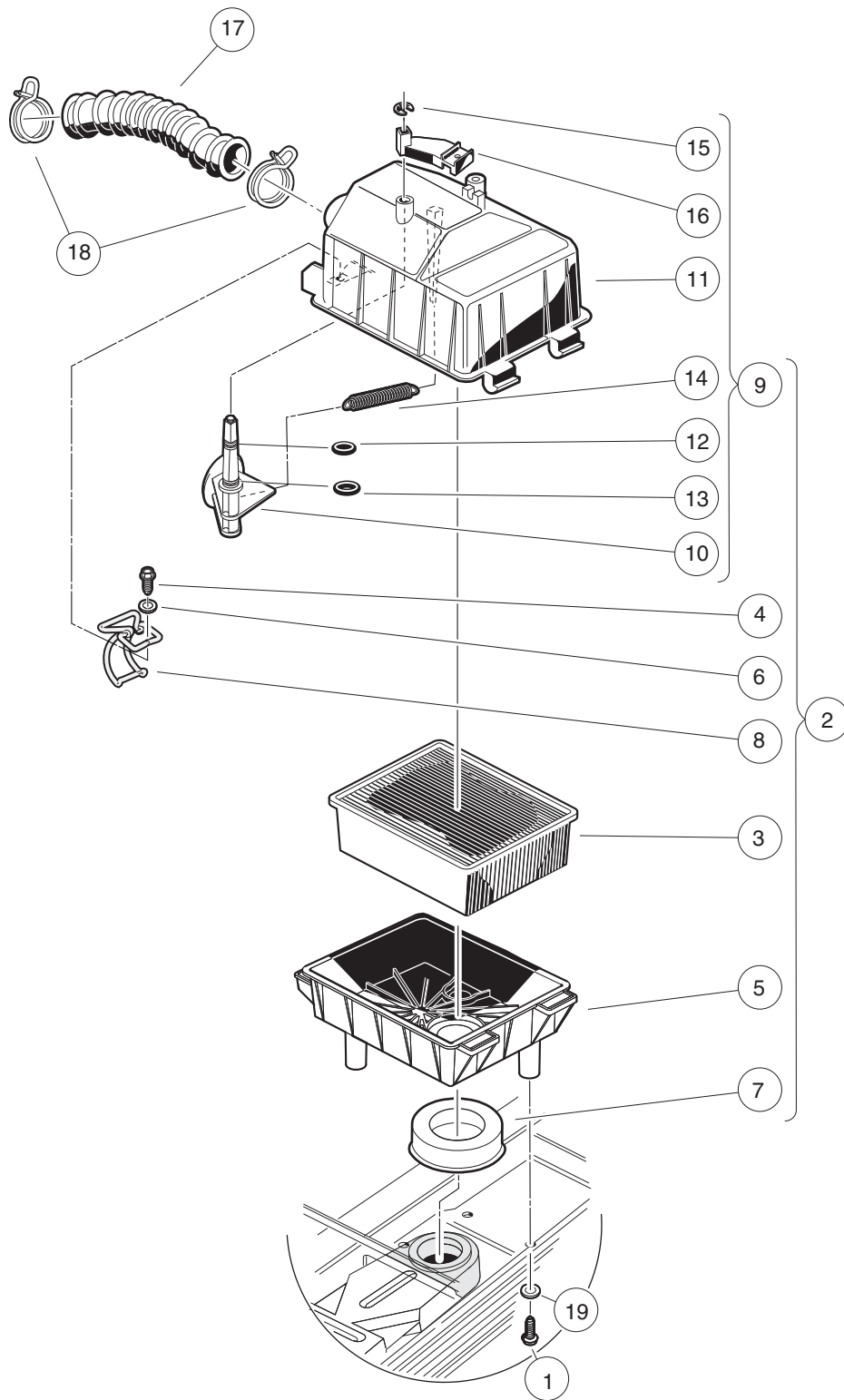


000338-005

## AIR INTAKE DUCT AND CHOKE CABLE – VILLAGER 8

ITEM	PART NO.	DESCRIPTION	QTY
		1 2 3 4	
1	<u>1012438</u>	Locknut, #10-24 Nylon Insert .....	3
2	<u>1015139</u>	Insulation Grommet .....	1
3	<u>101804301</u>	Screw, #8 X 0.500, Hex-Head Hi-Lo .....	1
4	<u>101811301</u>	Duct, Intake .....	1
5	<u>101825701</u>	Retaining Bracket .....	1
6	<u>101926803</u>	Cable, Choke (includes items 7 and 8) .....	1
7	<u>101933701</u>	Bezel, Choke Cable .....	1
8	N/A	Choke Cable without Bezel, Long .....	1
9	<u>1631</u>	Screw, #10-24 X 0.75 Phillips Pan-Head .....	3
10	<u>183</u>	Washer, #10, Type A, Flat .....	7
11	<u>7973</u>	Rivet, 3/16 X .400 Blind .....	2
12	<u>8639</u>	Tie Wrap, 11" Nylon .....	2

**9**  
**G**



000332-001



## AIR FILTER AND INTAKE HOSE

ITEM	PART NO.	DESCRIPTION	QTY
		1 2 3 4	
1	<u>1015752</u>	Screw, #12-16 X 0.625, Hi-Lo .....	3
2	<u>101821501</u>	Assembly, Air Box (includes items 3 through 9) .....	1
3	<u>1015426</u>	Filter, Air .....	1
4	<u>101804301</u>	Screw, #8 X 0.500, Hex-Head Hi-Lo .....	2
5	<u>101811901</u>	Bottom, Air Box .....	1
6	<u>101881701</u>	Washer, #8 Stainless-Steel Flat .....	2
7	<u>101921501</u>	Seal, Intake .....	1
8	<u>101925701</u>	Latch, Wireform .....	2
9	<u>101972801</u>	Top Assy, Air Box (includes items 10 through 16) .....	1
10	N/A	Valve, Choke .....	1
11	N/A	Top, Air Box .....	1
12	N/A	O-Ring, 5/16 .....	1
13	N/A	O-Ring, 3/8 .....	1
14	<u>101812301</u>	Spring, Extension Return .....	1
15	<u>101813001</u>	Retaining Ring 0.25, Shaft .....	1
16	<u>101917601</u>	Lever, Choke .....	1
17	<u>101837101</u>	Hose, Air Intake .....	1
18	<u>101971301</u>	Clamp, 1.58" ID Hose .....	2
19	<u>332</u>	Washer, 1/4 Type A Narrow Flat .....	3

**9**  
**G**

9

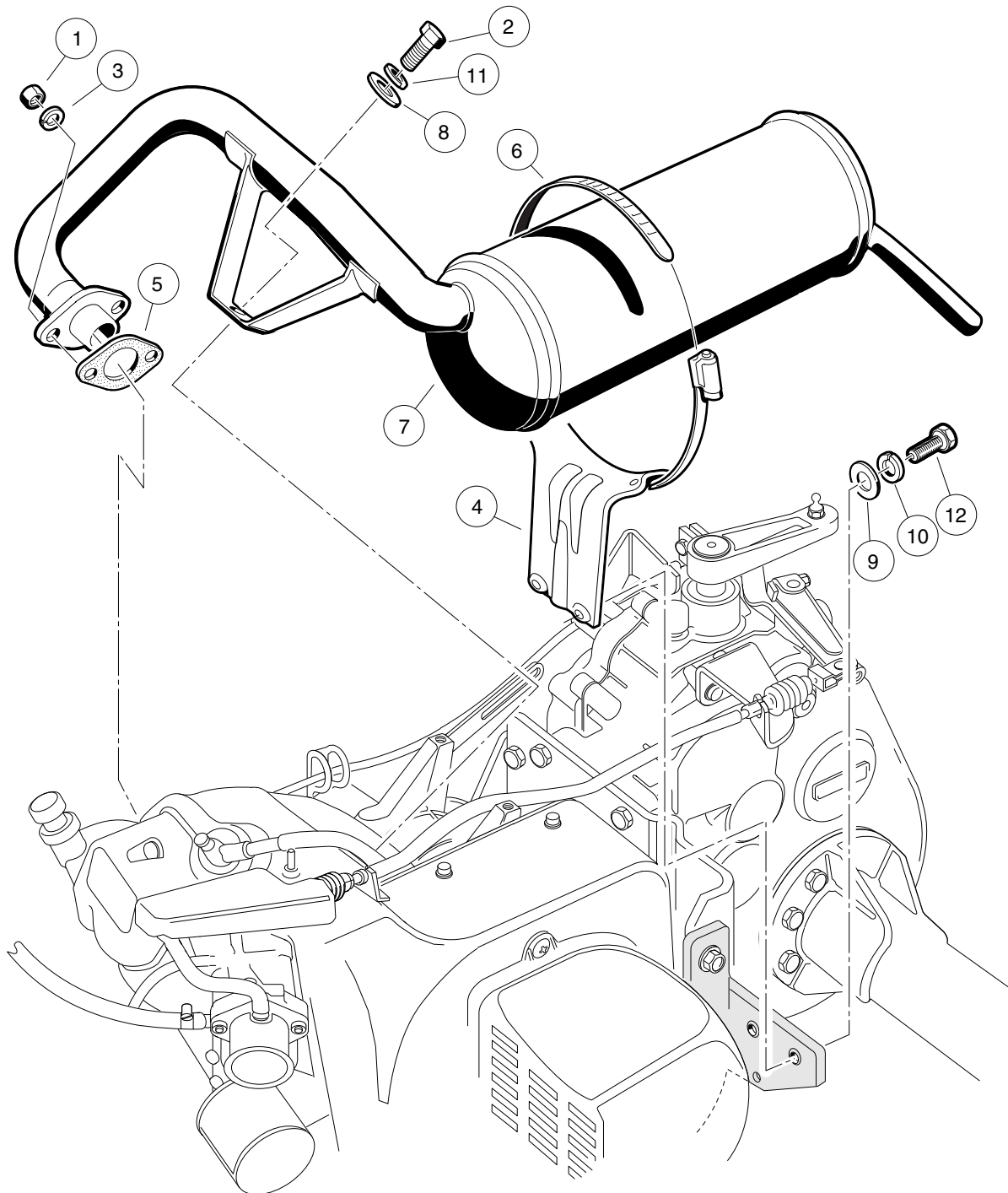
G

# EXHAUST SYSTEM

---

10

G



000209-001

## EXHAUST SYSTEM – FE350 ENGINE

ITEM	PART NO.	DESCRIPTION	QTY
		1 2 3 4	
1	<u>1012528</u>	Nut, M8-1.25 Hex .....	2
2	<u>1012830</u>	Screw, M8-125 X 22 Hex-Head .....	1
3	<u>1013734</u>	Lockwasher, 8mm Split .....	2
4	<u>1015814</u>	Bracket, Muffler Mounting .....	1
5	<u>1016904</u>	Gasket, Exhaust .....	1
6	1017689	Clamp, 5" Muffler Hose .....	1
7	<u>101859401</u>	Exhaust System, FE350 .....	1
8	<u>1241</u>	Washer, 5/16 Type A Flat .....	1
9	<u>332</u>	Washer, 1/4 Type A Narrow Flat .....	2
10	<u>451</u>	Lockwasher, 1/4 Split .....	2
11	<u>7174</u>	Lockwasher, 5/16 Split .....	1
12	<u>7847</u>	Screw, 1/4-20 X 0.75 Hex-Head Cap .....	2

**10**  
**G**

**10**

**G**

# DRIVE BELT AND CLUTCHES – CARBURETED GASOLINE VEHICLES

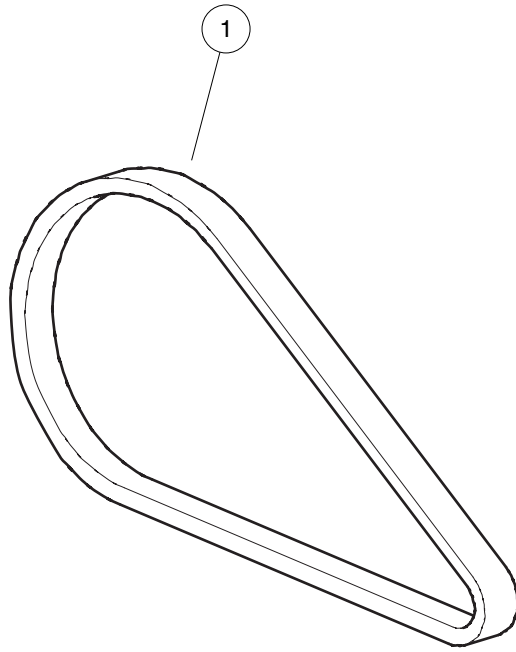
---

11

G

11

G



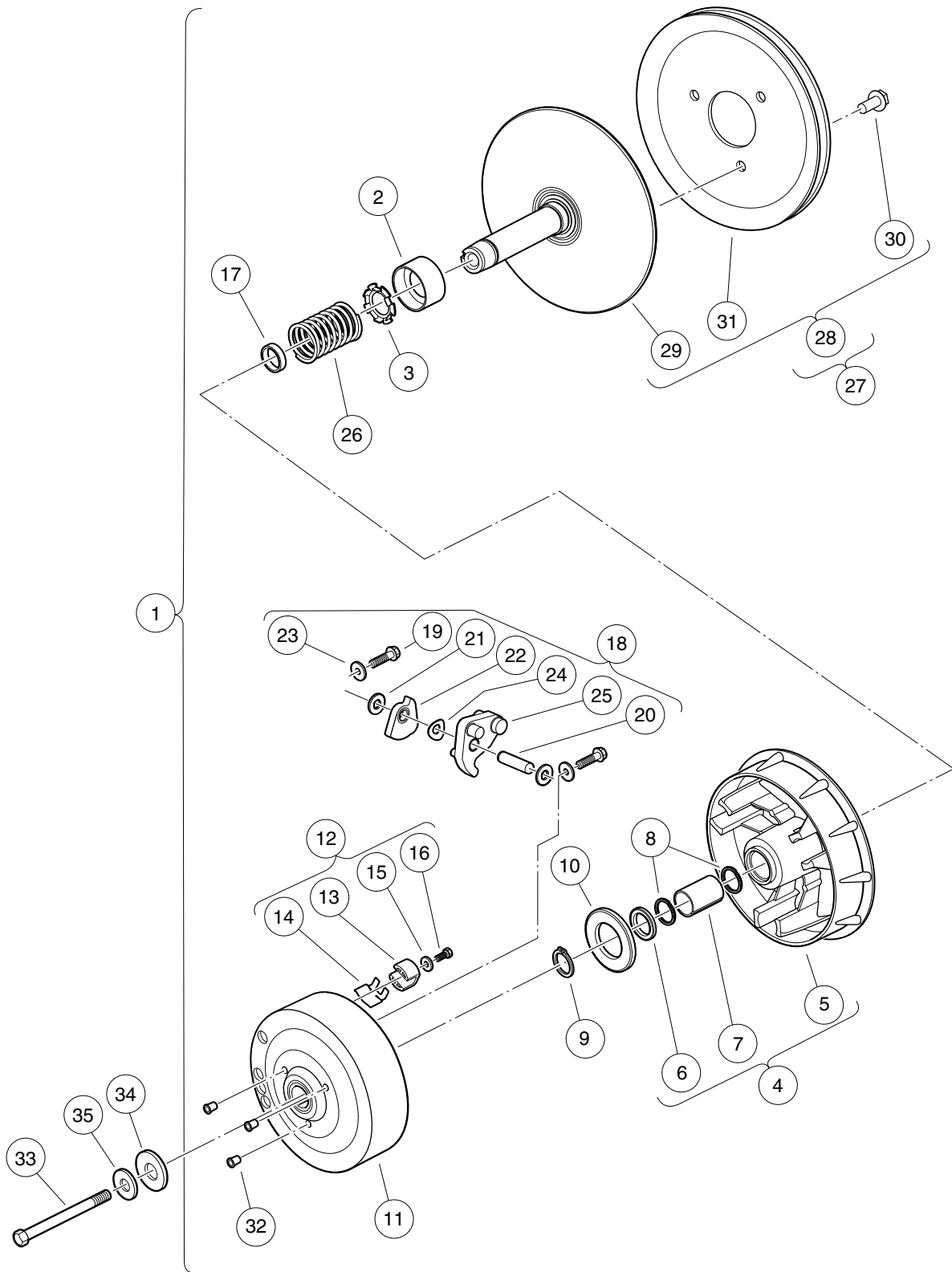
000918-001



# DRIVE BELT

ITEM	PART NO.	DESCRIPTION	QTY
1	<u>1017188</u>	1 2 3 4 Belt, Drive (FE350) .....	1

**11**  
**G**



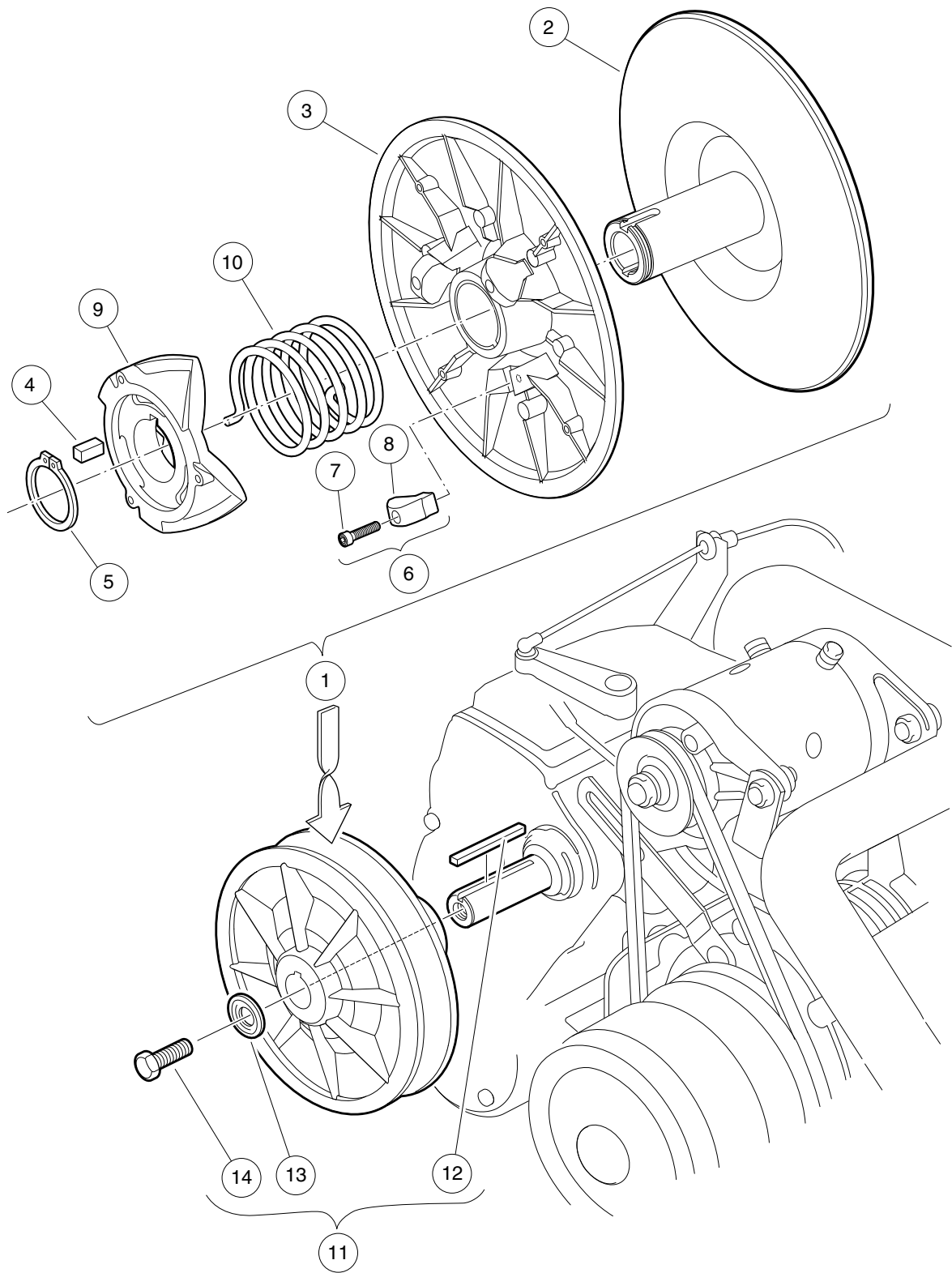
000217-007

# DRIVE CLUTCH – CARRYALL 2 PLUS AND VILLAGER 6/8

ITEM	PART NO.	DESCRIPTION	QTY
		1 2 3 4	
1	<u>101833904</u>	Assembly, Drive Clutch (includes items 2 through 32) .....	1
2	1014049	Bearing, Idler .....	1
3	<u>1014050</u>	Retainer, Spring .....	1
4	1014052	Movable-Face Assembly (includes items 5 through 7) .....	1
5	N/A	Drive Clutch Movable Face .....	1
6	<u>1014055</u>	Retainer .....	1
7	N/A	Bushing, Split, Drive Clutch .....	1
8	<u>1014056</u>	Ring, Spiral Backup .....	2
9	<u>1014057</u>	Ring, 0.810" Internal Retaining .....	1
10	1014058	Thrust Washer .....	1
11	1014059	Drive Hub Assy, Drive Clutch .....	1
12	<u>1014453</u>	Kit, Drive Clutch Button (includes items 13 through 16) .....	1
13	<u>1014062</u>	Driver, Drive Clutch .....	3
14	<u>1014287</u>	Spring, Drive Button .....	3
15	<u>183</u>	Washer, #10, Type A, Flat .....	3
16	<u>8450</u>	Screw, #10-24 X 0.50, Hex-Head .....	3
17	<u>1016289</u>	Spacer, Fixed Face Shaft .....	1
18	<u>1016801</u>	Kit, Drive Clutch Weight (includes items 19 through 25) .....	1
19	<u>1014063</u>	Screw, 1/4-20 X 1.00, Hex Head .....	6
20	N/A	Pin, Dowel, 0.3752 x 1.50 .....	3
21	<u>1014065</u>	Washer, Flat, 0.38" ID, Delrin .....	6
22	N/A	Clutch Weight, Secondary .....	3
23	N/A	Washer .....	6
24	<u>1016201</u>	Washer, Wave .....	3
25	N/A	Weight, Primary .....	3
26	<u>1016901</u>	Spring, Drive Clutch .....	1
27	101738302	Kit, Fixed Face - Drive (includes item 28) .....	1
28	<u>101738301</u>	Fixed Face Drive (includes items 29 through 31) .....	1
29	N/A	Fixed Face Assembly, Drive Clutch .....	1
30	<u>1014288</u>	Screw, 5/16-18 X 0.75, Thread-Forming .....	3
31	1016011	Pulley, Drive Clutch .....	1
32	N/A	Cap Plug .....	3
33	<u>103345701</u>	Screw 3/8-24x5.5 Hex Loc Ptch .....	1
34	<u>334</u>	Washer, 3/8, Type A, Flat .....	1
35	<u>808</u>	Washer, 3/8 Type B Flat .....	1

11

G



000219-001

# DRIVEN CLUTCH

ITEM	PART NO.	DESCRIPTION	QTY
		<b>1 2 3 4</b>	
1	<u>101834001</u>	Assembly, Driven Clutch (includes items 2 through 10) .....	1
2	<u>1014070</u>	Fixed Face Assy, Driven Clutch .....	1
3	<u>1014072</u>	Movable-Face Assembly with Bushing .....	1
4	<u>1014078</u>	Key, Driven Clutch .....	1
5	<u>1014080</u>	Ring, Retaining .....	1
6	<u>1014454</u>	Kit, Driven Clutch Button (includes items 7 and 8) .....	1
7	<u>1012836</u>	Screw, #8-32 X 3/4, Socket-Head Cap .....	3
8	N/A	Button, Drive .....	3
9	<u>1017686</u>	Cam, Driven Clutch .....	1
10	<u>101836201</u>	Spring, Driven Clutch, Reversed .....	1
11	<u>AM10419</u>	Kit, Clutch Repair (includes items 12 through 14) .....	1
12	<u>101833401</u>	Key, 3/16 Sq X 1.50" .....	1
13	<u>102155801</u>	Washer, Driven Clutch .....	1
14	<u>102242101</u>	Screw, 5/16-18 X 3/4 Hex-Head with Patch .....	1

**11**  
**G**

11

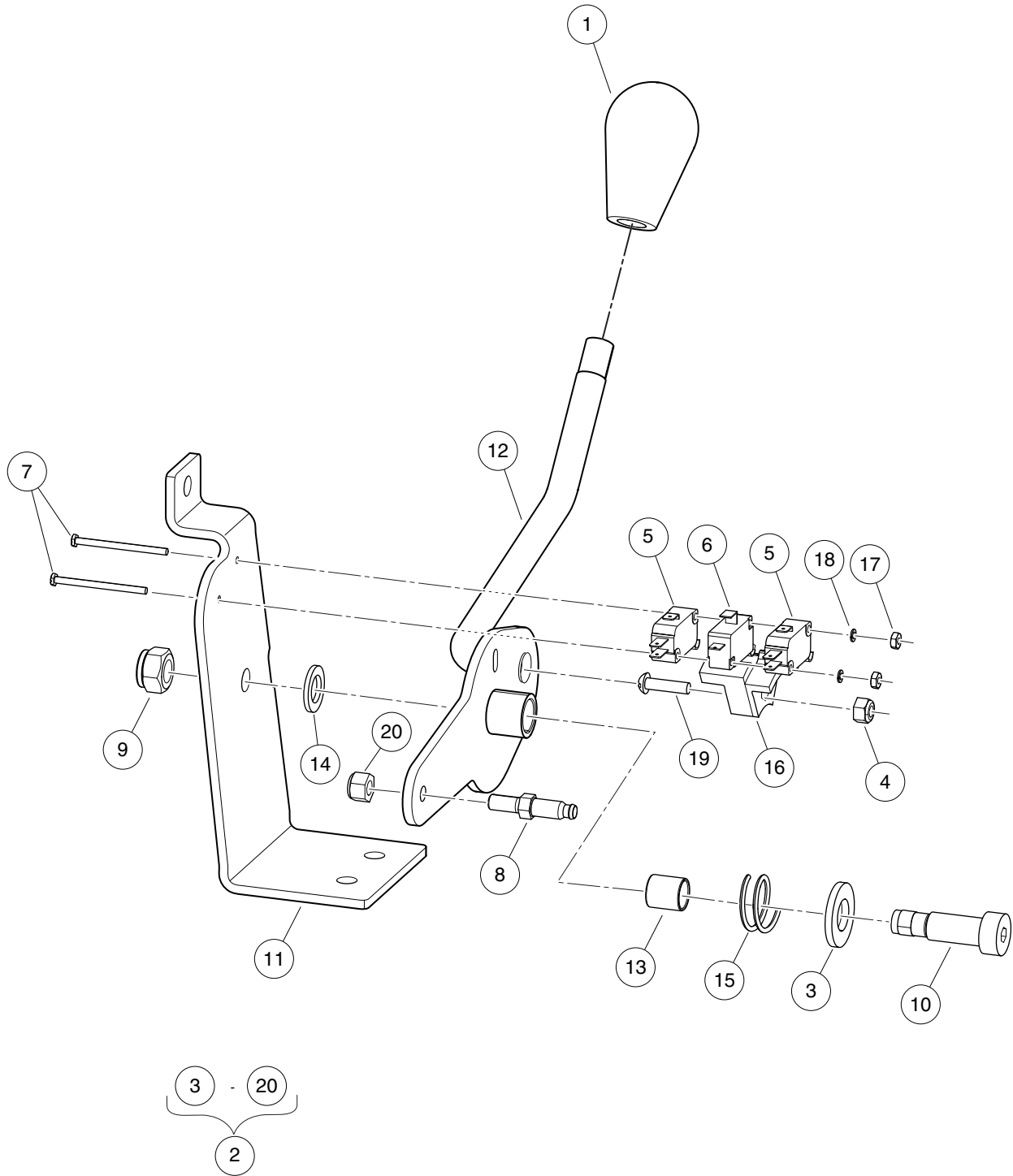
G

# UNITIZED TRANSAXLE – GASOLINE VEHICLES

---

12

G



000563-001

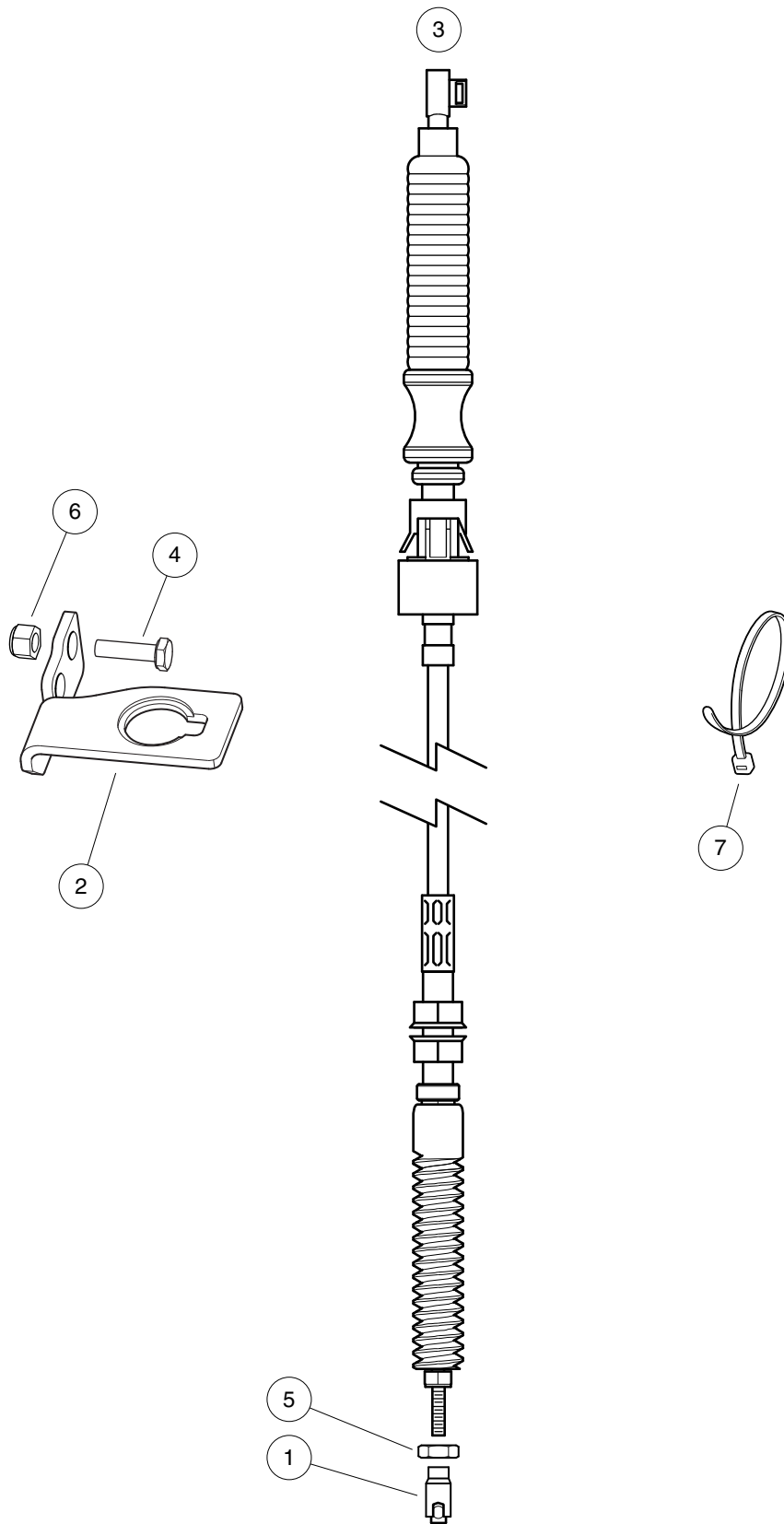


# FORWARD/REVERSE SHIFTER

ITEM	PART NO.	DESCRIPTION	QTY
		1 2 3 4	
1	<u>102376001</u>	Knob, FNR, Shifter .....	1
2	<u>102969901</u>	Asm, Shifter, FNR (includes items 3 through 20) .....	1
3	<u>1010028</u>	Washer, 1/2 Type A Flat .....	1
4	<u>1013061</u>	Locknut, #10-32 Nylon Insert .....	1
5	<u>1014807</u>	Switch, Limit .....	2
6	<u>1014808</u>	Switch, Limit .....	1
7	<u>1015878</u>	Screw, #4-40 Hex Head Machine .....	2
8	<u>102526201</u>	Stud, Thread, 1/4-28 .....	1
9	<u>102616701</u>	Locknut, M10x1.5 Nylon Insert .....	1
10	<u>102684602</u>	Shoulder Bolt, M12 X 25.0 .....	1
11	<u>102969401</u>	Bracket, Shifter, FNR .....	1
12	<u>102969801</u>	Weldment, Shift Lever, FNR .....	1
13	<u>103173301</u>	Bushing, Greaseless, 12mm Id .....	1
14	<u>103177401</u>	Washer, Thrust, Shifter, FNR .....	1
15	<u>103192701</u>	Spring, Comp, .97 Od X.75 L .....	1
16	<u>103369501</u>	Cam, Limit Switch, Fnr Shifter .....	1
17	<u>8057</u>	Nut, #4-40 Hex Machine .....	2
18	<u>8058</u>	Lockwasher, #4 Split .....	2
19	8104	Screw, #10-32 X .75 Rd Hd Mach .....	1
20	<u>8717</u>	Locknut, Nylon Insert, 1/4-28 .....	1

12

G



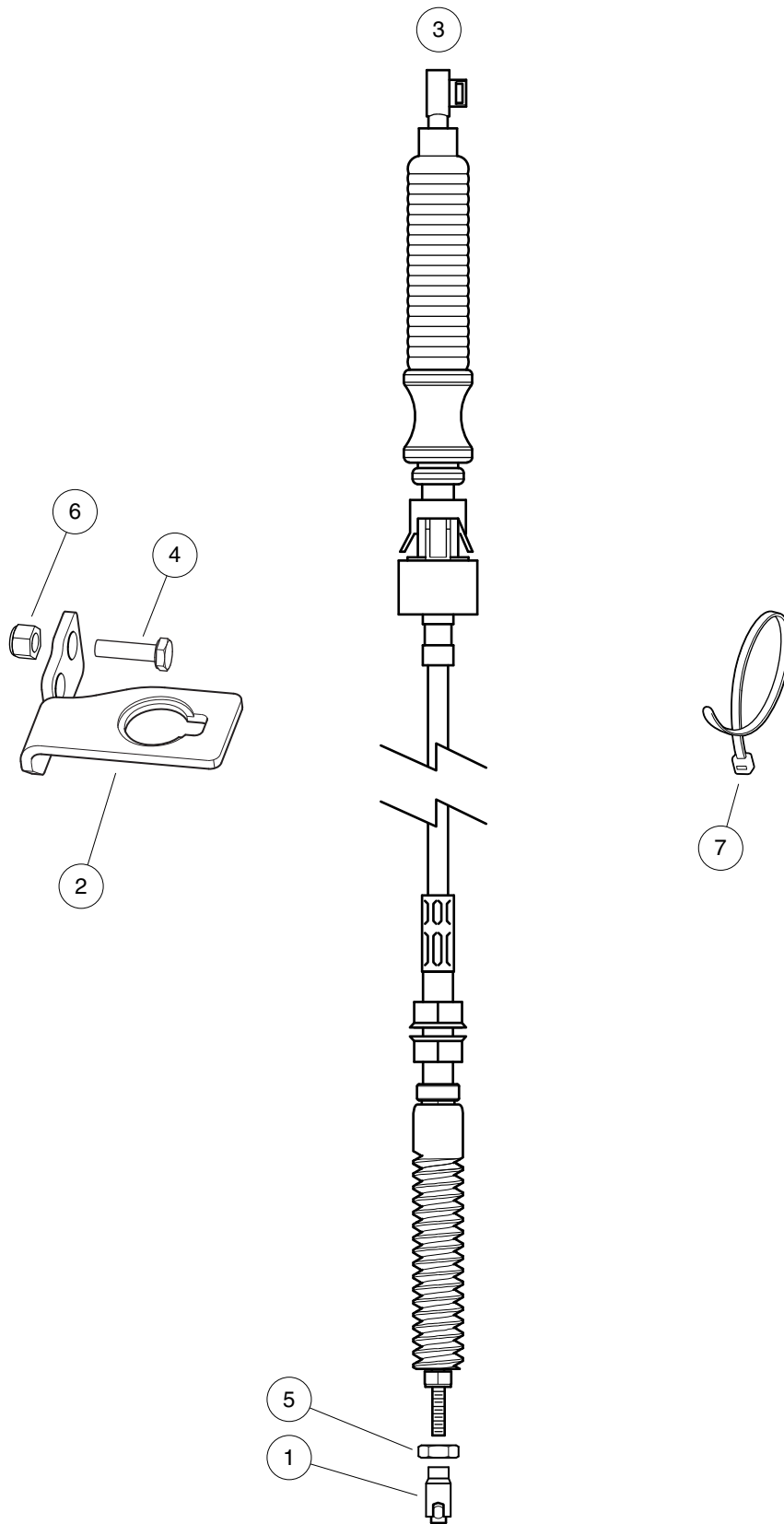
001071-001

## SHIFTER CABLE – TURF/CA 6 AND VILLAGER 6

ITEM	PART NO.	DESCRIPTION	QTY
		1 2 3 4	
1	<u>1012333</u>	Joint, #10-32 Ball .....	1
2	<u>103295101</u>	Brkt, Spt, Cable End, Fnr .....	1
3	<u>103295203</u>	Cable, Transmission, 2385mm .....	1
4	304	Screw, 1/4-20 X 1.0 Hex-Head Cap .....	2
5	<u>7893</u>	Nut, #10-32 Hex .....	1
6	<u>8233</u>	Locknut, 1/4-20, Nylon Insert .....	2
7	<u>8639</u>	Tie Wrap, 11" Nylon .....	A/R

**12**

**G**



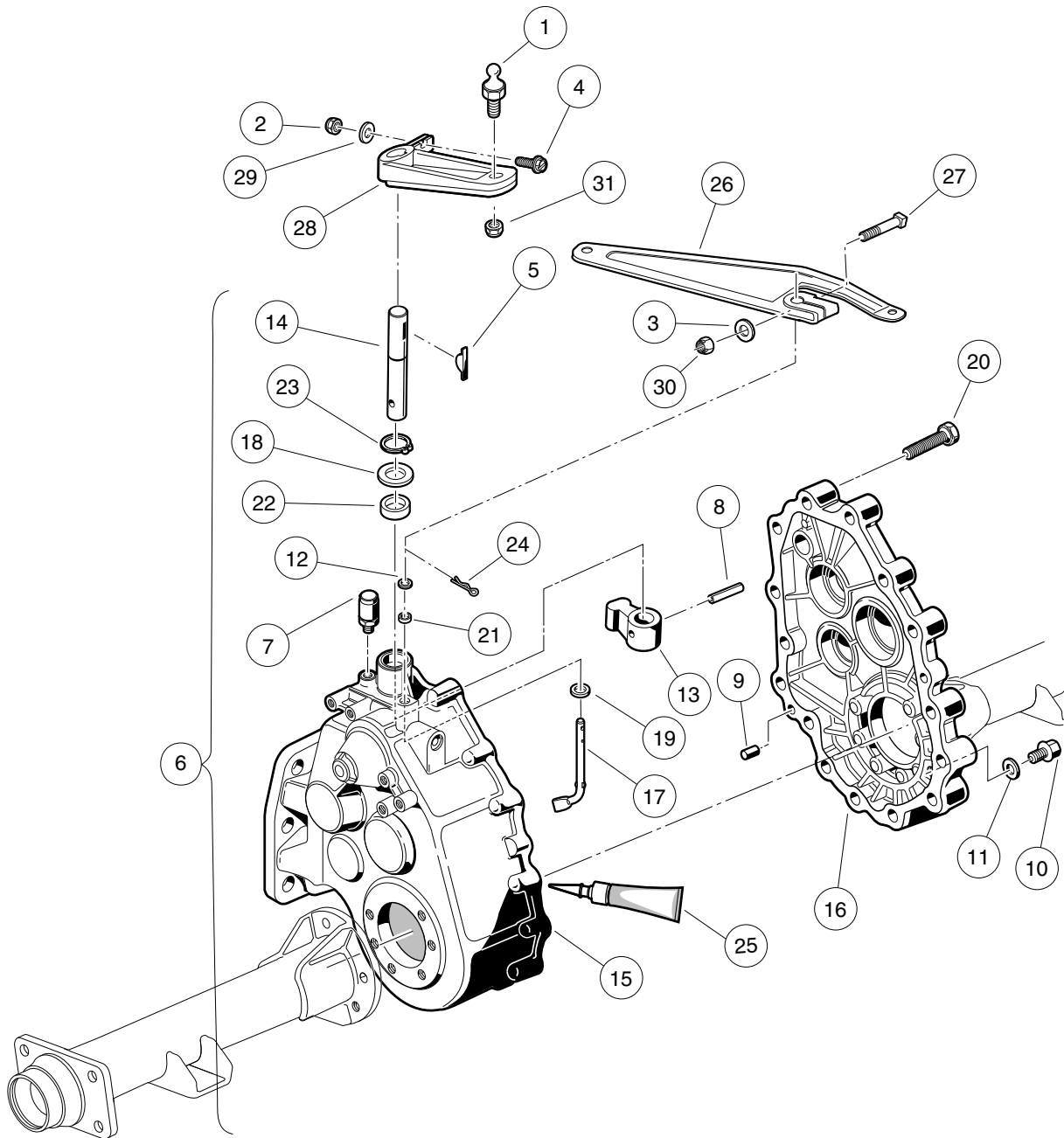
001071-001

## SHIFTER CABLE – VILLAGER 8

ITEM	PART NO.	DESCRIPTION	QTY
		1 2 3 4	
1	<u>1012333</u>	Joint, #10-32 Ball .....	1
2	<u>103295101</u>	Brkt, Spt, Cable End, Fnr .....	1
3	<u>103295204</u>	Cable, Trans, Ball End, 3225mm .....	1
4	304	Screw, 1/4-20 X 1.0 Hex-Head Cap .....	2
5	<u>7893</u>	Nut, #10-32 Hex .....	1
6	<u>8233</u>	Locknut, 1/4-20, Nylon Insert .....	2
7	<u>8639</u>	Tie Wrap, 11" Nylon .....	A/R

12

G



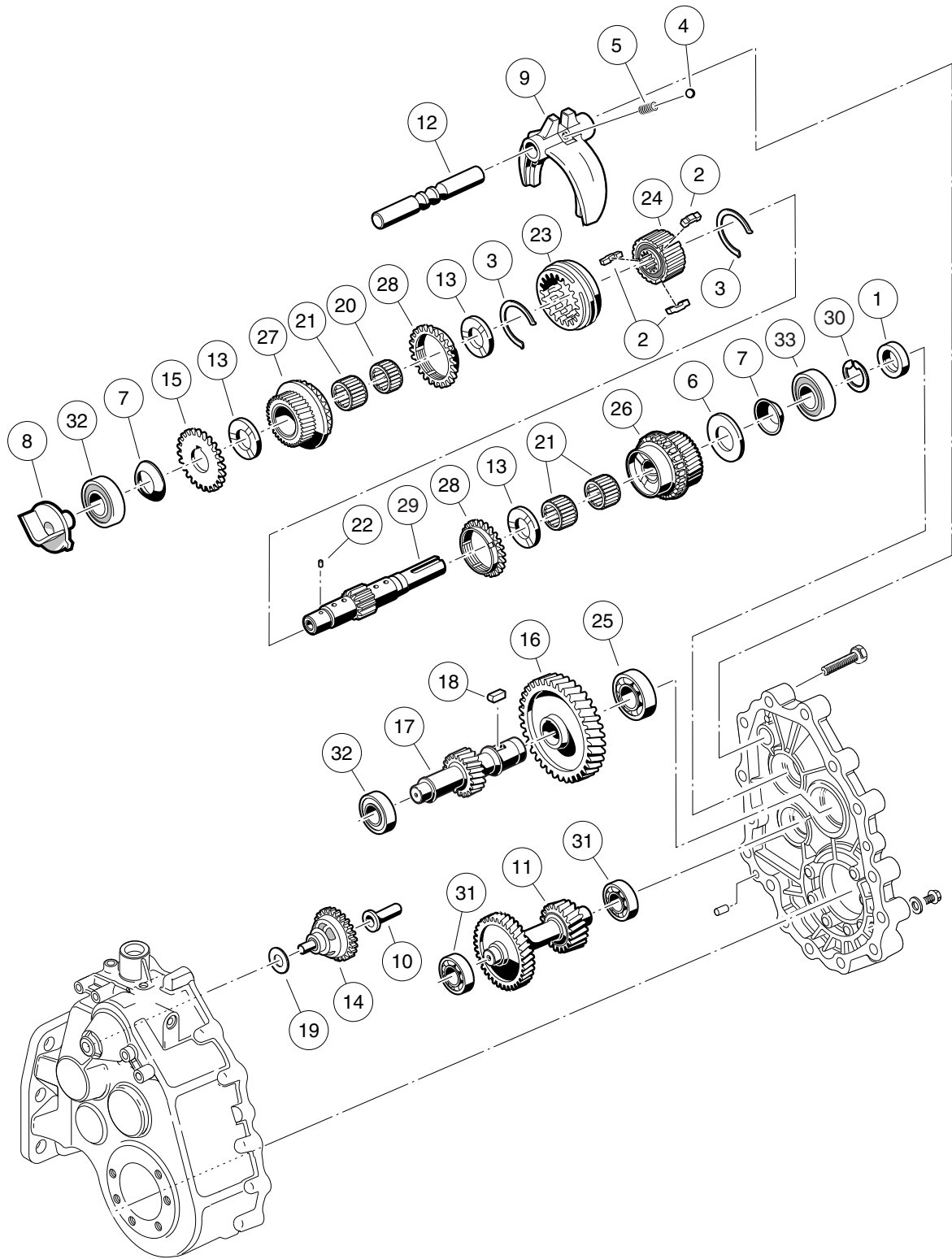
000220-005

# KAWASAKI TRANSAXLE – GEAR CASES AND BRACKETS

ITEM	PART NO.	DESCRIPTION	QTY
		1 2 3 4	
1	<u>1010954</u>	Stud, Ball, 1/4-28 X 0.560 .....	1
2	<u>1013061</u>	Locknut, #10-32 Nylon Insert .....	1
3	<u>1014007</u>	Washer, 1/4, Flat .....	1
4	<u>1017082</u>	Screw, #10-32 X 0.75, Hex-Head Machine .....	1
5	<u>1017231</u>	Key, Woodruff .....	1
6	<u>101833601</u>	Transaxle, 11.77 Ratio (includes items 7 through 25) .....	1
7	<u>1012711</u>	Breather .....	1
8	<u>1012752</u>	Roll Pin .....	1
9	<u>1012896</u>	Pin, Dowel .....	2
10	<u>1013760</u>	Fill Plug .....	2
11	<u>1016432</u>	Gasket, Drain Plug .....	1
12	<u>1016513</u>	Washer, M6 Flat .....	1
13	<u>101890101</u>	Lever, Drive Selector .....	1
14	<u>101890201</u>	Shaft, Drive Selector .....	1
15	<u>101890501</u>	Gear Case (driver side) .....	1
16	<u>101890601</u>	Gear Case (passenger side) .....	1
17	<u>101891301</u>	Arm Pivot .....	1
18	<u>101892901</u>	Washer .....	1
19	<u>101893801</u>	Washer .....	1
20	<u>101926901</u>	Screw, M8-1.25 X 40mm Hex-Head .....	15
21	<u>101927101</u>	Seal, Oil .....	1
22	<u>101927201</u>	Seal, Oil .....	1
23	<u>101927301</u>	Snap Ring .....	1
24	<u>101928601</u>	Pin, Cotter .....	1
25	<u>101928701</u>	Liquid Gasket (Transaxle case) .....	1
26	<u>101834801</u>	Arm, Governor .....	1
27	<u>101886101</u>	Screw, 1/4-20 X 1.00, Square-Head .....	1
28	<u>102515401</u>	Lever, Transmission Shift .....	1
29	<u>183</u>	Washer, #10, Type A, Flat .....	1
30	<u>8233</u>	Locknut, 1/4-20, Nylon Insert .....	1
31	<u>8717</u>	Locknut, Nylon Insert, 1/4-28 .....	1
Note: Kawasaki transaxle component listings span three pages. To identify your transaxle, locate the serial number decal on the axle tube.			

12

G



000221-001

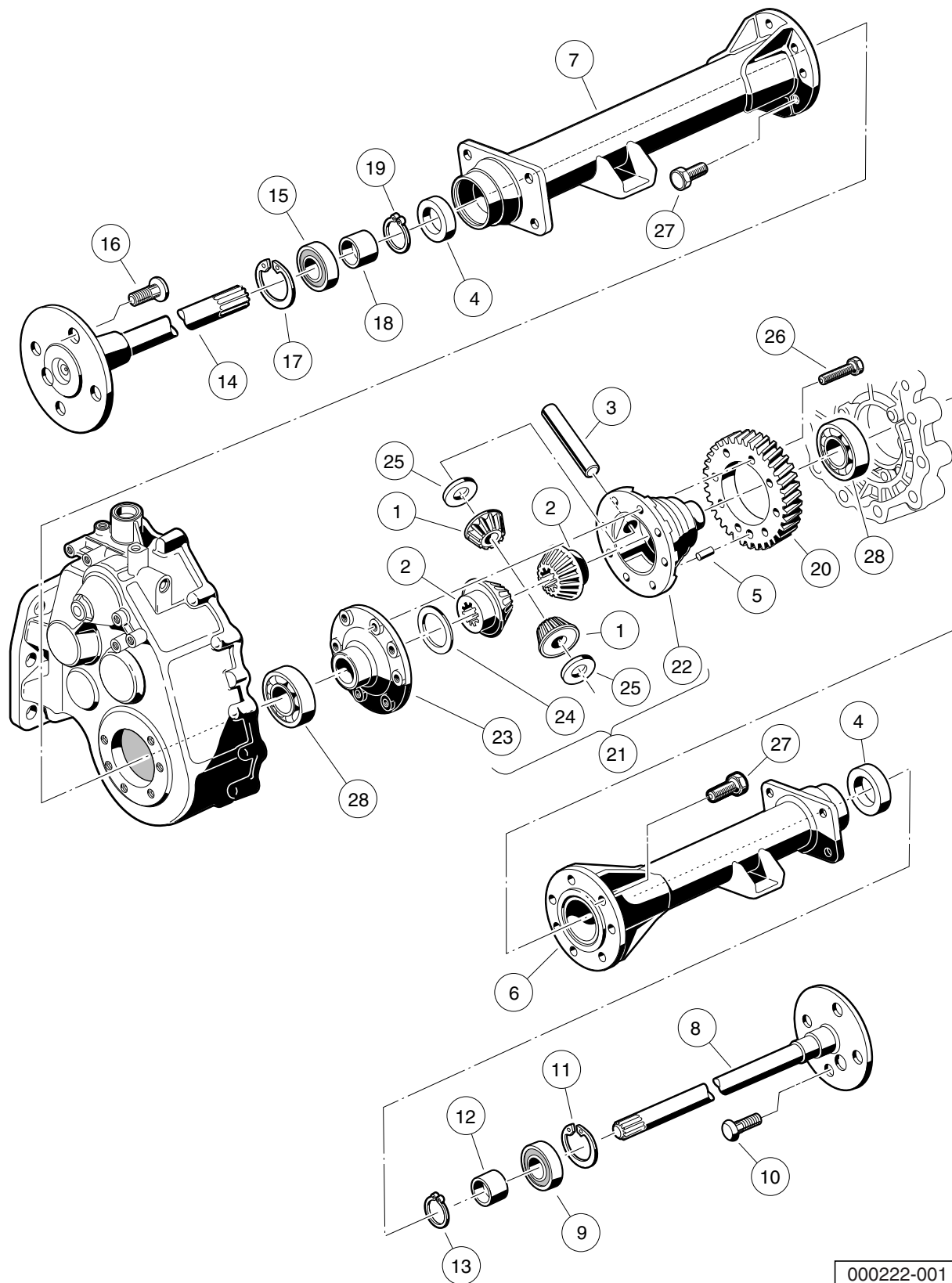


# KAWASAKI TRANSAXLE – F&R TRANSMISSION AND GEAR REDUCTION

12

G

ITEM	PART NO.	DESCRIPTION	QTY
		1 2 3 4	
1	<u>1012714</u>	Oil Seal .....	1
2	<u>1012740</u>	Synchro Insert .....	3
3	<u>1012741</u>	Synchro Spring .....	2
4	<u>1012747</u>	Shifter Ball .....	1
5	<u>1012748</u>	Shifter Spring .....	1
6	<u>1016337</u>	Washer, Thrust .....	1
7	<u>1016338</u>	Washer, Spring .....	2
8	<u>101889401</u>	Guide .....	1
9	<u>101890001</u>	Fork - Shift .....	1
10	<u>101891601</u>	Sleeve, Governor .....	1
11	<u>101891901</u>	Gear, Cluster .....	1
12	<u>101892001</u>	Rod, Shift .....	1
13	<u>101892201</u>	Plate, Thrust .....	3
14	<u>101892301</u>	Governor Assembly .....	1
15	<u>101892401</u>	Gear, Spur .....	1
16	<u>101892501</u>	Gear, Helical (61 Tooth) .....	1
17	<u>101892601</u>	Gear, Helical (17 Tooth) .....	1
18	<u>101893201</u>	Key Sunk .....	1
19	<u>101893901</u>	Washer .....	1
20	<u>101927501</u>	Needle Bearing .....	1
21	<u>101927601</u>	Needle Bearing .....	3
22	<u>101927701</u>	Pin, .116" Dia X 0.264 Dowel .....	1
23	<u>101927901</u>	Sleeve, Synchro .....	1
24	<u>101928001</u>	Hub, Synchro Clutch .....	1
25	<u>101928101</u>	Bearing, Ball .....	1
26	<u>101980801</u>	Gear Assembly, 16-Degree Synchro (25 Tooth) .....	1
27	<u>101980901</u>	Gear Assembly, 16-Degree Rear Synchro (28 Tooth) .....	1
28	<u>101981001</u>	Ring, 16-Degree Synchronizer .....	2
29	<u>102453001</u>	Shaft, Trans, with Circlip .....	1
30	<u>102453101</u>	Circlip .....	1
31	<u>7335</u>	Bearing .....	2
32	<u>AM10080</u>	Bearing, Ball, Sealed .....	2
33	<u>AM10081</u>	Bearing, Ball, Sealed .....	1
<p>Note: To identify your transaxle, locate the serial number decal on the axle</p>			



000222-001

# KAWASAKI TRANSAXLE – DIFFERENTIAL AND AXLES

ITEM	PART NO.	DESCRIPTION	QTY
		1 2 3 4	
1	<u>1013770</u>	Differential Idler Gear .....	2
2	<u>1013771</u>	Gear, Differential .....	2
3	<u>1013772</u>	Pin, Differential .....	1
4	<u>1013794</u>	Axle Shaft Oil Seal .....	2
5	N/A	Dowel Pin .....	1
6	<u>101890901</u>	Axle Tube (Passenger Side) .....	1
7	<u>101891001</u>	Axle Tube (Driver Side) .....	1
8	<u>101891401</u>	Axle Assembly, Passenger Side (includes items 9 through 13) .....	1
9	<u>1011291</u>	Outer Axle, Tube Bearing .....	1
10	<u>1013787</u>	Lug Stud .....	4
11	<u>1013792</u>	Circlip Type C .....	1
12	<u>1014207</u>	Bushing .....	1
13	<u>1016672</u>	Retaining Ring .....	1
14	<u>101891501</u>	Axle Assembly, Driver-Side (includes items 15 through 19) .....	1
15	<u>1011291</u>	Outer Axle, Tube Bearing .....	1
16	<u>1013787</u>	Lug Stud .....	4
17	<u>1013792</u>	Circlip Type C .....	1
18	<u>1014207</u>	Bushing .....	1
19	<u>1016672</u>	Retaining Ring .....	1
20	<u>101892701</u>	Gear, Helical .....	1
21	<u>101910501</u>	Kit, Differential Gear Case (includes items 22 through 25) .....	1
22	<u>1013768</u>	Differential Gear Case, Left-Hand .....	1
23	<u>1013769</u>	Differential Gear Case, Right-Hand .....	1
24	<u>1013773</u>	Plate, Thrust (Differential Gear) .....	1
25	<u>1013774</u>	Plate, Thrust (Idler Gear) .....	2
26	<u>101928301</u>	Screw, M8-1.25 X 35mm Hex Head .....	8
27	<u>102031901</u>	Bolt, M10 X 1.5 X 30mm .....	14
28	<u>7330</u>	Inner Axle Tube Bearing .....	2
Note: To identify your transaxle, locate the serial number decal on the axle			

12

G

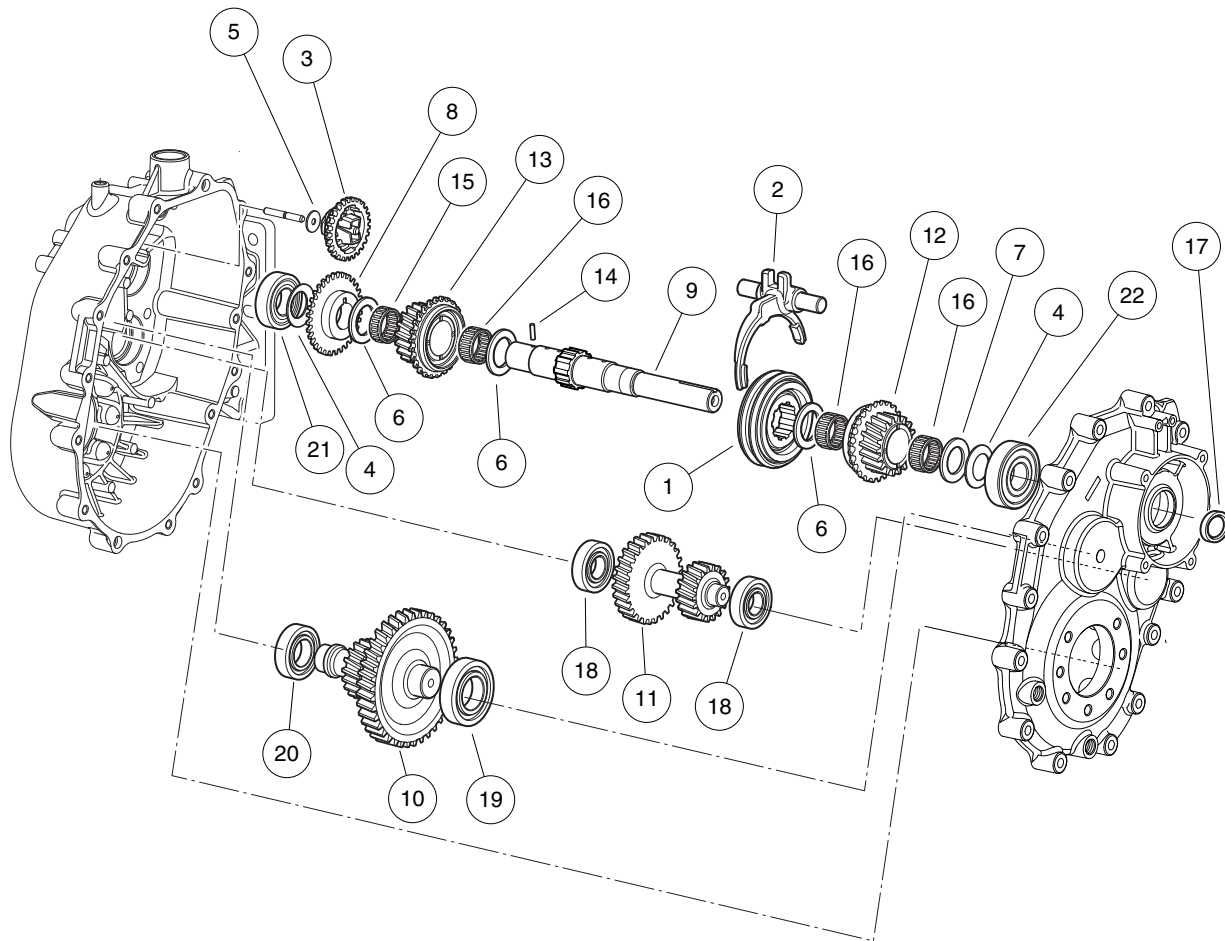


## GRAZIANO TRANSAXLE – GEAR CASES AND LEVERS

ITEM	PART NO.	DESCRIPTION	QTY
		1 2 3 4	
1	<u>1010954</u>	Stud, Ball, 1/4-28 X 0.560 .....	1
2	<u>1013061</u>	Locknut, #10-32 Nylon Insert .....	1
3	<u>1014007</u>	Washer, 1/4, Flat .....	1
4	<u>1017082</u>	Screw, #10-32 X 0.75, Hex-Head Machine .....	1
5	<u>101834801</u>	Arm, Governor .....	1
6	<u>101886101</u>	Screw, 1/4-20 X 1.00, Square-Head .....	1
7	<u>102515401</u>	Lever, Transmission Shift .....	1
8	<u>102896801</u>	Transaxle, Unitized, Graziano (includes items 9 through 28) .....	1
9	<u>102896901</u>	Gear Box (Driver-Side) (includes items 10 and 11) .....	1
10	N/A	Gear Box .....	1
11	N/A	Pin, Speed Governor .....	1
12	<u>102897401</u>	Pin, Split .....	1
13	<u>102897501</u>	Cover, Gear Box (Passenger-Side) .....	1
14	<u>102897601</u>	Conveyor, Oil .....	1
15	<u>102897801</u>	Washer, Thrust .....	1
16	<u>102897901</u>	Lever, Speed Governor .....	1
17	<u>102898201</u>	Unit, Drive Selector .....	1
18	<u>102899101</u>	Dowel .....	2
19	<u>102899201</u>	Screw .....	1
20	<u>102899401</u>	Ring, Snap .....	1
21	<u>102899701</u>	Grommet .....	1
22	<u>102899801</u>	Breather .....	1
23	<u>102900001</u>	Screw .....	15
24	<u>102900101</u>	Drain Plug, Magnetic .....	1
25	<u>102900201</u>	Fill Plug .....	1
26	<u>102900301</u>	Seal .....	2
27	<u>102900601</u>	Washer .....	2
28	<u>102900901</u>	Grommet .....	1
29	<u>183</u>	Washer, #10, Type A, Flat .....	1
30	<u>8233</u>	Locknut, 1/4-20, Nylon Insert .....	1
31	<u>8717</u>	Locknut, Nylon Insert, 1/4-28 .....	1
		<p>Note: Graziano transaxle component listings span three pages. To identify your transaxle, locate the serial number decal on the axle tube.</p>	

12

G



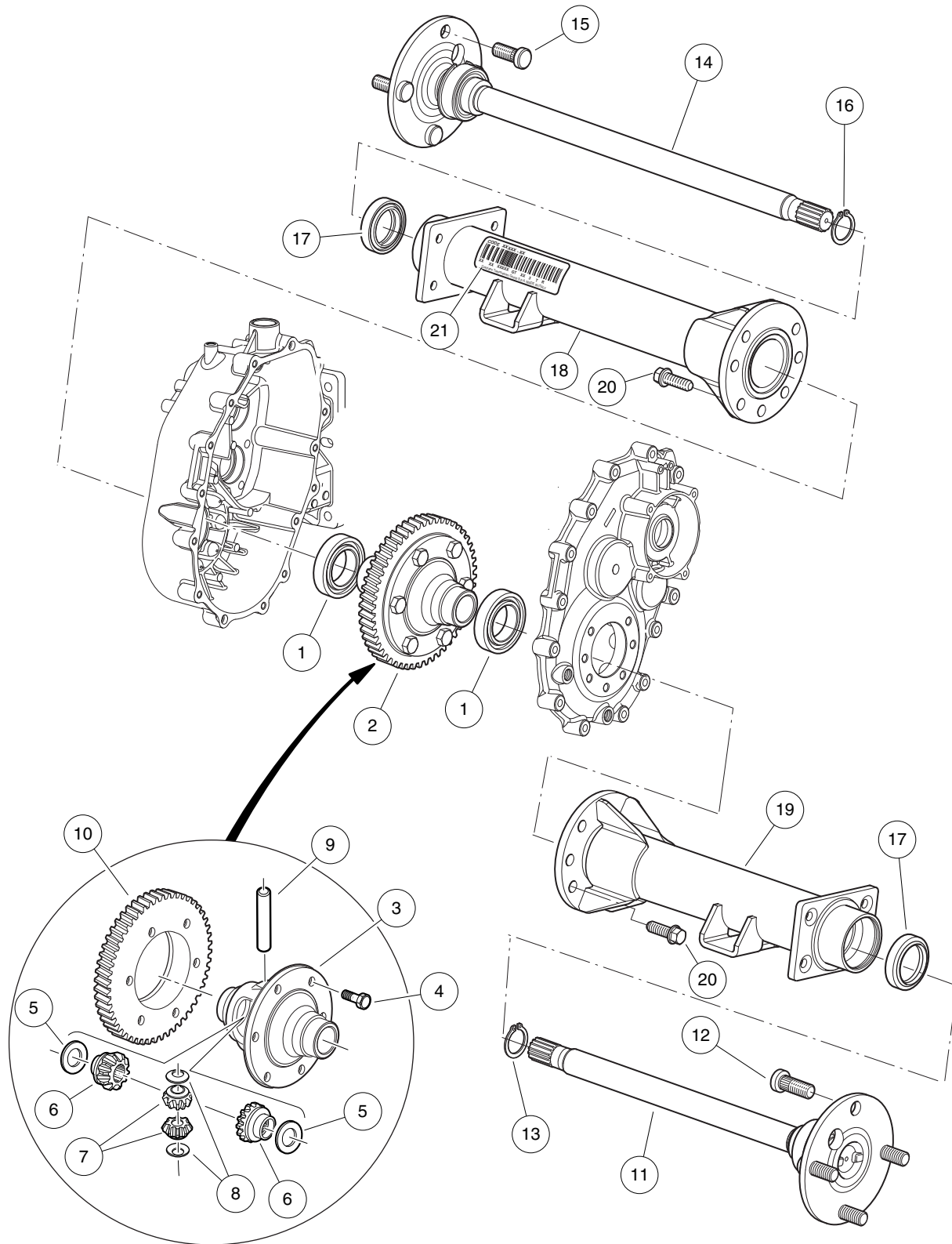
000680-006

# GRAZIANO TRANSAXLE – F&R TRANSMISSION AND GEAR REDUCTION

12

G

ITEM	PART NO.	DESCRIPTION	QTY
		1 2 3 4	
1	<u>102897201</u>	Synchronizer, Complete .....	1
2	<u>102897301</u>	Fork, Complete .....	1
3	<u>102897701</u>	Assembly, Speed Governor .....	1
4	<u>102898001</u>	Washer, Belleville .....	2
5	<u>102898101</u>	Bearing, Thrust .....	1
6	<u>102898301</u>	Bearing, Thrust .....	3
7	<u>102898401</u>	Washer, Thrust .....	1
8	<u>102898501</u>	Gear, Speed Governor .....	1
9	<u>102898601</u>	Shaft, Main .....	1
10	<u>102898701</u>	Shaft, Secondary .....	1
11	<u>102898801</u>	Shaft, Reverse Gear .....	1
12	<u>102898901</u>	Gear, Complete, 25t .....	1
13	<u>102899001</u>	Gear, Complete, 28t .....	1
14	<u>102899301</u>	Pin .....	1
15	<u>102899501</u>	Cage, Roller .....	1
16	<u>102899601</u>	Cage, Roller .....	3
17	<u>102899901</u>	Grommet .....	1
18	<u>102900401</u>	Bearing .....	2
19	<u>102900501</u>	Bearing, 62 Od X 30 Id X 16 .....	1
20	<u>102900701</u>	Bearing .....	1
21	<u>102901001</u>	Bearing .....	1
22	<u>102901101</u>	Bearing .....	1
<p>Note: To identify your transaxle, locate the serial number decal on the axle tube.</p>			



000681-002

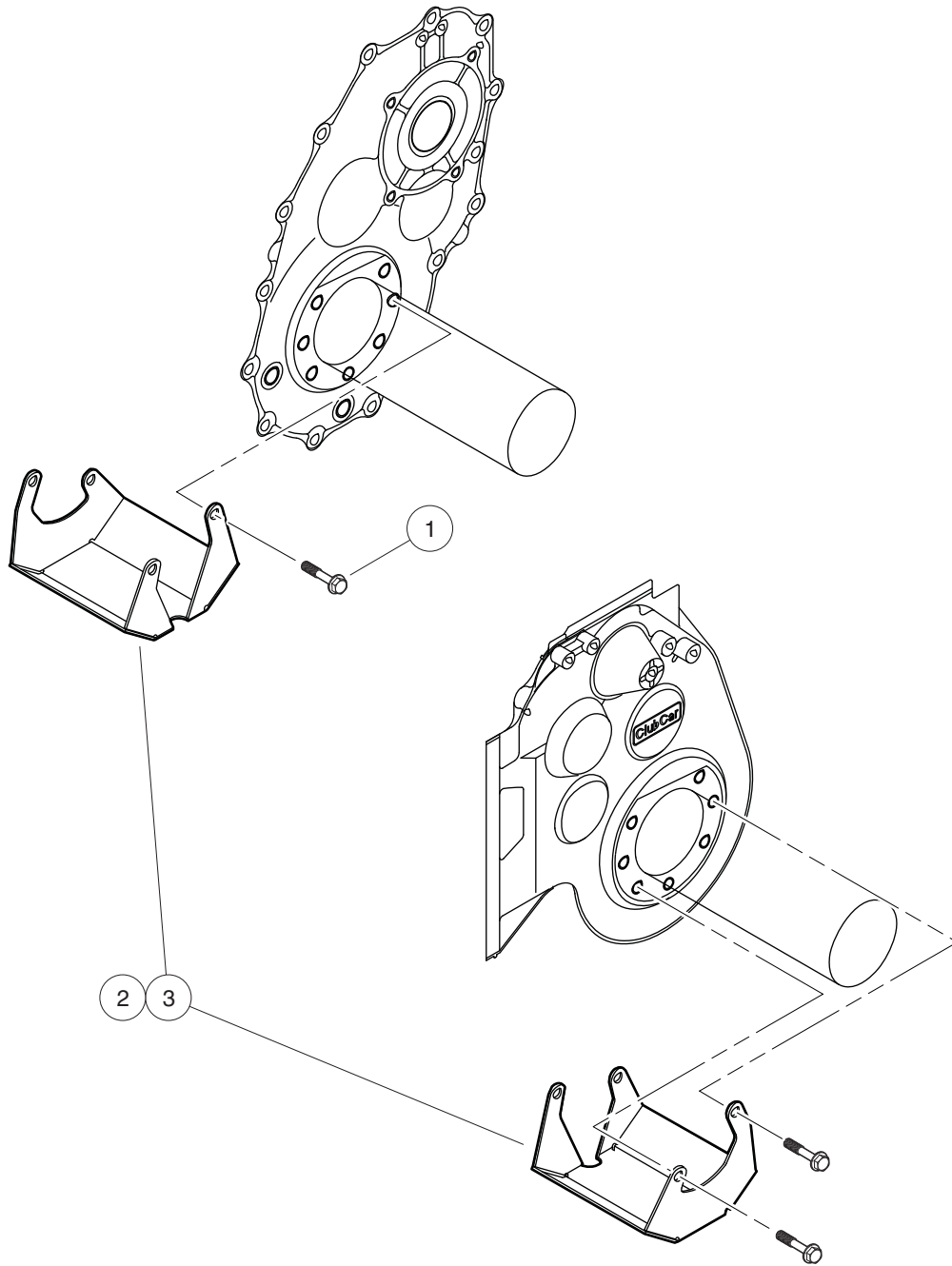


# GRAZIANO TRANSAXLE -DIFFERENTIAL AND AXLES

ITEM	PART NO.	DESCRIPTION	QTY
		1 2 3 4	
1	<u>102900801</u>	Bearing, 68 Od X 40 Id X 15 .....	2
2	<u>102902001</u>	Assembly, Differential (includes items 3 through 10) .....	1
3	<u>102901201</u>	Box, Differential .....	1
4	<u>102901301</u>	Screw, M10 X 25 .....	6
5	<u>102901401</u>	Ring, Sleeve .....	2
6	<u>102901501</u>	Gear, Sun .....	2
7	<u>102901601</u>	Gear, Planetary .....	2
8	<u>102901701</u>	Ring, Sleeve .....	2
9	<u>102901801</u>	Pin .....	1
10	<u>102901901</u>	Gear .....	1
11	<u>102902101</u>	Shaft, Axle, Short, Complete (Passenger-Side) (includes items 12 and 13) .....	1
12	<u>102902301</u>	Bolt, Stud .....	4
13	<u>102902401</u>	Snap Ring .....	1
14	<u>102902201</u>	Shaft, Axle, Long, Complete (Driver-Side) (includes items 15 and 16) .....	1
15	<u>102902301</u>	Bolt, Stud .....	4
16	<u>102902401</u>	Snap Ring .....	1
17	<u>102902501</u>	Seal, Lip .....	2
18	<u>102902601</u>	Axle Tube, (Driver-Side) .....	1
19	<u>102902701</u>	Axle Tube, (Passenger-Side) .....	1
20	<u>102902801</u>	Screw, M10 X 30 .....	14
21	N/A	Tag, Serial .....	1
<p>Note: To identify your transaxle, locate the serial number decal on the axle tube.</p>			

12

G



000366-001

## DIFFERENTIAL GUARD – GASOLINE VEHICLE

ITEM	PART NO.	DESCRIPTION	QTY
		1 2 3 4	
1	<u>101926901</u>	Screw, M8-1.25 X 40mm Hex-Head .....	4
2	<u>101932902</u>	Diff Guard Unitized Kit (Includes Instructions) (includes item 3) .....	1
3	N/A	Guard, Unitized Differential .....	1

12

G

12

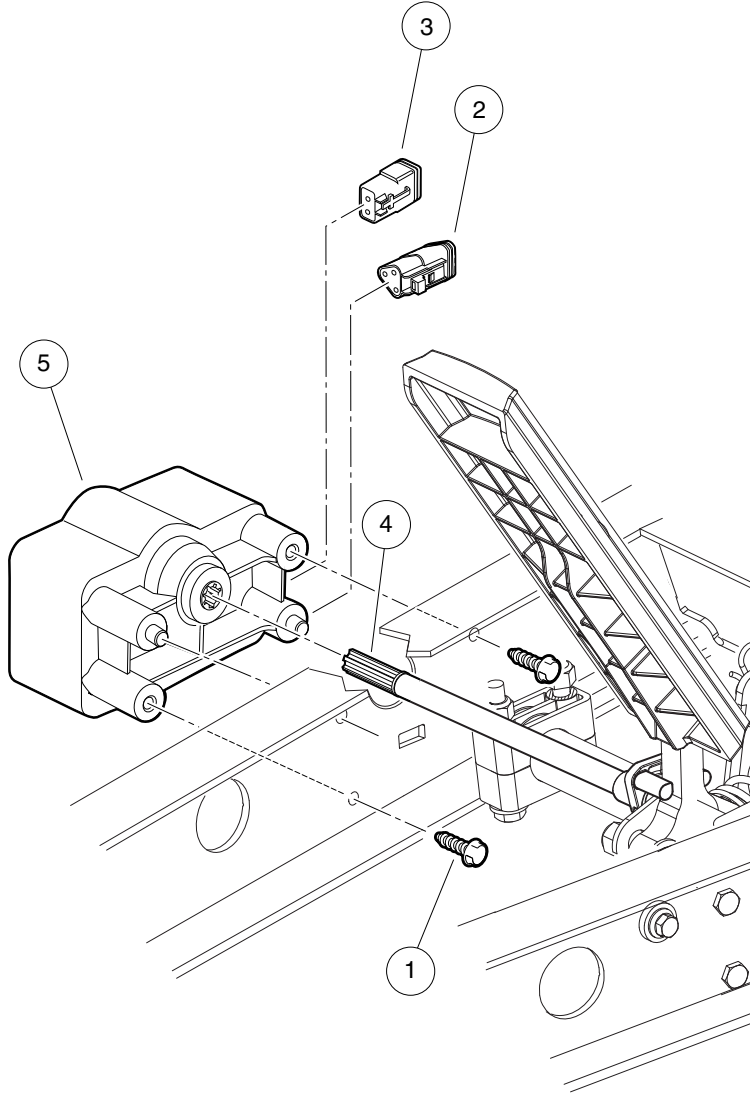
G

# **ELECTRICAL SYSTEM, ELECTRIC VEHICLES – TO EARLY-2011 MODEL**

---

**13**

**E**



001070-001

# MOTOR CONTROLLER OUTPUT REGULATOR (MCOR)

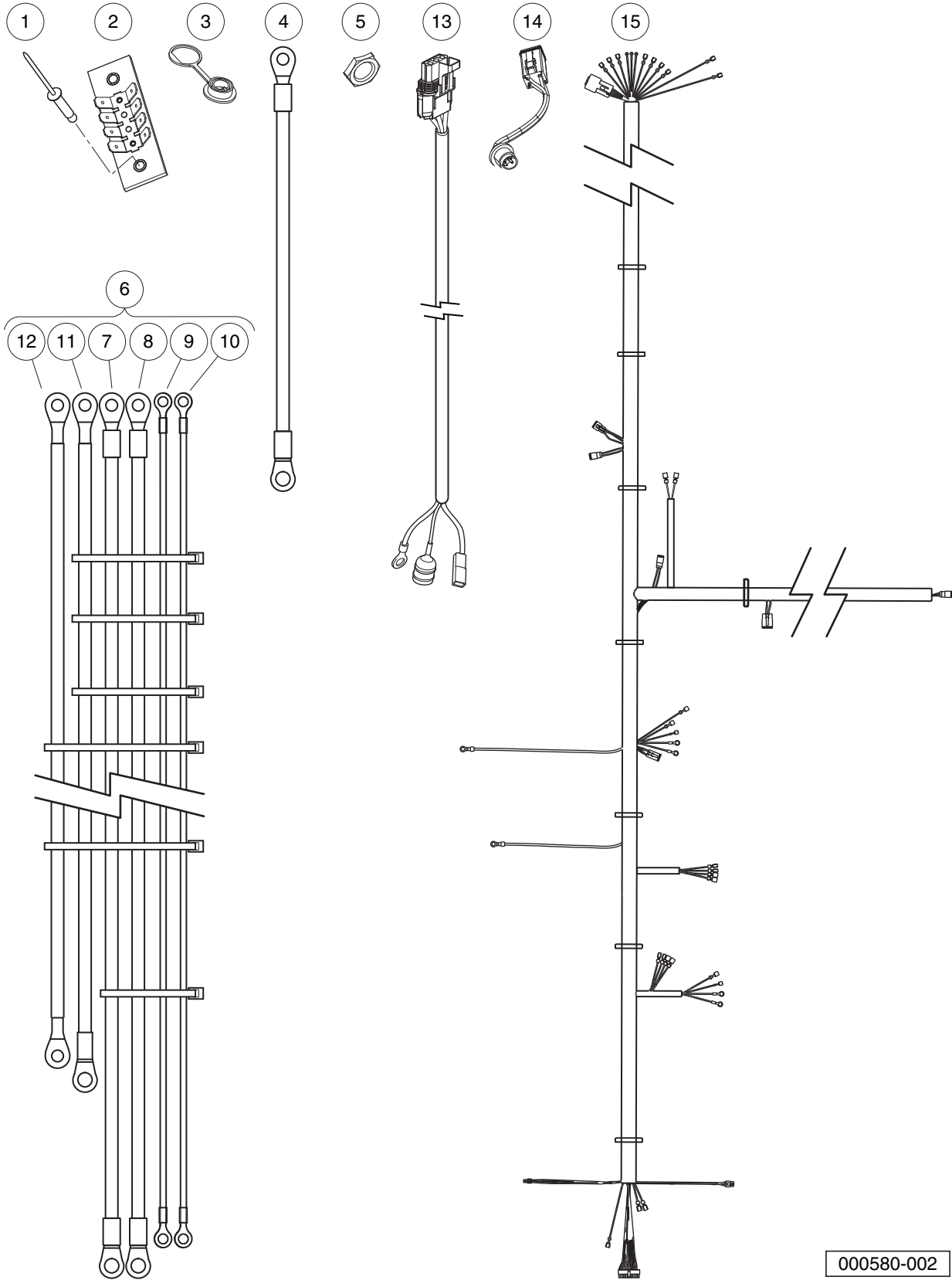
ITEM	PART NO.	DESCRIPTION	QTY
		1 2 3 4	
1	<u>1015752</u>	Screw, #12-16 X 0.625, Hi-Lo .....	2
2	<u>101920101</u>	Kit, 3-Pin Wedge Lock .....	1
3	<u>101936801</u>	Kit, 2-Pin Wedge Lock .....	1
4	102101001	Bar, Drive, Cast .....	1
5	<u>102101101</u>	MCOR .....	1

13

E

13

E



000580-002



# WIRING – VILLAGER 6 IQ PLUS ELECTRIC – TO EARLY-2011 MODEL YEAR

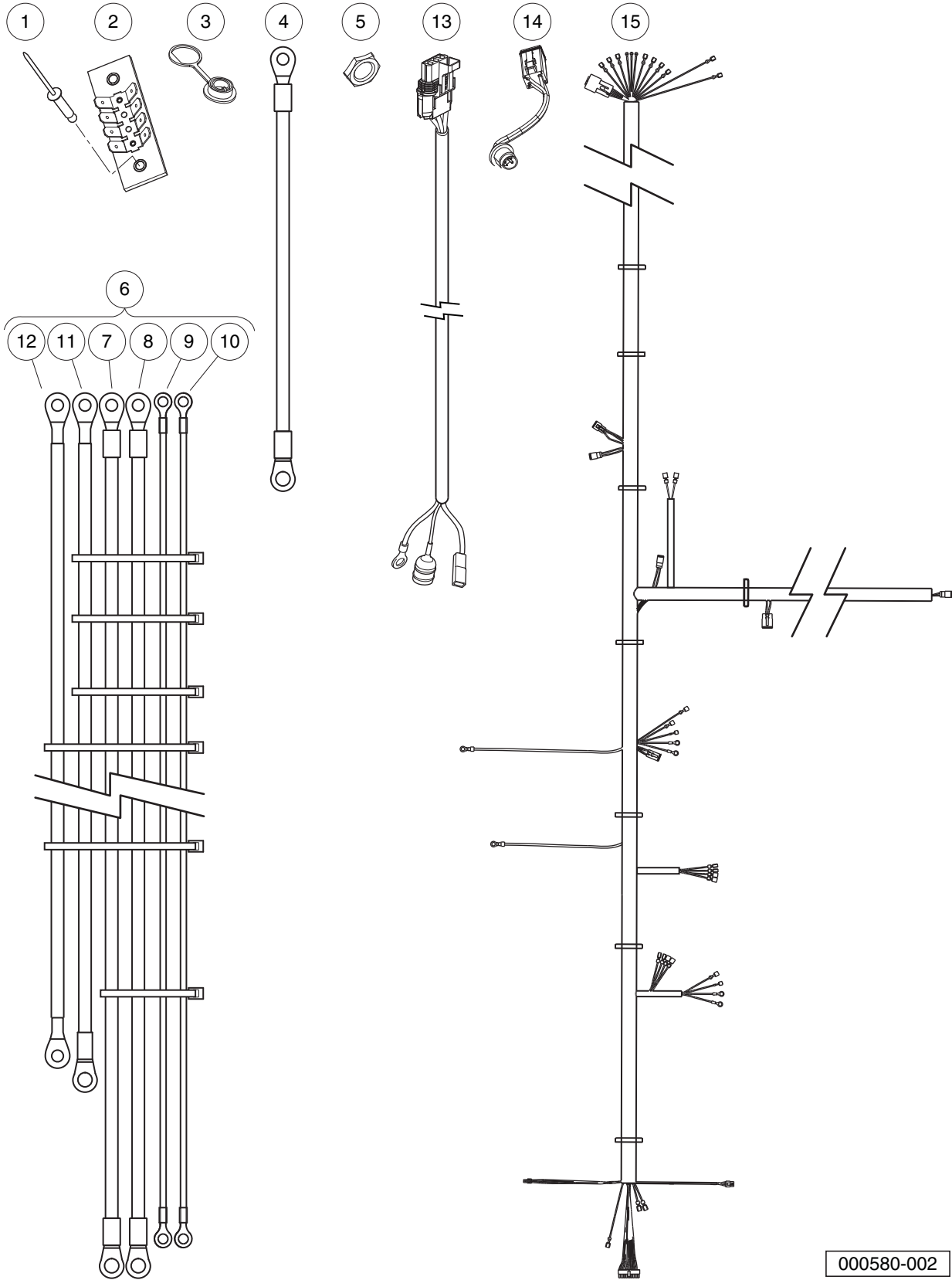
ITEM	PART NO.	DESCRIPTION	QTY
		1 2 3 4	
1	<u>1013357</u>	Rivet, 5/32 Aluminum Pop .....	2
2	<u>1016356</u>	Terminal Block with Insulator .....	1
3	<u>102196901</u>	Dust Cap .....	1
4	<u>102440901</u>	Wire Asm, #4 Yellow, 13" .....	1
5	<u>102572401</u>	Nut, Diagnostic Port, Prec .....	1
6	<u>102845501</u>	Harness, Power, Stretch IQ Plus (includes items 7 through 12) .....	1
7	N/A	Asm, #4 Grn Wire, 89" .....	1
8	N/A	Asm, #4 Wht Wire, 88.5" .....	1
9	N/A	Asm, #10 Org Wire, 89.5" .....	1
10	N/A	Asm, #10 Blu Wire, 95.5" .....	1
11	N/A	Asm, #4 Red Wire, 67.5" .....	1
12	N/A	Asm, #4 Blk Wire, 57.5" .....	1
13	<u>102938301</u>	Chrgr Harness, Iq Plus, Shelf .....	1
14	<u>103218601</u>	Harness, Diagnostic Port .....	1
15	<u>103222001</u>	Asm, Wire Harness, Stretch, Electric .....	1
		<p>Note: Wire Harness <u>102938301</u> is for use with Onboard Computers equipped with the Packard 56 Series connector. NOTE 2: Wire Harness <u>103222001</u> is for use with Battery Chargers equipped with the Packard 56 Series connector.</p>	

13

E

13

E



000580-002

# WIRING – VILLAGER 8 IQ PLUS ELECTRIC – TO EARLY-2011 MODEL YEAR

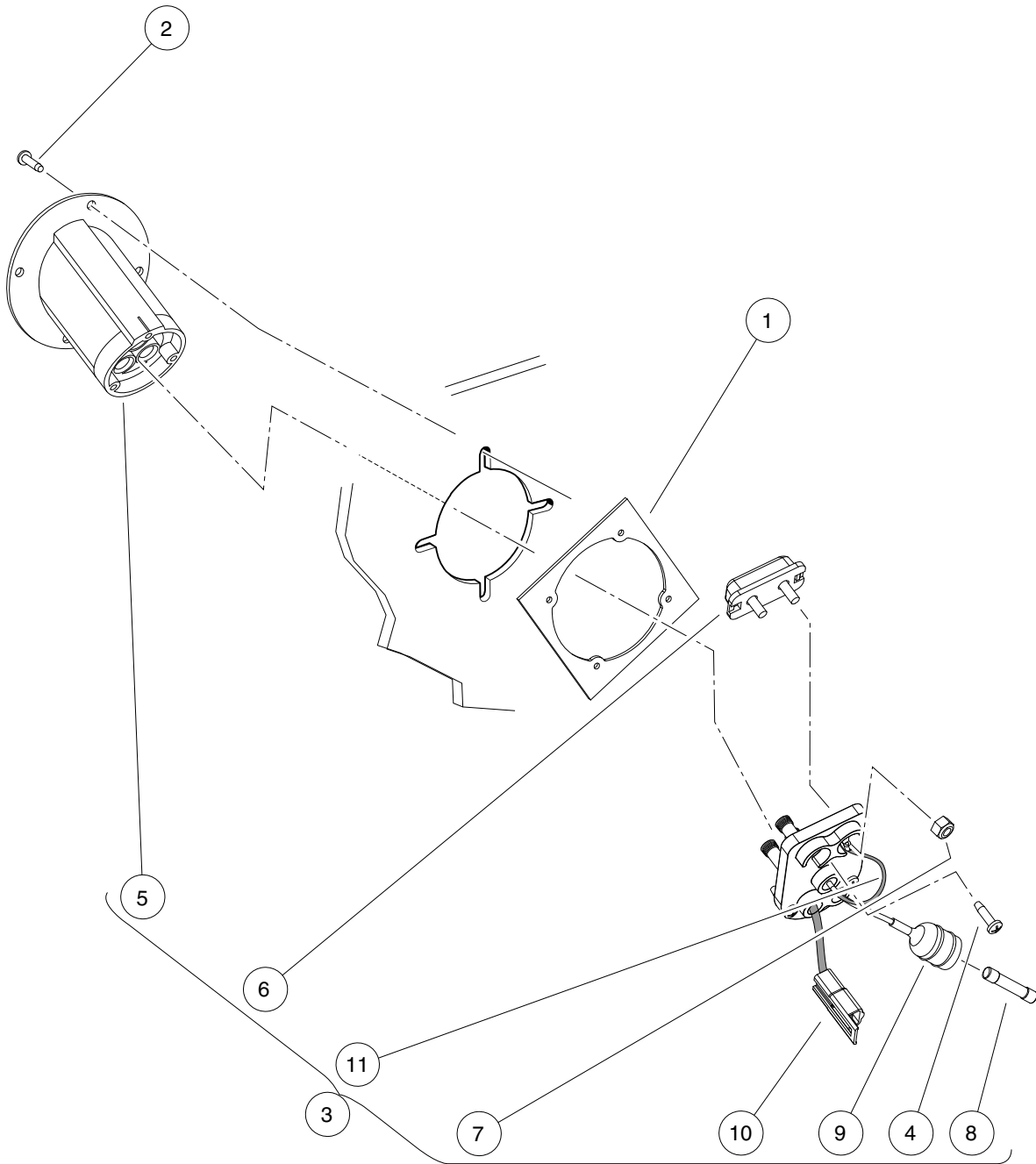
ITEM	PART NO.	DESCRIPTION	QTY
		1 2 3 4	
1	<u>1013357</u>	Rivet, 5/32 Aluminum Pop .....	2
2	<u>1016356</u>	Terminal Block with Insulator .....	1
3	<u>102196901</u>	Dust Cap .....	1
4	<u>102440901</u>	Wire Asm, #4 Yellow, 13" .....	1
5	<u>102572401</u>	Nut, Diagnostic Port, Prec .....	1
6	<u>102845501</u>	Harness, Power, Stretch IQ Plus (includes items 7 through 12) .....	1
7	N/A	Asm, #4 Grn Wire, 89" .....	1
8	N/A	Asm, #4 Wht Wire, 88.5" .....	1
9	N/A	Asm, #10 Org Wire, 89.5" .....	1
10	N/A	Asm, #10 Blu Wire, 95.5" .....	1
11	N/A	Asm, #4 Red Wire, 67.5" .....	1
12	N/A	Asm, #4 Blk Wire, 57.5" .....	1
13	<u>102938301</u>	Chrgr Harness, Iq Plus, Shelf .....	1
14	<u>103218601</u>	Harness, Diagnostic Port .....	1
15	<u>103222101</u>	Asm, Wire Harness, Villager 8, Electric .....	1
		<p>Note: Wire Harness <u>102938301</u> is for use with Onboard Computers equipped with the Packard 56 Series connector. NOTE 2: Wire Harness <u>103222101</u> is for use with Battery Chargers equipped with the Packard 56 Series connector.</p>	

13

E

**13**

**E**



000369-002

# BATTERY CHARGER RECEPTACLE – TO EARLY-2011 MODEL YEAR

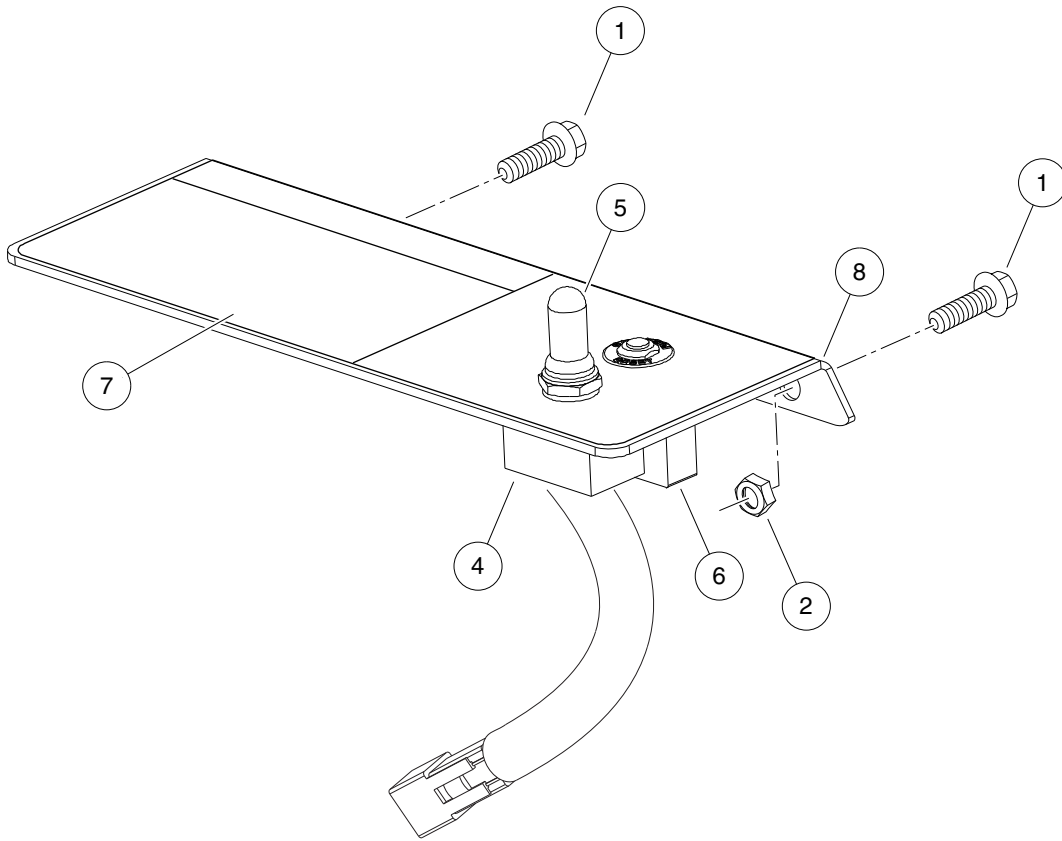
ITEM	PART NO.	DESCRIPTION	QTY
		1 2 3 4	
1	<u>101801001</u>	Plate, Receptacle Backing .....	1
2	<u>101832001</u>	Screw, #7-19 X 0.625 Phillips Pan-Head Tap .....	4
3	<u>102848701</u>	Fuse and Receptacle Assembly (includes items 4 through 11) .....	1
4	<u>1017705</u>	Screw, #8 X 5/8 Phillips Pan-Head Type AB .....	3
5	<u>101796501</u>	Receptacle .....	1
6	<u>101796801</u>	Fuse Assembly (includes item 7) .....	1
7	<u>1013061</u>	Locknut, #10-32 Nylon Insert .....	2
8	<u>101894901</u>	Fuse, 3/8-Amp .....	1
9	N/A	Wire Assembly, Sense Lead, Gray .....	1
10	N/A	Wire Assembly, #10 Red .....	1
11	N/A	Wire Assembly, #10 Black .....	1
		Note: For use with charging system equipped with the Packard 56 series connector.	

13

E

13

E



000425-001

## TOW/RUN SWITCH – IQ PLUS VEHICLES

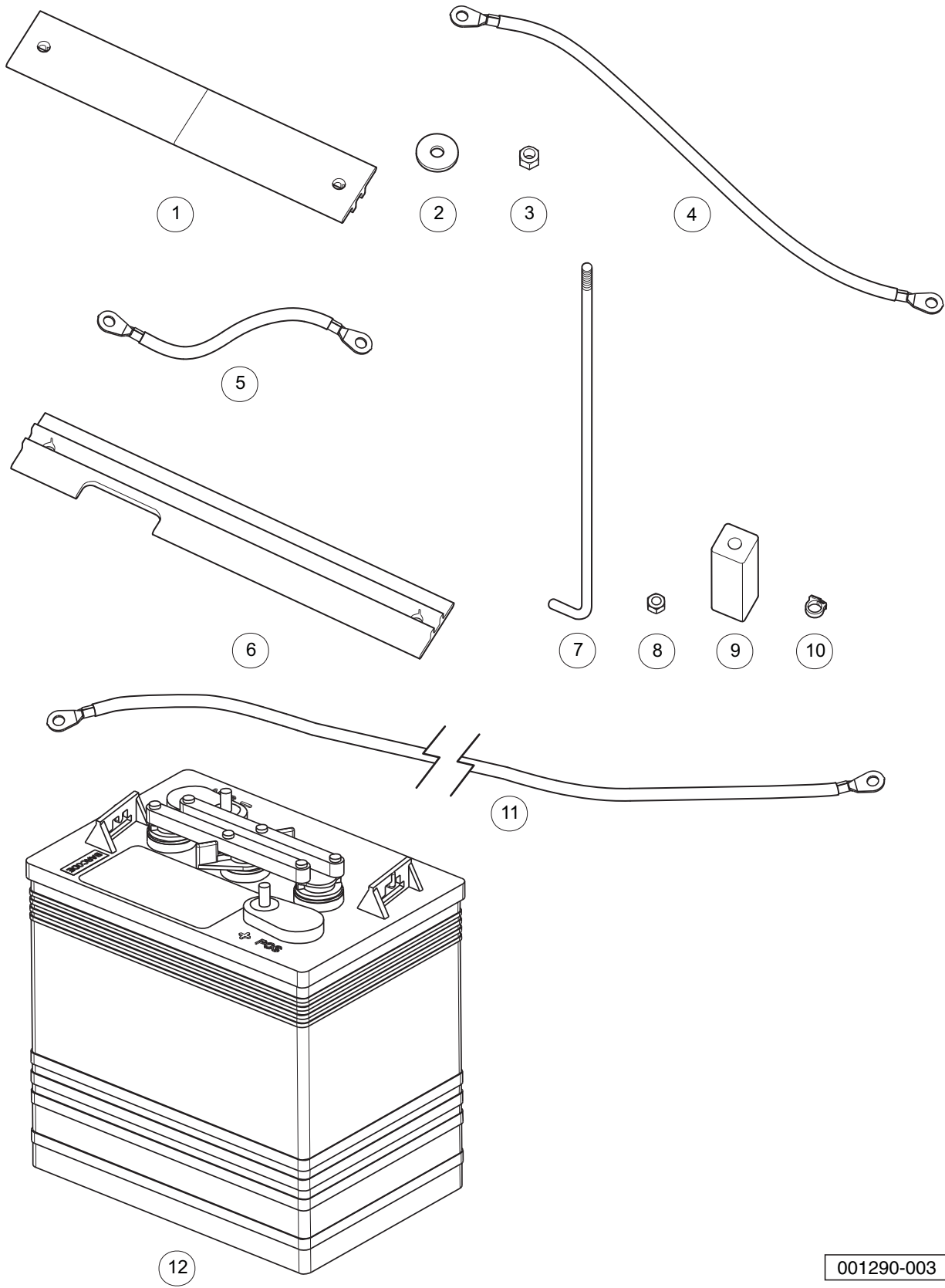
ITEM	PART NO.	DESCRIPTION	QTY
		1 2 3 4	
1	<u>1012126</u>	Screw, #10-32 X .625 Hx Washer .....	1
2	<u>1013061</u>	Locknut, #10-32 Nylon Insert .....	2
3	N/A	Tow/Run Switch Assembly (includes items 4 through 8) .....	1
4	<u>101908101</u>	Switch Assembly, Tow/Run .....	1
5	<u>101908401</u>	Boot, Switch .....	1
6	<u>102838101</u>	Circuit Breaker 250vac-50vdc .....	1
7	<u>102845101</u>	Decal, Tow Switch .....	1
8	<u>102915701</u>	Plate, Switch, Run Tow, Mode .....	1

13

E

13

E



001290-003



## BATTERIES, 6-VOLT, STANDARD DUTY, JCI

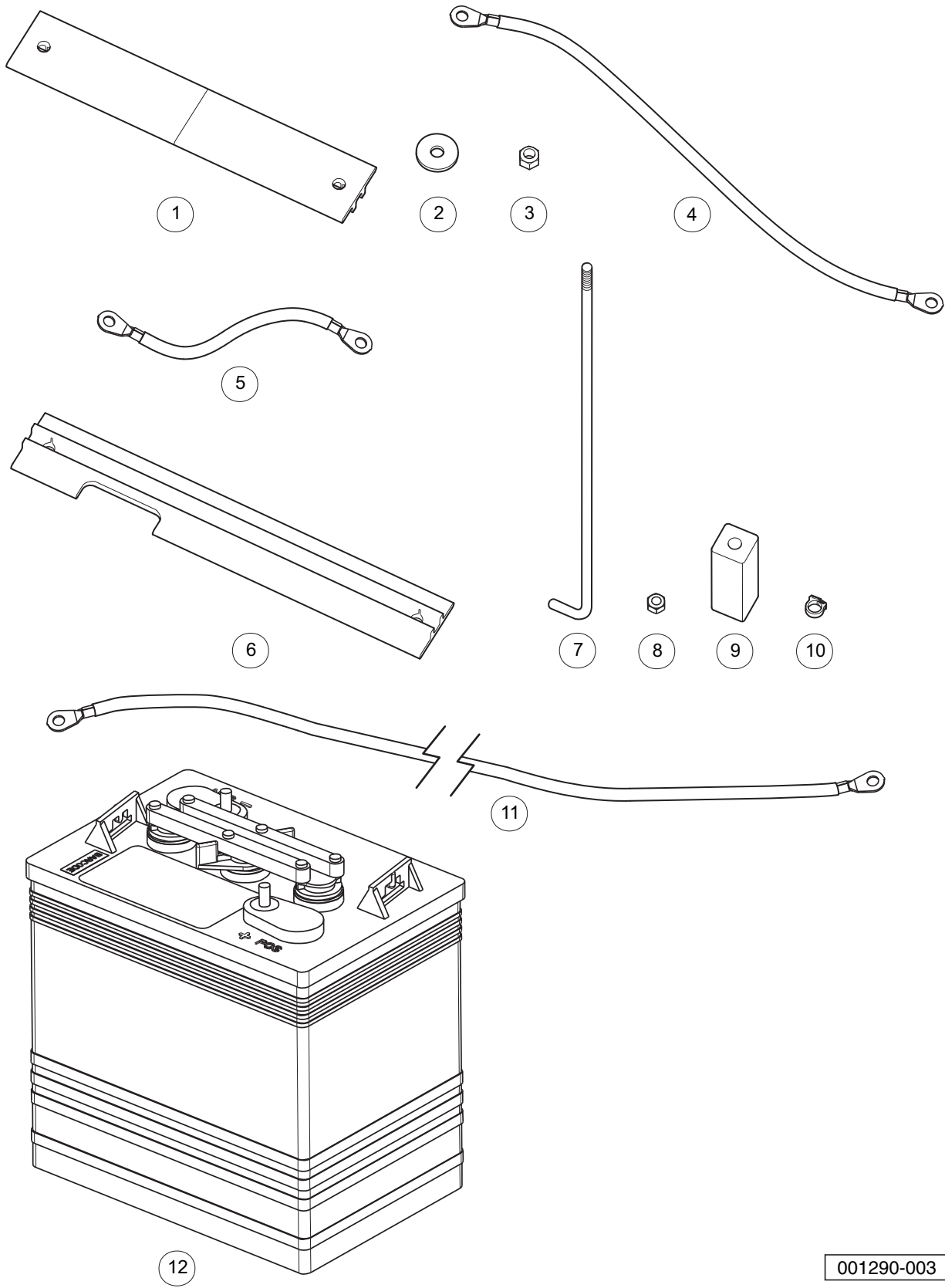
ITEM	PART NO.	DESCRIPTION	QTY
		1 2 3 4	
1	<u>101090801</u>	Hold-Down, Battery .....	2
2	<u>1011578</u>	Washer, 5/16 Type B Flat .....	12
3	1015072	Locknut, 5/16-18 Nylon Insert .....	12
4	<u>102002801</u>	Wire Assy, #4 Black .....	2
5	<u>102002901</u>	Wire Assy, #4 Black .....	3
6	<u>102766201</u>	Hold Down, Outside .....	4
7	<u>102845203</u>	Rod, Battery Hold Down 10.7" .....	12
8	<u>102873401</u>	5/16-18 Heavy Hex Nut .....	16
9	<u>102980801</u>	Extr, Plastic, 1 X 1 X 3 .....	4
10	<u>102980901</u>	Clamp, Hose, Nylon, .25 .....	1
11	<u>103198201</u>	Asm, #4 Blk Wire, 42" .....	1
12	103793102	Battery, 6v, Gc2, Dry .....	8

13

E

13

E



001290-003

## BATTERIES, 6-VOLT, HEAVY DUTY, CROWN

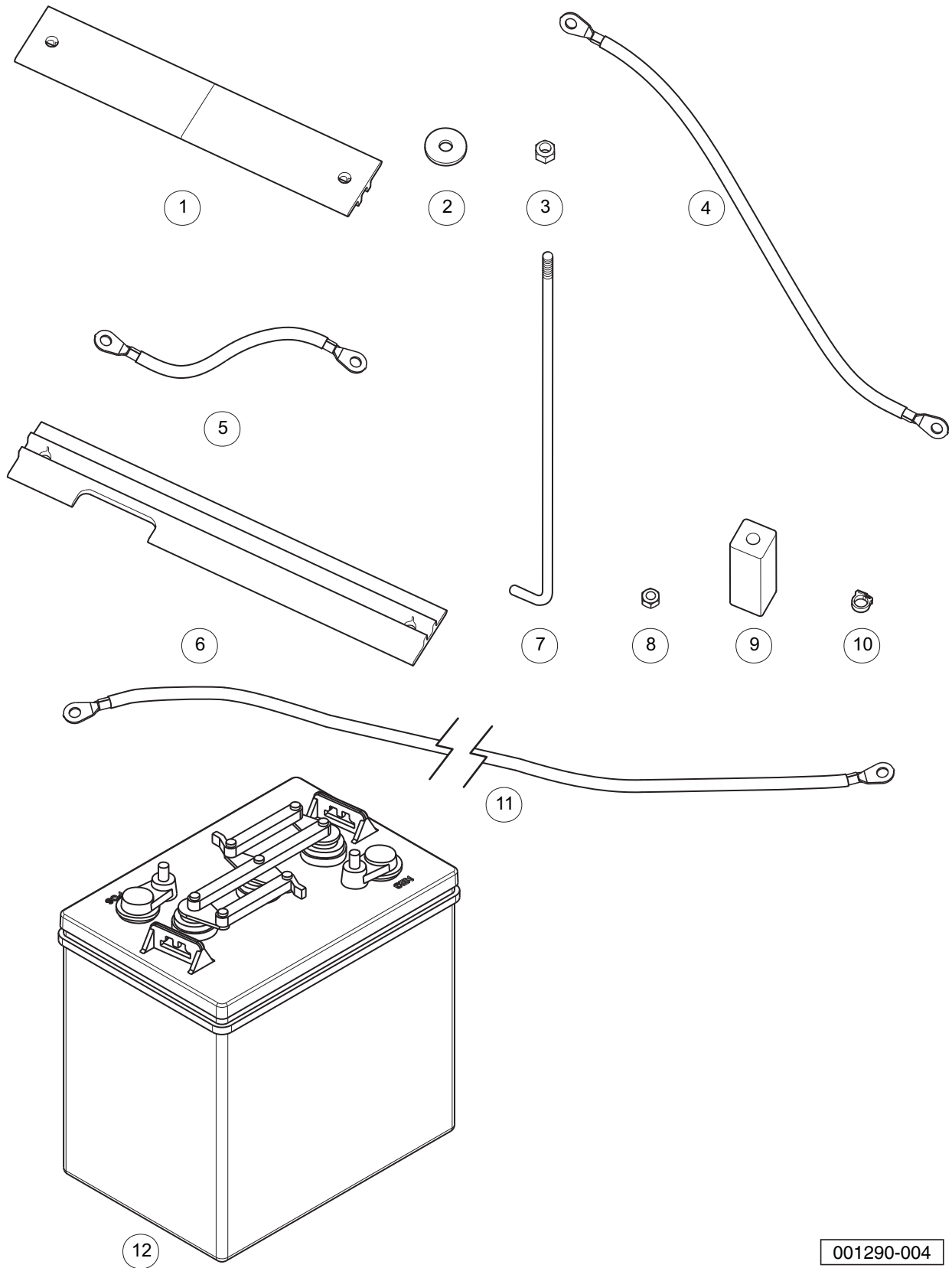
ITEM	PART NO.	DESCRIPTION	QTY
		1 2 3 4	
1	<u>101090801</u>	Hold-Down, Battery .....	2
2	<u>1011578</u>	Washer, 5/16 Type B Flat .....	12
3	<u>1015072</u>	Locknut, 5/16-18 Nylon Insert .....	12
4	<u>102002801</u>	Wire Assy, #4 Black .....	2
5	<u>102002901</u>	Wire Assy, #4 Black .....	3
6	<u>102766201</u>	Hold Down, Outside .....	4
7	<u>102845204</u>	Rod, Battery Hold Down 12" .....	12
8	<u>102873401</u>	5/16-18 Heavy Hex Nut .....	16
9	<u>102980801</u>	Extr, Plastic, 1 X 1 X 3 .....	4
10	<u>102980901</u>	Clamp, Hose, Nylon, .25 .....	4
11	<u>103198201</u>	Asm, #4 Blk Wire, 42" .....	1
12	<u>103720402</u>	Battery, 6v, Cr245, Moist .....	8

13

E

13

E



001290-004

## BATTERIES, 6-VOLT, STANDARD DUTY, U.S. BATTERY

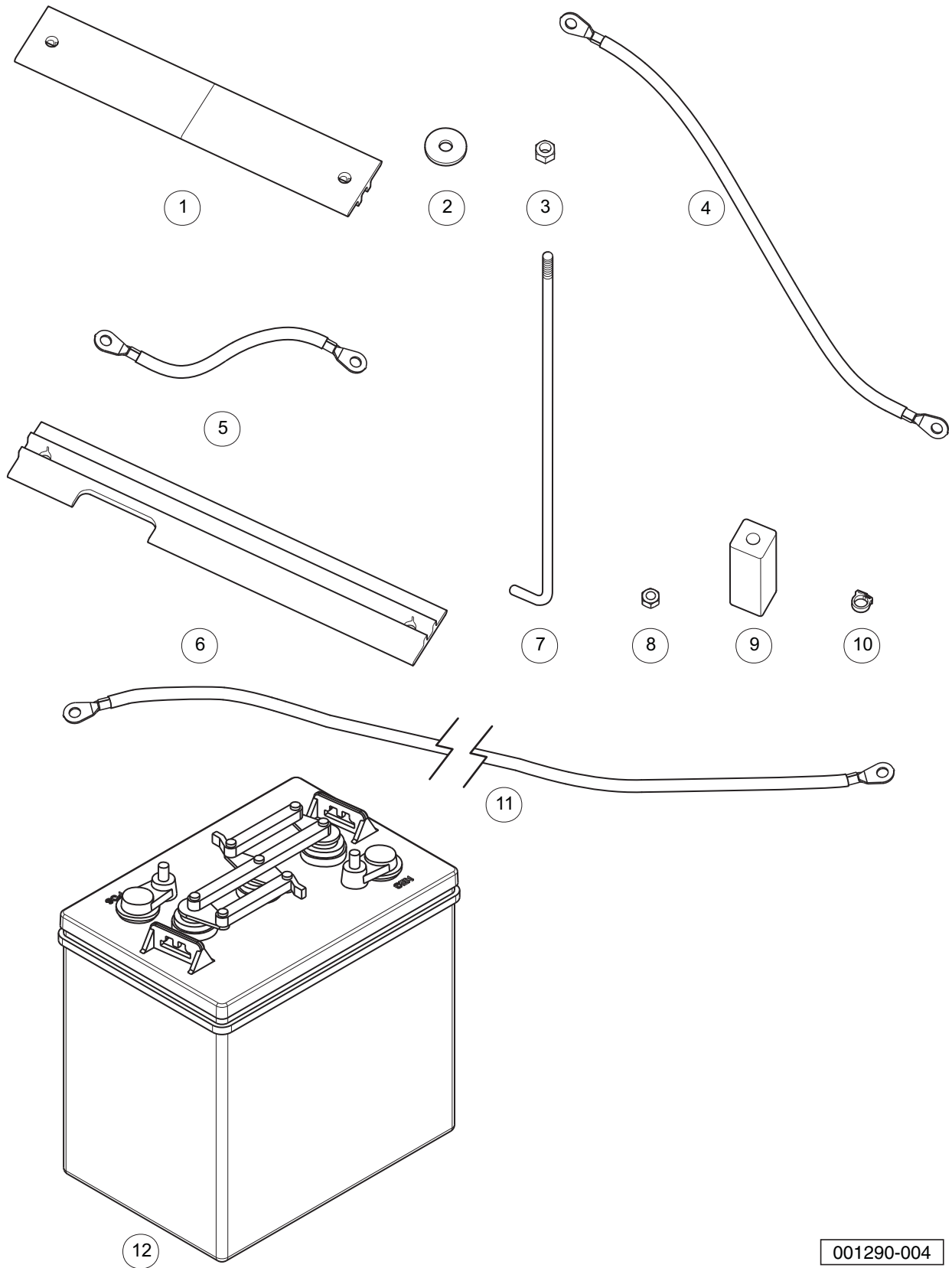
ITEM	PART NO.	DESCRIPTION	QTY
		1 2 3 4	
1	<u>101090801</u>	Hold-Down, Battery .....	2
2	<u>1011578</u>	Washer, 5/16 Type B Flat .....	12
3	<u>1015072</u>	Locknut, 5/16-18 Nylon Insert .....	12
4	<u>102002801</u>	Wire Assy, #4 Black .....	2
5	<u>102002901</u>	Wire Assy, #4 Black .....	3
6	<u>102766201</u>	Hold Down, Outside .....	4
7	<u>102845203</u>	Rod, Battery Hold Down 10.7" .....	12
8	<u>102873401</u>	5/16-18 Heavy Hex Nut .....	16
9	<u>102980801</u>	Extr, Plastic, 1 X 1 X 3 .....	4
10	<u>102980901</u>	Clamp, Hose, Nylon, .25 .....	1
11	<u>103198201</u>	Asm, #4 Blk Wire, 42" .....	1
12	<u>103695502</u>	Battery, 6v, 2000xc, Dry .....	8
		<p>Note: If U.S. Battery is used to replace any other brand of battery, the onboard computer must be changed to match. See Computer, Controller, and Solenoid pages.</p>	

13

E

13

E



001290-004

## BATTERIES, 6-VOLT, HEAVY DUTY, U.S. BATTERY

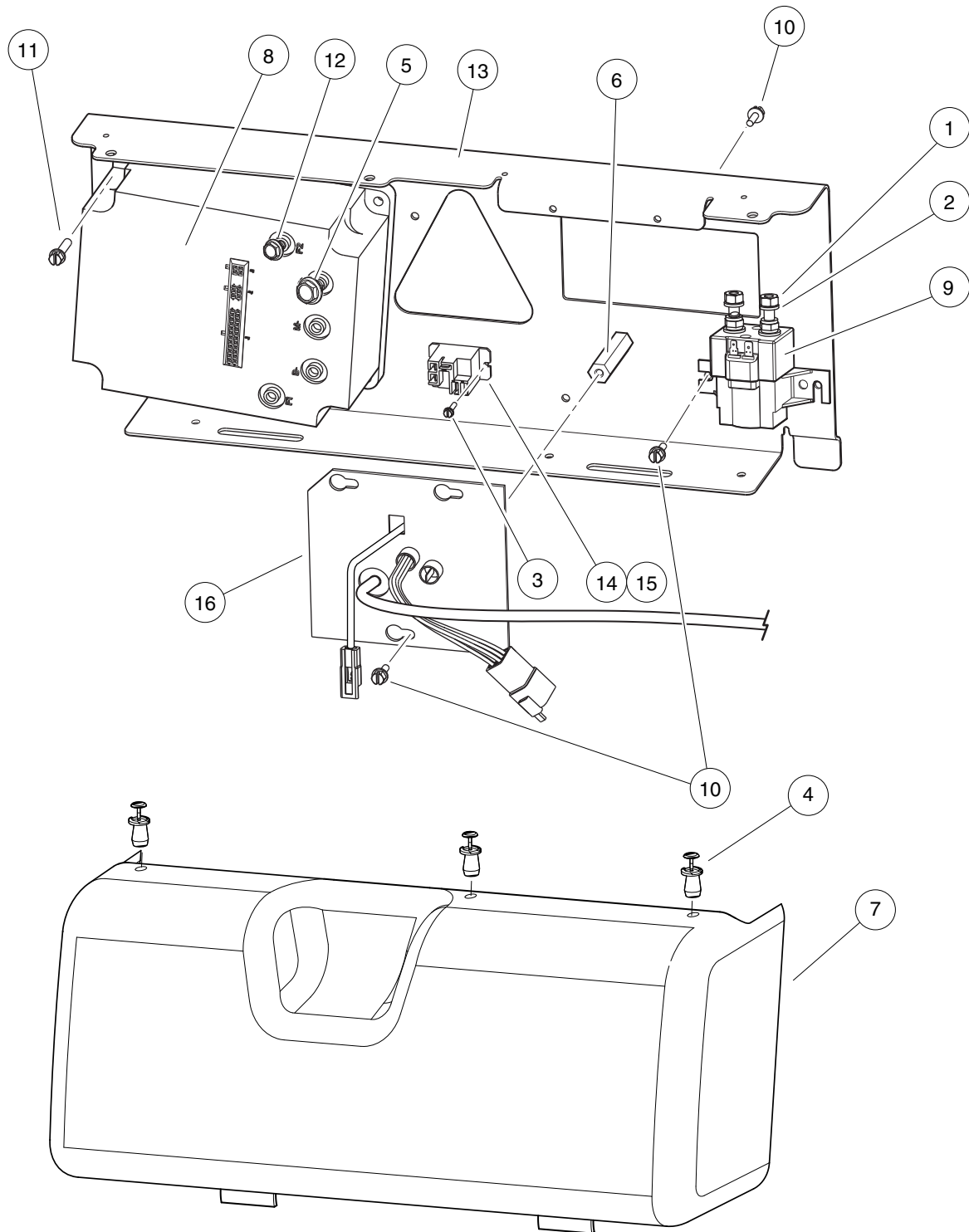
ITEM	PART NO.	DESCRIPTION	QTY
		1 2 3 4	
1	<u>101090801</u>	Hold-Down, Battery .....	2
2	<u>1011578</u>	Washer, 5/16 Type B Flat .....	12
3	<u>1015072</u>	Locknut, 5/16-18 Nylon Insert .....	12
4	<u>102002801</u>	Wire Assy, #4 Black .....	2
5	<u>102002901</u>	Wire Assy, #4 Black .....	3
6	<u>102766201</u>	Hold Down, Outside .....	4
7	<u>102845204</u>	Rod, Battery Hold Down 12" .....	12
8	<u>102873401</u>	5/16-18 Heavy Hex Nut .....	16
9	<u>102980801</u>	Extr, Plastic, 1 X 1 X 3 .....	4
10	<u>102980901</u>	Clamp, Hose, Nylon, .25 .....	4
11	<u>103198201</u>	Asm, #4 Blk Wire, 42" .....	1
12	<u>103695702</u>	Battery, 6v, 145xc, Dry .....	8
<p>Note: If U.S. Battery is used to replace any other brand of battery, the onboard computer must be changed to match. See Computer, Controller, and Solenoid pages.</p>			

13

E

13

E



001246-002



# COMPUTER, CONTROLLER, AND SOLENOID – FOR JCI & CROWN BATTERIES – TO EARLY-2011 MODEL YEAR

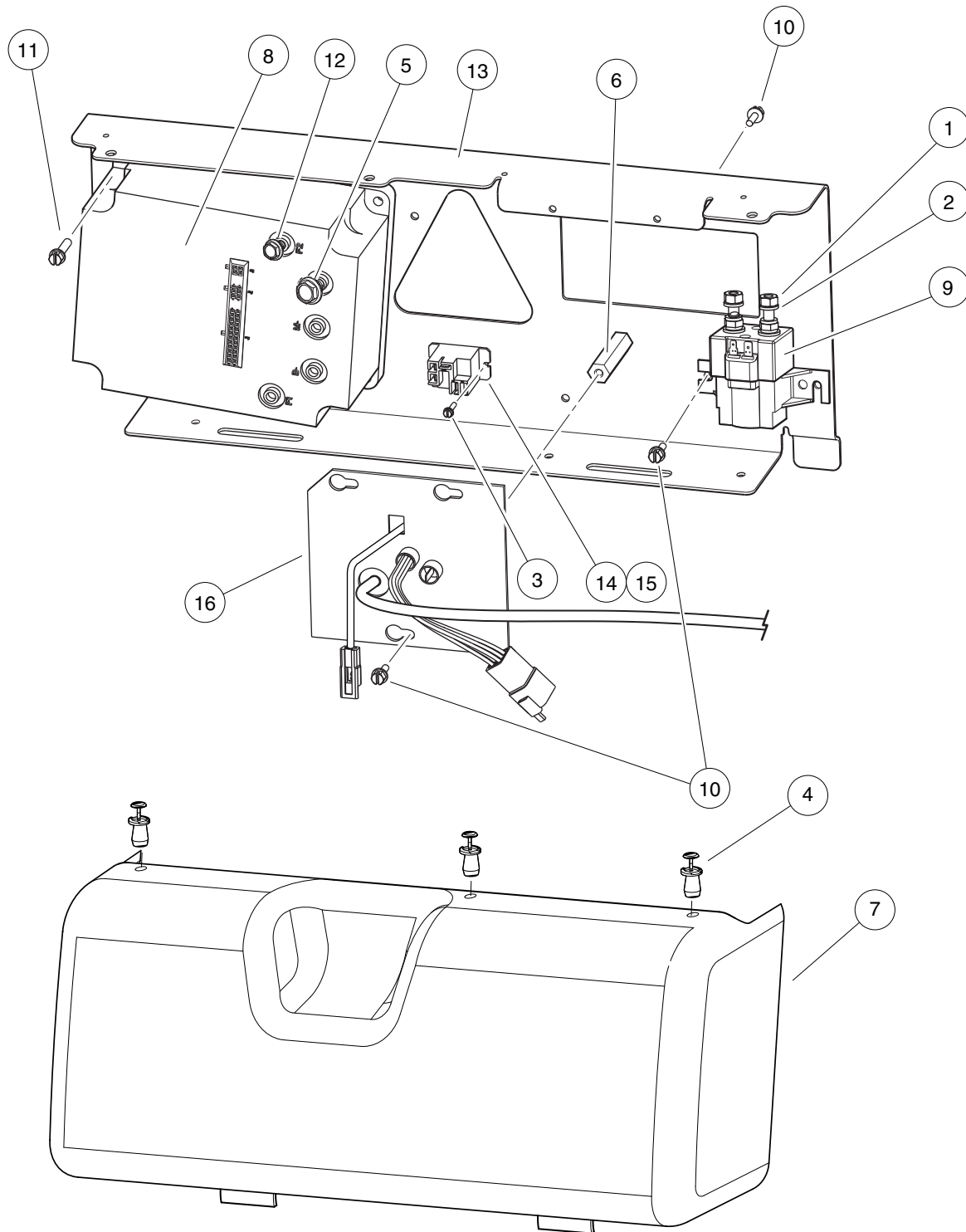
ITEM	PART NO.	DESCRIPTION	QTY
		1 2 3 4	
1	<u>1012528</u>	Nut, M8-1.25 Hex .....	2
2	<u>1013734</u>	Lockwasher, 8mm Split .....	2
3	<u>1015720</u>	Screw, #6-32 X 1/2 Hex Washer-Head .....	2
4	<u>1016967</u>	Blind Rivet, Push Type .....	3
5	<u>102240501</u>	Bolt, Controller, Terminal .....	3
6	<u>102769701</u>	Spacer, 2", 1/4-20, Hex .....	1
7	<u>102772402</u>	Cover, Electrical Component, Carryall 6 .....	1
8	<u>102774501</u>	Controller, 500 Amp .....	1
9	<u>102774701</u>	Solenoid, 48v .....	1
10	<u>102817101</u>	Screw, 1/4-20 X .50 Hex Wsh Hd .....	6
11	<u>102817201</u>	Screw, 1/4-20 X .88 Hex Wsh Hd .....	4
12	<u>102859501</u>	Screw, M6 X 1 X 20 Ser Hex Flg .....	2
13	<u>102912801</u>	Plate, Component, Front .....	1
14	<u>103414901</u>	Kit, Relay, 48v 30a W/instr (includes item 15) .....	1
15	<u>103397901</u>	Relay, Spst No, 48v 30a, Pmt .....	1
16	<u>103697101</u>	Obc, Iqplus, A1, 64" .....	1
		<p>Note: If JCI or Crown is used to replace U.S. Battery brand of battery, the onboard computer must be changed to match. See Batteries pages. NOTE 2: Onboard Computer (item 16) is equipped with the Packard 56 Series connector.</p>	

13

E

13

E



001246-002

# COMPUTER, CONTROLLER, AND SOLENOID – FOR U.S. BATTERY ONLY – TO EARLY-2011 MODEL YEAR

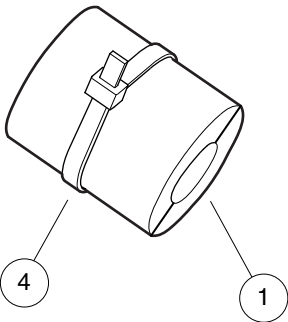
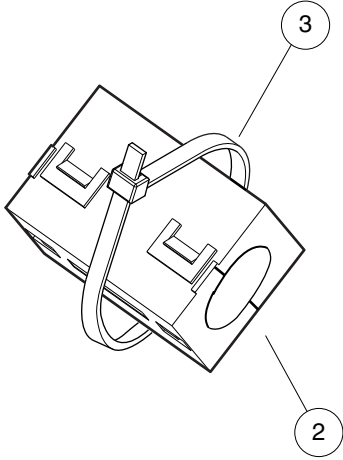
ITEM	PART NO.	DESCRIPTION	QTY
		1 2 3 4	
1	<u>1012528</u>	Nut, M8-1.25 Hex .....	2
2	<u>1013734</u>	Lockwasher, 8mm Split .....	2
3	<u>1015720</u>	Screw, #6-32 X 1/2 Hex Washer-Head .....	2
4	<u>1016967</u>	Blind Rivet, Push Type .....	3
5	<u>102240501</u>	Bolt, Controller, Terminal .....	3
6	<u>102769701</u>	Spacer, 2", 1/4-20, Hex .....	1
7	<u>102772402</u>	Cover, Electrical Component, Carryall 6 .....	1
8	<u>102774501</u>	Controller, 500 Amp .....	1
9	<u>102774701</u>	Solenoid, 48v .....	1
10	<u>102817101</u>	Screw, 1/4-20 X .50 Hex Wsh Hd .....	6
11	<u>102817201</u>	Screw, 1/4-20 X .88 Hex Wsh Hd .....	4
12	<u>102859501</u>	Screw, M6 X 1 X 20 Ser Hex Flg .....	2
13	<u>102912801</u>	Plate, Component, Front .....	1
14	<u>103414901</u>	Kit, Relay, 48v 30a W/instr (includes item 15) .....	1
15	<u>103397901</u>	Relay, Spst No, 48v 30a, Pmt .....	1
16	<u>103697104</u>	Obc, Iqplus, A2, 64" .....	1
<p>Note: If U.S. Battery is used to replace any other brand of battery, the onboard computer must be changed to match. See Batteries pages. NOTE 2: Onboard Computer (item 16) is equipped with the Packard 56 Series connector.</p>			

13

E

13

E



001055-001

# FERRITE BEADS, CE

ITEM	PART NO.	DESCRIPTION	QTY
		<b>1 2 3 4</b>	
1	<u>103449501</u>	Bead, Ferrite, Tdk .....	A/R
2	<u>103449601</u>	Bead, Ferrite, Fair-rite .....	A/R
3	<u>8639</u>	Tie Wrap, 11" Nylon .....	A/R
4	<u>8990</u>	Tie Wrap, 8" Nylon .....	A/R

**13**

**E**

**13**

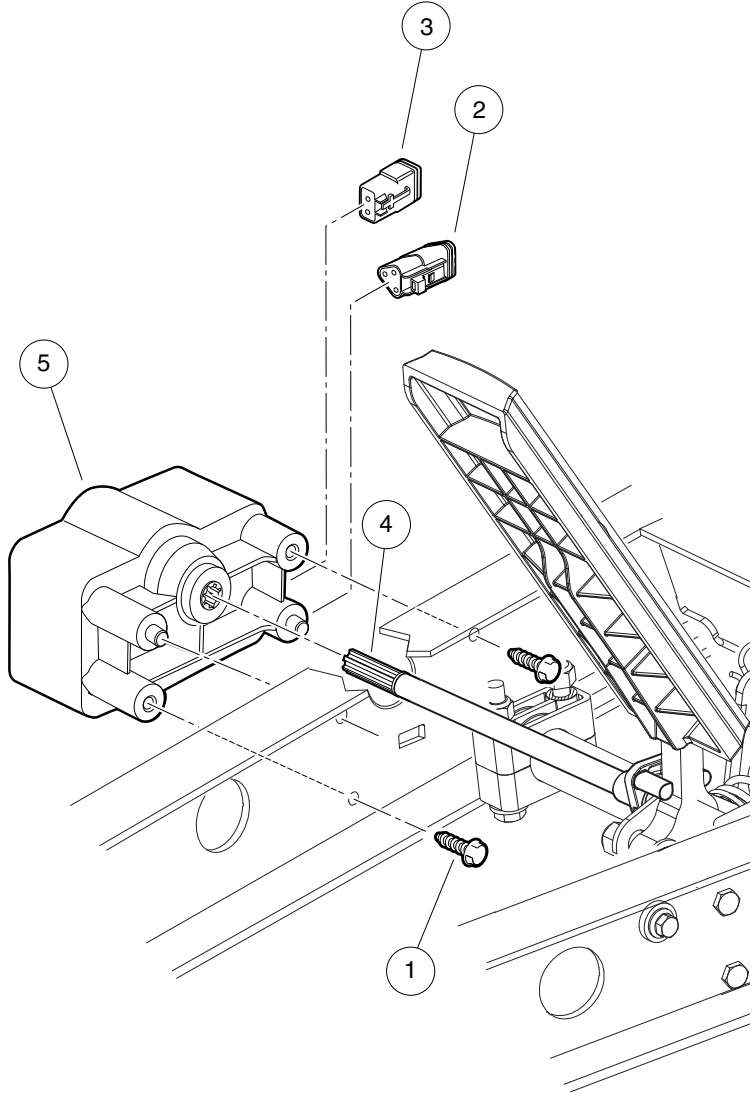
***E***

# **ELECTRICAL SYSTEM, ELECTRIC VEHICLES – FROM EARLY-2011**

---

**14**

**E**



001070-001



## MOTOR CONTROLLER OUTPUT REGULATOR (MCOR)

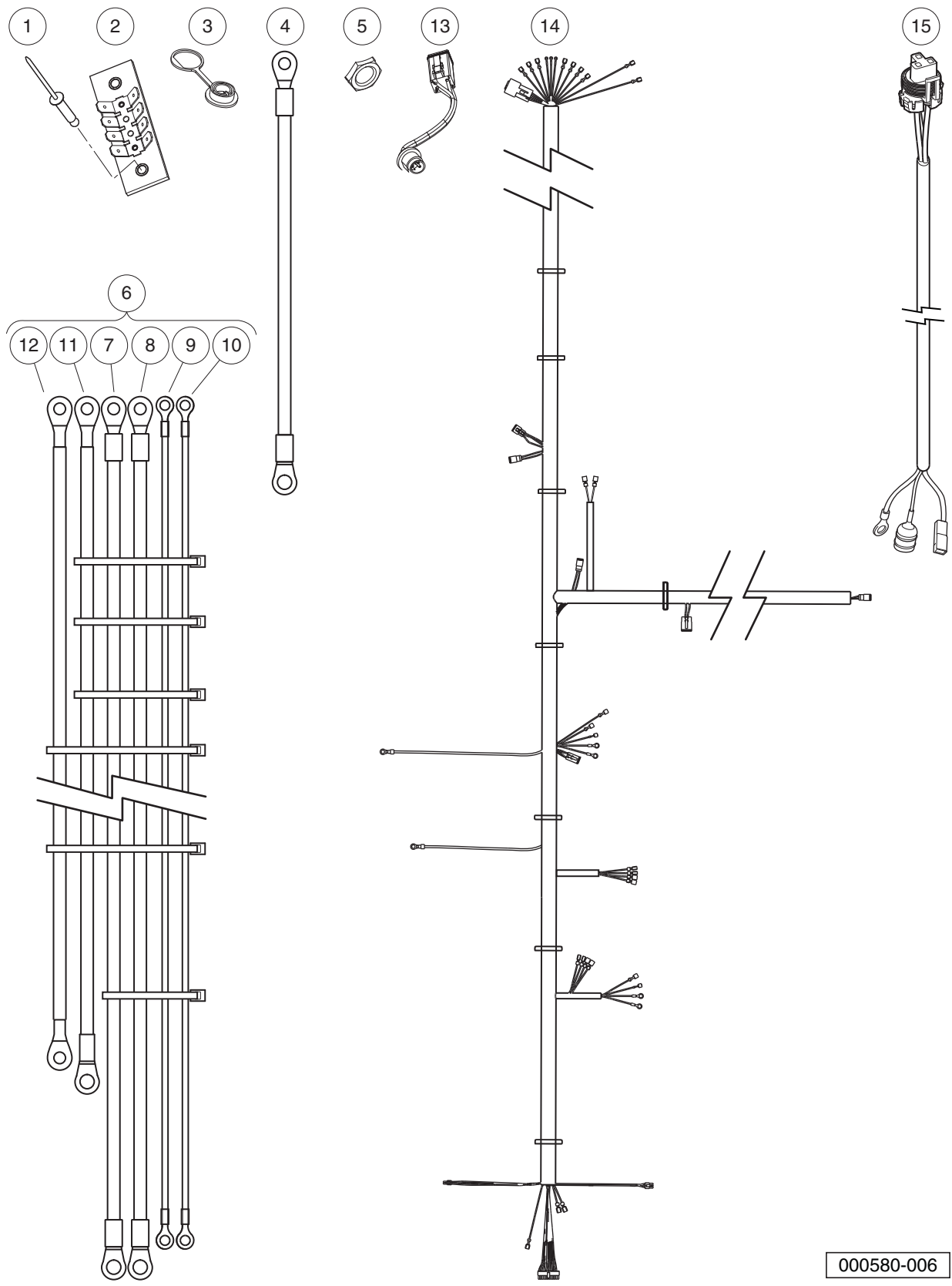
ITEM	PART NO.	DESCRIPTION	QTY
		1 2 3 4	
1	<u>1015752</u>	Screw, #12-16 X 0.625, Hi-Lo .....	2
2	<u>101920101</u>	Kit, 3-Pin Wedge Lock .....	1
3	<u>101936801</u>	Kit, 2-Pin Wedge Lock .....	1
4	102101001	Bar, Drive, Cast .....	1
5	<u>102101101</u>	MCOR .....	1

14

E

14

E



000580-006

# WIRING – VILLAGER 6 IQ PLUS ELECTRIC – FROM EARLY-2011 MODEL YEAR

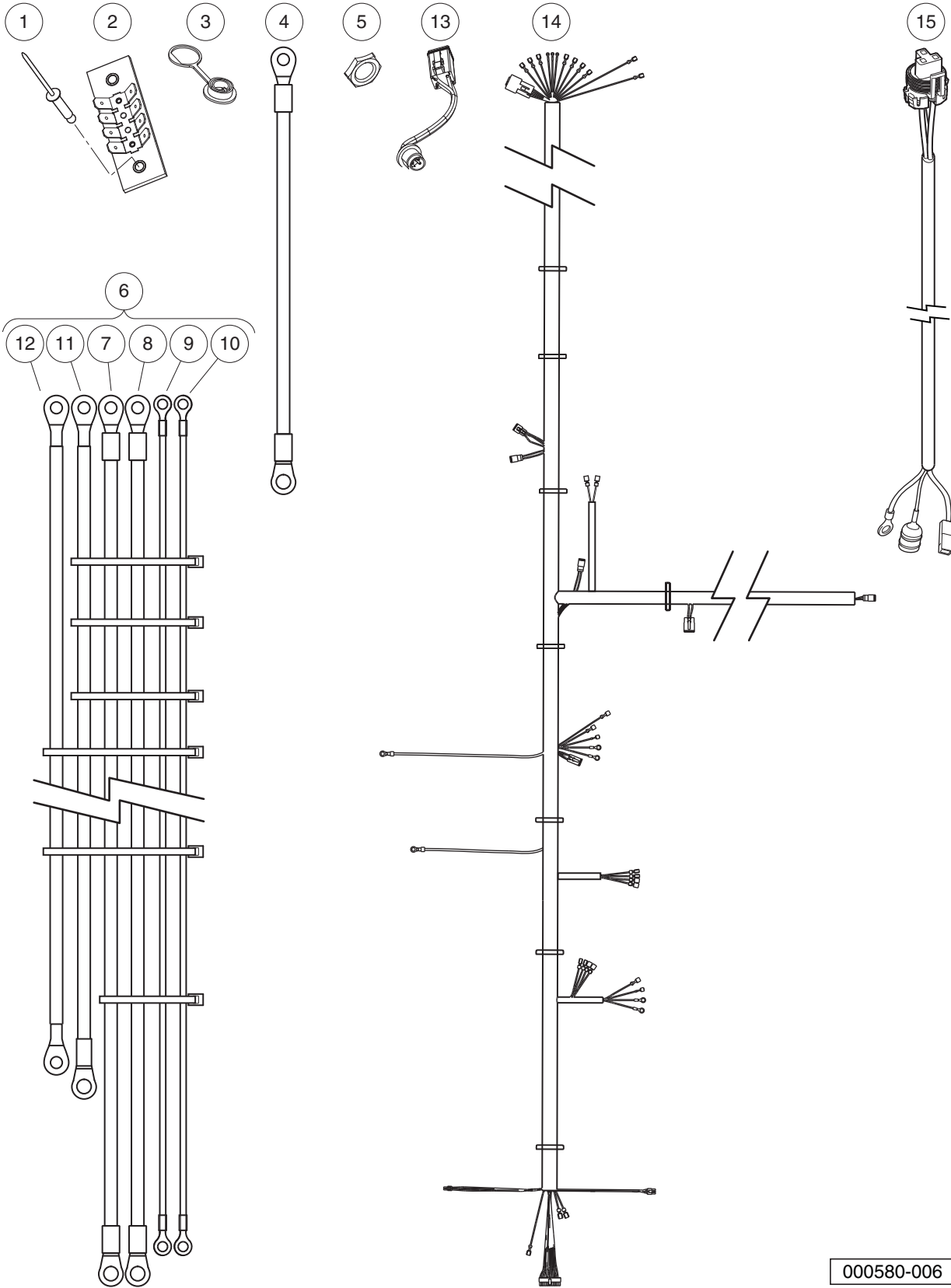
ITEM	PART NO.	DESCRIPTION	QTY
		1 2 3 4	
1	<u>1013357</u>	Rivet, 5/32 Aluminum Pop .....	2
2	<u>1016356</u>	Terminal Block with Insulator .....	1
3	<u>102196901</u>	Dust Cap .....	1
4	<u>102440901</u>	Wire Asm, #4 Yellow, 13" .....	1
5	<u>102572401</u>	Nut, Diagnostic Port, Prec .....	1
6	<u>102845501</u>	Harness, Power, Stretch IQ Plus (includes items 7 through 12) .....	1
7	N/A	Asm, #4 Grn Wire, 89" .....	1
8	N/A	Asm, #4 Wht Wire, 88.5" .....	1
9	N/A	Asm, #10 Org Wire, 89.5" .....	1
10	N/A	Asm, #10 Blu Wire, 95.5" .....	1
11	N/A	Asm, #4 Red Wire, 67.5" .....	1
12	N/A	Asm, #4 Blk Wire, 57.5" .....	1
13	<u>103218601</u>	Harness, Diagnostic Port .....	1
14	<u>103771201</u>	Asm, Harness, Str, Ele, 480 .....	1
15	<u>103772101</u>	Charg Harness lqplus,shelf 480 .....	1
		<p>Note: Wire Harness <u>103771201</u> is for use with Onboard Computers equipped with the Packard 480 Series connector. NOTE 2: Wire Harness <u>103772101</u> is for use with Battery Chargers equipped with the Packard 480 Series connector.</p>	

14

E

14

E



000580-006

# WIRING – VILLAGER 8 IQ PLUS ELECTRIC – FROM EARLY-2011 MODEL YEAR

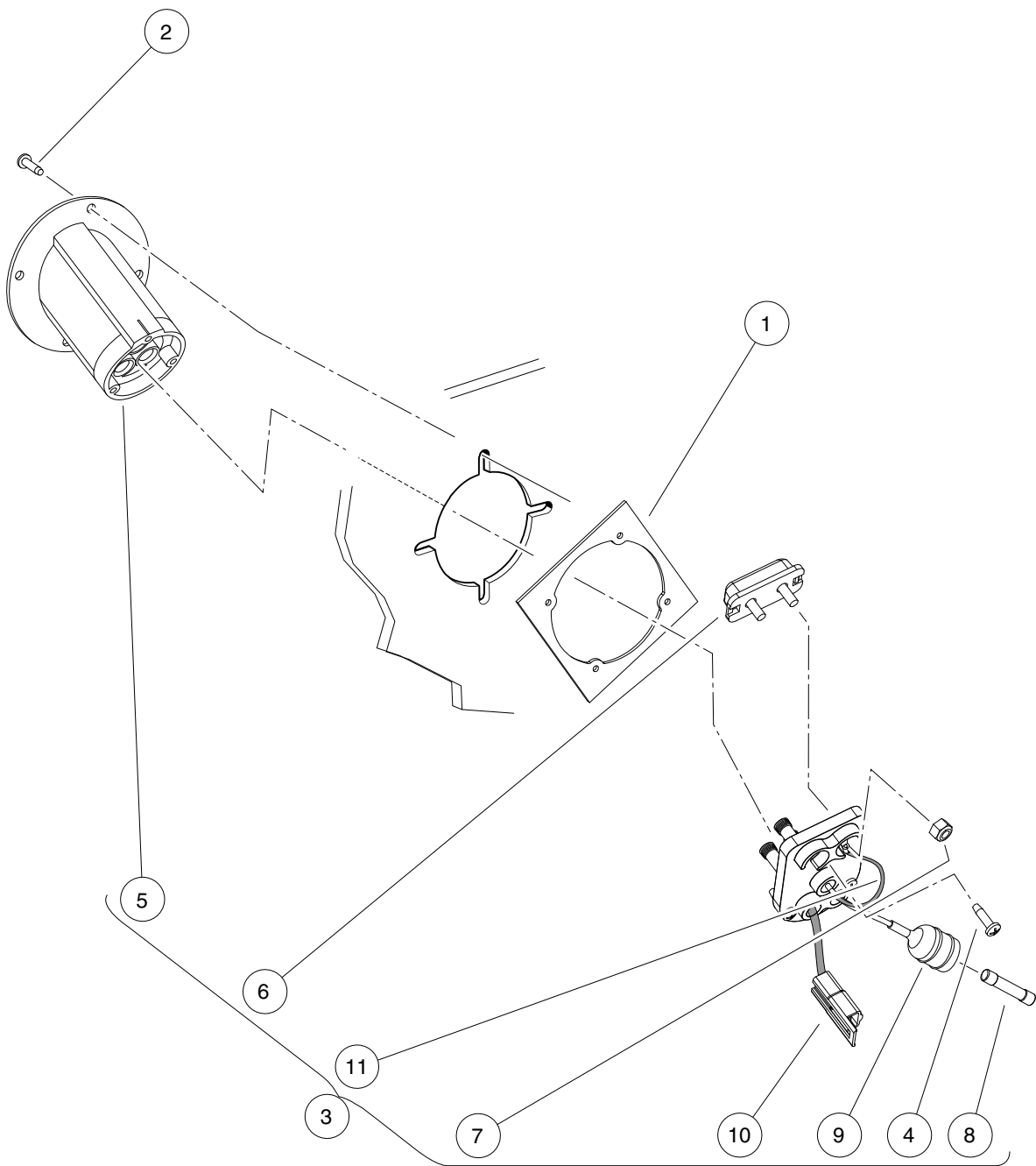
ITEM	PART NO.	DESCRIPTION	QTY
		<b>1 2 3 4</b>	
1	<u>1013357</u>	Rivet, 5/32 Aluminum Pop .....	2
2	<u>1016356</u>	Terminal Block with Insulator .....	1
3	<u>102196901</u>	Dust Cap .....	1
4	<u>102440901</u>	Wire Asm, #4 Yellow, 13" .....	1
5	<u>102572401</u>	Nut, Diagnostic Port, Prec .....	1
6	<u>102845501</u>	Harness, Power, Stretch IQ Plus (includes items 7 through 12) .....	1
7	N/A	Asm, #4 Grn Wire, 89" .....	1
8	N/A	Asm, #4 Wht Wire, 88.5" .....	1
9	N/A	Asm, #10 Org Wire, 89.5" .....	1
10	N/A	Asm, #10 Blu Wire, 95.5" .....	1
11	N/A	Asm, #4 Red Wire, 67.5" .....	1
12	N/A	Asm, #4 Blk Wire, 57.5" .....	1
13	<u>103218601</u>	Harness, Diagnostic Port .....	1
14	<u>103771301</u>	Asm, Harness, V8, Ele, 480 .....	1
15	<u>103772101</u>	Charg Harness lqplus,shelf 480 .....	1
		 Note: Wire Harness 103771301 is for use with Onboard Computers equipped with the Packard 480 Series connector. NOTE 2: Wire Harness <u>103772101</u> is for use with Battery Chargers equipped with the Packard 480 Series connector.	

**14**

**E**

**14**

**E**



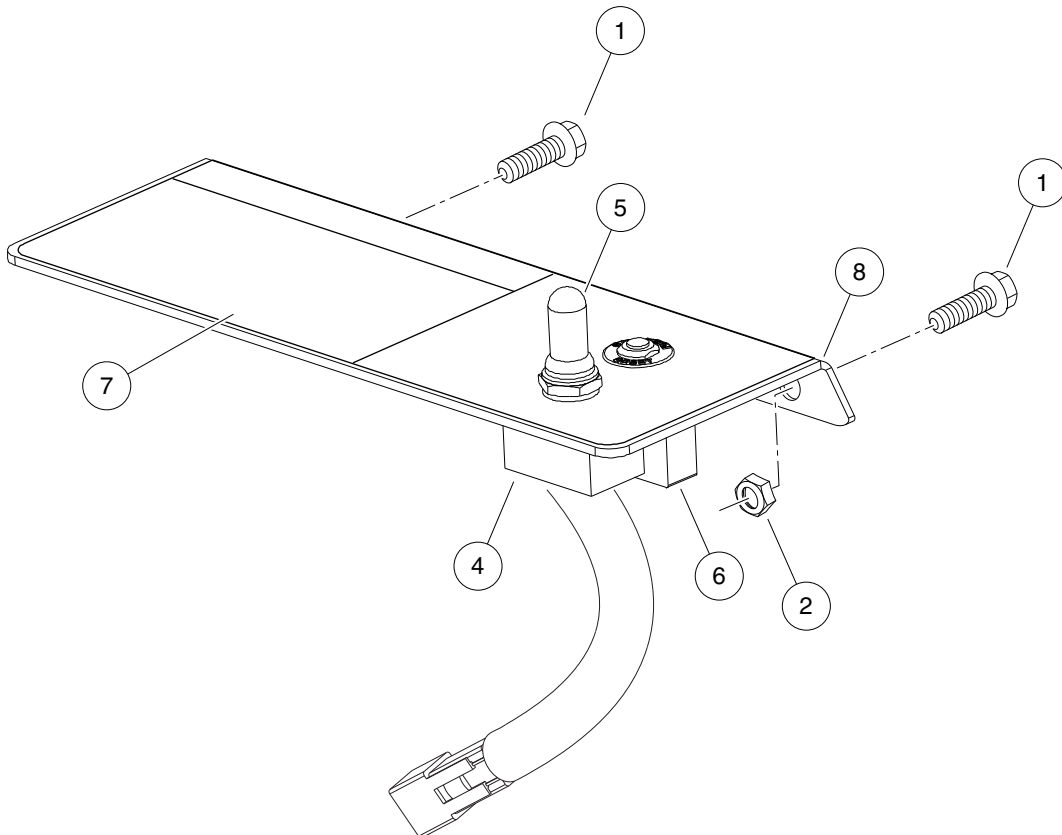
000369-002

# BATTERY CHARGER RECEPTACLE – FROM EARLY-2011 MODEL YEAR

14

E

ITEM	PART NO.	DESCRIPTION	QTY
		1 2 3 4	
1	<u>101801001</u>	Plate, Receptacle Backing .....	1
2	<u>101832001</u>	Screw, #7-19 X 0.625 Phillips Pan-Head Tap .....	4
3	<u>103771901</u>	Asm, Fuse & Receptacle, 480 (includes items 4 through 11) .....	1
4	<u>1017705</u>	Screw, #8 X 5/8 Phillips Pan-Head Type AB .....	3
5	<u>101796501</u>	Receptacle .....	1
6	<u>101796801</u>	Fuse Assembly (includes item 7) .....	1
7	<u>1013061</u>	Locknut, #10-32 Nylon Insert .....	2
8	<u>101894901</u>	Fuse, 3/8-Amp .....	1
9	N/A	Wire Assembly, Sense Lead, Gray .....	1
10	N/A	Wire Assembly, #10 Red .....	1
11	N/A	Wire Assembly, #10 Black .....	1
<p>Note: For use with charging system equipped with the Packard 480 series connector.</p>			



000425-001



## TOW/RUN SWITCH – IQ PLUS VEHICLES

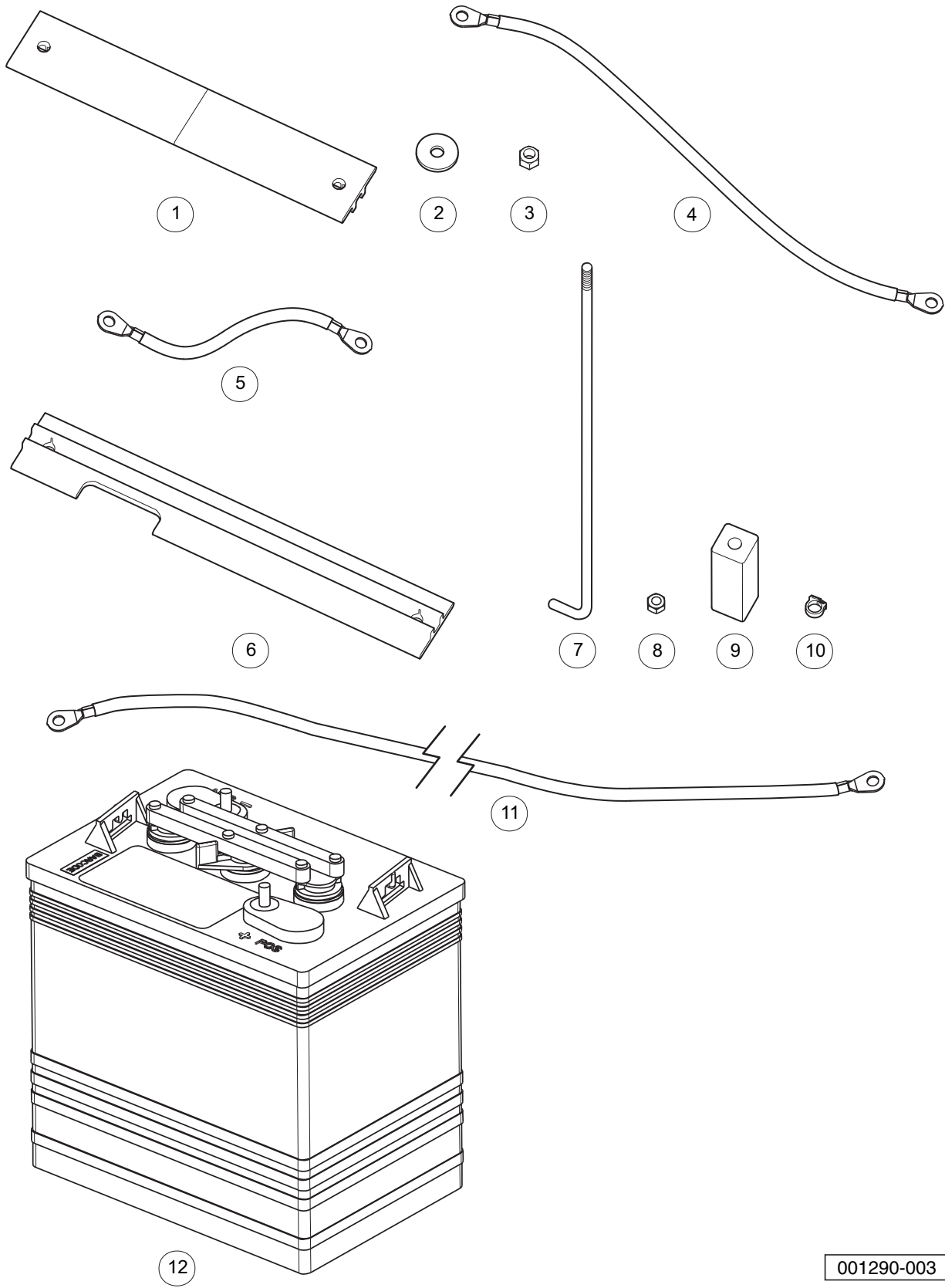
ITEM	PART NO.	DESCRIPTION	QTY
		1 2 3 4	
1	<u>1012126</u>	Screw, #10-32 X .625 Hx Washer .....	1
2	<u>1013061</u>	Locknut, #10-32 Nylon Insert .....	2
3	N/A	Tow/Run Switch Assembly (includes items 4 through 8) .....	1
4	<u>101908101</u>	Switch Assembly, Tow/Run .....	1
5	<u>101908401</u>	Boot, Switch .....	1
6	<u>102838101</u>	Circuit Breaker 250vac-50vdc .....	1
7	<u>102845101</u>	Decal, Tow Switch .....	1
8	<u>102915701</u>	Plate, Switch, Run Tow, Mode .....	1

14

E

14

E



001290-003

## BATTERIES, 6-VOLT, STANDARD DUTY, JCI

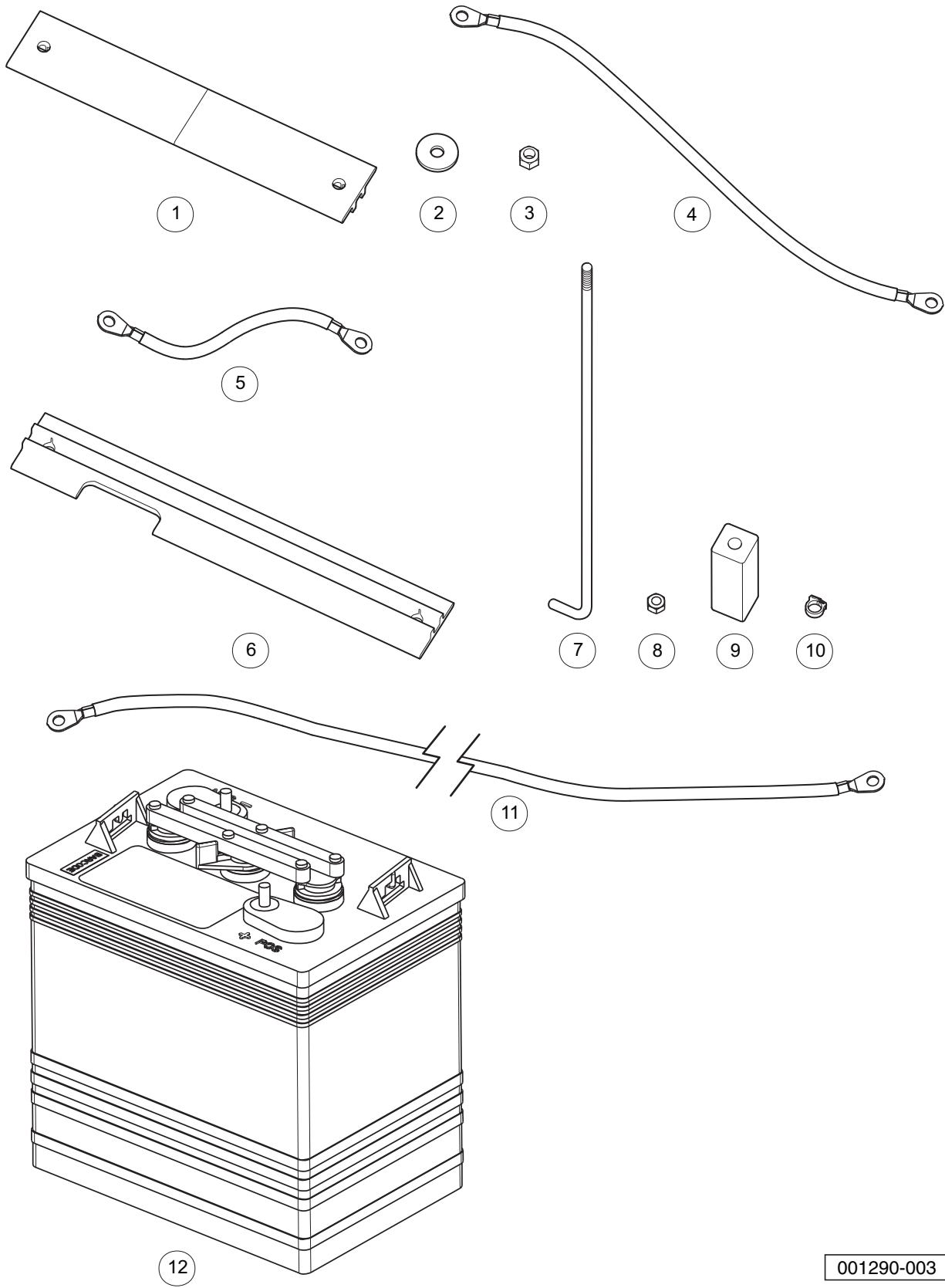
ITEM	PART NO.	DESCRIPTION	QTY
		1 2 3 4	
1	<u>101090801</u>	Hold-Down, Battery .....	2
2	<u>1011578</u>	Washer, 5/16 Type B Flat .....	12
3	1015072	Locknut, 5/16-18 Nylon Insert .....	12
4	<u>102002801</u>	Wire Assy, #4 Black .....	2
5	<u>102002901</u>	Wire Assy, #4 Black .....	3
6	<u>102766201</u>	Hold Down, Outside .....	4
7	<u>102845203</u>	Rod, Battery Hold Down 10.7" .....	12
8	<u>102873401</u>	5/16-18 Heavy Hex Nut .....	16
9	<u>102980801</u>	Extr, Plastic, 1 X 1 X 3 .....	4
10	<u>102980901</u>	Clamp, Hose, Nylon, .25 .....	1
11	<u>103198201</u>	Asm, #4 Blk Wire, 42" .....	1
12	103793102	Battery, 6v, Gc2, Dry .....	8

14

E

14

E



001290-003

# BATTERIES, 6-VOLT, HEAVY DUTY, CROWN

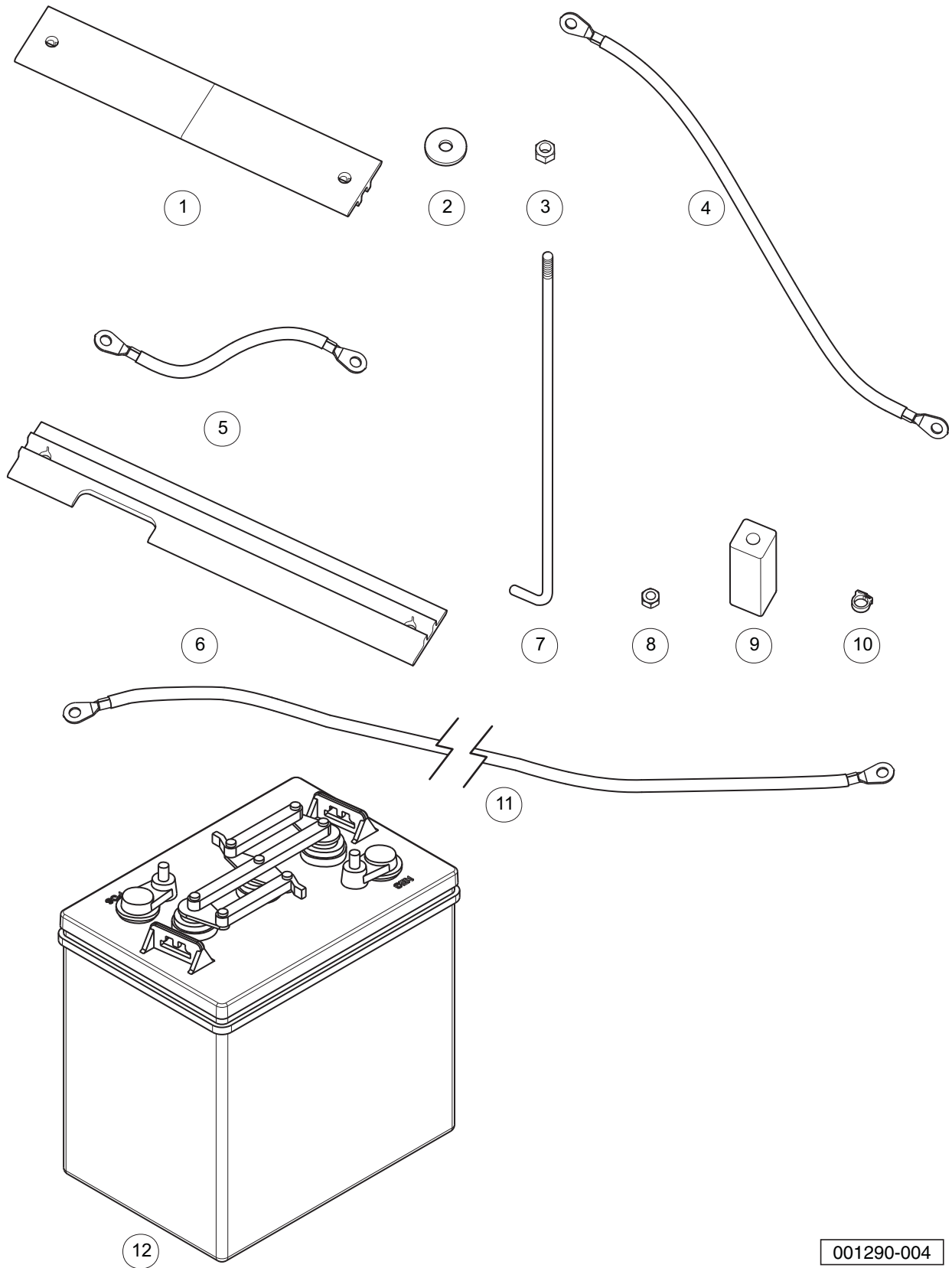
ITEM	PART NO.	DESCRIPTION	QTY
		1 2 3 4	
1	<u>101090801</u>	Hold-Down, Battery .....	2
2	<u>1011578</u>	Washer, 5/16 Type B Flat .....	12
3	<u>1015072</u>	Locknut, 5/16-18 Nylon Insert .....	12
4	<u>102002801</u>	Wire Assy, #4 Black .....	2
5	<u>102002901</u>	Wire Assy, #4 Black .....	3
6	<u>102766201</u>	Hold Down, Outside .....	4
7	<u>102845204</u>	Rod, Battery Hold Down 12" .....	12
8	<u>102873401</u>	5/16-18 Heavy Hex Nut .....	16
9	<u>102980801</u>	Extr, Plastic, 1 X 1 X 3 .....	4
10	<u>102980901</u>	Clamp, Hose, Nylon, .25 .....	4
11	<u>103198201</u>	Asm, #4 Blk Wire, 42" .....	1
12	<u>103720402</u>	Battery, 6v, Cr245, Moist .....	8

14

E

14

E



001290-004

## BATTERIES, 6-VOLT, STANDARD DUTY, U.S. BATTERY

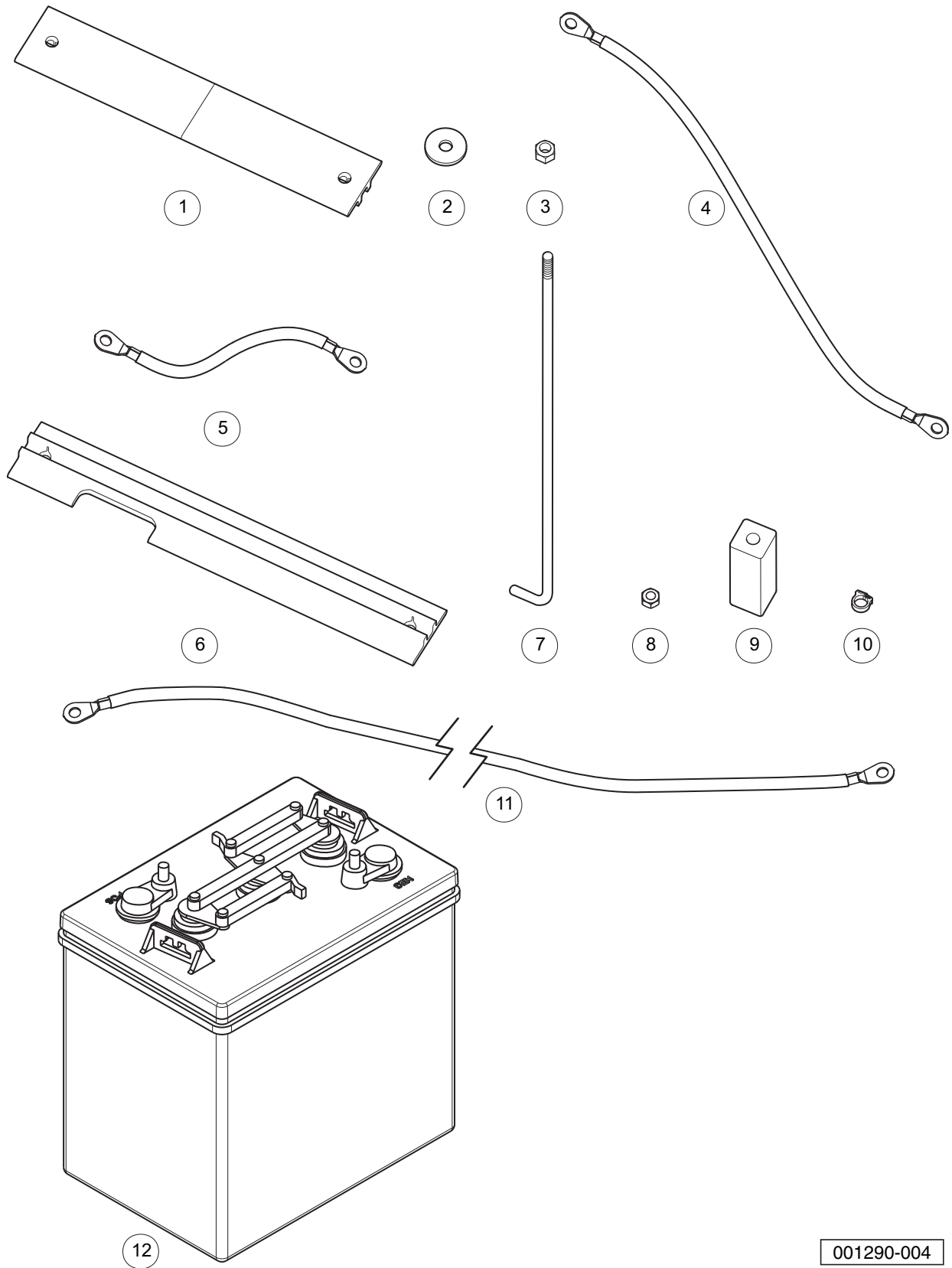
ITEM	PART NO.	DESCRIPTION	QTY
		1 2 3 4	
1	<u>101090801</u>	Hold-Down, Battery .....	2
2	<u>1011578</u>	Washer, 5/16 Type B Flat .....	12
3	<u>1015072</u>	Locknut, 5/16-18 Nylon Insert .....	12
4	<u>102002801</u>	Wire Assy, #4 Black .....	2
5	<u>102002901</u>	Wire Assy, #4 Black .....	3
6	<u>102766201</u>	Hold Down, Outside .....	4
7	<u>102845203</u>	Rod, Battery Hold Down 10.7" .....	12
8	<u>102873401</u>	5/16-18 Heavy Hex Nut .....	16
9	<u>102980801</u>	Extr, Plastic, 1 X 1 X 3 .....	4
10	<u>102980901</u>	Clamp, Hose, Nylon, .25 .....	1
11	<u>103198201</u>	Asm, #4 Blk Wire, 42" .....	1
12	<u>103695502</u>	Battery, 6v, 2000xc, Dry .....	8
		<p>Note: If U.S. Battery is used to replace any other brand of battery, the onboard computer must be changed to match. See Computer, Controller, and Solenoid pages.</p>	

14

E

14

E



001290-004

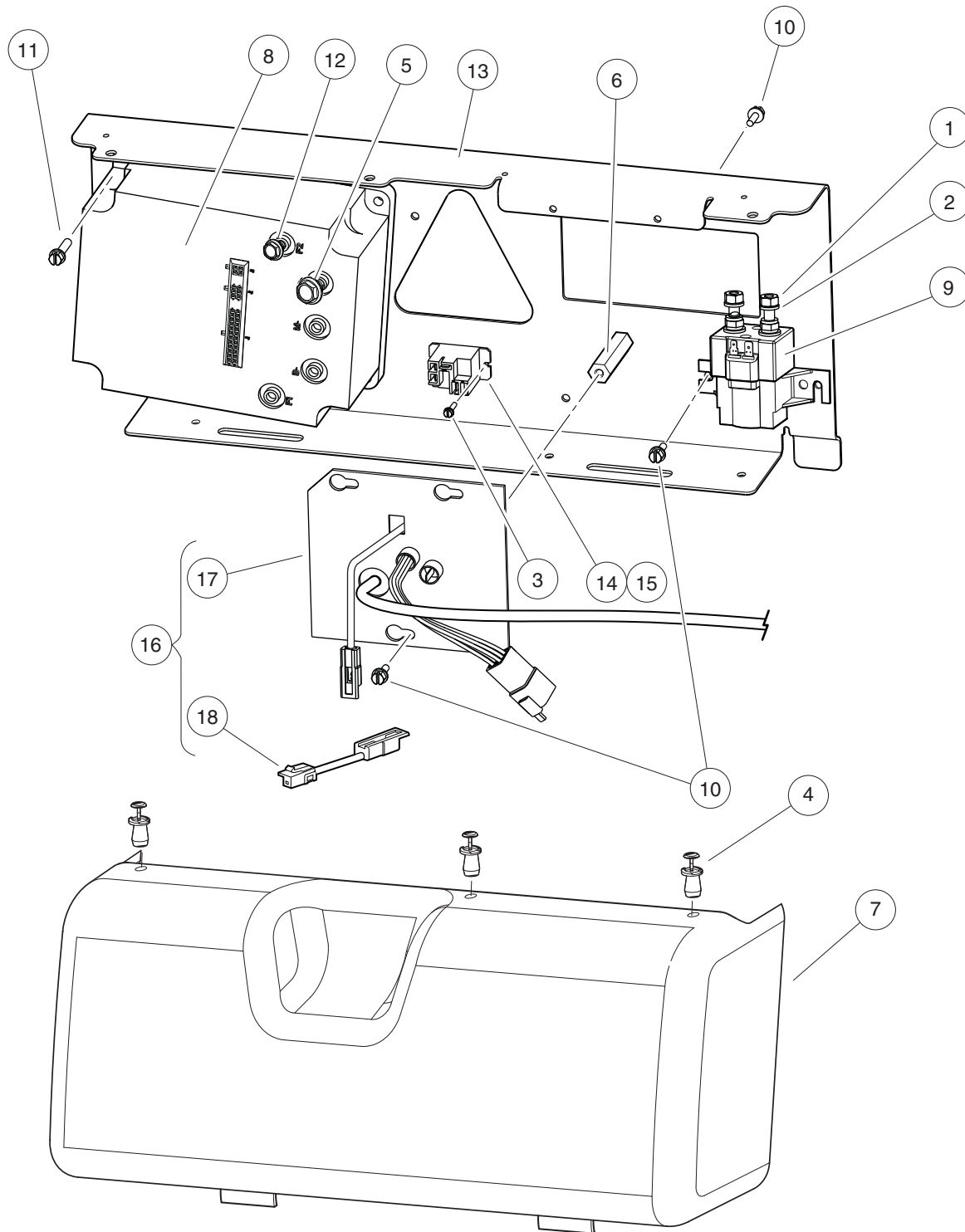


## BATTERIES, 6-VOLT, HEAVY DUTY, U.S. BATTERY

ITEM	PART NO.	DESCRIPTION	QTY
		1 2 3 4	
1	<u>101090801</u>	Hold-Down, Battery .....	2
2	<u>1011578</u>	Washer, 5/16 Type B Flat .....	12
3	<u>1015072</u>	Locknut, 5/16-18 Nylon Insert .....	12
4	<u>102002801</u>	Wire Assy, #4 Black .....	2
5	<u>102002901</u>	Wire Assy, #4 Black .....	3
6	<u>102766201</u>	Hold Down, Outside .....	4
7	<u>102845204</u>	Rod, Battery Hold Down 12" .....	12
8	<u>102873401</u>	5/16-18 Heavy Hex Nut .....	16
9	<u>102980801</u>	Extr, Plastic, 1 X 1 X 3 .....	4
10	<u>102980901</u>	Clamp, Hose, Nylon, .25 .....	4
11	<u>103198201</u>	Asm, #4 Blk Wire, 42" .....	1
12	<u>103695702</u>	Battery, 6v, 145xc, Dry .....	8
		<p>Note: If U.S. Battery is used to replace any other brand of battery, the onboard computer must be changed to match. See Computer, Controller, and Solenoid pages.</p>	

14

E



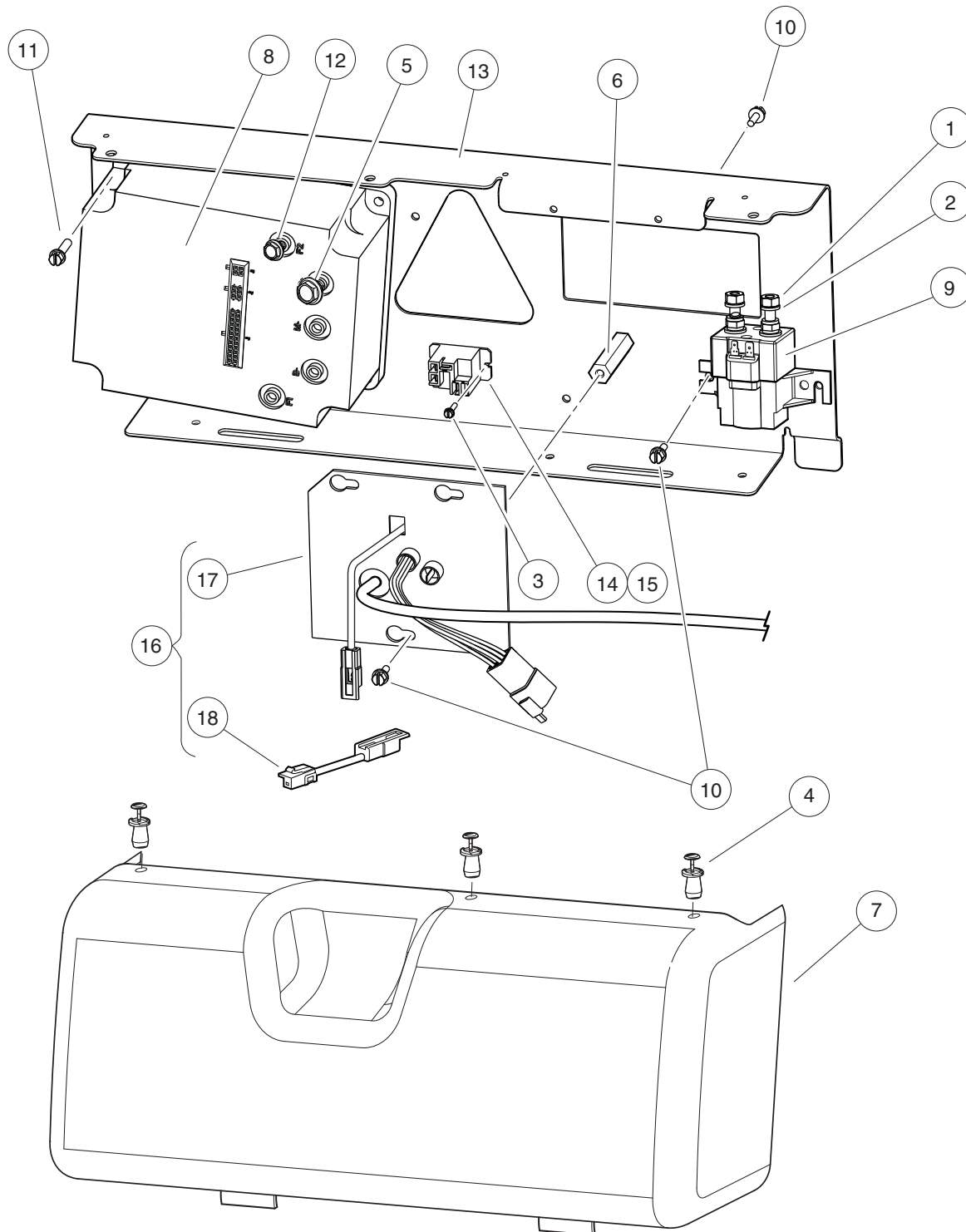
001246-003

# COMPUTER, CONTROLLER, AND SOLENOID – FOR JCI & CROWN BATTERIES – FROM EARLY-2011 MODEL YEAR

ITEM	PART NO.	DESCRIPTION	QTY
		1 2 3 4	
1	<u>1012528</u>	Nut, M8-1.25 Hex .....	2
2	<u>1013734</u>	Lockwasher, 8mm Split .....	2
3	<u>1015720</u>	Screw, #6-32 X 1/2 Hex Washer-Head .....	2
4	<u>1016967</u>	Blind Rivet, Push Type .....	3
5	<u>102240501</u>	Bolt, Controller, Terminal .....	3
6	<u>102769701</u>	Spacer, 2", 1/4-20, Hex .....	1
7	<u>102772402</u>	Cover, Electrical Component, Carryall 6 .....	1
8	<u>102774501</u>	Controller, 500 Amp .....	1
9	<u>102774701</u>	Solenoid, 48v .....	1
10	<u>102817101</u>	Screw, 1/4-20 X .50 Hex Wsh Hd .....	6
11	<u>102817201</u>	Screw, 1/4-20 X .88 Hex Wsh Hd .....	4
12	<u>102859501</u>	Screw, M6 X 1 X 20 Ser Hex Flg .....	2
13	<u>102912801</u>	Plate, Component, Front .....	1
14	<u>103414901</u>	Kit, Relay, 48v 30a W/instr (includes item 15) .....	1
15	<u>103397901</u>	Relay, Spst No, 48v 30a, Pmt .....	1
16	<u>103697109</u>	Kit, Obc, Iqplus, A1, 64" (includes items 17 and 18) .....	1
17	<u>103709201</u>	Obc, Iqplus, A1, 64", 480 .....	1
18	<u>103822101</u>	Adapter, 480 Obc To 56 Harn .....	1
<p>Note: If JCI or Crown is used to replace U.S. Battery brand of battery, the onboard computer must be changed to match. See Batteries pages. NOTE 2: Onboard Computer (item 16) is equipped with the Packard 480 Series connector.</p>			

14

E



001246-003

# COMPUTER, CONTROLLER, AND SOLENOID – FOR U.S. BATTERY ONLY – FROM EARLY-2011 MODEL YEAR

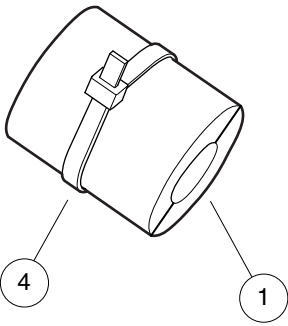
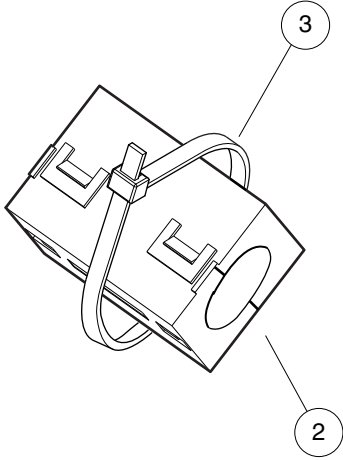
ITEM	PART NO.	DESCRIPTION	QTY
		1 2 3 4	
1	<u>1012528</u>	Nut, M8-1.25 Hex .....	2
2	<u>1013734</u>	Lockwasher, 8mm Split .....	2
3	<u>1015720</u>	Screw, #6-32 X 1/2 Hex Washer-Head .....	2
4	<u>1016967</u>	Blind Rivet, Push Type .....	3
5	<u>102240501</u>	Bolt, Controller, Terminal .....	3
6	<u>102769701</u>	Spacer, 2", 1/4-20, Hex .....	1
7	<u>102772402</u>	Cover, Electrical Component, Carryall 6 .....	1
8	<u>102774501</u>	Controller, 500 Amp .....	1
9	<u>102774701</u>	Solenoid, 48v .....	1
10	<u>102817101</u>	Screw, 1/4-20 X .50 Hex Wsh Hd .....	6
11	<u>102817201</u>	Screw, 1/4-20 X .88 Hex Wsh Hd .....	4
12	<u>102859501</u>	Screw, M6 X 1 X 20 Ser Hex Flg .....	2
13	<u>102912801</u>	Plate, Component, Front .....	1
14	<u>103414901</u>	Kit, Relay, 48v 30a W/instr (includes item 15) .....	1
15	<u>103397901</u>	Relay, Spst No, 48v 30a, Pmt .....	1
16	<u>103697112</u>	Kit, Obc, Iqplus, A2, 64" (includes items 17 and 18) .....	1
17	103709204	Obc, Iqplus, A2, 64", 480 .....	1
18	<u>103822101</u>	Adapter, 480 Obc To 56 Harn .....	1
		<p>Note: If U.S. Battery is used to replace any other brand of battery, the onboard computer must be changed to match. See Batteries pages. NOTE 2: Onboard Computer (item 16) is equipped with the Packard 480 Series connector.</p>	

14

E

14

E



001055-001

# FERRITE BEADS, CE

ITEM	PART NO.	DESCRIPTION	QTY
		1 2 3 4	
1	<u>103449501</u>	Bead, Ferrite, Tdk .....	A/R
2	<u>103449601</u>	Bead, Ferrite, Fair-rite .....	A/R
3	<u>8639</u>	Tie Wrap, 11" Nylon .....	A/R
4	<u>8990</u>	Tie Wrap, 8" Nylon .....	A/R

14

E

**14**

***E***

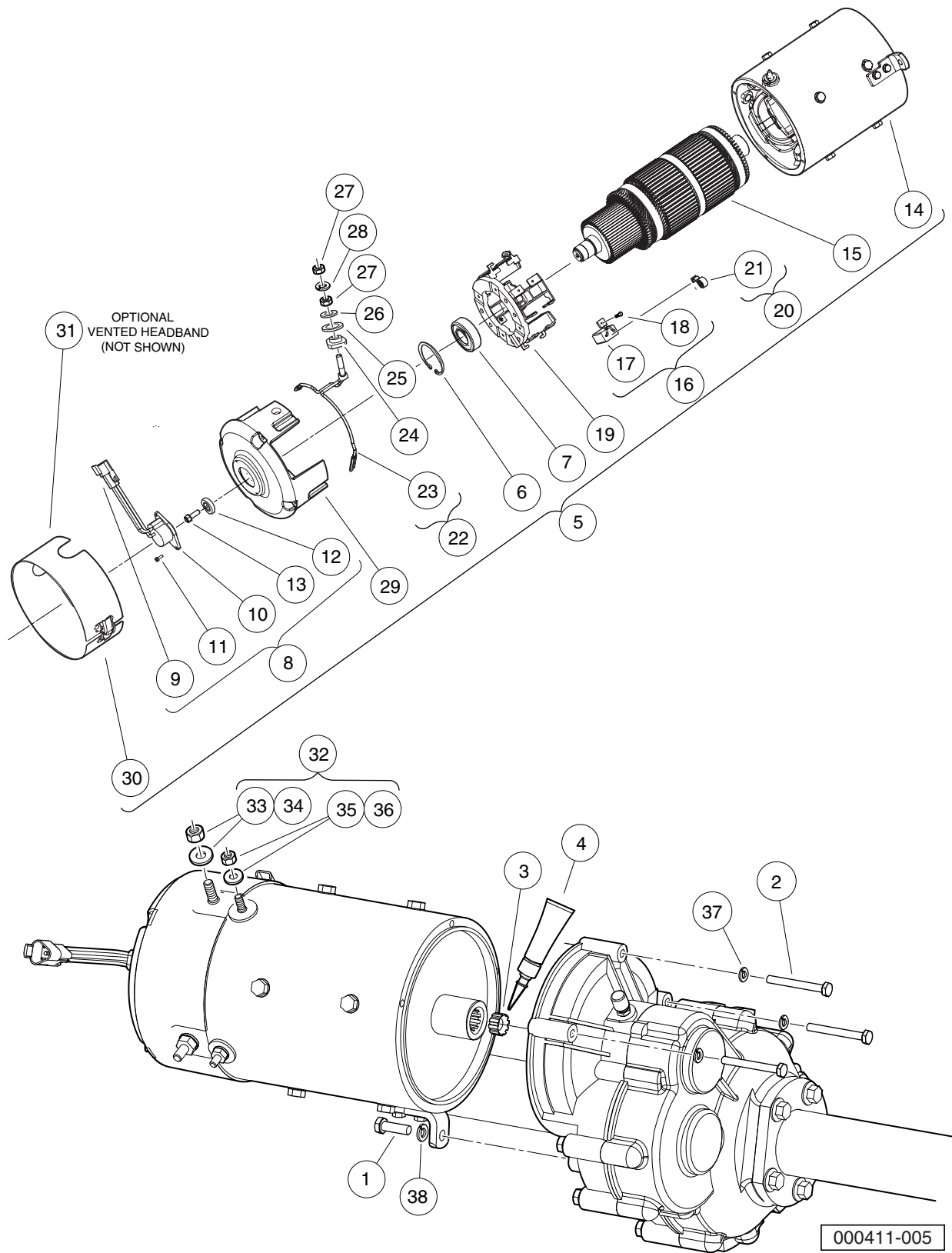


# MOTOR (MODEL DA5-4006) – IQ PLUS

---

15

E



# MOTOR (MODEL DA5-4006) – IQ PLUS

ITEM	PART NO.	DESCRIPTION	QTY
		<b>1 2 3 4</b>	
1	<u>1010934</u>	Screw, 5/16-18 X 1.00 Hex Cap .....	1
2	1014201	Screw, 1/4-20 X 2.25 Hex Cap .....	3
3	<u>102235201</u>	Bumper, Drive Unit .....	1
4	<u>102243403</u>	Lubricant, Moly-Teflon (Single-Use Tube) .....	1
5	<u>102775101</u>	IQ Plus Electric Motor, 48-VDC 3.7 hp (includes items 6 through 30) .....	1
6	N/A	Ring, 2.24" Internal Retaining .....	1
7	<u>102186401</u>	Bearing, Ball .....	1
8	<u>102704901</u>	Kit, Speed Sensor (includes items 9 through 13) .....	1
9	<u>101942301</u>	Kit, 3-Pin Wedge Lock .....	1
10	N/A	Sensor, Motor Speed, ADC .....	1
11	N/A	Screw, #8-32, Taptite Thread .....	2
12	N/A	Magnet, ADC Motor .....	1
13	N/A	Screw, 1/4-20 x 0.5 .....	1
14	N/A	Asm, Frame And Field, 3.7 Hp .....	1
15	N/A	Armature (Includes external hardware not shown) .....	1
16	<u>102938601</u>	Kit, Brush, 3.7 Hp (includes items 17 and 18) .....	1
17	N/A	Brush, Motor .....	8
18	N/A	Screw, Taptite .....	8
19	<u>102938701</u>	Asm, Brush Box, 3.7 Hp .....	1
20	<u>102938801</u>	Kit, Brush Spring, 3.7 Hp (includes item 21) .....	1
21	N/A	Brush Spring .....	8
22	<u>102938901</u>	Kit, Brush Lead Asm, 3.7 Hp (includes items 23 through 28) .....	1
23	N/A	Terminal and Lead Assembly .....	2
24	N/A	Insulator, Terminal .....	2
25	N/A	Washer, Insulating .....	2
26	N/A	Washer, Flat, 5/16, Brass/Bronze .....	2
27	N/A	Nut, 5/16, Steel .....	4
28	N/A	Lockwasher, 5/16, Steel .....	2
29	<u>102939001</u>	Commutator End Head, 3.7 Hp .....	1
30	<u>102939101</u>	Sealed Headband, 3.7 Hp .....	1
31	<u>102939102</u>	Vented Headband, 3.7 HP (optional - not shown) .....	1
32	<u>102951701</u>	Pkg, Terminal Hardware, 3.7hp (includes items 33 through 36) .....	1
33	N/A	Nut, 5/16, Steel .....	2
34	N/A	Lockwasher, 5/16, Steel .....	2
35	N/A	Nut, 1/4-20, Steel .....	2
36	N/A	Lockwasher, 1/4-20, Steel .....	2
37	<u>451</u>	Lockwasher, 1/4 Split .....	3
38	<u>7174</u>	Lockwasher, 5/16 Split .....	1

15

E

**15**

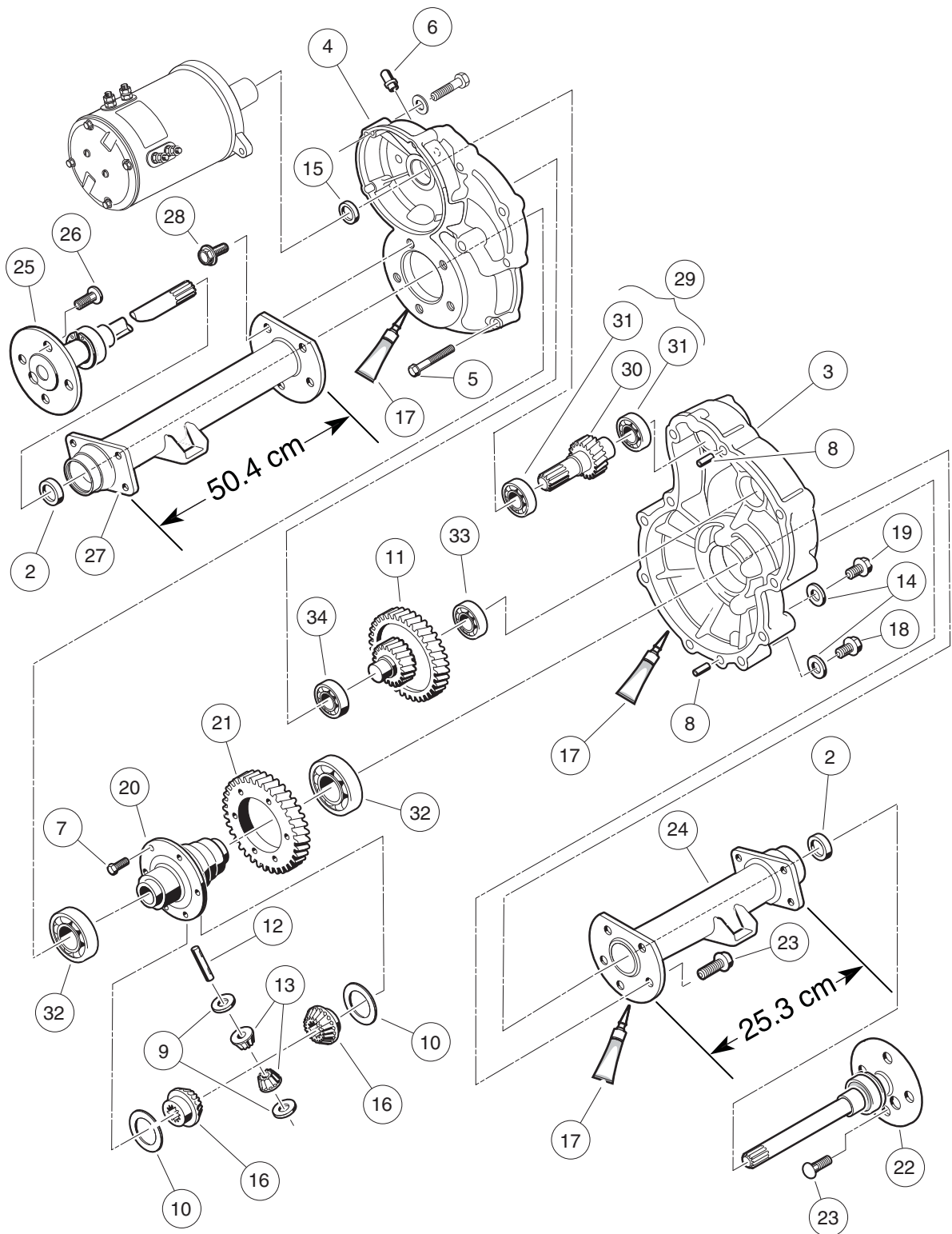
***E***

# TRANSAXLE – ELECTRIC VEHICLES

---

16

E



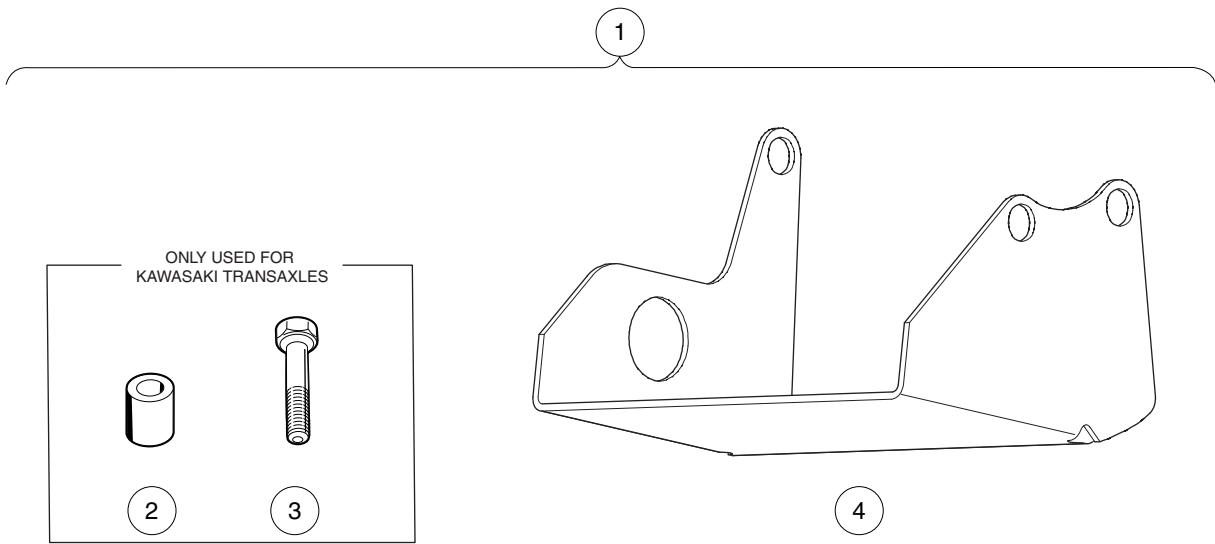
000223-005

# TRANSAXLE – ELECTRIC VEHICLES

ITEM	PART NO.	DESCRIPTION	QTY
		<b>1 2 3 4</b>	
1	<u>102771701</u>	Transaxle, Electric (includes items 2 through 34) .....	1
2	<u>1013794</u>	Axle Shaft Oil Seal .....	2
3	<u>101895401</u>	Gear Case, Driver-Side .....	1
4	<u>101895501</u>	Gear Case, Passenger-Side .....	1
5	<u>101897001</u>	Screw, M8-1.25 X 60mm Hex-Head .....	11
6	<u>101897201</u>	Breather .....	1
7	<u>101897401</u>	Screw, M10-1.25 X 25mm .....	6
8	<u>101897601</u>	Pin, 11mm OD X 8.5mm ID X 10mm .....	2
9	<u>101903601</u>	Washer, Thrust .....	2
10	<u>101903701</u>	Washer, Thrust .....	2
11	<u>101906901</u>	Intermediate Shaft Assembly .....	1
12	<u>101922101</u>	Pin, 15.99mm X 88.7mm Dowel .....	1
13	<u>101923001</u>	Gear, Differential Idler .....	2
14	<u>101923201</u>	Gasket .....	2
15	<u>101923501</u>	Seal, Lip .....	1
16	<u>101923901</u>	Gear, Differential .....	2
17	<u>101928701</u>	Liquid Gasket (Transaxle case) .....	1
18	<u>101972101</u>	Plug, M14-1.5 X 12mm Magnetic .....	1
19	<u>101972201</u>	Plug, M14-1.5 X 12mm Hex .....	1
20	<u>102356601</u>	Housing, Differential, 6 Bolt .....	6
21	<u>102356801</u>	Gear, Differential Output, 6-Bolt .....	6
22	<u>102886301</u>	Axle Assembly, Driver-Side (includes item 23) .....	1
23	<u>101922201</u>	Lug Stud .....	4
24	<u>102886401</u>	Tube, Axle, Driver-Side .....	1
25	<u>102886501</u>	Axle Assembly, Passenger-Side (includes item 26) .....	1
26	<u>101922201</u>	Lug Stud .....	4
27	<u>102886601</u>	Tube, Axle, Passenger-Side .....	1
28	<u>102902801</u>	Screw, M10 X 30 .....	10
29	<u>103582801</u>	Asm, E Trans Shaft/bearing (includes items 30 and 31) .....	1
30	N/A	Shaft, Input .....	1
31	<u>7335</u>	Bearing .....	2
32	<u>7330</u>	Inner Axle Tube Bearing .....	2
33	<u>7335</u>	Bearing .....	1
34	<u>7336</u>	Bearing .....	1

16

E



000365-002



## DIFFERENTIAL GUARD – ELECTRIC VEHICLES

ITEM	PART NO.	DESCRIPTION	QTY
		1 2 3 4	
1	<u>101611402</u>	Kit, Differential Guard, Elec Vehicles (includes items 2 through 4) .....	1
2	<u>101914001</u>	Spacer, Steel .....	2
3	<u>101936101</u>	Screw, M10-1.50 X 60mm Hex Cap .....	2
4	<u>101978601</u>	Guard, Differential, Electric Vehicle Transaxle .....	1

16

E

**16**

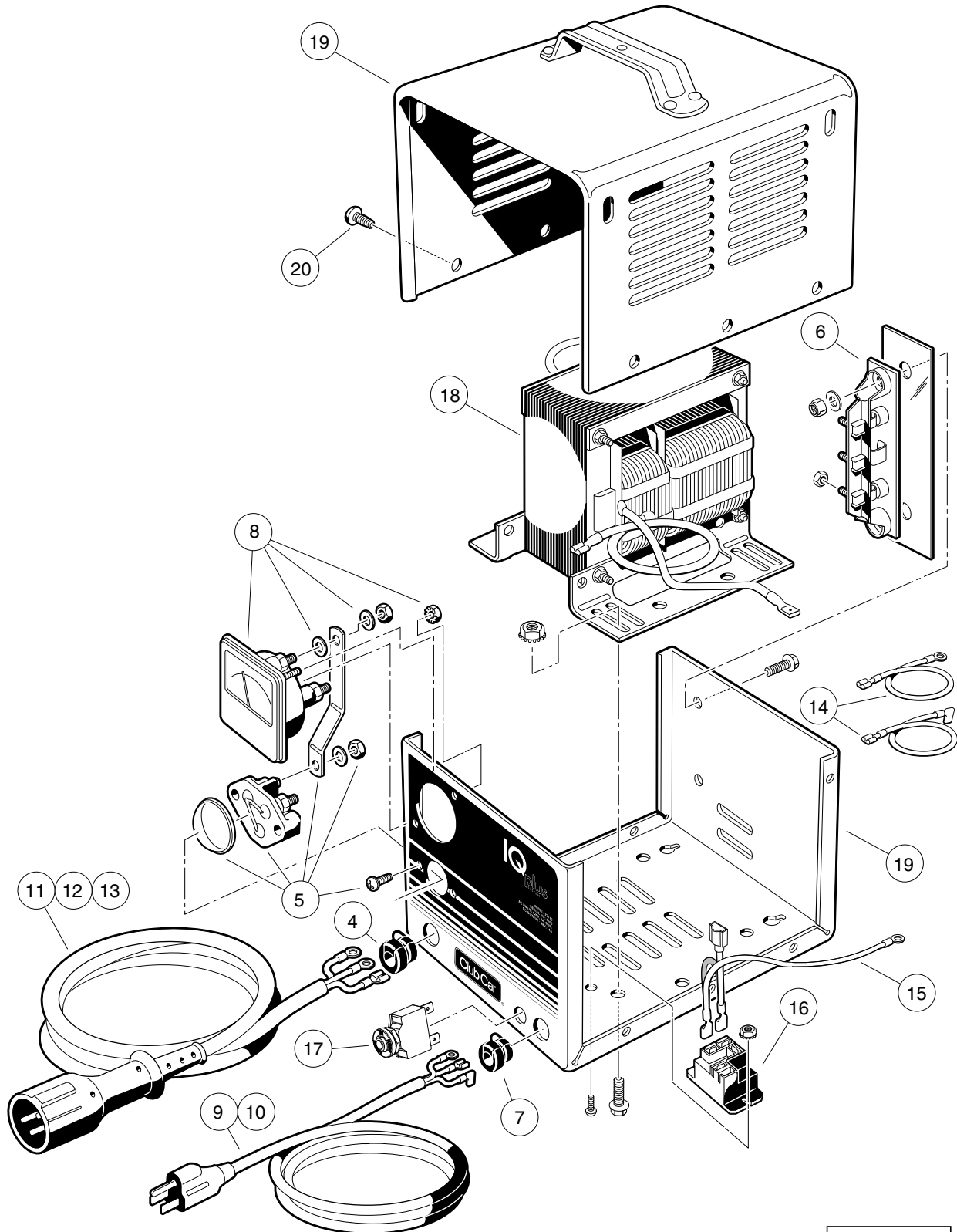
***E***

# BATTERY CHARGERS – TO EARLY- 2011 MODEL YEAR

---

17

E



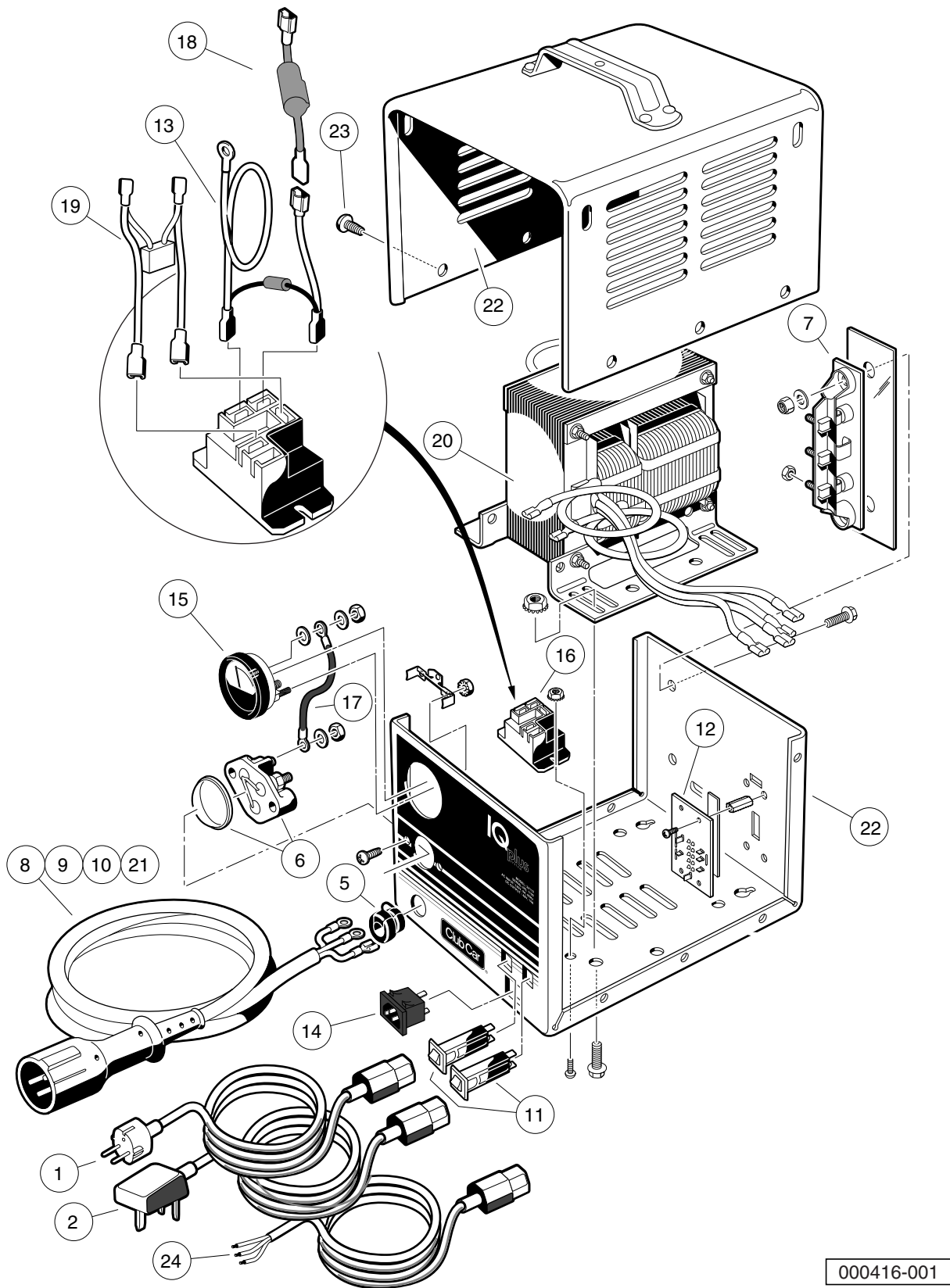
000414-001

# IQ PLUS BATTERY CHARGER (MODELS 25730-11,-18,-19), DOMESTIC

ITEM	PART NO.	DESCRIPTION	QTY
		1 2 3 4	
1	<u>102847801</u>	Charger, IQ Plus, Domestic (9-ft. DC Cord, 6-ft. AC Cord) .....	1
2	<u>102847802</u>	Charger, IQ Plus, Domestic (12-ft. DC Cord, 9-ft. AC Cord) .....	1
3	<u>102847803</u>	Charger, IQ Plus, Domestic (20-ft. DC Cord, 9-ft. AC Cord) (includes items 4 through 20)	1
4	<u>1012098</u>	Bushing, DC Cord .....	1
5	<u>1012101</u>	Fuse Assembly .....	1
6	<u>1015914</u>	Rectifier with Heatsink Assembly .....	1
7	<u>1015917</u>	Bushing, AC Cord .....	1
8	<u>101828501</u>	Ammeter .....	1
9	<u>101828801</u>	Cord, AC, 80-Inch (203 cm) .....	1
10	<u>101828802</u>	Cord, AC, 108-Inch (274 cm) .....	1
11	<u>101828901</u>	Cord, DC, 113-Inch (287 cm) .....	1
12	<u>101828902</u>	Cord, DC, 154-Inch (391 cm) .....	1
13	<u>101828903</u>	Cord, DC, 250-Inch (635 cm) .....	1
14	<u>101831101</u>	Wire Assembly Kit .....	1
15	101914401	Assembly, Voltage Suppressor .....	1
16	<u>102275401</u>	Relay, 48-VDC .....	1
17	<u>102838101</u>	Circuit Breaker 250vac-50vdc .....	1
18	N/A	Transformer, Battery Charger .....	1
19	N/A	Case, Battery Charger .....	1
20	7577	Screw, #10 X 0.50 Phillips Pan-Head .....	10

17

E



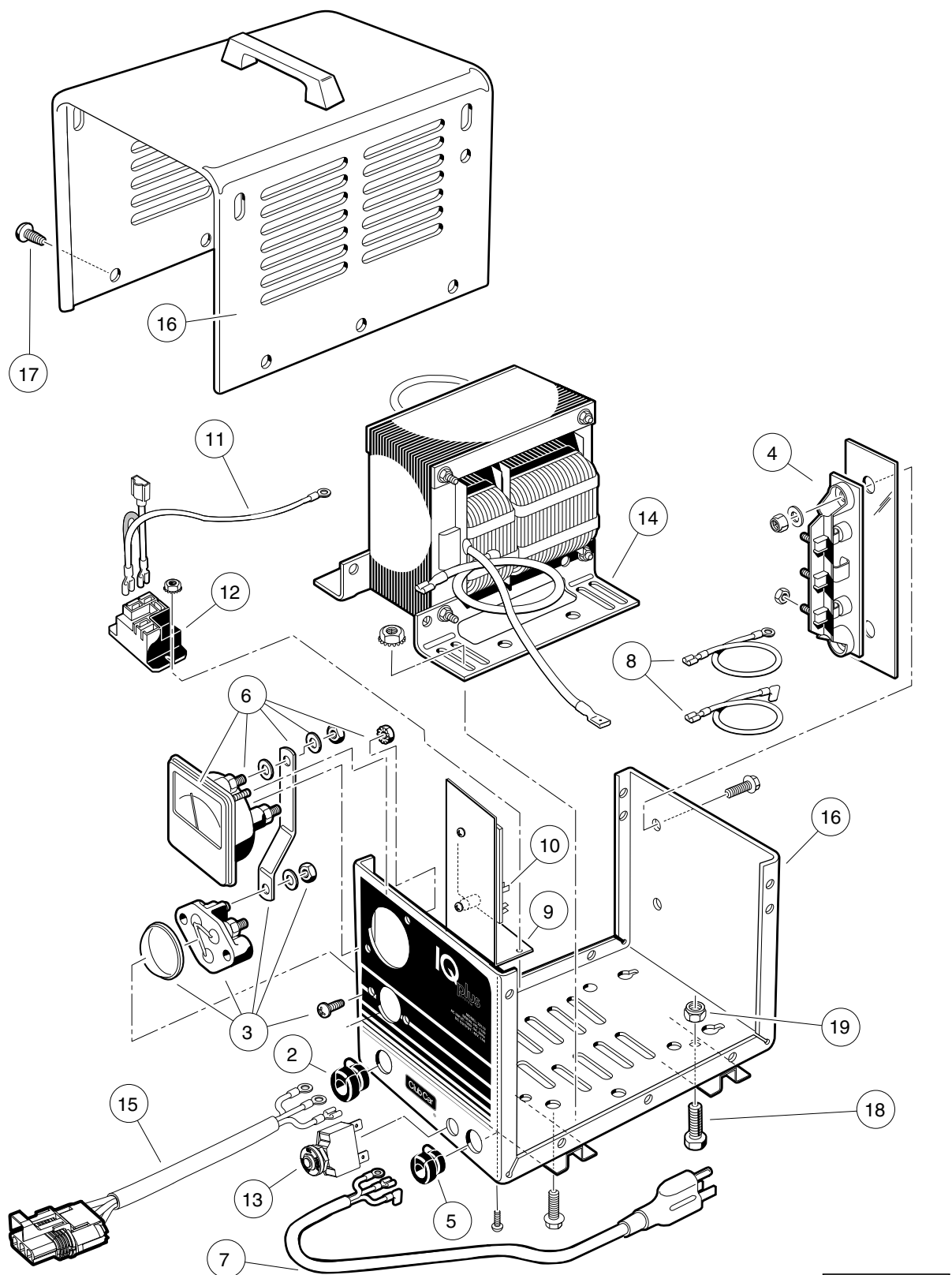
000416-001

# IQ PLUS BATTERY CHARGER (MODELS 25880-11 AND -18), INTERNATIONAL

ITEM	PART NO.	DESCRIPTION	QTY
		1 2 3 4	
1	<u>101958201</u>	Cord, UK, AC, Battery Charger .....	1
2	<u>101958301</u>	Cord, European AC, Battery Charger .....	1
3	<u>102892901</u>	Charger, IQ Plus, International (9-ft. DC Cord) .....	1
4	<u>102892902</u>	Charger, IQ Plus, International (12-ft. DC Cord) (includes items 5 through 23) .....	1
5	<u>1012098</u>	Bushing, DC Cord .....	1
6	<u>1012101</u>	Fuse Assembly .....	1
7	<u>1015914</u>	Rectifier with Heatsink Assembly .....	1
8	<u>101828901</u>	Cord, DC, 113-Inch (287 cm) .....	1
9	<u>101828902</u>	Cord, DC, 154-Inch (391 cm) .....	1
10	<u>101828903</u>	Cord, DC, 250-Inch (635 cm) .....	1
11	<u>101838401</u>	Circuit Breaker .....	2
12	<u>101838601</u>	Four-Position Switch .....	1
13	<u>101914401</u>	Assembly, Voltage Suppressor .....	1
14	<u>101973501</u>	Receptacle, AC Cord .....	1
15	<u>101976601</u>	Ammeter with Mounting Bracket .....	1
16	<u>102275401</u>	Relay, 48-VDC .....	1
17	N/A	Wire, Jumper .....	1
18	N/A	Limiter, Current .....	1
19	N/A	Wire Assembly, Battery Charger .....	1
20	N/A	Transformer, Battery Charger .....	1
21	<u>102940801</u>	Cord, Dc .....	1
22	N/A	Case, Battery Charger .....	1
23	7577	Screw, #10 X 0.50 Phillips Pan-Head .....	10
24	<u>102939501</u>	Cord, European AC, Battery Charger .....	1

17

E



000415-001



# ONBOARD IQ PLUS BATTERY CHARGER (MODEL 25260-11), DOMESTIC

ITEM	PART NO.	DESCRIPTION	QTY
		1 2 3 4	
1	<u>102837001</u>	Battery Charger, Onboard, 120-VAC, 48-VDC (includes items 2 through 19) .....	1
2	<u>1012098</u>	Bushing, DC Cord .....	1
3	<u>1012101</u>	Fuse Assembly .....	1
4	<u>1015914</u>	Rectifier with Heatsink Assembly .....	1
5	<u>1015917</u>	Bushing, AC Cord .....	1
6	<u>101828501</u>	Ammeter .....	1
7	<u>101829001</u>	Cord, AC, 22-Inch (56 cm) .....	1
8	<u>101831101</u>	Wire Assembly Kit .....	1
9	<u>101838701</u>	Mounting Bracket, Relay .....	1
10	<u>101841901</u>	Control Board .....	1
11	<u>101914401</u>	Assembly, Voltage Suppressor .....	1
12	<u>102275401</u>	Relay, 48-VDC .....	1
13	<u>102838101</u>	Circuit Breaker 250vac-50vdc .....	1
14	N/A	Transformer, Battery Charger .....	1
15	<u>102940801</u>	Cord, Dc .....	1
16	N/A	Case, Battery Charger .....	1
17	7577	Screw, #10 X 0.50 Phillips Pan-Head .....	12
18	<u>7847</u>	Screw, 1/4-20 X 0.75 Hex-Head Cap .....	4
19	<u>8233</u>	Locknut, 1/4-20, Nylon Insert .....	4
<p style="text-align: center;">Note: DC Cord (item 15) uses the Packard 280 Connector.</p>			

17

E



# ONBOARD IQ PLUS BATTERY CHARGER (MODEL 25660-40), INTERNATIONAL

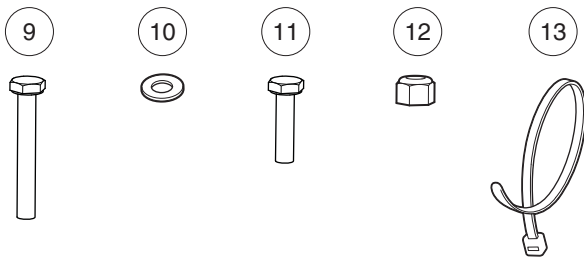
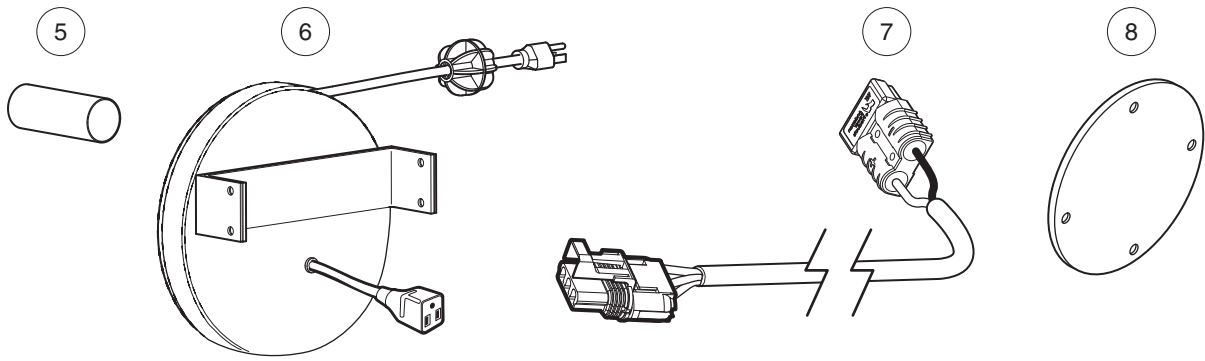
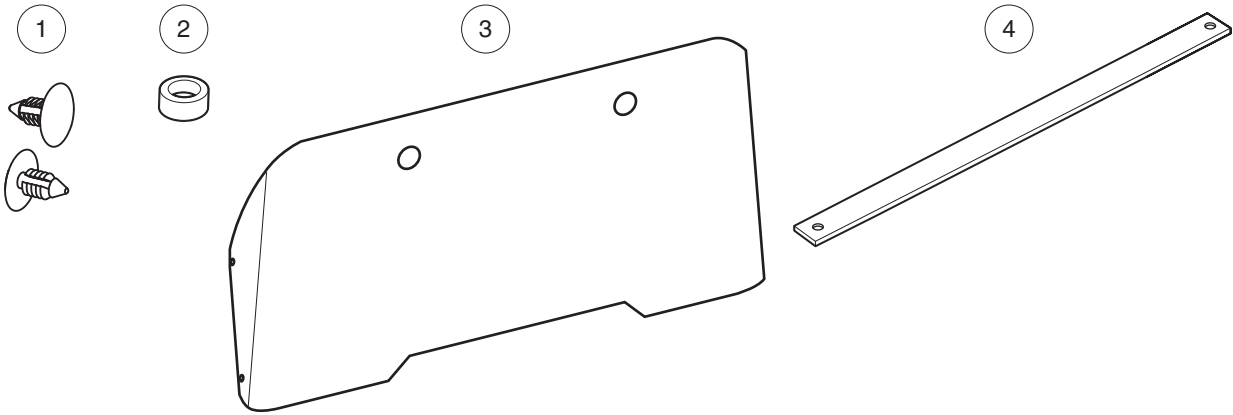
ITEM	PART NO.	DESCRIPTION	QTY
		1 2 3 4	
1	102893001	Battery Charger, Onboard, International, IQ Plus (includes items 2 through 20) .....	1
2	<u>1012098</u>	Bushing, DC Cord .....	1
3	<u>1012101</u>	Fuse Assembly .....	1
4	<u>1015914</u>	Rectifier with Heatsink Assembly .....	1
5	<u>1015917</u>	Bushing, AC Cord .....	1
6	<u>101828501</u>	Ammeter .....	1
7	<u>101829001</u>	Cord, AC, 22-Inch (56 cm) .....	1
8	<u>101831101</u>	Wire Assembly Kit .....	1
9	101838401	Circuit Breaker .....	2
10	101838601	Four-Position Switch .....	1
11	<u>101838701</u>	Mounting Bracket, Relay .....	1
12	<u>101841901</u>	Control Board .....	1
13	101914401	Assembly, Voltage Suppressor .....	1
14	<u>102275401</u>	Relay, 48-VDC .....	1
15	N/A	Transformer, Battery Charger .....	1
16	<u>102940801</u>	Cord, Dc .....	1
17	N/A	Case, Battery Charger .....	1
18	7577	Screw, #10 X 0.50 Phillips Pan-Head .....	12
19	<u>7847</u>	Screw, 1/4-20 X 0.75 Hex-Head Cap .....	4
20	<u>8233</u>	Locknut, 1/4-20, Nylon Insert .....	4
<p style="text-align: center;">Note: DC Cord (item 16) uses the Packard 280 Connector.</p>			

17

E

17

E



001289-001

# ONBOARD IQ PLUS CHARGER AND CORD REEL MOUNTING – TO EARLY-2011 MODEL YEAR

ITEM	PART NO.	DESCRIPTION	QTY
		1 2 3 4	
1	<u>1010434</u>	Barrel - Plastic .....	4
2	<u>1010927</u>	Hill Brake Spacer .....	4
3	1011348	Rear Panel 4 Passenger .....	1
4	<u>1011707</u>	Bracket, Mounting, Battery Charger .....	2
5	<u>1017189</u>	Heat Shrink Tube 1.5"x 4' .....	1
6	<u>101965401</u>	Reel Assy, Retractable Cord .....	1
7	<u>102950101</u>	Harness, Ob Charg, Vill .....	1
8	<u>103218001</u>	Cover Plate, Receptacle .....	1
9	<u>1703</u>	Screw, 1/4-20 X 1.50 Hx Hd Cap .....	4
10	<u>332</u>	Washer, 1/4 Type A Narrow Flat .....	4
11	<u>7847</u>	Screw, 1/4-20 X 0.75 Hex-Head Cap .....	4
12	<u>8233</u>	Locknut, 1/4-20, Nylon Insert .....	8
13	<u>8990</u>	Tie Wrap, 8" Nylon .....	4
Note: Charger Harness (item 7) uses the Packard 280 Connector.			

17

E

17

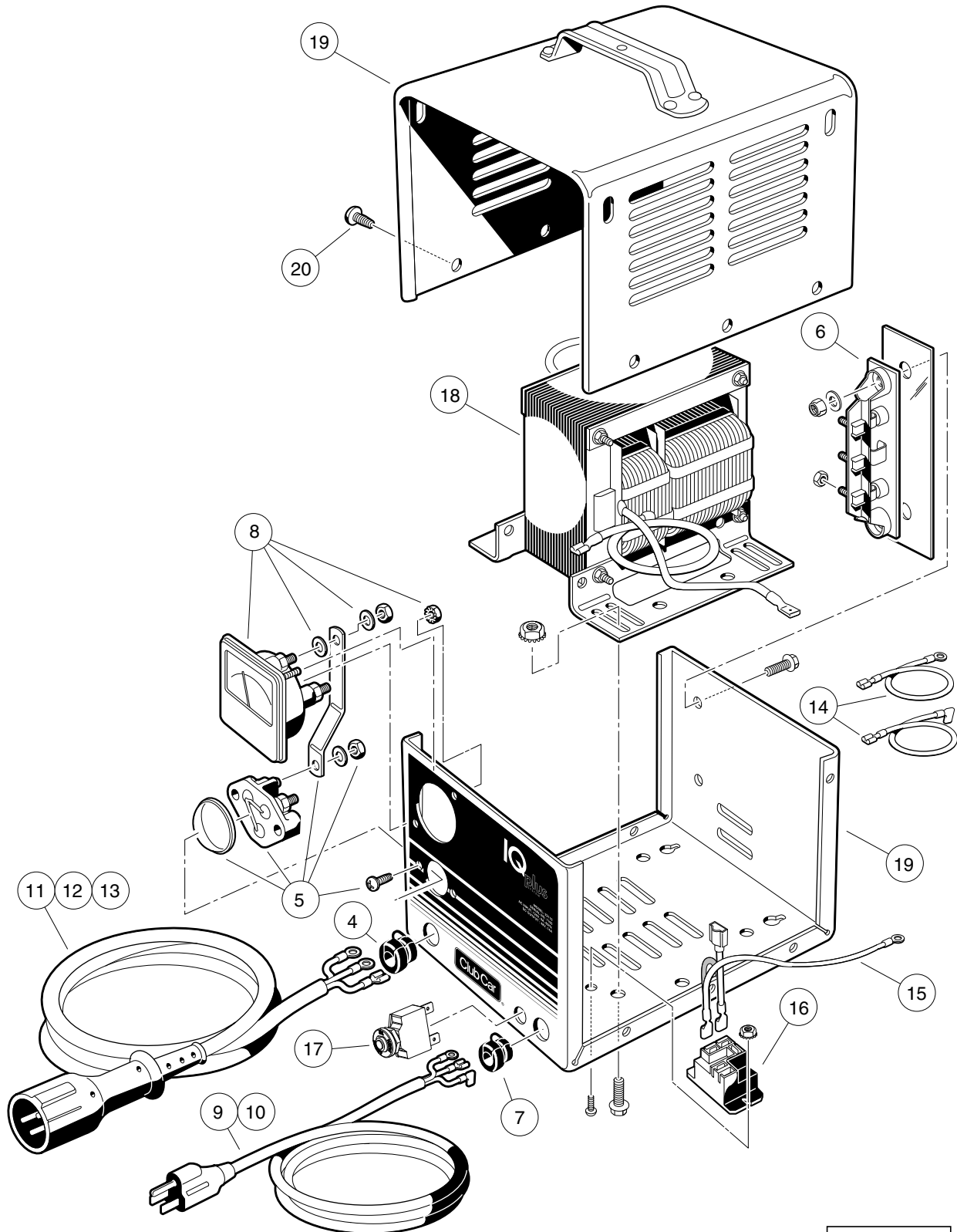
*E*

# BATTERY CHARGERS – FROM EARLY- 2011 MODEL YEAR

---

18

E



000414-001

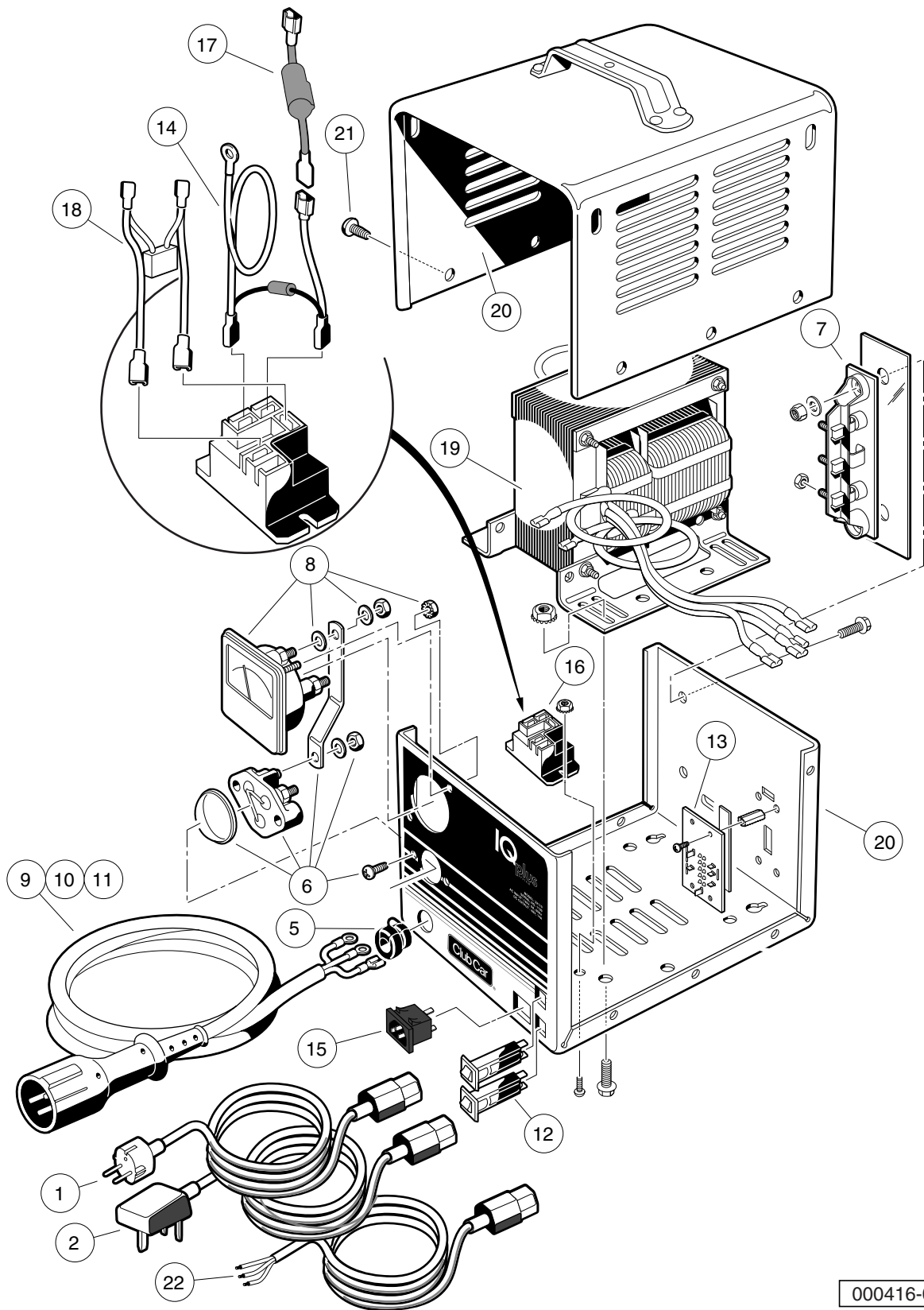


# IQ PLUS BATTERY CHARGER (MODELS 25730-11,-18,-19), DOMESTIC

ITEM	PART NO.	DESCRIPTION	QTY
		1 2 3 4	
1	<u>102847801</u>	Charger, IQ Plus, Domestic (9-ft. DC Cord, 6-ft. AC Cord) .....	1
2	<u>102847802</u>	Charger, IQ Plus, Domestic (12-ft. DC Cord, 9-ft. AC Cord) .....	1
3	<u>102847803</u>	Charger, IQ Plus, Domestic (20-ft. DC Cord, 9-ft. AC Cord) (includes items 4 through 20)	1
4	<u>1012098</u>	Bushing, DC Cord .....	1
5	<u>1012101</u>	Fuse Assembly .....	1
6	<u>1015914</u>	Rectifier with Heatsink Assembly .....	1
7	<u>1015917</u>	Bushing, AC Cord .....	1
8	<u>101828501</u>	Ammeter .....	1
9	<u>101828801</u>	Cord, AC, 80-Inch (203 cm) .....	1
10	<u>101828802</u>	Cord, AC, 108-Inch (274 cm) .....	1
11	<u>101828901</u>	Cord, DC, 113-Inch (287 cm) .....	1
12	<u>101828902</u>	Cord, DC, 154-Inch (391 cm) .....	1
13	<u>101828903</u>	Cord, DC, 250-Inch (635 cm) .....	1
14	<u>101831101</u>	Wire Assembly Kit .....	1
15	101914401	Assembly, Voltage Suppressor .....	1
16	<u>102275401</u>	Relay, 48-VDC .....	1
17	<u>102838101</u>	Circuit Breaker 250vac-50vdc .....	1
18	N/A	Transformer, Battery Charger .....	1
19	N/A	Case, Battery Charger .....	1
20	7577	Screw, #10 X 0.50 Phillips Pan-Head .....	10

18

E



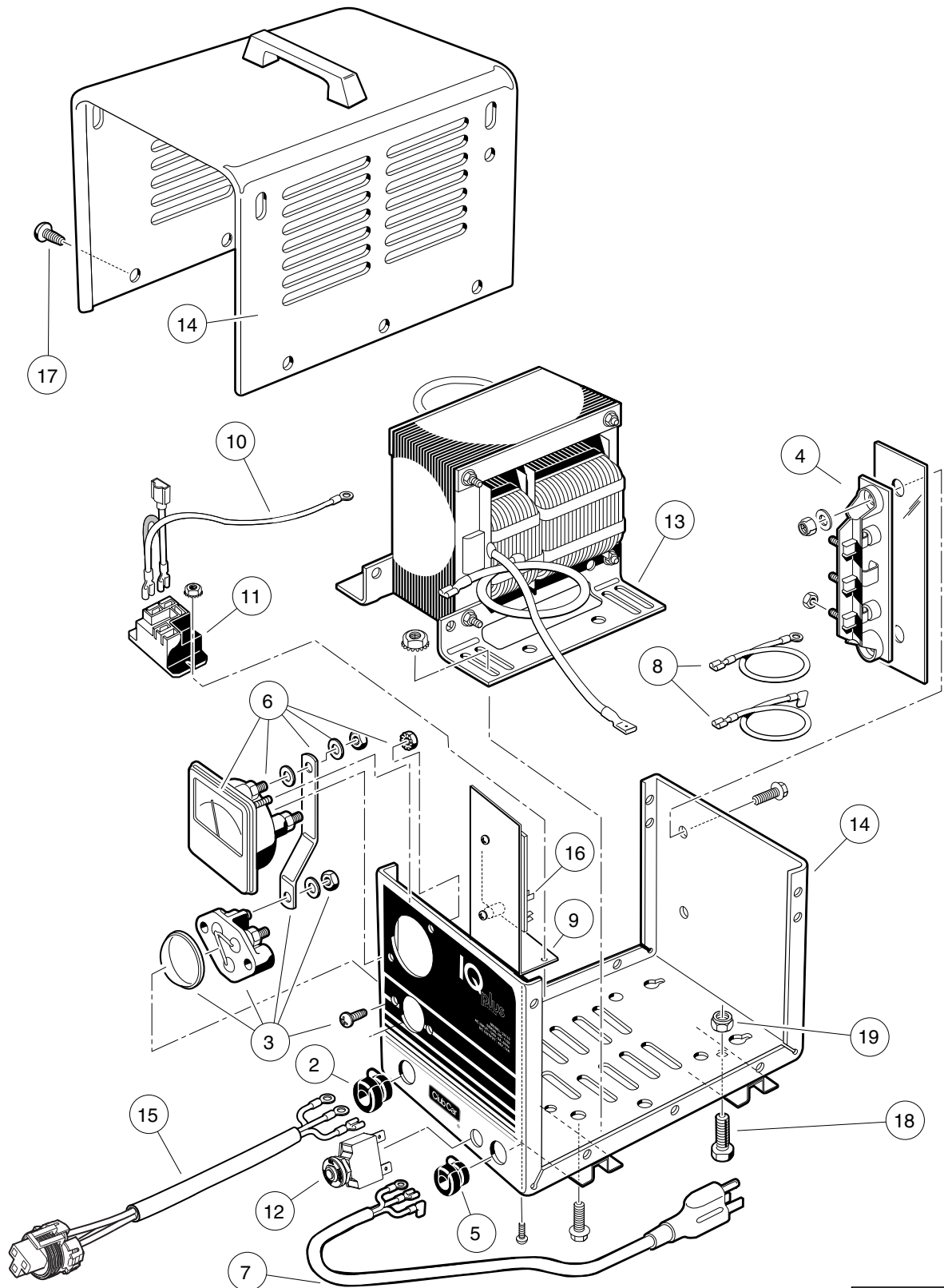
000416-002

# IQ PLUS BATTERY CHARGER (MODELS 25880-11 AND -18), INTERNATIONAL

ITEM	PART NO.	DESCRIPTION	QTY
		1 2 3 4	
1	<u>101958201</u>	Cord, UK, AC, Battery Charger .....	1
2	<u>101958301</u>	Cord, European AC, Battery Charger .....	1
3	<u>102892901</u>	Charger, IQ Plus, International (9-ft. DC Cord) .....	1
4	<u>102892902</u>	Charger, IQ Plus, International (12-ft. DC Cord) (includes items 5 through 21) .....	1
5	<u>1012098</u>	Bushing, DC Cord .....	1
6	<u>1012101</u>	Fuse Assembly .....	1
7	<u>1015914</u>	Rectifier with Heatsink Assembly .....	1
8	<u>101828501</u>	Ammeter .....	1
9	<u>101828901</u>	Cord, DC, 113-Inch (287 cm) .....	1
10	<u>101828902</u>	Cord, DC, 154-Inch (391 cm) .....	1
11	<u>101828903</u>	Cord, DC, 250-Inch (635 cm) .....	1
12	<u>101838401</u>	Circuit Breaker .....	2
13	<u>101838601</u>	Four-Position Switch .....	1
14	<u>101914401</u>	Assembly, Voltage Suppressor .....	1
15	<u>101973501</u>	Receptacle, AC Cord .....	1
16	<u>102275401</u>	Relay, 48-VDC .....	1
17	N/A	Limiter, Current .....	1
18	N/A	Wire Assembly, Battery Charger .....	1
19	N/A	Transformer, Battery Charger .....	1
20	N/A	Case, Battery Charger .....	1
21	7577	Screw, #10 X 0.50 Phillips Pan-Head .....	10
22	<u>102939501</u>	Cord, European AC, Battery Charger .....	1

18

E



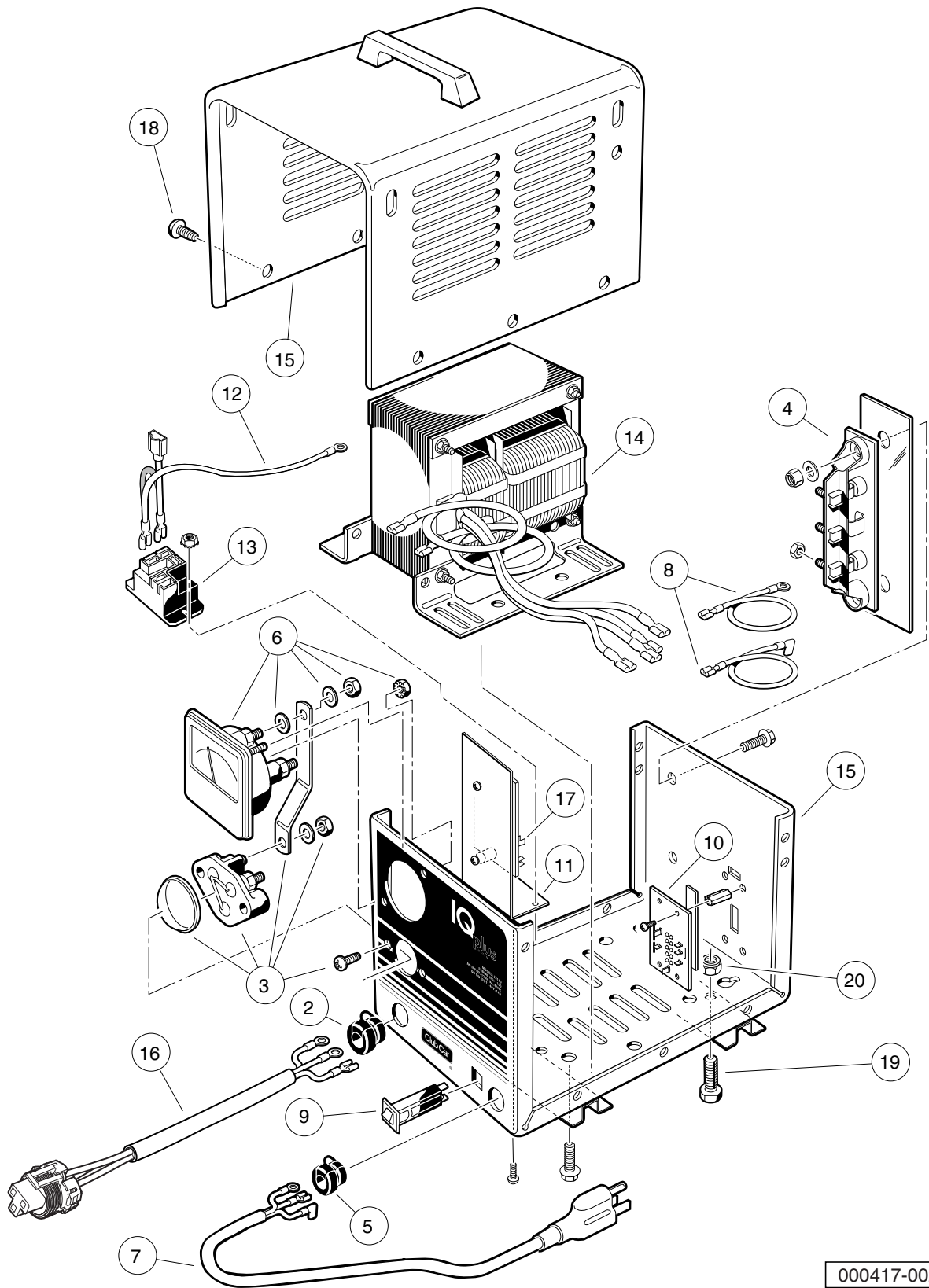
000415-002

# ONBOARD IQ PLUS BATTERY CHARGER (MODEL 25260-50), DOMESTIC

ITEM	PART NO.	DESCRIPTION	QTY
		1 2 3 4	
1	<u>103772401</u>	Charger, IQ Plus, Onboard, Domestic (includes items 2 through 19) .....	1
2	<u>1012098</u>	Bushing, DC Cord .....	1
3	<u>1012101</u>	Fuse Assembly .....	1
4	<u>1015914</u>	Rectifier with Heatsink Assembly .....	1
5	<u>1015917</u>	Bushing, AC Cord .....	1
6	<u>101828501</u>	Ammeter .....	1
7	<u>101829001</u>	Cord, AC, 22-Inch (56 cm) .....	1
8	<u>101831101</u>	Wire Assembly Kit .....	1
9	<u>101838701</u>	Mounting Bracket, Relay .....	1
10	<u>101914401</u>	Assembly, Voltage Suppressor .....	1
11	<u>102275401</u>	Relay, 48-VDC .....	1
12	<u>102838101</u>	Circuit Breaker, 20 Amp .....	1
13	N/A	Transformer, Battery Charger .....	1
14	N/A	Case, Battery Charger .....	1
15	<u>103832001</u>	Cord, DC, 20", Charger .....	1
16	<u>103869401</u>	Control Board, Potted .....	1
17	7577	Screw, #10 X 0.50 Phillips Pan-Head .....	12
18	<u>7847</u>	Screw, 1/4-20 X 0.75 Hex-Head Cap .....	4
19	<u>8233</u>	Locknut, 1/4-20, Nylon Insert .....	4
<p style="text-align: center;">Note: DC Cord (item 15) uses the Packard 480 Connector.</p>			

18

E



000417-002

# ONBOARD IQ PLUS BATTERY CHARGER (MODEL 25660-50), INTERNATIONAL

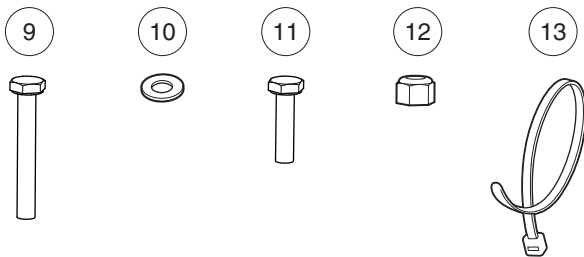
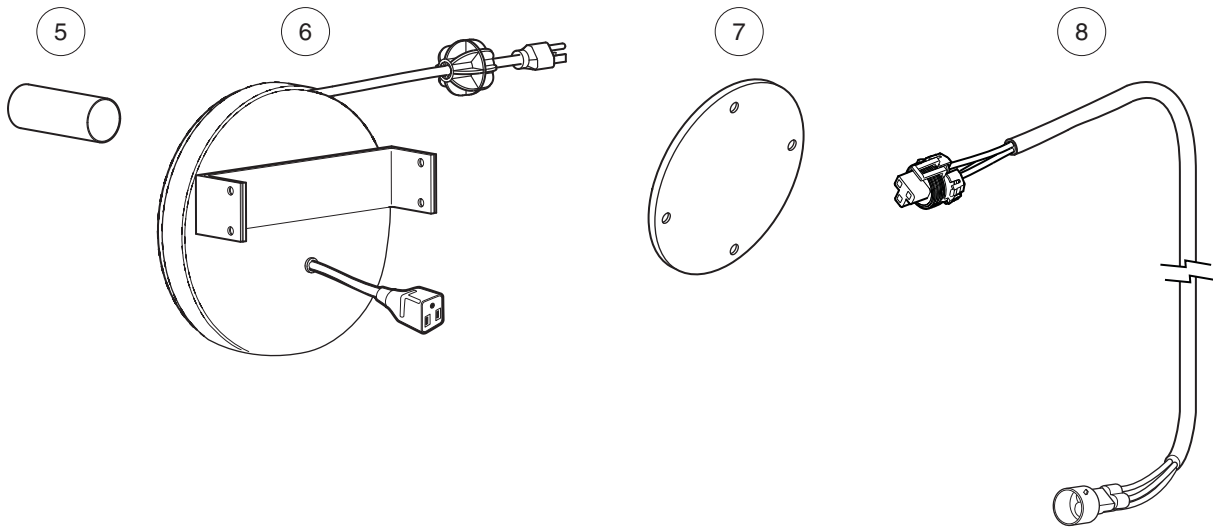
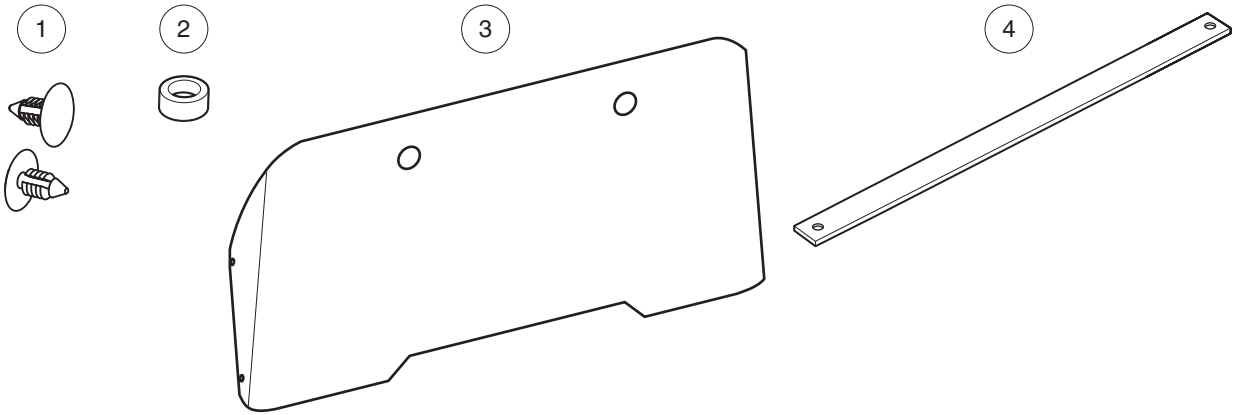
**18**

**E**

ITEM	PART NO.	DESCRIPTION	QTY
		1 2 3 4	
1	<u>103771601</u>	Charger, IQ Plus, Onboard, International (includes items 2 through 20) .....	1
2	<u>1012098</u>	Bushing, DC Cord .....	1
3	<u>1012101</u>	Fuse Assembly .....	1
4	<u>1015914</u>	Rectifier with Heatsink Assembly .....	1
5	<u>1015917</u>	Bushing, AC Cord .....	1
6	<u>101828501</u>	Ammeter .....	1
7	<u>101829001</u>	Cord, AC, 22-Inch (56 cm) .....	1
8	<u>101831101</u>	Wire Assembly Kit .....	1
9	<u>101838401</u>	Circuit Breaker .....	1
10	<u>101838601</u>	Four-Position Switch .....	1
11	<u>101838701</u>	Mounting Bracket, Relay .....	1
12	<u>101914401</u>	Assembly, Voltage Suppressor .....	1
13	<u>102275401</u>	Relay, 48-VDC .....	1
14	N/A	Transformer, Battery Charger .....	1
15	N/A	Case, Battery Charger .....	1
16	<u>103832001</u>	Cord, DC, 20", Charger .....	1
17	<u>103869401</u>	Control Board, Potted .....	1
18	<u>7577</u>	Screw, #10 X 0.50 Phillips Pan-Head .....	12
19	<u>7847</u>	Screw, 1/4-20 X 0.75 Hex-Head Cap .....	4
20	<u>8233</u>	Locknut, 1/4-20, Nylon Insert .....	4
Note: DC Cord (item 16) uses the Packard 480 Connector.			

18

E



001289-002



# ONBOARD IQ PLUS CHARGER AND CORD REEL MOUNTING – FROM EARLY-2011 MODEL YEAR

ITEM	PART NO.	DESCRIPTION	QTY
		1 2 3 4	
1	<u>1010434</u>	Barrel - Plastic .....	4
2	<u>1010927</u>	Hill Brake Spacer .....	4
3	1011348	Rear Panel 4 Passenger .....	1
4	<u>1011707</u>	Bracket, Mounting, Battery Charger .....	2
5	<u>1017189</u>	Heat Shrink Tube 1.5"x 4' .....	1
6	<u>101965401</u>	Reel Assy, Retractable Cord .....	1
7	<u>103218001</u>	Cover Plate, Receptacle .....	1
8	103772201	Harness, Ob Charg, Vill, 480 .....	1
9	<u>1703</u>	Screw, 1/4-20 X 1.50 Hx Hd Cap .....	4
10	<u>332</u>	Washer, 1/4 Type A Narrow Flat .....	4
11	<u>7847</u>	Screw, 1/4-20 X 0.75 Hex-Head Cap .....	4
12	<u>8233</u>	Locknut, 1/4-20, Nylon Insert .....	8
13	<u>8990</u>	Tie Wrap, 8" Nylon .....	4
Note: Charger Harness (item 8) uses the Packard 480 Connector.			

18

E



# MAINTENANCE AND SERVICE TOOLS

---

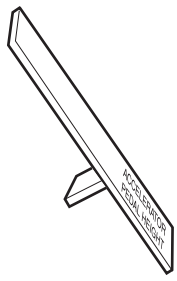
19

G

E

D

**19**  
**G**  
**E**  
**D**



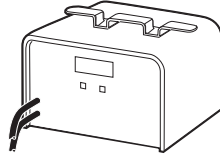
1



2



3



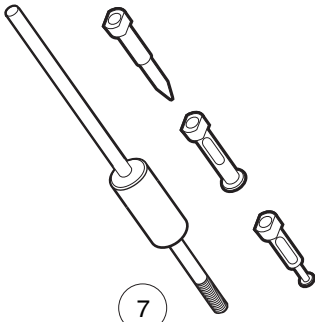
4



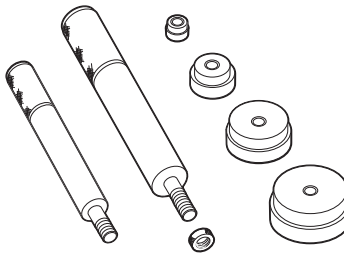
5



6



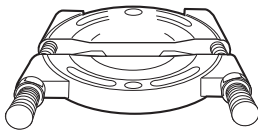
7



8



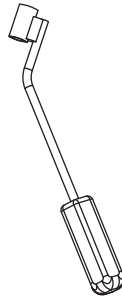
9



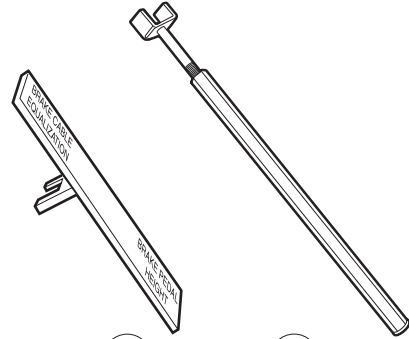
10



11



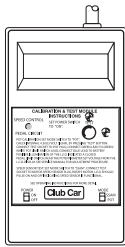
12



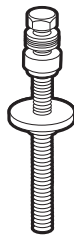
13

14

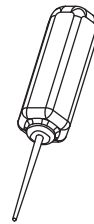
15



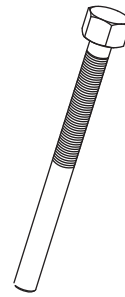
16



17



18



19

# MAINTENANCE AND SERVICE TOOLS

ITEM	PART NO.	DESCRIPTION	QTY DIESEL	QTY GAS	QTY ELEC
		<p style="text-align: center;">1 2 3 4</p> <p>The following tool list includes all tools available from Club Car for maintenance and service procedures for gasoline, electric, and/or diesel vehicles, both past and present models. Be sure to carefully examine the tool list for applicability to your vehicle before ordering.</p>			
1	<u>101871001</u>	Accelerator Pedal Adjustment Tool .....		1	1
2	<u>101813202</u>	Adhesive, Guide Ring, 3-Gram Tube .....			1
3	<u>101641202</u>	Arbor .....		1	
4	<u>101831901</u>	Battery Discharge Machine, 36/48 Volt .....			1
5	<u>1014305</u>	Battery Terminal Protector Spray .....	1	1	1
6	1011767	Battery Thermometer .....	1	1	1
7	<u>1016417</u>	Bearing and Oil Seal Remover Assembly .....	1	1	1
8	<u>1016416</u>	Bearing Driver Set .....	1	1	1
9	<u>1012811</u>	Bearing Puller .....	1	1	1
10	<u>1012812</u>	Bearing Puller Wedge Attachment .....	1	1	1
11	1013582	Brake Adjustment Tool (used only on vehicles with manually adjusted mechanical brakes) .....			
12	<u>102555501</u>	Brake Cable Release Tool .....	1	1	1
13	102249901	Brake Pedal Adjustment Tool Kit (used for the Carryall Electric Industrial Truck only) (includes items 14 and 15).....			1
14	****	Brake Pedal Adjustment Tool .....			1
15	****	Brake Pedal Tension Tool .....			1
16	<u>101887101</u>	Calibration Test Module .....			1
17	<u>101808401</u>	Cam Installation Tool .....		1	
18	<u>102562401</u>	Charger Bezel Tool .....			1
19	<u>102686101</u>	Clutch Removal Tool (for 4x4 vehicles) .....	1	1	
		<p style="text-align: center;">Please refer to the maintenance and service manual for proper tool application.</p> <p style="text-align: center;">**** Special order item available upon request</p>			

19

G

E

D



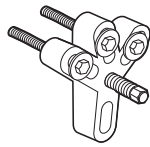
## MAINTENANCE AND SERVICE TOOLS, CONTINUED

ITEM	PART NO.	DESCRIPTION	QTY DIESEL	QTY GAS	QTY ELEC	<b>19</b>
		<b>1 2 3 4</b>				<b>G</b>
20	<u>1014510</u>	Clutch Tool Kit (includes items 21 - 27) .....		1		<b>E</b>
21	<u>1014498</u>	Clutch Alignment Tool (for pre-unitized transaxle vehicles built prior to 1997 model year) .....		1		<b>D</b>
22	<u>1014496</u>	Drive Clutch Puller (for Kawasaki engines only) .....		1		
23	<u>1014497</u>	Drive Clutch Hub Puller (for Kawasaki engines only) .....		1		
24	<u>1014508</u>	Driven Clutch Cam Puller (for Kawasaki engines only) .....		1		
25	<u>1014507</u>	Driven Clutch Puller Plug (for Kawasaki engines only) .....		1		
26	<u>1015524</u>	Drive Clutch Holder Tool Assembly (for Kawasaki engines only) .....		1		
27	<u>101809101</u>	Press Weldment (for Kawasaki engines only) .....		1		
28	<u>102601501</u>	Drive ClutchFixed Sheave Tool (for 4x4 vehicles) .....	1	1		
29	<u>102603501</u>	Driven Clutch Spring Compression Base (for use with items 30 and 31) (for 4x4 vehicles) .....	1	1		
30	<u>102605201</u>	Driven Clutch Spring Compression Collar (for use with items 29 and 31) (for 4x4 vehicles) .....	1	1		
31	<u>102606101</u>	Driven Clutch Spring Compression Nut (for use with items 29 and 30) (for 4x4 vehicles) .....	1	1		
32	<u>102607501</u>	Drive Clutch Spider Removal Tool (for 4x4 vehicles) .....	1	1		
33	101831801	Communication Display Module .....			1	
34	101641002	Compression Gauge and Adapter .....		1		
35	1011273	Continuity Tester .....		1	1	
36	<u>102773801</u>	Cutter, Valve Seat, #122 .....		1		
37	<u>102773901</u>	Cutter, Valve Seat #115 .....		1		
38	<u>102774101</u>	Wrench, T, #505.....		1		
39	<u>102774101</u>	Adapter, T-Wrench.....		1		
40	102675401	Cutter, Valve Seat, 60 Degree (requires item 51) (for Honda GX620 Gasoline Engines) .....		1		
41	<u>102774201</u>	Pilot, 6.6 MM .....		1		
42	<u>102774301</u>	Pilot, 6.62 MM.....		1		
43	<u>102774401</u>	Pilot, 6.65 MM.....		1		
		Please refer to the maintenance and service manual for proper tool application.				

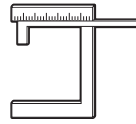
**19**  
**G**  
**E**  
**D**



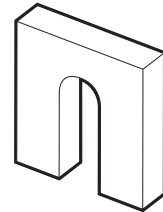
44



45



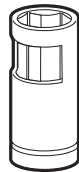
46



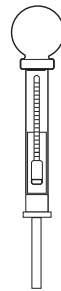
47



48



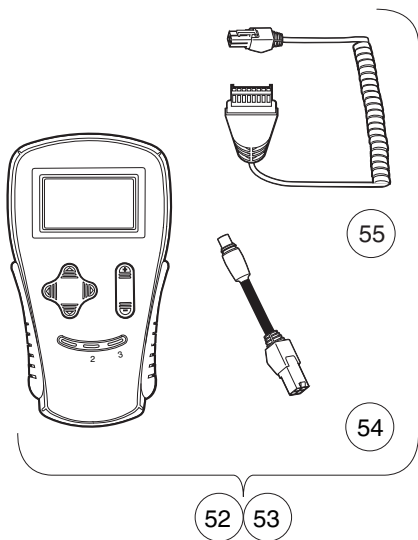
49



50



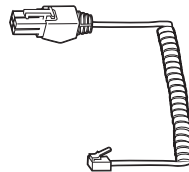
51



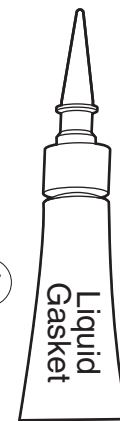
52 53

55

54



56



57



58



59 60



61



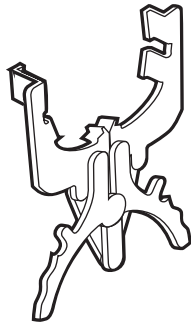
## MAINTENANCE AND SERVICE TOOLS, CONTINUED

ITEM	PART NO.	DESCRIPTION	QTY DIESEL	QTY GAS	QTY ELEC	<b>19</b>	
		1 2 3 4					
44	<u>1012151</u>	Dry Moly Lubricant .....	1	1	1	<b>G</b>	
45	<u>1016627</u>	Flywheel Puller Kit (for Kawasaki Engines) .....		1			<b>E</b>
46	<u>102669901</u>	Gauge, Carburetor Float Level (for Honda GX620 Gasoline Engines) .....		1			
47	<u>1016418</u>	Gear Yoke .....	1	1	1		<b>D</b>
48	<u>101933101</u>	Governor Shaft Installation Tool (for Kawasaki Engine Vehicles) .....		1			
49	<u>102169401</u>	Hydraulic Brake Adjuster (for Turf/CA 272/472, Pioneer/XRT 1200, Bobcat 2100, HUV 4213) .....			1		
50	<u>1011478</u>	Hydrometer .....	1	1	1		
51	<u>1013593</u>	Internal Retaining Ring Pliers .....	1	1	1		
52	<u>102248803</u>	IQ Display Module (IQDM) Kit (IQ System and IQ Plus vehicles) .....			1		
		(includes items 54 and 55)					
53	<u>102248804</u>	IQ Display Module (IQDM-P) Kit (IQ System and IQ Plus vehicles) .....			1		
		(includes items 54 and 55)					
54	<u>102251501</u>	Adaptor, Cable .....			1		
55	<u>102241502</u>	IQDM Series 2 Cable .....			1		
56	<u>102241501</u>	IQDM Series 1 Cable (replacement) .....			1		
57	<u>101928701</u>	Liquid Gasket (transaxle case) .....	1	1	1		
58	<u>102243402</u>	Moly-Teflon Lubricant (4-oz. (113-gram) tube) .....			1		
59	<u>101997201</u>	Paint, Touch-Up – Beige* .....		1	1		
59	<u>101997207</u>	Paint, Touch-Up – Black* .....		1	1		
59	<u>101997212</u>	Paint, Touch-Up – Burgundy* .....		1	1		
59	<u>101997211</u>	Paint, Touch-Up – Classic Blue (Navy)* .....		1	1		
59	<u>101997205</u>	Paint, Touch-Up – Dark Gray* .....	1	1	1		
59	<u>101997209</u>	Paint, Touch-Up – Dark Green* .....	1	1	1		
59	<u>101997204</u>	Paint, Touch-Up – Gray* .....	1	1	1		
59	<u>101997203</u>	Paint, Touch-Up – Red* .....	1	1	1		
59	<u>101997206</u>	Paint, Touch-Up – Royal Blue (Pacific Blue)* .....		1	1		
59	<u>101997202</u>	Paint, Touch-Up – White* .....	1	1	1		
60	<u>102562301</u>	Paint, Precedent Underbody – Gray .....		1	1		
61	<u>102587201</u>	Paint Pen, Touch-Up, Precedent Underbody – Black .....		1	1		
		Please refer to the maintenance and service manual for proper tool application.					
		* Item 59 is not for use on Surlyn <sup>®</sup> body material, which is used on Precedent vehicles.					

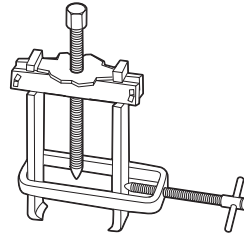
**19**  
**G**  
**E**  
**D**



62



63



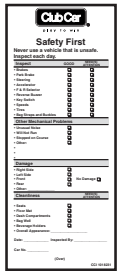
64



65



66



67



68



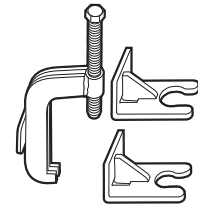
69



70



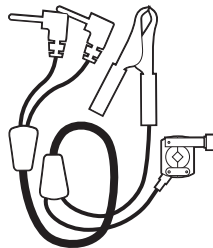
71



72



73



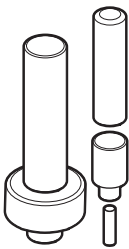
74



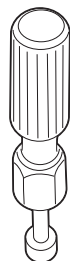
75



76



77



83



84



85



86

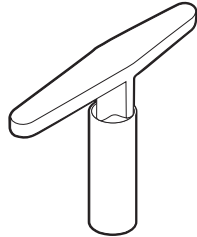
## MAINTENANCE AND SERVICE TOOLS, CONTINUED

ITEM	PART NO.	DESCRIPTION	QTY	QTY	QTY	19
			DIESEL	GAS	ELEC	
		1 2 3 4				G
62	<u>1016414</u>	Piston Ring Compressor Kit (FE290, FE350 and FE400 engines) .....		1		E
63	<u>1016415</u>	Piston Ring Pliers (for Kawasaki Engines) .....		1		D
64	<u>102668801</u>	Puller, Special Use (for Kubota D722 Diesel Engines) .....	1			
65	<u>1012549</u>	Retaining Ring Pliers, 45° External .....	1	1	1	
66	<u>1012560</u>	Retaining Ring Pliers, 90° Internal .....	1	1	1	
67	<u>101823101</u>	Safety First Card (50 per pack) .....	1	1	1	
68	<u>1012809</u>	Seal Puller .....	1	1	1	
69	<u>102330901</u>	Spanner Wrench (for coil over shock front suspension vehicles only) .....	1	1		
70	<u>1014264</u>	Steering Column Bearing Press Tool .....		1	1	
71	<u>1014259</u>	Steering Column Retaining Ring Tool .....		1	1	
72	<u>102061201</u>	Steering Wheel Puller Tool .....	1	1	1	
73	<u>AM10753</u>	Tachometer (includes gasoline engine pick up lead only) .....	1	1		
74	<u>AM10771</u>	Tachometer Diesel Probe (for use with item 73) .....	1			
75	<u>1014162</u>	Transaxle Axle Seal Tool .....		1		
76	<u>1014161</u>	Transaxle Pinion Seal Tool .....		1		
77	<u>1014115</u>	Transmission Tool Kit .....		1		
78	<u>101611003</u>	Tune-Up Kit, All OHV (for FE290, FE350, FE400 only) (includes air filter, spark plug, oil filter, fuel filters) (not shown) .....		1		
79	<u>AM11804</u>	Tune-Up Kit, Gx620 (for Honda Engines) (includes air filter, spark plug, oil filter, fuel filters) (not shown) .....		1		
80	<u>AM11805</u>	Tune-Up Kit, D722 (for Kubota Engines) (includes air filter, oil filter, fuel filters, water separator filter) (not shown) .....	1			
81	<u>AM1220301</u>	Tune-Up Kit, Precedent (for FE290/350 Engines) (includes air filter, spark plug, oil filter, fuel filters) (not shown) .....		1		
82	<u>AM1232401</u>	Tune-Up Kit, FH680D (for Kawasaki V-Twin Engines) (includes oil filter, fuel filter, air filter, and spark plugs) (not shown).....		1		
83	<u>1016413</u>	Valve Clearance Adjuster Screw Holder (for FE290 engines only) .....		1		
84	<u>102674601</u>	Valve Guide Driver (for Honda GX620 Gasoline Engines) .....		1		
85	<u>101641201</u>	Valve Guide Reamer (FE290, FE350, and FE400 only) .....		1		
86	<u>102674401</u>	Valve Guide Reamer, 6.6 mm (for Honda GX620 Gasoline Engines) .....		1		

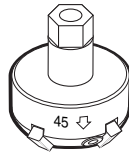
**19**  
**G**  
**E**  
**D**



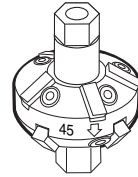
87



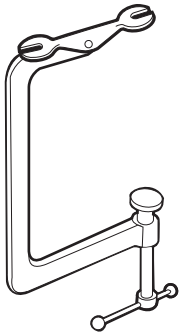
88



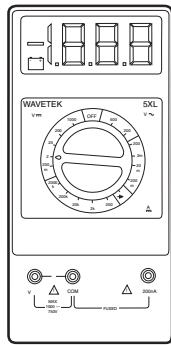
89



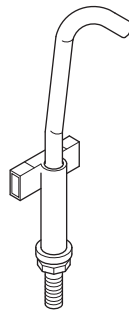
90



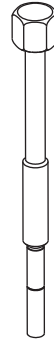
91



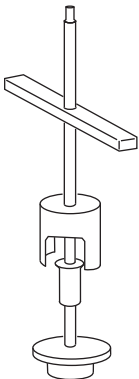
92



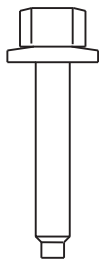
93



94



95



96

## MAINTENANCE AND SERVICE TOOLS, CONTINUED

ITEM	PART NO.	DESCRIPTION	QTY DIESEL	QTY GAS	QTY ELEC	<b>19</b>
		1 2 3 4				<b>G</b>
87	<u>1016552</u>	Valve Seat Cutter Guide .....		1		<b>E</b>
88	<u>1016551</u>	Valve Seat Cutter T-Wrench .....		1		<b>D</b>
89	<u>1016553</u>	Valve Seat Cutter, 45° (32 mm diameter) (for FE290 engines only) .....		1		
90	<u>1016554</u>	Valve Seat Cutter, 45°/30° (35 mm diameter) .....		1		
91	<u>101641101</u>	Valve Spring Compressor .....		1		
92	1011480	Volt Ohm Meter .....	1	1	1	
93	<u>102570401</u>	Tool, Tensioning, Starter Generator (For Precedent vehicles) .....		1		
94	<u>103601401</u>	Puller, Drive Clutch, XRT 950* .....		1		
95	<u>103601701</u>	Tool, Disassembly, Driven Clutch, XRT 950 .....		1		
96	<u>103600501</u>	Screw, Driven Clutch Disassembly, M6, XRT 950 .....		1		
<p>*Note: The XRT 950 Drive Clutch Puller requires the use of Screw, Driven Clutch Disassembly, CCI Part Number <u>103600501</u>.</p>						



# INDEX

## Part Number and Page

AM10753	19-9	1-57, 1-59, 1-61, 4-5, 4-7, 4-9, 5-3, 5-5, 5-7, 5-15, 5-17, 5-19, 6-25, 7-13, 7-15, 9-5	1010546	1-3	
AM10771	19-9	7479	1-63, 1-65	1010577	1-37, 8-15
AM10080	12-11	7577	17-3, 17-5, 17-7, 17-9, 18-3, 18-5, 18-7, 18-9	1010805	5-3
AM10081	12-11	7591	4-5, 4-7, 4-9, 4-37	1010829	5-15, 5-17, 5-19
AM10419	11-7	7716	5-3, 5-5, 5-7	1010850	5-13, 5-21
AM1232301	8-5	7818	7-13	1010877	5-3
AM1243501	4-29	7820	4-31	1010878	5-3
AM1243701	4-29	7840	6-13	101090801	13-13, 13-15, 13-17, 13-19, 14-13, 14-15, 14-17, 14-19
AM1243801	4-29	7847	1-11, 1-39, 10-3, 17-7, 17-9, 17-11, 18-7, 18-9, 18-11	1010909	4-5, 4-27
SVP119201	4-29	7893	4-5, 4-11, 4-13, 4-27, 7-13, 12-5, 12-7	1010921	5-3
SVP493201	4-29	7910	6-13	1010927	5-3, 17-11, 18-11
183	1-51, 1-53, 1-55, 1-57, 4-5, 4-7, 4-9, 4-11, 4-13, 4-27, 4-29, 7-13, 9-5, 9-17, 9-19, 11-5, 12-9, 12-15	7973	1-7, 9-17, 9-19	1010932	5-3
304	4-31, 12-5, 12-7	8028	1-47	1010933	5-3
324	1-51, 1-53, 1-55, 1-57, 1-59, 1-61, 1-63, 1-65	8056	4-35	1010934	7-15, 15-3
332	1-21, 1-27, 1-29, 1-31, 1-33, 1-37, 1-39, 1-47, 1-49, 1-59, 1-61, 1-63, 1-65, 4-31, 7-11, 9-21, 10-3, 17-11, 18-11	8057	4-35, 7-13, 12-3	1010954	7-13, 12-9, 12-15
334	5-5, 5-7, 6-3, 6-5, 8-15, 11-5	8058	4-35, 7-13, 12-3	1010984	2-3, 2-5
343	1-51, 1-53, 1-55, 1-57	8067	6-13	1010993	1-29, 1-33, 1-39
357	6-17, 6-19, 6-25	8104	1-51, 1-53, 1-55, 1-57, 4-11, 4-13, 12-3	1011014	1-3
451	1-37, 5-13, 5-21, 10-3, 15-3	8233	1-21, 1-27, 1-29, 1-31, 1-33, 1-37, 1-39, 1-49, 1-51, 1-53, 1-55, 1-57, 1-59, 1-61, 1-63, 1-65, 4-31, 4-33, 5-5, 5-7, 6-25, 7-11, 9-3, 9-5, 9-15, 12-5, 12-7, 12-9, 12-15, 17-7, 17-9, 17-11, 18-7, 18-9, 18-11	1011017	1-3, 4-19
705	8-15	8248	1-13, 7-11, 9-3, 9-5	1011084	5-9, 5-11
706	6-17, 6-19	8251	1-21, 1-27, 1-29, 1-31, 1-33, 1-39, 1-45, 1-47	1011114	5-13, 5-21
808	6-25, 11-5	8294	4-31	1011137	5-13
1016	4-5, 4-11, 4-13, 4-27, 7-13, 9-5	8304	1-47	1011154	5-13, 5-21
1017	4-3, 7-13	8450	7-13, 11-5	1011210	1-47
1028	5-3	8639	4-29, 9-17, 9-19, 12-5, 12-7, 13-25, 14-25	1011219	1-47
1032	5-3	8717	5-7, 7-13, 12-3, 12-9, 12-15	1011220	1-47
1218	1-49, 1-51, 1-53, 1-55, 1-57, 1-59, 1-61, 1-63, 1-65	8745	6-17	1011221	1-47
1241	1-3, 1-37, 1-47, 1-49, 1-55, 1-57, 4-5, 4-7, 4-9, 5-3, 5-5, 5-7, 5-17, 5-19, 7-9, 7-13, 7-15, 9-5, 10-3	8754	5-5, 5-7, 6-3, 6-5, 6-15, 6-17, 6-19, 6-21, 6-23, 7-9	1011222	1-47
1242	5-15, 5-17, 5-19, 7-9, 7-13	8755	6-17, 6-19, 6-21	1011229	4-5, 4-7, 4-9, 4-35
1620	4-3	8797	9-5	1011273	19-5
1624	5-5, 5-7, 6-3, 7-9	8861	6-15, 6-25	1011280	4-5, 4-7, 4-9
1631	9-17, 9-19	8915	1-51, 1-53, 1-59, 1-61	1011291	12-13
1703	17-11, 18-11	8963	1-47, 1-55, 1-57	1011298	5-13, 5-21
2402	6-15, 6-17, 6-19	8990	4-11, 4-13, 4-23, 4-25, 4-33, 6-3, 7-13, 13-25, 14-25, 17-11, 18-11	1011303	5-13, 5-21
4029	4-31	1010005	6-13	1011314	5-13, 5-21
7048	6-13	1010028	12-3	1011348	17-11, 18-11
7173	1-13, 4-5, 4-7, 4-9, 6-25, 7-15, 9-5	1010124	6-17, 6-19	1011382	4-15, 4-17
7174	6-7, 7-9, 9-15, 10-3, 15-3	1010138	6-15	1011393	6-13
7251	1-3, 1-13	1010145	6-21, 6-23	1011394	1-3
7270	6-17	1010150	6-17, 6-19	1011402	5-3
7274	6-13	1010200	6-19	1011415	6-21, 6-23
7308	6-13	1010237	1-51, 1-53, 1-55, 1-57, 1-59, 1-61, 1-63, 1-65	1011418	5-3
7310	2-3, 2-5	1010434	1-3, 1-5, 1-27, 1-29, 1-31, 1-33, 1-39, 1-49, 17-11, 18-11	1011439	4-5, 4-7, 4-9
7311	6-25	1010435	1-3, 1-49	101146302	5-13, 5-21
7330	12-13, 16-3	1010436	1-47	1011464	5-13, 5-21
7335	12-11, 16-3	1010543	1-17, 1-35, 1-47	1011465	5-13, 5-21
7336	16-3			1011466	5-13, 5-21
7410	1-49			1011467	5-13, 5-21
7473	1-3, 1-37, 1-47, 1-49, 1-51, 1-53, 1-55,			1011478	19-7
				1011480	19-11
				1011494	5-13, 5-21
				1011497	4-37
				1011557	4-5, 4-7, 4-9, 4-37
				1011558	4-37
				1011578	1-47, 6-5, 13-13, 13-15, 13-17, 13-19,

# INDEX

14-13, 14-15, 14-17, 14-19	1012565 6-11	1013734 10-3, 13-21, 13-23, 14-21, 14-23
1011582 4-37	1012566 6-11	1013746 9-3, 9-5, 9-7, 9-9, 9-13
1011590 4-11	1012571 8-15	1013760 12-9
1011652 1-17, 1-35	1012581 1-27, 1-29, 1-31, 1-33, 1-45	1013768 12-13
1011694 5-5, 5-7	1012597 1-35	1013769 12-13
1011697 1-51, 1-53, 1-59, 1-61, 6-5, 8-15, 9-15	1012604 6-5	1013770 12-13
1011707 17-11, 18-11	1012605 6-5	1013771 12-13
1011734 5-9, 5-11	1012640 2-7	1013772 12-13
1011767 19-3	1012641 2-7	1013773 12-13
1011779 5-15, 5-17, 5-19	1012642 2-7	1013774 12-13
1011825 4-31	1012649 9-3, 9-5, 9-7, 9-9	1013787 12-13
1011843 4-37	1012657 1-35	1013792 12-13
1011852 1-51, 1-53, 1-55, 1-57, 1-59, 1-61, 1-63, 1-65	1012711 12-9	1013794 12-13, 16-3
1011862 1-51, 1-53, 1-55, 1-57, 1-59, 1-61, 1-63, 1-65	1012714 12-11	1013824 1-13
1011865 1-51, 1-53, 1-55, 1-57, 1-59, 1-61, 1-63, 1-65	1012740 12-11	1013825 1-13
1011868 1-51, 1-53, 1-55, 1-57, 1-59, 1-61, 1-63, 1-65	1012741 12-11	1013846 1-13
101187702 5-3	1012747 12-11	1013869 5-3
1011878 1-13	1012748 12-11	1013870 5-3
1011883 1-51, 1-53, 1-55, 1-57, 1-59, 1-61, 1-63, 1-65	1012752 12-9	1013871 5-5, 5-7
1011887 6-13	1012809 19-9	1013876 5-3
1011892 6-13	1012811 19-3	1013924 5-13, 5-21, 8-15
1011897 1-25	1012812 19-3	1014007 1-47, 5-5, 5-7, 9-15, 12-9, 12-15
1011931 5-5, 5-7	1012830 7-9, 9-15, 10-3	1014049 11-5
1011937 1-51, 1-53, 1-55, 1-57, 1-59, 1-61, 1-63, 1-65	1012836 11-7	1014050 11-5
1011964 1-51, 1-53, 1-55, 1-57, 1-59, 1-61, 1-63, 1-65	1012896 12-9	1014052 11-5
1011988 1-49, 9-3, 9-5	1013032 1-45	1014055 11-5
1012098 17-3, 17-5, 17-7, 17-9, 18-3, 18-5, 18-7, 18-9	1013035 6-3	1014056 11-5
1012101 17-3, 17-5, 17-7, 17-9, 18-3, 18-5, 18-7, 18-9	1013042 6-3, 6-15	1014057 11-5
1012126 13-11, 14-11	1013044 6-3	1014058 11-5
1012151 19-7	1013052 6-3	1014059 11-5
1012159 1-51, 1-53, 1-55, 1-57	1013061 1-51, 1-53, 1-55, 1-57, 12-3, 12-9, 12-15, 13-9, 13-11, 14-9, 14-11	1014062 11-5
1012180 6-21	101313402 9-3, 9-5, 9-7, 9-9	1014063 11-5
1012181 6-23	1013135 6-13	1014065 7-13, 11-5
1012182 6-23	1013207 6-21	1014070 11-7
1012285 1-21, 1-37, 4-33, 9-7, 9-9, 9-15	1013216 1-45	1014072 11-7
1012295 7-13	1013218 1-45	1014078 11-7
1012303 6-17, 6-19, 6-21, 6-23	1013312 1-17	1014080 11-7
1012304 6-21	1013343 1-7	1014115 19-9
1012333 12-5, 12-7	1013344 1-7	1014116 9-3, 9-5
1012382 7-3, 7-5	1013357 1-43, 4-5, 4-7, 4-9, 13-5, 13-7, 14-5, 14-7	1014119 7-3, 7-5, 7-13
1012396 4-15, 7-3, 7-5	1013461 9-5	1014125 6-5
1012412 1-27, 1-29, 1-31, 1-33, 1-39	1013462 9-5	1014126 6-5
1012431 4-35, 7-13	1013494 4-15, 4-17	1014145 7-13
1012438 4-7, 4-9, 4-29, 9-17, 9-19	1013509 1-59, 1-61, 1-63, 1-65	1014153 5-13, 5-21
1012505 4-15, 4-17	1013531 5-17, 5-19	1014161 19-9
1012528 10-3, 13-21, 13-23, 14-21, 14-23	1013547 4-33	1014162 19-9
1012549 19-9	1013579 4-33	1014198 3-15
1012560 19-9	1013582 19-3	1014201 1-59, 1-61, 1-63, 1-65, 15-3
	1013589 7-13	1014207 12-13
	1013593 19-7	1014213 6-5
	1013609 7-13	1014214 6-5
	1013677 3-5	1014217 6-5
	1013687 9-3, 9-5	1014259 19-9
	1013700 9-15	1014264 19-9
		1014276 6-17, 6-19
		1014287 11-5



# INDEX

1014288	6-5, 7-15, 11-5	101558302	6-21, 6-23	1016346	6-15
1014305	19-3	1015597	6-13	1016349	6-15
1014306	1-21, 1-39, 4-33	1015613	6-25	1016350	6-15
1014375	7-15	1015614	6-25	1016351	6-15
1014392	1-39	101562711	1-47	1016353	6-15
1014435	1-25	101562712	1-47	1016356	4-5, 4-7, 4-9, 13-5, 13-7, 14-5, 14-7
101444101	1-25	101562714	1-47	1016363	4-7, 4-9
1014453	11-5	101562715	1-47	1016365	4-23, 4-25
1014454	11-7	101564804	1-47	1016366	4-7, 4-9
1014471	1-51, 1-53, 1-55, 1-57, 1-59, 1-61, 1-63, 1-65	101564805	1-47	1016384	6-17, 6-19
1014496	19-5	101564807	1-47	1016385	6-15
1014497	19-5	101564808	1-47	1016386	6-17, 6-19
1014498	19-5	1015649	8-3	1016387	6-17, 6-19
1014507	19-5	101570506	2-3	1016389	6-17, 6-19
1014508	19-5	101570507	2-3	101641002	19-5
1014510	19-5	101570514	2-3	101641101	19-11
1014530	4-31	101570518	2-3	101641201	19-9
1014540	4-33	101570519	2-3	101641202	19-3
1014555	6-21, 6-23	1015707	2-3	1016413	19-9
1014771	2-5	1015720	4-35, 13-21, 13-23, 14-21, 14-23	1016414	19-9
1014807	7-13, 12-3	1015737	7-3, 7-5, 7-13	1016415	19-9
1014808	12-3	1015741	4-5, 4-7, 4-9, 7-13	1016416	19-3
1014902	6-23	1015752	7-13, 9-21, 13-3, 14-3	1016417	19-3
1014928	9-3, 9-5	1015760	6-25	1016418	19-7
1014948	7-13	1015768	4-29	1016423	4-5, 4-7, 4-9, 7-13
1015010	4-29	1015770	4-29	101642575	9-11
101503202	1-7	1015814	10-3	101642578	9-11
1015072	13-13, 13-15, 13-17, 13-19, 14-13, 14-15, 14-17, 14-19	101584502	9-15	101642580	9-11
1015075	1-3	101587703	9-3, 9-5	101642582	9-11
1015091	1-47, 1-51, 1-53, 1-55, 1-57, 1-59, 1-61, 1-63, 1-65	1015878	7-13, 12-3	101642585	9-11
1015137	9-7, 9-9, 9-13	1015902	1-21, 1-37	1016429	8-7
1015139	9-3, 9-5, 9-17, 9-19	1015914	17-3, 17-5, 17-7, 17-9, 18-3, 18-5, 18-7, 18-9	1016432	8-7, 12-9
1015143	9-3, 9-5	1015917	17-3, 17-7, 17-9, 18-3, 18-7, 18-9	1016436	8-9
1015156	4-29	1015921	9-5	1016437	9-11
1015167	4-29	1015932	7-9	1016438	9-13
1015170	4-29	1015969	8-3	1016440	8-9, 9-13
1015187	4-29	1016003	9-3	1016441	9-13
101524002	7-9	1016004	9-5	1016444	9-13
1015332	7-3, 7-5, 8-3	1016011	11-5	1016449	8-9
1015345	7-13	1016074	7-9	1016450	8-9
1015372	7-13	101611003	19-9	1016451	8-9
1015373	7-13	101611402	16-5	1016452	8-9
1015392	1-51, 1-53, 1-55, 1-57	1016154	6-11	1016453	8-11
1015405	1-3, 1-51, 1-53, 1-59, 1-61, 7-13	1016183	6-5	1016454	8-11
1015426	9-21	1016201	11-5	1016455	8-5
1015453	6-25	1016214	6-11	1016456	8-3
1015457	6-25	1016230	4-29	1016457	8-7
101547601	3-7, 3-13	1016267	4-29	1016458	8-9
1015524	19-5	1016269	6-5	1016467	8-7
1015525	1-45	1016287	4-29	1016470	8-13
1015526	4-29	1016289	11-5	1016472	8-11
1015528	4-15, 4-17	1016319	5-15	1016473	8-7
1015583	6-17, 6-19	1016320	5-15	1016474	8-9
		1016337	12-11	1016479	8-9
		1016338	12-11	101648102	9-13
				101648203	8-7

# INDEX

1016483	8-9	1016587	8-5	101693910	1-3
1016486	9-11	1016588	8-5	101693911	1-3
1016489	8-9	1016627	19-7	101693912	1-3
101649002	9-13	1016630	4-15	101693913	1-3
1016494	8-11	1016668	1-49	101693914	1-3
1016496	8-11	1016672	12-13	1016952	1-11
1016499	9-11	101674702	5-9	1016967	1-3, 13-21, 13-23, 14-21, 14-23
1016501	9-11	101674704	5-11	1016997	7-13
1016502	8-7	1016751	1-19	1017006	7-3, 7-5, 7-13
1016506	8-11	101675511	1-19	1017029	5-3
1016507	8-3	101675512	1-19	1017035	4-37
1016510	8-11	101675514	1-19	101705701	3-3, 3-9
1016513	12-9	101675515	1-19	1017062	4-3
101651406	2-5	101677701	1-19	1017064	4-3
101651407	2-5	101677702	1-19	1017065	4-3
101651414	2-5	101677703	1-19	101707402	4-11
101651418	2-5	101677705	1-19	101707405	4-13
101651419	2-5	1016781	1-51, 1-53, 1-55, 1-57	1017075	4-11, 4-13
1016517	8-9	1016793	1-51, 1-53, 1-55, 1-57	1017080	1-3
1016519	8-9	1016794	1-51, 1-53, 1-55, 1-57	1017082	12-9, 12-15
1016521	8-11	101679901	1-53, 1-57	101708301	1-11
1016531	8-3	101679902	1-51, 1-55	1017141	1-39
1016535	8-11	1016801	11-5	1017185	1-51, 1-53, 1-55, 1-57
1016537	8-7	1016811	1-11	1017188	11-3
1016538	8-11	1016813	6-25	1017189	17-11, 18-11
1016539	8-3	1016814	6-25	1017203	9-3, 9-5
1016541	8-13	1016835	1-49	1017211	5-15
1016542	8-9	1016842	1-49	1017226	6-7
1016544	8-5, 8-9, 8-11	1016849	4-15, 4-17, 4-35	1017231	12-9
1016545	8-9	1016851	4-15, 4-17, 4-35	1017239	7-13
1016546	9-15	1016857	4-35	1017243	7-13
1016547	8-3, 8-13, 9-13	1016859	4-35	1017259	1-21
1016549	8-9	1016868	1-3	1017266	6-15
1016551	19-11	1016879	4-3	1017273	6-9, 6-11
1016552	19-11	1016880	4-3	101728201	1-17
1016553	19-11	1016883	7-9	101728202	1-35
1016554	19-11	1016901	11-5	101728203	1-17
1016557	5-13, 5-21	1016904	8-9, 10-3	101728204	1-35
1016560	8-9	1016916	1-47	101728210	1-17
1016561	8-5	101692501	1-3	101728211	1-35
1016562	8-5, 8-13	101692502	1-3	101728213	1-17
1016563	8-9	101692504	1-3	101728214	1-35
1016564	8-11	101692506	1-3	101728602	1-23
1016566	8-9	101692509	1-3	101728701	1-39
1016569	8-9	101692510	1-3	101728702	1-39
1016570	8-7	101692511	1-3	101728704	1-39
1016571	8-13	101692512	1-3	101728706	1-39
1016572	9-13	101692513	1-3	101728708	1-39
1016573	5-13, 5-21	101692514	1-3	101728709	1-39
1016576	8-7	101692515	1-3	101728710	1-39
1016578	8-5	1016929	4-29	101728711	1-39
1016581	8-7	101693901	1-3	101728712	1-39
1016582	9-13	101693902	1-3	1017289	1-9
1016583	8-9	101693904	1-3	1017310	1-21, 1-37
1016584	8-11	101693906	1-3	1017313	6-5
1016585	9-11	101693909	1-3	1017314	6-5

# INDEX

1017315	6-5	1017696	5-5, 5-7	101816701	1-51
1017317	6-5	1017699	4-37	101816702	1-53
101734802	1-3	1017705	13-9, 14-9	101817401	5-5, 5-7
101737002	2-3, 2-5	1017721	4-5, 4-27	101818801	5-7
1017378	5-5, 5-7	1017724	4-11, 4-13	101821501	9-21
1017380	5-5, 5-7	101773301	8-13	101821601	4-29
101738301	11-5	101773302	8-13	101823101	19-9
101738302	11-5	101773303	8-13	101824401	9-3, 9-5
1017384	1-35	101773304	8-13	101825101	3-5, 3-11
1017424	5-5, 5-7	101773305	8-13	101825102	3-7, 3-13
1017434	8-9	101773306	8-13	101825103	4-19
1017442	8-7	101773307	8-13	101825701	9-17, 9-19
1017443	8-9	101773308	8-13	101826201	4-17
1017445	8-9	101773309	8-13	101826401	4-15
1017448	8-5	101773310	8-13	101827101	8-15
101744901	8-13	101773311	8-13	101828501	17-3, 17-7, 17-9, 18-3, 18-5, 18-7, 18-9
101744902	8-13	1017748	1-39	101828801	17-3, 18-3
1017450	8-13	1017774	1-37	101828802	17-3, 18-3
101745101	8-13	1017853	4-5, 4-7, 4-9	101828901	17-3, 17-5, 18-3, 18-5
101745102	8-13	101788201	1-31	101828902	17-3, 17-5, 18-3, 18-5
1017453	8-13	101788202	1-31	101828903	17-3, 17-5, 18-3, 18-5
1017454	8-9	101788204	1-31	101829001	17-7, 17-9, 18-7, 18-9
1017455	8-5	101788206	1-31	101830601	4-15, 4-17
1017456	8-7	101788208	1-31	101830701	4-15, 4-17, 4-21
101745701	8-13	101788209	1-31	101831101	17-3, 17-7, 17-9, 18-3, 18-7, 18-9
101745702	8-13	101788210	1-31	101831801	19-5
1017458	8-7	101788211	1-31	101831901	19-3
1017460	8-7	101788212	1-31	101832001	13-9, 14-9
1017461	9-11	101791101	5-21	101832202	9-15
1017463	8-5	101791901	1-31, 1-33	101832302	9-15
1017466	9-13	1017936	1-39	101832601	8-15
1017471	8-13	101796201	5-5, 5-7	101832701	8-15
1017472	8-11	101796501	13-9, 14-9	101833101	8-15
1017473	8-9	101796801	13-9, 14-9	101833401	11-7
1017474	8-3	101799201	1-37	101833601	12-9
1017475	8-3	101800201	1-59, 1-61, 1-63, 1-65	101833904	11-5
1017476	8-3	101801001	13-9, 14-9	101834001	11-7
1017486	8-3	101804301	4-15, 9-17, 9-19, 9-21	101834502	4-15, 4-17, 4-21
1017487	8-11	101805501	1-63, 1-65	101834601	8-15
1017490	8-5	101805502	1-63, 1-65	101834801	9-15, 12-9, 12-15
1017501	8-13	101805601	1-59, 1-61	101835001	1-63, 1-65
1017502	8-13	101805801	1-59, 1-61	101835101	1-63, 1-65
1017503	8-13	101806001	1-15	101835401	1-63, 1-65
1017504	8-11	101806002	1-15	101835501	1-59, 1-63
1017507	8-7	101806005	1-15	101835502	1-61, 1-65
1017508	8-11	101806901	1-41	101835601	4-23, 4-25
1017510	8-13	101808401	19-3	101836201	11-7
1017512	8-13	101809101	19-5	101837001	1-43
1017513	8-11	101811301	9-17, 9-19	101837101	9-21
1017514	8-11	101811901	9-21	101837301	7-3, 7-5, 7-7
101751801	8-11	101812301	9-21	101837801	1-55, 1-57
101751802	8-11	101813001	9-21	101837802	1-55, 1-57
101751803	8-11	101813202	19-3	101838001	1-55
1017686	11-7	101815301	1-51, 1-53	101838002	1-57
1017689	10-3	101815401	1-51, 1-53, 1-55, 1-57, 1-59, 1-61	101838401	17-5, 17-9, 18-5, 18-9
101769302	2-3, 2-5	101815402	1-51, 1-53, 1-55, 1-57, 1-59, 1-61		

# INDEX

101838601	17-5, 17-9, 18-5, 18-9	101890601	12-9	101926803	9-19
101838701	17-7, 17-9, 18-7, 18-9	101890901	12-13	101926901	12-9, 12-21
101839801	4-21	101891001	12-13	101927101	12-9
101839802	4-21	101891301	12-9	101927201	12-9
101839803	4-21	101891401	12-13	101927301	12-9
101839804	4-21	101891501	12-13	101927501	12-11
101839805	4-21	101891601	12-11	101927601	12-11
101839806	4-21	101891901	12-11	101927701	12-11
101839807	4-21	101892001	12-11	101927901	12-11
101839808	4-21	101892201	12-11	101928001	12-11
101839809	4-21	101892301	12-11	101928101	12-11
101839810	4-21	101892401	12-11	101928301	12-13
101839811	4-21	101892501	12-11	101928601	12-9
101839812	4-21	101892601	12-11	101928701	12-9, 16-3, 19-7
101840901	1-49	101892701	12-13	101929401	6-21
101841101	1-49	101892901	12-9	101932201	4-5, 4-7, 4-9
101841201	1-49	101893201	12-11	101932902	12-21
101841202	1-49	101893801	12-9	101933101	19-7
101841301	1-49	101893901	12-11	101933701	9-17, 9-19
101841901	17-7, 17-9	101894901	13-9, 14-9	101936101	16-5
101850301	6-9, 6-11	101895401	16-3	101936801	13-3, 14-3
101851101	4-15, 4-17, 4-21	101895501	16-3	101942301	15-3
101856002	4-17	101897001	16-3	101946201	1-21
101856102	7-13	101897201	16-3	101953103	5-17
101859401	10-3	101897401	16-3	101953104	5-19
101861901	5-5, 5-7	101897601	16-3	101953106	5-15
101862001	5-5	101898001	7-15	101954301	1-17, 1-35, 1-37
101865301	5-15	101903601	16-3	101955001	6-15
101870401	1-3	101903701	16-3	101955101	4-31
101871001	19-3	101906901	16-3	101955301	9-3, 9-5
101874601	5-15	101908101	13-11, 14-11	101957101	4-5, 4-7, 4-9
101878201	5-3	101908401	7-11, 13-11, 14-11	101958201	17-5, 18-5
101879401	6-3	101910401	1-37	101958301	17-5, 18-5
101879501	6-3	101910501	12-13	101960501	3-7, 3-13, 7-7
101879601	6-3	101914001	16-5	101963401	8-15
101879701	6-3	101914401	4-5, 4-7, 4-9, 17-3, 17-5, 17-7, 17-9, 18-3, 18-5, 18-7, 18-9	101965401	17-11, 18-11
101879801	6-3	101915201	3-7, 3-13	101971301	9-21
101879901	6-3	101916101	8-3	101972001	19-7
101880001	6-3	101916301	8-5	101972002	19-7
101880101	6-3	101916701	7-9	101972003	19-7
101880201	6-3	101917601	9-21	101972004	19-7
101880301	6-3	101918501	5-3	101972005	19-7
101880701	5-13, 5-21	101919801	5-5, 5-7	101972006	19-7
101880901	1-17, 1-35	101920101	13-3, 14-3	101972007	19-7
101881501	4-33	101921501	9-21	101972009	19-7
101881601	4-33	101922101	16-3	101972011	19-7
101881701	1-17, 1-35, 9-21	101922201	16-3	101972012	19-7
101884801	8-15	101922201	16-3	101972101	16-3
101886101	9-15, 12-9, 12-15	101922501	7-11	101972201	16-3
101887101	19-3	101923001	16-3	101972801	9-21
101887601	8-3	101923201	16-3	101973101	9-11
101889401	12-11	101923501	16-3	101973301	9-11
101890001	12-11	101923901	16-3	101973401	9-13
101890101	12-9	101925701	9-21	101973501	17-5, 18-5
101890201	12-9	101926501	6-21	101974701	4-21
101890501	12-9	101926802	9-17	101974702	4-21

# INDEX

101974703	4-21	102199201	4-5	102605201	19-5
101974704	4-21	102199301	4-5	102606101	19-5
101974705	4-21	102199401	4-5	102607501	19-5
101974706	4-21	102235201	15-3	102616701	12-3
101974707	4-21	102240501	13-21, 13-23, 14-21, 14-23	102668801	19-9
101974708	4-21	102241501	19-7	102669901	19-7
101974709	4-21	102241502	19-7	102674001	19-5
101974710	4-21	102242101	11-7	102674101	19-5
101974711	4-21	102242401	1-51, 1-53, 1-55, 1-57, 1-59, 1-61, 1-63, 1-65	102674201	19-5
101974712	4-21	102243402	19-7	102674401	19-9
101976601	17-5	102243403	15-3	102674601	19-9
101978601	16-5	102248803	19-7	102675001	19-5
101980801	12-11	102249901	19-3	102675101	19-5
101980901	12-11	102251501	19-7	102675201	19-5
101981001	12-11	102275401	17-3, 17-5, 17-7, 17-9, 18-3, 18-5, 18-7, 18-9	102675301	19-5
101984801	6-5	102278001	6-5	102675401	19-5
101987701	9-3, 9-5	102289201	6-3, 6-15	102684501	6-17, 6-19
101987901	4-3	102292801	5-15, 5-17, 5-19	102684602	12-3
101988001	4-3	102304801	8-9	102686101	19-3
101988002	4-3	102310701	1-31, 1-33, 1-39	102704901	15-3
101988101	4-3	102323101	5-3, 5-15, 5-17, 5-19	102711001	7-7
101988201	4-3	102323201	5-3, 5-15, 5-17, 5-19	102753401	8-9
101990801	5-17, 5-19	102330901	19-9	102766201	13-13, 13-15, 13-17, 13-19, 14-13, 14-15, 14-17, 14-19
101997802	4-33	102336001	9-15	102766301	6-17, 6-19
101997803	4-33	102336101	9-15	102769701	13-21, 13-23, 14-21, 14-23
101997902	4-33	102354901	4-23, 4-25	102771701	16-3
101997903	4-33	102355301	7-15	102772402	13-21, 13-23, 14-21, 14-23
102002801	13-13, 13-15, 13-17, 13-19, 14-13, 14-15, 14-17, 14-19	102356601	16-3	102774501	13-21, 13-23, 14-21, 14-23
102002901	13-13, 13-15, 13-17, 13-19, 14-13, 14-15, 14-17, 14-19	102356801	16-3	102774701	13-21, 13-23, 14-21, 14-23
102003201	9-3, 9-5	102376001	12-3	102775101	15-3
102005701	1-23	102406701	9-3, 9-5	102803401	7-13
102022601	6-15	102430901	8-13	102817101	13-21, 13-23, 14-21, 14-23
102022602	6-3, 6-15	102440901	13-5, 13-7, 14-5, 14-7	102817201	13-21, 13-23, 14-21, 14-23
102026001	5-5, 5-7	102453001	12-11	102837001	17-7
102031901	12-13	102453101	12-11	102838101	13-11, 14-11, 17-3, 17-7, 18-3, 18-7
102061201	19-9	102508701	4-17	102838401	8-5
102065901	8-15	102515401	12-9, 12-15	102838701	7-7
102066201	6-23	102517501	4-13	102838801	7-7
102076701	1-51, 1-53, 1-55, 1-57, 1-59, 1-61, 1-63, 1-65	102517601	4-31	102838901	7-7
102101001	13-3, 14-3	102518301	3-5, 3-11	102839001	7-7
102101101	13-3, 14-3	102522001	9-5	102839301	7-7
102155801	11-7	102526201	12-3	102841101	7-7
102158701	3-15	102529201	4-11, 4-13	102844601	7-7
102158901	5-5, 5-7	102529203	4-31	102844701	7-7
102162601	5-17, 5-19	102540301	8-15	102845101	3-5, 3-11, 13-11, 14-11
102163001	1-23	102546401	4-13	102845203	13-13, 13-17, 14-13, 14-17
102163101	1-23	102555501	19-3	102845204	13-15, 13-19, 14-15, 14-19
102166901	5-17, 5-19	102559901	2-7	102845501	13-5, 13-7, 14-5, 14-7
102169401	19-7	102562401	19-3	102847801	17-3, 18-3
102186401	15-3	102564002	6-17, 6-19	102847802	17-3, 18-3
102196901	4-17, 13-5, 13-7, 14-5, 14-7	102570401	19-11	102847803	17-3, 18-3
102198701	4-5	102572401	4-17, 13-5, 13-7, 14-5, 14-7	102848701	13-9
102199001	4-5	102601501	19-5	102859501	13-21, 13-23, 14-21, 14-23
		102603501	19-5	102865101	9-3, 9-5
				102869401	4-5, 4-7, 4-9, 4-15, 4-17

# INDEX

102871801	6-21, 6-23	102901401	12-19	103173301	12-3
102873401	13-13, 13-15, 13-17, 13-19, 14-13, 14-15, 14-17, 14-19	102901501	12-19	103174401	1-5
102886301	16-3	102901601	12-19	103177401	12-3
102886401	16-3	102901701	12-19	103180101	4-15, 4-17
102886501	16-3	102901801	12-19	103192701	12-3
102886601	16-3	102901901	12-19	103198201	13-13, 13-15, 13-17, 13-19, 14-13, 14-15, 14-17, 14-19
102890201	4-23, 4-25	102902001	12-19	103198301	4-17
102891101	6-23	102902101	12-19	103198401	7-11
102892901	17-5, 18-5	102902201	12-19	103199001	4-15
102892902	17-5, 18-5	102902301	12-19	103199101	4-15
102893001	17-9	102902401	12-19	103205401	3-3, 3-9
102896801	12-15	102902501	12-19	103205501	3-7, 3-13, 7-11
102896901	12-15	102902601	12-19	103210201	3-7, 3-13
102897201	12-17	102902701	12-19	103210301	3-5, 3-11
102897301	12-17	102902801	12-19, 16-3	103218001	17-11, 18-11
102897401	12-15	102912801	13-21, 13-23, 14-21, 14-23	103218601	4-17, 13-5, 13-7, 14-5, 14-7
102897501	12-15	102915601	4-37	103222001	13-5
102897601	12-15	102915701	13-11, 14-11	103222101	13-7
102897701	12-17	102917101	6-23	103234302	3-15
102897801	12-15	102918701	4-23	103254401	4-9
102897901	12-15	102918702	4-25	103255701	4-7, 4-9
102898001	12-17	102938301	13-5, 13-7	103257101	4-7
102898101	12-17	102938601	15-3	103274001	1-29, 1-33
102898201	12-15	102938701	15-3	103274002	1-29, 1-33
102898301	12-17	102938801	15-3	103274004	1-29, 1-33
102898401	12-17	102938901	15-3	103274006	1-29, 1-33
102898501	12-17	102939001	15-3	103274008	1-29, 1-33
102898601	12-17	102939101	15-3	103274009	1-29, 1-33
102898701	12-17	102939102	15-3	103274010	1-29, 1-33
102898801	12-17	102939501	17-5, 18-5	103274011	1-29, 1-33
102898901	12-17	102940801	17-5, 17-7, 17-9	103274012	1-29, 1-33
102899001	12-17	102945501	1-33	103274101	1-27, 1-31
102899101	12-15	102945502	1-33	103274102	1-27, 1-31
102899201	12-15	102945504	1-33	103274104	1-27, 1-31
102899301	12-17	102945506	1-33	103274106	1-27, 1-31
102899401	12-15	102945508	1-33	103274108	1-27, 1-31
102899501	12-17	102945509	1-33	103274109	1-27, 1-31
102899601	12-17	102945510	1-33	103274110	1-27, 1-31
102899701	12-15	102945511	1-33	103274111	1-27, 1-31
102899801	12-15	102945512	1-33	103274112	1-27, 1-31
102899901	12-17	102950101	17-11	103295101	12-5, 12-7
102900001	12-15	102950301	4-19	103295203	12-5
102900101	12-15	102951701	15-3	103295204	12-7
102900201	12-15	102962303	4-19	103345701	11-5
102900301	12-15	102962602	4-19	103347101	7-7
102900401	12-17	102967601	3-5, 3-11	103347301	7-7
102900501	12-17	102969401	12-3	103347601	7-7
102900601	12-15	102969801	12-3	103347701	7-7
102900701	12-17	102969901	12-3	103347801	7-7
102900801	12-19	102977001	4-15	103347901	7-7
102900901	12-15	102977002	4-17	103348201	4-15
102901001	12-17	102980801	13-13, 13-15, 13-17, 13-19, 14-13, 14-15, 14-17, 14-19	103348202	4-17
102901101	12-17	102980901	13-13, 13-15, 13-17, 13-19, 14-13, 14-15, 14-17, 14-19	103348501	4-15, 7-3, 7-5
102901201	12-19	103010101	9-3, 9-5	103348601	4-15
102901301	12-19			103350901	6-21

# INDEX

- 103351001 6-15  
103351101 6-23  
103354401 4-17  
103354701 6-15  
103369501 12-3  
103372101 9-3, 9-5  
103372302 9-3, 9-5  
103372401 9-7, 9-9  
103372504 9-7  
103372801 9-7, 9-9  
103386202 8-3  
103397901 4-7, 4-9, 13-21, 13-23, 14-21, 14-23  
103414901 4-7, 4-9, 13-21, 13-23, 14-21, 14-23  
103418601 9-7, 9-9  
103449501 13-25, 14-25  
103449601 13-25, 14-25  
103459102 2-5  
103459103 2-3  
103464801 3-17  
103477901 6-13  
103496801 7-15  
103502701 6-17  
103502801 6-19  
103507101 9-13  
103507201 9-13  
103507301 9-13  
103582801 16-3  
103601501 6-3  
103601601 6-7  
103615601 8-9  
103615801 8-13  
103615901 8-11  
103616301 8-9  
103616401 8-11  
103616501 8-5  
103616601 8-5  
103616701 8-5  
103617101 9-11  
103618001 4-13  
103618101 4-31  
103628801 6-17  
103628901 6-19  
103651901 9-5  
103651902 9-3  
103653401 6-3  
103653501 6-3, 6-15  
103657301 6-21, 6-23  
103658601 2-3, 2-5  
103678502 7-7  
103686501 7-3  
103686601 7-5  
103694501 2-7  
103695502 13-17, 14-17  
103695702 13-19, 14-19  
103697101 13-21  
103697104 13-23  
103697109 14-21  
103697112 14-23  
103700301 4-23  
103709201 14-21  
103709204 14-23  
103717302 6-13  
103717402 6-13  
103720402 13-15, 14-15  
103722901 2-3, 2-5  
103723001 2-3  
103723002 2-5  
103724502 6-9, 6-11  
103724601 6-11  
103724602 6-9  
103724901 6-11  
103771201 14-5  
103771301 14-7  
103771601 18-9  
103771901 14-9  
103772101 14-5, 14-7  
103772201 18-11  
103772401 18-7  
103776901 9-5  
103776902 9-3  
103781101 9-3, 9-5  
103783001 3-5, 3-11  
103783003 3-7, 3-13  
103793102 13-13, 14-13  
103802401 4-25  
103822101 14-21, 14-23  
103832001 18-7, 18-9  
103851201 9-9  
103869401 18-7, 18-9  
103953301 7-7  
96704416 8-15
- A**  
AC cord 17-3, 17-5, 17-7, 17-9, 18-3, 18-5, 18-7, 18-9  
AC cord receptacle 17-5, 18-5  
accelerator bracket and bearing assembly 5-5, 5-7  
accelerator cable 9-15  
accelerator pedal 5-5, 5-7  
accelerator pedal adjustment tool 19-3  
accelerator pivot rod 5-5, 5-7  
accelerator return spring 5-5, 5-7  
accelerator rod 5-9, 5-11  
access door 1-45  
adapter  
    cable (IQDM) 19-7  
adhesive, guide ring 19-3  
adjuster  
    hydraulic brake 19-7  
air box 9-21  
air box top 9-21  
air filter 9-21  
air intake hose 9-21  
ammeter 17-3, 17-5, 17-7, 17-9, 18-3, 18-5, 18-7, 18-9  
anchor body 5-13, 5-21  
anchor body kit 5-13, 5-21  
anchor, piston 5-13, 5-21  
anti-sway bar 6-25  
A-plate strap 6-15  
A-plate, delta 6-15  
arbor 19-3  
arm  
    governor 9-15, 12-9, 12-15  
    pivot 12-9  
    rocker 8-9  
armature 15-3  
armrest 1-21, 1-37, 1-49  
assembly  
    accelerator bracket and bearing 5-5, 5-7  
    accelerator pivot rod 5-5, 5-7  
    air box 9-21  
    air box top 9-21  
    axle 12-13  
    bearing, steering shaft 6-5  
    bell crank and shaft 7-13  
    connecting rod 8-13  
    cylinder head 8-9  
    delta A-plate 6-15  
    delta shock and gear support 6-15  
    drive clutch 11-5  
    drive hub 11-5  
    driven clutch 11-7  
    driven clutch fixed-face 11-7  
    float 9-11  
    fuel cap 9-3, 9-5  
    fuel pump 9-3, 9-5  
    fuel tank vent 9-3, 9-5  
    governor 12-11, 12-17  
    headlight 4-3  
    headlight harness 4-3  
    idle screw 9-11  
    inner ball joint 6-3  
    kingpin 6-17, 6-19  
    moveable-face 11-5, 11-7  
    pilot air screw 9-11  
    plug cap 8-5  
    ratchet 5-3  
    secondary clutch weight 11-5  
    steering shaft 6-5  
    turn signal lens 4-3  
axle 12-9, 12-13, 12-19, 16-3  
axle guard 12-21, 16-5  
axle shaft oil seal 12-13, 12-19, 16-3  
axle tube 12-13, 12-19, 16-3

# INDEX

## B

- backing plate, brake 5-13, 5-21
- bag rest mat 1-39
- ball bearing 7-7, 8-11
- ball joint 5-3, 5-9, 5-11, 12-5, 12-7
- ball stud 7-13, 12-9, 12-15
- ball, shifter 12-11
- ball, steel pressure relief 8-7
- bar, drive 13-3, 14-3
- bar, stabilizer 6-25
- barb, vent 9-3, 9-5
- barrel, plastic 1-3, 1-5, 1-27, 1-29, 1-31, 1-33, 1-39, 1-49, 17-11, 18-11
- battery 13-13, 13-15, 13-17, 13-19, 14-13, 14-15, 14-17, 14-19
  - 12-volt, side-post 7-15
- battery charger 17-3, 17-5, 18-3, 18-5
- battery charger case 17-3, 17-5, 17-7, 17-9, 18-3, 18-5, 18-7, 18-9
- battery charger harness 13-5, 13-7
- battery charger receptacle 13-9, 14-9
- battery charger retractable cord assembly 17-11, 18-11
- battery charger transformer 17-3, 17-5, 17-7, 17-9, 18-3, 18-5, 18-7, 18-9
- battery charger wire assembly 17-5, 18-5
- battery charger, onboard 17-7, 17-9, 18-7, 18-9
- battery clamp 7-15
- battery condition indicator 4-17
- battery discharge machine 19-3
- battery hold-down 13-13, 13-15, 13-17, 13-19, 14-13, 14-15, 14-17, 14-19
- battery hold-down rod 13-13, 13-15, 13-17, 13-19, 14-13, 14-15, 14-17, 14-19
- battery insulator 1-43
- battery light 4-17
- battery terminal protector spray 19-3
- battery thermometer 19-3
- bead, ferrite 13-25, 14-25
- bearing 16-3
  - ball 7-7, 8-11
  - ball (motor) 15-3
  - ball (steering pinion) 6-3
  - cage roller 12-17
  - front wheel hub 6-13
  - hub 6-13
  - idler 11-5
  - inner axle tube 12-13, 16-3
  - lower pinion (steering) 6-3
  - needle 12-11
  - outer axle tube 12-13
  - pivot support 5-5, 5-7
  - steering shaft 6-5
  - thrust 6-17, 6-19
- bearing and oil seal remover 19-3
- bearing driver set 19-3
- bearing puller 19-3
- bearing puller wedge 19-3
- bearing seat 6-5
- bell crank and shaft 7-13
- bellows 6-3
- belt, drive 11-3
- belt, starter/generator 7-9
- belt, V 7-9
- beverage holder 1-11
- bezel, choke cable 9-17, 9-19
- bezel, headlight 4-3
- bezel, taillight 4-37
- block, brake-mounting 5-3
- block, fuse 4-5, 4-7, 4-9, 7-13
- block, terminal 4-5, 4-7, 4-9, 13-5, 13-7, 14-5, 14-7
- body kick plate 1-27, 1-29, 1-31, 1-33, 1-39
- body, anchor 5-13, 5-21
- body, center 1-31, 1-33
- body, front 1-3
- body, rear 1-39
- bolt, U- 6-23
- boot, steering column 6-5
- boot, switch 7-11, 13-11, 14-11
- bottom, air box 9-21
- box
  - air 9-21
  - differential 12-19
  - electrical component 7-13
  - steering gear 6-3
- brace 1-63, 1-65
- bracket 6-21
  - accelerator cable 9-15
  - adjustable starter/generator 7-9
  - battery charger 17-11, 18-11
  - brake cable guide 6-15
  - brake light switch 4-5, 4-7, 4-9
  - FNR shifter 12-3
  - governor cable 9-15
  - headlight mounting 4-3
  - horn 4-31
  - hour meter 4-33
  - muffler mounting 10-3
  - oil filter mount 8-7
  - oil level switch 8-11
  - relay mounting 7-13, 17-7, 17-9, 18-7, 18-9
  - retaining 9-17, 9-19
  - shock mounting, drv 6-23
  - shock mounting, pas 6-23
  - snubber 8-15
  - stabilizer bar mounting 6-25
  - starter/generator mounting 7-9
  - steering column 6-5
  - steering column mounting 6-5
  - throttle spring return 9-13
  - Tow/Run switch 7-11
- bracket, carburetor intake manifold 9-13
- brake actuator kit 5-13, 5-21
- brake adjustment tool 19-3
- brake backing plate 5-13, 5-21
- brake cable 5-15, 5-17, 5-19
- brake cable equalizer 5-15, 5-17, 5-19
- brake cable hanger 6-21
- brake cable release tool 19-3
- brake cluster 5-13, 5-21
- brake drum 5-13, 5-21
- brake lever arm 5-13, 5-21
- brake light switch bracket 4-5, 4-7, 4-9
- brake mounting block 5-3
- brake pedal 5-3
- brake pedal adjustment tool 19-3
- brake pedal pad 5-3
- brake pedal tension tool 19-3
- brake relay kit, 12-volt 4-5
- brake return spring 5-17, 5-19
- brake shoe 5-13, 5-21
- brake spring 5-13, 5-21
- breaker, circuit 17-5, 17-9, 18-5, 18-9
- breather 12-9, 12-15, 16-3
- brush box assembly 15-3
- brush cover kit, starter/generator 7-7
- brush inspection port cover 7-7
- brush kit, motor 15-3
- brush rigging 15-3
- brush spring 7-7, 15-3
- brush spring set 7-7
- brush spring, starter/generator 7-7
- brush terminal, starter/generator 7-7
- brush, motor 15-3
- bulb, headlight 4-3
- bulb, strobe light 4-29
- bulb, tail light 4-37
- bumper 1-25
  - drive unit (motor) 15-3
  - front 1-3
  - front, heavy duty 1-3
  - front, kit 1-3
  - rubber 1-47, 5-3
  - seal, long 1-17
  - side trim 1-49
  - spring return 5-5, 5-7
- bumper guard vinyl trim 1-31, 1-33
- bumper, heavy-duty 1-3
- bumper, seat 1-35
- bushing 7-13, 11-5, 12-3
  - bronze 6-13
  - nylon 5-3
  - return line 9-3, 9-5
  - spindle 6-13
  - stabilizer bar 6-25
  - steel 6-17, 6-19, 6-21, 6-23
  - urethane 6-15, 6-17, 6-19, 6-21, 6-23
- bushing support 6-25



# INDEX

- button, drive 11-7
- buzzer, reverse 4-15, 4-17, 4-35
- C**
- cable
  - accelerator 9-15
  - brake 5-15, 5-17, 5-19
  - choke 9-17, 9-19
  - FNR shifter 12-5, 12-7
  - governor 9-15
  - IQDM 19-7
- calibration test module 19-3
- cam
  - driven clutch 11-7
  - electrical component box 7-13
- cam installation tool 19-3
- cam, FNR shifter 12-3
- camshaft 8-11
- camshaft shim 8-11
- canister, carbon, fuel tank 9-7, 9-9
- canopy 1-51, 1-53, 1-55, 1-57
- canopy brace 1-51, 1-53, 1-55, 1-57, 1-59, 1-61, 1-63, 1-65
- canopy hardware 1-59, 1-61, 1-63, 1-65
- canopy top, beige 1-61, 1-65
- canopy top, white 1-59, 1-63
- canopy trim plate 1-51, 1-53, 1-55, 1-57, 1-59, 1-61, 1-63, 1-65
- cap
  - dust 4-17, 13-5, 13-7, 14-5, 14-7
  - fuel, gas, ratchet 9-3, 9-5
  - key switch 4-15, 4-17, 4-21
  - plug 8-5
  - seat back 1-19
- cap, hub, 7 prong 2-7
- carbon canister 9-7, 9-9
- carburetor adapter 9-13
- carburetor air vent tube 9-3, 9-5
- carburetor float level tool 19-7
- carburetor gasket 9-13
- carburetor insulator 9-13
- carburetor mounting gasket 9-13
- carburetor, FE350 S27 9-11
- card, safety first 19-9
- case
  - battery charger 17-3, 17-5, 17-7, 17-9, 18-3, 18-5, 18-7, 18-9
  - differential gear 12-13
  - gear 12-9, 12-15, 16-3
  - rocker 8-9
- CE mark ferrite bead, Fair-rite 13-25, 14-25
- CE mark ferrite bead, TDK 13-25, 14-25
- center body 1-31, 1-33
- charger
  - wire assembly kit 17-3, 17-7, 17-9, 18-3, 18-7, 18-9
- charger bezel tool 19-3
- charger harness 13-5, 13-7
- charger receptacle 13-9, 14-9
- charger, battery 17-3, 17-5, 18-3, 18-5
- charger, battery, onboard 17-7, 17-9, 18-7, 18-9
- choke cable 9-17, 9-19
- choke cable bezel 9-17, 9-19
- choke valve 9-21
- circuit breaker 13-11, 14-11, 17-3, 17-5, 17-7, 17-9, 18-3, 18-5, 18-7, 18-9
- clamp
  - battery 7-15
  - cable retaining 9-15
  - hose 9-3, 9-5, 9-7, 9-9, 9-13, 9-21
  - hose, green 9-3, 9-5, 9-7, 9-9
  - muffler hose 10-3
- clevis, upper delta 6-17, 6-19
- clip
  - meter 4-15
- clip, score card 6-11
- cluster idler gear 12-11
- cluster, brake 5-13, 5-21
- clutch alignment tool 19-5
- clutch removal tool 19-3
- clutch repair kit 11-7
- clutch tool kit 19-5
- clutch weight 11-5
- clutch, driven 11-7
- collet 8-9
- column, steering 6-5
- communication display module 19-5
- component box, electrical 7-13
- component mounting plate 13-21, 13-23, 14-21, 14-23
- component mounting plate cover 13-21, 13-23, 14-21, 14-23
- compression gauge 19-5
- compression mount 6-25
- compressor, piston ring 19-9
- compressor, valve spring 19-11
- conduit 4-29
- connecting bar 1-49
- connecting rod 8-13
- continuity tester 19-5
- control board 17-7, 17-9
- control board, potted 18-7, 18-9
- controller, speed 13-21, 13-23, 14-21, 14-23
- converter, DC/DC 4-23
- cord connector 8-11
- cord, AC 17-3, 17-5, 17-7, 17-9, 18-3, 18-5, 18-7, 18-9
- cord, DC 17-3, 17-5, 17-7, 17-9, 18-3, 18-5, 18-7, 18-9
- cord, retractable, assembly 17-11, 18-11
- counterbalance guide shaft 8-13
- counterbalance weight 8-13
- cover
  - brush inspection port 7-7
  - crankcase 8-11
  - dust 5-13, 5-21, 6-13
  - electrical box 7-13
  - fuse block 4-7, 4-9
  - oil pump 8-7
  - rocker switch hole 4-15, 4-17
  - screw head 4-15, 4-17
  - steering column 6-5
  - wheel 2-7
- cover, steering column 4-11, 4-13
- cowl 1-3
- crankcase 8-13
- crankcase cover 8-11
- crankcase vent tube 9-13
- crankshaft 8-13
- crankshaft rod 8-13
- crankshaft shim 8-13
- cross brace 1-63, 1-65
- C-type stop ring 6-3
- cup holder 1-11
- cup, spring 5-5, 5-7
- current limiter 17-5, 18-5
- cushion, shock absorber 6-21, 6-23
- cutter, valve seat 19-5, 19-11
- cylinder head 8-9
- D**
- dash component 1-7
- dash panel 4-15, 4-17
- dc converter, 15A 4-23
- dc converter, CE 4-25
- DC cord 17-3, 17-5, 17-7, 17-9, 18-3, 18-5, 18-7, 18-9
- DC/DC converter 4-23
- decals
  - 4-gauge wire warning 3-5, 3-11
  - battery danger 3-5
  - driver/passenger 3-7, 3-13
  - electrical cover safety 3-5, 3-11
  - FNR 3-5, 3-7, 3-11, 3-13
  - four-passenger warning 3-3, 3-9
  - frame ground 3-7, 3-13
  - key switch 3-7, 3-13
  - on/off 3-5, 3-11
  - operating instructions 3-5, 3-7, 3-11, 3-13
  - passcode 4-19
  - rollover warning 3-3, 3-9
  - rotating parts 3-7, 3-13, 7-7
  - run/service switch 3-7, 3-13, 7-11
  - Tow/Run switch 3-5, 3-11, 13-11, 14-11
  - Villager 3-15
- delta A-plate 6-15
- delta A-plate sub-assembly 6-15
- delta shock and gear support 6-15

# INDEX

diagnostic port 4-17, 13-5, 13-7, 14-5, 14-7  
diesel tachometer probe 19-9  
differential drive unit 12-9, 16-3  
differential gear 12-13, 16-3  
differential gear case 12-13, 12-19  
differential guard 12-21, 16-5  
differential housing 16-3  
differential idler gear 12-13  
differential pin 12-13  
diode 7-13  
dipstick 8-3  
door, access 1-45  
drain plug 8-7, 12-15  
drain plug gasket 8-7, 12-9, 12-15  
drain plug, rubber 7-7  
drink holder 1-11  
drive bar 13-3, 14-3  
drive belt 11-3  
drive button 11-7  
drive clutch assembly 11-5  
drive clutch button 11-5  
drive clutch fixed sheave tool 19-5  
drive clutch fixed-face 11-5  
drive clutch holder tool 19-5  
drive clutch hub puller 19-5  
drive clutch puller 19-5  
drive clutch pulley 11-5  
drive clutch spider removal tool 19-5  
drive clutch spring 11-5  
drive clutch weight 11-5  
drive hub 11-5  
drive selector shaft 12-9, 12-15  
drive unit bumper 15-3  
drive unit guard 12-21, 16-5  
driven clutch 11-7  
driven clutch button 11-7  
driven clutch cam 11-7  
driven clutch cam puller 19-5  
driven clutch fixed-face assembly 11-7  
driven clutch puller plug 19-5  
driven clutch spring compression base tool 19-5  
driven clutch spring compression collar tool 19-5  
driven clutch spring compression nut tool 19-5  
driver, drive clutch 11-5  
drum, brake 5-13, 5-21  
dry moly lubricant 19-7  
duct, intake 9-17, 9-19  
dust cap 4-17, 13-5, 13-7, 14-5, 14-7  
dust cover 5-13, 5-21, 6-13

## E

eccentric adjustment screw 6-17  
E-clip 5-15, 5-17, 5-19

electrical box cover 7-13  
electrical component box 7-13  
end cap, motor 15-3  
end, tie rod 6-15  
engine mounting plate 8-15  
engine shroud 8-3  
engine, FE350 S27 8-3  
equalizer pivot 5-15  
equalizer rod 5-15, 5-17, 5-19  
equalizer, brake cable 5-15, 5-17, 5-19  
exhaust system 10-3  
exhaust valve 8-9  
extrusion, fender 1-3  
extrusion, plastic 1-25

## F

face, moveable 11-5, 11-7  
fan housing 8-3  
fan shroud 8-3  
fan, flywheel 8-5  
fender extrusion 1-3  
fender, inner 1-39  
ferrite bead (CE), Fair-rite 13-25, 14-25  
ferrite bead (CE), TDK 13-25, 14-25  
field coil housing 7-7  
fill plug 12-9, 12-15  
fill plug gasket 12-15  
filter  
    air 9-21  
    fuel 9-3, 9-5  
    oil 8-7  
    oil pump 8-7  
fitting, thread-forming grease 6-13  
fixed-face, drive clutch 11-5  
fixed-face, driven clutch 11-7  
flasher, turn signal, 12-volt 4-13  
float 9-11  
floor mat 1-7, 1-9  
flywheel 8-5  
flywheel fan 8-5  
flywheel fan plate 8-5  
flywheel puller 19-7  
FNR closeout brush 4-15  
FNR shift lever 12-9, 12-15  
FNR shifter 12-3  
FNR shifter bracket 12-3  
FNR shifter cable 12-5, 12-7  
FNR shifter cam 12-3  
foam, seat 1-47  
foot rest 1-49  
foot rest mat 1-49  
fork, shift 12-11, 12-17  
frame and field, motor 15-3  
frame and field, starter/generator 7-7  
front body 1-3  
front body support 1-39

front bumper 1-3  
front bumper kit 1-3  
front spring retainer plate 6-17, 6-19  
fuel filter 9-3, 9-5  
fuel gauge sending unit 9-5  
fuel line 9-3, 9-5, 9-7, 9-9, 9-13  
fuel meter 4-15  
fuel pump 9-3, 9-5  
fuel tank 9-3, 9-5  
fuel tank strap 9-3, 9-5  
fuel tank vent 9-3, 9-5  
fuse 13-9, 14-9, 17-3, 17-5, 17-7, 17-9, 18-3, 18-5, 18-7, 18-9  
    10-amp 7-13  
    20-amp 4-5, 4-7, 4-9, 7-13  
    3/8-amp 13-9, 14-9  
fuse and receptacle 13-9  
fuse block 4-5, 4-7, 4-9, 7-13  
fuse block cover 4-7, 4-9

## G

gasket  
    carburetor 9-13  
    carburetor mounting 9-11, 9-13  
    crankcase cover 8-9, 8-11  
    drain plug 8-7, 12-9  
    drain plug, fill plug 12-15  
    exhaust 8-9, 10-3  
    head 8-9  
    insulator 8-9, 9-13  
    liquid 12-9, 16-3, 19-7  
    plug 16-3  
    rocker case 8-9  
    seat 1-35  
    sending unit 9-5  
    taillight 4-37  
gasket kit, FE350 8-9  
gauge, battery condition 4-17  
gauge, compression 19-5  
gauge, fuel-hour 4-15  
gear  
    25 tooth 12-17  
    28 tooth 12-17  
    case 12-15  
    cluster idler 12-11  
    differential 12-13, 12-19, 16-3  
    differential idler 12-13, 16-3  
    differential output 16-3  
    helical 8-13, 12-11, 12-13  
    planetary 12-19  
    speed governor 12-17  
    spur 8-13, 12-11  
    sun 12-19  
    synchro 12-11  
gear yoke 19-7  
gearcase 12-9, 16-3

# INDEX

governor 12-11, 12-17  
governor arm 9-15, 12-9, 12-15  
governor cable 9-15  
governor cable bracket 9-15  
governor shaft installation tool 19-7  
grip, pencil 6-11  
grommet 1-15, 9-3, 9-5, 9-17, 9-19  
ignition 8-5  
guard, differential 12-21, 16-5  
guard, splash 1-5  
guide  
intake valve 8-9  
valve seat cutter 19-11  
guide ring adhesive 19-3

## H

handrail 1-49  
hanger, brake cable 6-21  
hardware, canopy 1-63, 1-65  
harness  
wire 4-31  
harness, battery charger 13-5, 13-7  
harness, headlight 4-7, 4-9  
harness, lighting 4-7  
harness, wire 4-23, 4-25, 4-31, 7-3, 13-5, 13-7, 14-5, 14-7  
harness, wire, lighting 4-9  
head gasket 8-9  
head, cylinder 8-9  
headband, sealed, motor 15-3  
headband, vented, motor 15-3  
headlight 4-3  
headlight assembly 4-3  
headlight bulb 4-3  
headlight harness 4-3  
headlight retainer 4-3  
headlight wire harness 4-7, 4-9  
heat shrink tube 17-11, 18-11  
heatsink and rectifier 17-3, 17-5, 17-7, 17-9, 18-3, 18-5, 18-7, 18-9  
heavy-duty bumper 1-3  
helical gear 8-13, 12-11, 12-13  
hill brake rod 5-3  
hill brake weld assembly 5-3  
hinge assembly 1-47  
hinge pin 1-47  
hinge plate 1-17, 1-27, 1-29, 1-31, 1-33, 1-35, 1-39  
hinge, long 1-47  
hold-down rod, battery 13-13, 13-15, 13-17, 13-19, 14-13, 14-15, 14-17, 14-19  
hold-down, battery 13-13, 13-15, 13-17, 13-19, 14-13, 14-15, 14-17, 14-19  
holder, cup 1-11  
hole plug 4-17  
horn 4-31

horn bracket 4-31  
hose  
fuel 9-3, 9-5  
vent 9-7, 9-9  
vent flare 9-7  
hose clamp, green 9-3, 9-5, 9-7, 9-9  
hose, air intake 9-21  
hour meter 4-15, 4-33  
hour meter, 36-48 volt 4-33  
housing  
2-pin 13-3, 14-3  
3-pin 13-3, 14-3, 15-3  
differential 16-3  
fan 8-3  
field coil 7-7  
hub 6-13  
hub bearing 6-13  
hub cap 2-7  
hub cap, 7 prong 2-7  
hub, synchronizer clutch 12-11  
hydraulic brake adjuster 19-7  
hydrometer 19-7

## I

idle screw assembly 9-11  
idler bearing 11-5  
idler gear, differential 16-3  
ignition coil 8-5  
indicator, battery condition 4-17  
inner frame snubber 8-15  
input shaft 16-3  
insert, synchronizer 12-11  
instrument panel 4-15, 4-17  
insulating washer 15-3  
insulator gasket 8-9, 9-13  
insulator, battery 1-43  
insulator, carburetor 9-13  
insulator, motor terminal 15-3  
intake duct 9-17, 9-19  
intake valve 8-9  
intermediate shaft 16-3  
internal retaining ring pliers 19-7  
IQ display module (IQDM) 19-7

## J

jet, main 9-11  
jet, pilot 9-11  
joint  
ball 5-3, 5-9, 5-11, 12-5, 12-7

## K

key  
crankshaft 8-5, 8-13  
driven clutch 11-7  
On/Off 4-15, 4-17

square 11-7  
woodruff 12-9  
key switch 4-15  
key switch cap 4-15, 4-17, 4-21  
key switch, On/Off 4-17  
key switch, uncommon 4-21  
kick plate, body 1-27, 1-29, 1-31, 1-33, 1-39  
kingpin 6-17, 6-19  
kit  
2-pin housing 13-3, 14-3  
3-pin housing 13-3, 14-3, 15-3  
accelerator pivot rod 5-5, 5-7  
anchor body 5-13, 5-21  
brake actuator 5-13, 5-21  
brake cable 5-15  
brake pedal 5-3  
brake pedal adjustment tool 19-3  
brake relay 4-5  
brake shoe 5-13, 5-21  
brake shoe retainer 5-13, 5-21  
clutch repair 11-7  
DC/DC converter 4-23  
differential gear case 12-13  
drive clutch button 11-5  
drive clutch weight 11-5  
driven clutch button 11-7  
equalizer, brake 5-15  
fixed-face drive 11-5  
front bumper 1-3  
fuel tank 9-5  
gasket, FE350 8-9  
heavy-duty front bumper 1-3  
hour meter 4-33  
hub cap 2-7  
IQ display module (IQDM) 19-7  
mirror 1-13  
motor brush 15-3  
motor brush lead assembly 15-3  
motor brush spring 15-3  
motor speed sensor 15-3  
park brake latch 5-3  
park brake pedal 5-3  
relay, 48V 4-7, 4-9, 13-21, 13-23, 14-21, 14-23  
reverse buzzer 4-35  
shock absorber cushion 6-21, 6-23  
shoe retainer 5-13, 5-21  
smartkey 4-19  
steering column mounting bracket 6-5  
strobe light 4-29  
taillight hardware 4-37  
tune-up 19-9  
turn signal 4-11  
wheel cover 2-7  
windshield, hinged 1-23  
windshield, one-piece 1-25

# INDEX

wire assembly, charger 17-3, 17-7, 17-9,  
18-3, 18-7, 18-9

knob, forward/reverse 12-3

## L

lamp, strobe light 4-29

lamp, turn signal and socket 4-11, 4-13

latch, air box 9-21

latch, park brake 5-3

leaf spring 6-21, 6-23

lens, headlight 4-3

lens, strobe light 4-29

lens, taillight 4-37

lever

choke 9-21

drive selector 12-9

speed governor 12-15

transmission shift 12-9, 12-15

light

battery 4-17

oil 4-15

light, strobe 4-29

lighting wire harness 4-7

limit switch 4-5, 4-7, 4-9, 7-13, 12-3

limiter

current 17-5, 18-5

voltage 4-5, 4-27

line, fuel 9-7, 9-9, 9-13

link, stabilizer bar 6-25

liquid gasket 12-9, 16-3, 19-7

low oil warning light 4-15

lubricant, dry moly 19-7

lubricant, moly-teflon 15-3, 19-7

lug nut 2-3, 2-5

lug stud 12-13, 12-19, 16-3

## M

magnet, speed sensor 15-3

main jet 9-11

mat, floor 1-7, 1-9

mat, foot rest 1-49

MCOR 13-3, 14-3

meter clip 4-15

meter, hour 4-33

meter, volt ohm 19-11

mirror 1-13

mirror, rear view 1-13

module

calibration test 19-3

communication display 19-5

moly-teflon lubricant 19-7

motor

48-volt IQ Plus 15-3

motor brush 15-3

motor brush kit 15-3

motor brush lead assembly kit 15-3

motor brush spring 15-3

motor bumper 15-3

motor controller 13-21, 13-23, 14-21, 14-23

motor end cap 15-3

motor frame and field 15-3

motor headband, sealed 15-3

motor headband, vented 15-3

motor magnet, speed sensor 15-3

motor speed sensor 15-3

motor speed sensor kit 15-3

motor terminal and lead assembly 15-3

motor terminal insulator 15-3

mount, compression 6-25

mounting block, brake 5-3

moveable-face 11-5, 11-7

muffler hose clamp 10-3

## N

nameplate kit, amber 3-15

needle bearing 12-11

nozzle, main 9-11

nut, lug 2-3, 2-5

## O

oil conveyor 12-15

oil filler tube 8-3

oil filter 8-7

oil filter mount bracket 8-7

oil filter screen 8-11

oil filter screen plate 8-11

oil level sensor 8-11

oil level switch bracket 8-11

oil pump and rotor 8-7

oil pump cover 8-7

oil pump filter 8-7

oil pump plate 8-7

oil seal 8-9, 8-11, 8-13, 12-9, 12-11

oil warning light, low 4-15

onboard battery charger 17-7, 17-9, 18-7, 18-9

O-ring 8-3, 8-9, 8-11, 8-13

## P

pad

accelerator pedal 5-5, 5-7

brake pedal 5-3

park brake 5-3

paint, touch-up 19-7

panel, instrument 4-15, 4-17

panel, rear 17-11, 18-11

park brake latch 5-3

park brake pedal 5-3

park brake rod sleeve 5-3

park brake spacer 5-3, 17-11, 18-11

park brake torsion spring 5-3

pawl 5-3

pedal, accelerator 5-5, 5-7

pedal, brake 5-3

pedal, park brake 5-3

pencil grip 6-11

pilot air screw assembly 9-11

pilot jet 9-11

pin

bow tie locking 5-15, 5-17, 5-19

clevis 5-15, 5-17, 5-19

differential 12-13

piston 8-13

pinion, steering 6-3

piston 8-13

piston anchor 5-13, 5-21

piston pin 8-13

piston ring 8-13

piston ring compressor 19-9

piston ring pliers 19-9

piston ring set 8-13

pivot arm 12-9

pivot support bearing 5-5, 5-7

plate

body kick 1-29, 1-33, 1-39

component mounting 13-21, 13-23, 14-21,  
14-23

engine mounting 8-15

flywheel fan 8-5

front spring retainer 6-17, 6-19

hinge 1-17, 1-27, 1-29, 1-31, 1-33, 1-35,  
1-39

oil filter screen 8-11

oil pump 8-7

receptacle backing 13-9, 14-9

spring mounting 6-17, 6-19

thrust 12-11, 12-13

plate, canopy trim 1-51, 1-53, 1-55, 1-57, 1-59,  
1-61, 1-63, 1-65

plate, Tow/Run switch 13-11, 14-11

pliers

internal retaining ring 19-7

piston ring 19-9

retaining ring 19-9

plug

drain 8-7, 12-15

driven clutch puller 19-5

fill 12-9, 12-15

hole 4-17

rubber drain 7-7

spark 8-5

plug cap 8-5

plug, carburetor intake manifold 9-13

port, diagnostic 4-17, 13-5, 13-7, 14-5, 14-7

press weldment 19-5

protector spray, battery terminal 19-3

puller

bearing 19-3

# INDEX

- clutch 19-3
- drive clutch 19-5
- drive clutch hub 19-5
- driven clutch cam 19-5
- flywheel 19-7
- seal 19-9
- special use tool 19-9
- pulley
  - drive clutch 11-5
  - starter-generator 7-7
  - v-belt 7-7
- pump
  - fuel 9-3, 9-5
- push rod 8-9
- R**
- race, front hub bearing 6-13
- rack guide pressure spring 6-3
- rack, steering 6-3
- ratchet, park brake 5-3
- reamer, valve guide 19-9
- rear panel 17-11, 18-11
- rear spring shackle 6-21
- rear view mirror 1-13
- receptacle and fuse 13-9
- receptacle backing plate 13-9, 14-9
- receptacle, AC cord 17-5, 18-5
- receptacle, battery charger 13-9, 14-9
- rectifier with heatsink 17-3, 17-5, 17-7, 17-9, 18-3, 18-5, 18-7, 18-9
- reel assembly, retractable 17-11, 18-11
- regulator, voltage 7-13
- relay 4-7, 4-9, 7-13, 13-21, 13-23, 14-21, 14-23
- relay mounting bracket 7-13, 17-7, 17-9, 18-7, 18-9
- relay, 12-volt 4-5
- relay, 48V 4-7, 4-9, 13-21, 13-23, 14-21, 14-23
- relay, 48-volt 17-3, 17-5, 17-7, 17-9, 18-3, 18-5, 18-7, 18-9
- relay, brake, kit, 12-volt 4-5
- remover, bearing and oil seal 19-3
- retainer
  - accelerator pedal spring 5-5, 5-7
  - brake shoe 5-13, 5-21
  - headlight 4-3
  - shock absorber cushion 6-21, 6-23
  - spring (drive clutch) 11-5
  - valve spring 8-9
- retaining bracket 9-17, 9-19
- retaining ring 6-5
- retaining ring pliers 19-9
- return spring bumper 5-5, 5-7
- reverse buzzer 4-15, 4-17, 4-35
- rim, wheel, white 2-5
- ring
  - C-type stop 6-3
  - piston 8-13
  - retaining 6-5, 7-13, 11-5, 11-7
  - snap 6-3, 8-9, 8-13
  - spiral backup 11-5
  - synchronizer 12-11
- rivet, blind push 1-3, 13-21, 13-23, 14-21, 14-23
- rock guard 12-21, 16-5
- rocker arm 8-9
- rocker case 8-9
- rocker case gasket 8-9
- rocker shaft 8-9
- rocker switch 4-17
- rocker switch (lights) 4-5, 4-7, 4-9, 4-15, 4-17
- rod
  - accelerator 5-9, 5-11
  - accelerator pivot 5-5, 5-7
  - battery hold-down 13-13, 13-15, 13-17, 13-19, 14-13, 14-15, 14-17, 14-19
  - connecting 8-13
  - crankshaft 8-13
  - equalizer 5-15, 5-17, 5-19
  - hill brake 5-3
  - push 8-9
  - shift 12-11
- rubber bumper 1-47
- S**
- safety first card 19-9
- score card clip 6-11
- score card plate 6-11
- screen, oil filter 8-11
- screw, eccentric adjustment 6-17
- screw, valve clearance adjuster 19-9
- seal
  - intake 9-21
  - lip 16-3
  - oil 8-9, 8-11, 8-13, 12-9, 12-11, 12-13, 12-19, 16-3
  - steering pinion dust 6-3
- seal puller 19-9
- sealant 12-9, 16-3
- seat
  - spring 8-9
  - valve 8-7
- seat back 1-19
- seat back assembly 1-19
- seat back cap 1-19
- seat back, white 1-19
- seat bottom assembly 1-17, 1-35, 1-47
- seat bumper 1-35
- seat cover, vinyl 1-47
- seat foam 1-47
- seat gasket 1-35
- seat support, four-passenger 1-47
- seat, bearing 6-5
- sending unit, fuel gauge 9-5
- sensor, motor speed 15-3
- sensor, oil level 8-11
- shackle weldment 6-23
- shackle, rear spring 6-21
- shaft
  - counterbalance guide 8-13
  - drive selector 12-9, 12-15
  - input 16-3
  - intermediate 16-3
  - rocker 8-9
  - steering column 6-5
  - transmission 12-11, 12-17
- shaft, reverse gear 12-17
- shaft, secondary
  - transmission 12-17
- shift fork 12-11, 12-17
- shift lever 12-9, 12-15
- shift rod 12-11
- shifter, FNR 12-3
- shim, camshaft 8-11
- shim, crankshaft 8-13
- shock absorber 6-15, 6-21, 6-23
- shock absorber cushion 6-21, 6-23
- shock absorber cushion retainer 6-21, 6-23
- shock mounting bracket, drv 6-23
- shock mounting bracket, pas 6-23
- shoe retainer kit 5-13, 5-21
- shoe, brake 5-13, 5-21
- shroud 8-3
- shroud, engine 8-3
- shroud, fan 8-3
- signal, turn 4-11
- sleeve
  - delta A-plate 6-15
  - governor 12-11
  - park brake rod 5-3
  - synchronizer 12-11
- smartkey 4-19
- snap ring 6-3, 8-9, 8-13
- snubber bracket 8-15
- snubber, inner frame 8-15
- solenoid 13-21, 13-23, 14-21, 14-23
- solenoid, 12-volt 7-13
- spacer
  - accelerator pivot rod 5-5, 5-7
  - park brake 5-3, 17-11, 18-11
- spanner wrench 19-9
- spark plug 8-5
- speed controller 13-21, 13-23, 14-21, 14-23
- speed sensor 15-3
- speed sensor magnet 15-3
- speed sensor, motor 15-3
- spindle assembly 6-13
- spiral backup ring 11-5
- splash guard 1-5
- spray, battery terminal protector 19-3

# INDEX

- spring
    - accelerator return 5-5, 5-7
    - brake 5-13, 5-21
    - brake return 5-17, 5-19
    - brush 7-7, 15-3
    - compression 6-11
    - drive button 11-5
    - drive clutch 11-5
    - driven clutch 11-7
    - extension return 9-21
    - leaf 6-21, 6-23
    - park brake torsion 5-3
    - rack guide pressure 6-3
    - shifter 12-11
    - steering shaft compression 6-5
    - synchronizer 12-11
    - throttle return 9-13
      - valve 8-9
  - spring cup 5-5, 5-7
  - spring mounting plate 6-17, 6-19
  - spring, motor brush 15-3
  - spur gear 8-13, 12-11
  - stabilizer bar 6-25
  - stabilizer bar link 6-25
  - stabilizer bar mounting bracket 6-25
  - starter/generator (bi-rotational) 7-7
  - starter/generator belt 7-9
  - starter/generator brush cover kit 7-7
  - starter/generator brush spring 7-7
  - starter/generator brush terminal 7-7
  - starter/generator frame and field 7-7
  - starter/generator pulley 7-7
  - steel bushing 6-17, 6-19, 6-21, 6-23
  - steel pressure relief ball 8-7
  - steering column 6-5
  - steering column bearing press tool 19-9
  - steering column cover 4-11, 4-13
  - steering column retaining ring tool 19-9
  - steering gear box 6-3
  - steering pinion 6-3
  - steering pinion dust seal 6-3
  - steering rack 6-3
  - steering shaft assembly 6-5
  - steering shaft compression spring 6-5
  - steering wheel 6-9, 6-11
  - steering wheel puller tool 19-9
  - stem, valve 2-3, 2-5
  - stiffener, flywheel side 8-15
  - stiffener, PTO side 8-15
  - strap, A-plate 6-15
  - strap, fuel tank 9-3, 9-5
  - strobe light 4-29
  - strobe light lens 4-29
  - stud 8-15
    - lug 12-13, 12-19, 16-3
  - stud, ball 7-13, 12-9, 12-15
  - support yoke (steering) 6-3
  - support, bushing 6-25
  - support, front body 1-39
  - suppressor, voltage 4-5, 4-7, 4-9, 17-3, 17-5, 17-7, 17-9, 18-3, 18-5, 18-7, 18-9
  - switch plate cover 4-29
  - switch
    - four-position 17-5, 17-9, 18-5, 18-9
    - key 4-15, 4-17
    - key, uncommon 4-21
    - light rocker 4-5, 4-7, 4-9, 4-15, 4-17
    - limit 4-5, 4-7, 4-9, 7-13, 12-3
    - rocker 4-17
      - Tow/Run 13-11, 14-11
    - turn signal 4-11, 4-13
  - switch assembly 4-29
  - switch plate, Tow/Run 13-11, 14-11
  - switch rubber boot 7-11, 13-11, 14-11
  - switch, toggle 7-11
  - synchro gear 12-11
  - synchronizer clutch hub 12-11
  - synchronizer insert 12-11
  - synchronizer sleeve 12-11
  - synchronizer spring 12-11
  - synchronizer, complete 12-17
  - system, exhaust 10-3
- ## T
- 12-volt solenoid 7-13
  - tachometer 19-9
  - tachometer probe, diesel 19-9
  - tail light bulb 4-37
  - taillight 4-37
  - taillight assembly 4-37
  - taillight base 4-37
  - taillight bezel 4-37
  - taillight gasket 4-37
  - taillight hardware kit 4-37
  - taillight lens 4-37
  - tank, fuel 9-3, 9-5
  - tape, vinyl foam 1-51, 1-53, 1-55, 1-57, 1-59, 1-61, 1-63, 1-65
  - tappet 8-11
  - terminal block 4-5, 4-7, 4-9, 13-5, 13-7, 14-5, 14-7
  - tester, continuity 19-5
  - thermometer, battery 19-3
  - thread-forming grease fitting 6-13
  - throttle return spring 9-13
  - throttle spring return bracket 9-13
  - thrust bearing 6-17, 6-19
  - thrust plate 12-11, 12-13
  - tie rod 6-15
  - tie rod end 6-15
  - tie wrap 4-11, 4-13, 4-23, 4-25, 4-29, 4-33, 6-3, 7-13, 9-17, 9-19, 12-5, 12-7, 13-25, 14-25, 17-11, 18-11
  - tire 2-3, 2-5
  - tire and wheel assembly 2-3, 2-5
  - toggle switch 7-11
  - tool
    - accelerator pedal adjustment 19-3
    - belt tensioning, starter/generator 19-11
    - brake adjustment 19-3
    - brake cable release 19-3
    - brake pedal adjustment 19-3
    - brake pedal tension 19-3
    - cam installation 19-3
    - carburetor float level 19-7
    - charger bezel 19-3
    - clutch alignment 19-5
    - cT-wrench 19-5
    - drive clutch fixed sheave 19-5
    - drive clutch holder 19-5
    - drive clutch spider removal 19-5
    - driven clutch spring compression base 19-5
    - driven clutch spring compression collar 19-5
    - driven clutch spring compression nut 19-5
    - governor shaft installation 19-7
    - puller, special use 19-9
    - steering column bearing press 19-9
    - steering column retaining ring 19-9
    - steering wheel puller 19-9
    - transaxle axle seal 19-9
    - transaxle pinion seal 19-9
    - transmission 19-9
      - valve guide driver 19-9
      - valve seat cutter 19-5
  - tool kit, clutch 19-5
  - touch-up paint 19-7
  - Tow/Run switch 13-11, 14-11
  - Tow/Run switch bracket 7-11
  - Tow/Run switch plate 13-11, 14-11
  - transaxle (Electric Vehicle) 16-3
  - transaxle axle seal tool 19-9
  - transaxle Graziano (gasoline vehicle), unitized 12-15
  - transaxle guard 12-21, 16-5
  - transaxle pinion seal tool 19-9
  - transaxle, Kawasaki (Gasoline Vehicle) 12-9
  - transformer, battery charger 17-3, 17-5, 17-7, 17-9, 18-3, 18-5, 18-7, 18-9
  - transmission secondary shaft 12-17
  - transmission shaft 12-11, 12-17
  - transmission tool 19-9
  - trim
    - cowl 1-3
  - tube
    - axle 12-13, 12-19, 16-3
    - carburetor air vent 9-3, 9-5

# INDEX

crankcase vent 9-13  
oil filler 8-3  
tune-up kit 19-9  
turn signal 4-11  
turn signal conversion kit 4-11  
turn signal lens 4-3  
turn signal socket and lamp 4-11, 4-13  
turn signal switch 4-13  
T-wrench tool 19-5

## U

U-bolt 6-21, 6-23  
unitized transaxle Graziano 12-15  
upper delta clevis 6-17, 6-19  
urethane bushing 6-15, 6-17, 6-19, 6-21, 6-23

## V

valve  
choke 9-21  
exhaust 8-9  
reed 8-9  
valve clearance adjuster screw 19-9  
valve guide driver tool 19-9  
valve guide reamer 19-9  
valve guide, intake 8-9  
valve seat 8-7  
valve seat cutter 19-5, 19-11  
valve seat cutter guide 19-11  
valve seat cutter tool 19-5  
valve seat t-wrench 19-11  
valve spring 8-9  
valve spring compressor 19-11  
valve spring retainer 8-9  
valve stem 2-3, 2-5  
valve stem extension 2-7  
v-belt 7-9  
vent barb 9-3, 9-5  
vent, barb 9-7, 9-9  
volt ohm meter 19-11  
voltage limiter 4-5, 4-27  
voltage regulator 7-13  
voltage suppressor 4-5, 4-7, 4-9, 17-3, 17-5,  
17-7, 17-9, 18-3, 18-5, 18-7, 18-9

## W

warning light, low oil 4-15  
washer, insulating 15-3  
wedge, bearing puller 19-3  
weight  
clutch 11-5  
counterbalance 8-13  
secondary clutch 11-5  
weldment  
press 19-5  
wheel 2-3

steering 6-9, 6-11  
wheel and tire assembly 2-3, 2-5  
wheel cover 2-7  
wheel rim, white 2-5  
windshield  
hinged 1-23  
one-piece 1-25  
windshield channel 1-23  
windshield frame 1-51, 1-53, 1-55, 1-57, 1-59,  
1-61, 1-63, 1-65  
windshield frame pad 1-51, 1-53, 1-55, 1-57,  
1-59, 1-61, 1-63, 1-65  
wire assembly, battery charger 17-5, 18-5  
wire harness 4-23, 4-25, 4-31, 7-3, 13-5, 13-7,  
14-5, 14-7  
wire harness, headlight 4-7, 4-9  
wire harness, lighting 4-7, 4-9  
wire lead, ignition 8-5  
woodruff key 12-9  
wrap, tie 4-11, 4-13, 4-23, 4-25, 4-29, 4-33, 6-3,  
7-13, 9-17, 9-19, 12-5, 12-7, 13-25, 14-25,  
17-11, 18-11  
wrench, spanner 19-9

## Y

yoke, gear 19-7  
yoke, support (steering) 6-3













**Club Car, Inc.**  
P.O. Box 204658  
Augusta, GA 30917-4658  
USA

**Web** [www.clubcar.com](http://www.clubcar.com)  
**Phone** 1.706.863.3000  
1.800.ClubCar  
**Int'l** +1 706.863.3000  
**Fax** 1.706.863.5808