



2021 Carryall 700 Illustrated Parts List



Gasoline and Electric Vehicles

Manual Number 86753090063
Edition Code _A

USING THE ILLUSTRATED PARTS LIST

⚠ WARNING

- **This manual is to be used only for identification and ordering of service parts. Be sure to read and use the maintenance and service manual before attempting any vehicle repairs.**

The manual is divided into sections. Note that there are two or three flags on the outside edge of each page. The first flag contains the section number of which that page is a part. The other flag (or flags) contains the letter E or G, signifying that the page pertains to the electric or gasoline vehicles only.

Use the Table of Contents to find the sections and pages that contain the parts and assemblies you seek. The Table of Contents lists section numbers, and under them, the individual page titles and numbers to be found in that section. The index can be used to find specific parts and assemblies. The index is divided into numerical and alphabetical listings with the page numbers in italic text.

There is a two-page spread for each individual page title in the Table of Contents. On the left-hand page is an illustration showing the parts in their relative positions; the parts are each tagged with an item number in a balloon. The right-hand page is the parts list page, and gives the page title at the top, then the item numbers (corresponding to the numbers on the illustration), part descriptions, and quantity of parts used.

Note that a part description may be indented. This indentation corresponds to a parts assembly level indicated by the numbers 1, 2, 3, and 4 at the top left corner of the parts description area of the parts list page. A part that is indented to *level 2* is a component of the *level 1* part (assembly) that it is listed under. A *level 3* part is a component of the *level 2* part that it is listed under, and a *level 4* part is a component of the *level 3* part preceding it. In each case, the part quantity given for a level 2, 3, or 4 part is *the quantity used per next higher level assembly of which it is a component*. A part that is not indented is a *level 1* part. This means that the quantity given is the quantity used per the portion of the vehicle illustrated on that particular spread.



P. O. Box 204658
Augusta, Georgia 30917-4658 USA
Telephone 706-863-3000
Service Parts Fax 706-855-7413
www.clubcar.com

HOW TO ORDER PARTS

Replacement parts and accessories can be obtained from our network of authorized dealers and distributors. You can obtain the name and phone number of your closest authorized Club Car dealer or distributor by visiting our web site at www.clubcardealer.com, by calling our toll-free Service Parts and Technical Assistance hotline at (800) 872-2246 or (706) 863-3000, extension 3887, or by scanning this Quick Response (QR) code to be taken to the Club Car dealer locator. **Refer to Figure 1.** Download a QR code reader such as RedLaser or Barcode Scanner to your cell phone or tablet.



Figure 1 Dealer Locator QR Code

CUSTOMER SATISFACTION SURVEY

Let your voice be heard!

Please take time to participate in the Technical Publications satisfaction survey. Obtaining feedback from our customers is important to the department's continuous improvement process. The online survey takes less than five minutes and responses will help the department to examine current performance as well as identify areas for future improvement.

Our top priority is to provide timely, accurate, and user friendly manuals.

The online satisfaction survey can be found at: <http://bit.ly/1w9uFMh>



Figure 2 Survey QR Code

NOTE: *This illustrated parts list represents the most current information at the time of publication. Club Car, LLC is continually working to further improve its vehicles and other products. These improvements may affect the parts used to service the vehicle. Any modification and/or significant change in specifications will be forwarded to all Club Car and Carryall distributors/dealers and will, when applicable, appear in future editions of this illustrated parts list.*

Club Car, LLC reserves the right to change specifications and designs at any time without notice and without the obligation of making changes to units previously sold.

Copyright © 2019 Club Car, LLC.

Club Car is a registered trademark of Club Car, LLC.

This manual effective July 1, 2020.

CONTENTS

SECTION 1 – BODY AND TRIM

| | |
|--|------|
| Brush Guards | 1-3 |
| Headlight Guard | 1-5 |
| Fender Guard | 1-7 |
| Front License Plate Holder | 1-9 |
| Front Body | 1-11 |
| Body Touch-Up Paint | 1-13 |
| Front Bumper, Grille, and Fenders | 1-15 |
| Headlight Bezels | 1-17 |
| Dash, Glovebox Door, and Floormat | 1-19 |
| Front Frame, Standard | 1-21 |
| Seat Bottom | 1-23 |
| Seat Back | 1-25 |
| Seat Frame and Hip-Restraint | 1-27 |
| Underseat Storage – Electric Vehicles | 1-29 |
| Underseat Storage – Gasoline Vehicles | 1-31 |
| Windshield, Hinged | 1-33 |
| Windshield, Non-Hinged | 1-35 |
| Canopy Kit, White | 1-37 |
| Canopy Kit, Biege | 1-39 |
| Canopy Support Kit – Long | 1-41 |
| Canopy Kit, Black | 1-43 |
| Canopy – Long | 1-45 |
| Mirrors | 1-47 |
| Inner Rear Fenders | 1-49 |
| Rear Fenders and Tail Skirt | 1-51 |
| Rear Bumper Guards | 1-53 |
| Rear License Plate Holder | 1-55 |
| Tilt Bed (Long) Hinge – Electric Vehicle | 1-57 |
| Tilt Bed (Long) Hinge – Gasoline Vehicle | 1-59 |
| Long Bed Hinge Spacer Kit – Vehicle with CAB | 1-61 |
| Tilt Bed – Long | 1-63 |
| Electric Bed Lift, Long – Electric Vehicles | 1-65 |
| Electric Bed Lift – Gasoline Vehicles | 1-67 |
| Flat Bed Trim – Long | 1-69 |
| Cargo Box Kit – Long (Page 1 of 2) | 1-71 |
| Cargo Box Kit (Page 2 of 2) | 1-73 |
| Tailgate Teather | 1-75 |
| Stake Side Kit – Long | 1-77 |

CONTENTS

| | |
|--|-------|
| Modular Bed Accessories | 1-79 |
| Modular Bed Accessories | 1-81 |
| Modular Bed Accessories | 1-83 |
| Heavy Duty Trailer Hitch | 1-85 |
| Rear Receiver Hitch | 1-87 |
| Trailer Hitch Ball | 1-89 |
| Range Picker Adapter | 1-91 |
| Cab Doors – Glass with LH Sliding Window | 1-93 |
| Cab Roof | 1-95 |
| Cab Doors – Glass with LH & RH Sliding Windows | 1-97 |
| Hardware Kit, Door Striker | 1-99 |
| Cab Doors – Soft | 1-101 |
| Cab Doors – Range, Driver-Side | 1-103 |
| Cab Doors – Range, Passenger-Side | 1-105 |
| Cab Doors – Vent | 1-107 |
| Cab - Mirrors | 1-109 |
| Cab – Windshield, Range, (Poly) | 1-111 |
| Cab – Windshield (Tempered) | 1-113 |
| Cab – 2-Point Seat Belts | 1-115 |
| Cab – Electrical, Power Harness, Electric Vehicle to Cab | 1-117 |
| Cab – Electrical, Overhead Console | 1-119 |
| Cab – Electrical, Windshield Wiper | 1-121 |
| Cab – Electrical, Cab Power Harness, Gasoline Vehicle to Cab | 1-123 |
| Cab – Electrical, Windshield Washer | 1-125 |
| Cab – Electrical, Work Lights | 1-127 |
| Cab – Electrical, Warning Beacon | 1-129 |
| Cab – Rear Window Screen | 1-131 |
| Cab – Rear Window with Slider | 1-133 |
| Cab – Rear Window, One-Piece | 1-135 |
| Cab – Exhaust | 1-137 |
| Enclosures | 1-139 |
| Van Box, Long – Gray | 1-141 |
| Van Box, Long – White | 1-143 |
| Van Box, Long – Service Parts | 1-145 |
| Van Box – No Windows | 1-147 |
| Toolboxes | 1-149 |

SECTION 2 – WHEELS AND TIRES

| | |
|--|-----|
| 10 Inch Wheels and 20 Inch Tires | 2-3 |
| 8 Inch Wheels and 18 Inch Tires – Vehicles with Small-Wheel Turf Package | 2-5 |

CONTENTS

| | |
|--------------------|-----|
| Wheel Covers | 2-7 |
|--------------------|-----|

SECTION 3 – DECALS

| | |
|---|------|
| Decals – Electric Carryall 700 | 3-3 |
| Decals – Electric Carryall 700, Continued | 3-5 |
| Decals – Gasoline Carryall 700 | 3-7 |
| Decals – Gasoline Carryall 700, Continued | 3-9 |
| Badging Decals – Carryall 700 | 3-11 |

SECTION 4 – LIGHTS, CONTROLS, AND INDICATORS

| | |
|---|------|
| Headlights | 4-3 |
| 12-Volt Fuse Block and Fuses – Electric Vehicle | 4-5 |
| Horn, Turn Signals, and Taillights – Electric and Gasoline Vehicles | 4-7 |
| Horn and Tail Light Kit – Electric and Gasoline Vehicles | 4-9 |
| Instrument Panel – Electric Vehicle | 4-11 |
| Instrument Panel – Gasoline Vehicle | 4-13 |
| Keyswitch – Electric Vehicle | 4-15 |
| Keyswitch, Private Speed Mode - Electric Vehicle | 4-17 |
| Keyswitch, Pedal-Start – Gasoline Vehicle | 4-19 |
| Keyswitch, Key-start – Gasoline Vehicle | 4-21 |
| Rear Mounted Reverse Buzzer | 4-23 |
| DC Converter – Electric Vehicle | 4-25 |
| Voltage Limiter – Gasoline Vehicle | 4-27 |
| Strobe Light, Post Mounted – Gasoline Vehicles | 4-29 |
| Strobe Light, Post Mounted – Electric Vehicles | 4-31 |
| Strobe Light – Canopy Mounted | 4-33 |
| Reflectors | 4-35 |
| Heater Defogger – Electric Vehicle | 4-37 |
| USB and Powerpoint Receptacle | 4-39 |

SECTION 5 – BRAKES, PEDALS, AND CABLE ASSEMBLIES

| | |
|--|------|
| Brake Pedal Assembly – Vehicles with 2-Wheel Brakes and 4-Wheel Brakes | 5-3 |
| Accelerator Pedal Assembly – Electric Vehicles | 5-5 |
| Accelerator Rod and Pedal Assembly – Gasoline Vehicle | 5-7 |
| Pedal Close-Out Kit | 5-9 |
| Front Brake Assembly – Vehicles with 4-Wheel Brakes | 5-11 |
| Front Brake Cables and Equalizer – Vehicle with 4-Wheel Brakes | 5-13 |
| Rear Brake Cables and Equalizer – Gasoline Vehicle with 4-Wheel Brakes | 5-15 |
| Rear Brake Cables and Equalizer – Electric Vehicle with 4-Wheel Brakes | 5-17 |

CONTENTS

| | |
|---|------|
| Rear Brake Equalizer Rod Rub Strip – Electric Vehicle with 4-Wheel Brakes | 5-19 |
| Rear Brakes, Manually-Adjusted – Elec. Vehicles with 4-Wheel Brakes | 5-21 |
| Rear Brakes, Manually-Adjusted – Gas Vehicles with 4-Wheel Brakes | 5-23 |

SECTION 6 – STEERING, FRONT AND REAR SUSPENSION

| | |
|--|------|
| Steering Gear Assembly | 6-3 |
| Steering Column | 6-5 |
| Steering Wheel | 6-7 |
| Steering Wheel with Clip | 6-9 |
| Front Suspension, Upper, HD | 6-11 |
| Front Suspension, Lower, HD, 3 Leaf-1 Plate | 6-13 |
| Front Suspension, Upper | 6-15 |
| Front Suspension, Lower, HD, 2 Leaf-2 Plates | 6-17 |
| Steering Stop | 6-19 |
| Front Wheel Hubs | 6-21 |
| Rear Suspension Components, Standard | 6-23 |

SECTION 7 – ELECTRICAL SYSTEM – GASOLINE EFI

| | |
|--|------|
| Wiring, Fuses, and Diodes, Key and Pedal Start – EFI | 7-3 |
| Starter/Generator, Key and Pedal Start – EFI | 7-5 |
| Starter/Generator Mounting – ECH440 | 7-7 |
| Operation and Maintenance Switch | 7-9 |
| Electrical Component Box, Key-Start | 7-11 |
| Electrical Component Box, Pedal-Start | 7-13 |
| Forward/Reverse Shifter Switches, Key-Start – EFI | 7-15 |
| Forward/Reverse Shifter Switches, Pedal-Start – EFI | 7-17 |
| Battery – Gasoline Utility Vehicles | 7-19 |
| Top-Post Battery – Gasoline Utility Vehicles | 7-21 |

SECTION 8 – ENGINE (KOHLER ECH440)

| | |
|---|------|
| Tune-Up Parts | 8-3 |
| Engine and Engine Mounting | 8-5 |
| Engine Pan and Snubber Mounting | 8-7 |
| Blower Housing and Heat Shield – ECH440 | 8-9 |
| Ignition Components and Flywheel – ECH440 | 8-11 |
| Cylinder Head and Valve – ECH440 | 8-13 |
| Crankcase and Piston – ECH440 | 8-15 |
| Oil Sensor and Lubrication – ECH440 | 8-17 |
| Crankshaft – ECH440 | 8-19 |

CONTENTS

SECTION 9 – FUEL SYSTEM – EFI

| | |
|--|------|
| Fuel Tank with Pump, Side Fill – EFI | 9-3 |
| Carbon Canister – EFI | 9-5 |
| Throttle Body and Mounting | 9-7 |
| Governor Bracket and Cover – EFI | 9-9 |
| Governor and Accelerator Cables – EFI | 9-11 |
| Air Intake Elbow – EFI | 9-13 |
| Air Filter System and Intake Hose – EFI, LWB Utility/Trans | 9-15 |

SECTION 10 – EXHAUST SYSTEM – ECH440

| | |
|----------------------|------|
| Exhaust System | 10-3 |
|----------------------|------|

SECTION 11 – DRIVE BELT AND CLUTCHES – EFI GASOLINE VEHICLES

| | |
|---|------|
| Drive Belts – EFI | 11-3 |
| Drive Clutch – Key-Start Vehicles | 11-5 |
| Drive Clutch – Pedal-Start Vehicles | 11-7 |
| Driven Clutch – Key Start and Pedal Start | 11-9 |

SECTION 12 – TRANSAXLE (FUJI ED65)

| | |
|---|-------|
| Forward/Reverse Shifter Assembly | 12-3 |
| Shifter Cable – CA700 | 12-5 |
| Shift Lever and Bracket – Pedal-Start Engines | 12-7 |
| Shift Lever and Bracket – Key-Start Engines | 12-9 |
| Governor Arm and Brackets – Utility Vehicles | 12-11 |
| Transaxle (ED65), Limited Slip – Page 1 of 3 | 12-13 |
| Transaxle (ED65), Open – Page 1 of 3 | 12-15 |
| Transaxle (ED65), Limited Slip and Open – Page 2 of 3 | 12-17 |
| Transaxle (ED65), Limited Slip – Page 3 of 3 | 12-19 |
| Transaxle (ED65), Open – Page 3 of 3 | 12-21 |
| Hub, Rear | 12-23 |
| Differential Guard, ED65 – Gasoline Vehicle | 12-25 |

SECTION 13 – ELECTRICAL SYSTEM – ELECTRIC VEHICLES

| | |
|--|-------|
| Motor Controller Output Regulator (MCOR) | 13-3 |
| Wiring, Fuses, and Diodes – Electric Vehicle | 13-5 |
| Tow/Run Switch and Hour Meter | 13-7 |
| 48-Volt Electric Components - Electric Vehicle | 13-9 |
| Batteries 6-Volt, Standard Duty | 13-11 |

CONTENTS

| | |
|---|-------|
| Batteries 6-Volt, Heavy Duty | 13-13 |
| Hand Pump and Deionizer (Battery-Powered Quality Light) | 13-15 |
| Single Point Watering System (SPWS) | 13-17 |

SECTION 14 – ELECTRIC MOTOR

| | |
|--|------|
| Motor (Model DA5-4006) – IQ Plus | 14-3 |
|--|------|

SECTION 15 – TRANSAXLE – ELECTRIC VEHICLES

| | |
|--|------|
| Transaxle – Electric Vehicles | 15-3 |
| Differential Guard – Electric Vehicles | 15-5 |

SECTION 16 – ON-BOARD BATTERY CHARGERS – HIGH-FREQUENCY

| | |
|---|------|
| On-Board Battery Charger, High-Freq. | 16-3 |
|---|------|

SECTION 17 – MAINTENANCE AND SERVICE TOOLS

| | |
|--|------|
| Maintenance and Service Tools | 17-3 |
| Maintenance and Service Tools, Continued | 17-5 |
| Maintenance and Service Tools, Continued | 17-7 |

SECTION i – INDEX

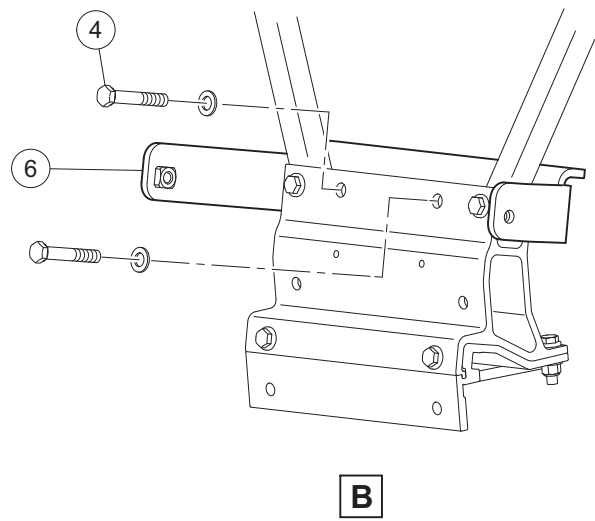
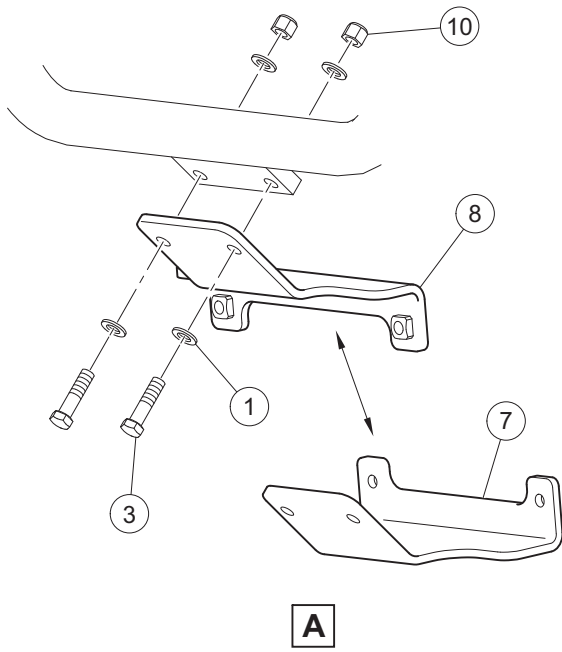
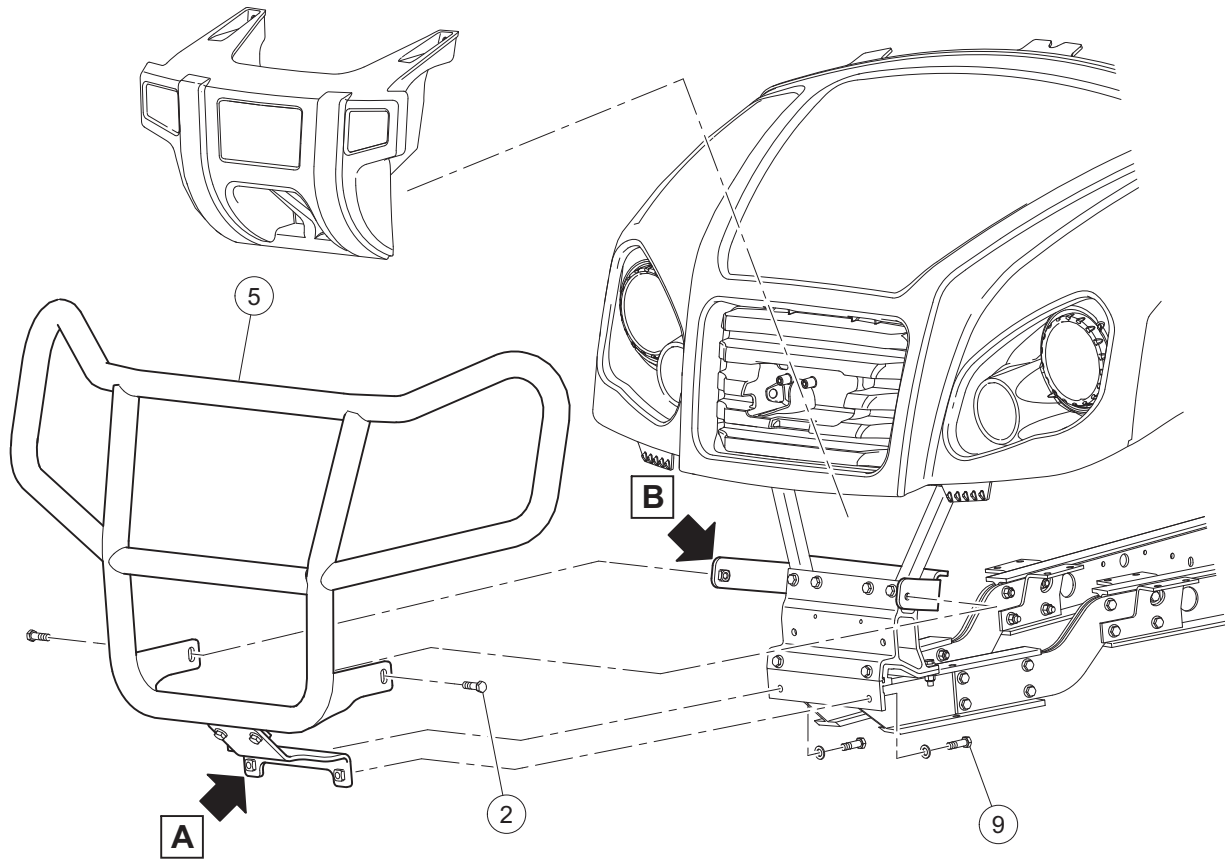
BODY AND TRIM

1

G

E

1
G
E



G-140199-000006

BRUSH GUARDS

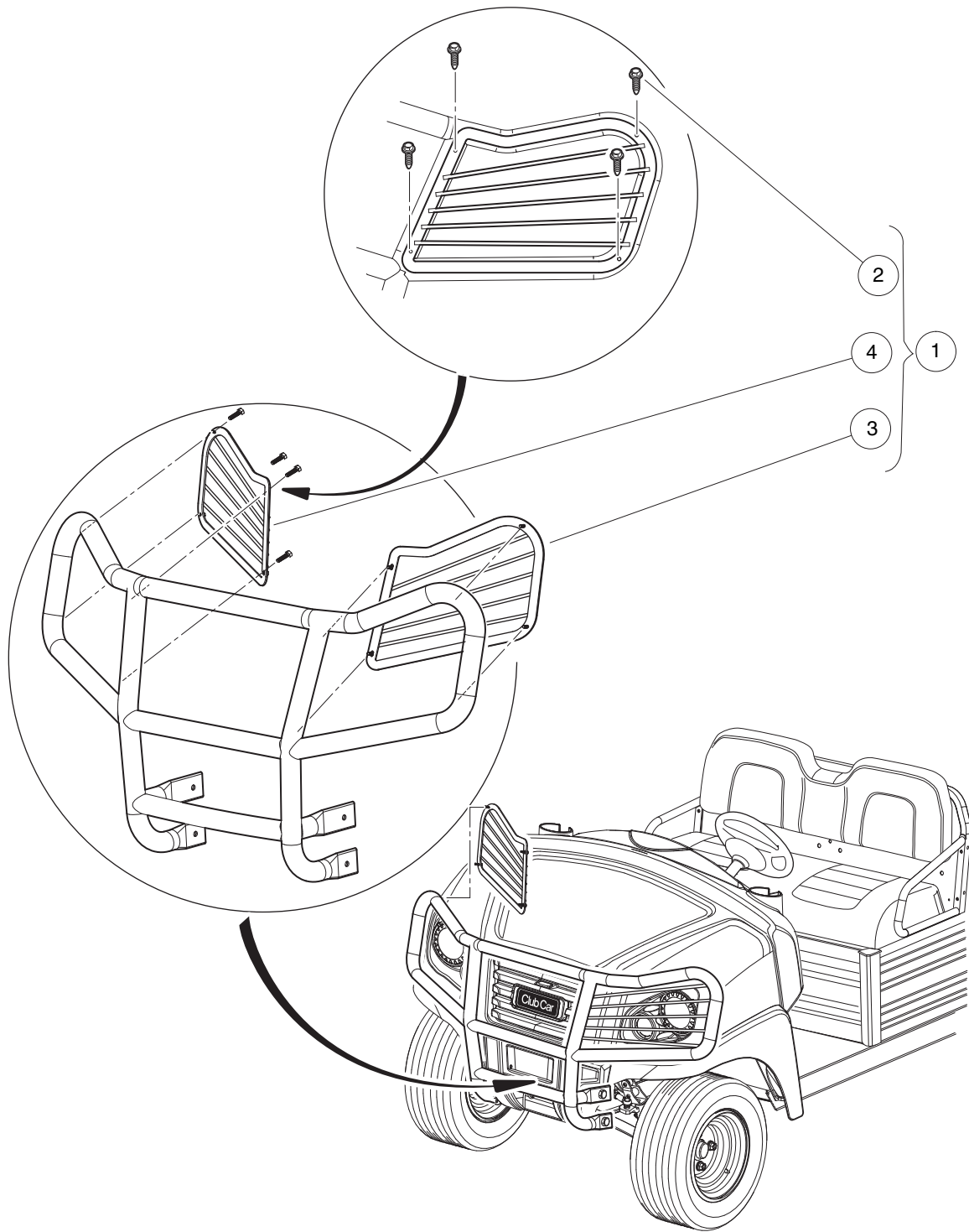
| ITEM | PART NO. | DESCRIPTION | QTY |
|--|------------------|--|-----|
| | | 1 2 3 4 | |
| 1 | <u>1011990</u> | Washer, 3/8 Flat | 8 |
| 2 | <u>105197401</u> | Bolt, Flg, 3/8-16 X 1" Loc | 2 |
| 3 | <u>1624</u> | Screw, 3/8-16 X 1.50, Hex-Head Cap | 2 |
| 4 | <u>2402</u> | Screw, 3/8-16 X 2.25 Hx Hd Cap | 2 |
| 5 | 47600627001 | Weldment, Hd Bumper, Hb, Res | 1 |
| 6 | 47600628001 | Asm,bkt,back Spt,bg,common | 1 |
| 7 | 47600629001 | Asm,bkt,btm Spt,bg,non-lifted | 1 |
| 8 | 47600630001 | Asm,bkt,btm Spt,bg,lifted | 1 |
| 9 | 705 | Screw, Cap-hex Hd 3/8-16x1.25 | 2 |
| 10 | <u>8754</u> | Locknut, 3/8-16 Hex | 2 |
| <p>Note: For complete brush guard kits order kit part number 47605991002 for non-lifted vehicles or kit part number 47605991004 for lifted vehicles.</p> | | | |

1

G

E

1
G
E



001300-017

HEADLIGHT GUARD

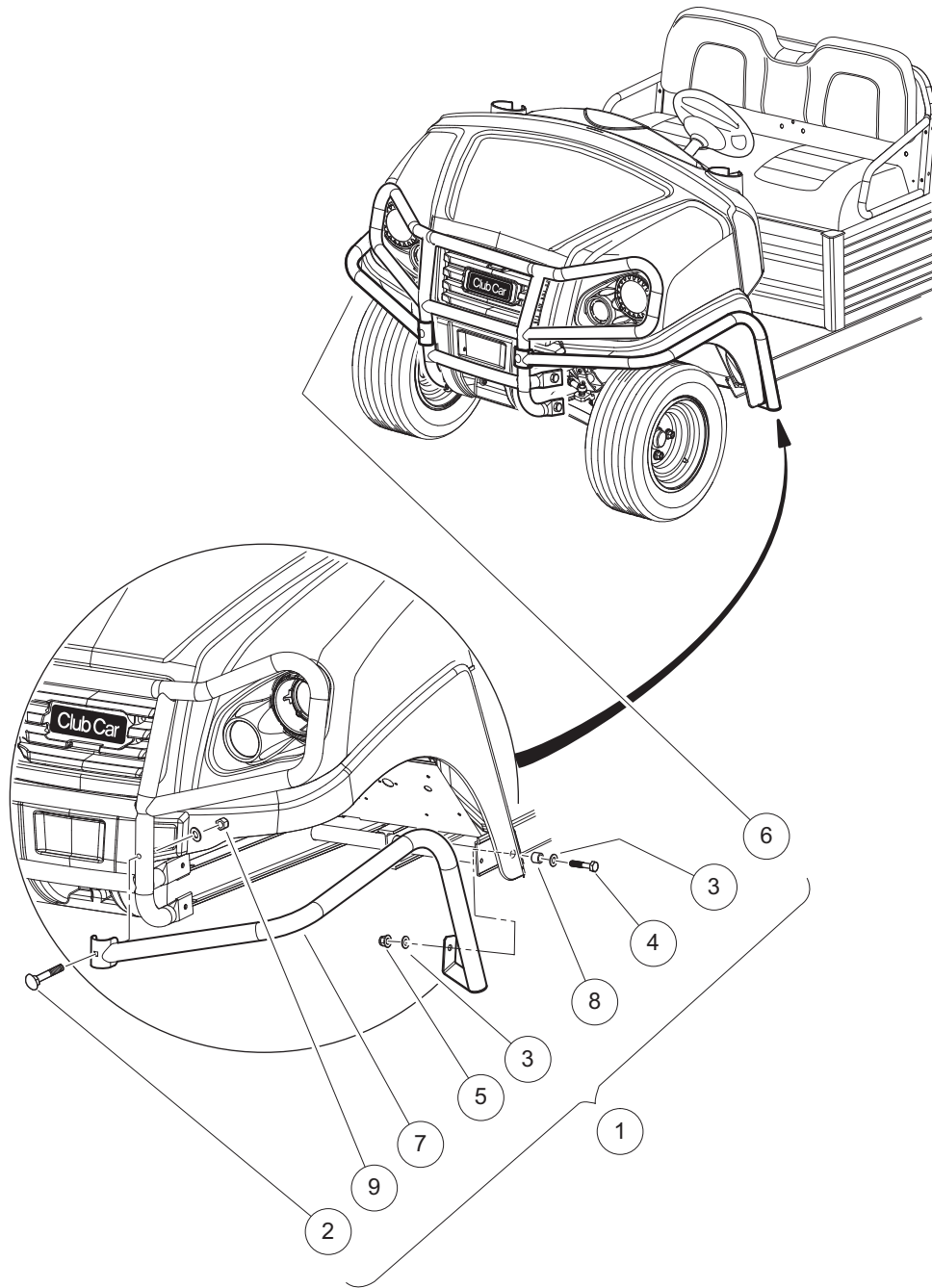
| ITEM | PART NO. | DESCRIPTION | QTY |
|------|------------------|---|-----|
| | | 1 2 3 4 | |
| 1 | <u>105156301</u> | Kit, Head Light Guard, Utl Res (includes items 2 through 4) | 1 |
| 2 | <u>102296819</u> | Screw-M6 x 19 | 8 |
| 3 | <u>105156701</u> | Guard, Headlight, UTL,LH | 1 |
| 4 | <u>105156702</u> | Guard, Head Light, Utl, Rh | 1 |

1

G

E

1
G
E



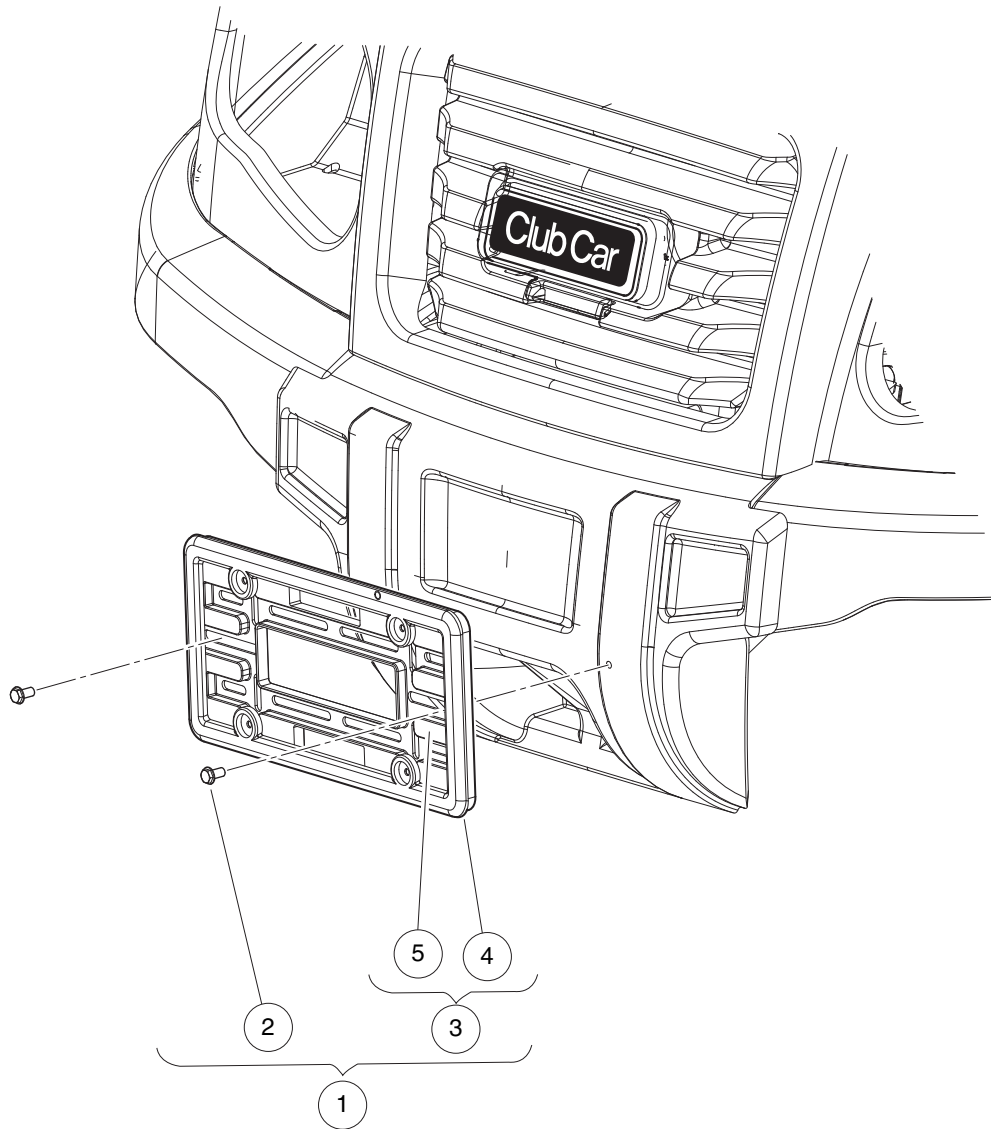
001300-002

FENDER GUARD

| ITEM | PART NO. | DESCRIPTION | QTY |
|------|------------------|--|-----|
| | | 1 2 3 4 | |
| 1 | <u>105124001</u> | Kit, Fender Guard, Hb Res (includes items 2 through 9) | 1 |
| 2 | 101242802 | Bolt, 3/8-16 X 2.25 Rd Hd Sq Bk | 2 |
| 3 | <u>102323501</u> | Washer, Flat, 3/8, Blk Fin | 6 |
| 4 | <u>102621601</u> | Bolt, M10 X 1.50 X 45 Black | 2 |
| 5 | <u>102670701</u> | Nut, Flange, M10 X 1.5 Nylon | 2 |
| 6 | 105074501 | Weldment, Fender Guard, Hb, Rh | 1 |
| 7 | 105074502 | Weldment, Fender Guard, Hb, Lh | 1 |
| 8 | <u>105094001</u> | Spacer, Canopy Support, Dash | 2 |
| 9 | <u>8754</u> | Locknut, 3/8-16 Hex | 2 |

1
G
E

1
G
E

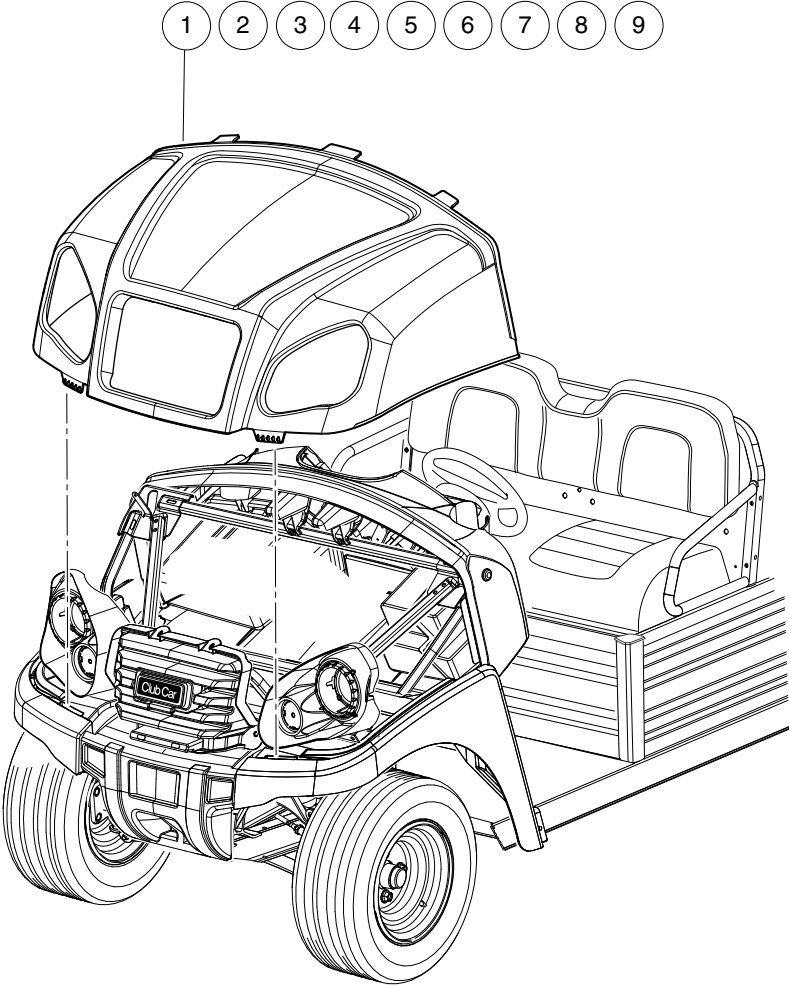


001155-001

FRONT LICENSE PLATE HOLDER

| ITEM | PART NO. | DESCRIPTION | QTY |
|------|------------------|---|-----|
| | | 1 2 3 4 | |
| 1 | <u>105124901</u> | Kit, Front, License Pl, Lsv (includes items 2 and 3) | 1 |
| 2 | <u>101856101</u> | Screw, 1/4-15 X .50 Hi-lo Hex | 2 |
| 3 | <u>102311501</u> | Front License Plate Assembly (includes items 4 and 5) | 1 |
| 4 | N/A | Frame, License Plate | 1 |
| 5 | N/A | Mount, License Plate | 1 |

1
G
E



001300-003

FRONT BODY

| ITEM | PART NO. | DESCRIPTION | QTY |
|------|------------------|------------------------------------|-----|
| | | 1 2 3 4 | |
| 1 | <u>105034321</u> | Cowl, Ca, Serv, Dk Green | 1 |
| 2 | <u>105034322</u> | Cowl, Ca, Serv, Dk Gray | 1 |
| 3 | <u>105034323</u> | Cowl, Ca, Serv, White | 1 |
| 4 | <u>105034324</u> | Cowl, Ca, Serv, Bright Blue | 1 |
| 5 | <u>105034325</u> | Cowl, Ca, Serv, Titn Silver | 1 |
| 6 | <u>105034326</u> | Cowl, Ca, Serv, Beige | 1 |
| 7 | <u>105034327</u> | Cowl, Ca, Serv, Red | 1 |
| 8 | <u>105034328</u> | Cowl, Ca, Serv, Black | 1 |
| 9 | <u>105034329</u> | Cowl, Ca, Serv, Classic Blue | 1 |

1
G
E

1

G

E

- 1
- 2
- 3
- 4
- 5
- 6
- 7
- 8
- 9
- 10

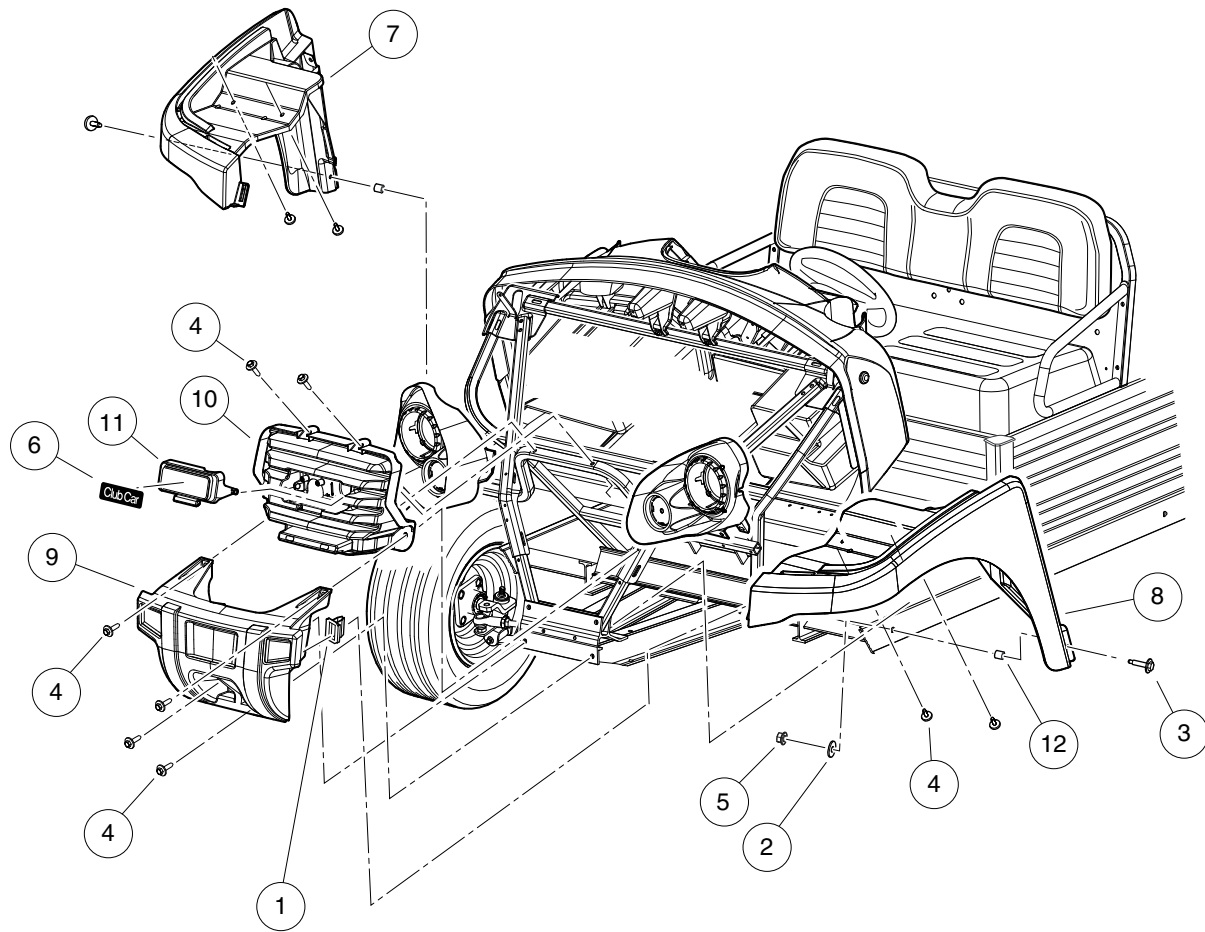


001300-020

BODY TOUCH-UP PAINT

| ITEM | PART NO. | DESCRIPTION | QTY |
|------|------------------|-------------------------------------|-----|
| | | 1 2 3 4 | |
| 1 | <u>105117701</u> | Paint, Touch-up, White | 1 |
| 2 | <u>105117702</u> | Paint, Touch-up, Classic Blue | 1 |
| 3 | <u>105117703</u> | Paint, Touch-up, Dark Green | 1 |
| 4 | <u>105117704</u> | Paint, Touch-up, Red | 1 |
| 5 | <u>105117705</u> | Paint, Touch-up, Dark Gray | 1 |
| 6 | <u>105117706</u> | Paint, Touch-up, Black | 1 |
| 7 | <u>105117707</u> | Paint, Touch-up, Tan | 1 |
| 8 | <u>105117708</u> | Paint, Touch-up, Bright Blue | 1 |
| 9 | <u>105117709</u> | Paint, Touch-up, Titn Silver | 1 |
| 10 | <u>105117710</u> | Paint, Touch-up, Light Gray | 1 |

1
G
E



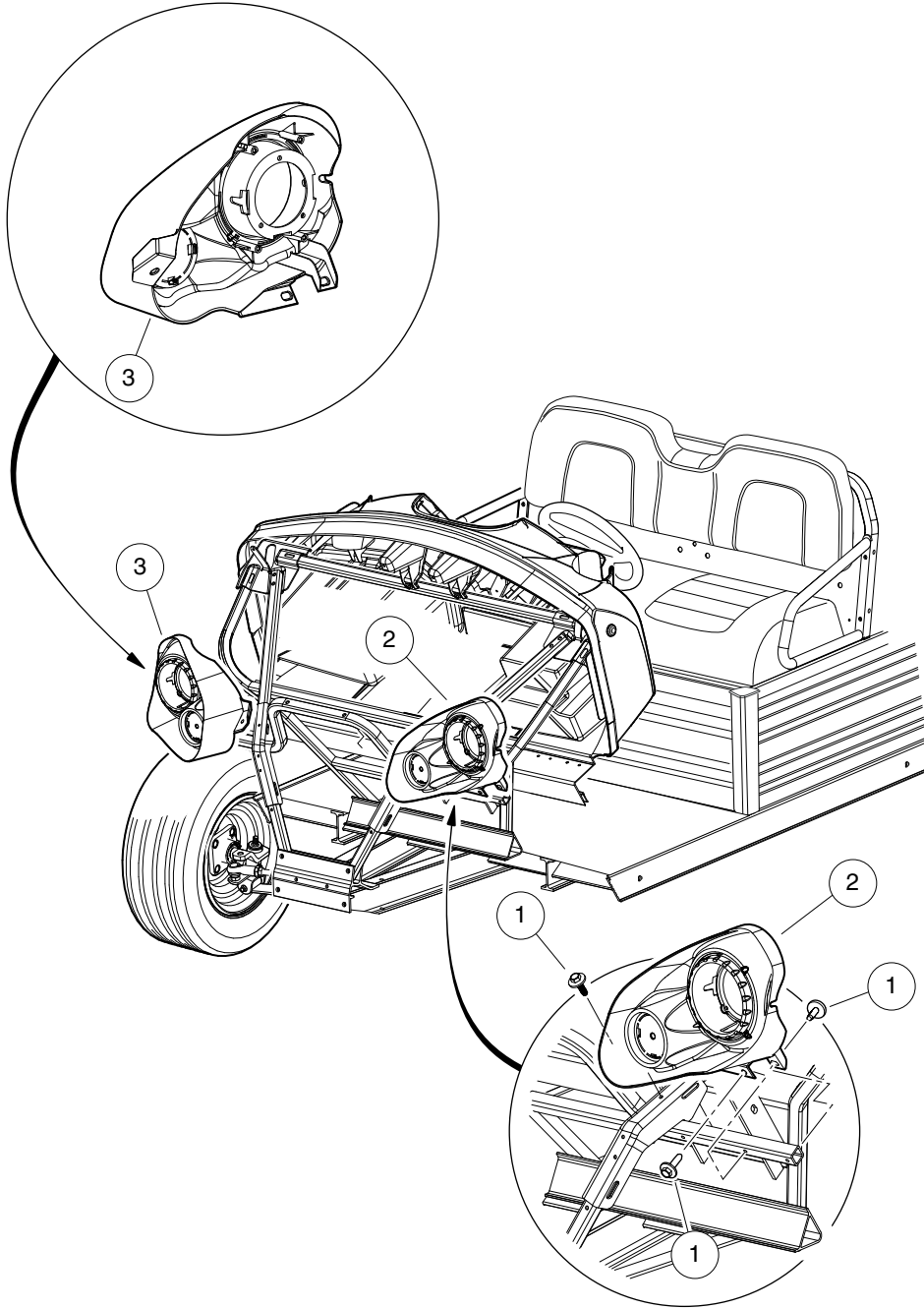
001300-004

FRONT BUMPER, GRILLE, AND FENDERS

| ITEM | PART NO. | DESCRIPTION | QTY |
|------|------------------|--|-----|
| | | 1 2 3 4 | |
| 1 | <u>102292701</u> | Clip-body-trim | 2 |
| 2 | <u>102296301</u> | Washer, M6x18x1.6 Flat | 2 |
| 3 | <u>102296530</u> | Screw - M6 X 1.0 X 30 Sems | 6 |
| 4 | <u>102297125</u> | Screw, M6-1.0x25.4, Thread-Forming, SEMS | 8 |
| 5 | <u>102541501</u> | Nut-m6x1.0 Fl Mtl Lock,blk | 2 |
| 6 | <u>102883601</u> | Decal, Nameplate, CCI, Front | 1 |
| 7 | <u>105034401</u> | Fender, Front, Rh, Ca | 1 |
| 8 | <u>105034501</u> | Fender, Front, Lh, Ca | 1 |
| 9 | <u>105034601</u> | Bumper, Front, Plastic, Ca | 1 |
| 10 | <u>105034701</u> | Grille, Ca | 1 |
| 11 | <u>105034801</u> | Door, Charger Port, Ca | 1 |
| 12 | <u>105036701</u> | Spacer, Frt Fender, Ca | 2 |

1
G
E

1
G
E



001300-005

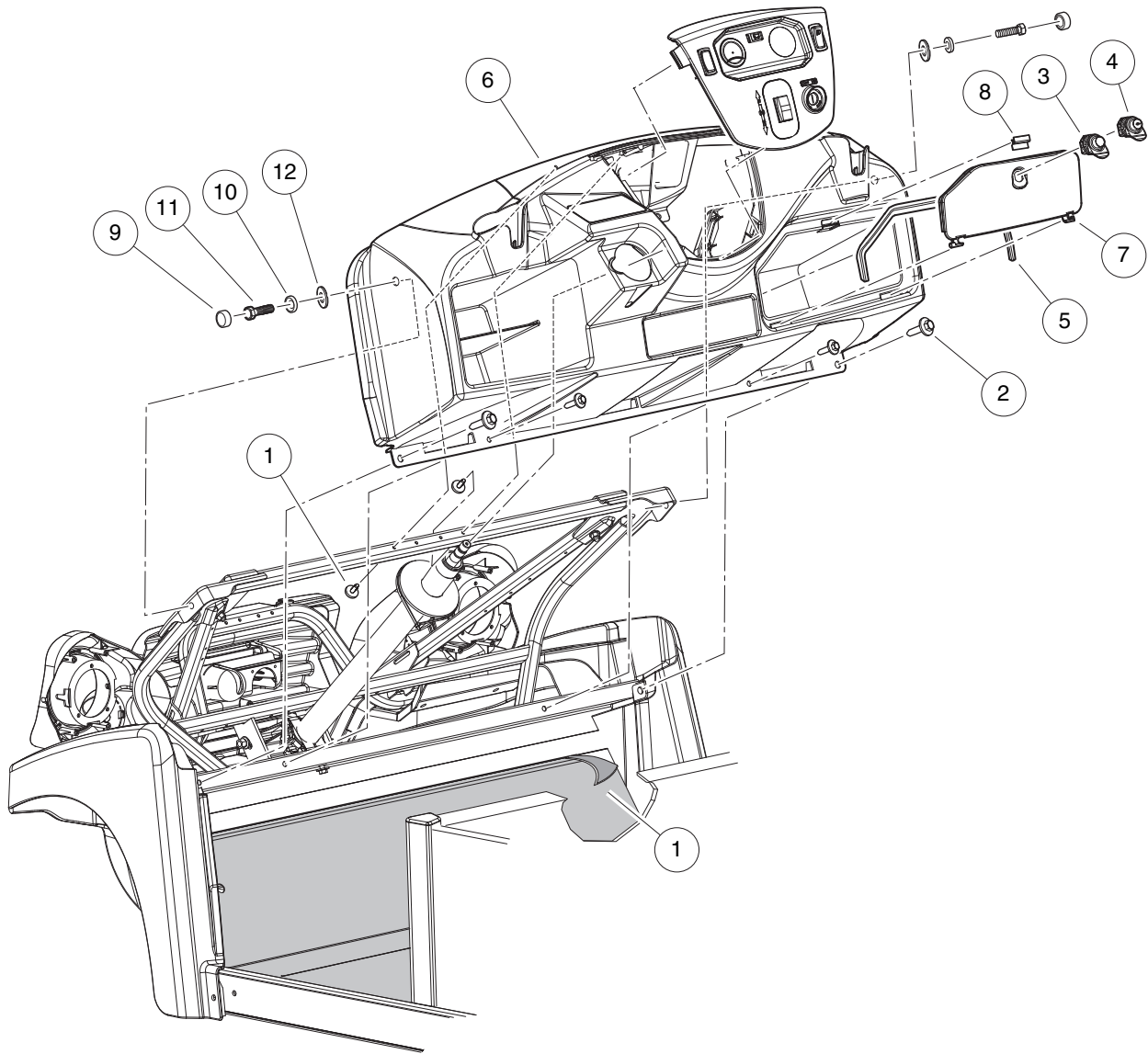
HEADLIGHT BEZELS

| ITEM | PART NO. | DESCRIPTION | QTY |
|------|------------------|--|-----|
| | | 1 2 3 4 | |
| 1 | <u>102297125</u> | Screw, M6-1.0x25.4, Thread-Forming, SEMS | 6 |
| 2 | <u>105034901</u> | Bezel, Hl, Lh, Ca | 1 |
| 3 | <u>105035001</u> | Bezel, Hl, Rh, Ca | 1 |

1

G

E



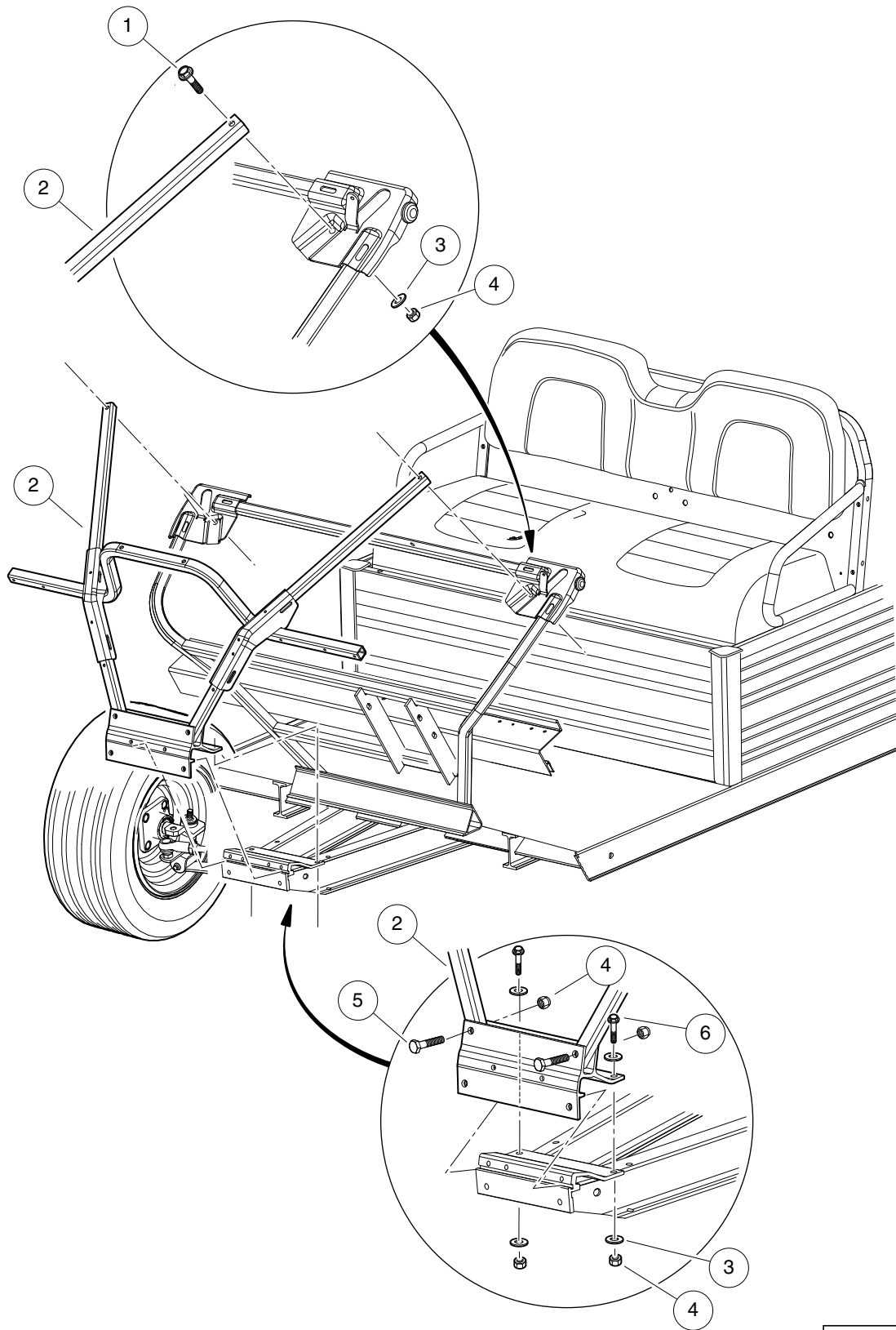
001300-006

DASH, GLOVEBOX DOOR, AND FLOORMAT

| ITEM | PART NO. | DESCRIPTION | QTY |
|------|------------------|--|-----|
| | | 1 2 3 4 | |
| 1 | <u>101503202</u> | Floormat | 1 |
| 2 | <u>102297125</u> | Screw, M6-1.0x25.4, Thread-Forming, SEMS | 6 |
| 3 | <u>103182701</u> | Latch, Push Close | 1 |
| 4 | <u>103182702</u> | Latch, Push Close W/ Key | 1 |
| 5 | 103540203 | Seal, Bulb, 13 X 27 X 579 Mm | 1 |
| 6 | <u>105034001</u> | Dash, Ca | 1 |
| 7 | <u>105034201</u> | Door, Glove Box, Ca | 1 |
| 8 | <u>105035701</u> | Keeper, Latch, Ca | 1 |
| 9 | <u>105049201</u> | Cover, Bolt, Rh Series | 2 |
| 10 | <u>105049301</u> | Cover, Washer, Rhw Series | 2 |
| 11 | 320 | Screw, 3/8-16 X 1.00 Hex-Head Cap | 2 |
| 12 | <u>334</u> | Washer, 3/8, Type A, Flat | 2 |

1
G
E

1
G
E



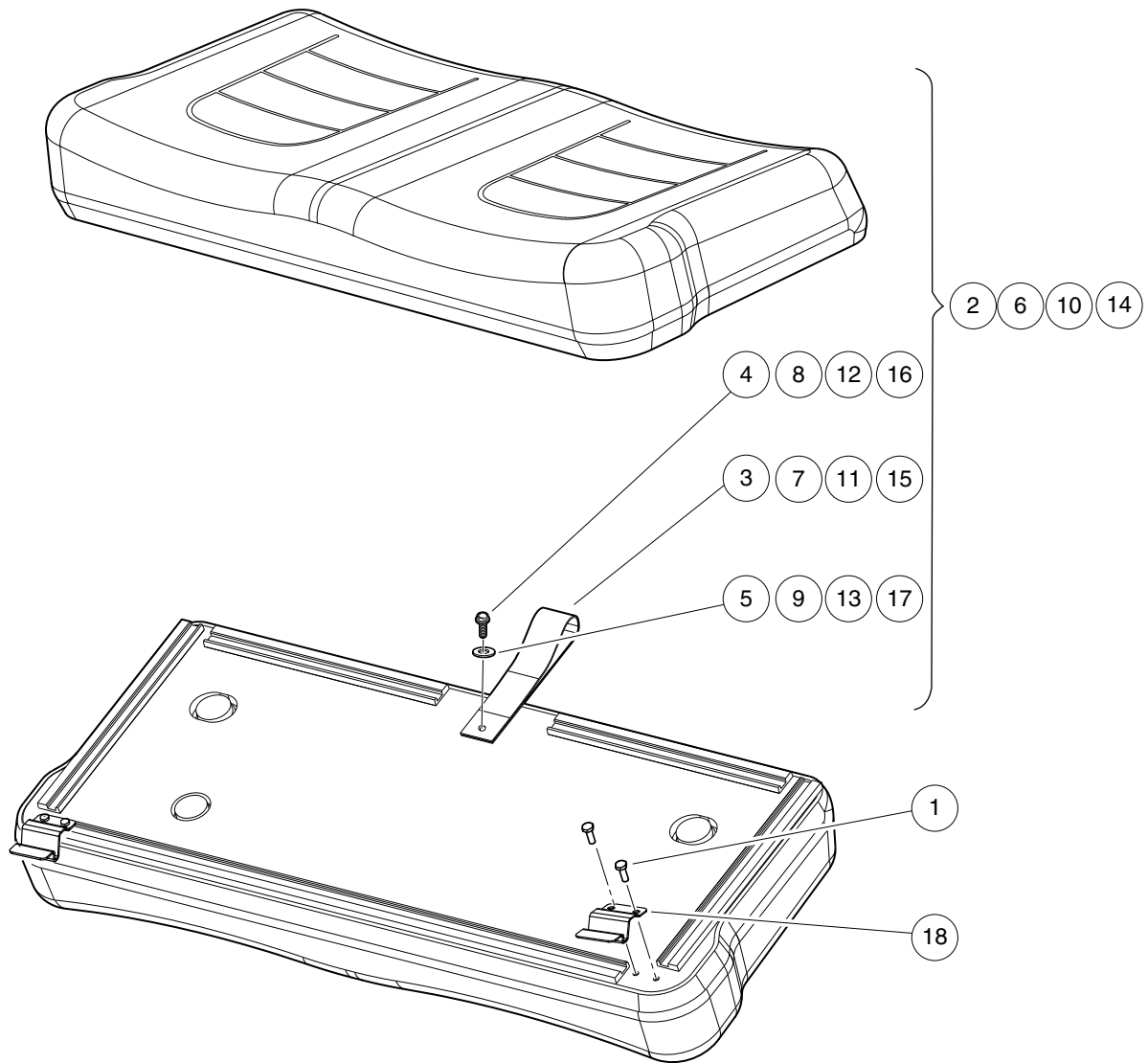
001107-001

FRONT FRAME, STANDARD

| ITEM | PART NO. | DESCRIPTION | QTY |
|------|------------------|--|-----|
| | | 1 2 3 4 | |
| 1 | <u>1011937</u> | Bolt, 5/16-18 X 1.25 Hex Head | 2 |
| 2 | <u>105007001</u> | Weldment, Front, Util, Std | 1 |
| 3 | <u>1241</u> | Washer, 5/16 Type A Flat | 6 |
| 4 | <u>7473</u> | Locknut, 5/16-18 Nylon Insert | 6 |
| 5 | <u>8935</u> | Screw, 5/16-18 X 2.25 Hex-Head Cap | 2 |
| 6 | <u>8963</u> | Screw, 5/16-18 X 1.75 Hex-Head Cap | 2 |

1
G
E

1
G
E



001300-021

SEAT BOTTOM

| ITEM | PART NO. | DESCRIPTION | QTY |
|------|------------------|--|-----|
| | | 1 2 3 4 | |
| 1 | <u>101954301</u> | Screw, 1/4-20 X 0.75 Hex-Head Cap | 4 |
| 2 | <u>105064521</u> | Asm, Seatbottom, White, Ca, Sp (includes items 3 through 5) | 1 |
| 3 | <u>1013309</u> | Strap, Utility Seat | 1 |
| 4 | <u>101954301</u> | Screw, 1/4-20 X 0.75 Hex-Head Cap | 1 |
| 5 | <u>332</u> | Washer, 1/4 Type A Narrow Flat | 1 |
| 6 | <u>105064522</u> | Asm, Seatbottom, Black, Ca, Sp (includes items 7 through 9) | 1 |
| 7 | <u>1013309</u> | Strap, Utility Seat | 1 |
| 8 | <u>101954301</u> | Screw, 1/4-20 X 0.75 Hex-Head Cap | 1 |
| 9 | <u>332</u> | Washer, 1/4 Type A Narrow Flat | 1 |
| 10 | <u>105064523</u> | Asm, Seatbottom, Gray, Ca, Sp (includes items 11 through 13) | 1 |
| 11 | <u>1013309</u> | Strap, Utility Seat | 1 |
| 12 | <u>101954301</u> | Screw, 1/4-20 X 0.75 Hex-Head Cap | 1 |
| 13 | <u>332</u> | Washer, 1/4 Type A Narrow Flat | 1 |
| 14 | <u>105064524</u> | Asm, Seatbottom, Beige,ca, Sp (includes items 15 through 17) | 1 |
| 15 | <u>1013309</u> | Strap, Utility Seat | 1 |
| 16 | <u>101954301</u> | Screw, 1/4-20 X 0.75 Hex-Head Cap | 1 |
| 17 | <u>332</u> | Washer, 1/4 Type A Narrow Flat | 1 |
| 18 | <u>105200401</u> | Bracket,Hinge, Seat,CA | 2 |

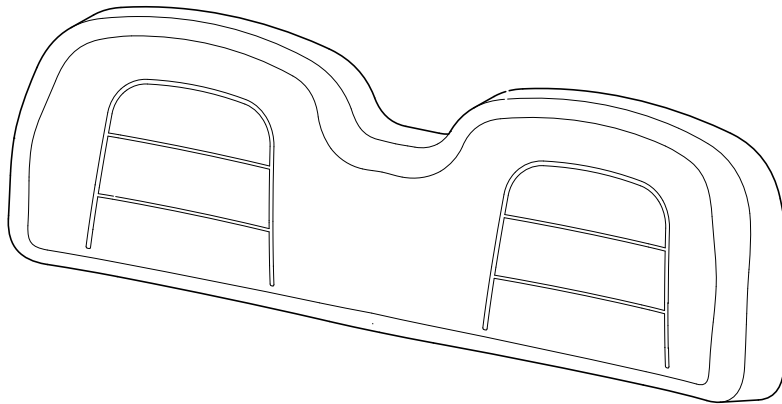
1
G
E

1

G

E

1 2 3 4



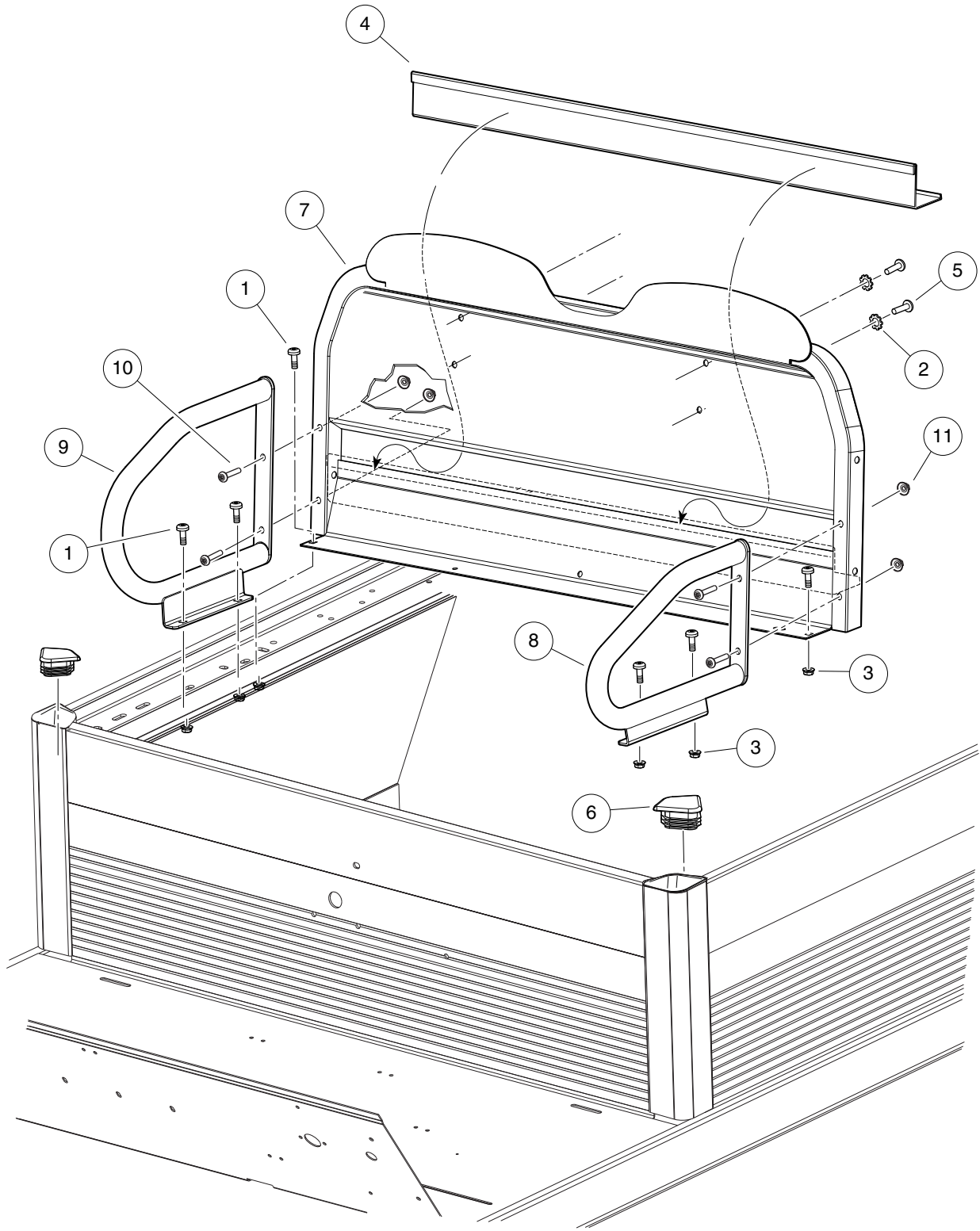
001300-022

SEAT BACK

| ITEM | PART NO. | DESCRIPTION | QTY |
|------|------------------|------------------------------------|-----|
| | | 1 2 3 4 | |
| 1 | <u>105064121</u> | Asm, Seatback, White, Ca, Sp | 1 |
| 2 | <u>105064122</u> | Asm, Seatback, Black, Ca, Sp | 1 |
| 3 | <u>105064123</u> | Asm, Seatback, Gray, Ca, Sp | 1 |
| 4 | <u>105064124</u> | Asm, Seatback, Beige, Ca, Sp | 1 |

1
G
E

1
G
E

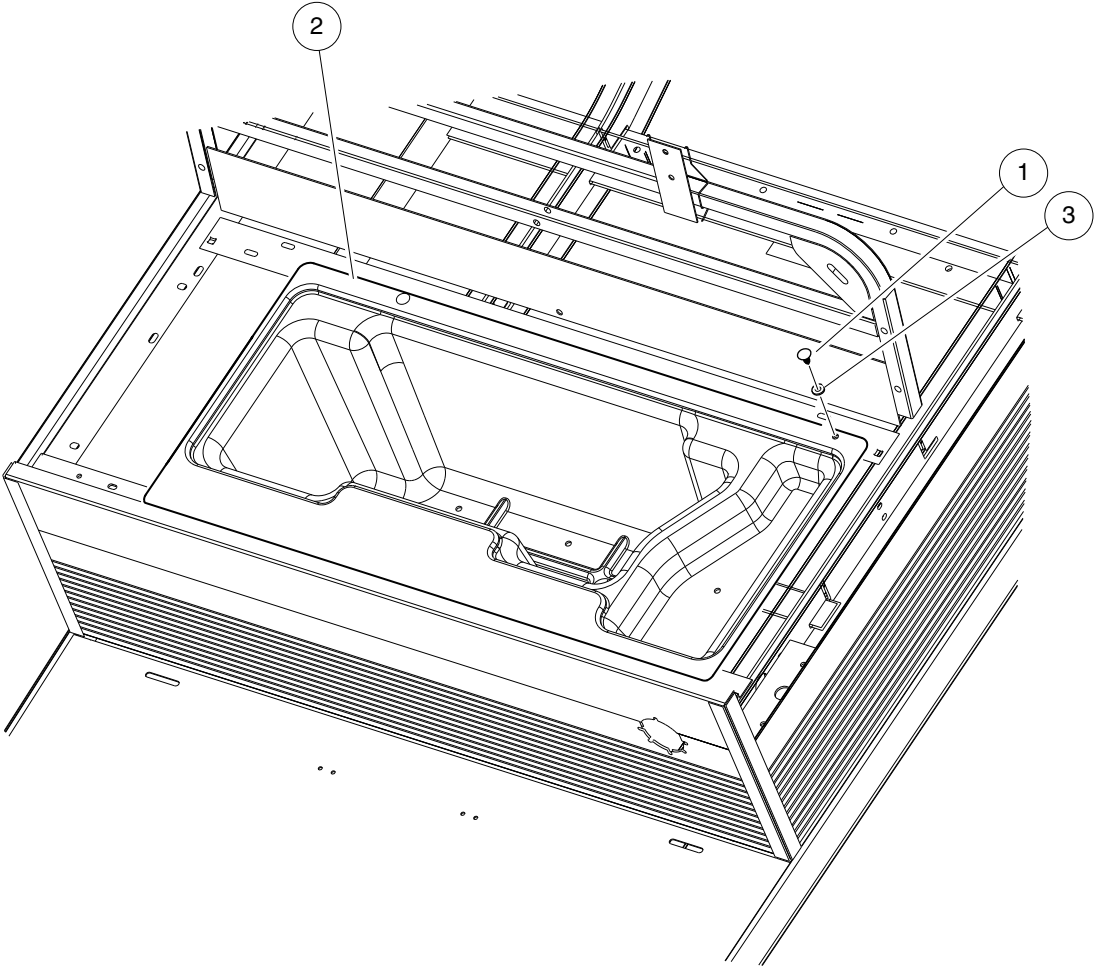


001161-003

SEAT FRAME AND HIP-RESTRAINT

| ITEM | PART NO. | DESCRIPTION | QTY |
|------|------------------|---|-----|
| | | 1 2 3 4 | |
| 1 | 1015399 | Screw, 5/16-18 X 0.88 Torx Truss-Head | 6 |
| 2 | <u>101946201</u> | Washer, Lock, 0.250 External-Tooth | 4 |
| 3 | <u>101963401</u> | Locknut, 5/16-18 Hex Flange | 6 |
| 4 | <u>102989501</u> | Seal, Bed, 41-Inch | 1 |
| 5 | <u>103487501</u> | Screw, 1/4-20 X 1.0, Black | 4 |
| 6 | <u>105006501</u> | Cap, Corner, Frame | 2 |
| 7 | <u>105062401</u> | Seatback, Weldment, Ca | 1 |
| 8 | <u>105063001</u> | Wldmnt, Hip Restraint, Sml, Lh | 1 |
| 9 | <u>105063002</u> | Wldmnt, Hip Restraint, Lrg, Rh | 1 |
| 10 | <u>105078401</u> | Scrw, 5/16-18 X 1.75, Tr Tx Hd | 4 |
| 11 | <u>105194301</u> | Nut, 5/16-18, Conical Washer | 4 |

1
G
E

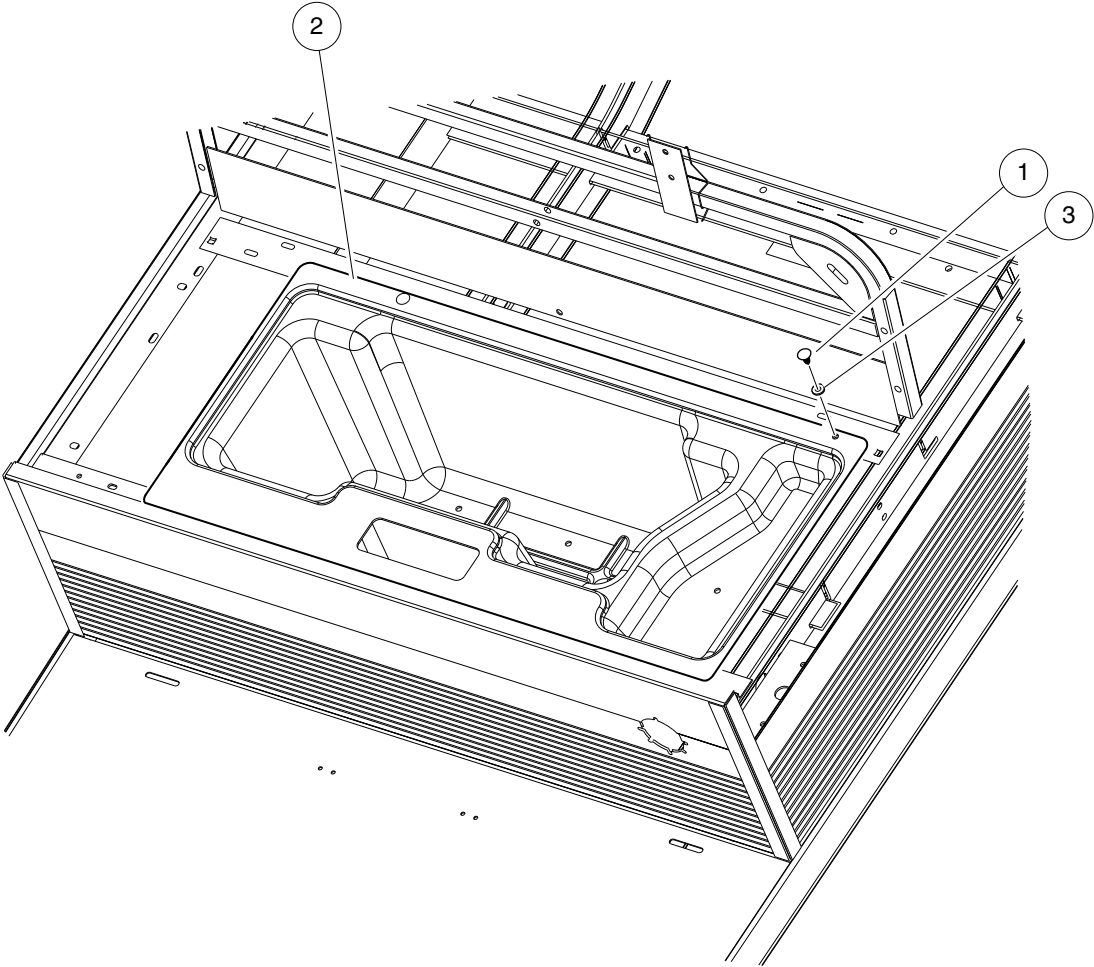


001171-001

UNDERSEAT STORAGE – ELECTRIC VEHICLES

| ITEM | PART NO. | DESCRIPTION | QTY |
|------|------------------|--------------------------------------|-----|
| | | 1 2 3 4 | |
| 1 | <u>1010434</u> | Barrel - Plastic | 2 |
| 2 | <u>103731003</u> | Container, Underseat, Ca, Ele | 1 |
| 3 | <u>332</u> | Washer, 1/4 Type A Narrow Flat | 2 |

1
G
E

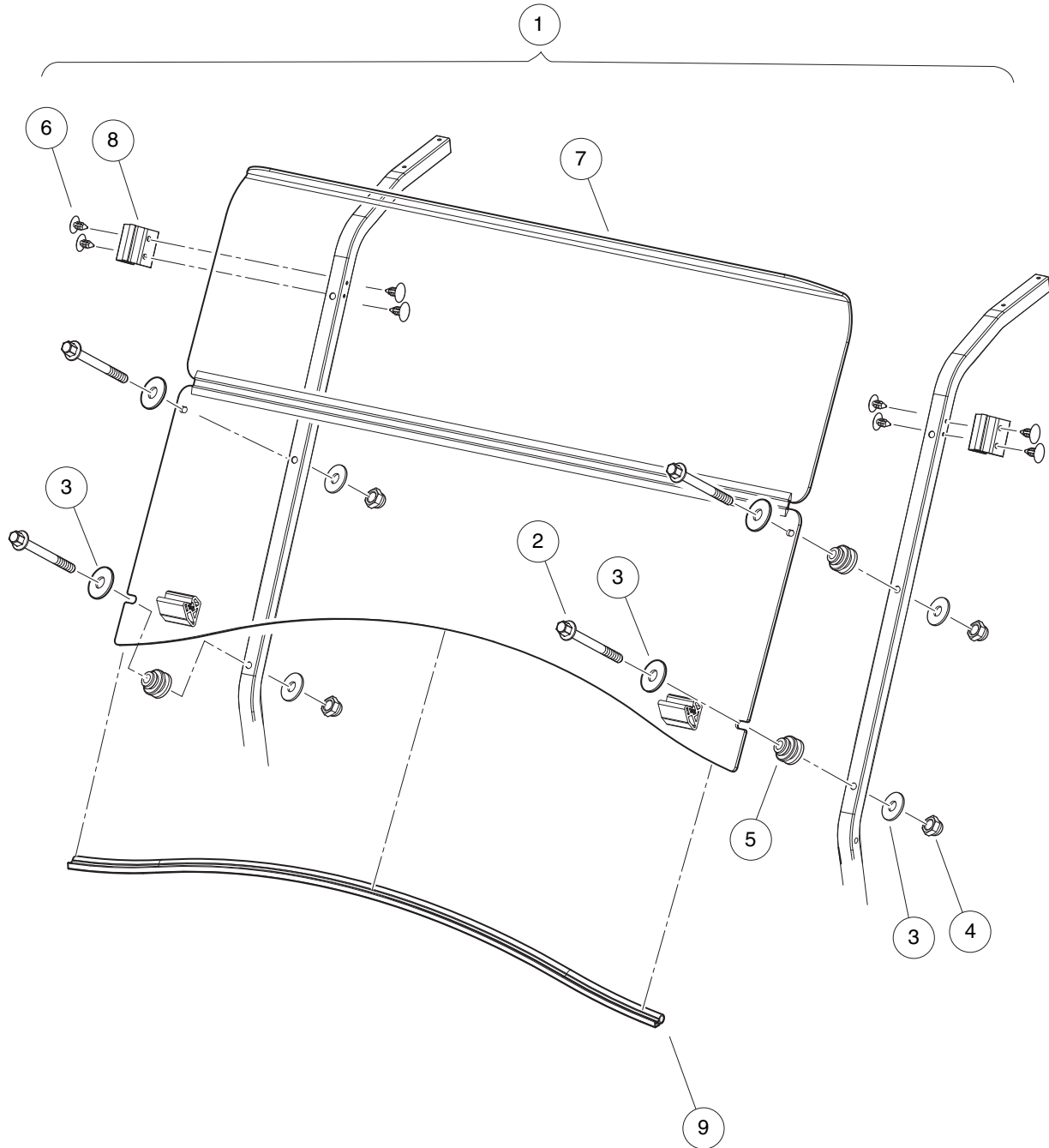


001172-001

UNDERSEAT STORAGE – GASOLINE VEHICLES

| ITEM | PART NO. | DESCRIPTION | QTY |
|------|------------------|--------------------------------------|-----|
| | | 1 2 3 4 | |
| 1 | <u>1010434</u> | Barrel - Plastic | 2 |
| 2 | <u>103731001</u> | Container, Underseat, CA,Gas | 1 |
| 3 | <u>332</u> | Washer, 1/4 Type A Narrow Flat | 2 |

1
G
E

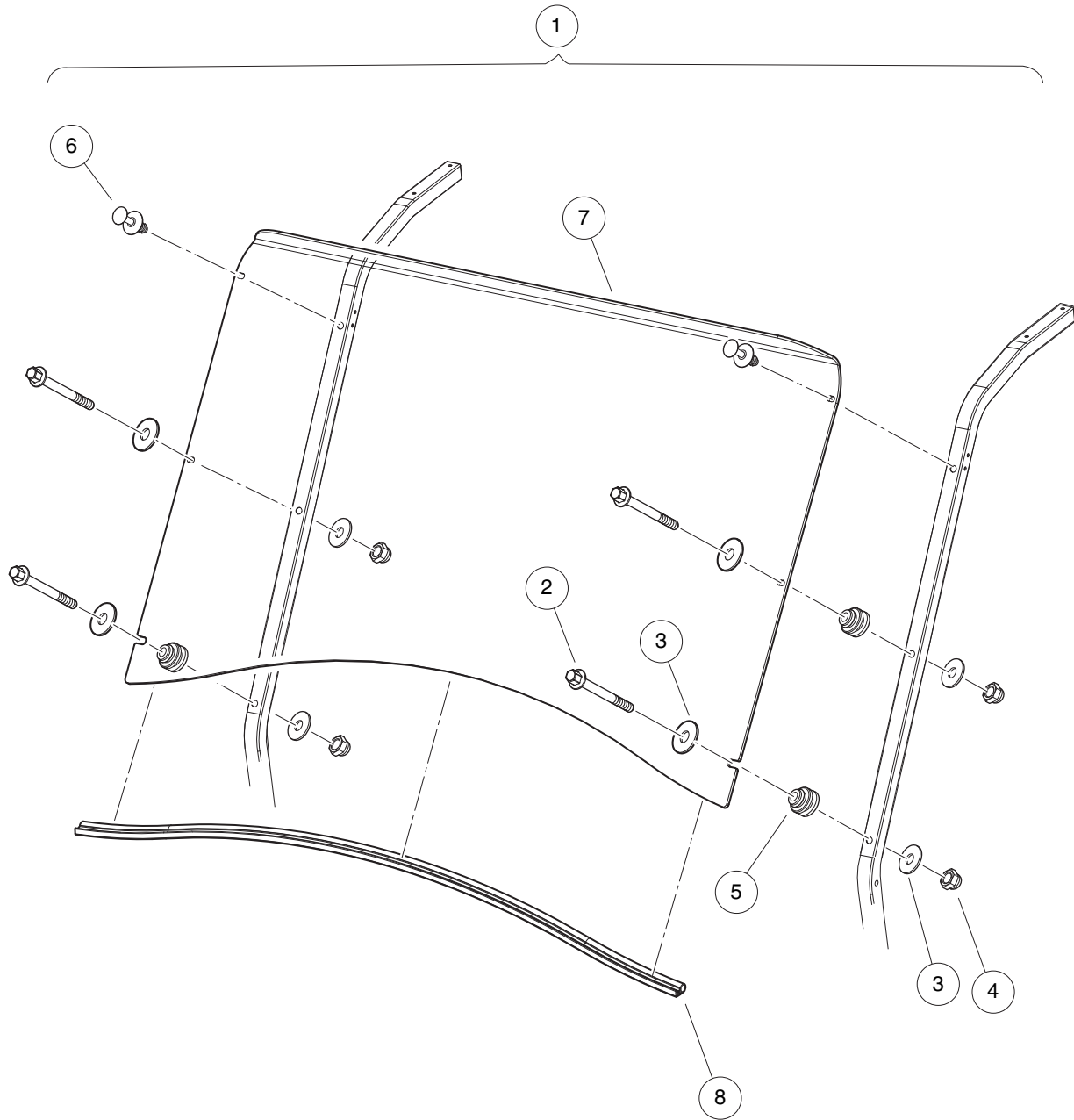


001114-001

WINDSHIELD, HINGED

| ITEM | PART NO. | DESCRIPTION | QTY |
|------|------------------|--|-----|
| | | 1 2 3 4 | |
| 1 | <u>105109101</u> | Kit, Windshield, Hinged, Hb (includes items 2 through 9) | 1 |
| 2 | <u>102296150</u> | Bolt - M6x1.0x50 Hex Flng Hd | 4 |
| 3 | <u>102296301</u> | Washer, M6x18x1.6 Flat | 4 |
| 4 | <u>102582401</u> | Cap Nut M6, Sp | 4 |
| 5 | <u>102947601</u> | Grommet, Windshield | 4 |
| 6 | <u>103754901</u> | Fastener, Barrel - .610 X .25 | 8 |
| 7 | <u>105060901</u> | Windshield, Hinged, Utility Hb | 1 |
| 8 | <u>105069901</u> | Clip, Retainer, W/s 1.25" | 2 |
| 9 | <u>105196001</u> | seal,windshield | 1 |

1
G
E



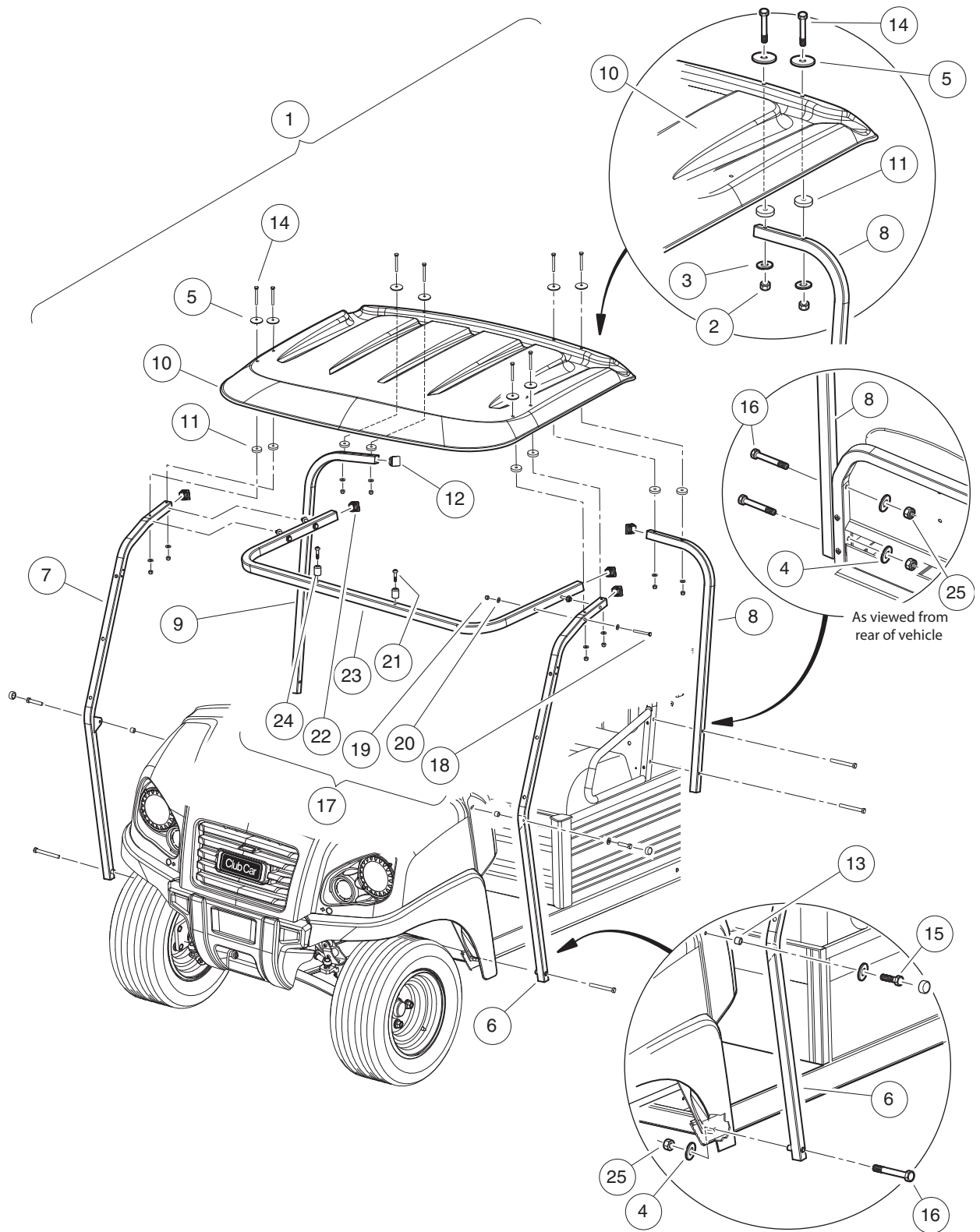
001115-001

WINDSHIELD, NON-HINGED

| ITEM | PART NO. | DESCRIPTION | QTY |
|------|------------------|--|-----|
| | | 1 2 3 4 | |
| 1 | <u>105109201</u> | Kit, Windshield, Single, Hb (includes items 2 through 8) | 1 |
| 2 | <u>102296150</u> | Bolt - M6x1.0x50 Hex Flng Hd | 4 |
| 3 | <u>102296301</u> | Washer, M6x18x1.6 Flat | 8 |
| 4 | <u>102582401</u> | Cap Nut M6, Sp | 4 |
| 5 | <u>102947601</u> | Grommet, Windshield | 4 |
| 6 | <u>105093501</u> | Blind Rivet, Push, 3-10 Panel | 2 |
| 7 | <u>105102301</u> | Windshield, Single, Hb | 1 |
| 8 | <u>105196001</u> | seal,windshield | 1 |

1
G
E

1
G
E



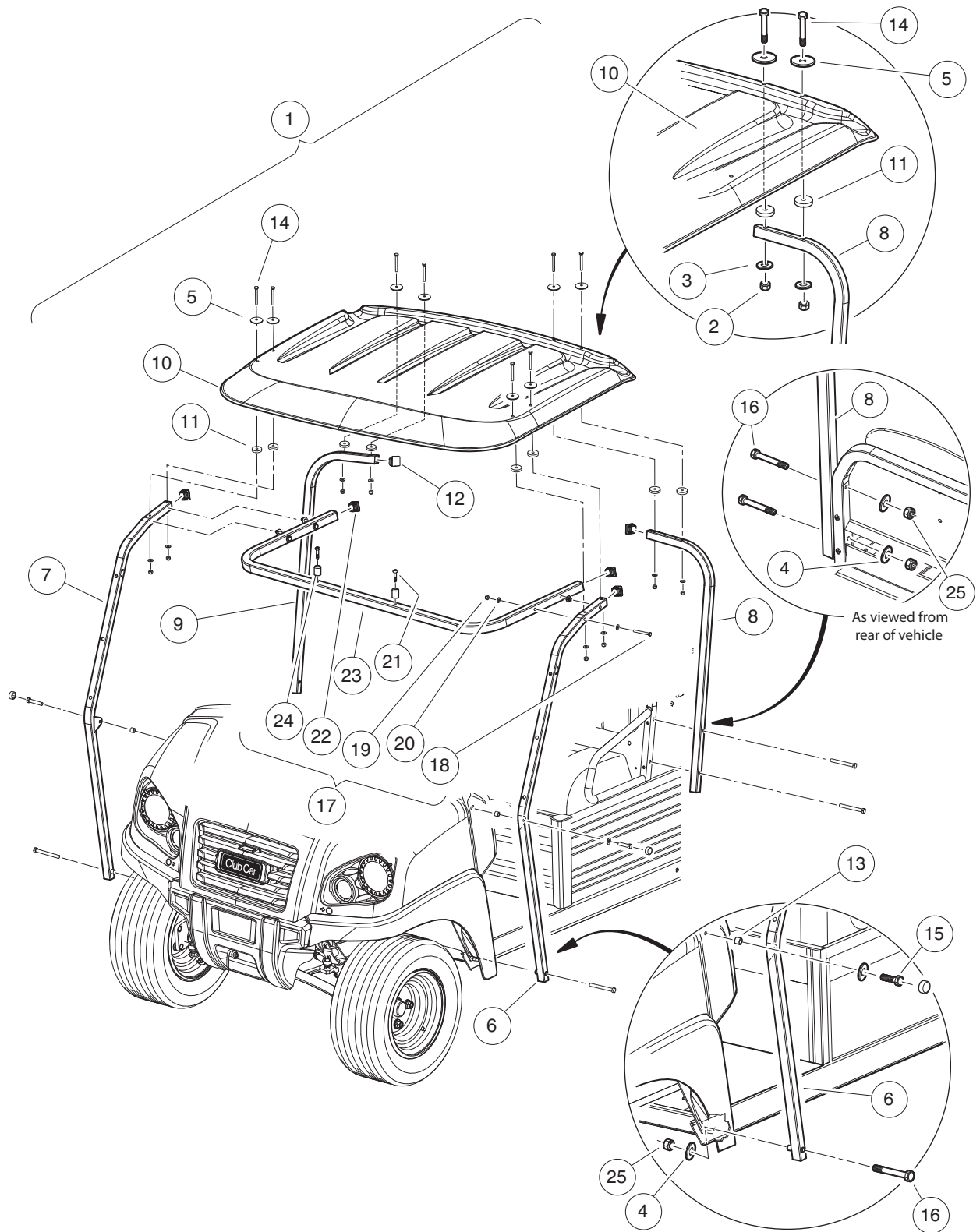
001300-014

CANOPY KIT, WHITE

| ITEM | PART NO. | DESCRIPTION | QTY |
|------|------------------|---|-----|
| | | 1 2 3 4 | |
| 1 | <u>105063301</u> | Kit, Canopy, Hb, White (includes items 2 through 25) | 1 |
| 2 | <u>102242401</u> | Nut - Nylon Insert W/cap | 8 |
| 3 | <u>102296301</u> | Washer, M6x18x1.6 Flat | 8 |
| 4 | <u>102323501</u> | Washer, Flat, 3/8, Blk Fin | 6 |
| 5 | <u>103196001</u> | Washer, Conical Spring, Canopy | 8 |
| 6 | <u>105063201</u> | Weldment, Strut, Ds, Hb | 1 |
| 7 | <u>105063202</u> | Weldment, Strut, Ps, Hb | 1 |
| 8 | <u>105063401</u> | Rear, Strut, Bent, Ds | 1 |
| 9 | <u>105063402</u> | Rear, Strut, Bent, Ps | 1 |
| 10 | <u>105072001</u> | Canopy, Short, Restyle, White | 1 |
| 11 | <u>105086101</u> | Spacer, Rubber,7.1i D-6.35 Thk | 8 |
| 12 | <u>105092601</u> | Plug, Square -31.75mm | 4 |
| 13 | <u>105094001</u> | Spacer, Canopy Support, Dash | 2 |
| 14 | <u>105197301</u> | 1/4-20 x 2.25,BHCS,6-LOBE | 8 |
| 15 | <u>105197401</u> | BOLT,FLG,3/8-16 X 1.00 LOC | 2 |
| 16 | <u>105197402</u> | BOLT,FLG,3/8-16 X 3.00 | 6 |
| 17 | <u>105251901</u> | Kit, Canopy Support, Front (includes items 18 through 24) | 1 |
| 18 | <u>1012159</u> | Bolt, 1/4-20 X 2.75 Hex-Head | 4 |
| 19 | <u>102242401</u> | Nut - Nylon Insert W/cap | 4 |
| 20 | <u>102296301</u> | Washer, M6x18x1.6 Flat | 8 |
| 21 | <u>102557201</u> | Screw, #6-20 Type Abx1.00 Pan | 2 |
| 22 | <u>102581201</u> | Plug, Square - 25.4 mm | 2 |
| 23 | <u>105249901</u> | Tube, Front Support, Canopy, Utility | 1 |
| 24 | <u>105250501</u> | Bumper, Rubber, 3/4-in. Round | 2 |
| 25 | <u>8754</u> | Locknut, 3/8-16 Hex | 6 |

1
G
E

1
G
E



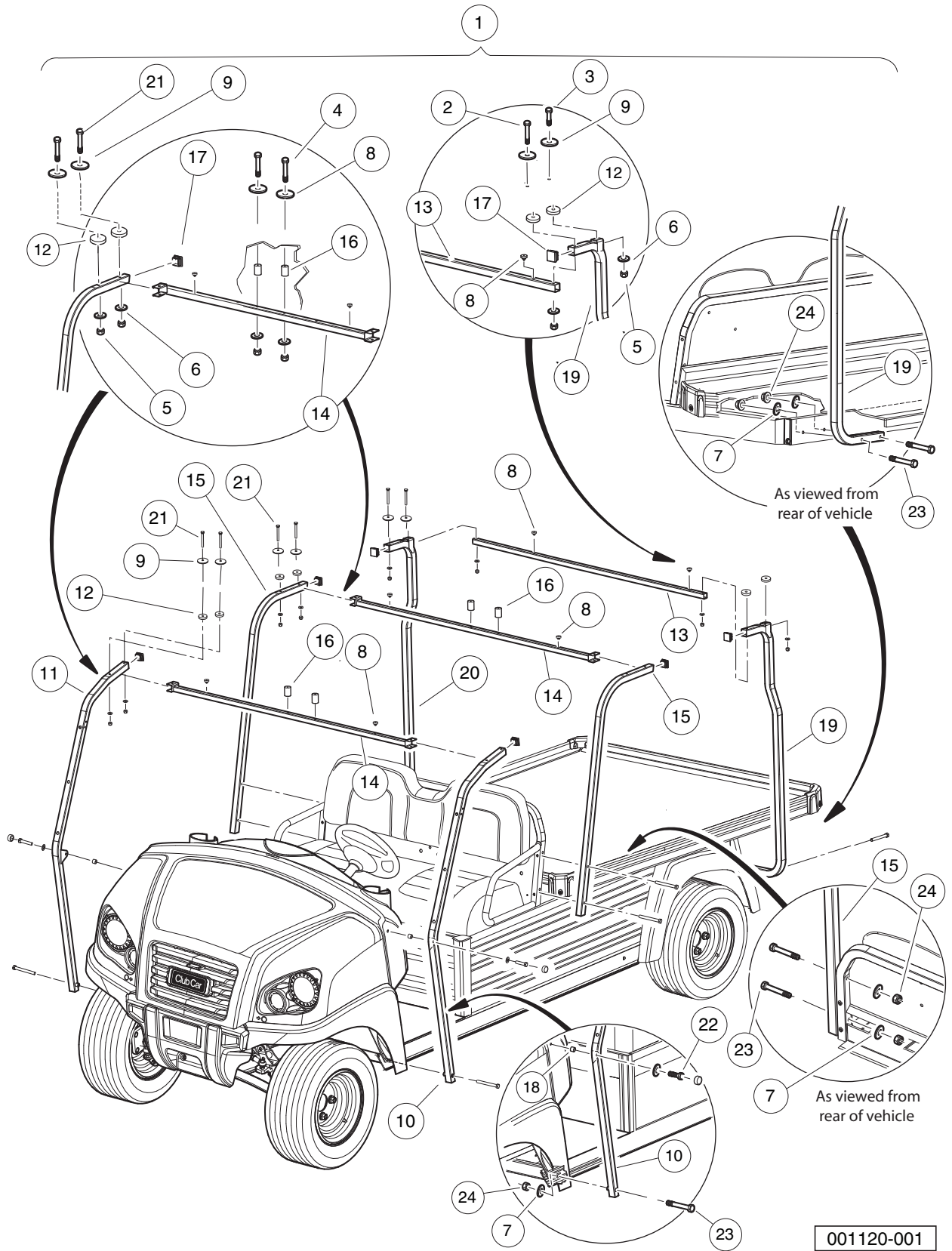
001300-014

CANOPY KIT, BIEGE

| ITEM | PART NO. | DESCRIPTION | QTY |
|------|------------------|---|-----|
| | | 1 2 3 4 | |
| 1 | <u>105063302</u> | Kit, Canopy, Hb, Beige (includes items 2 through 25) | 1 |
| 2 | <u>102242401</u> | Nut - Nylon Insert W/cap | 8 |
| 3 | <u>102296301</u> | Washer, M6x18x1.6 Flat | 8 |
| 4 | <u>102323501</u> | Washer, Flat, 3/8, Blk Fin | 6 |
| 5 | <u>103196001</u> | Washer, Conical Spring, Canopy | 8 |
| 6 | <u>105063201</u> | Weldment, Strut, Ds, Hb | 1 |
| 7 | <u>105063202</u> | Weldment, Strut, Ps, Hb | 1 |
| 8 | <u>105063401</u> | Rear, Strut, Bent, Ds | 1 |
| 9 | <u>105063402</u> | Rear, Strut, Bent, Ps | 1 |
| 10 | <u>105072002</u> | Canopy, Short, Restyle, Beige | 1 |
| 11 | <u>105086101</u> | Spacer, Rubber,7.1i D-6.35 Thk | 8 |
| 12 | <u>105092601</u> | Plug, Square -31.75mm | 8 |
| 13 | <u>105094001</u> | Spacer, Canopy Support, Dash | 4 |
| 14 | <u>105197301</u> | 1/4-20 x 2.25,BHCS,6-LOBE | 8 |
| 15 | <u>105197401</u> | BOLT,FLG,3/8-16 X 1.00 LOC | 2 |
| 16 | <u>105197402</u> | BOLT,FLG,3/8-16 X 3.00 | 6 |
| 17 | <u>105251901</u> | Kit, Canopy Support, Front (includes items 18 through 24) | 1 |
| 18 | <u>1012159</u> | Bolt, 1/4-20 X 2.75 Hex-Head | 4 |
| 19 | <u>102242401</u> | Nut - Nylon Insert W/cap | 4 |
| 20 | <u>102296301</u> | Washer, M6x18x1.6 Flat | 8 |
| 21 | <u>102557201</u> | Screw, #6-20 Type Abx1.00 Pan | 2 |
| 22 | <u>102581201</u> | Plug, Square - 25.4 mm | 2 |
| 23 | <u>105249901</u> | Tube, Front Support, Canopy, Utility | 1 |
| 24 | <u>105250501</u> | Bumper, Rubber, 3/4-in. Round | 2 |
| 25 | <u>8754</u> | Locknut, 3/8-16 Hex | 6 |

1
G
E

1
G
E



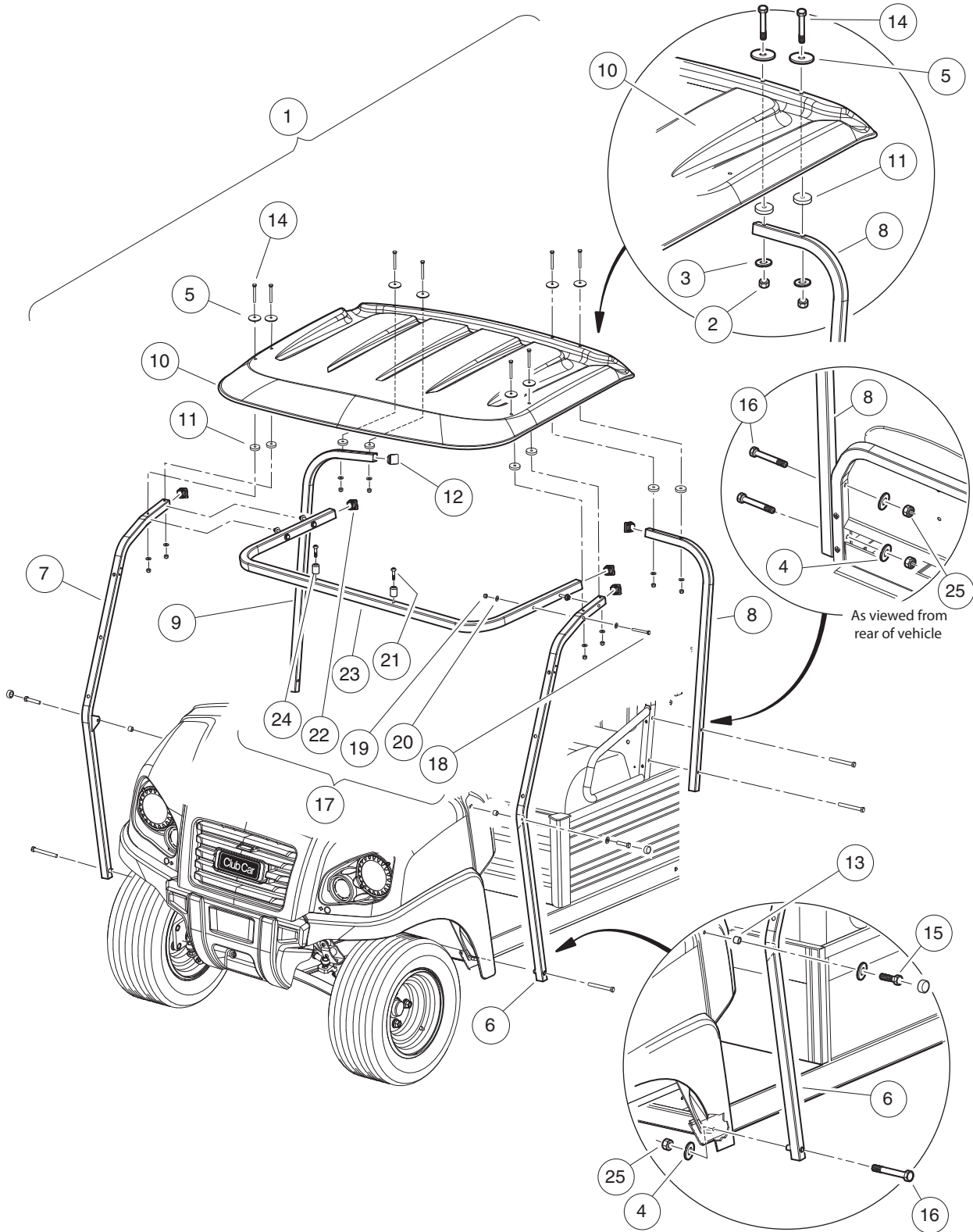
001120-001

CANOPY SUPPORT KIT – LONG

| ITEM | PART NO. | DESCRIPTION | QTY |
|------|------------------|--|-----|
| | | 1 2 3 4 | |
| 1 | <u>105100301</u> | Kit, Canopy Support, Tp6 (includes items 2 through 24) | 1 |
| 2 | <u>1012462</u> | Bolt, 1/4-20 X 3.50 Hex Head | 2 |
| 3 | <u>101861901</u> | Screw, 1/4-20 X 1.125 Hex Cap | 2 |
| 4 | <u>102063601</u> | Screw, 1/4-20 X 3.25 Hex Cap | 4 |
| 5 | <u>102242401</u> | Nut - Nylon Insert W/cap | 16 |
| 6 | <u>102296301</u> | Washer, M6x18x1.6 Flat | 16 |
| 7 | <u>102323501</u> | Washer, Flat, 3/8, Blk Fin | 14 |
| 8 | <u>102590801</u> | Bumper, Rubber | 6 |
| 9 | <u>103196001</u> | Washer, Conical Spring, Canopy | 16 |
| 10 | <u>105063201</u> | Weldment, Strut, Ds, Hb | 1 |
| 11 | <u>105063202</u> | Weldment, Strut, Ps, Hb | 1 |
| 12 | <u>105086101</u> | Spacer, Rubber,7.1i D-6.35 Thk | 14 |
| 13 | <u>105087101</u> | Tube, Crs Support, Lg Canopy | 1 |
| 14 | <u>105087201</u> | Weldmnt, Crs Supprt, Lg Canopy | 2 |
| 15 | <u>105087301</u> | Strut, Rear, Long Canopy, Res | 2 |
| 16 | <u>105089201</u> | Spacer, Ruber-30 Odx42 Ht-1/4 | 4 |
| 17 | <u>105092601</u> | Plug, Square -31.75mm | 6 |
| 18 | <u>105094001</u> | Spacer, Canopy Support, Dash | 2 |
| 19 | <u>105099901</u> | Weldment, Strut Sup Lg, Fds Ds | 1 |
| 20 | <u>105099902</u> | Weldment, Strut Sup Lg, Fds Ps | 1 |
| 21 | <u>105197301</u> | 1/4-20 x 2.25,BHCS,6-LOBE | 10 |
| 22 | <u>105197401</u> | BOLT,FLG,3/8-16 X 1.00 LOC | 2 |
| 23 | <u>105197402</u> | BOLT,FLG,3/8-16 X 3.00 | 10 |
| 24 | <u>8754</u> | Locknut, 3/8-16 Hex | 10 |

1
G
E

1
G
E



001300-014

CANOPY KIT, BLACK

| ITEM | PART NO. | DESCRIPTION | QTY |
|------|------------------|---|-----|
| | | 1 2 3 4 | |
| 1 | <u>105063303</u> | Kit, Canopy, Hb, Black (includes items 2 through 25) | 1 |
| 2 | <u>102242401</u> | Nut - Nylon Insert W/cap | 8 |
| 3 | <u>102296301</u> | Washer, M6x18x1.6 Flat | 8 |
| 4 | <u>102323501</u> | Washer, Flat, 3/8, Blk Fin | 6 |
| 5 | <u>103196001</u> | Washer, Conical Spring, Canopy | 8 |
| 6 | <u>105063201</u> | Weldment, Strut, Ds, Hb | 1 |
| 7 | <u>105063202</u> | Weldment, Strut, Ps, Hb | 1 |
| 8 | <u>105063401</u> | Rear, Strut, Bent, Ds | 1 |
| 9 | <u>105063402</u> | Rear, Strut, Bent, Ps | 1 |
| 10 | <u>105072003</u> | Canopy, Short, Restyle, Blk | 1 |
| 11 | <u>105086101</u> | Spacer, Rubber, 7.1i D-6.35 Thk | 8 |
| 12 | <u>105092601</u> | Plug, Square -31.75mm | 4 |
| 13 | <u>105094001</u> | Spacer, Canopy Support, Dash | 2 |
| 14 | <u>105197301</u> | 1/4-20 x 2.25, BHCS, 6-LOBE | 8 |
| 15 | <u>105197401</u> | BOLT, FLG, 3/8-16 X 1.00 LOC | 2 |
| 16 | <u>105197402</u> | BOLT, FLG, 3/8-16 X 3.00 | 6 |
| 17 | <u>105251901</u> | Kit, Canopy Support, Front (includes items 18 through 24) | 1 |
| 18 | <u>1012159</u> | Bolt, 1/4-20 X 2.75 Hex-Head | 4 |
| 19 | <u>102242401</u> | Nut - Nylon Insert W/cap | 4 |
| 20 | <u>102296301</u> | Washer, M6x18x1.6 Flat | 8 |
| 21 | <u>102557201</u> | Screw, #6-20 Type Abx1.00 Pan | 2 |
| 22 | <u>102581201</u> | Plug, Square - 25.4 mm | 2 |
| 23 | <u>105249901</u> | Tube, Front Support, Canopy, Utility | 1 |
| 24 | <u>105250501</u> | Bumper, Rubber, 3/4-in. Round | 2 |
| 25 | <u>8754</u> | Locknut, 3/8-16 Hex | 6 |

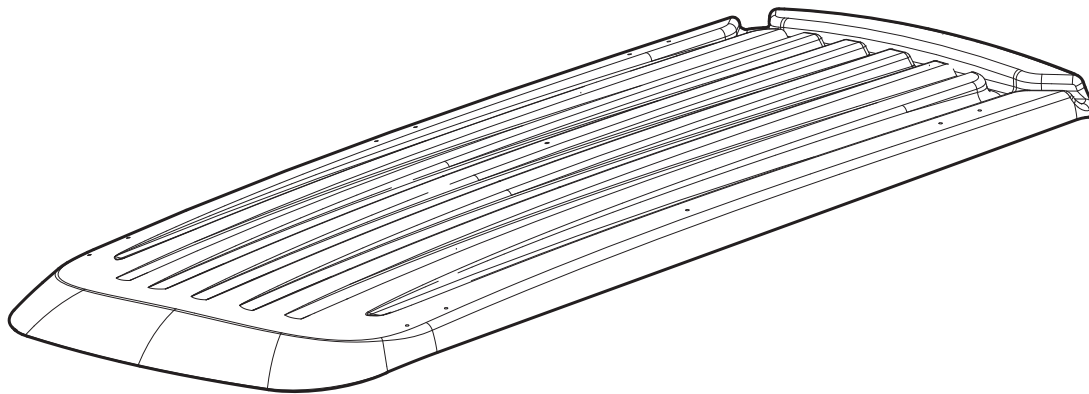
1
G
E

1

G

E

1 2 3



001121-001

CANOPY – LONG

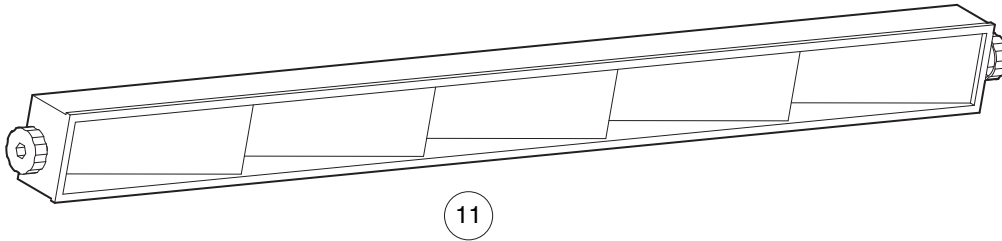
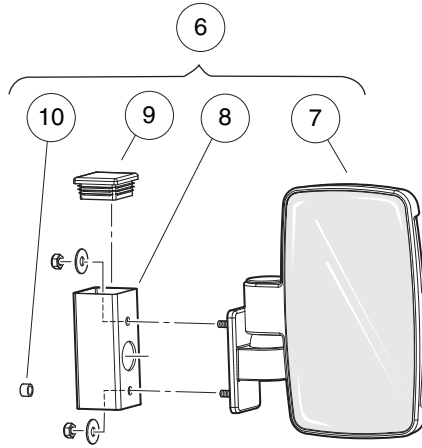
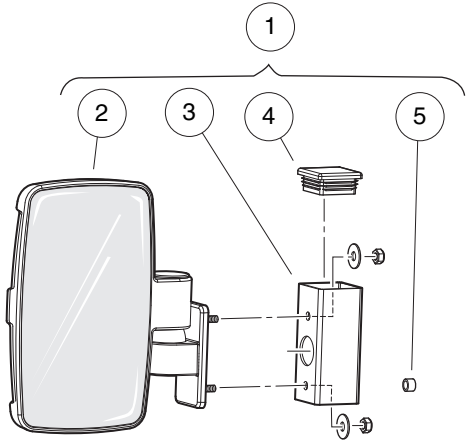
| ITEM | PART NO. | DESCRIPTION | QTY |
|------|------------------|------------------------------------|-----|
| | | 1 2 3 4 | |
| 1 | <u>105077601</u> | Canopy, Long, Restyle, White | 1 |
| 2 | <u>105077602</u> | Canopy, Long, Restyle, Beige | 1 |
| 3 | <u>105077603</u> | Canopy, Long, Restyle, Black | 1 |

1

G

E

1
G
E



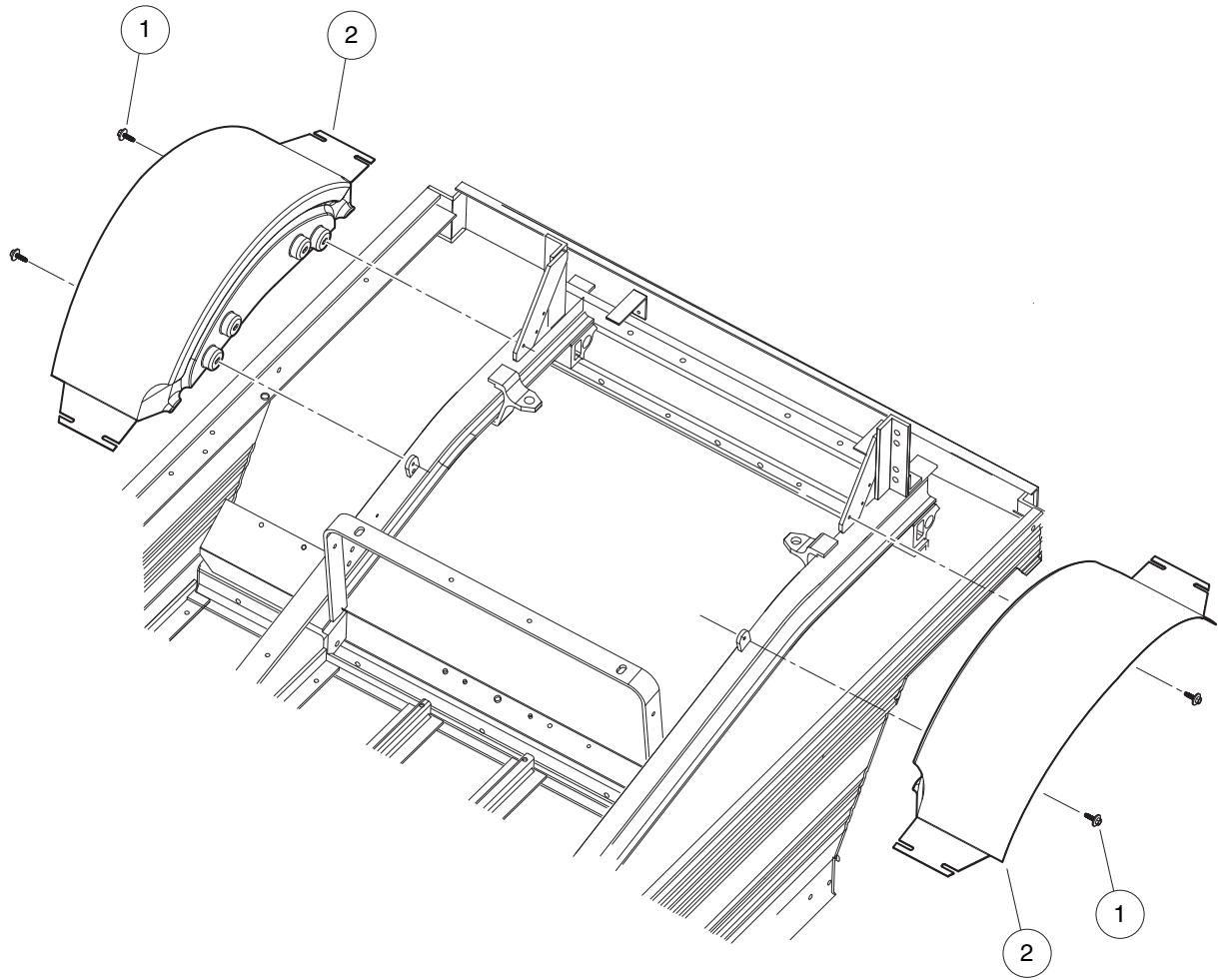
001300-019

MIRRORS

| ITEM | PART NO. | DESCRIPTION | QTY |
|------|------------------|--|-----|
| | | 1 2 3 4 | |
| 1 | <u>105124201</u> | Kit, Mirror, Hb, Res, Ds (includes items 2 through 5) | 1 |
| 2 | <u>105128801</u> | Asm, Mirror, Utl Res, Ds | 1 |
| 3 | 105128901 | Tube, Mirror, Support | 1 |
| 4 | 105129001 | Plug, Square 38.1 Mm | 1 |
| 5 | 105170101 | Spacer, M6, Plastic | 1 |
| 6 | <u>105124202</u> | Kit, Mirror, Hb, Res, Ps (includes items 7 through 10) | 1 |
| 7 | <u>105128802</u> | Asm, Mirror, Utl Res, Ps | 1 |
| 8 | 105128901 | Tube, Mirror, Support | 1 |
| 9 | 105129001 | Plug, Square 38.1 Mm | 1 |
| 10 | 105170101 | Spacer, M6, Plastic | 1 |
| 11 | <u>105288801</u> | Kit, Mirror, 5 Panel, Canopy | 1 |

1
G
E

1
G
E

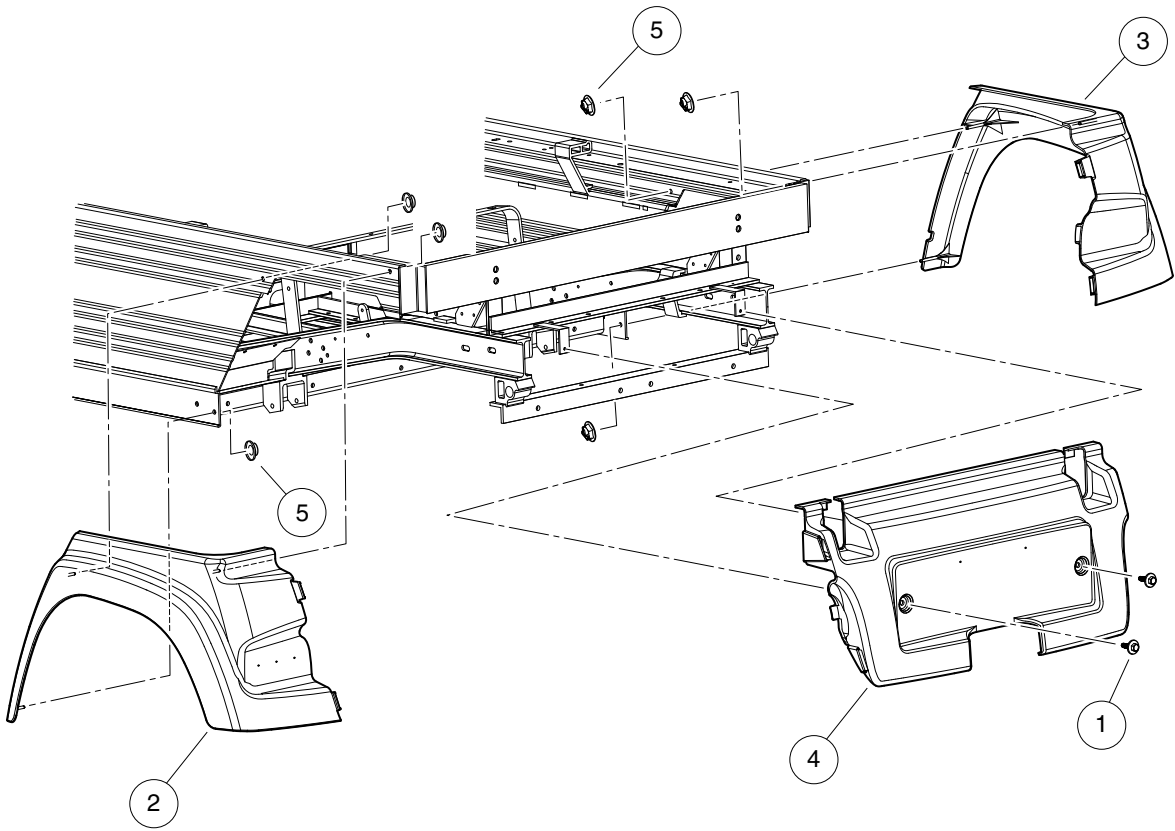


001123-001

INNER REAR FENDERS

| ITEM | PART NO. | DESCRIPTION | QTY |
|------|------------------|---|-----|
| 1 | <u>102297125</u> | 1 2 3 4 Screw, M6-1.0x25.4, Thread-Forming, SEMS | 4 |
| 2 | <u>105035801</u> | Fender, Inner, Ca | 2 |

1
G
E



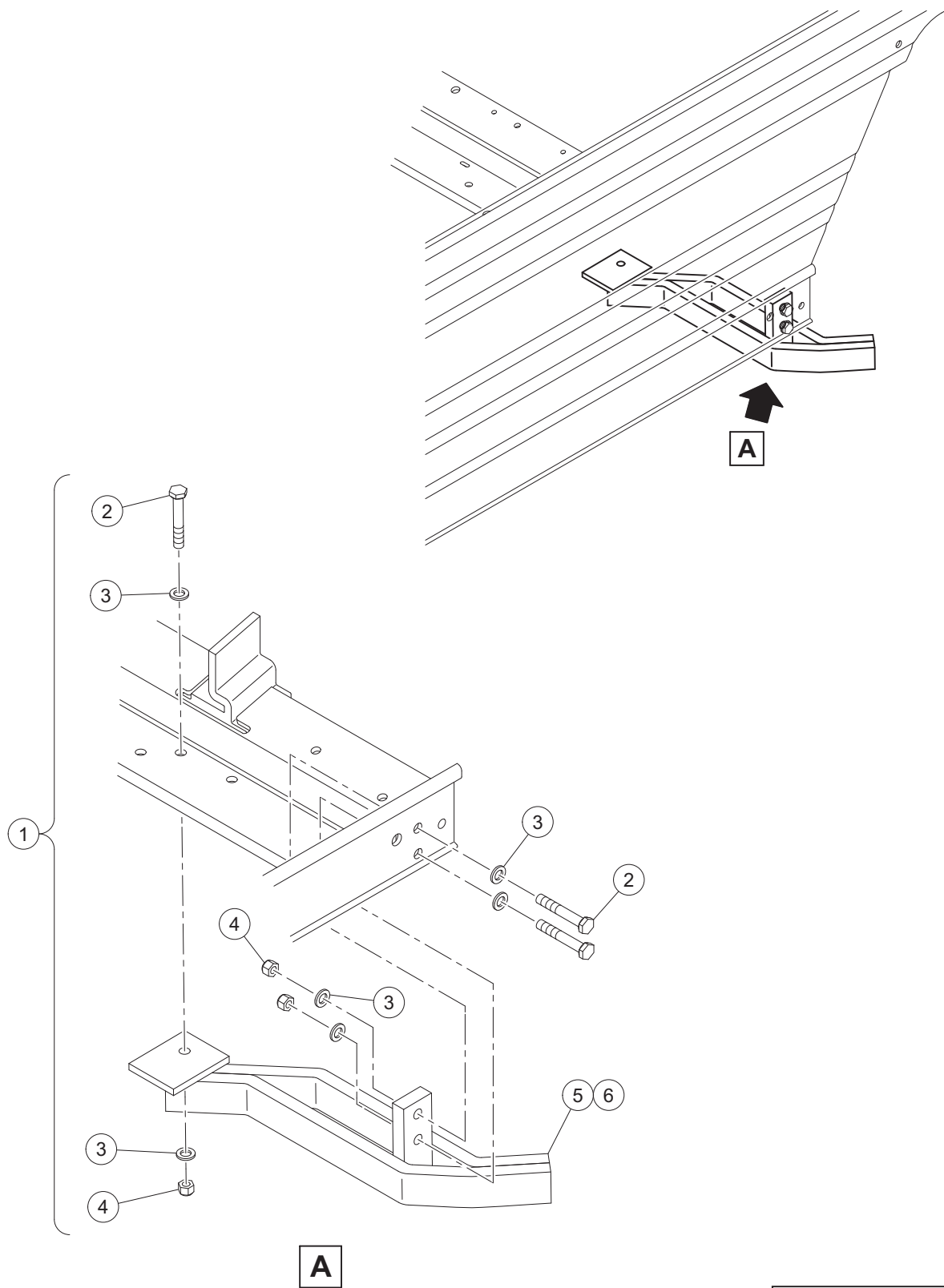
001124-001

REAR FENDERS AND TAIL SKIRT

| ITEM | PART NO. | DESCRIPTION | QTY |
|------|------------------|--|-----|
| | | 1 2 3 4 | |
| 1 | <u>102297125</u> | Screw, M6-1.0x25.4, Thread-Forming, SEMS | 2 |
| 2 | <u>105035101</u> | Fender, Rear, Lh, Ca | 1 |
| 3 | <u>105035201</u> | Fender, Rear, Rh, Ca | 1 |
| 4 | <u>105035301</u> | Tailskirt, Ca | 1 |
| 5 | <u>105066401</u> | Nut, Self Thread, 5x10x15 | 6 |

1
G
E

1
G
E



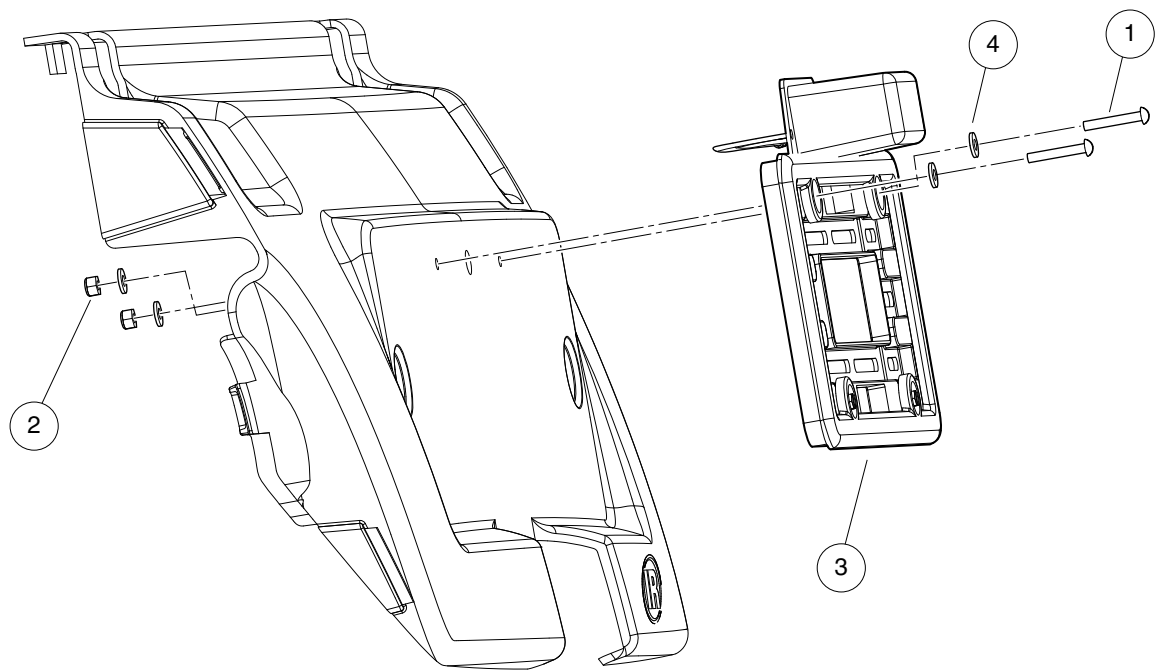
G-140199-000016

REAR BUMPER GUARDS

| ITEM | PART NO. | DESCRIPTION | QTY |
|------|-------------|--|-----|
| | | 1 2 3 4 | |
| 1 | 47653325002 | Kit, Bumper Guard, Rear, Ca (includes items 2 through 6) | 1 |
| 2 | 1218 | Screw, 5/16-18 X 1.25 Hex-Head Cap | 6 |
| 3 | <u>1241</u> | Washer, 5/16 Type A Flat | 12 |
| 4 | <u>7473</u> | Locknut, 5/16-18 Nylon Insert | 6 |
| 5 | SVP707604 | Wldmnt, Bumper Guard, Driver | 1 |
| 6 | SVP707605 | Wldmnt, Bumper Guard, Pass | 1 |

1
G
E

1
G
E



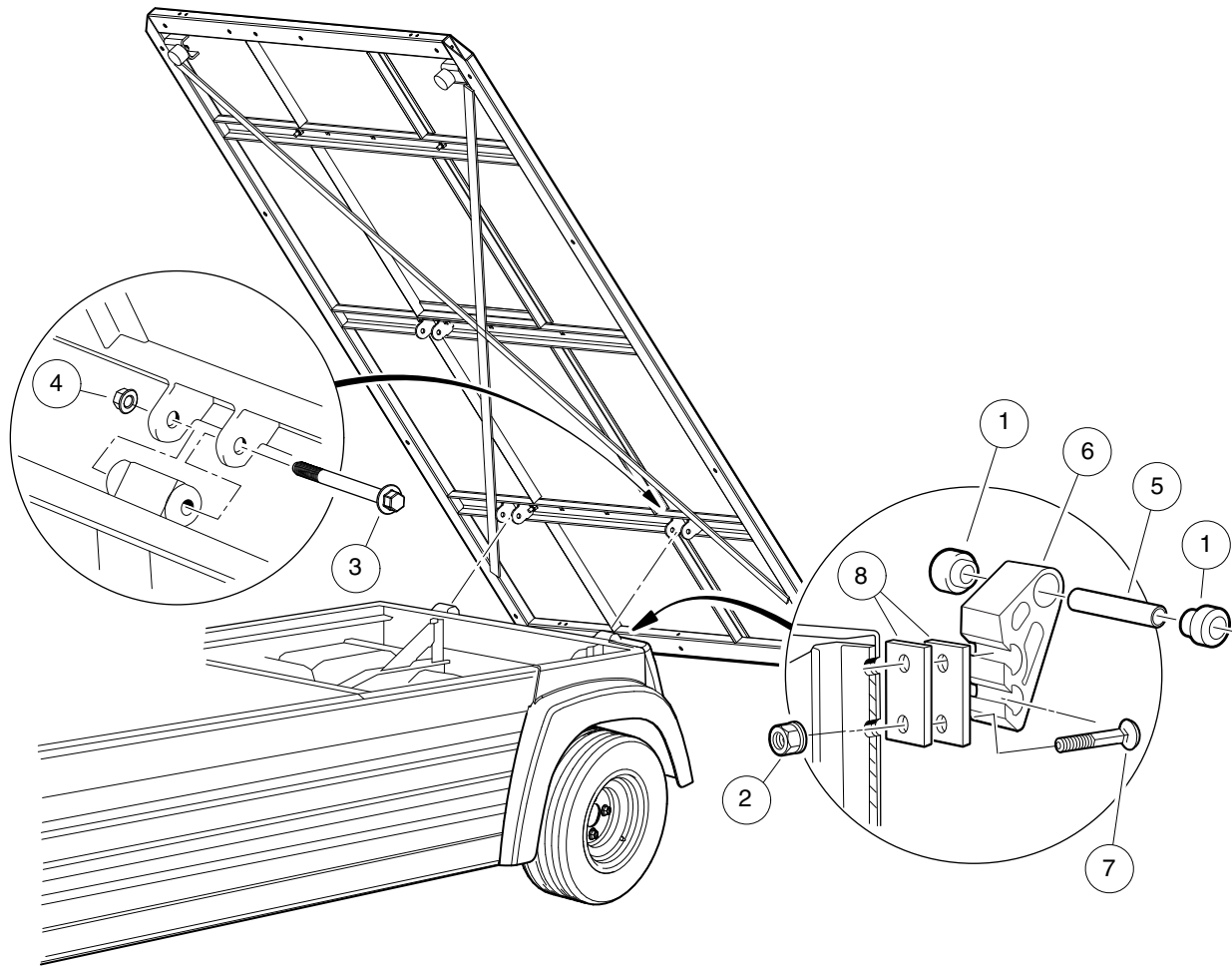
001170-001

REAR LICENSE PLATE HOLDER

| ITEM | PART NO. | DESCRIPTION | QTY |
|------|----------------|--------------------------------------|-----|
| | | 1 2 3 4 | |
| 1 | <u>1010909</u> | Screw, #10-32 X 1.25 Rd Hd Mch | 2 |
| 2 | <u>1013061</u> | Locknut, #10-32 Nylon Insert | 2 |
| 3 | N/A | License Plate,ASM, Rear | 1 |
| 4 | <u>183</u> | Washer, #10, Type A, Flat | 4 |

1
G
E

1
G
E



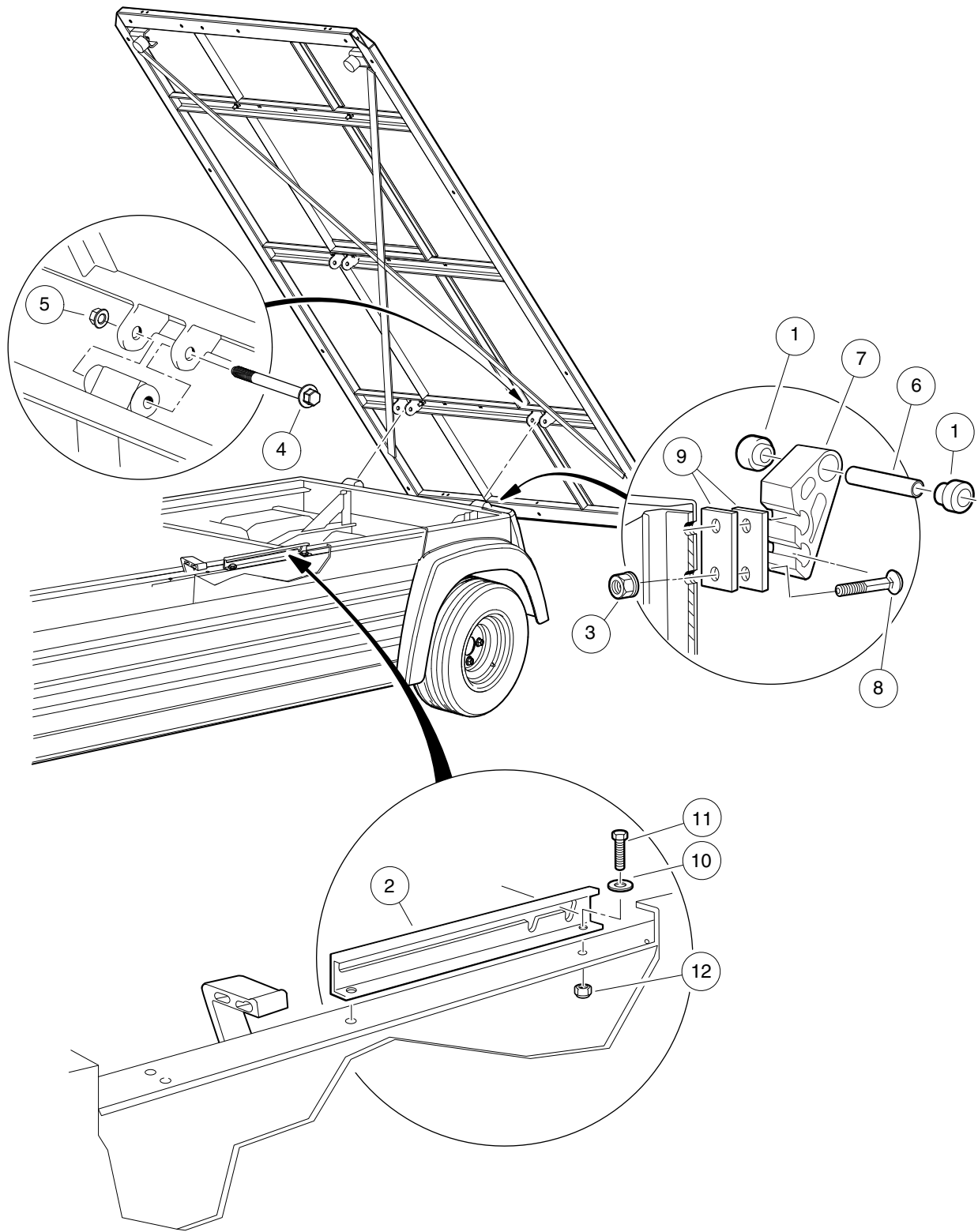
001149-001

TILT BED (LONG) HINGE – ELECTRIC VEHICLE

| ITEM | PART NO. | DESCRIPTION | QTY |
|------|------------------|--------------------------------------|-----|
| | | 1 2 3 4 | |
| 1 | <u>1015583</u> | Bushing, Urethane | 4 |
| 2 | <u>102065901</u> | Locknut, 3/8-16 Flanged Dimple | 4 |
| 3 | <u>102298185</u> | Bolt - Flange Hd, M8 X 85.0 | 2 |
| 4 | <u>102298401</u> | Nut,m8,all Metal Lock | 2 |
| 5 | <u>102506401</u> | Sleeve - Spring Eye Mounts | 2 |
| 6 | <u>103538701</u> | Bracket, Bed Hinge, Extruded | 2 |
| 7 | <u>103539002</u> | 3/8-16 X 1.75 Carr Blt Gr5 Zn | 4 |
| 8 | <u>103575801</u> | Shim, Bed Hinge, .125 Thick | 4 |

1
G
E

1
G
E



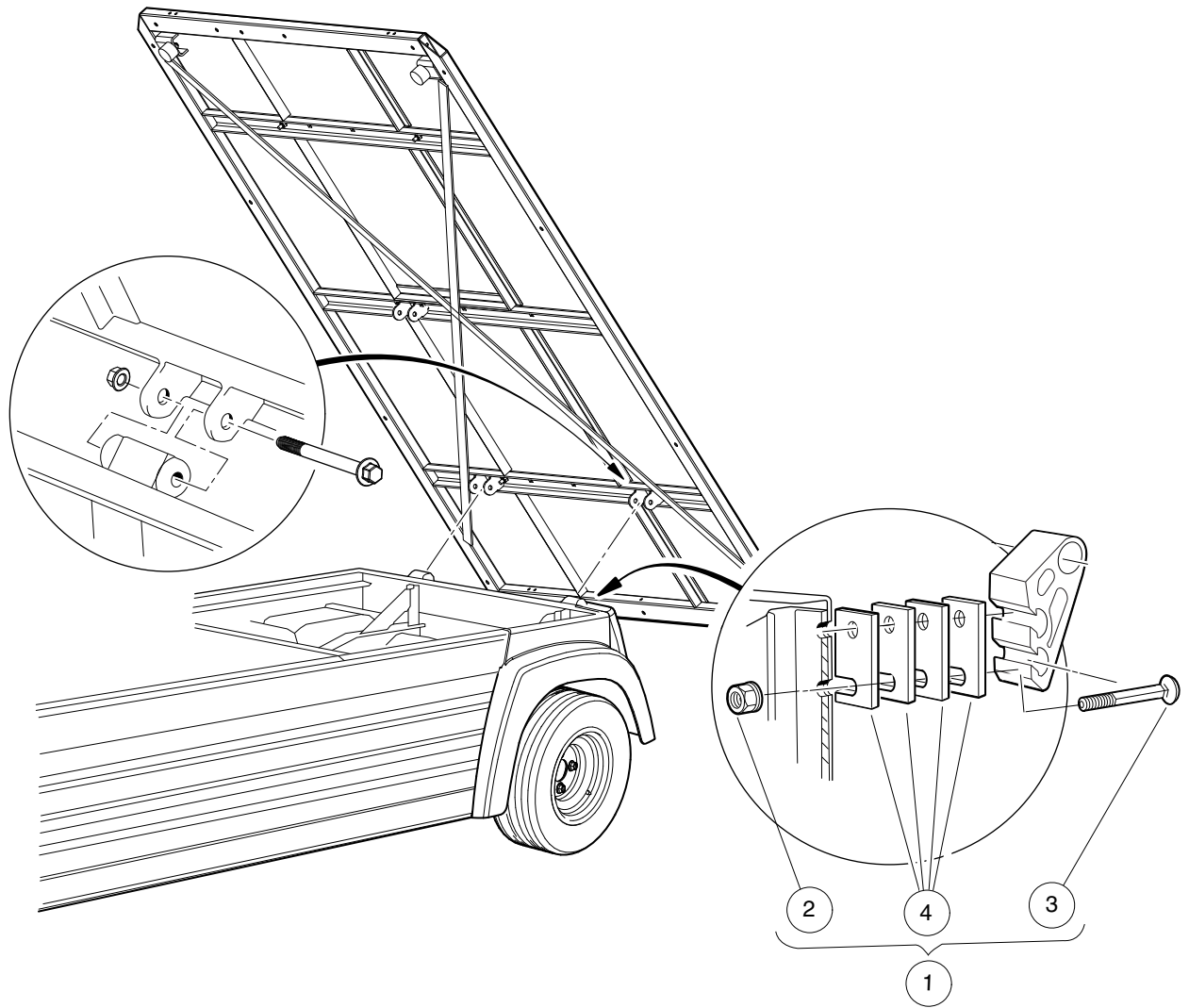
001149-002

TILT BED (LONG) HINGE – GASOLINE VEHICLE

| ITEM | PART NO. | DESCRIPTION | QTY |
|------|------------------|---|-----|
| | | 1 2 3 4 | |
| 1 | <u>1015583</u> | Bushing, Urethane | 4 |
| 2 | <u>1015700</u> | Track Prop Rod Ca li | 1 |
| 3 | <u>102065901</u> | Locknut, 3/8-16 Flanged Dimple | 4 |
| 4 | <u>102298185</u> | Bolt - Flange Hd, M8 X 85.0 | 2 |
| 5 | <u>102298401</u> | Nut,m8,all Metal Lock | 2 |
| 6 | <u>102506401</u> | Sleeve - Spring Eye Mounts | 2 |
| 7 | <u>103538701</u> | Bracket, Bed Hinge, Extruded | 2 |
| 8 | <u>103539001</u> | 3/8-16 X 1.25 Carr Blt Gr5 Zn | 4 |
| 9 | <u>103575801</u> | Shim, Bed Hinge, .125 Thick | 4 |
| 10 | <u>332</u> | Washer, 1/4 Type A Narrow Flat | 2 |
| 11 | <u>7479</u> | Screw, 1/4-20 X 1.25 Hex-Head Cap | 2 |
| 12 | <u>8233</u> | Locknut, 1/4-20, Nylon Insert | 2 |

1
G
E

1
G
E



001149-004

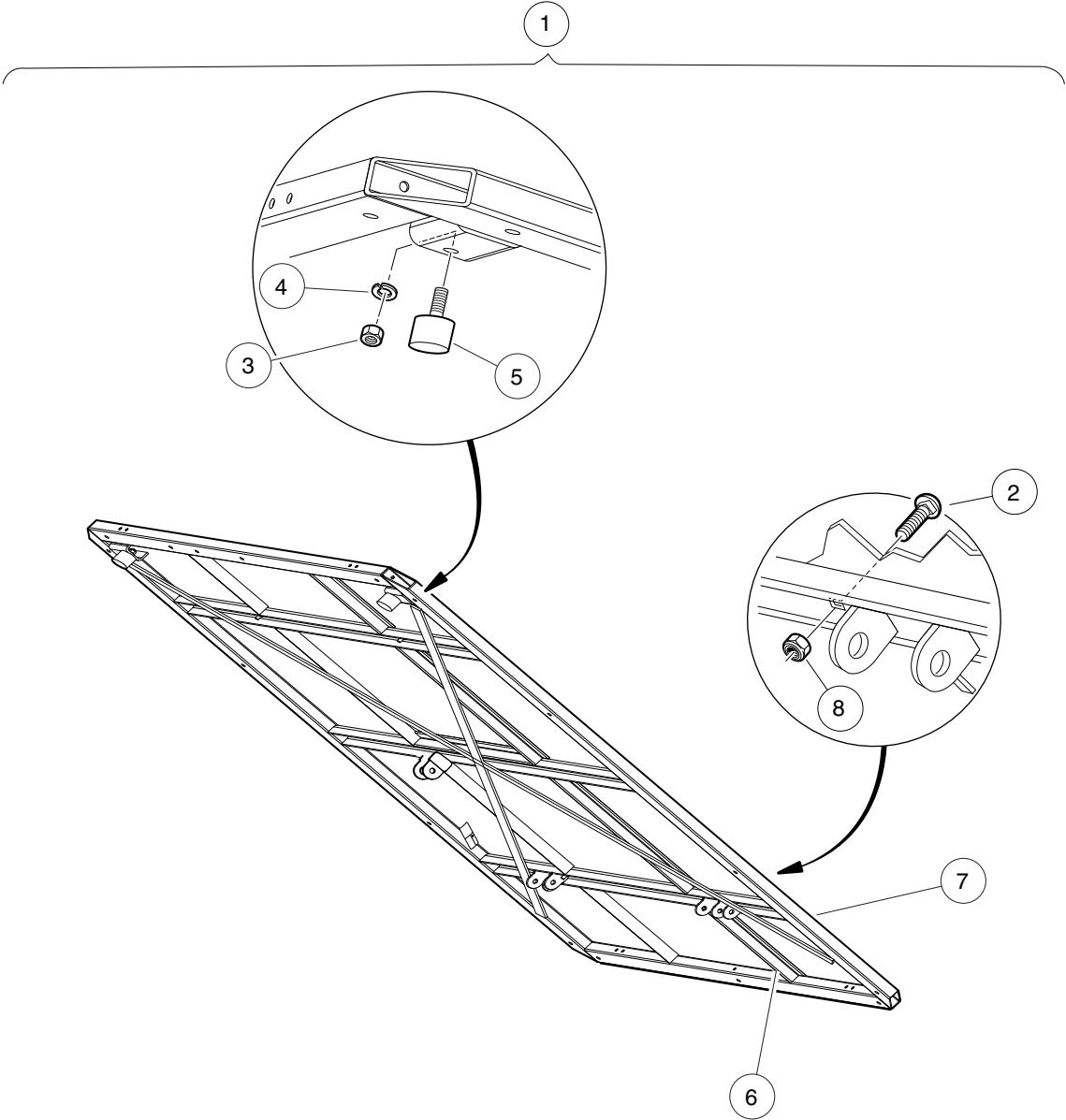
LONG BED HINGE SPACER KIT – VEHICLE WITH CAB

| ITEM | PART NO. | DESCRIPTION | QTY |
|------|------------------|---|-----|
| | | 1 2 3 4 | |
| 1 | <u>105298002</u> | Kit, Extra Shims W/ Hardware (includes items 2 through 4) | 1 |
| 2 | <u>102065901</u> | Locknut, 3/8-16 Flanged Dimple | 4 |
| 3 | <u>103539002</u> | 3/8-16 X 1.75 Carr Blt Gr5 Zn | 4 |
| 4 | <u>103575801</u> | Shim, Bed Hinge, .125 Thick | 4 |

1

G

E



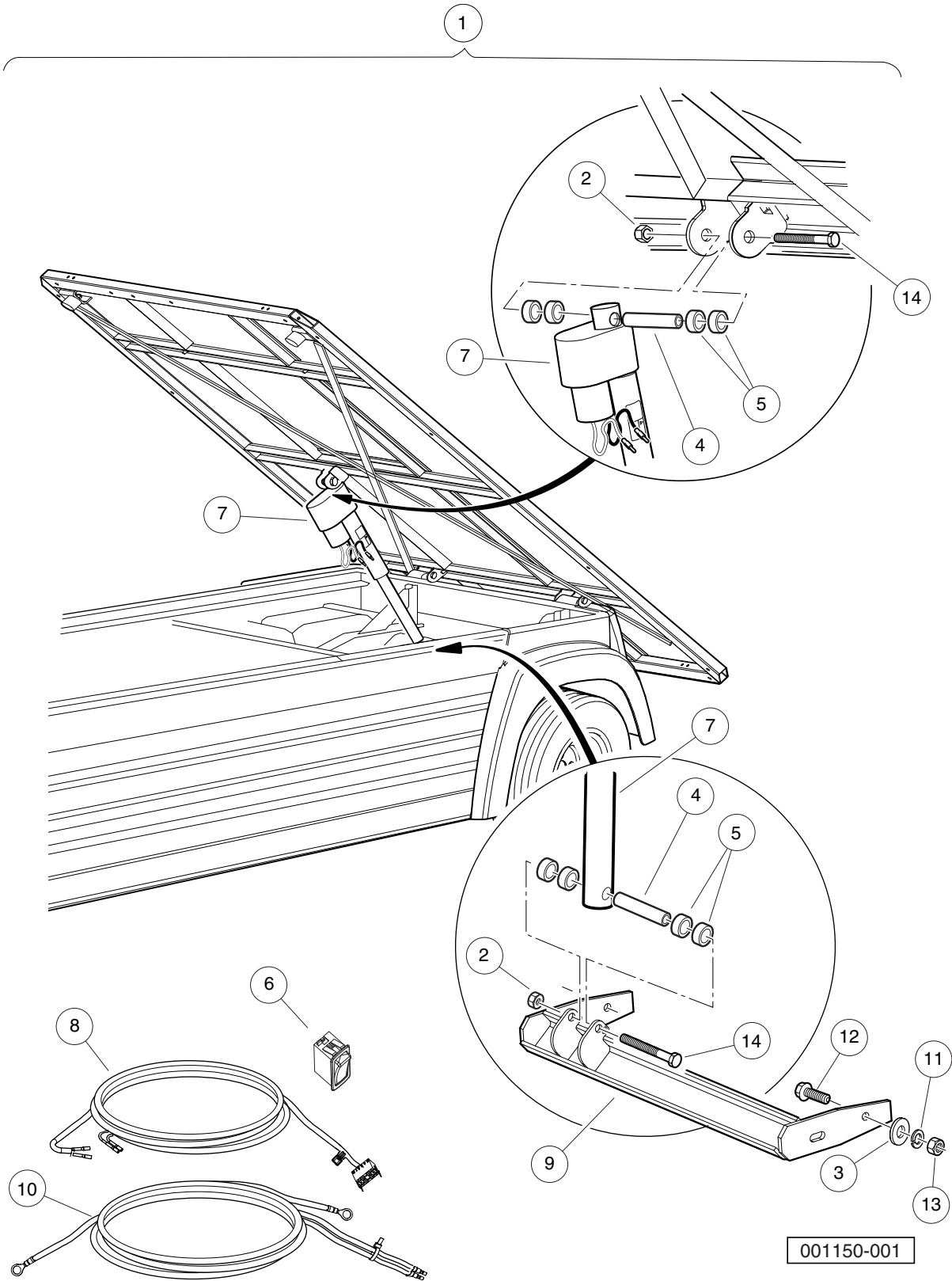
001151-001

TILT BED – LONG

| ITEM | PART NO. | DESCRIPTION | QTY |
|------|------------------|---|-----|
| | | 1 2 3 4 | |
| 1 | <u>105197201</u> | Kit, Bed Floor, Long (includes items 2 through 8) | 1 |
| 2 | <u>101043502</u> | Bolt, Carriage, 5/16-18x1 blk | 4 |
| 3 | <u>1012528</u> | Nut, M8-1.25 Hex | 2 |
| 4 | <u>1013734</u> | Lockwasher, 8mm Split | 2 |
| 5 | <u>105036601</u> | Bumper, Bedfloor, Ca | 2 |
| 6 | N/A | Frame, Weldmnt, Bed, Long | 1 |
| 7 | N/A | Plate, Flr, Bed Utl, Lng Rhino | 1 |
| 8 | <u>7473</u> | Locknut, 5/16-18 Nylon Insert | 4 |

1
G
E

1
G
E

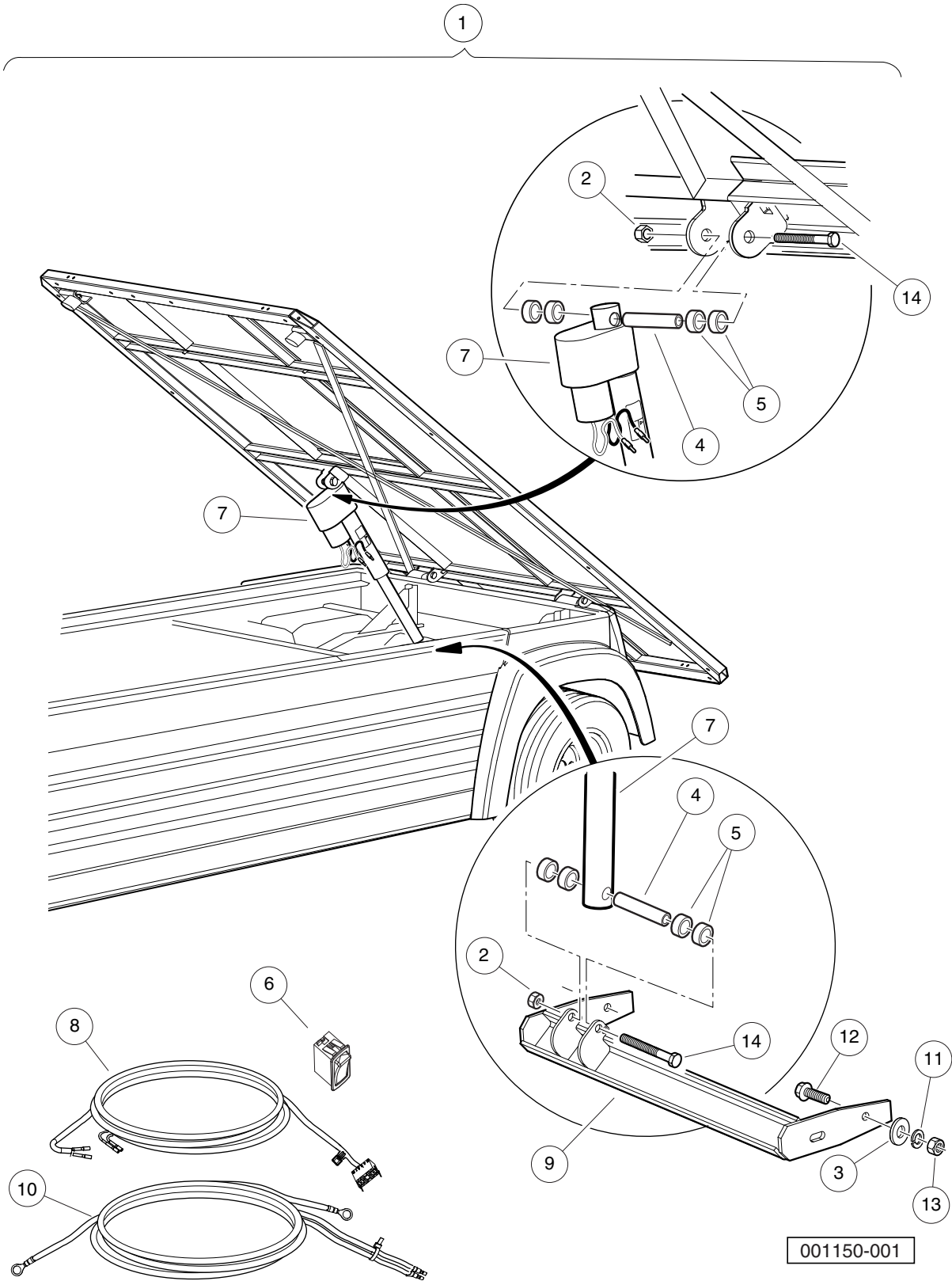


ELECTRIC BED LIFT, LONG – ELECTRIC VEHICLES

| ITEM | PART NO. | DESCRIPTION | QTY |
|------|------------------|--|-----|
| | | 1 2 3 4 | |
| 1 | 105170401 | Kit, Bed Lift, Elec, Lng (includes items 2 through 14) | 1 |
| 2 | <u>1010138</u> | Locknut, 3/8-16 Dimpled | 2 |
| 3 | <u>1011990</u> | Washer, 3/8 Flat | 4 |
| 4 | <u>1016603</u> | Bushing, Long | 2 |
| 5 | 1017774 | Body Spacer | 8 |
| 6 | <u>102882501</u> | Switch, Rocker, Bed Lift | 1 |
| 7 | <u>103951801</u> | Actuator, Bed Lift, Electric | 1 |
| 8 | <u>105108901</u> | Harness, Bed Lift, Util | 1 |
| 9 | <u>105131001</u> | Weldment, Mnt, Bed Lift, Ca | 1 |
| 10 | <u>105197602</u> | Asm, Jumper, Bedlift, Ca700 | 1 |
| 11 | <u>357</u> | Lockwasher, 3/8 Split | 4 |
| 12 | 705 | Screw, Cap-hex Hd 3/8-16x1.25 | 4 |
| 13 | <u>706</u> | Nut, Hex 3/8-16 | 4 |
| 14 | <u>7561</u> | Bolt, 3/8-16 X 3.00 Hex Head | 2 |

1
G
E

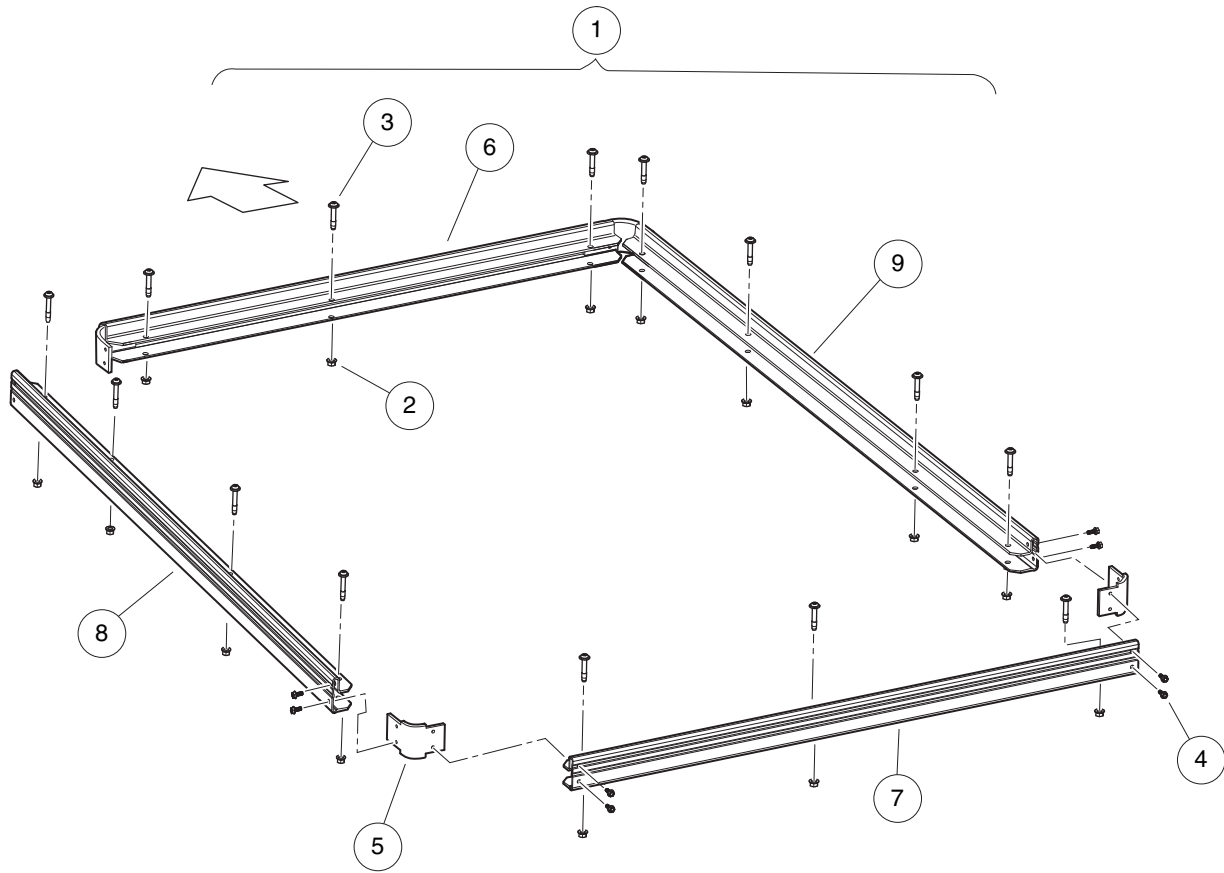
1
G
E



ELECTRIC BED LIFT – GASOLINE VEHICLES

| ITEM | PART NO. | DESCRIPTION | QTY |
|------|------------------|---|-----|
| | | 1 2 3 4 | |
| 1 | 105170601 | Kit, Bed Lift, Gas, Lng (includes items 2 through 14) | 1 |
| 2 | <u>1010138</u> | Locknut, 3/8-16 Dimpled | 2 |
| 3 | <u>1011990</u> | Washer, 3/8 Flat | 4 |
| 4 | <u>1016603</u> | Bushing, Long | 2 |
| 5 | 1017774 | Body Spacer | 8 |
| 6 | <u>102882501</u> | Switch, Rocker, Bed Lift | 1 |
| 7 | <u>103951801</u> | Actuator, Bed Lift, Electric | 1 |
| 8 | <u>105108901</u> | Harness, Bed Lift, Util | 1 |
| 9 | <u>105131001</u> | Weldment, Mnt, Bed Lift, Ca | 1 |
| 10 | <u>105197602</u> | Asm, Jumper, Bedlift, Ca700 | 1 |
| 11 | <u>357</u> | Lockwasher, 3/8 Split | 4 |
| 12 | 705 | Screw, Cap-hex Hd 3/8-16x1.25 | 4 |
| 13 | <u>706</u> | Nut, Hex 3/8-16 | 4 |
| 14 | <u>7561</u> | Bolt, 3/8-16 X 3.00 Hex Head | 2 |

1
G
E



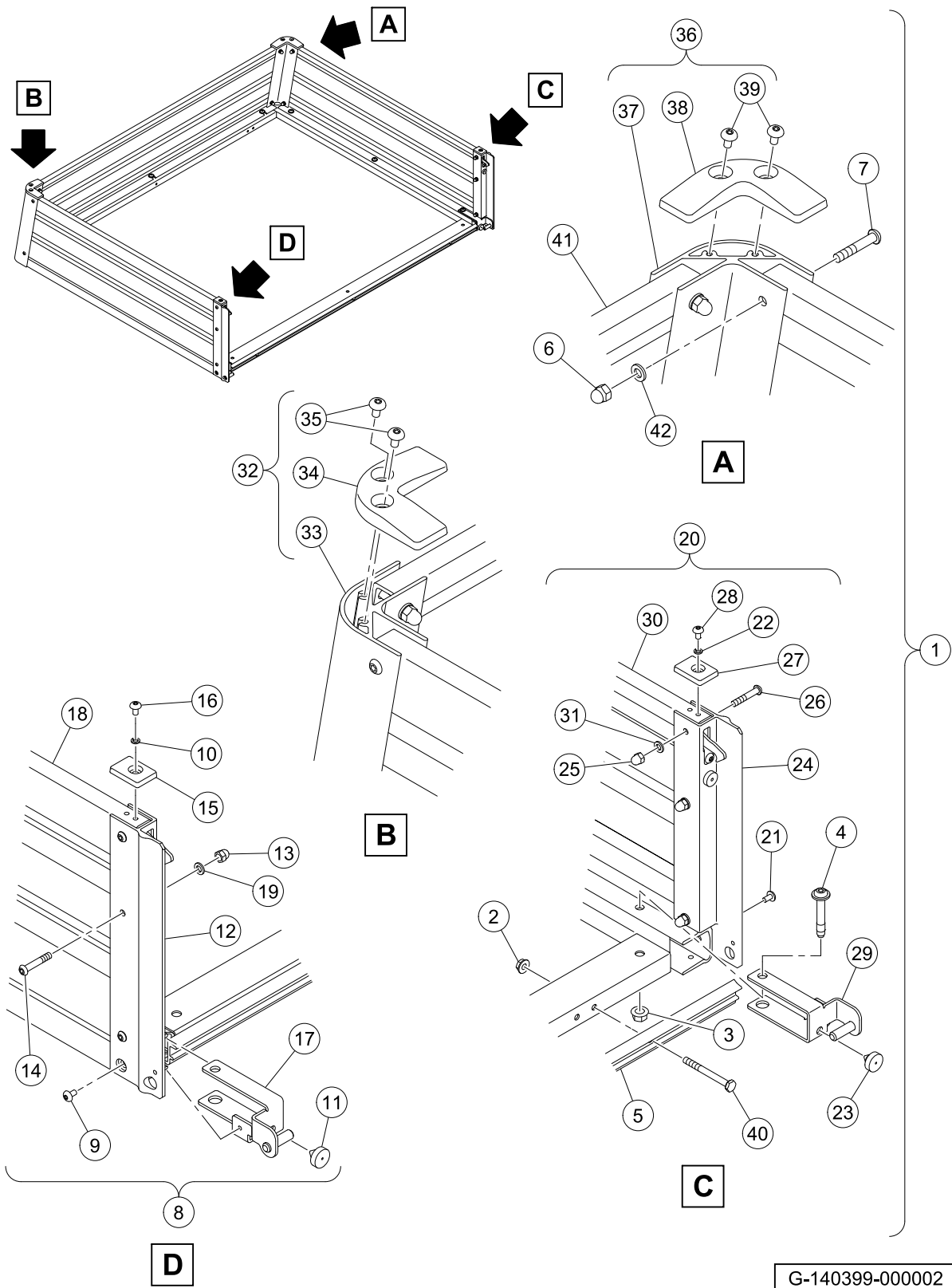
001127-001

FLAT BED TRIM – LONG

| ITEM | PART NO. | DESCRIPTION | QTY |
|------|------------------|---|-----|
| | | 1 2 3 4 | |
| 1 | <u>105122206</u> | Kit, Flat Trim, Ca, Long (includes items 2 through 9) | 1 |
| 2 | <u>102298401</u> | Nut,m8,all Metal Lock | 14 |
| 3 | <u>102299550</u> | Screw,m8x50,sems,tx,bttn,plt | 14 |
| 4 | <u>105185701</u> | Pan Head Screw, M6 X 16 Tt | 16 |
| 5 | <u>105185801</u> | Bracket,Bed Corner,CA | 4 |
| 6 | <u>105194801</u> | Trim, Bed, Cntr, Front | 1 |
| 7 | <u>105194802</u> | Trim, Bed, Cntr, Rear | 1 |
| 8 | <u>105195001</u> | Trim, Bed, Lng, Lh | 1 |
| 9 | <u>105195002</u> | Trim, Bed, Lng, Rh | 1 |

1
G
E

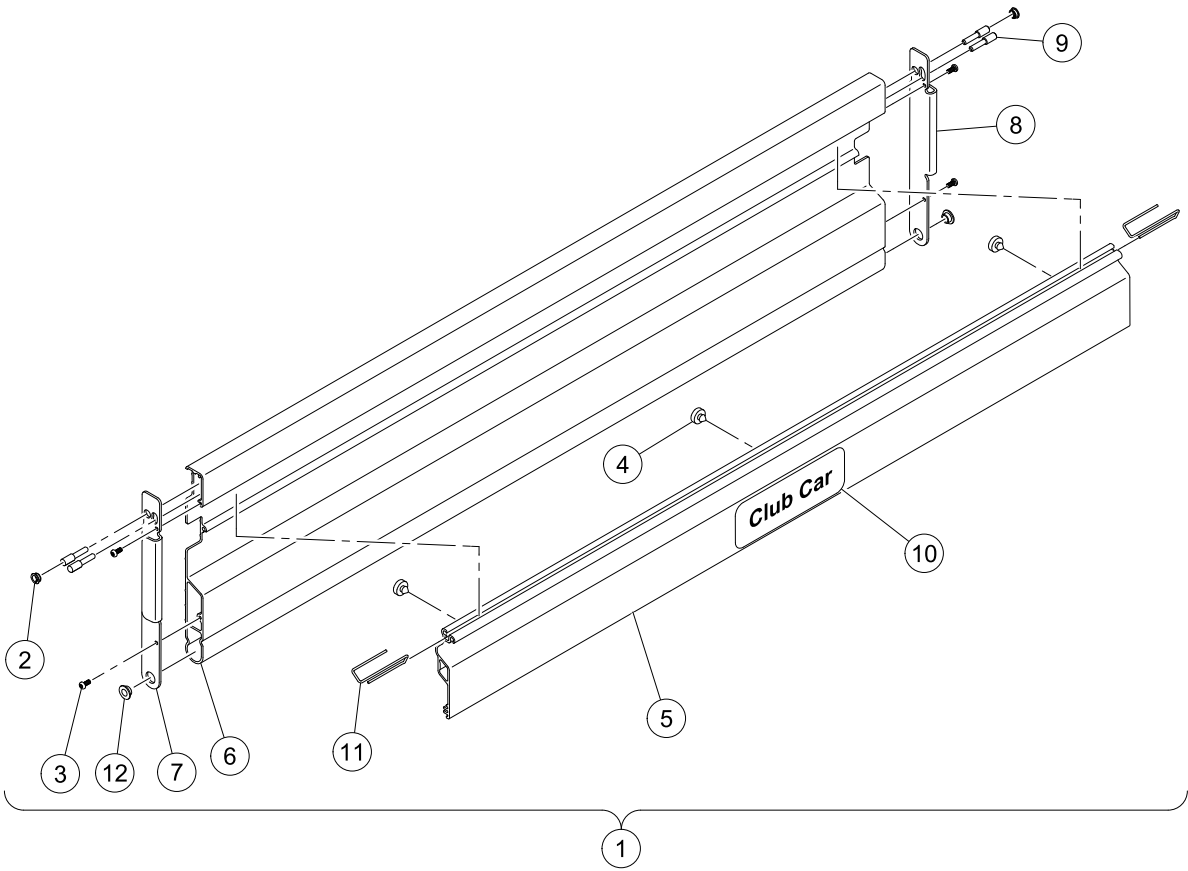
1
G
E



CARGO BOX KIT – LONG (PAGE 1 OF 2)

| ITEM | PART NO. | DESCRIPTION | QTY |
|------|--------------------|---|-----|
| | | 1 2 3 4 | |
| 1 | <u>105122106</u> | Kit, Cargo Box, Long (includes items 2 through 42) | 1 |
| 2 | <u>1015661</u> | Nut, Lock Hx Flanged 1/4-20 | 3 |
| 3 | <u>102298401</u> | Nut,m8,all Metal Lock | 11 |
| 4 | <u>102299550</u> | Screw,m8x50,sems,tx,bttn,plt | 11 |
| 5 | <u>105192301</u> | Extr, Bed, Cargo, Rear | 1 |
| 6 | <u>105192901</u> | Nut, Acorn, M6, Lock, Silver | 8 |
| 7 | <u>105193001</u> | Screw, 6 Lobe, M6 X 35 | 8 |
| 8 | <u>105200703</u> | Asm, Cargo Box, DS, Long (includes items 9 through 19) | 1 |
| 9 | <u>1014321</u> | Screw, #10 Truss-Head Torx | 1 |
| 10 | <u>1016</u> | Lockwasher, #10 Split | 1 |
| 11 | <u>102590801</u> | Bumper, Rubber | 1 |
| 12 | <u>105127401</u> | Asm, Latch, Tailgate, Lh | 1 |
| 13 | <u>105192901</u> | Nut, Acorn, M6, Lock, Silver | 2 |
| 14 | <u>105193001</u> | Screw, 6 Lobe, M6 X 35 | 2 |
| 15 | <u>105196201</u> | Cap, Corner, Rear, Cargo Bed | 1 |
| 16 | <u>105205201</u> | Screw, 10-24 X .36, St Torx | 1 |
| 17 | <u>47563313001</u> | Weldment, Pivot, Tailgate, Lh | 1 |
| 18 | N/A | Panel, Cargo Box, Lh, Long | 1 |
| 19 | <u>96705199</u> | Washer, M6 | 2 |
| 20 | <u>105200803</u> | Asm, Cargo Box, PS, Long (includes items 21 through 31) | 1 |
| 21 | <u>1014321</u> | Screw, #10 Truss-Head Torx | 1 |
| 22 | <u>1016</u> | Lockwasher, #10 Split | 1 |
| 23 | <u>102590801</u> | Bumper, Rubber | 1 |
| 24 | <u>105127402</u> | Asm, Latch, Tailgate, Rh | 1 |
| 25 | <u>105192901</u> | Nut, Acorn, M6, Lock, Silver | 2 |
| 26 | <u>105193001</u> | Screw, 6 Lobe, M6 X 35 | 2 |
| 27 | <u>105196201</u> | Cap, Corner, Rear, Cargo Bed | 1 |
| 28 | <u>105205201</u> | Screw, 10-24 X .36, St Torx | 1 |
| 29 | <u>47563313002</u> | Weldment, Pivot, Tailgate, Rh | 1 |
| 30 | N/A | Panel, Cargo Box, Rh, Long | 1 |
| 31 | <u>96705199</u> | Washer, M6 | 2 |
| 32 | <u>105200901</u> | Asm, Cargo Box,Corner,DS (includes items 33 through 35) | 1 |
| 33 | N/A | Extr, Bed Corner, Lh | 1 |
| 34 | <u>105196101</u> | Cap, Corner, Frt, Cargo Bed | 1 |
| 35 | <u>105205201</u> | Screw, 10-24 X .36, St Torx | 2 |
| 36 | <u>105201001</u> | Asm,Cargo Box,Corner,PS (includes items 37 through 39) | 1 |
| 37 | N/A | Extr, Bed Corner, Rh | 1 |
| 38 | <u>105196101</u> | Cap, Corner, Frt, Cargo Bed | 1 |
| 39 | <u>105205201</u> | Screw, 10-24 X .36, St Torx | 2 |
| 40 | <u>324</u> | Screw, 1/4-20 X 2.50 Hx Hd Cap | 3 |
| 41 | <u>47621599001</u> | Panel, Cargo Box, Frt | 1 |
| 42 | <u>96705199</u> | Washer, M6 | 12 |

1
G
E

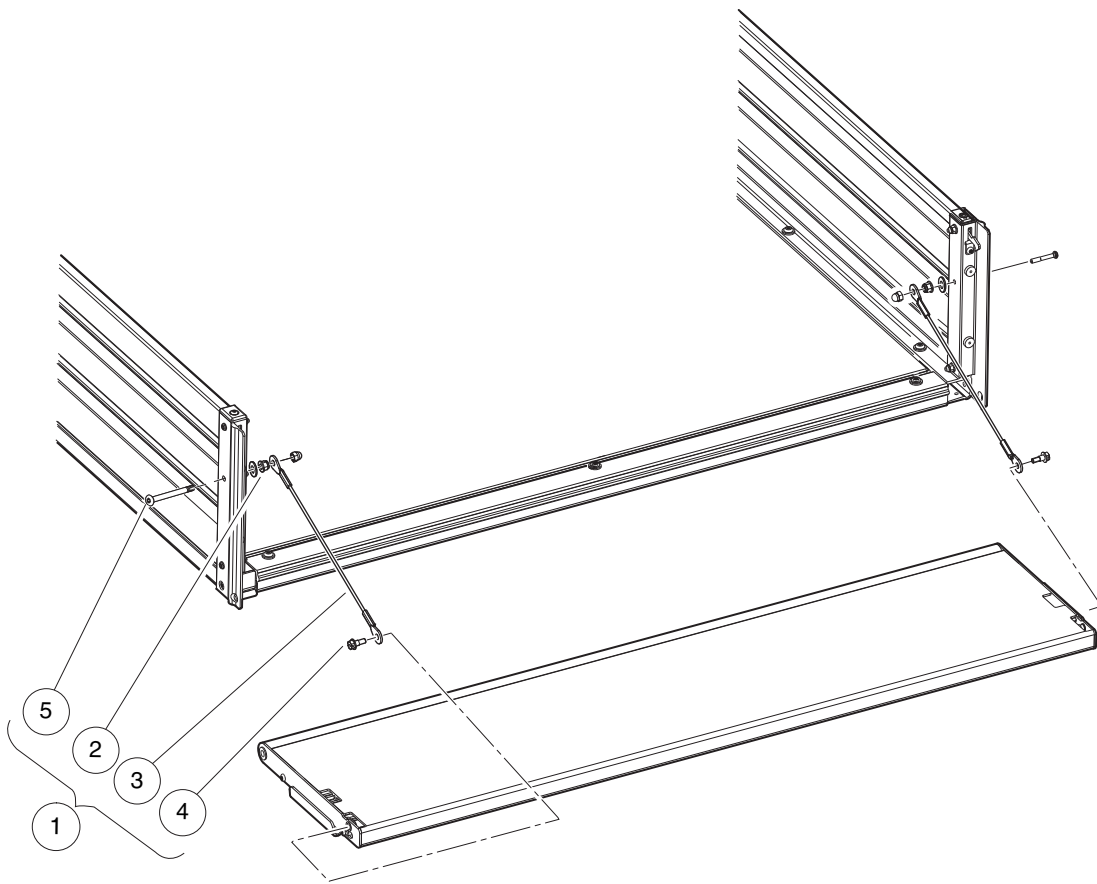


G-140399-000001

CARGO BOX KIT (PAGE 2 OF 2)

| ITEM | PART NO. | DESCRIPTION | QTY |
|------|------------------|--|-----|
| | | 1 2 3 4 | |
| 1 | <u>105128101</u> | Asm, Tailgate, Wide Handle (includes items 2 through 12) | 1 |
| 2 | <u>1015363</u> | Bushing, Snap-In | 2 |
| 3 | <u>102554512</u> | Screw M5-08x12 Torx Pn Trs | 4 |
| 4 | <u>102590801</u> | Bumper, Rubber | 3 |
| 5 | <u>105128201</u> | Handle, Tailgate, Wide | 1 |
| 6 | N/A | Panel, Tailgate, Wide | 1 |
| 7 | <u>105130301</u> | Bracket, End, Tailgate, Lh | 1 |
| 8 | <u>105130302</u> | Bracket, End, Tailgate, Rh | 1 |
| 9 | <u>105130501</u> | Pin, Latch, Tailgate | 4 |
| 10 | <u>105165901</u> | Decal, Branding, Club Car Logo | 1 |
| 11 | <u>105216201</u> | Spring, Return, Handle | 2 |
| 12 | <u>7049</u> | Bushing, Nylon | 2 |

1
G
E



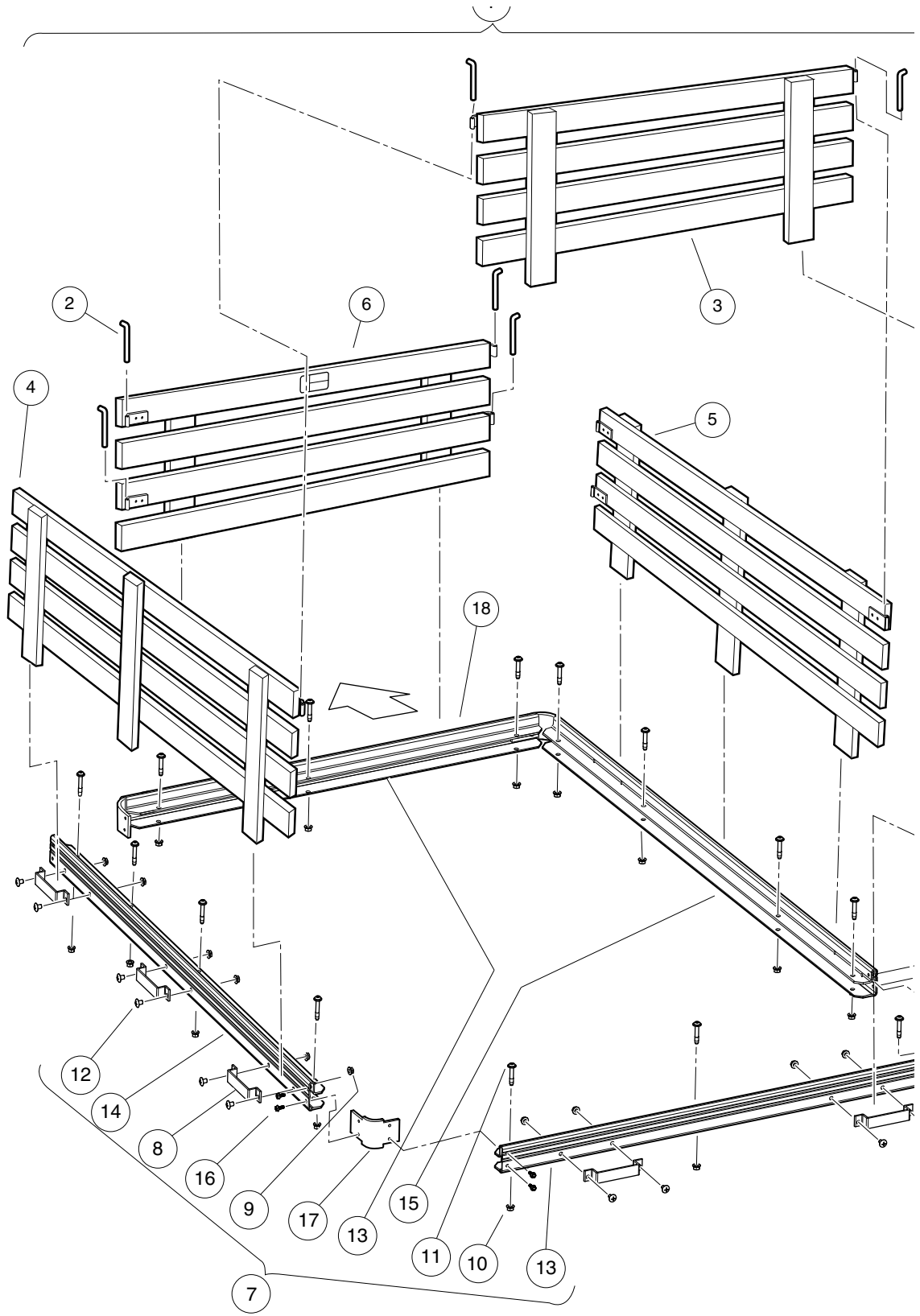
001160-002

TAILGATE TEATHER

| ITEM | PART NO. | DESCRIPTION | QTY |
|------|------------------|---|-----|
| 1 | <u>105127302</u> | 1 2 3 4 Kit, Tether, Tailgate (includes items 2 through 5) | 1 |
| 2 | <u>102621501</u> | Nut, Flange, M6 X 1.0, Nylon | 2 |
| 3 | <u>105128001</u> | Cable, Tether, Tailgate | 2 |
| 4 | <u>105129901</u> | Screw, Shoulder, Self Thread | 2 |
| 5 | <u>105193101</u> | Screw, 6 Lobe, M6 X 50 | 2 |

1
G
E

1
G
E

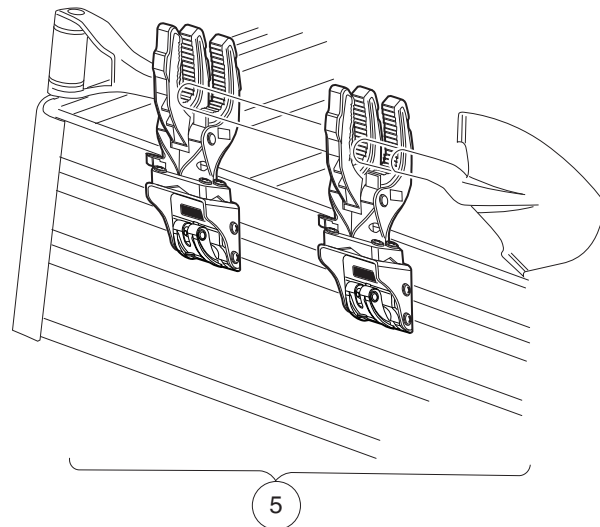
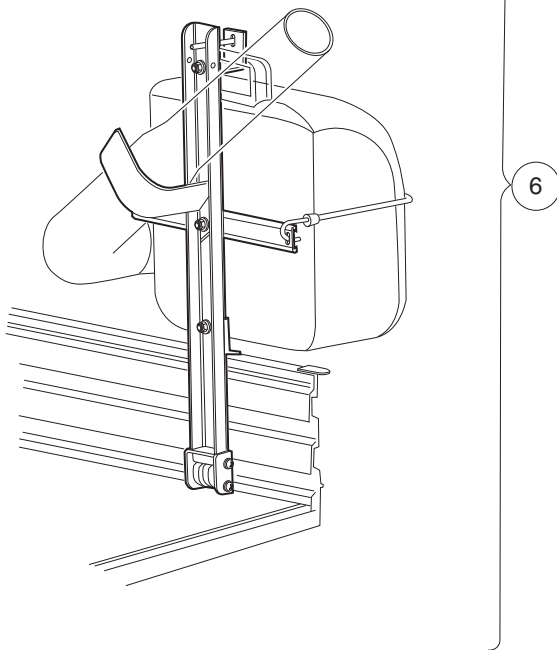
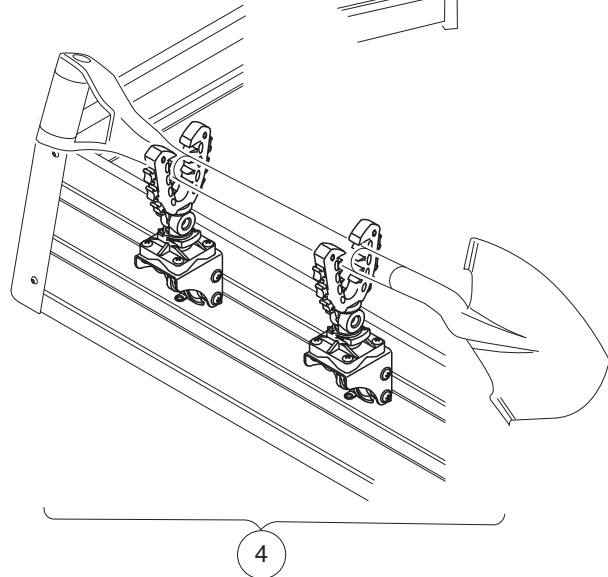
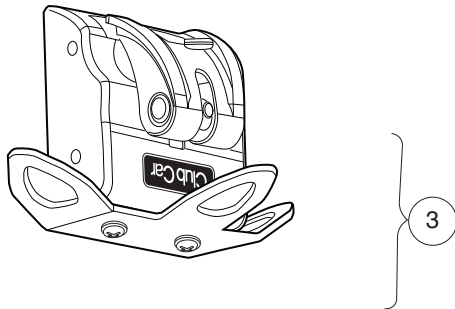
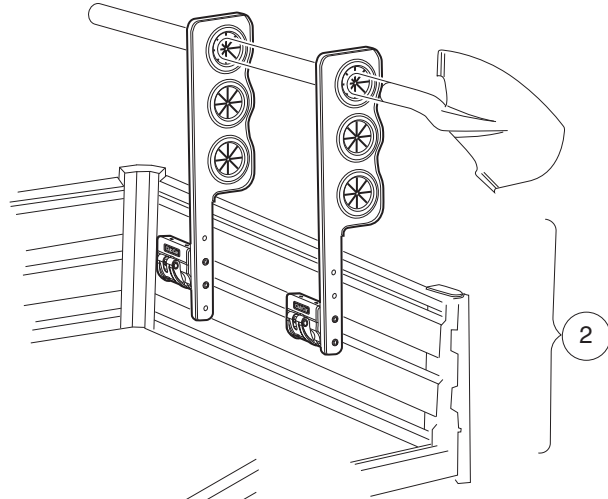
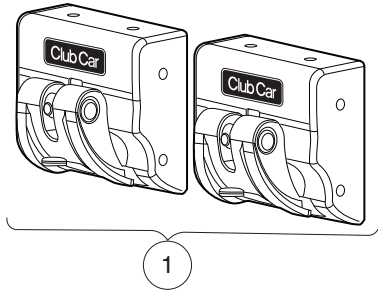


STAKE SIDE KIT – LONG

| ITEM | PART NO. | DESCRIPTION | QTY |
|------|------------------|---|-----|
| | | 1 2 3 4 | |
| 1 | <u>105109601</u> | Kit, Stake Side, Long (includes items 2 through 7) | 1 |
| 2 | <u>1015656</u> | Pin, hinge | 6 |
| 3 | <u>102847603</u> | Asm, Stake Side, 48 X 19 Rear | 1 |
| 4 | <u>105113401</u> | Stake Side, Ca Large, Lh | 1 |
| 5 | <u>105113402</u> | Stake Side, Ca Large, Rh | 1 |
| 6 | <u>105129501</u> | Stake Side, Front, Ca, 50" | 1 |
| 7 | <u>105148503</u> | Asm, Trim, Stake Side, Long (includes items 8 through 18) | 1 |
| 8 | <u>1016077</u> | Bracket, Stake Side | 8 |
| 9 | <u>101963401</u> | Locknut, 5/16-18 Hex Flange | 16 |
| 10 | <u>102298401</u> | Nut,m8,all Metal Lock | 14 |
| 11 | <u>102299550</u> | Screw,m8x50,sems,tx,bttn,plt | 16 |
| 12 | <u>105129601</u> | Screw, Phl Trus Hd, 5/16-18x.5 | 16 |
| 13 | <u>105148601</u> | Trim, Stake Side, Cen, Rear | 1 |
| 14 | <u>105148901</u> | Trim, Stake Side, Long, Lh | 1 |
| 15 | <u>105148902</u> | Trim, Stake Side, Long, Rh | 1 |
| 16 | <u>105185701</u> | Pan Head Screw, M6 X 16 Tt | 16 |
| 17 | <u>105185801</u> | Bracket, Bed Corner, CA | 4 |
| 18 | <u>105194801</u> | Trim, Bed, Cntr, Front | 1 |

1
G
E

1
G
E



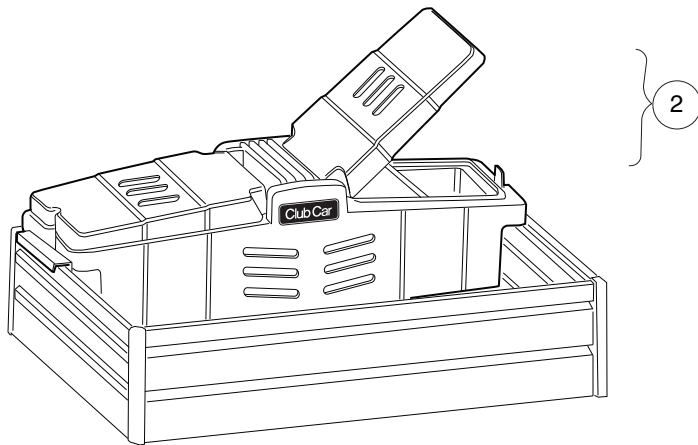
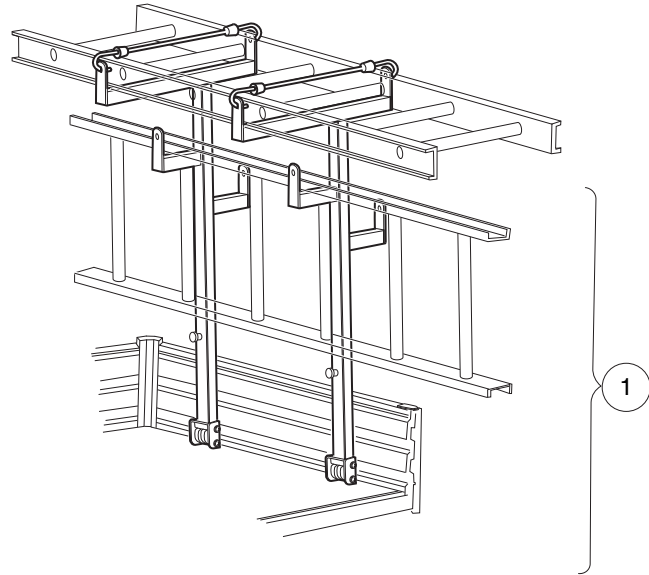
001167-003

MODULAR BED ACCESSORIES

| ITEM | PART NO. | DESCRIPTION | QTY |
|------|------------------|--|-----|
| | | 1 2 3 4 | |
| 1 | <u>105160401</u> | Bed Clamp, Set | 1 |
| 2 | <u>105160801</u> | Kit, Tool Rack | 1 |
| 3 | <u>105160901</u> | Kit, Tie Down | 1 |
| 4 | <u>105161001</u> | Kit, Ratcheting Grip | 1 |
| 5 | <u>105161101</u> | Kit, Static Grip | 1 |
| 6 | <u>105161401</u> | Kit, Holder, Leaf Blower | 1 |
| | | Note: Component part numbers unavailable at publication. | |

1
G
E

1
G
E



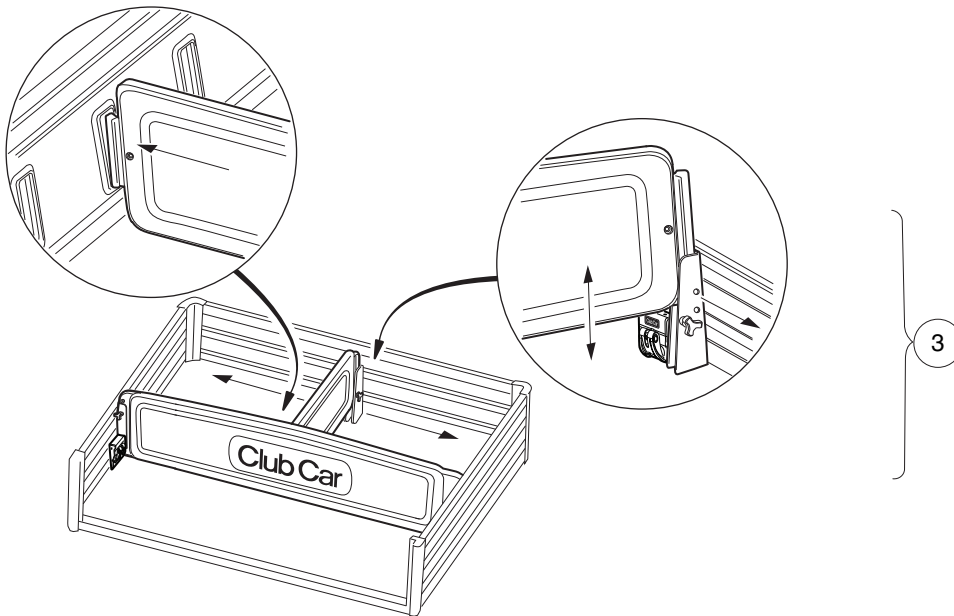
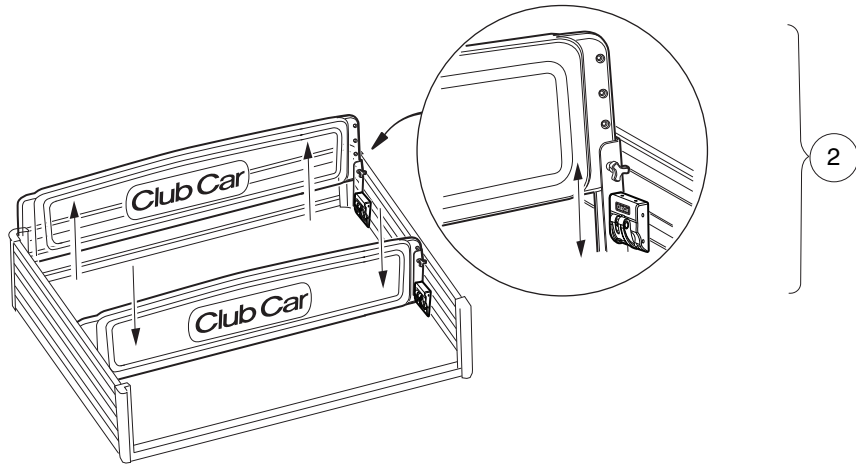
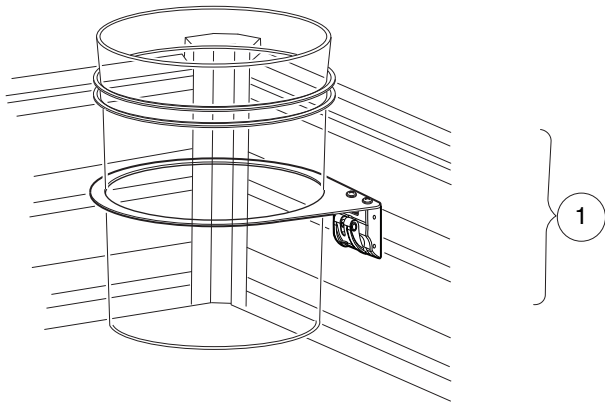
001168-001

MODULAR BED ACCESSORIES

| ITEM | PART NO. | DESCRIPTION | QTY |
|---|------------------|------------------------------------|-----|
| 1 | <u>105161501</u> | 1 2 3 4 Kit, Rack, Ladder | 1 |
| 2 | 105161601 | Kit, Toolbox | 1 |
| <p>Note: Component part numbers unavailable at publication.</p> | | | |

1
G
E

1
G
E

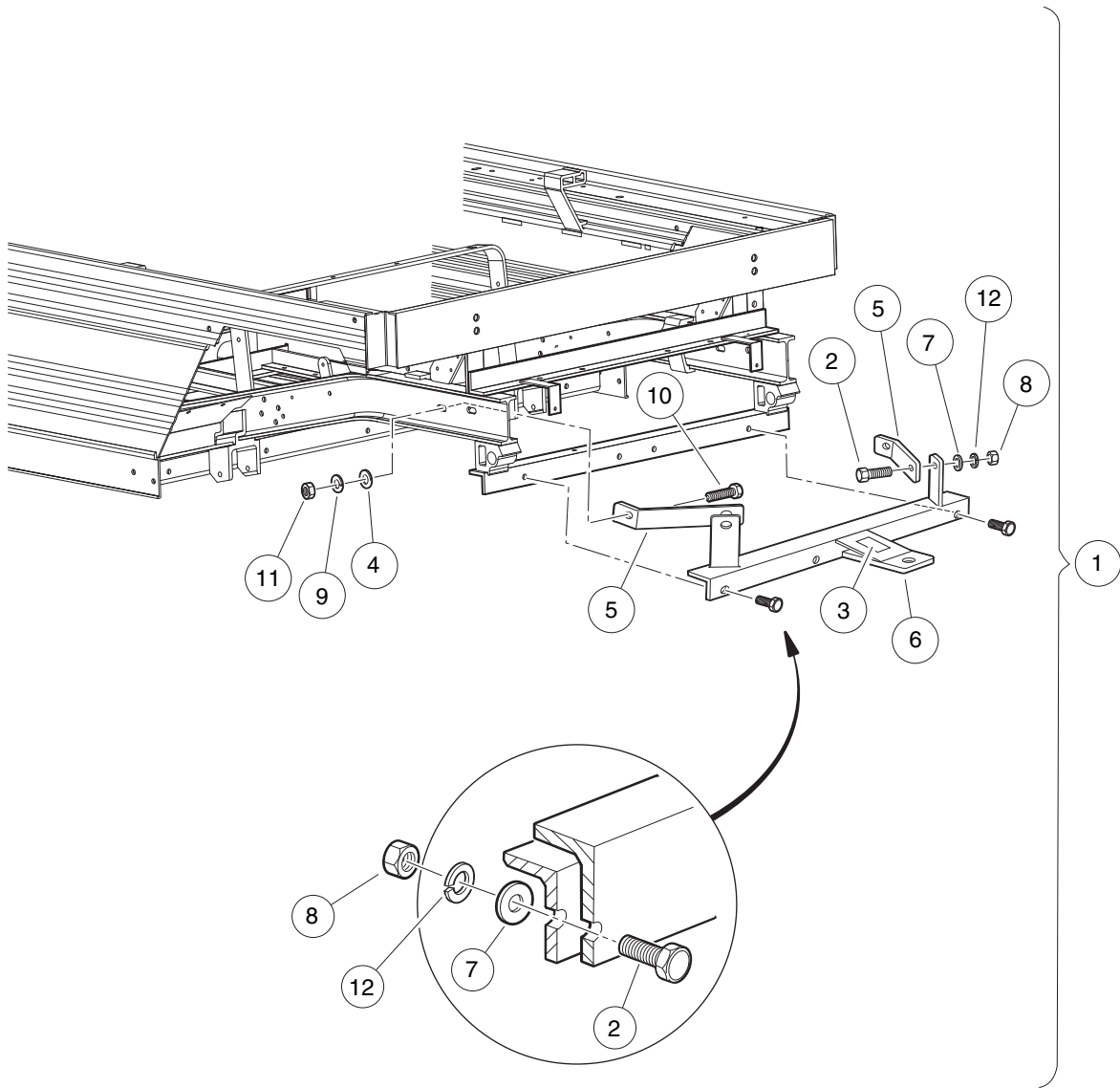


001169-001

MODULAR BED ACCESSORIES

| ITEM | PART NO. | DESCRIPTION | QTY |
|---|------------------|--------------------------------------|-----|
| 1 | <u>105160501</u> | 1 2 3 4 Kit, Holder, Bucket | 1 |
| 2 | <u>105161201</u> | Kit, Bed Divider/extension | 1 |
| 3 | <u>105161301</u> | Kit, Bed Divider, Short | 1 |
| <p>Note: Component part numbers unavailable at publication.</p> | | | |

1
G
E

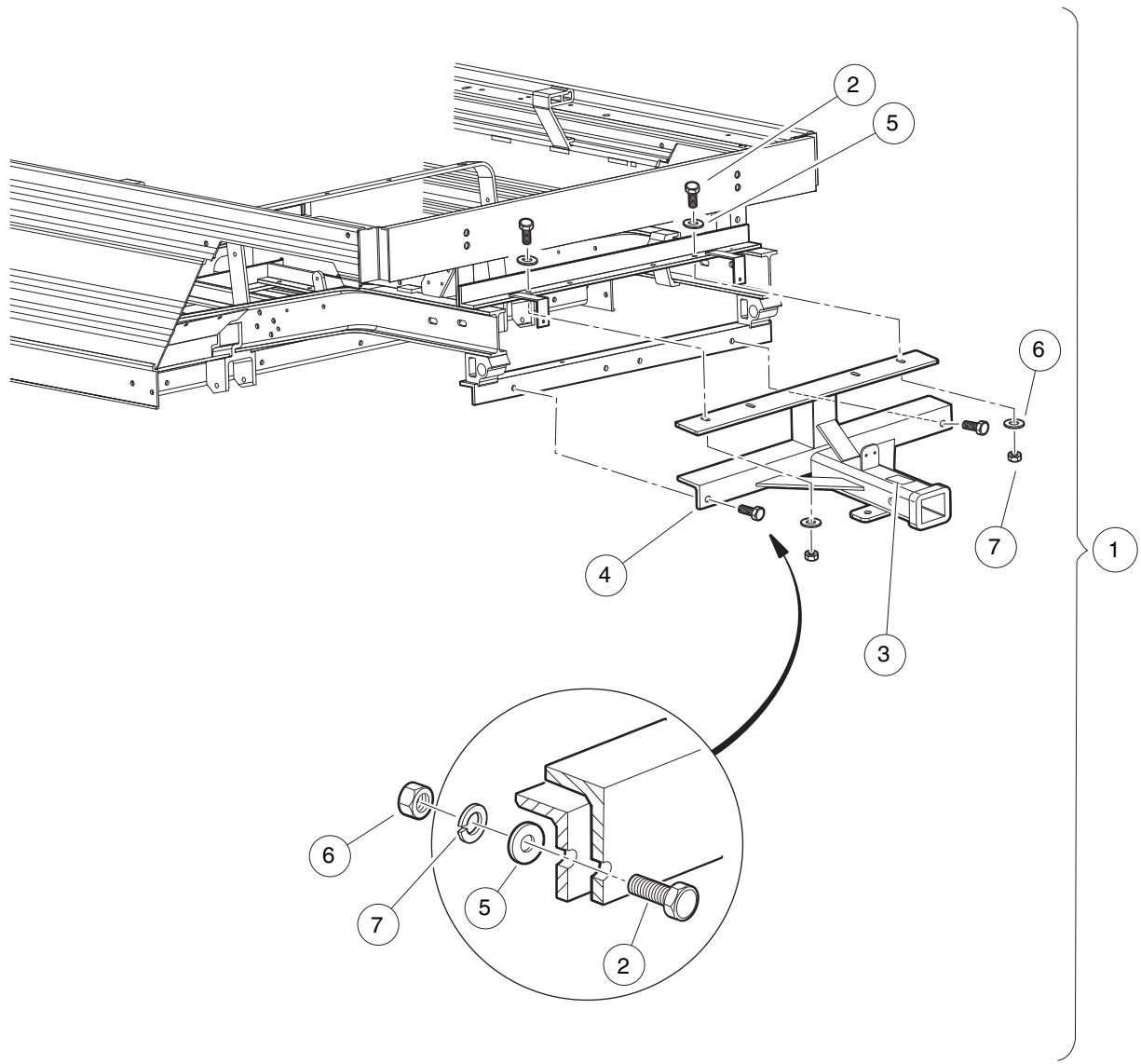


001132-001

HEAVY DUTY TRAILER HITCH

| ITEM | PART NO. | DESCRIPTION | QTY |
|------|----------------|--|-----|
| | | 1 2 3 4 | |
| 1 | <u>1015445</u> | Kit, Trailer Hitch (includes items 2 through 12) | 1 |
| 2 | <u>1010934</u> | Screw, 5/16-18 X 1.00 Hex Cap | 4 |
| 3 | <u>1011553</u> | Decal, Trailer Hitch | 1 |
| 4 | <u>1011990</u> | Washer, 3/8 Flat | 2 |
| 5 | <u>1013483</u> | Brace, Trailer Hitch | 2 |
| 6 | N/A | Asm, Trailer Hitch | 1 |
| 7 | <u>1241</u> | Washer, 5/16 Type A Flat | 4 |
| 8 | <u>1242</u> | Nut, 5/16-18 Hex | 4 |
| 9 | <u>357</u> | Lockwasher, 3/8 Split | 2 |
| 10 | 705 | Screw, Cap-hex Hd 3/8-16x1.25 | 2 |
| 11 | <u>706</u> | Nut, Hex 3/8-16 | 2 |
| 12 | <u>7174</u> | Lockwasher, 5/16 Split | 4 |

1
G
E



001133-001

REAR RECIEVER HITCH

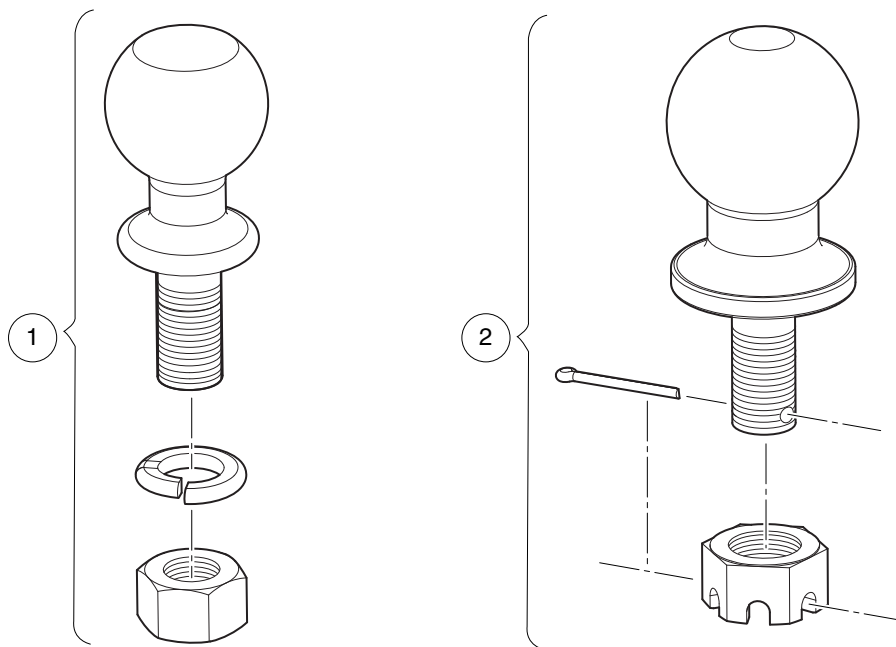
| ITEM | PART NO. | DESCRIPTION | QTY |
|------|------------------|---|-----|
| | | 1 2 3 4 | |
| 1 | <u>102065103</u> | Kit, Rear Receiver (includes items 2 through 7) | 1 |
| 2 | <u>1010934</u> | Screw, 5/16-18 X 1.00 Hex Cap | 6 |
| 3 | <u>1011553</u> | Decal, Trailer Hitch | 1 |
| 4 | <u>102056001</u> | Rear Receiver Weld Asm | 1 |
| 5 | <u>1241</u> | Washer, 5/16 Type A Flat | 6 |
| 6 | <u>1242</u> | Nut, 5/16-18 Hex | 6 |
| 7 | <u>7174</u> | Lockwasher, 5/16 Split | 6 |

1
G
E

1

G

E

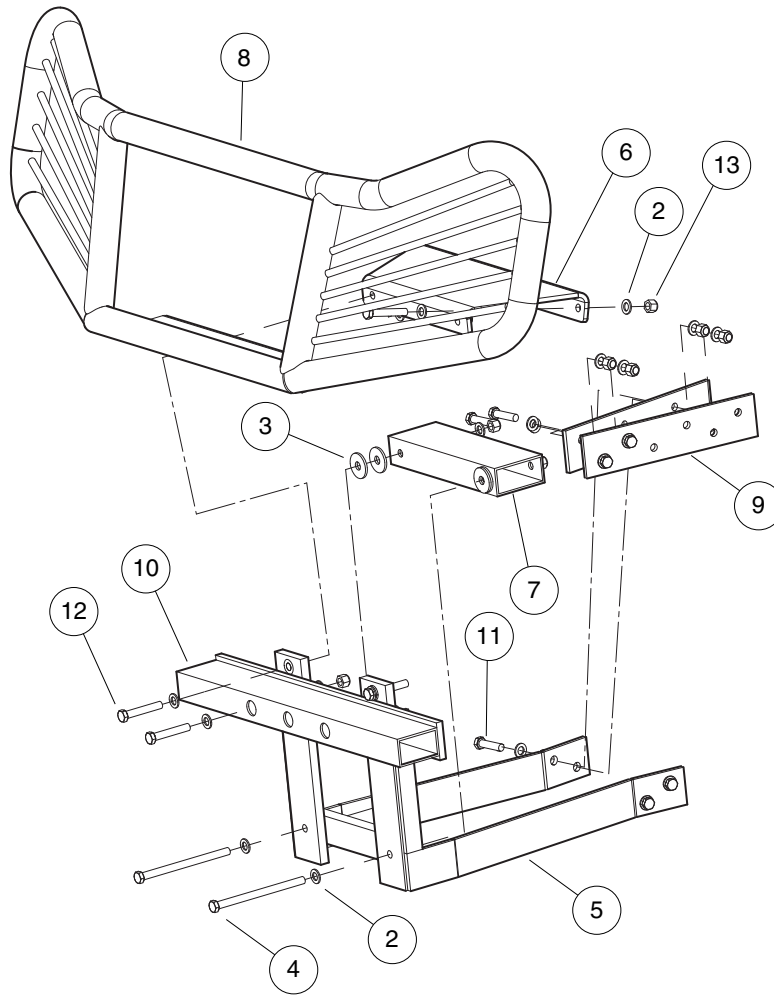


001137-001

TRAILER HITCH BALL

| ITEM | PART NO. | DESCRIPTION | QTY |
|------|------------------|--|-----|
| 1 | <u>1011546</u> | 1 2 3 4 Trailer Hitch Ball - 1 7/8" | 1 |
| 2 | <u>104033601</u> | Ball, Trailer Hitch, 50mm | 1 |

1
G
E



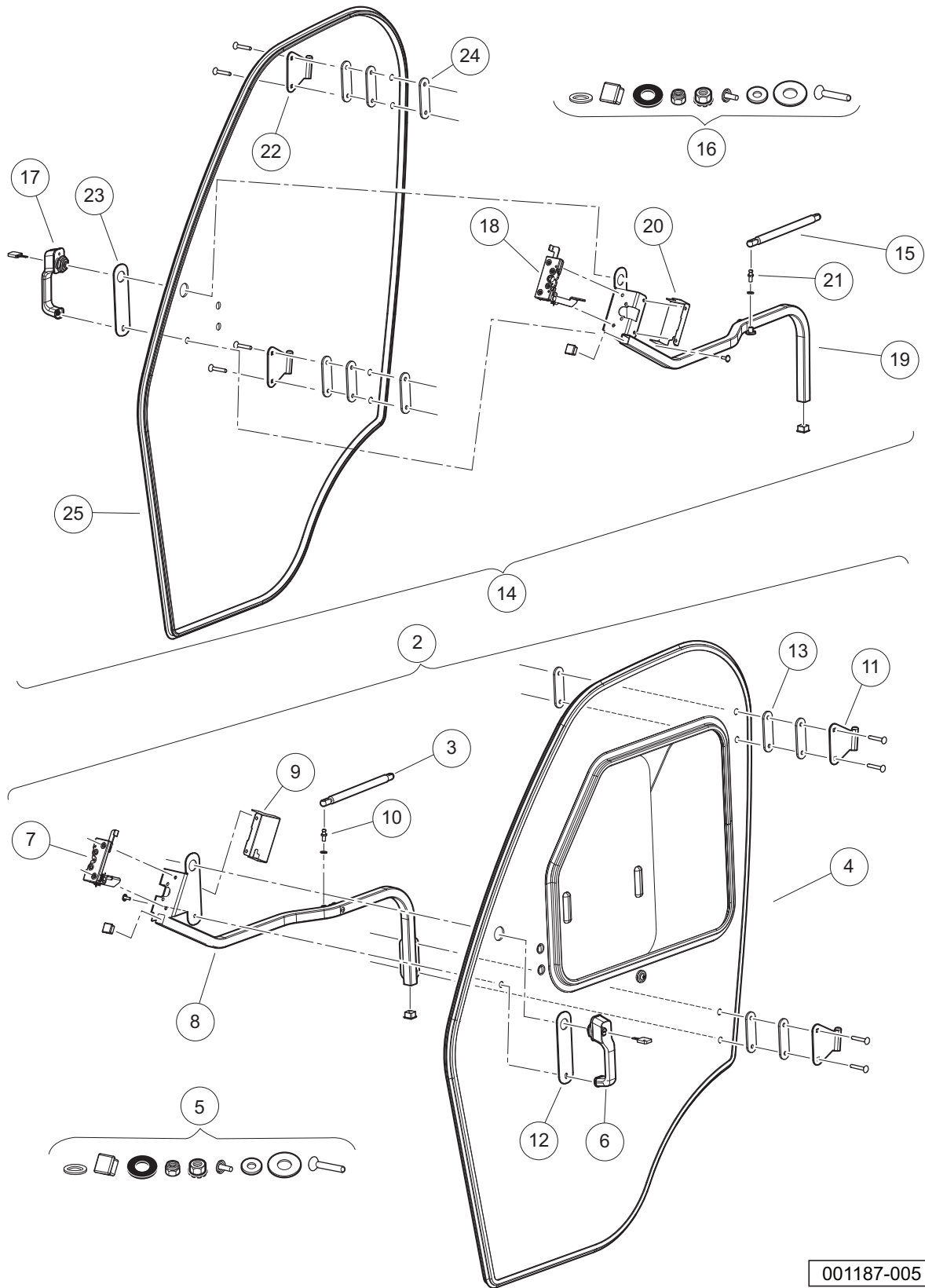
001138-002

RANGE PICKER ADAPTER

| ITEM | PART NO. | DESCRIPTION | QTY |
|------|------------------|--|-----|
| | | 1 2 3 4 | |
| 1 | <u>105124101</u> | Kit, Adapter, Range Picker (includes items 2 through 13) | 1 |
| 2 | <u>1011990</u> | Washer, 3/8 Flat | 32 |
| 3 | <u>102491501</u> | Washer, Hard, M10 | 4 |
| 4 | <u>102913601</u> | Screw, 3/8-16 X 5.50 Hx Hd Cap | 2 |
| 5 | <u>104033701</u> | Weldment, Adapter, Rp | 1 |
| 6 | <u>105145401</u> | Bracket, Top Support, Rp | 1 |
| 7 | <u>105145501</u> | Tube, Btm Support, Rp | 1 |
| 8 | <u>105216701</u> | Wldmnt, Guard, Hdlight, Range | 1 |
| 9 | <u>105233701</u> | Plate, Support, I-beam | 2 |
| 10 | <u>105248201</u> | Tube, 1.5" X 2.5", 19.5" Long | 1 |
| 11 | <u>1624</u> | Screw, 3/8-16 X 1.50, Hex-Head Cap | 8 |
| 12 | <u>2402</u> | Screw, 3/8-16 X 2.25 Hx Hd Cap | 6 |
| 13 | <u>8754</u> | Locknut, 3/8-16 Hex | 16 |

1
G
E

1
G
E



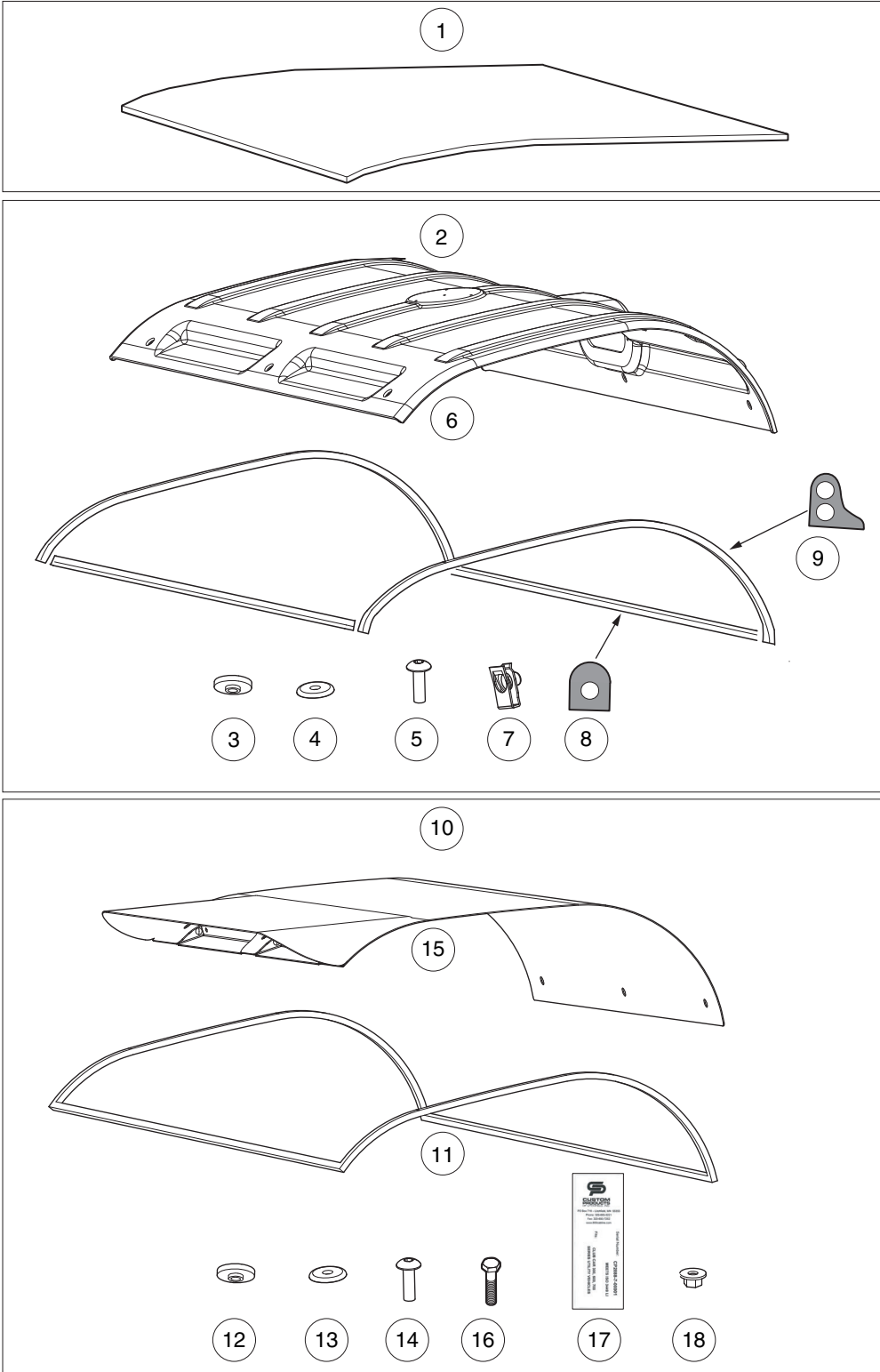
001187-005

CAB DOORS – GLASS WITH LH SLIDING WINDOW

| ITEM | PART NO. | DESCRIPTION | QTY |
|------|------------------|---|-----|
| | | 1 2 3 4 | |
| 1 | 105097301 | Kit, Doors, Glass, w/Sliding Windows, LH only (includes items 2 through 14) | 1 |
| 2 | <u>105181701</u> | Glass Door Asm, Lh (includes items 3 through 13) | 1 |
| 3 | <u>104001201</u> | Gas Spring | 1 |
| 4 | <u>105181801</u> | Glass Door Replacement, Lh | 1 |
| 5 | <u>105181901</u> | Hardware Kit, Glass Door | 1 |
| 6 | 105182001 | Handle, Push Button | 1 |
| 7 | <u>105182101</u> | Latch, Glass Door, Lh | 1 |
| 8 | <u>105182201</u> | Handle, Glass Door, Lh | 1 |
| 9 | <u>105182301</u> | Cover, Latch, Lh | 1 |
| 10 | <u>105182401</u> | Spring, Ball Stud | 1 |
| 11 | <u>105182501</u> | Hinge, Door | 2 |
| 12 | <u>105182601</u> | Spacer, Handle | 1 |
| 13 | <u>105182701</u> | Plate, Upper Hinge | 1 |
| 14 | <u>105182901</u> | Glass Door Asm, Rh (includes items 15 through 25) | 1 |
| 15 | <u>104001201</u> | Gas Spring | 1 |
| 16 | <u>105181901</u> | Hardware Kit, Glass Door | 1 |
| 17 | 105182001 | Handle, Push Button | 1 |
| 18 | <u>105182102</u> | Latch, Glass Door, Rh | 1 |
| 19 | <u>105182202</u> | Handle, Glass Door, Rh | 1 |
| 20 | <u>105182302</u> | Cover, Latch, Rh | 1 |
| 21 | <u>105182401</u> | Spring, Ball Stud | 1 |
| 22 | <u>105182501</u> | Hinge, Door | 2 |
| 23 | <u>105182601</u> | Spacer, Handle | 1 |
| 24 | <u>105182701</u> | Plate, Upper Hinge | 1 |
| 25 | <u>105183001</u> | Glass Door Replacement, Rh | 1 |

1
G
E

1
G
E



001182-002

CAB ROOF

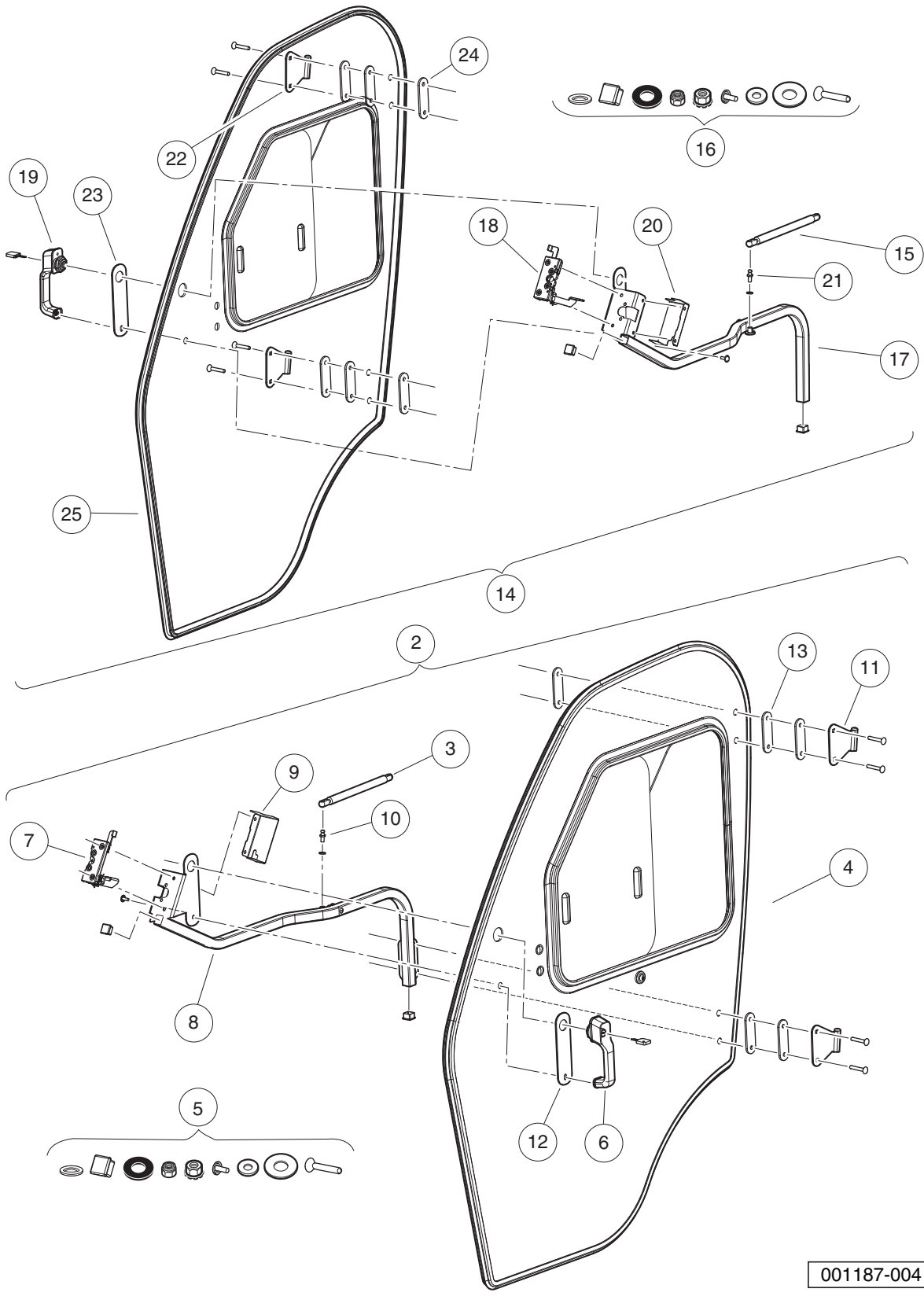
| ITEM | PART NO. | DESCRIPTION | QTY |
|------|--------------------|--|-----|
| | | 1 2 3 4 | |
| 1 | <u>105097001</u> | Kit, Cab, Canopy, Liner | 1 |
| 2 | <u>47552858001</u> | Kit, Cab Roof, Standard (includes items 3 through 9) | 1 |
| 3 | <u>47553013001</u> | Washer, Rubber, 5/16 ID-1-1/4 OD in. | 10 |
| 4 | <u>47553014001</u> | Washer, Chamfered, 5/16 ID-1-1/4 OD in. | 10 |
| 5 | <u>47553015001</u> | Screw, Torx, Pan-Hed, 5/16-18 x 1-1/4 in. | 10 |
| 6 | <u>47553777001</u> | Roof, Cab, Standard | 1 |
| 7 | <u>47554192001</u> | Clip Nut, 5/16-18 | 10 |
| 8 | <u>47570761001</u> | D-Seal, Roof | 2 |
| 9 | <u>47570762001</u> | P-Seal, Roof | 2 |
| 10 | <u>47552859001</u> | Kit, Cab, FOPS (includes items 11 through 18) | A/R |
| 11 | <u>47553012001</u> | Seal, Roof | 1 |
| 12 | <u>47553013001</u> | Washer, Rubber, 5/16 ID-1-1/4 OD in. | 10 |
| 13 | <u>47553014001</u> | Washer, Chamfered, 5/16 ID-1-1/4 OD in. | 10 |
| 14 | <u>47553015001</u> | Screw, Torx, Pan-Hed, 5/16-18 x 1-1/4 in. | 7 |
| 15 | <u>47553824001</u> | Roof, Cab, FOPS | 1 |
| 16 | <u>47553825001</u> | Screw, 5/16-18 x 1-1/4 in. Hex-Head Cap | 3 |
| 17 | <u>47555699001</u> | Decal, Fops, Cab | 1 |
| 18 | <u>47573611001</u> | Locknut, 5/16-18, Hex-Flange | 10 |

1

G

E

1
G
E

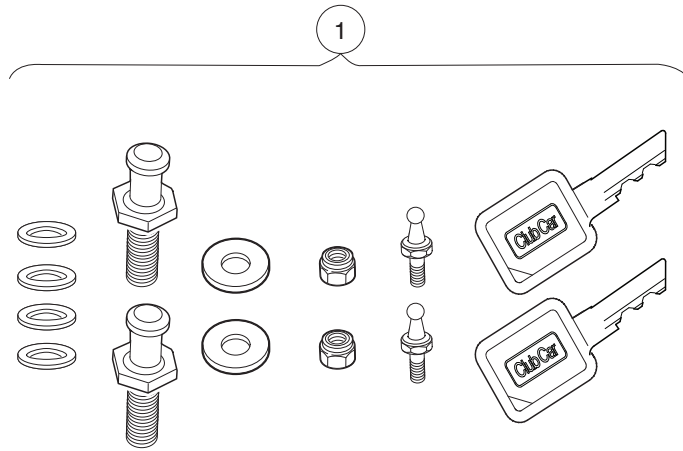


001187-004

CAB DOORS – GLASS WITH LH & RH SLIDING WINDOWS

| ITEM | PART NO. | DESCRIPTION | QTY |
|------|------------------|---|-----|
| | | 1 2 3 4 | |
| 1 | <u>105245901</u> | Kit, Doors, Glass, w/Sliding Windows, LH/RH (includes items 2 through 14) | 1 |
| 2 | <u>105181701</u> | Glass Door Asm, Lh (includes items 3 through 13) | 1 |
| 3 | <u>104001201</u> | Gas Spring | 1 |
| 4 | <u>105181801</u> | Glass Door Replacement, Lh | 1 |
| 5 | <u>105181901</u> | Hardware Kit, Glass Door | 1 |
| 6 | <u>105182001</u> | Handle, Push Button | 1 |
| 7 | <u>105182101</u> | Latch, Glass Door, Lh | 1 |
| 8 | <u>105182201</u> | Handle, Glass Door, Lh | 1 |
| 9 | <u>105182301</u> | Cover, Latch, Lh | 1 |
| 10 | <u>105182401</u> | Spring, Ball Stud | 1 |
| 11 | <u>105182501</u> | Hinge, Door | 2 |
| 12 | <u>105182601</u> | Spacer, Handle | 1 |
| 13 | <u>105182701</u> | Plate, Upper Hinge | 1 |
| 14 | <u>105265301</u> | Asm, Glass Door, Rh, W/slider (includes items 15 through 25) | 1 |
| 15 | <u>104001201</u> | Gas Spring | 1 |
| 16 | <u>105181901</u> | Hardware Kit, Glass Door | 1 |
| 17 | <u>105182002</u> | Handle, Glass Door, RH | 1 |
| 18 | <u>105182102</u> | Latch, Glass Door, Rh | 1 |
| 19 | <u>105182202</u> | Handle, Glass Door, Rh | 1 |
| 20 | <u>105182302</u> | Cover, Latch, Rh | 1 |
| 21 | <u>105182401</u> | Spring, Ball Stud | 1 |
| 22 | <u>105182501</u> | Hinge, Door | 2 |
| 23 | <u>105182601</u> | Spacer, Handle | 1 |
| 24 | <u>105182701</u> | Plate, Upper Hinge | 1 |
| 25 | <u>105265401</u> | Asm, Glass Dr Repl, Rh, W/sldr | 1 |

1
G
E



001438-001

HARDWARE KIT, DOOR STRIKER

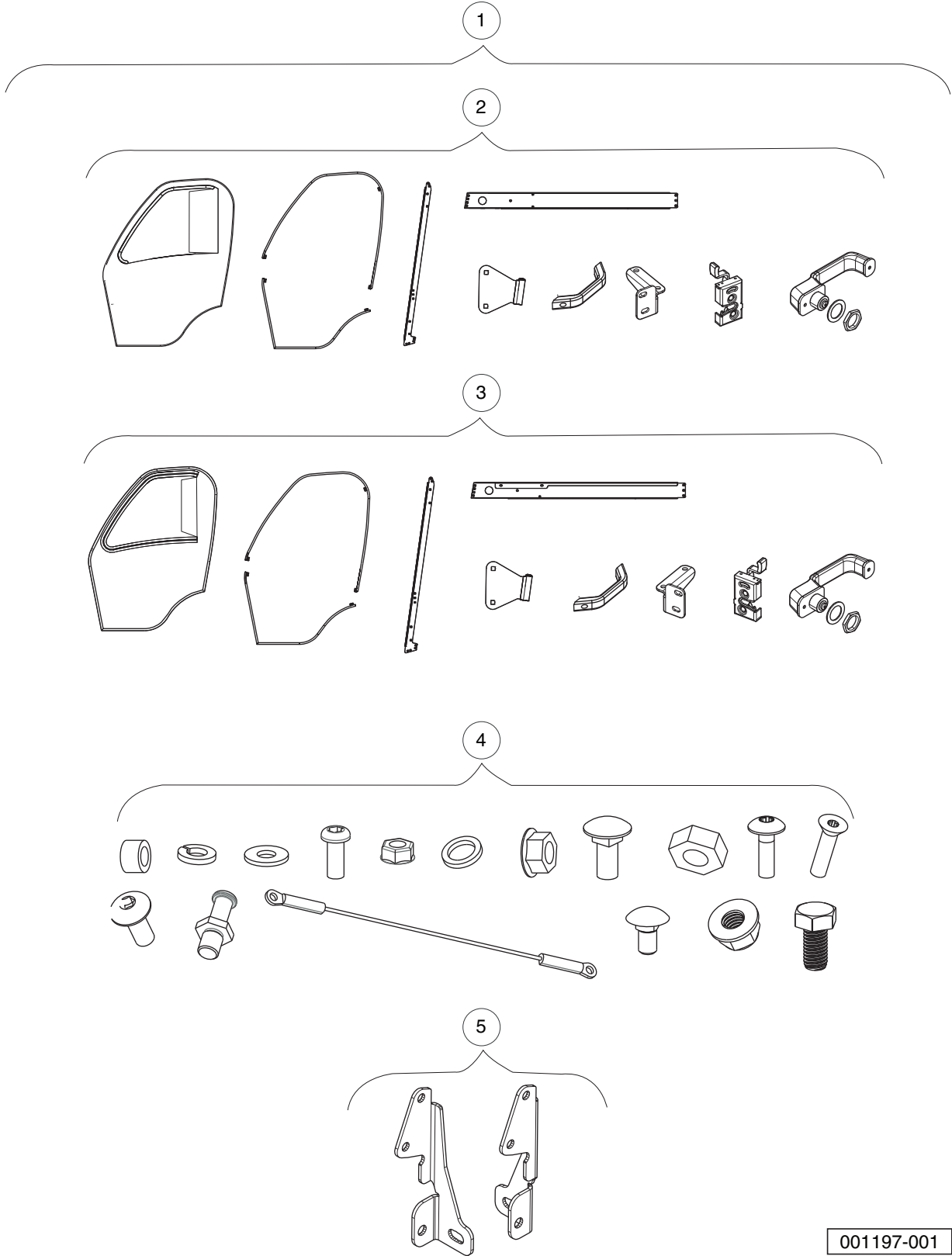
| ITEM | PART NO. | DESCRIPTION | QTY |
|------|------------------|--|-----|
| 1 | <u>105182801</u> | <p>1 2 3 4</p> <p>Hardware Kit, Door Striker</p> | 1 |

1

G

E

1
G
E



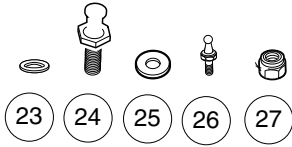
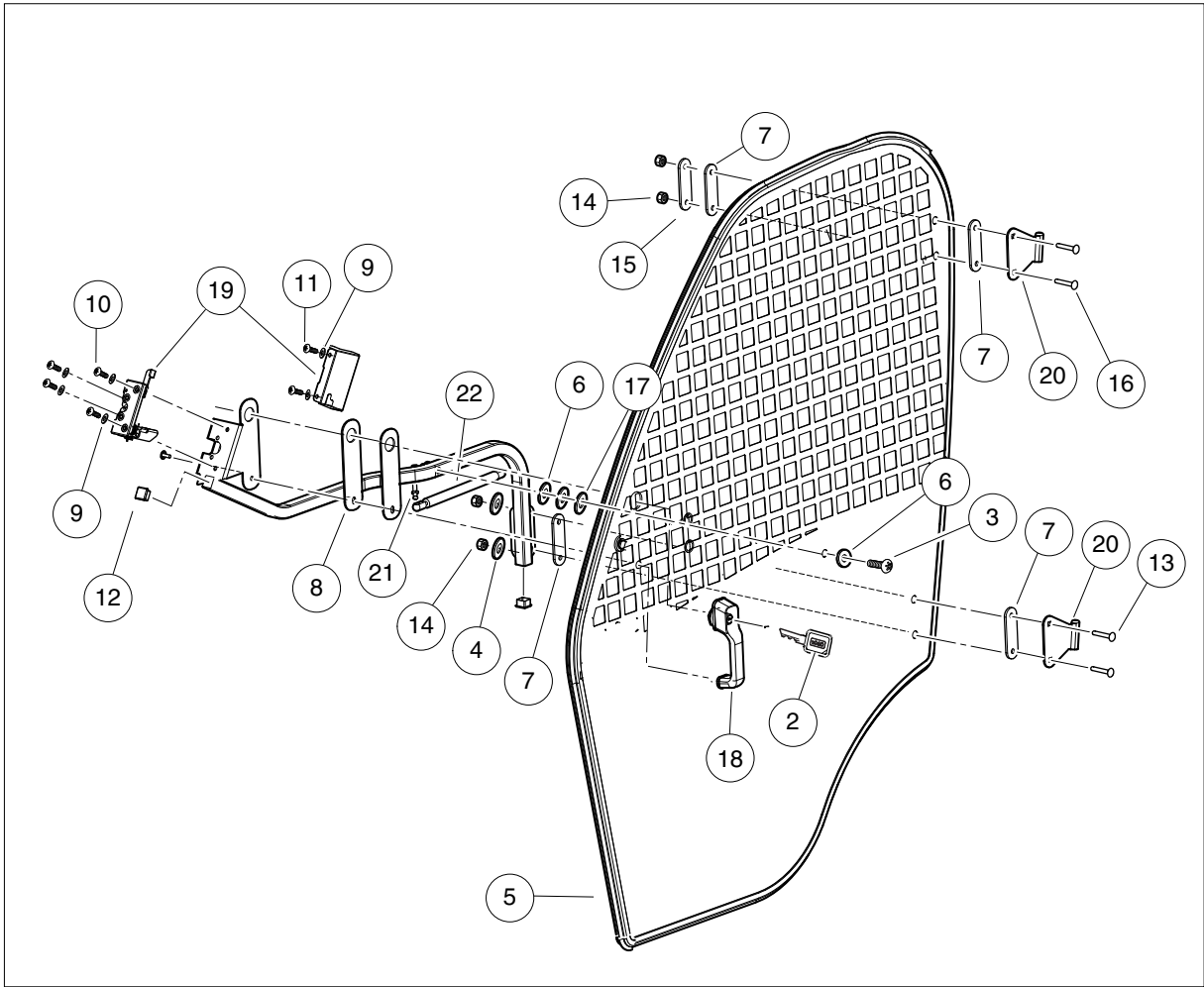
001197-001

CAB DOORS – SOFT

| ITEM | PART NO. | DESCRIPTION | QTY |
|------|------------------|---|-----|
| | | 1 2 3 4 | |
| 1 | <u>105097401</u> | Cab, Doors, Soft Kit (includes items 2 through 5) | 1 |
| 2 | <u>105183101</u> | Soft Door Asm, Lh | 1 |
| 3 | <u>105183201</u> | Soft Door Asm, Rh | 1 |
| 4 | <u>105183301</u> | Hardware, Soft Door | 1 |
| 5 | <u>105183401</u> | Hardware Kit, Soft Door Strike | 1 |

1
G
E

1



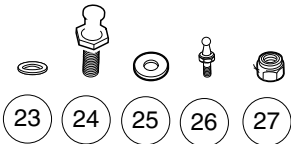
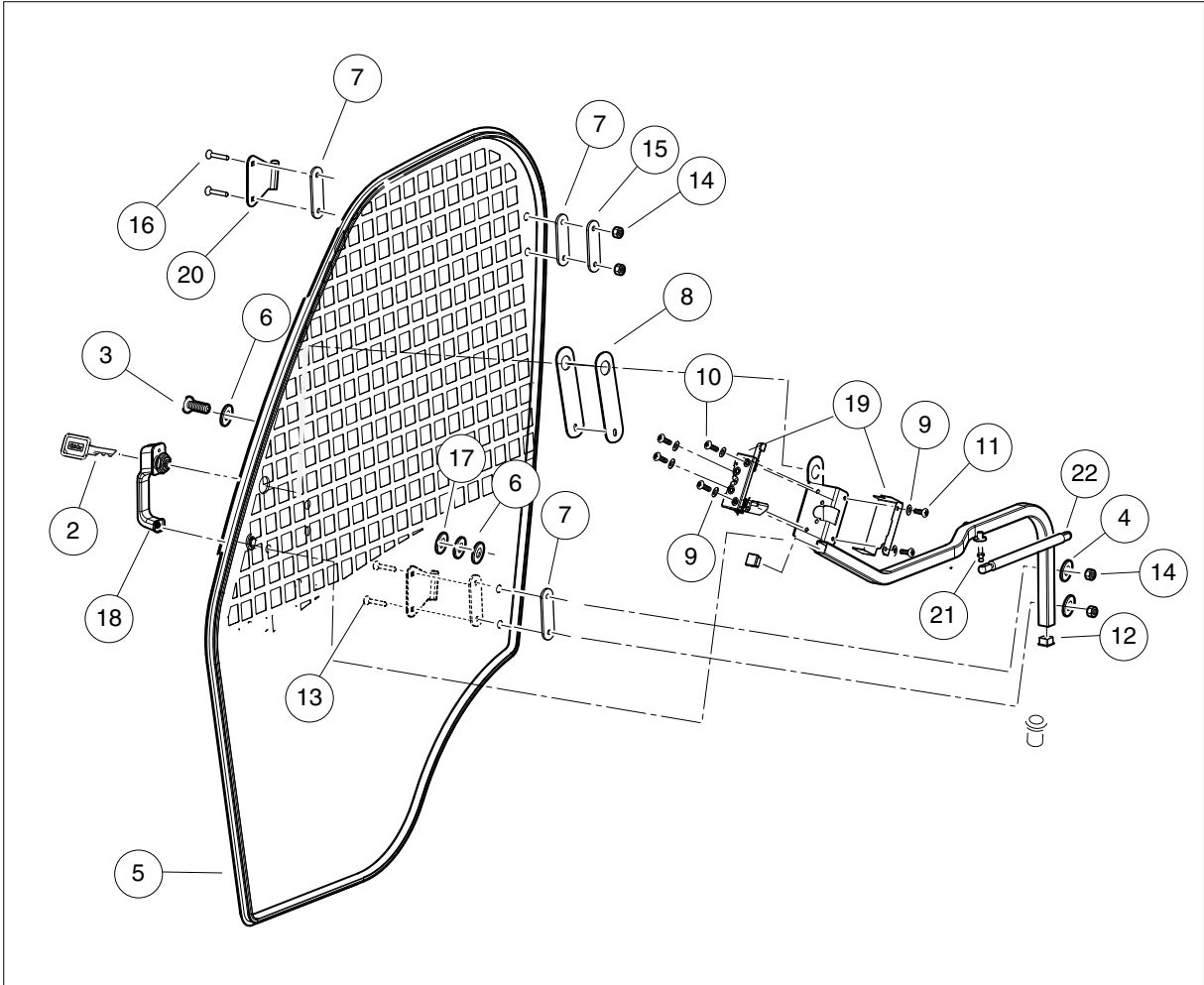
001195-003

CAB DOORS – RANGE, DRIVER-SIDE

| ITEM | PART NO. | DESCRIPTION | QTY |
|------|--------------------|--|-----|
| | | 1 2 3 4 | |
| 1 | <u>47555423001</u> | Asm, Door, Range, Lh (includes items 2 through 22) | 1 |
| 2 | <u>105068001</u> | Key, Uncommon, Padded 1a | 1 |
| 3 | <u>47553026001</u> | Scrw, 5/16-18x1.50", Pn Hd Trx | 3 |
| 4 | <u>47553027001</u> | Washer, 5/16" id X .875" od, Fw | 3 |
| 5 | <u>47553942001</u> | Seal, Windshld Frame, Lamntd | 1 |
| 6 | <u>47554388001</u> | Washer, 11/32" id X 1.25" od, Fw | 6 |
| 7 | <u>47555424001</u> | Shim, Door Hinge, Rubr, Range | 4 |
| 8 | <u>47555425001</u> | Shim, Dr Handle, Foam, Range | 2 |
| 9 | <u>47555426001</u> | Washer, 1/4" id X .485" od, Lw | 7 |
| 10 | <u>47555427001</u> | Scrw, M6-1.0 X 20", Pn Hd Trx | 4 |
| 11 | <u>47555428001</u> | Scrw, M6-1.0 X 10", Pn Hd Trx | 2 |
| 12 | <u>47555429001</u> | Plug, Cap, 1" Sq. Tube | 2 |
| 13 | <u>47555430001</u> | Bolt, 5/16-18 X 1.50", Carr | 2 |
| 14 | <u>47555431001</u> | Locknut, 5/16-18, Hex | 5 |
| 15 | <u>47555432001</u> | Plate, Door Hinge, Range | 1 |
| 16 | <u>47555433001</u> | Bolt, 5/16-18 X 1.25", Carr | 2 |
| 17 | <u>47555434001</u> | Washer, 5/16" id X 1.25" od, Rbr | 2 |
| 18 | <u>47555435001</u> | Asm, Door Handle, Range | 1 |
| 19 | <u>47555436001</u> | Asm, Latch Mech, Door, Rng, Lh | 1 |
| 20 | <u>47555437001</u> | Wldmnt, Door Hinge, Range | 2 |
| 21 | <u>47555446001</u> | Stud, Ball, Gas Spring | 1 |
| 22 | <u>47555451001</u> | Spring, Gas, Cab | 1 |
| 23 | <u>47555441001</u> | Washer, .443" id X .630" od | 2 |
| 24 | <u>47555442001</u> | Striker, Latch, Door, Cab | 1 |
| 25 | <u>47555443001</u> | Washer, 1/2" id X 1.25" od, Fw | 2 |
| 26 | <u>47555446001</u> | Stud, Ball, Gas Spring | 1 |
| 27 | <u>47555447001</u> | Nut, 7/16-14, Hex Hd Flng | 1 |

1
G
E

1

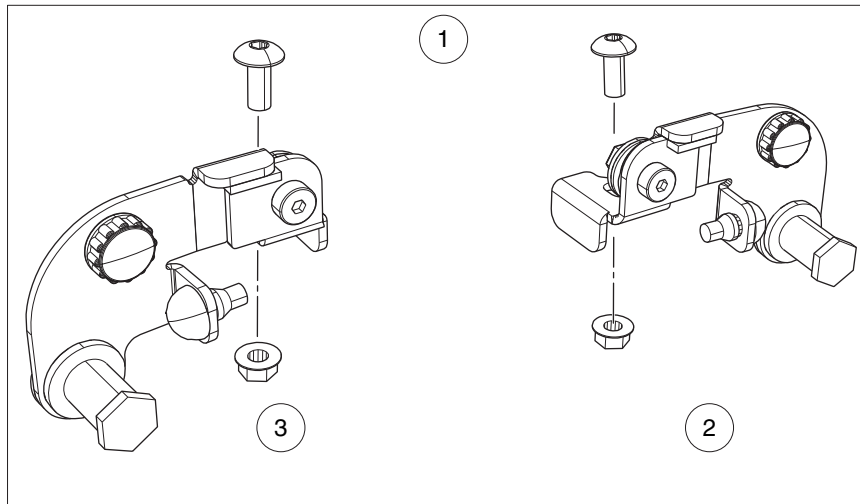


001195-004

CAB DOORS – RANGE, PASSENGER-SIDE

| ITEM | PART NO. | DESCRIPTION | QTY |
|------|--------------------|--|-----|
| | | 1 2 3 4 | |
| 1 | <u>47555423002</u> | Asm, Door, Range, Rh (includes items 2 through 22) | 1 |
| 2 | <u>105068001</u> | Key, Uncommon, Padded 1a | 1 |
| 3 | <u>47553026001</u> | Scrw, 5/16-18x1.50", Pn Hd Trx | 3 |
| 4 | <u>47553027001</u> | Washer, 5/16" id X .875" od, Fw | 3 |
| 5 | <u>47553942001</u> | Seal, Windshld Frame, Lamntd | 1 |
| 6 | <u>47554388001</u> | Washer, 11/32" id X 1.25" od, Fw | 6 |
| 7 | <u>47555424001</u> | Shim, Door Hinge, Rubr, Range | 4 |
| 8 | <u>47555425001</u> | Shim, Dr Handle, Foam, Range | 2 |
| 9 | <u>47555426001</u> | Washer, 1/4" id X .485" od, Lw | 7 |
| 10 | <u>47555427001</u> | Scrw, M6-1.0 X 20", Pn Hd Trx | 4 |
| 11 | <u>47555428001</u> | Scrw, M6-1.0 X 10", Pn Hd Trx | 2 |
| 12 | <u>47555429001</u> | Plug, Cap, 1" Sq. Tube | 2 |
| 13 | <u>47555430001</u> | Bolt, 5/16-18 X 1.50", Carr | 2 |
| 14 | <u>47555431001</u> | Locknut, 5/16-18, Hex | 5 |
| 15 | <u>47555432001</u> | Plate, Door Hinge, Range | 1 |
| 16 | <u>47555433001</u> | Bolt, 5/16-18 X 1.25", Carr | 2 |
| 17 | <u>47555434001</u> | Washer, 5/16" id X 1.25" od, Rbr | 2 |
| 18 | <u>47555435001</u> | Asm, Door Handle, Range | 1 |
| 19 | <u>47555436002</u> | Asm, Latch Mech, Door, Rng, Rh | 1 |
| 20 | <u>47555437001</u> | Wldmnt, Door Hinge, Range | 2 |
| 21 | <u>47555446001</u> | Stud, Ball, Gas Spring | 1 |
| 22 | <u>47555451001</u> | Spring, Gas, Cab | 1 |
| 23 | <u>47555441001</u> | Washer, .443" id X .630" od | 4 |
| 24 | <u>47555442001</u> | Striker, Latch, Door, Cab | 2 |
| 25 | <u>47555443001</u> | Washer, 1/2" id X 1.25" od, Fw | 4 |
| 26 | <u>47555446001</u> | Stud, Ball, Gas Spring | 2 |
| 27 | <u>47555447001</u> | Nut, 7/16-14, Hex Hd Flng | 2 |

1
G
E

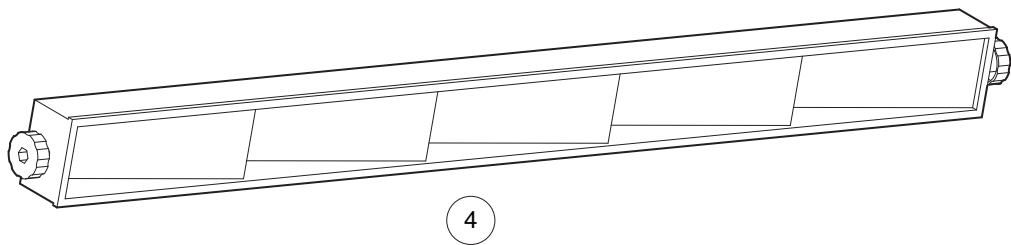
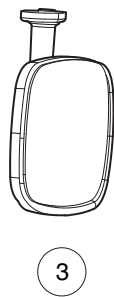
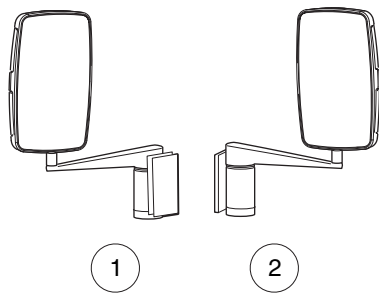


001143-002

CAB DOORS – VENT

| ITEM | PART NO. | DESCRIPTION | QTY |
|------|------------------|--|-----|
| | | 1 2 3 4 | |
| 1 | 105097501 | Cab, Door, Vent Kit (includes items 2 and 3) | 1 |
| 2 | <u>105178301</u> | Door Vent Lh | 1 |
| 3 | <u>105178401</u> | Door Vent Rh | 1 |





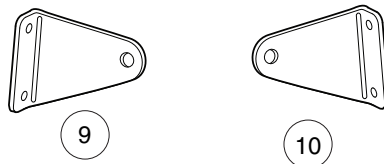
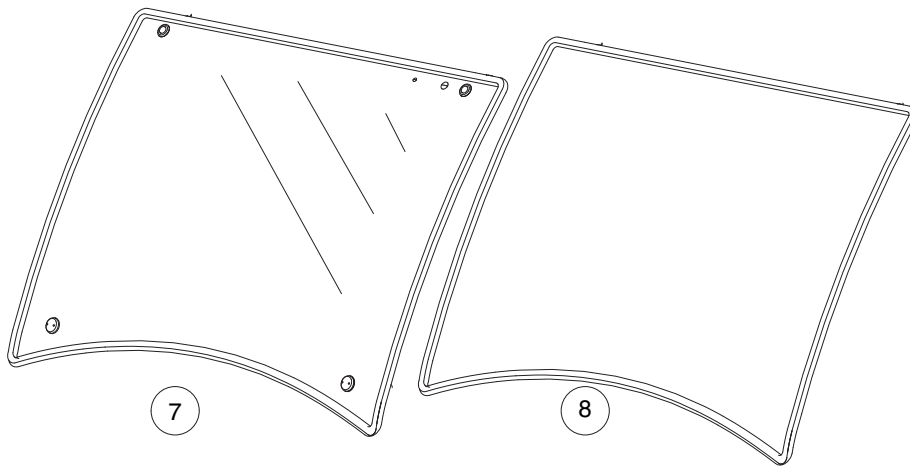
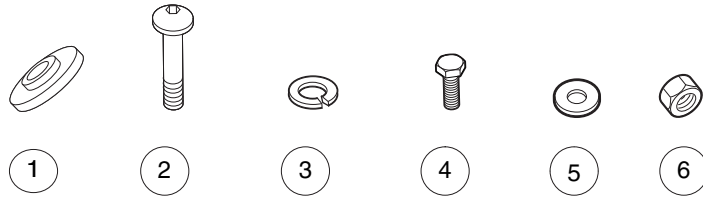
001198-001

CAB - MIRRORS

| ITEM | PART NO. | DESCRIPTION | QTY |
|------|------------------|-------------------------------------|-----|
| | | 1 2 3 4 | |
| 1 | <u>105098501</u> | Cab, Mirror, Left Hand Kit | 1 |
| 2 | <u>105098502</u> | Cab Passenger Side Mirror Kit | 1 |
| 3 | <u>105098701</u> | Cab, Mirror, Interior Kit | 1 |
| 4 | <u>105289301</u> | Kit, Mirror, 5 Panel, Cab | 1 |

1
G
E

1
G
E

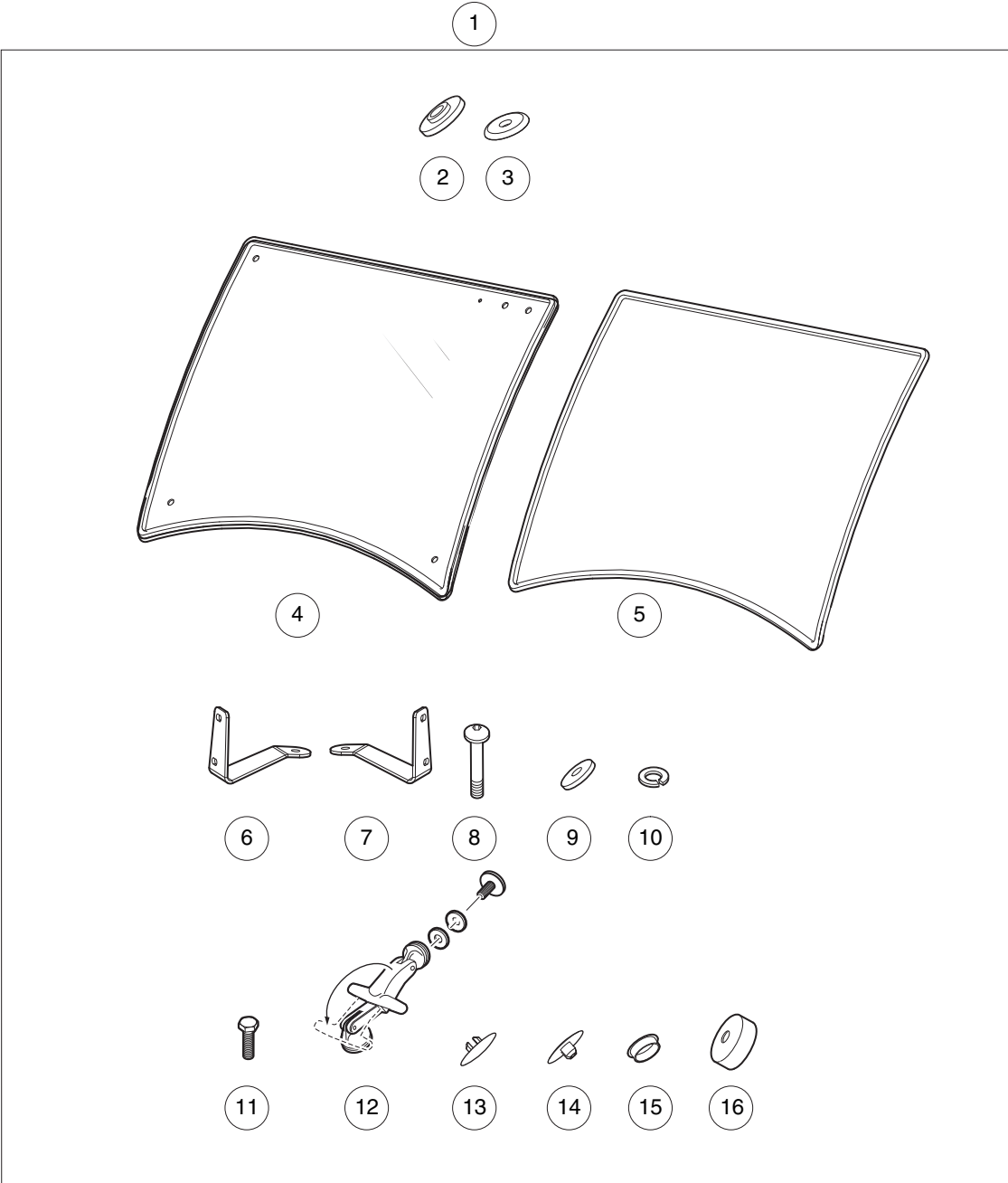


001186-003

CAB – WINDSHIELD, RANGE, (POLY)

| ITEM | PART NO. | DESCRIPTION | QTY |
|------|--------------------|--|-----|
| | | 1 2 3 4 | |
| 1 | <u>47553013001</u> | Washer, Rubber, 5/16 ID-1-1/4 OD in. | 22 |
| 2 | <u>47553015001</u> | Screw, Torx, Pan-Hed, 5/16-18 x 1-1/4 in. | 4 |
| 3 | <u>47553028001</u> | Washer, Lock, 5/16 in. | 4 |
| 4 | <u>47553029001</u> | Screw, Hex-Head, M8 x 16 mm | 4 |
| 5 | <u>47554388001</u> | Washer, Flat, 11/35 x 1-1/4 in. | 8 |
| 6 | <u>47555431001</u> | Locknut, 5/16-18 in. | 2 |
| 7 | <u>47555438001</u> | ASM, Windshield and Seal, Polycarb | 1 |
| 8 | <u>47555439001</u> | Seal, Window Trim, Polycarb | 1 |
| 9 | <u>47555440001</u> | Bracket, Windshield, Polycarb, Driver-side | 1 |
| 10 | <u>47555440002</u> | Bracket, Windshield, Polycarb, Passenger side | 1 |

1
G
E

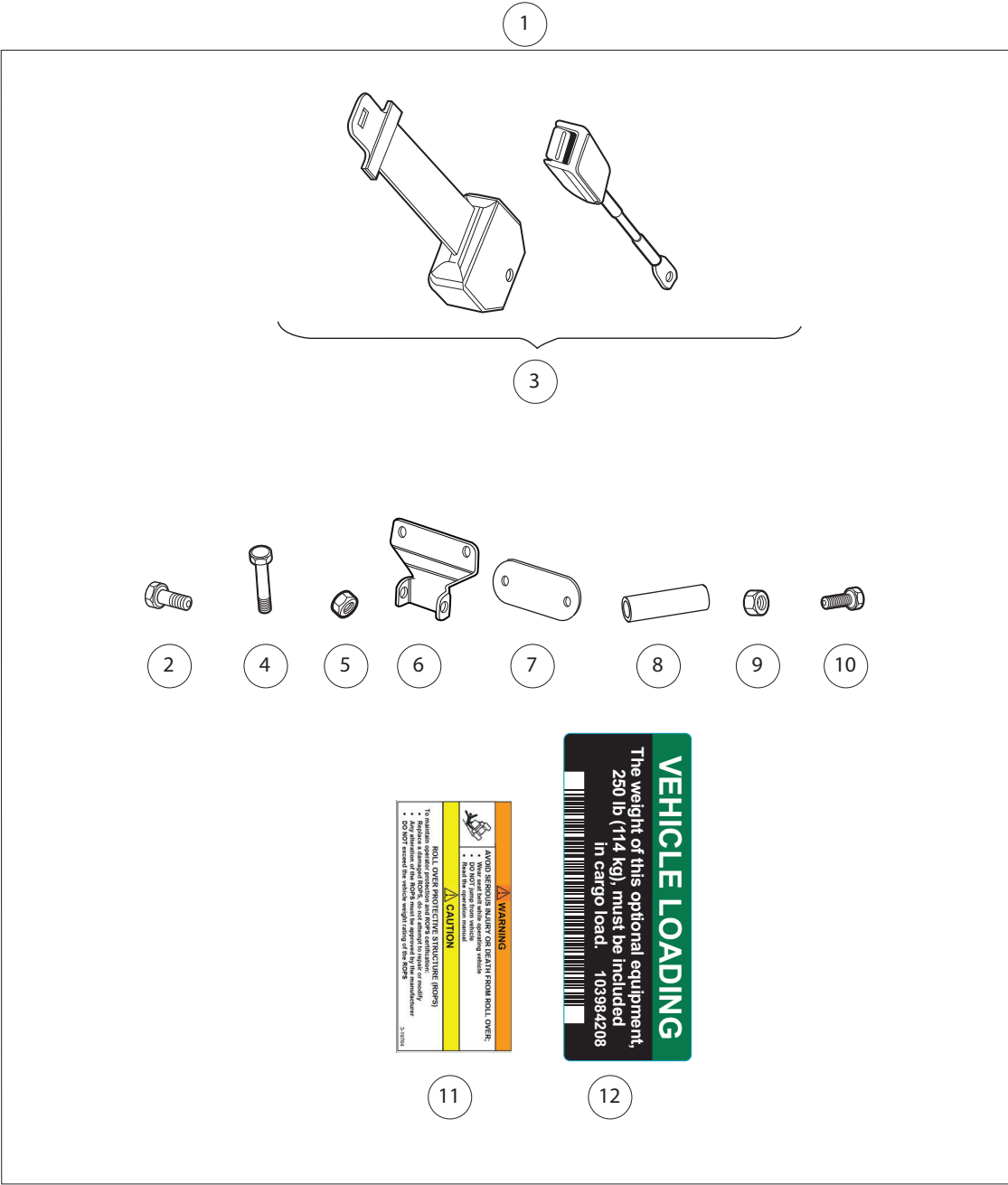


001184-004

CAB – WINDSHIELD (TEMPERED)

| ITEM | PART NO. | DESCRIPTION | QTY | |
|------|--------------------|--|-----|----------|
| | | 1 2 3 4 | | 1 |
| 1 | <u>47552860001</u> | Kit, WindshIELD, Tempered, Cab (includes items 2 through 16) | 1 | G |
| 2 | <u>47553013001</u> | Washer, Rubber, 5/16 ID-1-1/4 OD in. | 4 | E |
| 3 | <u>47553014001</u> | Washer, Chamfered, 5/16 ID-1-1/4 OD in. | 2 | |
| 4 | <u>47553021001</u> | ASM, Windshield, with seal, Tempered, Cab | 1 | |
| 5 | <u>47553024001</u> | Seal, Window Trim, Tempered | 1 | |
| 6 | <u>47553025001</u> | Mount, T-Handle (passenger side) | 1 | |
| 7 | <u>47553025002</u> | Mount, T-Handle (driver side) | 1 | |
| 8 | <u>47553026001</u> | Screw, Pan-Head Torx, 5/16-18 x 1-1/2 in. | 2 | |
| 9 | <u>47553027001</u> | Washer, Flat, 3/8 x 7/8 in. | 6 | |
| 10 | <u>47553028001</u> | Washer, Lock, 5/16 in. | 2 | |
| 11 | <u>47553029001</u> | Screw, Hex-Head, M8 x 16 mm | 6 | |
| 12 | <u>47553030001</u> | ASM, T-Handle | 2 | |
| 13 | <u>47553031001</u> | Plug, Hole, Female, 5/8 in. | 1 | |
| 14 | <u>47553032001</u> | Plug, Hole, Male, 5/8 in. | 1 | |
| 15 | <u>47553033001</u> | Plug, Hole, 3/8 in. | 2 | |
| 16 | <u>47553948001</u> | Plastic Spacer | 2 | |

1
G
E



001180-002

CAB – 2-POINT SEAT BELTS

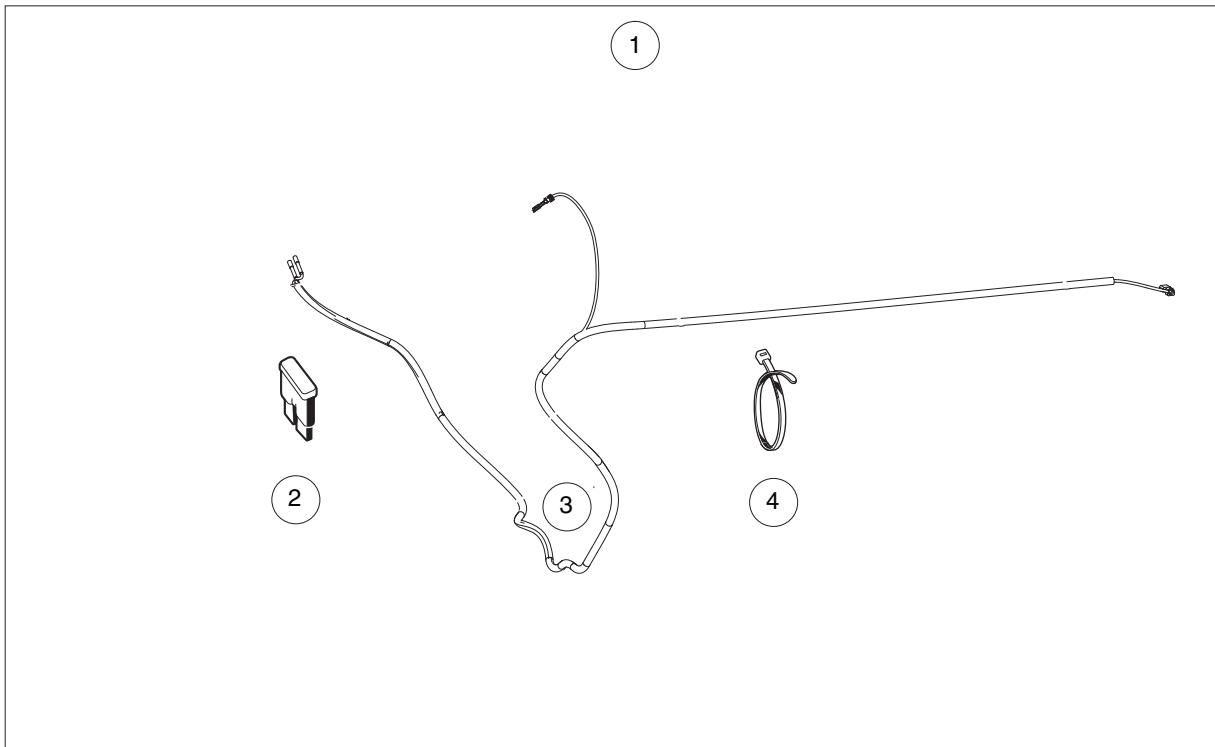
| ITEM | PART NO. | DESCRIPTION | QTY |
|------|--------------------|--|-----|
| | | 1 2 3 4 | |
| 1 | <u>47552865001</u> | Kit, 2-Point Seat Belt (includes items 2 through 12) | 1 |
| 2 | 47552872001 | Screw, Hex-Head Cap, 3/8-16 x 1 in. | 2 |
| 3 | 47554720001 | ASM, Seat Belt, 2-Point | 2 |
| 4 | 47554721001 | Screw, Cap, Hex-Head, 7/16-14 x 2-1/2 in. | 2 |
| 5 | 47554722001 | Locknut, Hex, 7/16-14 | 4 |
| 6 | 47554723001 | Bracket, Center Mount, 2-Point Seat Belt | 1 |
| 7 | 47554724001 | Plate, Backing, Center Mount, 2-Point Seat Belt | 1 |
| 8 | 47554726001 | Spacer, Retractor, 1/2 x 9/16 in. | 2 |
| 9 | 47554727001 | Locknut, Center, 3/8-16 in. | 2 |
| 10 | 47554728001 | Screw, Cap, Hex-Head, 7/16-14 x 1 in. | 2 |
| 11 | 47554730001 | Decal, Warn, Rops | 1 |
| 12 | 47554731001 | Decal, Weight, Reduce | 1 |

1
G
E

1

G

E



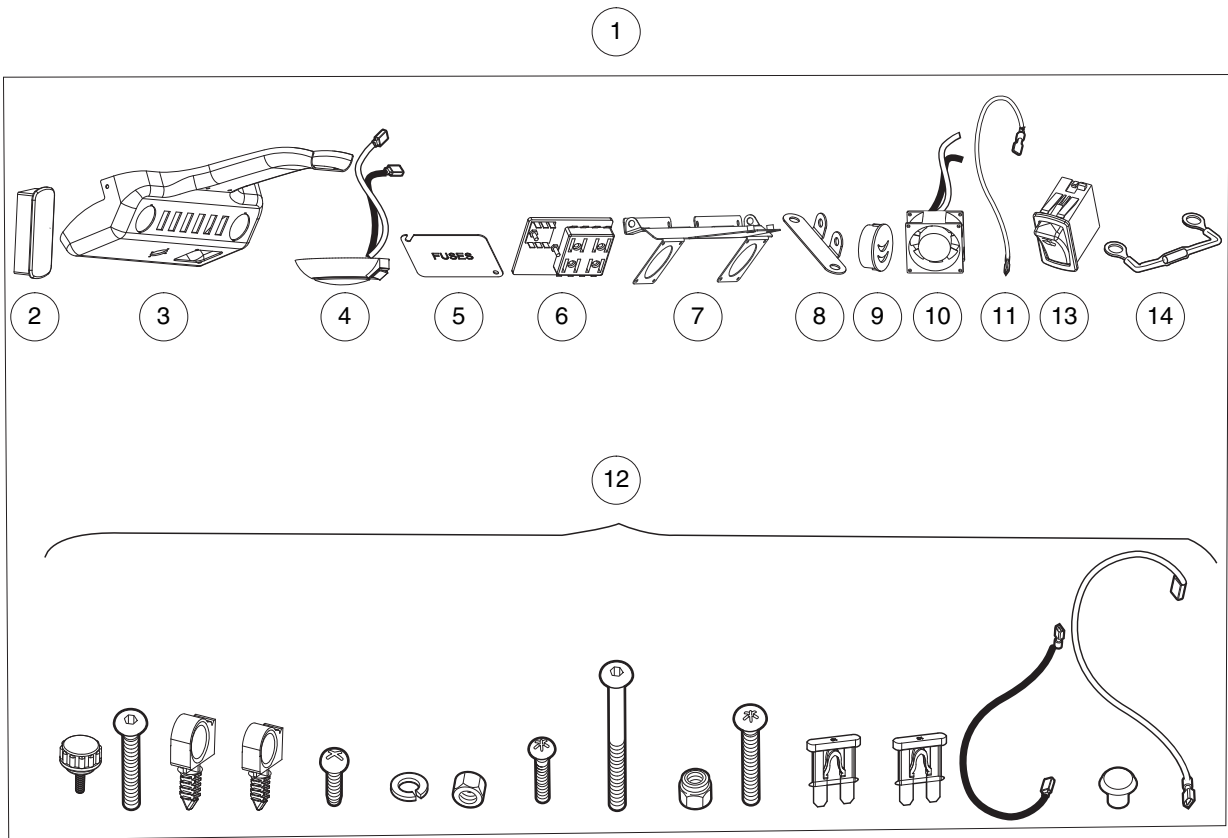
001193-001

CAB – ELECTRICAL, POWER HARNESS, ELECTRIC VEHICLE TO CAB

| ITEM | PART NO. | DESCRIPTION | QTY |
|------|------------------|---|-----|
| | | 1 2 3 4 | |
| 1 | <u>105234002</u> | Kit, Cab Pwr Harness, Elec (includes items 2 through 4) | 1 |
| 2 | <u>105114807</u> | Fuse, Mini, Atm, 15 Amp | 1 |
| 3 | <u>105205501</u> | Harn, Pwr Supply, Cab | 1 |
| 4 | <u>8639</u> | Tie Wrap, 11" Nylon | 5 |

1
G
E

1
G
E



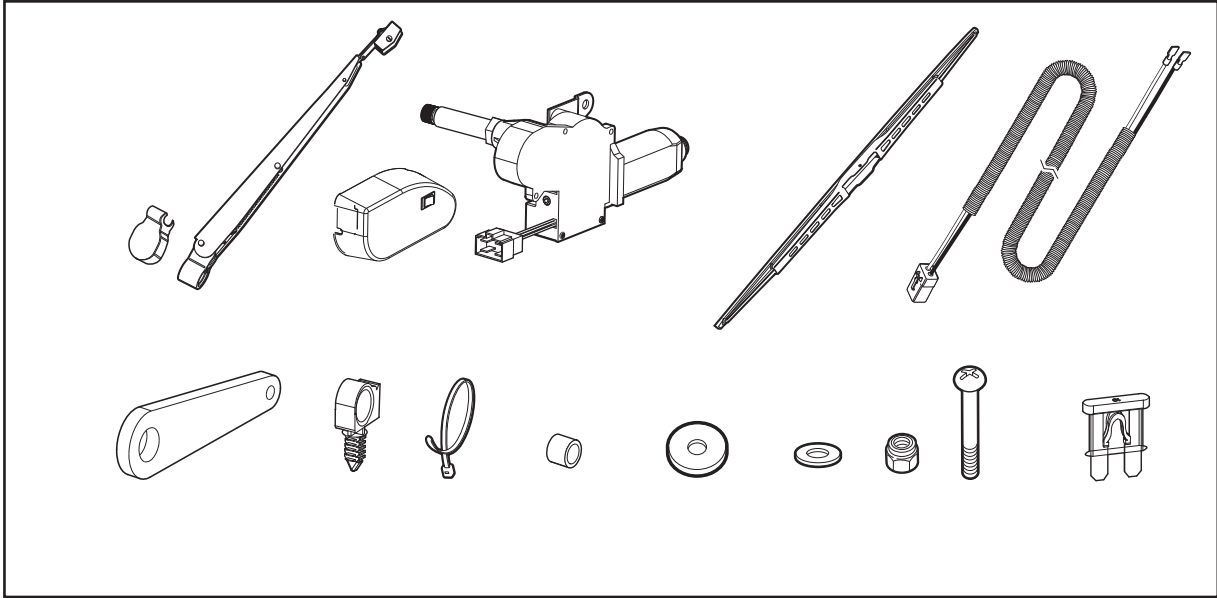
001188-002

CAB – ELECTRICAL, OVERHEAD CONSOLE

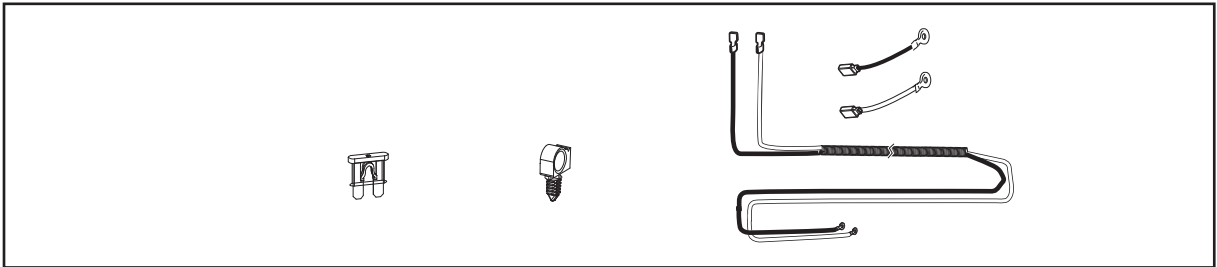
| ITEM | PART NO. | DESCRIPTION | QTY |
|------|------------------|--|-----|
| | | 1 2 3 4 | |
| 1 | <u>105097901</u> | Cab, Overhead Console, Kit (includes items 2 through 14) | 1 |
| 2 | <u>103180101</u> | Cover, Hole, Switch, Rocker | 5 |
| 3 | <u>105179001</u> | Overhead Console Asm | 1 |
| 4 | <u>105179101</u> | Cab, Dome Light | 1 |
| 5 | <u>105179201</u> | Cab, Fuse Cover | 1 |
| 6 | <u>105179301</u> | Cab, Fuse Holder 8 W Grnd | 1 |
| 7 | <u>105179401</u> | Front Fan Bracket, Asm | 1 |
| 8 | <u>105179501</u> | Rear Oh Console Bracket | 1 |
| 9 | <u>105179601</u> | Fan Louver | 2 |
| 10 | <u>105179701</u> | Oh Console Fan | 1 |
| 11 | <u>105179801</u> | Wire Jumper, Fan | 1 |
| 12 | <u>105179901</u> | Hardware Kit, Oh Console | 1 |
| 13 | <u>105183501</u> | Rocker, Fan | 1 |
| 14 | <u>105295301</u> | Asm, Capacitor, 0.47uf | 1 |

1
G
E

1
G
E



1



2

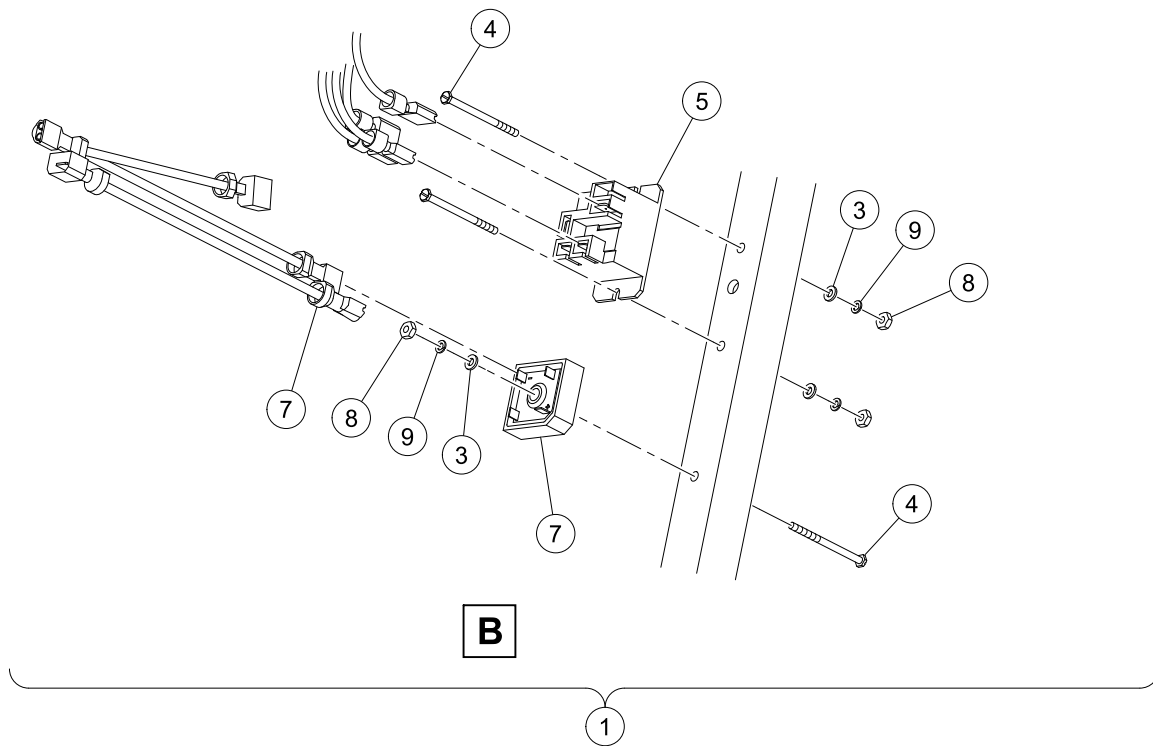
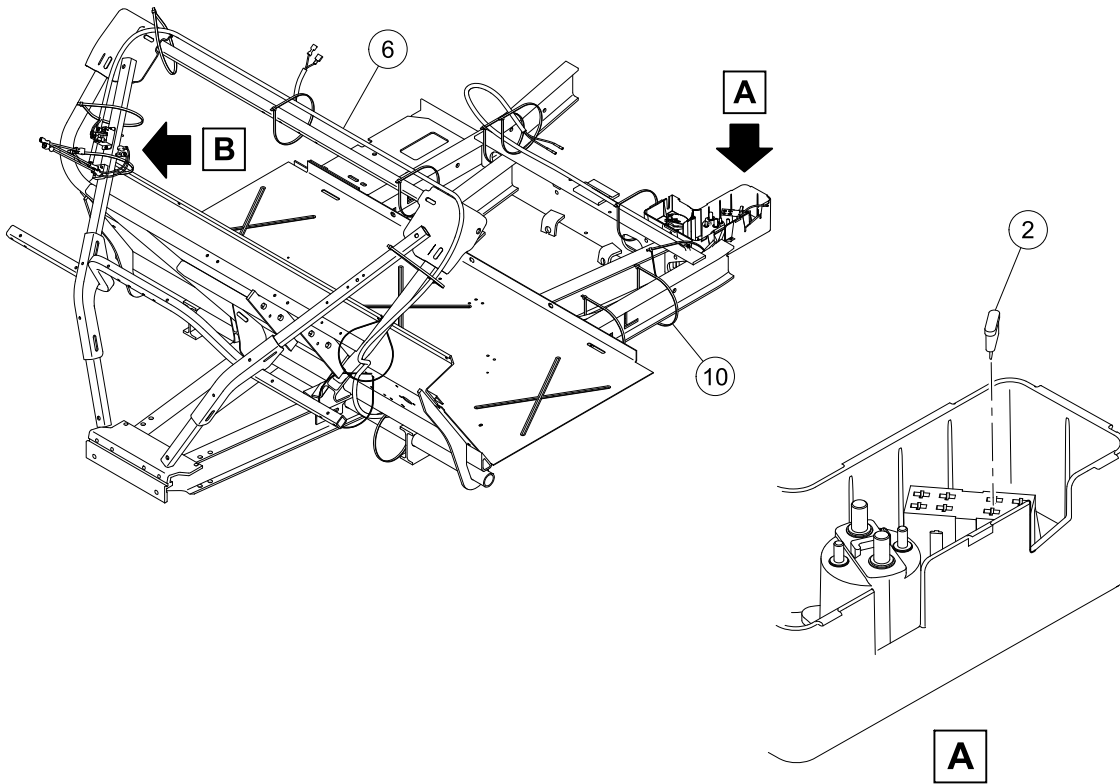
001190-001

CAB – ELECTRICAL, WINDSHIELD WIPER

| ITEM | PART NO. | DESCRIPTION | QTY |
|---|------------------|--|-----|
| 1 | <u>105098001</u> | 1 2 3 4 Cab, Front Wiper Kit | 1 |
| 2 | <u>105098002</u> | Cab, Wiper Power Harness Kit (w/o Console) | A/R |
| <p>Note: Vehicles not equipped with an overhead console will require kit part number <u>105098001</u>, Front Wiper Kit, and <u>105098002</u>, Cab Wiper Power Harness Kit. Vehicles equipped with an overhead console are wired for wiper power and require only the <u>105098001</u>, Front Wiper Kit.</p> | | | |

1
G
E

1
G
E



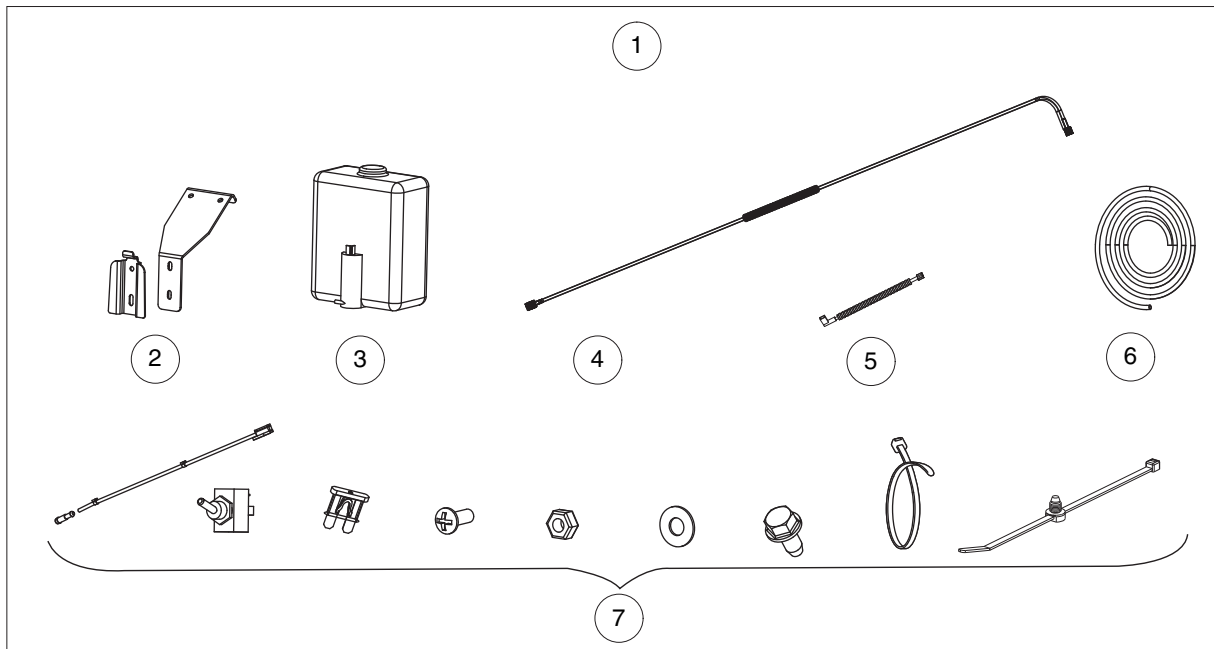
G-131099-000004

CAB – ELECTRICAL, CAB POWER HARNESS, GASOLINE VEHICLE TO CAB

| ITEM | PART NO. | DESCRIPTION | QTY |
|------|--------------------|---|-----|
| | | 1 2 3 4 | |
| 1 | <u>105234102</u> | Kit, Cab Pwr Harness, Gas (includes items 2 through 10) | 1 |
| 2 | <u>1012295</u> | Fuse, 10-Amp | 1 |
| 3 | 1012431 | Washer, #4 Flat | 3 |
| 4 | <u>1015878</u> | Screw, #4-40 Hex Head Machine | 3 |
| 5 | <u>102199001</u> | Relay, 12-Volt | 1 |
| 6 | <u>105236301</u> | Harness, Pwr, Cab, Gas | 1 |
| 7 | <u>47604303001</u> | Voltage Limiter, Gas | 1 |
| 8 | <u>8057</u> | Nut, #4-40 Hex Machine | 3 |
| 9 | <u>8058</u> | Lockwasher, #4 Split | 3 |
| 10 | <u>8639</u> | Tie Wrap, 11" Nylon | 17 |

1
G
E

1
G
E



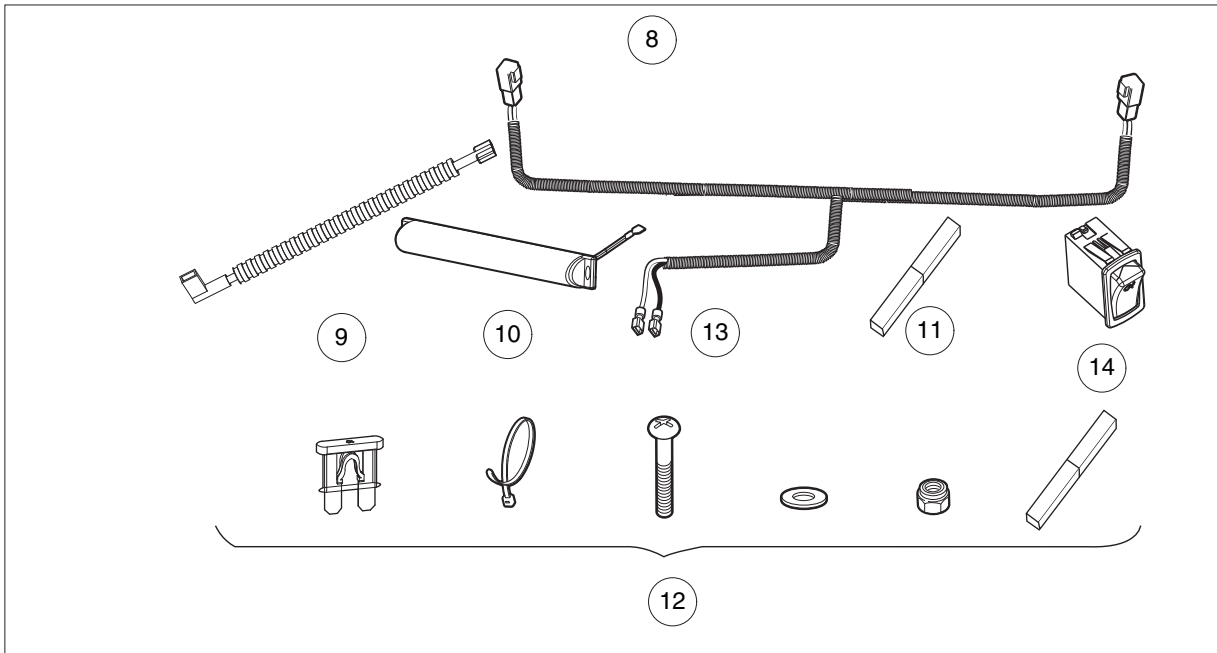
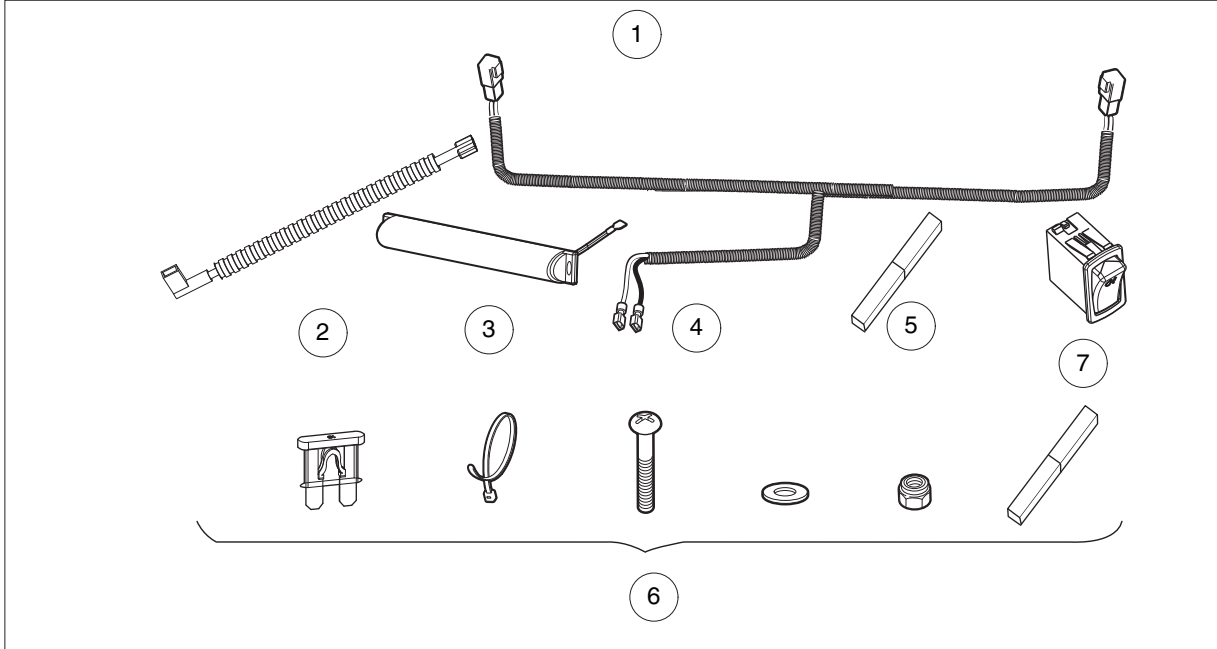
001189-001

CAB – ELECTRICAL, WINDSHIELD WASHER

| ITEM | PART NO. | DESCRIPTION | QTY |
|------|------------------|---|-----|
| | | 1 2 3 4 | |
| 1 | <u>105098101</u> | Cab, Front Wiper, Washer Kit (includes items 2 through 7) | 1 |
| 2 | <u>105180301</u> | Washer Tank Mount Plate | 1 |
| 3 | <u>105180401</u> | Wash Tank Asm | 1 |
| 4 | <u>105180501</u> | Wire Harness Sw To Pump | 1 |
| 5 | <u>105180601</u> | Wire Harness Fb To Sw | 1 |
| 6 | <u>105180701</u> | Hose 18x31x17ft | 1 |
| 7 | <u>105180801</u> | Hardware Kit, Wiper Washer | 1 |

1
G
E

1
G
E



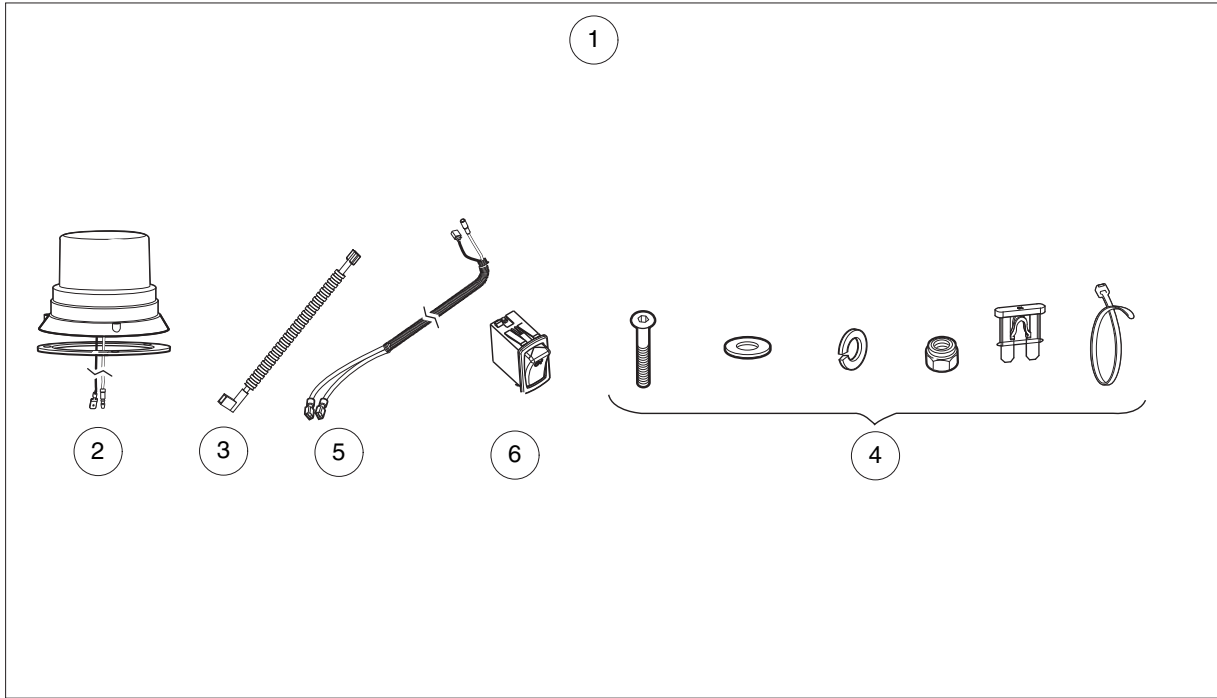
001191-001

CAB – ELECTRICAL, WORK LIGHTS

| ITEM | PART NO. | DESCRIPTION | QTY |
|------|------------------|--|-----|
| | | 1 2 3 4 | |
| 1 | <u>105098201</u> | Cab, Front Work Light Kit (includes items 2 through 7) | 1 |
| 2 | <u>105180601</u> | Wire Harness Fb To Sw | 1 |
| 3 | <u>105180901</u> | Cab Work Light Led | 2 |
| 4 | <u>105181001</u> | Wire Harn Front WI | 1 |
| 5 | <u>105181101</u> | Work Light Tape | 2 |
| 6 | <u>105181301</u> | Hardware Kit, Work Light | 1 |
| 7 | <u>105183601</u> | Switch, Rocker, Front Work Light | 1 |
| 8 | <u>105098301</u> | Cab, Rear Work Light Kit (includes items 9 through 14) | 1 |
| 9 | <u>105180601</u> | Wire Harness Fb To Sw | 1 |
| 10 | <u>105180901</u> | Cab Work Light Led | 2 |
| 11 | <u>105181101</u> | Work Light Tape | 2 |
| 12 | <u>105181301</u> | Hardware Kit, Work Light | 1 |
| 13 | <u>105181401</u> | Wire Harn Rear WI | 1 |
| 14 | <u>105181501</u> | Rocker Rear WI | 1 |

1
G
E

1
G
E



001192-001

CAB – ELECTRICAL, WARNING BEACON

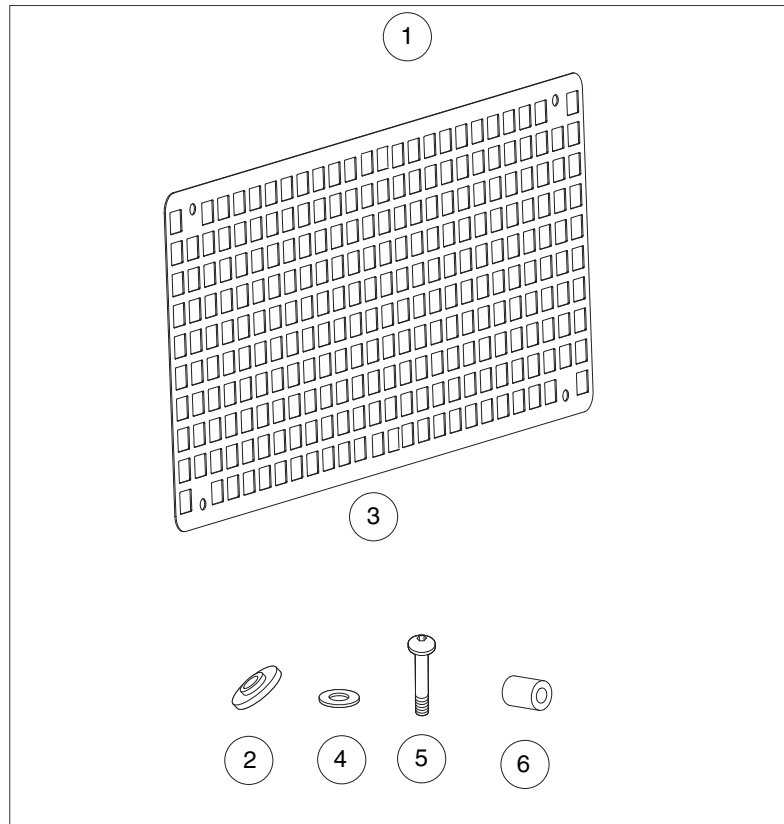
| ITEM | PART NO. | DESCRIPTION | QTY |
|------|------------------|--|-----|
| | | 1 2 3 4 | |
| 1 | <u>105098401</u> | Cab, Warning Beacon Kit (includes items 2 through 6) | 1 |
| 2 | <u>104002101</u> | Light, Strobe, Amber | 1 |
| 3 | <u>105180601</u> | Wire Harness Fb To Sw | 1 |
| 4 | <u>105181201</u> | Hardware Kit, Beacon Kit | 1 |
| 5 | <u>105181601</u> | Wire Harness Sw To Beac | 1 |
| 6 | <u>105183801</u> | Rocker Beacon | 1 |

1
G
E

1

G

E

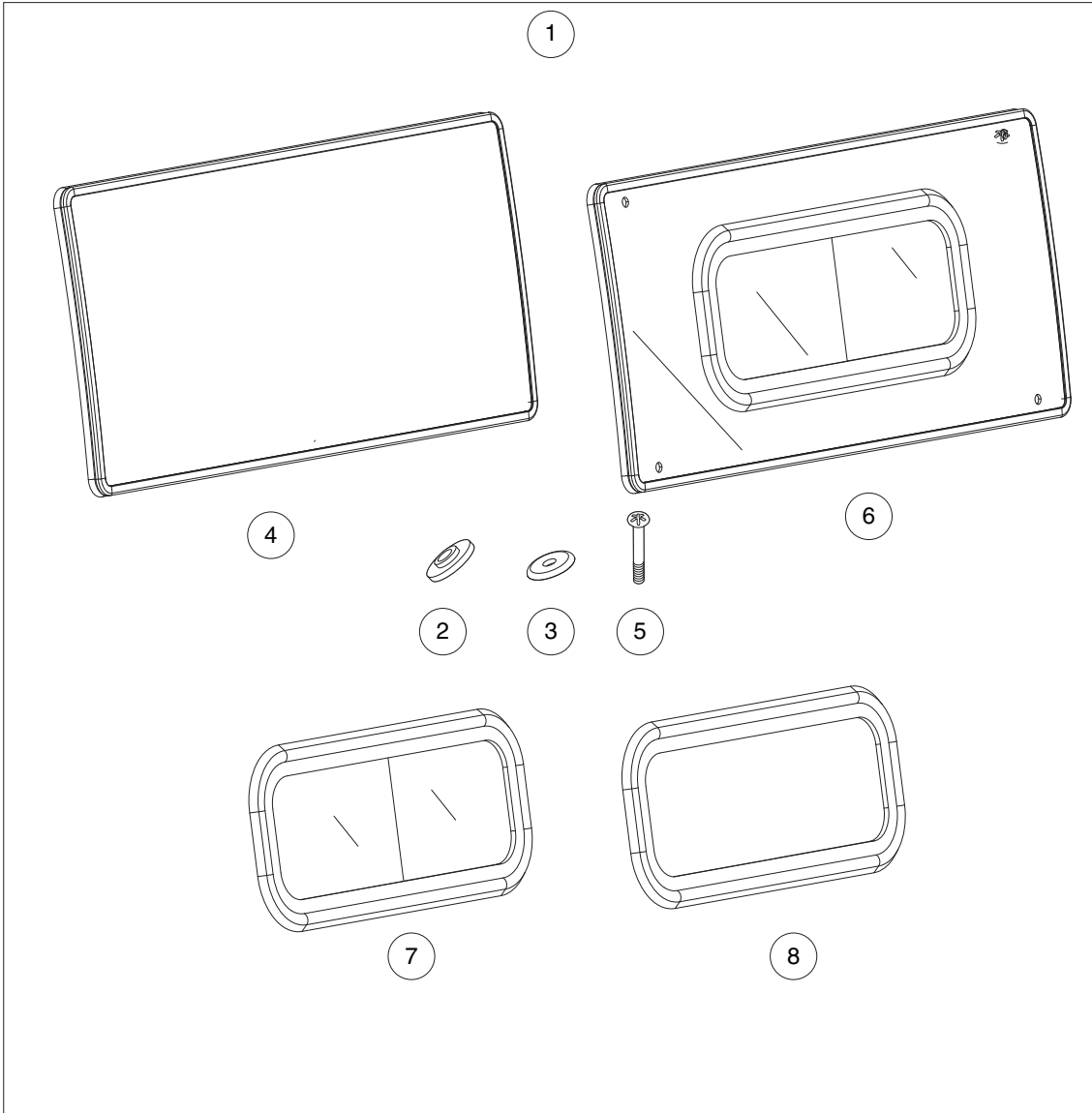


001185-004

CAB – REAR WINDOW SCREEN

| ITEM | PART NO. | DESCRIPTION | QTY |
|------|-------------|--|-----|
| | | 1 2 3 4 | |
| 1 | 47552864001 | Kit, Cab Rear Window Screen (includes items 2 through 6) | 1 |
| 2 | 47553013001 | Washer, Rubber, 5/16 ID-1-1/4 OD in. | 4 |
| 3 | 47554387001 | Rear Window Screen, Cab | 1 |
| 4 | 47554388001 | Washer, Flat, 11/35 x 1-1/4 in. | 4 |
| 5 | 47554389001 | Screw, Pan-Head, Torx, 5/16-18 x 2-1/2 in. | 4 |
| 6 | 47554390001 | Spacer, 3/8 x 1 in. | 4 |

1
G
E



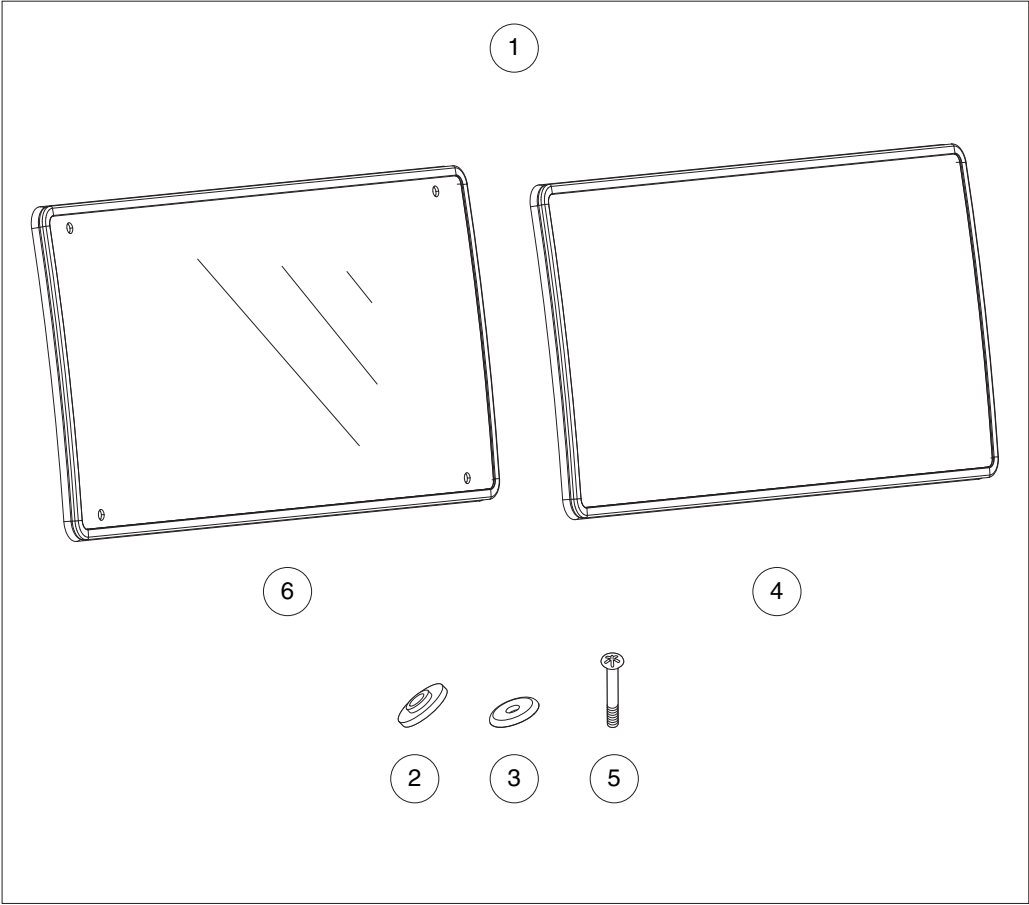
001185-003

CAB – REAR WINDOW WITH SLIDER

| ITEM | PART NO. | DESCRIPTION | QTY |
|------|--------------------|---|-----|
| | | 1 2 3 4 | |
| 1 | <u>47552863001</u> | Kit, Cab Rear Window with Slider (includes items 2 through 8) | 1 |
| 2 | <u>47553013001</u> | Washer, Rubber, 5/16 ID-1-1/4 OD in. | 12 |
| 3 | <u>47553014001</u> | Washer, Chamfered, 5/16 ID-1-1/4 OD in. | 4 |
| 4 | <u>47553024001</u> | Seal, Window Trim, Tempered | 1 |
| 5 | <u>47553026001</u> | Screw, Pan-Head Torx, 5/16-18 x 1-1/2 in. | 4 |
| 6 | <u>47554309001</u> | Asm, Rear Window with Slider Window and Seal | 1 |
| 7 | <u>47554310001</u> | Rear Slider Window with Seal, Cab | 1 |
| 8 | <u>47554311001</u> | Seal, Rear Slider Window, Cab | 1 |

1
G
E

1
G
E



001185-002

CAB – REAR WINDOW, ONE-PIECE

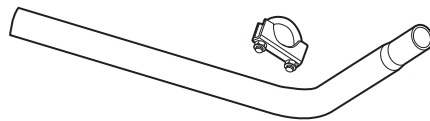
| ITEM | PART NO. | DESCRIPTION | QTY |
|------|--------------------|---|-----|
| | | 1 2 3 4 | |
| 1 | <u>47552862001</u> | Kit, Cab Rear Window (includes items 2 through 6) | 1 |
| 2 | <u>47553013001</u> | Washer, Rubber, 5/16 ID-1-1/4 OD in. | 12 |
| 3 | <u>47553014001</u> | Washer, Chamfered, 5/16 ID-1-1/4 OD in. | 4 |
| 4 | <u>47553024001</u> | Seal, Window Trim, Tempered | 1 |
| 5 | <u>47553026001</u> | Screw, Pan-Head Torx, 5/16-18 x 1-1/2 in. | 4 |
| 6 | <u>47553950001</u> | Rear Window with Seal, One-Piece | 1 |

1
G
E

1

G

E



1

001199-001

CAB – EXHAUST

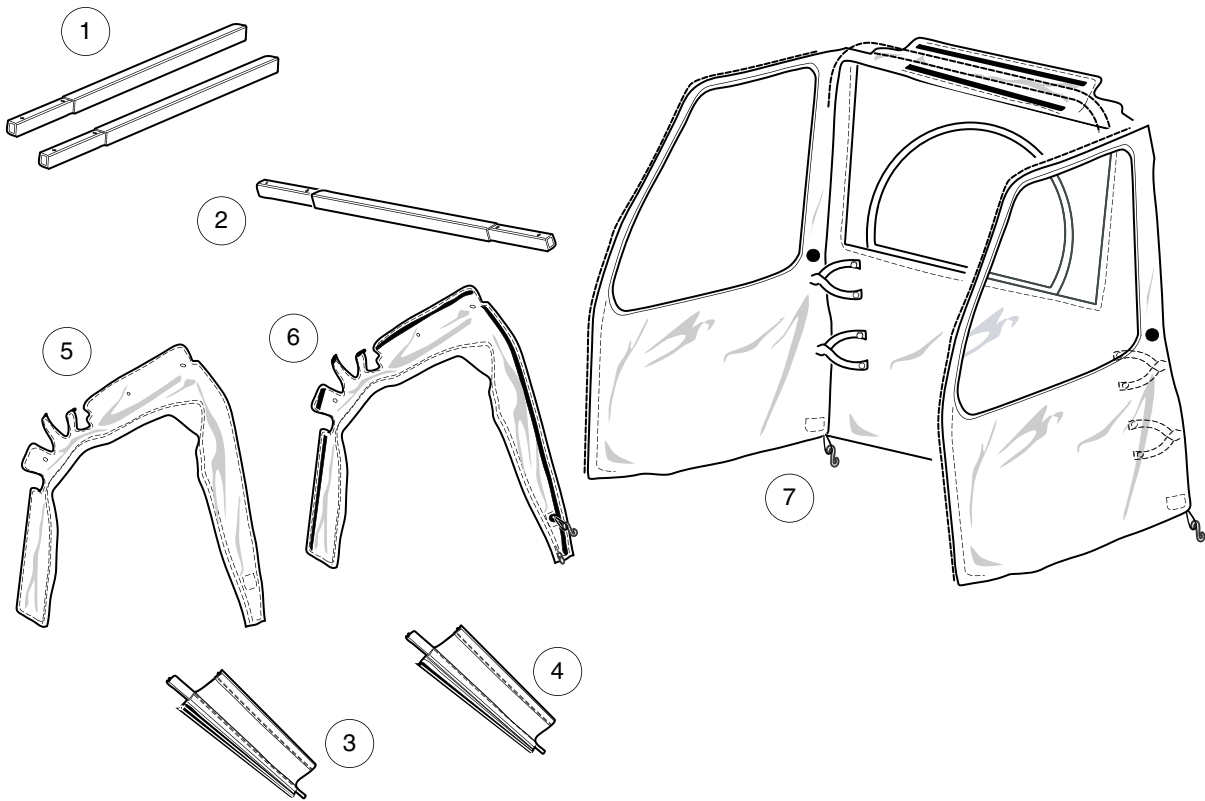
| ITEM | PART NO. | DESCRIPTION | QTY |
|------|------------------|---|-----|
| 1 | <u>105143401</u> | <div style="display: flex; justify-content: space-between; margin-bottom: 5px;"> 1 2 3 4 </div> Kit, Exhaust Extension, 400cc | 1 |

1

G

E

1
G
E

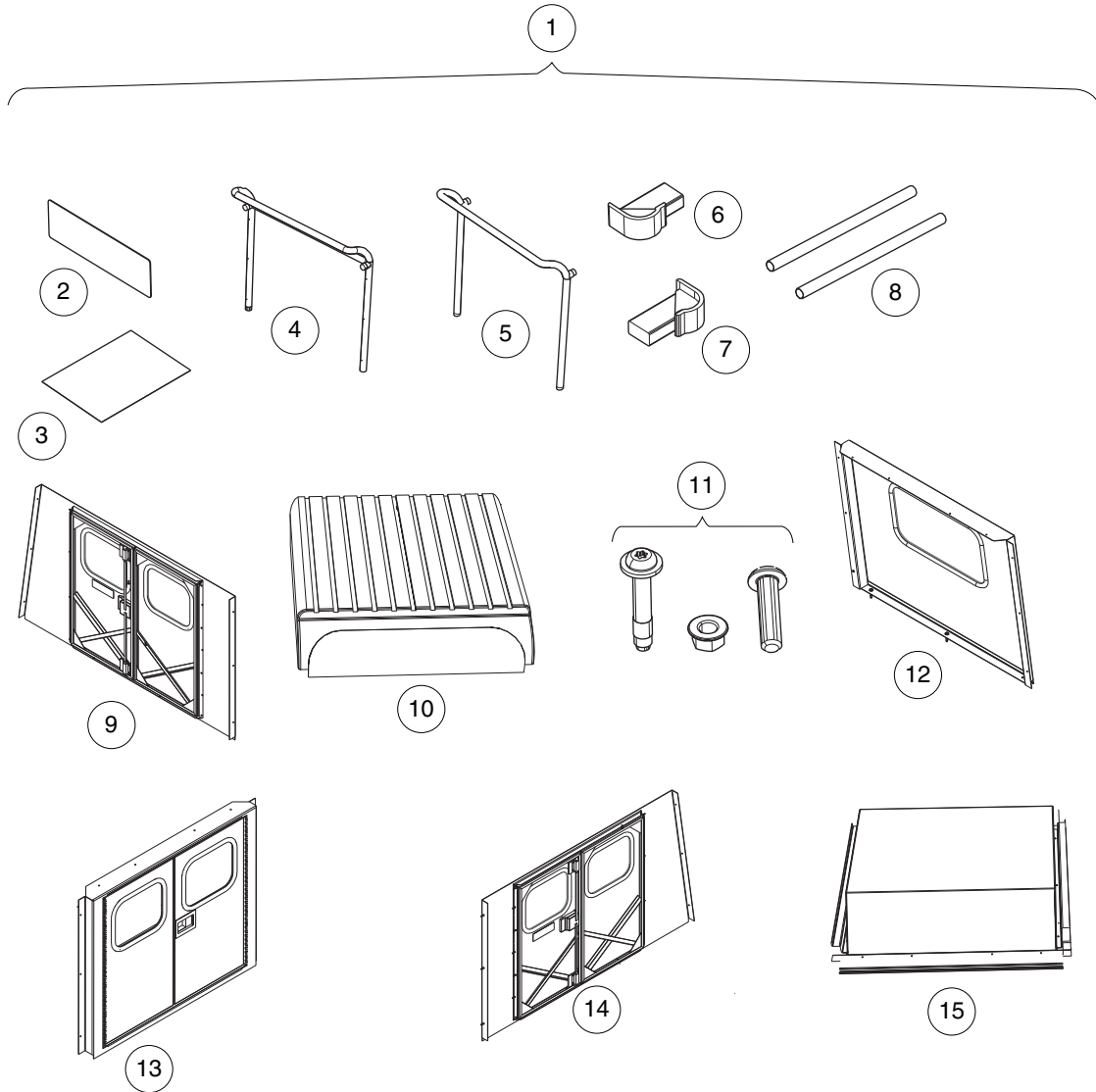


001240-001

ENCLOSURES

| ITEM | PART NO. | DESCRIPTION | QTY |
|------|------------------|-----------------------------|-----|
| | | 1 2 3 4 | |
| 1 | <u>105124301</u> | Kit, Enclosure, White | 1 |
| 2 | <u>105124302</u> | Kit, Enclosure, Beige | 1 |
| 3 | <u>105124401</u> | Kit, Enclosure, Gray | 1 |
| 4 | <u>105124501</u> | Kit, Enclosure, Black | 1 |

1
G
E



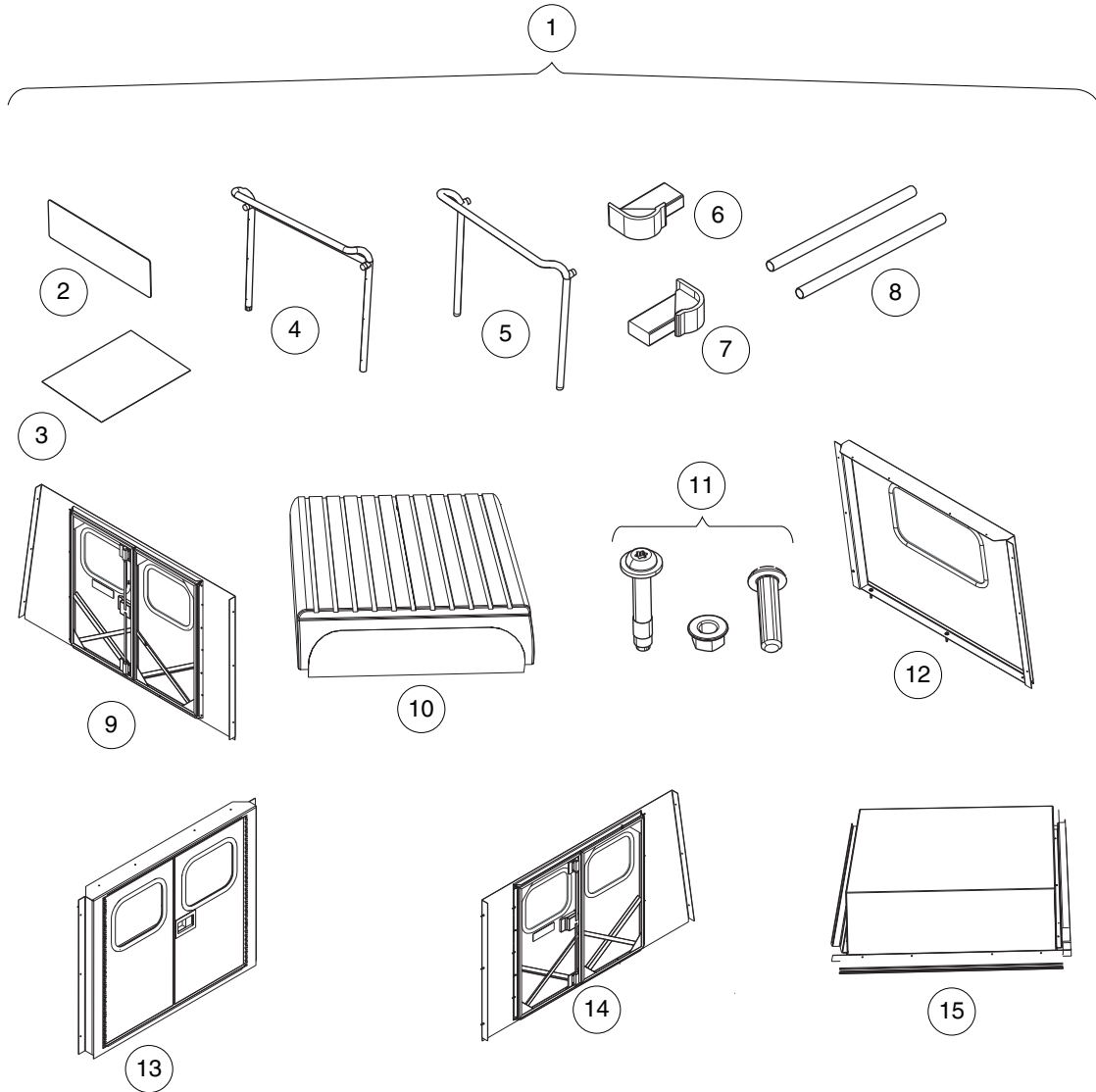
001176-001

VAN BOX, LONG – GRAY

| ITEM | PART NO. | DESCRIPTION | QTY |
|------|------------------|--|-----|
| | | 1 2 3 4 | |
| 1 | 105158802 | Kit, Van Box, Long, Gray (includes items 2 through 15) | 1 |
| 2 | 105237601 | Decal, Warn Rollover Van Box | 1 |
| 3 | 105237701 | Kit, Foreign Decal, Van Box, Rollover Warning | 1 |
| 4 | <u>105238001</u> | Asm, Rear Tubing, Van | 1 |
| 5 | <u>105238101</u> | Asm, Front Tubing, Van | 1 |
| 6 | 105239101 | Bumpers Front, Van | 1 |
| 7 | <u>105239201</u> | Bumpers Rear, Van | 1 |
| 8 | 105239601 | Tubing, 700, Van | 1 |
| 9 | 105239802 | Panel Lh W/dr, 700, Van, Gray | 1 |
| 10 | 105240201 | Roof 700, Van, White | 1 |
| 11 | <u>105240301</u> | Hardware, 700, Van | 1 |
| 12 | 105241002 | Panel Ft W Window, Van, Gray | 1 |
| 13 | 105241102 | Panel Rr W Window, Van, Gray | 1 |
| 14 | 105244002 | Panel Rh W/dr, 700, Van, Gray | 1 |
| 15 | 105244102 | Panel Attic, 700, Van, Gray | 1 |

1
G
E

1
G
E



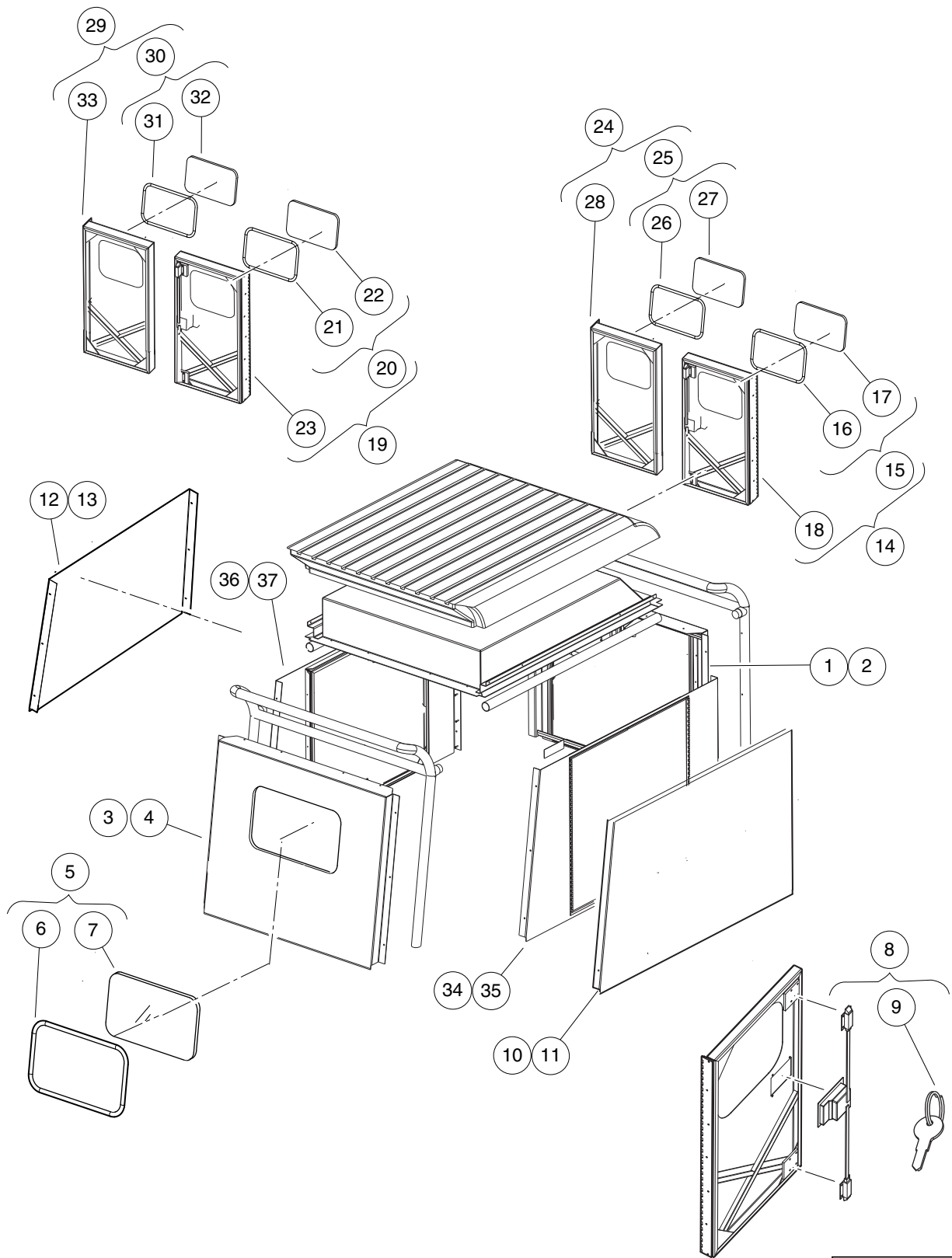
001176-001

VAN BOX, LONG – WHITE

| ITEM | PART NO. | DESCRIPTION | QTY |
|------|------------------|---|-----|
| | | 1 2 3 4 | |
| 1 | <u>105158801</u> | Kit, Van Box, Long, White (includes items 2 through 15) | 1 |
| 2 | <u>105237601</u> | Decal, Warn Rollover Van Box | 1 |
| 3 | <u>105237701</u> | Kit, Foreign Decal, Van Box, Rollover Warning | 1 |
| 4 | <u>105238001</u> | Asm, Rear Tubing, Van | 1 |
| 5 | <u>105238101</u> | Asm, Front Tubing, Van | 1 |
| 6 | <u>105239101</u> | Bumpers Front, Van | 1 |
| 7 | <u>105239201</u> | Bumpers Rear, Van | 1 |
| 8 | <u>105239601</u> | Tubing, 700, Van | 1 |
| 9 | <u>105239801</u> | Panel Lh W/dr, 700, Van, White | 1 |
| 10 | <u>105240201</u> | Roof 700, Van, White | 1 |
| 11 | <u>105240301</u> | Hardware, 700, Van | 1 |
| 12 | <u>105241001</u> | Panel Ft W Window, Van, White | 1 |
| 13 | <u>105241101</u> | Panel Rr W Window, Van, White | 1 |
| 14 | <u>105244001</u> | Panel Rh W/dr, 700, Van, White | 1 |
| 15 | <u>105244101</u> | Panel Attic, 700, Van, White | 1 |

1
G
E

1
G
E



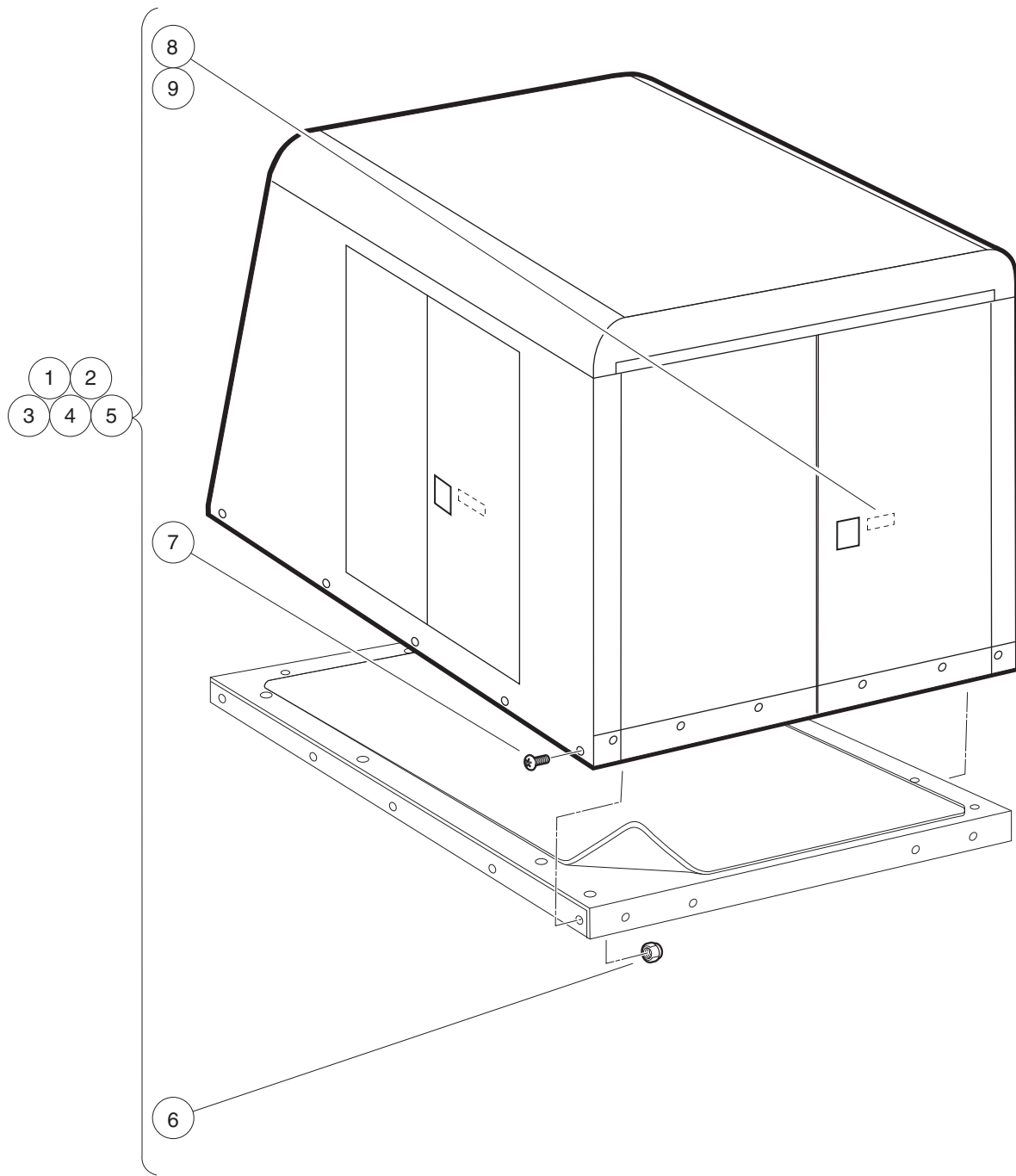
001175-002

VAN BOX, LONG – SERVICE PARTS

| ITEM | PART NO. | DESCRIPTION | QTY |
|------|------------------|---|-----|
| | | 1 2 3 4 | |
| 1 | 105237801 | Panel Rr, w/o Doors, Van, White | 1 |
| 2 | 105237802 | Panel Rr, w/o Doors, Van, Gray | 1 |
| 3 | 105237901 | Panel Ft, w/o Window, Van, White | 1 |
| 4 | 105237902 | Panel Ft, w/o Window, Van, Gray | 1 |
| 5 | 105238301 | Asm, Window, Frt Panel, Van (includes items 6 and 7) | 1 |
| 6 | <u>105241401</u> | Window Seal, Frt Panel, Van | 1 |
| 7 | 105241501 | Window Glass, Frt Panel, Van | 1 |
| 8 | 105238603 | Lock Mechanism, Door, Van (includes item 9) | 1 |
| 9 | 105238604 | Key, Van Box, 500, 700 | 1 |
| 10 | 105239701 | Panel, Solid, Lh, 700, Van, White | 1 |
| 11 | 105239702 | Panel, Solid, Lh, 700, Van, Gray | 1 |
| 12 | 105239901 | Panel, Solid, Rh, 700, Van, White | 1 |
| 13 | 105239902 | Panel, Solid, Rh, 700, Van, Gray | 1 |
| 14 | 105241601 | Door, W Window, Lh, Van, White (includes items 15 through 18) | 1 |
| 15 | 105238201 | Asm, Window, Door, Van (includes items 16 and 17) | 1 |
| 16 | <u>105241201</u> | Window Seal, Door, Van | 1 |
| 17 | 105241301 | Window Glass, Door, Van | 1 |
| 18 | 105238401 | Door,w/o Window, Left, Van, White | 1 |
| 19 | 105241602 | Door, W Window, Lh, Van, Gray (includes items 20 through 23) | 1 |
| 20 | 105238201 | Asm, Window, Door, Van (includes items 21 and 22) | 1 |
| 21 | <u>105241201</u> | Window Seal, Door, Van | 1 |
| 22 | 105241301 | Window Glass, Door, Van | 1 |
| 23 | 105238402 | Door, w/o Window, Left, Van, Gray | 1 |
| 24 | <u>105241701</u> | Door, W Window, Rh, Van, White (includes items 25 through 28) | 1 |
| 25 | 105238201 | Asm, Window, Door, Van (includes items 26 and 27) | 1 |
| 26 | <u>105241201</u> | Window Seal, Door, Van | 1 |
| 27 | 105241301 | Window Glass, Door, Van | 1 |
| 28 | 105238501 | Door, w/o Window, Right, Van, White | 1 |
| 29 | 105241702 | Door, W Window, Rh, Van, Gray (includes items 30 through 33) | 1 |
| 30 | 105238201 | Asm, Window, Door, Van (includes items 31 and 32) | 1 |
| 31 | <u>105241201</u> | Window Seal, Door, Van | 1 |
| 32 | 105241301 | Window Glass, Door, Van | 1 |
| 33 | 105238502 | Door, w/o Window, Right, Van, Gray | 1 |
| 34 | 105241801 | Pnl Lh, Open, No Doors, 700, Van, White | 1 |
| 35 | 105241802 | Pnl Lh, Open, No Doors, 700, Van, Gray | 1 |
| 36 | 105241901 | Pnl Rh, Open, No Doors, 700, Van, White | 1 |
| 37 | 105241902 | Pnl Rh, Open, No Doors, 700, Van, Gray | 1 |

1
G
E

1
G
E



Shelf
Kit
10

CHMSL
Kit
11

Ladder
Rack
Kit
12

Interior
Light
Kit
13

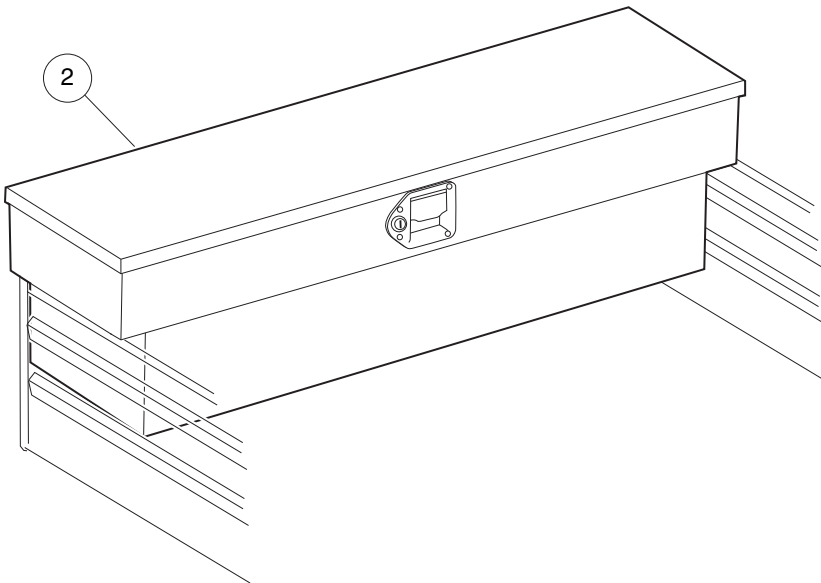
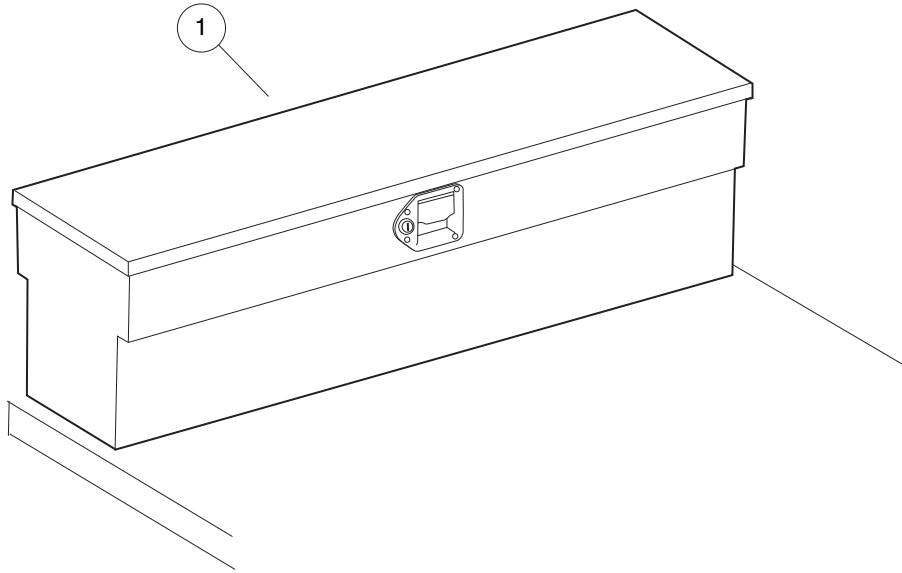
001443-001

VAN BOX – NO WINDOWS

| ITEM | PART NO. | DESCRIPTION | QTY |
|------|-------------------|--|-----|
| | | 1 2 3 4 | |
| 1 | SVP1154001 | Vanbox, Basic, 700, Fp, Beige | 1 |
| 2 | SVP1154002 | Vanbox, Basic, 700, Fp, Black | 1 |
| 3 | SVP1154003 | Vanbox, Basic, 700, Fp, Gray | 1 |
| 4 | SVP1154004 | Vanbox, Basic, 700, Fp, Mill | 1 |
| 5 | <u>SVP1154005</u> | Vanbox, Basic, 700, Fp, White (includes items 6 through 9) | 1 |
| 6 | <u>102298401</u> | Nut, M8, All Metal Lock | 14 |
| 7 | <u>102299550</u> | Screw,m8x50,sems,tx,btt,plt | 14 |
| 8 | 105237601 | Decal, Warn Rollover Van Box | 3 |
| 9 | 105237701 | Kit, Foreign Decal, Van Box, Rollover Warning | 1 |
| 10 | SVP1154701 | Kit, Shelf, Vanbox, Basic, 700 | 1 |
| 11 | SVP1154801 | Kit, Chmsl, Vanbox | 1 |
| 12 | SVP1155101 | Kit, Ladder Rack,vanbox, 700 | 1 |
| 13 | SVP1161801 | Kit Light Interior Van Box 700 | 1 |

1
G
E

1
G
E



001157-001

TOOLBOXES

| ITEM | PART NO. | DESCRIPTION | QTY |
|------|------------------|------------------------------------|-----|
| 1 | <u>101837401</u> | 1 2 3 4 Toolbox, Flat Bed | 1 |
| 2 | <u>101837502</u> | Toolbox, Box Bed | 1 |

1
G
E

1

G

E

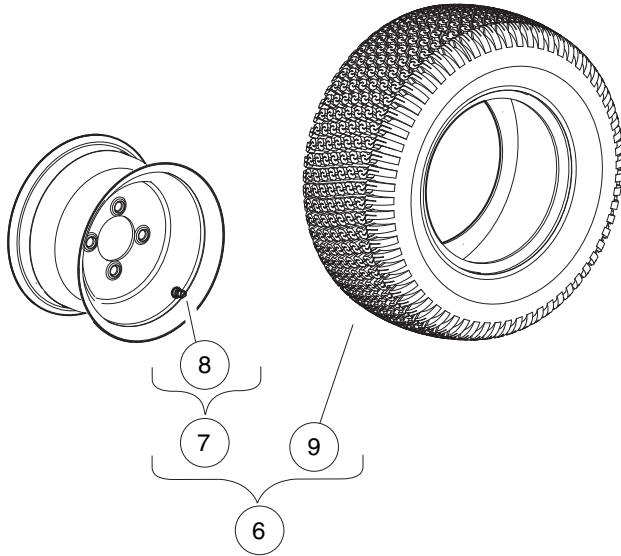
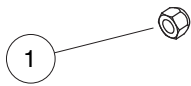
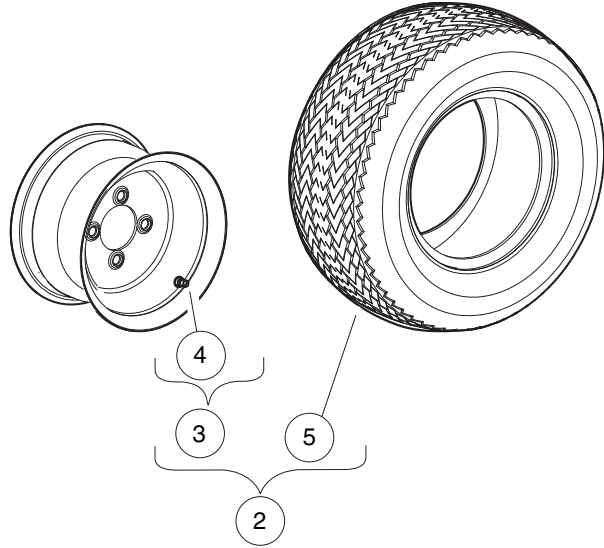
WHEELS AND TIRES

2

G

E

2
G
E



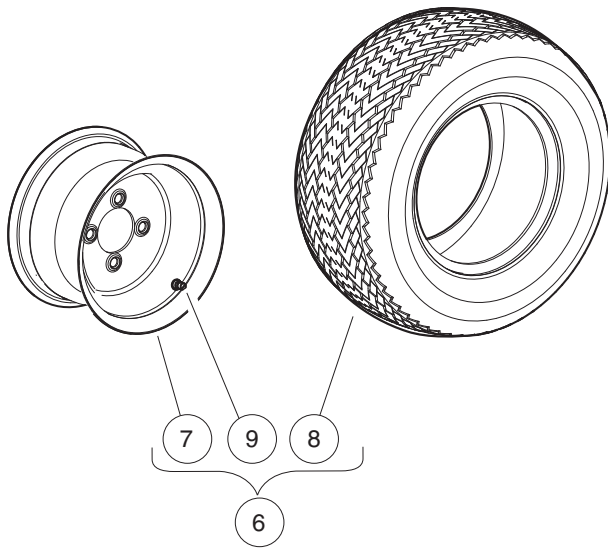
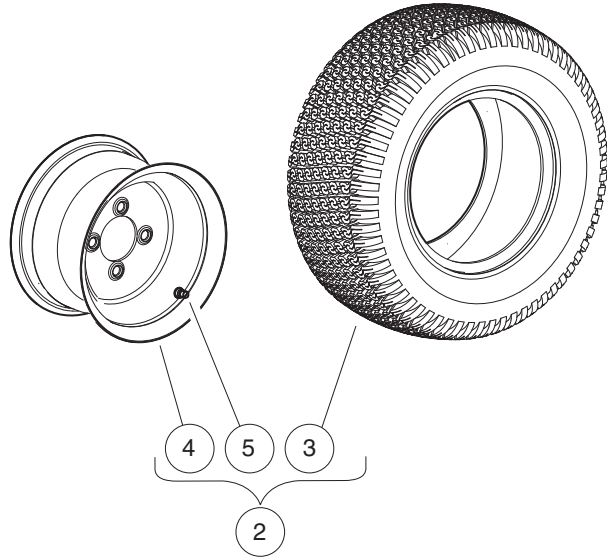
001320-001

10 INCH WHEELS AND 20 INCH TIRES

| ITEM | PART NO. | DESCRIPTION | QTY |
|------|------------------|--|-----|
| | | 1 2 3 4 | |
| 1 | <u>1010984</u> | .500-20 Unf Lug Nut | 16 |
| 2 | <u>105078809</u> | Asm,whl,hn1,20x10-10,6pl (includes items 3 through 5) | 4 |
| 3 | <u>105079204</u> | Wheel, 10"x6", Gray, 0 Offset, RR, with Valve Stem (includes item 4) | 1 |
| 4 | <u>105078901</u> | Valve Stem, Kenda, Tr 412 | 1 |
| 5 | <u>105079301</u> | Tire, Hole-n-1, 20x10-10, 6pl | 1 |
| 6 | <u>105078810</u> | Asm,whl,st,20x10-10,6pl (includes items 7 through 9) | 4 |
| 7 | <u>105079204</u> | Wheel, 10"x6", Gray, 0 Offset, RR, with Valve Stem (includes item 8) | 1 |
| 8 | <u>105078901</u> | Valve Stem, Kenda, Tr 412 | 1 |
| 9 | <u>105079401</u> | Tire, Superturf, 20x10-10, 6pl | 1 |

2
G
E

2
G
E



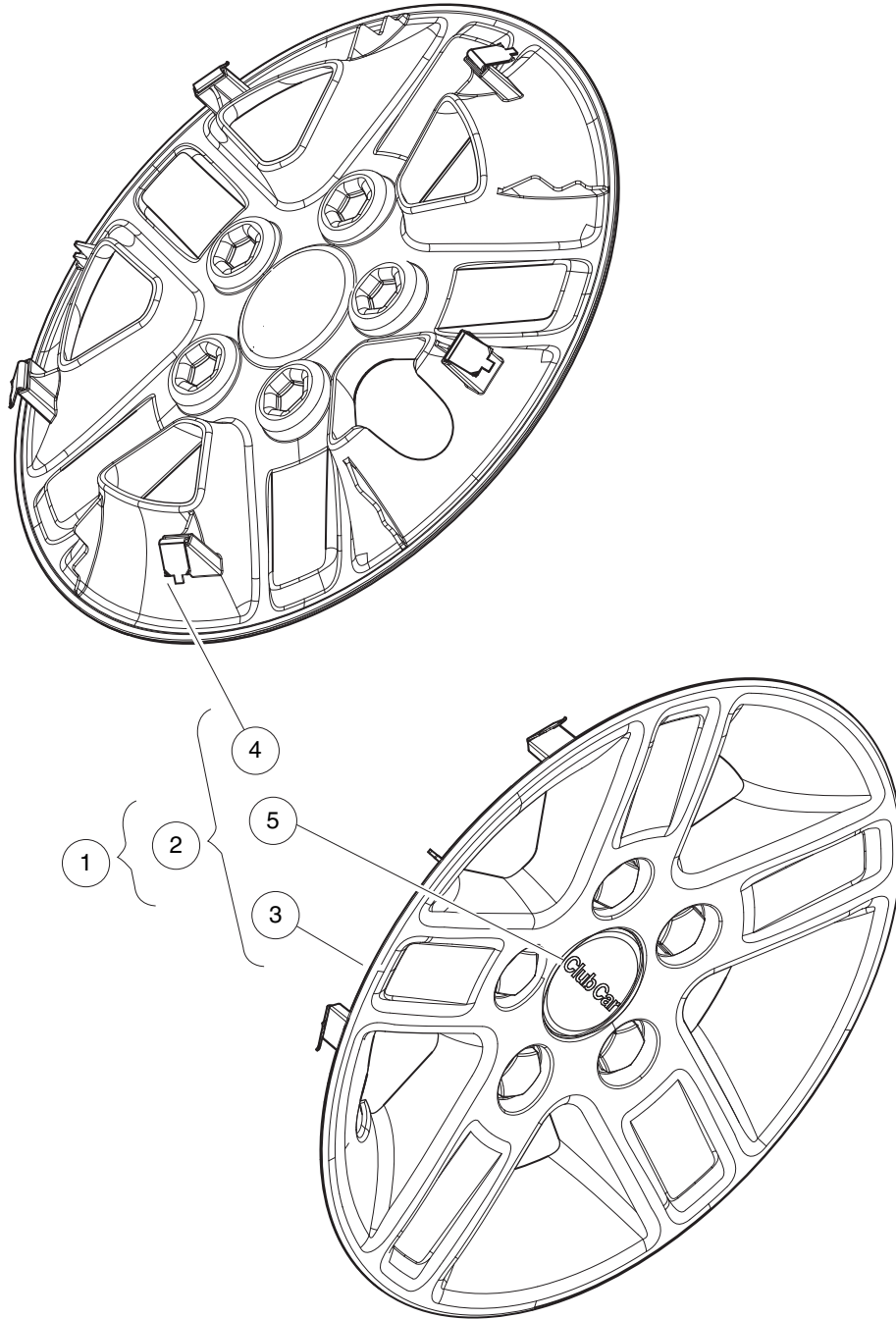
001320-002

8 INCH WHEELS AND 18 INCH TIRES – VEHICLES WITH SMALL-WHEEL TURF PACKAGE

| ITEM | PART NO. | DESCRIPTION | QTY |
|------|------------------|---|-----|
| | | 1 2 3 4 | |
| 1 | <u>1010984</u> | .500-20 Unf Lug Nut | 16 |
| 2 | <u>103951002</u> | Assembly, Silver Wheel Kenda, X/t 6ply (includes items 3 through 5) | 4 |
| 3 | <u>102569302</u> | Tire, Kenda, 18x8.5-8, 6-ply Xtr | 1 |
| 4 | <u>103459104</u> | Wheel Rim, 8"x7", Silver, Std | 1 |
| 5 | <u>7310</u> | Valve Stem, Black Plastic | 1 |
| 6 | <u>103951003</u> | Asm,silver Whl Kenda, Hn1 6pl (includes items 7 through 9) | 4 |
| 7 | <u>103459104</u> | Wheel Rim, 8"x7", Silver, Std | 1 |
| 8 | <u>103658601</u> | Tire, Kenda Hn1, 6pl | 1 |
| 9 | <u>7310</u> | Valve Stem, Black Plastic | 1 |

2
G
E

2
G
E



001350-002

WHEEL COVERS

| ITEM | PART NO. | DESCRIPTION | QTY |
|------|------------------|---|-----|
| | | 1 2 3 4 | |
| 1 | <u>105106501</u> | Kit, Wheel Cover, 10x6" (includes item 2) | 1 |
| 2 | <u>105106301</u> | Asm, Whl Cover, 5 Spoke, 10x6" (includes items 3 through 5) | 4 |
| 3 | N/A | Wheel Cover, 5 Spoke, 10x7" | 1 |
| 4 | 105106101 | Wheel Cover, Clip | 5 |
| 5 | 105106201 | Decal, Wheel Cover, Club Car | 1 |

2
G
E

2

G

E

DECALS

3

G

E

⚠ WARNING

Unintended vehicle movement may cause severe injury or death. Before using vehicle, read owner's manual and vehicle safety warnings.

Before leaving vehicle:

- Engage park brake to lock wheels.
- Place vehicle in NEUTRAL.
- Turn key to OFF and remove key.

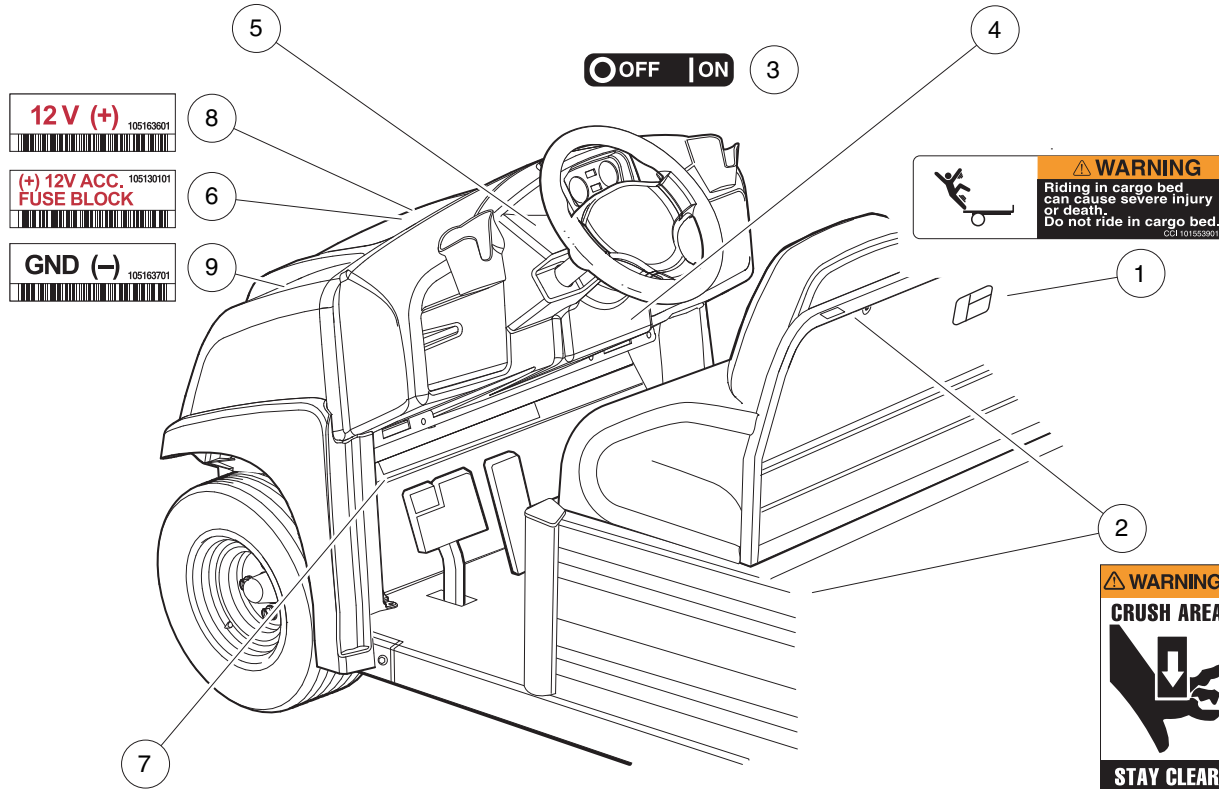
105046101

⚠ WARNING

UNINTENDED MOVEMENT, ROLLOVER, OR FALLING OUT CAN CAUSE SERIOUS INJURY OR DEATH.

- Vehicle to be operated by licensed and authorized persons only.
- Use in authorized areas only. Do not operate on public roads.
- One (1) person per bucket seat maximum.
- Two (2) persons per bench seat maximum.
- Operate from driver's seat only.
- Do not start vehicle until all occupants are fully seated.
- Drive slowly in turns and straight up and down slopes.
- Remain fully seated while moving.
- Hold on and keep entire body inside vehicle while moving.
- Never attempt jumps and avoid extreme braking in reverse.
- Do not leave children unattended in vehicle at any time.
- Children requiring a child safety seat must not ride in vehicle.
- Never operate under the influence of alcohol or drugs.

104026801



VEHICLE LOADING

Read owner's manual and warnings on dash.

- Vehicle rated capacity: 1500 lb (680 kg) on level surface only.
 - Includes occupants and cargo load.
- Maximum cargo load: 1000 lb (454 kg)
 - Includes cargo, bed load, and optional equipment.
- Vehicle combination rated capacity: 1500 lb (680 kg)
 - Includes vehicle rated capacity and gross trailer weight.

⚠ WARNING

ROLLOVER CAN CAUSE SERIOUS INJURY OR DEATH.

- Place cargo forward in the cargo bed and distribute evenly side to side. Secure load.
- On uneven or steep terrain, reduce speed and load.
- Avoid stopping on or backing down steep hills.
- Avoid top-heavy loads.

105151501

2854

DECALS – ELECTRIC CARRYALL 700

| ITEM | PART NO. | DESCRIPTION | QTY |
|------|------------------|-----------------------------------|-----|
| | | 1 2 3 4 | |
| 1 | <u>101553901</u> | Decal, Bed Load Warning | 1 |
| 2 | <u>101609401</u> | Decal, Crush Area Warning | 2 |
| 3 | <u>101825101</u> | Decal, Off/On | 1 |
| 4 | <u>104026801</u> | Decal, Oc, Warning, Ca | 1 |
| 5 | <u>105046101</u> | Decal, Op, Instructions, Ca | 1 |
| 6 | <u>105130101</u> | Decal, Fuse Block, Acc, 12v | 1 |
| 7 | <u>105151501</u> | Decal, Loading, Ca 700 | 1 |
| 8 | <u>105163601</u> | Decal, 12v (+) | 1 |
| 9 | <u>105163701</u> | Decal, Gnd (-) | 1 |

3
G
E

⚠ WARNING
AVOID FIRE HAZARD

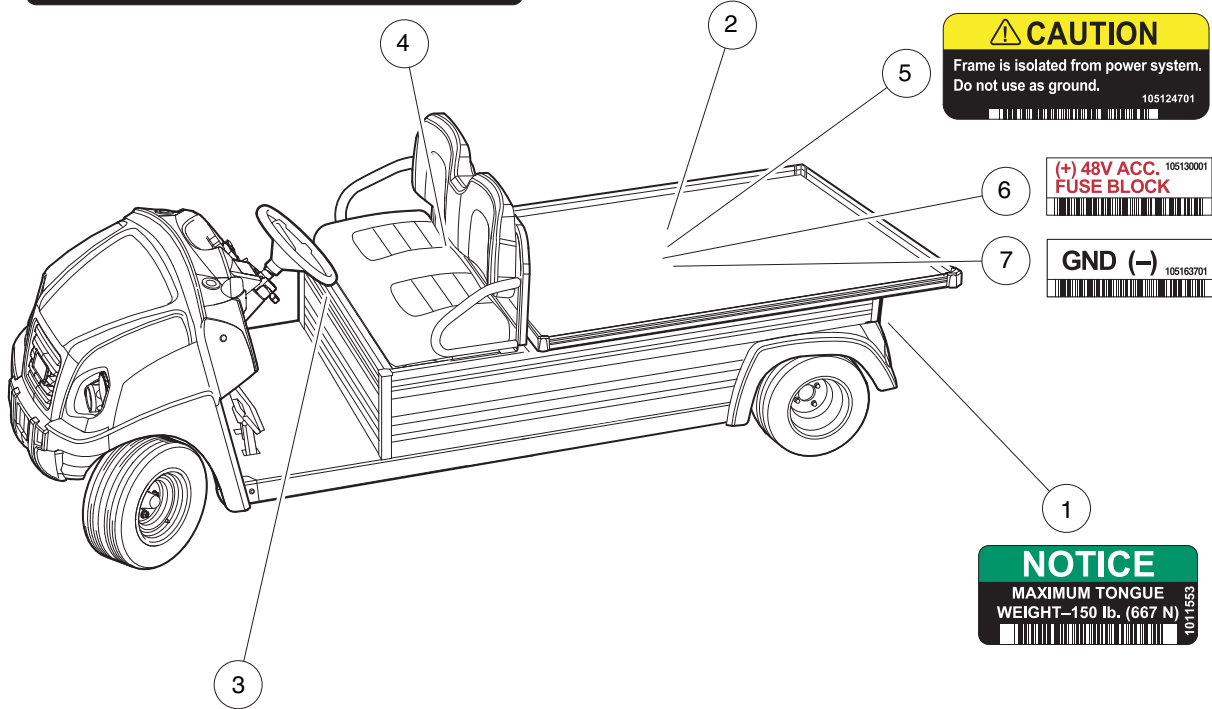
- Replacement battery wires must be 4-gauge (AWG) with low-resistance terminals equivalent to factory-installed wires.
- Ensure that battery connections are clean and properly tightened. See owner's manual.

CCI 102967601

CAUTION
EXPOSURE TO WATER MAY DAMAGE ELECTRONIC COMPONENTS

- Do not operate vehicle without this cover properly installed.
- Do not direct water stream in the area of the cover without cover securely in place.
- See vehicle maintenance and service manual before servicing.

CCI 102518301



⚠ CAUTION
Frame is isolated from power system. Do not use as ground.

105124701

(+) 48V ACC. FUSE BLOCK

105130001

GND (-)

105163701

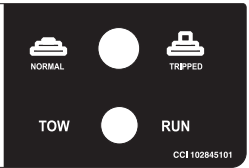
NOTICE
MAXIMUM TONGUE WEIGHT—150 lb. (667 N)

1011553

⚠ WARNING
BATTERY EXPLOSION COULD RESULT IN SEVERE PERSONAL INJURY.

- Do not store items in battery compartment.
- Place Run/Tow switch in TOW position before:
 - Disconnecting or connecting battery cables
 - Towing this vehicle
 - Extended storage
 - Servicing the vehicle

CCI 102845101



2855

DECALS – ELECTRIC CARRYALL 700, CONTINUED

| ITEM | PART NO. | DESCRIPTION | QTY |
|------|------------------|--|-----|
| | | 1 2 3 4 | |
| 1 | <u>1011553</u> | Decal, Trailer Hitch | 1 |
| 2 | <u>102518301</u> | Decal, Caution, Electrical Component Cover | 1 |
| 3 | <u>102845101</u> | Decal, Tow Switch | 1 |
| 4 | <u>102967601</u> | Decal, Warning, 4 Gauge Wire | 1 |
| 5 | 105124701 | Decal, Caution, Not Use As Gnd | 1 |
| 6 | 105130001 | Decal, Fuse Block, Acc, 48v | 1 |
| 7 | <u>105163701</u> | Decal, Gnd (-) | 1 |

3
G
E

WARNING

Unintended vehicle movement may cause severe injury or death. Before using vehicle, read owner's manual and vehicle safety warnings.

Before leaving vehicle:

- Engage park brake to lock wheels.
- Place vehicle in NEUTRAL.
- Turn key to OFF and remove key.

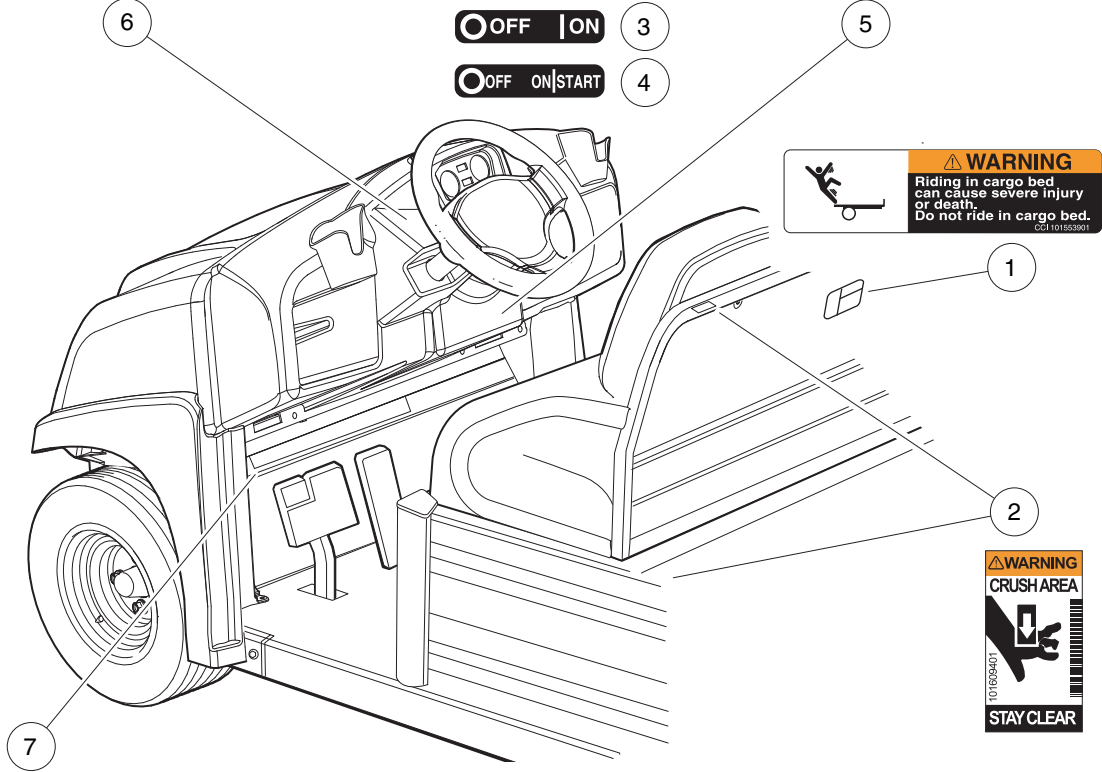
105046101

WARNING

UNINTENDED MOVEMENT, ROLLOVER, OR FALLING OUT CAN CAUSE SERIOUS INJURY OR DEATH.

- Vehicle to be operated by licensed and authorized persons only.
- Use in authorized areas only. Do not operate on public roads.
- One (1) person per bucket seat maximum.
- Two (2) persons per bench seat maximum.
- Operate from driver's seat only.
- Do not start vehicle until all occupants are fully seated.
- Drive slowly in turns and straight up and down slopes.
- Remain fully seated while moving.
- Hold on and keep entire body inside vehicle while moving.
- Never attempt jumps and avoid extreme braking in reverse.
- Do not leave children unattended in vehicle at any time.
- Children requiring a child safety seat must not ride in vehicle.
- Never operate under the influence of alcohol or drugs.

104026801



WARNING

Riding in cargo bed can cause severe injury or death. Do not ride in cargo bed.

CC1101553001

WARNING

CRUSH AREA

101690401

STAY CLEAR

VEHICLE LOADING

Read owner's manual and warnings on dash.

- Vehicle rated capacity: 1500 lb (680 kg) on level surface only.
- Includes occupants and cargo load.
- Maximum cargo load: 1000 lb (454 kg)
- Includes cargo, bed load, and optional equipment.
- Vehicle combination rated capacity: 1500 lb (680 kg)
- Includes vehicle rated capacity and gross trailer weight.

WARNING

ROLLOVER CAN CAUSE SERIOUS INJURY OR DEATH.

- Place cargo forward in the cargo bed and distribute evenly side to side. Secure load.
- On uneven or steep terrain, reduce speed and load.
- Avoid stopping on or backing down steep hills.
- Avoid top-heavy loads.

103151501

2858

DECALS – GASOLINE CARRYALL 700

| ITEM | PART NO. | DESCRIPTION | QTY |
|------|------------------|-----------------------------------|-----|
| | | 1 2 3 4 | |
| 1 | <u>101553901</u> | Decal, Bed Load Warning | 1 |
| 2 | <u>101609401</u> | Decal, Crush Area Warning | 1 |
| 3 | <u>101825101</u> | Decal, Off/On | 1 |
| 4 | <u>101825102</u> | Decal, Off/On/Start | 1 |
| 5 | <u>104026801</u> | Decal, Oc, Warning, Ca | 1 |
| 6 | <u>105046101</u> | Decal, Op, Instructions, Ca | 1 |
| 7 | <u>105151501</u> | Decal, Loading, Ca 700 | 1 |

3
G
E

WARNING

GASOLINE EXPLOSION / FIRE CAN CAUSE SERIOUS INJURY OR DEATH.

- No sparks or open flame near fuel or fuel tank.
- No smoking near fuel or fuel tank.
- Stop engine and allow to cool before refueling.
- Do not disconnect pressurized fuel lines.

105082301

WARNING

GASOLINE EXPLOSION / FIRE CAN CAUSE SERIOUS INJURY OR DEATH.

- No sparks or open flame near fuel or fuel tank.
- No smoking near fuel or fuel tank.
- Stop engine and allow to cool before refueling.

105084701

WARNING

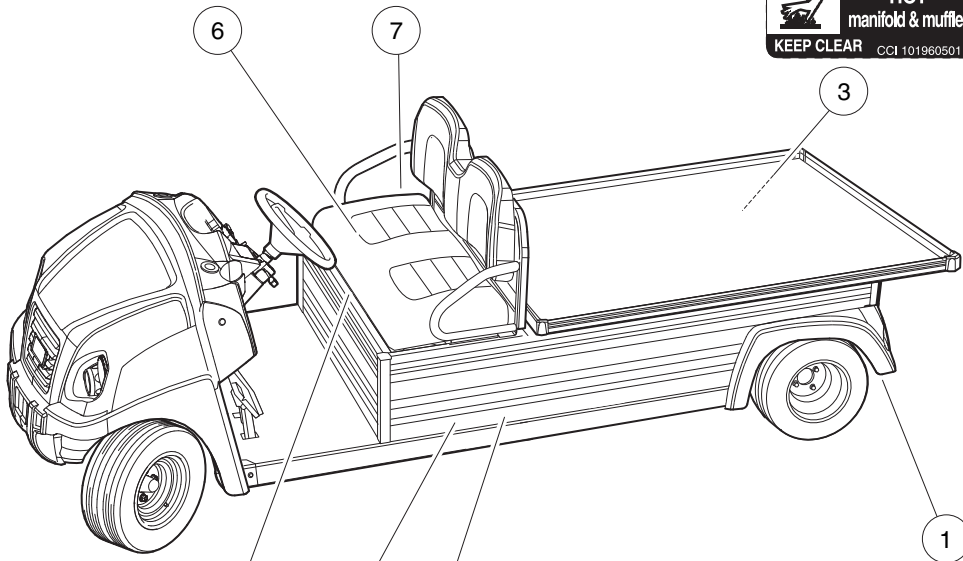
CAN CAUSE SEVERE INJURY

Rotating parts

HOT manifold & muffler

KEEP CLEAR

CCI 101960501



Maintenance Operate

WARNING

VEHICLE MOVEMENT MAY CAUSE SERIOUS INJURY

When switch is in Maintenance position, chock wheels and firmly set park brake.

CCI 103205501

WARNING

INCORRECT WIRING COULD RESULT IN SEVERE INJURY OR DEATH.

- Diode and solenoid connections must have correct polarity.
- Keep persons clear of engine bolts when making final connections.

CCI 10346931

NOTICE

MAXIMUM TONGUE WEIGHT—150 lb. (667 N)

1011563

WARNING

Negative frame ground. Can cause severe injury. Do not contact positive (+) battery post or cable to frame. Disconnect negative battery lead first.

WARNING

Excessive speed. Can cause severe injury or death. Do not tamper with engine governor adjustment.

CCI 101915201

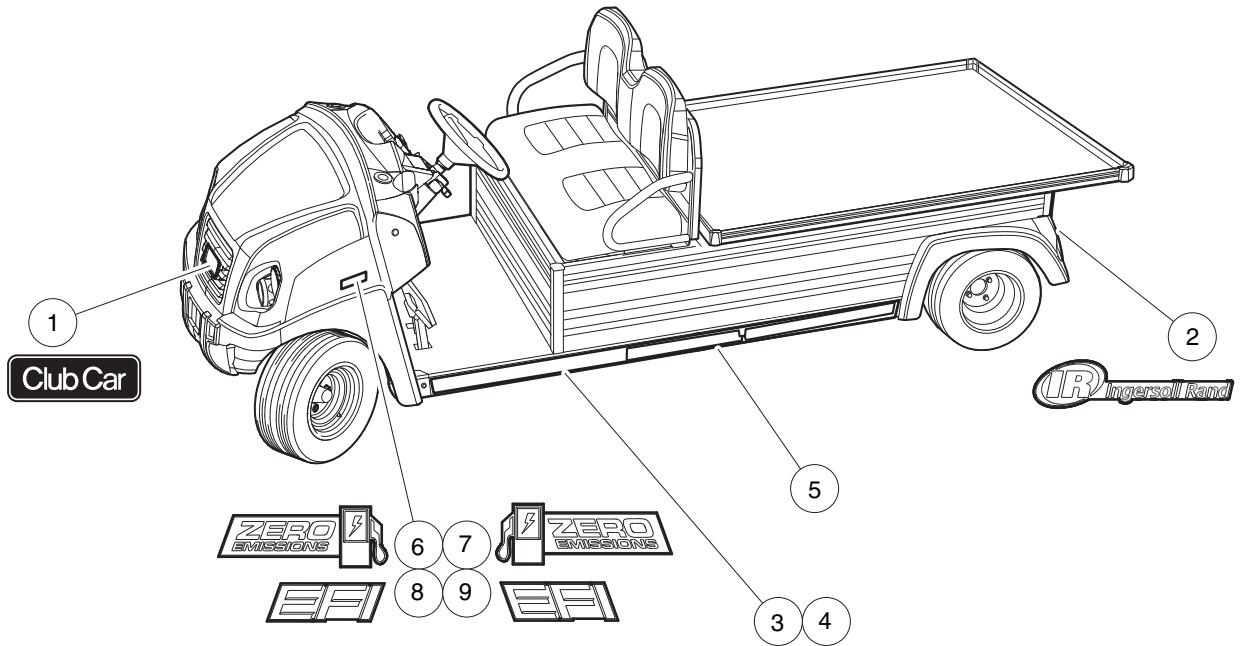
2859

DECALS – GASOLINE CARRYALL 700, CONTINUED

| ITEM | PART NO. | DESCRIPTION | QTY |
|------|------------------|--|-----|
| | | 1 2 3 4 | |
| 1 | <u>1011553</u> | Decal, Trailer Hitch | 1 |
| 2 | <u>101915201</u> | Decal, Frame Ground and Governor Warning | 1 |
| 3 | <u>101960501</u> | Decal, Rotating Parts/Hot Manifold | 1 |
| 4 | <u>102345901</u> | Decal, Diode Safety | 1 |
| 5 | <u>103205501</u> | Decal, Maintenance/Operate Switch | 1 |
| 6 | <u>105082301</u> | Decal, Warn, Gas Pressure | 1 |
| 7 | <u>105084701</u> | Decal, Warn Gas Side Fill | 1 |

3
G
E

3
G
E



001025-002

BADGING DECALS – CARRYALL 700

| ITEM | PART NO. | DESCRIPTION | QTY |
|------|------------------|--------------------------------------|-----|
| | | 1 2 3 4 | |
| 1 | <u>102883601</u> | Decal, Nameplate, CCI, Front | 1 |
| 2 | <u>103234304</u> | Decal, Badge, Ir, Red | 1 |
| 3 | <u>105115003</u> | Decal, Side Stringer, Long | 1 |
| 4 | <u>105115006</u> | Decal, R Side Stringer, Long | 1 |
| 5 | <u>105152901</u> | Decal, Branding, Ca 700 | 2 |
| 6 | <u>105153201</u> | Decal, Zero Emission Vhcle, Lh | 1 |
| 7 | <u>105153202</u> | Decal, Zero Emission Vhcle, Rh | 1 |
| 8 | <u>105153301</u> | Decal, Efi, Italic, Lh | 1 |
| 9 | <u>105153302</u> | Decal, Efi, Italic, Rh | 1 |

3
G
E

3

G

E

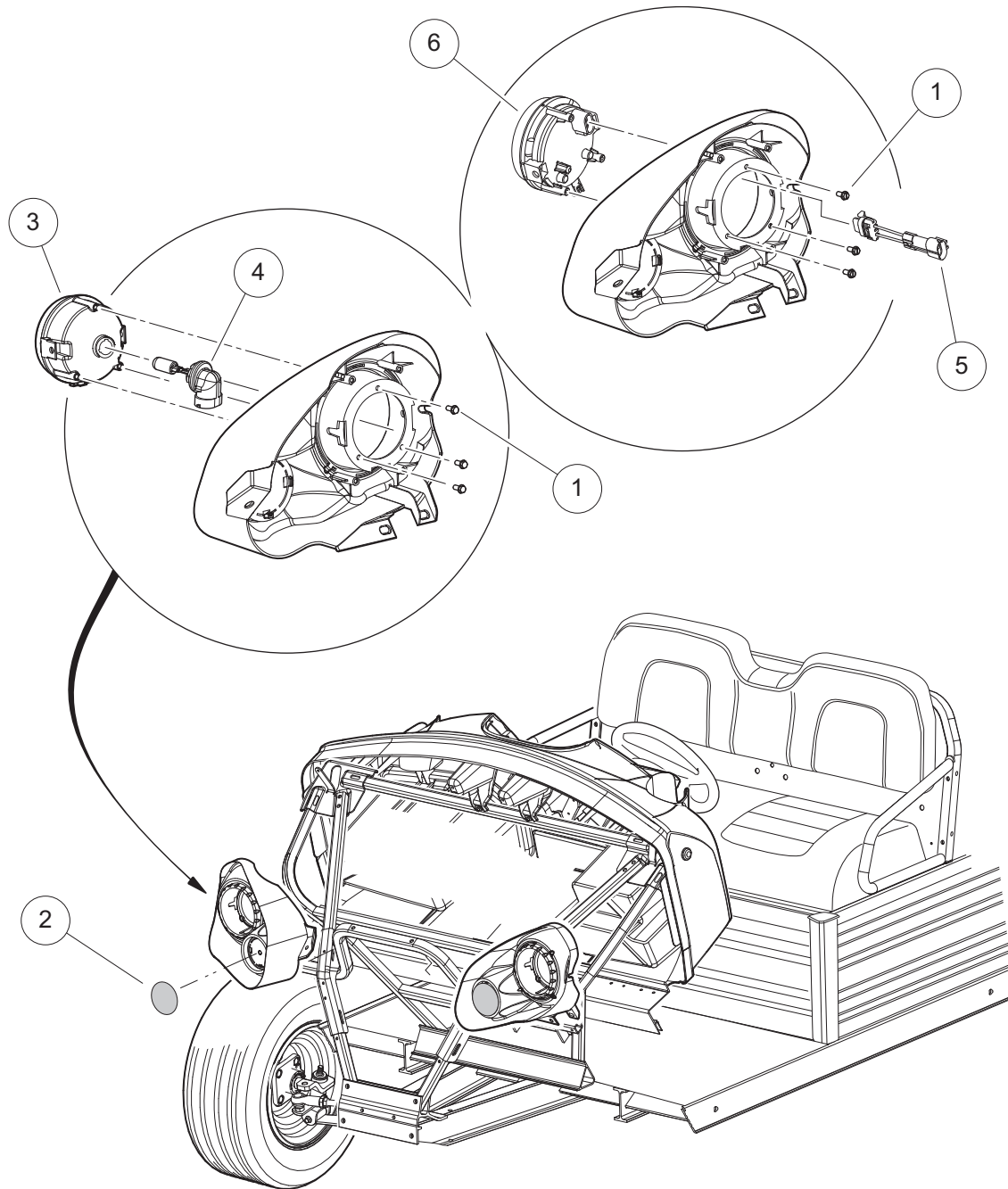
LIGHTS, CONTROLS, AND INDICATORS

4

G

E

4
G
E



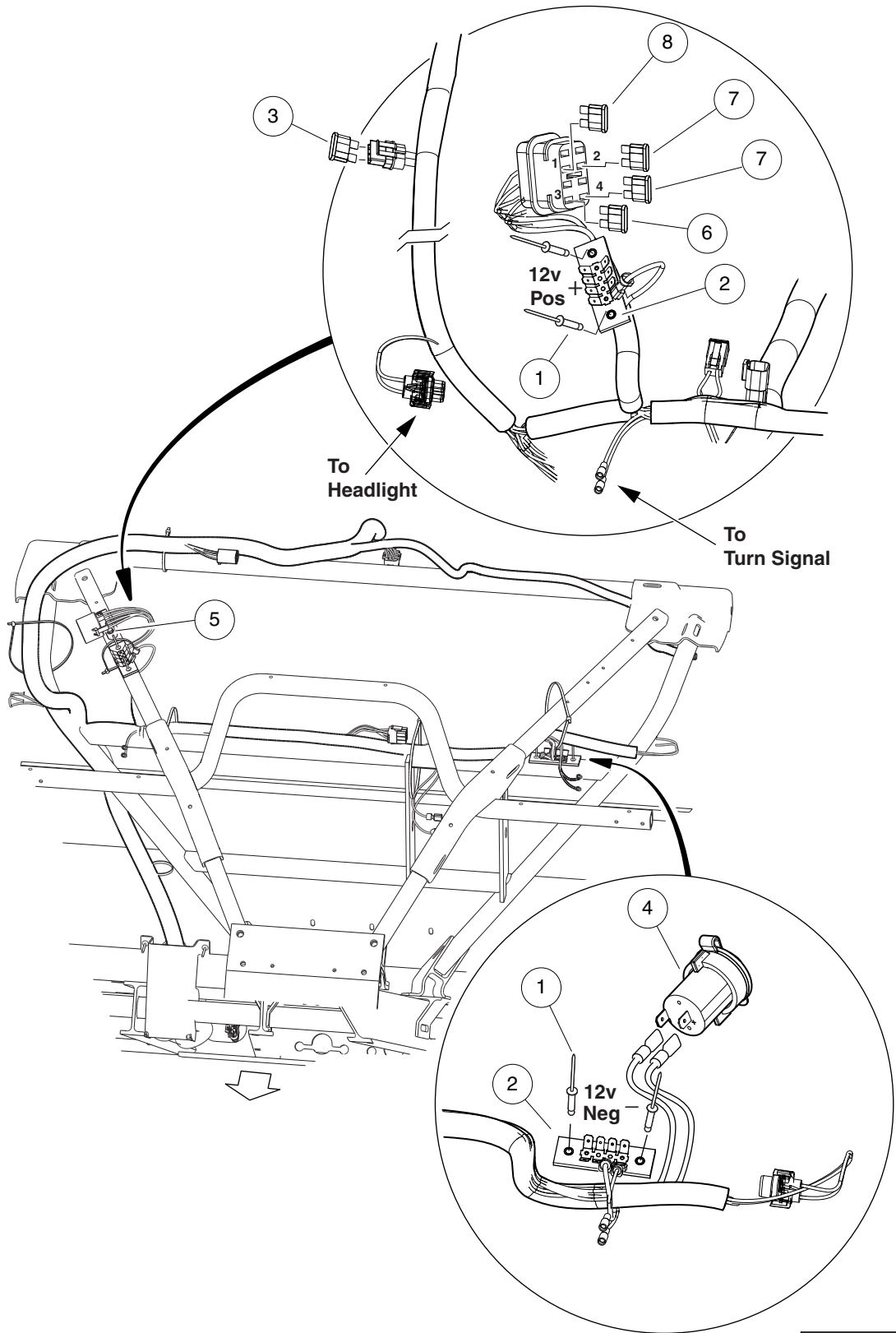
001370-002

HEADLIGHTS

| ITEM | PART NO. | DESCRIPTION | QTY |
|------|--------------------|--|-----|
| | | 1 2 3 4 | |
| 1 | <u>101850301</u> | Screw, #12-16 X 0.50 Washer-Head Hi-Lo | 6 |
| 2 | <u>105036801</u> | Reflector, Decal, 3.20", Amber | 2 |
| 3 | <u>105073401</u> | Hdlight, Round, 4.5", Utl | 2 |
| 4 | <u>105093801</u> | Bulb, Halogen, 862 | 2 |
| 5 | 47579923001 | Jmpr, Head Lt, Led, Ca | 2 |
| 6 | <u>47583907001</u> | Headlight, Led, 4.5", Ca | 2 |
| | | Note: Item 5 only applies to vehicles with LED headlights. | |

4
G
E

4
G
E



001360-002

12-VOLT FUSE BLOCK AND FUSES – ELECTRIC VEHICLE

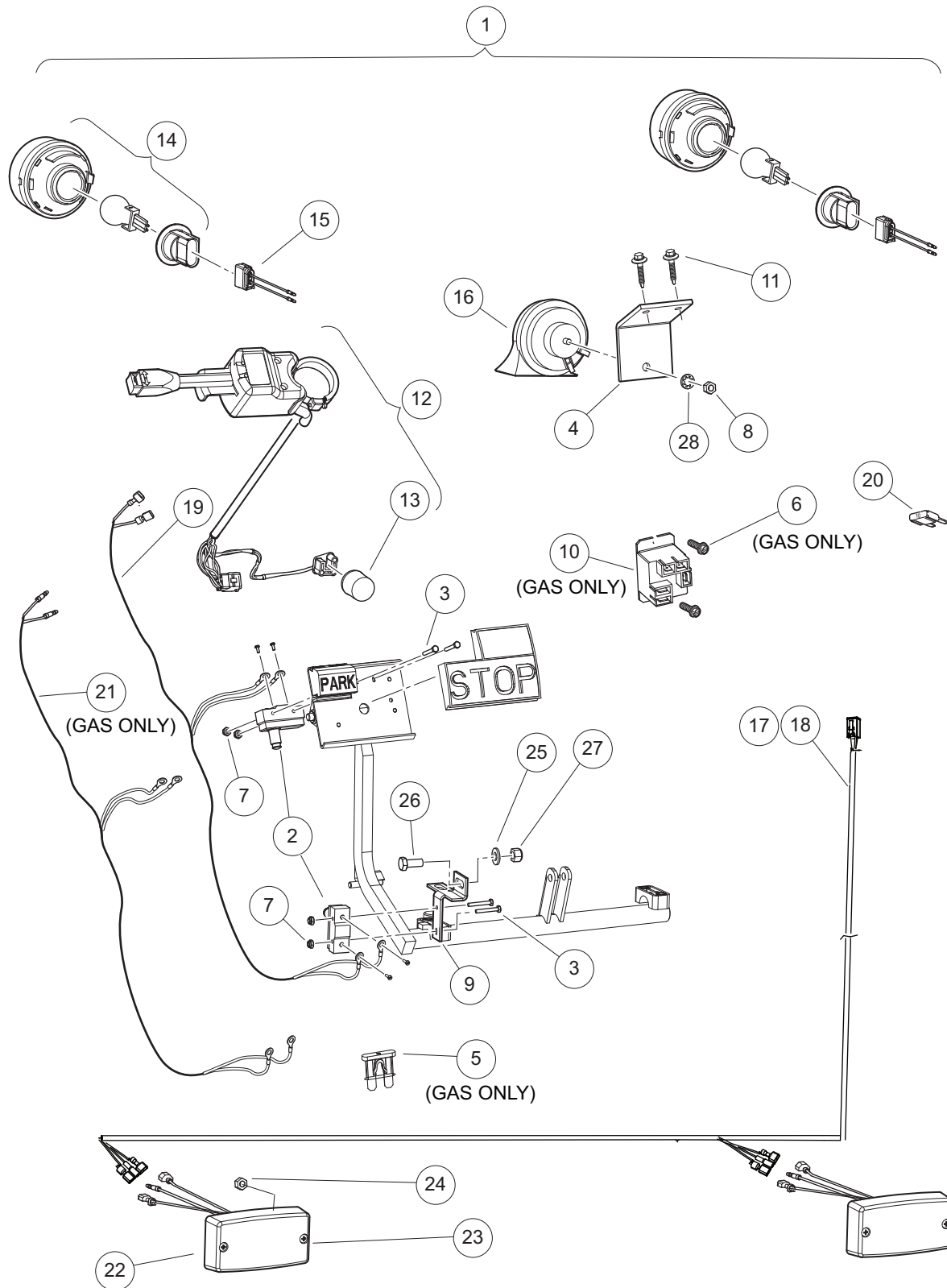
| ITEM | PART NO. | DESCRIPTION | QTY |
|------|------------------|-------------------------------------|-----|
| | | 1 2 3 4 | |
| 1 | <u>1013357</u> | Rivet, 5/32 Aluminum Pop | 4 |
| 2 | <u>1016356</u> | Terminal Block with Insulator | 2 |
| 3 | <u>1016423</u> | Fuse, 20-Amp | 1 |
| 4 | <u>102198001</u> | Receptacle, Accessory | 1 |
| 5 | <u>102238001</u> | #10-24 Taptite Screw | 1 |
| 6 | <u>105114805</u> | Fuse, Mini, Atm, 7.5 Amp | 1 |
| 7 | <u>105114806</u> | Fuse, Mini, Atm, 10 Amp | 2 |
| 8 | <u>105114807</u> | Fuse, Mini, Atm, 15 Amp | 1 |

4

G

E

4
G
E



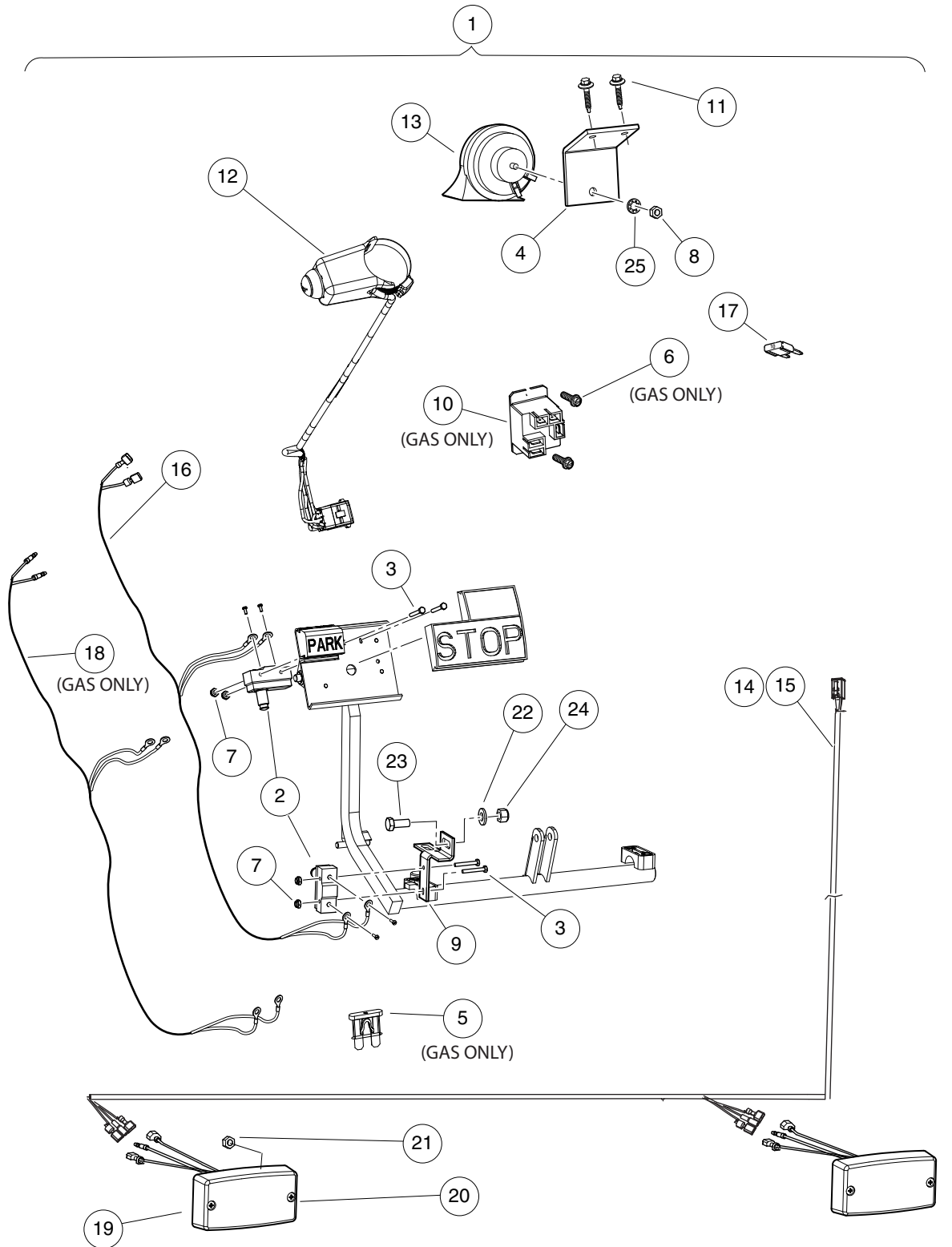
001368-002

HORN, TURN SIGNALS, AND TAILLIGHTS – ELECTRIC AND GASOLINE VEHICLES

| ITEM | PART NO. | DESCRIPTION | QTY |
|--|------------------|---|-----|
| | | 1 2 3 4 | |
| 1 | <u>105122808</u> | Kit, Horn/Tail Light/Turn (includes items 2 through 28) | 1 |
| 2 | <u>1011439</u> | Switch, Limit | 2 |
| 3 | <u>1011557</u> | Screw, #6-32 X 1.00 Hex-Head Machine | 4 |
| 4 | <u>1011825</u> | Horn Bracket | 1 |
| 5 | <u>1012295</u> | Fuse, 10-Amp | 1 |
| 6 | <u>1016849</u> | Screw, #4-24 X 0.33, Pan-Head, Machine | 2 |
| 7 | <u>101932201</u> | Locknut, #6-32 Nylon | 4 |
| 8 | <u>101955101</u> | Nut, M6 Hex | 1 |
| 9 | <u>101957101</u> | Bracket, Brake Light Switch | 1 |
| 10 | <u>102199001</u> | Relay, 12-Volt | 1 |
| 11 | <u>102297125</u> | Screw, M6-1.0x25.4, Thread-Forming, SEMS | 2 |
| 12 | <u>102517501</u> | Turn Signal Asm (includes item 13) | 1 |
| 13 | <u>102546401</u> | Flasher Unit, Prec | 1 |
| 14 | <u>102894503</u> | Light, Turn Sig, Round 3", Utl | 2 |
| 15 | <u>103245001</u> | Jumper, Turn Signal, Ca/xrt/hu | 2 |
| 16 | <u>103484301</u> | Horn, 12v, Gnd Isolated | 1 |
| 17 | <u>105108201</u> | Harness, Tail Light, Utility, Short | 1 |
| 18 | <u>105108301</u> | Harness, Tail Light, Utility, Long | 1 |
| 19 | <u>105108401</u> | Harness, Brk, Pedal Switch Utl | 1 |
| 20 | <u>105114806</u> | Fuse, Mini, Atm, 10 Amp | 1 |
| 21 | <u>105135201</u> | Jumper, Hill Brake, Switch | 1 |
| 22 | <u>105165801</u> | Lamp, Stop/trn/tail, Footdeck | 2 |
| 23 | <u>105190601</u> | Screw, #8-32 X 0.625, Clr Znc | 4 |
| 24 | <u>105190701</u> | Nut, Flanged, #8-32, Serrated | 4 |
| 25 | <u>1241</u> | Washer, 5/16 Type A Flat | 1 |
| 26 | <u>7173</u> | Screw, 5/16-18 X 0.75, Hex-Head Cap | 1 |
| 27 | <u>7473</u> | Locknut, 5/16-18 Nylon Insert | 2 |
| 28 | <u>7820</u> | Washer, 5/16 Internal-Tooth | 1 |
| Note: 1051082, Harness, Tail Light, Utility, Short, fits the following vehicles with serial prefix: MA, MB, MC, MD, ME, MF, MK, ML, MM, MP, MU. | | | |

4
G
E

4
G
E



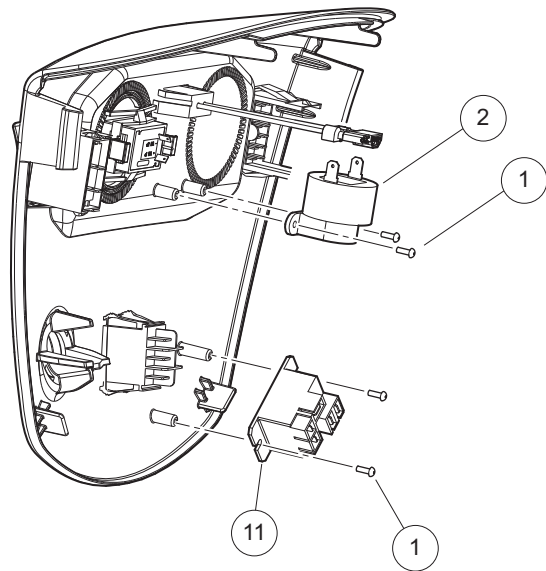
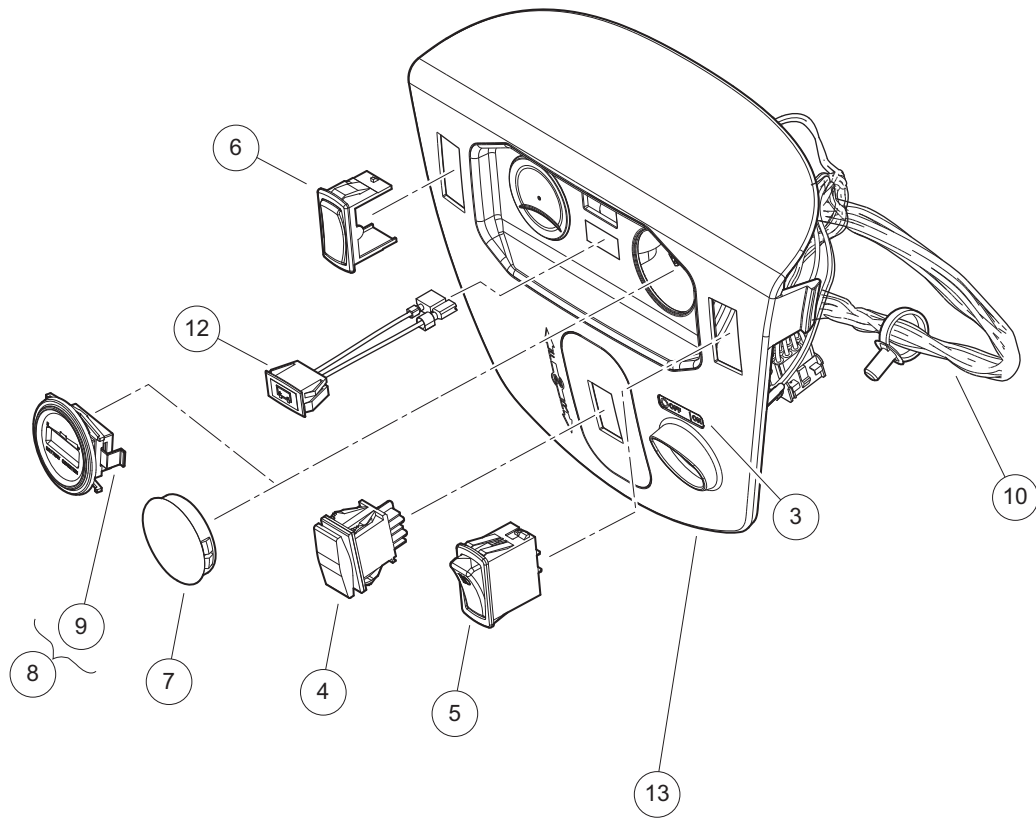
001367-002

HORN AND TAIL LIGHT KIT – ELECTRIC AND GASOLINE VEHICLES

| ITEM | PART NO. | DESCRIPTION | QTY |
|--|------------------|---|-----|
| | | 1 2 3 4 | |
| 1 | <u>105122807</u> | Kit, Horn/Tail Light/Turn (includes items 2 through 25) | 1 |
| 2 | <u>1011439</u> | Switch, Limit | 2 |
| 3 | <u>1011557</u> | Screw, #6-32 X 1.00 Hex-Head Machine | 4 |
| 4 | <u>1011825</u> | Horn Bracket | 1 |
| 5 | <u>1012295</u> | Fuse, 10-Amp | 1 |
| 6 | <u>1016849</u> | Screw, #4-24 X 0.33, Pan-Head, Machine | 2 |
| 7 | <u>101932201</u> | Locknut, #6-32 Nylon | 4 |
| 8 | <u>101955101</u> | Nut, M6 Hex | 1 |
| 9 | <u>101957101</u> | Bracket, Brake Light Switch | 1 |
| 10 | <u>102199001</u> | Relay, 12-Volt | 1 |
| 11 | <u>102297125</u> | Screw, M6-1.0x25.4, Thread-Forming, SEMS | 2 |
| 12 | <u>102517601</u> | Subasm, Horn Button Harness | 1 |
| 13 | <u>103484301</u> | Horn, 12v, Gnd Isolated | 1 |
| 14 | <u>105108201</u> | Harness, Tail Light, Utility, Short | 1 |
| 15 | <u>105108301</u> | Harness, Tail Light, Utility, Long | 1 |
| 16 | <u>105108401</u> | Harness, Brk, Pedal Switch Utl | 1 |
| 17 | <u>105114806</u> | Fuse, Mini, Atm, 10 Amp | 1 |
| 18 | <u>105135201</u> | Jumper, Hill Brake, Switch | 1 |
| 19 | <u>105165801</u> | Lamp, Stop/trn/tail, Footdeck | 2 |
| 20 | <u>105190601</u> | Screw, #8-32 X 0.625, Clr Znc | 4 |
| 21 | <u>105190701</u> | Nut, Flanged, #8-32, Serrated | 4 |
| 22 | <u>1241</u> | Washer, 5/16 Type A Flat | 1 |
| 23 | <u>7173</u> | Screw, 5/16-18 X 0.75, Hex-Head Cap | 1 |
| 24 | <u>7473</u> | Locknut, 5/16-18 Nylon Insert | 1 |
| 25 | <u>7820</u> | Washer, 5/16 Internal-Tooth | 1 |
| <p>Note: <u>105108201</u> Harness, Tail Light, Utility, Short, fits the following vehicles with serial prefix: MA, MB, MC, MD, ME, MF, MK, ML, MM, MP, MU.</p> | | | |

4
G
E

4
G
E



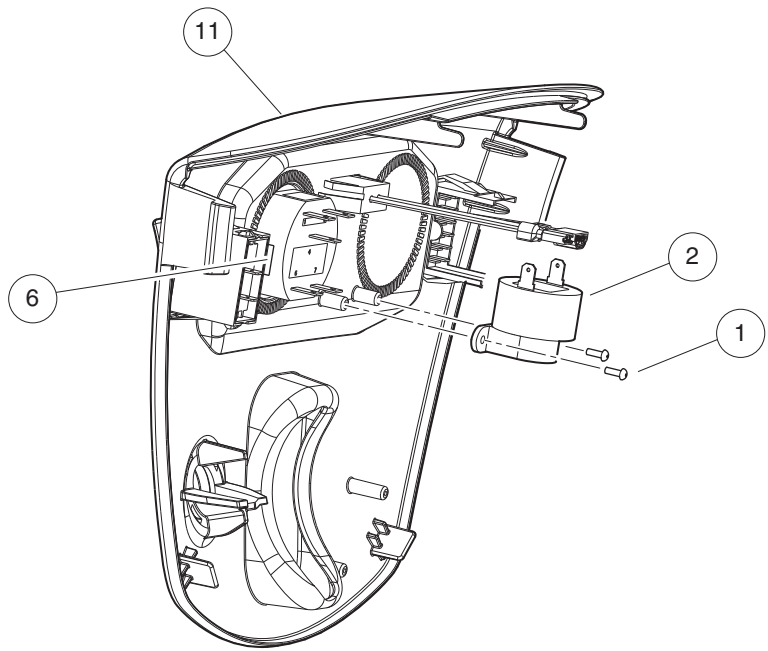
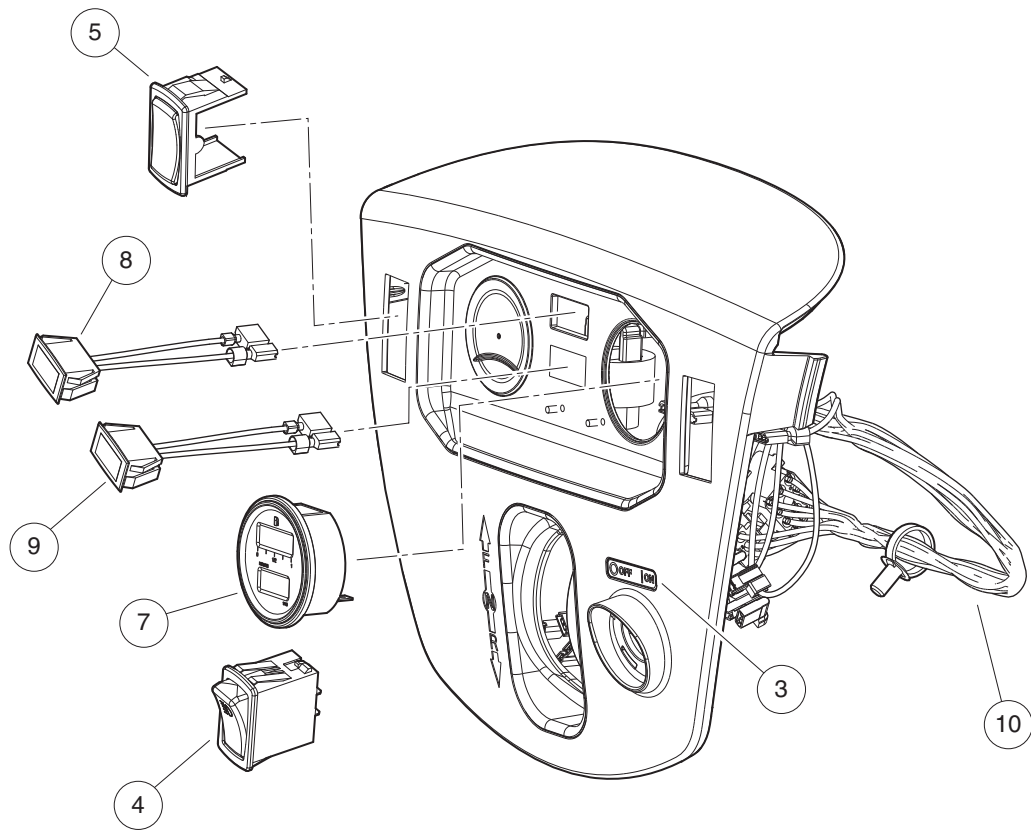
001371-003

INSTRUMENT PANEL – ELECTRIC VEHICLE

| ITEM | PART NO. | DESCRIPTION | QTY |
|------|------------------|--|-----|
| | | 1 2 3 4 | |
| 1 | <u>1016849</u> | Screw, #4-24 X 0.33, Pan-Head, Machine | 2 |
| 2 | <u>1016851</u> | Multi-Purpose Buzzer (9-48 VDC) | 1 |
| 3 | <u>101825101</u> | Decal, Off/On | 1 |
| 4 | <u>101856002</u> | Switch, Rocker, Single-Pole | 1 |
| 5 | <u>102869401</u> | Switch, Rocker, Light | 1 |
| 6 | <u>103180101</u> | Cover, Hole, Switch, Rocker | 1 |
| 7 | <u>103198301</u> | Plug, Hole, Round, 2.0 In | 1 |
| 8 | <u>103354401</u> | Gauge, Battery Cond Ind, Rnd (includes item 9) | 1 |
| 9 | <u>103348202</u> | Clip, Bci, Round | 1 |
| 10 | <u>105082101</u> | Harness, Ip, Elec, Util | 1 |
| 11 | <u>105112401</u> | Relay, Spdt Nc, 48v 30a, Pmt | 1 |
| 12 | <u>105152301</u> | Indicator, Charger, Dash, Cap | 1 |
| 13 | 47631907001 | Instrument Panel, Ca, Elec, Uv | 1 |

4
G
E

4
G
E



001372-002

INSTRUMENT PANEL – GASOLINE VEHICLE

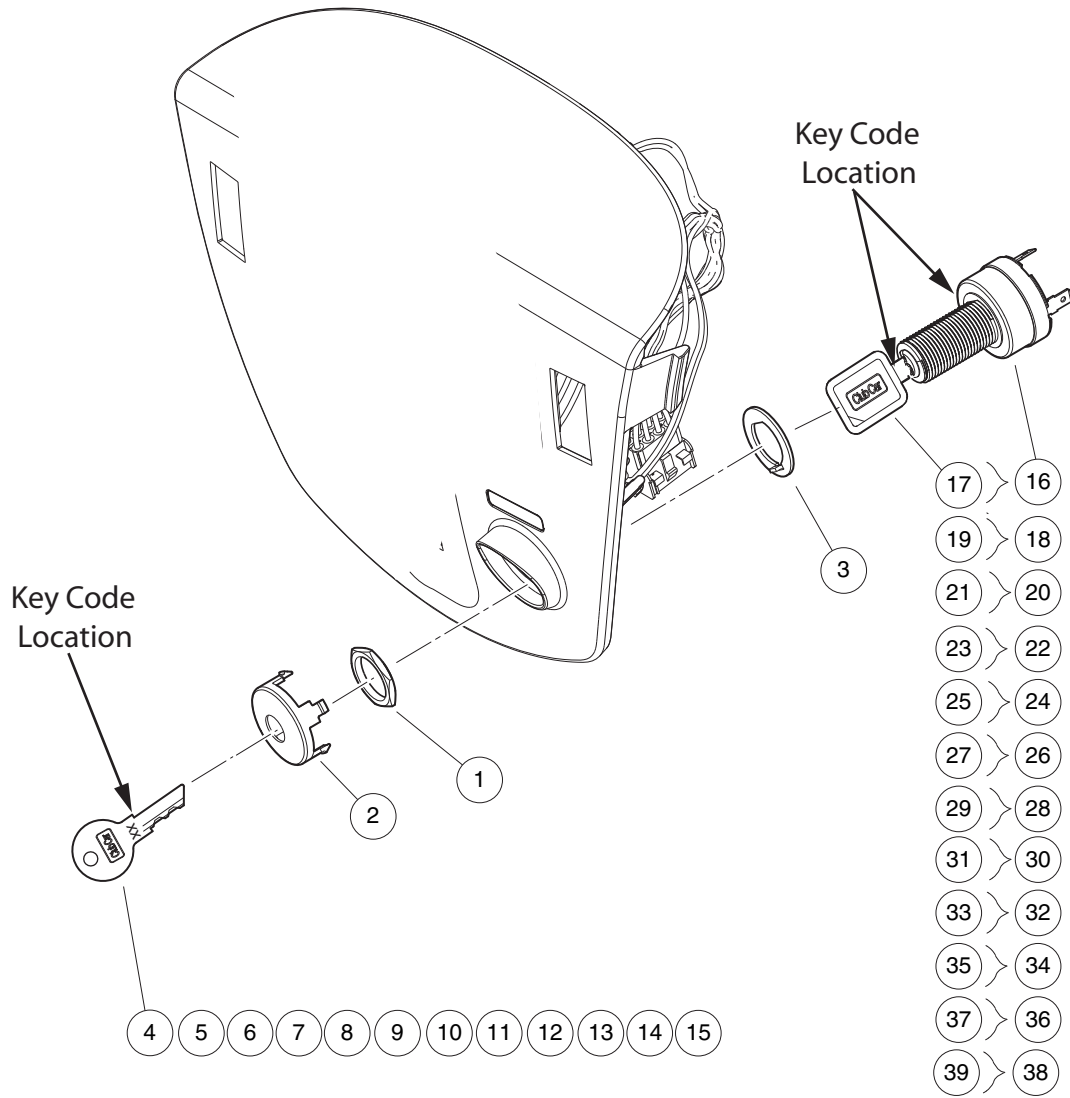
| ITEM | PART NO. | DESCRIPTION | QTY |
|------|------------------|--|-----|
| | | 1 2 3 4 | |
| 1 | <u>1016849</u> | Screw, #4-24 X 0.33, Pan-Head, Machine | 2 |
| 2 | <u>1016851</u> | Multi-Purpose Buzzer (9-48 VDC) | 1 |
| 3 | <u>101825101</u> | Decal, Off/On | 1 |
| 4 | <u>102869401</u> | Switch, Rocker, Light | 1 |
| 5 | <u>103180101</u> | Cover, Hole, Switch, Rocker | 1 |
| 6 | <u>103348201</u> | Clip, Meter, Round | 1 |
| 7 | <u>103348602</u> | Gauge, Fuel-hour,sep Gnd, Ds | 1 |
| 8 | <u>105037101</u> | Light, Oil (LED) | 1 |
| 9 | 47598441001 | Light, Dash, Led, Mil | 1 |
| 10 | 47609057001 | Harness, Ip, Gas, Ca, Com | 1 |
| 11 | 47631907002 | Instrument Panel, Ca, Gas, Uv | 1 |

4

G

E

4
G
E



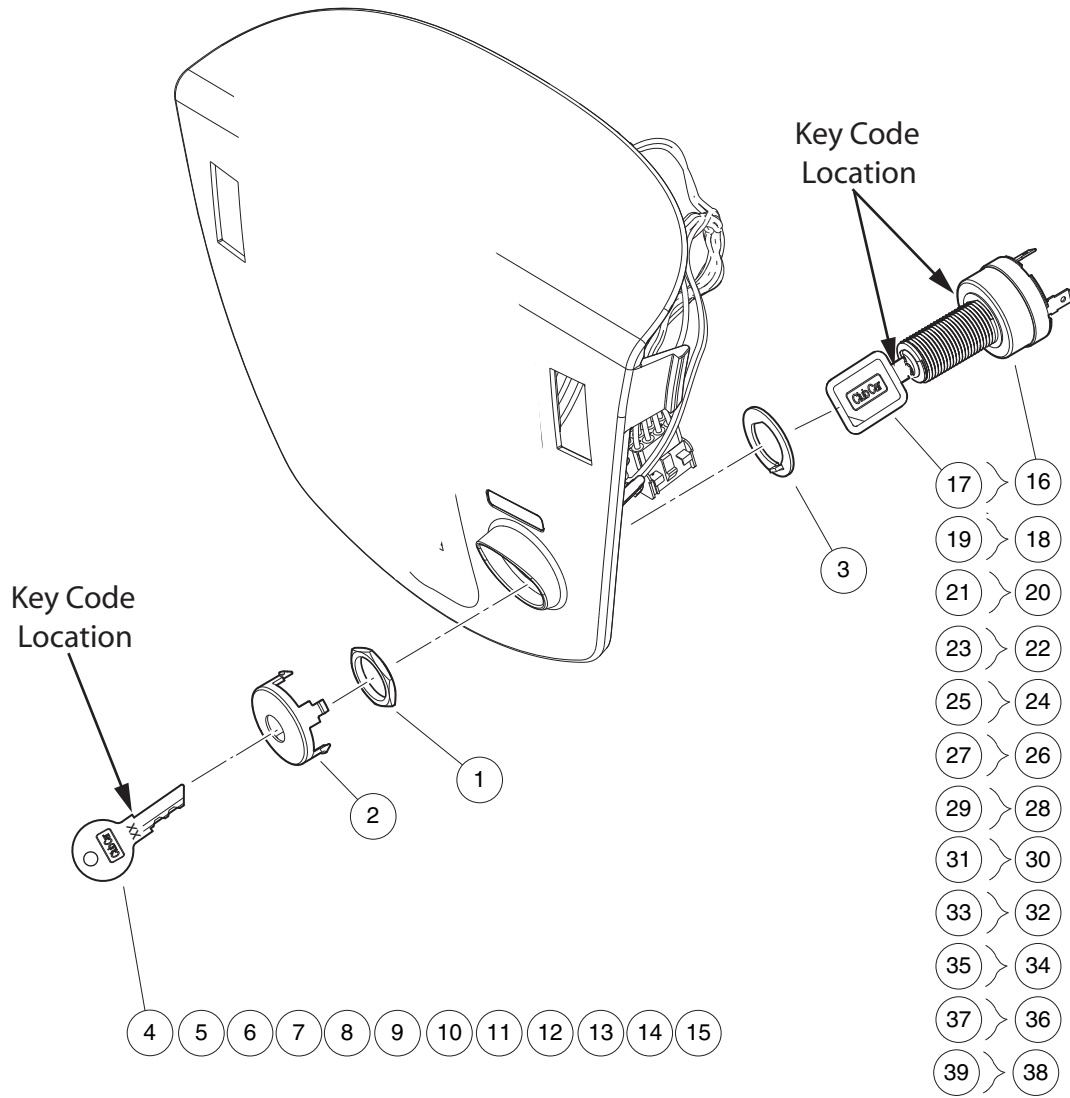
001355-001

KEYSWITCH – ELECTRIC VEHICLE

| ITEM | PART NO. | DESCRIPTION | QTY |
|------|------------------|---|-----|
| | | 1 2 3 4 | |
| 1 | <u>101830701</u> | Nut, Key Switch | 1 |
| 2 | <u>101834502</u> | Cap, Black Key Switch | 1 |
| 3 | <u>101851101</u> | Washer, Key Switch | 1 |
| 4 | <u>101974701</u> | Key, Uncommon 1a | 1 |
| 5 | <u>101974702</u> | Key, Uncommon 1b | 1 |
| 6 | <u>101974703</u> | Key, Uncommon 1c | 1 |
| 7 | <u>101974704</u> | Key, Uncommon 1d | 1 |
| 8 | <u>101974705</u> | Key, Uncommon 2a | 1 |
| 9 | <u>101974706</u> | Key, Uncommon 2b | 1 |
| 10 | <u>101974707</u> | Key, Uncommon 2c | 1 |
| 11 | <u>101974708</u> | Key, Uncommon 2d | 1 |
| 12 | <u>101974709</u> | Key, Uncommon 1e | 1 |
| 13 | <u>101974710</u> | Key, Uncommon 1f | 1 |
| 14 | <u>101974711</u> | Key, Uncommon 2e | 1 |
| 15 | <u>101974712</u> | Key, Uncommon 2f | 1 |
| 16 | <u>105081701</u> | Keysw, Uncom, 4t, Off/on 1a, E (includes item 17) | 1 |
| 17 | <u>105068001</u> | Key, Uncommon, Padded 1a | 1 |
| 18 | <u>105081702</u> | Keysw, Uncom, 4t, Off/on 1b, E (includes item 19) | 1 |
| 19 | <u>105068002</u> | Key, Uncommon, Padded 1b | 1 |
| 20 | <u>105081703</u> | Keysw, Uncom, 4t, Off/on 1c, E (includes item 21) | 1 |
| 21 | <u>105068003</u> | Key, Uncommon, Padded 1c | 1 |
| 22 | <u>105081704</u> | Keysw, Uncom, 4t, Off/on 1d, E (includes item 23) | 1 |
| 23 | <u>105068004</u> | Key, Uncommon, Padded 1d | 1 |
| 24 | <u>105081705</u> | Keysw, Uncom, 4t, Off/on 1e, E (includes item 25) | 1 |
| 25 | <u>105068005</u> | Key, Uncommon, Padded 1e | 1 |
| 26 | <u>105081706</u> | Keysw, Uncom, 4t, Off/on 1f, E (includes item 27) | 1 |
| 27 | <u>105068006</u> | Key, Uncommon, Padded 1f | 1 |
| 28 | <u>105081707</u> | Keysw, Uncom, 4t, Off/on 2a, E (includes item 29) | 1 |
| 29 | <u>105068007</u> | Key, Uncommon, Padded 2a | 1 |
| 30 | <u>105081708</u> | Keysw, Uncom, 4t, Off/on 2b, E (includes item 31) | 1 |
| 31 | <u>105068008</u> | Key, Uncommon, Padded 2b | 1 |
| 32 | <u>105081709</u> | Keysw, Uncom, 4t, Off/on 2c, E (includes item 33) | 1 |
| 33 | <u>105068009</u> | Key, Uncommon, Padded 2c | 1 |
| 34 | <u>105081710</u> | Keysw, Uncom, 4t, Off/on 2d, E (includes item 35) | 1 |
| 35 | <u>105068010</u> | Key, Uncommon, Padded 2d | 1 |
| 36 | <u>105081711</u> | Keysw, Uncom, 4t, Off/on 2e, E (includes item 37) | 1 |
| 37 | <u>105068011</u> | Key, Uncommon, Padded 2e | 1 |
| 38 | <u>105081712</u> | Keysw, Uncom, 4t, Off/on 2f, E (includes item 39) | 1 |
| 39 | <u>105068012</u> | Key, Uncommon, Padded 2f | 1 |
| | | Note: Keyswitch <u>105081701</u> , is standard for electric vehicles equipped with a cab. Keyswitch <u>105081702</u> , is standard for electric vehicles without a cab. Keyswitches <u>105081703</u> through <u>105081712</u> allows different key code combinations for electric fleet vehicles. | |

4
G
E

4
G
E



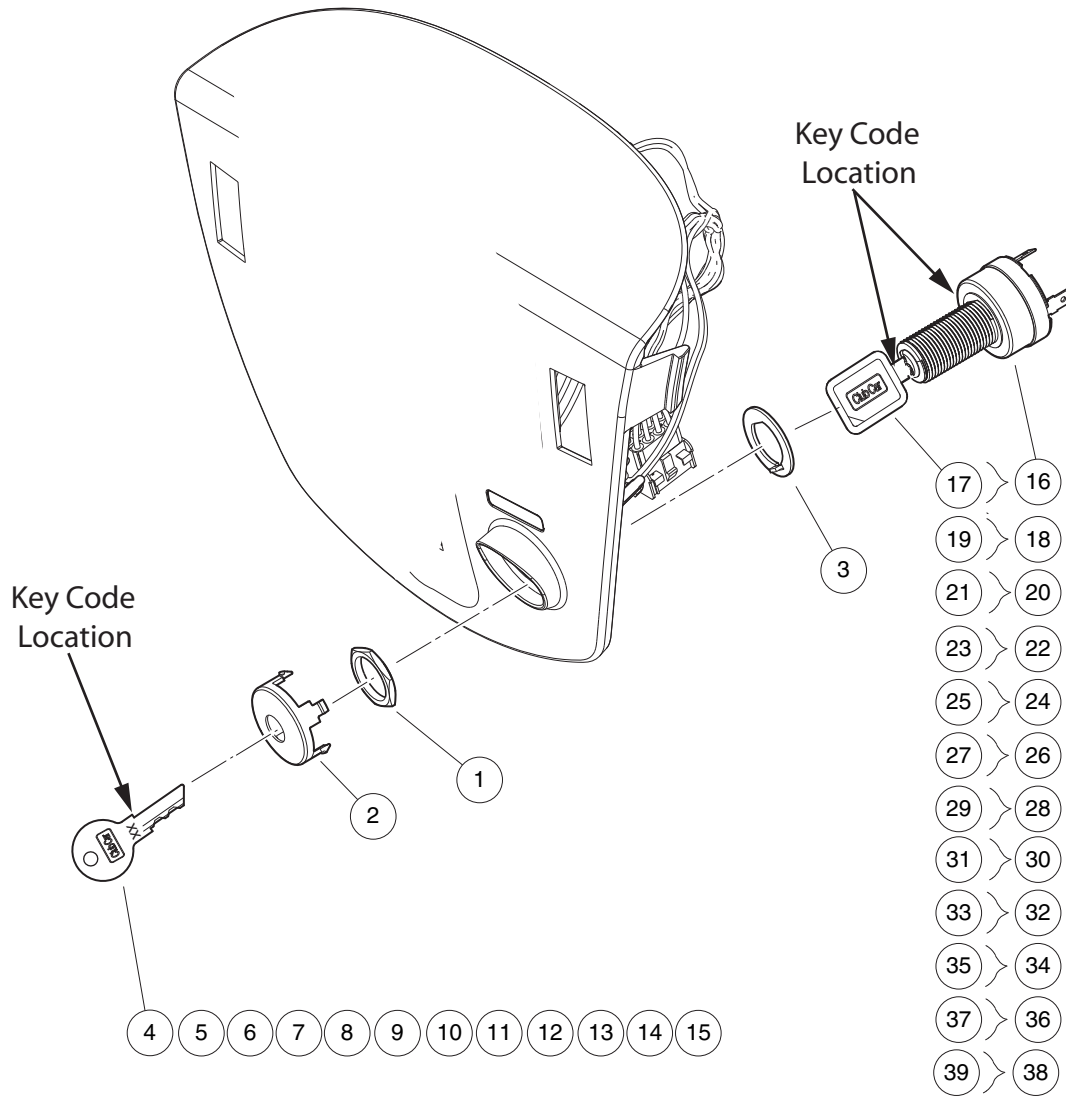
001355-001

KEYSWITCH, PRIVATE SPEED MODE - ELECTRIC VEHICLE

| ITEM | PART NO. | DESCRIPTION | QTY |
|------|------------------|--|-----|
| | | 1 2 3 4 | |
| 1 | <u>101830701</u> | Nut, Key Switch | 1 |
| 2 | <u>101834502</u> | Cap, Black Key Switch | 1 |
| 3 | <u>101851101</u> | Washer, Key Switch | 1 |
| 4 | <u>101974701</u> | Key, Uncommon 1a | 1 |
| 5 | <u>101974702</u> | Key, Uncommon 1b | 1 |
| 6 | <u>101974703</u> | Key, Uncommon 1c | 1 |
| 7 | <u>101974704</u> | Key, Uncommon 1d | 1 |
| 8 | <u>101974705</u> | Key, Uncommon 2a | 1 |
| 9 | <u>101974706</u> | Key, Uncommon 2b | 1 |
| 10 | <u>101974707</u> | Key, Uncommon 2c | 1 |
| 11 | <u>101974708</u> | Key, Uncommon 2d | 1 |
| 12 | <u>101974709</u> | Key, Uncommon 1e | 1 |
| 13 | <u>101974710</u> | Key, Uncommon 1f | 1 |
| 14 | <u>101974711</u> | Key, Uncommon 2e | 1 |
| 15 | <u>101974712</u> | Key, Uncommon 2f | 1 |
| 16 | <u>105082001</u> | Keysw, Uncom, 4t, Off/p2/p3 1a (includes item 17) | 1 |
| 17 | <u>105068001</u> | Key, Uncommon, Padded 1a | 1 |
| 18 | <u>105082002</u> | Keysw, Uncom, 4t, Off/p2/p3 1b (includes item 19) | 1 |
| 19 | <u>105068002</u> | Key, Uncommon, Padded 1b | 1 |
| 20 | <u>105082003</u> | Keysw, Uncom, 4t, Off/p2/p3 1c (includes item 21) | 1 |
| 21 | <u>105068003</u> | Key, Uncommon, Padded 1c | 1 |
| 22 | <u>105082004</u> | Keysw, Uncom, 4t, Off/p2/p3 1d (includes item 23) | 1 |
| 23 | <u>105068004</u> | Key, Uncommon, Padded 1d | 1 |
| 24 | <u>105082005</u> | Keysw, Uncom, 4t, Off/p2/p3 1e (includes item 25) | 1 |
| 25 | <u>105068005</u> | Key, Uncommon, Padded 1e | 1 |
| 26 | <u>105082006</u> | Keysw, Uncom, 4t, Off/p2/p3 1f (includes item 27) | 1 |
| 27 | <u>105068006</u> | Key, Uncommon, Padded 1f | 1 |
| 28 | <u>105082007</u> | Keysw, Uncom, 4t, Off/p2/p3 2a (includes item 29) | 1 |
| 29 | <u>105068007</u> | Key, Uncommon, Padded 2a | 1 |
| 30 | <u>105082008</u> | Keysw, Uncom, 4t, Off/p2/p3 2b (includes item 31) | 1 |
| 31 | <u>105068008</u> | Key, Uncommon, Padded 2b | 1 |
| 32 | <u>105082009</u> | Keysw, Uncom, 4t, Off/p2/p3 2c (includes item 33) | 1 |
| 33 | <u>105068009</u> | Key, Uncommon, Padded 2c | 1 |
| 34 | <u>105082010</u> | Keysw, Uncom, 4t, Off/p2/p3 2d (includes item 35) | 1 |
| 35 | <u>105068010</u> | Key, Uncommon, Padded 2d | 1 |
| 36 | <u>105082011</u> | Keysw, Uncom, 4t, Off/p2/p3 2e (includes item 37) | 1 |
| 37 | <u>105068011</u> | Key, Uncommon, Padded 2e | 1 |
| 38 | <u>105082012</u> | Keysw, Uncom, 4t, Off/p2/p3 2f (includes item 39) | 1 |
| 39 | <u>105068012</u> | Key, Uncommon, Padded 2f | 1 |
| | | Note: Keyswitch <u>105082001</u> , is standard for private speed mode electric vehicles equipped with a cab. Keyswitch <u>105082002</u> , is standard for private speed mode electric vehicles without a cab. Keyswitches <u>105082003</u> through <u>105082012</u> allows different key code combinations for private speed mode electric fleet vehicles. | |

4
G
E

4
G
E



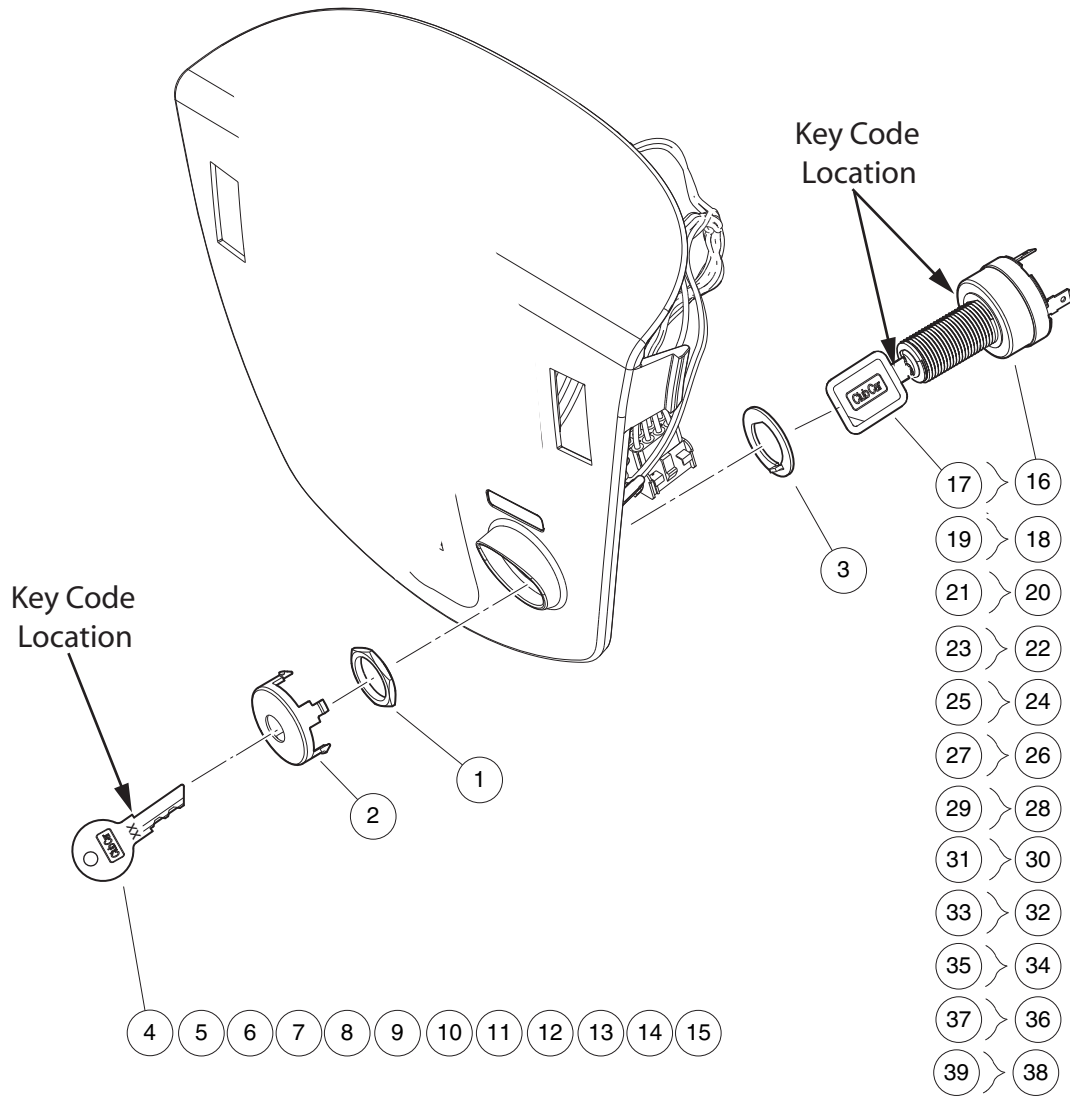
001355-001

KEYSWITCH, PEDAL-START – GASOLINE VEHICLE

| ITEM | PART NO. | DESCRIPTION | QTY |
|------|------------------|---|-----|
| | | 1 2 3 4 | |
| 1 | <u>101830701</u> | Nut, Key Switch | 1 |
| 2 | <u>101834502</u> | Cap, Black Key Switch | 1 |
| 3 | <u>101851101</u> | Washer, Key Switch | 1 |
| 4 | <u>101974701</u> | Key, Uncommon 1a | 1 |
| 5 | <u>101974702</u> | Key, Uncommon 1b | 1 |
| 6 | <u>101974703</u> | Key, Uncommon 1c | 1 |
| 7 | <u>101974704</u> | Key, Uncommon 1d | 1 |
| 8 | <u>101974705</u> | Key, Uncommon 2a | 1 |
| 9 | <u>101974706</u> | Key, Uncommon 2b | 1 |
| 10 | <u>101974707</u> | Key, Uncommon 2c | 1 |
| 11 | <u>101974708</u> | Key, Uncommon 2d | 1 |
| 12 | <u>101974709</u> | Key, Uncommon 1e | 1 |
| 13 | <u>101974710</u> | Key, Uncommon 1f | 1 |
| 14 | <u>101974711</u> | Key, Uncommon 2e | 1 |
| 15 | <u>101974712</u> | Key, Uncommon 2f | 1 |
| 16 | <u>105081801</u> | Keysw, Uncom, 4t, Off/on 1a, G (includes item 17) | 1 |
| 17 | <u>105068001</u> | Key, Uncommon, Padded 1a | 1 |
| 18 | <u>105081802</u> | Keysw, Uncom, 4t, Off/on 1b, G (includes item 19) | 1 |
| 19 | <u>105068002</u> | Key, Uncommon, Padded 1b | 1 |
| 20 | <u>105081803</u> | Keysw, Uncom, 4t, Off/on 1c, G (includes item 21) | A/R |
| 21 | <u>105068003</u> | Key, Uncommon, Padded 1c | 1 |
| 22 | <u>105081804</u> | Keysw, Uncom, 4t, Off/on 1d, G (includes item 23) | 1 |
| 23 | <u>105068004</u> | Key, Uncommon, Padded 1d | 1 |
| 24 | <u>105081805</u> | Keysw, Uncom, 4t, Off/on 1e, G (includes item 25) | 1 |
| 25 | <u>105068005</u> | Key, Uncommon, Padded 1e | 1 |
| 26 | <u>105081806</u> | Keysw, Uncom, 4t, Off/on 1f, G (includes item 27) | 1 |
| 27 | <u>105068006</u> | Key, Uncommon, Padded 1f | 1 |
| 28 | <u>105081807</u> | Keysw, Uncom, 4t, Off/on 2a, G (includes item 29) | 1 |
| 29 | <u>105068007</u> | Key, Uncommon, Padded 2a | 1 |
| 30 | <u>105081808</u> | Keysw, Uncom, 4t, Off/on 2b, G (includes item 31) | 1 |
| 31 | <u>105068008</u> | Key, Uncommon, Padded 2b | 1 |
| 32 | <u>105081809</u> | Keysw, Uncom, 4t, Off/on 2c, G (includes item 33) | 1 |
| 33 | <u>105068009</u> | Key, Uncommon, Padded 2c | 1 |
| 34 | <u>105081810</u> | Keysw, Uncom, 4t, Off/on 2d, G (includes item 35) | 1 |
| 35 | <u>105068010</u> | Key, Uncommon, Padded 2d | 1 |
| 36 | <u>105081811</u> | Keysw, Uncom, 4t, Off/on 2e, G (includes item 37) | 1 |
| 37 | <u>105068011</u> | Key, Uncommon, Padded 2e | 1 |
| 38 | <u>105081812</u> | Keysw, Uncom, 4t, Off/on 2f, G (includes item 39) | 1 |
| 39 | <u>105068012</u> | Key, Uncommon, Padded 2f | 1 |
| | | Note: Keyswitch <u>105081801</u> , is standard for pedal-start gasoline vehicles equipped with a cab. Keyswitch <u>105081802</u> , is standard for pedal-start gasoline vehicles without a cab. Keyswitches <u>105081803</u> through <u>105081812</u> allows different key code combinations for pedal-start gasoline fleet vehicles. | |

4
G
E

4
G
E



001355-001

KEYSWITCH, KEY-START – GASOLINE VEHICLE

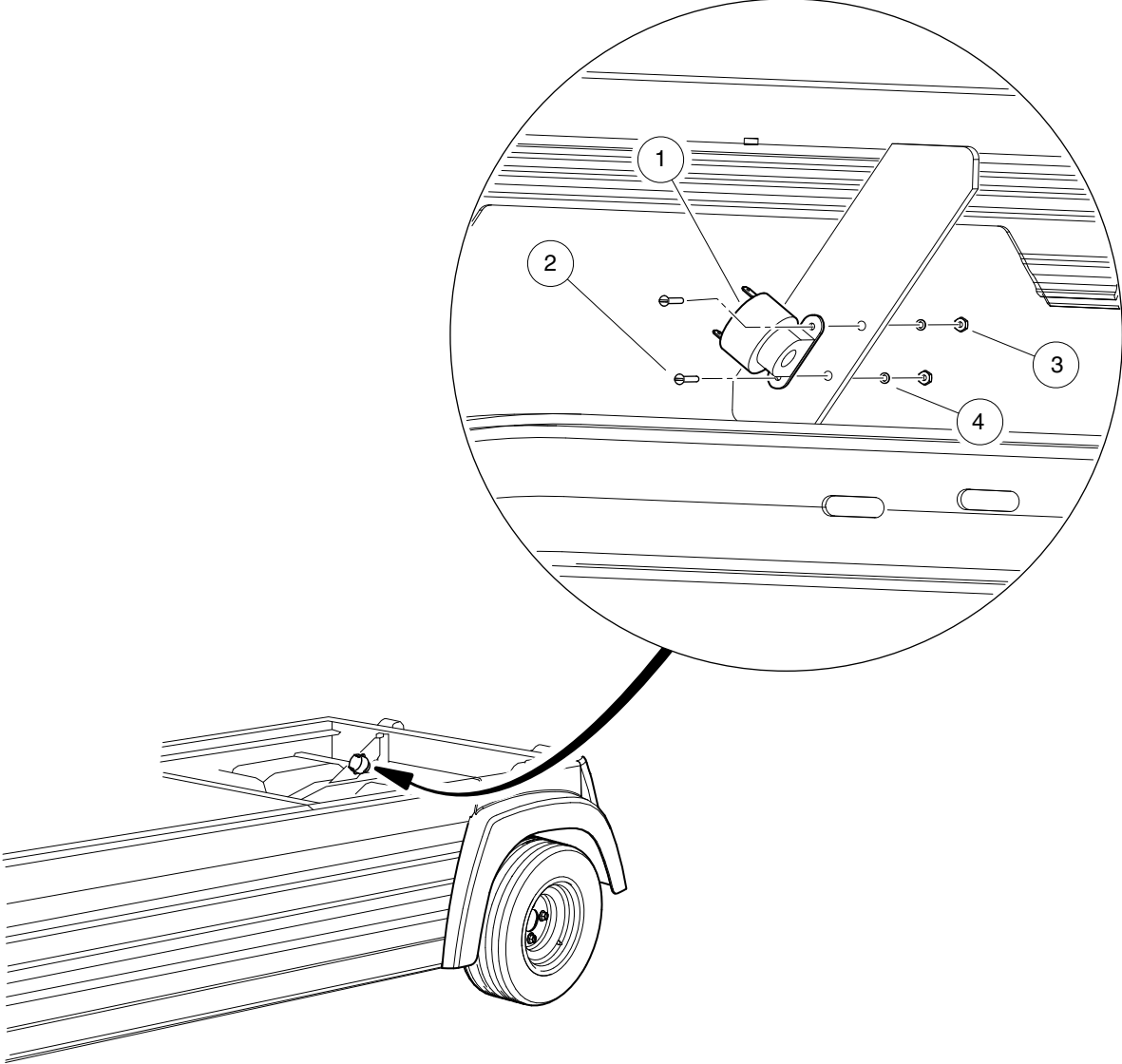
| ITEM | PART NO. | DESCRIPTION | QTY |
|------|------------------|--|-----|
| | | 1 2 3 4 | |
| 1 | <u>101830701</u> | Nut, Key Switch | 1 |
| 2 | <u>101834502</u> | Cap, Black Key Switch | 1 |
| 3 | <u>101851101</u> | Washer, Key Switch | 1 |
| 4 | <u>101974701</u> | Key, Uncommon 1a | 1 |
| 5 | <u>101974702</u> | Key, Uncommon 1b | 1 |
| 6 | <u>101974703</u> | Key, Uncommon 1c | 1 |
| 7 | <u>101974704</u> | Key, Uncommon 1d | 1 |
| 8 | <u>101974705</u> | Key, Uncommon 2a | 1 |
| 9 | <u>101974706</u> | Key, Uncommon 2b | 1 |
| 10 | <u>101974707</u> | Key, Uncommon 2c | 1 |
| 11 | <u>101974708</u> | Key, Uncommon 2d | 1 |
| 12 | <u>101974709</u> | Key, Uncommon 1e | 1 |
| 13 | <u>101974710</u> | Key, Uncommon 1f | 1 |
| 14 | <u>101974711</u> | Key, Uncommon 2e | 1 |
| 15 | <u>101974712</u> | Key, Uncommon 2f | 1 |
| 16 | <u>105081901</u> | Keysw, Uncom, 4t, Off/on/st 1a (includes item 17) | 1 |
| 17 | <u>105068001</u> | Key, Uncommon, Padded 1a | 1 |
| 18 | <u>105081902</u> | Keysw, Uncom, 4t, Off/on/st 1b (includes item 19) | 1 |
| 19 | <u>105068002</u> | Key, Uncommon, Padded 1b | 1 |
| 20 | <u>105081903</u> | Keysw, Uncom, 4t, Off/on/st 1c (includes item 21) | 1 |
| 21 | <u>105068003</u> | Key, Uncommon, Padded 1c | 1 |
| 22 | <u>105081904</u> | Keysw, Uncom, 4t, Off/on/st 1d (includes item 23) | 1 |
| 23 | <u>105068004</u> | Key, Uncommon, Padded 1d | 1 |
| 24 | <u>105081905</u> | Keysw, Uncom, 4t, Off/on/st 1e (includes item 25) | 1 |
| 25 | <u>105068005</u> | Key, Uncommon, Padded 1e | 1 |
| 26 | <u>105081906</u> | Keysw, Uncom, 4t, Off/on/st 1f (includes item 27) | 1 |
| 27 | <u>105068006</u> | Key, Uncommon, Padded 1f | 1 |
| 28 | <u>105081907</u> | Keysw, Uncom, 4t, Off/on/st 2a (includes item 29) | 1 |
| 29 | <u>105068007</u> | Key, Uncommon, Padded 2a | 1 |
| 30 | <u>105081908</u> | Keysw, Uncom, 4t, Off/on/st 2b (includes item 31) | 1 |
| 31 | <u>105068008</u> | Key, Uncommon, Padded 2b | 1 |
| 32 | <u>105081909</u> | Keysw, Uncom, 4t, Off/on/st 2c (includes item 33) | 1 |
| 33 | <u>105068009</u> | Key, Uncommon, Padded 2c | 1 |
| 34 | <u>105081910</u> | Keysw, Uncom, 4t, Off/on/st 2d (includes item 35) | 1 |
| 35 | <u>105068010</u> | Key, Uncommon, Padded 2d | 1 |
| 36 | <u>105081911</u> | Keysw, Uncom, 4t, Off/on/st 2e (includes item 37) | 1 |
| 37 | <u>105068011</u> | Key, Uncommon, Padded 2e | 1 |
| 38 | <u>105081912</u> | Keysw, Uncom, 4t, Off/on/st 2f (includes item 39) | 1 |
| 39 | <u>105068012</u> | Key, Uncommon, Padded 2f | 1 |
| | | Note: Keyswitch <u>105081901</u> , is standard for key-start gasolinevehicles equipped with a cab. Keyswitch <u>105081902</u> , is standard for key-start gasoline vehicles without a cab. Keyswitches <u>105081903</u> through <u>105081912</u> allows different key code combinations for key-start gasoline fleet vehicles. | |

4
G
E

4

G

E



001361-001

REAR MOUNTED REVERSE BUZZER

| ITEM | PART NO. | DESCRIPTION | QTY |
|------|----------------|--|-----|
| | | 1 2 3 4 | |
| 1 | <u>1016851</u> | Multi-Purpose Buzzer (9-48 VDC) | 1 |
| 2 | <u>8056</u> | Screw, #4-40 X 0.75 Round-Head Machine | 2 |
| 3 | <u>8057</u> | Nut, #4-40 Hex Machine | 2 |
| 4 | <u>8058</u> | Lockwasher, #4 Split | 2 |

4

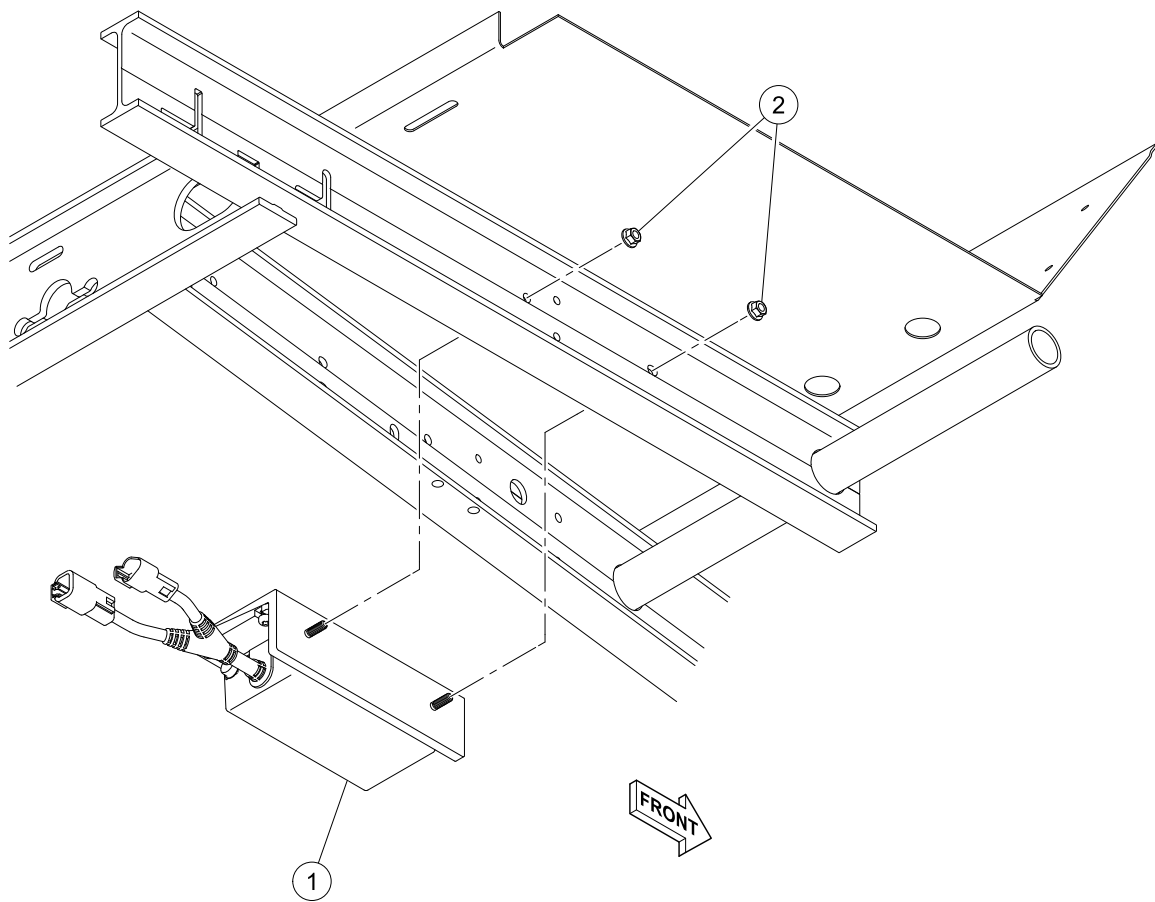
G

E

4

G

E



G-130299-000003

DC CONVERTER – ELECTRIC VEHICLE

| ITEM | PART NO. | DESCRIPTION | QTY |
|------|--------------------|--------------------------------------|-----|
| 1 | <u>47594727001</u> | 1 2 3 4 Converter, Dc/dc | 1 |
| 2 | <u>96704176</u> | Nut, Flanged, M6 X 1, Serrated | 2 |

4

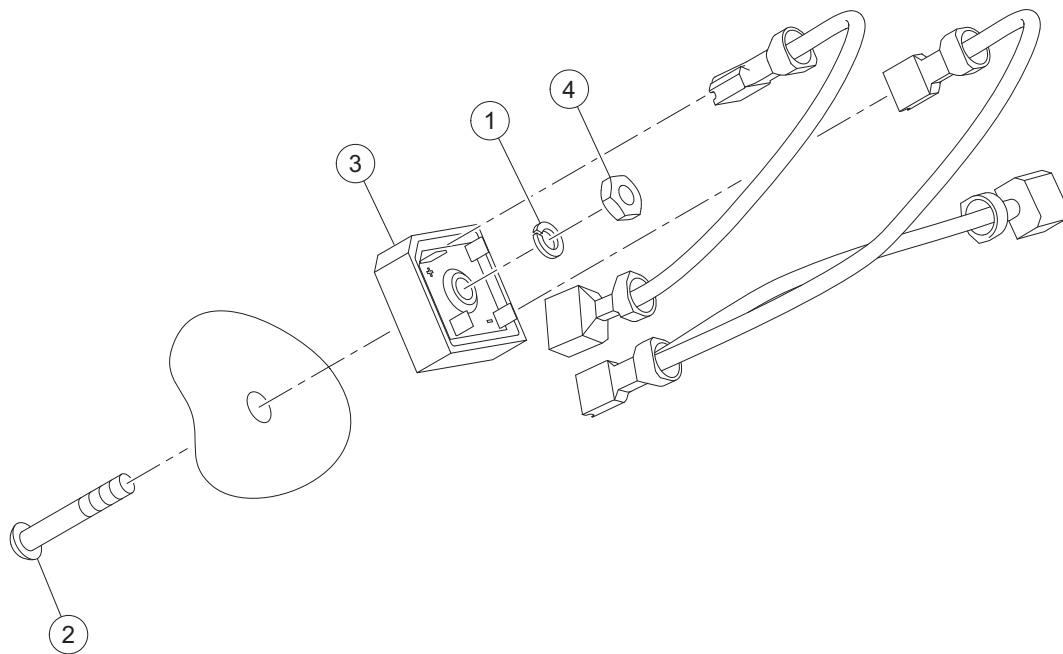
G

E

4

G

E



001365-003

VOLTAGE LIMITER – GASOLINE VEHICLE

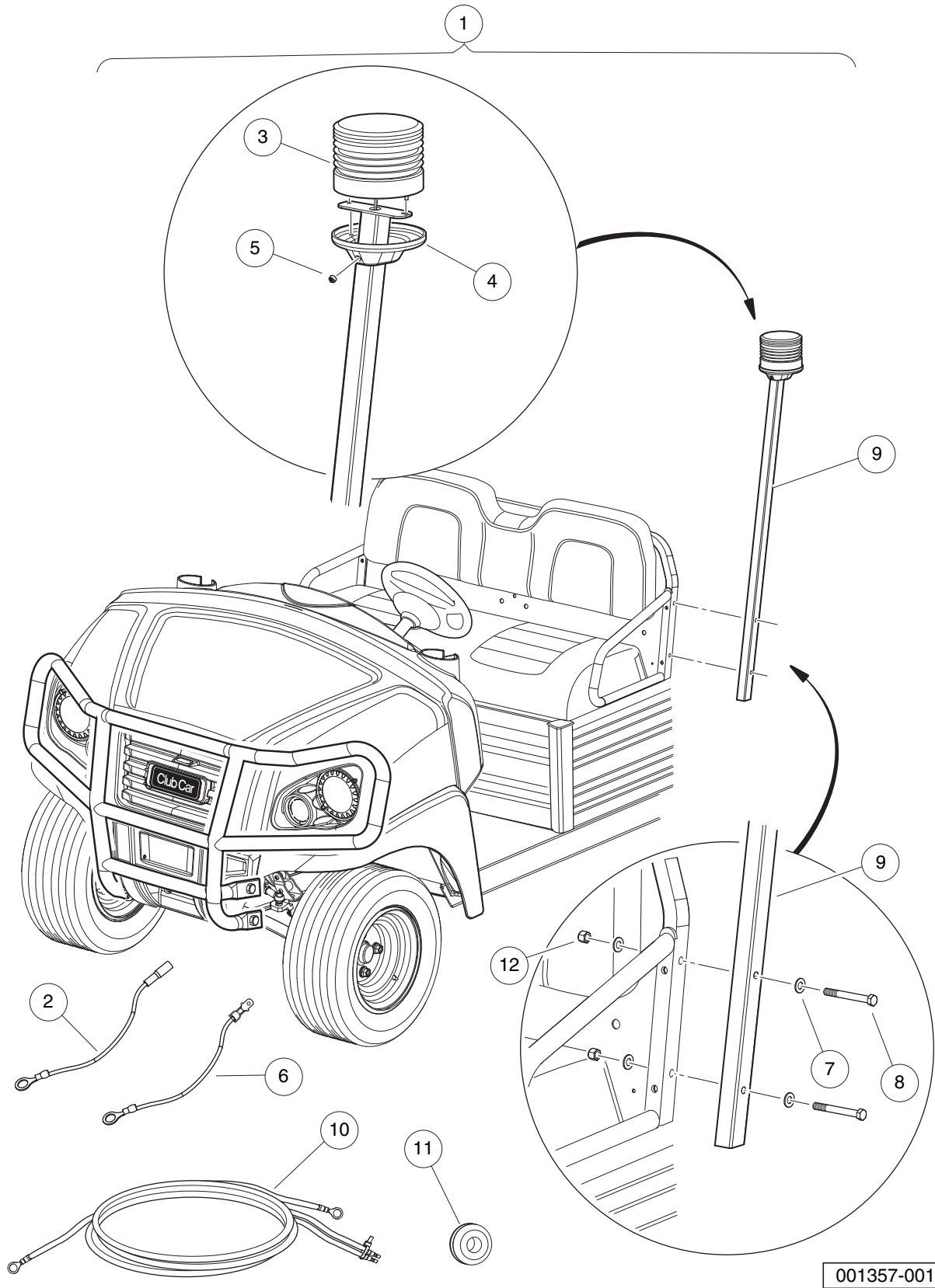
| ITEM | PART NO. | DESCRIPTION | QTY |
|------|--------------------|------------------------------------|-----|
| | | 1 2 3 4 | |
| 1 | <u>1016</u> | Lockwasher, #10 Split | 1 |
| 2 | <u>103821301</u> | Screw, Panhead #10-32 X 1.75 | 1 |
| 3 | <u>47604303001</u> | Voltage Limiter, Gas | 1 |
| 4 | <u>7893</u> | Nut, #10-32 Hex | 1 |

4

G

E

4
G
E



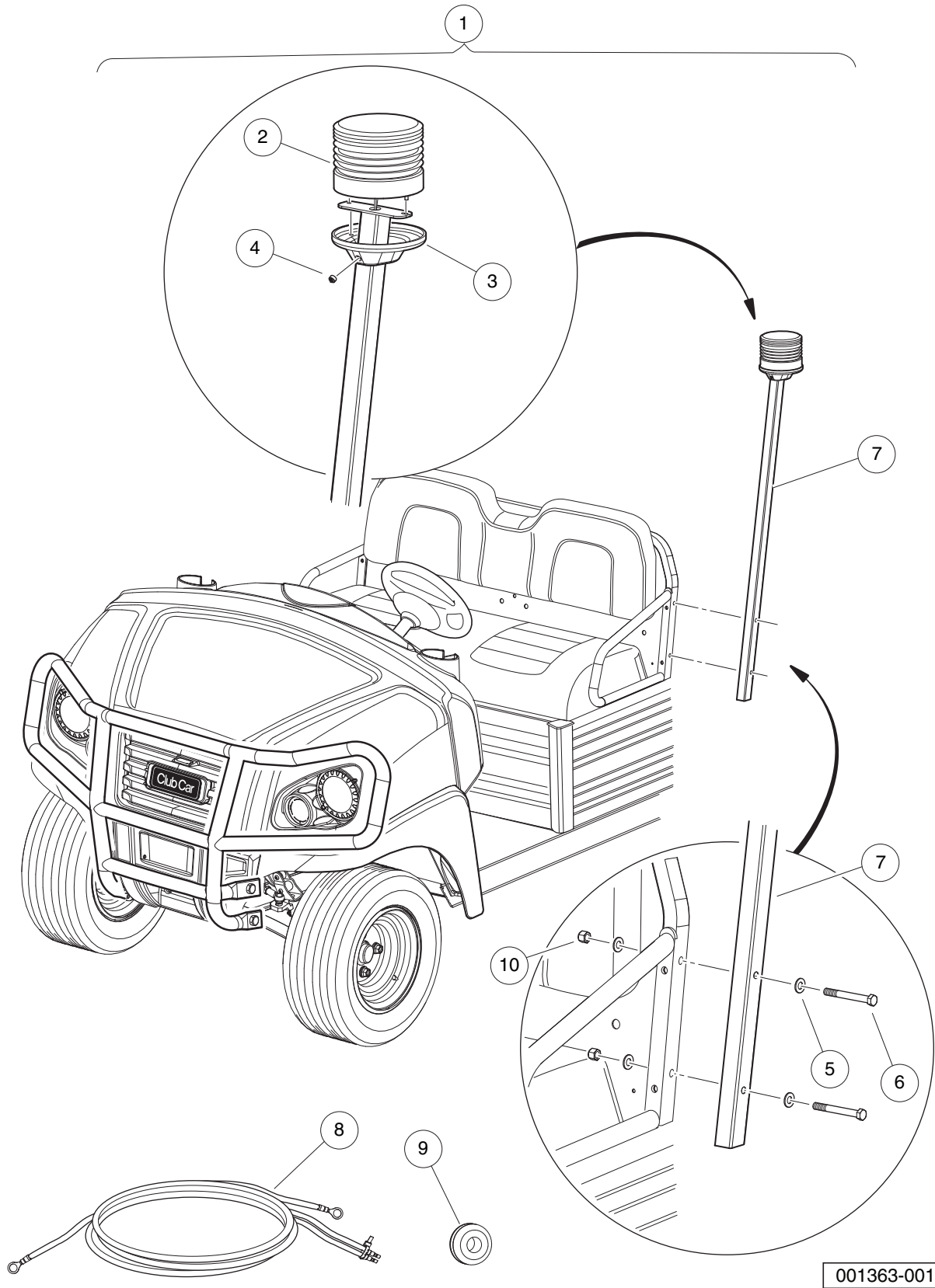
001357-001

STROBE LIGHT, POST MOUNTED – GASOLINE VEHICLES

| ITEM | PART NO. | DESCRIPTION | QTY |
|------|------------------|--|-----|
| | | 1 2 3 4 | |
| 1 | <u>105155601</u> | Kit, Post Mtd. Strobe, Gas (includes items 2 through 12) | 1 |
| 2 | 1015154 | Wire Assembly Blue Ca #16 | 1 |
| 3 | <u>1015156</u> | Light Assembly, Strobe | 1 |
| 4 | 1015157 | Cover Plate Switch - Pole Ca | 1 |
| 5 | <u>1015187</u> | Switch Assembly | 1 |
| 6 | 1016929 | Wire Assembly Black #16 | 1 |
| 7 | <u>102323501</u> | Washer, Flat, 3/8, Blk Fin | 4 |
| 8 | <u>105088601</u> | Hhcs, 3/8 - 16 X 3.25, Black | 2 |
| 9 | 105118601 | Weldment, Post Mtd. Strobe | 1 |
| 10 | <u>105204401</u> | Wire Harness Asm,PM Strobe | 1 |
| 11 | <u>105205301</u> | Grommet,1/8-in groove | 1 |
| 12 | <u>8754</u> | Locknut, 3/8-16 Hex | 2 |

4
G
E

4
G
E



001363-001

STROBE LIGHT, POST MOUNTED – ELECTRIC VEHICLES

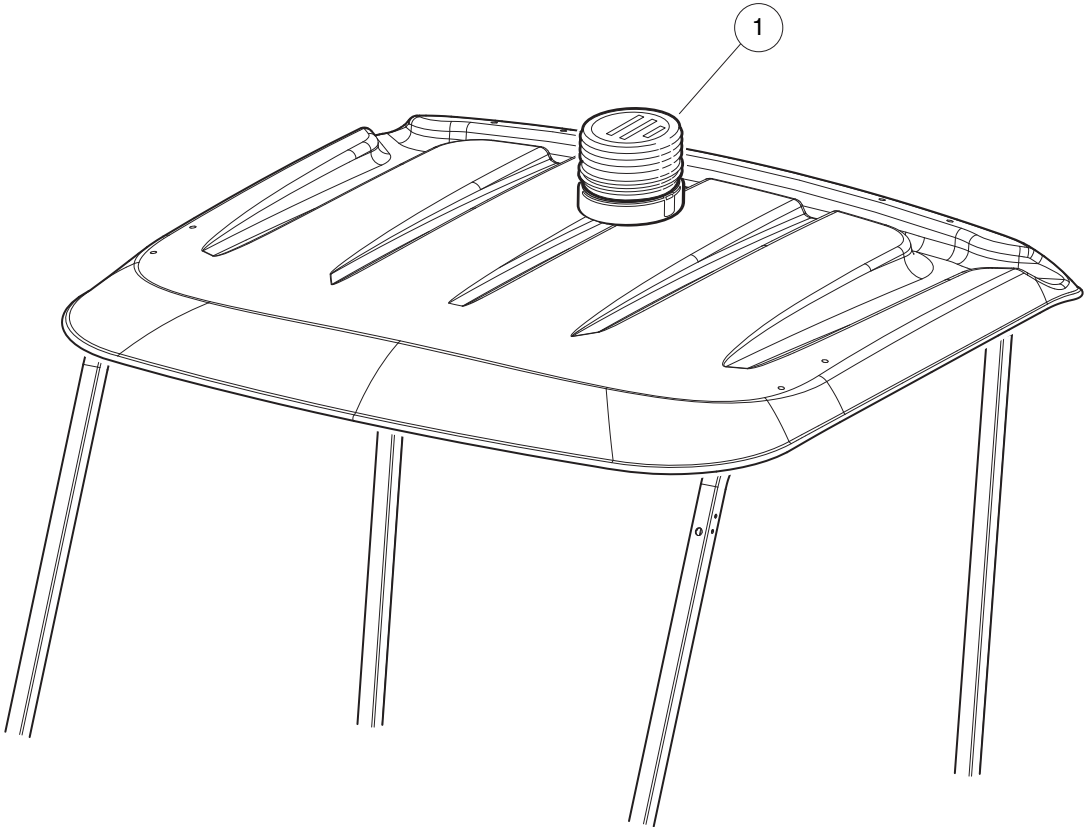
| ITEM | PART NO. | DESCRIPTION | QTY |
|------|------------------|---|-----|
| | | 1 2 3 4 | |
| 1 | <u>105155501</u> | Kit, Post Mtd. Strobe, Elec (includes items 2 through 10) | 1 |
| 2 | <u>1015156</u> | Light Assembly, Strobe | 1 |
| 3 | <u>1015157</u> | Cover Plate Switch - Pole Ca | 1 |
| 4 | <u>1015187</u> | Switch Assembly | 1 |
| 5 | <u>102323501</u> | Washer, Flat, 3/8, Blk Fin | 4 |
| 6 | <u>105088601</u> | Hhcs, 3/8 - 16 X 3.25, Black | 2 |
| 7 | <u>105118601</u> | Weldment, Post Mtd. Strobe | 1 |
| 8 | <u>105204401</u> | Wire Harness Asm,PM Strobe | 1 |
| 9 | <u>105205301</u> | Grommet,1/8-in groove | 1 |
| 10 | <u>8754</u> | Locknut, 3/8-16 Hex | 2 |

4
G
E

4

G

E



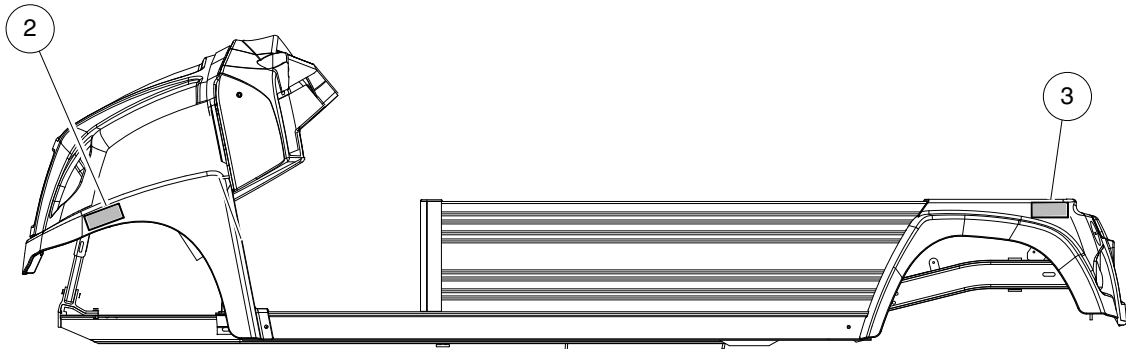
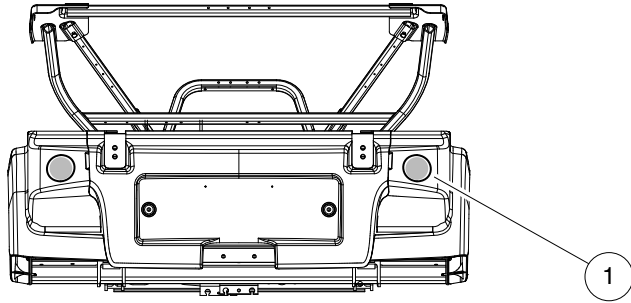
001364-001

STROBE LIGHT – CANOPY MOUNTED

| ITEM | PART NO. | DESCRIPTION | QTY |
|------|-------------|---|-----|
| 1 | SVP12987001 | 1 2 3 4 Kit, Strobe, Canopy, Led | 1 |

4
G
E

4
G
E



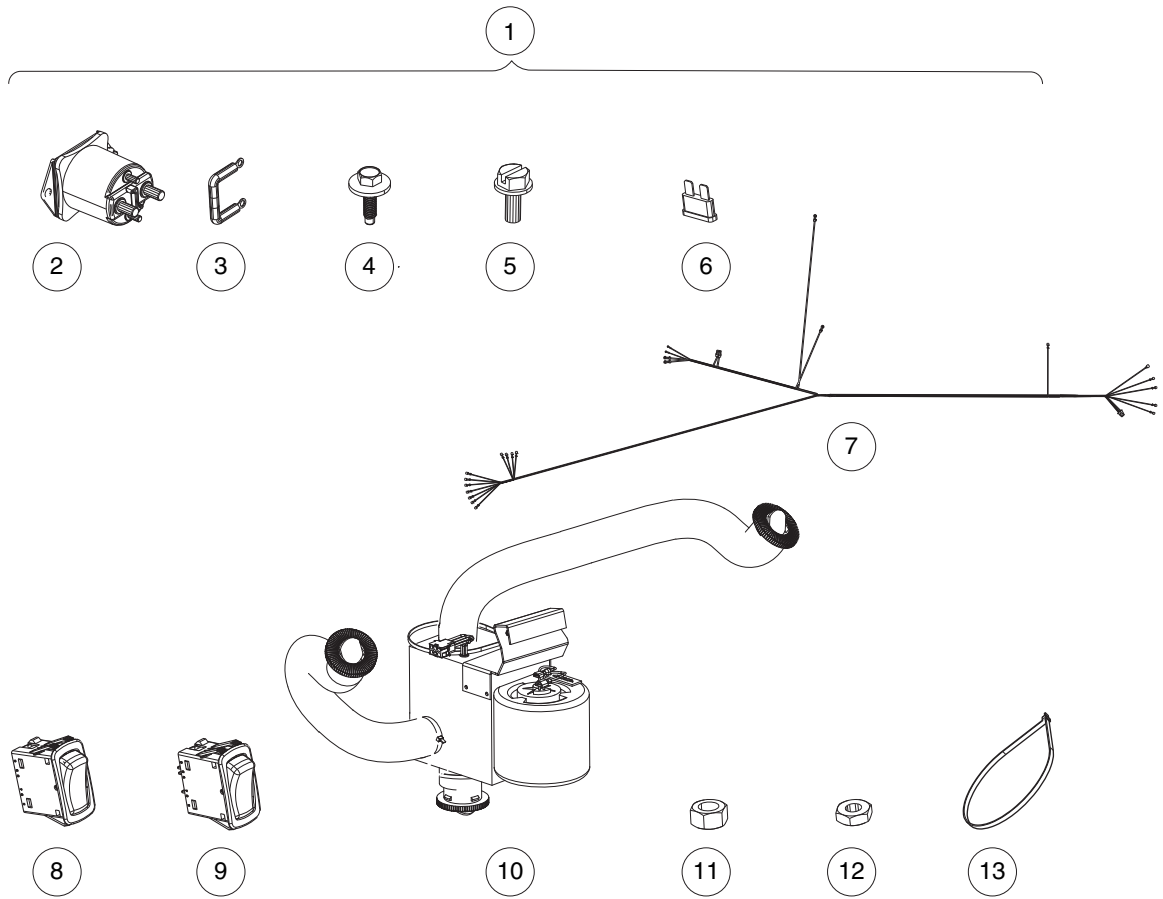
001362-001

REFLECTORS

| ITEM | PART NO. | DESCRIPTION | QTY |
|------|------------------|---|-----|
| 1 | <u>103832501</u> | 1 2 3 4 Reflector, Red, Round, Sae | 2 |
| 2 | <u>103832601</u> | Reflector, Yell, Rect, Sae | 2 |
| 3 | <u>105144801</u> | Reflector, Red, Rect, Sae | 2 |

4
G
E

4
G
E



001366-002

HEATER DEFOGGER – ELECTRIC VEHICLE

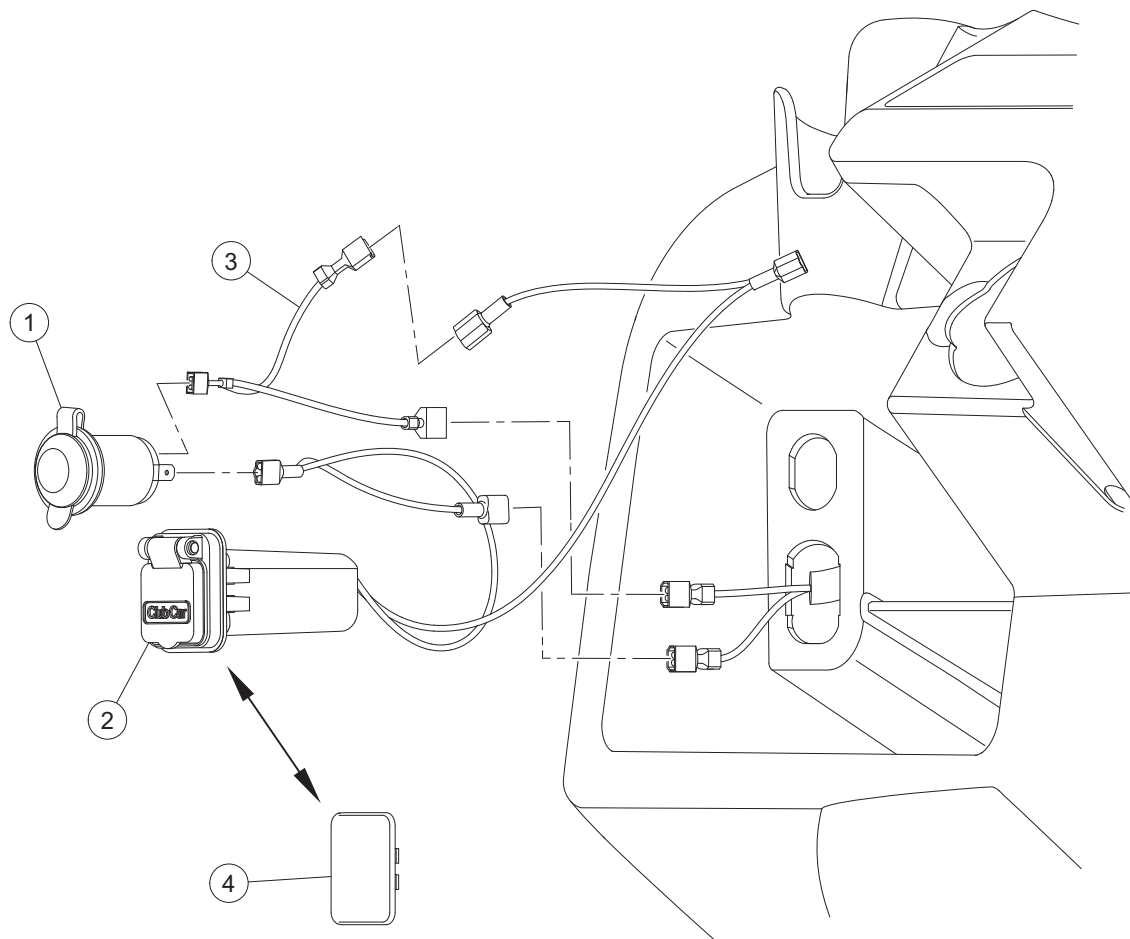
| ITEM | PART NO. | DESCRIPTION | QTY |
|------|------------------|---|-----|
| | | 1 2 3 4 | |
| 1 | <u>105135802</u> | Kit, Defogger, Heater (includes items 2 through 13) | 1 |
| 2 | <u>1013609</u> | Solenoid, 12-Volt | 1 |
| 3 | 1014948 | Diode | 1 |
| 4 | <u>102297125</u> | Screw, M6-1.0x25.4, Thread-Forming, SEMS | 2 |
| 5 | <u>102817101</u> | Screw, 1/4-20 X .50 Hex Wsh Hd | 2 |
| 6 | <u>103541401</u> | Fuse, Atc, 5 Amp | 1 |
| 7 | <u>105108801</u> | Harness, Heater, Cab, Util | 1 |
| 8 | <u>105112501</u> | Switch, Heater, 12vdc | 1 |
| 9 | <u>105112601</u> | Switch, Blower, 12vdc | 1 |
| 10 | N/A | Heater, Defogger | 1 |
| 11 | <u>1242</u> | Nut, 5/16-18 Hex | 2 |
| 12 | <u>7893</u> | Nut, #10-32 Hex | 2 |
| 13 | <u>8639</u> | Tie Wrap, 11" Nylon | 8 |

4
G
E

4

G

E



G-150299-000001

USB AND POWERPOINT RECEPTACLE

| ITEM | PART NO. | DESCRIPTION | QTY |
|------|------------------|-----------------------------|-----|
| | | 1 2 3 4 | |
| 1 | <u>102198001</u> | Receptacle, Accessory | 1 |
| 2 | 47587715001 | Usb, 12v | 1 |
| 3 | 47654251001 | Harness, Jumper, Usb | 1 |
| 4 | 47669399001 | Plug, Usb | A/R |

4

G

E

4

G

E

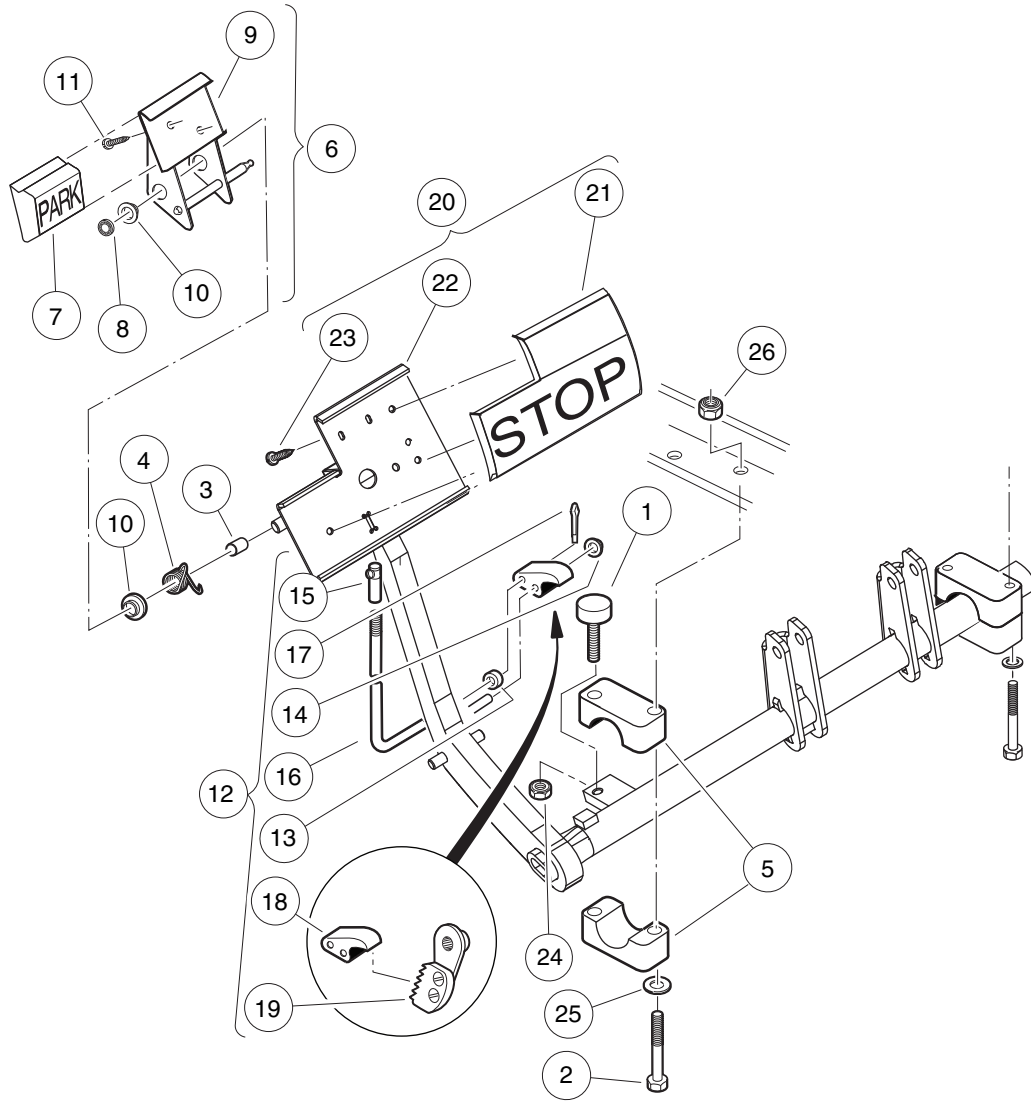
BRAKES, PEDALS, AND CABLE ASSEMBLIES

5

G

E

5
G
E

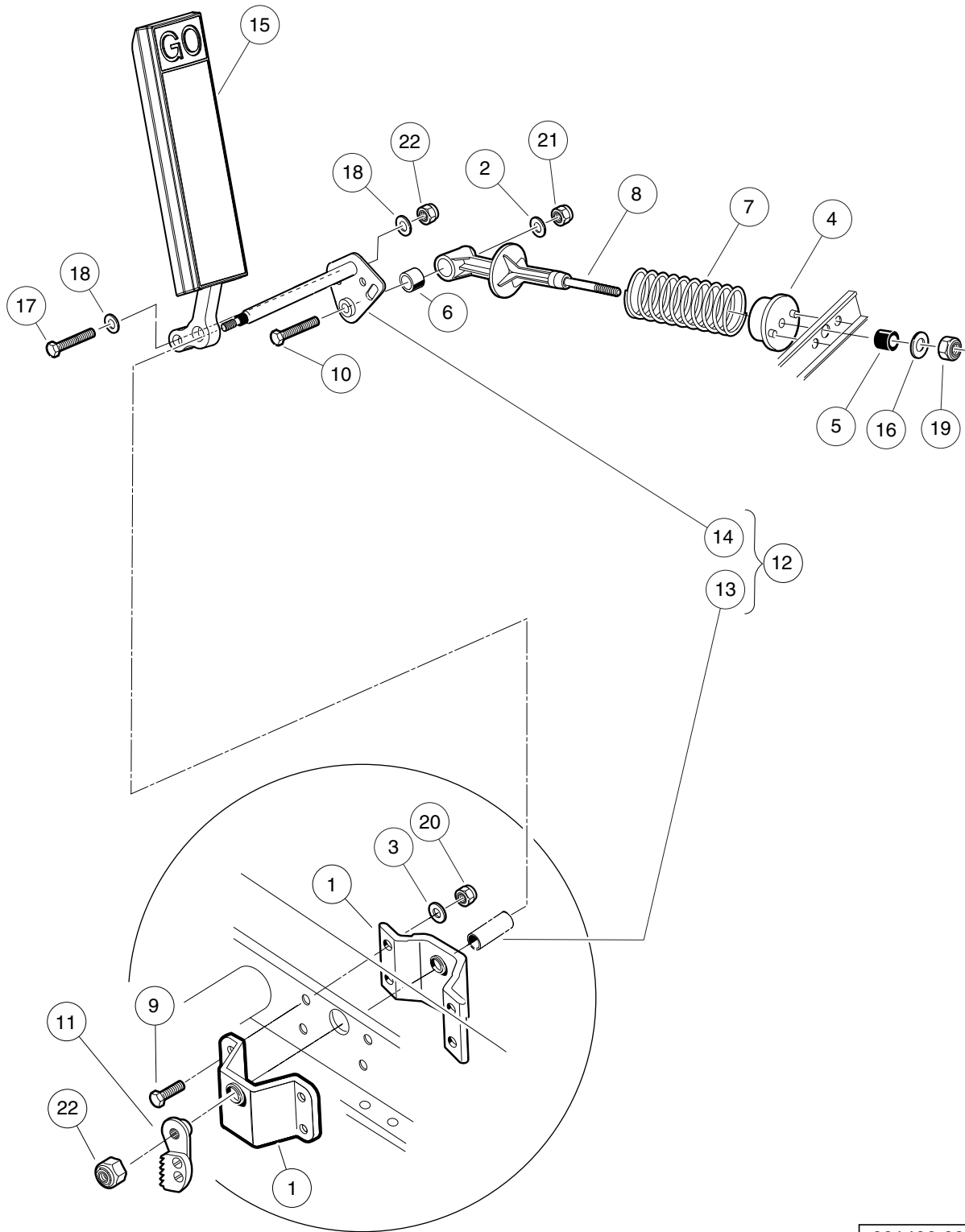


001405-002

BRAKE PEDAL ASSEMBLY – VEHICLES WITH 2-WHEEL BRAKES AND 4-WHEEL BRAKES

| ITEM | PART NO. | DESCRIPTION | QTY | 5 |
|------|------------------|--|-----|----------|
| | | 1 2 3 4 | | |
| 1 | <u>1010878</u> | Bumper, Rubber | 1 | G |
| 2 | <u>1010921</u> | Screw, 5/16-18 X 2.50 Hex Cap | 4 | E |
| 3 | <u>1010927</u> | Hill Brake Spacer | 1 | |
| 4 | <u>1010933</u> | Spring, Hill Brake Torsion | 1 | |
| 5 | <u>1011402</u> | Package, Brake Mounting Block | 1 | |
| 6 | <u>1011418</u> | Kit, Hill Brake Pedal (includes items 7 through 11) | 1 | |
| 7 | <u>1013870</u> | Pad, Hill Brake | 1 | |
| 8 | <u>1013876</u> | Pushnut, 3/8 | 1 | |
| 9 | N/A | Hill Brake Weld Assembly | 1 | |
| 10 | <u>1032</u> | Bushing, Nylon | 2 | |
| 11 | 7716 | Screw, #10-16 Type AB, Sheet Metal | 2 | |
| 12 | <u>101187702</u> | Kit, Hill Brake Latch (includes items 13 through 19) | 1 | |
| 13 | <u>1010805</u> | Sleeve, Hill Brake Rod | 1 | |
| 14 | <u>1010877</u> | Pushnut, 3/8 | 1 | |
| 15 | 1010932 | Ball Joint, 1/4-28 | 1 | |
| 16 | N/A | Rod, Hill Brake | 1 | |
| 17 | <u>1017029</u> | Pin, Cotter, 7/64 x 1/2 Stainless-Steel | 1 | |
| 18 | N/A | Pawl, Hill Brake | 1 | |
| 19 | 101918501 | Ratchet Assembly | 1 | |
| 20 | <u>101878201</u> | Brake Pedal Kit (includes items 21 through 23) | 1 | |
| 21 | <u>1013869</u> | Pad, Brake Pedal | 1 | |
| 22 | N/A | Weldment, Brake Pedal, 2wr Std | 1 | |
| 23 | 7716 | Screw, #10-16 Type AB, Sheet Metal | 3 | |
| 24 | <u>1028</u> | Nut, 1/4-20 Hex | 1 | |
| 25 | <u>1241</u> | Washer, 5/16 Type A Flat | 4 | |
| 26 | <u>7473</u> | Locknut, 5/16-18 Nylon Insert | 4 | |

5
G
E



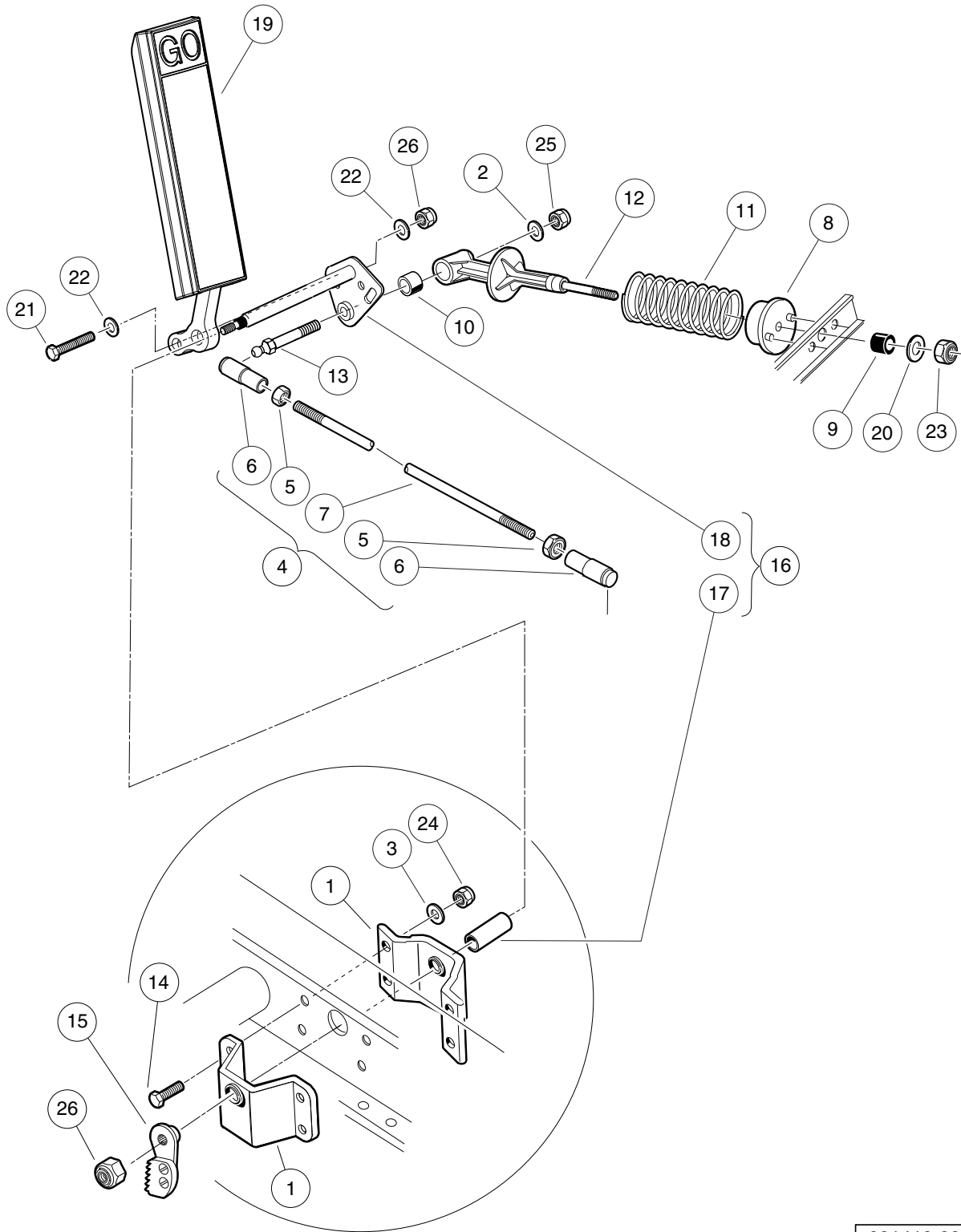
001406-001

ACCELERATOR PEDAL ASSEMBLY – ELECTRIC VEHICLES

| ITEM | PART NO. | DESCRIPTION | QTY |
|------|------------------|--|-----|
| | | 1 2 3 4 | |
| 1 | <u>1011694</u> | Accelerator Bracket and Bearing Assembly | 2 |
| 2 | <u>1011931</u> | Washer, 1/4 Flat | 1 |
| 3 | <u>1014007</u> | Washer, 1/4, Flat | 4 |
| 4 | <u>1017378</u> | Cup, Spring | 1 |
| 5 | <u>1017380</u> | Bumper, Spring Return | 1 |
| 6 | <u>1017424</u> | Bearing, Pivot Support | 1 |
| 7 | 101796201 | Spring, Accelerator Return | 1 |
| 8 | <u>101817401</u> | Retainer, Spring | 1 |
| 9 | <u>101861901</u> | Screw, 1/4-20 X 1.125 Hex Cap | 4 |
| 10 | <u>101862001</u> | Screw, 1/4-20 X 1.500 Flange | 1 |
| 11 | 101918501 | Ratchet Assembly | 1 |
| 12 | <u>102026001</u> | Kit, Accelerator Pivot Rod Assembly (includes items 13 and 14) | 1 |
| 13 | 101919801 | Spacer, Accelerator | 1 |
| 14 | <u>102158901</u> | Pivot Rod Weldment | 1 |
| 15 | <u>103865101</u> | Pedal, Accel, Insert | A/R |
| 16 | <u>1241</u> | Washer, 5/16 Type A Flat | 1 |
| 17 | <u>1624</u> | Screw, 3/8-16 X 1.50, Hex-Head Cap | 1 |
| 18 | <u>334</u> | Washer, 3/8, Type A, Flat | 2 |
| 19 | <u>7473</u> | Locknut, 5/16-18 Nylon Insert | 1 |
| 20 | <u>8233</u> | Locknut, 1/4-20, Nylon Insert | 4 |
| 21 | <u>8717</u> | Locknut, Nylon Insert, 1/4-28 | 1 |
| 22 | <u>8754</u> | Locknut, 3/8-16 Hex | 2 |

5
G
E

5
G
E



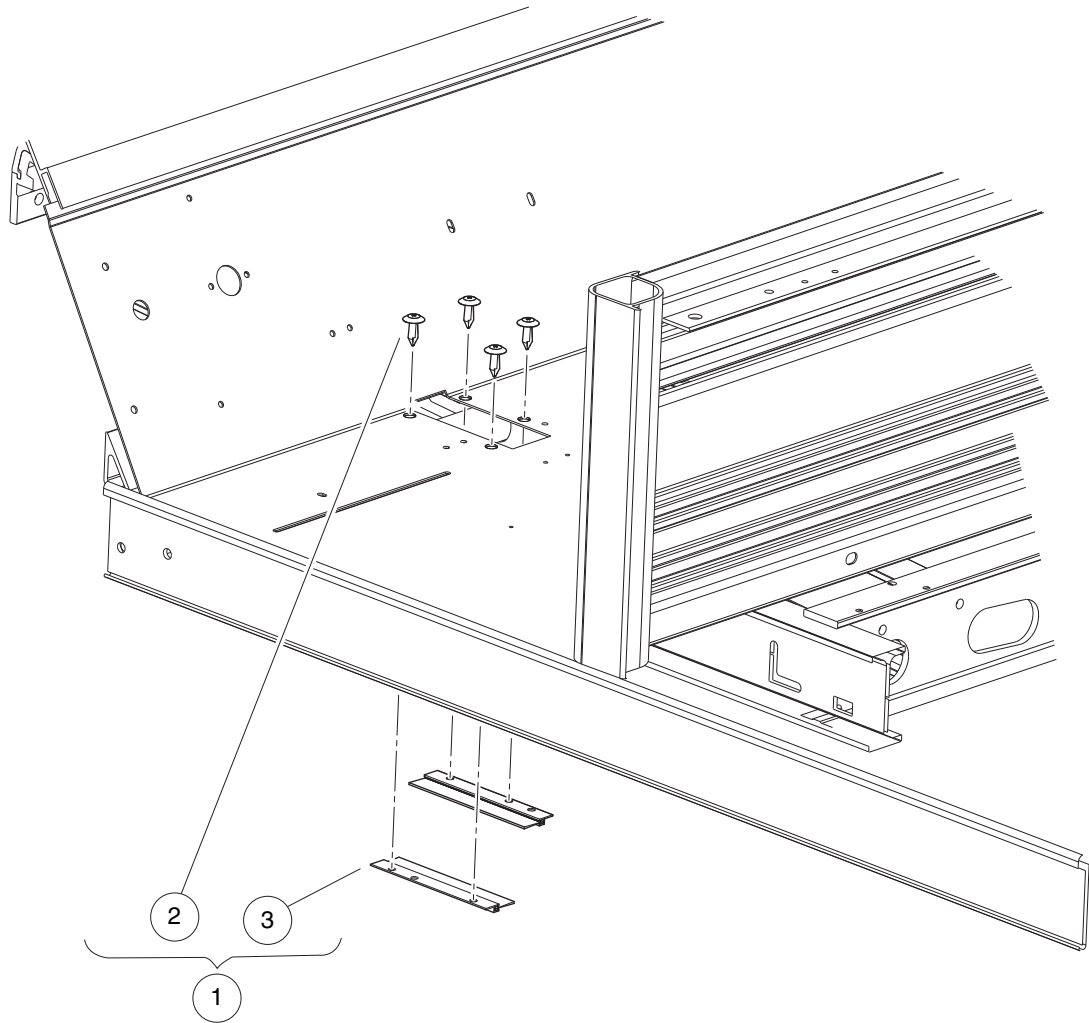
001410-001

ACCELERATOR ROD AND PEDAL ASSEMBLY – GASOLINE VEHICLE

| ITEM | PART NO. | DESCRIPTION | QTY |
|------|------------------|--|-----|
| | | 1 2 3 4 | |
| 1 | <u>1011694</u> | Accelerator Bracket and Bearing Assembly | 2 |
| 2 | <u>1011931</u> | Washer, 1/4 Flat | 1 |
| 3 | <u>1014007</u> | Washer, 1/4, Flat | 4 |
| 4 | <u>101674702</u> | Rod, Accelerator (includes items 5 through 7) | 1 |
| 5 | <u>1011084</u> | Nut, 1/4-28 Hex Jam | 2 |
| 6 | <u>1011734</u> | Joint, Ball | 2 |
| 7 | N/A | Accelerator Rod Elec Stretch | 1 |
| 8 | <u>1017378</u> | Cup, Spring | 1 |
| 9 | <u>1017380</u> | Bumper, Spring Return | 1 |
| 10 | <u>1017424</u> | Bearing, Pivot Support | 1 |
| 11 | 101796201 | Spring, Accelerator Return | 1 |
| 12 | <u>101817401</u> | Retainer, Spring | 1 |
| 13 | 101818801 | Stud, 1/4-28 X 1.35 Ball | 1 |
| 14 | <u>101861901</u> | Screw, 1/4-20 X 1.125 Hex Cap | 4 |
| 15 | 101918501 | Ratchet Assembly | 1 |
| 16 | <u>102026001</u> | Kit, Accelerator Pivot Rod Assembly (includes items 17 and 18) | 1 |
| 17 | 101919801 | Spacer, Accelerator | 1 |
| 18 | <u>102158901</u> | Pivot Rod Weldment | 1 |
| 19 | <u>103865101</u> | Pedal, Accel, Insert | 1 |
| 20 | <u>1241</u> | Washer, 5/16 Type A Flat | 1 |
| 21 | <u>1624</u> | Screw, 3/8-16 X 1.50, Hex-Head Cap | 1 |
| 22 | <u>334</u> | Washer, 3/8, Type A, Flat | 2 |
| 23 | <u>7473</u> | Locknut, 5/16-18 Nylon Insert | 1 |
| 24 | <u>8233</u> | Locknut, 1/4-20, Nylon Insert | 4 |
| 25 | <u>8717</u> | Locknut, Nylon Insert, 1/4-28 | 1 |
| 26 | <u>8754</u> | Locknut, 3/8-16 Hex | 2 |

5
G
E

5
G
E



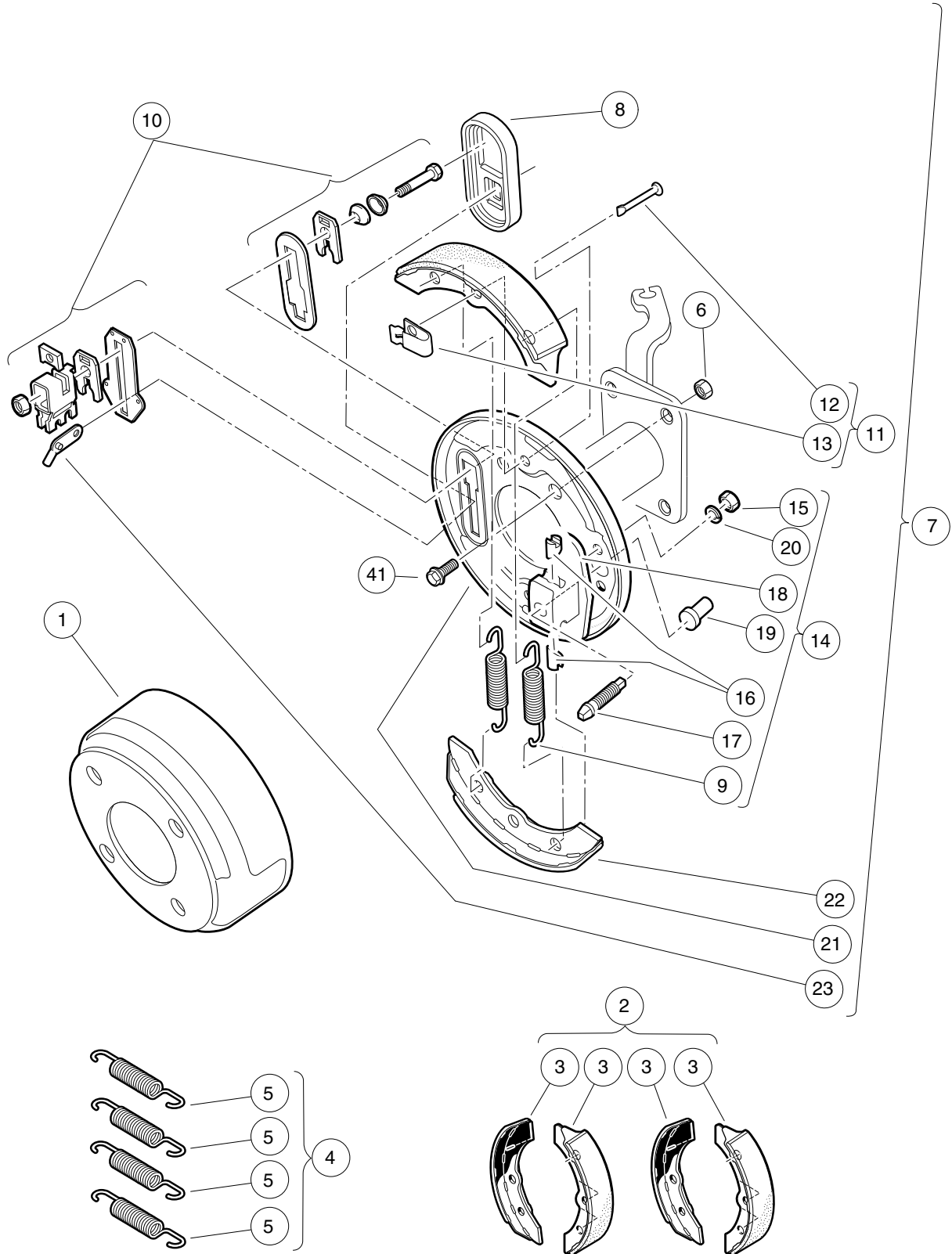
001418-001

PEDAL CLOSE-OUT KIT

| ITEM | PART NO. | DESCRIPTION | QTY |
|------|------------------|---|-----|
| | | 1 2 3 4 | |
| 1 | <u>105149101</u> | Kit, Close Out, Pedal, Utl (includes items 2 and 3) | 1 |
| 2 | <u>102025701</u> | Screw, Tuflok Panel, 1/4 | 4 |
| 3 | <u>105149201</u> | Asm, Brush, Pedal Close Out | 2 |

5
G
E

5
G
E

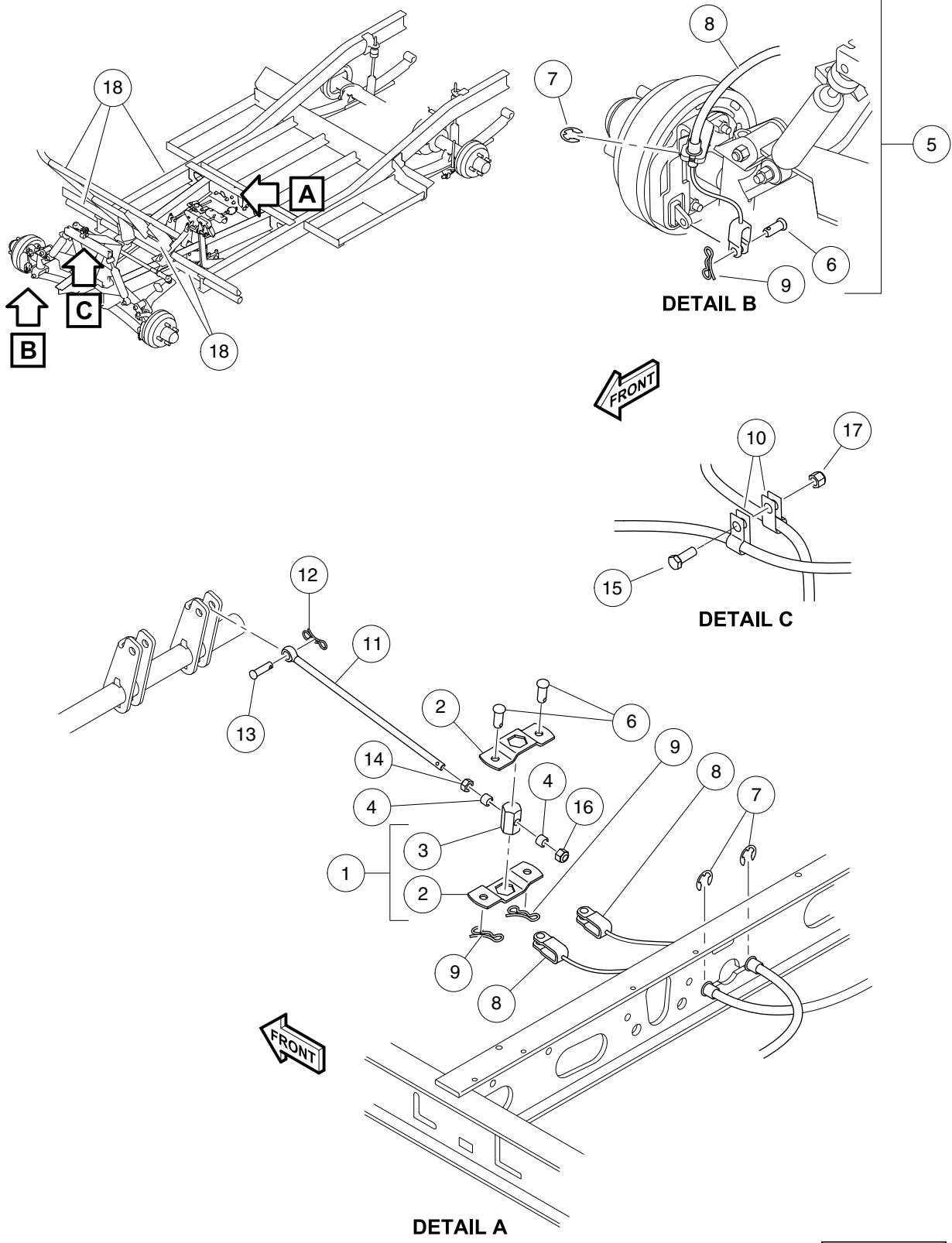


001402-002

FRONT BRAKE ASSEMBLY – VEHICLES WITH 4-WHEEL BRAKES

| ITEM | PART NO. | DESCRIPTION | QTY | |
|------|--------------------|---|-----|----------|
| | | 1 2 3 4 | | 5 |
| 1 | <u>1011137</u> | Drum, Brake | 2 | G |
| 2 | <u>101146302</u> | Kit, Non-Asbestos Brake Shoe (includes item 3) | 1 | E |
| 3 | 101880701 | Shoe Brake Manual Adj (Available in Kit, Non-Asbestos Brake Shoe) | 4 | |
| 4 | <u>1011464</u> | Package, Brake Spring (includes item 5) | 1 | |
| 5 | 1011314 | Brake Spring | 4 | |
| 6 | <u>1013924</u> | Nut, 5/16-24, Hex Head Cone | 8 | |
| 7 | <u>1016557</u> | Cluster, Brake, Driver-Side (includes items 8 through 23) | 1 | |
| 8 | <u>1010850</u> | Dust Cover | 1 | |
| 9 | 1011314 | Brake Spring | 2 | |
| 10 | <u>1011465</u> | Kit, Brake Actuator | 1 | |
| 11 | <u>1011466</u> | Kit, Shoe Retainer (includes items 12 and 13) | 1 | |
| 12 | N/A | Pin | 2 | |
| 13 | N/A | Shoe Clamp Spring | 2 | |
| 14 | <u>1011467</u> | Kit, Anchor Body (includes items 15 through 20) | 1 | |
| 15 | <u>1011114</u> | Nut, M6-1.00 Hex | 2 | |
| 16 | 1011298 | Anchor Piston | 2 | |
| 17 | N/A | Adjustment Bolt | 1 | |
| 18 | N/A | Anchor Body Component | 1 | |
| 19 | <u>1011303</u> | Adjustment Bolt Cap | 1 | |
| 20 | <u>451</u> | Lockwasher, 1/4 Split | 2 | |
| 21 | 1011494 | Backing Plate, Left-Hand | 1 | |
| 22 | 101880701 | Shoe Brake Manual Adj (Available in Kit, Non-Asbestos Brake Shoe) | 2 | |
| 23 | 102860501 | Arm, Brake Lever | 1 | |
| 24 | <u>1016573</u> | Cluster, Brake, Passenger-Side (includes items 25 through 40) | 1 | |
| 25 | <u>1010850</u> | Dust Cover | 1 | |
| 26 | <u>1011154</u> | Backing Plate, Right-Hand | 1 | |
| 27 | 1011314 | Brake Spring | 2 | |
| 28 | <u>1011465</u> | Kit, Brake Actuator | 1 | |
| 29 | <u>1011466</u> | Kit, Shoe Retainer (includes items 30 and 31) | 1 | |
| 30 | N/A | Pin | 2 | |
| 31 | N/A | Shoe Clamp Spring | 2 | |
| 32 | <u>1011467</u> | Kit, Anchor Body (includes items 33 through 38) | 1 | |
| 33 | <u>1011114</u> | Nut, M6-1.00 Hex | 2 | |
| 34 | 1011298 | Anchor Piston | 2 | |
| 35 | N/A | Adjustment Bolt | 1 | |
| 36 | N/A | Anchor Body Component | 1 | |
| 37 | <u>1011303</u> | Adjustment Bolt Cap | 1 | |
| 38 | <u>451</u> | Lockwasher, 1/4 Split | 2 | |
| 39 | 101880701 | Shoe Brake Manual Adj (Available in Kit, Non-Asbestos Brake Shoe) | 2 | |
| 40 | 102860501 | Arm, Brake Lever | 1 | |
| 41 | <u>47542195001</u> | Bolt, Brake Cluster Mnt | 8 | |
| | | Note: Passenger-side brake cluster (items 25-41) not shown. Components have a similar appearance to driver-side brake cluster components. | | |

5
G
E



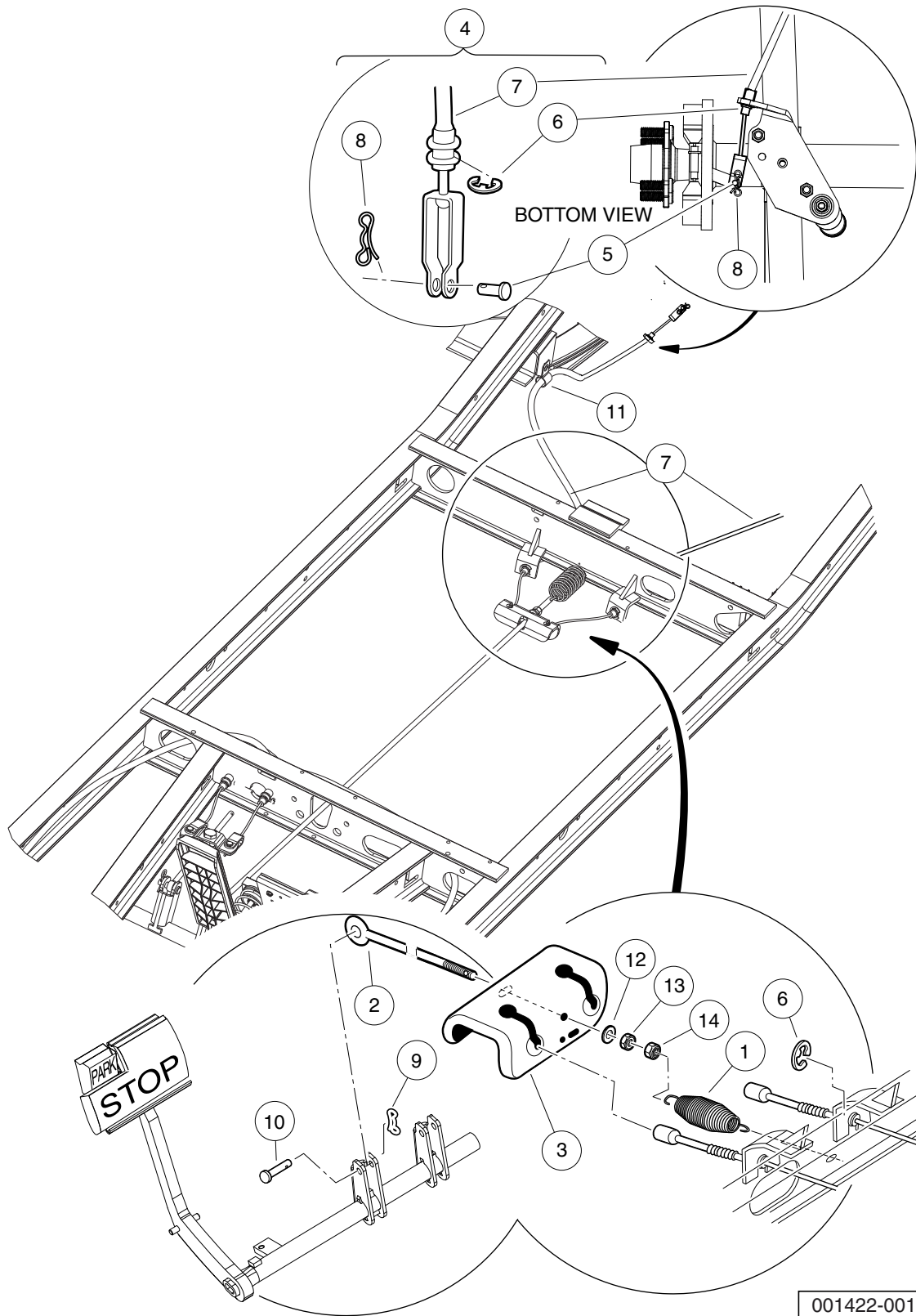
001423-001

FRONT BRAKE CABLES AND EQUALIZER – VEHICLE WITH 4-WHEEL BRAKES

| ITEM | PART NO. | DESCRIPTION | QTY |
|------|------------------|---|-----|
| | | 1 2 3 4 | |
| 1 | <u>1017211</u> | Kit, Equalizer and Pivot Limiter (includes items 2 and 3) | 1 |
| 2 | 1016319 | Equalizer Weld Assembly | 2 |
| 3 | 1016320 | Equalizer, Pivot Limiter | 1 |
| 4 | <u>101865301</u> | Spacer | 2 |
| 5 | <u>101874601</u> | Kit, Brake Cable (includes items 6 through 9) | 1 |
| 6 | <u>1010829</u> | Pin, Clevis, 5/16 X 3/4 | 4 |
| 7 | <u>1011779</u> | E-Clip, 1/2 | 4 |
| 8 | N/A | Brake Cable | 2 |
| 9 | <u>102292801</u> | Pin, Bow Tie Locking - .072 | 4 |
| 10 | <u>101935301</u> | Clamp, Brake Cable | 2 |
| 11 | <u>101953106</u> | Rod, Equalizer, 9.75" | 1 |
| 12 | <u>102323101</u> | Pin, Bow Tie Locking | 1 |
| 13 | <u>102323201</u> | Pin, 3/8 X 1-5/16 Clevis | 1 |
| 14 | <u>1242</u> | Nut, 5/16-18 Hex | 1 |
| 15 | 320 | Screw, 3/8-16 X 1.00 Hex-Head Cap | 1 |
| 16 | <u>7473</u> | Locknut, 5/16-18 Nylon Insert | 1 |
| 17 | <u>8754</u> | Locknut, 3/8-16 Hex | 1 |
| 18 | <u>8990</u> | Tie Wrap, 8" Nylon | 5 |

5
G
E

5
G
E



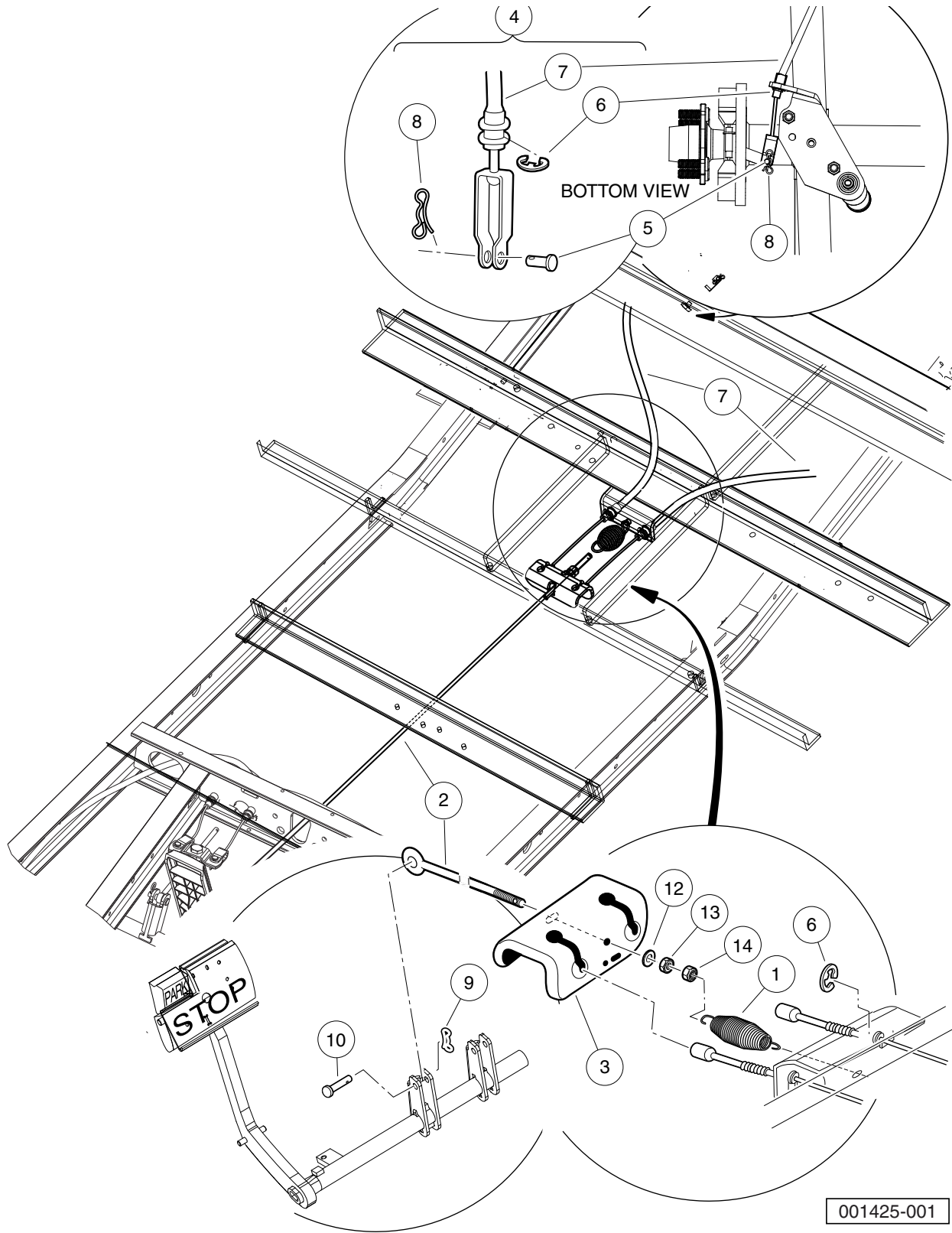
001422-001

REAR BRAKE CABLES AND EQUALIZER – GASOLINE VEHICLE WITH 4-WHEEL BRAKES

| ITEM | PART NO. | DESCRIPTION | QTY |
|------|------------------|--|-----|
| | | 1 2 3 4 | |
| 1 | <u>1013531</u> | Spring, Brake Return | 1 |
| 2 | <u>101953104</u> | Rod, Equalizer | 1 |
| 3 | <u>101990801</u> | Equalizer Bracket | 1 |
| 4 | <u>102166901</u> | Kit, Brake Cable Rear (includes items 5 through 8) | A/R |
| 5 | <u>1010829</u> | Pin, Clevis, 5/16 X 3/4 | 2 |
| 6 | <u>1011779</u> | E-Clip, 1/2 | 4 |
| 7 | 102162601 | Cable, Brake | 2 |
| 8 | <u>102292801</u> | Pin, Bow Tie Locking - .072 | 2 |
| 9 | <u>102323101</u> | Pin, Bow Tie Locking | 1 |
| 10 | <u>102323201</u> | Pin, 3/8 X 1-5/16 Clevis | 1 |
| 11 | <u>102891101</u> | Clamp, Cable, Brake, Sym | 2 |
| 12 | <u>1241</u> | Washer, 5/16 Type A Flat | 5 |
| 13 | <u>1242</u> | Nut, 5/16-18 Hex | 1 |
| 14 | <u>7473</u> | Locknut, 5/16-18 Nylon Insert | 5 |

5
G
E

5
G
E



REAR BRAKE CABLES AND EQUALIZER – ELECTRIC VEHICLE WITH 4-WHEEL BRAKES

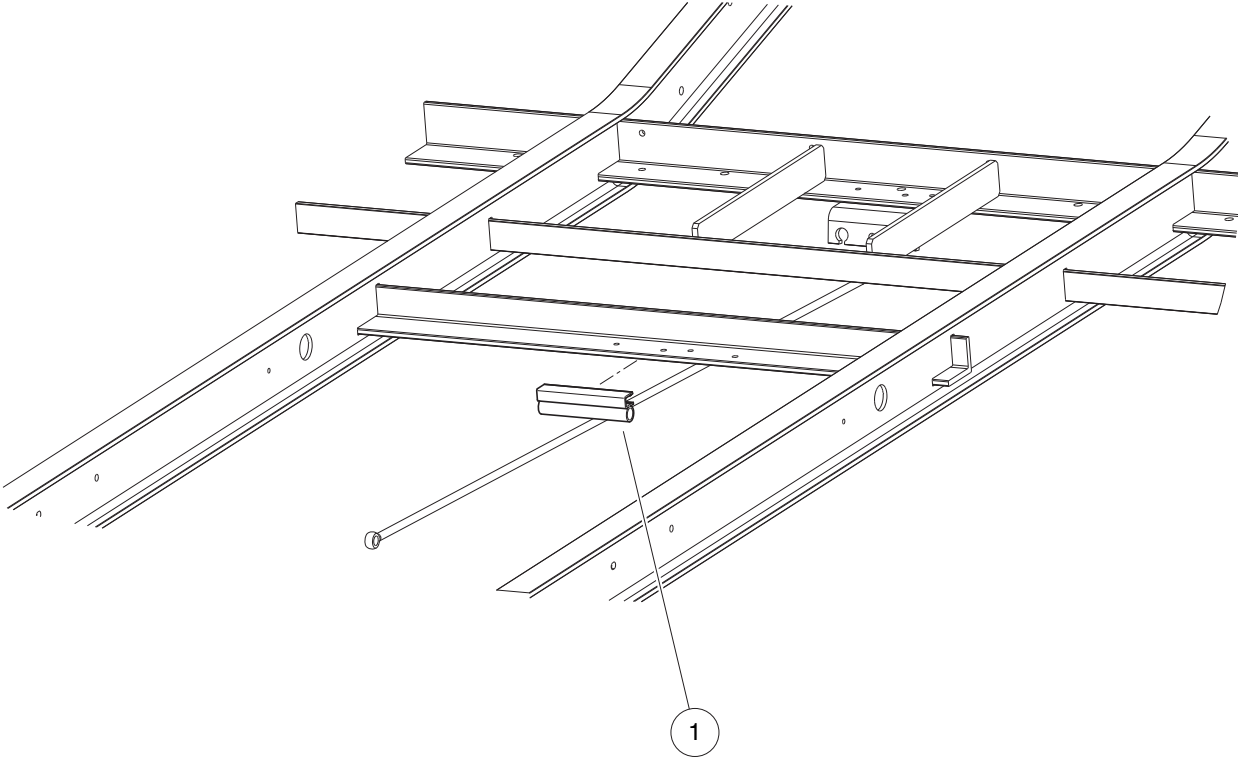
| ITEM | PART NO. | DESCRIPTION | QTY |
|------|------------------|--|-----|
| | | 1 2 3 4 | |
| 1 | <u>1013531</u> | Spring, Brake Return | 1 |
| 2 | 101953103 | Rod, Equalizer, 41.91" | 1 |
| 3 | <u>101990801</u> | Equalizer Bracket | 1 |
| 4 | <u>102166901</u> | Kit, Brake Cable Rear (includes items 5 through 8) | A/R |
| 5 | <u>1010829</u> | Pin, Clevis, 5/16 X 3/4 | 2 |
| 6 | <u>1011779</u> | E-Clip, 1/2 | 4 |
| 7 | 102162601 | Cable, Brake | 2 |
| 8 | <u>102292801</u> | Pin, Bow Tie Locking - .072 | 2 |
| 9 | <u>102323101</u> | Pin, Bow Tie Locking | 1 |
| 10 | <u>102323201</u> | Pin, 3/8 X 1-5/16 Clevis | 1 |
| 11 | <u>102891101</u> | Clamp, Cable, Brake, Sym | 2 |
| 12 | <u>1241</u> | Washer, 5/16 Type A Flat | 5 |
| 13 | <u>1242</u> | Nut, 5/16-18 Hex | 1 |
| 14 | <u>7473</u> | Locknut, 5/16-18 Nylon Insert | 5 |

5
G
E

5

G

E



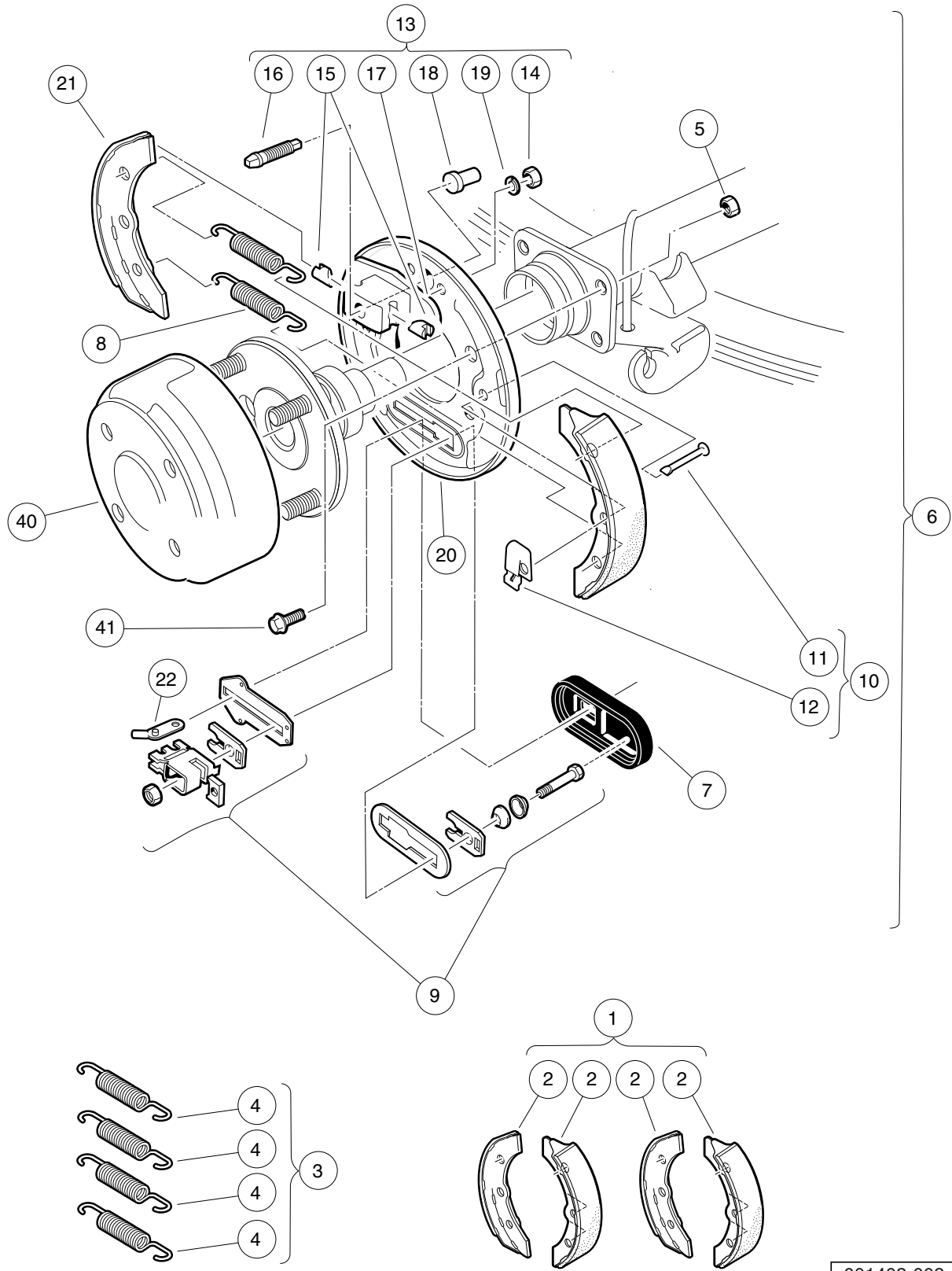
001268-001

REAR BRAKE EQUALIZER ROD RUB STRIP – ELECTRIC VEHICLE WITH 4-WHEEL BRAKES

| ITEM | PART NO. | DESCRIPTION | QTY |
|------|-----------|---|-----|
| 1 | 105295001 | <div style="display: flex; justify-content: space-between; margin-bottom: 5px;"> 1 2 3 4 </div> Seal, 5/8 Bulb X 1/4 Flange | 1 |

5
G
E

5
G
E



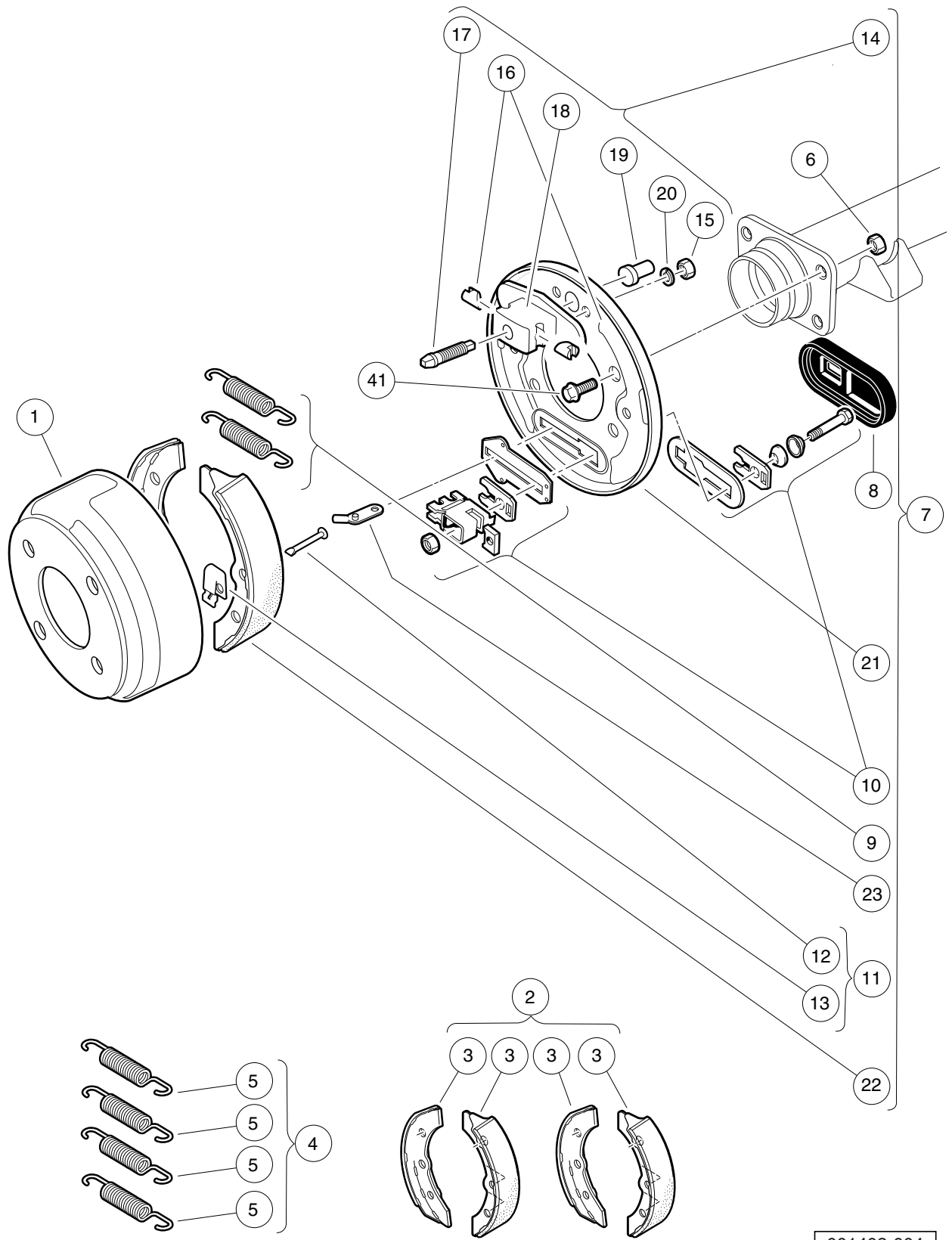
001403-003

REAR BRAKES, MANUALLY-ADJUSTED – ELEC. VEHICLES WITH 4-WHEEL BRAKES

| ITEM | PART NO. | DESCRIPTION | QTY |
|------|--------------------|--|-----|
| | | 1 2 3 4 | |
| 1 | <u>101146302</u> | Kit, Non-Asbestos Brake Shoe (includes item 2) | 1 |
| 2 | 101880701 | Shoe Brake Manual Adj (Available in Kit, Non-Asbestos Brake Shoe) | 4 |
| 3 | <u>1011464</u> | Package, Brake Spring (includes item 4) | 1 |
| 4 | 1011314 | Brake Spring | 4 |
| 5 | <u>1013924</u> | Nut, 5/16-24, Hex Head Cone | 8 |
| 6 | <u>1016557</u> | Cluster, Brake, Driver-Side (includes items 7 through 22) | 1 |
| 7 | <u>1010850</u> | Dust Cover | 1 |
| 8 | 1011314 | Brake Spring | 2 |
| 9 | <u>1011465</u> | Kit, Brake Actuator | 1 |
| 10 | <u>1011466</u> | Kit, Shoe Retainer (includes items 11 and 12) | 1 |
| 11 | N/A | Pin | 2 |
| 12 | N/A | Shoe Clamp Spring | 2 |
| 13 | <u>1011467</u> | Kit, Anchor Body (includes items 14 through 19) | 1 |
| 14 | <u>1011114</u> | Nut, M6-1.00 Hex | 2 |
| 15 | 1011298 | Anchor Piston | 2 |
| 16 | N/A | Adjustment Bolt | 1 |
| 17 | N/A | Anchor Body Component | 1 |
| 18 | <u>1011303</u> | Adjustment Bolt Cap | 1 |
| 19 | <u>451</u> | Lockwasher, 1/4 Split | 2 |
| 20 | 1011494 | Backing Plate, Left-Hand | 1 |
| 21 | 101880701 | Shoe Brake Manual Adj (Available in Kit, Non-Asbestos Brake Shoe) | 2 |
| 22 | 102860501 | Arm, Brake Lever | 1 |
| 23 | <u>1016573</u> | Cluster, Brake, Passenger-Side (includes items 24 through 39) | 1 |
| 24 | <u>1010850</u> | Dust Cover | 1 |
| 25 | <u>1011154</u> | Backing Plate, Right-Hand | 1 |
| 26 | 1011314 | Brake Spring | 2 |
| 27 | <u>1011465</u> | Kit, Brake Actuator | 1 |
| 28 | <u>1011466</u> | Kit, Shoe Retainer (includes items 29 and 30) | 1 |
| 29 | N/A | Pin | 2 |
| 30 | N/A | Shoe Clamp Spring | 2 |
| 31 | <u>1011467</u> | Kit, Anchor Body (includes items 32 through 37) | 1 |
| 32 | <u>1011114</u> | Nut, M6-1.00 Hex | 2 |
| 33 | 1011298 | Anchor Piston | 2 |
| 34 | N/A | Adjustment Bolt | 1 |
| 35 | N/A | Anchor Body Component | 1 |
| 36 | <u>1011303</u> | Adjustment Bolt Cap | 1 |
| 37 | <u>451</u> | Lockwasher, 1/4 Split | 2 |
| 38 | 101880701 | Shoe Brake Manual Adj (Available in Kit, Non-Asbestos Brake Shoe) | 2 |
| 39 | 102860501 | Arm, Brake Lever | 1 |
| 40 | <u>101791101</u> | Drum without Center Hole, Brake | 2 |
| 41 | <u>47542195001</u> | Bolt, Brake Cluster Mnt | 8 |
| | | Note: Passenger-side brake cluster (items 24-40) not shown. Components have a similar appearance to driver-side brake cluster components. | |

5
G
E

5
G
E



001403-004

REAR BRAKES, MANUALLY-ADJUSTED – GAS VEHICLES WITH 4-WHEEL BRAKES

| ITEM | PART NO. | DESCRIPTION | QTY |
|------|--------------------|---|-----|
| | | 1 2 3 4 | |
| 1 | <u>1011137</u> | Drum, Brake | 2 |
| 2 | <u>101146302</u> | Kit, Non-Asbestos Brake Shoe (includes item 3) | 1 |
| 3 | 101880701 | Shoe Brake Manual Adj (Available in Kit, Non-Asbestos Brake Shoe) | 4 |
| 4 | <u>1011464</u> | Package, Brake Spring (includes item 5) | 1 |
| 5 | 1011314 | Brake Spring | 4 |
| 6 | <u>1013924</u> | Nut, 5/16-24, Hex Head Cone | 8 |
| 7 | <u>1016557</u> | Cluster, Brake, Driver-Side (includes items 8 through 23) | 1 |
| 8 | <u>1010850</u> | Dust Cover | 1 |
| 9 | 1011314 | Brake Spring | 2 |
| 10 | <u>1011465</u> | Kit, Brake Actuator | 1 |
| 11 | <u>1011466</u> | Kit, Shoe Retainer (includes items 12 and 13) | 1 |
| 12 | N/A | Pin | 2 |
| 13 | N/A | Shoe Clamp Spring | 2 |
| 14 | <u>1011467</u> | Kit, Anchor Body (includes items 15 through 20) | 1 |
| 15 | <u>1011114</u> | Nut, M6-1.00 Hex | 2 |
| 16 | 1011298 | Anchor Piston | 2 |
| 17 | N/A | Adjustment Bolt | 1 |
| 18 | N/A | Anchor Body Component | 1 |
| 19 | <u>1011303</u> | Adjustment Bolt Cap | 1 |
| 20 | <u>451</u> | Lockwasher, 1/4 Split | 2 |
| 21 | 1011494 | Backing Plate, Left-Hand | 1 |
| 22 | 101880701 | Shoe Brake Manual Adj (Available in Kit, Non-Asbestos Brake Shoe) | 2 |
| 23 | 102860501 | Arm, Brake Lever | 1 |
| 24 | <u>1016573</u> | Cluster, Brake, Passenger-Side (includes items 25 through 40) | 1 |
| 25 | <u>1010850</u> | Dust Cover | 1 |
| 26 | <u>1011154</u> | Backing Plate, Right-Hand | 1 |
| 27 | 1011314 | Brake Spring | 2 |
| 28 | <u>1011465</u> | Kit, Brake Actuator | 1 |
| 29 | <u>1011466</u> | Kit, Shoe Retainer (includes items 30 and 31) | 1 |
| 30 | N/A | Pin | 2 |
| 31 | N/A | Shoe Clamp Spring | 2 |
| 32 | <u>1011467</u> | Kit, Anchor Body (includes items 33 through 38) | 1 |
| 33 | <u>1011114</u> | Nut, M6-1.00 Hex | 2 |
| 34 | 1011298 | Anchor Piston | 2 |
| 35 | N/A | Adjustment Bolt | 1 |
| 36 | N/A | Anchor Body Component | 1 |
| 37 | <u>1011303</u> | Adjustment Bolt Cap | 1 |
| 38 | <u>451</u> | Lockwasher, 1/4 Split | 2 |
| 39 | 101880701 | Shoe Brake Manual Adj (Available in Kit, Non-Asbestos Brake Shoe) | 2 |
| 40 | 102860501 | Arm, Brake Lever | 1 |
| 41 | <u>47542195001</u> | Bolt, Brake Cluster Mnt | 8 |
| | | Note: Passenger-side brake cluster (items 25-41) not shown. Components have a similar appearance to driver-side brake cluster components. | |

5
G
E

5

G

E

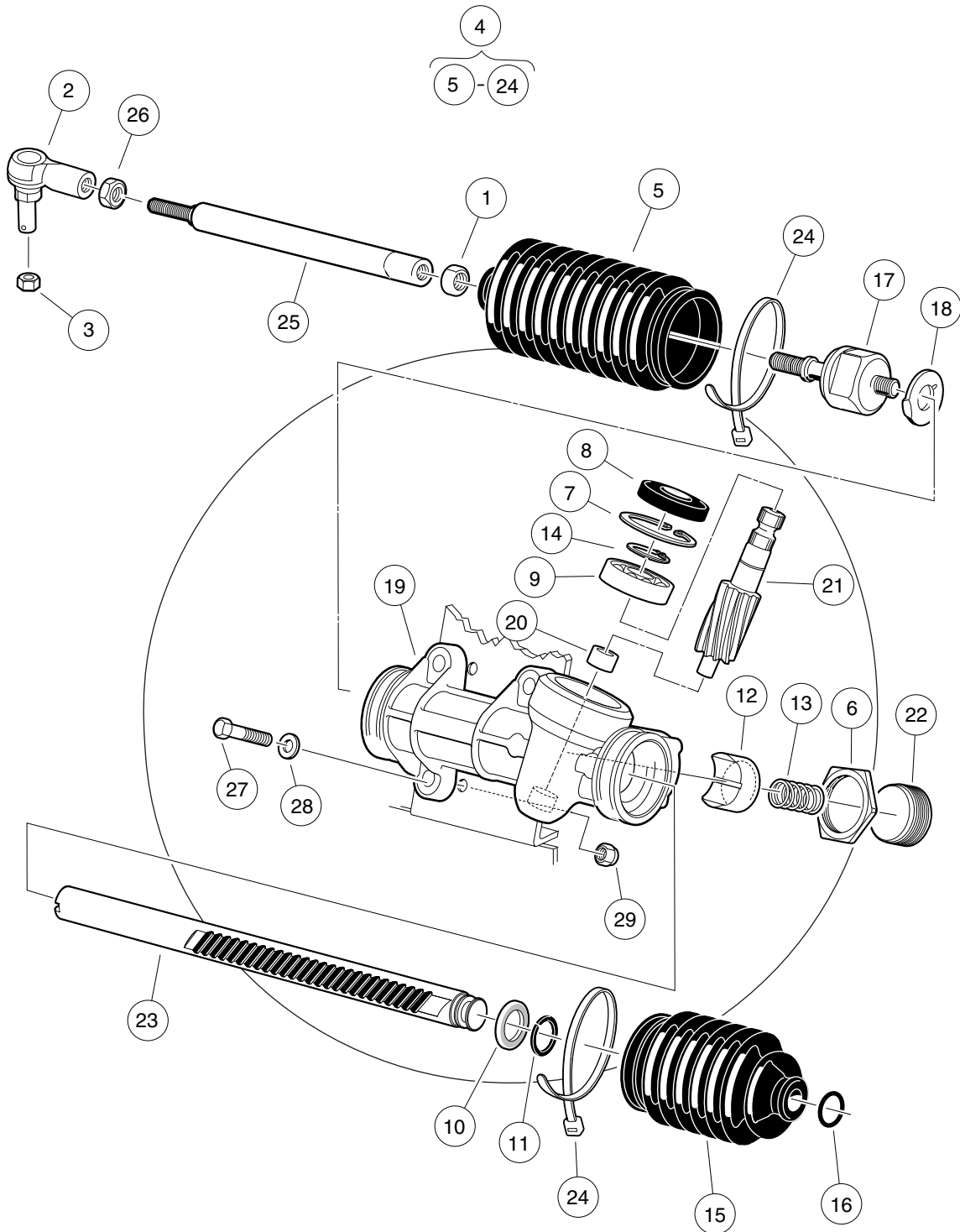
STEERING, FRONT AND REAR SUSPENSION

6

G

E

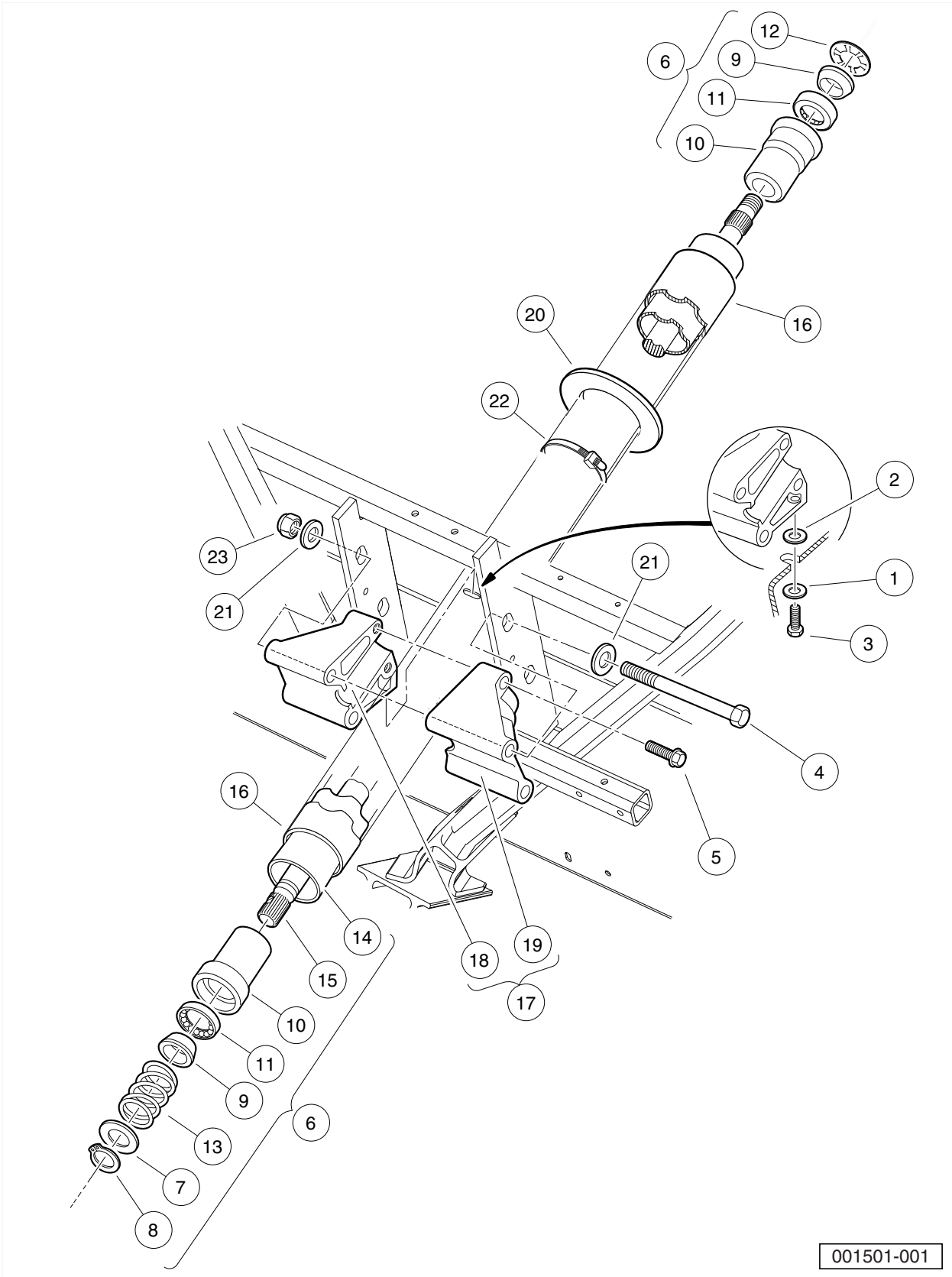
6
G
E



001500-002

STEERING GEAR ASSEMBLY

| ITEM | PART NO. | DESCRIPTION | QTY | |
|------|------------------|---|-----|----------|
| | | 1 2 3 4 | | 6 |
| 1 | 1013042 | Nut, 12mm Hex | 1 | G |
| 2 | <u>102022602</u> | End, Tie Rod, M12 X 1.25, Lh | 1 | E |
| 3 | <u>102289201</u> | Nut - Hex Locking, M12 X 1.25 | 1 | |
| 4 | <u>103601501</u> | Asm, Steering Rack And Pinion (includes items 5 through 24) | 1 | |
| 5 | <u>1013035</u> | Bellows, Long | 1 | |
| 6 | <u>1013044</u> | Rack Screw Locknut | 1 | |
| 7 | N/A | Snap Ring | 1 | |
| 8 | <u>1013052</u> | Seal, Steering Pinion Dust | 1 | |
| 9 | <u>101879401</u> | Bearing, Ball | 1 | |
| 10 | <u>101879501</u> | Stop Washer | 1 | |
| 11 | 101879601 | Stop Ring, C-Type | 1 | |
| 12 | <u>101879701</u> | Support Yoke | 1 | |
| 13 | <u>101879801</u> | Rack Guide Pressure Spring | 1 | |
| 14 | <u>101879901</u> | Ring, Stop, C-Type | 1 | |
| 15 | <u>101880001</u> | Bellows, Short | 1 | |
| 16 | 101880101 | Dust Seal Retaining Ring | 1 | |
| 17 | <u>101880201</u> | Inner Ball Joint Asm | 1 | |
| 18 | 101880301 | Washer, Tab | 1 | |
| 19 | N/A | Box, Steering Gear | 1 | |
| 20 | N/A | Bearing, Lower Pinion | 1 | |
| 21 | N/A | Pinion, Steering | 1 | |
| 22 | N/A | Screw, Rack Guide | 1 | |
| 23 | N/A | Rack, Steering | 1 | |
| 24 | <u>8990</u> | Tie Wrap, 8" Nylon | 2 | |
| 25 | <u>103653401</u> | Link, Drag, Male Thd | 1 | |
| 26 | <u>103653501</u> | Nut, Jam, M12-1.25, Lh | 1 | |
| 27 | <u>1624</u> | Screw, 3/8-16 X 1.50, Hex-Head Cap | 3 | |
| 28 | <u>334</u> | Washer, 3/8, Type A, Flat | 3 | |
| 29 | <u>8754</u> | Locknut, 3/8-16 Hex | 3 | |



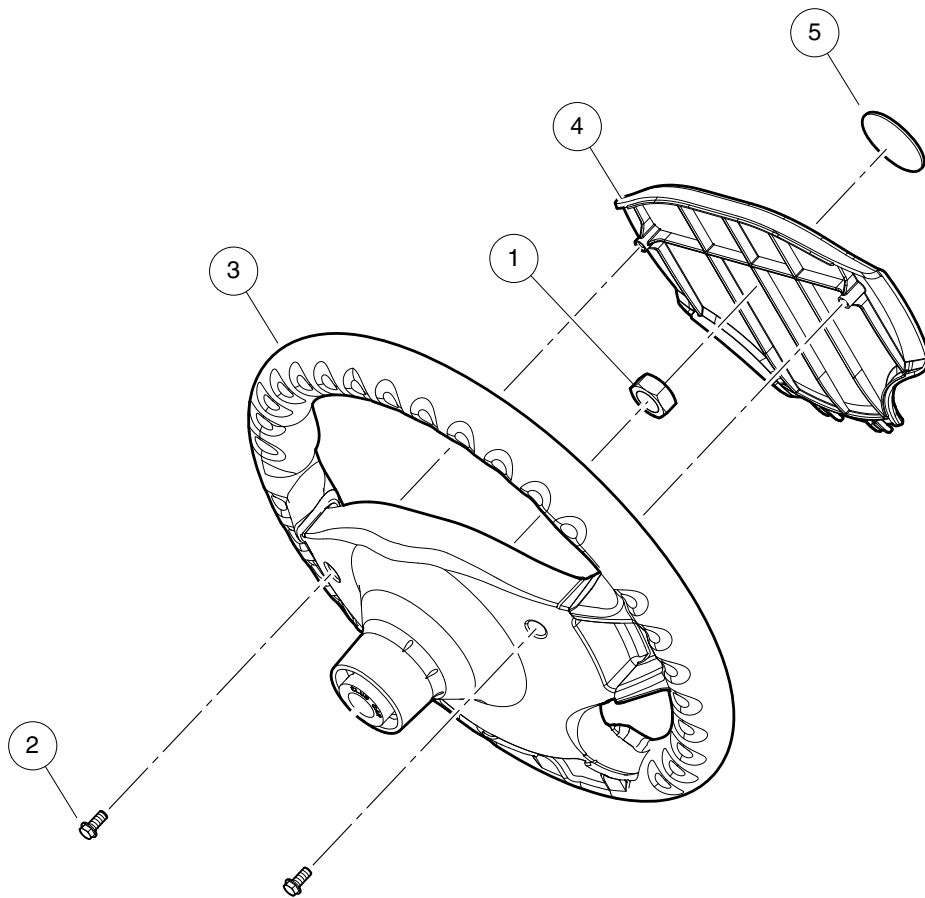
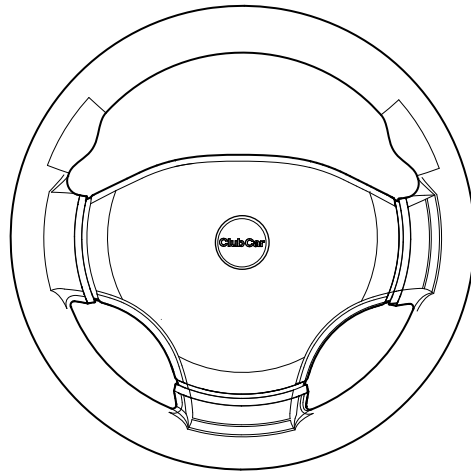
001501-001

STEERING COLUMN

| ITEM | PART NO. | DESCRIPTION | QTY |
|------|------------------|--|-----|
| | | 1 2 3 4 | |
| 1 | <u>1011697</u> | Washer, 5/16 Flat | 1 |
| 2 | <u>1012571</u> | Washer, 5/16 Extra Thick Flat | 1 |
| 3 | <u>1014288</u> | Screw, 5/16-18 X 0.75, Thread-Forming | 1 |
| 4 | <u>1016183</u> | Screw, 3/8-16 X 7.00 Hex Cap | 2 |
| 5 | <u>1016269</u> | Screw, 5/16-18 Thrd Forming | 2 |
| 6 | <u>1017313</u> | Steering Shaft Assembly (includes items 7 through 15) | 1 |
| 7 | <u>1012604</u> | Washer, 0.675 ID X 1.19 OD | 1 |
| 8 | <u>1012605</u> | Ring, 0.579 Internal Retaining | 1 |
| 9 | <u>1014125</u> | Wedge, Molded | 2 |
| 10 | <u>1014126</u> | Seat, Plastic Bearing | 2 |
| 11 | <u>1014213</u> | Bearing, Ball | 2 |
| 12 | <u>1014214</u> | Ring, Retaining | 1 |
| 13 | <u>1014217</u> | Spring, Steering Shaft | 1 |
| 14 | <u>1017314</u> | Column, Aluminum Steering | 1 |
| 15 | <u>1017315</u> | Shaft Steering Column | 1 |
| 16 | <u>1017317</u> | Tube Cover, Steering Column | 1 |
| 17 | 101984801 | Kit, Steering Column Mounting Bracket (includes items 18 and 19) | 1 |
| 18 | N/A | Bracket, RH Steering Column Mount | 1 |
| 19 | N/A | Bracket, LH Steering column mount | 1 |
| 20 | <u>102278001</u> | Boot, Steering Column Round | 1 |
| 21 | <u>334</u> | Washer, 3/8, Type A, Flat | 4 |
| 22 | <u>8639</u> | Tie Wrap, 11" Nylon | 1 |
| 23 | <u>8754</u> | Locknut, 3/8-16 Hex | 2 |

6
G
E

6
G
E



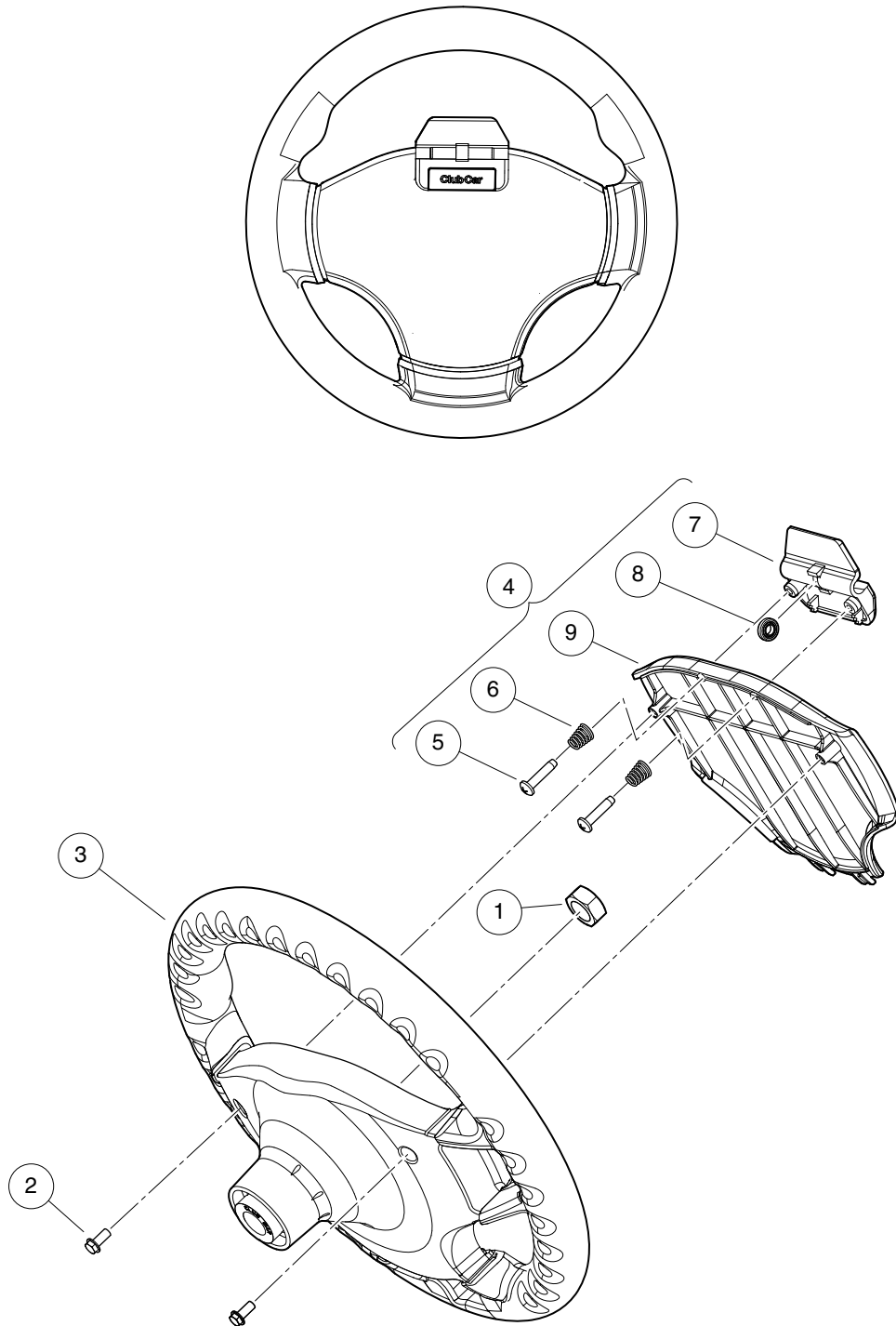
001503-001

STEERING WHEEL

| ITEM | PART NO. | DESCRIPTION | QTY |
|------|------------------|--|-----|
| | | 1 2 3 4 | |
| 1 | <u>1017273</u> | Nut, 5/8-18 Nylon Insert Jam | 1 |
| 2 | <u>101850301</u> | Screw, #12-16 X 0.50 Washer-Head Hi-Lo | 2 |
| 3 | <u>103724504</u> | Steering Wheel, Soft Spl | 1 |
| 4 | <u>103724602</u> | Cover, Steering Wheel, Generic | 1 |
| 5 | <u>103829401</u> | Logo, Cci, Steer Wheel | 1 |

6
G
E

6
G
E



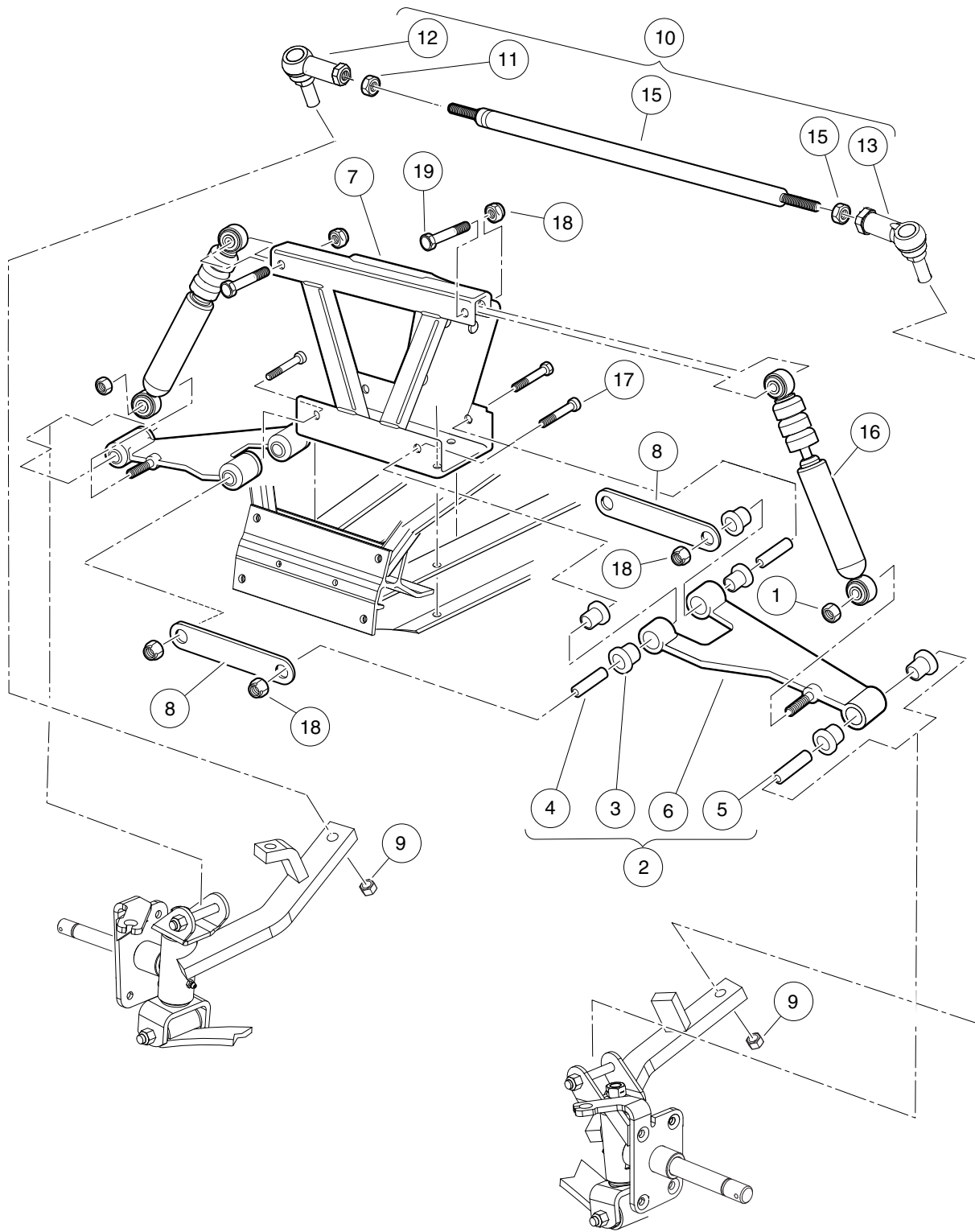
001504-001

STEERING WHEEL WITH CLIP

| ITEM | PART NO. | DESCRIPTION | QTY |
|------|------------------|---|-----|
| | | 1 2 3 4 | |
| 1 | <u>1017273</u> | Nut, 5/8-18 Nylon Insert Jam | 1 |
| 2 | <u>101850301</u> | Screw, #12-16 X 0.50 Washer-Head Hi-Lo | 2 |
| 3 | <u>103724504</u> | Steering Wheel, Soft Spl | 1 |
| 4 | <u>103724901</u> | Asm, Scorecard, Clip (includes items 5 through 9) | 1 |
| 5 | <u>1012565</u> | Screw, #12 Phillips Round Head | 2 |
| 6 | <u>1012566</u> | Tapered Compression Spring | 2 |
| 7 | 1016154 | Clip, Scorecard | 1 |
| 8 | <u>1016214</u> | Pencil Grip | 1 |
| 9 | 103724601 | Cover, Steering Wheel, Clip | 1 |

6
G
E

6
G
E



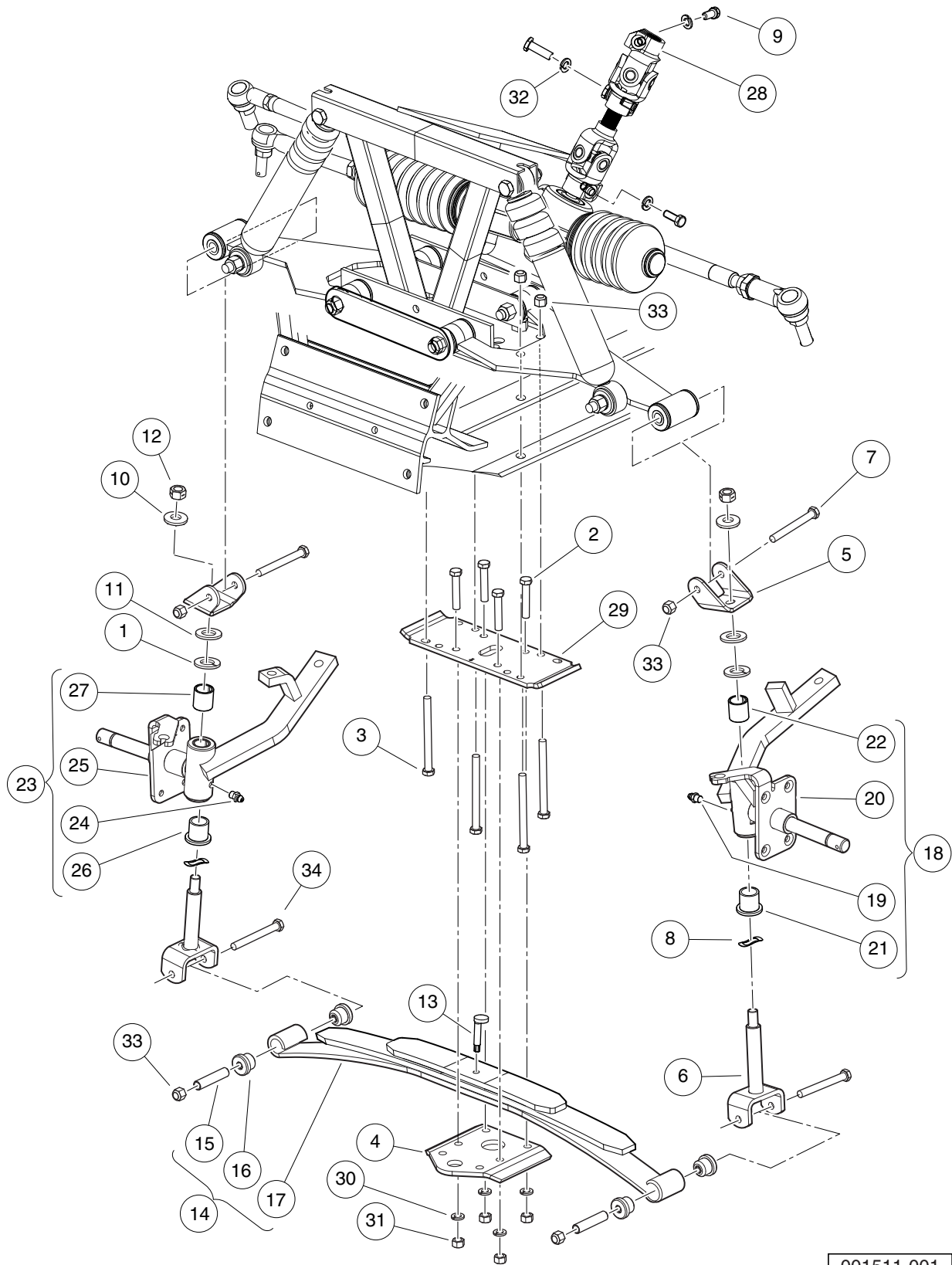
001510-001

FRONT SUSPENSION, UPPER, HD

| ITEM | PART NO. | DESCRIPTION | QTY |
|------|------------------|--|-----|
| | | 1 2 3 4 | |
| 1 | <u>1010138</u> | Locknut, 3/8-16 Dimpled | 2 |
| 2 | <u>1016353</u> | Sub-Assembly, Delta A-Plate (includes items 3 through 6) | 2 |
| 3 | <u>1016346</u> | Bushing, Urethane | 6 |
| 4 | <u>1016349</u> | Sleeve, Delta Inner | 2 |
| 5 | <u>1016350</u> | Sleeve, Delta Outer | 1 |
| 6 | <u>1016351</u> | Delta A-Plate | 1 |
| 7 | <u>101638502</u> | Weldment, Shock & Gear, Ca | 1 |
| 8 | <u>1017266</u> | A-Plate Strap | 2 |
| 9 | <u>102289201</u> | Nut - Hex Locking, M12 X 1.25 | 2 |
| 10 | <u>103653601</u> | Asm, Tie Rod (includes items 11 through 15) | 1 |
| 11 | <u>1013042</u> | Nut, 12mm Hex | 1 |
| 12 | <u>102022601</u> | End, Tie Rod M12 X 1.25 Rh | 1 |
| 13 | <u>102022602</u> | End, Tie Rod, M12 X 1.25, Lh | 1 |
| 14 | <u>103354701</u> | Rod, Tie, Male Thd | 1 |
| 15 | <u>103653501</u> | Nut, Jam, M12-1.25, Lh | 1 |
| 16 | <u>105106702</u> | Shock Absorb, Frnt, 3 Bump Ele | 2 |
| 17 | <u>2402</u> | Screw, 3/8-16 X 2.25 Hx Hd Cap | 4 |
| 18 | <u>8754</u> | Locknut, 3/8-16 Hex | 6 |
| 19 | <u>8861</u> | Bolt, 3/8-16 X 1.75 Hex | 2 |

6
G
E

6
G
E



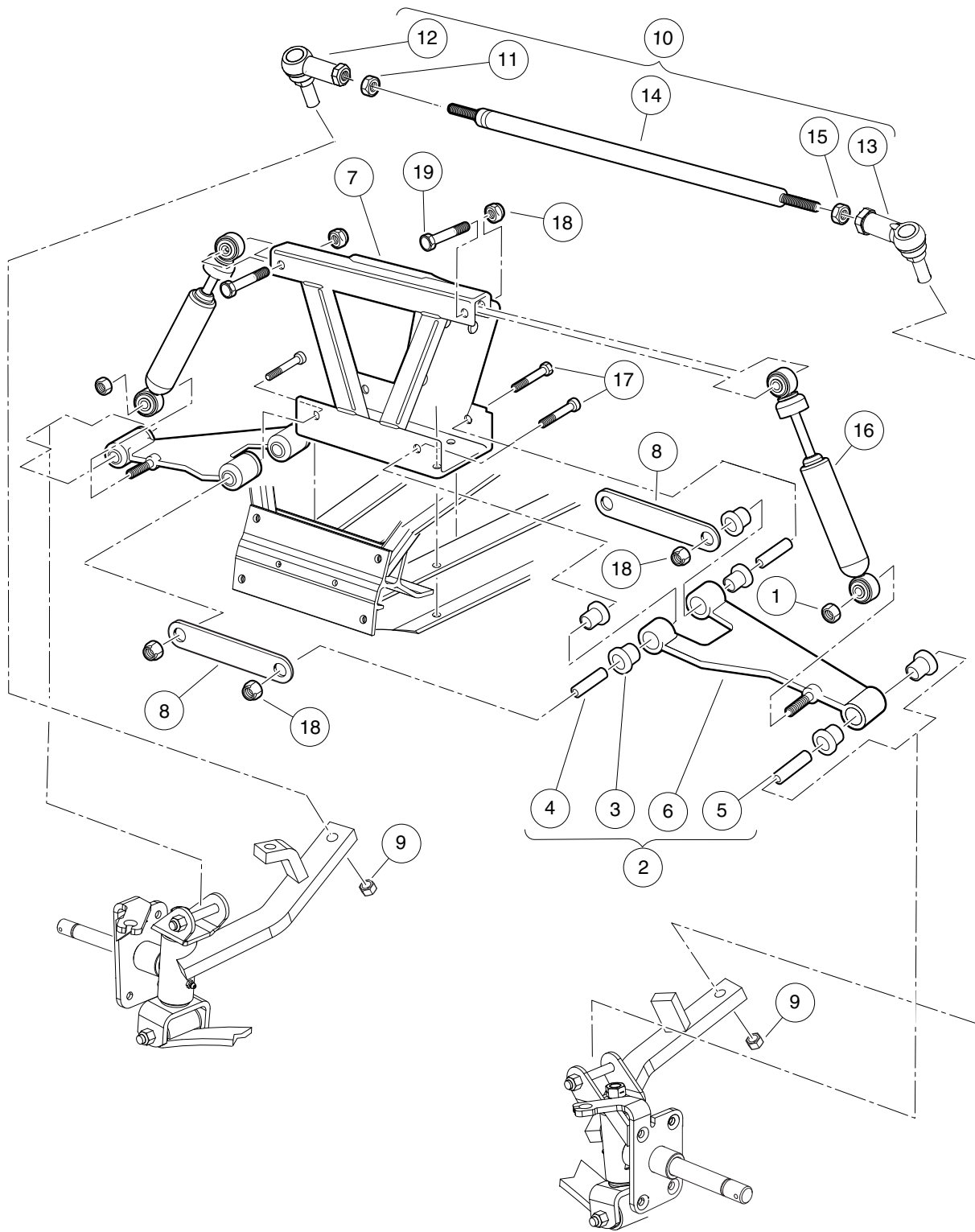
001511-001

FRONT SUSPENSION, LOWER, HD, 3 LEAF-1 PLATE

| ITEM | PART NO. | DESCRIPTION | QTY |
|------|------------------|--|-----|
| | | 1 2 3 4 | |
| 1 | <u>1010150</u> | Bearing, Thrust | 2 |
| 2 | <u>1010177</u> | Bolt, 3/8-16 X 2.00 Hex Head | 4 |
| 3 | <u>1010200</u> | Bolt, 3/8-16 X 4.25 Hex Head | 4 |
| 4 | <u>1014276</u> | Plate, Front Spring Retainer | 1 |
| 5 | <u>1016384</u> | Clevis, Delta Upper | 2 |
| 6 | <u>1016386</u> | King Pin Assembly | 2 |
| 7 | <u>1016387</u> | Screw, 3/8-16 X 2.75 Hx Hd Cap | 2 |
| 8 | <u>1016389</u> | Washer, 1.125 Od Wave | 2 |
| 9 | <u>1017226</u> | Bolt, Hex-Head, 8mm X 1.25 - 30 | 3 |
| 10 | <u>102564002</u> | Washer-1/2 Conical, Yellow | 2 |
| 11 | <u>102684501</u> | Washer, M12 Hard Regular | 2 |
| 12 | <u>102766301</u> | Nut, 1/2-20, Center Lock | 2 |
| 13 | <u>103507001</u> | Eccentric Bolt Common | 1 |
| 14 | <u>103628901</u> | Spring Asm, Front, 3 Leaf (includes items 15 through 17) | 1 |
| 15 | <u>1012303</u> | Bushing, Steel | 2 |
| 16 | <u>1015583</u> | Bushing, Urethane | 4 |
| 17 | 103502801 | Spring, Front, 3 Leaf | 1 |
| 18 | <u>103717302</u> | Asm, Spindle, Lh, 4wb, Sp (includes items 19 through 22) | 1 |
| 19 | <u>1015597</u> | Fitting, 1/4-28 Thread-Forming Grease | 1 |
| 20 | N/A | Subasm, Spindle, Lh, 4wb | 1 |
| 21 | <u>7048</u> | Bushing, Flanged Bronze | 1 |
| 22 | <u>8067</u> | Bushing, Bronze Spindle | 1 |
| 23 | <u>103717402</u> | Asm, Spindle, Rh, 4wb, Sp (includes items 24 through 27) | 1 |
| 24 | <u>1015597</u> | Fitting, 1/4-28 Thread-Forming Grease | 1 |
| 25 | N/A | Subasm, Spindle, Rh, 4wb | 1 |
| 26 | <u>7048</u> | Bushing, Flanged Bronze | 1 |
| 27 | <u>8067</u> | Bushing, Bronze Spindle | 1 |
| 28 | <u>105074201</u> | Shaft, Int, Steering, Sus Fwd | 1 |
| 29 | <u>105083301</u> | Plate, Spring Mount, Restyle | 1 |
| 30 | <u>357</u> | Lockwasher, 3/8 Split | 4 |
| 31 | <u>706</u> | Nut, Hex 3/8-16 | 5 |
| 32 | <u>7174</u> | Lockwasher, 5/16 Split | 3 |
| 33 | <u>8754</u> | Locknut, 3/8-16 Hex | 8 |
| 34 | <u>8755</u> | Screw, 3/8-16 X 3.375 Hex Cap | 2 |

6
G
E

6
G
E



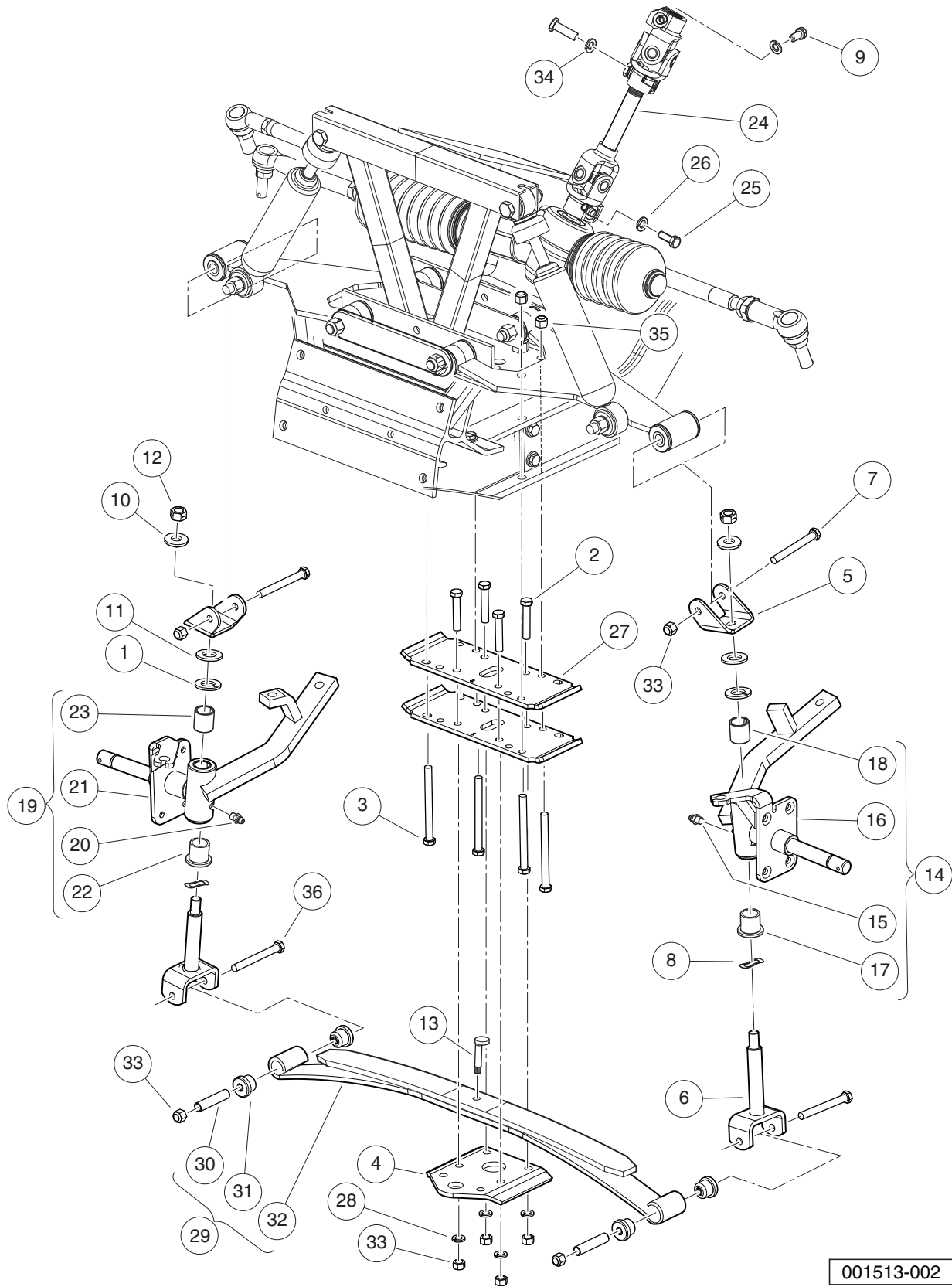
001505-001

FRONT SUSPENSION, UPPER

| ITEM | PART NO. | DESCRIPTION | QTY |
|------|------------------|--|-----|
| | | 1 2 3 4 | |
| 1 | <u>1010138</u> | Locknut, 3/8-16 Dimpled | 2 |
| 2 | <u>1016353</u> | Sub-Assembly, Delta A-Plate (includes items 3 through 6) | 2 |
| 3 | <u>1016346</u> | Bushing, Urethane | 6 |
| 4 | <u>1016349</u> | Sleeve, Delta Inner | 2 |
| 5 | <u>1016350</u> | Sleeve, Delta Outer | 1 |
| 6 | <u>1016351</u> | Delta A-Plate | 1 |
| 7 | <u>101638502</u> | Weldment, Shock & Gear, Ca | 1 |
| 8 | <u>1017266</u> | A-Plate Strap | 2 |
| 9 | <u>102289201</u> | Nut - Hex Locking, M12 X 1.25 | 2 |
| 10 | <u>103653601</u> | Asm, Tie Rod (includes items 11 through 15) | 1 |
| 11 | 1013042 | Nut, 12mm Hex | 1 |
| 12 | <u>102022601</u> | End, Tie Rod M12 X 1.25 Rh | 1 |
| 13 | <u>102022602</u> | End, Tie Rod, M12 X 1.25, Lh | 1 |
| 14 | <u>103354701</u> | Rod, Tie, Male Thd | 1 |
| 15 | <u>103653501</u> | Nut, Jam, M12-1.25, Lh | 1 |
| 16 | <u>105106601</u> | Shock Absorber, Front, 1 Bumper | 2 |
| 17 | <u>2402</u> | Screw, 3/8-16 X 2.25 Hx Hd Cap | 4 |
| 18 | <u>8754</u> | Locknut, 3/8-16 Hex | 6 |
| 19 | <u>8861</u> | Bolt, 3/8-16 X 1.75 Hex | 2 |

6
G
E

6
G
E

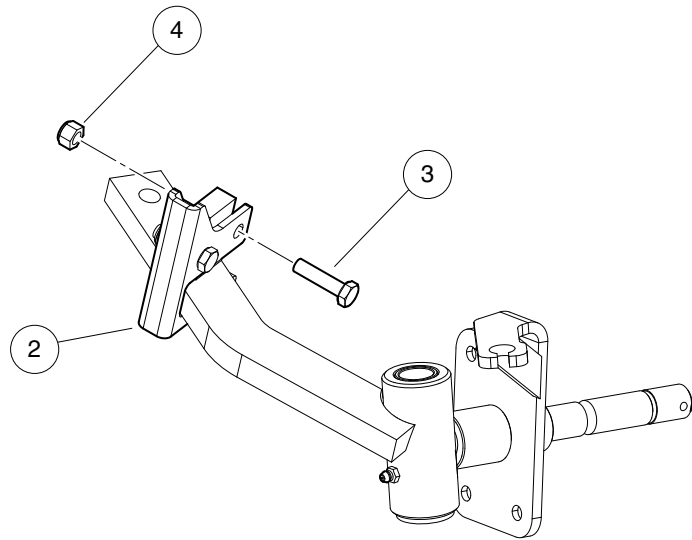


001513-002

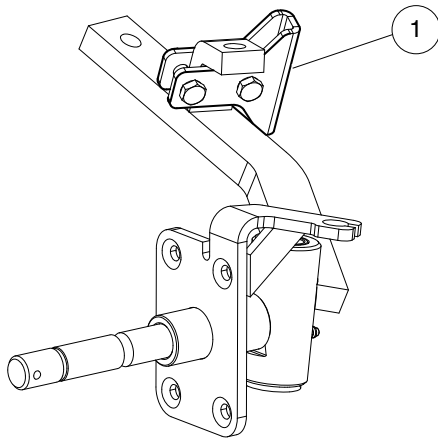
FRONT SUSPENSION, LOWER, HD, 2 LEAF-2 PLATES

| ITEM | PART NO. | DESCRIPTION | QTY |
|------|--------------------|---|-----|
| | | 1 2 3 4 | |
| 1 | <u>1010150</u> | Bearing, Thrust | 2 |
| 2 | <u>1010177</u> | Bolt, 3/8-16 X 2.00 Hex Head | 4 |
| 3 | <u>1010200</u> | Bolt, 3/8-16 X 4.25 Hex Head | 4 |
| 4 | <u>1014276</u> | Plate, Front Spring Retainer | 1 |
| 5 | <u>1016384</u> | Clevis, Delta Upper | 2 |
| 6 | <u>1016386</u> | King Pin Assembly | 2 |
| 7 | <u>1016387</u> | Screw, 3/8-16 X 2.75 Hx Hd Cap | 2 |
| 8 | <u>1016389</u> | Washer, 1.125 Od Wave | 2 |
| 9 | <u>1017226</u> | Bolt, Hex-Head, 8mm X 1.25 - 30 | 3 |
| 10 | <u>102564002</u> | Washer-1/2 Conical, Yellow | 2 |
| 11 | <u>102684501</u> | Washer, M12 Hard Regular | 2 |
| 12 | <u>102766301</u> | Nut, 1/2-20, Center Lock | 2 |
| 13 | <u>103507001</u> | Eccentric Bolt Common | 1 |
| 14 | <u>103717302</u> | Asm, Spindle, Lh, 4wb, Sp (includes items 15 through 18) | 1 |
| 15 | <u>1015597</u> | Fitting, 1/4-28 Thread-Forming Grease | 1 |
| 16 | N/A | Subasm, Spindle, Lh, 4wb | 1 |
| 17 | <u>7048</u> | Bushing, Flanged Bronze | 1 |
| 18 | <u>8067</u> | Bushing, Bronze Spindle | 1 |
| 19 | <u>103717402</u> | Asm, Spindle, Rh, 4wb, Sp (includes items 20 through 23) | 1 |
| 20 | <u>1015597</u> | Fitting, 1/4-28 Thread-Forming Grease | 1 |
| 21 | N/A | Subasm, Spindle, Rh, 4wb | 1 |
| 22 | <u>7048</u> | Bushing, Flanged Bronze | 1 |
| 23 | <u>8067</u> | Bushing, Bronze Spindle | 1 |
| 24 | <u>103867901</u> | Joint, Steering, Lifted (includes items 25 and 26) | 1 |
| 25 | <u>1017226</u> | Bolt, Hex-Head, 8mm X 1.25 - 30 | 3 |
| 26 | <u>7174</u> | Lockwasher, 5/16 Split | 3 |
| 27 | <u>105083301</u> | Plate, Spring Mount, Restyle | 2 |
| 28 | <u>357</u> | Lockwasher, 3/8 Split | 4 |
| 29 | <u>47585213001</u> | Spring Asm, Front 2 Leaf, Hd (includes items 30 through 32) | 1 |
| 30 | <u>1012303</u> | Bushing, Steel | 2 |
| 31 | <u>10158302</u> | Bushing, Urethane, Soft | 4 |
| 32 | <u>105187801</u> | Spring, Front 2 Leaf, Hd | 1 |
| 33 | <u>706</u> | Nut, Hex 3/8-16 | 5 |
| 34 | <u>7174</u> | Lockwasher, 5/16 Split | 3 |
| 35 | <u>8754</u> | Locknut, 3/8-16 Hex | 8 |
| 36 | <u>8755</u> | Screw, 3/8-16 X 3.375 Hex Cap | 2 |

6
G
E



**DRIVER SIDE
SPINDLE**



**PASSENGER SIDE
SPINDLE**



001529-001

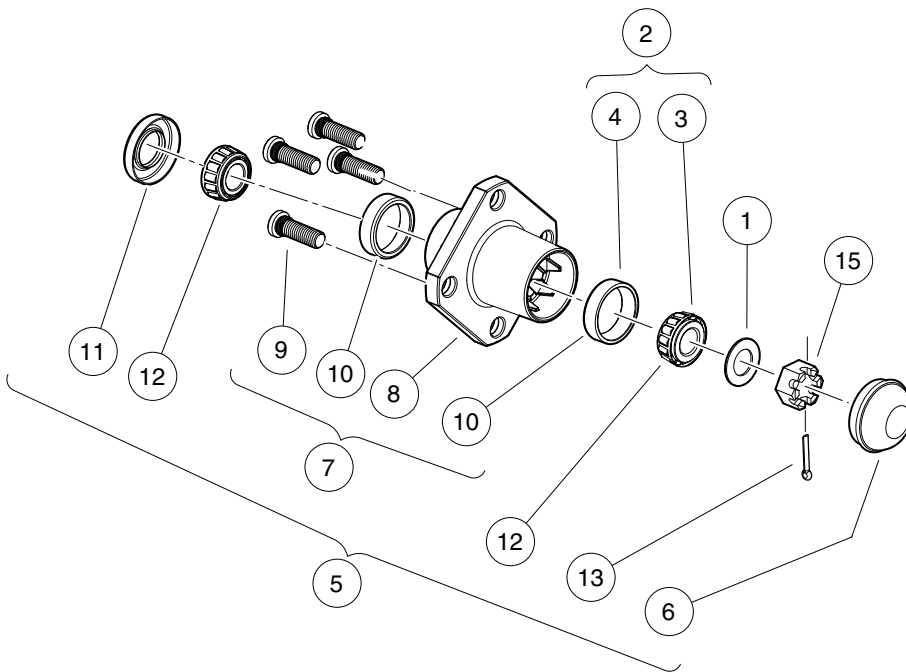
STEERING STOP

| ITEM | PART NO. | DESCRIPTION | QTY |
|--|------------------|--|-----|
| | | 1 2 3 4 | |
| 1 | <u>105242801</u> | Brkt, Steering Stop, Pass, Ca | 1 |
| 2 | <u>105243001</u> | Brkt, Steering Stop, Drv, Ca | 1 |
| 3 | 1218 | Screw, 5/16-18 X 1.25 Hex-Head Cap | 4 |
| 4 | <u>7473</u> | Locknut, 5/16-18 Nylon Insert | 4 |
| <p>Note: Steering Stops <u>105242801</u> and <u>105243001</u> are required if vehicle is equipped with the 105100601, HD Bumper Kit.</p> | | | |

6

G

E



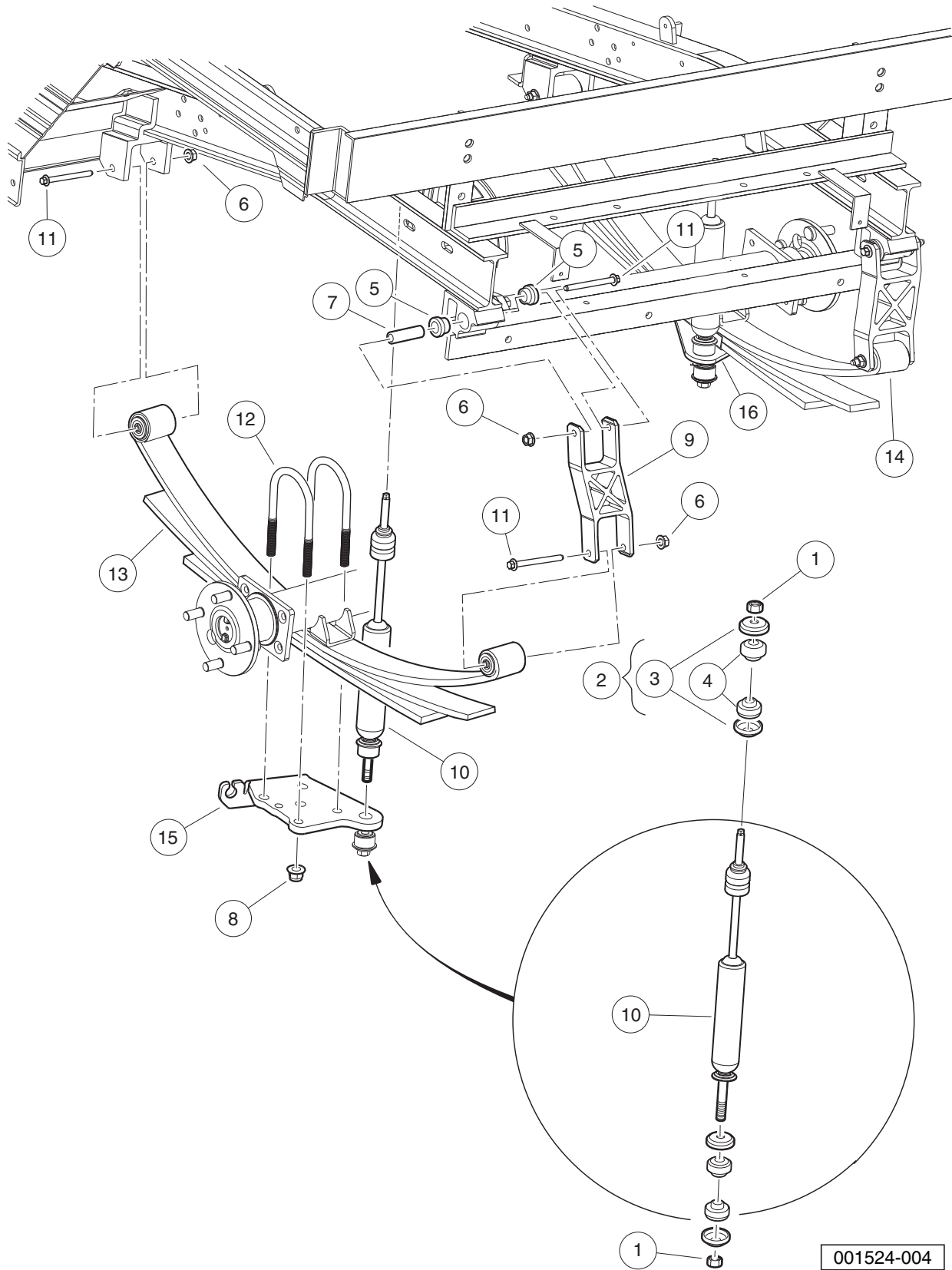
001520-002

FRONT WHEEL HUBS

| ITEM | PART NO. | DESCRIPTION | QTY |
|------|------------------|--|-----|
| | | 1 2 3 4 | |
| 1 | <u>1010005</u> | Washer, 3/4 Flat | 2 |
| 2 | <u>1011393</u> | Hub Bearing Package (includes items 3 and 4) | 4 |
| 3 | 7274 | Bearing, Front Hub Wheel | 1 |
| 4 | 7308 | Race, Front Hub Bearing | 1 |
| 5 | <u>1011892</u> | Hub Assembly (includes items 6 through 13) | 1 |
| 6 | <u>1011887</u> | Dust Cover | 1 |
| 7 | N/A | Hub (includes items 8 through 10) | 1 |
| 8 | N/A | Front Hub | 1 |
| 9 | <u>103477901</u> | Lug Stud, 1/2-20 Unf, 4037 | 4 |
| 10 | 7308 | Race, Front Hub Bearing | 2 |
| 11 | <u>1013135</u> | Seal, Double Lip | 1 |
| 12 | 7274 | Bearing, Front Hub Wheel | 2 |
| 13 | <u>7910</u> | Pin, 5/32 X 1.00 Cotter | 1 |
| 14 | <u>1013135</u> | Seal, Double Lip | 2 |
| 15 | <u>7840</u> | Nut, 3/4-16 Hex Slotted | 2 |

6
G
E

6
G
E



001524-004

REAR SUSPENSION COMPONENTS, STANDARD

| ITEM | PART NO. | DESCRIPTION | QTY |
|------|--------------------|--|-----|
| | | 1 2 3 4 | |
| 1 | <u>1010145</u> | Nut, 3/8-24 Hex | 4 |
| 2 | <u>1011415</u> | Kit, Shock Absorber Cushion (includes items 3 and 4) | 4 |
| 3 | N/A | Retainer, Shock Absorber Cushion | 2 |
| 4 | <u>47579096001</u> | Isolator, Shock Damper | 2 |
| 5 | <u>101558302</u> | Bushing, Urethane, Soft | 4 |
| 6 | <u>102298401</u> | Nut,m8,all Metal Lock | 6 |
| 7 | <u>102506401</u> | Sleeve - Spring Eye Mounts | 2 |
| 8 | <u>102670701</u> | Nut, Flange, M10 X 1.5 Nylon | 8 |
| 9 | <u>105068902</u> | Shackle, 6", Com, Machined | 2 |
| 10 | <u>105106801</u> | Shock Absorber,Rear, 2 Bumper | 2 |
| 11 | <u>105188185</u> | Bolt, M8x85mm,10.9 Grade | 6 |
| 12 | <u>105188701</u> | U-bolt, M10x1.5x58 | 4 |
| 13 | <u>47585228001</u> | Spring Asm, Std Rear Leaf, Lh | 1 |
| 14 | <u>47585228002</u> | Spring Asm, Std Rear Leaf, Rh | 1 |
| 15 | <u>47599907001</u> | Bkt, U-bolt, 3-1, Lh | 1 |
| 16 | <u>47599907002</u> | Bkt, U-bolt, 3-1, Rh | 1 |

6
G
E

6

G

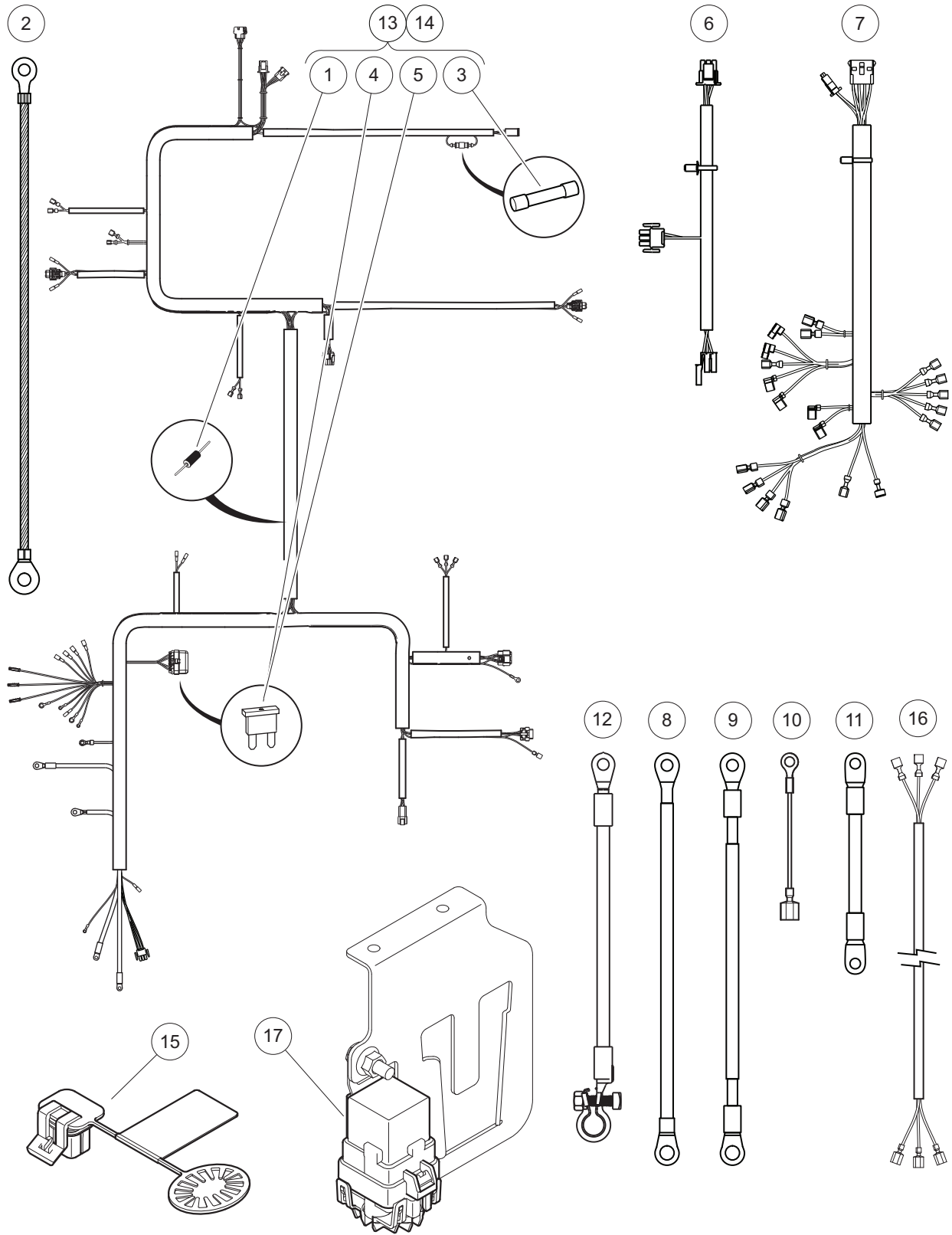
E

ELECTRICAL SYSTEM – GASOLINE EFI

7

G

7
G



000994-003

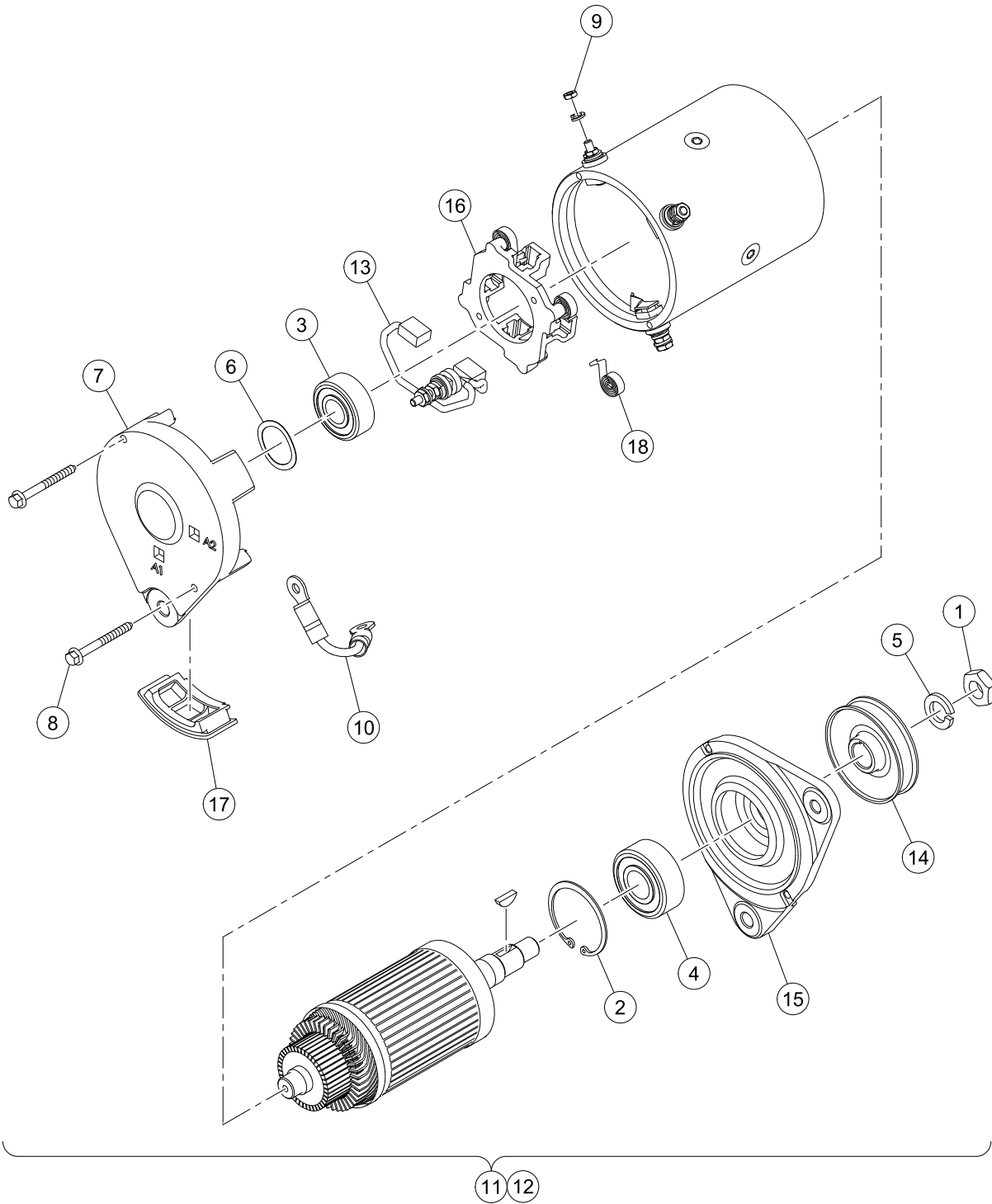
WIRING, FUSES, AND DIODES, KEY AND PEDAL START – EFI

| ITEM | PART NO. | DESCRIPTION | QTY |
|--|--------------------|---|-----|
| | | 1 2 3 4 | |
| 1 | <u>1014789</u> | Diode, General Purpose, 3.0-Amp | 2 |
| 2 | <u>1015332</u> | Wire, Ground, #10, Uninsulated | 1 |
| 3 | <u>103924801</u> | Fuse, Glass, 2-Amp | 1 |
| 4 | <u>105081501</u> | Fuse, ATM, 5-Amp | 1 |
| 5 | <u>105081601</u> | Fuse, ATM, 10-Amp | 1 |
| 6 | <u>105093301</u> | Harness, Wire, FNR Connector, CA300-700 | 1 |
| 7 | <u>105095101</u> | Harness, Wire, Instr. Panel, Gas, CA300-700 | 1 |
| 8 | <u>105135901</u> | Wire, Battery (side-post), B-, Gas | 1 |
| 9 | <u>105136001</u> | Wire, Battery (side-post), B+, Gas | 1 |
| 10 | <u>105143301</u> | Wire, Ground, Fuel Tank | 1 |
| 11 | <u>105161701</u> | Wire, 4-Ga, Green, Starter/Generator | 1 |
| 12 | <u>105256801</u> | Wire Assy, 4ga, Battery, (top-post) B+, Gas | 1 |
| 13 | <u>47607500001</u> | Harness, Main, Gas, Ca700, Ks | 1 |
| 14 | <u>47607501001</u> | Harness, Main, Gas, Ca700, Ps | 1 |
| 15 | <u>47611208001</u> | Cap, Diagnostic Port | 1 |
| 16 | <u>47616912001</u> | Jumper, Maint Sw / Diag. Port | 1 |
| 17 | <u>47623281001</u> | Relay, Mini 630 Spdt,40a/30a | 1 |
| Note: For ECU, see Engine Ignition Components section. | | | |

7

G

7
G

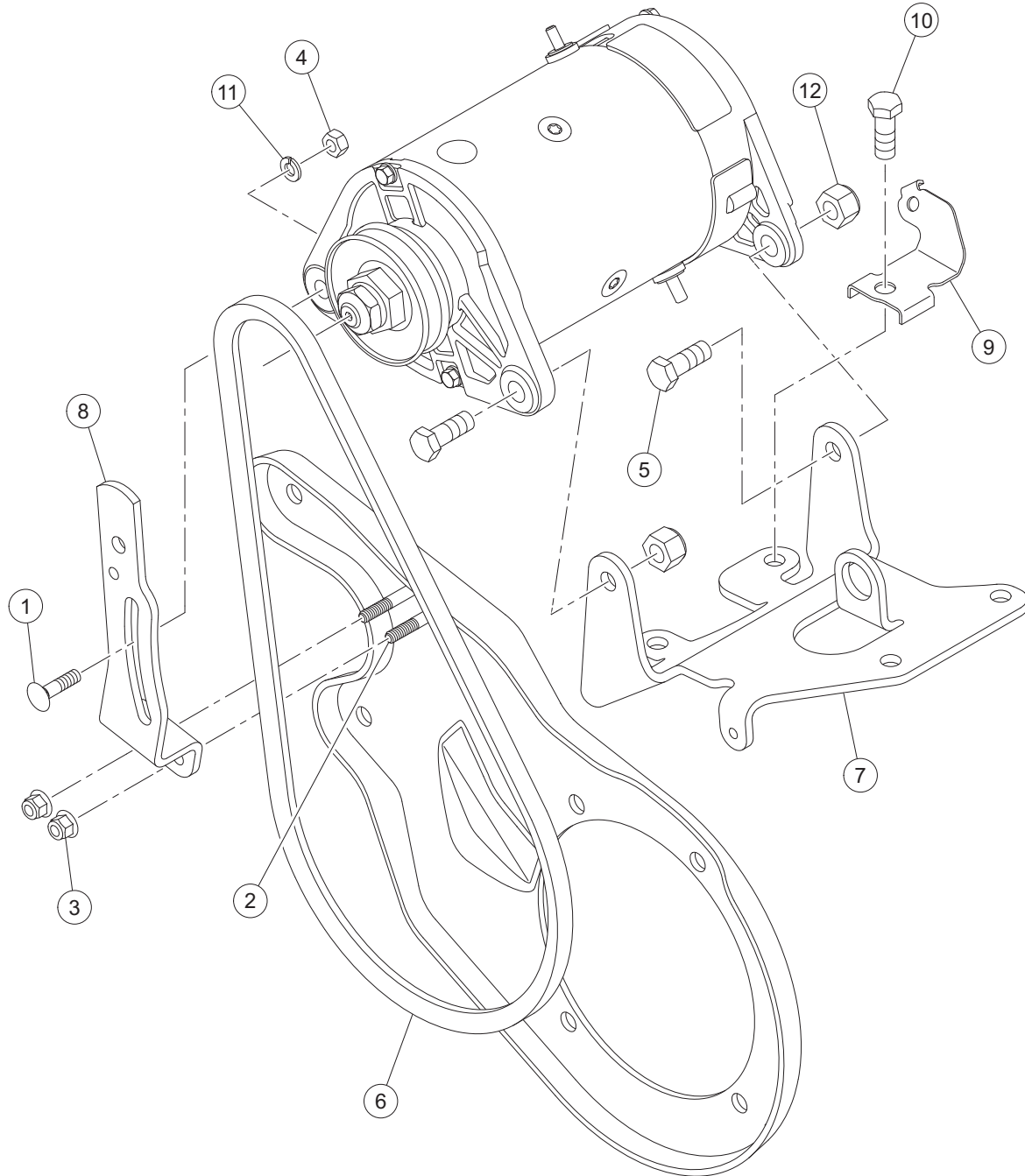


G-130199-000001

STARTER/GENERATOR, KEY AND PEDAL START – EFI

| ITEM | PART NO. | DESCRIPTION | QTY |
|------|--------------------|--|-----|
| | | 1 2 3 4 | |
| 1 | <u>102838701</u> | Nut, Hex, M14x2, S/G | 1 |
| 2 | <u>102838801</u> | Retainer, Front, S/G | 1 |
| 3 | <u>102838901</u> | Bearing, Ball, Rear, S-g | 1 |
| 4 | <u>102839001</u> | Bearing, Ball, Front, S-g | 1 |
| 5 | <u>102839301</u> | Washer, Lock M14x2, S-g | 1 |
| 6 | <u>102841101</u> | Washer, Wave, S-g | 1 |
| 7 | <u>103347601</u> | Head, Comm End, S-g | 1 |
| 8 | <u>103347701</u> | Set, Fast, Ceh Deh, S-g | 1 |
| 9 | <u>103347801</u> | Set, Term Hardware, S/G | 1 |
| 10 | <u>105161701</u> | Wire, 4-Ga, Green, Starter/Generator | 1 |
| 11 | <u>47559475001</u> | Starter Generator, Ps | 1 |
| 12 | <u>47559475002</u> | Starter Generator, Ks | 1 |
| 13 | <u>47583000001</u> | Set, Brush Term, S-g | 1 |
| 14 | <u>47583790001</u> | Pulley, Starter-generator | 1 |
| 15 | <u>47583791001</u> | Head, Drive End, S-g | 1 |
| 16 | <u>47583794001</u> | Kit, Brush And Brush Holder | 1 |
| 17 | <u>47584178001</u> | Kit, Cover, Brush Insp, S-g | 1 |
| 18 | <u>47584179001</u> | Kit, Spring Brush, S-g | 1 |

7
G



G-130199-00002

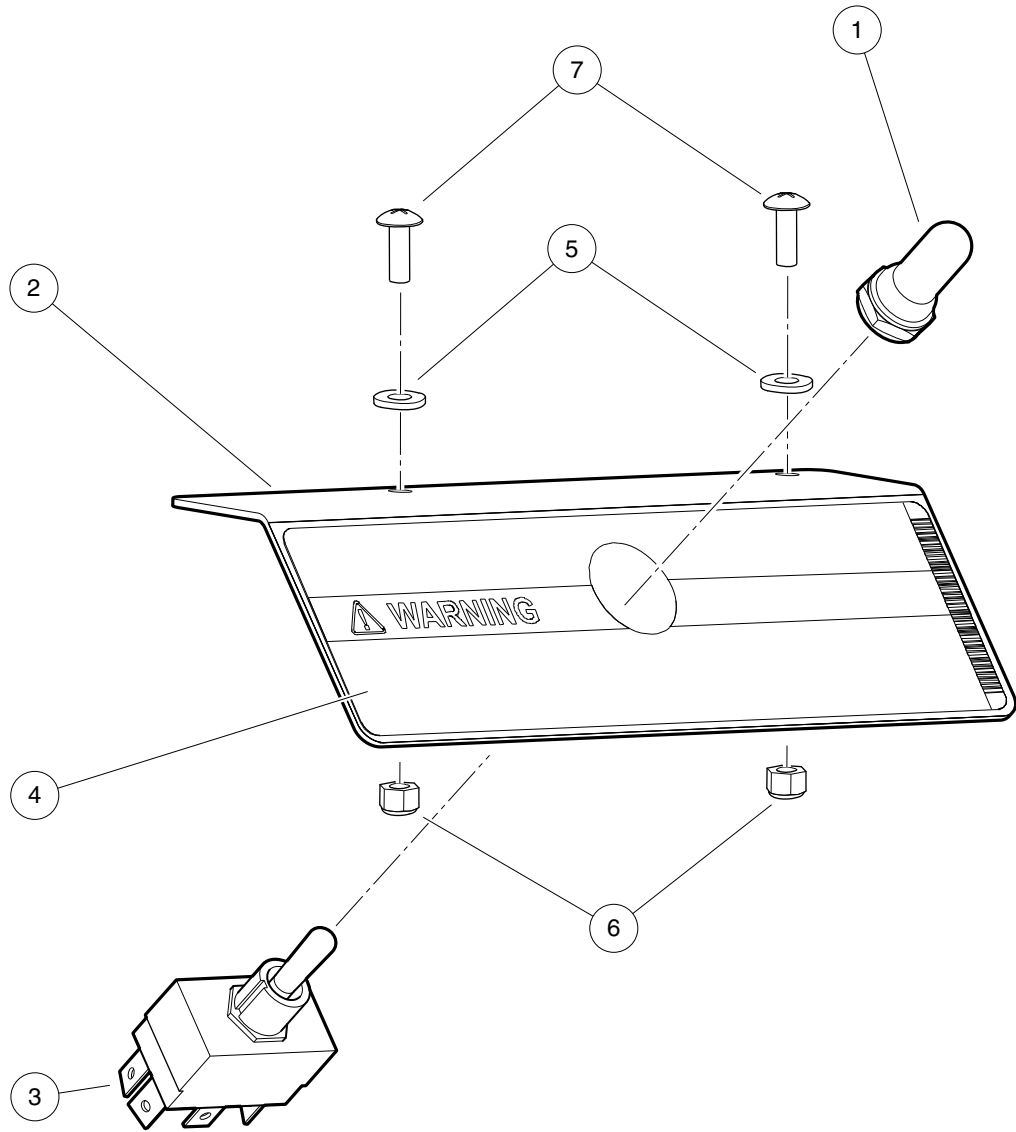
STARTER/GENERATOR MOUNTING – ECH440

| ITEM | PART NO. | DESCRIPTION | QTY |
|------|------------------|--|-----|
| | | 1 2 3 4 | |
| 1 | <u>1015932</u> | Bolt, Carriage, 5/16-18 | 1 |
| 2 | <u>102541401</u> | Bolt-m6x1.0x20 Hex Flhd Blk-I | 2 |
| 3 | <u>102621501</u> | Nut, Flange, M6 X 1.0, Nylon | 2 |
| 4 | <u>1242</u> | Nut, 5/16-18 Hex | 1 |
| 5 | <u>1624</u> | Screw, 3/8-16 X 1.50, Hex-Head Cap | 2 |
| 6 | 47539338002 | Belt, Sg, Ech440, #5a | 1 |
| 7 | 47611868001 | Bracket, Mounting, S/g | 1 |
| 8 | 47611869001 | Bracket, Tensioner, S/g | 1 |
| 9 | 47611870001 | Bracket, Mtg, Gov Cable Clip | 1 |
| 10 | 47617345001 | Screw, M8-1.25x20, Hex Hd Flg | 4 |
| 11 | <u>7174</u> | Lockwasher, 5/16 Split | 1 |
| 12 | <u>8754</u> | Locknut, 3/8-16 Hex | 2 |

7

G

7
G

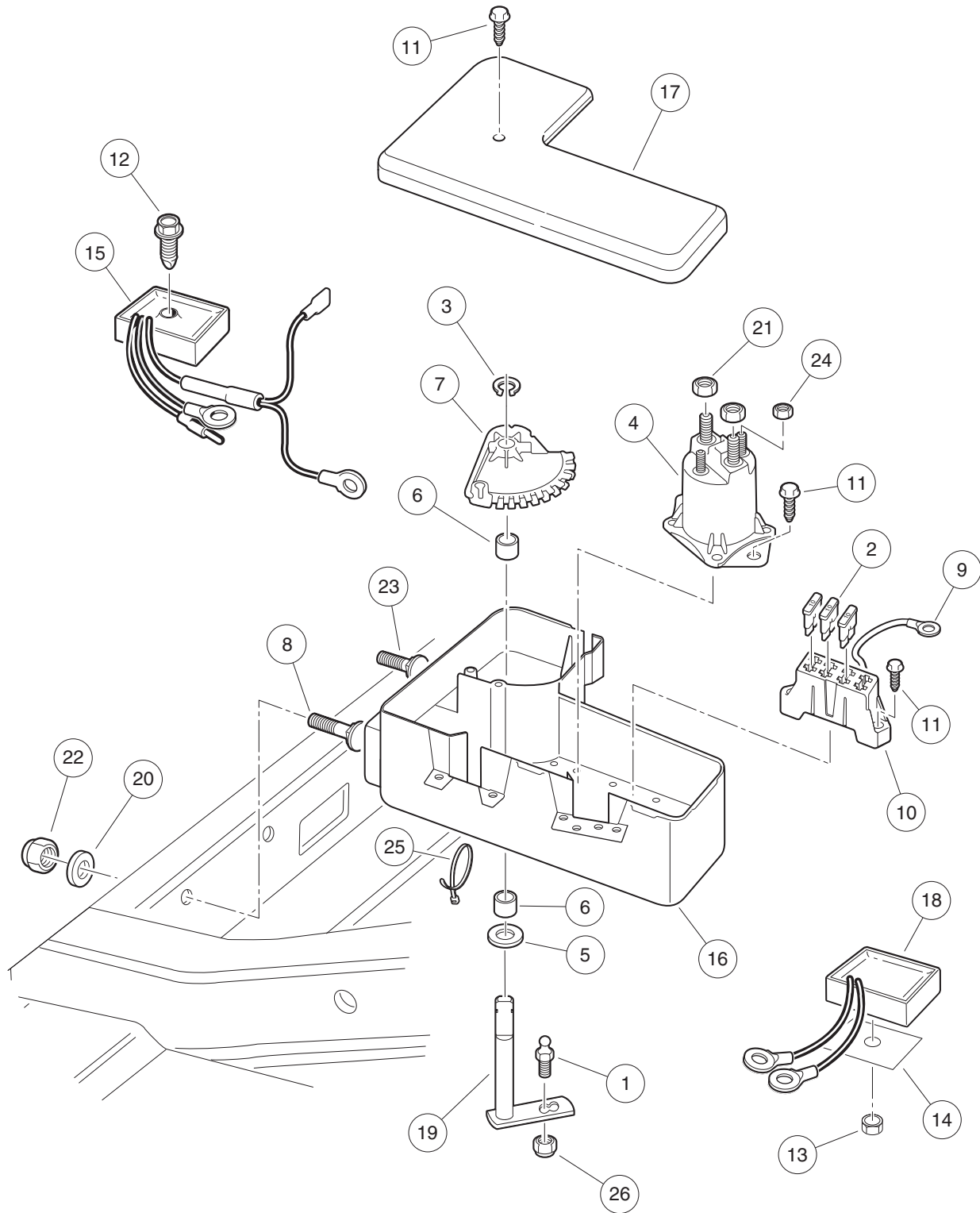


000755-003

OPERATION AND MAINTENANCE SWITCH

| ITEM | PART NO. | DESCRIPTION | QTY |
|------|------------------|--|-----|
| | | 1 2 3 4 | |
| 1 | <u>101908401</u> | Boot, Switch | 1 |
| 2 | <u>101922501</u> | Bracket, Tow/Run Switch Mounting | 1 |
| 3 | <u>103198401</u> | Switch, Toggle, SPDT | 1 |
| 4 | <u>103205501</u> | Decal, Maintenance/Operate Switch | 1 |
| 5 | <u>332</u> | Washer, 1/4 Type A Narrow Flat | 2 |
| 6 | <u>8233</u> | Locknut, 1/4-20, Nylon Insert | 2 |
| 7 | <u>8248</u> | Screw, 1/4-20 X 0.75, Truss-Head Machine | 2 |

7
G



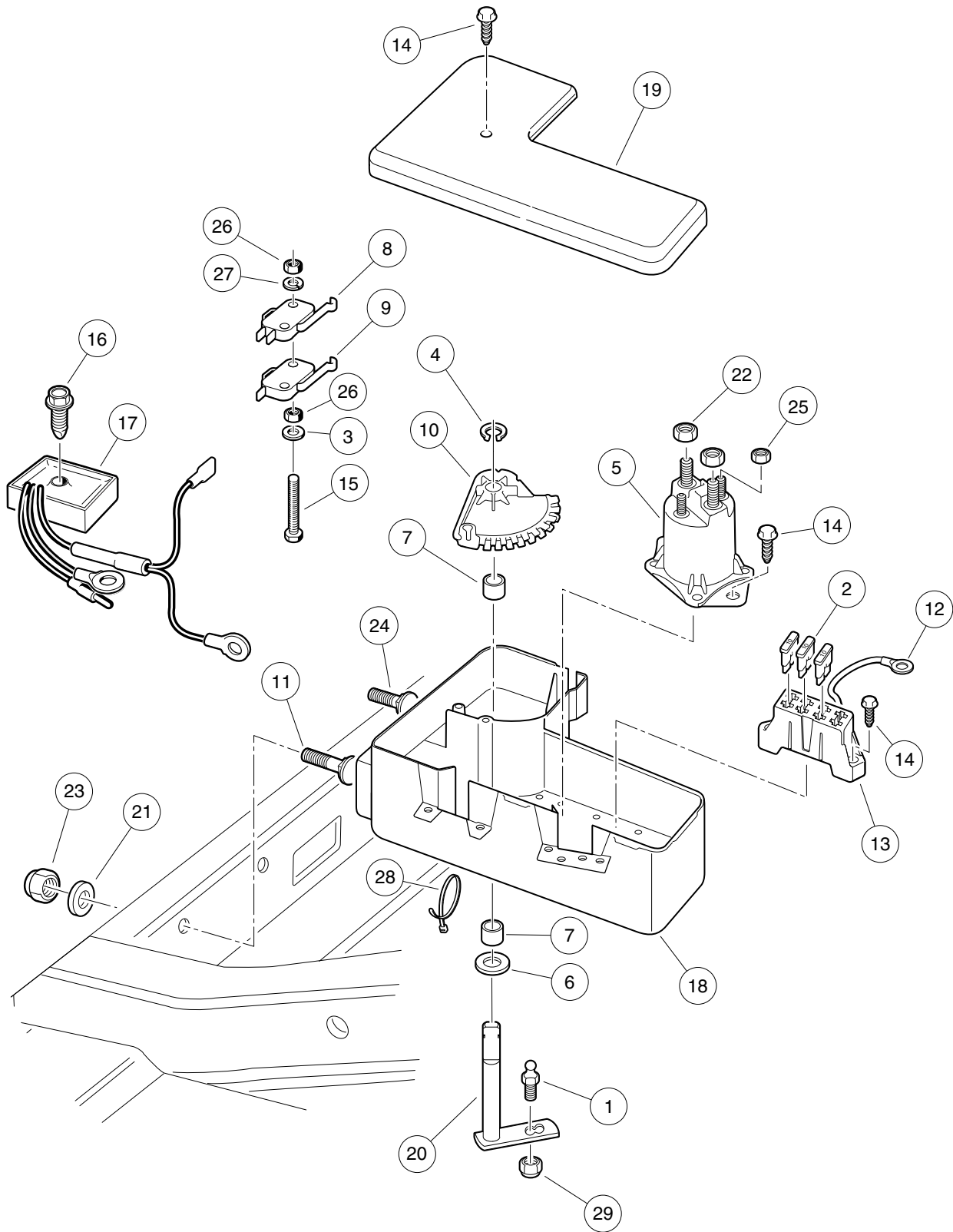
001014-005

ELECTRICAL COMPONENT BOX, KEY-START

| ITEM | PART NO. | DESCRIPTION | QTY |
|------|------------------|--|-----|
| | | 1 2 3 4 | |
| 1 | <u>1010954</u> | Stud, Ball, 1/4-28 X 0.560 | 1 |
| 2 | <u>1012295</u> | Fuse, 10-Amp | 3 |
| 3 | <u>1013589</u> | Ring, Retaining, 0.338" Internal | 1 |
| 4 | <u>1013609</u> | Solenoid, 12-Volt | 1 |
| 5 | <u>1014065</u> | Washer, Flat, 0.38" ID, Delrin | 1 |
| 6 | <u>1014145</u> | Bushing, Secondary Weight, Split | 2 |
| 7 | <u>1015373</u> | Cam, Electric Box | 1 |
| 8 | <u>1015405</u> | Bolt, Carriage, 5/16-18 X 2.0 | 1 |
| 9 | <u>1015737</u> | Wire Assy, #10 Red | 1 |
| 10 | <u>1015741</u> | Fuse Block | 1 |
| 11 | <u>1015752</u> | Screw, #12-16 X 0.625, Hi-Lo | 5 |
| 12 | <u>101856102</u> | Screw, 1/4-15 X 1.50, Hi-lo, Hex | 1 |
| 13 | <u>101963401</u> | Locknut, 5/16-18 Hex Flange | 1 |
| 14 | <u>102269701</u> | Thermal Pad | 1 |
| 15 | <u>102711201</u> | Voltage Regulator | 1 |
| 16 | 105000301 | Box, Component, Electrical | 1 |
| 17 | <u>105000401</u> | Cover, Box, Component, Elec | 1 |
| 18 | <u>105037201</u> | Diode, Charging | 1 |
| 19 | <u>105037401</u> | Weldment, Bellcrank, Comp Box | 1 |
| 20 | <u>1241</u> | Washer, 5/16 Type A Flat | 2 |
| 21 | <u>1242</u> | Nut, 5/16-18 Hex | 2 |
| 22 | <u>7473</u> | Locknut, 5/16-18 Nylon Insert | 2 |
| 23 | <u>7818</u> | Bolt, Carriage, 5/16-18 X 1.5 | 1 |
| 24 | <u>7893</u> | Nut, #10-32 Hex | 2 |
| 25 | <u>8639</u> | Tie Wrap, 11" Nylon | 6 |
| 26 | <u>8717</u> | Locknut, Nylon Insert, 1/4-28 | 1 |

7
G

7
G



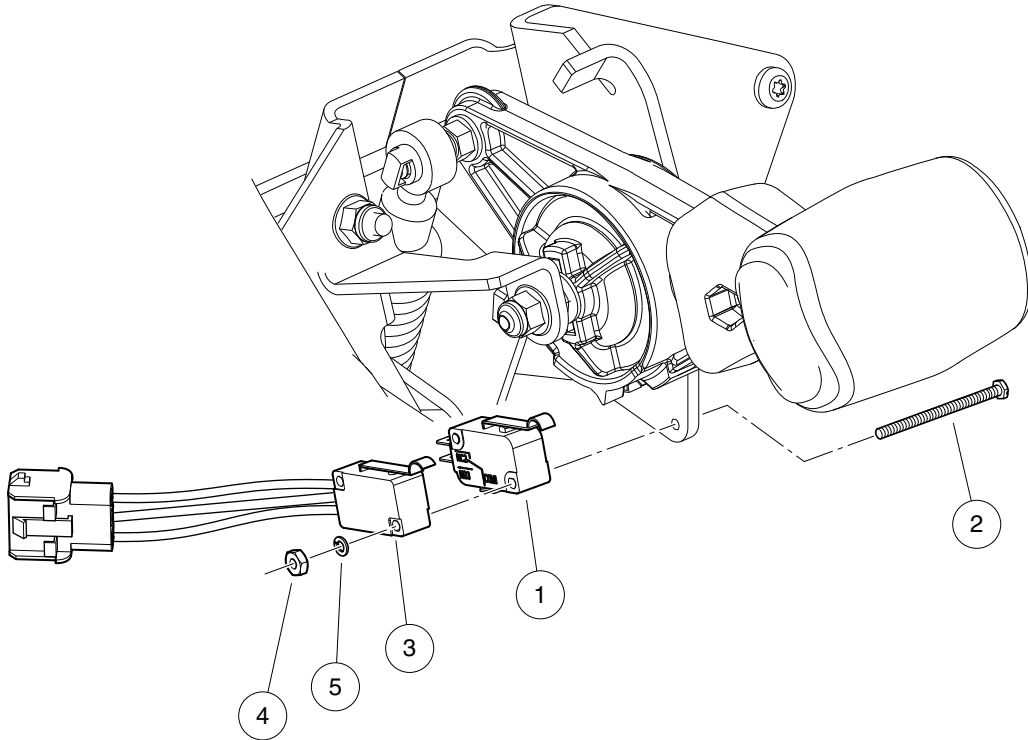
001014-001

ELECTRICAL COMPONENT BOX, PEDAL-START

| ITEM | PART NO. | DESCRIPTION | QTY |
|------|------------------|--|-----|
| | | 1 2 3 4 | |
| 1 | <u>1010954</u> | Stud, Ball, 1/4-28 X 0.560 | 1 |
| 2 | <u>1012295</u> | Fuse, 10-Amp | 3 |
| 3 | <u>1012431</u> | Washer, #4 Flat | 2 |
| 4 | <u>1013589</u> | Ring, Retaining, 0.338" Internal | 1 |
| 5 | <u>1013609</u> | Solenoid, 12-Volt | 1 |
| 6 | <u>1014065</u> | Washer, Flat, 0.38" ID, Delrin | 1 |
| 7 | <u>1014145</u> | Bushing, Secondary Weight, Split | 2 |
| 8 | <u>1014807</u> | Switch, Limit | 1 |
| 9 | <u>1014808</u> | Switch, Limit | 1 |
| 10 | <u>1015373</u> | Cam, Electric Box | 1 |
| 11 | <u>1015405</u> | Bolt, Carriage, 5/16-18 X 2.0 | 1 |
| 12 | <u>1015737</u> | Wire Assy, #10 Red | 1 |
| 13 | <u>1015741</u> | Fuse Block | 1 |
| 14 | <u>1015752</u> | Screw, #12-16 X 0.625, Hi-Lo | 5 |
| 15 | <u>1015878</u> | Screw, #4-40 Hex Head Machine | 2 |
| 16 | <u>101856102</u> | Screw, 1/4-15 X 1.50, Hi-lo, Hex | 1 |
| 17 | <u>102711201</u> | Voltage Regulator | 1 |
| 18 | <u>105000301</u> | Box, Component, Electrical | 1 |
| 19 | <u>105000401</u> | Cover, Box, Component, Elec | 1 |
| 20 | <u>105037401</u> | Weldment, Bellcrank, Comp Box | 1 |
| 21 | <u>1241</u> | Washer, 5/16 Type A Flat | 2 |
| 22 | <u>1242</u> | Nut, 5/16-18 Hex | 2 |
| 23 | <u>7473</u> | Locknut, 5/16-18 Nylon Insert | 2 |
| 24 | <u>7818</u> | Bolt, Carriage, 5/16-18 X 1.5 | 1 |
| 25 | <u>7893</u> | Nut, #10-32 Hex | 2 |
| 26 | <u>8057</u> | Nut, #4-40 Hex Machine | 4 |
| 27 | <u>8058</u> | Lockwasher, #4 Split | 2 |
| 28 | <u>8639</u> | Tie Wrap, 11" Nylon | 6 |
| 29 | <u>8717</u> | Locknut, Nylon Insert, 1/4-28 | 1 |

7

G



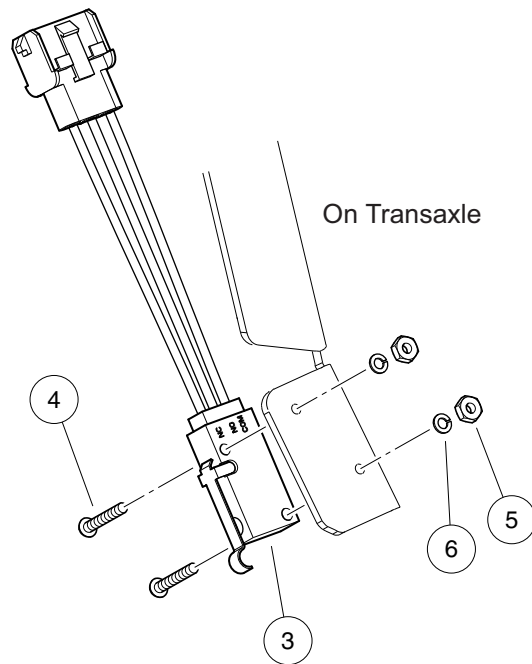
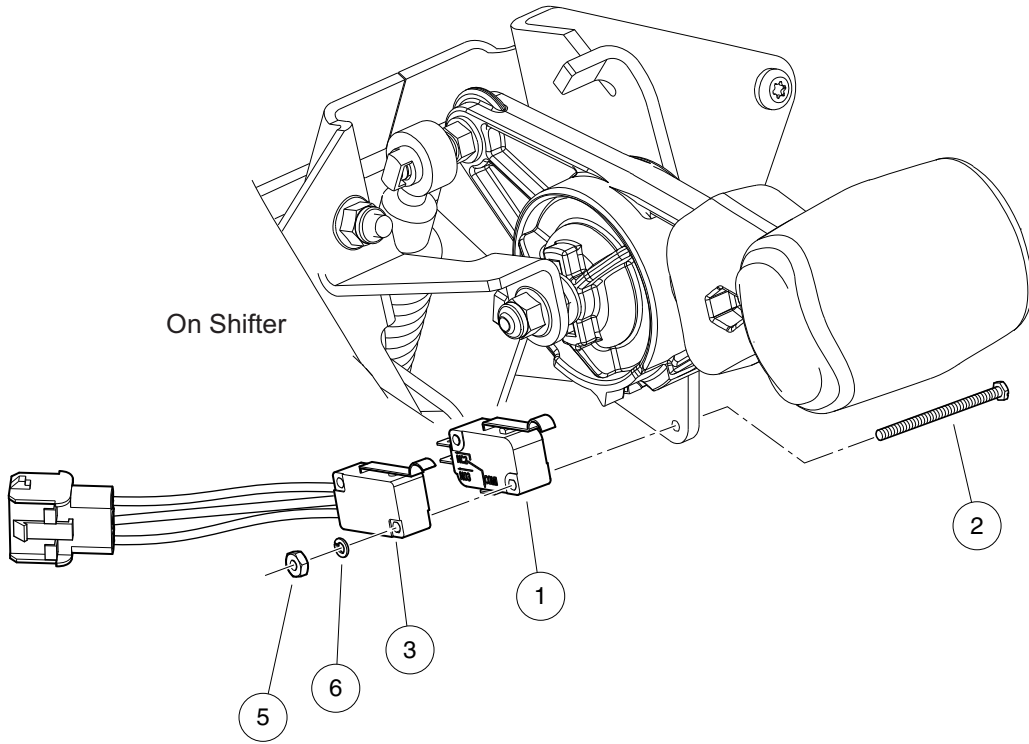
000999-002

FORWARD/REVERSE SHIFTER SWITCHES, KEY-START – EFI

| ITEM | PART NO. | DESCRIPTION | QTY |
|------|------------------|---|-----|
| | | 1 2 3 4 | |
| 1 | <u>1014807</u> | Switch, Limit | 1 |
| 2 | <u>1015878</u> | Screw, #4-40 Hex Head Machine | 2 |
| 3 | <u>105102601</u> | Switch, Limit, Sealed, with 3-Wire Lead | 1 |
| 4 | <u>8057</u> | Nut, #4-40 Hex Machine | 2 |
| 5 | <u>8058</u> | Lockwasher, #4 Split | 2 |

7

G



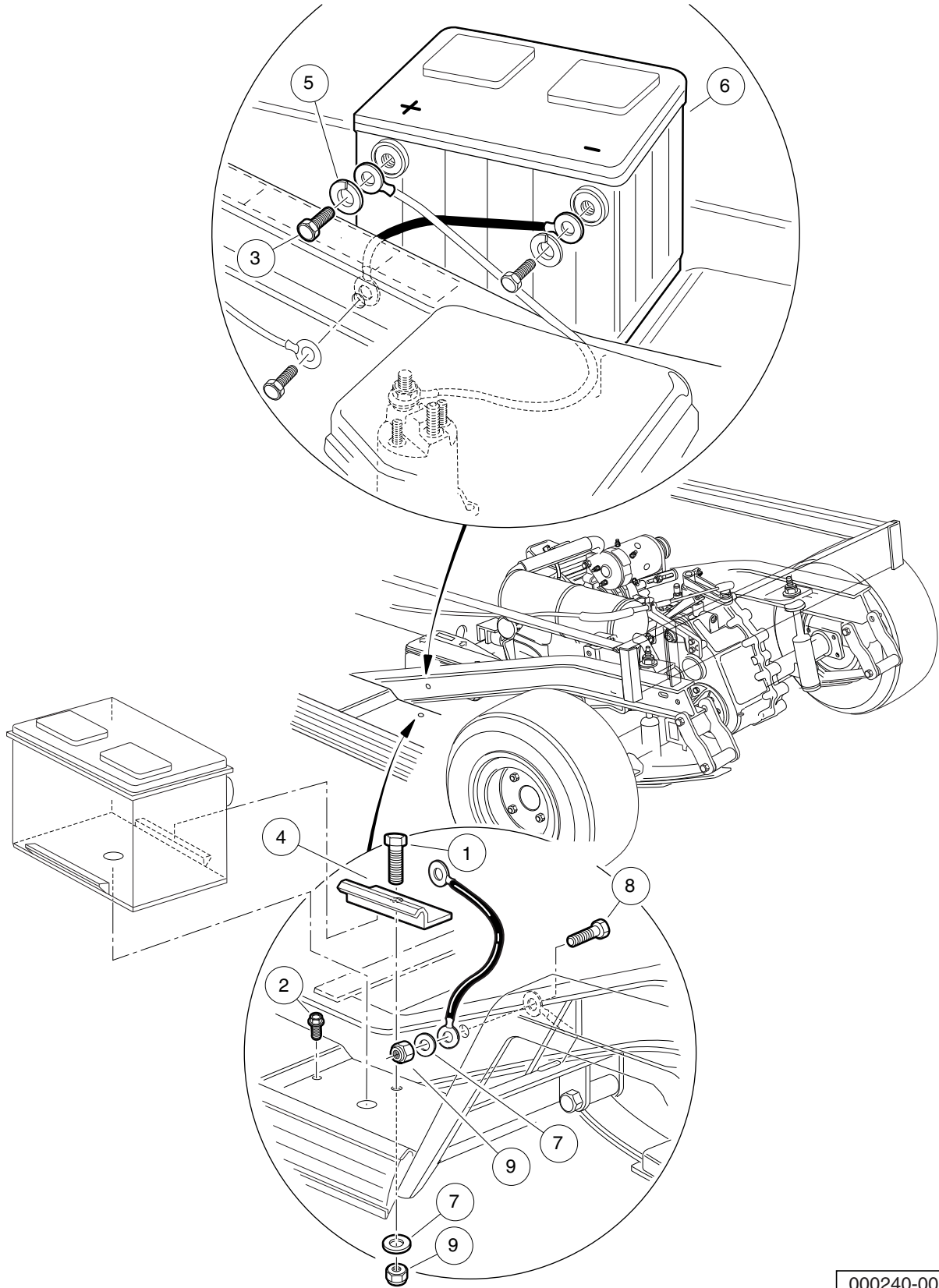
000999-001

FORWARD/REVERSE SHIFTER SWITCHES, PEDAL-START – EFI

| ITEM | PART NO. | DESCRIPTION | QTY |
|------|------------------|---|-----|
| | | 1 2 3 4 | |
| 1 | <u>1014807</u> | Switch, Limit | 1 |
| 2 | <u>1015878</u> | Screw, #4-40 Hex Head Machine | 2 |
| 3 | <u>105102601</u> | Switch, Limit, Sealed, with 3-Wire Lead | 2 |
| 4 | <u>8056</u> | Screw, #4-40 X 0.75 Round-Head Machine | 2 |
| 5 | <u>8057</u> | Nut, #4-40 Hex Machine | 4 |
| 6 | <u>8058</u> | Lockwasher, #4 Split | 4 |

7
G

7
G

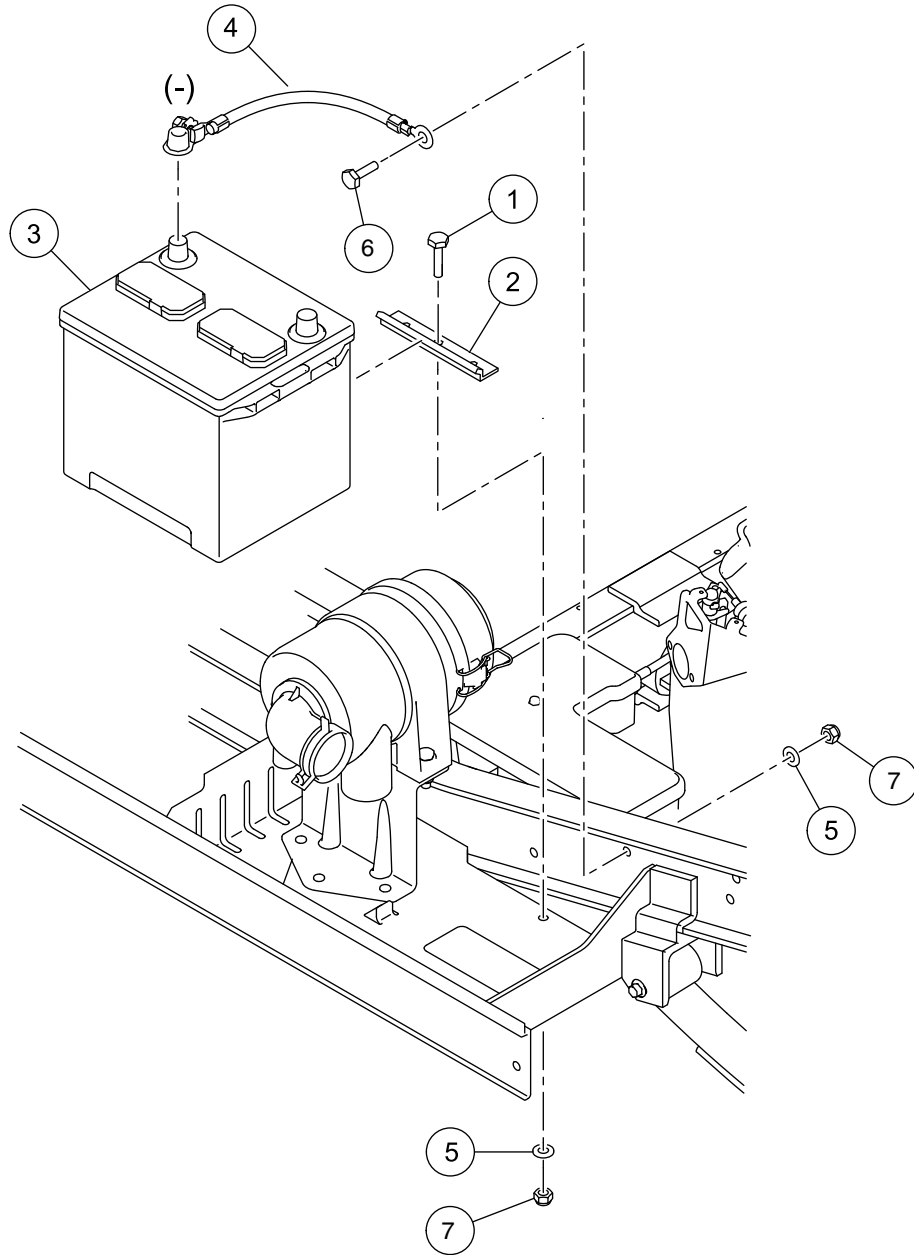


000240-001

BATTERY – GASOLINE UTILITY VEHICLES

| ITEM | PART NO. | DESCRIPTION | QTY |
|------|------------------|---|-----|
| | | 1 2 3 4 | |
| 1 | <u>1010934</u> | Screw, 5/16-18 X 1.00 Hex Cap | 1 |
| 2 | <u>1014288</u> | Screw, 5/16-18 X 0.75, Thread-Forming | 1 |
| 3 | <u>1014375</u> | Screw, 3/8-16 X 0.50, Stainless Steel, Hex-Head | 2 |
| 4 | <u>101898001</u> | Clamp, Battery | 1 |
| 5 | <u>101898101</u> | Retainer - Battery | 1 |
| 6 | <u>102355301</u> | Lockwasher, 3/8 Split Ss | 2 |
| 7 | <u>103496801</u> | Battery, Start, 12v | 1 |
| 8 | <u>1241</u> | Washer, 5/16 Type A Flat | 2 |
| 9 | <u>1606</u> | Rivet, 3/16 X .500 Alum Pop | 2 |
| 10 | <u>7173</u> | Screw, 5/16-18 X 0.75, Hex-Head Cap | 1 |
| 11 | <u>7473</u> | Locknut, 5/16-18 Nylon Insert | 2 |

7
G



000250-001

TOP-POST BATTERY – GASOLINE UTILITY VEHICLES

| ITEM | PART NO. | DESCRIPTION | QTY |
|------|------------------|---|-----|
| | | 1 2 3 4 | |
| 1 | <u>1010934</u> | Screw, 5/16-18 X 1.00 Hex Cap | 1 |
| 2 | <u>101898001</u> | Clamp, Battery | 1 |
| 3 | <u>105237301</u> | Battery, Start, 12v, Type 26 | 1 |
| 4 | 105256701 | Wire Assy, 4ga, Battery, (top-post) B-, Gas | 1 |
| 5 | <u>1241</u> | Washer, 5/16 Type A Flat | 2 |
| 6 | <u>7173</u> | Screw, 5/16-18 X 0.75, Hex-Head Cap | 1 |
| 7 | <u>7473</u> | Locknut, 5/16-18 Nylon Insert | 2 |

7

G

7

G

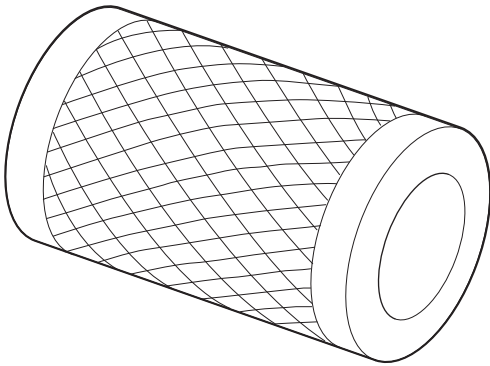
ENGINE (KOHLER ECH440)

8

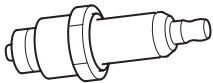
G

8

G



1



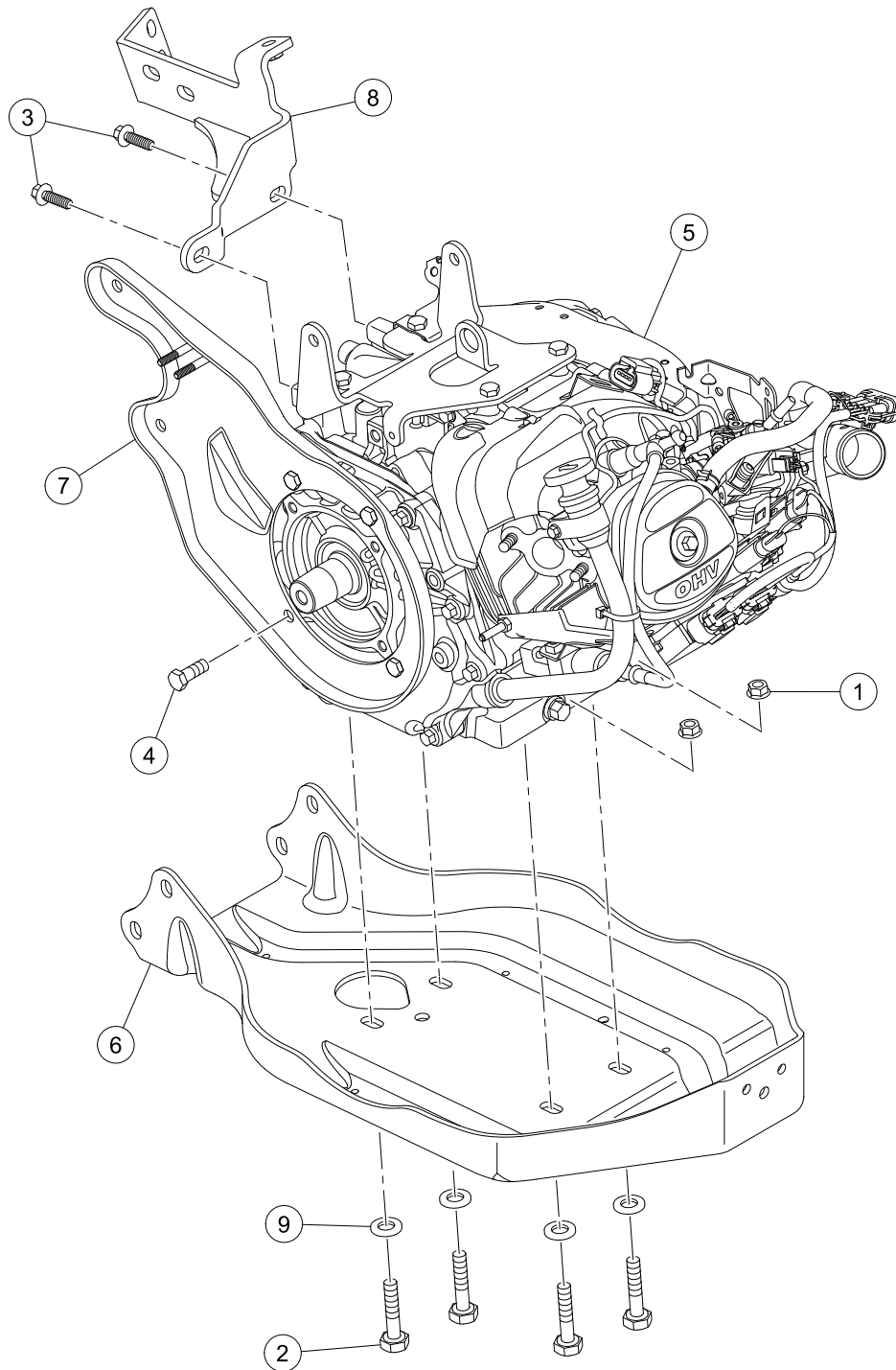
2

000992-003

TUNE-UP PARTS

| ITEM | PART NO. | DESCRIPTION | QTY |
|------|--------------------|-------------------------------------|-----|
| 1 | <u>102558201</u> | 1 2 3 4 Air Filter, 4 Inch | 1 |
| 2 | <u>47640281001</u> | Plug, Spark, Kohler | 1 |

8
G



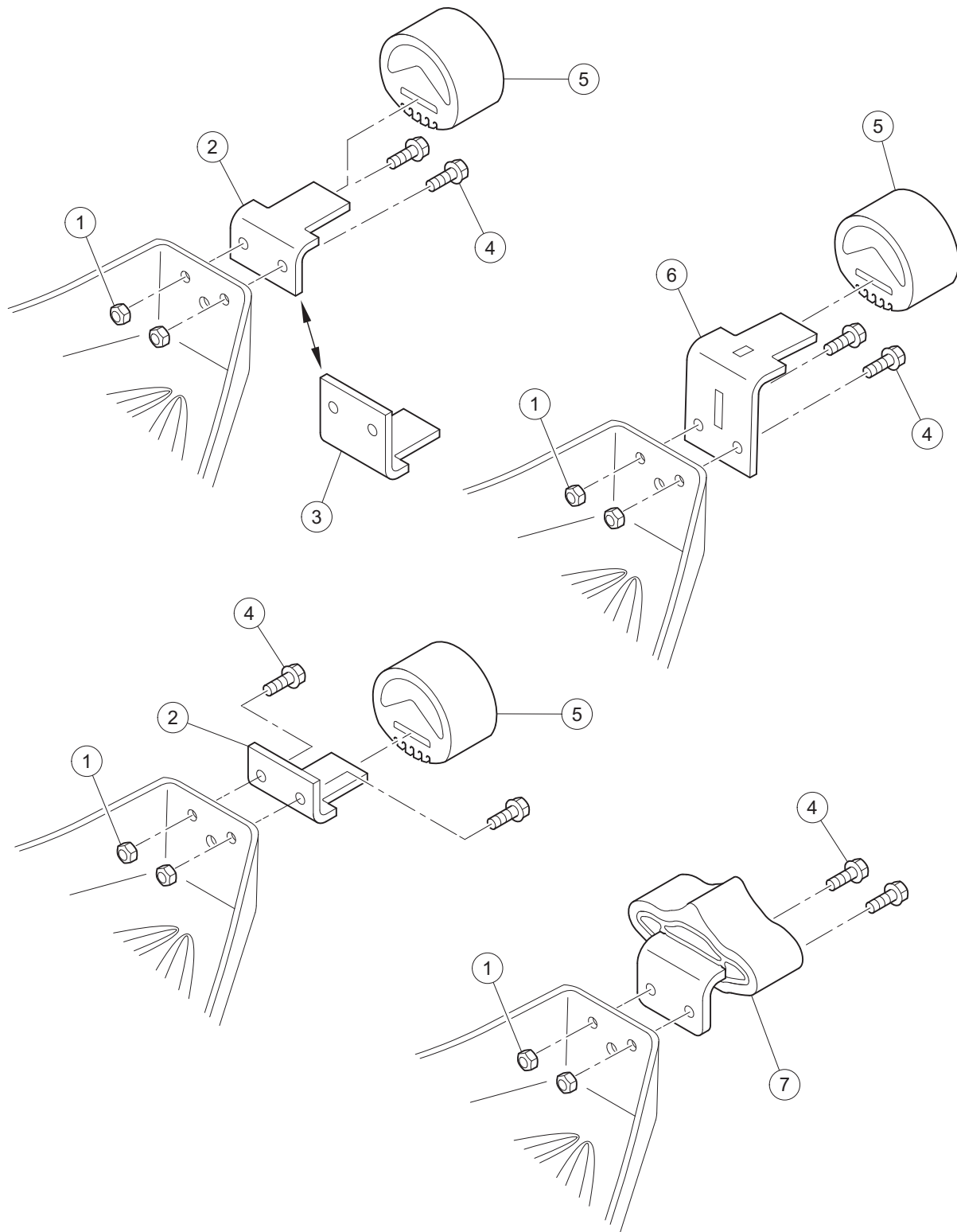
G-110199-000002

ENGINE AND ENGINE MOUNTING

| ITEM | PART NO. | DESCRIPTION | QTY |
|------|--------------------|--|-----|
| | | 1 2 3 4 | |
| 1 | <u>102617201</u> | Nut, Flanged, M10 X 1.5, Mechanically Deformed | 4 |
| 2 | <u>102732401</u> | Bolt, M10 X 45, Zn-Ni (Black) | 4 |
| 3 | <u>103262201</u> | Bolt Flg Blk, M8 X 25, Loctite | 2 |
| 4 | <u>103508101</u> | Bolt, 3/8-16 X .75 Lock Patch | 4 |
| 5 | <u>47598099001</u> | Engine, Gas, Ech440 | 1 |
| 6 | <u>47611483001</u> | Plate, Mtg, Engine/axle, Pan | 1 |
| 7 | 47611484001 | Plate, Mtg, Engine/axle, Cvt | 1 |
| 8 | 47611648001 | Weldment, Mtg, Exhaust | 1 |
| 9 | <u>96741046</u> | Washer, M10, Hard | 4 |

8

G



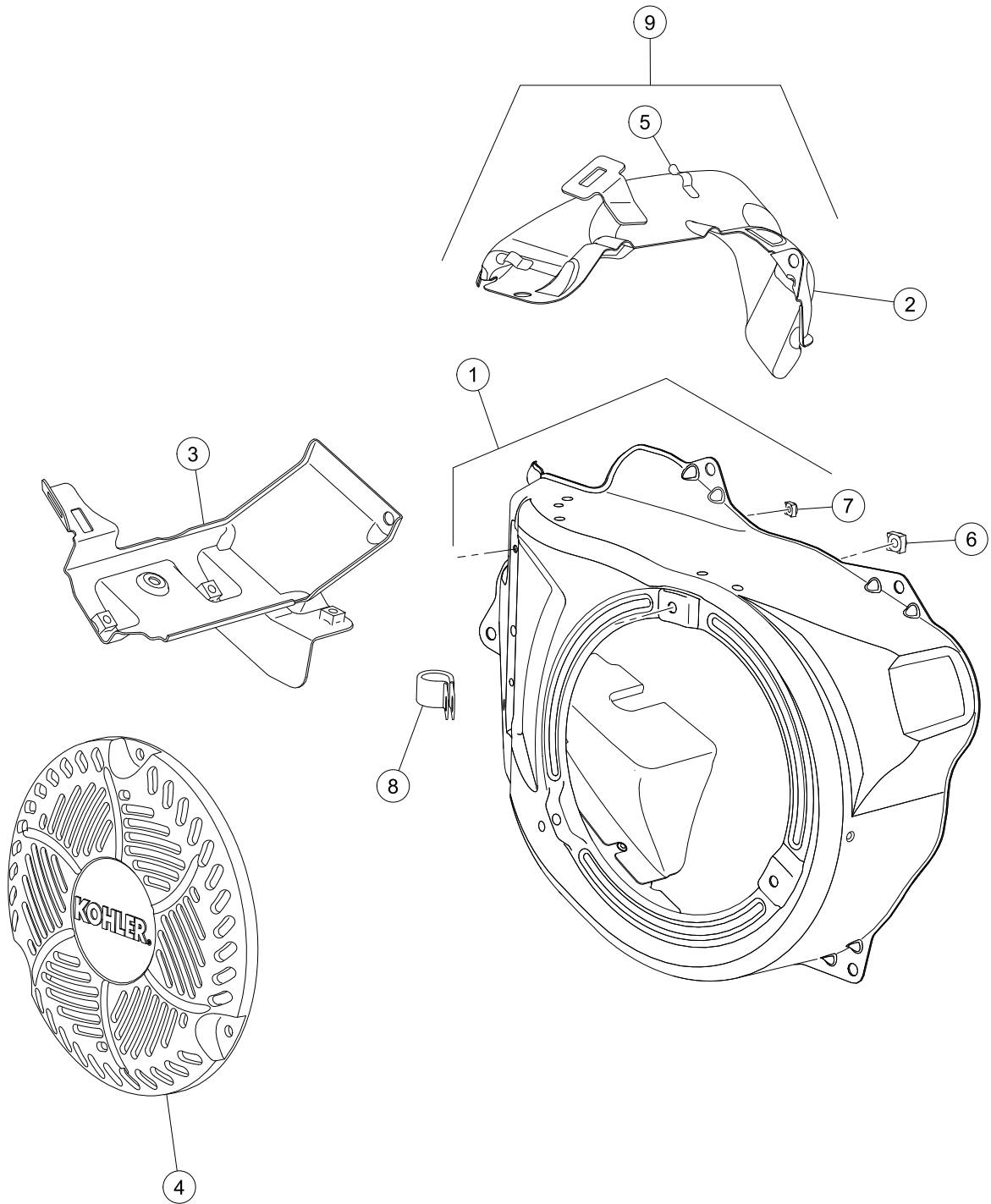
G-010299-000001

ENGINE PAN AND SNUBBER MOUNTING

| ITEM | PART NO. | DESCRIPTION | QTY |
|--|------------------|--|-----|
| | | 1 2 3 4 | |
| 1 | <u>1013924</u> | Nut, 5/16-24, Hex Head Cone | 2 |
| 2 | <u>101834601</u> | Bracket, Snubber | 1 |
| 3 | <u>101834602</u> | Bracket, Snubber, Tall | 1 |
| 4 | <u>101884801</u> | Screw, 5/16-24 X 0.875, Grade-8 | 2 |
| 5 | <u>102540301</u> | Snubber, Inner Frame | 1 |
| 6 | 47564890001 | Bracket, Snubber, Csmr, Lifted | 1 |
| 7 | 47587701001 | Asm, Dual Snubber (includes items 8 and 9) | 1 |
| 8 | 47583795001 | Bracket, Dual Snubber | 1 |
| 9 | 47584184001 | Snubber, Dual | 1 |
| <p style="margin-left: 40px;">Note: Items 8 and 9 are not illustrated.</p> | | | |

8

G



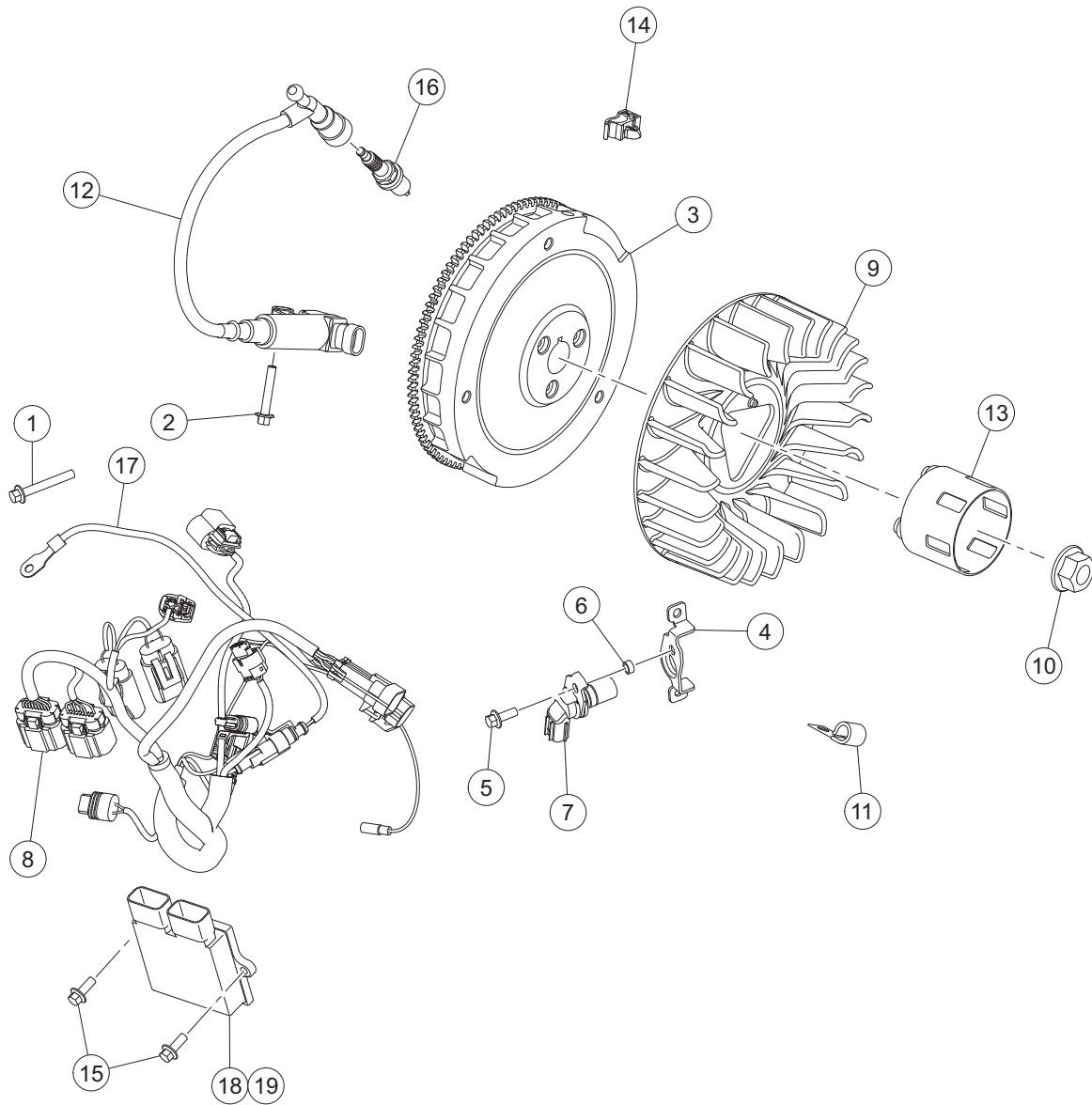
G-040899-000001

BLOWER HOUSING AND HEAT SHIELD – ECH440

| ITEM | PART NO. | DESCRIPTION | QTY |
|------|--------------------|--------------------------------------|-----|
| | | 1 2 3 4 | |
| 1 | <u>47629844001</u> | Kit, Blower Housing, Kohler | 1 |
| 2 | <u>47629845001</u> | Shield, Upper Heater, Kohler | 1 |
| 3 | <u>47629846001</u> | Shield Assembly, Cylinder, Koh | 1 |
| 4 | <u>47629847001</u> | Screen, Blower Housing, Kohler | 1 |
| 5 | <u>47629848001</u> | Clip, Wire, Kohler | 2 |
| 6 | <u>47629851001</u> | Nut, Blower Housing (cky), Koh | 1 |
| 7 | <u>47629853001</u> | Nut, Blower Housing (cky), Koh | 1 |
| 8 | <u>47629855001</u> | Clamp, Insulator, Kohler | 1 |
| 9 | <u>47629856001</u> | Assembly, Heat Shield, Kohler | 1 |

8

G



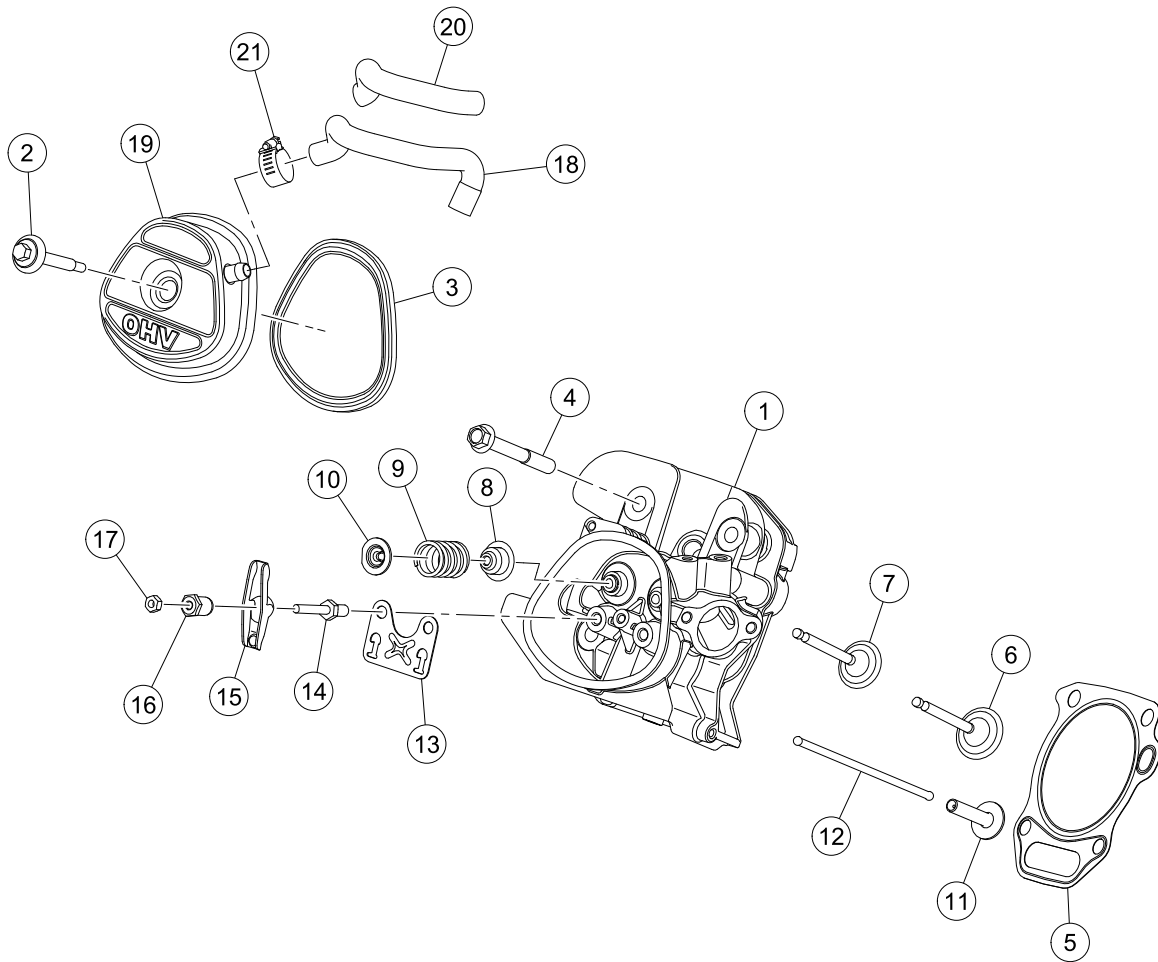
G-040799-000003

IGNITION COMPONENTS AND FLYWHEEL – ECH440

| ITEM | PART NO. | DESCRIPTION | QTY |
|---|-------------|--------------------------------------|-----|
| | | 1 2 3 4 | |
| 1 | 47629702001 | Screw, Hex Flange (m6), Kohler | 1 |
| 2 | 47629702001 | Screw, Hex Flange (m6), Kohler | 3 |
| 3 | 47629826001 | Flywheel Assy, Electric Start | 1 |
| 4 | 47629828001 | Bracket, Crank Sensor, Kohler | 1 |
| 5 | 47629831001 | Screw, Hex Flange, Kohler | 1 |
| 6 | 47629832001 | Spacer, Kohler | 1 |
| 7 | 47629833001 | Sensor, Speed, Kohler | 1 |
| 8 | 47629834001 | Harness, Wiring Assy, Kohler | 1 |
| 9 | 47629835001 | Fan, Flywheel, Kohler | 1 |
| 10 | 47629836001 | Nut, Flywheel, Kohler | 1 |
| 11 | 47629837001 | Clip, Cable, Kohler | 1 |
| 12 | 47629838001 | Coil, Ignition-efi, Kohler | 1 |
| 13 | 47629841001 | Cup, Starter Drive, Kohler | 1 |
| 14 | 47629843001 | Clip, Wiring Harness, Kohler | 1 |
| 15 | 47640021001 | Screw, M6x16, Kohler | 2 |
| 16 | 47640281001 | Plug, Spark, Kohler | 1 |
| 17 | 47650647001 | Sensor, Temperature | 1 |
| 18 | 47664335001 | Module, Ecu, Kohler, O2 Update | A/R |
| 19 | 47676897001 | Module, ECU, Kohler | A/R |
| Note: Item 19 (47676897001) only applies to vehicles that have had kit p/n 47649794001 installed. Make sure to validate and order correct ECU p/n. | | | |

8

G



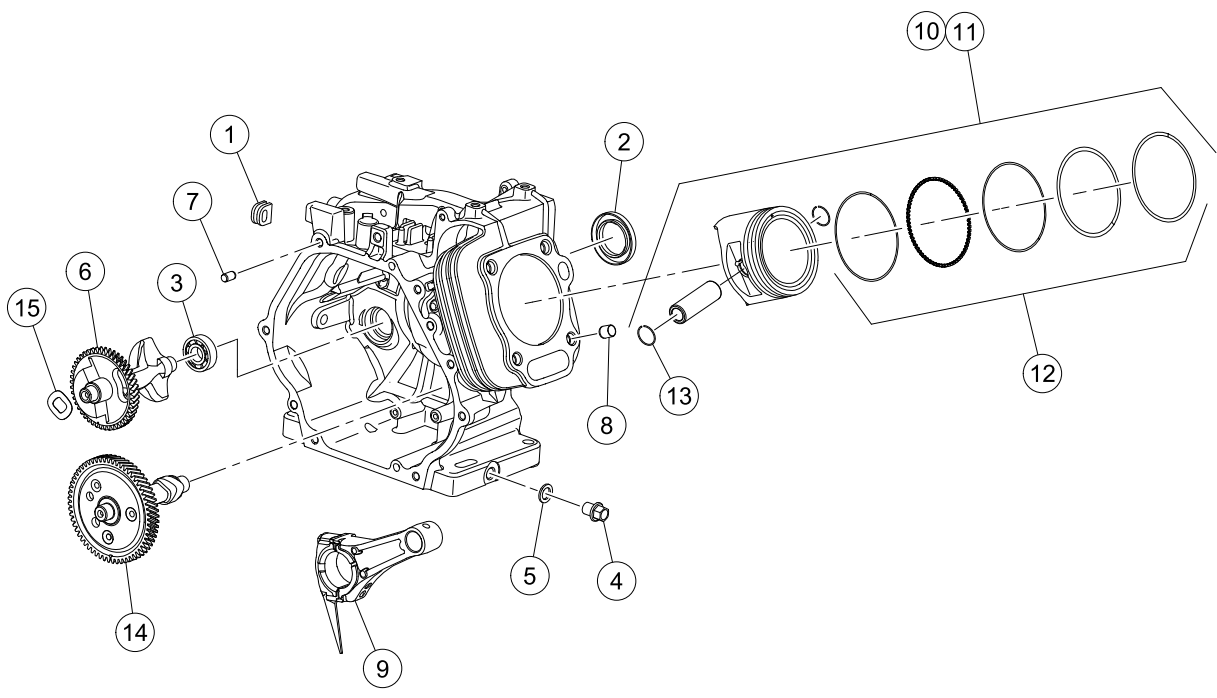
G-040599-000001

CYLINDER HEAD AND VALVE – ECH440

| ITEM | PART NO. | DESCRIPTION | QTY |
|------|--------------------|--------------------------------------|-----|
| | | 1 2 3 4 | |
| 1 | <u>47629711001</u> | Assembly, Cylinder Head, Kohle | 1 |
| 2 | <u>47629714001</u> | Screw, Valve Cover Seal Assy, | 1 |
| 3 | <u>47629716001</u> | Gasket, Valve Cover, Kohler | 1 |
| 4 | <u>47629717001</u> | Screw, Hex Flange Cylinder Hea | 4 |
| 5 | <u>47629718001</u> | Kit, Head Gasket, Kohler | 1 |
| 6 | <u>47629719001</u> | Valve, Intake, Kohler | 1 |
| 7 | <u>47629720001</u> | Valve, Exhaust, Kohler | 1 |
| 8 | <u>47629722001</u> | Seal, Valve Stem, Kohler | 2 |
| 9 | <u>47629723001</u> | Spring, Valve, Kohler | 2 |
| 10 | <u>47629724001</u> | Retainer, Valve Spring, Kohler | 2 |
| 11 | <u>47629725001</u> | Lifter, Valve, Kohler | 2 |
| 12 | <u>47629726001</u> | Rod, Push, Kohler | 2 |
| 13 | <u>47629727001</u> | Plate, Pushrod Guide, Kohler | 1 |
| 14 | <u>47629728001</u> | Stud, Rocker, Kohler | 2 |
| 15 | <u>47629729001</u> | Arm, Rocker, Kohler | 2 |
| 16 | <u>47629730001</u> | Pivot, Rocker Arm, Kohler | 2 |
| 17 | <u>47629768001</u> | Nut, Hex Jam, Kohler | 2 |
| 18 | <u>47629822001</u> | Hose, Breather, Kohler | 1 |
| 19 | <u>47629823001</u> | Valve Cover Assembly, Kohler | 1 |
| 20 | <u>47629824001</u> | Sleeve, Anti Abrasion, Kohler | 1 |
| 21 | <u>47629825001</u> | Clamp, Hose, Kohler | 1 |

8

G



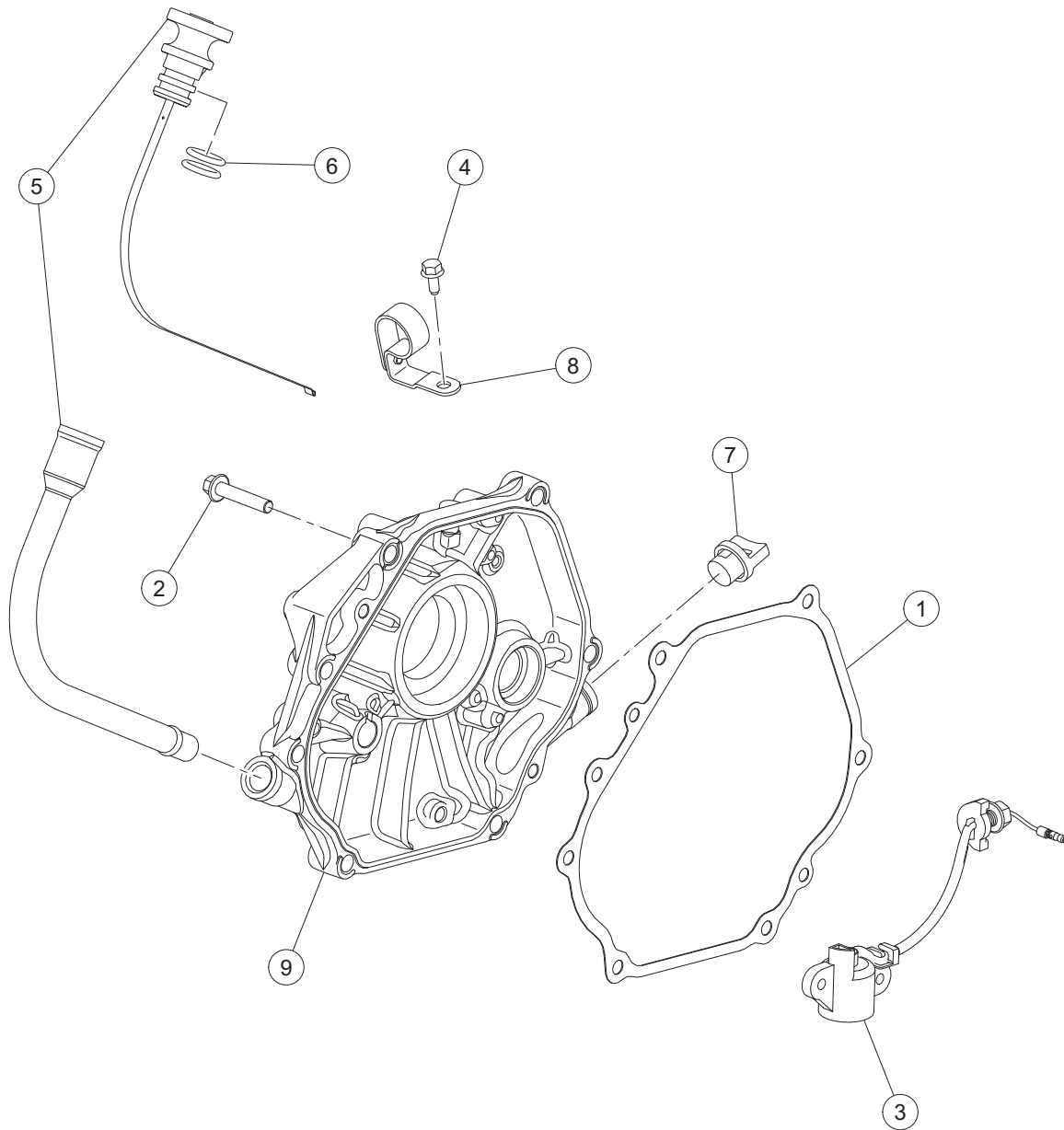
G-040399-000001

CRANKCASE AND PISTON – ECH440

| ITEM | PART NO. | DESCRIPTION | QTY |
|------|--------------------|--------------------------------------|-----|
| | | 1 2 3 4 | |
| 1 | <u>47629677001</u> | Grommet, Crankcase,kohler | 1 |
| 2 | <u>47629680001</u> | Seal, Crankcase, Kohler | 2 |
| 3 | <u>47629682001</u> | Bearing, Balancing Shaft, Kohl | 2 |
| 4 | <u>47629685001</u> | Kit, Drain Plug, Kohler | 2 |
| 5 | <u>47629686001</u> | Washer, Drain Plug, Kohler | 2 |
| 6 | <u>47629687001</u> | Shaft, Balance, Kohler | 1 |
| 7 | <u>47629688001</u> | Pin, Dowel, Kohler | 2 |
| 8 | <u>47629689001</u> | Pin, Dowel Cylinder Head, Kohl | 2 |
| 9 | <u>47629690001</u> | Rod, Connecting Assembly,kohle | 1 |
| 10 | <u>47629691001</u> | Kit, Piston Wing Set (std), Ko | 1 |
| 11 | <u>47629693001</u> | Kit, Piston (0.25 O.s.), Kohle | 1 |
| 12 | <u>47629694001</u> | Ring Set, Kohler | 2 |
| 13 | <u>47629696001</u> | Retainer, Piston, Kohler | 2 |
| 14 | <u>47629697001</u> | Camshaft Assembly, Kohler | 1 |
| 15 | <u>47629698001</u> | Spring, Wave, Kohler | 1 |

8

G

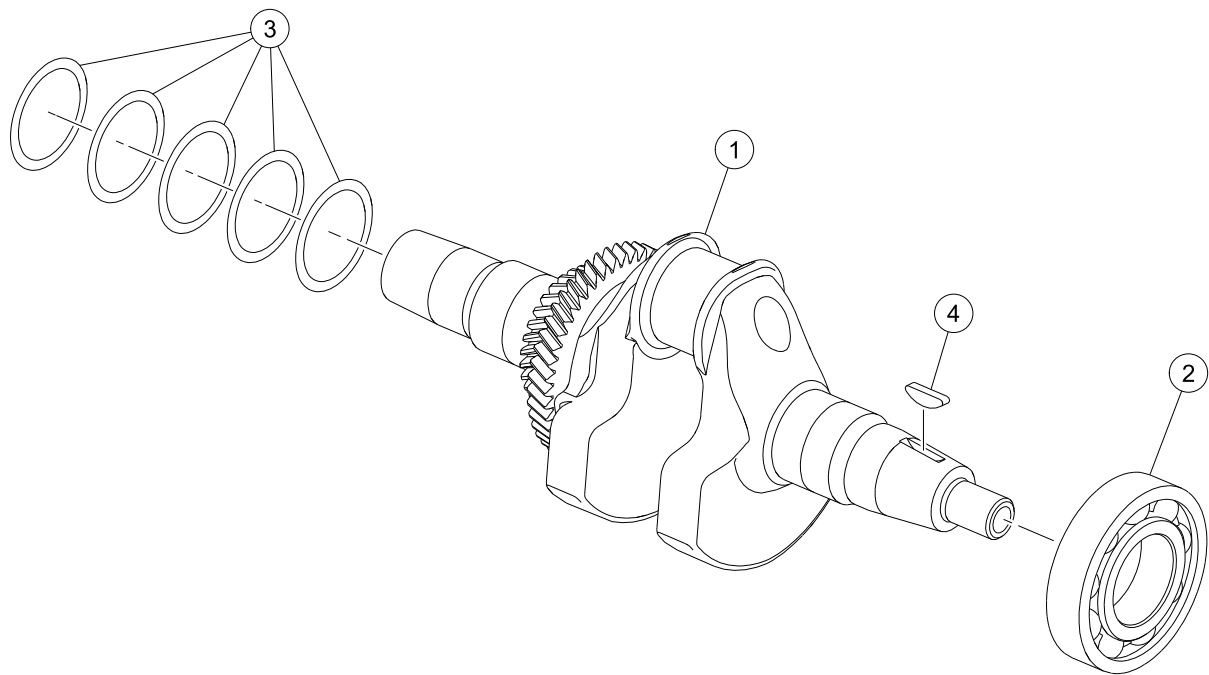


G-040699-000001

OIL SENSOR AND LUBRICATION – ECH440

| ITEM | PART NO. | DESCRIPTION | QTY |
|------|--------------------|--------------------------------------|-----|
| | | 1 2 3 4 | |
| 1 | <u>47629699001</u> | Gasket, Closure Plate, Kohler | 1 |
| 2 | <u>47629700001</u> | Screw, Closure Plate, Kohler | 7 |
| 3 | <u>47629701001</u> | Switch, Oil Sensor Assembly, K | 1 |
| 4 | <u>47629702001</u> | Screw, Hex Flange (m6), Kohler | 18 |
| 5 | <u>47629703001</u> | Dipstick, Assembly, Kohler | 1 |
| 6 | <u>47629705001</u> | O-ring, Dipstick Cap, Kohler | 2 |
| 7 | <u>47629707001</u> | Cap Assy, Oil Fill, Kohler | 1 |
| 8 | <u>47629709001</u> | Bracket, Dipstick Tub, Kohler | 1 |
| 9 | <u>47640020001</u> | Plate, Closure, Kohler | 1 |

8
G



G-040299-000001

CRANKSHAFT – ECH440

| ITEM | PART NO. | DESCRIPTION | QTY |
|------|--------------------|-----------------------------------|-----|
| | | 1 2 3 4 | |
| 1 | <u>47629583001</u> | Crankshaft Assembly, Kohler | 1 |
| 2 | <u>47629585001</u> | Bearing, Crankshaft, Kohler | 2 |
| 3 | <u>47629588001</u> | Kit, Shims, Kohler | 5 |
| 4 | <u>47629589001</u> | Key, Flywheel, Kohler | 1 |

8
G

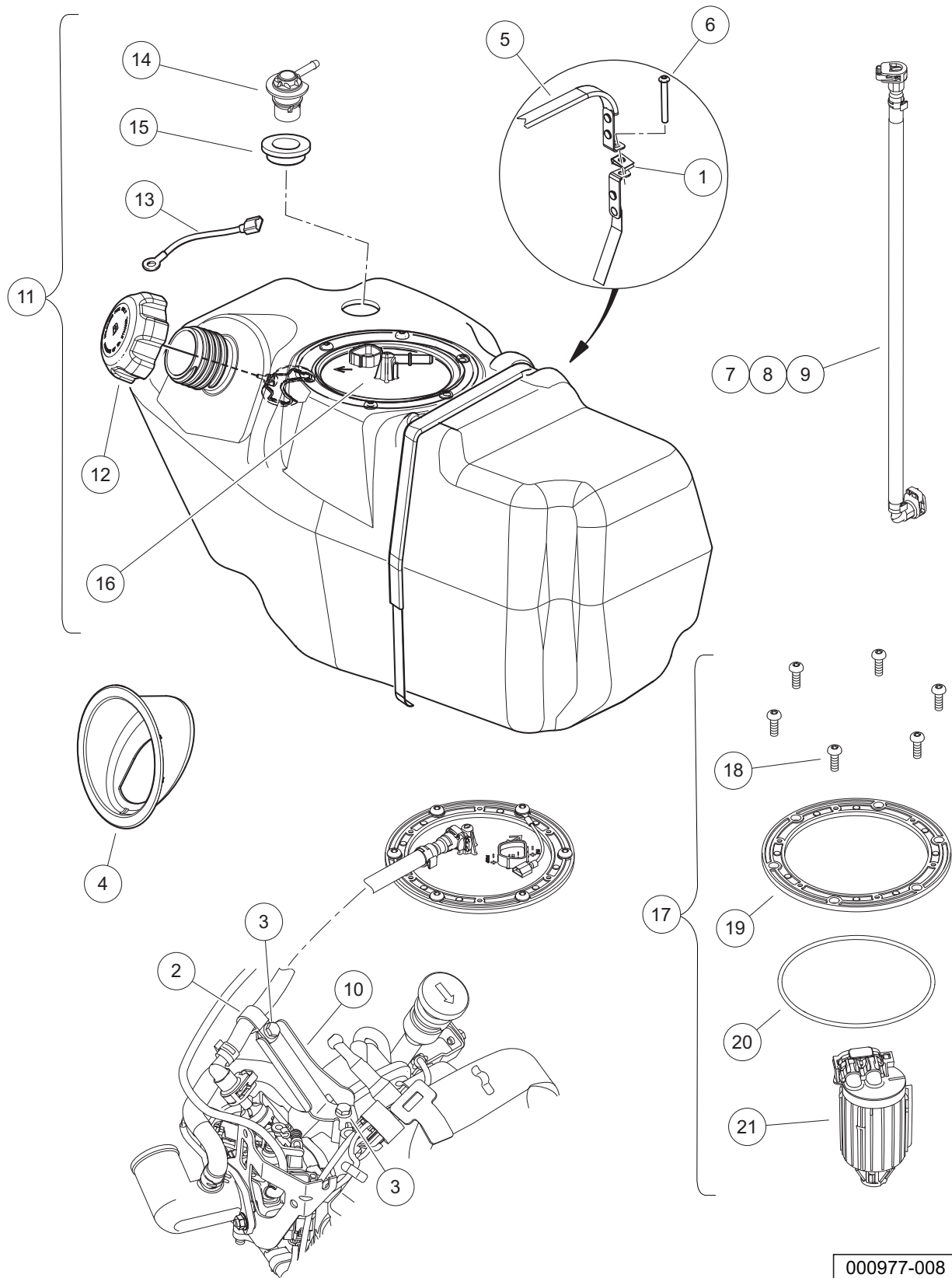
8

G

FUEL SYSTEM – EFI

9

G



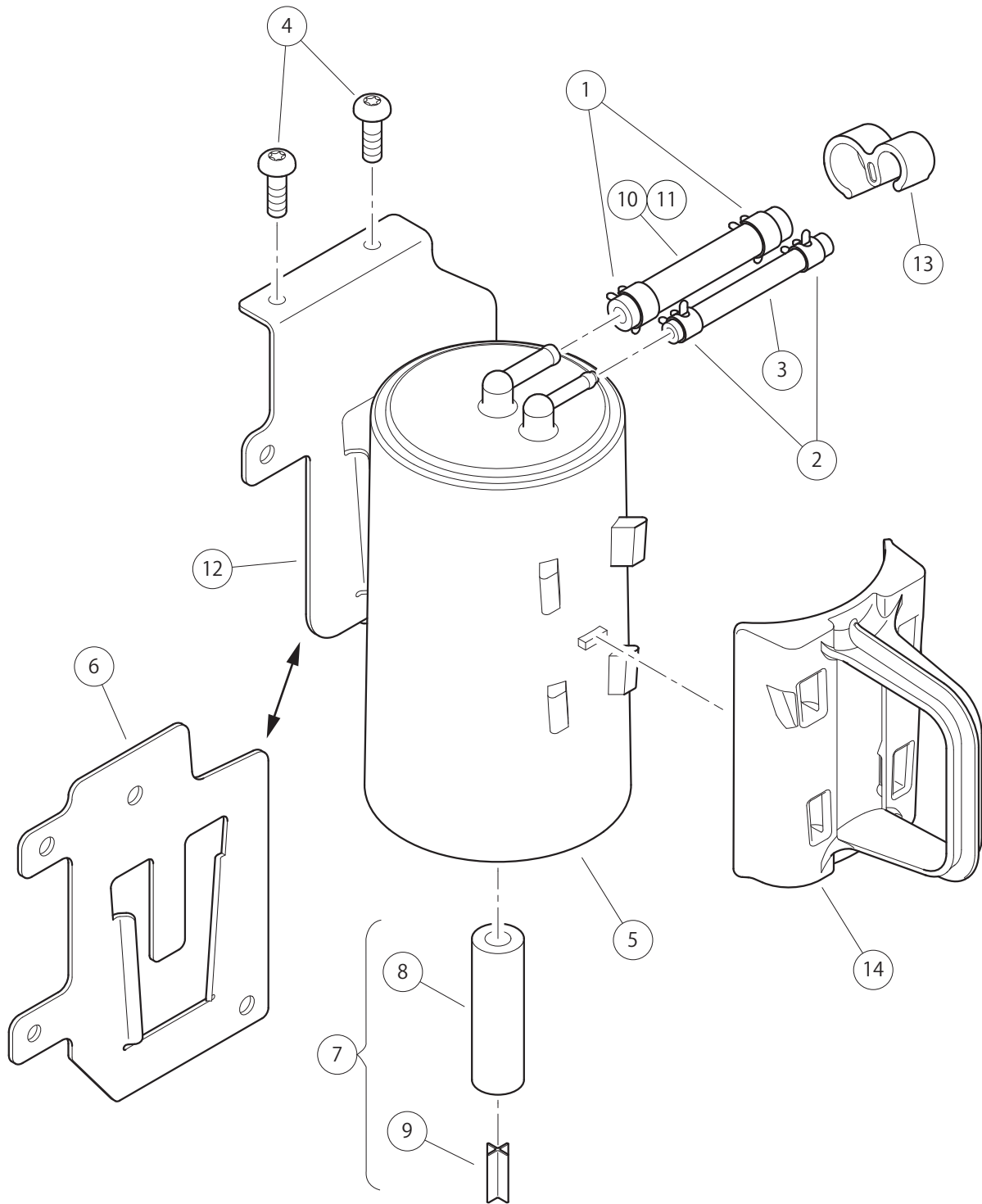
000977-008

FUEL TANK WITH PUMP, SIDE FILL – EFI

| ITEM | PART NO. | DESCRIPTION | QTY |
|--|--------------------|--|-----|
| | | 1 2 3 4 | |
| 1 | <u>1014116</u> | Nut, 1/4-20 Speed | 1 |
| 2 | 102410607 | P-clamp, Insulated .500 In | 1 |
| 3 | <u>102490301</u> | Bolt, M6 X 1 X 16, Loctite | 2 |
| 4 | <u>102977901</u> | Bezel, Fuel Fill, 5.0 Dia | 1 |
| 5 | <u>105093601</u> | Retention Strap, Tank | 1 |
| 6 | <u>105194101</u> | 1/4-20 X 2.5, Bhcs, 6-lobe | 1 |
| 7 | 47606233001 | Asm, Fuel Line, Util | 1 |
| 8 | 47606233002 | Asm, Fuel Line, Util | 1 |
| 9 | 47606233004 | Asm, Fuel Line, Uff, Hb, Lwb | 1 |
| 10 | 47634448002 | Bracket, Support | 1 |
| 11 | 47664037001 | Asm, Tank, Fuel, Side, Su (includes items 12 through 17) | 1 |
| 12 | <u>103372101</u> | Cap, Fuel Tank, Gas, Ratchet | 1 |
| 13 | <u>105143301</u> | Wire, Ground, Fuel Tank | 1 |
| 14 | 47611876001 | Vent Rov, Fuel Tank, Precedent | 1 |
| 15 | 47611877001 | Grommet, Fuel Tank, Vent | 1 |
| 16 | N/A | Fuel Pump Module Su 50psi | 1 |
| 17 | <u>47623339001</u> | Kit, Fuel Filter, 50 Psi (includes items 18 through 21) | 1 |
| 18 | <u>102025801</u> | Screw, 1/4-20 X .75 Torx Pn Hd | 6 |
| 19 | <u>105043801</u> | Fuel Module, Hold Down Ring | 1 |
| 20 | <u>105043901</u> | O-Ring, Fuel Module | 1 |
| 21 | N/A | Fuel Filter, 50psi | 1 |
| <p>Note: Item 7 applies to short wheel base vehicles only. Item 8 applies to medium wheel base vehicles only. Item 9 applies to long wheel base vehicles only.</p> | | | |

9

G



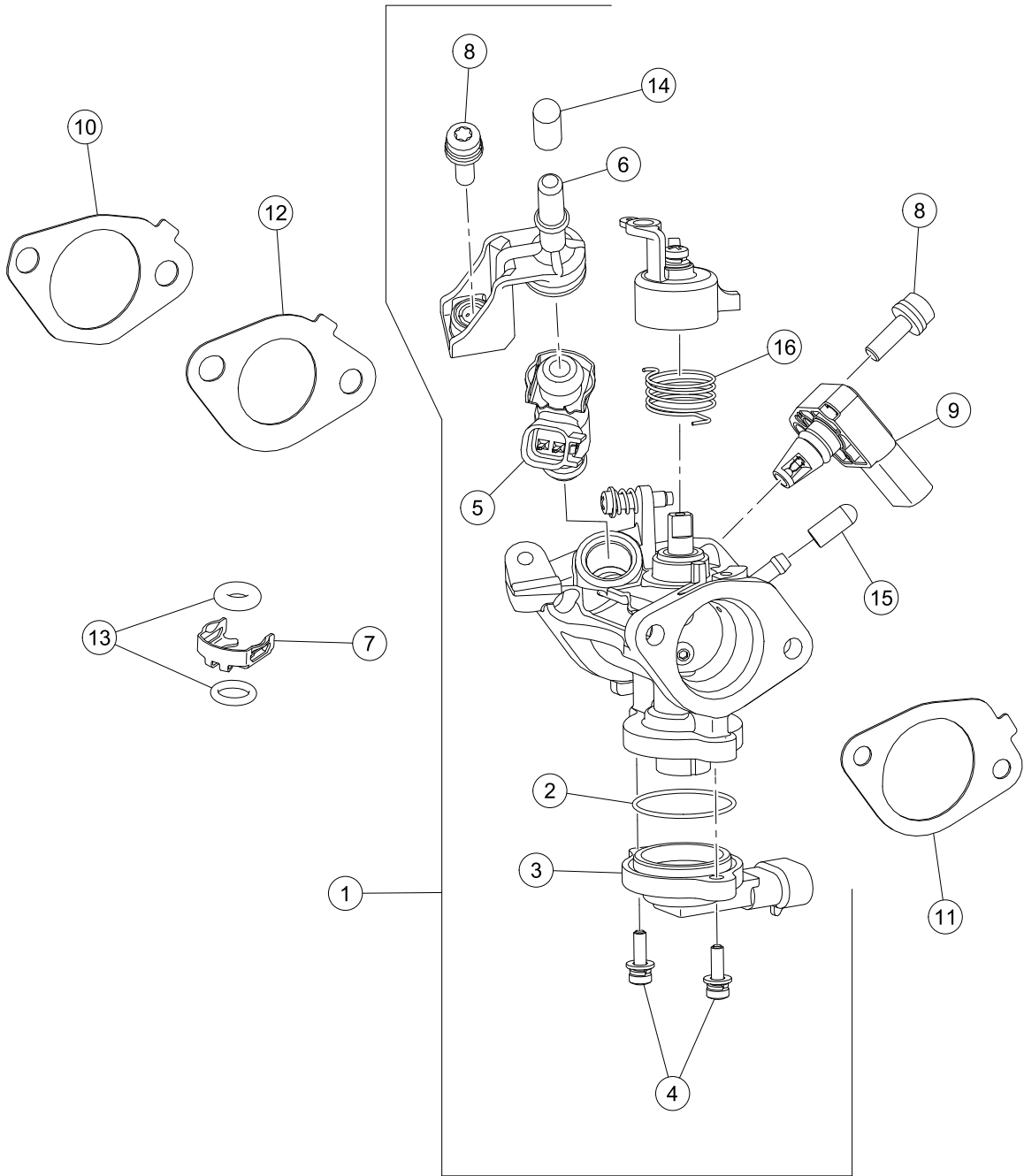
000980-014

CARBON CANISTER – EFI

| ITEM | PART NO. | DESCRIPTION | QTY |
|--|------------------|--|-----|
| | | 1 2 3 4 | |
| 1 | <u>1012649</u> | Clamp, 0.460 Red Hose | 2 |
| 2 | <u>1013746</u> | Clamp, 0.301 ID Hose | 2 |
| 3 | 101587714 | Hose, Fuel, Vent, 34" Long | 1 |
| 4 | <u>102025801</u> | Screw, 1/4-20 X .75 Torx Pn Hd | 2 |
| 5 | <u>103372401</u> | Canister, Carbon | 1 |
| 6 | <u>103452001</u> | Brkt, Mtg, Carbon Canister | 1 |
| 7 | <u>103756401</u> | Asm, Vent Line, Carbon Canister (includes items 8 and 9) | 1 |
| 8 | N/A | Hose, Vent, 5/16 I.D., Bulk | 1 |
| 9 | N/A | Vent, Barb, 5/16 I.D. Hose | 1 |
| 10 | 103896604 | Hose, Vent, 1/4 Id, 17 In (SWB and Utility) | 1 |
| 11 | 103896605 | Hose, Vent, 1/4 Id, 23.5 In | 1 |
| 12 | 47606257001 | Brkt, Mtg, Carbon Canister | 1 |
| 13 | 47619701001 | Clip, Purge Line, Util | 2 |
| 14 | 47637087001 | Bracket, fuel line routing | 1 |
| <p>Note: Items 6 and 14 apply to short wheel base vehicles only. Item 12 applies to utility and long wheel base vehicles only.</p> | | | |

9

G



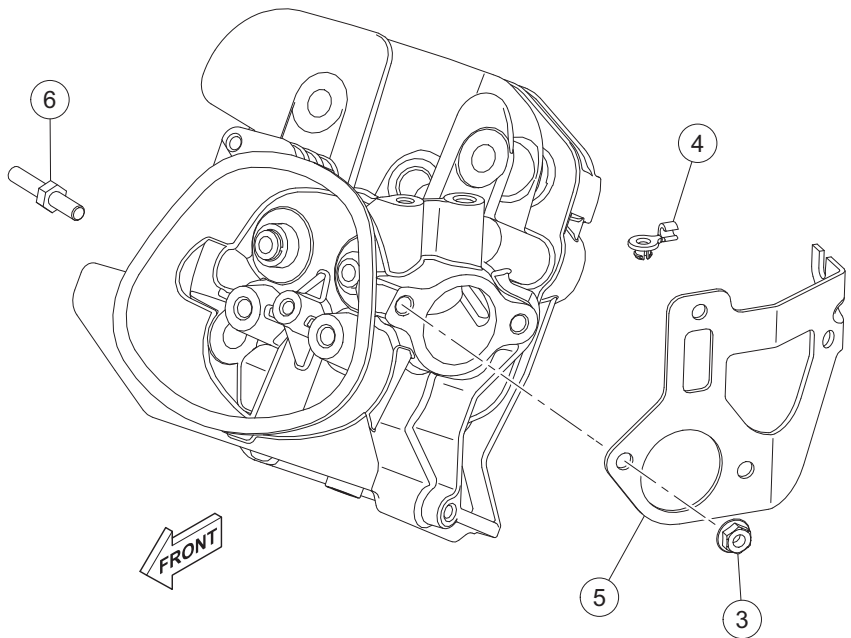
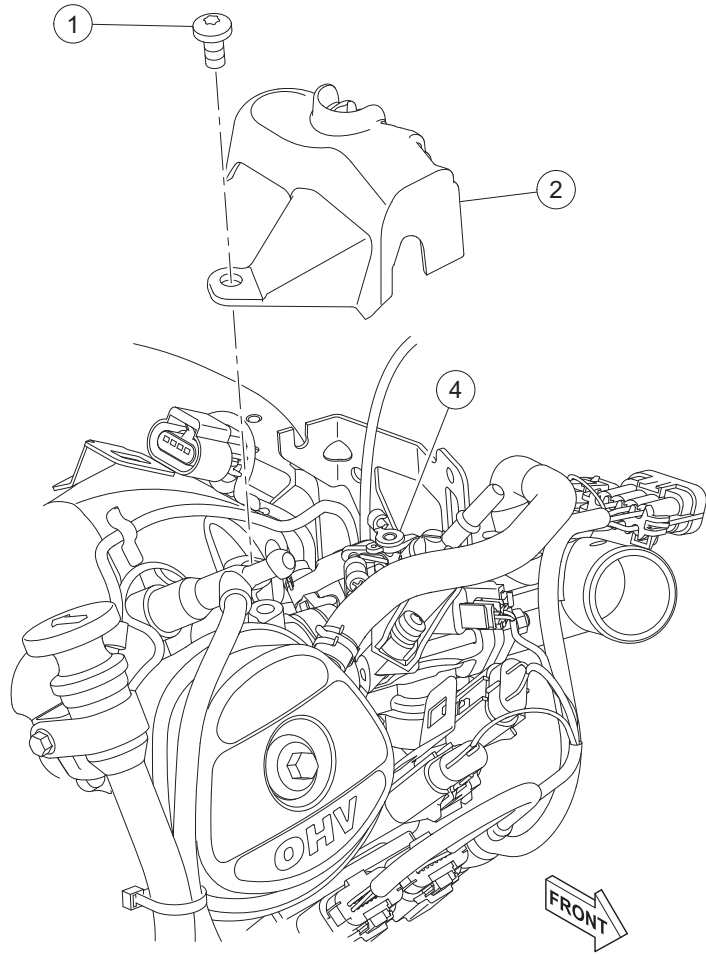
G-100199-000001

THROTTLE BODY AND MOUNTING

| ITEM | PART NO. | DESCRIPTION | QTY |
|------|--------------------|---------------------------------------|-----|
| | | 1 2 3 4 | |
| 1 | <u>47629857001</u> | Throttle Body, Assembly, Kohler | 1 |
| 2 | <u>47629858001</u> | O-ring, Kohler | 1 |
| 3 | <u>47629859001</u> | Kit, Tps, Kohler | 1 |
| 4 | <u>47629860001</u> | Screw, Hexalobular, M4 X 0.7 X | 2 |
| 5 | <u>47629861001</u> | Injector, Fuel, Kohler | 1 |
| 6 | <u>47629862001</u> | Cap, Fuel Inector, Kohler | 1 |
| 7 | <u>47629864001</u> | Clip, Retainer, Kohler | 1 |
| 8 | <u>47629865001</u> | Screw, Hexalobular, M6 X 1 Sem | 2 |
| 9 | <u>47629866001</u> | Sensor, T-map, Kohler | 1 |
| 10 | <u>47629867001</u> | Kit, Gasket Intake, Kohler | 1 |
| 11 | <u>47629868001</u> | Gasket, Throttle Body, Kohler | 1 |
| 12 | <u>47629869001</u> | Gasket, Insulator To T-body, K | 1 |
| 13 | <u>47629870001</u> | Kit, Fuel Injector O-ring, Koh | 1 |
| 14 | <u>47629871001</u> | Cap, Masking, Kohler | 1 |
| 15 | <u>47629872001</u> | Cap, Masking, Kohler | 1 |
| 16 | <u>47629874001</u> | Spring, Return, Kohler | 1 |

9

G



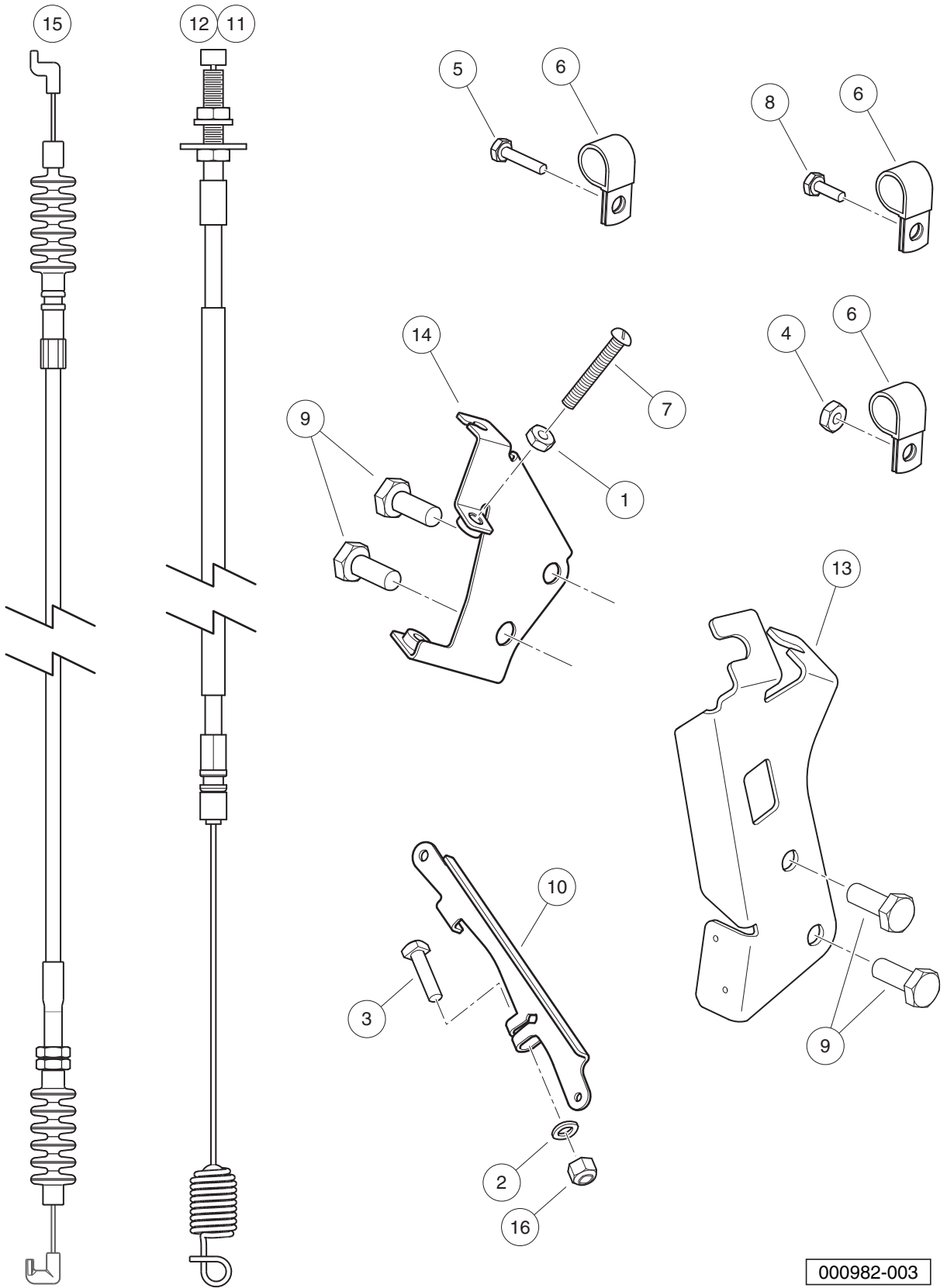
G-040999-000004

GOVERNOR BRACKET AND COVER – EFI

| ITEM | PART NO. | DESCRIPTION | QTY |
|------|--------------------|--------------------------------------|-----|
| | | 1 2 3 4 | |
| 1 | <u>102298116</u> | Bolt, Flanged Head, M8 X 16.0 | 1 |
| 2 | <u>47612352001</u> | Cover, Governor, Ech 440 | 1 |
| 3 | <u>47629875001</u> | Nut, Hex Flange Lock (m6), Koh | 2 |
| 4 | <u>47629876001</u> | Bushing, Linkage Retainer, Koh | 1 |
| 5 | <u>47629877001</u> | Bracket, Governor, Kohler | 1 |
| 6 | <u>47629878001</u> | Stud, Ground, Kohler | 1 |

9

G

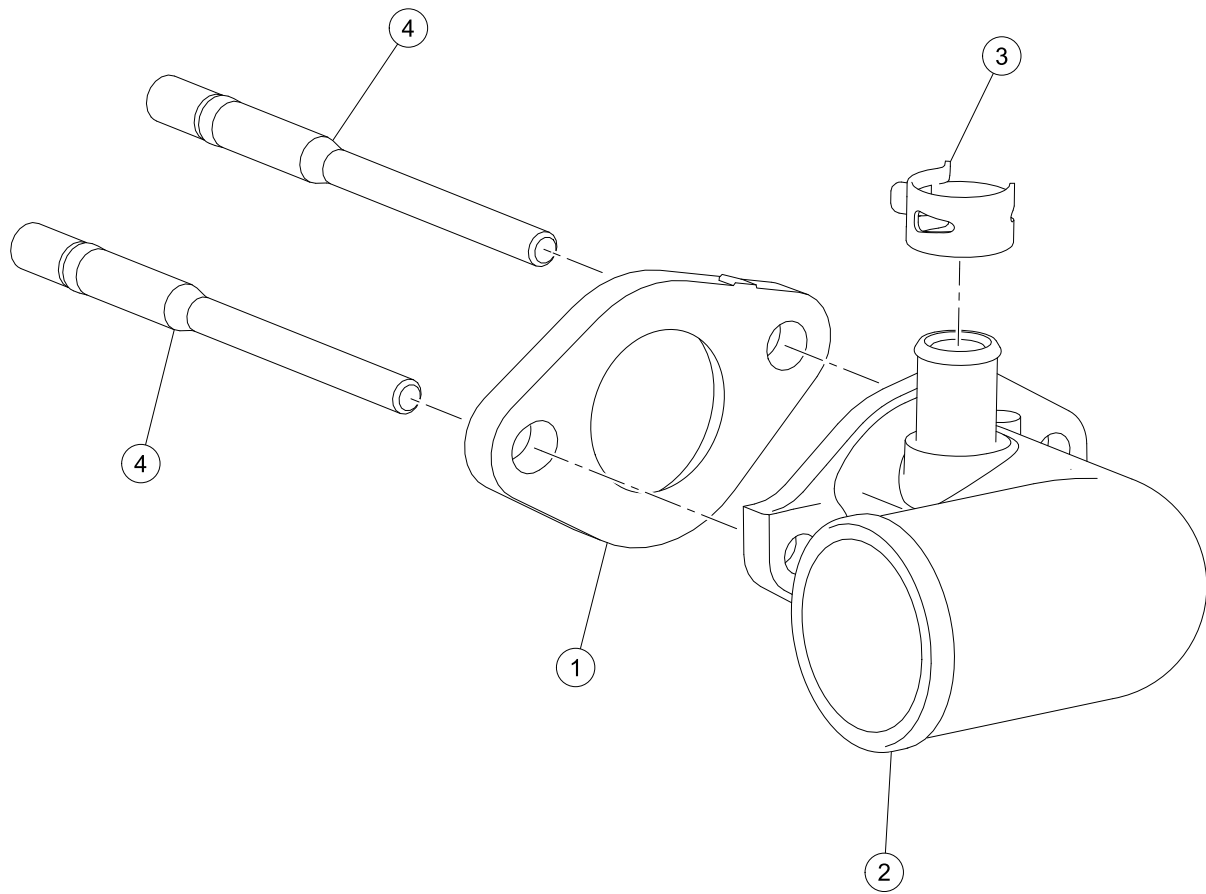


000982-003

GOVERNOR AND ACCELERATOR CABLES – EFI

| ITEM | PART NO. | DESCRIPTION | QTY |
|------|--------------------|--|-----|
| | | 1 2 3 4 | |
| 1 | <u>1011114</u> | Nut, M6-1.00 Hex | 2 |
| 2 | <u>1014007</u> | Washer, 1/4, Flat | 1 |
| 3 | <u>101886101</u> | Screw, 1/4-20 X 1.00, Square-Head | 1 |
| 4 | <u>101887601</u> | Locknut, M6-1.00 Nylon Insert | 1 |
| 5 | <u>102296716</u> | Screw, M6 X 16 Tt Hx Fl Hd | 1 |
| 6 | <u>102410604</u> | P-clamp, Insulated, 0.625 Inch | 3 |
| 7 | <u>102476401</u> | Bolt, Stop, Pedal | 1 |
| 8 | <u>102490301</u> | Bolt, M6 X 1 X 16, Loctite | 1 |
| 9 | <u>102498201</u> | Bolt, M10 X 1.25 X 25, Loctite | 2 |
| 10 | <u>104023501</u> | Arm, Governor, ED65 | 1 |
| 11 | <u>105007402</u> | Cable, Accelerator, Utility, Low-Speed | 1 |
| 12 | <u>105007403</u> | Cable, Accelerator, Utility, Std-Speed | 1 |
| 13 | <u>105135101</u> | Bracket, Cable, FNR/Accelerator, ED65 | 1 |
| 14 | <u>105144401</u> | Weldment, Governor Bracket | 1 |
| 15 | <u>47601355001</u> | Cable, Governor, Z Fit 90 Fit | 1 |
| 16 | <u>8233</u> | Locknut, 1/4-20, Nylon Insert | 1 |

9
G



G-040999-000003

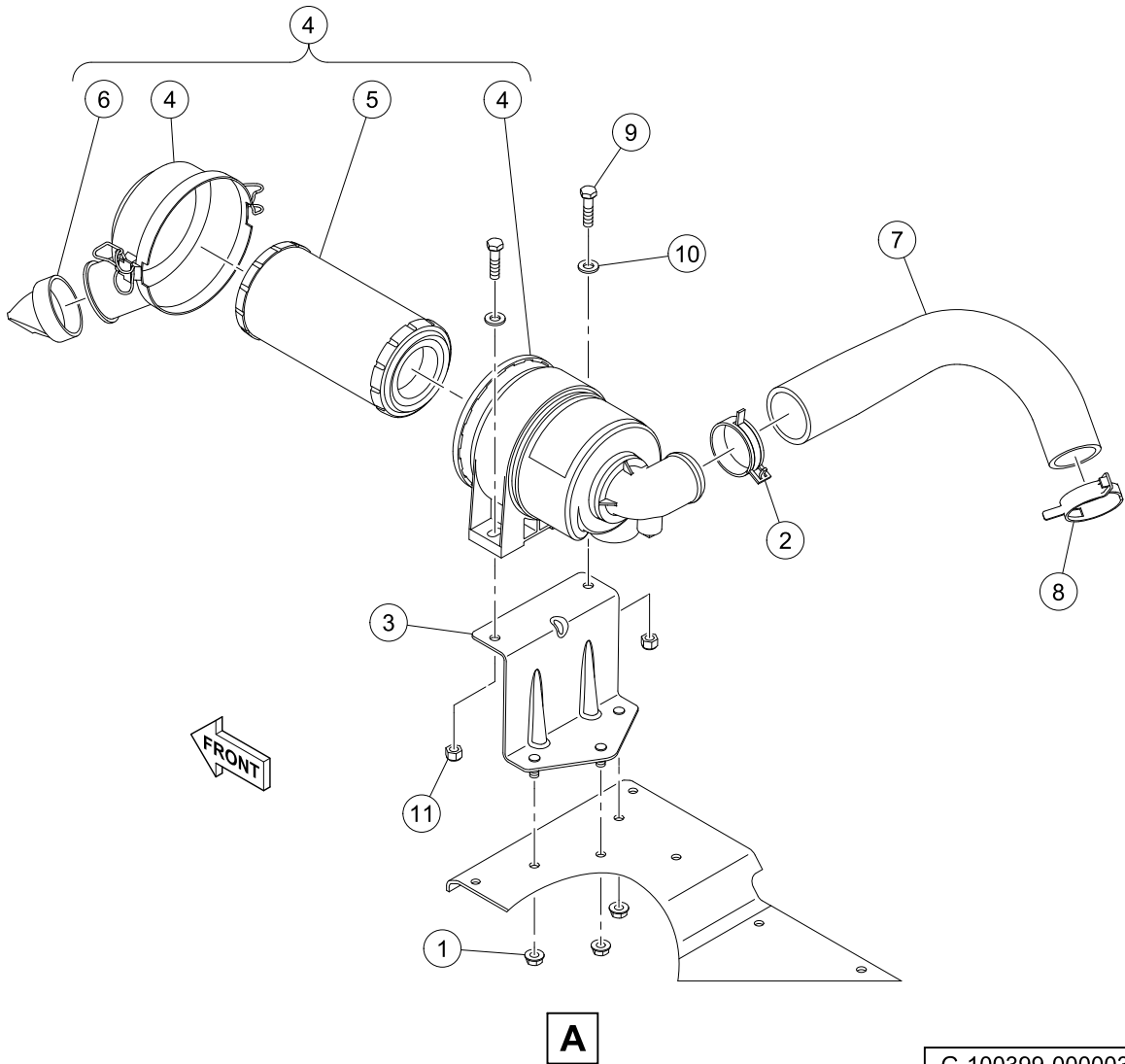
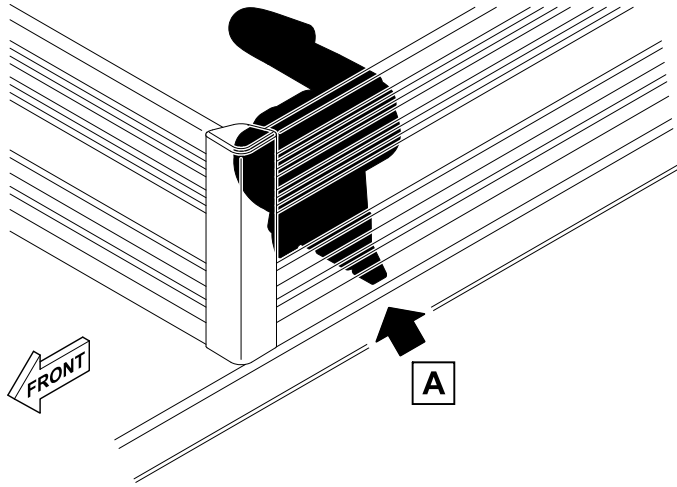
AIR INTAKE ELBOW – EFI

| ITEM | PART NO. | DESCRIPTION | QTY |
|------|--------------------|---------------------------------------|-----|
| | | 1 2 3 4 | |
| 1 | <u>47629879001</u> | Insulator Throttle Body, Kohler | 1 |
| 2 | <u>47629880001</u> | Elbow, Air Inlet, Kohler | 1 |
| 3 | <u>47629881001</u> | Clamp, Breather Hose, Kohler | 1 |
| 4 | <u>47629882001</u> | Stud, Intake, Kohler | 2 |

9

G

9
G



G-100399-000003

AIR FILTER SYSTEM AND INTAKE HOSE – EFI, LWB UTILITY/ TRANS

| ITEM | PART NO. | DESCRIPTION | QTY |
|------|------------------|--|-----|
| | | 1 2 3 4 | |
| 1 | <u>101963401</u> | Locknut, 5/16-18 Hex Flange | 3 |
| 2 | <u>102411209</u> | Clamp, Hose, Ctb 55mm Dia. | 1 |
| 3 | 105003401 | Asm, Bracket, Mtg, Air Cleaner | 1 |
| 4 | <u>105009101</u> | Air Cleaner, Utility with EFI (includes items 5 and 6) | 1 |
| 5 | <u>102558201</u> | Air Filter, 4 Inch | 1 |
| 6 | <u>102725501</u> | Valve, Evacuator, Filter Air | 1 |
| 7 | <u>105009401</u> | Hose, Air Intake, LWB Utility with EFI | 1 |
| 8 | <u>105088501</u> | Clamp, Ctb, 49mm Dia, W/clip | 1 |
| 9 | 1218 | Screw, 5/16-18 X 1.25 Hex-Head Cap | 2 |
| 10 | <u>1241</u> | Washer, 5/16 Type A Flat | 2 |
| 11 | <u>7473</u> | Locknut, 5/16-18 Nylon Insert | 2 |

9

G

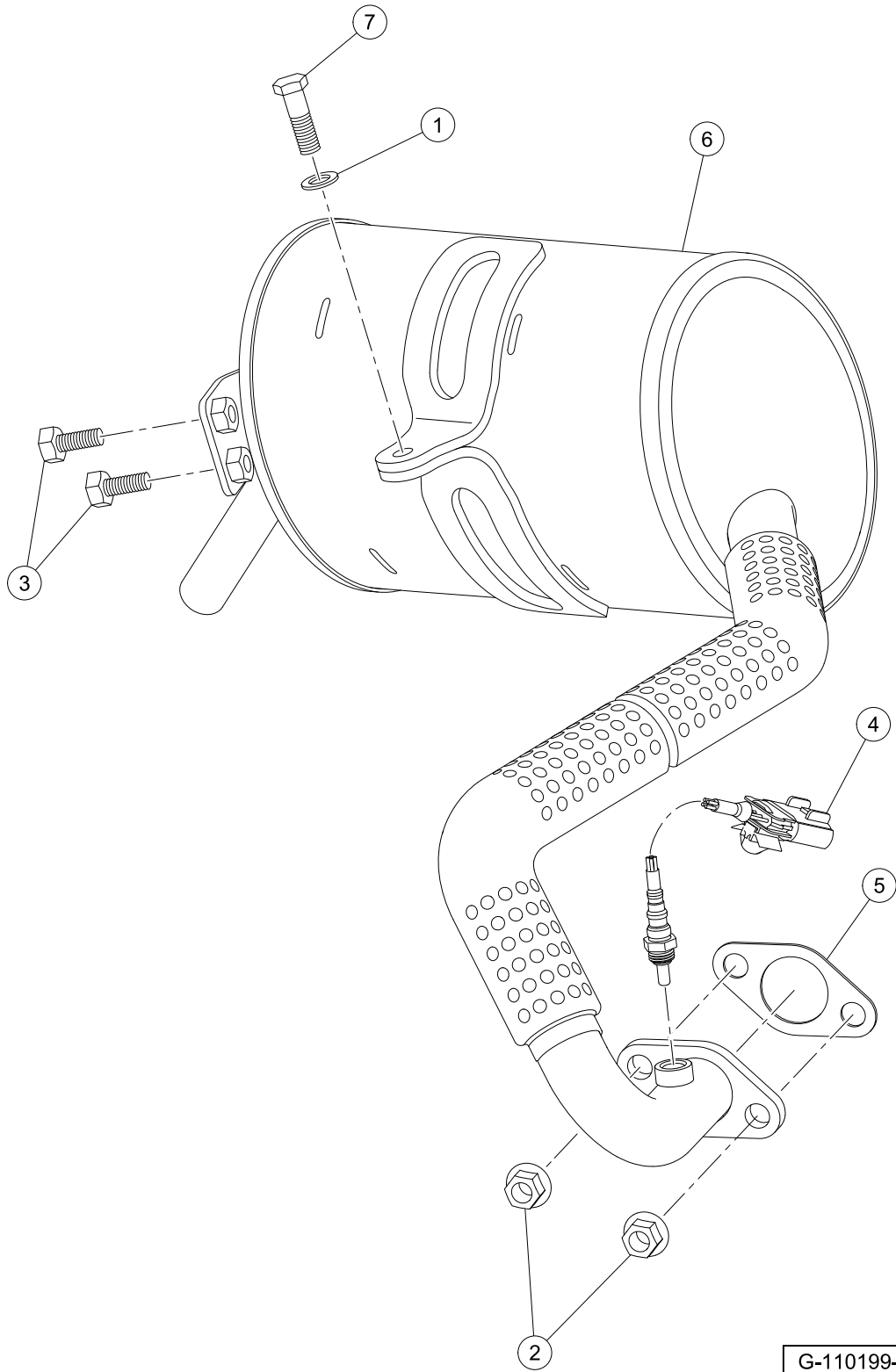
9

G

EXHAUST SYSTEM – ECH440

10

G



G-110199-000001

EXHAUST SYSTEM

| ITEM | PART NO. | DESCRIPTION | QTY |
|------|--------------------|---|-----|
| | | 1 2 3 4 | |
| 1 | <u>1011697</u> | Washer, 5/16 Flat | 1 |
| 2 | <u>102298401</u> | Nut, M8, All Metal Lock | 2 |
| 3 | <u>102922701</u> | Bolt, Flanged Head, M8x1.25x20 Lock Patch | 2 |
| 4 | <u>47611209001</u> | Asm, Sensor, Oxygen, Heated | 1 |
| 5 | <u>47611210001</u> | Gasket, Exhaust, Grpht, Ech440 | 1 |
| 6 | <u>47613047002</u> | Exhaust, Ech440, Utility | 1 |
| 7 | <u>96705587</u> | Bolt, M8 X 1.25 X 30 | 1 |

10

G

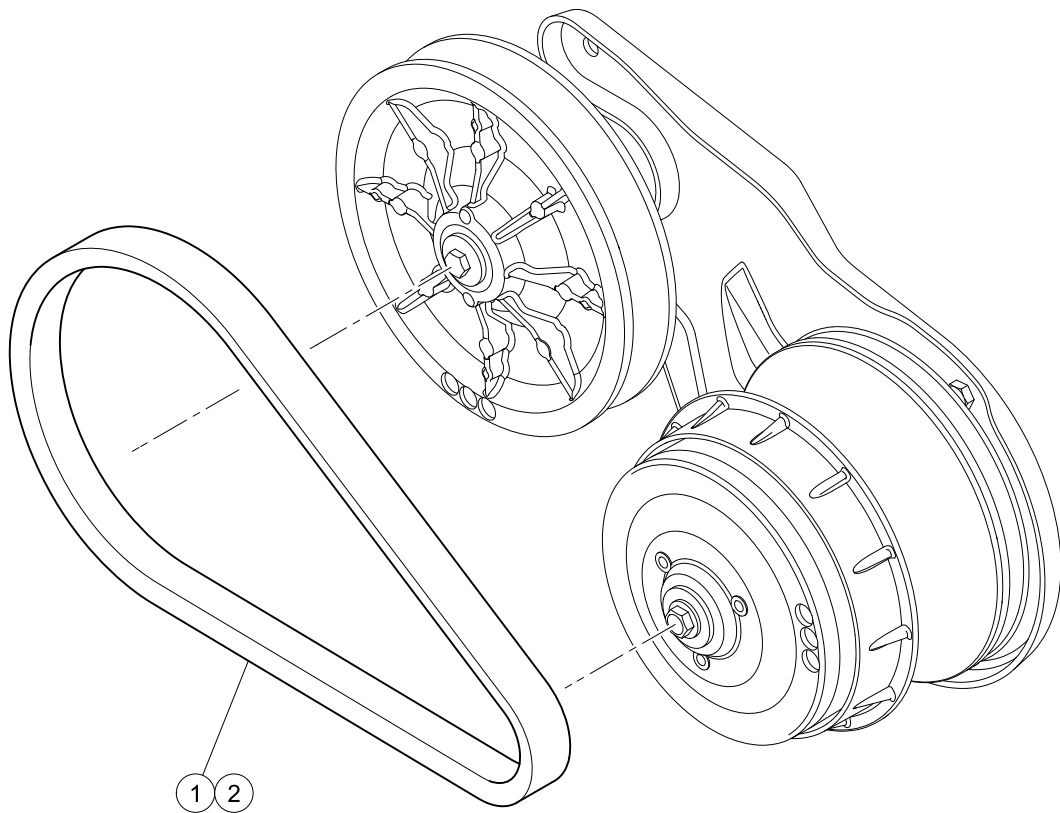
10

G

DRIVE BELT AND CLUTCHES – EFI GASOLINE VEHICLES

11

G

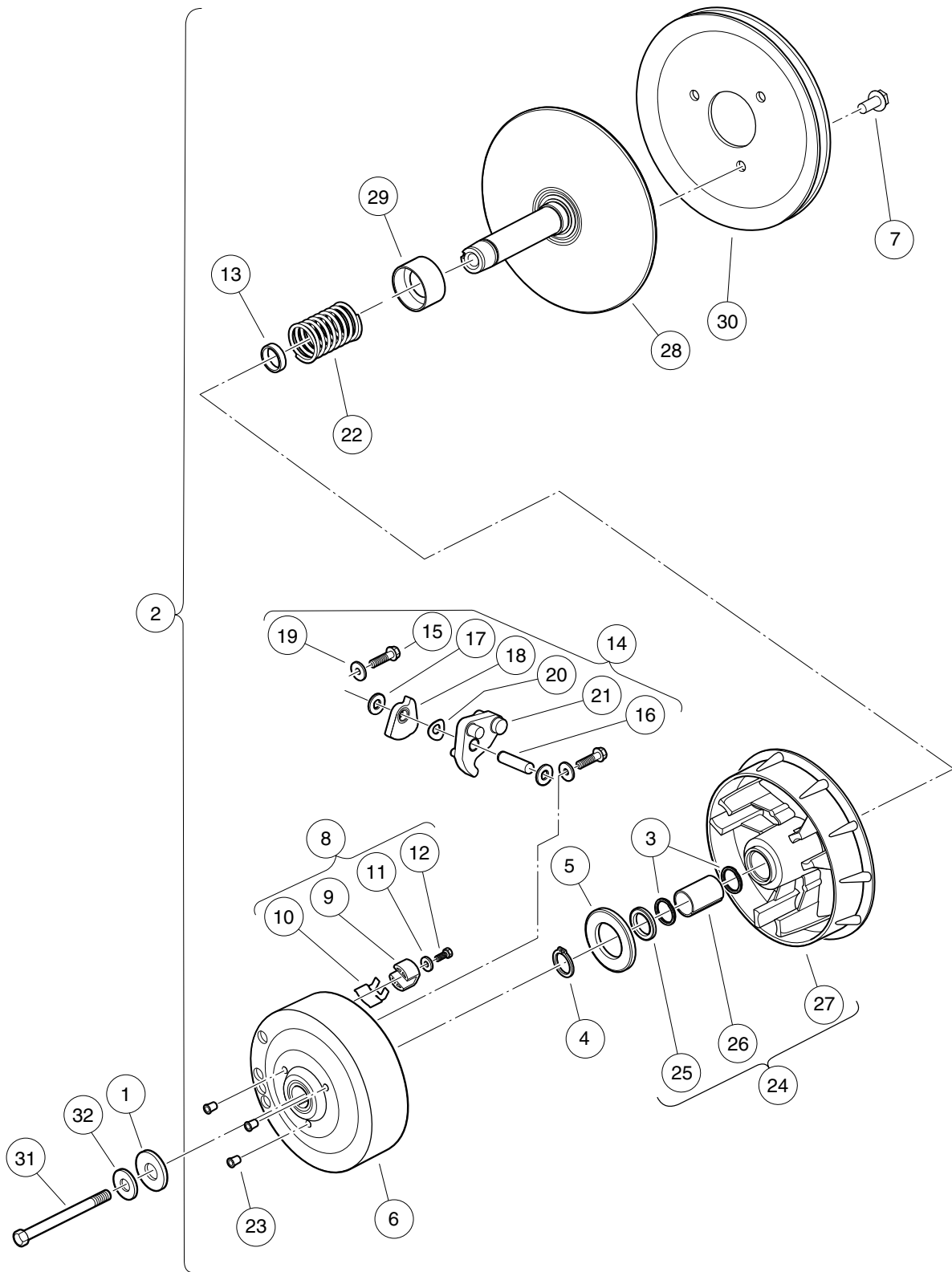


G-060099-000001

DRIVE BELTS – EFI

| ITEM | PART NO. | DESCRIPTION | QTY |
|------|------------------|---|-----|
| 1 | <u>103974102</u> | 1 2 3 4 Belt, Drive, Key-Start | 1 |
| 2 | <u>105245801</u> | Belt, Drive, Pedal-Start | 1 |

11
G

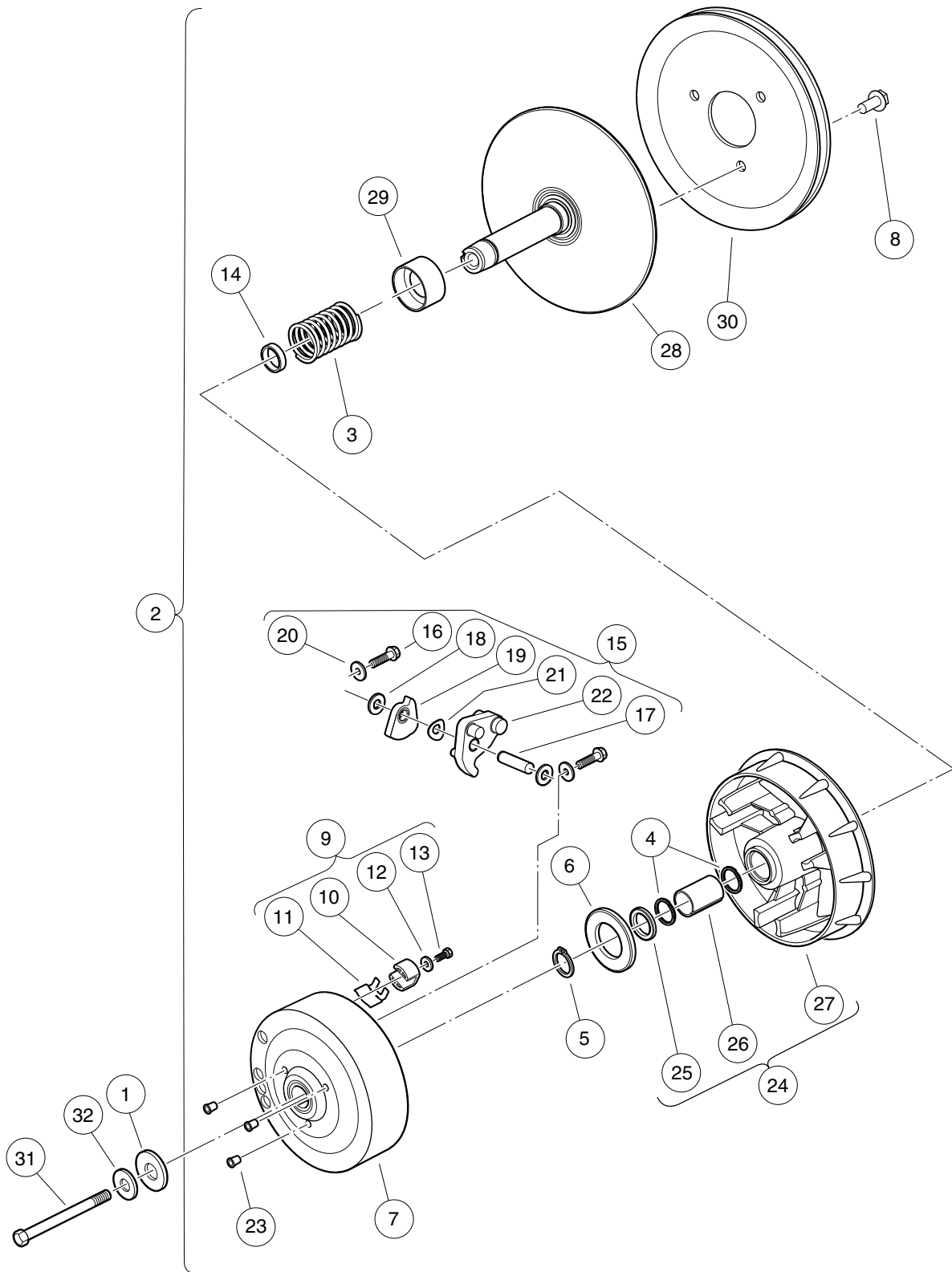


000958-002

DRIVE CLUTCH – KEY-START VEHICLES

| ITEM | PART NO. | DESCRIPTION | QTY |
|------|------------------|---|-----|
| | | 1 2 3 4 | |
| 1 | <u>102491501</u> | Washer, Hard, M10 | 1 |
| 2 | <u>103973902</u> | Clutch, Drive, Key-Start (includes items 3 through 30) | 1 |
| 3 | <u>1014056</u> | Ring, Spiral Backup | 2 |
| 4 | <u>1014057</u> | Ring, 0.810" Internal Retaining | 1 |
| 5 | <u>1014058</u> | Thrust Washer | 1 |
| 6 | <u>1014059</u> | Drive Hub Assy, Drive Clutch | 1 |
| 7 | <u>1014288</u> | Screw, 5/16-18 X 0.75, Thread-Forming | 3 |
| 8 | <u>1014453</u> | Kit, Drive Clutch Button (includes items 9 through 12) | 1 |
| 9 | <u>1014062</u> | Driver, Drive Clutch | 3 |
| 10 | <u>1014287</u> | Spring, Drive Button | 3 |
| 11 | <u>183</u> | Washer, #10, Type A, Flat | 3 |
| 12 | <u>8450</u> | Screw, #10-24 X 0.50, Hex-Head | 3 |
| 13 | <u>1016289</u> | Spacer, Fixed Face Shaft | 1 |
| 14 | <u>1016801</u> | Kit, Drive Clutch Weight (includes items 15 through 21) | 1 |
| 15 | <u>1014063</u> | Screw, 1/4-20 X 1.00, Hex Head | 6 |
| 16 | N/A | Pin, Dowel, 0.3752 x 1.50 | 3 |
| 17 | <u>1014065</u> | Washer, Flat, 0.38" ID, Delrin | 6 |
| 18 | N/A | Clutch Weight, Secondary | 3 |
| 19 | N/A | Washer | 6 |
| 20 | <u>1016201</u> | Washer, Wave | 3 |
| 21 | N/A | Weight, Primary | 3 |
| 22 | <u>1016901</u> | Spring, Drive Clutch | 1 |
| 23 | N/A | Cap Plug | 3 |
| 24 | <u>103974201</u> | Asm, Sheave, Moveable, Drive, Wr (includes items 25 through 27) | 1 |
| 25 | <u>1014055</u> | Retainer | 1 |
| 26 | N/A | Bushing, Split, Drive Clutch | 1 |
| 27 | N/A | Sheave, Moveable, Drive, Wr | 1 |
| 28 | <u>103974401</u> | Sheave, Fixed, Drive, Wr | 1 |
| 29 | <u>103984601</u> | Spacer, Idler, Drive | 1 |
| 30 | <u>105096101</u> | Pulley, 7.3 Inch Effective Dia | 1 |
| 31 | <u>103976101</u> | Screw, 3/8-24x5.75, Patch | 1 |
| 32 | <u>334</u> | Washer, 3/8, Type A, Flat | 1 |

11
G



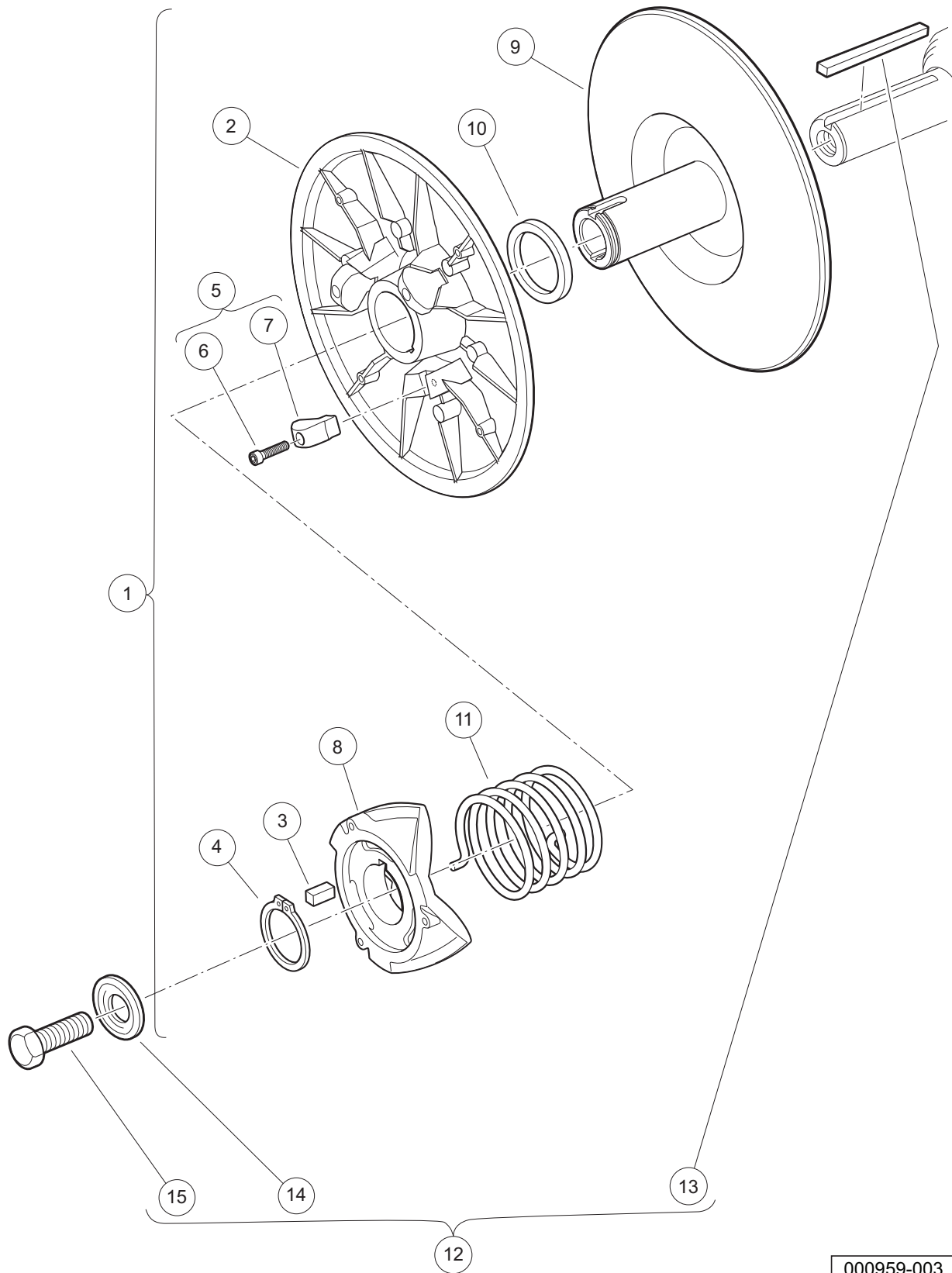
000958-001

DRIVE CLUTCH – PEDAL-START VEHICLES

| ITEM | PART NO. | DESCRIPTION | QTY |
|------|------------------|---|-----|
| | | 1 2 3 4 | |
| 1 | <u>102491501</u> | Washer, Hard, M10 | 1 |
| 2 | <u>103973901</u> | Clutch, Drive, Pedal-Start (includes items 3 through 30) | 1 |
| 3 | <u>1014051</u> | Spring, Drive Clutch | 1 |
| 4 | <u>1014056</u> | Ring, Spiral Backup | 2 |
| 5 | <u>1014057</u> | Ring, 0.810" Internal Retaining | 1 |
| 6 | <u>1014058</u> | Thrust Washer | 1 |
| 7 | <u>1014059</u> | Drive Hub Assy, Drive Clutch | 1 |
| 8 | <u>1014288</u> | Screw, 5/16-18 X 0.75, Thread-Forming | 3 |
| 9 | <u>1014453</u> | Kit, Drive Clutch Button (includes items 10 through 13) | 1 |
| 10 | <u>1014062</u> | Driver, Drive Clutch | 3 |
| 11 | <u>1014287</u> | Spring, Drive Button | 3 |
| 12 | <u>183</u> | Washer, #10, Type A, Flat | 3 |
| 13 | <u>8450</u> | Screw, #10-24 X 0.50, Hex-Head | 3 |
| 14 | <u>1016289</u> | Spacer, Fixed Face Shaft | 1 |
| 15 | <u>1016801</u> | Kit, Drive Clutch Weight (includes items 16 through 22) | 1 |
| 16 | <u>1014063</u> | Screw, 1/4-20 X 1.00, Hex Head | 6 |
| 17 | N/A | Pin, Dowel, 0.3752 x 1.50 | 3 |
| 18 | <u>1014065</u> | Washer, Flat, 0.38" ID, Delrin | 6 |
| 19 | N/A | Clutch Weight, Secondary | 3 |
| 20 | N/A | Washer | 6 |
| 21 | <u>1016201</u> | Washer, Wave | 3 |
| 22 | N/A | Weight, Primary | 3 |
| 23 | N/A | Cap Plug | 3 |
| 24 | <u>103974201</u> | Asm, Sheave, Moveable, Drive, Wr (includes items 25 through 27) | 1 |
| 25 | <u>1014055</u> | Retainer | 1 |
| 26 | N/A | Bushing, Split, Drive Clutch | 1 |
| 27 | N/A | Sheave, Moveable, Drive, Wr | 1 |
| 28 | <u>103974401</u> | Sheave, Fixed, Drive, Wr | 1 |
| 29 | <u>103984601</u> | Spacer, Idler, Drive | 1 |
| 30 | <u>105096101</u> | Pulley, 7.3 Inch Effective Dia | 1 |
| 31 | <u>103976101</u> | Screw, 3/8-24x5.75, Patch | 1 |
| 32 | <u>334</u> | Washer, 3/8, Type A, Flat | 1 |

11

G



000959-003

DRIVEN CLUTCH – KEY START AND PEDAL START

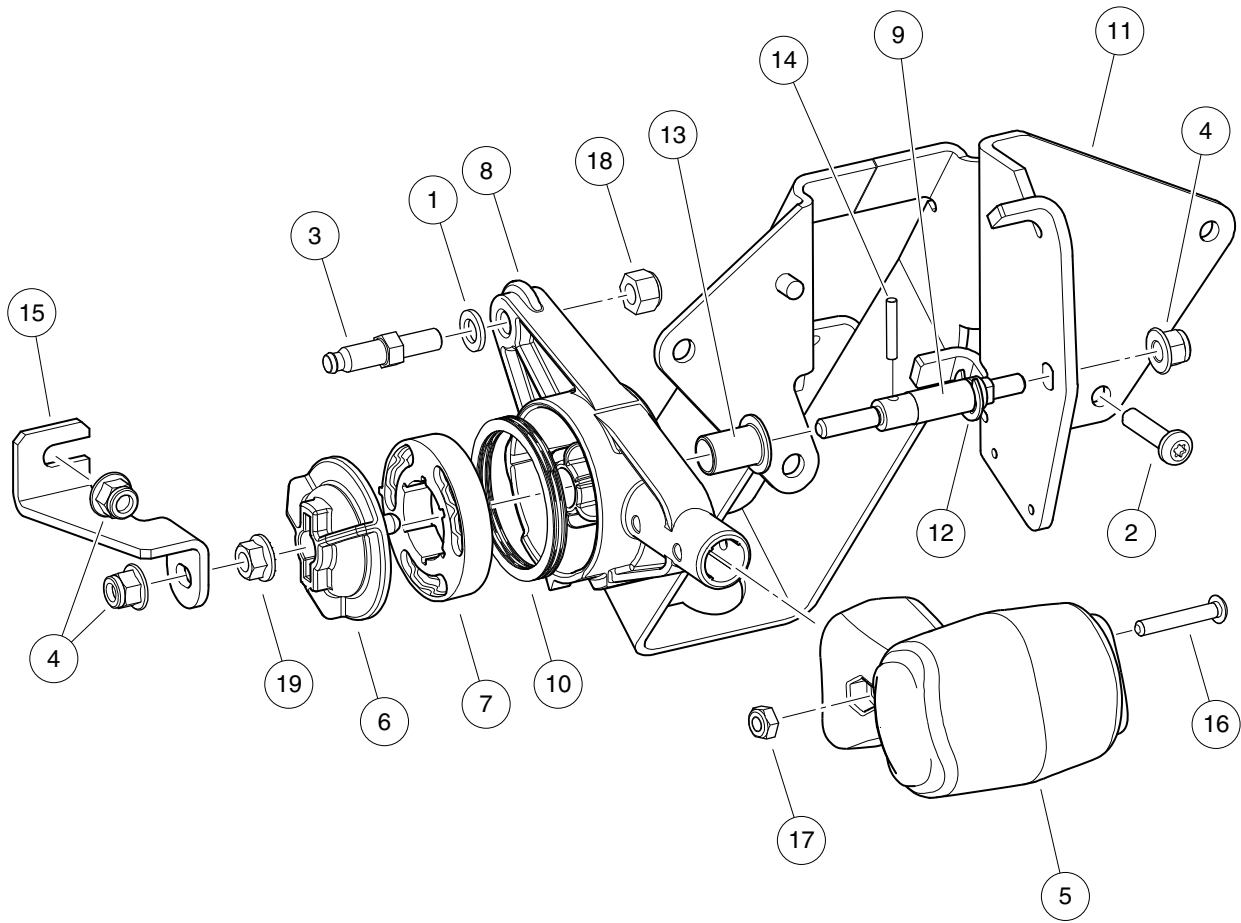
| ITEM | PART NO. | DESCRIPTION | QTY |
|------|------------------|---|-----|
| | | 1 2 3 4 | |
| 1 | 47601767002 | Asm, Clutch, Driven, Ccw, Red (includes items 2 through 11) | 1 |
| 2 | <u>1014072</u> | Movable-Face Assembly with Bushing | 1 |
| 3 | <u>1014078</u> | Key, Driven Clutch | 1 |
| 4 | <u>1014080</u> | Ring, Retaining | 1 |
| 5 | <u>1014454</u> | Kit, Driven Clutch Button (includes items 6 and 7) | 1 |
| 6 | <u>1012836</u> | Screw, #8-32 X 3/4, Socket-Head Cap | 3 |
| 7 | N/A | Button, Drive | 3 |
| 8 | <u>1017686</u> | Cam, Driven Clutch | 1 |
| 9 | <u>103975301</u> | Sheave, Fixed, Driven, Wr | 1 |
| 10 | <u>104025101</u> | Washer, Acetal, Driven Clutch | 1 |
| 11 | 47601832001 | Spring, Drvn Clutch, Ccw, Red | 1 |
| 12 | <u>AM10419</u> | Kit, Clutch Repair (includes items 13 through 15) | 1 |
| 13 | <u>101833401</u> | Key, 3/16 Sq X 1.50" | 1 |
| 14 | <u>102155801</u> | Washer, Driven Clutch | 1 |
| 15 | <u>102242101</u> | Screw, 5/16-18 X 3/4 Hex-Head with Patch | 1 |

11
G

11

G

TRANSAXLE (FUJI ED65)



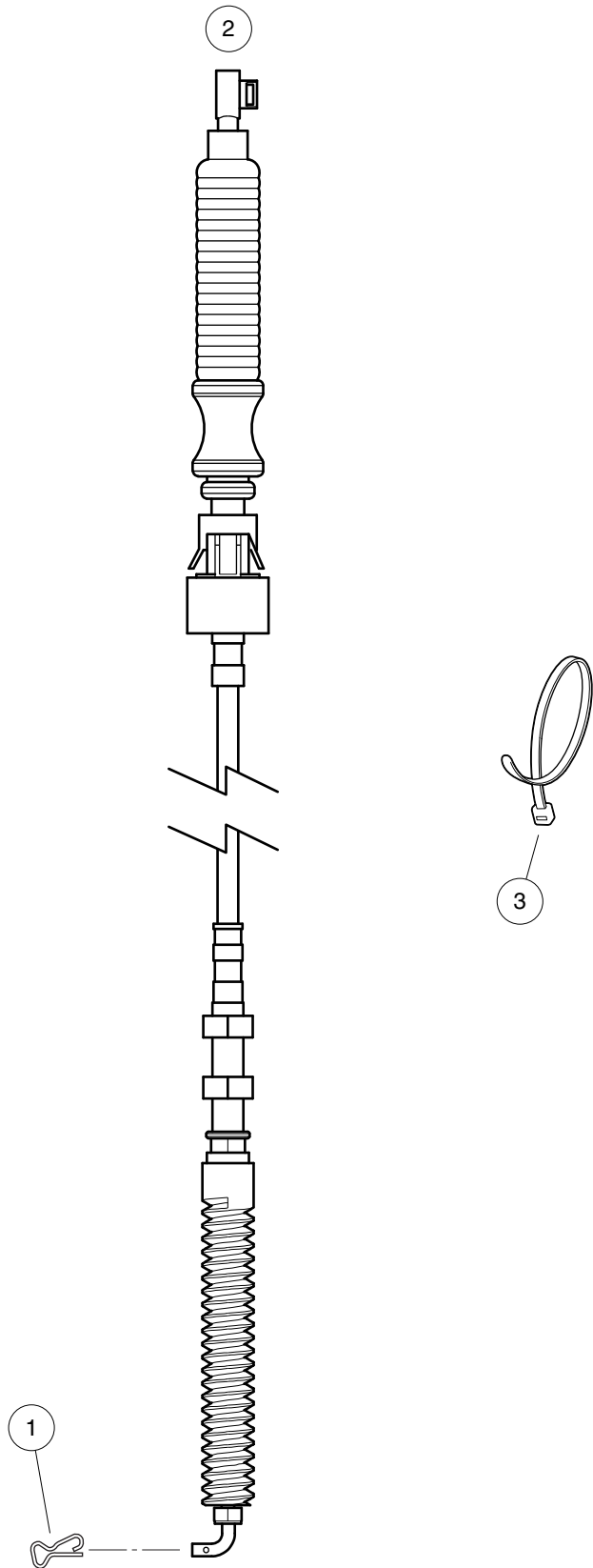
000987-001

FORWARD/REVERSE SHIFTER ASSEMBLY

| ITEM | PART NO. | DESCRIPTION | QTY |
|------|------------------|--------------------------------------|-----|
| | | 1 2 3 4 | |
| 1 | <u>1014007</u> | Washer, 1/4, Flat | 1 |
| 2 | <u>102296020</u> | Screw, Torx Pan Hd Pt, M6 X 20 | 4 |
| 3 | <u>102526201</u> | Stud, Thread, 1/4-28 | 1 |
| 4 | <u>102621501</u> | Nut, Flange, M6 X 1.0, Nylon | 3 |
| 5 | <u>105036301</u> | Shifter, Soft, Gas, CA300-700 | 1 |
| 6 | <u>105037701</u> | Follower, FNR Detent | 1 |
| 7 | <u>105038001</u> | Cam, FNR Detent, Alternate | 1 |
| 8 | <u>105038101</u> | Housing, FNR, Gas, CA300-700 | 1 |
| 9 | <u>105038201</u> | Shaft, FNR, Dash | 1 |
| 10 | <u>105038501</u> | Spring, Wave, Gas FNR Shifter | 1 |
| 11 | <u>105039401</u> | Bracket, Shifter, Dash Mount | 1 |
| 12 | <u>105039801</u> | E-Clip, External, 8mm Groove | 1 |
| 13 | <u>105039901</u> | Bushing, Dash Shifter, Gas | 1 |
| 14 | <u>105040401</u> | Pin, Round, 0.125 Dia x 0.625 | 1 |
| 15 | <u>105040501</u> | Bracket, Shifter, Brace, Dash | 1 |
| 16 | <u>105083701</u> | Bolt, 10-24 X 1.25", But Head | 1 |
| 17 | <u>105083801</u> | Nut, Nylon Lock, #10-24, Blk | 1 |
| 18 | <u>8717</u> | Locknut, Nylon Insert, 1/4-28 | 1 |
| 19 | <u>96704176</u> | Nut, Flanged, M6 X 1, Serrated | 1 |

12
G

12
G

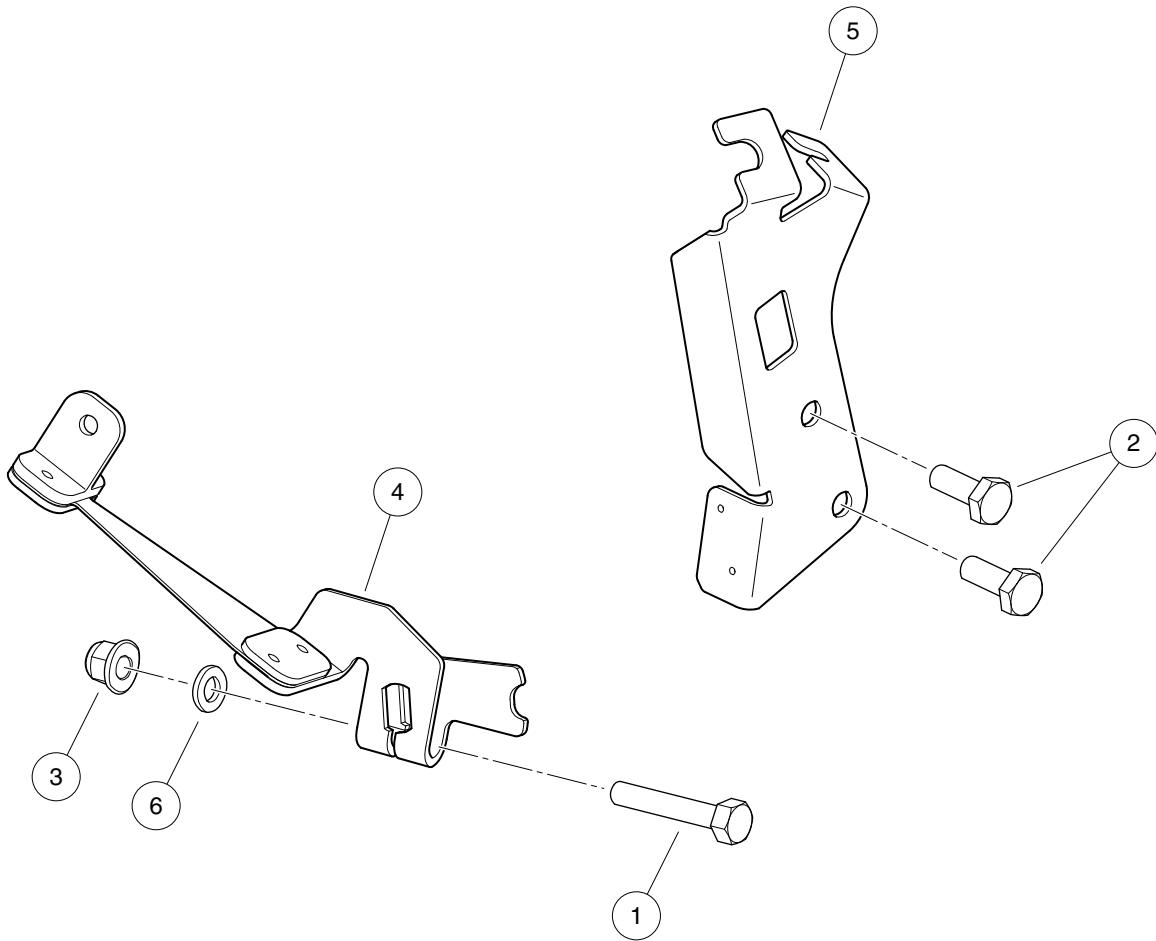


000988-001

SHIFTER CABLE – CA700

| ITEM | PART NO. | DESCRIPTION | QTY |
|------|------------------|---|-----|
| 1 | <u>103886601</u> | 1 2 3 4 Clip, Bowtie | 1 |
| 2 | <u>105038804</u> | Cable, Shifter, CA700/Transporter | 1 |
| 3 | <u>8990</u> | Tie Wrap, 8" Nylon | A/R |

12
G

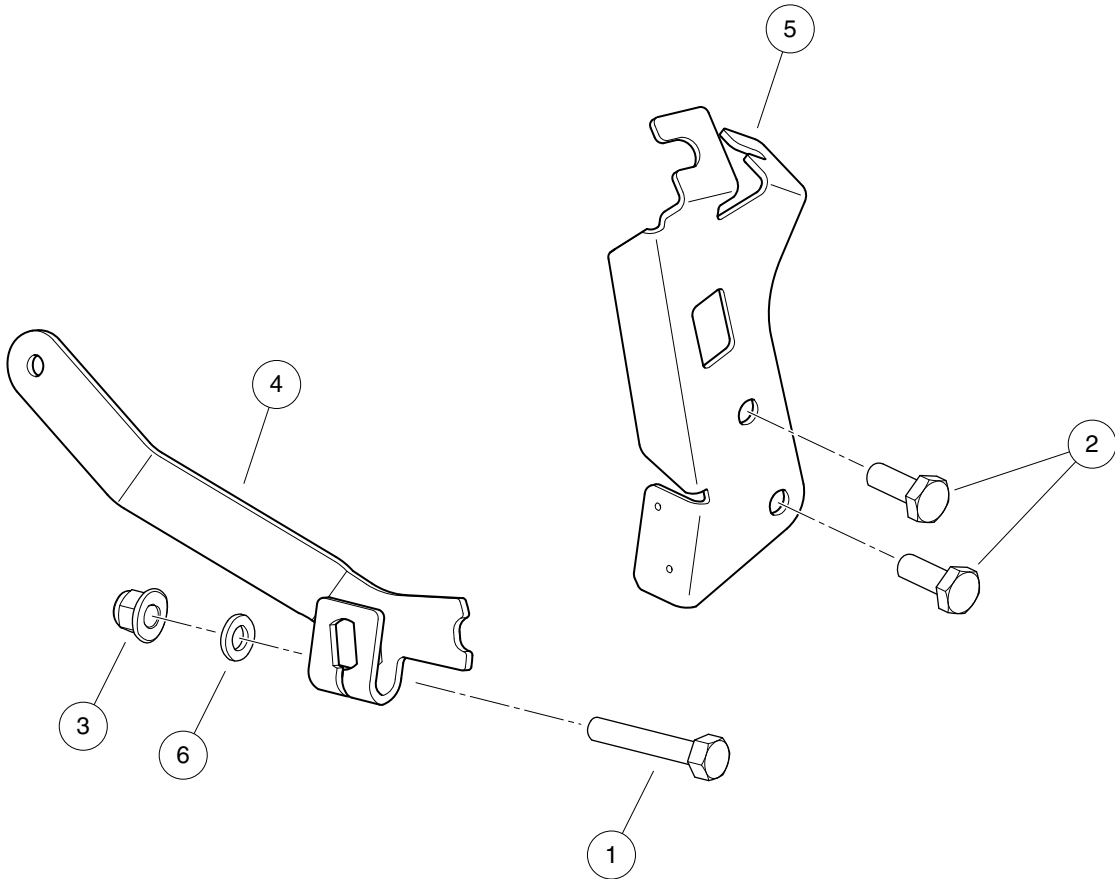


000965-001

SHIFT LEVER AND BRACKET – PEDAL-START ENGINES

| ITEM | PART NO. | DESCRIPTION | QTY |
|------|------------------|--|-----|
| | | 1 2 3 4 | |
| 1 | <u>102059501</u> | Screw, 6M-1.00 X 35mm, Hex Head | 1 |
| 2 | <u>102498201</u> | Bolt, M10 X 1.25 X 25, Loctite | 2 |
| 3 | <u>102621501</u> | Nut, Flange, M6 X 1.0, Nylon | 1 |
| 4 | <u>105040901</u> | Lever, Shift, Flex, Transaxle, Pedal-Start | 1 |
| 5 | <u>105135101</u> | Bracket, Cable, FNR/Accelerator, ED65 | 1 |
| 6 | <u>96705199</u> | Washer, M6 | 1 |

12
G

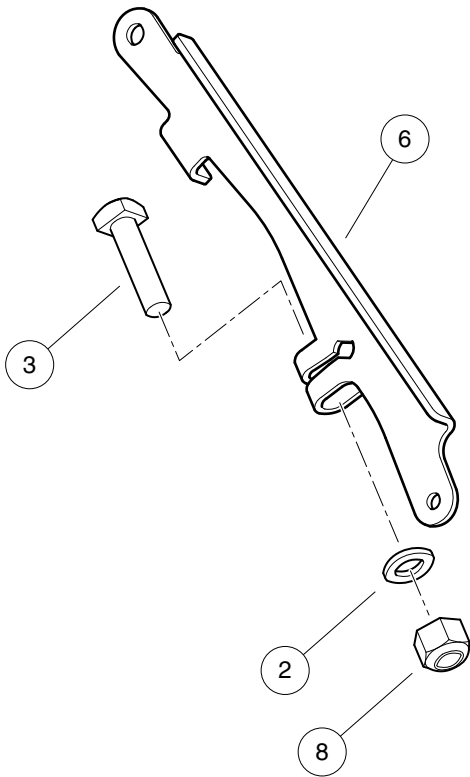
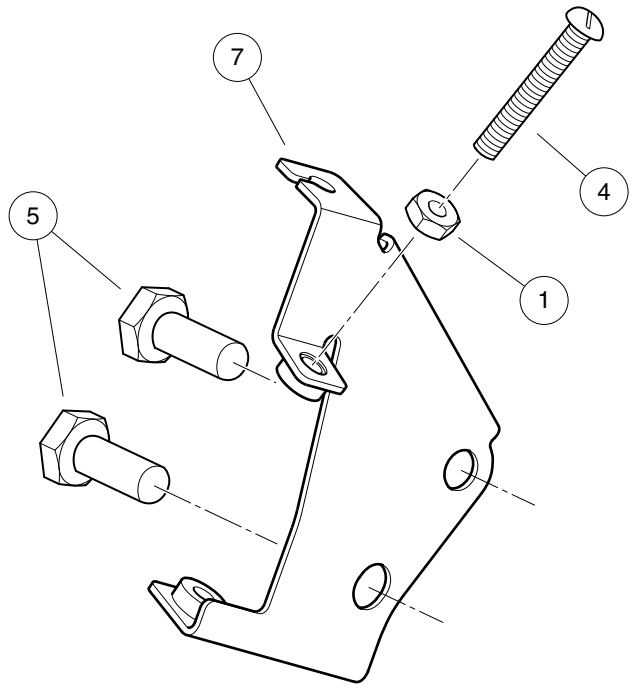


000965-002

SHIFT LEVER AND BRACKET – KEY-START ENGINES

| ITEM | PART NO. | DESCRIPTION | QTY |
|------|------------------|---|-----|
| | | 1 2 3 4 | |
| 1 | <u>102059501</u> | Screw, 6M-1.00 X 35mm, Hex Head | 1 |
| 2 | <u>102498201</u> | Bolt, M10 X 1.25 X 25, Loctite | 2 |
| 3 | <u>102621501</u> | Nut, Flange, M6 X 1.0, Nylon | 1 |
| 4 | <u>105134901</u> | Lever, Shift, Transaxle, Key-Start | 1 |
| 5 | <u>105135101</u> | Bracket, Cable, FNR/Accelerator, ED65 | 1 |
| 6 | <u>96705199</u> | Washer, M6 | 1 |

12
G



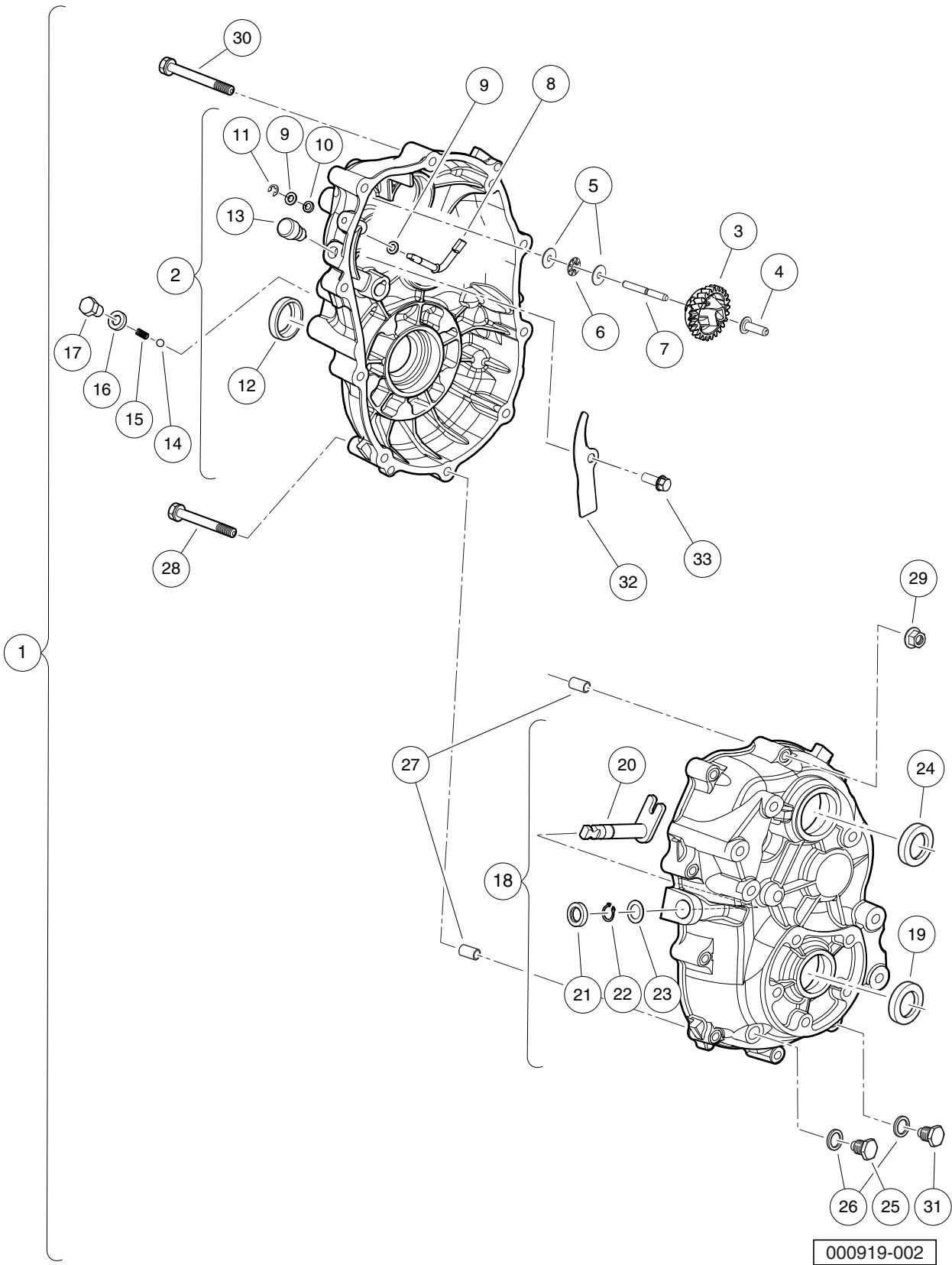
000966-002

GOVERNOR ARM AND BRACKETS – UTILITY VEHICLES

| ITEM | PART NO. | DESCRIPTION | QTY |
|------|------------------|---|-----|
| | | 1 2 3 4 | |
| 1 | <u>1011114</u> | Nut, M6-1.00 Hex | 1 |
| 2 | <u>1014007</u> | Washer, 1/4, Flat | 1 |
| 3 | <u>101886101</u> | Screw, 1/4-20 X 1.00, Square-Head | 1 |
| 4 | <u>102476401</u> | Bolt, Stop, Pedal | 1 |
| 5 | <u>102498201</u> | Bolt, M10 X 1.25 X 25, Loctite | 2 |
| 6 | <u>104023501</u> | Arm, Governor, ED65 | 1 |
| 7 | <u>105144401</u> | Weldment, Governor Bracket | 1 |
| 8 | <u>8233</u> | Locknut, 1/4-20, Nylon Insert | 1 |

12

G

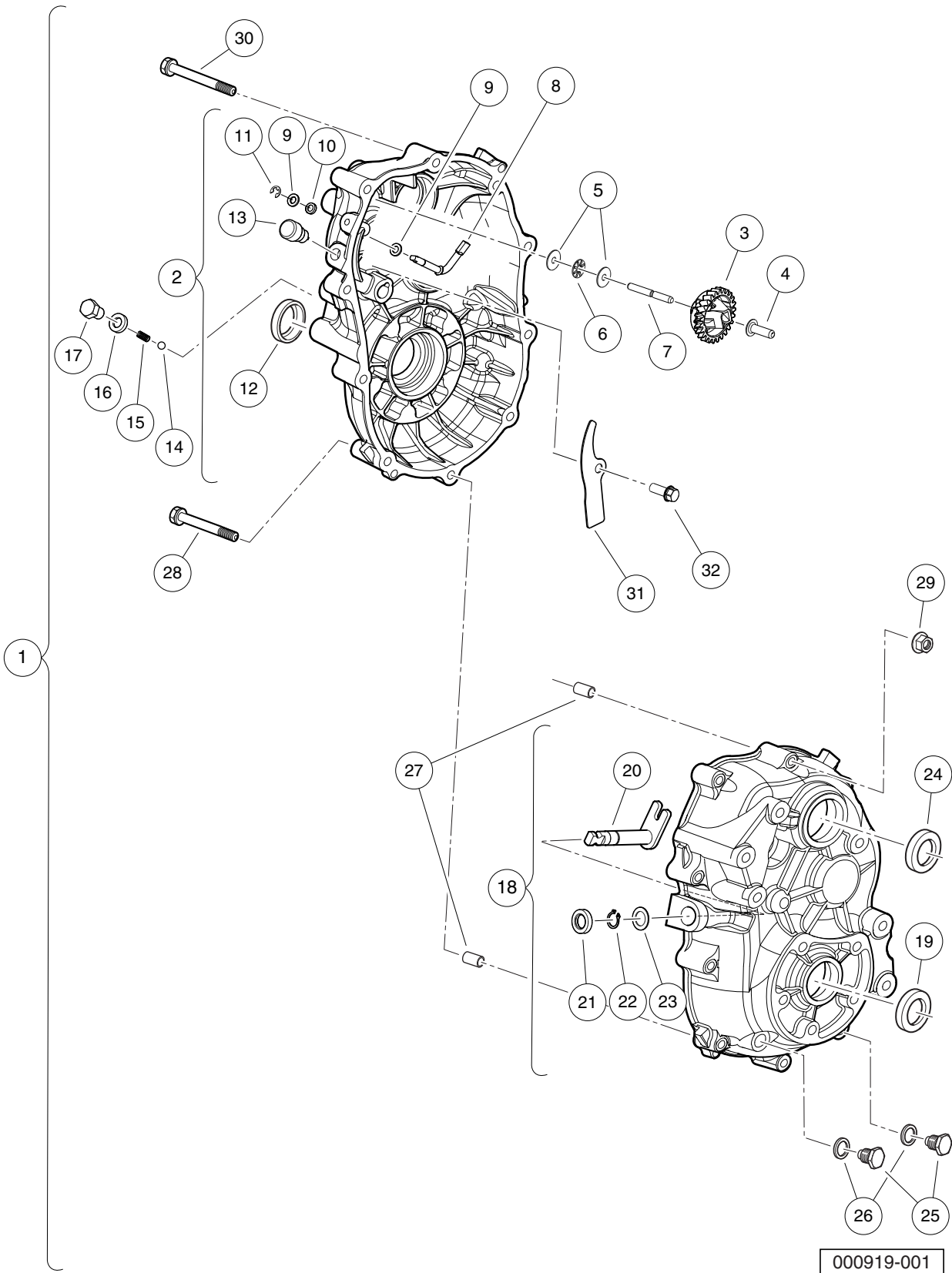


TRANSAXLE (ED65), LIMITED SLIP – PAGE 1 OF 3

| ITEM | PART NO. | DESCRIPTION | QTY |
|------|------------------|---|-----|
| | | 1 2 3 4 | |
| 1 | <u>103879702</u> | Transaxle, ED65, Limited-Slip Differential (includes items 2 through 33) | 1 |
| 2 | <u>105025001</u> | Case, Transaxle, Left, Complete, ED65 (includes items 3 through 13) | 1 |
| 3 | <u>105025101</u> | Gear, Governor, Complete, ED65 | 1 |
| 4 | <u>105025201</u> | Sleeve, Governor, ED65 | 1 |
| 5 | <u>105025301</u> | Washer, ED65 | 2 |
| 6 | <u>105025401</u> | Bearing, Thrust, ED65 | 1 |
| 7 | <u>105025501</u> | Shaft, Governor Gear, ED65 | 1 |
| 8 | <u>105025601</u> | Shaft, Governor, ED65 | 1 |
| 9 | <u>105025701</u> | Washer, 6mm, ED65 | 2 |
| 10 | <u>105025801</u> | Seal, Oil, 6x10x2.5, ED65 | 1 |
| 11 | <u>105025901</u> | Retaining Ring, E5, ED65 | 1 |
| 12 | <u>105026001</u> | Seal, Oil, 24x40x9, ED65 | 1 |
| 13 | <u>105027101</u> | Vent, Breather, ED65 | 1 |
| 14 | <u>105026101</u> | Ball, Steel, ED65 | 1 |
| 15 | <u>105026201</u> | Spring, ED65 | 1 |
| 16 | <u>105026301</u> | Gasket, 10, ED65 | 1 |
| 17 | <u>105026401</u> | Bolt, M10-1.25x12mm Lg, ED65 | 1 |
| 18 | <u>105026501</u> | Case, Transaxle, Right, Complete, ED65 (includes items 19 through 24) | 1 |
| 19 | <u>105026001</u> | Seal, Oil, 24x40x9, ED65 | 1 |
| 20 | <u>105026601</u> | Shaft, Select, ED65 | 1 |
| 21 | <u>105026701</u> | Seal, Oil, 13x22x5, ED65 | 1 |
| 22 | <u>105026801</u> | Snap Ring, 13mm, ED65 | 1 |
| 23 | <u>105026901</u> | Spacer, 13x1, ED65 | 1 |
| 24 | <u>105027001</u> | Seal, Oil, 25x45x7, ED65 | 1 |
| 25 | <u>105027201</u> | Plug, Oil Drain, ED65 | 1 |
| 26 | <u>105027301</u> | Gasket, 14, ED65 | 2 |
| 27 | <u>105028301</u> | Pin, Guide, ED65 | 2 |
| 28 | <u>105028501</u> | Bolt, Flange, M8-1.25x65mm, ED65 | 1 |
| 29 | <u>105030001</u> | Nut, Flange, M8-1.25, ED65 | 10 |
| 30 | <u>105030701</u> | Bolt, Flanged, M8-1.25x80mm, ED65 | 9 |
| 31 | <u>105063501</u> | Plug, Oil Drain, Magnetic, ED65 | 1 |
| 32 | <u>105234801</u> | Plate, Ed65 Splash | 1 |
| 33 | <u>105234901</u> | Bolt, M6-1 X 12mm Lg, Ed65 | 1 |
| | | Note: Fuji transaxle component listings span three pages. To identify your transaxle, locate the serial number decal on the axle tube. | |

12

G

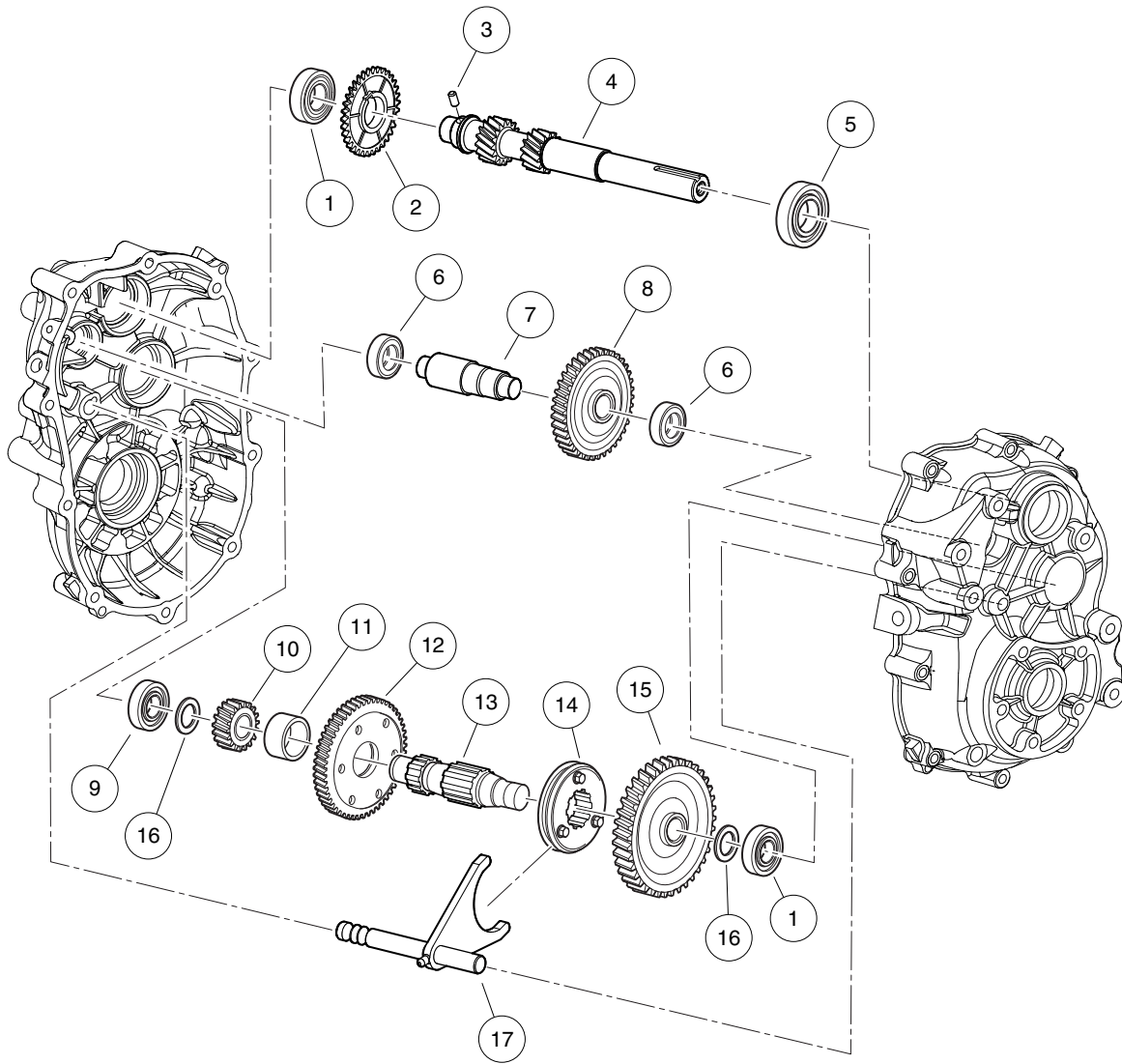


TRANSAXLE (ED65), OPEN – PAGE 1 OF 3

| ITEM | PART NO. | DESCRIPTION | QTY |
|--|------------------|---|-----|
| | | 1 2 3 4 | |
| 1 | <u>103879701</u> | Transaxle, ED65, Open Differential (includes items 2 through 32) | 1 |
| 2 | <u>105025001</u> | Case, Transaxle, Left, Complete, ED65 (includes items 3 through 13) | 1 |
| 3 | <u>105025101</u> | Gear, Governor, Complete, ED65 | 1 |
| 4 | <u>105025201</u> | Sleeve, Governor, ED65 | 1 |
| 5 | <u>105025301</u> | Washer, ED65 | 2 |
| 6 | <u>105025401</u> | Bearing, Thrust, ED65 | 1 |
| 7 | <u>105025501</u> | Shaft, Governor Gear, ED65 | 1 |
| 8 | <u>105025601</u> | Shaft, Governor, ED65 | 1 |
| 9 | <u>105025701</u> | Washer, 6mm, ED65 | 2 |
| 10 | <u>105025801</u> | Seal, Oil, 6x10x2.5, ED65 | 1 |
| 11 | <u>105025901</u> | Retaining Ring, E5, ED65 | 1 |
| 12 | <u>105026001</u> | Seal, Oil, 24x40x9, ED65 | 1 |
| 13 | <u>105027101</u> | Vent, Breather, ED65 | 1 |
| 14 | <u>105026101</u> | Ball, Steel, ED65 | 1 |
| 15 | <u>105026201</u> | Spring, ED65 | 1 |
| 16 | <u>105026301</u> | Gasket, 10, ED65 | 1 |
| 17 | <u>105026401</u> | Bolt, M10-1.25x12mm Lg, ED65 | 1 |
| 18 | <u>105026501</u> | Case, Transaxle, Right, Complete, ED65 (includes items 19 through 24) | 1 |
| 19 | <u>105026001</u> | Seal, Oil, 24x40x9, ED65 | 1 |
| 20 | <u>105026601</u> | Shaft, Select, ED65 | 1 |
| 21 | <u>105026701</u> | Seal, Oil, 13x22x5, ED65 | 1 |
| 22 | <u>105026801</u> | Snap Ring, 13mm, ED65 | 1 |
| 23 | <u>105026901</u> | Spacer, 13x1, ED65 | 1 |
| 24 | <u>105027001</u> | Seal, Oil, 25x45x7, ED65 | 1 |
| 25 | <u>105027201</u> | Plug, Oil Drain, ED65 | 2 |
| 26 | <u>105027301</u> | Gasket, 14, ED65 | 2 |
| 27 | <u>105028301</u> | Pin, Guide, ED65 | 2 |
| 28 | <u>105028501</u> | Bolt, Flange, M8-1.25x65mm, ED65 | 1 |
| 29 | <u>105030001</u> | Nut, Flange, M8-1.25, ED65 | 10 |
| 30 | <u>105030701</u> | Bolt, Flanged, M8-1.25x80mm, ED65 | 9 |
| 31 | <u>105234801</u> | Plate, Ed65 Splash | 1 |
| 32 | <u>105234901</u> | Bolt, M6-1 X 12mm Lg, Ed65 | 1 |
| Note: Fuji transaxle component listings span three pages. To identify your transaxle, locate the serial number decal on the axle tube. | | | |

12

G



000919-003

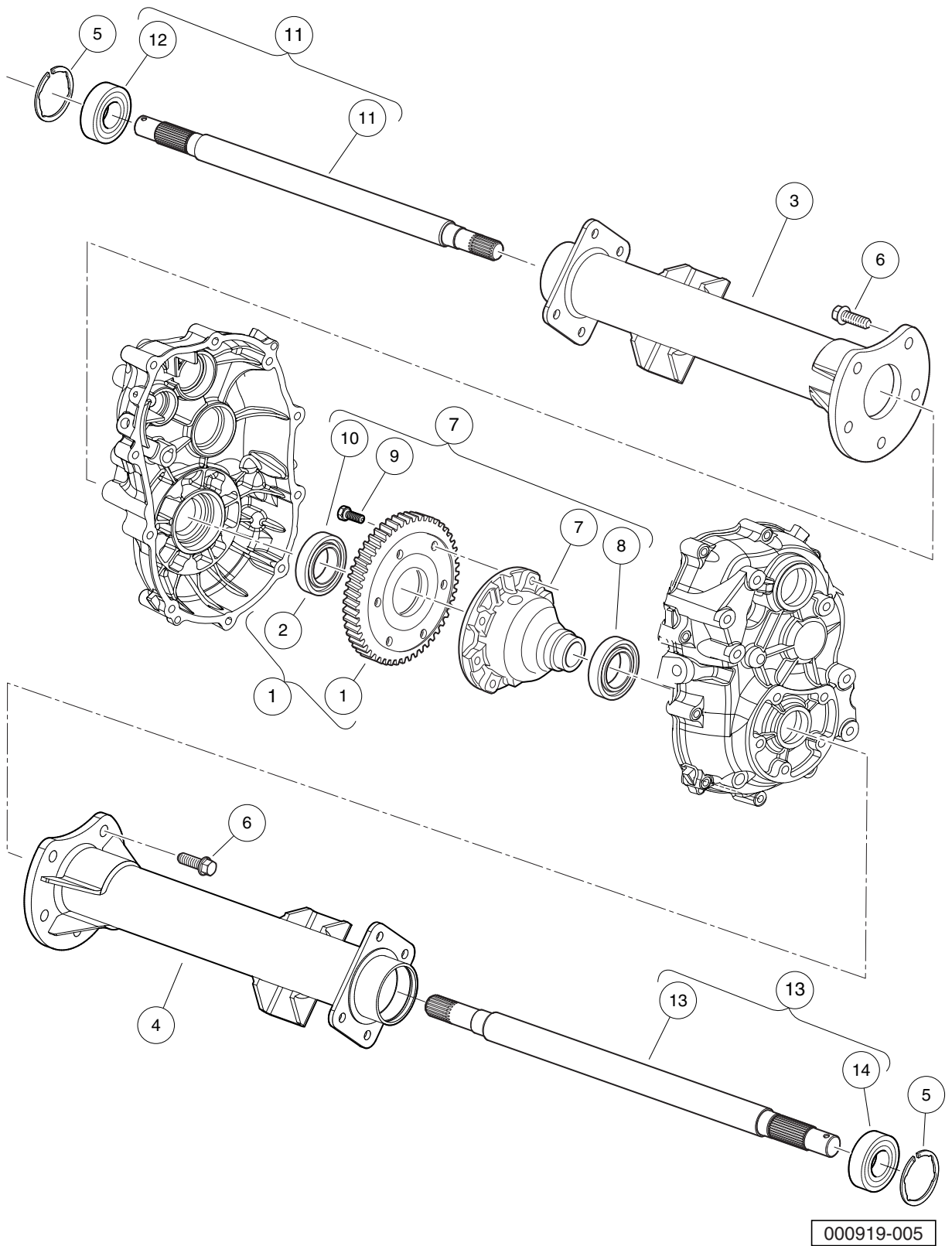
TRANSAXLE (ED65), LIMITED SLIP AND OPEN – PAGE 2 OF 3

| ITEM | PART NO. | DESCRIPTION | QTY |
|---|------------------|--------------------------------------|-----|
| | | 1 2 3 4 | |
| 1 | <u>105027401</u> | Bearing, Ball (6204) | 2 |
| 2 | <u>105027501</u> | Gear, Governor, 34 Tooth, ED65 | 1 |
| 3 | <u>105027601</u> | Pin, 6x12 Long, ED65 | 1 |
| 4 | 105027701 | Shaft, Input, ED65 | 1 |
| 5 | 105027801 | Bearing, Ball (6205 seal) | 1 |
| 6 | <u>105027901</u> | Bearing, Ball (6202) | 2 |
| 7 | 105028001 | Shaft, Counter, ED65 | 1 |
| 8 | 105028201 | Gear, 34 Tooth, ED65 | 1 |
| 9 | <u>105028401</u> | Bearing, Ball (6304) | 1 |
| 10 | 105028601 | Gear, 17 Tooth, ED65 | 1 |
| 11 | <u>105028701</u> | Collar, 24 x 12, ED65 | 1 |
| 12 | <u>105028801</u> | Gear, 52 Tooth, ED65 | 1 |
| 13 | 105028901 | Shaft, Center, ED65 | 1 |
| 14 | <u>105029001</u> | Clutch, Pin, ED65 | 1 |
| 15 | 105029101 | Gear, 62 Tooth, ED65 | 1 |
| 16 | <u>105029201</u> | Spacer, 20x2, ED65 | 2 |
| 17 | <u>105030901</u> | Shaft, Shift, ED65 | 1 |
| <p>Note: To identify your transaxle, locate the serial number decal on the axle tube.</p> | | | |

12

G

12
G



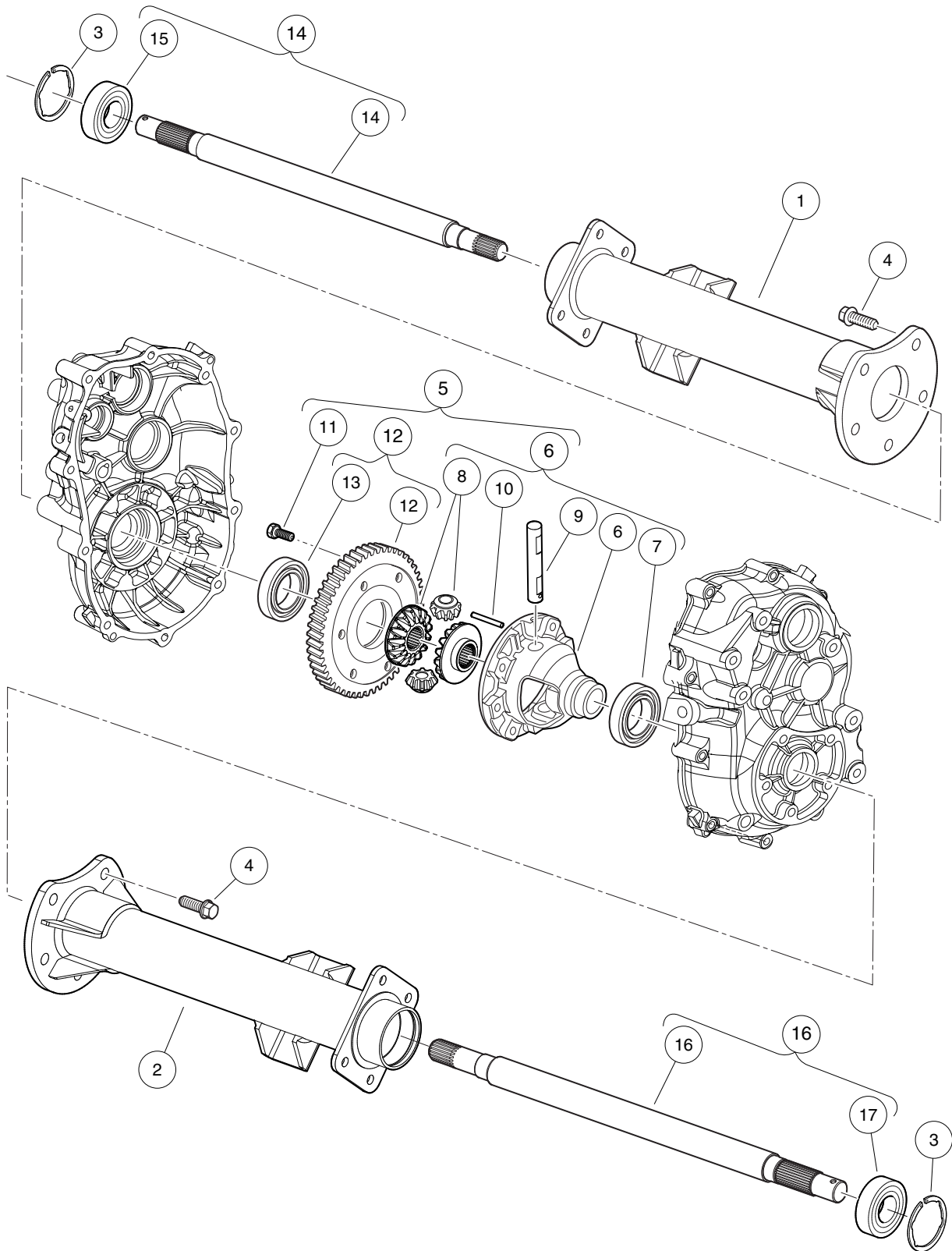
000919-005

TRANSAXLE (ED65), LIMITED SLIP – PAGE 3 OF 3

| ITEM | PART NO. | DESCRIPTION | QTY |
|--|------------------|--|-----|
| | | 1 2 3 4 | |
| 1 | 105029901 | Gear, 60 Tooth, Complete, ED65 (includes item 2) | 1 |
| 2 | <u>105029801</u> | Bearing, Ball (6007) | 1 |
| 3 | 105030401 | Axle Tube, Driver-Side, ED65 | 1 |
| 4 | 105030501 | Axle Tube, Passenger-Side, ED65 | 1 |
| 5 | <u>105030601</u> | Snap Ring, 52mm, ED65 | 2 |
| 6 | <u>105030801</u> | Bolt, Flange, M10-1.25x25, ED65 | 10 |
| 7 | <u>105063601</u> | Differential, Limited-Slip, ED65 (includes items 8 through 10) | 1 |
| 8 | <u>105028101</u> | Bearing, Ball (6006) | 1 |
| 9 | <u>105029501</u> | Bolt, M10-1.25x26mm Lg, ED65 | 6 |
| 10 | <u>105029801</u> | Bearing, Ball (6007) | 1 |
| 11 | <u>105066001</u> | Axle Shaft, Driver-Side, Complete, ED65 (includes item 12) | 1 |
| 12 | <u>105030301</u> | Bearing, Ball (6205DD) | 1 |
| 13 | <u>105066101</u> | Axle Shaft, Passenger-Side, Complete, ED65 (includes item 14) | 1 |
| 14 | <u>105030301</u> | Bearing, Ball (6205DD) | 1 |
| <p style="margin-left: 40px;">Note: To identify your transaxle, locate the serial number decal on the axle tube.</p> | | | |

12

G



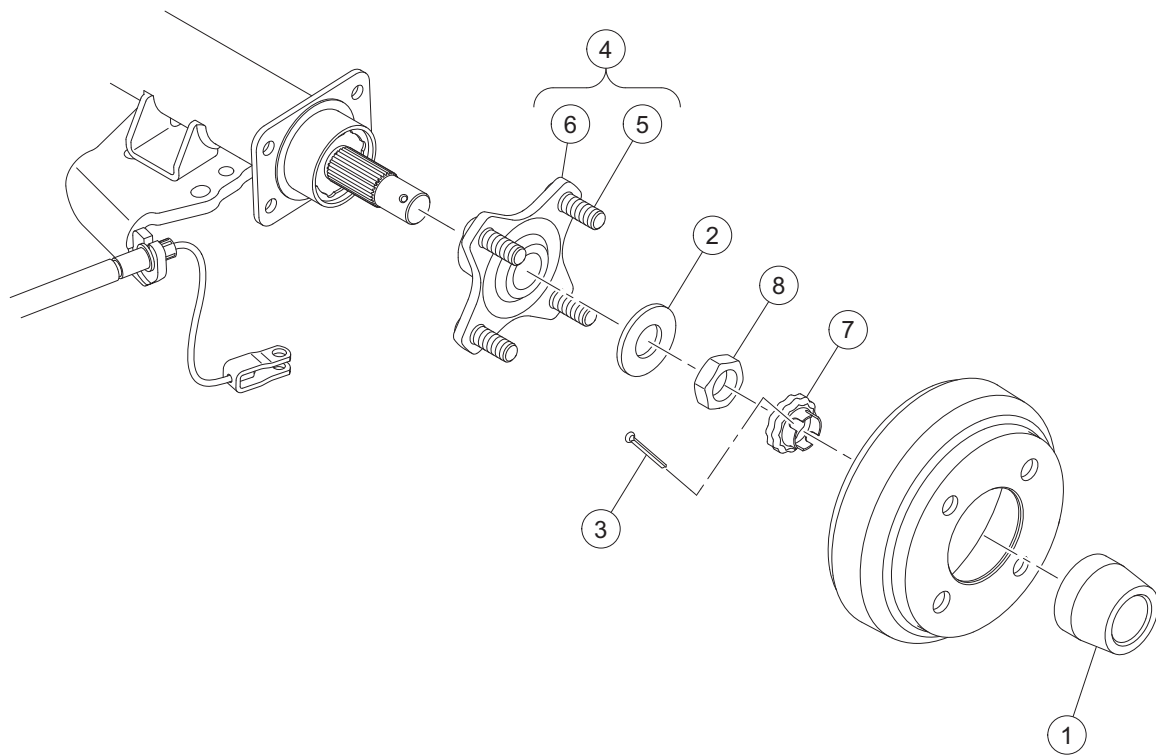
000919-004

TRANSAXLE (ED65), OPEN – PAGE 3 OF 3

| ITEM | PART NO. | DESCRIPTION | QTY |
|--|------------------|--|-----|
| | | 1 2 3 4 | |
| 1 | 105030401 | Axle Tube, Driver-Side, ED65 | 1 |
| 2 | 105030501 | Axle Tube, Passenger-Side, ED65 | 1 |
| 3 | <u>105030601</u> | Snap Ring, 52mm, ED65 | 2 |
| 4 | <u>105030801</u> | Bolt, Flange, M10-1.25x25, ED65 | 10 |
| 5 | <u>105031001</u> | Differential, Open, ED65 (includes items 6 through 12) | 1 |
| 6 | <u>105029301</u> | Case, Differential, Complete, ED65 (includes items 7 through 10) | 1 |
| 7 | <u>105028101</u> | Bearing, Ball (6006) | 1 |
| 8 | 105029401 | Gear Set, Differential, ED65 | 1 |
| 9 | <u>105029601</u> | Shaft, Differential, ED65 | 1 |
| 10 | <u>105029701</u> | Pin, 4x40 Long, ED65 | 1 |
| 11 | <u>105029501</u> | Bolt, M10-1.25x26mm Lg, ED65 | 6 |
| 12 | 105029901 | Gear, 60 Tooth, Complete, ED65 (includes item 13) | 1 |
| 13 | <u>105029801</u> | Bearing, Ball (6007) | 1 |
| 14 | <u>105066001</u> | Axle Shaft, Driver-Side, Complete, ED65 (includes item 15) | 1 |
| 15 | <u>105030301</u> | Bearing, Ball (6205DD) | 1 |
| 16 | <u>105066101</u> | Axle Shaft, Passenger-Side, Complete, ED65 (includes item 17) | 1 |
| 17 | <u>105030301</u> | Bearing, Ball (6205DD) | 1 |
| <p style="margin-left: 40px;">Note: To identify your transaxle, locate the serial number decal on the axle tube.</p> | | | |

12

G



G-070199-000003

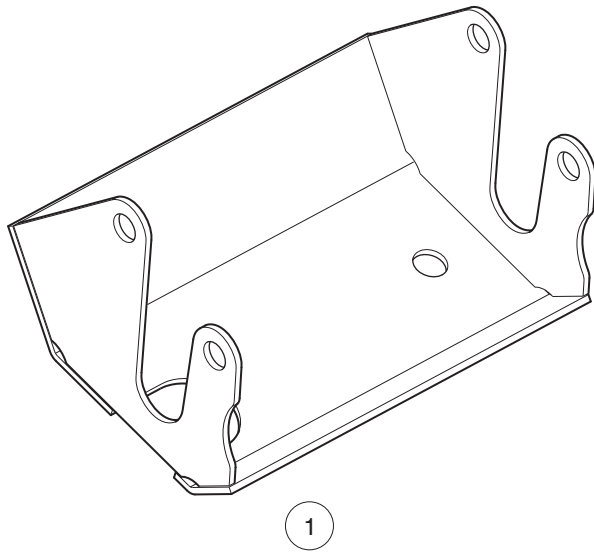
HUB, REAR

| ITEM | PART NO. | DESCRIPTION | QTY |
|------|------------------|---|-----|
| | | 1 2 3 4 | |
| 1 | 102274101 | Center Cap, Rubber | 2 |
| 2 | <u>102617801</u> | Washer, Hard, M22 | 2 |
| 3 | <u>103989501</u> | Pin, Cotter, 9/64 X 1.75" | 2 |
| 4 | <u>103995001</u> | Asm, Hub, Machined (includes items 5 and 6) | 2 |
| 5 | <u>103951501</u> | Lug Stud, 1/2-20 UNF, SAE J1102 | 4 |
| 6 | <u>103979301</u> | Hub, Machined | 1 |
| 7 | <u>104021701</u> | Retaining Ring, Hex Nut, M22 | 2 |
| 8 | <u>104027101</u> | Nut, Hex, M22x1.5, Thin | 2 |

12
G

12

G



001436-001

DIFFERENTIAL GUARD, ED65 – GASOLINE VEHICLE

| ITEM | PART NO. | DESCRIPTION | QTY |
|------|-------------|--------------------------------------|-----|
| 1 | 47662588001 | 1 2 3 4 Guard, Differential | 1 |

12

G

12

G

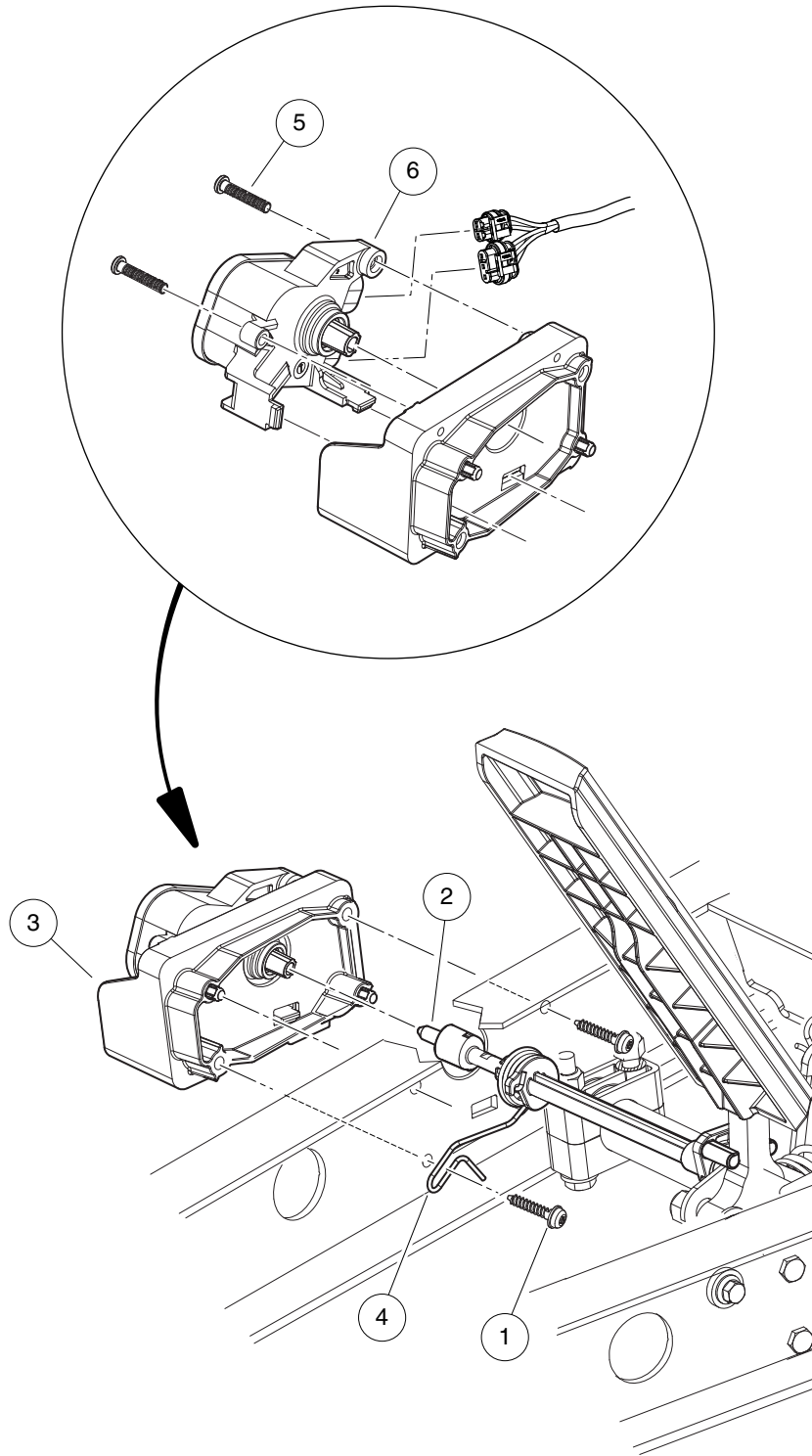
ELECTRICAL SYSTEM – ELECTRIC VEHICLES

13

E

13

E



002522-001

MOTOR CONTROLLER OUTPUT REGULATOR (MCOR)

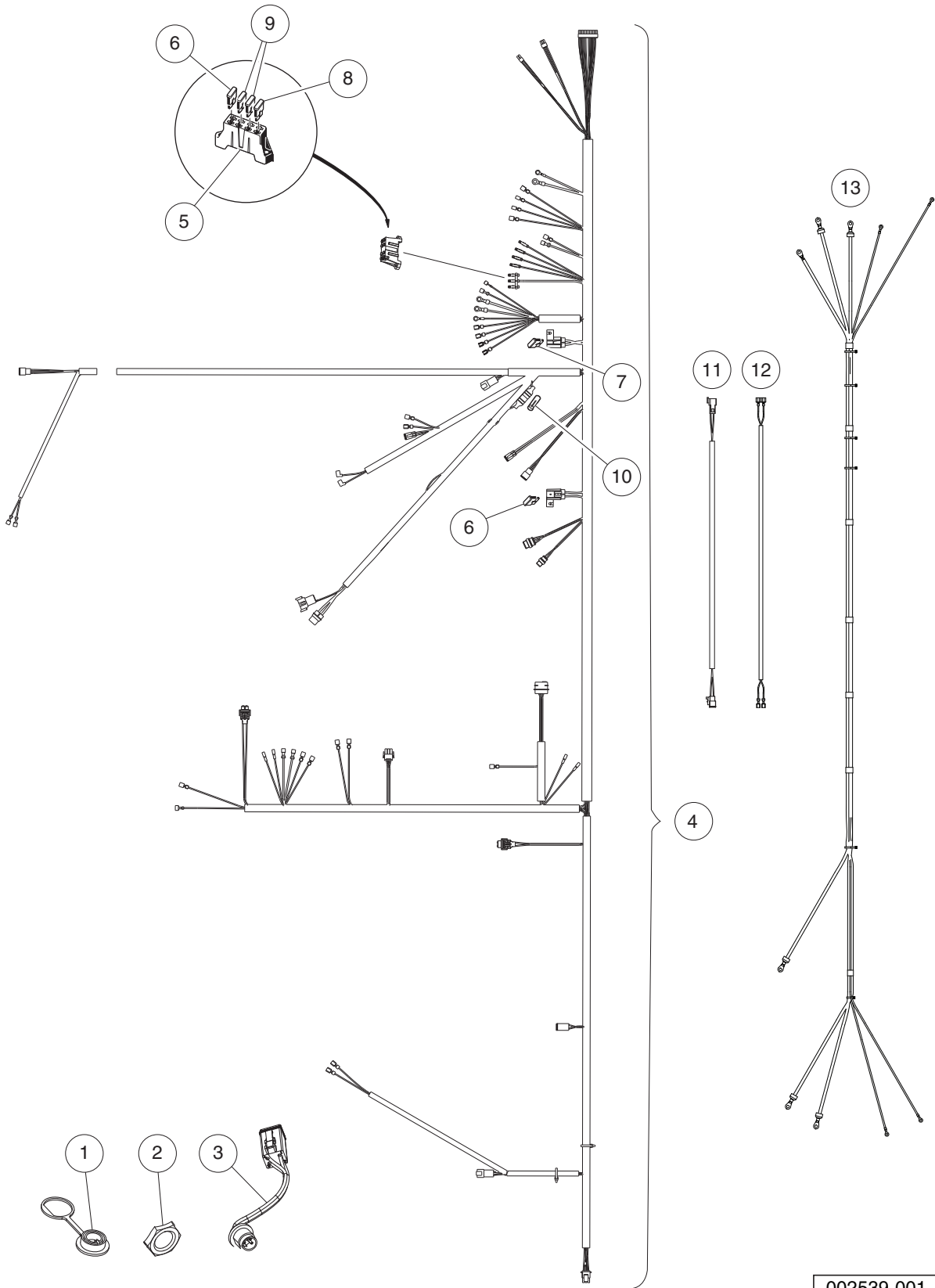
| ITEM | PART NO. | DESCRIPTION | QTY |
|------|------------------|---|-----|
| | | 1 2 3 4 | |
| 1 | <u>102297230</u> | Screw, M6, Torx, Interlock Thread | 2 |
| 2 | <u>103902101</u> | Bar, Drive, Cast | 1 |
| 3 | <u>103902301</u> | Housing, Mcor | 1 |
| 4 | <u>103902401</u> | Spring, Torsion | 1 |
| 5 | <u>103943401</u> | Screw, Pan, #10 X 1.00 Hi-lo | 2 |
| 6 | <u>105116301</u> | MCOR4, Type 16 Switch | 1 |

13

E

13

E



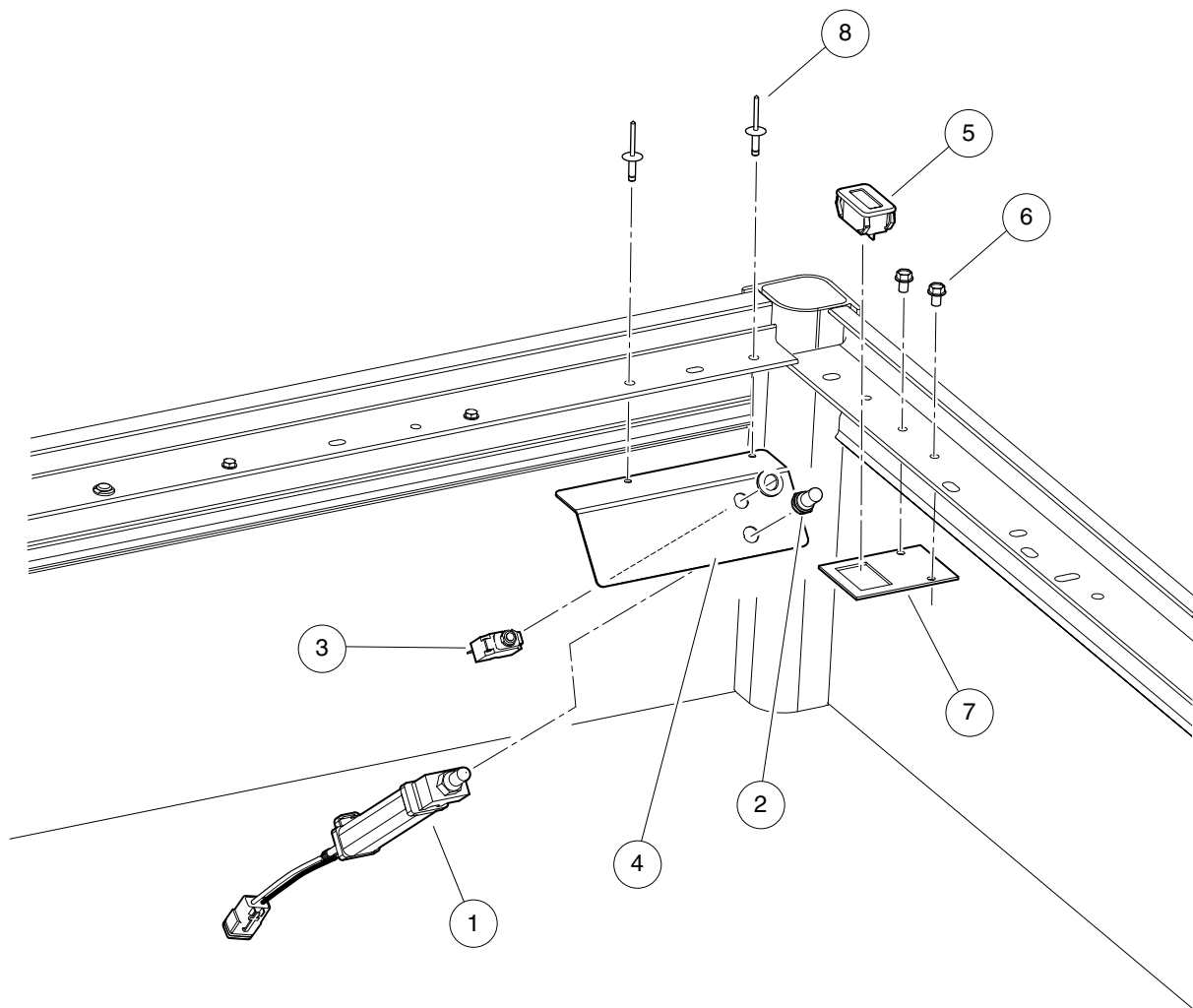
002539-001

WIRING, FUSES, AND DIODES – ELECTRIC VEHICLE

| ITEM | PART NO. | DESCRIPTION | QTY |
|------|------------------|--|-----|
| | | 1 2 3 4 | |
| 1 | <u>102196901</u> | Dust Cap | 1 |
| 2 | <u>102572401</u> | Nut, Diagnostic Port | 1 |
| 3 | <u>103218601</u> | Harness, Diagnostic Port | 1 |
| 4 | <u>105076901</u> | Harness, Wire, Main, CA700/CA900/T-porter/XL/XLC, Elec (includes items 5 through 10) | 1 |
| 5 | <u>1015741</u> | Fuse Block | 1 |
| 6 | <u>1016423</u> | Fuse, 20-Amp | 2 |
| 7 | <u>102492301</u> | Fuse, 30-Amp | 1 |
| 8 | <u>102538601</u> | 15 Amp Fuse | 1 |
| 9 | <u>105167201</u> | Fuse, Atc, 2 Amp | 1 |
| 10 | 105173901 | Fuse, Agc, 1 Amp | 1 |
| 11 | SVP853001 | Harness, Wire, Extension, Speed Sensor | 1 |
| 12 | SVP860001 | Harness, Wire, Extension, Reverse Buzzer | 1 |
| 13 | SVP895801 | Harness Power Ca900 Iq Plus | 1 |

13

E



002518-001

TOW/RUN SWITCH AND HOUR METER

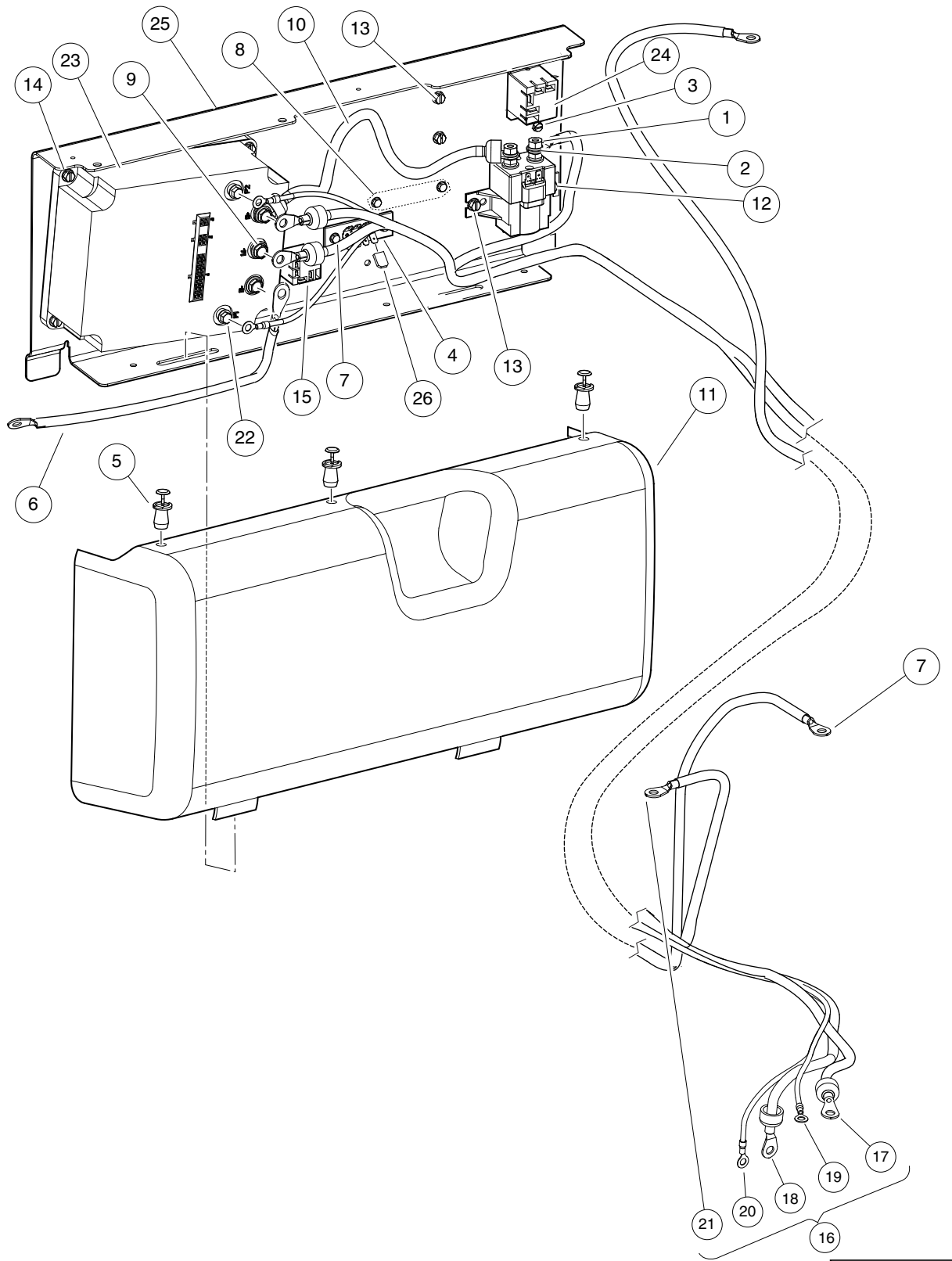
| ITEM | PART NO. | DESCRIPTION | QTY |
|------|------------------|-------------------------------------|-----|
| | | 1 2 3 4 | |
| 1 | <u>101908101</u> | Switch Assembly, Tow/Run | 1 |
| 2 | <u>101908401</u> | Boot, Switch | 1 |
| 3 | <u>102838101</u> | Circuit Breaker, 20 Amp | 1 |
| 4 | <u>102915701</u> | Plate, Switch, Run Tow, Mode | 1 |
| 5 | <u>103510301</u> | Meter, Hour | 1 |
| 6 | <u>103541501</u> | Screw, Tapping, 1/4-20 X .375 | 2 |
| 7 | <u>105145201</u> | Bracket, Hour Meter Sq, Short | 1 |
| 8 | <u>7973</u> | Rivet, 3/16 X .400 Blind | 2 |

13

E

13

E



002513-003

48-VOLT ELECTRIC COMPONENTS - ELECTRIC VEHICLE

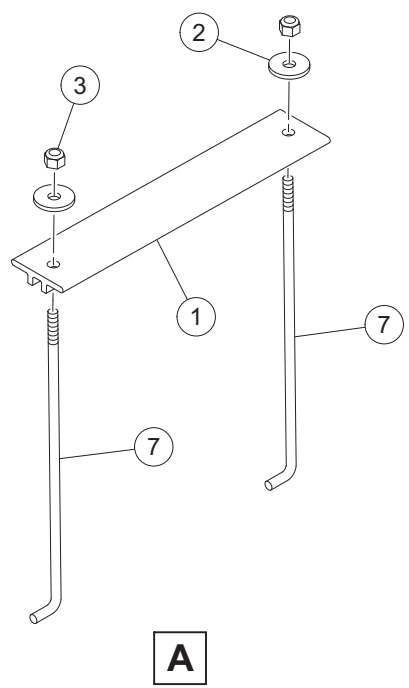
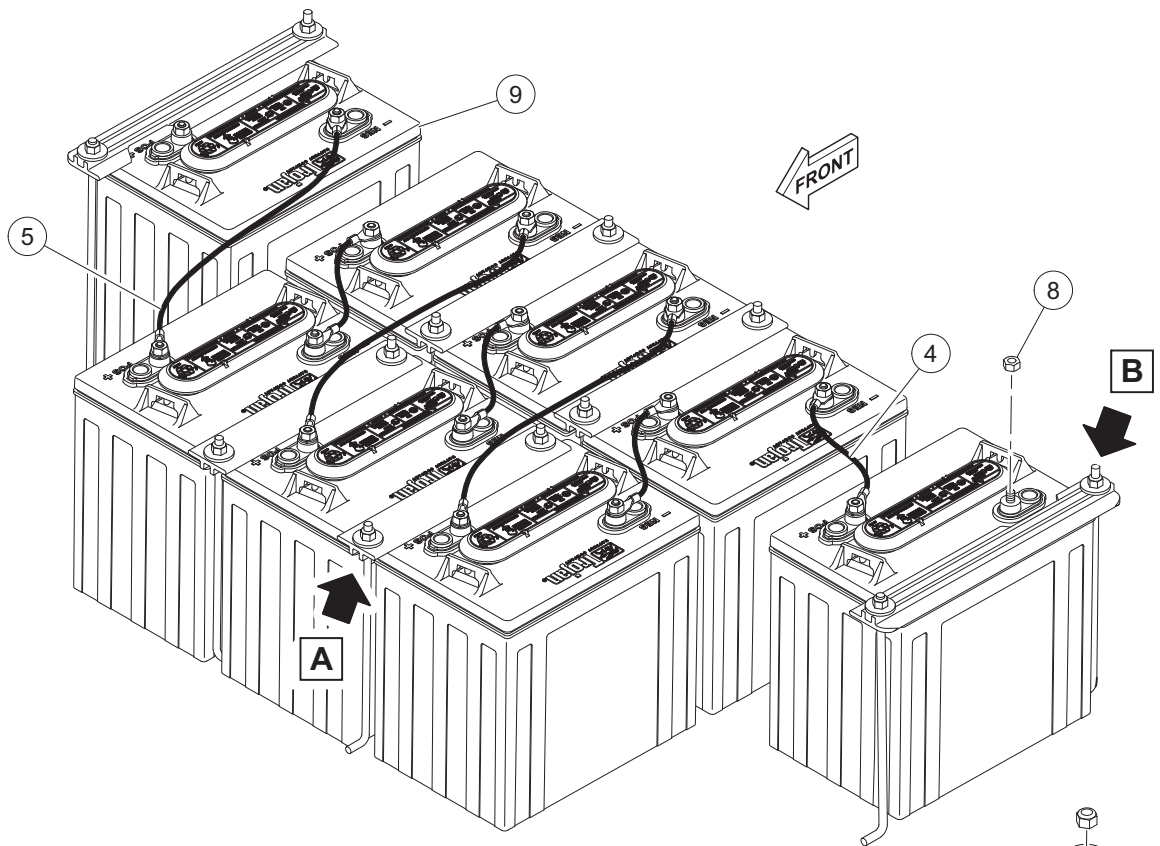
| ITEM | PART NO. | DESCRIPTION | QTY |
|------|------------------|---|-----|
| | | 1 2 3 4 | |
| 1 | <u>1012528</u> | Nut, M8-1.25 Hex | 2 |
| 2 | <u>1013734</u> | Lockwasher, 8mm Split | 2 |
| 3 | <u>1015720</u> | Screw, #6-32 X 1/2 Hex Washer-Head | 4 |
| 4 | <u>1016356</u> | Terminal Block with Insulator | 1 |
| 5 | <u>1016967</u> | Blind Rivet, Push Type | 3 |
| 6 | 102002803 | Wire Assy, #4 Black, 26 In | 1 |
| 7 | <u>102002804</u> | Wire Assy, #4 Black, 81 In | 1 |
| 8 | <u>102238001</u> | #10-24 Taptite Screw | 4 |
| 9 | <u>102240501</u> | Bolt, Controller, Terminal | 3 |
| 10 | <u>102440901</u> | Wire Asm, #4 Yellow, 13" | 1 |
| 11 | <u>102772402</u> | Cover, Electrical Component, Carryall 6 | 1 |
| 12 | <u>102774701</u> | Solenoid, 48v | 1 |
| 13 | <u>102817101</u> | Screw, 1/4-20 X .50 Hex Wsh Hd | 4 |
| 14 | <u>102817201</u> | Screw, 1/4-20 X .88 Hex Wsh Hd | 4 |
| 15 | <u>103397901</u> | Relay, Spst No, 48v 30a, Pmt | 1 |
| 16 | <u>103698601</u> | Harness, Power, Ca6 Iq Plus (includes items 17 through 21) | 1 |
| 17 | N/A | Asm, #4 Grn Wire, 89" | 1 |
| 18 | N/A | Asm, #4 Wht Wire, 88.5" | 1 |
| 19 | N/A | Asm, #10 Org Wire, 89.5" | 1 |
| 20 | N/A | Asm, #10 Blu Wire, 95.5" | 1 |
| 21 | N/A | Asm, #4 Red Wire, 67.5" | 1 |
| 22 | 105000501 | Screw, M6 X 1 X 12 Ser Hex Flg | 2 |
| 23 | 105075202 | Controller, 500 Amp, Hfc, Sp | 1 |
| 24 | <u>105112401</u> | Relay, Spdt Nc, 48v 30a, Pmt | 1 |
| 25 | <u>105147101</u> | Plate, Component, Frnt, No Obc | 1 |
| 26 | <u>105195501</u> | Cap, Quick Conn Tab, 1/4 In | 6 |
| | | Note: 48-volt fuse block (1015741) is a component of the main wire harness, 105076901. | |

13

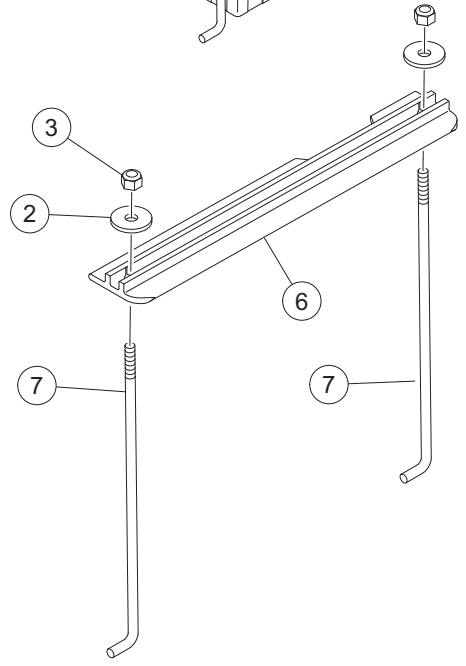
E

13

E



A



B

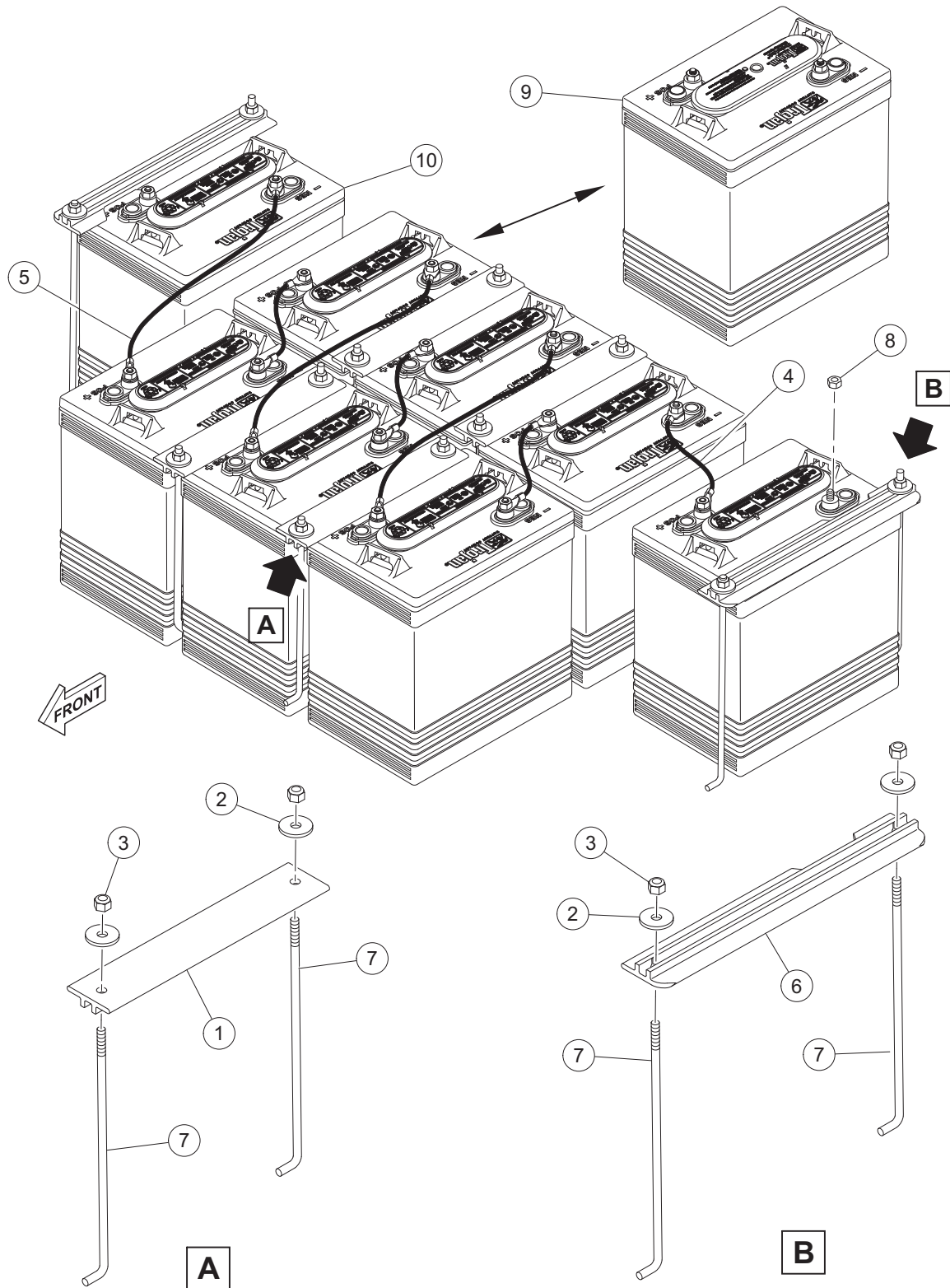
G-130799-000011

BATTERIES 6-VOLT, STANDARD DUTY

| ITEM | PART NO. | DESCRIPTION | QTY |
|------|------------------|--------------------------------------|-----|
| | | 1 2 3 4 | |
| 1 | <u>101090801</u> | Hold-Down, Battery | 4 |
| 2 | 1012571 | Washer, 5/16 Extra Thick Flat | 12 |
| 3 | 1015072 | Locknut, 5/16-18 Nylon Insert | 12 |
| 4 | <u>102002901</u> | Wire Assy, #4 Black | 4 |
| 5 | <u>102764001</u> | Wire Asm, #4 Black | 3 |
| 6 | <u>102766201</u> | Hold Down, Outside | 2 |
| 7 | <u>102845204</u> | Rod, Battery Hold Down 12" | 12 |
| 8 | <u>102873401</u> | 5/16-18 Heavy Hex Nut | 16 |
| 9 | <u>103969799</u> | Battery,6v Trojan T145, Wet,sp | 8 |

13

E



G-130799-000012

BATTERIES 6-VOLT, HEAVY DUTY

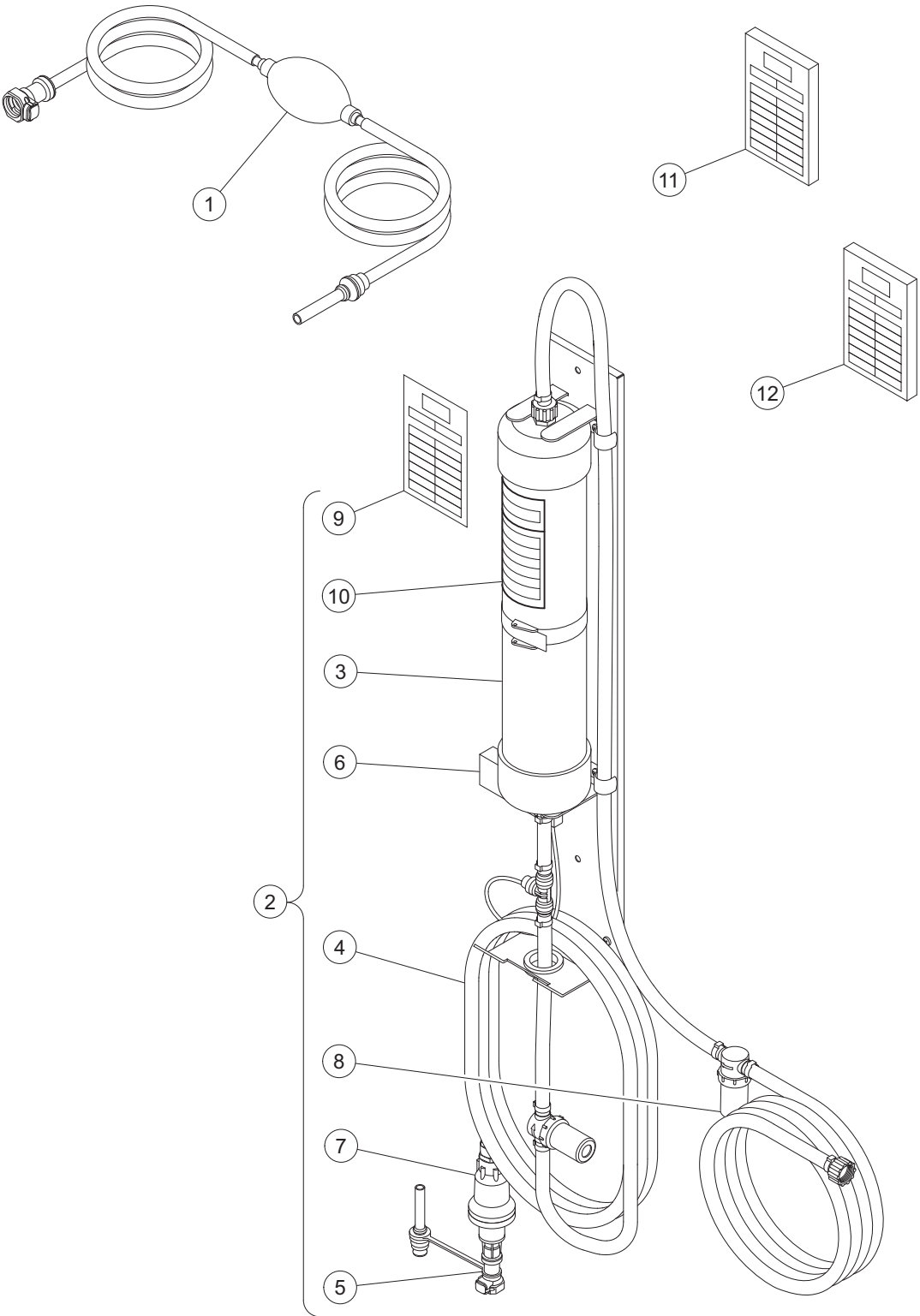
| ITEM | PART NO. | DESCRIPTION | QTY |
|------|------------------|--|-----|
| | | 1 2 3 4 | |
| 1 | <u>101090801</u> | Hold-Down, Battery | 4 |
| 2 | 1012571 | Washer, 5/16 Extra Thick Flat | 12 |
| 3 | 1015072 | Locknut, 5/16-18 Nylon Insert | 12 |
| 4 | <u>102002901</u> | Wire Assy, #4 Black | 4 |
| 5 | <u>102764001</u> | Wire Asm, #4 Black | 3 |
| 6 | <u>102766201</u> | Hold Down, Outside | 2 |
| 7 | <u>102845204</u> | Rod, Battery Hold Down 12" | 12 |
| 8 | <u>102873401</u> | 5/16-18 Heavy Hex Nut | 16 |
| 9 | 103969703 | Battery,6v Trojn T145,wet,spws | 8 |
| 10 | <u>103969799</u> | Battery,6v Trojan T145, Wet,sp | 8 |
| | | Note: Item 9 only applies to vehicles with Single Point Watering Systems (SPWS). | |

13

E

13

E



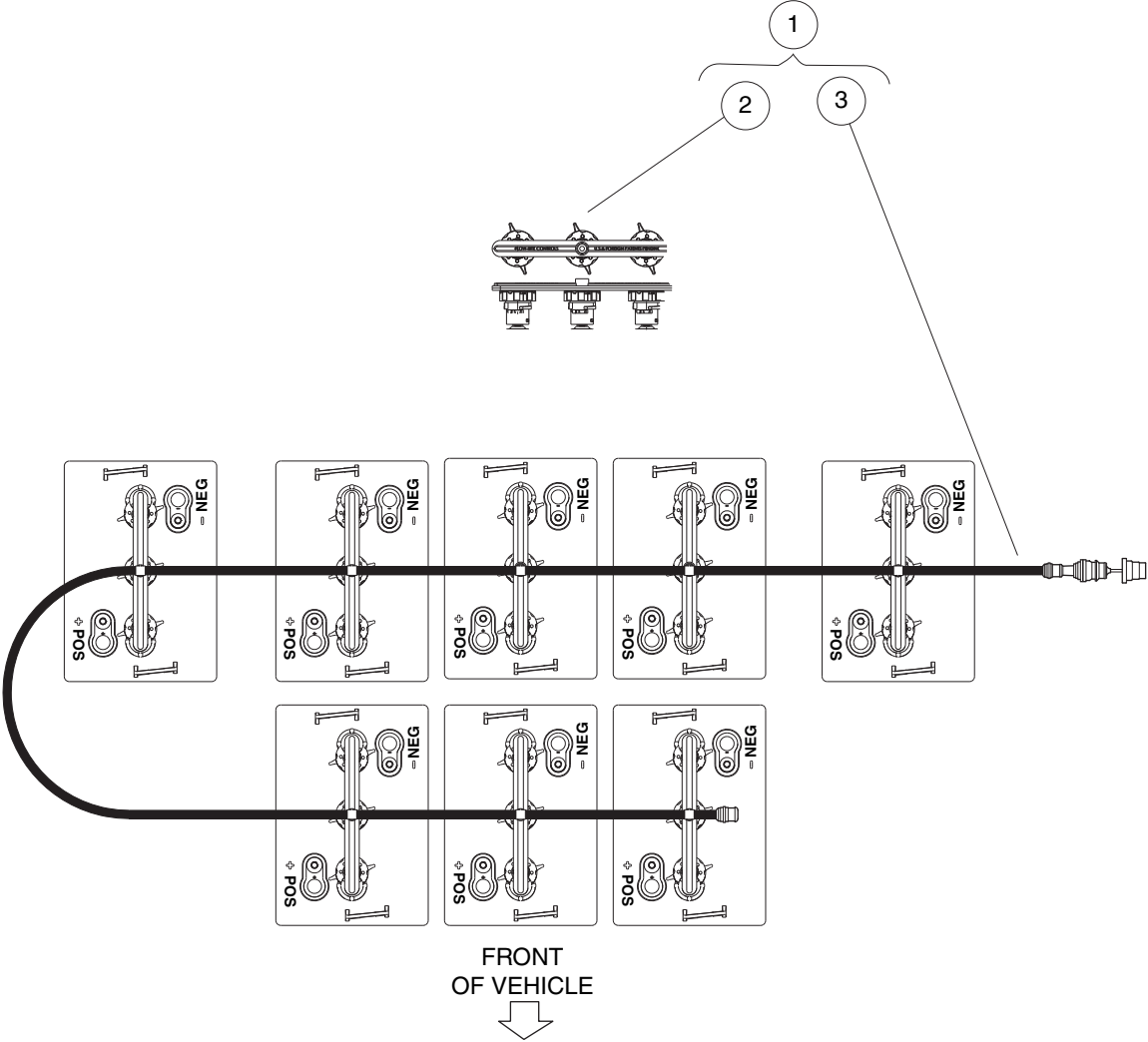
002523-003

HAND PUMP AND DEIONIZER (BATTERY-POWERED QUALITY LIGHT)

| ITEM | PART NO. | DESCRIPTION | QTY |
|------|------------------|--|-----|
| | | 1 2 3 4 | |
| 1 | <u>104006101</u> | Kit, Hand Pump, Spws | 1 |
| 2 | <u>105166801</u> | Deionizer, w/Battery-Powered Water Quality Light (includes items 3 through 10) | 1 |
| 3 | <u>104005901</u> | Cartridge, Deionizer | 1 |
| 4 | <u>105166901</u> | Hose,outlet,deionizer | 1 |
| 5 | <u>105167001</u> | Flow Ind, W/coupler, Deionizer | 1 |
| 6 | <u>105167101</u> | Light, Quality, Battery-Powered, w/T-Fitting | 1 |
| 7 | <u>105168501</u> | Regulator, Pressure, Deionizer | 1 |
| 8 | <u>105168601</u> | Strainer, In-line, Deionizer | 1 |
| 9 | <u>AM1300001</u> | Decal, Filter Log, Blue | 1 |
| 10 | <u>AM1300201</u> | Decal, Inspect Log, Yellow | 1 |
| 11 | AM1300101 | Decal, Filter Log, Blue, Pack of 100 | A/R |
| 12 | AM1300301 | Decal, Inspect Log, Yellow, Pack of 100 | A/R |

13

E



002524-001

SINGLE POINT WATERING SYSTEM (SPWS)

| ITEM | PART NO. | DESCRIPTION | QTY |
|------|------------------|---|-----|
| | | 1 2 3 4 | |
| 1 | <u>105300302</u> | Kit, Spws, 8x6v, Ca700 (includes items 2 and 3) | 1 |
| 2 | <u>103510501</u> | Manifold, Lpr, 3 Vlve, Spw | 8 |
| 3 | 105300501 | Spws, Carryall, 8x6v, Ca700 | 1 |

13

E

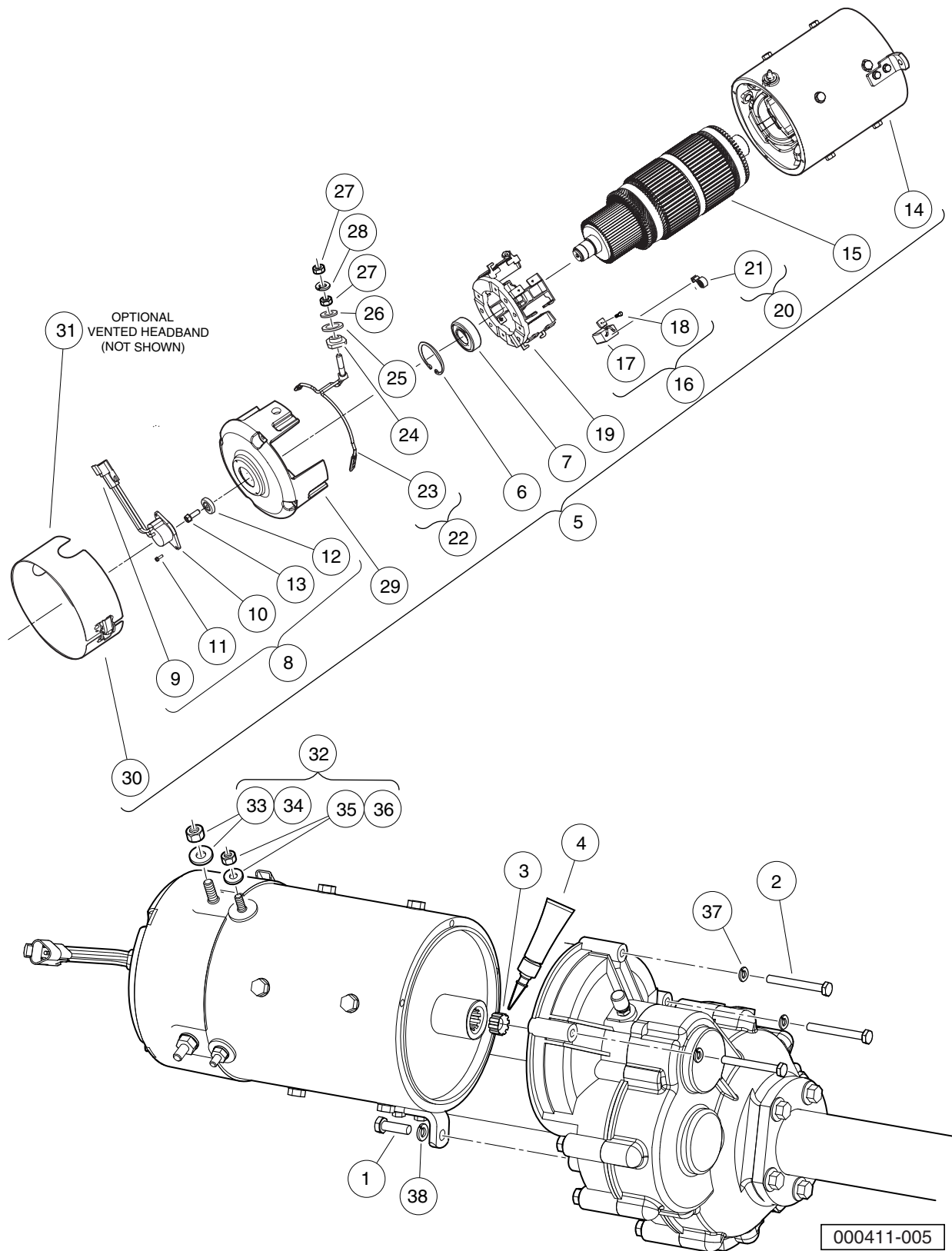
13

E

ELECTRIC MOTOR

14

E



MOTOR (MODEL DA5-4006) – IQ PLUS

| ITEM | PART NO. | DESCRIPTION | QTY |
|------|------------------|---|-----|
| | | 1 2 3 4 | |
| 1 | <u>1010934</u> | Screw, 5/16-18 X 1.00 Hex Cap | 1 |
| 2 | 1014201 | Screw, 1/4-20 X 2.25 Hex Cap | 3 |
| 3 | <u>102235201</u> | Bumper, Drive Unit | 1 |
| 4 | <u>102243403</u> | Lubricant, Moly-Teflon (Single-Use Tube) | 1 |
| 5 | <u>102775101</u> | IQ Plus Electric Motor, 48-VDC 3.7 hp (includes items 6 through 30) | 1 |
| 6 | N/A | Ring, 2.24" Internal Retaining | 1 |
| 7 | <u>102186401</u> | Bearing, Ball | 1 |
| 8 | <u>102704901</u> | Kit, Speed Sensor (includes items 9 through 13) | 1 |
| 9 | <u>101942301</u> | Kit, 3-Pin Wedge Lock | 1 |
| 10 | N/A | Sensor, Motor Speed, ADC | 1 |
| 11 | N/A | Screw, #8-32, Taptite Thread | 2 |
| 12 | N/A | Magnet, ADC Motor | 1 |
| 13 | N/A | Screw, 1/4-20 x 0.5 | 1 |
| 14 | N/A | Asm, Frame And Field, 3.7 Hp | 1 |
| 15 | N/A | Armature (Includes external hardware not shown) | 1 |
| 16 | <u>102938601</u> | Kit, Brush, 3.7 Hp (includes items 17 and 18) | 1 |
| 17 | N/A | Brush, Motor | 8 |
| 18 | N/A | Screw, Taptite | 8 |
| 19 | <u>102938701</u> | Asm, Brush Box, 3.7 Hp | 1 |
| 20 | <u>102938801</u> | Kit, Brush Spring, 3.7 Hp (includes item 21) | 1 |
| 21 | N/A | Brush Spring | 8 |
| 22 | <u>102938901</u> | Kit, Brush Lead Asm, 3.7 Hp (includes items 23 through 28) | 1 |
| 23 | N/A | Terminal and Lead Assembly | 2 |
| 24 | N/A | Insulator, Terminal | 2 |
| 25 | N/A | Washer, Insulating | 2 |
| 26 | N/A | Washer, Flat, 5/16, Brass/Bronze | 2 |
| 27 | N/A | Nut, 5/16, Steel | 4 |
| 28 | N/A | Lockwasher, 5/16, Steel | 2 |
| 29 | <u>102939001</u> | Commutator End Head, 3.7 Hp | 1 |
| 30 | <u>102939101</u> | Sealed Headband, 3.7 Hp | 1 |
| 31 | <u>102939102</u> | Vented Headband, 3.7 HP (optional - not shown) | 1 |
| 32 | <u>102951701</u> | Pkg, Terminal Hardware, 3.7hp (includes items 33 through 36) | 1 |
| 33 | N/A | Nut, 5/16, Steel | 2 |
| 34 | N/A | Lockwasher, 5/16, Steel | 2 |
| 35 | N/A | Nut, 1/4-20, Steel | 2 |
| 36 | N/A | Lockwasher, 1/4-20, Steel | 2 |
| 37 | <u>451</u> | Lockwasher, 1/4 Split | 3 |
| 38 | <u>7174</u> | Lockwasher, 5/16 Split | 1 |

14

E

14

E

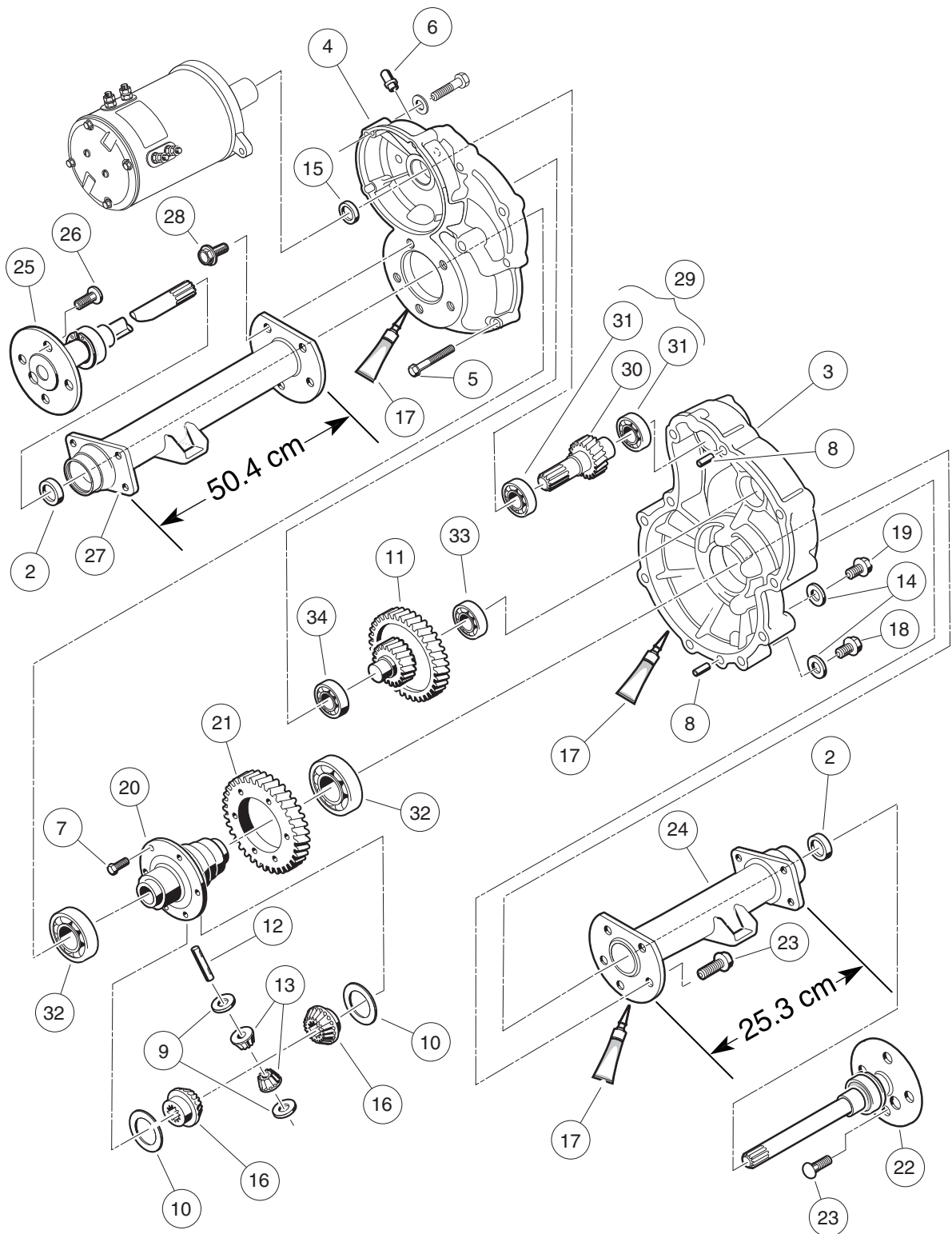
TRANSAXLE – ELECTRIC VEHICLES

15

E

15

E



000223-005

TRANSAXLE – ELECTRIC VEHICLES

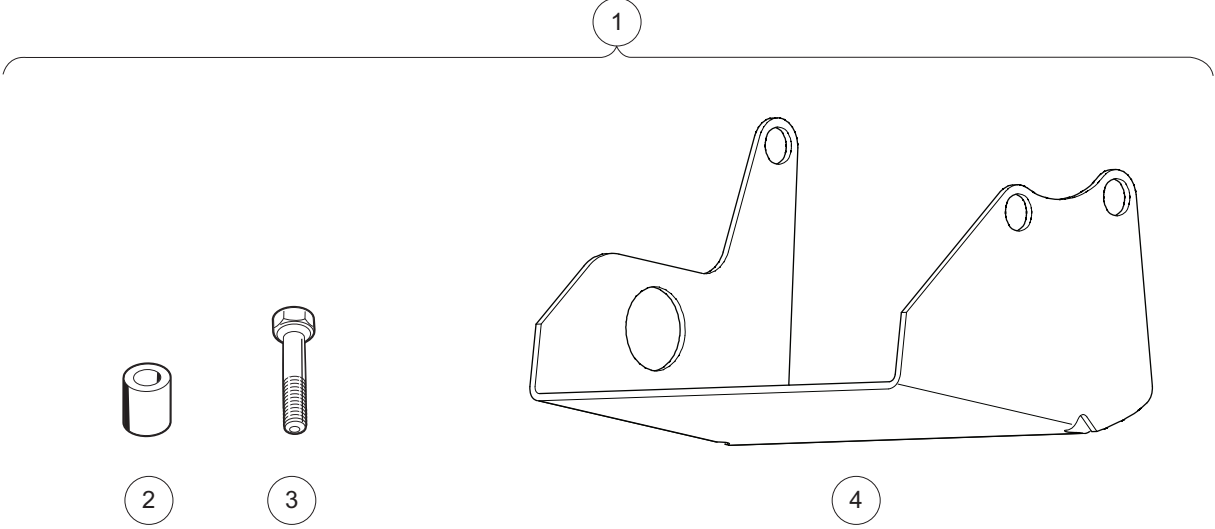
| ITEM | PART NO. | DESCRIPTION | QTY |
|------|------------------|---|-----|
| | | 1 2 3 4 | |
| 1 | <u>102771701</u> | Transaxle, Electric (includes items 2 through 34) | 1 |
| 2 | <u>1013794</u> | Axle Shaft Oil Seal | 2 |
| 3 | <u>101895401</u> | Gear Case, Driver-Side | 1 |
| 4 | <u>101895501</u> | Gear Case, Passenger-Side | 1 |
| 5 | <u>101897001</u> | Screw, M8-1.25 X 60mm Hex-Head | 11 |
| 6 | <u>101897201</u> | Breather | 1 |
| 7 | <u>101897401</u> | Screw, M10-1.25 X 25mm | 6 |
| 8 | <u>101897601</u> | Pin, 11mm OD X 8.5mm ID X 10mm | 2 |
| 9 | <u>101903601</u> | Washer, Thrust | 2 |
| 10 | <u>101903701</u> | Washer, Thrust | 2 |
| 11 | <u>101906901</u> | Intermediate Shaft Assembly | 1 |
| 12 | <u>101922101</u> | Pin, 15.99mm X 88.7mm Dowel | 1 |
| 13 | <u>101923001</u> | Gear, Differential Idler | 2 |
| 14 | <u>101923201</u> | Gasket | 2 |
| 15 | <u>101923501</u> | Seal, Lip | 1 |
| 16 | <u>101923901</u> | Gear, Differential | 2 |
| 17 | <u>101928701</u> | Liquid Gasket (Transaxle case) | 1 |
| 18 | <u>101972101</u> | Plug, M14-1.5 X 12mm Magnetic | 1 |
| 19 | <u>101972201</u> | Plug, M14-1.5 X 12mm Hex | 1 |
| 20 | <u>102356601</u> | Housing, Differential, 6 Bolt | 6 |
| 21 | <u>102356801</u> | Gear, Differential Output, 6-Bolt | 6 |
| 22 | <u>102886301</u> | Axle Assembly, Driver-Side (includes item 23) | 1 |
| 23 | <u>101922201</u> | Lug Stud | 4 |
| 24 | <u>102886401</u> | Tube, Axle, Driver-Side | 1 |
| 25 | <u>102886501</u> | Axle Assembly, Passenger-Side (includes item 26) | 1 |
| 26 | <u>101922201</u> | Lug Stud | 4 |
| 27 | <u>102886601</u> | Tube, Axle, Passenger-Side | 1 |
| 28 | <u>102902801</u> | Screw, M10 X 30 | 10 |
| 29 | <u>103582801</u> | Asm, E Trans Shaft/bearing (includes items 30 and 31) | 1 |
| 30 | N/A | Shaft, Input | 1 |
| 31 | <u>7335</u> | Bearing | 2 |
| 32 | <u>7330</u> | Inner Axle Tube Bearing | 2 |
| 33 | <u>7335</u> | Bearing | 1 |
| 34 | <u>7336</u> | Bearing | 1 |

15

E

15

E



000365-002

DIFFERENTIAL GUARD – ELECTRIC VEHICLES

| ITEM | PART NO. | DESCRIPTION | QTY |
|------|------------------|---|-----|
| | | 1 2 3 4 | |
| 1 | <u>101611402</u> | Kit, Differential Guard, Elec Vehicles (includes items 2 through 4) | 1 |
| 2 | <u>101914001</u> | Spacer, Steel | 2 |
| 3 | <u>101936101</u> | Screw, M10-1.50 X 60mm Hex Cap | 2 |
| 4 | <u>101978601</u> | Guard, Differential, Electric Vehicle Transaxle | 1 |

15

E

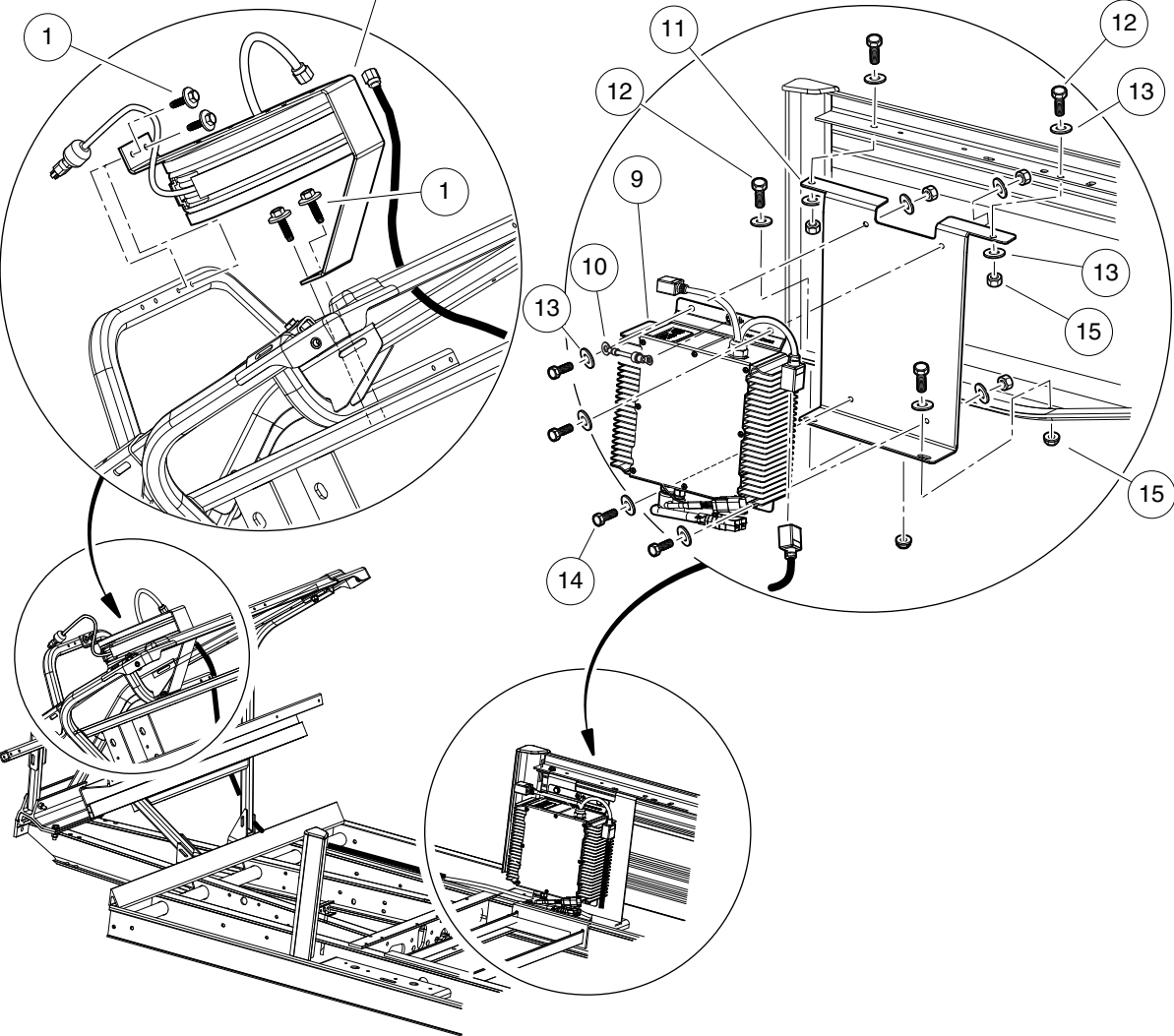
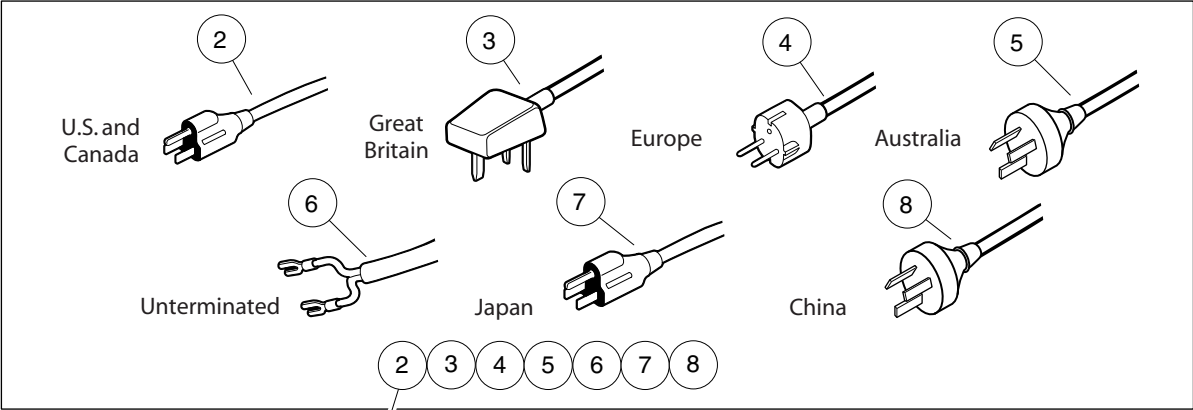
15

E

ON-BOARD BATTERY CHARGERS – HIGH-FREQUENCY

16

E



002809-001

ON-BOARD BATTERY CHARGER, HIGH-FREQ.

| ITEM | PART NO. | DESCRIPTION | QTY |
|------|------------------|--|-----|
| | | 1 2 3 4 | |
| 1 | <u>102297125</u> | Screw, M6-1.0x25.4, Thread-Forming, SEMS | 4 |
| 2 | <u>105117601</u> | Cord Reel, Retractable, Us | 1 |
| 3 | <u>105117602</u> | Cord Reel, Retractable, Uk | 1 |
| 4 | <u>105117603</u> | Cord Reel, Retractable, Eu | 1 |
| 5 | <u>105117604</u> | Cord Reel, Retractable, Aus | 1 |
| 6 | <u>105117605</u> | Cord Reel, Retractable, Unterm | 1 |
| 7 | 105117606 | Cord Reel, Retractable, Japan | 1 |
| 8 | 105117607 | Cord Reel, Retractable, China | 1 |
| 9 | 105161901 | Asm, Chgr, Batt, Onboard, Quiq | 1 |
| 10 | <u>105224001</u> | Harness, Charger Ground | 1 |
| 11 | <u>105249601</u> | Bracket, On-Board Charger, CA7/TRANS | 1 |
| 12 | 304 | Screw, 1/4-20 X 1.0 Hex-Head Cap | 2 |
| 13 | <u>332</u> | Washer, 1/4 Type A Narrow Flat | 12 |
| 14 | <u>7847</u> | Screw, 1/4-20 X 0.75 Hex-Head Cap | 4 |
| 15 | <u>8233</u> | Locknut, 1/4-20, Nylon Insert | 6 |

16

E

16

E

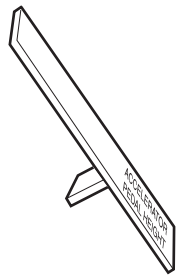
MAINTENANCE AND SERVICE TOOLS

17

G

E

17
G
E



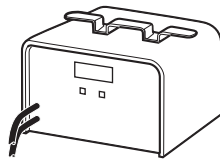
1



2



3



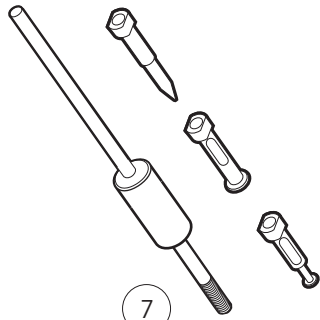
4



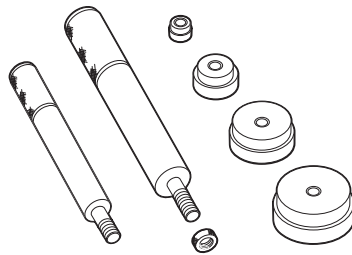
5



6



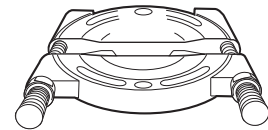
7



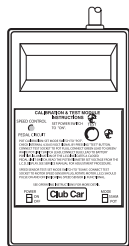
8



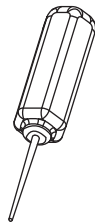
9



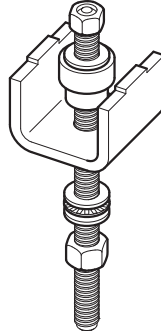
10



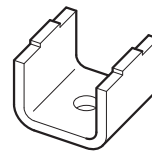
11



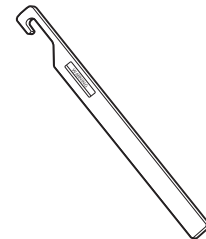
12



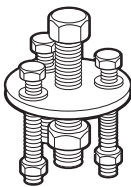
13



14



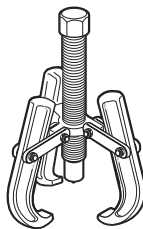
15



16



17



18



19

001060-003

MAINTENANCE AND SERVICE TOOLS

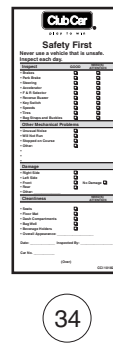
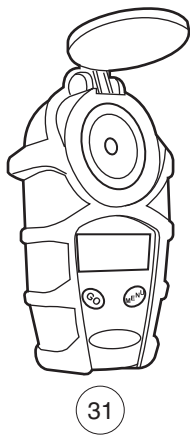
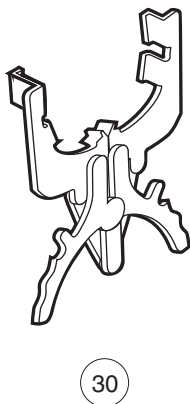
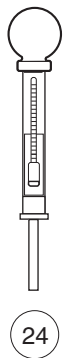
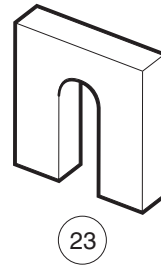
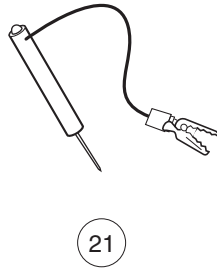
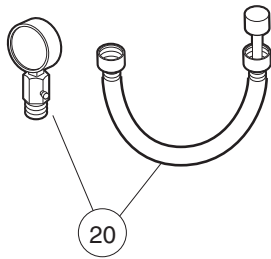
| ITEM | PART NO. | DESCRIPTION | QTY GAS | QTY ELEC |
|------|------------------|--|------------|-------------|
| | | <p style="text-align: center;">1 2 3 4</p> <p>The following tool list includes all tools available from Club Car for maintenance and service procedures for gasoline and electric golf and utility vehicles. Be sure to carefully examine the tool list for applicability to your vehicle before ordering.</p> | | |
| 1 | <u>101871001</u> | Accelerator Pedal Adjustment Tool (Utility Vehicles)..... | 1 | 1 |
| 2 | <u>101813202</u> | Adhesive, Guide Ring, 3-Gram Tube | | 1 |
| 3 | <u>101641202</u> | Arbor | 1 | |
| 4 | <u>101831901</u> | Battery Discharge Machine, 36/48 Volt | | 1 |
| 5 | <u>1014305</u> | Battery Terminal Protector Spray | 1 | 1 |
| 6 | 1011767 | Battery Thermometer | 1 | 1 |
| 7 | <u>1016417</u> | Bearing and Oil Seal Remover Assembly | 1 | 1 |
| 8 | <u>1016416</u> | Bearing Driver Set | 1 | 1 |
| 9 | <u>1012811</u> | Bearing Puller | 1 | 1 |
| 10 | <u>1012812</u> | Bearing Puller Wedge Attachment | 1 | 1 |
| 11 | <u>101887101</u> | Calibration Test Module | | 1 |
| 12 | <u>102562401</u> | Charger Bezel Tool | | 1 |
| | | Clutch Tools (items 13 - 19) | 1 | |
| 13 | 47568549001 | Driven Clutch Tool | 1 | |
| 14 | 47568246001 | Plate, Cam Press (supplied with item 13)..... | 1 | |
| 15 | <u>105072501</u> | Drive Clutch Holder Tool Assembly | 1 | |
| 16 | <u>1014497</u> | Drive Clutch Hub Puller | 1 | |
| 17 | <u>1014496</u> | Drive Clutch Puller | 1 | |
| 18 | <u>1014508</u> | Driven Clutch Cam Puller | 1 | |
| 19 | <u>1014507</u> | Driven Clutch Puller Plug | 1 | |
| | | <p>Please refer to the maintenance and service manual for proper tool application.</p> | | |

17

G

E

17
G
E



001061-003

MAINTENANCE AND SERVICE TOOLS, CONTINUED

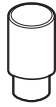
| ITEM | PART NO. | DESCRIPTION | QTY GAS | QTY ELEC |
|------|------------------|--|------------|-------------|
| | | 1 2 3 4 | | |
| 20 | 101641002 | Compression Gauge and Adapter | 1 | |
| 21 | 1011273 | Continuity Tester | 1 | 1 |
| 22 | <u>1012151</u> | Dry Moly Lubricant | 1 | 1 |
| 23 | <u>1016418</u> | Gear Yoke | 1 | 1 |
| 24 | <u>1011478</u> | Hydrometer | 1 | 1 |
| 25 | <u>1013593</u> | Internal Retaining Ring Pliers | 1 | 1 |
| 26 | <u>101928701</u> | Liquid Gasket (transaxle case) | 1 | 1 |
| 27 | <u>102243402</u> | Moly-Teflon Lubricant (4-oz. (113-gram) tube) | | 1 |
| 28 | <u>102587201</u> | Paint Pen, Touch-Up, Underbody ,Black | 1 | 1 |
| 29 | <u>1016414</u> | Piston Ring Compressor Kit | 1 | |
| 30 | <u>1016415</u> | Piston Ring Pliers | 1 | |
| 31 | <u>AM1285701</u> | Refractometer | 1 | 1 |
| 32 | <u>1012549</u> | Retaining Ring Pliers, 45 External | 1 | 1 |
| 33 | <u>1012560</u> | Retaining Ring Pliers, 90 Internal | 1 | 1 |
| 34 | <u>101823101</u> | Safety First Card (50 per pack) | 1 | 1 |
| 35 | <u>1012809</u> | Seal Puller | 1 | 1 |
| | | Please refer to the maintenance and service manual for proper tool application. | | |

17
G
E

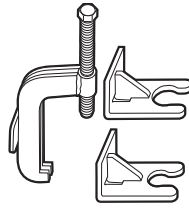
17
G
E



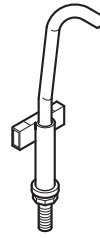
36



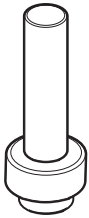
37



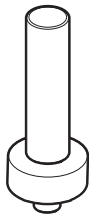
38



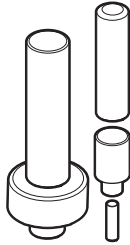
39



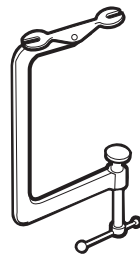
40



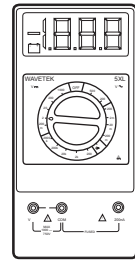
41



42



43



44



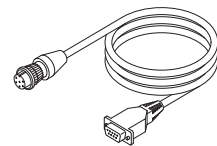
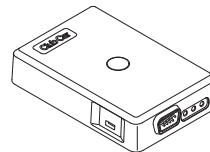
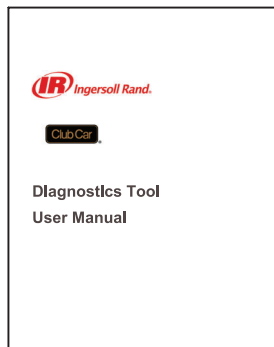
45



46



47



48

001062-002

MAINTENANCE AND SERVICE TOOLS, CONTINUED

| ITEM | PART NO. | DESCRIPTION | QTY GAS | QTY ELEC | |
|------|--------------------|--|------------|-------------|----|
| | | 1 2 3 4 | | | 17 |
| 36 | <u>1014264</u> | Steering Column Bearing Press Tool | 1 | 1 | G |
| 37 | <u>1014259</u> | Steering Column Retaining Ring Tool | 1 | 1 | E |
| 38 | <u>102061201</u> | Steering Wheel Puller Tool | 1 | 1 | |
| 39 | <u>102570401</u> | Tool, Tensioning, Starter Generator | 1 | | |
| 40 | <u>1014162</u> | Transaxle Axle Seal Tool | | 1 | |
| 41 | <u>1014161</u> | Transaxle Pinion Seal Tool | | 1 | |
| 42 | <u>1014115</u> | Transmission Tool Kit | | 1 | |
| 43 | <u>101641101</u> | Valve Spring Compressor | 1 | | |
| 44 | <u>1011480</u> | Volt Ohm Meter | 1 | 1 | |
| 45 | <u>47631025001</u> | Kit, EFI Diagnostics | 1 | | |
| 46 | <u>47631026001</u> | Kit, Bluetooth EFI Diagnostics | 1 | | |
| 47 | <u>47631075001</u> | Kit, EFI Tool | 1 | | |
| | | Please refer to the maintenance and service manual for proper tool application. | | | |

INDEX

Part Number and Page

| | | | | | |
|-------------|---|-----------|---|-----------|-----------------------------|
| AM10419 | 11-9 | 7561 | 1-65, 1-67 | 1011393 | 6-21 |
| AM1300001 | 13-15 | 7716 | 5-3 | 1011402 | 5-3 |
| AM1300101 | 13-15 | 7818 | 7-11, 7-13 | 1011415 | 6-23 |
| AM1300201 | 13-15 | 7820 | 4-7, 4-9 | 1011418 | 5-3 |
| AM1300301 | 13-15 | 7840 | 6-21 | 1011439 | 4-7, 4-9 |
| SVP1154001 | 1-147 | 7847 | 16-3 | 101146302 | 5-11, 5-21, 5-23 |
| SVP1154002 | 1-147 | 7893 | 4-27, 4-37, 7-11, 7-13 | 1011464 | 5-11, 5-21, 5-23 |
| SVP1154003 | 1-147 | 7910 | 6-21 | 1011465 | 5-11, 5-21, 5-23 |
| SVP1154004 | 1-147 | 7973 | 13-7 | 1011466 | 5-11, 5-21, 5-23 |
| SVP1154005 | 1-147 | 8056 | 4-23, 7-17 | 1011467 | 5-11, 5-21, 5-23 |
| SVP1154701 | 1-147 | 8057 | 1-123, 4-23, 7-13, 7-15, 7-17 | 1011478 | 17-5 |
| SVP1154801 | 1-147 | 8058 | 1-123, 4-23, 7-13, 7-15, 7-17 | 1011480 | 17-7 |
| SVP1155101 | 1-147 | 8067 | 6-13, 6-17 | 1011494 | 5-11, 5-21, 5-23 |
| SVP1161801 | 1-147 | 8233 | 1-59, 5-5, 5-7, 7-9, 9-11, 12-11, 16-3 | 1011546 | 1-89 |
| SVP12987001 | 4-33 | 8248 | 7-9 | 1011553 | 1-85, 1-87, 3-5, 3-9 |
| SVP707604 | 1-53 | 8450 | 11-5, 11-7 | 1011557 | 4-7, 4-9 |
| SVP707605 | 1-53 | 8639 | 1-117, 1-123, 4-37, 6-5, 7-11, 7-13 | 1011694 | 5-5, 5-7 |
| SVP853001 | 13-5 | 8717 | 5-5, 5-7, 7-11, 7-13, 12-3 | 1011697 | 6-5, 10-3 |
| SVP860001 | 13-5 | 8754 | 1-3, 1-7, 1-37, 1-39, 1-41, 1-43, 1-91, 4-29, 4-31, 5-5, 5-7, 5-13, 6-3, 6-5, 6-11, 6-13, 6-15, 6-17, 7-7 | 1011734 | 5-7 |
| SVP895801 | 13-5 | 8755 | 6-13, 6-17 | 1011767 | 17-3 |
| 183 | 1-55, 11-5, 11-7 | 8861 | 6-11, 6-15 | 1011779 | 5-13, 5-15, 5-17 |
| 304 | 16-3 | 8935 | 1-21 | 1011825 | 4-7, 4-9 |
| 320 | 1-19, 5-13 | 8963 | 1-21 | 101187702 | 5-3 |
| 324 | 1-71 | 8990 | 5-13, 6-3, 12-5 | 1011887 | 6-21 |
| 332 | 1-23, 1-29, 1-31, 1-59, 7-9, 16-3 | 1010005 | 6-21 | 1011892 | 6-21 |
| 334 | 1-19, 5-5, 5-7, 6-3, 6-5, 11-5, 11-7 | 1010138 | 1-65, 1-67, 6-11, 6-15 | 1011931 | 5-5, 5-7 |
| 357 | 1-65, 1-67, 1-85, 6-13, 6-17 | 1010145 | 6-23 | 1011937 | 1-21 |
| 451 | 5-11, 5-21, 5-23, 14-3 | 1010150 | 6-13, 6-17 | 1011990 | 1-3, 1-65, 1-67, 1-85, 1-91 |
| 705 | 1-3, 1-65, 1-67, 1-85 | 1010177 | 6-13, 6-17 | 1012151 | 17-5 |
| 706 | 1-65, 1-67, 1-85, 6-13, 6-17 | 1010200 | 6-13, 6-17 | 1012159 | 1-37, 1-39, 1-43 |
| 1016 | 1-71, 4-27 | 1010434 | 1-29, 1-31 | 1012295 | 1-123, 4-7, 4-9, 7-11, 7-13 |
| 1028 | 5-3 | 101043502 | 1-63 | 1012303 | 6-13, 6-17 |
| 1032 | 5-3 | 1010805 | 5-3 | 101242802 | 1-7 |
| 1218 | 1-53, 6-19, 9-15 | 1010829 | 5-13, 5-15, 5-17 | 1012431 | 1-123, 7-13 |
| 1241 | 1-21, 1-53, 1-85, 1-87, 4-7, 4-9, 5-3, 5-5, 5-7, 5-15, 5-17, 7-11, 7-13, 7-19, 7-21, 9-15 | 1010850 | 5-11, 5-21, 5-23 | 1012462 | 1-41 |
| 1242 | 1-85, 1-87, 4-37, 5-13, 5-15, 5-17, 7-7, 7-11, 7-13 | 1010877 | 5-3 | 1012528 | 1-63, 13-9 |
| 1606 | 7-19 | 1010878 | 5-3 | 1012549 | 17-5 |
| 1624 | 1-3, 1-91, 5-5, 5-7, 6-3, 7-7 | 101090801 | 13-11, 13-13 | 1012560 | 17-5 |
| 2402 | 1-3, 1-91, 6-11, 6-15 | 1010909 | 1-55 | 1012565 | 6-9 |
| 7048 | 6-13, 6-17 | 1010921 | 5-3 | 1012566 | 6-9 |
| 7049 | 1-73 | 1010927 | 5-3 | 1012571 | 6-5, 13-11, 13-13 |
| 7173 | 4-7, 4-9, 7-19, 7-21 | 1010932 | 5-3 | 1012604 | 6-5 |
| 7174 | 1-85, 1-87, 6-13, 6-17, 7-7, 14-3 | 1010933 | 5-3 | 1012605 | 6-5 |
| 7274 | 6-21 | 1010934 | 1-85, 1-87, 7-19, 7-21, 14-3 | 1012649 | 9-5 |
| 7308 | 6-21 | 1010954 | 7-11, 7-13 | 1012809 | 17-5 |
| 7310 | 2-5 | 1010984 | 2-3, 2-5 | 1012811 | 17-3 |
| 7330 | 15-3 | 1011084 | 5-7 | 1012812 | 17-3 |
| 7335 | 15-3 | 1011114 | 5-11, 5-21, 5-23, 9-11, 12-11 | 1012836 | 11-9 |
| 7336 | 15-3 | 1011137 | 5-11, 5-23 | 1013035 | 6-3 |
| 7473 | 1-21, 1-53, 1-63, 4-7, 4-9, 5-3, 5-5, 5-7, 5-13, 5-15, 5-17, 6-19, 7-11, 7-13, 7-19, 7-21, 9-15 | 1011154 | 5-11, 5-21, 5-23 | 1013042 | 6-3, 6-11, 6-15 |
| 7479 | 1-59 | 1011273 | 17-5 | 1013044 | 6-3 |
| | | 1011298 | 5-11, 5-21, 5-23 | 1013052 | 6-3 |
| | | 1011303 | 5-11, 5-21, 5-23 | 1013061 | 1-55 |
| | | 1011314 | 5-11, 5-21, 5-23 | 1013135 | 6-21 |
| | | | | 1013309 | 1-23 |
| | | | | 1013357 | 4-5 |

INDEX

| | | | | | |
|-----------|-----------------------------|-----------|-------------------------|-----------|------------------------|
| 1013483 | 1-85 | 1015154 | 4-29 | 1016557 | 5-11, 5-21, 5-23 |
| 1013531 | 5-15, 5-17 | 1015156 | 4-29, 4-31 | 1016573 | 5-11, 5-21, 5-23 |
| 1013589 | 7-11, 7-13 | 1015157 | 4-29, 4-31 | 1016603 | 1-65, 1-67 |
| 1013593 | 17-5 | 1015187 | 4-29, 4-31 | 101674702 | 5-7 |
| 1013609 | 4-37, 7-11, 7-13 | 1015332 | 7-3 | 1016801 | 11-5, 11-7 |
| 1013734 | 1-63, 13-9 | 1015363 | 1-73 | 1016849 | 4-7, 4-9, 4-11, 4-13 |
| 1013746 | 9-5 | 1015373 | 7-11, 7-13 | 1016851 | 4-11, 4-13, 4-23 |
| 1013794 | 15-3 | 1015399 | 1-27 | 1016901 | 11-5 |
| 1013869 | 5-3 | 1015405 | 7-11, 7-13 | 1016929 | 4-29 |
| 1013870 | 5-3 | 1015445 | 1-85 | 1016967 | 13-9 |
| 1013876 | 5-3 | 1015524 | 17-3 | 1017029 | 5-3 |
| 1013924 | 5-11, 5-21, 5-23, 8-7 | 101553901 | 3-3, 3-7 | 1017211 | 5-13 |
| 1014007 | 5-5, 5-7, 9-11, 12-3, 12-11 | 1015583 | 1-57, 1-59, 6-13 | 1017226 | 6-13, 6-17 |
| 1014051 | 11-7 | 101558302 | 6-17, 6-23 | 1017266 | 6-11, 6-15 |
| 1014055 | 11-5, 11-7 | 1015597 | 6-13, 6-17 | 1017273 | 6-7, 6-9 |
| 1014056 | 11-5, 11-7 | 1015656 | 1-77 | 1017313 | 6-5 |
| 1014057 | 11-5, 11-7 | 1015661 | 1-71 | 1017314 | 6-5 |
| 1014058 | 11-5, 11-7 | 1015700 | 1-59 | 1017315 | 6-5 |
| 1014059 | 11-5, 11-7 | 1015720 | 13-9 | 1017317 | 6-5 |
| 1014062 | 11-5, 11-7 | 1015737 | 7-11, 7-13 | 1017378 | 5-5, 5-7 |
| 1014063 | 11-5, 11-7 | 1015741 | 7-11, 7-13, 13-5 | 1017380 | 5-5, 5-7 |
| 1014065 | 7-11, 7-13, 11-5, 11-7 | 1015752 | 7-11, 7-13 | 1017424 | 5-5, 5-7 |
| 1014072 | 11-9 | 101587714 | 9-5 | 1017686 | 11-9 |
| 1014078 | 11-9 | 1015878 | 1-123, 7-13, 7-15, 7-17 | 1017774 | 1-65, 1-67 |
| 1014080 | 11-9 | 1015932 | 7-7 | 101791101 | 5-21 |
| 1014115 | 17-7 | 1016077 | 1-77 | 101796201 | 5-5, 5-7 |
| 1014116 | 9-3 | 101609401 | 3-3, 3-7 | 101808401 | 17-3 |
| 1014125 | 6-5 | 101611402 | 15-5 | 101813202 | 17-3 |
| 1014126 | 6-5 | 1016154 | 6-9 | 101817401 | 5-5, 5-7 |
| 1014145 | 7-11, 7-13 | 1016183 | 6-5 | 101818801 | 5-7 |
| 1014161 | 17-7 | 1016201 | 11-5, 11-7 | 101823101 | 17-5 |
| 1014162 | 17-7 | 1016214 | 6-9 | 101825101 | 3-3, 3-7, 4-11, 4-13 |
| 1014201 | 14-3 | 1016269 | 6-5 | 101825102 | 3-7 |
| 1014213 | 6-5 | 1016289 | 11-5, 11-7 | 101830701 | 4-15, 4-17, 4-19, 4-21 |
| 1014214 | 6-5 | 1016319 | 5-13 | 101831901 | 17-3 |
| 1014217 | 6-5 | 1016320 | 5-13 | 101833401 | 11-9 |
| 1014259 | 17-7 | 1016346 | 6-11, 6-15 | 101834502 | 4-15, 4-17, 4-19, 4-21 |
| 1014264 | 17-7 | 1016349 | 6-11, 6-15 | 101834601 | 8-7 |
| 1014276 | 6-13, 6-17 | 1016350 | 6-11, 6-15 | 101834602 | 8-7 |
| 1014287 | 11-5, 11-7 | 1016351 | 6-11, 6-15 | 101837401 | 1-149 |
| 1014288 | 6-5, 7-19, 11-5, 11-7 | 1016353 | 6-11, 6-15 | 101837502 | 1-149 |
| 1014305 | 17-3 | 1016356 | 4-5, 13-9 | 101850301 | 4-3, 6-7, 6-9 |
| 1014321 | 1-71 | 1016384 | 6-13, 6-17 | 101851101 | 4-15, 4-17, 4-19, 4-21 |
| 1014375 | 7-19 | 101638502 | 6-11, 6-15 | 101856002 | 4-11 |
| 1014453 | 11-5, 11-7 | 1016386 | 6-13, 6-17 | 101856101 | 1-9 |
| 1014454 | 11-9 | 1016387 | 6-13, 6-17 | 101856102 | 7-11, 7-13 |
| 1014496 | 17-3 | 1016389 | 6-13, 6-17 | 101861901 | 1-41, 5-5, 5-7 |
| 1014497 | 17-3 | 101641002 | 17-5 | 101862001 | 5-5 |
| 1014507 | 17-3 | 101641101 | 17-7 | 101865301 | 5-13 |
| 1014508 | 17-3 | 101641202 | 17-3 | 101871001 | 17-3 |
| 1014789 | 7-3 | 1016414 | 17-5 | 101874601 | 5-13 |
| 1014807 | 7-13, 7-15, 7-17 | 1016415 | 17-5 | 101878201 | 5-3 |
| 1014808 | 7-13 | 1016416 | 17-3 | 101879401 | 6-3 |
| 1014948 | 4-37 | 1016417 | 17-3 | 101879501 | 6-3 |
| 101503202 | 1-19 | 1016418 | 17-5 | 101879601 | 6-3 |
| 1015072 | 13-11, 13-13 | 1016423 | 4-5, 13-5 | 101879701 | 6-3 |

INDEX

| | | | | | |
|-----------|------------------------|-----------|---|-----------|--|
| 101879801 | 6-3 | 101974706 | 4-15, 4-17, 4-19, 4-21 | 102298185 | 1-57, 1-59 |
| 101879901 | 6-3 | 101974707 | 4-15, 4-17, 4-19, 4-21 | 102298401 | 1-57, 1-59, 1-69, 1-71, 1-77, 1-147, 6-23, 10-3 |
| 101880001 | 6-3 | 101974708 | 4-15, 4-17, 4-19, 4-21 | 102299550 | 1-69, 1-71, 1-77, 1-147 |
| 101880101 | 6-3 | 101974709 | 4-15, 4-17, 4-19, 4-21 | 102311501 | 1-9 |
| 101880201 | 6-3 | 101974710 | 4-15, 4-17, 4-19, 4-21 | 102323101 | 5-13, 5-15, 5-17 |
| 101880301 | 6-3 | 101974711 | 4-15, 4-17, 4-19, 4-21 | 102323201 | 5-13, 5-15, 5-17 |
| 101880701 | 5-11, 5-21, 5-23 | 101974712 | 4-15, 4-17, 4-19, 4-21 | 102323501 | 1-7, 1-37, 1-39, 1-41, 1-43, 4-29, 4-31 |
| 101884801 | 8-7 | 101978601 | 15-5 | 102345901 | 3-9 |
| 101886101 | 9-11, 12-11 | 101984801 | 6-5 | 102355301 | 7-19 |
| 101887101 | 17-3 | 101990801 | 5-15, 5-17 | 102356601 | 15-3 |
| 101887601 | 9-11 | 102002803 | 13-9 | 102356801 | 15-3 |
| 101895401 | 15-3 | 102002804 | 13-9 | 102410604 | 9-11 |
| 101895501 | 15-3 | 102002901 | 13-11, 13-13 | 102410607 | 9-3 |
| 101897001 | 15-3 | 102022601 | 6-11, 6-15 | 102411209 | 9-15 |
| 101897201 | 15-3 | 102022602 | 6-3, 6-11, 6-15 | 102440901 | 13-9 |
| 101897401 | 15-3 | 102025701 | 5-9 | 102476401 | 9-11, 12-11 |
| 101897601 | 15-3 | 102025801 | 9-3, 9-5 | 102490301 | 9-3, 9-11 |
| 101898001 | 7-19, 7-21 | 102026001 | 5-5, 5-7 | 102491501 | 1-91, 11-5, 11-7 |
| 101898101 | 7-19 | 102056001 | 1-87 | 102492301 | 13-5 |
| 101903601 | 15-3 | 102059501 | 12-7, 12-9 | 102498201 | 9-11, 12-7, 12-9, 12-11 |
| 101903701 | 15-3 | 102061201 | 17-7 | 102506401 | 1-57, 1-59, 6-23 |
| 101906901 | 15-3 | 102063601 | 1-41 | 102517501 | 4-7 |
| 101908101 | 13-7 | 102065103 | 1-87 | 102517601 | 4-9 |
| 101908401 | 7-9, 13-7 | 102065901 | 1-57, 1-59, 1-61 | 102518301 | 3-5 |
| 101914001 | 15-5 | 102155801 | 11-9 | 102526201 | 12-3 |
| 101915201 | 3-9 | 102158901 | 5-5, 5-7 | 102538601 | 13-5 |
| 101918501 | 5-3, 5-5, 5-7 | 102162601 | 5-15, 5-17 | 102540301 | 8-7 |
| 101919801 | 5-5, 5-7 | 102166901 | 5-15, 5-17 | 102541401 | 7-7 |
| 101922101 | 15-3 | 102186401 | 14-3 | 102541501 | 1-15 |
| 101922201 | 15-3 | 102196901 | 13-5 | 102546401 | 4-7 |
| 101922501 | 7-9 | 102198001 | 4-5, 4-39 | 102554512 | 1-73 |
| 101923001 | 15-3 | 102199001 | 1-123, 4-7, 4-9 | 102557201 | 1-37, 1-39, 1-43 |
| 101923201 | 15-3 | 102235201 | 14-3 | 102558201 | 8-3, 9-15 |
| 101923501 | 15-3 | 102238001 | 4-5, 13-9 | 102562401 | 17-3 |
| 101923901 | 15-3 | 102240501 | 13-9 | 102564002 | 6-13, 6-17 |
| 101928701 | 15-3, 17-5 | 102242101 | 11-9 | 102569302 | 2-5 |
| 101932201 | 4-7, 4-9 | 102242401 | 1-37, 1-39, 1-41, 1-43 | 102570401 | 17-7 |
| 101935301 | 5-13 | 102243402 | 17-5 | 102572401 | 13-5 |
| 101936101 | 15-5 | 102243403 | 14-3 | 102581201 | 1-37, 1-39, 1-43 |
| 101942301 | 14-3 | 102269701 | 7-11 | 102582401 | 1-33, 1-35 |
| 101946201 | 1-27 | 102274101 | 12-23 | 102587201 | 17-5 |
| 101953103 | 5-17 | 102278001 | 6-5 | 102590801 | 1-41, 1-71, 1-73 |
| 101953104 | 5-15 | 102289201 | 6-3, 6-11, 6-15 | 102617201 | 8-5 |
| 101953106 | 5-13 | 102292701 | 1-15 | 102617801 | 12-23 |
| 101954301 | 1-23 | 102292801 | 5-13, 5-15, 5-17 | 102621501 | 1-75, 7-7, 12-3, 12-7, 12-9 |
| 101955101 | 4-7, 4-9 | 102296020 | 12-3 | 102621601 | 1-7 |
| 101957101 | 4-7, 4-9 | 102296150 | 1-33, 1-35 | 102670701 | 1-7, 6-23 |
| 101960501 | 3-9 | 102296301 | 1-15, 1-33, 1-35, 1-37, 1-39, 1-41, 1-43 | 102684501 | 6-13, 6-17 |
| 101963401 | 1-27, 1-77, 7-11, 9-15 | 102296530 | 1-15 | 102704901 | 14-3 |
| 101972101 | 15-3 | 102296716 | 9-11 | 102711201 | 7-11, 7-13 |
| 101972201 | 15-3 | 102296819 | 1-5 | 102725501 | 9-15 |
| 101974701 | 4-15, 4-17, 4-19, 4-21 | 102297125 | 1-15, 1-17, 1-19, 1-49, 1-51, 4-7, 4-9, 4-37, 16-3 | 102732401 | 8-5 |
| 101974702 | 4-15, 4-17, 4-19, 4-21 | 102297230 | 13-3 | 102764001 | 13-11, 13-13 |
| 101974703 | 4-15, 4-17, 4-19, 4-21 | 102298116 | 9-9 | 102766201 | 13-11, 13-13 |
| 101974704 | 4-15, 4-17, 4-19, 4-21 | | | | |
| 101974705 | 4-15, 4-17, 4-19, 4-21 | | | | |

INDEX

| | | | | | |
|-----------|------------------------|-----------|------------------|-----------|--------------|
| 102766301 | 6-13, 6-17 | 103347701 | 7-5 | 103896605 | 9-5 |
| 102771701 | 15-3 | 103347801 | 7-5 | 103902101 | 13-3 |
| 102772402 | 13-9 | 103348201 | 4-13 | 103902301 | 13-3 |
| 102774701 | 13-9 | 103348202 | 4-11 | 103902401 | 13-3 |
| 102775101 | 14-3 | 103348602 | 4-13 | 103924801 | 7-3 |
| 102817101 | 4-37, 13-9 | 103354401 | 4-11 | 103943401 | 13-3 |
| 102817201 | 13-9 | 103354701 | 6-11, 6-15 | 103951002 | 2-5 |
| 102838101 | 13-7 | 103372101 | 9-3 | 103951003 | 2-5 |
| 102838701 | 7-5 | 103372401 | 9-5 | 103951501 | 12-23 |
| 102838801 | 7-5 | 103397901 | 13-9 | 103951801 | 1-65, 1-67 |
| 102838901 | 7-5 | 103452001 | 9-5 | 103969703 | 13-13 |
| 102839001 | 7-5 | 103459104 | 2-5 | 103969799 | 13-11, 13-13 |
| 102839301 | 7-5 | 103477901 | 6-21 | 103973901 | 11-7 |
| 102841101 | 7-5 | 103484301 | 4-7, 4-9 | 103973902 | 11-5 |
| 102845101 | 3-5 | 103487501 | 1-27 | 103974102 | 11-3 |
| 102845204 | 13-11, 13-13 | 103496801 | 7-19 | 103974201 | 11-5, 11-7 |
| 102847603 | 1-77 | 103502801 | 6-13 | 103974401 | 11-5, 11-7 |
| 102860501 | 5-11, 5-21, 5-23 | 103507001 | 6-13, 6-17 | 103975301 | 11-9 |
| 102869401 | 4-11, 4-13 | 103508101 | 8-5 | 103976101 | 11-5, 11-7 |
| 102873401 | 13-11, 13-13 | 103510301 | 13-7 | 103979301 | 12-23 |
| 102882501 | 1-65, 1-67 | 103510501 | 13-17 | 103984601 | 11-5, 11-7 |
| 102883601 | 1-15, 3-11 | 103538701 | 1-57, 1-59 | 103989501 | 12-23 |
| 102886301 | 15-3 | 103539001 | 1-59 | 103995001 | 12-23 |
| 102886401 | 15-3 | 103539002 | 1-57, 1-61 | 104001201 | 1-93, 1-97 |
| 102886501 | 15-3 | 103540203 | 1-19 | 104002101 | 1-129 |
| 102886601 | 15-3 | 103541401 | 4-37 | 104005901 | 13-15 |
| 102891101 | 5-15, 5-17 | 103541501 | 13-7 | 104006101 | 13-15 |
| 102894503 | 4-7 | 103575801 | 1-57, 1-59, 1-61 | 104021701 | 12-23 |
| 102902801 | 15-3 | 103582801 | 15-3 | 104023501 | 9-11, 12-11 |
| 102913601 | 1-91 | 103601501 | 6-3 | 104025101 | 11-9 |
| 102915701 | 13-7 | 103628901 | 6-13 | 104026801 | 3-3, 3-7 |
| 102922701 | 10-3 | 103653401 | 6-3 | 104027101 | 12-23 |
| 102938601 | 14-3 | 103653501 | 6-3, 6-11, 6-15 | 104033601 | 1-89 |
| 102938701 | 14-3 | 103653601 | 6-11, 6-15 | 104033701 | 1-91 |
| 102938801 | 14-3 | 103658601 | 2-5 | 105000301 | 7-11, 7-13 |
| 102938901 | 14-3 | 103698601 | 13-9 | 105000401 | 7-11, 7-13 |
| 102939001 | 14-3 | 103717302 | 6-13, 6-17 | 105000501 | 13-9 |
| 102939101 | 14-3 | 103717402 | 6-13, 6-17 | 105003401 | 9-15 |
| 102939102 | 14-3 | 103724504 | 6-7, 6-9 | 105006501 | 1-27 |
| 102947601 | 1-33, 1-35 | 103724601 | 6-9 | 105007001 | 1-21 |
| 102951701 | 14-3 | 103724602 | 6-7 | 105007402 | 9-11 |
| 102967601 | 3-5 | 103724901 | 6-9 | 105007403 | 9-11 |
| 102977901 | 9-3 | 103731001 | 1-31 | 105009101 | 9-15 |
| 102989501 | 1-27 | 103731003 | 1-29 | 105009401 | 9-15 |
| 103180101 | 1-119, 4-11, 4-13 | 103754901 | 1-33 | 105025001 | 12-13, 12-15 |
| 103182701 | 1-19 | 103756401 | 9-5 | 105025101 | 12-13, 12-15 |
| 103182702 | 1-19 | 103821301 | 4-27 | 105025201 | 12-13, 12-15 |
| 103196001 | 1-37, 1-39, 1-41, 1-43 | 103829401 | 6-7 | 105025301 | 12-13, 12-15 |
| 103198301 | 4-11 | 103832501 | 4-35 | 105025401 | 12-13, 12-15 |
| 103198401 | 7-9 | 103832601 | 4-35 | 105025501 | 12-13, 12-15 |
| 103205501 | 3-9, 7-9 | 103865101 | 5-5, 5-7 | 105025601 | 12-13, 12-15 |
| 103218601 | 13-5 | 103867901 | 6-17 | 105025701 | 12-13, 12-15 |
| 103234304 | 3-11 | 103879701 | 12-15 | 105025801 | 12-13, 12-15 |
| 103245001 | 4-7 | 103879702 | 12-13 | 105025901 | 12-13, 12-15 |
| 103262201 | 8-5 | 103886601 | 12-5 | 105026001 | 12-13, 12-15 |
| 103347601 | 7-5 | 103896604 | 9-5 | 105026101 | 12-13, 12-15 |

INDEX

| | | | | | |
|-----------|--------------|-----------|------------------------|-----------|--------------------------------------|
| 105026201 | 12-13, 12-15 | 105034328 | 1-11 | 105064522 | 1-23 |
| 105026301 | 12-13, 12-15 | 105034329 | 1-11 | 105064523 | 1-23 |
| 105026401 | 12-13, 12-15 | 105034401 | 1-15 | 105064524 | 1-23 |
| 105026501 | 12-13, 12-15 | 105034501 | 1-15 | 105066001 | 12-19, 12-21 |
| 105026601 | 12-13, 12-15 | 105034601 | 1-15 | 105066101 | 12-19, 12-21 |
| 105026701 | 12-13, 12-15 | 105034701 | 1-15 | 105066401 | 1-51 |
| 105026801 | 12-13, 12-15 | 105034801 | 1-15 | 105068001 | 1-103, 1-105, 4-15, 4-17, 4-19, 4-21 |
| 105026901 | 12-13, 12-15 | 105034901 | 1-17 | 105068002 | 4-15, 4-17, 4-19, 4-21 |
| 105027001 | 12-13, 12-15 | 105035001 | 1-17 | 105068003 | 4-15, 4-17, 4-19, 4-21 |
| 105027101 | 12-13, 12-15 | 105035101 | 1-51 | 105068004 | 4-15, 4-17, 4-19, 4-21 |
| 105027201 | 12-13, 12-15 | 105035201 | 1-51 | 105068005 | 4-15, 4-17, 4-19, 4-21 |
| 105027301 | 12-13, 12-15 | 105035301 | 1-51 | 105068006 | 4-15, 4-17, 4-19, 4-21 |
| 105027401 | 12-17 | 105035701 | 1-19 | 105068007 | 4-15, 4-17, 4-19, 4-21 |
| 105027501 | 12-17 | 105035801 | 1-49 | 105068008 | 4-15, 4-17, 4-19, 4-21 |
| 105027601 | 12-17 | 105036301 | 12-3 | 105068009 | 4-15, 4-17, 4-19, 4-21 |
| 105027701 | 12-17 | 105036601 | 1-63 | 105068010 | 4-15, 4-17, 4-19, 4-21 |
| 105027801 | 12-17 | 105036701 | 1-15 | 105068011 | 4-15, 4-17, 4-19, 4-21 |
| 105027901 | 12-17 | 105036801 | 4-3 | 105068012 | 4-15, 4-17, 4-19, 4-21 |
| 105028001 | 12-17 | 105037101 | 4-13 | 105068902 | 6-23 |
| 105028101 | 12-19, 12-21 | 105037201 | 7-11 | 105069901 | 1-33 |
| 105028201 | 12-17 | 105037401 | 7-11, 7-13 | 105072001 | 1-37 |
| 105028301 | 12-13, 12-15 | 105037701 | 12-3 | 105072002 | 1-39 |
| 105028401 | 12-17 | 105038001 | 12-3 | 105072003 | 1-43 |
| 105028501 | 12-13, 12-15 | 105038101 | 12-3 | 105073401 | 4-3 |
| 105028601 | 12-17 | 105038201 | 12-3 | 105074201 | 6-13 |
| 105028701 | 12-17 | 105038501 | 12-3 | 105074501 | 1-7 |
| 105028801 | 12-17 | 105038804 | 12-5 | 105074502 | 1-7 |
| 105028901 | 12-17 | 105039401 | 12-3 | 105075202 | 13-9 |
| 105029001 | 12-17 | 105039801 | 12-3 | 105076901 | 13-5 |
| 105029101 | 12-17 | 105039901 | 12-3 | 105077601 | 1-45 |
| 105029201 | 12-17 | 105040401 | 12-3 | 105077602 | 1-45 |
| 105029301 | 12-21 | 105040501 | 12-3 | 105077603 | 1-45 |
| 105029401 | 12-21 | 105040901 | 12-7 | 105078401 | 1-27 |
| 105029501 | 12-19, 12-21 | 105043801 | 9-3 | 105078809 | 2-3 |
| 105029601 | 12-21 | 105043901 | 9-3 | 105078810 | 2-3 |
| 105029701 | 12-21 | 105046101 | 3-3, 3-7 | 105078901 | 2-3 |
| 105029801 | 12-19, 12-21 | 105049201 | 1-19 | 105079204 | 2-3 |
| 105029901 | 12-19, 12-21 | 105049301 | 1-19 | 105079301 | 2-3 |
| 105030001 | 12-13, 12-15 | 105060901 | 1-33 | 105079401 | 2-3 |
| 105030301 | 12-19, 12-21 | 105062401 | 1-27 | 105081501 | 7-3 |
| 105030401 | 12-19, 12-21 | 105063001 | 1-27 | 105081601 | 7-3 |
| 105030501 | 12-19, 12-21 | 105063002 | 1-27 | 105081701 | 4-15 |
| 105030601 | 12-19, 12-21 | 105063201 | 1-37, 1-39, 1-41, 1-43 | 105081702 | 4-15 |
| 105030701 | 12-13, 12-15 | 105063202 | 1-37, 1-39, 1-41, 1-43 | 105081703 | 4-15 |
| 105030801 | 12-19, 12-21 | 105063301 | 1-37 | 105081704 | 4-15 |
| 105030901 | 12-17 | 105063302 | 1-39 | 105081705 | 4-15 |
| 105031001 | 12-21 | 105063303 | 1-43 | 105081706 | 4-15 |
| 105034001 | 1-19 | 105063401 | 1-37, 1-39, 1-43 | 105081707 | 4-15 |
| 105034201 | 1-19 | 105063402 | 1-37, 1-39, 1-43 | 105081708 | 4-15 |
| 105034321 | 1-11 | 105063501 | 12-13 | 105081709 | 4-15 |
| 105034322 | 1-11 | 105063601 | 12-19 | 105081710 | 4-15 |
| 105034323 | 1-11 | 105064121 | 1-25 | 105081711 | 4-15 |
| 105034324 | 1-11 | 105064122 | 1-25 | 105081712 | 4-15 |
| 105034325 | 1-11 | 105064123 | 1-25 | 105081801 | 4-19 |
| 105034326 | 1-11 | 105064124 | 1-25 | 105081802 | 4-19 |
| 105034327 | 1-11 | 105064521 | 1-23 | 105081803 | 4-19 |

INDEX

| | | | | | |
|-----------|-----------------------------|-----------|---------------|-----------|------------------|
| 105081804 | 4-19 | 105097401 | 1-101 | 105117707 | 1-13 |
| 105081805 | 4-19 | 105097501 | 1-107 | 105117708 | 1-13 |
| 105081806 | 4-19 | 105097901 | 1-119 | 105117709 | 1-13 |
| 105081807 | 4-19 | 105098001 | 1-121 | 105117710 | 1-13 |
| 105081808 | 4-19 | 105098002 | 1-121 | 105118601 | 4-29, 4-31 |
| 105081809 | 4-19 | 105098101 | 1-125 | 105122106 | 1-71 |
| 105081810 | 4-19 | 105098201 | 1-127 | 105122206 | 1-69 |
| 105081811 | 4-19 | 105098301 | 1-127 | 105122807 | 4-9 |
| 105081812 | 4-19 | 105098401 | 1-129 | 105122808 | 4-7 |
| 105081901 | 4-21 | 105098501 | 1-109 | 105124001 | 1-7 |
| 105081902 | 4-21 | 105098502 | 1-109 | 105124101 | 1-91 |
| 105081903 | 4-21 | 105098701 | 1-109 | 105124201 | 1-47 |
| 105081904 | 4-21 | 105099901 | 1-41 | 105124202 | 1-47 |
| 105081905 | 4-21 | 105099902 | 1-41 | 105124301 | 1-139 |
| 105081906 | 4-21 | 105100301 | 1-41 | 105124302 | 1-139 |
| 105081907 | 4-21 | 105102301 | 1-35 | 105124401 | 1-139 |
| 105081908 | 4-21 | 105102601 | 7-15, 7-17 | 105124501 | 1-139 |
| 105081909 | 4-21 | 105106101 | 2-7 | 105124701 | 3-5 |
| 105081910 | 4-21 | 105106201 | 2-7 | 105124901 | 1-9 |
| 105081911 | 4-21 | 105106301 | 2-7 | 105127302 | 1-75 |
| 105081912 | 4-21 | 105106501 | 2-7 | 105127401 | 1-71 |
| 105082001 | 4-17 | 105106601 | 6-15 | 105127402 | 1-71 |
| 105082002 | 4-17 | 105106702 | 6-11 | 105128001 | 1-75 |
| 105082003 | 4-17 | 105106801 | 6-23 | 105128101 | 1-73 |
| 105082004 | 4-17 | 105108201 | 4-7, 4-9 | 105128201 | 1-73 |
| 105082005 | 4-17 | 105108301 | 4-7, 4-9 | 105128801 | 1-47 |
| 105082006 | 4-17 | 105108401 | 4-7, 4-9 | 105128802 | 1-47 |
| 105082007 | 4-17 | 105108801 | 4-37 | 105128901 | 1-47 |
| 105082008 | 4-17 | 105108901 | 1-65, 1-67 | 105129001 | 1-47 |
| 105082009 | 4-17 | 105109101 | 1-33 | 105129501 | 1-77 |
| 105082010 | 4-17 | 105109201 | 1-35 | 105129601 | 1-77 |
| 105082011 | 4-17 | 105109601 | 1-77 | 105129901 | 1-75 |
| 105082012 | 4-17 | 105112401 | 4-11, 13-9 | 105130001 | 3-5 |
| 105082101 | 4-11 | 105112501 | 4-37 | 105130101 | 3-3 |
| 105082301 | 3-9 | 105112601 | 4-37 | 105130301 | 1-73 |
| 105083301 | 6-13, 6-17 | 105113401 | 1-77 | 105130302 | 1-73 |
| 105083701 | 12-3 | 105113402 | 1-77 | 105130501 | 1-73 |
| 105083801 | 12-3 | 105114805 | 4-5 | 105131001 | 1-65, 1-67 |
| 105084701 | 3-9 | 105114806 | 4-5, 4-7, 4-9 | 105134901 | 12-9 |
| 105086101 | 1-37, 1-39, 1-41, 1-43 | 105114807 | 1-117, 4-5 | 105135101 | 9-11, 12-7, 12-9 |
| 105087101 | 1-41 | 105115003 | 3-11 | 105135201 | 4-7, 4-9 |
| 105087201 | 1-41 | 105115006 | 3-11 | 105135802 | 4-37 |
| 105087301 | 1-41 | 105116301 | 13-3 | 105135901 | 7-3 |
| 105088501 | 9-15 | 105117601 | 16-3 | 105136001 | 7-3 |
| 105088601 | 4-29, 4-31 | 105117602 | 16-3 | 105143301 | 7-3, 9-3 |
| 105089201 | 1-41 | 105117603 | 16-3 | 105143401 | 1-137 |
| 105092601 | 1-37, 1-39, 1-41, 1-43 | 105117604 | 16-3 | 105144401 | 9-11, 12-11 |
| 105093301 | 7-3 | 105117605 | 16-3 | 105144801 | 4-35 |
| 105093501 | 1-35 | 105117606 | 16-3 | 105145201 | 13-7 |
| 105093601 | 9-3 | 105117607 | 16-3 | 105145401 | 1-91 |
| 105093801 | 4-3 | 105117701 | 1-13 | 105145501 | 1-91 |
| 105094001 | 1-7, 1-37, 1-39, 1-41, 1-43 | 105117702 | 1-13 | 105147101 | 13-9 |
| 105095101 | 7-3 | 105117703 | 1-13 | 105148503 | 1-77 |
| 105096101 | 11-5, 11-7 | 105117704 | 1-13 | 105148601 | 1-77 |
| 105097001 | 1-95 | 105117705 | 1-13 | 105148901 | 1-77 |
| 105097301 | 1-93 | 105117706 | 1-13 | 105148902 | 1-77 |

INDEX

| | | | | | |
|-----------|----------|-----------|---------------------|-----------|-----------------------------|
| 105149101 | 5-9 | 105180301 | 1-125 | 105195501 | 13-9 |
| 105149201 | 5-9 | 105180401 | 1-125 | 105196001 | 1-33, 1-35 |
| 105151501 | 3-3, 3-7 | 105180501 | 1-125 | 105196101 | 1-71 |
| 105152301 | 4-11 | 105180601 | 1-125, 1-127, 1-129 | 105196201 | 1-71 |
| 105152901 | 3-11 | 105180701 | 1-125 | 105197201 | 1-63 |
| 105153201 | 3-11 | 105180801 | 1-125 | 105197301 | 1-37, 1-39, 1-41, 1-43 |
| 105153202 | 3-11 | 105180901 | 1-127 | 105197401 | 1-3, 1-37, 1-39, 1-41, 1-43 |
| 105153301 | 3-11 | 105181001 | 1-127 | 105197402 | 1-37, 1-39, 1-41, 1-43 |
| 105153302 | 3-11 | 105181101 | 1-127 | 105197602 | 1-65, 1-67 |
| 105155501 | 4-31 | 105181201 | 1-129 | 105200401 | 1-23 |
| 105155601 | 4-29 | 105181301 | 1-127 | 105200703 | 1-71 |
| 105156301 | 1-5 | 105181401 | 1-127 | 105200803 | 1-71 |
| 105156701 | 1-5 | 105181501 | 1-127 | 105200901 | 1-71 |
| 105156702 | 1-5 | 105181601 | 1-129 | 105201001 | 1-71 |
| 105158801 | 1-143 | 105181701 | 1-93, 1-97 | 105204401 | 4-29, 4-31 |
| 105158802 | 1-141 | 105181801 | 1-93, 1-97 | 105205201 | 1-71 |
| 105160401 | 1-79 | 105181901 | 1-93, 1-97 | 105205301 | 4-29, 4-31 |
| 105160501 | 1-83 | 105182001 | 1-93, 1-97 | 105205501 | 1-117 |
| 105160801 | 1-79 | 105182002 | 1-97 | 105216201 | 1-73 |
| 105160901 | 1-79 | 105182101 | 1-93, 1-97 | 105216701 | 1-91 |
| 105161001 | 1-79 | 105182102 | 1-93, 1-97 | 105224001 | 16-3 |
| 105161101 | 1-79 | 105182201 | 1-93, 1-97 | 105233701 | 1-91 |
| 105161201 | 1-83 | 105182202 | 1-93, 1-97 | 105234002 | 1-117 |
| 105161301 | 1-83 | 105182301 | 1-93, 1-97 | 105234102 | 1-123 |
| 105161401 | 1-79 | 105182302 | 1-93, 1-97 | 105234801 | 12-13, 12-15 |
| 105161501 | 1-81 | 105182401 | 1-93, 1-97 | 105234901 | 12-13, 12-15 |
| 105161601 | 1-81 | 105182501 | 1-93, 1-97 | 105236301 | 1-123 |
| 105161701 | 7-3, 7-5 | 105182601 | 1-93, 1-97 | 105237301 | 7-21 |
| 105161901 | 16-3 | 105182701 | 1-93, 1-97 | 105237601 | 1-141, 1-143, 1-147 |
| 105163601 | 3-3 | 105182801 | 1-99 | 105237701 | 1-141, 1-143, 1-147 |
| 105163701 | 3-3, 3-5 | 105182901 | 1-93 | 105237801 | 1-145 |
| 105165801 | 4-7, 4-9 | 105183001 | 1-93 | 105237802 | 1-145 |
| 105165901 | 1-73 | 105183101 | 1-101 | 105237901 | 1-145 |
| 105166801 | 13-15 | 105183201 | 1-101 | 105237902 | 1-145 |
| 105166901 | 13-15 | 105183301 | 1-101 | 105238001 | 1-141, 1-143 |
| 105167001 | 13-15 | 105183401 | 1-101 | 105238101 | 1-141, 1-143 |
| 105167101 | 13-15 | 105183501 | 1-119 | 105238201 | 1-145 |
| 105167201 | 13-5 | 105183601 | 1-127 | 105238301 | 1-145 |
| 105168501 | 13-15 | 105183801 | 1-129 | 105238401 | 1-145 |
| 105168601 | 13-15 | 105185701 | 1-69, 1-77 | 105238402 | 1-145 |
| 105170101 | 1-47 | 105185801 | 1-69, 1-77 | 105238501 | 1-145 |
| 105170401 | 1-65 | 105187801 | 6-17 | 105238502 | 1-145 |
| 105170601 | 1-67 | 105188185 | 6-23 | 105238603 | 1-145 |
| 105173901 | 13-5 | 105188701 | 6-23 | 105238604 | 1-145 |
| 105178301 | 1-107 | 105190601 | 4-7, 4-9 | 105239101 | 1-141, 1-143 |
| 105178401 | 1-107 | 105190701 | 4-7, 4-9 | 105239201 | 1-141, 1-143 |
| 105179001 | 1-119 | 105192301 | 1-71 | 105239601 | 1-141, 1-143 |
| 105179101 | 1-119 | 105192901 | 1-71 | 105239701 | 1-145 |
| 105179201 | 1-119 | 105193001 | 1-71 | 105239702 | 1-145 |
| 105179301 | 1-119 | 105193101 | 1-75 | 105239801 | 1-143 |
| 105179401 | 1-119 | 105194101 | 9-3 | 105239802 | 1-141 |
| 105179501 | 1-119 | 105194301 | 1-27 | 105239901 | 1-145 |
| 105179601 | 1-119 | 105194801 | 1-69, 1-77 | 105239902 | 1-145 |
| 105179701 | 1-119 | 105194802 | 1-69 | 105240201 | 1-141, 1-143 |
| 105179801 | 1-119 | 105195001 | 1-69 | 105240301 | 1-141, 1-143 |
| 105179901 | 1-119 | 105195002 | 1-69 | 105241001 | 1-143 |

INDEX

| | | | | | |
|-------------|---|-------------|-----------------------------------|-------------|--------------|
| 105241002 | 1-141 | 47553025001 | 1-113 | 47555442001 | 1-103, 1-105 |
| 105241101 | 1-143 | 47553025002 | 1-113 | 47555443001 | 1-103, 1-105 |
| 105241102 | 1-141 | 47553026001 | 1-103, 1-105, 1-113, 1-133, 1-135 | 47555446001 | 1-103, 1-105 |
| 105241201 | 1-145 | 47553027001 | 1-103, 1-105, 1-113 | 47555447001 | 1-103, 1-105 |
| 105241301 | 1-145 | 47553028001 | 1-111, 1-113 | 47555451001 | 1-103, 1-105 |
| 105241401 | 1-145 | 47553029001 | 1-111, 1-113 | 47555699001 | 1-95 |
| 105241501 | 1-145 | 47553030001 | 1-113 | 47559475001 | 7-5 |
| 105241601 | 1-145 | 47553031001 | 1-113 | 47559475002 | 7-5 |
| 105241602 | 1-145 | 47553032001 | 1-113 | 47563313001 | 1-71 |
| 105241701 | 1-145 | 47553033001 | 1-113 | 47563313002 | 1-71 |
| 105241702 | 1-145 | 47553777001 | 1-95 | 47564890001 | 8-7 |
| 105241801 | 1-145 | 47553824001 | 1-95 | 47570761001 | 1-95 |
| 105241802 | 1-145 | 47553825001 | 1-95 | 47570762001 | 1-95 |
| 105241901 | 1-145 | 47553942001 | 1-103, 1-105 | 47573611001 | 1-95 |
| 105241902 | 1-145 | 47553948001 | 1-113 | 47579096001 | 6-23 |
| 105242801 | 6-19 | 47553950001 | 1-135 | 47579923001 | 4-3 |
| 105243001 | 6-19 | 47554192001 | 1-95 | 47583000001 | 7-5 |
| 105244001 | 1-143 | 47554309001 | 1-133 | 47583790001 | 7-5 |
| 105244002 | 1-141 | 47554310001 | 1-133 | 47583791001 | 7-5 |
| 105244101 | 1-143 | 47554311001 | 1-133 | 47583794001 | 7-5 |
| 105244102 | 1-141 | 47554387001 | 1-131 | 47583795001 | 8-7 |
| 105245801 | 11-3 | 47554388001 | 1-103, 1-105, 1-111, 1-131 | 47583907001 | 4-3 |
| 105245901 | 1-97 | 47554389001 | 1-131 | 47584178001 | 7-5 |
| 105248201 | 1-91 | 47554390001 | 1-131 | 47584179001 | 7-5 |
| 105249601 | 16-3 | 47554720001 | 1-115 | 47584184001 | 8-7 |
| 105249901 | 1-37, 1-39, 1-43 | 47554721001 | 1-115 | 47585213001 | 6-17 |
| 105250501 | 1-37, 1-39, 1-43 | 47554722001 | 1-115 | 47585228001 | 6-23 |
| 105251901 | 1-37, 1-39, 1-43 | 47554723001 | 1-115 | 47585228002 | 6-23 |
| 105256701 | 7-21 | 47554724001 | 1-115 | 47587701001 | 8-7 |
| 105256801 | 7-3 | 47554726001 | 1-115 | 47587715001 | 4-39 |
| 105265301 | 1-97 | 47554727001 | 1-115 | 47594727001 | 4-25 |
| 105265401 | 1-97 | 47554728001 | 1-115 | 47598099001 | 8-5 |
| 105288801 | 1-47 | 47554730001 | 1-115 | 47598441001 | 4-13 |
| 105289301 | 1-109 | 47554731001 | 1-115 | 47599907001 | 6-23 |
| 105295001 | 5-19 | 47555423001 | 1-103 | 47599907002 | 6-23 |
| 105295301 | 1-119 | 47555423002 | 1-105 | 47600627001 | 1-3 |
| 105298002 | 1-61 | 47555424001 | 1-103, 1-105 | 47600628001 | 1-3 |
| 105300302 | 13-17 | 47555425001 | 1-103, 1-105 | 47600629001 | 1-3 |
| 105300501 | 13-17 | 47555426001 | 1-103, 1-105 | 47600630001 | 1-3 |
| 47539338002 | 7-7 | 47555427001 | 1-103, 1-105 | 47601355001 | 9-11 |
| 47542195001 | 5-11, 5-21, 5-23 | 47555428001 | 1-103, 1-105 | 47601767002 | 11-9 |
| 47552858001 | 1-95 | 47555429001 | 1-103, 1-105 | 47601832001 | 11-9 |
| 47552859001 | 1-95 | 47555430001 | 1-103, 1-105 | 47604303001 | 1-123, 4-27 |
| 47552860001 | 1-113 | 47555431001 | 1-103, 1-105, 1-111 | 47606233001 | 9-3 |
| 47552862001 | 1-135 | 47555432001 | 1-103, 1-105 | 47606233002 | 9-3 |
| 47552863001 | 1-133 | 47555433001 | 1-103, 1-105 | 47606233004 | 9-3 |
| 47552864001 | 1-131 | 47555434001 | 1-103, 1-105 | 47606257001 | 9-5 |
| 47552865001 | 1-115 | 47555435001 | 1-103, 1-105 | 47607500001 | 7-3 |
| 47552872001 | 1-115 | 47555436001 | 1-103 | 47607501001 | 7-3 |
| 47553012001 | 1-95 | 47555436002 | 1-105 | 47609057001 | 4-13 |
| 47553013001 | 1-95, 1-111, 1-113, 1-131, 1-133, 1-135 | 47555437001 | 1-103, 1-105 | 47611208001 | 7-3 |
| 47553014001 | 1-95, 1-113, 1-133, 1-135 | 47555438001 | 1-111 | 47611209001 | 10-3 |
| 47553015001 | 1-95, 1-111 | 47555439001 | 1-111 | 47611210001 | 10-3 |
| 47553021001 | 1-113 | 47555440001 | 1-111 | 47611483001 | 8-5 |
| 47553024001 | 1-113, 1-133, 1-135 | 47555440002 | 1-111 | 47611484001 | 8-5 |
| | | 47555441001 | 1-103, 1-105 | 47611648001 | 8-5 |

INDEX

| | | | | | |
|-------------|------------|-------------|------|--|--------------------|
| 47611868001 | 7-7 | 47629768001 | 8-13 | 47640281001 | 8-3, 8-11 |
| 47611869001 | 7-7 | 47629822001 | 8-13 | 47650647001 | 8-11 |
| 47611870001 | 7-7 | 47629823001 | 8-13 | 47653325002 | 1-53 |
| 47611876001 | 9-3 | 47629824001 | 8-13 | 47654251001 | 4-39 |
| 47611877001 | 9-3 | 47629825001 | 8-13 | 47662588001 | 12-25 |
| 47612352001 | 9-9 | 47629826001 | 8-11 | 47664037001 | 9-3 |
| 47613047002 | 10-3 | 47629828001 | 8-11 | 47664335001 | 8-11 |
| 47616912001 | 7-3 | 47629831001 | 8-11 | 47669399001 | 4-39 |
| 47617345001 | 7-7 | 47629832001 | 8-11 | 47676897001 | 8-11 |
| 47619701001 | 9-5 | 47629833001 | 8-11 | 96704176 | 4-25, 12-3 |
| 47621599001 | 1-71 | 47629834001 | 8-11 | 96705199 | 1-71, 12-7, 12-9 |
| 47623281001 | 7-3 | 47629835001 | 8-11 | 96705587 | 10-3 |
| 47623339001 | 9-3 | 47629836001 | 8-11 | 96741046 | 8-5 |
| 47629583001 | 8-19 | 47629837001 | 8-11 | | |
| 47629585001 | 8-19 | 47629838001 | 8-11 | A | |
| 47629588001 | 8-19 | 47629841001 | 8-11 | accelerator bracket and bearing assembly | 5-5, 5-7 |
| 47629589001 | 8-19 | 47629843001 | 8-11 | accelerator cable | 9-11 |
| 47629677001 | 8-15 | 47629844001 | 8-9 | accelerator pedal adjustment tool | 17-3 |
| 47629680001 | 8-15 | 47629845001 | 8-9 | accelerator pivot rod | 5-5, 5-7 |
| 47629682001 | 8-15 | 47629846001 | 8-9 | accelerator return spring | 5-5, 5-7 |
| 47629685001 | 8-15 | 47629847001 | 8-9 | accelerator rod | 5-7 |
| 47629686001 | 8-15 | 47629848001 | 8-9 | accessory receptacle | 4-5, 4-39 |
| 47629687001 | 8-15 | 47629851001 | 8-9 | adhesive, guide ring | 17-3 |
| 47629688001 | 8-15 | 47629853001 | 8-9 | air cleaner assembly | 9-15 |
| 47629689001 | 8-15 | 47629855001 | 8-9 | air filter | 8-3, 9-15 |
| 47629690001 | 8-15 | 47629856001 | 8-9 | air filter evacuator | 9-15 |
| 47629691001 | 8-15 | 47629857001 | 9-7 | air intake hose | 9-15 |
| 47629693001 | 8-15 | 47629858001 | 9-7 | AM1285701 | 17-5 |
| 47629694001 | 8-15 | 47629859001 | 9-7 | anchor body | 5-11, 5-21, 5-23 |
| 47629696001 | 8-15 | 47629860001 | 9-7 | anchor body kit | 5-11, 5-21, 5-23 |
| 47629697001 | 8-15 | 47629861001 | 9-7 | anchor, piston | 5-11, 5-21, 5-23 |
| 47629698001 | 8-15 | 47629862001 | 9-7 | A-plate strap | 6-11, 6-15 |
| 47629699001 | 8-17 | 47629864001 | 9-7 | A-plate, delta | 6-11, 6-15 |
| 47629700001 | 8-17 | 47629865001 | 9-7 | arbor | 17-3 |
| 47629701001 | 8-17 | 47629866001 | 9-7 | arm | |
| 47629702001 | 8-11, 8-17 | 47629867001 | 9-7 | governor | 9-11, 12-11 |
| 47629703001 | 8-17 | 47629868001 | 9-7 | armature | 14-3 |
| 47629705001 | 8-17 | 47629869001 | 9-7 | assembly | |
| 47629707001 | 8-17 | 47629870001 | 9-7 | accelerator bracket and bearing | 5-5, 5-7 |
| 47629709001 | 8-17 | 47629871001 | 9-7 | accelerator pivot rod | 5-5, 5-7 |
| 47629711001 | 8-13 | 47629872001 | 9-7 | bearing, steering shaft | 6-5 |
| 47629714001 | 8-13 | 47629874001 | 9-7 | delta A-plate | 6-11, 6-15 |
| 47629716001 | 8-13 | 47629875001 | 9-9 | drive hub | 11-5, 11-7 |
| 47629717001 | 8-13 | 47629876001 | 9-9 | fuel cap | 9-3 |
| 47629718001 | 8-13 | 47629877001 | 9-9 | inner ball joint | 6-3 |
| 47629719001 | 8-13 | 47629878001 | 9-9 | kingpin | 6-13, 6-17 |
| 47629720001 | 8-13 | 47629879001 | 9-13 | moveable-face | 11-5, 11-7, 11-9 |
| 47629722001 | 8-13 | 47629880001 | 9-13 | ratchet | 5-3, 5-5, 5-7 |
| 47629723001 | 8-13 | 47629881001 | 9-13 | secondary clutch weight | 11-5, 11-7 |
| 47629724001 | 8-13 | 47629882001 | 9-13 | steering shaft | 6-5 |
| 47629725001 | 8-13 | 47631907001 | 4-11 | axle | 15-3 |
| 47629726001 | 8-13 | 47631907002 | 4-13 | axle guard | 15-5 |
| 47629727001 | 8-13 | 47634448002 | 9-3 | axle shaft | 12-19, 12-21 |
| 47629728001 | 8-13 | 47637087001 | 9-5 | axle shaft oil seal | 15-3 |
| 47629729001 | 8-13 | 47640020001 | 8-17 | axle tube | 12-19, 12-21, 15-3 |
| 47629730001 | 8-13 | 47640021001 | 8-11 | | |

INDEX

B

backing plate, brake 5-11, 5-21, 5-23
ball bearing 7-5, 12-17, 12-19, 12-21
ball joint 5-3, 5-7
ball stud 7-11, 7-13
ball, trailer hitch 1-89
barrel, plastic 1-29, 1-31
battery
 12-volt, side-post 7-19
 12-volt, top-post 7-21
battery clamp 7-19, 7-21
battery condition indicator 4-11
battery discharge machine 17-3
battery hold-down 13-11, 13-13
battery hold-down rod 13-11, 13-13
battery retainer 7-19
battery terminal protector spray 17-3
battery thermometer 17-3
battery, top-post, wire, 4ga, B+ 7-3
battery, top-post, wire, B- 4ga, 7-21
bearing 15-3
 ball 7-5, 12-17, 12-19, 12-21
 ball (motor) 14-3
 ball (steering pinion) 6-3
 front wheel hub 6-21
 hub 6-21
 inner axle tube 15-3
 lower pinion (steering) 6-3
 pivot support 5-5, 5-7
 steering shaft 6-5
 thrust 6-13, 6-17, 12-13, 12-15
bearing and oil seal remover 17-3
bearing driver set 17-3
bearing puller 17-3
bearing puller wedge 17-3
bearing seat 6-5
bed clamp kit 1-79
bed floor kit 1-63
bed floor weldment 1-63
bed lift actuator 1-65, 1-67
bed lift harness 1-65, 1-67
bed lift kit, gas vehicle 1-67
bed lift kit, electric 1-65
bed lift weldment 1-65, 1-67
bed seal 1-27
bellows 6-3
belt, drive 11-3
block, brake-mounting 5-3
block, fuse 7-11, 7-13, 13-5
block, terminal 4-5, 13-9
body, anchor 5-11, 5-21, 5-23
boot, steering column 6-5
boot, switch 7-9, 13-7
box
 steering gear 6-3

 tool 1-149
bracket, trailer hitch 1-85
bracket
 accel.cable 9-11, 12-7, 12-9
 brake light switch 4-7, 4-9
 carbon canister 9-5
 FNR cable 9-11, 12-7, 12-9
 governor 9-11, 12-11
 horn 4-7, 4-9
 shifter 12-3
 snubber 8-7
 stake side 1-77
 steering column 6-5
 steering column mounting 6-5
 Tow/Run switch 7-9
bracket, hinge, bed 1-57, 1-59
bracket, tailgate Lh 1-73
bracket, tailgate Rh 1-73
brake actuator kit 5-11, 5-21, 5-23
brake backing plate 5-11, 5-21, 5-23
brake cable 5-13, 5-15, 5-17
brake cable equalizer 5-13, 5-15, 5-17
brake cluster 5-11, 5-21, 5-23
brake drum 5-11, 5-21, 5-23
brake lever arm 5-11, 5-21, 5-23
brake light switch bracket 4-7, 4-9
brake mounting block 5-3
brake pedal 5-3
brake pedal pad 5-3
brake return spring 5-15, 5-17
brake shoe 5-11, 5-21, 5-23
brake spring 5-11, 5-21, 5-23
breather 12-13, 12-15, 15-3
Brkt, Steering Stop, Drv, CA, LSV 6-19
brush box assembly 14-3
brush kit, motor 14-3
brush rigging 14-3
brush spring 14-3
brush, motor 14-3
bucket holder kit 1-83
bulb, halogen 4-3
bumper
 drive unit (motor) 14-3
 rubber 5-3
 spring return 5-5, 5-7
bumper, bed floor 1-63
bushing 1-65, 1-67, 7-11, 7-13, 11-5, 11-7, 12-3
 bronze 6-13, 6-17
 nylon 1-73, 5-3
 snap-in 1-73
 spindle 6-13, 6-17
 steel 6-13, 6-17
 urethane 1-57, 1-59, 6-11, 6-13, 6-15, 6-17, 6-23
button, drive 11-9
buzzer, reverse 4-11, 4-13, 4-23

C

cab door 1-93, 1-97
cab liner 1-95
cab mirror 1-109
cab mirror lh 1-109
cab overhead console 1-119
cab roof, standard 1-95
cab wiper kit 1-121
cable
 accelerator 9-11
 brake 5-13, 5-15, 5-17
 FNR shifter 12-5
calibration test module 17-3
cam
 driven clutch 11-9
 electrical component box 7-11, 7-13
canister, carbon, fuel tank 9-5
canopy
 short 1-37
canopy kit 1-37
canopy support kit 1-41
cap
 dust 13-5
 fuel, gas, ratchet 9-3
 key switch 4-15, 4-17, 4-19, 4-21
 rubber 12-23
cap, quick connector 13-9
carbon canister 9-5
card, safety first 17-5
cargo box kit, long 1-71
cargo box, corner, ds 1-71
cargo box, corner, ps 1-71
case
 gear 15-3
 transaxle 12-13, 12-15
center shaft 12-17
charger bezel tool 17-3
charging diode 7-11
circuit breaker 13-7
clamp
 battery 7-19, 7-21
 hose 9-5, 9-15
 p- (fuel filter) 9-11
clevis, upper delta 6-13, 6-17
clip
 body trim 1-15
 meter 4-13
 wheel cover 2-7
clip, score card 6-9
cluster, brake 5-11, 5-21, 5-23
clutch
 pin 12-17
clutch cam installation tool 17-3
clutch repair kit 11-9
clutch tool kit 17-3

INDEX

clutch weight 11-5, 11-7
clutch, drive 11-5, 11-7
collar 12-17
column, steering 6-5
component mounting plate cover 13-9
compression gauge 17-5
compressor, piston ring 17-5
compressor, valve spring 17-7
continuity tester 17-5
counter shaft 12-17
cover
 dust 5-11, 5-21, 5-23, 6-21
 rocker switch hole 1-119, 4-11, 4-13
 steering column 6-5
cowl 1-11
C-type stop ring 6-3
cup, spring 5-5, 5-7
cushion, shock absorber 6-23

D

dash 1-19
decal 1-141, 1-143, 1-147
 4-gauge wire warning 3-5
 bed load warning 3-3, 3-7
 crush area warning 3-3, 3-7
 diode safety 3-9
 electrical cover safety 3-5
 filter log 13-15
 frame ground 3-9
 inspect log 13-15
 key switch 3-7
 maintenance/operate switch 3-9, 7-9
 nameplate 1-15, 3-11
 on/off 3-3, 3-7, 4-11, 4-13
 rotating parts 3-9
 Tow/Run switch 3-5
 trailer hitch 1-85, 1-87, 3-5, 3-9
 wheel cover 2-7
deionizer 13-15
 cartridge 13-15
delta A-plate 6-11, 6-15
delta A-plate sub-assembly 6-11, 6-15
diagnostic port 13-5
differential 12-21
 limited-slip 12-19
 open 12-21
differential drive unit 15-3
differential gear 15-3
differential gear set 12-21
differential guard 15-5
differential housing 15-3
differential shaft 12-21
diode 4-37, 7-3
diode, charging 7-11
door, charger port 1-15
door, glove box 1-19

doors, soft, cab 1-101
drain plug 12-13, 12-15
drive belt 11-3
drive button 11-9
drive clutch 11-5, 11-7
drive clutch button 11-5, 11-7
drive clutch holder tool 17-3
drive clutch hub puller 17-3
drive clutch puller 17-3
drive clutch spring 11-5, 11-7
drive clutch weight 11-5, 11-7
drive hub 11-5, 11-7
drive unit bumper 14-3
drive unit guard 15-5
driven clutch button 11-9
driven clutch cam 11-9
driven clutch cam puller 17-3
driven clutch puller plug 17-3
driver, drive clutch 11-5, 11-7
drum, brake 5-11, 5-21, 5-23
dry moly lubricant 17-5
dual snubber 8-7
dust cap 13-5
dust cover 5-11, 5-21, 5-23, 6-21

E

eccentric bolt 6-13, 6-17
E-clip 5-13, 5-15, 5-17
enclosure kit 1-139
end cap, motor 14-3
end, tie rod 6-11, 6-15
engine
 air cleaner 9-15
 air filter 8-3, 9-15
 air intake hose 9-15
equalizer pivot 5-13
equalizer rod 5-13, 5-15, 5-17
equalizer, brake cable 5-13, 5-15, 5-17
exhaust extension 1-137
extension harness 13-5

F

face, moveable 11-9
fender, front, lh 1-15
fender, front, rh 1-15
fender, inner 1-49
fender, rear 1-51
filter
 air 8-3, 9-15
fitting, thread-forming grease 6-13, 6-17
flasher, turn signal, 12-volt 4-7
flat bed trim kit 1-69
floor mat 1-19
fnr shaft 12-3
FNR shift lever 12-7, 12-9

FNR shifter base 12-3
FNR shifter cable 12-5
fops kit 1-95
frame
 corner cap 1-27
frame and field, motor 14-3
frame weldment, front 1-21
front spring retainer plate 6-13, 6-17
Fuel Module, Hold-Down Ring 9-3
fuse
 10-amp 1-123, 4-7, 4-9, 7-3, 7-11, 7-13
 15-amp 13-5
 1-amp 13-5
 20-amp 4-5, 13-5
 2-amp 7-3, 13-5
 30-amp 13-5
 5-amp 7-3
fuse block 7-11, 7-13, 13-5
fuse, mini, 7.5A 4-5
fuse, mini, 10A 4-5, 4-7, 4-9
fuse, mini, 15A 1-117, 4-5

G

gasket 12-13, 12-15
 liquid 15-3, 17-5
 plug 15-3
gauge, battery condition 4-11
gauge, compression 17-5
gear
 17 tooth 12-17
 34 tooth 12-17
 52 tooth 12-17
 60 tooth 12-19, 12-21
 62 tooth 12-17
 differential 15-3
 differential idler 15-3
 differential output 15-3
 governor 12-13, 12-15
 governor, 34 tooth 12-17
 set, differential 12-21
gear yoke 17-5
gearcase 15-3
governor arm 9-11, 12-11
governor gear shaft 12-13, 12-15
governor shaft 12-13, 12-15
grill 1-15
grip, pencil 6-9
guard, differential 15-5
guide pin 12-13, 12-15
guide ring adhesive 17-3

H

handle, FNR 12-3
harness, extension, reverse buzzer 13-5
harness, extension, speed sensor 13-5

INDEX

harness, wire 4-9
harness, wire, gas FNR connector 7-3
harness, wire, gas instr. panel 7-3
harness, brake pedal switch 4-7, 4-9
harness, taillight 4-7, 4-9
headband, sealed, motor 14-3
headband, vented, motor 14-3
headlight 4-3
headlight bezel, lh 1-17
headlight bezel, rh 1-17
headlight guard kit 1-5
heater, defogger 4-37
heater, defogger kit 4-37
hill brake rod 5-3
hill brake weld assembly 5-3
hinge pin 1-77
hip restraint 1-27
hitch, trailer 1-85
hitch, trailer, ball 1-89
hold-down rod, battery 13-11, 13-13
hold-down, battery 13-11, 13-13
holder, license plate 1-9
hole plug 4-11
horn bracket 4-7, 4-9
hose
 air intake 9-15
 vent 9-5
hour meter 13-7
hour meter bracket 13-7
housing
 3-pin 14-3
 differential 15-3
hub 6-21, 12-23
hub bearing 6-21
hydrometer 17-5

I

idler gear, differential 15-3
indicator, battery condition 4-11
indicator, charger 4-11
inner frame snubber 8-7
input shaft 12-17, 15-3
instrument panel wire harness, electric vehicle 4-11
insulating washer 14-3
insulator, motor terminal 14-3
intermediate shaft 15-3
internal retaining ring pliers 17-5
isolator, shock damper 6-23

J

joint
 ball 5-3, 5-7
 steering 6-17

K

key
 driven clutch 11-9
 square 11-9
key switch cap 4-15, 4-17, 4-19, 4-21
key switch, uncommon 4-15, 4-17, 4-19, 4-21
keyswitch, uncommon 4-15
kingpin 6-13, 6-17
kit
 3-pin housing 14-3
 accelerator pivot rod 5-5, 5-7
 anchor body 5-11, 5-21, 5-23
 brake actuator 5-11, 5-21, 5-23
 brake cable 5-13
 brake pedal 5-3
 brake shoe 5-11, 5-21, 5-23
 brake shoe retainer 5-11, 5-21, 5-23
 CHMSL 1-147
 clutch repair 11-9
 decals 1-141, 1-143, 1-147
 drive clutch button 11-5, 11-7
 drive clutch weight 11-5, 11-7
 driven clutch button 11-9
 equalizer, brake 5-13
 glass doors 1-93, 1-97
 hand pump, SPWS 13-15
 interior light 1-147
 ladder rack 1-147
 motor brush 14-3
 motor brush lead assembly 14-3
 motor brush spring 14-3
 motor speed sensor 14-3
 park brake latch 5-3
 park brake pedal 5-3
 rear receiver hitch 1-87
 shelf 1-147
 shock absorber cushion 6-23
 shoe retainer 5-11, 5-21, 5-23
 steering column mounting bracket 6-5
 trailer hitch 1-85

Kit, Horn/Tail Light/Turn 4-9

L

ladder rack kit 1-81
lamp, stop, turn, tail 4-7, 4-9
latch 1-19
latch, park brake 5-3
leaf blower holder kit 1-79
lever
 transaxle shift 12-7, 12-9
license frame kit 1-9
license plate 1-9
license plate holder 1-9
light
 oil 4-13

strobe 1-129
 water quality 13-15
light, strobe 4-29, 4-31
limit switch 4-7, 4-9, 7-13, 7-15, 7-17
liquid gasket 15-3, 17-5
low oil warning light 4-13
lubricant, dry moly 17-5
lubricant, moly-teflon 14-3, 17-5
lug nut 2-3, 2-5
lug stud 12-23, 15-3

M

magnet, speed sensor 14-3
mat, floor 1-19
MCOR 13-3
meter clip 4-13
meter, hour 13-7
meter, volt ohm 17-7
mirror 1-109
mirror, exterior kit 1-47
module
 calibration test 17-3
Module, ECU 8-11
moly-teflon lubricant 17-5
motor
 48-volt IQ Plus 14-3
motor brush 14-3
motor brush kit 14-3
motor brush lead assembly kit 14-3
motor brush spring 14-3
motor bumper 14-3
motor end cap 14-3
motor frame and field 14-3
motor headband, sealed 14-3
motor headband, vented 14-3
motor magnet, speed sensor 14-3
motor speed sensor 14-3
motor speed sensor kit 14-3
motor terminal and lead assembly 14-3
motor terminal insulator 14-3
mounting block, brake 5-3
moveable-face 11-5, 11-7, 11-9

N

nameplate decal 1-15, 3-11
nut, lug 2-3, 2-5

O

oil seal 12-13, 12-15
oil warning light, low 4-13
O-Ring, Fuel Module 9-3

P

pad
 brake pedal 5-3

INDEX

- park brake 5-3
 - thermal 7-11
- paint, underbody (black) 17-5
- paint, touch-up 1-13
- park brake latch 5-3
- park brake pedal 5-3
- park brake rod sleeve 5-3
- park brake spacer 5-3
- park brake torsion spring 5-3
- pawl 5-3
- p-clamp (fuel filter) 9-11
- pedal, brake 5-3
- pedal, park brake 5-3
- pencil grip 6-9
- pin
 - bow tie locking 5-13, 5-15, 5-17
 - clevis 5-13, 5-15, 5-17
 - differential 12-21
 - guide 12-13, 12-15
 - input shaft 12-17
- pin, hinge 1-77
- pinion, steering 6-3
- piston anchor 5-11, 5-21, 5-23
- piston ring compressor 17-5
- piston ring pliers 17-5
- pivot support bearing 5-5, 5-7
- plate
 - front spring retainer 6-13, 6-17
 - license 1-9
- Plate, Closure, Kohler 8-17
- plate, Tow/Run switch 13-7
- pliers
 - internal retaining ring 17-5
 - piston ring 17-5
 - retaining ring 17-5
- plug
 - drain 12-13, 12-15
 - driven clutch puller 17-3
 - hole 4-11
- port, diagnostic 13-5
- prop rod track 1-59
- protector spray, battery terminal 17-3
- puller
 - bearing 17-3
 - drive clutch 17-3
 - drive clutch hub 17-3
 - driven clutch cam 17-3
 - seal 17-5
- R**
- race, front hub bearing 6-21
- rack guide pressure spring 6-3
- rack, steering 6-3
- range picker adapter 1-91
- ratchet, park brake 5-3, 5-5, 5-7
- rear window screen, cab 1-131
- rear window with slider, cab 1-133
- rear window, cab 1-135
- receiver hitch 1-87
- receptacle, accessory 4-5, 4-39
- reflector, yellow 4-35
- reflector, amber 4-3
- reflector, red 4-35
- reflector, red, rectangle 4-35
- refractometer 17-5
- regulator, voltage 7-11, 7-13
- relay 13-9
- relay 48v 4-11, 13-9
- relay, 12-volt 1-123, 4-7, 4-9
- remover, bearing and oil seal 17-3
- retainer
 - accelerator pedal spring 5-5, 5-7
 - battery 7-19
 - brake shoe 5-11, 5-21, 5-23
 - shock absorber cushion 6-23
- retaining ring 6-5
- retaining ring pliers 17-5
- return spring bumper 5-5, 5-7
- reverse buzzer 4-11, 4-13, 4-23
- rim (wheel) 2-5
- ring
 - C-type stop 6-3
 - retaining 6-5, 7-11, 7-13, 11-5, 11-7, 11-9, 12-13, 12-15, 12-23
 - snap 6-3
 - spiral backup 11-5, 11-7
- rivet, blind push 13-9
- rock guard 15-5
- rocker switch 1-65, 1-67, 4-11
- rocker switch (lights) 4-11, 4-13
- rod
 - accelerator 5-7
 - accelerator pivot 5-5, 5-7
 - battery hold-down 13-11, 13-13
 - equalizer 5-13, 5-15, 5-17
 - hill brake 5-3
- S**
- safety first card 17-5
- score card clip 6-9
- score card plate 6-9
- seal
 - lip 15-3
 - oil 12-13, 12-15, 15-3
 - steering pinion dust 6-3
- seal puller 17-5
- seal, bed 1-27
- sealant 15-3
- seat bottom 1-23
- seat strap 1-23
- seat, bearing 6-5
- seatback 1-25
- seatback weldment 1-27
- select shaft 12-13, 12-15
- sensor, motor speed 14-3
- Sensor, Temperature 8-11
- shaft
 - axle 12-19, 12-21
 - center 12-17
 - counter 12-17
 - differential 12-21
 - governor 12-13, 12-15
 - governor gear 12-13, 12-15
 - input 12-17, 15-3
 - intermediate 15-3
 - select 12-13, 12-15
 - shift 12-17
 - steering column 6-5
- shift lever 12-7, 12-9
- shift shaft 12-3, 12-17
- shifter bracket 12-3
- shifter handle 12-3
- shifter, base 12-3
- shifter, FNR 12-3
- shock absorber 6-23
- shock absorber cushion 6-23
- shock absorber cushion retainer 6-23
- shock damper isolator 6-23
- shoe retainer kit 5-11, 5-21, 5-23
- shoe, brake 5-11, 5-21, 5-23
- side panel, ds, long 1-71
- side panel, ps, long 1-71
- sleeve 1-57, 1-59, 6-23, 12-13, 12-15
 - delta A-plate 6-11, 6-15
 - park brake rod 5-3
- snap ring 6-3
- snubber bracket 8-7
- snubber, dual 8-7
- snubber, inner frame 8-7
- solenoid 13-9
- solenoid, 12-volt 4-37, 7-11, 7-13
- spacer 12-13, 12-15, 12-17
 - accelerator pivot rod 5-5, 5-7
 - park brake 5-3
- speed sensor 14-3
- speed sensor magnet 14-3
- speed sensor, motor 14-3
- spindle assembly 6-13, 6-17
- spiral backup ring 11-5, 11-7
- spray, battery terminal protector 17-3
- spring 12-13, 12-15
 - accelerator return 5-5, 5-7
 - brake 5-11, 5-21, 5-23
 - brake return 5-15, 5-17
 - brush 14-3
 - compression 6-9
 - drive button 11-5, 11-7
 - drive clutch 11-5, 11-7

INDEX

park brake torsion 5-3
rack guide pressure 6-3
steering shaft compression 6-5
spring cup 5-5, 5-7
spring mounting plate 6-13, 6-17
spring, motor brush 14-3
SPWS manifold 13-17
stake side 1-77
stake side bracket 1-77
stake side kit 1-77
stake side panel, front 1-77
stake side trim kit 1-77
stake side trim, center 1-77
static grip kit 1-79
steel bushing 6-13, 6-17
steering column 6-5
steering column bearing press tool 17-7
steering column retaining ring tool 17-7
steering gear box 6-3
steering joint 6-17
steering pinion 6-3
steering pinion dust seal 6-3
steering rack 6-3
steering shaft 6-13
steering shaft assembly 6-5
steering shaft compression spring 6-5
steering wheel puller tool 17-7
stem, valve 2-5
strap, A-plate 6-11, 6-15
strap, seat 1-23
strobe light 1-129, 4-29, 4-31
strobe light, post mounted 4-29, 4-31
strut, canopy front 1-37, 1-39, 1-41, 1-43
stud
lug 12-23, 15-3
stud, ball 7-11, 7-13
support yoke (steering) 6-3
switch plate cover 4-29, 4-31
switch
key, uncommon 4-15, 4-17, 4-19, 4-21
light rocker 4-11, 4-13
limit 4-7, 4-9, 7-13, 7-15, 7-17
rocker 1-65, 1-67, 4-11
Tow/Run 13-7
turn signal 4-7
switch assembly 4-29, 4-31
switch rubber boot 7-9, 13-7
switch, toggle 7-9

T

12-volt solenoid 4-37, 7-11, 7-13
tailgate 1-73
tailgate handle 1-73
tailgate latch, lh 1-71
tailgate latch, rh 1-71
tailgate teather kit 1-75

tailskirt 1-51
terminal block 4-5, 13-9
tester, continuity 17-5
thermal pad 7-11
thermometer, battery 17-3
thread-forming grease fitting 6-13, 6-17
thrust bearing 6-13, 6-17
tie down kit 1-79
tie rod 6-11, 6-15
tie rod end 6-11, 6-15
tie wrap 1-117, 1-123, 4-37, 5-13, 6-3, 6-5, 7-11, 7-13, 12-5
tire 2-3, 2-5
toggle switch 7-9
tool
accelerator pedal adjustment 17-3
belt tensioning, starter/generator 17-7
charger bezel 17-3
clutch cam installation 17-3
drive clutch holder 17-3
steering column bearing press 17-7
steering column retaining ring 17-7
steering wheel puller 17-7
transaxle axle seal 17-7
transaxle pinion seal 17-7
transmission 17-7
tool kit, clutch 17-3
tool rack kit 1-79
toolbox 1-149
toolbox kit 1-81
touch-up paint 17-5
Tow/Run switch 13-7
Tow/Run switch bracket 7-9
Tow/Run switch plate 13-7
track, prop rod 1-59
trailer hitch 1-85
trailer hitch ball 1-89
trailer hitch brace 1-85
transaxle (Electric Vehicle) 15-3
transaxle axle seal tool 17-7
transaxle guard 15-5
transaxle pinion seal tool 17-7
transaxle, limited-slip (Gas Vehicle) 12-13
transaxle, open-diff (Gas Vehicle) 12-15
transmission tool 17-7
tube
axle 12-19, 12-21, 15-3
turn signal switch 4-7

U

U-bolt 6-23
upper delta clevis 6-13, 6-17
urethane bushing 1-57, 1-59, 6-11, 6-13, 6-15, 6-17, 6-23

V

valve 9-15
valve spring compressor 17-7
valve stem 2-3, 2-5
vent
transaxle 12-13, 12-15
vent, barb 9-5
vent, door, cab 1-107
volt ohm meter 17-7
voltage regulator 7-11, 7-13

W

warning beacon, cab 1-129
warning light, low oil 4-13
washer, insulating 14-3
washer, cab 1-125
water quality light 13-15
wedge, bearing puller 17-3
weight
clutch 11-5, 11-7
secondary clutch 11-5, 11-7
weldment
governor bracket 9-11, 12-11
weldment, receiver hitch 1-87
wheel 2-3, 2-5
wheel cover 2-7
windshield kit, hinged 1-33
windshield kit, non-hinged 1-35
windshield, hinged 1-33
windshield, non-hinged 1-35
wire
green, starter/generator 7-3, 7-5
ground, fuel tank 7-3, 9-3
wire harness 4-9, 7-3
wire harness, main 13-5
work light, front, cab 1-127
work light, rear, cab 1-127
wrap, tie 1-117, 1-123, 4-37, 5-13, 6-3, 6-5, 7-11, 7-13, 12-5

Y

yoke, gear 17-5
yoke, support (steering) 6-3



Club Car, Inc.
P.O. Box 204658
Augusta, GA 30917-4658
USA

Web www.clubcar.com
Phone 1.706.863.3000
1.800.ClubCar
Int'l +1 706.863.3000
Fax 1.706.863.5808