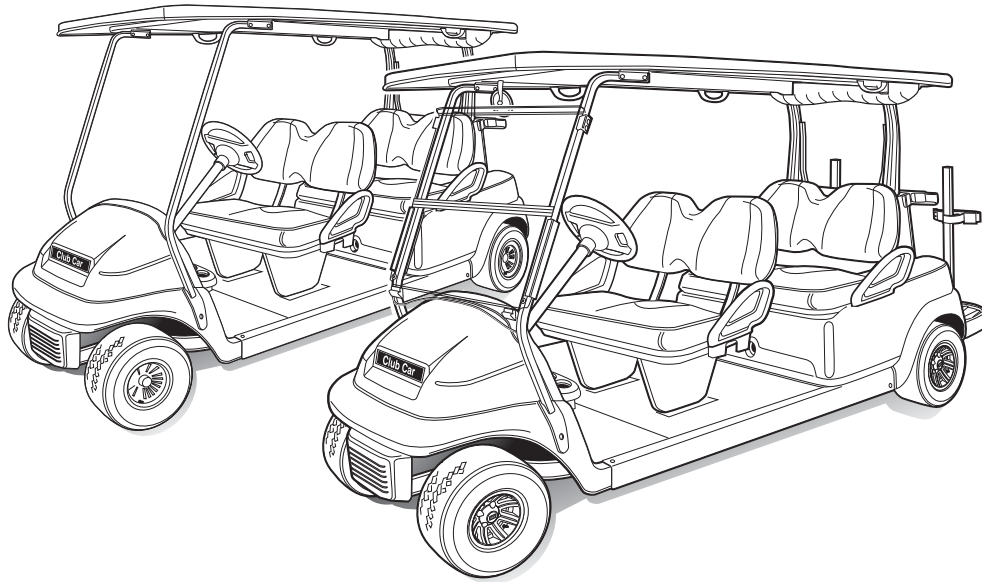




**2014
Precedent Stretch and
4Fun
Illustrated Parts List**



Electric Vehicle with ERIC Charging System

Manual Number 105062817
Edition Code 0414A00000

USING THE ILLUSTRATED PARTS LIST

⚠ WARNING

- **This manual is to be used only for identification and ordering of service parts. Be sure to read and use the maintenance and service manual before attempting any vehicle repairs.**

This manual covers all 2014 Club Car Precedent Stretch and 4Fun vehicles.

The manual is divided into sections. Note that there are two or three flags on the outside edge of each page. The first flag contains the section number of which that page is a part. The other flag (or flags) contains the letter D, E, or G, signifying that the page pertains to diesel, electric, or gasoline vehicles.

Use the Table of Contents to find the sections and pages that contain the parts and assemblies you seek. The Table of Contents lists section numbers, and under them, the individual page titles and numbers to be found in that section. The index can be used to find specific parts and assemblies. The index is divided into numerical and alphabetical listings with the page numbers in italic text.

There is a two-page spread for each individual page title in the Table of Contents. On the left-hand page is an illustration showing the parts in their relative positions; the parts are each tagged with an item number in a balloon. The right-hand page is the parts list page, and gives the page title at the top, then the item numbers (corresponding to the numbers on the illustration), part descriptions, and quantity of parts used. Some item numbers have more than one part number because several configurations of a component are represented together on one spread.

Note that a part description may be indented. This indentation corresponds to a parts assembly level indicated by the numbers 1, 2, 3, and 4 at the top left corner of the parts description area of the parts list page. A part that is indented to *level 2* is a component of the *level 1* part (assembly) that it is listed under. A *level 3* part is a component of the *level 2* part that it is listed under, and a *level 4* part is a component of the *level 3* part preceding it. In each case, the part quantity given for a level 2, 3, or 4 part is the quantity used per next higher level assembly of which it is a component. A part that is not indented is a *level 1* part. This means that the quantity given is the quantity used per the portion of the vehicle illustrated on that particular spread.

HOW TO ORDER PARTS

Replacement parts and accessories can be obtained from our network of authorized dealers and distributors. You can obtain the name and phone number of your closest authorized Club Car dealer or distributor by visiting our web site at www.clubcar.com and clicking on the "Distributor Search" link or by calling our toll-free Service Parts and Technical Assistance hotline at (800) 872-2246 or (706) 863-3000, extension 3887.



P. O. Box 204658
Augusta, Georgia 30917-4658 USA
Telephone 706-863-3000
Service Parts Fax 706-855-7413
www.clubcar.com

NOTE: *This illustrated parts list represents the most current information at the time of publication. Club Car, LLC. is continually working to further improve its vehicles and other products. These improvements may affect the parts used to service the vehicle. Any modification and/or significant change in specifications will be forwarded to all Club Car and Carryall distributors/dealers and will, when applicable, appear in future editions of this illustrated parts list.*

Club Car, LLC. reserves the right to change specifications and designs at any time without notice and without the obligation of making changes to units previously sold.

Copyright © 2014 Club Car, LLC
Club Car, Precedent, and Surlyn
are registered trademarks of Club Car, LLC
This manual effective April 1, 2014.

2014 Precedent Stretch and 4Fun Illustrated Parts List

CONTENTS

SECTION 1 – BODY AND TRIM

Frame	1-3
Front Bumper	1-5
Front Body	1-7
Underbody Covers (Vehicle Without Canopy)	1-9
Dash	1-11
Front Underbody	1-13
Floor Supports	1-15
Floor, Floor Mat and Retainers	1-17
Kick Plate – Electric Vehicle	1-19
Front Seat Frame	1-21
Backrest and Front Seat Frame	1-23
Storage Nets	1-25
Beverage Holder	1-27
Seat Bottom with Hip Restraints	1-29
Backrest and Structural Accessory Module (SAM)	1-31
Rear Body	1-33
Club and Ball Cleaner Kit	1-35
Sand Bottle Kits	1-37
Sand Bucket Kits	1-39
Mud Flaps	1-41
Canopy and Struts – Page 1 of 7	1-43
Canopy and Struts – Page 2 of 7	1-45
Canopy and Struts – Page 3 of 7	1-47
Canopy and Struts – Page 4 of 7	1-49
Canopy and Struts – Page 5 of 7	1-51
Canopy and Struts – Page 6 of 7	1-53
Canopy and Struts – Page 7 of 7	1-55
Bagwell, Precedent 4Fun	1-57

SECTION 2 – WHEELS AND TIRES

Steel Wheels and Tires	2-3
Alloy Wheel and Tires	2-5

SECTION 3 – DECALS

Decals, Safety – Front	3-3
Decals, Safety – Middle	3-5
Decals, Safety – Rear	3-7

CONTENTS

Decals, Badging – 4Fun	3-9
------------------------------	-----

SECTION 4 – BRAKES AND PEDAL GROUP ASSEMBLIES

Rear Brake Assembly, Self-Adjusting	4-3
Brake Cables	4-5
Brake Linkage and Equalizer	4-7
Pedal Group w/o MCOR – Electric Vehicle	4-9
Pedal Group with MCOR – Electric Vehicle	4-11

SECTION 5 – STEERING, FRONT AND REAR SUSPENSION

Steering Wheel, Comfort Grip	5-3
Steering Wheel	5-5
Steering Column	5-7
Steering Gear Assembly	5-9
Front Suspension, Upper	5-11
Front Suspension, Lower	5-13
Rear Suspension, Precedent Stretch & 4Fun	5-15

SECTION 6 – ELECTRICAL SYSTEM – EXCEL WITH ERIC CHARGER

Electrical Components, Front Body – 4Fun/Stretch	6-3
Motor Controller Output Regulator (MCOR)	6-5
Wiring and Fuses	6-7
Forward/Reverse Switch and Tow/Run Switch	6-9
Batteries and Battery Bucket, PD+ 8-Volt	6-11
Single Point Watering System, 8V	6-13
Hand Pump and Deionizer (Battery-Powered Quality Light)	6-15
Controller and Solenoid	6-17

SECTION 7 – ELECTRIC MOTOR – 3.7 H.P.

Motor (Model DA5-4006) – 3.7 H.P.	7-3
--	-----

SECTION 8 – TRANSAXLE – ELECTRIC VEHICLES

Transaxle – Electric Vehicles	8-3
-------------------------------------	-----

SECTION 9 – BATTERY CHARGERS – HIGH-FREQUENCY

Battery Charger, High-Frequency – U.S./Canada	9-3
Battery Charger, High-Freq., 2.74 m DC Cord – Global	9-5

CONTENTS

Battery Charger, High-Freq., 3.66 m DC Cord – Global	9-7
Battery Charger, High-Freq., 6.1 m DC Cord – Global	9-9
Cords – Battery Charger, High-Frequency	9-11

SECTION 10 – MAINTENANCE AND SERVICE TOOLS

Maintenance and Service Tools – Prec. Stretch & 4Fun	10-3
Maintenance and Service Tools – Prec. Stretch & 4Fun, Continued	10-5

SECTION i – INDEX

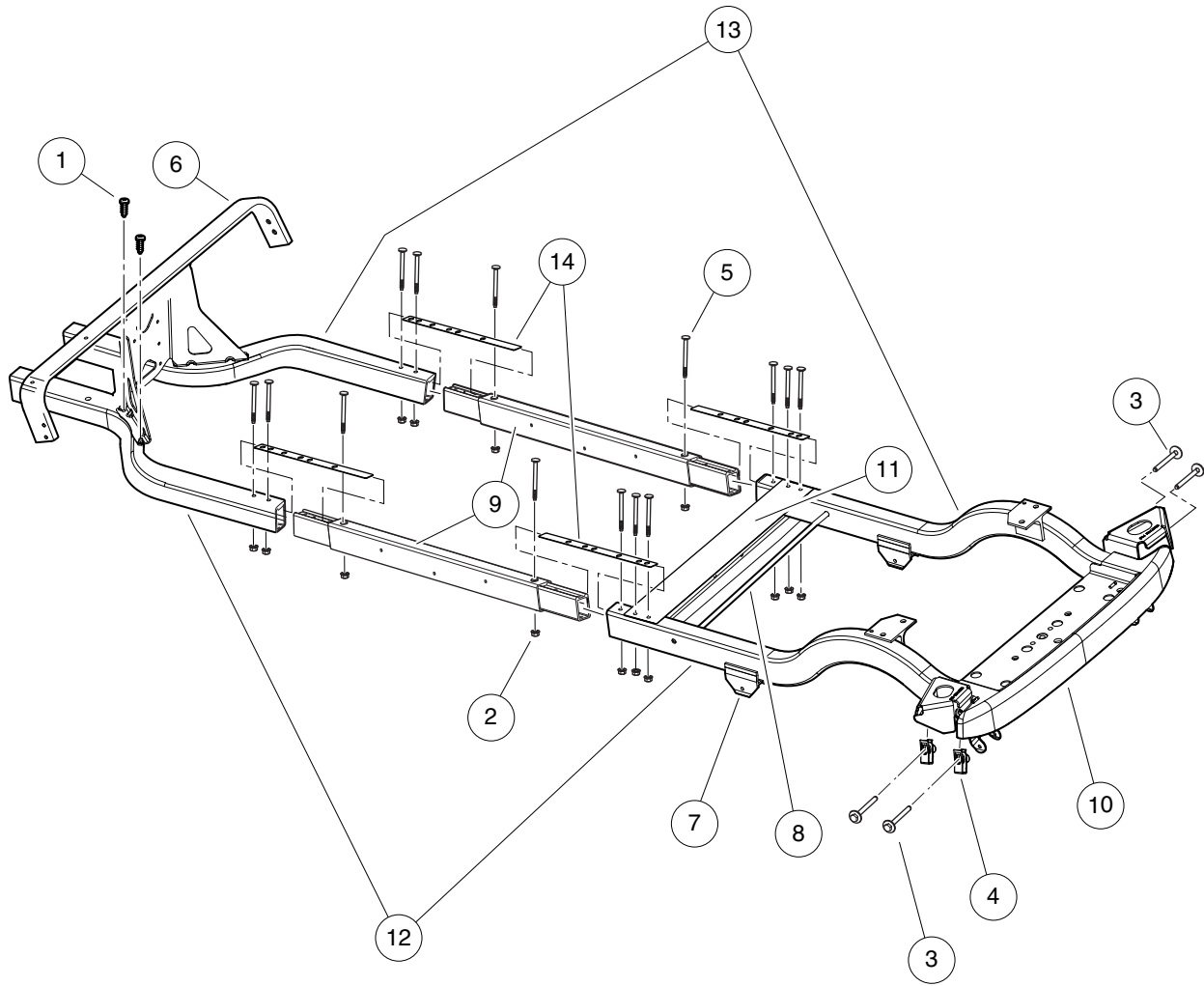
BODY AND TRIM

1

E

1

E



001022-001

FRAME

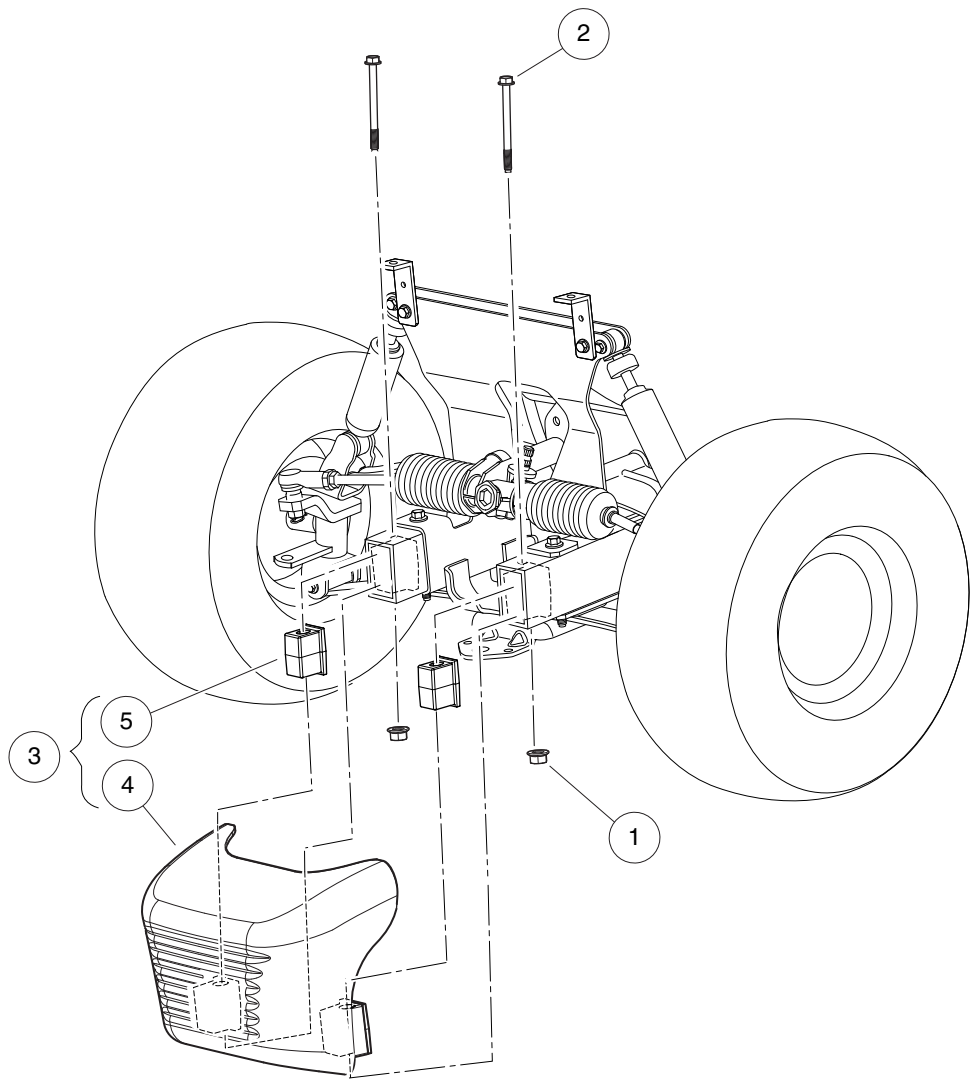
ITEM	PART NO.	DESCRIPTION	QTY
		1 2 3 4	
1	<u>102292101</u>	Screw-5/16 X 1.5 Tek	4
2	<u>102298401</u>	Nut,m8,all Metal Lock	14
3	<u>102298580</u>	M8-1.25 X 80 Sems	4
4	<u>102298601</u>	J-clip - M8 X 1.25	4
5	<u>102298995</u>	Bolt, Wafer Head, M8-1.25x95	14
6	<u>102505701</u>	Assembly, Dash Support	1
7	102507801	Hanger, Spring	2
8	<u>103638901</u>	Rod, .5 Od X 26.26	1
9	<u>103797401</u>	Asm, Frame Tube Extend	2
10	<u>103926601</u>	Crossmember, rear	1
11	103975901	I Beam, Cross Car	1
12	103990502	Weldment, Frame, 4fun, Lh	1
13	103990602	Weldment, Frame, 4fun, Rh	1
14	<u>105056301</u>	Shim, Frame, 4fun	4

1

E

1

E



000437-003

FRONT BUMPER

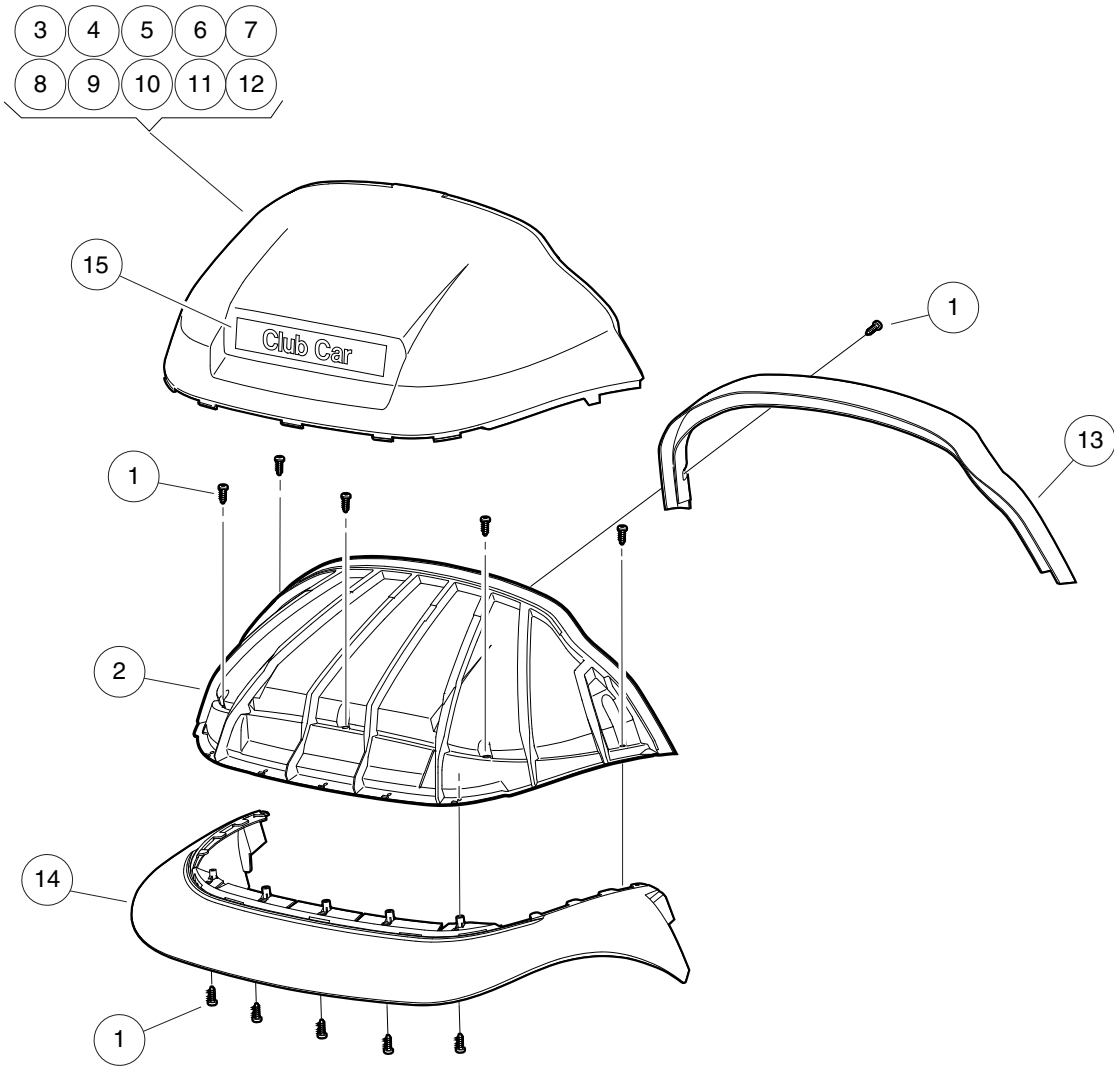
ITEM	PART NO.	DESCRIPTION	QTY
		1 2 3 4	
1	<u>102298401</u>	Nut,m8,all Metal Lock	2
2	102534201	Bolt - Fl Hd, M8 X 95	2
3	<u>103330601</u>	Asm, Bumper, Front, Precedent (includes items 4 and 5)	1
4	N/A	Bumper, Front, Precedent	1
5	<u>103325001</u>	Plug, Shock, Precedent Bumper	2

1

E

1

E



000434-005

FRONT BODY

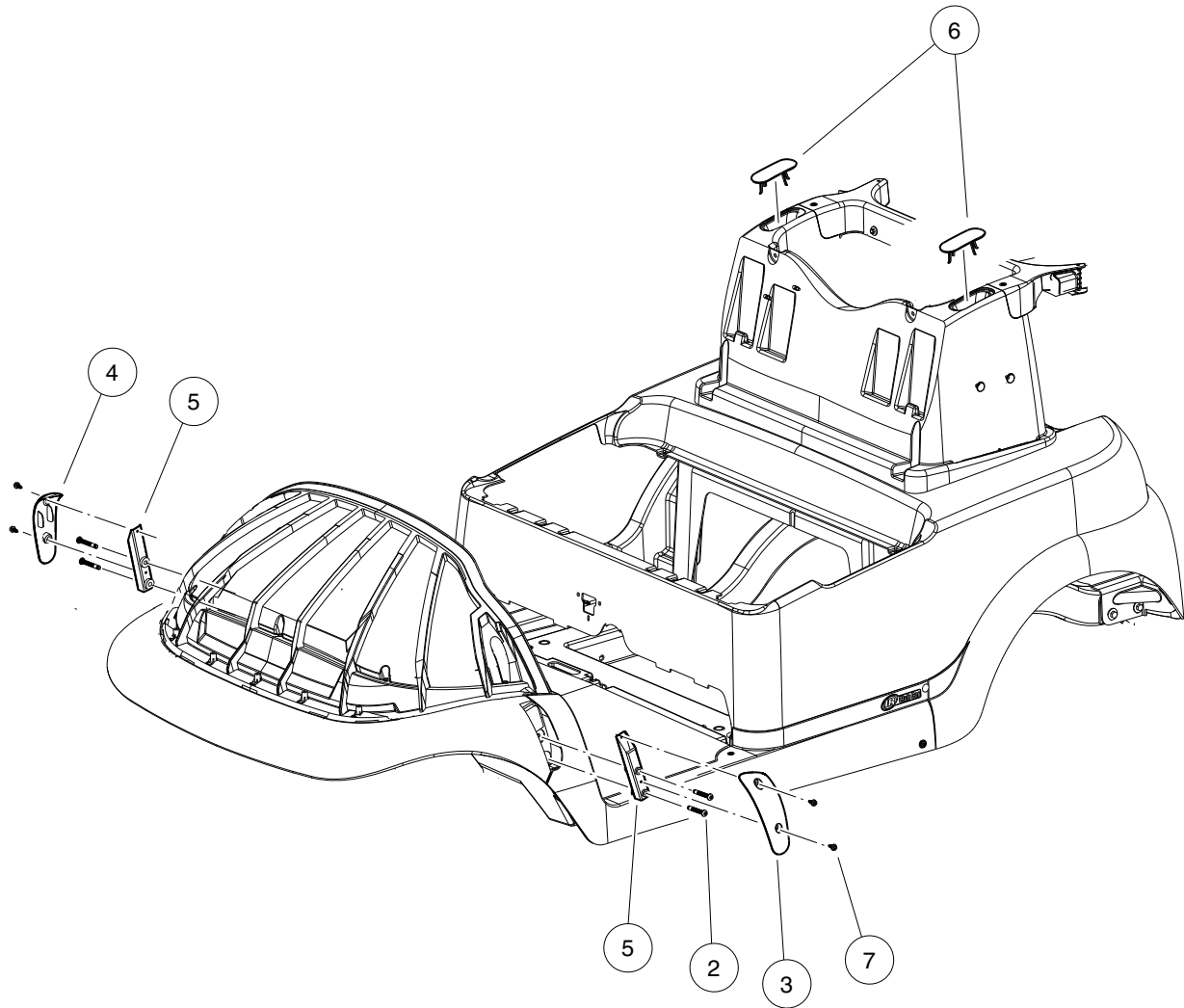
ITEM	PART NO.	DESCRIPTION	QTY
		1 2 3 4	
1	<u>102296020</u>	Screw, Torx Pan Hd Pt, M6 X 20	14
2	<u>102501501</u>	Brow	1
3	<u>102502401</u>	Panel, Beauty Front, White	1
4	<u>102502402</u>	Panel, Beauty Front, Beige	1
5	<u>102502404</u>	Panel, Beauty Front, Gray	1
6	<u>102502405</u>	Panel, Beauty Front, Red	1
7	<u>102502406</u>	Panel, Beauty Front, Burgundy	1
8	<u>102502407</u>	Panel, Beauty Front, Green	1
9	<u>102502408</u>	Panel, Beauty Front, Blue	1
10	<u>102502409</u>	Panel, Beauty Front, Black	1
11	<u>102502411</u>	Panel, Beauty, Front, Cayenne	1
12	<u>102502413</u>	Panel-beauty Front, Atlantic	1
13	<u>102502501</u>	Brow Cap	1
14	<u>102534404</u>	Fascia, Blk	1
15	<u>103816601</u>	Nameplate -cc	1

1

E

1

E



000730-003

UNDERBODY COVERS (VEHICLE WITHOUT CANOPY)

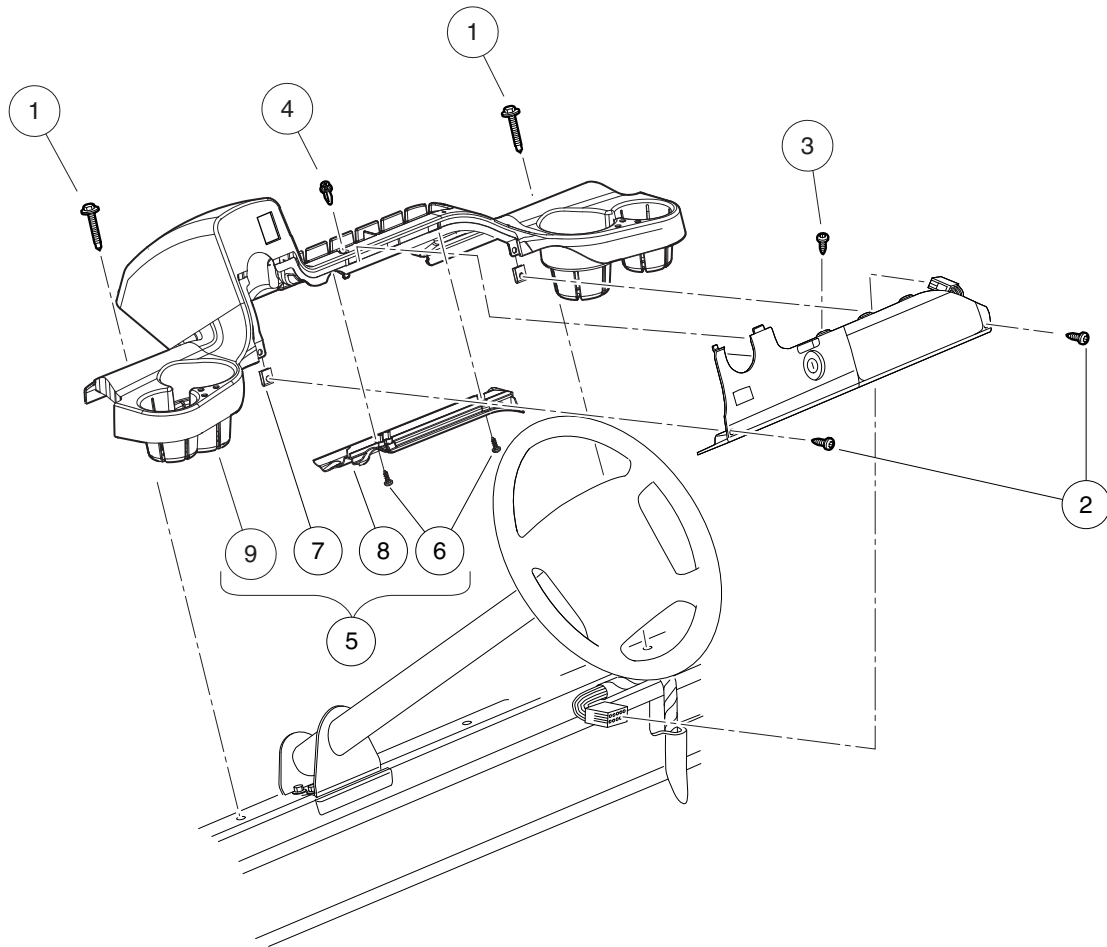
ITEM	PART NO.	DESCRIPTION	QTY
		1 2 3 4	
1	<u>102543902</u>	Kit, Underbody Cover, Black (includes items 2 through 7)	1
2	<u>102299065</u>	M8-1.25 X 65 Tx Bttn Hd Bolt	4
3	<u>102400202</u>	Cover, Lh Non-canopy, Blk	1
4	<u>102400302</u>	Cover, Rh Non-canopy, Blk	1
5	N/A	Support, Strut Cover	2
6	N/A	SAM Cap	2
7	<u>102544201</u>	Screw, M6 Hex	4

1

E

1

E



001023-001

DASH

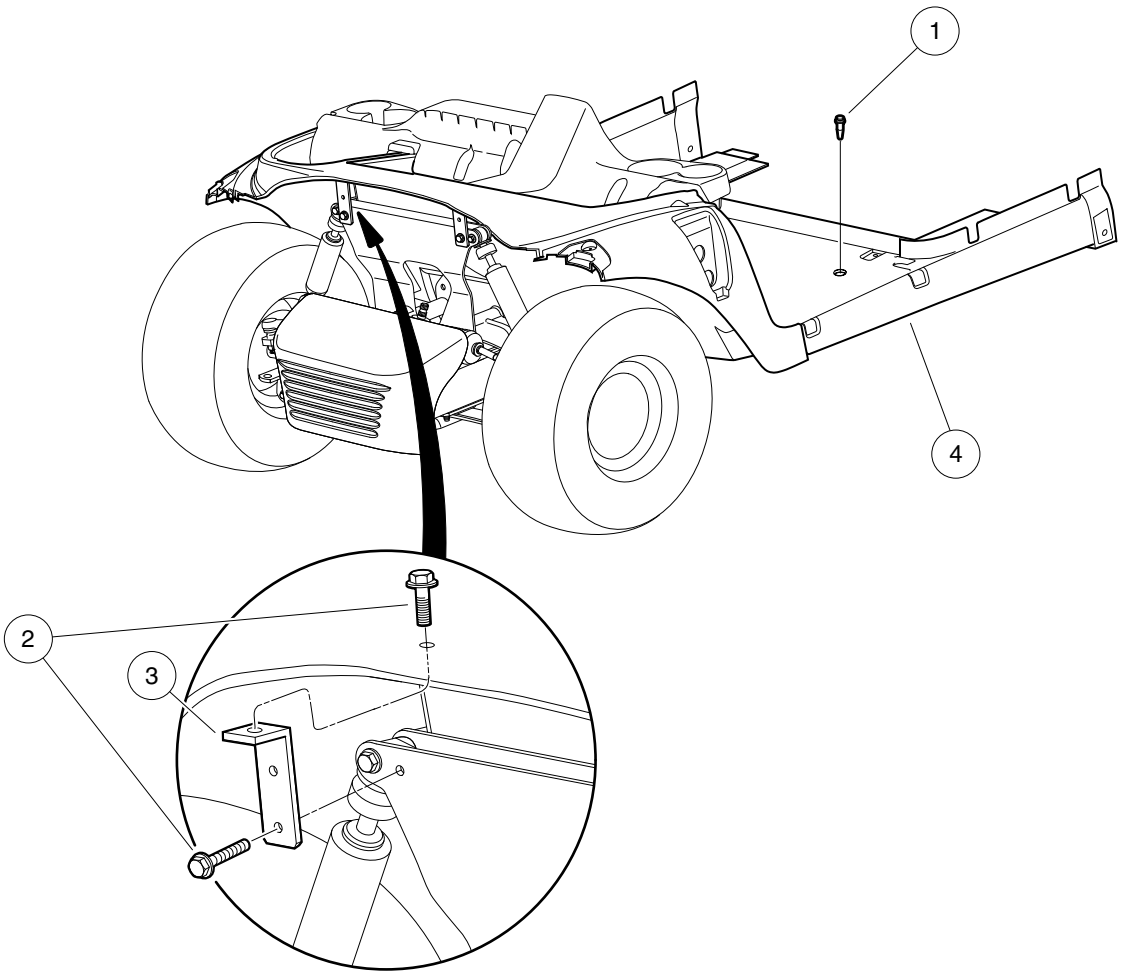
ITEM	PART NO.	DESCRIPTION	QTY
		1 2 3 4	
1	<u>102292356</u>	Screw-1/4-20x56 Hwh Self Drill	2
2	<u>102296819</u>	Screw-m6 X 19-pnhd Ab	2
3	<u>102557201</u>	Screw, #6-20 Type Abx1.00 Pan	1
4	<u>102915601</u>	Plastic Rivet - Tuflock	1
5	103402702	Dash, Assembly, Prec, 4Fun (includes items 6 through 9)	1
6	N/A	Screw-torx Pan Hd Pt,m6 X 16	2
7	<u>102297001</u>	U-nut, 1/4" Type Ab	2
8	N/A	Drain Channel - Dash	1
9	N/A	Dash, Prec	1

1

E

1

E



000497-008

FRONT UNDERBODY

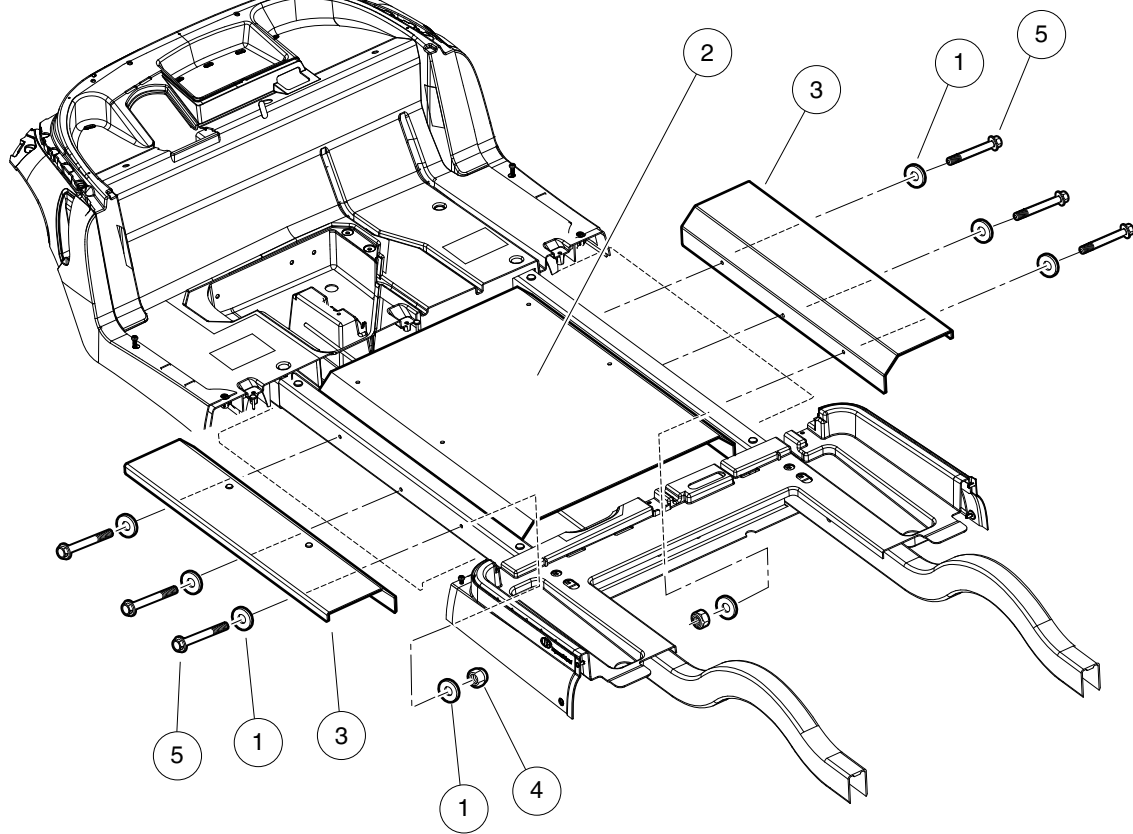
ITEM	PART NO.	DESCRIPTION	QTY
		1 2 3 4	
1	<u>102292356</u>	Screw-1/4-20x56 Hwh Self Drill	3
2	<u>102298716</u>	M8-1.25x16 Taptite	4
3	<u>102521901</u>	Bracket-clamshell	2
4	<u>103635201</u>	Underbody, Front, One Piece	1
<p>Note: Item 4 is a special order item available upon request.</p>			

1

E

1

E



001028-001

FLOOR SUPPORTS

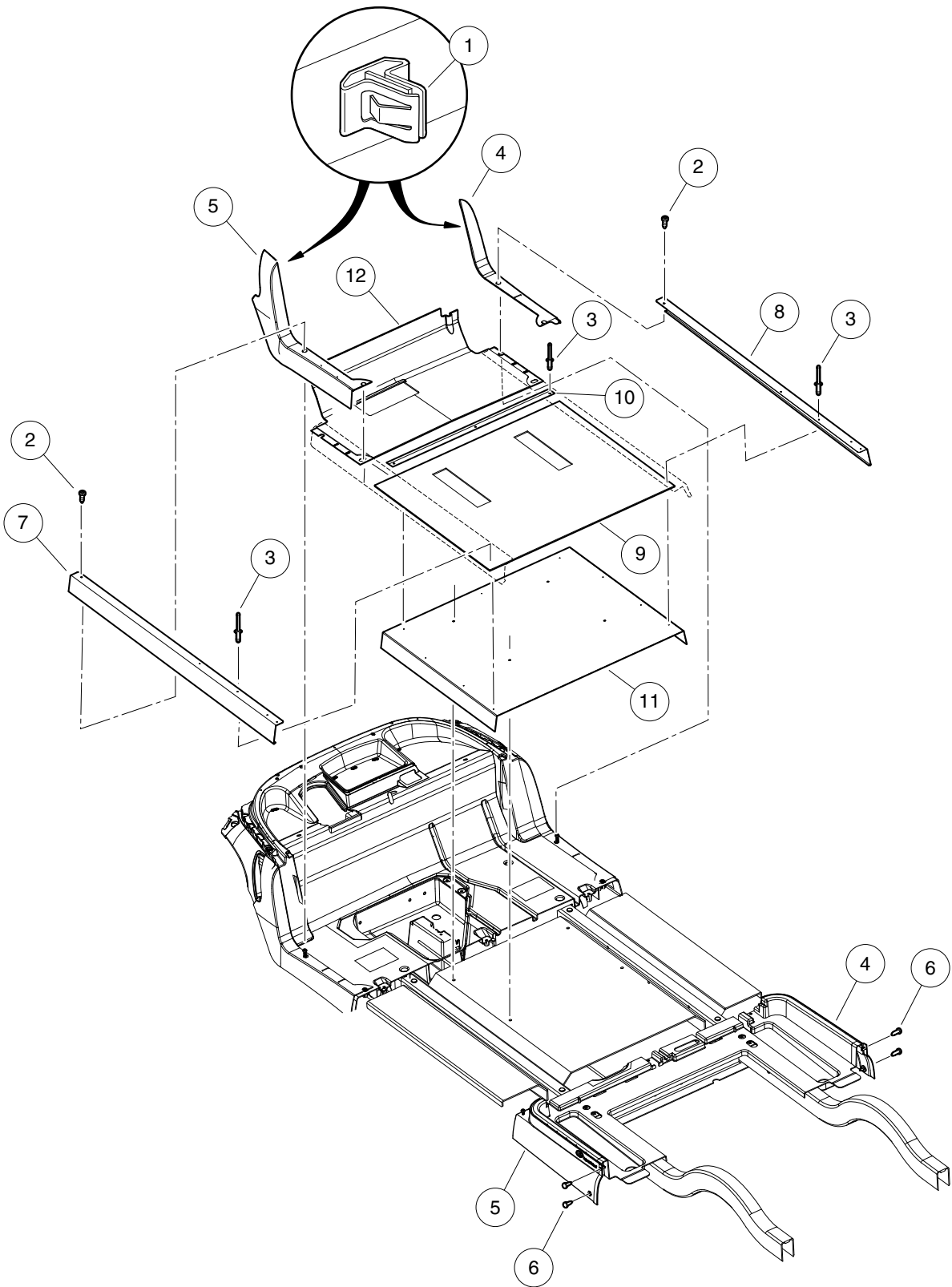
ITEM	PART NO.	DESCRIPTION	QTY
		1 2 3 4	
1	<u>1017233</u>	Washer, 5/16 Hardened	16
2	<u>103758501</u>	Support - Center Floor	1
3	<u>103758601</u>	Support - Side Floor	2
4	<u>7473</u>	Locknut, 5/16-18 Nylon Insert	10
5	<u>8915</u>	Screw, 5/16-18 X 3.0 Hx Hd Cap	6

1

E

1

E



001024-001

FLOOR, FLOOR MAT AND RETAINERS

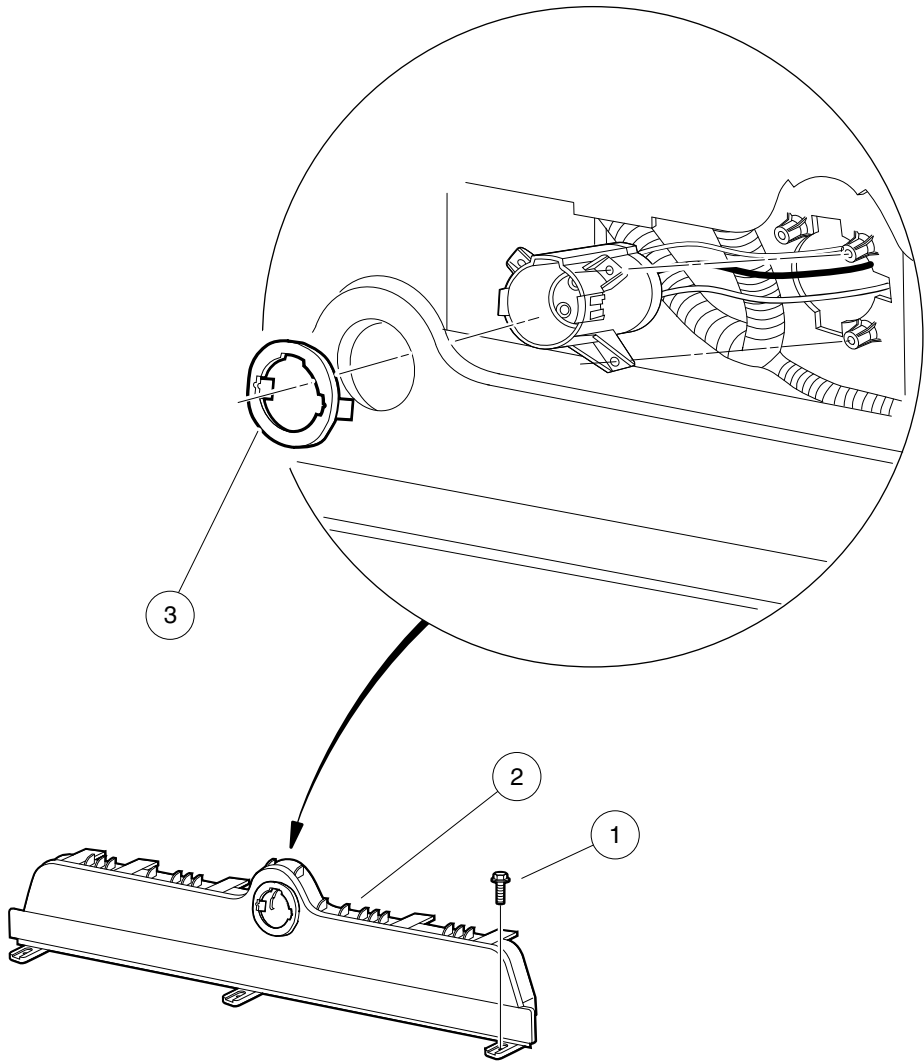
ITEM	PART NO.	DESCRIPTION	QTY
		1 2 3 4	
1	<u>102292701</u>	Clip-body-trim	8
2	<u>102298030</u>	Screw, K80x30, Torx Pn Hd Pt	2
3	<u>103400001</u>	3/16 X 1.19 Alum Rivet, Blk	11
4	<u>103678001</u>	Floormat Retainer Asm, Rh, Blk	1
5	<u>103678101</u>	Floormat Retainer Asm, Lh, Blk	1
6	<u>103683001</u>	Barrel Fastner, Blk, Firm	4
7	<u>103703901</u>	Ret, Floormat 4pass, Drv	1
8	<u>103704001</u>	Ret, Floormat 4pass, Pass	1
9	<u>103705401</u>	Floormat, Rear, 4pass Prec	1
10	<u>103707201</u>	Cap, Threashold Prec 4pass	1
11	<u>103758701</u>	Plate, Floor Cover	1
12	<u>103926401</u>	Floormat, Precedent	1

1

E

1

E



000500-003

KICK PLATE – ELECTRIC VEHICLE

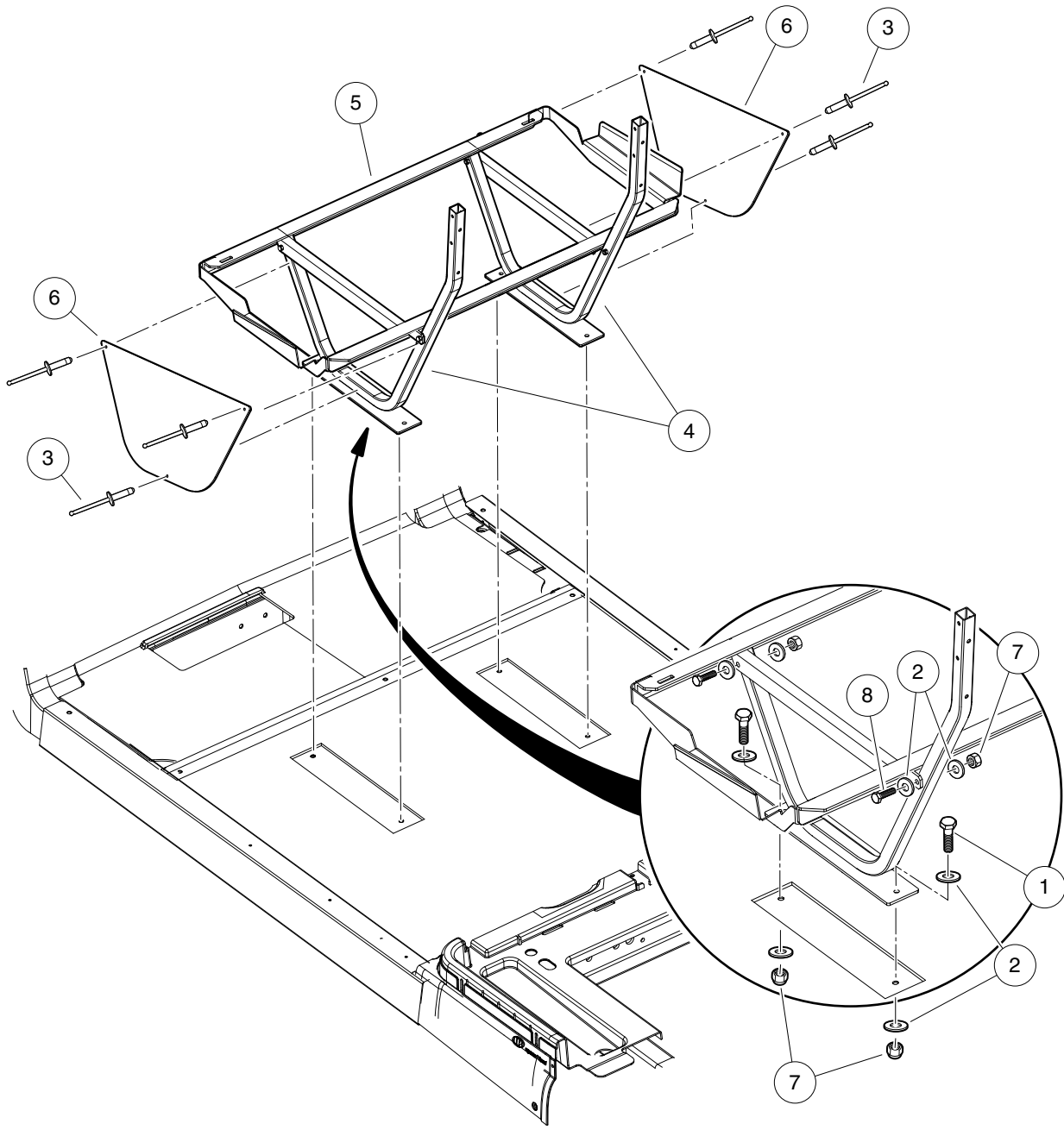
ITEM	PART NO.	DESCRIPTION	QTY
		1 2 3 4	
1	102298030	Screw, K80x30, Torx Pn Hd Pt	3
2	<u>102508202</u>	Plate - Electric Kick Blk	1
3	<u>102516901</u>	Socket Trim	1

1

E

1

E



001031-001

FRONT SEAT FRAME

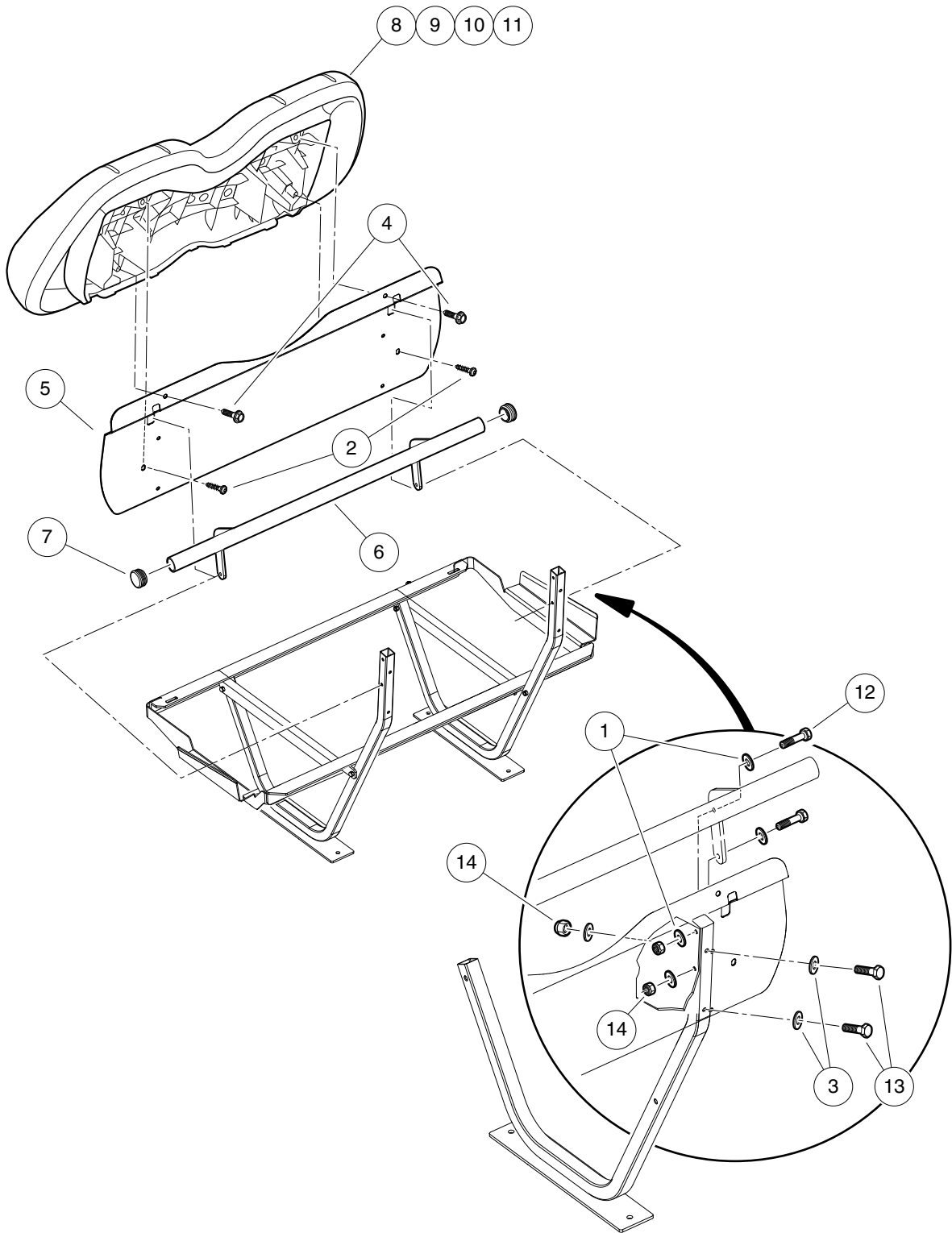
ITEM	PART NO.	DESCRIPTION	QTY
		1 2 3 4	
1	<u>1010934</u>	Screw, 5/16-18 X 1.00 Hex Cap	4
2	<u>1017233</u>	Washer, 5/16 Hardened	12
3	<u>102828701</u>	Rivet	6
4	<u>103705901</u>	Asm, Seat Frame 4pass	2
5	<u>103706601</u>	Asm, Seat Supp, 4pass Front	1
6	<u>103707601</u>	Closeout, Seat Frame 4pass	2
7	<u>7473</u>	Locknut, 5/16-18 Nylon Insert	8
8	<u>8963</u>	Screw, 5/16-18 X 1.75 Hex-Head Cap	4

1

E

1

E



001032-001

BACKREST AND FRONT SEAT FRAME

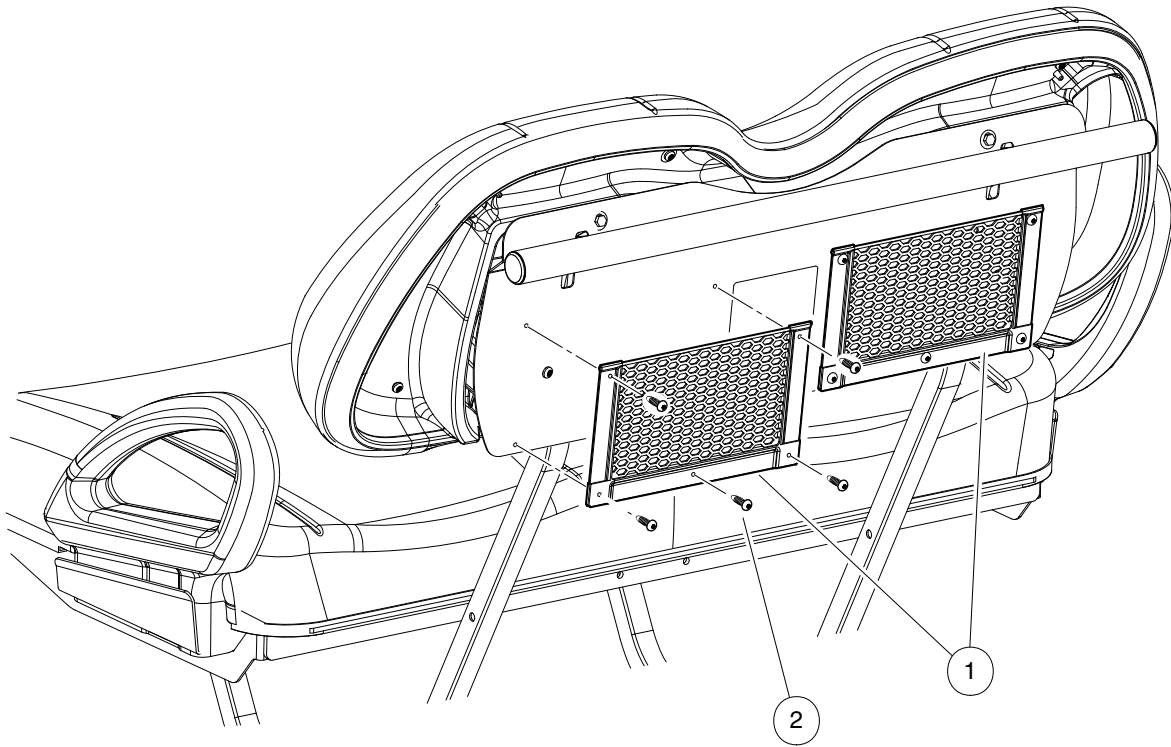
ITEM	PART NO.	DESCRIPTION	QTY
		1 2 3 4	
1	<u>1014007</u>	Washer, 1/4, Flat	8
2	<u>102296020</u>	Screw, Torx Pan Hd Pt, M6 X 20	2
3	<u>102296301</u>	Washer, M6x18x1.6 Flat	8
4	<u>102296530</u>	Screw - M6 X 1.0 X 30 Sems	2
5	<u>103707501</u>	Closeout, Seatback Prec 4pass	1
6	<u>103790601</u>	Asm, Rear Handrail	1
7	<u>103813801</u>	Capplug Ccf-1 1/4-10-14	2
8	<u>103853121</u>	Service, Beige, Seatback Asm	1
9	<u>103853122</u>	Service, White, Seatback Asm	1
10	<u>103853124</u>	Service, Gray, Seatback Asm	1
11	<u>103853125</u>	Service, Black, Seatback Asm	1
12	<u>103887101</u>	1/4-20 X 1 3/4 Screw, Hex Zinc	4
13	<u>105114701</u>	Screw, 1/4-20 X 1.5 Bhcs, Blk	4
14	<u>8233</u>	Locknut, 1/4-20, Nylon Insert	8

1

E

1

E



001045-001

STORAGE NETS

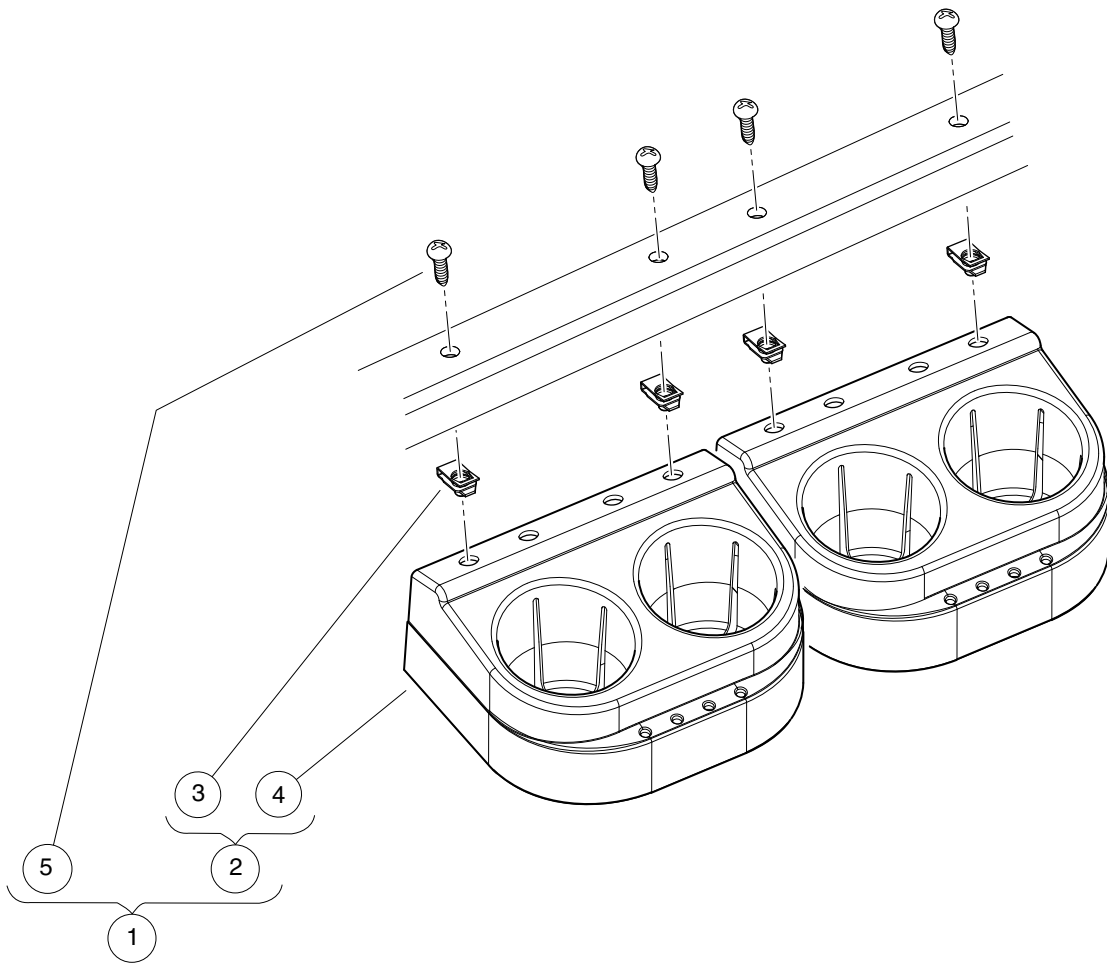
ITEM	PART NO.	DESCRIPTION	QTY
1	<u>105136201</u>	1 2 3 4 Net, Storage, 4fun	2
2	105223901	Screw, Truss Torx 10-24 Black	10

1

E

1

E



001030-001

BEVERAGE HOLDER

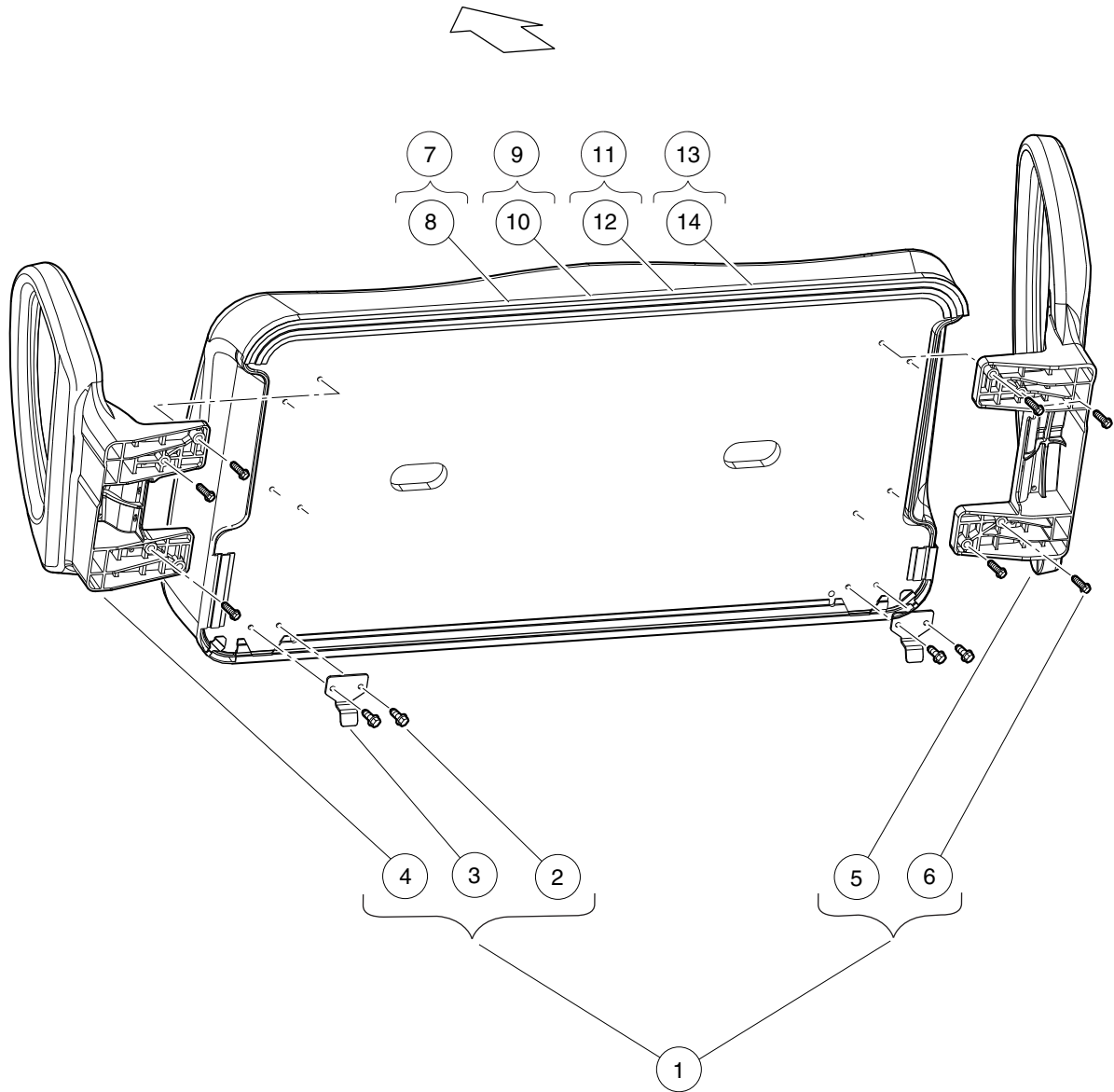
ITEM	PART NO.	DESCRIPTION	QTY
		1 2 3 4	
1	<u>101708301</u>	Drink Holder Kit (includes items 2 through 5)	2
2	<u>1016811</u>	Holder, Dual Cup (includes items 3 and 4)	1
3	1016952	U-Nut, 1/4-20	2
4	N/A	Cup Holder, Dual	1
5	<u>7847</u>	Screw, 1/4-20 X 0.75 Hex-Head Cap	2

1

E

1

E



000440-006

SEAT BOTTOM WITH HIP RESTRAINTS

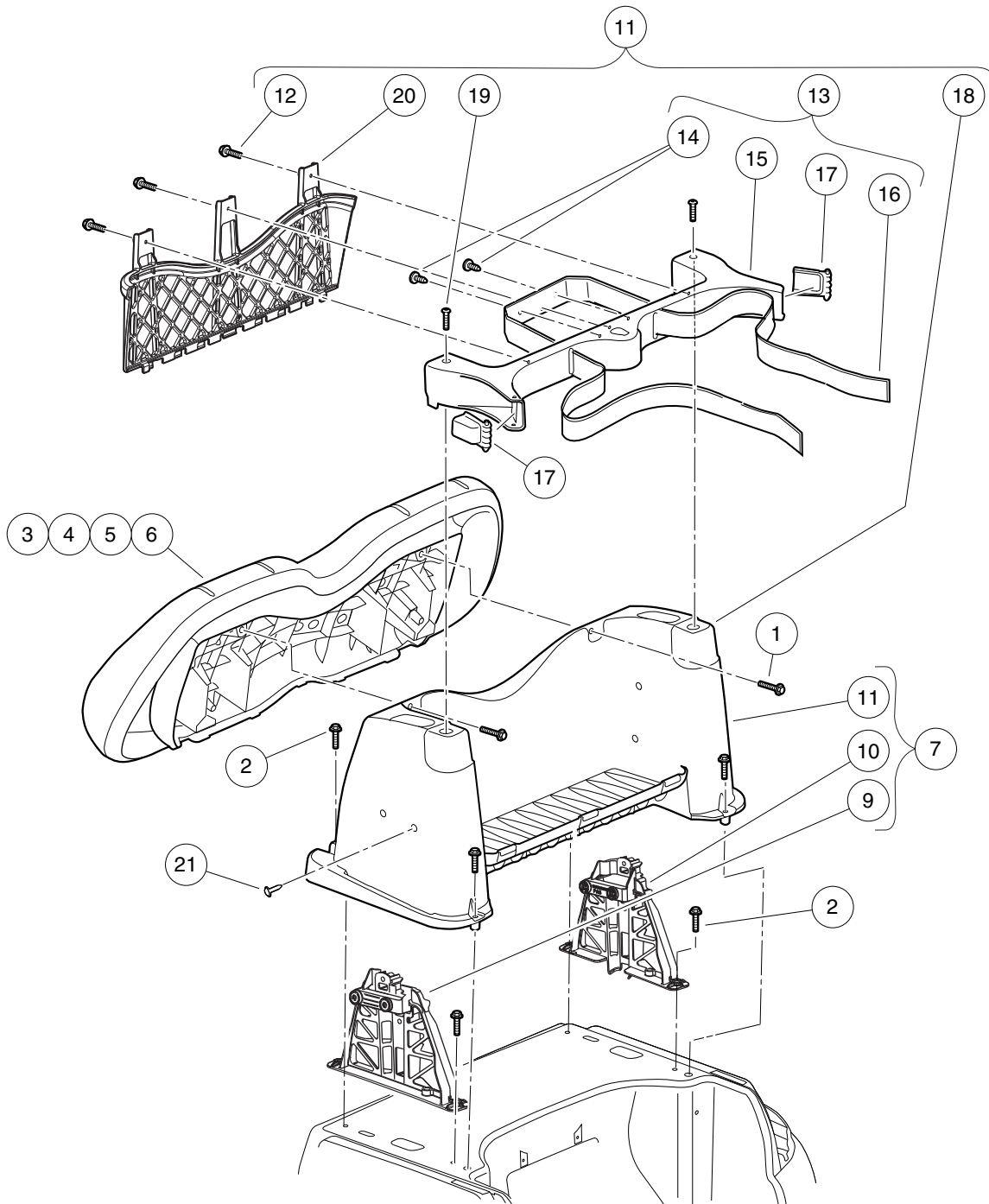
ITEM	PART NO.	DESCRIPTION	QTY
		1 2 3 4	
1	<u>103833901</u>	Kit, Prec, Seat Botm (includes items 2 through 6)	1
2	<u>101954301</u>	Screw, 1/4-20 X 0.75 Hex-Head Cap	4
3	<u>103832901</u>	Hinge, Seat Bottom	2
4	<u>103833601</u>	Hip Restraint, Drv	1
5	<u>103833701</u>	Hip Restraint, Pas	1
6	<u>103833801</u>	1/4-20 X 1.5 Hex Flg Patch	8
7	<u>104023421</u>	Service, Asm, Beige, Seat Btm (includes item 8)	1
8	<u>101998501</u>	Gasket, Seat	1
9	<u>104023422</u>	Service, Asm, White, Seat Btm (includes item 10)	1
10	<u>101998501</u>	Gasket, Seat	1
11	<u>104023424</u>	Service, Asm, Gray, Seat Btm (includes item 12)	1
12	<u>101998501</u>	Gasket, Seat	1
13	<u>104023425</u>	Service, Asm, Black, Seat Btm (includes item 14)	1
14	<u>101998501</u>	Gasket, Seat	1

1

E

1

E



000435-010

BACKREST AND STRUCTURAL ACCESSORY MODULE (SAM)

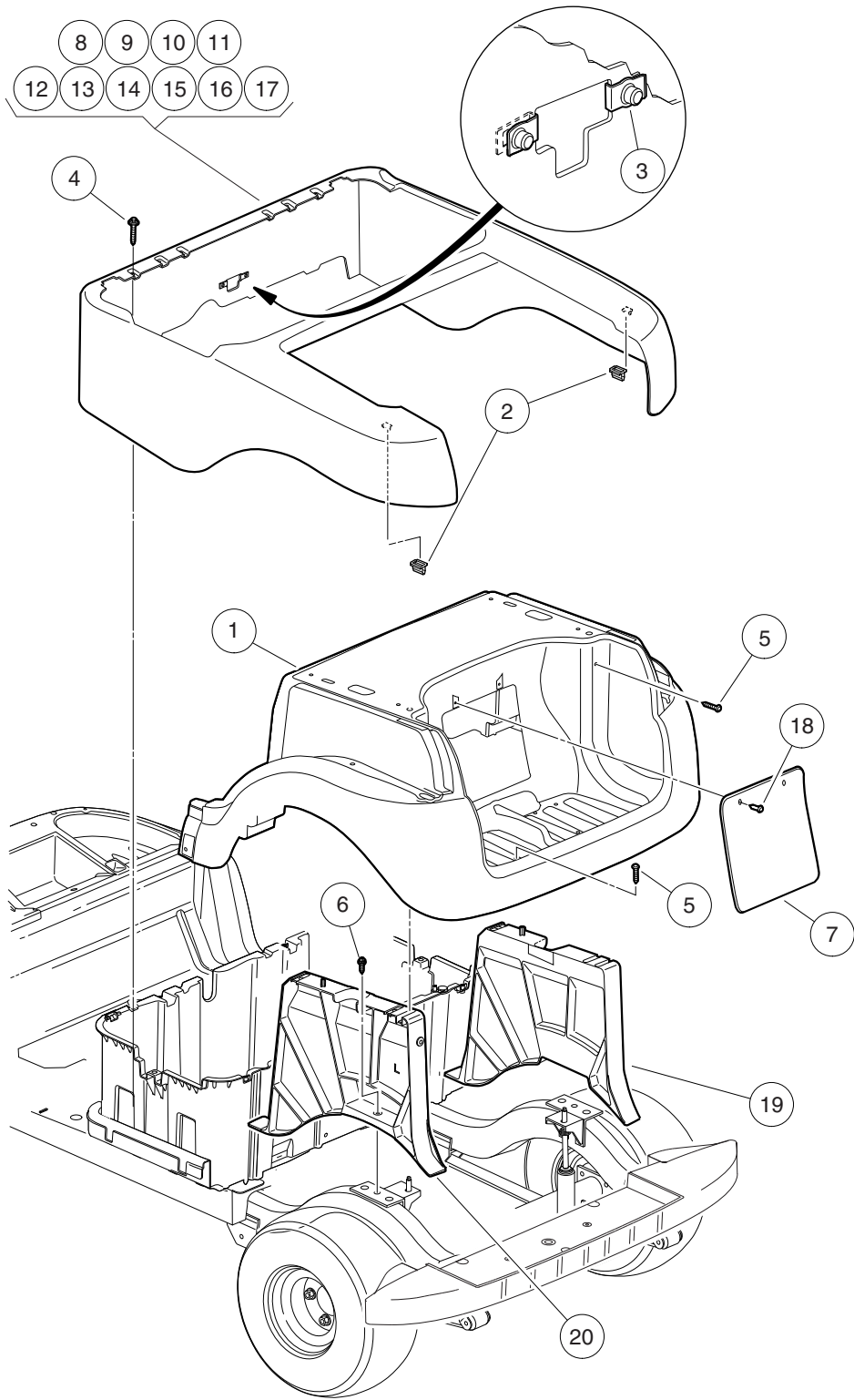
ITEM	PART NO.	DESCRIPTION	QTY
		1 2 3 4	
1	<u>102296530</u>	Screw - M6 X 1.0 X 30 Sems	2
2	<u>102298240</u>	Bolt, Flange Head, M8-1.25 X 40	6
3	<u>103853121</u>	Service, Beige, Seatback Asm	1
4	<u>103853122</u>	Service, White, Seatback Asm	1
5	<u>103853124</u>	Service, Gray, Seatback Asm	1
6	<u>103853125</u>	Service, Black, Seatback Asm	1
7	<u>103952901</u>	Kit, Sam Assembly (includes items 8 through 11)	1
8	<u>102297230</u>	Screw, M6, Torx, Interlock Thread	4
9	<u>103929301</u>	Support- Canopy, Drv	1
10	<u>103929302</u>	Support- Canopy, Pass	1
11	N/A	Asm, Prec, Sam (includes items 12 through 20)	1
12	<u>102297230</u>	Screw, M6, Torx, Interlock Thread	3
13	<u>102504001</u>	Asm-bag Hoop (includes items 14 through 17)	1
14	<u>1010434</u>	Barrel - Plastic	2
15	<u>102504201</u>	Hoop-bag	1
16	<u>102504301</u>	Strap, Bag	1
17	<u>102517001</u>	Buckle-bag Strap	2
18	N/A	Structural Accessory Module	1
19	<u>103327601</u>	Screw, 5/16, Torx, Bosscrew	2
20	<u>103699401</u>	Panel, Sam, Prec	1
21	<u>103978801</u>	Barrel-push 6mm	4
<p>Note: Screws (item 8) not shown. These are four new screws to replace those used to attach accessory mounting brackets to SAM (item 18).</p>			

1

E

1

E



000436-010

REAR BODY

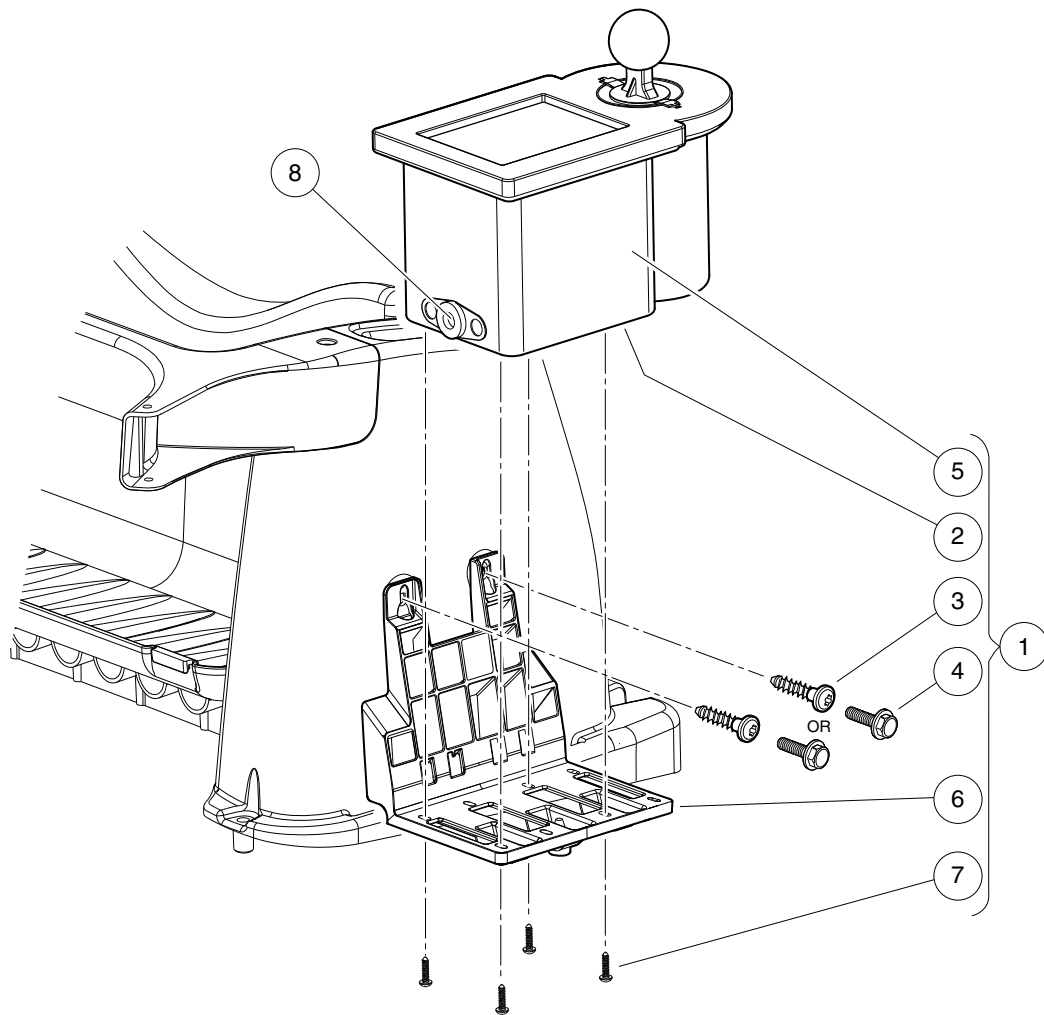
ITEM	PART NO.	DESCRIPTION	QTY
		1 2 3 4	
1	<u>102279104</u>	Underbody - Rear, Blk	1
2	<u>102292701</u>	Clip-body-trim	2
3	<u>102296601</u>	U-Nut, M6-1.0, Prevailing Torque	2
4	<u>102297230</u>	Screw, M6, Torx, Interlock Thread	4
5	<u>102298030</u>	Screw, K80x30, Torx Pn Hd Pt	4
6	<u>102298716</u>	M8-1.25x16 Taptite	2
7	<u>102501402</u>	Panel, Access, Black	1
8	<u>102502301</u>	Panel, Beauty, Rear, White	1
9	<u>102502302</u>	Panel, Beauty, Rear, Beige	1
10	<u>102502304</u>	Panel, Beauty, Rear, Gray	1
11	<u>102502305</u>	Panel, Beauty, Rear, Red	1
12	<u>102502306</u>	Panel, Beauty, Rear, Burgundy	1
13	<u>102502307</u>	Panel, Beauty, Rear, Green	1
14	<u>102502308</u>	Panel, Beauty, Rear, Blue	1
15	<u>102502309</u>	Panel, Beauty, Rear, Black	1
16	<u>102502311</u>	Panel-beauty Rear, Cayenne	1
17	<u>102502313</u>	Panel-beauty Rear, Atlantic	1
18	<u>102967901</u>	Rivet, Removable, Tuflok 1/4"	2
19	<u>103812901</u>	Asm, Rear Underbody Supp, Rh	1
20	<u>103813001</u>	Asm, Rear Underbody Supp, Lh	1

1

E

1

E



001046-001

CLUB AND BALL CLEANER KIT

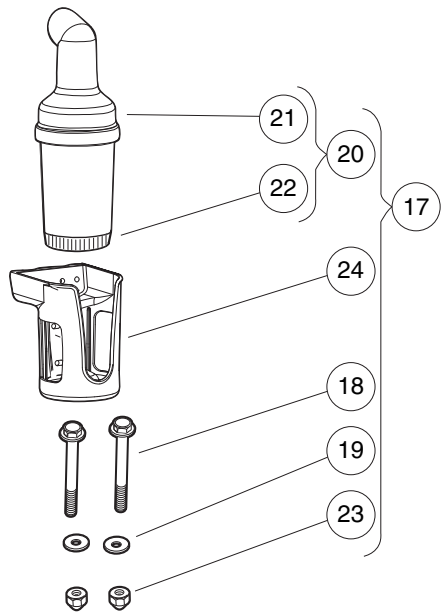
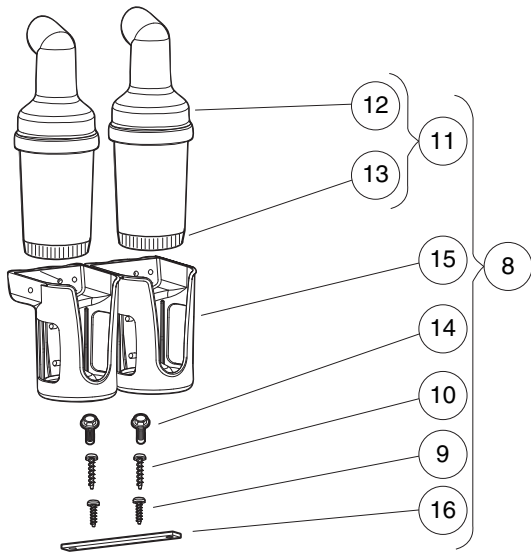
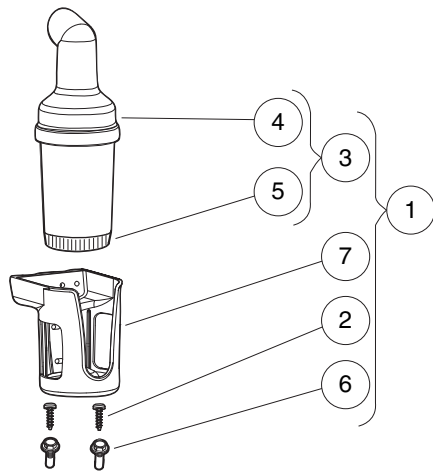
ITEM	PART NO.	DESCRIPTION	QTY
		1 2 3 4	
1	<u>102538803</u>	Ball Washer Instl, Prec, Field (includes items 2 through 7)	1
2	<u>1010436</u>	Bumper, Rubber	1
3	<u>102297230</u>	Screw, M6, Torx, Interlock Thread	2
4	<u>102541401</u>	Bolt-m6x1.0x20 Hex Flhd Blk-l	2
5	<u>103662801</u>	Washer, Ball, Black	1
6	<u>103994101</u>	Bracket, Prec Ball Washer	1
7	1620	Screw, #10-16 X 0.75 Pan-Head Tap	4
8	<u>AM1231201</u>	Drain Plug, Club Clean	1

1

E

1

E



001048-001

SAND BOTTLE KITS

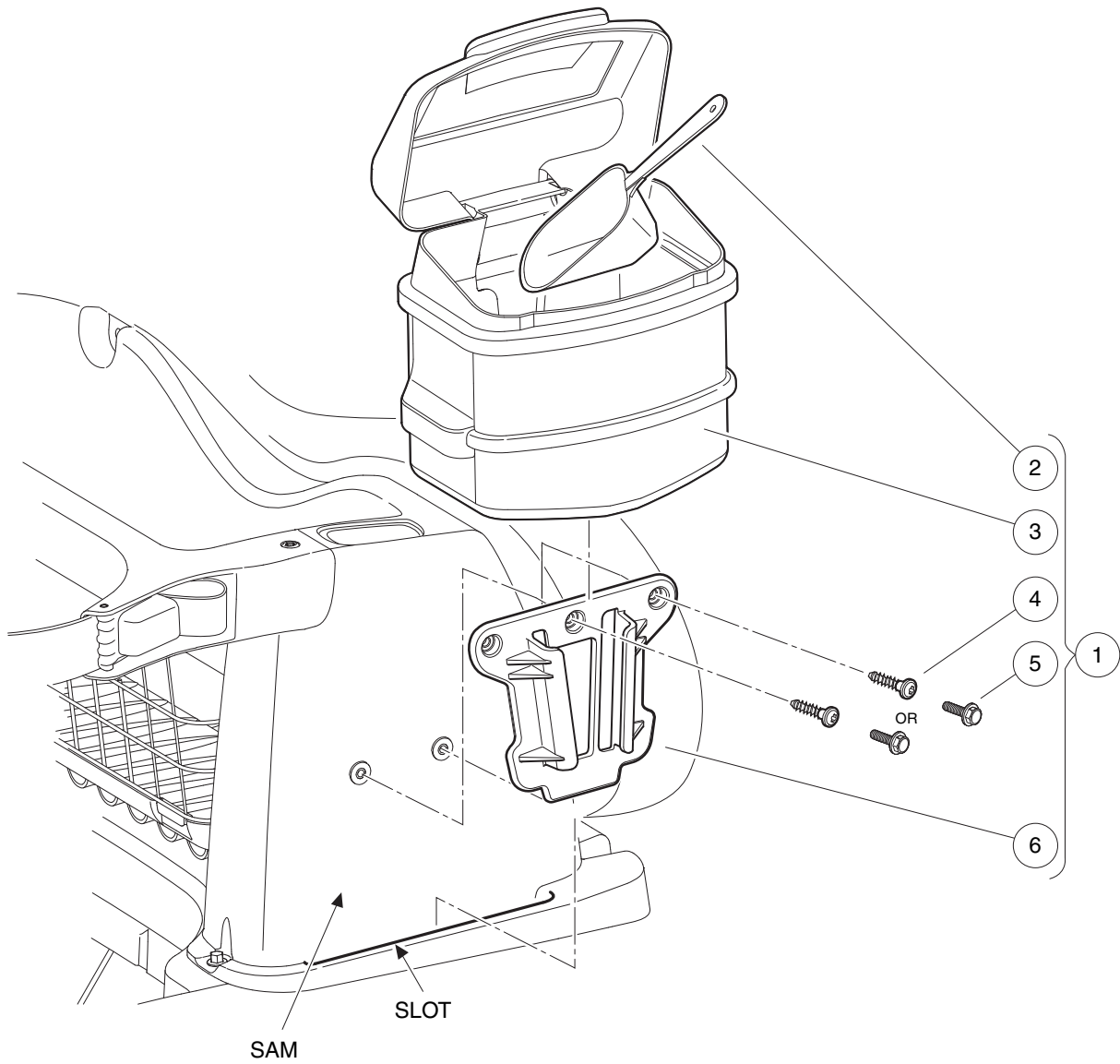
ITEM	PART NO.	DESCRIPTION	QTY
		1 2 3 4	
1	<u>103451901</u>	Kit, Sand Bottle, Sam, Single (includes items 2 through 7)	1
2	<u>102297230</u>	Screw, M6, Torx, Interlock Thread	2
3	<u>102478201</u>	Asm, Sand Bottle, Bottom-Fill, Curve/Grip Neck (includes items 4 and 5)	1
4	N/A	Sand Bottle, Bottom-Fill, Curve/Grip Neck	1
5	<u>102478101</u>	Cap, Sand Bottle, Bottom-Fill	1
6	<u>102541425</u>	Bolt, M6x1.0x25, Hex Flhd, Blk-l	2
7	<u>103451301</u>	Basket, Sand Bottle	1
8	<u>103451902</u>	Kit, Sand Bottle, Sam, Dual (includes items 9 through 16)	1
9	<u>102296020</u>	Screw, Torx Pan Hd Pt, M6 X 20	2
10	<u>102297230</u>	Screw, M6, Torx, Interlock Thread	2
11	<u>102478201</u>	Asm, Sand Bottle, Bottom-Fill, Curve/Grip Neck (includes items 12 and 13)	2
12	N/A	Sand Bottle, Bottom-Fill, Curve/Grip Neck	1
13	<u>102478101</u>	Cap, Sand Bottle, Bottom-Fill	1
14	<u>102541425</u>	Bolt, M6x1.0x25, Hex Flhd, Blk-l	2
15	<u>103451301</u>	Basket, Sand Bottle	2
16	<u>103451401</u>	Link, Dual Basket	1
17	<u>103451903</u>	Kit, Sand Bottle, Strut, Prec (includes items 18 through 24)	1
18	<u>102296150</u>	Bolt - M6x1.0x50 Hex Flng Hd	2
19	<u>102296301</u>	Washer, M6x18x1.6 Flat	2
20	<u>102478201</u>	Asm, Sand Bottle, Bottom-Fill, Curve/Grip Neck (includes items 21 and 22)	1
21	N/A	Sand Bottle, Bottom-Fill, Curve/Grip Neck	1
22	<u>102478101</u>	Cap, Sand Bottle, Bottom-Fill	1
23	<u>102582401</u>	Cap Nut M6, Sp	2
24	<u>103451301</u>	Basket, Sand Bottle	1

1

E

1

E



001047-001

SAND BUCKET KITS

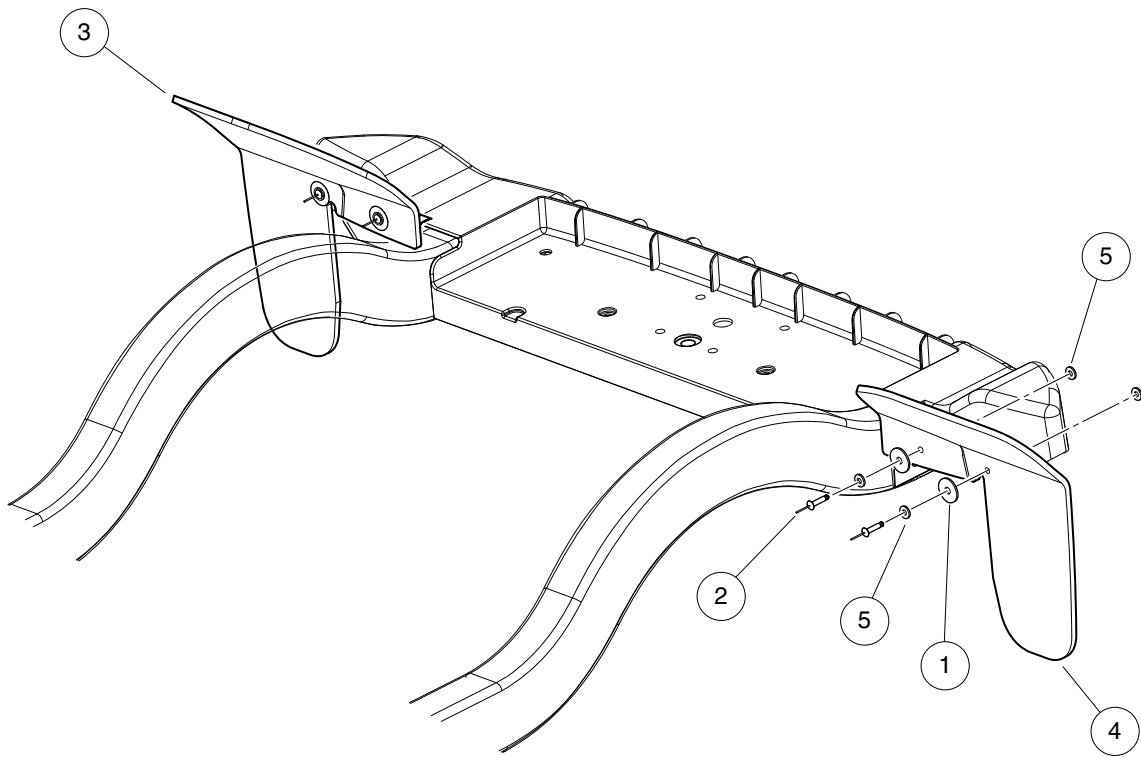
ITEM	PART NO.	DESCRIPTION	QTY
		1 2 3 4	
1	<u>102536103</u>	Sand Bucket Instl, Prec, Field (includes items 2 through 6)	1
2	<u>1017041</u>	Scoop, Plastic Sand	1
3	<u>101985201</u>	Bucket Assy, Sand	1
4	<u>102297230</u>	Screw, M6, Torx, Interlock Thread	2
5	<u>102541401</u>	Bolt-m6x1.0x20 Hex Flhd Blk-l	2
6	<u>103886801</u>	Accessory Bracket, Prec	1

1

E

1

E



001049-001

MUD FLAPS

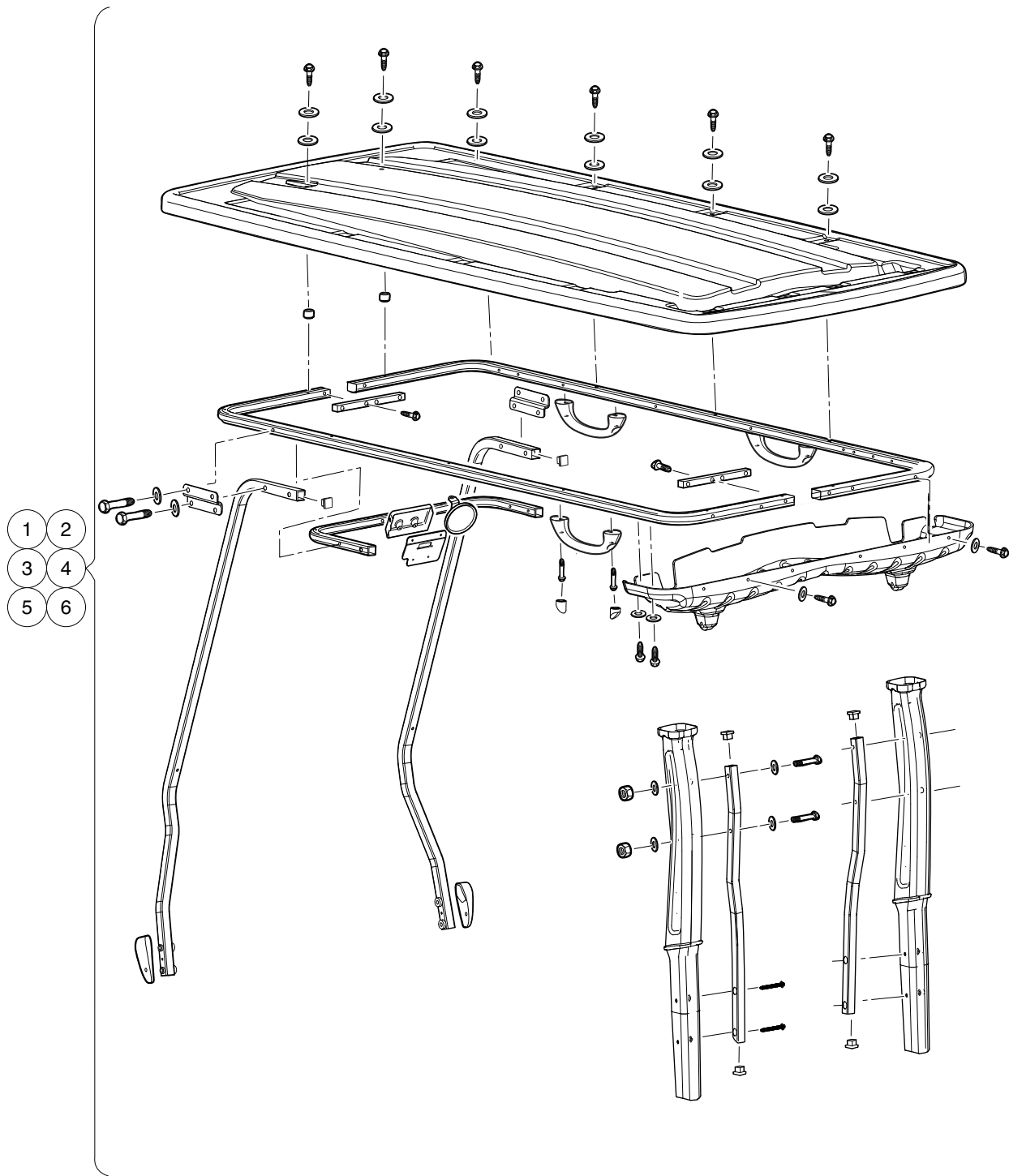
ITEM	PART NO.	DESCRIPTION	QTY
		1 2 3 4	
1	<u>1014306</u>	Washer, 1/4" Type B Flat	4
2	<u>101968801</u>	Rivet, 3/16", Pop	4
3	<u>105059901</u>	Mud Flaps, Rear, Black, Pass	1
4	<u>105059902</u>	Mud Flaps, Rear, Black, Drv	1
5	<u>183</u>	Washer, #10, Type A, Flat	8

1

E

1

E



001033-001

CANOPY AND STRUTS – PAGE 1 OF 7

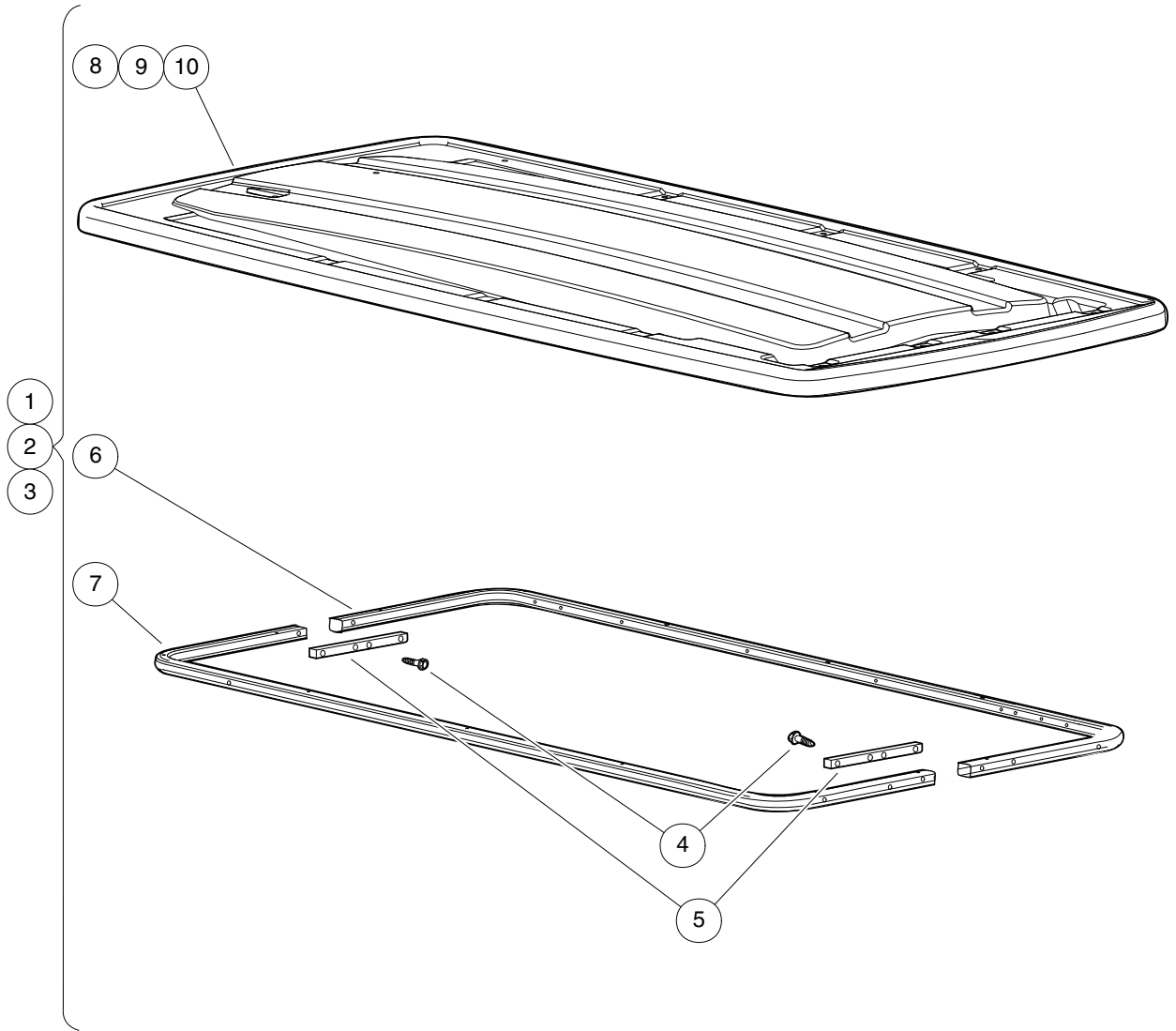
ITEM	PART NO.	DESCRIPTION	QTY
		1 2 3 4	
1	<u>105055601</u>	Kit, Canopy, White, Prec Stretch/4Fun, w/Visage	1
2	<u>105055602</u>	Kit, Canopy, White, Prec Stretch/4Fun, w/o Visage	1
3	<u>105055603</u>	Kit, Canopy, Beige, Prec Stretch/4Fun, w/Visage	1
4	<u>105055604</u>	Kit, Canopy, Beige, Prec Stretch/4Fun, w/o Visage	1
5	<u>105055605</u>	Kit, Canopy, Black, Prec Stretch/4Fun, w/Visage	1
6	<u>105055606</u>	Kit, Canopy, Black, Prec Stretch/4Fun, w/o Visage	1
		<p>Note: The kits listed above include canopy, struts and hardware. See following pages for a breakdown of parts that constitute these kits.</p>	

1

E

1

E



001034-001

CANOPY AND STRUTS – PAGE 2 OF 7

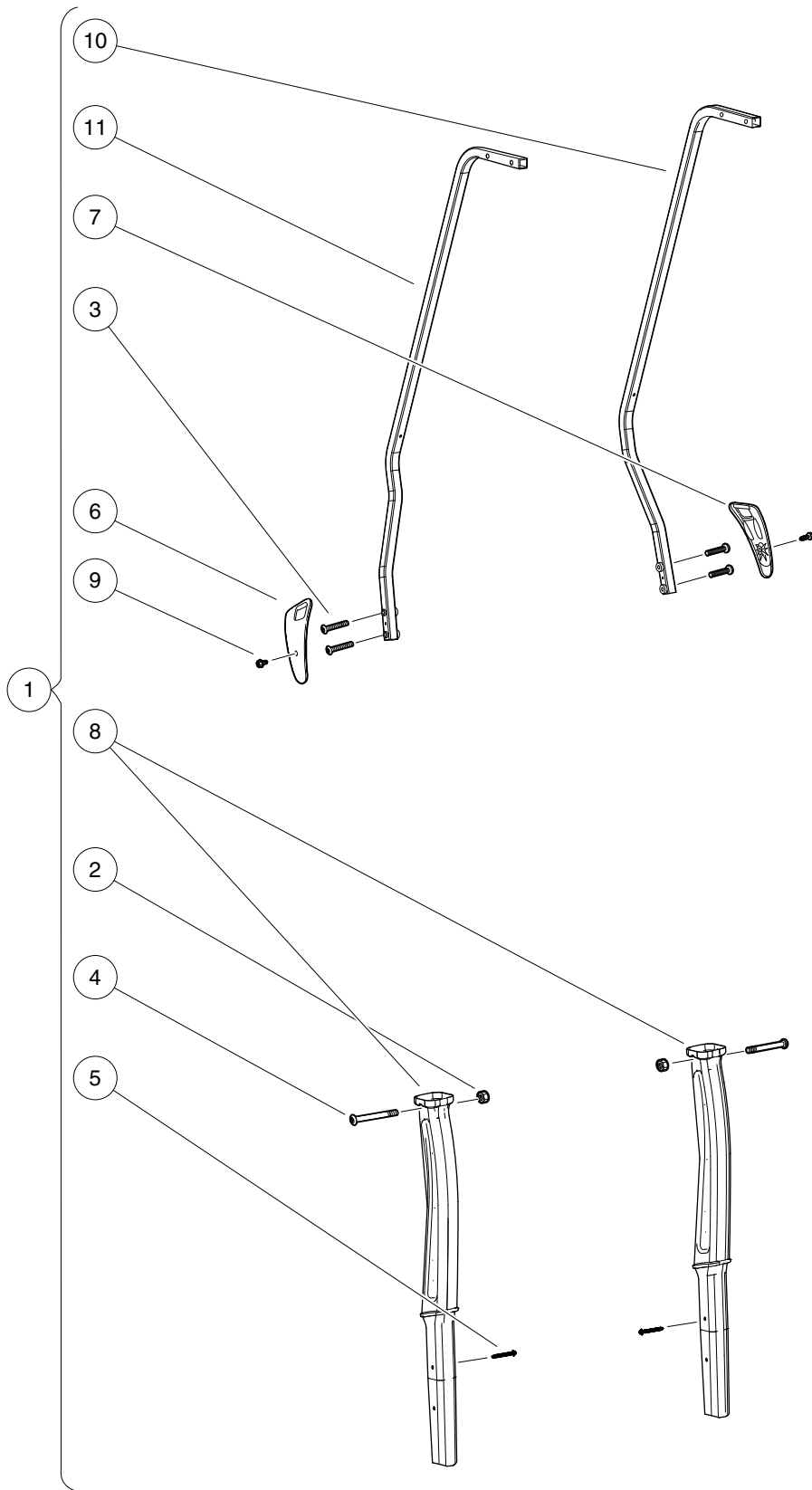
ITEM	PART NO.	DESCRIPTION	QTY
		1 2 3 4	
1	<u>105233601</u>	Kit, Canopy, White, Prec Stretch/4Fun	1
2	<u>105233602</u>	Kit, Canopy, Beige, Prec Stretch/4Fun	1
3	<u>105233603</u>	Kit, Canopy, Black, Prec Stretch/4Fun (includes items 4 through 10)	1
4	<u>1012285</u>	Screw, 1/4 X 0.625 Hex-Head	8
5	N/A	Bar, Splice, Long	2
6	<u>103825401</u>	Frame Half, Cpy, 4pass Rh	1
7	<u>103825501</u>	Frame Half, Cpy, 4pass Lh	1
8	<u>105053101</u>	Canopy, 4fun, White	1
9	<u>105053102</u>	Canopy, 4fun, Beige	1
10	<u>105053103</u>	Canopy, 4fun, Black	1

1

E

1

E



001035-001

CANOPY AND STRUTS – PAGE 3 OF 7

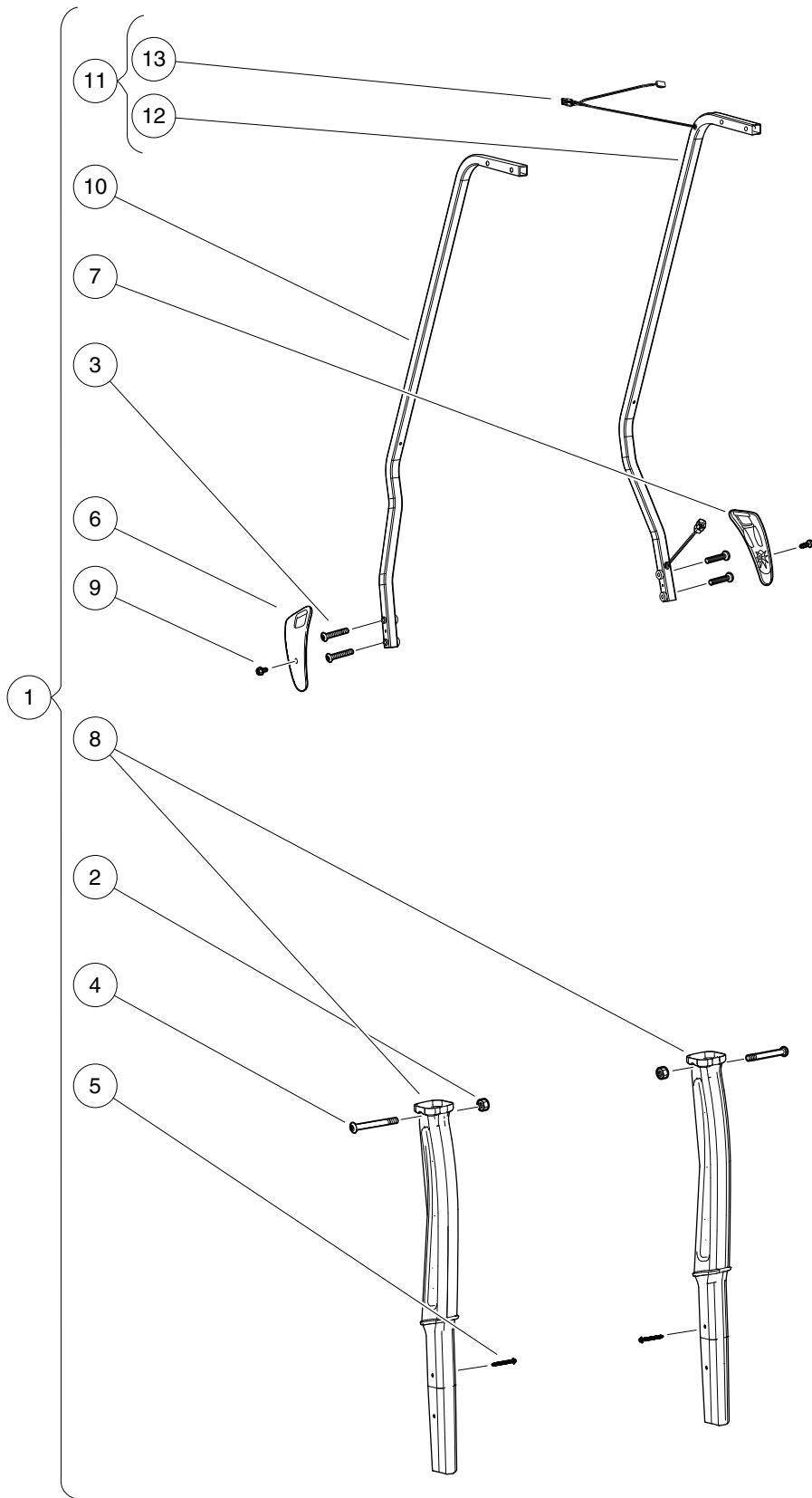
ITEM	PART NO.	DESCRIPTION	QTY
		1 2 3 4	
1	<u>105233301</u>	Kit, Struts, Prec Stretch/4Fun Canopy, w/o Visage (includes items 2 through 11)	1
2	<u>102298401</u>	Nut, M8, All Metal Lock	2
3	<u>102299065</u>	M8-1.25 X 65 Tx Bttm Hd Bolt	4
4	<u>102299360</u>	Screw, M8-1.25 X 60, Sems, Tx	2
5	<u>102299601</u>	Screw, Pt, K80x70 Hex Flg Hd	2
6	<u>102400002</u>	Cover, Lh Canopy Support, Blk	1
7	<u>102400102</u>	Cover, Rh Canopy Support, Blk	1
8	<u>102513501</u>	Asm-rear Canopy Support	2
9	<u>102544201</u>	Screw, M6 Hex	2
10	<u>103750001</u>	Strut, Canopy Front Rh-prec	1
11	<u>103750101</u>	Strut, Canopy Front Lh-prec	1

1

E

1

E



001035-002

CANOPY AND STRUTS – PAGE 4 OF 7

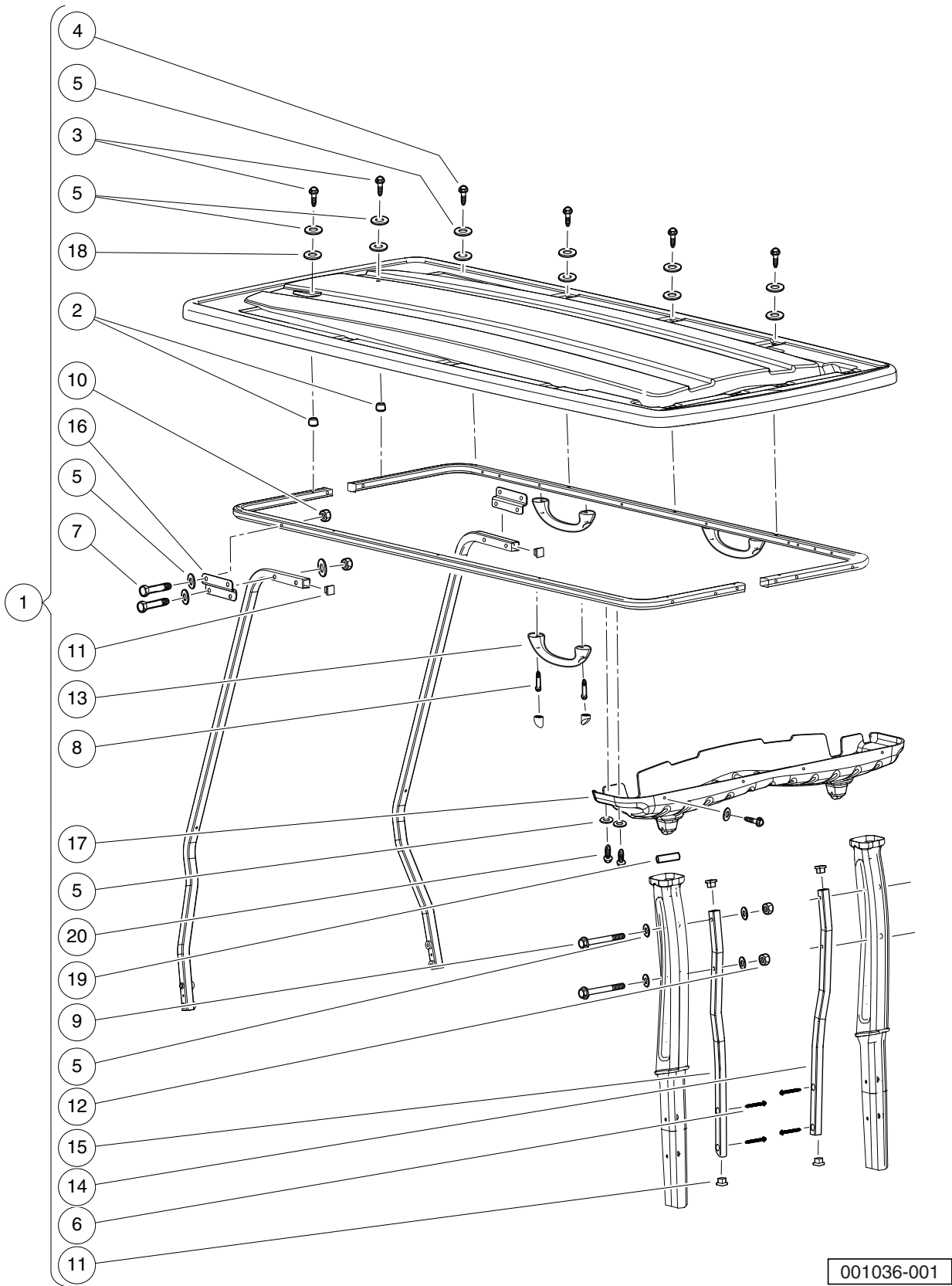
ITEM	PART NO.	DESCRIPTION	QTY
		1 2 3 4	
1	105233302	Kit, Struts, Prec Stretch/4Fun Canopy, w/Visage (includes items 2 through 11)	1
2	<u>102298401</u>	Nut, M8, All Metal Lock	2
3	<u>102299065</u>	M8-1.25 X 65 Tx Bttm Hd Bolt	4
4	<u>102299360</u>	Screw, M8-1.25 X 60, Sems, Tx	2
5	<u>102299601</u>	Screw, Pt, K80x70 Hex Flg Hd	2
6	<u>102400002</u>	Cover, Lh Canopy Support, Blk	1
7	<u>102400102</u>	Cover, Rh Canopy Support, Blk	1
8	<u>102513501</u>	Asm-rear Canopy Support	2
9	<u>102544201</u>	Screw, M6 Hex	2
10	<u>103750101</u>	Strut, Canopy Front Lh-prec	1
11	<u>103775201</u>	Asm, Frnt Strut, Prec, Ps, V2 (includes items 12 and 13)	1
12	<u>103750001</u>	Strut, Canopy Front Rh-prec	1
13	<u>103775601</u>	Harness, Canopy Mount, V2	1

1

E

1

E



CANOPY AND STRUTS – PAGE 5 OF 7

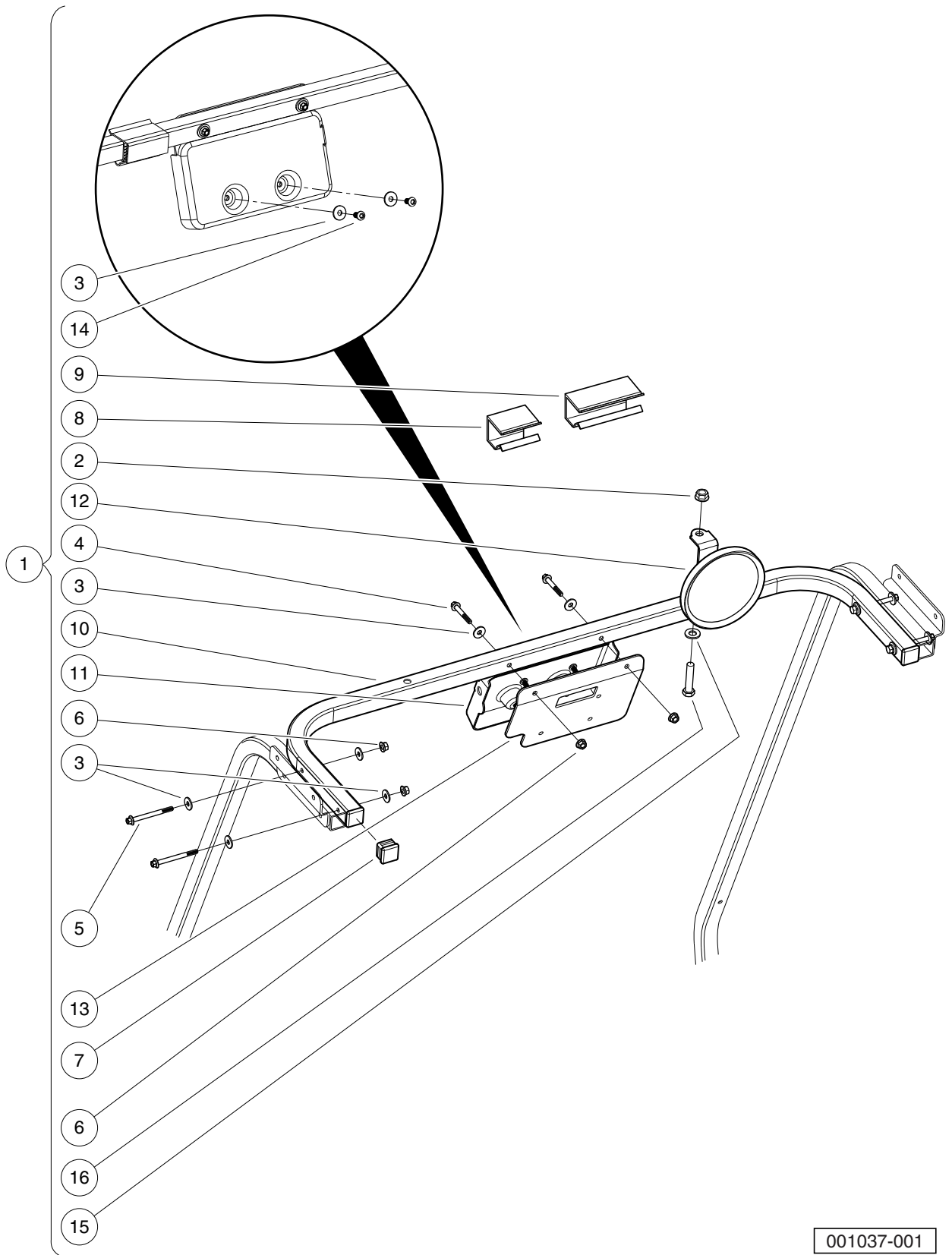
ITEM	PART NO.	DESCRIPTION	QTY
		1 2 3 4	
1	<u>103825601</u>	Kit, Hardware, Prec Stretch/4Fun Canopy (includes items 2 through 20)	1
2	N/A	Cushion, Shock Absorber	2
3	1016916	Screw, 1/4-20 X 1.50 Hex-Head Cap	2
4	<u>101954301</u>	Screw, 1/4-20 X 0.75 Hex-Head Cap	12
5	<u>102296301</u>	Washer, M6x18x1.6 Flat	32
6	<u>102299601</u>	Screw, Pt, K80x70 Hex Flg Hd	4
7	<u>102541402</u>	Bolt, M6x1.0x40, Hex Flange Head, Blk-l	8
8	<u>102541425</u>	Bolt, M6x1.0x25, Hex Flhd, Blk-l	6
9	<u>102541465</u>	Bolt, M 6 X 1.0 X 65 Hex, Flange, Head, Black	4
10	<u>102541501</u>	Nut-m6x1.0 Fl Mtl Lock,blk	8
11	<u>102581201</u>	Plug, Square - 25.4 mm	6
12	<u>102582401</u>	Cap Nut M6, Sp	4
13	<u>103367101</u>	Hand Hold, Canopy, Plastic	3
14	103722801	Strut L, Spt Cpy, Solar	1
15	103722802	Strut R, Spt Cpy, Solar	1
16	<u>103825201</u>	Bracket- Canopy, 4pass	2
17	<u>103826101</u>	Tray, Drain, 4pass	1
18	<u>103844301</u>	Washer, Sealing, 0.25 X 1.50	14
19	103874001	Spacer, Str Prec, Canopy Drain	2
20	<u>105114601</u>	Screw, 1/4-20 X .5 Bhcs, Blk	8

1

E

1

E



001037-001

CANOPY AND STRUTS – PAGE 6 OF 7

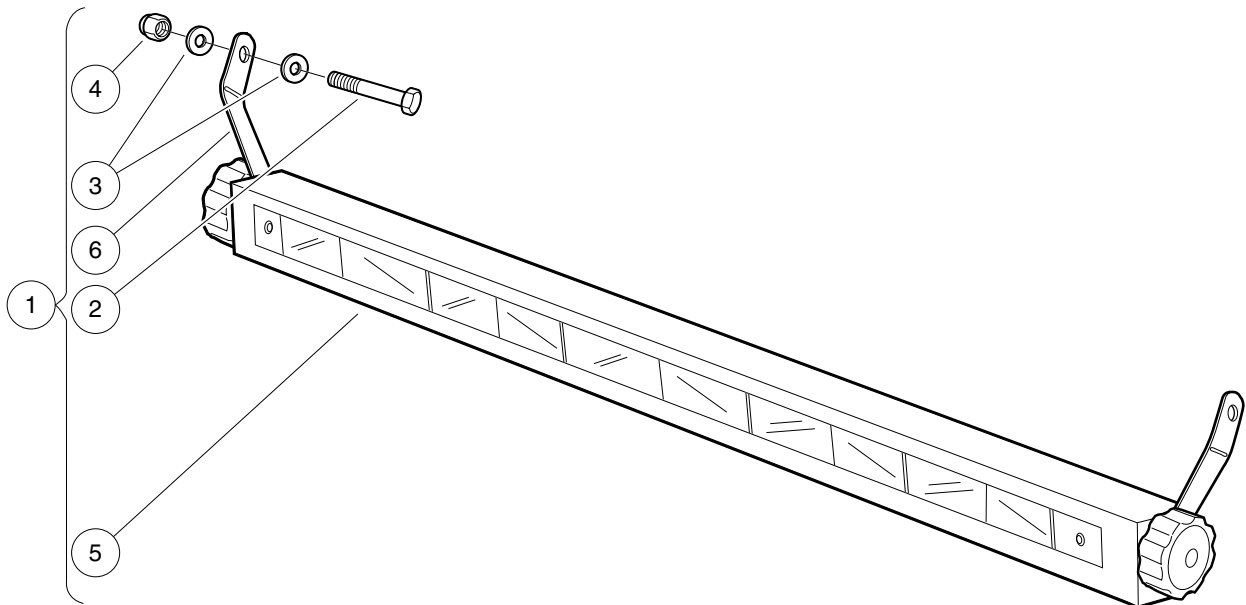
ITEM	PART NO.	DESCRIPTION	QTY
		1 2 3 4	
1	<u>105056001</u>	Kit, Visage and Mirror, Prec Stretch/4Fun Canopy (includes items 2 through 16)	1
2	<u>102065901</u>	Locknut, 3/8-16 Flanged Dimple	1
3	<u>102296301</u>	Washer, M6x18x1.6 Flat	12
4	<u>102541402</u>	Bolt, M6x1.0x40, Hex Flange Head, Blk-l	2
5	<u>102541465</u>	Bolt, M 6 X 1.0 X 65 Hex, Flange, Head, Black	4
6	<u>102541501</u>	Nut-m6x1.0 Fl Mtl Lock,blk	6
7	<u>102581201</u>	Plug, Square - 25.4 mm	2
8	<u>103743604</u>	Clip, Wndshld, Ds Lsv, 60mm	1
9	<u>103743605</u>	Clip, Wndshld, 4fun, 112mm	1
10	<u>105051301</u>	Tube, Mounting, Visage, 4fun	1
11	<u>105051401</u>	Cover, Visage, 4fun	1
12	<u>105053401</u>	Mirror, 4fun	1
13	<u>105054001</u>	Plate, Mount, Visage, 4fun	1
14	<u>105114601</u>	Screw, 1/4-20 X .5 Bhcs, Blk	4
15	<u>334</u>	Washer, 3/8, Type A, Flat	1
16	<u>8861</u>	Bolt, 3/8-16 X 1.75 Hex	1

1

E

1

E



000720-002

CANOPY AND STRUTS – PAGE 7 OF 7

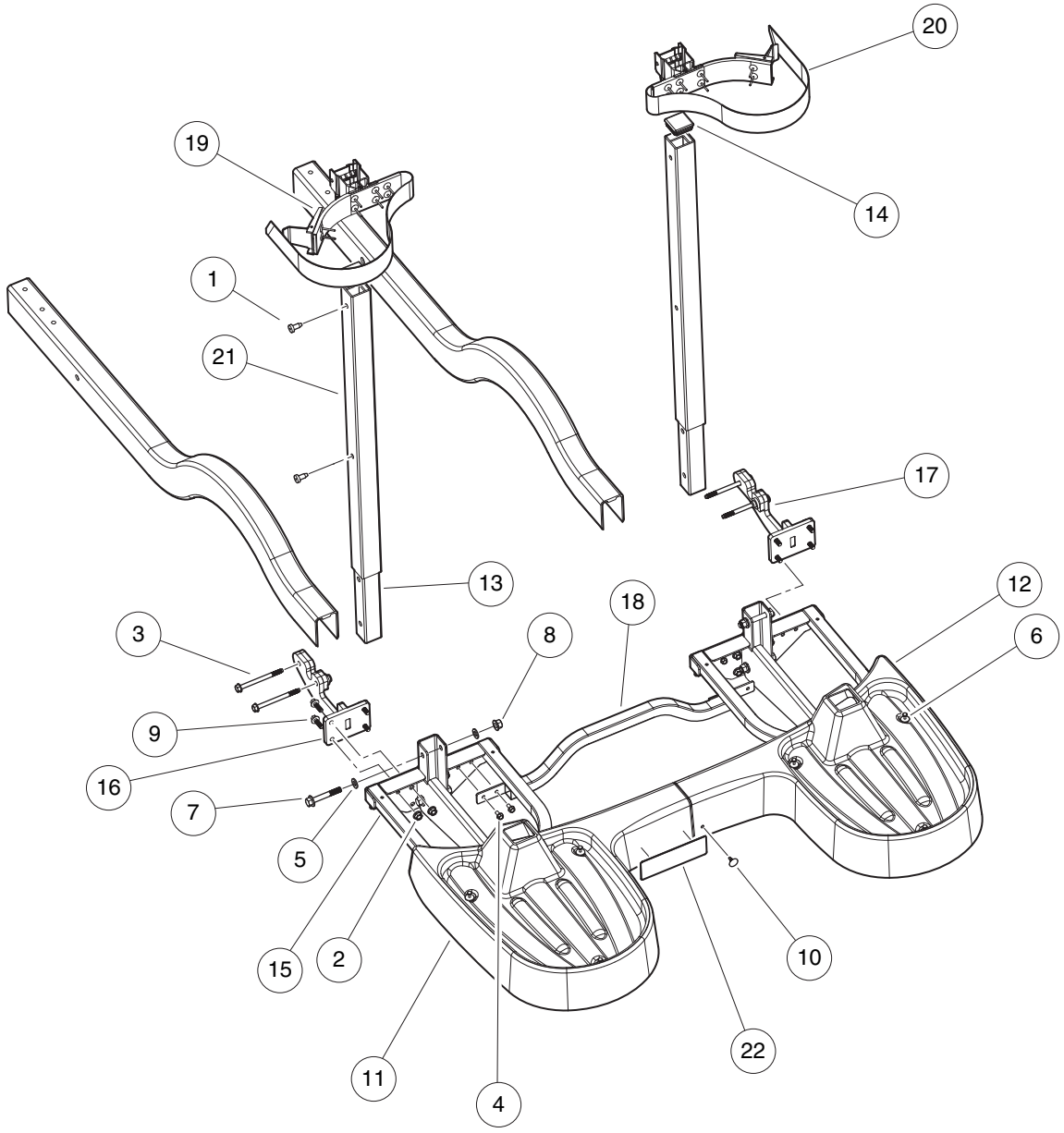
ITEM	PART NO.	DESCRIPTION	QTY
		1 2 3 4	
1	<u>SVP802601</u>	Kit, Mirror, 5-Panel, Prec Stretch/4Fun Canopy (includes items 2 through 6)	1
2	<u>1703</u>	Screw, 1/4-20 X 1.50 Hx Hd Cap	2
3	<u>332</u>	Washer, 1/4 Type A Narrow Flat	4
4	<u>8233</u>	Locknut, 1/4-20, Nylon Insert	2
5	<u>AM10092</u>	ICS 5-Panel Mirror	1
6	<u>AM10103</u>	5-Panel Mirror Mounting Bracket	2

1

E

1

E



001038-001

BAGWELL, PRECEDENT 4FUN

ITEM	PART NO.	DESCRIPTION	QTY
		1 2 3 4	
1	<u>1010436</u>	Bumper, Rubber	4
2	<u>102298401</u>	Nut, M8, All Metal Lock	8
3	<u>102534201</u>	Bolt - Fl Hd, M8 X 95	4
4	<u>102618001</u>	Screw Tapping, M6x1x12.0	4
5	<u>102718101</u>	Washer, Hard, M10, Zn-Ni/Blk	8
6	<u>102967901</u>	Rivet, Removable, Tuflok 1/4"	6
7	<u>102988701</u>	Bolt, Flanged, M10 X 1.5 X 65	4
8	<u>103216401</u>	Nut, Flanged, M10 x 1.5, Black	4
9	<u>103262201</u>	Bolt Flg Blk, M8 X 25, Loctite	8
10	<u>103978801</u>	Barrel-push 6mm	1
11	<u>105050201</u>	Bagwell, Drv, 4fun	1
12	<u>105050301</u>	Bagwell, Pass, 4fun	1
13	<u>105050401</u>	Tube, 1 1/2 Sq, 4fun	2
14	<u>105050801</u>	Cap†tube,†1†3/4"†sq	2
15	<u>105051001</u>	Wldmt, Bag Deck, 4fun	2
16	<u>105051101</u>	Wldmnt, Sup, Bg Dk, Drv, 4fun	1
17	<u>105051102</u>	Wldmnt, Sup, Bg Dk, Pas, 4fun	1
18	<u>105051501</u>	Wldmnt, Cross Tube, 4fun	1
19	<u>105053501</u>	Asm, Bag Hoop, Drv, 4fun	1
20	<u>105053601</u>	Asm, Bag Hoop, Pass, 4fun	1
21	<u>105053801</u>	Tube, Vertical Cover, 4fun	2
22	<u>105076501</u>	Decal, Warning, Prec 4fun	1

1

E

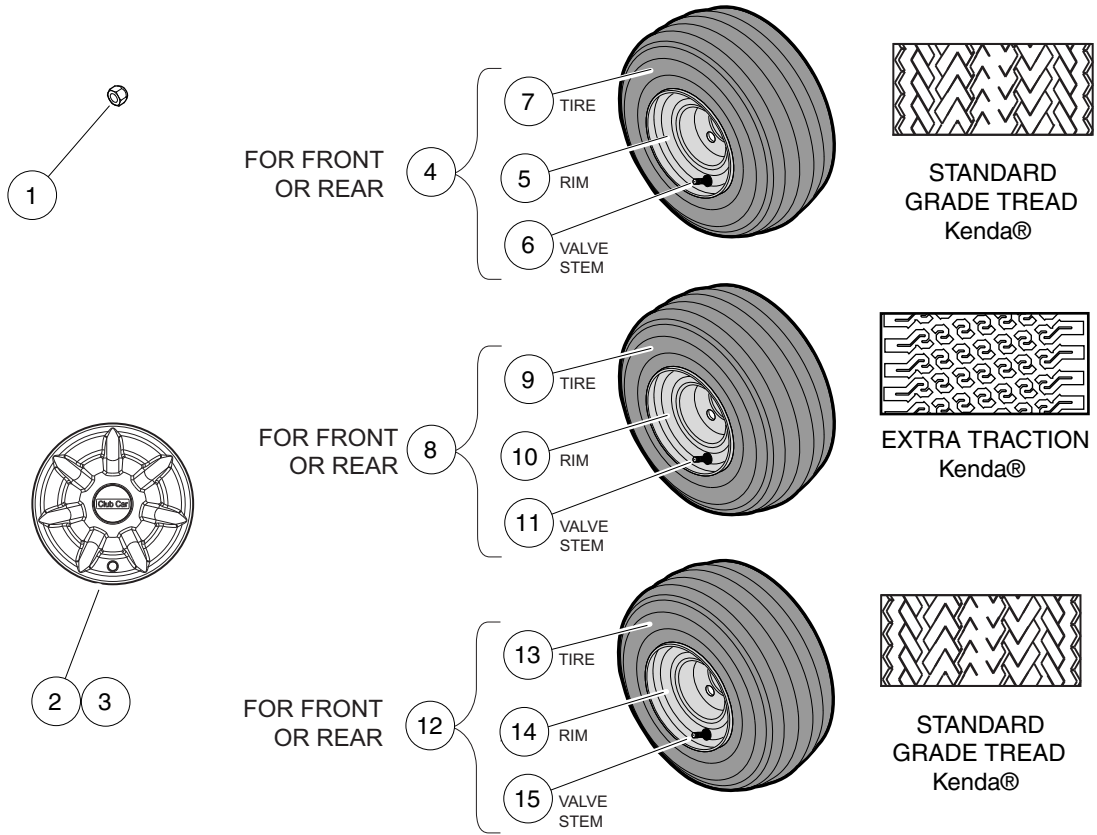
1

E

WHEELS AND TIRES

2

E



000474-007

STEEL WHEELS AND TIRES

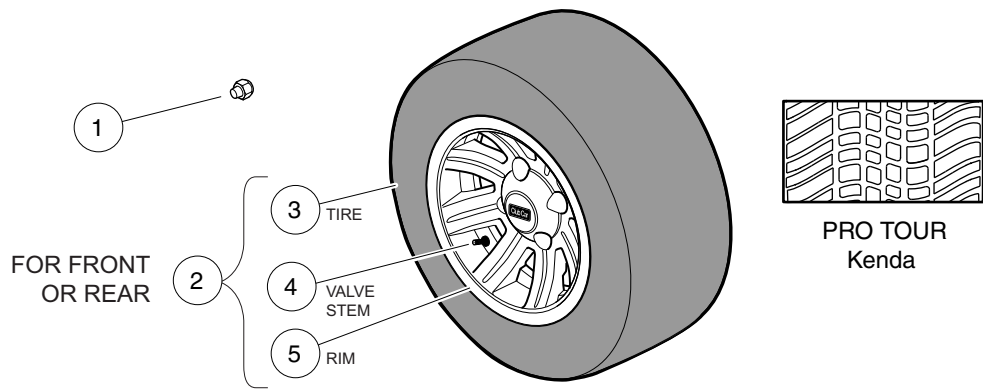
ITEM	PART NO.	DESCRIPTION	QTY
		1 2 3 4	
1	<u>1010984</u>	.500-20 Unf Lug Nut	16
2	<u>102559901</u>	Hub Cap Kit, Prec (includes item 3)	1
3	<u>103694501</u>	Hub Cap, 7 Prong	4
4	<u>103951001</u>	Assembly, Silver Wheel Kenda, Hn1 4ply (includes items 5 through 7)	4
5	<u>103459104</u>	Wheel Rim, 8"x7", Silver, Std	1
6	<u>7310</u>	Valve Stem	1
7	<u>AM10682</u>	Unmounted Prem Tire 18x8.50x8	1
8	<u>103951002</u>	Assembly, Silver Wheel Kenda, X/t 6ply (includes items 9 through 11)	4
9	<u>102569302</u>	Tire, Kenda, 18x8.5-8, 6-ply Xtr	1
10	<u>103459104</u>	Wheel Rim, 8"x7", Silver, Std	1
11	<u>7310</u>	Valve Stem	1
12	<u>103951007</u>	Assembly, Silver Wheel Kenda, Radial (includes items 13 through 15)	4
13	<u>102569311</u>	Tire, Kenda, 18x8.5 R8, 4-ply	1
14	<u>103459104</u>	Wheel Rim, 8"x7", Silver, Std	1
15	<u>7310</u>	Valve Stem	1

2

E

2

E



000475-007

ALLOY WHEEL AND TIRES

ITEM	PART NO.	DESCRIPTION	QTY
		1 2 3 4	
1	<u>102540701</u>	Lug Nut, 1/2" Closed End	16
2	<u>103935001</u>	Tire and Wheel, 10", 8 Spoke, Alum. (includes items 3 through 5)	4
3	<u>102556701</u>	Tire, Pro Tour, 205-50 X 10	1
4	<u>103832401</u>	Valve Stem With Cap, Chrome	1
5	<u>103934901</u>	Wheel, Aluminum 10x6, 8 Spoke	1

2

E

2

E

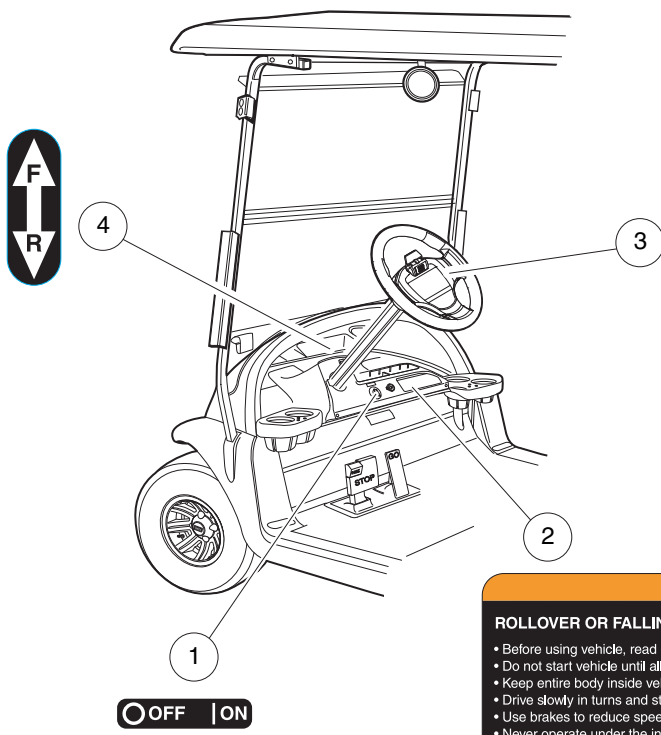
DECALS

3

E

3

E



OPERATING INSTRUCTIONS

Before using vehicle, read owner's manual and vehicle safety warnings. Study and understand controls.

TO OPERATE

- Ensure wheels are turned in desired direction and path is clear.
- Turn key to ON position.
- Select FORWARD or REVERSE only when stopped.
- Release park brake fully.
- Vehicle will start moving when accelerator pedal is pressed.
- Slowly press accelerator pedal to increase speed.
- During operation, beeping alarm indicates reduction in motor braking.
- To stop, release accelerator pedal and press brake pedal.

WARNING

Unintended vehicle movement may cause severe injury or death. Before leaving vehicle:

- Engage park brake to lock wheels.
- Place vehicle in NEUTRAL.
- Turn key to OFF and remove key.

103783001

WARNING

ROLLOVER OR FALLING OFF MAY CAUSE SERIOUS INJURY OR DEATH.

- Before using vehicle, read operating instructions.
- Do not start vehicle until all occupants are seated.
- Keep entire body inside vehicle while moving.
- Drive slowly in turns and straight up and down slopes.
- Use brakes to reduce speed when coasting downhill.
- Never operate under the influence of alcohol or drugs.
- For use by authorized persons in designated areas only.
- Remain seated while moving.
- Operate from driver side only.
- Never operate on public roads.
- Hold on to seat handle while moving.
- Two (2) persons per seat maximum.
- Never stand in front of or behind vehicle.
- Do not leave children unattended on vehicle.

CCI 102519301

2760

DECALS, SAFETY – FRONT

ITEM	PART NO.	DESCRIPTION	QTY
		1 2 3 4	
1	<u>101825101</u>	Decal, Off/On	1
2	<u>102519301</u>	Decal, Warning, Rollover	1
3	<u>103783001</u>	Decal, Op Instr, Ele	1
4	<u>105053901</u>	Decal, Fnr, Prec 4fun	1

3

E

3

E

⚠ WARNING

BATTERY EXPLOSION COULD RESULT IN SEVERE PERSONAL INJURY

- Place Run/Tow switch in TOW position before performing any of the following:
 - Disconnecting or connecting battery cables
 - Towing this vehicle
 - Extended storage
 - Servicing the vehicle
- Do not store items in battery compartment.
- Keep electronic components dry.
- Do not operate vehicle without this plate properly installed.
- See vehicle service manual before servicing.

RUN

TOW

CCI 103384801

CAUTION EXPOSURE TO WATER MAY DAMAGE ELECTRONIC COMPONENTS

- Do not direct water stream in the area of this plate.
- See vehicle service manual before servicing.

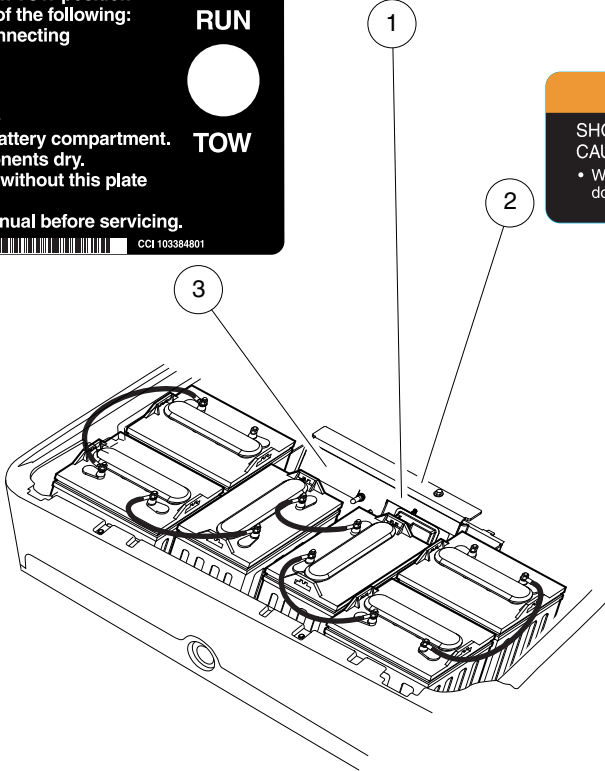
CCI 103384601

⚠ WARNING

SHORTING OF BATTERY TERMINALS CAN CAUSE PERSONAL INJURY OR DEATH.

- When removing component mounting plate, do not place plate directly on top of batteries.

103384701



2762

DECALS, SAFETY – MIDDLE

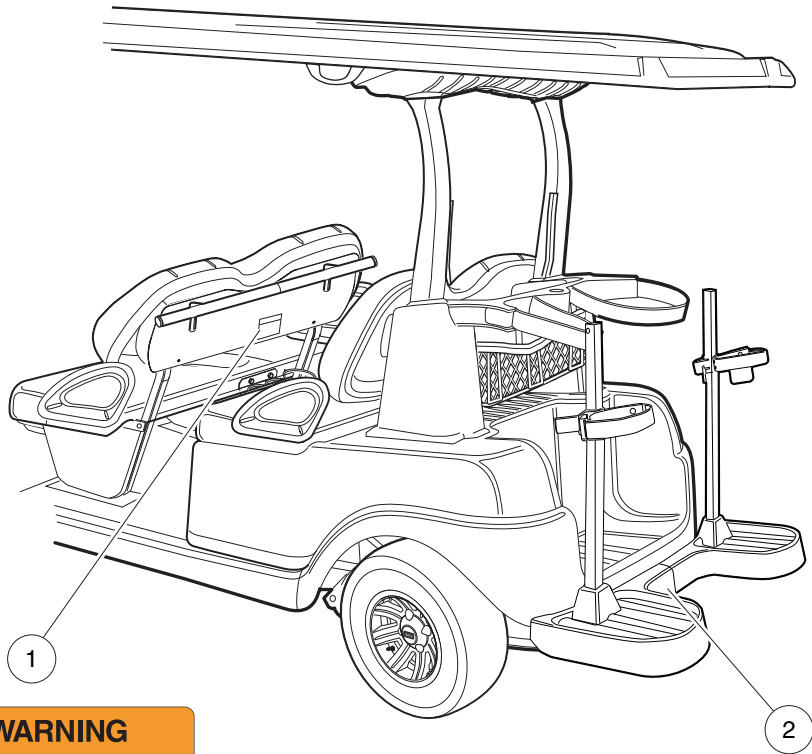
ITEM	PART NO.	DESCRIPTION	QTY
		1 2 3 4	
1	<u>103384601</u>	Decal-water Exposure	1
2	<u>103384701</u>	Decal-warning, Short	1
3	<u>103384801</u>	Decal-warning, Run Tow	1

3

E

3

E



⚠ WARNING

FALLING OFF COULD RESULT IN SEVERE INJURY OR DEATH

- Remain seated with entire body inside vehicle and hold on to seat handle or handrail at all times.
- Two (2) persons per bench seat maximum.
- One (1) person per bucket seat maximum.
- Do not leave children unattended on vehicle at anytime.
- Never stand in front of or behind vehicle.

CC1101705701




⚠ WARNING

FALLING OFF CAN CAUSE SERIOUS INJURY OR DEATH.

Do not ride on rear of vehicle.



105076501

2763

DECALS, SAFETY – REAR

ITEM	PART NO.	DESCRIPTION	QTY
1	<u>101705701</u>	1 2 3 4 Decal, Warning	1
2	<u>105076501</u>	Decal, Warning, Prec 4fun	1

3

E

3

E



001040-001

DECALS, BADGING – 4FUN

ITEM	PART NO.	DESCRIPTION	QTY
		1 2 3 4	
1	<u>105055701</u>	Decal, Get Golf Ready	A/R
2	<u>105055801</u>	Decal, 4fun	A/R

3

E

3

E

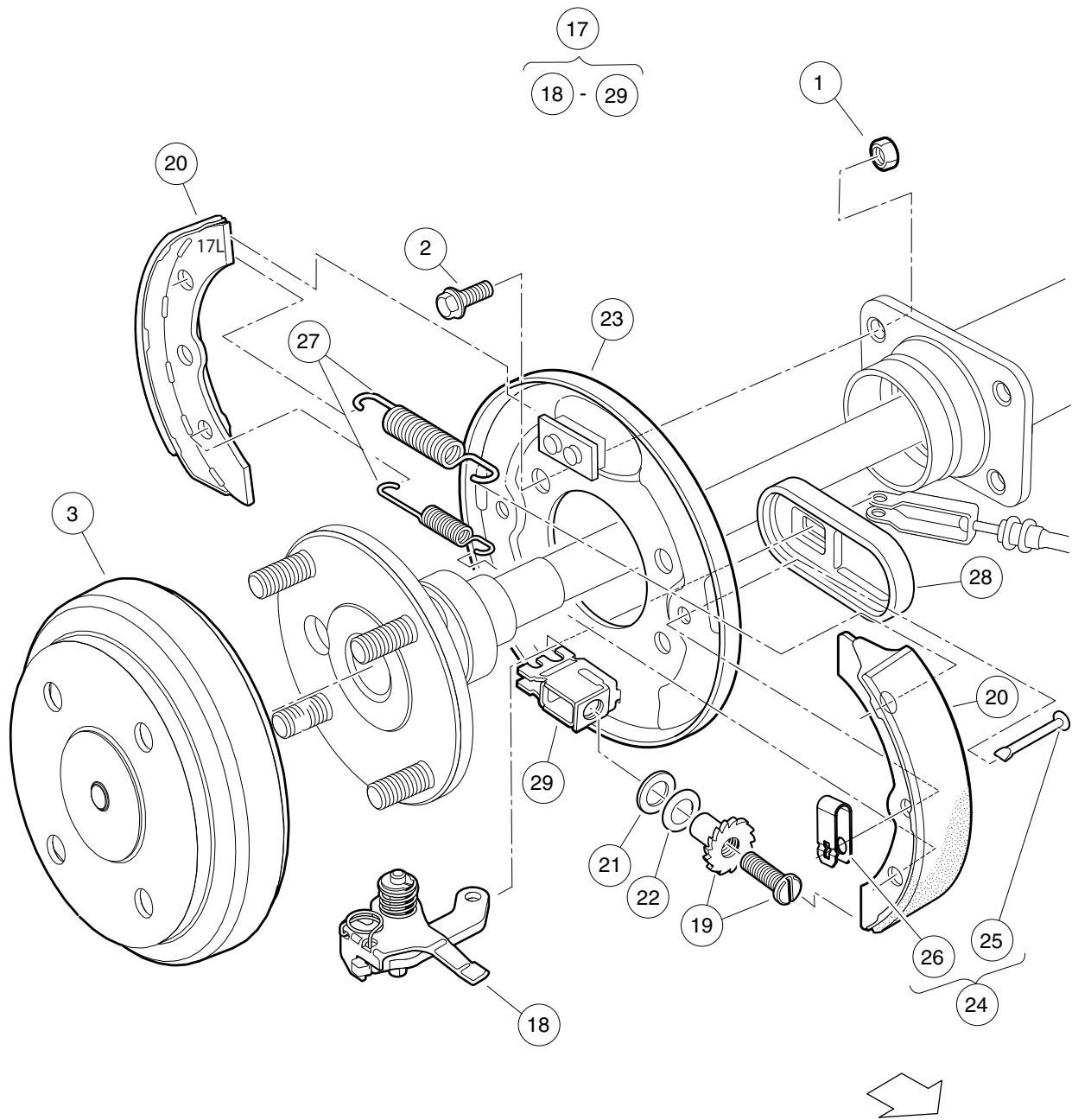
BRAKES AND PEDAL GROUP ASSEMBLIES

4

E

4

E



000186-004

REAR BRAKE ASSEMBLY, SELF-ADJUSTING

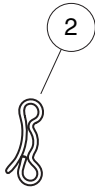
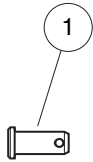
ITEM	PART NO.	DESCRIPTION	QTY
		1 2 3 4	
1	<u>1013924</u>	Nut, 5/16-24, Hex Head Cone	8
2	<u>1014153</u>	Bolt, Brake Cluster Mounting	8
3	<u>101791101</u>	Drum without Center Hole, Brake	2
4	<u>103380201</u>	Asm, Brake Cluster, Mech, Drvr (includes items 5 through 16)	1
5	<u>101815502</u>	Lever Assembly, Self-Adjusting Brake, Left	1
6	<u>101816502</u>	Adjusting Mechanism, Self-Adjusting Brake, Left	1
7	<u>101823201</u>	Package, Brake Shoe, Self-Adjusting	1
8	<u>101823801</u>	Plate, Washer, Brake, Self-Adjusting	1
9	<u>101823901</u>	Washer, Brake, Self-Adjusting	1
10	<u>103483102</u>	Back Plate, Lh	1
11	<u>103483201</u>	Kit, Shoe Retainer (includes items 12 and 13)	1
12	N/A	Pin	2
13	N/A	Spring, Shoe, Clamp	2
14	<u>103483401</u>	Package Brake Spring Self Adj	1
15	<u>103483601</u>	Cover, Dust	1
16	<u>103483701</u>	Brake Block	1
17	<u>103380202</u>	Asm, Brake Cluster, Mech, Pass (includes items 18 through 29)	1
18	<u>101815501</u>	Lever Assembly, Self-Adjusting Brake, Right (Passenger)	1
19	<u>101816501</u>	Adj Mechanism, S.A. Brakes, Right (Passenger)	1
20	<u>101823201</u>	Package, Brake Shoe, Self-Adjusting	1
21	<u>101823801</u>	Plate, Washer, Brake, Self-Adjusting	1
22	<u>101823901</u>	Washer, Brake, Self-Adjusting	1
23	<u>103483101</u>	Back Plate, Rh	1
24	<u>103483201</u>	Kit, Shoe Retainer (includes items 25 and 26)	1
25	N/A	Pin	2
26	N/A	Spring, Shoe, Clamp	2
27	<u>103483401</u>	Package Brake Spring Self Adj	1
28	<u>103483601</u>	Cover, Dust	1
29	<u>103483701</u>	Brake Block	1
Note: Driver-side brake cluster not shown. Components have a similar appearance to passenger-side brake cluster components.			

4

E

4

E



3



4



001041-001

BRAKE CABLES

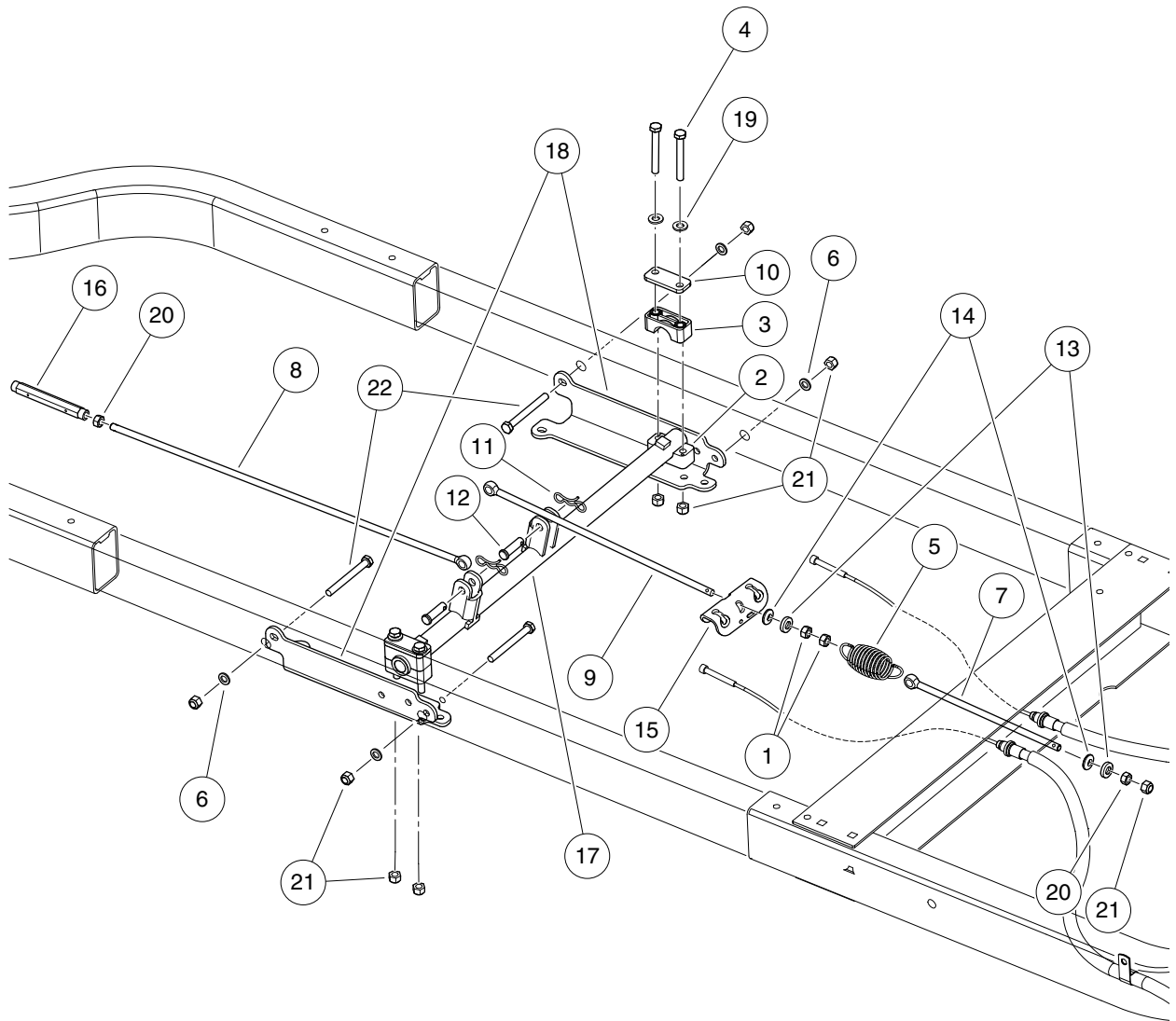
ITEM	PART NO.	DESCRIPTION	QTY
		1 2 3 4	
1	<u>1010829</u>	Pin, Clevis, 5/16 X 3/4	2
2	<u>102292801</u>	Pin, Bow Tie Locking - .072	2
3	<u>105116501</u>	Cable, Brake, 4fun, Ds	1
4	<u>105116502</u>	Cable, Brake, 4fun, Ps	1

4

E

4

E



001042-001

BRAKE LINKAGE AND EQUALIZER

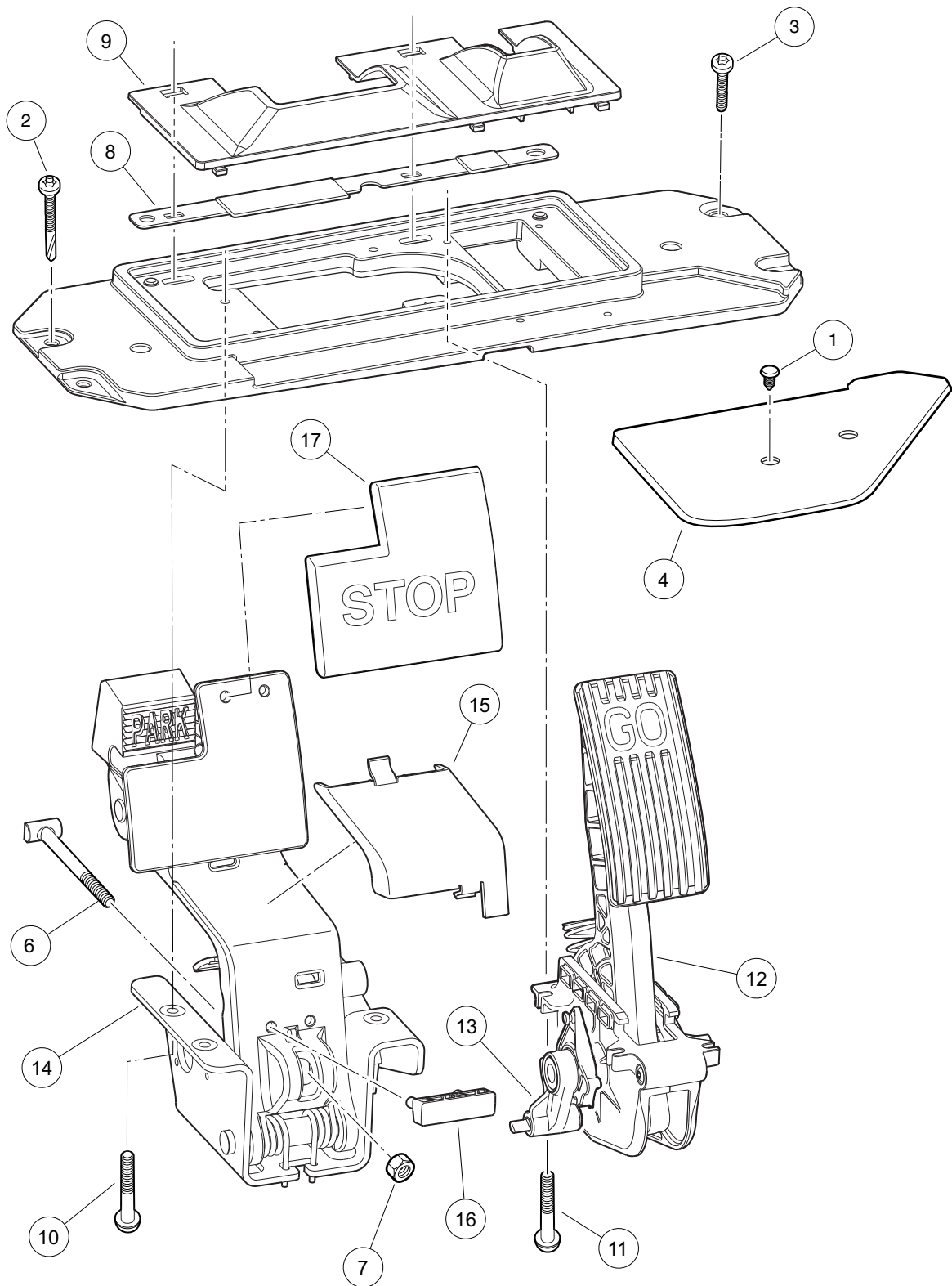
ITEM	PART NO.	DESCRIPTION	QTY
		1 2 3 4	
1	<u>1010521</u>	Nut, 5/16-24 Hex	2
2	1010811	Mount-brake (b)	2
3	1010812	Mount - Brake (a)	2
4	<u>1010921</u>	Screw, 5/16-18 X 2.50 Hex Cap	4
5	<u>1013531</u>	Spring, Brake Return	1
6	<u>1017233</u>	Washer, 5/16 Hardened	4
7	<u>101953101</u>	Rod, Equalizer, 8.91"	1
8	101953102	Rod, Equalizer, 20.91"	1
9	<u>101953105</u>	Rod, Equalizer, 13.30"	1
10	101976301	Plate, Retainer	2
11	<u>102323101</u>	Pin, Bow Tie Locking	2
12	<u>102323201</u>	Pin, 3/8 X 1-5/16 Clevis	2
13	<u>102551901</u>	Washer, 5/16, Self Comp, Cup	2
14	<u>102552001</u>	Washer, 5/16, Self Comp, Cone	2
15	<u>103535001</u>	Bracket, Equalizer, Prec Awd	1
16	<u>105056101</u>	Nut, 5/16-18 Adjusting, XI, L	1
17	<u>105116601</u>	Weldment, Bellcrank, 4fun	1
18	<u>105116701</u>	Brkt, Bellcrank Mtg, 4fun	2
19	<u>1241</u>	Washer, 5/16 Type A Flat	4
20	<u>1242</u>	Nut, 5/16-18 Hex	1
21	<u>7473</u>	Locknut, 5/16-18 Nylon Insert	9
22	<u>8915</u>	Screw, 5/16-18 X 3.0 Hx Hd Cap	4

4

E

4

E



000487-016

PEDAL GROUP W/O MCOR – ELECTRIC VEHICLE

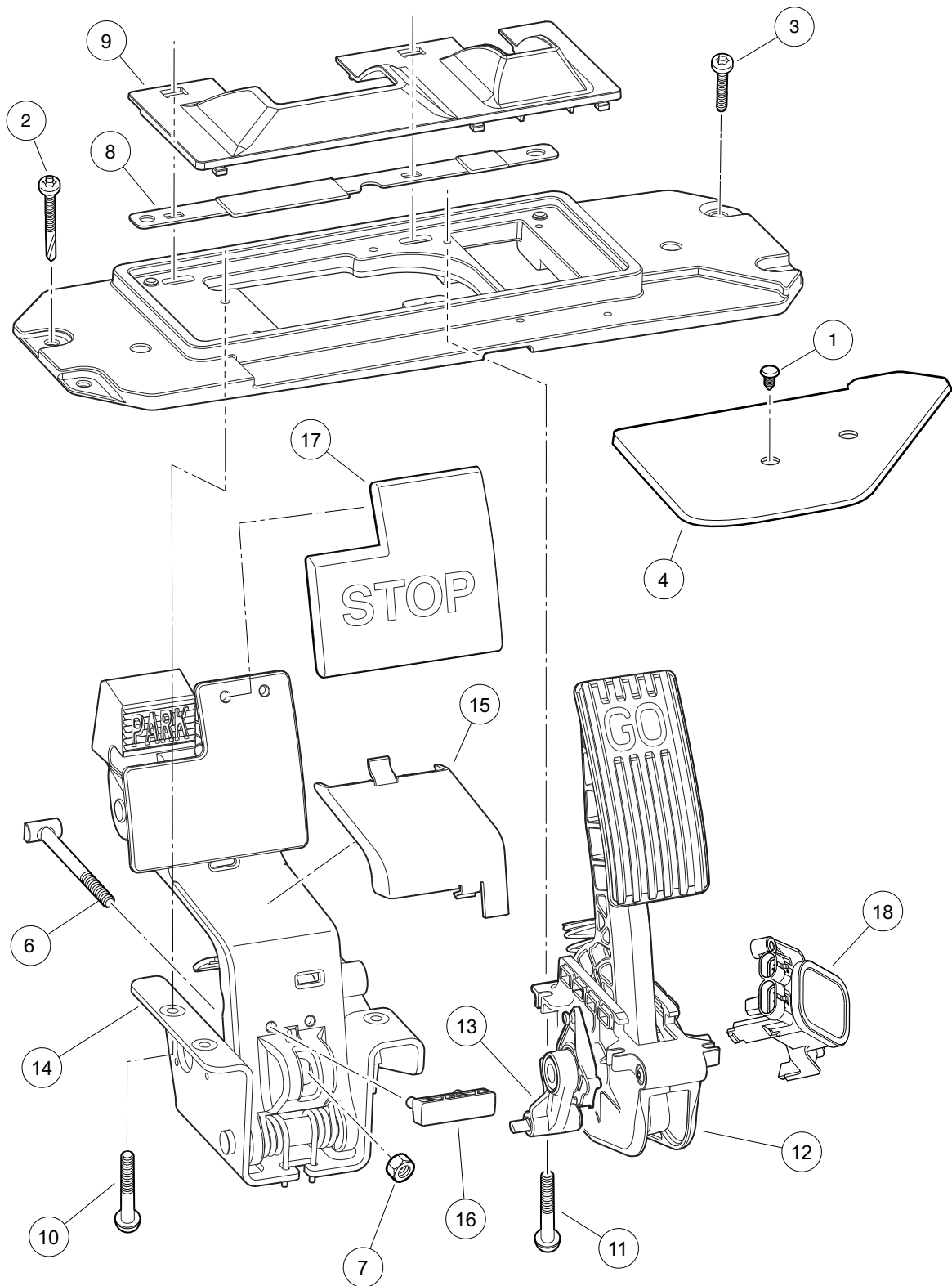
ITEM	PART NO.	DESCRIPTION	QTY
		1 2 3 4	
1	<u>1010434</u>	Barrel - Plastic	1
2	<u>102292201</u>	Screw-1/4-20x2.20 Tx Pn Hd Sd	2
3	<u>102298030</u>	Screw, K80x30, Torx Pn Hd Pt	2
4	<u>102500801</u>	Plate - Floor Cover	1
5	<u>103974821</u>	Asm, Pedal, Anodized, Field Service, Gas or Elec (includes items 6 through 14)	1
6	<u>102559401</u>	Rod, Brake	1
7	<u>102559701</u>	Nut, Brake Rod	1
8	<u>102594801</u>	Shield, Debris Aux	1
9	<u>102594901</u>	Shield, Debris Primary	1
10	<u>102595901</u>	Screw, M6x1.0x17 Ph, Taptite	4
11	<u>102596001</u>	Screw, M5x0.8x18 Ph, Taptite	4
12	<u>102596301</u>	Pedal, Accelerator, Anodized, Gas or Elec (includes item 13)	1
13	<u>103777601</u>	Asm, Park Brake Release, Anodized	1
14	<u>103974901</u>	Asm, Brake Pedal, Anodized (includes items 15 through 17)	1
15	<u>102595201</u>	Cover, Brake	1
16	<u>102595301</u>	Upstop, Brake	1
17	<u>102595401</u>	Pad, Brake	1
		Note: Pedal Assembly (item 5) has no MCOR and is common to both gas and electric vehicles.	

4

E

4

E



000487-019

PEDAL GROUP WITH MCOR – ELECTRIC VEHICLE

ITEM	PART NO.	DESCRIPTION	QTY
		1 2 3 4	
1	<u>1010434</u>	Barrel - Plastic	1
2	102292201	Screw-1/4-20x2.20 Tx Pn Hd Sd	2
3	102298030	Screw, K80x30, Torx Pn Hd Pt	2
4	<u>102500801</u>	Plate - Floor Cover	1
5	<u>103975011</u>	Asm, Pedal Set, Anodized, Service, Elec Vehicle (includes items 6 through 18)	1
6	<u>102559401</u>	Rod, Brake	1
7	<u>102559701</u>	Nut, Brake Rod	1
8	<u>102594801</u>	Shield, Debris Aux	1
9	<u>102594901</u>	Shield, Debris Primary	1
10	<u>102595901</u>	Screw, M6x1.0x17 Ph, Taptite	4
11	<u>102596001</u>	Screw, M5x0.8x18 Ph, Taptite	4
12	<u>102596301</u>	Pedal, Accelerator, Anodized, Gas or Elec (includes item 13)	1
13	<u>103777601</u>	Asm, Park Brake Release, Anodized	1
14	<u>103974901</u>	Asm, Brake Pedal, Anodized (includes items 15 through 17)	1
15	<u>102595201</u>	Cover, Brake	1
16	<u>102595301</u>	Upstop, Brake	1
17	<u>102595401</u>	Pad, Brake	1
18	<u>105116301</u>	MCOR4, Type 16 Switch	1
Note: See the Electrical System Section for more MCOR information.			

4

E

4

E

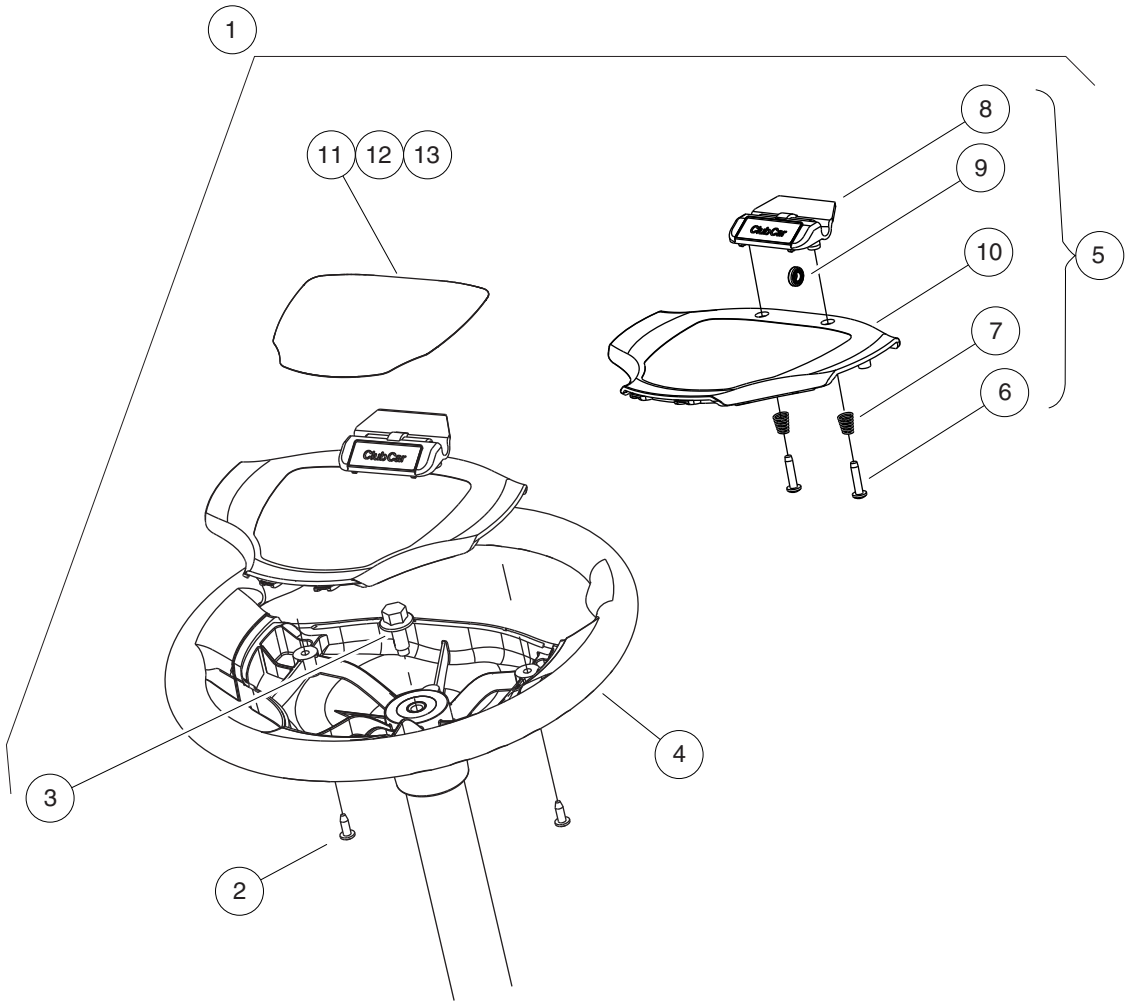
STEERING, FRONT AND REAR SUSPENSION

5

E

5

E



000470-002

STEERING WHEEL, COMFORT GRIP

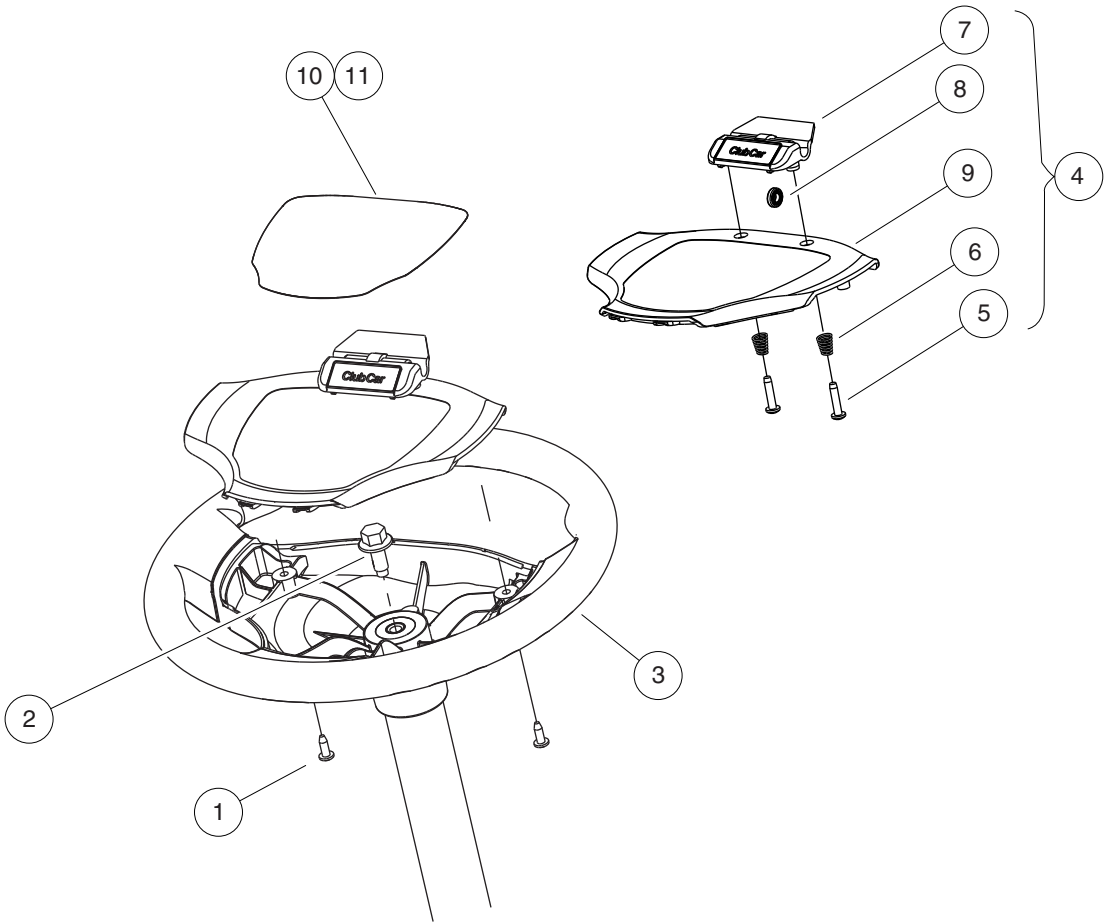
ITEM	PART NO.	DESCRIPTION	QTY
		1 2 3 4	
1	<u>103796701</u>	Kit, Hex, Steering Wheel (includes items 2 through 13)	1
2	<u>101850301</u>	Screw, #12-16 X 0.50 Washer-Head Hi-Lo	2
3	<u>102290120</u>	Bolt, M10 X 20 Hex Washer Hd	1
4	<u>103724503</u>	Steering Wheel, Soft Grip, Hex	1
5	<u>103724901</u>	Asm, Scorecard, Clip (includes items 6 through 10)	1
6	<u>1012565</u>	Screw, #12 Phillips Round Head	2
7	<u>1012566</u>	Tapered Compression Spring	2
8	<u>1016154</u>	Clip, Scorecard	1
9	<u>1016214</u>	Pencil Grip	1
10	<u>103724601</u>	Cover, Steering Wheel, Clip	1
11	<u>103783001</u>	Decal, Op Instr, Ele	1
12	<u>103783002</u>	Decal, Op Instr, Gas Ps	1
13	<u>103783003</u>	Decal, Op Instr, Gas Ks	1
<p>Note: Decal Item 13 is not used for Precedent vehicles.</p>			

5

E

5

E



000470-005

STEERING WHEEL

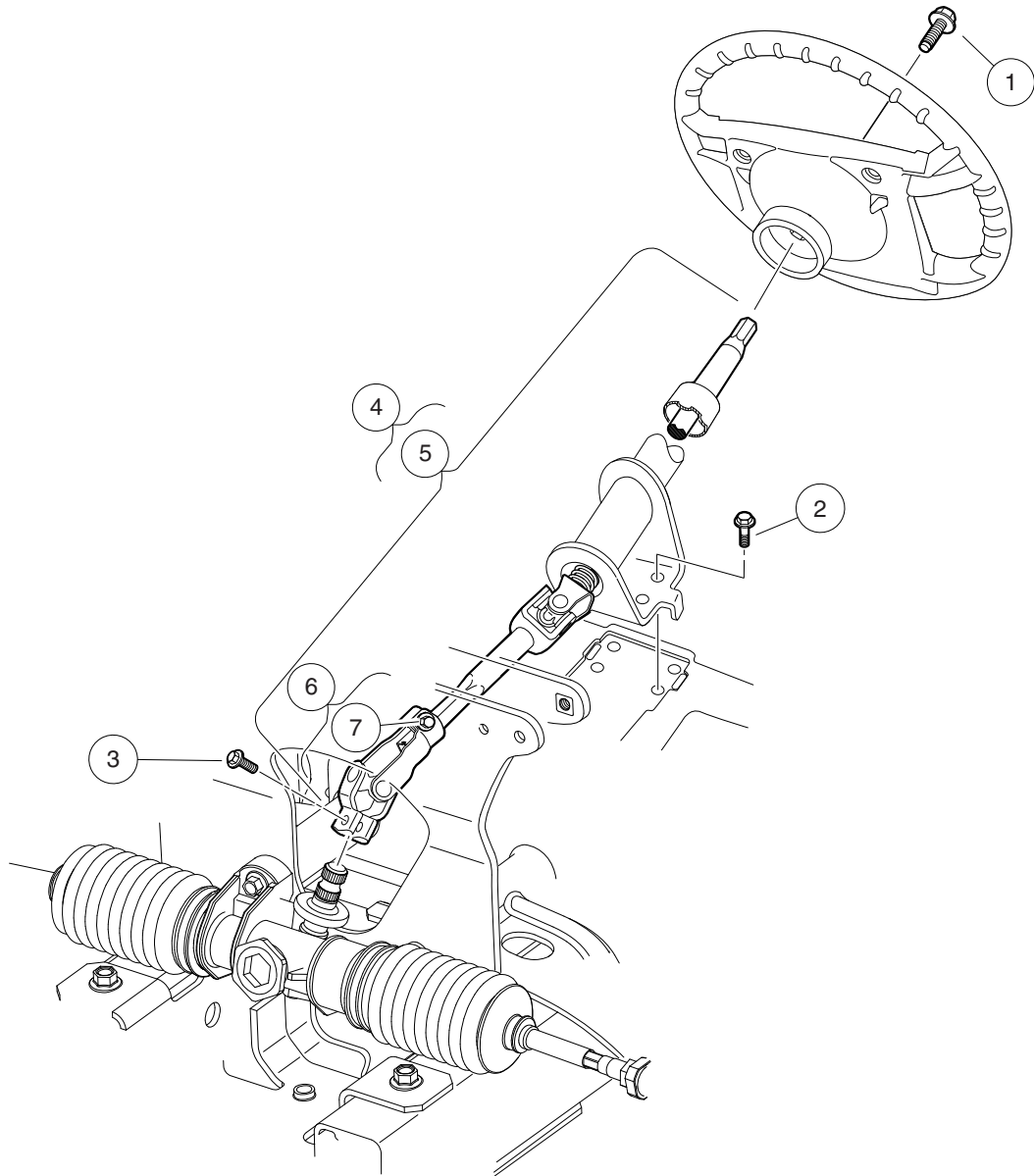
5

ITEM	PART NO.	DESCRIPTION	QTY
		1 2 3 4	
1	<u>101850301</u>	Screw, #12-16 X 0.50 Washer-Head Hi-Lo	2
2	<u>102290120</u>	Bolt, M10 X 20 Hex Washer Hd	1
3	<u>103724501</u>	Steering Wheel, Hex	1
4	<u>103724901</u>	Asm, Scorecard, Clip (includes items 5 through 9)	1
5	<u>1012565</u>	Screw, #12 Phillips Round Head	2
6	<u>1012566</u>	Tapered Compression Spring	2
7	<u>1016154</u>	Clip, Scorecard	1
8	<u>1016214</u>	Pencil Grip	1
9	<u>103724601</u>	Cover, Steering Wheel, Clip	1
10	<u>103783001</u>	Decal, Op Instr, Ele	1
11	<u>103783002</u>	Decal, Op Instr, Gas Ps	1

E

5

E



000469-007

STEERING COLUMN

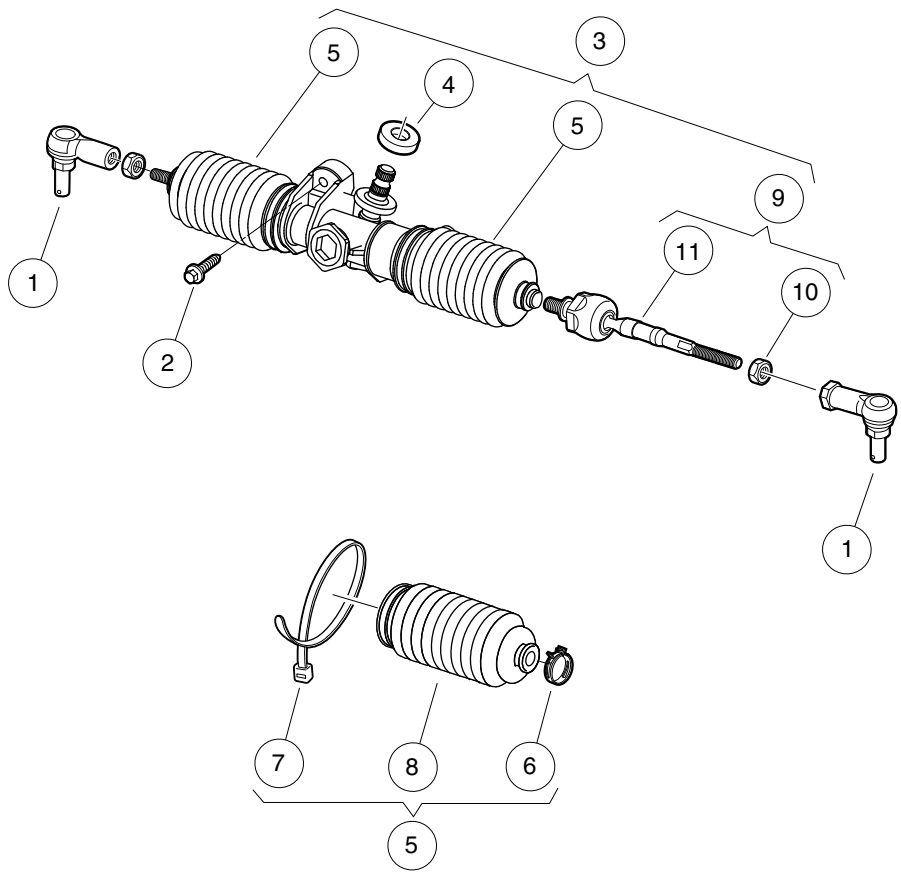
ITEM	PART NO.	DESCRIPTION	QTY
		1 2 3 4	
1	102290120	Bolt, M10 X 20 Hex Washer Hd	1
2	<u>102298116</u>	Bolt, Flanged Head, M8 X 16.0	4
3	<u>102298130</u>	Bolt, Flange Head, M8 X 30.0	1
4	<u>105049001</u>	Kit, Inner Steering Clmn, Prec (includes item 5)	1
5	105068601	Asm, Column, Inner, Prec (includes item 6)	1
6	<u>103810201</u>	Kit, Prec Lower Yoke, Wanda (includes item 7)	1
7	<u>102298130</u>	Bolt, Flange Head, M8 X 30.0	1

5

E

5

E



000476-005

STEERING GEAR ASSEMBLY

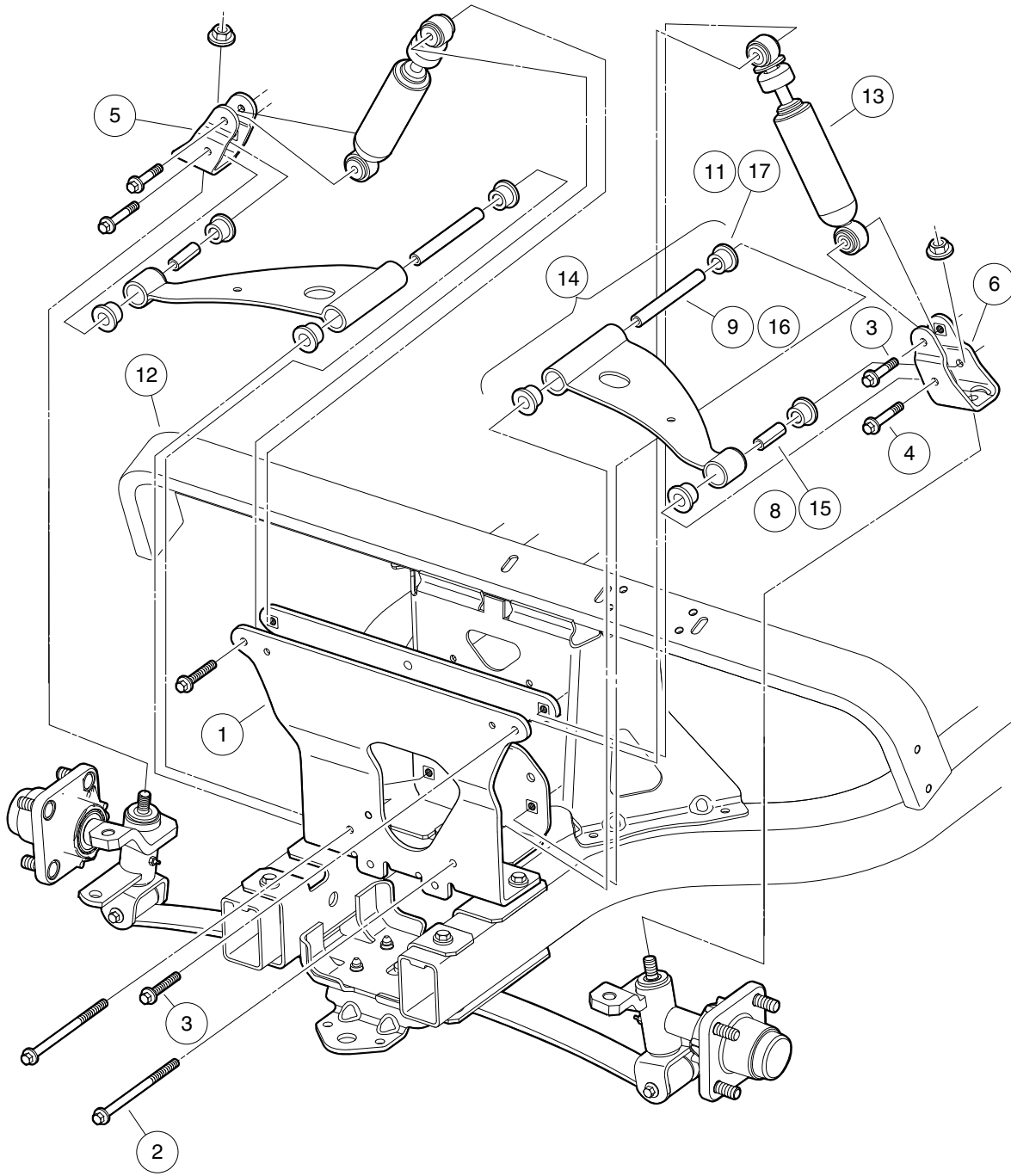
ITEM	PART NO.	DESCRIPTION	QTY
		1 2 3 4	
1	<u>102022601</u>	End, Tie Rod M12 X 1.25 Rh	2
2	<u>102289001</u>	Screw, M8X1.25X30, Hex	3
3	<u>103679701</u>	Asm, Rack & Pinion, Precedent (includes items 4 through 9)	1
4	<u>102565201</u>	Seal, Dust, Steering Pinion	1
5	<u>103826201</u>	Bellow Kit, Prec Steering-sona (includes items 6 through 8)	2
6	<u>102566001</u>	Clip, Steering, Prec	1
7	<u>8990</u>	Tie Wrap, 8" Nylon	1
8	N/A	Bellows	1
9	<u>103826301</u>	Kit, IBJ (Inner Ball Joint), Prec Steering-sona (includes items 10 and 11)	2
10	1013042	Nut, 12mm Hex	1
11	N/A	Inner Ball Joint	1

5

E

5

E



000445-005

FRONT SUSPENSION, UPPER

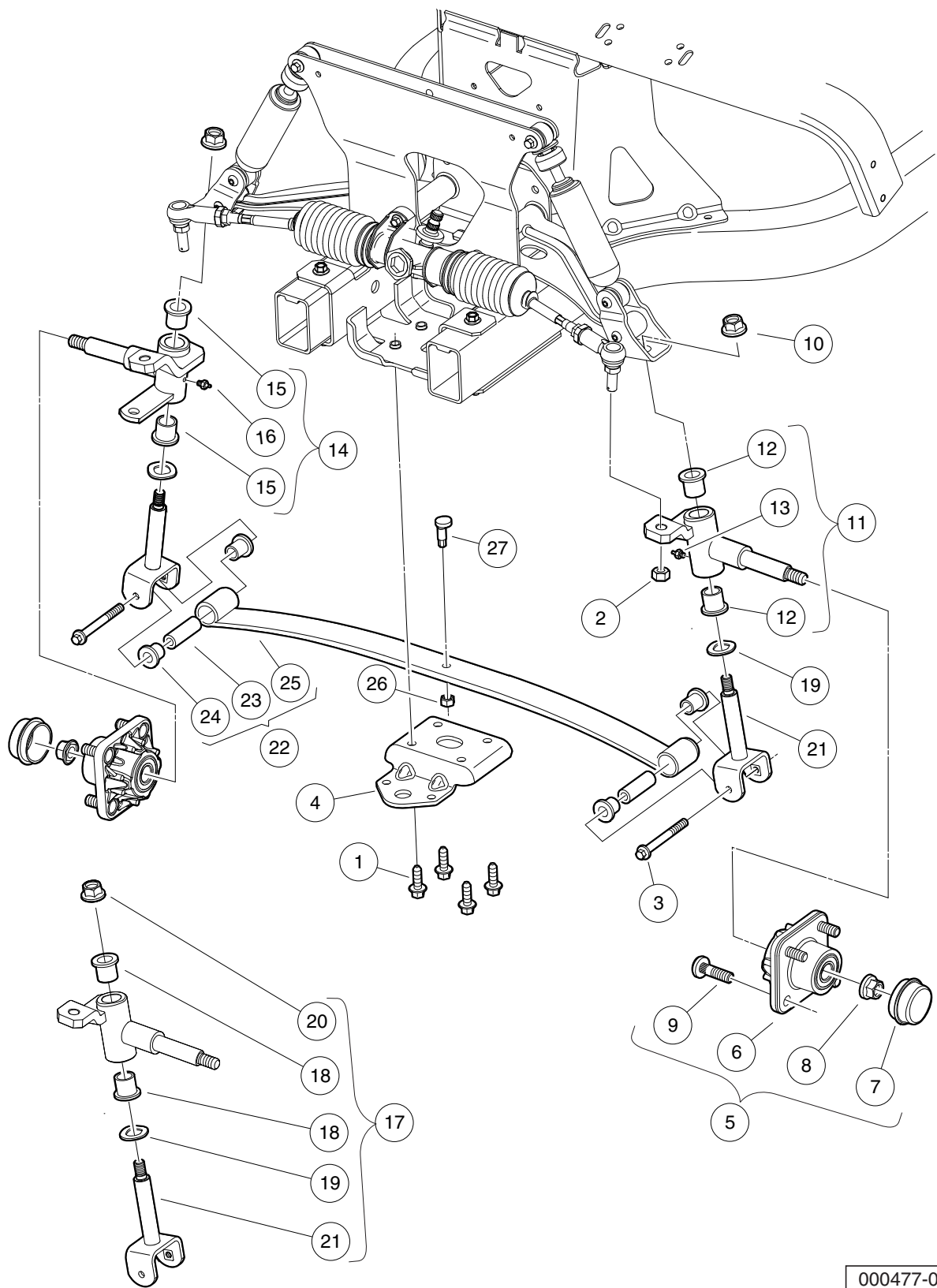
ITEM	PART NO.	DESCRIPTION	QTY
		1 2 3 4	
1	<u>102287101</u>	Assembly - Front Structure	1
2	<u>102288901</u>	Bolt, Hex, M8x1.25 X 135	2
3	<u>102289401</u>	Screw- Hex Cap, M8 X 1.25 X 45	4
4	<u>102289501</u>	Screw- Hex Cap, M8 X 1.25 X 70	2
5	<u>102289601</u>	Upper Clevis Assembly - Rh	1
6	<u>102289701</u>	Upper Clevis Assembly - Lh	1
7	<u>102289901</u>	Kit, Susp, Bushing Joints (includes items 8 through 11)	1
8	<u>102287601</u>	Sleeve - Rolled, Outer	2
9	<u>102287701</u>	Sleeve - Rolled, Inner	2
10	<u>102288101</u>	Sleeve - Rolled, Spring	2
11	<u>102956201</u>	Bushing, Urethane, Short, Prec	12
12	<u>102505701</u>	Assembly, Dash Support	1
13	<u>102588601</u>	Shock Absorber Front Prv Spd	2
14	<u>103388501</u>	Asm, 3 Piece A-arm, Bushings (includes items 15 through 17)	2
15	<u>102287601</u>	Sleeve - Rolled, Outer	1
16	<u>102287701</u>	Sleeve - Rolled, Inner	1
17	<u>102956201</u>	Bushing, Urethane, Short, Prec	4
		Note: Item 7 (not shown) includes bushings and sleeves for control arms and front suspension leaf spring. See lower suspension page for illustration of Sleeve Item 10.	

5

E

5

E



000477-005

FRONT SUSPENSION, LOWER

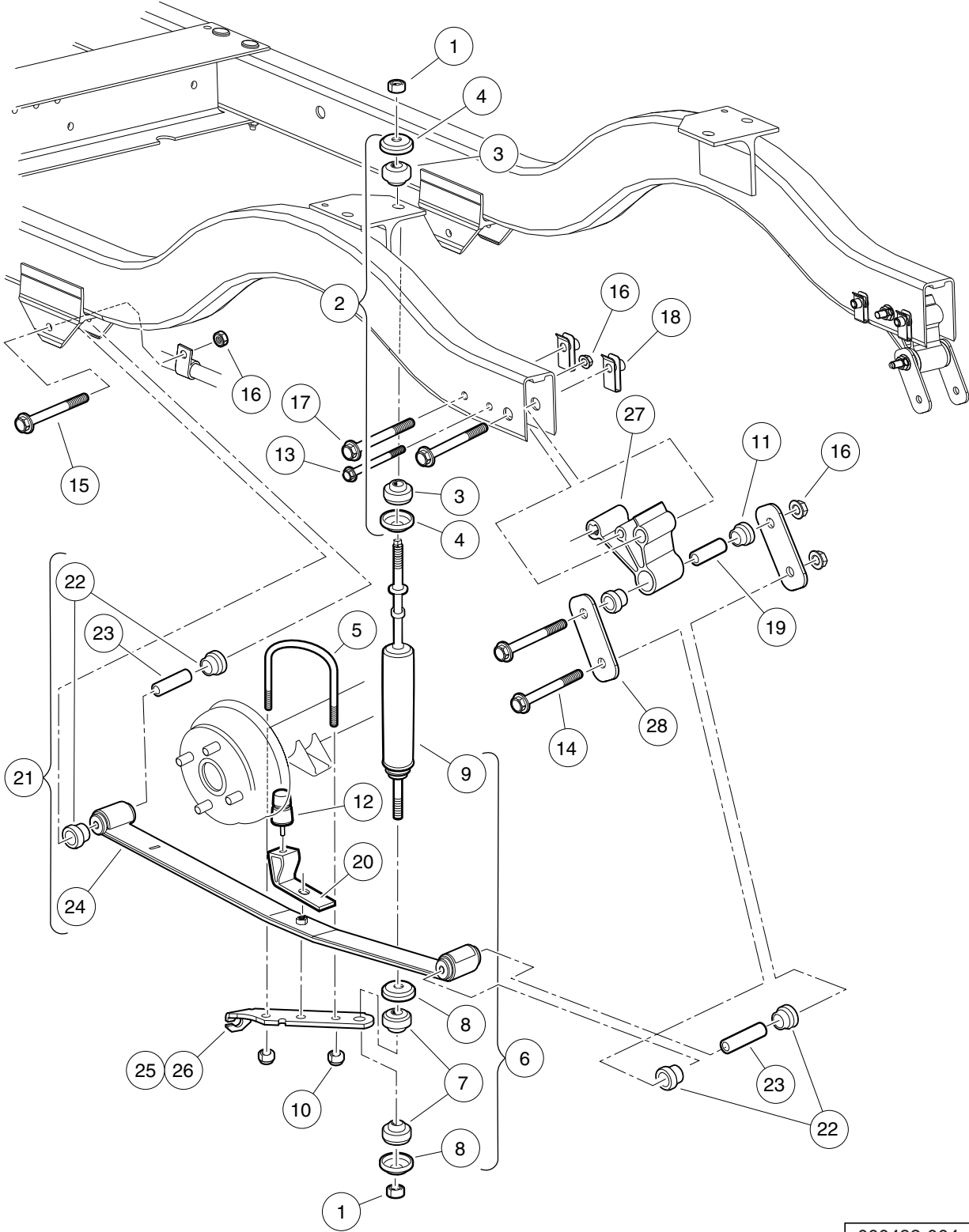
ITEM	PART NO.	DESCRIPTION	QTY
		1 2 3 4	
1	<u>102289101</u>	Screw-m10x1.5, Trilob, Hex Fl	4
2	<u>102289201</u>	Nut - Hex Locking, M12 X 1.25	2
3	<u>102289501</u>	Screw- Hex Cap, M8 X 1.25 X 70	2
4	<u>102289801</u>	Clamp - Leaf Spring	1
5	<u>102357701</u>	Replacement Kit, Front Hub (includes items 6 through 9)	1
6	N/A	Front Hub, Ball Bearing	1
7	<u>102353201</u>	Cap, Front Hub	1
8	<u>102353301</u>	Hex Nut, Locking Flange, M14x2	1
9	<u>102353401</u>	Lug Stud, 1/2-20 UNF, 4037 Stl	4
10	<u>102878201</u>	Nut, Lock,m12,washer,conical	2
11	<u>103638701</u>	Asm, Spindle-bushings, Lh (includes items 12 and 13)	1
12	<u>102288201</u>	Bushing - Flanged	2
13	N/A	Fitting, Grease, Knuckle Spindle Asym	1
14	<u>103638702</u>	Asm, Spindle-bushings, Rh (includes items 15 and 16)	1
15	<u>102288201</u>	Bushing - Flanged	2
16	N/A	Fitting, Grease, Knuckle Spindle Asym	1
17	<u>103638801</u>	Kit, King Pin Joints, Prec (includes items 18 through 21)	1
18	<u>102288201</u>	Bushing - Flanged	4
19	<u>102288401</u>	Wave Washer - Kingpin	2
20	<u>102878201</u>	Nut, Lock,m12,washer,conical	2
21	<u>103638601</u>	Asm, King Pin, M12	2
22	<u>103711001</u>	Asm, Spring, Leaf, Front, Prec (includes items 23 through 25)	1
23	<u>102288101</u>	Sleeve - Rolled, Spring	2
24	<u>102956201</u>	Bushing, Urethane, Short, Prec	4
25	N/A	Spring, 1 Leaf, Front	1
26	<u>706</u>	Nut, Hex 3/8-16	1
27	<u>8745</u>	Screw, Eccentric Adjustment	1

5

E

5

E



000492-004

REAR SUSPENSION, PRECEDENT STRETCH & 4FUN

ITEM	PART NO.	DESCRIPTION	QTY
		1 2 3 4	
1	<u>1010145</u>	Nut, 3/8-24 Hex	4
2	<u>1011415</u>	Kit, Shock Absorber Cushion (includes items 3 and 4)	2
3	N/A	Cushion, Shock Absorber	2
4	N/A	Retainer, Shock Absorber Cushion	2
5	<u>1012180</u>	U-Bolt	2
6	<u>1013164</u>	Shock Absorber Kit (includes items 7 through 9)	1
7	N/A	Cushion, Shock Absorber	8
8	N/A	Retainer, Shock Absorber Cushion	8
9	<u>102588501</u>	Shock Absorber Rear Prv Spd	2
10	<u>1014555</u>	Locknut, 7/16-14 Nylon Hex	4
11	<u>1015583</u>	Bushing, Urethane	4
12	<u>1017235</u>	Bumper, Jounce	2
13	<u>102298170</u>	Bolt - Flange Hd, M8 X 70.0	2
14	<u>102298175</u>	Bolt - Flange Hd, M8 X 75.0	4
15	<u>102298185</u>	Bolt - Flange Hd, M8 X 85.0	2
16	<u>102298401</u>	Nut,m8,all Metal Lock	8
17	<u>102298580</u>	M8-1.25 X 80 Sems	4
18	<u>102298601</u>	J-clip - M8 X 1.25	4
19	<u>102506401</u>	Sleeve - Spring Eye Mounts	2
20	<u>102534801</u>	Jounce Bumper Bracket	2
21	<u>103742306</u>	Asm, Rear Leaf Spring, Prec, 4-Passenger (includes items 22 through 24)	2
22	<u>101558302</u>	Bushing, Urethane, Soft	4
23	<u>102506401</u>	Sleeve - Spring Eye Mounts	2
24	N/A	Leaf Spring, Rear, Prec 4pass	1
25	<u>103921601</u>	Bracket, Shock Mounting, Drv	1
26	<u>103921602</u>	Bracket, Shock Mounting, Pas	1
27	<u>103964901</u>	Spacer, Rail, Shackle	2
28	<u>103965001</u>	Brkt, Shackle, Rear	4

5

E

5

E

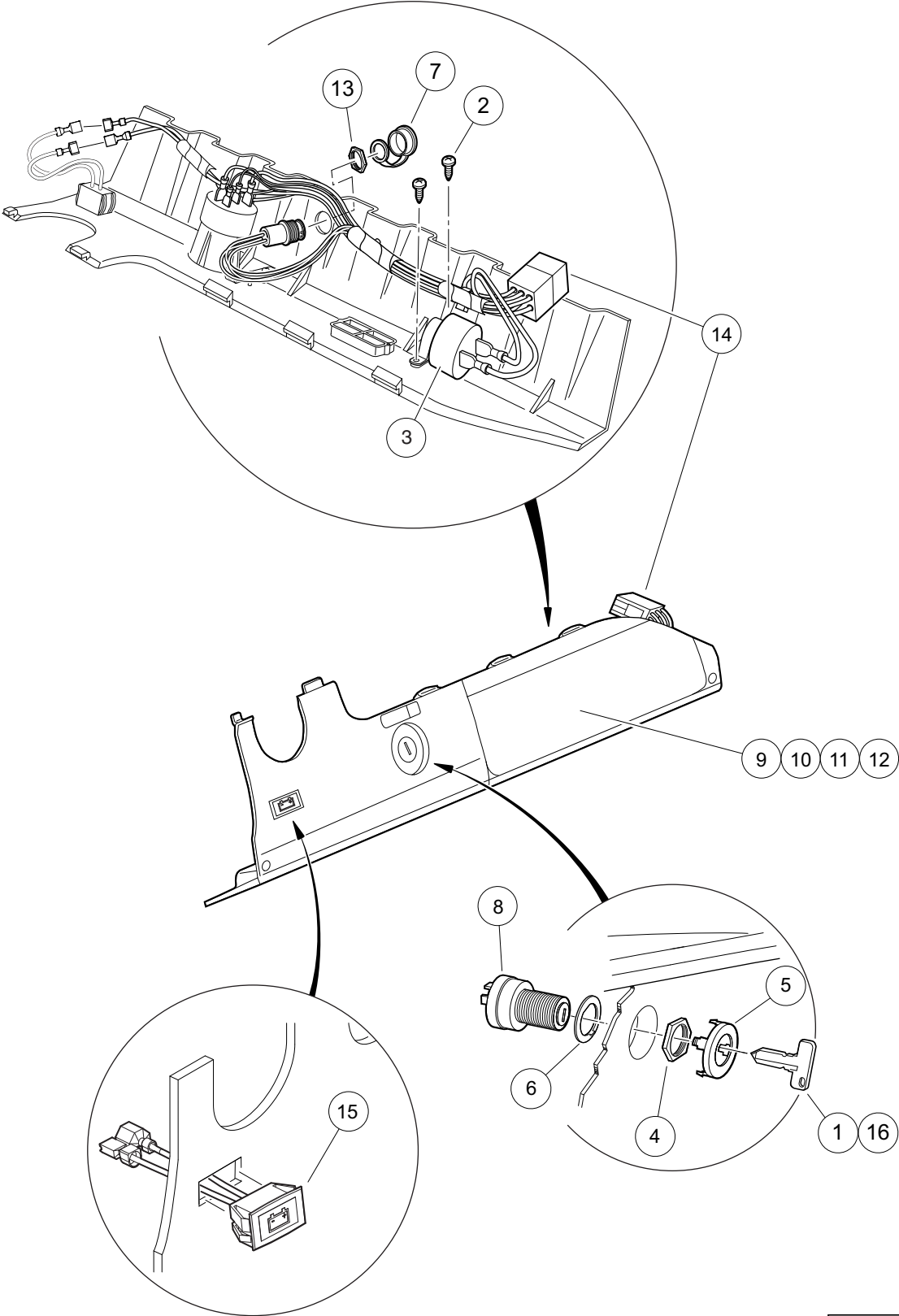
ELECTRICAL SYSTEM – EXCEL WITH ERIC CHARGER

6

E

6

E



000490-004

ELECTRICAL COMPONENTS, FRONT BODY – 4FUN/STRETCH

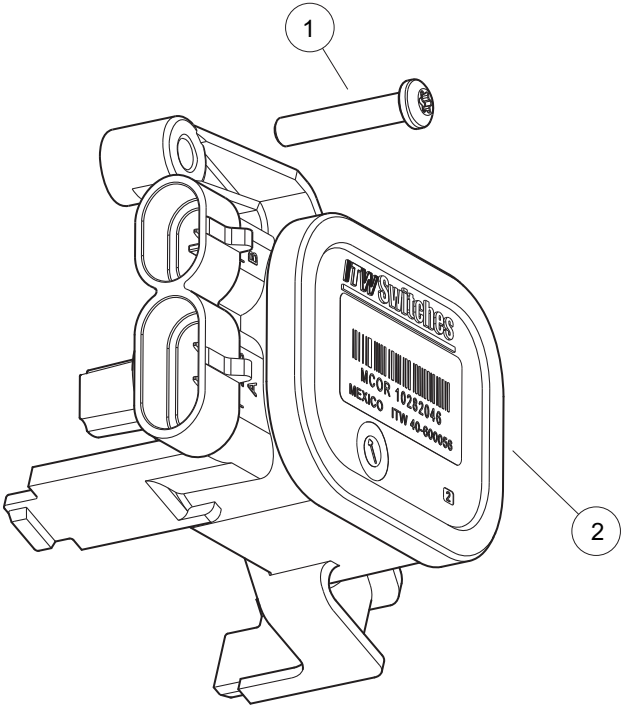
ITEM	PART NO.	DESCRIPTION	QTY
		1 2 3 4	
1	<u>1012505</u>	Keys (set of 2)	1
2	<u>1016849</u>	Screw, #4-24 X 0.33, Pan-Head, Machine	2
3	<u>1016851</u>	Buzzer, Reverse (9-48 VDC)	1
4	<u>101830701</u>	Nut, Key Switch	1
5	<u>101834502</u>	Cap, Black Key Switch	1
6	<u>101851101</u>	Washer, Key Switch	1
7	<u>102196901</u>	Dust Cap	1
8	<u>102508601</u>	Key Switch, Electric	1
9	<u>102522901</u>	Instrument Panel (standard)	1
10	<u>102536601</u>	Instrument Panel (with Hole for Headlight Switch)	1
11	<u>102536603</u>	Instrument Panel (with Hole for Battery Condition Indicator)	1
12	<u>102536605</u>	Instrument Panel (with Hole for Headlight Switch and Battery Condition Indicator)	1
13	<u>102572401</u>	Nut, Diagnostic Port, Prec	1
14	<u>103991501</u>	Harness, Wire, Instrument Panel, Prec w/Hi-Freq	1
15	103993901	Light, Charge Indicator	1
16	<u>AM10079</u>	Bulk Std Keys (50) *	1
		* Note: Must order in multiples of 50.	

6

E

6

E



000243-005

MOTOR CONTROLLER OUTPUT REGULATOR (MCOR)

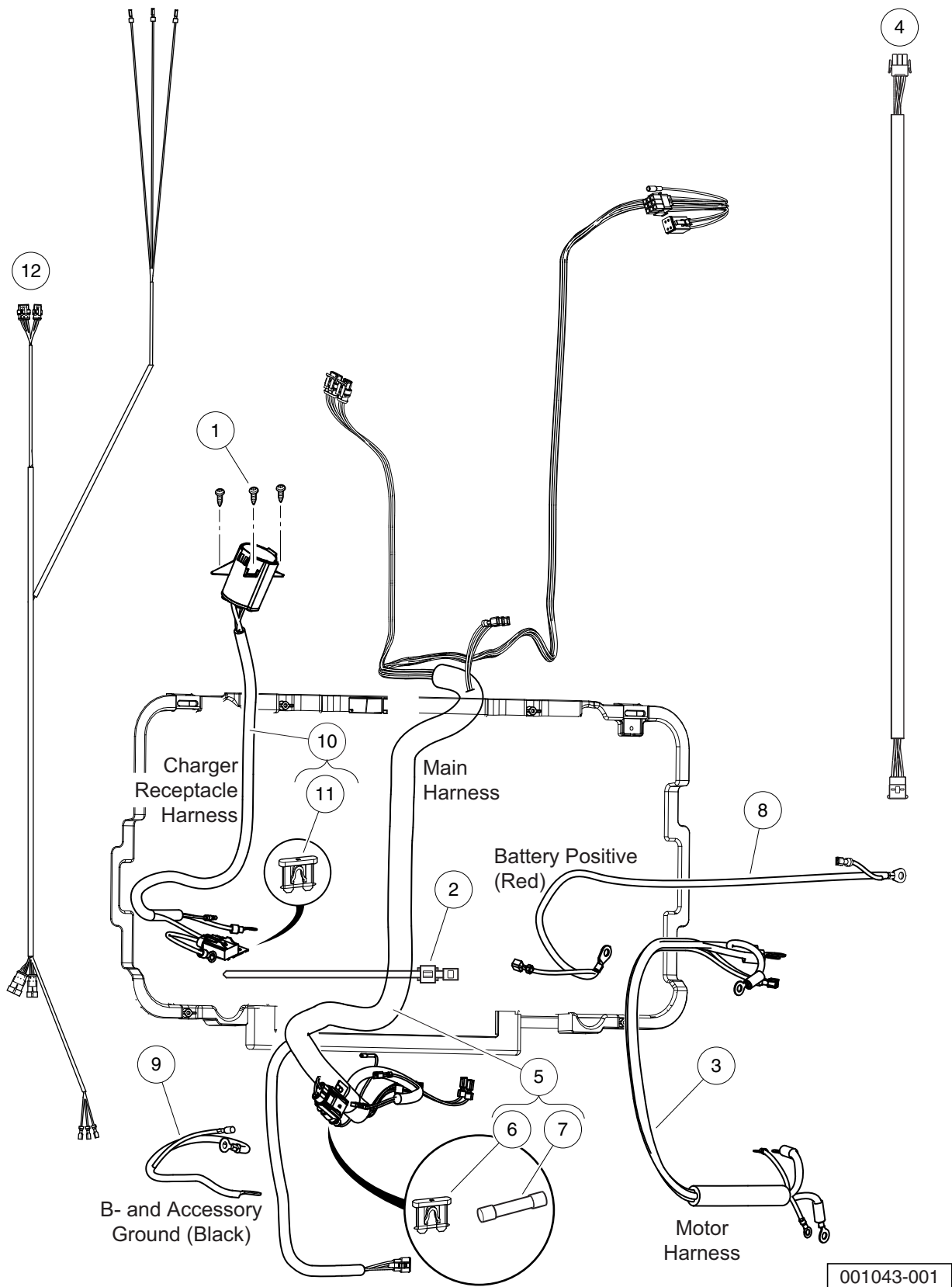
ITEM	PART NO.	DESCRIPTION	QTY
1	<u>103943401</u>	1 2 3 4 Screw, Pan, #10 X 1.00 Hi-lo	1
2	<u>105116301</u>	MCOR4, Type 16 Switch	1

6

E

6

E



WIRING AND FUSES

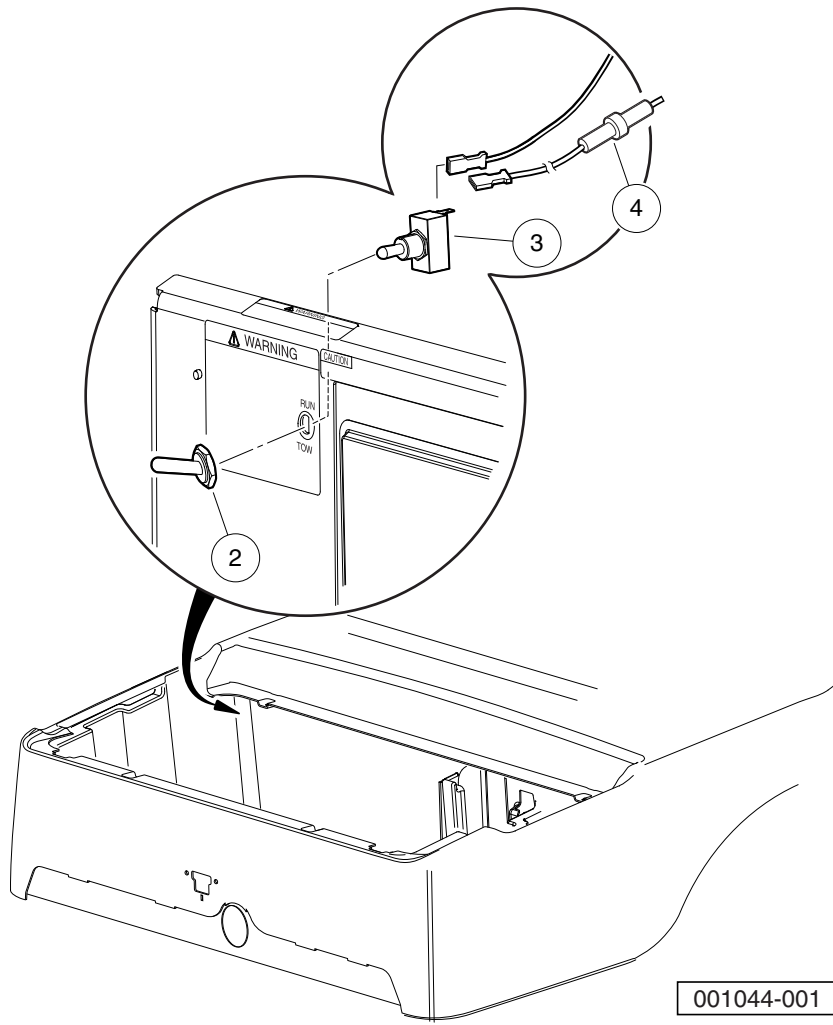
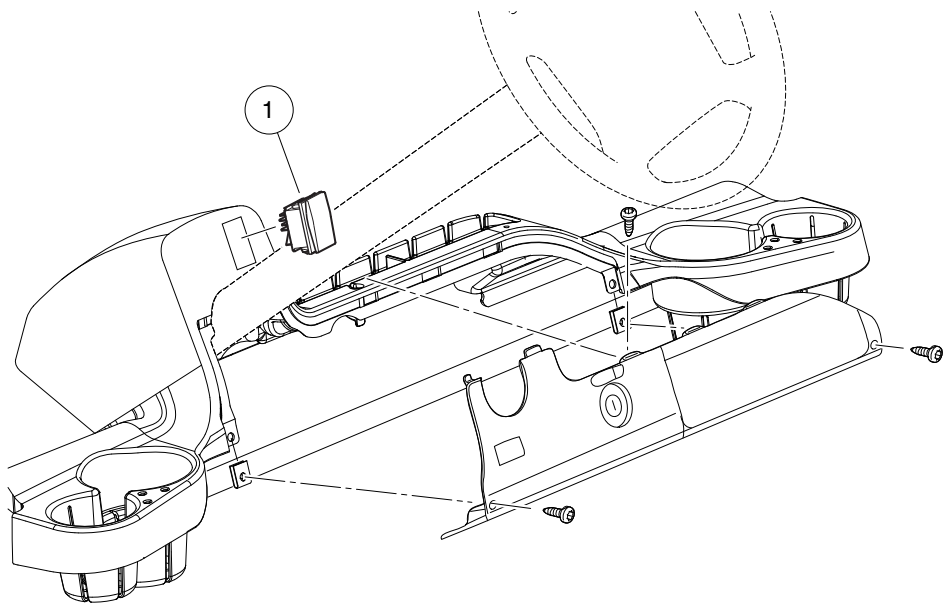
ITEM	PART NO.	DESCRIPTION	QTY
		1 2 3 4	
1	<u>101832001</u>	Screw, #7-19 X 0.625 Phillips Pan-Head Tap	3
2	<u>102554901</u>	Clip, Edge, with Wire Tie	1
3	<u>103508902</u>	Asm, Harness, Motor, 4 Ga, 1/4	1
4	<u>103731401</u>	Harness Ip Extension	1
5	<u>104023201</u>	Harness, Main, Prec, Excel w/Hi-Freq, Mcor3 (includes items 6 and 7)	1
6	<u>102538601</u>	15 Amp Fuse	1
7	<u>103924801</u>	Fuse, Glass, 2-Amp	1
8	<u>105065601</u>	Asm, Ev Batt Pos 4 Agw	1
9	<u>105065701</u>	Wire, B- W/acc Gnd 4agw	1
10	<u>105137401</u>	Harness, Wire, Charger Receptacle (for Yellow DC Cord) (includes item 11)	1
11	<u>102492301</u>	Fuse, 30-Amp	1
12	<u>105210301</u>	Harness Mcor Extension, Eric	1
13	<u>8639</u>	Tie Wrap, 11" Nylon	A/R
14	<u>8990</u>	Tie Wrap, 8" Nylon	A/R
		Note: Items 13 and 14 not shown.	

6

E

6

E



001044-001

FORWARD/REVERSE SWITCH AND TOW/RUN SWITCH

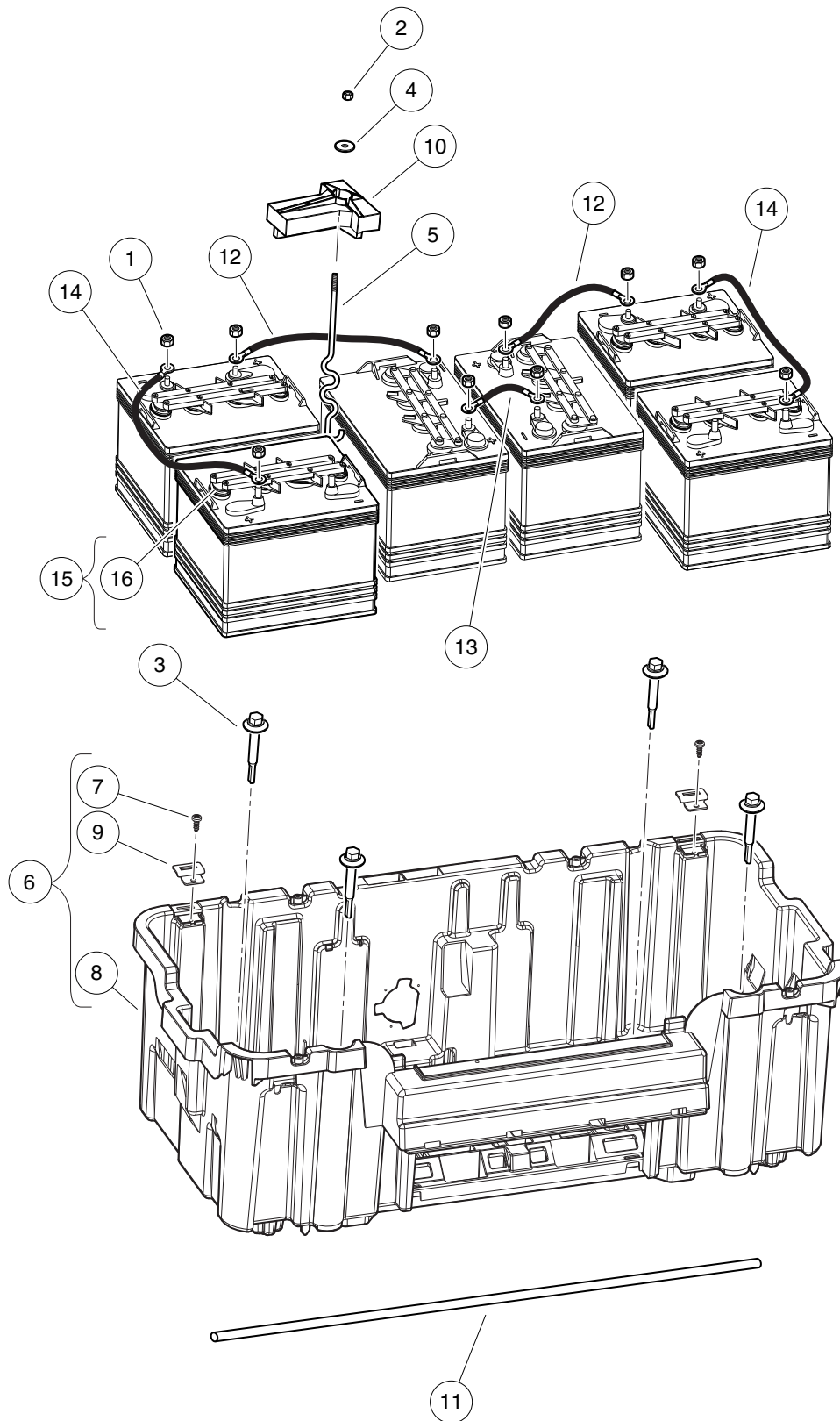
ITEM	PART NO.	DESCRIPTION	QTY
		1 2 3 4	
1	<u>101856001</u>	Switch, Rocker, Double-Pole	1
2	<u>101908401</u>	Boot, Switch	1
3	<u>102511101</u>	Switch, Tow	1
4	<u>102538601</u>	15 Amp Fuse	1

6

E

6

E



000682-005

BATTERIES AND BATTERY BUCKET, PD+ 8-VOLT

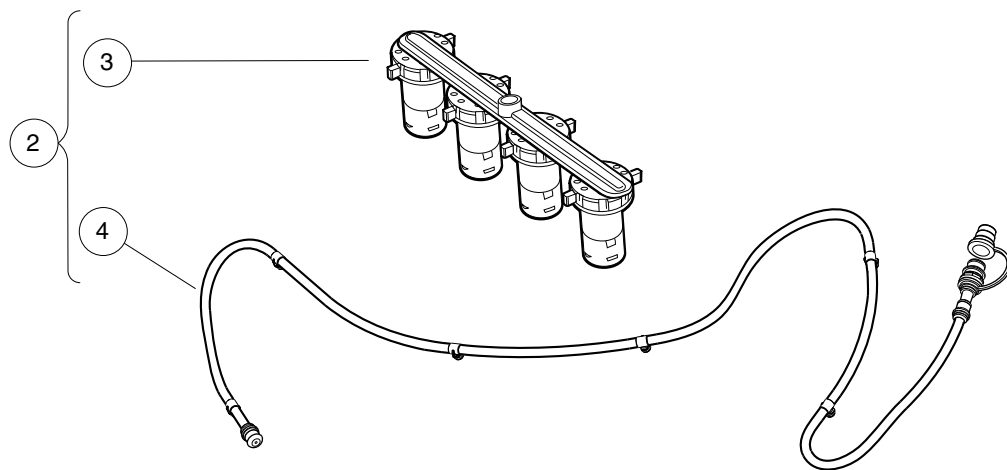
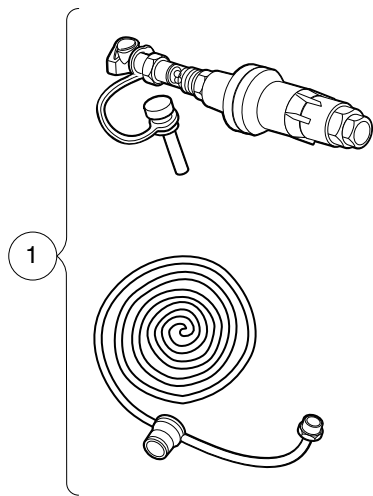
ITEM	PART NO.	DESCRIPTION	QTY
		1 2 3 4	
1	<u>1014304</u>	Nut, 5/16-18 Stainless-Steel Hex	12
2	<u>1014555</u>	Locknut, 7/16-14 Nylon Hex	2
3	<u>102292356</u>	Screw-1/4-20x56 Hwh Self Drill	4
4	<u>102491501</u>	Washer, Hard, M10	2
5	<u>103357701</u>	Bolt, Battery, "s" Hold-down	2
6	<u>103368401</u>	Asm, Bucket, Batt, Elec, Prec (includes items 7 through 9)	1
7	<u>102298020</u>	Screw, K80x20, Torx Pn Hd Pt	2
8	N/A	Bucket, Batt, Elec, Precedent	1
9	<u>103368301</u>	Hinge - Nested	2
10	<u>103374801</u>	Hold Down, Battery	2
11	103375301	Tube, Cross, Battery Rod	1
12	<u>103508501</u>	Asm, Wire #4 Blk, 13 In	2
13	<u>103508801</u>	Asm, Wire, #4 Blk 8 In	1
14	<u>105065403</u>	Wire, Batt, 4awg, 455	2
15	<u>105138301</u>	Battery, 8-Volt, JCI GC8 Type E (includes item 16)	6
16	<u>103765601</u>	Cap, Spin, 8-Volt Battery	1

6

E

6

E



000731-009

SINGLE POINT WATERING SYSTEM, 8V

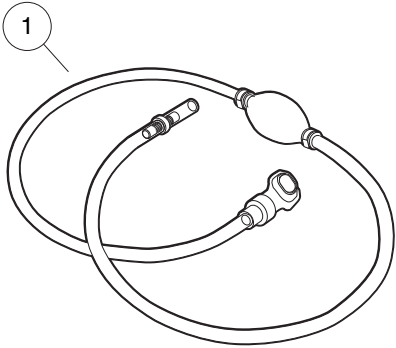
ITEM	PART NO.	DESCRIPTION	QTY
		1 2 3 4	
1	<u>102958001</u>	Kit Regulated Hose Sply Spws	1
2	<u>103395505</u>	Kit, Spws, Prec, 8 Volt Non-Trojan (includes items 3 and 4)	1
3	<u>103510602</u>	Spws, Manifold Asm, 8v Non-Trojan	6
4	<u>103774701</u>	Spws, Hose 8v Non-trojan	1
<p style="margin-left: 40px;">Note: For JCI 8-Volt batteries only.</p>			

6

E

6

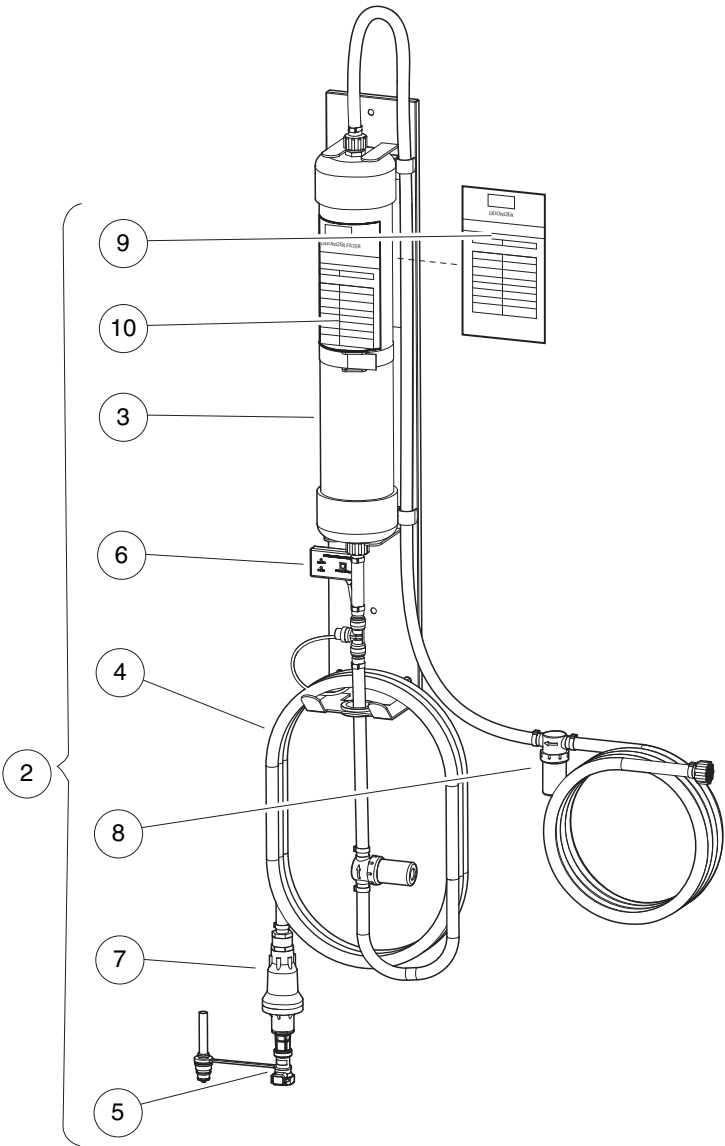
E



11



12



002523-003

HAND PUMP AND DEIONIZER (BATTERY-POWERED QUALITY LIGHT)

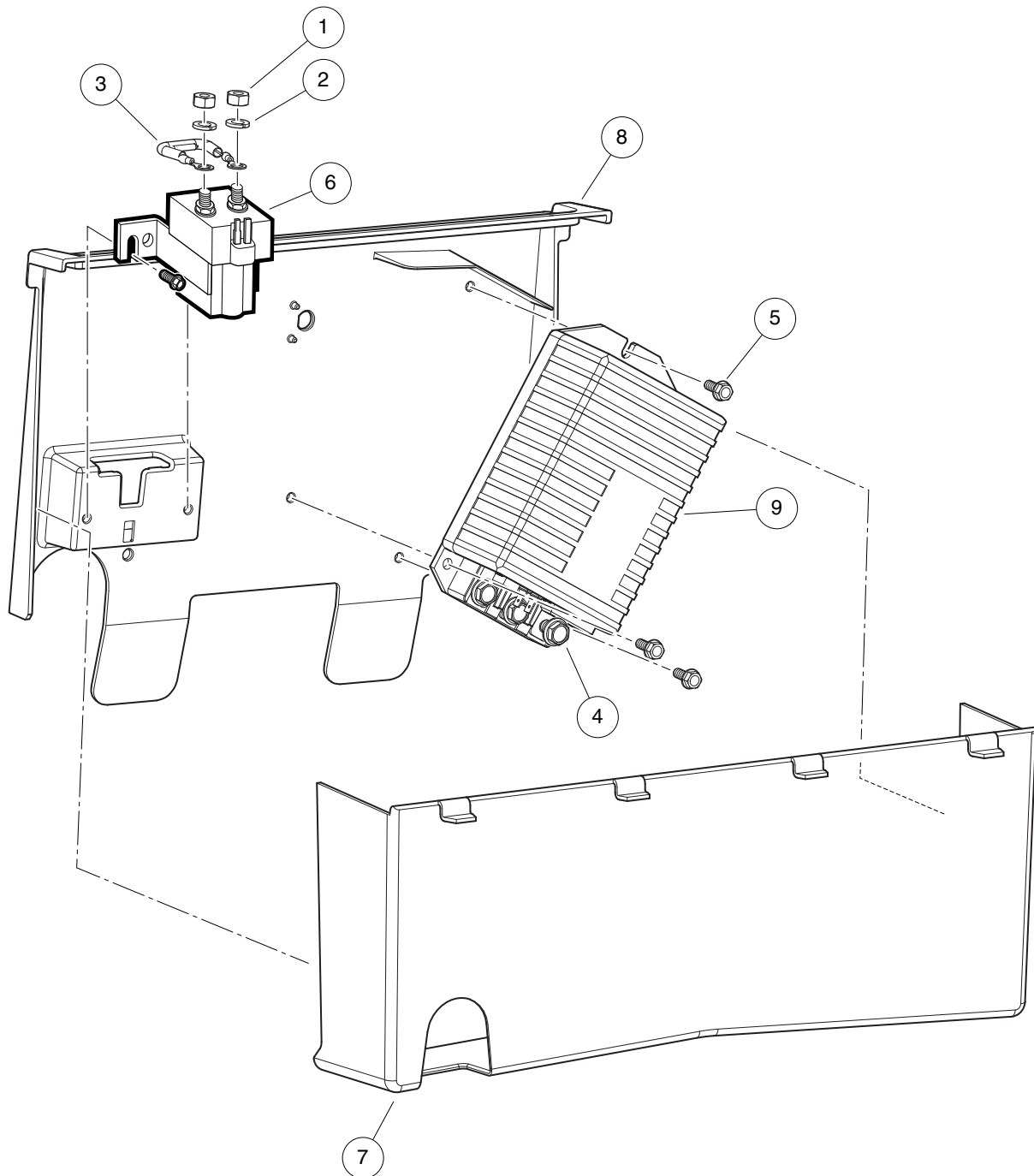
ITEM	PART NO.	DESCRIPTION	QTY
		1 2 3 4	
1	<u>104006101</u>	Kit, Hand Pump, Spws	1
2	<u>105166801</u>	Deionizer, w/Battery-Powered Water Quality Light (includes items 3 through 10)	1
3	<u>104005901</u>	Cartridge, Deionizer	1
4	<u>105166901</u>	Hose,outlet,deionizer	1
5	<u>105167001</u>	Flow Ind, W/coupler, Deionizer	1
6	<u>105167101</u>	Light, Quality, Battery-Powered, w/T-Fitting	1
7	<u>105168501</u>	Regulator, Pressure, Deionizer	1
8	<u>105168601</u>	Strainer, In-line, Deionizer	1
9	<u>AM1300001</u>	Decal, Filter Log, Blue	1
10	<u>AM1300201</u>	Decal, Inspect Log, Yellow	1
11	AM1300101	Decal, Filter Log, Blue, Pack of 100	A/R
12	AM1300301	Decal, Inspect Log, Yellow, Pack of 100	A/R

6

E

6

E



000486-015

CONTROLLER AND SOLENOID

ITEM	PART NO.	DESCRIPTION	QTY
		1 2 3 4	
1	<u>1012528</u>	Nut, M8-1.25 Hex	2
2	<u>1013734</u>	Lockwasher, 8mm Split	2
3	<u>1014947</u>	Resistor Assembly	1
4	<u>102240501</u>	Bolt, Controller, Terminal	3
5	<u>102296716</u>	Screw, M6 X 16 Tt Hx Fl Hd	5
6	<u>102774701</u>	Solenoid, 48v	1
7	<u>103367901</u>	Shield - Controller	1
8	<u>105005001</u>	Component Mounting Plate	1
9	105069001	Controller White 350a	1

6

E

6

E

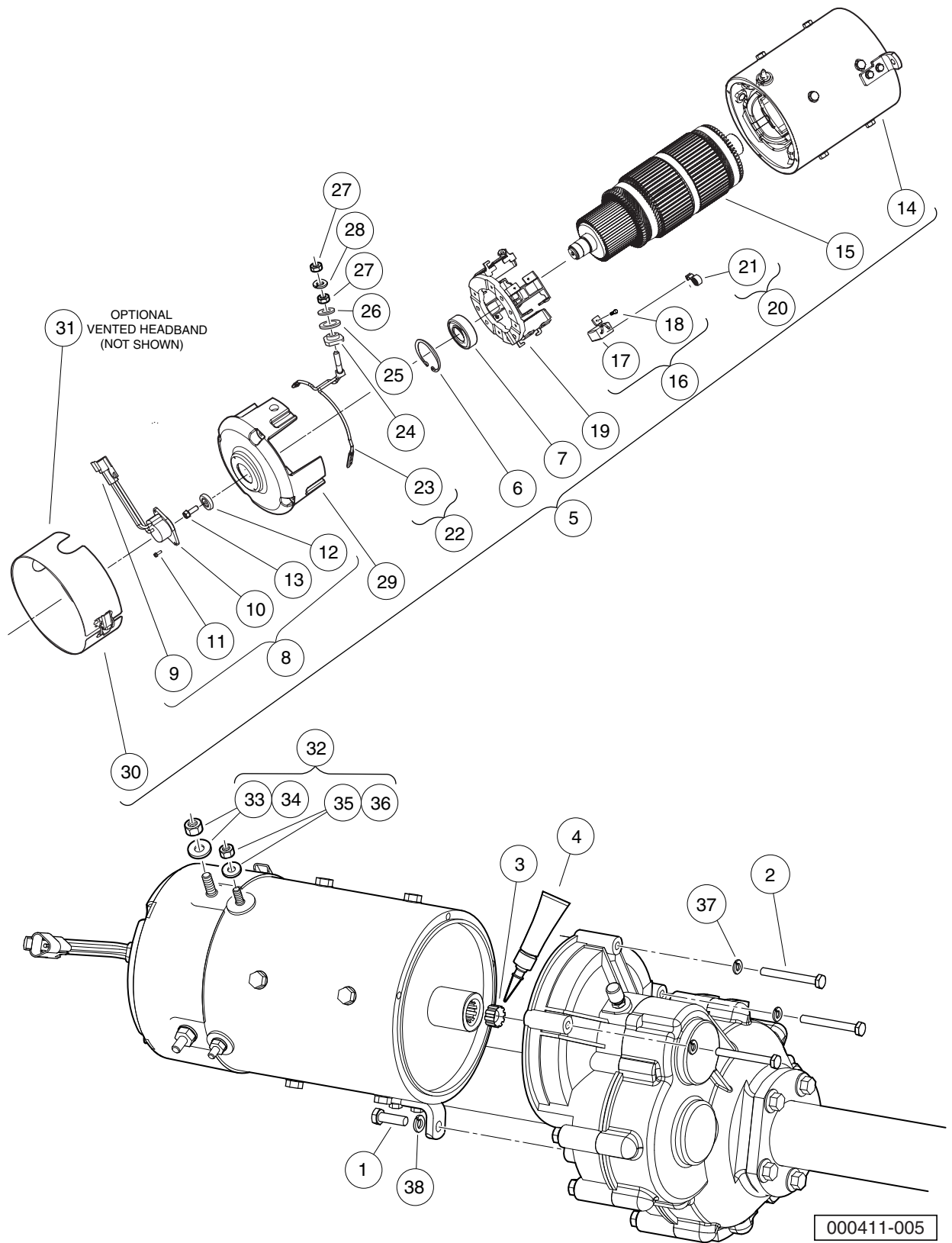
ELECTRIC MOTOR – 3.7 H.P.

7

E

7

E



000411-005

MOTOR (MODEL DA5-4006) – 3.7 H.P.

ITEM	PART NO.	DESCRIPTION	QTY
		1 2 3 4	
1	<u>1010934</u>	Screw, 5/16-18 X 1.00 Hex Cap	1
2	1014201	Screw, 1/4-20 X 2.25 Hex Cap	3
3	<u>102235201</u>	Bumper, Drive Unit	1
4	<u>102243403</u>	Lubricant, Moly-Teflon (Single-Use Tube)	1
5	<u>102775101</u>	IQ Plus Electric Motor, 48-VDC 3.7 hp (includes items 6 through 30)	1
6	N/A	Ring, 2.24" Internal Retaining	1
7	<u>102186401</u>	Bearing, Ball	1
8	<u>102704901</u>	Kit, Speed Sensor (includes items 9 through 13)	1
9	<u>101942301</u>	Kit, 3-Pin Wedge Lock	1
10	N/A	Sensor, Motor Speed, ADC	1
11	N/A	Screw, #8-32, Taptite Thread	2
12	N/A	Magnet, ADC Motor	1
13	N/A	Screw, 1/4-20 x 0.5	1
14	N/A	Asm, Frame And Field, 3.7 Hp	1
15	N/A	Armature (Includes external hardware not shown)	1
16	<u>102938601</u>	Kit, Brush, 3.7 Hp (includes items 17 and 18)	1
17	N/A	Brush, Motor	8
18	N/A	Screw, Taptite	8
19	<u>102938701</u>	Asm, Brush Box, 3.7 Hp	1
20	<u>102938801</u>	Kit, Brush Spring, 3.7 Hp (includes item 21)	1
21	N/A	Brush Spring	8
22	<u>102938901</u>	Kit, Brush Lead Asm, 3.7 Hp (includes items 23 through 28)	1
23	N/A	Terminal and Lead Assembly	2
24	N/A	Insulator, Terminal	2
25	N/A	Washer, Insulating	2
26	N/A	Washer, Flat, 5/16, Brass/Bronze	2
27	N/A	Nut, 5/16, Steel	4
28	N/A	Lockwasher, 5/16, Steel	2
29	<u>102939001</u>	Commutator End Head, 3.7 Hp	1
30	<u>102939101</u>	Sealed Headband, 3.7 Hp	1
31	<u>102939102</u>	Vented Headband, 3.7 HP (optional - not shown)	1
32	<u>102951701</u>	Pkg, Terminal Hardware, 3.7hp (includes items 33 through 36)	1
33	N/A	Nut, 5/16, Steel	2
34	N/A	Lockwasher, 5/16, Steel	2
35	N/A	Nut, 1/4-20, Steel	2
36	N/A	Lockwasher, 1/4-20, Steel	2
37	<u>451</u>	Lockwasher, 1/4 Split	3
38	<u>7174</u>	Lockwasher, 5/16 Split	1

7

E

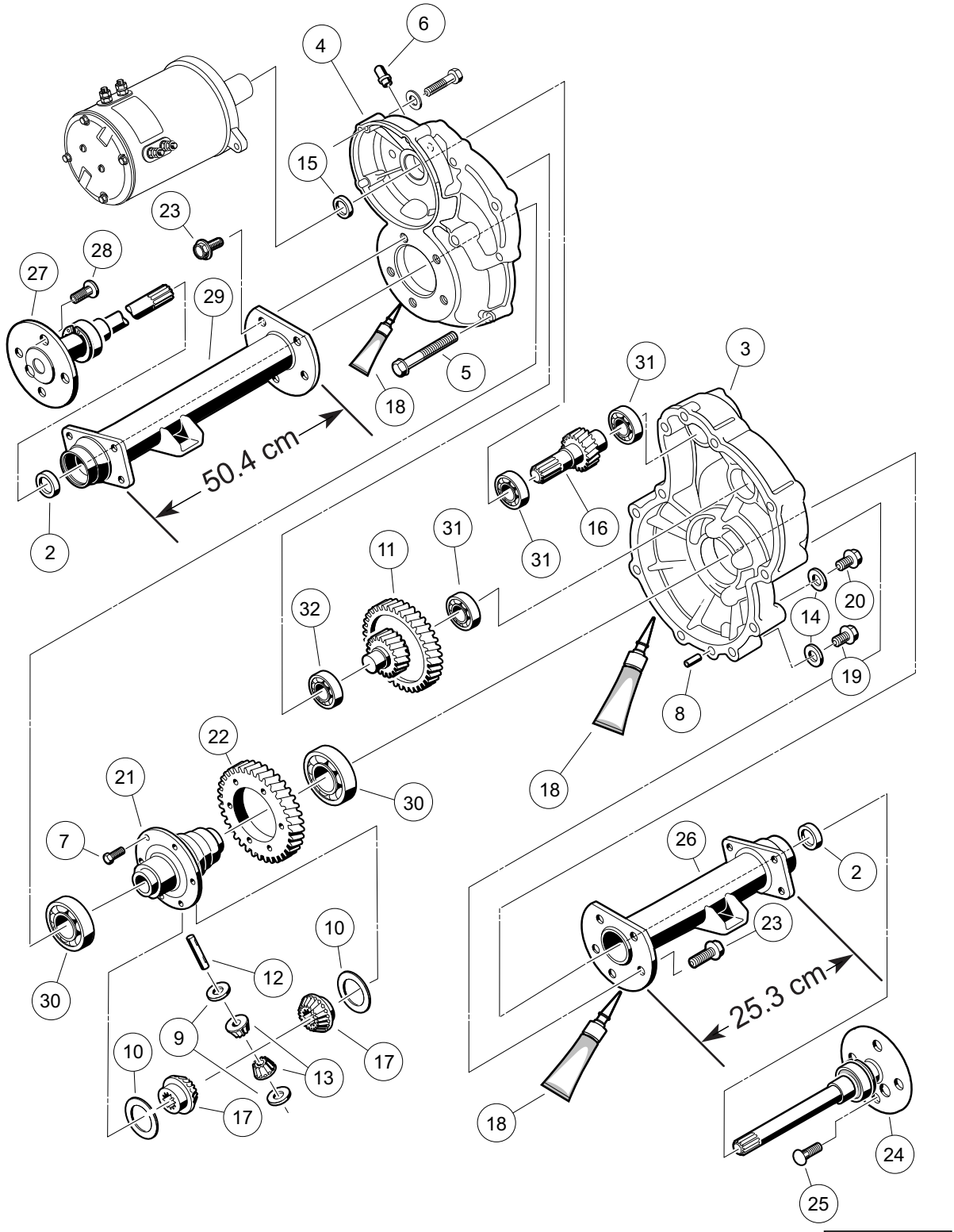
7

E

TRANSAXLE – ELECTRIC VEHICLES

8

E



000223-002

TRANSAXLE – ELECTRIC VEHICLES

ITEM	PART NO.	DESCRIPTION	QTY
		1 2 3 4	
1	<u>102771701</u>	Transaxle, Electric (includes items 2 through 32)	1
2	<u>1013794</u>	Axle Shaft Oil Seal	2
3	<u>101895401</u>	Gear Case, Driver-Side	1
4	<u>101895501</u>	Gear Case, Passenger-Side	1
5	<u>101897001</u>	Screw, M8-1.25 X 60mm Hex-Head	11
6	<u>101897201</u>	Breather	1
7	<u>101897401</u>	Screw, M10-1.25 X 25mm	6
8	<u>101897601</u>	Pin, 11mm OD X 8.5mm ID X 10mm	2
9	<u>101903601</u>	Washer, Thrust	2
10	<u>101903701</u>	Washer, Thrust	2
11	<u>101906901</u>	Intermediate Shaft Assembly	1
12	<u>101922101</u>	Pin, 15.99mm X 88.7mm Dowel	1
13	<u>101923001</u>	Gear, Differential Idler	2
14	<u>101923201</u>	Gasket	2
15	<u>101923501</u>	Seal, Lip	1
16	N/A	Shaft, Input	1
17	<u>101923901</u>	Gear, Differential	2
18	<u>101928701</u>	Liquid Gasket (Transaxle case)	1
19	<u>101972101</u>	Plug, M14-1.5 X 12mm Magnetic	1
20	<u>101972201</u>	Plug, M14-1.5 X 12mm Hex	1
21	<u>102356601</u>	Housing, Differential, 6 Bolt	1
22	<u>102356801</u>	Gear, Differential Output, 6-Bolt	1
23	<u>102357001</u>	Screw, Flg Hd M10 X 1.5 X 30	10
24	<u>102886301</u>	Axle Assembly, Driver-Side (includes item 25)	1
25	<u>101922201</u>	Lug Stud	4
26	<u>102886401</u>	Tube, Axle, Driver-Side	1
27	<u>102886501</u>	Axle Assembly, Passenger-Side (includes item 28)	1
28	<u>101922201</u>	Lug Stud	4
29	<u>102886601</u>	Tube, Axle, Passenger-Side	1
30	<u>7330</u>	Inner Axle Tube Bearing	2
31	<u>7335</u>	Bearing	3
32	<u>7336</u>	Bearing	1

8

E

8

E

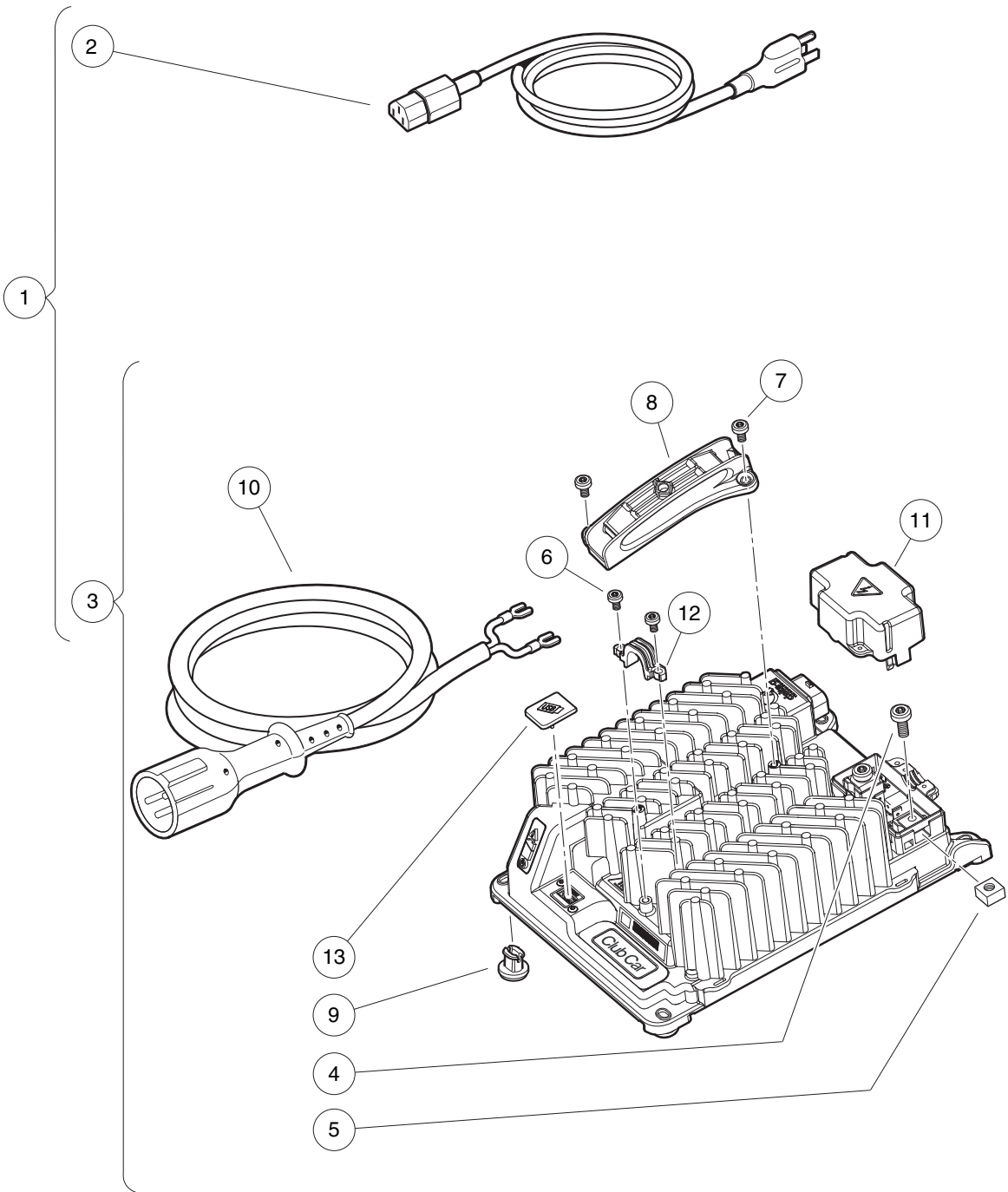
BATTERY CHARGERS – HIGH-FREQUENCY

9

E

9

E



000610-002

BATTERY CHARGER, HIGH-FREQUENCY – U.S./CANADA

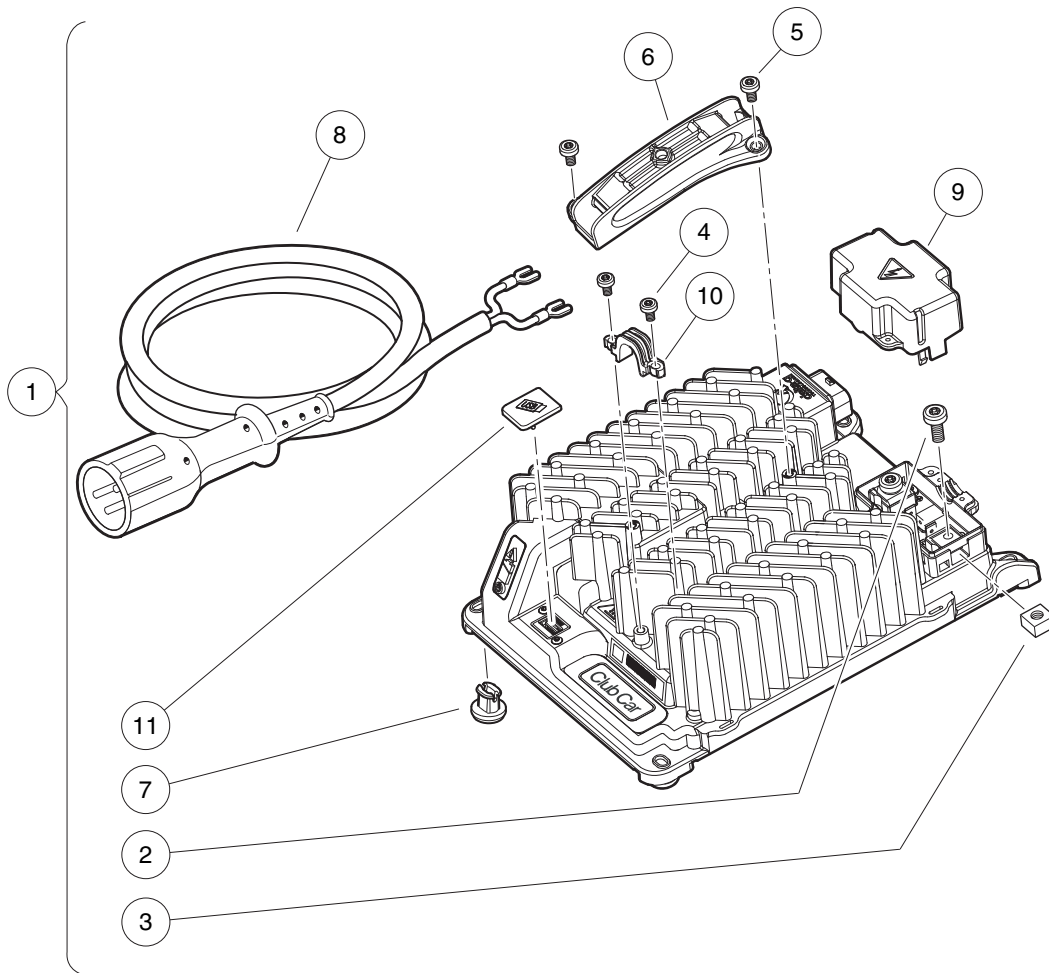
ITEM	PART NO.	DESCRIPTION	QTY
		1 2 3 4	
1	<u>105095201</u>	Charger, High-Freq, Service, 9ft Yel DC, 6ft AC, US/Canada (includes items 2 and 3)	1
2	<u>104024201</u>	Cord, AC, Nema To Iec320, 6ft (1.83 m), U.S./Canada	1
3	<u>104029601</u>	Charger, Asm, High-Freq, 9ft (2.74 m) Yellow DC Cord (includes items 4 through 13)	1
4	<u>104024501</u>	Screw, M6, Torx Head	2
5	<u>104024601</u>	Nut, M6, Square, Captured	2
6	<u>104028901</u>	Screw, M4 X .70, Pan Hd, Torx	2
7	<u>104029001</u>	Screw, M5 X .80, Pan Hd, Torx	2
8	<u>105003601</u>	Handle, Charger, High-Freq	1
9	<u>105003701</u>	Foot, Charger, High-Freq	4
10	<u>105070101</u>	Cord, DC, Yellow, 9ft (2.74 m)	1
11	<u>105092301</u>	Cover, DC Terminal Block, High-Freq Charger	1
12	<u>105093101</u>	Strain Relief, High-Freq, External, Charger	1
13	<u>105123801</u>	Cover, USB	1
<p>Note: This charger includes both an AC cord and DC cord. For additional cord lengths that may be used with this charger, see the Battery Charger Cords page.</p>			

9

E

9

E



000610-003

BATTERY CHARGER, HIGH-FREQ., 2.74 M DC CORD – GLOBAL

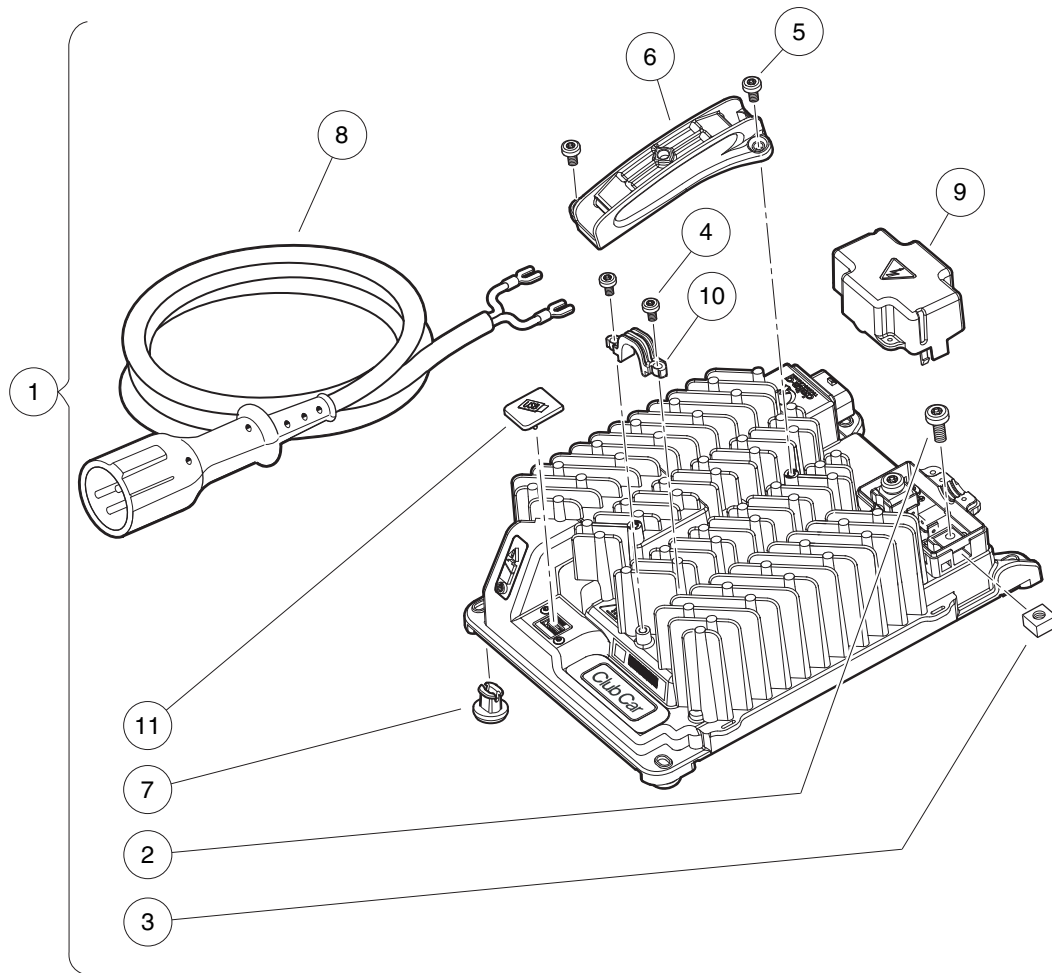
ITEM	PART NO.	DESCRIPTION	QTY
		1 2 3 4	
1	<u>104029601</u>	Charger, Asm, High-Freq, 9ft (2.74 m) Yellow DC Cord (includes items 2 through 11)	1
2	<u>104024501</u>	Screw, M6, Torx Head	2
3	<u>104024601</u>	Nut, M6, Square, Captured	2
4	<u>104028901</u>	Screw, M4 X .70, Pan Hd, Torx	2
5	<u>104029001</u>	Screw, M5 X .80, Pan Hd, Torx	2
6	<u>105003601</u>	Handle, Charger, High-Freq	1
7	<u>105003701</u>	Foot, Charger, High-Freq	4
8	<u>105070101</u>	Cord, DC, Yellow, 9ft (2.74 m)	1
9	<u>105092301</u>	Cover, DC Terminal Block, High-Freq Charger	1
10	<u>105093101</u>	Strain Relief, High-Freq, External, Charger	1
11	<u>105123801</u>	Cover, USB	1
<p>Note: This charger does not include the AC cord. To complete the charger, choose the appropriate type and length of AC cord found on the Battery Charger Cords page.</p>			

9

E

9

E



000610-003

BATTERY CHARGER, HIGH-FREQ., 3.66 M DC CORD – GLOBAL

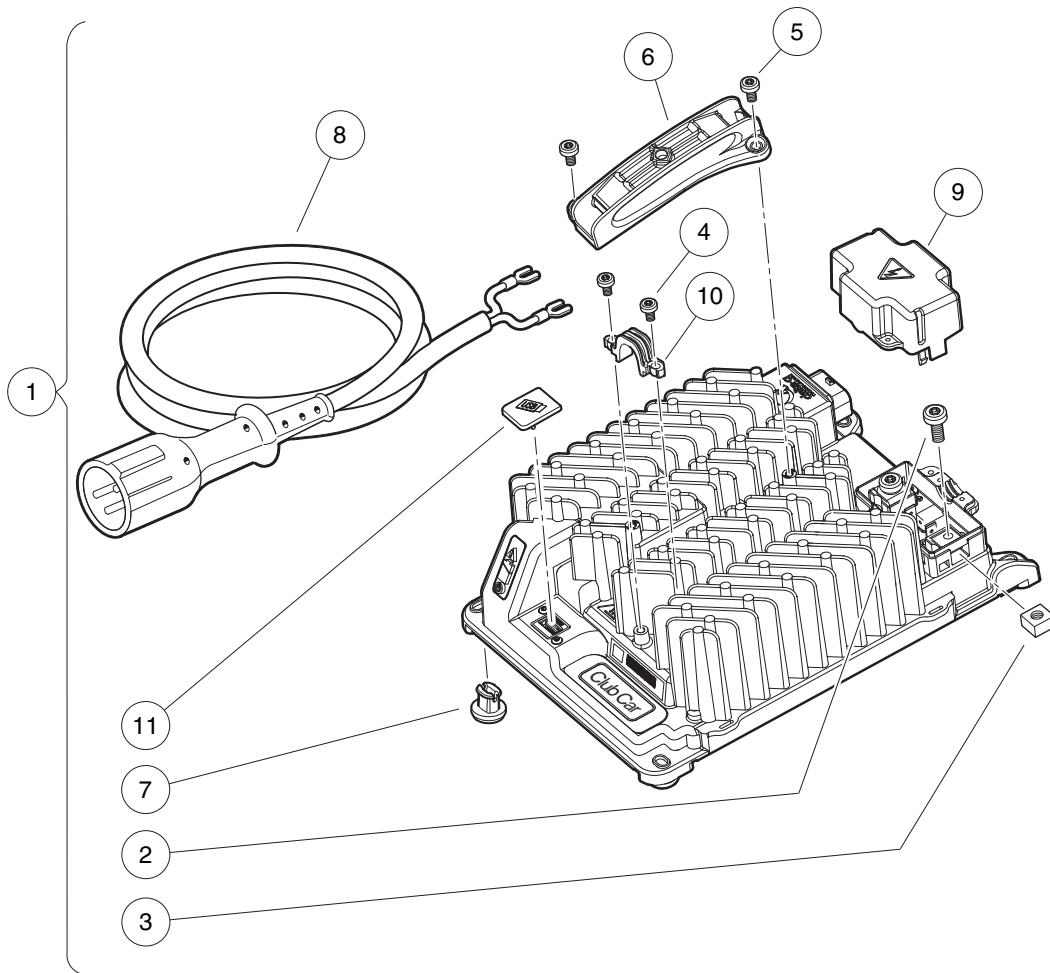
ITEM	PART NO.	DESCRIPTION	QTY
		1 2 3 4	
1	<u>104029602</u>	Charger, Asm, High-Freq, 12ft (3.66 m) Yellow DC Cord (includes items 2 through 11) ..	1
2	<u>104024501</u>	Screw, M6, Torx Head	2
3	<u>104024601</u>	Nut, M6, Square, Captured	2
4	<u>104028901</u>	Screw, M4 X .70, Pan Hd, Torx	2
5	<u>104029001</u>	Screw, M5 X .80, Pan Hd, Torx	2
6	<u>105003601</u>	Handle, Charger, High-Freq	1
7	<u>105003701</u>	Foot, Charger, High-Freq	4
8	<u>105070102</u>	Cord, DC, Yellow, 12ft (3.66 m)	1
9	<u>105092301</u>	Cover, DC Terminal Block, High-Freq Charger	1
10	<u>105093101</u>	Strain Relief, High-Freq, External, Charger	1
11	<u>105123801</u>	Cover, USB	1
<p>Note: This charger does not include the AC cord. To complete the charger, choose the appropriate type and length of AC cord found on the Battery Charger Cords page.</p>			

9

E

9

E



000610-003

BATTERY CHARGER, HIGH-FREQ., 6.1 M DC CORD – GLOBAL

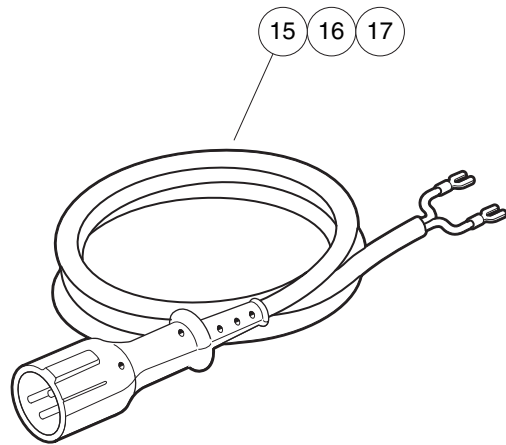
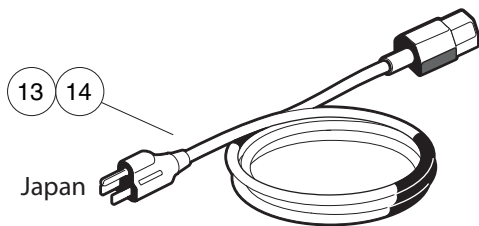
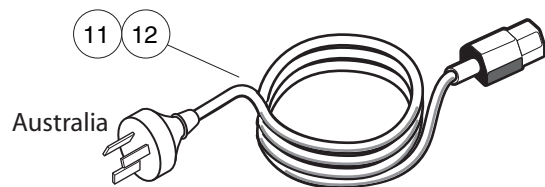
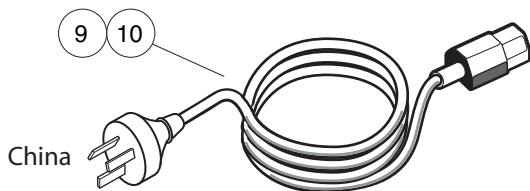
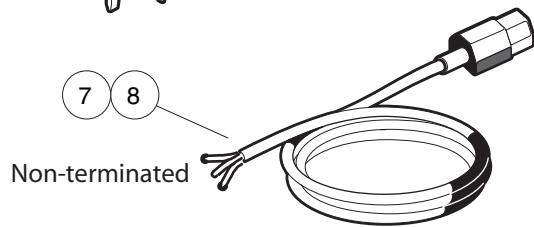
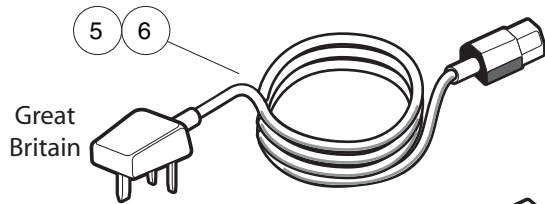
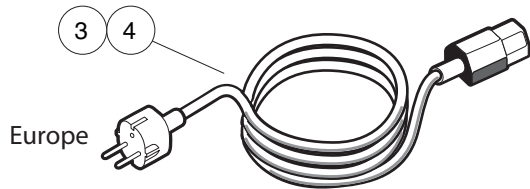
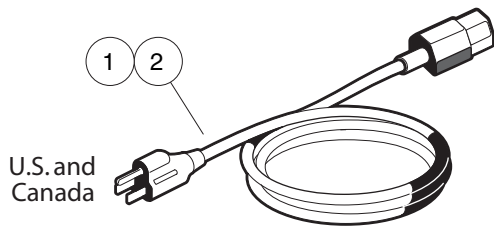
ITEM	PART NO.	DESCRIPTION	QTY
		1 2 3 4	
1	<u>104029603</u>	Charger, Asm, High-Freq, 20ft (6.1 m) Yellow DC Cord (includes items 2 through 11)	1
2	<u>104024501</u>	Screw, M6, Torx Head	2
3	<u>104024601</u>	Nut, M6, Square, Captured	2
4	<u>104028901</u>	Screw, M4 X .70, Pan Hd, Torx	2
5	<u>104029001</u>	Screw, M5 X .80, Pan Hd, Torx	2
6	<u>105003601</u>	Handle, Charger, High-Freq	1
7	<u>105003701</u>	Foot, Charger, High-Freq	4
8	<u>105070103</u>	Cord, DC, Yellow, 20ft (6.1 m)	1
9	<u>105092301</u>	Cover, DC Terminal Block, High-Freq Charger	1
10	<u>105093101</u>	Strain Relief, High-Freq, External, Charger	1
11	<u>105123801</u>	Cover, USB	1
<p>Note: This charger does not include the AC cord. To complete the charger, choose the appropriate type and length of AC cord found on the Battery Charger Cords page.</p>			

9

E

9

E



000610-004

CORDS – BATTERY CHARGER, HIGH-FREQUENCY

ITEM	PART NO.	DESCRIPTION	QTY
		1 2 3 4	
1	104024201	Cord, AC, Nema To lec320, 6ft (1.83 m), U.S./Canada	A/R
2	104024202	Cord, AC, Nema To lec320, 9ft (2.74 m), U.S./Canada	A/R
3	<u>104024401</u>	Cord, AC, lec320, 6ft (1.83 m), Europe	A/R
4	<u>104024402</u>	Cord, AC, lec320, 9ft (2.74 m), Europe	A/R
5	<u>104028501</u>	Cord, AC, lec320, 6ft (1.83 m), Great Britain	A/R
6	<u>104028502</u>	Cord, AC, lec320, 9ft (2.74 m), Great Britain	A/R
7	104028601	Cord, AC, lec320, 6ft (1.83 m), Non-terminated	A/R
8	104028602	Cord, AC, lec320, 9ft (2.74 m), Non-terminated	A/R
9	105068201	Cord, AC, lec320, 6ft (1.83 m), China	A/R
10	105068202	Cord, AC, lec320, 9ft (2.74 m), China	A/R
11	105068301	Cord, AC, lec320, 6ft (1.83 m), Australia	A/R
12	105068302	Cord, AC, lec320, 9ft (2.74 m), Australia	A/R
13	105068401	Cord, AC, lec320, 6ft (1.83 m), Japan	A/R
14	105068402	Cord, AC, lec320, 9ft (2.74 m), Japan	A/R
15	<u>105070101</u>	Cord, DC, Yellow, 9ft (2.74 m)	A/R
16	<u>105070102</u>	Cord, DC, Yellow, 12ft (3.66 m)	A/R
17	<u>105070103</u>	Cord, DC, Yellow, 20ft (6.1 m)	A/R

9

E

9

E

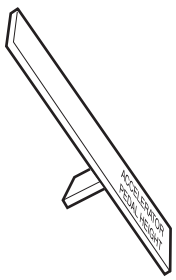
MAINTENANCE AND SERVICE TOOLS

10

E

10

E



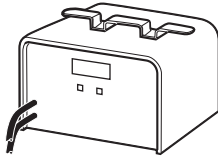
1



2



3



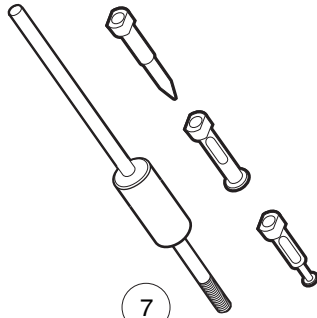
4



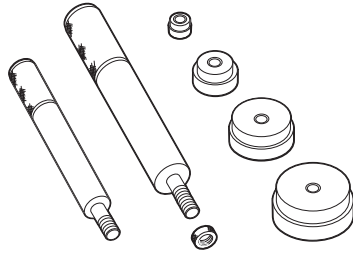
5



6



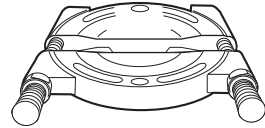
7



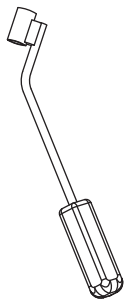
8



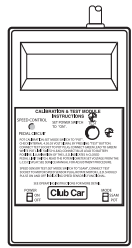
9



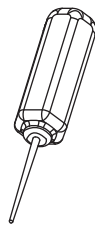
10



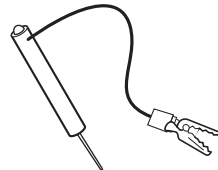
11



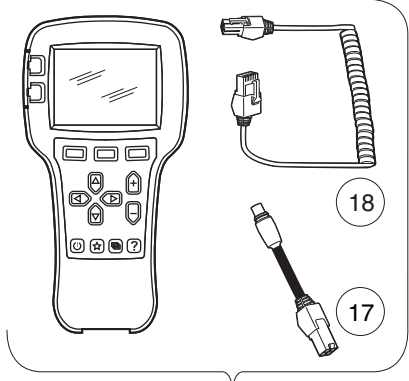
12



13



14

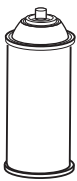


15

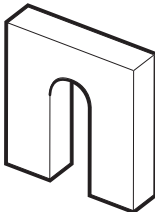
16

18

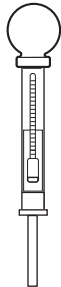
17



19



20



21

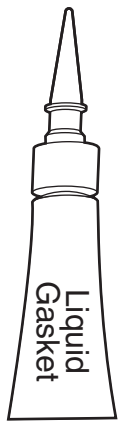
001050-001

MAINTENANCE AND SERVICE TOOLS – PREC. STRETCH & 4FUN

10

E

ITEM	PART NO.	DESCRIPTION	QTY ELEC
		<p>1 2 3 4</p> <p>The following tool list includes all tools available from Club Car for maintenance and service procedures for gasoline and electric golf cars, both past and present models. Be sure to carefully examine the tool list for applicability to your vehicle before ordering.</p>	
1	<u>101871001</u>	Accelerator Pedal Adjustment Tool	1
2	<u>101813202</u>	Adhesive, Guide Ring, 3-Gram Tube	1
3	<u>101641202</u>	Arbor	1
4	<u>101831901</u>	Battery Discharge Machine, 36/48 Volt	1
5	<u>1014305</u>	Battery Terminal Protector Spray	1
6	<u>1011767</u>	Battery Thermometer	1
7	<u>1016417</u>	Bearing and Oil Seal Remover Assembly	1
8	<u>1016416</u>	Bearing Driver Set	1
9	<u>1012811</u>	Bearing Puller	1
10	<u>1012812</u>	Bearing Puller Wedge Attachment	1
11	<u>102555501</u>	Brake Cable Release Tool	1
12	<u>101887101</u>	Calibration Test Module	1
13	<u>102562401</u>	Charger Bezel Tool	1
14	<u>1011273</u>	Continuity Tester	1
15	<u>105234501</u>	Controller Diagnostic Tool (CDT) User Kit (IQ System, Excel and IQ Plus vehicles) (includes items 17 and 18)	1
16	<u>105234502</u>	Controller Diagnostic Tool (CDT) OEM Kit (IQ System, Excel and IQ Plus vehicles) (includes items 17 and 18)	1
17	<u>102251501</u>	Adaptor, Cable	1
18	<u>105209601</u>	CDT Cable	1
19	<u>1012151</u>	Dry Moly Lubricant	1
20	<u>1016418</u>	Gear Yoke	1
21	<u>1011478</u>	Hydrometer	1
		<p>Please refer to the maintenance and service manual for proper tool application.</p>	



22



23



24



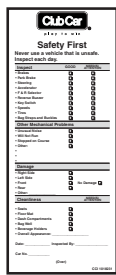
25



26



27



28



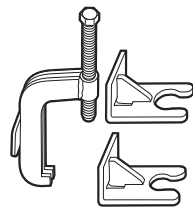
29



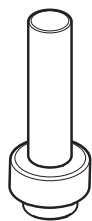
30



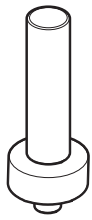
31



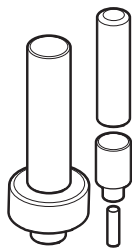
32



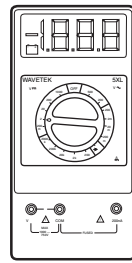
33



34



35



36

001051-001

MAINTENANCE AND SERVICE TOOLS – PREC. STRETCH & 4FUN, CONTINUED

ITEM	PART NO.	DESCRIPTION	QTY ELEC
		1 2 3 4	
22	<u>101928701</u>	Liquid Gasket (transaxle case)	1
23	<u>102243402</u>	Moly-Teflon Lubricant (4-oz. (113-gram) tube)	1
24	<u>102587201</u>	Paint Pen, Touch-Up, Precedent Underbody – Black	1
25	<u>1012549</u>	Retaining Ring Pliers, 45° External	1
26	<u>1012560</u>	Retaining Ring Pliers, 90° Internal	1
27	<u>1013593</u>	Retaining Ring Pliers, Internal	1
28	<u>101823101</u>	Safety First Card (50 per pack)	1
29	<u>1012809</u>	Seal Puller	1
30	<u>1014264</u>	Steering Column Bearing Press Tool	1
31	<u>1014259</u>	Steering Column Retaining Ring Tool	1
32	102061201	Steering Wheel Puller Tool	1
33	<u>1014162</u>	Transaxle Axle Seal Tool	1
34	1014161	Transaxle Pinion Seal Tool	1
35	<u>1014115</u>	Transmission Tool Kit	1
36	1011480	Volt Ohm Meter	1
		Please refer to the maintenance and service manual for proper tool application.	

10

E

NOTES

INDEX

Part Number and Page

AM10079	6-3	1012560	10-5	101831901	10-3
AM10092	1-55	1012565	5-3, 5-5	101832001	6-7
AM10103	1-55	1012566	5-3, 5-5	101834502	6-3
AM10682	2-3	1012809	10-5	101850301	5-3, 5-5
AM1231201	1-35	1012811	10-3	101851101	6-3
AM1300001	6-15	1012812	10-3	101856001	6-9
AM1300101	6-15	1013042	5-9	101871001	10-3
AM1300201	6-15	1013164	5-15	101887101	10-3
AM1300301	6-15	1013531	4-7	101895401	8-3
SVP802601	1-55	1013593	10-5	101895501	8-3
183	1-41	1013734	6-17	101897001	8-3
332	1-55	1013794	8-3	101897201	8-3
334	1-53	1013924	4-3	101897401	8-3
451	7-3	1014007	1-23	101897601	8-3
706	5-13	1014115	10-5	101903601	8-3
1241	4-7	1014153	4-3	101903701	8-3
1242	4-7	1014161	10-5	101906901	8-3
1620	1-35	1014162	10-5	101908401	6-9
1703	1-55	1014201	7-3	101922101	8-3
7174	7-3	1014259	10-5	101922201	8-3
7310	2-3	1014264	10-5	101923001	8-3
7330	8-3	1014304	6-11	101923201	8-3
7335	8-3	1014305	10-3	101923501	8-3
7336	8-3	1014306	1-41	101923901	8-3
7473	1-15, 1-21, 4-7	1014555	5-15, 6-11	101928701	8-3, 10-5
7847	1-27	1014947	6-17	101942301	7-3
8233	1-23, 1-55	1015583	5-15	101953101	4-7
8639	6-7	101558302	5-15	101953102	4-7
8745	5-13	1016154	5-3, 5-5	101953105	4-7
8861	1-53	1016214	5-3, 5-5	101954301	1-29, 1-51
8915	1-15, 4-7	101641202	10-3	101968801	1-41
8963	1-21	1016416	10-3	101972101	8-3
8990	5-9, 6-7	1016417	10-3	101972201	8-3
1010145	5-15	1016418	10-3	101976301	4-7
1010434	1-31, 4-9, 4-11	1016811	1-27	101985201	1-39
1010436	1-35, 1-57	1016849	6-3	101998501	1-29
1010521	4-7	1016851	6-3	102022601	5-9
1010811	4-7	1016916	1-51	102061201	10-5
1010812	4-7	1016952	1-27	102065901	1-53
1010829	4-5	1017041	1-39	102186401	7-3
1010921	4-7	101705701	3-7	102196901	6-3
1010934	1-21, 7-3	101708301	1-27	102235201	7-3
1010984	2-3	1017233	1-15, 1-21, 4-7	102240501	6-17
1011273	10-3	1017235	5-15	102243402	10-5
1011415	5-15	101791101	4-3	102243403	7-3
1011478	10-3	101813202	10-3	102251501	10-3
1011480	10-5	101815501	4-3	102279104	1-33
1011767	10-3	101815502	4-3	102287101	5-11
1012151	10-3	101816501	4-3	102287601	5-11
1012180	5-15	101816502	4-3	102287701	5-11
1012285	1-45	101823101	10-5	102288101	5-11, 5-13
1012505	6-3	101823201	4-3	102288201	5-13
1012528	6-17	101823801	4-3	102288401	5-13
1012549	10-5	101823901	4-3	102288901	5-11
		101825101	3-3	102289001	5-9
		101830701	6-3	102289101	5-13

INDEX

102289201	5-13	102501402	1-33	102552001	4-7
102289401	5-11	102501501	1-7	102554901	6-7
102289501	5-11, 5-13	102502301	1-33	102555501	10-3
102289601	5-11	102502302	1-33	102556701	2-5
102289701	5-11	102502304	1-33	102557201	1-11
102289801	5-13	102502305	1-33	102559401	4-9, 4-11
102289901	5-11	102502306	1-33	102559701	4-9, 4-11
102290120	5-3, 5-5, 5-7	102502307	1-33	102559901	2-3
102292101	1-3	102502308	1-33	102562401	10-3
102292201	4-9, 4-11	102502309	1-33	102565201	5-9
102292356	1-11, 1-13, 6-11	102502311	1-33	102566001	5-9
102292701	1-17, 1-33	102502313	1-33	102569302	2-3
102292801	4-5	102502401	1-7	102569311	2-3
102296020	1-7, 1-23, 1-37	102502402	1-7	102572401	6-3
102296150	1-37	102502404	1-7	102581201	1-51, 1-53
102296301	1-23, 1-37, 1-51, 1-53	102502405	1-7	102582401	1-37, 1-51
102296530	1-23, 1-31	102502406	1-7	102587201	10-5
102296601	1-33	102502407	1-7	102588501	5-15
102296716	6-17	102502408	1-7	102588601	5-11
102296819	1-11	102502409	1-7	102594801	4-9, 4-11
102297001	1-11	102502411	1-7	102594901	4-9, 4-11
102297230	1-31, 1-33, 1-35, 1-37, 1-39	102502413	1-7	102595201	4-9, 4-11
102298020	6-11	102502501	1-7	102595301	4-9, 4-11
102298030	1-17, 1-19, 1-33, 4-9, 4-11	102504001	1-31	102595401	4-9, 4-11
102298116	5-7	102504201	1-31	102595901	4-9, 4-11
102298130	5-7	102504301	1-31	102596001	4-9, 4-11
102298170	5-15	102505701	1-3, 5-11	102596301	4-9, 4-11
102298175	5-15	102506401	5-15	102618001	1-57
102298185	5-15	102507801	1-3	102704901	7-3
102298240	1-31	102508202	1-19	102718101	1-57
102298401	1-3, 1-5, 1-47, 1-49, 1-57, 5-15	102508601	6-3	102771701	8-3
102298580	1-3, 5-15	102511101	6-9	102774701	6-17
102298601	1-3, 5-15	102513501	1-47, 1-49	102775101	7-3
102298716	1-13, 1-33	102516901	1-19	102828701	1-21
102298995	1-3	102517001	1-31	102878201	5-13
102299065	1-9, 1-47, 1-49	102519301	3-3	102886301	8-3
102299360	1-47, 1-49	102521901	1-13	102886401	8-3
102299601	1-47, 1-49, 1-51	102522901	6-3	102886501	8-3
102323101	4-7	102534201	1-5, 1-57	102886601	8-3
102323201	4-7	102534404	1-7	102915601	1-11
102353201	5-13	102534801	5-15	102938601	7-3
102353301	5-13	102536103	1-39	102938701	7-3
102353401	5-13	102536601	6-3	102938801	7-3
102356601	8-3	102536603	6-3	102938901	7-3
102356801	8-3	102536605	6-3	102939001	7-3
102357001	8-3	102538601	6-7, 6-9	102939101	7-3
102357701	5-13	102538803	1-35	102939102	7-3
102400002	1-47, 1-49	102540701	2-5	102951701	7-3
102400102	1-47, 1-49	102541401	1-35, 1-39	102956201	5-11, 5-13
102400202	1-9	102541402	1-51, 1-53	102958001	6-13
102400302	1-9	102541425	1-37, 1-51	102967901	1-33, 1-57
102478101	1-37	102541465	1-51, 1-53	102988701	1-57
102478201	1-37	102541501	1-51, 1-53	103216401	1-57
102491501	6-11	102543902	1-9	103262201	1-57
102492301	6-7	102544201	1-9, 1-47, 1-49	103325001	1-5
102500801	4-9, 4-11	102551901	4-7	103327601	1-31

INDEX

103330601	1-5	103722801	1-51	103926601	1-3
103357701	6-11	103722802	1-51	103929301	1-31
103367101	1-51	103724501	5-5	103929302	1-31
103367901	6-17	103724503	5-3	103934901	2-5
103368301	6-11	103724601	5-3, 5-5	103935001	2-5
103368401	6-11	103724901	5-3, 5-5	103943401	6-5
103374801	6-11	103731401	6-7	103951001	2-3
103375301	6-11	103742306	5-15	103951002	2-3
103380201	4-3	103743604	1-53	103951007	2-3
103380202	4-3	103743605	1-53	103952901	1-31
103384601	3-5	103750001	1-47, 1-49	103964901	5-15
103384701	3-5	103750101	1-47, 1-49	103965001	5-15
103384801	3-5	103758501	1-15	103974821	4-9
103388501	5-11	103758601	1-15	103974901	4-9, 4-11
103395505	6-13	103758701	1-17	103975011	4-11
103400001	1-17	103765601	6-11	103975901	1-3
103402702	1-11	103774701	6-13	103978801	1-31, 1-57
103451301	1-37	103775201	1-49	103990502	1-3
103451401	1-37	103775601	1-49	103990602	1-3
103451901	1-37	103777601	4-9, 4-11	103991501	6-3
103451902	1-37	103783001	3-3, 5-3, 5-5	103993901	6-3
103451903	1-37	103783002	5-3, 5-5	103994101	1-35
103459104	2-3	103783003	5-3	104005901	6-15
103483101	4-3	103790601	1-23	104006101	6-15
103483102	4-3	103796701	5-3	104023201	6-7
103483201	4-3	103797401	1-3	104023421	1-29
103483401	4-3	103810201	5-7	104023422	1-29
103483601	4-3	103812901	1-33	104023424	1-29
103483701	4-3	103813001	1-33	104023425	1-29
103508501	6-11	103813801	1-23	104024201	9-3, 9-11
103508801	6-11	103816601	1-7	104024202	9-11
103508902	6-7	103825201	1-51	104024401	9-11
103510602	6-13	103825401	1-45	104024402	9-11
103535001	4-7	103825501	1-45	104024501	9-3, 9-5, 9-7, 9-9
103635201	1-13	103825601	1-51	104024601	9-3, 9-5, 9-7, 9-9
103638601	5-13	103826101	1-51	104028501	9-11
103638701	5-13	103826201	5-9	104028502	9-11
103638702	5-13	103826301	5-9	104028601	9-11
103638801	5-13	103832401	2-5	104028602	9-11
103638901	1-3	103832901	1-29	104028901	9-3, 9-5, 9-7, 9-9
103662801	1-35	103833601	1-29	104029001	9-3, 9-5, 9-7, 9-9
103678001	1-17	103833701	1-29	104029601	9-3, 9-5
103678101	1-17	103833801	1-29	104029602	9-7
103679701	5-9	103833901	1-29	104029603	9-9
103683001	1-17	103844301	1-51	105003601	9-3, 9-5, 9-7, 9-9
103694501	2-3	103853121	1-23, 1-31	105003701	9-3, 9-5, 9-7, 9-9
103699401	1-31	103853122	1-23, 1-31	105005001	6-17
103703901	1-17	103853124	1-23, 1-31	105049001	5-7
103704001	1-17	103853125	1-23, 1-31	105050201	1-57
103705401	1-17	103874001	1-51	105050301	1-57
103705901	1-21	103886801	1-39	105050401	1-57
103706601	1-21	103887101	1-23	105050801	1-57
103707201	1-17	103921601	5-15	105051001	1-57
103707501	1-23	103921602	5-15	105051101	1-57
103707601	1-21	103924801	6-7	105051102	1-57
103711001	5-13	103926401	1-17	105051301	1-53

INDEX

- 105051401 1-53
 - 105051501 1-57
 - 105053101 1-45
 - 105053102 1-45
 - 105053103 1-45
 - 105053401 1-53
 - 105053501 1-57
 - 105053601 1-57
 - 105053801 1-57
 - 105053901 3-3
 - 105054001 1-53
 - 105055601 1-43
 - 105055602 1-43
 - 105055603 1-43
 - 105055604 1-43
 - 105055605 1-43
 - 105055606 1-43
 - 105055701 3-9
 - 105055801 3-9
 - 105056001 1-53
 - 105056101 4-7
 - 105056301 1-3
 - 105059901 1-41
 - 105059902 1-41
 - 105065403 6-11
 - 105065601 6-7
 - 105065701 6-7
 - 105068201 9-11
 - 105068202 9-11
 - 105068301 9-11
 - 105068302 9-11
 - 105068401 9-11
 - 105068402 9-11
 - 105068601 5-7
 - 105069001 6-17
 - 105070101 9-3, 9-5, 9-11
 - 105070102 9-7, 9-11
 - 105070103 9-9, 9-11
 - 105076501 1-57, 3-7
 - 105092301 9-3, 9-5, 9-7, 9-9
 - 105093101 9-3, 9-5, 9-7, 9-9
 - 105095201 9-3
 - 105114601 1-51, 1-53
 - 105114701 1-23
 - 105116301 4-11, 6-5
 - 105116501 4-5
 - 105116502 4-5
 - 105116601 4-7
 - 105116701 4-7
 - 105123801 9-3, 9-5, 9-7, 9-9
 - 105136201 1-25
 - 105137401 6-7
 - 105138301 6-11
 - 105166801 6-15
 - 105166901 6-15
 - 105167001 6-15
 - 105167101 6-15
 - 105168501 6-15
 - 105168601 6-15
 - 105209601 10-3
 - 105210301 6-7
 - 105223901 1-25
 - 105233301 1-47
 - 105233302 1-49
 - 105233601 1-45
 - 105233602 1-45
 - 105233603 1-45
 - 105234501 10-3
 - 105234502 10-3
- A**
- A-arm, three-piece 5-11
 - absorber, front shock 5-11
 - absorber, rear shock 5-15
 - AC cord 9-3, 9-11
 - accelerator pedal 4-9, 4-11
 - accelerator pedal adjustment tool 10-3
 - access panel 1-33
 - adapter
 - cable (IQDM) 10-3
 - adhesive, guide ring 10-3
 - arbor 10-3
 - armature 7-3
 - armrest 1-29
 - assembly
 - brake lever 4-3
 - axle 8-3
 - axle shaft oil seal 8-3
 - axle tube 8-3
- B**
- backing plate, brake 4-3
 - backrest, beige 1-23, 1-31
 - backrest, black 1-23, 1-31
 - backrest, gray 1-23, 1-31
 - backrest, white 1-23, 1-31
 - bag hoop 1-31
 - bag strap 1-31
 - bag strap buckle 1-31
 - ball joint, inner 5-9
 - barrel, plastic 1-31, 4-9, 4-11
 - battery
 - 8-volt, GC8 Type E 6-11
 - battery bucket 6-11
 - battery charger 9-3, 9-5, 9-7, 9-9
 - battery cross rod tube 6-11
 - battery discharge machine 10-3
 - battery hold-down 6-11
 - battery terminal protector spray 10-3
 - battery thermometer 10-3
 - bearing 8-3
 - ball (motor) 7-3
 - inner axle tube 8-3
 - bearing and oil seal remover 10-3
 - bearing driver set 10-3
 - bearing puller 10-3
 - bearing puller wedge 10-3
 - beauty panel, front 1-7
 - beauty panel, rear 1-33
 - bellows, steering 5-9
 - beverage holder 1-27
 - body kick plate (ele) 1-19
 - body, rear 1-33
 - body, under 1-33
 - bolt
 - battery, "S" hold-down 6-11
 - boot, switch 6-9
 - bottle, sand 1-37
 - bracket
 - canopy support 1-47, 1-49
 - clamshell 1-13
 - equalizer 4-7
 - jounce bumper 5-15
 - mirror mounting 1-55
 - shock mounting, drv 5-15
 - shock mounting, pas 5-15
 - brake adjusting mechanism 4-3
 - brake backing plate 4-3
 - brake cable release tool 10-3
 - brake cluster 4-3
 - brake drum 4-3
 - brake lever 4-3
 - brake mount 4-7
 - brake pedal 4-9, 4-11
 - brake return spring 4-7
 - brake rod 4-9, 4-11
 - brake self-adjusting mechanism 4-3
 - brake shoe 4-3
 - brake spring 4-3
 - breather 8-3
 - brow 1-7
 - brow cap 1-7
 - brush box assembly 7-3
 - brush kit, motor 7-3
 - brush rigging 7-3
 - brush spring 7-3
 - brush, motor 7-3
 - bucket, battery 6-11
 - bucket, sand 1-39
 - buckle, bag strap 1-31
 - Bumper 1-5
 - bumper 1-5
 - drive unit (motor) 7-3
 - jounce 5-15
 - rubber 1-35, 1-57
 - Bumper, Shock Plug 1-5
 - bushing 5-11, 5-13

INDEX

urethane 5-15
buzzer, reverse 6-3

C
calibration test module 10-3
canopy 1-43, 1-45
 hand hold 1-51
 splice bar 1-45
canopy strut, front, lh 1-47, 1-49
canopy strut, front, rh 1-47, 1-49
canopy support 1-47, 1-49
canopy support bracket, drv 1-31
canopy support bracket, pas 1-31
canopy support cover, drv 1-9, 1-47, 1-49
canopy support cover, pas 1-9, 1-47, 1-49
cap
 dust 6-3
 front hub 5-13
 key switch 6-3
cap, hub, 7 prong 2-3
cap, SAM 1-9
card, safety first 10-5
case
 gear 8-3
charge indicator light 6-3
charger bezel tool 10-3
charger receptacle 6-7
charger, battery, Hi-Freq 9-3, 9-5, 9-7, 9-9
clamp
 leaf spring 5-13
clamshell bracket 1-13
clip
 body trim 1-17, 1-33
clip, score card 5-3, 5-5
cluster, brake 4-3
comfort grip steering wheel 5-3
comfort grip steering wheel kit 5-3
component mounting plate 6-17
continuity tester 10-3
controller diagnostic tool (CDT) 10-3
controller diagnostic tool (CDT) cable 10-3
controller shield 6-17
cord set, DC 9-3, 9-5, 9-7, 9-9, 9-11
cord, AC 9-3, 9-11
cover
 DC terminal block 9-3, 9-5, 9-7, 9-9
 dust 4-3
 support, canopy, drv 1-9, 1-47, 1-49
 support, canopy, pas 1-9, 1-47, 1-49
 USB 9-3, 9-5, 9-7, 9-9
crossmember, rear 1-3
cup holder 1-27
cushion, shock absorber 1-51, 5-15

D
dash 1-11
dash support assembly 1-3, 5-11
DC cord set 9-3, 9-5, 9-7, 9-9, 9-11
decal
 filter log 6-15
 four-passenger warning 3-7
 inspect log 6-15
 on/off 3-3
 rollover warning 3-3
 Run/Tow warning 3-5
 warning 3-5
 warning, Run/Tow 3-5
 water exposure 3-5
deionizer 6-15
 cartridge 6-15
differential drive unit 8-3
differential gear 8-3
differential housing 8-3
drain channel 1-11
drain plug 1-35
drink holder 1-27
drive unit bumper 7-3
drum, brake 4-3
dry moly lubricant 10-3
dust cap 6-3
dust cover 4-3
dust seal 5-9

E
eccentric adjustment screw 5-13
end cap, motor 7-3
end, tie rod 5-9
equalizer 4-7
equalizer rod 4-7

F
fascia 1-7
floor cover plate 4-9, 4-11
floormat 1-17
floormat retainer, lh 1-17
floormat retainer, rh 1-17
frame and field, motor 7-3
front body beauty panel 1-7
front leaf spring 5-13
front suspension structure 5-11
fuse
 15-amp 6-7, 6-9
 2-amp 6-7
 30-amp 6-7

G
gas pedal assembly, anodized 4-9
gasket
 liquid 8-3, 10-5

 plug 8-3
 seat 1-29
gear
 differential 8-3
 differential idler 8-3
 differential output 8-3
gear yoke 10-3
gearcase 8-3
grip, pencil 5-3, 5-5
guide ring adhesive 10-3

H
hand hold, canopy 1-51
harness, instrument panel 6-3
harness, wire 6-7
headband, sealed, motor 7-3
headband, vented, motor 7-3
hinge 6-11
 seat bottom 1-29
hinge, seat bottom 1-29
hip restraint 1-29
hold-down, battery 6-11
holder, cup 1-27
hoop, bag 1-31
hose
 SPWS 6-13
housing
 3-pin 7-3
 differential 8-3
hub 5-13
hub cap 2-3, 5-13
hub cap, 7 prong 2-3
hydrometer 10-3

I
idler gear, differential 8-3
inner ball joint 5-9
input shaft 8-3
instrument panel 6-3
instrument panel harness 6-3
insulating washer 7-3
insulator, motor terminal 7-3
intermediate shaft 8-3
internal retaining ring pliers 10-5

J
J-clip 1-3, 5-15
jounce bumper 5-15
jounce bumper bracket 5-15

K
key
 On/Off 6-3
key switch 6-3
key switch cap 6-3

INDEX

kick plate (ele) 1-19
king pin 5-13
kit
 3-pin housing 7-3
 ball joint, inner 5-9
 bellows, steering, sona 5-9
 brake shoe retainer 4-3
 canopy 1-43, 1-45
 comfort grip steering wheel 5-3
 controller diagnostic tool (CDT) 10-3
 front hub replacement 5-13
 hand pump, SPWS 6-15
 hardware, canopy 1-51
 hub cap 2-3
 mirror 1-53, 1-55
 motor brush 7-3
 motor speed sensor 7-3
 SAM assembly 1-31
 seat bottom 1-29
 shock absorber 5-15
 shock absorber cushion 5-15
 shoe retainer 4-3
 struts 1-47
 struts w/Visage 1-49
 underbody cover 1-9
 Visage mounting 1-53

L

leaf spring, front 5-13
leaf spring, rear, 4-pass 5-15
light
 charge indicator 6-3
 water quality 6-15
liquid gasket 8-3, 10-5
lubricant, dry moly 10-3
lubricant, moly-teflon 7-3, 10-5
lug nut 2-3, 2-5
lug stud 5-13, 8-3

M

magnet, speed sensor 7-3
MCOR 4-11, 6-5
mechanism, brake adjusting 4-3
meter, volt ohm 10-5
mirror 1-53, 1-55
mirror mounting bracket 1-55
module
 calibration test 10-3
moly-teflon lubricant 10-5
motor
 48-volt IQ Plus 7-3
 motor brush 7-3
 motor brush kit 7-3
 motor brush spring 7-3
 motor bumper 7-3

motor end cap 7-3
motor frame and field 7-3
motor headband, sealed 7-3
motor headband, vented 7-3
motor magnet, speed sensor 7-3
motor speed sensor 7-3
motor speed sensor kit 7-3
motor terminal and lead assembly 7-3
motor terminal insulator 7-3
mounting plate, component 6-17

N

nameplate 1-7
nut, lug 2-3, 2-5

P

paint, underbody (black) 10-5
panel
 access 1-33
 front body beauty 1-7
 rear body beauty 1-33
 SAM 1-31
park brake release, anod 4-9, 4-11
pedal assembly, gas, anodized 4-9
pedal, accelerator 4-9, 4-11
pedal, brake 4-9, 4-11
pencil grip 5-3, 5-5
pin
 bow tie locking 4-5
 clevis 4-5
 king 5-13
plate
 backing (brake) 4-3
 component mounting 6-17
 floor cover 4-9, 4-11
 kick(ele) 1-19
pliers
 internal retaining ring 10-5
 retaining ring 10-5
plug, drain 1-35
protector spray, battery terminal 10-3
puller
 bearing 10-3
 seal 10-5

R

rack and pinion 5-9
rear body beauty panel 1-33
rear crossmember 1-3
rear underbody support 1-31
receptacle 6-7
release, anod park brake 4-9, 4-11
remover, bearing and oil seal 10-3
resistor assembly 6-17
retainer

brake shoe 4-3
 shock absorber cushion 5-15
retainer, floormat, lh 1-17
retainer, floormat, rh 1-17
retaining ring pliers 10-5
reverse buzzer 6-3
rim (wheel) 2-3, 2-5
Rivet, Removable 1-33, 1-57
rocker switch 6-9
rod
 brake 4-9, 4-11
 equalizer 4-7
rubber bumper 1-35, 1-57

S

safety first card 10-5
SAM (structural accessory module) 1-31
SAM assembly kit 1-31
SAM cap 1-9
SAM panel 1-31
sand bottle 1-37
sand bucket 1-39
sand scoop 1-39
scoop, sand 1-39
score card clip 5-3, 5-5
score card plate 5-3, 5-5
screw, eccentric adjustment 5-13
seal
 dust 5-9
 lip 8-3
 oil 8-3
seal puller 10-5
sealant 8-3
seat back, beige 1-23, 1-31
seat back, black 1-23, 1-31
seat back, gray 1-23, 1-31
seat back, white 1-23, 1-31
seat bottom kit 1-29
seat gasket 1-29
seat hinge 1-29
sensor, motor speed 7-3
shaft
 input 8-3
 intermediate 8-3
shield, controller 6-17
shield, debris aux 4-9, 4-11
shield, debris primary 4-9, 4-11
shock absorber (front) 5-11
shock absorber (rear) 5-15
shock absorber cushion 1-51, 5-15
shock absorber cushion retainer 5-15
shock mounting bracket, drv 5-15
shock mounting bracket, pas 5-15
shoe retainer kit 4-3
shoe, brake 4-3
sleeve 5-11, 5-13, 5-15

INDEX

solenoid 6-17
speed sensor 7-3
speed sensor magnet 7-3
speed sensor, motor 7-3
spindle 5-13
spray, battery terminal protector 10-3
spring
 brake 4-3
 brake return 4-7
 brush 7-3
 compression 5-3, 5-5
 leaf, front 5-13
spring, leaf, rear, 4-pass 5-15
spring, motor brush 7-3
SPWS hose 6-13
steering column bearing press tool 10-5
steering column retaining ring tool 10-5
steering wheel 5-3, 5-5
steering wheel (comfort grip) kit 5-3
steering wheel puller tool 10-5
stem, valve 2-3
strap, bag 1-31
strut, front canopy, lh 1-47, 1-49
strut, front canopy, rh 1-47, 1-49
stud
 lug 5-13, 8-3
support, canopy 1-47, 1-49
support, underbody, rear 1-31
suspension, front structure 5-11
switch
 key 6-3
 rocker 6-9
 Tow/Run 6-9
switch rubber boot 6-9

T

tester, continuity 10-3
thermometer, battery 10-3
three-piece A-arm 5-11
throttle, Gen2, no sensor 4-9, 4-11
tie rod end 5-9
tie wrap 5-9, 6-7
tire 2-3
tire, pro tour, 205-50 x 10 2-5
tool
 accelerator pedal adjustment 10-3
 brake cable release 10-3
 charger bezel 10-3
 steering column bearing press 10-5
 steering column retaining ring 10-5
 steering wheel puller 10-5
 transaxle axle seal 10-5
 transaxle pinion seal 10-5
 transmission 10-5
touch-up paint 10-5
Tow/Run switch 6-9

transaxle (Electric Vehicle) 8-3
transaxle axle seal tool 10-5
transaxle pinion seal tool 10-5
transmission tool 10-5
tube
 axle 8-3
 battery cross rod 6-11
Tuflok 1-33, 1-57

U

U-bolt 5-15
underbody 1-13, 1-33
underbody cover kit 1-9
underbody support, rear 1-31
urethane bushing 5-15
USB cover 9-3, 9-5, 9-7, 9-9

V

valve stem 2-3
Visage mounting 1-53
volt ohm meter 10-5

W

washer, insulating 7-3
water quality light 6-15
wedge, bearing puller 10-3
wheel 2-3, 2-5
 steering 5-3, 5-5
wire harness, Excel w/Hi-Freq, MCOR3 6-7
wrap, tie 5-9, 6-7

Y

yoke, gear 10-3

NOTES



Club Car, LLC
P.O. Box 204658
Augusta, GA 30917-4658
USA

Web www.clubcar.com
Phone 1.706.863.3000
1.800.ClubCar
Int'l +1 706.863.3000
Fax 1.706.863.5808