



2021 Tempo Stretch and Tempo 4Fun Illustrated Parts List



Electric Vehicle with ERIC Charging System

Manual Number 86753090077

Edition Code _A

USING THE ILLUSTRATED PARTS LIST

⚠ WARNING

- **This manual is to be used only for identification and ordering of service parts. Be sure to read and use the maintenance and service manual before attempting any vehicle repairs.**

The manual is divided into sections. Note that there are two flags on the outside edge of each page. The first flag contains the section number of which that page is a part. The other flag contains the letter E signifying that the page pertains to electric vehicles.

Use the Table of Contents to find the sections and pages that contain the parts and assemblies you seek. The Table of Contents lists section numbers, and under them, the individual page titles and numbers to be found in that section. The index can be used to find specific parts and assemblies. The index is divided into numerical and alphabetical listings with the page numbers in italic text.

There is a two-page spread for each individual page title in the Table of Contents. On the left-hand page is an illustration showing the parts in their relative positions; the parts are each tagged with an item number in a balloon. The right-hand page is the parts list page, and gives the page title at the top, then the item numbers (corresponding to the numbers on the illustration), part descriptions, and quantity of parts used. Some item numbers have more than one part number because several configurations of a component are represented together on one spread.

Note that a part description may be indented. This indentation corresponds to a parts assembly level indicated by the numbers 1, 2, 3, and 4 at the top left corner of the parts description area of the parts list page. A part that is indented to *level 2* is a component of the *level 1* part (assembly) that it is listed under. A *level 3* part is a component of the *level 2* part that it is listed under, and a *level 4* part is a component of the *level 3* part preceding it. In each case, the part quantity given for a level 2, 3, or 4 part is *the quantity used per next higher level assembly of which it is a component*. A part that is not indented is a *level 1* part. This means that the quantity given is the quantity used per the portion of the vehicle illustrated on that particular spread.



P. O. Box 204658
Augusta, Georgia 30917-4658 USA
Telephone 706-863-3000
Service Parts Fax 706-855-7413
www.clubcar.com

HOW TO ORDER PARTS

Replacement parts and accessories can be obtained from our network of authorized dealers and distributors. You can obtain the name and phone number of your closest authorized Club Car dealer or distributor by visiting our web site at www.clubcardealer.com, by calling our toll-free Service Parts and Technical Assistance hotline at (800) 872-2246 or (706) 863-3000, extension 3887, or by scanning this Quick Response (QR) code to be taken to the Club Car dealer locator. **Refer to Figure 1.** Download a QR code reader such as RedLaser or Barcode Scanner to your cell phone or tablet.



Figure 1 Dealer Locator QR Code

CUSTOMER SATISFACTION SURVEY

Let your voice be heard!

Please take time to participate in the Technical Publications satisfaction survey. Obtaining feedback from our customers is important to the department's continuous improvement process. The online survey takes less than five minutes and responses will help the department to examine current performance as well as identify areas for future improvement.

Our top priority is to provide timely, accurate, and user friendly manuals.

The online satisfaction survey can be found at: <http://bit.ly/1w9uFMh>



Figure 2 Survey QR Code

NOTE: *This illustrated parts list represents the most current information at the time of publication. Club Car, LLC is continually working to further improve its vehicles and other products. These improvements may affect the parts used to service the vehicle. Any modification and/or significant change in specifications will be forwarded to all Club Car distributors/dealers and will, when applicable, appear in future editions of this illustrated parts list.*

Club Car, LLC reserves the right to change specifications and designs at any time without notice and without the obligation of making changes to units previously sold.

Copyright © 2019 Club Car, LLC
Club Car, Tempo Stretch, Tempo 4Fun and Surlyn
are registered trademarks of Club Car, LLC
This manual effective July 1, 2020.

2021 Tempo Stretch and Tempo 4Fun Illustrated Parts List

CONTENTS

SECTION 1 – BODY AND TRIM

Frame	1-3
Front Bumper	1-5
Front Body	1-7
Underbody Covers (Vehicle Without Canopy)	1-9
Dash	1-11
Front Underbody	1-13
Floor Supports	1-15
Floor, Floor Mat and Retainers	1-17
Kick Plate – Electric Vehicle	1-19
Storage Nets	1-21
Drink Holder	1-23
Seat Bottom with Hip Restraints	1-25
Seat Back, Backrest, and Structural Accessory Module (SAM)	1-27
Rear Body	1-29
Club and Ball Cleaner Kit	1-31
Sand Bottle Kits With Handles	1-33
Sand Bottle Kits	1-35
Sand Bucket Kits	1-37
Mud Flaps	1-39
Canopy and Struts – Page 1 of 7	1-41
Canopy and Struts – Page 2 of 7	1-43
Canopy and Struts – Page 3 of 7	1-45
Canopy and Struts – Page 4 of 7	1-47
Canopy and Struts – Page 5 of 7	1-49
Canopy and Struts – Page 6 of 7	1-51
Canopy and Struts – Page 7 of 7	1-53
Bagwell	1-55

SECTION 2 – WHEELS AND TIRES

Steel Wheels and Tires	2-3
Alloy Wheel and Tires	2-5

SECTION 3 – DECALS

Decals – Page 1 of 2	3-3
Decals – Page 2 of 2	3-5

CONTENTS

SECTION 4 – BRAKES AND PEDAL GROUP ASSEMBLIES

Rear Brakes, Self-Adjusting	4-3
Brake Cables	4-5
Brake Linkage and Equalizer	4-7
Pedal Group w/o MCOR – Electric Vehicle	4-9
Pedal Group with MCOR – Electric Vehicle	4-11

SECTION 5 – STEERING, FRONT AND REAR SUSPENSION

Steering Wheel, Comfort Grip with Clip	5-3
Steering Wheel	5-5
Steering Column	5-7
Steering Gear Assembly	5-9
Front Suspension, Upper	5-11
Front Suspension, Lower	5-13
Rear Suspension	5-15

SECTION 6 – ELECTRICAL SYSTEM, LIGHTS, CONTROLS AND INDICATORS

Headlights	6-3
Lighting System Components	6-5
Horn	6-7
Instrument Panel – Electric Vehicle with ERIC Charger	6-9
DC/DC Converter – Electric Vehicle	6-11
Wiring and Switch – Visage	6-13
Taillights	6-15
Motor Controller Output Regulator (MCOR)	6-17
Wiring and Fuses	6-19
Forward/Reverse Switch and Tow/Run Switch	6-21
Batteries and Battery Bucket, PD+ 8-Volt	6-23
Single Point Watering System, 8V	6-25
Hand Pump and Deionizer (Battery-Powered Quality Light)	6-27
Controller and Solenoid	6-29

SECTION 7 – ELECTRIC MOTOR – 3.7 H.P.

Motor (Model DA5-4006) – 3.7 H.P.	7-3
--	-----

SECTION 8 – TRANSAXLE – ELECTRIC VEHICLES

Transaxle – Electric Vehicles	8-3
-------------------------------------	-----

CONTENTS

SECTION 9 – BATTERY CHARGERS – HIGH-FREQUENCY

Battery Charger, High-Frequency – U.S./Canada	9-3
Battery Charger, High-Freq., 2.74 m DC Cord – Global	9-5
Battery Charger, High-Freq., 3.66 m DC Cord – Global	9-7
Battery Charger, High-Freq., 6.1 m DC Cord – Global	9-9
Cords – Battery Charger, High-Frequency	9-11
Battery Charger, High-Frequency – Onboard	9-13

SECTION 10 – MAINTENANCE AND SERVICE TOOLS

Maintenance and Service Tools	10-3
Maintenance and Service Tools - Continued	10-5

SECTION i – INDEX

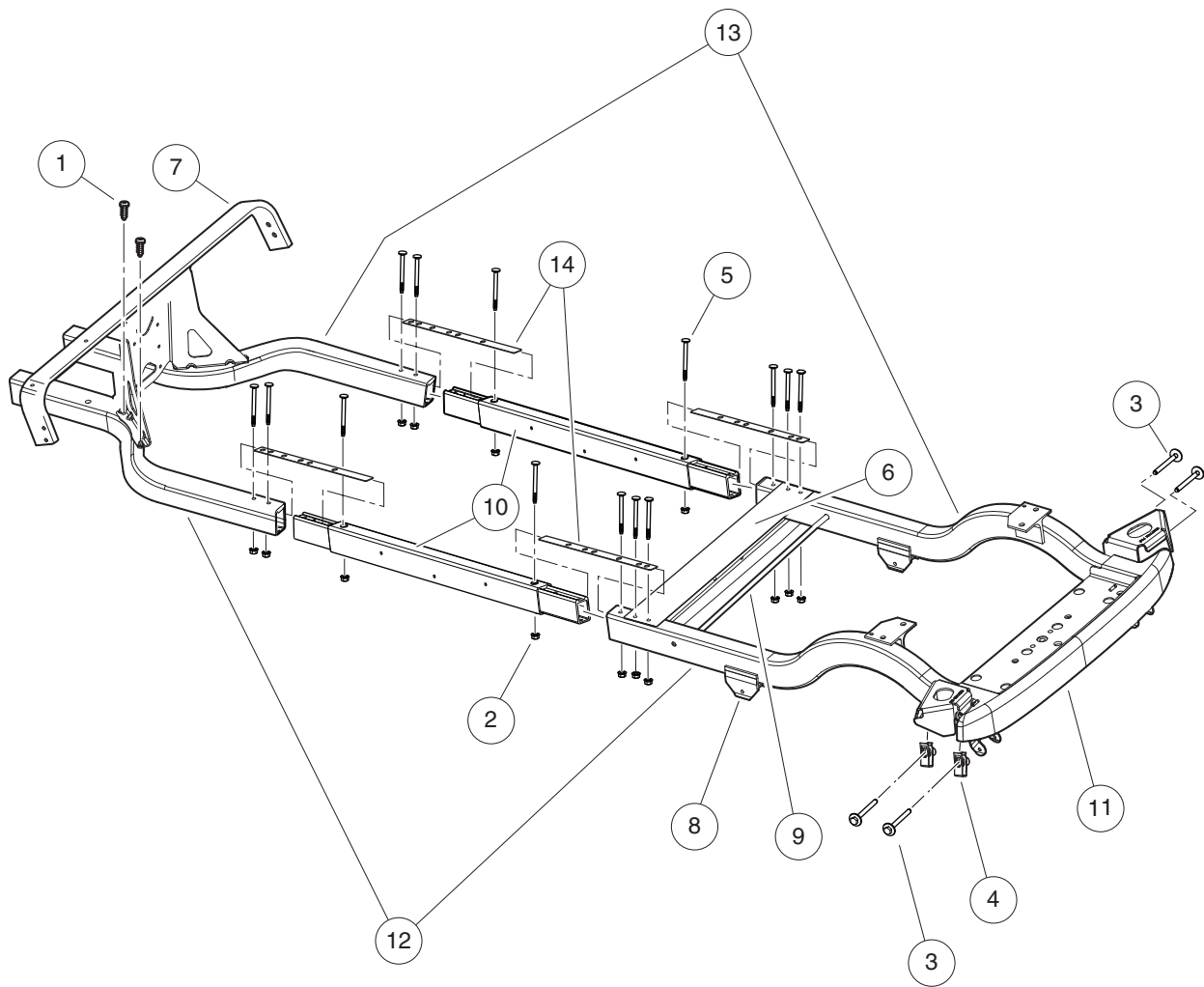
BODY AND TRIM

1

E

1

E



001022-001

FRAME

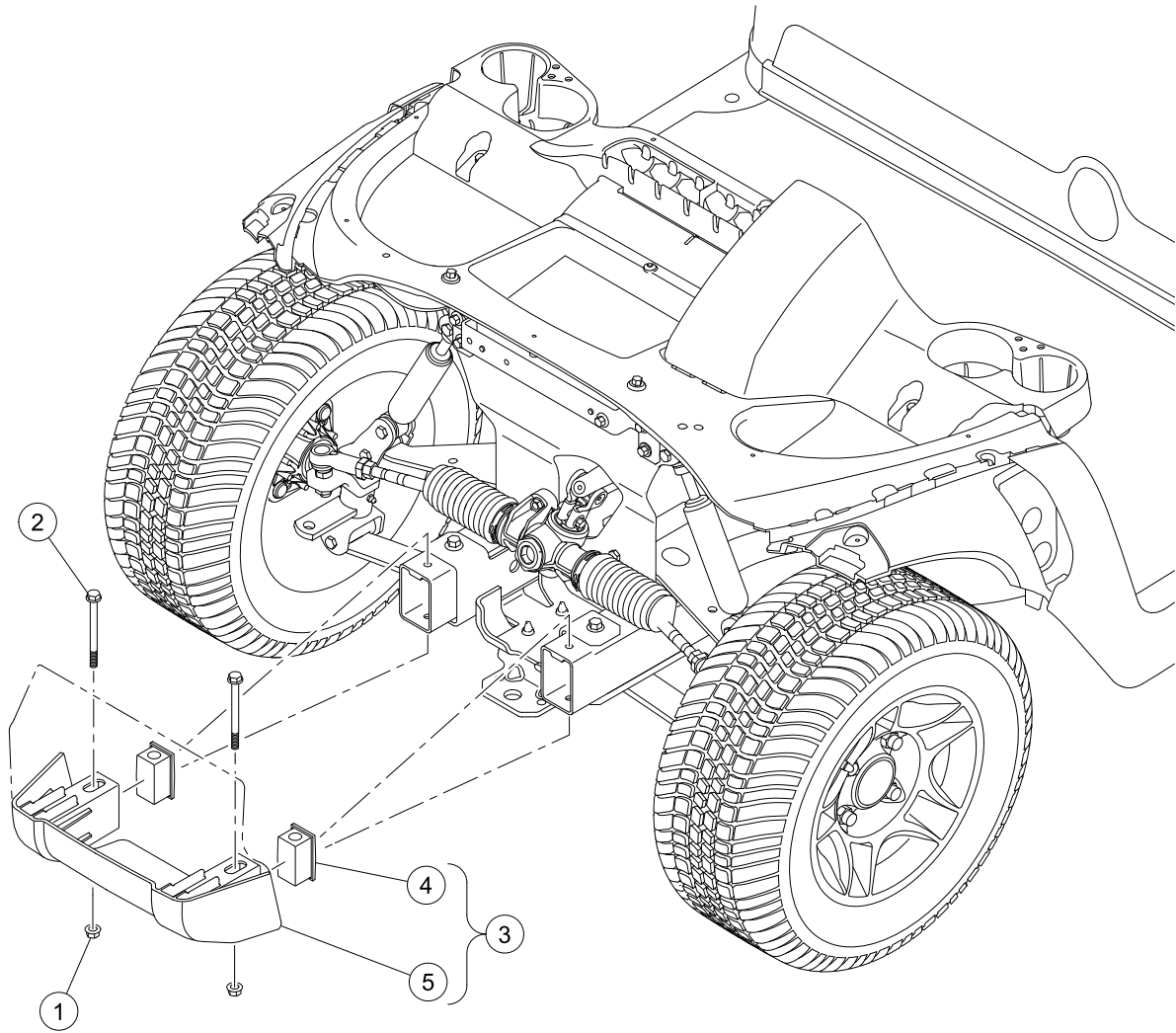
ITEM	PART NO.	DESCRIPTION	QTY
		1 2 3 4	
1	<u>102292101</u>	Screw-5/16 X 1.5 Tek	4
2	<u>102298401</u>	Nut,m8,all Metal Lock	14
3	<u>102298580</u>	M8-1.25 X 80 Sems	4
4	<u>102298601</u>	J-clip - M8 X 1.25	4
5	<u>102298995</u>	Bolt, Wafer Head, M8-1.25x95	14
6	<u>102505402</u>	Xmbr-middle, Stretch	1
7	<u>102505701</u>	Assembly, Dash Support	1
8	<u>102507801</u>	Hanger, Spring	2
9	<u>103638901</u>	Rod, .5 Od X 26.26	1
10	<u>103797401</u>	Asm, Frame Tube Extend	2
11	<u>103926603</u>	Rear Cross Member, Csmr, Sp	1
12	<u>103990502</u>	Weldment, Frame, Lh	1
13	<u>103990602</u>	Weldment, Frame, Rh	1
14	<u>105056301</u>	Shim, Frame, 4fun	4

1

E

1

E



G-140199-00002

FRONT BUMPER

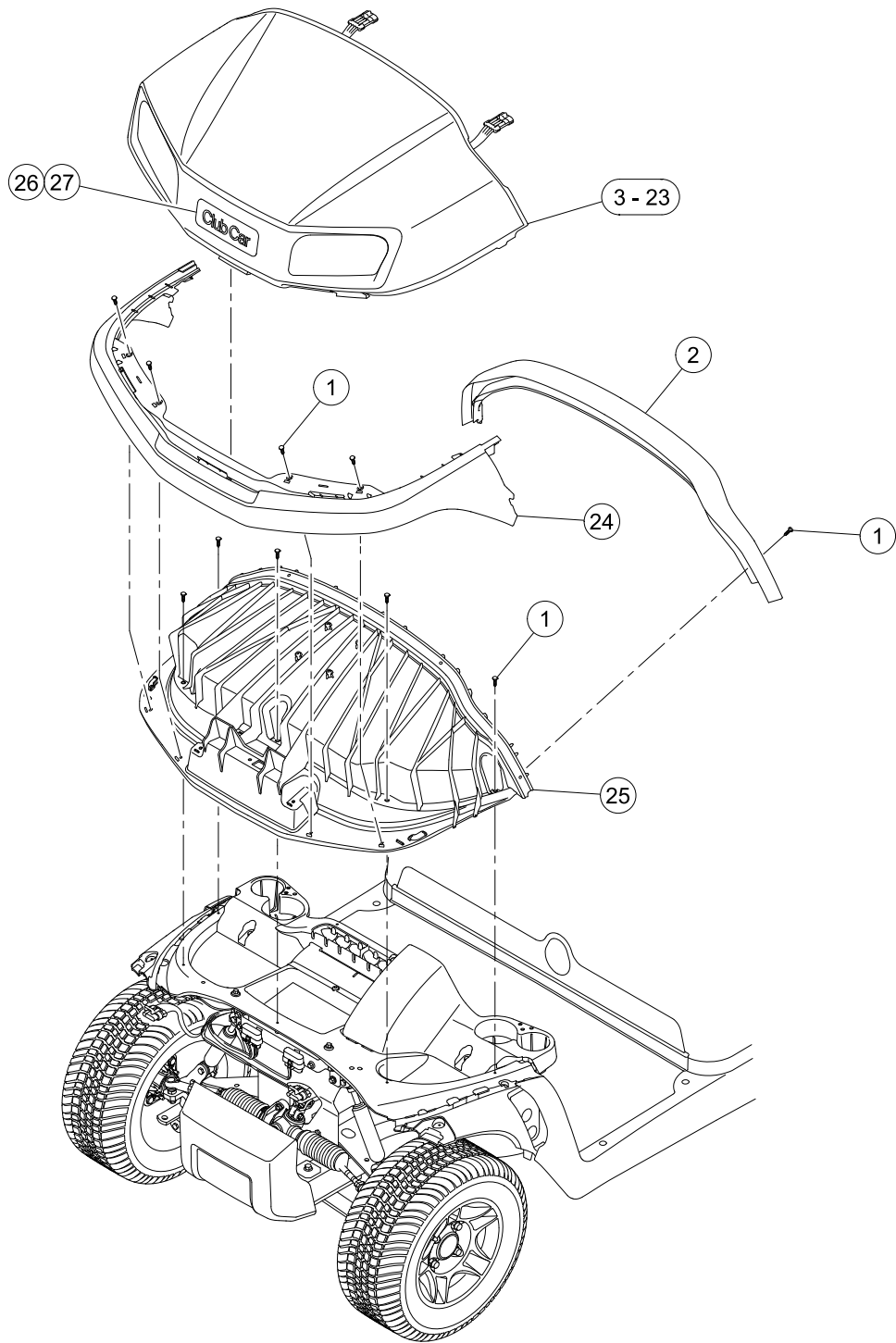
ITEM	PART NO.	DESCRIPTION	QTY
		1 2 3 4	
1	<u>102298401</u>	Nut,m8,all Metal Lock	2
2	<u>102534201</u>	Bolt - Fl Hd, M8 X 95	2
3	<u>47604926001</u>	Asm, Bumper, Front (includes items 4 and 5)	1
4	<u>103325001</u>	Plug, Shock, Bumper	2
5	<u>47589918001</u>	Bumper, Front	1

1

E

1

E



G-140199-000005

FRONT BODY

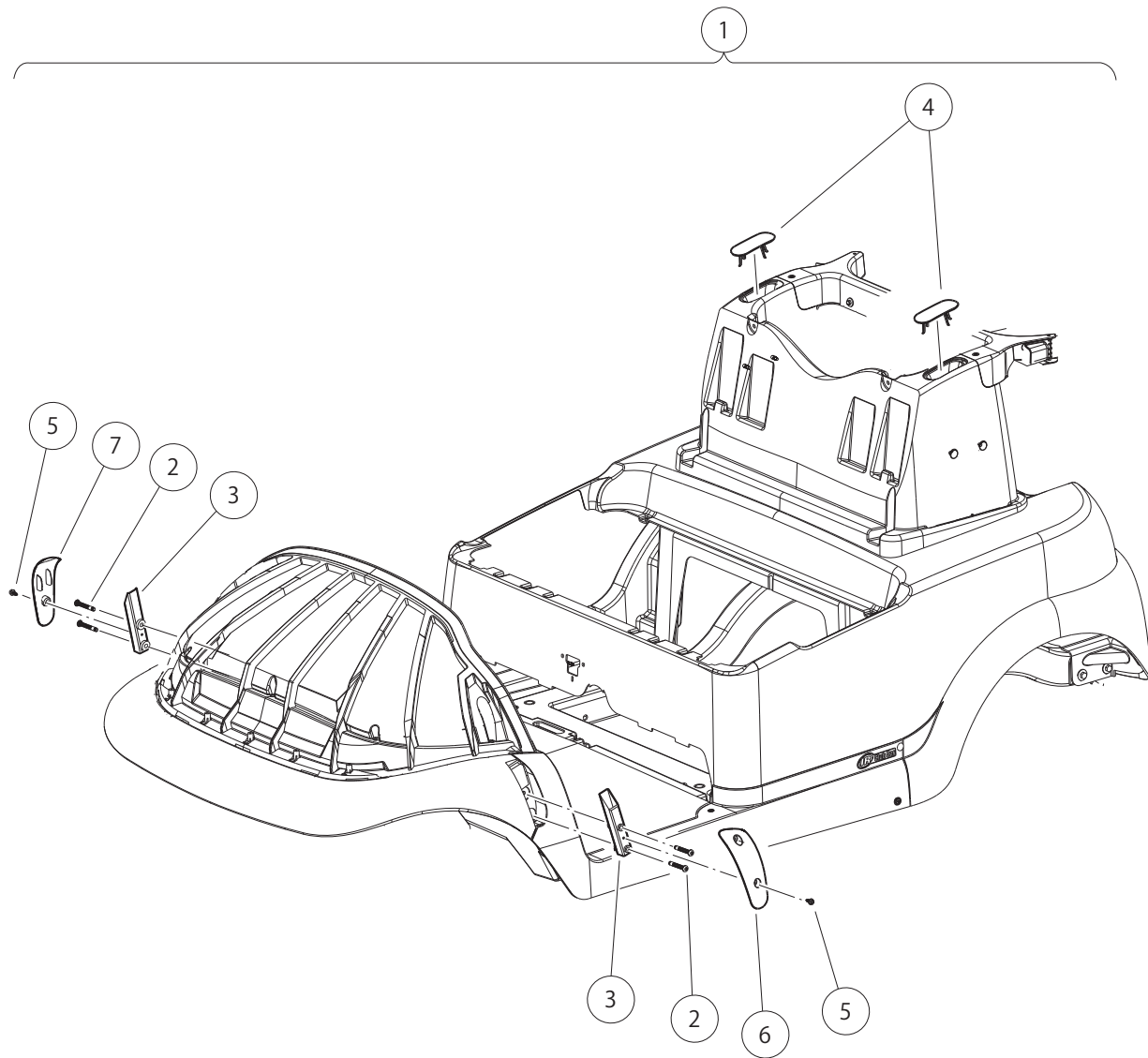
ITEM	PART NO.	DESCRIPTION	QTY
		1 2 3 4	
1	<u>102296020</u>	Screw, Torx Pan Hd Pt, M6 X 20	13
2	<u>102502501</u>	Brow Cap	1
3	<u>47589916201</u>	Pnl, Bty, Ft, White, Sp	1
4	<u>47589916202</u>	Pnl, Bty, Ft, Beige, Sp	1
5	<u>47589916203</u>	Pnl, Bty, Ft, Platinum, Sp	1
6	<u>47589916204</u>	Pnl, Bty, Ft, Sangria, Sp	1
7	<u>47589916205</u>	Pnl, Bty, Ft, Cayenne, Sp	1
8	<u>47589916206</u>	Pnl, Bty, Ft, Green, Sp	1
9	<u>47589916207</u>	Pnl, Bty, Ft, Sapphire, Sp	1
10	<u>47589916208</u>	Pnl, Bty, Ft, Black, Sp	1
11	<u>47589916209</u>	Pnl, Bty, Ft, Mocha, Sp	1
12	<u>47589916210</u>	Pnl, Bty, Ft, Cashmere, Sp	1
13	<u>47589916301</u>	Pnl, Bty, Ft, Mt Glacier, Sp	1
14	<u>47589916302</u>	Pnl, Bty, Ft, Mt Platinum, Sp	1
15	<u>47589916303</u>	Pnl, Bty, Ft, Mt Cndy Apl, Sp	1
16	<u>47589916304</u>	Pnl, Bty, Ft, Mt Green, Sp	1
17	<u>47589916305</u>	Pnl, Bty, Ft, Mt Sapphire, Sp	1
18	<u>47589916306</u>	Pnl, Bty, Ft, Mt Black, Sp	1
19	<u>47589916307</u>	Pnl, Bty, Ft, Mt Mocha, Sp	1
20	<u>47589916308</u>	Pnl, Bty, Ft, Mt Prl Blue, Sp	1
21	<u>47589916309</u>	Pnl, Bty, Ft, Mt Atc Orng, Sp	1
22	<u>47589916310</u>	Pnl, Bty, Ft, Mt Syn Grn, Sp	1
23	<u>47589916311</u>	Pnl, Bty, Ft, Mt Beige, Sp	1
24	<u>47589917001</u>	Fascia, Front	1
25	<u>47593000001</u>	Brow, Dual Headlight	1
26	<u>47605590001</u>	Decal, Logo, Cc, Gold	1
27	<u>47605590002</u>	Decal, Logo, Cc, Silver	1

1

E

1

E



000730-005

UNDERBODY COVERS (VEHICLE WITHOUT CANOPY)

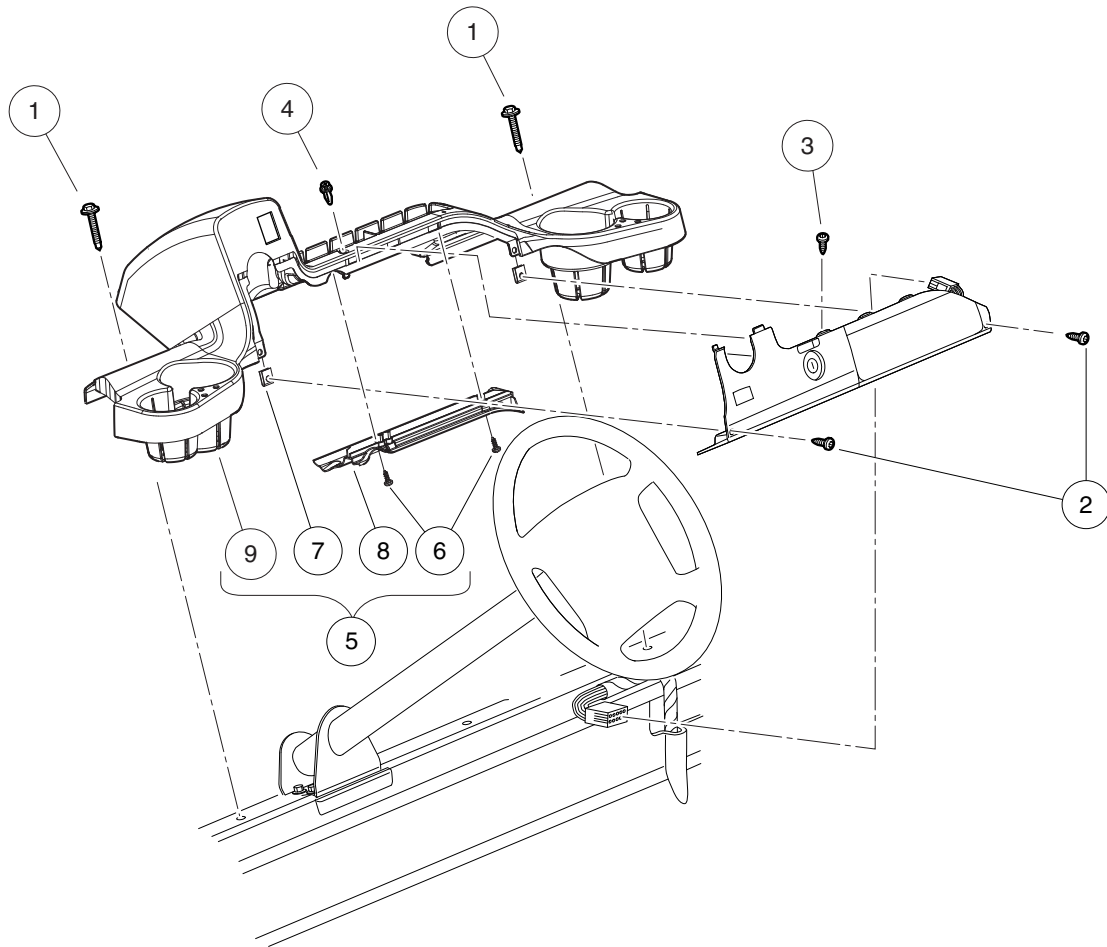
ITEM	PART NO.	DESCRIPTION	QTY
		1 2 3 4	
1	<u>102543903</u>	Kit, Underbody Cover (includes items 2 through 7)	1
2	<u>102299065</u>	M8-1.25 X 65 Tx Bttn Hd Bolt	2
3	N/A	Support, Strut Cover	2
4	N/A	SAM Cap	2
5	<u>102544201</u>	Screw, M6 Hex	4
6	<u>47589922001</u>	Cover, Strut, Lh, Non-topped	1
7	<u>47589922002</u>	Cover, Strut, Rh, Non-topped	1

1

E

1

E



001023-001

DASH

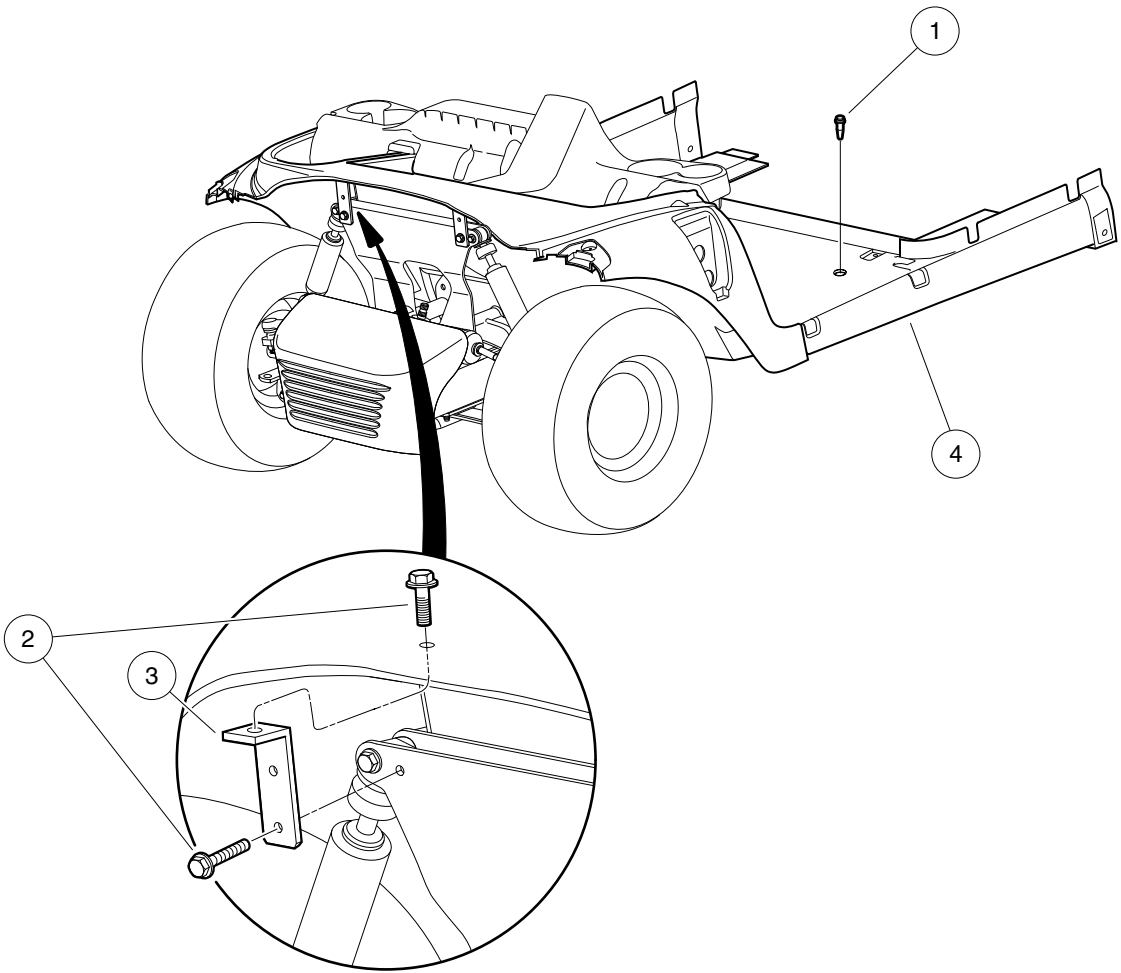
ITEM	PART NO.	DESCRIPTION	QTY
		1 2 3 4	
1	<u>102292356</u>	Screw-1/4-20x56 Hwh Self Drill	2
2	<u>102296819</u>	Screw-M6 x 19	2
3	<u>102557201</u>	Screw, #6-20 Type Abx1.00 Pan	1
4	<u>102915601</u>	Plastic Rivet - Tuflock	1
5	103402702	Dash, Assembly, Prec, 4Fun (includes items 6 through 9)	1
6	N/A	Screw-torx Pan Hd Pt,m6 X 16	2
7	<u>102297001</u>	U-nut, 1/4" Type Ab	2
8	N/A	Drain Channel - Dash	1
9	N/A	Dash	1

1

E

1

E



000497-008

FRONT UNDERBODY

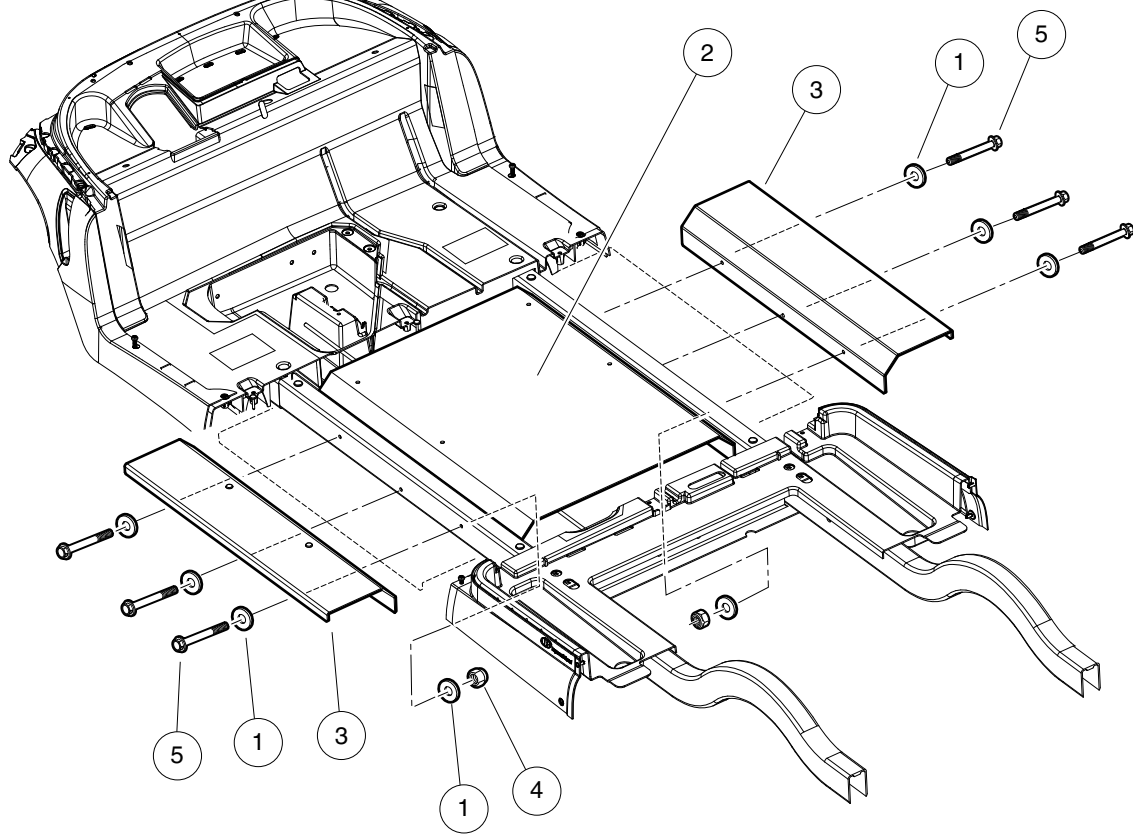
ITEM	PART NO.	DESCRIPTION	QTY
		1 2 3 4	
1	<u>102292356</u>	Screw-1/4-20x56 Hwh Self Drill	3
2	<u>102298716</u>	M8-1.25x16 Taptite	4
3	<u>102521901</u>	Bracket-clamshell	2
4	<u>103635201</u>	Underbody, Front, One Piece	1
<p>Note: Item 4 is a special order item available upon request.</p>			

1

E

1

E



001028-001

FLOOR SUPPORTS

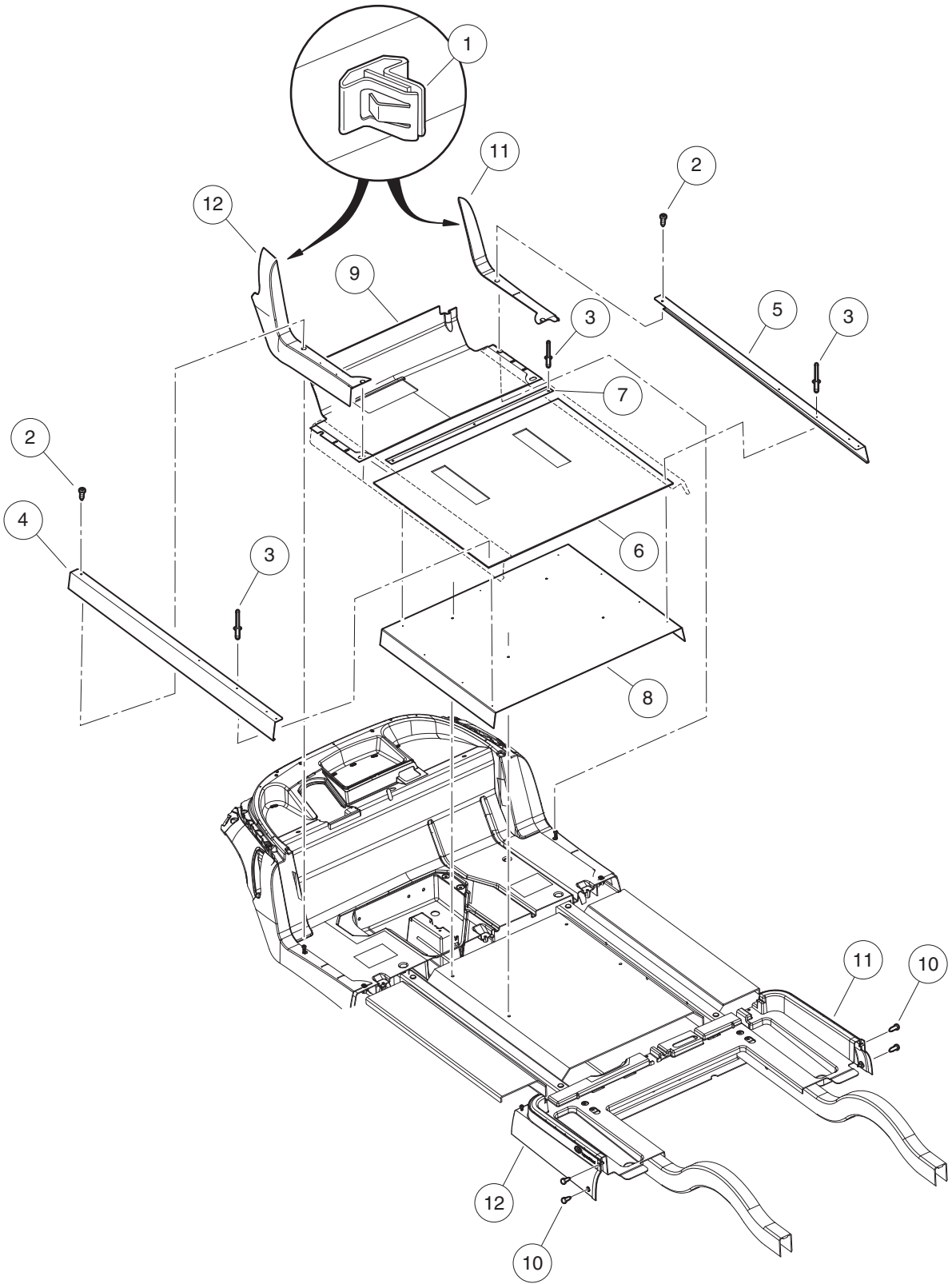
ITEM	PART NO.	DESCRIPTION	QTY
		1 2 3 4	
1	<u>1017233</u>	Washer, 5/16 Hardened	16
2	<u>103758501</u>	Support - Center Floor	1
3	<u>103758601</u>	Support - Side Floor	2
4	<u>7473</u>	Locknut, 5/16-18 Nylon Insert	10
5	<u>8915</u>	Screw, 5/16-18 X 3.0 Hx Hd Cap	6

1

E

1

E



001024-001

FLOOR, FLOOR MAT AND RETAINERS

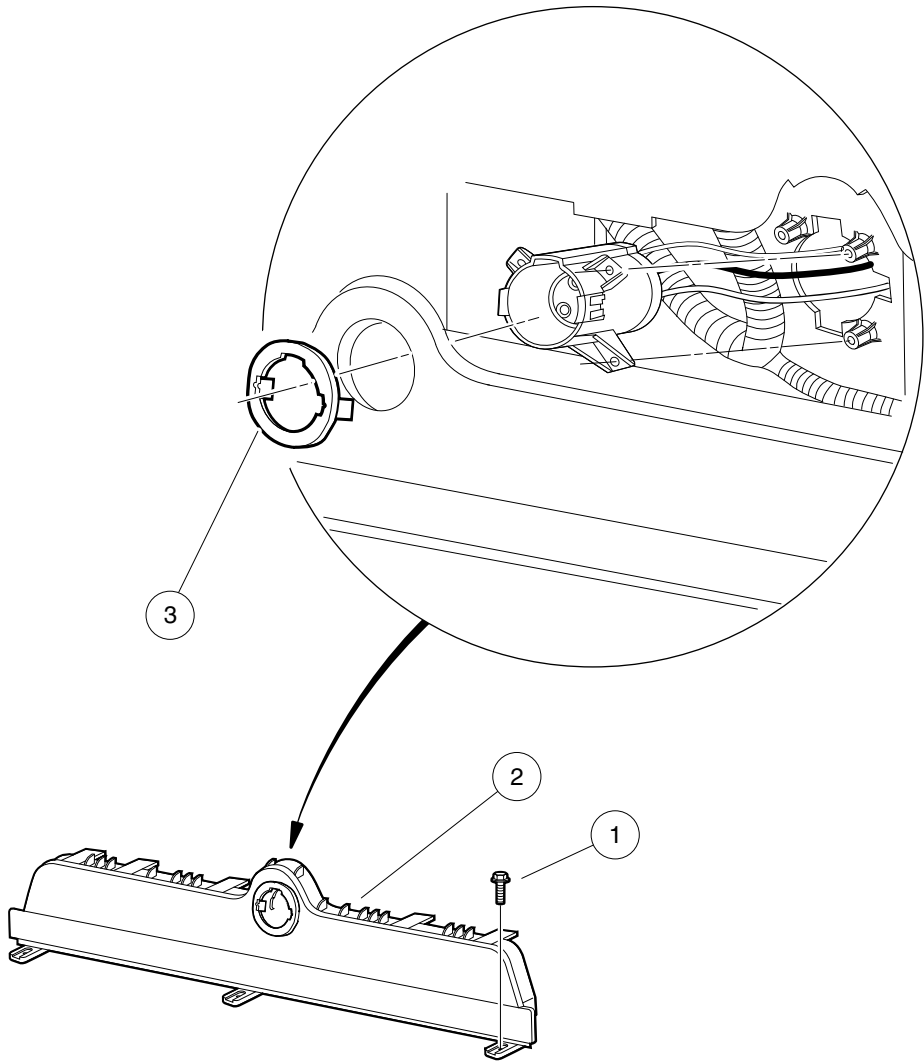
ITEM	PART NO.	DESCRIPTION	QTY
		1 2 3 4	
1	<u>102292701</u>	Clip-body-trim	8
2	<u>102298030</u>	Screw, K80x30, Torx Pn Hd Pt	2
3	<u>103400001</u>	3/16 X 1.19 Alum Rivet, Blk	11
4	<u>103703901</u>	Ret, Floormat, Drv	1
5	<u>103704001</u>	Ret, Floormat, Pass	1
6	<u>103705401</u>	Floormat, Rear, Prec	1
7	<u>103707201</u>	Cap, Threshold	1
8	<u>103758701</u>	Plate, Floor Cover	1
9	<u>103926401</u>	Floormat	1
10	<u>105291501</u>	Rivet, Plastic Tuflok, 8mm	4
11	<u>105314001</u>	Floormat Retainer, Passenger-side, Black	1
12	<u>105314101</u>	Floormat Retainer, Driver-side, Black	1

1

E

1

E



000500-003

KICK PLATE – ELECTRIC VEHICLE

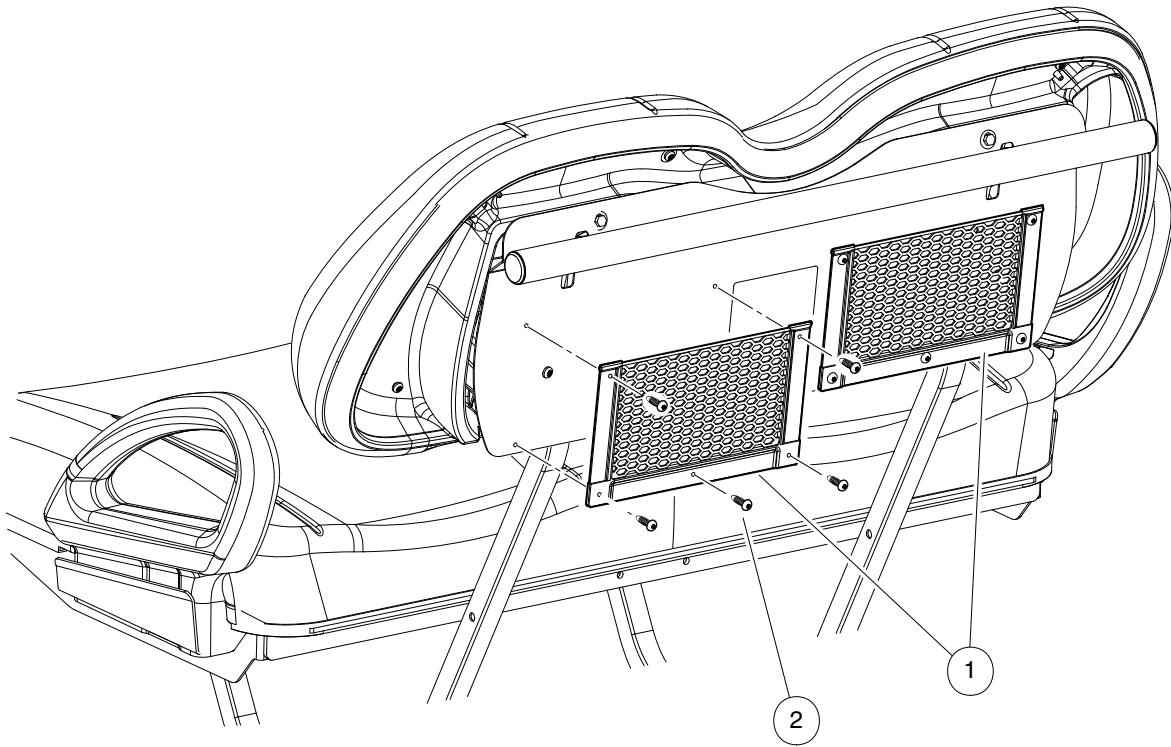
ITEM	PART NO.	DESCRIPTION	QTY
		1 2 3 4	
1	102298030	Screw, K80x30, Torx Pn Hd Pt	3
2	<u>102508202</u>	Plate - Electric Kick Blk	1
3	<u>102516901</u>	Socket Trim	1

1

E

1

E



001045-001

STORAGE NETS

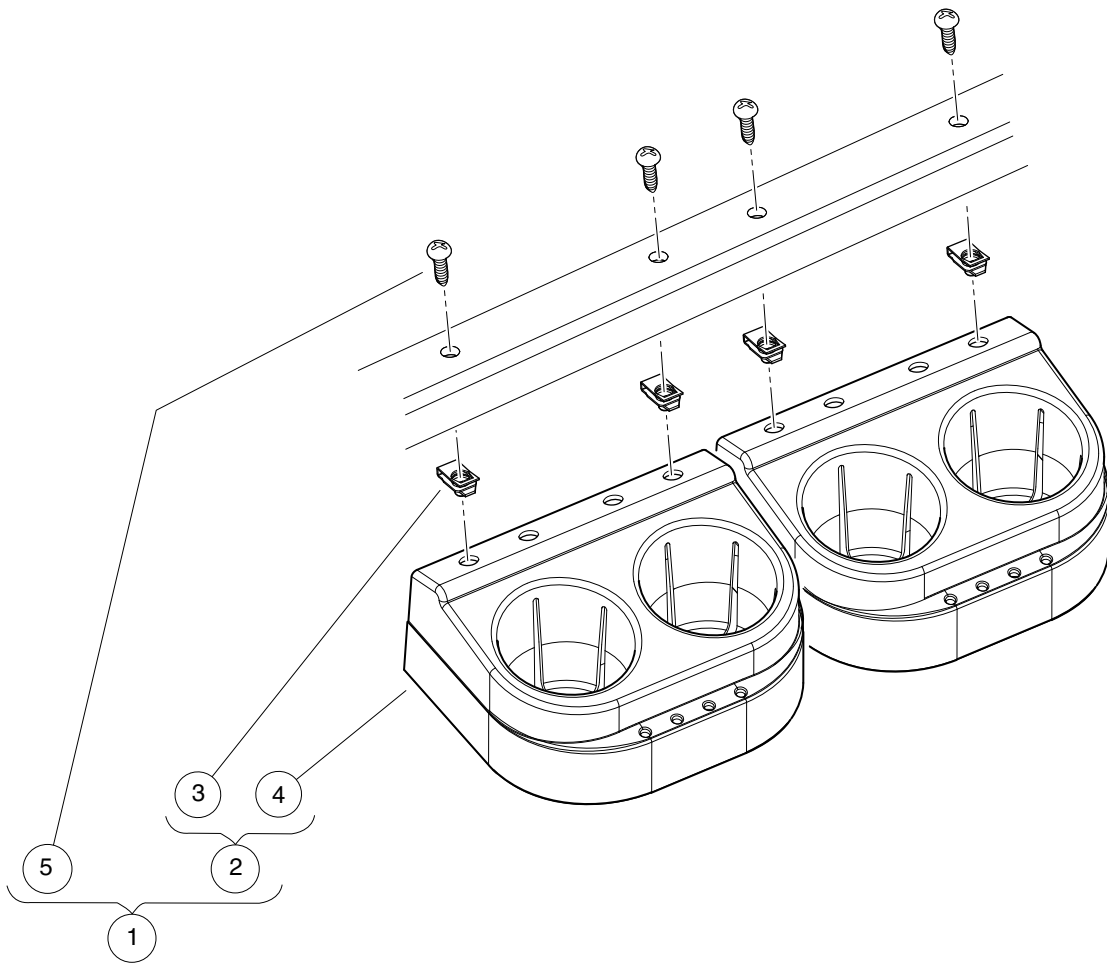
ITEM	PART NO.	DESCRIPTION	QTY
1	<u>105136201</u>	1 2 3 4 Net, Storage	2
2	105223901	Screw, Truss Torx 10-24 Black	10

1

E

1

E



001030-001

DRINK HOLDER

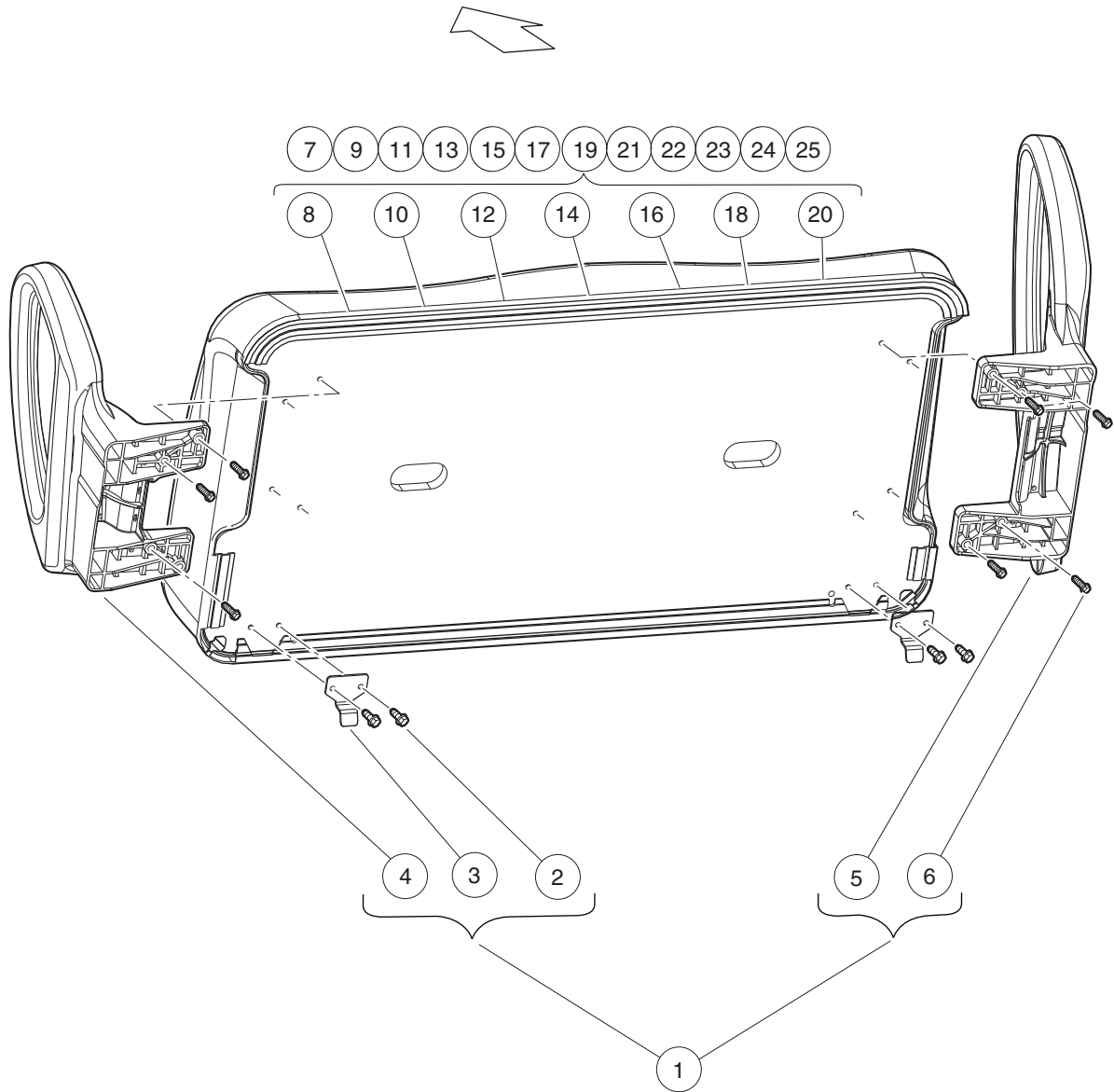
ITEM	PART NO.	DESCRIPTION	QTY
		1 2 3 4	
1	<u>101708301</u>	Drink Holder Kit (includes items 2 through 5)	2
2	<u>1016811</u>	Holder, Dual Cup (includes items 3 and 4)	1
3	1016952	U-Nut, 1/4-20	2
4	N/A	Cup Holder, Dual	1
5	<u>7847</u>	Screw, 1/4-20 X 0.75 Hex-Head Cap	2

1

E

1

E



000440-008

SEAT BOTTOM WITH HIP RESTRAINTS

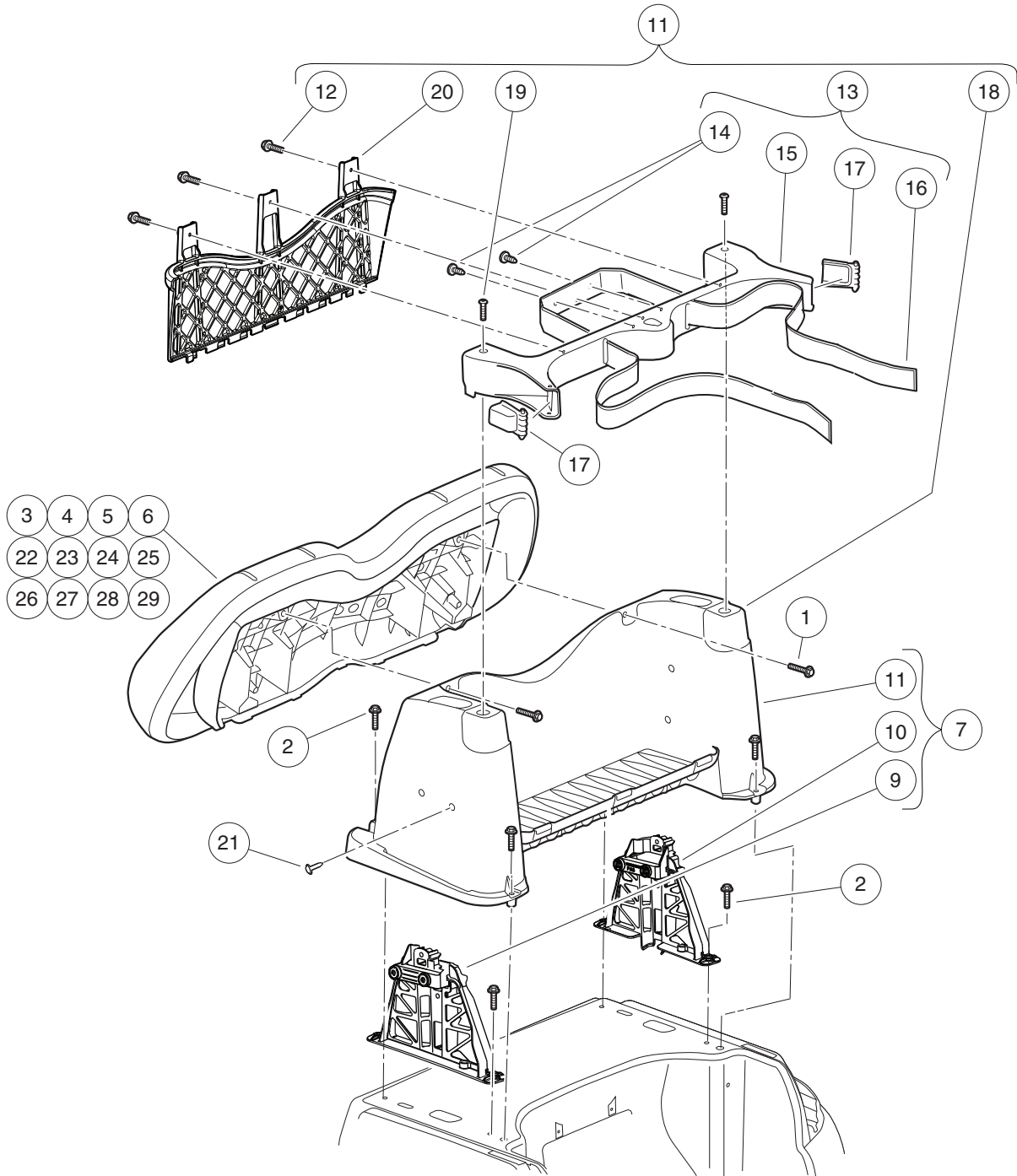
ITEM	PART NO.	DESCRIPTION	QTY
		1 2 3 4	
1	<u>103833901</u>	Kit, Seat Bottom (includes items 2 through 6)	1
2	<u>101954301</u>	Screw, 1/4-20 X 0.75 Hex-Head Cap	4
3	<u>103832901</u>	Hinge, Seat Bottom	2
4	<u>103833601</u>	Hip Restraint, Drv	1
5	<u>103833701</u>	Hip Restraint, Pas	1
6	<u>103833801</u>	1/4-20 X 1.5 Hex Flg Patch	8
7	<u>104023421</u>	Seat Bottom Asm, Beige, Service Replacement (includes item 8)	1
8	<u>101998501</u>	Gasket, Seat	1
9	<u>104023422</u>	Seat Bottom Asm, White, Service Replacement (includes item 10)	1
10	<u>101998501</u>	Gasket, Seat	1
11	<u>104023424</u>	Seat Bottom Asm, Gray, Service Replacement (includes item 12)	1
12	<u>101998501</u>	Gasket, Seat	1
13	<u>104023425</u>	Seat Bottom Asm, Black, Service Replacement (includes item 14)	1
14	<u>101998501</u>	Gasket, Seat	1
15	<u>105223321</u>	Seat Bottom Asm, Premium, Light Beige, Service Replacement (includes item 16)	1
16	<u>101998501</u>	Gasket, Seat	1
17	<u>105223322</u>	Seat Bottom Asm, Premium, Camello, Service Replacement (includes item 18)	1
18	<u>101998501</u>	Gasket, Seat	1
19	<u>105223323</u>	Seat Bottom Asm, Premium, Off-White, Service Replacement (includes item 20)	1
20	<u>101998501</u>	Gasket, Seat	1
21	<u>105223324</u>	Seat Bottom Asm, Premium, Camello/Lt. Beige, Service Replacement	1
22	<u>105223325</u>	Seat Bottom Asm, Premium, Camello/Off-White, Service Replacement	1
23	<u>105223326</u>	Seat Bottom Asm, Premium, Lt. Beige/Off-White, Service Replacement	1
24	<u>105223327</u>	Seat Bottom Asm, Premium, Black, Service Replacement	1
25	<u>105223328</u>	Seat Bottom Asm, Premium, Black/Gray, Service Replacement	1

1

E

1

E



000435-011

SEAT BACK, BACKREST, AND STRUCTURAL ACCESSORY MODULE (SAM)

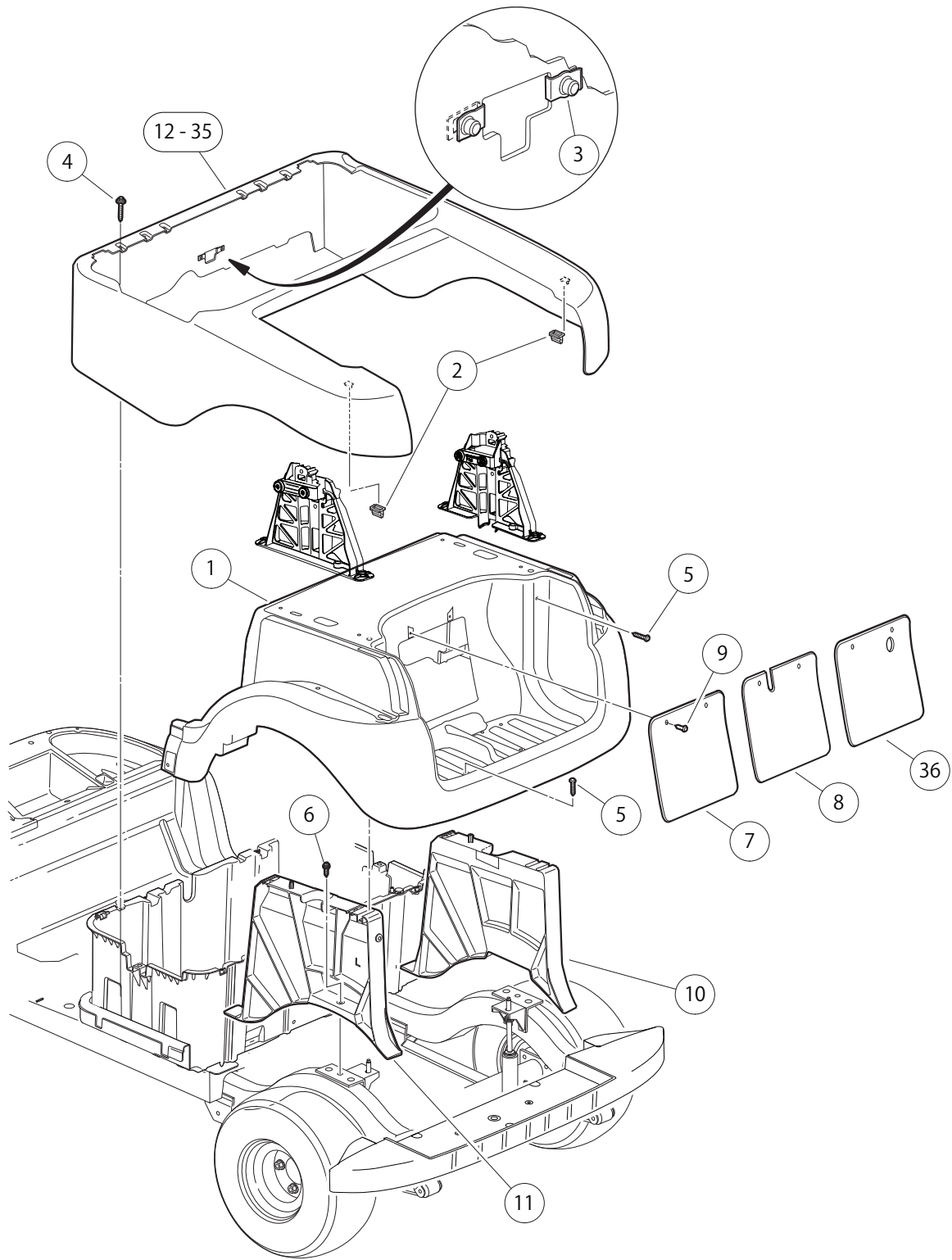
ITEM	PART NO.	DESCRIPTION	QTY
		1 2 3 4	
1	<u>102296530</u>	Screw - M6 X 1.0 X 30 Sems	2
2	<u>102298250</u>	Bolt-flange Hd, M8 X 50.0	6
3	<u>103853121</u>	Asm, Seat Back, Beige, Service Replacement	1
4	<u>103853122</u>	Asm, Seat Back, White, Service Replacement	1
5	<u>103853124</u>	Asm, Seat Back, Gray, Service Replacement	1
6	<u>103853125</u>	Asm, Seat Back, Black, Service Replacement	1
7	<u>103952901</u>	Kit, S.A.M. Assembly (includes items 8 through 11)	1
8	<u>102297230</u>	Screw, M6, Torx, Interlock Thread	4
9	<u>103929301</u>	Support- Canopy, Drv	1
10	<u>103929302</u>	Support- Canopy, Pass	1
11	N/A	Asm, S.A.M. (includes items 12 through 20)	1
12	<u>102297230</u>	Screw, M6, Torx, Interlock Thread	3
13	<u>102504001</u>	Asm, Bag Hoop (includes items 14 through 17)	1
14	<u>1010434</u>	Barrel - Plastic	2
15	<u>102504201</u>	Hoop-bag	1
16	<u>102504301</u>	Strap, Bag	1
17	<u>102517001</u>	Buckle-bag Strap	2
18	N/A	Structural Accessory Module (S.A.M.)	1
19	<u>103327601</u>	Screw, 5/16, Torx, Bosscrew	2
20	<u>103699401</u>	Panel, S.A.M., Prec	1
21	<u>103978801</u>	Barrel-push 6mm	4
22	<u>105223421</u>	Asm, Seat Back, Premium, Lt. Beige, Service Replacement	1
23	<u>105223422</u>	Asm, Seat Back, Premium, Camello, Service Replacement	1
24	<u>105223423</u>	Asm, Seat Back, Premium, Off-White, Service Replacement	1
25	<u>105223424</u>	Asm, Seat Back, Premium, Camello/Lt. Beige, Service Replacement	1
26	<u>105223425</u>	Asm, Seat Back, Premium, Camello/Off-White, Service Replacement	1
27	<u>105223426</u>	Asm, Seat Back, Premium, Lt. Beige/Off-White, Service Replacement	1
28	<u>105223427</u>	Asm, Seat Back, Premium, Black, Service Replacement	1
29	<u>105223428</u>	Asm, Seat Back, Premium, Black/Gray, Service Replacement	1
		Note: Screws (item 8) not shown. These are four new screws to replace those used to attach accessory mounting brackets to SAM (item 18).	

1

E

1

E



000436-017

REAR BODY

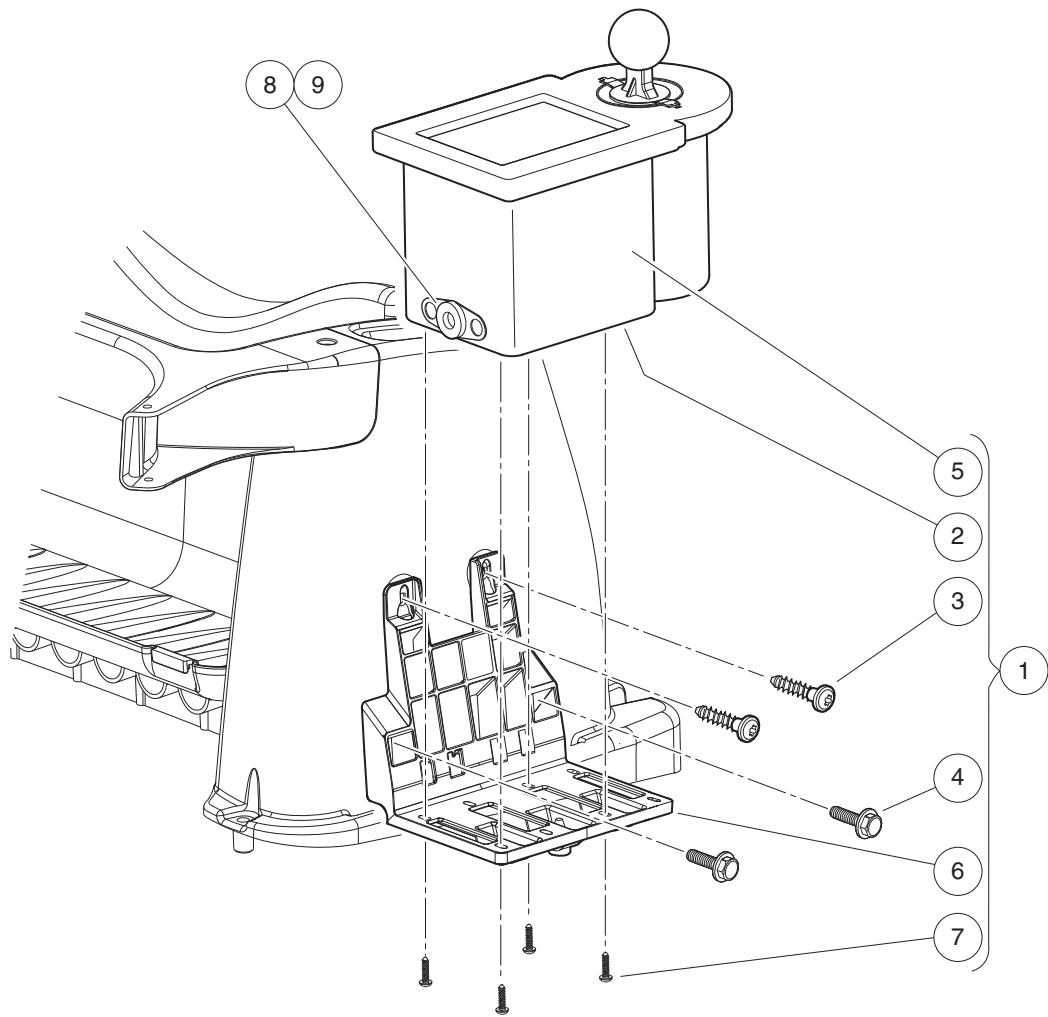
ITEM	PART NO.	DESCRIPTION	QTY
		1 2 3 4	
1	102279106	Underbody, Rear, Common	1
2	<u>102292701</u>	Clip-body-trim	2
3	<u>102296601</u>	U-Nut, M6-1.0, Prevailing Torque	2
4	<u>102297230</u>	Screw, M6, Torx, Interlock Thread	4
5	102298030	Screw, K80x30, Torx Pn Hd Pt	4
6	<u>102298720</u>	Screw, M8-1.25x20, Taptite	2
7	<u>102501402</u>	Panel, Access, Black	1
8	<u>102501403</u>	Panel, Access, Black, with Punched Hole	1
9	<u>102967901</u>	Rivet, Removable, Tuflok 1/4"	2
10	<u>103812901</u>	Asm, Rear Underbody Support, Passenger-side	1
11	<u>103813001</u>	Asm, Rear Underbody Support, Driver-side	1
12	<u>47589919201</u>	Pnl, Bty, Rr, White, Sp	1
13	<u>47589919202</u>	Pnl, Bty, Rr, Beige, Sp	1
14	<u>47589919203</u>	Pnl, Bty, Rr, Platinum, Sp	1
15	<u>47589919204</u>	Pnl, Bty, Rr, Sangria, Sp	1
16	<u>47589919205</u>	Pnl, Bty, Rr, Cayenne, Sp	1
17	<u>47589919206</u>	Pnl, Bty, Rr, Green, Sp	1
18	<u>47589919207</u>	Pnl, Bty, Rr, Sapphire, Sp	1
19	<u>47589919208</u>	Pnl, Bty, Rr, Black, Sp	1
20	<u>47589919209</u>	Pnl, Bty, Rr, Mocha, Sp	1
21	<u>47589919210</u>	Pnl, Bty, Rr, Cashmere, Sp	1
22	<u>47589919301</u>	Pnl, Bty, Rr, Mt Glacier, Sp	1
23	<u>47589919302</u>	Pnl, Bty, Rr, Mt Platinum, Sp	1
24	<u>47589919303</u>	Pnl, Bty, Rr, Mt Cndy Apl, Sp	1
25	<u>47589919304</u>	Pnl, Bty, Rr, Mt Green, Sp	1
26	<u>47589919305</u>	Pnl, Bty, Rr, Mt Sapphire, Sp	1
27	<u>47589919306</u>	Pnl, Bty, Rr, Mt Black, Sp	1
28	<u>47589919307</u>	Pnl, Bty, Rr, Mt Mocha, Sp	1
29	<u>47589919308</u>	Pnl, Bty, Rr, Mt Prl Blue, Sp	1
30	<u>47589919309</u>	Pnl, Bty, Rr, Mt Atc Orng, Sp	1
31	<u>47589919310</u>	Pnl, Bty, Rr, Mt Syn Grn, Sp	1
32	<u>47589919311</u>	Pnl, Bty, Rr, Mt Beige, Sp	1
33	<u>47589919312</u>	Pnl, Bty, Rr, Flt White, Sp	1
34	<u>47589919313</u>	Pnl, Bty, Rr, Flt Beige, Sp	1
35	<u>47589919314</u>	Pnl, Bty, Rr, Flt Green, Sp	1
36	<u>SVP915201</u>	Panel-access-lite Hole Cut Out	1

Note: Item 7 is for use on vehicles without an onboard charger. Item 8 and 36 are for use on vehicles with optional onboard chargers.

1
E

1

E



001046-002

CLUB AND BALL CLEANER KIT

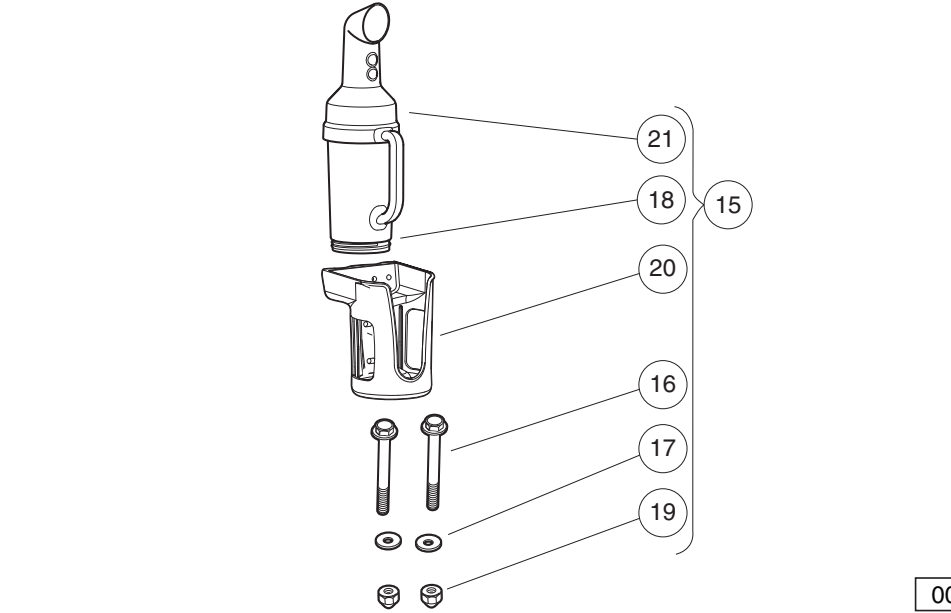
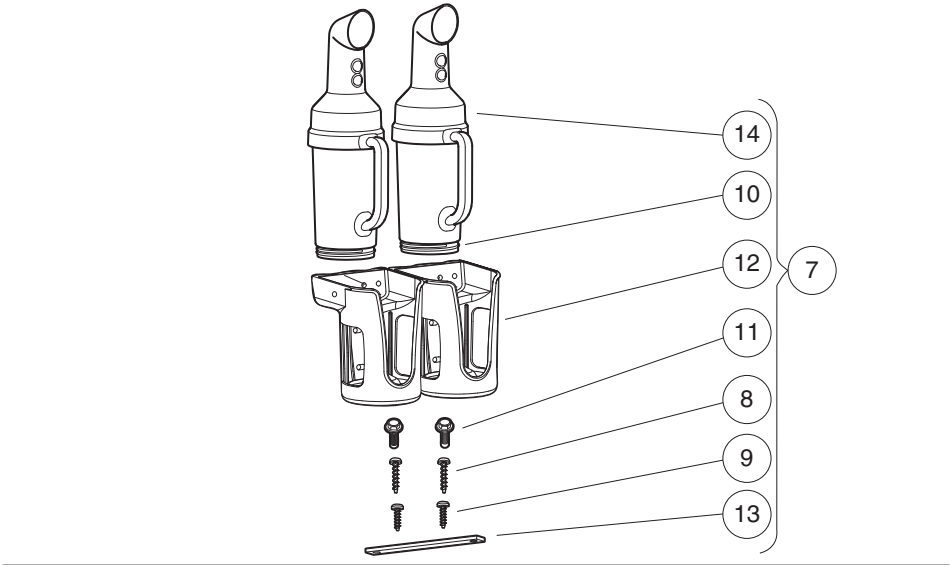
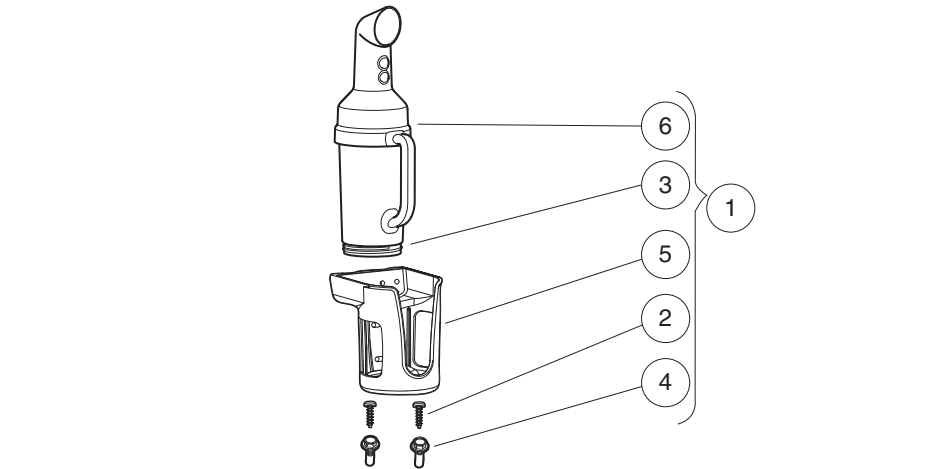
ITEM	PART NO.	DESCRIPTION	QTY
		1 2 3 4	
1	<u>102538803</u>	Ball Washer (includes items 2 through 7)	1
2	<u>1010436</u>	Bumper, Rubber	1
3	<u>102297230</u>	Screw, M6, Torx, Interlock Thread	2
4	<u>102541401</u>	Bolt-m6x1.0x20 Hex Flhd Blk-l	2
5	<u>103662801</u>	Washer, Ball, Black	1
6	<u>103994101</u>	Bracket, Ball Washer	1
7	1620	Screw, #10-16 X 0.75 Pan-Head Tap	4
8	<u>AM1231201</u>	Drain Plug, Club Clean	1
9	<u>AM1292101</u>	Drain Plug, Ball Washer, Tabbed	1

1

E

1

E



001048-002

SAND BOTTLE KITS WITH HANDLES

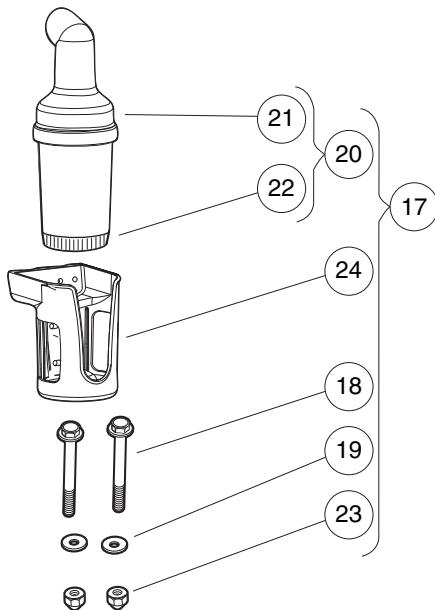
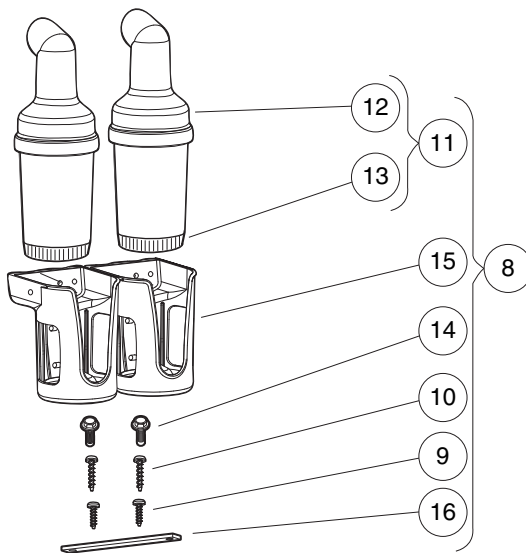
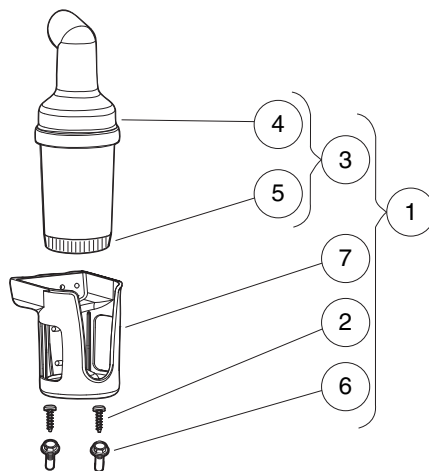
ITEM	PART NO.	DESCRIPTION	QTY
		1 2 3 4	
1	105291701	Kit, Hndl Sand Bttl, Sam, Sngl (includes items 2 through 6)	1
2	<u>102297230</u>	Screw, M6, Torx, Interlock Thread	2
3	<u>102478101</u>	Cap, Sand Bottle, Bottom-Fill	1
4	<u>102541425</u>	Bolt, M6x1.0x25, Hex Flhd, Blk-l	2
5	<u>103451301</u>	Basket, Sand Bottle	1
6	<u>105284001</u>	Sand Bottle Asm - Handled	1
7	105291702	Kit, Hndl Sand Bttl, Sam, Dual (includes items 8 through 14)	1
8	<u>102296020</u>	Screw-torx Pan Head Pt, M6x20	2
9	<u>102297230</u>	Screw, M6, Torx, Interlock Thread	2
10	<u>102478101</u>	Cap, Sand Bottle, Bottom-Fill	2
11	<u>102541425</u>	Bolt, M6x1.0x25, Hex Flhd, Blk-l	2
12	<u>103451301</u>	Basket, Sand Bottle	2
13	<u>103451401</u>	Link, Dual Basket	1
14	<u>105284001</u>	Sand Bottle Asm - Handled	2
15	<u>105291703</u>	Kit, Hndl Sand Bttl, Strt (includes items 16 through 21)	1
16	<u>102296150</u>	Bolt - M6x1.0x50 Hex Flng Hd	2
17	<u>102296301</u>	Washer, M6x18x1.6 Flat	2
18	<u>102478101</u>	Cap, Sand Bottle, Bottom-Fill	1
19	<u>102582401</u>	Cap Nut M6, Sp	2
20	<u>103451301</u>	Basket, Sand Bottle	1
21	<u>105284001</u>	Sand Bottle Asm - Handled	1
		Note: Sand bottle assembly is supplied with sand bottle cap.	

1

E

1

E



001048-001

SAND BOTTLE KITS

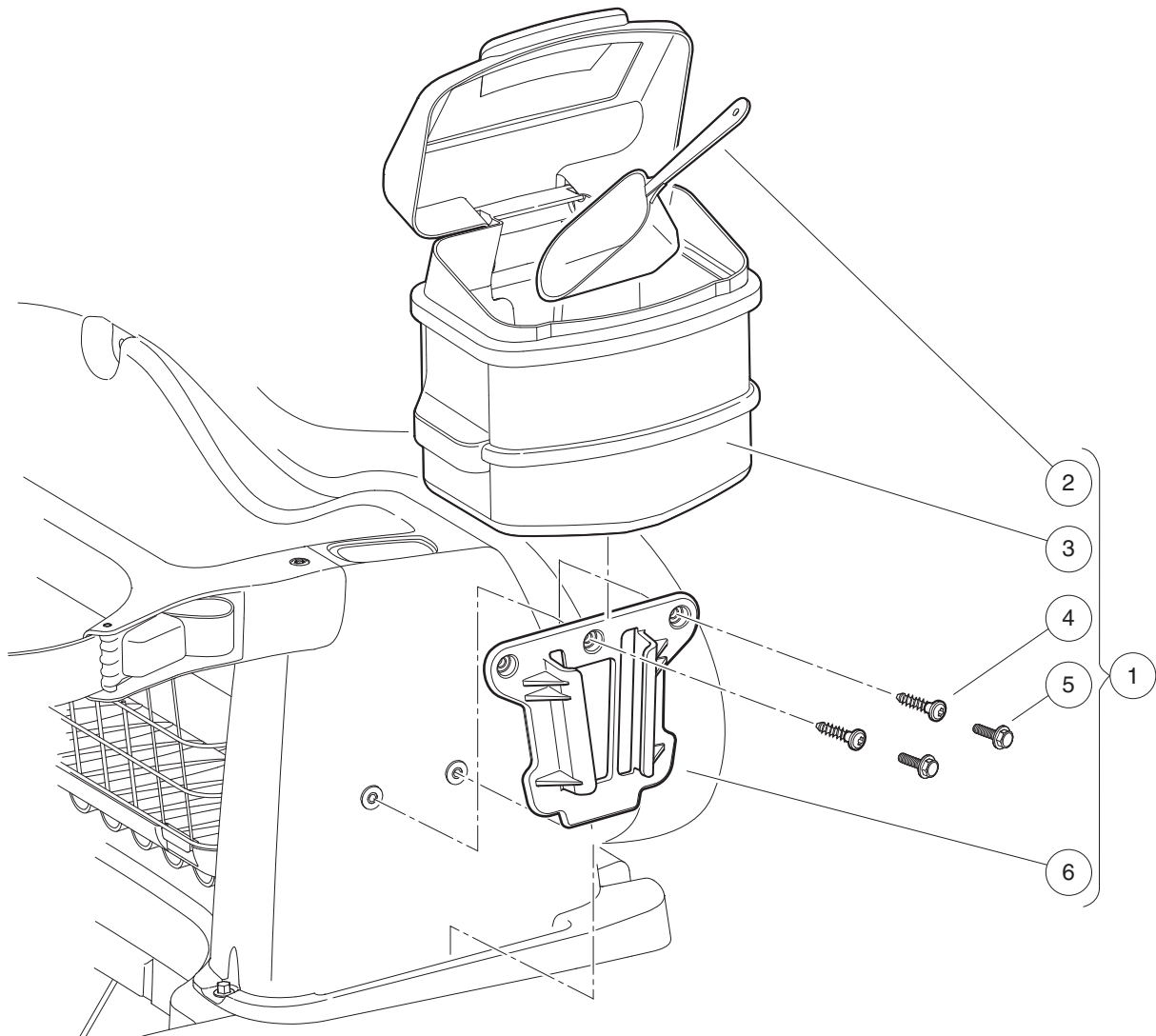
ITEM	PART NO.	DESCRIPTION	QTY
		1 2 3 4	
1	<u>103451901</u>	Kit, Sand Bottle, Sam, Single (includes items 2 through 7)	1
2	<u>102297230</u>	Screw, M6, Torx, Interlock Thread	2
3	<u>102478201</u>	Asm, Sand Bottle, Bottom-Fill, Curve/Grip Neck (includes items 4 and 5)	1
4	N/A	Sand Bottle, Bottom-Fill, Curve/Grip Neck	1
5	<u>102478101</u>	Cap, Sand Bottle, Bottom-Fill	1
6	<u>102541425</u>	Bolt, M6x1.0x25, Hex Flhd, Blk-l	2
7	<u>103451301</u>	Basket, Sand Bottle	1
8	<u>103451902</u>	Kit, Sand Bottle, Sam, Dual (includes items 9 through 16)	1
9	<u>102296020</u>	Screw, Torx Pan Hd Pt, M6 X 20	2
10	<u>102297230</u>	Screw, M6, Torx, Interlock Thread	2
11	<u>102478201</u>	Asm, Sand Bottle, Bottom-Fill, Curve/Grip Neck (includes items 12 and 13)	2
12	N/A	Sand Bottle, Bottom-Fill, Curve/Grip Neck	1
13	<u>102478101</u>	Cap, Sand Bottle, Bottom-Fill	1
14	<u>102541425</u>	Bolt, M6x1.0x25, Hex Flhd, Blk-l	2
15	<u>103451301</u>	Basket, Sand Bottle	2
16	<u>103451401</u>	Link, Dual Basket	1
17	<u>103451903</u>	Kit, Sand Bottle, Strut (includes items 18 through 24)	1
18	<u>102296150</u>	Bolt - M6x1.0x50 Hex Flng Hd	2
19	<u>102296301</u>	Washer, M6x18x1.6 Flat	2
20	<u>102478201</u>	Asm, Sand Bottle, Bottom-Fill, Curve/Grip Neck (includes items 21 and 22)	1
21	N/A	Sand Bottle, Bottom-Fill, Curve/Grip Neck	1
22	<u>102478101</u>	Cap, Sand Bottle, Bottom-Fill	1
23	<u>102582401</u>	Cap Nut M6, Sp	2
24	<u>103451301</u>	Basket, Sand Bottle	1

1

E

1

E



001047-001

SAND BUCKET KITS

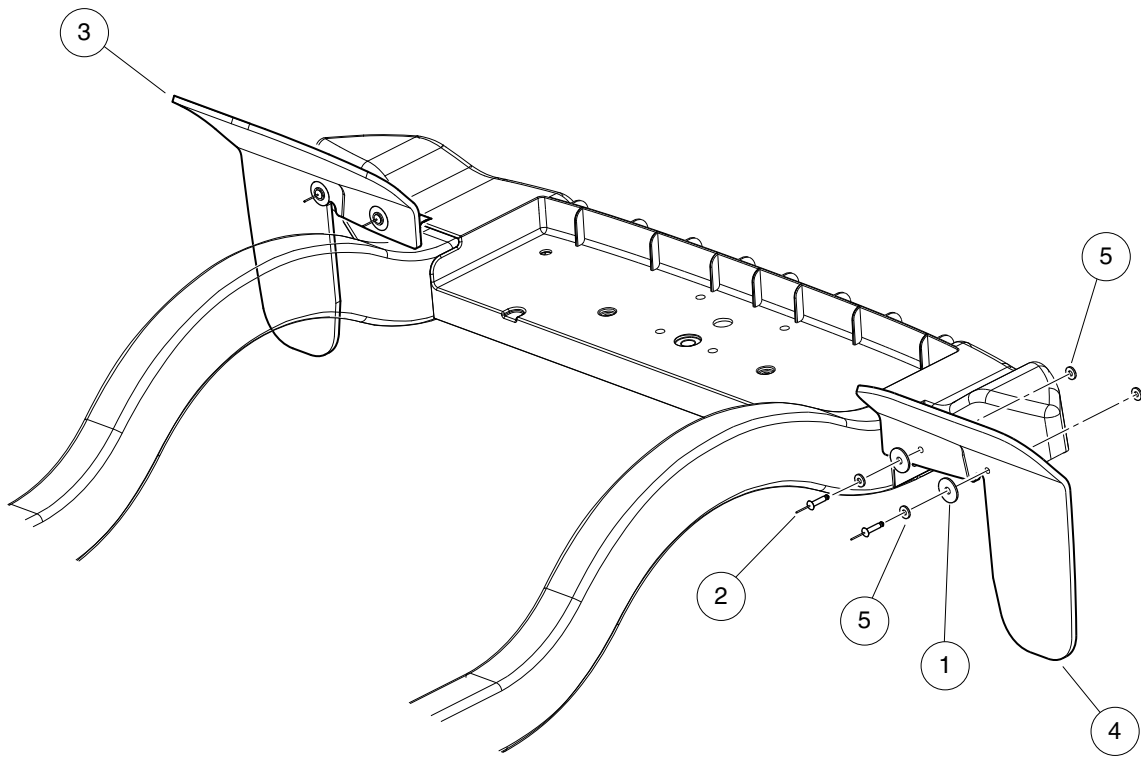
ITEM	PART NO.	DESCRIPTION	QTY
		1 2 3 4	
1	<u>102536103</u>	Sand Bucket Instl, Field (includes items 2 through 6)	1
2	<u>1017041</u>	Scoop, Plastic Sand	1
3	<u>101985201</u>	Bucket Assy, Sand	1
4	<u>102297230</u>	Screw, M6, Torx, Interlock Thread	2
5	<u>102541401</u>	Bolt-m6x1.0x20 Hex Flhd Blk-l	2
6	<u>103886801</u>	Accessory Bracket	1

1

E

1

E



001049-001

MUD FLAPS

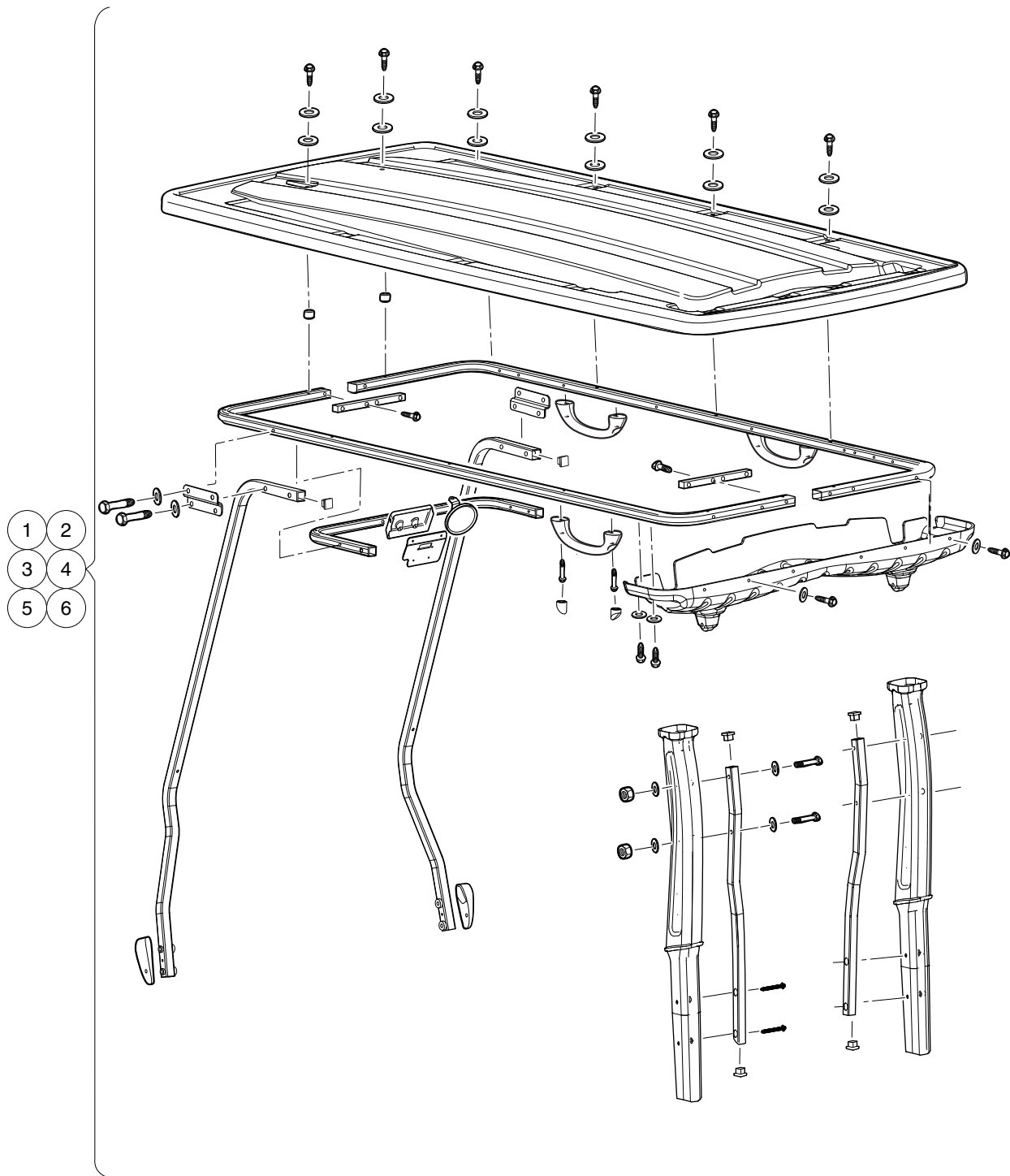
ITEM	PART NO.	DESCRIPTION	QTY
		1 2 3 4	
1	<u>1014306</u>	Washer, 1/4" Type B Flat	4
2	<u>101968801</u>	Rivet, 3/16", Pop	4
3	<u>105059901</u>	Mud Flaps, Rear, Black, Pass	1
4	<u>105059902</u>	Mud Flaps, Rear, Black, Drv	1
5	<u>183</u>	Washer, #10, Type A, Flat	8

1

E

1

E



001033-001

CANOPY AND STRUTS – PAGE 1 OF 7

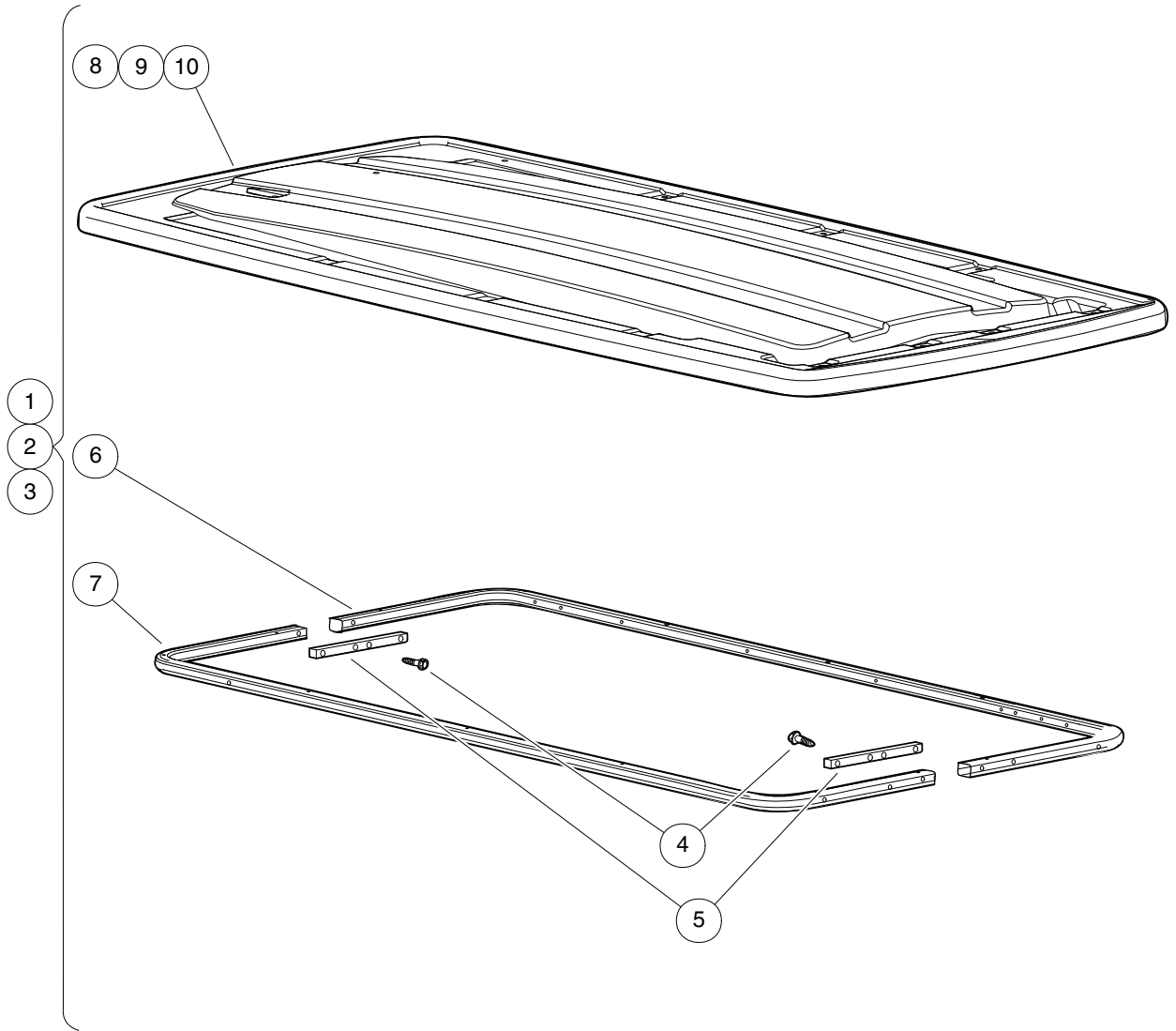
ITEM	PART NO.	DESCRIPTION	QTY
		1 2 3 4	
1	<u>105055601</u>	Kit, Canopy, White, w/Visage	1
2	<u>105055602</u>	Kit, Canopy, White, w/o Visage	1
3	<u>105055603</u>	Kit, Canopy, Beige, w/Visage	1
4	<u>105055604</u>	Kit, Canopy, Beige, w/o Visage	1
5	<u>105055605</u>	Kit, Canopy, Black, w/Visage	1
6	<u>105055606</u>	Kit, Canopy, Black, w/o Visage	1
<p>Note: The kits listed above include canopy, struts and hardware. See following pages for a breakdown of parts that constitute these kits.</p>			

1

E

1

E



001034-001

CANOPY AND STRUTS – PAGE 2 OF 7

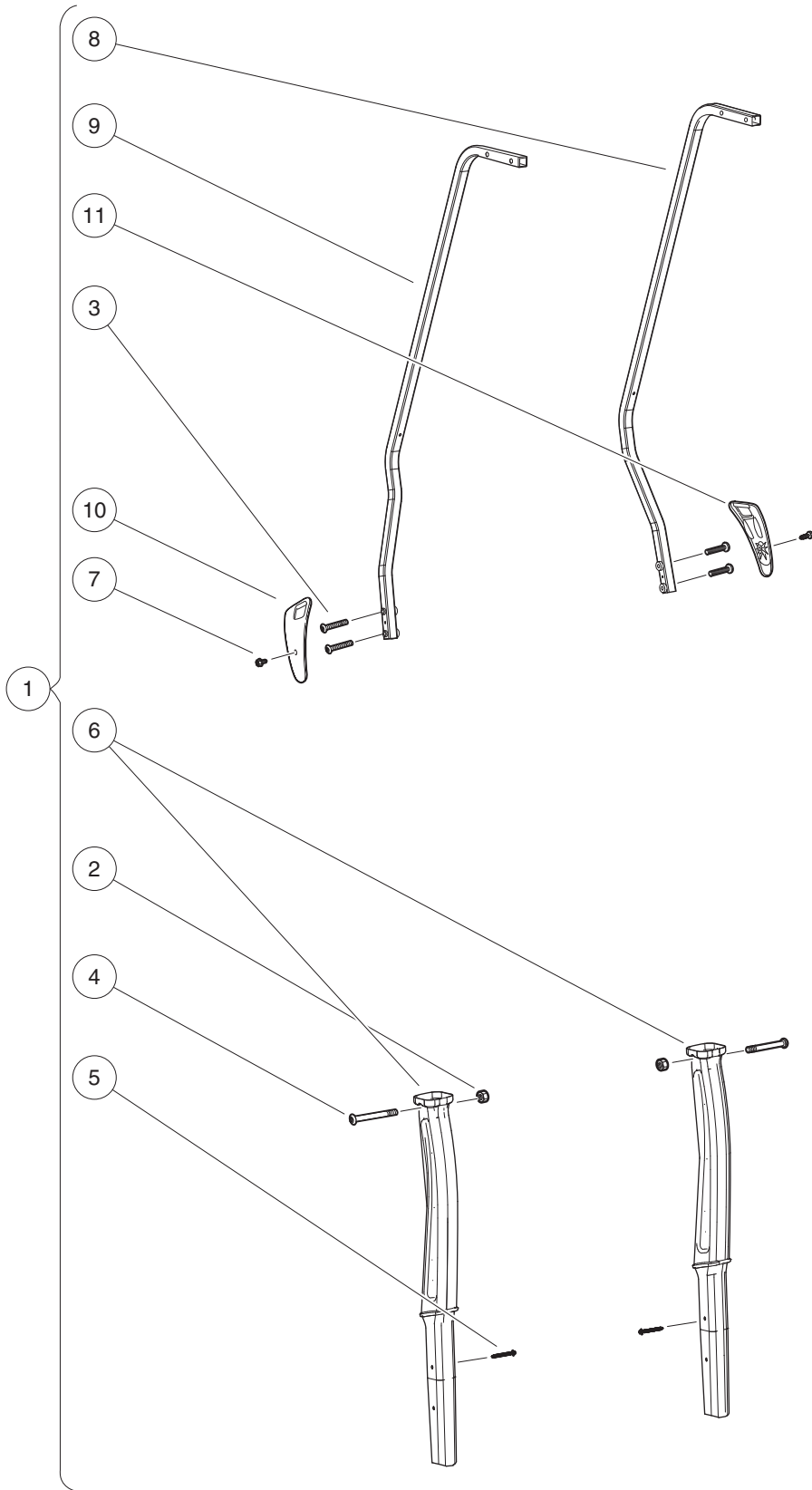
ITEM	PART NO.	DESCRIPTION	QTY
		1 2 3 4	
1	<u>105233601</u>	Kit, Canopy, White	1
2	<u>105233602</u>	Kit, Canopy, Beige	1
3	<u>105233603</u>	Kit, Canopy, Black (includes items 4 through 10)	1
4	<u>1012285</u>	Screw, 1/4 X 0.625 Hex-Head	8
5	N/A	Bar, Splice, Long	2
6	<u>103825401</u>	Frame Half, Cpy, Rh	1
7	<u>103825501</u>	Frame Half, Cpy, Lh	1
8	<u>105053101</u>	Canopy, 4fun, White	1
9	<u>105053102</u>	Canopy, 4fun, Beige	1
10	<u>105053103</u>	Canopy, 4fun, Black	1

1

E

1

E



001035-003

CANOPY AND STRUTS – PAGE 3 OF 7

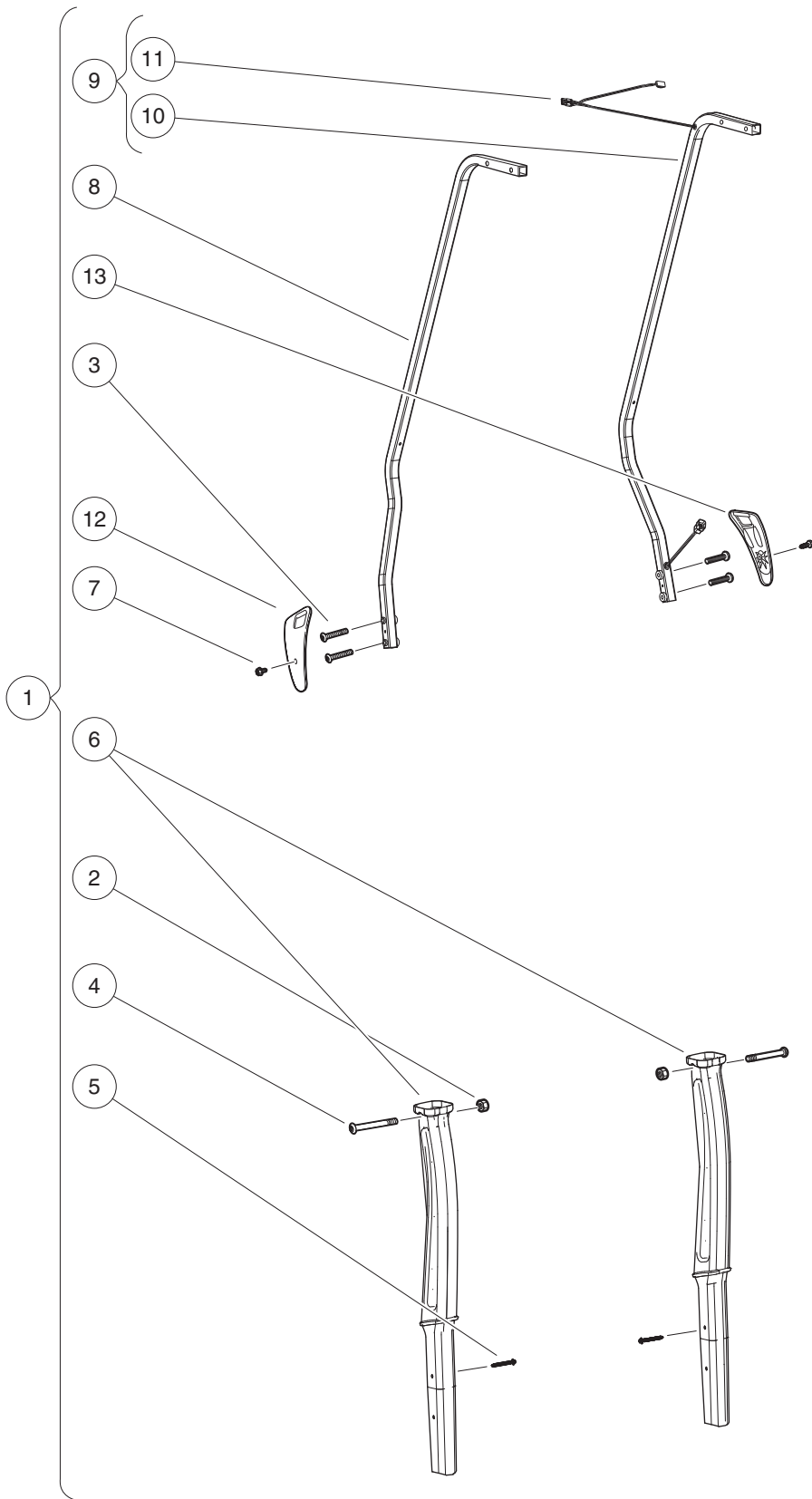
ITEM	PART NO.	DESCRIPTION	QTY
		1 2 3 4	
1	<u>105233303</u>	Kit, Struts (includes items 2 through 11)	1
2	<u>102298401</u>	Nut, M8, All Metal Lock	2
3	<u>102299065</u>	M8-1.25 X 65 Tx Bttn Hd Bolt	4
4	<u>102299360</u>	Screw, M8-1.25 X 60, Sems, Tx	2
5	<u>102299601</u>	Screw, Pt, K80x70 Hex Flg Hd	2
6	<u>102513501</u>	Asm-rear Canopy Support	2
7	<u>102544201</u>	Screw, M6 Hex	2
8	<u>103750001</u>	Strut, Canopy Front, Passenger-side	1
9	<u>103750101</u>	Strut, Canopy Front, Driver-side	1
10	<u>47589920001</u>	Cover, Strut, LH, Topped	1
11	<u>47589920002</u>	Cover, Strut, RH, Topped	1

1

E

1

E



001035-004

CANOPY AND STRUTS – PAGE 4 OF 7

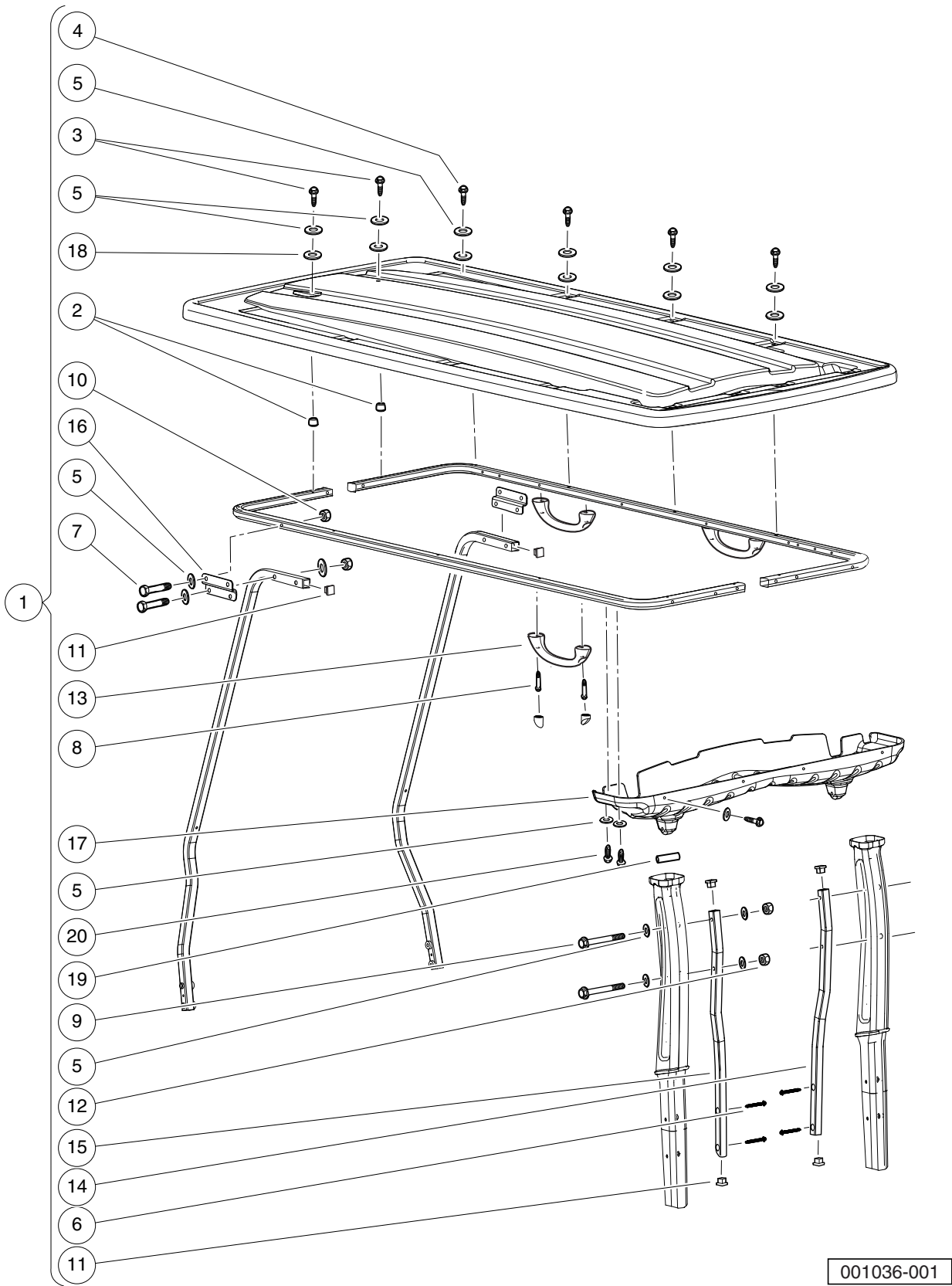
ITEM	PART NO.	DESCRIPTION	QTY
		1 2 3 4	
1	<u>105233304</u>	Kit, Struts (includes items 2 through 13)	1
2	<u>102298401</u>	Nut, M8, All Metal Lock	2
3	<u>102299065</u>	M8-1.25 X 65 Tx Bttn Hd Bolt	4
4	<u>102299360</u>	Screw, M8-1.25 X 60, Sems, Tx	2
5	<u>102299601</u>	Screw, Pt, K80x70 Hex Flg Hd	2
6	<u>102513501</u>	Asm-rear Canopy Support	2
7	<u>102544201</u>	Screw, M6 Hex	2
8	<u>103750101</u>	Strut, Canopy Front, Driver-side	1
9	<u>103775201</u>	Asm, Strut, Canopy Front, Passenger-side, V2 (includes items 10 and 11)	1
10	<u>103750001</u>	Strut, Canopy Front, Passenger-side	1
11	<u>103775601</u>	Harness, Canopy Mount, V2	1
12	<u>47589920001</u>	Cover, Strut, LH, Topped	1
13	<u>47589920002</u>	Cover, Strut, RH, Topped	1

1

E

1

E



001036-001

CANOPY AND STRUTS – PAGE 5 OF 7

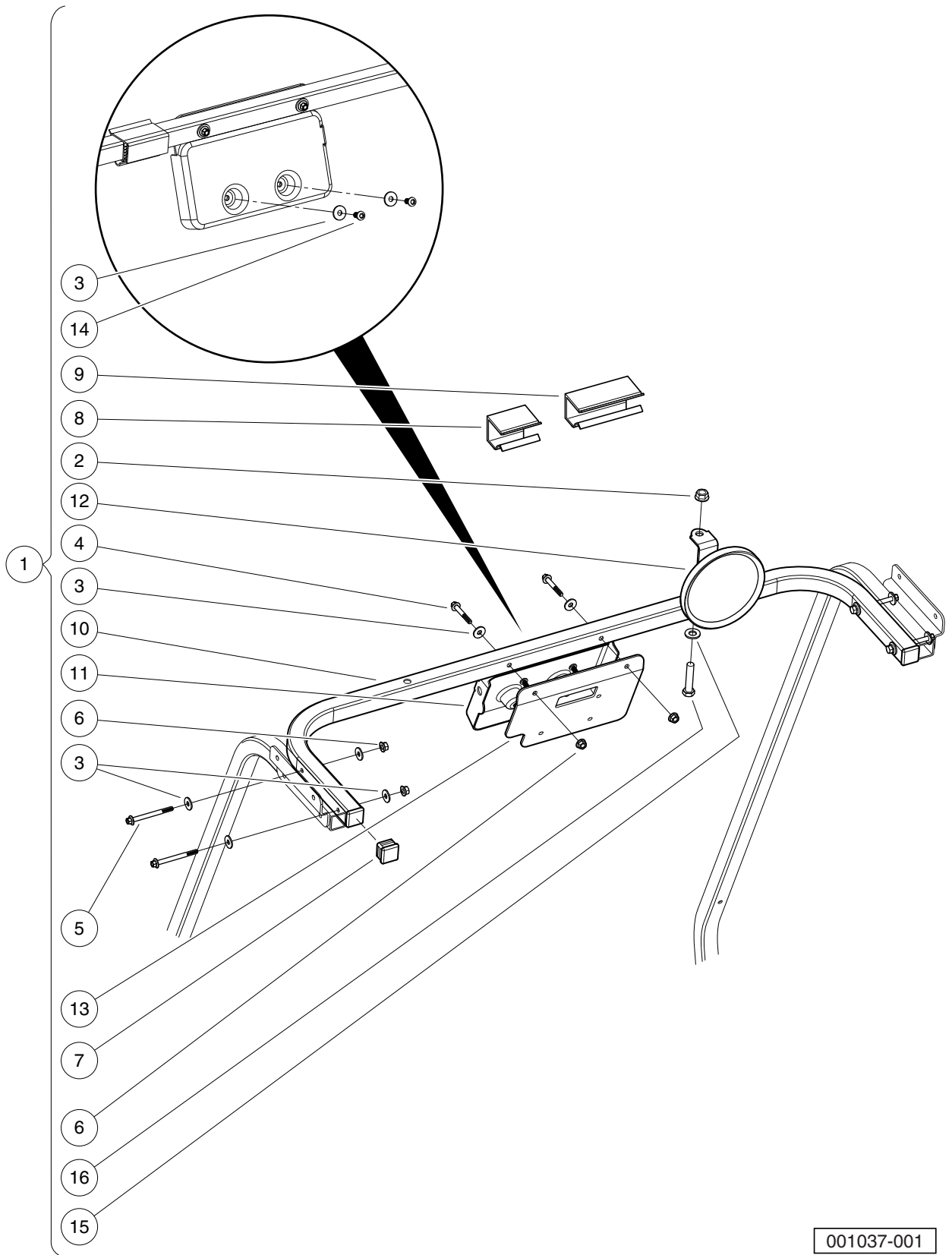
ITEM	PART NO.	DESCRIPTION	QTY
		1 2 3 4	
1	<u>103825601</u>	Kit, Hardware, Prec Stretch/4Fun Canopy (includes items 2 through 20)	1
2	N/A	Cushion, Shock Absorber	2
3	1016916	Screw, 1/4-20 X 1.50 Hex-Head Cap	2
4	<u>101954301</u>	Screw, 1/4-20 X 0.75 Hex-Head Cap	12
5	<u>102296301</u>	Washer, M6x18x1.6 Flat	32
6	<u>102299601</u>	Screw, Pt, K80x70 Hex Flg Hd	4
7	<u>102541402</u>	Bolt, M6x1.0x40, Hex Flange Head, Blk-l	8
8	<u>102541425</u>	Bolt, M6x1.0x25, Hex Flhd, Blk-l	6
9	<u>102541465</u>	Bolt, M 6 X 1.0 X 65 Hex, Flange, Head, Black	4
10	<u>102541501</u>	Nut-m6x1.0 Fl Mtl Lock,blk	8
11	<u>102581201</u>	Plug, Square - 25.4 mm	6
12	<u>102582401</u>	Cap Nut M6, Sp	4
13	<u>103367101</u>	Hand Hold, Canopy, Plastic	3
14	103722801	Strut L, Spt Cpy, Solar	1
15	103722802	Strut R, Spt Cpy, Solar	1
16	<u>103825201</u>	Bracket- Canopy	2
17	<u>103826101</u>	Tray, Drain	1
18	<u>103844301</u>	Washer, Sealing, 0.25 X 1.50	14
19	103874001	Spacer, Str Prec, Canopy Drain	2
20	<u>105114601</u>	Screw, 1/4-20 X .5 Bhcs, Blk	8

1

E

1

E



CANOPY AND STRUTS – PAGE 6 OF 7

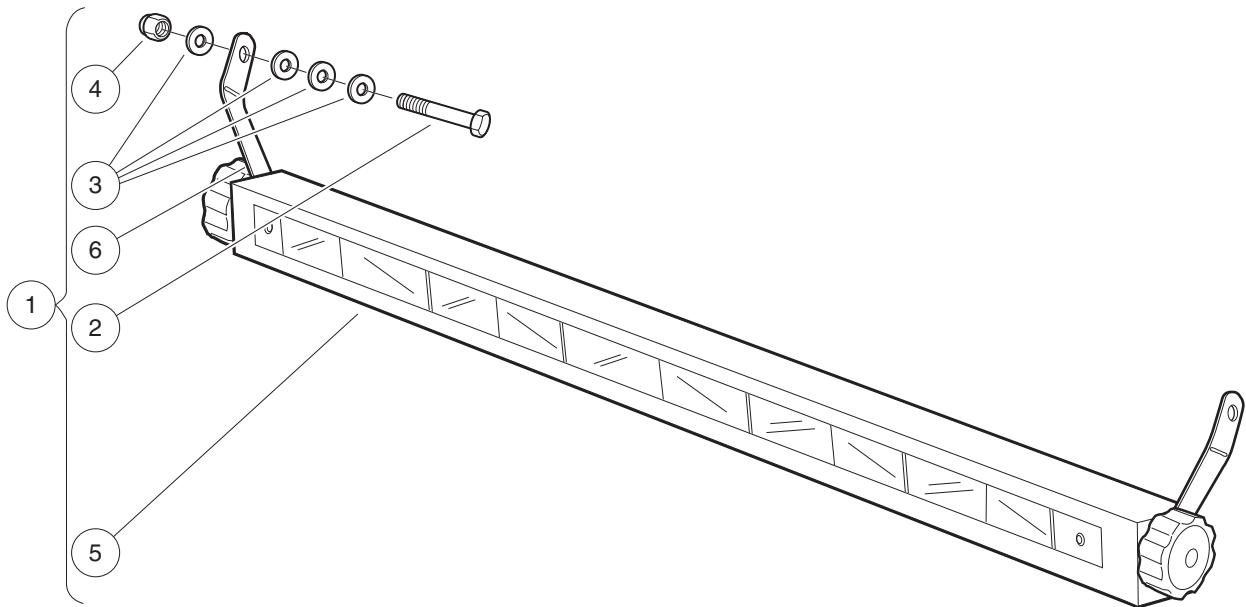
ITEM	PART NO.	DESCRIPTION	QTY
		1 2 3 4	
1	<u>105056001</u>	Kit, Visage and Mirror, Canopy (includes items 2 through 16)	1
2	<u>102065901</u>	Locknut, 3/8-16 Flanged Dimple	1
3	<u>102296301</u>	Washer, M6x18x1.6 Flat	12
4	<u>102541402</u>	Bolt, M6x1.0x40, Hex Flange Head, Blk-l	2
5	<u>102541465</u>	Bolt, M 6 X 1.0 X 65 Hex, Flange, Head, Black	4
6	<u>102541501</u>	Nut-m6x1.0 Fl Mtl Lock,blk	6
7	<u>102581201</u>	Plug, Square - 25.4 mm	2
8	<u>103743604</u>	Clip, Wndshld, Ds Lsv, 60mm	1
9	<u>103743605</u>	Clip, Wndshld, 4fun, 112mm	1
10	<u>105051301</u>	Tube, Mounting	1
11	<u>105051401</u>	Cover, Visage	1
12	<u>105053401</u>	Mirror	1
13	<u>105054001</u>	Plate, Mount	1
14	<u>105114601</u>	Screw, 1/4-20 X .5 Bhcs, Blk	4
15	<u>334</u>	Washer, 3/8, Type A, Flat	1
16	<u>8861</u>	Bolt, 3/8-16 X 1.75 Hex	1

1

E

1

E



000720-004

CANOPY AND STRUTS – PAGE 7 OF 7

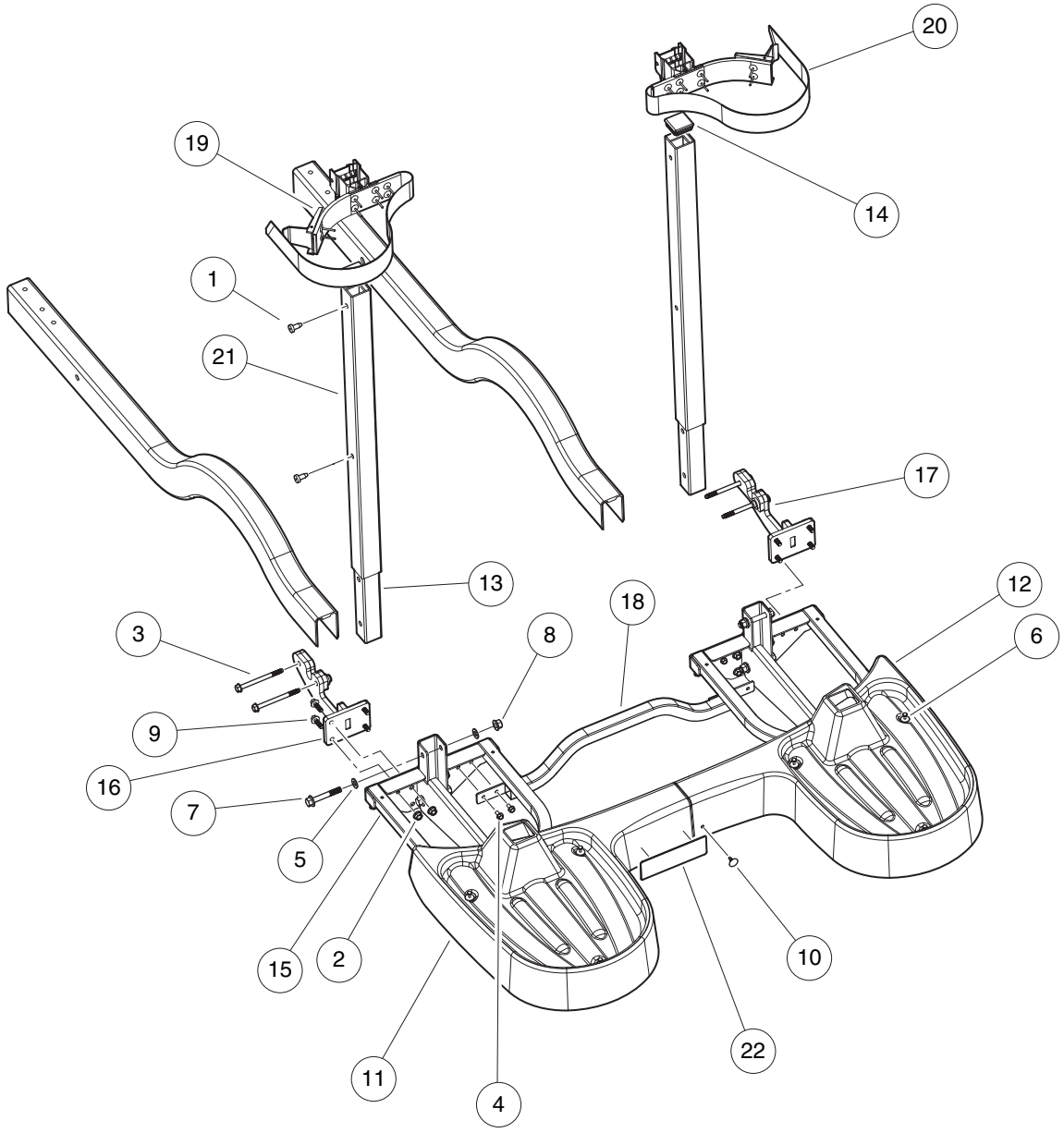
ITEM	PART NO.	DESCRIPTION	QTY
		1 2 3 4	
1	<u>105288901</u>	Mirror Kit, Wink (includes items 2 through 6)	1
2	105313801	Brkt, Mirror, 5 Panel, Mtg	2
3	<u>332</u>	Washer, 1/4 Type A Narrow Flat	8
4	<u>7311</u>	Screw, 1/4-20 X 2.00 Hex-Head Cap	2
5	<u>8233</u>	Locknut, 1/4-20, Nylon Insert	2
6	<u>AM10092</u>	ICS 5-Panel Mirror	1

1

E

1

E



001038-001

BAGWELL

ITEM	PART NO.	DESCRIPTION	QTY
		1 2 3 4	
1	<u>1010436</u>	Bumper, Rubber	8
2	<u>102298401</u>	Nut, M8, All Metal Lock	8
3	<u>102534201</u>	Bolt - Fl Hd, M8 X 95	4
4	<u>102618001</u>	Screw Tapping, M6x1x12.0	4
5	<u>102718101</u>	Washer, Hard, M10, Zn-Ni/Blk	8
6	<u>102967901</u>	Rivet, Removable, Tuflok 1/4"	6
7	<u>102988701</u>	Bolt, Flanged, M10 X 1.5 X 65	4
8	<u>103216401</u>	Nut, Flanged, M10 x 1.5, Black	4
9	<u>103262201</u>	Bolt Flg Blk, M8 X 25, Loctite	8
10	<u>103978801</u>	Barrel-push 6mm	1
11	<u>105050201</u>	Bagwell, Drv	1
12	<u>105050301</u>	Bagwell, Pass	1
13	<u>105050401</u>	Tube, 1 1/2 Sq	2
14	<u>105050801</u>	Cap, Tube, 1-3/4"sq	2
15	<u>105051001</u>	Wldmt, Bag Deck	2
16	<u>105051101</u>	Wldmnt, Sup, Bg Dk, Drv	1
17	<u>105051102</u>	Wldmnt, Sup, Bg Dk, Pass	1
18	<u>105051501</u>	Wldmnt, Cross Tube	1
19	<u>105053501</u>	Asm, Bag Hoop, Drv	1
20	<u>105053601</u>	Asm, Bag Hoop, Pass	1
21	<u>105053801</u>	Tube, Vertical Cover	2
22	<u>105076501</u>	Decal, Warning	1

1

E

1

E

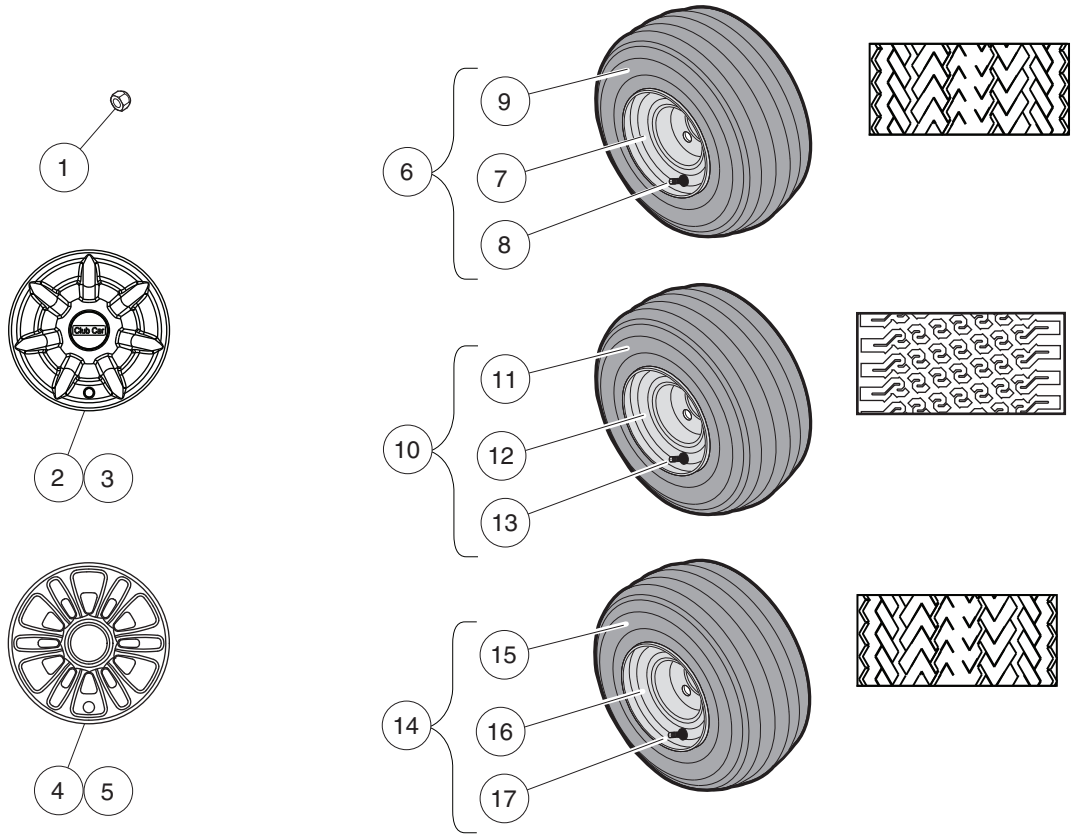
WHEELS AND TIRES

2

E

2

E



000474-011

STEEL WHEELS AND TIRES

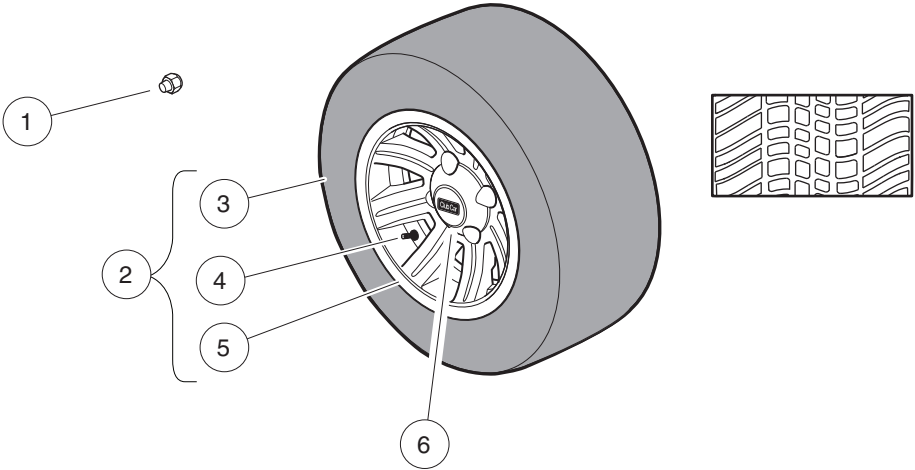
ITEM	PART NO.	DESCRIPTION	QTY
		1 2 3 4	
1	<u>1010984</u>	.500-20 Unf Lug Nut	16
2	<u>102559901</u>	Hub Cap Kit (includes item 3)	1
3	<u>103694501</u>	Hub Cap, 7 Prong	4
4	<u>102559902</u>	Kit, Wheel Cover, 12 Spk (includes item 5)	1
5	<u>105142401</u>	Wheel Cover, 12 Spk, 8", Slvr	4
6	<u>103951001</u>	Assembly, Silver Wheel Kenda, Hn1 4ply (includes items 7 through 9)	4
7	<u>103459104</u>	Wheel Rim, 8"x7", Silver, Std	1
8	<u>7310</u>	Valve Stem, Black Plastic	1
9	<u>AM10682</u>	Unmounted Prem Tire 18x8.50x8	1
10	<u>103951002</u>	Assembly, Silver Wheel Kenda, X/t 6ply (includes items 11 through 13)	4
11	<u>102569302</u>	Tire, Kenda, 18x8.5-8, 6-ply Xtr	1
12	<u>103459104</u>	Wheel Rim, 8"x7", Silver, Std	1
13	<u>7310</u>	Valve Stem, Black Plastic	1
14	<u>103951007</u>	Assembly, Silver Wheel Kenda, Radial (includes items 15 through 17)	4
15	<u>102569311</u>	Tire, Kenda, 18x8.5 R8, 4-ply	1
16	<u>103459104</u>	Wheel Rim, 8"x7", Silver, Std	1
17	<u>7310</u>	Valve Stem, Black Plastic	1

2

E

2

E



000475-008

ALLOY WHEEL AND TIRES

ITEM	PART NO.	DESCRIPTION	QTY
		1 2 3 4	
1	<u>102540701</u>	Lug Nut, 1/2" Closed End	16
2	<u>47605157001</u>	Wheel Assy, 10", 5 Spoke (includes items 3 through 6)	4
3	<u>102556701</u>	Tire, Pro Tour, 205-50 X 10	1
4	<u>103832401</u>	Valve Stem With Cap, Chrome	1
5	<u>47597567001</u>	Rim, Aluminum 10x6, 5 Spoke	1
6	<u>47603573001</u>	Cap, Center	1

2

E

2

E

DECALS

3

E



3

E

WARNING

FALLING OFF CAN RESULT IN SERIOUS INJURY OR DEATH

- Two (2) persons per bench seat maximum.
- One (1) person per bucket seat maximum.
- Remain seated with entire body inside vehicle and hold on to seat handle or handrail at all times.
- Do not leave children unattended on vehicle at anytime.


101705701

1

WARNING

ROLLOVER OR FALLING OFF MAY CAUSE SERIOUS INJURY OR DEATH.

- Before using vehicle, read operating instructions.
- Do not start vehicle until all occupants are seated.
- Keep entire body inside vehicle while moving.
- Drive slowly in turns and straight up and down slopes.
- Use brakes to reduce speed when coasting downhill.
- Never operate under the influence of alcohol or drugs.
- For use by authorized persons in designated areas only.
- Remain seated while moving.
- Operate from driver side only.
- Never operate on public roads.
- Hold on to seat handle while moving.
- Two (2) persons per seat maximum.
- Never stand in front of or behind vehicle.
- Do not leave children unattended on vehicle.



102518301



2

NOTICE

RISK OF ELECTRONIC COMPONENT DAMAGE

Do not expose electrical components to water. Water can cause damage to electrical components.

- Do not direct water stream in the area of this plate.
- See vehicle service manual before servicing.

103384601

3

WARNING

SHORTING OF THE BATTERY TERMINALS CAN CAUSE SERIOUS INJURY OR DEATH

When removing the component mounting plate, do not place directly on top of batteries




103384701

4

WARNING


SET THE RUN/TOW SWITCH TO TOW BEFORE:

- Towing this vehicle
- Extended storage
- Servicing the vehicle
- Disconnecting or connecting battery cables


BATTERY EXPLOSION CAN CAUSE SERIOUS INJURY

Read the vehicle service manual before servicing.


- Keep electronic components dry.
- The battery compartment is not a storage area. Do not keep items in battery compartment.
- Do not operate the vehicle without this plate correctly installed.



RUN



TOW



103384801

5

OPERATING INSTRUCTIONS

Before using vehicle, read owner's manual and vehicle safety warnings. Study and understand controls.

TO OPERATE

- Ensure wheels are turned in desired direction and path is clear.
- Turn key to ON position.
- Select FORWARD (F) or REVERSE (R) only when stopped.
- Release park brake fully.
- Vehicle will start moving when accelerator pedal is pressed.
- Slowly press accelerator pedal to increase speed.
- During operation, beeping alarm indicates reduction in motor braking.
- To stop, release accelerator pedal and press brake pedal.

WARNING

UNINTENDED VEHICLE MOVEMENT MAY CAUSE SEVERE INJURY OR DEATH. Before leaving vehicle:

- Engage park brake to lock wheels.
- Place vehicle in NEUTRAL.
- Turn key to OFF and remove key.



103783001

6

WARNING

FALLING OFF CAN CAUSE SERIOUS INJURY OR DEATH

Do not ride on rear of vehicle.




105076501

7

000441-014

DECALS – PAGE 1 OF 2

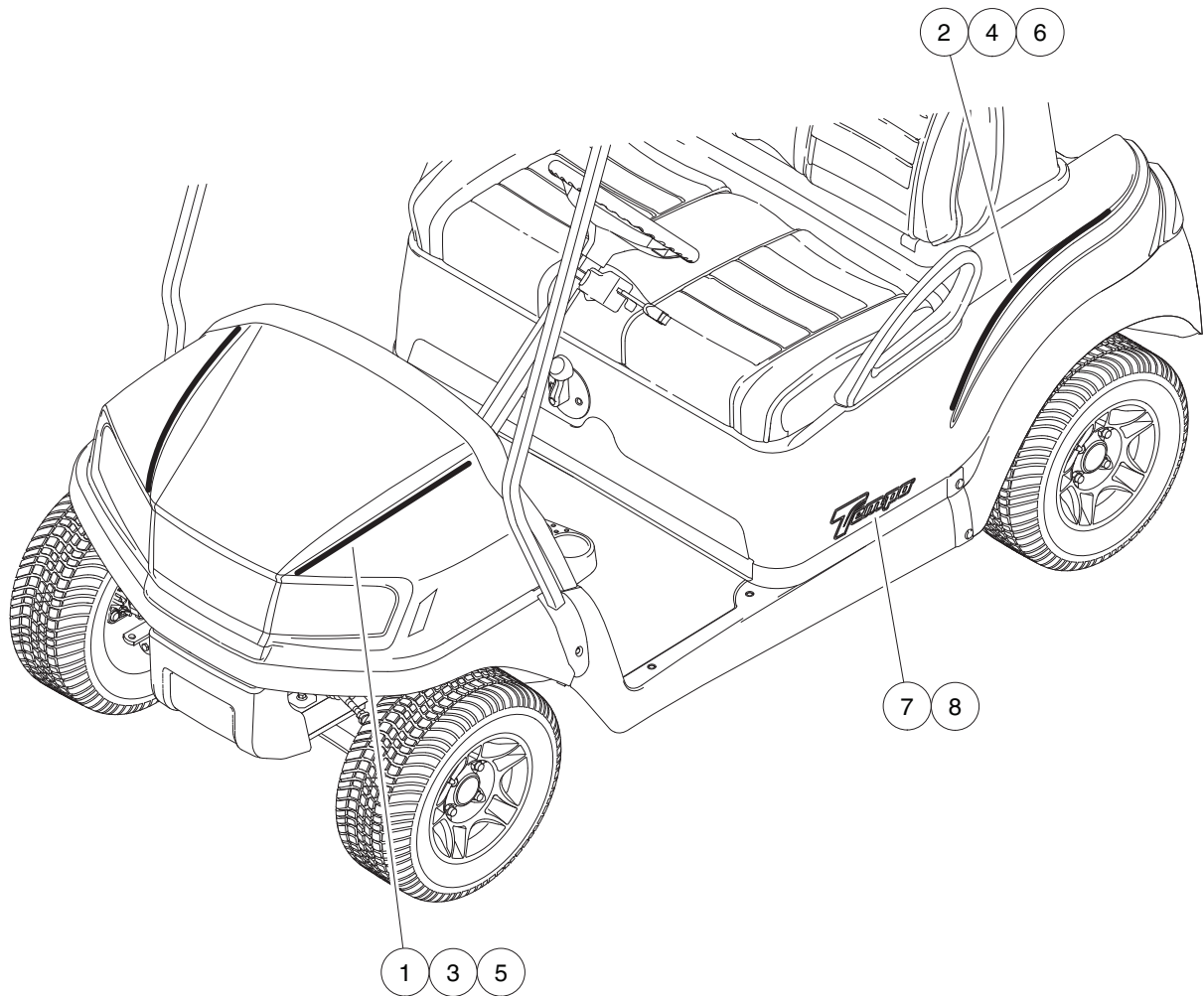
ITEM	PART NO.	DESCRIPTION	QTY
		1 2 3 4	
1	<u>101705701</u>	Decal, Warning	A/R
2	<u>102519301</u>	Decal, Warning, Rollover	A/R
3	<u>103384601</u>	Decal-water Exposure	A/R
4	<u>103384701</u>	Decal-warning, Short	A/R
5	<u>103384801</u>	Decal, Warning, RUN/TOW	A/R
6	<u>103783001</u>	Decal, Op Instr, Ele	A/R
7	<u>105076501</u>	Decal, Warning	A/R

3

E

3

E



000441-015

DECALS – PAGE 2 OF 2

ITEM	PART NO.	DESCRIPTION	QTY
		1 2 3 4	
1	<u>47614573001</u>	Stripe, Accent, Gold, Front	A/R
2	<u>47614573002</u>	Stripe, Accent, Gold, Rear	A/R
3	<u>47614573003</u>	Stripe, Accent, Black, Front	A/R
4	<u>47614573004</u>	Stripe, Accent, Black, Rear	A/R
5	<u>47614573005</u>	Stripe, Accent, Silver, Front	A/R
6	<u>47614573006</u>	Stripe, Accent, Silver, Rear	A/R
7	<u>47623580001</u>	Decal, Tempo, Gold	A/R
8	<u>47623580002</u>	Decal, Tempo, Silver	A/R
<p>Note: Items 1 through 6 are supplied as one each and are the same part number for driver and passenger side.</p>			

3

E

3

E

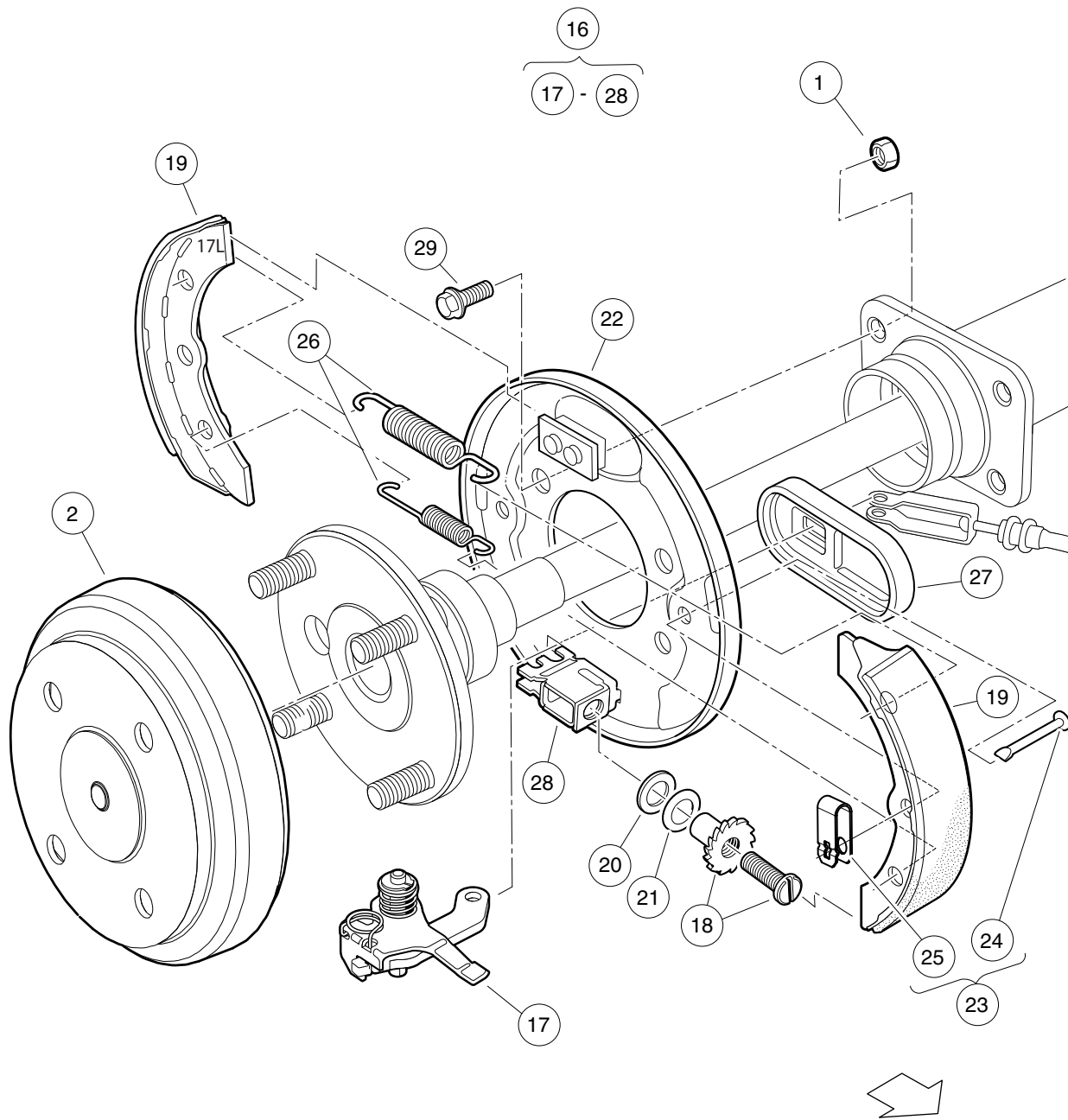
BRAKES AND PEDAL GROUP ASSEMBLIES

4

E

4

E



000186-006

REAR BRAKES, SELF-ADJUSTING

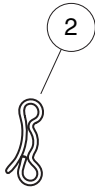
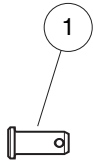
ITEM	PART NO.	DESCRIPTION	QTY
		1 2 3 4	
1	<u>1013924</u>	Nut, 5/16-24, Hex Head Cone	8
2	<u>101791101</u>	Drum without Center Hole, Brake	2
3	<u>103380201</u>	Asm, Brake Cluster, Mech, Drvr (includes items 4 through 15)	1
4	<u>101815502</u>	Lever Assembly, Self-Adjusting Brake, Left	1
5	<u>101816502</u>	Adjusting Mechanism, Self-Adjusting Brake, Left	1
6	<u>101823201</u>	Package, Brake Shoe, Self-Adjusting	1
7	<u>101823801</u>	Plate, Washer, Brake, Self-Adjusting	1
8	<u>101823901</u>	Washer, Brake, Self-Adjusting	1
9	<u>103483102</u>	Backing Plate, Driver-side	1
10	<u>103483201</u>	Kit, Shoe Retainer (includes items 11 and 12)	1
11	N/A	Pin	2
12	N/A	Spring, Shoe, Clamp	2
13	<u>103483401</u>	Package Brake Spring Self Adj	1
14	<u>103483601</u>	Cover, Dust	1
15	<u>103483701</u>	Brake Block	1
16	<u>103380202</u>	Asm, Brake Cluster, Mech, Pass (includes items 17 through 28)	1
17	<u>101815501</u>	Lever Assembly, Self-Adjusting Brake, Right (Passenger)	1
18	<u>101816501</u>	Adj Mechanism, S.A. Brakes, Right (Passenger)	1
19	<u>101823201</u>	Package, Brake Shoe, Self-Adjusting	1
20	<u>101823801</u>	Plate, Washer, Brake, Self-Adjusting	1
21	<u>101823901</u>	Washer, Brake, Self-Adjusting	1
22	<u>103483101</u>	Backing Plate, Passenger-side	1
23	<u>103483201</u>	Kit, Shoe Retainer (includes items 24 and 25)	1
24	N/A	Pin	2
25	N/A	Spring, Shoe, Clamp	2
26	<u>103483401</u>	Package Brake Spring Self Adj	1
27	<u>103483601</u>	Cover, Dust	1
28	<u>103483701</u>	Brake Block	1
29	<u>47542195001</u>	Bolt, Brake Cluster Mnt	8
		Note: Driver-side brake cluster items are not illustrated. Components have a similar appearance to passenger-side brake cluster.	

4

E

4

E



3



4



001041-001

BRAKE CABLES

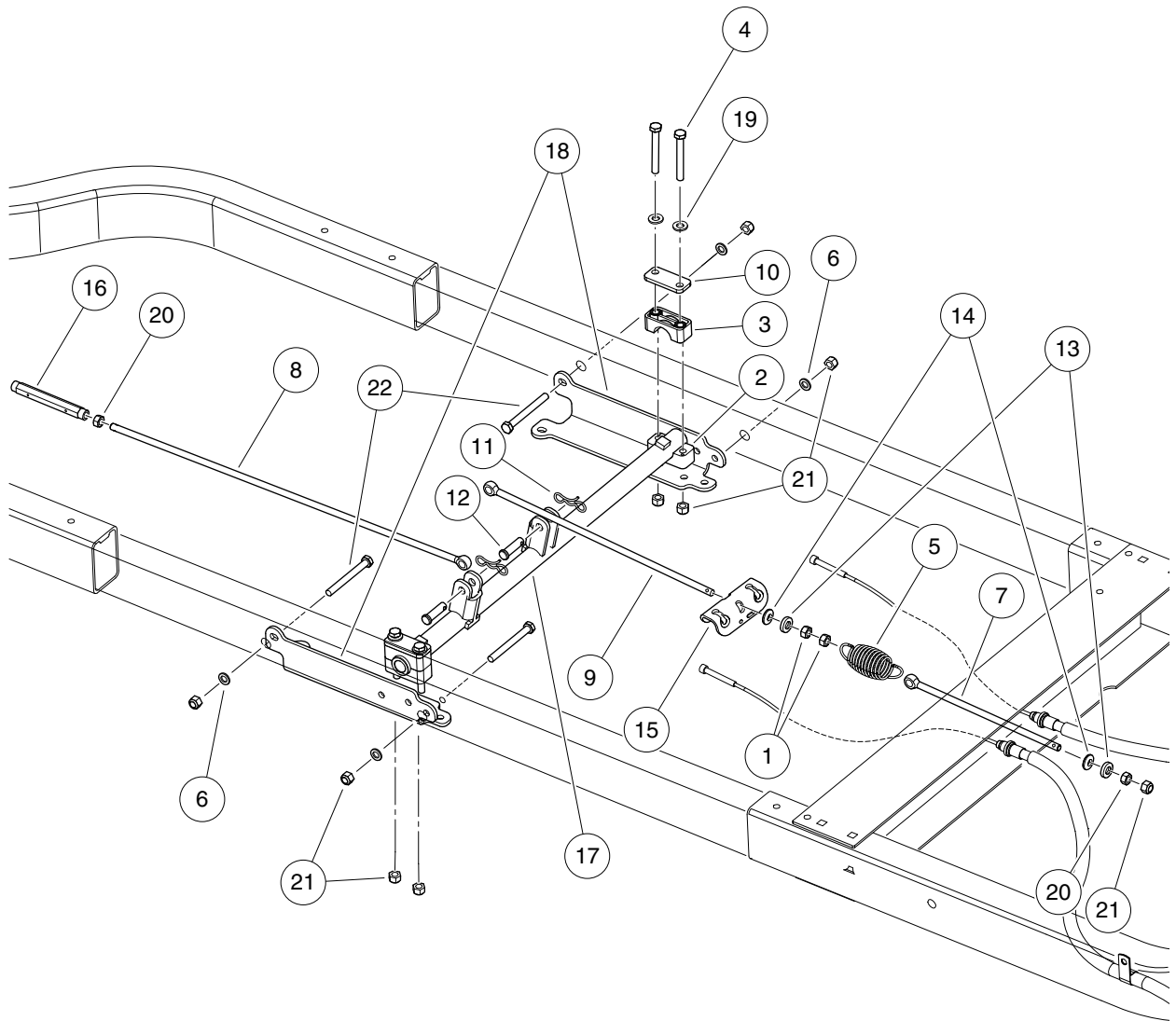
ITEM	PART NO.	DESCRIPTION	QTY
		1 2 3 4	
1	<u>1010829</u>	Pin, Clevis, 5/16 X 3/4	2
2	<u>102292801</u>	Pin, Bow Tie Locking - .072	2
3	N/A	Cable, Brake, Right	1
4	N/A	Cable, Brake, Left	1

4

E

4

E



001042-001

BRAKE LINKAGE AND EQUALIZER

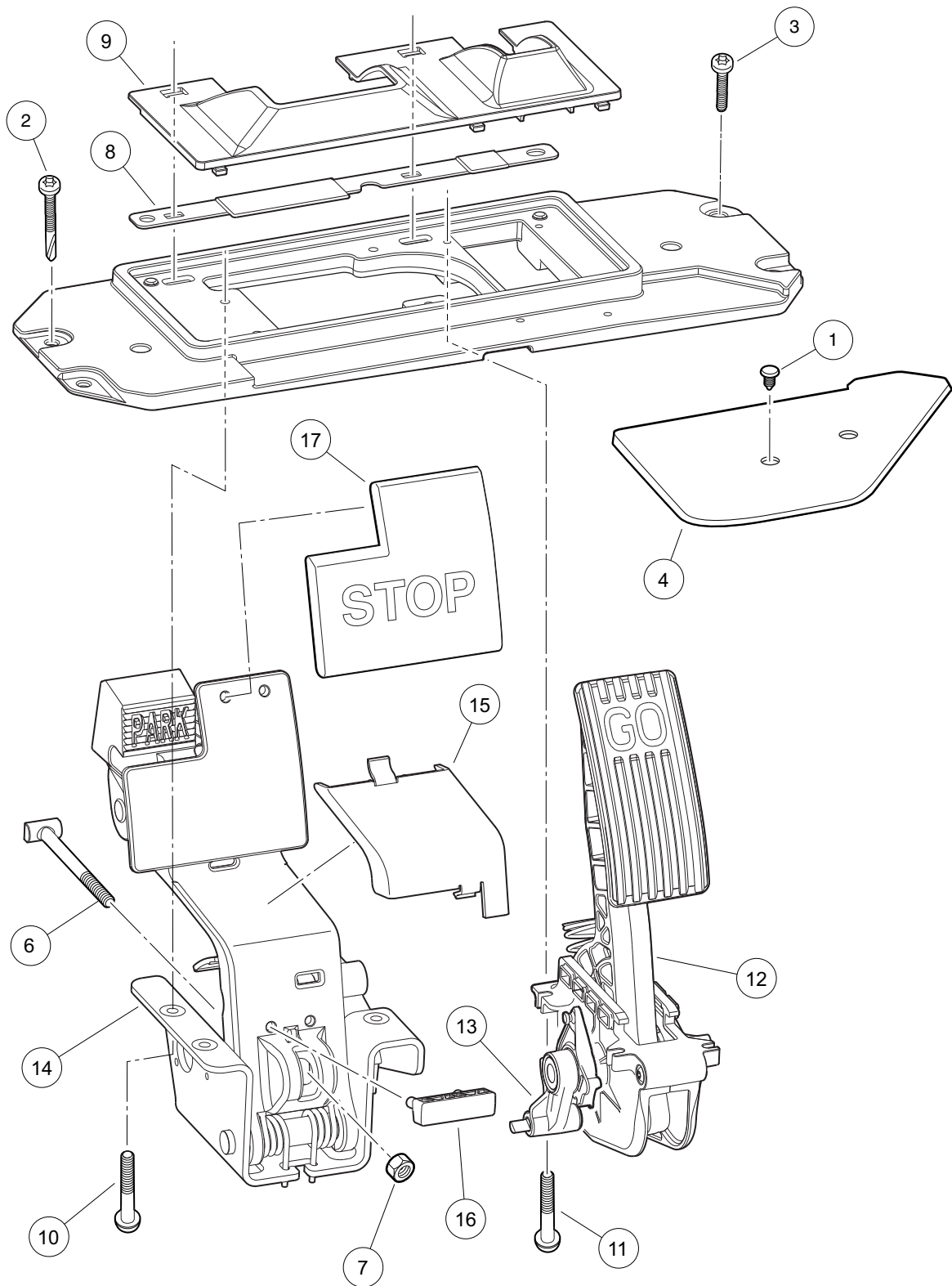
ITEM	PART NO.	DESCRIPTION	QTY
		1 2 3 4	
1	<u>1010521</u>	Nut, 5/16-24 Hex	2
2	1010811	Mount-brake (b)	2
3	1010812	Mount - Brake (a)	2
4	<u>1010921</u>	Screw, 5/16-18 X 2.50 Hex Cap	4
5	<u>1013531</u>	Spring, Brake Return	1
6	<u>1017233</u>	Washer, 5/16 Hardened	4
7	<u>101953101</u>	Rod, Equalizer, 8.91"	1
8	101953102	Rod, Equalizer, 20.91 inch	1
9	<u>101953105</u>	Rod, Equalizer, 13.30"	1
10	101976301	Plate, Retainer	2
11	<u>102323101</u>	Pin, Bow Tie Locking	2
12	<u>102323201</u>	Pin, 3/8 X 1-5/16 Clevis	2
13	<u>102551901</u>	Washer, 5/16, Self Comp, Cup	2
14	<u>102552001</u>	Washer, 5/16, Self Comp, Cone	2
15	<u>103535001</u>	Bracket, Equalizer	1
16	<u>105056101</u>	Nut, 5/16-18 Adjusting, XI, L	1
17	<u>105116601</u>	Weldment, Bellcrank	1
18	<u>105116701</u>	Brkt, Bellcrank Mtg	2
19	<u>1241</u>	Washer, 5/16 Type A Flat	4
20	<u>1242</u>	Nut, 5/16-18 Hex	1
21	<u>7473</u>	Locknut, 5/16-18 Nylon Insert	9
22	<u>8915</u>	Screw, 5/16-18 X 3.0 Hx Hd Cap	4

4

E

4

E



000487-016

PEDAL GROUP W/O MCOR – ELECTRIC VEHICLE

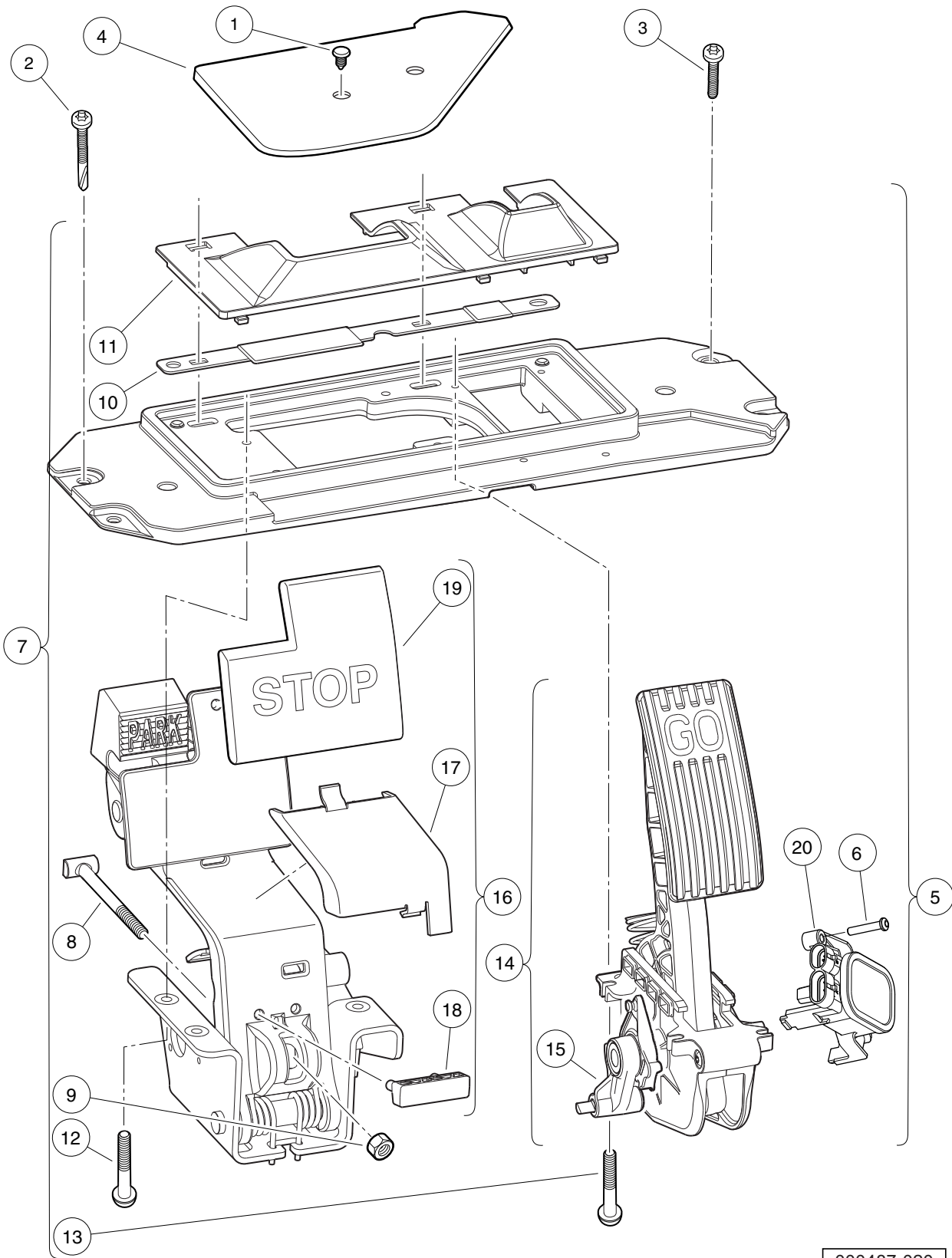
ITEM	PART NO.	DESCRIPTION	QTY
		1 2 3 4	
1	<u>1010434</u>	Barrel - Plastic	1
2	<u>102292201</u>	Screw-1/4-20x2.20 Tx Pn Hd Sd	2
3	<u>102298030</u>	Screw, K80x30, Torx Pn Hd Pt	2
4	<u>102500801</u>	Plate - Floor Cover	1
5	<u>103974821</u>	Asm, Pedal, Anodized, Field Service, Gas or Elec (includes items 6 through 14)	1
6	<u>102559401</u>	Rod, Brake	1
7	<u>102559701</u>	Nut, Brake Rod	1
8	<u>102594801</u>	Shield, Debris Aux	1
9	<u>102594901</u>	Shield, Debris Primary	1
10	<u>102595901</u>	Screw, M6x1.0x17 Ph, Taptite	4
11	<u>102596001</u>	Screw, M5x0.8x18 Ph, Taptite	4
12	<u>102596301</u>	Pedal, Accelerator, Anodized (includes item 13)	1
13	<u>103777601</u>	Asm, Park Brake Release, Anodized	1
14	<u>103974901</u>	Asm, Brake Pedal, Anodized (includes items 15 through 17)	1
15	<u>102595201</u>	Cover, Brake	1
16	<u>102595301</u>	Upstop, Brake	1
17	<u>102595401</u>	Pad, Brake	1
<p>Note: Pedal Assembly (item 5) has no MCOR and is common to both gas and electric vehicles. Item 5 is not illustrated as a complete assembly. All applicable details are illustrated.</p>			

4

E

4

E



000487-020

PEDAL GROUP WITH MCOR – ELECTRIC VEHICLE

ITEM	PART NO.	DESCRIPTION	QTY
		1 2 3 4	
1	<u>1010434</u>	Barrel - Plastic	1
2	<u>102292201</u>	Screw-1/4-20x2.20 Tx Pn Hd Sd	2
3	<u>102298030</u>	Screw, K80x30, Torx Pn Hd Pt	2
4	<u>102500801</u>	Plate - Floor Cover	1
5	<u>103874111</u>	Asm, Pedal Set, No Switch, w/MCOR, Service (includes items 6 through 20)	1
6	<u>103943401</u>	Screw, Pan, #10 X 1.00 Hi-lo	1
7	<u>103975011</u>	Asm, Pedal Set, No Switch, Service (includes items 8 through 16)	1
8	<u>102559401</u>	Rod, Brake	1
9	<u>102559701</u>	Nut, Brake Rod	1
10	<u>102594801</u>	Shield, Debris Aux	1
11	<u>102594901</u>	Shield, Debris Primary	1
12	<u>102595901</u>	Screw, M6x1.0x17 Ph, Taptite	4
13	<u>102596001</u>	Screw, M5x0.8x18 Ph, Taptite	4
14	<u>102596301</u>	Pedal, Accelerator, Anodized (includes item 15)	1
15	<u>103777601</u>	Asm, Park Brake Release, Anodized	1
16	<u>103974901</u>	Asm, Brake Pedal, Anodized (includes items 17 through 19)	1
17	<u>102595201</u>	Cover, Brake	1
18	<u>102595301</u>	Upstop, Brake	1
19	<u>102595401</u>	Pad, Brake	1
20	<u>105116301</u>	MCOR4, Type 16 Switch	1
<p style="margin-left: 40px;">Note: See the Electrical System Section for more MCOR information.</p>			

4

E

4

E

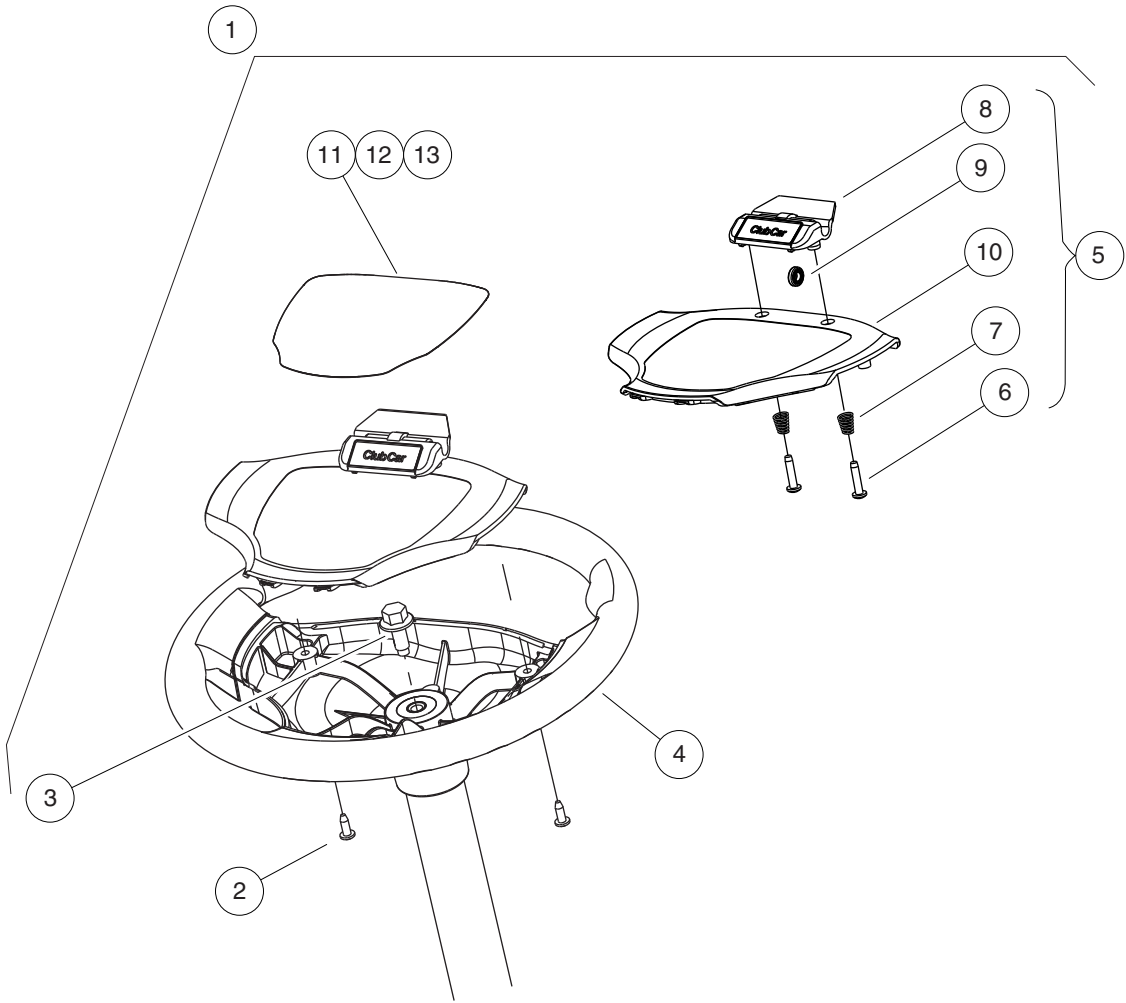
STEERING, FRONT AND REAR SUSPENSION

5

E

5

E



000470-002

STEERING WHEEL, COMFORT GRIP WITH CLIP

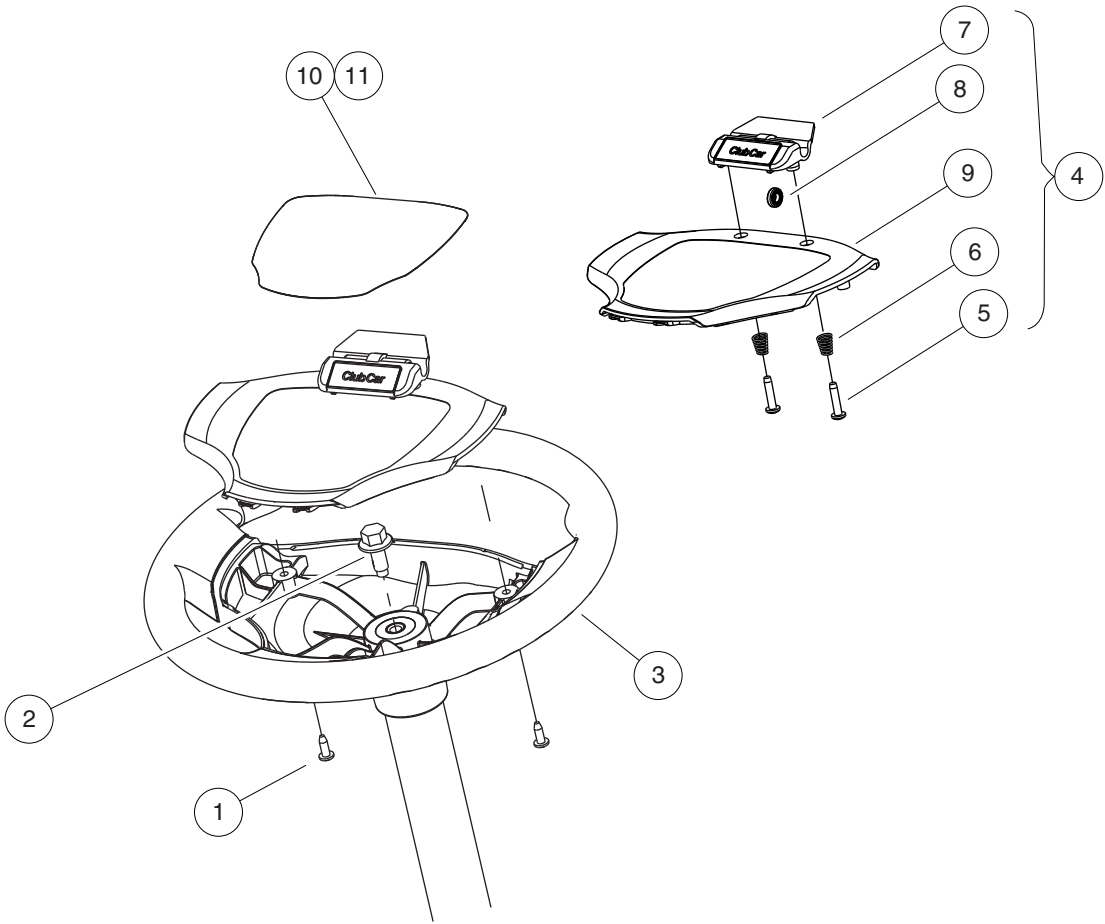
ITEM	PART NO.	DESCRIPTION	QTY
		1 2 3 4	
1	<u>103796701</u>	Kit, Hex, Steering Wheel (includes items 2 through 13)	1
2	<u>101850301</u>	Screw, #12-16 X 0.50 Washer-Head Hi-Lo	2
3	<u>102290120</u>	Bolt, M10 X 20 Hex Washer Hd	1
4	<u>103724503</u>	Steering Wheel, Soft Grip, Hex	1
5	<u>103724901</u>	Asm, Scorecard, Clip (includes items 6 through 10)	1
6	<u>1012565</u>	Screw, #12 Phillips Round Head	2
7	<u>1012566</u>	Tapered Compression Spring	2
8	<u>1016154</u>	Clip, Scorecard	1
9	<u>1016214</u>	Pencil Grip	1
10	<u>103724601</u>	Cover, Steering Wheel, Clip	1
11	<u>103783001</u>	Decal, Op Instr, Ele	1
12	<u>103783002</u>	Decal, Op Instr, Gas Ps	1
13	<u>103783003</u>	Decal, Op Instr, Gas Ks	1
<p>Note: Refer to the Decal section of this manual or to the applicable Operator Manual for this vehicle to make sure which Operating Instructions Decal applies.</p>			

5

E

5

E



000470-005

STEERING WHEEL

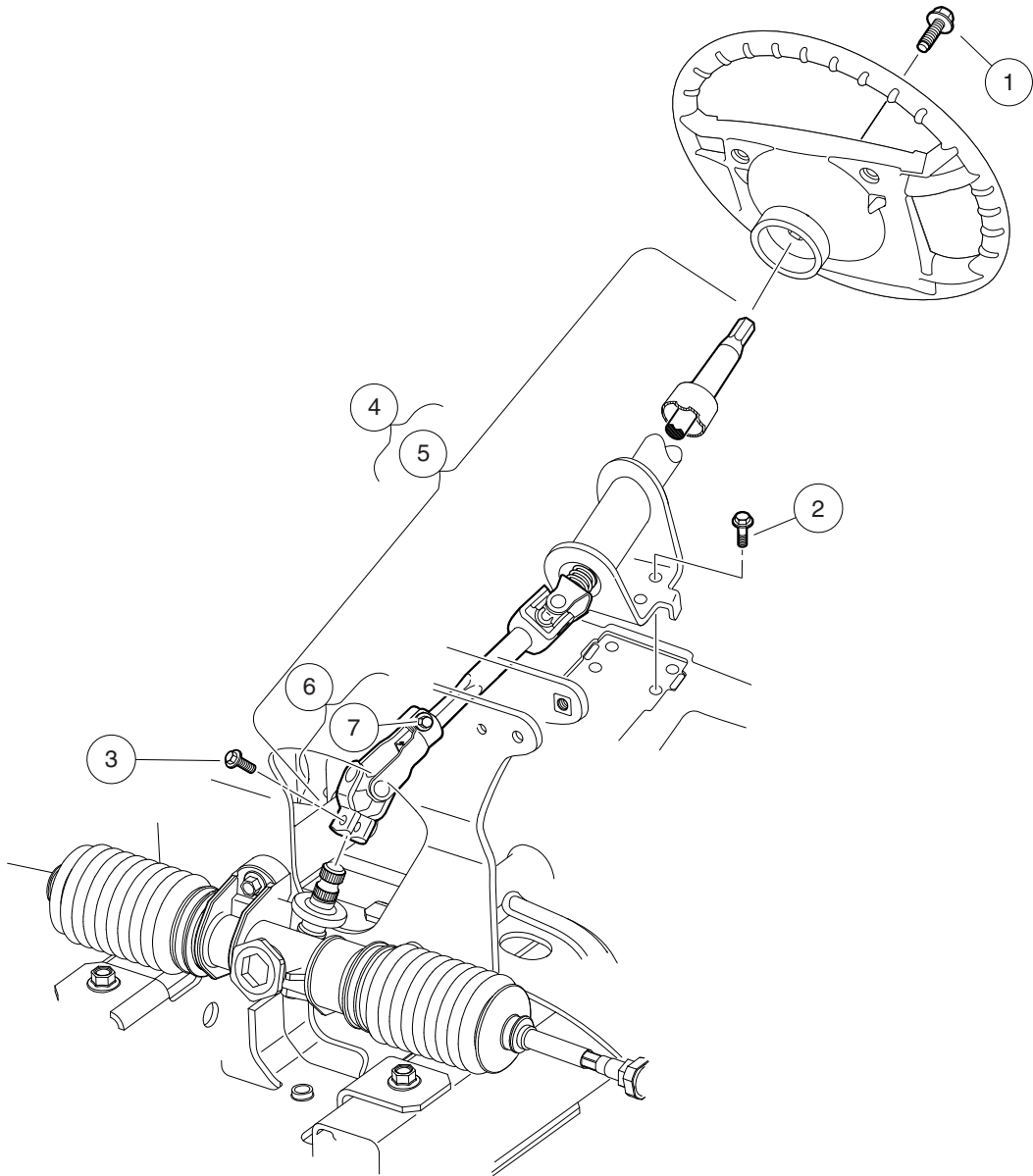
ITEM	PART NO.	DESCRIPTION	QTY
		1 2 3 4	
1	<u>101850301</u>	Screw, #12-16 X 0.50 Washer-Head Hi-Lo	2
2	<u>102290120</u>	Bolt, M10 X 20 Hex Washer Hd	1
3	<u>103724501</u>	Steering Wheel, Hex	1
4	<u>103724901</u>	Asm, Scorecard, Clip (includes items 5 through 9)	1
5	<u>1012565</u>	Screw, #12 Phillips Round Head	2
6	<u>1012566</u>	Tapered Compression Spring	2
7	<u>1016154</u>	Clip, Scorecard	1
8	<u>1016214</u>	Pencil Grip	1
9	<u>103724601</u>	Cover, Steering Wheel, Clip	1
10	<u>103783001</u>	Decal, Op Instr, Ele	1
11	<u>103783002</u>	Decal, Op Instr, Gas Ps	1
		Note: Refer to the Decal section of this manual or to the applicable Operator Manual for this vehicle to make sure which Operating Instructions Decal applies.	

5

E

5

E



000469-007

STEERING COLUMN

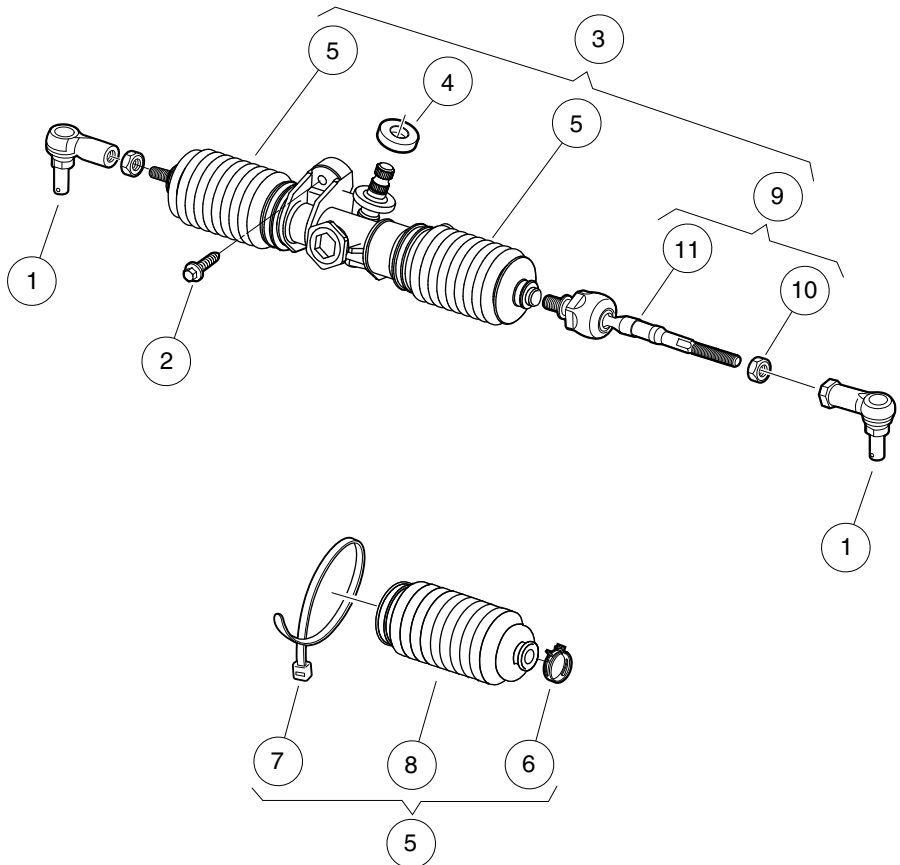
ITEM	PART NO.	DESCRIPTION	QTY
		1 2 3 4	
1	102290120	Bolt, M10 X 20 Hex Washer Hd	1
2	<u>102298116</u>	Bolt, Flanged Head, M8 X 16.0	4
3	<u>102298130</u>	Bolt, Flange Head, M8 X 30.0	1
4	<u>105049001</u>	Kit, Inner Steering Clmn (includes item 5)	1
5	105068601	Asm, Column, Inner (includes item 6)	1
6	<u>103810201</u>	Kit, Lower Yoke, Wanda (includes item 7)	1
7	<u>102298130</u>	Bolt, Flange Head, M8 X 30.0	1

5

E

5

E



000476-005

STEERING GEAR ASSEMBLY

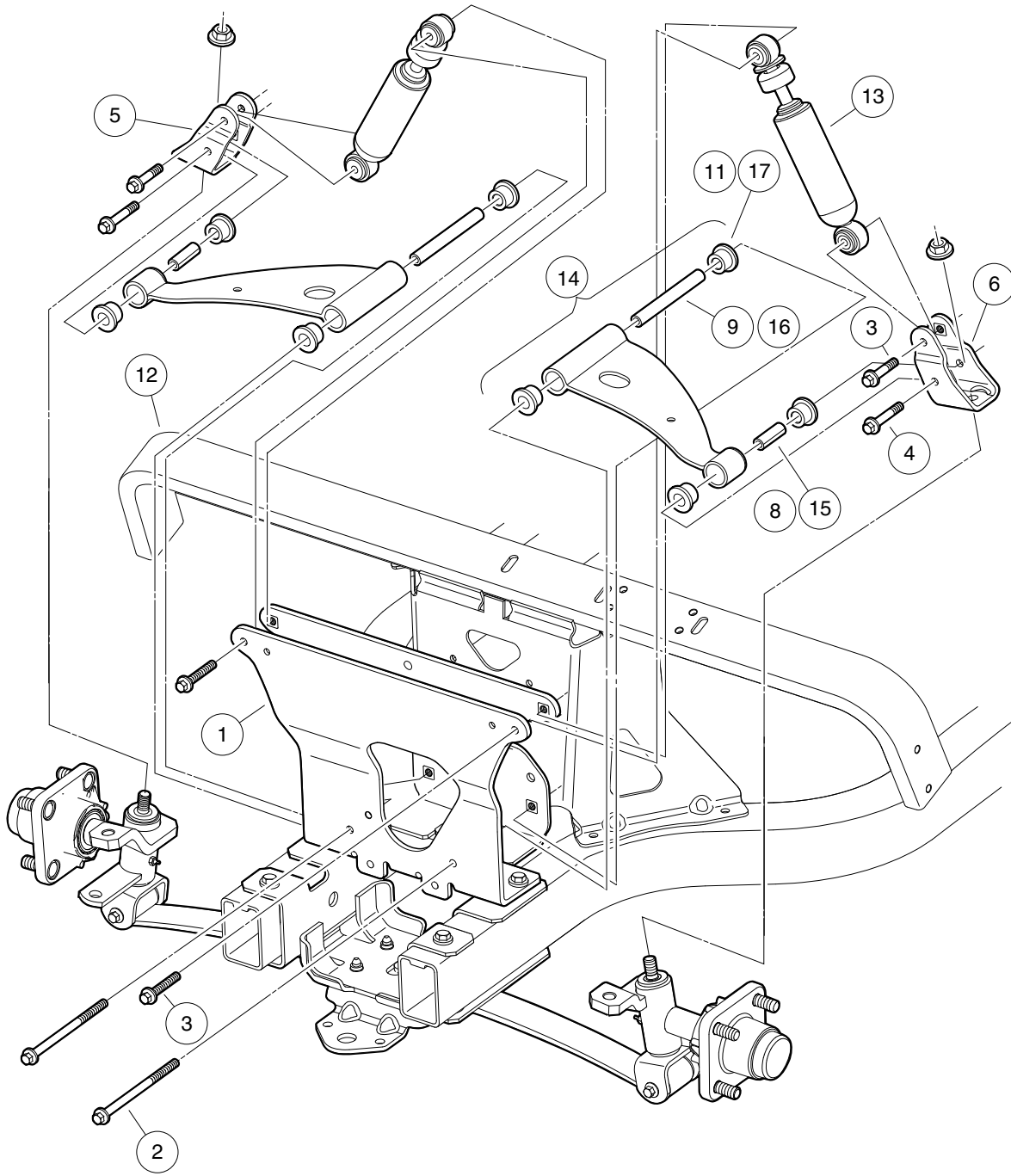
ITEM	PART NO.	DESCRIPTION	QTY
		1 2 3 4	
1	<u>102022601</u>	End, Tie Rod M12 X 1.25 Rh	2
2	<u>102289001</u>	Screw, M8X1.25X30, Hex	3
3	<u>103679701</u>	Asm, Rack & Pinion (includes items 4 through 9)	1
4	<u>102565201</u>	Seal, Dust, Steering Pinion	1
5	<u>103826201</u>	Bellow Kit, Steering-sona (includes items 6 through 8)	2
6	<u>102566001</u>	Clip, Steering	1
7	<u>8990</u>	Tie Wrap, 8" Nylon	1
8	N/A	Bellows	1
9	<u>103826301</u>	Kit, IBJ (Inner Ball Joint), Steering-sona (includes items 10 and 11)	2
10	1013042	Nut, 12mm Hex	1
11	N/A	Inner Ball Joint	1

5

E

5

E



000445-005

FRONT SUSPENSION, UPPER

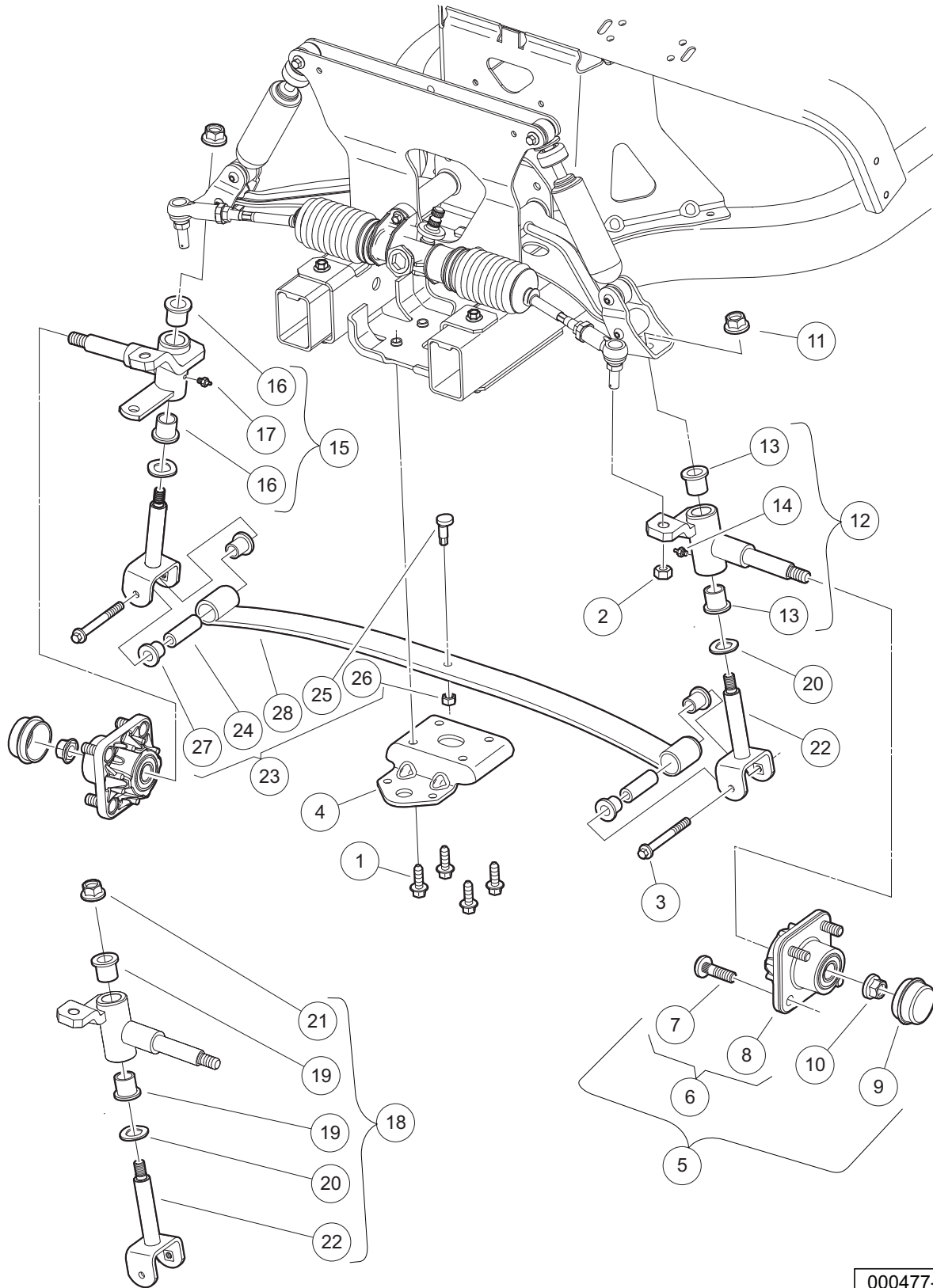
ITEM	PART NO.	DESCRIPTION	QTY
		1 2 3 4	
1	<u>102287101</u>	Assembly - Front Structure	1
2	<u>102288901</u>	Bolt, Hex, M8x1.25 X 135	2
3	<u>102289401</u>	Screw- Hex Cap, M8 X 1.25 X 45	4
4	<u>102289501</u>	Screw- Hex Cap, M8 X 1.25 X 70	2
5	<u>102289601</u>	Upper Clevis Assembly, Passenger-side	1
6	<u>102289701</u>	Upper Clevis Assembly, Driver-side	1
7	<u>102289901</u>	Kit, Susp, Bushing Joints (includes items 8 through 11)	1
8	<u>102287601</u>	Sleeve - Rolled, Outer	2
9	<u>102287701</u>	Sleeve - Rolled, Inner	2
10	<u>102288101</u>	Sleeve - Rolled, Spring	2
11	<u>102956201</u>	Bushing, Urethane, Short	12
12	<u>102505701</u>	Assembly, Dash Support	1
13	<u>102588601</u>	Shock Absorber Front	2
14	<u>103388501</u>	Asm, 3 Piece A-arm, Bushings (includes items 15 through 17)	2
15	<u>102287601</u>	Sleeve - Rolled, Outer	1
16	<u>102287701</u>	Sleeve - Rolled, Inner	1
17	<u>102956201</u>	Bushing, Urethane, Short	4
<p style="text-align: center;">Note: Item 7 (not shown) includes bushings and sleeves for control arms and front suspension leaf spring. See lower suspension page for illustration of item 10 (not shown).</p>			

5

E

5

E



000477-009

FRONT SUSPENSION, LOWER

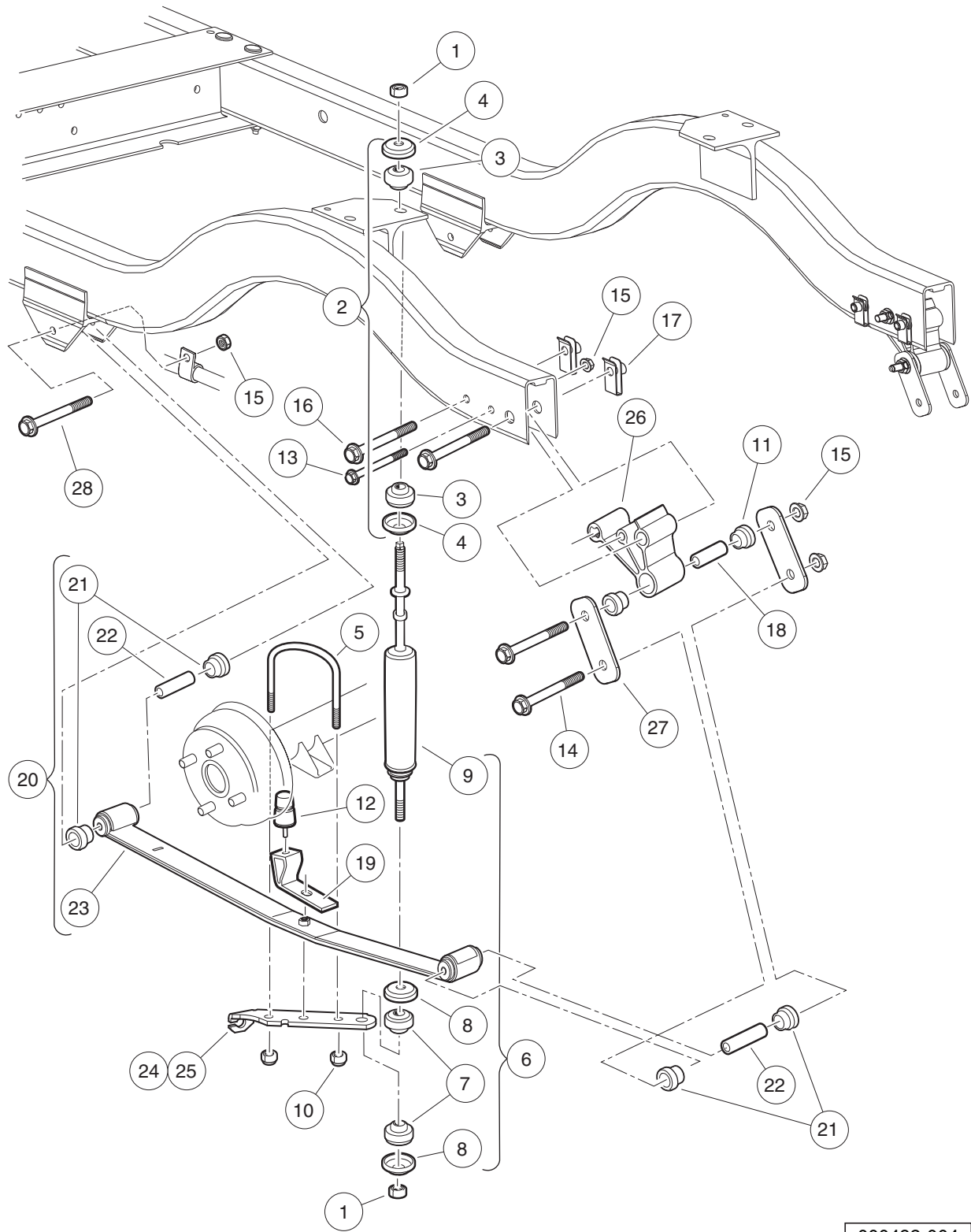
ITEM	PART NO.	DESCRIPTION	QTY
		1 2 3 4	
1	<u>102289101</u>	Screw-m10x1.5, Trilob, Hex Fl	4
2	<u>102289201</u>	Nut - Hex Locking, M12 X 1.25	2
3	<u>102289501</u>	Screw- Hex Cap, M8 X 1.25 X 70	2
4	<u>102289801</u>	Clamp - Leaf Spring	1
5	<u>102357701</u>	Replacement Kit, Front Hub (includes items 6 through 10)	1
6	N/A	Front Hub Assembly, Ball Bearing (includes items 7 and 8)	1
7	<u>102353401</u>	Lug Stud, 1/2-20 UNF, 4037 Stl	4
8	N/A	Hub, Front	1
9	<u>102353201</u>	Cap, Front Hub	1
10	<u>102353301</u>	Hex Nut, Locking Flange, M14x2	1
11	<u>102878201</u>	Nut, Lock,m12,washer,conical	2
12	<u>103638701</u>	Asm, Spindle, with Bushings, Driver-side (includes items 13 and 14)	1
13	<u>102288201</u>	Bushing - Flanged	2
14	N/A	Fitting, Grease, Knuckle Spindle Asym	1
15	<u>103638702</u>	Asm, Spindle, with Bushings, Passenger-side (includes items 16 and 17)	1
16	<u>102288201</u>	Bushing - Flanged	2
17	N/A	Fitting, Grease, Knuckle Spindle Asym	1
18	<u>103638801</u>	Kit, King Pin Joints (includes items 19 through 22)	1
19	<u>102288201</u>	Bushing - Flanged	4
20	<u>102288401</u>	Wave Washer - Kingpin	2
21	<u>102878201</u>	Nut, Lock,m12,washer,conical	2
22	<u>103638601</u>	Asm, King Pin, M12	2
23	<u>103935601</u>	Asm, Spring, Leaf, Front, 50.4 (includes items 24 through 28)	1
24	<u>102288101</u>	Sleeve - Rolled, Spring	2
25	102288701	Eccentric Bolt	1
26	102288801	Nut-hex, 3/8-16	1
27	<u>102956201</u>	Bushing, Urethane, Short	2
28	105187901	Spring, Leaf, Front, 50.4	1

5

E

5

E



000492-004

REAR SUSPENSION

ITEM	PART NO.	DESCRIPTION	QTY
		1 2 3 4	
1	<u>1010145</u>	Nut, 3/8-24 Hex	4
2	<u>1011415</u>	Kit, Shock Absorber Cushion (includes items 3 and 4)	2
3	N/A	Retainer, Shock Absorber Cushion	2
4	<u>47579096001</u>	Isolator, Shock Damper	2
5	<u>1012180</u>	U-Bolt	2
6	<u>1013164</u>	Shock Absorber Kit (includes items 7 through 9)	1
7	N/A	Cushion, Shock Absorber	8
8	N/A	Retainer, Shock Absorber Cushion	8
9	<u>102588501</u>	Shock Absorber, Rear	2
10	<u>1014555</u>	Locknut, 7/16-14 Nylon Hex	4
11	<u>1015583</u>	Bushing, Urethane	4
12	<u>1017235</u>	Bumper, Jounce	2
13	<u>102298170</u>	Bolt - Flange Hd, M8 X 70.0	2
14	<u>102298175</u>	Bolt - Flange Hd, M8 X 75.0	2
15	<u>102298401</u>	Nut,m8,all Metal Lock	8
16	<u>102298580</u>	M8-1.25 X 80 Sems	4
17	<u>102298601</u>	J-clip - M8 X 1.25	4
18	<u>102506401</u>	Sleeve - Spring Eye Mounts	2
19	<u>102534801</u>	Jounce Bumper Bracket	2
20	<u>103742306</u>	Asm, Rear Leaf Spring (includes items 21 through 23)	2
21	<u>101558302</u>	Bushing, Urethane, Soft	4
22	<u>102506401</u>	Sleeve - Spring Eye Mounts	2
23	N/A	Leaf Spring, Rear	1
24	<u>103921601</u>	Bracket, Shock Mounting, Drv	1
25	<u>103921602</u>	Bracket, Shock Mounting, Pas	1
26	<u>103964901</u>	Spacer, Rail, Shackle	2
27	<u>103965001</u>	Brkt, Shackle, Rear	4
28	<u>105188185</u>	Bolt, M8 X 85mm, 10.9 Grade	4

5

E

5

E

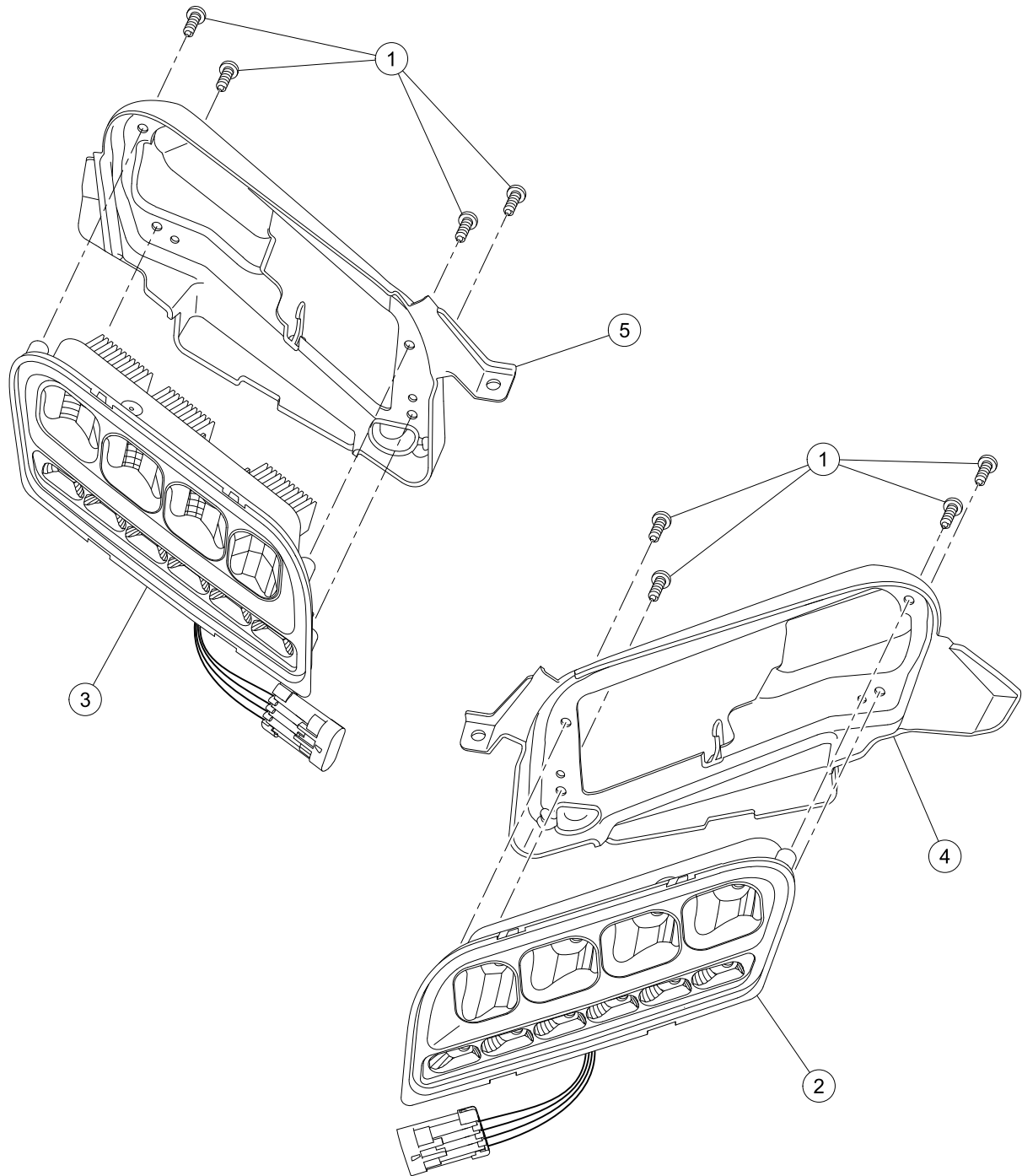
ELECTRICAL SYSTEM, LIGHTS, CONTROLS AND INDICATORS

6

E

6

E



G-130699-000001

HEADLIGHTS

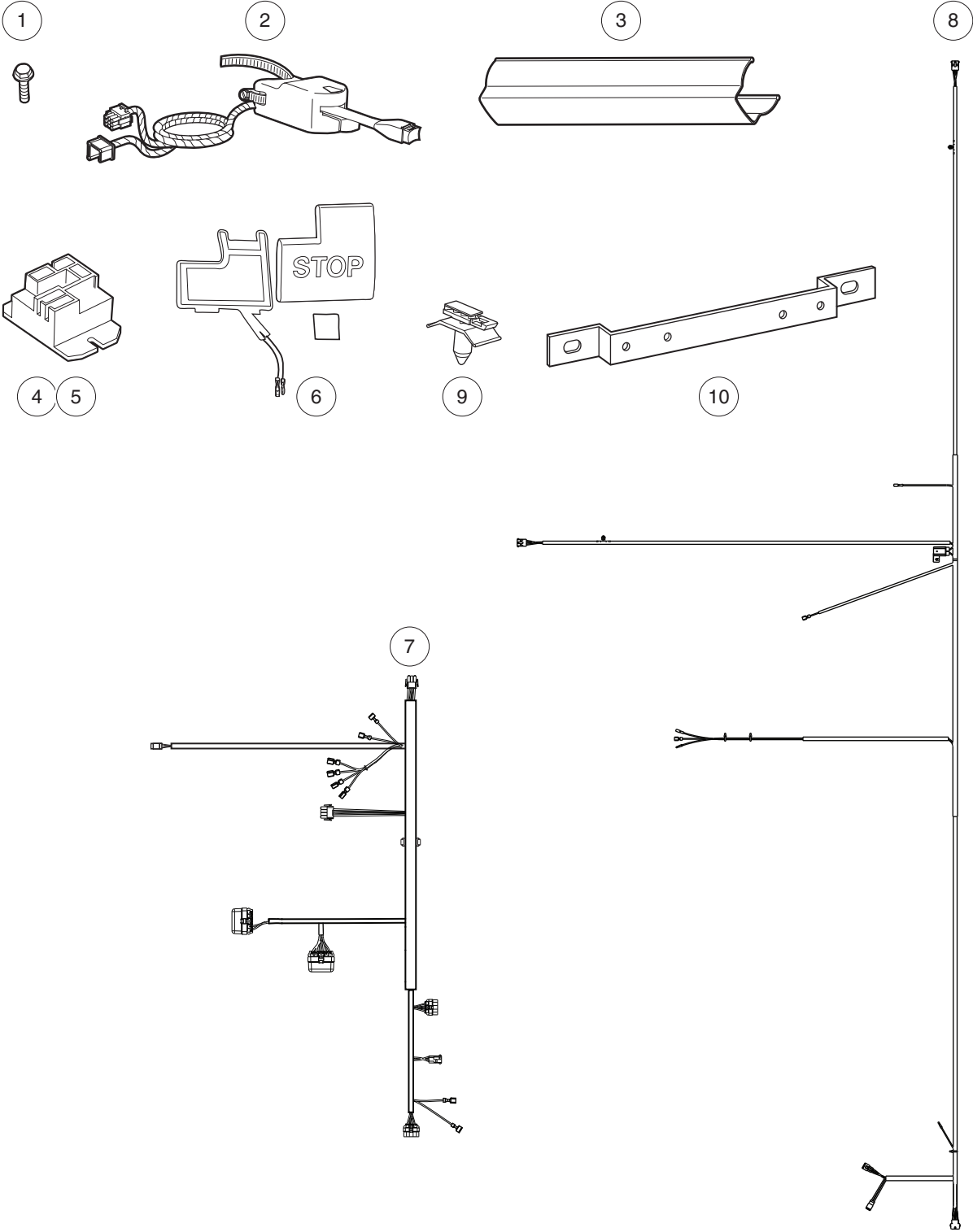
ITEM	PART NO.	DESCRIPTION	QTY
		1 2 3 4	
1	<u>102296020</u>	Screw-torx Pan Head Pt, M6x20	8
2	47565234003	Headlight, LED, Driver-side, Service Replacement	1
3	47565234004	Headlight, LED, Passenger-side, Service Replacement	1
4	<u>47593002001</u>	Housing, Headlight, Driver	1
5	<u>47593002002</u>	Housing, Headlight, Passenger	1

6

E

6

E



001387-002

LIGHTING SYSTEM COMPONENTS

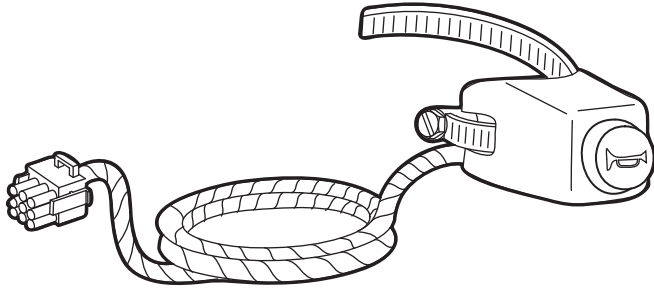
ITEM	PART NO.	DESCRIPTION	QTY
		1 2 3 4	
1	<u>102298720</u>	Screw, M8-1.25x20, Taptite	3
2	<u>102517501</u>	Turn Signal Asm	1
3	<u>102529201</u>	Wire Cover, Steering Column	1
4	<u>103414901</u>	Kit, Relay, 48v 30a W/instr (includes item 5)	1
5	<u>103397901</u>	Relay, Spst No, 48v 30a, Pmt	1
6	<u>103597101</u>	Kit, Brake Light Switch	1
7	<u>47562746001</u>	Harness, Wire, Instrument Panel for Lights, Ele	1
8	<u>47574837001</u>	Harness, Lighting	1
9	N/A	Clip, Mount, Conn	2
10	<u>47580172001</u>	Bracket, Mount, Fuse	1

6

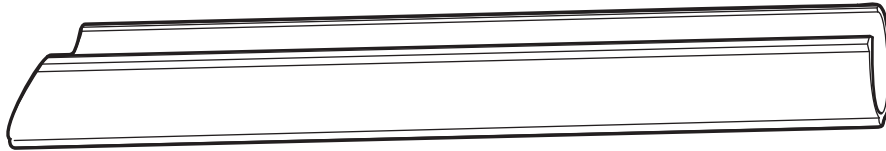
E

6

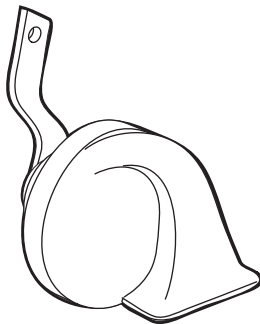
E



1



2



3

001343-001

HORN

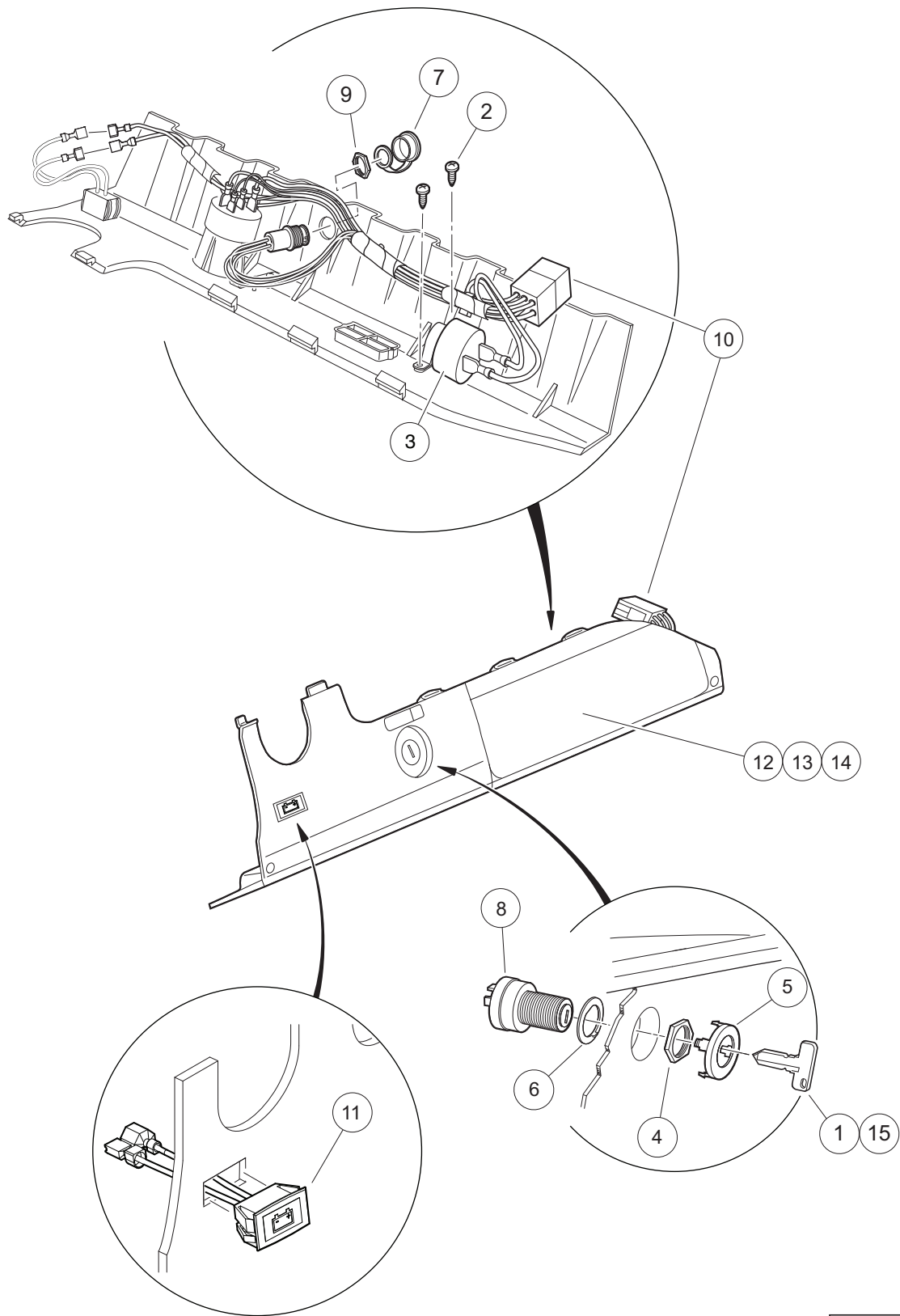
ITEM	PART NO.	DESCRIPTION	QTY
		1 2 3 4	
1	102517601	Subasm, Horn Button Harness	1
2	<u>102529201</u>	Wire Cover, Steering Column	1
3	<u>102535401</u>	Horn	1

6

E

6

E



000490-005

INSTRUMENT PANEL – ELECTRIC VEHICLE WITH ERIC CHARGER

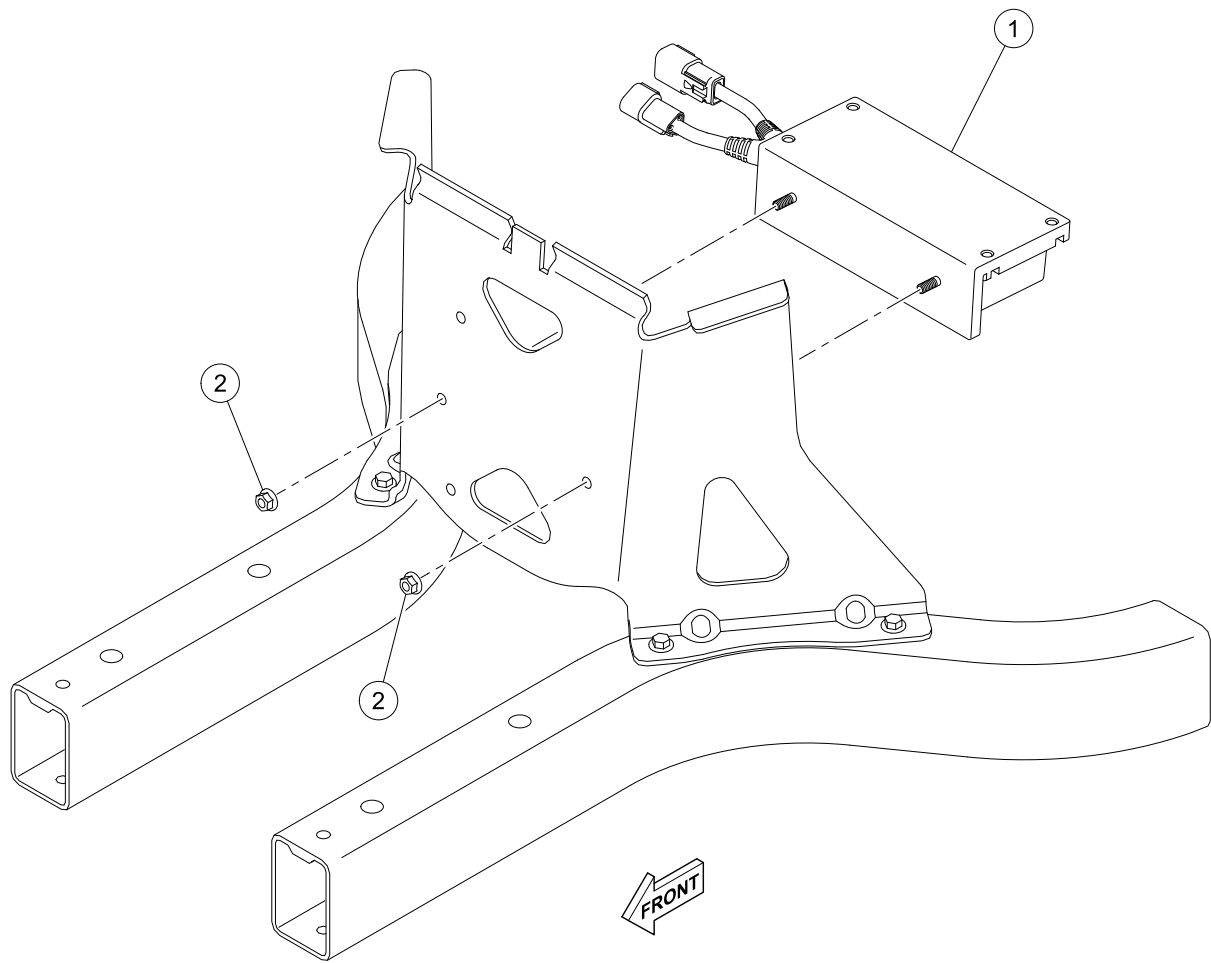
ITEM	PART NO.	DESCRIPTION	QTY
		1 2 3 4	
1	<u>1012505</u>	Keys (set of 2)	1
2	<u>1016849</u>	Screw, #4-24 X 0.33, Pan-Head, Machine	2
3	<u>1016851</u>	Multi-Purpose Buzzer (9-48 VDC)	1
4	<u>101830701</u>	Nut, Key Switch	1
5	<u>101834502</u>	Cap, Black Key Switch	1
6	<u>101851101</u>	Washer, Key Switch	1
7	<u>102196901</u>	Dust Cap	1
8	<u>102508601</u>	Key Switch, Electric	1
9	<u>102572401</u>	Nut, Diagnostic Port	1
10	<u>103991501</u>	Harness, Wire, Instrument Panel, w/Hi-Freq	1
11	<u>105152301</u>	Indicator, Charger, Dash, Cap	1
12	47613414003	Instrument Panel (Punched Headlight)	1
13	47613414004	Instrument Panel (Battery Condition Indicator)	1
14	47613414009	Instrument Panel (Headlight Switch and Battery Condition Indicator)	1
15	<u>AM10079</u>	Bulk Std Keys (50) *	1
		* Note: Must order in multiples of 50.	

6

E

6

E



G-130299-000001

DC/DC CONVERTER – ELECTRIC VEHICLE

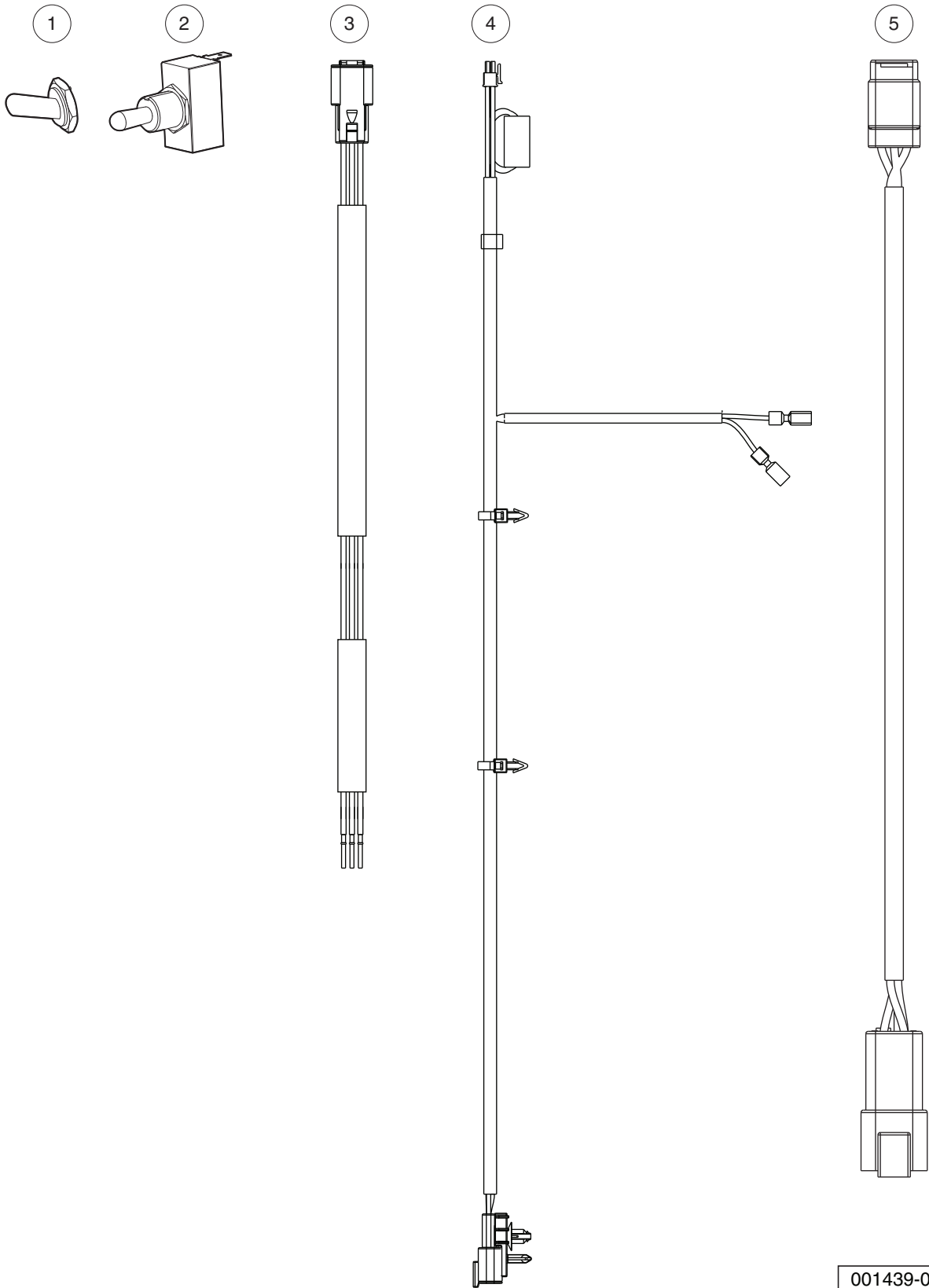
ITEM	PART NO.	DESCRIPTION	QTY
1	<u>47594727001</u>	1 2 3 4 Converter, Dc/dc	1
2	<u>96704176</u>	Nut, Flanged, M6 X 1, Serrated	2

6

E

6

E



001439-002

WIRING AND SWITCH – VISAGE

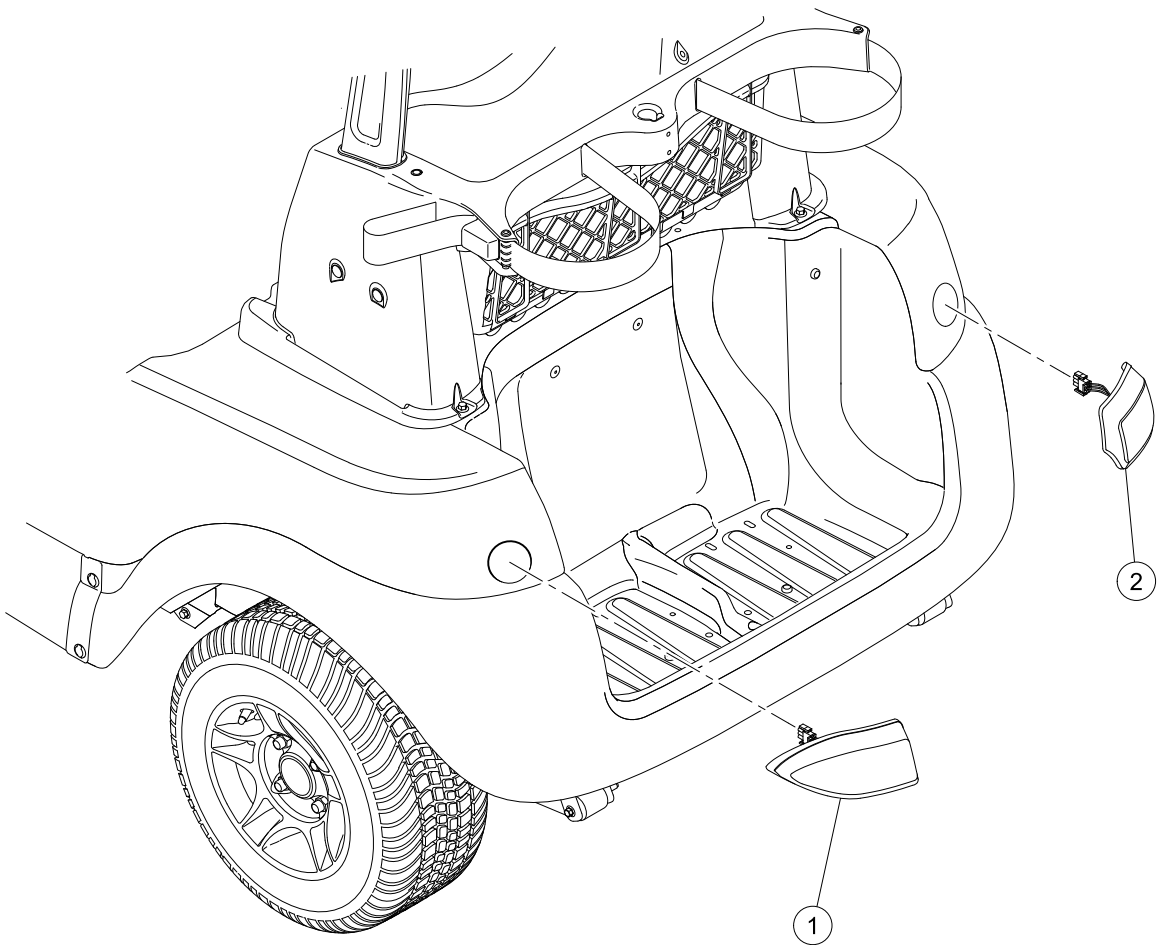
ITEM	PART NO.	DESCRIPTION	QTY
		1 2 3 4	
1	<u>101908401</u>	Boot, Switch	1
2	<u>102511101</u>	Switch, Tow	1
3	<u>47554736001</u>	Harness, Visage, Strut, G/e	1
4	<u>47555612001</u>	Harness, Visage, Console, Elec	1
5	<u>47557751001</u>	Harness, Interface, Visage	1
6	<u>47614711001</u>	Harness, Visage, Ext, Stretch	A/R
<p>Note: Item 6 is not illustrated. It only applies to the stretch vehicle platforms.</p>			

6

E

6

E



G-130699-00002

TAILLIGHTS

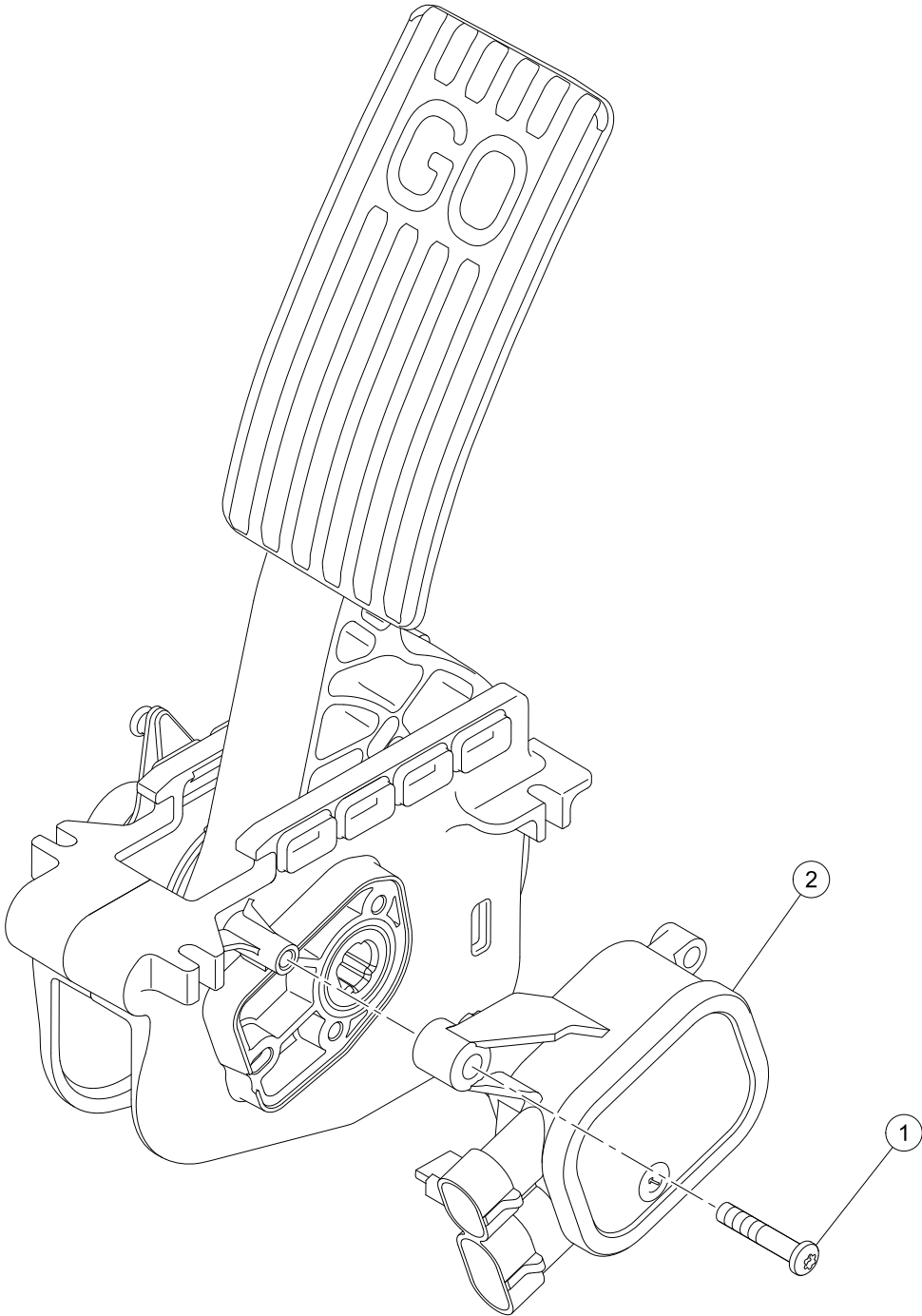
ITEM	PART NO.	DESCRIPTION	QTY
		1 2 3 4	
1	<u>47643352001</u>	Assembly, Taillight, LH	1
2	<u>47643352002</u>	Assembly, Taillight, RH	1

6

E

6

E



G-131199-000003

MOTOR CONTROLLER OUTPUT REGULATOR (MCOR)

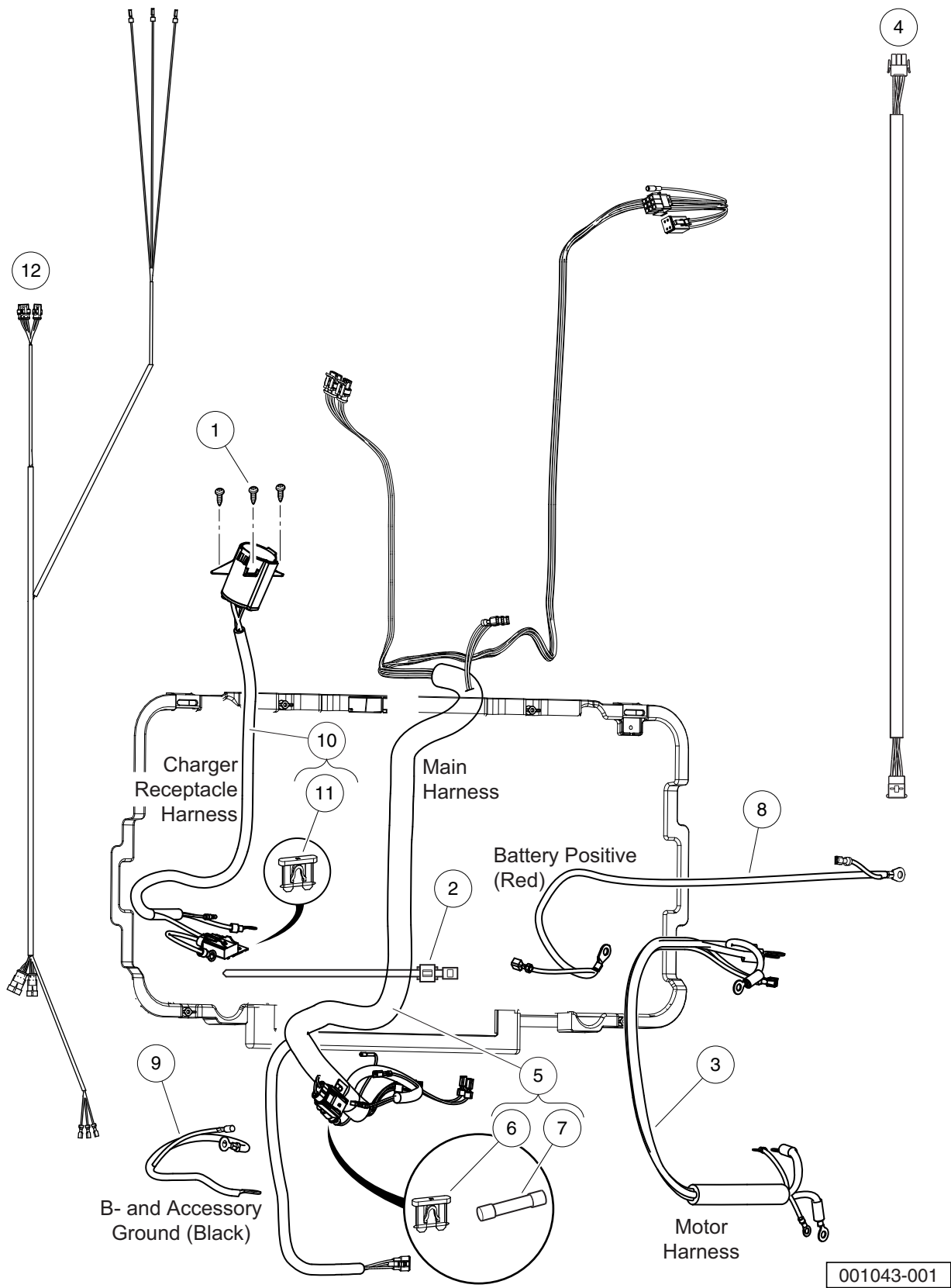
ITEM	PART NO.	DESCRIPTION	QTY
1	<u>103943401</u>	1 2 3 4 Screw, Pan, #10 X 1.00 Hi-lo	1
2	<u>105116301</u>	MCOR4, Type 16 Switch	1

6

E

6

E



WIRING AND FUSES

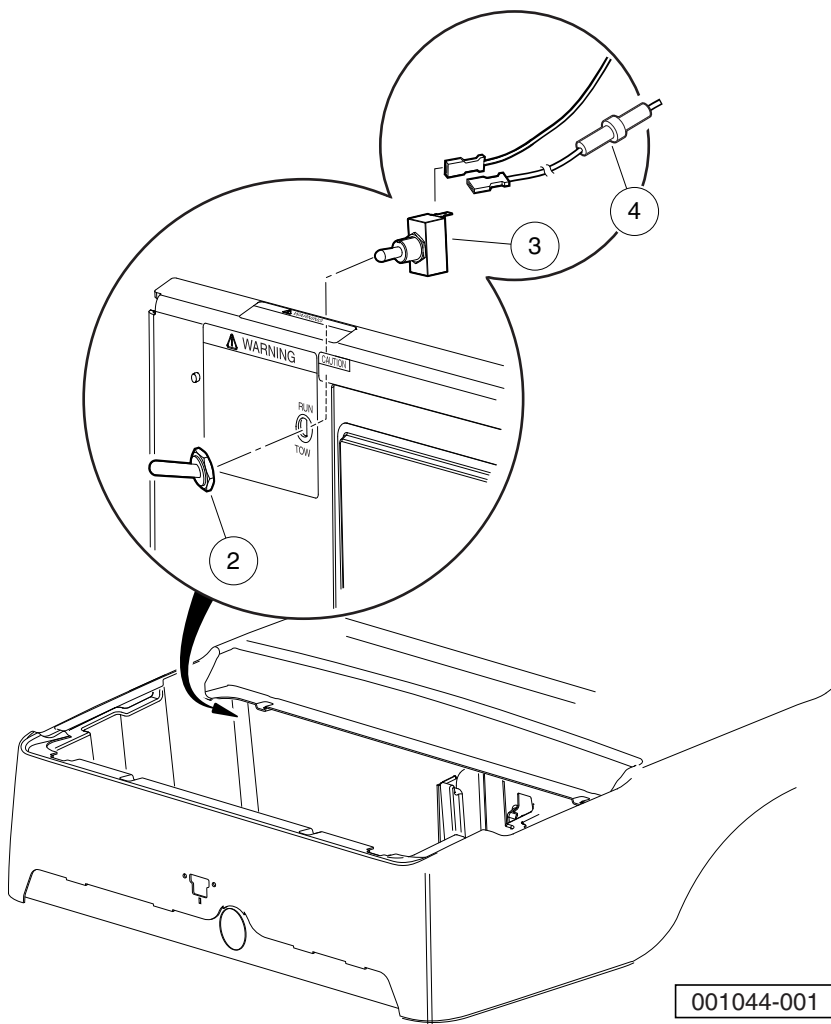
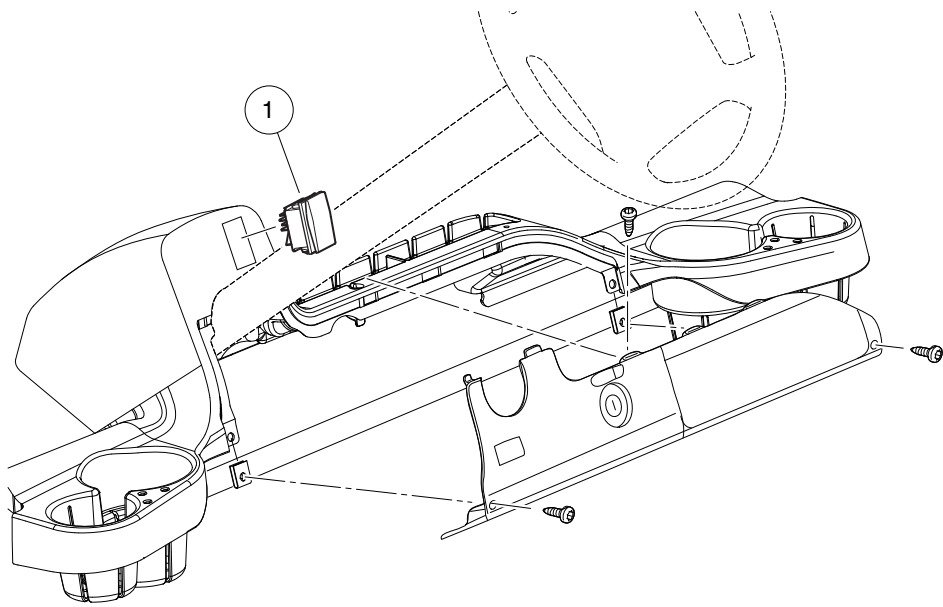
ITEM	PART NO.	DESCRIPTION	QTY
		1 2 3 4	
1	<u>101832001</u>	Screw, #7-19 X 0.625 Phillips Pan-Head Tap	3
2	<u>102554901</u>	Clip, Edge, with Wire Tie	1
3	<u>103508902</u>	Asm, Harness, Motor, 4 Ga, 1/4	1
4	<u>103731401</u>	Harness Ip Extension	1
5	<u>104023201</u>	Harness, Main, Excel w/Hi-Freq, Mcor3 (includes items 6 and 7)	1
6	<u>102538601</u>	15 Amp Fuse	1
7	<u>103924801</u>	Fuse, Glass, 2-Amp	1
8	<u>105065601</u>	Asm, Ev Batt Pos 4 Awg	1
9	<u>105065701</u>	Wire, B- W/acc Gnd 4 Awg	1
10	<u>105137401</u>	Harness, Wire, Charger Receptacle (for Yellow DC Cord) (includes item 11)	1
11	<u>102492301</u>	Fuse, 30-Amp	1
12	<u>105210301</u>	Harness Mcor Extension, Eric	1
13	<u>8639</u>	Tie Wrap, 11" Nylon	A/R
14	<u>8990</u>	Tie Wrap, 8" Nylon	A/R
		Note: Items 13 and 14 not shown.	

6

E

6

E



001044-001

FORWARD/REVERSE SWITCH AND TOW/RUN SWITCH

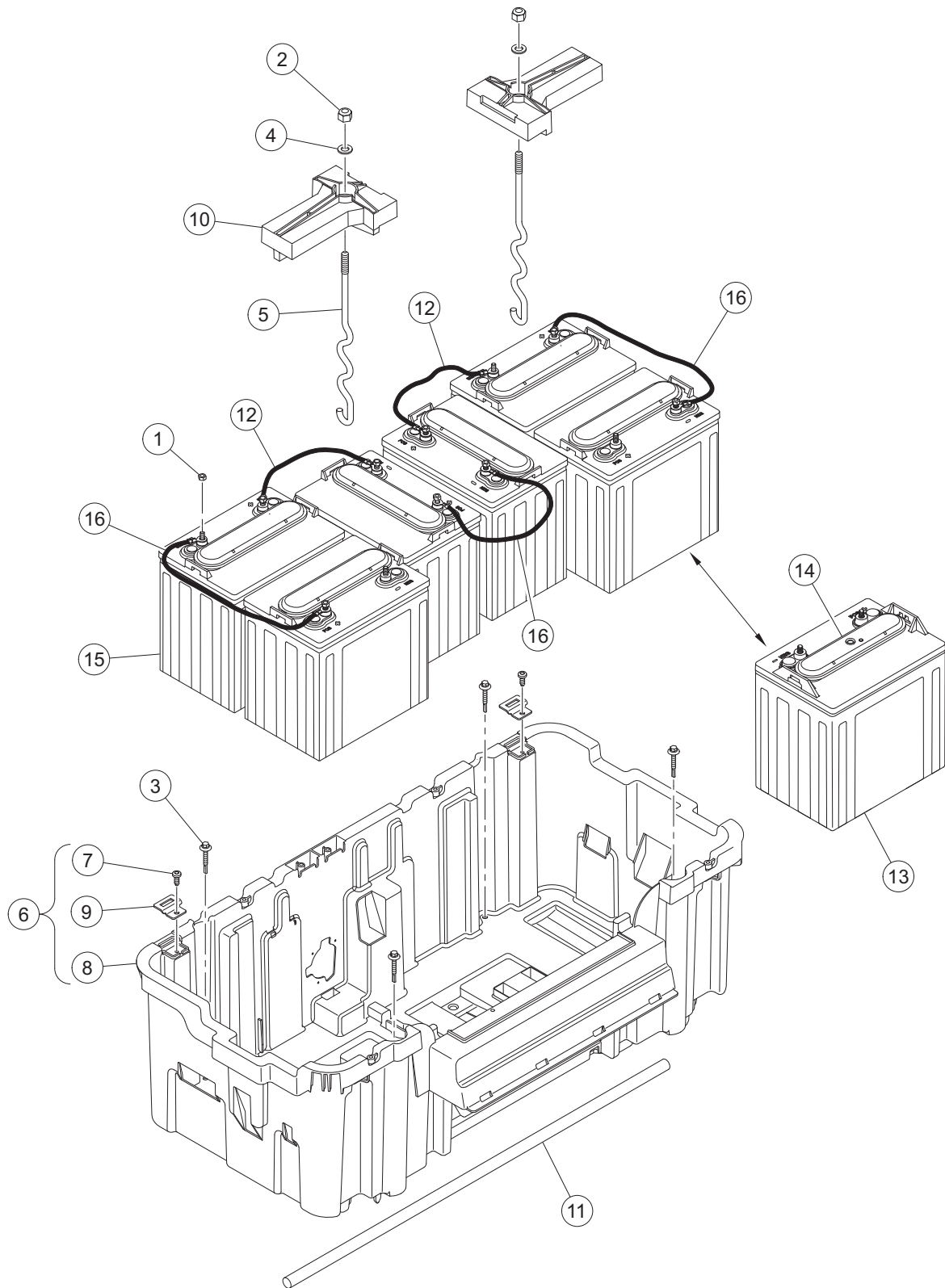
ITEM	PART NO.	DESCRIPTION	QTY
		1 2 3 4	
1	<u>101856001</u>	Switch, Rocker, Double-Pole	1
2	<u>101908401</u>	Boot, Switch	1
3	<u>102511101</u>	Switch, Tow/Run	1
4	<u>102538601</u>	15 Amp Fuse	1

6

E

6

E



G-130799-000015

BATTERIES AND BATTERY BUCKET, PD+ 8-VOLT

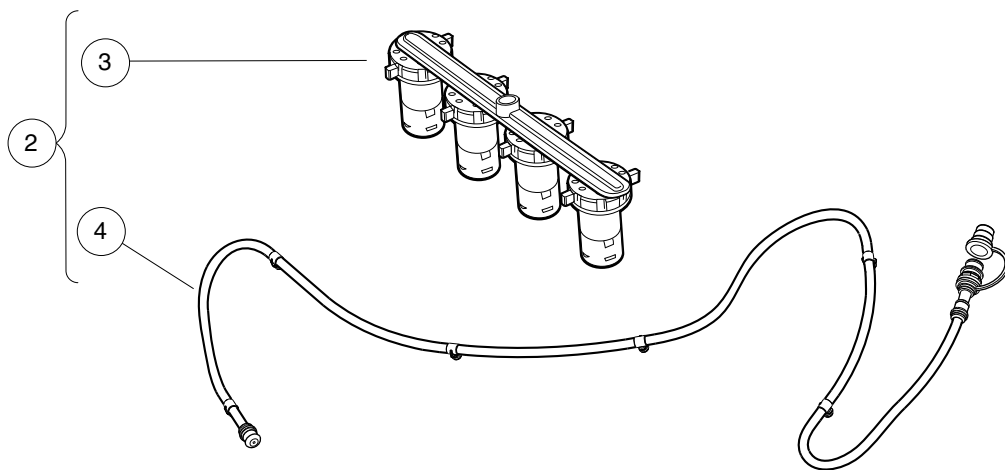
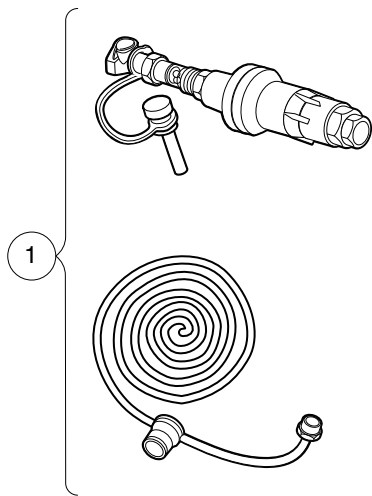
ITEM	PART NO.	DESCRIPTION	QTY
		1 2 3 4	
1	<u>1014304</u>	Nut, 5/16-18 Stainless-Steel Hex	12
2	<u>1014555</u>	Locknut, 7/16-14 Nylon Hex	2
3	<u>102292356</u>	Screw-1/4-20x56 Hwh Self Drill	4
4	<u>102491501</u>	Washer, Hard, M10	2
5	<u>103357701</u>	Bolt, Battery, "s" Hold-down	2
6	<u>103368403</u>	Asm, Bucket, Batt, Elec (includes items 7 through 9)	1
7	<u>102298020</u>	Screw, K80x20, Torx Pn Hd Pt	2
8	<u>103350802</u>	Bucket, Batt, Elec	1
9	<u>103368301</u>	Hinge - Nested	2
10	<u>103374801</u>	Hold Down, Battery	2
11	<u>103375301</u>	Tube, Cross, Battery Rod	1
12	<u>103508501</u>	Asm, Wire #4 Blk, 13 In	2
13	<u>103508801</u>	Asm, Wire, #4 Blk 8 In	1
14	<u>105065403</u>	Wire, Batt, 4awg, 455	2
15	<u>105138301</u>	Battery, 8-Volt, JCI GC8 Type E (includes item 16)	6
16	<u>103765601</u>	Cap, Spin, 8-Volt Battery	1

6

E

6

E



000731-009

SINGLE POINT WATERING SYSTEM, 8V

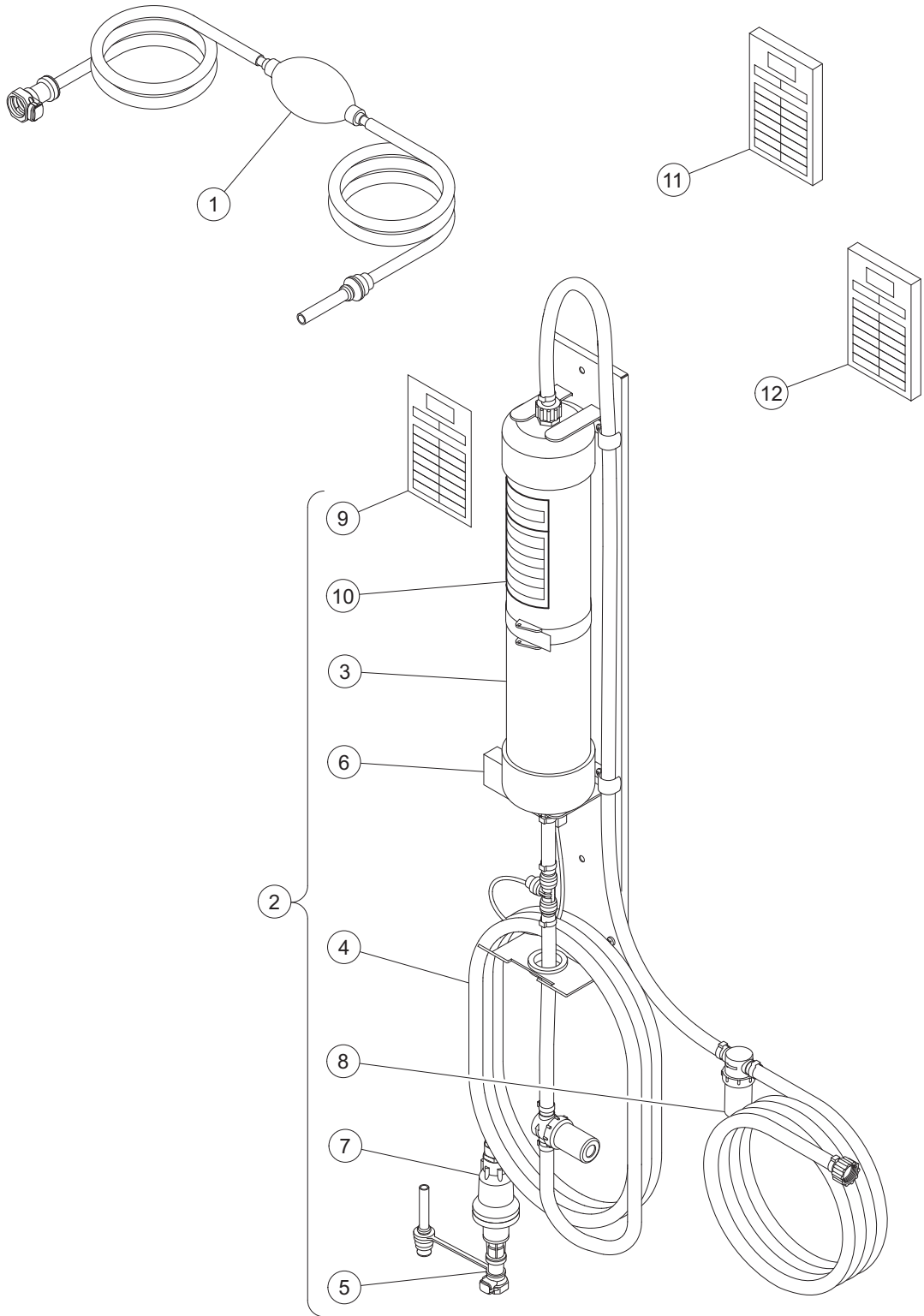
ITEM	PART NO.	DESCRIPTION	QTY
		1 2 3 4	
1	<u>102958001</u>	Kit Regulated Hose Sply Spws	1
2	<u>103395505</u>	Kit, Spws, 8 Volt Non-Trojan (includes items 3 and 4)	1
3	<u>103510602</u>	Spws, Manifold Asm, 8v Non-Trojan	6
4	<u>103774701</u>	Spws, Hose 8v Non-trojan	1
		Note: For JCI 8-Volt batteries only.	

6

E

6

E



002523-003

HAND PUMP AND DEIONIZER (BATTERY-POWERED QUALITY LIGHT)

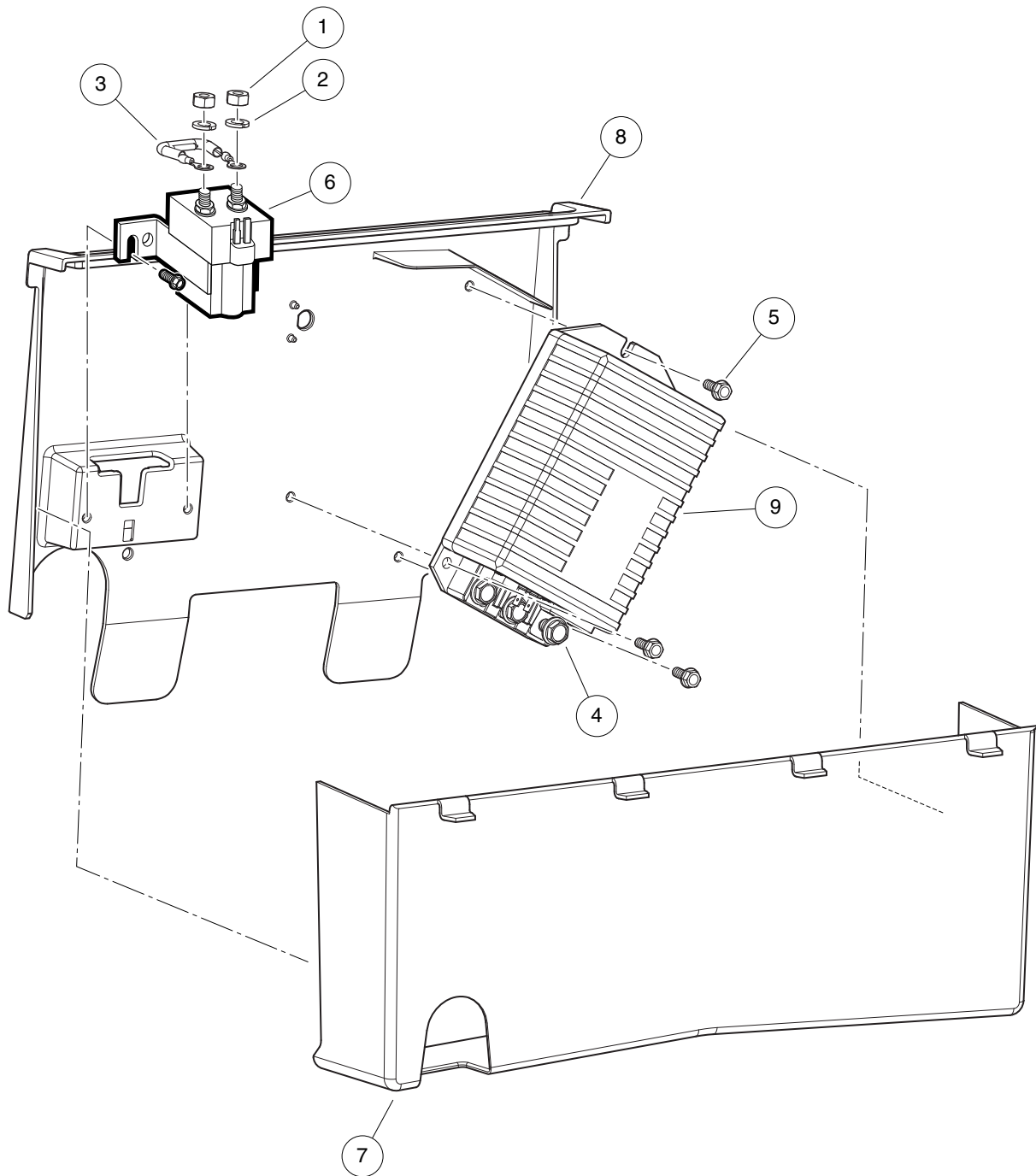
ITEM	PART NO.	DESCRIPTION	QTY
		1 2 3 4	
1	<u>104006101</u>	Kit, Hand Pump, Spws	1
2	<u>105166801</u>	Deionizer, w/Battery-Powered Water Quality Light (includes items 3 through 10)	1
3	<u>104005901</u>	Cartridge, Deionizer	1
4	<u>105166901</u>	Hose,outlet,deionizer	1
5	<u>105167001</u>	Flow Ind, W/coupler, Deionizer	1
6	<u>105167101</u>	Light, Quality, Battery-Powered, w/T-Fitting	1
7	<u>105168501</u>	Regulator, Pressure, Deionizer	1
8	<u>105168601</u>	Strainer, In-line, Deionizer	1
9	<u>AM1300001</u>	Decal, Filter Log, Blue	1
10	<u>AM1300201</u>	Decal, Inspect Log, Yellow	1
11	AM1300101	Decal, Filter Log, Blue, Pack of 100	A/R
12	AM1300301	Decal, Inspect Log, Yellow, Pack of 100	A/R

6

E

6

E



000486-015

CONTROLLER AND SOLENOID

ITEM	PART NO.	DESCRIPTION	QTY
		1 2 3 4	
1	<u>1012528</u>	Nut, M8-1.25 Hex	2
2	<u>1013734</u>	Lockwasher, 8mm Split	2
3	<u>1014947</u>	Resistor Assembly	1
4	<u>102240501</u>	Bolt, Controller, Terminal	3
5	<u>102296716</u>	Screw, M6 X 16 Tt Hx Fl Hd	5
6	<u>102774701</u>	Solenoid, 48v	1
7	<u>103367901</u>	Shield - Controller	1
8	<u>105005001</u>	Component Mounting Plate	1
9	105069001	Controller White 350a	1

6

E

6

E

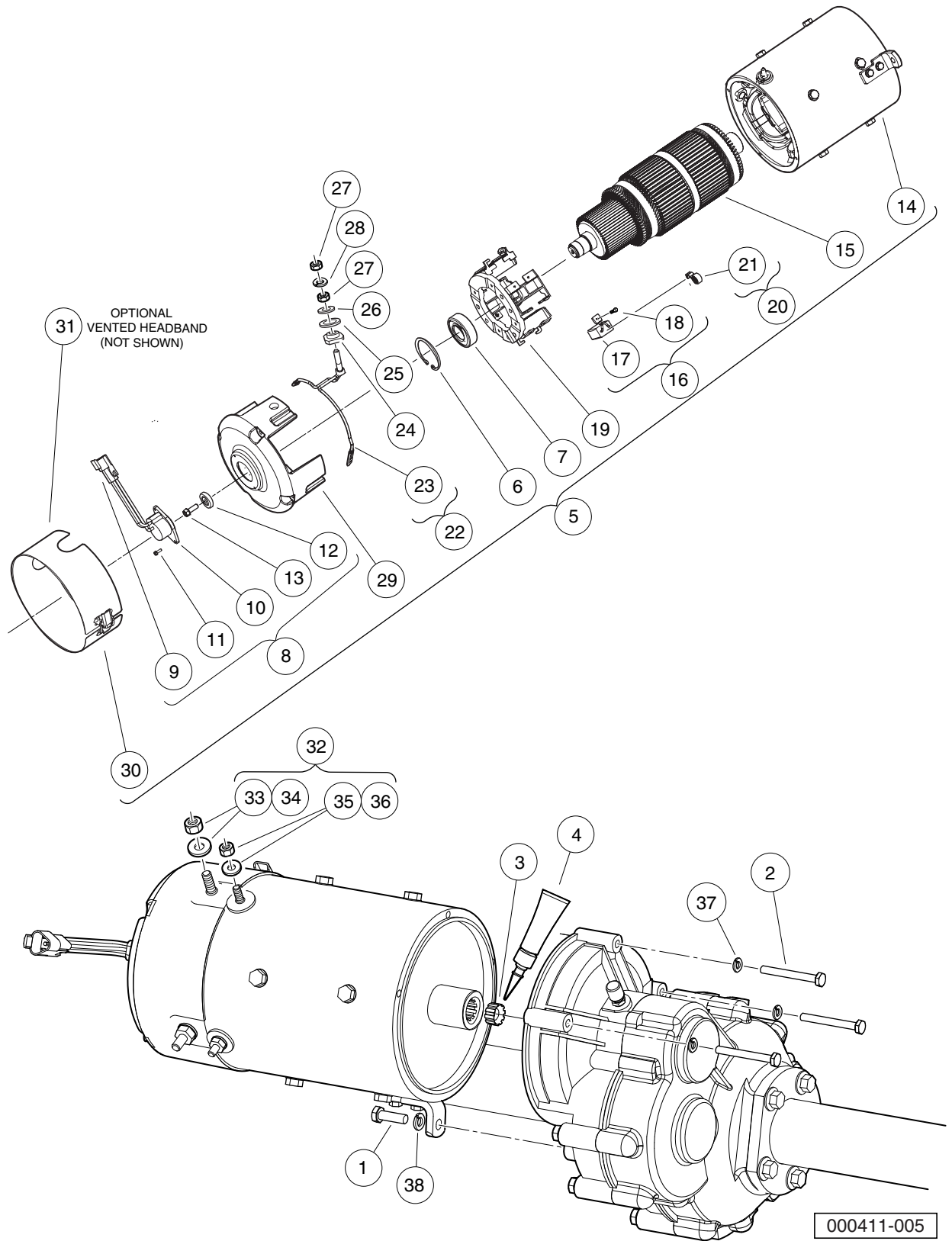
ELECTRIC MOTOR – 3.7 H.P.

7

E

7

E



MOTOR (MODEL DA5-4006) – 3.7 H.P.

ITEM	PART NO.	DESCRIPTION	QTY
		1 2 3 4	
1	<u>1010934</u>	Screw, 5/16-18 X 1.00 Hex Cap	1
2	1014201	Screw, 1/4-20 X 2.25 Hex Cap	3
3	<u>102235201</u>	Bumper, Drive Unit	1
4	<u>102243403</u>	Lubricant, Moly-Teflon (Single-Use Tube)	1
5	<u>102775101</u>	IQ Plus Electric Motor, 48-VDC 3.7 hp (includes items 6 through 30)	1
6	N/A	Ring, 2.24" Internal Retaining	1
7	<u>102186401</u>	Bearing, Ball	1
8	<u>102704901</u>	Kit, Speed Sensor (includes items 9 through 13)	1
9	<u>101942301</u>	Kit, 3-Pin Wedge Lock	1
10	N/A	Sensor, Motor Speed, ADC	1
11	N/A	Screw, #8-32, Taptite Thread	2
12	N/A	Magnet, ADC Motor	1
13	N/A	Screw, 1/4-20 x 0.5	1
14	N/A	Asm, Frame And Field, 3.7 Hp	1
15	N/A	Armature (Includes external hardware not shown)	1
16	<u>102938601</u>	Kit, Brush, 3.7 Hp (includes items 17 and 18)	1
17	N/A	Brush, Motor	8
18	N/A	Screw, Taptite	8
19	<u>102938701</u>	Asm, Brush Box, 3.7 Hp	1
20	<u>102938801</u>	Kit, Brush Spring, 3.7 Hp (includes item 21)	1
21	N/A	Brush Spring	8
22	<u>102938901</u>	Kit, Brush Lead Asm, 3.7 Hp (includes items 23 through 28)	1
23	N/A	Terminal and Lead Assembly	2
24	N/A	Insulator, Terminal	2
25	N/A	Washer, Insulating	2
26	N/A	Washer, Flat, 5/16, Brass/Bronze	2
27	N/A	Nut, 5/16, Steel	4
28	N/A	Lockwasher, 5/16, Steel	2
29	<u>102939001</u>	Commutator End Head, 3.7 Hp	1
30	<u>102939101</u>	Sealed Headband, 3.7 Hp	1
31	<u>102939102</u>	Vented Headband, 3.7 HP (optional - not shown)	1
32	<u>102951701</u>	Pkg, Terminal Hardware, 3.7hp (includes items 33 through 36)	1
33	N/A	Nut, 5/16, Steel	2
34	N/A	Lockwasher, 5/16, Steel	2
35	N/A	Nut, 1/4-20, Steel	2
36	N/A	Lockwasher, 1/4-20, Steel	2
37	<u>451</u>	Lockwasher, 1/4 Split	3
38	<u>7174</u>	Lockwasher, 5/16 Split	1

7

E

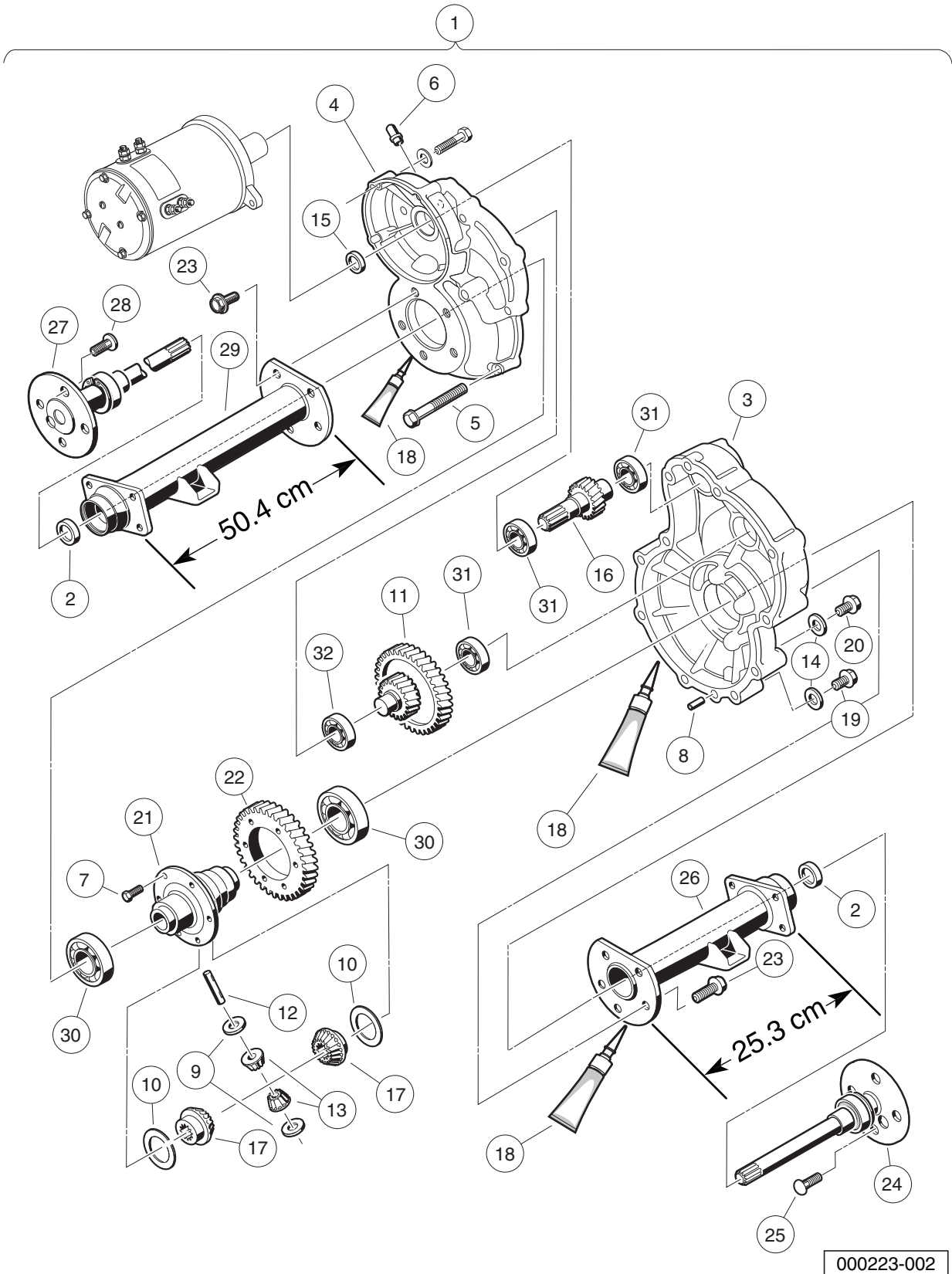
7

E

TRANSAXLE – ELECTRIC VEHICLES

8

E



000223-002

TRANSAXLE – ELECTRIC VEHICLES

ITEM	PART NO.	DESCRIPTION	QTY
		1 2 3 4	
1	<u>102771701</u>	Transaxle, Electric (includes items 2 through 34)	1
2	<u>1013794</u>	Axle Shaft Oil Seal	2
3	<u>101895401</u>	Gear Case, Driver-Side	1
4	<u>101895501</u>	Gear Case, Passenger-Side	1
5	<u>101897001</u>	Screw, M8-1.25 X 60mm Hex-Head	11
6	<u>101897201</u>	Breather	1
7	<u>101897401</u>	Screw, M10-1.25 X 25mm	6
8	<u>101897601</u>	Pin, 11mm OD X 8.5mm ID X 10mm	2
9	<u>101903601</u>	Washer, Thrust	2
10	<u>101903701</u>	Washer, Thrust	2
11	<u>101906901</u>	Intermediate Shaft Assembly	1
12	<u>101922101</u>	Pin, 15.99mm X 88.7mm Dowel	1
13	<u>101923001</u>	Gear, Differential Idler	2
14	<u>101923201</u>	Gasket	2
15	<u>101923501</u>	Seal, Lip	1
16	<u>101923901</u>	Gear, Differential	2
17	<u>101928701</u>	Liquid Gasket (Transaxle case)	1
18	<u>101972101</u>	Plug, M14-1.5 X 12mm Magnetic	1
19	<u>101972201</u>	Plug, M14-1.5 X 12mm Hex	1
20	<u>102356601</u>	Housing, Differential, 6 Bolt	6
21	<u>102356801</u>	Gear, Differential Output, 6-Bolt	6
22	<u>102886301</u>	Axle Assembly, Driver-Side (includes item 23)	1
23	<u>101922201</u>	Lug Stud	4
24	<u>102886401</u>	Tube, Axle, Driver-Side	1
25	<u>102886501</u>	Axle Assembly, Passenger-Side (includes item 26)	1
26	<u>101922201</u>	Lug Stud	4
27	<u>102886601</u>	Tube, Axle, Passenger-Side	1
28	<u>102902801</u>	Screw, M10 X 30	10
29	<u>103582801</u>	Asm, E Trans Shaft/bearing (includes items 30 and 31)	1
30	N/A	Shaft, Input	1
31	<u>7335</u>	Bearing	2
32	<u>7330</u>	Inner Axle Tube Bearing	2
33	<u>7335</u>	Bearing	1
34	<u>7336</u>	Bearing	1

8

E

8

E

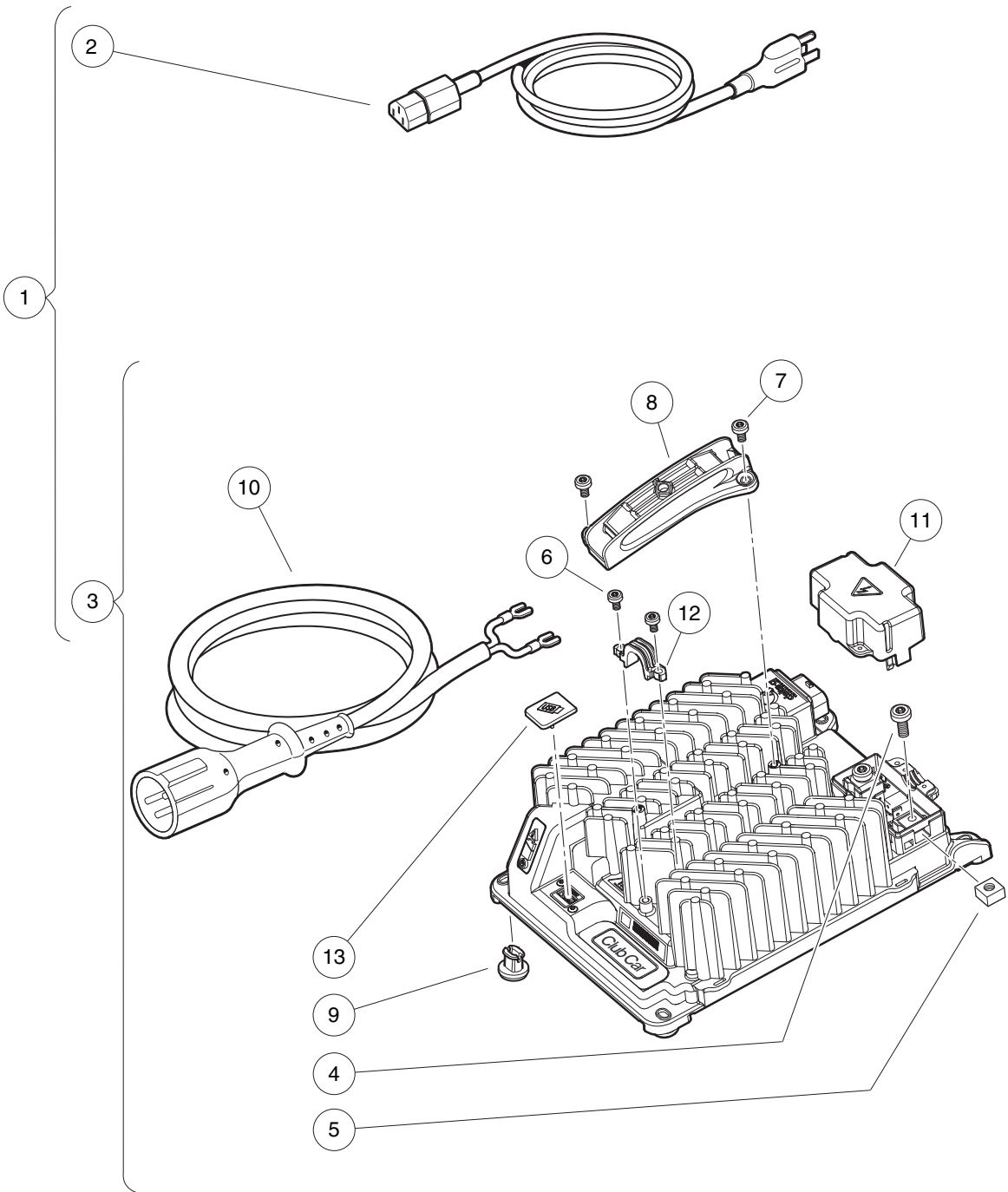
BATTERY CHARGERS – HIGH-FREQUENCY

9

E

9

E



000610-002

BATTERY CHARGER, HIGH-FREQUENCY – U.S./CANADA

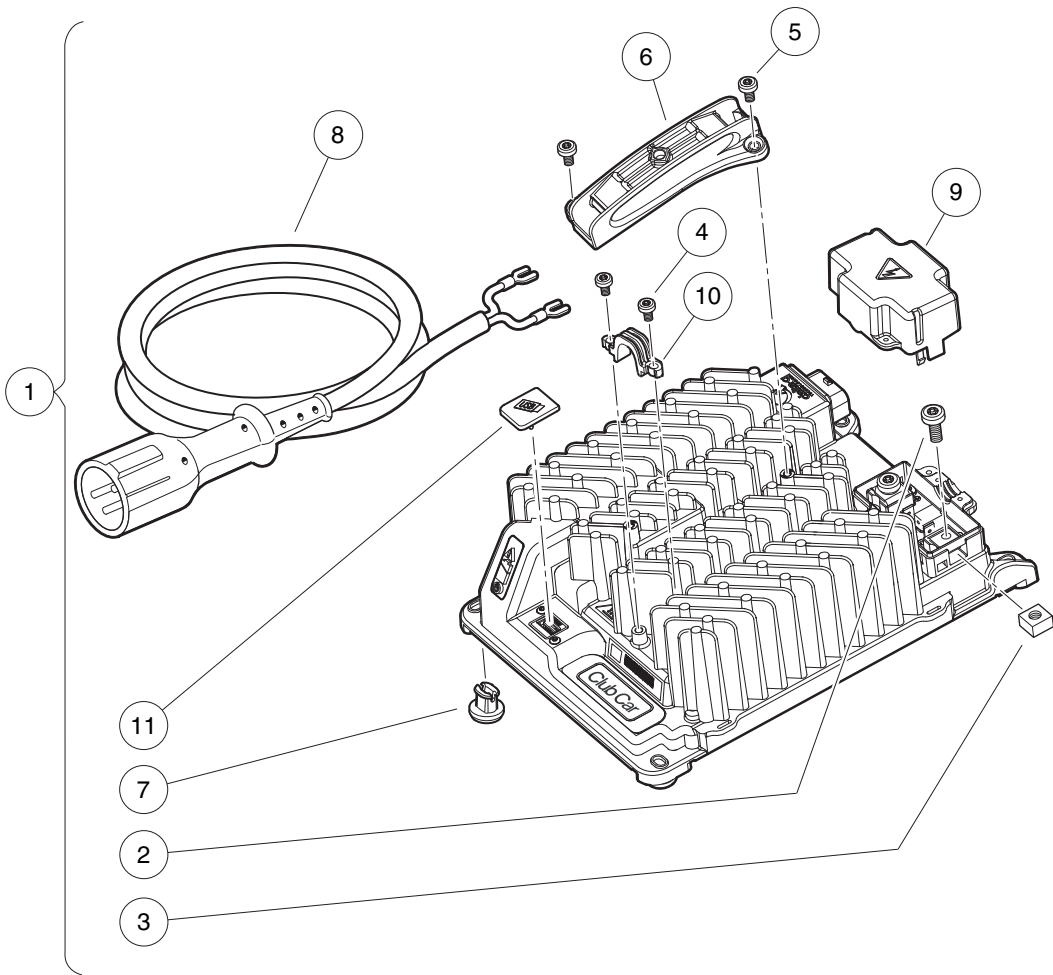
ITEM	PART NO.	DESCRIPTION	QTY
		1 2 3 4	
1	<u>105095201</u>	Charger, High-Freq, Service, 9ft Yel DC, 6ft AC, US/Canada (includes items 2 and 3)	1
2	<u>104024201</u>	Cord, AC, Nema To Iec320, 6ft (1.83 m), U.S./Canada	1
3	<u>104029601</u>	Charger, Asm, High-Freq, 9ft (2.74 m) Yellow DC Cord (includes items 4 through 13)	1
4	<u>104024501</u>	Screw, M6, Torx Head	2
5	<u>104024601</u>	Nut, M6, Square, Captured	2
6	<u>104028901</u>	Screw, M4 X .70, Pan Hd, Torx	2
7	<u>104029001</u>	Screw, M5 X .80, Pan Hd, Torx	2
8	<u>105003601</u>	Handle, Charger, High-Freq	1
9	<u>105003701</u>	Foot, Charger, High-Freq	4
10	<u>105070101</u>	Cord, DC, Yellow, 9ft (2.74 m)	1
11	<u>105092301</u>	Cover, DC Terminal Block, High-Freq Charger	1
12	<u>105093101</u>	Strain Relief, High-Freq, External, Charger	1
13	<u>105123801</u>	Cover, USB	1
<p>Note: This charger includes both an AC cord and DC cord. For additional cord lengths that may be used with this charger, see the Battery Charger Cords page.</p>			

9

E

9

E



000610-003

BATTERY CHARGER, HIGH-FREQ., 2.74 M DC CORD – GLOBAL

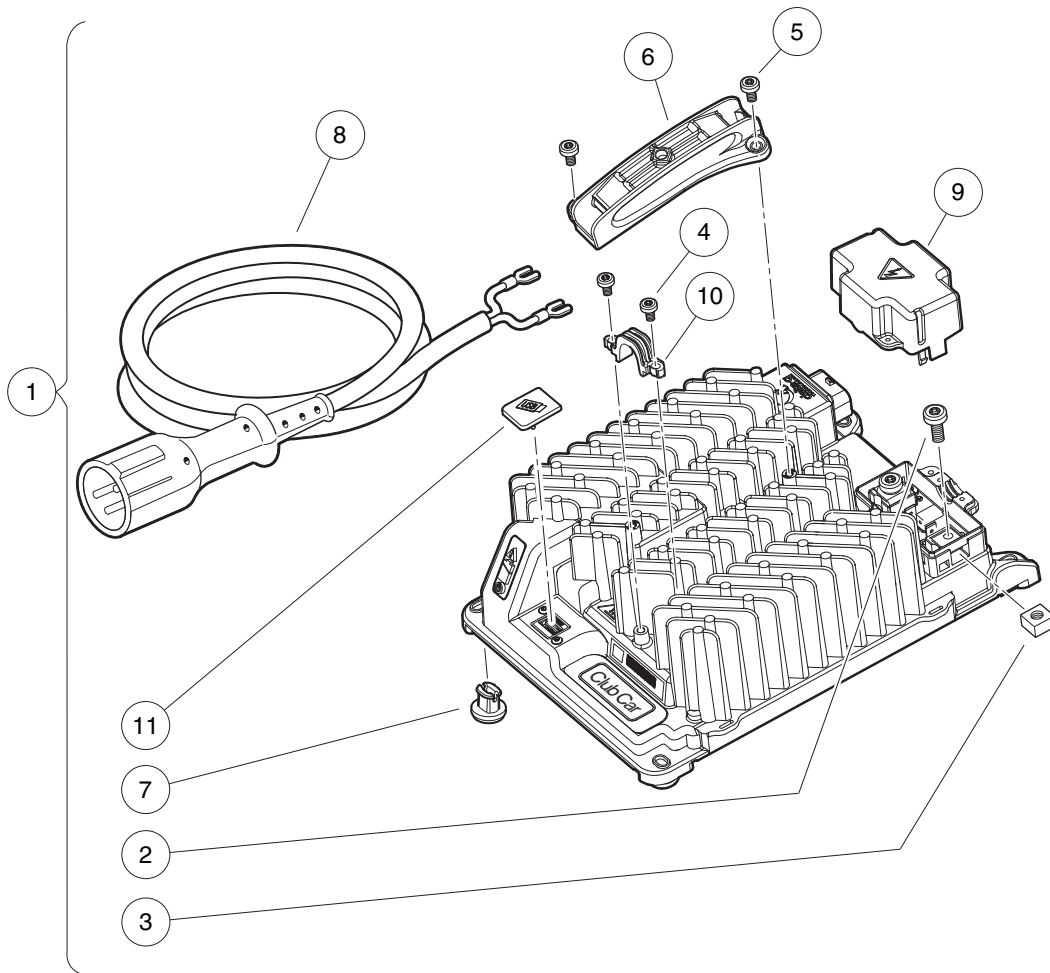
ITEM	PART NO.	DESCRIPTION	QTY
		1 2 3 4	
1	<u>104029601</u>	Charger, Asm, High-Freq, 9ft (2.74 m) Yellow DC Cord (includes items 2 through 11)	1
2	<u>104024501</u>	Screw, M6, Torx Head	2
3	<u>104024601</u>	Nut, M6, Square, Captured	2
4	<u>104028901</u>	Screw, M4 X .70, Pan Hd, Torx	2
5	<u>104029001</u>	Screw, M5 X .80, Pan Hd, Torx	2
6	<u>105003601</u>	Handle, Charger, High-Freq	1
7	<u>105003701</u>	Foot, Charger, High-Freq	4
8	<u>105070101</u>	Cord, DC, Yellow, 9ft (2.74 m)	1
9	<u>105092301</u>	Cover, DC Terminal Block, High-Freq Charger	1
10	<u>105093101</u>	Strain Relief, High-Freq, External, Charger	1
11	<u>105123801</u>	Cover, USB	1
		Note: This charger does not include the AC cord. To complete the charger, choose the appropriate type and length of AC cord found on the Battery Charger Cords page.	

9

E

9

E



000610-003

BATTERY CHARGER, HIGH-FREQ., 3.66 M DC CORD – GLOBAL

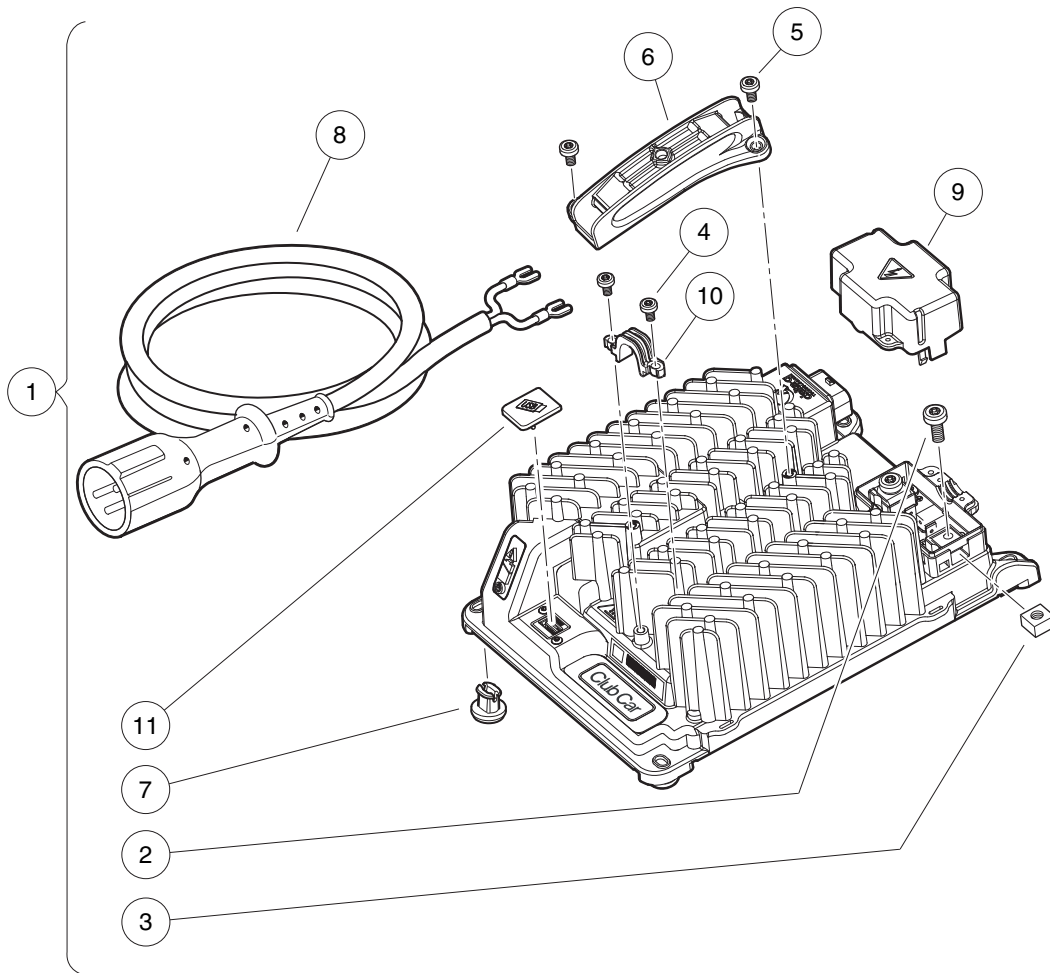
ITEM	PART NO.	DESCRIPTION	QTY
		1 2 3 4	
1	<u>104029602</u>	Charger, Asm, High-Freq, 12ft (3.66 m) Yellow DC Cord (includes items 2 through 11) ..	1
2	<u>104024501</u>	Screw, M6, Torx Head	2
3	<u>104024601</u>	Nut, M6, Square, Captured	2
4	<u>104028901</u>	Screw, M4 X .70, Pan Hd, Torx	2
5	<u>104029001</u>	Screw, M5 X .80, Pan Hd, Torx	2
6	<u>105003601</u>	Handle, Charger, High-Freq	1
7	<u>105003701</u>	Foot, Charger, High-Freq	4
8	<u>105070102</u>	Cord, DC, Yellow, 12ft (3.66 m)	1
9	<u>105092301</u>	Cover, DC Terminal Block, High-Freq Charger	1
10	<u>105093101</u>	Strain Relief, High-Freq, External, Charger	1
11	<u>105123801</u>	Cover, USB	1
<p>Note: This charger does not include the AC cord. To complete the charger, choose the appropriate type and length of AC cord found on the Battery Charger Cords page.</p>			

9

E

9

E



000610-003

BATTERY CHARGER, HIGH-FREQ., 6.1 M DC CORD – GLOBAL

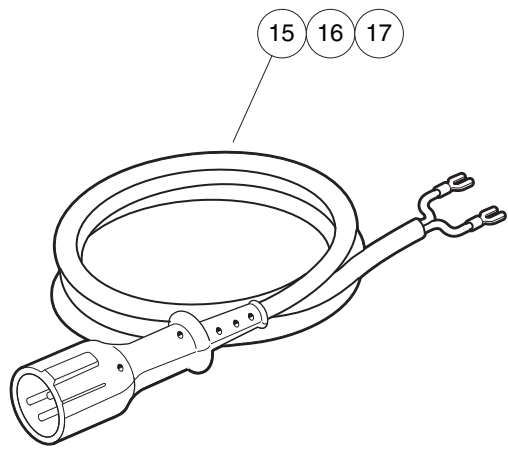
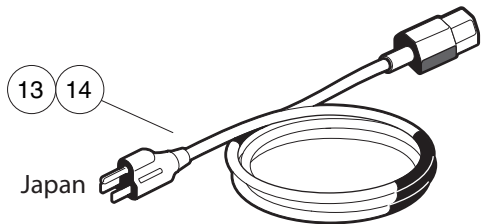
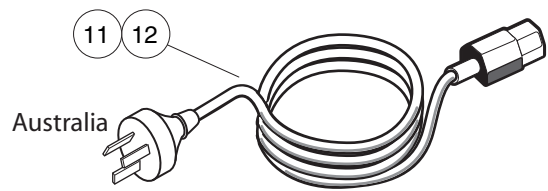
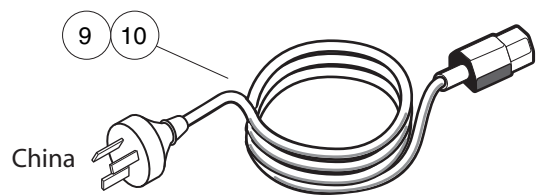
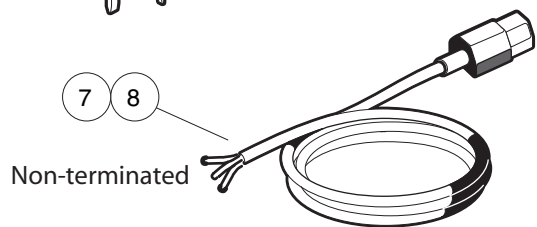
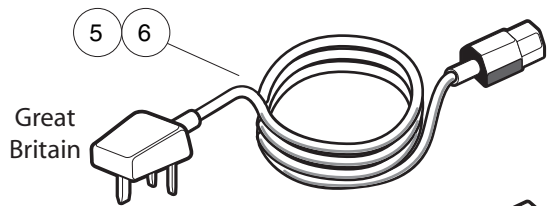
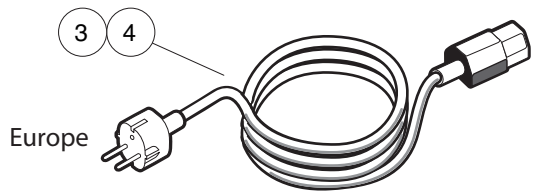
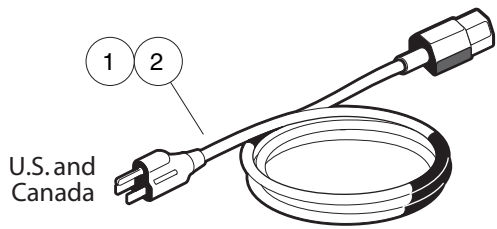
ITEM	PART NO.	DESCRIPTION	QTY
		1 2 3 4	
1	<u>104029603</u>	Charger, Asm, High-Freq, 20ft (6.1 m) Yellow DC Cord (includes items 2 through 11)	1
2	<u>104024501</u>	Screw, M6, Torx Head	2
3	<u>104024601</u>	Nut, M6, Square, Captured	2
4	<u>104028901</u>	Screw, M4 X .70, Pan Hd, Torx	2
5	<u>104029001</u>	Screw, M5 X .80, Pan Hd, Torx	2
6	<u>105003601</u>	Handle, Charger, High-Freq	1
7	<u>105003701</u>	Foot, Charger, High-Freq	4
8	<u>105070103</u>	Cord, DC, Yellow, 20ft (6.1 m)	1
9	<u>105092301</u>	Cover, DC Terminal Block, High-Freq Charger	1
10	<u>105093101</u>	Strain Relief, High-Freq, External, Charger	1
11	<u>105123801</u>	Cover, USB	1
<p>Note: This charger does not include the AC cord. To complete the charger, choose the appropriate type and length of AC cord found on the Battery Charger Cords page.</p>			

9

E

9

E



000610-004

CORDS – BATTERY CHARGER, HIGH-FREQUENCY

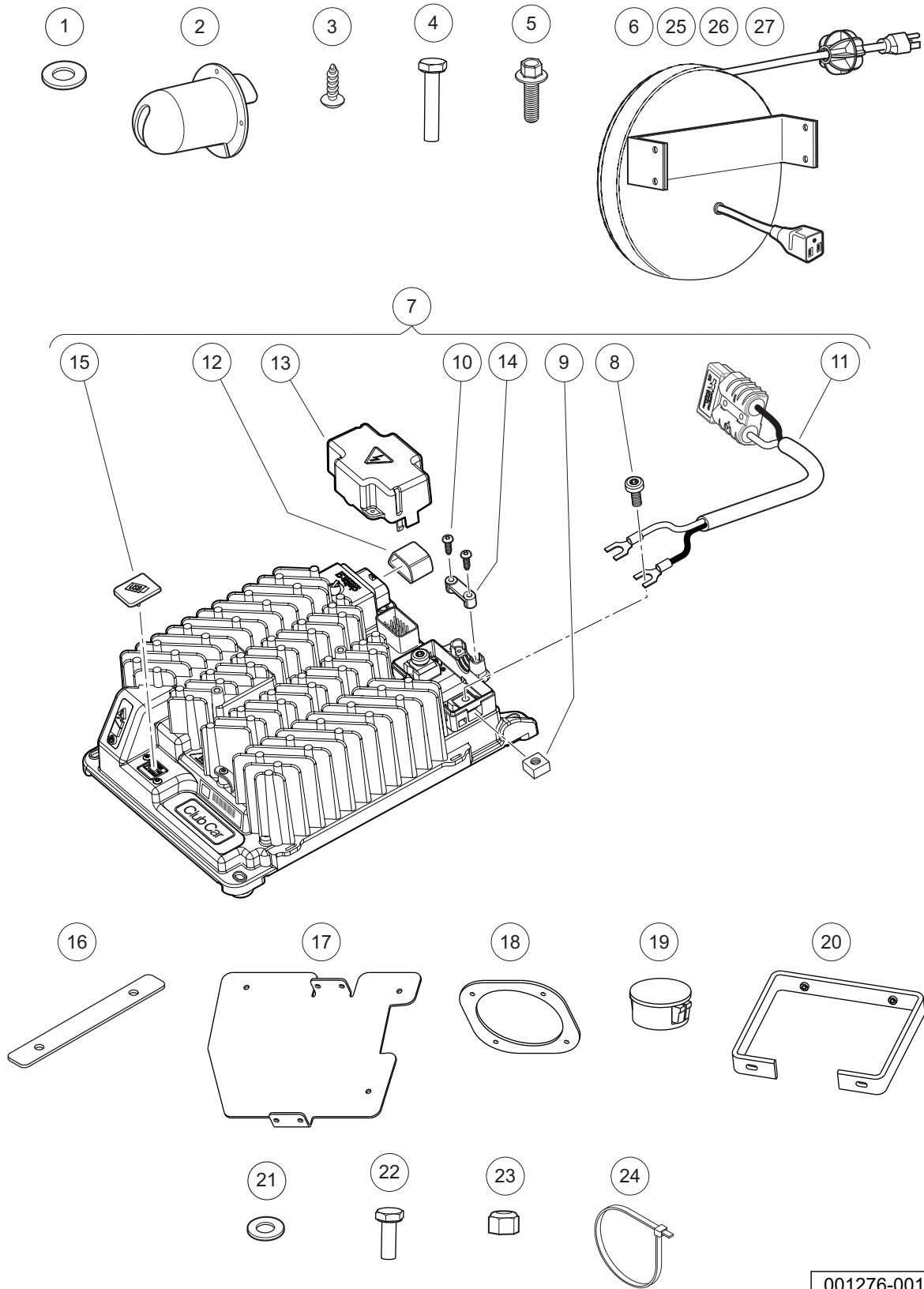
ITEM	PART NO.	DESCRIPTION	QTY
		1 2 3 4	
1	104024201	Cord, AC, Nema To lec320, 6ft (1.83 m), U.S./Canada	A/R
2	104024202	Cord, AC, Nema To lec320, 9ft (2.74 m), U.S./Canada	A/R
3	<u>104024401</u>	Cord, AC, lec320, 6ft (1.83 m), Europe	A/R
4	<u>104024402</u>	Cord, AC, lec320, 9ft (2.74 m), Europe	A/R
5	<u>104028501</u>	Cord, AC, lec320, 6ft (1.83 m), Great Britain	A/R
6	<u>104028502</u>	Cord, AC, lec320, 9ft (2.74 m), Great Britain	A/R
7	104028601	Cord, AC, lec320, 6ft (1.83 m), Non-terminated	A/R
8	104028602	Cord, AC, lec320, 9ft (2.74 m), Non-terminated	A/R
9	105068201	Cord, AC, lec320, 6ft (1.83 m), China	A/R
10	105068202	Cord, AC, lec320, 9ft (2.74 m), China	A/R
11	105068301	Cord, AC, lec320, 6ft (1.83 m), Australia	A/R
12	105068302	Cord, AC, lec320, 9ft (2.74 m), Australia	A/R
13	105068401	Cord, AC, lec320, 6ft (1.83 m), Japan	A/R
14	105068402	Cord, AC, lec320, 9ft (2.74 m), Japan	A/R
15	<u>105070101</u>	Cord, DC, Yellow, 9ft (2.74 m)	A/R
16	<u>105070102</u>	Cord, DC, Yellow, 12ft (3.66 m)	A/R
17	<u>105070103</u>	Cord, DC, Yellow, 20ft (6.1 m)	A/R

9

E

9

E



001276-001

BATTERY CHARGER, HIGH-FREQUENCY – ONBOARD

ITEM	PART NO.	DESCRIPTION	QTY
		1 2 3 4	
1	<u>1014306</u>	Washer, 1/4" Type B Flat	3
2	<u>1016673</u>	Housing, Cord Reel	1
3	<u>101832001</u>	Screw, #7-19 X 0.625 Phillips Pan-Head Tap	4
4	<u>101861901</u>	Screw, 1/4-20 X 1.125 Hex Cap	4
5	<u>102541401</u>	Bolt-m6x1.0x20 Hex Flhd Blk-l	4
6	<u>103872701</u>	Cord Reel, Hf Charger	1
7	<u>105083001</u>	Charger, Asm, High-Freq, Onboard (includes items 8 through 15)	1
8	<u>104024501</u>	Screw, M6, Torx Head	2
9	<u>104024601</u>	Nut, M6, Square, Captured	2
10	<u>104029301</u>	Screw, M3x1.5, Plastic Tapping	2
11	<u>105084401</u>	Cord, DC, Onboard	1
12	<u>105086801</u>	Sleeve, lec 320 C14	1
13	<u>105092301</u>	Cover, DC Terminal Block, High-Freq Charger	1
14	<u>105094101</u>	Strain Relief, DC Block, High-Freq, Onboard, Charger	1
15	<u>105123801</u>	Cover, USB	1
16	<u>105299001</u>	Plate, Charger, Mtg, Ubdy	2
17	<u>105299101</u>	Plate, Cord Reel, Mtg, Unbody	1
18	<u>105299601</u>	Plate, Backing, Charge Port	1
19	<u>105300801</u>	Plug, Push In, 61/64" Diameter	1
20	<u>105315201</u>	Asm, Bracket, Obc Eric Mount	2
21	<u>332</u>	Washer, 1/4 Type A Narrow Flat	8
22	<u>7847</u>	Screw, 1/4-20 X 0.75 Hex-Head Cap	7
23	<u>8233</u>	Locknut, 1/4-20, Nylon Insert	4
24	<u>8990</u>	Tie Wrap, 8" Nylon	1
25	<u>SVP738601</u>	Cord Reel Retract 3ft 14ga Uk	1
26	<u>SVP738701</u>	Cord Reel Retract 3ft 14ga Eu	1
27	<u>SVP738801</u>	Cord Reel Retract 3ft 14ga Aus	1

9

E

9

E

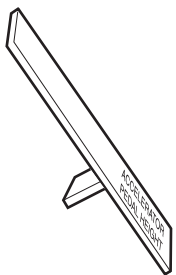
MAINTENANCE AND SERVICE TOOLS

10

E

10

E



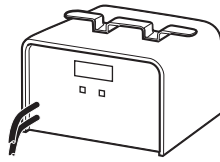
1



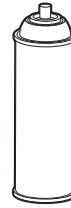
2



3



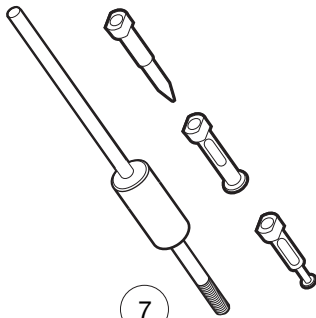
4



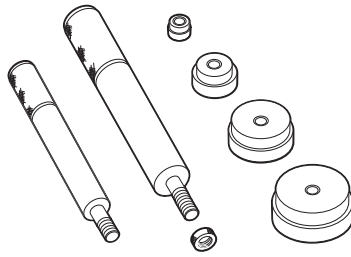
5



6



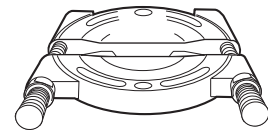
7



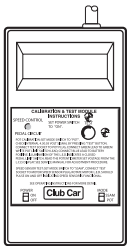
8



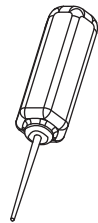
9



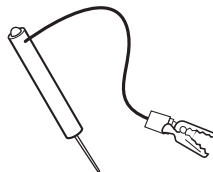
10



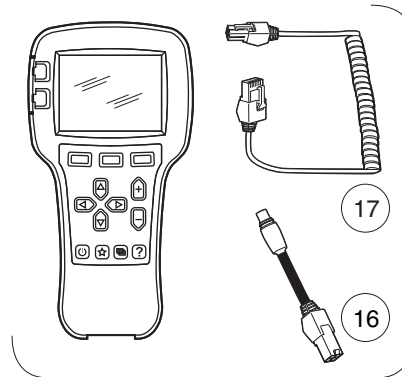
11



12



13

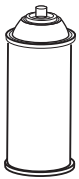


14

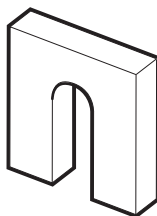
15

17

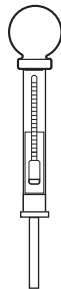
16



18



19



20

001050-002

MAINTENANCE AND SERVICE TOOLS

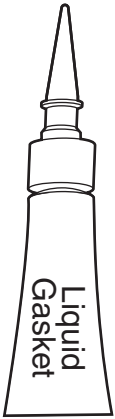
ITEM	PART NO.	DESCRIPTION	QTY ELEC
		<p style="text-align: center;">1 2 3 4</p> <p>The following tool list includes all tools available from Club Car for maintenance and service procedures for gasoline and electric golf cars, both past and present models. Be sure to carefully examine the tool list for applicability to your vehicle before ordering.</p>	
1	<u>101871001</u>	Accelerator Pedal Adjustment Tool	1
2	<u>101813202</u>	Adhesive, Guide Ring, 3-Gram Tube	1
3	<u>101641202</u>	Arbor	1
4	<u>101831901</u>	Battery Discharge Machine, 36/48 Volt	1
5	<u>1014305</u>	Battery Terminal Protector Spray	1
6	<u>1011767</u>	Battery Thermometer	1
7	<u>1016417</u>	Bearing and Oil Seal Remover Assembly	1
8	<u>1016416</u>	Bearing Driver Set	1
9	<u>1012811</u>	Bearing Puller	1
10	<u>1012812</u>	Bearing Puller Wedge Attachment	1
11	<u>101887101</u>	Calibration Test Module	1
12	<u>102562401</u>	Charger Bezel Tool	1
13	<u>1011273</u>	Continuity Tester	1
14	<u>105234501</u>	Controller Diagnostic Tool (CDT) User Kit (IQ System, Excel and IQ Plus vehicles) (includes items 16 and 17)	1
15	<u>105234502</u>	Controller Diagnostic Tool (CDT) OEM Kit (For Programming IQ System, Excel and ... IQ Plus controllers) (includes items 16 and 17)	1
16	<u>102251501</u>	Adaptor, Cable	1
17	<u>105209601</u>	CDT Cable	1
18	<u>1012151</u>	Dry Moly Lubricant	1
19	<u>1016418</u>	Gear Yoke	1
20	<u>1011478</u>	Hydrometer	1
		Please refer to the maintenance and service manual for proper tool application.	

10

E

10

E



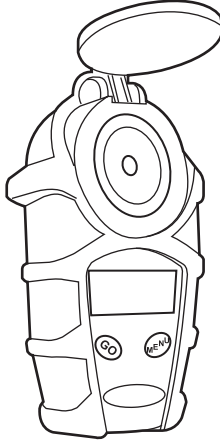
21



22



23



24



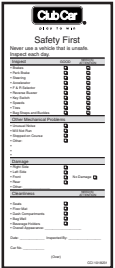
25



26



27



28



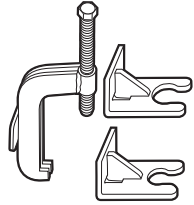
29



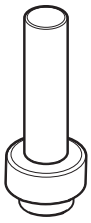
30



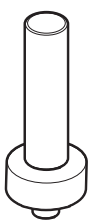
31



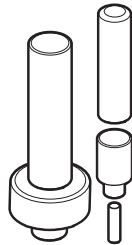
32



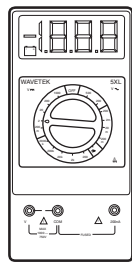
33



34



35



36

001051-002

MAINTENANCE AND SERVICE TOOLS - CONTINUED

ITEM	PART NO.	DESCRIPTION	QTY ELEC
		1 2 3 4	
21	<u>101928701</u>	Liquid Gasket (transaxle case)	1
22	<u>102243402</u>	Moly-Teflon Lubricant (4-oz. (113-gram) tube)	1
23	<u>102587201</u>	Paint Pen, Touch-Up, Precedent Underbody – Black	1
24	<u>AM1285701</u>	Refractometer	1
25	<u>1012549</u>	Retaining Ring Pliers, 45° External	1
26	<u>1012560</u>	Retaining Ring Pliers, 90° Internal	1
27	<u>1013593</u>	Retaining Ring Pliers, Internal	1
28	<u>101823101</u>	Safety First Card (50 per pack)	1
29	<u>1012809</u>	Seal Puller	1
30	<u>1014264</u>	Steering Column Bearing Press Tool	1
31	<u>1014259</u>	Steering Column Retaining Ring Tool	1
32	102061201	Steering Wheel Puller Tool	1
33	<u>1014162</u>	Transaxle Axle Seal Tool	1
34	1014161	Transaxle Pinion Seal Tool	1
35	<u>1014115</u>	Transmission Tool Kit	1
36	1011480	Volt Ohm Meter	1
		Please refer to the maintenance and service manual for proper tool application.	

10

E

INDEX

Part Number and Page

AM10079	6-9	1012560	10-5	101834502	6-9
AM10092	1-53	1012565	5-3, 5-5	101850301	5-3, 5-5
AM10682	2-3	1012566	5-3, 5-5	101851101	6-9
AM1231201	1-31	1012809	10-5	101856001	6-21
AM1292101	1-31	1012811	10-3	101861901	9-13
AM1300001	6-27	1012812	10-3	101871001	10-3
AM1300101	6-27	1013042	5-9	101887101	10-3
AM1300201	6-27	1013164	5-15	101895401	8-3
AM1300301	6-27	1013531	4-7	101895501	8-3
SVP738601	9-13	1013593	10-5	101897001	8-3
SVP738701	9-13	1013734	6-29	101897201	8-3
SVP738801	9-13	1013794	8-3	101897401	8-3
SVP915201	1-29	1013924	4-3	101897601	8-3
183	1-39	1014115	10-5	101903601	8-3
332	1-53, 9-13	1014161	10-5	101903701	8-3
334	1-51	1014162	10-5	101906901	8-3
451	7-3	1014201	7-3	101908401	6-13, 6-21
1241	4-7	1014259	10-5	101922101	8-3
1242	4-7	1014264	10-5	101922201	8-3
1620	1-31	1014304	6-23	101923001	8-3
7174	7-3	1014305	10-3	101923201	8-3
7310	2-3	1014306	1-39, 9-13	101923501	8-3
7311	1-53	1014555	5-15, 6-23	101923901	8-3
7330	8-3	1014947	6-29	101928701	8-3, 10-5
7335	8-3	1015583	5-15	101942301	7-3
7336	8-3	101558302	5-15	101953101	4-7
7473	1-15, 4-7	1016154	5-3, 5-5	101953102	4-7
7847	1-23, 9-13	1016214	5-3, 5-5	101953105	4-7
8233	1-53, 9-13	101641202	10-3	101954301	1-25, 1-49
8639	6-19	1016416	10-3	101968801	1-39
8861	1-51	1016417	10-3	101972101	8-3
8915	1-15, 4-7	1016418	10-3	101972201	8-3
8990	5-9, 6-19, 9-13	1016673	9-13	101976301	4-7
1010145	5-15	1016811	1-23	101985201	1-37
1010434	1-27, 4-9, 4-11	1016849	6-9	101998501	1-25
1010436	1-31, 1-55	1016851	6-9	102022601	5-9
1010521	4-7	1016916	1-49	102061201	10-5
1010811	4-7	1016952	1-23	102065901	1-51
1010812	4-7	1017041	1-37	102186401	7-3
1010829	4-5	101705701	3-3	102196901	6-9
1010921	4-7	101708301	1-23	102235201	7-3
1010934	7-3	1017233	1-15, 4-7	102240501	6-29
1010984	2-3	1017235	5-15	102243402	10-5
1011273	10-3	101791101	4-3	102243403	7-3
1011415	5-15	101813202	10-3	102251501	10-3
1011478	10-3	101815501	4-3	102279106	1-29
1011480	10-5	101815502	4-3	102287101	5-11
1011767	10-3	101816501	4-3	102287601	5-11
1012151	10-3	101816502	4-3	102287701	5-11
1012180	5-15	101823101	10-5	102288101	5-11, 5-13
1012285	1-43	101823201	4-3	102288201	5-13
1012505	6-9	101823801	4-3	102288401	5-13
1012528	6-29	101823901	4-3	102288701	5-13
1012549	10-5	101830701	6-9	102288801	5-13
		101831901	10-3	102288901	5-11
		101832001	6-19, 9-13	102289001	5-9

INDEX

102289101	5-13	102504201	1-27	102595401	4-9, 4-11
102289201	5-13	102504301	1-27	102595901	4-9, 4-11
102289401	5-11	102505402	1-3	102596001	4-9, 4-11
102289501	5-11, 5-13	102505701	1-3, 5-11	102596301	4-9, 4-11
102289601	5-11	102506401	5-15	102618001	1-55
102289701	5-11	102507801	1-3	102704901	7-3
102289801	5-13	102508202	1-19	102718101	1-55
102289901	5-11	102508601	6-9	102771701	8-3
102290120	5-3, 5-5, 5-7	102511101	6-13, 6-21	102774701	6-29
102292101	1-3	102513501	1-45, 1-47	102775101	7-3
102292201	4-9, 4-11	102516901	1-19	102878201	5-13
102292356	1-11, 1-13, 6-23	102517001	1-27	102886301	8-3
102292701	1-17, 1-29	102517501	6-5	102886401	8-3
102292801	4-5	102517601	6-7	102886501	8-3
102296020	1-7, 1-33, 1-35, 6-3	102519301	3-3	102886601	8-3
102296150	1-33, 1-35	102521901	1-13	102902801	8-3
102296301	1-33, 1-35, 1-49, 1-51	102529201	6-5, 6-7	102915601	1-11
102296530	1-27	102534201	1-5, 1-55	102938601	7-3
102296601	1-29	102534801	5-15	102938701	7-3
102296716	6-29	102535401	6-7	102938801	7-3
102296819	1-11	102536103	1-37	102938901	7-3
102297001	1-11	102538601	6-19, 6-21	102939001	7-3
102297230	1-27, 1-29, 1-31, 1-33, 1-35, 1-37	102538803	1-31	102939101	7-3
102298020	6-23	102540701	2-5	102939102	7-3
102298030	1-17, 1-19, 1-29, 4-9, 4-11	102541401	1-31, 1-37, 9-13	102951701	7-3
102298116	5-7	102541402	1-49, 1-51	102956201	5-11, 5-13
102298130	5-7	102541425	1-33, 1-35, 1-49	102958001	6-25
102298170	5-15	102541465	1-49, 1-51	102967901	1-29, 1-55
102298175	5-15	102541501	1-49, 1-51	102988701	1-55
102298250	1-27	102543903	1-9	103216401	1-55
102298401	1-3, 1-5, 1-45, 1-47, 1-55, 5-15	102544201	1-9, 1-45, 1-47	103262201	1-55
102298580	1-3, 5-15	102551901	4-7	103325001	1-5
102298601	1-3, 5-15	102552001	4-7	103327601	1-27
102298716	1-13	102554901	6-19	103350802	6-23
102298720	1-29, 6-5	102555501	10-5	103357701	6-23
102298995	1-3	102556701	2-5	103367101	1-49
102299065	1-9, 1-45, 1-47	102557201	1-11	103367901	6-29
102299360	1-45, 1-47	102559401	4-9, 4-11	103368301	6-23
102299601	1-45, 1-47, 1-49	102559701	4-9, 4-11	103368403	6-23
102323101	4-7	102559901	2-3	103374801	6-23
102323201	4-7	102559902	2-3	103375301	6-23
102353201	5-13	102562401	10-3	103380201	4-3
102353301	5-13	102565201	5-9	103380202	4-3
102353401	5-13	102566001	5-9	103384601	3-3
102356601	8-3	102569302	2-3	103384701	3-3
102356801	8-3	102569311	2-3	103384801	3-3
102357701	5-13	102572401	6-9	103388501	5-11
102478101	1-33, 1-35	102581201	1-49, 1-51	103395505	6-25
102478201	1-35	102582401	1-33, 1-35, 1-49	103397901	6-5
102491501	6-23	102587201	10-5	103400001	1-17
102492301	6-19	102588501	5-15	103402702	1-11
102500801	4-9, 4-11	102588601	5-11	103414901	6-5
102501402	1-29	102594801	4-9, 4-11	103451301	1-33, 1-35
102501403	1-29	102594901	4-9, 4-11	103451401	1-33, 1-35
102502501	1-7	102595201	4-9, 4-11	103451901	1-35
102504001	1-27	102595301	4-9, 4-11	103451902	1-35

INDEX

103451903	1-35	103813001	1-29	104024402	9-11
103459104	2-3	103825201	1-49	104024501	9-3, 9-5, 9-7, 9-9, 9-13
103483101	4-3	103825401	1-43	104024601	9-3, 9-5, 9-7, 9-9, 9-13
103483102	4-3	103825501	1-43	104028501	9-11
103483201	4-3	103825601	1-49	104028502	9-11
103483401	4-3	103826101	1-49	104028601	9-11
103483601	4-3	103826201	5-9	104028602	9-11
103483701	4-3	103826301	5-9	104028901	9-3, 9-5, 9-7, 9-9
103508501	6-23	103832401	2-5	104029001	9-3, 9-5, 9-7, 9-9
103508801	6-23	103832901	1-25	104029301	9-13
103508902	6-19	103833601	1-25	104029601	9-3, 9-5
103510602	6-25	103833701	1-25	104029602	9-7
103535001	4-7	103833801	1-25	104029603	9-9
103582801	8-3	103833901	1-25	105003601	9-3, 9-5, 9-7, 9-9
103597101	6-5	103844301	1-49	105003701	9-3, 9-5, 9-7, 9-9
103635201	1-13	103853121	1-27	105005001	6-29
103638601	5-13	103853122	1-27	105049001	5-7
103638701	5-13	103853124	1-27	105050201	1-55
103638702	5-13	103853125	1-27	105050301	1-55
103638801	5-13	103872701	9-13	105050401	1-55
103638901	1-3	103874001	1-49	105050801	1-55
103662801	1-31	103874111	4-11	105051001	1-55
103679701	5-9	103886801	1-37	105051101	1-55
103694501	2-3	103921601	5-15	105051102	1-55
103699401	1-27	103921602	5-15	105051301	1-51
103703901	1-17	103924801	6-19	105051401	1-51
103704001	1-17	103926401	1-17	105051501	1-55
103705401	1-17	103926603	1-3	105053101	1-43
103707201	1-17	103929301	1-27	105053102	1-43
103722801	1-49	103929302	1-27	105053103	1-43
103722802	1-49	103935601	5-13	105053401	1-51
103724501	5-5	103943401	4-11, 6-17	105053501	1-55
103724503	5-3	103951001	2-3	105053601	1-55
103724601	5-3, 5-5	103951002	2-3	105053801	1-55
103724901	5-3, 5-5	103951007	2-3	105054001	1-51
103731401	6-19	103952901	1-27	105055601	1-41
103742306	5-15	103964901	5-15	105055602	1-41
103743604	1-51	103965001	5-15	105055603	1-41
103743605	1-51	103974821	4-9	105055604	1-41
103750001	1-45, 1-47	103974901	4-9, 4-11	105055605	1-41
103750101	1-45, 1-47	103975011	4-11	105055606	1-41
103758501	1-15	103978801	1-27, 1-55	105056001	1-51
103758601	1-15	103990502	1-3	105056101	4-7
103758701	1-17	103990602	1-3	105056301	1-3
103765601	6-23	103991501	6-9	105059901	1-39
103774701	6-25	103994101	1-31	105059902	1-39
103775201	1-47	104005901	6-27	105065403	6-23
103775601	1-47	104006101	6-27	105065601	6-19
103777601	4-9, 4-11	104023201	6-19	105065701	6-19
103783001	3-3, 5-3, 5-5	104023421	1-25	105068201	9-11
103783002	5-3, 5-5	104023422	1-25	105068202	9-11
103783003	5-3	104023424	1-25	105068301	9-11
103796701	5-3	104023425	1-25	105068302	9-11
103797401	1-3	104024201	9-3, 9-11	105068401	9-11
103810201	5-7	104024202	9-11	105068402	9-11
103812901	1-29	104024401	9-11	105068601	5-7

INDEX

105069001	6-29	105284001	1-33	47589919210	1-29
105070101	9-3, 9-5, 9-11	105288901	1-53	47589919301	1-29
105070102	9-7, 9-11	105291501	1-17	47589919302	1-29
105070103	9-9, 9-11	105291701	1-33	47589919303	1-29
105076501	1-55, 3-3	105291702	1-33	47589919304	1-29
105083001	9-13	105291703	1-33	47589919305	1-29
105084401	9-13	105299001	9-13	47589919306	1-29
105086801	9-13	105299101	9-13	47589919307	1-29
105092301	9-3, 9-5, 9-7, 9-9, 9-13	105299601	9-13	47589919308	1-29
105093101	9-3, 9-5, 9-7, 9-9	105300801	9-13	47589919309	1-29
105094101	9-13	105313801	1-53	47589919310	1-29
105095201	9-3	105314001	1-17	47589919311	1-29
105114601	1-49, 1-51	105314101	1-17	47589919312	1-29
105116301	4-11, 6-17	105315201	9-13	47589919313	1-29
105116601	4-7	47542195001	4-3	47589919314	1-29
105116701	4-7	47554736001	6-13	47589920001	1-45, 1-47
105123801	9-3, 9-5, 9-7, 9-9, 9-13	47555612001	6-13	47589920002	1-45, 1-47
105136201	1-21	47557751001	6-13	47589922001	1-9
105137401	6-19	47562746001	6-5	47589922002	1-9
105138301	6-23	47565234003	6-3	47593000001	1-7
105142401	2-3	47565234004	6-3	47593002001	6-3
105152301	6-9	47574837001	6-5	47593002002	6-3
105166801	6-27	47579096001	5-15	47594727001	6-11
105166901	6-27	47580172001	6-5	47597567001	2-5
105167001	6-27	47589916201	1-7	47603573001	2-5
105167101	6-27	47589916202	1-7	47604926001	1-5
105168501	6-27	47589916203	1-7	47605157001	2-5
105168601	6-27	47589916204	1-7	47605590001	1-7
105187901	5-13	47589916205	1-7	47605590002	1-7
105188185	5-15	47589916206	1-7	47613414003	6-9
105209601	10-3	47589916207	1-7	47613414004	6-9
105210301	6-19	47589916208	1-7	47613414009	6-9
105223321	1-25	47589916209	1-7	47614573001	3-5
105223322	1-25	47589916210	1-7	47614573002	3-5
105223323	1-25	47589916301	1-7	47614573003	3-5
105223324	1-25	47589916302	1-7	47614573004	3-5
105223325	1-25	47589916303	1-7	47614573005	3-5
105223326	1-25	47589916304	1-7	47614573006	3-5
105223327	1-25	47589916305	1-7	47614711001	6-13
105223328	1-25	47589916306	1-7	47623580001	3-5
105223421	1-27	47589916307	1-7	47623580002	3-5
105223422	1-27	47589916308	1-7	47643352001	6-15
105223423	1-27	47589916309	1-7	47643352002	6-15
105223424	1-27	47589916310	1-7	96704176	6-11
105223425	1-27	47589916311	1-7		
105223426	1-27	47589917001	1-7		
105223427	1-27	47589918001	1-5	A	
105223428	1-27	47589919201	1-29	A-arm, three-piece	5-11
105223901	1-21	47589919202	1-29	absorber, front shock	5-11
105233303	1-45	47589919203	1-29	absorber, rear shock	5-15
105233304	1-47	47589919204	1-29	AC cord	9-3, 9-11
105233601	1-43	47589919205	1-29	accelerator pedal	4-9, 4-11
105233602	1-43	47589919206	1-29	accelerator pedal adjustment tool	10-3
105233603	1-43	47589919207	1-29	access panel	1-29
105234501	10-3	47589919208	1-29	adapter	
105234502	10-3	47589919209	1-29	cable (IQDM)	10-3
				adhesive, guide ring	10-3

INDEX

- arbor 10-3
- armature 7-3
- armrest 1-25
- assembly
 - brake lever 4-3
- axle 8-3
- axle shaft oil seal 8-3
- axle tube 8-3
- B**
- backing plate, brake 4-3
- backrest, beige 1-27
- backrest, black 1-27
- backrest, gray 1-27
- backrest, white 1-27
- bag hoop 1-27
- bag strap 1-27
- bag strap buckle 1-27
- ball joint, inner 5-9
- barrel, plastic 1-27, 4-9, 4-11
- battery
 - 8-volt, GC8 Type E 6-23
- battery charger 9-3, 9-5, 9-7, 9-9, 9-13
- battery cross rod tube 6-23
- battery discharge machine 10-3
- battery hold-down 6-23
- battery terminal protector spray 10-3
- battery thermometer 10-3
- bearing 8-3
 - ball (motor) 7-3
 - inner axle tube 8-3
- bearing and oil seal remover 10-3
- bearing driver set 10-3
- bearing puller 10-3
- bearing puller wedge 10-3
- bellows, steering 5-9
- beverage holder 1-23
- body
 - under 1-13
- body kick plate (ele) 1-19
- bolt
 - battery, "S" hold-down 6-23
- boot, switch 6-13, 6-21
- bottle, sand 1-35
- bracket
 - canopy support 1-45, 1-47
 - clamshell 1-13
 - equalizer 4-7
 - jounce bumper 5-15
 - shock mounting, drv 5-15
 - shock mounting, pas 5-15
- brake adjusting mechanism 4-3
- brake backing plate 4-3
- brake cable 4-5
- brake cable release tool 10-5
- brake cluster 4-3
- brake drum 4-3
- brake lever 4-3
- brake mount 4-7
- brake pedal 4-9, 4-11
- brake return spring 4-7
- brake rod 4-9, 4-11
- brake self-adjusting mechanism 4-3
- brake shoe 4-3
- brake spring 4-3
- breather 8-3
- brow cap 1-7
- brush box assembly 7-3
- brush kit, motor 7-3
- brush rigging 7-3
- brush spring 7-3
- brush, motor 7-3
- bucket, sand 1-37
- buckle, bag strap 1-27
- bumper
 - drive unit (motor) 7-3
 - jounce 5-15
 - rubber 1-31, 1-55
- Bumper, Shock Plug 1-5
- bushing 5-11, 5-13
 - urethane 5-15
- buzzer, reverse 6-9
- C**
- cable
 - brake 4-5
- calibration test module 10-3
- canopy 1-41, 1-43
 - hand hold 1-49
 - splice bar 1-43
- canopy strut, front, lh 1-45, 1-47
- canopy strut, front, rh 1-45, 1-47
- canopy support 1-45, 1-47
- canopy support bracket, drv 1-27
- canopy support bracket, pas 1-27
- Cap 2-5
- cap
 - dust 6-9
 - front hub 5-13
 - key switch 6-9
- cap, hub, 7 prong 2-3
- cap, SAM 1-9
- card, safety first 10-5
- case
 - gear 8-3
- charger bezel tool 10-3
- charger receptacle 6-19
- charger, battery, Hi-Freq 9-3, 9-5, 9-7, 9-9, 9-13
- clamp
 - leaf spring 5-13
- clamshell bracket 1-13
- clip 6-5
- body trim 1-17, 1-29
- clip, score card 5-3, 5-5
- cluster, brake 4-3
- comfort grip steering wheel 5-3
- comfort grip steering wheel kit 5-3
- component mounting plate 6-29
- continuity tester 10-3
- controller diagnostic tool (CDT) 10-3
- controller diagnostic tool (CDT) cable 10-3
- controller shield 6-29
- cord reel 9-13
- cord set, DC 9-3, 9-5, 9-7, 9-9, 9-11
- cord, AC 9-3, 9-11
- cord, DC 9-13
- cover
 - DC terminal block 9-3, 9-5, 9-7, 9-9, 9-13
 - dust 4-3
 - USB 9-3, 9-5, 9-7, 9-9, 9-13
- cover, steering column 6-5, 6-7
- cup holder 1-23
- cushion, shock absorber 1-49, 5-15
- D**
- dash 1-11
- dash support assembly 1-3, 5-11
- DC cord 9-13
- DC cord set 9-3, 9-5, 9-7, 9-9, 9-11
- decal
 - filter log 6-27
 - four-passenger warning 3-3
 - inspect log 6-27
 - operating instructions 3-3, 5-3, 5-5
 - rollover warning 3-3
 - Run/Tow warning 3-3
 - warning 3-3
 - warning, Run/Tow 3-3
 - water exposure 3-3
- deionizer 6-27
 - cartridge 6-27
- differential drive unit 8-3
- differential gear 8-3
- differential housing 8-3
- drain channel 1-11
- drain plug 1-31
- drink holder 1-23
- drive unit bumper 7-3
- drum, brake 4-3
- dry moly lubricant 10-3
- dust cap 6-9
- dust cover 4-3
- dust seal 5-9
- E**
- end cap, motor 7-3
- end, tie rod 5-9

INDEX

equalizer 4-7
equalizer rod 4-7

F

floor cover plate 4-9, 4-11
floor mat 1-17
frame and field, motor 7-3
front hub 5-13
front suspension structure 5-11
fuse
 15-amp 6-19, 6-21
 2-amp 6-19
 30-amp 6-19

G

gas pedal assembly, anodized 4-9
gasket
 liquid 8-3, 10-5
 plug 8-3
 seat 1-25
gear
 differential 8-3
 differential idler 8-3
 differential output 8-3
gear yoke 10-3
gearcase 8-3
grip, pencil 5-3, 5-5
guide ring adhesive 10-3

H

hand hold, canopy 1-49
harness
 instrument panel lighting 6-5
 Visage strut 6-13
harness, instrument panel 6-9
Harness, Visage, Extension 6-13
harness, wire 6-7, 6-19
headband, sealed, motor 7-3
headband, vented, motor 7-3
headlight 6-3
hinge 6-23
 seat bottom 1-25
hinge, seat bottom 1-25
hip restraint 1-25
hold-down, battery 6-23
holder, cup 1-23
hoop, bag 1-27
horn 6-7
hose
 SPWS 6-25
housing
 3-pin 7-3
 differential 8-3
hub 5-13
hub cap 2-3, 5-13

hub cap, 7 prong 2-3
hub, front 5-13
hydrometer 10-3

I

idler gear, differential 8-3
indicator, charger 6-9
inner ball joint 5-9
input shaft 8-3
instrument panel harness 6-9
insulating washer 7-3
insulator, motor terminal 7-3
intermediate shaft 8-3
internal retaining ring pliers 10-5
isolator, shock damper 5-15

J

J-clip 1-3, 5-15
jounce bumper 5-15
jounce bumper bracket 5-15

K

key
 On/Off 6-9
key switch 6-9
key switch cap 6-9
kick plate (ele) 1-19
king pin 5-13
kit
 3-pin housing 7-3
 ball joint, inner 5-9
 bellows, steering, sona 5-9
 brake shoe retainer 4-3
 canopy 1-41, 1-43
 comfort grip steering wheel 5-3
 controller diagnostic tool (CDT) 10-3
 front hub replacement 5-13
 hand pump, SPWS 6-27
 hardware, canopy 1-49
 hub cap 2-3
 mirror 1-51
 motor brush 7-3
 motor brush lead assembly 7-3
 motor brush spring 7-3
 motor speed sensor 7-3
 relay, 48V 6-5
 SAM assembly 1-27
 seat bottom 1-25
 shock absorber 5-15
 shock absorber cushion 5-15
 shoe retainer 4-3
 Visage mounting 1-51
Kit, Struts 1-47

L

leaf spring, rear 5-15
light
 water quality 6-27
liquid gasket 8-3, 10-5
lubricant, dry moly 10-3
lubricant, moly-teflon 7-3, 10-5
lug nut 2-3, 2-5
lug stud 5-13, 8-3

M

magnet, speed sensor 7-3
MCOR 4-11, 6-17
mechanism, brake adjusting 4-3
meter, volt ohm 10-5
mirror 1-51, 1-53
module
 calibration test 10-3
moly-teflon lubricant 10-5
motor
 48-volt IQ Plus 7-3
motor brush 7-3
motor brush kit 7-3
motor brush lead assembly kit 7-3
motor brush spring 7-3
motor bumper 7-3
motor end cap 7-3
motor frame and field 7-3
motor headband, sealed 7-3
motor headband, vented 7-3
motor magnet, speed sensor 7-3
motor speed sensor 7-3
motor speed sensor kit 7-3
motor terminal and lead assembly 7-3
motor terminal insulator 7-3
mounting plate, component 6-29

N

nut, lug 2-3, 2-5

P

paint, underbody (black) 10-5
panel
 access 1-29
 SAM 1-27
park brake release, anod 4-9, 4-11
pedal assembly, gas, anodized 4-9
pedal, accelerator 4-9, 4-11
pedal, brake 4-9, 4-11
pencil grip 5-3, 5-5
pin
 bow tie locking 4-5
 clevis 4-5
 king 5-13
plate

INDEX

backing (brake) 4-3
component mounting 6-29
floor cover 4-9, 4-11
kick(ele) 1-19
pliers
 internal retaining ring 10-5
 retaining ring 10-5
plug, drain 1-31
protector spray, battery terminal 10-3
puller
 bearing 10-3
 seal 10-5

R

rack and pinion 5-9
rear underbody support 1-27
receptacle 6-19
reel cord 9-13
relay 6-5
relay, 48V 6-5
release, anod park brake 4-9, 4-11
remover, bearing and oil seal 10-3
resistor assembly 6-29
retainer
 brake shoe 4-3
 shock absorber cushion 5-15
retaining ring pliers 10-5
reverse buzzer 6-9
Rim 2-5
rim (wheel) 2-3
Rivet, Removable 1-29, 1-55
rocker switch 6-21
rod
 brake 4-9, 4-11
 equalizer 4-7
rubber bumper 1-31, 1-55

S

safety first card 10-5
SAM (structural accessory module) 1-27
SAM assembly kit 1-27
SAM cap 1-9
SAM panel 1-27
sand bottle 1-35
sand bucket 1-37
sand scoop 1-37
scoop, sand 1-37
score card clip 5-3, 5-5
score card plate 5-3, 5-5
seal
 dust 5-9
 lip 8-3
 oil 8-3
seal puller 10-5
sealant 8-3

seat back, beige 1-27
seat back, black 1-27
seat back, gray 1-27
seat back, white 1-27
seat bottom kit 1-25
seat gasket 1-25
seat hinge 1-25
sensor, motor speed 7-3
shaft
 input 8-3
 intermediate 8-3
shield, controller 6-29
shield, debris aux 4-9, 4-11
shield, debris primary 4-9, 4-11
shock absorber (front) 5-11
shock absorber (rear) 5-15
shock absorber cushion 1-49, 5-15
shock absorber cushion retainer 5-15
shock damper isolator 5-15
shock mounting bracket, drv 5-15
shock mounting bracket, pas 5-15
shoe retainer kit 4-3
shoe, brake 4-3
sleeve 5-11, 5-13, 5-15
solenoid 6-29
speed sensor 7-3
speed sensor magnet 7-3
speed sensor, motor 7-3
spindle 5-13
spray, battery terminal protector 10-3
spring
 brake 4-3
 brake return 4-7
 brush 7-3
 compression 5-3, 5-5
spring, leaf, rear, 4-pass 5-15
spring, motor brush 7-3
SPWS hose 6-25
steering column bearing press tool 10-5
steering column cover 6-5, 6-7
steering column retaining ring tool 10-5
steering wheel 5-3, 5-5
steering wheel (comfort grip) kit 5-3
steering wheel puller tool 10-5
stem, valve 2-3
strap, bag 1-27
strut, front canopy, lh 1-45, 1-47
strut, front canopy, rh 1-45, 1-47
stud
 lug 5-13, 8-3
support, canopy 1-45, 1-47
support, underbody, rear 1-27
suspension, front structure 5-11
switch
 key 6-9
 rocker 6-21

Tow/Run 6-13, 6-21
turn signal 6-5
switch rubber boot 6-13, 6-21

T

Taillight 6-15
tester, continuity 10-3
thermometer, battery 10-3
three-piece A-arm 5-11
throttle, Gen2, no sensor 4-9, 4-11
tie rod end 5-9
tie wrap 5-9, 6-19, 9-13
tire 2-3
tire, pro tour, 205-50 x 10 2-5
tool
 accelerator pedal adjustment 10-3
 brake cable release 10-5
 charger bezel 10-3
 steering column bearing press 10-5
 steering column retaining ring 10-5
 steering wheel puller 10-5
 transaxle axle seal 10-5
 transaxle pinion seal 10-5
 transmission 10-5
touch-up paint 10-5
Tow/Run switch 6-13, 6-21
transaxle (Electric Vehicle) 8-3
transaxle axle seal tool 10-5
transaxle pinion seal tool 10-5
transmission tool 10-5
tube
 axle 8-3
 battery cross rod 6-23
Tufflok 1-29, 1-55
turn signal switch 6-5

U

U-bolt 5-15
underbody 1-13
underbody support, rear 1-27
urethane bushing 5-15
USB
 cover 9-3, 9-5, 9-7, 9-9, 9-13
USB cover 9-3, 9-5, 9-7, 9-9, 9-13

V

valve stem 2-3
Visage mounting 1-51
volt ohm meter 10-5

W

washer, insulating 7-3
water quality light 6-27
wedge, bearing puller 10-3
wheel 2-3

INDEX

steering 5-3, 5-5
wire harness 6-7
wire harness, Excel w/Hi-Freq, MCOR3 6-19
wrap, tie 5-9, 6-19, 9-13

Y

yoke, gear 10-3



Club Car, Inc.
P.O. Box 204658
Augusta, GA 30917-4658
USA

Web www.clubcar.com
Phone 1.706.863.3000
1.800.ClubCar
Int'l +1 706.863.3000
Fax 1.706.863.5808