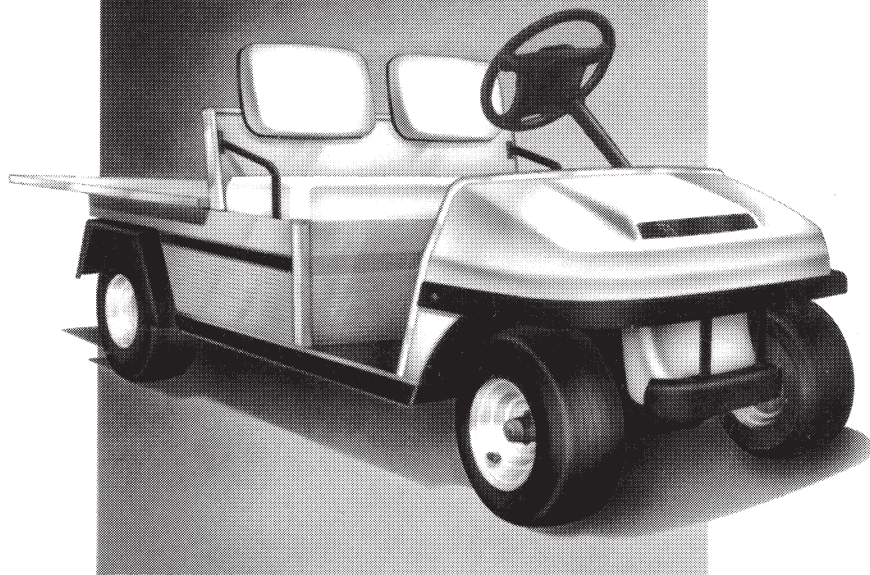




®

ILLUSTRATED PARTS LIST



CARRYALL-I and CARRYALL-II GASOLINE/ELECTRIC TILT BED

WARNING

This manual is to be used for identification and ordering of service parts only. Be sure to read and use the maintenance and service manual for any repair.

4152 Washington Road

P.O. Box 204658

Augusta, Georgia 30917-4658 USA

Telephone: 706-863-3000

FAX: 706-860-7231

CONTENTS

INDEX

MAINTENANCE AND SERVICE TOOLS

BODY AND TRIM

SECTION 1

Trim	1-2
Front Cowl — Carryall-I	1-4
Front Cowl — Carryall-II	1-6
Rear Covers — Carryall-I and Carryall-II	1-8
Seat Bottom and Seat Backs	1-10
Tilt Bed and Latch — Carryall-I	1-12
Tilt Bed and Prop Rod — Carryall-II	1-14
Tilt Bed and Latch — Carryall-II	1-16

DRIVE UNIT

SECTION 2

Drive Unit	2-2
------------------	-----

BRAKES, PEDAL AND CABLE ASSEMBLY

SECTION 3

Brake Cluster, Right and Left Hand	3-2
Brake Pedal and Cable Assembly	3-4
Accelerator Pedal Assembly	3-6

STEERING AND FRONT SUSPENSION

SECTION 4

Steering Column — Steel	4-2
Steering Column — Aluminum	4-4
Steering Assembly	4-6
Front Suspension Assembly — A-Plate	4-8
Front Suspension Assembly — Delta A-Plate	4-10

ELECTRICAL AND BATTERY

SECTION 5

Wiring — Gas Vehicle	5-2
Electrical Component Box	5-4
Starter Generator — Mounting	5-6
Starter Generator Assembly	5-7
F&R Shifter Assembly	5-8
Reverse Buzzer	5-10
Battery	5-12

ENGINE

SECTION 6

Engine	6-2 — 6-8
--------------	-----------

FUEL AND INTAKE SYSTEM

SECTION 7

Fuel System Assembly	7-2
Carburetor Assembly	7-4
Governor Guard	7-6
Expansion Chamber, Choke and Filter	7-8
Governor and Accelerator Cables	7-10

EXHAUST SYSTEM

SECTION 8

Exhaust System	8-2
----------------------	-----

TORQUE CONVERTER

SECTION 9

Drive Clutch Assembly	9-2
Driven Clutch Assembly	9-4

TRANSMISSION AND GOVERNOR

SECTION 10

Transmission Assembly	10-2
Governor	10-4

REAR SUSPENSION — GAS VEHICLE

SECTION 11

Rear Suspension Assembly	11-2
Inner Frame Assembly	11-4

ELECTRICAL — ELECTRIC VEHICLE

SECTION 12

Power Wiring — Electric Vehicle	12-2
V-Glide Wiper Switch	12-4
Resistor and Board Assembly — V-Glide	12-6
Forward and Reverse Switch Assembly	12-8
Power Wiring — Solid State Controller	12-10
Forward and Reverse Switch — Solid State Controller	12-12
V-Glide Wiper Switch — Solid State Controller	12-14
Reverse Buzzer — Frame Mounted	12-16
Reverse Buzzer — Dash Mounted	12-17

CHARGERS

SECTION 13

Model 13800 Accu-Power	13-2
Model 14000 Ultra-Power	13-4

MOTOR

SECTION 14

CLUB CAR Model #1012191 and #1014678	14-2
--	------

REAR SUSPENSION ASSEMBLY — ELECTRIC VEHICLE

SECTION 15

Rear Suspension Assembly — Electric Vehicle	15-2
---	------

USING THE ILLUSTRATED PARTS LIST

This Parts List Manual is to be used for identification and ordering of Service Parts for the Carryall-I and Carryall-II utility vehicles.

The first four (4) sections include information common to both the Carryall Gas and Carryall Electric vehicles. Sections 5 through 11 contain information related solely to the Carryall Gas vehicles while sections 12 through 15 relate solely to the Carryall-I Electric.

The Manual Numerical Index will help provide quick reference to each section.

INDEX

GAS







G

ELECTRIC



E

BODY AND TRIM – FRONT AND REAR		1
DRIVE UNIT		2
BRAKES, PEDAL AND CABLE ASSEMBLY		3
STEERING AND FRONT SUSPENSION		4



INDEX

GAS



G

ELECTRICAL AND BATTERY		5
ENGINE		6
FUEL, INTAKE AND GOVERNOR SYSTEM		7
EXHAUST SYSTEM		8
TORQUE CONVERTER		9
TRANSMISSION AND GOVERNOR		10
REAR SUSPENSION		11



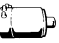



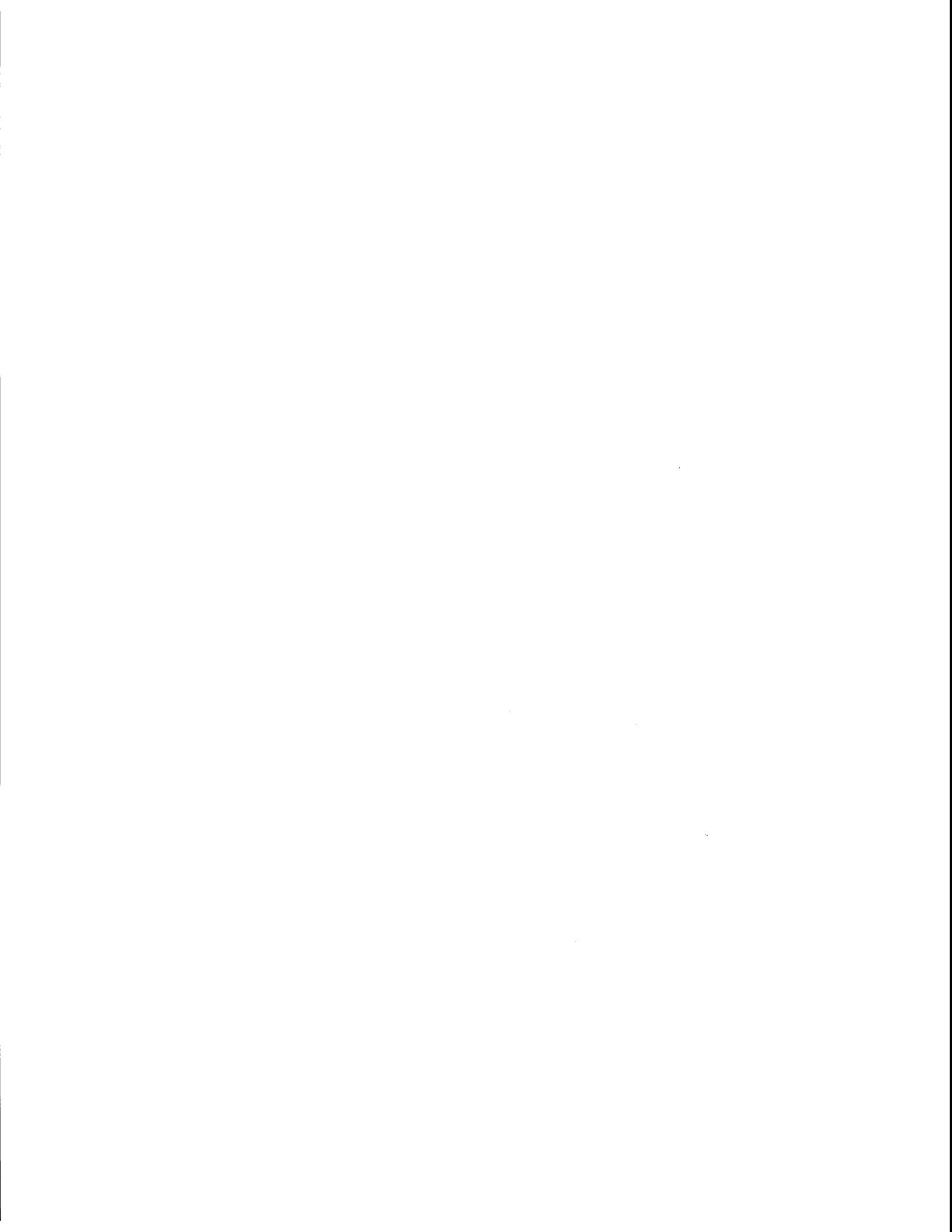
INDEX

ELECTRIC



E

ELECTRICAL		12
BATTERY CHARGER		13
MOTOR		14
REAR SUSPENSION		15



MAINTENANCE SERVICE TOOLS

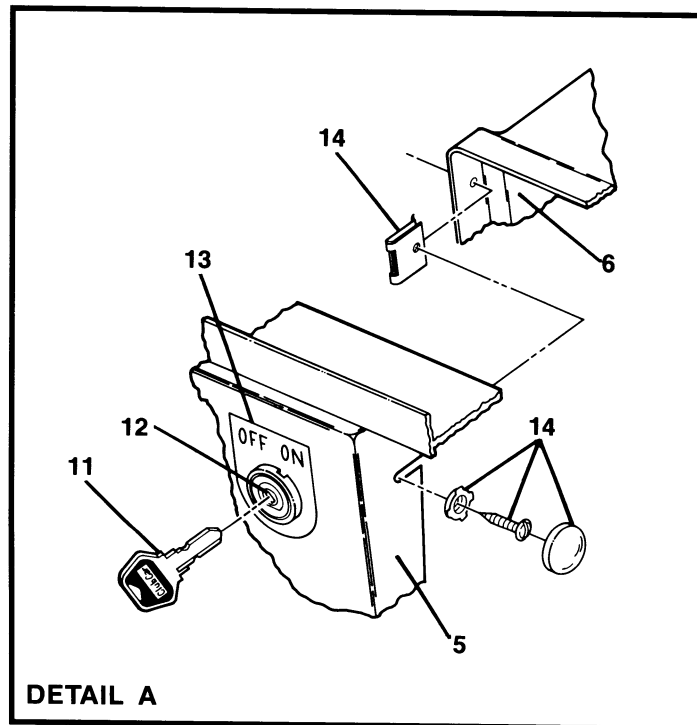
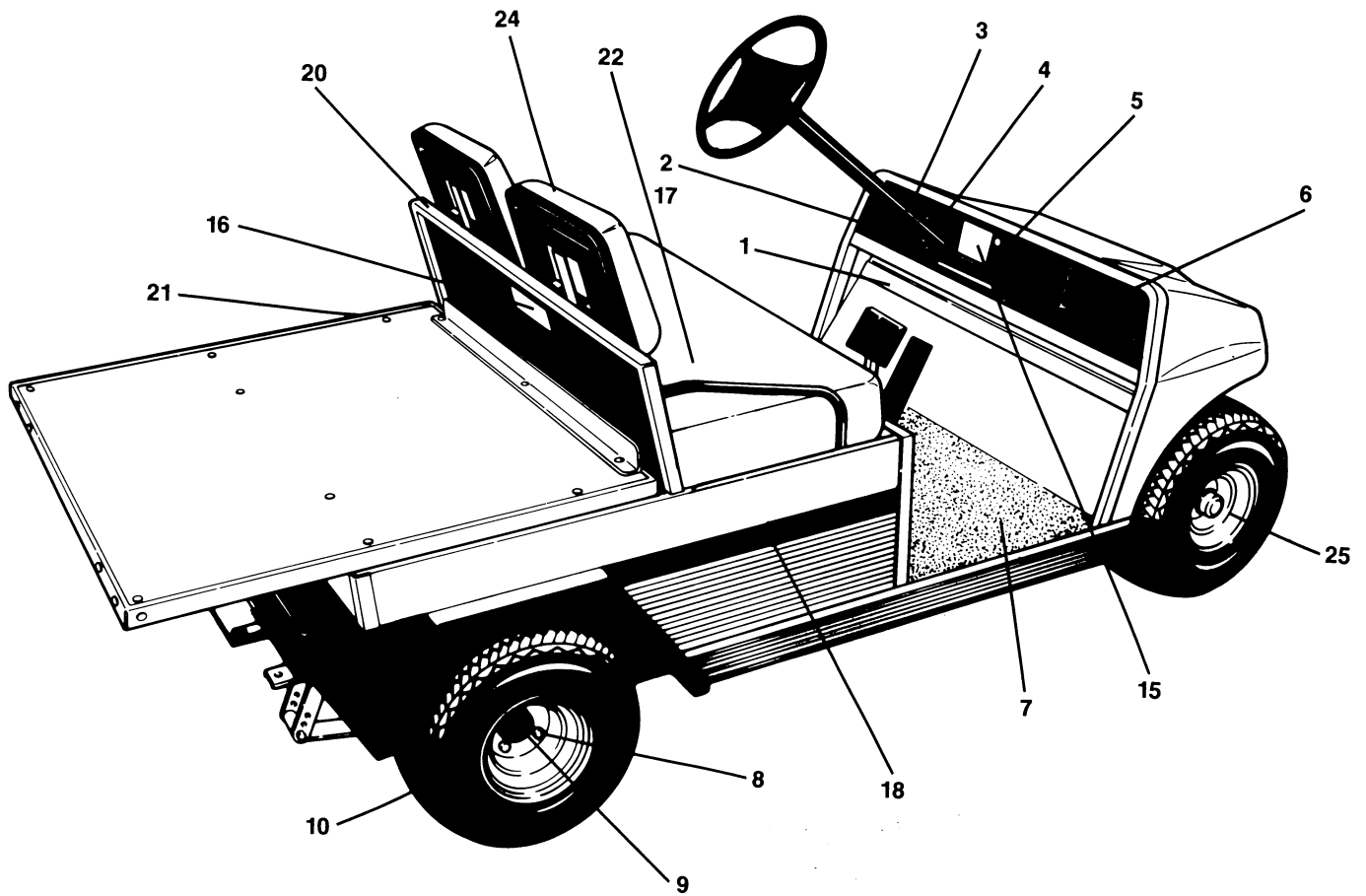
DESCRIPTION	PART NO.
Internal Retaining Pliers	1013593
Brake Adjusting Tool	1013582
Volt Ohm Meter	1011480
Continuity Tester	1011273
Retaining Ring Pliers (45° External)	1012549
Retaining Ring Pliers (90° Internal)	1012560
Keyswitch Tool	1012801
Seal Puller	1012809
Bearing Puller	1012811
Bearing Puller Wedge Attachment	1012812
Tachometer	1016112
Drive Clutch Puller	1014496
Clutch Alignment Tool	1014498
Touch-Up Paint - Beige	1011981
Touch-Up Paint - White	1013145
Transmission Tool Kit	1014115
Drive Unit Pinion Seal Tool	1014161
Drive Unit Axle Seal Tool	1014162
Steering Column Bearing Press Tool	1014264
Steering Column Retaining Ring Tool	1014259
Battery Terminal Protector	1014305
Dry Moly Lubricant	1012151
Flexible Cowl Repair Kit	1014963
Hydrometer	1011478
Battery Tester (Discharge Machine)	1010687
Battery Thermometer	1011767
Fly Wheel Puller Kit	1016627
Valve Seat Cutter Holder Bar	1016551
Valve Seat Cutter Holder	1016552
Valve Seat Cutter 45° (32mm Diameter)	1016553
Valve Seat Cutter 45° (35mm Diameter)	1016554
Valve Seat Cutter 32° (35mm Diameter)	1016555
Clutch Tool Kit	1014510
Spring Tune-Up Kit (OHV Engine)	1016110-02
Compression Gauge	1016410-01
Adapter	1016410-02
Valve Spring Compressor	1016411-01
Adapter	1016411-02
Valve Guide Reamer	1016412-01
Arbor	1016412-02
Valve Clearance Adjuster Screw Holder	1016413
Piston Ring Compressor Kit	1016414
Piston Ring Plier	1016415
Bearing Driver Set	1016416
Bearing and Oil Seal Remover Assembly	1016417
Gear Yoke	1016418
Generator Belt Tension Tool	1016867
Muffler Spring Tool	1016712

Please refer to the Maintenance and Service Manual for proper tool application.



Section 1

BODY AND TRIM FRONT AND REAR COVERS



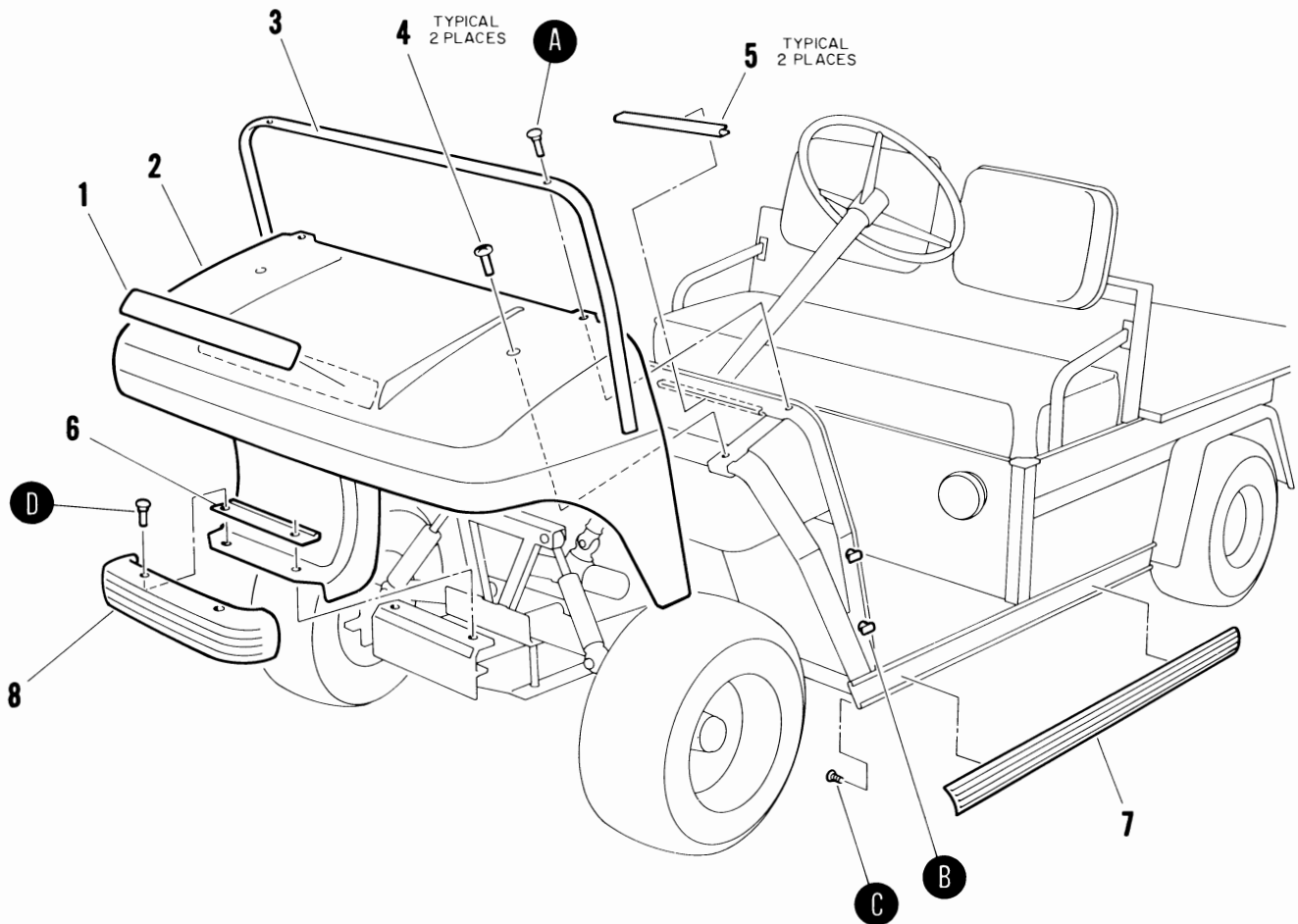
DETAIL A

TRIM

TRIM

ITEM NUMBER	PART NUMBER	1 2 3 4	DESCRIPTION	UNITS PER VEHICLE	UNITS PER VEHICLE	UNITS PER VEHICLE
				CA-I GAS	CA-II GAS	CA-I ELEC.
1	1014883		DASH WARNING DECAL	1	1	1
2	1012499		STEERING COLUMN BOOT	1	1	1
3	1013344		DASH COMPONENT, LEFT (BLACK)	1	1	1
4	1016630		OIL LIGHT	1	1	1
5	1016604-02		CENTER DASH PANEL WITHOUT OIL LIGHT OPENING (BLACK)			1
5	1016621-04		CENTER DASH PANEL WITH OIL LIGHT OPENING (BLACK)	1	1	
6	1013343		DASH COMPONENT, RIGHT (BLACK)	1	1	1
7	1015032		MAT, FLOOR	1	1	1
8	1010984		LUG NUT PACKAGE	16	16	16
9	1012186		DUST SEAL	2	2	2
10	1016514-01		TIRE AND WHEEL ASSEMBLY, STANDARD RIB	4	4	4
10	1016514-02		TIRE AND WHEEL ASSEMBLY, POWER RIB	4	4	4
10	1016514-03		TIRE AND WHEEL ASSEMBLY, SOFT TRAC	4	4	4
10	1016514-05		TIRE AND WHEEL ASSEMBLY, TERRAGARD	4	4	4
10A	7271		UNMOUNTED TIRE, STANDARD RIB	A/R	A/R	A/R
10A	1015672		UNMOUNTED TIRE, POWER RIB	A/R	A/R	A/R
10A	1015674		UNMOUNTED TIRE, SOFT TRAC	A/R	A/R	A/R
10A	1015673		UNMOUNTED TIRE, TERRAGARD	A/R	A/R	A/R
10A	1015676		UNMOUNTED TIRE, INDUSTRIAL	A/R	A/R	A/R
11	1012505		KEY	PR	PR	PR
12	1012415		SWITCH, KEY — 12 VOLT INLCUDES ITEM 11	1	1	
12	1012531		SWITCH, KEY — 36 VOLT INLCUDES ITEM 11			1
13	1012530		DECAL, ON/OFF	1	1	1
14	1014645		SNAP WASHER KIT (BLACK)	2	2	2
15	1015884		VEHICLE LOADING DECAL	1		1
15	1015717		VEHICLE LOADING DECAL		1	1
16	1015437		TILT BED DECAL	1	1	1
17	1014738		BOOT BACKUP STRIP	1	1	1
18	1015397		DECAL — LEFT HAND SIDE	1		1
18	1015396		DECAL — RIGHT HAND SIDE	1		1
18	1015394		DECAL — LEFT HAND SIDE		1	
18	1015395		DECAL — RIGHT HAND SIDE		1	
20	1016094		PINCH DECAL	1	1	1
21	1015437		LATCH DECAL	1	1	1
22	1015475		MOVING PARTS DECAL (ON FRAME)	1	1	
23	1015476		DANGER DECAL (NOT SHOWN)		1	
24	1016083		HOT MANIFOLD DECAL	1	1	
25	1014771		WHEEL RIM, WHITE	A/R	A/R	A/R

G
E
1



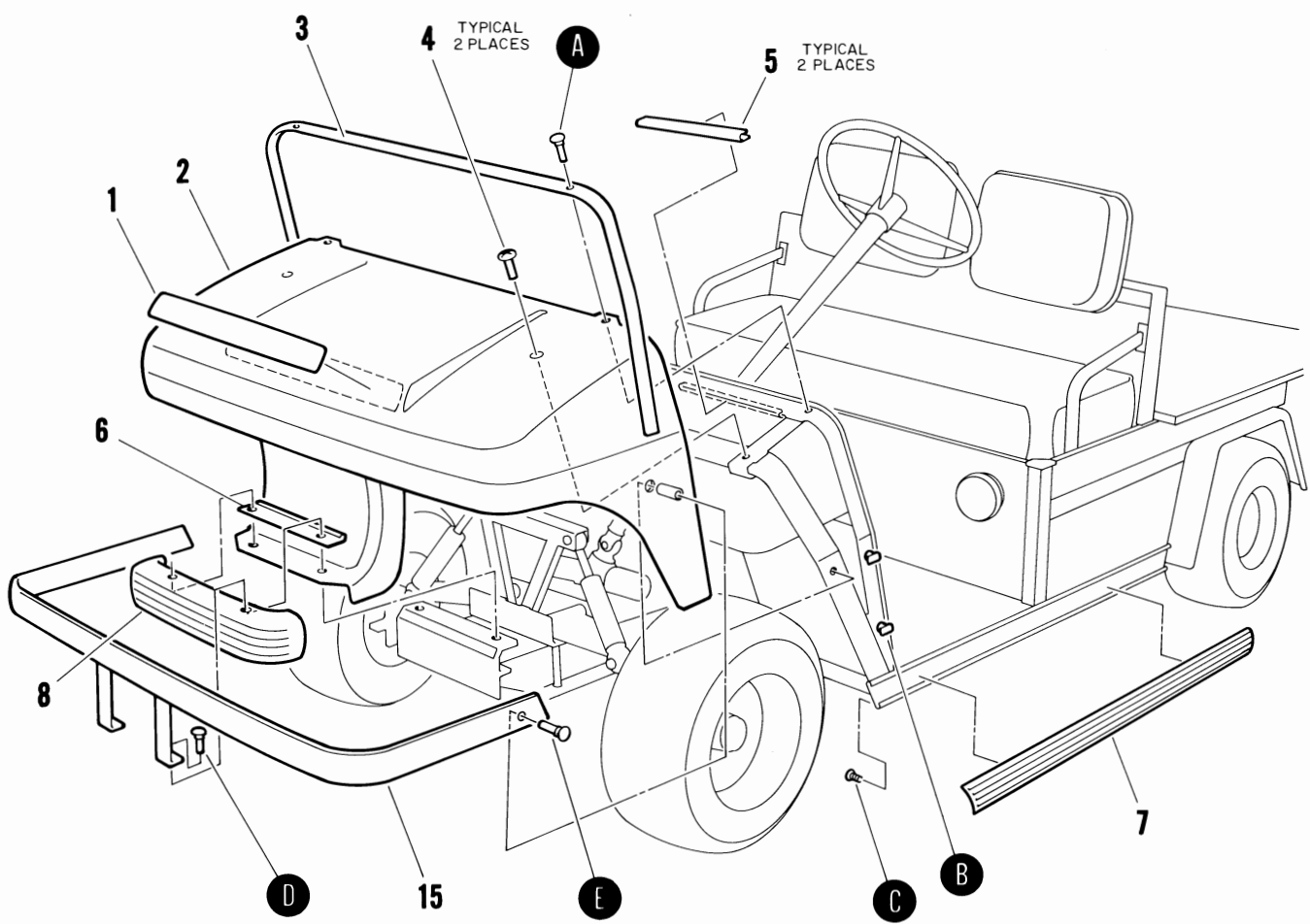
DETAIL A	DETAIL B	DETAIL C	DETAIL D
TYPICAL 2 PLACES	TYPICAL 6 PLACES, ITEM 12 TYPICAL 4 PLACES, ITEM 13	TYPICAL 8 PLACES	TYPICAL 2 PLACES

FRONT COWL — CARRYALL-I

FRONT COWL — CARRYALL-I

ITEM NUMBER	PART NUMBER	DESCRIPTION	UNITS PER VEHICLE
1	1013493	NAMEPLATE	1
2	1015123-04	COWL — GRAY	1
2	1015225-04	COWL WITH HEADLIGHT OPENINGS — GRAY	1
3	1011014	COWL TRIM	1
4	7251	PHILLIPS TRUSS HEAD SCREW, 5/16-18 X 1	2
5	1014338	COWL TRIM	2
6	1012204	BUMPER PLATE	1
7	1013983	BUMPER GUARD	2
8	1011977	FRONT BUMPER	1
9	1010435	ROUND HEAD SQUARE NECK BOLT, 5/16-18 X 1	4
10	1241	FLATWASHER, 5/16 DIAMETER	2
11	7473	NYLON LOCKNUT, 5/16-18	4
12	1011017	FLANGE LOCK SCREW	6
13	1011659	SLAB BASE "T" NUT	4
14	1012047	SELF TAP SCREW, TYPE F, #8-32	8

G
E
1



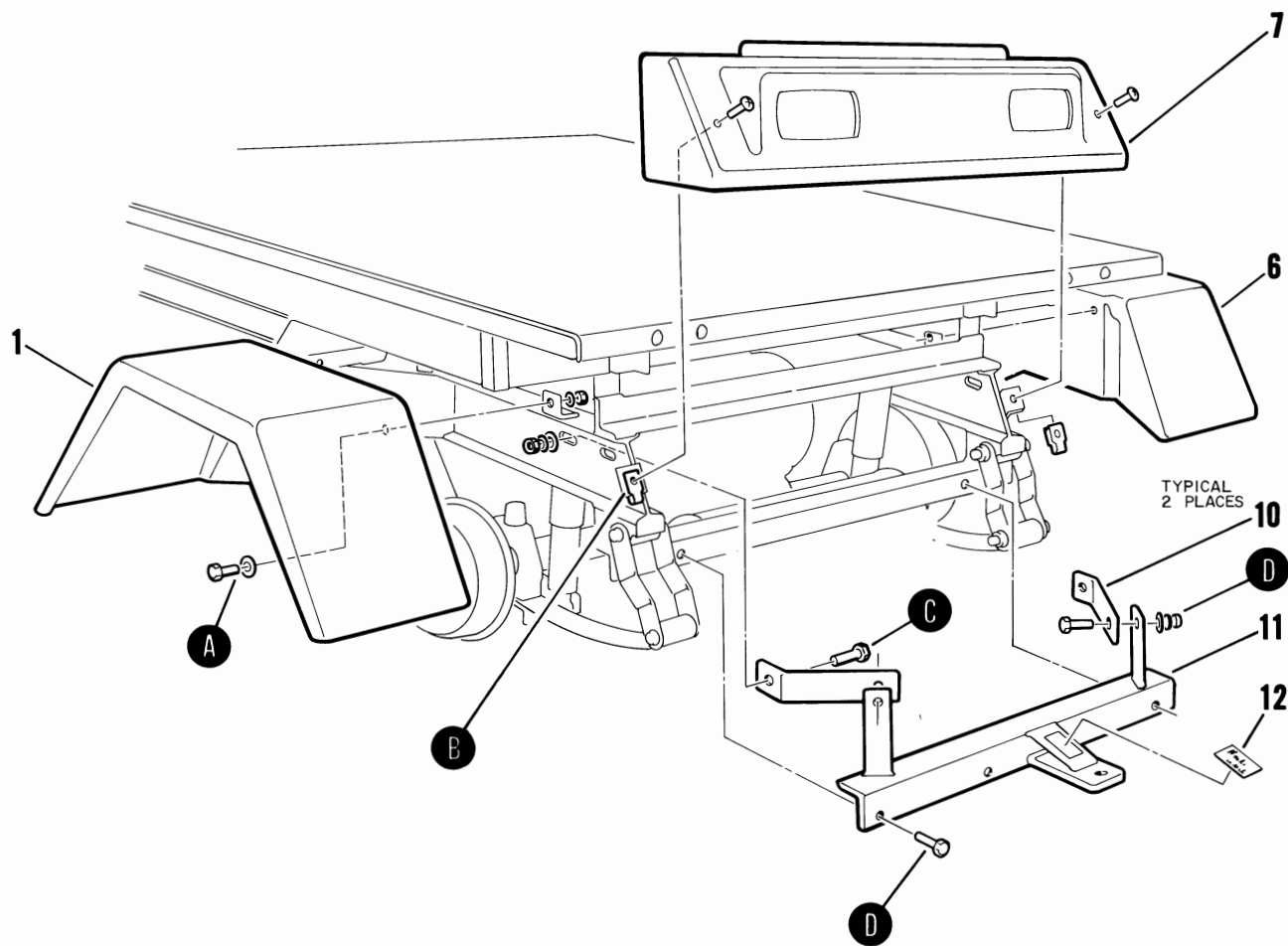
DETAIL A	DETAIL B	DETAIL C	DETAIL D	DETAIL E
TYPICAL 2 PLACES	TYPICAL 6 PLACES, ITEM 12 TYPICAL 4 PLACES, ITEM 13	TYPICAL 8 PLACES	TYPICAL 2 PLACES	TYPICAL 2 PLACES

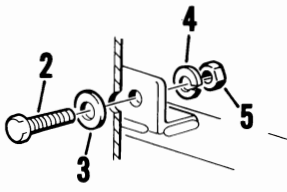
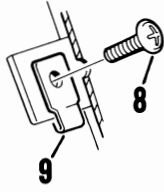
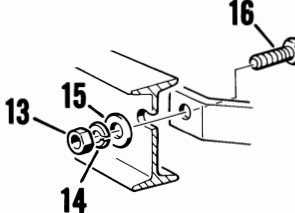
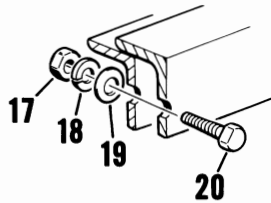
FRONT COWL — CARRYALL-II

FRONT COWL — CARRYALL-II

ITEM NUMBER	PART NUMBER	DESCRIPTION				UNITS PER VEHICLE
		1	2	3	4	
1	1013493	NAMEPLATE				1
2	1015123-04	COWL — GRAY				1
2	1015225-04	COWL WITH HEADLIGHT OPENINGS — GRAY				1
3	1011014	COWL TRIM				1
4	7251	PHILLIPS TRUSS HEAD SCREW, 5/16-18 X 1				2
5	1014338	COWL TRIM				2
6	1012204	BUMPER PLATE				1
7	1013983	BUMPER GUARD				2
8	1011977	FRONT BUMPER				1
9	1010435	ROUND HEAD SQUARE NECK BOLT, 5/16-18 X 1				2
10	1241	FLATWASHER, 5/16 DIAMETER				2
11	7473	NYLON LOCKNUT, 5/16-18				2
12	1011017	FLANGE LOCK SCREW				6
13	1011659	SLAB BASE "T" NUT				4
14	1012047	SELF TAP SCREW, TYPE F, #8-32				8
15	1014642	BUMPER				1
16	1015405	ROUND HEAD SQUARE NECK BOLT, 5/16-18 X 2				2
17	1010546	SPACER				2
18	7818	ROUND HEAD SQUARE NECK BOLT, 5/16-18 X 1-1/2				2
19	7174	LOCKWASHER, 5/16 DIAMETER				2
20	1242	HEX HUT, 5/16-18				2
	1014644	BUMPER KIT				1
		INCLUDES ITEMS 6, 18, 19, 20 AND 21				

G
E
1



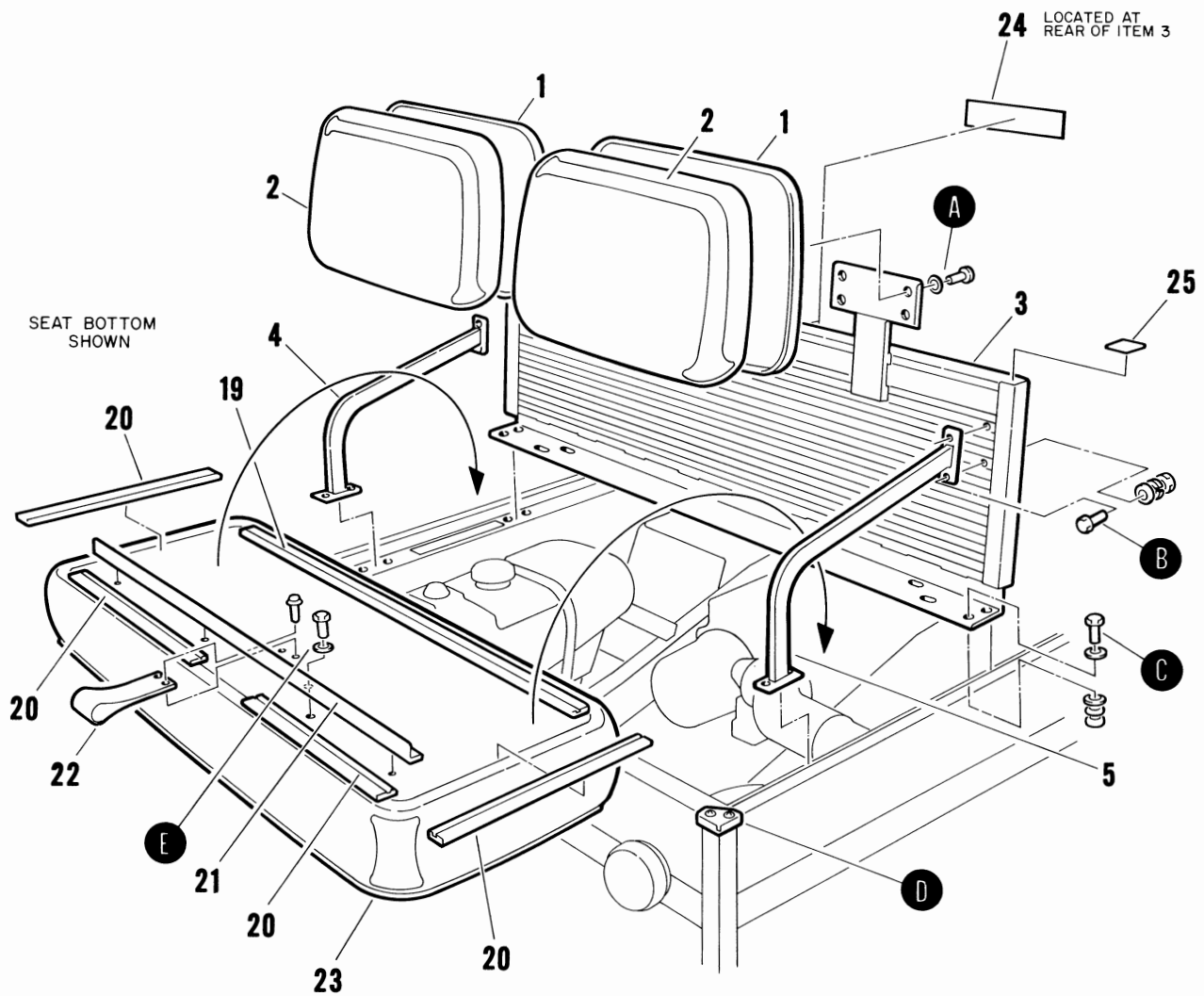
DETAIL A	DETAIL B	DETAIL C	DETAIL D
 <p data-bbox="203 1753 365 1795">TYPICAL 3 PLACES AT EACH FENDER</p>	 <p data-bbox="544 1774 706 1795">TYPICAL 2 PLACES</p>	 <p data-bbox="876 1774 1047 1795">TYPICAL 2 PLACES</p>	 <p data-bbox="1218 1774 1388 1795">TYPICAL 4 PLACES</p>

REAR COVER — CARRYALL-I AND CARRYALL-II

REAR COVER — CARRYALL-I AND CARRYALL-II

ITEM NUMBER	PART NUMBER	DESCRIPTION				UNITS PER VEHICLE
		1	2	3	4	
1	1013323	INNER FENDER, LEFT HAND				1
2	304	HEX HEAD CAP SCREW, 1/4-20 X 1				6
3	332	FLATWASHER, 1/4 DIAMETER				6
4	451	LOCKWASHER, 1/4 DIAMETER				6
5	1028	HEX NUT, 1/4-20				6
6	1013322	INNER FENDER, RIGHT HAND				1
7	1015530	TAILSKIRT (CARRYALL-I)				1
7	1015533	TAILSKIRT (CARRYALL-II)				1
8	8248	PHILLIPS PAN TRUSS HEAD SCREW, 1/4-20 X 3/4				2
9	1015529	TINNERMAN U-TYPE NUT, 1/4-20				2
10	1013483	BRACE				2
11	1015434	TRAILER HITCH (CARRYALL-II ONLY)				1
12	1011553	TRAILER HITCH DECAL (CARRYALL-II ONLY)				1
13	706	HEX NUT, 3/8-16 (CARRYALL-II ONLY)				2
14	357	LOCKWASHER, 3/8 DIAMETER (CARRYALL-II ONLY)				2
15	1011990	FLATWASHER, 3/8 DIAMETER (CARRYALL-II ONLY)				2
16	320	HEX HEAD CAP SCREW, 3/8-16 X 1 (CARRYALL-II ONLY)				2
17	1242	HEX NUT, 5/16-18 (CARRYALL-II ONLY)				4
18	7174	LOCKWASHER, 5/16 DIAMETER (CARRYALL-II ONLY)				4
19	1241	FLATWASHER, 5/16 DIAMETER (CARRYALL-II ONLY)				4
20	1010934	HEX HEAD CAP SCREW, 5/16-18 X 1 (CARRYALL-II ONLY)				4

G
E
1



DETAIL A	DETAIL B	DETAIL C	DETAIL D	DETAIL E
TYPICAL 8 PLACES	TYPICAL 16 PLACES	TYPICAL 4 PLACES	TYPICAL 2 PLACES	TYPICAL 4 PLACES, ITEM 8,9 TYPICAL 2 PLACES, ITEM 18

SEAT BOTTOM AND SEAT BACKS — CARRYALL-I AND CARRYALL-II

SEAT BOTTOM AND SEAT BACKS — CARRYALL-I AND CARRYALL-II

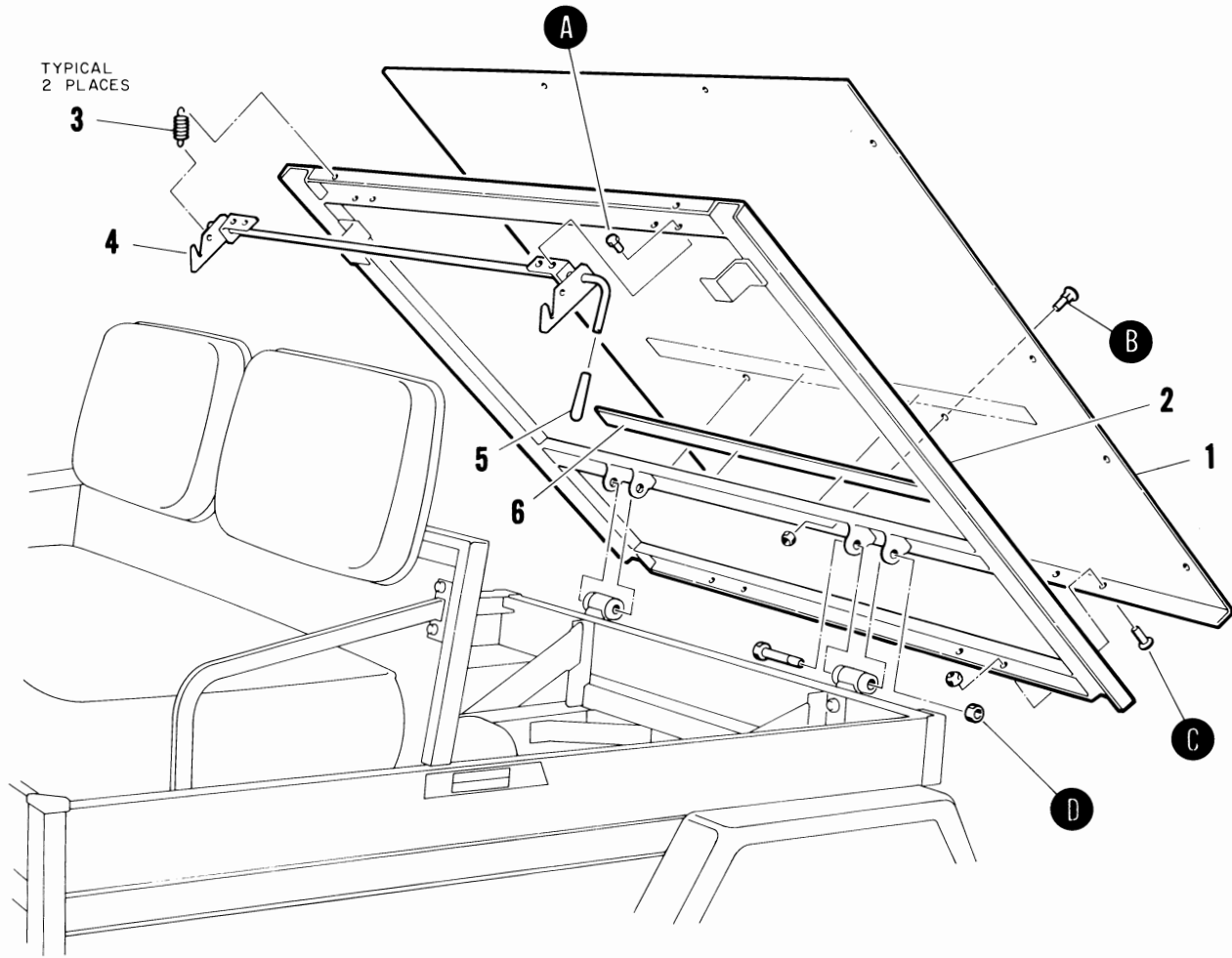
ITEM NUMBER	PART NUMBER	DESCRIPTION	UNITS PER VEHICLE
1	1013335	SEAT BACK CAP, BLACK	2
2	1015652-02	SEAT BACK ASSEMBLY INCLUDES ITEM 1 AND SEAT BACK CUSHION	2
2A	1015626-02	VINYL COVER SEAT BACK, WHITE	A/R
3	1015239	SEAT SUPPORT PANEL	1
4	1015357	ARM REST ASSEMBLY, RIGHT HAND	1
5	1015941	ARM REST ASSEMBLY, LEFT HAND	1
6	8248	PHILLIPS TRUSS HEAD SCREW, 1/4-20 X 3/4	8
7	8304	INTERNAL TOOTH LOCKWASHER, 1/4 DIAMETER	8
8	304	HEX HEAD SCREW, 1/4-20 X 1	20
9	332	FLATWASHER, 1/4 DIAMETER	20
10	451	LOCKWASHER, 1/4 DIAMETER	16
11	1028	HEX NUT, 1/4-20	16
12	1010934	HEX HEAD SCREW, 5/16-18 X 1	4
13	1241	FLATWASHER, 5/16 DIAMETER	8
14	7174	LOCKWASHER, 5/16 DIAMETER	4
15	1242	HEX NUT, 5/16-18	4
16	1014387	CORNER CAP	2
17	1014321	TRUSS TORX HEAD SCREW #10-32	4
18	1010545	TYPE AB SCREW, 1/4-14 X 3/4	2
19	1013312	SEAT BUMPER, LONG	1
20	1013311	SEAT BUMPER, SHORT	4
21	1014734	SEAT BOTTOM STIFFENER	1
22	1013309	SEAT BOTTOM STRAP	1
23	1015645-02	SEAT BOTTOM ASSEMBLY INCLUDES ITEMS 8, 9 AND 18 THRU 22 AND SEAT BOTTOM CUSHION	1
23A	1015627-02	VINYL COVER SEAT BOTTOM, WHITE	A/R
24	1015539	BED LOAD DECAL	1
25	1016094	PINCH POINT WARNING DECAL	1

G
E
1

G

E

1



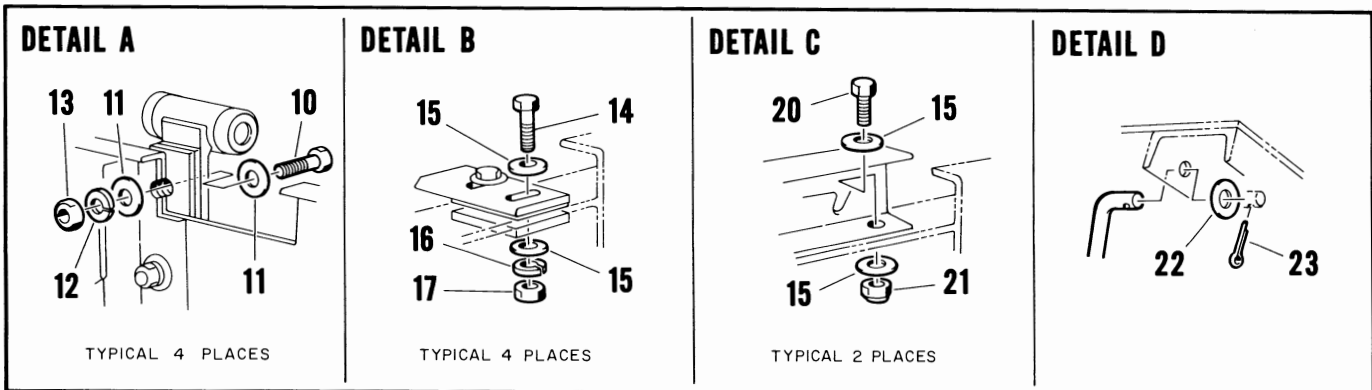
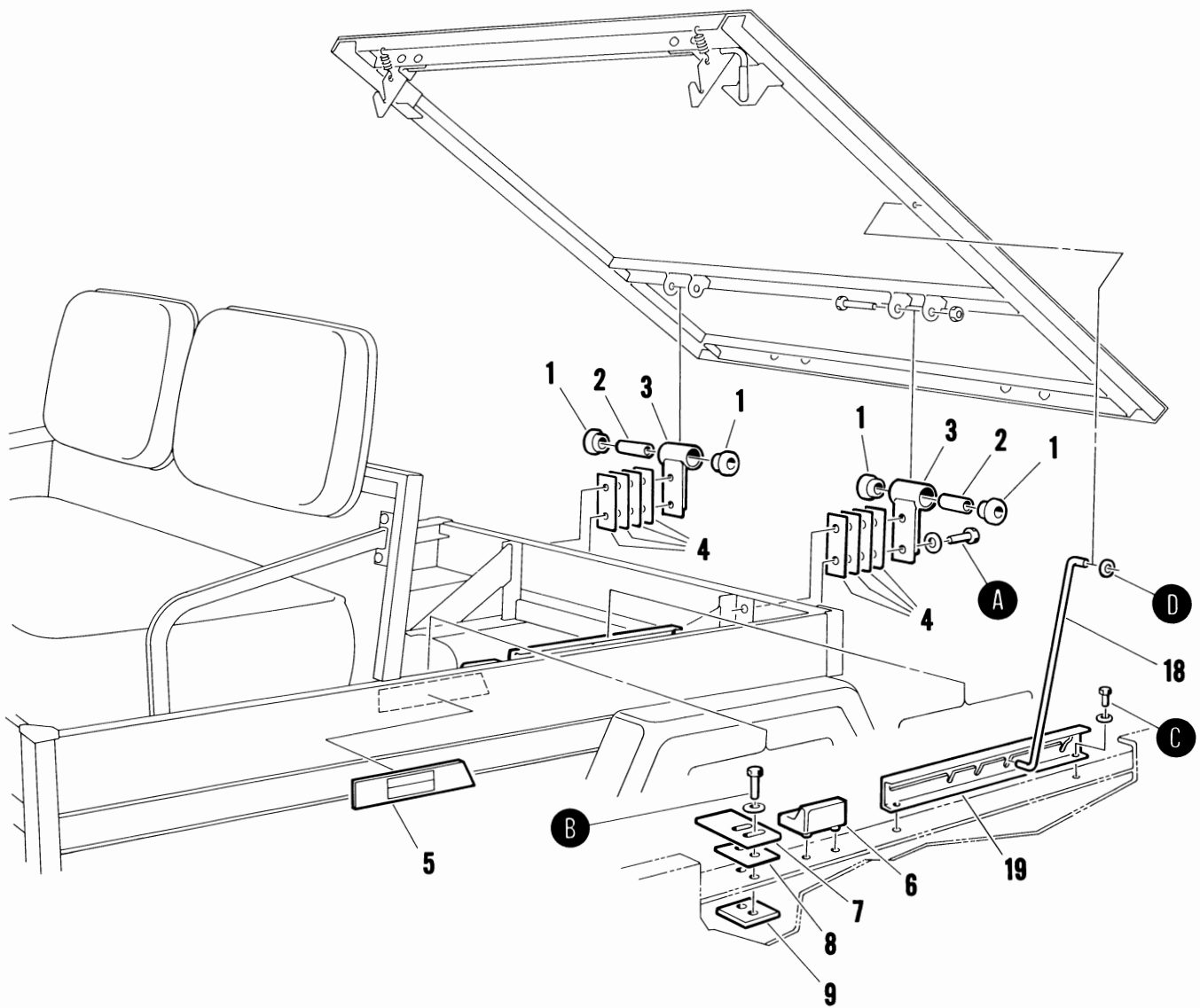
DETAIL A	DETAIL B	DETAIL C	DETAIL D
<p>TYPICAL 4 PLACES</p>	<p>TYPICAL 2 PLACES</p>	<p>TYPICAL 4 PLACES</p>	<p>TYPICAL 2 PLACES</p>

TILT BED AND LATCH — CARRYALL-I

TILT BED AND LATCH — CARRYALL-I

ITEM NUMBER	PART NUMBER	DESCRIPTION	UNITS PER VEHICLE
1	NO #	FLOOR PLATE	1
2	NO #	FRAME ASSEMBLY	1
3	1015391	EXTENSION SPRING	2
4	1015252	LATCH ASSEMBLY	1
5	1015400	HAND GRIP	1
6	NO #	INSULATION, 42 INCHES LONG, SEE ITEM #14	1
7	403	HEX HEAD CAP SCREW, 1/4-20 X 5/8	4
8	1108	DIMPLED LOCKNUT, 1/4-20	4
9	1010435	ROUND HEAD SQUARE NECK BOLT, 5/16-18 X 1	2
10	7473	NYLON LOCKNUT, 5/16-18	6
11	1015399	TORX TRUSS HEAD SCREW, 5/16-18 X 3/4	4
12	8755	HEX HEAD CAP SCREW, 3/8-16 X 3-3/8	2
13	1010138	DIMPLED LOCKNUT, 3/8-16	2
14	1014471	INSULATION — BULK	A/R
		HINGE COMPONENTS — CARRYALL-I	
		SEE PAGE 1-14, ITEMS 1 THRU 4 AND 10 THRU 13	
		LATCH PLATE COMPONENTS — CARRYALL-I	
		SEE PAGE 1-14, ITEMS 6 THRU 9 AND 14 THRU 17	

G
E
1



TILT BED PROP ROD AND HINGE — CARRYALL-II

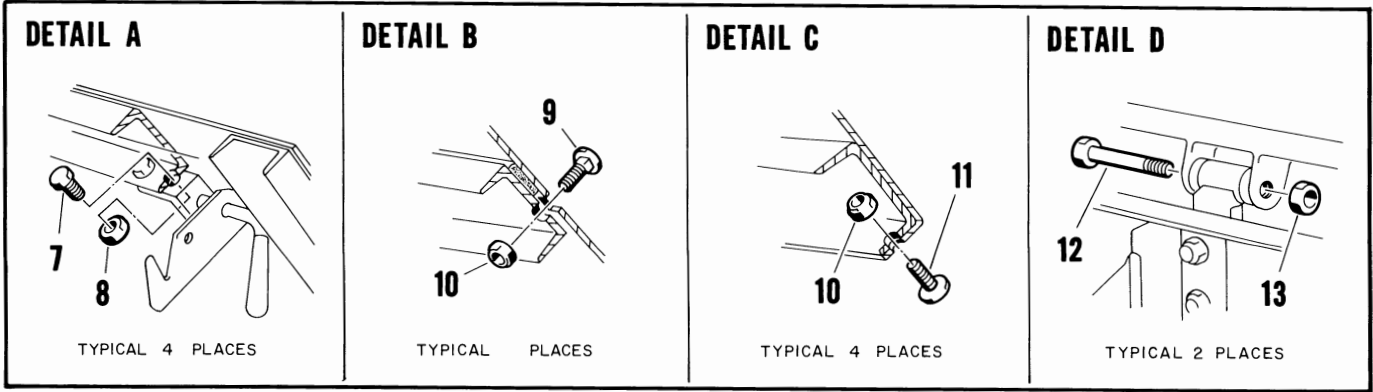
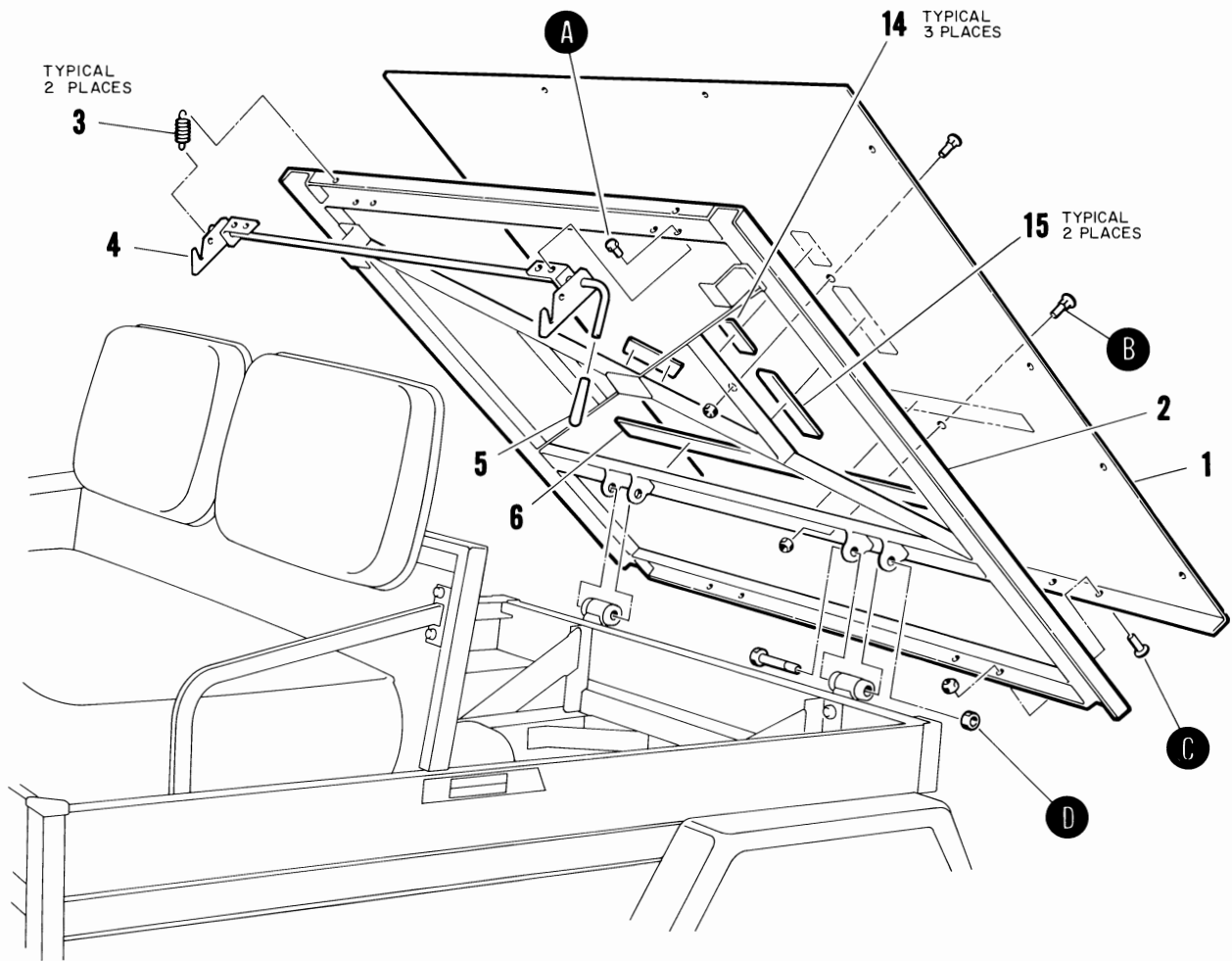
TILT BED PROP ROD AND HINGE — CARRYALL-II

ITEM NUMBER	PART NUMBER	DESCRIPTION				UNITS PER VEHICLE
		1	2	3	4	
1	1015583					4
2	1012303					2
3	1015356					2
4	1015507					8
5	1015437					1
6	1015242					2
7	1015277					2
8	1016078					A/R
9	1016060					2
10	8861					4
11	1011990					8
12	357					4
13	706					4
14	304					4
15	332					8
16	451					8
17	1028					4
18	1015348					1
19	1015700					1
20	7847					2
21	8233					2
22	334					1
23	1035					1

G

E

1



TILT BED AND LATCH — CARRYALL-II

TILT BED AND LATCH — CARRYALL-II

ITEM NUMBER	PART NUMBER	DESCRIPTION	UNITS PER VEHICLE
1	NO #	FLOOR PLATE	1
2	NO #	FRAME ASSEMBLY	1
3	1015391	EXTENSION SPRING	2
4	1015252	LATCH ASSEMBLY	1
5	1015400	HAND GRIP	1
6	NO #	INSULATION, 46 INCHES LONG, SEE ITEM #16	1
7	403	HEX HEAD CAP SCREW, 1/4-20 X 5/8	4
8	1108	DIMPLED LOCKNUT, 1/4-20	4
9	1010435	ROUND HEAD SQUARE NECK BOLT, 5/16-18 X 1	4
10	7473	NYLON LOCKNUT, 5/16-18	8
11	1015399	TORX TRUSS HEAD SCREW, 5/16-18 X 3/4	4
12	8755	HEX HEAD CAP SCREW, 3/8-16 X 3-3/8	2
13	1010138	DIMPLED LOCKNUT, 3/8-16	2
14	NO #	INSULATION, 4 INCHES LONG, SEE ITEM #16	3
15	NO #	INSULATION, 8 INCHES LONG, SEE ITEM #16	2
16	1014471	INSULATION	A/R

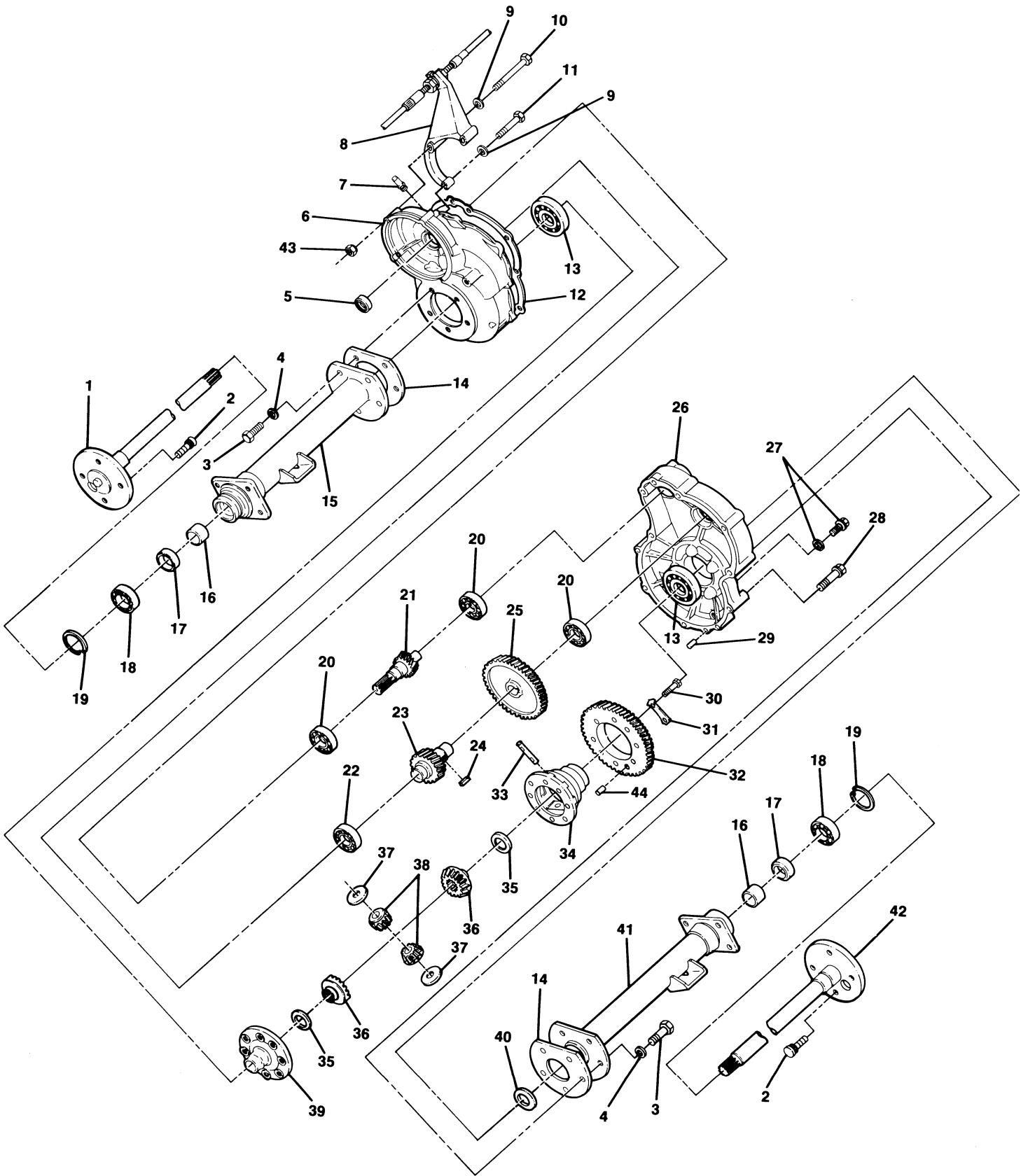
G
E
1

G

E

1

Section 2
DRIVE UNIT



DRIVE UNIT

DRIVE UNIT

ITEM NUMBER	PART NUMBER	DESCRIPTION	UNITS
			PER VEHICLE
	1013664	DRIVE UNIT INCLUDES ALL ITEMS EXCEPT 8, 9, 10, 11 AND 43	1
1	1013785	AXLE ASSEMBLY, RIGHT INCLUDES ITEMS 2, 16, 18 AND 19	1
2	1013787	LUG STUD	8
3	1013790	BOLT (10 X 30)	10
4	1013791	LOCKWASHER	10
5	1013775	INPUT SHAFT OIL SEAL	1
6	1013756	GEAR CASE — RIGHT HAND	1
7	1012711	BREATHER PLUG	1
8	1013866	SHIFT CABLE SUPPORT BRACKET KIT (GAS VEHICLE ONLY) INCLUDES ITEMS 9, 10, 11 AND 43	1
9	332	1/4" FLATWASHER	6
10	1013872	1/4-20 X 4" HEX BOLT	2
11	1012462	1/4-20 X 3-1/2" HEX BOLT	1
12	1013758	GASKET	1
13	7330	INNER AXLE, TUBE BEARING	2
14	1013789	GASKET — AXLE TUBE	2
15	1014209	AXLE TUBE ASSEMBLY — RIGHT HAND	1
16	1014207	BUSHING WITH GROOVE IN END	1
17	1013794	AXLE SHAFT OIL SEAL	2
18	1011291	OUTER AXLE TUBE BEARING	2
19	1013792	CIRCLIP, TYPE-C	2
20	7335	INPUT GEAR BEARING	3
21	1013764	SHAFT, INPUT	1
22	7336	INTERMEDIATE GEAR BEARING	1
23	1013766	INTERMEDIATE GEAR — SMALL	1
24	1013780	KEY, SUNK	1
25	1013765	INTERMEDIATE GEAR — LARGE	1
26	1013757	GEAR CASE — LEFT HAND	1
27	1013759	FILL PLUG WITH GASKET	2
28	1013763	BOLT (6 X 50)	10
29	1012710	PIN, DOWEL	2
30	1013779	BOLT (8 X 37)	8
31	1013782	PLATE, LOCK	4
32	1013767	OUTPUT GEAR	1
33	1013772	DIFFERENTIAL PIN	1
34	1013768	DIFFERENTIAL GEAR CASE — LEFT HAND	1
35	1013773	PLATE, THRUST (DIFFERENTIAL GEAR)	2
36	1013771	DIFFERENTIAL GEAR	2
37	1013774	PLATE, THRUST (IDLER GEAR)	2
38	1013770	DIFFERENTIAL IDLER GEAR	2
39	1013769	DIFFERENTIAL GEAR CASE — RIGHT HAND	1
40	1013781	SHIM	A/R
41	1014210	AXLE TUBE ASSEMBLY — LEFT HAND	1
42	1013786	AXLE ASSEMBLY, LEFT INCLUDES ITEMS 2, 16, 18 AND 19	1
43	8233	1/4-20 NYLON LOCKNUT	3
44	1014193	PIN, DOWEL	1

G

E

2

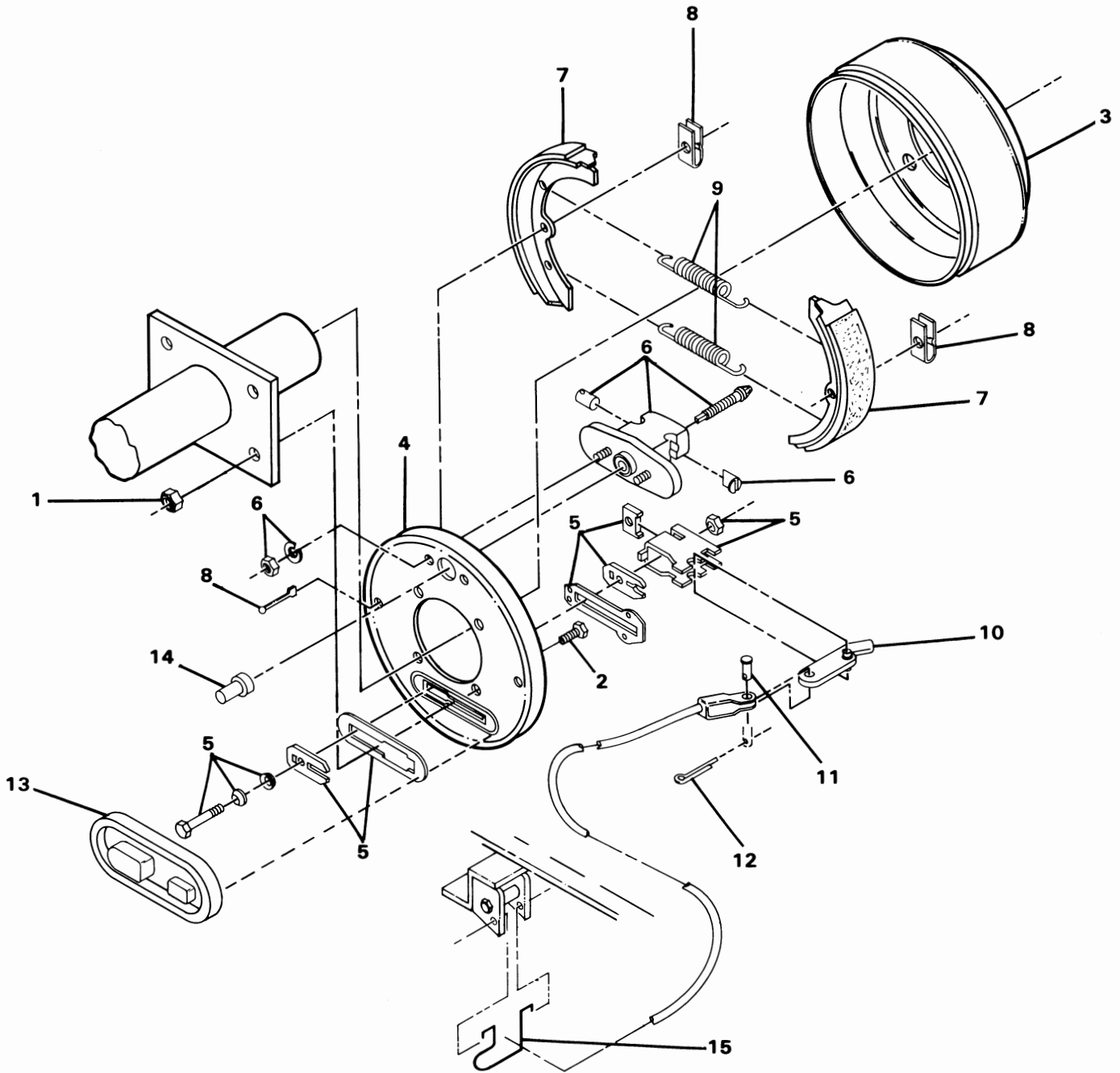
G

E

2

Section 3

BRAKES, PEDAL AND CABLE ASSEMBLY



BRAKE CLUSTER, RIGHT HAND AND LEFT HAND

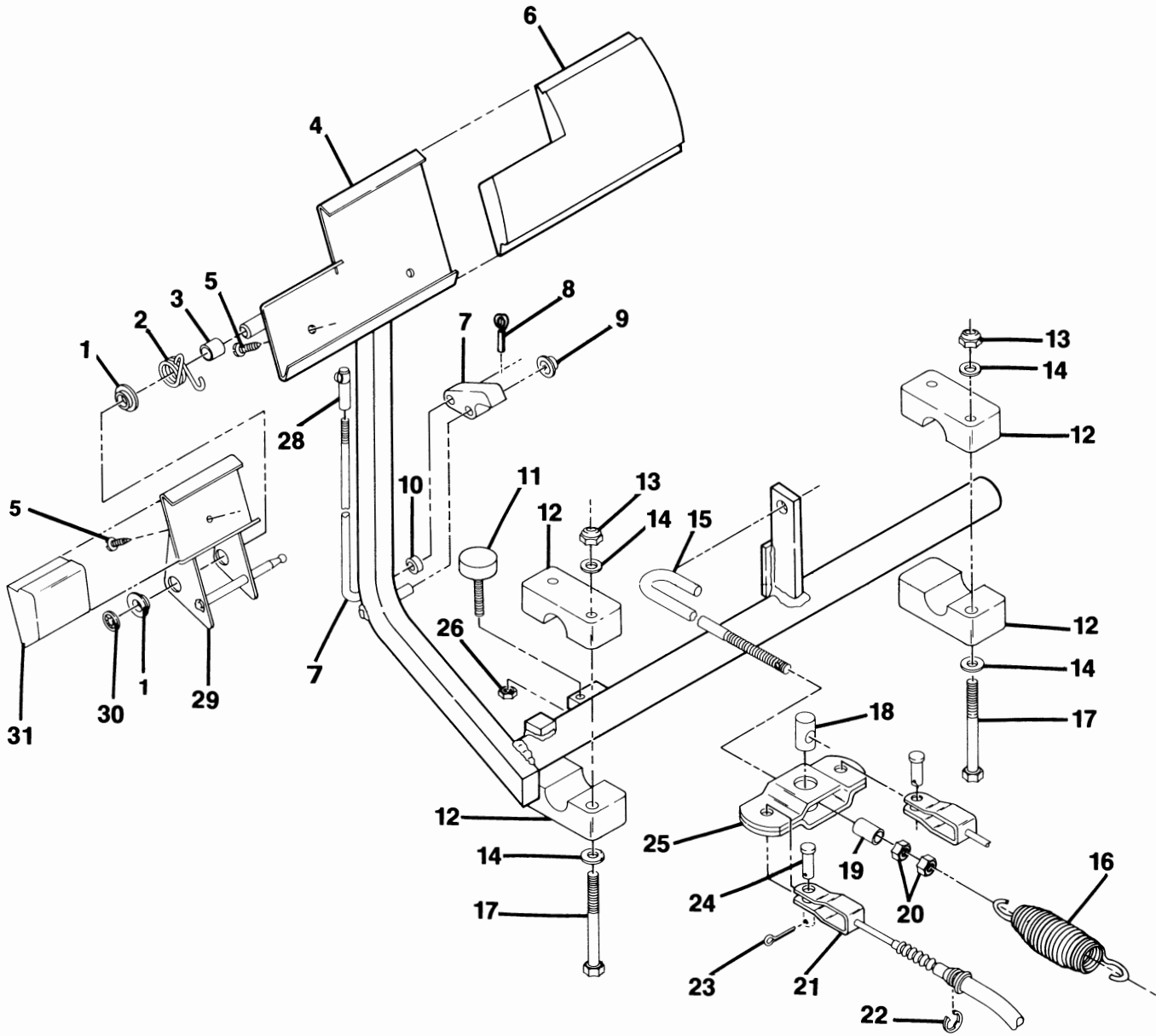
BRAKE CLUSTER, RIGHT HAND AND LEFT HAND

ITEM NUMBER	PART NUMBER	DESCRIPTION				UNITS PER VEHICLE
		1	2	3	4	
	1016573	RIGHT HAND BRAKE CLUSTER COMPLETE INCLUDES ITEMS 4 THRU 14				1
	1016557	LEFT HAND BRAKE CLUSTER COMPLETE INCLUDES ITEMS 4 THRU 14				1
1	1013924	LOCKNUT, 5/16-24, GRADE 8				8
2	1014153	BOLT, BRAKE CLUSTER MOUNTING				8
3	1011137	DRUM, BRAKE				2
4	1011494	PLATE BACKING, LEFT HAND				1
4	1011154	PLATE BACKING, RIGHT HAND				1
5	1011465	BRAKE ACTUATOR KIT				1
6	1011467	ANCHOR BODY KIT INCLUDES ITEM 16				1
7	1011463	BRAKE SHOE PACKAGE (4 PIECES)				1
8	1011466	SHOE RETAINER KIT				1
9	1011464	BRAKE SPRING PACKAGE				1
10	1011297	ARM, BRAKE LEVER				2
11	1010829	PIN, 5/16" CLEVIS				2
12	1035	PIN, COTTER				2
13	1010850	COVER, DUST				2
14	1011303	CAP, ADJUSTMENT BOLT				2
15	1013207	BRAKE CABLE HANGER				2

G

E

3



BRAKE PEDAL AND CABLE ASSEMBLY

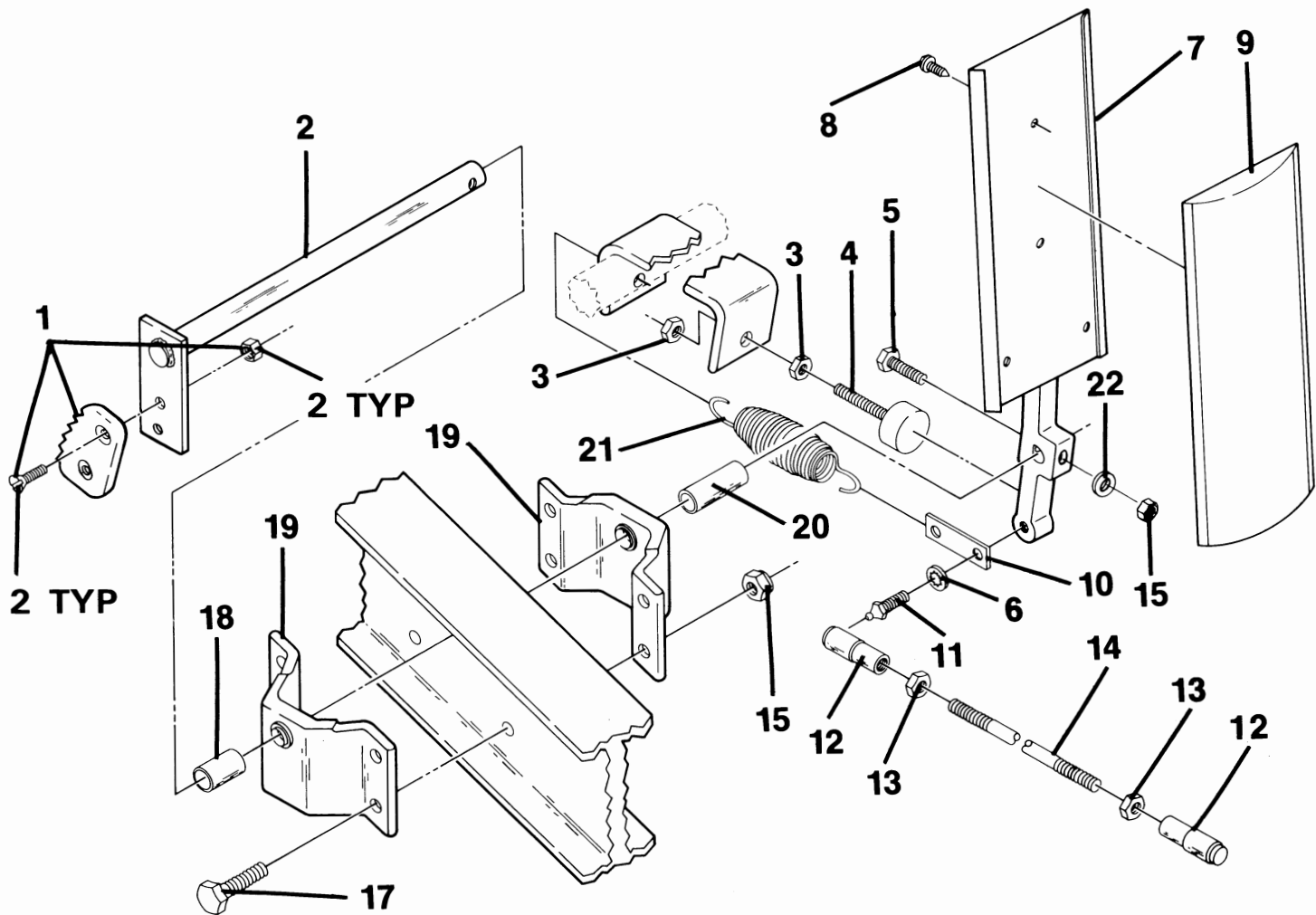
BRAKE PEDAL AND CABLE ASSEMBLY

ITEM NUMBER	PART NUMBER	DESCRIPTION	UNITS PER VEHICLE
1	1032	NYLON BUSHING	2
2	1010933	TORSION SPRING	1
3	1010927	HILL BRAKE SPACER	1
4	1011406	BRAKE PEDAL KIT INCLUDES ITEMS 5 & 6	1
5	7716	SCREW, NO. 10-16 SHEET METAL	6
6	1013869	BRAKE PEDAL PAD	1
7	1016173	HILL BRAKE ROD AND PAWL KIT INCLUDES ITEMS 7, 8, 9, AND 10	1
8	1017029	PIN - COTTER, 7/64 X 1/2", 302 STAINLESS STEEL	1
9	1010877	NUT, 5/16 PUSH	1
10	1010805	HILL BRAKE ROD SLEEVE	1
11	1010878	BRAKE STOP	1
12	1011402	BRAKE MOUNTING BLOCK PACKAGE	1
13	7473	NUT, 5/16-18 NYLON LOCK	4
14	1241	WASHER, 5/16 FLAT	8
15	1010808	EQUALIZER ROD	1
16	1013532	SPRING, BRAKE RETURN — GAS VEHICLE	1
16	1013351	SPRING, BRAKE RETURN — ELECTRIC VEHICLE	1
17	1010921	BOLT, 5/16-18 HEX	4
18	1010814	PIN, EQUALIZER PIVOT	1
19	1013855	SPACER EQUALIZER	1
20	1242	NUT, 5/16-18 HEX	2
21	1011403	BRAKE CABLE ASSEMBLY — CARRYALL-I INCLUDES ITEMS 22, 23, 24	2
21	1015827	BRAKE CABLE ASSEMBLY — CARRYALL-II INCLUDES ITEMS 22, 23, 24	2
22	1011779	RING, "E"	4
23	1035	PIN, COTTER	2
24	1010829	PIN, 5/16 CLEVIS	2
25	1010809	EQUALIZER WELD ASSEMBLY	1
26	1028	NUT, 1/4-20 HEX	1
28	1010932	BALL JOINT, 1/4-28	1
29	1011418	HILL BRAKE KIT INCLUDES ITEMS 1, 5, 29, 30, 31	1
30	1013876	NUT, 3/8 PUSH	1
31	1013870	PAD, HILL BRAKE	1

G

E

3



ACCELERATOR PEDAL ASSEMBLY

ACCELERATOR PEDAL ASSEMBLY

ITEM NUMBER	PART NUMBER	1 2 3 4	DESCRIPTION	UNITS PER VEHICLE
1	1011877		LATCH, HILL BRAKE	1
2	1016166		ROD, ACCELERATOR PIVOT	1
3	1028		NUT, 1/4-20 HEX	2
4	1010878		STOP, BRAKE	1
5	1016619		BOLT, 1/4-20 HEX	1
6	1014007		1/4" FLATWASHER	1
7	1016377-01		ACCELERATOR PEDAL ASSEMBLY INCLUDES ITEMS 6, 8, 9, 10, AND 11	1
8	7716		SCREW, #10-16 SHEET METAL	4
9	1013871		PAD, ACCELERATOR	1
10	1011691		HANGER, ACCELERATOR PEDAL SPRING	1
11	1016157		BALL STUD, 1/4-28 X 1.00	1
12	1011734		BALL JOINT, 1/4-28 SPRING LOADED	2
13	1011084		NUT, 1/4-28 JAM	2
14	1016168		ROD, ACCELERATOR (CARRYALL-I GAS) INCLUDES ITEMS 12 AND 13	1
14	1014085		ROD, ACCELERATOR (CARRYALL-I ELECTRIC) INCLUDES ITEMS 12 AND 13	1
14	1013233		ROD, ACCELERATOR (CARRYALL-II) INCLUDES ITEMS 12 AND 13	1
15	8233		LOCKNUT, 1/4-20 NYLON	5
17	7479		BOLT, 1/4-20 HEX	4
18	1011699		SPACER, 1/2"	1
19	1011694		BRACKET, ACCELERATOR BEARING	2
20	1011700		SPACER, ACCELERATOR	1
21	1012075		SPRING EXTENSION	1
22	332		1/4" FLATWASHER	1

G

E

3

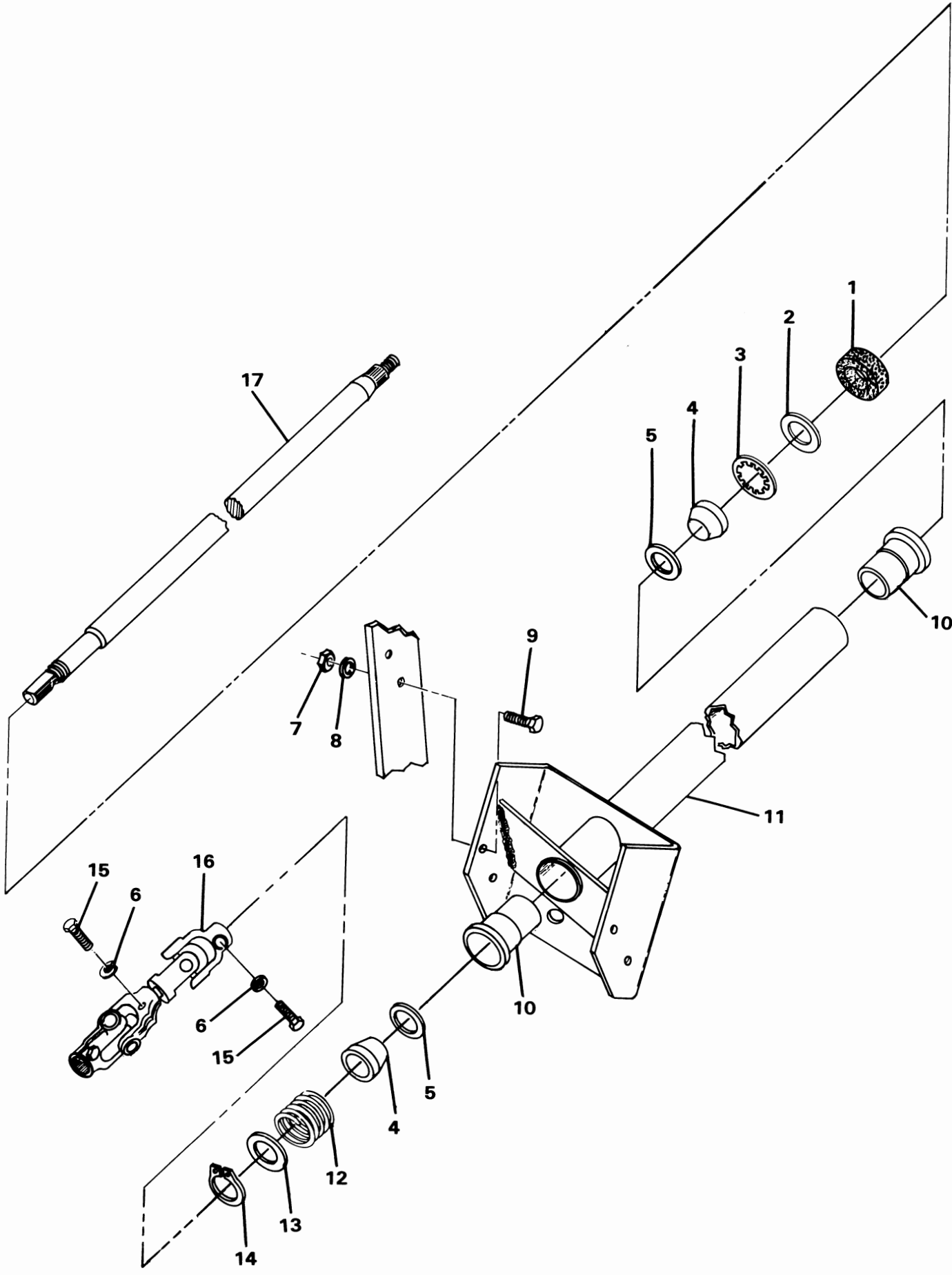
G

E

3

Section 4

STEERING AND FRONT SUSPENSION



STEERING COLUMN ASSEMBLY — STEEL

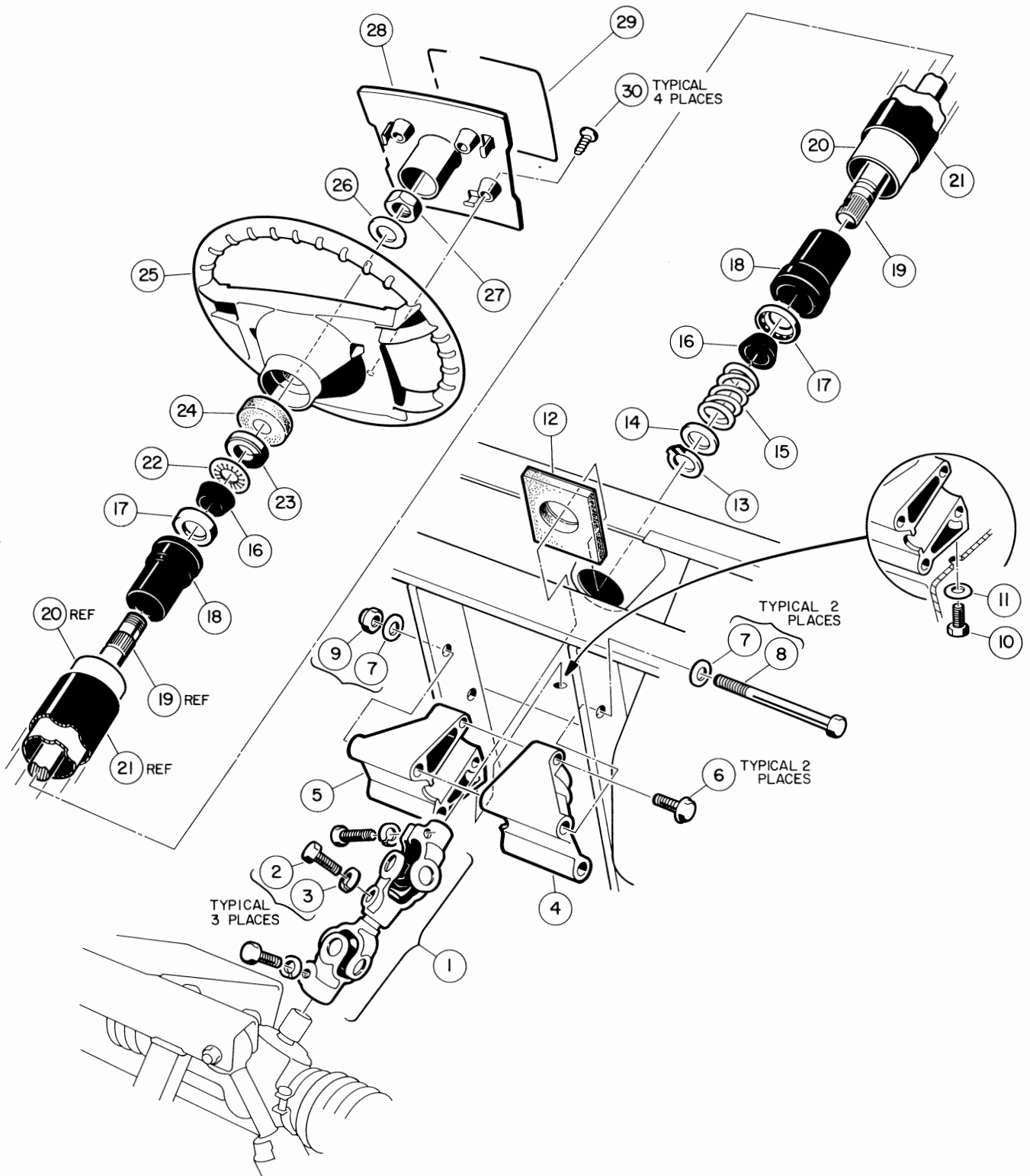
STEERING COLUMN ASSEMBLY — STEEL

ITEM NUMBER	PART NUMBER	DESCRIPTION				UNITS PER VEHICLE
		1	2	3	4	
1	1012466	COVER, DUST				1
2	1014211	SEAL BEARING				1
3	1014214	RING, RETAINING				1
4	1014125	WEDGE				2
5	1014213	BEARING				2
6	7174	LOCKWASHER, 5/16"				2
7	8754	LOCKNUT, 3/8-16				4
8	334	FLATWASHER, 3/8"				4
9	320	BOLT, HEX, 3/8-16				4
10	1014126	BEARING SEAT				2
11	NO #	COLUMN WELD ASSEMBLY				1
12	1014217	SPRING				1
13	1012604	WASHER				1
14	1012605	SNAP RING				1
15	1012830	BOLT, HEX, 8MM				2
16	1013861	JOINT YOKE COMPOUND STEERING INCLUDES ITEMS 6 AND 15				1
17	1015545	SHAFT				1
18	1015546	STEERING COLUMN ASSEMBLY INCLUDES ITEMS 11 THRU 15				1
19	1014216	STEERING COLUMN REBUILT KIT INCLUDES ITEMS 11 THRU 15				A/R
NOTE: SEE PAGE 4-4 FOR STEERING WHEEL COMPONENTS — ITEMS 25 THRU 30.						

G

E

4



STEERING COLUMN — ALUMINUM

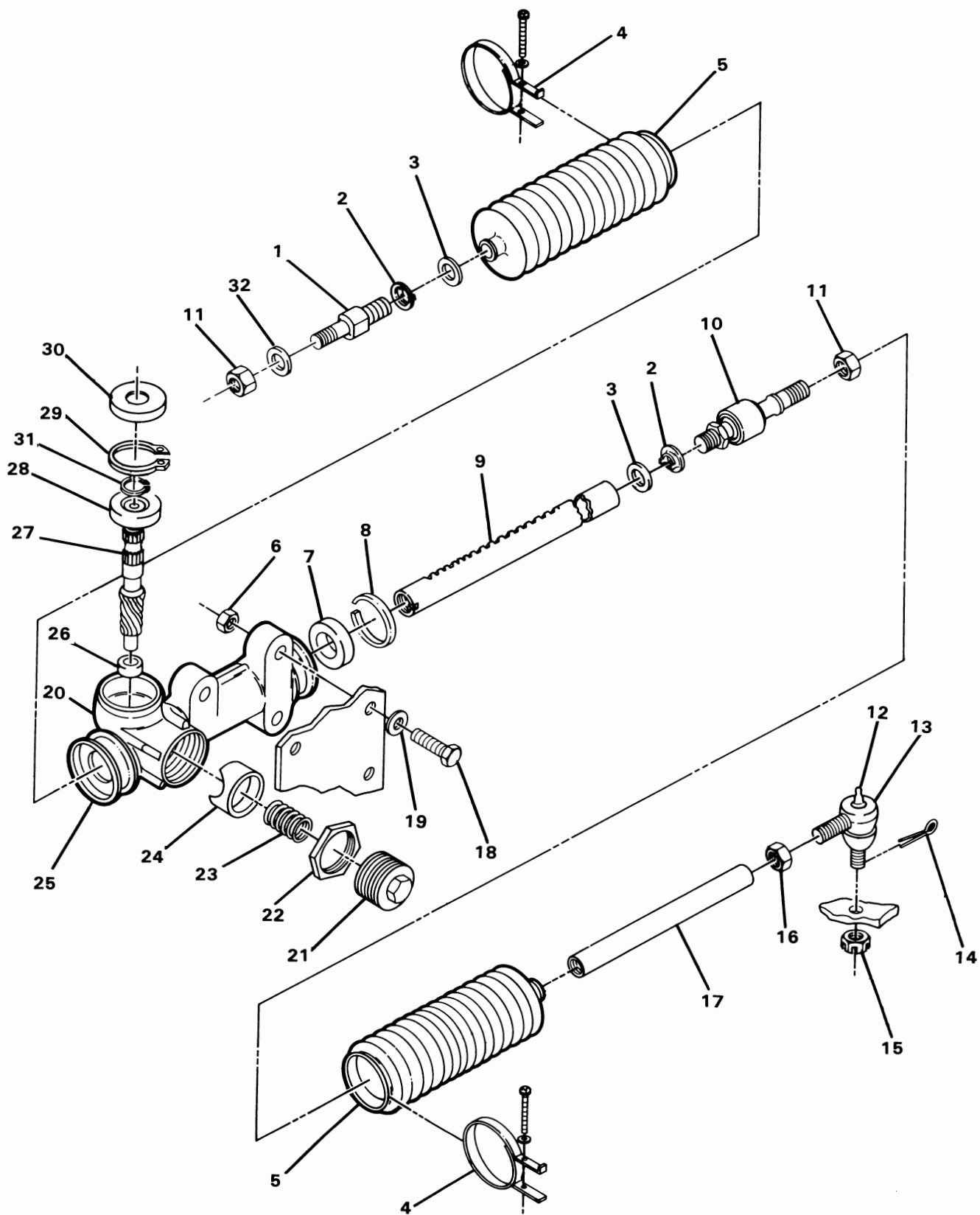
STEERING COLUMN — ALUMINUM

ITEM NUMBER	PART NUMBER	1 2 3 4				DESCRIPTION	UNITS PER VEHICLE
1	1013861					COMPOUND STEERING JOINT INCLUDES ITEMS 2 AND 3	1
2	1012830					HEX HEAD BOLT, 8MM	3
3	7174					LOCKWASHER, 5/16" DIAMETER	
4	1016185					STEERING COLUMN MOUNT, LEFT HAND	1
5	1016184					STEERING COLUMN MOUNT, RIGHT HAND	1
6	1016269					HEX WASH HEAD THREAD FORMING SCREW, 5/16-18 X 2	2
7	334					FLATWASHER, 3/8" DIAMETER	4
8	1016183					HEX HEAD BOLT, 3/8-16 X 6-1/2	2
9	8754					NYLON LOCKNUT, 3/8-16	2
10	1014288					HEX HEAD THREAD FORMING SCREW, 5/16-18 X 3/4	2
11	1011697					FLATWASHER, 5/16" DIAMETER	1
12	1011018					DUST BOOT	1
13	1012605					RETAINING RING	1
14	1012604					WASHER	1
15	1014217					SPRING	1
16	1014125					WEDGE	2
17	1014213					BEARING ASSEMBLY	2
18	1014126					BEARING SEAT	2
19	1015545					STEERING SHAFT	1
20	1016622					STEERING TUBE	1
21	1016263					STEERING TUBE COVER	1
22	1014214					RETAINING RING	1
23	1014211					BEARING SEAL	1
24	1012466					DUST COVER	1
25	1016156					STEERING WHEEL	1
26	1012604					FLATWASHER, 5/8" DIAMETER	1
27	7278					HEX JAM NUT, 5/8-18	1
28	1016155-02					PLATE ASSEMBLY	1
29	1016216					OPERATING INSTRUCTIONS DECAL	1
30	1010715					TRI-LOBULAR SCREW, #10-14	4
	1016181					STEERING COLUMN ASSEMBLY INCLUDES ITEMS 13 THRU 20, 22 AND 23	

G

E

4



STEERING ASSEMBLY

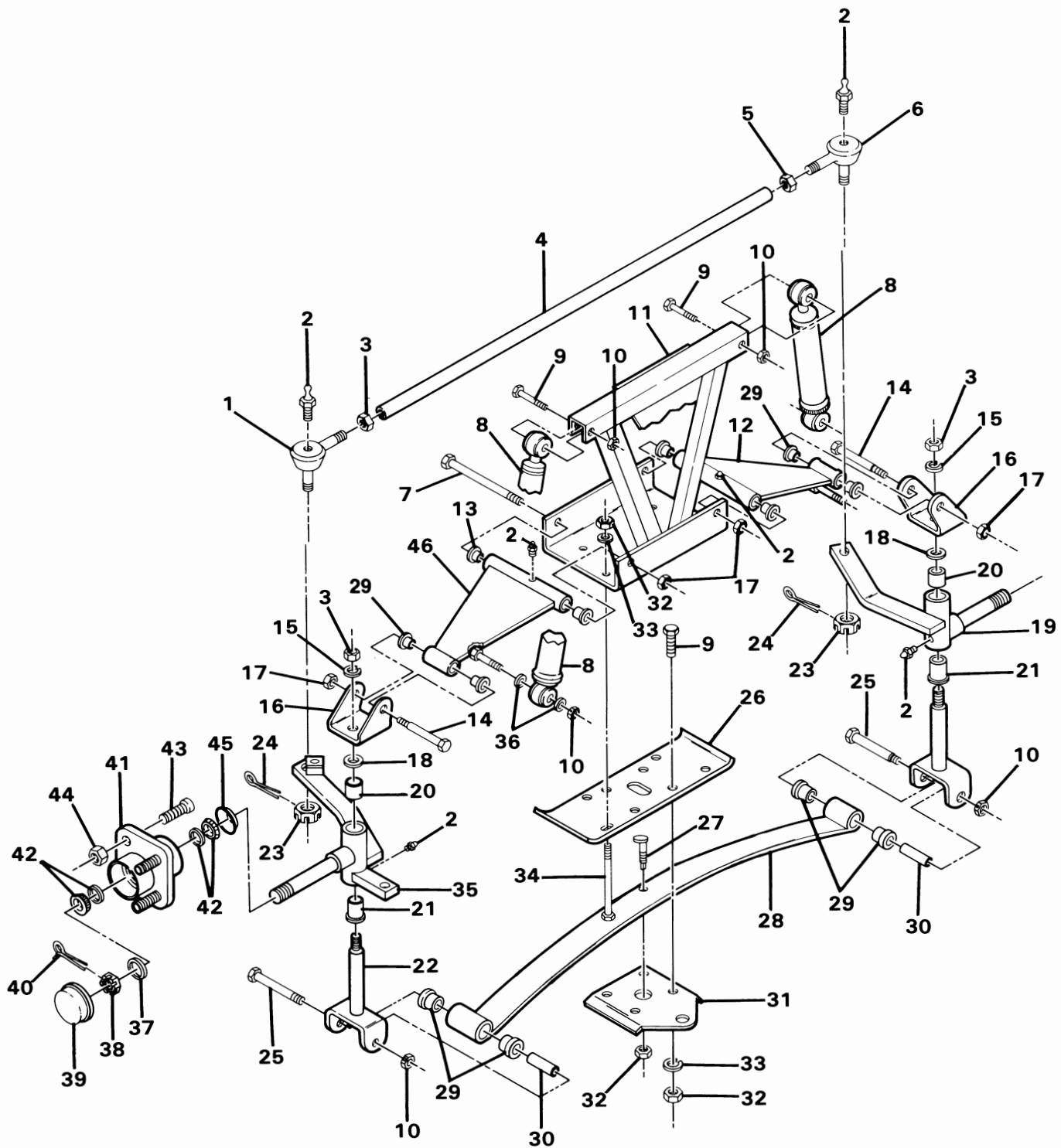
STEERING ASSEMBLY

ITEM NUMBER	PART NUMBER	1 2 3 4	DESCRIPTION	UNITS PER VEHICLE
1	1013053		BOLT, STOPPER, 12MM	1
2	1013040		LOCKWASHER, TIE ROD	2
3	1013039		WASHER, TIE ROD STOPPER	2
4	1013034		BAND, BELLOWS	2
5	1013035		SEAL, DUST	2
6	1010138		LOCKNUT, 3/8-16	3
7	1013036		BUSHING, RACK	1
8	1013037		RING, SNAP	1
9	NO #		RACK, STEERING (SEE ITEM 20)	1
10	1013041		END, RACK	1
11	1013042		NUT, HEX, 12MM	2
12	1015597		FITTING, GREASE	1
13	7540		SOCKET, VERTICAL, LEFT HAND INCLUDES ITEMS 12 AND 15	1
14	1035		PIN, COTTER	1
15	7602		NUT, HEX, SLOTTED, 3/8-24	1
16	7555		NUT, LEFT HAND, JAM, 1/2-20	1
17	1012467		LINK, DRAG	1
18	1624		BOLT, HEX, 3/8-16	3
19	334		FLATWASHER, 3/8	3
20	1012452		STEERING GEAR BOX ASSEMBLY INCLUDES ITEMS 1 THRU 5, 7 THRU 11 AND 21 THRU 30	1
21	1013043		SCREW, RACK GUIDE	1
22	1013044		LOCKNUT, RACK SCREW	1
23	1013045		SPRING, RACK GUIDE PRESSURE	1
24	1013046		GUIDE, STEERING RACK	1
25	1013047		BOX, STEERING GEAR	1
26	1013048		BUSHING, PINION	1
27	NO #		PINION, STEERING (SEE ITEM 20)	1
28	1012884		BALL BEARING	1
29	1013051		RING-RETAINING, INTERNAL	1
30	1013052		DUST SEAL, STEERING PINION	1
31	1013031		RING-RETAINING, EXTERNAL	1
32	1013030		WASHER, END	1
33	1011930		DUST SEAL	1

G

E

4



FRONT SUSPENSION ASSEMBLY — A-PLATE

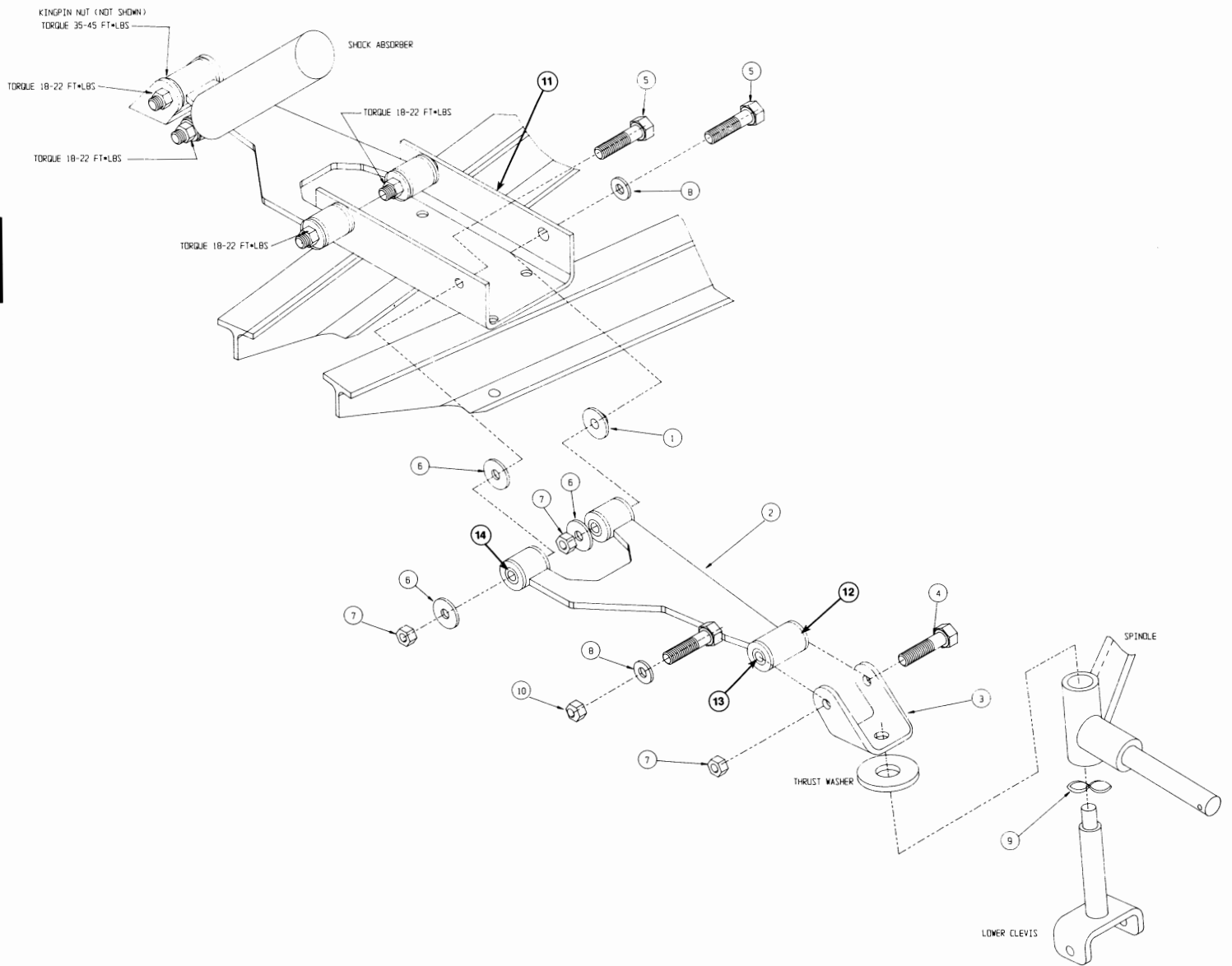
FRONT SUSPENSION ASSEMBLY — A-PLATE

ITEM NUMBER	PART NUMBER	DESCRIPTION				UNITS PER VEHICLE
		1	2	3	4	
1	7539	JOINT, RIGHT HAND BALL INCLUDES ITEM 23				1
2	1015597	1/4-28 THREAD FORMING GREASE FITTING				4
3	1308	NUT, 1/2-20 HEX				3
4	1010219	ROD, TIE				1
5	7555	NUT, 1/2-20 LEFT HAND HEX				1
6	7540	JOINT, LEFT HAND BALL INCLUDES ITEM 23				1
7	1010126	BOLT, 3/8-16 SHOULDER HEX				2
8	1014235	ABSORBER, SHOCK				2
9	1624	BOLT, 3/8-16 HEX				6
10	1010138	LOCKNUT, 3/8-16				6
11	1012496	SHOCK SUPPORT WELD ASSEMBLY				1
12	1015589	"A" PLATE SUBASSEMBLY (LEFT HAND) INCLUDES ITEMS 2 AND 13 AND 29				1
13	7719	BUSHING, BRONZE				4
14	1010125	BOLT, 3/8-16 SHOULDER HEX				2
15	209	LOCKWASHER, 1/2"				2
16	1010117	CLEVIS, UPPER				2
17	8754	LOCKNUT, 3/8-16 NYLON				4
18	1010150	WASHER, THRUST				2
19	1010348	SPINDLE LEFT HAND ASSEMBLY INCLUDES ITEMS 2, 20, AND 21				1
20	8067	BUSHING, SPINDLE				2
21	7048	BUSHING, 3/4" BRONZE				2
22	1010121	KING PIN ASSEMBLY				2
23	7602	NUT, 3/8-24 SLOTTED HEX				2
24	1035	PIN, COTTER 3/32 X 1"				2
25	8755	BOLT, 3/8-16 HEX				2
26	1010124	PLATE, FRONT SPRING MOUNTING				1
27	8745	ADJUSTER, FRONT SPRING ECCENTRIC				1
28	1013867	SPRING, FRONT — CARRYALL-I AND CARRYALL-II INCLUDES ITEMS 27 AND 32				1
29	1015583	BUSHING, URETHANE				8
30	1012303	BUSHING, 3/8" STEEL				2
31	1014276	PLATE, FRONT SPRING RETAINER				1
32	706	NUT, 3/8-16 HEX				9
33	357	LOCKWASHER, 3/8"				8
34	1010200	BOLT, 3/8-16				4
35	1010347	SPINDLE RIGHT HAND ASSEMBLY INCLUDES ITEMS 2, 20 AND 21				1
36	334	FLATWASHER, 3/8"				4
37	1010005	FLATWASHER, SPECIAL				2
38	7840	NUT, 3/4-16 SLOTTED HEX				2
39	1011887	COVER, DUST				2
40	7910	PIN, COTTER 5/32 X 1"				2
41	1011894	HUB ASSEMBLY INCLUDES ITEMS 42 AND 43				2
42	1011393	BEARING, HUB PACKAGE (2 PIECES)				4
43	1011304	STUD, LUG				8
44	1011390	NUT, LUG				8
45	1013135	SEAL, DUST				2
46	1015586	"A" PLATE ASSEMBLY, RIGHT HAND INCLUDES ITEMS 2, 13 AND 29				1

G

E

4



FRONT SUSPENSION ASSEMBLY — DELTA A-PLATE

FRONT SUSPENSION ASSEMBLY — DELTA A-PLATE

ITEM NUMBER	PART NUMBER	1	2	3	4	DESCRIPTION	UNITS PER VEHICLE
1	1016759					DELTA A-PLATE RETROFIT KIT	2
2	1016758					SHOULDER WASHER	2
3	1016353					DELTA A-PLATE SUB-ASSEMBLY	2
4	1016384					DELTA UPPER CLEVIS	2
5	1016387					BOLT, HEX HEAD, 3/8-16 X 2.75	4
6	2402					BOLT, HEX HEAD, 3/8-16 X 2.25	6
7	808					FLATWASHER, 3/8 TYPE B	6
8	8754					LOCKNUT, NYLON 3/8-16	4
9	334					FLATWASHER, 3/8	2
10	1016389					KINGPIN WAVE WASHER	2
11	1010138					3/8-16 DIMPLED LOCKNUT	1
12	1016385					SHOCK AND GEAR SUPPORT	12
13	1016346					URETHANE BUSHING	4
14	1016350					OUTER SLEEVE	4
	1016349					INNER SLEEVE	
<p>NOTE: SEE PAGES 4-8 AND 4-9 FOR PARTS COMMON TO BOTH DELTA A-PLATE AND A-PLATE FRONT SUSPENSIONS.</p>							

G

E

4

G

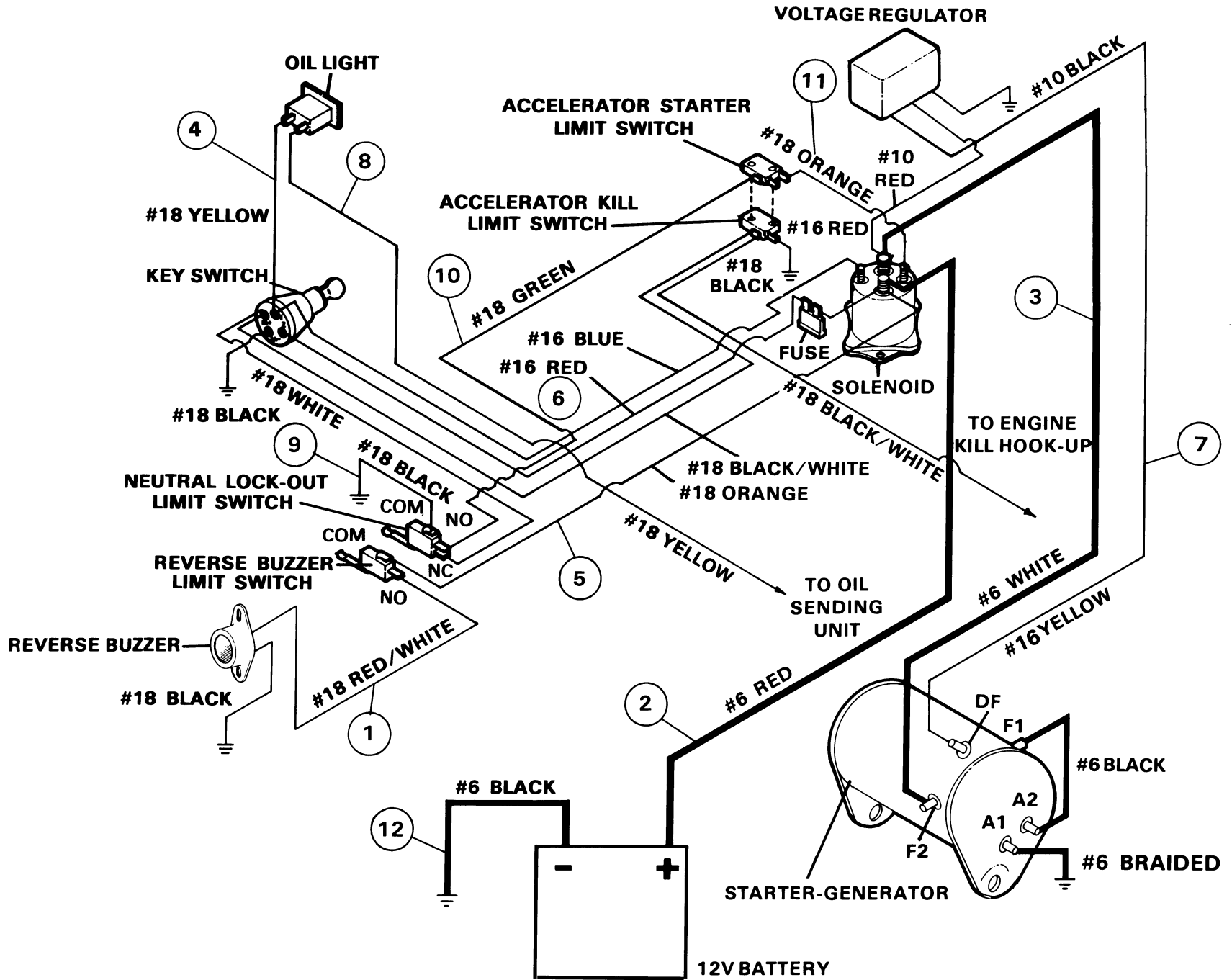
E

4

Section 5

ELECTRICAL AND BATTERY

WIRING — GAS VEHICLE

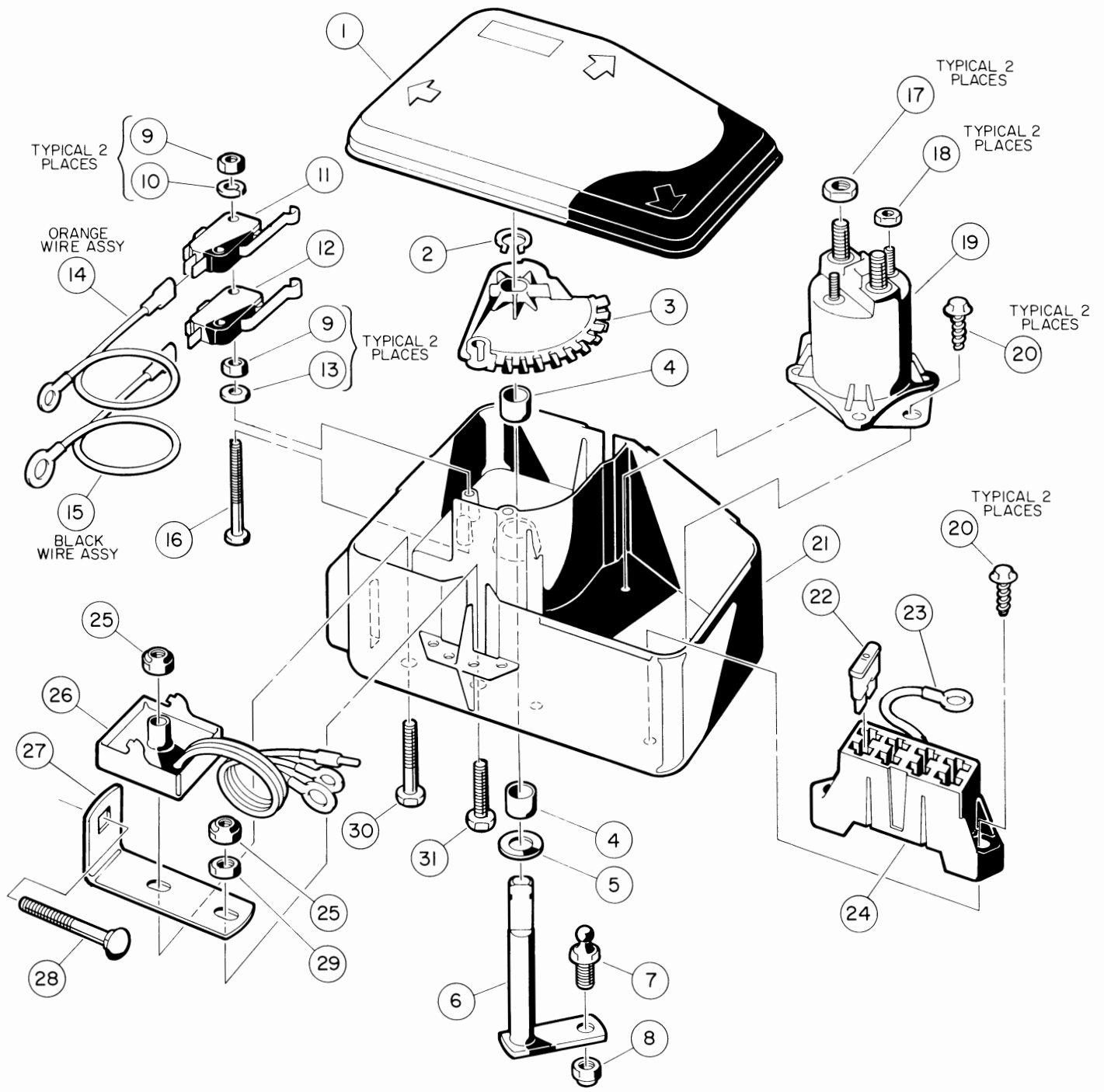


WIRING — GAS VEHICLE

ITEM NUMBER	PART NUMBER	1 2 3 4	DESCRIPTION	UNITS PER VEHICLE
			CARRYALL-I	
	1015735		WIRE HARNESS ASSEMBLY	1
1	1013723		WIRE ASSEMBLY, #18 RED/WHITE	1
2	1014119		WIRE ASSEMBLY, #6 RED	1
3	1015769		WIRE ASSEMBLY, #6 WHITE	1
4	1013601		WIRE ASSEMBLY, #18 YELLOW	1
5	1015831		WIRE ASSEMBLY, #18 ORANGE	1
6	1015736		WIRE ASSEMBLY, #16 RED	1
7	1015738		WIRE ASSEMBLY, #16 YELLOW	1
8	1015740		WIRE ASSEMBLY, #18 YELLOW	1
9	1015780		WIRE ASSEMBLY, #18 BLACK	1
10	1015779		WIRE ASSEMBLY, #18 GREEN	1
11	1015767		WIRE ASSEMBLY, #18 ORANGE	1
12	1012382		WIRE ASSEMBLY, #6 BLACK	1
			CARRYALL-II	
	1016299		WIRE HARNESS ASSEMBLY	1
1	1016404		WIRE ASSEMBLY, #16 RED/WHITE	1
2	1014119		WIRE ASSEMBLY, #6 RED	1
3	1015769		WIRE ASSEMBLY, #6 WHITE	1
4	1016295		WIRE ASSEMBLY, #16 YELLOW	1
5	1016296		WIRE ASSEMBLY, #16 ORANGE	1
6	1016293		WIRE ASSEMBLY, #16 RED	1
7	1015738		WIRE ASSEMBLY, #16 YELLOW	1
8	1016294		WIRE ASSEMBLY, #16 YELLOW	1
9	1016297		WIRE ASSEMBLY, #16 BLACK	1
10	1016298		WIRE ASSEMBLY, #16 GREEN	1
11	1016401		WIRE ASSEMBLY, #16 ORANGE	1
12	1012382		WIRE ASSEMBLY, #6 BLACK	1

G

5



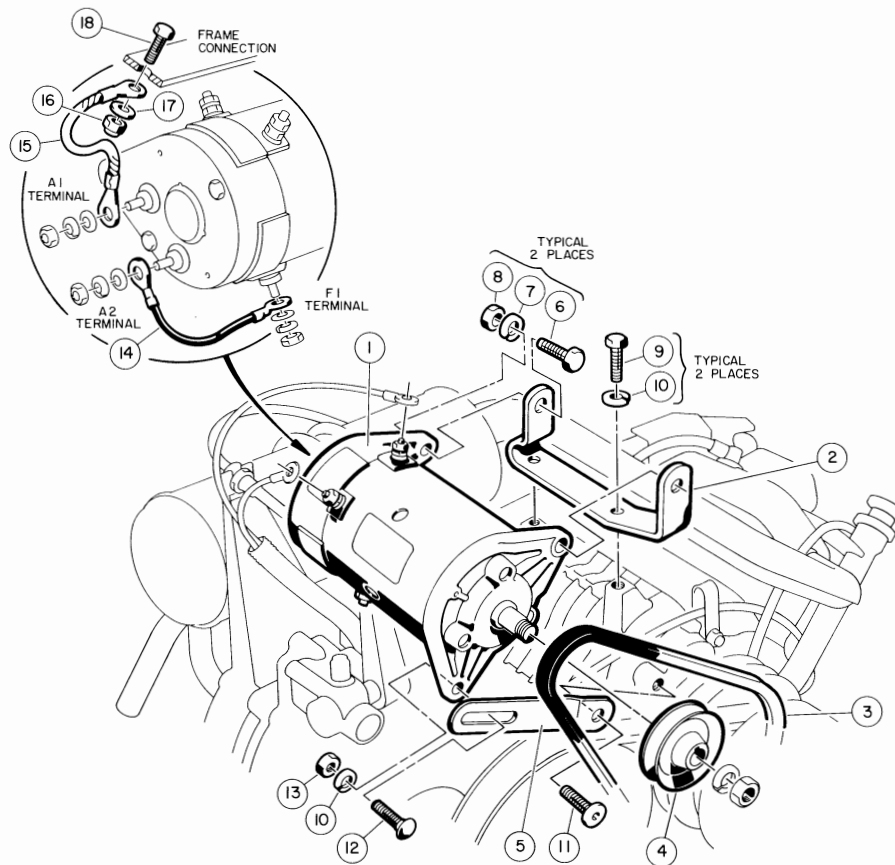
ELECTRICAL COMPONENT BOX

ELECTRICAL COMPONENT BOX

G

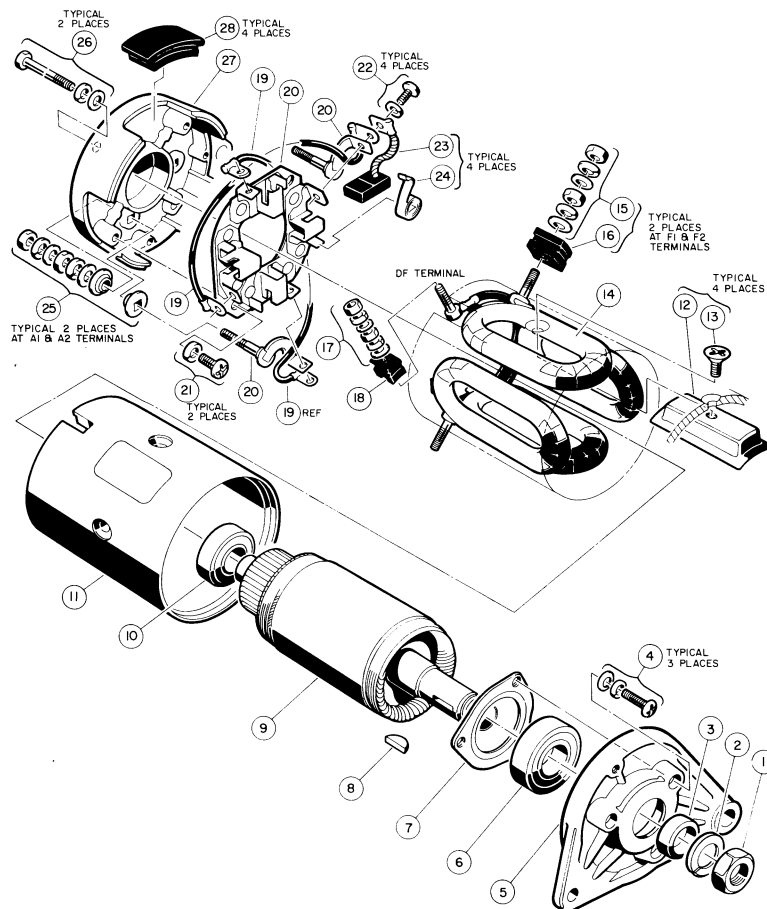
ITEM NUMBER	PART NUMBER	DESCRIPTION	UNITS PER VEHICLE
1	1015372	ELECTRICAL COMPONENT BOX COVER	1
2	1013589	RETAINING RING	1
3	1015373	CAM	1
4	1014145	BRONZE BUSHING	2
5	1014065	FLATWASHER (DELRIN)	1
6	1015345	BELL CRANK SHAFT ASSEMBLY	1
7	1010954	1/4 BALL STUD	1
8	8717	1/4-28 NYLON LOCK NUT	1
9	8057	#4-40 UNC HEX NUT	4
10	8058	#4 LOCKWASHER	2
11	1014807	LIMIT SWITCH	1
12	1014808	LIMIT SWITCH	1
13	1012431	#4 FLATWASHER	2
14	1015767	WIRE ASSEMBLY	1
15	1015766	WIRE ASSEMBLY	1
16	1015878	#4-40 UNC X 1.62 SCREW	2
17	1242	5/16-18 UNC HEX NUT	2
18	7893	#10-32 UNF HEX NUT	2
19	1013609	12 VOLT SOLENOID	1
20	1015752	#12-16 X .5 HILO SCREW	4
21	1015371	ELECTRICAL COMPONENT BOX	1
22	1012295	FUSE 10 AMP	1
23	1015737	WIRE ASSEMBLY	1
24	1015741	FUSE BLOCK	1
25	8233	1/4-20 NYLON LOCK NUT	2
26	1015777	VOLTAGE REGULATOR ASSEMBLY	1
27	1015343	GROUND STRAP	1
28	1015405	5/16-18 X 2.00 ROUND HEAD SQUARE NECK SCREW	1
29	1015919	1/4-20 JAM NUT	1
30	1703	1/4-20 X 1.50 HEX SCREW	1
31	304	1/4-20 UNC X 1 HEX SCREW	1
32	8168	WIRE TIE WRAP (NOT SHOWN)	2

5



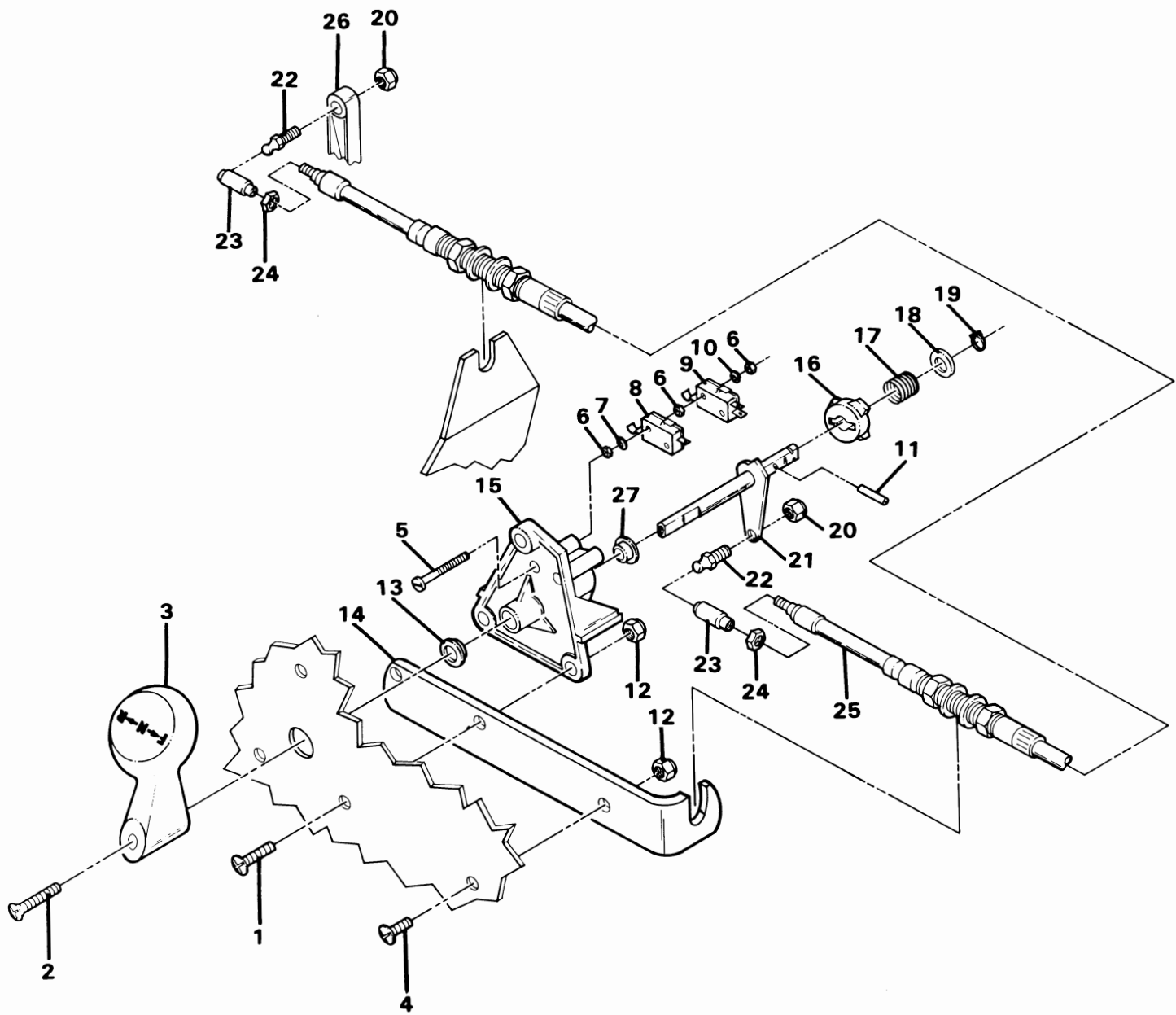
STARTER-GENERATOR MOUNTING

ITEM NUMBER	PART NUMBER	1 2 3 4				DESCRIPTION	UNITS PER VEHICLE
1	1012316					STARTER-GENERATOR	1
2	1015240-01					MOUNTING BRACKET	1
3	1014290					BELT	1
4	1014289					PULLEY	1
5	1012335					ADJUSTING BRACKET	1
6	705					HEX HEAD SCREW, 3/8-16 X 1-1/4	2
7	357					LOCKWASHER, 3/8" DIAMETER	2
8	706					HEX NUT, 3/8-16	2
9	1015331					HEX HEAD SCREW, M8-1.25 X 25MM	2
10	7174					LOCKWASHER, 5/16" DIAMETER	2
11	1016074					TORX HEAD SCREW, M8-1.25 X 18MM	1
12	1015932					ROUND HEAD SQUARE NECK BOLT, 5/16-18 X 1	1
13	1242					HEX NUT, 5/16-18	1
14	1012384					#6 BLACK WIRE ASSEMBLY	1
15	1015920					GROUND WIRE	1
16	7473					NYLON LOCK NUT, 5/16-18	1
17	1241					FLATWASHER, 5/16" DIAMETER	1
18	7173					HEX HEAD CAP SCREW, 5/16-18 X 3/4	1



STARTER-GENERATOR ASSEMBLY

ITEM NUMBER	PART NUMBER	1 2 3 4				DESCRIPTION	UNITS PER VEHICLE
		1	2	3	4		
1	NO #					HEX NUT, M14 X 1.5	1
2	NO #					LOCKWASHER, M14	1
3	1013000					SPACER	1
4	NO #					CROSS-RECESSED SCREW, M5 X 18 WITH LOCKWASHERS AND FLATWASHERS	3
5	1012999					OUTPUT SHAFT END BELL	1
6	1013001					DOUBLE SEALED BALL BEARING	1
7	1013002					BEARING RETAINER	1
8	1013003					KEY	1
9	1013004					ARMATURE ASSEMBLY INCLUDES ITEMS 3, 6, 7, 10 AND ARMATURE	1
10	1013005					DOUBLE SEALED BALL BEARING	1
11	1013006					FRAME ASSEMBLY INCLUDES ITEMS 12 THRU 18 AND FRAME	1
12	NO #					POLE PIECE	4
13	1013009					POLE PIECE SCREW	4
14	1013010					FIELD COIL ASSEMBLY	1
15	1013007					TERMINAL HARDWARE KIT INCLUDES NUTS, LOCKWASHERS AND FLATWASHERS	2
16	NO #					INSULATOR	2
17	1013017					TERMINAL HARDWARE KIT INCLUDES NUTS, LOCKWASHERS AND FLATWASHERS	1
18	NO #					INSULATOR	
19	1013013					CROSSOVER LEAD	2
20	1013011					BRUSH HOLDER	1
21	NO #					SCREW, M5 X 16 WITH LOCKWASHER	2
22	1013014					SCREW, M4 X 10 WITH LOCKWASHER	4
23	1014699					BRUSH PACKAGE INCLUDES 4 BRUSHES	1
24	1013016					BRUSH SPRING	4
25	1012990					TERMINAL HARDWARE KIT INCLUDES NUTS, LOCKWASHERS, FLATWASHERS AND INSULATORS	2
26	1012992					CLAMP BOLT, 6 X 180	2
27	1012993					COMMUTATOR END BELL	1
28	1012991					BRUSH INSPECTION PORT COVER	4



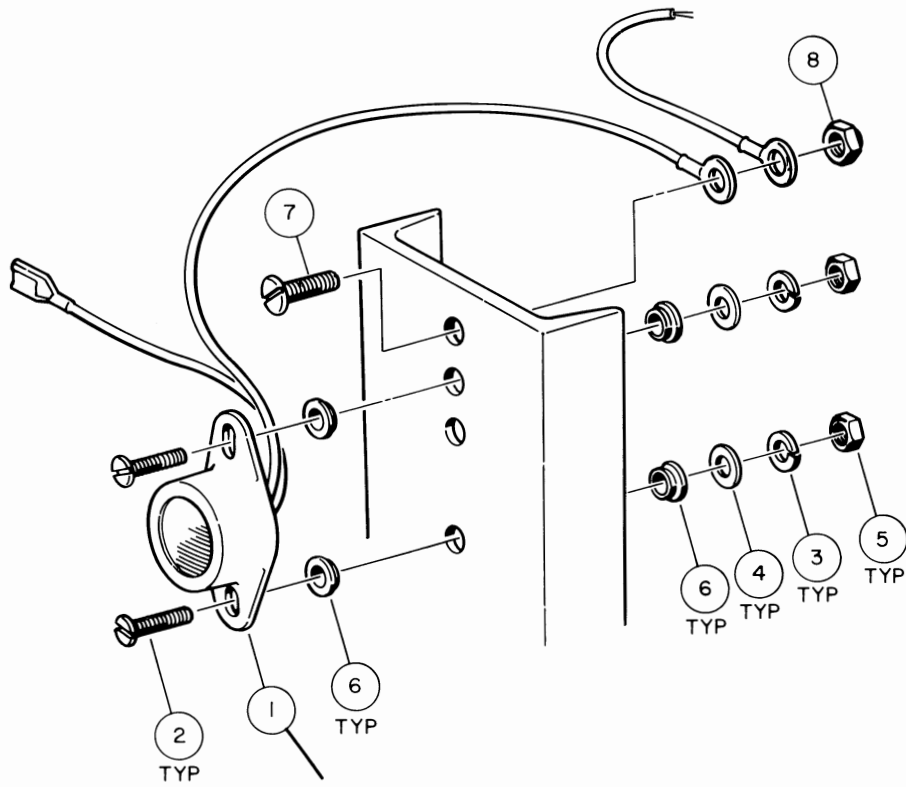
F&R SHIFTER ASSEMBLY

F&R SHIFTER ASSEMBLY

G

ITEM NUMBER	PART NUMBER	DESCRIPTION	UNITS PER VEHICLE
	1013588	F&R SHIFTER ASSEMBLY INCLUDES ITEMS 5 THRU 22, 27 AND 28	1
1	8251	SCREW, 1/4-20 X 1.00" PHILLIPS HEAD	3
2	1013198	#8-32 PHILLIPS MACHINE SCREW	1
3	1012987	F&R HANDLE	1
4	8248	SCREW, 1/4-20 X 3/4" PHILLIPS HEAD	1
5	1012594	SCREW, #4-40 X 1.00" MACHINE	2
6	8057	NUT, #4-40 UNC HEX	6
7	1012431	FLATWASHER, #4	2
8	1014808	LIMIT SWITCH	1
9	1014807	LIMIT SWITCH	1
10	8058	LOCKWASHER, #4	2
11	1013591	1/8" ROLL PIN	1
12	8233	LOCKNUT, 1/4-20 NYLON	4
13	1032	NYLON BUSHING	1
14	1012254	CABLE SUPPORT BRACKET	1
15	1013898	F&R SHIFTER BASE	1
16	1014089	NEUTRAL LOCK-OUT CAM KIT INCLUDES ITEM 18	1
17	1013590	SPRING — F&R CAM	1
18	1014065	FLATWASHER-DELTRIN	1
19	1013589	RETAINING RING	1
20	8717	LOCKNUT, 1/4-28 NYLON	2
21	1013587	F&R BELL CRANK WELDMENT	1
22	1010954	BALL STUD, 1/4-28 UNF X .25	2
23	1012333	BALL JOINT	2
24	7893	NUT, #10-32 UNF HEX	2
25	1013085	TRANSMISSION SHIFT CABLE — CARRYALL-I INCLUDES ITEMS 23 AND 24	1
25	1015409	TRANSMISSION SHIFT CABLE — CARRYALL-II INCLUDES ITEMS 23 AND 24	1
26	1012414	TRANSMISSION SHIFT LEVER	1
27	7049	NYLON BUSHING	1
28	1014727	#4 FLATWASHER (NYLON)	2

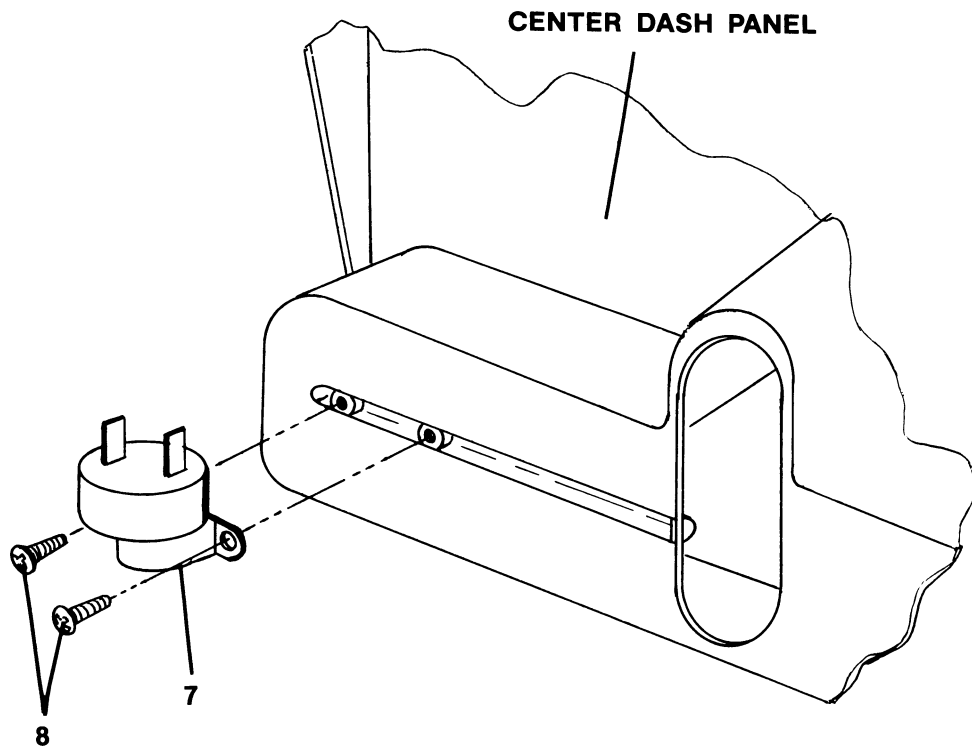
5



**BUZZER SHOWN
REPLACED BY ITEM #9 (1016851)**

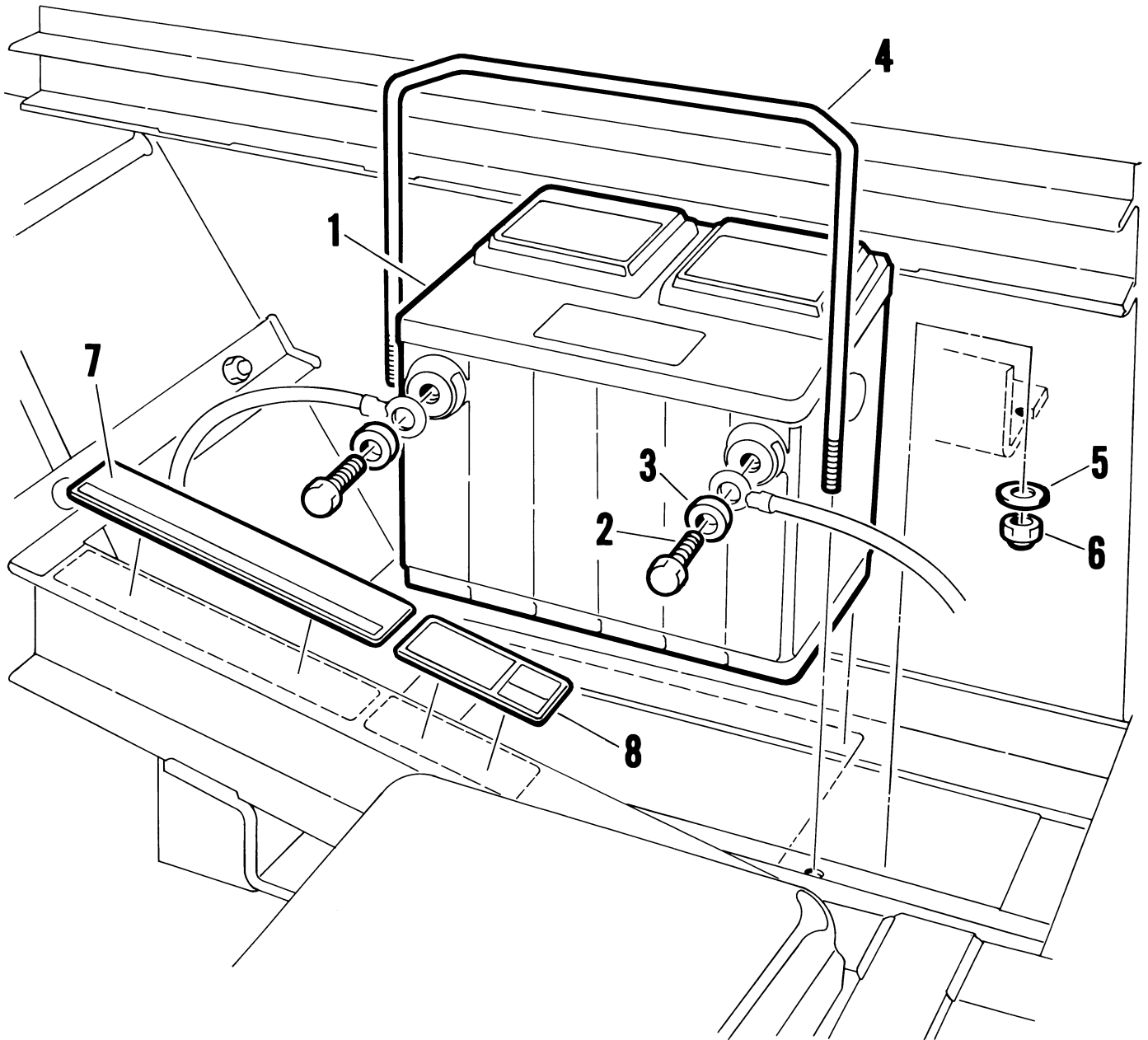
REVERSE BUZZER — FRAME MOUNTED

ITEM NUMBER	PART NUMBER	1 2 3 4	DESCRIPTION	UNITS PER VEHICLE
1	1016859		BUZZER, REVERSE KIT INCLUDES ITEMS 2 THRU 11	1
2	8056		#4-40 X 3/4" ROUND HEAD MACHINE SCREW	2
3	8058		LOCKWASHER, #4 HELICAL	2
4	1012431		#4 FLATWASHER	4
5	8057		NUT, #4-40 HEX	2
7	1015720		#6-32 X 1/2" PAN HEAD MACHINE SCREW	1
8	1011229		#6-32 "K" LOCKNUT	1



REVERSE BUZZER — DASH MOUNTED

ITEM NUMBER	PART NUMBER	1 2 3 4	DESCRIPTION	UNITS PER VEHICLE
9	1016851		REVERSE BUZZER	1
10	1016849		#4-24 X .330 SCREW PAN HEAD HI-LO	2
11	1016857		WIRE ASSEMBLY, BLACK (GAS VEHICLE ONLY — NOT SHOWN)	1

**BATTERY**

BATTERY

ITEM NUMBER	PART NUMBER	DESCRIPTION	UNITS PER VEHICLE
1	1012328	12 VOLT BATTERY	1
2	1014375	HEX HEAD BOLT, SS, 3/8-16 X 1/2	2
3	1014374	SPACER	2
4	1013882	BATTERY HOLD DOWN	1
5	1011931	WIDE FLATWASHER, 1/4" DIAMETER	2
6	8233	NYLON LOCKNUT, 1/4-20	2
7	1015474	FRAME GROUND DECAL	1
8	1013677	BATTERY WARNING DECAL	1

G

5

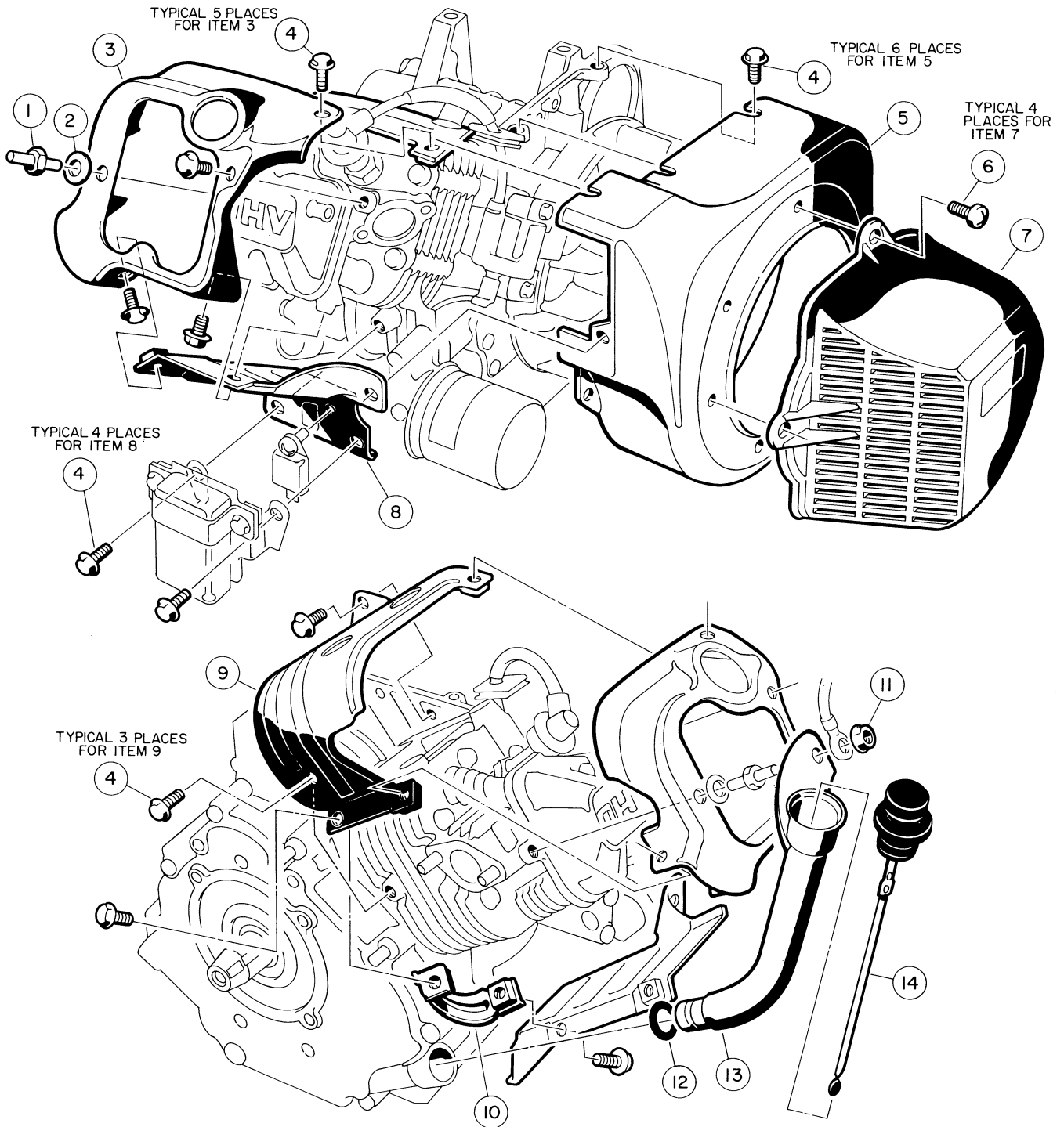
Section 6

ENGINE

Effective Carryall-I Serial Number FG9201-270568

Effective Carryall-II Serial Number EG9201-270555

For engine prior to above, see CLUB CAR Illustrated Parts List #1014650 or #1013932.



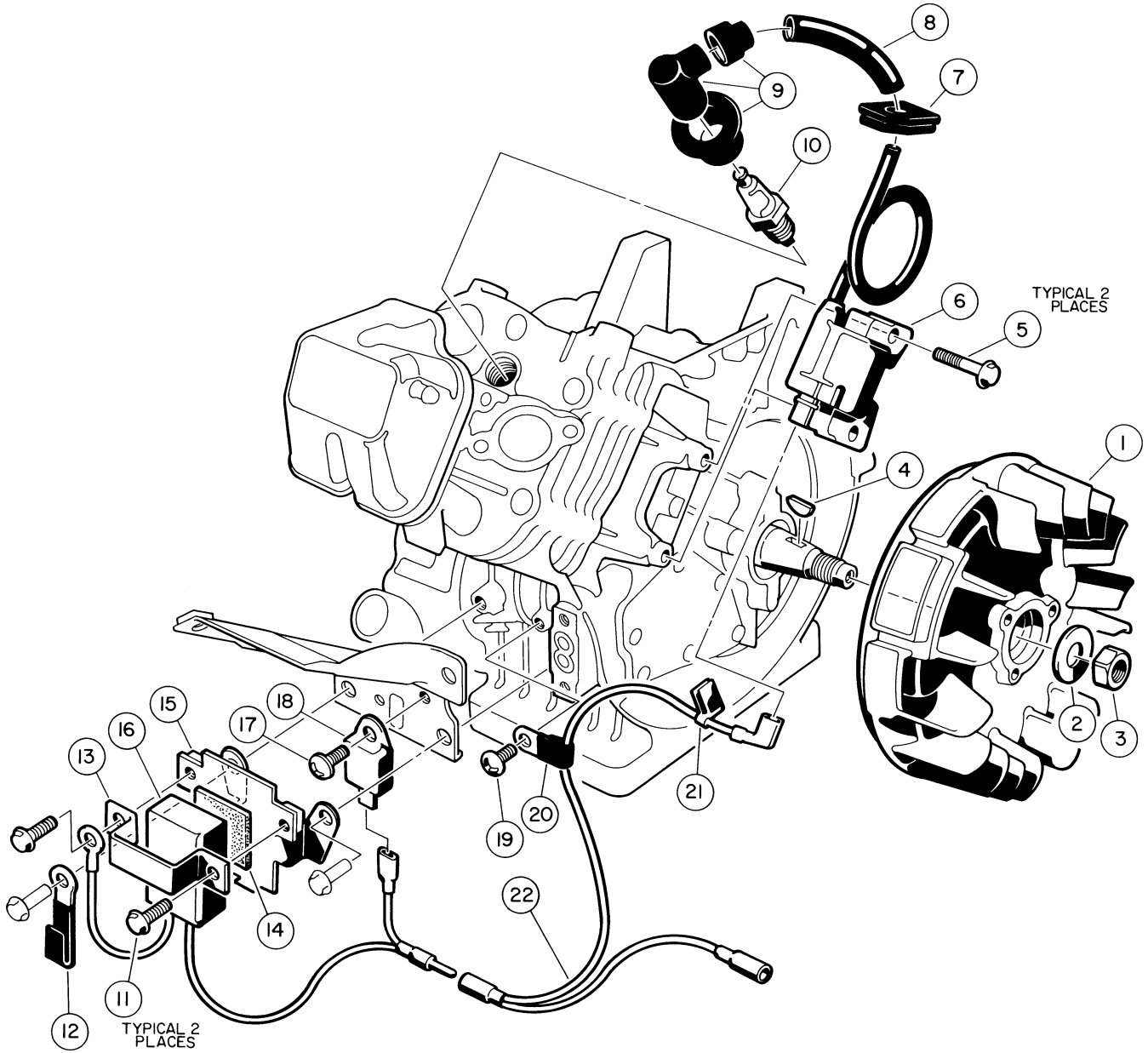
ENGINE

ENGINE

ITEM NUMBER	PART NUMBER	1 2 3 4				DESCRIPTION	UNITS PER VEHICLE
	1015731					ENGINE — COMPLETE	
1	1016507					BOLT, 2-ENDED, M6 X 1	1
2	1016512					PLAIN WASHER, 6MM DIAMETER	1
3	1016524					ENGINE SHROUD	1
4	1016456					FLANGED BOLT, M6 X 1 X 12MM LONG	18
5	1016534					FAN HOUSING	1
6	1015969					PAN HEAD SCREW, M6 X 1 X 14MM LONG	4
7	1015649					FAN SHROUD	1
8	1016526					ENGINE SHROUD	1
9	1016525					ENGINE SHROUD	1
10	1016443					BRACKET	1
11	1016547					NUT, M6 X 1	1
12	1016539					O-RING	1
13	1016536					FILLER	1
14	1016531					GAUGE	1

G

6



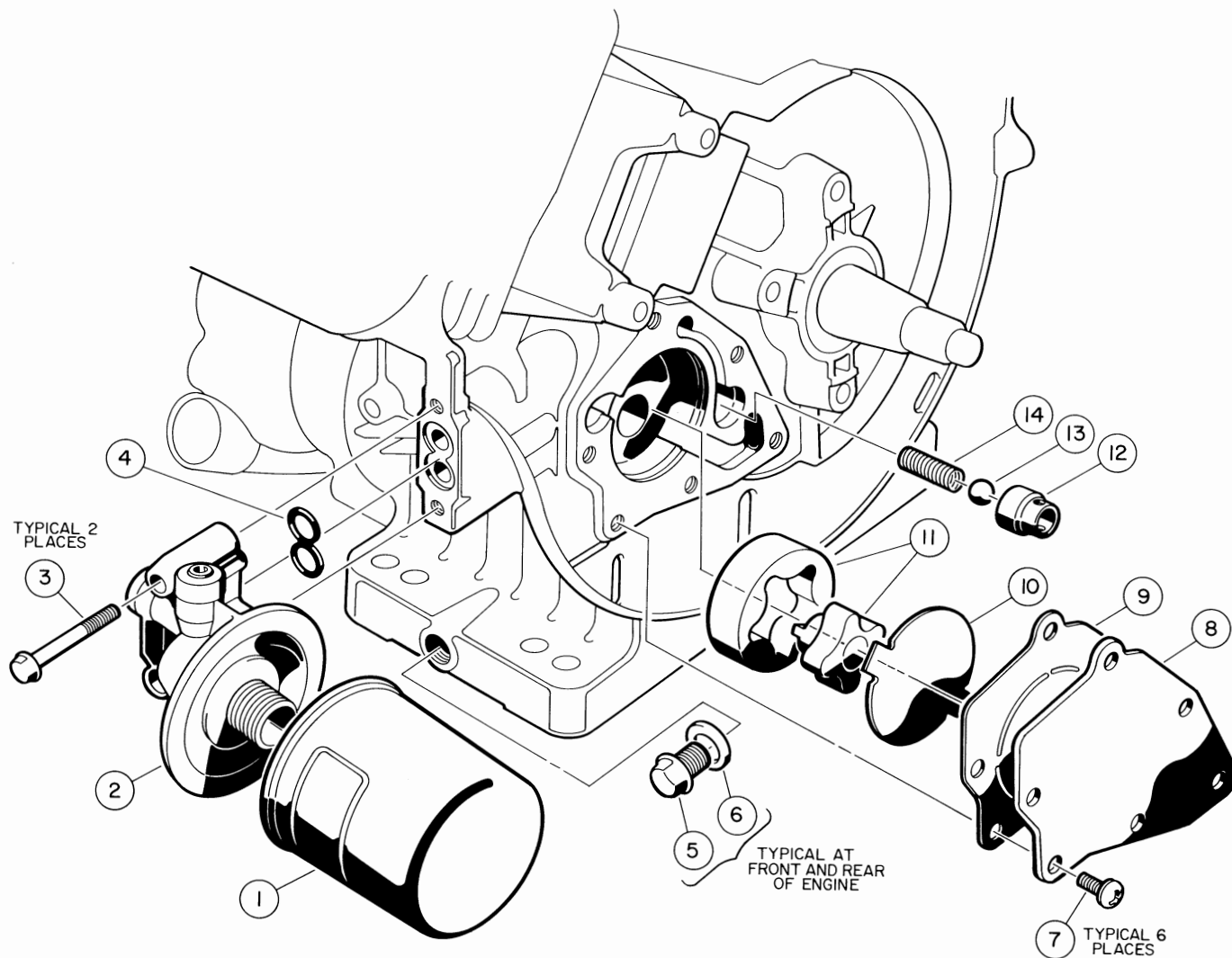
ENGINE

ENGINE

G

ITEM NUMBER	PART NUMBER	1 2 3 4	DESCRIPTION	UNITS PER VEHICLE
1	1016495		FLYWHEEL	1
2	1016548		FLATWASHER, 16MM DIAMETER	1
3	1016505		HEX NUT, M16 X 1.5	1
4	1016562		KEY	1
5	1016455		FLANGED BOLT, M5 X 0.8 X 25MM LONG	2
6	1016492		IGNITION COIL	1
7	1016578		GROMMET	1
8	1016588		TUBE	1
9	1016493		PLUG CAP ASSEMBLY	1
10	1016111		SPARK PLUG	1
11	1016456		FLANGED BOLT, M6 X 1.0 X 12MM LONG	2
12	1012978		CLAMP TUBE	1
13	1016579		BAND	1
14	1016586		DAMPER	1
15	1016445		BRACKET	1
16	1016511		RPM LIMITER	1
17	1016497		CROSS PAN HEAD SCREW, M5 X 0.8 X 8MM LONG	1
18	1016491		IGNITER	1
19	1016544		CROSS PAN HEAD SELF TAP SCREW M5 X 12MM LONG	1
20	1016561		CLAMP	1
21	1016587		CLAMP	1
22	1016503		LEAD WIRE	1

6



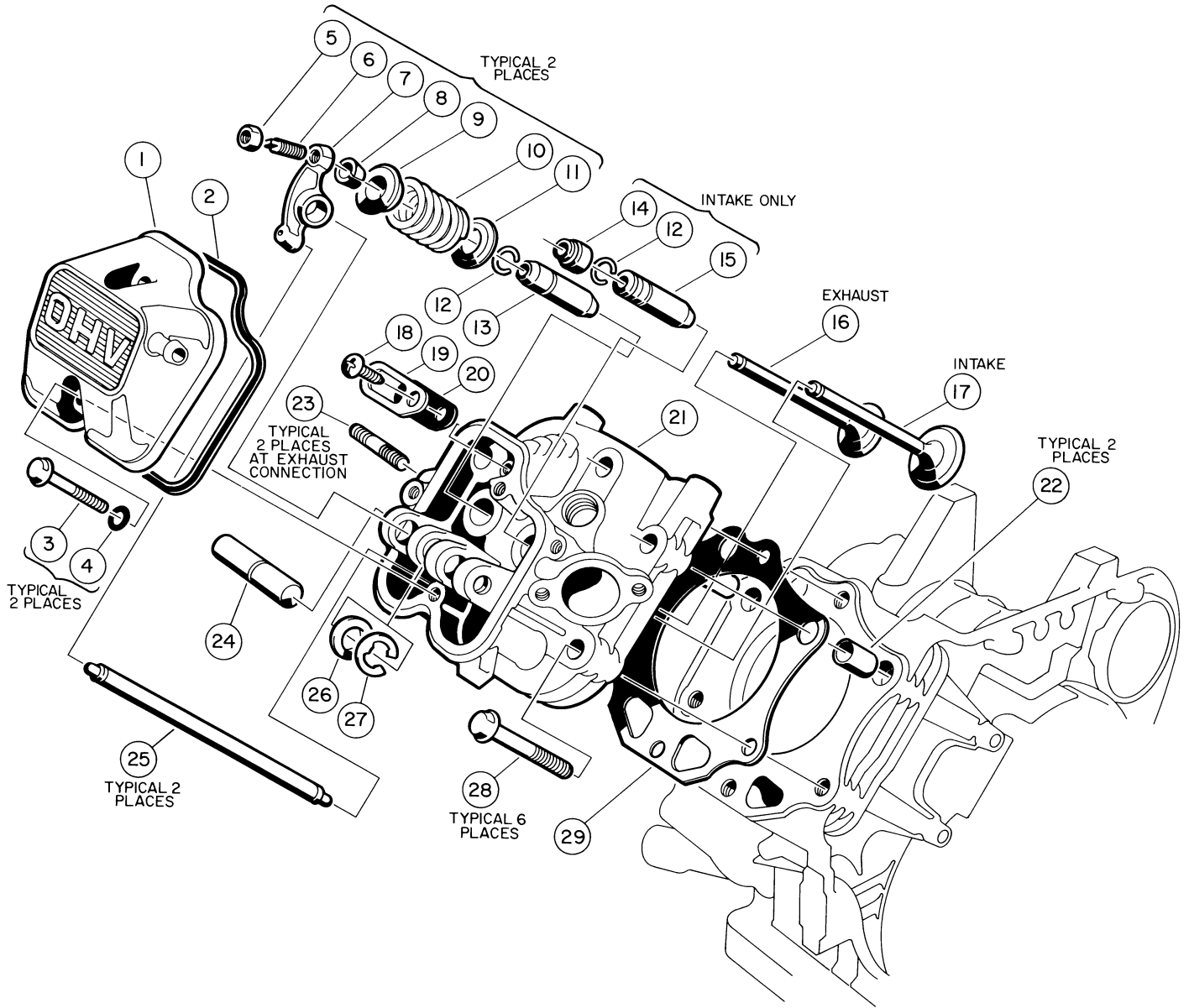
ENGINE

ENGINE

ITEM NUMBER	PART NUMBER	1 2 3 4 DESCRIPTION	UNITS PER VEHICLE
1	1016467	OIL FILTER	1
2	1016502	OIL FILTER BRACKET	1
3	1016457	FLANGED HEX HEAD BOLT, M6 X 1.0 X 40MM LONG	2
4	1016570	O-RING	1
5	1016576	DRAW PLUG	2
6	1016432	GASKET	2
7	1016498	CROSS PAN HEAD SCREW, M6 X 1.0 X 12MM LONG	6
8	1016484	PUMP COVER	1
9	1016435	OIL PUMP GASKET	1
10	1016473	OIL PUMP PLATE	1
11	1016482	PUMP ASSEMBLY — OIL	1
12	1016429	VALVE SEAT	1
13	1016537	STEEL BALL	1
14	1016581	SPRING	1

G

6



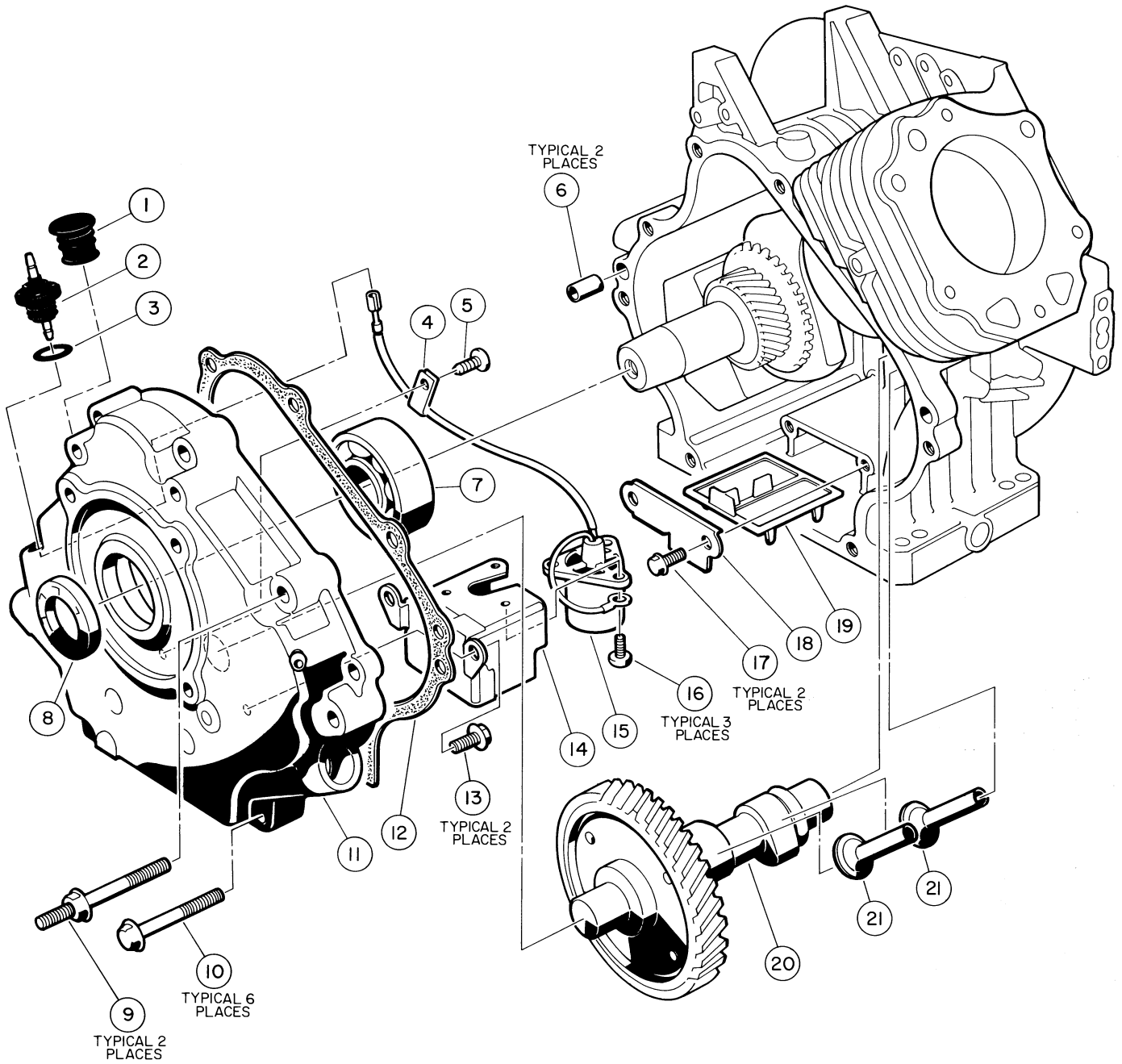
ENGINE

ENGINE

ITEM NUMBER	PART NUMBER	1 2 3 4	DESCRIPTION	UNITS PER VEHICLE
1	1016442		ROCKER CASE	1
2	1016436		ROCKER CASE GASKET	1
3	1016583		FLANGED BOLT, M6 X 1.0 X 35MM LONG	2
4	1016569		O-RING	2
5	1016542		SCREW	2
6	1016545		HEX NUT	2
7	1016451		ROCKER ARM	2
8	1016450		COLLET	2
9	1016449		VALVE SPRING RETAINER	2
10	1016523		ENGINE VALVE SPRING	2
11	1016479		SPRING SEAT	2
12	1016560		SNAP RING	2
13	1016518		VALVE GUIDE (EXHAUST)	1
14	1016566		OIL SEAL	1
15	1016519		VALVE GUIDE (INTAKE)	1
16	1016448		EXHAUST VALVE	1
17	1016447		INTAKE VALVE	1
18	1016544		SCREW	1
19	1016474		PLATE	1
20	1016483		VALVE	1
21	1016431		CYLINDER HEAD	1
			INCLUDES ITEMS 12, 13 AND 15	
22	1016563		PIN	2
23	1016489		STUD BOLT	2
24	1016452		ROCKER SHAFT	1
25	1016471		PUSH ROD	2
26	1016549		WASHER	1
27	1016517		TYPE-E CIRCLIP	1
28	1016458		FLANGED BOLT, M8 X 1.25 X 45MM LONG	6
29	1016430		HEAD GASKET	1

G

6



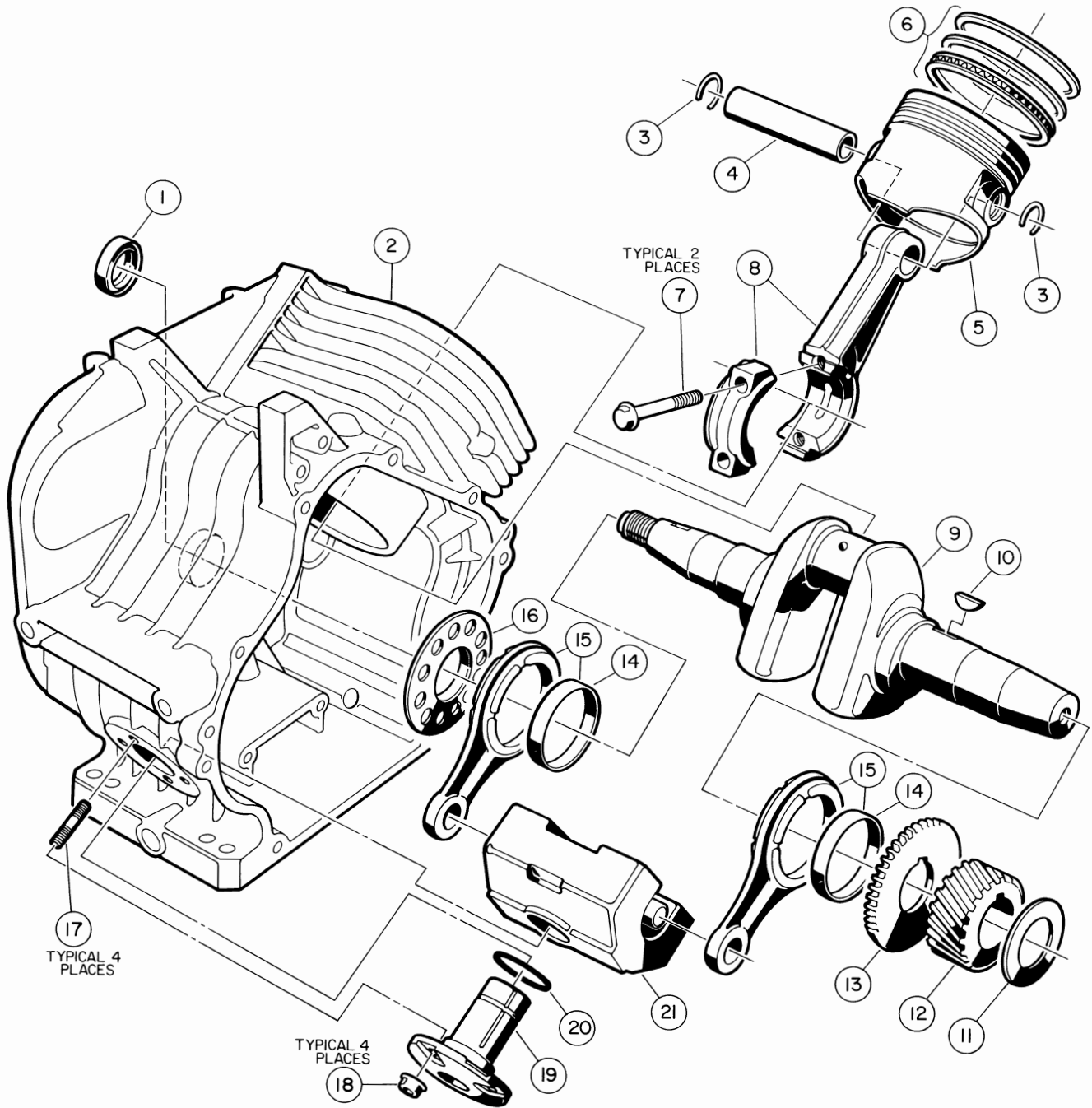
ENGINE

ENGINE

G

ITEM NUMBER	PART NUMBER	DESCRIPTION	UNITS PER VEHICLE
		1 2 3 4	
1	1016596	PLUG	1
2	1016535	CORD CONNECTOR	1
3	1016538	O-RING	1
4	1016506	CLAMP	1
5	1016544	CROSS PAN HEAD SELF TAPPING SCREW, 5MM DIAMETER X 12MM LONG	1
6	1016564	PIN	2
7	1016565	BALL BEARING	1
8	1016567	OIL SEAL	1
9	1016584	FLANGED 2-ENDED BOLT, M8 X 1.25	2
10	1016458	FLANGED BOLT, M8 X 1.25	6
11	1016520	CRANKCASE COVER	1
12	1016446	CRANKCASE COVER GASKET	1
13	1016456	FLANGED BOLT, M5 X 1.0 X 12MM LONG	2
14	1016510	SWITCH BRACKET	1
15	1016494	SENSOR	1
16	1016496	CROSS PAN HEAD SCREW, M4 X 0.7 X 8MM LONG	3
17	1016454	FLANGED BOLT, M5 X 0.8 X 8MM LONG	2
18	1016472	OIL FILTER PLATE	1
19	1016521	OIL FILTER	1
20	1016528	CAMSHAFT	1
21	1016453	TAPPET	2

6



ENGINE

ENGINE

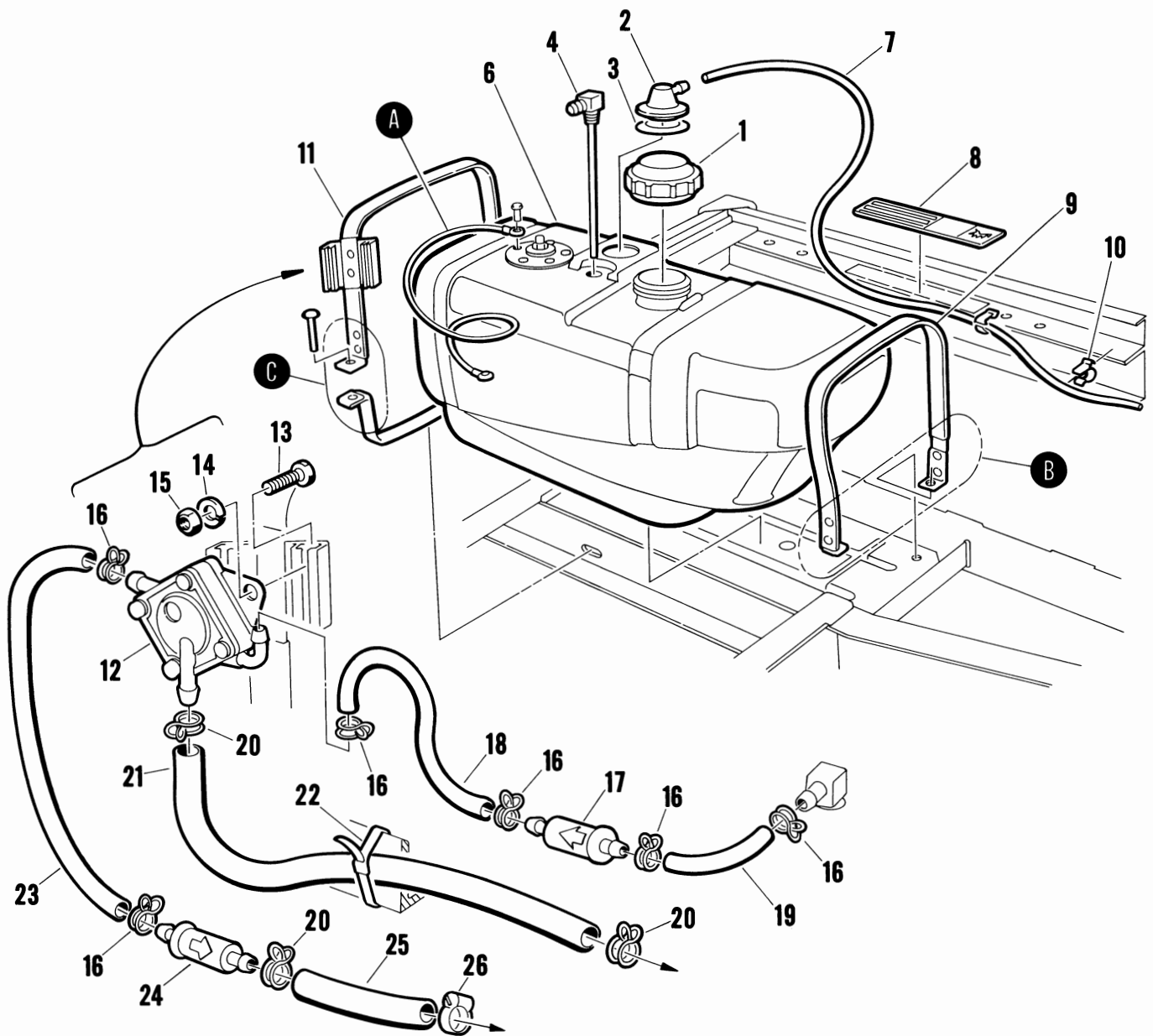
ITEM NUMBER	PART NUMBER	1 2 3 4	DESCRIPTION	UNITS PER VEHICLE
1	1016568		OIL SEAL	1
2	1016529		CRANKCASE	1
3	1016558		SNAP RING	2
4	1016460		PISTON PIN	1
5	1016459-01		PISTON — STANDARD	1
5	1016459-02		PISTON — .25MM OVERSIZE	1
5	1016459-03		PISTON — .50MM OVERSIZE	1
5	1016459-04		PISTON — .75MM OVERSIZE	1
6	1016461-01		PISTON RING — STANDARD	1
6	1016461-02		PISTON RING — .25MM OVERSIZE	1
6	1016461-03		PISTON RING — .50MM OVERSIZE	1
6	1016461-04		PISTON RING — .75MM OVERSIZE	1
7	1016509		BOLT	2
8	1016475-01		CONNECTING ROD ASSEMBLY — STANDARD INCLUDES 2 EACH ITEM 7	1
8	1016475-02		CONNECTING ROD ASSEMBLY — .50MM UNDERSIZE INCLUDES 2 EACH ITEM 7	1
9	1016468		CRANKSHAFT INCLUDES 1 EACH ITEMS 10, 12, 13 AND 15	1
10	1016562		KEY	1
11	1016550		SHIM	1
12	1016533		HELICAL GEAR	1
13	1016532		SPUR GEAR	1
14	1016580		PLAIN BEARING	2
15	1016516		CONNECTING ROD ASSEMBLY INCLUDES ITEM 14	2
16	1016559		SPACER	1
17	1016541		STUD M6 X 1.0	4
18	1016547		FLANGED NUT M6 X 1.0	4
19	1016420		SHAFT	1
20	1016571		O-RING	1
21	1016469		WEIGHT	1

G

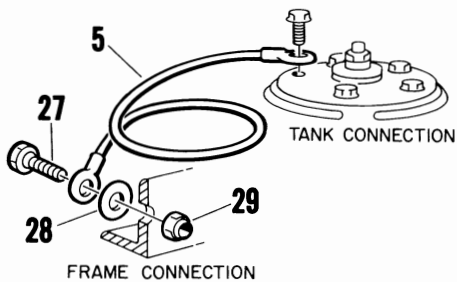
6

Section 7

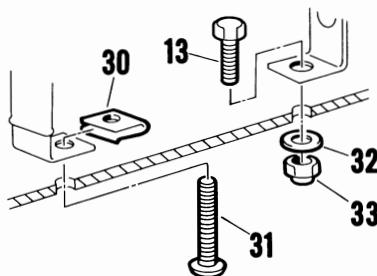
FUEL, INTAKE AND GOVERNOR SYSTEM



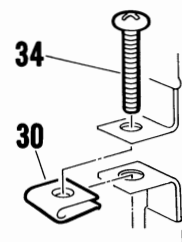
DETAIL A



DETAIL B



DETAIL C



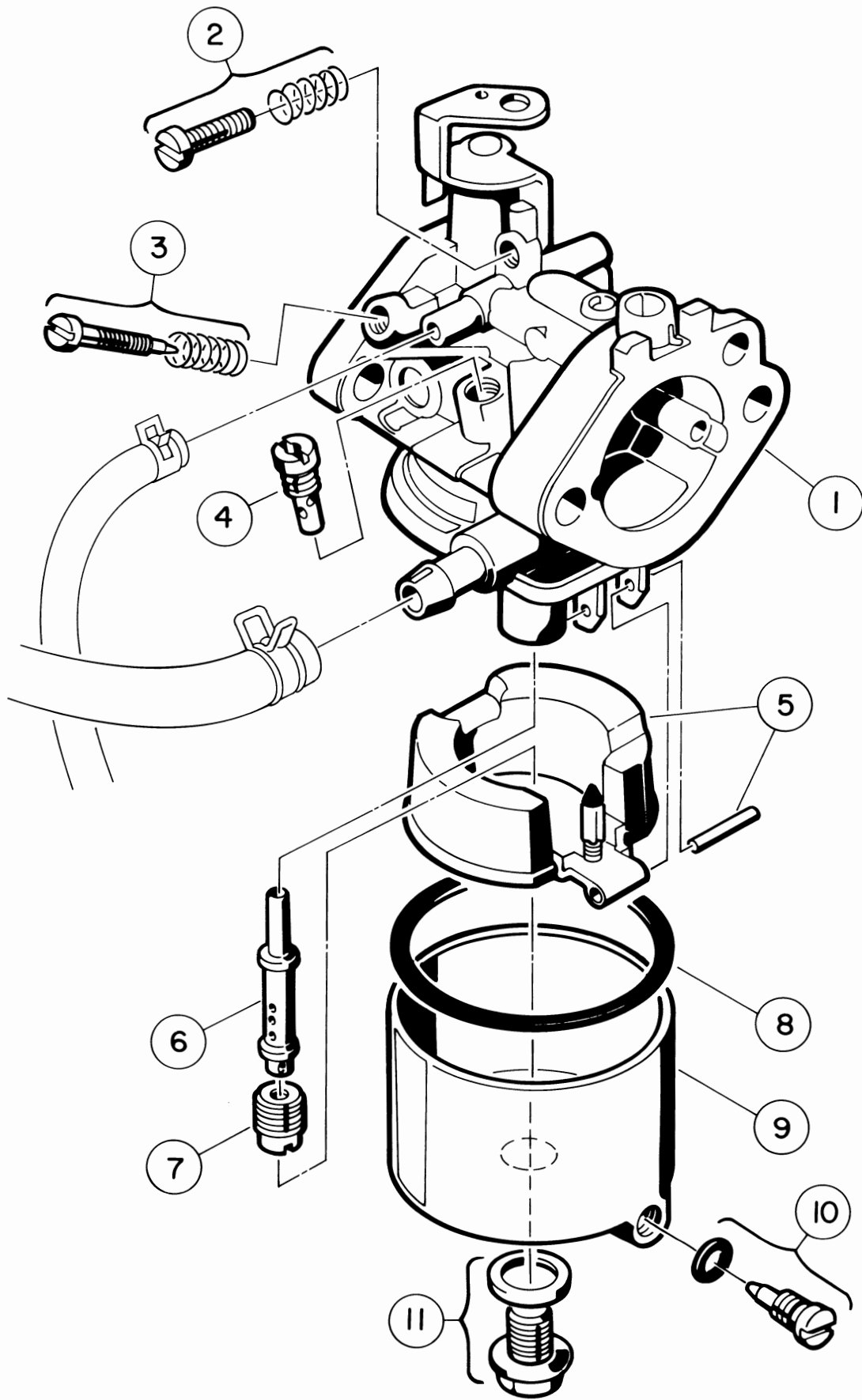
FUEL SYSTEM ASSEMBLY

FUEL SYSTEM ASSEMBLY

G

ITEM NUMBER	PART NUMBER	DESCRIPTION	UNITS PER VEHICLE
		1 2 3 4	
1	1015188	FUEL TANK CAP	1
2	1015143	FUEL TANK VENT	1
3	1015139	INSULATION GROMMET	1
4	1012619	FUEL PICK-UP TUBE	1
5	1015921	WIRE ASSEMBLY, #16 BLACK	1
6	1016004-02	TANK KIT WITH SENDING UNIT (CARRYALL-I) INCLUDES ITEMS 7, 10, 27, 28, AND 29	1
6	1016004-03	TANK KIT WITH SENDING UNIT (CARRYALL-II) INCLUDES ITEMS 7, 10, 27, 28, AND 29	1
7	NO #	VENT FUEL LINE, 33" FOR CARRYALL-I AND 45" FOR CARRYALL-II SEE ITEM 37	1
8	1015476	DANGER DECAL	1
9	1014928	REAR FUEL STRAP ASSEMBLY	1
10	1015502	CLIP	3
11	1014927	FRONT FUEL STRAP ASSEMBLY	1
12	1014523	FUEL PUMP	1
12A	1014524	FUEL PUMP REBUILD KIT	A/R
13	7847	HEX HEAD BOLT, 1/4-20 X 3/4	3
14	451	LOCKWASHER, HEL SP, 1/4" DIAMETER	2
15	1028	HEX NUT, 1/4-20	2
16	1013134	HOSE CLAMP (RED)	6
17	1013684	PRIMARY FUEL FILTER (WHITE)	1
18	NO #	FUEL LINE SEE ITEM 35	1
19	NO #	FUEL LINE SEE ITEM 35	1
20	1012649	HOSE CLAMP	3
21	NO #	FUEL LINE SEE ITEM 36	1
22	8639	TIE WRAP (IF USED)	1
23	NO #	FUEL LINE SEE ITEM 35	1
24	1014522	SECONDARY FUEL FILTER (BLUE)	1
25	NO #	FUEL LINE SEE ITEM 36	1
26	1013687	HOSE CLAMP, 3/8" DIAMETER	1
30	1014116	SPEED NUT, U-TYPE, 1/4-20	2
31	1013176	PH TR HEAD SCREW, 1/4-20 X 2-1/2	1
32	332	FLATWASHER, 1/4" DIAMETER	1
33	8233	NYLON LOCKNUT, 1/4-20	1
34	1011988	PH TR HEAD SCREW, 1/4-20 X 2	1
35	1012293	FUEL LINE BULK	A/R
36	1013692	FUEL LINE BULK	A/R
37	1015137	FUEL LINE BULK	A/R

7



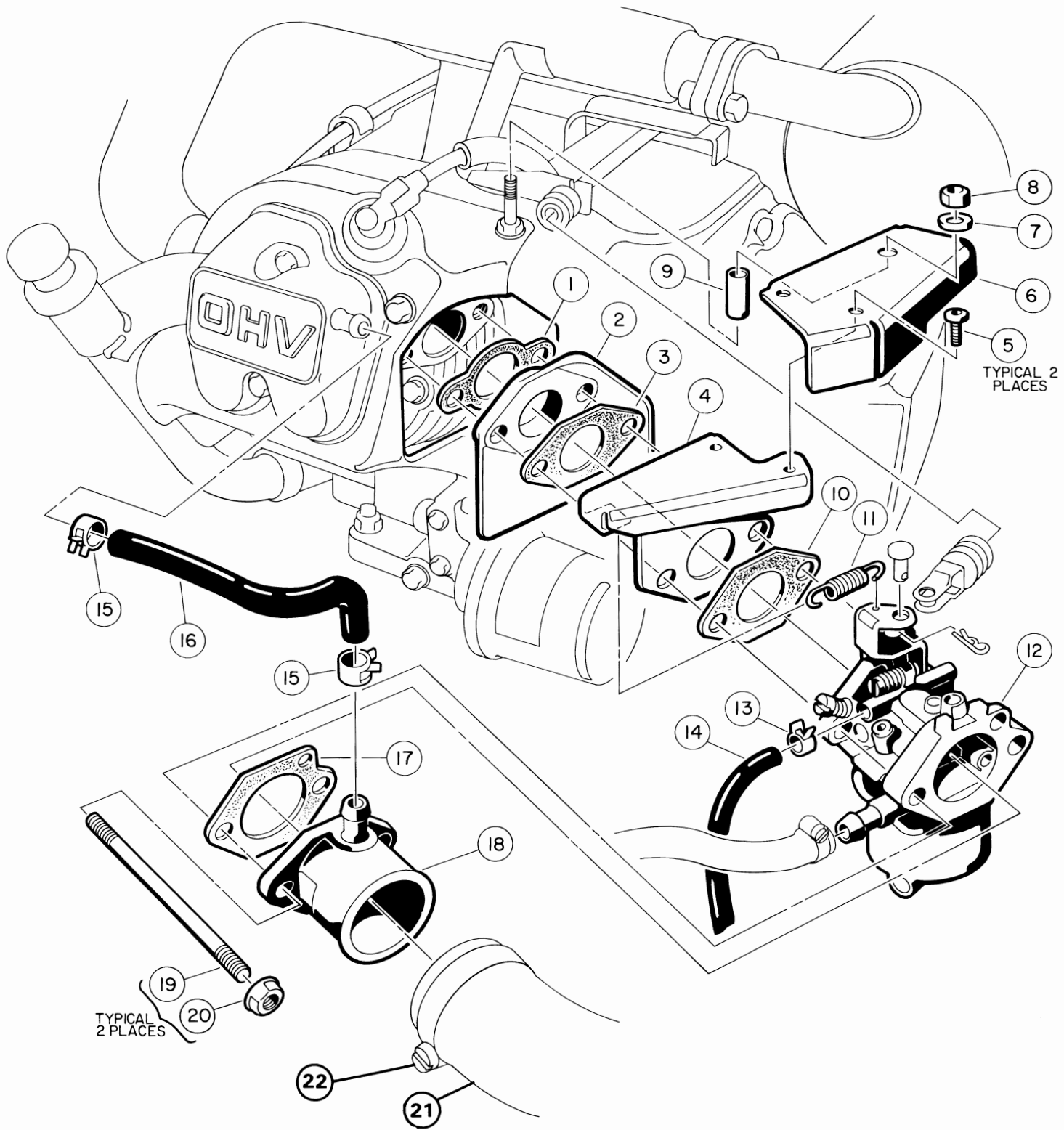
CARBURETOR ASSEMBLY

CARBURETOR ASSEMBLY

ITEM NUMBER	PART NUMBER	1 2 3 4	DESCRIPTION	UNITS PER VEHICLE
1	1016478		CARBURETOR ASSEMBLY INCLUDES ITEMS 2 THRU 11 AND CARBURETOR BODY WITH THROTTLE VALVE	1
2	1016501		SCREW ASSEMBLY	1
3	1016500		SCREW ASSEMBLY	1
4	1016574		PILOT JET, #45	1
5	1016486		FLOAT ASSEMBLY	1
6	1016530		MAIN NOZZLE	1
7	1016573		MAIN JET	1
8	1016437		GASKET	1
9	1016487		FLOAT CHAMBER ASSEMBLY INCLUDES ITEM 10 AND FLOAT CHAMBER	1
10	1016499		SCREW ASSEMBLY	1
11	1016585		BOLT	1

G

7



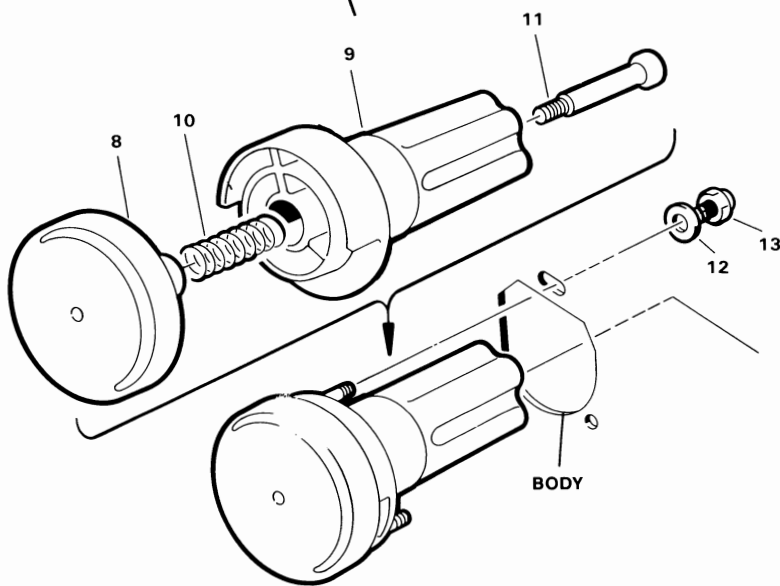
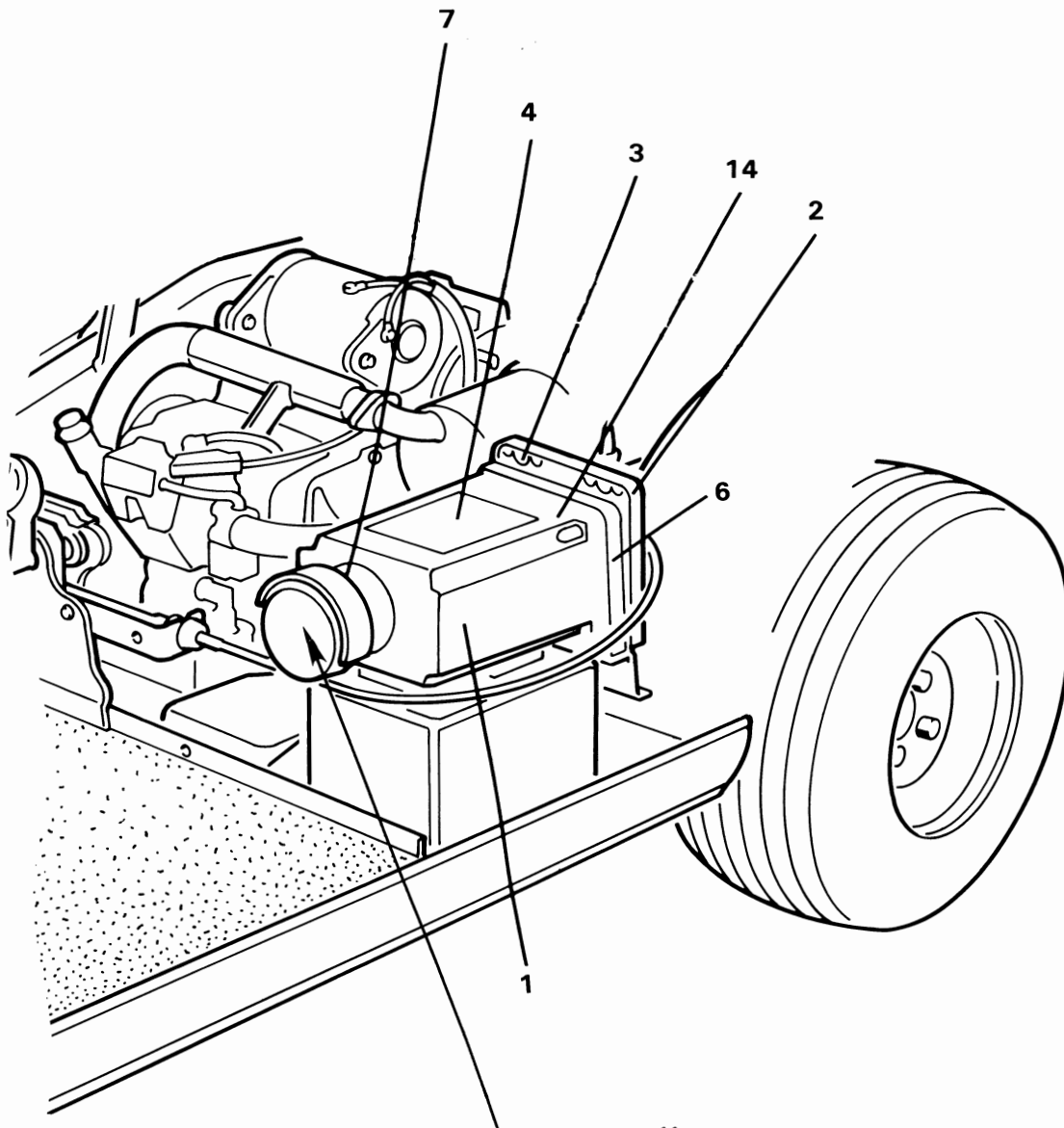
GOVERNOR GUARD AND INTAKE HOSE

GOVERNOR GUARD AND INTAKE HOSE

ITEM NUMBER	PART NUMBER	DESCRIPTION				UNITS PER VEHICLE
		1	2	3	4	
1	1016440	INSULATOR GASKET				1
2	1016481	INSULATOR				1
3	1016439	CARBURETOR GASKET				1
4	1016444	BRACKET				1
5	1016103	PAN HEAD, TORX HEAD, SELF-TAPPING SCREW, #6-32 X 1/4				2
6	1016102	GOVERNOR GUARD				1
7	451	LOCKWASHER, 1/4" DIAMETER				1
8	1011114	HEX NUT, M6				1
9	1016848	SPACER				1
10	1016441	GASKET				1
11	1016582	SPRING				1
12	1016478	CARBURETOR ASSEMBLY				1
13	1013746	HOSE CLAMP				1
14	1015877-01	AIR VENT TUBE				1
15	1013746	HOSE CLAMP				2
16	1016572	TUBE				1
17	1016438	AIR FILTER GASKET				1
18	1016480	INTAKE PIPE				1
19	1016490	STUD BOLT				2
20	1016547	FLANGED NUT, M6				2
21	1016228	HOSE — INTAKE (CARRYALL-I)				1
21	1016300	HOSE — INTAKE (CARRYALL-II)				1
22	1015430	CLAMP — HOSE				2

G

7



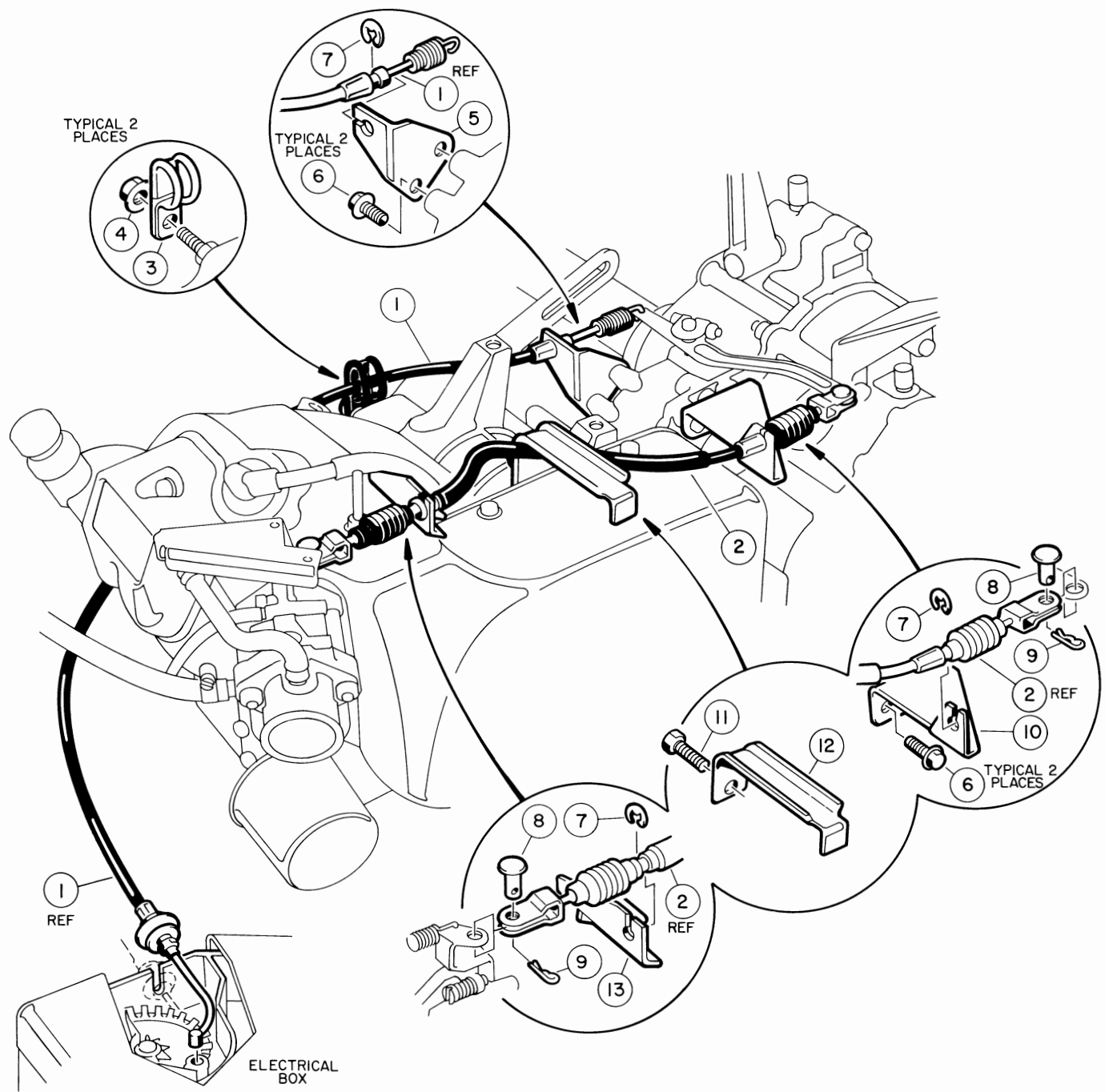
EXPANSION CHAMBER, CHOKE AND FILTER

EXPANSION CHAMBER, CHOKE AND FILTER

ITEM NUMBER	PART NUMBER	1	2	3	4	DESCRIPTION	UNITS PER VEHICLE
	1015431					EXPANSION CHAMBER ASSEMBLY INCLUDES ITEMS 1 THRU 5 AND ITEMS 7 AND 14	1
1	1015540					INTAKE EXPANSION CHAMBER	1
2	1015293					INTAKE EXPANSION CHAMBER COVER	1
3	1015290					STUD — FASTENER	2
3	1015291					GROMMET — FASTENER	2
3	1015292					SPRING — FASTENER	2
4	1016062					DECAL — SERVICE	1
5	1015541					AIR BOX BAFFEL — PRIMARY (NOT SHOWN)	1
5	1015542					AIR BOX BAFFEL — SECONDARY (NOT SHOWN)	1
5	1015289					5/8 LONG HI-LO SCREW	1
6	1015577					RETENTION STRAP	1
7	1015425					"O"-RING 0.210 X 1.975 I.D.	1
8	1012629					COVER — CHOKE	1
9	1015485					BASE — CHOKE	1
10	1012633					SPRING — CHOKE COMPRESSION	1
11	1012634					SCREW — CHOKE	1
12	183					WASHER — #10 FLAT	3
13	1015289					SCREW — #10 X .62 HI-LO	3
14	1015426					FILTER ELEMENT (NOT SHOWN)	1

G

7



GOVERNOR AND ACCELERATOR CABLES

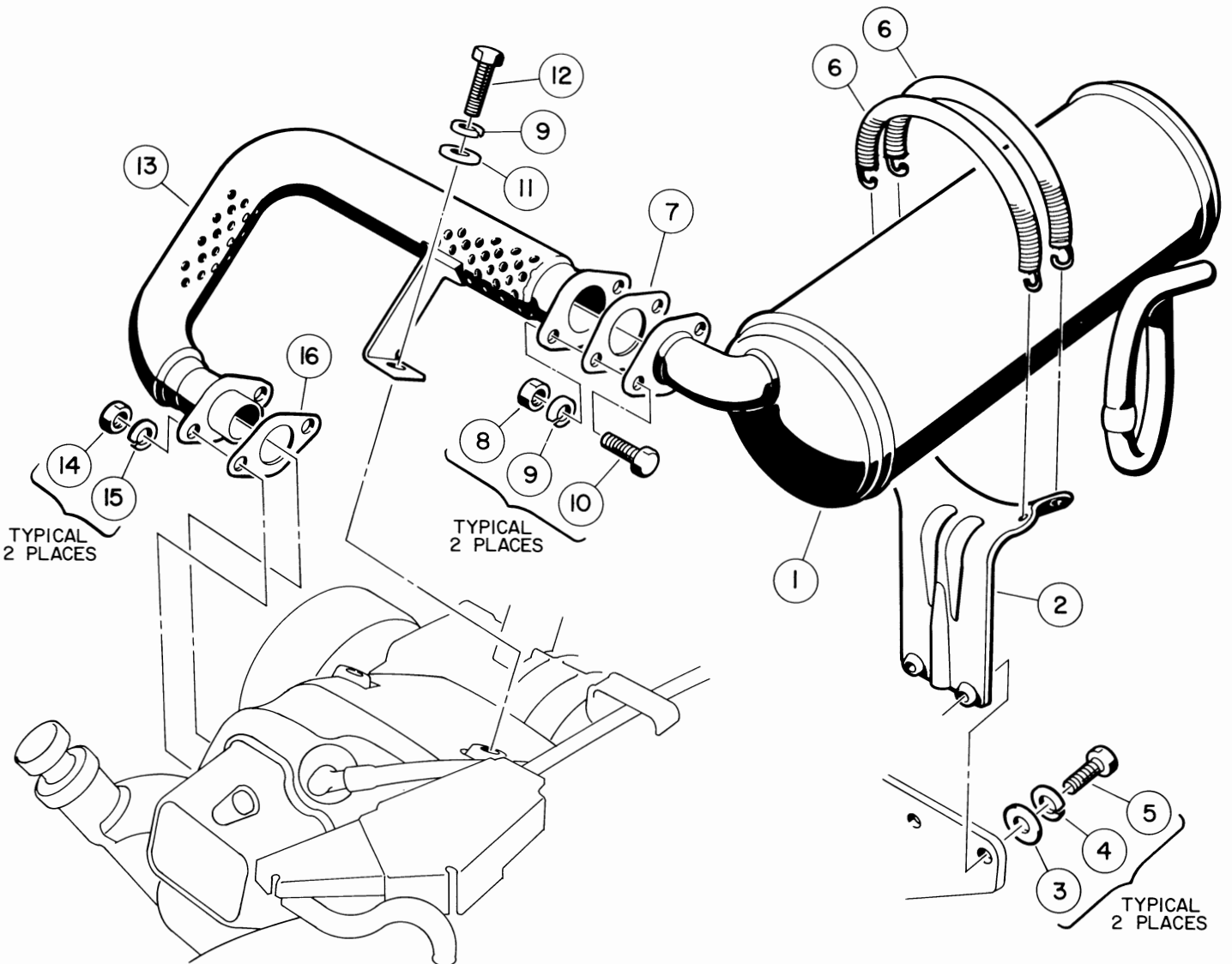
GOVERNOR AND ACCELERATOR CABLES

ITEM NUMBER	PART NUMBER	DESCRIPTION	UNITS PER VEHICLE
1	1015225	ACCELERATOR CABLE	1
2	1015226-01	GOVERNOR CABLE	1
3	1013700	CLAMP — HOSE RETAINING	2
4	1016546	NUT	2
5	1015410	ACCELERATOR SUPPORT BRACKET	1
6	1015746	SCREW, 1/4-20 X 5/8" LONG THREAD FORMING	4
7	1016202	"E"-CLIP	3
8	1015408	CLEVIS PIN	2
9	1014413	HAIR SPRING COTTER — 1/8" I.D. X 5/8" LONG	2
10	1015411	SUPPORT BRACKET	1
11	1016456	FLANGED BOLT	1
12	1016057	THROTTLE CABLE CLAMP	1
13	1015845	GOVERNOR CABLE BRACKET	1

G

7

Section 8
EXHAUST SYSTEM



EXHAUST SYSTEM

EXHAUST SYSTEM

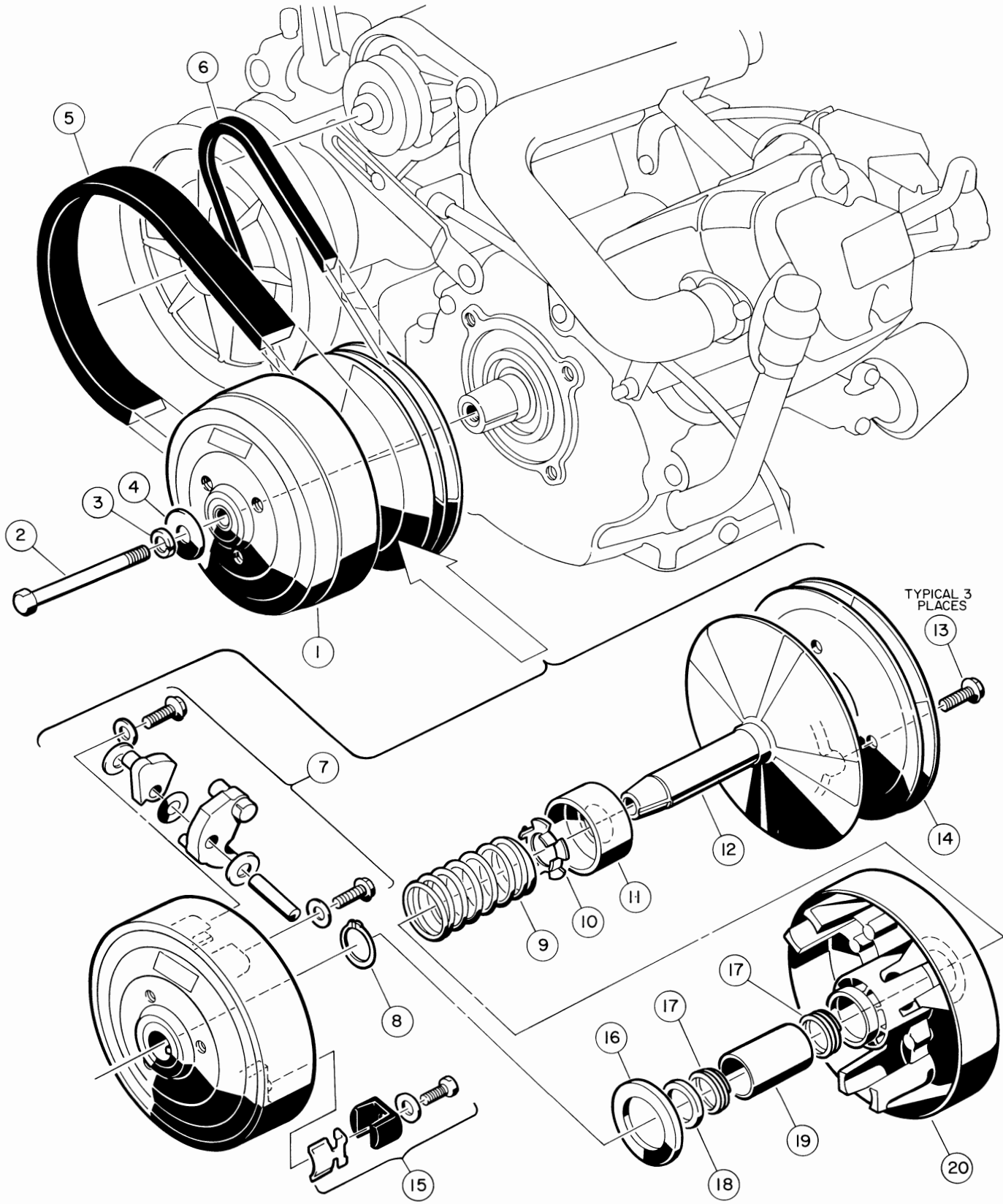
G

ITEM NUMBER	PART NUMBER	1	2	3	4	DESCRIPTION	UNITS PER VEHICLE
1	1016821					MUFFLER	1
2	1015814					MUFFLER BRACKET	1
3	332					FLATWASHER, 1/4" DIAMETER	2
4	451					LOCKWASHER, 1/4" DIAMETER	2
5	7847					HEX HEAD SCREW, 1/4-20 X 3/4	2
6	1015881					MUFFLER SPRING	2
7	1015450					GASKET	1
8	1242					HEX NUT, 5/16-18	2
9	7174					LOCKWASHER, 5/16" DIAMETER	2
10	1010934					HEX HEAD BOLT, 5/16-18 X 1	2
11	1011697					FLATWASHER, 5/16" DIAMETER	1
12	1012830					HEX HEAD SCREW, M8-1.25 X 22MM	1
13	1015247					EXHAUST HEADER	1
14	1012528					HEX NUT, 8MM	2
15	1013734					LOCKWASHER, 8MM	2
16	1015330					GASKET	1

8

Section 9

TORQUE CONVERTER



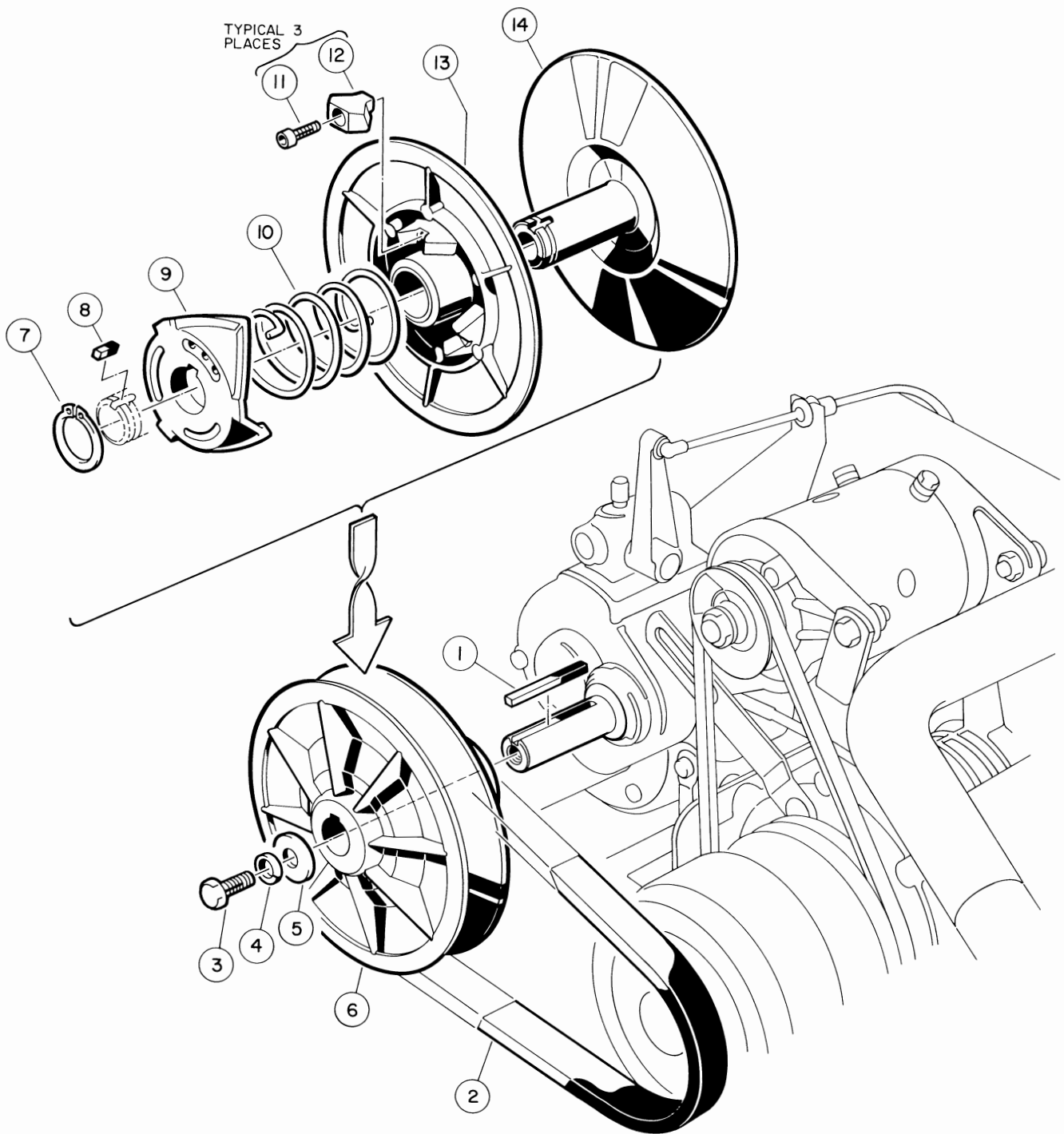
DRIVE CLUTCH ASSEMBLY

DRIVE CLUTCH ASSEMBLY

ITEM NUMBER	PART NUMBER	1 2 3 4	DESCRIPTION	UNITS PER VEHICLE
	1016378-02		DRIVE CLUTCH ASSEMBLY (CARRYALL-I)	
	1016378-03		DRIVE CLUTCH ASSEMBLY (CARRYALL-II ONLY)	
1	1014059		DRIVE HUB	1
2	1012441		3/8"-24 X 5-1/2" HEX BOLT	1
3	357		3/8" LOCKWASHER	1
4	808		3/8" TYPE B FLATWASHER	1
5	1016203		DRIVE BELT	1
6	1014290		STARTER/GENERATOR BELT	1
7	1016801		DRIVE CLUTCH WEIGHT KIT (CARRYALL-I ONLY)	1
7	1014455		DRIVE CLUTCH WEIGHT KIT (CARRYALL-II ONLY)	1
8	1014057		RETAINING RING	1
9	1014051		SPRING — DRIVE CLUTCH	1
10	1014050		SPRING RETAINER	1
11	1014049		IDLER BEARING	1
12	1017038		FIXED FACE — DRIVE	1
			INCLUDES ITEMS 13 AND 14	
15	1014453		DRIVE CLUTCH BUTTON KIT	1
16	1014058		THRUST WASHER	1
17	1014056		SPIRAL — BACK-UP RING	2
18	1016289		SPACER — NYLON	1
20	1014052		MOVABLE FACE ASSEMBLY	1
			INCLUDES ITEMS 18 AND 19	

G

9



DRIVEN CLUTCH ASSEMBLY

DRIVEN CLUTCH ASSEMBLY

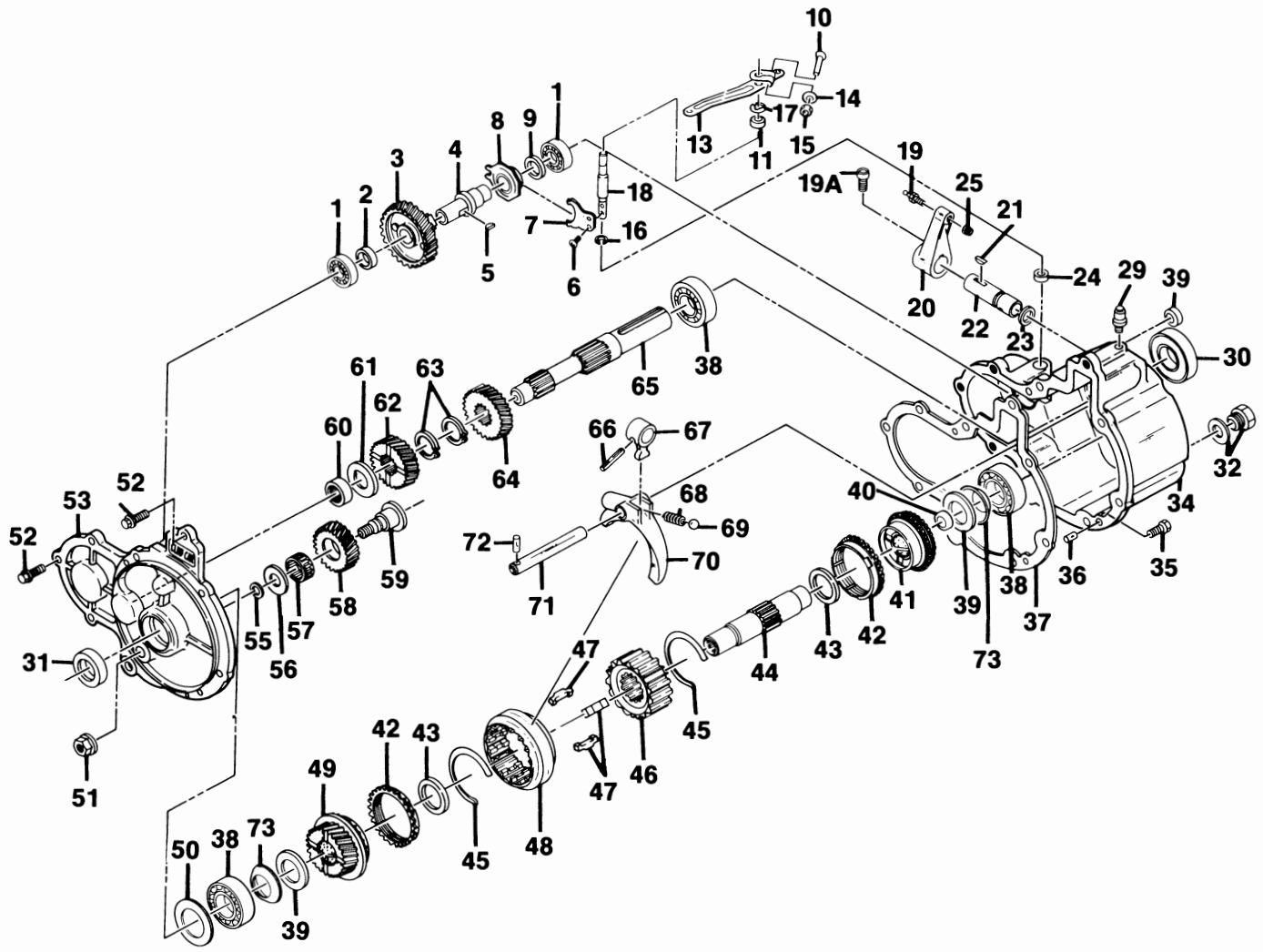
ITEM NUMBER	PART NUMBER	1 2 3 4	DESCRIPTION	UNITS PER VEHICLE
	1016360-01		DRIVEN CLUTCH ASSEMBLY (CARRYALL-I AND CARRYALL-II)	
1	1012455		SHAFT KEY	1
2	1016203		DRIVE BELT	1
3	7173		HEX HEAD BOLT, 5/16-18 X 3/4	1
4	7174		LOCKWASHER, 5/16" DIAMETER	1
5	1012571		HEAVY FLATWASHER, 5/16" DIAMETER	1
6	1016360-01		DRIVEN CLUTCH ASSEMBLY INCLUDES ITEMS 7 THRU 14	1
7	1014080		RETAINING RING	1
8	1014078		SHORT KEY	1
9	1014077		CAM	1
10	1016359		75° SPRING	1
11	1012836		SOC HEAD CAP SCREW, #8-32 X 3/4	3
12	1014076		DRIVE BUTTON	3
13	1014072		MOVABLE FACE ASSEMBLY	1
14	1014070		FIXED FACE ASSEMBLY	1
	1014454		DRIVEN CLUTCH BUTTON KIT INCLUDES ITEMS 11 AND 12	1

G

9

Section 10

TRANSMISSION AND GOVERNOR



TRANSMISSION ASSEMBLY

TRANSMISSION ASSEMBLY

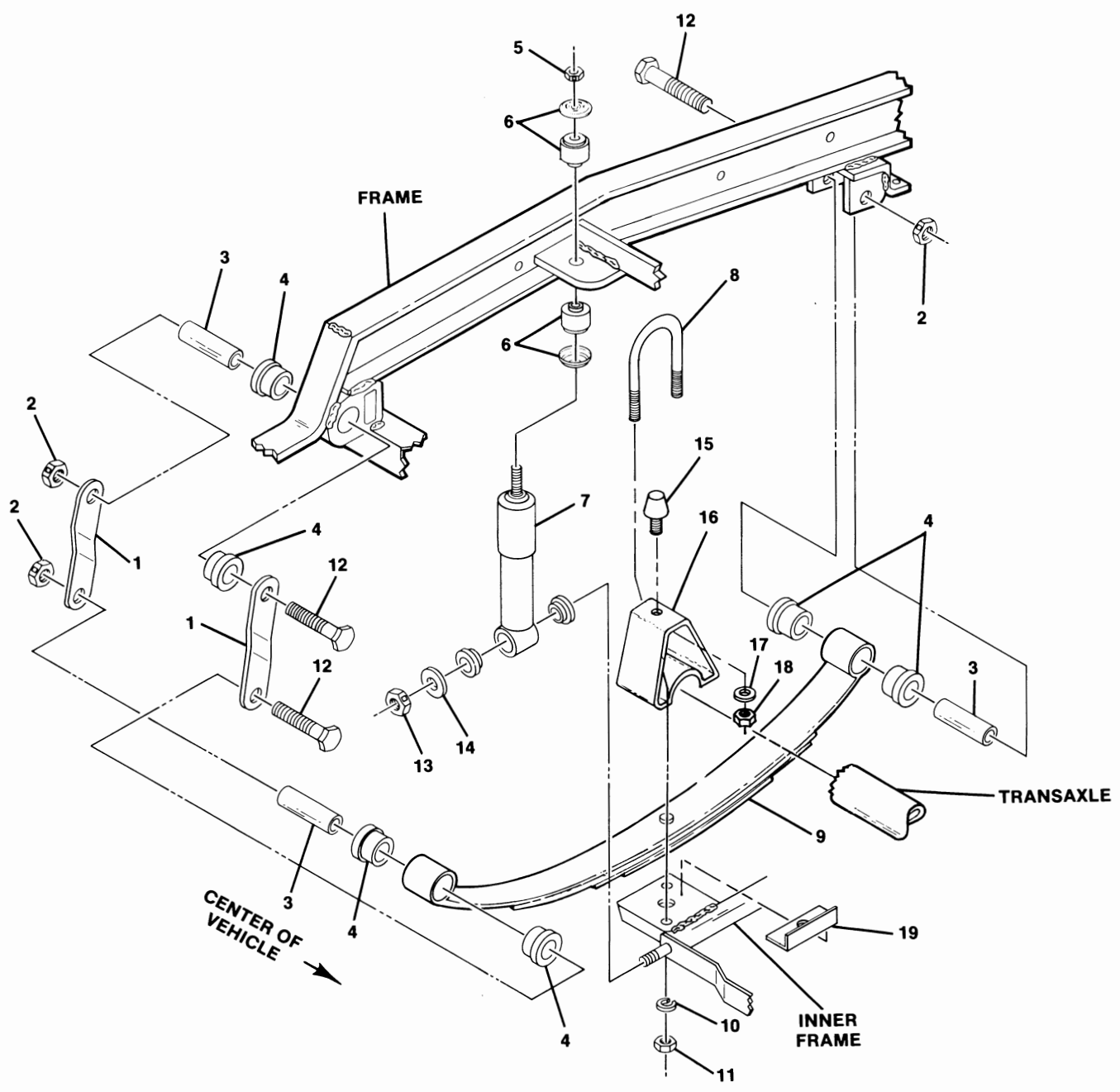
G

ITEM NUMBER	PART NUMBER	DESCRIPTION				UNITS PER VEHICLE
		1	2	3	4	
	1015747	TRANSMISSION ASSEMBLY				1
1	1012761	BALL BEARING				2
2	1012759	SPACER-THICK				1
3	1012755	GOVERNOR GEAR, 41 TOOTH				1
4	1016598	GOVERNOR SHAFT				1
5	1012760	GOVERNOR SHAFT KEY				1
6	1012764	SCREW, M4 X 0.7 X 6MM				2
7	1012763	GOVERNOR ARM, INTERNAL				1
8	1012757	GOVERNOR SLEEVE				1
9	1012758	SPACER-THIN				1
10	1016540	BOLT, M6 X 1 X 25MM HEX				1
11	1012772	GOVERNOR ARM PIVOT				1
13	1015710	GOVERNOR ARM, EXTERNAL				1
14	1016513	WASHER, FLAT				1
15	1012770	NUT, M6 X 1				1
16	1012766	SNAP RING				2
17	1012765	WASHER				1
18	1012762	GOVERNOR ARM SHAFT				1
19	1010954	BALL STUD				1
19A	1012602	CAP SCREW, SOCKET HEAD, 10-24 X 3/8"				1
20	1012414	TRANSMISSION SHIFTER ARM, OUTSIDE				1
21	1012753	SHIFTER SHAFT KEY				1
22	1012751	SHIFTER SHAFT				1
23	1012754	O-RING				1
24	1012767	OIL SEAL				1
25	8717	LOCKNUT, 1/4-28 NYLON				1
29	1012711	BREATHER				1
30	1012714	OIL SEAL				2
32	1013759	DRAIN PLUG WITH GASKET				1
34	1013960	GEAR CASE				1
35	1012719	BOLT, M6 X 1 X 14MM HEX				1
36	1012710	DOWEL PIN				2
37	1012717	CASE GASKET				1
38	7336	BALL BEARING				3
39	1016337	THRUST WASHER				2
40	1012735	PLUG				2
41	1016591	GEAR ASSEMBLY, 36 TOOTH				1
42	1012742	SYNCHRONIZER RING				2
43	1012743	THRUST WASHER				2
44	1012734	OUTPUT SHAFT				1
45	1012741	SYNCHRO SPRING				2
46	1012738	CLUTCH HUB				1
47	1012740	SYNCHRO INSERT				3
48	1012739	SLEEVE				1
49	1012737	GEAR ASSEMBLY, 34 TOOTH				1
50	1012783	SHIM 0.2MM				A/R
50	1012784	SHIM 0.1MM				A/R
51	1012733	FLANGE NUT, M12 X 1.25				1
52	1012718	BOLT, M6 X 1 X 20MM HEX				4
53	1012715	COVER				1
55	1012732	O-RING				1
56	1012730	THRUST WASHER				1
57	1012731	NEEDLE BEARING				1
58	1012729	REVERSE IDLER GEAR				1
59	1012728	IDLER SHAFT				1
60	1012716	NEEDLE BEARING				1
61	1012723	THRUST WASHER, 3.0MM				A/R
61	1012724	THRUST WASHER, 3.3MM WHITE				A/R
61	1012725	THRUST WASHER, 3.6MM YELLOW				A/R
62	1012722	GEAR, 25 TOOTH				1
63	1012727	SNAP RING				2
64	1016594	GEAR, 27 TOOTH				1
65	1012720	INPUT SHAFT				1
66	1012752	ROLL PIN				1
67	1012750	SHIFTER ARM LEVER, INSIDE				1
68	1012748	SHIFTER SPRING				1
69	1012747	SHIFTER BALL				1
70	1012746	SLEEVE SHIFT ARM				1
71	1012745	SHIFT ROD				1
72	1012749	ROLL PIN				1
73	1016338	BELLEVILLE SPRING				2

10

Section 11

REAR SUSPENSION



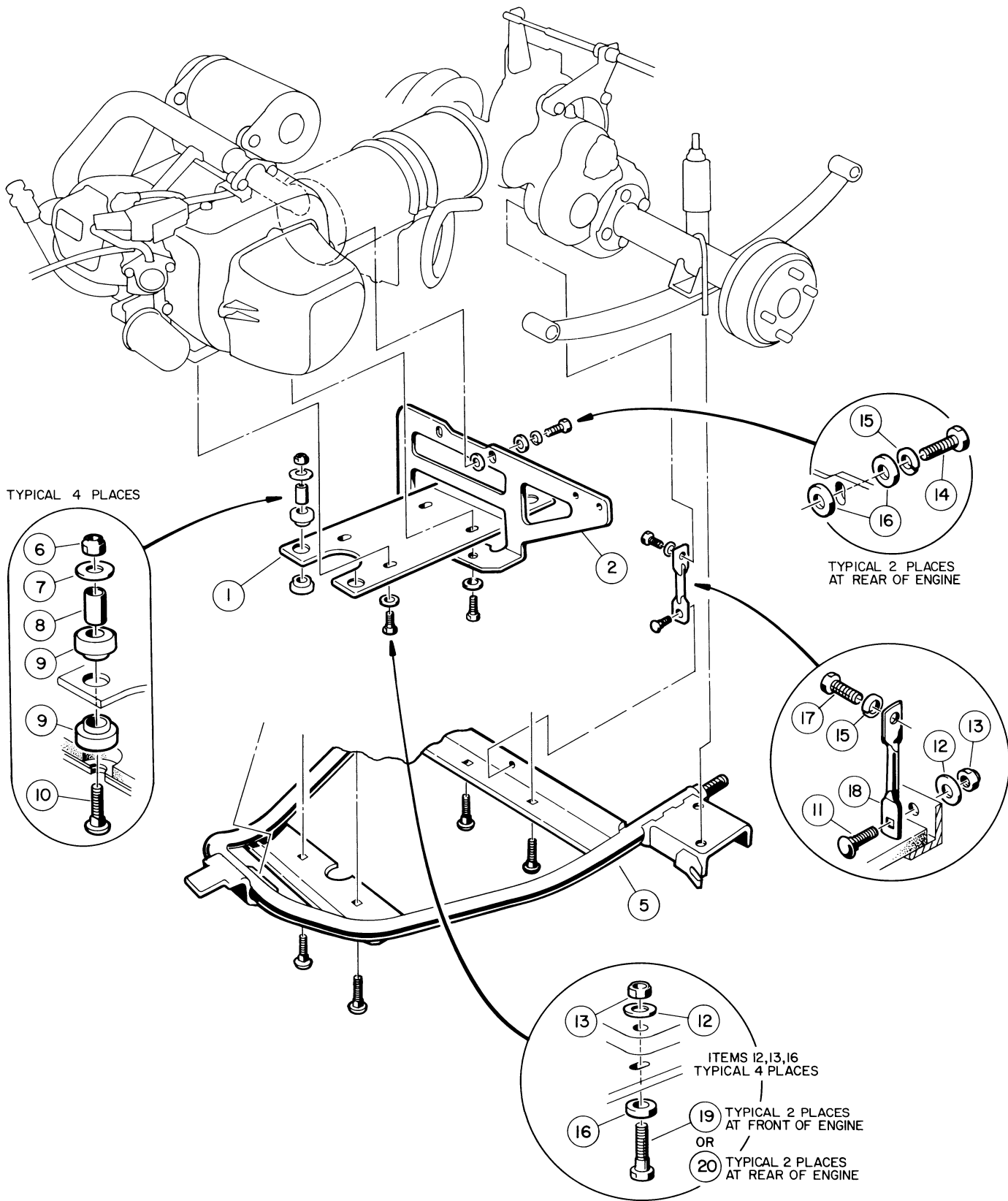
REAR SUSPENSION ASSEMBLY

REAR SUSPENSION ASSEMBLY

G

ITEM NUMBER	PART NUMBER	DESCRIPTION				UNITS PER VEHICLE
		1	2	3	4	
1	1012304	REAR SPRING SHACKLE				4
2	1010138	DIMPLED LOCKNUT, 3/8-16 UNC				6
3	1012303	STEEL BUSHING				4
4	1015583	URETHANE BUSHING				12
5	1010145	NUT, 3/8-24 UNC HEX				2
6	1011415	SHOCK ABSORBER CUSHION KIT				2
7	1012781	SHOCK ABSORBER KIT INCLUDES ITEM 6				1
8	1014902	"U" BOLT				2
9	1014675	REAR SPRING				2
10	1014557	FLATWASHER, 7/16"				4
11	1014555	NYLON LOCKNUT, 7/16-14				4
12	8755	BOLT, HEX, 3/8-16 UNC X 3-3/8"				6
13	1010188	DIMPLED LOCKNUT, 5/8-11				2
14	1010193	FLATWASHER, 5/8				2
15	1014552	OVERLOAD BUMPER				2
16	1014546	OVERLOAD BUMPER MOUNT				2
17	1241	FLATWASHER, 5/16				2
18	7473	NYLON LOCKNUT, 5/16-18				2
19	1014573	SPRING RETAINER				2
20	1014901	SPACER — OVERLOAD BUMPER				2

11



INNER FRAME ASSEMBLY

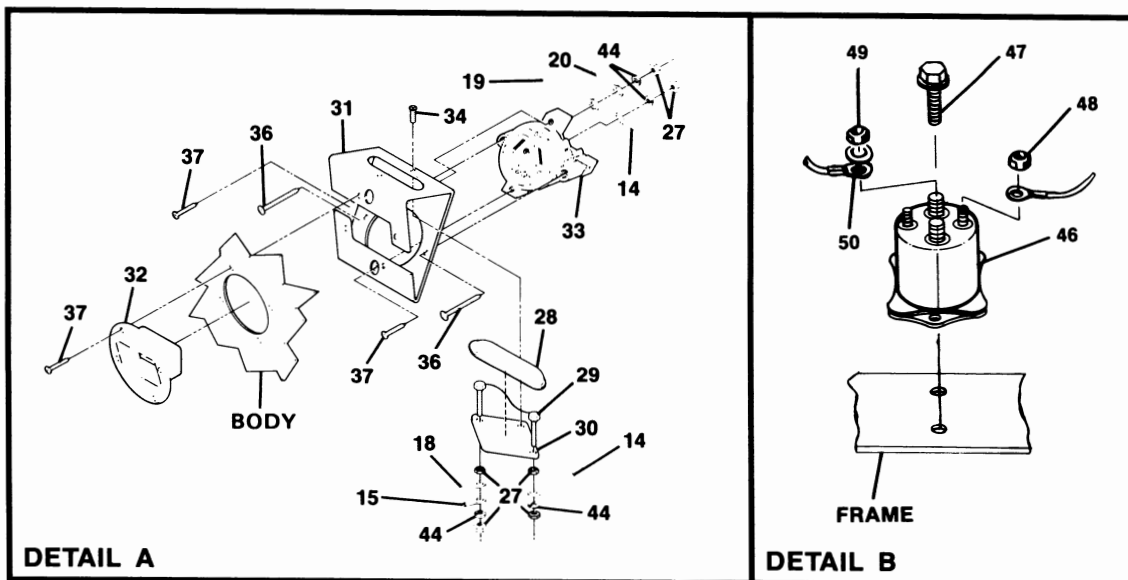
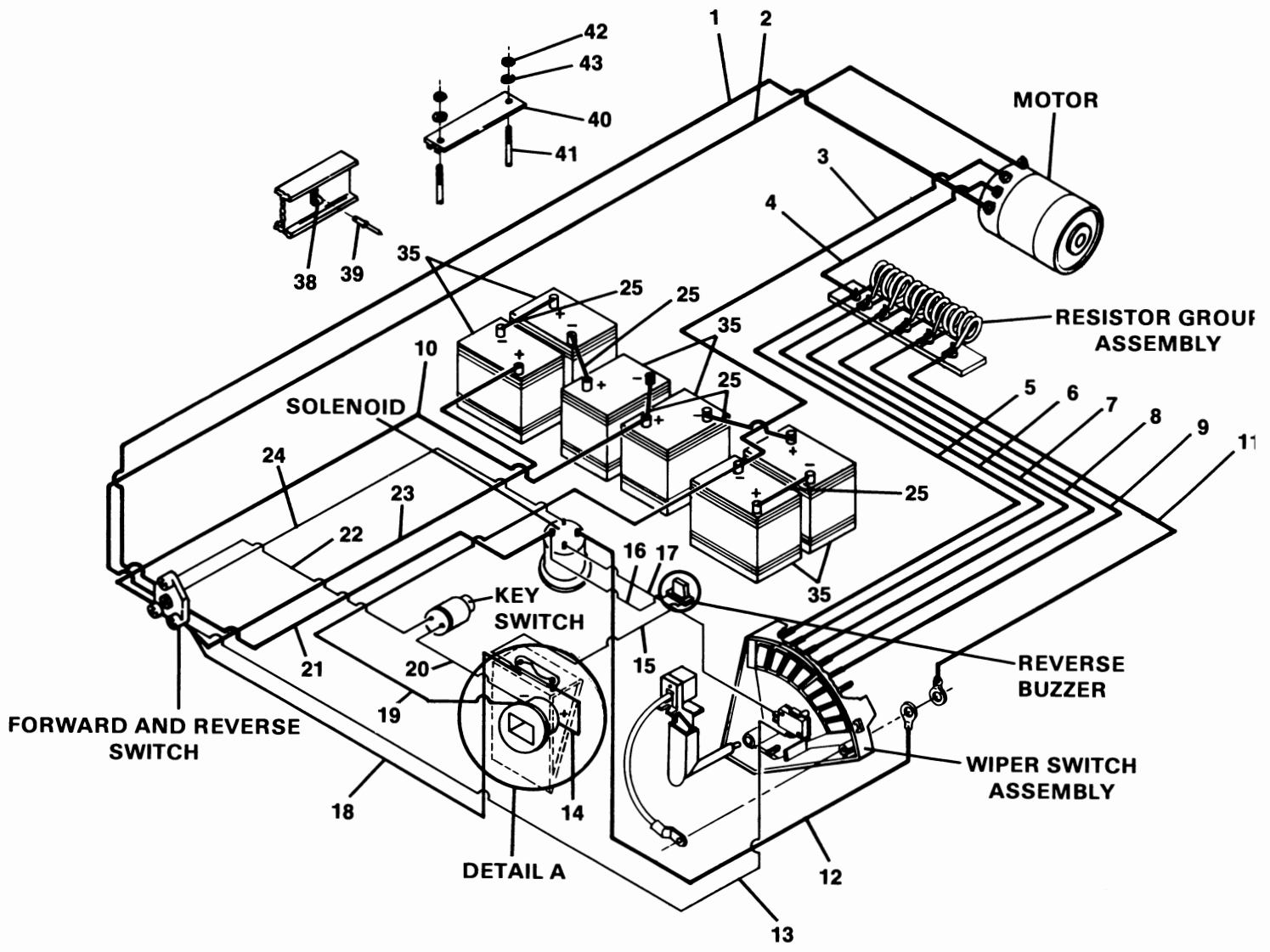
INNER FRAME ASSEMBLY

ITEM NUMBER	PART NUMBER	DESCRIPTION				UNITS PER VEHICLE
		1	2	3	4	
1	1016010	INNER FRAME MOUNTING PLATE				1
2	1016206	MUFFLER MOUNTING PLATE				1
5	1016198	INNER FRAME				1
6	8754	NYLON LOCKNUT, 3/8-16				4
7	808	FLATWASHER				4
8	1012291	STEEL BUSHING				4
9	1012290	ENGINE MOUNTS				8
10	1012428	ROUND HEAD SQUARE NECK BOLT, 3/8-16 X 2-1/4				4
11	1015932	ROUND HEAD SQUARE NECK BOLT, 5/16-18 X 1				1
12	1241	FLATWASHER, 5/16" DIAMETER				5
13	7473	NYLON LOCKNUT, 5/16-18				5
14	1015709	HEX HEAD CAP SCREW, M8-1.25 X 30MM				2
15	7174	LOCKWASHER, 5/16" DIAMETER				3
16	1012571	HEAVY FLATWASHER, 5/16" DIAMETER				8
17	1010577	HEX HEAD SCREW, 5/16-18 X 1-1/2				1
18	1016200-02	TRANSMISSION STRAP				1
19	8963	HEX HEAD BOLT, 5/16-18 X 1-3/4				2
20	8916	HEX HEAD CAP SCREW, 5/16-18 X 2				2
21	1012164	SNUBBER				1

G

11

Section 12
ELECTRICAL



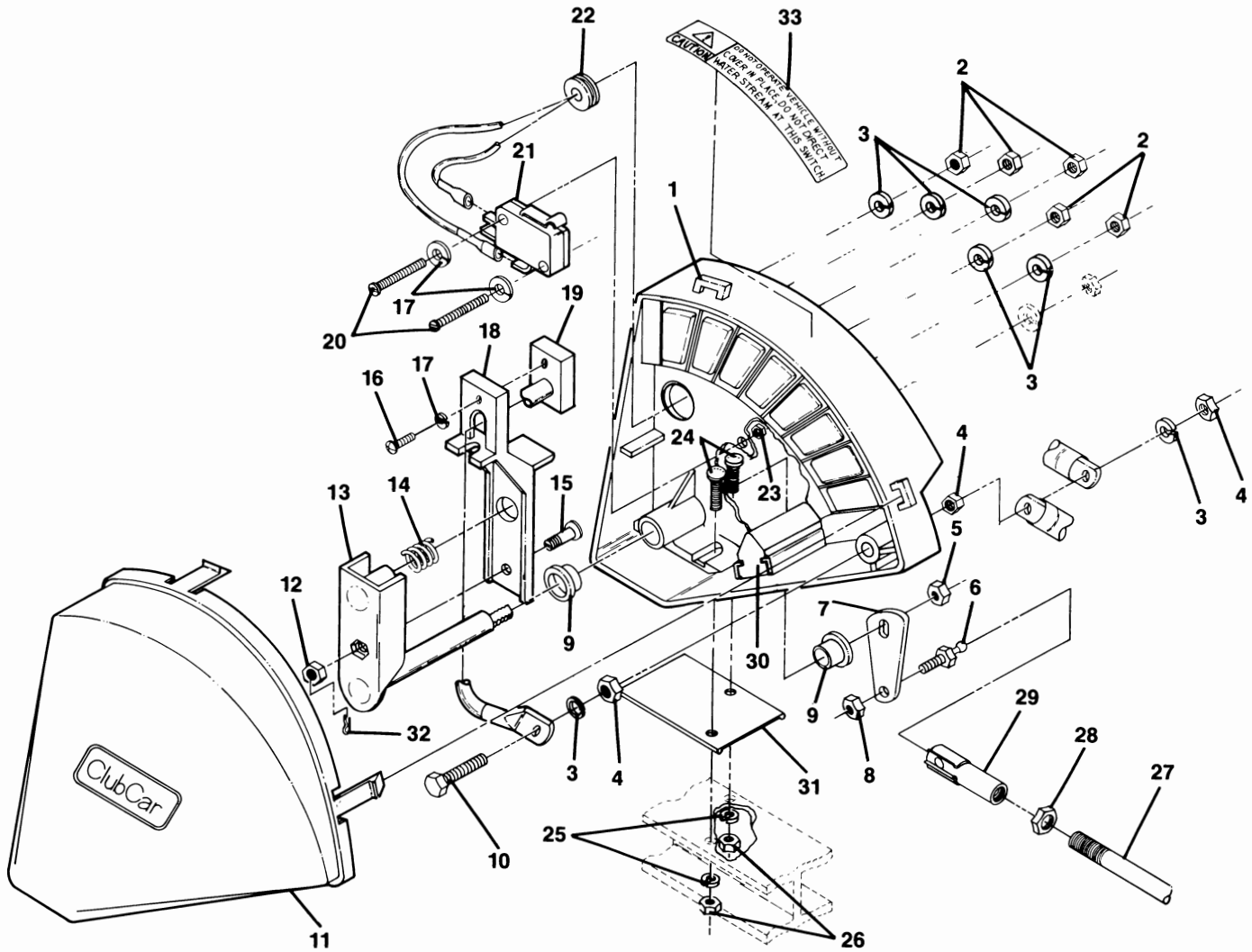
POWER WIRING — ELECTRIC VEHICLE

POWER WIRING — ELECTRIC VEHICLE

ITEM NUMBER	PART NUMBER	DESCRIPTION	UNITS PER VEHICLE
1	1016070	WIRE ASSEMBLY #6 BROWN	1
2	1016069	WIRE ASSEMBLY #6 PURPLE	1
3	1012651	WIRE ASSEMBLY #6 BLACK	1
4	1016068	WIRE ASSEMBLY #6 GREY	1
5	1014036	WIRE ASSEMBLY #6 BLACK	1
6	1014035	WIRE ASSEMBLY #6 BLUE	1
7	1014034	WIRE ASSEMBLY #6 GREEN	1
8	1014033	WIRE ASSEMBLY #6 YELLOW	1
9	1014032	WIRE ASSEMBLY #6 ORANGE	1
10	1014828	WIRE ASSEMBLY #6 GREEN	1
11	1014030	WIRE ASSEMBLY #6 WHITE	1
12	1014029	WIRE ASSEMBLY #6 WHITE	1
13	1014022	WIRE ASSEMBLY #18 RED	1
14	1013092	WIRE ASSEMBLY #10 RED	1
15	1014024	WIRE ASSEMBLY #18 ORANGE	1
16	1012230	WIRE ASSEMBLY #18 WHITE	1
17	1014023	WIRE ASSEMBLY #18 GREEN	1
18	1012237	WIRE ASSEMBLY #10 RED	1
19	1011010	WIRE ASSEMBLY #10 WHITE	1
20	1011007	WIRE ASSEMBLY #18 RED	1
21	1014039	WIRE ASSEMBLY #6 WHITE	1
22	1011006	WIRE ASSEMBLY #18 BLUE	1
23	1011069	WIRE ASSEMBLY #6 RED	1
24	1014040	WIRE ASSEMBLY #18 YELLOW	1
25	1010958	WIRE ASSEMBLY #6 BLACK	5
27	8797	NUT #10-32, BRASS	6
28	1012143	FUSE LENS	1
29	1012085	FUSE, 80 AMP	1
30	1012142	FUSE HOLDER	1
31	1013628	FUSE AND RECEPTACLE MOUNTING BRACKET	1
32	1013649	RECEPTACLE BEZEL	1
33	4107	CHARGER RECEPTACLE	1
34	1013266	SCREW, PHILLIPS HEAD, TYPE BT, #8-18 X 1/2"	2
35	1016616-01	CLUB CAR 6 VOLT BATTERY	6
36	8795	SELF TAPPING SCREW, PHILLIPS PAN HEAD # 7 X 1-3/4"	2
37	8796	SELF TAPPING SCREW, PHILLIPS PAN HEAD # 7 X 3/4"	6
38	1012022	CABLE CLAMP	3
39	1606	POP RIVET, 3/16"	3
40	1010908	BATTERY HOLD DOWN	3
41	1013683	"J" BOLT	6
42	1014305	HEX NUT, 5/16-18 UNC S.S.	18
43	1011578	FLATWASHER, TYPE B, 5/16"	6
44	1016	#10 SPLIT LOCKWASHER	4
45	1014516	FUSE LINK KIT (NOT SHOWN) INCLUDES ITEMS 27, 28, 29, 30 AND 44	1
46	8016	SOLENOID — 36 VOLT	1
47	1012285	1/4-20 X 5/8" THREAD ROLLING SCREW	2
48	7893	#10-32 HEX NUT	2
49	1242	5/16 X 18 HEX NUT	2
50	7174	WASHER, 5/16 HELICAL SPRING	2

E

12



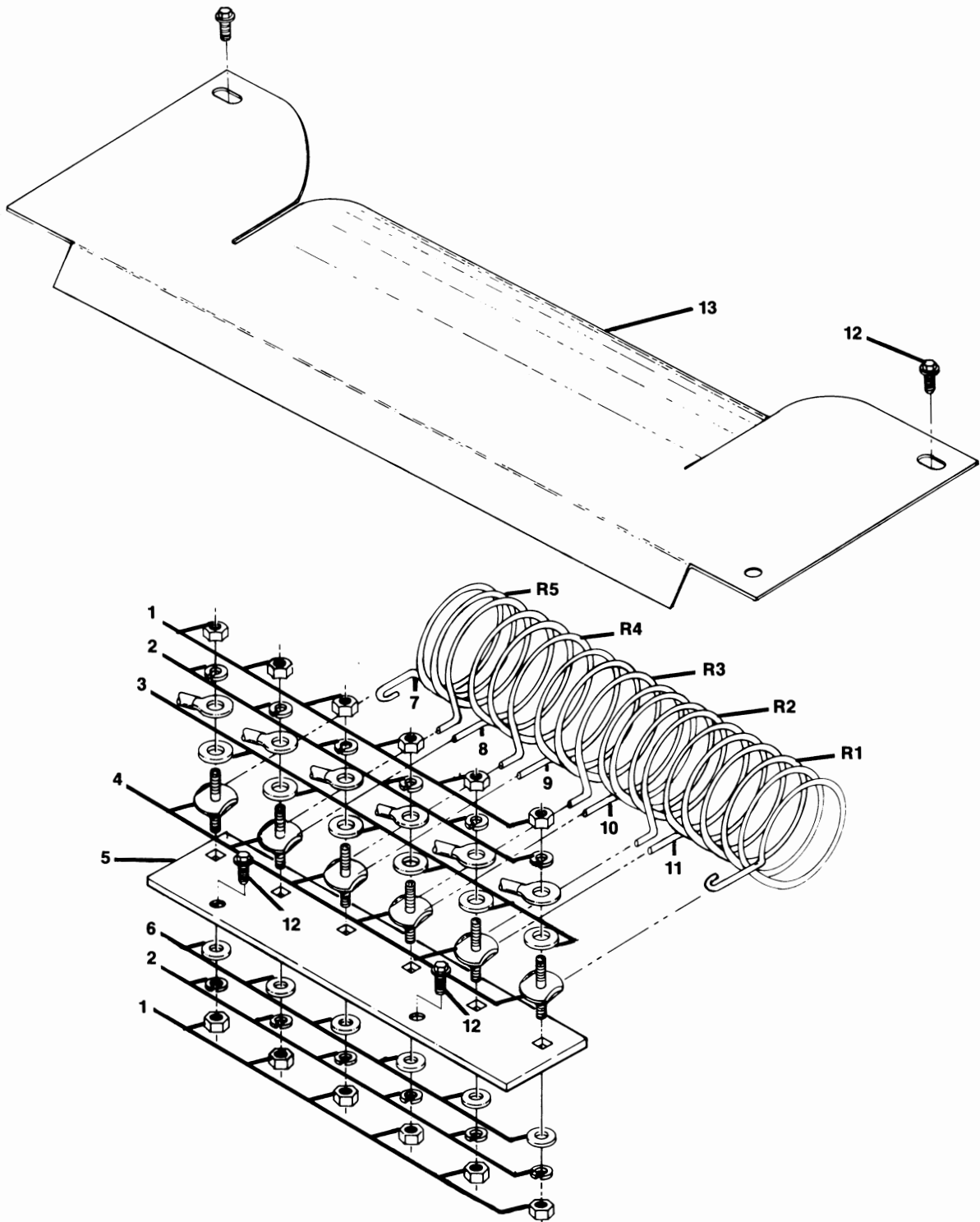
V-GLIDE WIPER SWITCH

V-GLIDE WIPER SWITCH

ITEM NUMBER	PART NUMBER	1	2	3	4	DESCRIPTION	UNITS PER VEHICLE
	1016140					V-GLIDE CONTROLLER ASSEMBLY INCLUDES ITEMS 1 THRU 23, 30, 32 AND 33	1
1	1014999					SPEED CONTROLLER CASE ASSEMBLY	1
2	1014					1/4"-20 UNC HEX NUT, BRASS	5
3	451					1/4" SPLIT LOCKWASHER	7
4	1014253					1/4"-20 BRASS JAM NUT	3
5	7473					5/16"-18 UNC NYLON LOCKNUT	1
6	1012353					1/4" X 1/4"-28, SHORT BALL STUD	1
7	1014003					SPEED CONTROLLER BELL CRANK	1
8	8449					1/4"-28 DIMPLED LOCKNUT	1
9	1012903					3/8" X 1/2" FLANGE BEARING	2
10	1014189					1/4"-20 X 2.00 HEX CAP SCREW, BRONZE	1
11	1013886					SPEED CONTROLLER COVER	1
12	7893					#10-32 UNF HEX NUT	1
13	1014017					SPEED CONTROLLER SHAFT AND CARRIER	1
14	1013998					SPEED CONTROLLER BRUSH SPRING	1
15	1014000					SPEED CONTROLLER ADJUSTING STUD	1
16	1014019					#4-40 UNC TYPE "F" SCREW	1
17	8058					#4 SPLIT LOCKWASHER	3
18	1013887					SPEED CONTROLLER ARM	1
19	1013860					SPEED CONTROLLER BRUSH	1
20	8056					#4-40 UNC X 3/4" ROUND HEAD SCREW	2
21	1014807					LIMIT SWITCH	1
22	1014010					SPLIT GROMMET	1
23	8057					#4-40 UNC HEX NUT	2
24	1014109					#10-24 X 3/4" ROUND HEAD BOLT	2
25	1016175					#10 SPLIT LOCKWASHER	2
26	1017					#10 HEX NUT	2
27	1014016					ACCELERATOR ROD	1
28	1011084					1/4-28 JAM NUT	2
29	1011734					BALL JOINT	2
30	1014414					BUMPER, SPEED CONTROLLER	1
31	1014367					SHIM, SPEED CONTROLLER	1
32	1014413					HAIR SPRING COTTER PIN	1
33	1014660					SPEED CONTROLLER DECAL	1

E

12



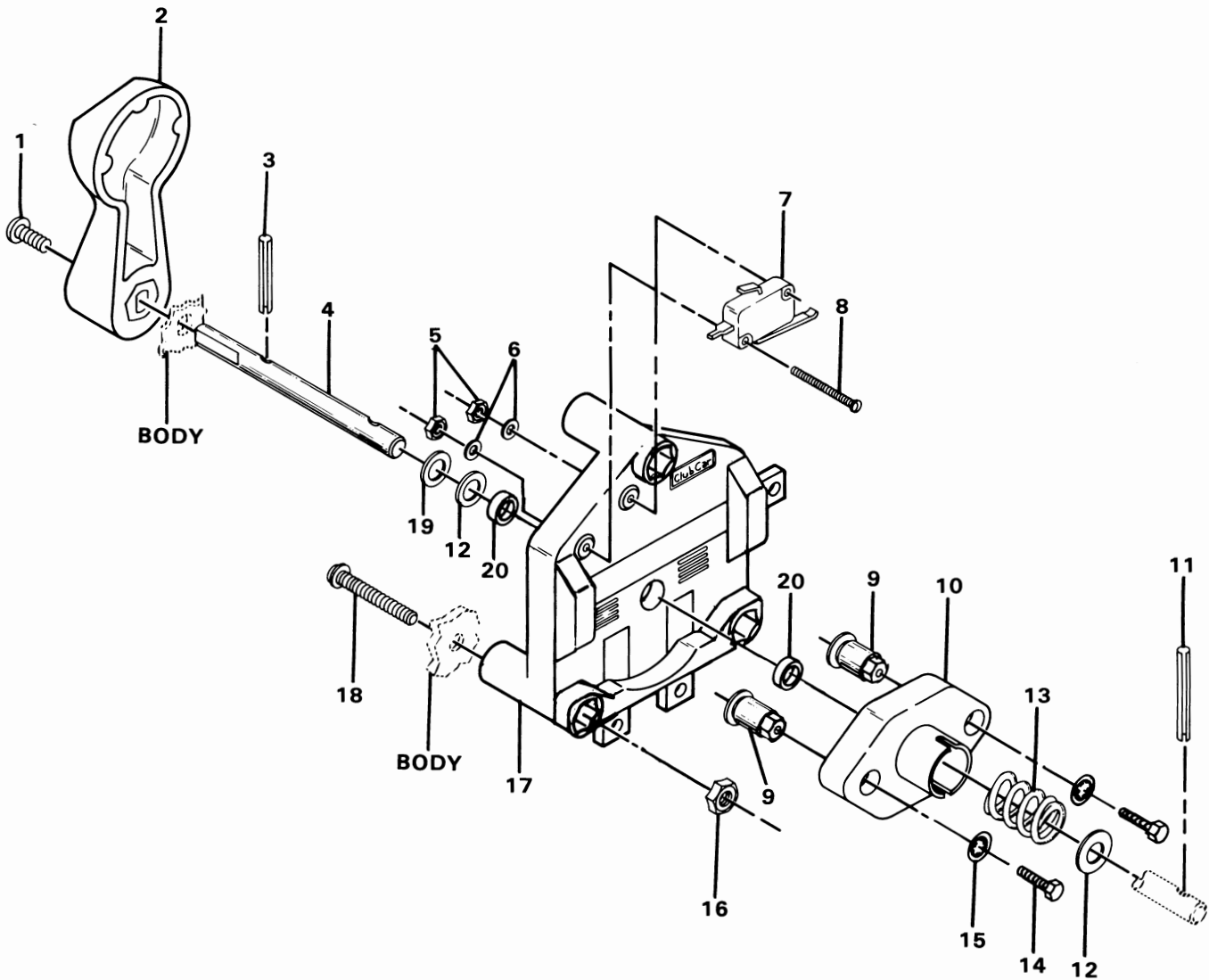
RESISTOR AND BOARD ASSEMBLY — V-GLIDE

RESISTOR AND BOARD ASSEMBLY — V-GLIDE

ITEM NUMBER	PART NUMBER	1 2 3 4	DESCRIPTION	UNITS PER VEHICLE
1	1028		1/4"-20 UNC HEX NUT	12
2	451		1/4" SPLIT LOCKWASHER	12
3	1014306		1/4" WIDE FLATWASHER	6
4	1014045		RESISTOR COIL STANDOFF	6
5	1014728		RESISTOR MOUNTING BOARD	1
6	332		1/4" FLATWASHER	6
7	1014655		RESISTOR COIL	1
8	1014654		RESISTOR COIL	1
9	1014013		RESISTOR COIL	1
10	1014014		RESISTOR COIL	1
11	1014729		RESISTOR COIL	1
12	1012285		1/4-20 UNC X 5/8" THREAD ROLLING SCREW	4
13	1013971		RESISTOR SHIELD	1

E

12



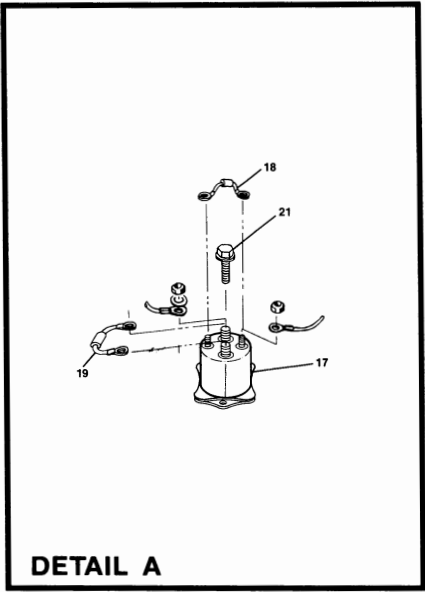
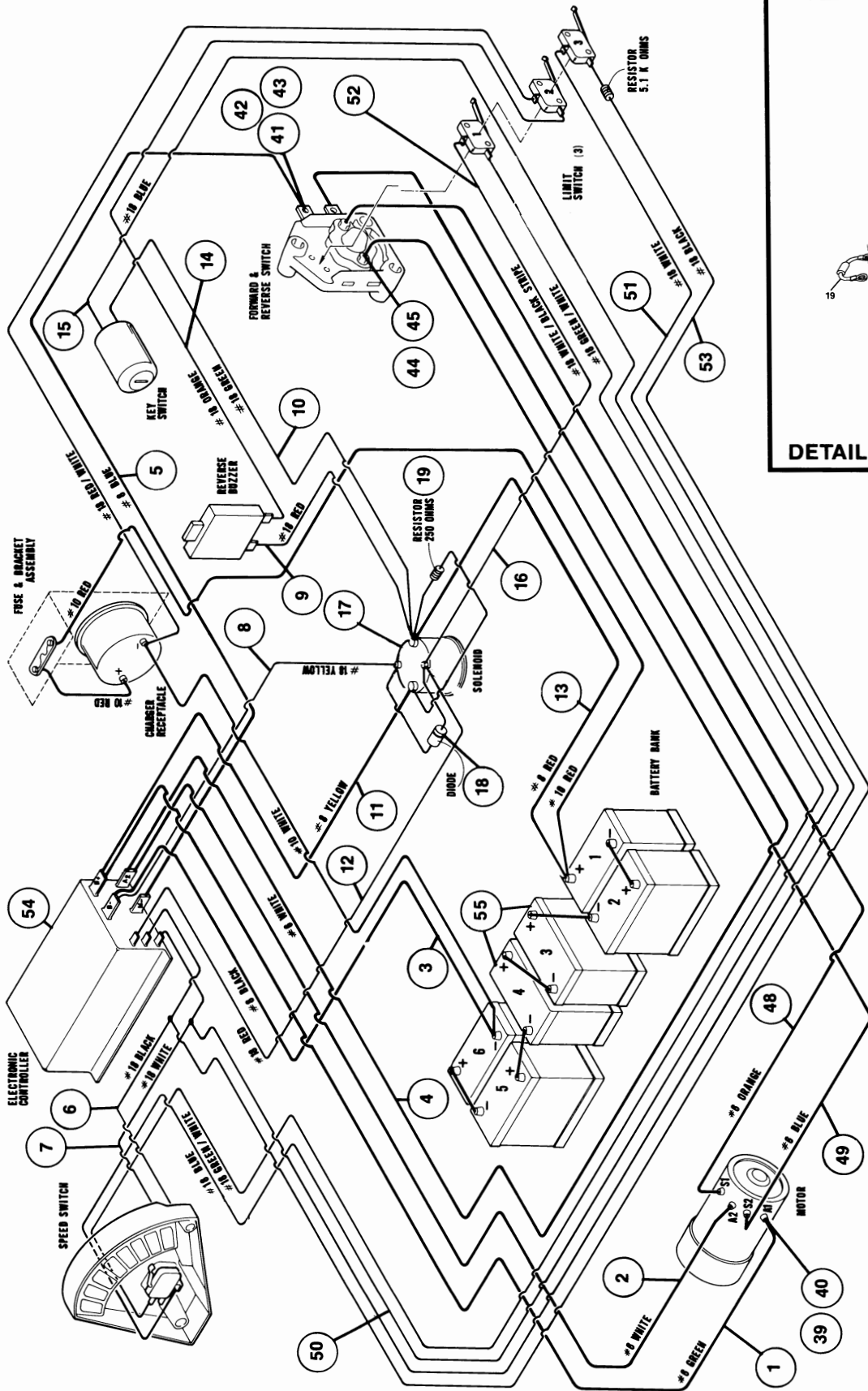
FORWARD AND REVERSE SWITCH ASSEMBLY — V-GLIDE

FORWARD AND REVERSE SWITCH ASSEMBLY — V-GLIDE

ITEM NUMBER	PART NUMBER	DESCRIPTION	UNITS PER VEHICLE
	1011997	FORWARD AND REVERSE SWITCH ASSEMBLY COMPLETE EXCLUDING ITEMS 1 AND 2 AND MOUNTING HARDWARE, ITEMS 14, 15, 16 AND 18	
1	1013198	SCREW, PHILLIPS MACHINE, #8-32	1
2	1012987	SWITCH HANDLE, FORWARD AND REVERSE	1
3	1231	ROLL PIN, 1/8 X 1"	1
4	1012988	SHAFT, FORWARD AND REVERSE SWITCH	1
5	8057	NUT, HEX, #4-40 UNC	2
6	8058	LOCKWASHER, #4	2
7	1014808	LIMIT SWITCH, FORWARD AND REVERSE	1
8	1011991	SCREW, SLOTTED ROUND HEAD, #4-40 X 1-1/8"	2
9	8793	ROTOR CONTACT	2
10	1016130	SWITCH ROTOR, FORWARD AND REVERSE	1
11	1011993	ROLL PIN, 3/16" X 1-3/8"	1
12	1011990	FLATWASHER, 3/8"	2
13	7627	SHAFT SPRING, FORWARD AND REVERSE	1
14	8450	SCREW, HEX HEAD MACHINE, #10-24	2
15	8049	LOCKWASHER, INTERNAL TOOTH #10	2
16	8233	LOCKNUT, NYLON, 1/4-20	3
17	1014273	SWITCH CASE, FORWARD AND REVERSE	1
18	1011988	SCREW, TRUSS HEAD PHILLIPS, 1/4-20 X 2"	3
19	1014065	WASHER, PLASTIC, 3/8"	1
20	1014145	BEARING	2

E

12



DETAIL A

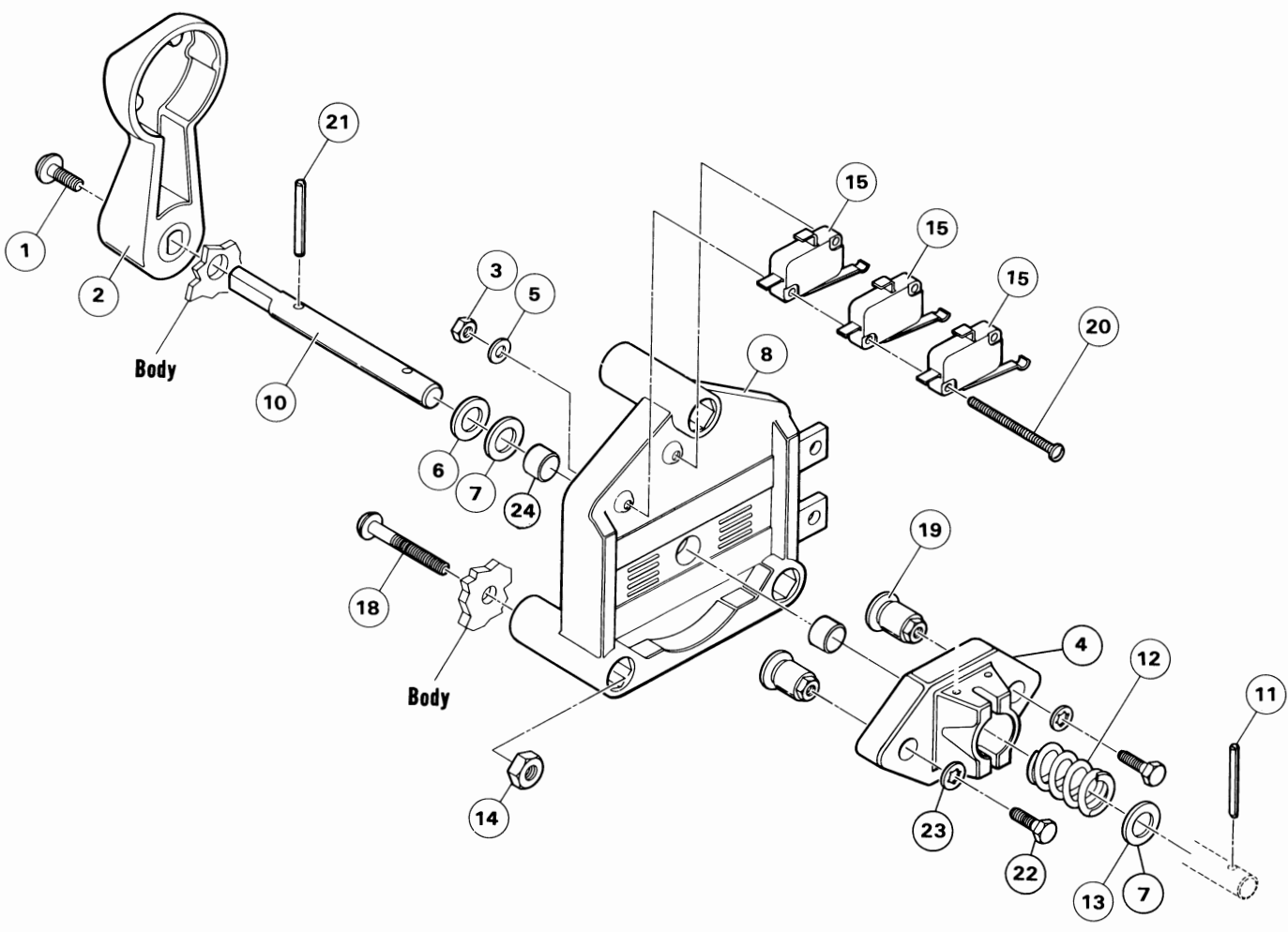
POWER WIRING — SOLID STATE CONTROLLER

POWER WIRING — SOLID STATE CONTROLLER

ITEM NUMBER	PART NUMBER	DESCRIPTION	UNITS PER VEHICLE
		1 2 3 4	
	1015879	CONTROLLER WIRING ASSEMBLY	1
1	1015860	WIRE ASSEMBLY #6 GREEN	1
2	1015861	WIRE ASSEMBLY #6 WHITE	1
3	1016137	WIRE ASSEMBLY #6 BLACK	1
4	1015856	WIRE ASSEMBLY #6 WHITE	1
5	1015857	WIRE ASSEMBLY #6 BLUE	1
6	1015863	WIRE ASSEMBLY #18 BLACK	1
7	1015864	WIRE ASSEMBLY #18 WHITE	1
8	1015866	WIRE ASSEMBLY #18 YELLOW	1
9	1016135	WIRE ASSEMBLY #18 RED	1
10	1016121	WIRE ASSEMBLY #18 GREEN	1
11	1015858	WIRE ASSEMBLY #6 YELLOW	1
12	1015865	WIRE ASSEMBLY #18 RED	1
13	1015859	WIRE ASSEMBLY #18 RED	1
14	1016134	WIRE ASSEMBLY #18 ORANGE	1
15	1016133	WIRE ASSEMBLY #18 BLUE	1
16	1016122	WIRE ASSEMBLY #18 BLACK/WHITE	1
17	8016	SOLENOID — 36 VOLT	1
18	1014948	DIODE ASSEMBLY	1
19	1014947	RESISTOR ASSEMBLY	1
21	7847	1/4-20 X 3/4 HEX HEAD SCREW	2
22	451	1/4 HELICAL SPRING LOCKWASHER	2
23	1028	1/4-20 HEX NUT	2
38	1016631	PUSH NUT .187	4
39	7174	5/16 HELICAL SPRING LOCKWASHER (ATTACHES WIRES TO MOTOR)	4
40	1242	5/16-18 HEX NUT (ATTACHES WIRES TO MOTOR)	4
41	403	1/4-20 X 5/8" HEX HEAD BOLT (ATTACHES WIRES TO FORWARD & REVERSE CONTACT BARS)	2
42	451	1/4 LOCKWASHER (ATTACHES WIRES TO FORWARD & REVERSE CONTACT BARS)	2
43	1028	1/4-20 HEX NUT (ATTACHES WIRES TO FORWARD & REVERSE CONTACT BARS)	2
44	8450	#10-24 X 1/2" HEX HEAD SCREW (ATTACHES WIRES TO FORWARD & REVERSE ROTOR)	2
45	8049	#10 LOCKWASHER (ATTACHES WIRES TO FORWARD & REVERSE ROTOR)	2
46	1606	3/16 POP RIVET	3
47	1012022	CABLE CLAMP	3
48	1014854	WIRE ASSEMBLY #6 ORANGE	1
49	1014855	WIRE ASSEMBLY #6 BLUE	1
50	1016142	WIRE ASSEMBLY #18 BLUE	1
51	1016019	WIRE ASSEMBLY #18 WHITE	1
52	1014839	WIRE ASSEMBLY #18 GREEN/WHITE	1
53	1016018	WIRE ASSEMBLY #18 BLACK	1
54	1014749	ELECTRONIC CONTROLLER	1
55	1016616-01	CLUB CAR 6 VOLT BATTERY	6
56	1010908	BATTERY HOLD DOWN (NOT SHOWN)	3
57	1013683	"J" BOLT (NOT SHOWN)	6
58	1014305	HEX NUT, 5/16-18 UNC STAINLESS STEEL (NOT SHOWN)	18
59	1011578	FLATWASHER, TYPE B, 5/16" (NOT SHOWN)	6

E

12



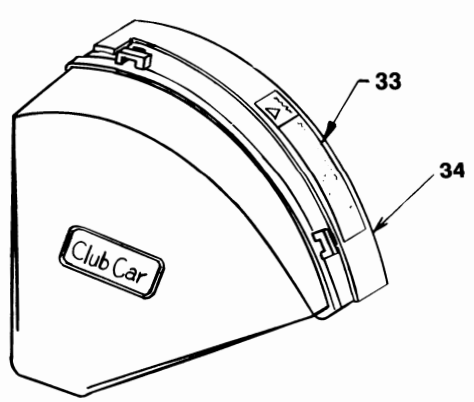
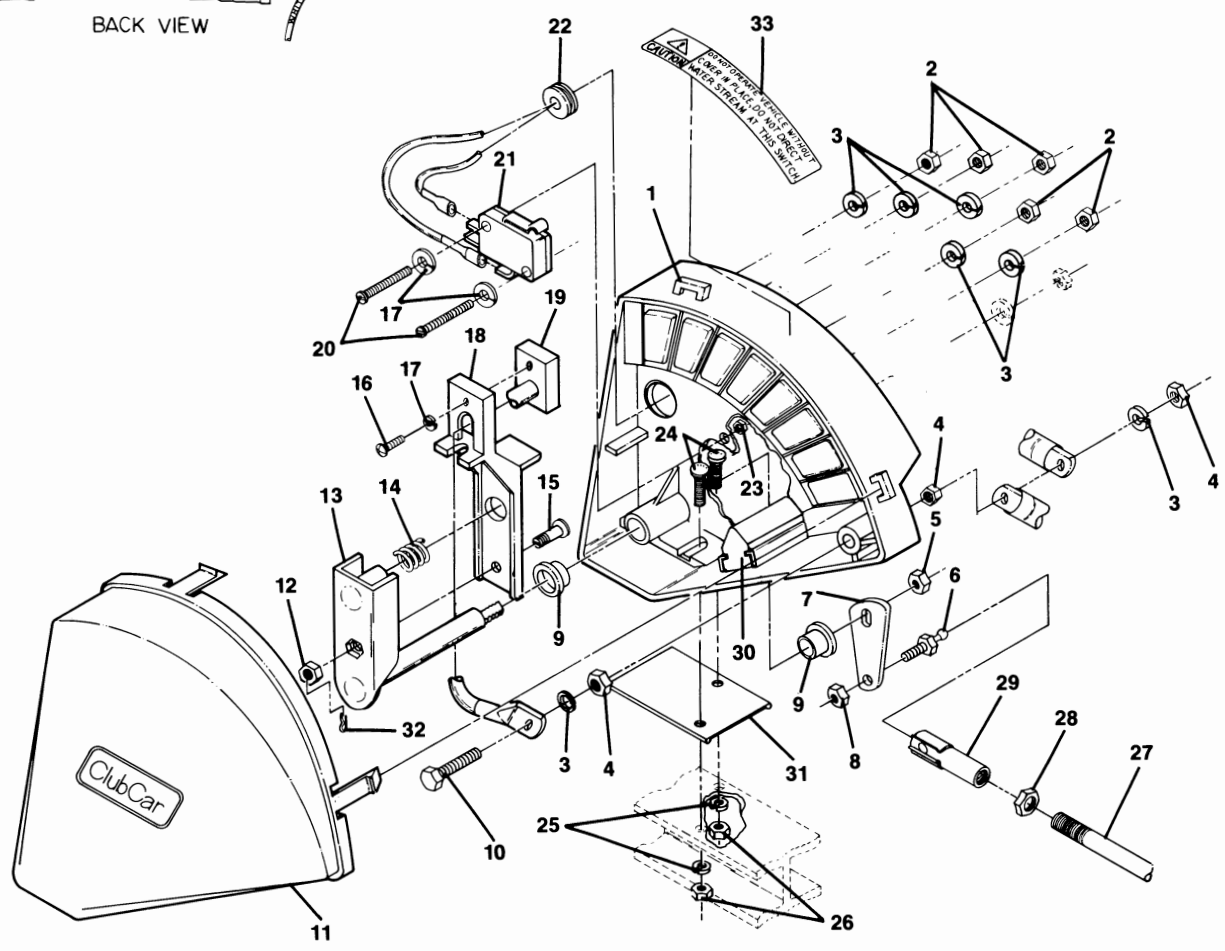
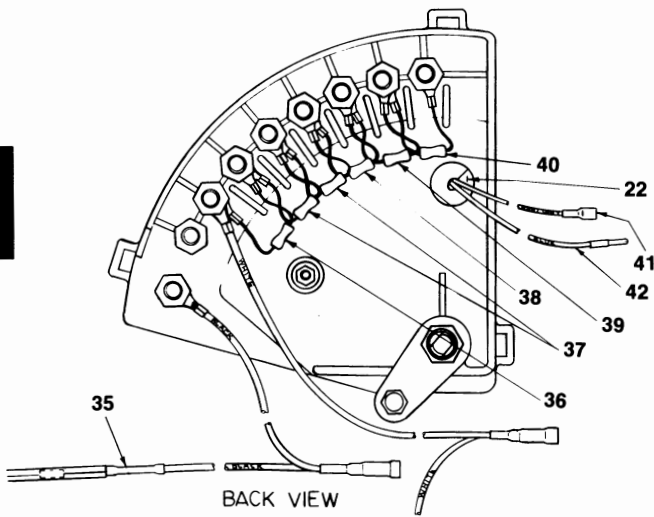
F&R SWITCH — SOLID STATE CONTROLLER

F&R SWITCH — SOLID STATE CONTROLLER

ITEM NUMBER	PART NUMBER	1 2 3 4	DESCRIPTION	UNITS PER VEHICLE
	1016012		F&R SWITCH ASSEMBLY	
1	1013198		SCREW, TRUSS HEAD	1
2	1012987		SWITCH HANDLE	1
3	8057		#4-40 UNC HEX NUT	2
4	1016130		F&R SWITCH ROTOR	1
5	8058		#4 LOCKWASHER	2
6	1014065		FLATWASHER (DELFIN)	1
7	1011990		3/8" FLATWASHER	2
8	1015830		F&R SWITCH CASE	1
9	1014145		BEARING	2
10	1012988		F&R SWITCH SHAFT	1
11	1011993		ROLL PIN 3/16" X 1.38	1
12	7627		F&R SHAFT SPRING	1
15	1014808		LIMIT SWITCH	3
18	1011988		SCREW, TRUSS HEAD PHILLIPS	3
19	8793		ROTOR CONTACT	2
20	1014871		#4-40 X 2.00 HEX WASHER HEAD SCREW	2
21	1231		ROLL PIN 1/8" X 1.00	1
22	8450		SCREW, HEX HEAD #10-34	2
23	8049		LOCKWASHER, #10 INTERNAL TOOTH	2
24	1014145		BEARING	2

E

12



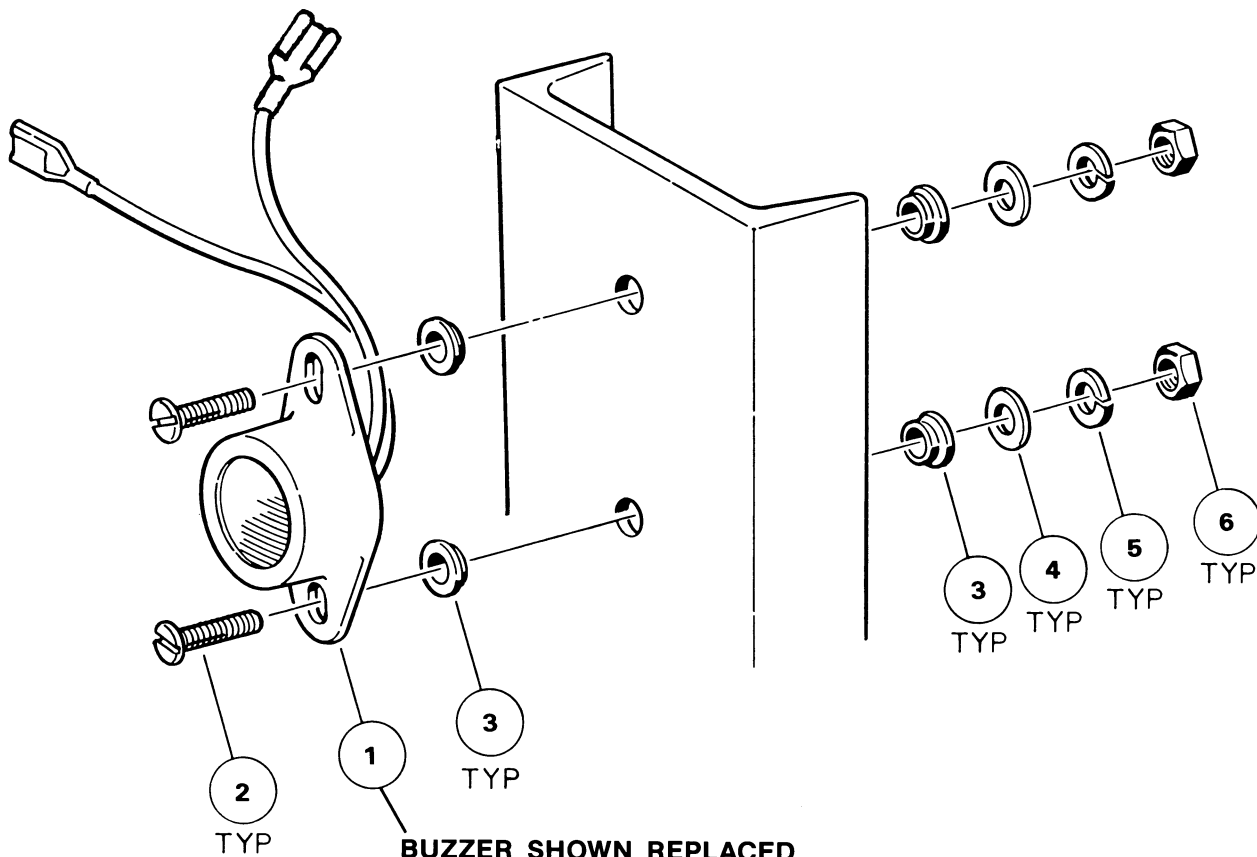
V-GLIDE WIPER SWITCH — SOLID STATE CONTROLLER

V-GLIDE WIPER SWITCH — SOLID STATE CONTROLLER

ITEM NUMBER	PART NUMBER	DESCRIPTION				UNITS PER VEHICLE
		1	2	3	4	
		V-GLIDE WIPER SWITCH — SOLID STATE CONTROLLER				
1	1014917	SPEED CONTROLLER CASE				1
2	1014	1/4"-20 UNC HEX NUT, BRASS				5
3	451	1/4" SPLIT LOCKWASHER				7
4	1014253	1/4"-20 BRASS JAM NUT				3
5	7473	5/16"-18 UNC NYLON LOCKNUT				1
6	1012353	1/4" X 1/4"-28, SHORT BALL STUD				1
7	1014003	SPEED CONTROLLER BELL CRANK				1
8	8449	1/4"-28 DIMPLED LOCKNUT				1
9	1012903	3/8" X 1/2" FLANGE BEARING				2
10	1014189	1/4"-20 X 2.00 HEX CAP SCREW, BRONZE				1
11	1013886	SPEED CONTROLLER COVER				1
12	7893	#10-32 UNF HEX NUT				1
13	1014017	SPEED CONTROLLER SHAFT AND CARRIER				1
14	1013998	SPEED CONTROLLER BRUSH SPRING				1
15	1014000	SPEED CONTROLLER ADJUSTING STUD				1
16	1014019	#4-40 UNC TYPE "F" SCREW				1
17	8058	#4 SPLIT LOCKWASHER				3
18	1013887	SPEED CONTROLLER ARM				1
19	1013860	SPEED CONTROLLER BRUSH				1
20	8056	#4-40 UNC X 3/4" ROUND HEAD SCREW				2
21	1014807	LIMIT SWITCH				1
22	1014010	SPLIT GROMMET				1
23	8057	#4-40 UNC HEX NUT				2
24	1014109	#10-24 X 3/4" ROUND HEAD BOLT				2
25	1016175	#10 SPLIT LOCKWASHER				2
26	1017	#10 HEX NUT				2
27	1014016	ACCELERATOR ROD				1
28	1011084	1/4-28 JAM NUT				2
29	1011734	BALL JOINT				2
30	1014414	BUMPER, SPEED CONTROLLER				1
31	1014367	SHIM, SPEED CONTROLLER				1
32	1014413	HAIR SPRING COTTER PIN				1
33	1016109	SPEED CONTROLLER DECAL				2
34	1016061	WIPER SWITCH RESISTOR PROTECTOR				1
35	1016018	WIRE ASSEMBLY #18 BLACK				1
36	1016017	RESISTOR ASSEMBLY 910Ω				1
37	1016016	RESISTOR ASSEMBLY 620Ω				2
38	1016015	RESISTOR ASSEMBLY 750Ω				1
39	1016014	RESISTOR ASSEMBLY 820Ω				1
40	1016013	RESISTOR ASSEMBLY 1100Ω				1
41	1014839	#18 GREEN/WHITE WIRE ASSEMBLY				1
42	1016142	#18 BLUE WIRE ASSEMBLY				1
44	1016092	#8-32 X .44 PAN HEAD SCREW (NOT SHOWN) (ATTACHES RESISTOR PROTECTOR #34 TO WIPER SWITCH CASE)				2
45	1013529	#8 PLAIN WASHER (NOT SHOWN) (ATTACHES RESISTOR PROTECTOR #34 TO WIPER SWITCH CASE)				4
46	1011571	#8-32 HEX NUT (NOT SHOWN) (ATTACHES RESISTOR PROTECTOR #34 TO WIPER SWITCH CASE)				2
47	1016090	#8-32 HEX MALE/FEMALE STANDOFF (NOT SHOWN) (ATTACHES RESISTOR PROTECTOR #34 TO WIPER SWITCH CASE)				2
48	1012076	#8 EXTERNAL TOOTH LOCKWASHER (NOT SHOWN) (ATTACHES RESISTOR PROTECTOR #34 TO WIPER SWITCH CASE)				4

E

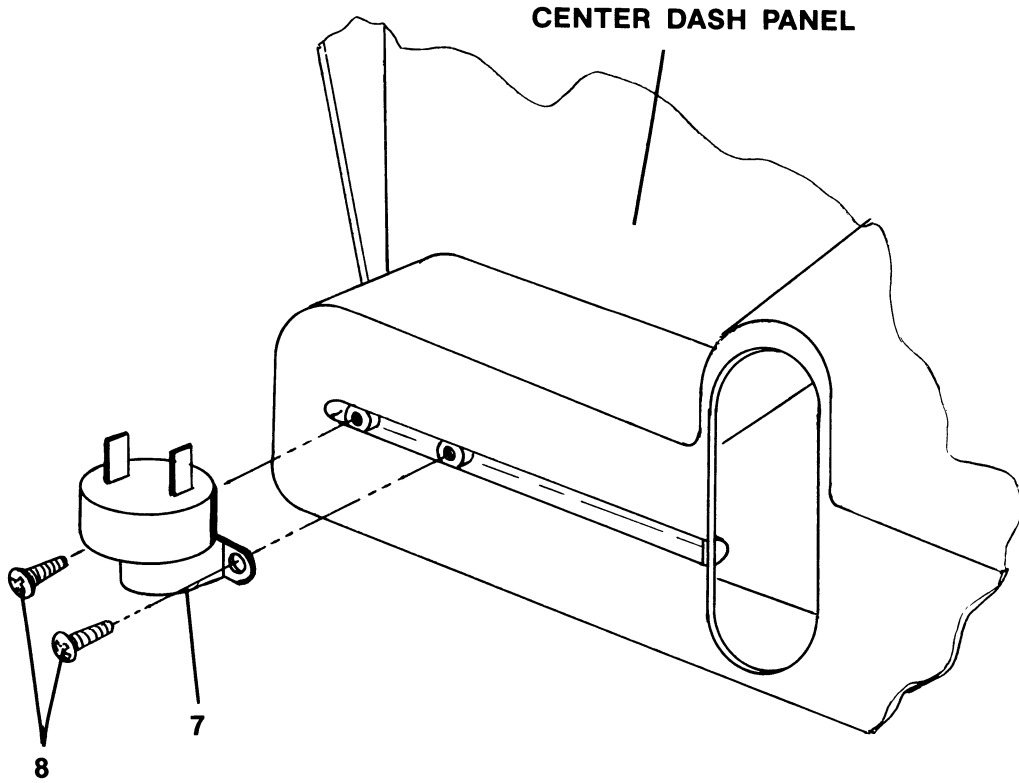
12



**BUZZER SHOWN REPLACED
BY ITEM #7 (1016851)**

REVERSE BUZZER — FRAME MOUNTED

ITEM NUMBER	PART NUMBER	1 2 3 4	DESCRIPTION	UNITS PER VEHICLE
1	1016859		BUZZER KIT INCLUDES ITEMS 2 THRU 8	1
2	8056		SCREW, ROUND HEAD #4-40 X 3/4	2
3	1015718		NYLON SHOULDER WASHER	4
4	1012431		#4 FLATWASHER	2
5	8058		#4 LOCKWASHER	2
6	8057		#4 HEX NUT	2

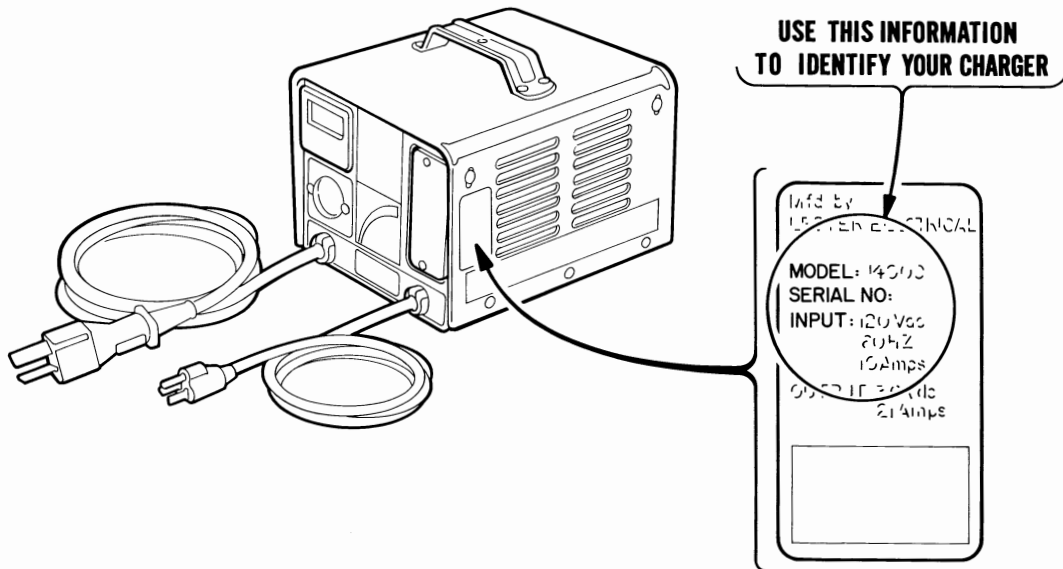


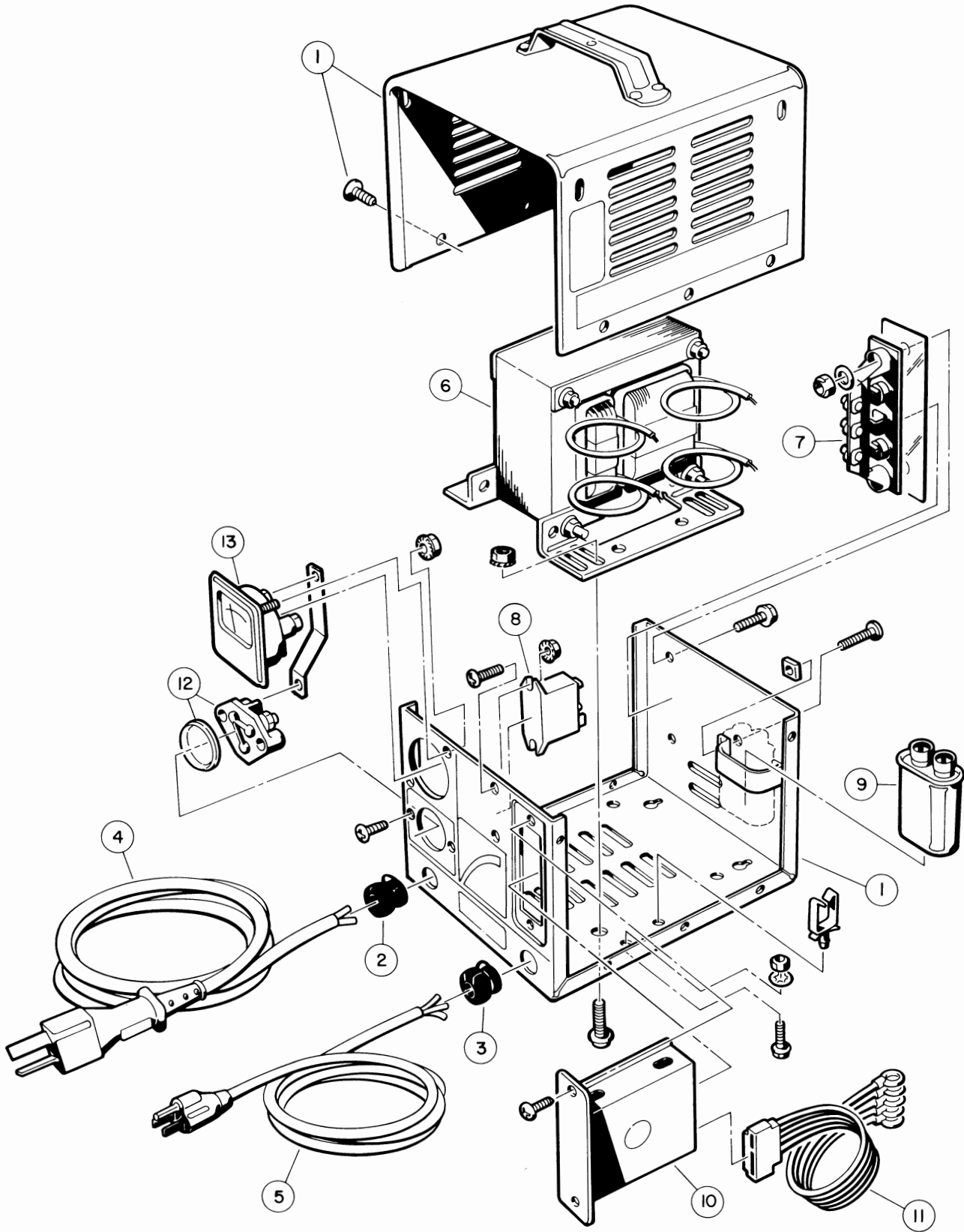
REVERSE BUZZER — DASH MOUNTED

ITEM NUMBER	PART NUMBER	DESCRIPTION	UNITS PER VEHICLE
7	1016851	REVERSE BUZZER	1
8	1016849	#4-24 X .330 SCREW, PAN HEAD HI-LO	2

Section 13

BATTERY CHARGER





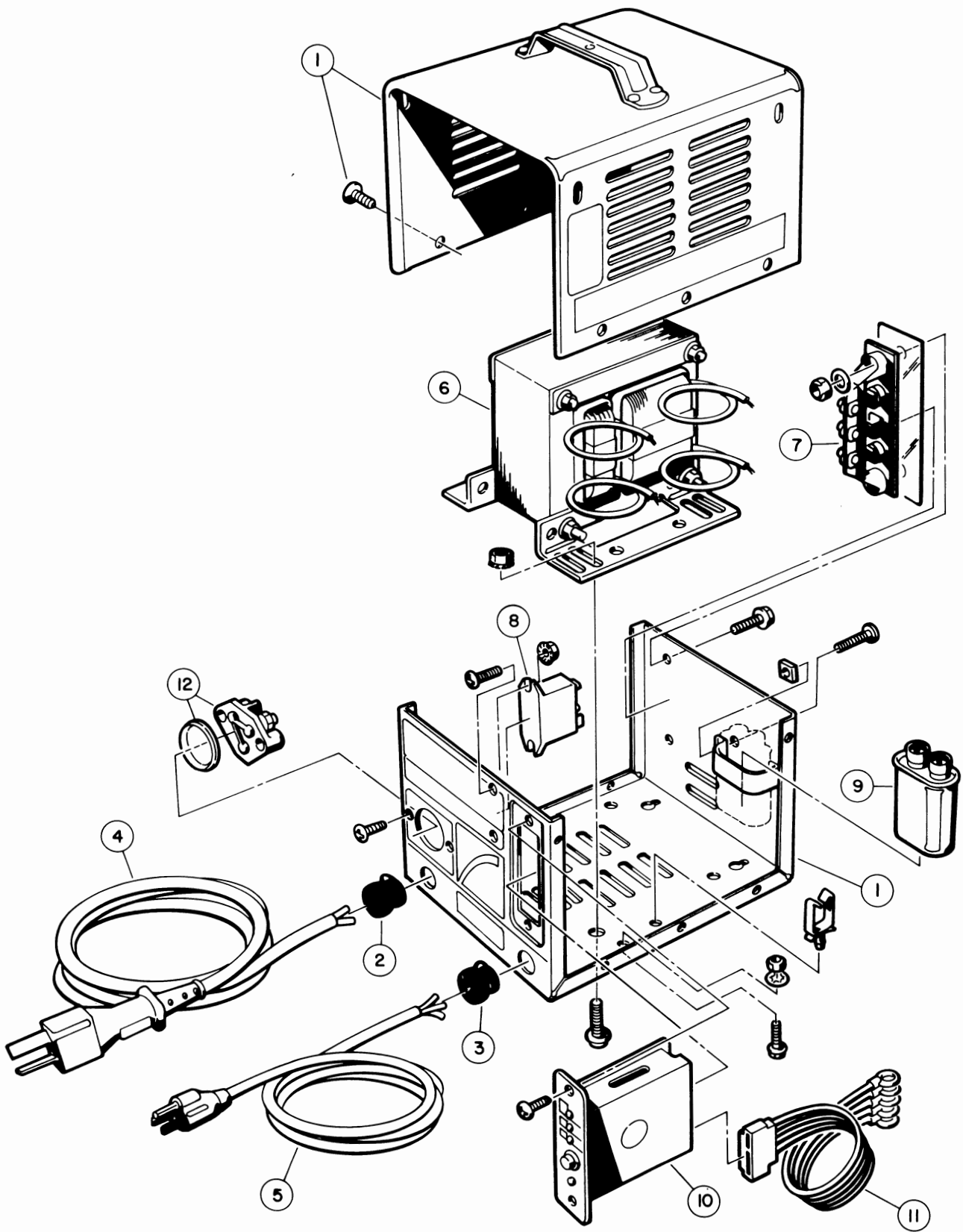
MODEL 13800 ACCU-POWER CHARGER

MODEL 13800 ACCU-POWER CHARGER

ITEM NUMBER	PART NUMBER	1 2 3 4	DESCRIPTION	UNITS PER VEHICLE
1	1015907		CASE ASSEMBLY INCLUDES FASTENERS	1
2	1012098		STRAIN RELIEF, DC CORD	1
3	1015917		STRAIN RELIEF, AC CORD	1
4	1016433-01		DC CORDSET, 12 AWG X 110 INCHES LONG	1
4	1016433-02		DC CORDSET, 12 AWG X 146 INCHES LONG	1
4	1016433-03		DC CORDSET, 10 AWG X 242 INCHES LONG	1
4	1016433-04		DC CORDSET, 10 AWG X 110 INCHES LONG	1
5	1015916-01		AC CORDSET, 16 AWG X 80 INCHES LONG	1
5	1015916-02		AC CORDSET, 16 AWG X 110 INCHES LONG	1
6	1015912		TRANSFORMER ASSEMBLY	1
7	1015914		HEATSINK ASSEMBLY WITH DIODES	1
8	1015911		36 VDC RELAY	1
9	1015910		CAPACITOR	1
10	1015906		TIMER KIT ASSEMBLY	1
11	1015913		CONTROL CABLE ASSEMBLY	1
12	1012101		FUSE ASSEMBLY	1
13	1015905		AMMETER	1
	1016464-01		ACCU-POWER CHARGER ASSEMBLY INCLUDES ITEMS 1 THRU 3, 6 THRU 13, 1 EACH OF ITEMS 4 AND 5	

E

13



MODEL 14000 ULTRA-POWER CHARGER

MODEL 14000 ULTRA-POWER CHARGER

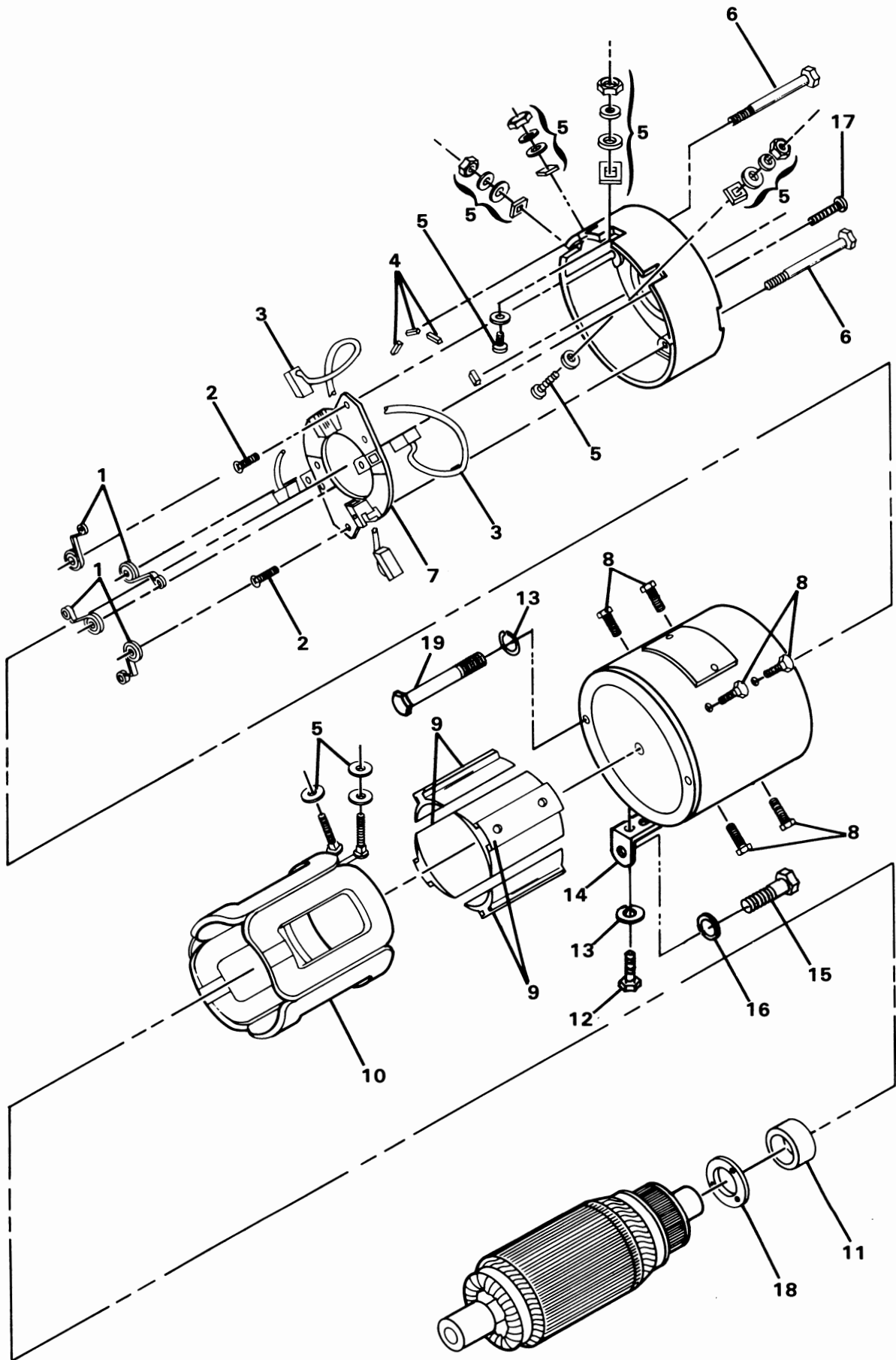
ITEM NUMBER	PART NUMBER	DESCRIPTION	UNITS PER VEHICLE
1	1015909	CASE ASSEMBLY INCLUDES FASTENERS	1
2	1012098	STRAIN RELIEF, DC CORD	1
3	1015917	STRAIN RELIEF, AC CORD	1
4	1016433-01	DC CORDSET, 12 AWG X 110 INCHES LONG	1
4	1016433-02	DC CORDSET, 12 AWG X 146 INCHES LONG	1
4	1016433-03	DC CORDSET, 10 AWG X 242 INCHES LONG	1
4	1016433-04	DC CORDSET, 10 AWG X 110 INCHES LONG	1
5	1015916-01	AC CORDSET, 16 AWG X 80 INCHES LONG	1
5	1015916-02	AC CORDSET, 16 AWG X 110 INCHES LONG	1
6	1015912	TRANSFORMER ASSEMBLY	1
7	1015914	HEATSINK ASSEMBLY WITH DIODES	1
8	1015911	36 VDC RELAY	1
9	1015910	CAPACITOR	1
10	1015908	TIMER KIT ASSEMBLY	1
11	1015913	CONTROL CABLE ASSEMBLY	1
12	1012101	FUSE ASSEMBLY	1
	1016463-01	ULTRA-POWER CHARGER ASSEMBLY INCLUDES ITEMS 1 THRU 3, 6 THRU 12, 1 EACH OF ITEMS 4 AND 5	1

E

13

Section 14

MOTOR



MOTOR ASSEMBLY FOR CLUB CAR MODELS 1012191 AND 1014678

MOTOR ASSEMBLY FOR CLUB CAR MODELS 1012191 AND 1014678

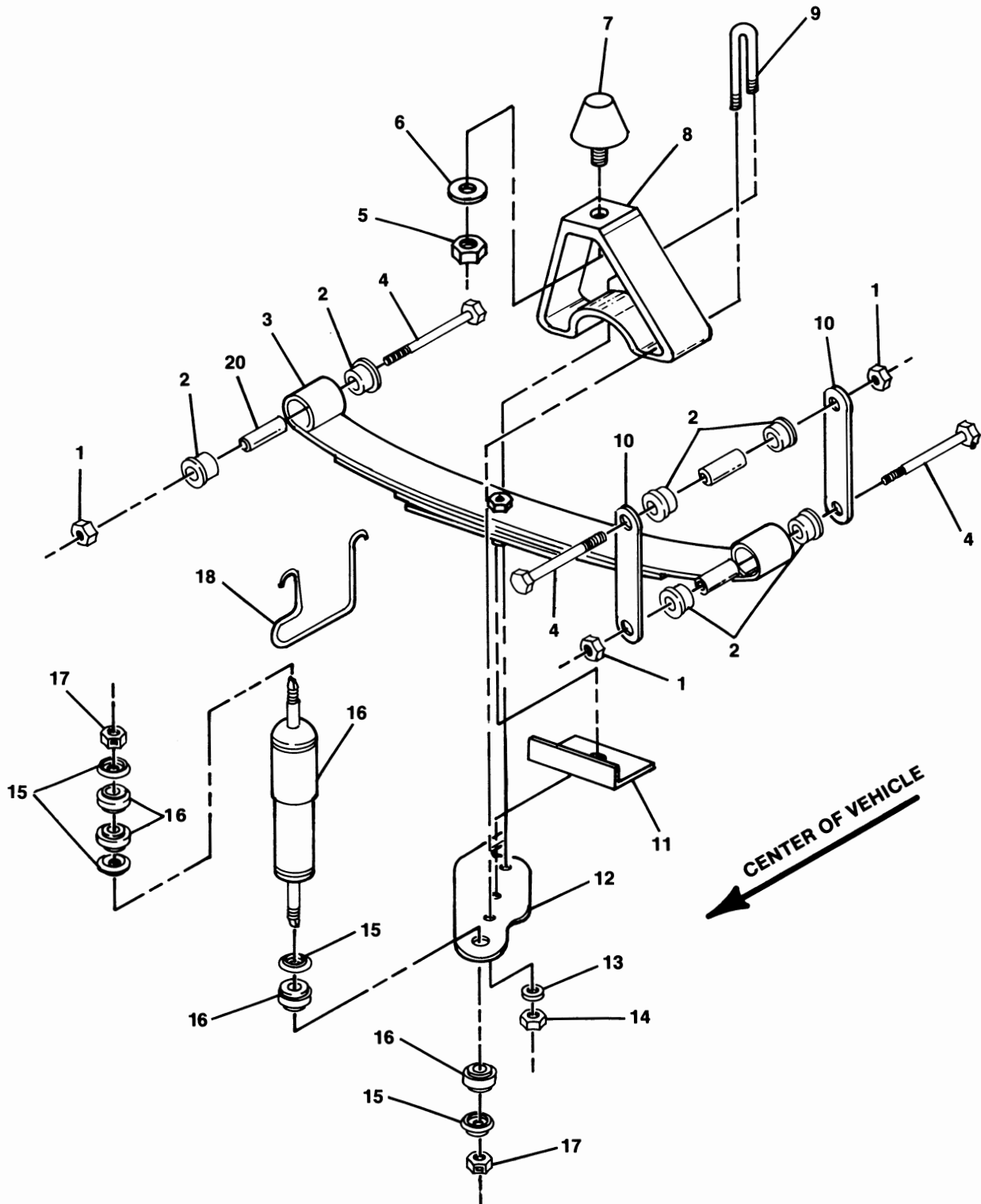
ITEM NUMBER	PART NUMBER	DESCRIPTION				UNITS PER VEHICLE
		1	2	3	4	
	1012191	MOTOR ASSEMBLY COMPLETE				1
1	1011411	BRUSH SPRING PACKAGE (4 PIECES)				1
2	1011283	SCREW, BRUSH RIGGING				2
3	1011410	BRUSH PACKAGE (4 PIECES)				1
4	1011409	RUBBER GASKET PACKAGE (4 PIECES)				2
5	1011407	HARDWARE KIT				4
6	1011275	MOTOR CLAMP SCREW (CE)				2
7	1011284	BRUSH RIGGING				1
8	1011412	SCREW, POLE PIECE PACKAGE (8 PIECES)				1
9	1011413	FIELD POLE PIECE PACKAGE (4 PIECES)				1
10	1011288	FIELD COILS, MODEL 1012191 — 2 HP				1
10	1011289	FIELD COILS, MODEL 1014678 — 3-1/2 HP				1
11	1011290	BALL BEARING, DOUBLE SHIELD				1
12	7847	BOLT, HEX HEAD, 1/4-20 X 3/4"				2
13	451	LOCKWASHER, 1/4"				5
14	1012177	MOTOR/AXLE CLIP				1
15	1010934	BOLT, HEX HEAD, 5/16-18 X 1"				1
16	7174	LOCKWASHER, 5/16"				1
17	1013893	SCREW, PAN HEAD, #8-32				3
18	1013894	RETAINER-BEARING				1
19	1014201	BOLT, HEX, 1/4-20 X 2-1/4"				3

E

14

Section 15

REAR SUSPENSION



REAR SUSPENSION ASSEMBLY — CARRYALL-I ELECTRIC

REAR SUSPENSION ASSEMBLY — CARRYALL-I ELECTRIC

ITEM NUMBER	PART NUMBER	1 2 3 4				DESCRIPTION	UNITS PER VEHICLE
1	1010138					DIMPLED LOCKNUT, 3/8-16 UNC	6
2	1015583					URETHANE BUSHING	12
3	1014675					REAR SPRING	2
4	8755					BOLT, HEX, 3/8-16 UNC X 3-3/8"	6
5	7473					LOCKNUT, NYLON 5/16-18	2
6	1241					FLATWASHER, 5/16	2
7	1014552					BUMPER	2
8	1014549					BUMPER MOUNT — ANGLED	2
9	1014902					"U" BOLT	2
10	7569					REAR SPRING SHACKLE	4
11	1014573					SPRING RETAINER	2
12	1012181					SHOCK MOUNT, RIGHT-HAND (NOT SHOWN)	1
12	1012182					SHOCK MOUNT, LEFT-HAND	1
13	1014557					FLATWASHER, 7/16"	4
14	1014555					LOCKNUT, NYLON 7/16-14	4
15	1011415					SHOCK ABSORBER CUSHION KIT	4
16	1014236					SHOCK	2
17	1010145					NUT, HEX 3/8-24	4
18	1013207					BRAKE CABLE HANGER	2
19	1013164					SHOCK ABSORBER KIT	1
						INCLUDES ITEMS 15 (4) AND 16 (2)	
20	1012303					STEEL BUSHING	6

E



Club Car, Inc.
P.O. Box 204658
Augusta, GA 30917-4658
USA

Web www.clubcar.com
Phone 1.706.863.3000
1.800.ClubCar
Int'l +1 706.863.3000
Fax 1.706.863.5808