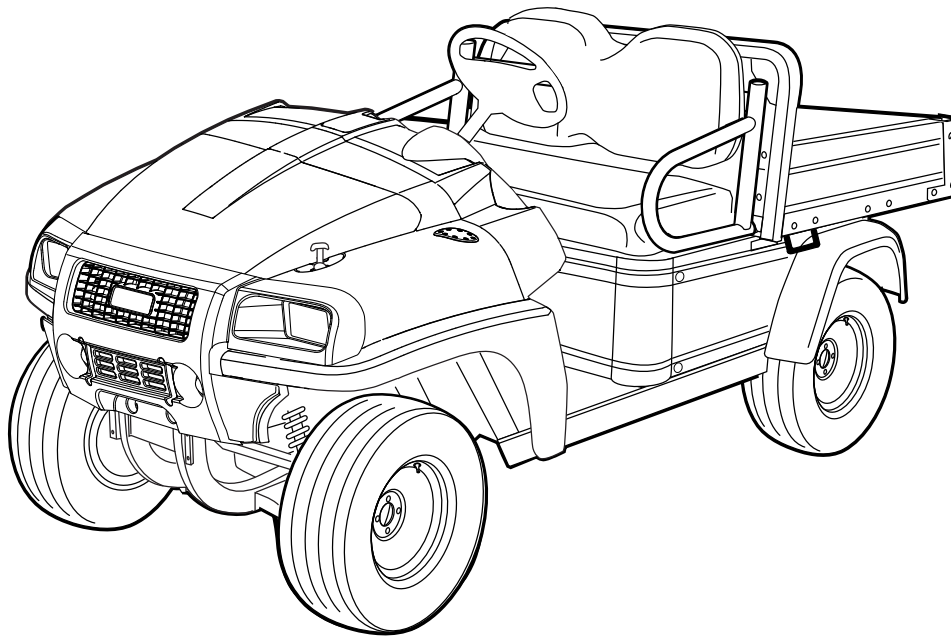




2018
Carryall 1500 2WD
Illustrated Parts List



Gasoline Utility Vehicle

Manual Number 105344140
Edition Code _C

USING THE ILLUSTRATED PARTS LIST

⚠ WARNING

- **This manual is to be used only for identification and ordering of service parts. Be sure to read and use the maintenance and service manual before attempting any vehicle repairs.**

This manual covers all 2018 Carryall 1500 two-wheel drive vehicles.

The manual is divided into sections. Note that there are two or three flags on the outside edge of each page. The first flag contains the section number of which that page is a part. The other flag (or flags) contains the letter G, signifying that the page pertains to gasoline vehicles only.

Use the Table of Contents to find the sections and pages that contain the parts and assemblies you seek. The Table of Contents lists section numbers, and under them, the individual page titles and numbers to be found in that section. The index can be used to find specific parts and assemblies. The index is divided into numerical and alphabetical listings with the page numbers in italic text.

There is a two-page spread for each individual page title in the Table of Contents. On the left-hand page is an illustration showing the parts in their relative positions; the parts are each tagged with an item number in a balloon. The right-hand page is the parts list page, and gives the page title at the top, then the item numbers (corresponding to the numbers on the illustration), part descriptions, and quantity of parts used.

Note that a part description may be indented. This indention corresponds to a parts assembly level indicated by the numbers 1, 2, 3, and 4 at the top left corner of the parts description area of the parts list page. A part that is indented to *level 2* is a component of the *level 1* part (assembly) that it is listed under. A *level 3* part is a component of the *level 2* part that it is listed under, and a *level 4* part is a component of the *level 3* part preceding it. In each case, the part quantity given for a level 2, 3, or 4 part is the quantity used per next higher level assembly of which it is a component. A part that is not indented is a *level 1* part. This means that the quantity given is the quantity used per the portion of the vehicle illustrated on that particular spread.



P. O. Box 204658
Augusta, Georgia 30917-4658 USA
Telephone 706-863-3000
Service Parts Fax 706-855-7413
www.clubcar.com

HOW TO ORDER PARTS

Replacement parts and accessories can be obtained from our network of authorized dealers and distributors. You can obtain the name and phone number of your closest authorized Club Car dealer or distributor by visiting our web site at www.clubcardealer.com, by calling our toll-free Service Parts and Technical Assistance hotline at (800) 872-2246 or (706) 863-3000, extension 3887, or by scanning this Quick Response (QR) code to be taken to the Club Car dealer locator. **Refer to Figure 1.** Download a QR code reader such as RedLaser or Barcode Scanner to your cell phone or tablet.



Figure 1 Dealer Locator QR Code

CUSTOMER SATISFACTION SURVEY

Let your voice be heard!

Please take time to participate in the Technical Publications satisfaction survey. Obtaining feedback from our customers is important to the department's continuous improvement process. The online survey takes less than five minutes and responses will help the department to examine current performance as well as identify areas for future improvement.

Our top priority is to provide timely, accurate, and user friendly manuals.

The online satisfaction survey can be found at: <http://bit.ly/1w9uFMh>



Figure 2 Survey QR Code

NOTE: *This illustrated parts list represents the most current information at the time of publication. Club Car, LLC is continually working to further improve its vehicles and other products. These improvements may affect the parts used to service the vehicle. Any modification and/or significant change in specifications will be forwarded to all Club Car and Carryall distributors/dealers and will, when applicable, appear in future editions of this illustrated parts list.*

Club Car, LLC reserves the right to change specifications and designs at any time without notice and without the obligation of making changes to units previously sold.

Copyright © 2018 Club Car, LLC.

Club Car is a registered trademark of Club Car, LLC.

This manual effective July 1, 2020.

CONTENTS

SECTION 1 – BODY AND TRIM

Glove Box	1-3
Tilt Bed, Hinge, and Latch	1-5
Fascia, Fenders, and Cowls (Molded in Color) – Carryall	1-7
Cowl Plug	1-9
Dash and Splash Guard	1-11
Side Stringers – 2 Passenger	1-13
Floorboard	1-15
Seat Support- Vehicle without ROPS	1-17
Bench Seat – Gray	1-19
Bench Seat – Black	1-21
Bench Seat – Tan	1-23
Bucket Seats – Gray	1-25
Bucket Seats – Black	1-27
Bench Seat Conversion Kit	1-29
2-Point Seat Belts	1-31
ROPS and Seat Support	1-33
Canopy (Vehicle with ROPS)	1-35
Canopy and Supports – Vehicle without ROPS	1-37
Latch Plates and Prop Rod	1-39
Box Bed – Aluminum	1-41
Side Panels and Rear Fenders	1-43

SECTION 2 – WHEELS AND TIRES

Wheels and Tires – Steel with Turf	2-3
Wheels and Tires – Steel with All-Terrain/Mud	2-5
Wheels and Tires – Alloy with All-Terrain/Mud	2-7

SECTION 3 – DECALS

Safety Decals	3-3
Safety Decals, Continued (without ROPS Option)	3-5
Safety Decals, Continued (with ROPS Option)	3-7
Badging Decals	3-9

SECTION 4 – BRAKE SYSTEMS AND PEDALS – WITH DUAL-PISTON FRONT CALIPERS

Front Brakes	4-3
Master Cylinder with Integral Reservoir	4-5
Hydraulic Brake Lines and Clips	4-7

CONTENTS

Brake Pedal	4-9
Park Brake System	4-11
Rear Brakes	4-13

SECTION 5 – STEERING AND SUSPENSION – WITH DUAL-PISTON FRONT CALIPERS

Steering Wheel and Column	5-3
Steering Gear	5-5
Front Suspension – Page 1 of 2	5-7
Front Suspension – Page 2 of 2	5-9
Shock Absorbers – 1050 lb Capacity	5-11
Shock Absorbers – 1500 lb Capacity	5-13
Rear Suspension (4-Link)	5-15

SECTION 6 – ELECTRICAL SYSTEM

Headlights – Carryall	6-3
Electrical Components, Front Body – Gas Vehicle	6-5
Wiring – Gasoline Vehicle	6-7
Reverse Buzzer and Limit Switch	6-9
Electrical Component Box, Gasoline Vehicle	6-11
Battery – Gasoline Vehicle	6-13
Top-Post Battery – Gasoline Vehicle	6-15

SECTION 7 – KAWASAKI FH680D GASOLINE ENGINE

Shrouds and Brackets	7-3
Valves and Camshaft	7-5
Tune-Up Kit – Kawasaki FH680	7-7
Kawasaki FH680D Gasoline Engine and Mounting	7-9
Oil and Lubrication Components	7-11
Oil Filter Adapter – Kawasaki FH680	7-13
Ignition Components and Flywheel – Kawasaki FH680	7-15
Cylinder Head and Crankcase	7-17
Pistons and Crankshaft	7-19

SECTION 8 – FUEL, INTAKE, ACCELERATOR AND GOVERNOR SYSTEMS

Governor Arm and Springs	8-3
Fuel Tank – Gasoline Vehicle	8-5
Fuel Pump, Filter and Hose – Kawasaki FH680	8-7
Carbon Canister – Gasoline Vehicle	8-9

CONTENTS

Intake Hoses and Air Filter – Kawasaki FH680	8-11
Carburetor – Kawasaki FH680	8-13
Intake Manifold and Carburetor Mounting – Kawasaki FH680	8-15
Accelerator Pedal	8-17
Accelerator and Choke Cables – Kawasaki FH680	8-19

SECTION 9 – EXHAUST SYSTEM

Exhaust Pipe and Muffler	9-3
Exhaust Header – Kawasaki FH680	9-5

SECTION 10 – CLUTCHES

Drive Belt	10-3
Drive Clutch (3 Weight) – Gas Vehicle	10-5
Driven Clutch (for 3 Weight Drive Clutch)	10-7
Clutch Cover (Non-Sealed)	10-9
Clutch Cover (Sealed)	10-11

SECTION 11 – DRIVETRAIN COMPONENTS

Oil, Differential and Transmission	11-3
Forward/Reverse Shifter	11-5
Shifter Cable	11-7
Prop Shaft	11-9
Transmission – Page 1 of 3	11-11
Transmission – Page 2 of 3	11-13
Transmission – Page 3 of 3	11-15
Rear Differential and Axles – Page 1 of 2	11-17
Rear Differential and Axles – Page 2 of 2	11-19

SECTION 12 – MAINTENANCE AND SERVICE TOOLS

Maintenance and Service Tools – 1500/1550/1700	12-3
Maintenance and Service Tools – 1500/1550/1700 Continued	12-5

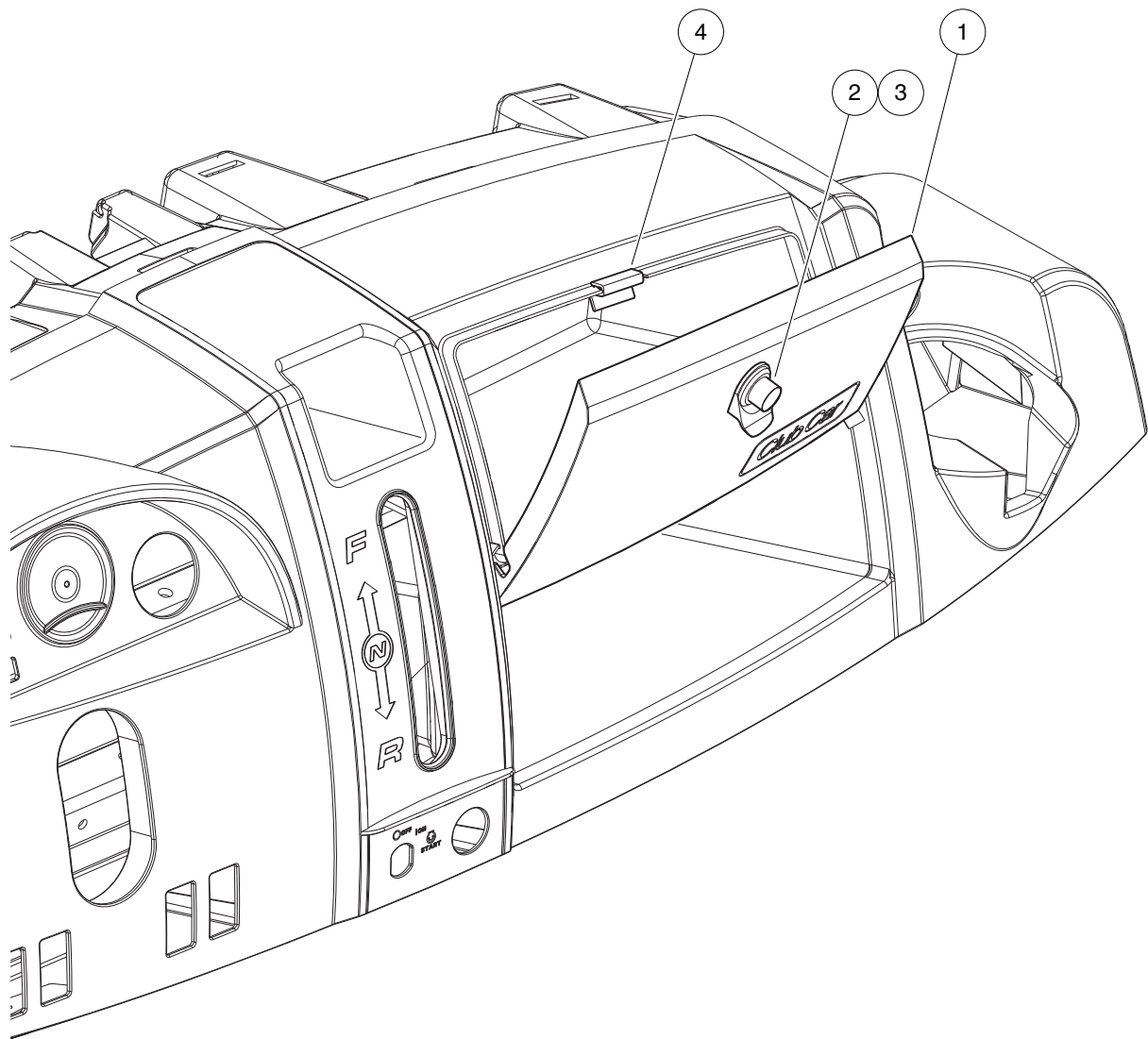
SECTION i – INDEX

BODY AND TRIM

1

G

1
G

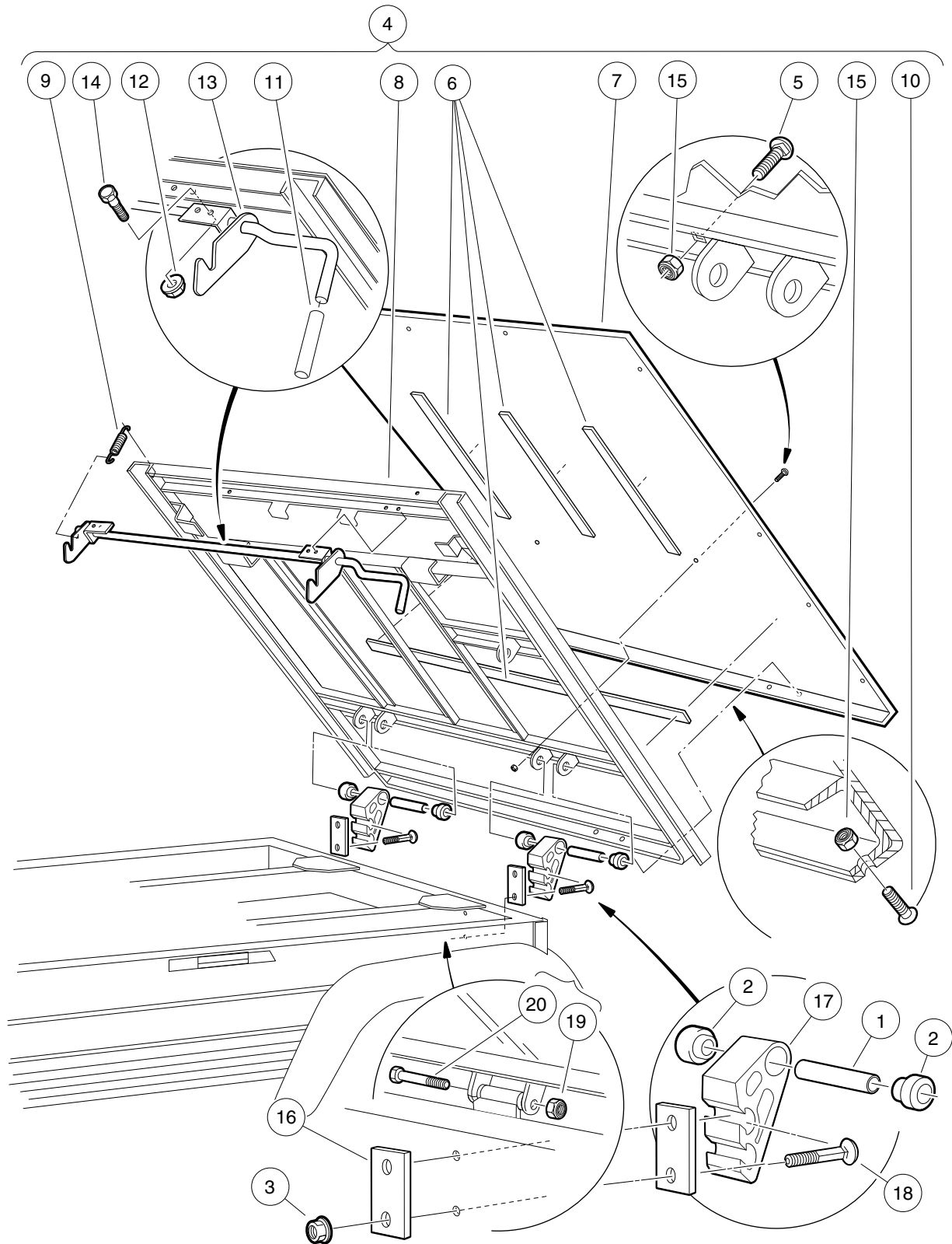


000789-001

GLOVE BOX

ITEM	PART NO.	DESCRIPTION	QTY
		1 2 3 4	
1	<u>102867202</u>	Cover, Storage, Dash, Blk, Cci	1
2	<u>103182701</u>	Latch, Push Close	1
3	<u>103182702</u>	Latch, Push Close W/ Key	1
4	<u>103182801</u>	Keeper, Latch, Push Close	1

1
G

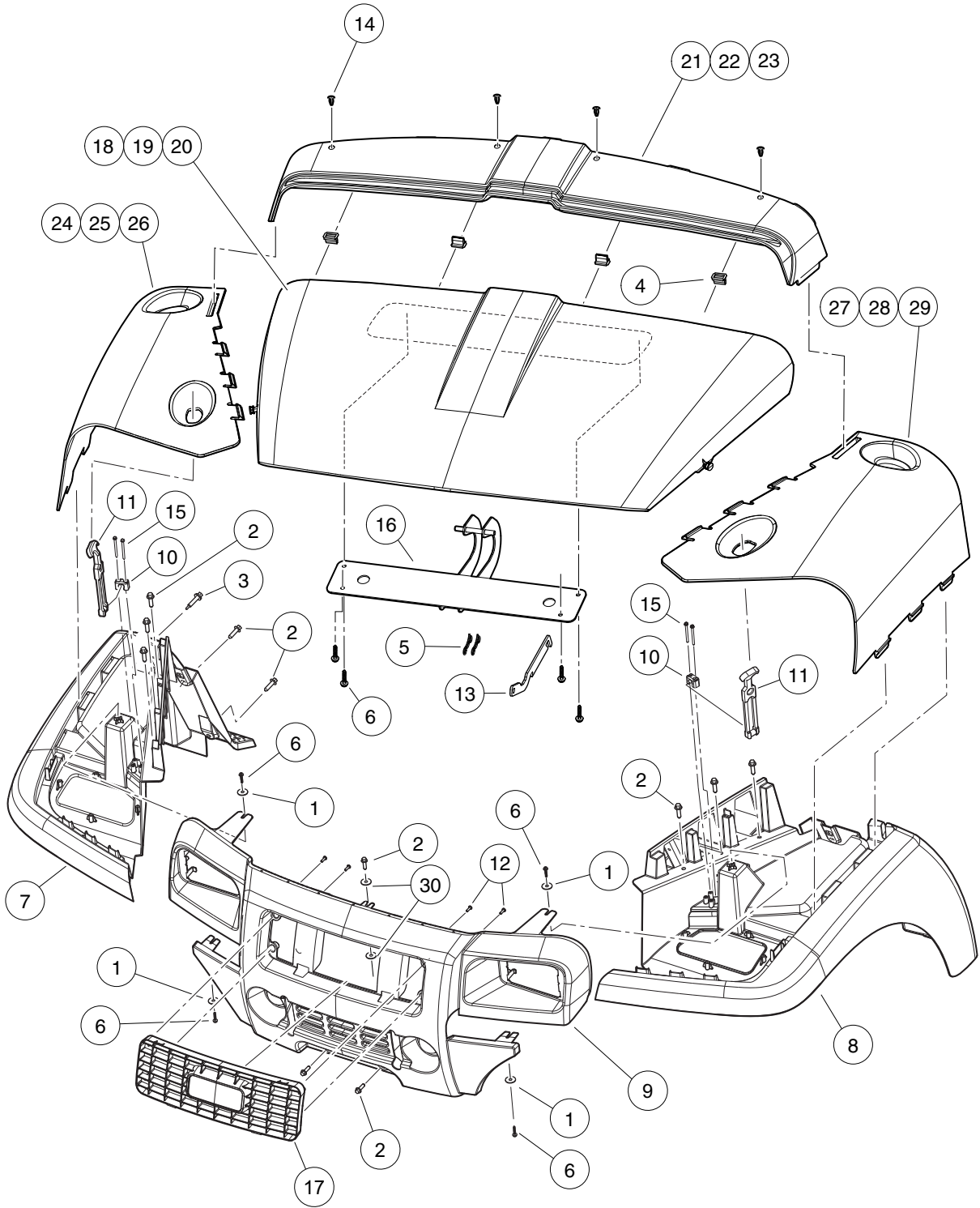


000037-001

TILT BED, HINGE, AND LATCH

ITEM	PART NO.	DESCRIPTION	QTY
		1 2 3 4	
1	<u>1012303</u>	Bushing, Steel	2
2	<u>1015583</u>	Bushing, Urethane	2
3	<u>102065901</u>	Locknut, 3/8-16 Flanged Dimple	4
4	<u>102171503</u>	Tilt Bed Assembly (includes items 5 through 15)	1
5	<u>1010435</u>	Bolt, Carriage, 5/16-18 X 1.00	4
6	<u>1014471</u>	Tape, Vinyl Foam 1/8" x 3/4"	1
7	<u>1015258</u>	Plate, Floor Bed	1
8	N/A	Frame Assembly	1
9	<u>1015391</u>	Extension, Spring Latch	2
10	1015399	Screw, 5/16-18 X 0.88 Torx Truss-Head	4
11	<u>1015400</u>	Grip, Tilt Latch Hand	1
12	<u>101835601</u>	Locknut, 1/4-20 Hex Whiz	4
13	<u>102426901</u>	Ltch Weld Asm Tlt Bd	1
14	<u>403</u>	Screw, 1/4-20 X 0.625 Hex-Head Cap	4
15	<u>7473</u>	Locknut, 5/16-18 Nylon Insert	8
16	<u>102614101</u>	Plate, Back	2
17	<u>103538701</u>	Bracket, Bed Hinge, Extruded	2
18	<u>103538901</u>	Bolt, Carriage, 3/8-16 x 3.5" Grade 5	4
19	<u>8754</u>	Locknut, 3/8-16 Hex	2
20	<u>8755</u>	Screw, 3/8-16 X 3.375 Hex Cap	2

1
G



000507-006

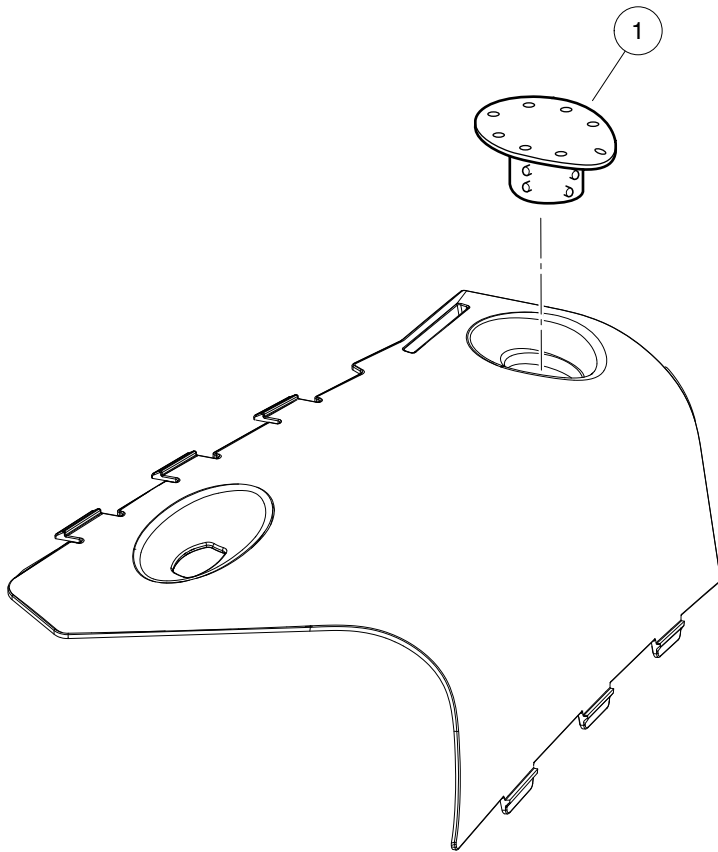
FASCIA, FENDERS, AND COWLS (MOLDED IN COLOR) – CARRYALL

ITEM	PART NO.	DESCRIPTION	QTY
		1 2 3 4	
1	<u>1011578</u>	Washer, 5/16 Type B Flat	4
2	<u>102289001</u>	Screw, M8X1.25X30, Hex	13
3	<u>102292356</u>	Screw-1/4-20x56 Hwh Self Drill	2
4	<u>102292701</u>	Clip-body-trim	4
5	<u>102292801</u>	Pin, Bow Tie Locking - .072	2
6	<u>102297230</u>	Screw, M6, Torx, Interlock Thread	8
7	<u>102866901</u>	Fender, Front, Pass, AWD	1
8	<u>102867001</u>	Fender, Front, Drv, AWD	1
9	<u>102867501</u>	Fascia, Front, CA, AWD	1
10	<u>102882401</u>	Bracket, Latch, Draw	2
11	<u>102895101</u>	Latch, Draw, Hood	2
12	<u>102895401</u>	Screw, D50x16, Torx PN Hd PT	4
13	<u>102896501</u>	Prop, Hood	1
14	<u>102967901</u>	Rivet, Removable, Tuflok 1/4"	4
15	<u>103218107</u>	Screw, #8x2.00 AB Thd, Hex Hd	4
16	<u>103588001</u>	Asm, Hood Hinge	1
17	<u>103760601</u>	Grill, Carryall	1
18	<u>103959210</u>	Hood, Dark Green	1
19	<u>103959214</u>	Hood, Dark Gray	1
20	<u>103959218</u>	Hood, Real Tree Camo	1
21	<u>103959310</u>	Panel, Cowl, Center, Dark Green	1
22	<u>103959314</u>	Panel, Cowl, Center, Dark Gray	1
23	<u>103959318</u>	Panel, Cowl, Center, Real Tree Camo	1
24	<u>103959410</u>	Panel, Cowl, Passenger-Side, Dark Green	1
25	<u>103959414</u>	Panel, Cowl, Passenger-Side, Dark Gray	1
26	<u>103959418</u>	Panel, Cowl, Passenger-Side, Real Tree Camo	1
27	<u>103959510</u>	Panel, Cowl, Driver-Side, Dark Green	1
28	<u>103959514</u>	Panel, Cowl, Driver-Side, Dark Gray	1
29	<u>103959518</u>	Panel, Cowl, Driver-Side, Real Tree Camo	1
30	<u>808</u>	Washer, 3/8 Type B Flat	2
		Note: These color body panels are molded in color except for black and camo.	

1
G

1

G



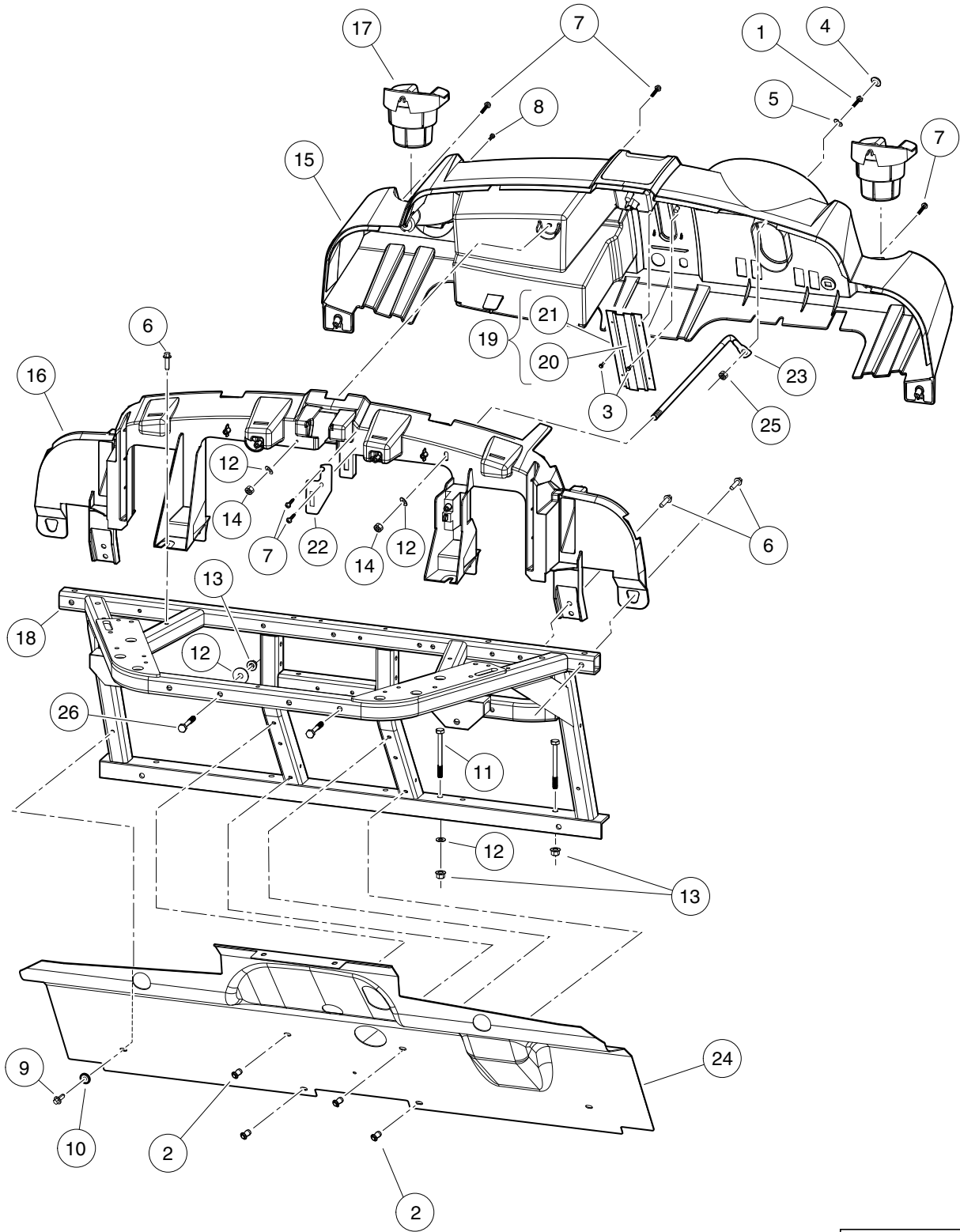
000508-006

COWL PLUG

ITEM	PART NO.	DESCRIPTION	QTY
1	<u>103954001</u>	1 2 3 4 Plug, Panel, Cowl	2

1
G

1
G



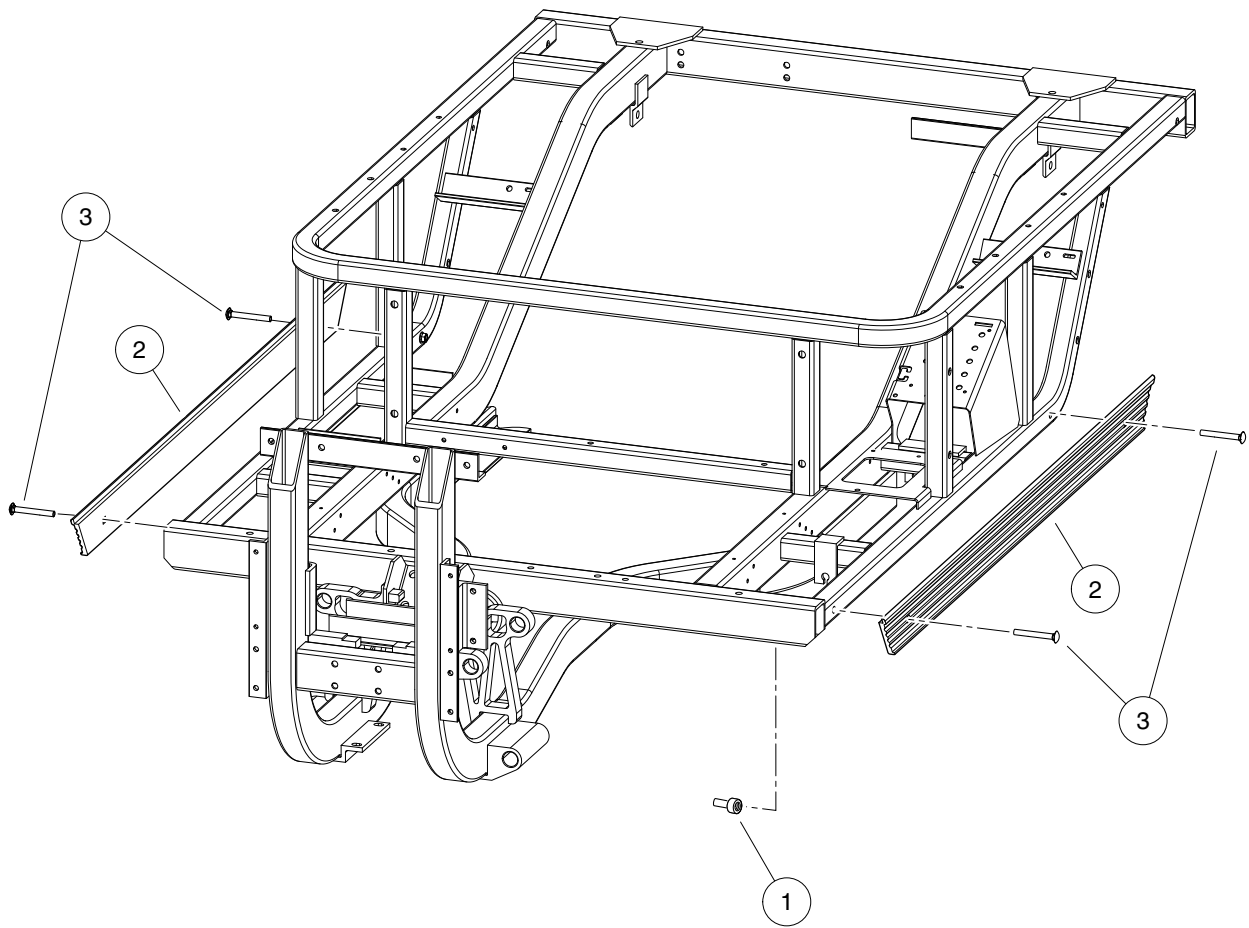
000519-003

DASH AND SPLASH GUARD

ITEM	PART NO.	DESCRIPTION	QTY
		1 2 3 4	
1	1016916	Screw, 1/4-20 X 1.50 Hex-Head Cap	1
2	1016967	Blind Rivet, Push Type	4
3	101804301	Screw, #8 X 0.500, Hex-Head Hi-Lo	2
4	102045001	Cap, 1/4" Plastic Screw Head	1
5	102048401	Washer, 1/4 Id Scalloped Plast	1
6	102289001	Screw, M8X1.25X30, Hex	6
7	102297230	Screw, M6, Torx, Interlock Thread	5
8	102298580	M8-1.25 X 80 Sems	1
9	102298720	Screw, M8-1.25x20, Taptite	2
10	102323501	Washer, Flat, 3/8, Blk Fin	2
11	102491301	Bolt, M10x1.50x100 (Black)	4
12	102491501	Washer, Hard, M10	10
13	102617201	Nut, Flanged, M10 X 1.5, Mechanically Deformed	8
14	102618601	Lock Nut, Flange, M8 X 1.25 Nylon	2
15	102867102	Dash, Design A, Dd F/h	1
16	102867301	Support, Structural	1
17	102883401	Cup Holder, Utility	2
18	102935501	Weldment, Dash, Front	1
19	103233001	Asm, Brush, Fnr (includes items 20 and 21)	2
20	N/A	Brush, Strip, FNR	2
21	N/A	Holder, Brush, Strip, FNR	2
22	103253801	Bracket, Hood Support	1
23	103268001	Rod, Connection, Dash	1
24	103296001	Guard, Splash, Gas Injection	1
25	8233	Locknut, 1/4-20, Nylon Insert	1
26	96715552	Bolt, M10 X 1.50 X 65	4

1
G

1
G



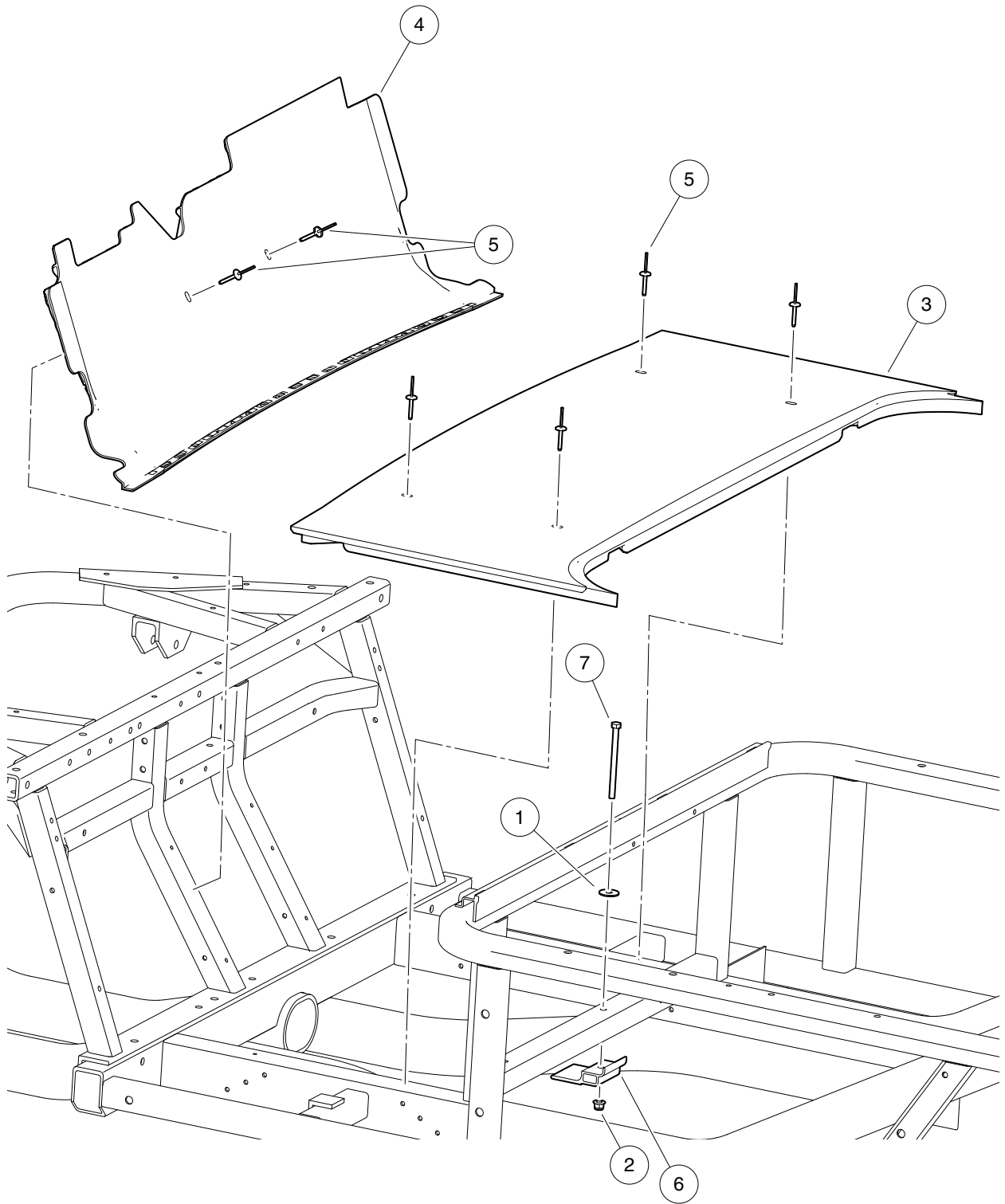
000527-001

SIDE STRINGERS – 2 PASSENGER

ITEM	PART NO.	DESCRIPTION	QTY
1	<u>102491701</u>	Well Nut 1/4-20	8
2	<u>103485501</u>	Stringer, Side, 1200mm	2
3	<u>103487501</u>	Screw, 1/4-20 X 1.0, Black	8

1
G

1
G



000790-003

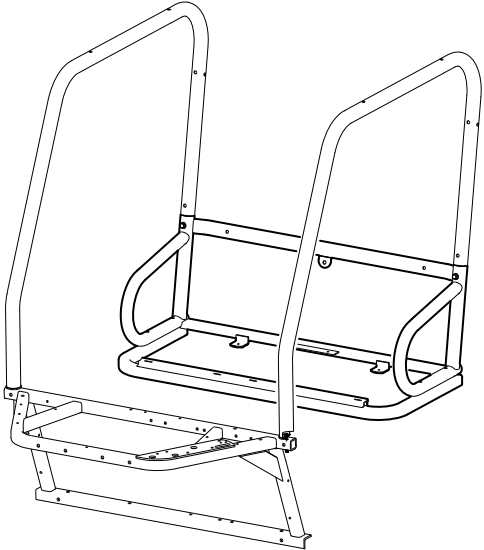
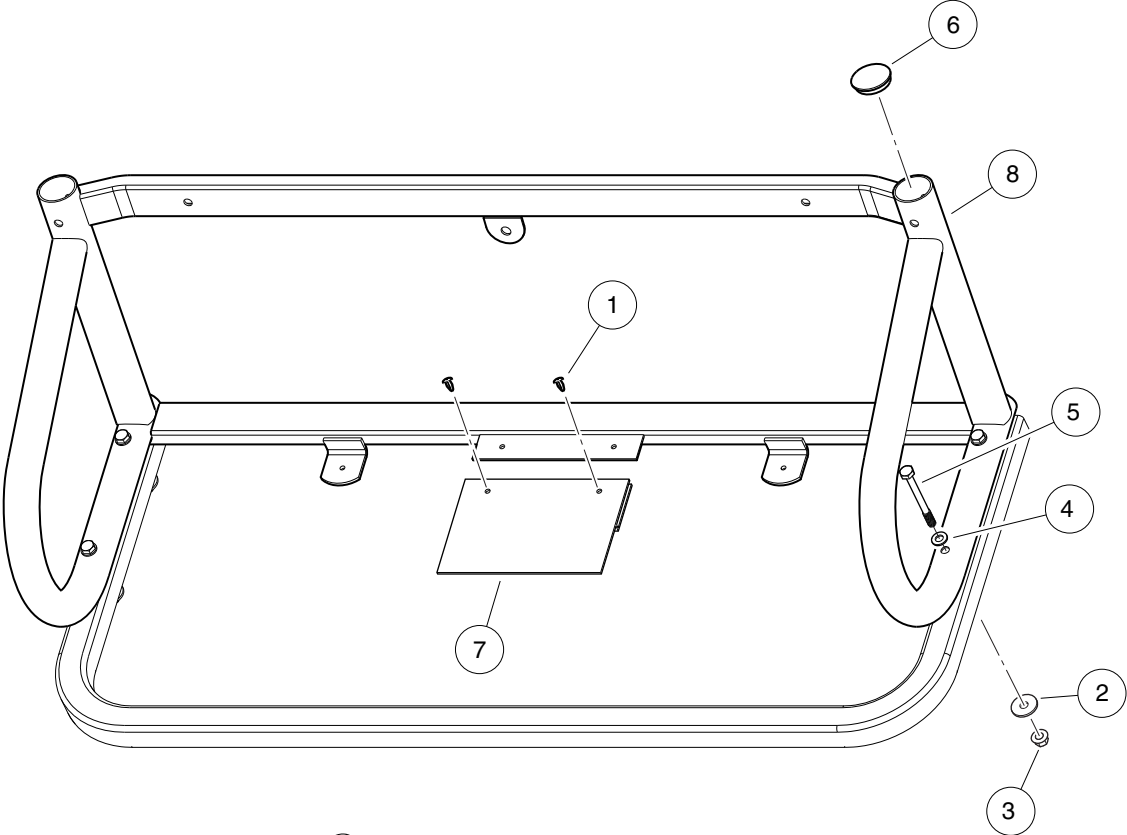
FLOORBOARD

ITEM	PART NO.	DESCRIPTION	QTY
		1 2 3 4	
1	<u>1011578</u>	Washer, 5/16 Type B Flat	1
2	102618601	Lock Nut, Flange, M8 X 1.25 Nylon	1
3	<u>103319601</u>	Floorboard, Lower	1
4	<u>103319701</u>	Floorboard, Upper	1
5	<u>103400001</u>	3/16 X 1.19 Alum Rivet, Blk	6
6	<u>103417401</u>	Bracket, Support, Floorboard	1
7	<u>103423701</u>	Bolt, M8 X 1.25 X 110	1

1

G

1
G



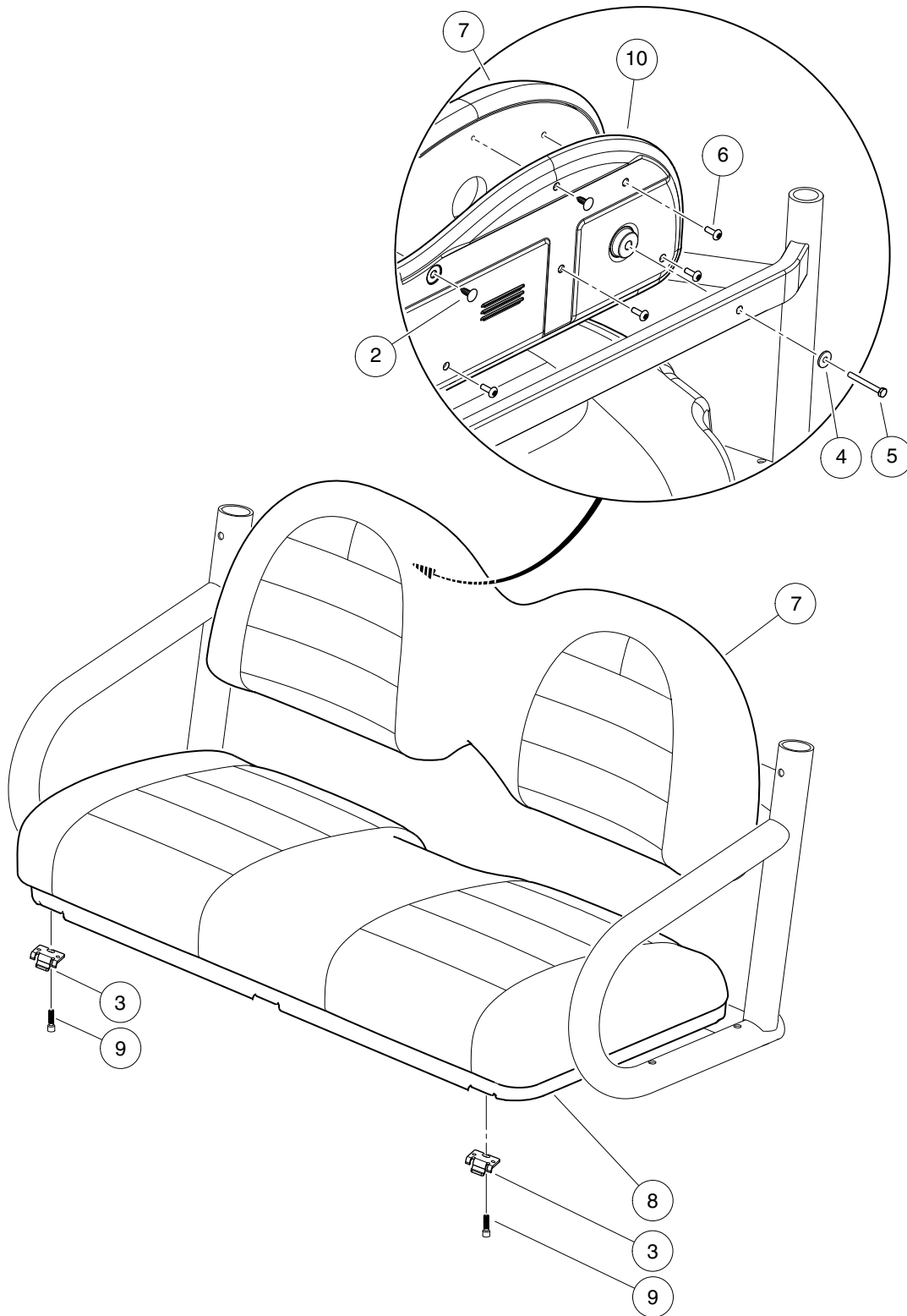
000029-006

SEAT SUPPORT- VEHICLE WITHOUT ROPS

ITEM	PART NO.	DESCRIPTION	QTY
		1 2 3 4	
1	<u>102025701</u>	Screw, Tuflok Panel, 1/4	2
2	<u>102491501</u>	Washer, Hard, M10	4
3	<u>102617201</u>	Nut, Flanged, M10 X 1.5, Mechanically Deformed	4
4	<u>102718101</u>	Washer, Hard, M10, Zn-Ni/Blk	4
5	<u>102732301</u>	Bolt, M10 X 100, Zn-Ni (Black)	4
6	<u>103215301</u>	Plug, Tube, Round, 2"	2
7	<u>103636701</u>	Closeout, Center, Style B	1
8	<u>103954101</u>	Weldment, Seat Support, 2wd	1

1
G

1
G



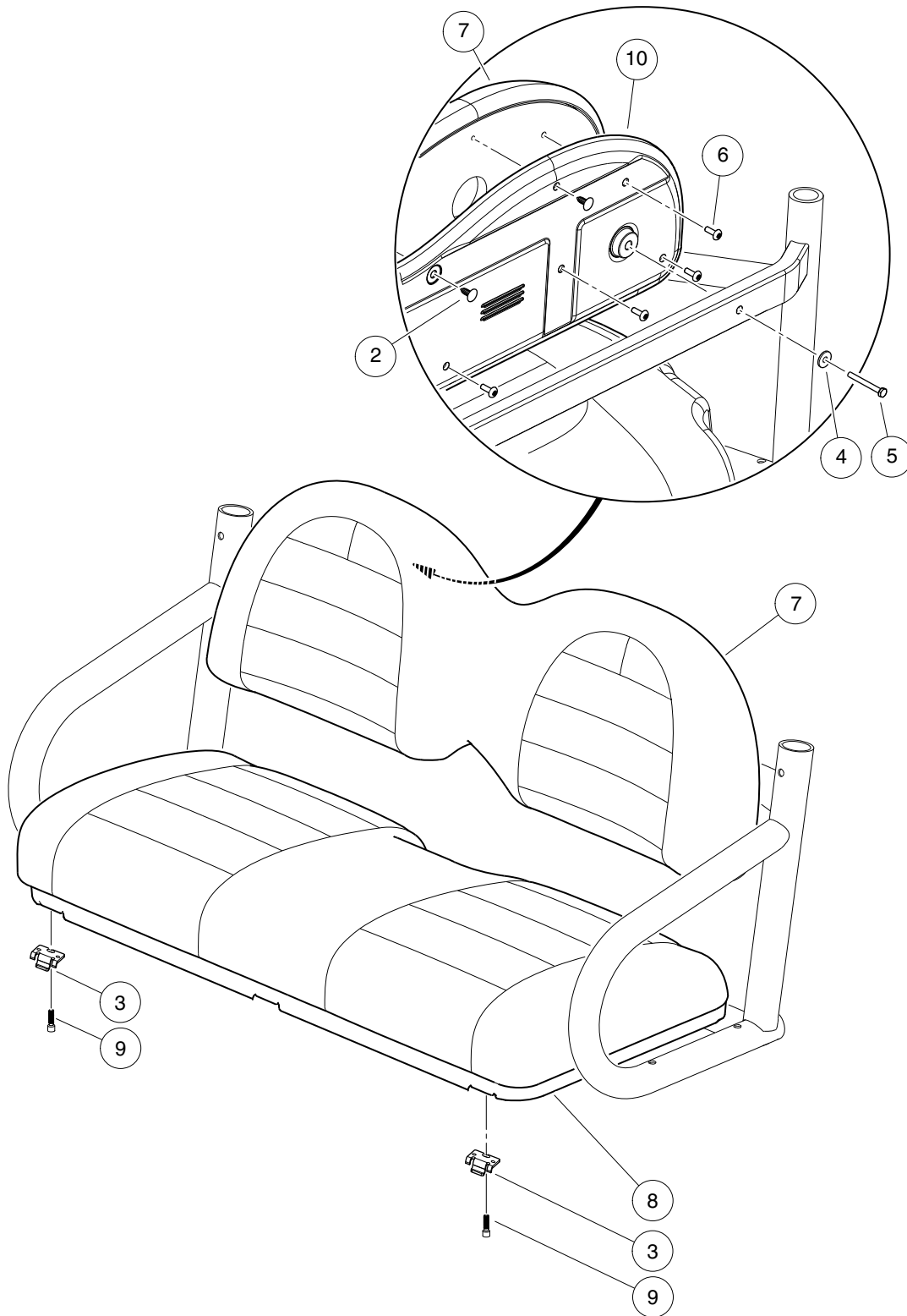
000523-002

BENCH SEAT – GRAY

ITEM	PART NO.	DESCRIPTION	QTY
		1 2 3 4	
1	<u>103647201</u>	Kit, Bench Seat, Gray (includes items 2 through 10)	1
2	<u>1010434</u>	Barrel - Plastic	8
3	<u>1011652</u>	Hinge Plate	2
4	<u>1011697</u>	Washer, 5/16 Flat	3
5	1014201	Screw, 1/4-20 X 2.25 Hex Cap	3
6	<u>1014415</u>	Screw, 1/4-20 X 0.75 Torx Truss-Head	4
7	<u>103456001</u>	Seat Back, Bench, Gray	1
8	<u>103629102</u>	Seat, Bench, Bottom, Gray	1
9	<u>103629501</u>	Screw, 1/4-20 X .75 Shcs	4
10	<u>103831101</u>	Cap, Seatback, Vented	1

1
G

1
G



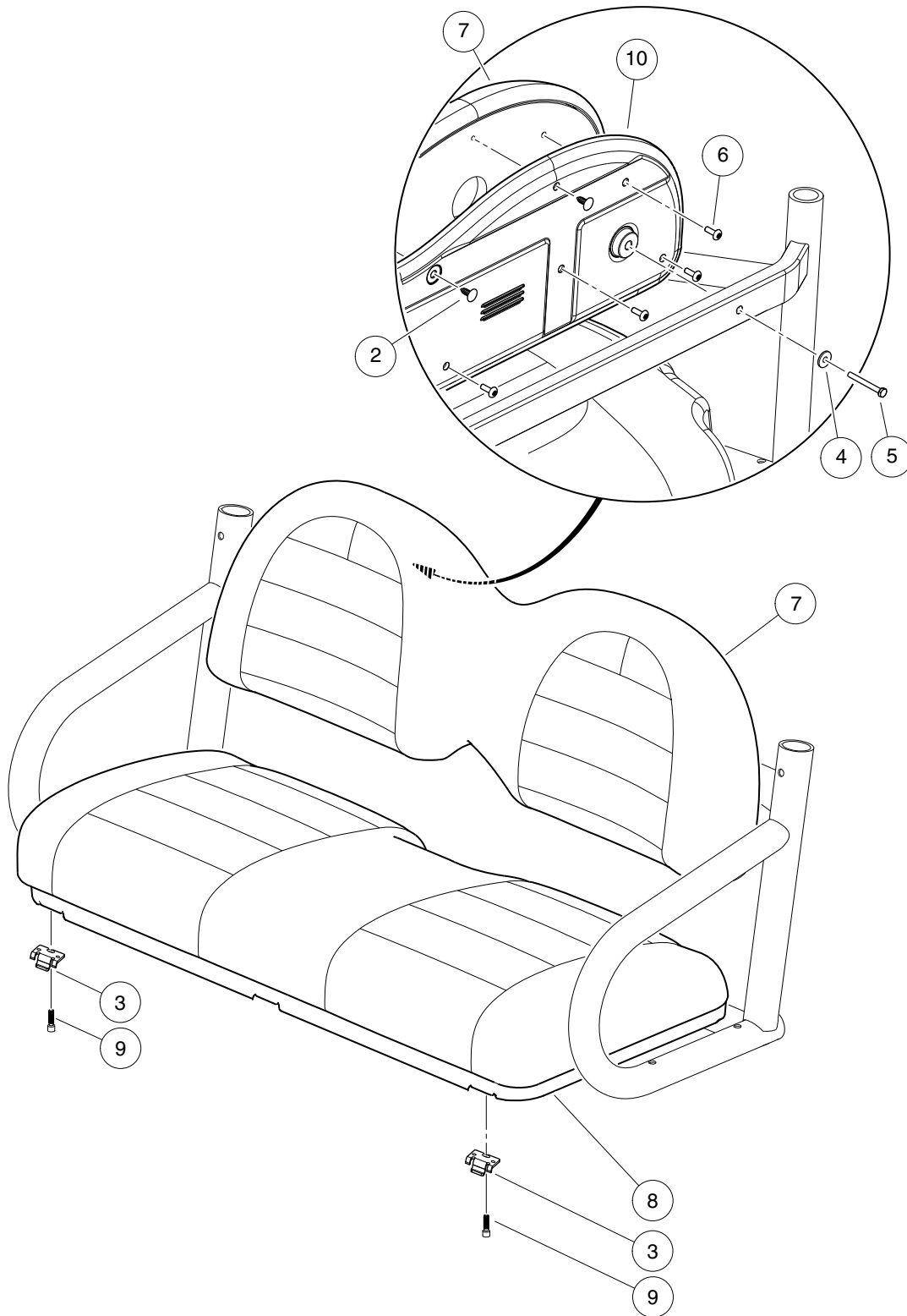
000523-002

BENCH SEAT – BLACK

ITEM	PART NO.	DESCRIPTION	QTY
		1 2 3 4	
1	<u>103647202</u>	Kit, Bench Seat, Blk (includes items 2 through 10)	1
2	<u>1010434</u>	Barrel - Plastic	8
3	<u>1011652</u>	Hinge Plate	2
4	<u>1011697</u>	Washer, 5/16 Flat	3
5	<u>1014201</u>	Screw, 1/4-20 X 2.25 Hex Cap	3
6	<u>1014415</u>	Screw, 1/4-20 X 0.75 Torx Truss-Head	4
7	<u>103456002</u>	Seat Back, Bench, Black	1
8	<u>103629101</u>	Seat, Bench, Bottom, Blk	1
9	<u>103629501</u>	Screw, 1/4-20 X .75 Shcs	4
10	<u>103831101</u>	Cap, Seatback, Vented	1
<p style="text-align: center;">Note: For other colors, order -02 Kit for Black; -03 Kit for Tan.</p>			



1
G



000523-002

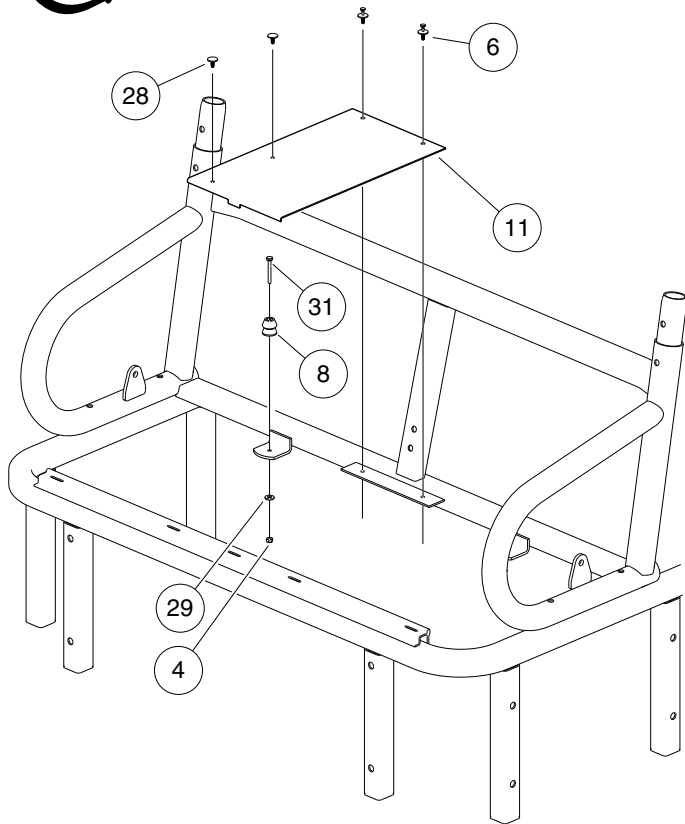
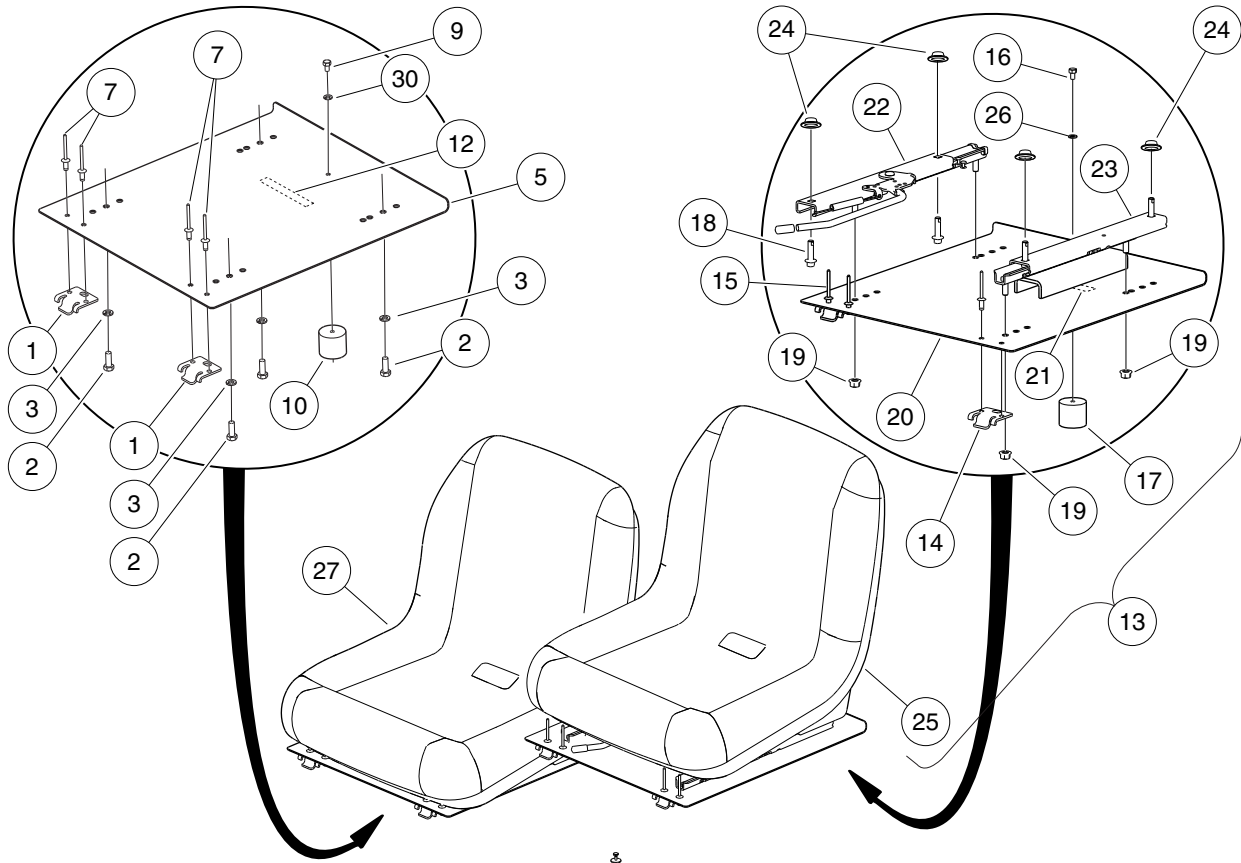
BENCH SEAT – TAN

ITEM	PART NO.	DESCRIPTION	QTY
		1 2 3 4	
1	<u>103647203</u>	Kit, Bench Seat, Tan (includes items 2 through 10)	1
2	<u>1010434</u>	Barrel - Plastic	8
3	<u>1011652</u>	Hinge Plate	2
4	<u>1011697</u>	Washer, 5/16 Flat	3
5	1014201	Screw, 1/4-20 X 2.25 Hex Cap	3
6	<u>1014415</u>	Screw, 1/4-20 X 0.75 Torx Truss-Head	4
7	103456003	Seat Back, Bench, Tan	1
8	<u>103629103</u>	Seat, Bench, Bottom, Tan	1
9	<u>103629501</u>	Screw, 1/4-20 X .75 Shcs	4
10	<u>103831101</u>	Cap, Seatback, Vented	1
Note: For other colors, order -02 Kit for Black; -03 Kit for Tan.			

1

G

1
G



000524-011

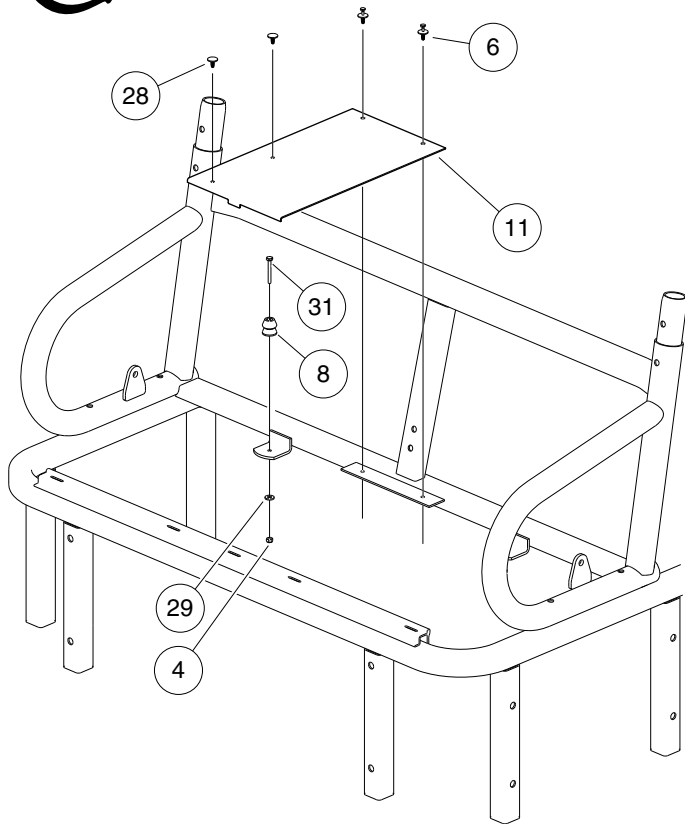
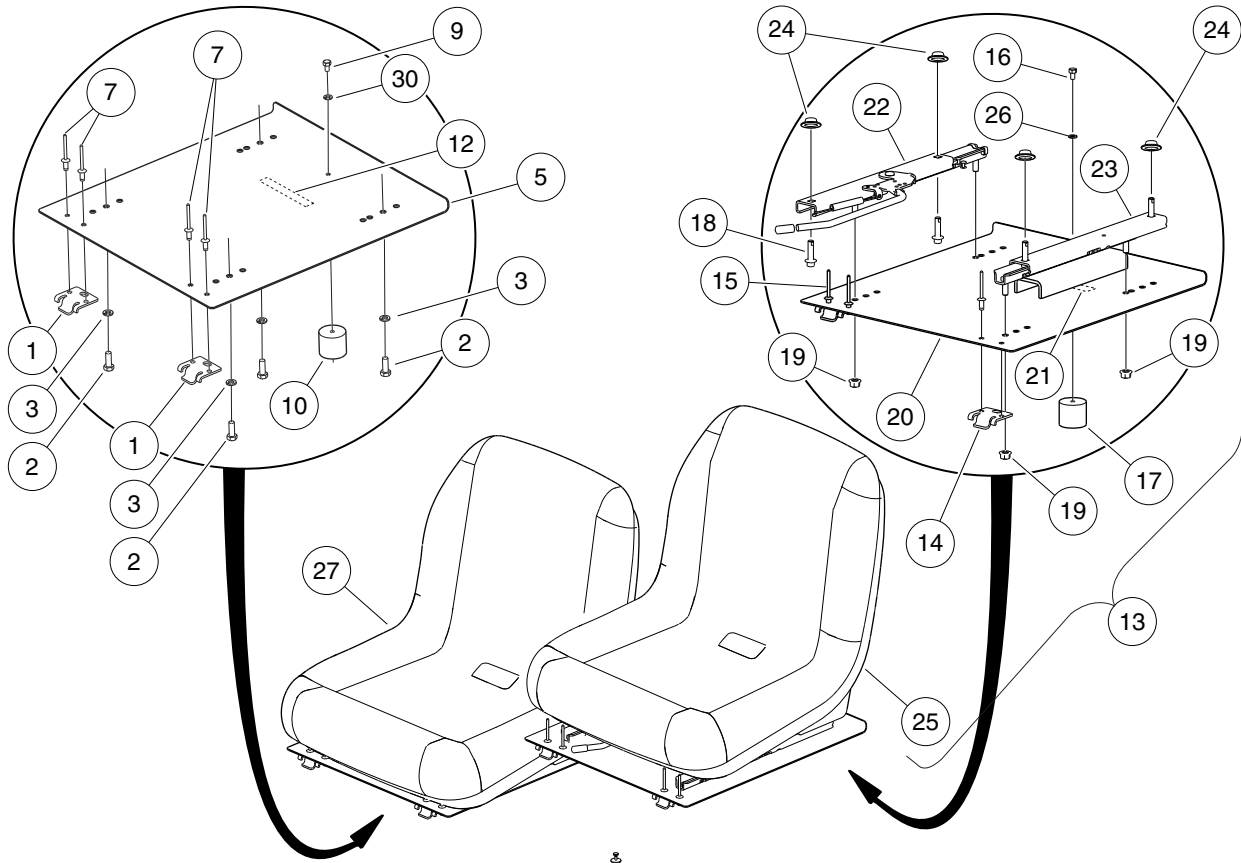
BUCKET SEATS – GRAY

ITEM	PART NO.	DESCRIPTION	QTY
		1 2 3 4	
1	<u>1011652</u>	Hinge Plate	2
2	<u>1012830</u>	Screw, M8-125 X 22 Hex-Head	4
3	<u>1013734</u>	Lockwasher, 8mm Split	4
4	<u>101887601</u>	Locknut, M6-1.00 Nylon Insert	2
5	<u>102023703</u>	Pan, Seat, Passenger	1
6	<u>102025701</u>	Screw, Tuflok Panel, 1/4	2
7	<u>102047001</u>	Rivet, 1/4 X .438 Blind	4
8	<u>102059001</u>	Seat Holder Base	2
9	<u>102059401</u>	Screw, 6m-1.00 X 10mm Hex Head	1
10	<u>102061101</u>	Seat Holder Cup	1
11	<u>102442002</u>	Pan, Center, Closeout, Pfex	1
12	<u>102458901</u>	Decal, Hot Surface Warning	1
13	<u>102473701</u>	Asm, Bucket Seat Adjustable (includes items 14 through 26)	1
14	<u>1011652</u>	Hinge Plate	2
15	<u>102047001</u>	Rivet, 1/4 X .438 Blind	4
16	<u>102059401</u>	Screw, 6m-1.00 X 10mm Hex Head	1
17	<u>102061101</u>	Seat Holder Cup	1
18	<u>102298130</u>	Bolt, Flange Head, M8 X 30.0	4
19	<u>102298401</u>	Nut,m8,all Metal Lock	4
20	<u>102456001</u>	Pan, Seat, Driver Asm	1
21	<u>102458901</u>	Decal, Hot Surface Warning	1
22	<u>102473501</u>	Adjuster, Forward/Aft	1
23	<u>102473601</u>	Adjuster, Slider	1
24	<u>102475901</u>	Washer, Bell	4
25	<u>103267001</u>	Seat, Bucket, Gray	1
26	<u>451</u>	Lockwasher, 1/4 Split	1
27	<u>103267001</u>	Seat, Bucket, Gray	1
28	<u>103978801</u>	Barrel-push 6mm	2
29	<u>332</u>	Washer, 1/4 Type A Narrow Flat	2
30	<u>451</u>	Lockwasher, 1/4 Split	1
31	<u>96742515</u>	Bolt, M6 X 1 X 45	2

1

G

1
G

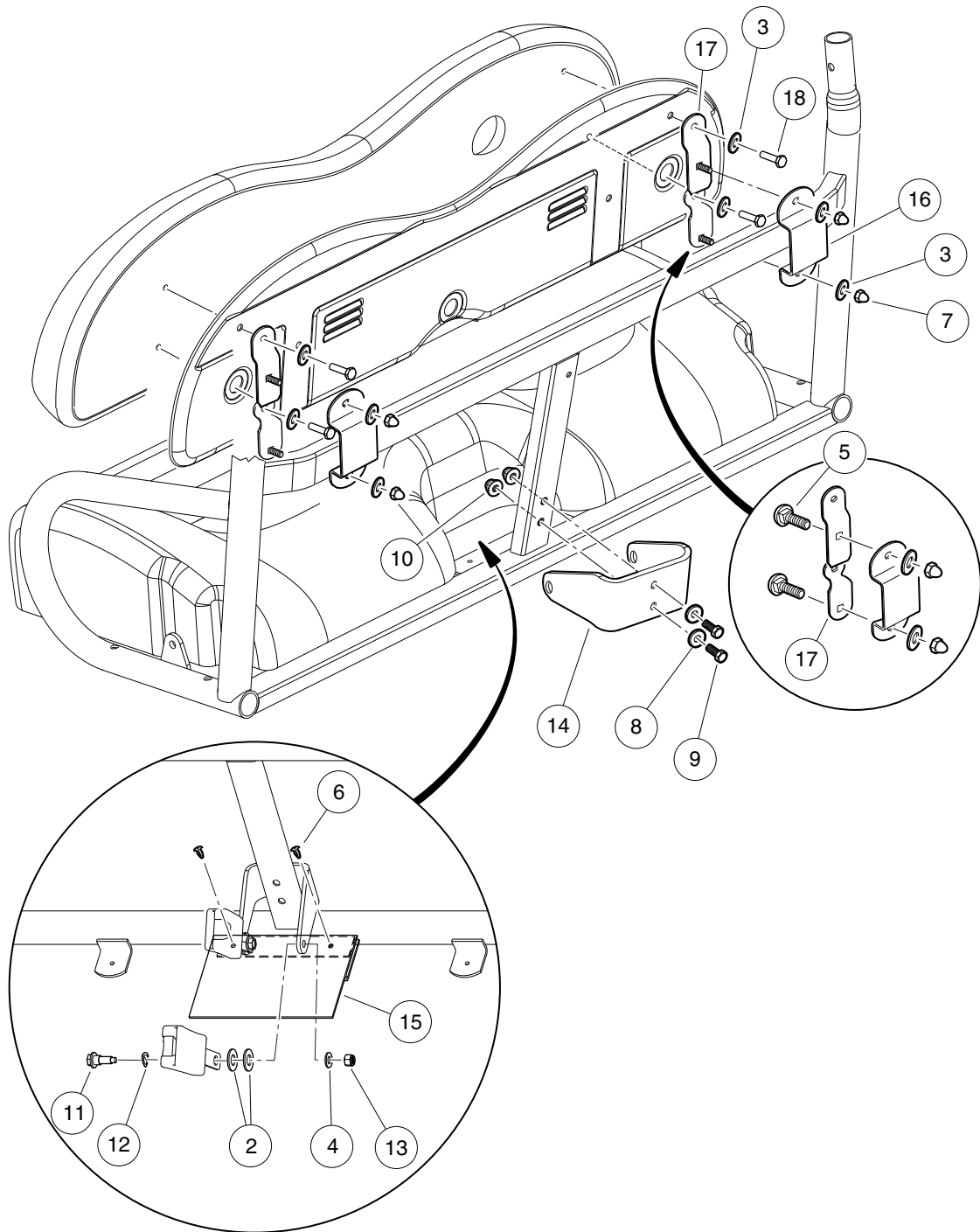


000524-011

BUCKET SEATS – BLACK

ITEM	PART NO.	DESCRIPTION	QTY
		1 2 3 4	
1	<u>1011652</u>	Hinge Plate	2
2	<u>1012830</u>	Screw, M8-125 X 22 Hex-Head	4
3	<u>1013734</u>	Lockwasher, 8mm Split	4
4	<u>101887601</u>	Locknut, M6-1.00 Nylon Insert	2
5	<u>102023703</u>	Pan, Seat, Passenger	1
6	<u>102025701</u>	Screw, Tuflok Panel, 1/4	2
7	<u>102047001</u>	Rivet, 1/4 X .438 Blind	4
8	<u>102059001</u>	Seat Holder Base	2
9	<u>102059401</u>	Screw, 6m-1.00 X 10mm Hex Head	1
10	<u>102061101</u>	Seat Holder Cup	1
11	<u>102442002</u>	Pan, Center, Closeout, Pfex	1
12	<u>102458901</u>	Decal, Hot Surface Warning	1
13	<u>103218901</u>	Asm, Bucket Seat, Adj, Blk (includes items 14 through 26)	1
14	<u>1011652</u>	Hinge Plate	2
15	<u>102047001</u>	Rivet, 1/4 X .438 Blind	4
16	<u>102059401</u>	Screw, 6m-1.00 X 10mm Hex Head	1
17	<u>102061101</u>	Seat Holder Cup	1
18	<u>102298130</u>	Bolt, Flange Head, M8 X 30.0	4
19	<u>102298401</u>	Nut,m8,all Metal Lock	4
20	<u>102456001</u>	Pan, Seat, Driver Asm	1
21	<u>102458901</u>	Decal, Hot Surface Warning	1
22	<u>102473501</u>	Adjuster, Forward/Aft	1
23	<u>102473601</u>	Adjuster, Slider	1
24	<u>102475901</u>	Washer, Bell	4
25	<u>103267002</u>	Seat, Bucket, Black	1
26	<u>451</u>	Lockwasher, 1/4 Split	1
27	<u>103267002</u>	Seat, Bucket, Black	1
28	<u>103978801</u>	Barrel-push 6mm	2
29	<u>332</u>	Washer, 1/4 Type A Narrow Flat	2
30	<u>451</u>	Lockwasher, 1/4 Split	1
31	<u>96742515</u>	Bolt, M6 X 1 X 45	2

1
G



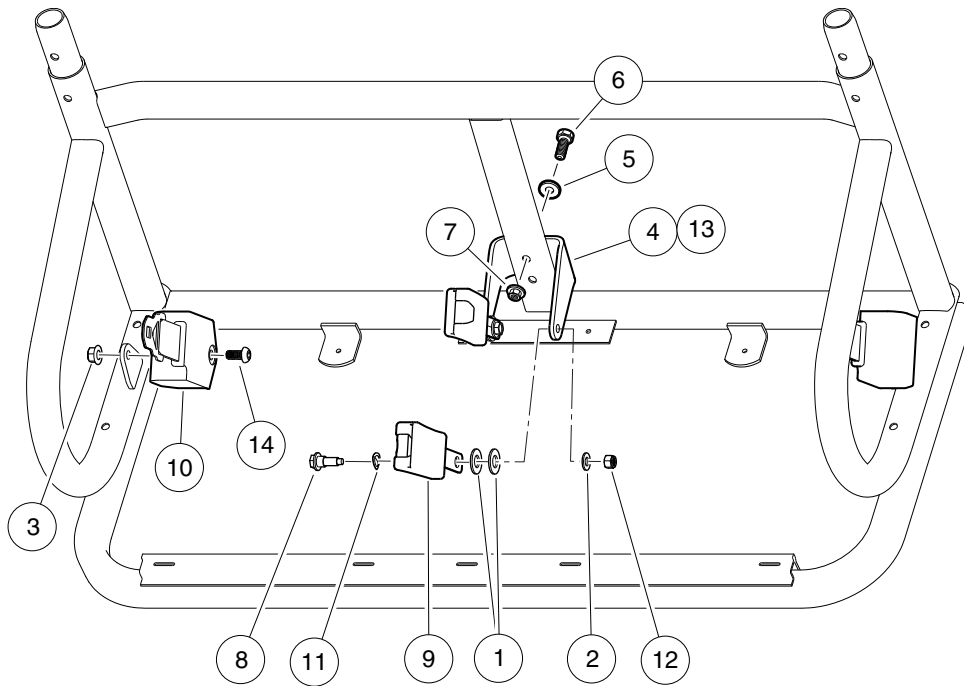
000523-003

BENCH SEAT CONVERSION KIT

ITEM	PART NO.	DESCRIPTION	QTY
		1 2 3 4	
1	<u>103643901</u>	Kit, Seat, Bench, Conv (includes items 2 through 18)	1
2	<u>1010193</u>	Washer, 5/8 Type A Plain Flat	4
3	<u>1011964</u>	Washer, 1/4 Flat	8
4	<u>1014557</u>	Washer, 7/16 Flat	2
5	<u>101958601</u>	Carriage Bolt, 1/4-20 X 0.75	4
6	<u>102025701</u>	Screw, Tuflok Panel, 1/4	2
7	<u>102242401</u>	Nut - Nylon Insert W/cap	4
8	<u>102718101</u>	Washer, Hard, M10, Zn-Ni/Blk	2
9	<u>102732401</u>	Bolt, M10 X 45, Zn-Ni (Black)	2
10	<u>103216401</u>	Nut, Flanged, M10 x 1.5, Black	2
11	<u>103529601</u>	Bolt, Shoulder, 15 Mm	2
12	<u>103530701</u>	Washer, Spring, 15 Mm Id	2
13	<u>103534201</u>	Lock Nut, 7/16-20 Nylon	2
14	<u>103635101</u>	Bracket, Seatbelt, Style H, Bolt-On (for Bench Seat)	1
15	<u>103636701</u>	Closeout, Center, Style B	1
16	<u>103646501</u>	Bracket - Seat Clamp	2
17	<u>103646601</u>	Bracket - Seat Adapt	2
18	<u>304</u>	Screw, 1/4-20 X 1.0 Hex-Head Cap	4
Note: <u>103643901</u> Bench Seat Conversion Kit is required to be used with 103647201, 02, and 03 Bench Seat Kits.			

1

G



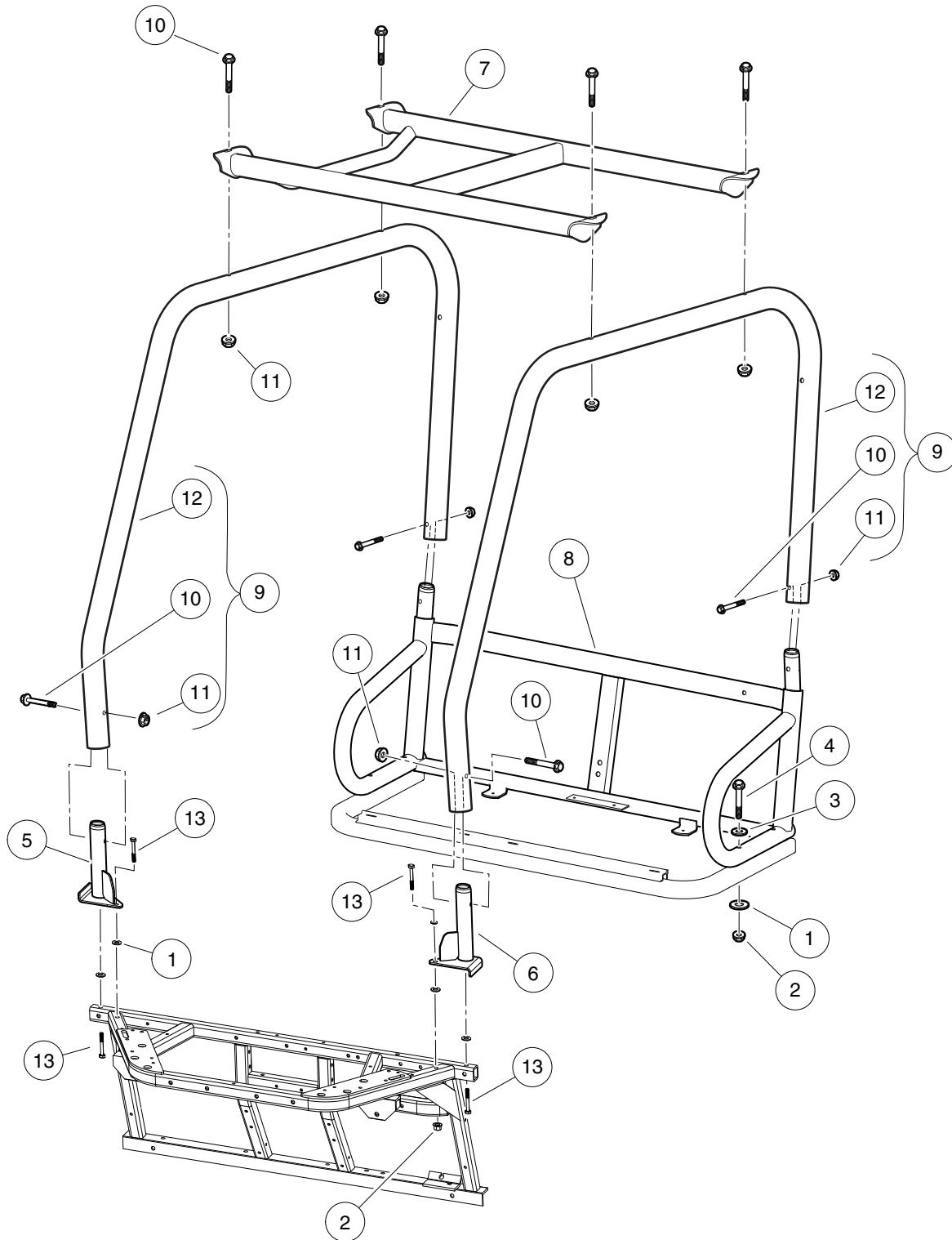
000029-007

2-POINT SEAT BELTS

ITEM	PART NO.	DESCRIPTION	QTY
		1 2 3 4	
1	<u>1010193</u>	Washer, 5/8 Type A Plain Flat	4
2	<u>1014557</u>	Washer, 7/16 Flat	2
3	<u>102620301</u>	Ln Flg, M12 X 1.75, Md, Black	2
4	<u>102670601</u>	Bracket, Seatbelt, Bolt-On (for Bucket Seats)	1
5	<u>102718101</u>	Washer, Hard, M10, Zn-Ni/Blk	2
6	<u>102732401</u>	Bolt, M10 X 45, Zn-Ni (Black)	2
7	<u>103216401</u>	Nut, Flanged, M10 x 1.5, Black	2
8	<u>103529601</u>	Bolt, Shoulder, 15 Mm	2
9	<u>103529701</u>	Asm, Buckle, Seat-belt	2
10	<u>103529801</u>	Retractor, Seat-belt	2
11	<u>103530701</u>	Washer, Spring, 15 Mm Id	2
12	<u>103534201</u>	Lock Nut, 7/16-20 Nylon	2
13	<u>103635101</u>	Bracket, Seatbelt, Style H, Bolt-On (for Bench Seat)	1
14	<u>103806401</u>	Bolt Btn, M12x1.75 X 25 Black	2
Note: Item 4 bracket is for bucket seats. Item 13 bracket is for bench seat.			

1

G



000029-008

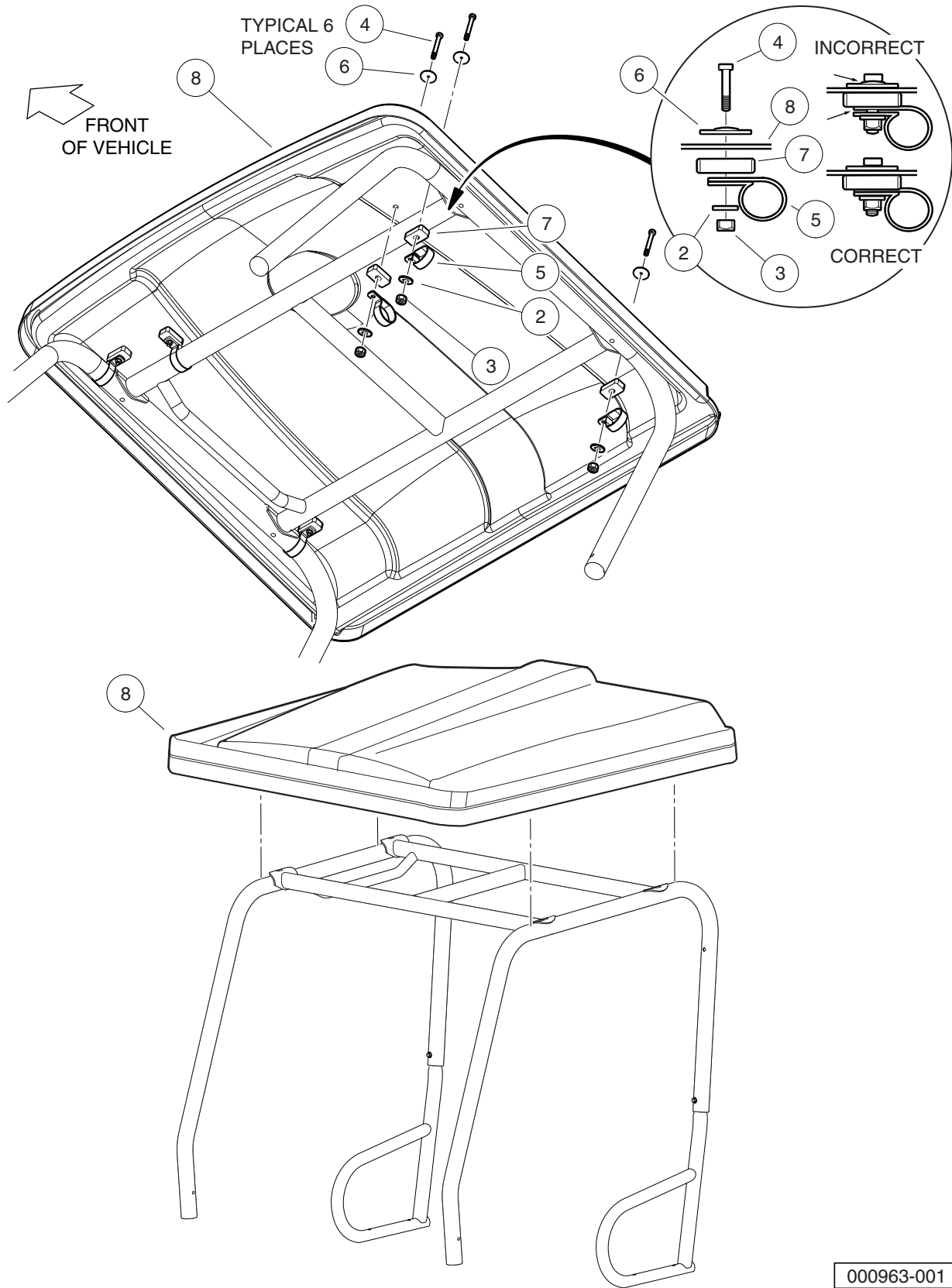
ROPS AND SEAT SUPPORT

ITEM	PART NO.	DESCRIPTION	QTY
		1 2 3 4	
1	<u>102491501</u>	Washer, Hard, M10	8
2	<u>102617201</u>	Nut, Flanged, M10 X 1.5, Mechanically Deformed	4
3	<u>102718101</u>	Washer, Hard, M10, Zn-Ni/Blk	4
4	<u>102732301</u>	Bolt, M10 X 100, Zn-Ni (Black)	4
5	<u>102983201</u>	Weldment, Front, Base, ROPS, Right-Hand	1
6	<u>102983601</u>	Weldment, Front, Base, ROPS, Left-Hand	1
7	<u>103225801</u>	Asm, Top, ROPS	1
8	<u>103361701</u>	Weldment, Seat Support, ROPS	1
9	<u>103511201</u>	Kit, Side Rops, Awd, Domestic (includes items 10 through 12)	1
10	<u>102988701</u>	Bolt, Flanged, M10 X 1.5 X 65	8
11	<u>103216401</u>	Nut, Flanged, M10 x 1.5, Black	8
12	N/A	Tube, Rops, Side Support, Awd	2
13	<u>96715552</u>	Bolt, M10 X 1.50 X 65	4

1

G

1
G

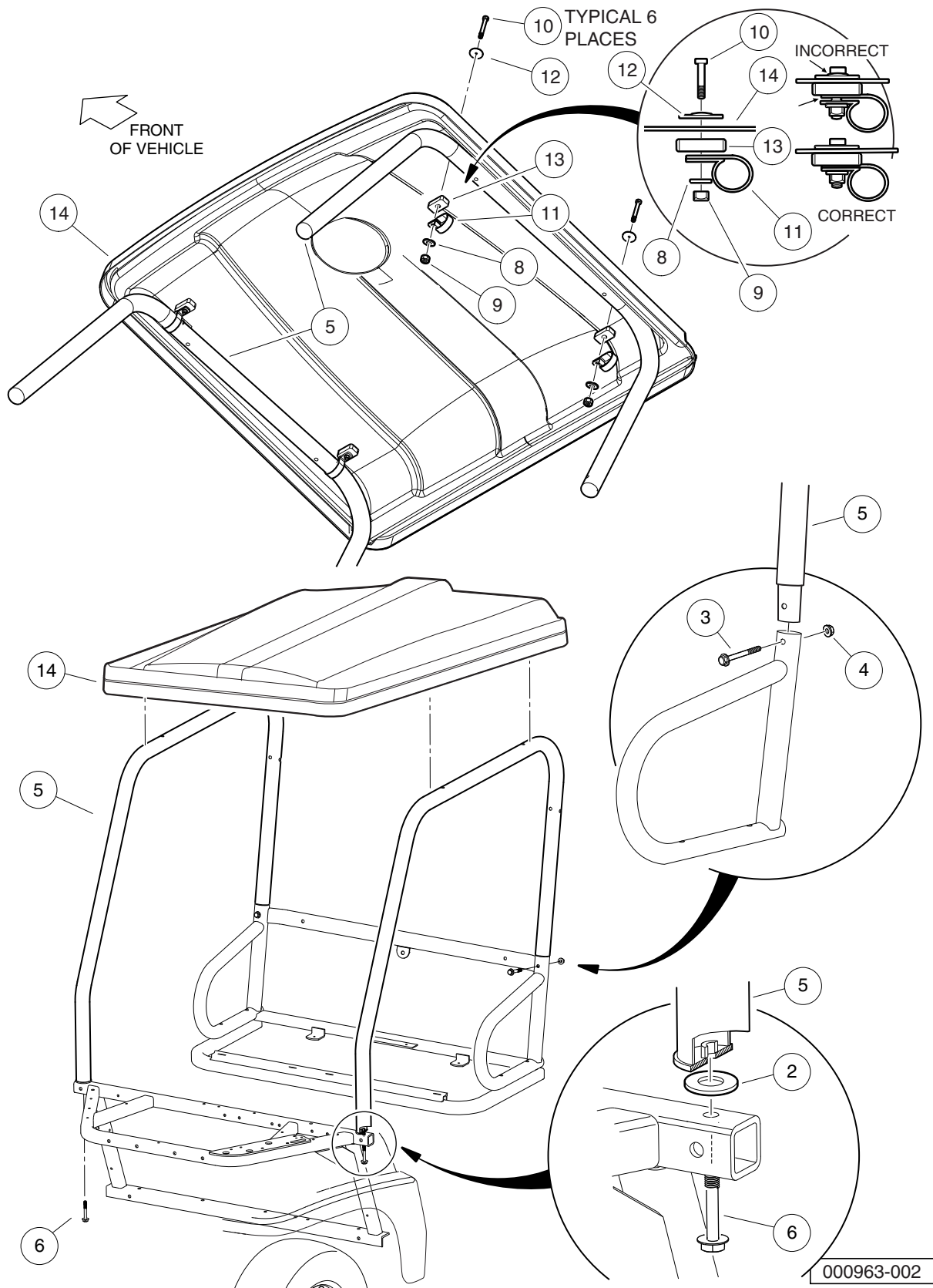


CANOPY (VEHICLE WITH ROPS)

ITEM	PART NO.	DESCRIPTION	QTY
		1 2 3 4	
1	<u>103955901</u>	Kit, Canopy, Black, 4wd (includes items 2 through 8)	1
2	1011964	Washer, 1/4 Flat	6
3	1015068	Locknut, 1/4-20 Nylon	6
4	<u>102343601</u>	Screw, 1/4-20 X 1 3/4 Ss Hx Ca	6
5	<u>103223101</u>	P Clamp Insul 50.8 Dia	6
6	<u>103844301</u>	Washer, Sealing, 0.25 X 1.50	6
7	<u>103844401</u>	Spacer, 0.625 X 2.25 X 1.25	6
8	N/A	Canopy, Black, 4wd	1

1
G

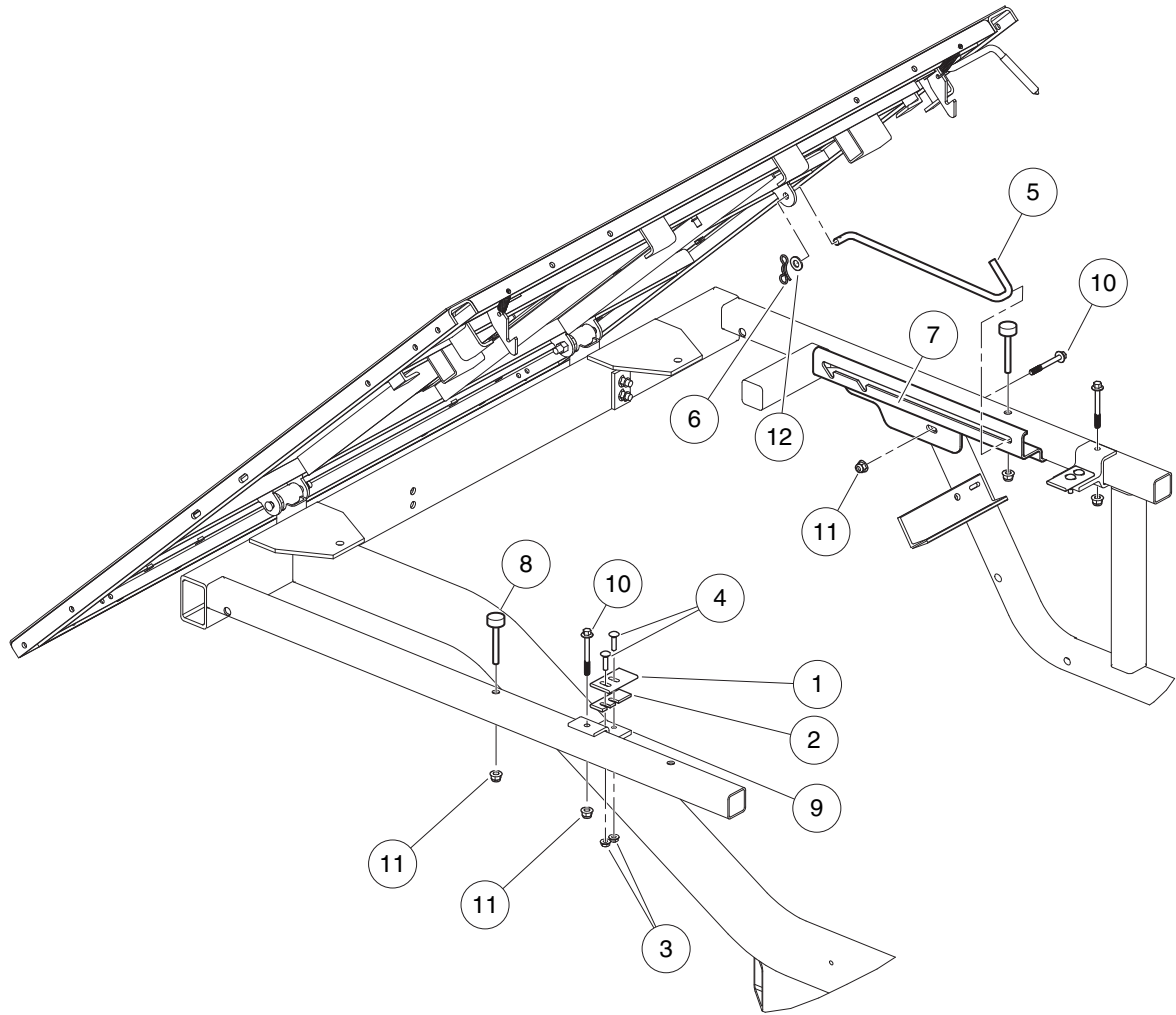
1
G



CANOPY AND SUPPORTS – VEHICLE WITHOUT ROPS

ITEM	PART NO.	DESCRIPTION	QTY
		1 2 3 4	
1	103948601	Kit, Support, Canopy/windshld (includes items 2 through 6)	1
2	<u>102491501</u>	Washer, Hard, M10	2
3	<u>102988701</u>	Bolt, Flanged, M10 X 1.5 X 65	2
4	<u>103216401</u>	Nut, Flanged, M10 x 1.5, Black	2
5	103948501	Weldment, Canopy/windshld	2
6	<u>96715552</u>	Bolt, M10 X 1.50 X 65	2
7	<u>103955902</u>	Kit, Canopy, Black, 2wd (includes items 8 through 14)	1
8	1011964	Washer, 1/4 Flat	4
9	1015068	Locknut, 1/4-20 Nylon	4
10	<u>102343601</u>	Screw, 1/4-20 X 1 3/4 Ss Hx Ca	4
11	<u>103223101</u>	P Clamp Insul 50.8 Dia	4
12	<u>103844301</u>	Washer, Sealing, 0.25 X 1.50	4
13	<u>103844401</u>	Spacer, 0.625 X 2.25 X 1.25	4
14	N/A	Canopy, Black, 2wd	1

1
G

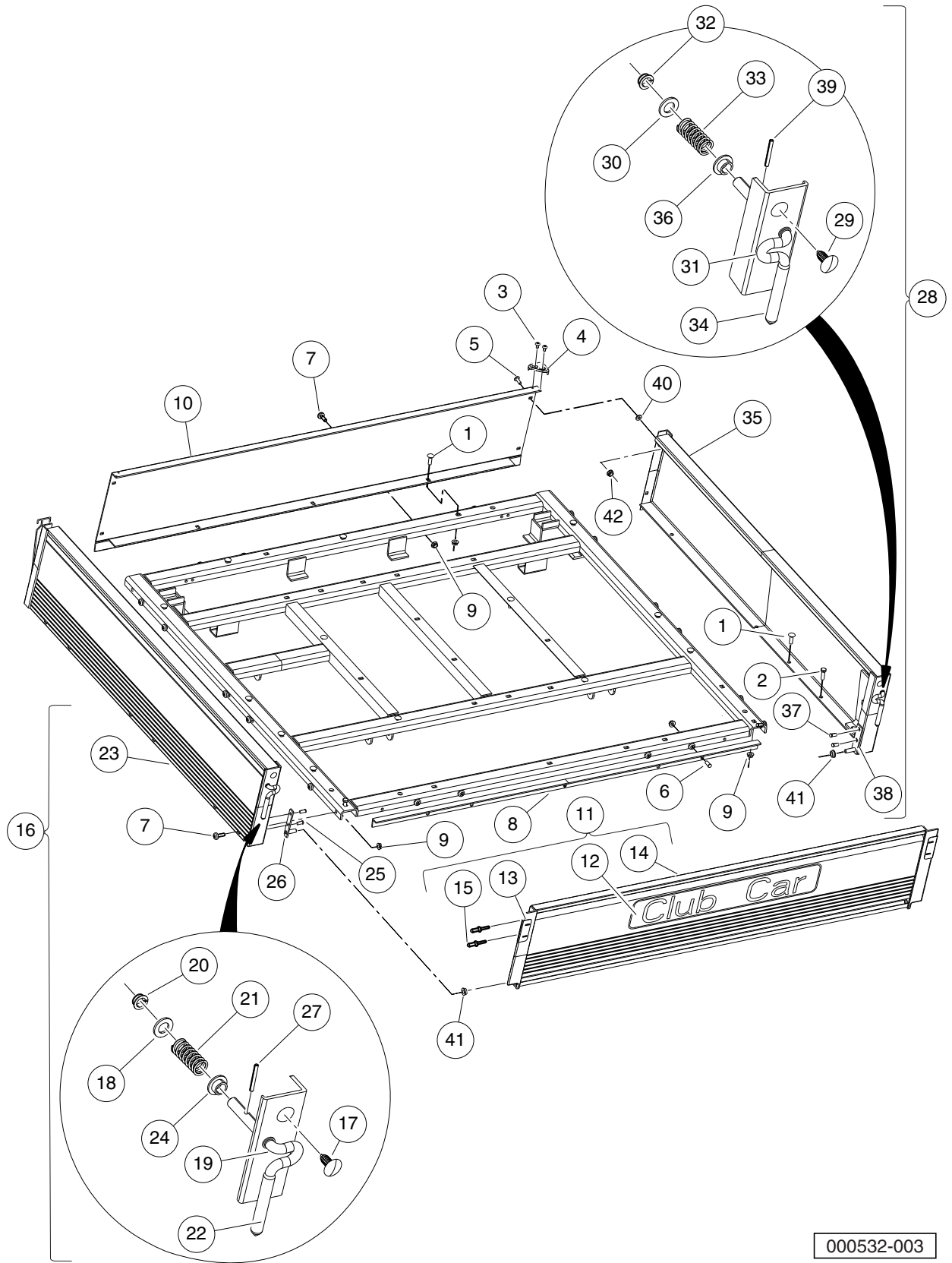


000036-001

LATCH PLATES AND PROP ROD

ITEM	PART NO.	DESCRIPTION	QTY
		1 2 3 4	
1	<u>1015277</u>	Latch Plate, Tilt Bed	2
2	<u>1016078</u>	Latch Plate Shim	1
3	<u>101835601</u>	Locknut, 1/4-20 Hex Whiz	4
4	<u>101958602</u>	Bolt, Carriage, 1/4-20 X 1.0	4
5	<u>102301401</u>	Rod, Prop	1
6	<u>102323101</u>	Pin, Bow Tie Locking	1
7	<u>102418101</u>	Track, Prop Rod	1
8	<u>102426601</u>	Bumper, Bed, Mtg, Front	2
9	<u>102493801</u>	Bracket, Latch, Bed	2
10	<u>102618301</u>	Bolt, Flanged Head, M8 X 1.25 X 65	3
11	102618601	Lock Nut, Flange, M8 X 1.25 Nylon	5
12	<u>334</u>	Washer, 3/8, Type A, Flat	1

1
G

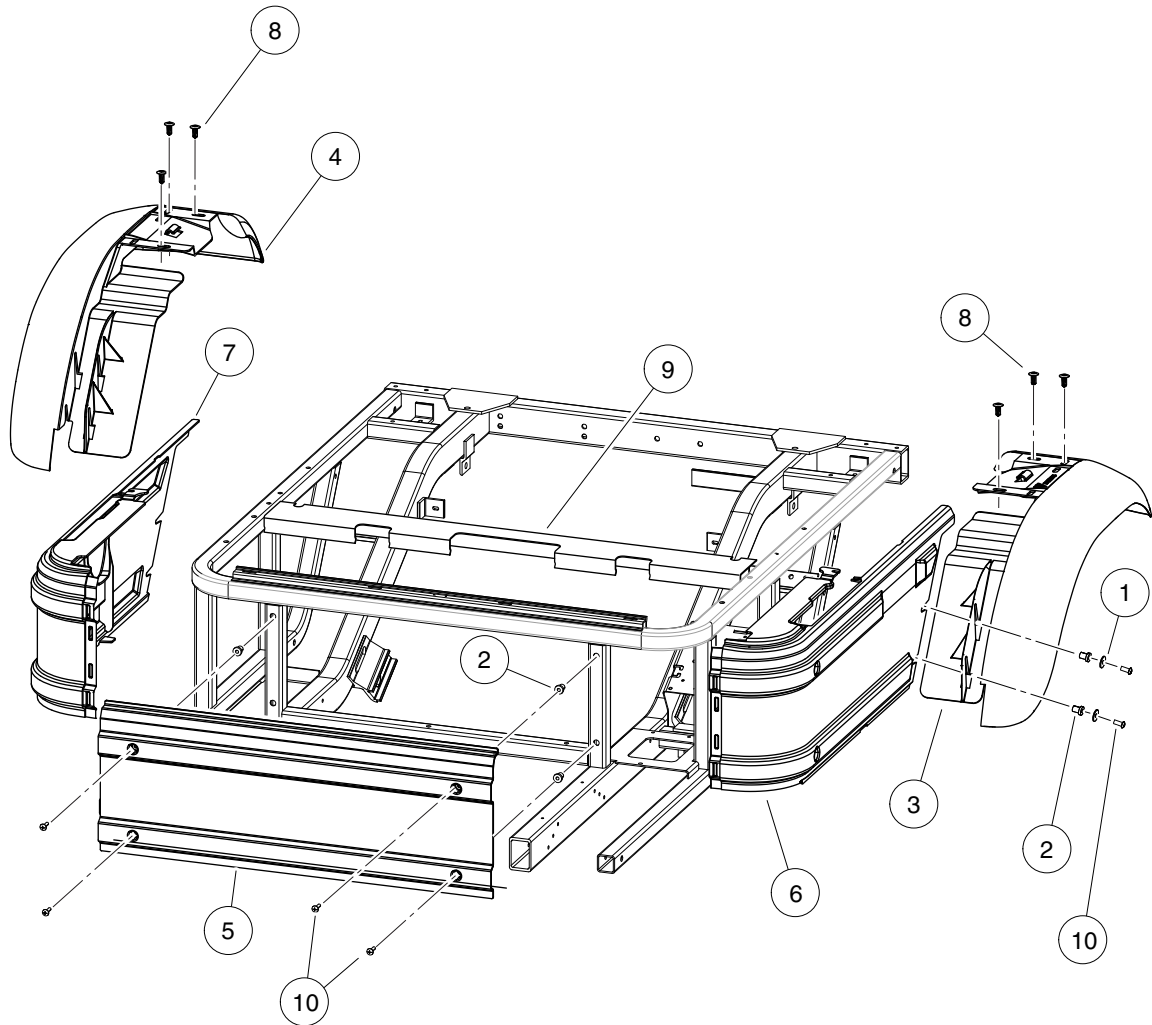


000532-003

BOX BED – ALUMINUM

ITEM	PART NO.	DESCRIPTION	QTY
		1 2 3 4	
1	<u>1010435</u>	Bolt, Carriage, 5/16-18 X 1.00	11
2	<u>1010934</u>	Screw, 5/16-18 X 1.00 Hex Cap	2
3	<u>1014321</u>	Screw, #10 Truss-Head Torx	4
4	<u>1014387</u>	Cap, Corner	2
5	<u>1014415</u>	Screw, 1/4-20 X 0.75 Torx Truss-Head	4
6	<u>1014537</u>	Stud, Self-Clinching Flush Head	2
7	<u>1015399</u>	Screw, 5/16-18 X 0.88 Torx Truss-Head	16
8	N/A	Box Bed Tailgate Angle	1
9	<u>101963401</u>	Locknut, 5/16-18 Hex Flange	33
10	<u>102030101</u>	Panel, Front	1
11	<u>102030201</u>	Tailgate Asm (includes items 12 through 15)	1
12	<u>1013317</u>	Decal, Logo, Tailgate	1
13	<u>1015246</u>	Plate, Tailgate Latch Wear	2
14	N/A	Tailgate Weldment	1
15	<u>7973</u>	Rivet, 3/16 X .400 Blind	4
16	<u>103191401</u>	Asm, Panel, Side, Left (includes items 17 through 28)	1
17	<u>1010434</u>	Barrel - Plastic	1
18	<u>1011990</u>	Washer, 3/8 Flat	1
19	<u>1015313</u>	Latch, Tailgate, Left-Hand	1
20	<u>1015363</u>	Bushing, Snap-In	1
21	<u>1015390</u>	Compression Spring Latch Tilt	1
22	<u>1015400</u>	Grip, Tilt Latch Hand	1
23	<u>103191201</u>	Weldment, Panel, Side, Left	1
24	<u>1032</u>	Bushing, Nylon	1
25	<u>103379401</u>	Rivet, 1/4 X 0.30, Blind	2
26	<u>103406501</u>	Kit, Tailgate Mounting Bracket, CA, LH (includes item 27)	1
27	<u>103406601</u>	Stud, 1/4 Self-clnchg Flush	2
28	<u>1231</u>	Pin, 1/8 X 1.00 Split Roll	1
29	<u>103191501</u>	Asm, Panel, Side, Right (includes items 30 through 41)	1
30	<u>1010434</u>	Barrel - Plastic	1
31	<u>1011990</u>	Washer, 3/8 Flat	1
32	<u>1015245</u>	Latch, Tailgate, Right-Hand	1
33	<u>1015363</u>	Bushing, Snap-In	1
34	<u>1015390</u>	Compression Spring Latch Tilt	1
35	<u>1015400</u>	Grip, Tilt Latch Hand	1
36	<u>103191301</u>	Weldment, Panel, Side, Right	1
37	<u>1032</u>	Bushing, Nylon	1
38	<u>103379401</u>	Rivet, 1/4 X 0.30, Blind	2
39	<u>103406502</u>	Kit, Tailgate Mounting Bracket, CA, RH (includes item 40)	1
40	<u>103406601</u>	Stud, 1/4 Self-clnchg Flush	2
41	<u>1231</u>	Pin, 1/8 X 1.00 Split Roll	1
42	<u>332</u>	Washer, 1/4 Type A Narrow Flat	4
43	<u>7049</u>	Bushing, Nylon	2
44	<u>8233</u>	Locknut, 1/4-20, Nylon Insert	4

1
G



000518-005

SIDE PANELS AND REAR FENDERS

ITEM	PART NO.	DESCRIPTION	QTY
		1 2 3 4	
1	<u>1014306</u>	Washer, 1/4" Type B Flat	4
2	<u>102491701</u>	Well Nut 1/4-20	8
3	<u>102913801</u>	Left Rear Fender (Black)	1
4	<u>102913901</u>	Right Rear Fender (Black)	1
5	<u>102914001</u>	Panel, Front, Kick (Black)	1
6	<u>102914101</u>	Panel, Side, Molded, Driver (Black)	1
7	<u>102914102</u>	Panel, Side, Molded, Passenger (Black)	1
8	<u>103200501</u>	Screw, Tuflok, 10mm	6
9	<u>103331201</u>	Closeout, Extrusion	1
10	<u>8251</u>	Screw, 1/4-20 X 1.0 Truss-Head Machine	8

1
G

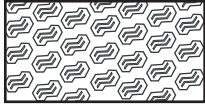
1

G

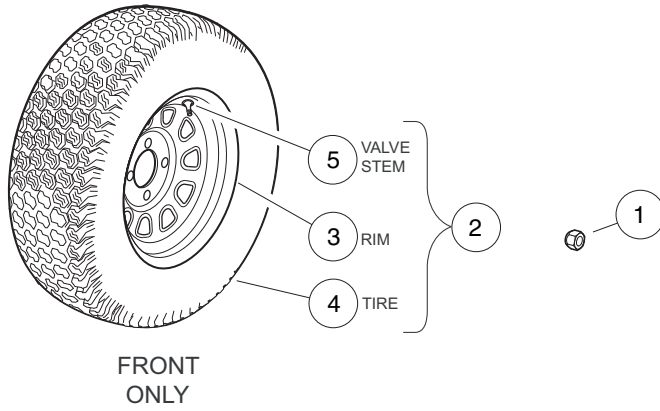
WHEELS AND TIRES

2

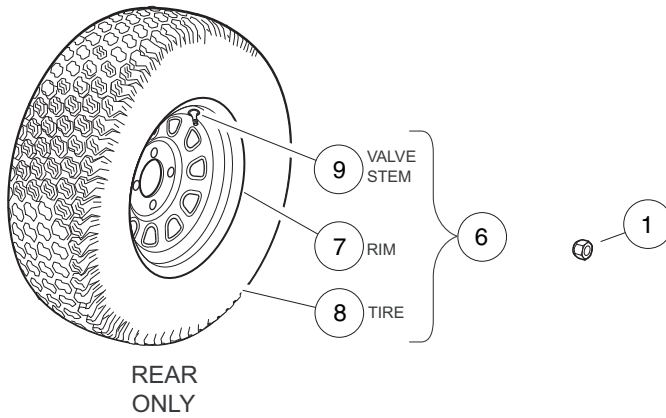
G



Turf



FRONT ONLY



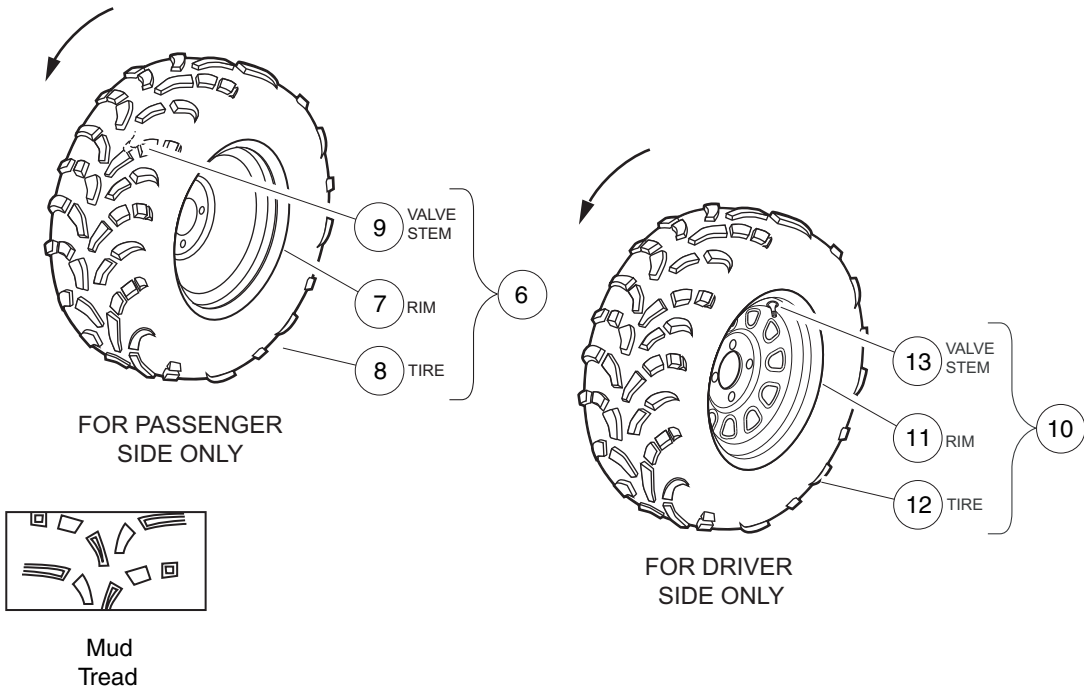
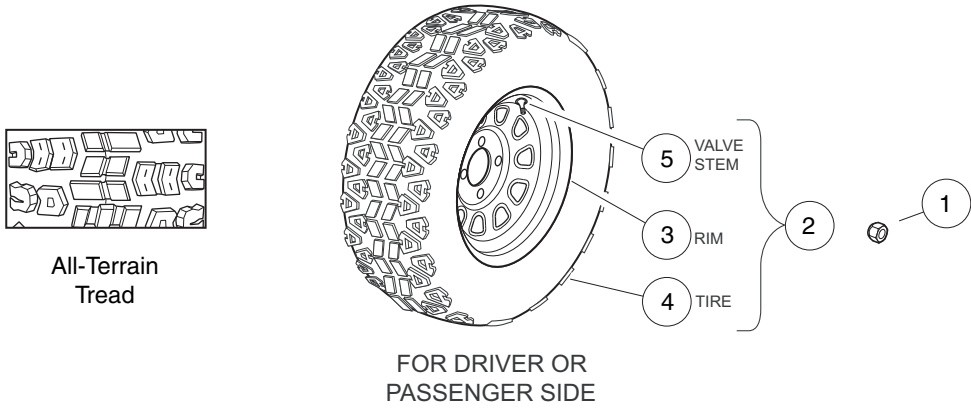
REAR ONLY

000506-004

WHEELS AND TIRES – STEEL WITH TURF

ITEM	PART NO.	DESCRIPTION	QTY
		1 2 3 4	
1	<u>102736901</u>	Nut, Lug, 1/2-20 SAE J2283	16
2	<u>103971001</u>	Wheel/Tire Assy, Turf, 23x10.5-12 K500, Black Wheel (includes items 3 through 5)	2
3	<u>103234503</u>	Wheel, 10 Window, Black	1
4	<u>103971101</u>	Tire, Turf K500, 23x10.5-12 4p	1
5	<u>7310</u>	Valve Stem, Black Plastic	1
6	<u>103971201</u>	Wheel/Tire Assy, Turf, 24x12-12 K500, Black Wheel (includes items 7 through 9)	2
7	<u>103234503</u>	Wheel, 10 Window, Black	1
8	<u>103971301</u>	Tire, Turf K500, 24x12-12 4p	1
9	<u>7310</u>	Valve Stem, Black Plastic	1
Note: Must use Item 2 on front; Item 6 on rear.			

2
G



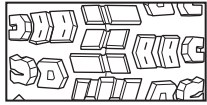
000506-002

WHEELS AND TIRES – STEEL WITH ALL-TERRAIN/MUD

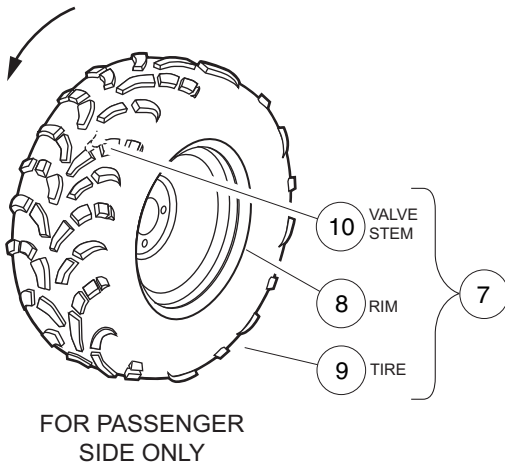
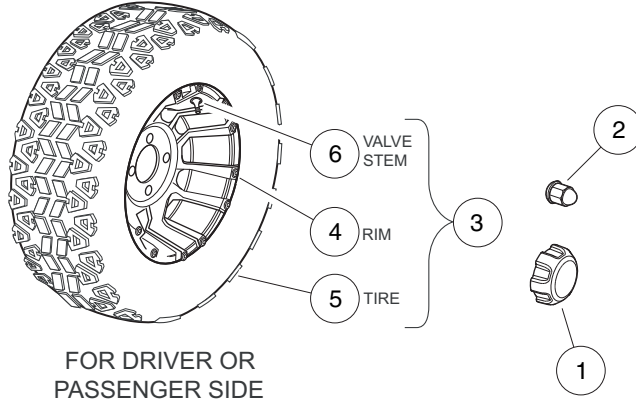
ITEM	PART NO.	DESCRIPTION	QTY
		1 2 3 4	
1	<u>102736901</u>	Nut, Lug, 1/2-20 SAE J2283	16
2	<u>103779001</u>	Wheel/Tire Assy, All Terrain, 25x11-12 K502, Black Wheel (includes items 3 through 5) .	4
3	<u>103234503</u>	Wheel, 10 Window, Black	1
4	<u>103778601</u>	Tire, All Terrain, K502, 25x11-12	1
5	<u>7310</u>	Valve Stem, Black Plastic	1
6	<u>103901101</u>	Wheel/Tire Assy, Pass. Side, Mud, 25x11-12 OTR 440, Black (includes items 7 through 9)	2
7	<u>103234503</u>	Wheel, 10 Window, Black	1
8	<u>103901001</u>	Tire, Mud, 6ply, 25x11-12, 440	1
9	<u>7310</u>	Valve Stem, Black Plastic	1
10	<u>103901102</u>	Wheel/Tire Assy, Driver Side, Mud, 25x11-12 OTR 440, Black (includes items 11 through 13)	2
11	<u>103234503</u>	Wheel, 10 Window, Black	1
12	<u>103901001</u>	Tire, Mud, 6ply, 25x11-12, 440	1
13	<u>7310</u>	Valve Stem, Black Plastic	1
Note: Must use Item 6 on passenger side; Item 10 on driver side.			

2

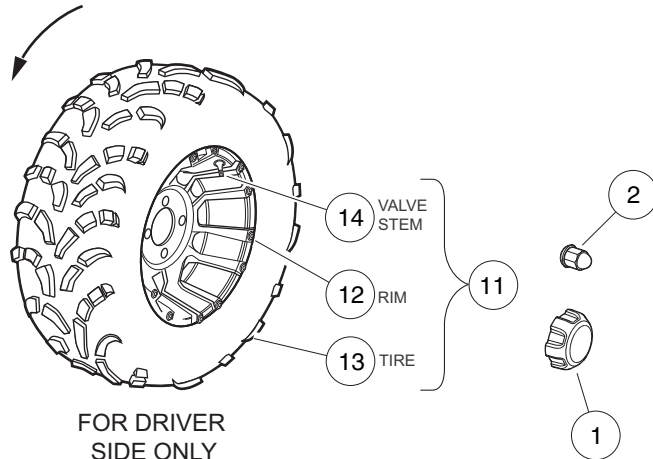
G



All-Terrain



Mud



000506-003

WHEELS AND TIRES – ALLOY WITH ALL-TERRAIN/MUD

ITEM	PART NO.	DESCRIPTION	QTY
		1 2 3 4	
1	<u>103532801</u>	Cap, Center, Chrome	4
2	<u>103699801</u>	Lug Nut, 13/16 X 1/2-20, CE	16
3	<u>103779004</u>	Wheel/Tire Assy, All Terrain, 25x11-12 K502, Alloy Wheel (includes items 4 through 6) .	4
4	<u>103525002</u>	Wheel, Alloy	1
5	<u>103778601</u>	Tire, All Terrain, K502, 25x11-12	1
6	<u>7310</u>	Valve Stem, Black Plastic	1
7	103901107	Wheel/Tire Assy, Pass. Side, Mud, 25x11-12 OTR 440, Alloy (includes items 8 through 10)	2
8	<u>103525002</u>	Wheel, Alloy	1
9	<u>103901001</u>	Tire, Mud, 6ply, 25x11-12, 440	1
10	<u>7310</u>	Valve Stem, Black Plastic	1
11	103901108	Wheel/Tire Assy, Driver Side, Mud, 25x11-12 OTR 440, Alloy (includes items 12 through 14)	2
12	<u>103525002</u>	Wheel, Alloy	1
13	<u>103901001</u>	Tire, Mud, 6ply, 25x11-12, 440	1
14	<u>7310</u>	Valve Stem, Black Plastic	1
Note: Must use Item 7 on passenger side; Item 11 on driver side.			

2

G

2

G

DECALS

3

G

⚠ WARNING
GASOLINE EXPLOSION / FIRE.
 • Can cause severe injury or death.
 • No smoking, sparks, or open flames.
 • Stop engine, allow to cool before refueling.
 • Turn fuel valve (—) on during operation.
 (—) off during storage or transport.
 CCI 10245901

OPERATING INSTRUCTIONS

- Read owner's manual and vehicle safety warnings. Study and understand controls.

TO START ENGINE

- Place shift lever in NEUTRAL (N) and press brake pedal.
- Turn key to START and hold until engine starts.

Diesel Vehicles Only:

- If required, turn key to PREHEAT and hold for 10-15 seconds.

TO OPERATE VEHICLE

- Ensure wheels are turned in desired direction and path is clear.
- With vehicle stopped and engine at idle, select vehicle direction.

Forward
 Neutral
 Reverse (Buzzer will sound)

- Release park brake and slowly press accelerator pedal to increase speed.
- All-wheel drive will automatically drive appropriate wheel(s).

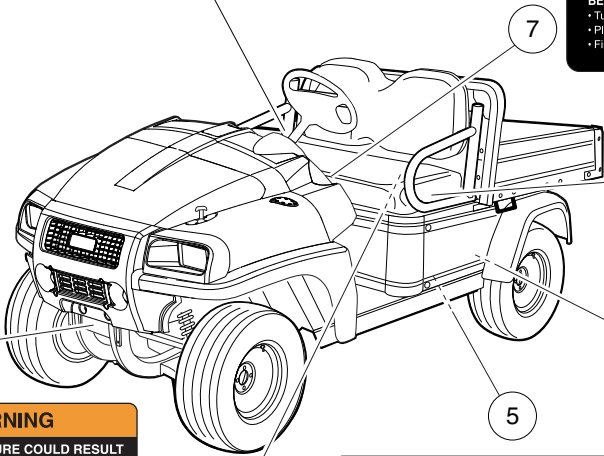
TO STOP VEHICLE

- Release accelerator pedal and push brake pedal.

BEFORE LEAVING VEHICLE

- Turn key to OFF and remove key.
- Place shift lever in NEUTRAL (N).
- Firmly set park brake.

CCI 102884301



⚠ WARNING
CAN CAUSE SEVERE INJURY

HOT manifold
KEEP CLEAR
 CCI 102459001

⚠ WARNING
WINCH CABLE FRACTURE COULD RESULT IN SERIOUS INJURY OR DEATH.
 • Do not use winch while persons are seated on the vehicle.
 • Use remote operation switch for winch control.
 • Stand to the side and away from the vehicle to operate winch.
 • Read winch operator manual before operating winch.
 102231601

⚠ WARNING
CAN CAUSE SEVERE BURNS
Hot Surface
 CCI 102458901

⚠ WARNING

Negative frame ground. Can cause severe injury. Do not contact positive (+) battery post or cable to frame. Disconnect negative (-) battery cable first.
 CCI 102459101

<p>⚠ WARNING CAN CAUSE SEVERE INJURY Rotating parts. KEEP CLEAR.</p>		<p>⚠ WARNING CAN CAUSE SEVERE INJURY Hot manifold and muffler. KEEP CLEAR. CCI 102459501</p>
---	--	--

000510-002

SAFETY DECALS

ITEM	PART NO.	DESCRIPTION	QTY
		1 2 3 4	
1	<u>101547601</u>	Decal, Gasoline Explosion/Fire Warning	1
2	<u>102231601</u>	Decal, Winch Cable Fracture Warning	1
3	<u>102458901</u>	Decal, Hot Surface Warning	2
4	<u>102459001</u>	Decal, Hot Manifold Warning	1
5	<u>102459101</u>	Decal, Frame Ground Warning	1
6	<u>102459501</u>	Decal, Rotating Parts and Hot Exhaust Warning	1
7	<u>102884301</u>	Decal, Operating Instr, AWD	1

3

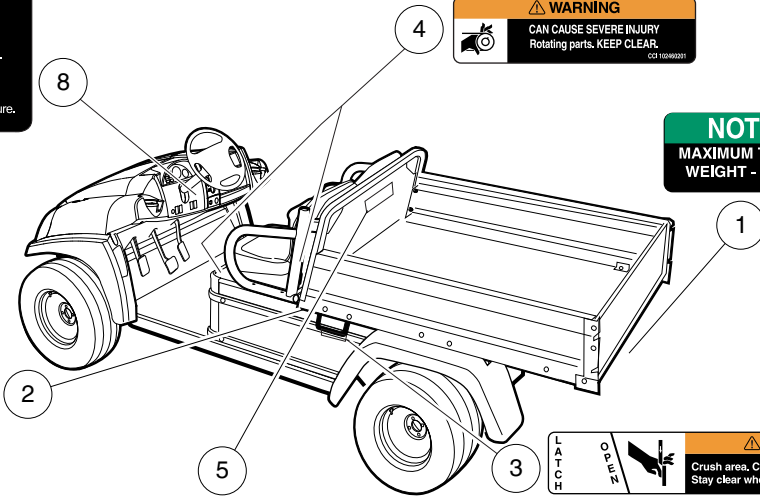
G

⚠ WARNING
UNINTENDED MOVEMENT, ROLLOVER, OR FALLING OUT CAN CAUSE SERIOUS INJURY OR DEATH.

- Young drivers increase chance of death.
 - No drivers younger than 16 years old.
 - Vehicle to be operated by licensed and authorized persons only.
- Use in authorized areas only. Do not operate on public roads.
- One (1) person per bucket seat maximum.
- Two (2) persons per bench seat maximum.
- Operate from driver's seat only.
- Do not start vehicle until all occupants are fully seated.
- Drive slowly in turns and straight up and down slopes.
- Remain fully seated while moving.
- Hold on and keep entire body inside vehicle while moving.
- Never attempt jumps and avoid extreme braking in reverse.
- Do not leave children unattended in vehicle at any time.
- Children requiring a child safety seat must not ride in vehicle.
- Never operate under the influence of alcohol or drugs.

NOTICE
 The canopy support is not certified as a rollover protective structure.

UNDER 16



⚠ WARNING
CAN CAUSE SEVERE INJURY
 Rotating parts. **KEEP CLEAR.**

NOTICE
MAXIMUM TONGUE WEIGHT - 150 lbs.

⚠ WARNING
CRUSH AREA
STAY CLEAR

⚠ WARNING
 Crush area. Can cause severe injury. Stay clear when closing bed.

⚠ WARNING
RIDING IN CARGO BED CAN CAUSE SERIOUS INJURY OR DEATH.
 Do not ride in cargo bed.

⚠ WARNING
ROLLOVER CAN CAUSE SERIOUS INJURY OR DEATH.
 Place cargo forward in the cargo bed and distribute evenly side to side. Secure load.
 On uneven or steep terrain, reduce speed and load.
 Avoid stopping on or backing down steep hills.
 Avoid top-heavy loads.

VEHICLE LOADING
 Read owner's manual and warnings on dash.
 Vehicle rated capacity: 1200 lb. (544 kg) on level surface only.
 Includes occupants and cargo load.
 Maximum cargo load: 800 lb. (363 kg).
 Includes cargo, bed load, optional equipment, and trailer tongue weight.

⚠ WARNING
RIDING IN CARGO BED CAN CAUSE SERIOUS INJURY OR DEATH.
 Do not ride in cargo bed.

⚠ WARNING
ROLLOVER CAN CAUSE SERIOUS INJURY OR DEATH.
 Place cargo forward in the cargo bed and distribute evenly side to side. Secure load.
 On uneven or steep terrain, reduce speed and load.
 Avoid stopping on or backing down steep hills.
 Avoid top-heavy loads.

HIGH-CAPACITY VEHICLE LOADING
 Read owner's manual and warnings on dash.
 Vehicle rated capacity: 1450 lb. (658 kg) on level surface only.
 Includes occupants and cargo load.
 Maximum cargo load: 1050 lb. (476 kg).
 Includes cargo, bed load, optional equipment, and trailer tongue weight.

⚠ WARNING
RIDING IN CARGO BED CAN CAUSE SERIOUS INJURY OR DEATH.
 Do not ride in cargo bed.

⚠ WARNING
ROLLOVER CAN CAUSE SERIOUS INJURY OR DEATH.
 Reduce speed when heavily loaded.
 Place cargo forward in the cargo bed and distribute evenly side to side. Secure load.
 On uneven or steep terrain, reduce speed and load.
 Avoid stopping on or backing down steep hills.
 Avoid top-heavy loads.

HIGH-CAPACITY VEHICLE LOADING
 Read owner's manual and warnings on dash.
 Vehicle rated capacity: 1900 lb. (862 kg) on level surface only.
 Includes occupants and cargo load.
 Maximum cargo load: 1500 lb. (680 kg) - Includes cargo, bed load, optional equipment, and trailer tongue weight.
 Towing not allowed when cargo load exceeds 1050 lb. (476 kg).

000509-007

SAFETY DECALS, CONTINUED (WITHOUT ROPS OPTION)

ITEM	PART NO.	DESCRIPTION	QTY
		1 2 3 4	
1	<u>1011553</u>	Decal, Trailer Hitch	1
2	<u>101609401</u>	Decal, Crush Area Warning	1
3	<u>102459301</u>	Decal, Bed Crush Area Warning	1
4	<u>102460201</u>	Decal, Rotating Parts Warning	2
5	<u>103202601</u>	Decal, Vehicle Loading, 800 lbs	1
6	<u>103210401</u>	Decal, Vehicle Loading, 1050 lbs	1
7	<u>103951301</u>	Decal, Vehicle Loading, 1500 lbs	1
8	<u>103962801</u>	Decal, Warning, Occ, 2wd No ROPS	1

3
G

WARNING

ROLLOVER OR FALLING OFF MAY CAUSE DEATH

- Read owner's manual and operating instructions.
- Fasten seat belts and remain seated while moving.
- Children requiring a child safety seat must not ride on vehicle. Comply with state and local laws pertaining to child safety.
- Drive slowly in turns and straight up and down slopes.
- Do not start vehicle until all occupants are seated.
- Two (2) persons per bench seat maximum.
- One (1) person per bucket seat maximum.
- Operate from driver side only and not on public roads.
- Keep entire body inside vehicle while moving.
- Do not operate while under the influence of alcohol or drugs.
- Never attempt jumps and avoid extreme braking in reverse.

CCI 102884401

UNDER 16

WARNING

YOUNG DRIVERS INCREASE CHANCE OF DEATH

- Young drivers may not be able to control vehicle.
- No drivers younger than 16 years old.
- Do not leave children unattended on vehicle.

CCI 102899401

WARNING

- Do not modify or remove Roll-over Protective Structure (ROPS).
- Replace ROPS if damaged. Do not attempt repair.
- Use seat belts during operation. Do not jump from vehicle.
- Keep away from drop-offs, steep slopes, and unstable surfaces.

CCI 102261201

WARNING

CAN CAUSE SEVERE INJURY

Rotating parts. KEEP CLEAR.

CCI 10146001

NOTICE

MAXIMUM TONGUE WEIGHT - 150 lbs.

CCI 1011553

WARNING

CRUSH AREA

STAY CLEAR

CCI 101609401

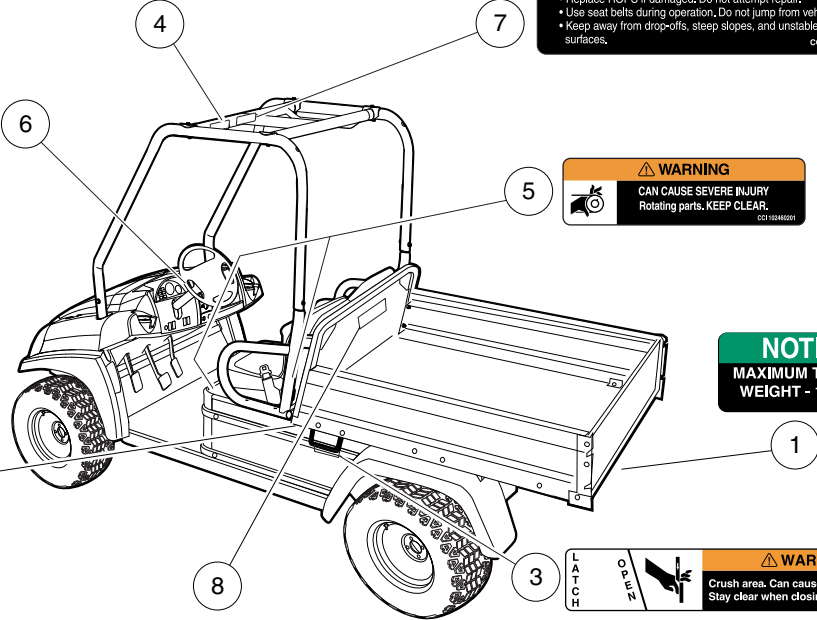
WARNING

Crush area. Can cause severe injury. Stay clear when closing bed.

CCI 10160001

<p>WARNING</p> <p>RIDING IN CARGO BED CAN CAUSE SERIOUS INJURY OR DEATH.</p> <p>• Do not ride in cargo bed.</p>	<p>WARNING</p> <p>ROLLOVER CAN CAUSE SERIOUS INJURY OR DEATH.</p> <ul style="list-style-type: none"> • Place cargo forward in the cargo bed and distribute evenly side to side. Secure load. • On uneven or steep terrain, reduce speed and load. • Avoid stopping on or backing down steep hills. • Avoid top-heavy loads. 	<p>HIGH-CAPACITY VEHICLE LOADING</p> <ul style="list-style-type: none"> • Read owner's manual and warnings on dash. • Vehicle rated capacity: 1450 lb. (658 kg) on level surface only. • Includes occupants and cargo load. • Maximum cargo load: 1050 lb. (476 kg). • Includes cargo, bed load, optional equipment, and trailer tongue weight.
---	---	---

<p>WARNING</p> <p>RIDING IN CARGO BED CAN CAUSE SERIOUS INJURY OR DEATH.</p> <p>• Do not ride in cargo bed.</p>	<p>WARNING</p> <p>ROLLOVER CAN CAUSE SERIOUS INJURY OR DEATH.</p> <ul style="list-style-type: none"> • Reduce speed when heavily loaded. • Place cargo forward in the cargo bed and distribute evenly side to side. Secure load. • On uneven or steep terrain, reduce speed and load. • Avoid stopping on or backing down steep hills. • Avoid top-heavy loads. 	<p>HIGH-CAPACITY VEHICLE LOADING</p> <ul style="list-style-type: none"> • Read owner's manual and warnings on dash. • Vehicle rated capacity: 1900 lb. (862 kg) on level surface only. • Includes occupants and cargo load. • Maximum cargo load: 1500 lb. (680 kg) - Includes cargo, bed load, optional equipment, and trailer tongue weight. • Towing not allowed when cargo load exceeds 1050 lb. (476 kg).
---	--	--

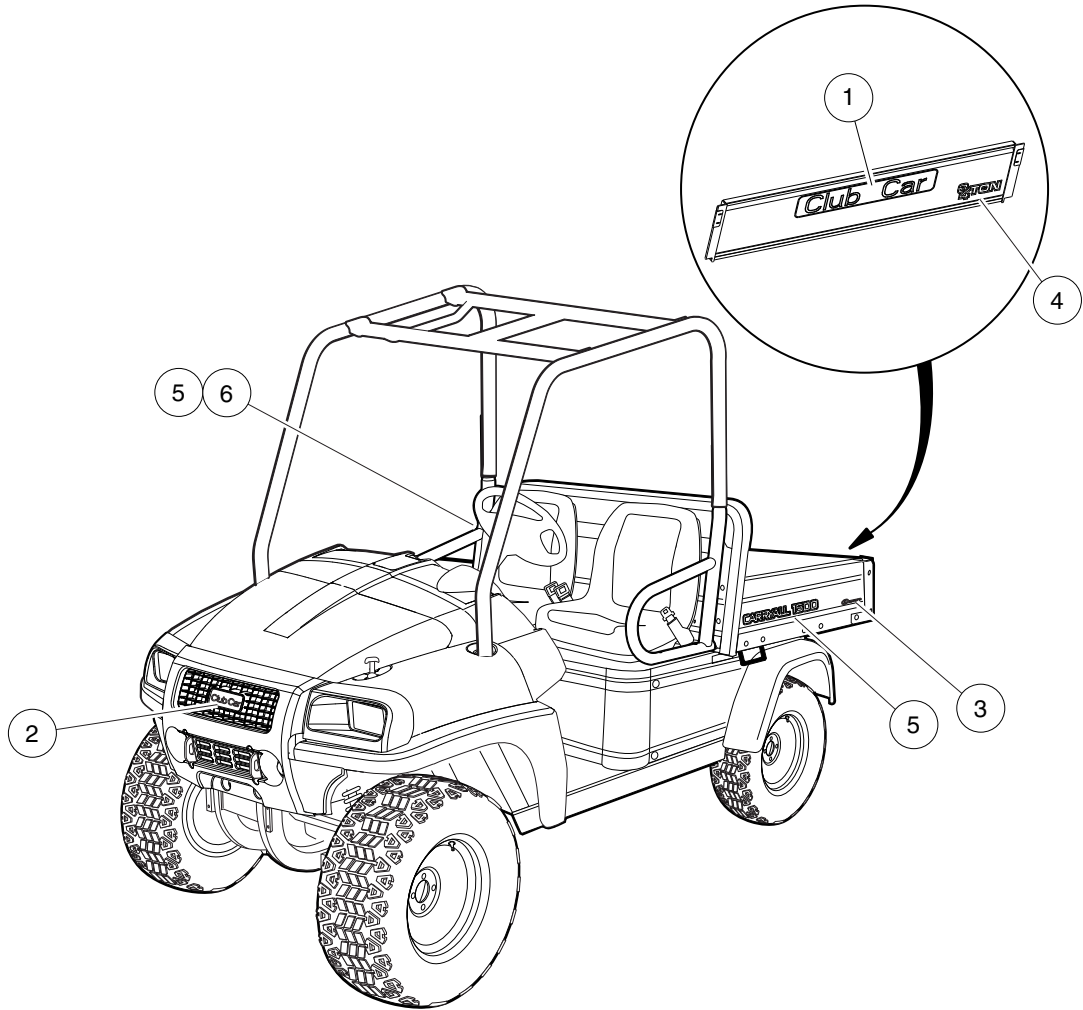


000509-005

SAFETY DECALS, CONTINUED (WITH ROPS OPTION)

ITEM	PART NO.	DESCRIPTION	QTY
		1 2 3 4	
1	<u>1011553</u>	Decal, Trailer Hitch	1
2	<u>101609401</u>	Decal, Crush Area Warning	1
3	<u>102459301</u>	Decal, Bed Crush Area Warning	1
4	<u>102459401</u>	Decal, Young Driver Warning	1
5	<u>102460201</u>	Decal, Rotating Parts Warning	2
6	<u>102884401</u>	Decal, Warning, Rollover	1
7	<u>102961201</u>	Decal, Warning, AWD ROPS	1
8	<u>103210401</u>	Decal, Vehicle Loading, 1050 lbs	1
9	<u>103951301</u>	Decal, Vehicle Loading, 1500 lbs	1

3
G



000531-010

BADGING DECALS

ITEM	PART NO.	DESCRIPTION	QTY
		1 2 3 4	
1	<u>1013317</u>	Decal, Logo, Tailgate	1
2	<u>102883601</u>	Decal, Nameplate, CCI, Front	1
3	<u>103234304</u>	Decal, Badge, Ir, Red	2
4	<u>104006401</u>	Decal, Capacity, 3/4 Ton	1
5	<u>105200501</u>	Decal, Badge, CA1500	2

3

G

3

G

BRAKE SYSTEMS AND PEDALS – WITH DUAL-PISTON FRONT CALIPERS

4

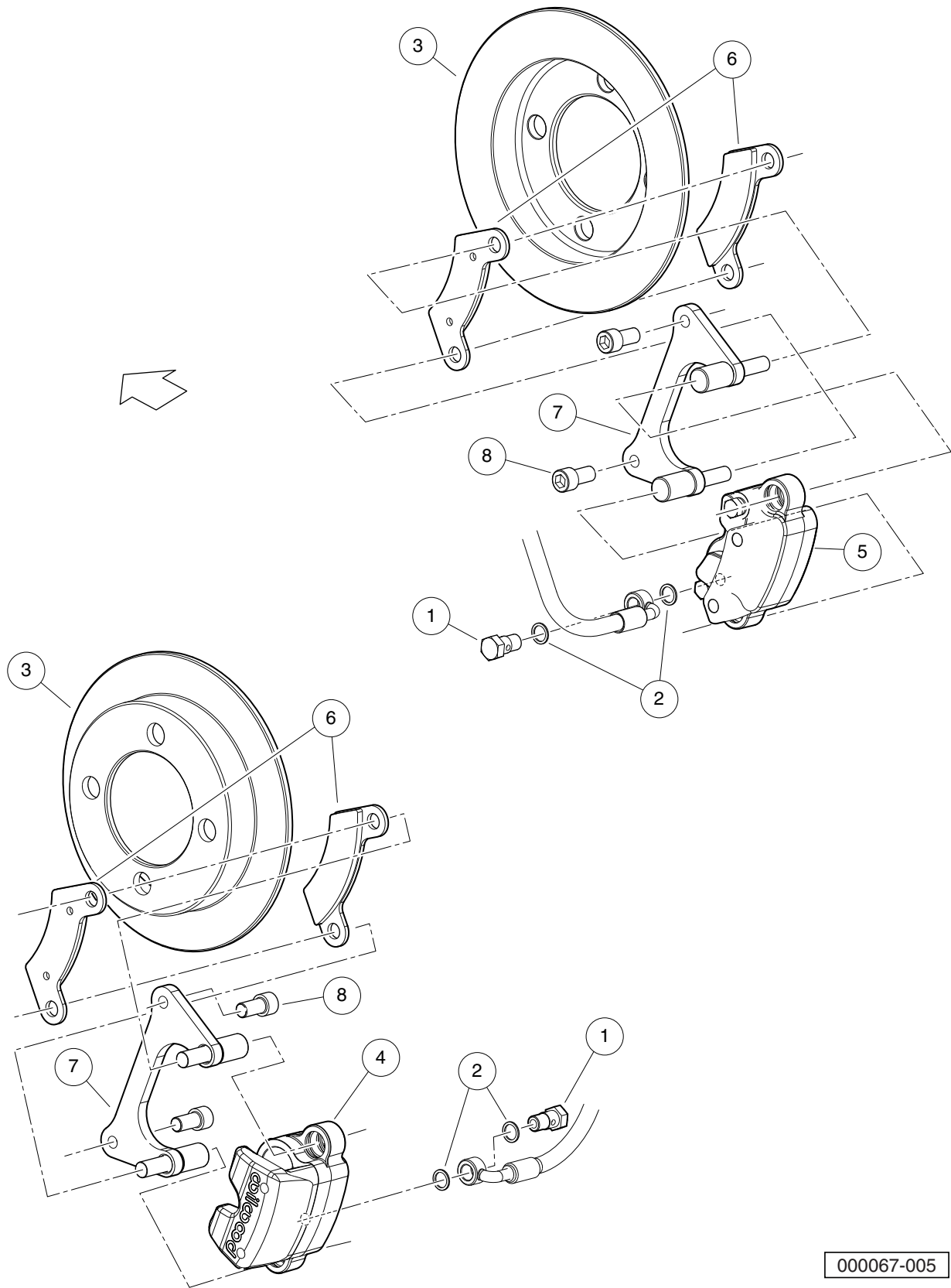
G

D

4

G

D



000067-005

FRONT BRAKES

ITEM	PART NO.	DESCRIPTION	QTY
		1 2 3 4	
1	<u>102488001</u>	Bolt, Banjo, M10x1x19	2
2	<u>102491601</u>	Washer, Copper, M10 Crush	4
3	<u>103077501</u>	Rotor, Disc, Brake	2
4	<u>103967601</u>	Caliper, Brake, Front, LH	1
5	<u>103967602</u>	Caliper, Brake, Front, RH	1
6	<u>103993701</u>	Brake Pad Set, Front (Four Pads)	1
7	103993801	Bracket, Caliper, Brake	2
8	104025201	Bolt, 3/8-24 x .75 SHCS, Patch	4
<p>Note: <u>103967601</u> and <u>103967602</u> calipers are not compatible with MY2013 or earlier, and are specific to steering upright assemblies 103980901 and 103980902, which were introduced at MY 2014.</p>			

4

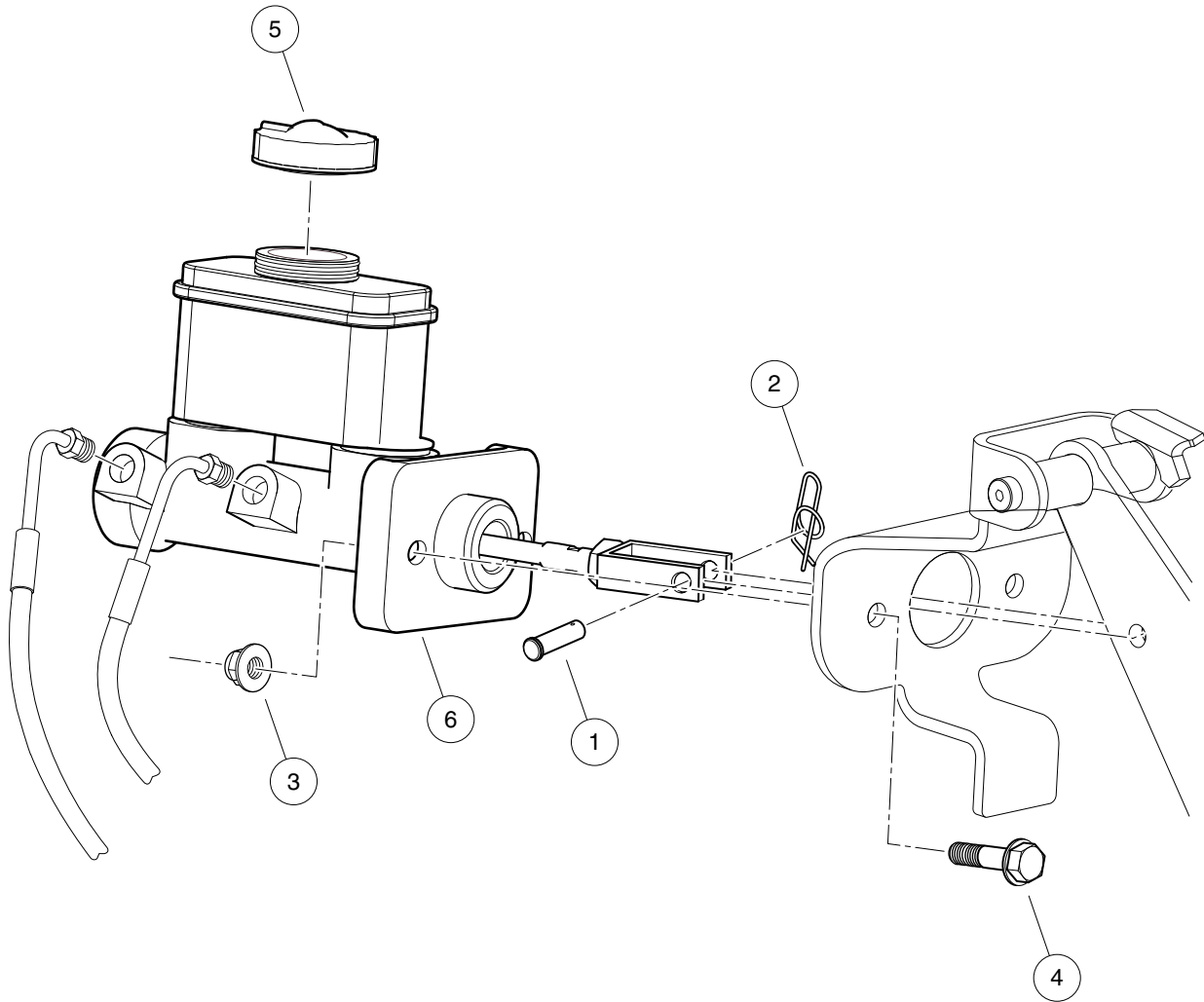
G

D

4

G

D



000792-002

MASTER CYLINDER WITH INTEGRAL RESERVOIR

ITEM	PART NO.	DESCRIPTION	QTY
		1 2 3 4	
1	<u>101082903</u>	Pin, Clevis, 5/16 X 1	1
2	<u>102176901</u>	Pin, Rue	1
3	<u>102298401</u>	Nut,m8,all Metal Lock	2
4	<u>102618401</u>	Bolt Flanged Head, M8 X 1.25 X 35	2
5	<u>103380701</u>	Cap, Filler, Master Cylinder	1
6	<u>103987001</u>	Cylinder,Master,7/8 Bore	1

4

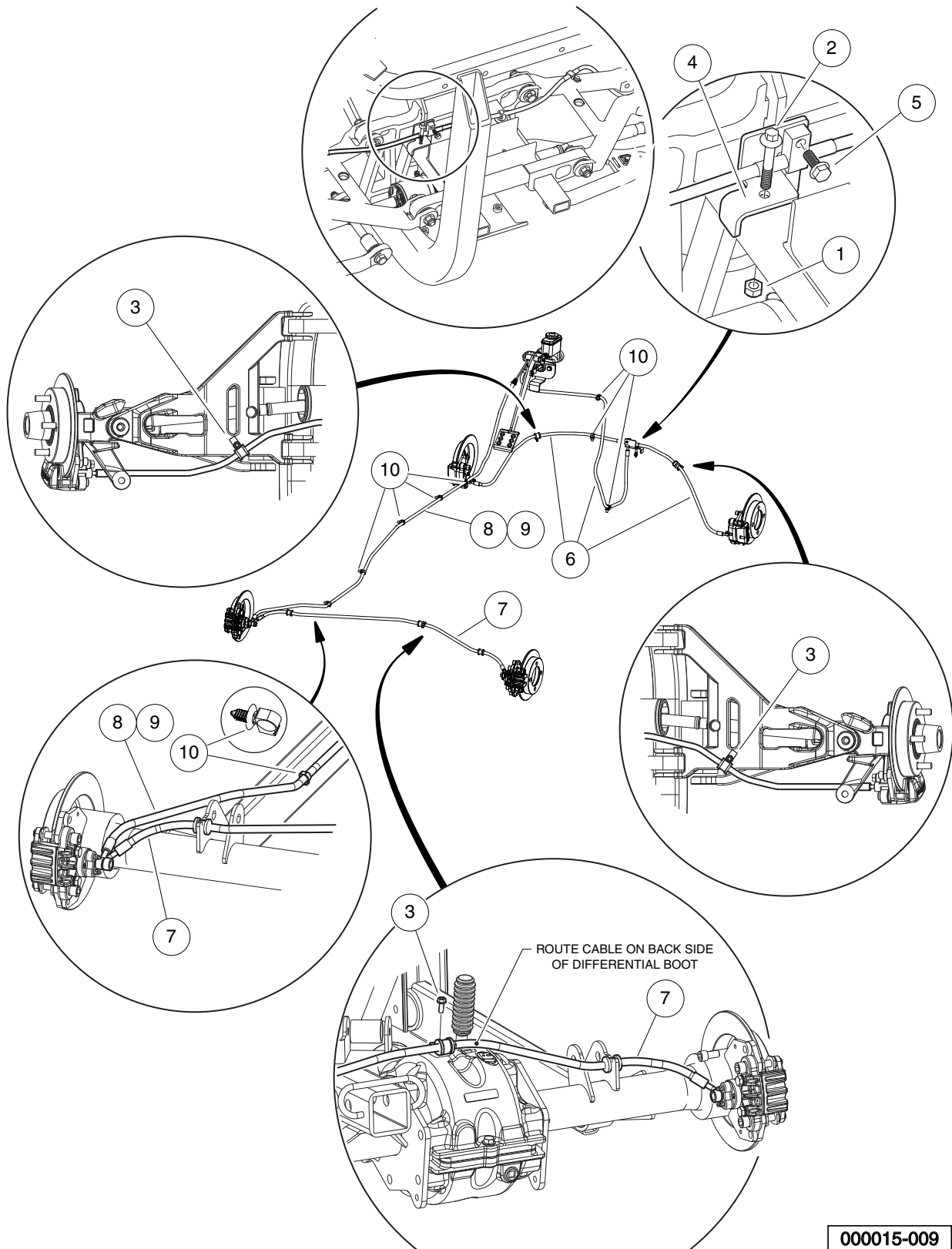
G

D

4

G

D



000015-009

HYDRAULIC BRAKE LINES AND CLIPS

ITEM	PART NO.	DESCRIPTION	QTY
		1 2 3 4	
1	<u>101887601</u>	Locknut, M6-1.00 Nylon Insert	1
2	<u>102296140</u>	Bolt, Flanged Head, M6x1.0x40	1
3	<u>102296716</u>	Screw, M6 X 16 Tt Hx Fl Hd	3
4	<u>102474301</u>	Bracket, Tee, Brakeline	1
5	<u>102670801</u>	Screw, M6 X 1 X 25 Thd Form	1
6	<u>103967201</u>	Brake Line, Front, AWD	1
7	<u>103967301</u>	Brake Line, Rear, AWD	1
8	<u>103967401</u>	Brake Line, Mid, AWD Std	1
9	<u>103967501</u>	Brake Line, Mid, AWD SE	1
10	<u>103973101</u>	Clip, Snap-close 10mm	8

4

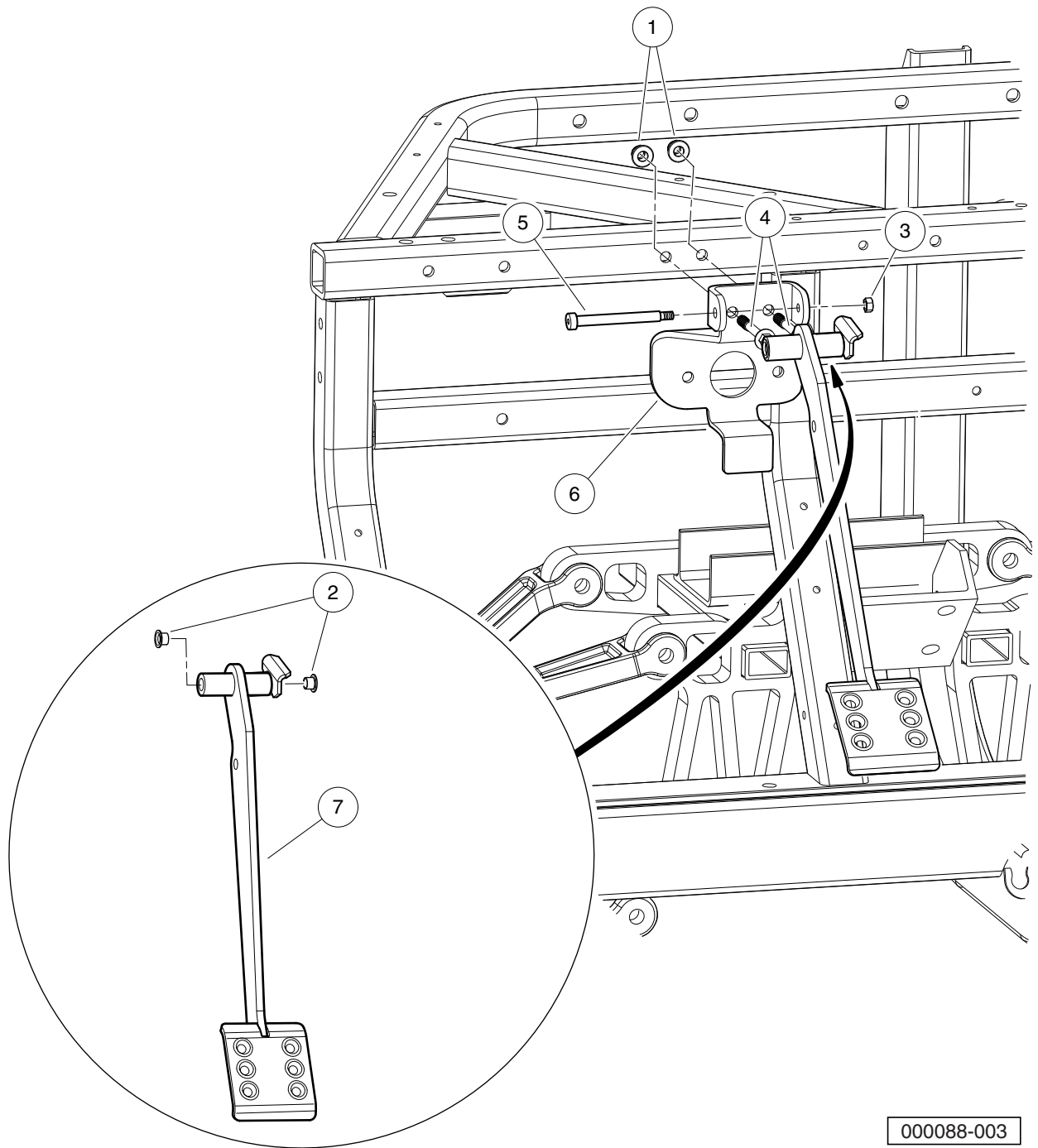
G

D

4

G

D



000088-003

BRAKE PEDAL

ITEM	PART NO.	DESCRIPTION	QTY
		1 2 3 4	
1	<u>102298401</u>	Nut,m8,all Metal Lock	2
2	<u>102442901</u>	Bushing, Greaseless	2
3	<u>102618101</u>	Nut, M6x1, Mechanically Deformed	1
4	<u>102618301</u>	Bolt, Flanged Head, M8 X 1.25 X 65	2
5	<u>103273101</u>	Bolt, Shoulder, M8 X 70, Hc	1
6	103986601	Bracket, Mtg, Brake Pedal	1
7	103986901	Pedal, Brake	1

4

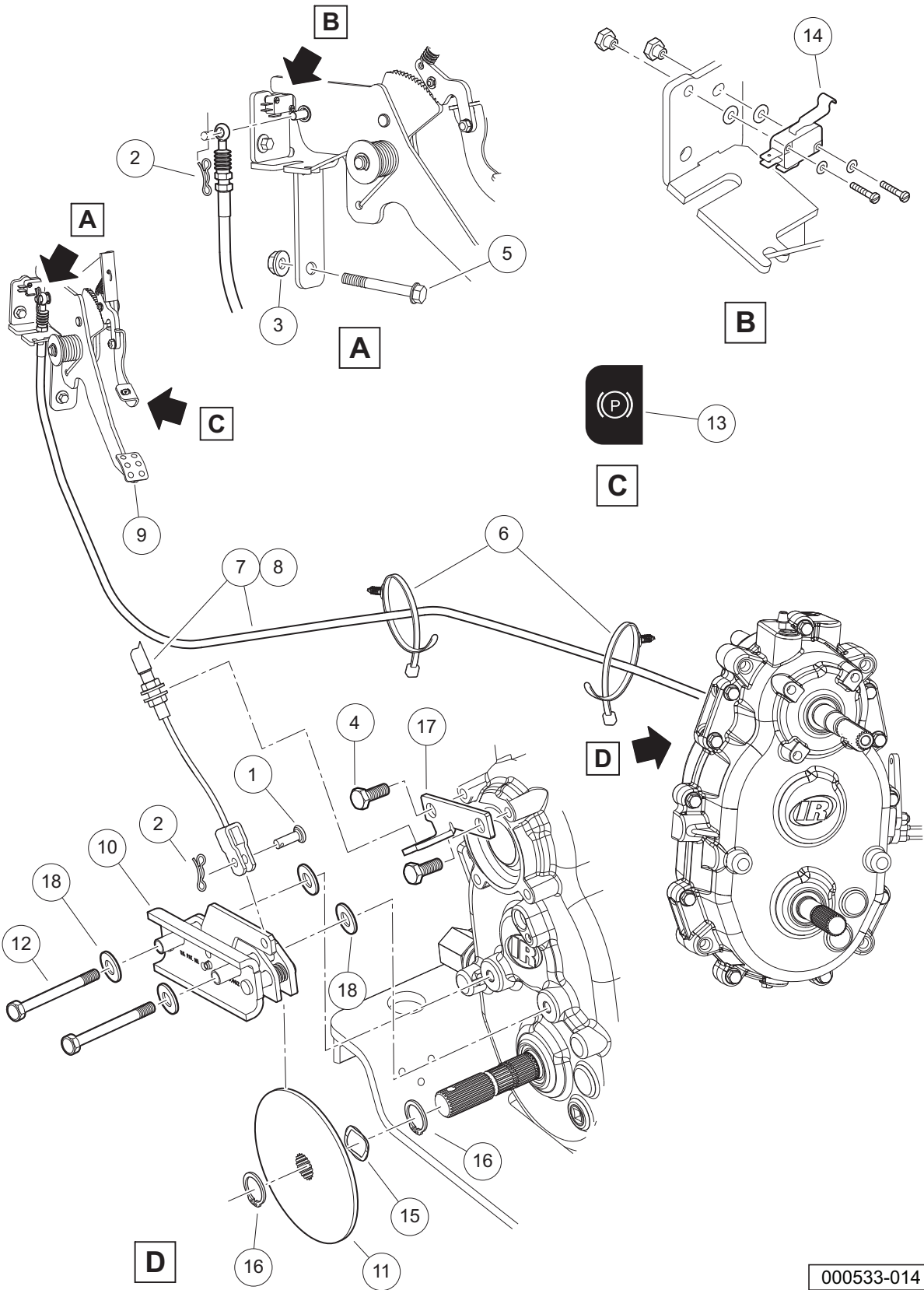
G

D

4

G

D



000533-014

PARK BRAKE SYSTEM

ITEM	PART NO.	DESCRIPTION	QTY
		1 2 3 4	
1	<u>101082903</u>	Pin, Clevis, 5/16 X 1	1
2	<u>102292801</u>	Pin, Bow Tie Locking - .072	2
3	<u>102298401</u>	Nut,m8,all Metal Lock	3
4	<u>102490101</u>	Bolt, M10 X 1.5 X 20 Loctite	2
5	<u>102618301</u>	Bolt, Flanged Head, M8 X 1.25 X 65	3
6	<u>102629001</u>	Tie Wrap, 8.00" With Mount	2
7	<u>103968501</u>	Cable, Park Brake, 1500/1550	1
8	<u>103968601</u>	Cable, Park Brake, 1700/1550 SE	1
9	<u>103968701</u>	Pedal, Foot, Park Brake	1
10	<u>103968801</u>	Caliper, Mech, Park Brake	1
11	<u>103968903</u>	Rotor, Park Brake, Duct Iron	1
12	<u>103983301</u>	M10-1.5 X 90 Hh Ft Pc 8.8 Zidi	2
13	<u>103986501</u>	Decal, Brake, Park	1
14	<u>104005501</u>	Switch, Micro, Plunger Only	1
15	<u>104005601</u>	Spring,Wave,0.96-in ID	1
16	<u>104005701</u>	Ring, Snap, Ext, 63/64-in	2
17	<u>105265501</u>	Brkt, Mtg, Park Brake, Xrt1550	1
18	<u>96741046</u>	Washer, M10, Hard	4

4

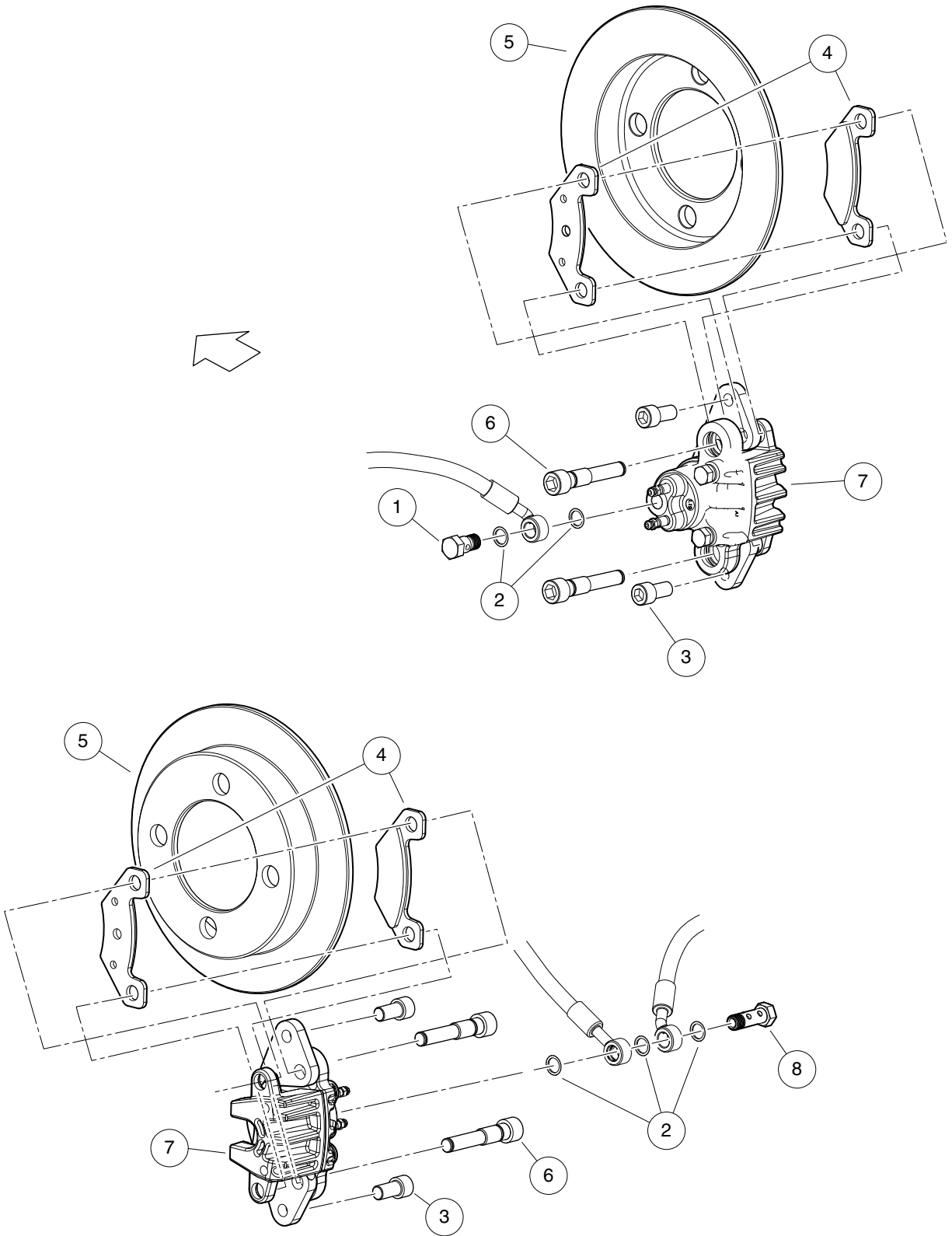
G

D

4

G

D



000068-006

REAR BRAKES

ITEM	PART NO.	DESCRIPTION	QTY
		1 2 3 4	
1	<u>102488001</u>	Bolt, Banjo, M10x1x19	1
2	<u>102491601</u>	Washer, Copper, M10 Crush	4
3	<u>102493301</u>	Bolt, Flange Head, 3/8-24x.750 with Loctite	4
4	<u>102714001</u>	Brake Pad Set, Rear (Four Pads)	1
5	<u>103077501</u>	Rotor, Disc, Brake	2
6	<u>103418801</u>	Pin, Slide, 7/16	4
7	<u>103967701</u>	Caliper, Brake, Rear	2
8	<u>103967901</u>	Bolt, Banjo, Double, M10 X 1	1

4

G

D

4

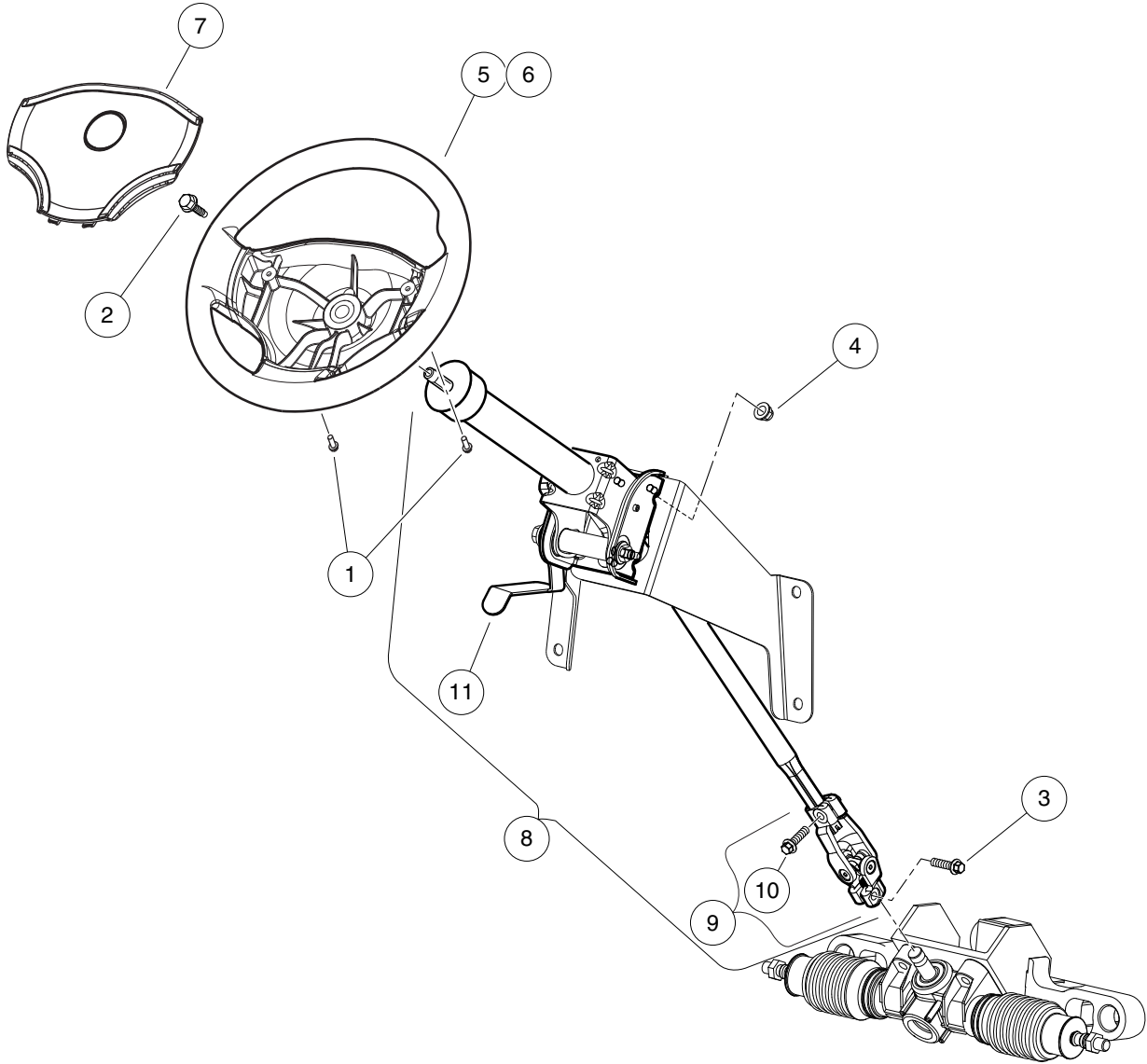
G

D

STEERING AND SUSPENSION – WITH DUAL-PISTON FRONT CALIPERS

5

G



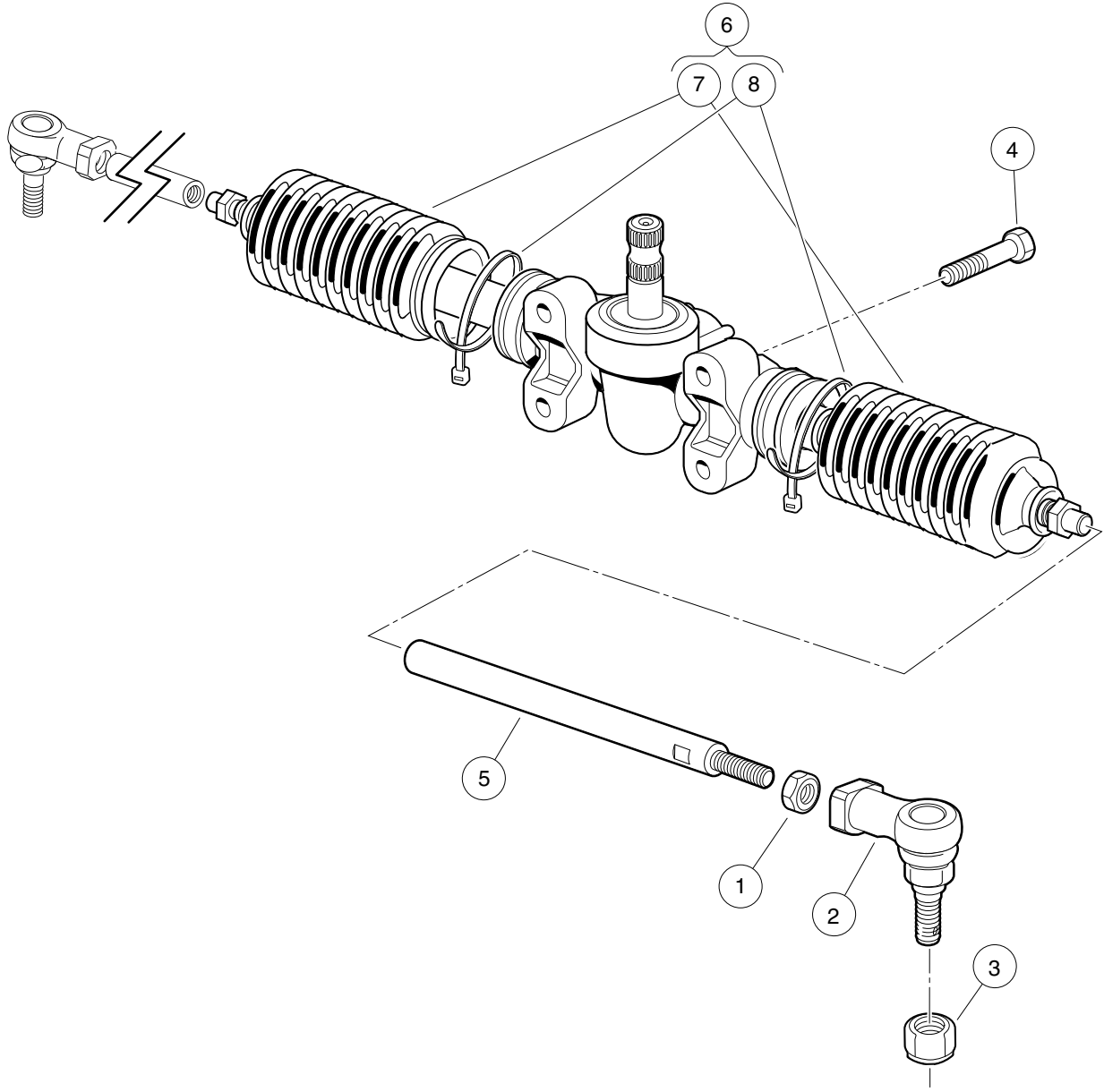
000070-006

STEERING WHEEL AND COLUMN

ITEM	PART NO.	DESCRIPTION	QTY
		1 2 3 4	
1	<u>101850301</u>	Screw, #12-16 X 0.50 Washer-Head Hi-Lo	2
2	<u>102290120</u>	Bolt, M10 X 20 Hex Washer Hd	1
3	<u>102298130</u>	Bolt, Flange Head, M8 X 30.0	1
4	<u>102298401</u>	Nut,m8,all Metal Lock	3
5	<u>103724501</u>	Steering Wheel, Hex	1
6	<u>103724503</u>	Steering Wheel, Soft Grip, Hex	1
7	<u>103724602</u>	Cover, Steering Wheel, Generic	1
8	<u>103859901</u>	Column, Steering, Awd (includes items 9 through 11)	1
9	<u>103810201</u>	Kit, Lower Yoke, Wanda (includes item 10)	1
10	<u>102298130</u>	Bolt, Flange Head, M8 X 30.0	1
11	<u>103862701</u>	Handle, Steering, Tilt, Awd	1

5
G

5
G



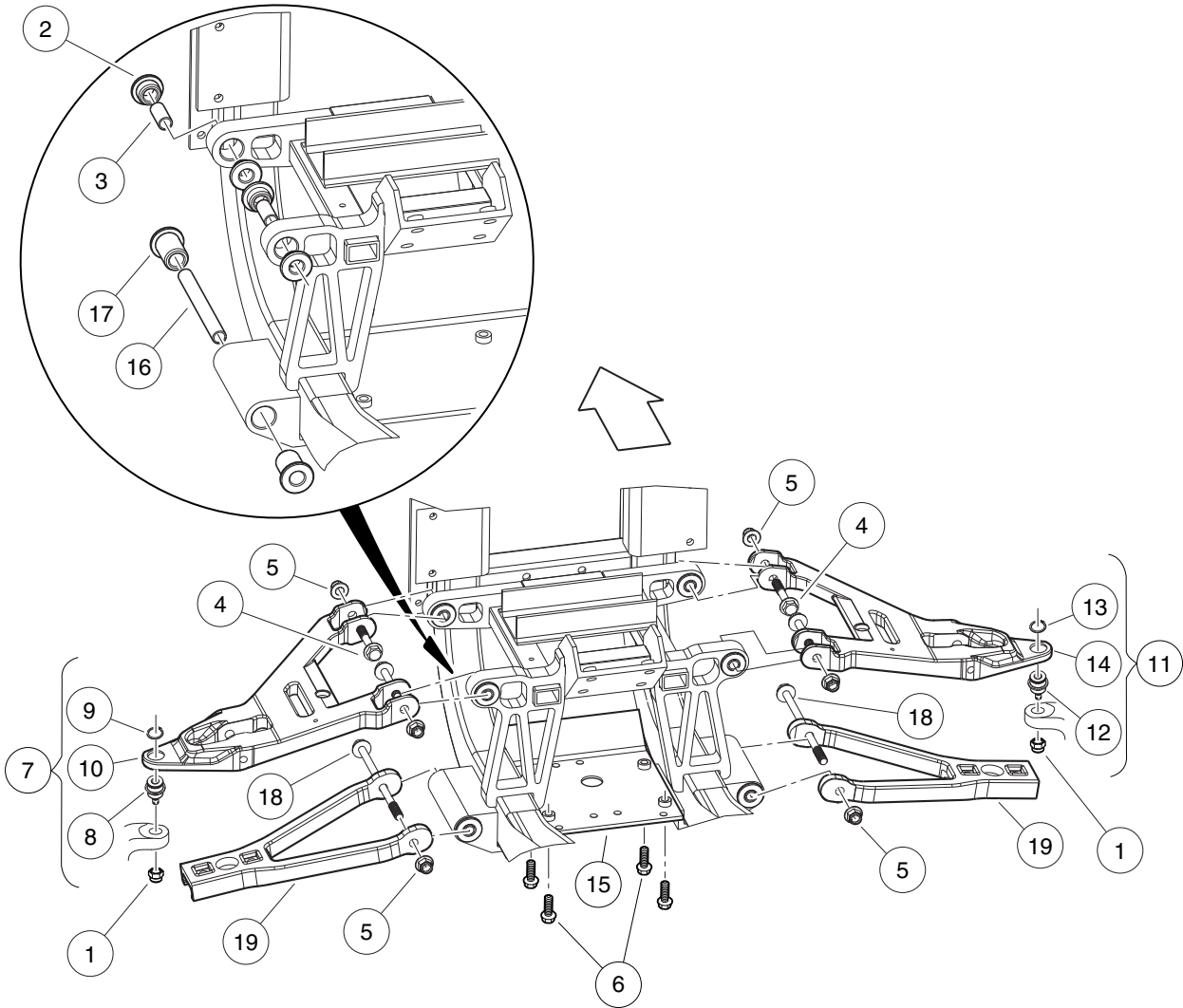
000071-004

STEERING GEAR

ITEM	PART NO.	DESCRIPTION	QTY
		1 2 3 4	
1	1013042	Nut, 12mm Hex	2
2	<u>102022601</u>	End, Tie Rod M12 X 1.25 Rh	2
3	<u>102022901</u>	Locknut, M12-1.25 Nylon	2
4	<u>102687801</u>	Bolt, Flange Head, M10x 1.5 X 40 with Loctite	4
5	<u>102816801</u>	Link, Drag, Wt	2
6	<u>103866601</u>	Gear, Steering, AWD (includes items 7 and 8)	1
7	<u>1013035</u>	Bellows, Long	2
8	<u>8990</u>	Tie Wrap, 8" Nylon	2

5
G

5
G

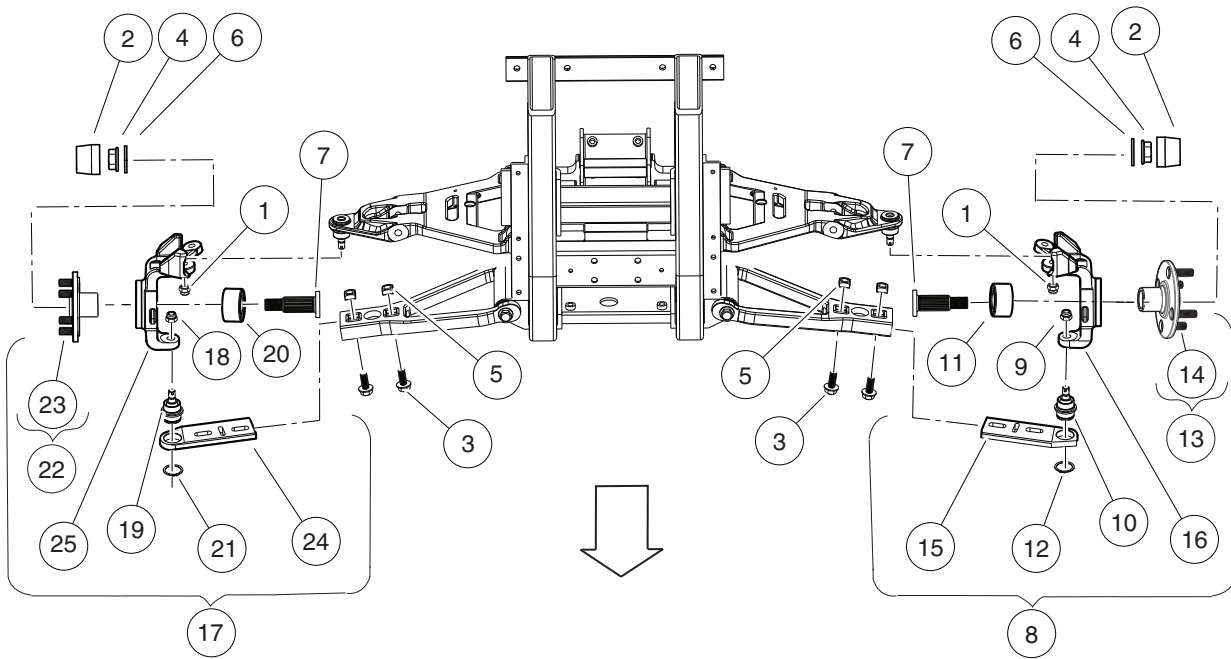


000534-011

FRONT SUSPENSION – PAGE 1 OF 2

ITEM	PART NO.	DESCRIPTION	QTY
		1 2 3 4	
1	<u>102022901</u>	Locknut, M12-1.25 Nylon	2
2	<u>102408401</u>	Bushing, A-Arm	8
3	<u>102437001</u>	Sleeve, Upper	4
4	<u>102616301</u>	Bolt, Flange Head, M12 X 1.75 X 70	4
5	<u>102620501</u>	Nut, Flange, M12x1.75, Nylon Grade 10	6
6	<u>102711601</u>	Bolt, Flange Head, M10 X 1.5 X 25	4
7	<u>102792001</u>	Asm, A-Arm, Upper, Left (includes items 8 through 10)	1
8	<u>102361901</u>	Joint, Ball	1
9	<u>102722301</u>	Ring, Retaining, Ext, 1-1/4"	1
10	<u>102927101</u>	Arm, Upper, Wide, Machined, LH	1
11	<u>102792002</u>	Asm, A-arm, Upper, Right (includes items 12 through 14)	1
12	<u>102361901</u>	Joint, Ball	1
13	<u>102722301</u>	Ring, Retaining, Ext, 1-1/4"	1
14	<u>102927102</u>	Arm, Upper, Wide, Machined, RH	1
15	<u>103244701</u>	Asm, Mount, Diff Plate	1
16	<u>103256401</u>	Sleeve, Lower Arm	2
17	<u>103256501</u>	Bushing, Lower Arm	4
18	<u>103256701</u>	Bolt, Flange, M12 X 1.75 X 200 10	2
19	<u>103969801</u>	Lower Control Arm, Machined	2

5
G



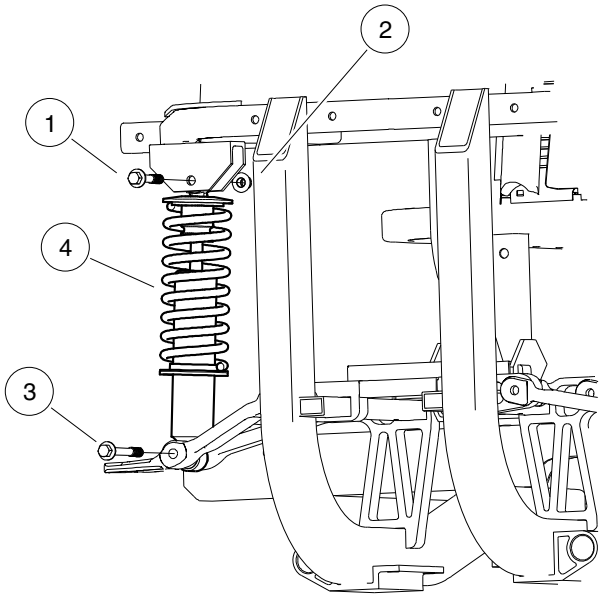
000534-013

FRONT SUSPENSION – PAGE 2 OF 2

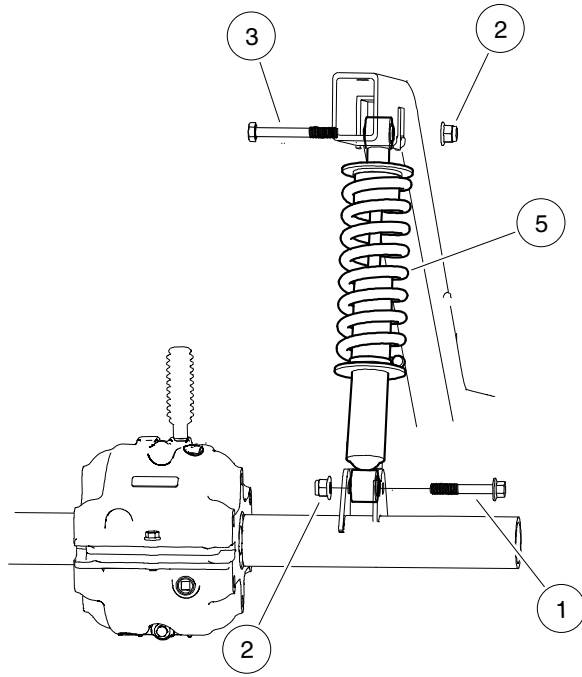
ITEM	PART NO.	DESCRIPTION	QTY
		1 2 3 4	
1	<u>102022901</u>	Locknut, M12-1.25 Nylon	2
2	<u>102274101</u>	Center Cap, Rubber	2
3	<u>102490801</u>	Bolt, Flange Head, M12x 1.75x 30 with Loctite	4
4	<u>102617501</u>	Nut, Flange, M22 X 1.5 Mech Def	2
5	<u>102617701</u>	Nut, Square, M12x 1.75	4
6	<u>102617801</u>	Washer, Hard, M22	2
7	<u>103948401</u>	Retainer, Front Wheel Bearing	2
8	<u>105283703</u>	Asm, Upright, AWD, Driver-Side, for Dual-Piston Caliper (includes items 9 through 16) .	1
9	<u>102022901</u>	Locknut, M12-1.25 Nylon	1
10	<u>102361901</u>	Joint, Ball	1
11	<u>102464301</u>	Bearing	1
12	<u>102722301</u>	Ring, Retaining, Ext, 1-1/4"	1
13	<u>103146204</u>	Wheel Hub, Front, 1550, Service (includes item 14)	1
14	<u>103951501</u>	Lug Stud, 1/2-20 UNF, SAE J1102	4
15	<u>103939301</u>	Slide, Adjuster, 5 Degree, Ds	1
16	N/A	Upright, Finished, Left	1
17	<u>105283704</u>	Asm, Upright, AWD, Passenger-Side, for Dual-Piston Caliper (includes items 18 through 25)	1
18	<u>102022901</u>	Locknut, M12-1.25 Nylon	1
19	<u>102361901</u>	Joint, Ball	1
20	<u>102464301</u>	Bearing	1
21	<u>102722301</u>	Ring, Retaining, Ext, 1-1/4"	1
22	<u>103146204</u>	Wheel Hub, Front, 1550, Service (includes item 23)	1
23	<u>103951501</u>	Lug Stud, 1/2-20 UNF, SAE J1102	4
24	<u>103939302</u>	Slide, Adjuster, 5 Degree, Ps	1
25	N/A	Upright, Finished, Right	1

5

G



Front



Rear

000530-005

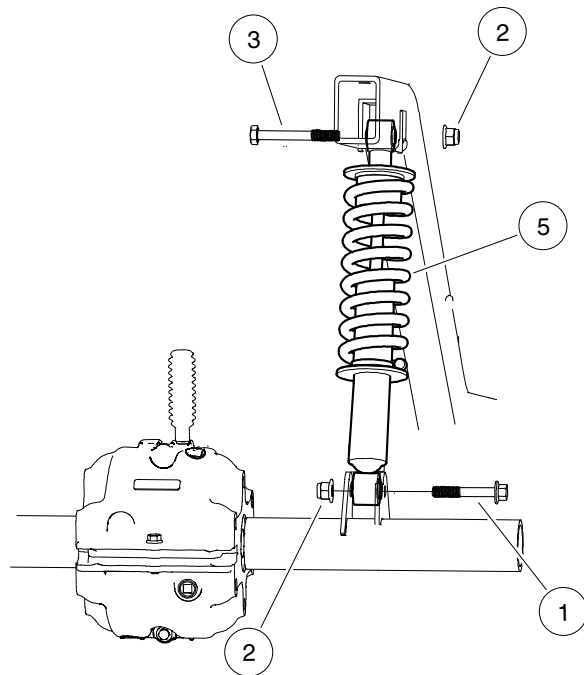
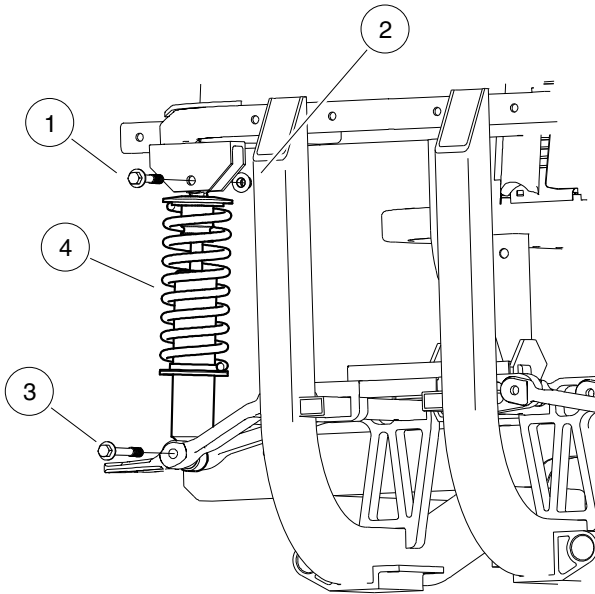
SHOCK ABSORBERS – 1050 LB CAPACITY

ITEM	PART NO.	DESCRIPTION	QTY
		1 2 3 4	
1	<u>102616301</u>	Bolt, Flange Head, M12 X 1.75 X 70	4
2	<u>102620501</u>	Nut, Flange, M12x1.75, Nylon Grade 10	6
3	<u>102788701</u>	Bolt, Flange, M12x1.75x100, Patch	4
4	<u>103841801</u>	Shock Absorber, Coil-over, Front, 1050 lb Capacity	2
5	<u>103930501</u>	Shock Absorber, Coil-over, Rear, 1050 lb Capacity	2
		Note: Shocks must be installed as matched pairs.	

5

G

5
G



000530-006

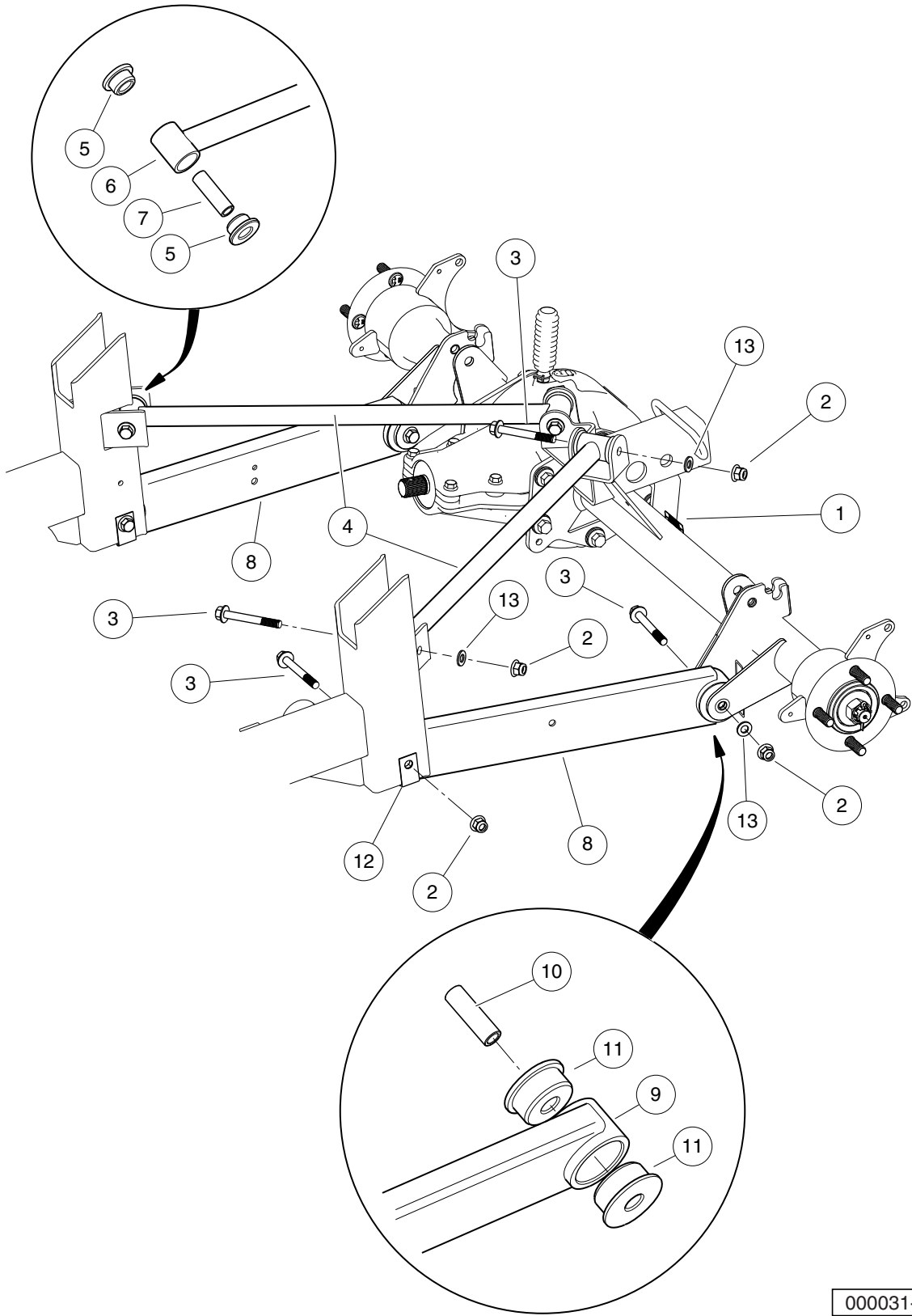
SHOCK ABSORBERS – 1500 LB CAPACITY

ITEM	PART NO.	DESCRIPTION	QTY
		1 2 3 4	
1	<u>102616301</u>	Bolt, Flange Head, M12 X 1.75 X 70	4
2	<u>102620501</u>	Nut, Flange, M12x1.75, Nylon Grade 10	6
3	<u>102788701</u>	Bolt, Flange, M12x1.75x100, Patch	4
4	<u>103951601</u>	Shock Absorber, Coil-over, Front, 1500 lb Capacity	2
5	<u>103951701</u>	Shock Absorber, Coil-over, Rear, 1500 lb Capacity	2
		Note: Shocks must be installed as matched pairs.	

5

G

5
G



000031-005

REAR SUSPENSION (4-LINK)

ITEM	PART NO.	DESCRIPTION	QTY
		1 2 3 4	
1	<u>1011553</u>	Decal, Trailer Hitch	1
2	<u>102670701</u>	Nut, Flange, M10 X 1.5 Nylon	8
3	<u>103147001</u>	Bolt, Flg, M10 X 1.5 X 80	8
4	103860302	Assy, Lateral Link, Service Replacement, 4-Link Susp (includes items 5 through 7)	2
5	<u>102408401</u>	Bushing, A-Arm	4
6	N/A	Link, Lateral, Awd	1
7	<u>103845501</u>	Sleeve, Inner, 4link	2
8	103860402	Assy, Trailing Link, Service Replacement, 4-Link Susp (includes items 9 through 11)	2
9	N/A	Link, Trailing, Awd	1
10	<u>103845501</u>	Sleeve, Inner, 4link	2
11	<u>103886201</u>	Bushing, Poly, 4-link	4
12	<u>103923001</u>	Clip, Wear, Trail Link	4
13	<u>96741046</u>	Washer, M10, Hard	6

5
G

5

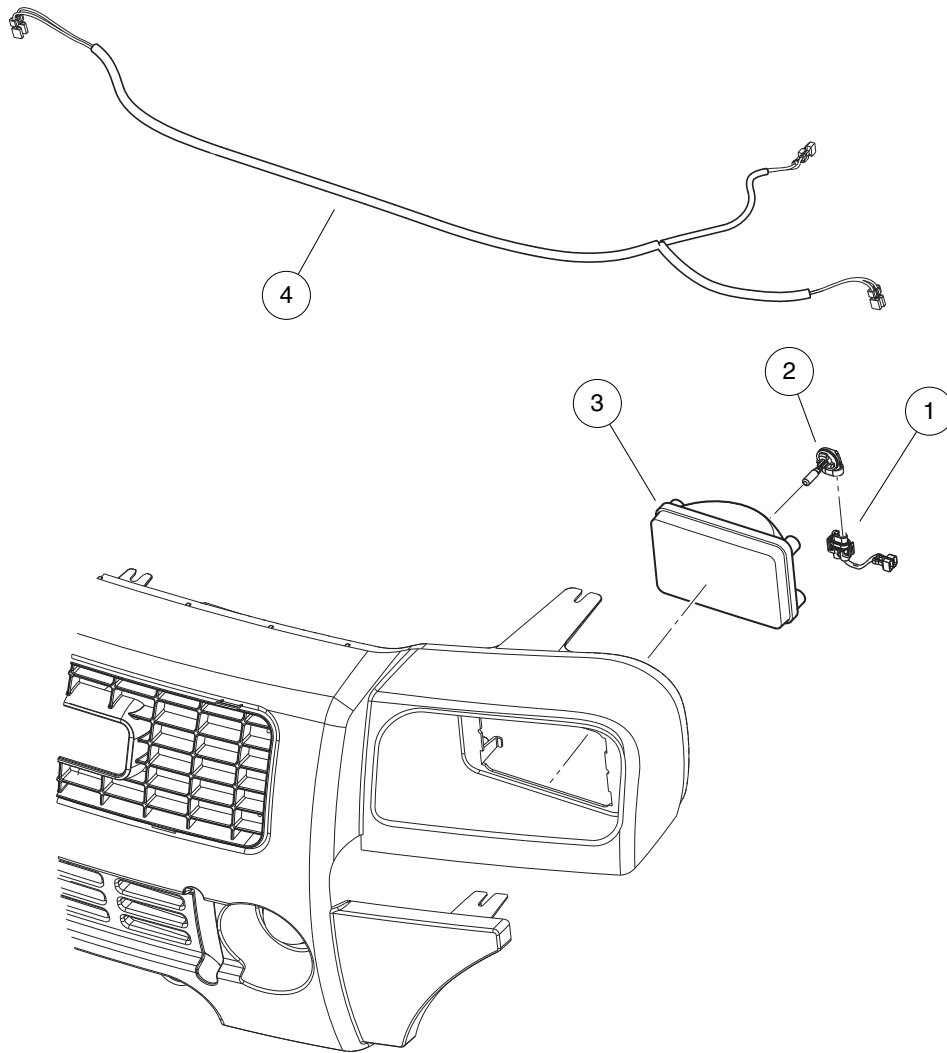
G

ELECTRICAL SYSTEM

6

G

6
G



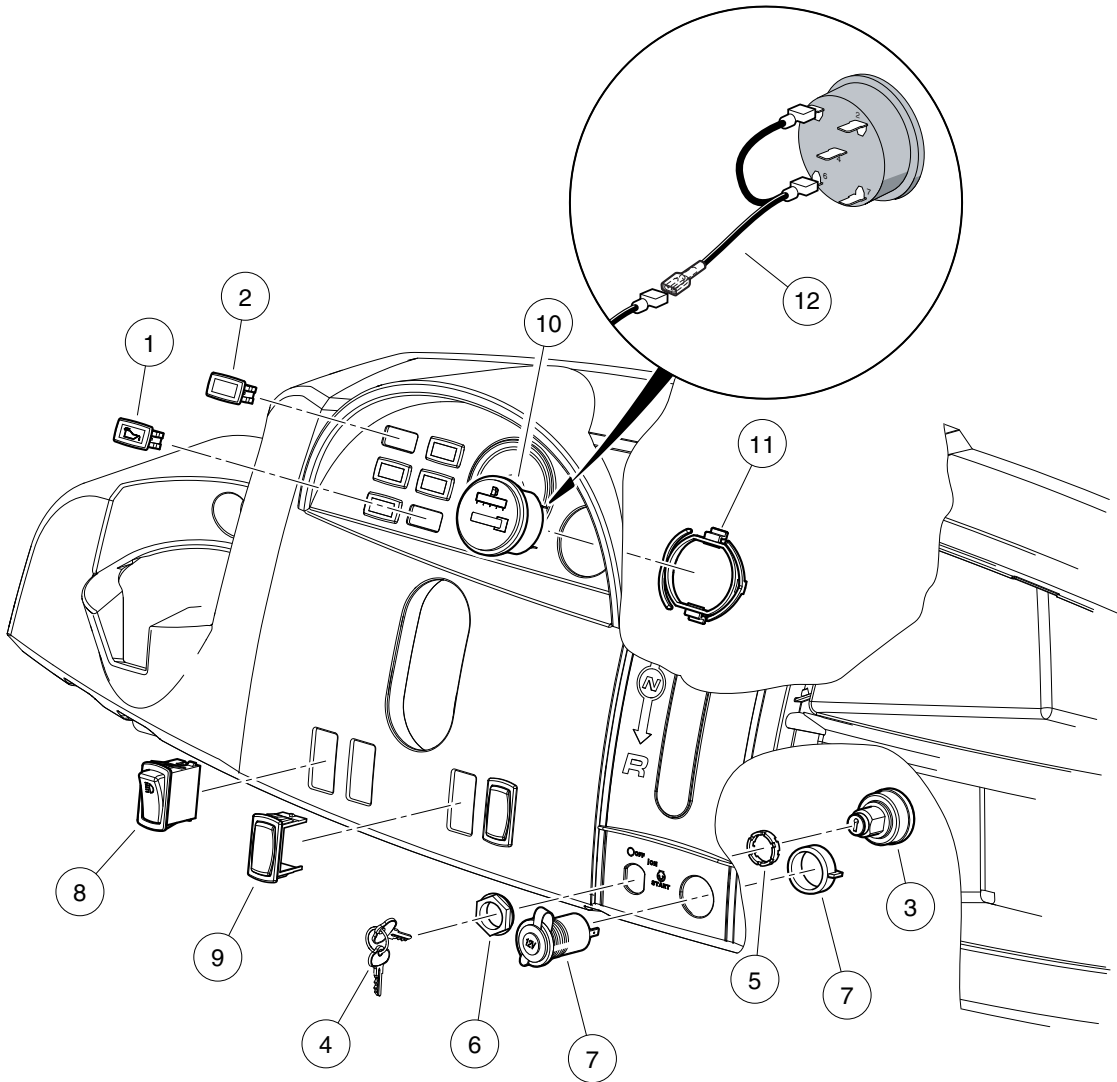
000880-003

HEADLIGHTS – CARRYALL

ITEM	PART NO.	DESCRIPTION	QTY
		1 2 3 4	
1	<u>101987901</u>	Connector, Harness Assembly, Headlight	2
2	<u>101988101</u>	Bulb, Headlight	2
3	<u>101988201</u>	Lens, Headlight	2
4	<u>103213301</u>	Harness, Wire, XRT/CA Restyle Headlights	1

6

G

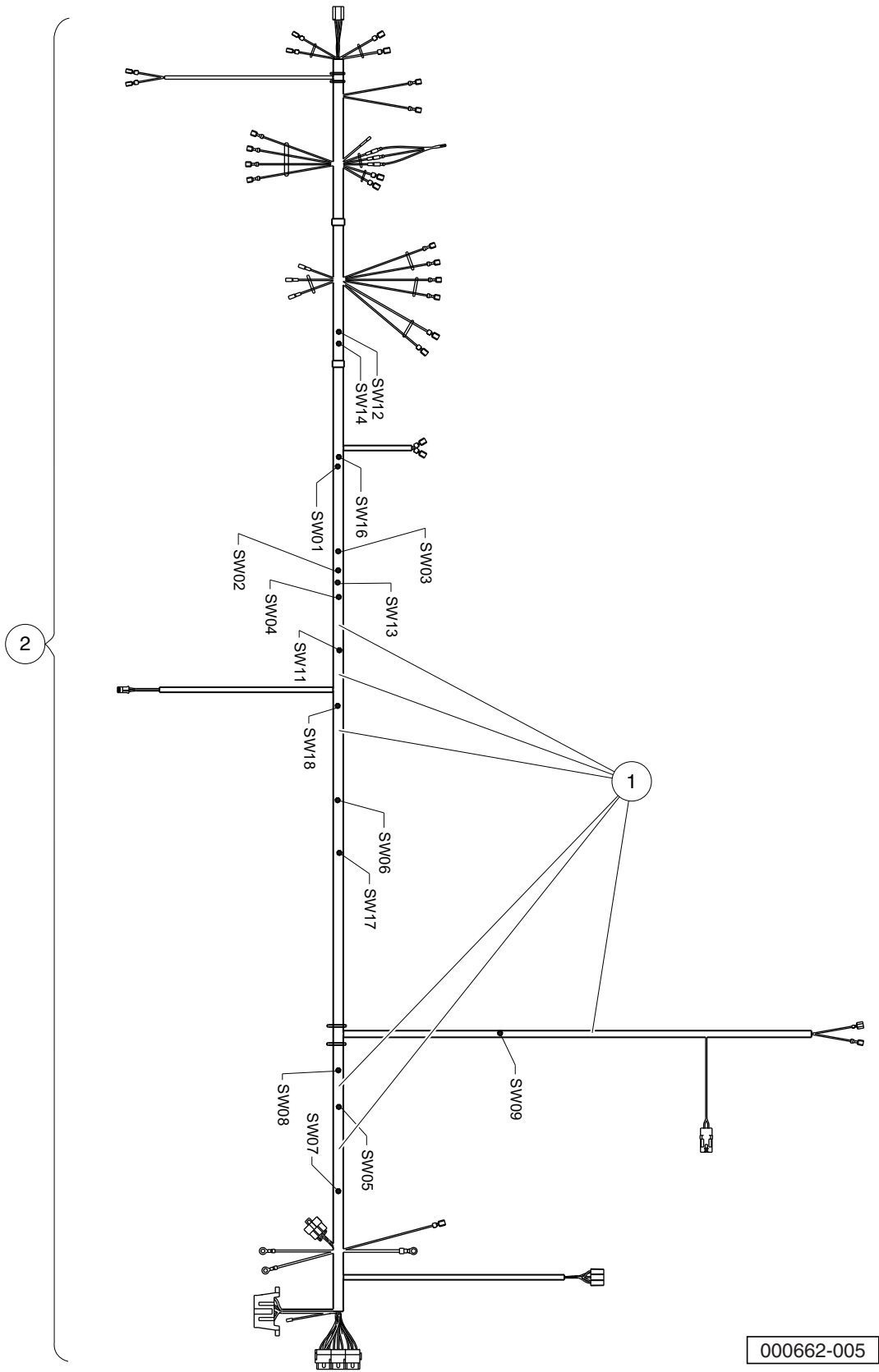


000543-009

ELECTRICAL COMPONENTS, FRONT BODY – GAS VEHICLE

ITEM	PART NO.	DESCRIPTION	QTY
		1 2 3 4	
1	<u>1016630</u>	Light, Oil	1
2	<u>101802601</u>	Plug, Hole	5
3	<u>102044702</u>	Key Switch 12v Key Start	1
4	<u>102044801</u>	Key Set	1
5	<u>102051601</u>	Spacer, Keyswitch	1
6	<u>102051701</u>	Nut, Key Switch	1
7	<u>102198001</u>	Receptacle, Accessory	1
8	<u>102869401</u>	Switch, Rocker, Light	1
9	<u>103180101</u>	Cover, Hole, Switch, Rocker	3
10	<u>103348101</u>	Gauge, Fuel-hour, Sep Gnd	1
11	<u>103348201</u>	Clip, Meter, Round	1
12	<u>103348501</u>	Asm, Wire Meter, F-h Jumper	1

6
G



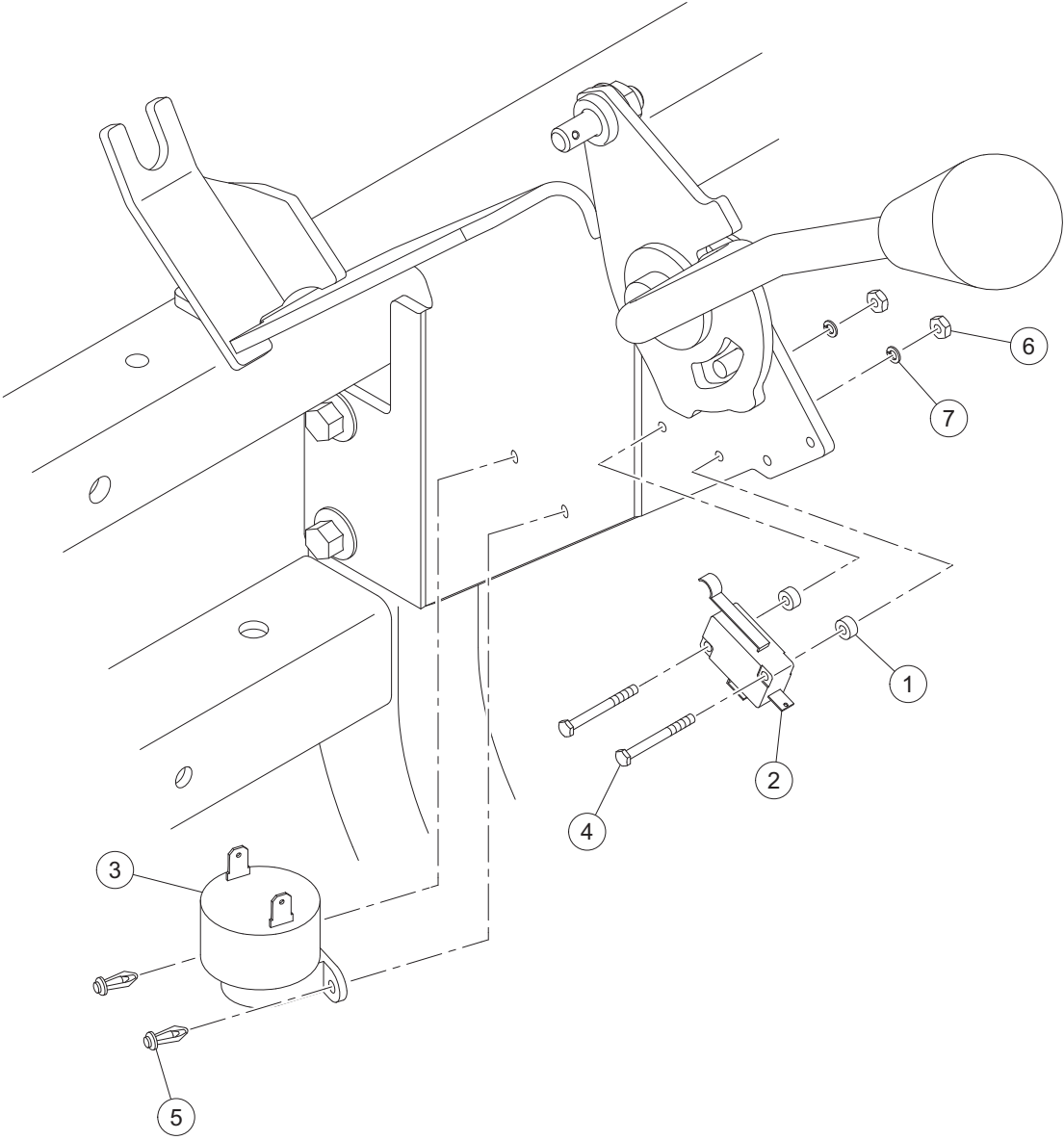
000662-005

WIRING – GASOLINE VEHICLE

ITEM	PART NO.	DESCRIPTION	QTY
1	<u>1014789</u>	1 2 3 4 Diode, General Purpose, 3.0-Amp	6
2	<u>103305701</u>	Harness, Wire, AWD, Kawasaki FH680, 295/1550	1

6
G

6
G

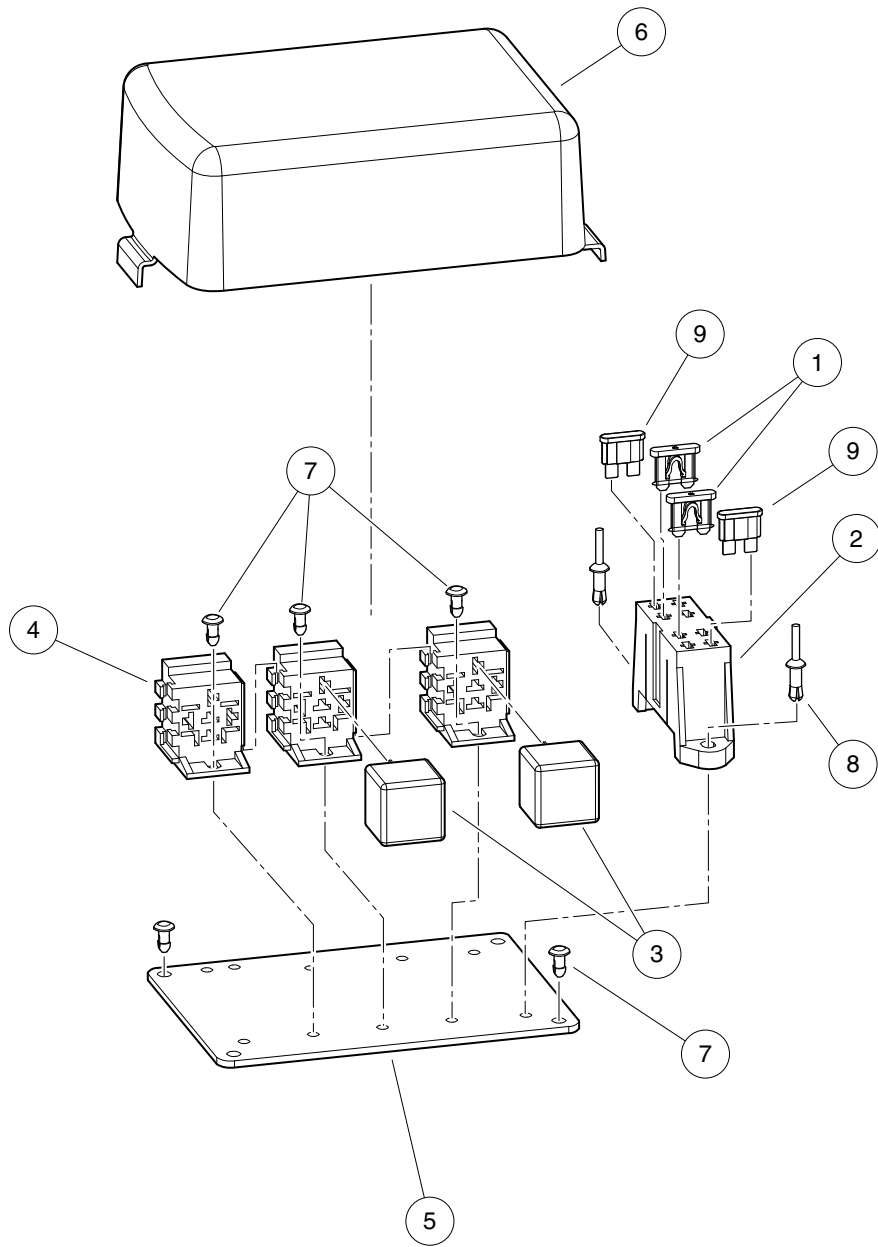


G-131299-00002

REVERSE BUZZER AND LIMIT SWITCH

ITEM	PART NO.	DESCRIPTION	QTY
		1 2 3 4	
1	<u>1014727</u>	Washer, Flat, #4, Nylon	2
2	<u>1014808</u>	Switch, Limit	1
3	<u>1016851</u>	Multi-Purpose Buzzer (9-48 VDC)	1
4	<u>1016896</u>	Screw, #4-40 X 1.125 Hx Hd Mch	2
5	<u>102499001</u>	Rivet, Micro Tuflok	2
6	<u>8057</u>	Nut, #4-40 Hex Machine	2
7	<u>8058</u>	Lockwasher, #4 Split	2

6
G



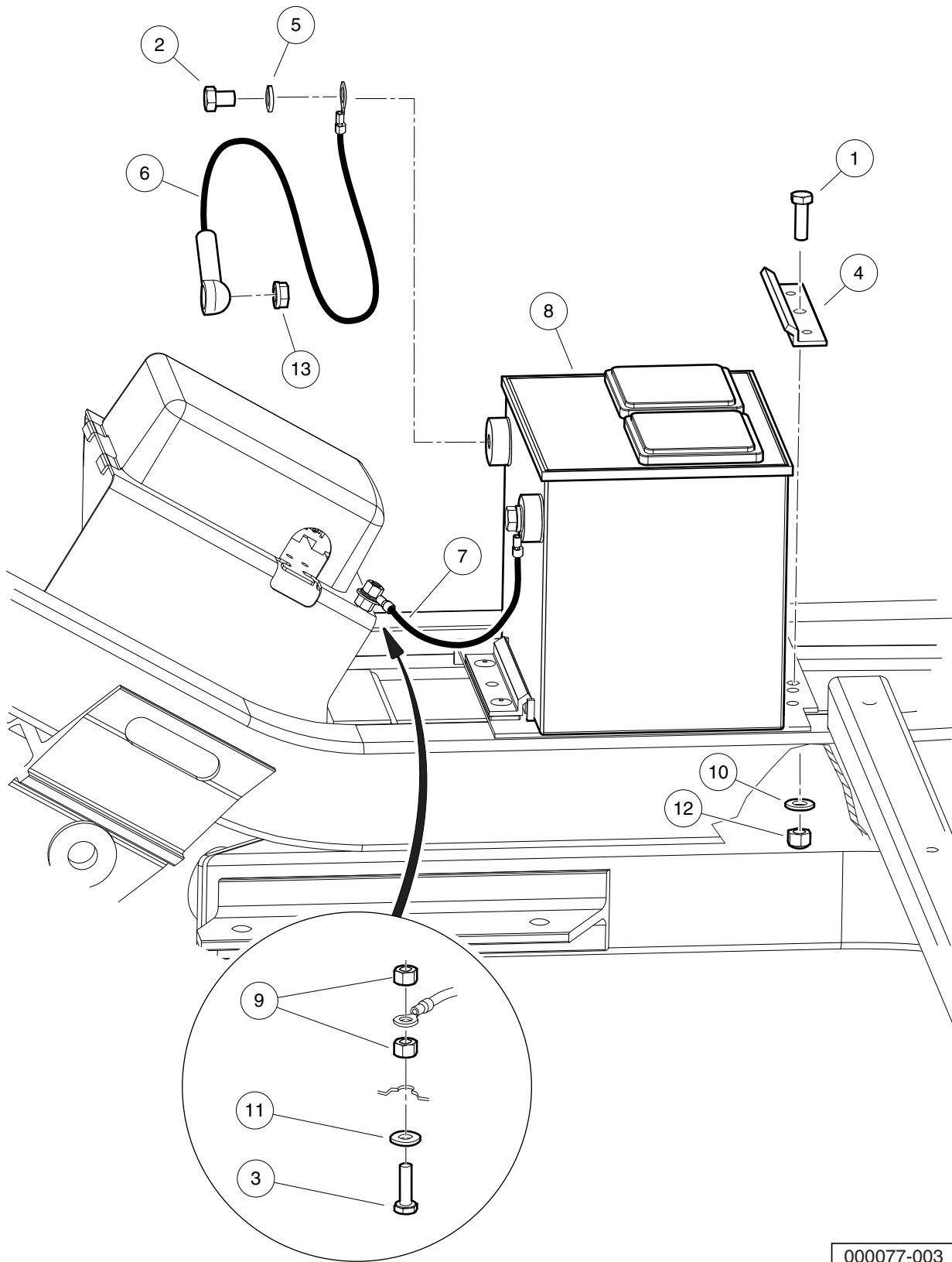
000076-003

ELECTRICAL COMPONENT BOX, GASOLINE VEHICLE

ITEM	PART NO.	DESCRIPTION	QTY
		1 2 3 4	
1	<u>1012295</u>	Fuse, 10-Amp	2
2	<u>1015741</u>	Fuse Block	1
3	<u>102420201</u>	Relay, Mini ISO, SPDT	3
4	<u>102420301</u>	Connector, Relay	3
5	<u>102420401</u>	Plate, Electrical	1
6	<u>102420501</u>	Cover, Electrical	1
7	<u>102447901</u>	Fastener, Push-in	7
8	<u>102448001</u>	Rivet, Drive	2
9	<u>102492201</u>	Fuse, 25-Amp	2

6
G

6
G



000077-003

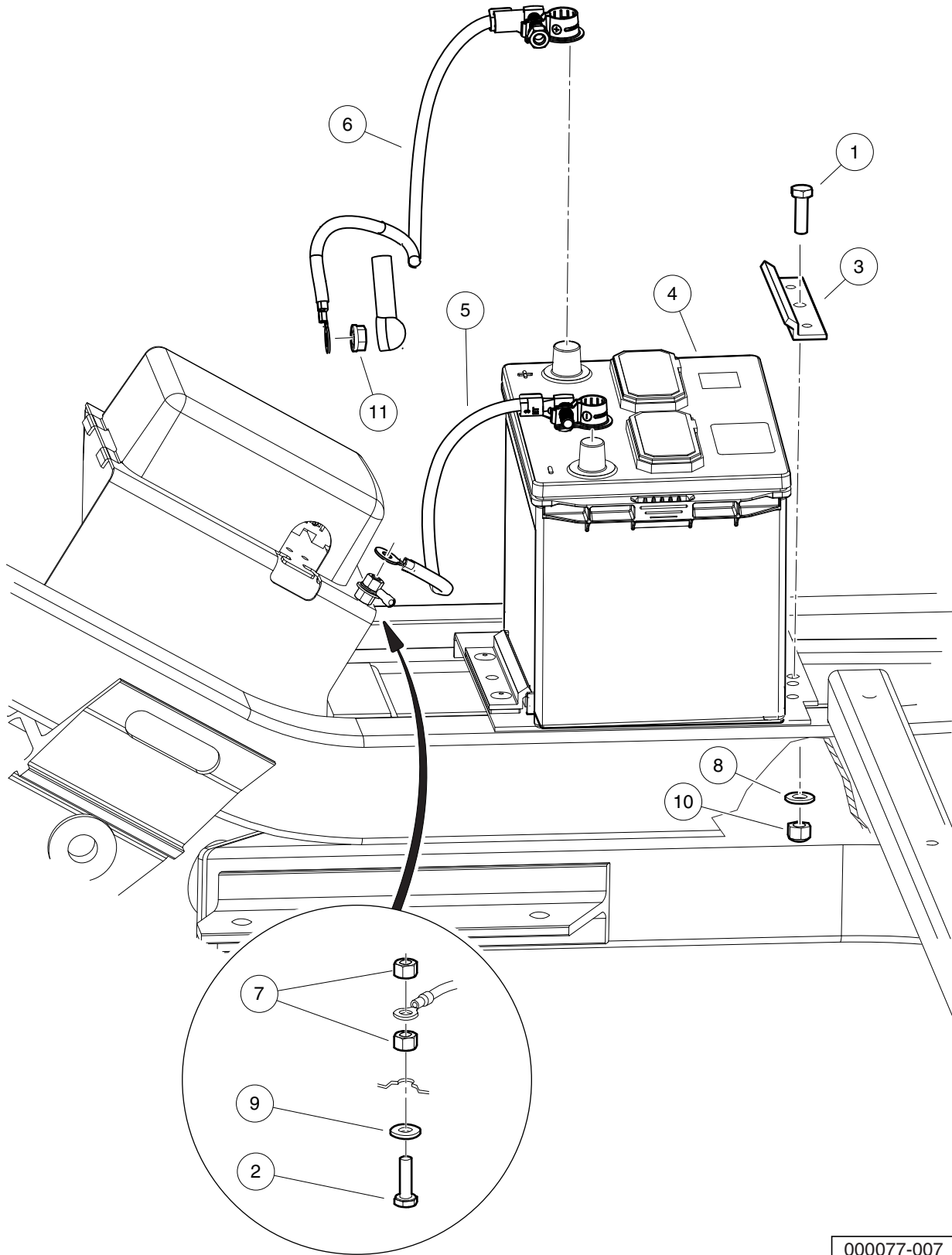
BATTERY – GASOLINE VEHICLE

ITEM	PART NO.	DESCRIPTION	QTY
		1 2 3 4	
1	<u>1010934</u>	Screw, 5/16-18 X 1.00 Hex Cap	1
2	<u>1014375</u>	Screw, 3/8-16 X 0.50, Stainless Steel, Hex-Head	2
3	<u>1015521</u>	Screw, 1/4-20 X .88 Hex Hd Cap	1
4	<u>101898001</u>	Clamp, Battery	1
5	<u>102355301</u>	Lockwasher, 3/8 Split Ss	2
6	<u>102442201</u>	Asm, #6 Red Wire	1
7	<u>102448401</u>	Wire Asm, #6 Blk, Awd, 350	1
8	<u>103496801</u>	Battery, Start, 12v	1
9	<u>1108</u>	Locknut, 1/4-20 Dimpled	2
10	<u>1241</u>	Washer, 5/16 Type A Flat	1
11	<u>332</u>	Washer, 1/4 Type A Narrow Flat	1
12	<u>7473</u>	Locknut, 5/16-18 Nylon Insert	1
13	<u>96704416</u>	Nut, Flange, M8 X 1.25 Serrated	1

6

G

6
G



000077-007

TOP-POST BATTERY – GASOLINE VEHICLE

ITEM	PART NO.	DESCRIPTION	QTY
		1 2 3 4	
1	<u>1010934</u>	Screw, 5/16-18 X 1.00 Hex Cap	1
2	<u>1015521</u>	Screw, 1/4-20 X .88 Hex Hd Cap	1
3	<u>101898001</u>	Clamp, Battery	1
4	<u>105237301</u>	Battery, Start, 12v, Type 26	1
5	105256201	Wire Asm, #6 Blk, (top-post battery) Awd, 426	1
6	105256601	Wire Asm, #6 Red, (top-post battery) Awd, 476	1
7	<u>1108</u>	Locknut, 1/4-20 Dimpled	2
8	<u>1241</u>	Washer, 5/16 Type A Flat	1
9	<u>332</u>	Washer, 1/4 Type A Narrow Flat	1
10	<u>7473</u>	Locknut, 5/16-18 Nylon Insert	1
11	<u>96704416</u>	Nut, Flange, M8 X 1.25 Serrated	1

6
G

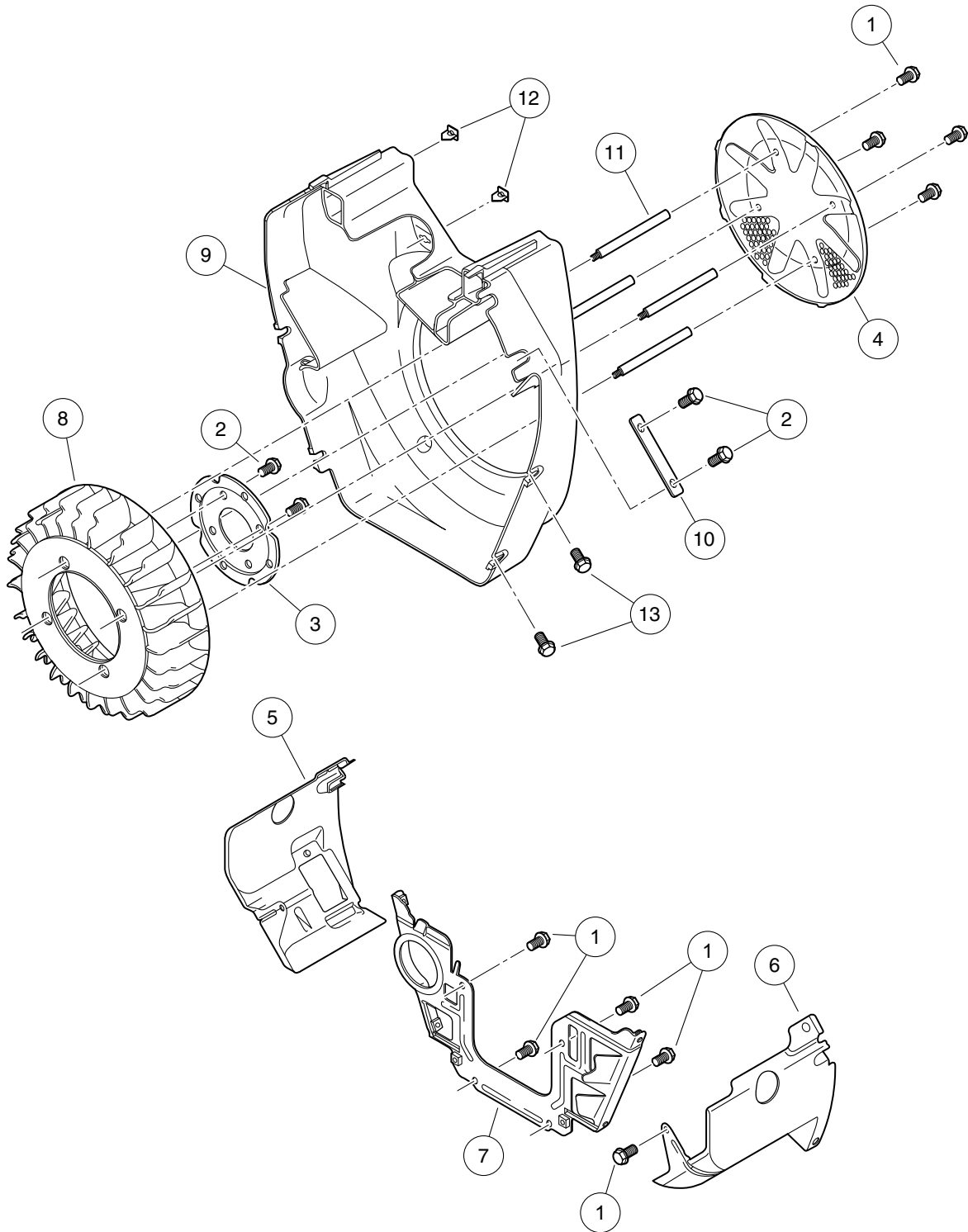
6

G

KAWASAKI FH680D GASOLINE ENGINE

7

G



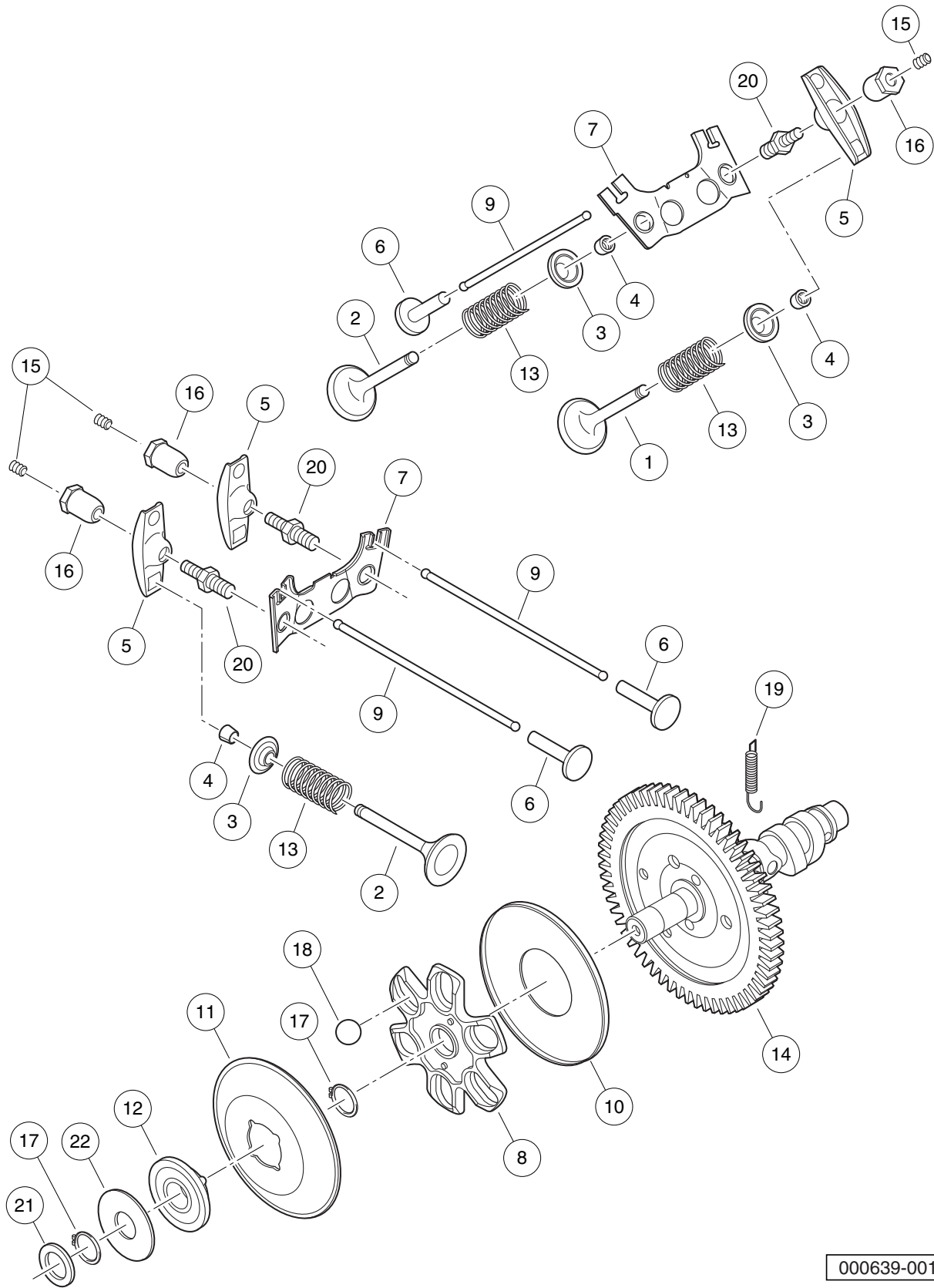
000625-001

SHROUDS AND BRACKETS

ITEM	PART NO.	DESCRIPTION	QTY
		1 2 3 4	
1	<u>102992401</u>	Bolt, Flg, M6 X 1.0 X 12	9
2	<u>102992501</u>	Bolt, Flg, M6 X 1.0 X 16	4
3	<u>102998601</u>	Plate, Housing, Fan, Fh	1
4	<u>102998701</u>	Screen, Fan, Fh	1
5	<u>102999101</u>	Shroud, Engine, Rh, Fh	1
6	<u>102999201</u>	Shroud, Engine, Lh, Fh	1
7	<u>102999301</u>	Shroud, Engine, Front, Fh	1
8	<u>102999501</u>	Fan, Cooling, Fh	1
9	<u>102999601</u>	Housing, Engine, Fh	1
10	<u>103000001</u>	Washer, Housing, Fan, Fh	1
11	<u>103299301</u>	Stud, Fan Screen, Fh	4
12	<u>103299401</u>	Nut, Press In, Front Cover, Fh	4
13	<u>103300301</u>	Bolt, Oil Pickup, Fh	4

7

G



000639-001

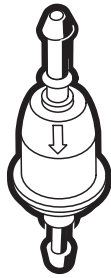
VALVES AND CAMSHAFT

ITEM	PART NO.	DESCRIPTION	QTY
		1 2 3 4	
1	<u>102994601</u>	Valve, Intake, Fh	2
2	<u>102994701</u>	Valve, Exhaust, Fh	2
3	<u>102994801</u>	Retainer, Valve Spring, Fh	4
4	<u>102994901</u>	Collet, Spring, Valve, Fh	8
5	<u>102995001</u>	Arm, Rocker	4
6	<u>102995101</u>	Tappet, Rod, Push, Fh	4
7	<u>102995201</u>	Guide, Arm, Rocker, Fh	2
8	<u>102995301</u>	Guide, Camshaft, Gov, Fh	1
9	<u>102995401</u>	Rod, Push, Fh	4
10	<u>102995501</u>	Plate, Camshaft, Gov, Fh	1
11	<u>102995601</u>	Plate, Ring, Gov, Fh	1
12	<u>102995701</u>	Sleeve, Plate, Gov, Fh	1
13	<u>102995801</u>	Spring, Valve, Fh	4
14	<u>102995901</u>	Kit, Camshaft, Comp, Fh	1
15	<u>102996001</u>	Screw, Rocker Arm, Fh	4
16	<u>102996101</u>	Nut, Arm, Rocker, Fh	4
17	<u>102996201</u>	Ring, Snap, Gov, Fh	2
18	<u>102996301</u>	Ball, Guide, Gov, Fh	6
19	<u>102996401</u>	Spring, Camshaft, Fh	1
20	<u>102996501</u>	Stud, Rocker Arm, Fh	4
21	<u>102996601</u>	Washer, Sleeve, Gov, Fh	1
22	<u>102996701</u>	Washer, Gov, Fh	1

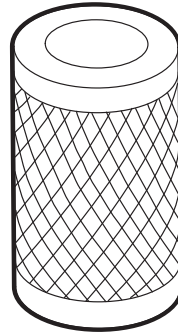
7

G

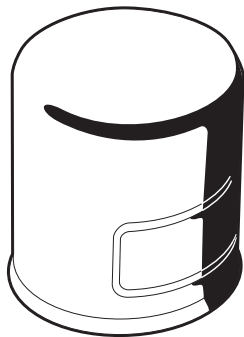
7
G



2



3



4



5

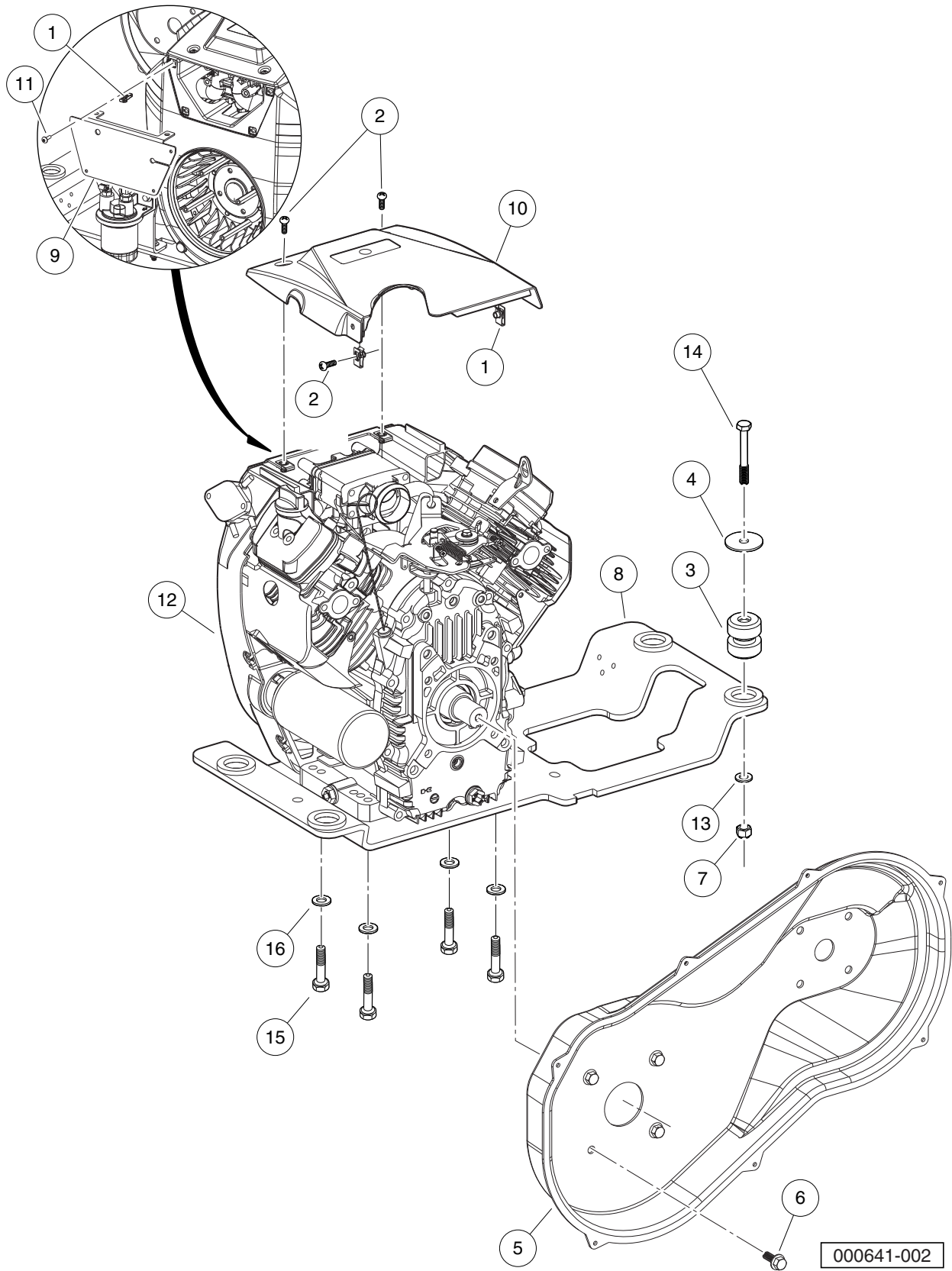
000992-001

TUNE-UP KIT – KAWASAKI FH680

ITEM	PART NO.	DESCRIPTION	QTY
		1 2 3 4	
1	<u>AM1232401</u>	Kit, Tune-Up (For Kawasaki V-twin engines) (includes items 2 through 5)	1
2	<u>102003201</u>	Filter, Fuel, 30 Micron	1
3	<u>102498601</u>	Element, Filter, Air, 5 Inch	1
4	<u>103887901</u>	Filter, Oil, Kawasaki	1
5	<u>AM1232301</u>	Spark Plug, BPR2ES	2

7

G

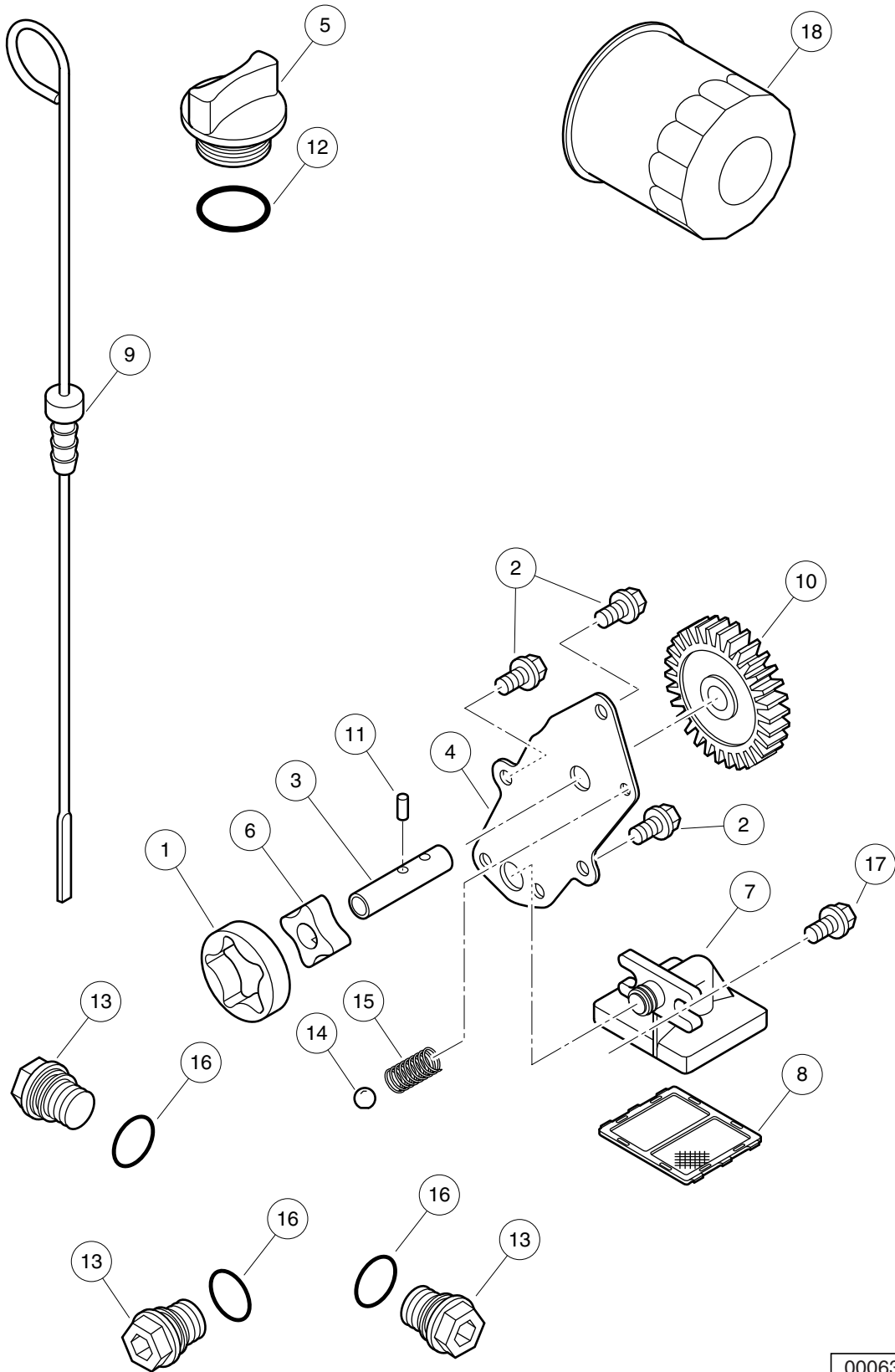


KAWASAKI FH680D GASOLINE ENGINE AND MOUNTING

ITEM	PART NO.	DESCRIPTION	QTY
		1 2 3 4	
1	<u>102296601</u>	U-Nut, M6-1.0, Prevailing Torque	4
2	<u>102296920</u>	Screw, M6, Torx Button Head, Sems	4
3	<u>102370501</u>	Isolator Ring and Bushing	4
4	<u>102370601</u>	Washer, Snubbing, Ring N Bush	4
5	<u>102462504</u>	Cover, Cvt, Inner Fh680d	1
6	<u>102491001</u>	Bolt, Flanged Head, 3/8-16x1.0 with Loctite	4
7	<u>102740401</u>	Locknut, M12x1.75 Nylon Insert	4
8	<u>102951901</u>	Weldment, Eng Mnt, Kaw, Fh680d	1
9	<u>103208701</u>	Engine, Front Cover, Fh680d	1
10	<u>103262901</u>	Cover, Engine, Top	1
11	<u>103279201</u>	Screw, Pn Hd Blk, 10-16 X .625	4
12	<u>103528201</u>	Engine, Kawasaki, FH680D	1
13	<u>96701412</u>	Washer, M12 Hard	4
14	<u>96704721</u>	Bolt, M12 X 1.75 X 90	4
15	<u>96704960</u>	Bolt, M10 X 1.5 X 60	4
16	<u>96741046</u>	Washer, M10, Hard	4

7
G

7
G



000637-004

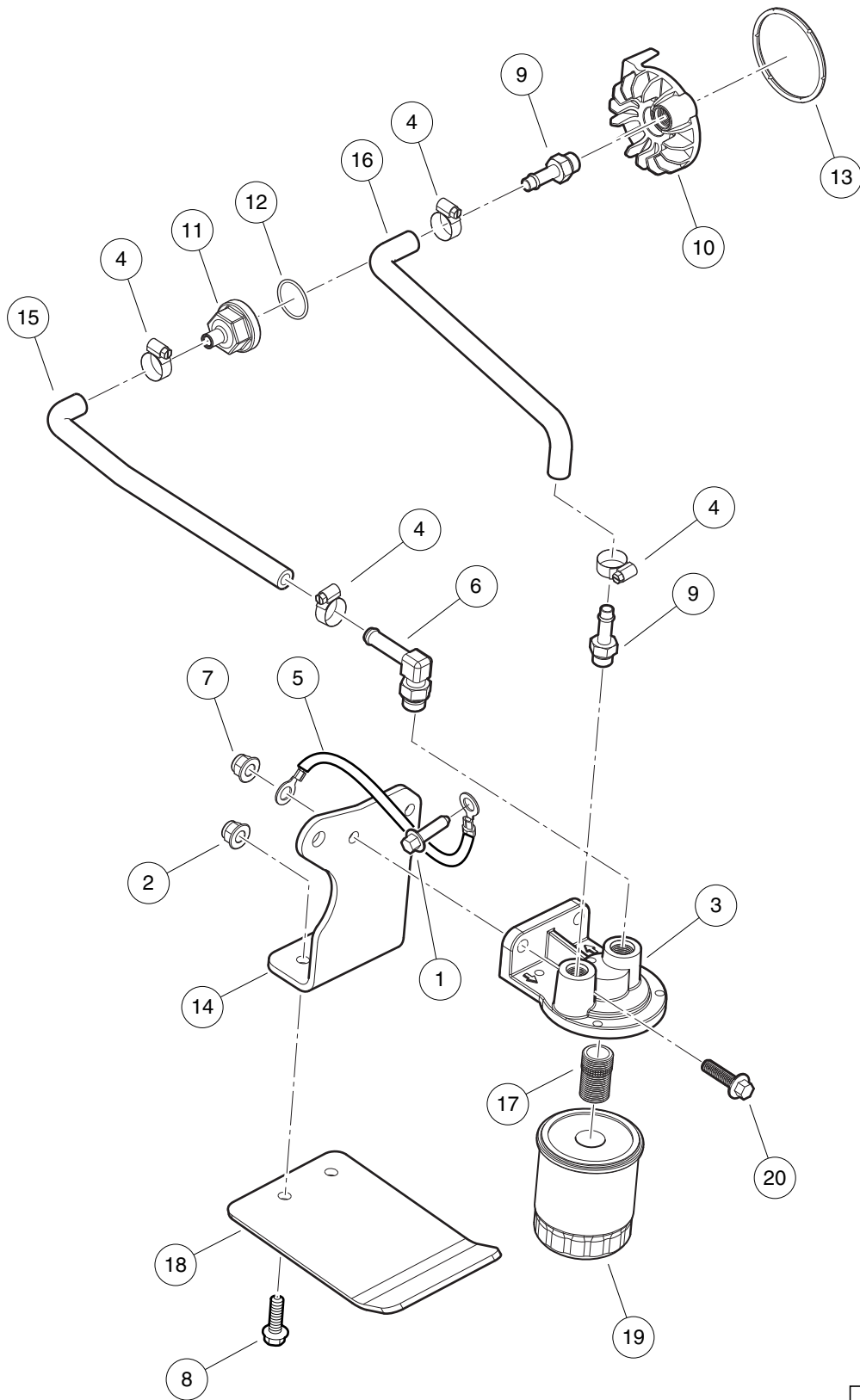
OIL AND LUBRICATION COMPONENTS

ITEM	PART NO.	DESCRIPTION	QTY
		1 2 3 4	
1	101648201	Rotor, Pump, Oil, Outer	1
2	<u>102992401</u>	Bolt, Flg, M6 X 1.0 X 12	3
3	<u>102996901</u>	Shaft, Oil Pump, Fh	1
4	<u>102997001</u>	Plate, Oil Pump, Fh	1
5	<u>102997101</u>	Cap, Oil, Fill, Fh	1
6	<u>102997201</u>	Rotor, Pump, Oil, Inner, Fh	1
7	<u>102997401</u>	Pickup, Oil, Fh	1
8	<u>102997601</u>	Screen, Pickup, Oil, Fh	1
9	<u>102997701</u>	Gauge, Oil, Fh	1
10	<u>102997801</u>	Gear, Spur, Oil Pump, Fh	1
11	<u>102997901</u>	Pin, Oil Pump, Fh	2
12	<u>102998001</u>	O-ring, Cap, Oil, Fill, Fh	1
13	<u>102998101</u>	Plug, Oil Drain, Fh	3
14	<u>102998201</u>	Ball, Oil Pump, Fh	1
15	<u>102998301</u>	Spring, Oil Pump, Fh	1
16	<u>102998401</u>	O-ring, Drain Plug, Oil, Fh	3
17	<u>103300301</u>	Bolt, Oil Pickup, Fh	2
18	<u>103887901</u>	Filter, Oil, Kawasaki	1

7

G

7
G



000671-004

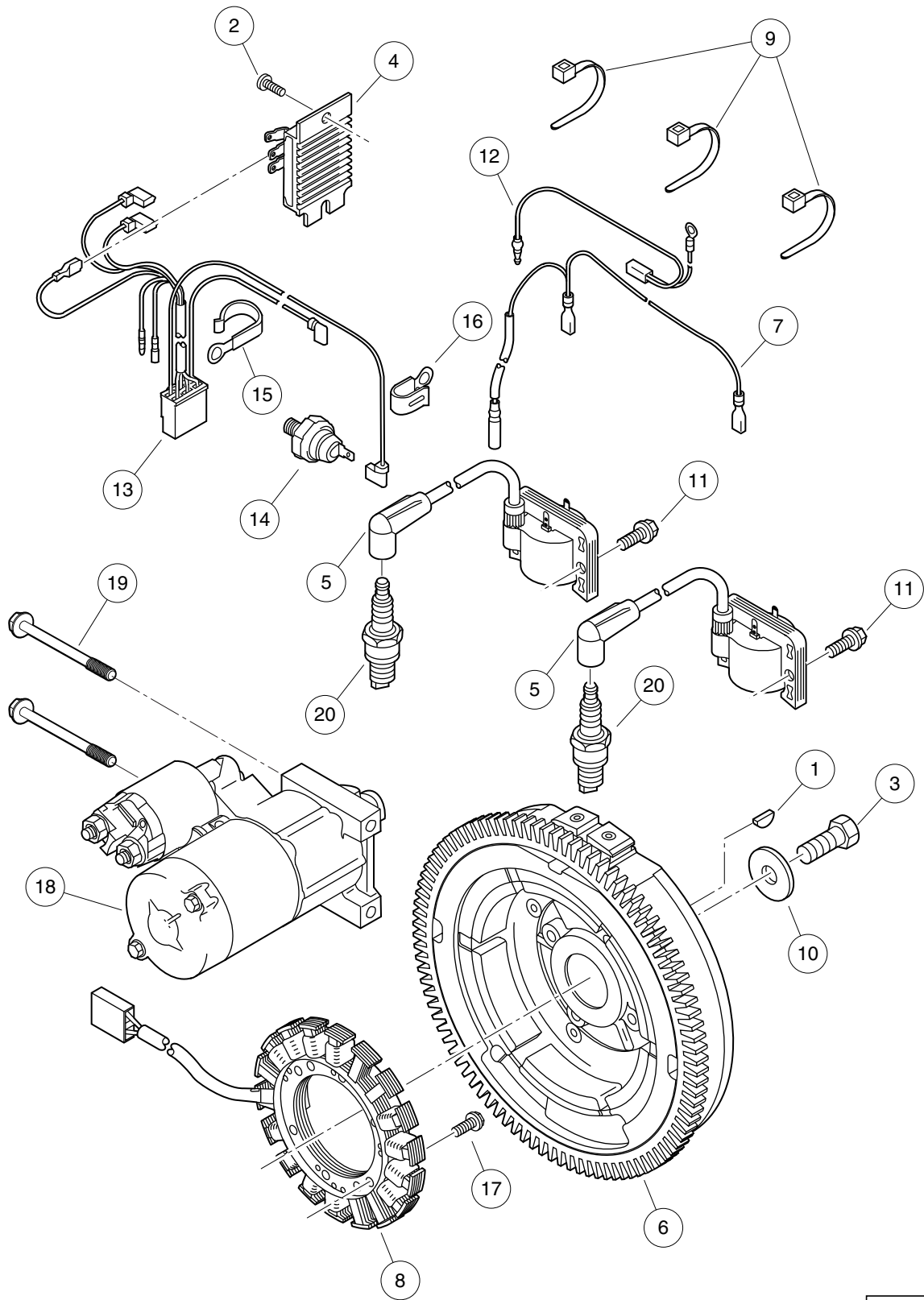
OIL FILTER ADAPTER – KAWASAKI FH680

ITEM	PART NO.	DESCRIPTION	QTY
		1 2 3 4	
1	<u>102289001</u>	Screw, M8X1.25X30, Hex	1
2	<u>102298401</u>	Nut,m8,all Metal Lock	2
3	<u>102371401</u>	Bracket, Oil Filter Mount	1
4	<u>102443601</u>	Clamp, Hose	4
5	<u>102448501</u>	Wire Asm, #6 Blk, Awd, 325	1
6	<u>102457501</u>	Adapter, 90, 3/8 Tube	1
7	<u>102618601</u>	Lock Nut, Flange, M8 X 1.25 Nylon	2
8	<u>102621301</u>	Bolt, M8 X 1.25 X 40 with Loctite	2
9	<u>102722001</u>	Adapter, 5/16 Hose	2
10	<u>102958301</u>	Adapter, Special, Oil Filter	1
11	<u>102958401</u>	Nut, Special, Hose Adapter	1
12	<u>102958501</u>	O-ring, 23.52 X 1.78mm	1
13	<u>102958601</u>	O-ring, Oil Filter Adapter	1
14	<u>103197201</u>	Bracket, Oil Filter, Fh680d	1
15	<u>103240601</u>	Hose, Formed, Oil, 5/16"	1
16	<u>103246901</u>	Hose, Formed, Oil, 5/16", Ret	1
17	<u>103276201</u>	Nipple, 3/4-16 X M20 X 1.5-6g	1
18	<u>103326401</u>	Guard, Oil Filter, Fh680d	1
19	<u>103887901</u>	Filter, Oil, Kawasaki	1
20	<u>96705587</u>	Bolt, M8 X 1.25 X 30	2

7

G

7
G

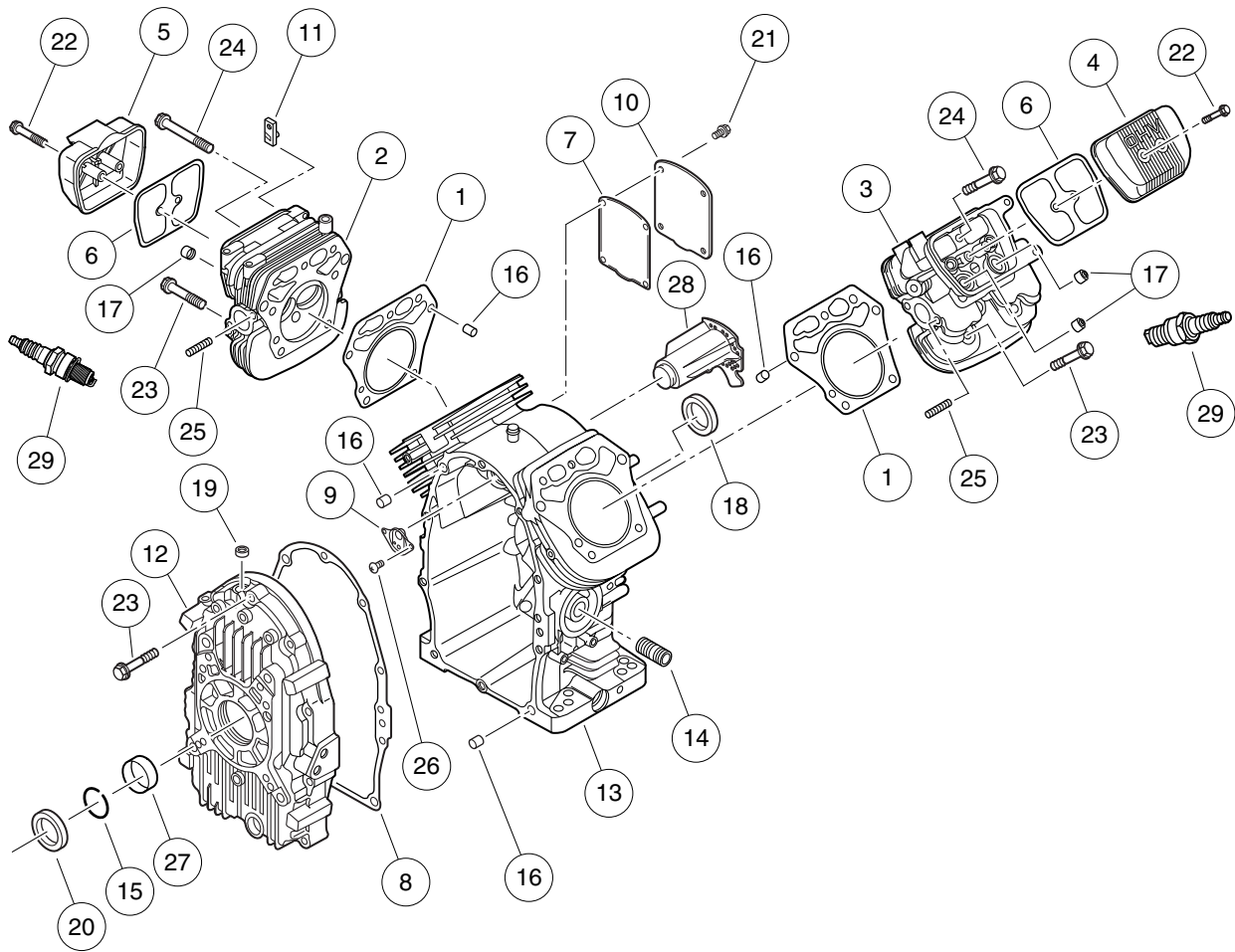


000626-002

IGNITION COMPONENTS AND FLYWHEEL – KAWASAKI FH680

ITEM	PART NO.	DESCRIPTION	QTY
		1 2 3 4	
1	N/A	Key	1
2	<u>1016544</u>	Screw	1
3	<u>102994301</u>	Bolt, Flg, M12 X 1.25 X 30	1
4	<u>103000401</u>	Regulator, Voltage, Fh	1
5	<u>103000501</u>	Asm, Coil, Ignition, Fh	2
6	<u>103000601</u>	Flywheel, Assy, Fh	1
7	<u>103000801</u>	Harness, Regulator, Fh	1
8	<u>103000901</u>	Coil, Charging, Fh	1
9	<u>103001301</u>	Band, Harness, Fh	3
10	<u>103001501</u>	Washer, Flywheel, Fh	1
11	<u>103298501</u>	Bolt, Flanged, M6 X 20, Kaw	4
12	<u>103299501</u>	Harness, Ignition, Fh	1
13	<u>103299601</u>	Harness, Engine, Main, Fh	1
14	<u>103299701</u>	Switch, Oil Pressure, Fh	1
15	<u>103299801</u>	Clamp, Harness, Large, Fh	1
16	<u>103299901</u>	Clamp, Harness, Small, Fh	1
17	<u>103300101</u>	Screw, Pan, Coil Mount, Fh	4
18	<u>103345501</u>	Starter, Electric, Fh680d	1
19	<u>103687401</u>	Bolt, Flg, M8 X 1.25 X 83	2
20	<u>AM1232301</u>	Spark Plug, BPR2ES	2

7
G



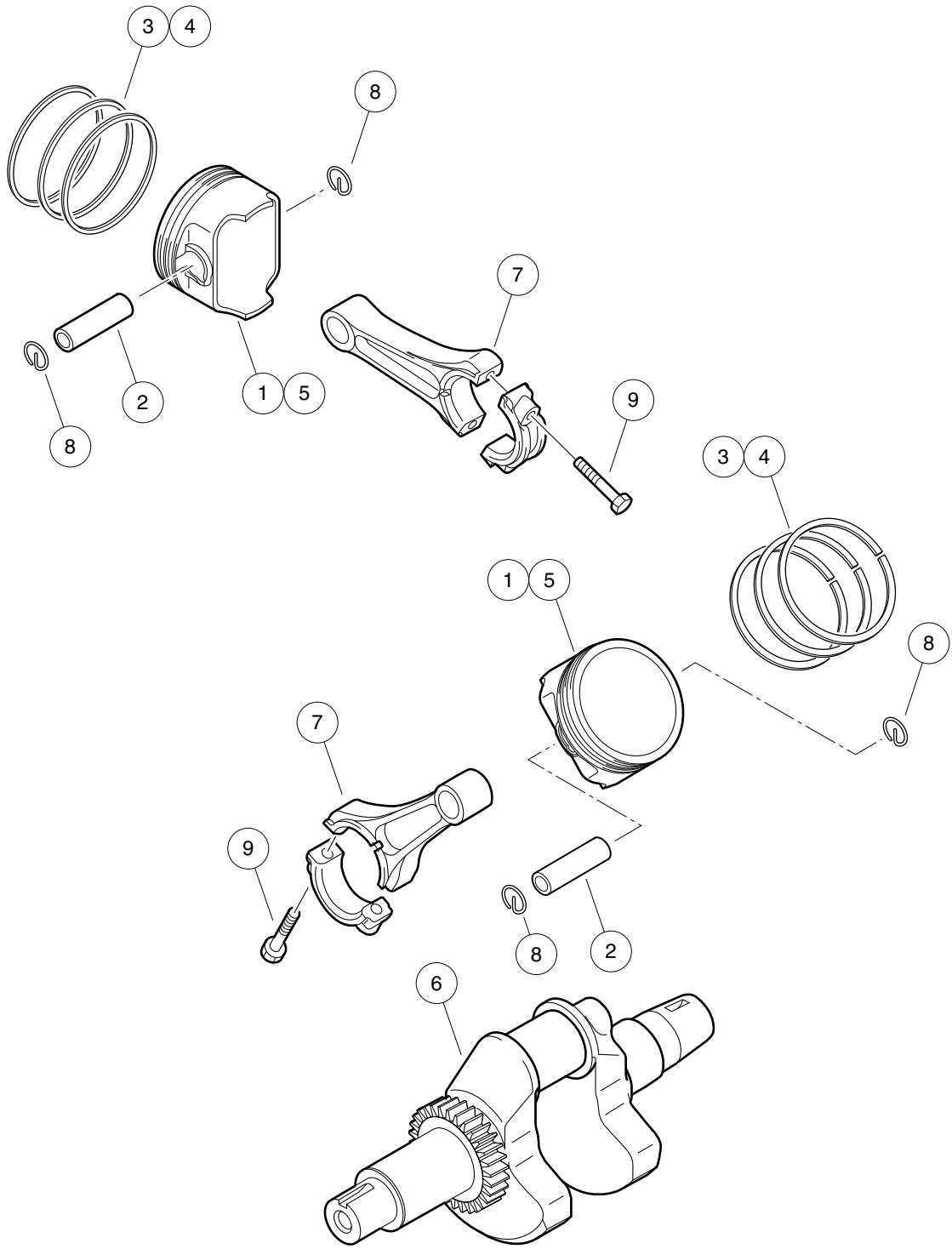
000638-003

CYLINDER HEAD AND CRANKCASE

ITEM	PART NO.	DESCRIPTION	QTY
		1 2 3 4	
1	<u>102990101</u>	Gasket, Head, Cyl, Fh	2
2	<u>102990201</u>	Head, Cyld 1, Fh	1
3	<u>102990301</u>	Head, Cyld 2, Fh	1
4	<u>102990401</u>	Cover, Rocker, Cyld 1, Fh	1
5	<u>102990501</u>	Cover, Rocker, Cyld 2, Fh	1
6	<u>102990601</u>	Gasket, Rocker, Cover, FH	2
7	<u>102990701</u>	Gasket, Breather, Fh	1
8	<u>102990801</u>	Gasket, Cover, Crank, Fh	1
9	<u>102990901</u>	Valve, Assy, Reed, Fh	1
10	<u>102991101</u>	Cover, Crkcase, Comp, Fh	1
11	<u>102991201</u>	Pipe, Head, Comp, Clyd, Fh	1
12	<u>102991401</u>	Cover, Crankcase, Fh	1
13	<u>102991501</u>	Crankcase, Comp, Fh	1
14	<u>102991601</u>	Nipple, Oil Filter, Fh	1
15	<u>102991801</u>	Ring, Snap, Fh	1
16	<u>102991901</u>	Pin, Head, Fh	6
17	<u>102992001</u>	Seal, Oil, Valve, Fh	4
18	<u>102992101</u>	Seal, Oil, Crank, Rear, Fh	1
19	<u>102992201</u>	Seal, Oil, Governor, Fh	1
20	<u>102992301</u>	Seal, Oil, Crank, Front, Fh	1
21	<u>102992401</u>	Bolt, Flg, M6 X 1.0 X 12	4
22	<u>102992601</u>	Bolt, Flg, M6 X 1.0 X 40	4
23	<u>102992701</u>	Bolt, Flg, M8 X 1.25 X 50	18
24	<u>102992801</u>	Bolt, Flg, M8 X 1.25 X 75	2
25	<u>102992901</u>	Stud, M8 X 1.25, Exhaust, Fh	4
26	<u>103298601</u>	Screw, Pan, Governor, Fh	2
27	<u>103298901</u>	Bushing, Main, Fh	1
28	<u>103981201</u>	Pipe, Crankcase Breather, Fh680 (with O-Ring)	1
29	<u>AM1232301</u>	Spark Plug, BPR2ES	2

7
G

7
G



000640-001

PISTONS AND CRANKSHAFT

ITEM	PART NO.	DESCRIPTION	QTY
		1 2 3 4	
1	<u>102993201</u>	Piston, Engine, Fh	2
2	<u>102993301</u>	Pin, Piston, Engine, Fh	2
3	<u>102993401</u>	Ring, Set, Piston, Fh	2
4	<u>102993501</u>	Ring, Set, Piston, 0.50, Fh	A/R
5	<u>102993601</u>	Piston, Engine, 0.50, Fh	A/R
6	<u>102993701</u>	Crankshaft, Comp, Fh	1
7	<u>102993901</u>	Kit, Rod, Connecting, Fh	2
8	<u>102994101</u>	Ring, Snap, Pin, Piston, Fh	4
9	<u>102994401</u>	Bolt, Flg, M6 X 1.00 X 35	4

7
G

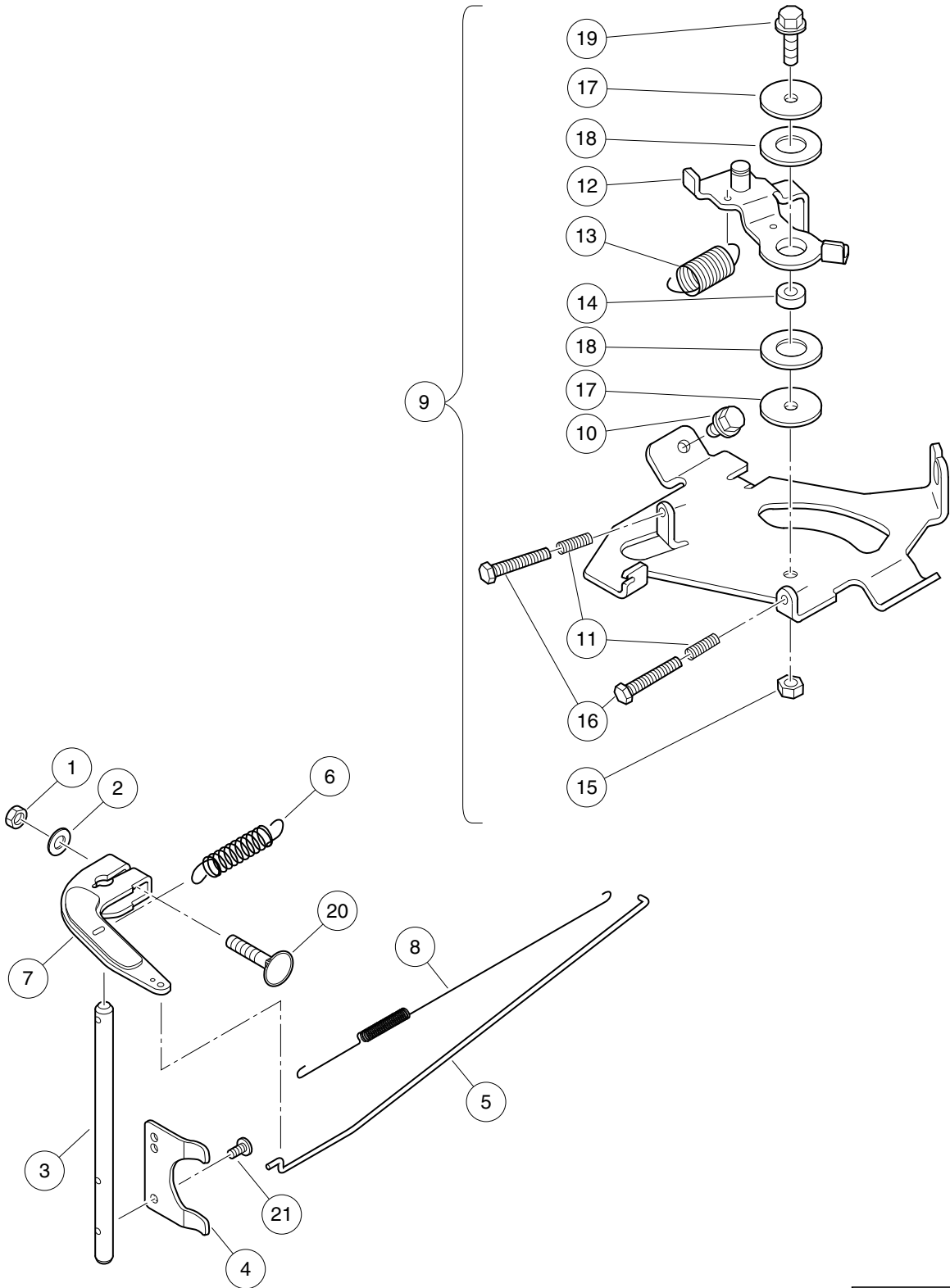
7

G

FUEL, INTAKE, ACCELERATOR AND GOVERNOR SYSTEMS

8

G

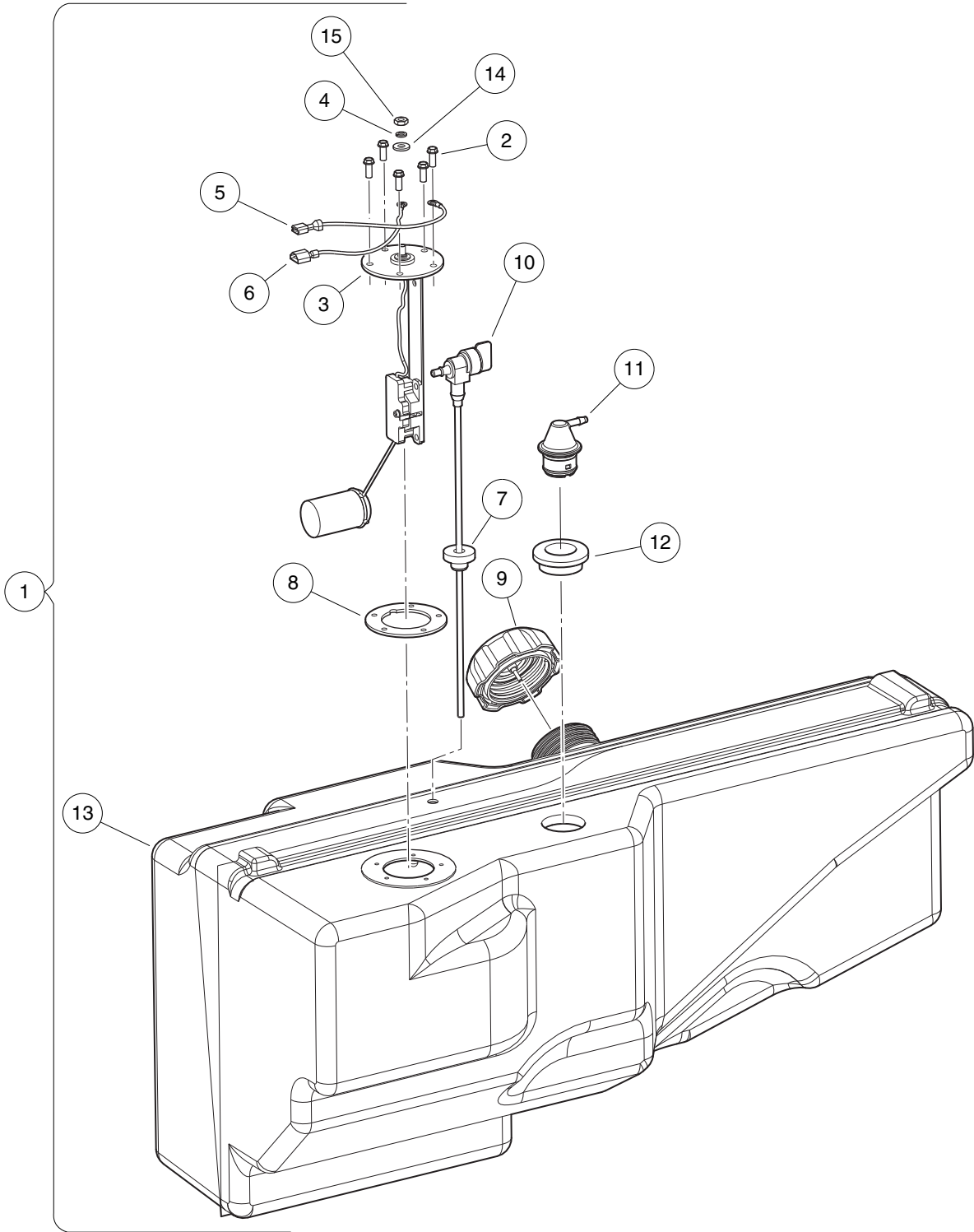


000636-001

GOVERNOR ARM AND SPRINGS

ITEM	PART NO.	DESCRIPTION	QTY
		1 2 3 4	
1	N/A	Nut, M6	1
2	<u>1016513</u>	Washer, M6 Flat	1
3	<u>103002001</u>	Shaft, Governor, Fh	1
4	<u>103002101</u>	Plate, Governor, Fh	1
5	<u>103002301</u>	Link, Arm, Governor, Fh	1
6	<u>103002401</u>	Spring, Governor, Fh	1
7	<u>103002501</u>	Arm, Governor, Shaft	1
8	<u>103002901</u>	Spring, Arm, Governor, Fh	1
9	<u>103297701</u>	Panel, Control, Complete, Fh (includes items 10 through 19)	1
10	<u>102992401</u>	Bolt, Flg, M6 X 1.0 X 12	2
11	<u>103002801</u>	Spring, Fh	2
12	<u>103297401</u>	Lever, Governor, Control, Fh	1
13	<u>103297501</u>	Spring, Governor Return, Fh	1
14	<u>103297601</u>	Collar, Governor, Fh	1
15	<u>103297801</u>	Nut, Governor, Fh	1
16	<u>103298001</u>	Bolt, Speed Control, Fh	2
17	<u>103298201</u>	Washer, Governor, Lower, Fh	2
18	<u>103298301</u>	Washer, Governor, Middle, Fh	2
19	<u>103298501</u>	Bolt, Flanged, M6 X 20, Kaw	1
20	<u>103298101</u>	Bolt, M6 X 35, Kawasaki	1
21	<u>103298601</u>	Screw, Pan, Governor, Fh	2

8
G



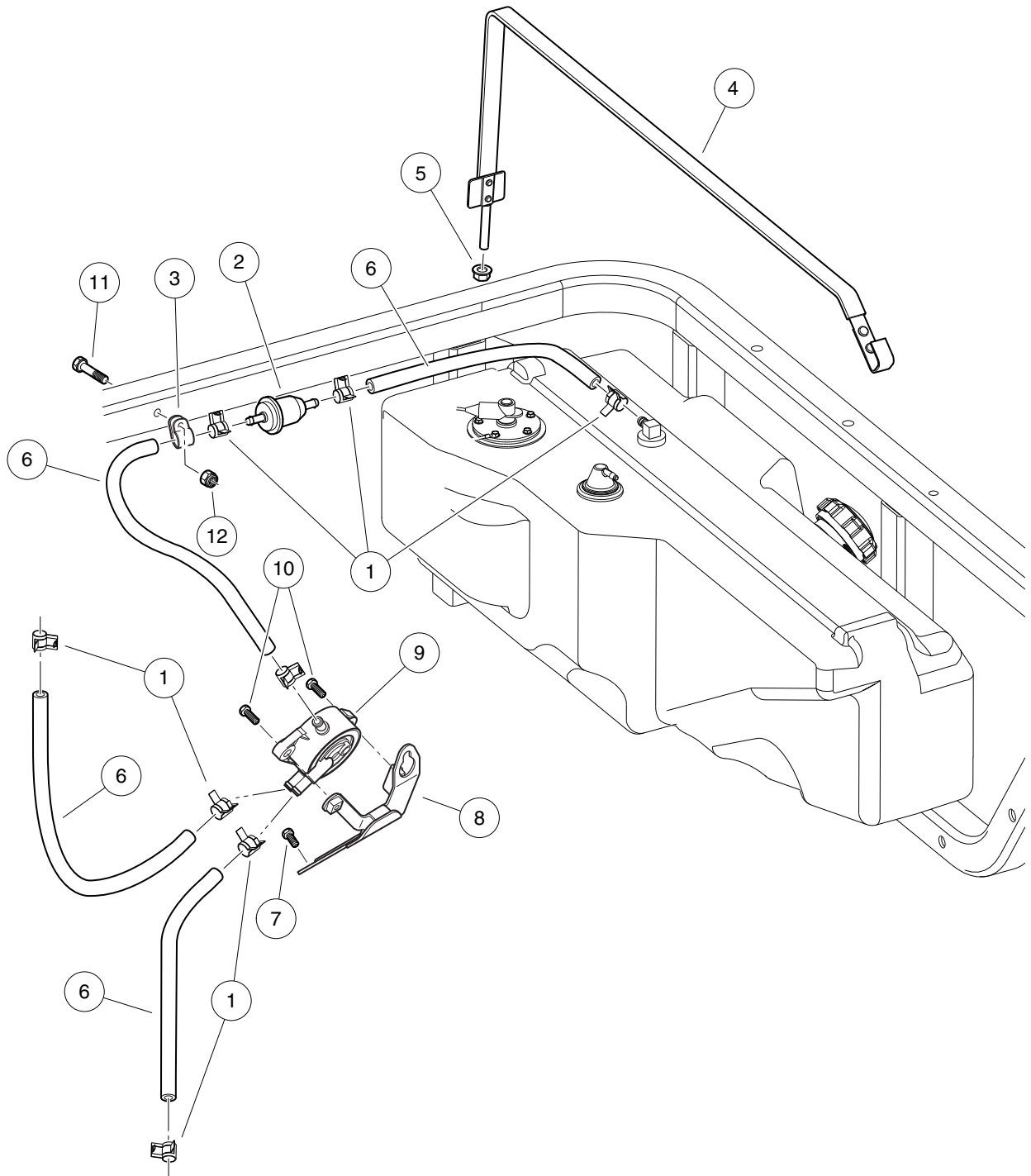
000082-008

FUEL TANK – GASOLINE VEHICLE

ITEM	PART NO.	DESCRIPTION	QTY
		1 2 3 4	
1	<u>103963701</u>	Asm, Tank Fuel, Gas 4x4 Nano (includes items 2 through 15)	1
2	<u>1013461</u>	Screw, #10-16 Hex-Head Hi-Lo	5
3	<u>1013462</u>	Sending Unit, Fuel Level *	1
4	<u>1016</u>	Lockwasher, #10 Split	1
5	N/A	Wire Asm, Blk, 170mm	1
6	N/A	Wire Asm, Org, 170mm	1
7	<u>102406701</u>	Bushing, Line, Return	1
8	<u>102522001</u>	Gasket, Rubber	1
9	<u>103372101</u>	Cap, Fuel Tank, Gas, Ratchet	1
10	<u>103372302</u>	Valve, Fuel, 288mm	1
11	<u>103905201</u>	Assembly, Vent, Fuel, 1/4 Inch O.D.	1
12	<u>103944301</u>	Grommet, Fuel Tank, Vent	1
13	N/A	Tank, Fuel, Gas, 4x4 Nano	1
14	<u>183</u>	Washer, #10, Type A, Flat	1
15	<u>8797</u>	Nut, #10-32 Brass Hex	1
		* Note: Must replace fuel sending unit gasket when servicing this component.	

8

G



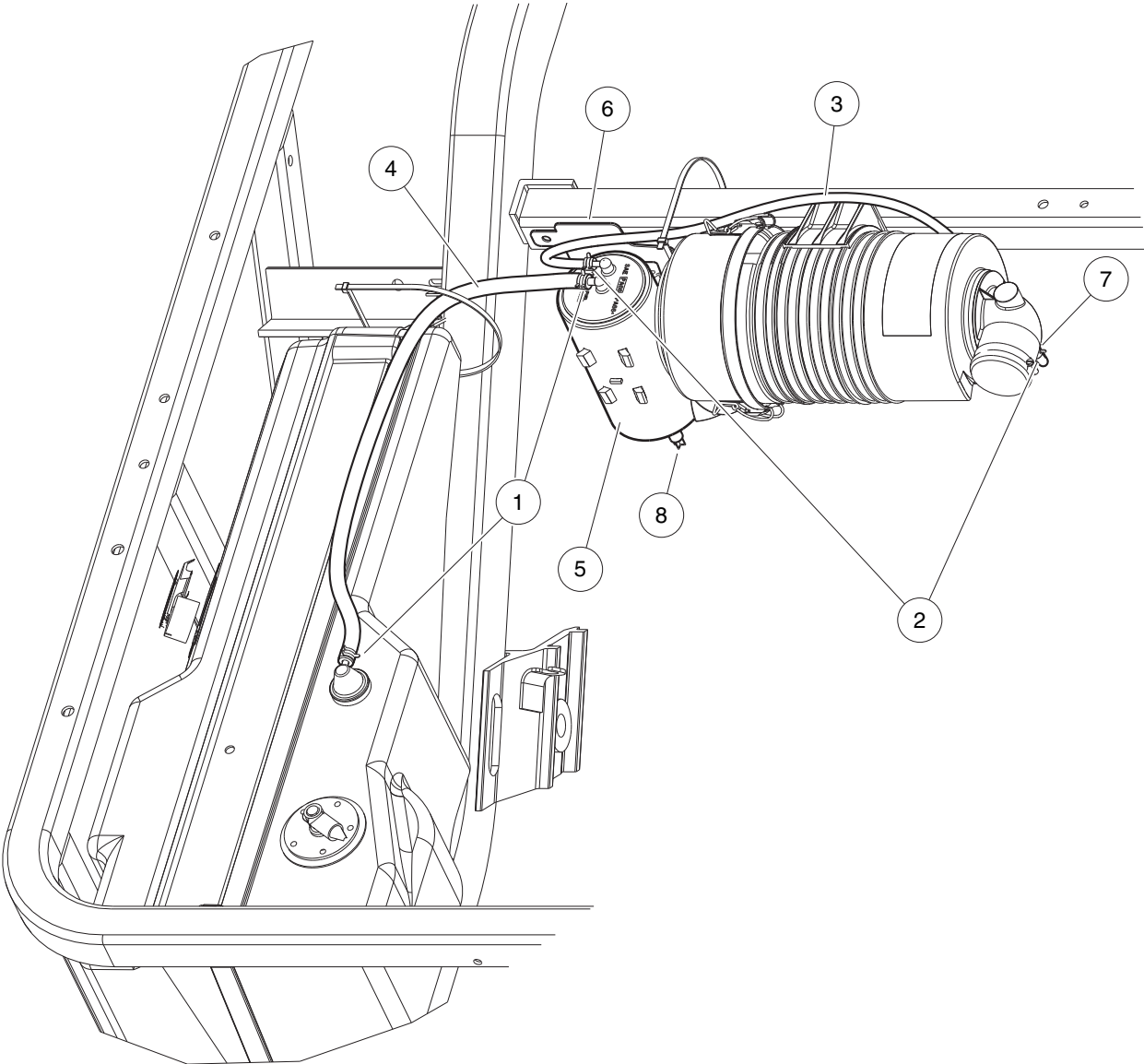
000672-003

FUEL PUMP, FILTER AND HOSE – KAWASAKI FH680

ITEM	PART NO.	DESCRIPTION	QTY
		1 2 3 4	
1	<u>1012649</u>	Clamp, 0.460 Red Hose	4
2	<u>102003201</u>	Filter, Fuel, 30 Micron	1
3	<u>102410604</u>	P-clamp, Insulated, 0.625 Inch	1
4	<u>102426301</u>	Strap, Tank, Fuel	1
5	<u>102618601</u>	Lock Nut, Flange, M8 X 1.25 Nylon	1
6	<u>102865101</u>	Fuel Line, 1/4 (available by the foot)	A/R
7	<u>102992501</u>	Bolt, Flg, M6 X 1.0 X 16	1
8	<u>103009901</u>	Bracket, Fuel Pump, Fh	1
9	<u>103010101</u>	Pump, Fuel, Impulse, Fh	1
10	<u>103298501</u>	Bolt, Flanged, M6 X 20, Kaw	2
11	<u>324</u>	Screw, 1/4-20 X 2.50 Hx Hd Cap	1
12	<u>8233</u>	Locknut, 1/4-20, Nylon Insert	1

8

G



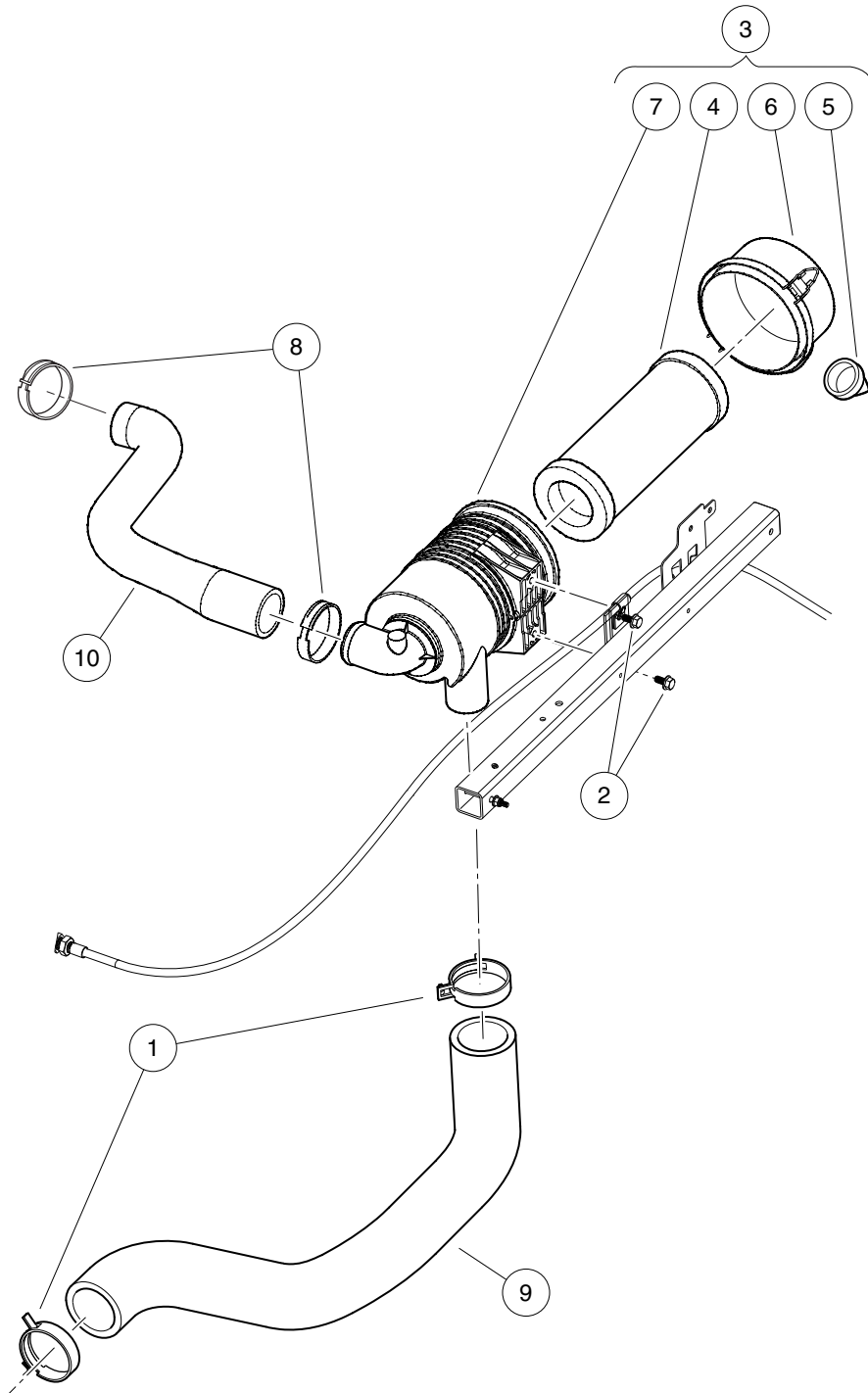
000972-001

CARBON CANISTER – GASOLINE VEHICLE

ITEM	PART NO.	DESCRIPTION	QTY
		1 2 3 4	
1	<u>1012649</u>	Clamp, 0.460 Red Hose	2
2	<u>101313402</u>	Clamp, Green Hose	2
3	<u>1015137</u>	Fuel Line, 3/16 (available by the foot)	3
4	<u>102865101</u>	Fuel Line, 1/4 (available by the foot)	2
5	<u>103372401</u>	Canister, Carbon	1
6	<u>103452001</u>	Brkt, Mtg, Carbon Canister	1
7	<u>103701301</u>	Adapter, 1/8 Npt X 3/16 Barb	1
8	<u>103756401</u>	Asm, Vent Line, Carbon Canister (includes items 9 and 10)	1
9	N/A	Hose, Vent, 5/16 I.D., Bulk	1
10	N/A	Vent, Barb, 5/16 I.D. Hose	1

8

G

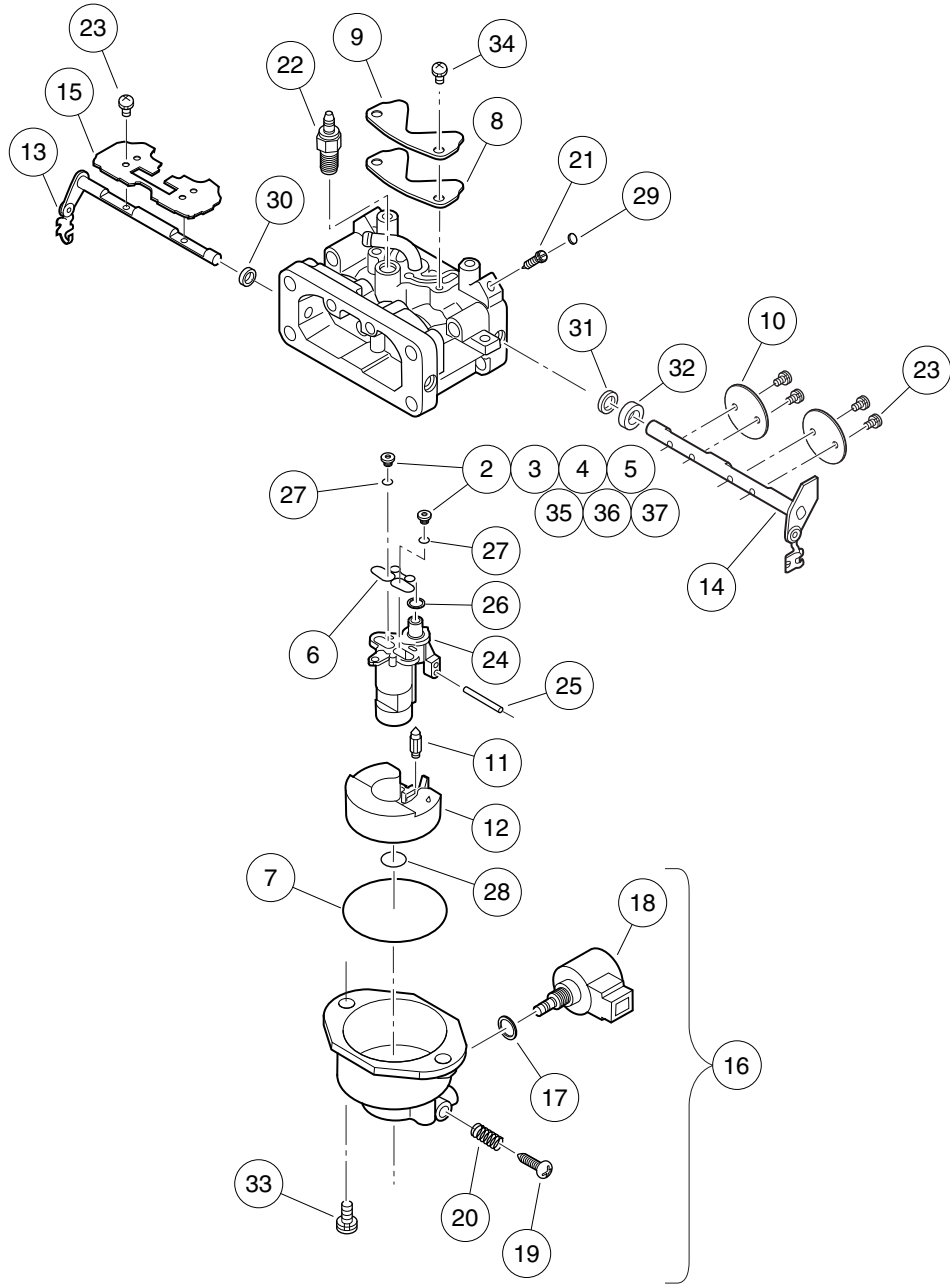


000090-006

INTAKE HOSES AND AIR FILTER – KAWASAKI FH680

ITEM	PART NO.	DESCRIPTION	QTY
		1 2 3 4	
1	<u>102411210</u>	Clamp, Hose, Ctb 64mm	2
2	<u>102621201</u>	Bolt, Flanged Head, M8 X1.25x 16, with Loctite	2
3	<u>102810701</u>	Filter, Air, Canister, with Label (includes items 4 through 7)	1
4	<u>102498601</u>	Element, Filter, Air, 5 Inch	1
5	<u>102725501</u>	Valve, Evacuator, Filter Air	1
6	<u>102725601</u>	Cap, Latch Lock, Filter, Air	1
7	N/A	Body, Canister, Filter, Air	1
8	<u>103441401</u>	Clamp, Worm Screw, Hose, 2"	2
9	<u>103848401</u>	Hose, Intake, Air	1
10	<u>103924701</u>	Hose, Air Intake, Awd, Gas	1

8
G



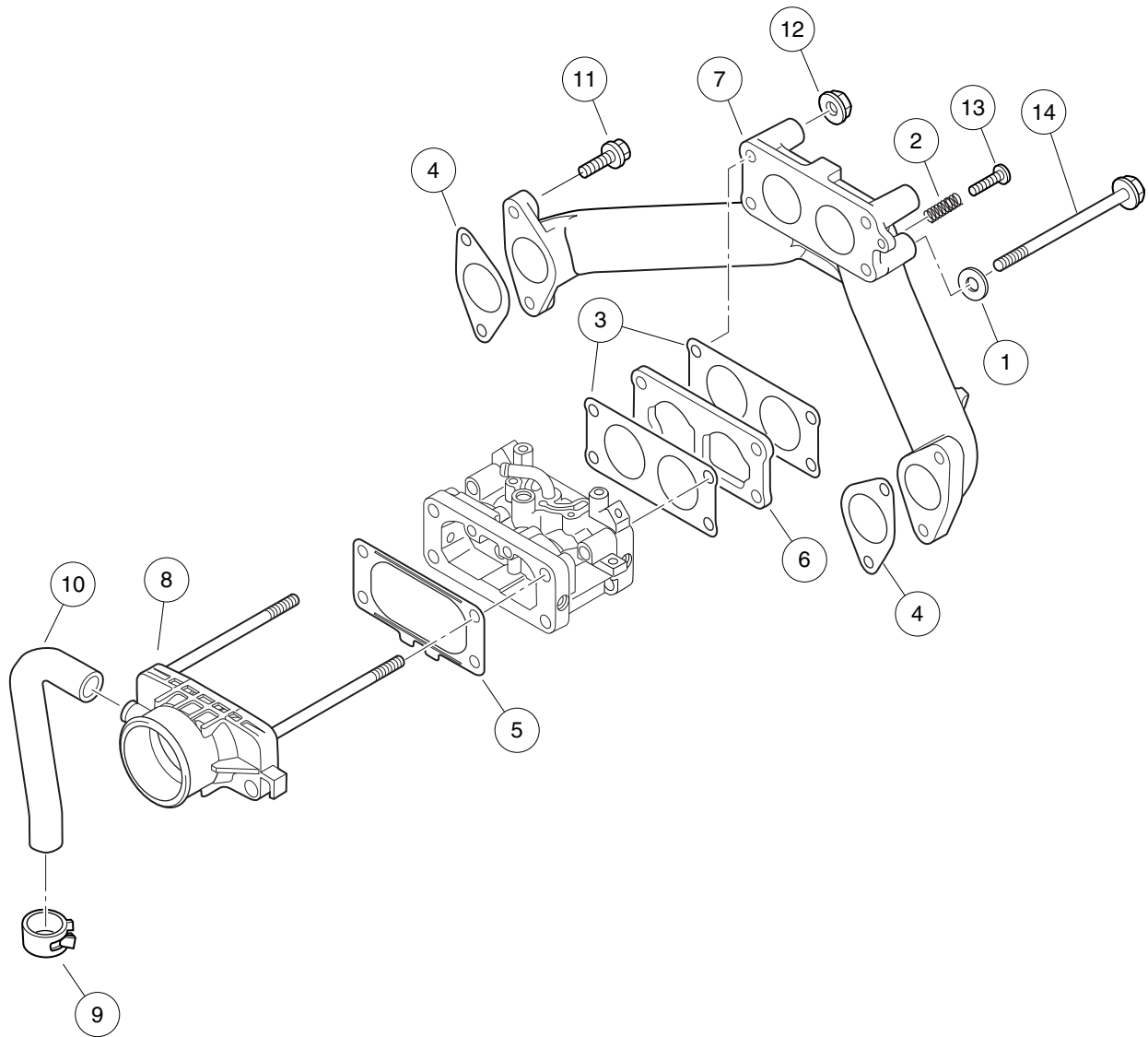
000673-004

CARBURETOR – KAWASAKI FH680

ITEM	PART NO.	DESCRIPTION	QTY
		1 2 3 4	
1	<u>103596801</u>	Asm, Carburetor, FH680D (includes items 2 through 35)	1
2	<u>103307201</u>	Kit, Jet, 6600 Ft +, Fh680d (includes item 3)	1
3	<u>103306801</u>	Jet, Push In #96, FH680D (6600 ft and higher (2000 m and higher))	2
4	<u>103307301</u>	Kit, Jet, 3300-6600 Ft, Fh680d (includes item 5)	1
5	<u>103306901</u>	Jet, Push In #99, FH680D (3300-6600 ft (1000-2000 m))	2
6	<u>103340601</u>	Gasket, Fh680d	1
7	<u>103340701</u>	Gasket, Carburetor, Dia. 52	1
8	<u>103340801</u>	Gasket, Cover, Fh680d	1
9	<u>103340901</u>	Cover, Slow Passage, Fh680d	1
10	<u>103341101</u>	Valve, Throttle, Fh680d	2
11	<u>103341201</u>	Valve, Float, Fh680d	1
12	<u>103341301</u>	Float, Carburetor, Fh680d	1
13	<u>103341401</u>	Shaft, Carburetor, Fh680d	1
14	<u>103341501</u>	Shaft, Carburetor, Throttle	1
15	<u>103341601</u>	Valve, Carburetor, Fh680d	1
16	<u>103341701</u>	Asm, Chamber, Float, Fh680d (includes items 17 through 20)	1
17	<u>103340501</u>	Gasket, Carburetor, Fh680d	1
18	<u>103341901</u>	Solenoid, Carburetor, Fh680d	1
19	<u>103342201</u>	Screw, Drain, Carburetor	1
20	<u>103343601</u>	Spring, Carburetor, Fh680d	1
21	<u>103341801</u>	Needle, Jet, Fh680d	2
22	<u>103342001</u>	Heater, Carburetor, Fh680d	1
23	<u>103342101</u>	Screw, Carburetor, M3 X 6	6
24	<u>103342301</u>	Spacer, Carburetor, Fh680d	1
25	N/A	Pin, Carburetor, Fh680d	1
26	<u>103342501</u>	O-ring, Carburetor, Dia. 6.5	1
27	<u>103342601</u>	O-ring, Carburetor, Fh680d	2
28	<u>103342701</u>	O-ring, Carburetor, Dia. 9	1
29	<u>103343301</u>	Plug, Expansion, Carburetor	2
30	<u>103343401</u>	Seal, Carburetor, Dia. 5.9	1
31	<u>103343501</u>	Seal, Carburetor, Fh680d	1
32	<u>103343701</u>	Collar, Carburetor, Fh680d	1
33	<u>103343801</u>	Screw, Carburetor, M5	2
34	<u>103343901</u>	Screw, Carburetor, M4	2
35	<u>103596701</u>	Kit, Jet, 0-3300 ft. FH680D (includes items 36 and 37)	1
36	<u>103307001</u>	Jet, Push In #102, FH680D (0-3300 ft (0-1000 m))	1
37	<u>103596601</u>	Jet, Push In, #104 FH680D (0-3000 ft (0-1000m))	1

8

G

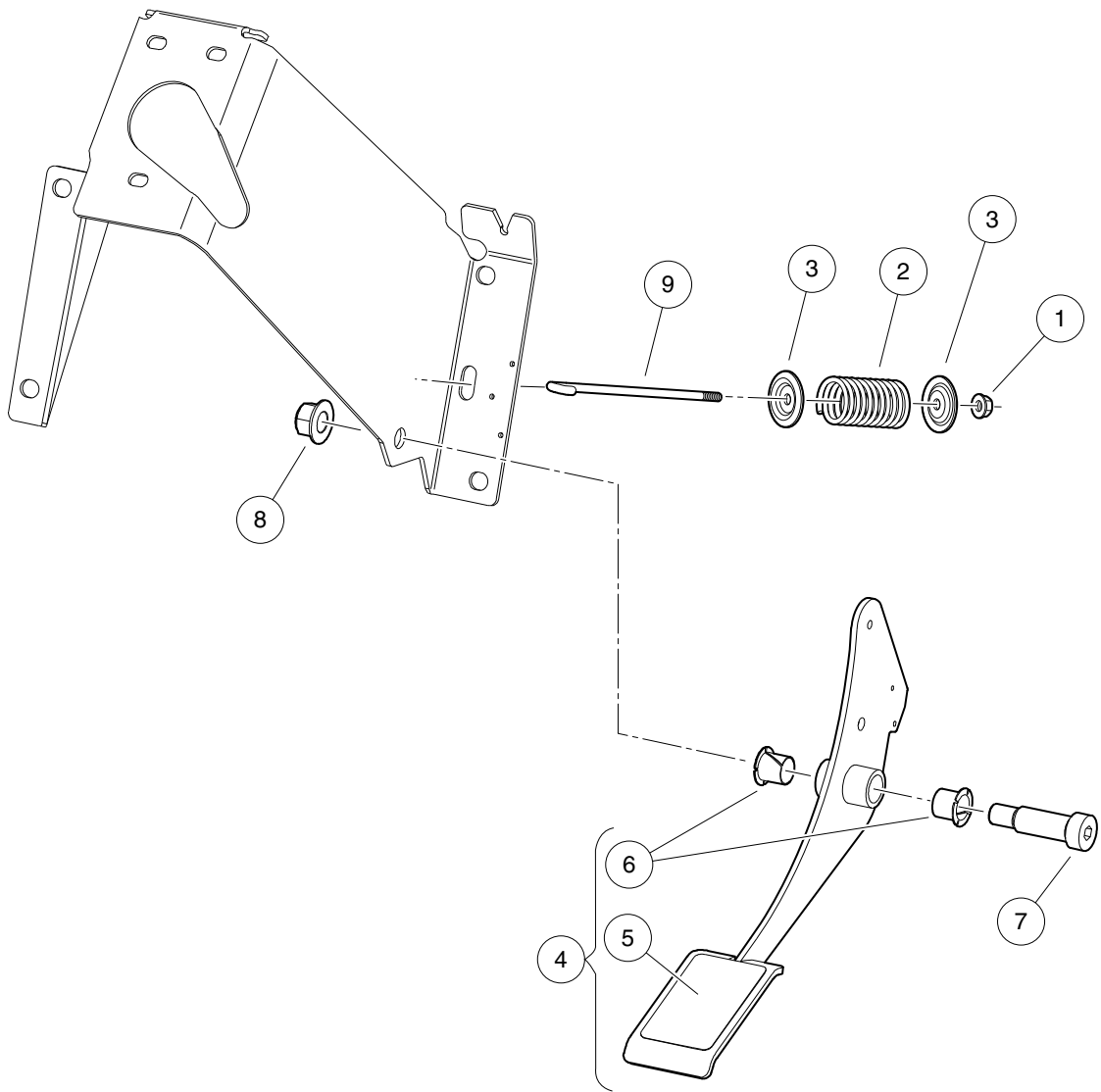


000673-002

INTAKE MANIFOLD AND CARBURETOR MOUNTING – KAWASAKI FH680

ITEM	PART NO.	DESCRIPTION	QTY
		1 2 3 4	
1	<u>1016513</u>	Washer, M6 Flat	2
2	<u>103002801</u>	Spring, Fh	1
3	<u>103003801</u>	Gasket, Carburetor, Fh	2
4	<u>103003901</u>	Gasket, Manifold, Fh	2
5	<u>103004201</u>	Gasket, Air Filter, Fh	1
6	<u>103005001</u>	Insulator, Manifold, Fh	1
7	<u>103005601</u>	Manifold, Intake, Fh	1
8	<u>103297101</u>	Pipe, Intake Adapter, Fh	1
9	<u>103297201</u>	Clamp, Crankcase Vent, Fh	1
10	<u>103297301</u>	Tube, Crankcase Vent, Fh	1
11	<u>103298501</u>	Bolt, Flanged, M6 X 20, Kaw	4
12	<u>103320201</u>	Nut, Carburetor, M6	2
13	<u>103320301</u>	Screw, Carburetor, M4 X 20	1
14	<u>103320401</u>	Bolt, Flg, Carburetor, M6x105	2

8
G



000026-005

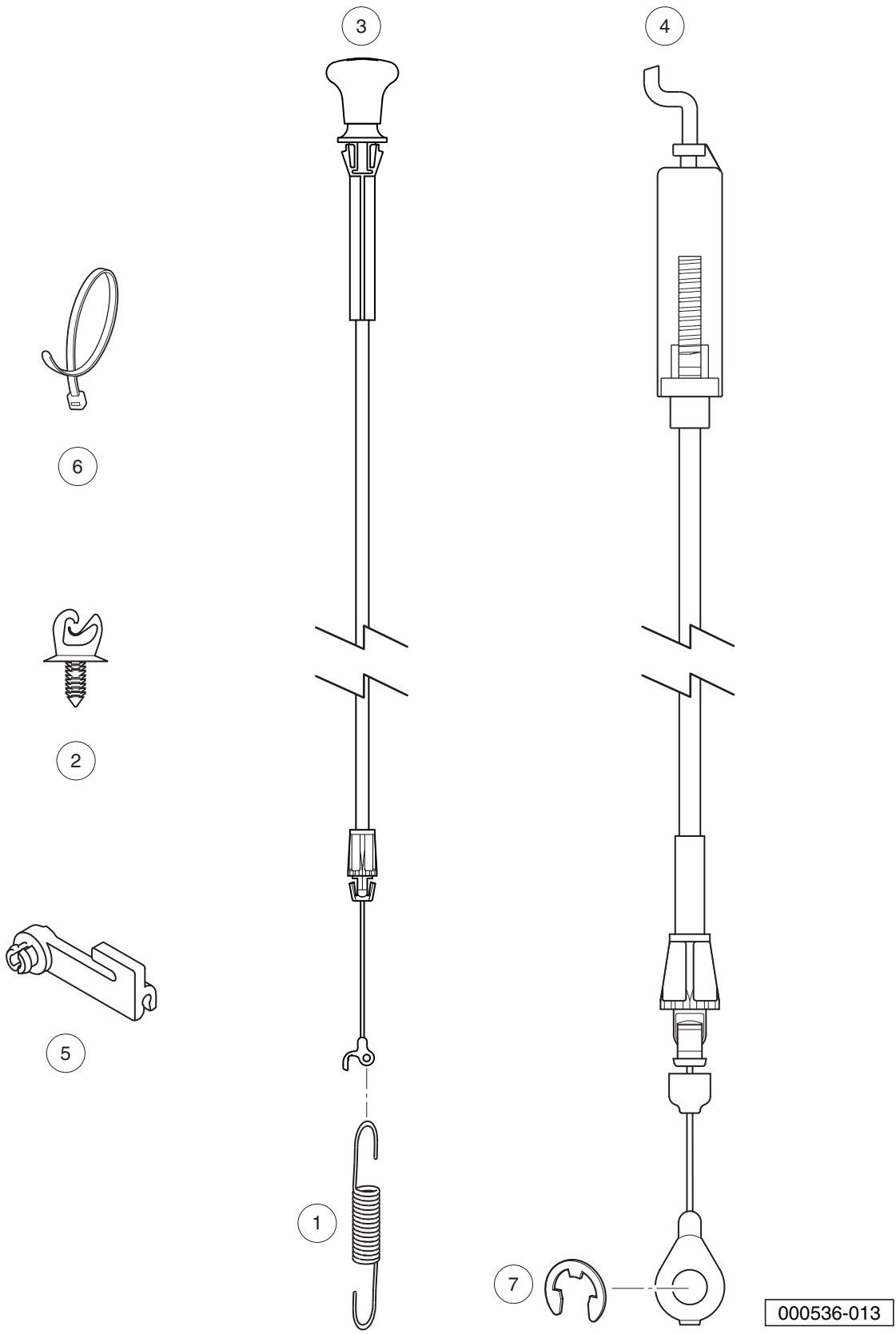
ACCELERATOR PEDAL

ITEM	PART NO.	DESCRIPTION	QTY
		1 2 3 4	
1	<u>102296401</u>	Nut, M6x1.0, Flange, Metal Lock	1
2	<u>102445201</u>	Spring, Comp, Pedal, Pullrod	1
3	<u>102461401</u>	Washer, Retaining Spring, 7mm	2
4	<u>103478901</u>	Asm, Pedal, Accelerator (includes items 5 and 6)	1
5	<u>102479301</u>	Pad, Grip Tape, Accelerator	1
6	<u>103479101</u>	Bushing, Nyliner, 5/8"	2
7	<u>103479201</u>	Bolt, Shoulder, 5/8 X 1 1/2	1
8	<u>103479301</u>	Nut Hex Flg 1/2-13 Nylock Gr G	1
9	<u>103883201</u>	Rod, Accelerator Return, J	1

8

G

8
G



000536-013

ACCELERATOR AND CHOKE CABLES – KAWASAKI FH680

ITEM	PART NO.	DESCRIPTION	QTY
		1 2 3 4	
1	<u>102457001</u>	Spring	1
2	<u>102475701</u>	Clip, Brake Line	3
3	<u>103277402</u>	Cable, Choke, 1550, Fh680d	1
4	<u>103922001</u>	Cable, Accelerator, AWD, Gas	1
5	<u>105315101</u>	Clip, Choke Cable, Fh680d	1
6	<u>8990</u>	Tie Wrap, 8" Nylon	1
7	<u>96950126</u>	Ring, Retaining	1

8

G

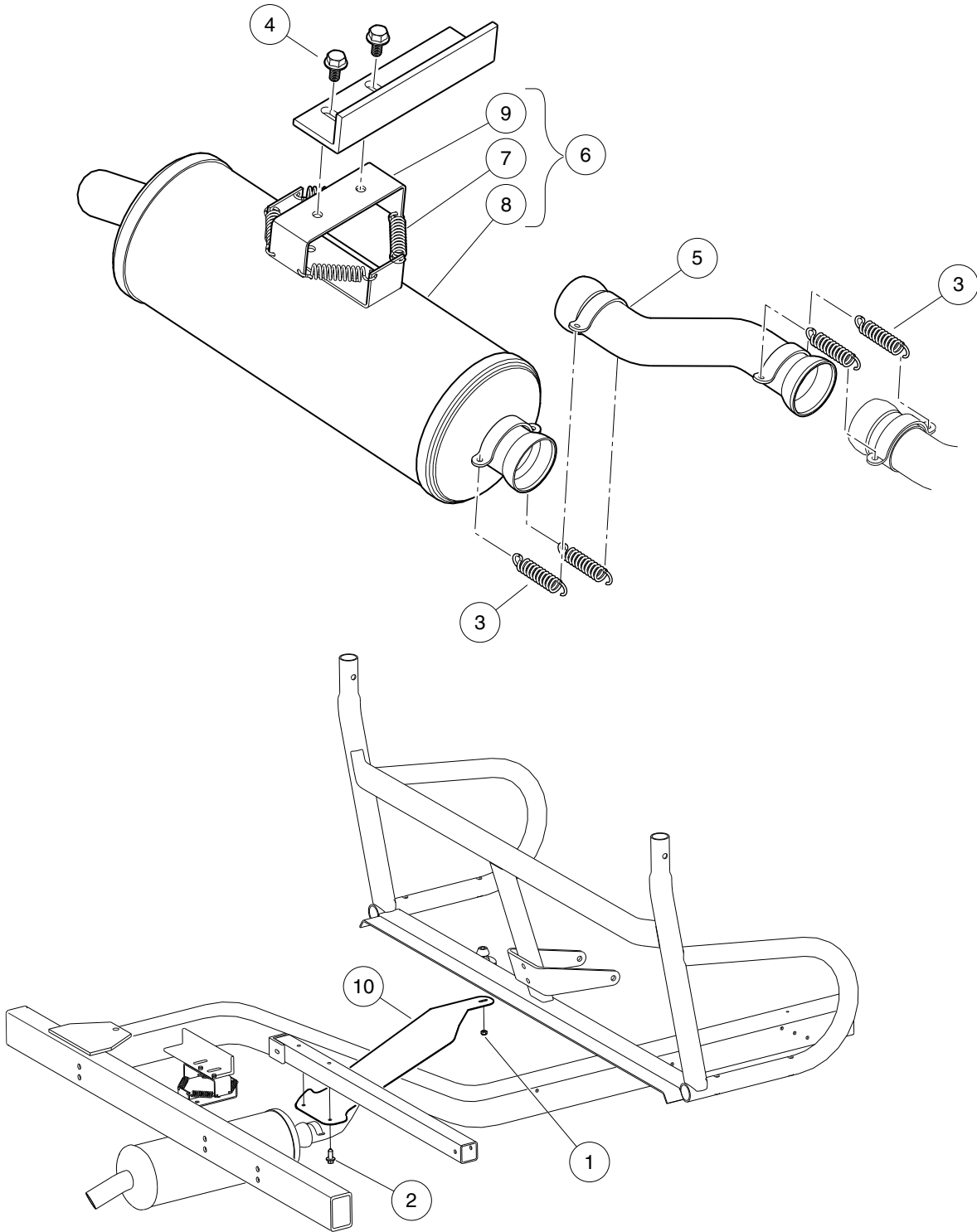
8

G

EXHAUST SYSTEM

9

G



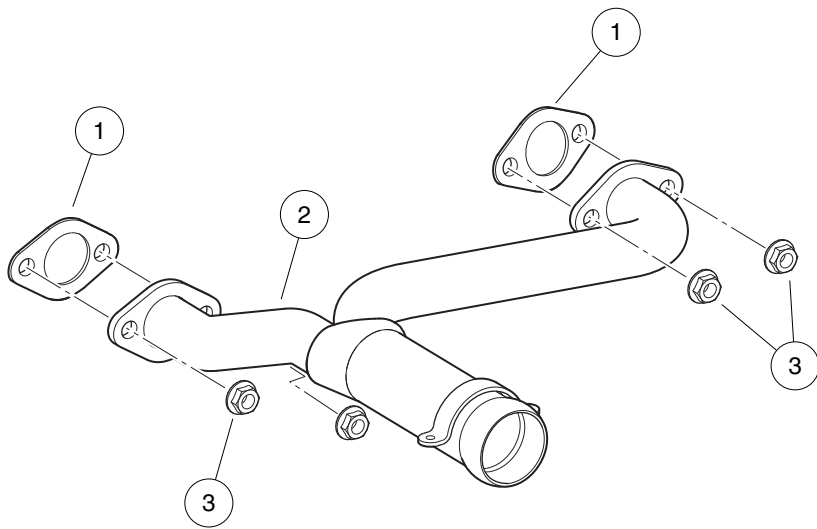
000538-005

EXHAUST PIPE AND MUFFLER

ITEM	PART NO.	DESCRIPTION	QTY
		1 2 3 4	
1	<u>101887601</u>	Locknut, M6-1.00 Nylon Insert	1
2	<u>102298720</u>	Screw, M8-1.25x20, Taptite	2
3	<u>102409501</u>	Spring, Exhaust	4
4	<u>102621201</u>	Bolt, Flanged Head, M8 X1.25x 16, with Loctite	2
5	<u>102786201</u>	Pipe, Exhaust, Int, Offset	1
6	<u>102812801</u>	Asm, Muffler, AWD Homologation (includes items 7 through 9)	1
7	<u>102409501</u>	Spring, Exhaust	4
8	N/A	Muffler	1
9	N/A	Bracket, Muffler	1
10	<u>102930901</u>	Shield, Exhaust, Clearance	1

9

G



000538-004

EXHAUST HEADER – KAWASAKI FH680

ITEM	PART NO.	DESCRIPTION	QTY
		1 2 3 4	
1	<u>102949301</u>	Gasket, Exhaust Header, Fh680d	2
2	<u>103268101</u>	Header, Exhaust, Gas, Fh680d	1
3	<u>96704416</u>	Nut, Flange, M8 X 1.25 Serrated	4

9

G

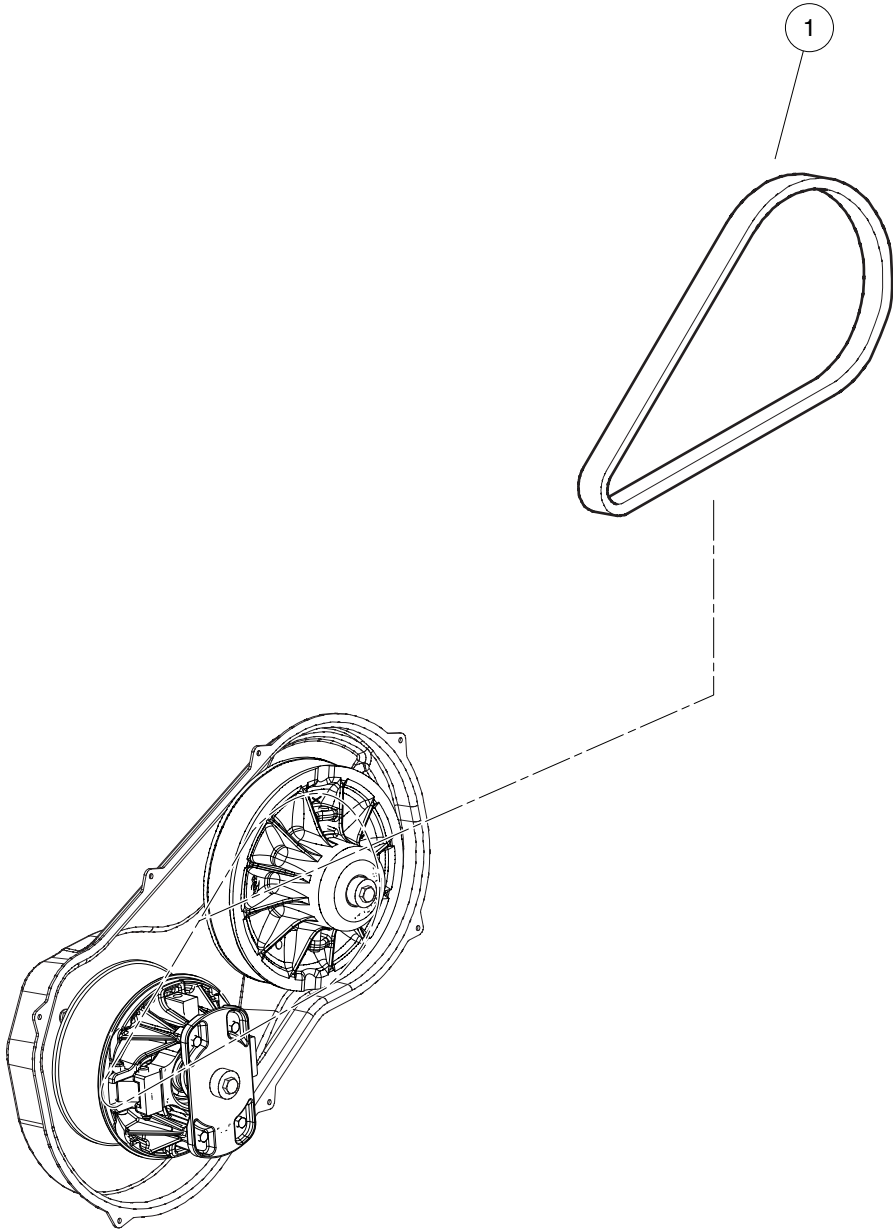
9

G

CLUTCHES

10

G

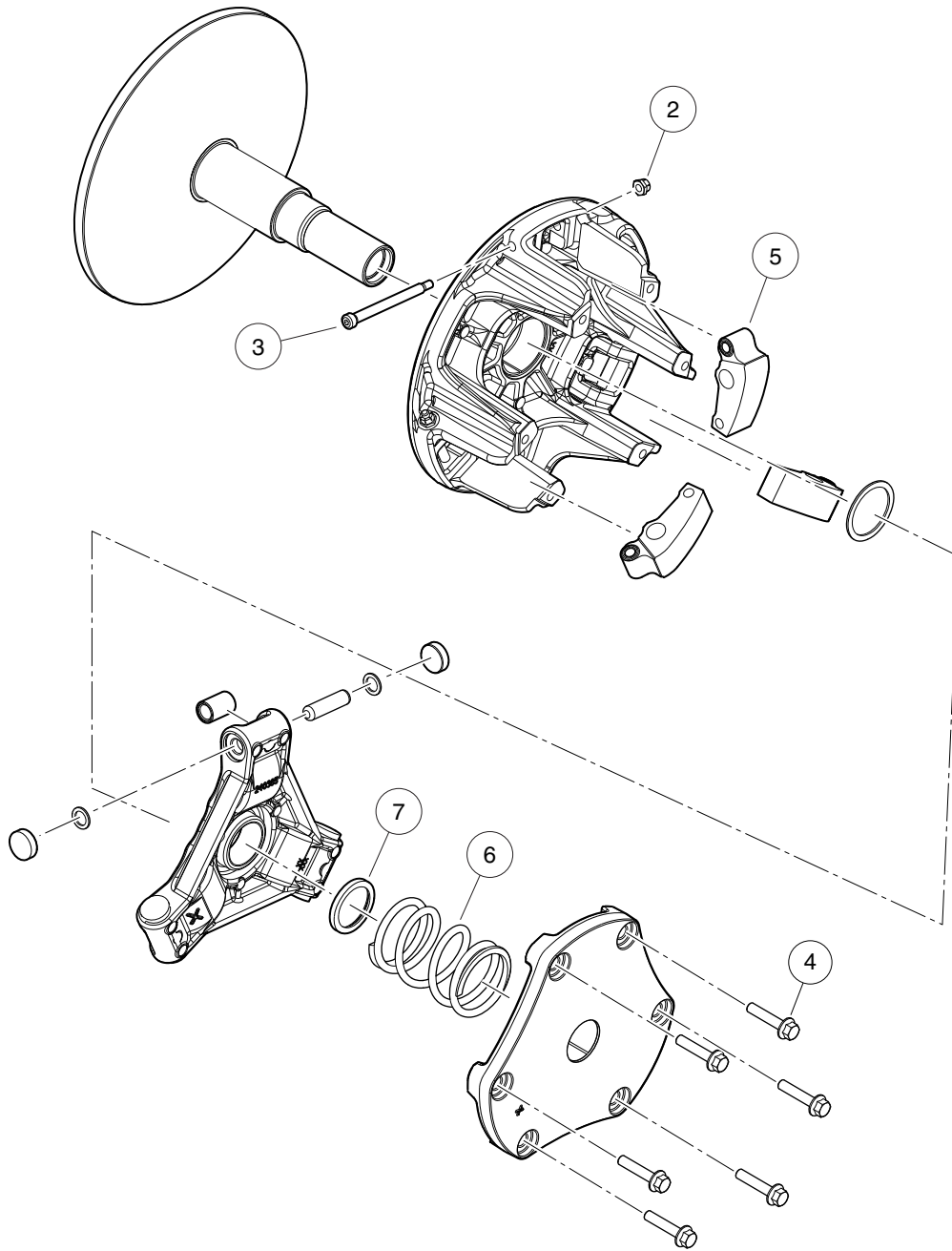


000084-001

DRIVE BELT

ITEM	PART NO.	DESCRIPTION	QTY
1	<u>102374901</u>	1 2 3 4 Belt, Drive	1

10
G

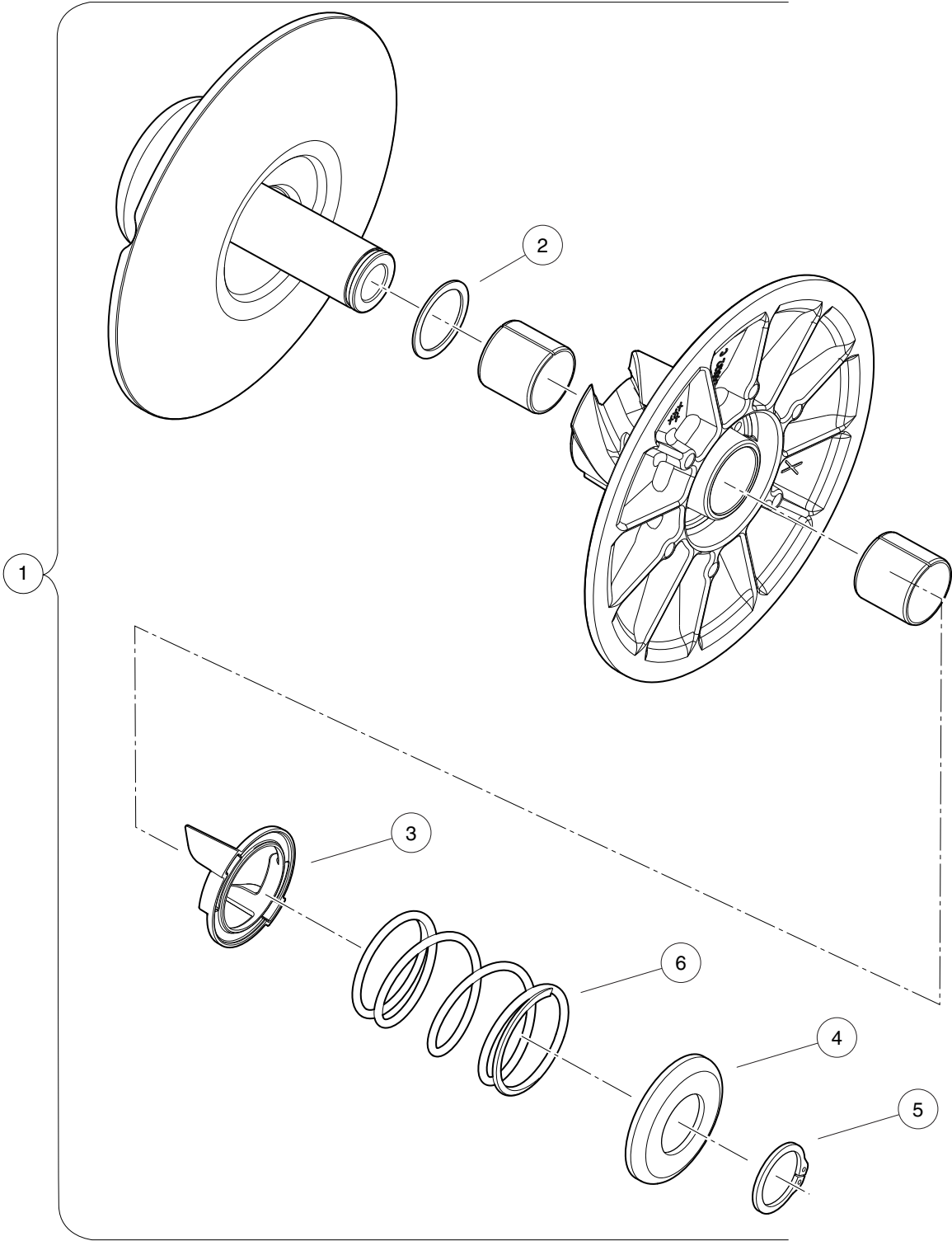


000007-008

DRIVE CLUTCH (3 WEIGHT) – GAS VEHICLE

ITEM	PART NO.	DESCRIPTION	QTY
		1 2 3 4	
1	<u>103948801</u>	Clutch, Drive, Gas, 3wt. 19mph (includes items 2 through 7)	1
2	<u>103829601</u>	Nut, Lock, Hex #10-24 Flexloc	3
3	<u>103829701</u>	Screw, Shldr, Hex Skt .25x2.5	3
4	<u>103829801</u>	Screw, Hex Flg Hd, 1/4-20x1.25	6
5	<u>103829901</u>	Weight, Clutch, D-153 G	3
6	<u>103856101</u>	Spring, Comp, 2.0 Od Black/slv	1
7	103957501	Spacer, 3wt CVT	1

10
G



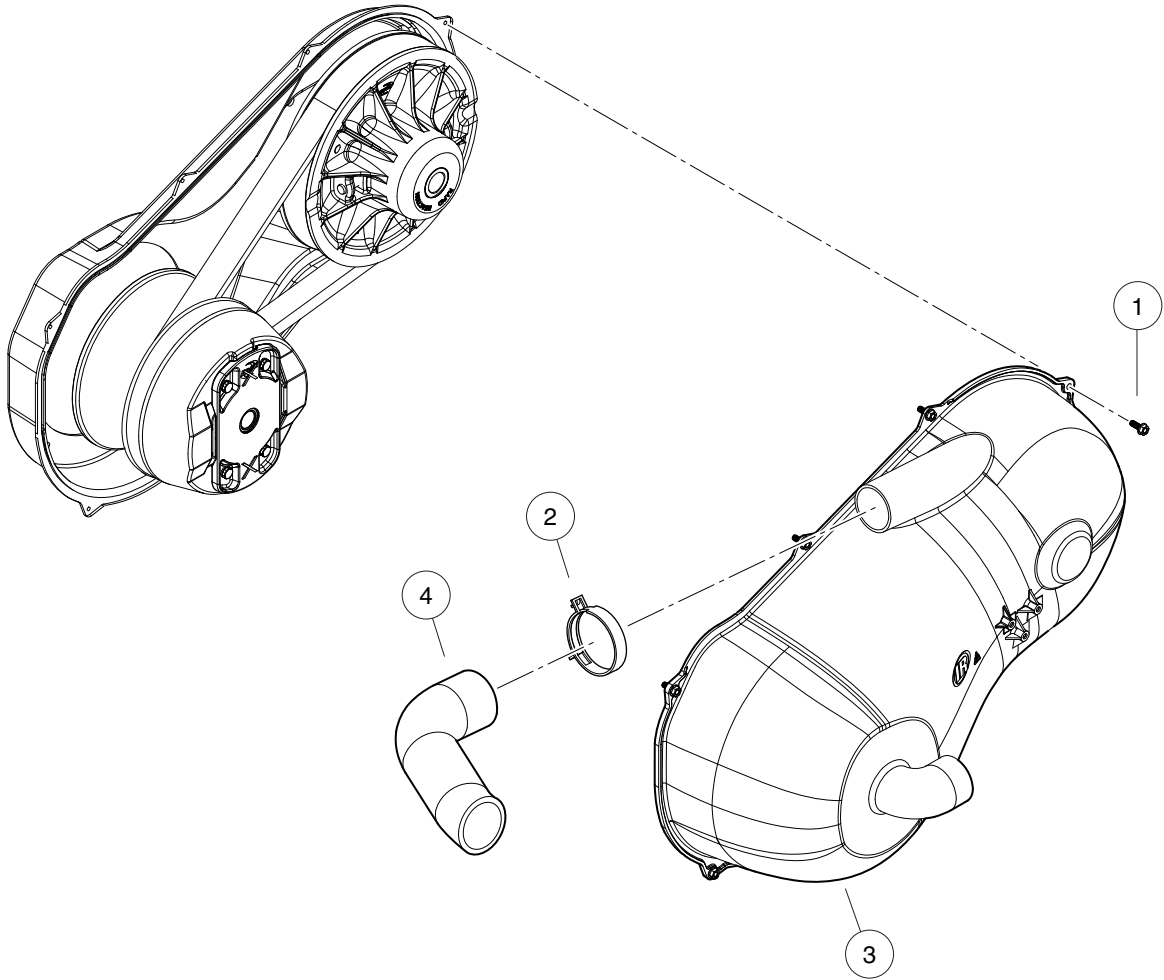
000003-002

DRIVEN CLUTCH (FOR 3 WEIGHT DRIVE CLUTCH)

ITEM	PART NO.	DESCRIPTION	QTY
		1 2 3 4	
1	<u>103828201</u>	Clutch, Driven, 3 Weight (includes items 2 through 6)	1
2	<u>102695401</u>	Washer, Thrust, 1.53 X 1.92	1
3	<u>102695601</u>	Retainer, Spring, Inner	1
4	<u>102695801</u>	Retainer, Spring, Outer	1
5	<u>102695901</u>	Ring, Retaining, External	1
6	<u>103829001</u>	Spring, Comp, 2.7 Od, Almd/blk	1

10

G



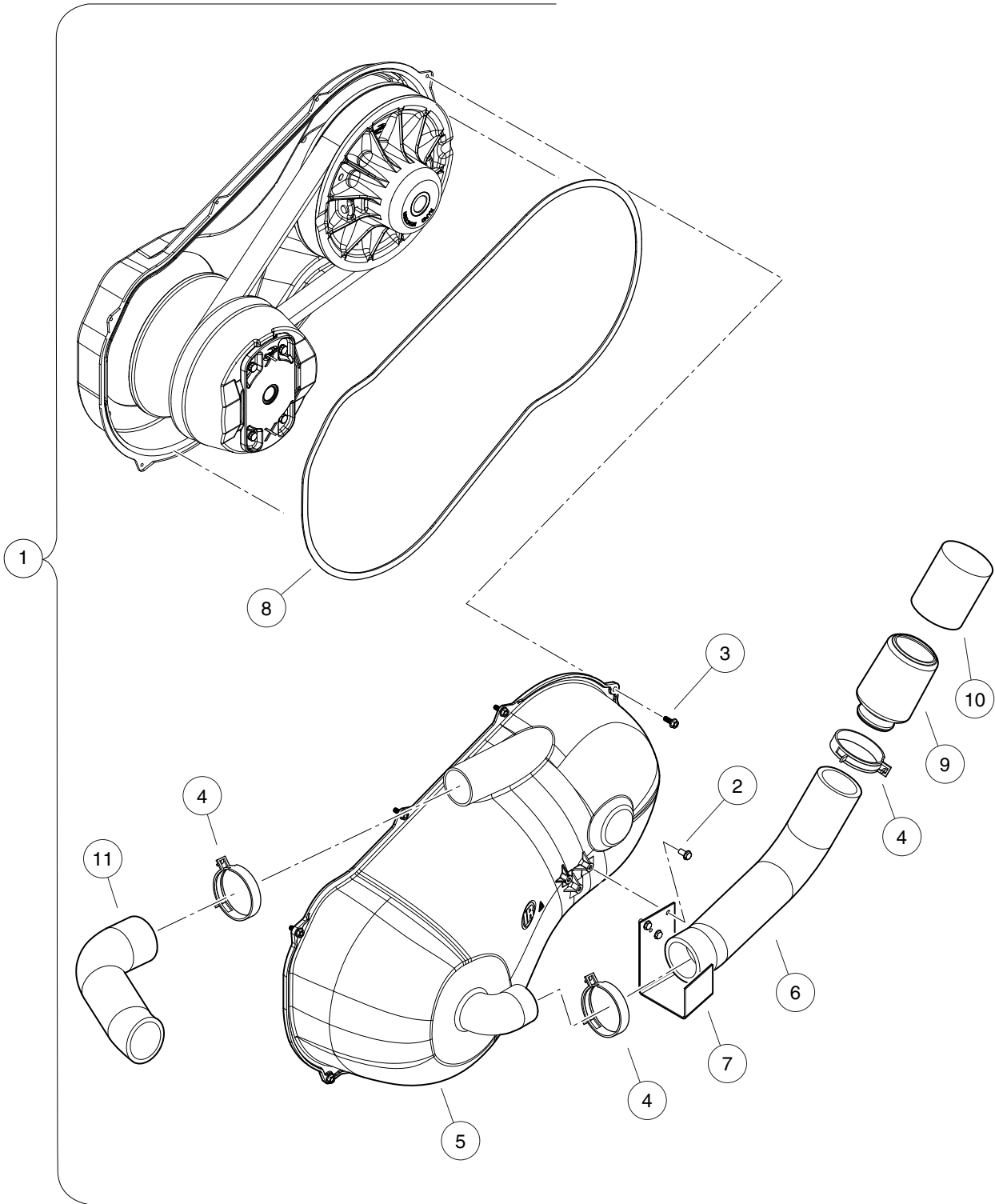
000008-003

CLUTCH COVER (NON-SEALED)

ITEM	PART NO.	DESCRIPTION	QTY
		1 2 3 4	
1	<u>102296716</u>	Screw, M6 X 16 Tt Hx Fl Hd	7
2	<u>102411210</u>	Clamp, Hose, Ctb 64mm	1
3	<u>102628301</u>	Cover, Cvt, Open	1
4	<u>103320601</u>	Hose, Outlet, Cvt	1

10

G



000008-004

CLUTCH COVER (SEALED)

ITEM	PART NO.	DESCRIPTION	QTY
		1 2 3 4	
1	<u>102616003</u>	Kit, Sealed CVT Cover (includes items 2 through 11)	1
2	<u>101856101</u>	Screw, 1/4-15 X .50 Hi-lo Hex	3
3	<u>102296716</u>	Screw, M6 X 16 Tt Hx Fl Hd	7
4	<u>102411210</u>	Clamp, Hose, Ctb 64mm	2
5	<u>102414501</u>	Cover, CVT Outer	1
6	<u>102481001</u>	Hose, Inlet, Cover, CVT	1
7	<u>102481201</u>	Bracket, Inlet, Cover, CVT	1
8	<u>102481301</u>	Gasket, Cover, CVT	1
9	<u>102616101</u>	Cap, Inlet, Cover, CVT	1
10	<u>102628001</u>	Filter, Inlet, Cover, CVT	1
11	<u>103320601</u>	Hose, Outlet, Cvt	1

10

G

10

G

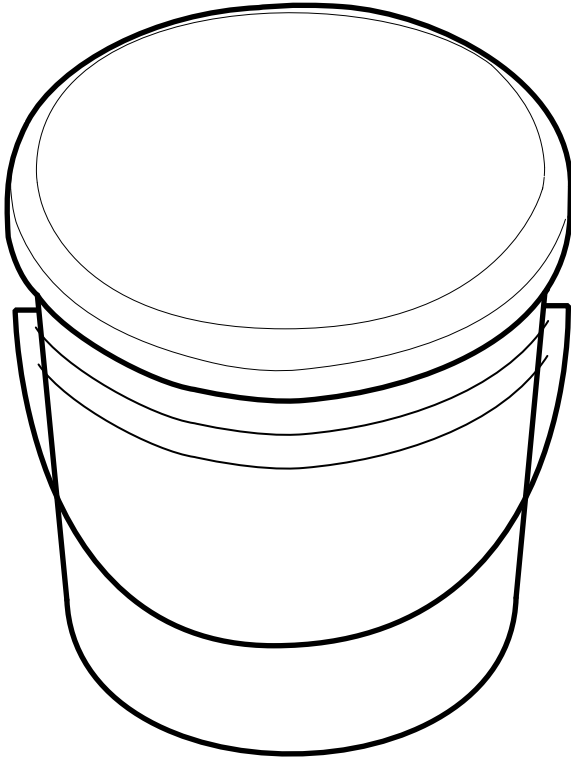
DRIVETRAIN COMPONENTS

11

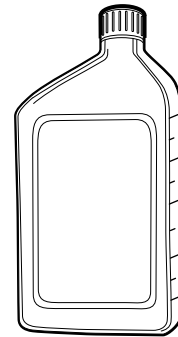
G

11

G



1



2

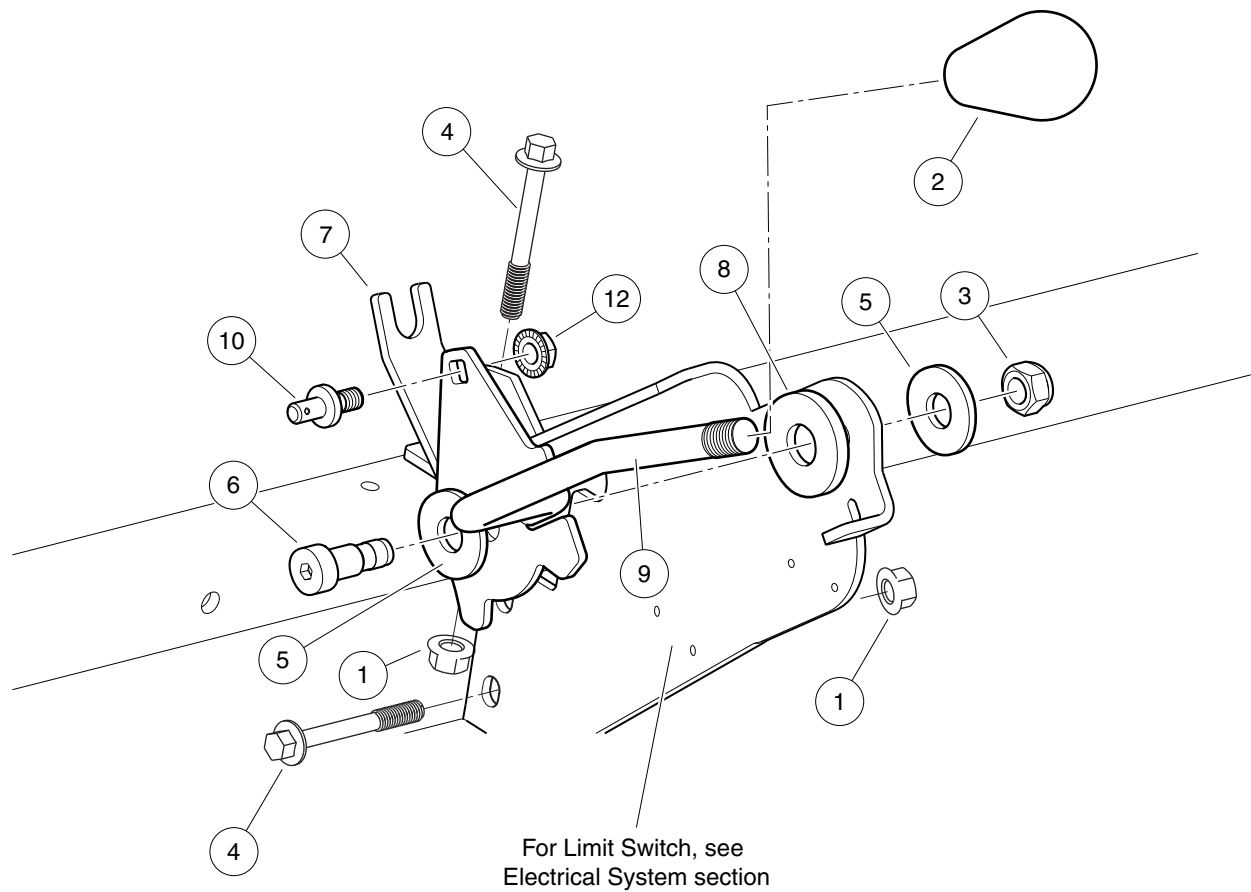
001069-001

OIL, DIFFERENTIAL AND TRANSMISSION

ITEM	PART NO.	DESCRIPTION	QTY
1	<u>102723901</u>	1 2 3 4 Oil, Locking Diff, 5 Gallon	A/R
2	<u>AM1216101</u>	Oil, Locking Diff, Quart	A/R
		<p>Note: Use this oil for both front and rear differentials and the transmission. Available in 5-Gallon or Quart.</p>	

11

G



000030-004

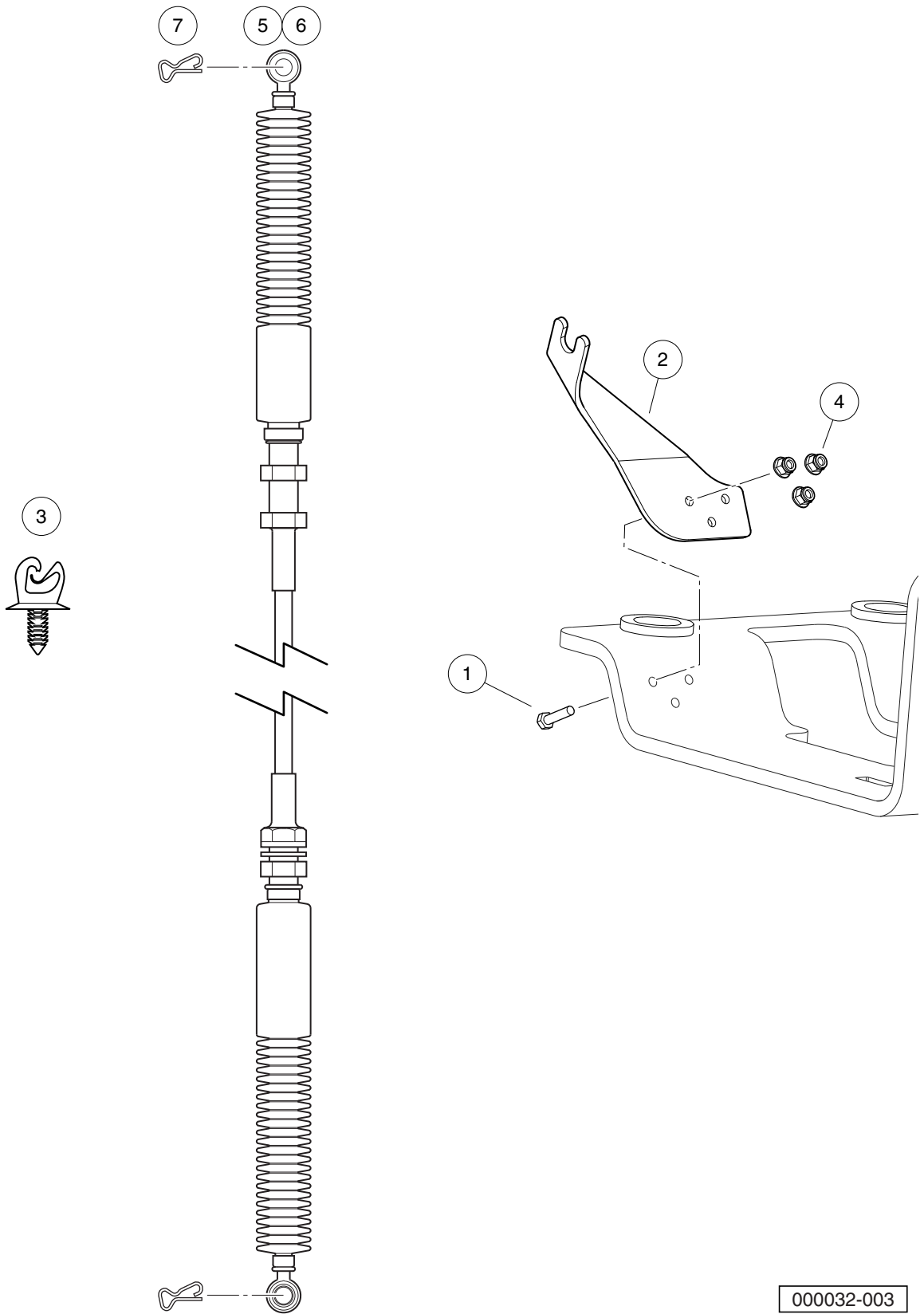
FORWARD/REVERSE SHIFTER

ITEM	PART NO.	DESCRIPTION	QTY
		1 2 3 4	
1	<u>102298401</u>	Nut,m8,all Metal Lock	3
2	<u>102376001</u>	Knob, FNR, Shifter	1
3	<u>102616701</u>	Locknut, M10x1.5 Nylon Insert	1
4	<u>102618301</u>	Bolt, Flanged Head, M8 X 1.25 X 65	3
5	<u>102684501</u>	Washer, M12 Hard Regular	2
6	<u>102684603</u>	Shoulder Bolt, M12 X 16	1
7	N/A	Weldment, FNR Shift-Bracket, AWD	1
8	<u>103873001</u>	Bushing, Fnr, Awd	1
9	<u>103886001</u>	Weldment, Shifter, FNR, AWD	1
10	<u>103886101</u>	Pin, Cable, Fnr	1
11	<u>8990</u>	Tie Wrap, 8" Nylon	2
12	<u>96704416</u>	Nut, Flange, M8 X 1.25 Serrated	1
		Note: Item 11 not shown.	

11

G

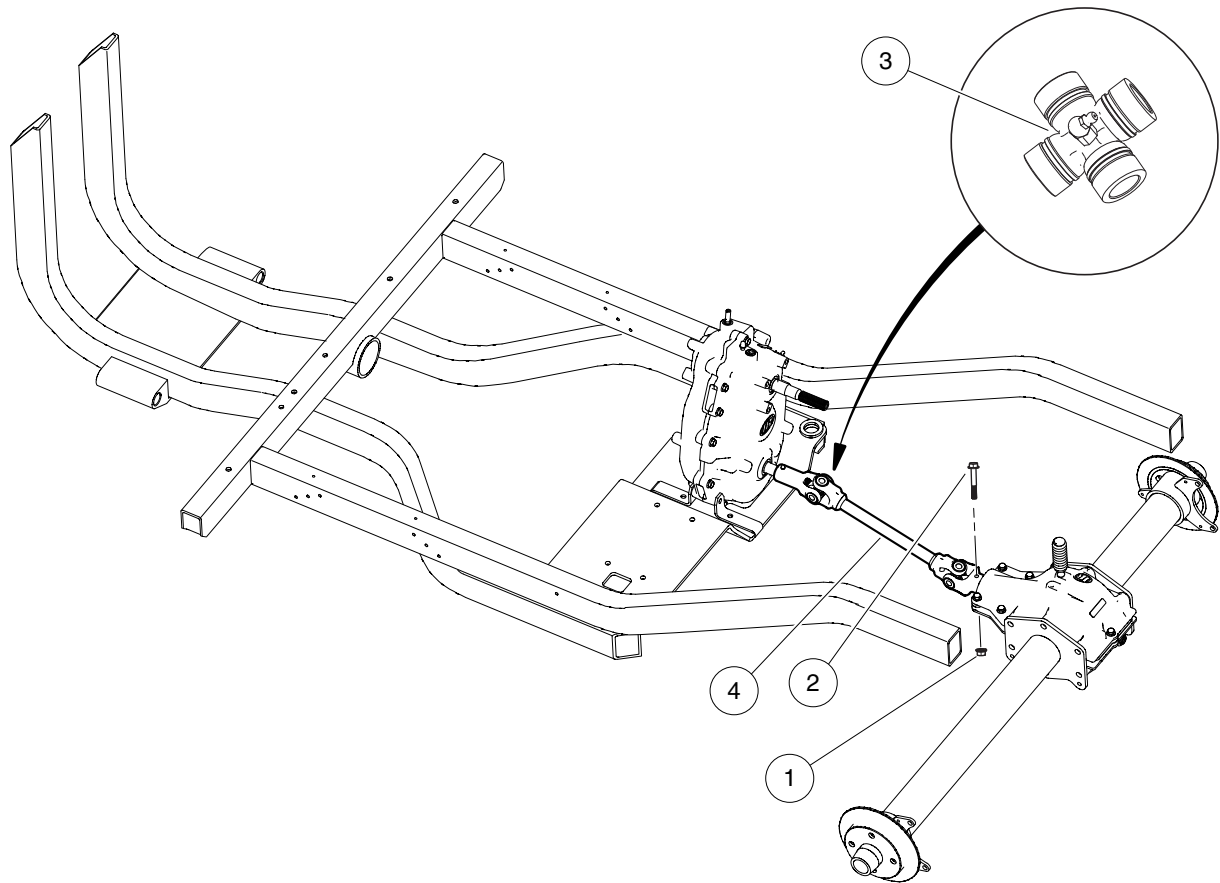
11
G



SHIFTER CABLE

ITEM	PART NO.	DESCRIPTION	QTY
		1 2 3 4	
1	<u>1012769</u>	Screw, M6-1.00 X 25mm Hex Cap	3
2	<u>102382401</u>	Bracket, FNR Trans Cable	1
3	<u>102475701</u>	Clip, Brake Line	1
4	<u>102621501</u>	Nut, Flange, M6 X 1.0, Nylon	3
5	<u>103879301</u>	Cable, Transmission Shift, 295/1550	1
6	<u>103879401</u>	Cable, Transmission Shift, 295 SE/1550 SE	1
7	<u>103886601</u>	Clip, Bowtie	2

11
G



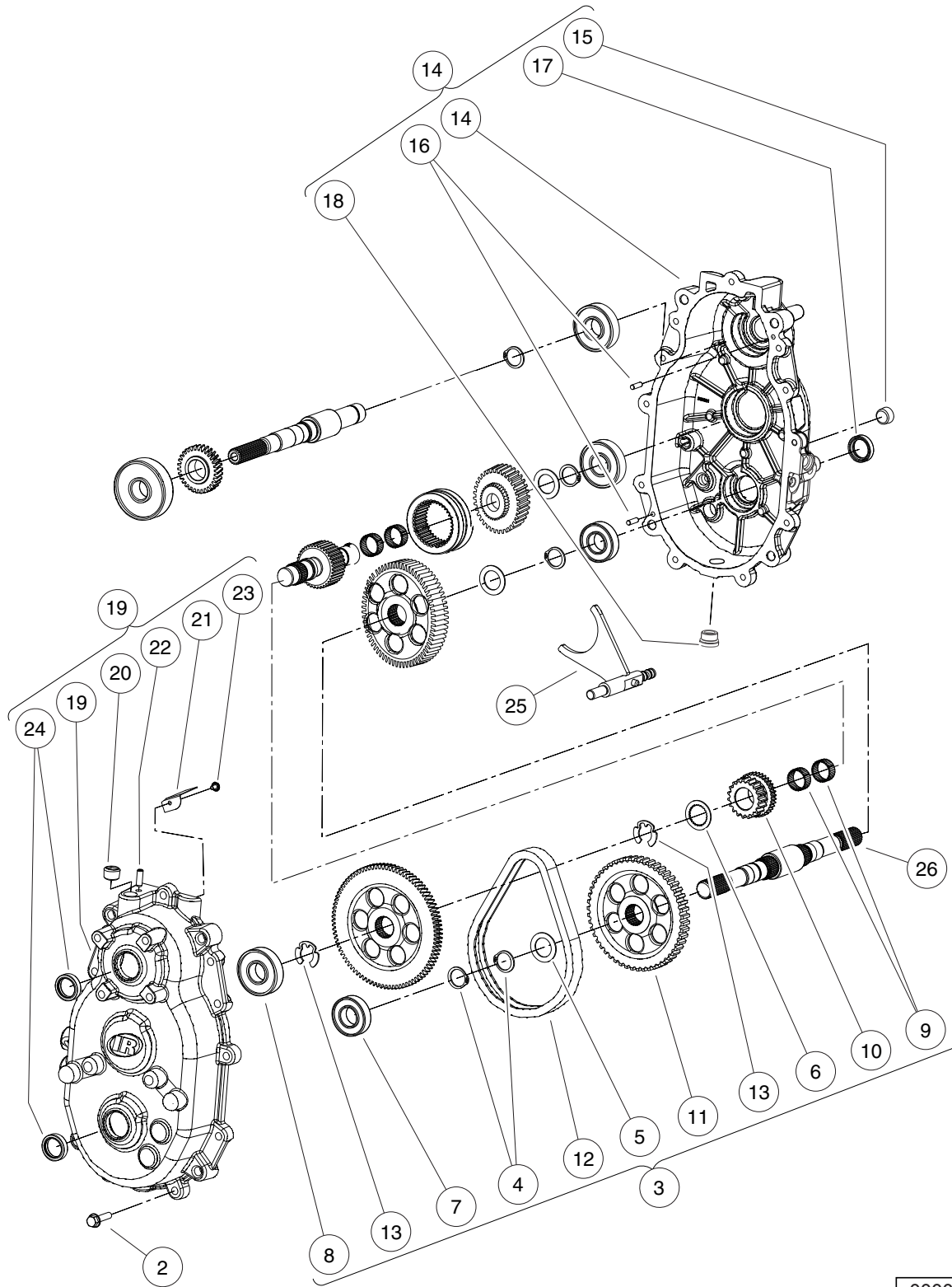
000091-005

PROP SHAFT

ITEM	PART NO.	DESCRIPTION	QTY
		1 2 3 4	
1	<u>102298401</u>	Nut,m8,all Metal Lock	1
2	<u>103990201</u>	Bolt, M8 X 1.25 X 50 Hh Cap	1
3	<u>105100901</u>	Kit, Universal Joint Replacement	1
4	<u>105173301</u>	Propshaft, Rear, No Spln Zerk	1

11

G



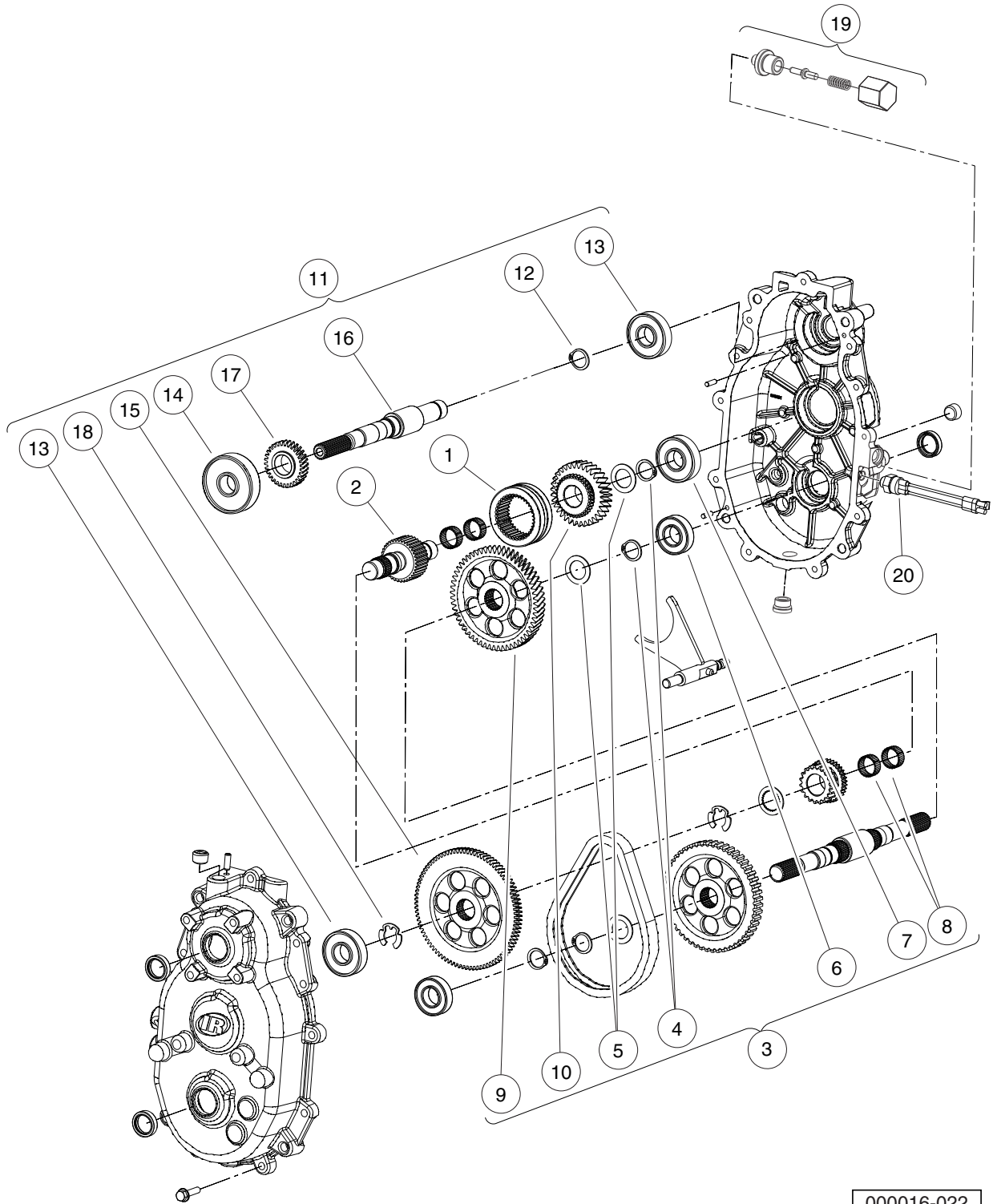
000016-018

TRANSMISSION – PAGE 1 OF 3

ITEM	PART NO.	DESCRIPTION	QTY
		1 2 3 4	
1	103969001	Transmission, Awd, 422046 (includes items 2 through 26)	1
2	<u>102693301</u>	Screw, hex Flange, M8 X 35	11
3	102765201	Kit, Reverse Gear Repair (includes items 4 through 13)	1
4	<u>102696201</u>	Ring, Retaining, Basic External	2
5	<u>102696501</u>	Washer, Thrust, 1.007 X .062	1
6	<u>102696701</u>	Washer, 26.231 X 39.167 X 1.57	1
7	<u>102696801</u>	Bearing, Ball	1
8	<u>102696901</u>	Bearing, Ball	1
9	<u>102697101</u>	Bearing, Needle	2
10	N/A	Sprocket, 19-Tooth	1
11	N/A	Sprocket, 51-Tooth	1
12	N/A	Chain, .375p, .75 Wide, 60ptch	1
13	<u>102699701</u>	Ring, Retaining, E-Ring	2
14	<u>105125301</u>	Asm, Gear Case, Front (includes items 15 through 18)	1
15	<u>102694201</u>	Plug, Square Skt, 1/12-14, Ptf	1
16	<u>102696101</u>	Pin, Dowel, 6 X 20	2
17	<u>102699401</u>	Seal, Triple, 25 X 35 X 7.8	1
18	<u>103250401</u>	Plug, 3/4-16	1
19	<u>105125401</u>	Asm, Gear Case, Rear (includes items 20 through 24)	1
20	<u>102694201</u>	Plug, Square Skt, 1/12-14, Ptf	1
21	N/A	Oil, Deflector	1
22	N/A	Vent, Trans	1
23	N/A	Screw, Tapping # 10-24 X .375	1
24	<u>102699401</u>	Seal, Triple, 25 X 35 X 7.8	2
25	<u>105125701</u>	Fork,Transmission	1
26	<u>105125801</u>	Shaft,Output	1

11

G



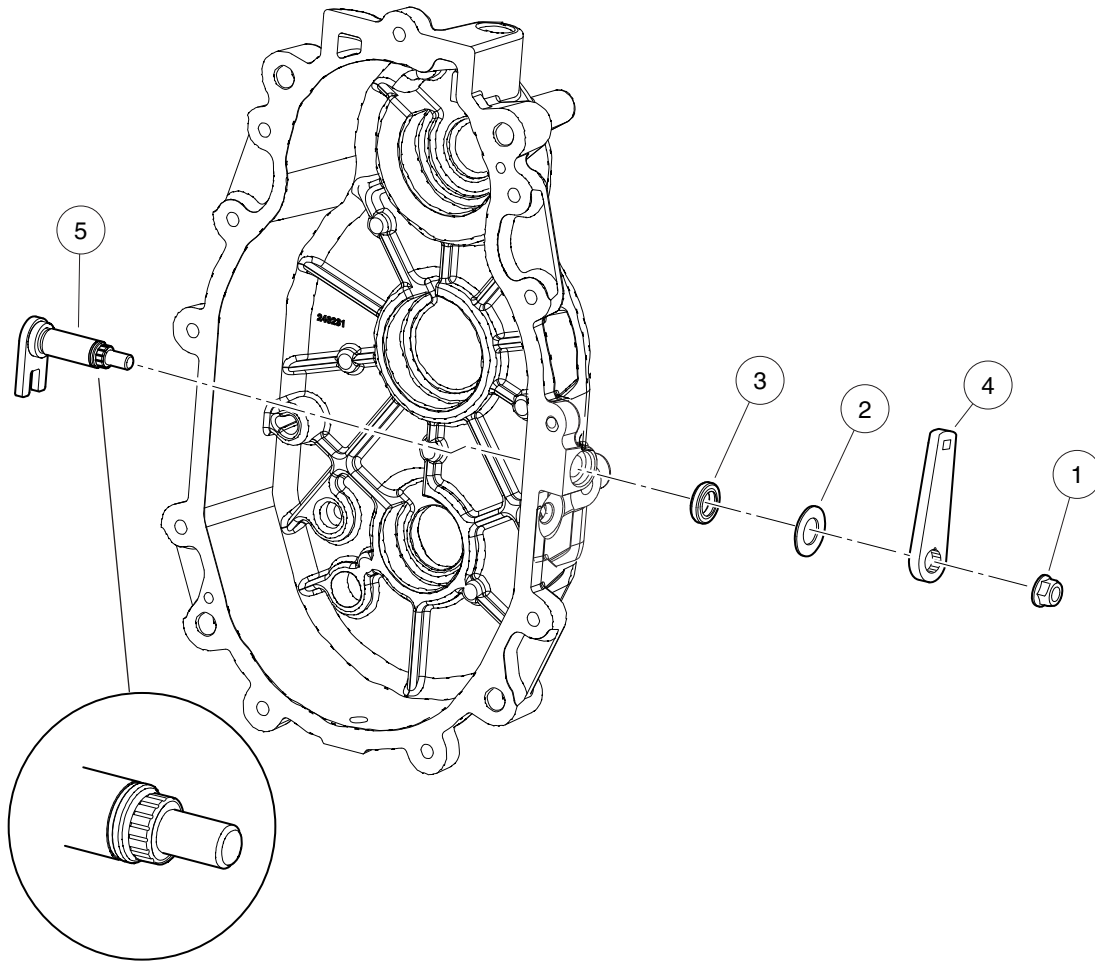
000016-022

TRANSMISSION – PAGE 2 OF 3

11

G

ITEM	PART NO.	DESCRIPTION	QTY
		1 2 3 4	
1	<u>102697501</u>	Dog, Engagement	1
2	<u>102698701</u>	Shaft, Intermediate	1
3	<u>102764901</u>	Kit, Forward Gear Repair (includes items 4 through 10)	1
4	<u>102696201</u>	Ring, Retaining, Basic External	2
5	<u>102696501</u>	Washer, Thrust, 1.007 X .062	2
6	<u>102696801</u>	Bearing, Ball	1
7	<u>102696901</u>	Bearing, Ball	1
8	<u>102697101</u>	Bearing, Needle	2
9	N/A	Gear, Helical 58-Tooth	1
10	N/A	Gear, Helical 34-Tooth	1
11	<u>103721801</u>	Kit, Input Shaft Repair (includes items 12 through 18)	1
12	<u>102696201</u>	Ring, Retaining, Basic External	1
13	<u>102696901</u>	Bearing, Ball	2
14	<u>102697001</u>	Bearing, Ball	1
15	N/A	Gear, Helical 90-Tooth	1
16	N/A	Shaft, Input	1
17	N/A	Gear, Helical, 31-tooth	1
18	<u>102699701</u>	Ring, Retaining, E-Ring	1
19	<u>105125501</u>	Kit, Detent Repair	1
20	<u>105125601</u>	Switch, Indicator, Pollak	1



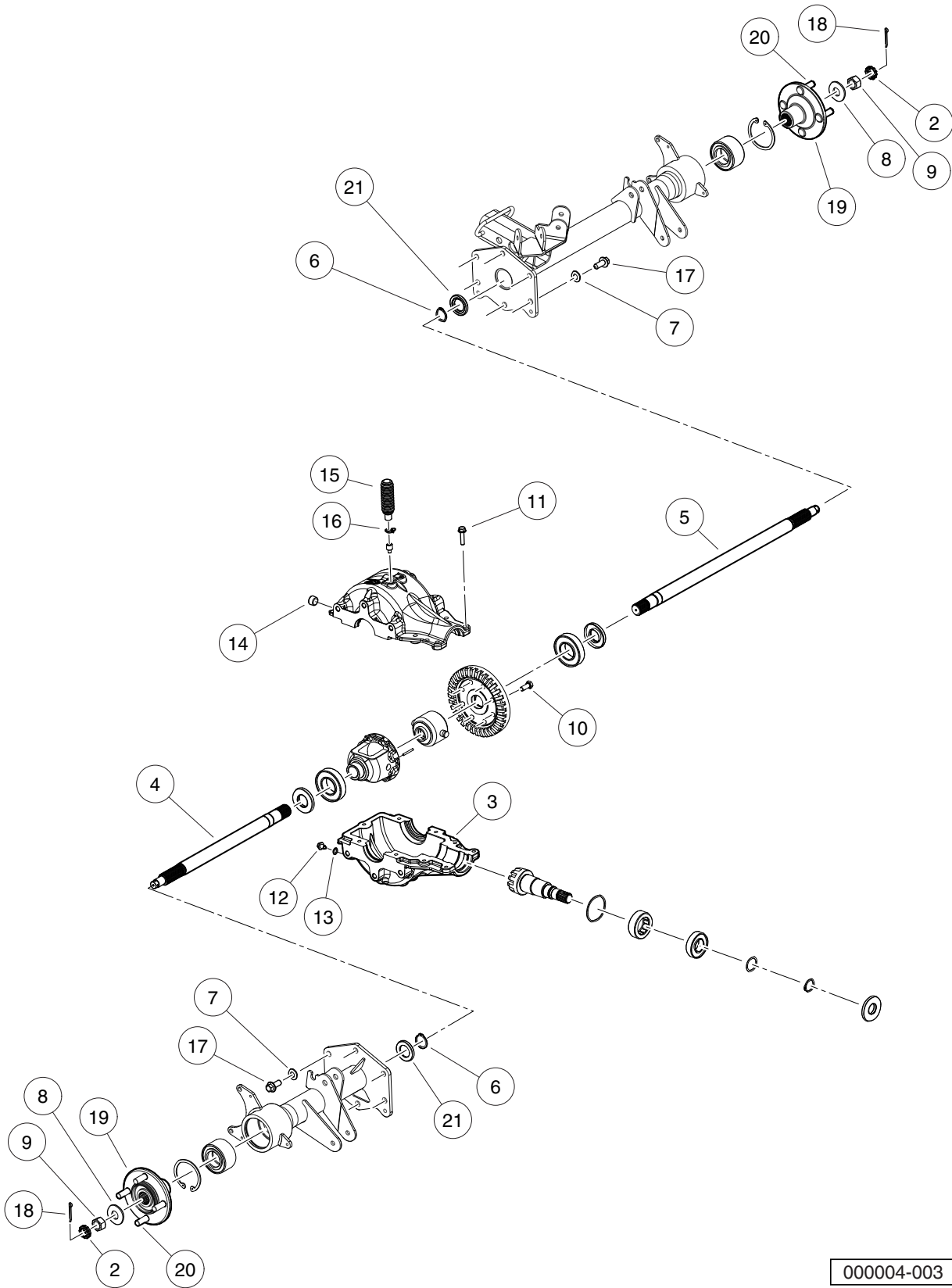
000016-021

TRANSMISSION – PAGE 3 OF 3

ITEM	PART NO.	DESCRIPTION	QTY
		1 2 3 4	
1	<u>102696001</u>	Nut, Lock Hex, Nylon, 5/16-24	1
2	<u>102696601</u>	Washer, Flat, .58 X 1.08 X .05	1
3	<u>102699601</u>	Seal, Dual Lip, .88 X .56 X .19	1
4	<u>103883001</u>	Bellcrank, Square-hole	1
5	<u>105125901</u>	Shaft, Shift	1

11

G



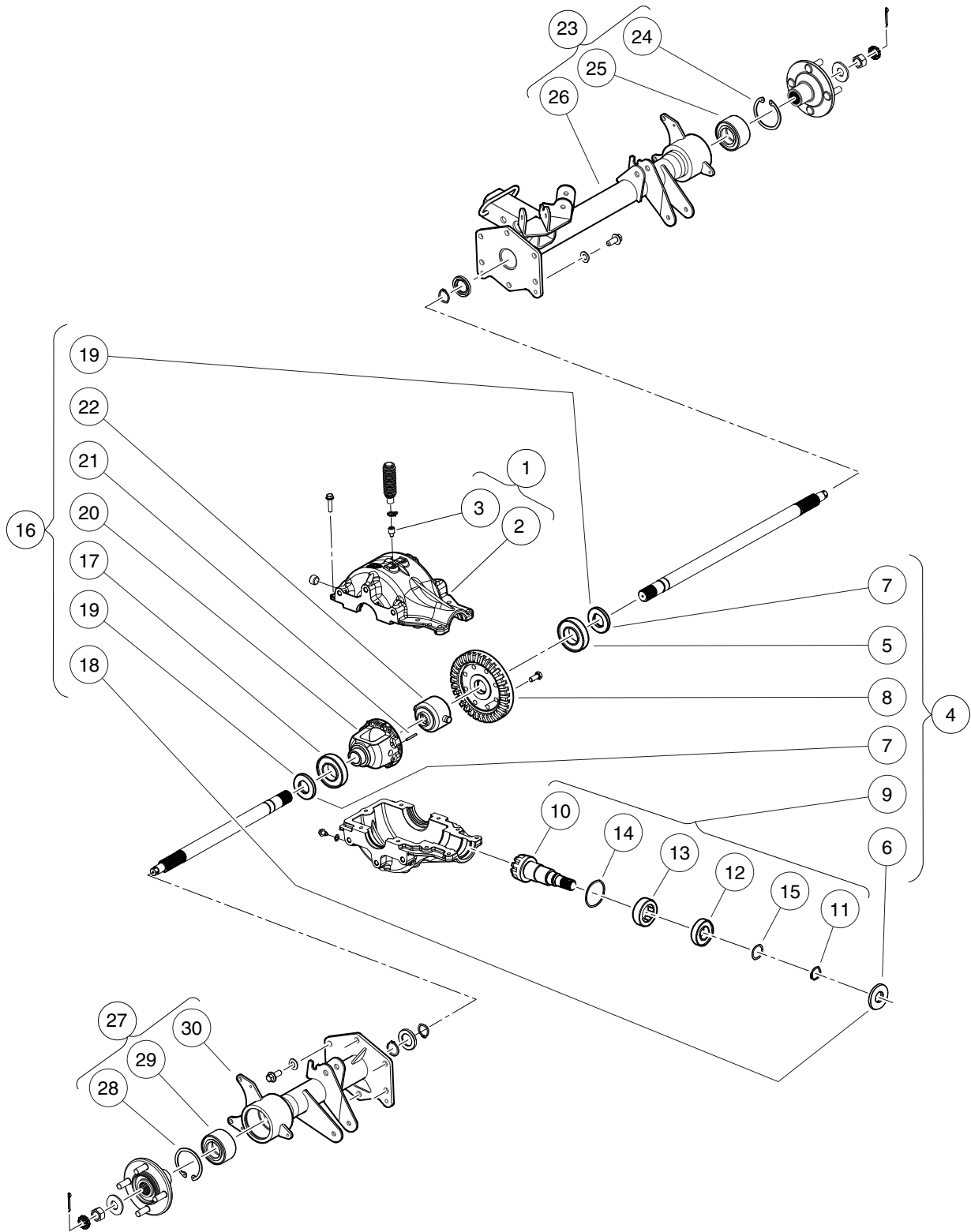
000004-003

REAR DIFFERENTIAL AND AXLES – PAGE 1 OF 2

ITEM	PART NO.	DESCRIPTION	QTY
		1 2 3 4	
1	<u>103843901</u>	Axle, Rear, Awd, 4link (includes items 2 through 21)	1
2	<u>102276001</u>	Locking Cap, Nut	2
3	<u>102449101</u>	Gearcase, Lower, Machined	1
4	<u>102463501</u>	Axle, Right-hand	1
5	<u>102463601</u>	Axle, Left-Hand	1
6	<u>102463901</u>	Ring, Retaining, External	2
7	<u>102672201</u>	Washer, Belleville, 1.063 X .043	12
8	<u>102672301</u>	Washer, Belleville, 49 X 4	2
9	<u>102672401</u>	Nut, Hex, M20 X 1.5 , Modified	2
10	<u>102693201</u>	Screw, M10 X 25	8
11	<u>102693301</u>	Screw, hex Flange, M8 X 35	9
12	<u>102693401</u>	Plug,3/8-16, Hex Flange	1
13	<u>102693501</u>	Washer, .625 X .382 X .60	1
14	<u>102694201</u>	Plug, Square Skt, 1/12-14, Ptf	1
15	<u>102694301</u>	Bellows, Vent, Upper Housing	1
16	<u>102694401</u>	Clamp, Hose, Dw-9.5	1
17	<u>102694701</u>	Screw, Hex Fl, M12 X 1.75 X 30	12
18	<u>102694801</u>	Pin, Cotter, 5/32 X 1.25	2
19	<u>103146203</u>	Asm, Wheel Hub, Rear, 1550 (includes item 20)	2
20	<u>103951501</u>	Lug Stud, 1/2-20 UNF, SAE J1102	4
21	<u>103879501</u>	Washer, C-bored 60.5 X 30.3	2

11

G



000004-004

REAR DIFFERENTIAL AND AXLES – PAGE 2 OF 2

ITEM	PART NO.	DESCRIPTION	QTY
		1 2 3 4	
1	<u>102765301</u>	Asm, Gearcase, Upper (includes items 2 and 3)	1
2	N/A	Gearcase, Upper, Machined	1
3	<u>102694001</u>	Vent, Top, Upper Housing	1
4	<u>102765801</u>	Kit, Rear Axle Gear Repair (includes items 5 through 9)	1
5	<u>102464201</u>	Bearing, Ball	1
6	<u>102464401</u>	Seal, Dual-Lip 25x 62x 7tc	1
7	<u>102464501</u>	Seal, Dual-Lip 30x 62x 8tc	2
8	<u>102762601</u>	Gear, Ring, 33-Tooth	1
9	<u>102765701</u>	Asm, Pinion W/ Bearings (includes items 10 through 15)	1
10	<u>102463101</u>	Pinion, 10t Machined	1
11	<u>102463901</u>	Ring, Retaining, External	1
12	<u>102464001</u>	Bearing, Ball	1
13	<u>102464101</u>	Bearing, Needle, Drawn Shell	1
14	<u>102693601</u>	Washer, 2.625 X 2.367 X .06	1
15	<u>102694502</u>	Shim, 1.50 X 1.189 X .008	1
16	<u>103871801</u>	Asm, Carrier, Etched Locker (includes items 17 through 22)	1
17	<u>102464201</u>	Bearing, Ball	1
18	<u>102464401</u>	Seal, Dual-Lip 25x 62x 7tc	1
19	<u>102464501</u>	Seal, Dual-Lip 30x 62x 8tc	2
20	<u>102961301</u>	Housing, Differential, Mach	1
21	<u>102961401</u>	Pin, Dowel, 4 X 35	1
22	N/A	Asm, Locker, Nongrease/Spacers	1
23	<u>103922801</u>	Assy, Axle Tube, Rear, LH (includes items 24 through 26)	1
24	<u>102463801</u>	Ring, Retaining, Internal	1
25	<u>102464301</u>	Bearing	1
26	<u>103868201</u>	Weldment, Axle Tube, LH, 4-Link Susp	1
27	<u>103922901</u>	Assy, Axle Tube, Rear, RH (includes items 28 through 30)	1
28	<u>102463801</u>	Ring, Retaining, Internal	1
29	<u>102464301</u>	Bearing	1
30	<u>103868301</u>	Weldment, Axle Tube, RH, 4-Link Susp	1

11

G

11

G

MAINTENANCE AND SERVICE TOOLS

12

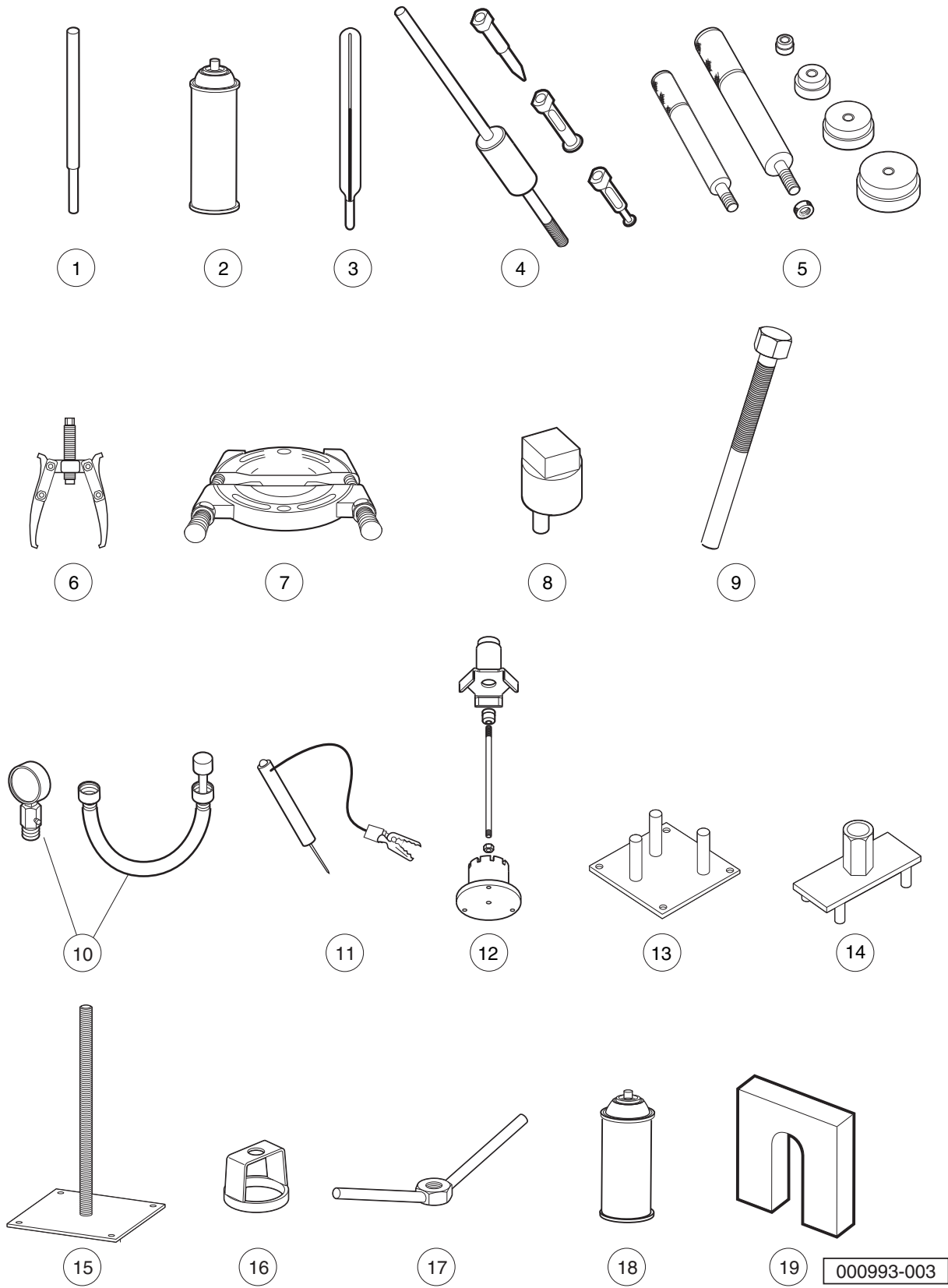
G

D

12

G

D



000993-003

MAINTENANCE AND SERVICE TOOLS – 1500/1550/1700

ITEM	PART NO.	DESCRIPTION	QTY GAS	QTY DIESEL
		<p style="text-align: center;">1 2 3 4</p> <p>The following list includes all tools available from Club Car for maintenance and service procedures on all variants of the Carryall 1500/1700 and XRT 1550 utility vehicles equipped with either the Kawasaki FH680 or Kubota D722 engines, both past and present models. Be sure to carefully examine the tool list for applicability to your vehicle before ordering.</p>		
1	<u>101641202</u>	Arbor	1	1
2	<u>1014305</u>	Battery Terminal Protector Spray	1	1
3	<u>1011767</u>	Battery Thermometer	1	1
4	<u>1016417</u>	Bearing and Oil Seal Remover Assembly	1	1
5	<u>1016416</u>	Bearing Driver Set	1	1
6	<u>1012811</u>	Bearing Puller	1	1
7	<u>1012812</u>	Bearing Puller Wedge Attachment	1	1
8	<u>102447101</u>	Camber Adjustment Tool (for AWD vehicles)	1	1
9	<u>102686101</u>	Clutch Removal Tool (for AWD vehicles)	1	1
10	<u>101641002</u>	Compression Gauge and Adapter	1	
11	<u>1011273</u>	Continuity Tester	1	1
12	<u>103865301</u>	Drive Clutch Service Tool (for AWD vehicles with 3-weight drive clutch)	1	1
13	<u>102601501</u>	Drive ClutchFixed Sheave Tool (for AWD vehicles with 2-weight drive clutch)	1	1
14	<u>102607501</u>	Drive Clutch Spider Removal Tool (for AWD vehicles with 2-weight drive clutch)	1	1
15	<u>102603501</u>	Driven Clutch Spring Compression Base (for use with items 17 and 18) (for AWD vehicles)	1	1
16	<u>102605201</u>	Driven Clutch Spring Compression Collar (for use with items 16 and 18) (for AWD vehicles)	1	1
17	<u>102606101</u>	Driven Clutch Spring Compression Nut (for use with items 16 and 17) (for AWD vehicles)	1	1
18	<u>1012151</u>	Dry Moly Lubricant	1	1
19	<u>1016418</u>	Gear Yoke	1	1
		Please refer to the maintenance and service manual for proper tool application.		

12

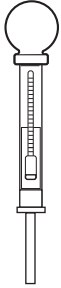
G

D

12

G

D



20



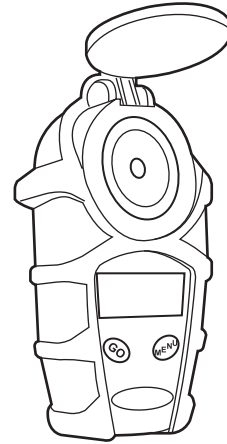
21



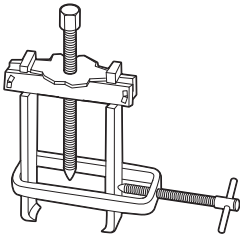
22



23



24



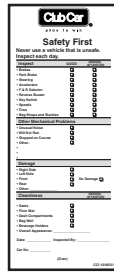
25



26



27



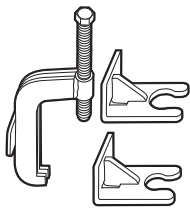
28



29



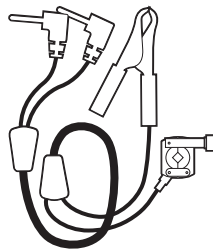
30



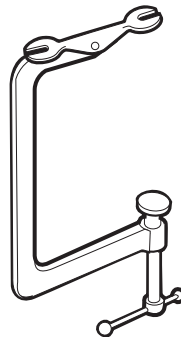
31



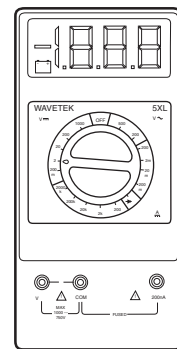
32



33



34



35

000993-004

MAINTENANCE AND SERVICE TOOLS – 1500/1550/1700 CONTINUED

ITEM	PART NO.	DESCRIPTION	QTY GAS	QTY DIESEL
		1 2 3 4		
20	<u>1011478</u>	Hydrometer	1	1
21	<u>1013593</u>	Internal Retaining Ring Pliers	1	1
22	<u>101928701</u>	Liquid Gasket (transaxle case)	1	1
23	<u>101997207</u>	Paint, Touch-Up ,Äi Black.....	1	1
23	<u>101997205</u>	Paint, Touch-Up ,Äi Dark Gray	1	1
23	<u>101997209</u>	Paint, Touch-Up ,Äi Dark Green.....	1	1
23	<u>101997204</u>	Paint, Touch-Up ,Äi Gray	1	1
23	<u>101997203</u>	Paint, Touch-Up ,Äi Red	1	1
24	<u>AM1285701</u>	Refractometer	1	1
25	<u>102668801</u>	Puller, Special Use (for AWD vehicles with Kubota D722 Diesel Engines)		1
26	<u>1012549</u>	Retaining Ring Pliers, 45→x External	1	1
27	<u>1012560</u>	Retaining Ring Pliers, 90→x Internal	1	1
28	<u>101823101</u>	Safety First Card (50 per pack)	1	1
29	<u>1012809</u>	Seal Puller	1	1
30	<u>102330901</u>	Spanner Wrench (for coil over shock front suspension vehicles only)	1	1
31	102061201	Steering Wheel Puller Tool	1	1
32	<u>AM10753</u>	Tachometer (includes gasoline engine pick up lead only)	1	1
33	<u>AM10771</u>	Tachometer Diesel Probe (for use with item 32)		1
34	<u>101641101</u>	Valve Spring Compressor	1	
35	1011480	Volt Ohm Meter	1	1
		Please refer to the maintenance and service manual for proper tool application.		

12
G
D

INDEX

Part Number and Page

AM10753	12-5	1012812	12-3	101804301	1-11
AM10771	12-5	1012830	1-25, 1-27	101823101	12-5
AM1216101	11-3	1013035	5-5	101835601	1-5, 1-39
AM1232301	7-7, 7-15, 7-17	1013042	5-5	101850301	5-3
AM1232401	7-7	101313402	8-9	101856101	10-11
183	8-5	1013317	1-41, 3-9	101887601	1-25, 1-27, 4-7, 9-3
304	1-29	1013461	8-5	101898001	6-13, 6-15
324	8-7	1013462	8-5	101928701	12-5
332	1-25, 1-27, 1-41, 6-13, 6-15	1013593	12-5	101958601	1-29
334	1-39	1013734	1-25, 1-27	101958602	1-39
403	1-5	1014201	1-19, 1-21, 1-23	101963401	1-41
451	1-25, 1-27	1014305	12-3	101972003	12-5
808	1-7	1014306	1-43	101972004	12-5
1016	8-5	1014321	1-41	101972005	12-5
1032	1-41	1014375	6-13	101972007	12-5
1108	6-13, 6-15	1014387	1-41	101972009	12-5
1231	1-41	1014415	1-19, 1-21, 1-23, 1-41	101987901	6-3
1241	6-13, 6-15	1014471	1-5	101988101	6-3
7049	1-41	1014537	1-41	101988201	6-3
7310	2-3, 2-5, 2-7	1014557	1-29, 1-31	102003201	7-7, 8-7
7473	1-5, 6-13, 6-15	1014727	6-9	102022601	5-5
7973	1-41	1014789	6-7	102022901	5-5, 5-7, 5-9
8057	6-9	1014808	6-9	102023703	1-25, 1-27
8058	6-9	1015068	1-35, 1-37	102025701	1-17, 1-25, 1-27, 1-29
8233	1-11, 1-41, 8-7	1015137	8-9	102030101	1-41
8251	1-43	1015245	1-41	102030201	1-41
8754	1-5	1015246	1-41	102044702	6-5
8755	1-5	1015258	1-5	102044801	6-5
8797	8-5	1015277	1-39	102045001	1-11
8990	5-5, 8-19, 11-5	1015313	1-41	102047001	1-25, 1-27
1010193	1-29, 1-31	1015363	1-41	102048401	1-11
1010434	1-19, 1-21, 1-23, 1-41	1015390	1-41	102051601	6-5
1010435	1-5, 1-41	1015391	1-5	102051701	6-5
101082903	4-5, 4-11	1015399	1-5, 1-41	102059001	1-25, 1-27
1010934	1-41, 6-13, 6-15	1015400	1-5, 1-41	102059401	1-25, 1-27
1011273	12-3	101547601	3-3	102061101	1-25, 1-27
1011478	12-5	1015521	6-13, 6-15	102061201	12-5
1011480	12-5	1015583	1-5	102065901	1-5
1011553	3-5, 3-7, 5-15	1015741	6-11	102171503	1-5
1011578	1-7, 1-15	1016078	1-39	102176901	4-5
1011652	1-19, 1-21, 1-23, 1-25, 1-27	101609401	3-5, 3-7	102198001	6-5
1011697	1-19, 1-21, 1-23	101641002	12-3	102231601	3-3
1011767	12-3	101641101	12-5	102242401	1-29
1011964	1-29, 1-35, 1-37	101641202	12-3	102274101	5-9
1011990	1-41	1016416	12-3	102276001	11-17
1012151	12-3	1016417	12-3	102289001	1-7, 1-11, 7-13
1012295	6-11	1016418	12-3	102290120	5-3
1012303	1-5	101648201	7-11	102292356	1-7
1012549	12-5	1016513	8-3, 8-15	102292701	1-7
1012560	12-5	1016544	7-15	102292801	1-7, 4-11
1012649	8-7, 8-9	1016630	6-5	102296140	4-7
1012769	11-7	1016851	6-9	102296401	8-17
1012809	12-5	1016896	6-9	102296601	7-9
1012811	12-3	1016916	1-11	102296716	4-7, 10-9, 10-11
		1016967	1-11	102296920	7-9
		101802601	6-5	102297230	1-7, 1-11

INDEX

102298130	1-25, 1-27, 5-3	102463101	11-19	102621301	7-13
102298401	1-25, 1-27, 4-5, 4-9, 4-11, 5-3, 7-13, 11-5, 11-9	102463501	11-17	102621501	11-7
102298580	1-11	102463601	11-17	102628001	10-11
102298720	1-11, 9-3	102463801	11-19	102628301	10-9
102301401	1-39	102463901	11-17, 11-19	102629001	4-11
102323101	1-39	102464001	11-19	102668801	12-5
102323501	1-11	102464101	11-19	102670601	1-31
102330901	12-5	102464201	11-19	102670701	5-15
102343601	1-35, 1-37	102464301	5-9, 11-19	102670801	4-7
102355301	6-13	102464401	11-19	102672201	11-17
102361901	5-7, 5-9	102464501	11-19	102672301	11-17
102370501	7-9	102473501	1-25, 1-27	102672401	11-17
102370601	7-9	102473601	1-25, 1-27	102684501	11-5
102371401	7-13	102473701	1-25	102684603	11-5
102374901	10-3	102474301	4-7	102686101	12-3
102376001	11-5	102475701	8-19, 11-7	102687801	5-5
102382401	11-7	102475901	1-25, 1-27	102693201	11-17
102406701	8-5	102479301	8-17	102693301	11-11, 11-17
102408401	5-7, 5-15	102481001	10-11	102693401	11-17
102409501	9-3	102481201	10-11	102693501	11-17
102410604	8-7	102481301	10-11	102693601	11-19
102411210	8-11, 10-9, 10-11	102488001	4-3, 4-13	102694001	11-19
102414501	10-11	102490101	4-11	102694201	11-11, 11-17
102418101	1-39	102490801	5-9	102694301	11-17
102420201	6-11	102491001	7-9	102694401	11-17
102420301	6-11	102491301	1-11	102694502	11-19
102420401	6-11	102491501	1-11, 1-17, 1-33, 1-37	102694701	11-17
102420501	6-11	102491601	4-3, 4-13	102694801	11-17
102426301	8-7	102491701	1-13, 1-43	102695401	10-7
102426601	1-39	102492201	6-11	102695601	10-7
102426901	1-5	102493301	4-13	102695801	10-7
102437001	5-7	102493801	1-39	102695901	10-7
102442002	1-25, 1-27	102498601	7-7, 8-11	102696001	11-15
102442201	6-13	102499001	6-9	102696101	11-11
102442901	4-9	102522001	8-5	102696201	11-11, 11-13
102443601	7-13	102601501	12-3	102696501	11-11, 11-13
102445201	8-17	102603501	12-3	102696601	11-15
102447101	12-3	102605201	12-3	102696701	11-11
102447901	6-11	102606101	12-3	102696801	11-11, 11-13
102448001	6-11	102607501	12-3	102696901	11-11, 11-13
102448401	6-13	102614101	1-5	102697001	11-13
102448501	7-13	102616003	10-11	102697101	11-11, 11-13
102449101	11-17	102616101	10-11	102697501	11-13
102456001	1-25, 1-27	102616301	5-7, 5-11, 5-13	102698701	11-13
102457001	8-19	102616701	11-5	102699401	11-11
102457501	7-13	102617201	1-11, 1-17, 1-33	102699601	11-15
102458901	1-25, 1-27, 3-3	102617501	5-9	102699701	11-11, 11-13
102459001	3-3	102617701	5-9	102711601	5-7
102459101	3-3	102617801	5-9	102714001	4-13
102459301	3-5, 3-7	102618101	4-9	102718101	1-17, 1-29, 1-31, 1-33
102459401	3-7	102618301	1-39, 4-9, 4-11, 11-5	102722001	7-13
102459501	3-3	102618401	4-5	102722301	5-7, 5-9
102460201	3-5, 3-7	102618601	1-11, 1-15, 1-39, 7-13, 8-7	102723901	11-3
102461401	8-17	102620301	1-31	102725501	8-11
102462504	7-9	102620501	5-7, 5-11, 5-13	102725601	8-11
		102621201	8-11, 9-3	102732301	1-17, 1-33

INDEX

102732401	1-29, 1-31	102990301	7-17	102996901	7-11
102736901	2-3, 2-5	102990401	7-17	102997001	7-11
102740401	7-9	102990501	7-17	102997101	7-11
102762601	11-19	102990601	7-17	102997201	7-11
102764901	11-13	102990701	7-17	102997401	7-11
102765201	11-11	102990801	7-17	102997601	7-11
102765301	11-19	102990901	7-17	102997701	7-11
102765701	11-19	102991101	7-17	102997801	7-11
102765801	11-19	102991201	7-17	102997901	7-11
102786201	9-3	102991401	7-17	102998001	7-11
102788701	5-11, 5-13	102991501	7-17	102998101	7-11
102792001	5-7	102991601	7-17	102998201	7-11
102792002	5-7	102991801	7-17	102998301	7-11
102810701	8-11	102991901	7-17	102998401	7-11
102812801	9-3	102992001	7-17	102998601	7-3
102816801	5-5	102992101	7-17	102998701	7-3
102865101	8-7, 8-9	102992201	7-17	102999101	7-3
102866901	1-7	102992301	7-17	102999201	7-3
102867001	1-7	102992401	7-3, 7-11, 7-17, 8-3	102999301	7-3
102867102	1-11	102992501	7-3, 8-7	102999501	7-3
102867202	1-3	102992601	7-17	102999601	7-3
102867301	1-11	102992701	7-17	103000001	7-3
102867501	1-7	102992801	7-17	103000401	7-15
102869401	6-5	102992901	7-17	103000501	7-15
102882401	1-7	102993201	7-19	103000601	7-15
102883401	1-11	102993301	7-19	103000801	7-15
102883601	3-9	102993401	7-19	103000901	7-15
102884301	3-3	102993501	7-19	103001301	7-15
102884401	3-7	102993601	7-19	103001501	7-15
102895101	1-7	102993701	7-19	103002001	8-3
102895401	1-7	102993901	7-19	103002101	8-3
102896501	1-7	102994101	7-19	103002301	8-3
102913801	1-43	102994301	7-15	103002401	8-3
102913901	1-43	102994401	7-19	103002501	8-3
102914001	1-43	102994601	7-5	103002801	8-3, 8-15
102914101	1-43	102994701	7-5	103002901	8-3
102914102	1-43	102994801	7-5	103003801	8-15
102927101	5-7	102994901	7-5	103003901	8-15
102927102	5-7	102995001	7-5	103004201	8-15
102930901	9-3	102995101	7-5	103005001	8-15
102935501	1-11	102995201	7-5	103005601	8-15
102949301	9-5	102995301	7-5	103009901	8-7
102951901	7-9	102995401	7-5	103010101	8-7
102958301	7-13	102995501	7-5	103077501	4-3, 4-13
102958401	7-13	102995601	7-5	103146203	11-17
102958501	7-13	102995701	7-5	103146204	5-9
102958601	7-13	102995801	7-5	103147001	5-15
102961201	3-7	102995901	7-5	103180101	6-5
102961301	11-19	102996001	7-5	103182701	1-3
102961401	11-19	102996101	7-5	103182702	1-3
102967901	1-7	102996201	7-5	103182801	1-3
102983201	1-33	102996301	7-5	103191201	1-41
102983601	1-33	102996401	7-5	103191301	1-41
102988701	1-33, 1-37	102996501	7-5	103191401	1-41
102990101	7-17	102996601	7-5	103191501	1-41
102990201	7-17	102996701	7-5	103197201	7-13

INDEX

103200501	1-43	103305701	6-7	103417401	1-15
103202601	3-5	103306801	8-13	103418801	4-13
103208701	7-9	103306901	8-13	103423701	1-15
103210401	3-5, 3-7	103307001	8-13	103441401	8-11
103213301	6-3	103307201	8-13	103452001	8-9
103215301	1-17	103307301	8-13	103456001	1-19
103216401	1-29, 1-31, 1-33, 1-37	103319601	1-15	103456002	1-21
103218107	1-7	103319701	1-15	103456003	1-23
103218901	1-27	103320201	8-15	103478901	8-17
103223101	1-35, 1-37	103320301	8-15	103479101	8-17
103225801	1-33	103320401	8-15	103479201	8-17
103233001	1-11	103320601	10-9, 10-11	103479301	8-17
103234304	3-9	103326401	7-13	103485501	1-13
103234503	2-3, 2-5	103331201	1-43	103487501	1-13
103240601	7-13	103340501	8-13	103496801	6-13
103244701	5-7	103340601	8-13	103511201	1-33
103246901	7-13	103340701	8-13	103525002	2-7
103250401	11-11	103340801	8-13	103528201	7-9
103253801	1-11	103340901	8-13	103529601	1-29, 1-31
103256401	5-7	103341101	8-13	103529701	1-31
103256501	5-7	103341201	8-13	103529801	1-31
103256701	5-7	103341301	8-13	103530701	1-29, 1-31
103262901	7-9	103341401	8-13	103532801	2-7
103267001	1-25	103341501	8-13	103534201	1-29, 1-31
103267002	1-27	103341601	8-13	103538701	1-5
103268001	1-11	103341701	8-13	103538901	1-5
103268101	9-5	103341801	8-13	103588001	1-7
103273101	4-9	103341901	8-13	103596601	8-13
103276201	7-13	103342001	8-13	103596701	8-13
103277402	8-19	103342101	8-13	103596801	8-13
103279201	7-9	103342201	8-13	103629101	1-21
103296001	1-11	103342301	8-13	103629102	1-19
103297101	8-15	103342501	8-13	103629103	1-23
103297201	8-15	103342601	8-13	103629501	1-19, 1-21, 1-23
103297301	8-15	103342701	8-13	103635101	1-29, 1-31
103297401	8-3	103343301	8-13	103636701	1-17, 1-29
103297501	8-3	103343401	8-13	103643901	1-29
103297601	8-3	103343501	8-13	103646501	1-29
103297701	8-3	103343601	8-13	103646601	1-29
103297801	8-3	103343701	8-13	103647201	1-19
103298001	8-3	103343801	8-13	103647202	1-21
103298101	8-3	103343901	8-13	103647203	1-23
103298201	8-3	103345501	7-15	103687401	7-15
103298301	8-3	103348101	6-5	103699801	2-7
103298501	7-15, 8-3, 8-7, 8-15	103348201	6-5	103701301	8-9
103298601	7-17, 8-3	103348501	6-5	103721801	11-13
103298901	7-17	103361701	1-33	103724501	5-3
103299301	7-3	103372101	8-5	103724503	5-3
103299401	7-3	103372302	8-5	103724602	5-3
103299501	7-15	103372401	8-9	103756401	8-9
103299601	7-15	103379401	1-41	103760601	1-7
103299701	7-15	103380701	4-5	103778601	2-5, 2-7
103299801	7-15	103400001	1-15	103779001	2-5
103299901	7-15	103406501	1-41	103779004	2-7
103300101	7-15	103406502	1-41	103806401	1-31
103300301	7-3, 7-11	103406601	1-41	103810201	5-3

INDEX

103828201	10-7	103951701	5-13	105125301	11-11
103829001	10-7	103954001	1-9	105125401	11-11
103829601	10-5	103954101	1-17	105125501	11-13
103829701	10-5	103955901	1-35	105125601	11-13
103829801	10-5	103955902	1-37	105125701	11-11
103829901	10-5	103957501	10-5	105125801	11-11
103831101	1-19, 1-21, 1-23	103959210	1-7	105125901	11-15
103841801	5-11	103959214	1-7	105173301	11-9
103843901	11-17	103959218	1-7	105200501	3-9
103844301	1-35, 1-37	103959310	1-7	105237301	6-15
103844401	1-35, 1-37	103959314	1-7	105256201	6-15
103845501	5-15	103959318	1-7	105256601	6-15
103848401	8-11	103959410	1-7	105265501	4-11
103856101	10-5	103959414	1-7	105283703	5-9
103859901	5-3	103959418	1-7	105283704	5-9
103860302	5-15	103959510	1-7	105315101	8-19
103860402	5-15	103959514	1-7	96701412	7-9
103862701	5-3	103959518	1-7	96704416	6-13, 6-15, 9-5, 11-5
103865301	12-3	103962801	3-5	96704721	7-9
103866601	5-5	103963701	8-5	96704960	7-9
103868201	11-19	103967201	4-7	96705587	7-13
103868301	11-19	103967301	4-7	96715552	1-11, 1-33, 1-37
103871801	11-19	103967401	4-7	96741046	4-11, 5-15, 7-9
103873001	11-5	103967501	4-7	96742515	1-25, 1-27
103879301	11-7	103967601	4-3	96950126	8-19
103879401	11-7	103967602	4-3		
103879501	11-17	103967701	4-13		
103883001	11-15	103967901	4-13	A	
103883201	8-17	103968501	4-11	A-arm	5-7
103886001	11-5	103968601	4-11	accelerator cable	8-19
103886101	11-5	103968701	4-11	accelerator pedal	8-17
103886201	5-15	103968801	4-11	accessory receptacle	6-5
103886601	11-7	103968903	4-11	adapter	
103887901	7-7, 7-11, 7-13	103969001	11-11	hose	7-13
103901001	2-5, 2-7	103969801	5-7	oil filter	7-13
103901101	2-5	103971001	2-3	tube	7-13
103901102	2-5	103971101	2-3	adjuster, forward/aft	1-25, 1-27
103901107	2-7	103971201	2-3	adjuster, slider	1-25, 1-27
103901108	2-7	103971301	2-3	air filter	7-7, 8-11
103905201	8-5	103973101	4-7	air filter canister	8-11
103922001	8-19	103978801	1-25, 1-27	air filter evacuator	8-11
103922801	11-19	103981201	7-17	air filter gasket	8-15
103922901	11-19	103983301	4-11	AM1285701	12-5
103923001	5-15	103986501	4-11	arbor	12-3
103924701	8-11	103986601	4-9	arm	
103930501	5-11	103986901	4-9	A	5-7
103939301	5-9	103987001	4-5	A-	5-7
103939302	5-9	103990201	11-9	governor link	8-3
103944301	8-5	103993701	4-3	governor shaft	8-3
103948401	5-9	103993801	4-3	rocker	7-5
103948501	1-37	104005501	4-11	assembly	
103948601	1-37	104005601	4-11	accelerator pedal	8-17
103948801	10-5	104005701	4-11	brake pedal	4-9
103951301	3-5, 3-7	104006401	3-9	bucket seat	1-25
103951501	5-9, 11-17	104025201	4-3	filler cap	4-5
103951601	5-13	105100901	11-9	forward/reverse	11-5
				fuel cap	8-5

INDEX

fuel pump 8-7
gear case 11-19
headlight harness 6-3
latch, tilt bed 1-5
muffler 5-7
pinion 11-19
tilt bed 1-5
wire 6-13, 7-13, 8-5
axle 11-17
axle tube 11-19
axle, rear 11-17

B

ball joint 5-7, 5-9
banjo bolt 4-3, 4-13
barrel, plastic 1-19, 1-21, 1-23, 1-41
base, seat holder 1-25, 1-27
battery
12-volt, side-post 6-13
12-volt, top-post 6-15
battery clamp 6-13, 6-15
battery terminal protector spray 12-3
battery thermometer 12-3
bearing
hub 5-9, 11-19
needle 11-11, 11-13, 11-19
bearing and oil seal remover 12-3
bearing driver set 12-3
bearing puller 12-3
bearing puller wedge 12-3
bed floor plate 1-5
bed latch 1-41
bed latch spring 1-41
bed, tilt 1-5
bellcrank 11-15
bellows 5-5, 11-17
belt, drive 10-3
bench seat back 1-19
bench seat back cap 1-19, 1-21, 1-23
bench seat bottom 1-19
bench seat conversion kit 1-29
black bench seat kit 1-21
block, fuse 6-11
bolt
banjo 4-3, 4-13
bracket
bed latch 1-39
brake line 4-7
carbon canister 8-9
cover inlet 10-11
draw latch 1-7
hood support 1-11
muffler 9-3
oil filter 7-13
oil filter mount 7-13
seatbelt 1-31

transmission cable 11-7
bracket, hinge, bed 1-5
brake caliper bracket 4-3
brake caliper, rear 4-13
brake front lh caliper 4-3
brake front rh caliper 4-3
brake line, front 4-7
brake line, mid 4-7
brake line, rear 4-7
brake master cylinder 4-5
brake pads
front 4-3
rear 4-13
brake pedal 4-9
brake rotor 4-3, 4-13
breather gasket 7-17
brush, FNR 1-11
bucket seat 1-25, 1-27
buckle, seat-belt 1-31
bulb, headlight 6-3
bumper
bed 1-39
bushing
A-arm 5-7, 5-15
forward/reverse 11-5
greaseless 4-9
lower arm 5-7
nylon 1-41
return line 8-5
snap-in 1-41
steel 1-5
urethane 1-5
buzzer, reverse 6-9

C

cable
accelerator 8-19
FNR shifter 11-7
park brake 4-11
caliper
brake, front lh 4-3
brake, front rh 4-3
brake, rear 4-13
caliper brake park 4-11
caliper slide pin 4-13
camber adjustment tool 12-3
camshaft 7-5
camshaft guide 7-5
camshaft kit 7-5
camshaft plate 7-5
camshaft spring 7-5
canister, air filter 8-11
canister, carbon, fuel tank 8-9
canopy 1-35, 1-37
canopy support kit 1-37
cap
air filter 8-11
center, alloy wheel 2-7
corner 1-41
filler 4-5
fuel, gas, ratchet 8-5
inlet 10-11
oil fill 7-11
rubber 5-9
carbon canister 8-9
carburetor 8-13
carburetor gasket 8-13, 8-15
carburetor heater 8-13
carburetor jet 8-13
carburetor seal 8-13
carburetor shaft 8-13
carburetor solenoid 8-13
carburetor spring 8-13
carburetor throttle shaft 8-13
carburetor valve 8-13
card, safety first 12-5
carrier, differential 11-19
case
gear 11-17, 11-19
center closeout 1-17, 1-29
chain, transmission 11-11
charge coil 7-15
clamp
battery 6-13, 6-15
hose 8-7, 8-9
hose, green 8-9
p- (fuel filter) 8-7
clevis pin 4-5, 4-11
clip
body trim 1-7
brake line 8-19, 11-7
meter 6-5
snap-close 4-7
wear 5-15
closeout 1-43
closeout, center 1-17, 1-29
clutch 10-5, 10-7
clutch cover (non-sealed)
CVT 10-9
clutch cover (sealed) 10-11
clutch removal tool 12-3
coil
charge 7-15
ignition 7-15
coil over shock 5-11, 5-13
column, steering 5-3
compression gauge 12-3
compressor, valve spring 12-5
connecting rod 7-19
connector, relay 6-11
continuity tester 12-3
control panel 8-3

INDEX

cooling fan 7-3
cover
 CCI dash storage 1-3
 crankcase 7-17
 CVT 7-9, 10-11
 electrical 6-11
 engine 7-9
 rocker 7-17
 rocker switch hole 6-5
cover gasket 8-13
cowl panel 1-7
cowl panel, driver-side 1-7
cowl panel, passenger-side 1-7
cowl plug 1-9
crank oil seal 7-17
crankcase 7-17
crankcase cover 7-17
crankcase cover gasket 7-17
crankcase vent tube 8-15
crankshaft 7-19
cup holder 1-11
cup holder, seat 1-25, 1-27
CVT cover 7-9, 10-9
CVT cover kit, sealed 10-11
CVT cover kit, unsealed 10-11
cylinder head 7-17

D

dash weldment 1-11
decal
 3/4 ton 3-9
 crush area warning 3-5, 3-7
 driver/passenger 3-3
 ground warning 3-3
 hot manifold warning 3-3
 hot surface warning 1-25, 1-27, 3-3
 nameplate 3-9
 occupant warning 3-5
 operating instructions 3-3
 operator warning 3-7
 park brake 4-11
 ROPS warning 3-7
 rotating parts and hot manifold 3-3
 rotating parts warning 3-5, 3-7
 tailgate 1-41, 3-9
 trailer hitch 3-5, 3-7, 5-15
 under 16 warning 3-7
 vehicle loading 3-5, 3-7
 winch cable warning 3-3
deflector oil 11-11
detent, repair 11-13
diesel tachometer probe 12-5
differential housing 11-19
differential oil 11-3
differential, rear 11-17, 11-19
diode 6-7

drag link 5-5
drive belt 10-3
drive clutch 10-5
drive clutch fixed sheave tool 12-3
drive clutch service tool 12-3
drive clutch spacer 10-5
drive clutch spider removal tool 12-3
driven clutch 10-7
driven clutch spring compression base tool 12-3
driven clutch spring compression collar tool 12-3
driven clutch spring compression nut tool 12-3
dry moly lubricant 12-3

E

end, tie rod 5-5
engine cover 7-9
engine shroud 7-3
engine starter motor 7-15
engine, gasoline, Kawasaki FH680 7-9
exhaust gasket 9-5
exhaust header 9-5
exhaust header gasket 9-5
exhaust pipe 9-3
exhaust shield 9-3
exhaust valve 7-5
extension, spring latch 1-5

F

fan housing plate 7-3
fan, cooling 7-3
fascia 1-7
fastener, push-in 6-11
fender, front 1-7
fender, left rear 1-43
fender, rear 1-43
filler cap 4-5
filter
 air 7-7, 8-11
 fuel 7-7, 8-7
 inlet cover 10-11
 oil 7-7, 7-11, 7-13
float valve 8-13
floor plate, bed 1-5
floorboard 1-15
flywheel 7-15
FNR brush 1-11
FNR brush strip 1-11
FNR shifter 11-5
FNR shifter bracket 11-7
FNR shifter cable 11-7
fork, transmission 11-11
frame, tilt bed 1-5
front panel 1-41

fuel filter 7-7, 8-7
fuel gauge sending unit 8-5
fuel gauge/hour meter 6-5
fuel line 8-7, 8-9
fuel pump 8-7
fuel tank (gasoline) 8-5
fuel tank strap 8-7
fuse
 10-amp 6-11
 25-amp 6-11
fuse block 6-11

G

gasket 8-13
 air filter 8-15
 breather 7-17
 carburetor 8-13, 8-15
 cover 8-13, 10-11
 crankcase cover 7-17
 exhaust header 9-5
 head 7-17
 liquid 12-5
 manifold 8-15
 rocker cover 7-17
 sending unit 8-5
gauge
 compression 12-3
 fuel-hour 6-5
 oil dipstick 7-11
gear
 case 11-17, 11-19
 helical 11-13
 oil pump 7-11
 ring 11-19
 steering 5-5
gear case assembly, rear 11-11
gear case, front 11-11
gear ring engagement 11-13
gear yoke 12-3
governor control lever 8-3
governor link arm 8-3
governor oil seal 7-17
governor plate 8-3
governor return spring 8-3
governor shaft 8-3
governor shaft arm 8-3
governor spring 8-3
gray bench seat kit 1-19
grill 1-7
grip tape, accelerator pad 8-17
grip, tilt latch hand 1-5, 1-41
grommet 8-5
guard, oil filter 7-13
guard, splash 1-11
guide
 camshaft 7-5

INDEX

rocker arm 7-5

H

harness 7-15
harness, wire 6-3
harness, wire - Kawasaki FH680 6-7
head gasket 7-17
head, cylinder 7-17
header, exhaust 9-5
headlight 6-3
headlight bulb 6-3
headlight harness 6-3
heater, carburetor 8-13
helical gear 11-13
hinge plate 1-19, 1-21, 1-23, 1-25, 1-27
hinge, hood 1-7
holder
 cup 1-11
 FNR strip brush 1-11
hood 1-7
hood latch 1-7
hood prop 1-7
hose
 fuel 8-7, 8-9
 inlet 10-11
 intake 8-11
 outlet 10-9, 10-11
 vent 8-9
hose clamp, green 8-9
hour meter 6-5
housing
 differential 11-19
hub
 wheel 5-9
hydrometer 12-5

I

ignition coil 7-15
insulator, manifold 8-15
intake adapter pipe 8-15
intake hose 8-11
intake manifold 8-15
intake valve 7-5
internal retaining ring pliers 12-5
isolator ring and bushing 7-9

J

jet kit
 0-3300 ft 8-13
 3300-6600 ft 8-13
 6600+ ft 8-13
jet needle 8-13
jet, carburetor 8-13
joint
 ball 5-7, 5-9

K

keeper, push-close latch 1-3
key 7-15
key (pair) 6-5
key switch 6-5
key switch spacer 6-5
keyswitch nut 6-5
kick panel 1-43
kit
 bench seat black 1-21
 bench seat conversion 1-29
 bench seat gray 1-19
 bench seat tan 1-23
 canopy 1-35, 1-37
 canopy support 1-37
 carburetor jet 8-13
 connecting rod 7-19
 forward gear repair 11-13
 rear axle gear repair 11-19
 reverse gear repair 11-11
 tailgate mounting 1-41
 tune-up 7-7
knob, forward/reverse 11-5

L

latch 1-3
latch bracket 1-7
latch keeper 1-3
latch plate, tilt bed 1-39
latch, bed 1-41
latch, hood draw 1-7
latch, tilt bed 1-5
lateral link, rear suspension 5-15
lens, headlight 6-3
lever
 governor control 8-3
light
 oil 6-5
limit switch 6-9
line, fuel 8-9
link, drag 5-5
liquid gasket 12-5
low oil warning light 6-5
lubricant, dry moly 12-3
lug stud 5-9, 11-17

M

manifold
 intake 8-15
manifold gasket 8-15
manifold insulator 8-15
master cylinder 4-5
meter clip 6-5
meter, volt ohm 12-5
muffler 5-7, 9-3

N

nameplate decal 3-9
needle, jet 8-13
nongrease/spacers locker 11-19
nut, keyswitch 6-5

O

oil cap 7-11
oil deflector 11-11
oil dipstick gauge 7-11
oil drain plug 7-11
oil filter 7-7, 7-11, 7-13
oil filter adapter 7-13
oil filter bracket 7-13
oil filter guard 7-13
oil filter nipple 7-17
oil pickup 7-11
oil pickup screen 7-11
oil pressure switch 7-15
oil pump 7-11
oil pump plate 7-11
oil pump rotor 7-11
oil pump shaft 7-11
oil pump spring 7-11
oil pump spur gear 7-11
oil seal, crank 7-17
oil seal, governor 7-17
oil valve seal 7-17
oil warning light, low 6-5
oil, locking differential 11-3
O-ring 7-11, 7-13, 8-13

P

pad
 brake rear 4-13
 brake, front 4-3
pan
 center 1-25, 1-27
 seat 1-25, 1-27
panel
 center cowl 1-7
 control 8-3
 driver-side 1-43
 driver-side cowl 1-7
 front 1-41
 front kick 1-43
 passenger-side 1-43
 passenger-side cowl 1-7
 side 1-41
park brake cable 4-11
park brake caliper 4-11
park brake foot pedal 4-11
p-clamp (fuel filter) 8-7
pedal, accelerator 8-17
pedal, brake 4-9

INDEX

- pickup, oil 7-11
- pin
 - bow tie locking 1-7, 4-11
- pin, cable 11-5
- pin, clevis 4-5, 4-11
- pinion 11-19
- pipe
 - exhaust 9-3
 - intake adapter 8-15
- piston 7-19
- piston ring set 0.50 7-19
- plate
 - back 1-5
 - camshaft 7-5
 - closeout 1-43
 - electrical 6-11
 - fan housing 7-3
 - governor 8-3
 - hinge 1-19, 1-21, 1-23, 1-25, 1-27
 - latch 1-39
 - oil pump 7-11
 - tailgate latch wear 1-41
- pliers
 - internal retaining ring 12-5
 - retaining ring 12-5
- plug 11-11
 - 2 inch tube 1-17
 - engine block 11-17
 - gearcase 11-11, 11-17
 - hole 6-5
 - oil drain 7-11
 - spark 7-7, 7-15, 7-17
- plug, cowl 1-9
- prop rod 1-39
- prop, hood 1-7
- protector spray, battery terminal 12-3
- puller
 - bearing 12-3
 - clutch 12-3
 - seal 12-5
 - special use tool 12-5
- pump
 - fuel 8-7
- pump, oil 7-11
- push rod 7-5
- push rod tappet 7-5
- R**
- rear axle 11-17
- rear differential 11-17, 11-19
- receptacle, accessory 6-5
- reed valve assembly 7-17
- refractometer 12-5
- regulator, voltage 7-15
- relay 6-11
- relay connector 6-11
- remover, bearing and oil seal 12-3
- retainer
 - spring (driven clutch) 10-7
 - valve spring 7-5
- retaining ring pliers 12-5
- retractor, seat-belt 1-31
- reverse buzzer 6-9
- ring
 - retaining, ext 5-7, 5-9
 - snap 4-11
- ring gear 11-19
- rivet, blind push 1-11
- Rivet, Removable 1-7
- rocker arm 7-5
- rocker arm guide 7-5
- rocker arm stud 7-5
- rocker cover 7-17
- rocker cover gasket 7-17
- rocker switch (lights) 6-5
- rod
 - "J" 8-17
 - prop 1-39
 - push 7-5
- ROPS front base weldment 1-33
- ROPS seat support 1-33
- ROPS side 1-33
- ROPS top 1-33
- ROPS warning decal 3-7
- rotor disc brake 4-3, 4-13
- rotor, oil pump 7-11
- S**
- safety first card 12-5
- screen, oil pickup 7-11
- seal
 - carburetor 8-13
 - dual lip 11-15, 11-19
 - oil valve 7-17
 - triple lip 11-11
- seal puller 12-5
- seat
 - bucket 1-25, 1-27
- seat back cap, bench 1-19, 1-21, 1-23
- seat back, bench 1-19, 1-21
- seat belt buckle 1-31
- seat bottom, bench 1-19
- seat holder base 1-25, 1-27
- seat, bucket 1-27
- seat-belt retainer 1-31
- sending unit, fuel gauge 8-5
- shaft
 - carburetor 8-13
 - governor 8-3
 - input 11-13
 - intermediate 11-13
 - oil pump 7-11
- output 11-11
 - shift 11-15
- shield, exhaust 9-3
- shim 11-19
- shim, latch plate 1-39
- shock absorber, coil over 5-11, 5-13
- shroud, engine 7-3
- side panel weldment 1-41
- side stringer 1-13
- sleeve
 - lower arm 5-7
 - upper suspension 5-7
- solenoid, carburetor 8-13
- spacer
 - 5/8 x 2 1/4 x 1 1/4 1-35, 1-37
 - drive clutch 10-5
 - key switch 6-5
- spanner wrench 12-5
- spark plug 7-7, 7-15, 7-17
- splash guard 1-11
- spray, battery terminal protector 12-3
- spring 7-5, 7-11
 - carburetor 8-13
 - choke spring 8-19
 - compression 10-5, 10-7
 - exhaust 9-3
 - extension 1-5
 - governor 8-3
 - governor idle 8-19
 - governor return 8-3
 - latch tilt 1-41
 - pedal 8-17
 - valve 7-5
 - wave 4-11
- sprocket 11-11
- starter motor, engine 7-15
- steel bushing 1-5
- steering
 - lower control arm 5-7
 - slide adjuster 5-9
 - upper A-arm 5-7
 - upright 5-9
- steering column 5-3
- steering gear 5-5
- steering wheel 5-3
- steering wheel puller tool 12-5
- stem, valve 2-3, 2-5, 2-7
- strap, fuel tank 8-7
- stringer, side 1-13
- strip, FNR brush 1-11
- stud
 - lug 5-9, 11-17
 - self-clinching 1-41
- support, structural 1-11
- switch
 - key 6-5

INDEX

light rocker 6-5
limit 6-9
oil pressure 7-15
switch,indicator 11-13

T

tachometer 12-5
tachometer probe, diesel 12-5
tailgate 1-41
tailgate angle 1-41
tailgate latch wear plate 1-41
tailgate mounting kit 1-41
tan bench seat kit 1-23
tank, fuel (gasoline) 8-5
tape, grip, accelerator pad 8-17
tape, vinyl foam 1-5
tappet, push rod 7-5
tester, continuity 12-3
thermometer, battery 12-3
throttle shaft, carburetor 8-13
throttle valve 8-13
tie rod end 5-5
tie wrap 5-5, 8-19, 11-5
tilt bed 1-5
tilt bed frame 1-5
tilt latch hand grip 1-5, 1-41
tire
 all-terrain 2-5, 2-7
 mud 2-5, 2-7
 turf 2-3
tool
 camber adjustment 12-3
 drive clutch fixed sheave 12-3
 drive clutch service 12-3
 drive clutch spider removal 12-3
 driven clutch spring compression base 12-3
 driven clutch spring compression collar 12-3
 driven clutch spring compression nut 12-3
 puller, special use 12-5
 steering wheel puller 12-5
track, prop rod 1-39
trailing link, rear suspension 5-15
transaxle housing 11-19
transmission 11-11
transmission cable bracket 11-7
transmission chain 11-11
transmission fork 11-11
tube
 axle 11-19
 crankcase vent 8-15
Tuflok 1-7
tune-up kit 7-7

U

u-joint
 replacement kit 11-9
urethane bushing 1-5

V

valve 8-11
 carburetor 8-13
 exhaust 7-5
 float 8-13
 intake 7-5
 throttle 8-13
valve assembly, reed 7-17
valve spring 7-5
valve spring compressor 12-5
valve spring retainer 7-5
valve stem 2-3, 2-5, 2-7
vent
 fuel tank 8-5
vent, barb 8-9
vent, housing, upper 11-19
vent, transmission 11-11
volt ohm meter 12-5
voltage regulator 7-15

W

warning light, low oil 6-5
wear clip 5-15
wedge, bearing puller 12-3
weldment
 brake pedal 4-9
 front dash 1-11
 ROPS base front 1-33
 seat support 1-17
 seat support ROPS 1-33
 tilt bed frame 1-5
weldment, seat 1-17
wheel
 alloy 2-7
 hub 5-9
 steel 2-3, 2-5
 steering 5-3
wheel cap, alloy 2-7
wire assembly 6-13, 7-13, 8-5
wire harness 6-3, 7-15
wire harness - Kawasaki FH680 6-7
wrap, tie 5-5, 8-19, 11-5
wrench, spanner 12-5

Y

yoke, gear 12-3



Club Car, Inc.
P.O. Box 204658
Augusta, GA 30917-4658
USA

Web www.clubcar.com
Phone 1.706.863.3000
1.800.ClubCar
Int'l +1 706.863.3000
Fax 1.706.863.5808