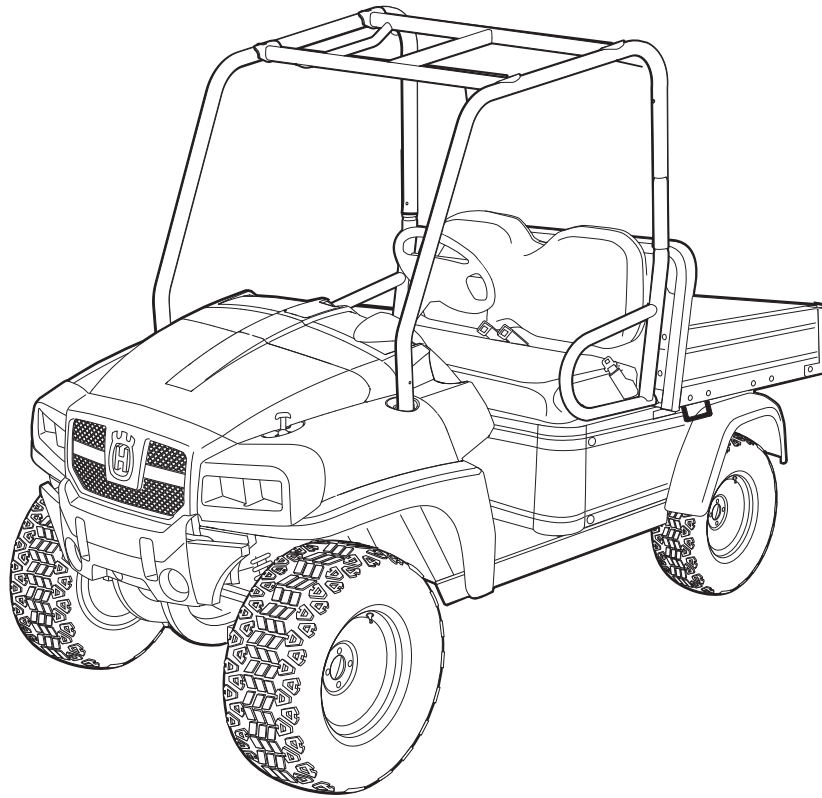




2007
HUV4421
Illustrated Parts List



HUV4421G/GX and HUV4421D/DX
Gasoline and Diesel Vehicles

Manual Number 103209019
Edition Code 1106N0112M

USING THE ILLUSTRATED PARTS LIST

⚠ WARNING

- **This manual is to be used only for identification and ordering of service parts. Be sure to read and use the maintenance and service manual before attempting any vehicle repairs.**

This manual covers all HUV4421G and HUV4421GX gasoline and HUV4421D and HUV4421DX diesel vehicles.

The manual is divided into sections. Note that there are two or three flags on the outside edge of each page. The first flag contains the section number of which that page is a part. The other flag (or flags) contains the letter D, E, or G, signifying that the page pertains to the diesel, electric, or gasoline vehicles only.

Use the Table of Contents to find the sections and pages that contain the parts and assemblies you seek. The Table of Contents lists section numbers, and under them, the individual page titles and numbers to be found in that section. The index can be used to find specific parts and assemblies. The index is divided into numerical and alphabetical listings with the page numbers in italic text.

There is a two-page spread for each individual page title in the Table of Contents. On the left-hand page is an illustration showing the parts in their relative positions; the parts are each tagged with an item number in a balloon. The right-hand page is the parts list page, and gives the page title at the top, then the item numbers (corresponding to the numbers on the illustration), part descriptions, and quantity of parts used.

Note that a part description may be indented. This indentation corresponds to a parts assembly level indicated by the numbers 1, 2, 3, and 4 at the top left corner of the parts description area of the parts list page. A part that is indented to *level 2* is a component of the *level 1* part (assembly) that it is listed under. A *level 3* part is a component of the *level 2* part that it is listed under, and a *level 4* part is a component of the *level 3* part preceding it. In each case, the part quantity given for a level 2, 3, or 4 part is the quantity used per next higher level assembly of which it is a component. A part that is not indented is a *level 1* part. This means that the quantity given is the quantity used per the portion of the vehicle illustrated on that particular spread.

HOW TO ORDER PARTS

Replacement parts and accessories can be obtained from our network of authorized dealers and distributors. For the name and address of the Husqvarna representative nearest you, logon to our web site at www.usa.husqvarna.com. If you would prefer to write to us, direct your letter to: Husqvarna, Attention: Marketing Services, 7349 Statesville Rd., Charlotte, NC 28269 USA. Your local authorized Husqvarna representative can also provide technical advice, parts, and service manuals.



Husqvarna Professional Products, Inc.
7349 Statesville Rd.
Charlotte, NC 28269
USA
www.husqvarna.com

NOTE: *This illustrated parts list represents the most current information at the time of publication. Husqvarna is continually working to further improve its vehicles and other products. These improvements may affect the parts used to service the vehicle. Any modification and/or significant change in specifications will be forwarded to all Husqvarna distributors/dealers and will, when applicable, appear in future editions of this illustrated parts list.*

Husqvarna reserves the right to change specifications and designs at any time without notice and without the obligation of making changes to units previously sold.

CONTENTS

SECTION 1 – BODY AND TRIM

| | |
|------------------------------------|------|
| Brush Guard | 1-3 |
| Bumper Plate | 1-5 |
| Facia and Fenders | 1-7 |
| Cowl Assembly | 1-9 |
| Front Body Components | 1-11 |
| Plastic Skid Plate | 1-13 |
| Steel Skid Plate | 1-15 |
| Dash | 1-17 |
| Glove Box | 1-19 |
| Side Stringers | 1-21 |
| Floor Mat | 1-23 |
| Bench Seats | 1-25 |
| Bucket Seats – Gray | 1-27 |
| Bucket Seats – Black | 1-29 |
| Bench Seat Conversion Kit | 1-31 |
| Seat Belts and Lower ROPS | 1-33 |
| ROPS | 1-35 |
| Latch Plate and Prop Rod | 1-37 |
| Tilt Bed, Hinge, and Latch | 1-39 |
| Electric Bed Lift | 1-41 |
| Cargo Box | 1-43 |
| Side Panels and Rear Fenders | 1-45 |

SECTION 2 – WHEELS AND TIRES

| | |
|------------------------|-----|
| Wheels and Tires | 2-3 |
|------------------------|-----|

SECTION 3 – DECALS

| | |
|-----------------------------------|------|
| Safety Decals | 3-3 |
| Safety Decals, Continued | 3-5 |
| Badging Decals, HUV 4421-G | 3-7 |
| Badging Decals, HUV 4421-GX | 3-9 |
| Badging Decals, HUV 4421-D | 3-11 |
| Badging Decals, HUV 4421-DX | 3-13 |

SECTION 4 – BRAKE SYSTEMS

| | |
|----------------------------|-----|
| Front Brake Assembly | 4-3 |
| Rear Brake Assembly | 4-5 |

CONTENTS

| | |
|---|------|
| Master Cylinder with Remote Reservoir | 4-7 |
| Master Cylinder with Integral Reservoir | 4-9 |
| Hydraulic Brake Lines and Clips | 4-11 |
| Brake Pedal Assembly | 4-13 |
| Park Brake System | 4-15 |
| Park Brake Pedal Assembly | 4-17 |

SECTION 5 – STEERING AND SUSPENSION

| | |
|---------------------------------------|------|
| Steering Column | 5-3 |
| Steering Gear Assembly | 5-5 |
| Front Suspension – A-Arms | 5-7 |
| Cv Boot Repair Kits | 5-9 |
| Shock Absorbers – Standard | 5-11 |
| Shock Absorbers – High Capacity | 5-13 |
| Rear Suspension – Standard | 5-15 |

SECTION 6 – ELECTRICAL SYSTEM

| | |
|---|------|
| Wiring – Gasoline Vehicles, Single Piece | 6-5 |
| Wiring – Gasoline Vehicle, Multi-Piece | 6-9 |
| Wiring – Diesel Vehicle, Single Piece | 6-13 |
| Wiring – Diesel Vehicle, Multi-Piece | 6-17 |
| Electrical Component Box, Gasoline Vehicles | 6-19 |
| Electrical Component Box, Diesel Vehicles | 6-21 |
| Electrical Components – Gas | 6-23 |
| Electrical Components – Diesel | 6-25 |
| Battery – Gasoline Vehicles | 6-27 |
| Battery – Diesel Vehicles | 6-29 |

SECTION 7 – DIESEL ENGINE – CLOSED BREATHER

| | |
|--|------|
| Kubota D722 Diesel Engine Mounting | 7-3 |
| Crankcase | 7-5 |
| Oil Pan | 7-7 |
| Cylinder Head | 7-9 |
| Gear Case | 7-11 |
| Head Cover | 7-13 |
| Dipstick and Guide | 7-15 |
| Oil Pump | 7-17 |
| Main Bearing Case | 7-19 |
| Camshaft and Idle Gear | 7-21 |

CONTENTS

| | |
|-------------------------------------|------|
| Piston and Crankshaft | 7-23 |
| Flywheel | 7-25 |
| Shaft | 7-27 |
| Idle Apparatus | 7-29 |
| Stop Solenoid | 7-31 |
| 40-Amp Alternator | 7-33 |
| 60-Amp Alternator | 7-35 |
| Injection Pump | 7-37 |
| Speed Control Plate | 7-39 |
| Nozzle Holders and Glow Plugs | 7-41 |
| Governor Components | 7-43 |
| Starter | 7-45 |
| Valves and Rocker Arms | 7-47 |
| Diesel Inlet Manifold | 7-49 |
| Exhaust Manifold | 7-51 |
| Gasket Kits | 7-53 |
| Piston Kit | 7-55 |

SECTION 8 – HONDA GX620 GASOLINE ENGINE

| | |
|--|------|
| Honda GX620 Gasoline Engine Mounting | 8-3 |
| Shrouds and Brackets | 8-5 |
| Ignition Components and Flywheel | 8-7 |
| Oil Circulation | 8-9 |
| Cylinder Head | 8-11 |
| Crankcase and Crankshaft | 8-13 |
| Oil Filter Adapter and Voltage Regulator | 8-15 |

SECTION 9 – KAWASAKI FH680D GASOLINE ENGINE

| | |
|--|------|
| Kawasaki FH680D Gasoline Engine Mounting | 9-3 |
| Shrouds and Brackets | 9-5 |
| Ignition Components and Flywheel | 9-7 |
| Governor Arm and Springs | 9-9 |
| Oil and Lubrication Components | 9-11 |
| Oil Filter Adapter | 9-13 |
| Cylinder Head and Crankcase | 9-15 |
| Valves and Camshaft | 9-17 |
| Pistons and Crankshaft | 9-19 |

CONTENTS

SECTION 10 – FUEL, INTAKE, & GOVERNOR SYSTEM

| | |
|---|-------|
| Fuel System – Kawasaki Gasoline Vehicles | 10-3 |
| Fuel System – Honda Gasoline Vehicles | 10-5 |
| Fuel Tank – Gasoline Vehicles | 10-7 |
| Fuel System – Diesel | 10-9 |
| Fuel Tank – Diesel Vehicles | 10-11 |
| Carburetor Assembly, Kawasaki Gasoline Vehicles | 10-13 |
| Carburetor Installation – Kawasaki Gasoline Vehicles | 10-15 |
| Carburetor Assembly, Honda Gasoline Vehicles | 10-17 |
| Carburetor Installation – Honda Gasoline Vehicles | 10-19 |
| Cables – Kawasaki Gasoline Vehicles | 10-21 |
| Cables – Honda Gasoline Vehicle | 10-23 |
| Cables – Diesel Vehicle | 10-25 |
| Accelerator Pedal Assembly – Style A | 10-27 |
| Accelerator Pedal Assembly – Style B | 10-29 |
| Intake Duct and Air Box Assembly – Kawasaki Gasoline Vehicles | 10-31 |
| Intake Duct and Air Box Assembly – Honda Gasoline Vehicles | 10-33 |
| Intake Duct and Air Box Assembly – Diesel Vehicles | 10-35 |

SECTION 11 – EXHAUST SYSTEM

| | |
|---------------------------------------|------|
| Exhaust System | 11-3 |
| Exhaust Header – Kawasaki Gas | 11-5 |
| Exhaust Header – Honda Gas | 11-7 |
| Exhaust Pipes – Diesel Vehicles | 11-9 |

SECTION 12 – CLUTCHES

| | |
|--|-------|
| Clutch Cover (Standard) | 12-3 |
| Clutch Cover (Sealed) | 12-5 |
| Drive Belt | 12-7 |
| Drive Clutch – Gasoline Vehicles | 12-9 |
| Drive Clutch – Diesel Vehicles | 12-11 |
| Driven Clutch | 12-13 |
| Drive Clutch – Gasoline Vehicles | 12-15 |

SECTION 13 – DRIVETRAIN COMPONENTS

| | |
|--|------|
| Forward/Reverse Shifter Assembly | 13-3 |
| Front Differential Mounting Plate | 13-5 |
| Front Differential (Output Components) | 13-7 |

CONTENTS

| | |
|---|-------|
| Front Differential (Input Components) | 13-9 |
| Prop Shafts | 13-11 |
| Transmission – Gasoline Vehicles | 13-13 |
| Transmission, Continued | 13-15 |
| Transmission Shift Shaft and Bell Crank Transmission Shift Shaft and Bell Crank (Style A) | 13-17 |
| Transmission Shift Shaft and Bell Crank (Style B) | 13-19 |
| Rear Differential | 13-21 |
| Rear Differential, Continued | 13-23 |
| Transmission – Diesel Vehicles | 13-25 |
| Transmission – Diesel Vehicles, Continued | 13-27 |
| Transmission – Diesel Vehicles, Shift Shaft and Bell Crank (Style A) | 13-29 |
| Transmission – Diesel Vehicles, Shift Shaft and Bell Crank (Style B) | 13-31 |

SECTION 14 – RADIATOR AND COOLANT SYSTEM – DIESEL VEHICLES

| | |
|--|-------|
| Radiator | 14-3 |
| Coolant Expansion Tank | 14-5 |
| Coolant Pipes and Hoses | 14-7 |
| Cooling System Clamps, Hoses, and Hardware | 14-9 |
| Water Flange and Thermostat | 14-11 |
| Water Pump | 14-13 |
| Block Coolant Pipe | 14-15 |

SECTION 15 – MAINTENANCE AND SERVICE TOOLS

| | |
|--|-------|
| Maintenance and Service Tools | 15-3 |
| Maintenance and Service Tools, Continued | 15-5 |
| Maintenance and Service Tools, Continued | 15-7 |
| Maintenance and Service Tools, Continued | 15-9 |
| Maintenance and Service Tools, Continued | 15-11 |

SECTION i – INDEX

BODY AND TRIM

1

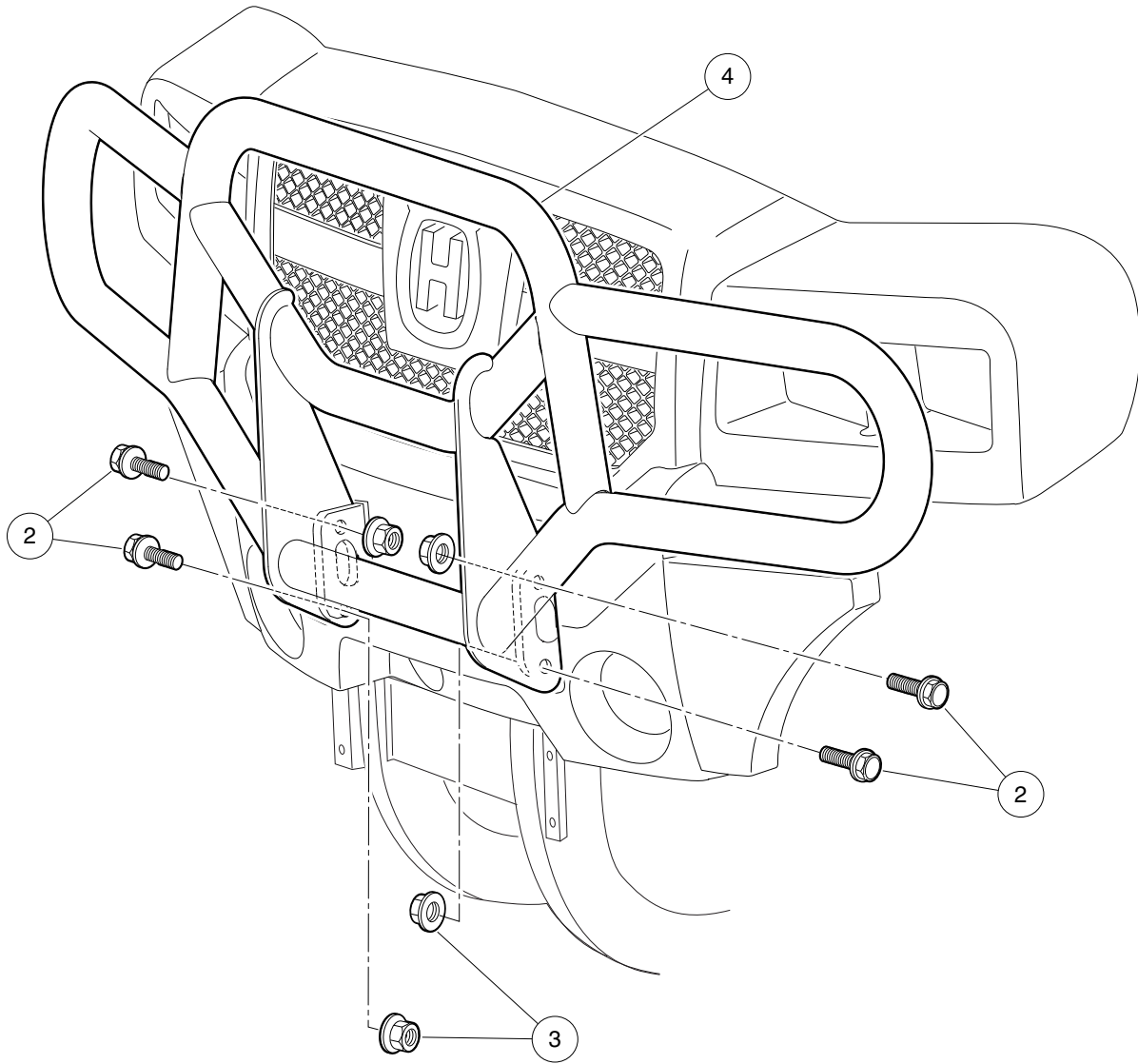
G

D

1

G

D



000526-003

BRUSH GUARD

| ITEM | PART NO. | DESCRIPTION | QTY |
|------|------------------|---|-----|
| | | 1 2 3 4 | |
| 1 | <u>103218401</u> | Kit, Brush Guard Hus (includes items 2 through 4) | 1 |
| 2 | <u>103231701</u> | Screw, M10 X 1.25 X 30 Hex Blk | 4 |
| 3 | <u>103231801</u> | Nut, Flg, M10 X 1.25 Hex Blk | 4 |
| 4 | N/A | Weldment, Brushguard, HUV 4421 | 1 |

1

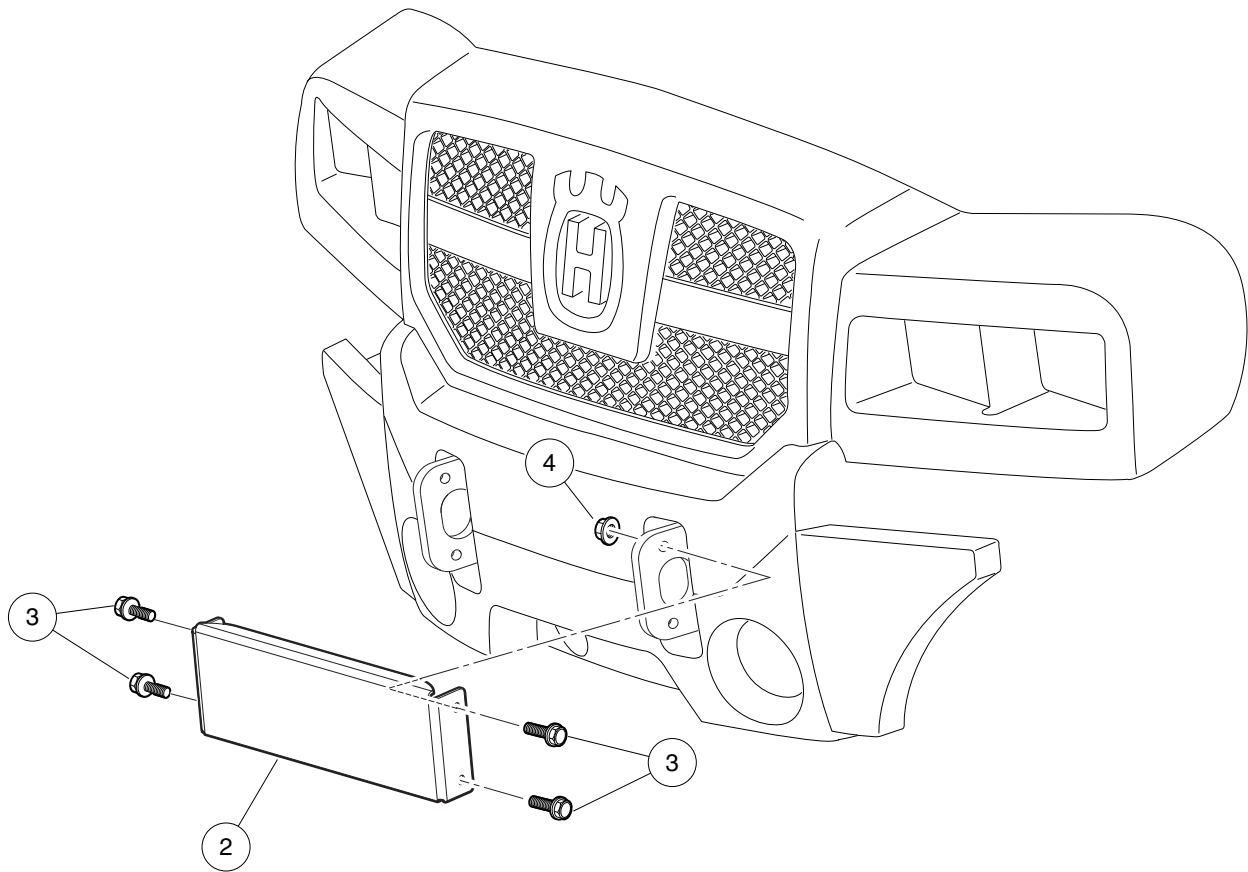
G

D

1

G

D



000549-001

BUMPER PLATE

| ITEM | PART NO. | DESCRIPTION | QTY |
|------|------------------|---|-----|
| | | 1 2 3 4 | |
| 1 | N/A | Instl, Bumper Plate, Huv (includes items 2 through 4) | 1 |
| 2 | <u>103220001</u> | Bumper Plate, Huv | 1 |
| 3 | <u>103231701</u> | Screw, M10 X 1.25 X 30 Hex Blk | 4 |
| 4 | <u>103231801</u> | Nut, Flg, M10 X 1.25 Hex Blk | 4 |

1

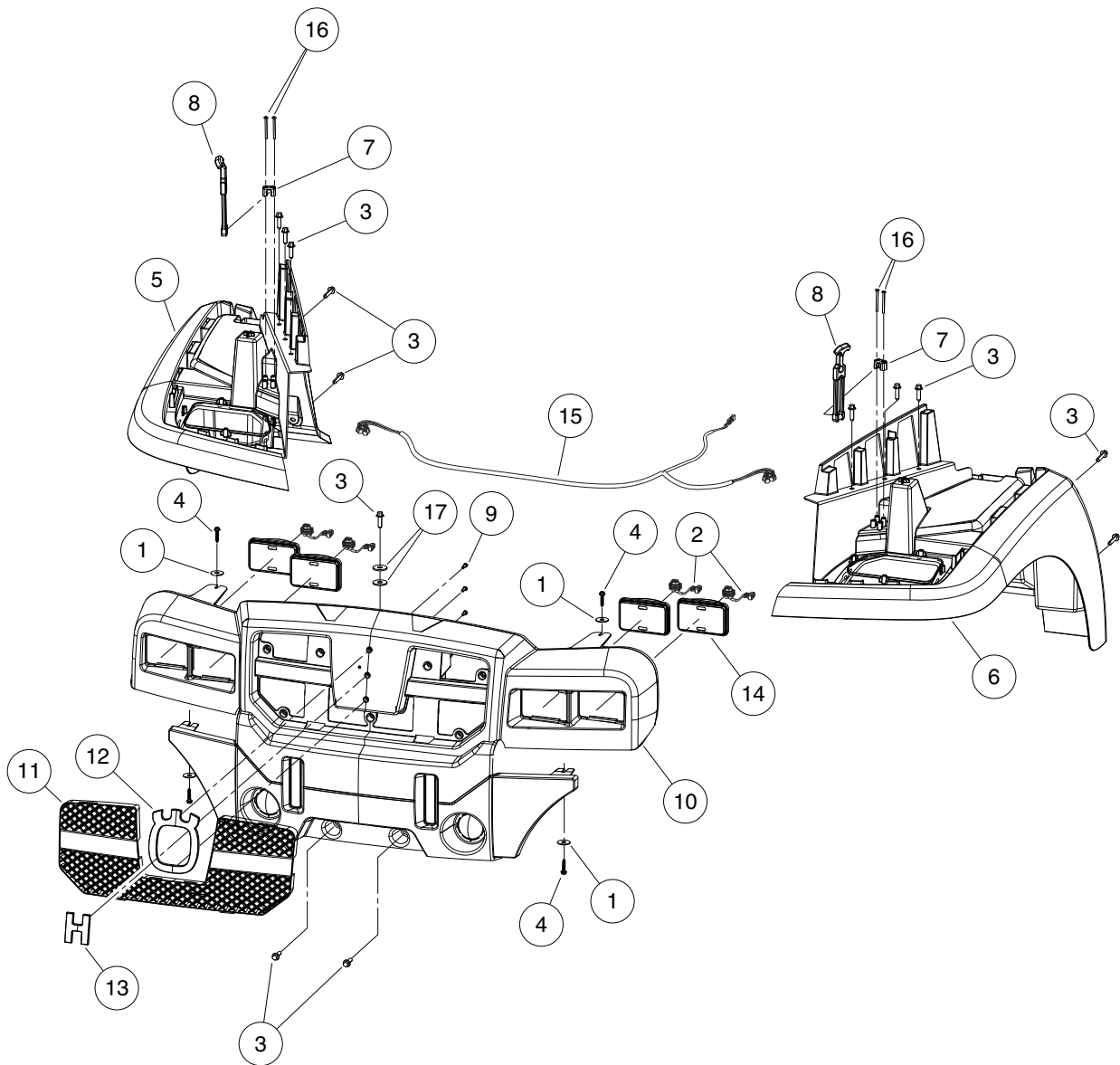
G

D

1

G

D



000507-002

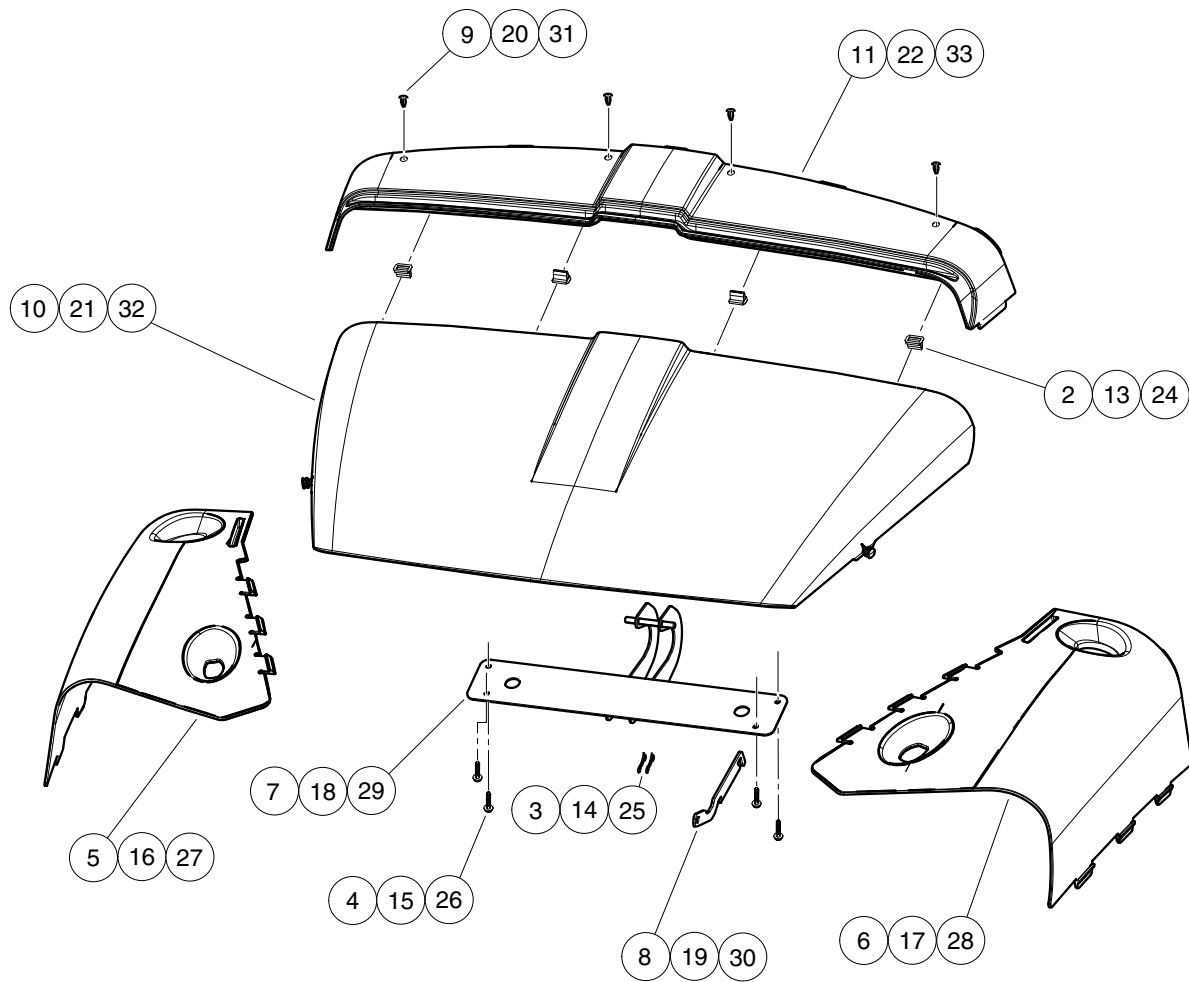
FACIA AND FENDERS

| ITEM | PART NO. | DESCRIPTION | QTY | |
|------|------------------|---|-----|----------|
| | | 1 2 3 4 | | 1 |
| 1 | <u>1011578</u> | Washer, 5/16 Type B Flat | 4 | G |
| 2 | <u>101987901</u> | Connector Harness Assembly, Headlight | 4 | |
| 3 | <u>102289001</u> | Screw, M8X1.25X30, Hex | 13 | |
| 4 | <u>102297230</u> | Screw,m6,torx,interlock,thread | 4 | D |
| 5 | <u>102866901</u> | Fender, Front, Pass, AWD | 1 | |
| 6 | <u>102867001</u> | Fender, Front, Drv, AWD | 1 | |
| 7 | <u>102882401</u> | Bracket, Latch, Draw | 2 | |
| 8 | <u>102895101</u> | Latch, Draw, Hood | 2 | |
| 9 | <u>102895401</u> | Screw, D50x16, Torx PN Hd PT | 3 | |
| 10 | <u>102981601</u> | Fascia, Husqvarna | 1 | |
| 11 | <u>102981701</u> | Grill, Husqvarna | 1 | |
| 12 | <u>102989301</u> | Emblem, Husqvarna, Outer | 1 | |
| 13 | <u>102989302</u> | Emblem, Husqvarna, Inner | 1 | |
| 14 | <u>103203801</u> | Headlamp, 3x5 Rectangular | 4 | |
| 15 | <u>103213201</u> | Harness, Bct/huv Restyle Headlight | 1 | |
| 16 | <u>103218107</u> | Screw, #8x2.00 AB Thd, Hex Hd | 4 | |
| 17 | <u>808</u> | Washer, 3/8 Type B Flat | 2 | |

1

G

D



000508-003

COWL ASSEMBLY

| ITEM | PART NO. | DESCRIPTION | QTY |
|------|------------------|--|-----|
| | | 1 2 3 4 | |
| 1 | N/A | Option, Color, Huv, Camo (includes items 2 through 11) | 1 |
| 2 | <u>102292701</u> | Clip-body-trim | 2 |
| 3 | <u>102292801</u> | Pin, Bow Tie Locking - .072 | 2 |
| 4 | <u>102297230</u> | Screw,m6,torx,interlock,thread | 4 |
| 5 | <u>102866718</u> | Panel, Cowl, Passenger-Side, Real Tree Camo | 1 |
| 6 | <u>102866818</u> | Panel, Cowl, Driver-Side, Real Tree Camo | 1 |
| 7 | <u>102896401</u> | Weldment, Hinge, Hood | 1 |
| 8 | <u>102896501</u> | Prop, Hood | 1 |
| 9 | <u>102967901</u> | Rivet, Removable, Tuflok 1/4" | 4 |
| 10 | <u>102981818</u> | Hood, Design B, Moff | 1 |
| 11 | <u>102981918</u> | Panel, Cowl, Upper, B,moff | 1 |
| 12 | N/A | Option, Color, HUV, Orange (includes items 13 through 22) | 1 |
| 13 | <u>102292701</u> | Clip-body-trim | 4 |
| 14 | <u>102292801</u> | Pin, Bow Tie Locking - .072 | 2 |
| 15 | <u>102297230</u> | Screw,m6,torx,interlock,thread | 4 |
| 16 | <u>102866753</u> | Panel, Cowl, Ps, Orange | 1 |
| 17 | <u>102866853</u> | Panel, Cowl, Drv, Orange | 1 |
| 18 | <u>102896401</u> | Weldment, Hinge, Hood | 1 |
| 19 | <u>102896501</u> | Prop, Hood | 1 |
| 20 | <u>102967901</u> | Rivet, Removable, Tuflok 1/4" | 2 |
| 21 | <u>102981853</u> | Hood, Design B, Orange | 1 |
| 22 | <u>102981953</u> | Panel, Cowl, Upper, B, Orange | 1 |
| 23 | N/A | Option, Color, Huv, Olive Grn (includes items 24 through 33) | 1 |
| 24 | <u>102292701</u> | Clip-body-trim | 4 |
| 25 | <u>102292801</u> | Pin, Bow Tie Locking - .072 | 2 |
| 26 | <u>102297230</u> | Screw,m6,torx,interlock,thread | 4 |
| 27 | <u>102866754</u> | Panel, Cowl, Ps, Olive Green | 1 |
| 28 | <u>102866854</u> | Panel, Cowl, Drv, Olive Green | 1 |
| 29 | <u>102896401</u> | Weldment, Hinge, Hood | 1 |
| 30 | <u>102896501</u> | Prop, Hood | 1 |
| 31 | <u>102967901</u> | Rivet, Removable, Tuflok 1/4" | 4 |
| 32 | <u>102981854</u> | Hood, Design B, Olive Grn | 1 |
| 33 | <u>102981954</u> | Panel, Cowl, Upper, B, Olv Grn | 1 |

1

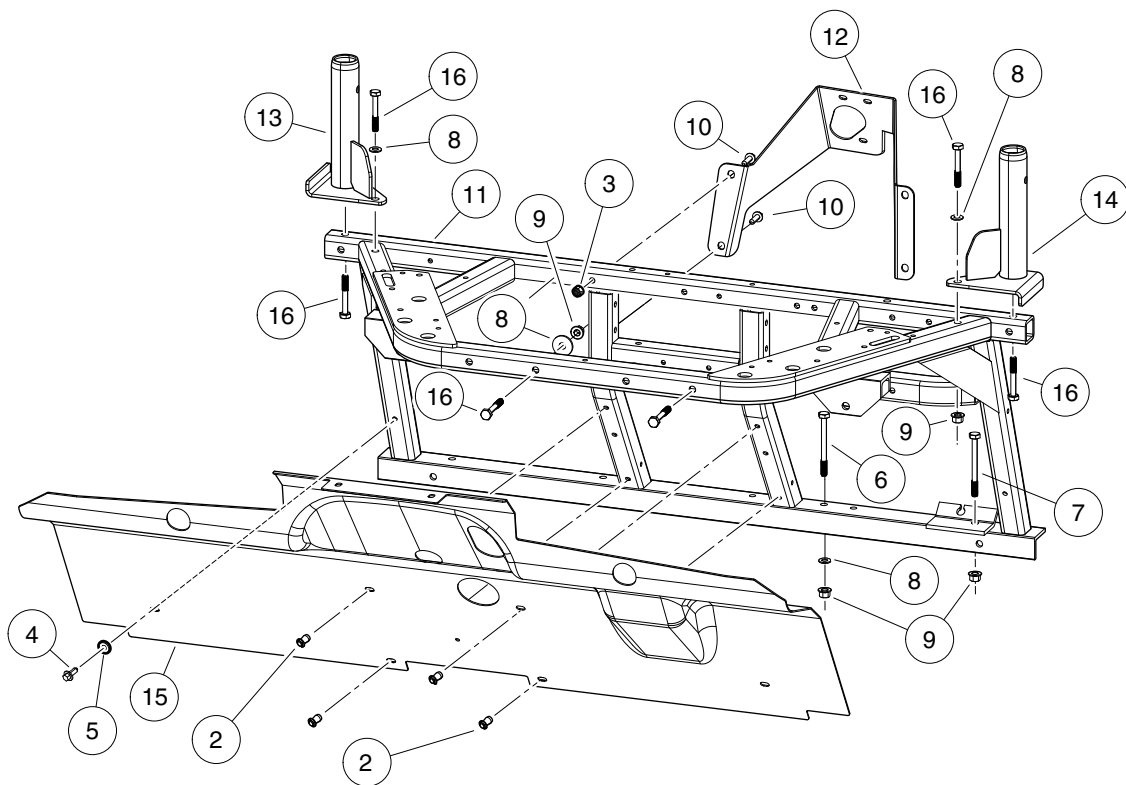
G

D

1

G

D



000521-001

FRONT BODY COMPONENTS

| ITEM | PART NO. | DESCRIPTION | QTY |
|------|------------------|--|-----|
| | | 1 2 3 4 | |
| 1 | N/A | Instl, Cowl Weldmnt/Splash Guard (includes items 2 through 16) | 1 |
| 2 | <u>1016967</u> | Blind Rivet, Push Type | 4 |
| 3 | <u>102298401</u> | Nut,m8,all Metal Lock | 2 |
| 4 | <u>102298720</u> | M8-1.25x20 Taptite | 2 |
| 5 | <u>102323501</u> | Washer, Flat, 3/8, Blk Fin | 2 |
| 6 | <u>102491301</u> | Bolt, M10x1.50x100 (Black) | 3 |
| 7 | <u>102491302</u> | Bolt, M10 X 1.50 X 110 Black | 1 |
| 8 | <u>102491501</u> | Washer Hard,m10 | 12 |
| 9 | <u>102617201</u> | Nut Flg M10 X 1.5 Mech Def | 10 |
| 10 | <u>102618301</u> | Bolt Flanged Head, M8 X 1.25 X 65 | 2 |
| 11 | <u>102935501</u> | Weldment, Dash, Front | 1 |
| 12 | <u>102977201</u> | Bracket, Column, Steering | 1 |
| 13 | <u>102983201</u> | Weldment, Front, Base, ROPS, Right-Hand | 1 |
| 14 | <u>102983601</u> | Weldment, Front, Base, ROPS, Left-Hand | 1 |
| 15 | <u>103296001</u> | Guard, Splash, Gas Injection | 1 |
| 16 | <u>96715552</u> | Bolt, M10 X 1.50 X 65 | 8 |

1

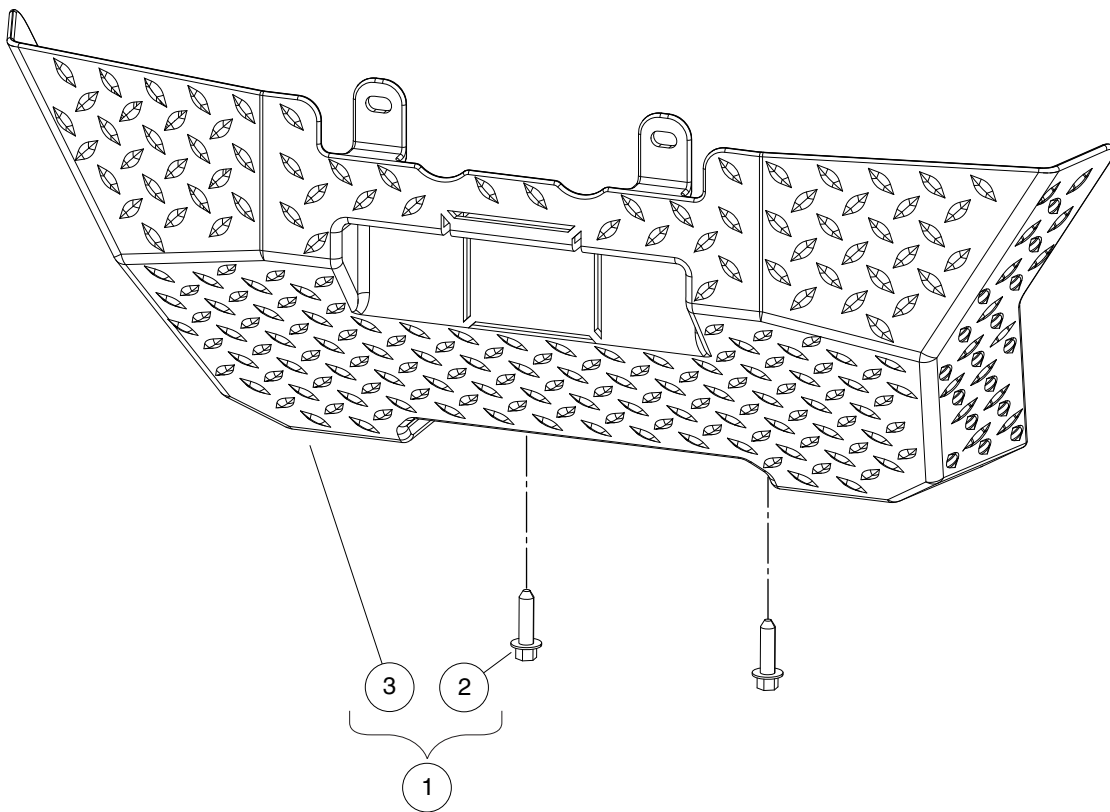
G

D

1

G

D



000537-002

PLASTIC SKID PLATE

| ITEM | PART NO. | DESCRIPTION | QTY |
|------|------------------|---|-----|
| | | 1 2 3 4 | |
| 1 | N/A | Instl, Skid, Std (includes items 2 and 3) | 1 |
| 2 | <u>102289001</u> | Screw, M8X1.25X30, Hex | 2 |
| 3 | <u>102882301</u> | Plate, Skid, Std | 1 |

1

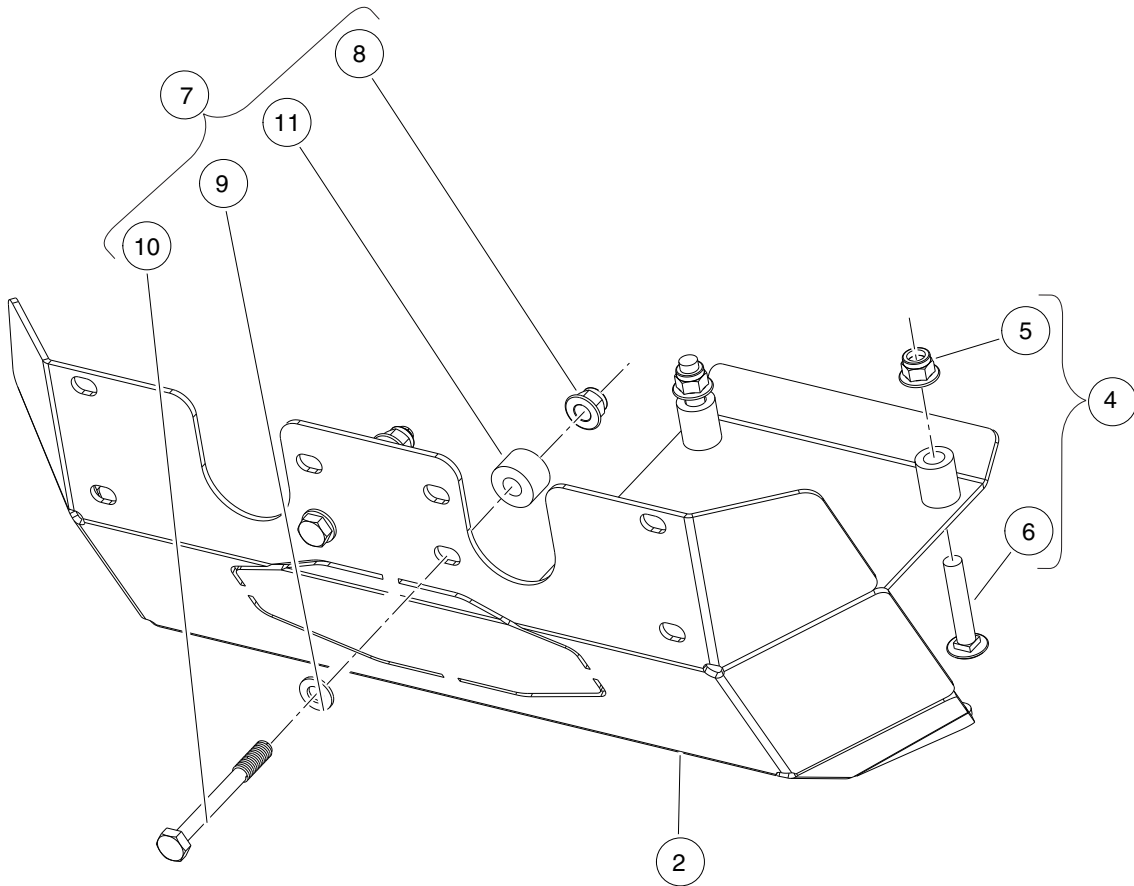
G

D

1

G

D



000537-001

STEEL SKID PLATE

| ITEM | PART NO. | DESCRIPTION | QTY |
|------|------------------|--|-----|
| | | 1 2 3 4 | |
| 1 | AM1211003 | Kit, Skidplate, Front, Steel (includes items 2 through 7) | 1 |
| 2 | <u>AM1210002</u> | Skid Plate, Front, Steel | 1 |
| 3 | N/A | Instructions, Front Skidplate | 1 |
| 4 | <u>AM1215701</u> | Kit, Hardware, Skidplate, Front, A (includes items 5 and 6) | 1 |
| 5 | <u>102670701</u> | Nut Flg M10 X 1.5 Nylon | 2 |
| 6 | AM1210801 | Bolt, Carriage, M10x1.5x55 | 2 |
| 7 | <u>AM1215801</u> | Kit, Hardware, Skidplate, Front, B (includes items 8 through 11) | 1 |
| 8 | <u>102670701</u> | Nut Flg M10 X 1.5 Nylon | 2 |
| 9 | <u>102718101</u> | Washer, Hard, M10, Zn-Ni/Blk | 2 |
| 10 | <u>102719301</u> | Bolt, M10 X 1.50 X 90, Loctite | 2 |
| 11 | AM1211401 | Spacer, 17mm Long, Skidplate | 2 |

1

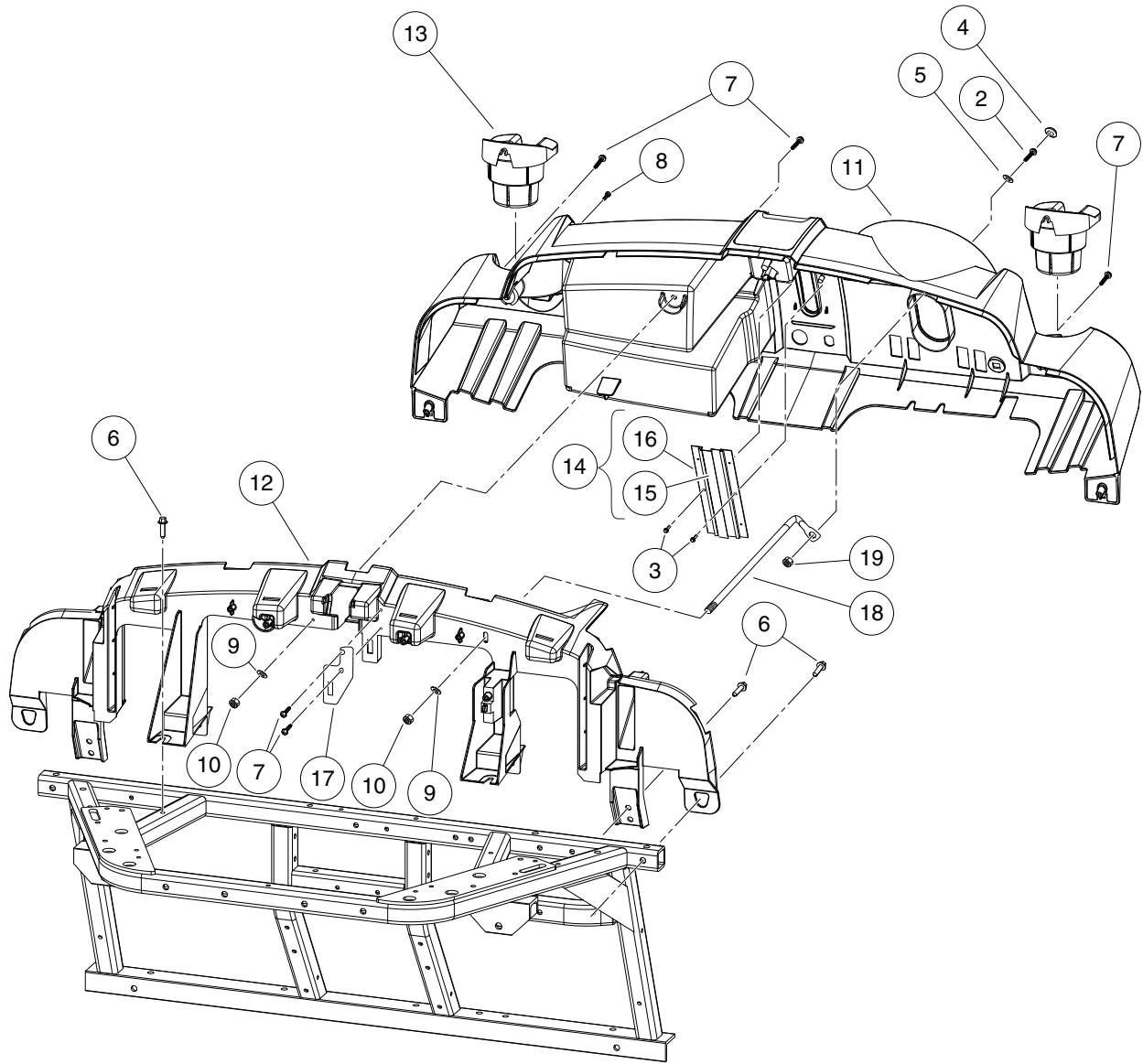
G

D

1

G

D



000519-001

DASH

| ITEM | PART NO. | DESCRIPTION | QTY |
|------|------------------|--|-----|
| | | 1 2 3 4 | |
| 1 | N/A | Instl, Dash (includes items 2 through 19) | 1 |
| 2 | 1016916 | Screw, 1/4-20 X 1.50 Hex-Head Cap | 1 |
| 3 | <u>101804301</u> | Screw, #8 X 0.500, Hex-Head Hi-Lo | 2 |
| 4 | <u>102045001</u> | Cap, 1/4" Plastic Screw Head | 1 |
| 5 | <u>102048401</u> | Washer, 1/4 Id Scalloped Plast | 1 |
| 6 | <u>102289001</u> | Screw, M8X1.25X30, Hex | 6 |
| 7 | <u>102297230</u> | Screw,m6,torx,interlock,thread | 5 |
| 8 | <u>102298580</u> | M8-1.25 X 80 Sems | 1 |
| 9 | <u>102491501</u> | Washer Hard,m10 | 2 |
| 10 | 102618601 | Lock Nut, Flg M8 X 1.25 Nylon | 2 |
| 11 | <u>102867101</u> | Dash, Design A | 1 |
| 12 | <u>102867301</u> | Support, Structural | 1 |
| 13 | <u>102883401</u> | Cup Holder, Utility | 2 |
| 14 | <u>103233001</u> | Asm, Brush, Fnr (includes items 15 and 16) | 2 |
| 15 | <u>103179901</u> | Brush, Strip, FNR | 2 |
| 16 | <u>103180001</u> | Holder, Brush, Strip, Fnr | 2 |
| 17 | <u>103253801</u> | Bracket, Hood Support | 1 |
| 18 | <u>103268001</u> | Rod, Connection, Dash | 1 |
| 19 | <u>8233</u> | Locknut, 1/4-20 Nylon Insert | 1 |

1

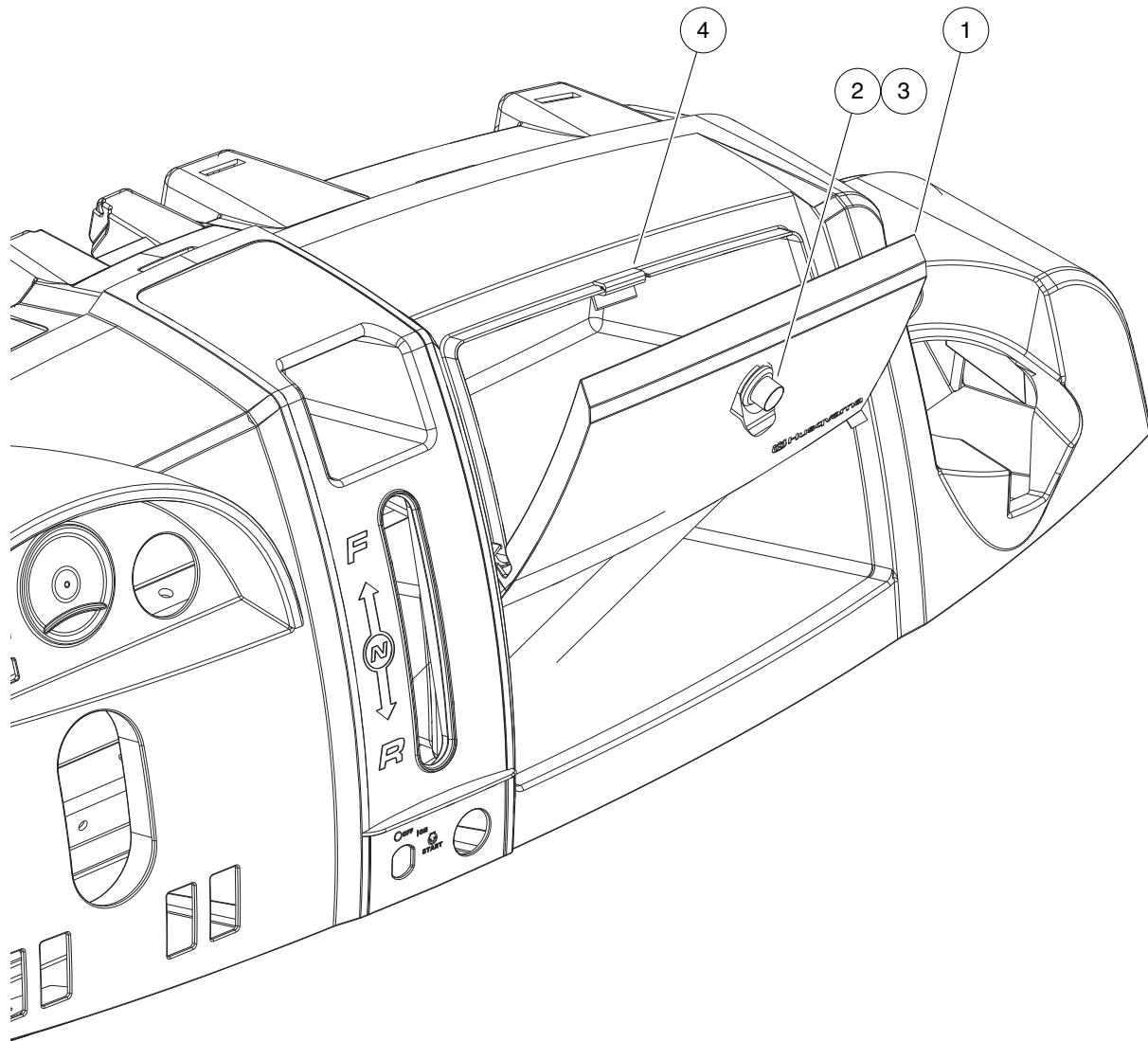
G

D

1

G

D



000789-003

GLOVE BOX

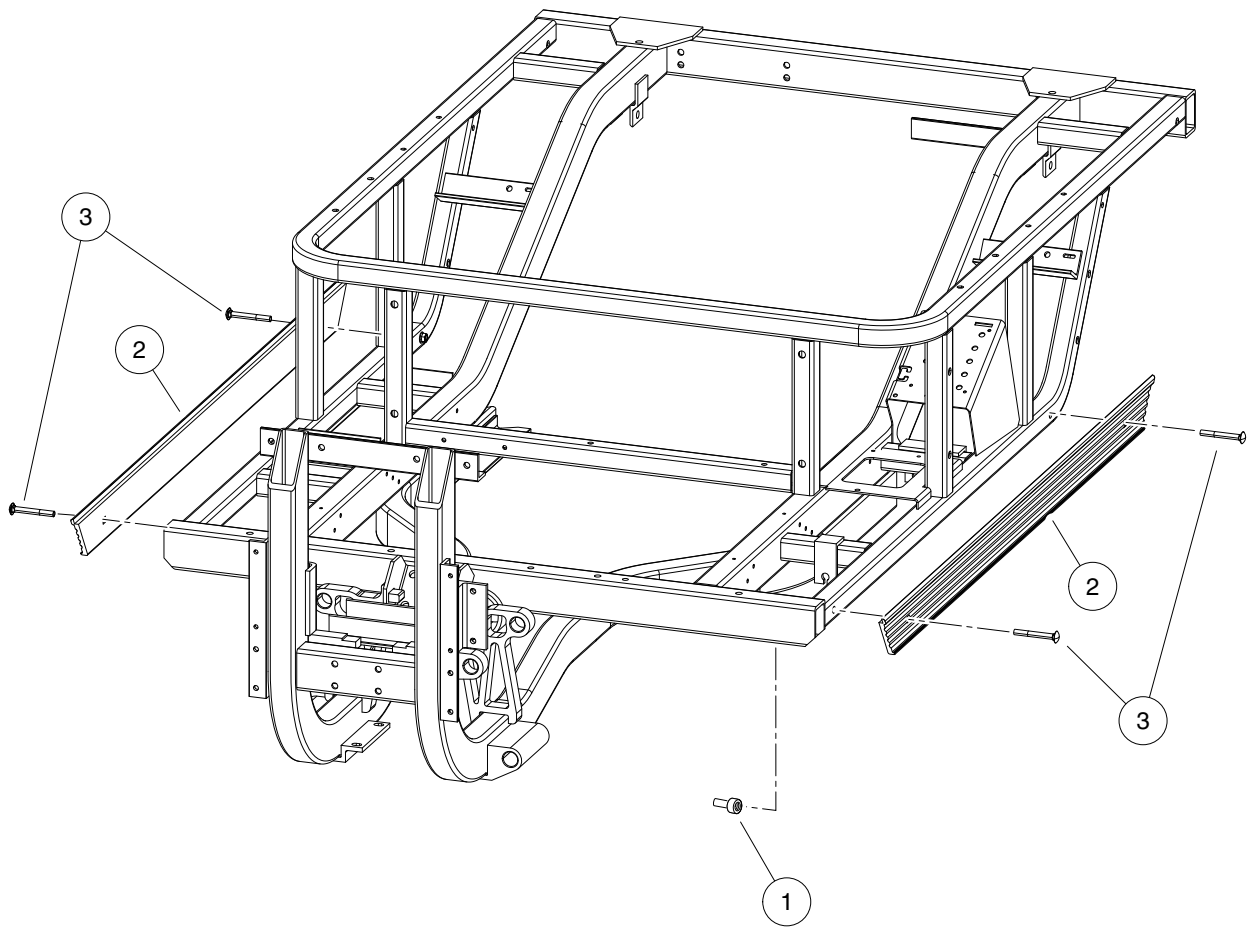
| ITEM | PART NO. | DESCRIPTION | QTY |
|------|------------------|--------------------------------------|-----|
| | | 1 2 3 4 | |
| 1 | <u>102867202</u> | Cover, Storage, Dash, Blk, Cci | 1 |
| 2 | <u>103182701</u> | Latch, Push Close | 1 |
| 3 | <u>103182702</u> | Latch, Push Close W/ Key | 1 |
| 4 | <u>103182801</u> | Keeper, Latch, Push Close | 1 |

1
G
D

1

G

D



000527-001

SIDE STRINGERS

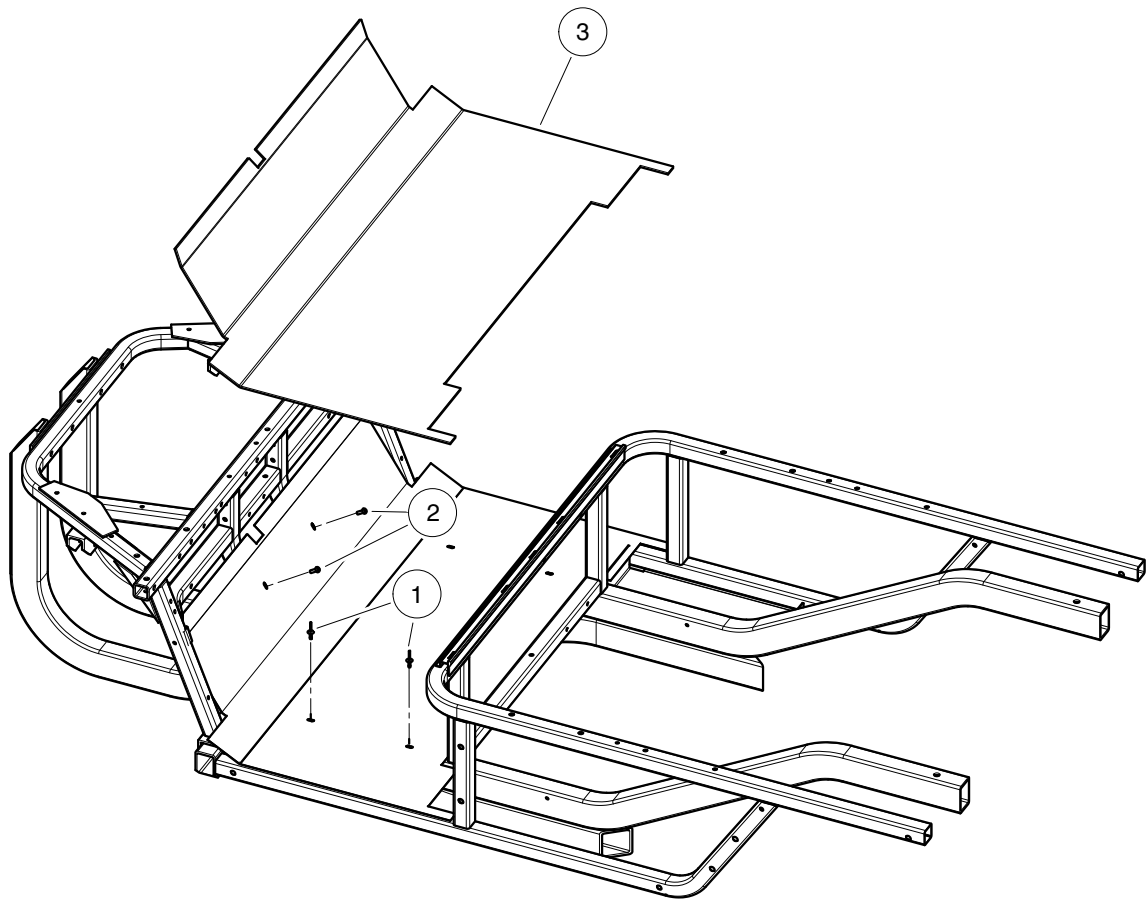
| ITEM | PART NO. | DESCRIPTION | QTY |
|------|------------------|----------------------------------|-----|
| 1 | <u>102491701</u> | Well Nut 1/4-20 | 8 |
| 2 | <u>103485501</u> | Stringer, Side, 1200mm | 2 |
| 3 | <u>103487501</u> | Screw, 1/4-20 X 1.0, Black | 8 |

1
G
D

1

G

D



000520-001

FLOOR MAT

| ITEM | PART NO. | DESCRIPTION | QTY |
|------|------------------|--------------------------------------|-----|
| | | 1 2 3 4 | |
| 1 | <u>1015392</u> | Rivet, 3/16 Pop | 4 |
| 2 | <u>102025801</u> | Screw, 1/4-20 X .75 Torx Pn Hd | 2 |
| 3 | <u>102895701</u> | Floor Mat | 1 |

1

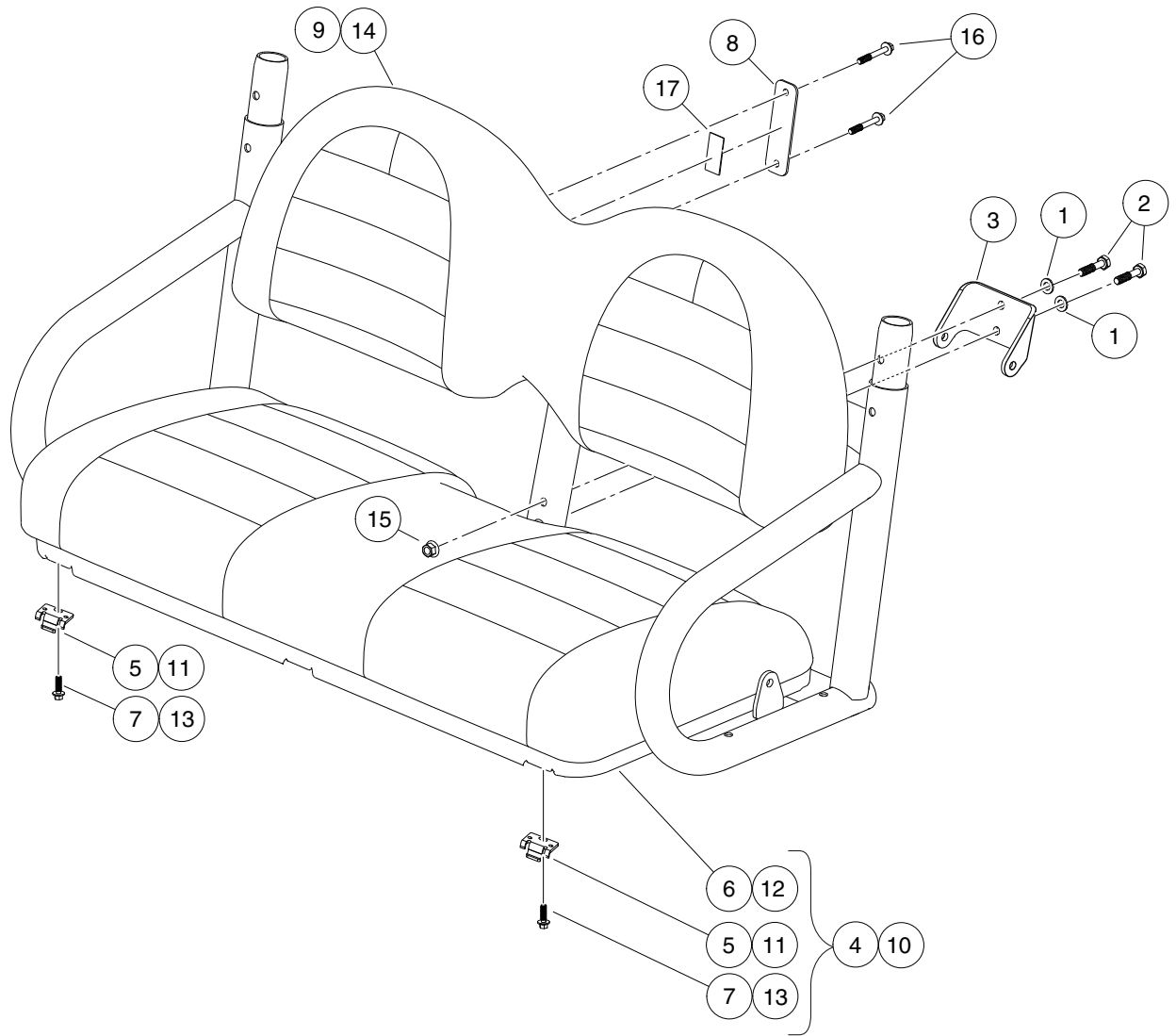
G

D

1

G

D



000523-001

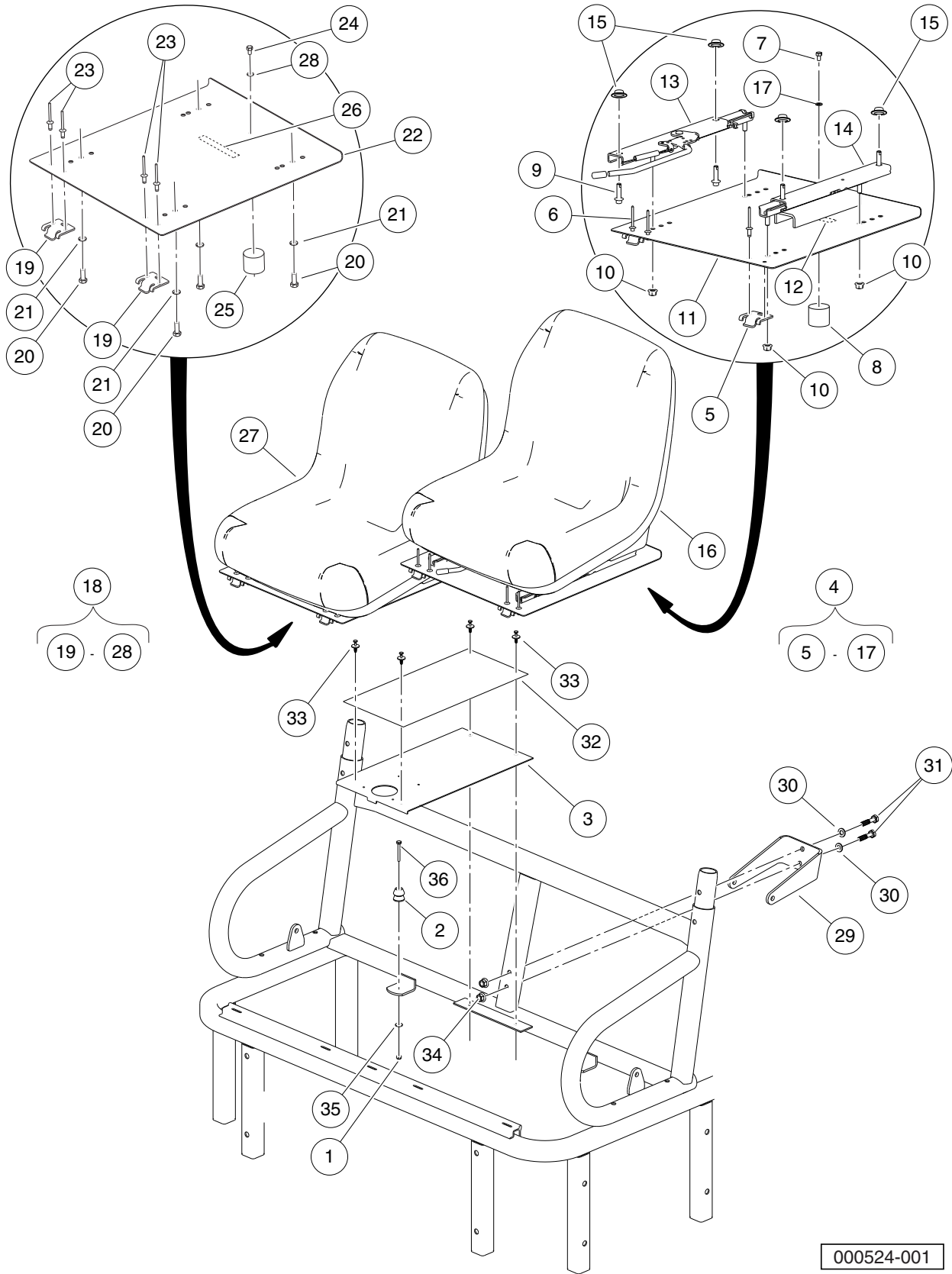
BENCH SEATS

| ITEM | PART NO. | DESCRIPTION | QTY |
|------|------------------|---|-----|
| | | 1 2 3 4 | |
| 1 | <u>102718101</u> | Washer, Hard, M10, Zn-Ni/Blk | 2 |
| 2 | <u>102732401</u> | Bolt, M10 X 45, Zn-Ni (Black) | 2 |
| 3 | <u>102759901</u> | Bracket, Seat Belt, Bench | 1 |
| 4 | <u>102879201</u> | Asm, Seat Bottom, Bench, Gray (includes items 5 through 7) | 1 |
| 5 | <u>1011652</u> | Hinge Plate | 2 |
| 6 | <u>102759601</u> | Asm, Seat Bottom, Bench | 1 |
| 7 | <u>103262201</u> | Bolt Flg Blk, M8 X 25, Loctite | 2 |
| 8 | <u>102879401</u> | Bracket, Seat Back, AWD | 2 |
| 9 | <u>102912301</u> | Seat Back, Bench, Gray | 1 |
| 10 | <u>103181001</u> | Asm, Seat Bottom, Bench, Black (includes items 11 through 13) | 1 |
| 11 | <u>1011652</u> | Hinge Plate | 2 |
| 12 | N/A | Seat Bottom, Bench, Black | 1 |
| 13 | <u>103262201</u> | Bolt Flg Blk, M8 X 25, Loctite | 2 |
| 14 | <u>103181101</u> | Seat Back, Bench, Black | 1 |
| 15 | <u>103216401</u> | Nut, Flanged, M10 x 1.5, Black | 2 |
| 16 | <u>103262601</u> | Bolt Flg Blk, M8 X 55, Loctite | 4 |
| 17 | N/A | Tape, Double-Sided, VHB, 1"x 2" | 1 |

1
G
D

1
G

D



000524-001

BUCKET SEATS – GRAY

| ITEM | PART NO. | DESCRIPTION | QTY |
|------|------------------|--|-----|
| | | 1 2 3 4 | |
| 1 | <u>101887601</u> | Locknut, M6-1.00 Nylon Insert | 2 |
| 2 | <u>102059001</u> | Seat Holder Base | 2 |
| 3 | <u>102442001</u> | Pan, Center, Closeout | 1 |
| 4 | <u>102473701</u> | Asm, Bucket Seat Adjustable (includes items 5 through 17) | 1 |
| 5 | <u>1011652</u> | Hinge Plate | 2 |
| 6 | <u>102047001</u> | Rivet, 1/4 X .438 Blind | 4 |
| 7 | <u>102059401</u> | Screw, 6m-1.00 X 10mm Hex Head | 1 |
| 8 | <u>102061101</u> | Seat Holder Cup | 1 |
| 9 | <u>102298130</u> | Bolt, Flange Head, M8 X 30.0 | 4 |
| 10 | <u>102298401</u> | Nut, m8, all Metal Lock | 4 |
| 11 | <u>102456001</u> | Pan, Seat, Driver Asm | 1 |
| 12 | <u>102458901</u> | Decal, Hot Surface Warning | 1 |
| 13 | <u>102473501</u> | Adjuster, Forward/Aft | 1 |
| 14 | <u>102473601</u> | Adjuster, Slider | 1 |
| 15 | <u>102475901</u> | Washer, Bell | 4 |
| 16 | <u>103267001</u> | Seat, Bucket, Gray | 1 |
| 17 | <u>451</u> | Lockwasher, 1/4 Split | 1 |
| 18 | N/A | Assembly, Bucket Seat w/Spacers (includes items 19 through 28) | 1 |
| 19 | <u>1011652</u> | Hinge Plate | 2 |
| 20 | <u>1012830</u> | Screw, M8-125 X 22 Hex-Head | 4 |
| 21 | <u>1013734</u> | Lockwasher, 8mm Split | 4 |
| 22 | <u>102023703</u> | Pan, Seat, Passenger | 1 |
| 23 | <u>102047001</u> | Rivet, 1/4 X .438 Blind | 4 |
| 24 | <u>102059401</u> | Screw, 6m-1.00 X 10mm Hex Head | 1 |
| 25 | <u>102061101</u> | Seat Holder Cup | 1 |
| 26 | <u>102458901</u> | Decal, Hot Surface Warning | 1 |
| 27 | <u>103267001</u> | Seat, Bucket, Gray | 1 |
| 28 | <u>451</u> | Lockwasher, 1/4 Split | 1 |
| 29 | <u>102670601</u> | Bracket, Seatbelt, Bolt-On | 1 |
| 30 | <u>102718101</u> | Washer, Hard, M10, Zn-Ni/Blk | 2 |
| 31 | <u>102732401</u> | Bolt, M10 X 45, Zn-Ni (Black) | 2 |
| 32 | <u>102763701</u> | Cover, Center Console | 1 |
| 33 | <u>102967901</u> | Rivet, Removable, Tuflok 1/4" | 4 |
| 34 | <u>103216401</u> | Nut, Flanged, M10 x 1.5, Black | 2 |
| 35 | <u>332</u> | Washer, 1/4 Type A Narrow Flat | 2 |
| 36 | <u>96742515</u> | Bolt, M6 X 1 X 45 | 2 |

1

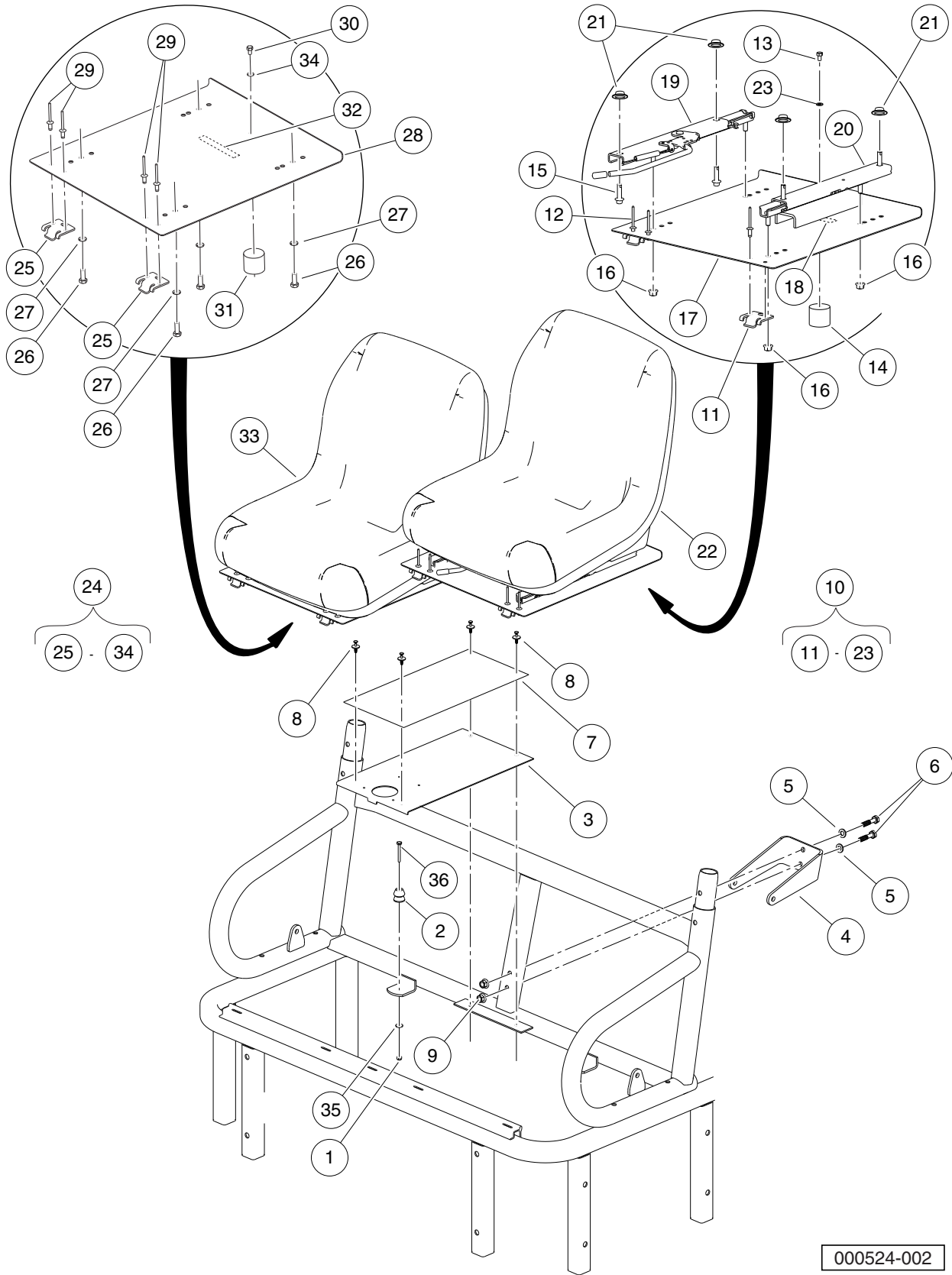
G

D

1

G

D



000524-002

BUCKET SEATS – BLACK

| ITEM | PART NO. | DESCRIPTION | QTY |
|------|------------------|--|-----|
| | | 1 2 3 4 | |
| 1 | <u>101887601</u> | Locknut, M6-1.00 Nylon Insert | 2 |
| 2 | <u>102059001</u> | Seat Holder Base | 2 |
| 3 | <u>102442001</u> | Pan, Center, Closeout | 1 |
| 4 | <u>102670601</u> | Bracket, Seatbelt, Bolt-On | 1 |
| 5 | <u>102718101</u> | Washer, Hard, M10, Zn-Ni/Blk | 2 |
| 6 | <u>102732401</u> | Bolt, M10 X 45, Zn-Ni (Black) | 2 |
| 7 | <u>102763701</u> | Cover, Center Console | 1 |
| 8 | <u>102967901</u> | Rivet, Removable, Tuflok 1/4" | 4 |
| 9 | <u>103216401</u> | Nut, Flanged, M10 x 1.5, Black | 2 |
| 10 | <u>103218901</u> | Asm, Bracket Seat, Adj, Blk (includes items 11 through 23) | 1 |
| 11 | <u>1011652</u> | Hinge Plate | 2 |
| 12 | <u>102047001</u> | Rivet, 1/4 X .438 Blind | 4 |
| 13 | <u>102059401</u> | Screw, 6m-1.00 X 10mm Hex Head | 1 |
| 14 | <u>102061101</u> | Seat Holder Cup | 1 |
| 15 | <u>102298130</u> | Bolt, Flange Head, M8 X 30.0 | 4 |
| 16 | <u>102298401</u> | Nut,m8,all Metal Lock | 4 |
| 17 | <u>102456001</u> | Pan, Seat, Driver Asm | 1 |
| 18 | <u>102458901</u> | Decal, Hot Surface Warning | 1 |
| 19 | <u>102473501</u> | Adjuster, Forward/Aft | 1 |
| 20 | <u>102473601</u> | Adjuster, Slider | 1 |
| 21 | <u>102475901</u> | Washer, Bell | 4 |
| 22 | <u>103267002</u> | Seat, Bucket, Black | 1 |
| 23 | <u>451</u> | Lockwasher, 1/4 Split | 1 |
| 24 | N/A | Asm, Bracket Seat, Passenger, Blk (includes items 25 through 34) | 1 |
| 25 | <u>1011652</u> | Hinge Plate | 2 |
| 26 | <u>1012830</u> | Screw, M8-125 X 22 Hex-Head | 4 |
| 27 | <u>1013734</u> | Lockwasher, 8mm Split | 4 |
| 28 | <u>102023703</u> | Pan, Seat, Passenger | 1 |
| 29 | <u>102047001</u> | Rivet, 1/4 X .438 Blind | 4 |
| 30 | <u>102059401</u> | Screw, 6m-1.00 X 10mm Hex Head | 1 |
| 31 | <u>102061101</u> | Seat Holder Cup | 1 |
| 32 | <u>102458901</u> | Decal, Hot Surface Warning | 1 |
| 33 | <u>103267002</u> | Seat, Bucket, Black | 1 |
| 34 | <u>451</u> | Lockwasher, 1/4 Split | 1 |
| 35 | <u>332</u> | Washer, 1/4 Type A Narrow Flat | 2 |
| 36 | <u>96742515</u> | Bolt, M6 X 1 X 45 | 2 |

1

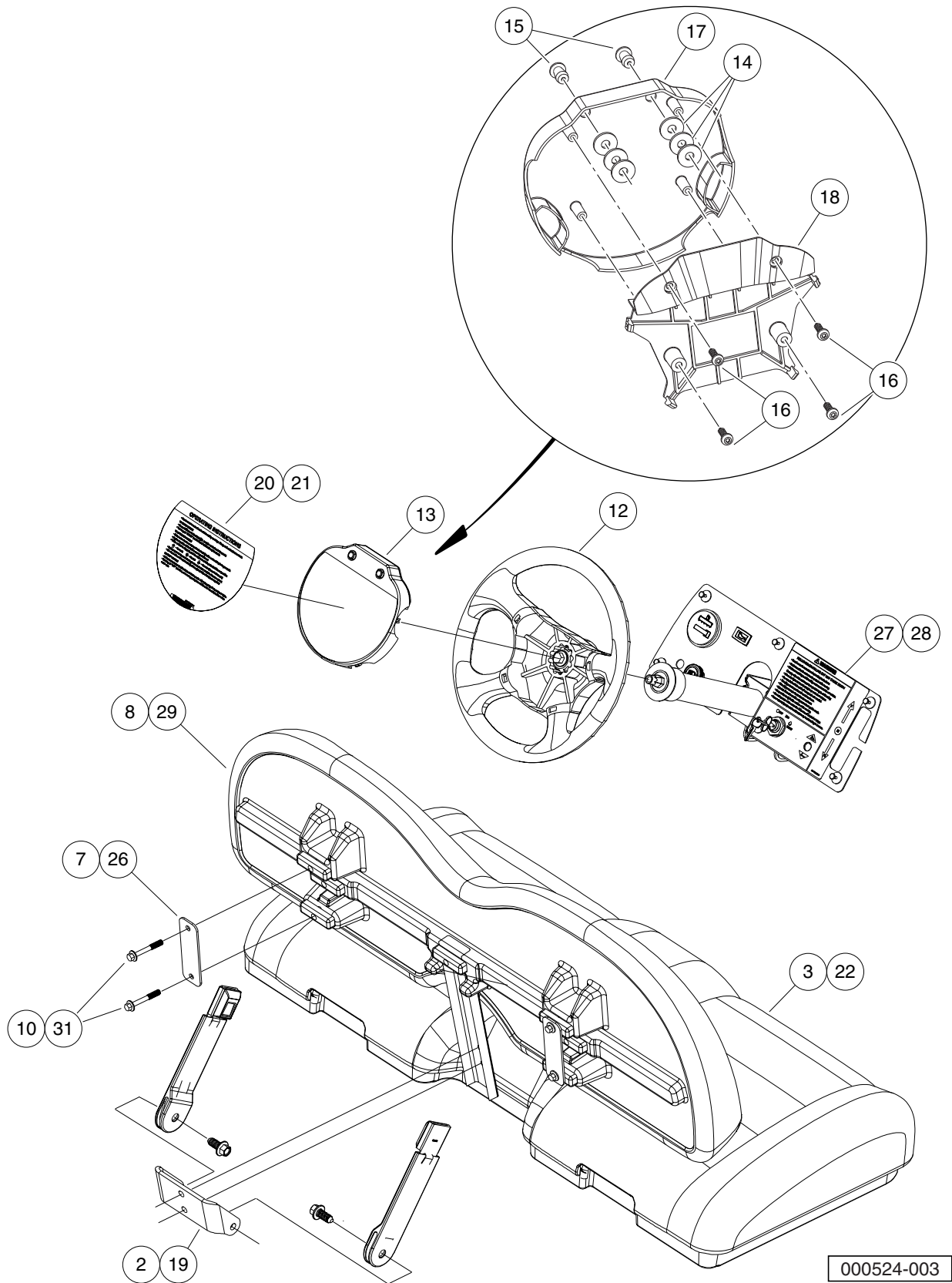
G

D

1

G

D



000524-003

BENCH SEAT CONVERSION KIT

| ITEM | PART NO. | DESCRIPTION | QTY |
|------|------------------|--|-----|
| | | 1 2 3 4 | |
| 1 | <u>103183101</u> | Kit, Bench Seat, Seat Only (includes items 2 through 10) | 1 |
| 2 | <u>102759901</u> | Bracket, Seat Belt, Bench | 1 |
| 3 | <u>102879201</u> | Asm, Seat Bottom, Bench, Gray (includes items 4 through 6) | 1 |
| 4 | <u>1011652</u> | Hinge Plate | 2 |
| 5 | <u>102759601</u> | Asm, Seat Bottom, Bench | 1 |
| 6 | <u>103262201</u> | Bolt Flg Blk, M8 X 25, Loctite | 2 |
| 7 | <u>102879401</u> | Bracket, Seat Back, AWD | 2 |
| 8 | <u>102912301</u> | Seat Back, Bench, Gray | 1 |
| 9 | N/A | Instructions, Bench Seat | 1 |
| 10 | <u>103262601</u> | Bolt Flg Blk, M8 X 55, Loctite | 4 |
| 11 | <u>103183201</u> | Kit, Bench Seat, Complete (includes items 12 through 31) | 1 |
| 12 | <u>102537801</u> | Steering Wheel, Comfort Grip, Hex | 1 |
| 13 | <u>102540802</u> | Center, Plate, Steering Wheel (includes items 14 through 18) | 1 |
| 14 | <u>1011697</u> | Washer, 5/16 Flat | 6 |
| 15 | <u>1016967</u> | Blind Rivet, Push Type | 2 |
| 16 | <u>102296020</u> | Screw, Torx Pan Hd Pt, M6 X 20 | 4 |
| 17 | N/A | Scorecard Plate, Comfort Grip | 1 |
| 18 | N/A | Scorecard Back Plate | 1 |
| 19 | <u>102759901</u> | Bracket, Seat Belt, Bench | 1 |
| 20 | <u>102873901</u> | Decal, Oper Instr, Awd Se Dsl | 1 |
| 21 | <u>102878301</u> | Decal, Oper Instr, Awd Se Gas | 1 |
| 22 | <u>102879201</u> | Asm, Seat Bottom, Bench, Gray (includes items 23 through 25) | 1 |
| 23 | <u>1011652</u> | Hinge Plate | 2 |
| 24 | <u>102759601</u> | Asm, Seat Bottom, Bench | 1 |
| 25 | <u>103262201</u> | Bolt Flg Blk, M8 X 25, Loctite | 2 |
| 26 | <u>102879401</u> | Bracket, Seat Back, AWD | 2 |
| 27 | <u>102889001</u> | Decal, Warning, Instrument Panel, AWD Gas | 1 |
| 28 | <u>102889101</u> | Decal, Warning, Instrument Panel, AWD Diesel | 1 |
| 29 | <u>102912301</u> | Seat Back, Bench, Gray | 1 |
| 30 | N/A | Instructions, Bench Seat | 1 |
| 31 | <u>103262601</u> | Bolt Flg Blk, M8 X 55, Loctite | 4 |

1

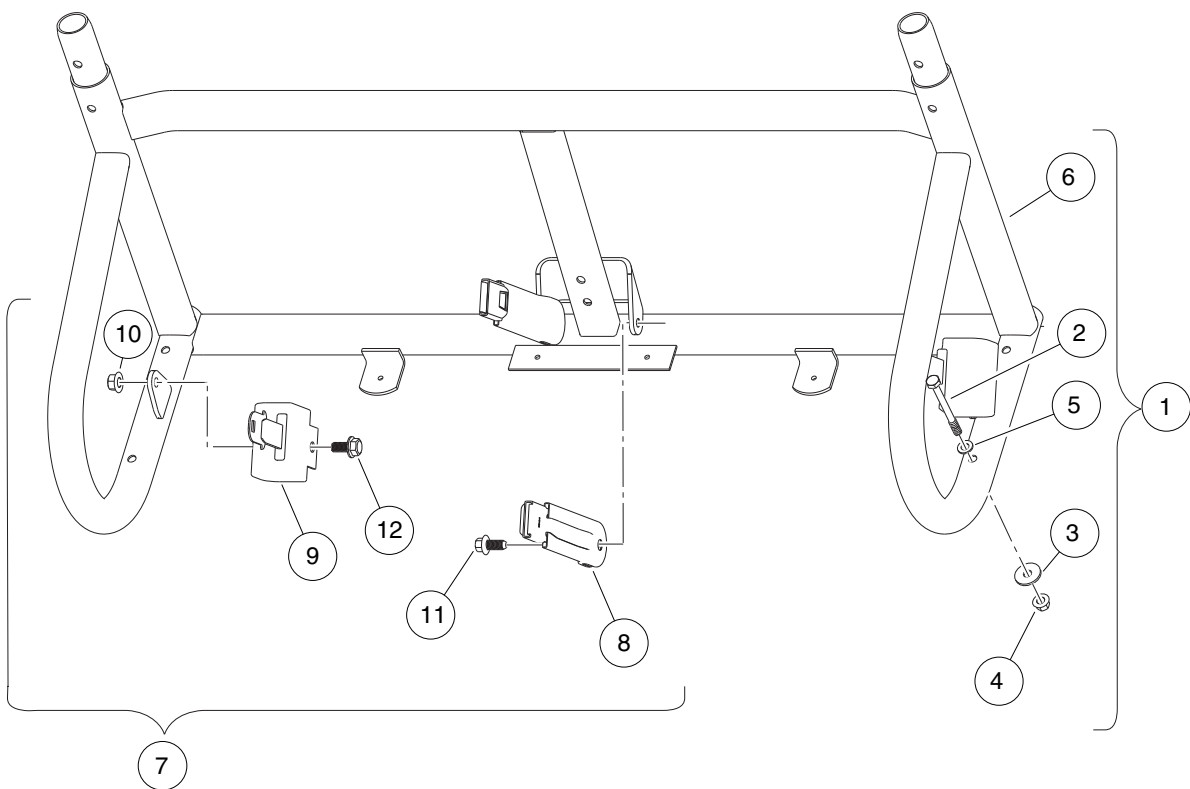
G

D

1

G

D



000029-002

SEAT BELTS AND LOWER ROPS

| ITEM | PART NO. | DESCRIPTION | QTY |
|------|------------------|---|-----|
| | | 1 2 3 4 | |
| 1 | N/A | Instl, Rops, Lower (includes items 2 through 6) | 1 |
| 2 | <u>102491301</u> | Bolt, M10x1.50x100 (Black) | 4 |
| 3 | <u>102491501</u> | Washer Hard,m10 | 4 |
| 4 | <u>102617201</u> | Nut Flg M10 X 1.5 Mech Def | 4 |
| 5 | <u>102718101</u> | Washer, Hard, M10, Zn-Ni/Blk | 4 |
| 6 | <u>103361701</u> | Weldment,seat Support,hs,rops | 1 |
| 7 | N/A | Instl, Seat Belt, Restyle (includes items 8 through 12) | 1 |
| 8 | <u>102447601</u> | Buckle, Seat Belt with Sleeve | 2 |
| 9 | <u>102447602</u> | Retractor, Seat Belt | 2 |
| 10 | <u>102620301</u> | Ln Flg, M12 X 1.75, Md, Black | 2 |
| 11 | <u>102671201</u> | Screw,m12x1.75x30 Thd Form Blk | 2 |
| 12 | <u>103245101</u> | Bolt Flg, M12x1.75 X 25 Black | 2 |

1

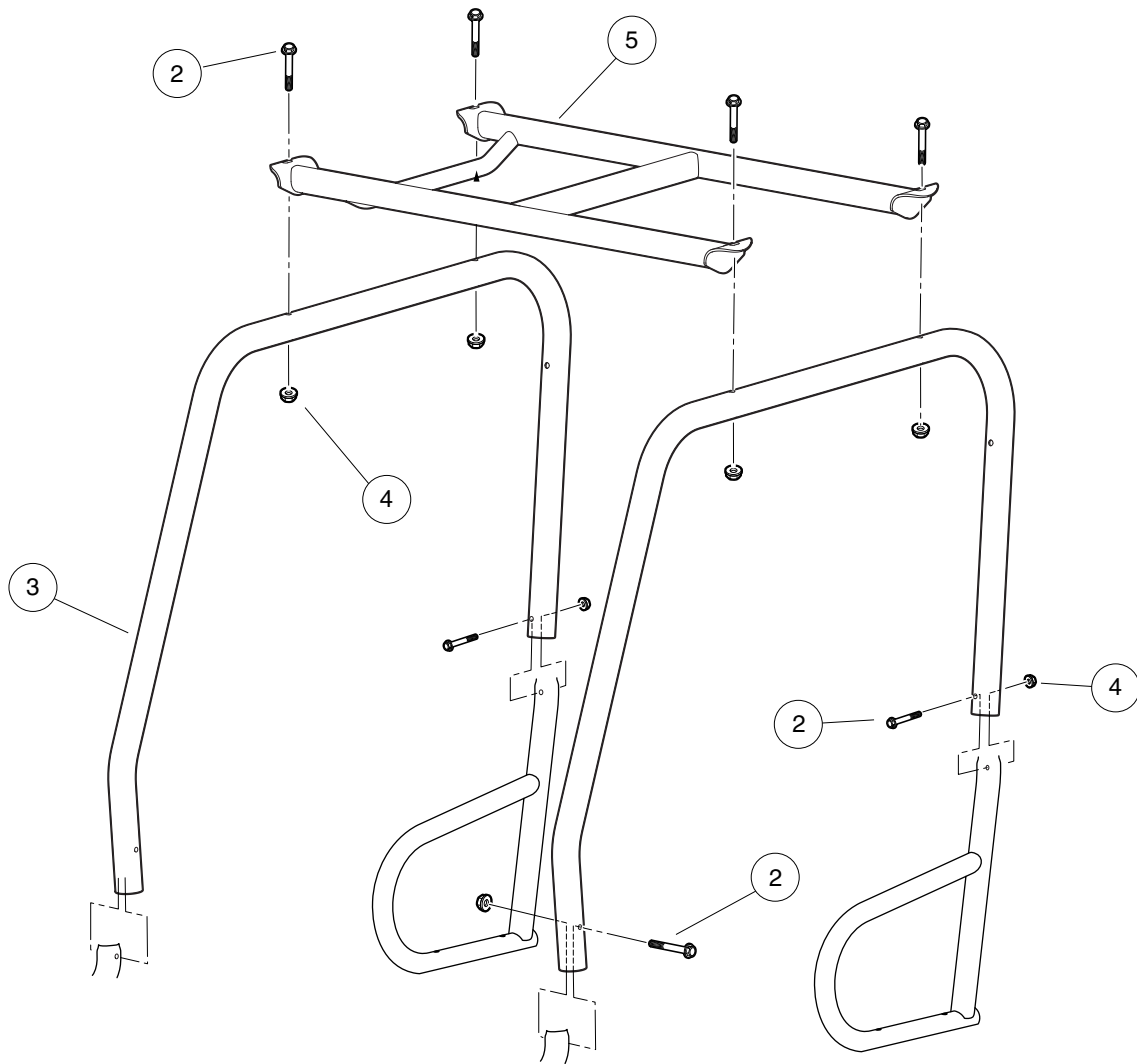
G

D

1

G

D



000029-003

ROPS

| ITEM | PART NO. | DESCRIPTION | QTY |
|------|------------------|--|-----|
| | | 1 2 3 4 | |
| 1 | <u>103215901</u> | Kit, ROPS, Domestic (includes items 2 through 4) | 1 |
| 2 | <u>102988701</u> | Bolt, Flanged, M10 X 1.5 X 65 | 8 |
| 3 | <u>103192101</u> | Tube, Side Support Short, ROPS | 2 |
| 4 | <u>103216401</u> | Nut, Flanged, M10 x 1.5, Black | 8 |
| 5 | <u>103225801</u> | Asm, Top, ROPS | 1 |

1

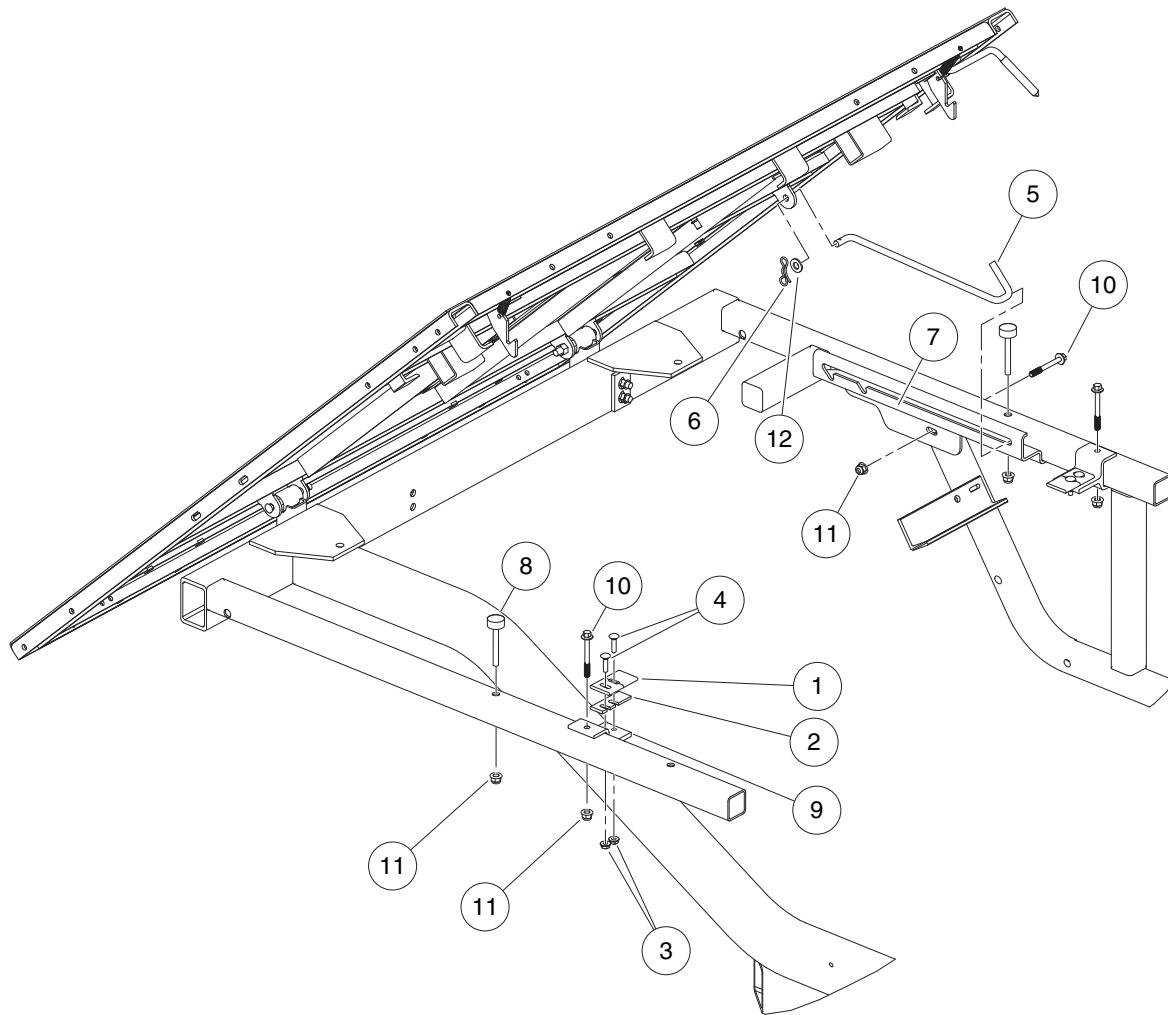
G

D

1

G

D



000036-001

LATCH PLATE AND PROP ROD

| ITEM | PART NO. | DESCRIPTION | QTY |
|------|------------------|---|-----|
| | | 1 2 3 4 | |
| 1 | <u>1015277</u> | Latch Plate, Tilt Bed | 2 |
| 2 | <u>1016078</u> | Latch Plate Shim | 1 |
| 3 | <u>101835601</u> | Locknut, 1/4-20 Hex Whiz | 4 |
| 4 | <u>101958602</u> | Bolt, Carriage, 1/4-20 X 1.0 | 4 |
| 5 | <u>102301401</u> | Rod, Prop | 1 |
| 6 | <u>102323101</u> | Pin, Bow Tie Locking | 1 |
| 7 | <u>102418101</u> | Track, Prop Rod | 1 |
| 8 | <u>102426601</u> | Bumper, Bed, Mtg, Front | 2 |
| 9 | <u>102493801</u> | Bracket, Latch, Bed | 2 |
| 10 | <u>102618301</u> | Bolt Flanged Head, M8 X 1.25 X 65 | 3 |
| 11 | 102618601 | Lock Nut, Flg M8 X 1.25 Nylon | 5 |
| 12 | <u>334</u> | Washer, 3/8 Type A Flat | 1 |

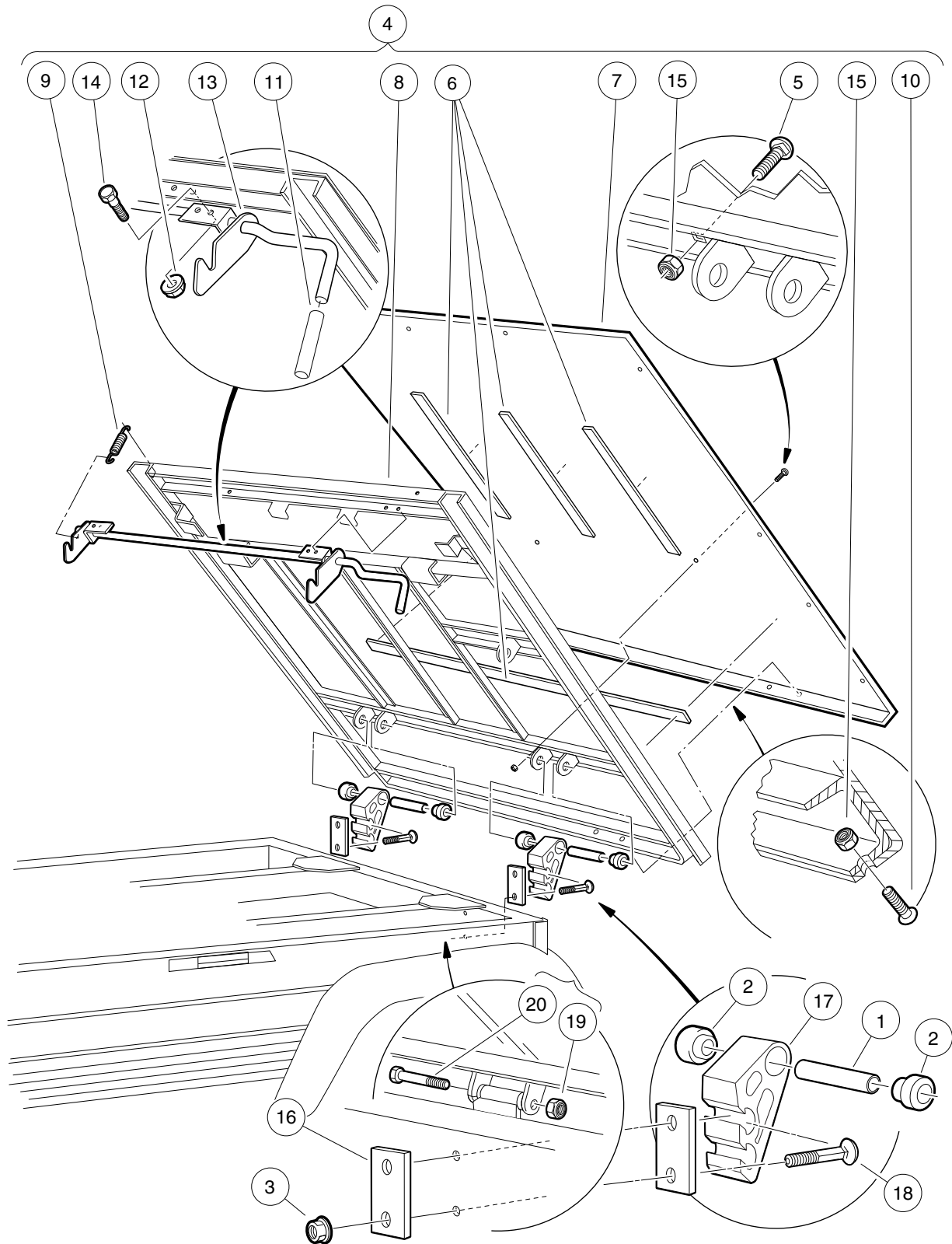
1

G

D

1
G

D



000037-001

TILT BED, HINGE, AND LATCH

| ITEM | PART NO. | DESCRIPTION | QTY |
|------|------------------|---|-----|
| | | 1 2 3 4 | |
| 1 | <u>1012303</u> | Bushing, Steel | 2 |
| 2 | <u>1015583</u> | Bushing, Urethane | 2 |
| 3 | <u>102065901</u> | Locknut, 3/8-16 Flanged Dimple | 4 |
| 4 | <u>102171503</u> | Tilt Bed Assembly (includes items 5 through 15) | 1 |
| 5 | <u>1010435</u> | Bolt, Carriage, 5/16-18 X 1.00 | 4 |
| 6 | <u>1014471</u> | Tape, Vinyl Foam 1/8" x 3/4" * | 1 |
| 7 | <u>1015258</u> | Plate, Floor Bed | 1 |
| 8 | N/A | Frame Assembly | 1 |
| 9 | N/A | Extension, Spring Latch | 2 |
| 10 | <u>1015399</u> | Screw, 5/16-18 X 0.88 Torx Truss-Head | 4 |
| 11 | <u>1015400</u> | Grip, Tilt Latch Hand | 1 |
| 12 | <u>101835601</u> | Locknut, 1/4-20 Hex Whiz | 4 |
| 13 | <u>102426901</u> | Ltch Weld Asm Tlt Bd | 1 |
| 14 | <u>403</u> | Screw, 1/4-20 X 0.625 Hex-Head Cap | 4 |
| 15 | <u>7473</u> | Locknut, 5/16-18 Nylon Insert | 8 |
| 16 | <u>102614101</u> | Plate, Back | 2 |
| 17 | <u>103538701</u> | Extra, Bracket, Hinge, Bed | 2 |
| 18 | <u>103538901</u> | 3/8-16 X 3.5 Carr Blt Gr5 Zn | 4 |
| 19 | <u>8754</u> | Locknut, 3/8-16 Hex | 2 |
| 20 | <u>8755</u> | Screw, 3/8-16 X 3.375 Hex Cap | 2 |
| | | * Note: Item not shown. | |

1

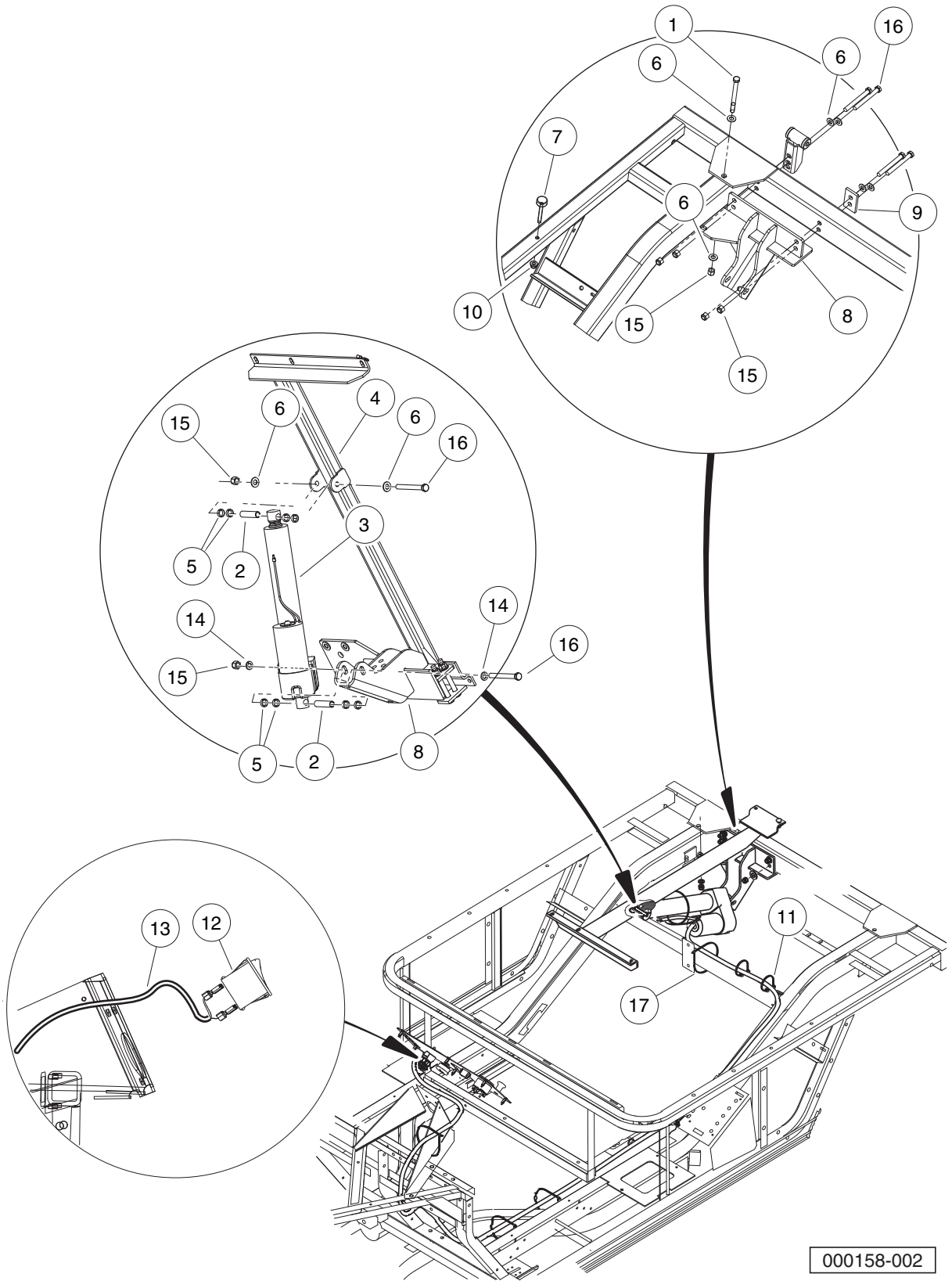
G

D

1

G

D



000158-002

ELECTRIC BED LIFT

| ITEM | PART NO. | DESCRIPTION | QTY |
|------|------------------|---|-----|
| | | 1 2 3 4 | |
| 1 | <u>1010200</u> | Bolt, 3/8-16 X 4.25 Hex Head | 1 |
| 2 | <u>1016603</u> | Bushing Long | 2 |
| 3 | <u>1017162</u> | Actuator Assembly, Electric | 1 |
| 4 | <u>1017167</u> | Actuator Adapter | 1 |
| 5 | <u>1017774</u> | Body Spacer | 8 |
| 6 | <u>102066001</u> | Washer, 3/8 Type B Hard Flat | 8 |
| 7 | <u>102426601</u> | Bumper, Bed, Mtg, Front | 2 |
| 8 | <u>102465701</u> | Weldment, Bracket, Actuator | 1 |
| 9 | <u>102614101</u> | Plate, Back | 1 |
| 10 | <u>102618601</u> | Lock Nut, Flg M8 X 1.25 Nylon | 2 |
| 11 | <u>102629001</u> | Tie Wrap, 8.00" With Mount | 2 |
| 12 | <u>102882501</u> | Switch, Rocker, Spring Return, Bed Lift | 1 |
| 13 | <u>103227001</u> | Harness, AWD Bedlift | 1 |
| 14 | <u>357</u> | Lockwasher, 3/8 Split | 2 |
| 15 | <u>8754</u> | Locknut, 3/8-16 Hex | 9 |
| 16 | <u>8755</u> | Screw, 3/8-16 X 3.375 Hex Cap | 6 |
| 17 | <u>8990</u> | Tie Wrap, 8" Nylon | 5 |

1

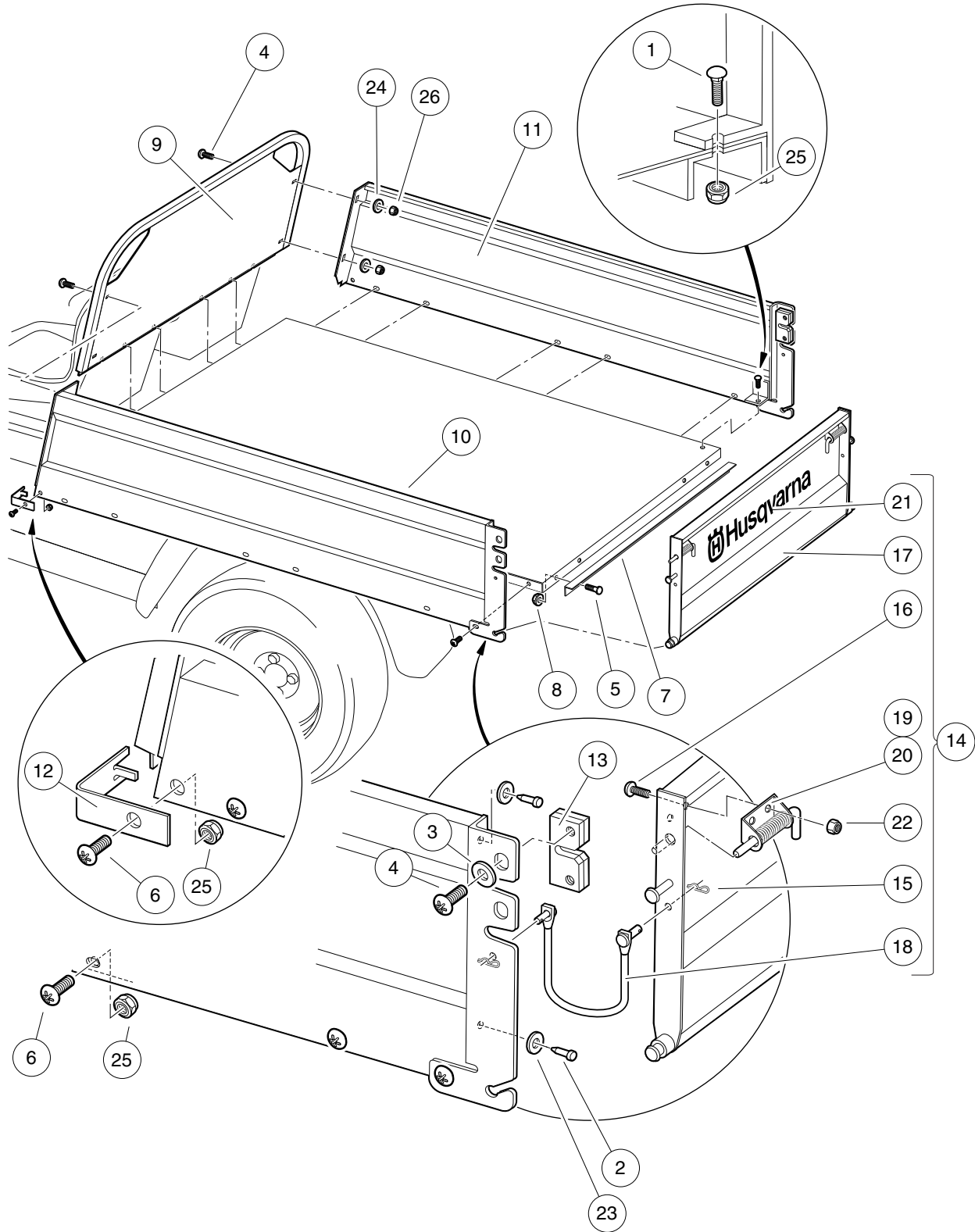
G

D

1

G

D



000038-002

CARGO BOX

| ITEM | PART NO. | DESCRIPTION | QTY |
|------|------------------|---|-----|
| | | 1 2 3 4 | |
| 1 | <u>1010435</u> | Bolt, Carriage, 5/16-18 X 1.00 | 13 |
| 2 | <u>1010436</u> | Bumper, Rubber | 4 |
| 3 | <u>1014306</u> | Washer, 1/4" Type B Flat | 4 |
| 4 | <u>1014415</u> | Screw, 1/4-20 X 0.75 Torx Truss-Head | 8 |
| 5 | <u>1014537</u> | Stud, Self-Clinching Flush Head | 4 |
| 6 | <u>1015399</u> | Screw, 5/16-18 X 0.88 Torx Truss-Head | 18 |
| 7 | <u>101894304</u> | Box Bed Tailgate Angle | 1 |
| 8 | <u>101963401</u> | Locknut, 5/16-18 Hex Flange | 4 |
| 9 | <u>102221301</u> | Front Panel Weldment | 1 |
| 10 | <u>102221401</u> | Left Panel Weldment | 1 |
| 11 | <u>102221501</u> | Right Panel Weldment | 1 |
| 12 | <u>102221701</u> | Front Corner Cap | 2 |
| 13 | <u>102222001</u> | Slam Latch | 2 |
| 14 | <u>102229904</u> | Assembly, Tailgate (includes items 15 through 22) | 1 |
| 15 | <u>1013366</u> | Hair Pin Clip | 4 |
| 16 | <u>1014415</u> | Screw, 1/4-20 X 0.75 Torx Truss-Head | 4 |
| 17 | N/A | Tailgate, Weldment | 1 |
| 18 | <u>102221801</u> | Tether Assembly | 2 |
| 19 | <u>102222101</u> | Spring Latch Left | 1 |
| 20 | <u>102222201</u> | Spring Latch Right | 1 |
| 21 | <u>102768801</u> | Decal, Husqvarna, Tailgate | 1 |
| 22 | <u>8233</u> | Locknut, 1/4-20 Nylon Insert | 4 |
| 23 | <u>102239901</u> | Washer, Rubber, 3/8 | 4 |
| 24 | <u>332</u> | Washer, 1/4 Type A Narrow Flat | 4 |
| 25 | <u>7473</u> | Locknut, 5/16-18 Nylon Insert | 31 |
| 26 | <u>8233</u> | Locknut, 1/4-20 Nylon Insert | 4 |

1

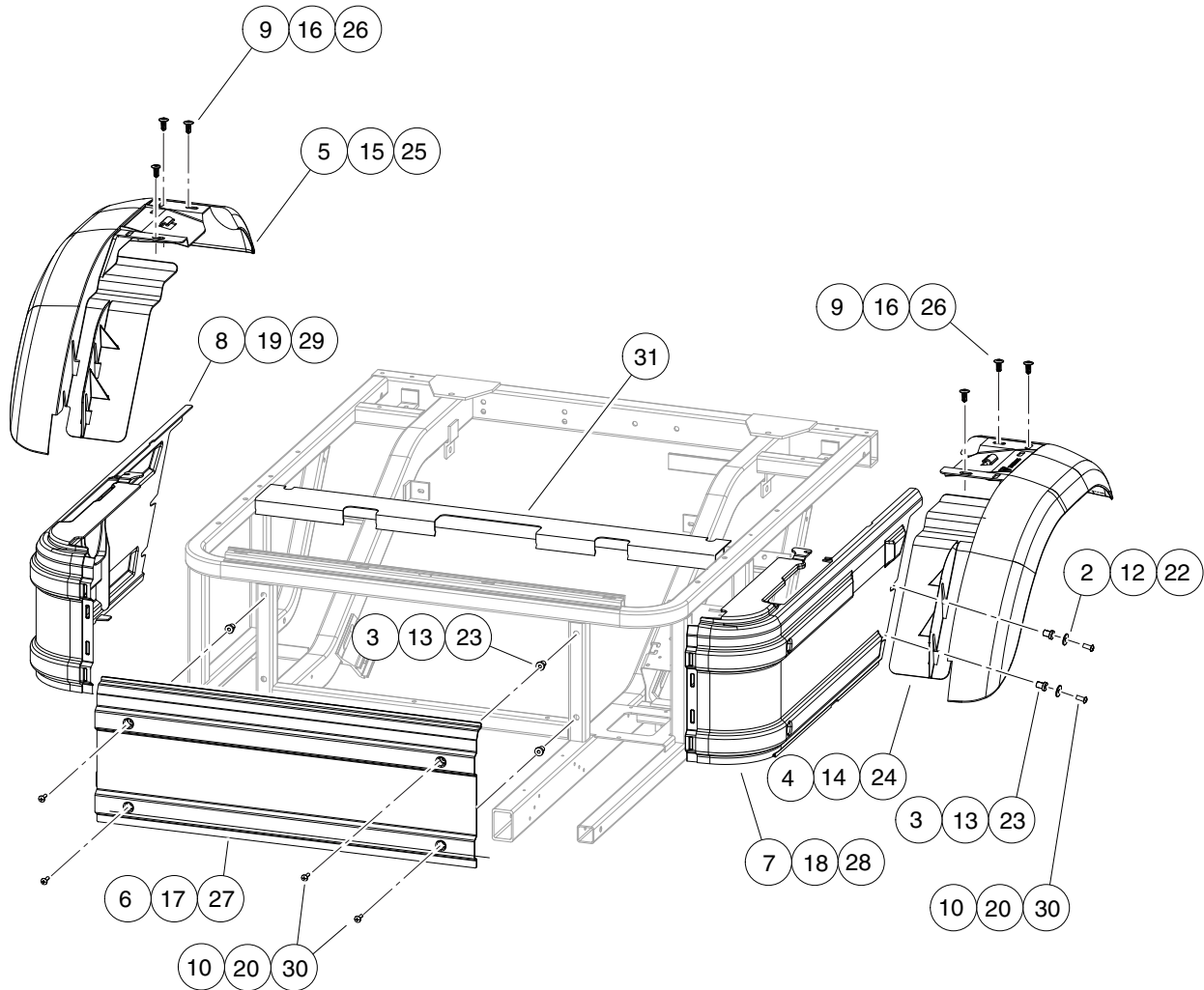
G

D

1

G

D



000518-001

SIDE PANELS AND REAR FENDERS

| ITEM | PART NO. | DESCRIPTION | QTY |
|------|------------------|--|-----|
| | | 1 2 3 4 | |
| 1 | N/A | Instl, Panels, Fenders, Blk (includes items 2 through 10) | 1 |
| 2 | <u>1014306</u> | Washer, 1/4" Type B Flat | 4 |
| 3 | <u>102491701</u> | Well Nut 1/4-20 | 8 |
| 4 | <u>102913801</u> | Left Rear Fender (Black) | 1 |
| 5 | <u>102913901</u> | Right Rear Fender (Black) | 1 |
| 6 | <u>102914001</u> | Panel, Front, Kick (Black) | 1 |
| 7 | <u>102914101</u> | Panel, Side, Molded, Driver (Black) | 1 |
| 8 | <u>102914102</u> | Panel, Side, Molded, Passenger (Black) | 1 |
| 9 | <u>103200501</u> | Screw, Tuflok, 10mm | 6 |
| 10 | <u>8251</u> | Screw, 1/4-20 X 1.0 Truss-Head Machine | 8 |
| 11 | N/A | Instl, Panels, Fenders, Rthwd (includes items 12 through 20) | 1 |
| 12 | <u>1014306</u> | Washer, 1/4" Type B Flat | 4 |
| 13 | <u>102491701</u> | Well Nut 1/4-20 | 8 |
| 14 | <u>102913801</u> | Left Rear Fender (Black) | 1 |
| 15 | <u>102913901</u> | Right Rear Fender (Black) | 1 |
| 16 | <u>103200501</u> | Screw, Tuflok, 10mm | 6 |
| 17 | <u>103289001</u> | Panel, Front, Kick (Realtree Camo) | 1 |
| 18 | <u>103289101</u> | Panel, Side, Molded, Driver (Realtree Camo) | 1 |
| 19 | <u>103289103</u> | Panel, Side, Molded, Passenger (Realtree Camo) | 1 |
| 20 | <u>8251</u> | Screw, 1/4-20 X 1.0 Truss-Head Machine | 8 |
| 21 | N/A | Instl, Panels, Fenders, Moff (includes items 22 through 30) | 1 |
| 22 | <u>1014306</u> | Washer, 1/4" Type B Flat | 4 |
| 23 | <u>102491701</u> | Well Nut 1/4-20 | 8 |
| 24 | <u>102913801</u> | Left Rear Fender (Black) | 1 |
| 25 | <u>102913901</u> | Right Rear Fender (Black) | 1 |
| 26 | <u>103200501</u> | Screw, Tuflok, 10mm | 6 |
| 27 | <u>103289002</u> | Panel, Front, Kick, Moff | 1 |
| 28 | <u>103289102</u> | Pnl, Side, Mld, Drv, Moff | 1 |
| 29 | <u>103289104</u> | Pnl, Side, Mld, Pass, Moff | 1 |
| 30 | <u>8251</u> | Screw, 1/4-20 X 1.0 Truss-Head Machine | 8 |
| 31 | <u>103331201</u> | Closeout, Extrusion | 1 |

1

G

D

1

G

D

WHEELS AND TIRES

2

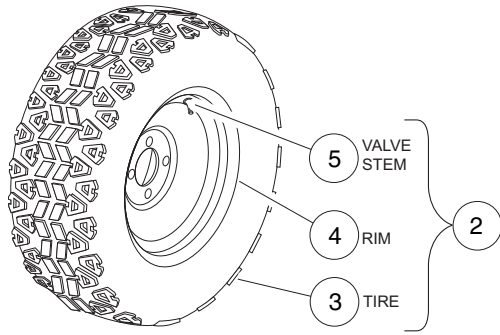
G

D

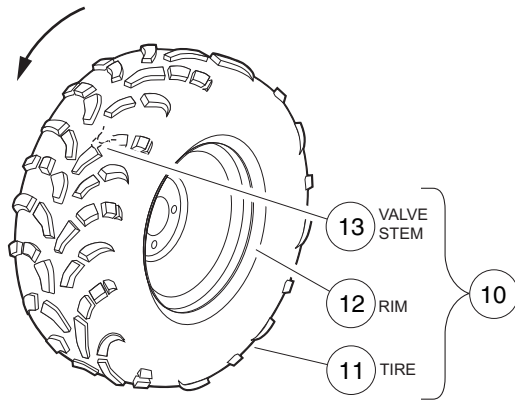
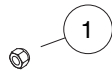
2

G

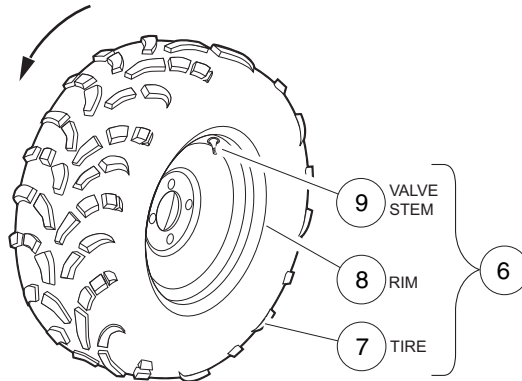
D



FOR DRIVERS OR PASSENGERS SIDE



FOR PASSENGERS SIDE ONLY



FOR DRIVERS SIDE ONLY

000506-001

WHEELS AND TIRES

| ITEM | PART NO. | DESCRIPTION | QTY |
|------|------------------|--|-----|
| | | 1 2 3 4 | |
| 1 | <u>102736901</u> | Nut, Lug, 1/2-20 SAE J2283 | 16 |
| 2 | <u>102943807</u> | Black Tire Asm HDAT 10.5 In (includes items 3 through 5) | 4 |
| 3 | <u>102943101</u> | Heavy Duty All Terrain Tire, 25" | 1 |
| 4 | <u>103234503</u> | Wheel, All trail, 10 Window, Black | 1 |
| 5 | <u>7310</u> | Valve Stem | 1 |
| 6 | N/A | Black Tire Asm Mud 11.0 In Left-Hand (includes items 7 through 9) | 2 |
| 7 | <u>102945701</u> | Mud Tire, 25" | 1 |
| 8 | <u>103234503</u> | Wheel, All trail, 10 Window, Black | 1 |
| 9 | <u>7310</u> | Valve Stem | 1 |
| 10 | N/A | Black Tire Asm Mud 11.0 In Right-Hand (includes items 11 through 13) | 2 |
| 11 | <u>102945701</u> | Mud Tire, 25" | 1 |
| 12 | <u>103234503</u> | Wheel, All trail, 10 Window, Black | 1 |
| 13 | <u>7310</u> | Valve Stem | 1 |

2

G

D

2

G

D

DECALS

3

G

D

3
G

D

UNDER 16

WARNING
YOUNG DRIVERS INCREASE CHANCE OF DEATH

- Young drivers may not be able to control vehicle.
- No drivers younger than 16 years old.
- Do not leave children unattended on vehicle.

CCI 10245401

WARNING

ROLLOVER OR FALLING OFF MAY CAUSE DEATH

- Read owner's manual and operating instructions.
- Fasten seat belts and remain seated while moving.
- Children requiring a child safety seat must not ride on vehicle. Comply with state and local laws pertaining to child safety.
- Drive slowly in turns and straight up and down slopes.
- Do not start vehicle until all occupants are seated.
- Two (2) persons per bench seat maximum.
- One (1) person per bucket seat maximum.
- Operate from driver side only and not on public roads.
- Keep entire body inside vehicle while moving.
- Do not operate while under the influence of alcohol or drugs.
- Never attempt jumps and avoid extreme braking in reverse.

CCI 102864401

WARNING

- Do not modify or remove Roll-over Protective Structure (ROPS).
- Replace ROPS if damaged. Do not attempt repair.
- Use seat belts during operation. Do not jump from vehicle.
- Keep away from drop-offs, steep slopes, and unstable surfaces.

CCI 102961201

WARNING

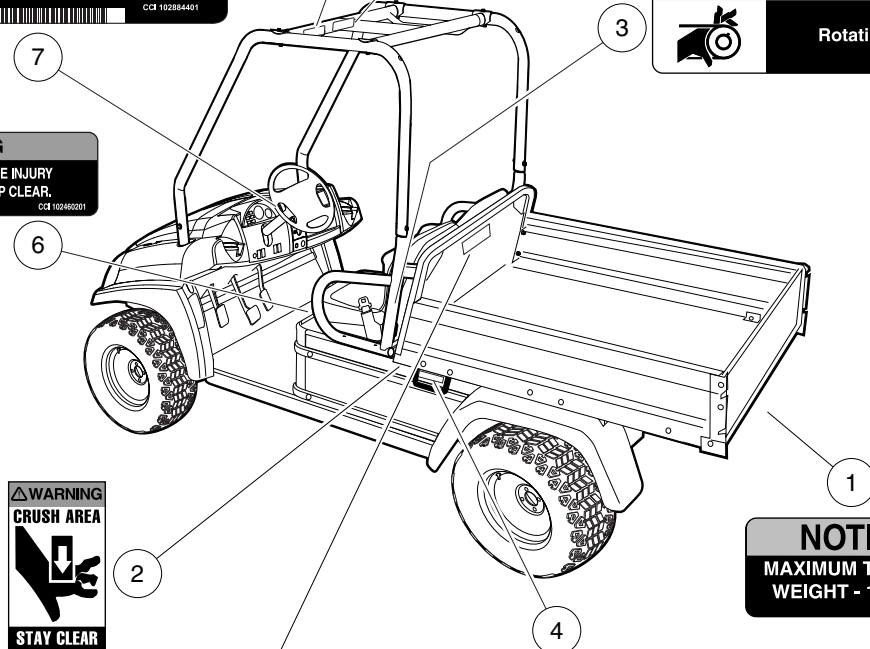
Rotating Parts

CCI 102224001

WARNING

CAN CAUSE SEVERE INJURY
Rotating parts. KEEP CLEAR.

CCI 102462001



WARNING

CRUSH AREA

STAY CLEAR

CCI 101609401

WARNING

Crush area. Can cause severe injury.
Stay clear when closing bed.

CCI 102462001

NOTICE

MAXIMUM TONGUE WEIGHT - 150 lbs.

CCI 1011553

WARNING

RIDING IN CARGO BED CAN CAUSE SEVERE INJURY OR DEATH.

- Do not ride in cargo bed.

VEHICLE LOADING

- Read owner's manual and warnings on dash.
- Maximum gross vehicle weight: 2750 lb. (1247 kg)
- Maximum cargo load: 800 lb. (363 kg)
- Includes cargo bed load and gross trailer weight.
- Maximum cargo load is reduced by the weight of optional equipment.
- Maximum trailer hitch tongue weight: 150 lb. force (667 N).

PREVENT VEHICLE ROLL-OVER.

- Place cargo forward in the cargo bed and distribute evenly side to side. Secure load.
- On uneven or steep terrain reduce speed and load. Avoid stopping on or backing down steep hills.
- Avoid top-heavy loads. See owner's manual.

CCI 103202001

WARNING

RIDING IN CARGO BED CAN CAUSE SEVERE INJURY OR DEATH.

- Do not ride in cargo bed.

HIGH CAPACITY VEHICLE LOADING

- Read owner's manual and warnings on dash.
- Maximum gross vehicle weight: 3012 lb. (1366 kg)
- Maximum cargo load: 1050 lb. (476 kg)
- Includes cargo bed load and gross trailer weight.
- Maximum cargo load is reduced by the weight of optional equipment.
- Maximum trailer hitch tongue weight: 150 lb. force (667 N).

PREVENT VEHICLE ROLL-OVER.

- Place cargo forward in the cargo bed and distribute evenly side to side. Secure load.
- On uneven or steep terrain reduce speed and load. Avoid stopping on or backing down steep hills.
- Avoid top heavy loads. See owner's manual.

CCI 103210401

000551-001

SAFETY DECALS

| ITEM | PART NO. | DESCRIPTION | QTY |
|------|------------------|---|-----|
| | | 1 2 3 4 | |
| 1 | <u>1011553</u> | Decal, Trailer Hitch | 1 |
| 2 | <u>101609401</u> | Decal, Crush Area Warning | 2 |
| 3 | <u>102224001</u> | Decal, Rotating Parts Warning | 1 |
| 4 | <u>102459301</u> | Decal, Bed Crush Area Warning | 1 |
| 5 | <u>102459401</u> | Decal, Young Driver Warning | 1 |
| 6 | <u>102460201</u> | Decal, Rotating Parts Warning | 1 |
| 7 | <u>102884401</u> | Decal, Warning, Rollover | 1 |
| 8 | <u>102961201</u> | Decal, Warning, AWD ROPS | 1 |
| 9 | <u>103202601</u> | Decal, Vehicles Loading, Standard Vehicle | 1 |
| 10 | <u>103210401</u> | Decal, Loading Capacity, High Capacity Option | 1 |

3

G

D

3

G

D

WARNING

DIESEL FUEL EXPLOSION / FIRE.

- Can cause severe injury or death.
- No smoking, sparks, or open flame.
- Stop engine, allow to cool before refueling.

CCI 102459201

WARNING

GASOLINE EXPLOSION / FIRE.

- Can cause severe injury or death.
- No smoking, sparks, or open flame.
- Stop engine, allow to cool before refueling.
- Turn fuel valve (→) on during operation.
- (←) off during storage or transport.

CCI 101517901

OPERATING INSTRUCTIONS

- Read owner's manual and vehicle safety warnings. Study and understand controls.

TO START ENGINE

- Place shift lever in NEUTRAL (N) and press brake pedal.
- Turn key to START and hold until engine starts.

Diesel Vehicles Only:

- If required, turn key to PREHEAT and hold for 10-15 seconds.

TO OPERATE VEHICLE

- Ensure wheels are turned in desired direction and path is clear.
- With vehicle stopped and engine at idle, select vehicle direction.

↑ Forward N Neutral ↓ Reverse (Buzzer will sound)

- Release park brake and slowly press accelerator pedal to increase speed.
- All-wheel drive will automatically drive appropriate wheel(s).

TO STOP VEHICLE

- Release accelerator pedal and push brake pedal.

BEFORE LEAVING VEHICLE

- Turn key to OFF and remove key.
- Place shift lever in NEUTRAL (N).
- Firmly set park brake.

CCI 102584301

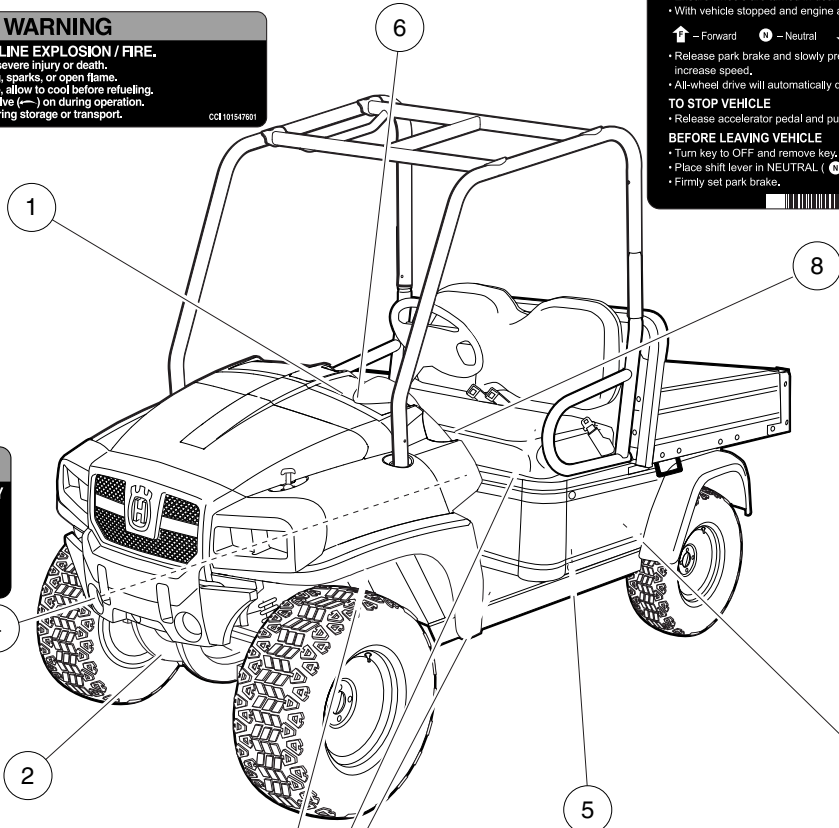
WARNING

CAN CAUSE SEVERE INJURY

HOT manifold

KEEP CLEAR

CCI 102459001



WARNING

WINCH CABLE FRACTURE COULD RESULT IN SERIOUS INJURY OR DEATH.

- Do not use winch while persons are seated on the vehicle.
- Use remote operation switch for winch control.
- Stand to the side and away from the vehicle to operate winch.
- Read winch operator manual before operating winch.

102231601

WARNING

Negative frame ground. Can cause severe injury. Do not contact positive (+) battery post or cable to frame. Disconnect negative (-) battery cable first.

CCI 102459101

WARNING

CAN CAUSE SEVERE BURNS

Hot Surface

CCI 102458901

WARNING

CAN CAUSE SEVERE INJURY

Rotating parts. KEEP CLEAR.

WARNING

CAN CAUSE SEVERE INJURY

Hot manifold and muffler. KEEP CLEAR.

CCI 102459501

000551-002

SAFETY DECALS, CONTINUED

| ITEM | PART NO. | DESCRIPTION | QTY |
|------|------------------|---|-----|
| | | 1 2 3 4 | |
| 1 | <u>101547601</u> | Decal, Gasoline Explosion/Fire Warning | 1 |
| 2 | <u>102231601</u> | Decal, Winch Cable Fracture Warning | 1 |
| 3 | <u>102458901</u> | Decal, Hot Surface Warning | 3 |
| 4 | <u>102459001</u> | Decal, Hot Manifold Warning | 1 |
| 5 | <u>102459101</u> | Decal, Frame Ground Warning | 1 |
| 6 | <u>102459201</u> | Decal, Diesel Explosion/Fire Warning | 1 |
| 7 | <u>102459501</u> | Decal, Rotating Parts and Hot Exhaust Warning | 1 |
| 8 | <u>102884301</u> | Decal, Operating Instr, AWD | 1 |

3

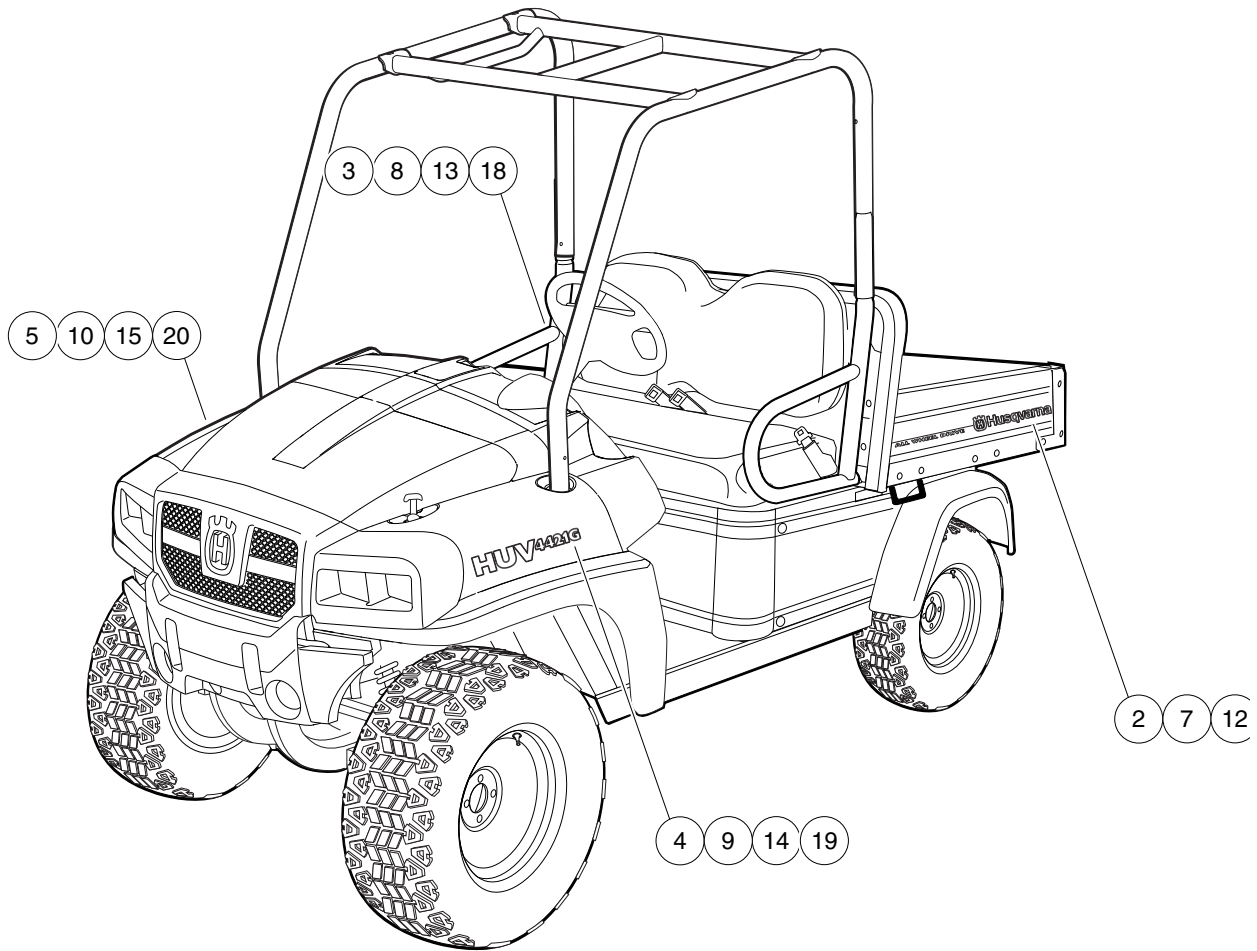
G

D

3

G

D



000550-001

BADGING DECALS, HUV 4421-G

| ITEM | PART NO. | DESCRIPTION | QTY |
|------|------------------|---|-----|
| | | 1 2 3 4 | |
| 1 | N/A | Instl, Decal, Huv4421g,moff (includes items 2 through 5) | 1 |
| 2 | <u>103252418</u> | Decal, Bed, 4421,huv, Moff, Ds | 1 |
| 3 | <u>103252518</u> | Decal, Bed, 4421,huv, Moff, Ps | 1 |
| 4 | 103252618 | Decal, Bct2200s, Driver-Side, Camo | 1 |
| 5 | 103252718 | Decal, Bct2200s, Passenger-Side, Camo | 1 |
| 6 | N/A | Instl,decal,huv4421g,rtgrn (includes items 7 through 10) | 1 |
| 7 | N/A | Decal, Bed, 4421,huv,rtgrn, Ds | 1 |
| 8 | N/A | Decal, Bed,4421,huv, Rtgrn, Ps | 1 |
| 9 | <u>103271618</u> | Decal, Huv 4421g, Moff, Ds | 1 |
| 10 | <u>103271718</u> | Decal, Huv 4421g, Moff, Ps | 1 |
| 11 | N/A | Instl,decal,huv4421g,orange (includes items 12 through 15) | 1 |
| 12 | <u>103252453</u> | Decal, Bed, 4421,huv,orange,ds | 1 |
| 13 | <u>103252553</u> | Decal, Bed,4421,huv, Orange,ps | 1 |
| 14 | <u>103271653</u> | Decal, Huv 4421g, Orange, Ds | 1 |
| 15 | <u>103271753</u> | Decal, Huv 4421g, Orange, Ps | 1 |
| 16 | N/A | Instl,decal,huv4421g,olv Grn (includes items 17 through 20) | 1 |
| 17 | <u>103252454</u> | Decal, Bed,4421,huv,olv Grn,ds | 1 |
| 18 | <u>103252554</u> | Decal, Bed,4421,huv,olv Grn,ps | 1 |
| 19 | <u>103271654</u> | Decal, Huv 4421g, Olv Grn, Ds | 1 |
| 20 | <u>103271754</u> | Decal, Huv 4421g, Olv Grn, Ps | 1 |

3

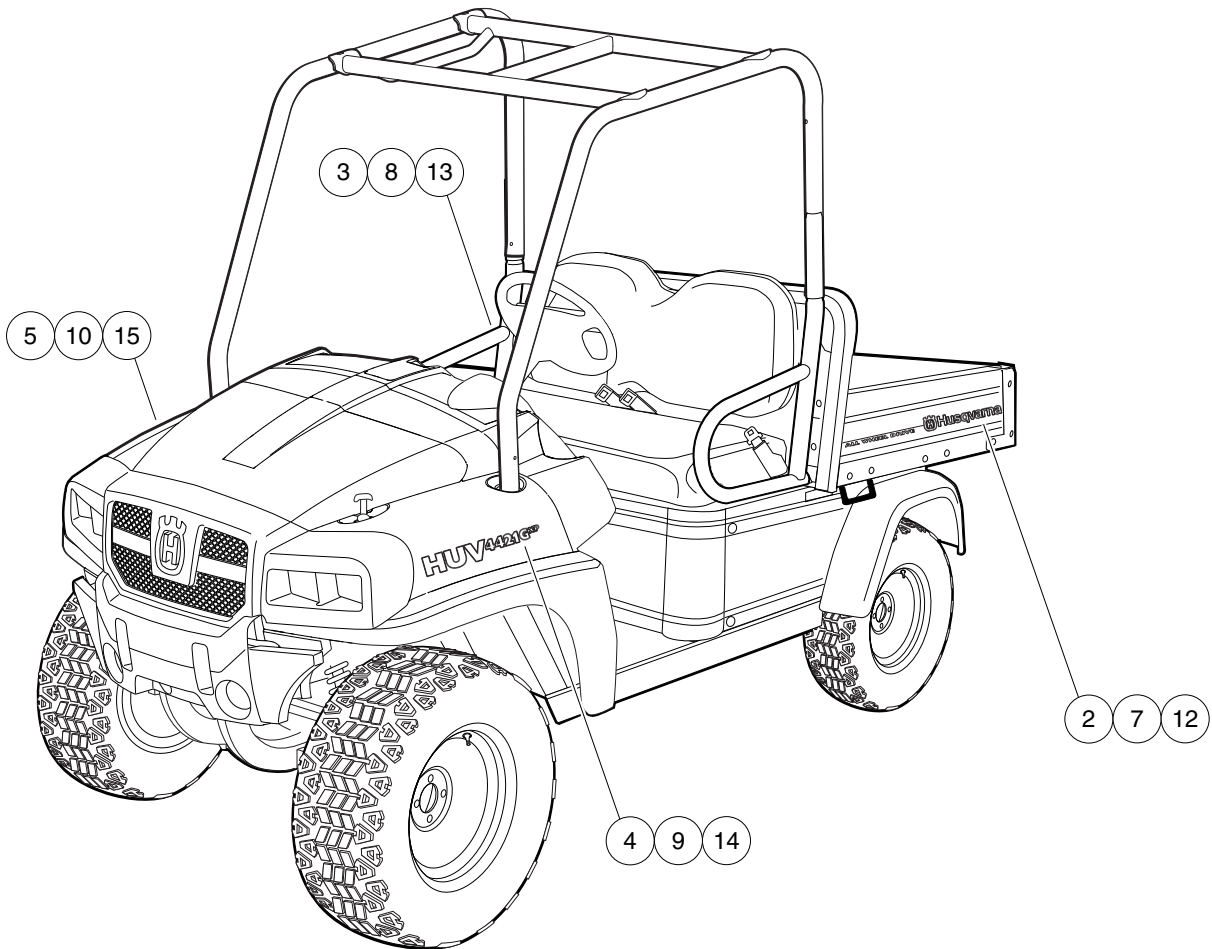
G

D

3

G

D



000550-002

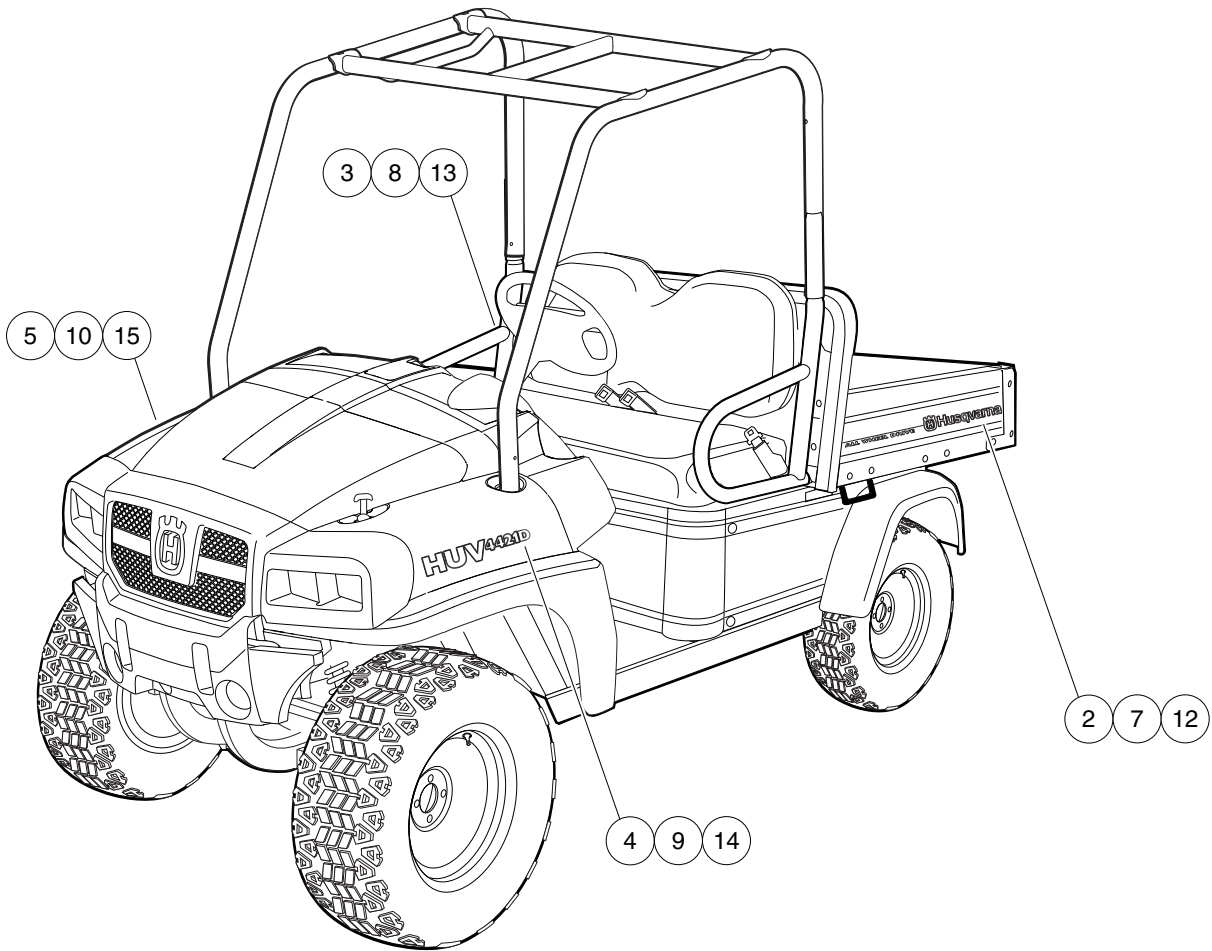
BADGING DECALS, HUV 4421-GX

| ITEM | PART NO. | DESCRIPTION | QTY | |
|------|------------------|--|-----|----------|
| | | 1 2 3 4 | | 3 |
| 1 | N/A | Instl,decal,huv4421gx,moff (includes items 2 through 5) | 1 | G |
| 2 | <u>103252418</u> | Decal, Bed, 4421,huv, Moff, Ds | 1 | |
| 3 | <u>103252518</u> | Decal, Bed, 4421,huv, Moff, Ps | 1 | |
| 4 | 103272018 | Decal, Huv 4421gx, Moff, Ds | 1 | |
| 5 | 103272118 | Decal, Huv 4421gx, Moff, Ps | 1 | D |
| 6 | N/A | Instl,decal,huv4421gx,orange (includes items 7 through 10) | 1 | |
| 7 | <u>103252453</u> | Decal, Bed, 4421,huv,orange,ds | 1 | |
| 8 | <u>103252553</u> | Decal, Bed,4421,huv, Orange,ps | 1 | |
| 9 | 103272053 | Decal,huv 4421gx, Orange, Ds | 1 | |
| 10 | 103272153 | Decal,huv 4421gx, Orange, Ps | 1 | |
| 11 | N/A | Instl,decal,huv4421gx,olv Grn (includes items 12 through 15) | 1 | |
| 12 | <u>103252454</u> | Decal, Bed,4421,huv,olv Grn,ds | 1 | |
| 13 | <u>103252554</u> | Decal, Bed,4421,huv,olv Grn,ps | 1 | |
| 14 | 103272054 | Decal,huv 4421gx, Olv Grn, Ds | 1 | |
| 15 | <u>103272154</u> | Decal,huv 4421gx, Olv Grn, Ps | 1 | |

3

G

D



000550-003

BADGING DECALS, HUV 4421-D

| ITEM | PART NO. | DESCRIPTION | QTY |
|------|------------------|---|-----|
| | | 1 2 3 4 | |
| 1 | N/A | Instl,decal,huv4421d, Moff (includes items 2 through 5) | 1 |
| 2 | <u>103252418</u> | Decal, Bed, 4421,huv, Moff, Ds | 1 |
| 3 | <u>103252518</u> | Decal, Bed, 4421,huv, Moff, Ps | 1 |
| 4 | <u>103271818</u> | Decal, Huv 4421d, Moff, Ds | 1 |
| 5 | <u>103271918</u> | Decal, Huv 4421d, Moff, Ps | 1 |
| 6 | N/A | Instl,decal,huv4421d,orange (includes items 7 through 10) | 1 |
| 7 | <u>103252453</u> | Decal, Bed, 4421,huv,orange,ds | 1 |
| 8 | <u>103252553</u> | Decal, Bed,4421,huv, Orange,ps | 1 |
| 9 | <u>103271853</u> | Decal, Huv 4421d, Orange, Ds | 1 |
| 10 | <u>103271953</u> | Decal, Huv 4421d, Orange, Ps | 1 |
| 11 | N/A | Instl,decal,huv4421d,olv Grn (includes items 12 through 15) | 1 |
| 12 | <u>103252454</u> | Decal, Bed,4421,huv,olv Grn,ds | 1 |
| 13 | <u>103252554</u> | Decal, Bed,4421,huv,olv Grn,ps | 1 |
| 14 | <u>103271854</u> | Decal, Huv 4421d, Olv Grn, Ds | 1 |
| 15 | <u>103271954</u> | Decal, Huv 4421d, Olv Grn, Ps | 1 |

3

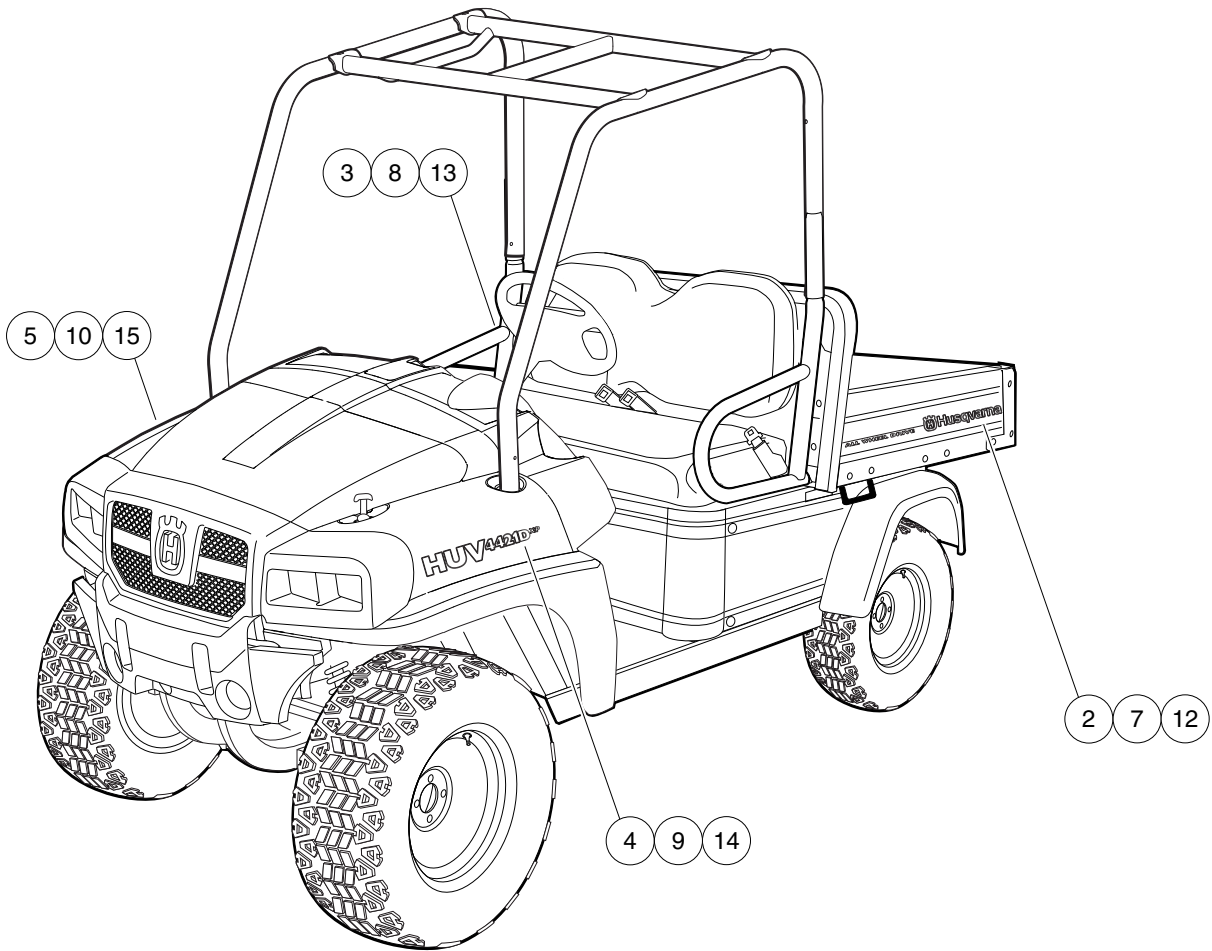
G

D

3

G

D



000550-004

BADGING DECALS, HUV 4421-DX

| ITEM | PART NO. | DESCRIPTION | QTY |
|------|------------------|---|-----|
| | | 1 2 3 4 | |
| 1 | N/A | Instl,decal,huv4421 dx,moff (includes items 2 through 5) | 1 |
| 2 | <u>103252418</u> | Decal, Bed, 4421,huv, Moff, Ds | 1 |
| 3 | <u>103252518</u> | Decal, Bed, 4421,huv, Moff, Ps | 1 |
| 4 | 103272218 | Decal, Huv, 4421 dx, Moff, Ds | 1 |
| 5 | 103272318 | Decal, Huv, 4421 dx, Moff, Ps | 1 |
| 6 | N/A | Instl,decal,huv4421 dx,orange (includes items 7 through 10) | 1 |
| 7 | <u>103252453</u> | Decal, Bed, 4421,huv,orange,ds | 1 |
| 8 | <u>103252553</u> | Decal, Bed,4421,huv, Orange,ps | 1 |
| 9 | 103272253 | Decal,huv 4421 dx, Orange, Ds | 1 |
| 10 | 103272353 | Decal,huv 4421 dx, Orange, Ps | 1 |
| 11 | N/A | Instl,decal,huv4421 dx,olv Grn (includes items 12 through 15) | 1 |
| 12 | <u>103252454</u> | Decal, Bed,4421,huv,olv Grn,ds | 1 |
| 13 | <u>103252554</u> | Decal, Bed,4421,huv,olv Grn,ps | 1 |
| 14 | 103272254 | Decal,huv 4421 dx, Olv Grn, Ds | 1 |
| 15 | 103272354 | Decal,huv 4421 dx, Olv Grn, Ps | 1 |

3

G

D

3

G

D

BRAKE SYSTEMS

4

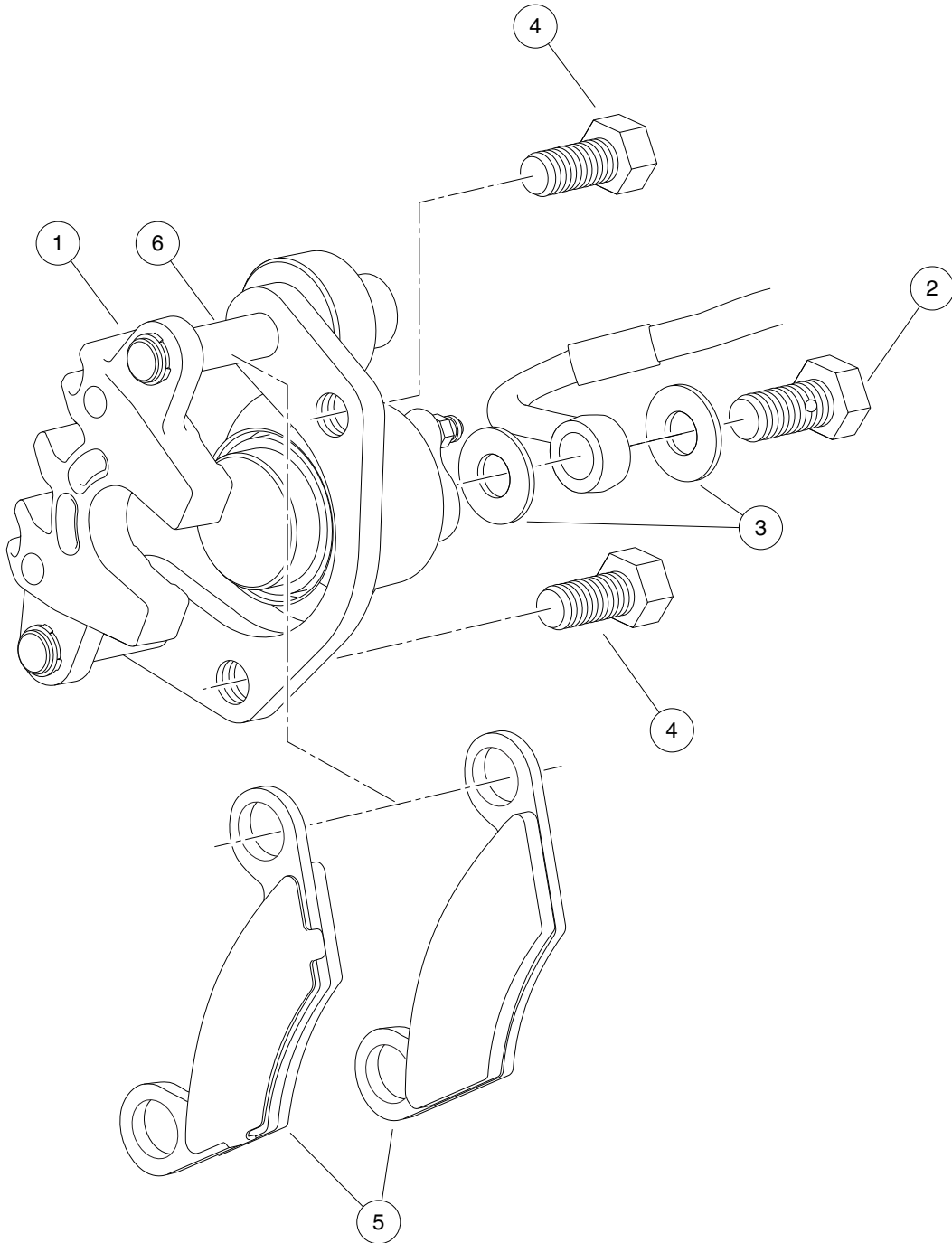
G

D

4

G

D



000067-001

FRONT BRAKE ASSEMBLY

| ITEM | PART NO. | DESCRIPTION | QTY |
|------|------------------|--|-----|
| | | 1 2 3 4 | |
| 1 | <u>102367601</u> | Brake Caliper, Front, with Brake Pads | 2 |
| 2 | <u>102488001</u> | Bolt, Banjo, M10x1x19 | 2 |
| 3 | <u>102491601</u> | Washer, Copper, M10 Crush | 4 |
| 4 | <u>102493301</u> | Bolt Flange Head, 3/8-24x.750 with Loctite | 4 |
| 5 | <u>102714001</u> | Service Kit, Brake Pad (4 Pads) | 1 |
| 6 | <u>103418801</u> | Pin, Slide, 7/16 | 2 |

4

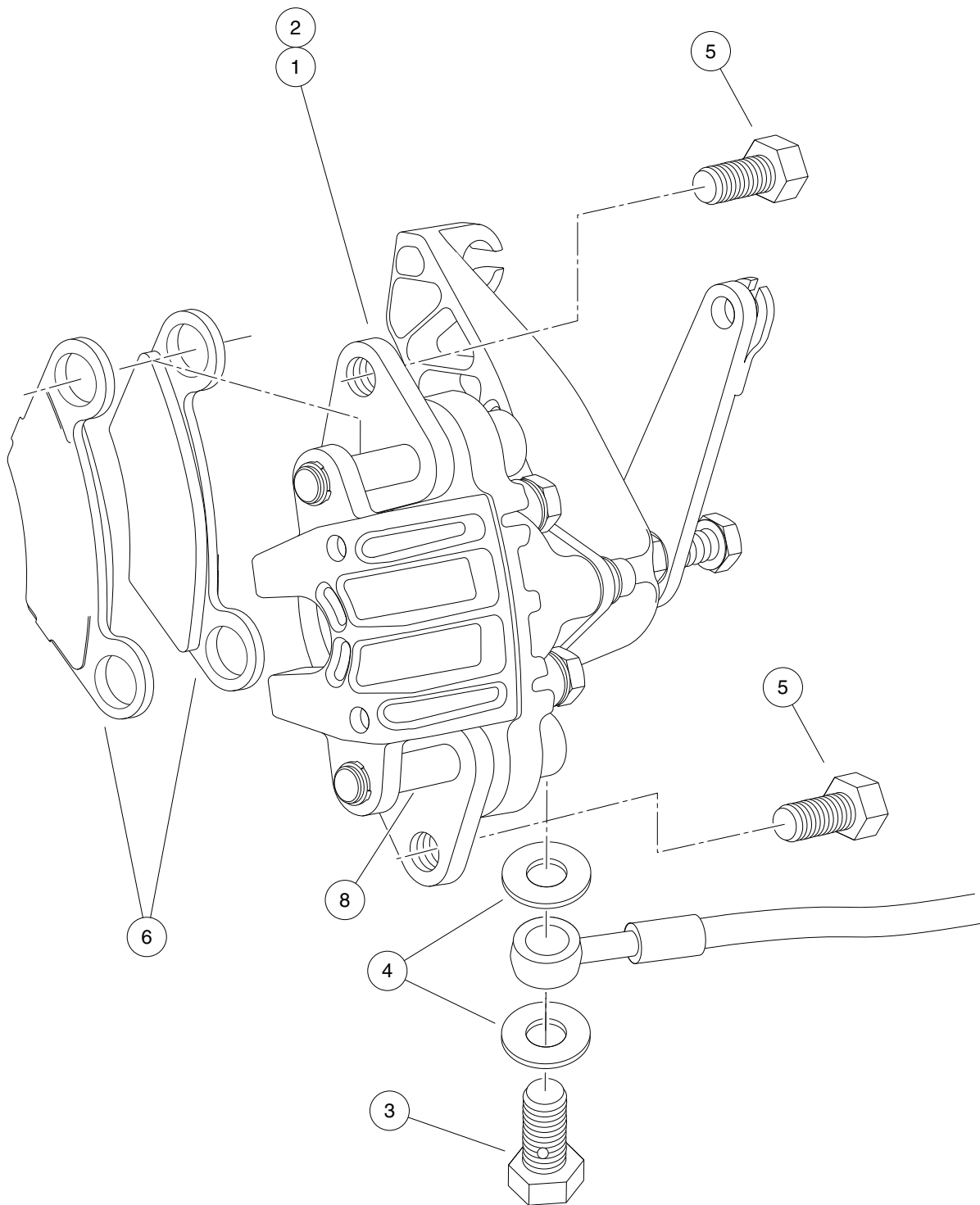
G

D

4

G

D



000068-001

REAR BRAKE ASSEMBLY

| ITEM | PART NO. | DESCRIPTION | QTY |
|------|------------------|--|-----|
| | | 1 2 3 4 | |
| 1 | <u>102399201</u> | Caliper, Brake, Hydro-Mechanical, LH | 1 |
| 2 | <u>102399202</u> | Caliper, Brake, Hydro-Mechanical, RH | 1 |
| 3 | <u>102488001</u> | Bolt, Banjo, M10x1x19 | 2 |
| 4 | <u>102491601</u> | Washer, Copper, M10 Crush | 4 |
| 5 | <u>102493301</u> | Bolt Flange Head, 3/8-24x.750 with Loctite | 4 |
| 6 | <u>102714001</u> | Service Kit, Brake Pad (4 Pads) | 1 |
| 7 | <u>103418701</u> | Spring, Brake Caliper, Return | 1 |
| 8 | <u>103418801</u> | Pin, Slide, 7/16 | 2 |

4

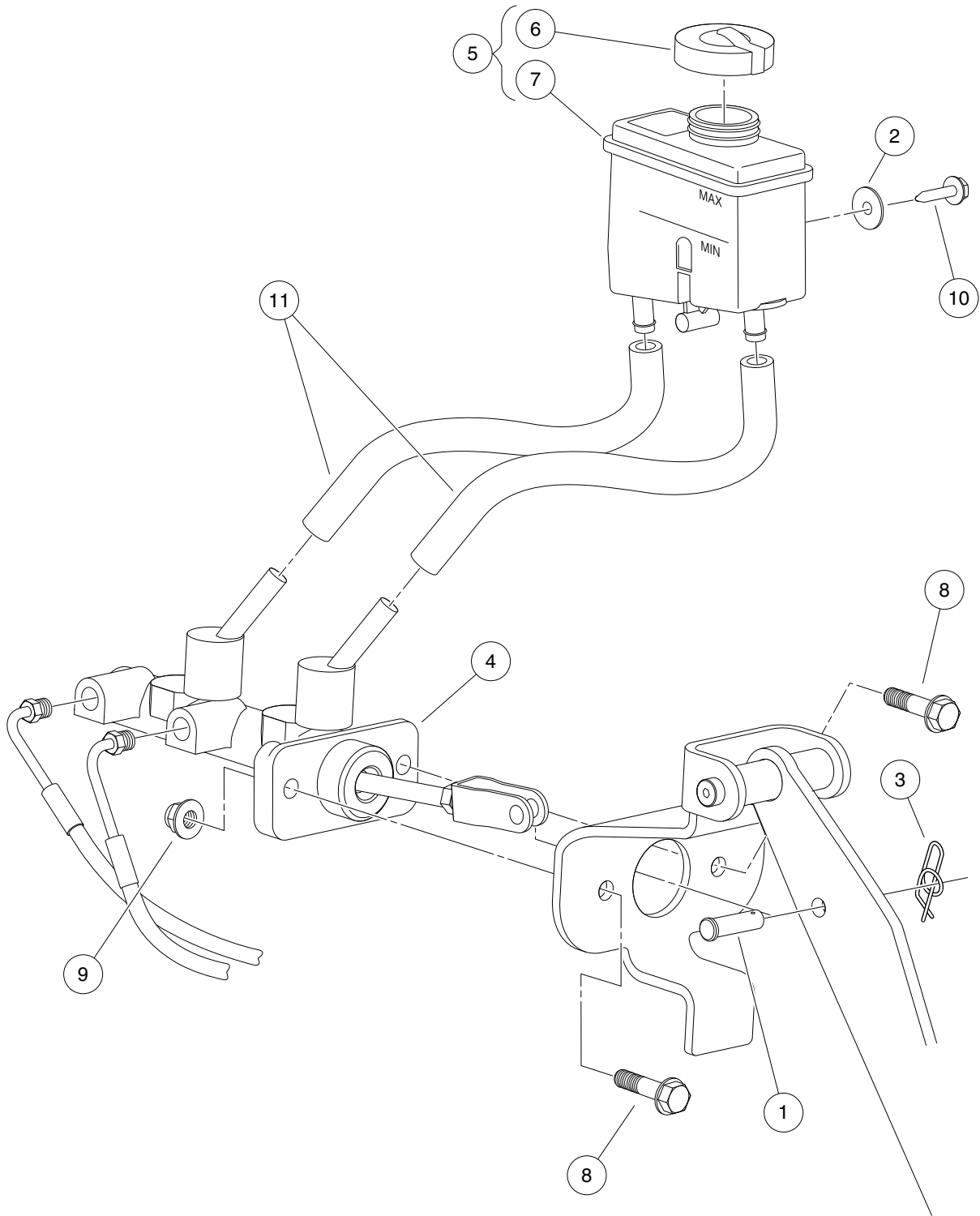
G

D

4

G

D



000069-002

MASTER CYLINDER WITH REMOTE RESERVOIR

| ITEM | PART NO. | DESCRIPTION | QTY |
|------|------------------|--|-----|
| | | 1 2 3 4 | |
| 1 | <u>101082903</u> | Clevis Pin, 5/16 X 1 | 1 |
| 2 | <u>1014306</u> | Washer, 1/4" Type B Flat | 1 |
| 3 | <u>102176901</u> | Pin, Rue | 1 |
| 4 | <u>102402801</u> | Cylinder, Master, Tandem | 1 |
| 5 | <u>102402901</u> | Assembly, Reservoir, Remote (includes items 6 and 7) | 1 |
| 6 | <u>102051401</u> | Filler Cap Asm | 1 |
| 7 | N/A | Reservoir, Brake Fluid, Without Cap | 1 |
| 8 | <u>102618401</u> | Bolt Flanged Head, M8 X 1.25 X 35 | 2 |
| 9 | <u>102618601</u> | Lock Nut, Flg M8 X 1.25 Nylon | 2 |
| 10 | <u>103218213</u> | Screw, #10x3.50 Ab Thd, Hex Hd | 1 |
| 11 | <u>103293201</u> | Hose, Reservoir, Brake Fluid | 2 |

4

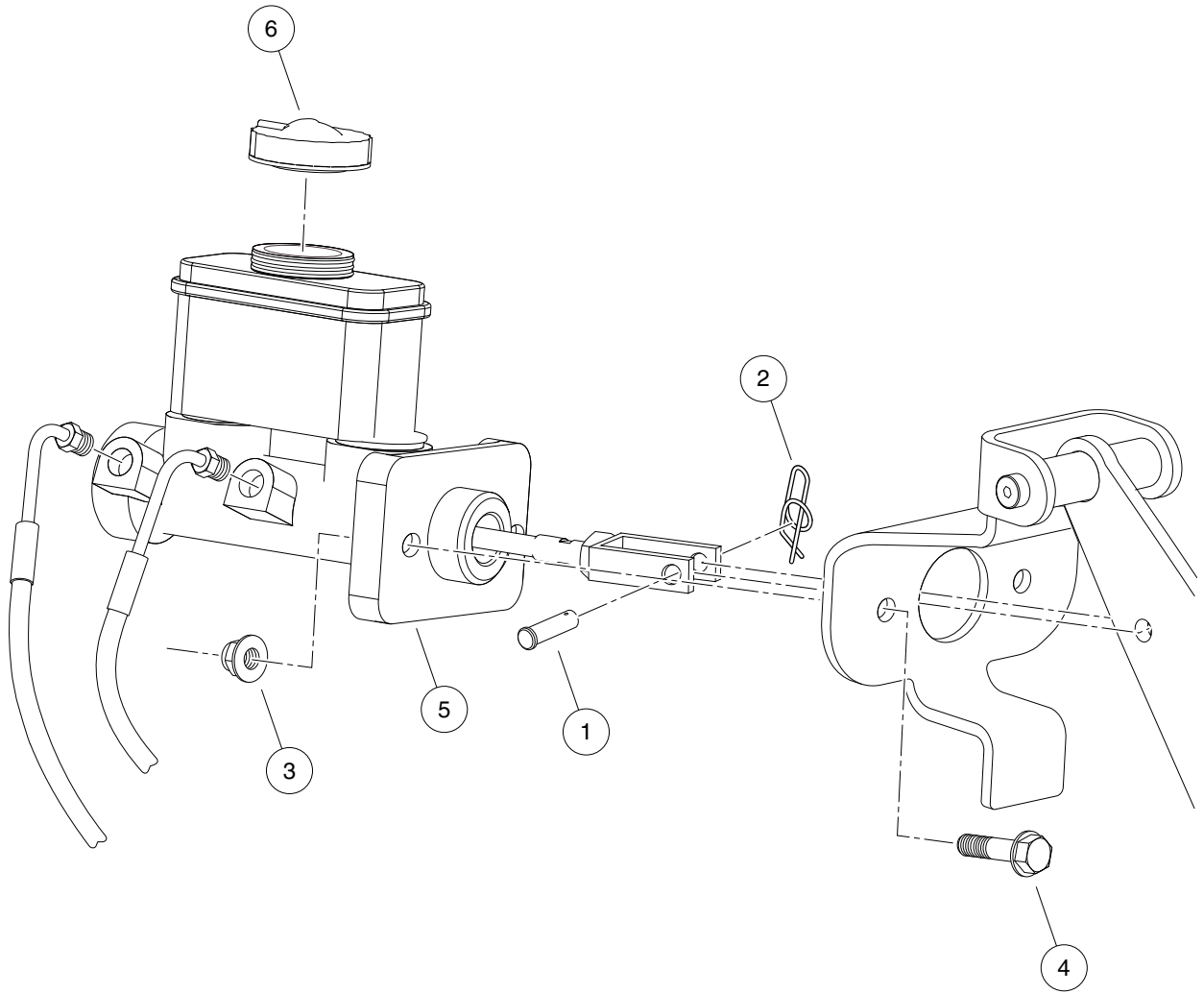
G

D

4
G



D



000792-001

MASTER CYLINDER WITH INTEGRAL RESERVOIR

| ITEM | PART NO. | DESCRIPTION | QTY |
|------|------------------|---|-----|
| | | 1 2 3 4 | |
| 1 | <u>101082903</u> | Clevis Pin, 5/16 X 1 | 1 |
| 2 | <u>102176901</u> | Pin, Rue | 1 |
| 3 | <u>102298401</u> | Nut,m8,all Metal Lock | 2 |
| 4 | <u>102618401</u> | Bolt Flanged Head, M8 X 1.25 X 35 | 2 |
| 5 | <u>103376101</u> | Cylinder, Master, Integral Res | 1 |
| 6 | <u>103380701</u> | Filler Cap Asm Integral Res | 1 |

4

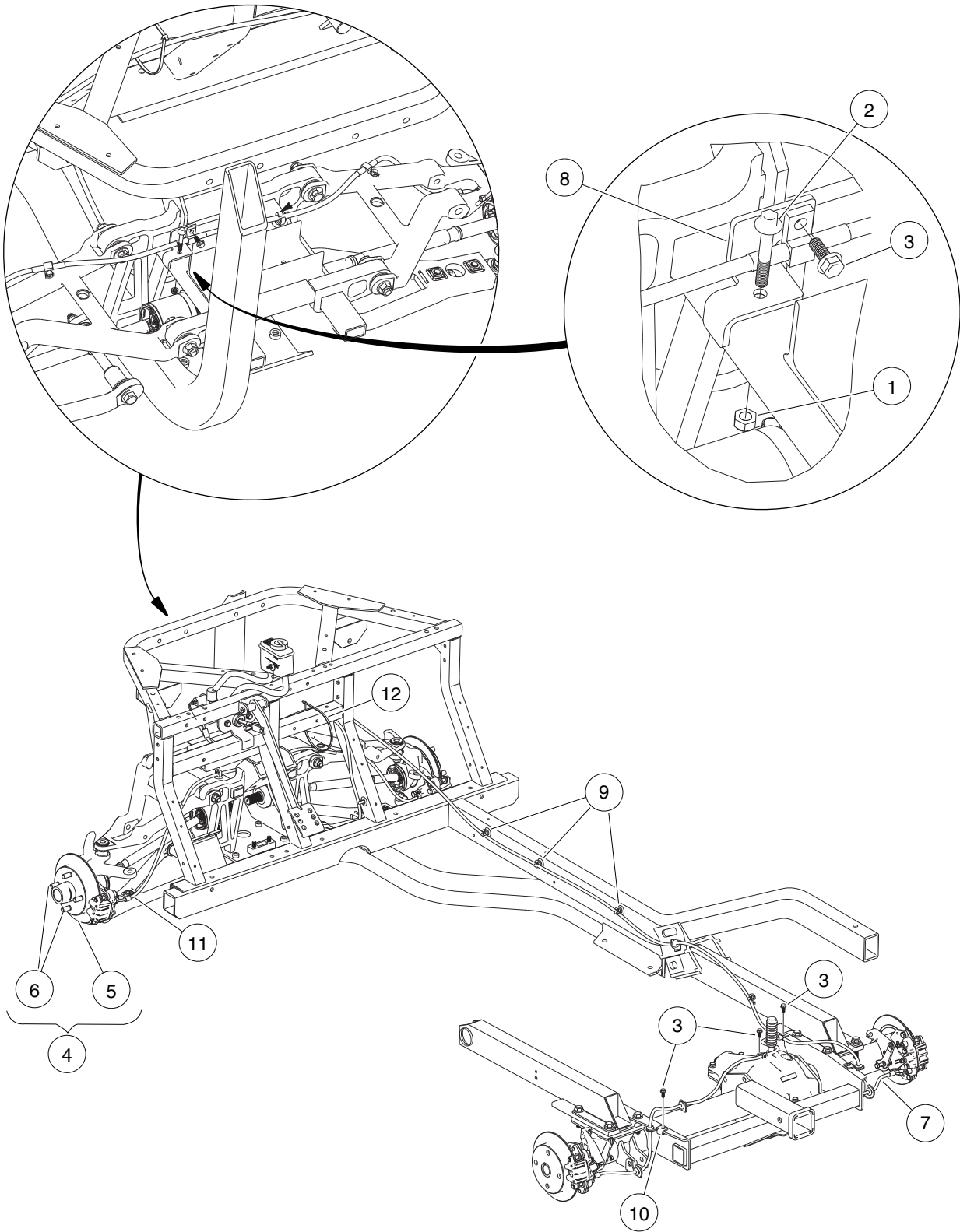
G

D

4

G

D



000015-003

HYDRAULIC BRAKE LINES AND CLIPS

| ITEM | PART NO. | DESCRIPTION | QTY |
|------|------------------|--|-----|
| | | 1 2 3 4 | |
| 1 | <u>101887601</u> | Locknut, M6-1.00 Nylon Insert | 2 |
| 2 | <u>102296140</u> | Bolt, Flanged Head, M6x1.0x40 | 1 |
| 3 | <u>102296716</u> | Screw, M6 X 16 Tt Hx Fl Hd | 8 |
| 4 | <u>102376601</u> | Assy, Rotor, Brake, Front (includes items 5 and 6) | 1 |
| 5 | N/A | Rotor, Brake, Front | 1 |
| 6 | <u>102475801</u> | Stud, Wheel Lug | 4 |
| 7 | <u>102407801</u> | Assembly, Brake Line, Rear | 1 |
| 8 | <u>102474301</u> | Bracket, Tee, Brakeline | 1 |
| 9 | <u>102475701</u> | Clip, Brake Line | 6 |
| 10 | <u>102689001</u> | Bracket, Line, Hydraulic | 2 |
| 11 | <u>103174301</u> | Brakeline, Front, Assembly | 1 |
| 12 | <u>8639</u> | Tie Wrap, 11" Nylon | 1 |

4

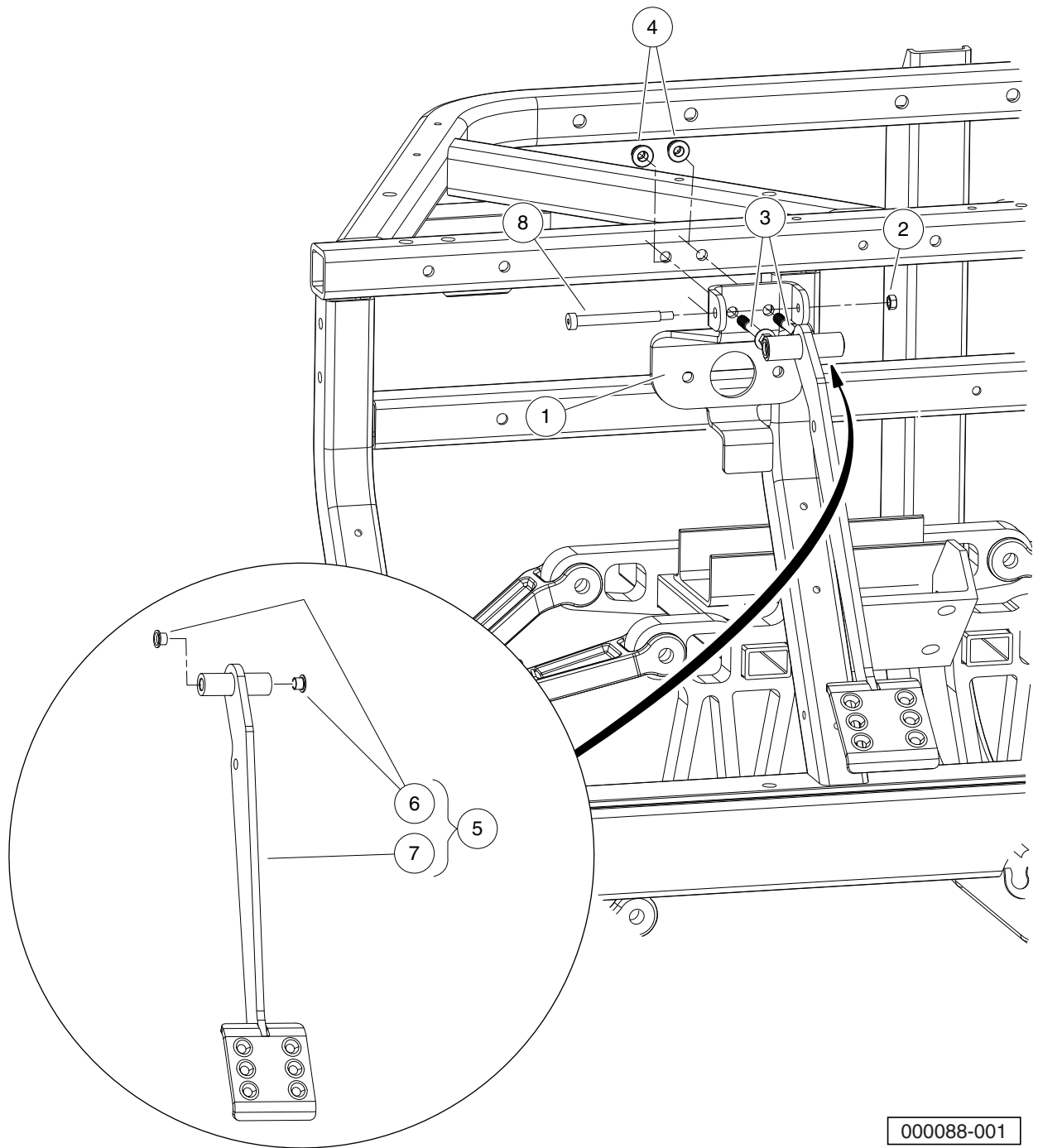
G

D

4

G

D



000088-001

BRAKE PEDAL ASSEMBLY

| ITEM | PART NO. | DESCRIPTION | QTY |
|------|------------------|--|-----|
| | | 1 2 3 4 | |
| 1 | <u>102380601</u> | Bracket, Pedal, Brake | 1 |
| 2 | <u>102618101</u> | Nut M6x1 Mech Def Center | 1 |
| 3 | <u>102618301</u> | Bolt Flanged Head, M8 X 1.25 X 65 | 2 |
| 4 | 102618601 | Lock Nut, Flg M8 X 1.25 Nylon | 2 |
| 5 | N/A | Asm, Pedal, Brake, Hung (includes items 6 and 7) | 1 |
| 6 | <u>102442901</u> | Bushing, Greaseless | 2 |
| 7 | <u>102626201</u> | Weldment, Pedal, Brake, Hung | 1 |
| 8 | <u>103273101</u> | Bolt, Shoulder, M8 X 70, Hc | 1 |

4

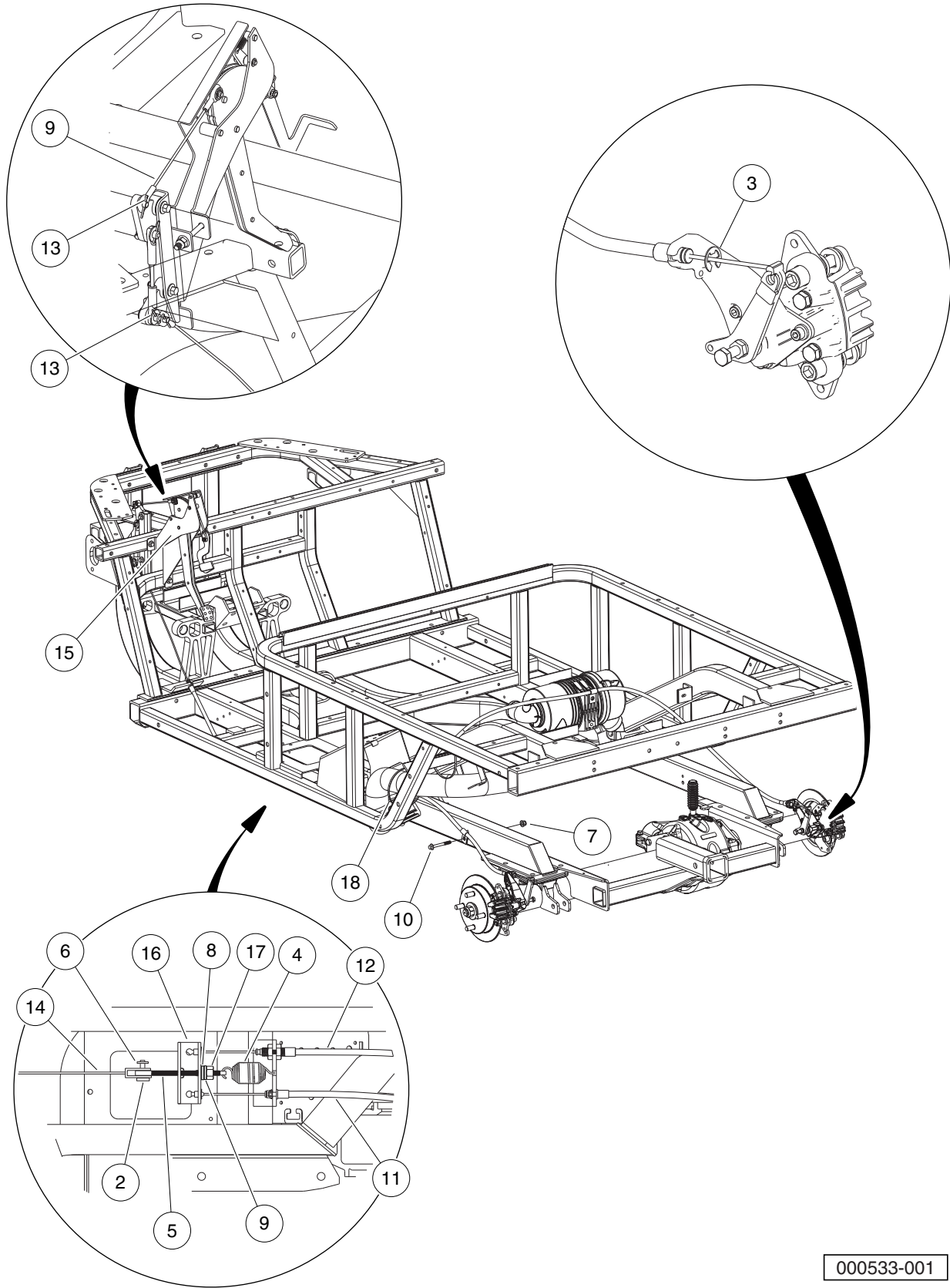
G

D

4

G

D



000533-001

PARK BRAKE SYSTEM

| ITEM | PART NO. | DESCRIPTION | QTY |
|------|------------------|---|-----|
| | | 1 2 3 4 | |
| 1 | N/A | Instl, Brake, Park, AWD (includes items 2 through 18) | 1 |
| 2 | <u>101082903</u> | Clevis Pin, 5/16 X 1 | 2 |
| 3 | <u>1011779</u> | E-Clip, 1/2 | 2 |
| 4 | <u>1013531</u> | Spring, Brake Return | 1 |
| 5 | <u>101953101</u> | Rod, Equalizer, 8.91" | 1 |
| 6 | <u>102292801</u> | Pin, Bow Tie Locking - .072 | 2 |
| 7 | <u>102298401</u> | Nut,m8,all Metal Lock | 4 |
| 8 | <u>102551901</u> | Washer, 5/16, Self Comp, Cup | 1 |
| 9 | <u>102552001</u> | Washer, 5/16, Self Comp, Cone | 1 |
| 10 | <u>102618301</u> | Bolt Flanged Head, M8 X 1.25 X 65 | 4 |
| 11 | <u>102763301</u> | Cable, Noncoated, Pbrake, Left | 1 |
| 12 | <u>102763401</u> | Cable, Noncoated, Pbrake, Right | 1 |
| 13 | <u>103500901</u> | Brkt, Cable, Park Brake | 1 |
| 14 | <u>103505301</u> | Cable, Main, Park Brake | 1 |
| 15 | <u>103505401</u> | Asm, Pedal, Park Brake | 1 |
| 16 | <u>103535001</u> | Bracket, Equalizer, Prec Awd | 1 |
| 17 | <u>1242</u> | Nut, 5/16-18 Hex | 2 |
| 18 | <u>8639</u> | Tie Wrap, 11" Nylon | 2 |

4

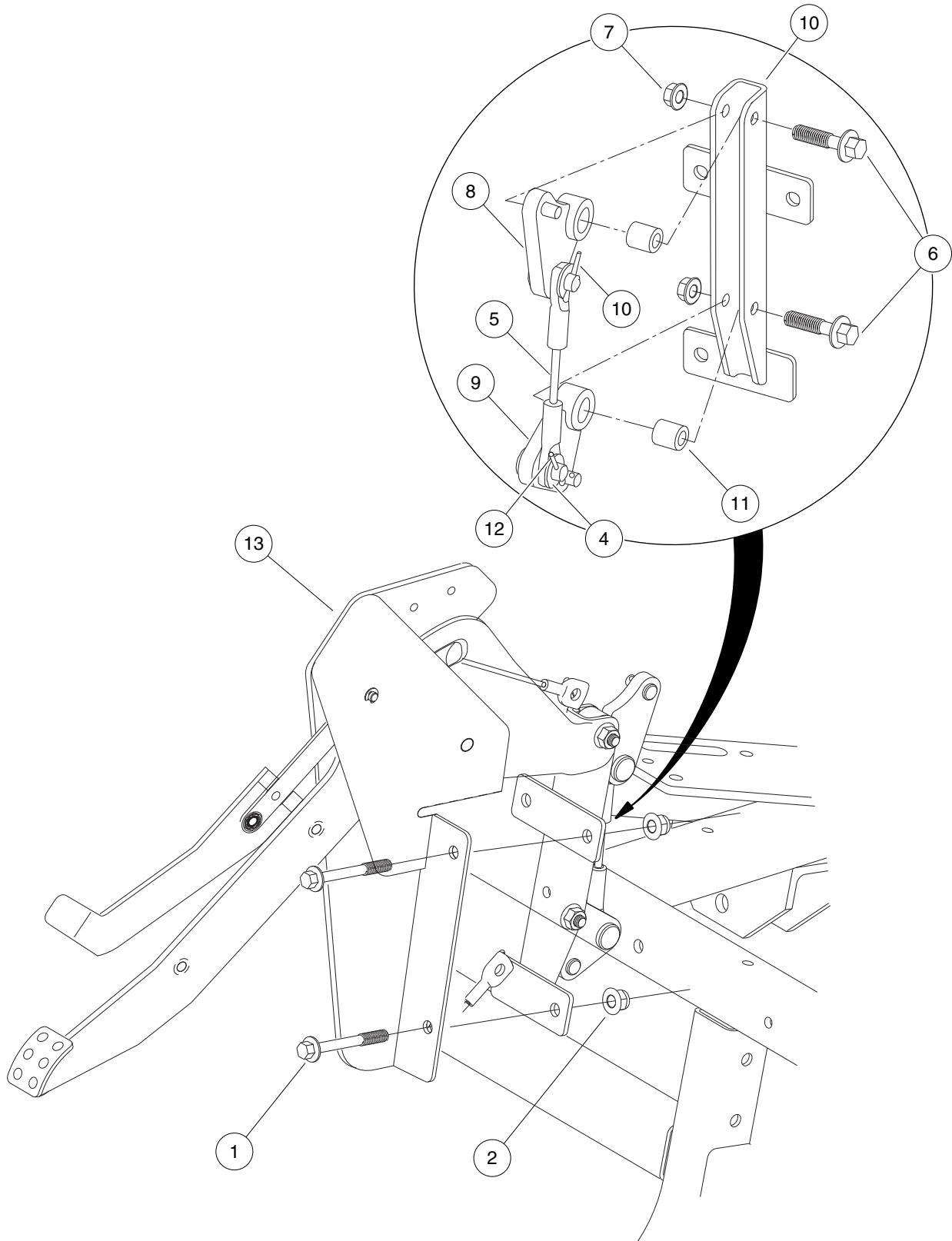
G

D

4

G

D



000086-002

PARK BRAKE PEDAL ASSEMBLY

| ITEM | PART NO. | DESCRIPTION | QTY |
|------|------------------|---|-----|
| | | 1 2 3 4 | |
| 1 | <u>102618301</u> | Bolt Flanged Head, M8 X 1.25 X 65 | 3 |
| 2 | <u>102618601</u> | Lock Nut, Flg M8 X 1.25 Nylon | 3 |
| 3 | <u>102751501</u> | Asm, Sub, Bracket, Park Brake (includes items 4 through 12) | 1 |
| 4 | <u>102323501</u> | Washer, Flat, 3/8, Blk Fin | 2 |
| 5 | <u>102716001</u> | Cable, Crank, Bell | 1 |
| 6 | <u>102741501</u> | Bolt Flg, M8x1.25 X 35, Gr10.9 | 2 |
| 7 | <u>102741601</u> | Nut Flg M8 X 1.25 Gr 10 | 2 |
| 8 | <u>102751301</u> | Asm, Bellcrank, Upper | 1 |
| 9 | <u>102751401</u> | Asm, Bellcrank, Lower | 1 |
| 10 | <u>103305001</u> | Brkt, Bellcrank, Prk Brk, Awd | 1 |
| 11 | <u>103305101</u> | Spacer, Pivot, Park Brk, Awd | 2 |
| 12 | <u>1035</u> | Cotter Pin, 3/32 x 1 | 2 |
| 13 | <u>103505401</u> | Asm, Pedal, Park Brake | 1 |

4

G

D

4

G

D

STEERING AND SUSPENSION

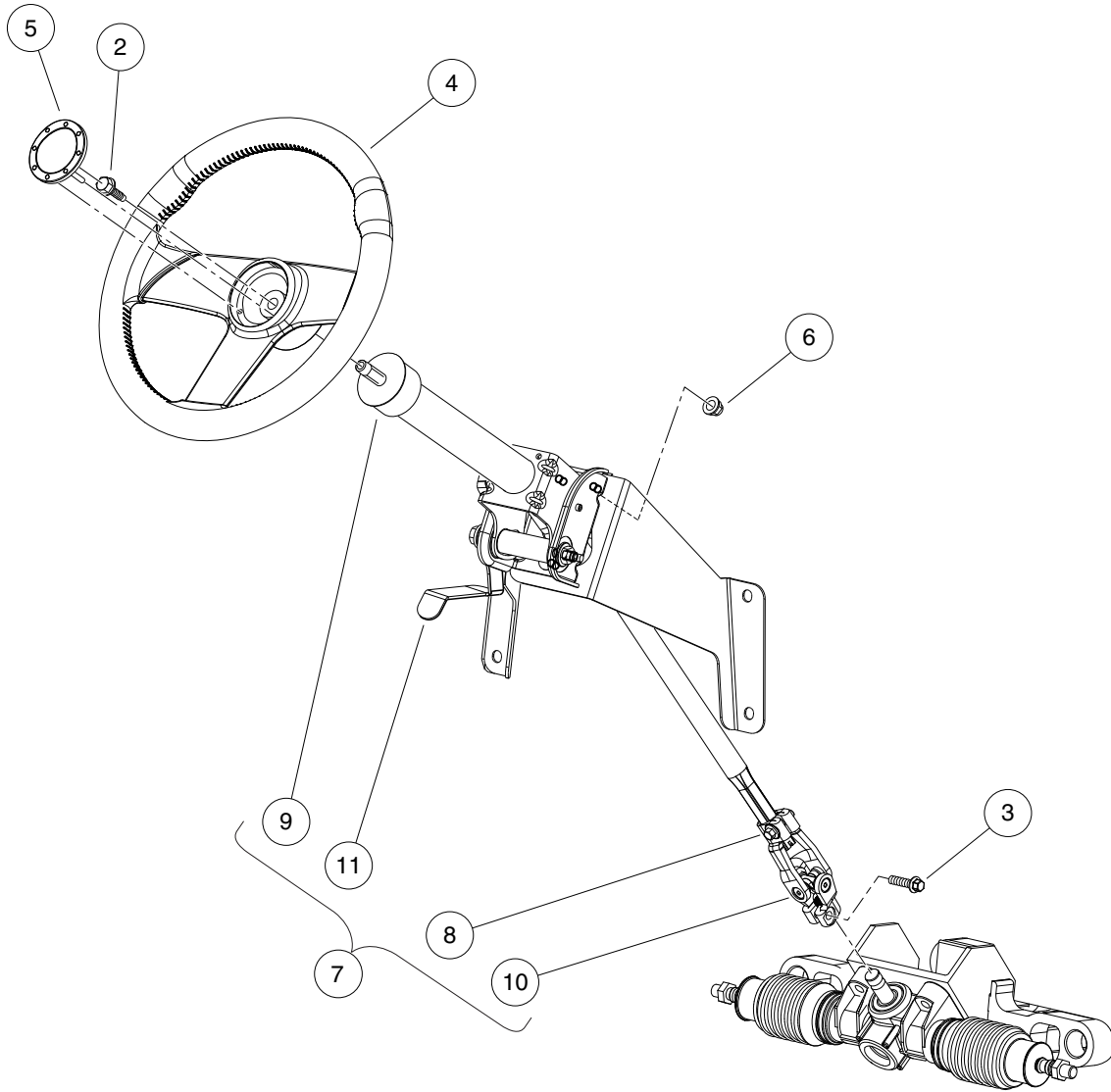
5

G

D

5
G

D



000070-002

STEERING COLUMN

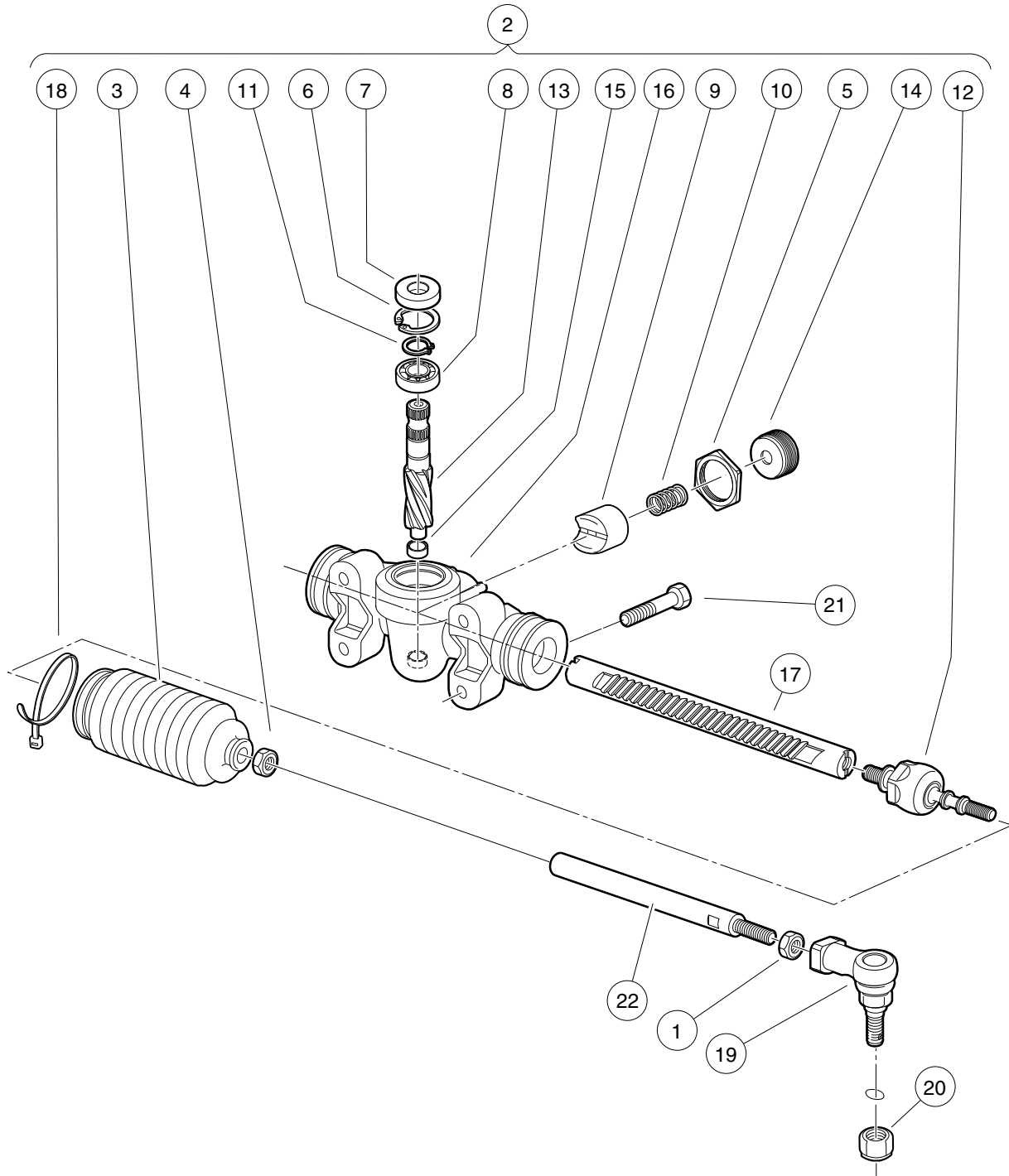
| ITEM | PART NO. | DESCRIPTION | QTY |
|------|------------------|---|-----|
| | | 1 2 3 4 | |
| 1 | N/A | Instl, Steering System (includes items 2 through 7) | 1 |
| 2 | 102290120 | Bolt, M10 X 20 Hex Washer Hd | 1 |
| 3 | <u>102298130</u> | Bolt, Flange Head, M8 X 30.0 | 1 |
| 4 | <u>102363802</u> | Steering Wheel, Viper, Hex Hub | 1 |
| 5 | <u>102367101</u> | Cap, Steering Wheel, Viper | 1 |
| 6 | 102618601 | Lock Nut, Flg M8 X 1.25 Nylon | 3 |
| 7 | <u>102989801</u> | Steering Column (includes items 8 through 11) | 1 |
| 8 | <u>102298130</u> | Bolt, Flange Head, M8 X 30.0 | 1 |
| 9 | <u>102571301</u> | Shroud, Steering Column | 1 |
| 10 | <u>102616801</u> | Bolt, M4 X .7 X 60 | 1 |
| 11 | <u>102977101</u> | Handle, Steering, Tilt | 1 |

5
G
D

5

G

D



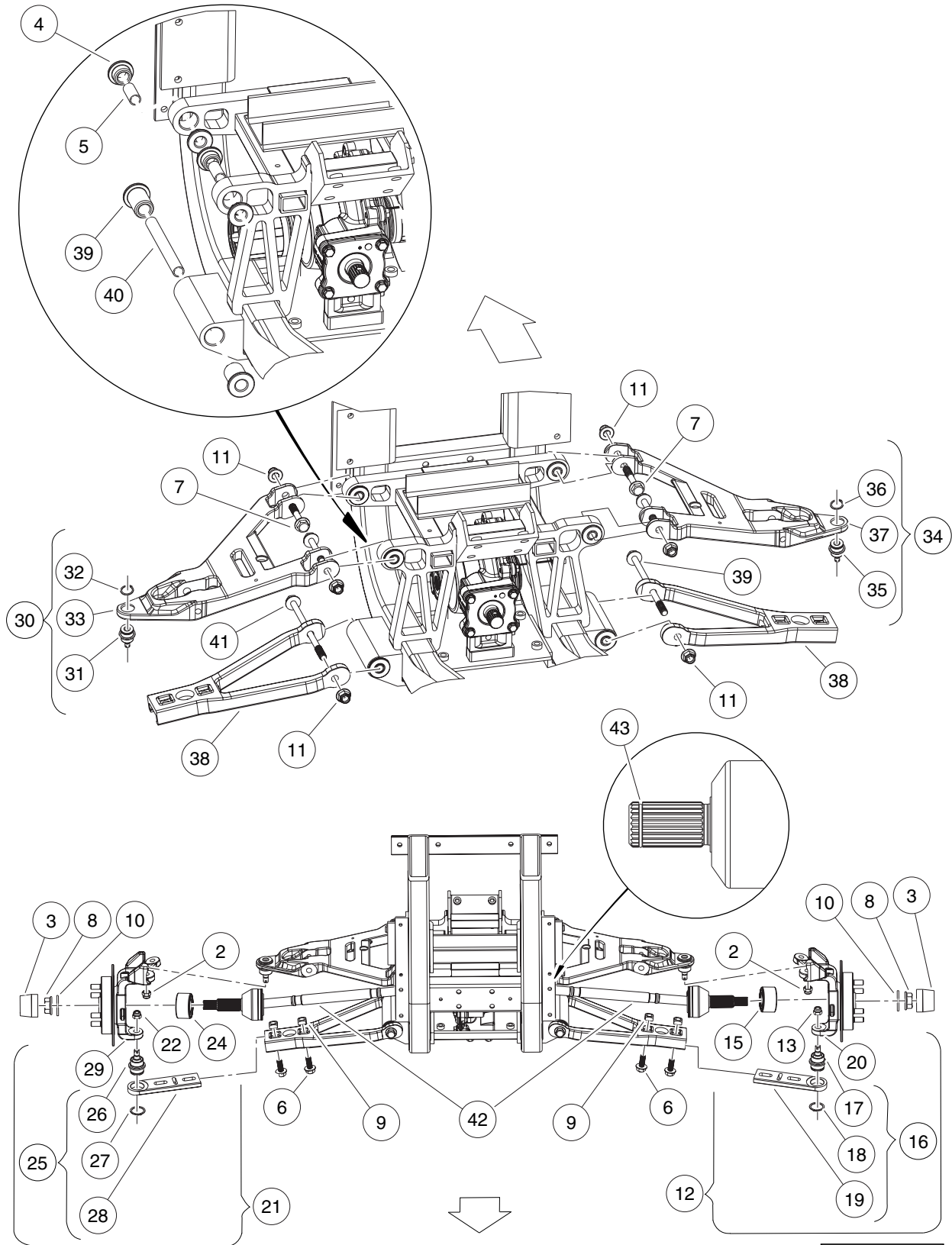
000071-001

STEERING GEAR ASSEMBLY

| ITEM | PART NO. | DESCRIPTION | QTY | |
|------|------------------|---|-----|----------|
| | | 1 2 3 4 | | 5 |
| 1 | 1013042 | Nut, 12mm Hex | 2 | G |
| 2 | <u>102010102</u> | Steering Rack (includes items 3 through 18) | 1 | |
| 3 | <u>1013035</u> | Bellows, Long | 2 | |
| 4 | 1013042 | Nut, 12mm Hex | 2 | D |
| 5 | <u>1013044</u> | Rack Screw Locknut | 1 | |
| 6 | 1013051 | Snap Ring | 1 | |
| 7 | <u>1013052</u> | Seal, Steering Pinion Dust | 1 | |
| 8 | <u>101879401</u> | Bearing, Ball | 1 | |
| 9 | <u>101879701</u> | Support Yoke | 1 | |
| 10 | <u>101879801</u> | Rack Guide Pressure Spring | 1 | |
| 11 | <u>101879901</u> | Ring, Stop, C-Type | 1 | |
| 12 | <u>101880201</u> | Inner Ball Joint Asm | 2 | |
| 13 | N/A | Pinion, Steering | 1 | |
| 14 | N/A | Bearing, Lower Pinion | 1 | |
| 15 | N/A | Screw, Rack Guide | 1 | |
| 16 | N/A | Housing, Steering Gear | 1 | |
| 17 | N/A | Rack, Steering | 1 | |
| 18 | <u>8990</u> | Tie Wrap, 8" Nylon | 2 | |
| 19 | <u>102022601</u> | End, Tie Rod M12 X 1.25 Rh | 2 | |
| 20 | <u>102022901</u> | Locknut, M12-1.25 Nylon | 2 | |
| 21 | <u>102687801</u> | Bolt, Flange Head, M10x 1.5 X 40 with Loctite | 4 | |
| 22 | <u>102816801</u> | Link, Drag, Wt | 2 | |

5
G

D



000534-001

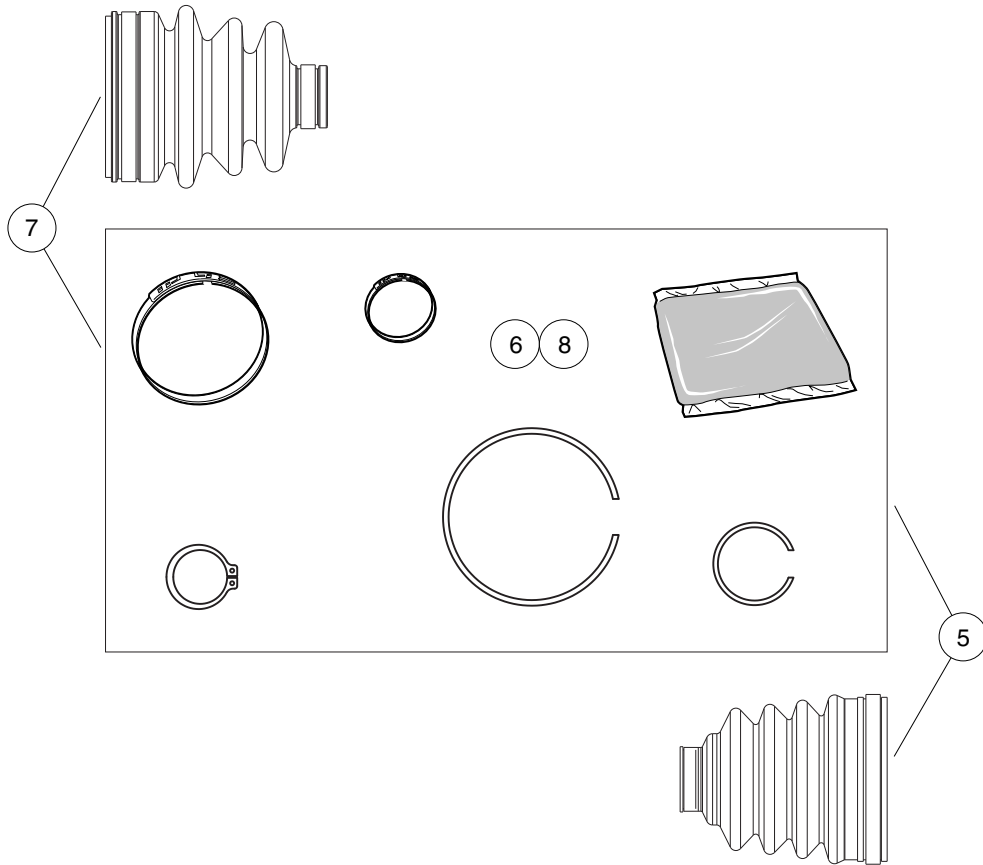
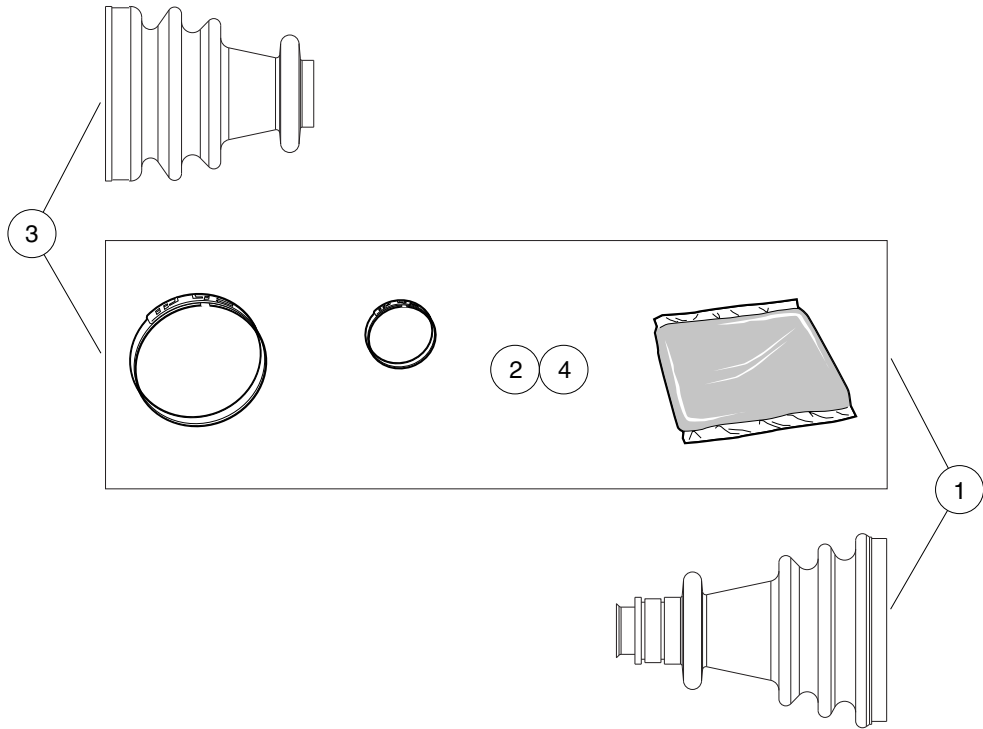
FRONT SUSPENSION – A-ARMS

| ITEM | PART NO. | DESCRIPTION | QTY | 5 |
|------|------------------|---|-----|----------|
| | | 1 2 3 4 | | G |
| 1 | N/A | Suspension, AWD, Wide (includes items 2 through 42) | 1 | |
| 2 | <u>102022901</u> | Locknut, M12-1.25 Nylon | 2 | |
| 3 | <u>102274101</u> | Center Cap, Rubber | 2 | |
| 4 | <u>102408401</u> | Bushing, A-Arm | 8 | D |
| 5 | <u>102437001</u> | Sleeve, Upper | 4 | |
| 6 | <u>102490801</u> | Bolt, Flange Head, M12x 1.75x 30 with Loctite | 4 | |
| 7 | <u>102616301</u> | Bolt, Flange Head, M12 X 1.75 X 70 | 4 | |
| 8 | <u>102617501</u> | Nut Flg, M22 X 1.5 Mech Def | 2 | |
| 9 | <u>102617701</u> | Nut, Square, M12x 1.75 | 4 | |
| 10 | <u>102617801</u> | Washer Hard, M22 | 2 | |
| 11 | <u>102620501</u> | Nut Flg, M12x1.75, Nylon Gr 10 | 6 | |
| 12 | <u>102791701</u> | Upright, Left-Hand (includes items 13 through 20) | 1 | |
| 13 | <u>102022901</u> | Locknut, M12-1.25 Nylon | 1 | |
| 14 | <u>102376605</u> | Assy, Rotor, Brake, Front, Gr | 1 | |
| 15 | <u>102464301</u> | Bearing | 1 | |
| 16 | <u>102874301</u> | Asm, Adjuster, Slide (includes items 17 through 19) | 1 | |
| 17 | <u>102361901</u> | Joint, Ball | 1 | |
| 18 | <u>102722301</u> | Ring, Retaining, Ext, 1-1/4" | 1 | |
| 19 | N/A | Slide, Adjuster | 1 | |
| 20 | <u>103277001</u> | Upright, Finished, Lh | 1 | |
| 21 | <u>102791702</u> | Upright, Right-Hand (includes items 22 through 29) | 1 | |
| 22 | <u>102022901</u> | Locknut, M12-1.25 Nylon | 1 | |
| 23 | <u>102376605</u> | Assy, Rotor, Brake, Front, Gr | 1 | |
| 24 | <u>102464301</u> | Bearing | 1 | |
| 25 | <u>102874301</u> | Asm, Adjuster, Slide (includes items 26 through 28) | 1 | |
| 26 | <u>102361901</u> | Joint, Ball | 1 | |
| 27 | <u>102722301</u> | Ring, Retaining, Ext, 1-1/4" | 1 | |
| 28 | N/A | Slide, Adjuster | 1 | |
| 29 | <u>103277002</u> | Upright, Finished, Rh | 1 | |
| 30 | <u>102792001</u> | Asm, A-Arm, Upper, Left (includes items 31 through 33) | 1 | |
| 31 | <u>102361901</u> | Joint, Ball | 1 | |
| 32 | <u>102722301</u> | Ring, Retaining, Ext, 1-1/4" | 1 | |
| 33 | <u>102927101</u> | Arm, Upper, Wide, Machined, Lh | 1 | |
| 34 | <u>102792002</u> | Asm, A-arm, Upper, Right (includes items 35 through 37) | 1 | |
| 35 | <u>102361901</u> | Joint, Ball | 1 | |
| 36 | <u>102722301</u> | Ring, Retaining, Ext, 1-1/4" | 1 | |
| 37 | <u>102927102</u> | Arm, Upper, Wide, Machined,rh | 1 | |
| 38 | <u>102874501</u> | A-Arm, Lower | 2 | |
| 39 | <u>103148501</u> | Bushing, A-arm Front | 2 | |
| 40 | <u>103256401</u> | Sleeve, Lower Arm | 2 | |
| 41 | <u>103256701</u> | Bolt Flg, M12 X 1.75 X 200 10. | 2 | |
| 42 | <u>103762201</u> | Front Halfshaft, Awd | 2 | |
| 43 | <u>103345801</u> | Ring, Hog, Half Shaft | 2 | |

5

G

D



000791-001

CV BOOT REPAIR KITS

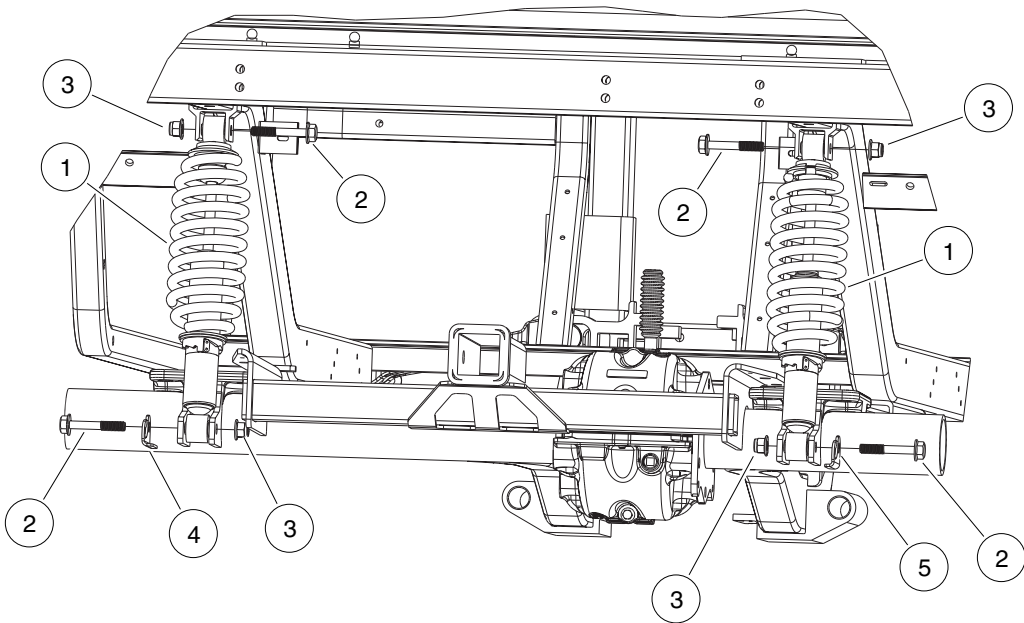
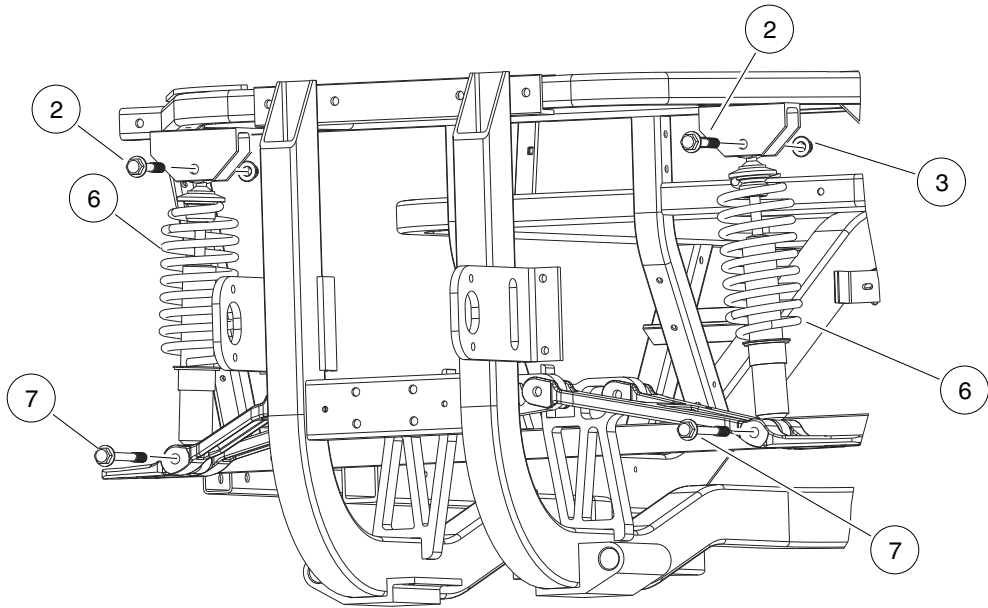
| ITEM | PART NO. | DESCRIPTION | QTY |
|------|------------------|---|-----|
| | | 1 2 3 4 | |
| 1 | <u>AM11807</u> | Boxed Outboard Boot Kit (includes item 2) | 1 |
| 2 | N/A | Half Shaft Boot Instl. Instr. | 1 |
| 3 | AM11808 | Boxed Inboard Boot Kit (includes item 4) | 1 |
| 4 | N/A | Half Shaft Boot Instl. Instr. | 1 |
| 5 | <u>AM1241201</u> | Kit, Outer Boot, Gen 2 (includes item 6) | 1 |
| 6 | N/A | Instructions, Boot Replacement | 1 |
| 7 | <u>AM1241301</u> | Kit, Inner Boot, Gen 2 (includes item 8) | 1 |
| 8 | N/A | Instructions, Boot Replacement | 1 |

5
G
D

5

G

D



000530-001

SHOCK ABSORBERS – STANDARD

| ITEM | PART NO. | DESCRIPTION | QTY |
|------|------------------|---|-----|
| | | 1 2 3 4 | |
| 1 | 102365601 | Shock, Coil Over Rear | 2 |
| 2 | <u>102616301</u> | Bolt, Flange Head, M12 X 1.75 X 70 | 6 |
| 3 | <u>102620501</u> | Nut Flg, M12x1.75, Nylon Gr 10 | 6 |
| 4 | <u>102689101</u> | Brkt, Line, Hyd, Shk Mnt, Drv | 1 |
| 5 | <u>102689102</u> | Brkt, Line, Hyd, Shk Mnt, Pass | 1 |
| 6 | <u>102786301</u> | Shock, Coil Over, 330 Lb/in | 2 |
| 7 | <u>102788701</u> | Bolt Flg, M12x1.75x100, Patch | 2 |
| | | <p>Note: Shock, coil over 102792101 has been superceded by <u>102786301</u> and must be installed as matched pairs.</p> | |

5

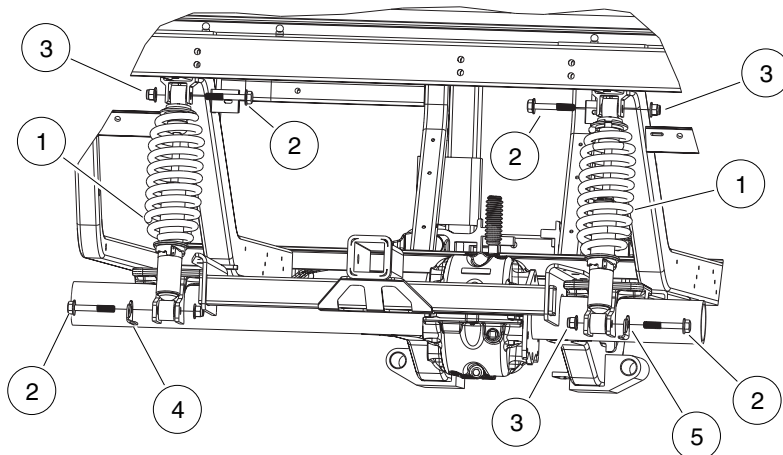
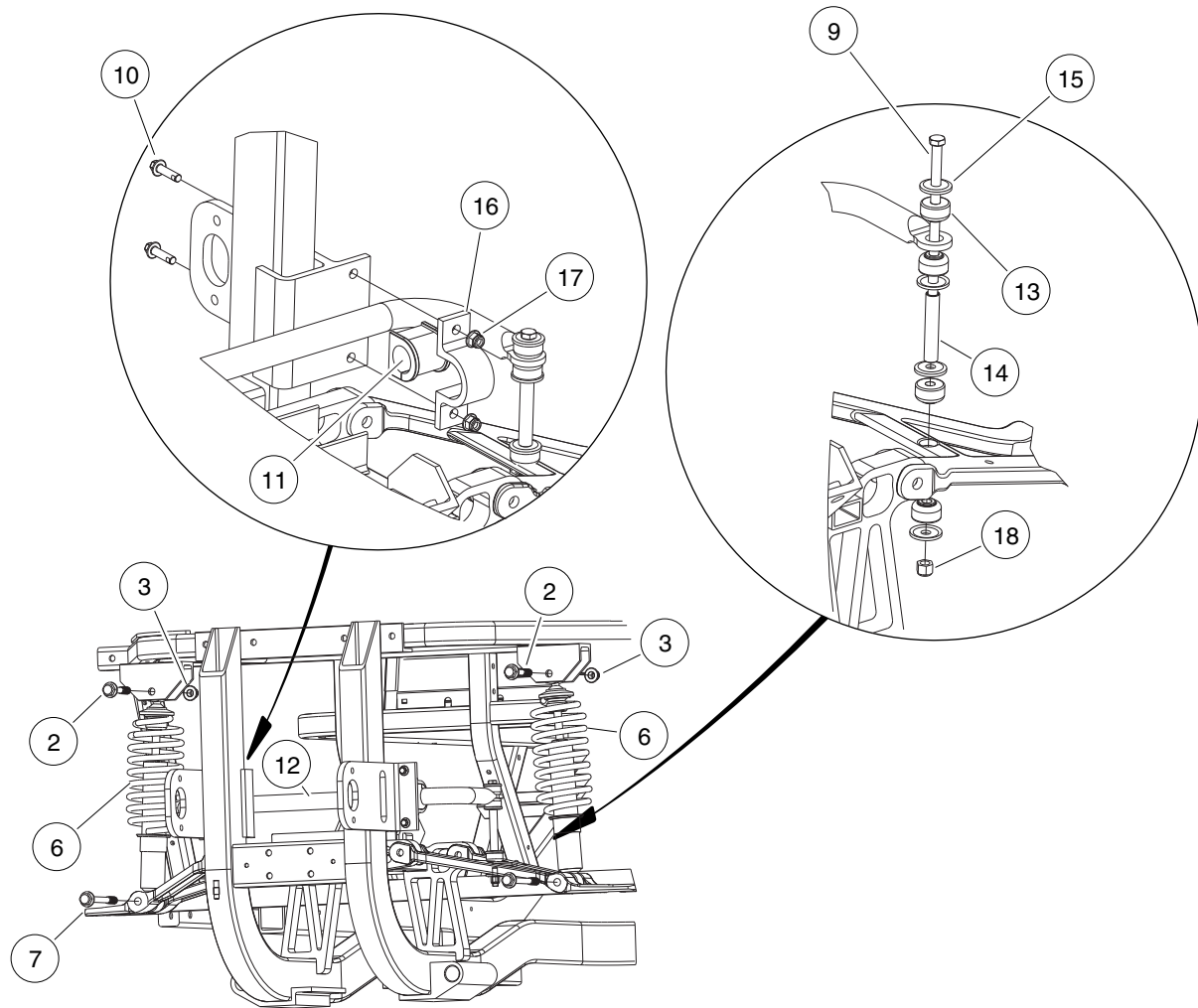
G

D

5

G

D



000530-002

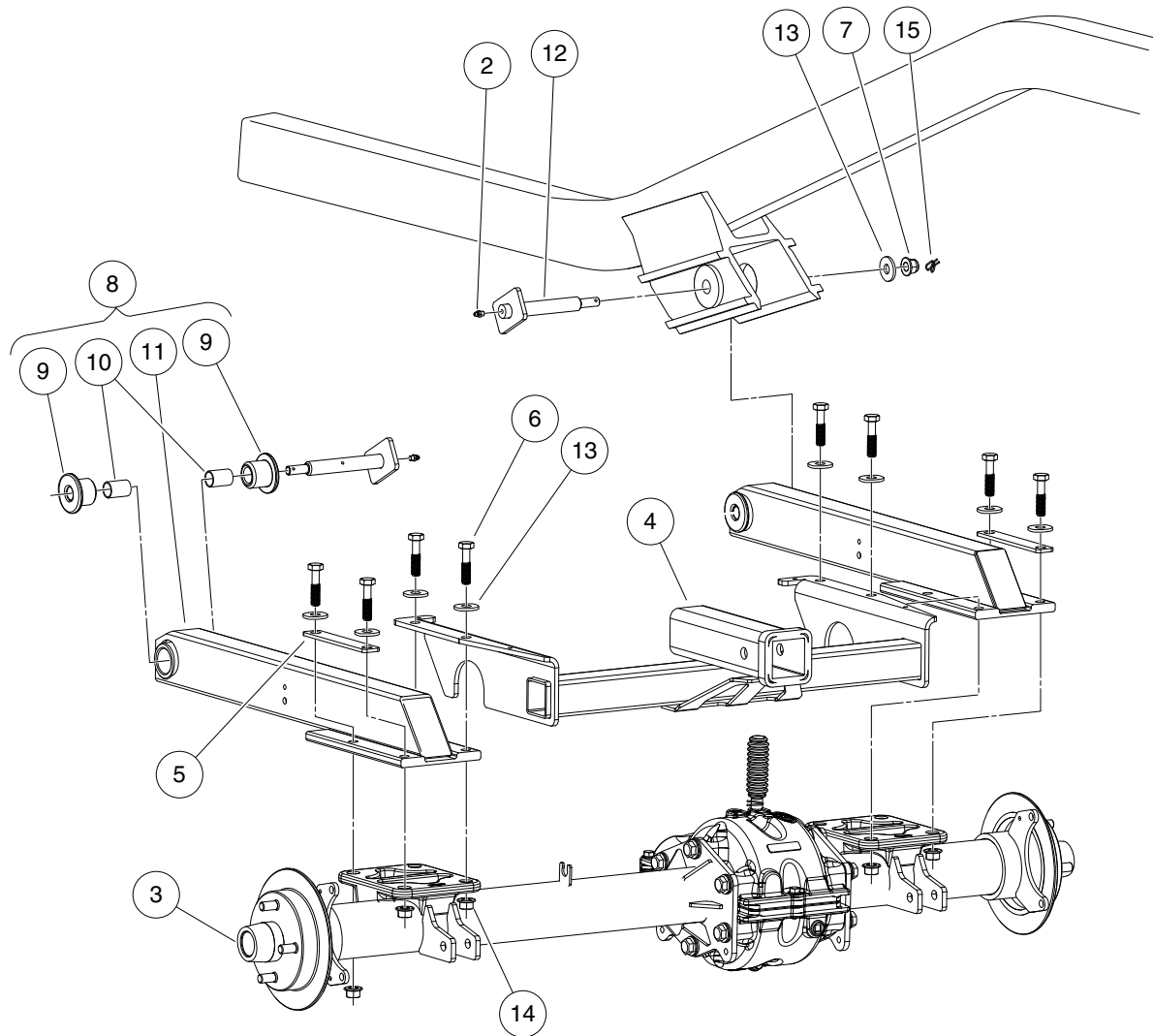
SHOCK ABSORBERS – HIGH CAPACITY

| ITEM | PART NO. | DESCRIPTION | QTY | |
|------|------------------|--|-----|----------|
| | | 1 2 3 4 | | 5 |
| 1 | <u>102365602</u> | Shock, Coil Over, Rear HD | 2 | G |
| 2 | <u>102616301</u> | Bolt, Flange Head, M12 X 1.75 X 70 | 6 | |
| 3 | <u>102620501</u> | Nut Flg, M12x1.75, Nylon Gr 10 | 6 | |
| 4 | <u>102689101</u> | Brkt, Line, Hyd, Shk Mnt, Drv | 1 | D |
| 5 | <u>102689102</u> | Brkt, Line, Hyd, Shk Mnt, Pass | 1 | |
| 6 | <u>102786301</u> | Shock, Coil Over, 330 Lb/in | 2 | |
| 7 | <u>102788701</u> | Bolt Flg, M12x1.75x100, Patch | 2 | |
| 8 | N/A | Instl, Bar, Antisway, Wide Frt (includes items 9 through 18) | 1 | |
| 9 | <u>1016183</u> | Screw, 3/8-16 X 7.00 Hex Cap | 2 | |
| 10 | <u>102298130</u> | Bolt, Flange Head, M8 X 30.0 | 4 | |
| 11 | <u>102446601</u> | Bushing, Anti-Sway Bar, 1-1/8 | 1 | |
| 12 | <u>102464601</u> | Bar, Sway, Formed | 1 | |
| 13 | <u>102470101</u> | Bushing, Link | 8 | |
| 14 | <u>102470501</u> | Sleeve, Link | 2 | |
| 15 | <u>102470601</u> | Washer, Cup, Bushing | 8 | |
| 16 | <u>102495001</u> | Bracket, Anti-Sway Bar | 2 | |
| 17 | <u>102618601</u> | Lock Nut, Flg M8 X 1.25 Nylon | 4 | |
| 18 | <u>8754</u> | Locknut, 3/8-16 Hex | 2 | |
| | | Note: Shock, coil over 102792101 has been superceded by <u>102786301</u> and must be installed as matched pairs. | | |

5

G

D



000031-002

REAR SUSPENSION – STANDARD

| ITEM | PART NO. | DESCRIPTION | QTY |
|------|------------------|--|-----|
| | | 1 2 3 4 | |
| 1 | N/A | Instl, Rear Suspension (includes items 2 through 15) | 1 |
| 2 | <u>1015597</u> | Fitting, 1/4-28 Thread-Forming Grease | 2 |
| 3 | <u>102274101</u> | Center Cap, Rubber | 2 |
| 4 | <u>102393501</u> | Weldment, Receiver, Rear | 1 |
| 5 | <u>102619801</u> | Washer, Strip, Swingarm | 2 |
| 6 | <u>102620401</u> | Bolt Flanged Head, M12 X 1.75 X 50 | 8 |
| 7 | <u>102620501</u> | Nut Flg, M12x1.75, Nylon Gr 10 | 2 |
| 8 | N/A | Sub Asm Swingarm (includes items 9 through 11) | 2 |
| 9 | <u>102398901</u> | Bushing, Pivot, Urethane | 2 |
| 10 | <u>102477001</u> | Bushing, Teflon | 2 |
| 11 | <u>103282301</u> | Swingarm, Rear, Awd | 1 |
| 12 | <u>102682901</u> | Pin, Swingarm, Weldment | 2 |
| 13 | <u>102684501</u> | Washer, M12 Hard Regular | 10 |
| 14 | <u>102685601</u> | Nut Flg M12 X 1.75 Cl10 | 8 |
| 15 | <u>102737101</u> | Cotter, Rue Ring, 1/2" | 2 |

5

G

D

5

G

D

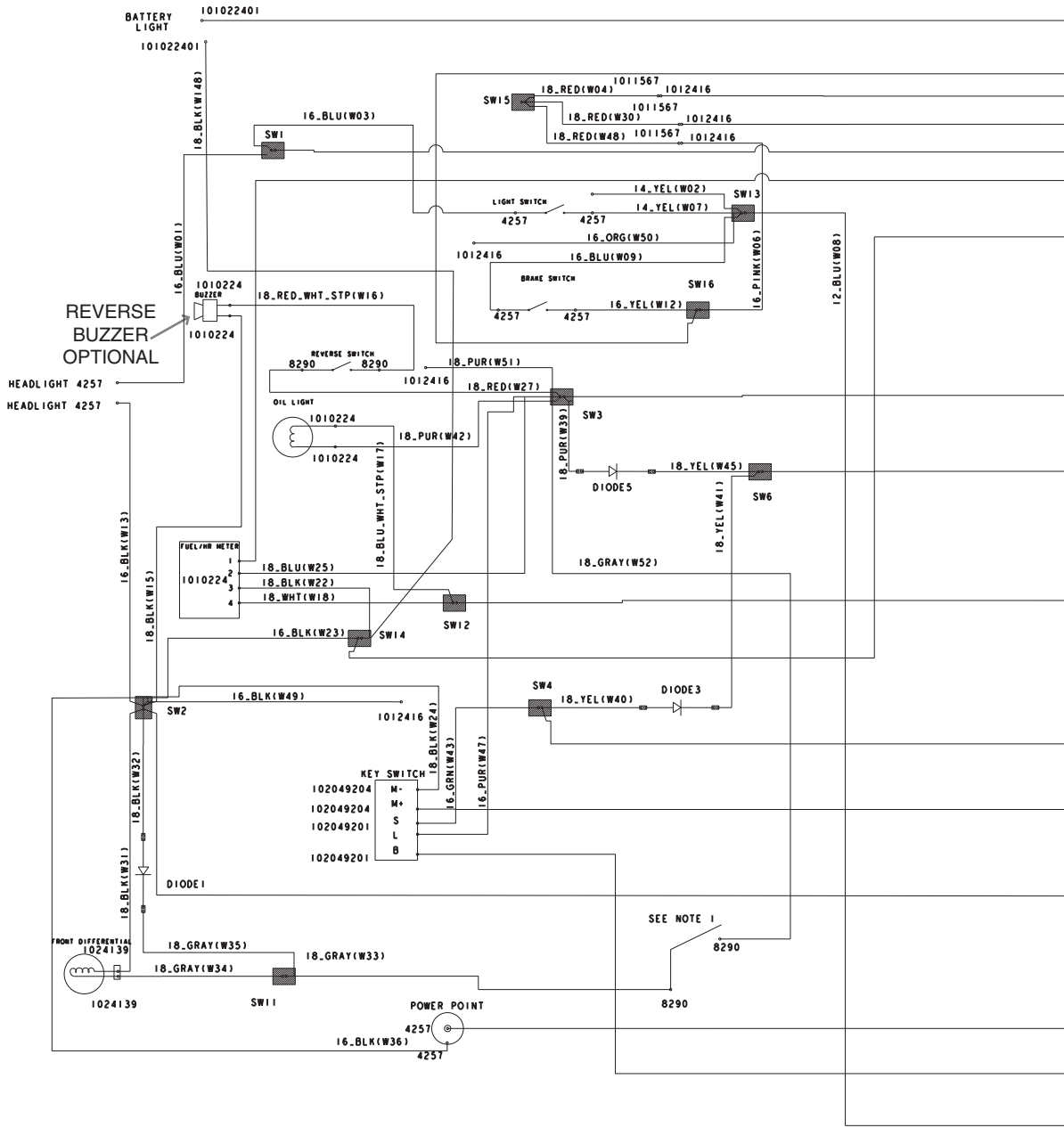
ELECTRICAL SYSTEM

6

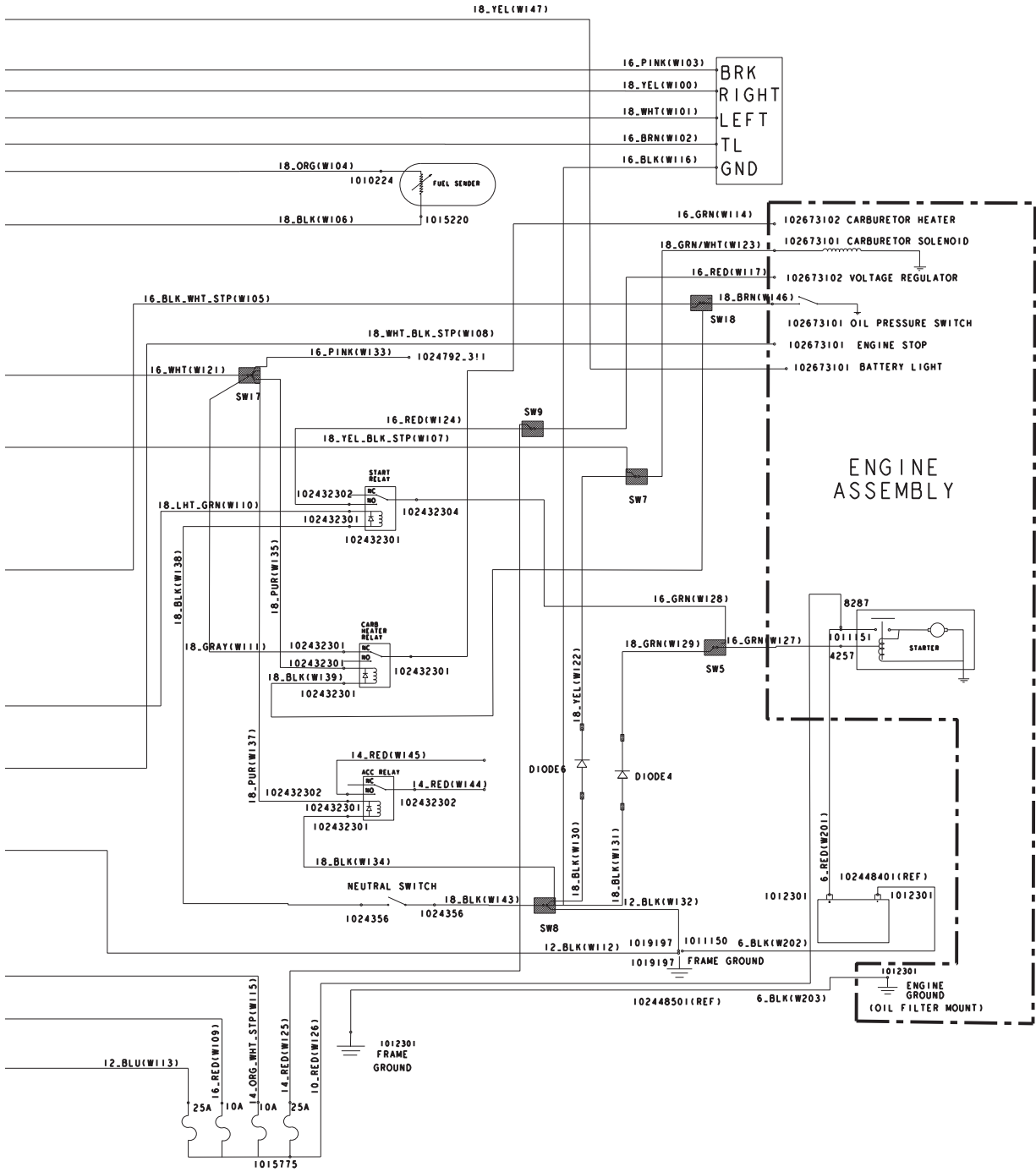
G

D

KAWASAKI GASOLINE VEHICLE



000662-001



000662-001

6

G

D

See previous two pages for illustration.

WIRING – GASOLINE VEHICLES, SINGLE PIECE

| ITEM | PART NO. | DESCRIPTION | QTY |
|------|------------------|------------------------------------|-----|
| | | 1 2 3 4 | |
| 1 | <u>102538501</u> | Diode, General Purpose, 6.0a | 1 |
| 2 | <u>103305701</u> | Harness, AWD, Kawasaki | 1 |
| 3 | <u>103327201</u> | Asm, Switch, Limit, Awd | 1 |

6

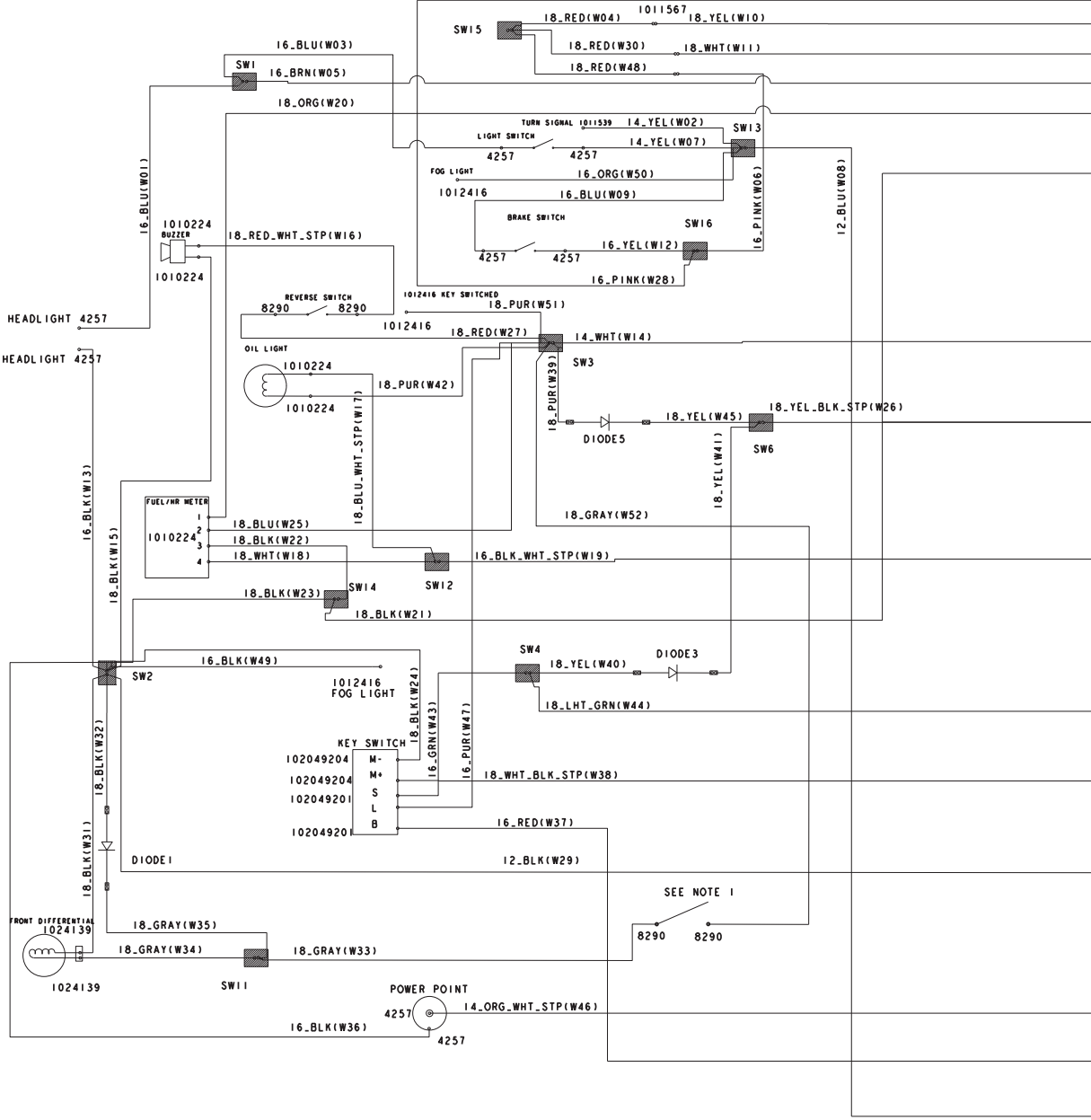
G

D

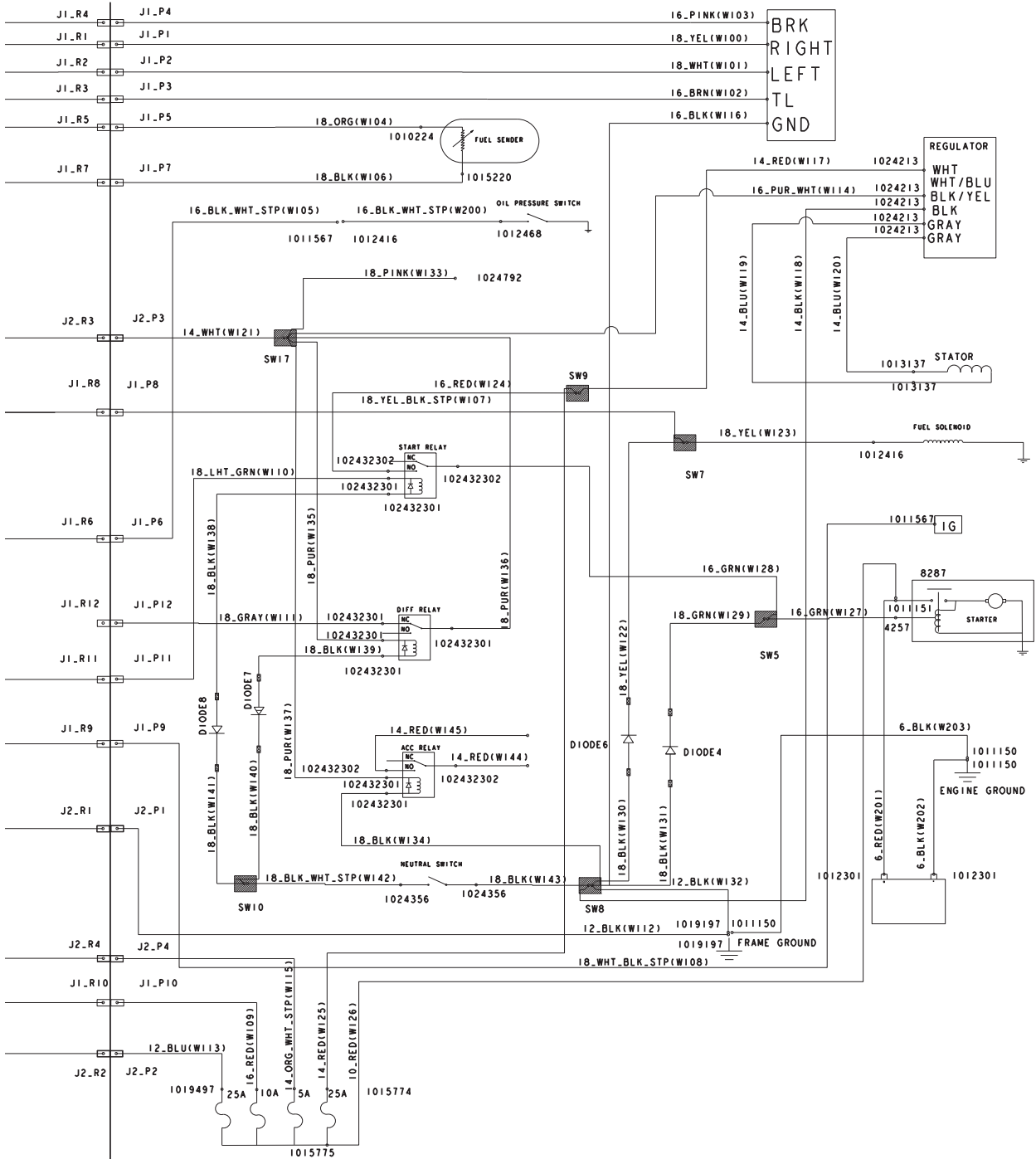
6
G

HONDA GASOLINE VEHICLE

D



000535-001



000535-001

6

G

D

See previous two pages for illustration.

WIRING – GASOLINE VEHICLE, MULTI-PIECE

| ITEM | PART NO. | DESCRIPTION | QTY |
|------|------------------|------------------------------------|-----|
| | | 1 2 3 4 | |
| 1 | <u>102538501</u> | Diode, General Purpose, 6.0a | 1 |
| 2 | <u>102985001</u> | Harness, Restyle Gas, Front | 1 |
| 3 | <u>102985101</u> | Harness, Restyle Gas, Rear | 1 |
| 4 | <u>103259301</u> | Asm, Switch, Limit | 1 |

6

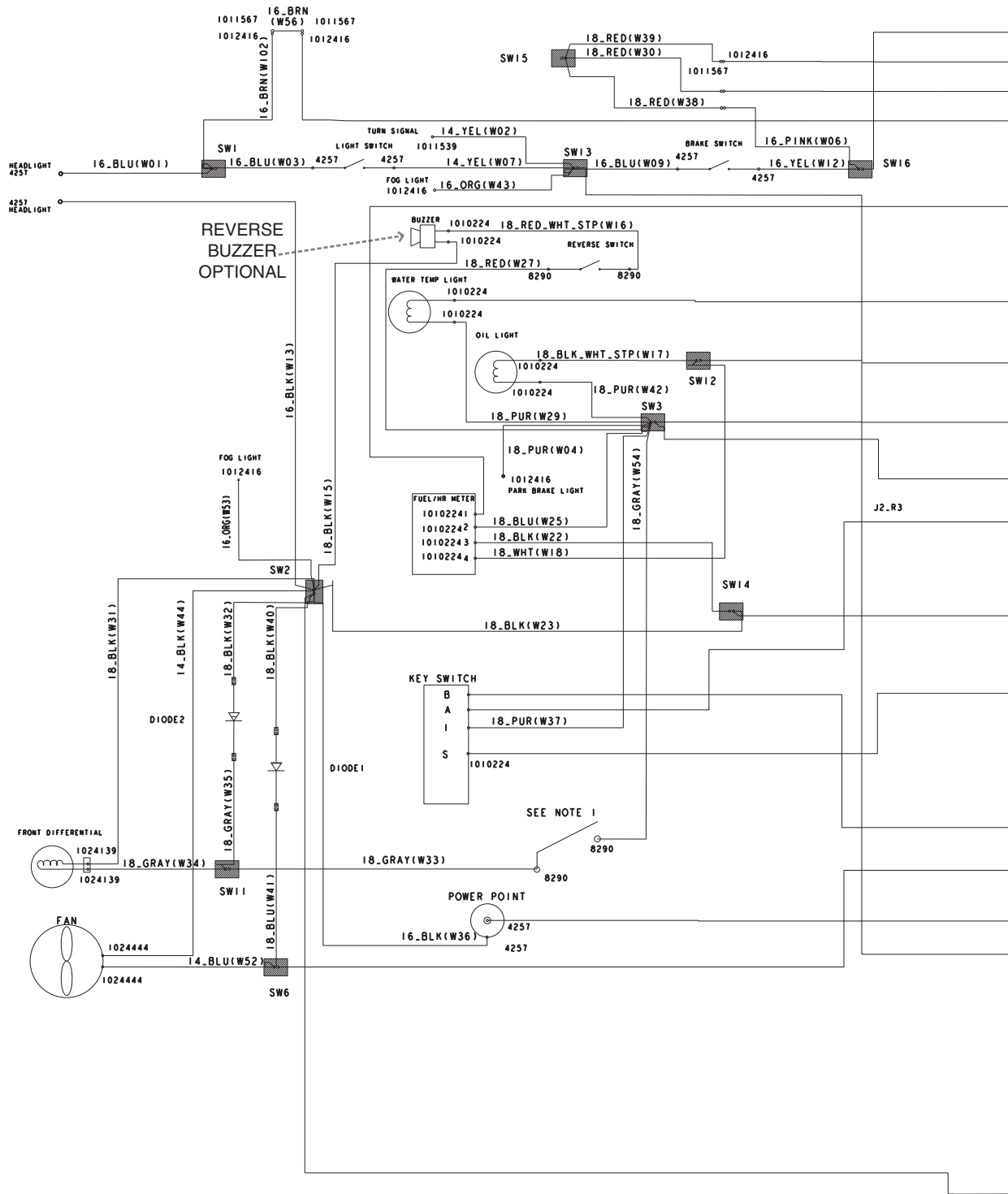
G

D

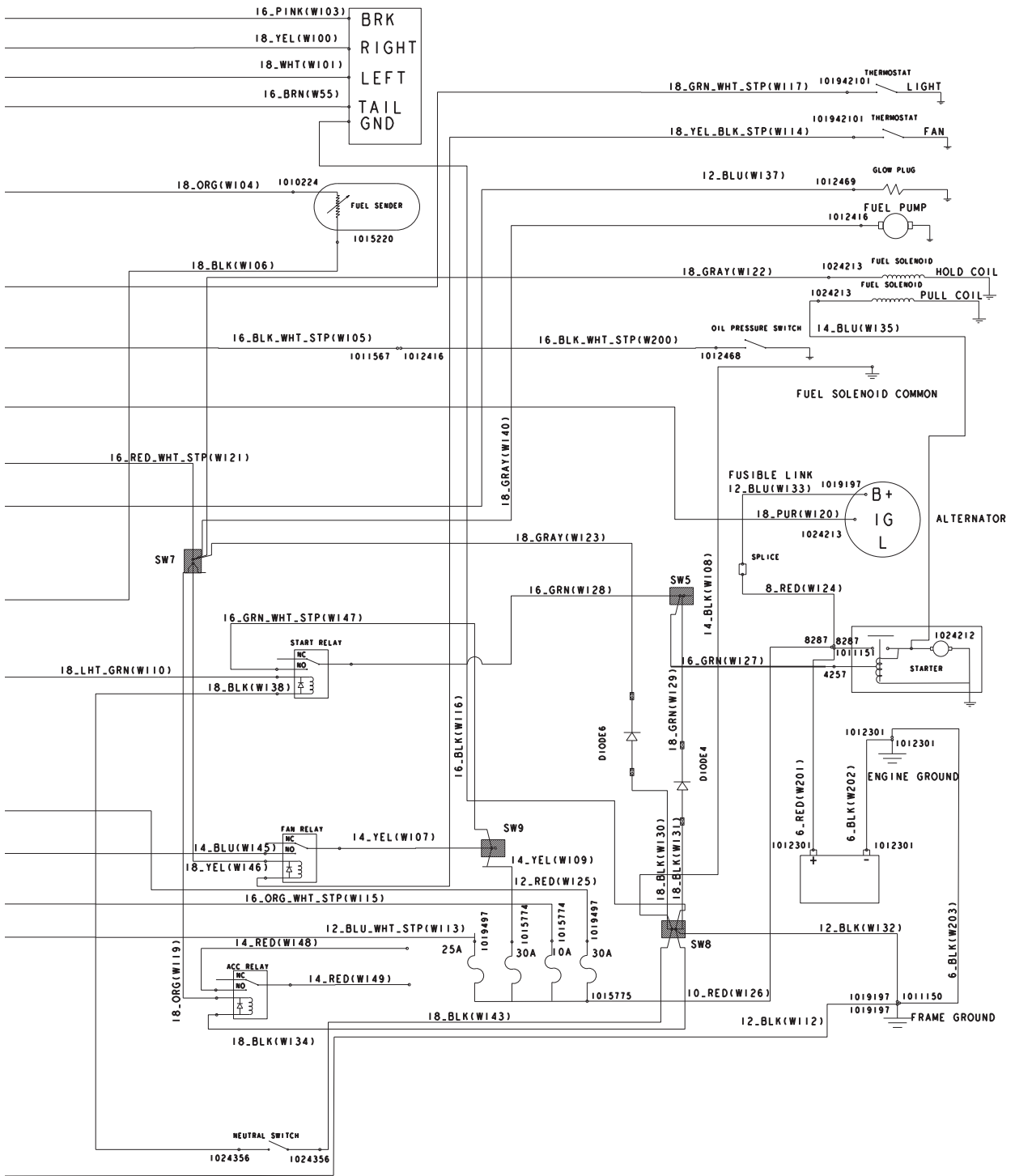
6
G

DIESEL VEHICLE

D



000662-002



000662-002

6

G

D

See previous two pages for illustration.

WIRING – DIESEL VEHICLE, SINGLE PIECE

| ITEM | PART NO. | DESCRIPTION | QTY |
|------|------------------|---|-----|
| 1 | <u>102538501</u> | 1 2 3 4 Diode, General Purpose, 6.0a | 1 |
| 2 | <u>103277501</u> | Harness, Diesel AWD | 1 |
| 3 | <u>103327201</u> | Asm, Switch, Limit, Awd | 1 |

6

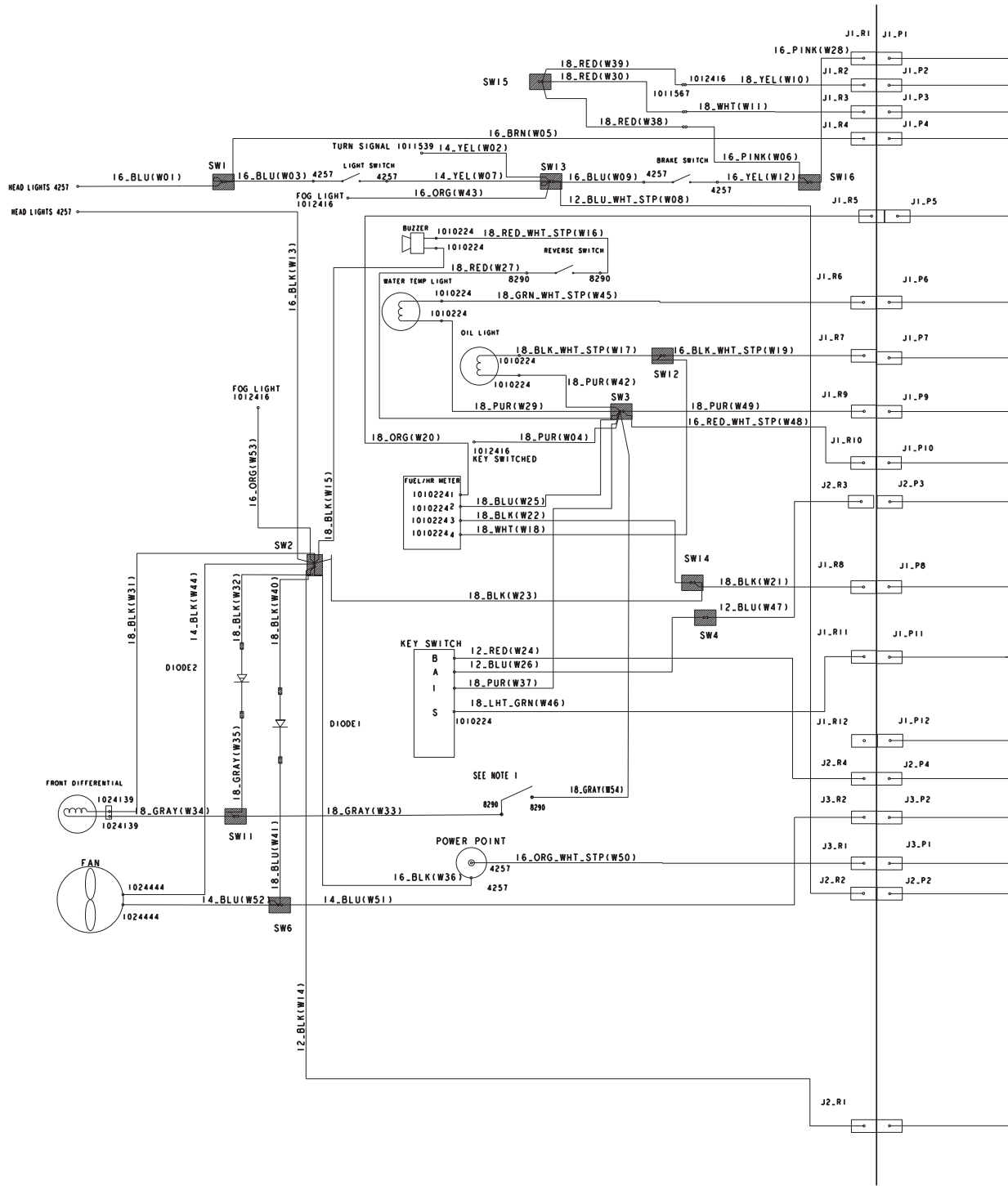
G

D

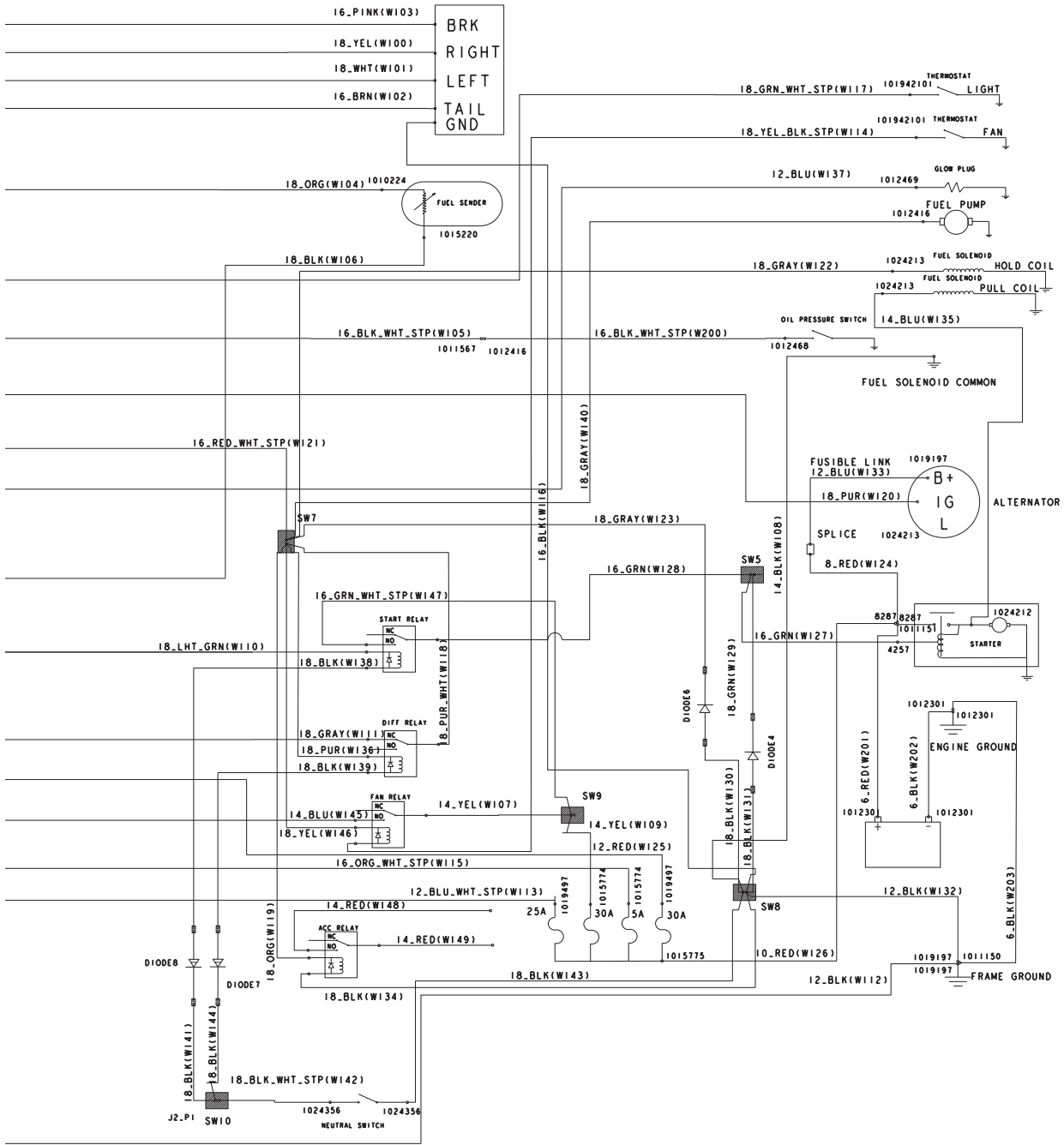
6
G

D

DIESEL VEHICLE



000535-002



000535-002

6

G

D

See previous two pages for illustration.

WIRING – DIESEL VEHICLE, MULTI-PIECE

| ITEM | PART NO. | DESCRIPTION | QTY |
|------|------------------|--------------------------------------|-----|
| | | 1 2 3 4 | |
| 1 | <u>102986001</u> | Harness, Restyle Diesel, Front | 1 |
| 2 | <u>102986101</u> | Harness, Restyle Diesel, Rear | 1 |
| 3 | <u>103259301</u> | Asm, Switch, Limit | 1 |

6

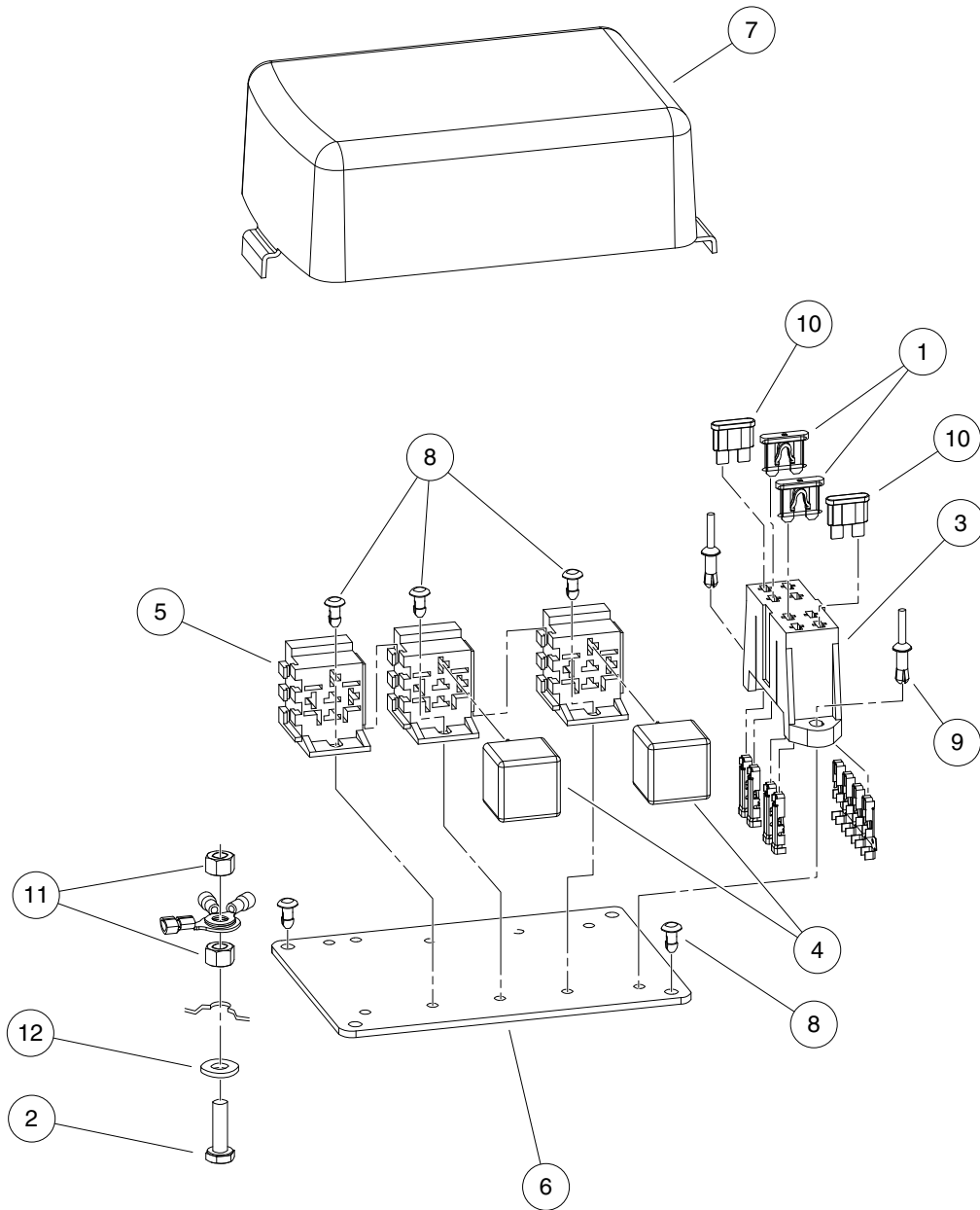
G

D

6

G

D



000076-001

ELECTRICAL COMPONENT BOX, GASOLINE VEHICLES

| ITEM | PART NO. | DESCRIPTION | QTY |
|------|------------------|---|-----|
| | | 1 2 3 4 | |
| 1 | <u>1012295</u> | Fuse, 10-Amp | 2 |
| 2 | <u>1015521</u> | Screw, 1/4-20 X .88 Hex Hd Cap | 1 |
| 3 | <u>1015741</u> | Fuse Block | 1 |
| 4 | <u>102420201</u> | Relay, Mini ISO, SPDT | 2 |
| 5 | **** | Connector, Relay | 3 |
| 6 | <u>102420401</u> | Plate, Electrical | 1 |
| 7 | <u>102420501</u> | Cover, Electrical | 1 |
| 8 | <u>102447901</u> | Fastener, Push-in | 7 |
| 9 | <u>102448001</u> | Rivet, Drive | 2 |
| 10 | <u>102492201</u> | Fuse, 25-Amp | 2 |
| 11 | <u>1108</u> | Locknut, 1/4-20 Dimpled | 2 |
| 12 | <u>332</u> | Washer, 1/4 Type A Narrow Flat | 1 |
| | | **** Special order item available upon request. | |

6

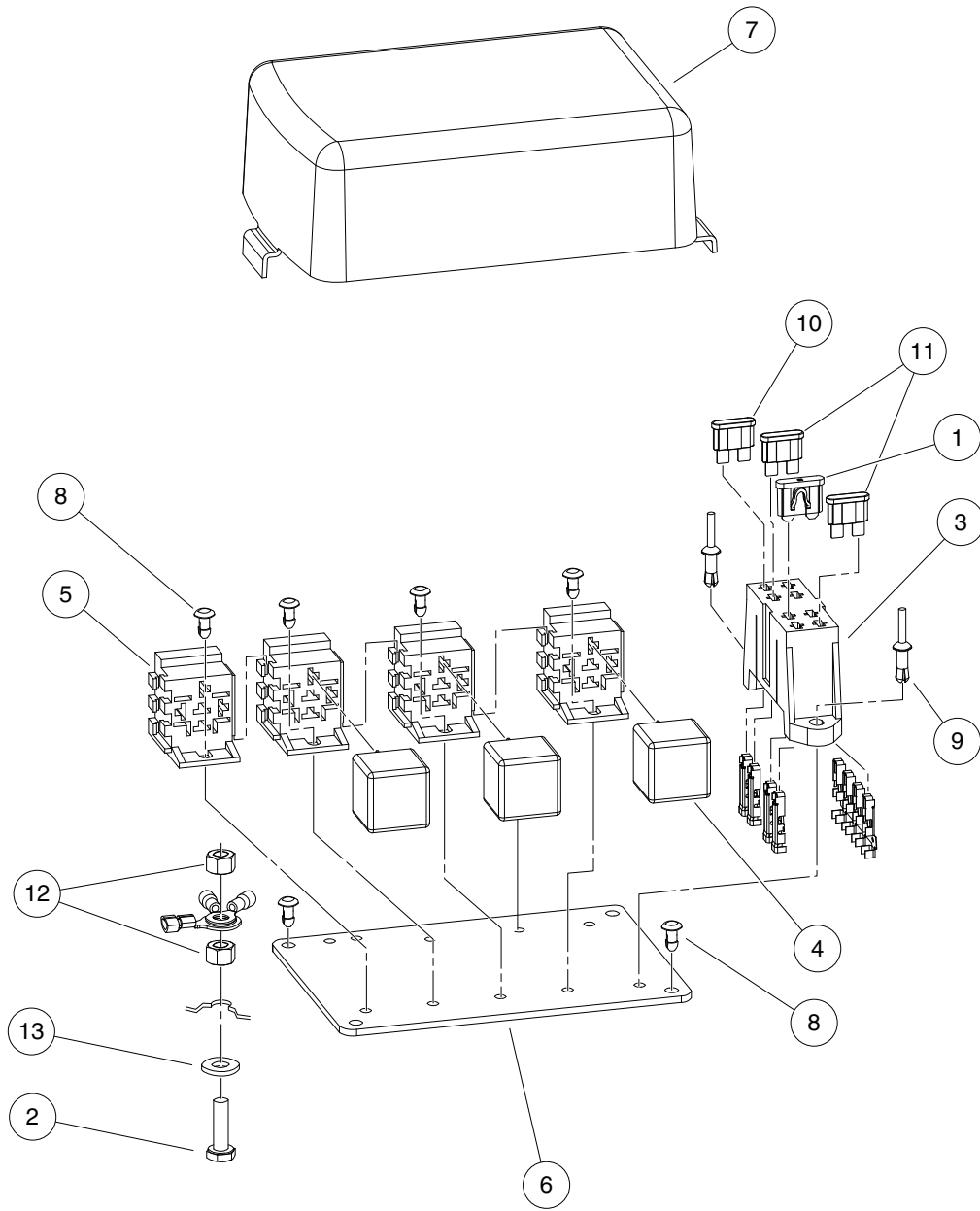
G

D

6

G

D



000076-002

ELECTRICAL COMPONENT BOX, DIESEL VEHICLES

| ITEM | PART NO. | DESCRIPTION | QTY |
|---|------------------|--------------------------------------|-----|
| | | 1 2 3 4 | |
| 1 | <u>1012295</u> | Fuse, 10-Amp | 1 |
| 2 | <u>1015521</u> | Screw, 1/4-20 X .88 Hex Hd Cap | 1 |
| 3 | <u>1015741</u> | Fuse Block | 1 |
| 4 | <u>102420201</u> | Relay, Mini ISO, SPDT | 3 |
| 5 | **** | Connector, Relay | 4 |
| 6 | <u>102420401</u> | Plate, Electrical | 1 |
| 7 | <u>102420501</u> | Cover, Electrical | 1 |
| 8 | <u>102447901</u> | Fastener, Push-in | 8 |
| 9 | <u>102448001</u> | Rivet, Drive | 2 |
| 10 | <u>102492201</u> | Fuse, 25-Amp | 1 |
| 11 | <u>102492301</u> | Fuse, 30-Amp | 2 |
| 12 | <u>1108</u> | Locknut, 1/4-20 Dimpled | 2 |
| 13 | <u>332</u> | Washer, 1/4 Type A Narrow Flat | 1 |
| **** Special order item available upon request. | | | |

6

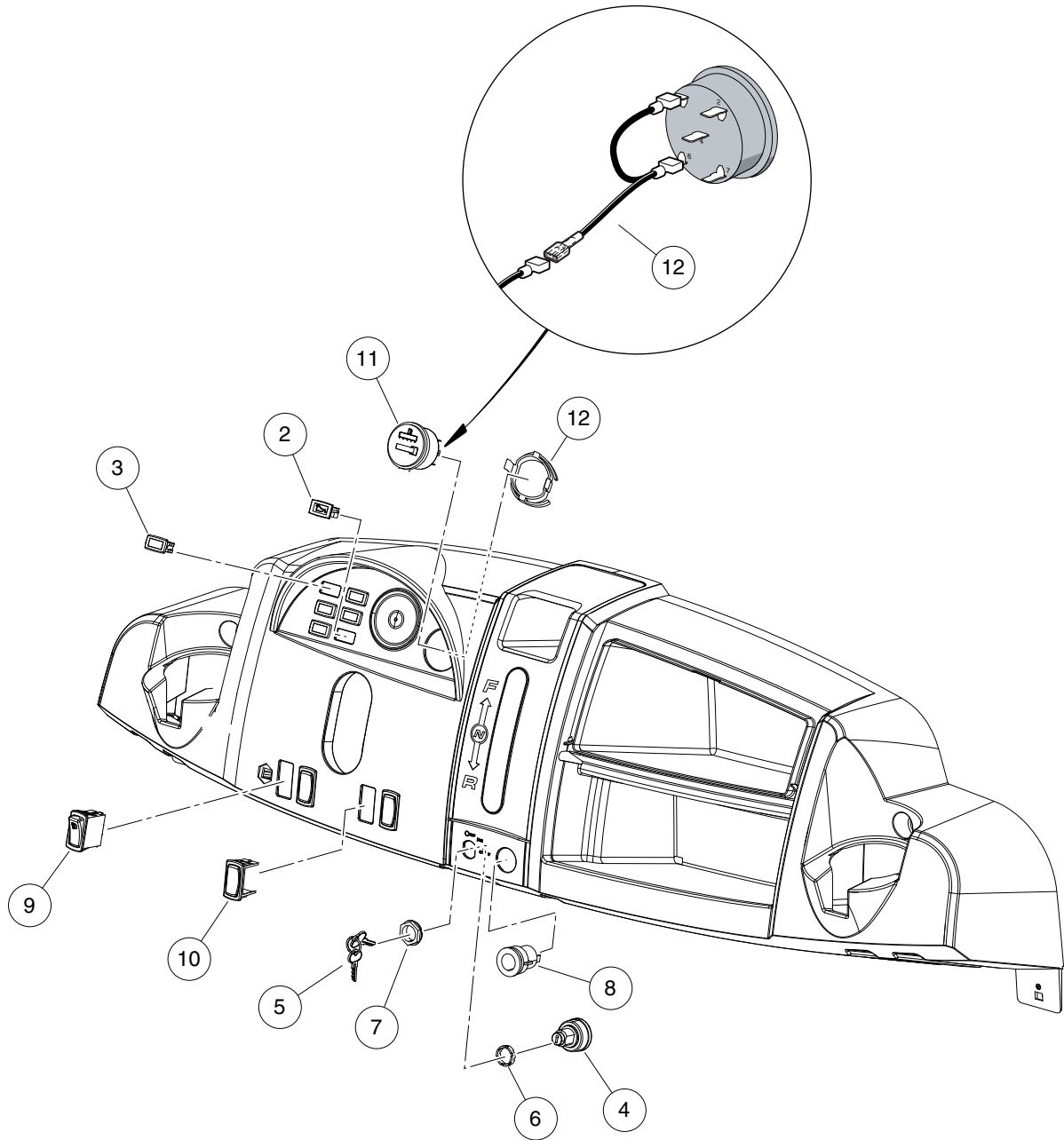
G

D

6

G

D



000543-006

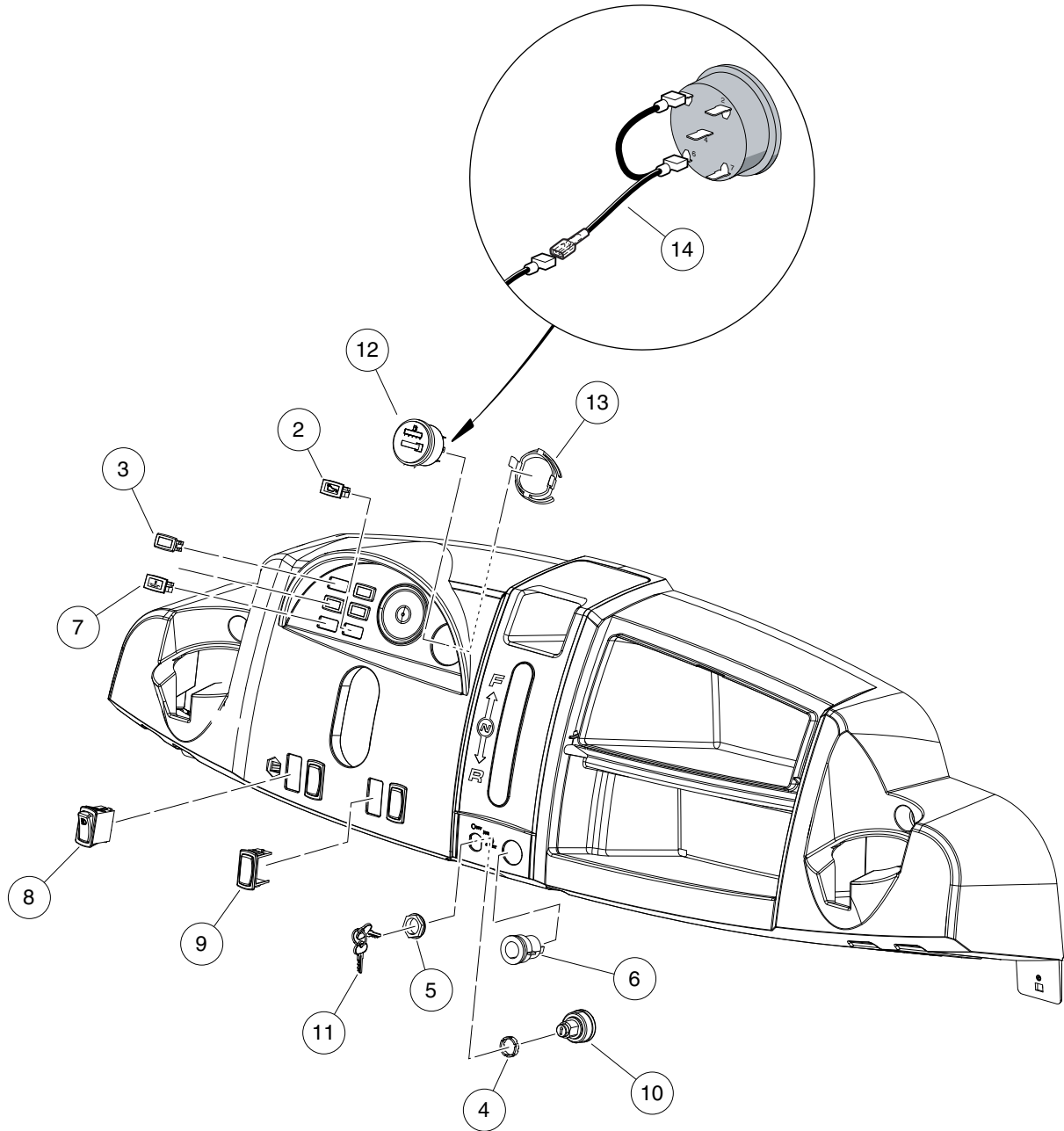
ELECTRICAL COMPONENTS – GAS

| ITEM | PART NO. | DESCRIPTION | QTY | 6 |
|------|------------------|--|-----|----------|
| | | 1 2 3 4 | | |
| 1 | N/A | Instl, Elec Sys Awd Gas Fh680d (includes items 2 through 13) | 1 | G |
| 2 | <u>1016630</u> | Light, Oil | 1 | |
| 3 | <u>101802601</u> | Plug, Hole | 5 | |
| 4 | <u>102044702</u> | Key Switch 12v Key Start | 1 | D |
| 5 | 102044801 | Key Set | 1 | |
| 6 | <u>102051601</u> | Spacer, Keyswitch | 1 | |
| 7 | <u>102051701</u> | Nut, Key Switch | 1 | |
| 8 | <u>102198001</u> | Receptacle, Accessory | 1 | |
| 9 | <u>102869401</u> | Switch, Rocker, Light | 1 | |
| 10 | <u>103180101</u> | Cover, Hole, Switch, Rocker | 3 | |
| 11 | <u>103348101</u> | Gauge Fuel-hour Sep Gnd | 1 | |
| 12 | <u>103348201</u> | Clip, Meter, Round | 1 | |
| 13 | <u>103348501</u> | Asm Wire Meter F-h Jumper | 1 | |

6

G

D



000543-002

ELECTRICAL COMPONENTS – DIESEL

| ITEM | PART NO. | DESCRIPTION | QTY |
|------|------------------|--|-----|
| | | 1 2 3 4 | |
| 1 | N/A | Instl, Elec Sys, Restyle Diesl (includes items 2 through 14) | 1 |
| 2 | <u>1016630</u> | Light, Oil | 1 |
| 3 | <u>101802601</u> | Plug, Hole | 4 |
| 4 | <u>102051601</u> | Spacer, Keyswitch | 1 |
| 5 | <u>102051701</u> | Nut, Key Switch | 1 |
| 6 | <u>102198001</u> | Receptacle, Accessory | 1 |
| 7 | <u>102375401</u> | Light, Indicator, Coolant Temp | 1 |
| 8 | <u>102869401</u> | Switch, Rocker, Light | 1 |
| 9 | <u>103180101</u> | Cover, Hole, Switch, Rocker | 3 |
| 10 | <u>103208801</u> | Keyswitch, 12v, Diesel | 1 |
| 11 | <u>103234401</u> | Keys (set of 2) | 1 |
| 12 | <u>103348101</u> | Gauge Fuel-hour Sep Gnd | 1 |
| 13 | <u>103348201</u> | Clip, Meter, Round | 1 |
| 14 | <u>103348501</u> | Asm Wire Meter F-h Jumper | 1 |

6

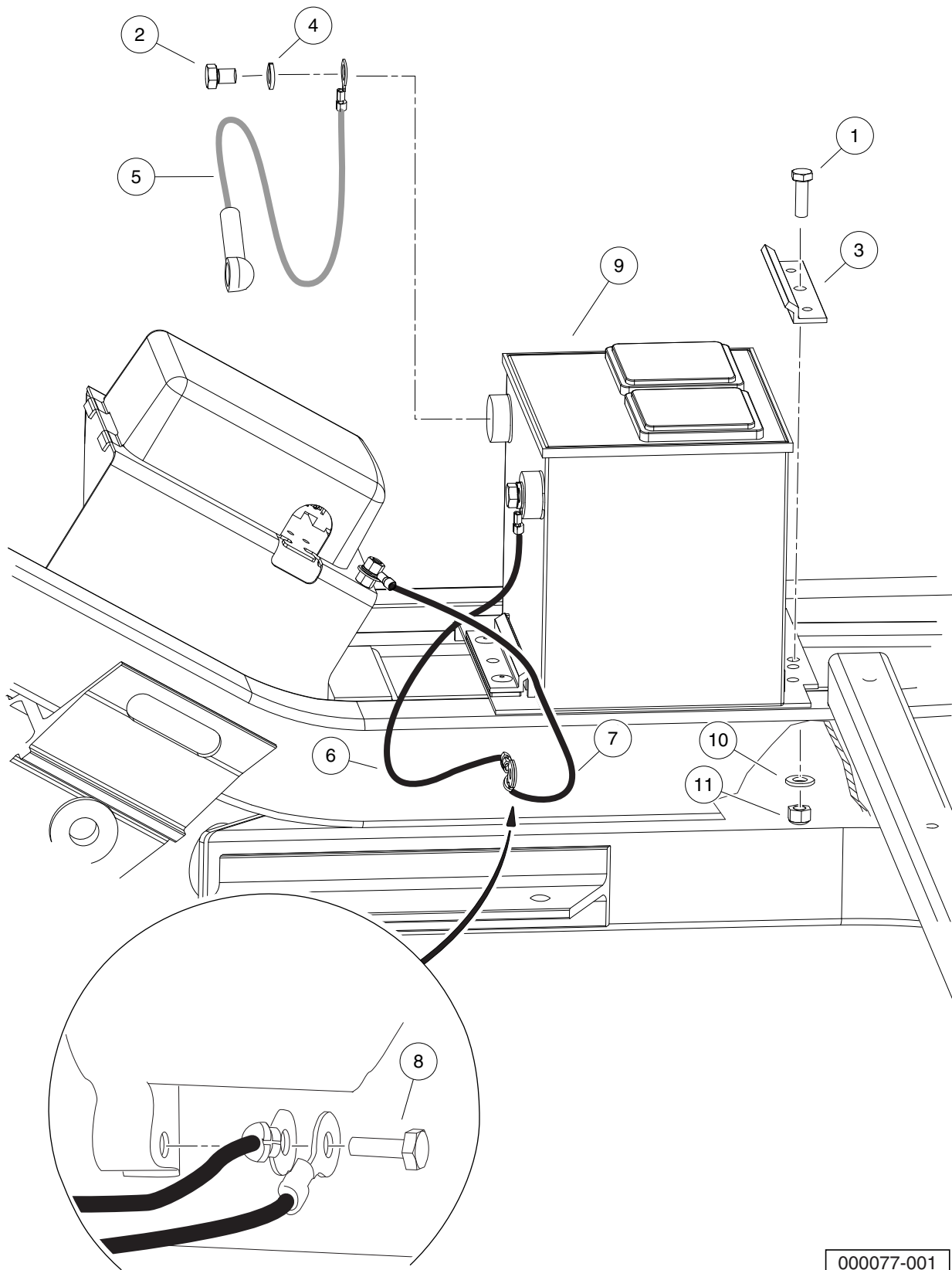
G

D

6

G

D



000077-001

BATTERY – GASOLINE VEHICLES

| ITEM | PART NO. | DESCRIPTION | QTY |
|------|------------------|---|-----|
| | | 1 2 3 4 | |
| 1 | <u>1010934</u> | Screw, 5/16-18 X 1.00 Hex Cap | 1 |
| 2 | <u>1014375</u> | Screw, 3/8-16 X 0.50 Stainless Steel Hex-Head | 2 |
| 3 | <u>101898001</u> | Clamp, Battery | 1 |
| 4 | <u>102355301</u> | Lockwasher, #10 Split Ss | 2 |
| 5 | <u>102442201</u> | Asm, #6 Red Wire | 1 |
| 6 | <u>102442301</u> | Asm, #6 Blk Wire | 1 |
| 7 | <u>102442401</u> | Asm, #6 Blk Wire | 1 |
| 8 | <u>102490301</u> | Bolt, M6 X 1 X 16 Loctite | 1 |
| 9 | N/A | Battery, Start, 12v | 1 |
| 10 | <u>1241</u> | Washer, 5/16 Type A Flat | 1 |
| 11 | <u>7473</u> | Locknut, 5/16-18 Nylon Insert | 1 |

6

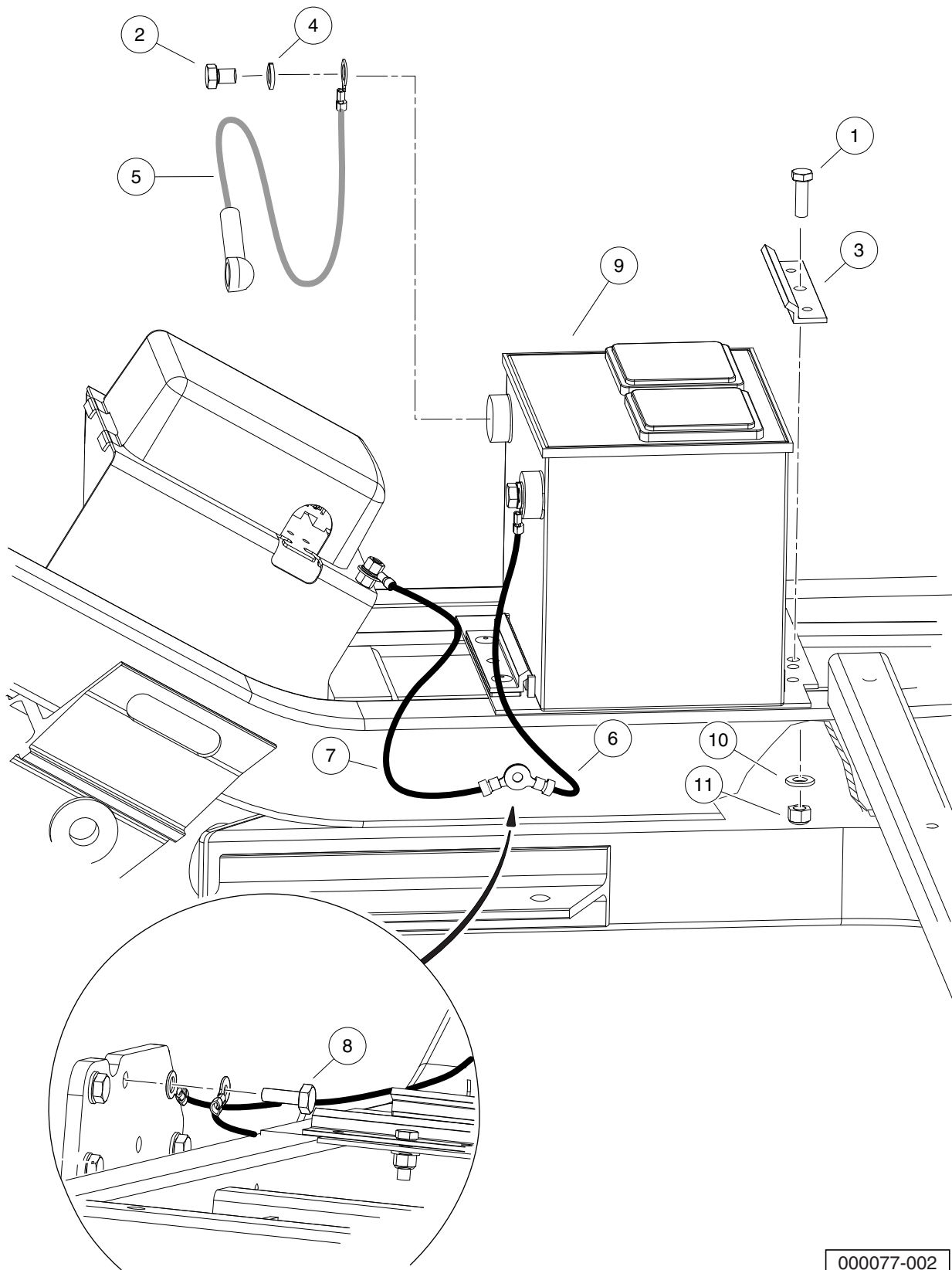
G

D

6

G

D



000077-002

BATTERY – DIESEL VEHICLES

| ITEM | PART NO. | DESCRIPTION | QTY |
|------|------------------|---|-----|
| | | 1 2 3 4 | |
| 1 | <u>1010934</u> | Screw, 5/16-18 X 1.00 Hex Cap | 1 |
| 2 | <u>1014375</u> | Screw, 3/8-16 X 0.50 Stainless Steel Hex-Head | 2 |
| 3 | <u>101898001</u> | Clamp, Battery | 1 |
| 4 | <u>102355301</u> | Lockwasher, #10 Split Ss | 2 |
| 5 | <u>102442201</u> | Asm, #6 Red Wire | 1 |
| 6 | <u>102448401</u> | Wire Asm, #6 Blk, Awd, 350 | 1 |
| 7 | <u>102448501</u> | Wire Asm, #6 Blk, Awd, 325 | 1 |
| 8 | <u>102498201</u> | Bolt, M10 X 1.25 X 25 Loctite | 1 |
| 9 | N/A | Battery, Start, 12v | 1 |
| 10 | <u>1241</u> | Washer, 5/16 Type A Flat | 1 |
| 11 | <u>7473</u> | Locknut, 5/16-18 Nylon Insert | 1 |

6

G

D

6

G

D

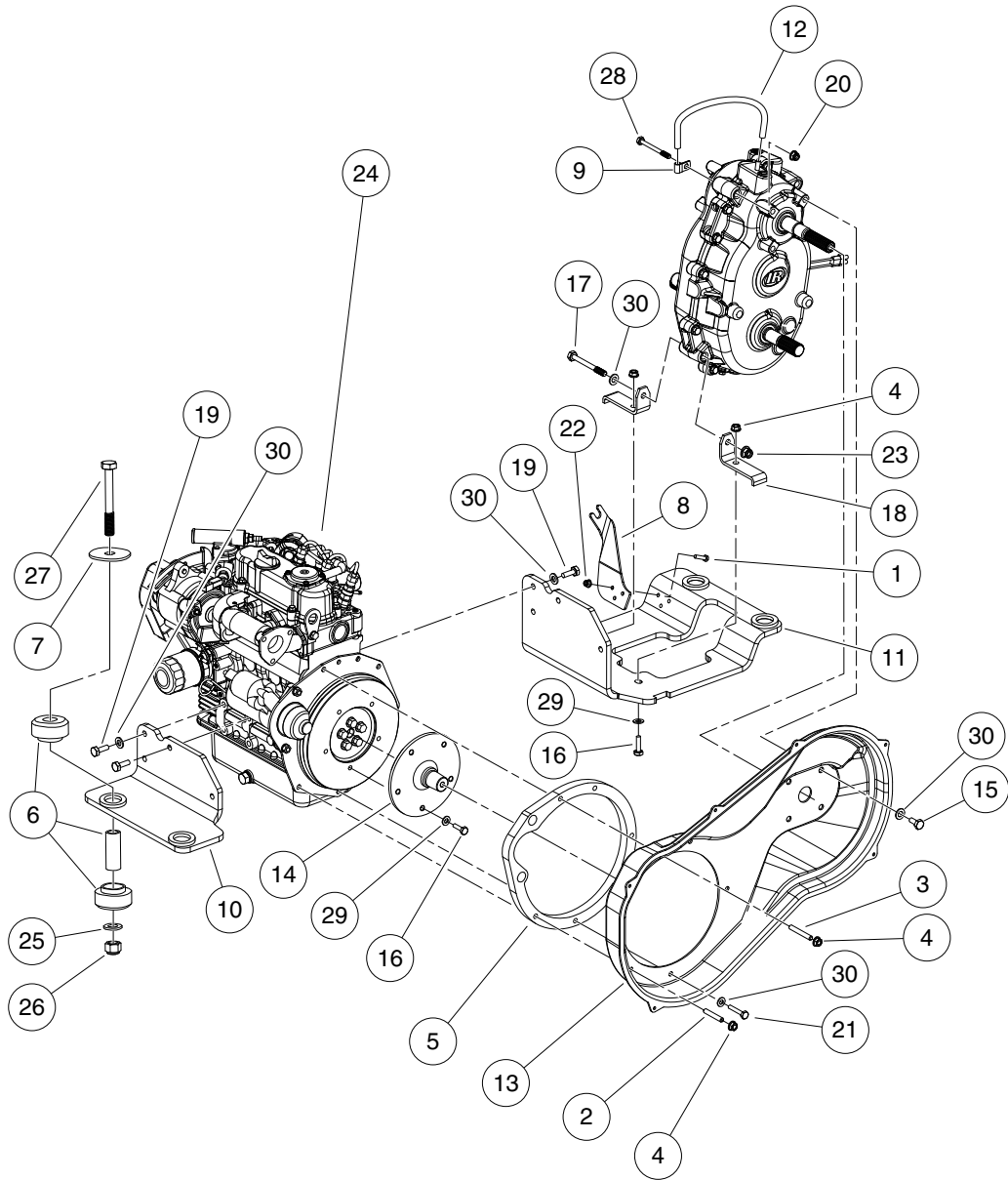
DIESEL ENGINE – CLOSED BREATHER

7

D

7

D



000025-002

KUBOTA D722 DIESEL ENGINE MOUNTING

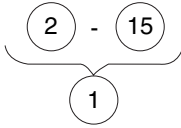
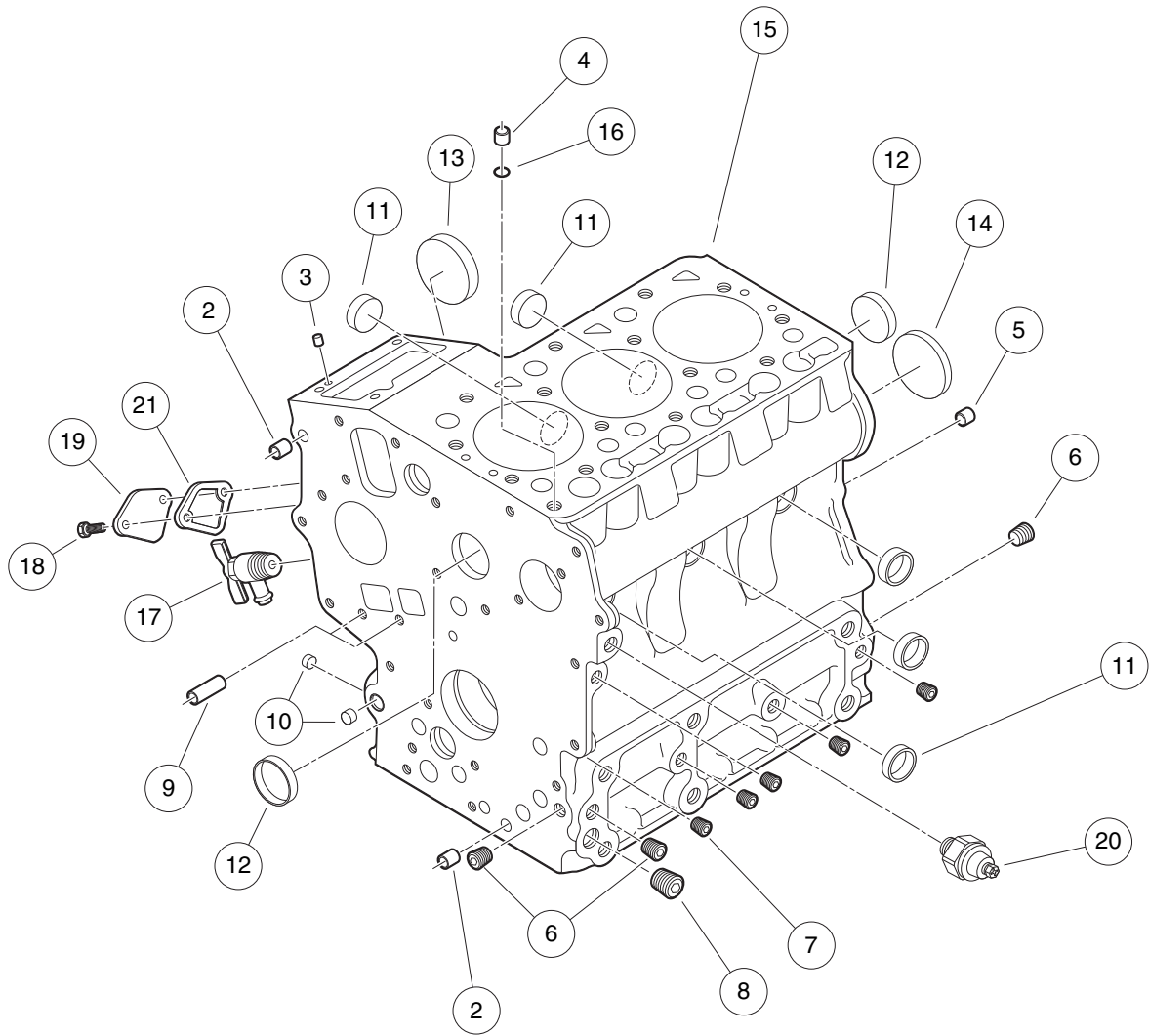
| ITEM | PART NO. | DESCRIPTION | QTY |
|------|------------------|---|-----|
| | | 1 2 3 4 | |
| 1 | <u>1012769</u> | Screw, M6-1.00 X 25mm Hex Cap | 3 |
| 2 | <u>101833101</u> | Stud, M8-1.25 X 50 mm Two-Ended | 1 |
| 3 | <u>101833201</u> | Stud, M8-1.25 X 60mm Two-Ended | 1 |
| 4 | <u>102298401</u> | Nut,m8,all Metal Lock | 7 |
| 5 | <u>102370101</u> | Spacer, Engine, Diesel | 1 |
| 6 | <u>102370501</u> | Isolator Ring and Bushing | 4 |
| 7 | <u>102370601</u> | Washer, Snubbing, Ring N Bush | 4 |
| 8 | <u>102382401</u> | Bracket, FNR Trans Cable | 1 |
| 9 | <u>102410603</u> | P-Clamp, Insulated .312 In | 1 |
| 10 | <u>102414701</u> | Plate, Engine Mounting, Weld, Left-Hand | 1 |
| 11 | <u>102414801</u> | Plate, Engine Mounting, Weld, Right-Hand | 1 |
| 12 | <u>102462301</u> | Hose, Vent, Transmission | 1 |
| 13 | <u>102462501</u> | Cover, CVT Inner, Diesel | 1 |
| 14 | <u>102465901</u> | Shaft, CVT Adapter | 1 |
| 15 | <u>102490101</u> | Bolt, M10 X 1.5 X 20 Loctite | 4 |
| 16 | <u>102490201</u> | Bolt, M8 X 1.25 X 25 Loctite | 7 |
| 17 | <u>102490501</u> | Bolt, M10 X 1.5 X 100 Loctite | 1 |
| 18 | <u>102494401</u> | Bracket, Transmission Mounting | 2 |
| 19 | <u>102498201</u> | Bolt, M10 X 1.25 X 25 Loctite | 8 |
| 20 | <u>102618601</u> | Lock Nut, Flg M8 X 1.25 Nylon | 1 |
| 21 | <u>102621301</u> | Bolt, M8 X 1.25 X 40 with Loctite | 3 |
| 22 | <u>102621501</u> | Nut Flg, M6 X 1.0 Nylon | 3 |
| 23 | <u>102670701</u> | Nut Flg M10 X 1.5 Nylon | 1 |
| 24 | <u>102934601</u> | Engine, Kubota, D722, with Closed Breather, 60a | 1 |
| 25 | <u>96701412</u> | Washer, M12 Hard | 4 |
| 26 | <u>96704622</u> | Locknut, M12x1.75 Nylon Insert | 4 |
| 27 | <u>96704721</u> | Bolt, M12 X 1.75 X 90 | 4 |
| 28 | <u>96718978</u> | Bolt, M8 X 1.25 X 80 | 1 |
| 29 | <u>96741038</u> | Washer, M8 Hard | 10 |
| 30 | <u>96741046</u> | Washer, M10 Hard | 12 |

7

D

7

D



000039-001

CRANKCASE

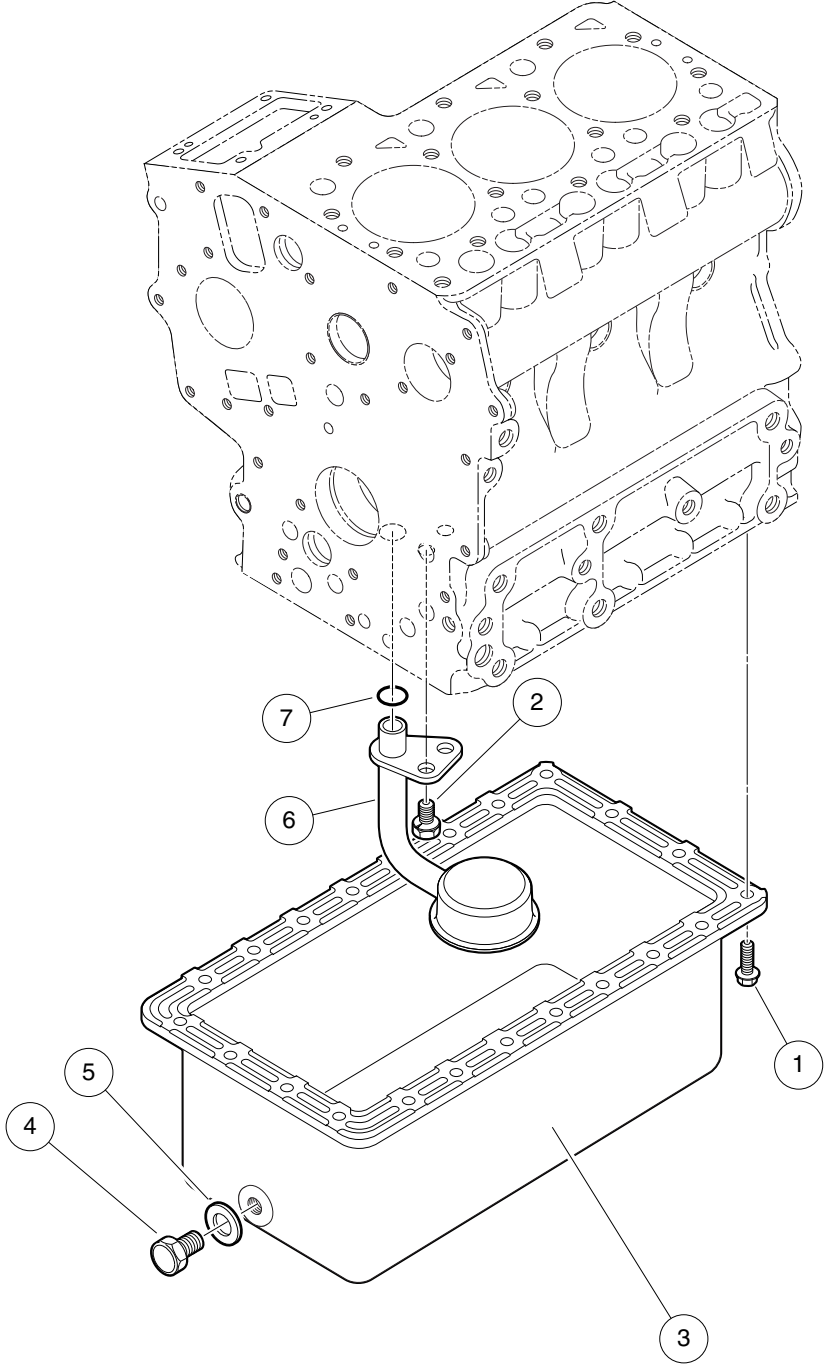
7

D

| ITEM | PART NO. | DESCRIPTION | QTY |
|------|------------------|--|-----|
| | | 1 2 3 4 | |
| 1 | <u>102600001</u> | Engine Block (includes items 2 through 15) | 1 |
| 2 | <u>102600101</u> | Pin, Pipe, Dia 8 X 14 | 2 |
| 3 | <u>102600201</u> | Pin, Straight, Dia 5 X 10 | 2 |
| 4 | <u>102600401</u> | Pin, Pipe, Dia 7 X 14 | 1 |
| 5 | <u>102600601</u> | Pin, Straight, Dia 8 X 16 | 2 |
| 6 | <u>102600701</u> | Plug, 1/8" | 3 |
| 7 | <u>102600801</u> | Plug, 3/32" | 5 |
| 8 | <u>102601001</u> | Plug, 1/4" | 1 |
| 9 | <u>102601301</u> | Pin, Pipe, Dia 8 X 11 | 2 |
| 10 | <u>102726201</u> | Cap, Sealing, Small | 3 |
| 11 | <u>102726301</u> | Cap, Sealing, Med | 5 |
| 12 | <u>102726401</u> | Cap, Sealing, Large | 2 |
| 13 | <u>102726501</u> | Cover, Fuel Camshaft | 1 |
| 14 | <u>102726601</u> | Plug, Expansion | 1 |
| 15 | N/A | Block, Engine | 1 |
| 16 | <u>102600301</u> | O Ring, 8 X 7 | 1 |
| 17 | <u>102601401</u> | Cock, Drain | 1 |
| 18 | <u>102631601</u> | Bolt, M6 X 1 X 20 | 2 |
| 19 | N/A | Plate, Engine Block | 1 |
| 20 | <u>102730801</u> | Switch, Oil Pressure | 1 |
| 21 | <u>102732601</u> | Gasket, Fuel Pump, D722 | 1 |

7

D



000040-001

OIL PAN

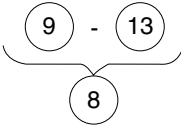
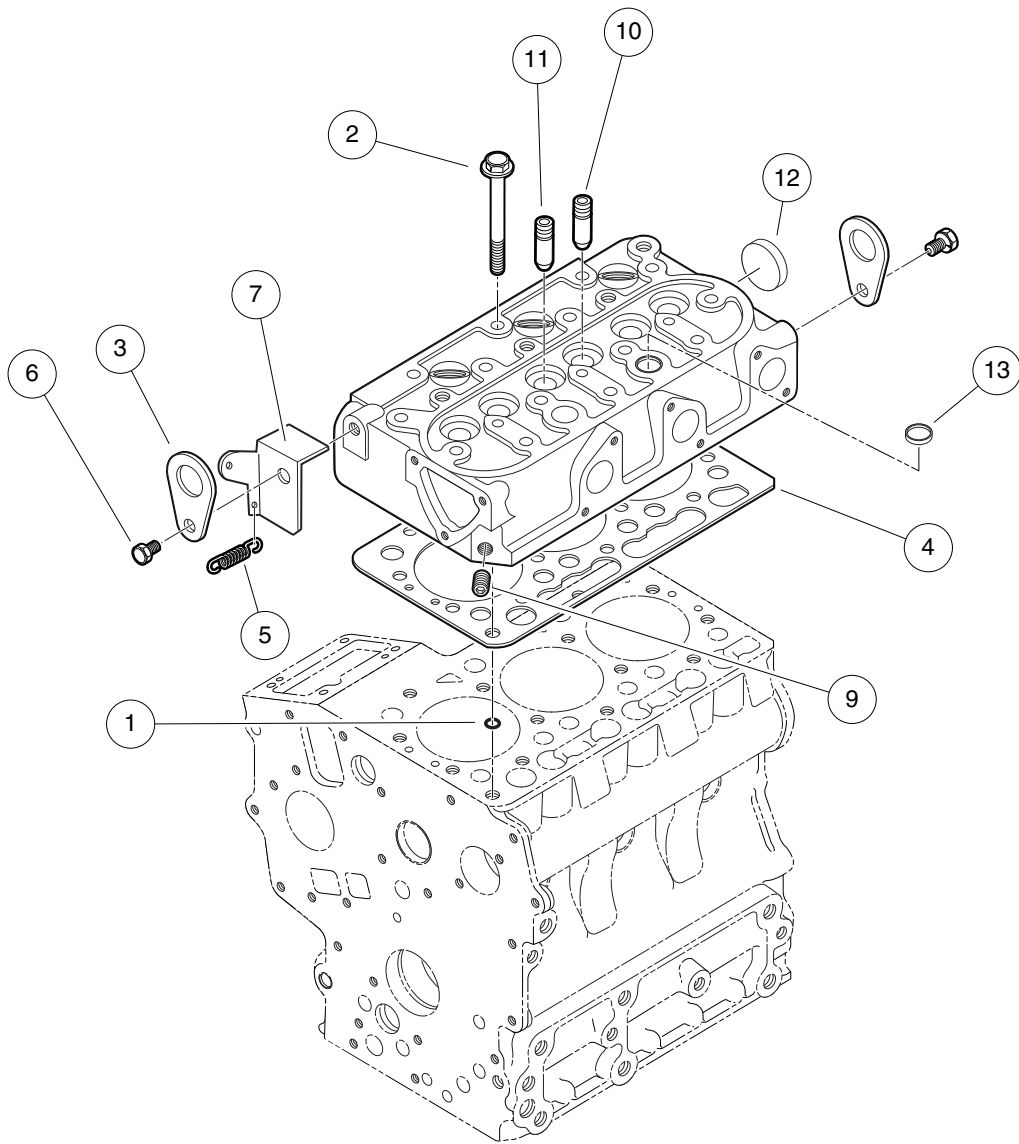
| ITEM | PART NO. | DESCRIPTION | QTY |
|------|------------------|-----------------------------|-----|
| | | 1 2 3 4 | |
| 1 | <u>102605101</u> | Bolt, M6 X 1 X 14 | 22 |
| 2 | <u>102606901</u> | Bolt, M8 X 1.25 X 15 | 1 |
| 3 | <u>102607001</u> | Oil Pan | 1 |
| 4 | <u>102607201</u> | Plug, Drain, M12 X 14 | 1 |
| 5 | <u>102607301</u> | Gasket, 20 X 13 | 1 |
| 6 | <u>102607401</u> | Filter, Oil, Pick Up | 1 |
| 7 | <u>102654601</u> | O Ring, 20 X 17 | 1 |

7

D

7

D



000041-002

CYLINDER HEAD

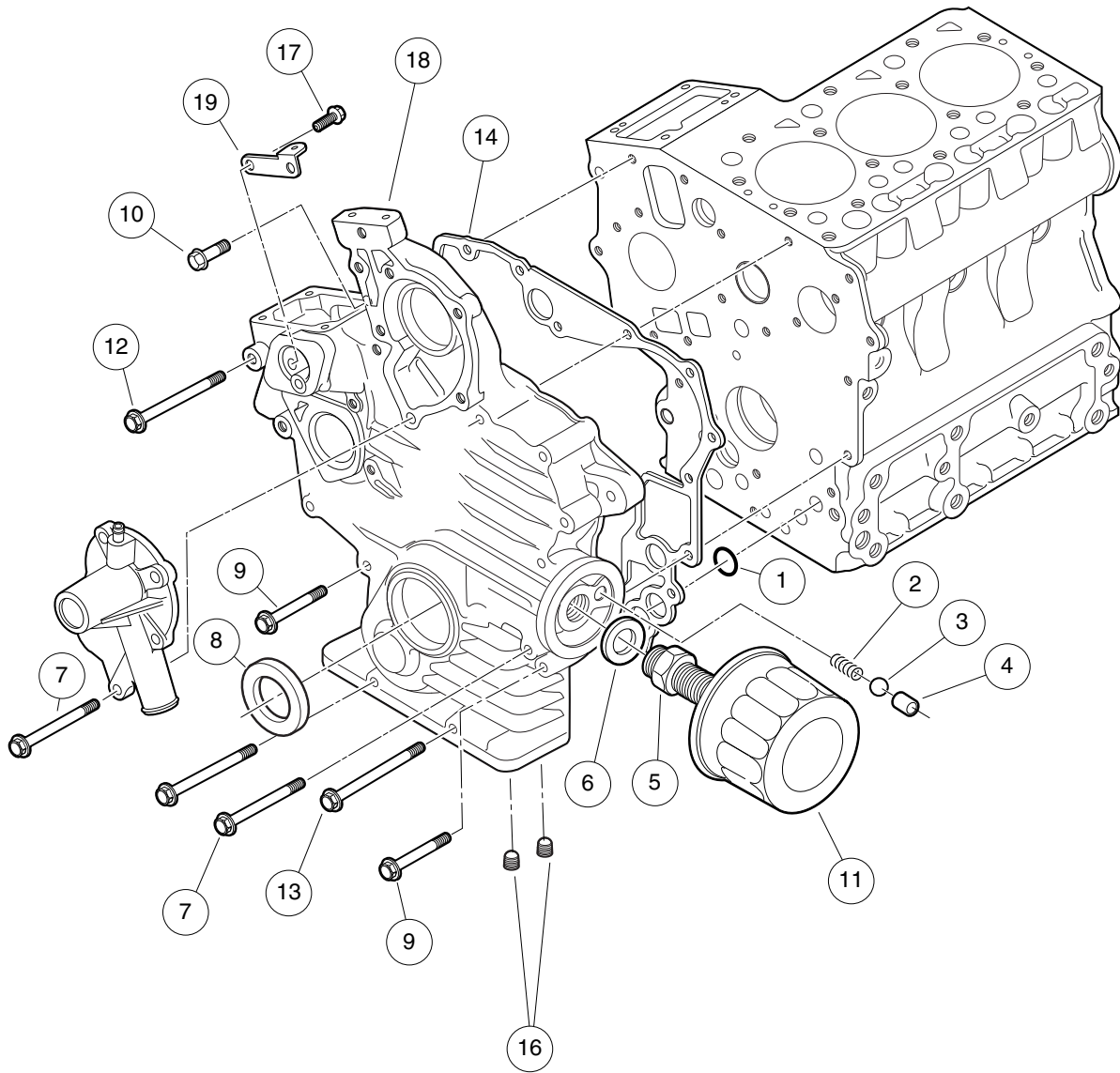
| ITEM | PART NO. | DESCRIPTION | QTY |
|------|------------------|--|-----|
| | | 1 2 3 4 | |
| 1 | <u>102600301</u> | O Ring, 8 X 7 | 1 |
| 2 | <u>102652801</u> | Bolt, Cylinder Head | 14 |
| 3 | <u>102653901</u> | Hook, Engine | 2 |
| 4 | <u>102654101</u> | Gasket, Cylinder Head | 1 |
| 5 | <u>102701001</u> | Spring, Start | 1 |
| 6 | <u>102726701</u> | Bolt, Engine Hook | 2 |
| 7 | <u>102727101</u> | Stay, Cylinder Head | 1 |
| 8 | <u>102798001</u> | Head, Cylinder, Complete (includes items 9 through 13) | 1 |
| 9 | <u>102600801</u> | Plug, 3/32" | 1 |
| 10 | <u>102653401</u> | Guide, Exhaust Valve | 3 |
| 11 | <u>102653501</u> | Guide, Inlet Valve | 3 |
| 12 | <u>102726901</u> | Cap, Sealing, Head | 1 |
| 13 | <u>102727001</u> | Cap, Sealing, Head, Top | 2 |

7

D

7

D



000042-002

GEAR CASE

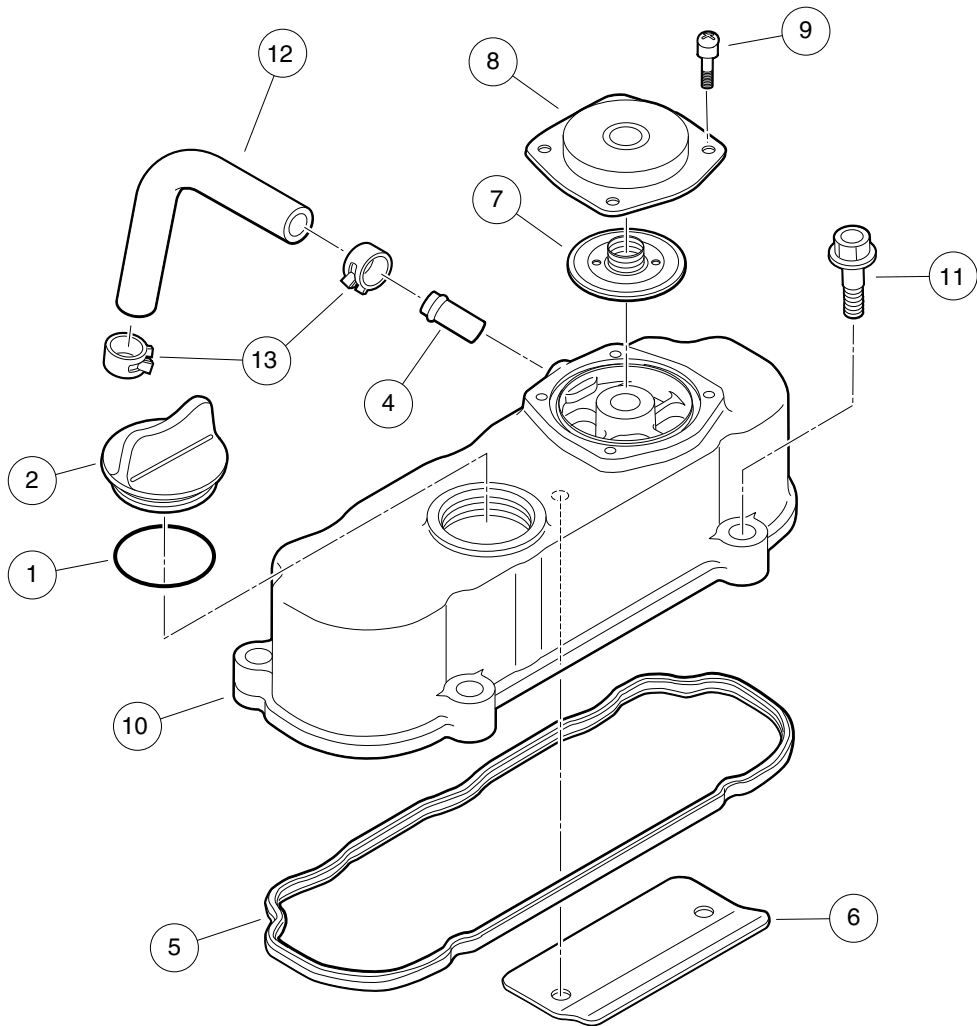
7

D

| ITEM | PART NO. | DESCRIPTION | QTY |
|------|------------------|---|-----|
| | | 1 2 3 4 | |
| 1 | <u>102601801</u> | O Ring, 18 X 13 | 3 |
| 2 | <u>102601901</u> | Spring, Valve | 1 |
| 3 | <u>102602001</u> | Ball, Valve | 1 |
| 4 | <u>102602101</u> | Seat, Valve | 1 |
| 5 | <u>102602301</u> | Joint, Pipe | 1 |
| 6 | <u>102602401</u> | Washer, Plain, Special | 1 |
| 7 | <u>102602601</u> | Bolt, M6 X 1 X 60 | 2 |
| 8 | <u>102602701</u> | Seal, Oil | 1 |
| 9 | <u>102602801</u> | Bolt, D722, Front Case | 9 |
| 10 | <u>102654301</u> | Bolt, D722 Intake Manfld Lower | 1 |
| 11 | <u>102703301</u> | Filter, Engine Oil, D722 | 1 |
| 12 | <u>102727401</u> | Bolt, Gearcase, Top | 2 |
| 13 | <u>102727501</u> | Bolt, Gearcase, Lower | 1 |
| 14 | <u>102729301</u> | Gasket, Gearcase, D722 | 1 |
| 15 | N/A | Case, Gear (includes items 16 through 19) | 1 |
| 16 | <u>102601001</u> | Plug, 1/4" | 2 |
| 17 | <u>102727601</u> | Screw, Breather | 2 |
| 18 | N/A | Case, Gear | 1 |
| 19 | <u>102798201</u> | Stay, Spring | 1 |

7

D



000181-001

HEAD COVER

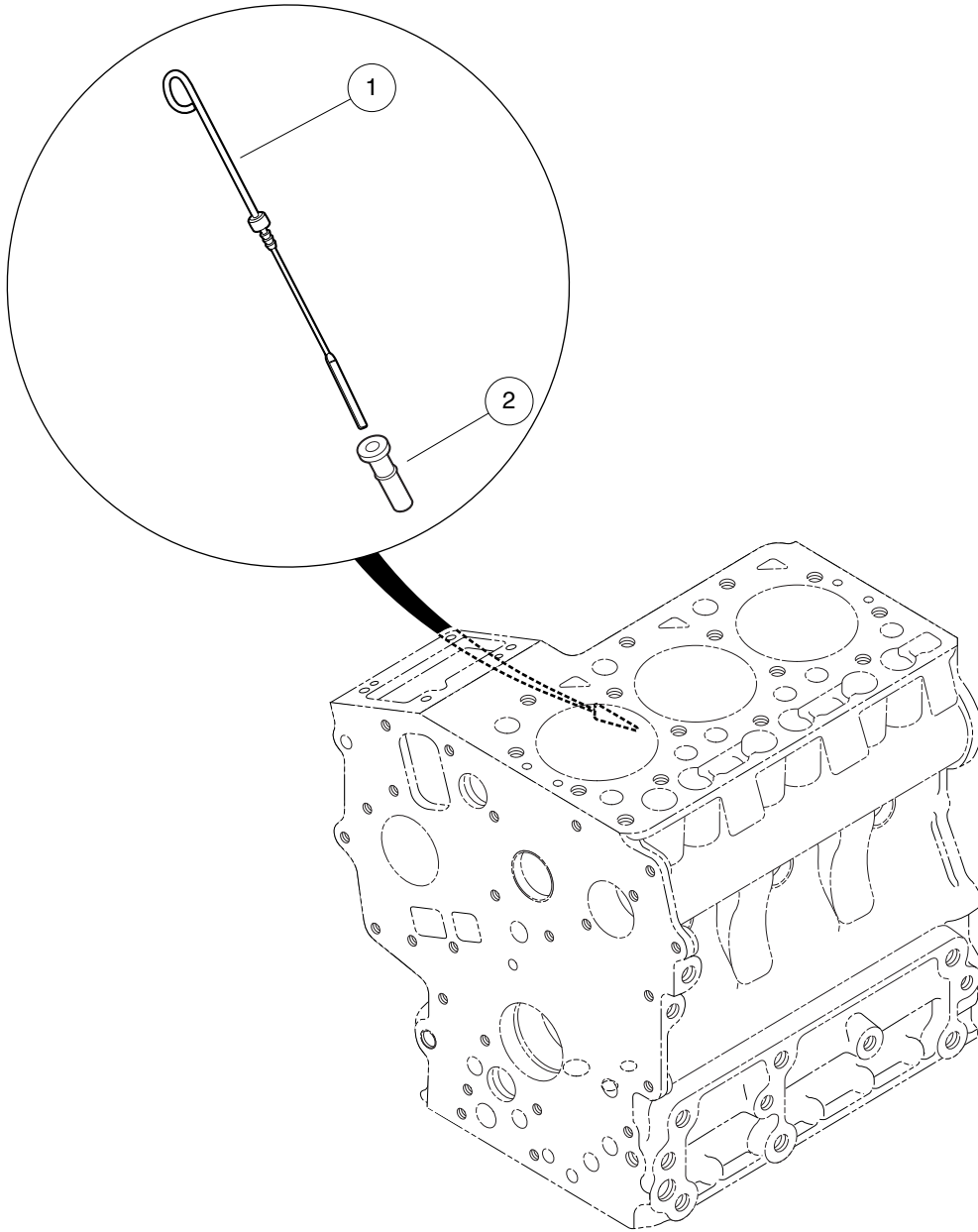
| ITEM | PART NO. | DESCRIPTION | QTY |
|------|------------------|---|-----|
| | | 1 2 3 4 | |
| 1 | <u>102644001</u> | O Ring, 30 X 36 | 1 |
| 2 | <u>102644101</u> | Plug, Oil Filler | 1 |
| 3 | <u>102798401</u> | Assembly, Cylinder Head Cover (includes items 4 through 10) | 1 |
| 4 | <u>102633301</u> | Pipe, Water Return, D722 | 1 |
| 5 | <u>102798501</u> | Gasket, Cylinder Head Cover | 1 |
| 6 | <u>102798601</u> | Shield, Breather | 1 |
| 7 | <u>102799001</u> | Valve, Breather | 1 |
| 8 | <u>102799101</u> | Cover, Breather | 1 |
| 9 | <u>102799201</u> | Screw, Breather | 4 |
| 10 | N/A | Cover, Cylinder Head | 1 |
| 11 | <u>102798701</u> | Bolt, Cylinder Head Cover | 4 |
| 12 | <u>102798801</u> | Tube, Breather | 1 |
| 13 | <u>102798901</u> | Clamp, Breather Tube | 2 |

7

D

7

D



000044-002

DIPSTICK AND GUIDE

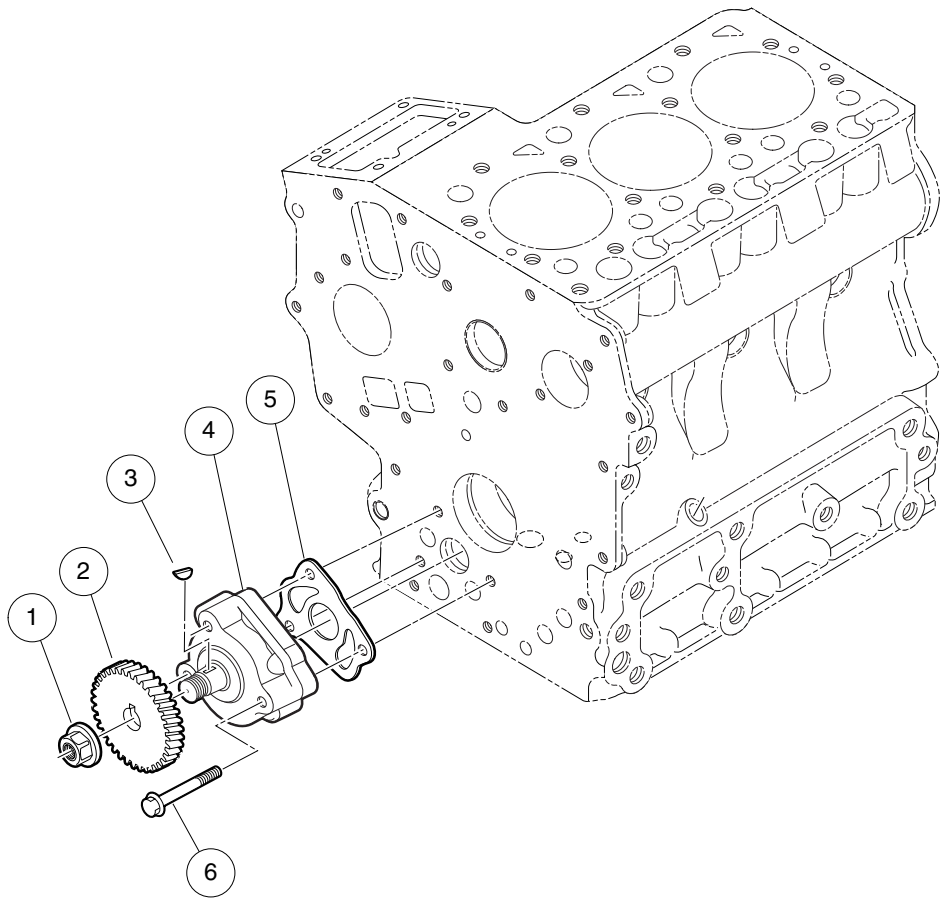
| ITEM | PART NO. | DESCRIPTION | QTY |
|------|------------------|------------------------|-----|
| | | 1 2 3 4 | |
| 1 | <u>102606701</u> | Gauge, Oil | 1 |
| 2 | <u>102727701</u> | Guide, Oil Gauge | 1 |

7

D

7

D



000045-001

OIL PUMP

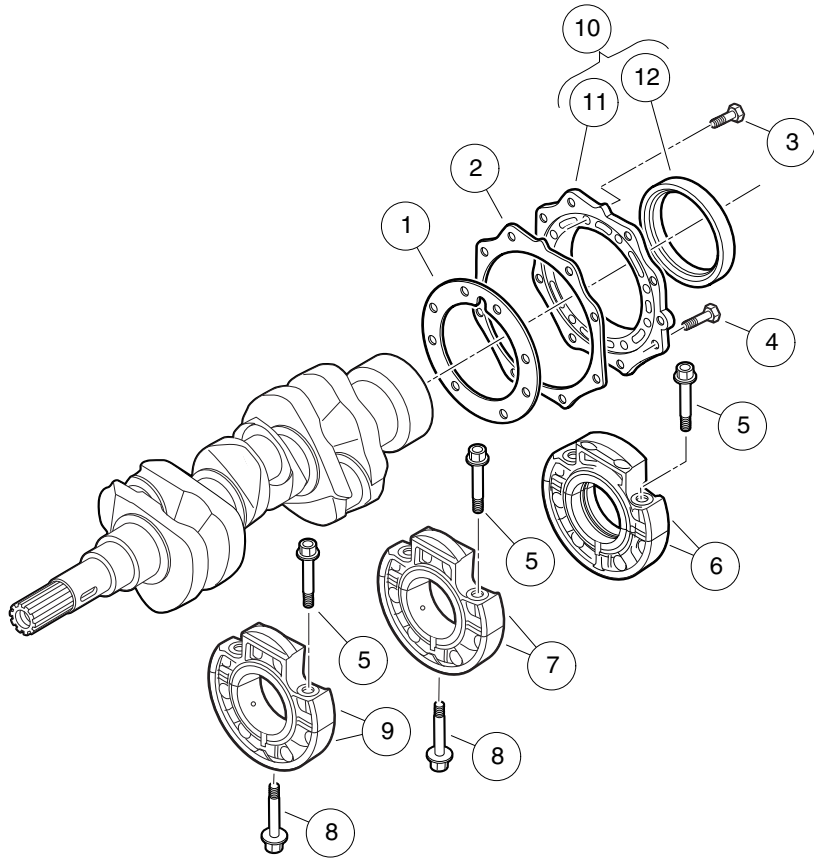
| ITEM | PART NO. | DESCRIPTION | QTY |
|------|------------------|----------------------------------|-----|
| | | 1 2 3 4 | |
| 1 | <u>102606201</u> | Nut, Flange, D722 Oil Pump | 1 |
| 2 | <u>102606301</u> | Gear, Oil Pump Drive | 1 |
| 3 | <u>102606401</u> | Key, Feather, 8x4 | 1 |
| 4 | <u>102606501</u> | Assy, Pump, Oil | 1 |
| 5 | <u>102606601</u> | Gasket, Oil Pump | 1 |
| 6 | <u>102727901</u> | Bolt, Oil Pump | 3 |

7

D

7

D



000046-001

MAIN BEARING CASE

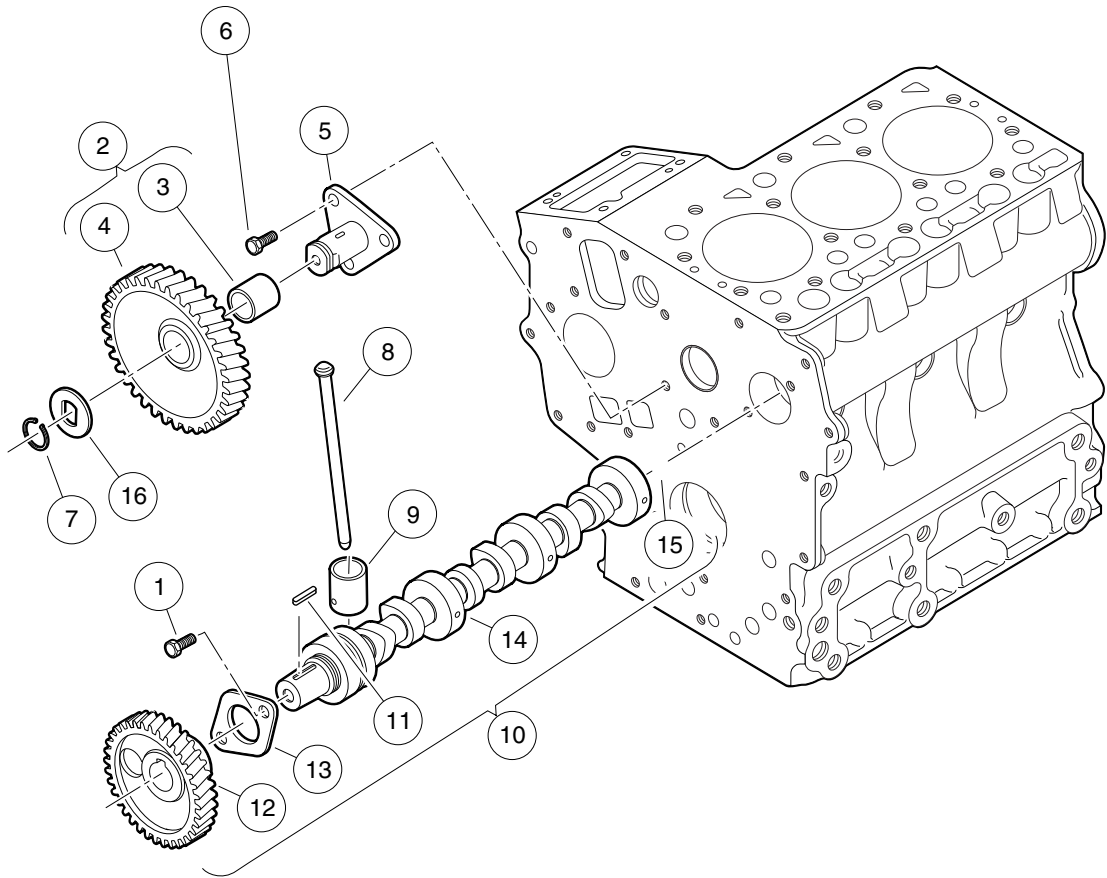
| ITEM | PART NO. | DESCRIPTION | QTY |
|------|------------------|--|-----|
| | | 1 2 3 4 | |
| 1 | <u>102608201</u> | Gasket, Bearing Case | 1 |
| 2 | <u>102608301</u> | Gasket, Cover | 1 |
| 3 | <u>102608601</u> | Bolt, M6 X 1 X 20 | 8 |
| 4 | <u>102608701</u> | Bolt, M6 X 1 X 22 | 8 |
| 5 | <u>102608901</u> | Bolt, Bearing Case, Top | 6 |
| 6 | <u>102609101</u> | Assy Case, Main Brg, First | 1 |
| 7 | <u>102609301</u> | Assy Case, Main Brg, Sec | 1 |
| 8 | <u>102609401</u> | Bolt, Bearing Case, Bottom | 2 |
| 9 | <u>102609601</u> | Assy Case, Main Brg, Third | 1 |
| 10 | <u>102728001</u> | Assy, Cover, Bearing Case (includes items 11 and 12) | 1 |
| 11 | <u>102608401</u> | Cover, Bearing Case | 1 |
| 12 | <u>102608501</u> | Seal, Oil | 1 |

7

D

7

D



000047-002

CAMSHAFT AND IDLE GEAR

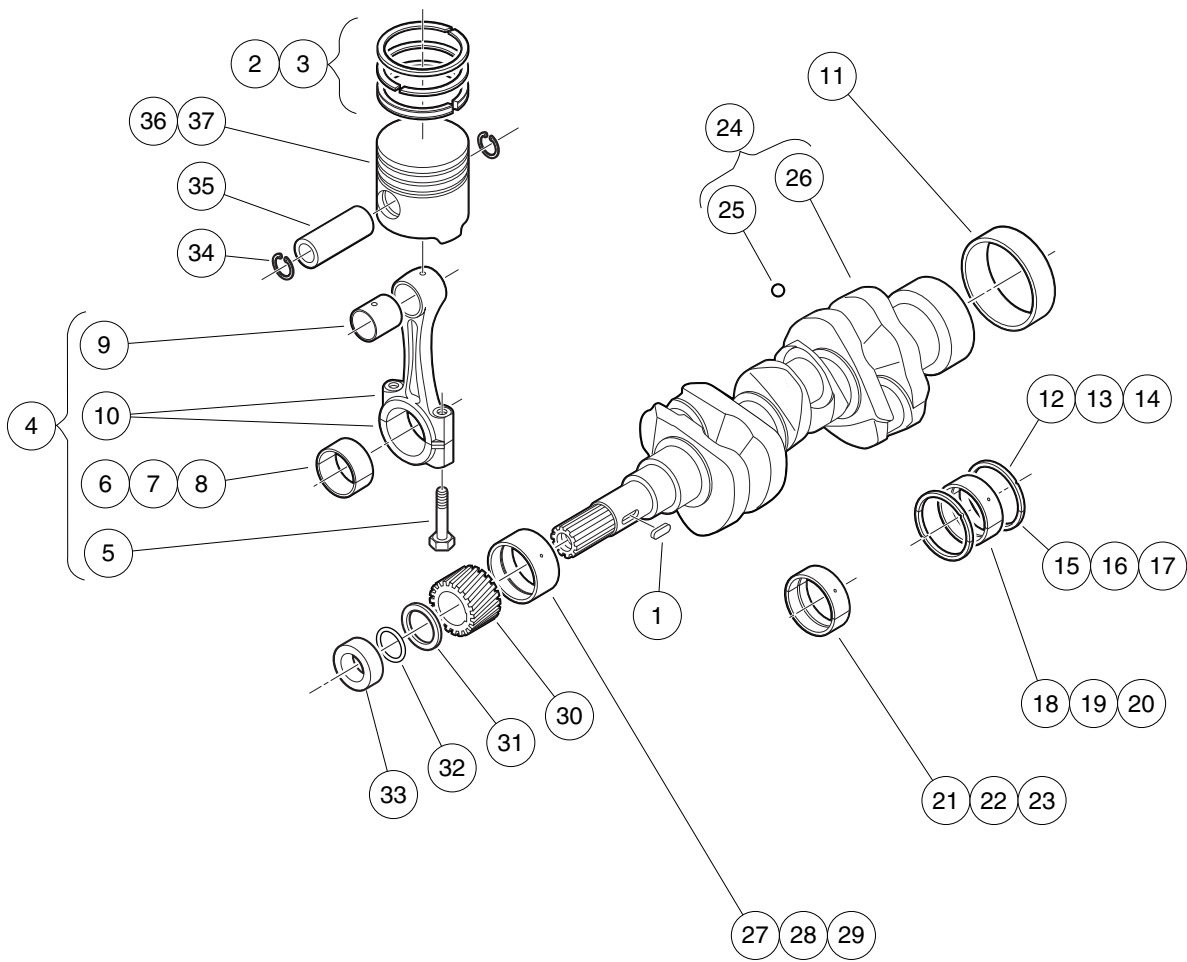
| ITEM | PART NO. | DESCRIPTION | QTY |
|------|------------------|--|-----|
| | | 1 2 3 4 | |
| 1 | <u>102604201</u> | Bolt, D722, Cam End | 2 |
| 2 | <u>102604901</u> | Gear, Idle (includes items 3 and 4) | 1 |
| 3 | <u>102603201</u> | Bushing, D722 Idle Gear | 1 |
| 4 | N/A | Gear, Idle | 1 |
| 5 | <u>102605001</u> | Shaft, Idle Gear | 1 |
| 6 | <u>102605101</u> | Bolt, M6 X 1 X 14 | 3 |
| 7 | <u>102605301</u> | Ring, Snap | 1 |
| 8 | <u>102605401</u> | Push Rod | 6 |
| 9 | <u>102605501</u> | Tappet | 6 |
| 10 | <u>102605801</u> | Assy Camshaft, Long (includes items 11 through 15) | 1 |
| 11 | <u>102605601</u> | Key, Feather, Long Camshaft | 1 |
| 12 | <u>102605901</u> | Gear, Cam | 1 |
| 13 | <u>102606001</u> | Stopper, Camshaft | 1 |
| 14 | N/A | Camshaft | 1 |
| 15 | <u>102799401</u> | Ball, Check | 1 |
| 16 | <u>102654401</u> | Collar, Idle Gear | 1 |

7

D

7

D



000048-002

PISTON AND CRANKSHAFT

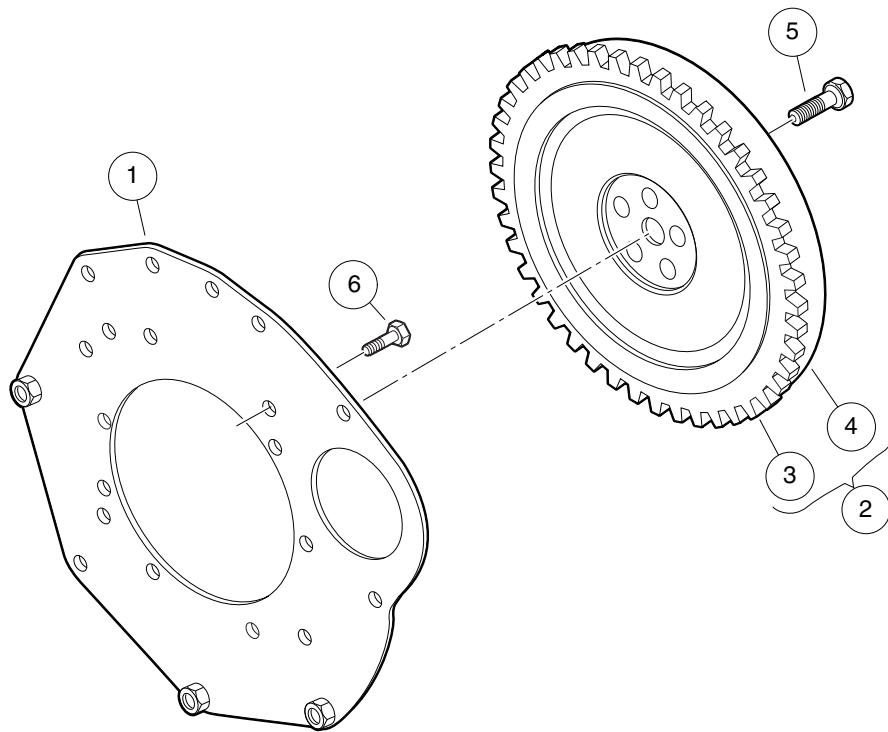
| ITEM | PART NO. | DESCRIPTION | QTY |
|------|------------------|--|-----|
| | | 1 2 3 4 | |
| 1 | <u>102604401</u> | Key, Feather, Short Camshaft | 1 |
| 2 | <u>102607601</u> | Assy Piston Ring, D722 Std | 3 |
| 3 | <u>102607602</u> | Assy Piston Ring, D722 +.025 | 3 |
| 4 | <u>102607801</u> | Assy, Connecting Rod (includes items 5 through 10) | 3 |
| 5 | <u>102607901</u> | Bolt, Connecting Rod | 6 |
| 6 | <u>102630701</u> | Metal, Crank, Rod, D722, Std | 3 |
| 7 | N/A | Metal, Crank, Rod, D722, .020 | 3 |
| 8 | <u>102630703</u> | Metal, Crank, Rod, D722, .040 | 3 |
| 9 | <u>102732201</u> | Bushing, Piston Pin, D722 | 3 |
| 10 | N/A | Rod, Connecting | 1 |
| 11 | <u>102608101</u> | Sleeve, Crankshaft | 1 |
| 12 | <u>102608801</u> | Metal,crank, O Side, Std | 2 |
| 13 | N/A | Metal,crank, O Side, +.020 | 2 |
| 14 | <u>102608803</u> | Metal,crank, O Side, +.040 | 2 |
| 15 | <u>102608804</u> | Metal,crank, I Side, Std | 2 |
| 16 | N/A | Metal,crank, I Side, +.020 | 2 |
| 17 | <u>102608806</u> | Metal,crank, I Side, +.040 | 2 |
| 18 | <u>102609001</u> | Metal, Crank, Main, Rear Std | 1 |
| 19 | N/A | Metal, Crank, Main, Rear -.020 | 1 |
| 20 | <u>102609003</u> | Metal, Crank, Main, Rear -.040 | 1 |
| 21 | <u>102609801</u> | Metal, Crank, Main, Mid Std | 4 |
| 22 | N/A | Metal, Crank, Main, Mid +.020 | 2 |
| 23 | <u>102609803</u> | Metal, Crank, Main, Mid +.040 | 2 |
| 24 | <u>102610001</u> | Crankshaft (includes items 25 and 26) | 1 |
| 25 | <u>102608001</u> | Ball, Crankshaft | 3 |
| 26 | N/A | Crankshaft | 1 |
| 27 | <u>102630001</u> | Metal, Crank, D722, Frnt, Std | 1 |
| 28 | N/A | Metal, Crank, 722, Frnt, -.020 | 1 |
| 29 | <u>102630003</u> | Metal, Crank, 722, Frnt, -.040 | 1 |
| 30 | <u>102630101</u> | Gear, Crank | 1 |
| 31 | <u>102630201</u> | Slinger, Oil | 1 |
| 32 | <u>102630301</u> | O Ring, 23 X 26 | 1 |
| 33 | <u>102630401</u> | Collar, Crankshaft | 1 |
| 34 | <u>102630901</u> | Circlip, Piston Pin | 6 |
| 35 | <u>102631001</u> | Pin, Piston | 3 |
| 36 | <u>102728101</u> | Piston, D722, Std | 3 |
| 37 | <u>102728102</u> | Piston, D722, +0.25 | 3 |

7

D

7

D



000049-001

FLYWHEEL

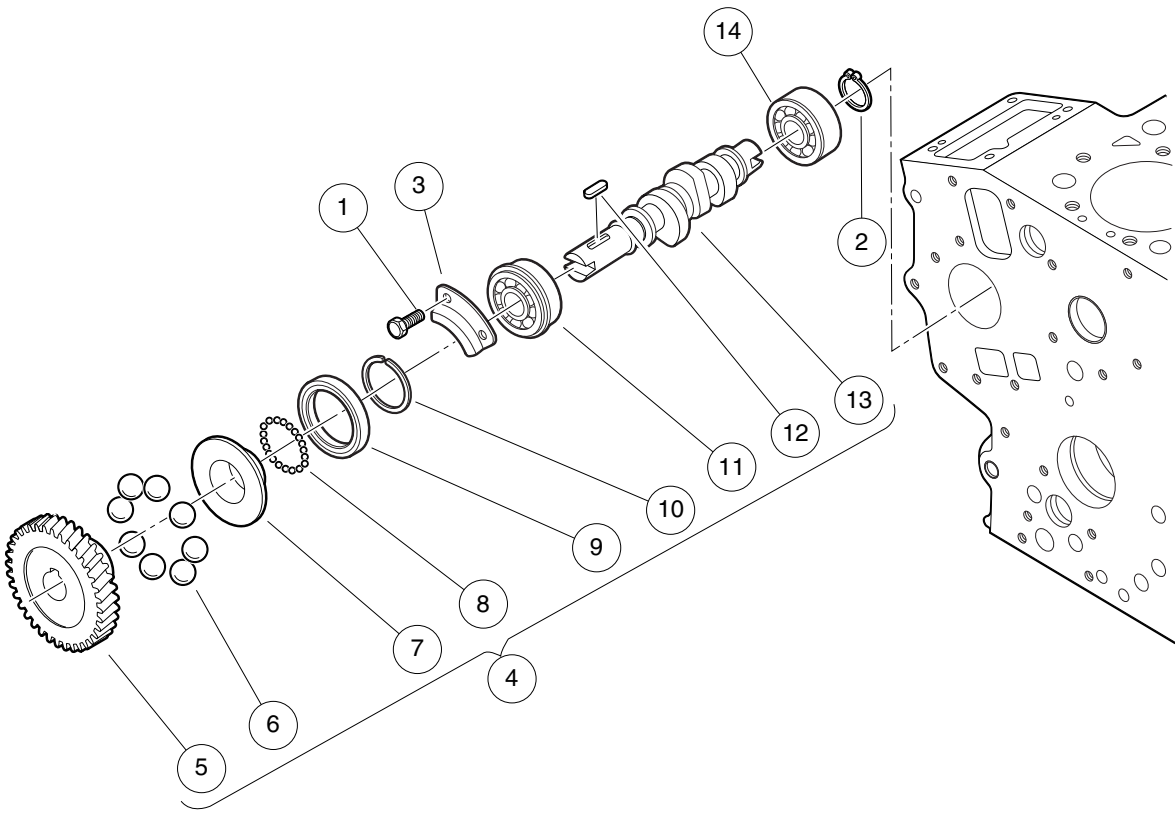
| ITEM | PART NO. | DESCRIPTION | QTY |
|------|------------------|---|-----|
| | | 1 2 3 4 | |
| 1 | <u>102647501</u> | Plate, Rear End | 1 |
| 2 | <u>102647801</u> | Flywheel (includes items 3 and 4) | 1 |
| 3 | <u>102647901</u> | Gear, Ring, D722 | 1 |
| 4 | N/A | Flywheel | 1 |
| 5 | <u>102648001</u> | Bolt, Flange Head, M10 X 1.5 X 25 | 5 |
| 6 | <u>102728301</u> | Bolt, End Plate | 10 |

7

D

7

D



000050-001

SHAFT

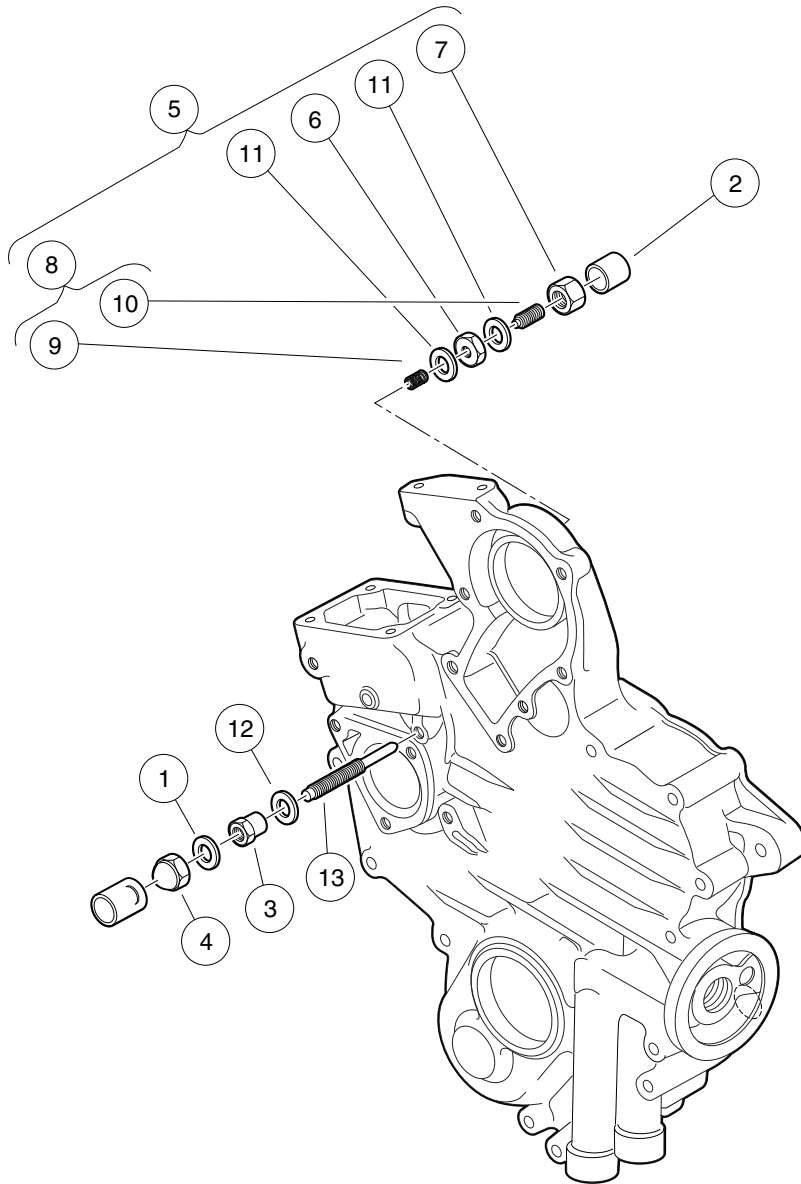
| ITEM | PART NO. | DESCRIPTION | QTY |
|------|------------------|---|-----|
| | | 1 2 3 4 | |
| 1 | <u>102604201</u> | Bolt, D722, Cam End | 2 |
| 2 | <u>102604701</u> | Circlip, External | 1 |
| 3 | N/A | Stopper, Fuel, C/shaft | 1 |
| 4 | <u>102728401</u> | Assy, Fuel Camshaft (includes items 5 through 13) | 1 |
| 5 | <u>102603601</u> | Gear, Injection Pump | 1 |
| 6 | <u>102603701</u> | Ball, Injection Pump | 8 |
| 7 | <u>102603801</u> | Sleeve, Governor | 1 |
| 8 | <u>102603901</u> | Ball, Governor | 32 |
| 9 | <u>102604001</u> | Case, Governor Ball | 1 |
| 10 | <u>102604101</u> | Circlip | 1 |
| 11 | <u>102604301</u> | Bearing, Ball | 1 |
| 12 | <u>102604401</u> | Key, Feather, Short Camshaft | 1 |
| 13 | <u>102604501</u> | Camshaft, Fuel, Short | 1 |
| 14 | <u>102728501</u> | Bearing, Ball | 1 |

7

D

7

D



000051-002

IDLE APPARATUS

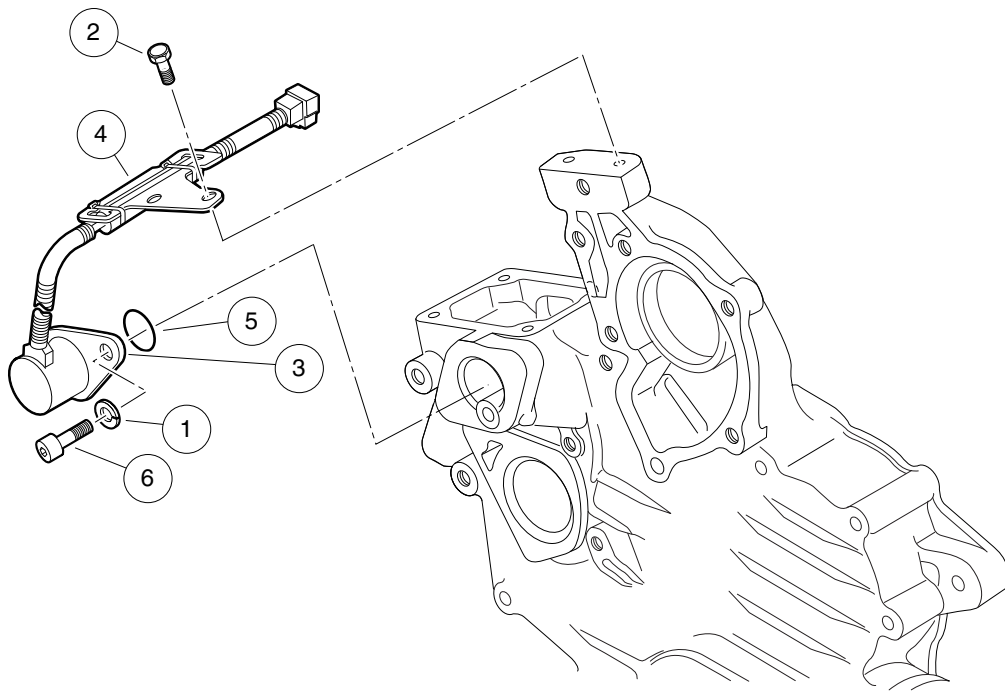
7

| ITEM | PART NO. | DESCRIPTION | QTY |
|------|------------------|--|-----|
| | | 1 2 3 4 | |
| 1 | <u>102635301</u> | Gasket, 6 X 10 | 1 |
| 2 | <u>102635701</u> | Cap, Bolt Assy | 1 |
| 3 | <u>102637001</u> | Nut, Lock, Special | 1 |
| 4 | <u>102637101</u> | Nut, Special | 1 |
| 5 | <u>102728601</u> | Assy, Idle Apparatus (includes items 6 through 11) | 1 |
| 6 | <u>102635501</u> | Nut, M8, D722 Idle App, Specl | 1 |
| 7 | <u>102635801</u> | Nut, M8, D722 Idle App | 1 |
| 8 | <u>102635901</u> | Assy, Bolt, Adjusting (includes items 9 and 10) | 1 |
| 9 | <u>102728701</u> | Spring, Idle Apparatus | 1 |
| 10 | N/A | Stud, Idle Adjustment | 1 |
| 11 | <u>102728801</u> | Gasket, Idle Apparatus, Rear | 2 |
| 12 | <u>102728901</u> | Gasket, Idle Apparatus, Front | 1 |
| 13 | <u>102799501</u> | Bolt, Idle Adjusting | 1 |

D

7

D



000182-001

STOP SOLENOID

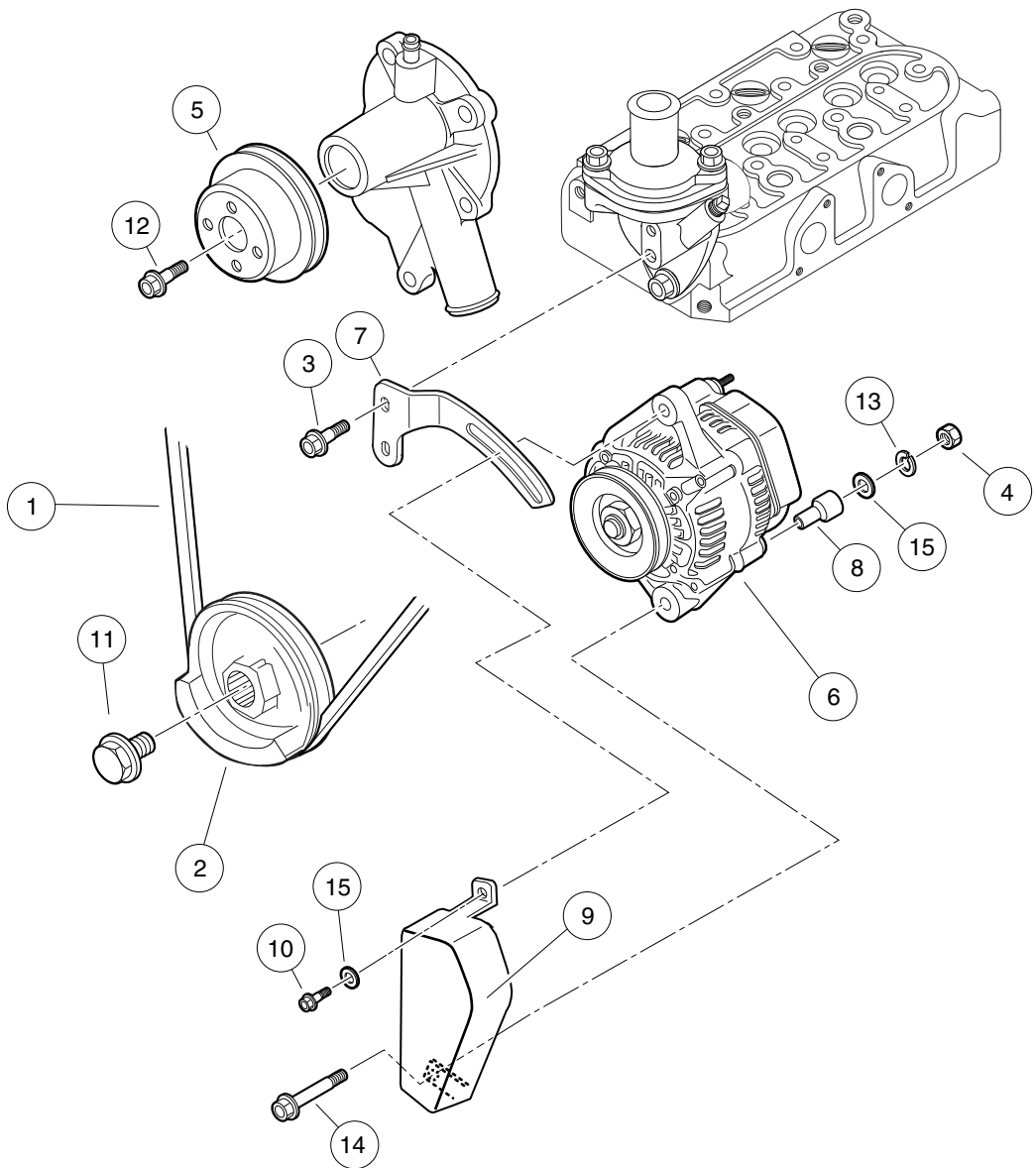
| ITEM | PART NO. | DESCRIPTION | QTY |
|------|------------------|----------------------------------|-----|
| | | 1 2 3 4 | |
| 1 | <u>102640601</u> | Washer, Spring, M6, D722 | 2 |
| 2 | <u>102729101</u> | Bolt, Solenoid, Stop, D722 | 2 |
| 3 | <u>102799601</u> | Solenoid, Stop | 1 |
| 4 | <u>102799701</u> | Stay, Stop Solenoid | 1 |
| 5 | <u>102799801</u> | O-Ring, Stop Solenoid | 1 |
| 6 | N/A | Bolt, Stop Solenoid | 2 |

7

D

7

D



000057-002

40-AMP ALTERNATOR

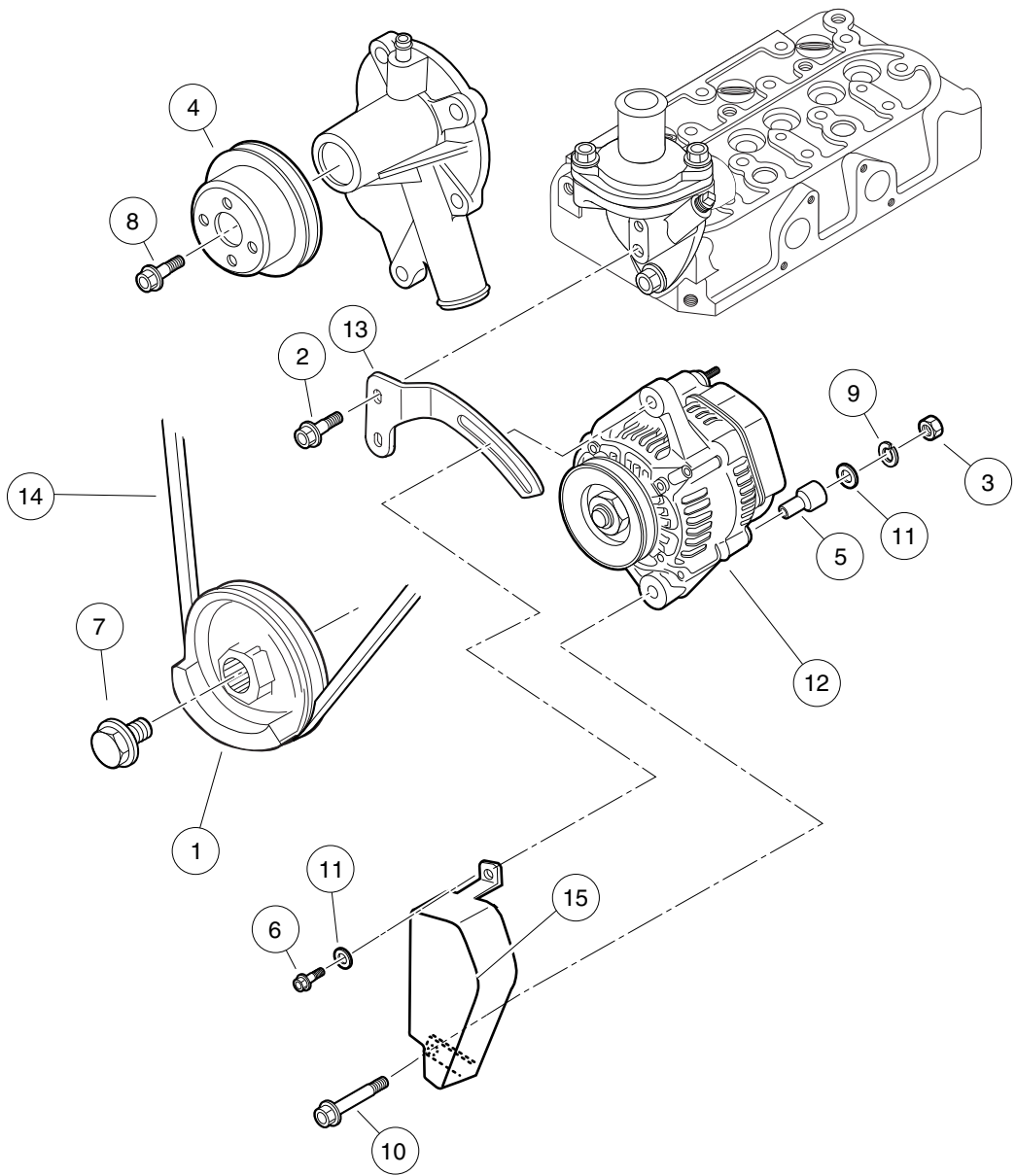
| ITEM | PART NO. | DESCRIPTION | QTY |
|------|------------------|-------------------------------------|-----|
| | | 1 2 3 4 | |
| 1 | <u>102601101</u> | V-Belt | 1 |
| 2 | <u>102630601</u> | Pulley, Fan Drive | 1 |
| 3 | <u>102631601</u> | Bolt, M6 X 1 X 20 | 2 |
| 4 | <u>102647701</u> | Nut, M8, Plate | 1 |
| 5 | <u>102701201</u> | Pulley, Water Pump | 1 |
| 6 | <u>102730001</u> | Alternator, 40-Amp | 1 |
| 7 | <u>102730101</u> | Stay, Alternator Assy, D722 | 1 |
| 8 | <u>102730201</u> | Collar, Alternator Assy, D722 | 1 |
| 9 | <u>102730301</u> | Cover, Alternator Assy, D722 | 1 |
| 10 | <u>102730401</u> | Bolt, Alt, D722, Adjuster | 1 |
| 11 | <u>102730601</u> | Bolt, Alt, D722, Drive Pulley | 1 |
| 12 | <u>102731301</u> | Bolt, D722, Drive Pulley | 4 |
| 13 | <u>102732501</u> | Washer, Spring, D722, Starter | 1 |
| 14 | <u>102800701</u> | Bolt, Alternator, Lower | 1 |
| 15 | <u>102801001</u> | Washer, Alternator, Upper | 2 |

7

D

7

D



000057-003

60-AMP ALTERNATOR

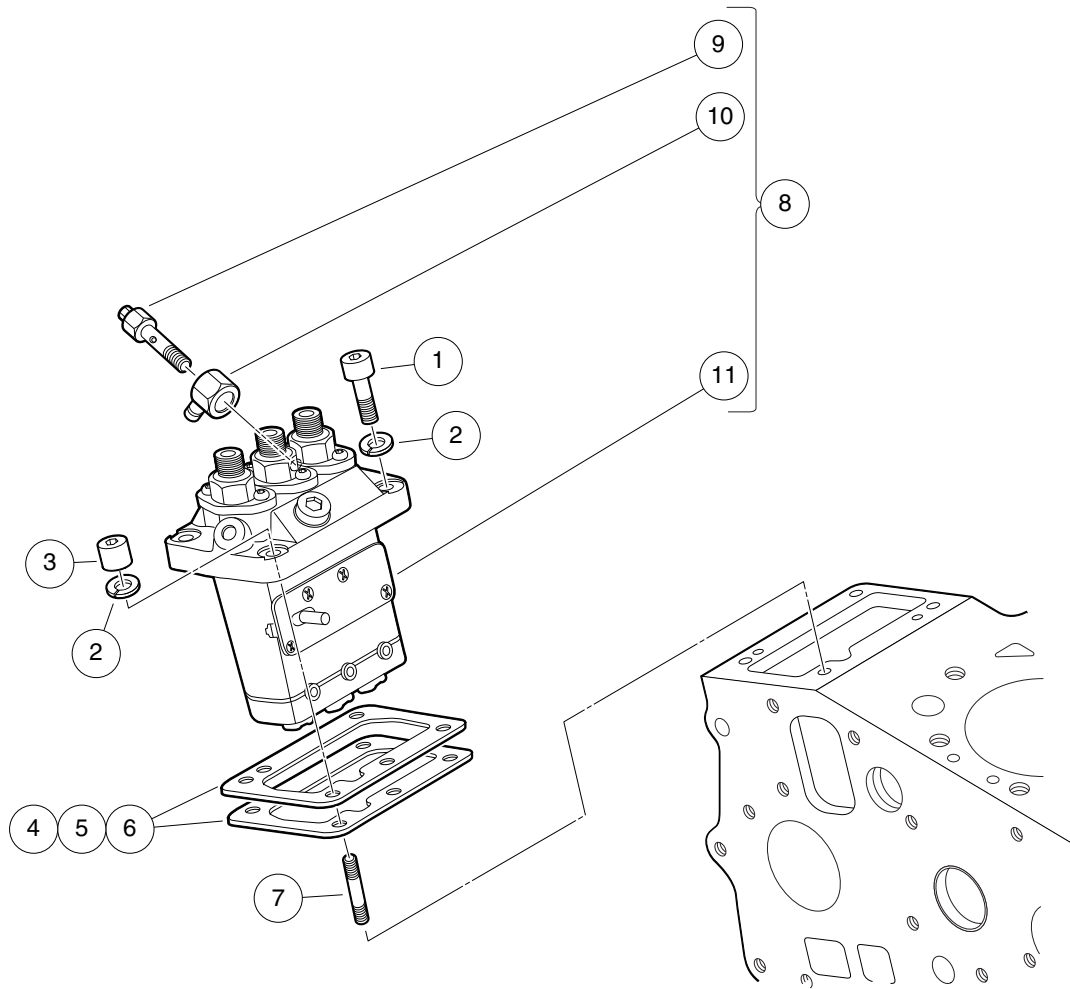
| ITEM | PART NO. | DESCRIPTION | QTY |
|------|------------------|-------------------------------------|-----|
| | | 1 2 3 4 | |
| 1 | <u>102630601</u> | Pulley, Fan Drive | 1 |
| 2 | <u>102631601</u> | Bolt, M6 X 1 X 20 | 2 |
| 3 | <u>102647701</u> | Nut, M8, Plate | 1 |
| 4 | <u>102701201</u> | Pulley, Water Pump | 1 |
| 5 | <u>102730201</u> | Collar, Alternator Assy, D722 | 1 |
| 6 | <u>102730401</u> | Bolt, Alt, D722, Adjuster | 1 |
| 7 | <u>102730601</u> | Bolt, Alt, D722, Drive Pulley | 1 |
| 8 | <u>102731301</u> | Bolt, D722, Drive Pulley | 4 |
| 9 | <u>102732501</u> | Washer, Spring, D722, Starter | 1 |
| 10 | <u>102800701</u> | Bolt, Alternator, Lower | 1 |
| 11 | <u>102801001</u> | Washer, Alternator, Upper | 2 |
| 12 | <u>102934701</u> | Alternator, 60 Amp | 1 |
| 13 | <u>102934801</u> | Brkt, Alt, D722, 60 Amp | 1 |
| 14 | <u>102934901</u> | Belt, Acc Drive, D722, 60 Amp | 1 |
| 15 | <u>103239901</u> | Guard, Acc Belt | 1 |

7

D

7

D



000053-002

INJECTION PUMP

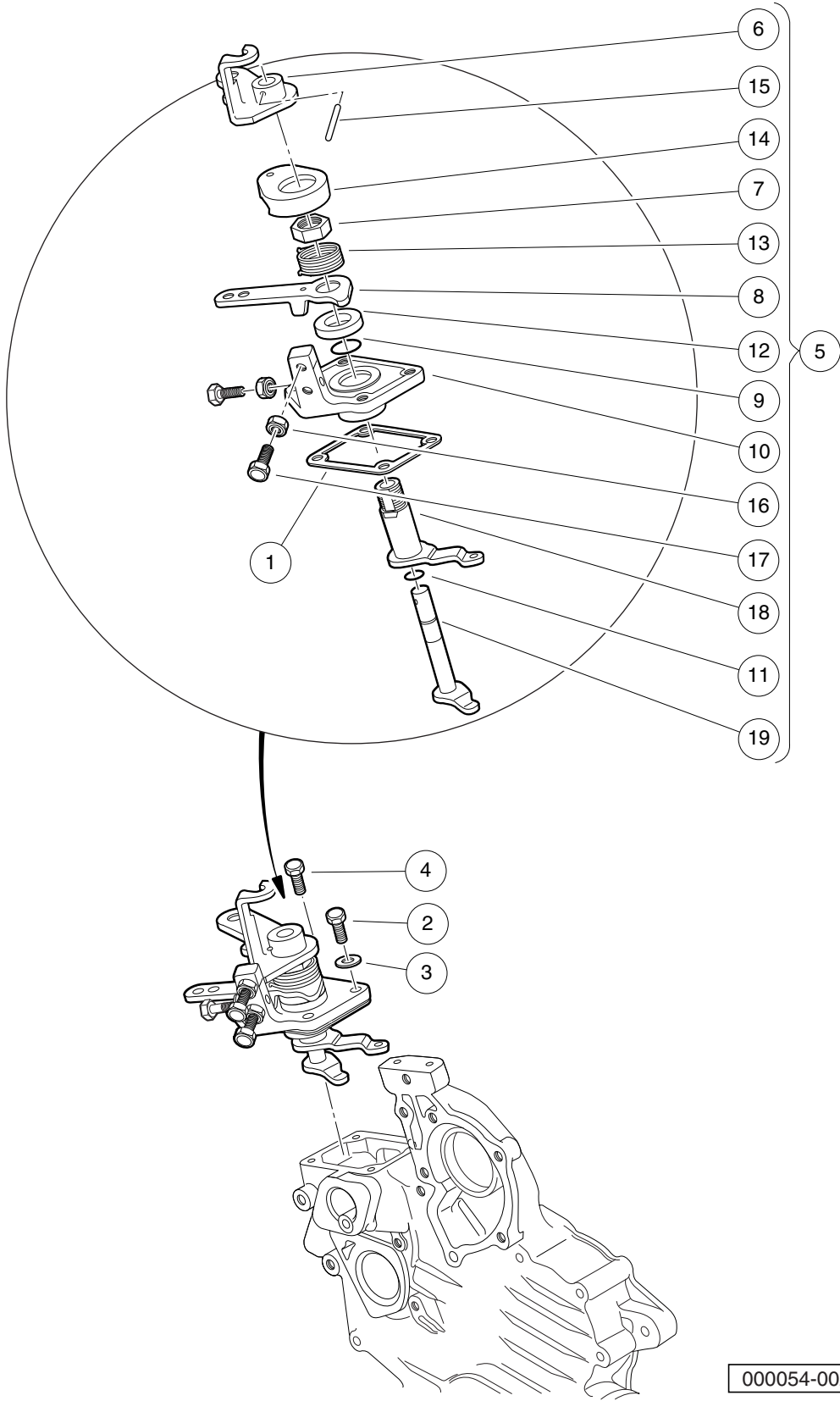
| ITEM | PART NO. | DESCRIPTION | QTY |
|------|------------------|---|-----|
| | | 1 2 3 4 | |
| 1 | <u>102640501</u> | Bolt, Hex-Head, M5 X 0.75 X | 2 |
| 2 | <u>102640601</u> | Washer, Spring, M6, D722 | 4 |
| 3 | <u>102640701</u> | Nut, Special | 2 |
| 4 | <u>102640901</u> | Shim, Injection Pump, 0.20 mm | 1 |
| 5 | <u>102641001</u> | Shim, Injection Pump, 0.25 mm | 1 |
| 6 | <u>102641101</u> | Shim, Injection Pump, 0.30 mm | 1 |
| 7 | <u>102641201</u> | Stud, M5 X 25 | 2 |
| 8 | <u>102800101</u> | Assembly, Fuel Injection Pump (includes items 9 through 11) | 1 |
| 9 | <u>102637701</u> | Screw, Hollow, D722, Inj Pump | 1 |
| 10 | <u>102640401</u> | Joint, Eye | 1 |
| 11 | N/A | Pump, Injection | 1 |

7

D

7

D



000054-002

SPEED CONTROL PLATE

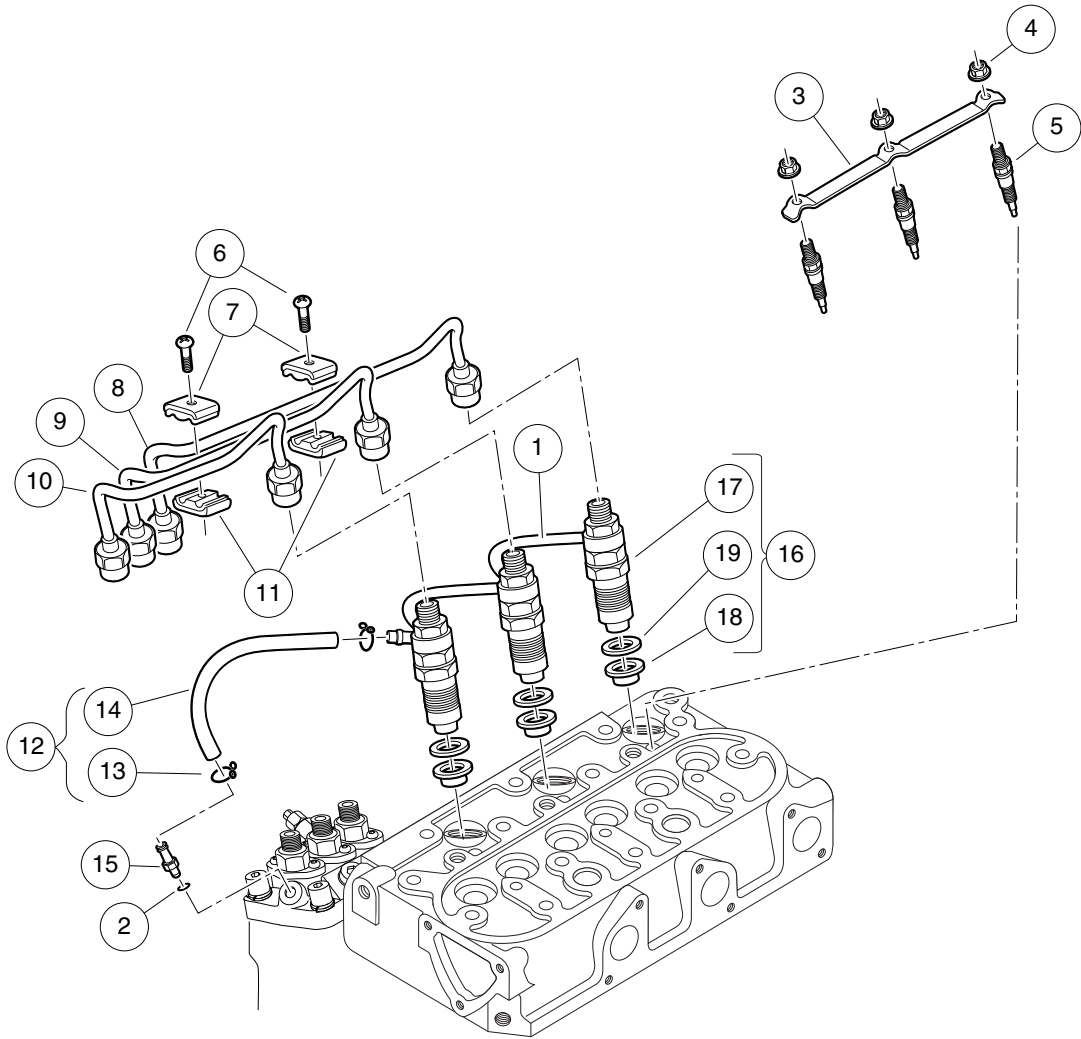
| ITEM | PART NO. | DESCRIPTION | QTY |
|------|------------------|---|-----|
| | | 1 2 3 4 | |
| 1 | <u>102634501</u> | Gasket, Control Plate | 1 |
| 2 | <u>102635201</u> | Bolt, M6 X 1 X 30 | 2 |
| 3 | <u>102635301</u> | Gasket, 6 X 10 | 2 |
| 4 | <u>102654301</u> | Bolt, D722 Intake Manfld Lower | 2 |
| 5 | <u>102800401</u> | Assembly, Speed Plate (includes items 6 through 19) | 1 |
| 6 | <u>102633701</u> | Lever, Engine Stop | 1 |
| 7 | <u>102633801</u> | Nut, Speed Control | 1 |
| 8 | <u>102633901</u> | Lever, Speed Control | 1 |
| 9 | <u>102634001</u> | O Ring, 19 X 16 | 1 |
| 10 | <u>102634101</u> | Plate, Speed Control | 1 |
| 11 | <u>102634401</u> | O Ring, 9 X 7 | 1 |
| 12 | <u>102634601</u> | Collar, Lever | 1 |
| 13 | <u>102634701</u> | Spring, Return | 1 |
| 14 | <u>102729401</u> | Cap, Speed Cntrl Plate Rtrn | 1 |
| 15 | <u>102729501</u> | Pin, Spring, Speed Plate | 1 |
| 16 | N/A | Nut, Speed Control | 2 |
| 17 | N/A | Bolt, Speed Control | 2 |
| 18 | <u>102800501</u> | Lever, Governor | 1 |
| 19 | <u>102800601</u> | Shaft, Governor Lever | 1 |

7

D

7

D



000055-001

NOZZLE HOLDERS AND GLOW PLUGS

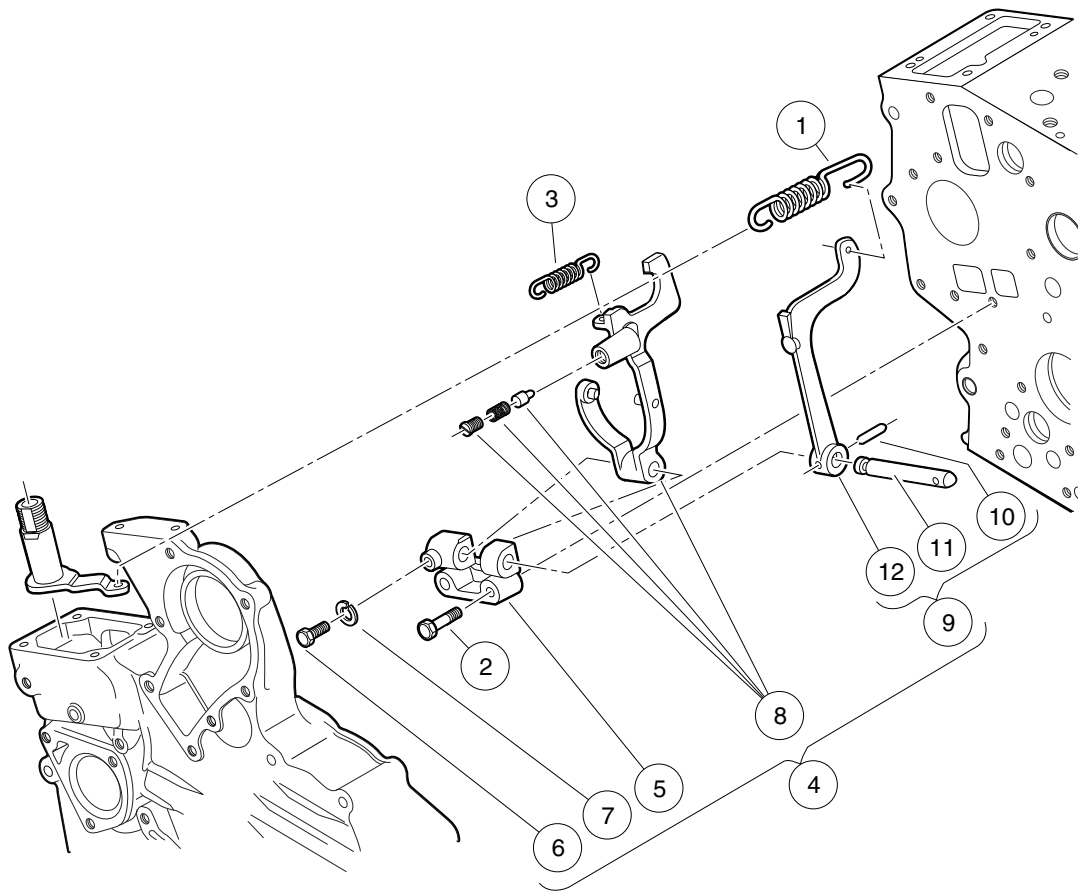
| ITEM | PART NO. | DESCRIPTION | QTY |
|------|------------------|--|-----|
| | | 1 2 3 4 | |
| 1 | <u>102605701</u> | Assy Pipe, D722 Fuel Over Flow | 1 |
| 2 | <u>102635301</u> | Gasket, 6 X 10 | 1 |
| 3 | <u>102642401</u> | Cord, Glow Plug | 1 |
| 4 | <u>102642501</u> | Nut, Flange,m4 | 3 |
| 5 | <u>102642601</u> | Glow Plug | 3 |
| 6 | <u>102642801</u> | Screw, Washer | 2 |
| 7 | <u>102642901</u> | Clamp, Pipe, Top | 2 |
| 8 | <u>102643001</u> | Pipe, Injection, Left | 1 |
| 9 | <u>102643101</u> | Pipe, Injection, Right | 1 |
| 10 | <u>102643201</u> | Pipe, Injection, Middle | 1 |
| 11 | <u>102643301</u> | Clamp, Pipe, Bottom | 2 |
| 12 | <u>102643401</u> | Assy Pipe, Over Flow (includes items 13 and 14) | 1 |
| 13 | <u>102729601</u> | Clip, Pipe, Return | 2 |
| 14 | N/A | Hose, Overflow | 1 |
| 15 | <u>102643701</u> | Screw, Air Bleeder | 1 |
| 16 | <u>102729701</u> | Kit, Holder, Nozzle (includes items 17 through 19) | 3 |
| 17 | <u>102641501</u> | Assembly, Nozzle Holder | 3 |
| 18 | <u>102642701</u> | Seal, Heat | 3 |
| 19 | <u>102643601</u> | Gasket, Nozzle | 3 |

7

D

7

D



000056-002

GOVERNOR COMPONENTS

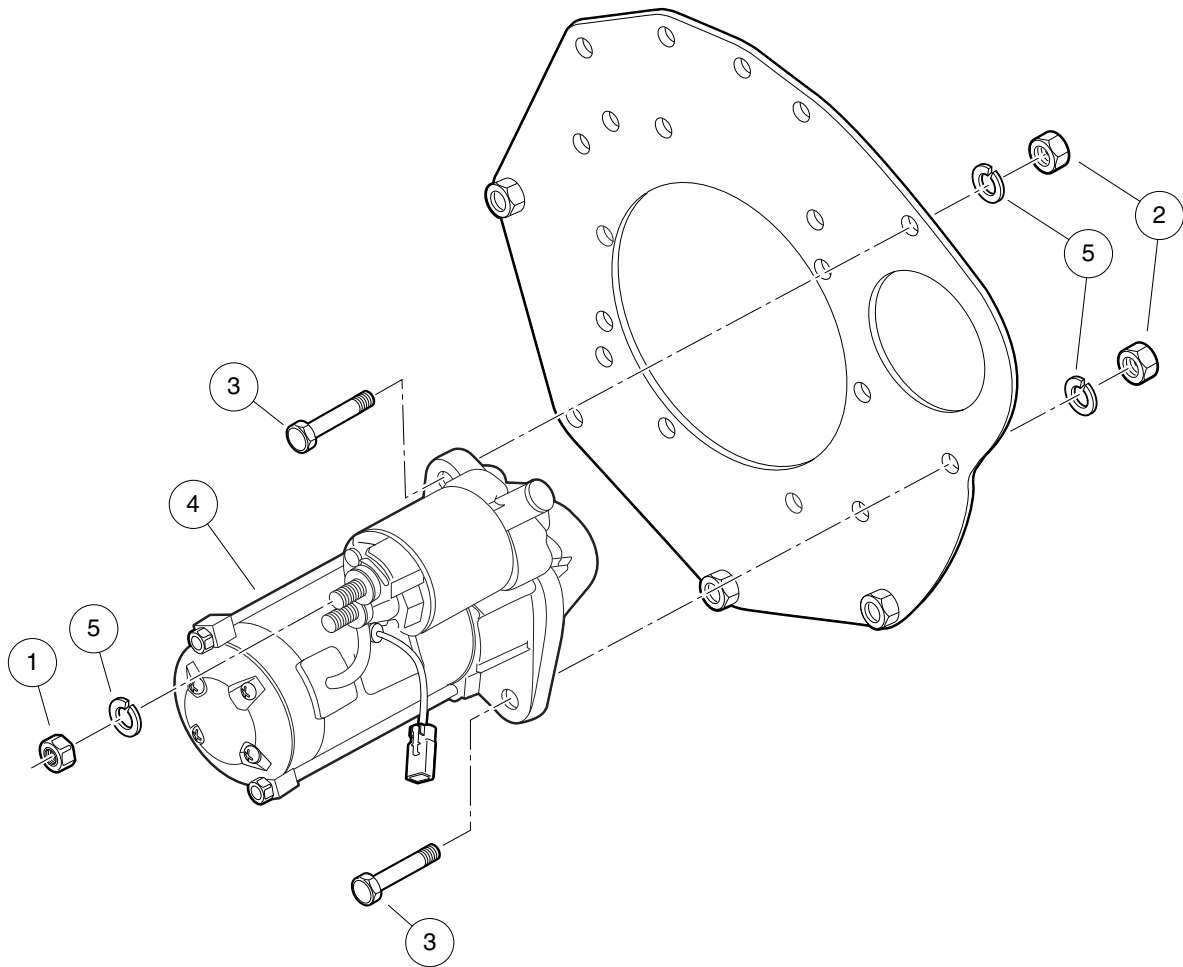
| ITEM | PART NO. | DESCRIPTION | QTY |
|------|------------------|--|-----|
| | | 1 2 3 4 | |
| 1 | <u>102635101</u> | Spring, Governor | 1 |
| 2 | <u>102636301</u> | Bolt, M5 X 0.75 X 25 | 2 |
| 3 | <u>102800201</u> | Spring, Start | 1 |
| 4 | <u>102800301</u> | Assembly, Governor Fork (includes items 5 through 9) | 1 |
| 5 | <u>102636201</u> | Holder, Fork Lever | 1 |
| 6 | <u>102636401</u> | Bolt, M5 X 0.75 X 11 | 1 |
| 7 | <u>102636501</u> | Washer, Spring, M5 | 1 |
| 8 | N/A | Lever, Fork, Middle, D722 CB | 1 |
| 9 | N/A | Assembly, Governor Fork Level, Lower, D722 CB (includes items 10 through 12) | 1 |
| 10 | <u>102633601</u> | Pin, Spring | 1 |
| 11 | <u>102636601</u> | Shaft, Fork Lever | 1 |
| 12 | N/A | Lever, Fork, End, D722 CB | 1 |

7

D

7

D



000058-001

STARTER

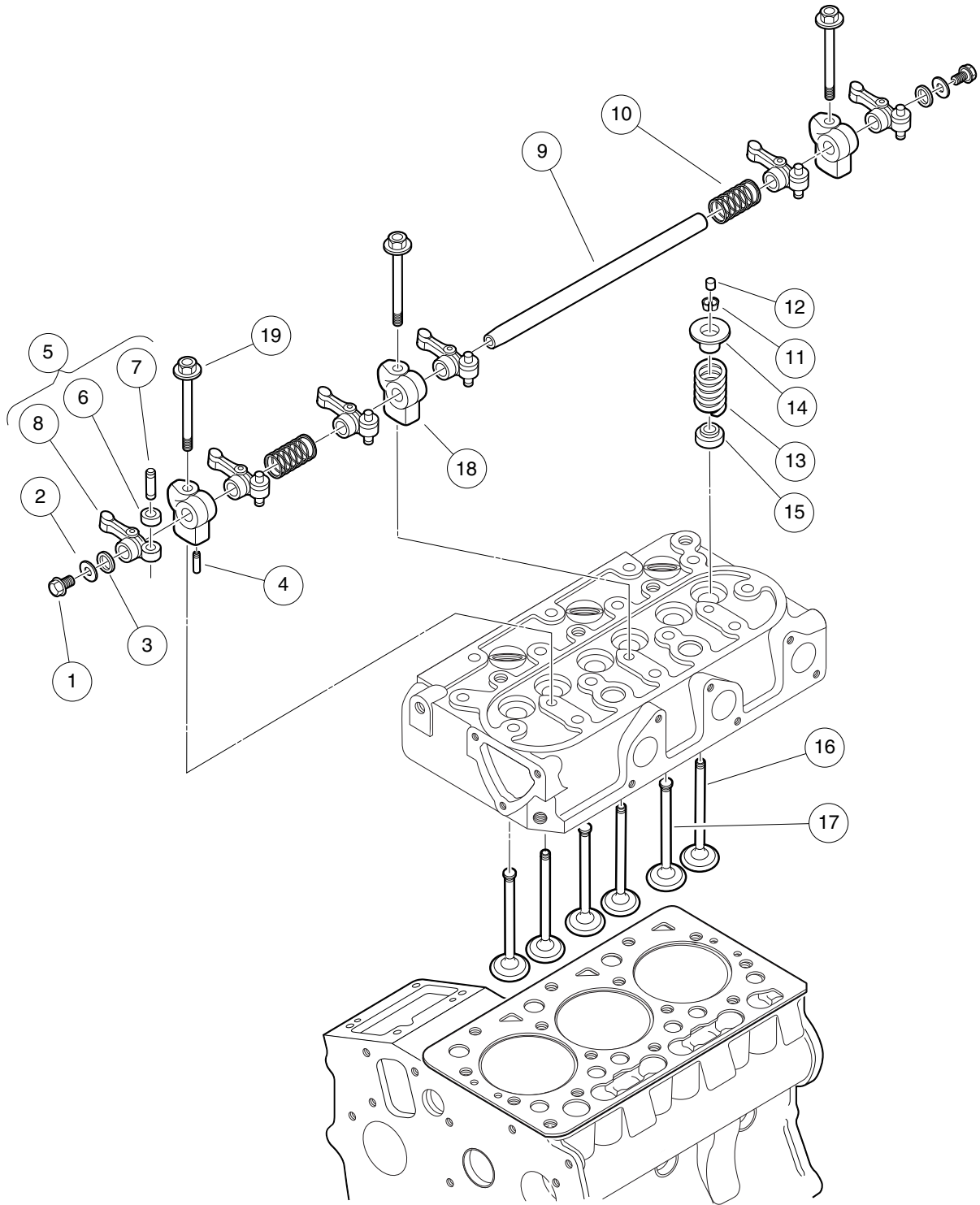
| ITEM | PART NO. | DESCRIPTION | QTY |
|------|------------------|-------------------------------------|-----|
| | | 1 2 3 4 | |
| 1 | <u>102645501</u> | Nut, D722, Starter | 2 |
| 2 | <u>102647701</u> | Nut, M8, Plate | 2 |
| 3 | <u>102648401</u> | Bolt, M8 X 1.25 X 28 | 2 |
| 4 | <u>102648501</u> | Motor, Starter | 1 |
| 5 | <u>102732501</u> | Washer, Spring, D722, Starter | 4 |

7

D

7

D



000062-002

VALVES AND ROCKER ARMS

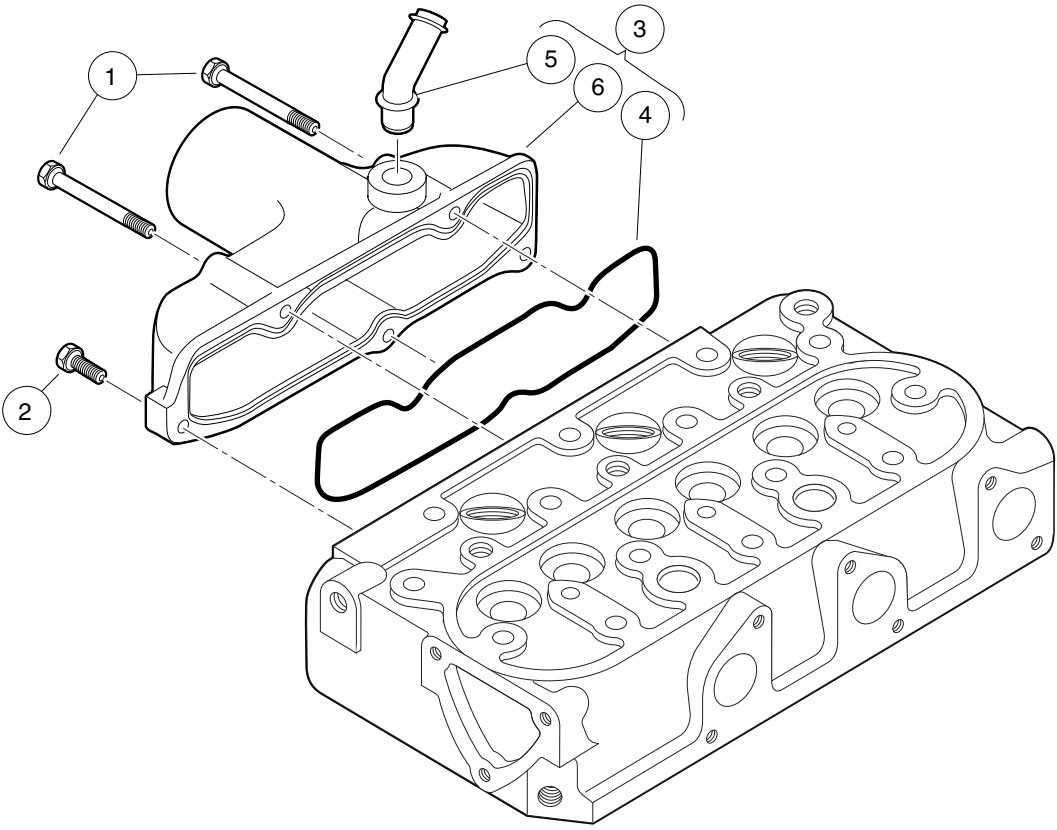
| ITEM | PART NO. | DESCRIPTION | QTY |
|------|------------------|--|-----|
| | | 1 2 3 4 | |
| 1 | <u>102646401</u> | Bolt, M6 X 1 X 8 | 2 |
| 2 | <u>102651301</u> | Washer, D722, Plain, Rocker | 2 |
| 3 | <u>102651601</u> | Washer, Rocker Arm | 2 |
| 4 | <u>102651801</u> | Pin, Spring, D722, Rocker | 1 |
| 5 | <u>102652001</u> | Assy Rocker Arm (includes items 6 through 8) | 6 |
| 6 | <u>102651501</u> | Nut, M6 | 6 |
| 7 | <u>102651701</u> | Screw-Adjusting | 6 |
| 8 | N/A | Arm, Rocker | 1 |
| 9 | <u>102652601</u> | Shaft, Rocker Arm | 1 |
| 10 | <u>102652701</u> | Spring, Rocker Arm | 2 |
| 11 | <u>102652901</u> | Collet, Valve Spring, Set | 6 |
| 12 | <u>102653001</u> | Cap, Valve, D722 | 6 |
| 13 | <u>102653101</u> | Spring, Valve | 6 |
| 14 | <u>102653201</u> | Retainer, Spring | 6 |
| 15 | <u>102653301</u> | Seal, Valve Stem | 6 |
| 16 | <u>102653601</u> | Valve, Exhaust | 3 |
| 17 | <u>102653701</u> | Valve, Inlet | 3 |
| 18 | <u>102801101</u> | Bracket, Rocker Arm, D722 Closed-Breather | 3 |
| 19 | <u>102801201</u> | Bolt, Rocker Arm | 3 |

7

D

7

D



000063-002

DIESEL INLET MANIFOLD

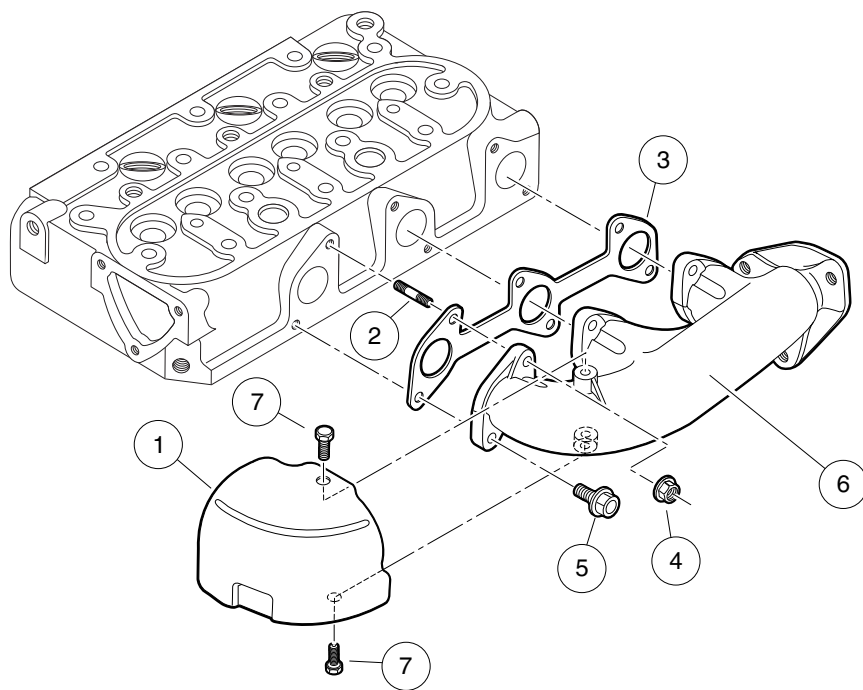
| ITEM | PART NO. | DESCRIPTION | QTY |
|------|------------------|--|-----|
| | | 1 2 3 4 | |
| 1 | <u>102646101</u> | Bolt, M6 X 1 X 45 | 3 |
| 2 | <u>102654301</u> | Bolt, D722 Intake Manfld Lower | 2 |
| 3 | <u>102801301</u> | Assembly, Intake Manifold (includes items 4 through 6) | 1 |
| 4 | <u>102646001</u> | Gasket, Intake Manifold | 1 |
| 5 | <u>102801401</u> | Pipe, Breather | 1 |
| 6 | <u>102801501</u> | Manifold, Intake | 1 |

7

D

7

D



000064-001

EXHAUST MANIFOLD

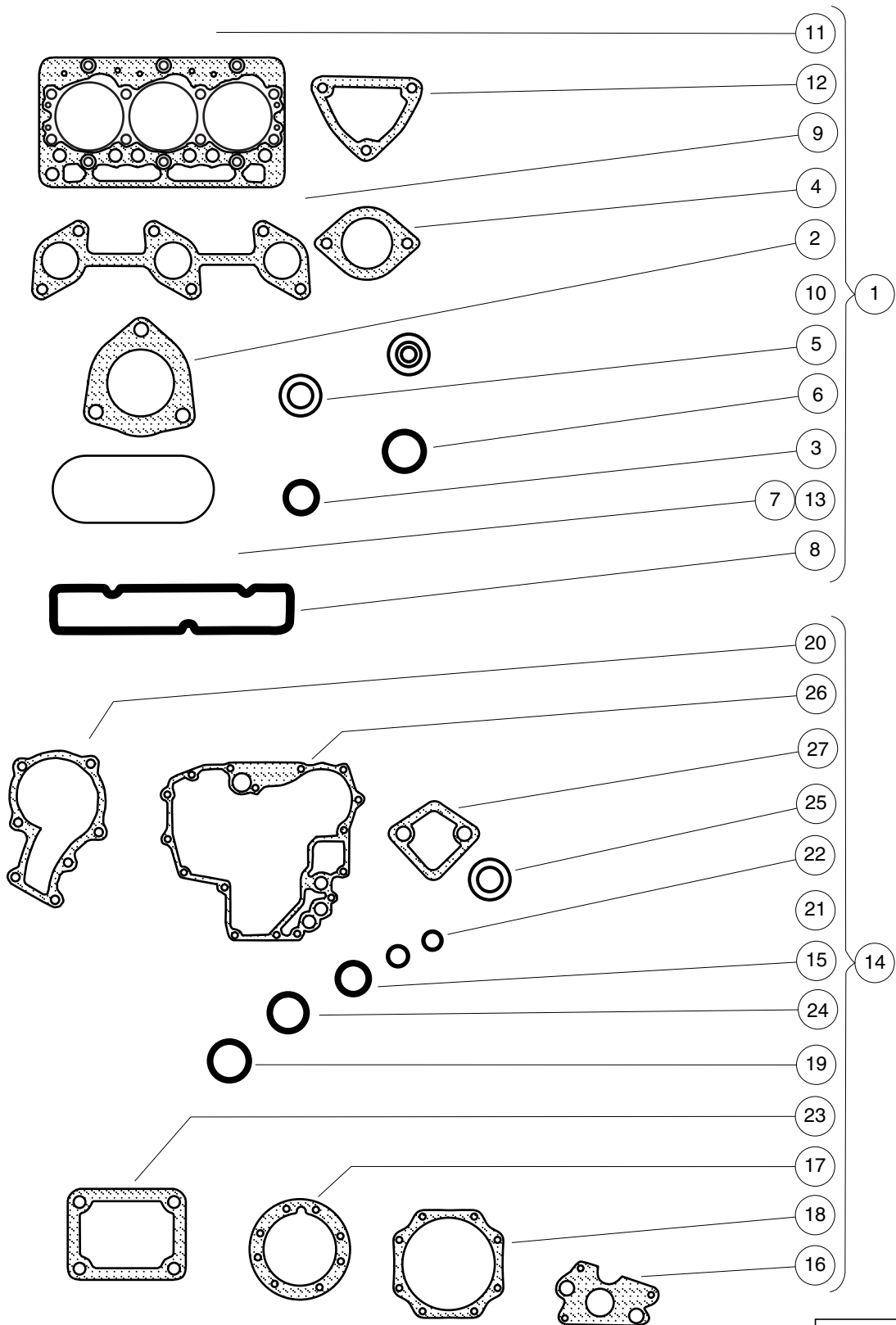
| ITEM | PART NO. | DESCRIPTION | QTY |
|------|------------------|--------------------------------------|-----|
| | | 1 2 3 4 | |
| 1 | <u>102646301</u> | Cover, Heat Proof | 1 |
| 2 | <u>102646501</u> | Stud, M6 X 26 | 3 |
| 3 | <u>102646601</u> | Gasket, Ex-manifold | 1 |
| 4 | <u>102647101</u> | Nut, Flange, M6, Ubs | 3 |
| 5 | <u>102647201</u> | Bolt, Flange Head, M6 X 1 X 16 | 3 |
| 6 | <u>102731501</u> | Manifold, Exhaust, D722 | 1 |
| 7 | <u>102731601</u> | Bolt, D722, Exhst Manfld Cover | 2 |

7

D

7

D



000065-001

GASKET KITS

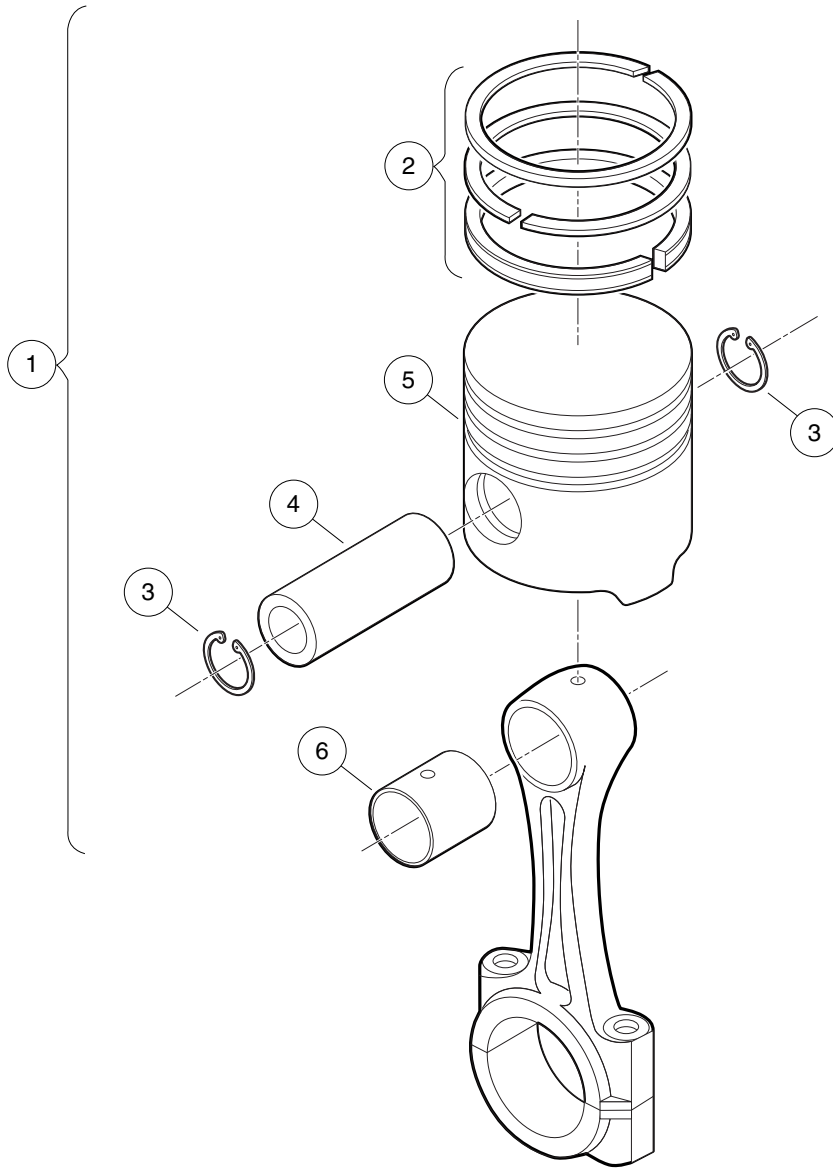
| ITEM | PART NO. | DESCRIPTION | QTY |
|------|------------------|--|-----|
| | | 1 2 3 4 | |
| 1 | <u>102731801</u> | Kit, Gasket Upper, D722 (includes items 2 through 13) | 1 |
| 2 | <u>102422301</u> | Gasket, Exhaust Diesel | 1 |
| 3 | <u>102600301</u> | O Ring, 8 X 7 | 1 |
| 4 | <u>102633401</u> | Gasket, Thermostat | 1 |
| 5 | <u>102635301</u> | Gasket, 6 X 10 | 3 |
| 6 | <u>102644001</u> | O Ring, 30 X 36 | 1 |
| 7 | <u>102644501</u> | Gasket, Head Cover | 1 |
| 8 | <u>102646001</u> | Gasket, Intake Manifold | 1 |
| 9 | <u>102646601</u> | Gasket, Ex-manifold | 1 |
| 10 | <u>102653301</u> | Seal, Valve Stem | 6 |
| 11 | <u>102654101</u> | Gasket, Cylinder Head | 1 |
| 12 | <u>102654701</u> | Gasket, Water Flange | 1 |
| 13 | <u>102798501</u> | Gasket, Cylinder Head Cover | 1 |
| 14 | <u>102731901</u> | Kit, Gasket Lower, D722 (includes items 15 through 27) | 1 |
| 15 | <u>102601801</u> | O Ring, 18 X 13 | 3 |
| 16 | <u>102606601</u> | Gasket, Oil Pump | 1 |
| 17 | <u>102608201</u> | Gasket, Bearing Case | 1 |
| 18 | <u>102608301</u> | Gasket, Cover | 1 |
| 19 | <u>102630301</u> | O Ring, 23 X 26 | 1 |
| 20 | <u>102632701</u> | Gasket, Water Pump, D722 | 1 |
| 21 | <u>102634001</u> | O Ring, 19 X 16 | 1 |
| 22 | <u>102634401</u> | O Ring, 9 X 7 | 1 |
| 23 | <u>102634501</u> | Gasket, Control Plate | 1 |
| 24 | <u>102654601</u> | O Ring, 20 X 17 | 1 |
| 25 | <u>102728801</u> | Gasket, Idle Apparatus, Rear | 2 |
| 26 | <u>102729301</u> | Gasket, Gearcase, D722 | 1 |
| 27 | <u>102732601</u> | Gasket, Fuel Pump, D722 | 1 |

7

D

7

D



000066-001

PISTON KIT

7

| ITEM | PART NO. | DESCRIPTION | QTY |
|------|------------------|--|-----|
| | | 1 2 3 4 | |
| 1 | <u>102732001</u> | Kit, Piston Rebuild, D722 (includes items 2 through 6) | 1 |
| 2 | <u>102607601</u> | Assy Piston Ring, D722 Std | 1 |
| 3 | <u>102630901</u> | Circlip, Piston Pin | 2 |
| 4 | <u>102631001</u> | Pin, Piston | 1 |
| 5 | <u>102728101</u> | Piston, D722, Std | 1 |
| 6 | <u>102732201</u> | Bushing, Piston Pin, D722 | 1 |

D

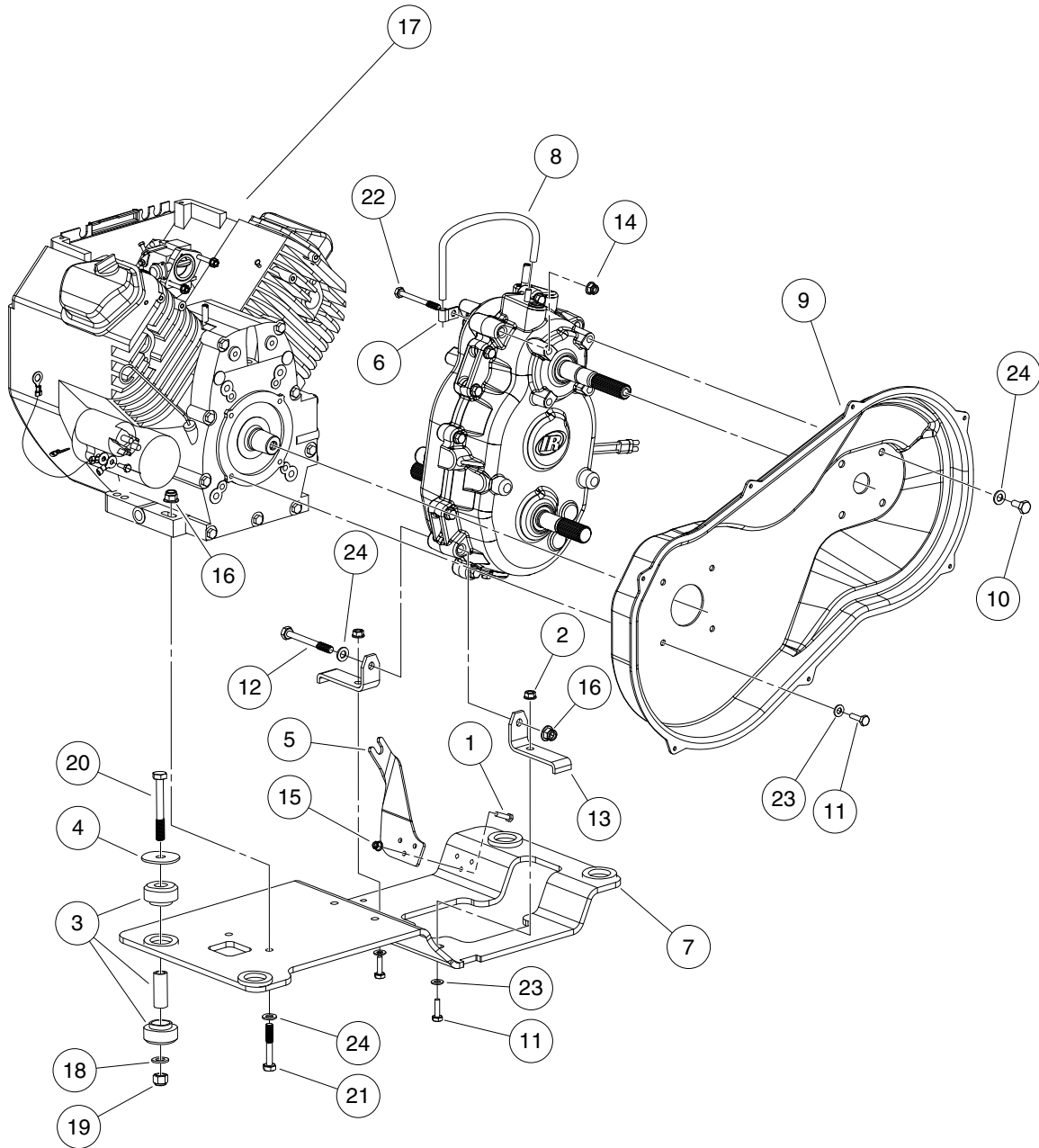
7

D

HONDA GX620 GASOLINE ENGINE

8

G

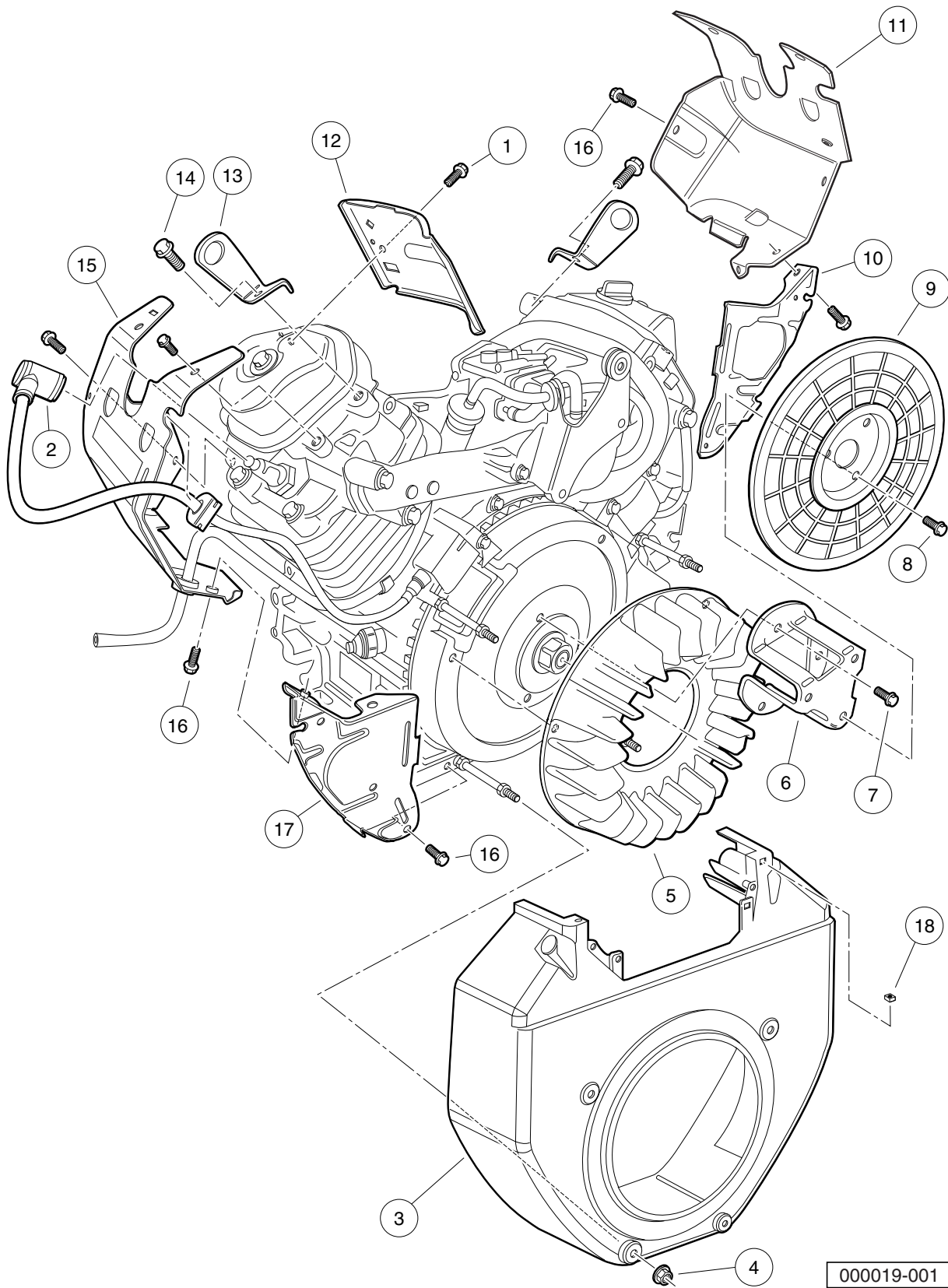


000025-003

HONDA GX620 GASOLINE ENGINE MOUNTING

| ITEM | PART NO. | DESCRIPTION | QTY |
|------|------------------|--------------------------------------|-----|
| | | 1 2 3 4 | |
| 1 | <u>1012769</u> | Screw, M6-1.00 X 25mm Hex Cap | 3 |
| 2 | <u>102298401</u> | Nut,m8,all Metal Lock | 2 |
| 3 | <u>102370501</u> | Isolator Ring and Bushing | 4 |
| 4 | <u>102370601</u> | Washer, Snubbing, Ring N Bush | 4 |
| 5 | <u>102382401</u> | Bracket, FNR Trans Cable | 1 |
| 6 | <u>102410603</u> | P-Clamp, Insulated .312 In | 1 |
| 7 | <u>102414901</u> | Plate, Eng Mtg, Weld, Honda | 1 |
| 8 | <u>102462301</u> | Hose, Vent, Transmission | 1 |
| 9 | <u>102462502</u> | Cover, CVT Inner, Honda | 1 |
| 10 | <u>102490101</u> | Bolt, M10 X 1.5 X 20 Loctite | 4 |
| 11 | <u>102490201</u> | Bolt, M8 X 1.25 X 25 Loctite | 6 |
| 12 | <u>102490501</u> | Bolt, M10 X 1.5 X 100 Loctite | 1 |
| 13 | <u>102494401</u> | Bracket, Transmission Mounting | 2 |
| 14 | <u>102618601</u> | Lock Nut, Flg M8 X 1.25 Nylon | 1 |
| 15 | <u>102621501</u> | Nut Flg, M6 X 1.0 Nylon | 3 |
| 16 | <u>102670701</u> | Nut Flg M10 X 1.5 Nylon | 5 |
| 17 | <u>103252201</u> | Engine, Honda, No Acr | 1 |
| 18 | <u>96701412</u> | Washer, M12 Hard | 4 |
| 19 | <u>96704622</u> | Locknut, M12x1.75 Nylon Insert | 4 |
| 20 | <u>96704721</u> | Bolt, M12 X 1.75 X 90 | 4 |
| 21 | <u>96704960</u> | Bolt, M10 X 1.5 X 60 | 4 |
| 22 | <u>96718978</u> | Bolt, M8 X 1.25 X 80 | 1 |
| 23 | <u>96741038</u> | Washer, M8 Hard | 6 |
| 24 | <u>96741046</u> | Washer, M10 Hard | 9 |

8
G



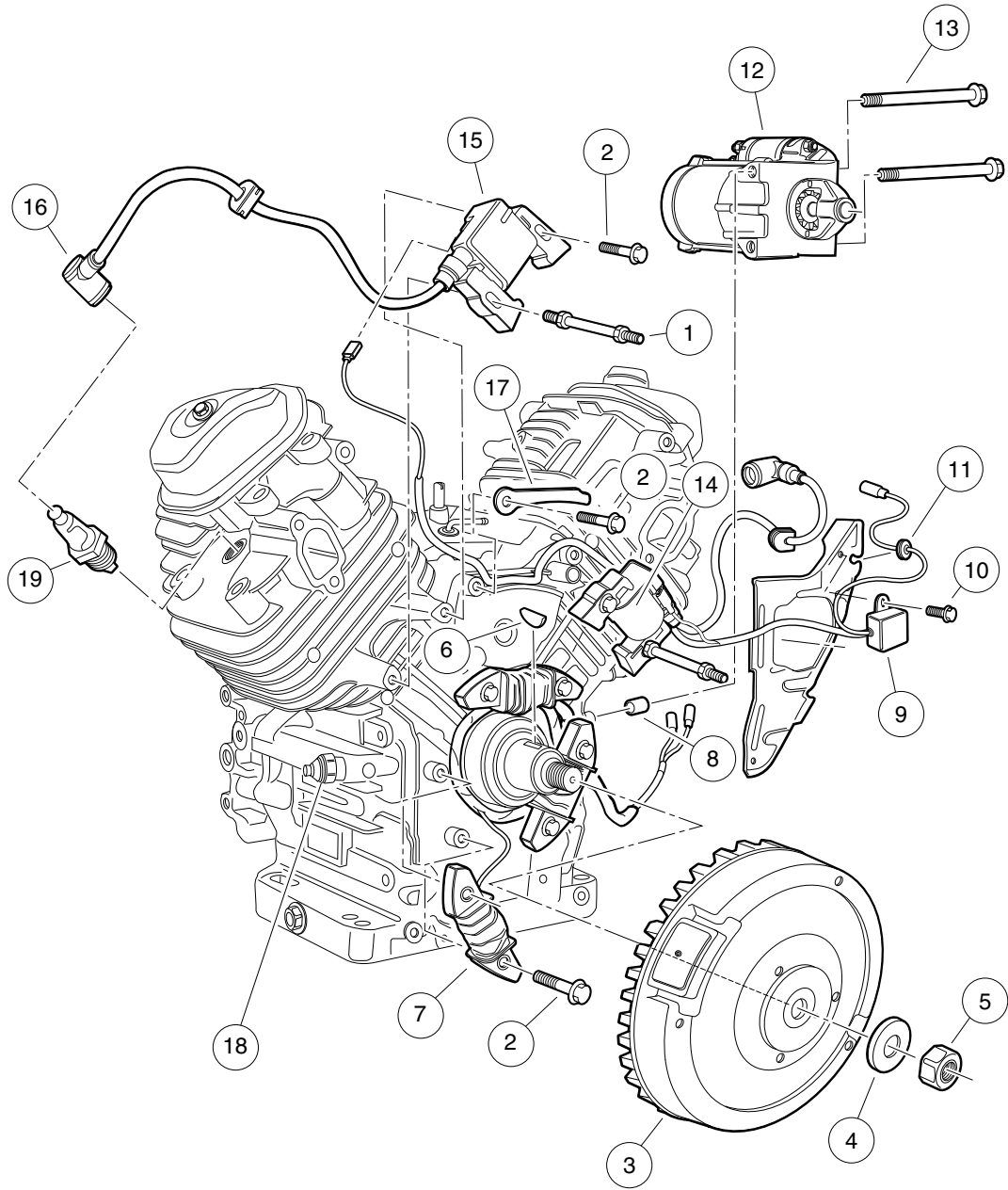
000019-001

SHROUDS AND BRACKETS

| ITEM | PART NO. | DESCRIPTION | QTY |
|------|------------------|---|-----|
| | | 1 2 3 4 | |
| 1 | <u>102657501</u> | Bolt, Flange Head, M6 X 11 X 4 | 2 |
| 2 | <u>102666201</u> | Cap Assy, Noise Suppressor | 2 |
| 3 | <u>102666801</u> | Cover, Fan, Bright Red | 1 |
| 4 | <u>102666901</u> | Nut, Flange, M6 | 4 |
| 5 | <u>102667001</u> | Fan, Cooling | 1 |
| 6 | <u>102667101</u> | Holder, Screen Grid | 1 |
| 7 | <u>102667201</u> | Bolt, Flange Head, M8 X 1.25 X 16 | 3 |
| 8 | <u>102667301</u> | Bolt, Flange Head, M6 X 1 X 12 | 3 |
| 9 | <u>102667401</u> | Grid Screen, PTO | 1 |
| 10 | <u>102667501</u> | Plate, R Side | 1 |
| 11 | <u>102667601</u> | Shroud, R | 1 |
| 12 | <u>102667701</u> | Shroud, Head | 2 |
| 13 | <u>102667901</u> | Hanger, Engine | 2 |
| 14 | <u>102668001</u> | Bolt, Flange Head, M8 X 1.25 X 20 | 2 |
| 15 | <u>102668101</u> | Shroud, L | 1 |
| 16 | <u>102668301</u> | Bolt, Flange Head, M6 X 1 X 12 | 6 |
| 17 | <u>102668401</u> | Plate, Left Side | 1 |
| 18 | <u>102759401</u> | Nut, Square, 5mm | 2 |
| | | Note: The part number for a complete engine is 102402701. | |

8

G



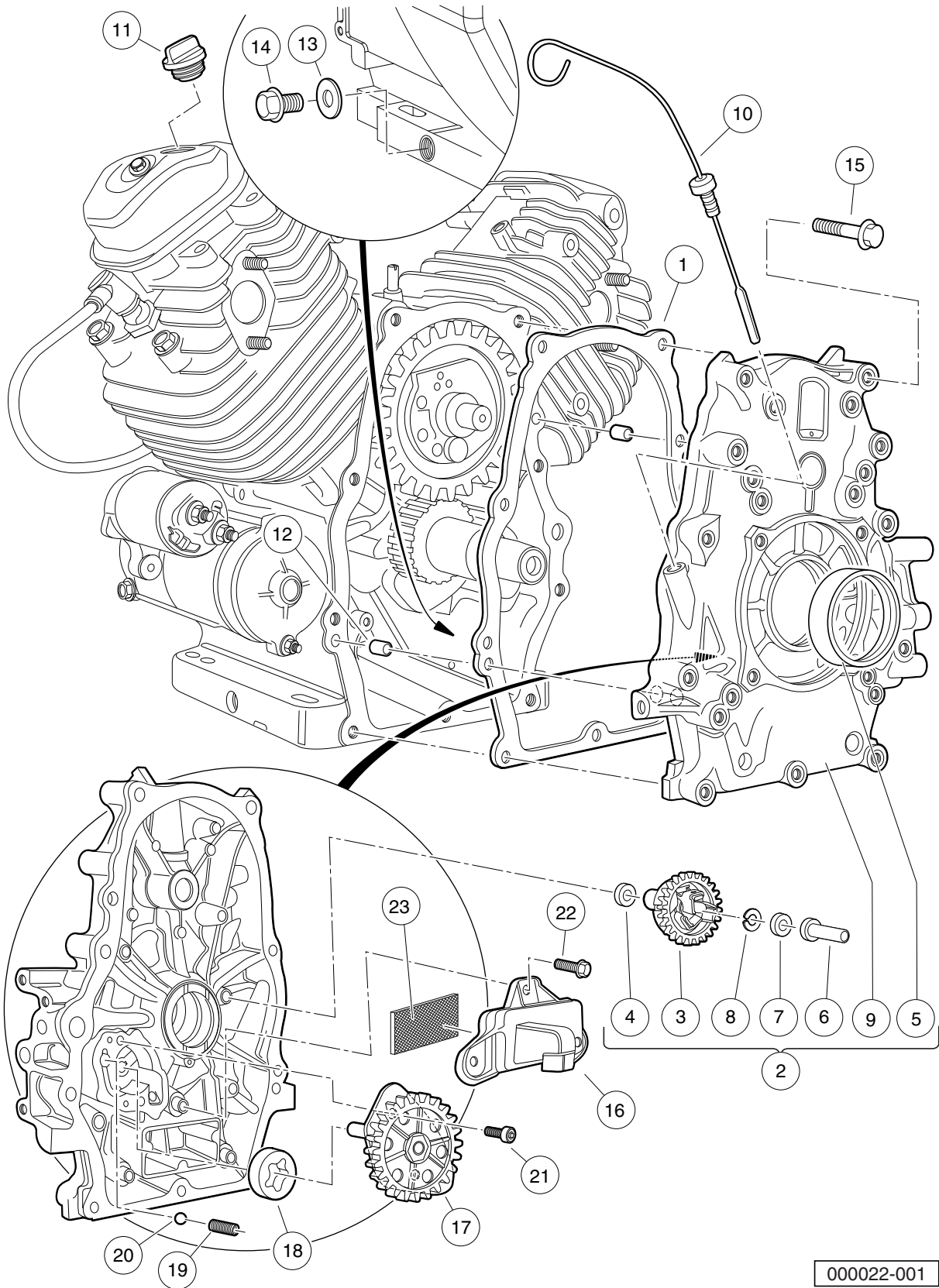
000018-001

IGNITION COMPONENTS AND FLYWHEEL

| ITEM | PART NO. | DESCRIPTION | QTY |
|------|------------------|--|-----|
| | | 1 2 3 4 | |
| 1 | <u>102655301</u> | Stud, Engine | 2 |
| 2 | <u>102661901</u> | Bolt, Flange Head, M6 X 1 X 32 | 9 |
| 3 | <u>102664601</u> | Flywheel | 1 |
| 4 | <u>102664701</u> | Washer, M20 | 1 |
| 5 | <u>102664801</u> | Nut, Flange, M20 | 1 |
| 6 | <u>102664901</u> | Key, Special Woodruff, 25 X 18 | 1 |
| 7 | <u>102665001</u> | Coil Assy, Charge, 12-Volt, 20-Amp | 1 |
| 8 | <u>102665101</u> | Pin, Dowel, 10x12 | 2 |
| 9 | <u>102665301</u> | Diode Assembly | 1 |
| 10 | <u>102665401</u> | Bolt, Flange Head, M6 X 1 X 8 | 1 |
| 11 | <u>102665501</u> | Grommet, Tool | 1 |
| 12 | <u>102665601</u> | Motor, Starter | 1 |
| 13 | <u>102665701</u> | Bolt, Flange Head, M8 X 1.25 X 110 | 2 |
| 14 | <u>102665901</u> | Coil Assy, R, Ignition | 2 |
| 15 | <u>102666001</u> | Coil Assy, L, Ignition | 2 |
| 16 | <u>102666201</u> | Cap Assy, Noise Suppressor | 2 |
| 17 | <u>102668201</u> | Clamp, Wire | 1 |
| 18 | <u>102831201</u> | Switch, Oil Pressure | 1 |
| 19 | <u>AM1232301</u> | Spark Plug, BPR2ES | 2 |

8

G



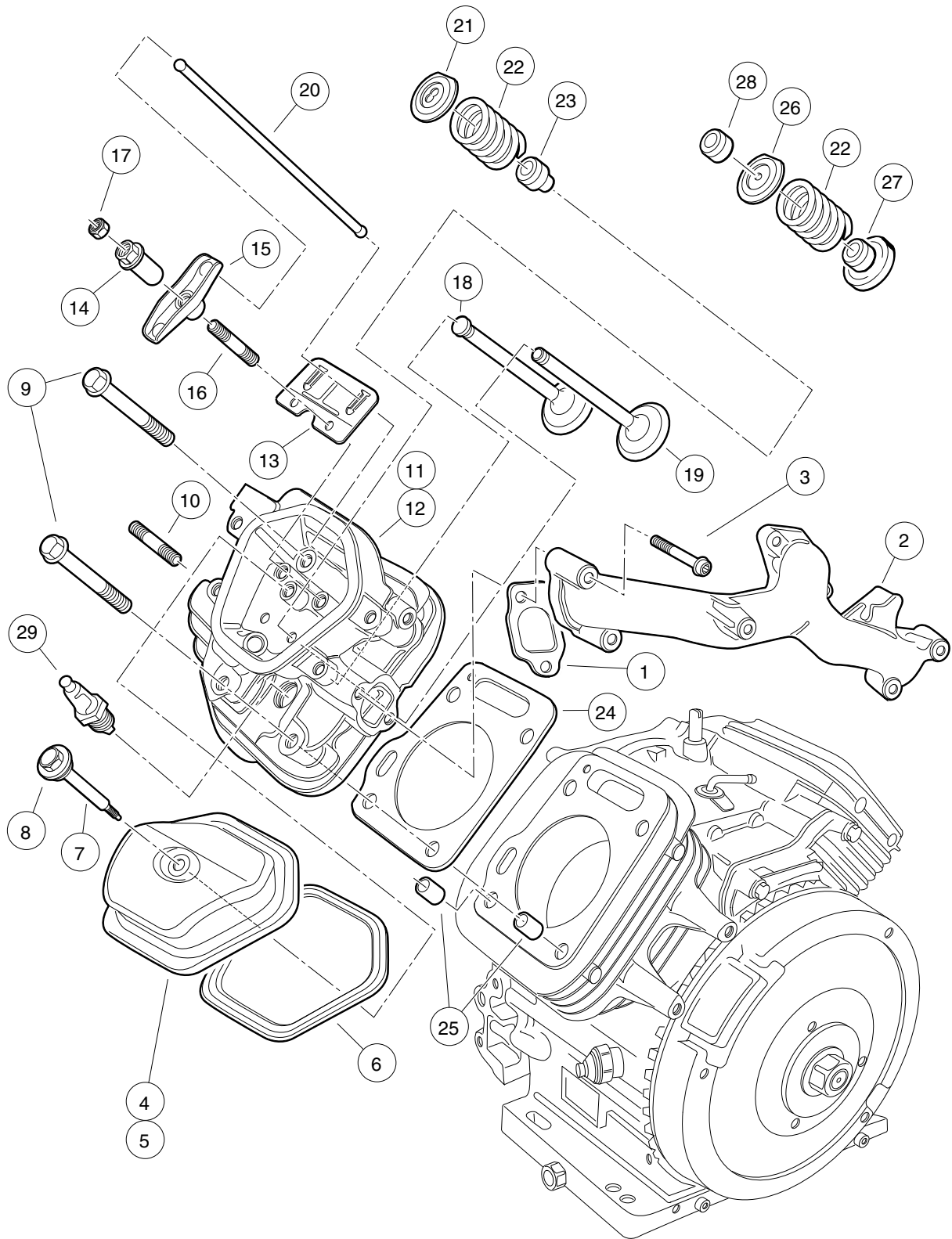
000022-001

OIL CIRCULATION

| ITEM | PART NO. | DESCRIPTION | QTY |
|------|------------------|--|-----|
| | | 1 2 3 4 | |
| 1 | <u>102658001</u> | Gasket, Case Cover | 1 |
| 2 | <u>102658101</u> | Cover Assembly, Crankcase (includes items 3 through 9) | 1 |
| 3 | <u>102658801</u> | Governor Assembly | 1 |
| 4 | <u>102659601</u> | Washer, Plain, M6 | 1 |
| 5 | <u>102724301</u> | Seal, Oil, 38 X 58 X 9 | 1 |
| 6 | <u>102724401</u> | Slider, Governor | 1 |
| 7 | <u>102724501</u> | Washer, 6 X 16 | 1 |
| 8 | <u>102724601</u> | Clip, Governor | 1 |
| 9 | N/A | Cover, Crankcase | 1 |
| 10 | <u>102658201</u> | Dipstick, Oil | 1 |
| 11 | <u>102658301</u> | Cap, Oil Filler | 1 |
| 12 | <u>102658401</u> | Pin A, Dowel, 8 X 14 | 2 |
| 13 | <u>102658501</u> | Washer, Drain Plug, M14 | 1 |
| 14 | <u>102658601</u> | Bolt, Drain Plug , M14 | 1 |
| 15 | <u>102658701</u> | Bolt, Flange Head, M8 X 1.25 X 50 | 9 |
| 16 | <u>102658901</u> | Cover, Oil Filter | 1 |
| 17 | <u>102659001</u> | Cover Assembly, Oil Pump | 1 |
| 18 | <u>102659101</u> | Rotor, Oil Pump, Outer | 1 |
| 19 | <u>102659201</u> | Spring, Relief Valve | 1 |
| 20 | <u>102659301</u> | Ball, Steel , 3/8, #12 | 1 |
| 21 | <u>102659401</u> | Bolt, Socket | 2 |
| 22 | <u>102659501</u> | Bolt, Flange Head, M6 X 1 X 20 | 3 |
| 23 | <u>102724701</u> | Screen, Oil Filter | 1 |

8

G

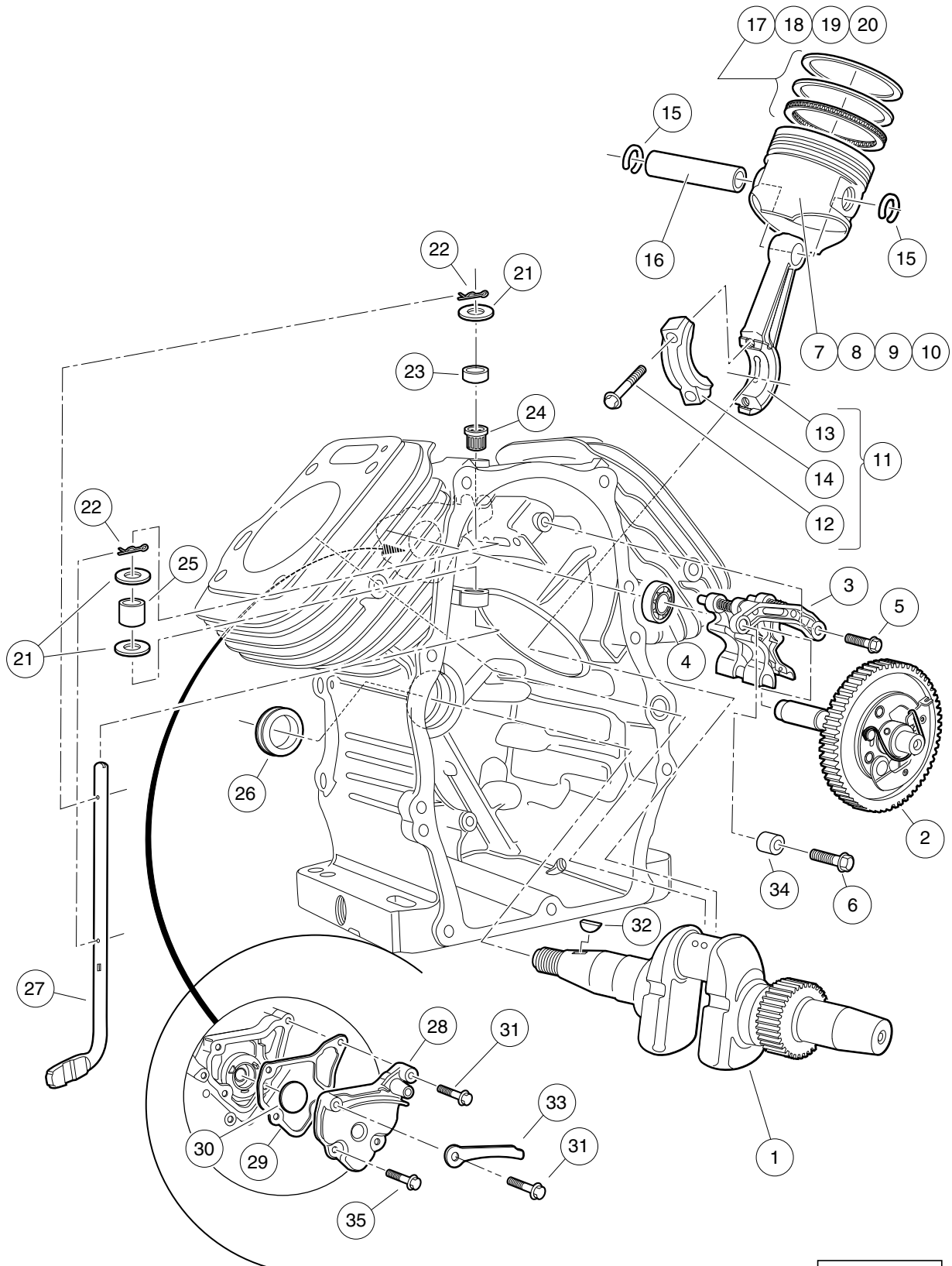


000013-001

CYLINDER HEAD

| ITEM | PART NO. | DESCRIPTION | QTY |
|------|------------------|---|-----|
| | | 1 2 3 4 | |
| 1 | <u>102657601</u> | Gasket, Intake Manifold | 2 |
| 2 | <u>102657701</u> | Manifold, Inlet | 1 |
| 3 | <u>102657801</u> | Bolt, Socket, M8 X 1.25 X 45 | 4 |
| 4 | <u>102662101</u> | Cover, Head | 1 |
| 5 | N/A | Cover, Head Filler | 1 |
| 6 | <u>102662201</u> | Gasket, Cylinder Head Cover | 2 |
| 7 | <u>102662301</u> | Bolt, Head Cover | 2 |
| 8 | <u>102662401</u> | Washer, Head Cover | 2 |
| 9 | <u>102662601</u> | Bolt, Flange Head, M10 X 1.5 X 80 | 8 |
| 10 | <u>102662701</u> | Bolt, Stud, M8x22 | 4 |
| 11 | <u>102662801</u> | Cylinder Head, #2 | 1 |
| 12 | <u>102662802</u> | Cylinder Head, #1 | 1 |
| 13 | <u>102662901</u> | Plate, Push Rod Guide | 2 |
| 14 | <u>102663001</u> | Pivot, Rocker Arm | 4 |
| 15 | <u>102663101</u> | Arm, Valve Rocker | 4 |
| 16 | <u>102663201</u> | Bolt, Pivot, M8 | 4 |
| 17 | <u>102663301</u> | Nut, Pivot Adj | 4 |
| 18 | <u>102663401</u> | Valve, Ex | 2 |
| 19 | <u>102663501</u> | Valve, In | 2 |
| 20 | <u>102663801</u> | Rod, Push | 4 |
| 21 | <u>102663901</u> | Retainer, In Valve Spring | 2 |
| 22 | <u>102664001</u> | Spring, Valve | 4 |
| 23 | <u>102664101</u> | Seal, Valve Stem | 2 |
| 24 | <u>102664301</u> | Gasket, Cylinder Head | 2 |
| 25 | <u>102664401</u> | Pin A, Dowel ,12 X 20 | 4 |
| 26 | <u>102722701</u> | Retainer, Ex Valve Spring | 2 |
| 27 | <u>102722801</u> | Seat, Valve Spring | 2 |
| 28 | <u>102722901</u> | Rotator, Valve | 2 |
| 29 | <u>AM1232301</u> | Spark Plug, BPR2ES | 2 |

8
G



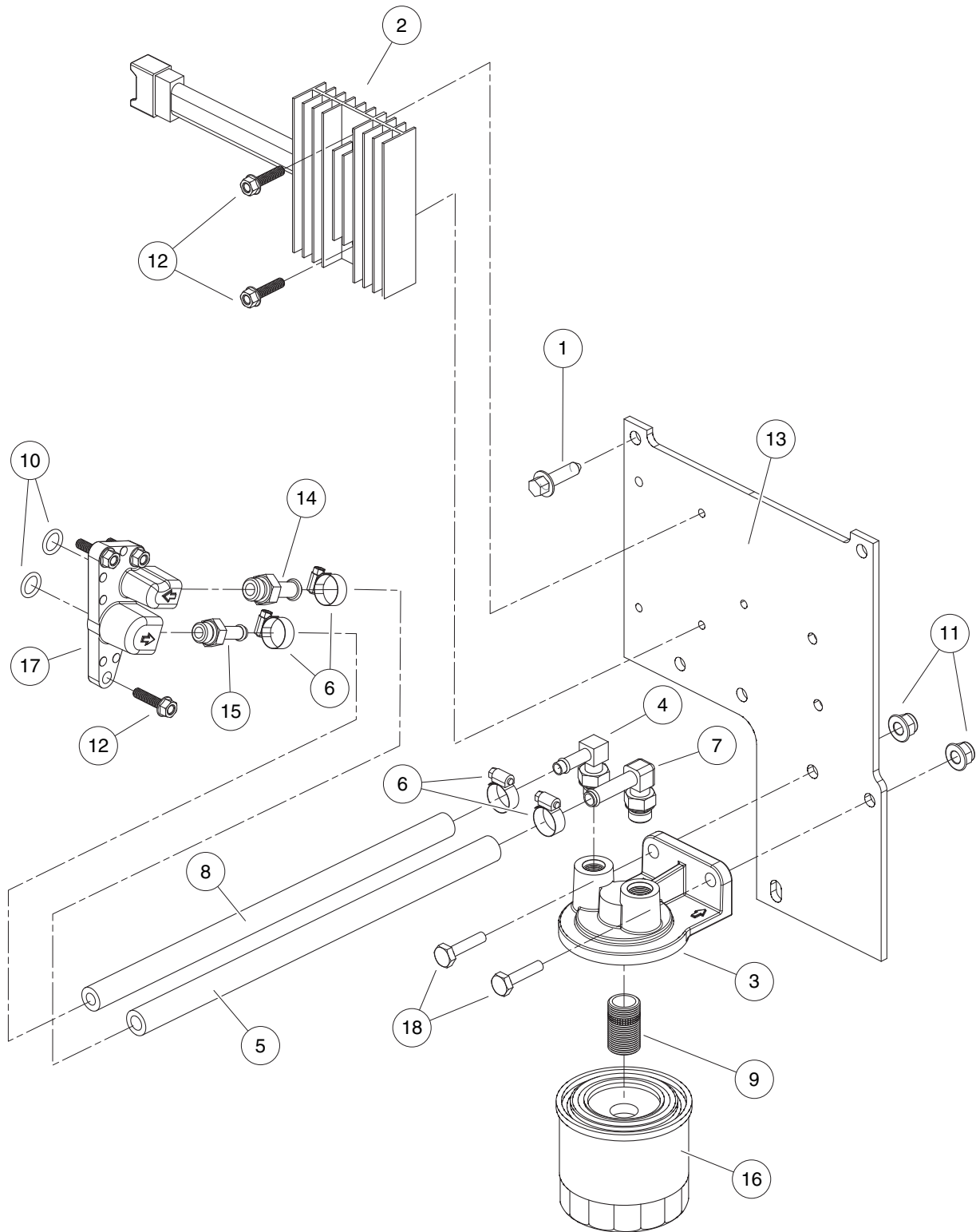
000023-001

CRANKCASE AND CRANKSHAFT

| ITEM | PART NO. | DESCRIPTION | QTY |
|------|------------------|--|-----|
| | | 1 2 3 4 | |
| 1 | <u>102659801</u> | Crankshaft | 1 |
| 2 | <u>102659901</u> | Camshaft Assembly | 1 |
| 3 | <u>102660001</u> | Lifter Assembly, Valve | 1 |
| 4 | <u>102660101</u> | Bearing, Radial Ball, 6003 | 1 |
| 5 | <u>102660201</u> | Bolt, Flange Head, M5 X 1 X 16 | 1 |
| 6 | <u>102660301</u> | Bolt, Flange Head, M6 X 1 X 25 | 1 |
| 7 | <u>102660401</u> | Piston, Std | 2 |
| 8 | <u>102660402</u> | Piston, Over-Sized 0.25 | 2 |
| 9 | <u>102660403</u> | Piston, Over-Sized 0.50 | 2 |
| 10 | <u>102660404</u> | Piston, 0.75 | 2 |
| 11 | <u>102660501</u> | Rod Assy., Connecting (includes items 12 through 14) | 2 |
| 12 | <u>102660901</u> | Bolt, Connecting Rod, 6 X 37 | 2 |
| 13 | N/A | Connecting Rod | 1 |
| 14 | N/A | Cap, Connecting Rod | 1 |
| 15 | <u>102660601</u> | Clip, Piston Pin, 18mm | 4 |
| 16 | <u>102660701</u> | Pin, Piston | 2 |
| 17 | <u>102660801</u> | Ring Set, Piston, Std | 2 |
| 18 | <u>102660802</u> | Ring Set, Piston, OS 0.25 | 2 |
| 19 | <u>102660803</u> | Ring Set, Piston, OS 0.50 | 2 |
| 20 | <u>102660804</u> | Ring Set, Piston, OS 0.75 | 2 |
| 21 | <u>102661001</u> | Washer, Plain, M8 | 3 |
| 22 | <u>102661101</u> | Pin, Lock, 8 Mm | 2 |
| 23 | <u>102661201</u> | Bearing, Needle, 8 X 12.7 X 11 | 1 |
| 24 | <u>102661202</u> | Oil Seal, 8 X 14 X 5 | 1 |
| 25 | <u>102661301</u> | Bearing, Needle, 8 X 12 X 10 | 1 |
| 26 | <u>102661401</u> | Oil Seal, 38 X 58 X 9 | 1 |
| 27 | <u>102661501</u> | Shaft, Governor Arm | 1 |
| 28 | <u>102661601</u> | Cover, Breather | 1 |
| 29 | <u>102661701</u> | Gasket, Breather Cover | 1 |
| 30 | <u>102661801</u> | Valve, Breather | 1 |
| 31 | <u>102661901</u> | Bolt, Flange Head, M6 X 1 X 32 | 2 |
| 32 | <u>102664901</u> | Key, Special Woodruff, 25 X 18 | 1 |
| 33 | <u>102668201</u> | Clamp, Wire | 1 |
| 34 | <u>102725101</u> | Pin A, Dowel | 1 |
| 35 | <u>102725201</u> | Bolt, Flange Head, 6 X 16 | 1 |

8

G



000083-001

OIL FILTER ADAPTER AND VOLTAGE REGULATOR

| ITEM | PART NO. | DESCRIPTION | QTY |
|------|------------------|--------------------------------------|-----|
| | | 1 2 3 4 | |
| 1 | <u>102289001</u> | Screw, M8X1.25X30, Hex | 3 |
| 2 | <u>102331401</u> | Regulator, Voltage | 1 |
| 3 | <u>102371401</u> | Bracket, Oil Filter Mount | 1 |
| 4 | <u>102434801</u> | Adapter, 90, 5/16 Tube | 1 |
| 5 | <u>102443501</u> | Hose, 3/8, Remote Oil, Honda | 1 |
| 6 | <u>102443601</u> | Clamp, Hose | 4 |
| 7 | <u>102457501</u> | Adapter, 90, 3/8 Tube | 1 |
| 8 | <u>102457601</u> | Hose, 5/16, Remote Oil, Honda | 1 |
| 9 | <u>102475301</u> | Nipple, M20, Remote Oil | 1 |
| 10 | <u>102490401</u> | O-ring 11.8 X 2.4 | 2 |
| 11 | <u>102618601</u> | Lock Nut, Flg M8 X 1.25 Nylon | 2 |
| 12 | <u>102670801</u> | Screw, M6 X 1 X 25 Thd Form | 5 |
| 13 | <u>102710301</u> | Plate, Fuel/Oil System | 1 |
| 14 | <u>102721901</u> | Adapter, 3/8 Hose | 1 |
| 15 | <u>102722001</u> | Adapter, 5/16 Hose | 1 |
| 16 | <u>102827901</u> | Filter, Oil, Honda Service | 1 |
| 17 | <u>102849401</u> | Adapter, Oil Filter, Honda Eng | 1 |
| 18 | <u>96705587</u> | Bolt, M8 X 1.25 X 30 | 2 |

8
G

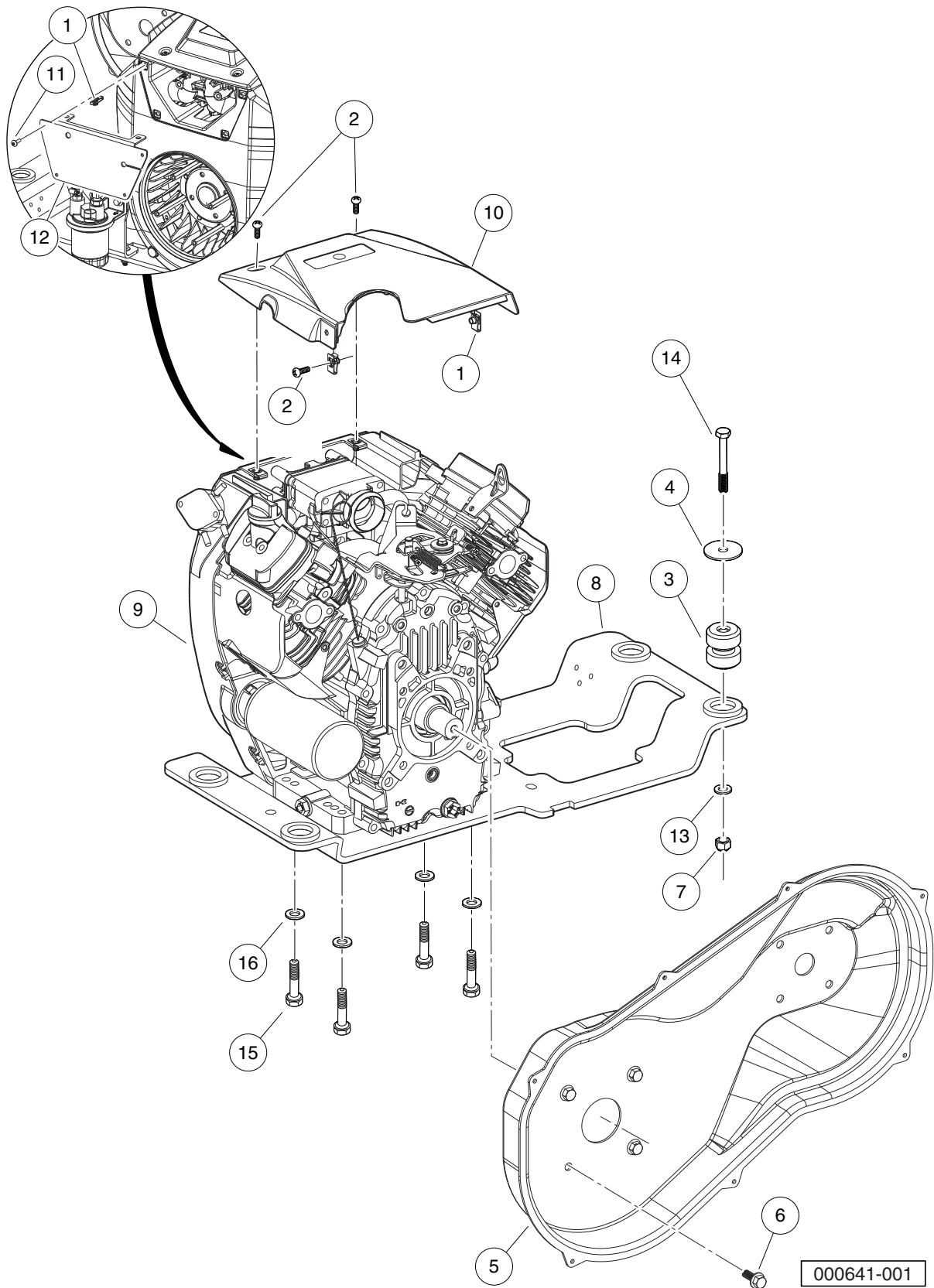
8

G

KAWASAKI FH680D GASOLINE ENGINE

9

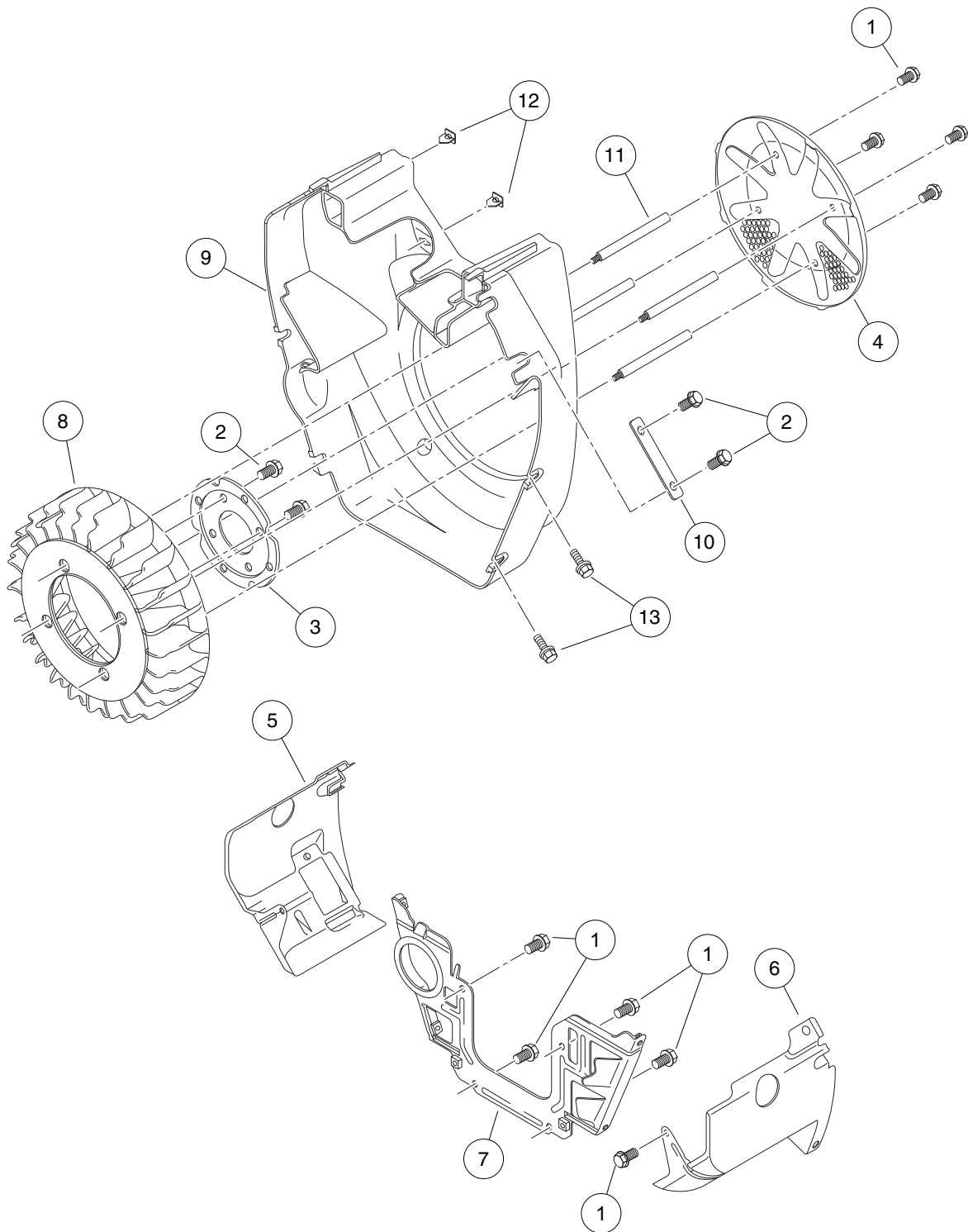
G



KAWASAKI FH680D GASOLINE ENGINE MOUNTING

| ITEM | PART NO. | DESCRIPTION | QTY |
|------|------------------|--|-----|
| | | 1 2 3 4 | |
| 1 | <u>102296601</u> | U-nut, M6-1.0 Prev Torque | 4 |
| 2 | <u>102296920</u> | Screw, M6 Torx Bttn Hd Sems | 4 |
| 3 | <u>102370501</u> | Isolator Ring and Bushing | 4 |
| 4 | <u>102370601</u> | Washer, Snubbing, Ring N Bush | 4 |
| 5 | N/A | Cover, CVT Inner, FH680D | 1 |
| 6 | <u>102491001</u> | Bolt Flanged Head, 3/8-16x1.0 with Loctite | 4 |
| 7 | <u>102740401</u> | Locknut, M12x1.75 Nylon Insert | 4 |
| 8 | <u>102951901</u> | Weldment, Eng Mnt, Kaw, Fh680d | 1 |
| 9 | <u>102960201</u> | Engine, Kawasaki, FH680D | 1 |
| 10 | <u>103262901</u> | Cover, Engine, Top | 1 |
| 11 | <u>103279201</u> | Screw, Pn Hd Blk, 10-16 X .625 | 4 |
| 12 | <u>103332201</u> | Cover, Engine, Frt, Fh680d | 1 |
| 13 | <u>96701412</u> | Washer, M12 Hard | 4 |
| 14 | <u>96704721</u> | Bolt, M12 X 1.75 X 90 | 4 |
| 15 | <u>96704960</u> | Bolt, M10 X 1.5 X 60 | 4 |
| 16 | <u>96741046</u> | Washer, M10 Hard | 4 |

9
G

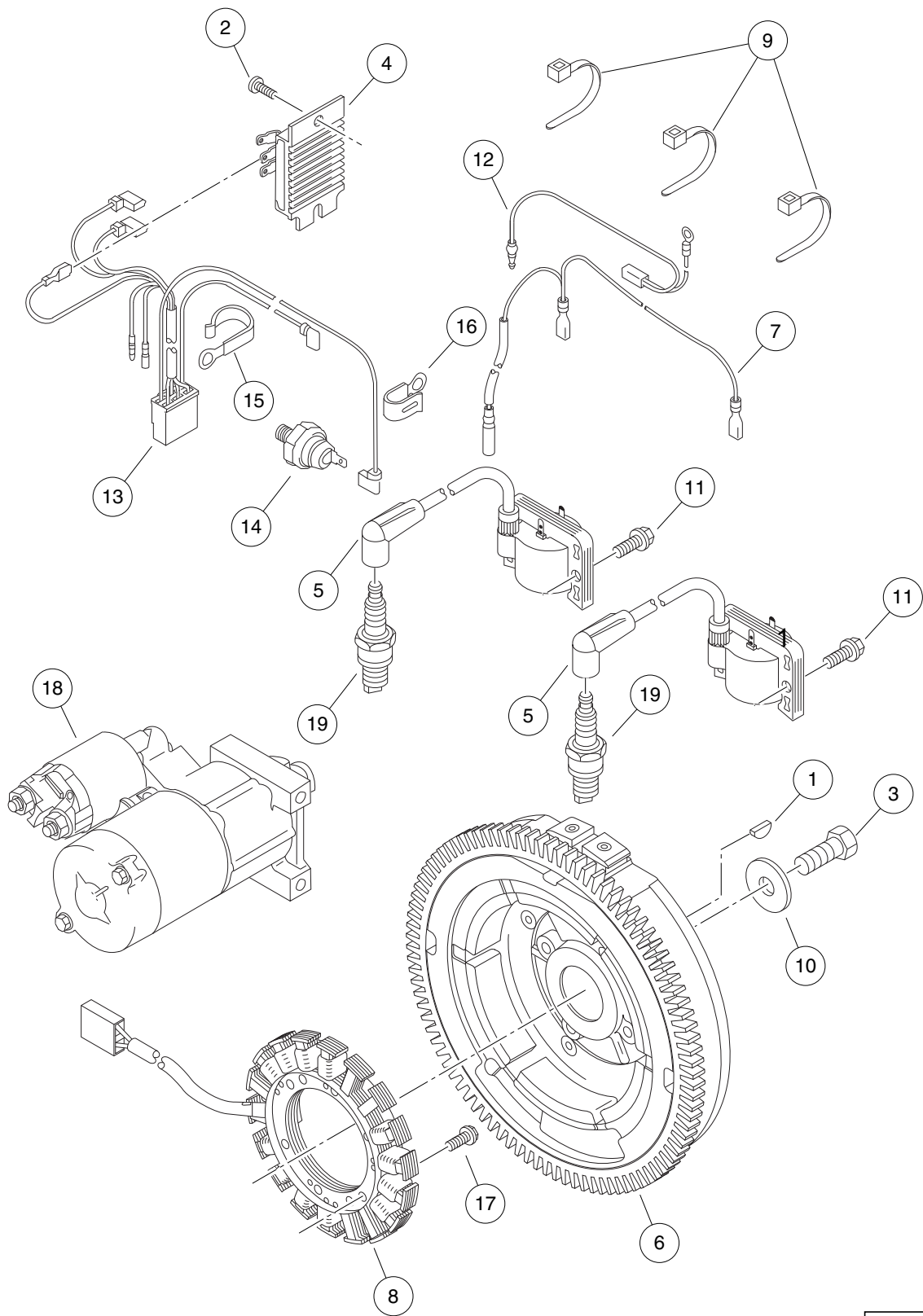


000625-001

SHROUDS AND BRACKETS

| ITEM | PART NO. | DESCRIPTION | QTY |
|------|------------------|--------------------------------------|-----|
| | | 1 2 3 4 | |
| 1 | <u>102992401</u> | Bolt, Flg, M6 X 1.0 X 12 | 9 |
| 2 | <u>102992501</u> | Bolt, Flg, M6 X 1.0 X 16 | 4 |
| 3 | <u>102998601</u> | Plate, Housing, Fan, Fh | 1 |
| 4 | <u>102998701</u> | Screen, Fan, Fh | 1 |
| 5 | <u>102999101</u> | Shroud, Engine, Rh, Fh | 1 |
| 6 | <u>102999201</u> | Shroud, Engine, Lh, Fh | 1 |
| 7 | <u>102999301</u> | Shroud, Engine, Front, Fh | 1 |
| 8 | <u>102999501</u> | Fan, Cooling, Fh | 1 |
| 9 | <u>102999601</u> | Housing, Engine, Fh | 1 |
| 10 | <u>103000001</u> | Washer, Housing, Fan, Fh | 1 |
| 11 | <u>103299301</u> | Stud, Fan Screen, Fh | 4 |
| 12 | <u>103299401</u> | Nut, Press In, Front Cover, Fh | 4 |
| 13 | <u>103300301</u> | Bolt, Oil Pickup, Fh | 4 |

9
G

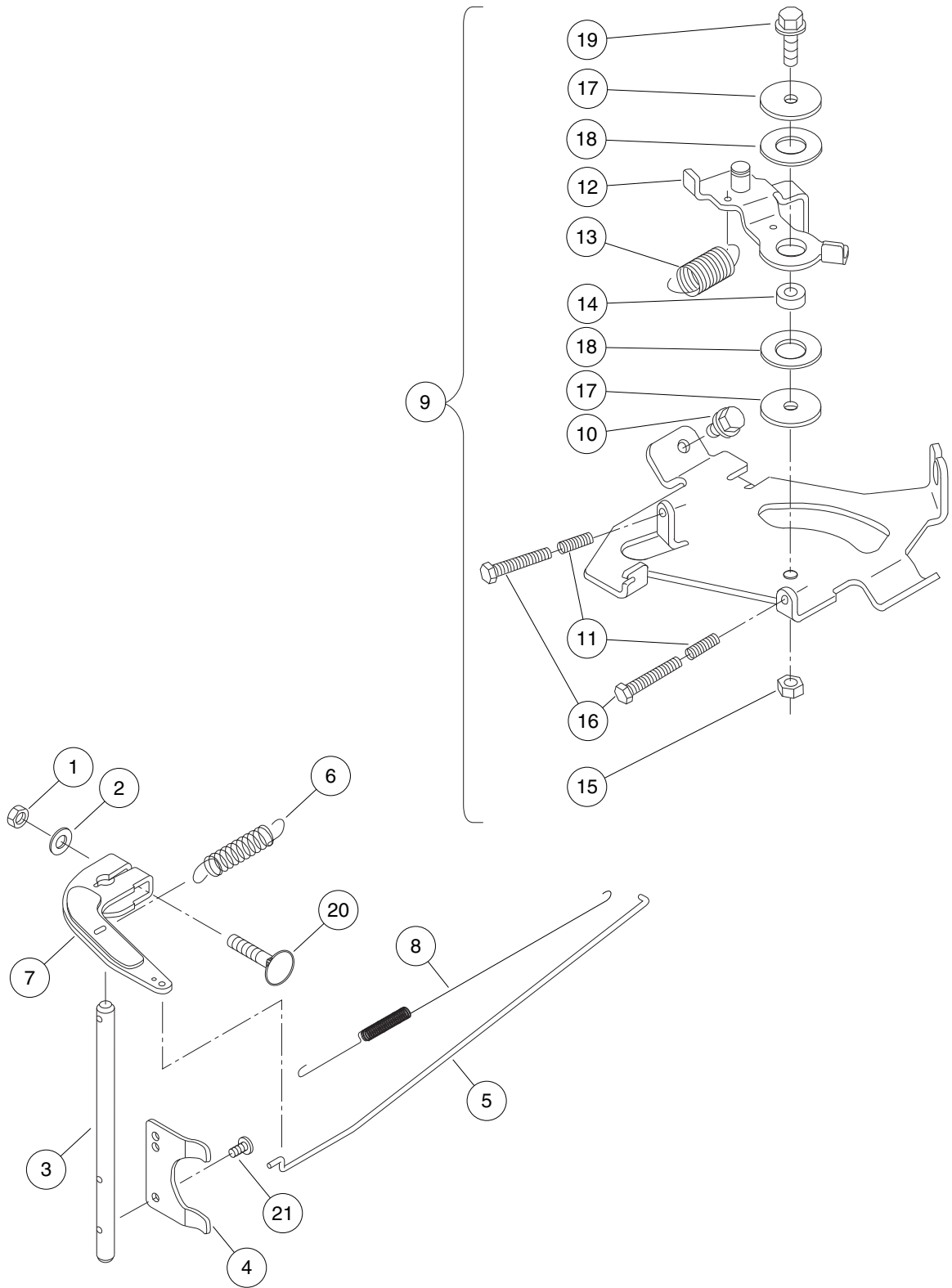


000626-001

IGNITION COMPONENTS AND FLYWHEEL

| ITEM | PART NO. | DESCRIPTION | QTY |
|------|------------------|-----------------------------------|-----|
| | | 1 2 3 4 | |
| 1 | <u>1012871</u> | Key | 1 |
| 2 | <u>1016544</u> | Screw | 1 |
| 3 | <u>102994301</u> | Bolt, Flg, M12 X 1.25 X 30 | 1 |
| 4 | <u>103000401</u> | Regulator, Voltage, Fh | 1 |
| 5 | <u>103000501</u> | Asm, Coil, Ignition, Fh | 2 |
| 6 | <u>103000601</u> | Flywheel, Assy, Fh | 1 |
| 7 | <u>103000801</u> | Harness, Regulator, Fh | 1 |
| 8 | <u>103000901</u> | Coil, Charging, Fh | 1 |
| 9 | <u>103001301</u> | Band, Harness, Fh | 3 |
| 10 | <u>103001501</u> | Washer, Flywheel, Fh | 1 |
| 11 | <u>103298501</u> | Bolt, Flanged, M6 X 20, Kaw | 4 |
| 12 | <u>103299501</u> | Harness, Ignition, Fh | 1 |
| 13 | <u>103299601</u> | Harness, Engine, Main, Fh | 1 |
| 14 | <u>103299701</u> | Switch, Oil Pressure, Fh | 1 |
| 15 | <u>103299801</u> | Clamp, Harness, Large, Fh | 1 |
| 16 | <u>103299901</u> | Clamp, Harness, Small, Fh | 1 |
| 17 | <u>103300101</u> | Screw, Pan, Coil Mount, Fh | 4 |
| 18 | <u>103345501</u> | Starter, Electric, Fh680d | 1 |
| 19 | <u>AM1232301</u> | Spark Plug, BPR2ES | 2 |

9
G

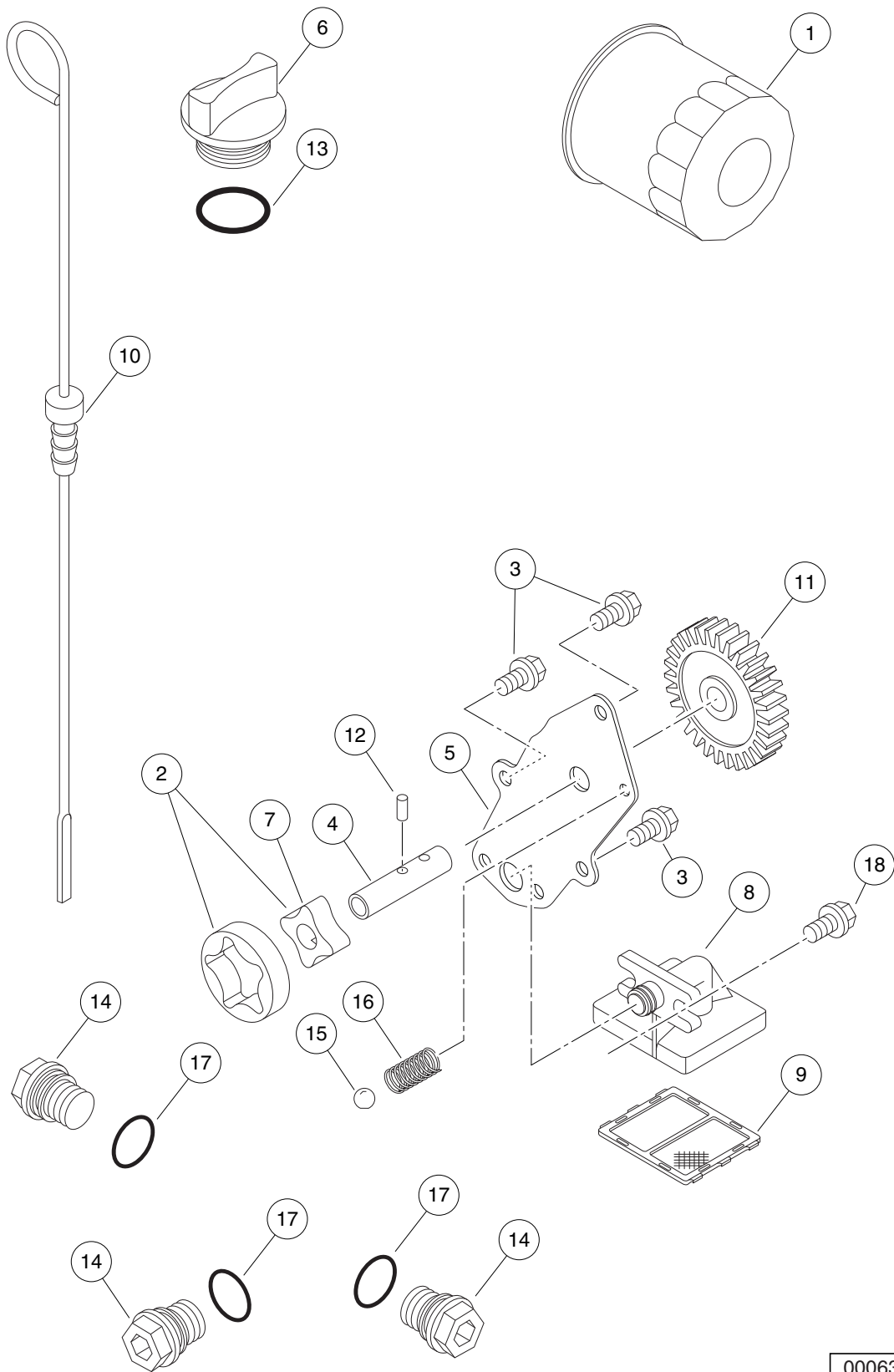


000636-001

GOVERNOR ARM AND SPRINGS

| ITEM | PART NO. | DESCRIPTION | QTY |
|------|------------------|---|-----|
| | | 1 2 3 4 | |
| 1 | <u>1012919</u> | Nut -6mm- | 1 |
| 2 | <u>1016513</u> | Washer, M6 Flat | 1 |
| 3 | <u>103002001</u> | Shaft, Governor, Fh | 1 |
| 4 | <u>103002101</u> | Plate, Governor, Fh | 1 |
| 5 | <u>103002301</u> | Link, Arm, Governor, Fh | 1 |
| 6 | <u>103002401</u> | Spring, Governor, Fh | 1 |
| 7 | <u>103002501</u> | Arm, Governor, Shaft | 1 |
| 8 | <u>103002901</u> | Spring, Arm, Governor, Fh | 1 |
| 9 | <u>103297701</u> | Panel, Control, Complete, Fh (includes items 10 through 19) | 1 |
| 10 | <u>102992401</u> | Bolt, Flg, M6 X 1.0 X 12 | 2 |
| 11 | <u>103002801</u> | Spring, Fh | 2 |
| 12 | <u>103297401</u> | Lever, Governor, Control, Fh | 1 |
| 13 | <u>103297501</u> | Spring, Governor Return, Fh | 1 |
| 14 | <u>103297601</u> | Collar, Governor, Fh | 1 |
| 15 | <u>103297801</u> | Nut, Governor, Fh | 1 |
| 16 | <u>103298001</u> | Bolt, Speed Control, Fh | 2 |
| 17 | <u>103298201</u> | Washer, Governor, Lower, Fh | 2 |
| 18 | <u>103298301</u> | Washer, Governor, Middle, Fh | 2 |
| 19 | <u>103298501</u> | Bolt, Flanged, M6 X 20, Kaw | 1 |
| 20 | <u>103298101</u> | Bolt, M6 X 35, Kawasaki | 1 |
| 21 | <u>103298601</u> | Screw, Pan, Governor, Fh | 2 |

9
G



000637-001

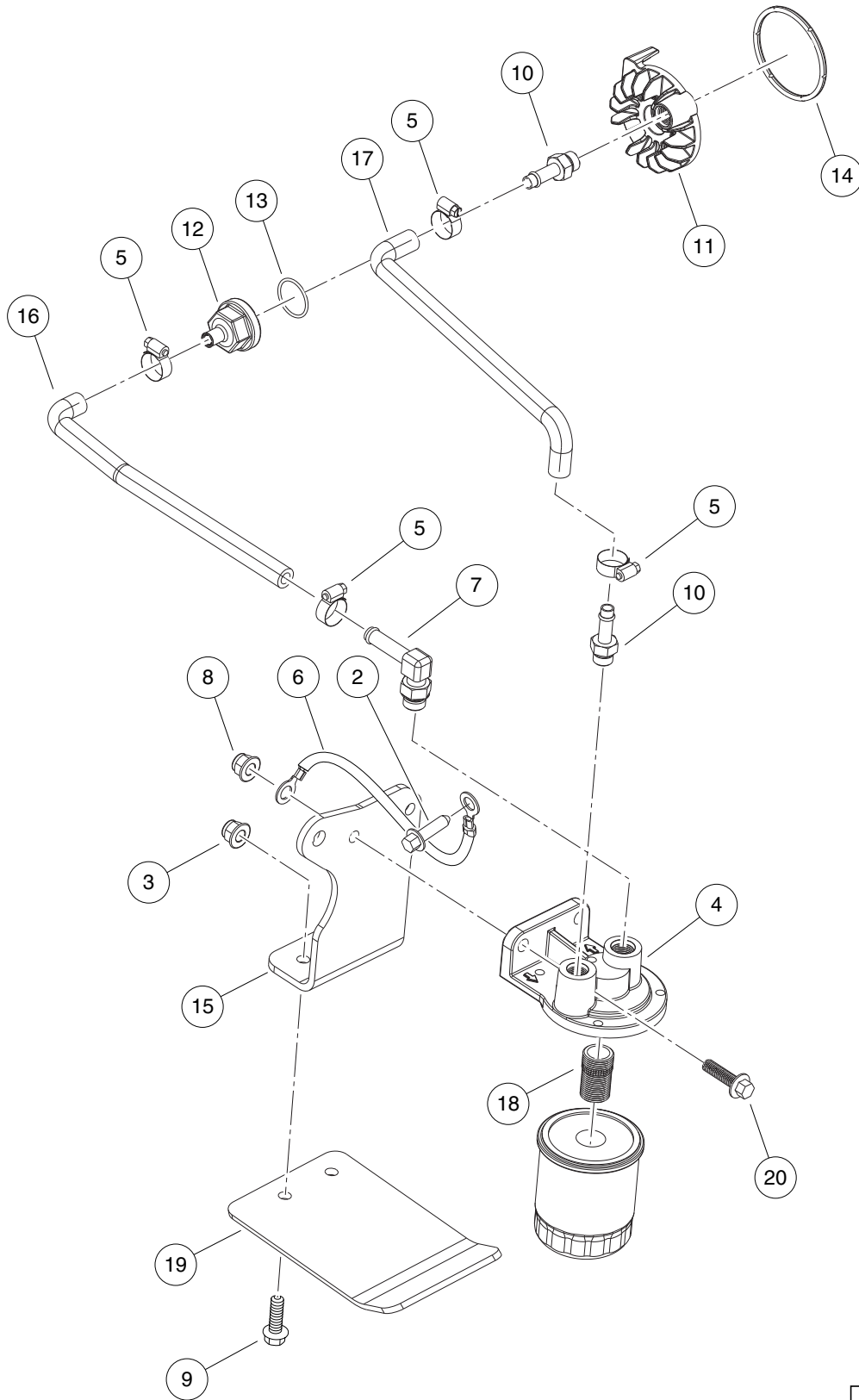
OIL AND LUBRICATION COMPONENTS

| ITEM | PART NO. | DESCRIPTION | QTY |
|------|------------------|-----------------------------------|-----|
| | | 1 2 3 4 | |
| 1 | <u>1016467</u> | Filter, Oil | 1 |
| 2 | <u>101648203</u> | Oil Pump And Rotor | 1 |
| 3 | <u>102992401</u> | Bolt, Flg, M6 X 1.0 X 12 | 3 |
| 4 | <u>102996901</u> | Shaft, Oil Pump, Fh | 1 |
| 5 | <u>102997001</u> | Plate, Oil Pump, Fh | 1 |
| 6 | <u>102997101</u> | Cap, Oil, Fill, Fh | 1 |
| 7 | <u>102997201</u> | Rotor, Pump, Oil, In, Fh | 1 |
| 8 | <u>102997401</u> | Pickup, Oil, Fh | 1 |
| 9 | <u>102997601</u> | Screen, Pickup, Oil, Fh | 1 |
| 10 | <u>102997701</u> | Gauge, Oil, Fh | 1 |
| 11 | <u>102997801</u> | Gear, Spur, Oil Pump, Fh | 1 |
| 12 | <u>102997901</u> | Pin, Oil Pump, Fh | 2 |
| 13 | <u>102998001</u> | O-ring, Cap, Oil, Fill, Fh | 1 |
| 14 | <u>102998101</u> | Plug, Oil Drain, Fh | 3 |
| 15 | <u>102998201</u> | Ball, Oil Pump, Fh | 1 |
| 16 | <u>102998301</u> | Spring, Oil Pump, Fh | 1 |
| 17 | <u>102998401</u> | O-ring, Drain Plug, Oil, Fh | 3 |
| 18 | <u>103300301</u> | Bolt, Oil Pickup, Fh | 2 |
| | | Note: Item 2 contains item 7. | |

9

G

9
G



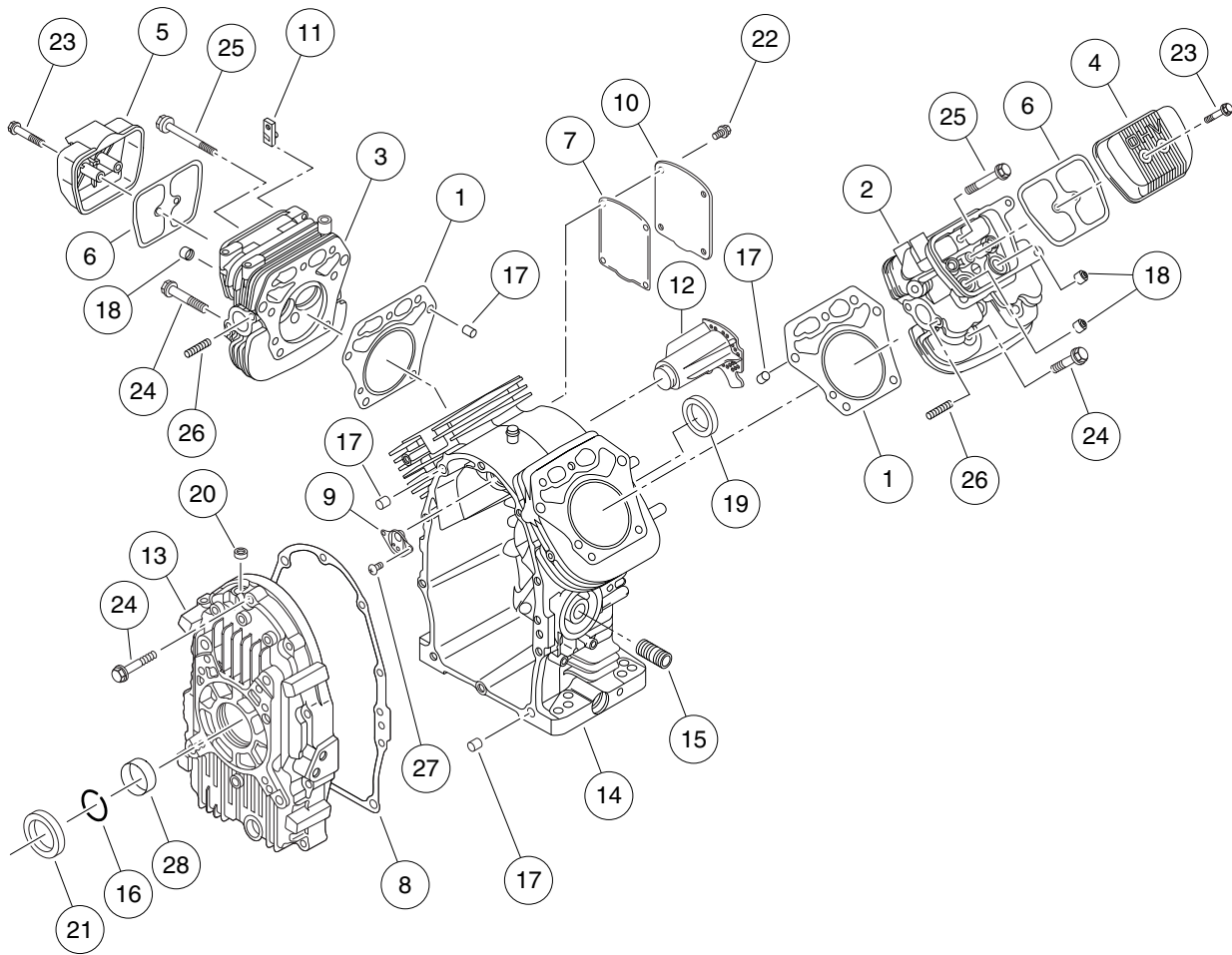
000671-001

OIL FILTER ADAPTER

| ITEM | PART NO. | DESCRIPTION | QTY |
|------|------------------|--|-----|
| | | 1 2 3 4 | |
| 1 | N/A | Instl, Oil Fltr Adapter Fh680d (includes items 2 through 20) | 1 |
| 2 | <u>102289001</u> | Screw, M8X1.25X30, Hex | 1 |
| 3 | <u>102298401</u> | Nut,m8,all Metal Lock | 2 |
| 4 | <u>102371401</u> | Bracket, Oil Filter Mount | 1 |
| 5 | <u>102443601</u> | Clamp, Hose | 4 |
| 6 | <u>102448501</u> | Wire Asm, #6 Blk, Awd, 325 | 1 |
| 7 | <u>102457501</u> | Adapter, 90, 3/8 Tube | 1 |
| 8 | <u>102618601</u> | Lock Nut, Flg M8 X 1.25 Nylon | 2 |
| 9 | <u>102621301</u> | Bolt, M8 X 1.25 X 40 with Loctite | 2 |
| 10 | <u>102722001</u> | Adapter, 5/16 Hose | 2 |
| 11 | <u>102958301</u> | Adapter, Special, Oil Filter | 1 |
| 12 | <u>102958401</u> | Nut, Special, Hose Adapter | 1 |
| 13 | <u>102958501</u> | O-ring, 23.52 X 1.78mm | 1 |
| 14 | <u>102958601</u> | O-ring, Oil Filter Adapter | 1 |
| 15 | <u>103197201</u> | Bracket, Oil Filter, Fh680d | 1 |
| 16 | <u>103240601</u> | Hose, Formed, Oil, 5/16" | 1 |
| 17 | <u>103246901</u> | Hose, Formed, Oil, 5/16", Ret | 1 |
| 18 | <u>103276201</u> | Nipple, 3/4-16 X M20 X 1.5-6g | 1 |
| 19 | <u>103326401</u> | Guard, Oil Filter, Fh680d | 1 |
| 20 | <u>96705587</u> | Bolt, M8 X 1.25 X 30 | 2 |

9

G

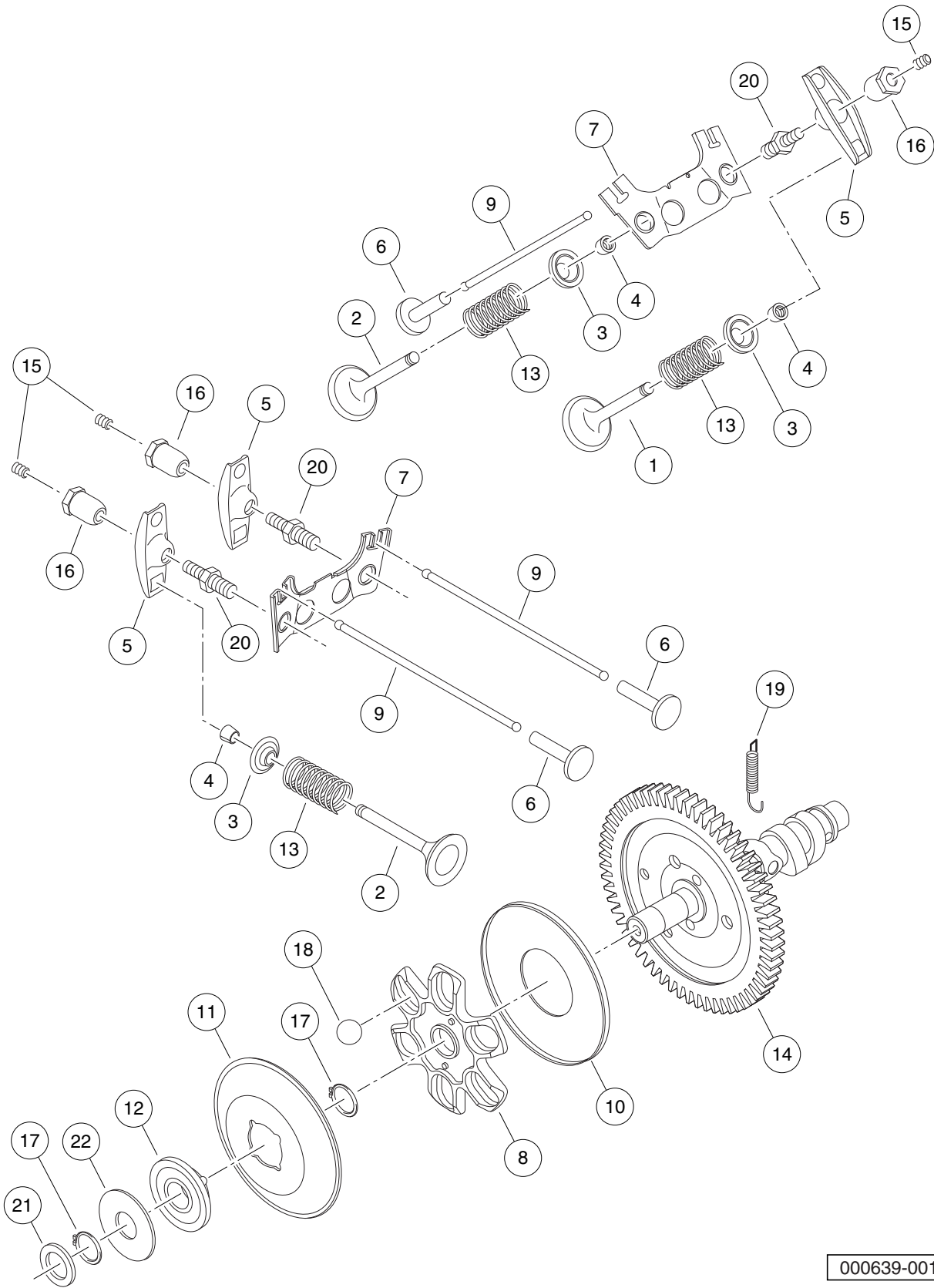


000638-001

CYLINDER HEAD AND CRANKCASE

| ITEM | PART NO. | DESCRIPTION | QTY |
|------|------------------|------------------------------------|-----|
| | | 1 2 3 4 | |
| 1 | <u>102990101</u> | Gasket, Head, Cyl, Fh | 2 |
| 2 | <u>102990201</u> | Head, Cyld 1, Fh | 1 |
| 3 | <u>102990301</u> | Head, Cyld 2, Fh | 1 |
| 4 | <u>102990401</u> | Cover, Rocker, Cyld 1, Fh | 1 |
| 5 | <u>102990501</u> | Cover, Rocker, Cyld 2, Fh | 1 |
| 6 | <u>102990601</u> | Gasket, Rocker, Cover, FH | 2 |
| 7 | <u>102990701</u> | Gasket, Breather, Fh | 1 |
| 8 | <u>102990801</u> | Gasket, Cover, Crank, Fh | 1 |
| 9 | <u>102990901</u> | Valve, Assy, Reed, Fh | 1 |
| 10 | <u>102991101</u> | Cover, Crkcase, Comp, Fh | 1 |
| 11 | <u>102991201</u> | Pipe, Head, Comp, Clyd, Fh | 1 |
| 12 | <u>102991301</u> | Pipe, Crkcase, Comp, Fh | 1 |
| 13 | <u>102991401</u> | Cover, Crankcase, Fh | 1 |
| 14 | <u>102991501</u> | Crankcase, Comp, Fh | 1 |
| 15 | <u>102991601</u> | Nipple, Oil Filter, Fh | 1 |
| 16 | <u>102991801</u> | Ring, Snap, Fh | 1 |
| 17 | <u>102991901</u> | Pin, Head, Fh | 6 |
| 18 | <u>102992001</u> | Seal, Oil, Valve, Fh | 4 |
| 19 | <u>102992101</u> | Seal, Oil, Crank, Rear, Fh | 1 |
| 20 | <u>102992201</u> | Seal, Oil, Governor, Fh | 1 |
| 21 | <u>102992301</u> | Seal, Oil, Crank, Front, Fh | 1 |
| 22 | <u>102992401</u> | Bolt, Flg, M6 X 1.0 X 12 | 4 |
| 23 | <u>102992601</u> | Bolt, Flg, M6 X 1.0 X 40 | 4 |
| 24 | <u>102992701</u> | Bolt, Flg, M8 X 1.25 X 50 | 18 |
| 25 | <u>102992801</u> | Bolt, Flg, M8 X 1.25 X 75 | 2 |
| 26 | <u>102992901</u> | Stud, M8 X 1.25, Exhaust, Fh | 4 |
| 27 | <u>103298601</u> | Screw, Pan, Governor, Fh | 2 |
| 28 | <u>103298901</u> | Bushing, Main, Fh | 1 |

9
G



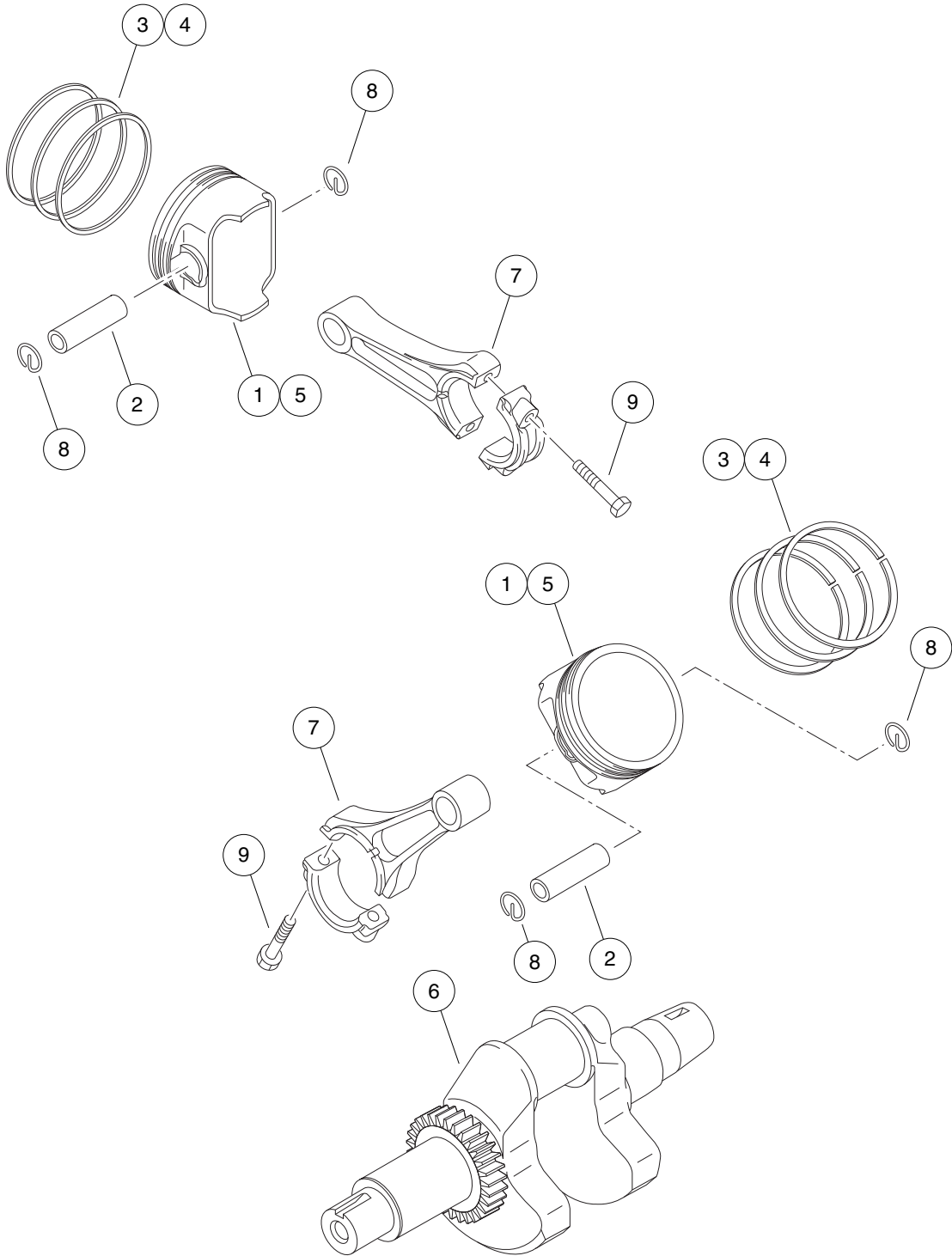
000639-001

VALVES AND CAMSHAFT

| ITEM | PART NO. | DESCRIPTION | QTY |
|------|------------------|----------------------------------|-----|
| | | 1 2 3 4 | |
| 1 | <u>102994601</u> | Valve, Intake, Fh | 2 |
| 2 | <u>102994701</u> | Valve, Exhaust, Fh | 2 |
| 3 | <u>102994801</u> | Retainer, Valve Spring, Fh | 4 |
| 4 | <u>102994901</u> | Collet, Spring, Valve, Fh | 8 |
| 5 | <u>102995001</u> | Arm, Rocker | 4 |
| 6 | <u>102995101</u> | Tappet, Rod, Push, Fh | 4 |
| 7 | <u>102995201</u> | Guide, Arm, Rocker, Fh | 2 |
| 8 | <u>102995301</u> | Guide, Camshaft, Gov, Fh | 1 |
| 9 | <u>102995401</u> | Rod, Push, Fh | 4 |
| 10 | <u>102995501</u> | Plate, Camshaft, Gov, Fh | 1 |
| 11 | <u>102995601</u> | Plate, Ring, Gov, Fh | 1 |
| 12 | <u>102995701</u> | Sleeve, Plate, Gov, Fh | 1 |
| 13 | <u>102995801</u> | Spring, Valve, Fh | 4 |
| 14 | <u>102995901</u> | Kit, Camshaft, Comp, Fh | 1 |
| 15 | <u>102996001</u> | Screw, Rocker Arm, Fh | 4 |
| 16 | <u>102996101</u> | Nut, Arm, Rocker, Fh | 4 |
| 17 | <u>102996201</u> | Ring, Snap, Gov, Fh | 2 |
| 18 | <u>102996301</u> | Ball, Guide, Gov, Fh | 6 |
| 19 | <u>102996401</u> | Spring, Camshaft, Fh | 1 |
| 20 | <u>102996501</u> | Stud, Rocker Arm, Fh | 4 |
| 21 | <u>102996601</u> | Washer, Sleeve, Gov, Fh | 1 |
| 22 | <u>102996701</u> | Washer, Gov, Fh | 1 |

9
G

9
G



000640-001

PISTONS AND CRANKSHAFT

| ITEM | PART NO. | DESCRIPTION | QTY |
|------|------------------|-------------------------------------|-----|
| | | 1 2 3 4 | |
| 1 | <u>102993201</u> | Piston, Engine, Right, Fh | 2 |
| 2 | <u>102993301</u> | Pin, Piston, Engine, Fh | 2 |
| 3 | <u>102993401</u> | Ring, Set, Piston, Fh | 2 |
| 4 | <u>102993501</u> | Ring, Set, Piston L, 0.50, Fh | 1 |
| 5 | <u>102993601</u> | Piston, Engine L, 0.50, Fh | 1 |
| 6 | <u>102993701</u> | Crankshaft, Comp, Fh | 1 |
| 7 | <u>102993901</u> | Kit, Rod, Connecting, Fh | 2 |
| 8 | <u>102994101</u> | Ring, Snap, Pin, Piston, Fh | 4 |
| 9 | <u>102994401</u> | Bolt, Flg, M6 X 1.00 X 35 | 4 |

9
G

9

G

FUEL, INTAKE, & GOVERNOR SYSTEM

10

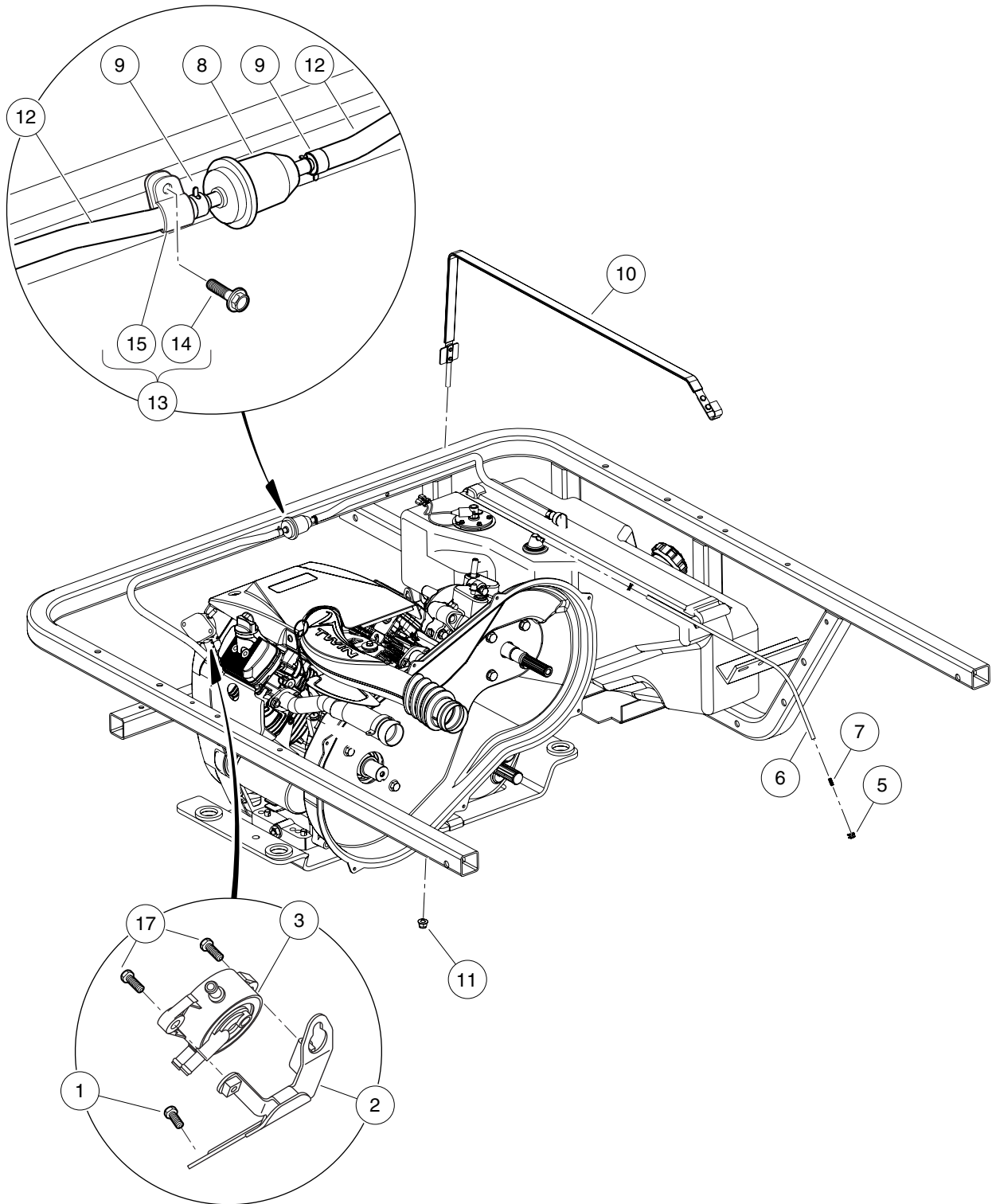
G

D

10

G

D



000672-002

FUEL SYSTEM – KAWASAKI GASOLINE VEHICLES

| ITEM | PART NO. | DESCRIPTION | QTY |
|------|------------------|--|-----|
| | | 1 2 3 4 | |
| 1 | <u>102992501</u> | Bolt, Flg, M6 X 1.0 X 16 | 1 |
| 2 | <u>103009901</u> | Bracket, Fuel Pump, Fh | 1 |
| 3 | <u>103010101</u> | Pump, Fuel, Impulse, Fh | 1 |
| 4 | N/A | Instl, Fuel System, Fh680d (includes items 5 through 13) | 1 |
| 5 | <u>1013746</u> | Clamp, 0.301 ID Hose | 2 |
| 6 | <u>101587703</u> | Hose, Fuel, Vent, 22" Long | 1 |
| 7 | <u>101824401</u> | Vent Barb | 1 |
| 8 | <u>102003201</u> | Filter, Fuel, 30 Micron | 1 |
| 9 | <u>102411202</u> | Clamp, Hose, Ctb 13mm | 4 |
| 10 | <u>102426301</u> | Strap, Tank, Fuel | 1 |
| 11 | 102618601 | Lock Nut, Flg M8 X 1.25 Nylon | 1 |
| 12 | <u>102865101</u> | Fuel Line | 1 |
| 13 | <u>103387501</u> | Kit, Fuel Line Clamp, 4x4 Khi (includes items 14 through 16) | 1 |
| 14 | <u>102289001</u> | Screw, M8X1.25X30, Hex | 1 |
| 15 | <u>102410604</u> | P-clamp, Insulated 0.625 In | 1 |
| 16 | N/A | Instr, Kit Fuel Line 4x4 Khi | 1 |
| 17 | <u>103298501</u> | Bolt, Flanged, M6 X 20, Kaw | 2 |

10

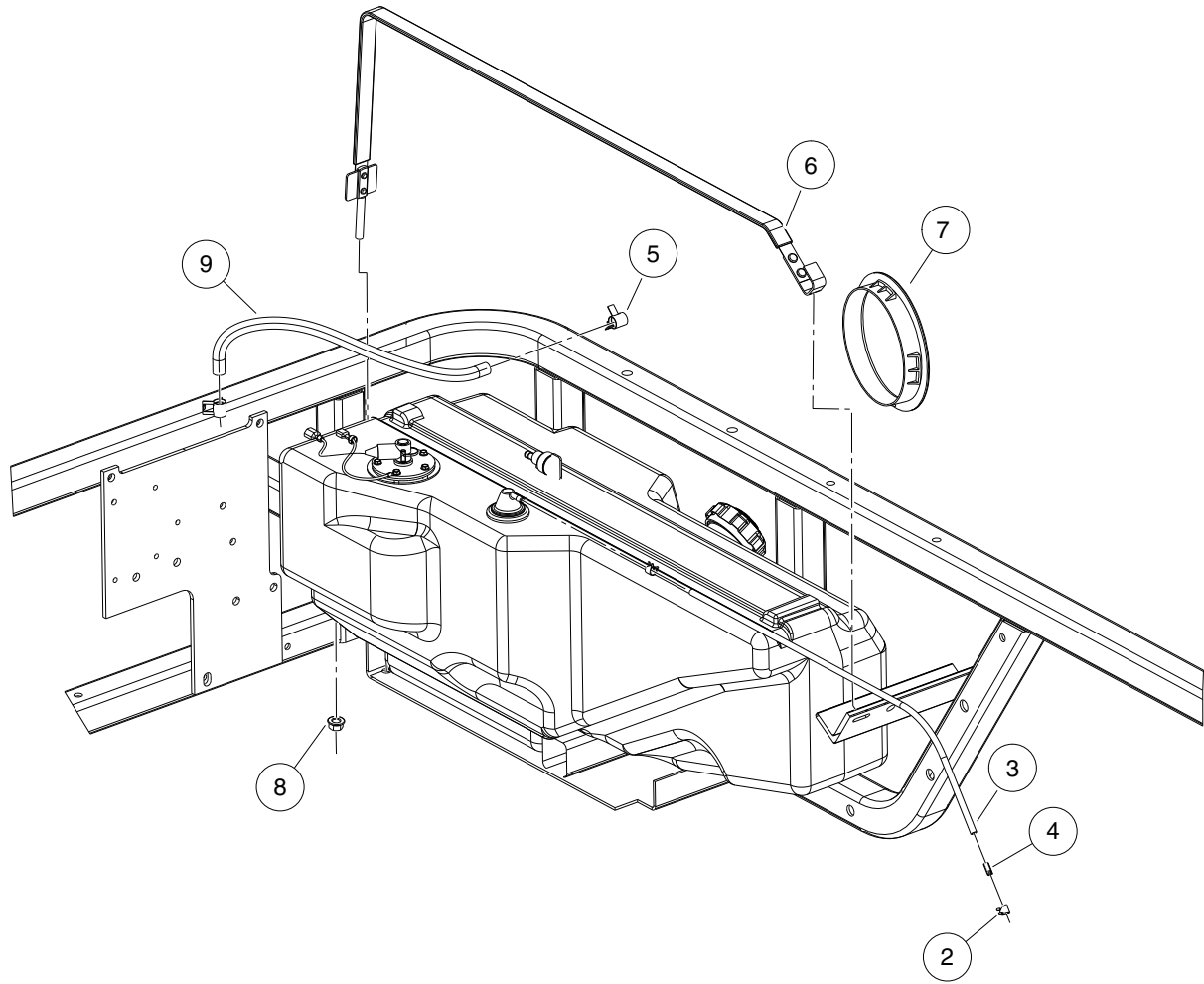
G

D

10

G

D



000081-004

FUEL SYSTEM – HONDA GASOLINE VEHICLES

| ITEM | PART NO. | DESCRIPTION | QTY |
|------|------------------|--|-----|
| | | 1 2 3 4 | |
| 1 | N/A | Instl, Fuel System, Honda (includes items 2 through 9) | 1 |
| 2 | <u>1013746</u> | Clamp, 0.301 ID Hose | 2 |
| 3 | <u>101587703</u> | Hose, Fuel, Vent, 22" Long | 1 |
| 4 | <u>101824401</u> | Vent Barb | 1 |
| 5 | <u>102411202</u> | Clamp, Hose, Ctb 13mm | 2 |
| 6 | <u>102426301</u> | Strap, Tank, Fuel | 1 |
| 7 | <u>102466201</u> | Bezel, Fuel Fill | 1 |
| 8 | <u>102618601</u> | Lock Nut, Flg M8 X 1.25 Nylon | 1 |
| 9 | <u>103307901</u> | Hose, Tank To Filter, Fh680d | 1 |

10

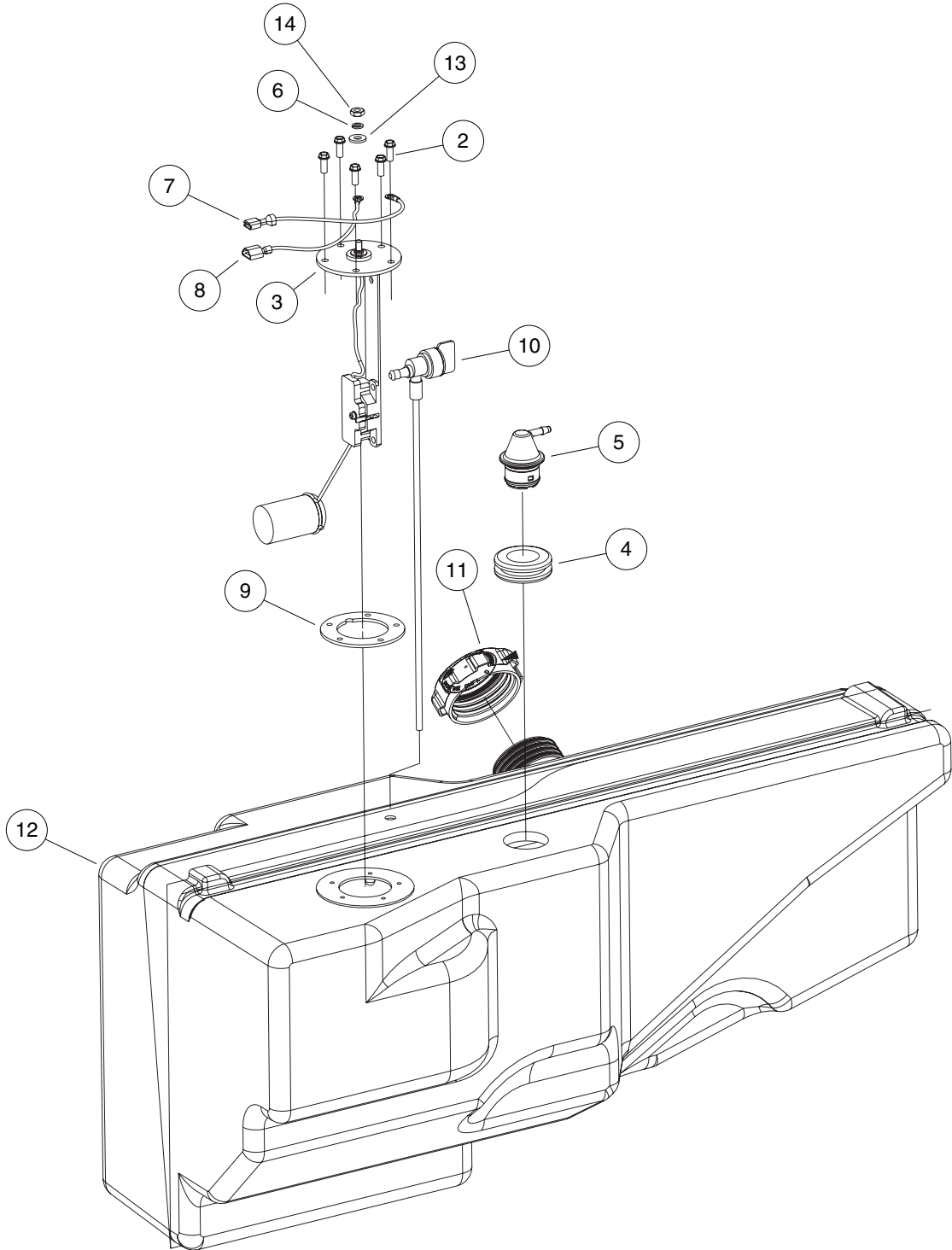
G

D

10

G

D



000082-004

FUEL TANK – GASOLINE VEHICLES

| ITEM | PART NO. | DESCRIPTION | QTY |
|--|------------------|---|-----|
| | | 1 2 3 4 | |
| 1 | <u>102952102</u> | Asm, Tank, Fuel, Gas, 4x4 (includes items 2 through 14) | 1 |
| 2 | <u>1013461</u> | Screw, #10-16 Hex-Head Hi-Lo | 5 |
| 3 | <u>1013462</u> | Sending Unit, Fuel Level * | 1 |
| 4 | <u>1015139</u> | Insulation Grommet | 1 |
| 5 | <u>1015143</u> | Vent, Fuel Tank | 1 |
| 6 | <u>1016</u> | Lockwasher, #10 Split | 1 |
| 7 | N/A | Wire Asm, Blk, 170mm | 1 |
| 8 | N/A | Wire Asm, Org, 170mm | 1 |
| 9 | <u>102522001</u> | Gasket, Rubber | 1 |
| 10 | <u>102670901</u> | Valve, Pickup Tube, Fuel | 1 |
| 11 | <u>102751601</u> | Cap, Fuel Tank, Gasoline | 1 |
| 12 | N/A | Tank, Fuel, Gas, 4x4 | 1 |
| 13 | <u>183</u> | Washer, #10 Type A Flat | 1 |
| 14 | <u>8797</u> | Nut, #10-32 Brass Hex | 1 |
| <p style="margin-left: 40px;">* Note: Must replace fuel sending unit gasket when servicing this component.</p> | | | |

10

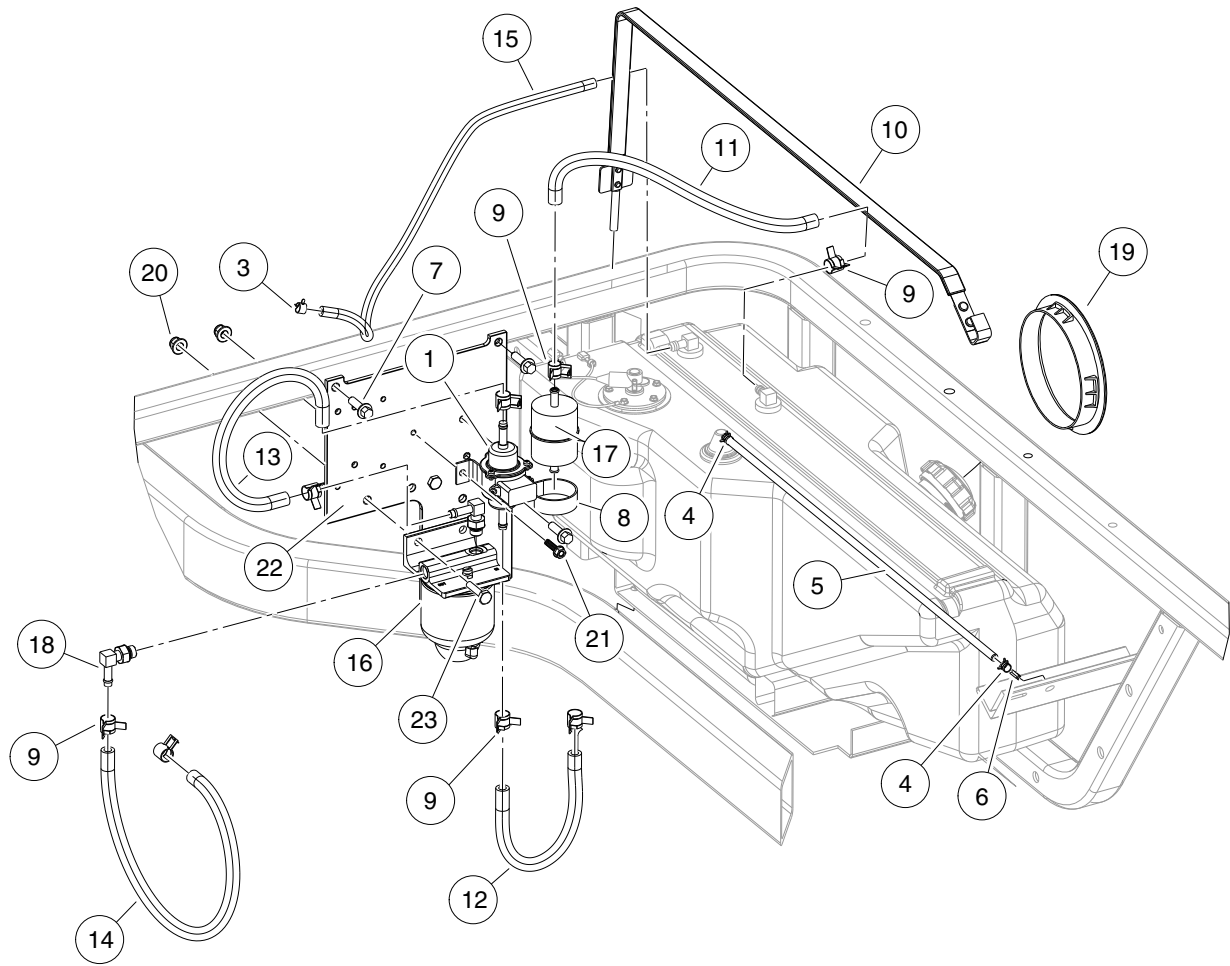
G

D

10

G

D



000081-003

FUEL SYSTEM – DIESEL

| ITEM | PART NO. | DESCRIPTION | QTY |
|------|------------------|--|-----|
| | | 1 2 3 4 | |
| 1 | <u>102410801</u> | Pump, Diesel Fuel Electric | 1 |
| 2 | N/A | Asm, Fuel System, Kubota (includes items 3 through 23) | 1 |
| 3 | <u>101313402</u> | Clamp, Green Hose | 1 |
| 4 | <u>1013746</u> | Clamp, 0.301 ID Hose | 2 |
| 5 | <u>101587703</u> | Hose, Fuel, Vent, 22" Long | 1 |
| 6 | <u>101824401</u> | Vent Barb | 1 |
| 7 | <u>102289001</u> | Screw, M8X1.25X30, Hex | 5 |
| 8 | <u>102410602</u> | P-Clamp, Insulated 1.75 In | 1 |
| 9 | <u>102411203</u> | Clamp, Hose, Ctb 14mm | 6 |
| 10 | <u>102426301</u> | Strap, Tank, Fuel | 1 |
| 11 | <u>102430001</u> | Hose, Tank To Prefilter Diesel | 1 |
| 12 | <u>102430101</u> | Hose, Fuel Prefilter To Pump | 1 |
| 13 | <u>102430201</u> | Hose, Fuel Pump To Filter | 1 |
| 14 | <u>102430301</u> | Hose, Fuel Filter To Eng | 1 |
| 15 | <u>102430401</u> | Hose, Fuel Return | 1 |
| 16 | <u>102434601</u> | Filter Assy, Fuel | 1 |
| 17 | <u>102434701</u> | Filter, Fuel | 1 |
| 18 | <u>102434801</u> | Adapter, 90, 5/16 Tube | 2 |
| 19 | <u>102466201</u> | Bezel, Fuel Fill | 1 |
| 20 | <u>102618601</u> | Lock Nut, Flg M8 X 1.25 Nylon | 3 |
| 21 | <u>102670801</u> | Screw, M6 X 1 X 25 Thd Form | 1 |
| 22 | <u>102710301</u> | Plate, Fuel/Oil System | 1 |
| 23 | <u>96705587</u> | Bolt, M8 X 1.25 X 30 | 2 |

10

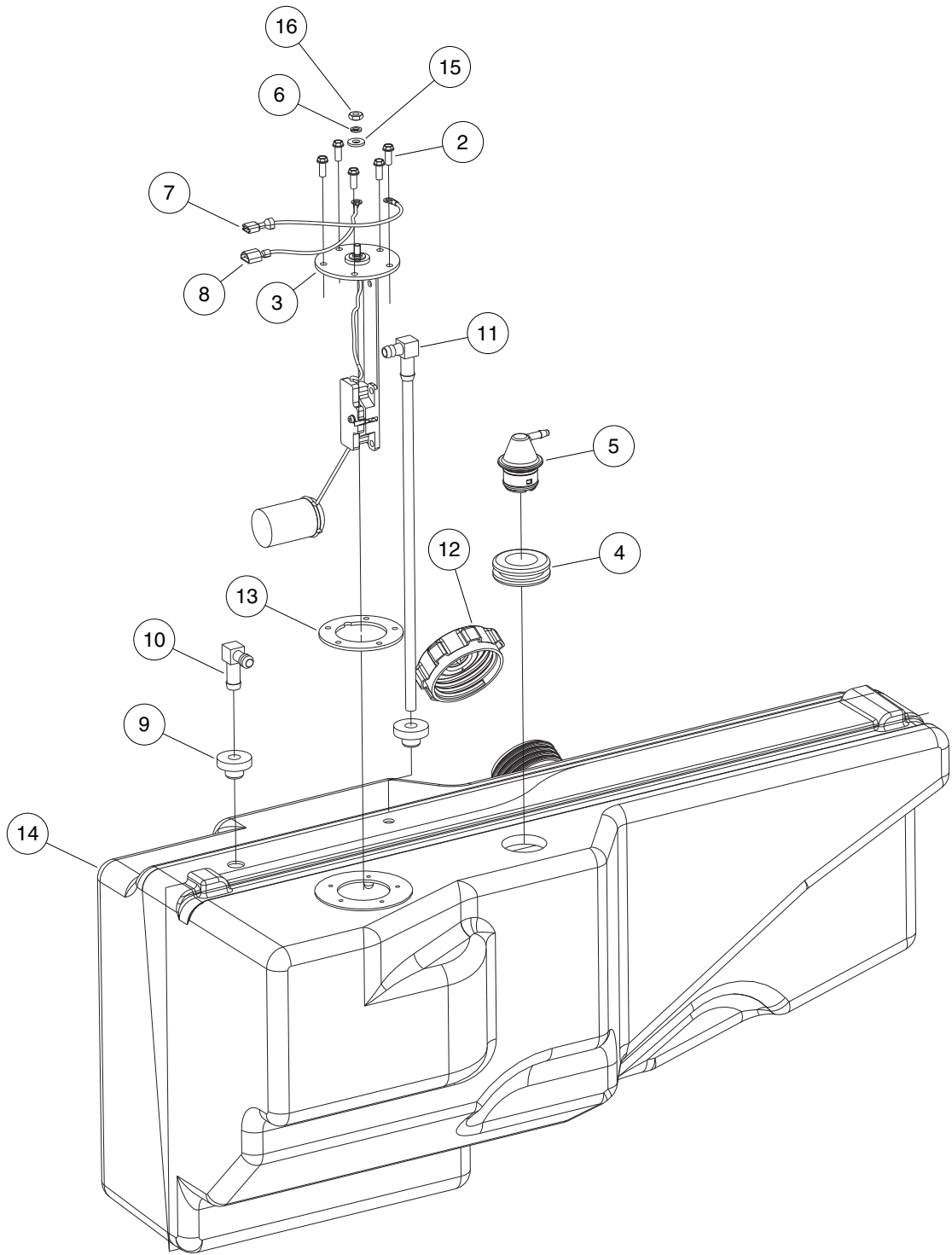
G

D

10

G

D



000082-005

FUEL TANK – DIESEL VEHICLES

| ITEM | PART NO. | DESCRIPTION | QTY |
|------|------------------|--|-----|
| | | 1 2 3 4 | |
| 1 | <u>102952101</u> | Asm, Tank, Fuel, Diesel, 4x4 (includes items 2 through 16) | 1 |
| 2 | <u>1013461</u> | Screw, #10-16 Hex-Head Hi-Lo | 5 |
| 3 | <u>1013462</u> | Sending Unit, Fuel Level * | 1 |
| 4 | <u>1015139</u> | Insulation Grommet | 1 |
| 5 | <u>1015143</u> | Vent, Fuel Tank | 1 |
| 6 | <u>1016</u> | Lockwasher, #10 Split | 1 |
| 7 | N/A | Wire Asm, Blk, 170mm | 1 |
| 8 | N/A | Wire Asm, Org, 170mm | 1 |
| 9 | <u>102406701</u> | Bushing, Line, Return | 2 |
| 10 | <u>102406801</u> | Elbow, 90 Barbed | 1 |
| 11 | <u>102478501</u> | Pickup Tube, Fuel | 1 |
| 12 | <u>102494701</u> | Cap, Fuel (Diesel) | 1 |
| 13 | <u>102522001</u> | Gasket, Rubber | 1 |
| 14 | N/A | Tank, Fuel, Diesel, 4x4 | 1 |
| 15 | <u>183</u> | Washer, #10 Type A Flat | 1 |
| 16 | <u>8797</u> | Nut, #10-32 Brass Hex | 1 |
| | | * Note: Must replace fuel sending unit gasket when servicing this component. | |

10

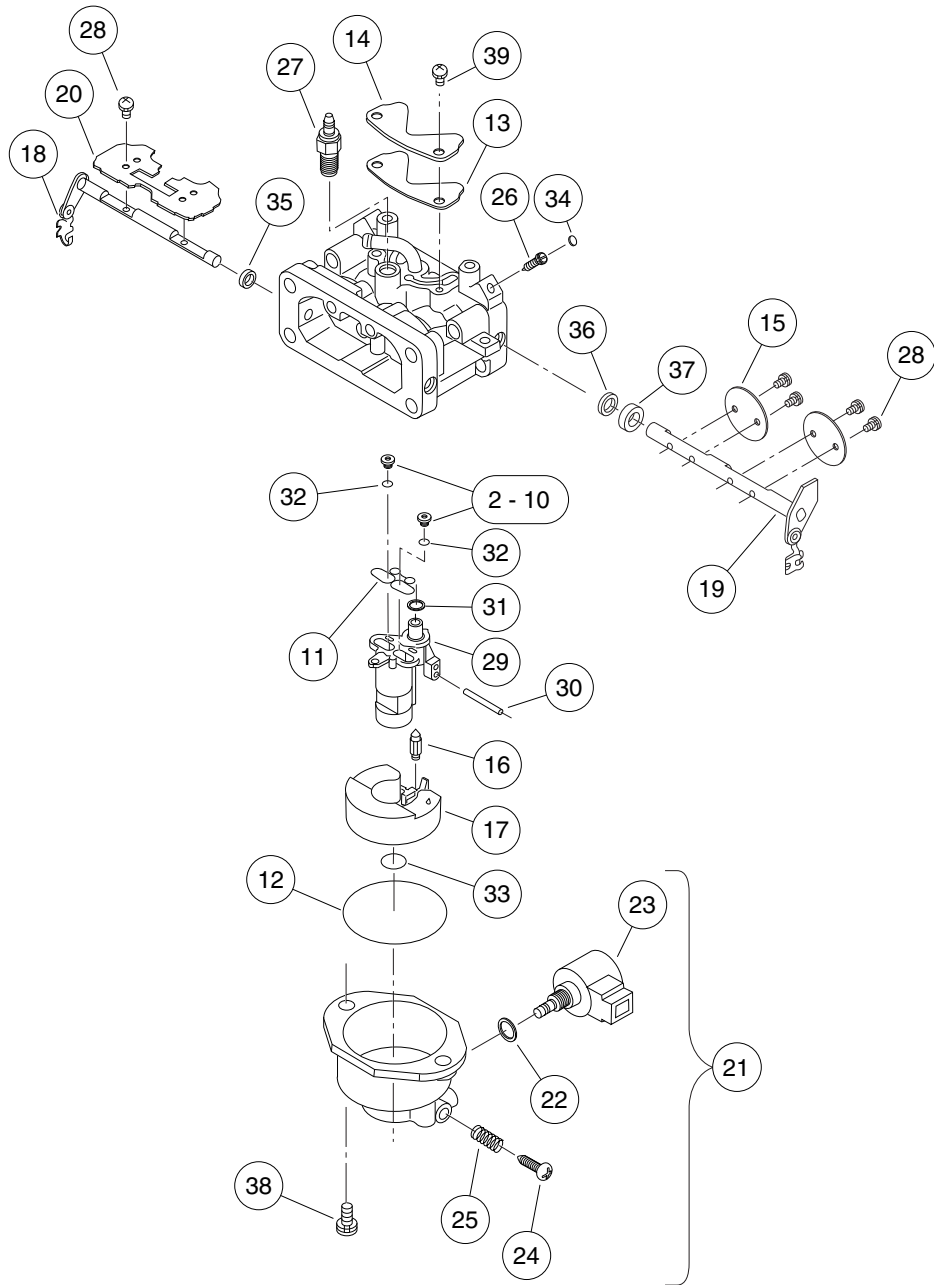
G

D

10

G

D



000673-001

CARBURETOR ASSEMBLY, KAWASAKI GASOLINE VEHICLES

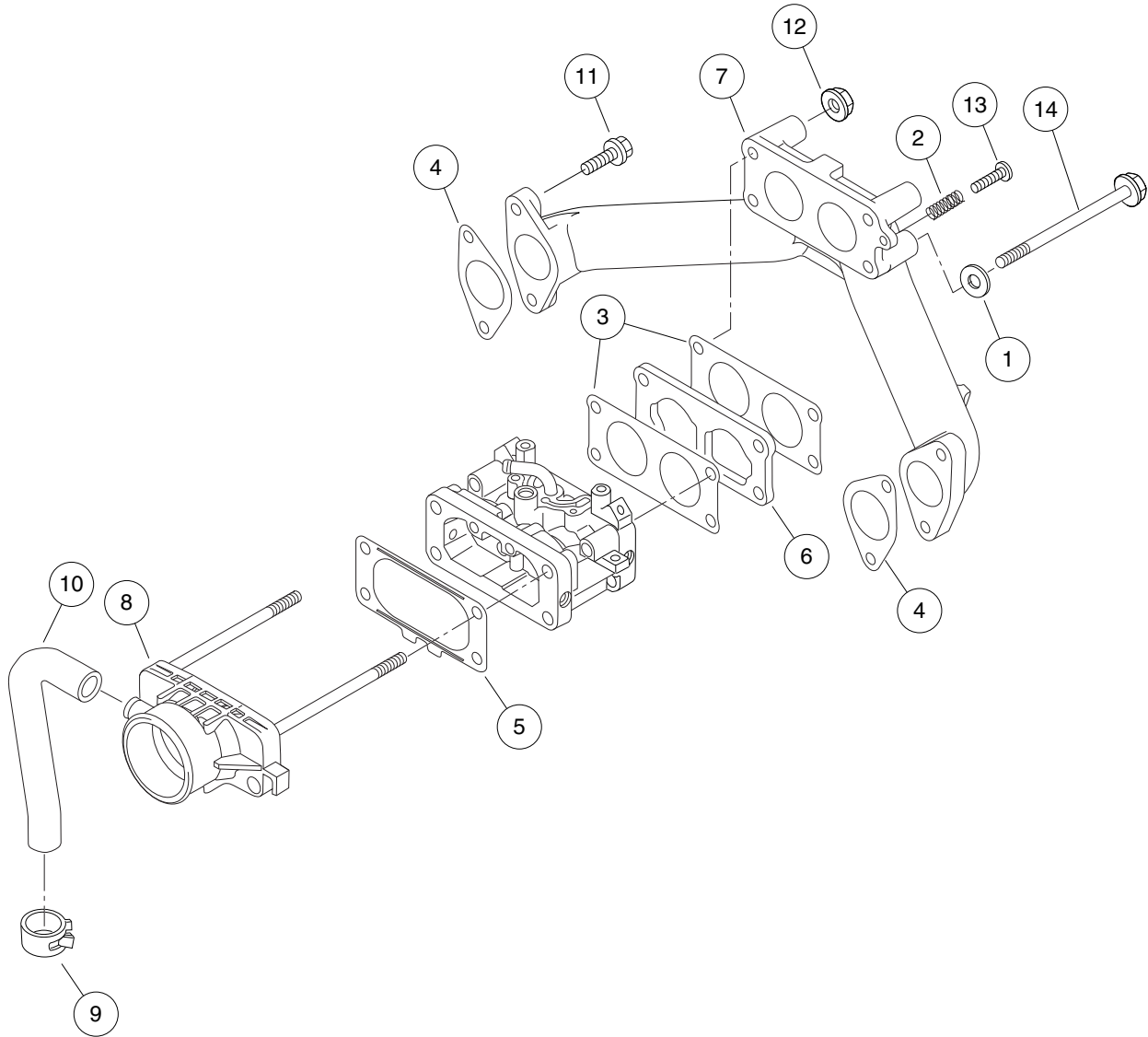
| ITEM | PART NO. | DESCRIPTION | QTY |
|------|------------------|---|-----|
| | | 1 2 3 4 | |
| 1 | <u>103341001</u> | Asm, Carburetor, Fh680d (includes items 2 through 39) | 1 |
| 2 | <u>103307201</u> | Kit, Jet, 6600 Ft +, Fh680d (includes items 3 and 4) | 1 |
| 3 | <u>103306801</u> | Jet, Push In #96, FH680D (6600 ft and higher (2000 m and higher)) | 2 |
| 4 | N/A | Instructions, Kit, Jet, Push In | 1 |
| 5 | <u>103307301</u> | Kit, Jet, 3300-6600 Ft, Fh680d (includes items 6 and 7) | 1 |
| 6 | <u>103306901</u> | Jet, Push In #99, FH680D (3300-6600 ft (1000-2000 m)) | 2 |
| 7 | N/A | Instructions, Kit, Jet, Push In | 1 |
| 8 | <u>103307401</u> | Kit, Jet, 0-3300 Ft, Fh680d (includes items 9 and 10) | 1 |
| 9 | <u>103307001</u> | Jet, Push In #102, FH680D (0-3300 ft (0-1000 m)) | 2 |
| 10 | N/A | Instructions, Kit, Jet, Push In | 1 |
| 11 | <u>103340601</u> | Gasket, Fh680d | 1 |
| 12 | <u>103340701</u> | Gasket, Carburetor, Dia. 52 | 1 |
| 13 | <u>103340801</u> | Gasket, Cover, Fh680d | 1 |
| 14 | <u>103340901</u> | Cover, Slow Passage, Fh680d | 1 |
| 15 | <u>103341101</u> | Valve, Throttle, Fh680d | 2 |
| 16 | <u>103341201</u> | Valve, Float, Fh680d | 1 |
| 17 | <u>103341301</u> | Float, Carburetor, Fh680d | 1 |
| 18 | <u>103341401</u> | Shaft, Carburetor, Fh680d | 1 |
| 19 | <u>103341501</u> | Shaft, Carburetor, Throttle | 1 |
| 20 | <u>103341601</u> | Valve, Carburetor, Fh680d | 1 |
| 21 | <u>103341701</u> | Asm, Chamber, Float, Fh680d (includes items 22 through 25) | 1 |
| 22 | <u>103340501</u> | Gasket, Carburetor, Fh680d | 1 |
| 23 | <u>103341901</u> | Solenoid, Carburetor, Fh680d | 1 |
| 24 | <u>103342201</u> | Screw, Drain, Carburetor | 1 |
| 25 | <u>103343601</u> | Spring, Carburetor, Fh680d | 1 |
| 26 | <u>103341801</u> | Needle, Jet, Fh680d | 2 |
| 27 | <u>103342001</u> | Heater, Carburetor, Fh680d | 1 |
| 28 | <u>103342101</u> | Screw, Carburetor, M3 X 6 | 6 |
| 29 | <u>103342301</u> | Spacer, Carburetor, Fh680d | 1 |
| 30 | N/A | Pin, Carburetor, Fh680d | 1 |
| 31 | <u>103342501</u> | O-ring, Carburetor, Dia. 6.5 | 1 |
| 32 | <u>103342601</u> | O-ring, Carburetor, Fh680d | 2 |
| 33 | <u>103342701</u> | O-ring, Carburetor, Dia. 9 | 1 |
| 34 | <u>103343301</u> | Plug, Expansion, Carburetor | 2 |
| 35 | <u>103343401</u> | Seal, Carburetor, Dia. 5.9 | 1 |
| 36 | <u>103343501</u> | Seal, Carburetor, Fh680d | 1 |
| 37 | <u>103343701</u> | Collar, Carburetor, Fh680d | 1 |
| 38 | <u>103343801</u> | Screw, Carburetor, M5 | 2 |
| 39 | <u>103343901</u> | Screw, Carburetor, M4 | 2 |

10
G
D

10

G

D



000673-002

CARBURETOR INSTALLATION – KAWASAKI GASOLINE VEHICLES

| ITEM | PART NO. | DESCRIPTION | QTY |
|------|------------------|-------------------------------------|-----|
| | | 1 2 3 4 | |
| 1 | <u>1016513</u> | Washer, M6 Flat | 2 |
| 2 | <u>103002801</u> | Spring, Fh | 1 |
| 3 | <u>103003801</u> | Gasket, Carburetor, Fh | 2 |
| 4 | <u>103003901</u> | Gasket, Manifold, Fh | 2 |
| 5 | <u>103004201</u> | Gasket, Air Filter, Fh | 1 |
| 6 | <u>103005001</u> | Insulator, Manifold, Fh | 1 |
| 7 | <u>103005601</u> | Manifold, Intake, Fh | 1 |
| 8 | <u>103297101</u> | Pipe, Intake Adapter, Fh | 1 |
| 9 | <u>103297201</u> | Clamp, Crankcase Vent, Fh | 1 |
| 10 | <u>103297301</u> | Tube, Crankcase Vent, Fh | 1 |
| 11 | <u>103298501</u> | Bolt, Flanged, M6 X 20, Kaw | 4 |
| 12 | <u>103320201</u> | Nut, Carburetor, M6 | 2 |
| 13 | <u>103320301</u> | Screw, Carburetor, M4 X 20 | 1 |
| 14 | <u>103320401</u> | Bolt, Flg, Carburetor, M6x105 | 2 |

10

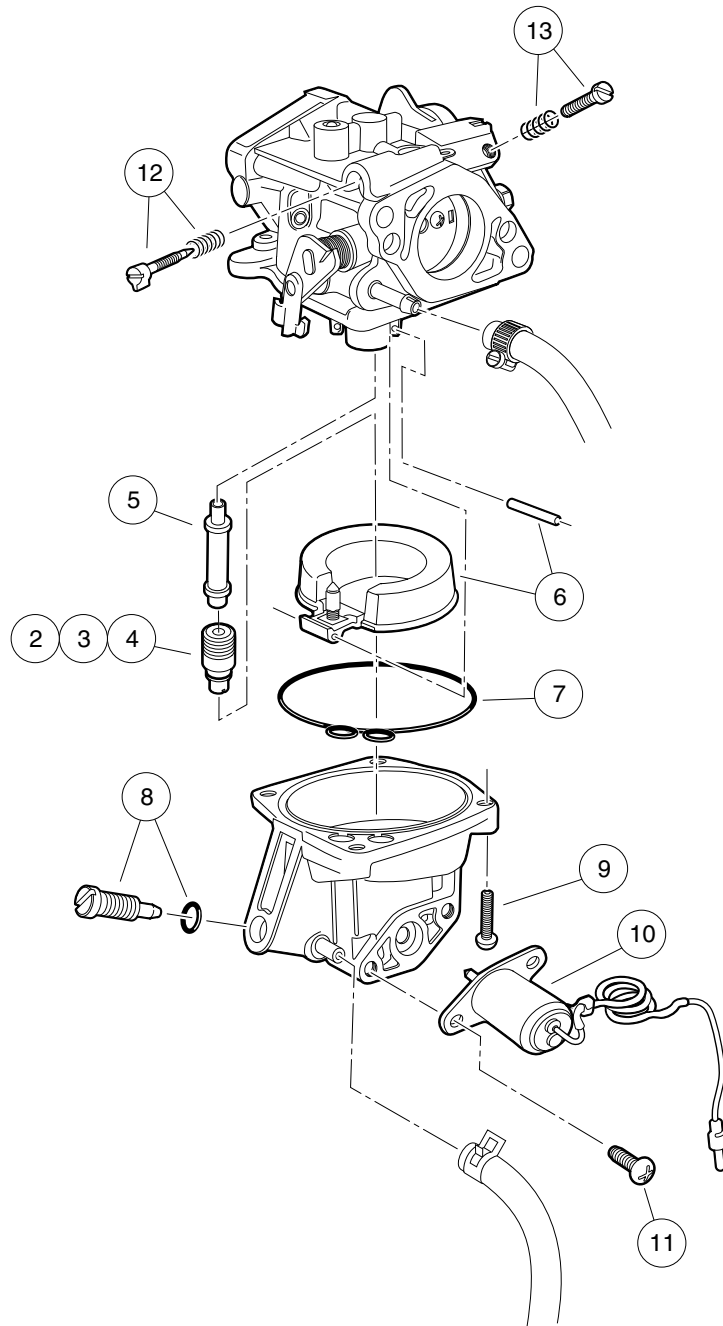
G

D

10

G

D



000020-001

CARBURETOR ASSEMBLY, HONDA GASOLINE VEHICLES

| ITEM | PART NO. | DESCRIPTION | QTY |
|------|------------------|--|-----|
| | | 1 2 3 4 | |
| 1 | <u>103201601</u> | Carburetor, Seal Shaft (includes items 2 through 13) | 1 |
| 2 | <u>102623802</u> | Jet, GX620, #102 (8000 ft. and higher (2438 m and higher)) | 1 |
| 3 | <u>102623805</u> | Jet, GX620, #105 (5000-8000 ft. (1524-2438 m)) | 1 |
| 4 | <u>102623808</u> | Jet, GX620, #108 (0-5000 ft. (0-1524 m)) | 1 |
| 5 | <u>102655401</u> | Nozzle, Main | 1 |
| 6 | <u>102655501</u> | Float Set | 1 |
| 7 | <u>102655601</u> | Gasket Set | 1 |
| 8 | <u>102655701</u> | Screw Set, Drain | 1 |
| 9 | <u>102655801</u> | Screw-Washer, M4 X 14 | 4 |
| 10 | <u>102655901</u> | Valve Assy., Solenoid | 1 |
| 11 | <u>102656001</u> | Screw-Washer, M5 X 12 | 2 |
| 12 | <u>102724101</u> | Screw Set, Left | 1 |
| 13 | <u>102724201</u> | Screw Set, Right | 1 |

10

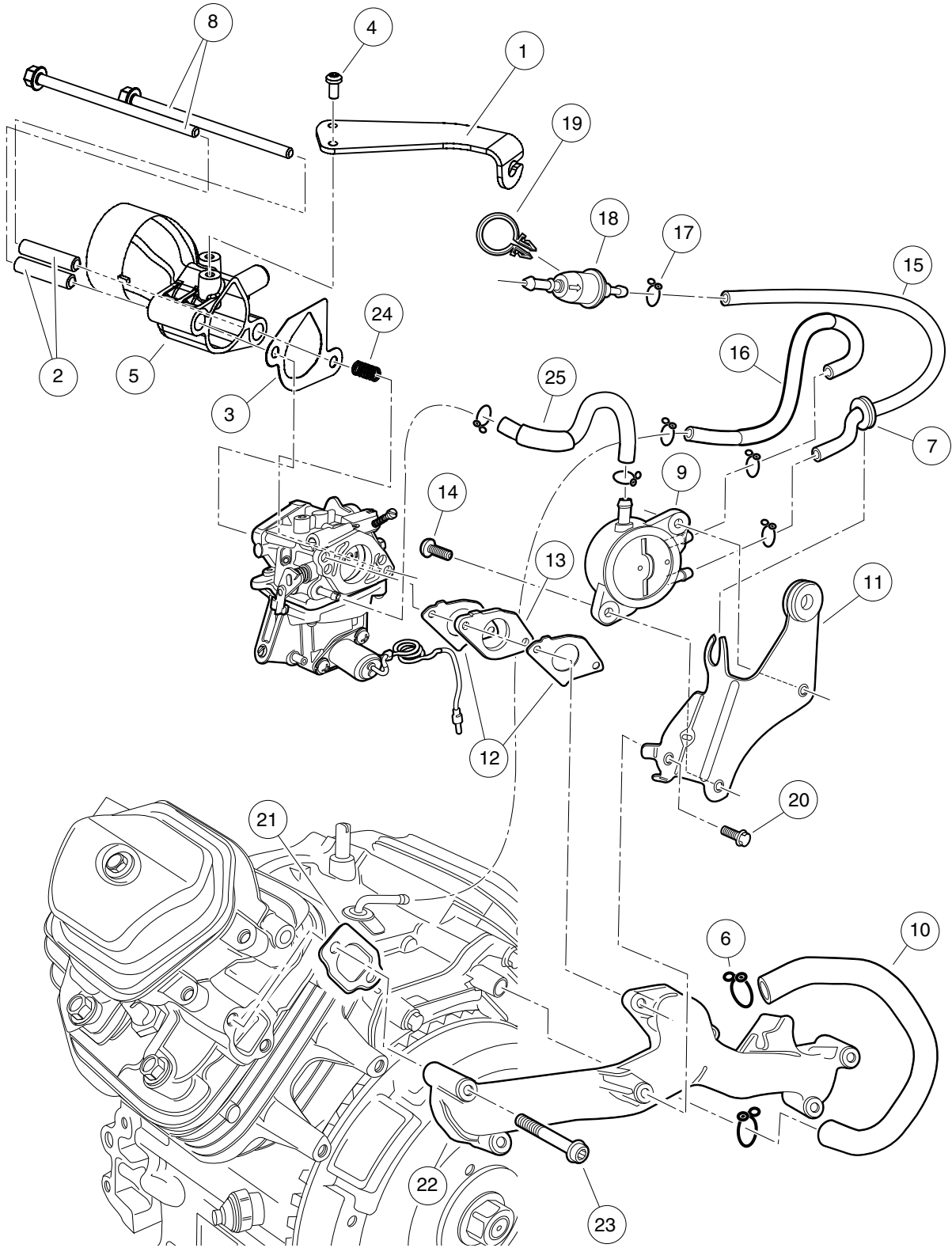
G

D

10

G

D



000021-001

CARBURETOR INSTALLATION – HONDA GASOLINE VEHICLES

| ITEM | PART NO. | DESCRIPTION | QTY |
|------|------------------|---------------------------------------|-----|
| | | 1 2 3 4 | |
| 1 | <u>102385801</u> | Bracket, Choke Cable | 1 |
| 2 | <u>102462601</u> | Insert, Adapter, Carburetor | 2 |
| 3 | <u>102493001</u> | Gasket, Adapter, Carburetor | 1 |
| 4 | <u>102617301</u> | Screw Tapping, M5 X 0.8x10 | 2 |
| 5 | <u>102620801</u> | Adapter, Intake Honda GX620 | 1 |
| 6 | <u>102656101</u> | Clip, Breather Tube | 1 |
| 7 | <u>102656201</u> | Grommet, Reserve Tank | 1 |
| 8 | <u>102656301</u> | Bolt, Flange Head, M6 X 1 X 120 | 2 |
| 9 | <u>102656402</u> | Pump Assy., Fuel, Sup | 1 |
| 10 | <u>102656501</u> | Tube, Breather | 1 |
| 11 | <u>102656601</u> | Stay, Fuel Pump | 1 |
| 12 | <u>102656701</u> | Gasket, Carburetor | 2 |
| 13 | <u>102656801</u> | Insulator, Carburetor | 1 |
| 14 | <u>102656901</u> | Srew-Washer, M6 X 16 | 2 |
| 15 | <u>102657001</u> | Tube B, Fuel | 1 |
| 16 | <u>102657101</u> | Tube, Diaphragm | 1 |
| 17 | <u>102657201</u> | Clip, Tube, B10 | 3 |
| 18 | <u>102657301</u> | Filter, Fuel | 1 |
| 19 | <u>102657401</u> | Clip, Wire Harness | 1 |
| 20 | <u>102657501</u> | Bolt, Flange Head, M6 X 11 X 4 | 2 |
| 21 | <u>102657601</u> | Gasket, Intake Manifold | 2 |
| 22 | <u>102657701</u> | Manifold, Inlet | 1 |
| 23 | <u>102657801</u> | Bolt, Socket, M8 X 1.25 X 45 | 4 |
| 24 | <u>102710501</u> | Spring, Continuity, Solenoid | 1 |
| 25 | <u>102725401</u> | Tube A, Fuel | 1 |

10

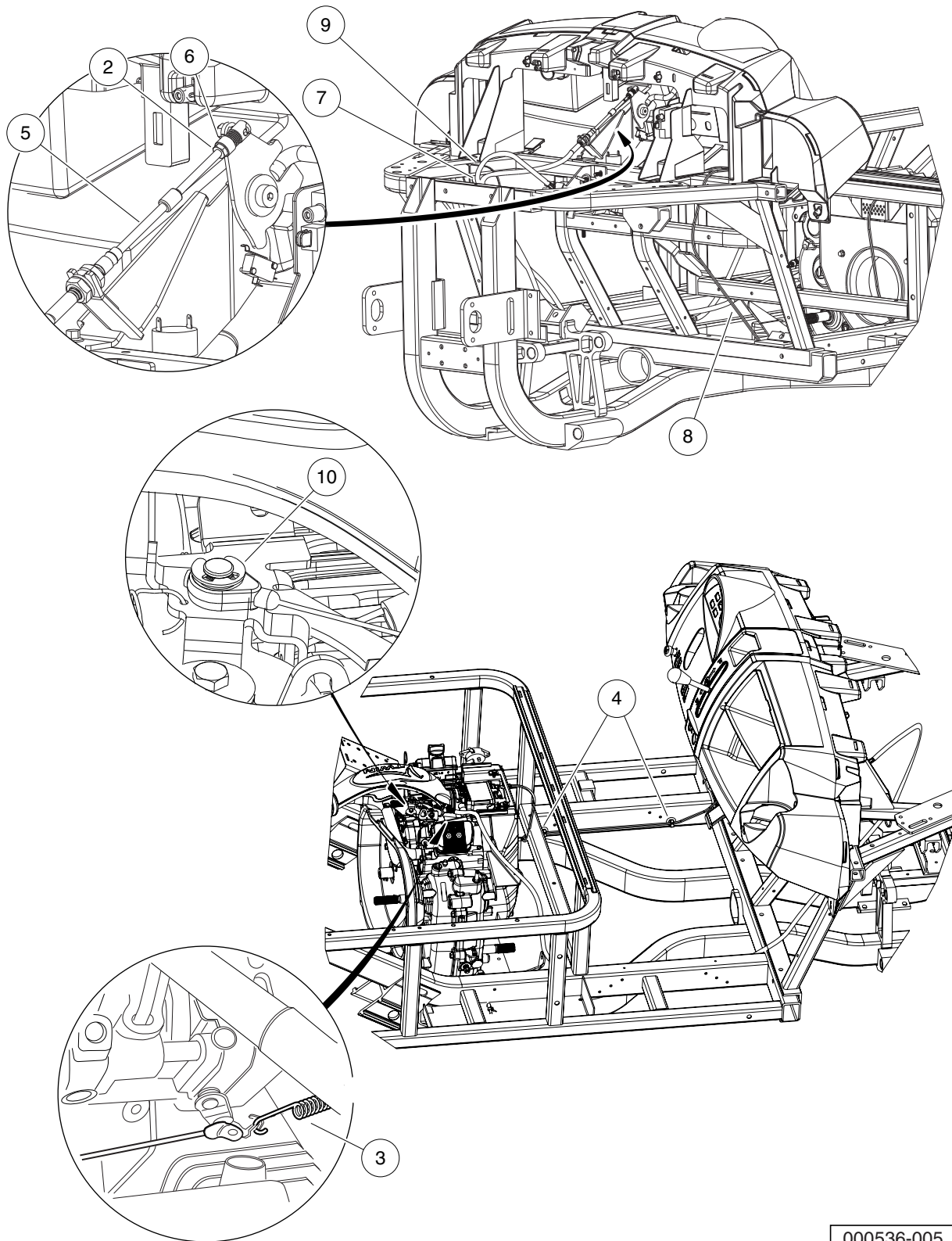
G

D

10

G

D



000536-005

CABLES – KAWASAKI GASOLINE VEHICLES

| ITEM | PART NO. | DESCRIPTION | QTY |
|------|------------------|---|-----|
| | | 1 2 3 4 | |
| 1 | N/A | Instl, Cable, Awd, Fh680d (includes items 2 through 10) | 1 |
| 2 | <u>1011084</u> | Nut, 1/4-28 Hex Jam | 2 |
| 3 | <u>102457001</u> | Spring | 1 |
| 4 | <u>102475701</u> | Clip, Brake Line | 4 |
| 5 | <u>102495801</u> | Cable, Transmission Shift | 1 |
| 6 | <u>102615801</u> | Joint, Ball, .346 Dia | 2 |
| 7 | <u>103277301</u> | Cable, Accel, AWD, Gas, FH680D | 1 |
| 8 | <u>103277401</u> | Cable, Choke, AWD, FH680D | 1 |
| 9 | <u>8990</u> | Tie Wrap, 8" Nylon | 1 |
| 10 | <u>96950126</u> | Ring, Retaining | 1 |

10

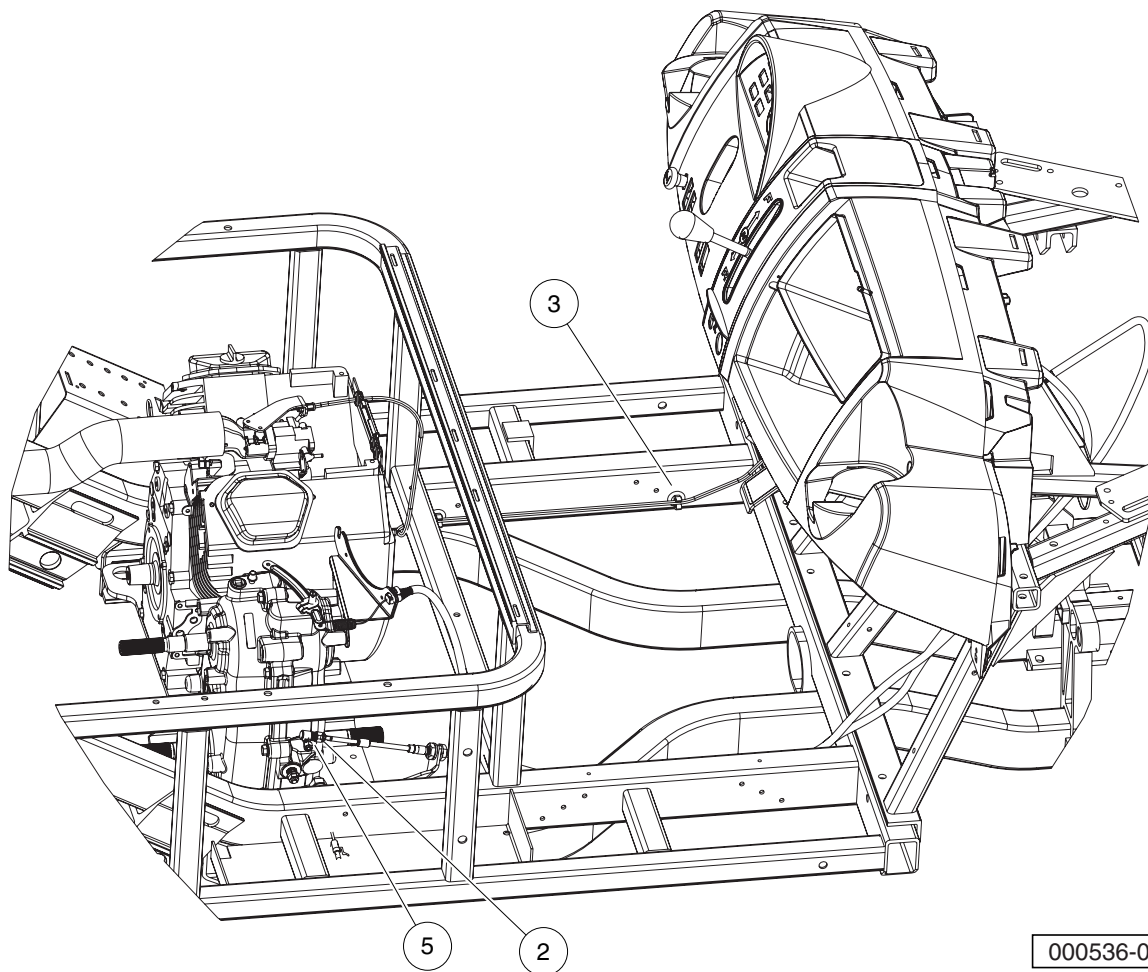
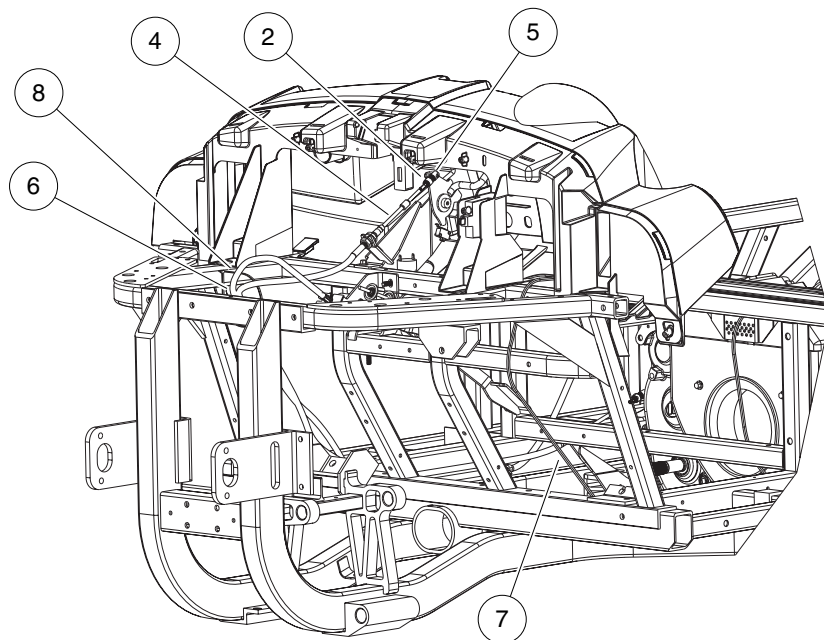
G

D

10

G

D



000536-001

CABLES – HONDA GASOLINE VEHICLE

| ITEM | PART NO. | DESCRIPTION | QTY |
|------|------------------|---|-----|
| | | 1 2 3 4 | |
| 1 | N/A | Instl, Cables, Gas (includes items 2 through 8) | 1 |
| 2 | <u>1011084</u> | Nut, 1/4-28 Hex Jam | 2 |
| 3 | <u>102475701</u> | Clip, Brake Line | 5 |
| 4 | <u>102495801</u> | Cable, Transmission Shift | 1 |
| 5 | <u>102615801</u> | Joint, Ball, .346 Dia | 2 |
| 6 | <u>102952801</u> | Cable, Accelerator, AWD, Gas | 1 |
| 7 | <u>103204001</u> | Cable, Choke, AWD | 1 |
| 8 | <u>8990</u> | Tie Wrap, 8" Nylon | 1 |

10

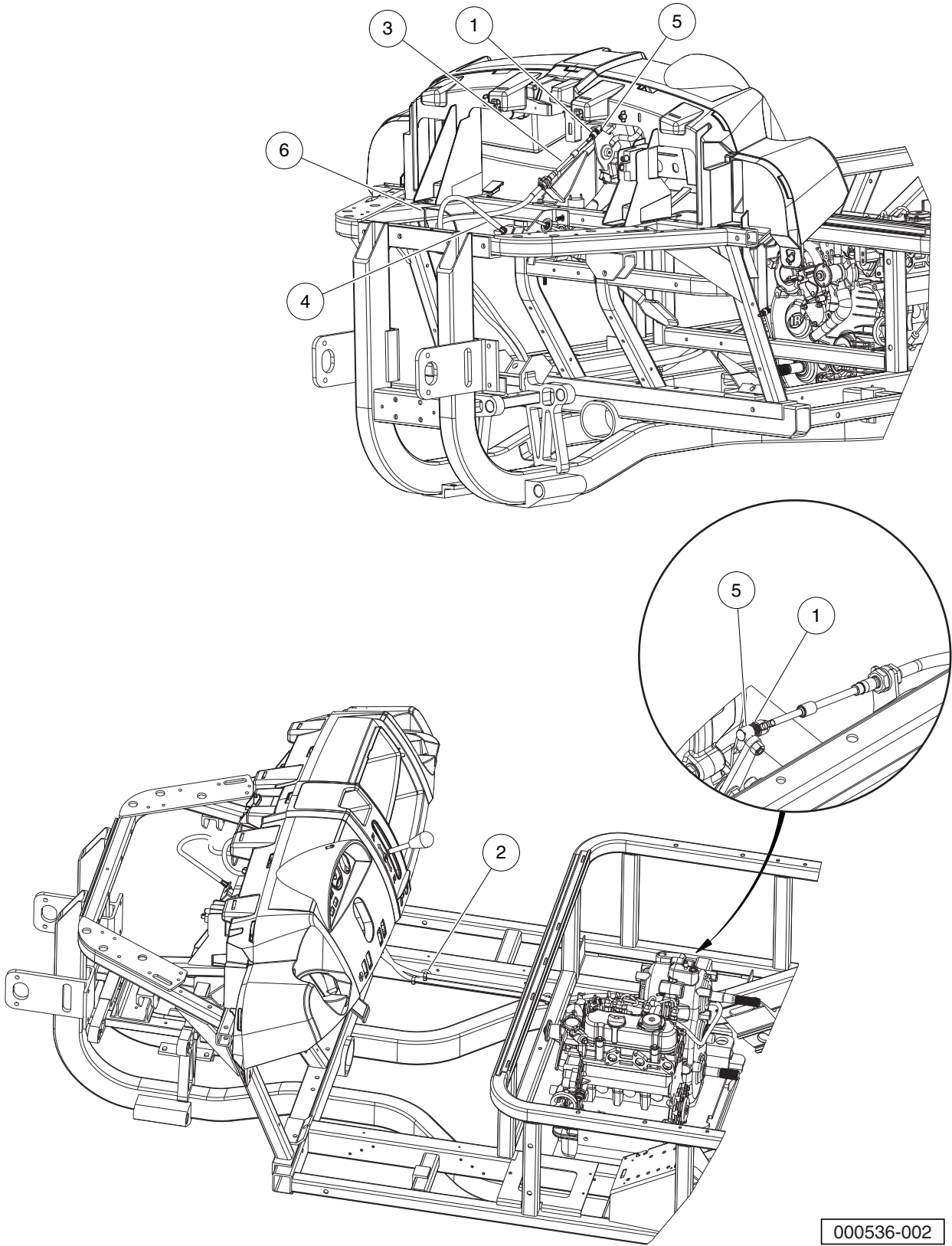
G

D

10

G

D



000536-002

CABLES – DIESEL VEHICLE

| ITEM | PART NO. | DESCRIPTION | QTY |
|------|------------------|----------------------------------|-----|
| | | 1 2 3 4 | |
| 1 | <u>1011084</u> | Nut, 1/4-28 Hex Jam | 2 |
| 2 | <u>102475701</u> | Clip, Brake Line | 3 |
| 3 | <u>102495801</u> | Cable, Transmission Shift | 1 |
| 4 | <u>102498801</u> | Cable, Accelerator, Diesel | 1 |
| 5 | <u>102615801</u> | Joint, Ball, .346 Dia | 2 |
| 6 | <u>8990</u> | Tie Wrap, 8" Nylon | 1 |

10

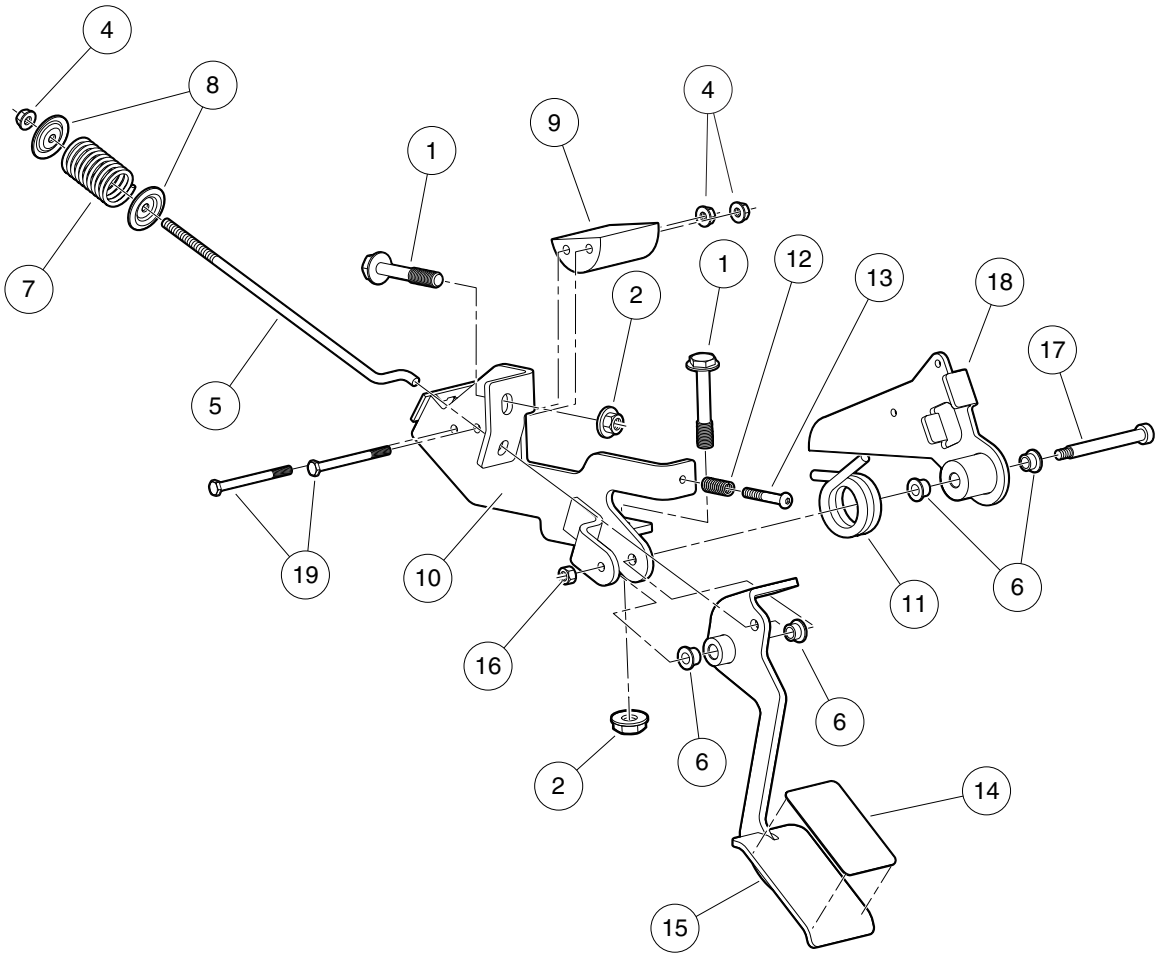
G

D

10

G

D



000026-002

ACCELERATOR PEDAL ASSEMBLY – STYLE A

| ITEM | PART NO. | DESCRIPTION | QTY |
|------|------------------|--|-----|
| | | 1 2 3 4 | |
| 1 | <u>102618301</u> | Bolt Flanged Head, M8 X 1.25 X 65 | 2 |
| 2 | <u>102618601</u> | Lock Nut, Flg M8 X 1.25 Nylon | 2 |
| 3 | <u>103278101</u> | Asm, Accelerator Pedal (includes items 4 through 19) | 1 |
| 4 | <u>102296401</u> | Nut-m6x1.0 Flng All Mtl Lock | 3 |
| 5 | N/A | Pullrod, Spring, Compression | 1 |
| 6 | <u>102442901</u> | Bushing, Greaseless | 4 |
| 7 | <u>102445201</u> | Spring, Comp, Pedal, Pullrod | 1 |
| 8 | N/A | Washer, Retaining Spring, 7mm | 2 |
| 9 | N/A | Guide, Cable, Accelerator | 1 |
| 10 | N/A | Weldment, Bracket, Pedal | 1 |
| 11 | N/A | Spring, Torsion | 1 |
| 12 | <u>102476301</u> | Spring, Stop, Pedal | 1 |
| 13 | <u>102476401</u> | Bolt, Stop, Pedal | 1 |
| 14 | <u>102479301</u> | Pad, Grip Tape, Accelerator | 1 |
| 15 | N/A | Weldment, Pedal, Accel | 1 |
| 16 | <u>102618101</u> | Nut M6x1 Mech Def Center | 1 |
| 17 | <u>103273101</u> | Bolt, Shoulder, M8 X 70, Hc | 1 |
| 18 | <u>103283201</u> | Weldment, Lever, Lost Motion | 1 |
| 19 | <u>96706825</u> | Bolt, M6 X 1 X 70 | 2 |

10

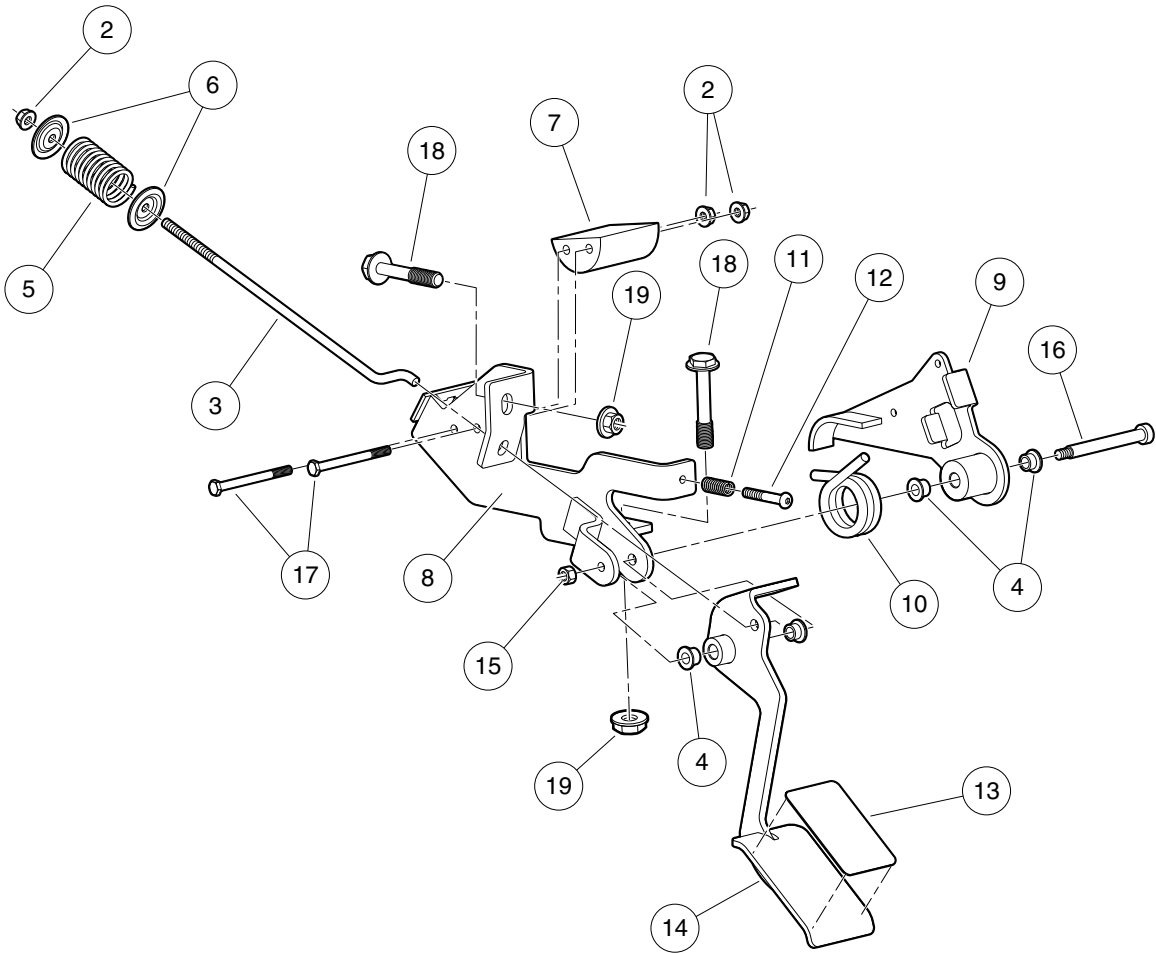
G

D

10

G

D



000026-001

ACCELERATOR PEDAL ASSEMBLY – STYLE B

| ITEM | PART NO. | DESCRIPTION | QTY |
|------|------------------|---|-----|
| | | 1 2 3 4 | |
| 1 | <u>102489901</u> | Asm, Pedal, Accelerator (includes items 2 through 17) | 1 |
| 2 | <u>102296401</u> | Nut-m6x1.0 Flng All Mtl Lock | 3 |
| 3 | N/A | Pullrod, Spring, Compression | 1 |
| 4 | <u>102442901</u> | Bushing, Greaseless | 4 |
| 5 | <u>102445201</u> | Spring, Comp, Pedal, Pullrod | 1 |
| 6 | N/A | Washer, Retaining Spring, 7mm | 2 |
| 7 | N/A | Guide, Cable, Accelerator | 1 |
| 8 | N/A | Weldment, Bracket, Pedal | 1 |
| 9 | <u>102469401</u> | Weldment, Lever, Motion, Lost | 1 |
| 10 | N/A | Spring, Torsion | 1 |
| 11 | <u>102476301</u> | Spring, Stop, Pedal | 1 |
| 12 | <u>102476401</u> | Bolt, Stop, Pedal | 1 |
| 13 | <u>102479301</u> | Pad, Grip Tape, Accelerator | 1 |
| 14 | N/A | Weldment, Pedal, Accel | 1 |
| 15 | <u>102618101</u> | Nut M6x1 Mech Def Center | 1 |
| 16 | <u>103273101</u> | Bolt, Shoulder, M8 X 70, Hc | 1 |
| 17 | <u>96706825</u> | Bolt, M6 X 1 X 70 | 2 |
| 18 | <u>102618301</u> | Bolt Flanged Head, M8 X 1.25 X 65 | 2 |
| 19 | <u>102618601</u> | Lock Nut, Flg M8 X 1.25 Nylon | 2 |

10

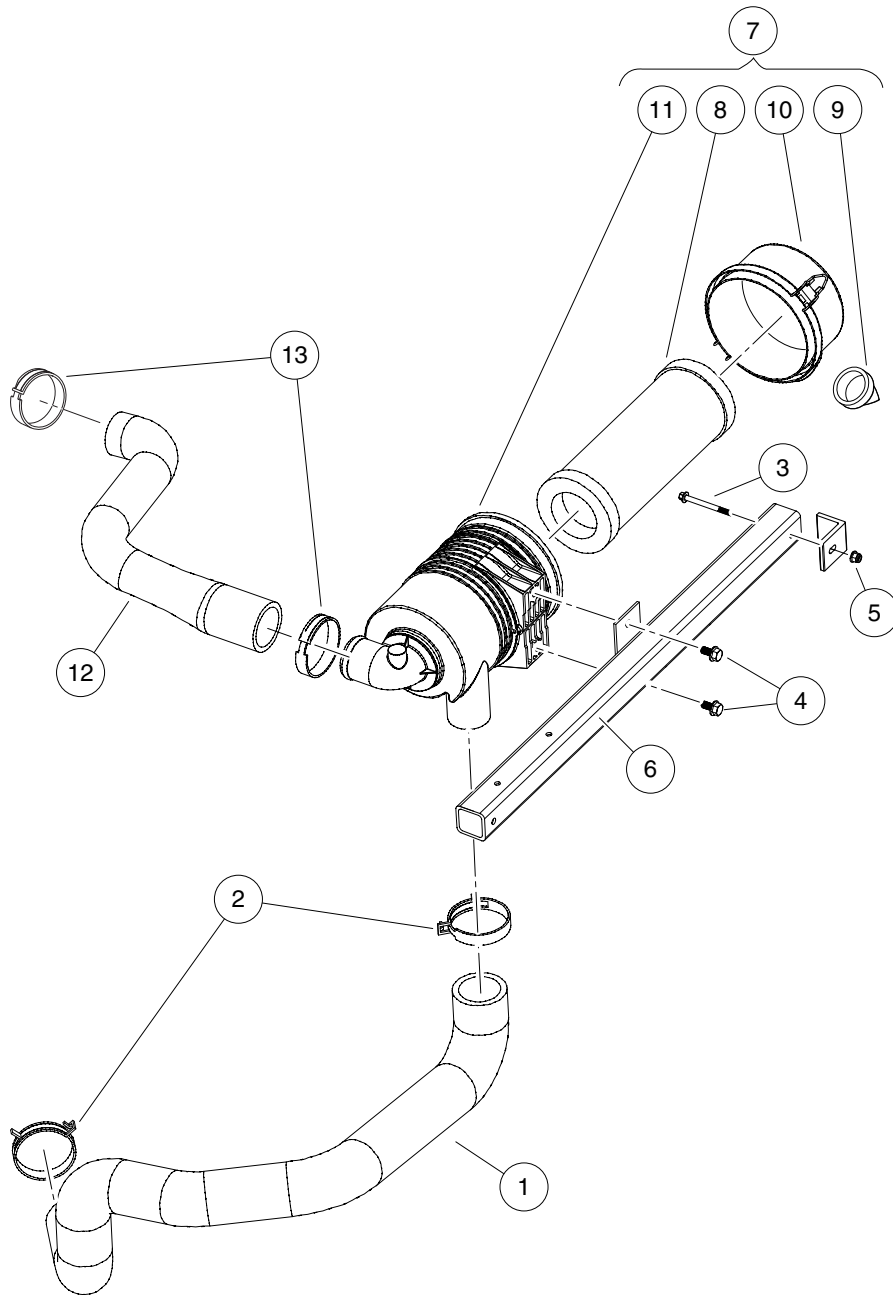
G

D

10

G

D



000090-005

INTAKE DUCT AND AIR BOX ASSEMBLY – KAWASAKI GASOLINE VEHICLES

| ITEM | PART NO. | DESCRIPTION | QTY |
|------|------------------|---|-----|
| | | 1 2 3 4 | |
| 1 | <u>102395601</u> | Hose, Intake, Primary | 1 |
| 2 | <u>102411210</u> | Clamp, Hose, Ctb 64mm | 2 |
| 3 | <u>102541465</u> | Bolt, M 6 X 1.0 X 65 Hex, Flange, Head, Black | 2 |
| 4 | <u>102621201</u> | Bolt Flanged Head, M8 X1.25x 16 with Loctite | 2 |
| 5 | <u>102621501</u> | Nut Flg, M6 X 1.0 Nylon | 2 |
| 6 | N/A | Weldment, Support, Air Cleaner | 1 |
| 7 | <u>102810701</u> | Filter, Air, Canister, W/labe (includes items 8 through 11) | 1 |
| 8 | <u>102498601</u> | Element, Filter, Air, 5 In | 1 |
| 9 | <u>102725501</u> | Valve, Evacuator, Filter Air | 1 |
| 10 | <u>102725601</u> | Cap, Latch Lock, Filter, Air | 1 |
| 11 | N/A | Body, Canister, Filter, Air | 1 |
| 12 | <u>103438201</u> | Intake Awd Hose Gas | 1 |
| 13 | <u>103441401</u> | Clamp, Worm Screw, Hose, 2" | 2 |

10

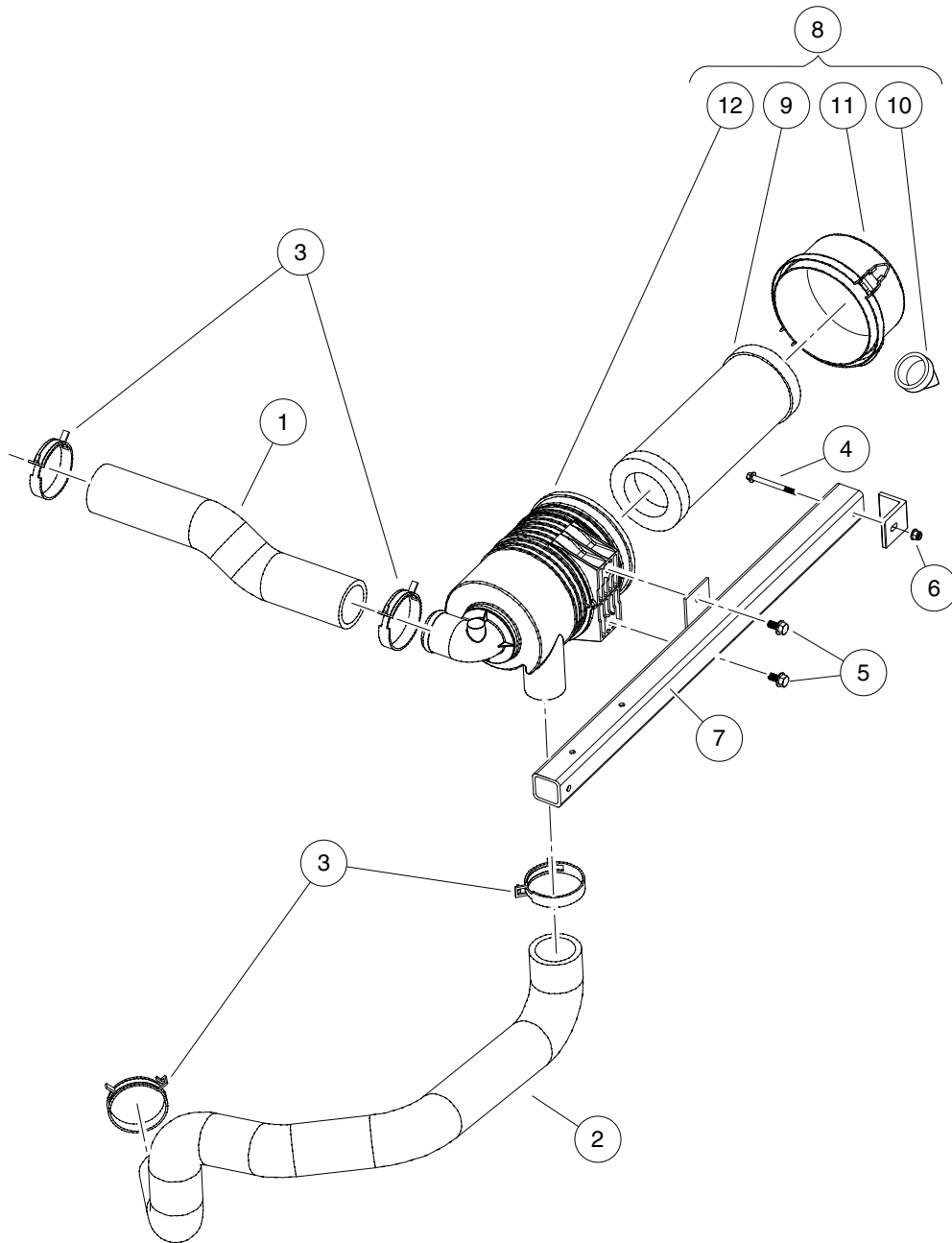
G

D

10

G

D



000090-001

INTAKE DUCT AND AIR BOX ASSEMBLY – HONDA GASOLINE VEHICLES

| ITEM | PART NO. | DESCRIPTION | QTY |
|------|------------------|---|-----|
| | | 1 2 3 4 | |
| 1 | <u>102378901</u> | Hose, Intake, GX620 | 1 |
| 2 | <u>102395601</u> | Hose, Intake, Primary | 1 |
| 3 | <u>102411210</u> | Clamp, Hose, Ctb 64mm | 4 |
| 4 | <u>102541465</u> | Bolt, M 6 X 1.0 X 65 Hex, Flange, Head, Black | 2 |
| 5 | <u>102621201</u> | Bolt Flanged Head, M8 X1.25x 16 with Loctite | 2 |
| 6 | <u>102621501</u> | Nut Flg, M6 X 1.0 Nylon | 2 |
| 7 | N/A | Weldment, Support, Air Cleaner | 1 |
| 8 | <u>102810701</u> | Filter, Air, Canister, W/labe (includes items 9 through 12) | 1 |
| 9 | <u>102498601</u> | Element, Filter, Air, 5 In | 1 |
| 10 | <u>102725501</u> | Valve, Evacuator, Filter Air | 1 |
| 11 | <u>102725601</u> | Cap, Latch Lock, Filter, Air | 1 |
| 12 | N/A | Body, Canister, Filter, Air | 1 |

10

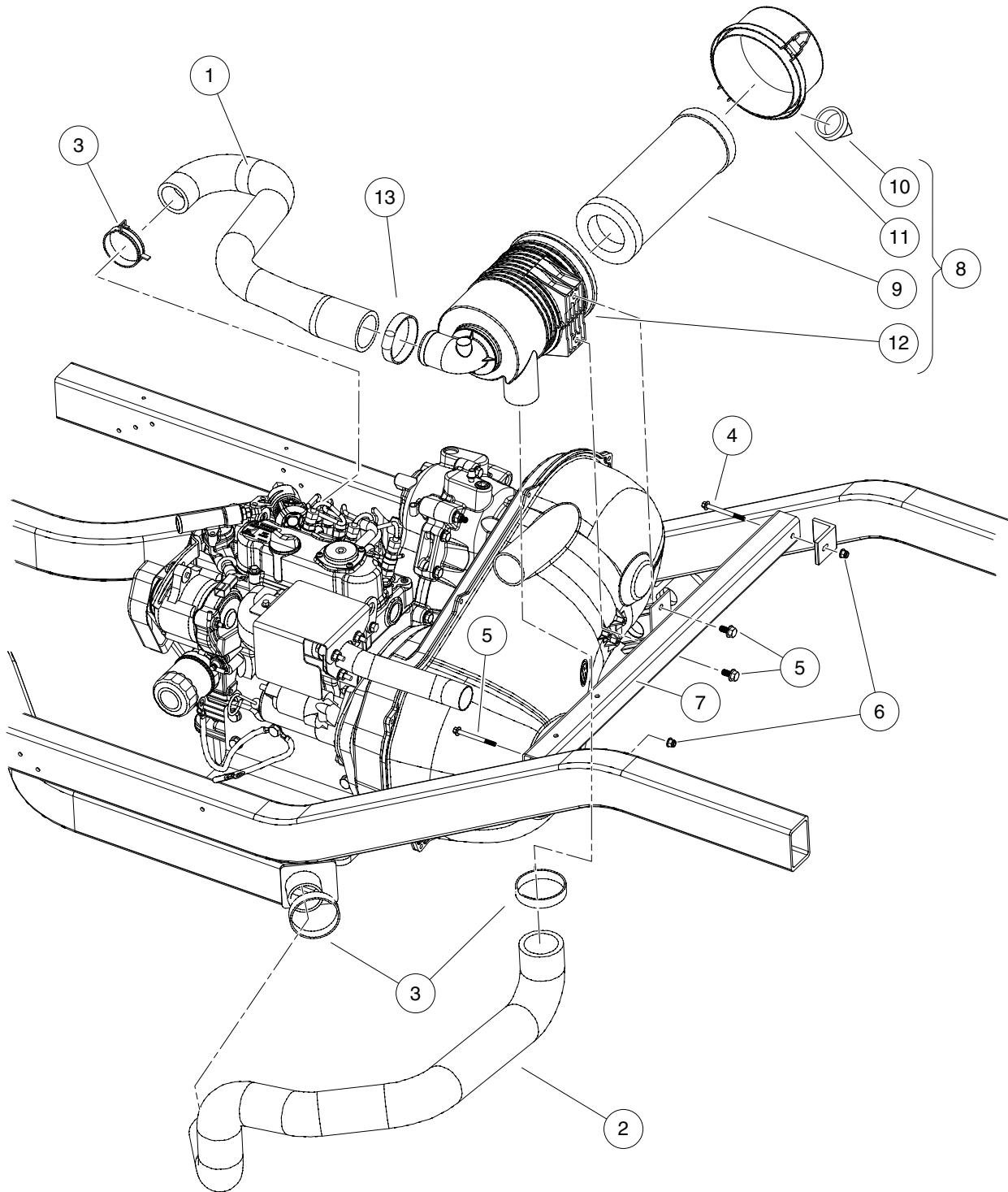
G

D

10

G

D



000090-002

INTAKE DUCT AND AIR BOX ASSEMBLY – DIESEL VEHICLES

| ITEM | PART NO. | DESCRIPTION | QTY |
|------|------------------|---|-----|
| | | 1 2 3 4 | |
| 1 | <u>102379001</u> | Hose, Intake, D722 | 1 |
| 2 | <u>102395601</u> | Hose, Intake, Primary | 1 |
| 3 | <u>102411209</u> | Clamp, Hose, Ctb 55mm | 3 |
| 4 | <u>102541465</u> | Bolt, M 6 X 1.0 X 65 Hex, Flange, Head, Black | 2 |
| 5 | <u>102621201</u> | Bolt Flanged Head, M8 X1.25x 16 with Loctite | 2 |
| 6 | <u>102621501</u> | Nut Flg, M6 X 1.0 Nylon | 2 |
| 7 | N/A | Weldment, Support, Air Cleaner | 1 |
| 8 | <u>102810701</u> | Filter, Air, Canister, W/labe (includes items 9 through 12) | 1 |
| 9 | <u>102498601</u> | Element, Filter, Air, 5 In | 1 |
| 10 | <u>102725501</u> | Valve, Evacuator, Filter Air | 1 |
| 11 | <u>102725601</u> | Cap, Latch Lock, Filter, Air | 1 |
| 12 | N/A | Body, Canister, Filter, Air | 1 |
| 13 | <u>103441401</u> | Clamp, Worm Screw, Hose, 2" | 1 |

10

G

D

10

G

D

EXHAUST SYSTEM

11

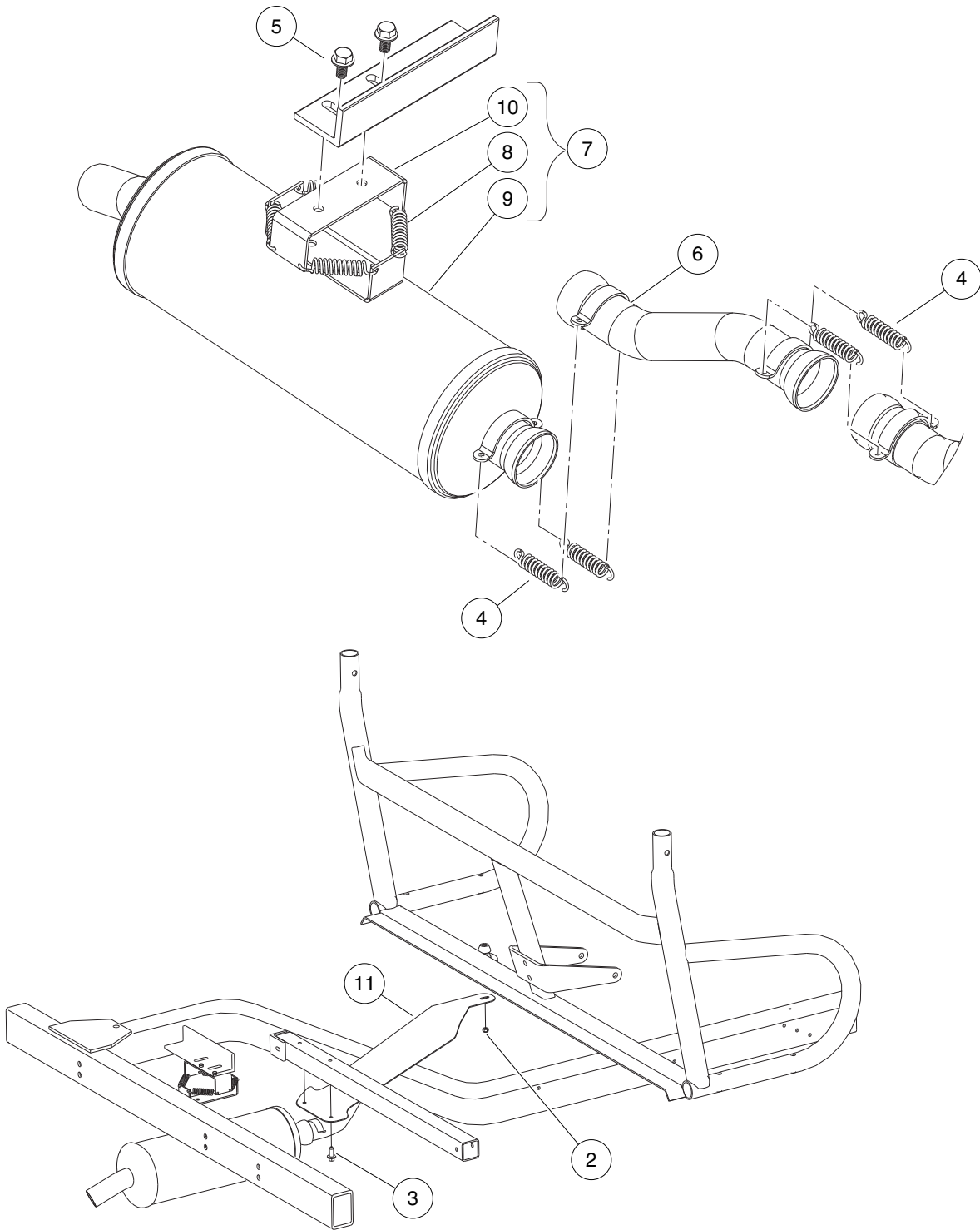
G

D

11

G

D



000538-001

EXHAUST SYSTEM

| ITEM | PART NO. | DESCRIPTION | QTY |
|------|------------------|--|-----|
| | | 1 2 3 4 | |
| 1 | N/A | Instl, Exhaust, AWD (includes items 2 through 11) | 1 |
| 2 | <u>101887601</u> | Locknut, M6-1.00 Nylon Insert | 1 |
| 3 | <u>102298720</u> | M8-1.25x20 Taptite | 2 |
| 4 | <u>102409501</u> | Spring, Exhaust | 4 |
| 5 | <u>102621201</u> | Bolt Flanged Head, M8 X1.25x 16 with Loctite | 2 |
| 6 | <u>102786201</u> | Pipe, Exhaust, Int, Offset | 1 |
| 7 | <u>102812801</u> | Asm, Muffler, AWD Homologation (includes items 8 through 10) | 1 |
| 8 | <u>102409501</u> | Spring, Exhaust | 4 |
| 9 | N/A | Muffler | 1 |
| 10 | N/A | Bracket, Muffler | 1 |
| 11 | <u>102930901</u> | Shield, Exhaust, Clearance | 1 |

11

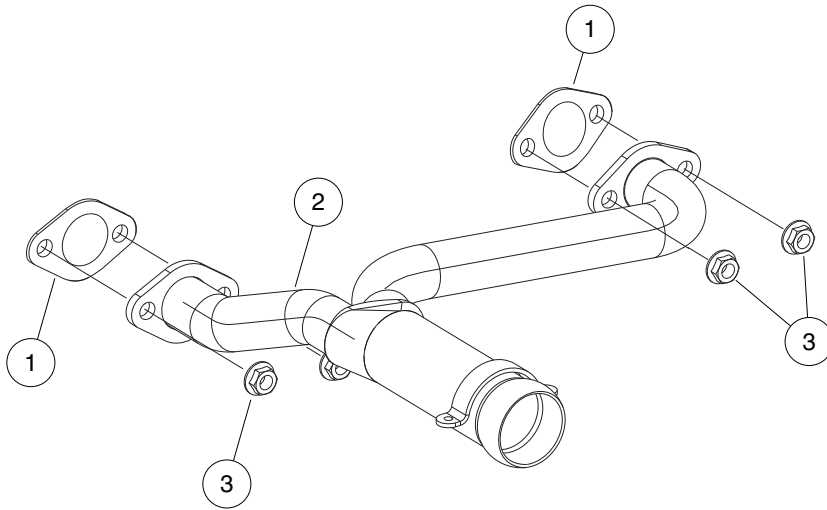
G

D

11

G

D



000538-004

EXHAUST HEADER – KAWASAKI GAS

| ITEM | PART NO. | DESCRIPTION | QTY |
|------|------------------|--------------------------------------|-----|
| | | 1 2 3 4 | |
| 1 | <u>102949301</u> | Gasket, Exhaust Header, Fh680d | 2 |
| 2 | <u>103268101</u> | Header, Exhaust, Gas, Fh680d | 1 |
| 3 | <u>96704416</u> | Nut Flg, M8 X 1.25 Serrated | 4 |

11

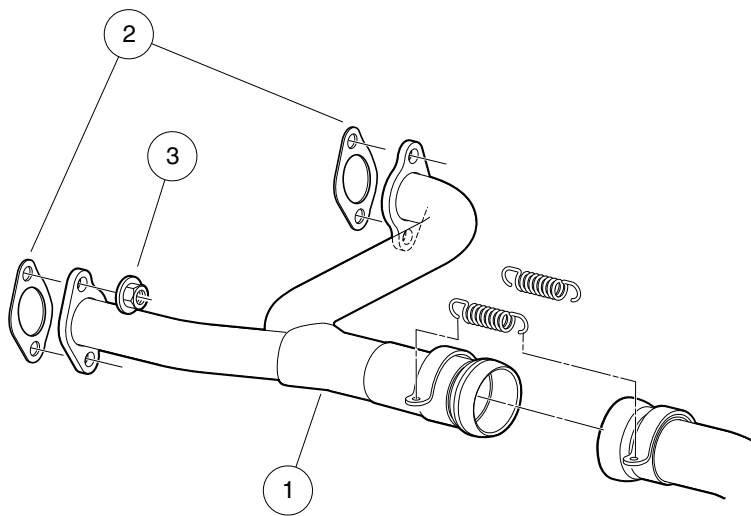
G

D

11

G

D



000538-002

EXHAUST HEADER – HONDA GAS

| ITEM | PART NO. | DESCRIPTION | QTY |
|------|------------------|-----------------------------------|-----|
| | | 1 2 3 4 | |
| 1 | <u>102409601</u> | Header, Exhaust, Gas | 1 |
| 2 | <u>102834901</u> | Gasket, Exhaust, Gx620 | 2 |
| 3 | <u>96704416</u> | Nut Flg, M8 X 1.25 Serrated | 4 |

11

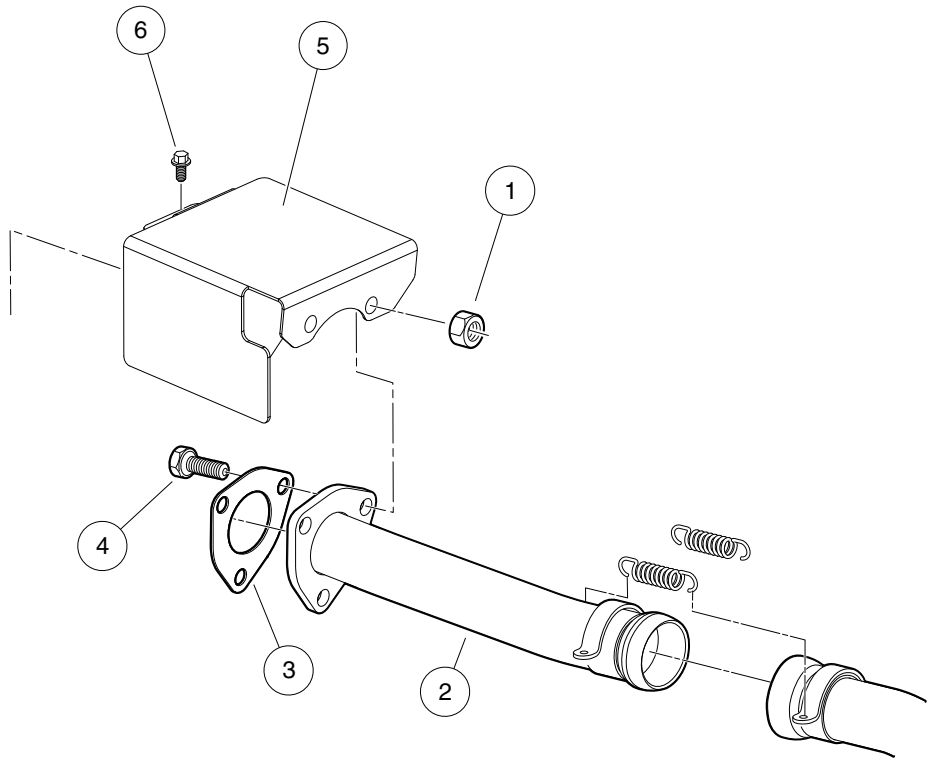
G

D

11

G

D



000538-003

EXHAUST PIPES – DIESEL VEHICLES

| ITEM | PART NO. | DESCRIPTION | QTY |
|------|------------------|---|-----|
| | | 1 2 3 4 | |
| 1 | <u>102298401</u> | Nut,m8,all Metal Lock | 3 |
| 2 | <u>102409301</u> | Pipe, Exhaust Diesel Main | 1 |
| 3 | <u>102422301</u> | Gasket, Exhaust Diesel | 1 |
| 4 | <u>102621301</u> | Bolt, M8 X 1.25 X 40 with Loctite | 3 |
| 5 | <u>102628101</u> | Shield, Diesel Exhaust | 1 |
| 6 | <u>102731601</u> | Bolt, D722, Exhst Manfld Cover | 1 |

11

G

D

11

G

D

CLUTCHES

12

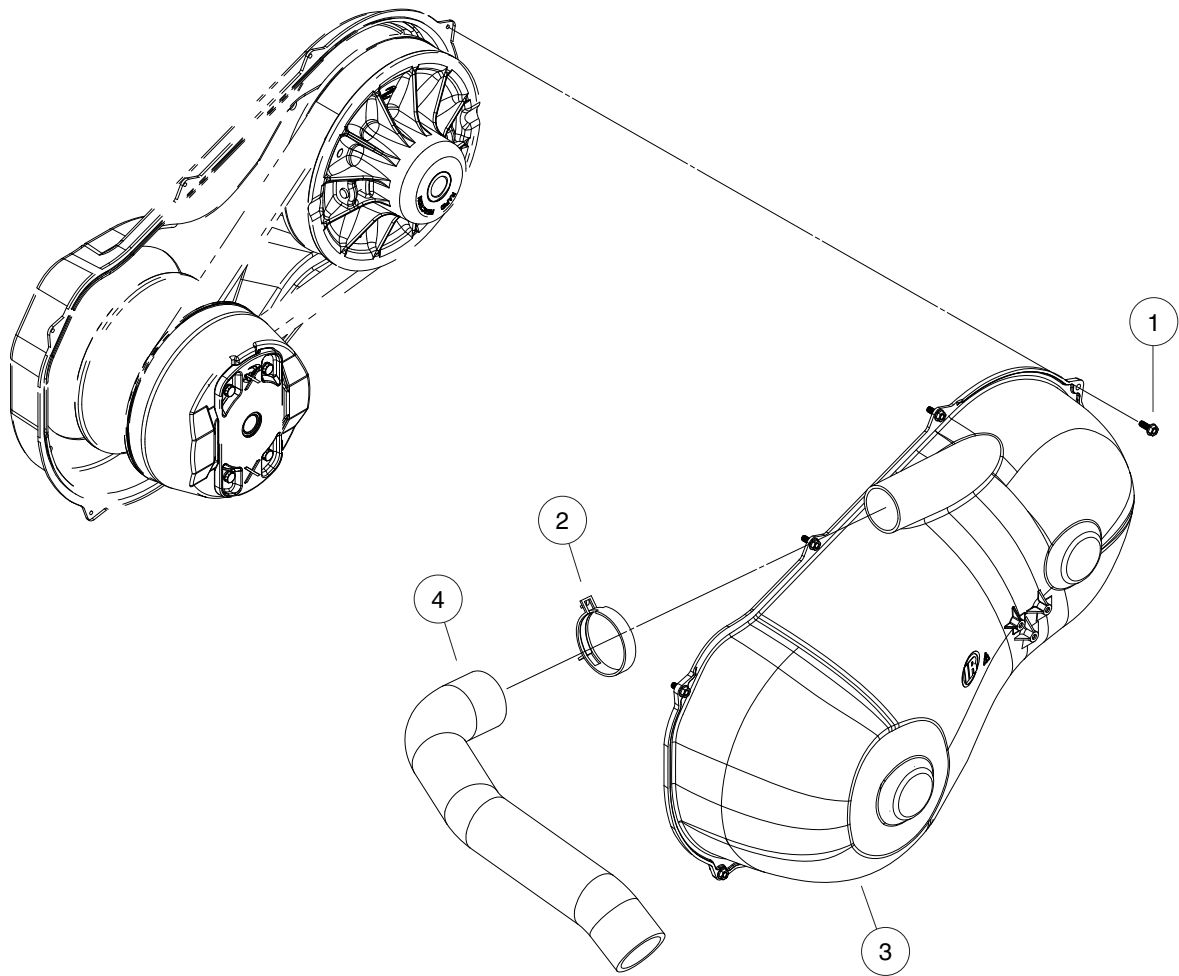
G

D

12

G

D



000008-002

CLUTCH COVER (STANDARD)

| ITEM | PART NO. | DESCRIPTION | QTY |
|------|------------------|----------------------------------|-----|
| | | 1 2 3 4 | |
| 1 | <u>102296716</u> | Screw, M6 X 16 Tt Hx Fl Hd | 7 |
| 2 | <u>102411210</u> | Clamp, Hose, Ctb 64mm | 1 |
| 3 | N/A | Cover, Cvt, Open | 1 |
| 4 | <u>103320601</u> | Hose, Outlet, Cvt | 1 |

12

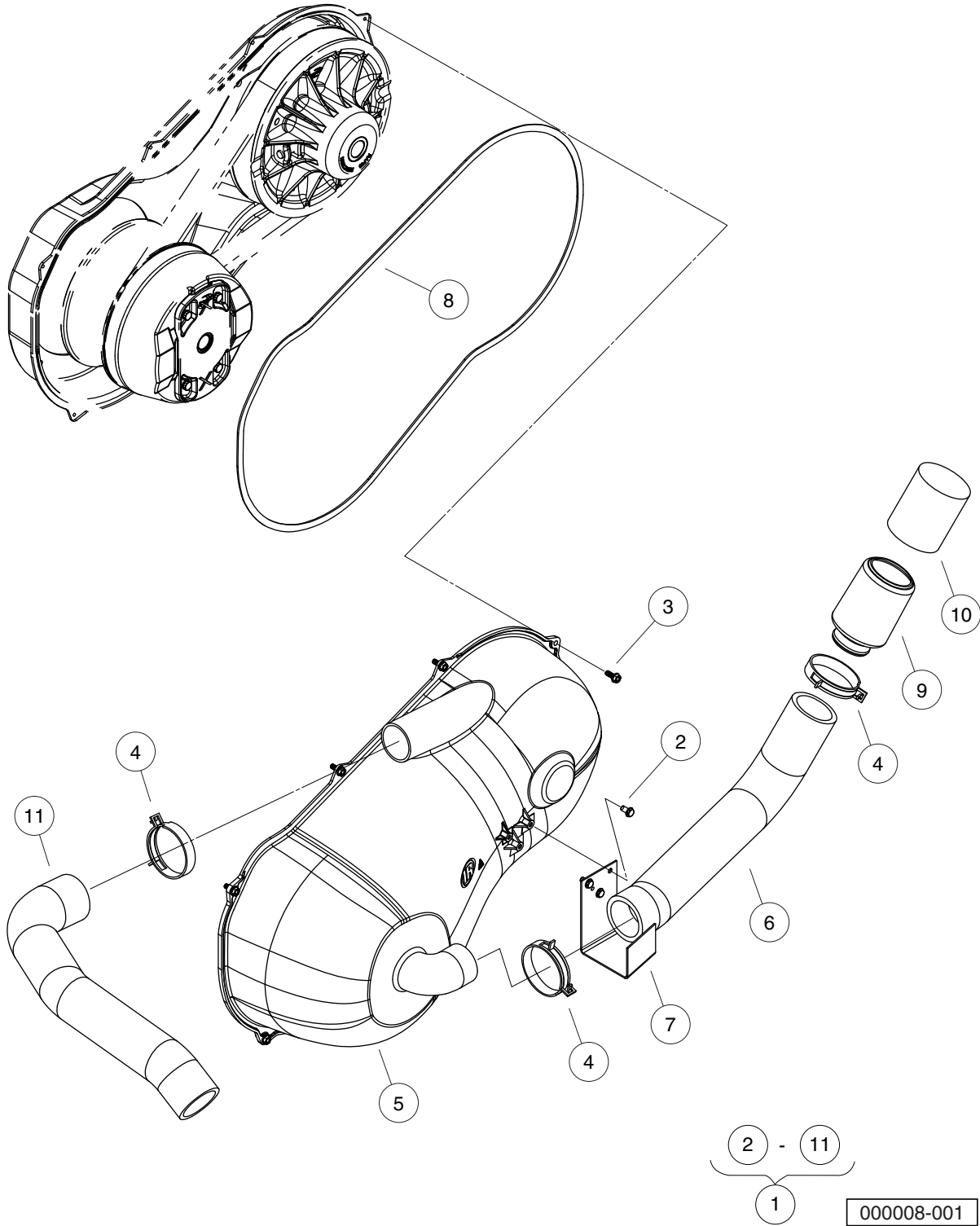
G

D

12

G

D



CLUTCH COVER (SEALED)

| ITEM | PART NO. | DESCRIPTION | QTY |
|------|------------------|---|-----|
| | | 1 2 3 4 | |
| 1 | <u>102616003</u> | Kit, Sealed CVT Cover (includes items 2 through 11) | 1 |
| 2 | <u>101856102</u> | Screw, 1/4-15 X 1.50 Hi-lo Hex | 3 |
| 3 | <u>102296716</u> | Screw, M6 X 16 Tt Hx Fl Hd | 7 |
| 4 | <u>102411210</u> | Clamp, Hose, Ctb 64mm | 2 |
| 5 | <u>102414501</u> | Cover, CVT Outer | 1 |
| 6 | <u>102481001</u> | Hose, Inlet, Cover, CVT | 1 |
| 7 | <u>102481201</u> | Bracket, Inlet, Cover, CVT | 1 |
| 8 | <u>102481301</u> | Gasket, Cover, CVT | 1 |
| 9 | <u>102616101</u> | Cap, Inlet, Cover, CVT | 1 |
| 10 | <u>102628001</u> | Filter, Inlet, Cover, CVT | 1 |
| 11 | <u>103320601</u> | Hose, Outlet, Cvt | 1 |

12

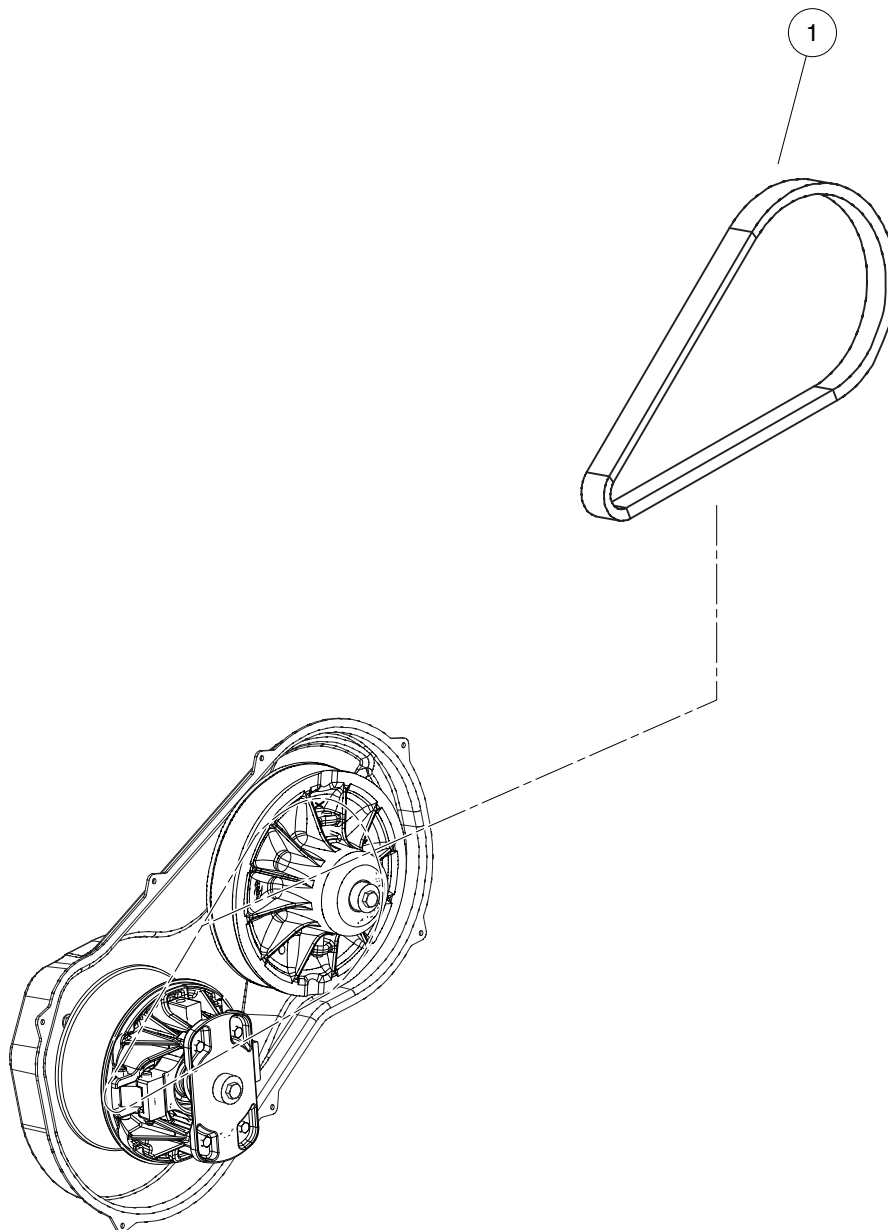
G

D

12

G

D



000084-001

DRIVE BELT

| ITEM | PART NO. | DESCRIPTION | QTY |
|------|------------------|------------------------------|-----|
| 1 | <u>102374901</u> | 1 2 3 4 Belt, Drive | 1 |

12

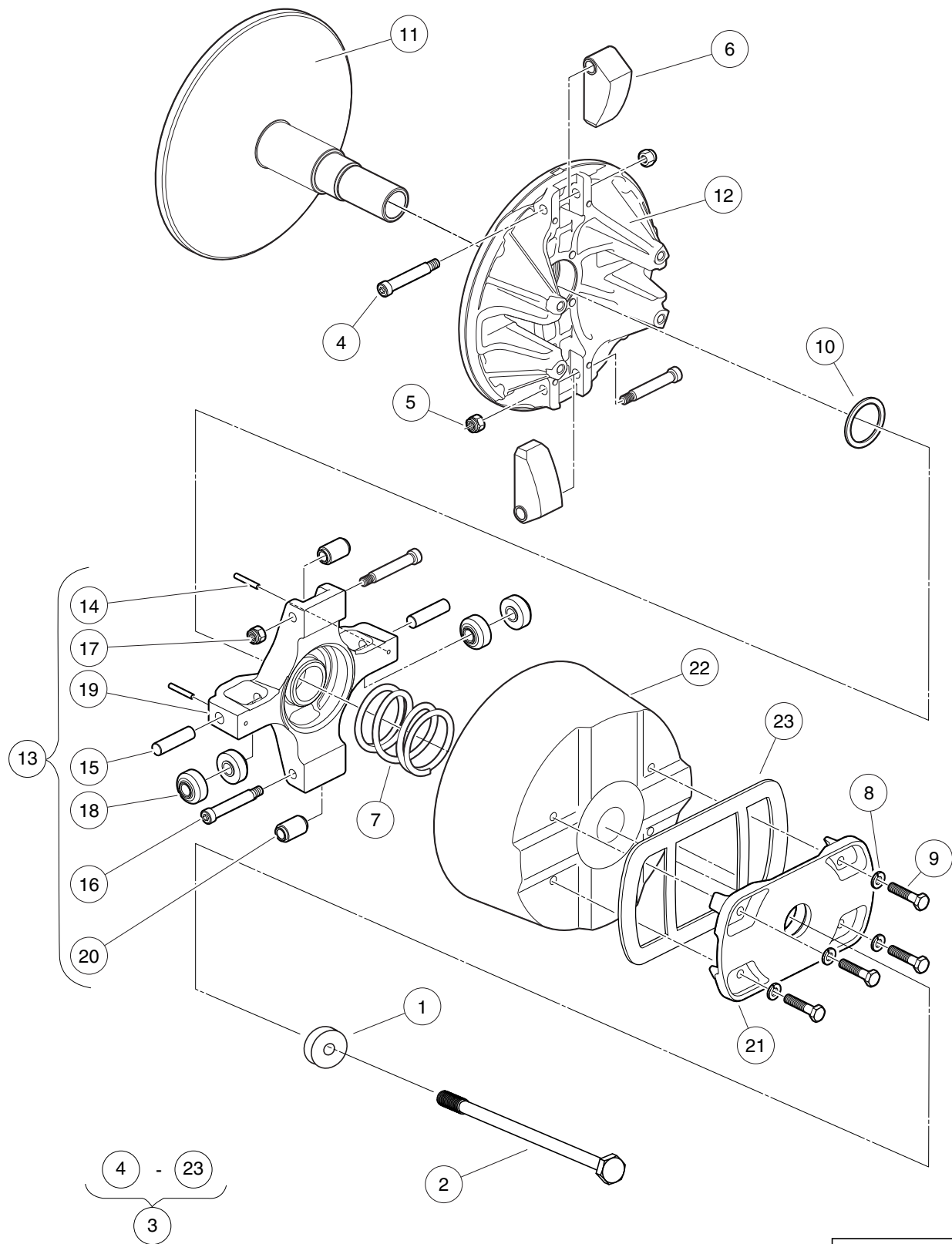
G

D

12

G

D



000007-003

DRIVE CLUTCH – GASOLINE VEHICLES

| ITEM | PART NO. | DESCRIPTION | QTY |
|------|------------------|--|-----|
| | | 1 2 3 4 | |
| 1 | <u>102385601</u> | Washer, Stepped | 1 |
| 2 | <u>102490001</u> | Bolt, M10x1.25x200 Loctite | 1 |
| 3 | <u>103185401</u> | Clutch, 4x4, Gas, W/cover (includes items 4 through 23) | 1 |
| 4 | <u>102690501</u> | Screw, Shlder Hex, .312 X 1.75 | 2 |
| 5 | <u>102690701</u> | Nut, Lock Hex, 1/14-20, Flexlc | 2 |
| 6 | <u>102691001</u> | Sub Assy, Wt Clutch, Gas | 2 |
| 7 | <u>102691401</u> | Spring, Compression, Primary | 1 |
| 8 | <u>102691601</u> | Washer, Lock, H-Spring, 1/4 | 4 |
| 9 | <u>102691701</u> | Screw, Cap, Hex Hd, 1/4 X 1.25 | 4 |
| 10 | <u>102691801</u> | Shim, 1.63 X 1.33 | 1 |
| 11 | N/A | Subassembly, Drive Clutch | 1 |
| 12 | N/A | Subassembly, Moveable, Drive Clutch | 1 |
| 13 | N/A | Spider Subassembly (Gasoline) (includes items 14 through 20) | 1 |
| 14 | <u>102690201</u> | Pin, Spring Slotted, 1.25 X 1.0 | 2 |
| 15 | <u>102690301</u> | Pin, Dowel, .375 X 1.50 | 2 |
| 16 | <u>102690501</u> | Screw, Shlder Hex, .312 X 1.75 | 2 |
| 17 | <u>102690701</u> | Nut, Lock Hex, 1/14-20, Flexlc | 2 |
| 18 | <u>102691901</u> | Roller, Torque, Gas | 4 |
| 19 | N/A | Spider, Drive Clutch | 1 |
| 20 | <u>102839401</u> | Sub Assy, Roller Weight | 2 |
| 21 | N/A | Cover, Drive Clutch | 1 |
| 22 | <u>103185801</u> | Cover, Clutch, 4x4 | 1 |
| 23 | <u>103185901</u> | Gasket, Cover, Clutch, 4x4 | 1 |

12

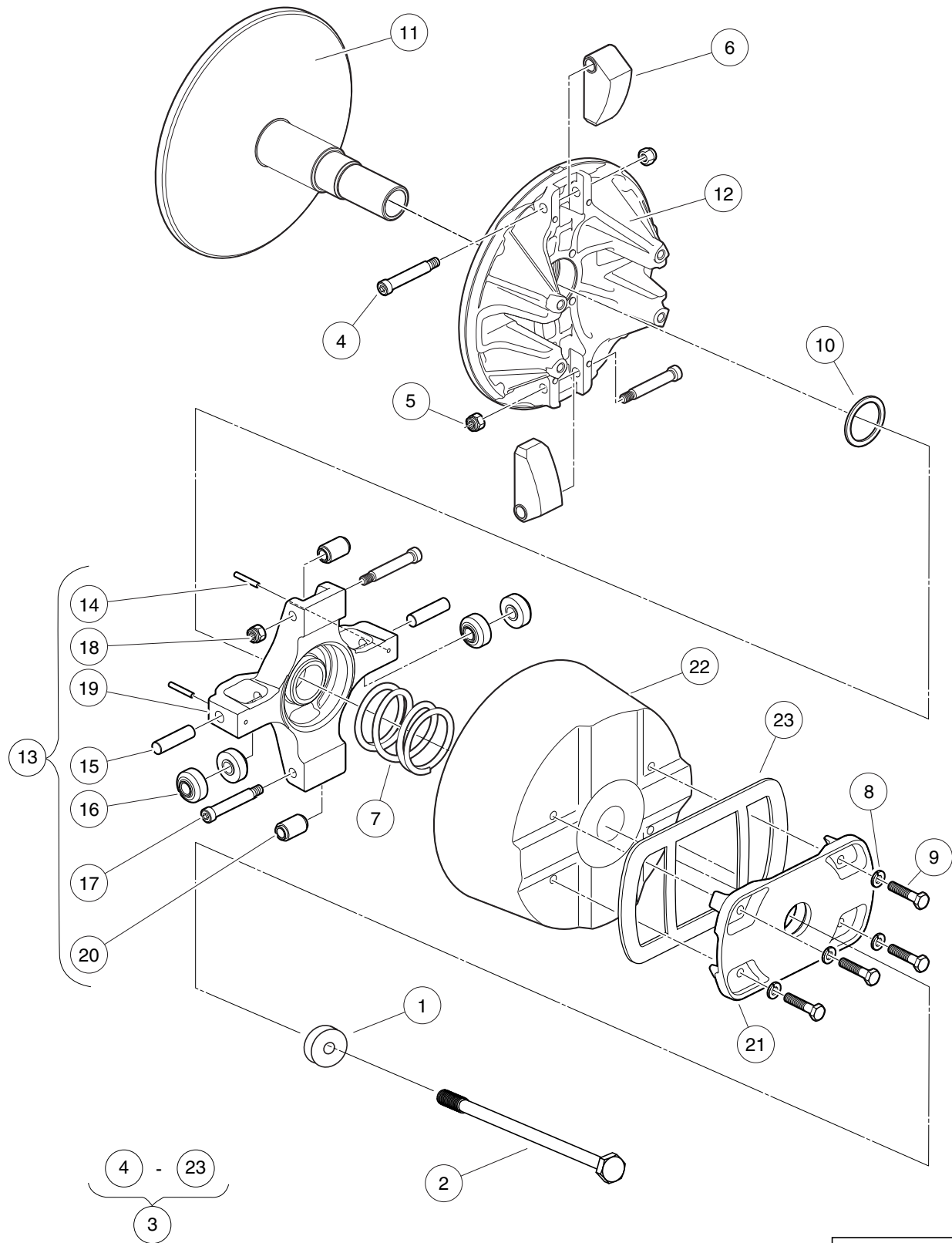
G

D

12

G

D



000007-004

DRIVE CLUTCH – DIESEL VEHICLES

| ITEM | PART NO. | DESCRIPTION | QTY |
|------|------------------|--|-----|
| | | 1 2 3 4 | |
| 1 | <u>102385601</u> | Washer, Stepped | 1 |
| 2 | <u>102616501</u> | Bolt, M10 X 1.5 X 160 | 1 |
| 3 | <u>103185501</u> | Clutch, 4x4, Diesel, W/cover (includes items 4 through 23) | 1 |
| 4 | <u>102690501</u> | Screw, Shlder Hex, .312 X 1.75 | 2 |
| 5 | <u>102690701</u> | Nut, Lock Hex, 1/14-20, Flexlc | 2 |
| 6 | <u>102690801</u> | Sub Assy, Wt Clutch, Diesel | 2 |
| 7 | <u>102691401</u> | Spring, Compression, Primary | 1 |
| 8 | <u>102691601</u> | Washer, Lock, H-Spring, 1/4 | 4 |
| 9 | <u>102691701</u> | Screw, Cap, Hex Hd, 1/4 X 1.25 | 4 |
| 10 | <u>102691801</u> | Shim, 1.63 X 1.33 | 1 |
| 11 | N/A | Subassembly, Drive Clutch | 1 |
| 12 | N/A | Subassembly, Moveable, Drive Clutch | 1 |
| 13 | N/A | Subassembly, Spider Utility, Diesel (includes items 14 through 20) | 1 |
| 14 | <u>102690201</u> | Pin, Spring Slotted, 1.25 X 1.0 | 2 |
| 15 | <u>102690301</u> | Pin, Dowel, .375 X 1.50 | 2 |
| 16 | <u>102690401</u> | Roller, Torque, Diesel | 4 |
| 17 | <u>102690501</u> | Screw, Shlder Hex, .312 X 1.75 | 2 |
| 18 | <u>102690701</u> | Nut, Lock Hex, 1/14-20, Flexlc | 2 |
| 19 | N/A | Spider, Drive Clutch | 1 |
| 20 | <u>102839401</u> | Sub Assy, Roller Weight | 2 |
| 21 | N/A | Cover, Drive Clutch | 1 |
| 22 | <u>103185801</u> | Cover, Clutch, 4x4 | 1 |
| 23 | <u>103185901</u> | Gasket, Cover, Clutch, 4x4 | 1 |

12

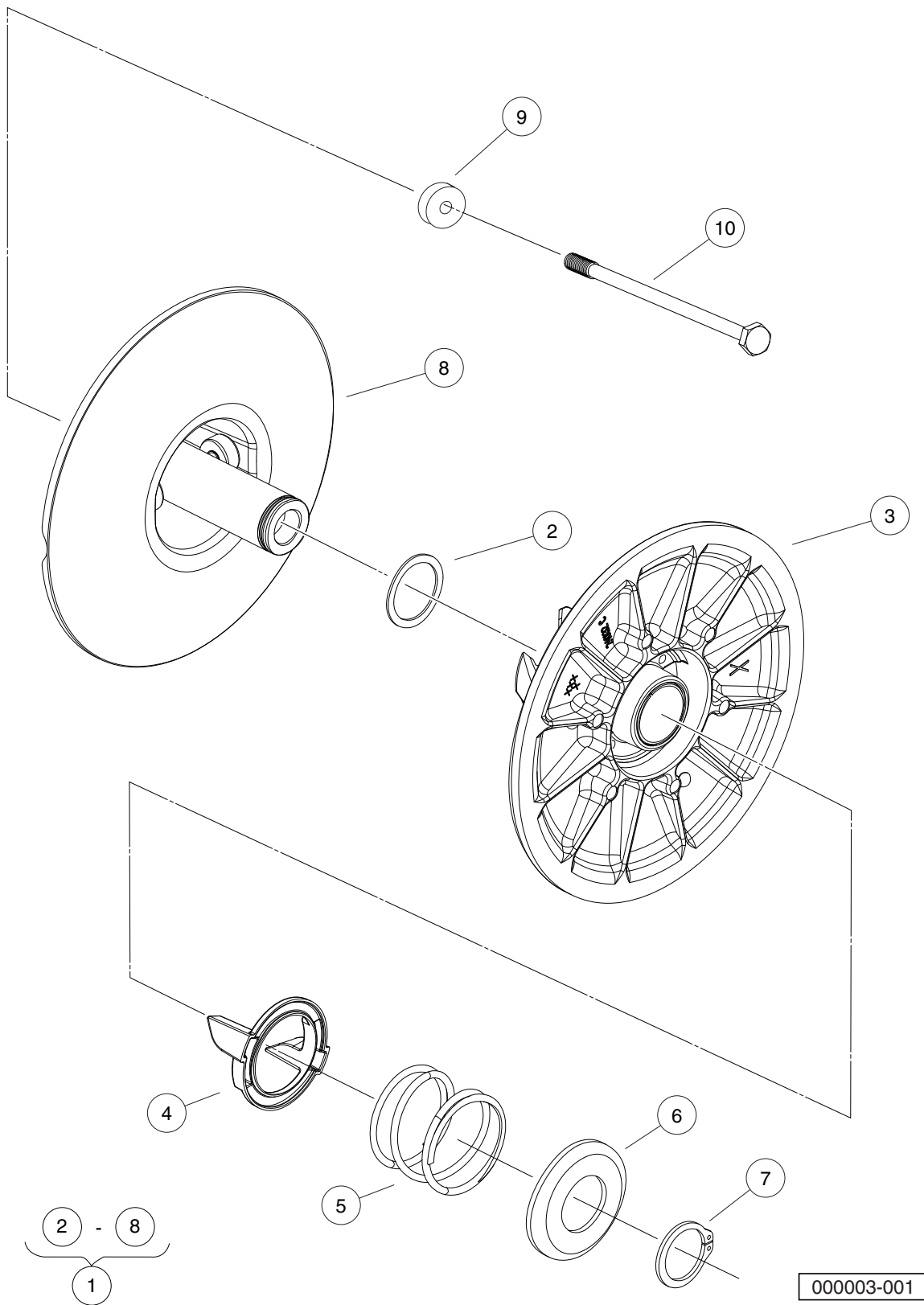
G

D

12

G

D



000003-001

DRIVEN CLUTCH

| ITEM | PART NO. | DESCRIPTION | QTY |
|------|------------------|---|-----|
| | | 1 2 3 4 | |
| 1 | <u>102369901</u> | CVT, Secondary (includes items 2 through 8) | 1 |
| 2 | <u>102695401</u> | Washer, Thrust, 1.53 X 1.92 | 1 |
| 3 | N/A | Sheave, Driven Clutch | 1 |
| 4 | <u>102695601</u> | Retainer, Spring, Inner | 1 |
| 5 | <u>102695701</u> | Spring, Compression, Secondary | 1 |
| 6 | <u>102695801</u> | Retainer, Spring, Outer | 1 |
| 7 | <u>102695901</u> | Ring, Retaining, External | 1 |
| 8 | N/A | Driven Clutch Base Sheave | 1 |
| 9 | <u>102385701</u> | Washer, Stepped | 1 |
| 10 | <u>102719301</u> | Bolt, M10 X 1.50 X 90, Loctite | 1 |

12

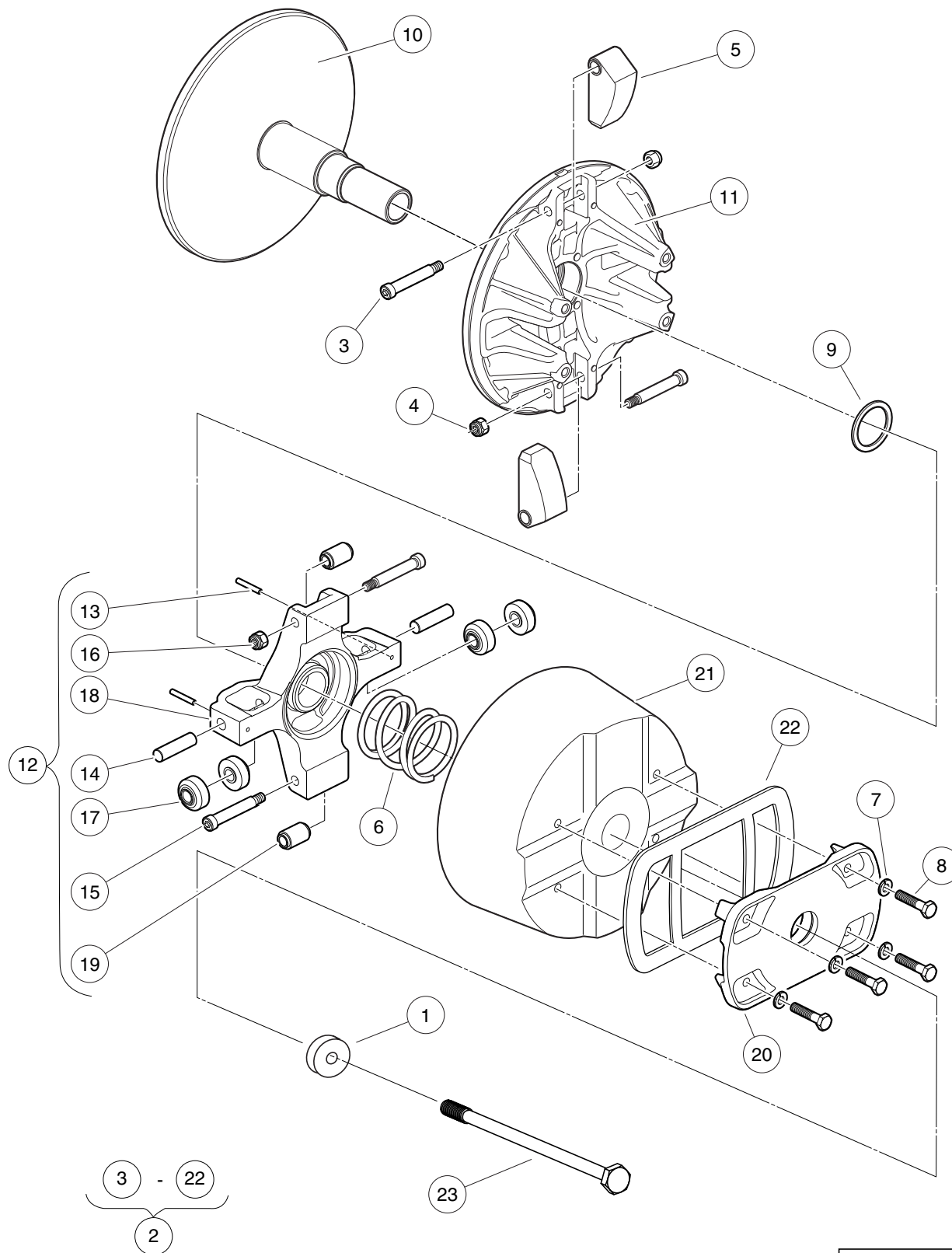
G

D

12

G

D



000007-005

DRIVE CLUTCH – GASOLINE VEHICLES

| ITEM | PART NO. | DESCRIPTION | QTY |
|------|------------------|--|-----|
| | | 1 2 3 4 | |
| 1 | <u>102385601</u> | Washer, Stepped | 1 |
| 2 | <u>103185401</u> | Clutch, 4x4, Gas, W/cover (includes items 3 through 22) | 1 |
| 3 | <u>102690501</u> | Screw, Shlder Hex, .312 X 1.75 | 2 |
| 4 | <u>102690701</u> | Nut, Lock Hex, 1/14-20, Flexlc | 2 |
| 5 | <u>102691001</u> | Sub Assy, Wt Clutch, Gas | 2 |
| 6 | <u>102691401</u> | Spring, Compression, Primary | 1 |
| 7 | <u>102691601</u> | Washer, Lock, H-Spring, 1/4 | 4 |
| 8 | <u>102691701</u> | Screw, Cap, Hex Hd, 1/4 X 1.25 | 4 |
| 9 | <u>102691801</u> | Shim, 1.63 X 1.33 | 1 |
| 10 | N/A | Subassembly, Drive Clutch | 1 |
| 11 | N/A | Subassembly, Moveable, Drive Clutch | 1 |
| 12 | N/A | Spider Subassembly (Gasoline) (includes items 13 through 19) | 1 |
| 13 | <u>102690201</u> | Pin, Spring Slotted, 1.25 X 1.0 | 2 |
| 14 | <u>102690301</u> | Pin, Dowel, .375 X 1.50 | 2 |
| 15 | <u>102690501</u> | Screw, Shlder Hex, .312 X 1.75 | 2 |
| 16 | <u>102690701</u> | Nut, Lock Hex, 1/14-20, Flexlc | 2 |
| 17 | <u>102691901</u> | Roller, Torque, Gas | 4 |
| 18 | N/A | Spider, Drive Clutch | 1 |
| 19 | <u>102839401</u> | Sub Assy, Roller Weight | 2 |
| 20 | N/A | Cover, Drive Clutch | 1 |
| 21 | <u>103185801</u> | Cover, Clutch, 4x4 | 1 |
| 22 | <u>103185901</u> | Gasket, Cover, Clutch, 4x4 | 1 |
| 23 | <u>103201501</u> | Bolt, M8 X 1.25 X 200, Loctite | 1 |

12

G

D

12

G

D

DRIVETRAIN COMPONENTS

13

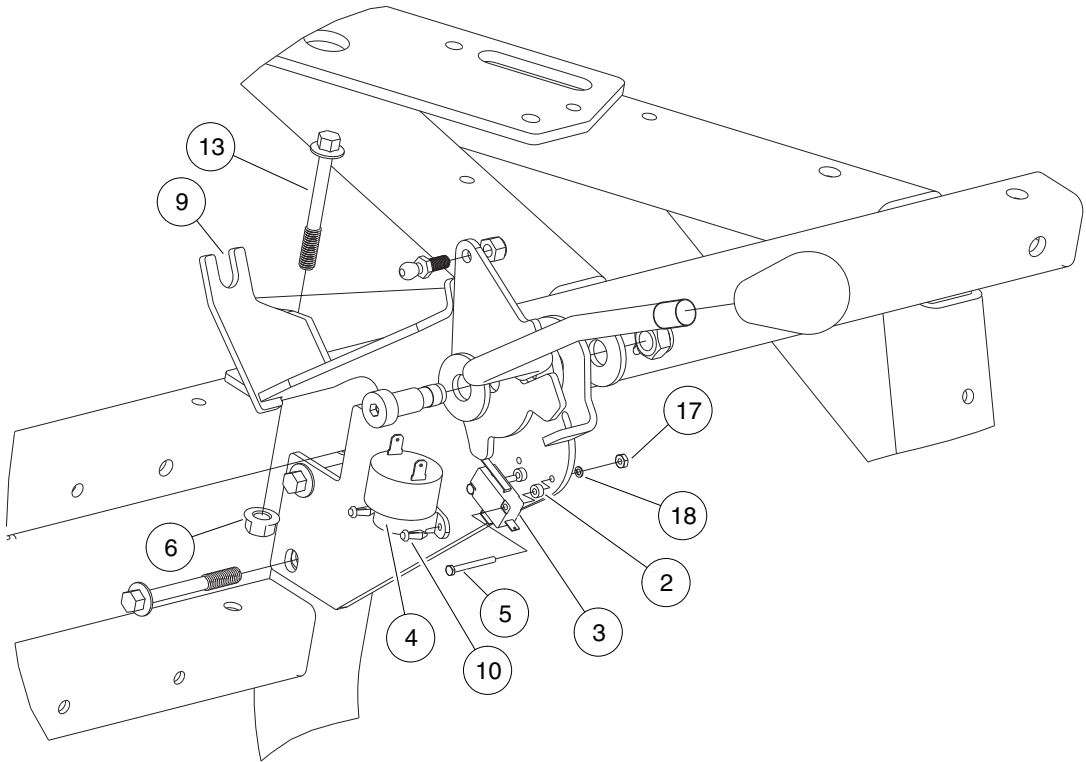
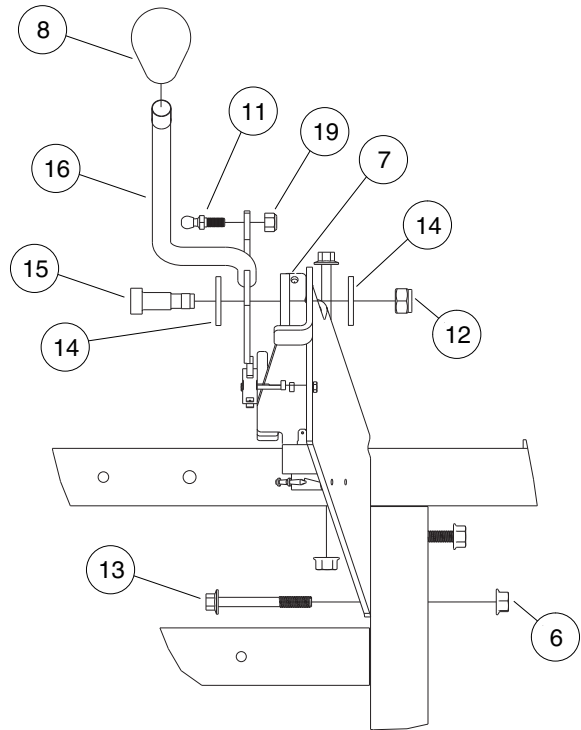
G

D

13

G

D



000030-002

FORWARD/REVERSE SHIFTER ASSEMBLY

| ITEM | PART NO. | DESCRIPTION | QTY |
|------|------------------|--|-----|
| | | 1 2 3 4 | |
| 1 | <u>102868201</u> | Asm, FNR (includes items 2 through 19) | 1 |
| 2 | <u>1014727</u> | Washer, #4 Nylon Flat | 2 |
| 3 | <u>1014808</u> | Switch, Limit | 1 |
| 4 | <u>1016851</u> | Buzzer, Reverse (9-48 VDC) | 1 |
| 5 | <u>1016896</u> | Screw, #4-40 X 1.125 Hx Hd Mch | 2 |
| 6 | <u>102298401</u> | Nut,m8,all Metal Lock | 3 |
| 7 | <u>102375901</u> | Bushing, Fnr | 1 |
| 8 | <u>102376001</u> | Knob, Fnr | 1 |
| 9 | N/A | Weldment, FNR Shifter Bracket | 1 |
| 10 | <u>102499001</u> | Rivet, Micro Tuflok | 2 |
| 11 | <u>102615701</u> | Stud, Ball, .346 Dia | 1 |
| 12 | <u>102616701</u> | Locknut, M10x1.5 Nylon Insert | 1 |
| 13 | <u>102618301</u> | Bolt Flanged Head, M8 X 1.25 X 65 | 3 |
| 14 | <u>102684501</u> | Washer, M12 Hard Regular | 2 |
| 15 | <u>102684601</u> | Shoulder Bolt,m12 X 20 M10 Thd | 1 |
| 16 | <u>103187501</u> | Weldment, FNR Shifter | 1 |
| 17 | <u>8057</u> | Nut, #4-40 Hex Machine | 2 |
| 18 | <u>8058</u> | Lockwasher, #4 Split | 2 |
| 19 | <u>8717</u> | Locknut, 1/4-28 Nylon Insert | 1 |

13

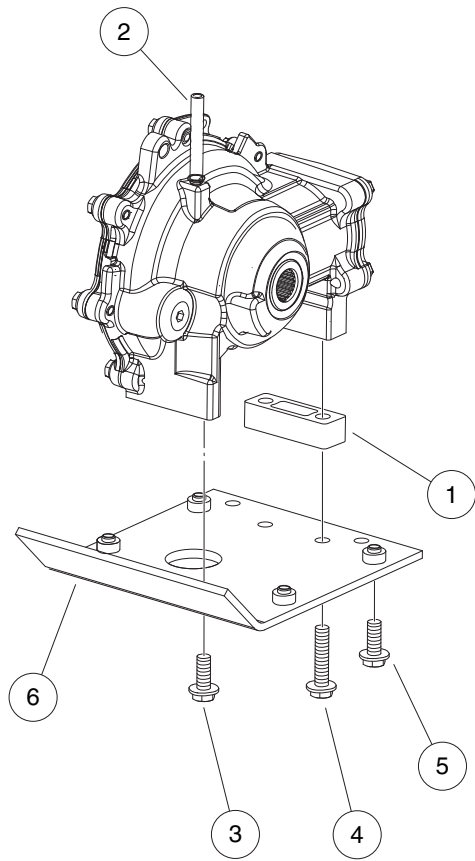
G

D

13

G

D



000012-003

FRONT DIFFERENTIAL MOUNTING PLATE

| ITEM | PART NO. | DESCRIPTION | QTY |
|------|------------------|--|-----|
| | | 1 2 3 4 | |
| 1 | <u>102381701</u> | Spacer Block, Diff | 1 |
| 2 | <u>102462401</u> | Hose, Vent, Front Diff | 1 |
| 3 | <u>102491001</u> | Bolt Flanged Head, 3/8-16x1.0 with Loctite | 2 |
| 4 | <u>102491101</u> | Bolt Flanged Head, 3/8-16x1.500 with Loctite | 2 |
| 5 | <u>102711601</u> | Bolt, Flange Head, M10 X 1.5 X 25 | 4 |
| 6 | <u>103244701</u> | Asm, Mount, Diff Plate | 1 |

13

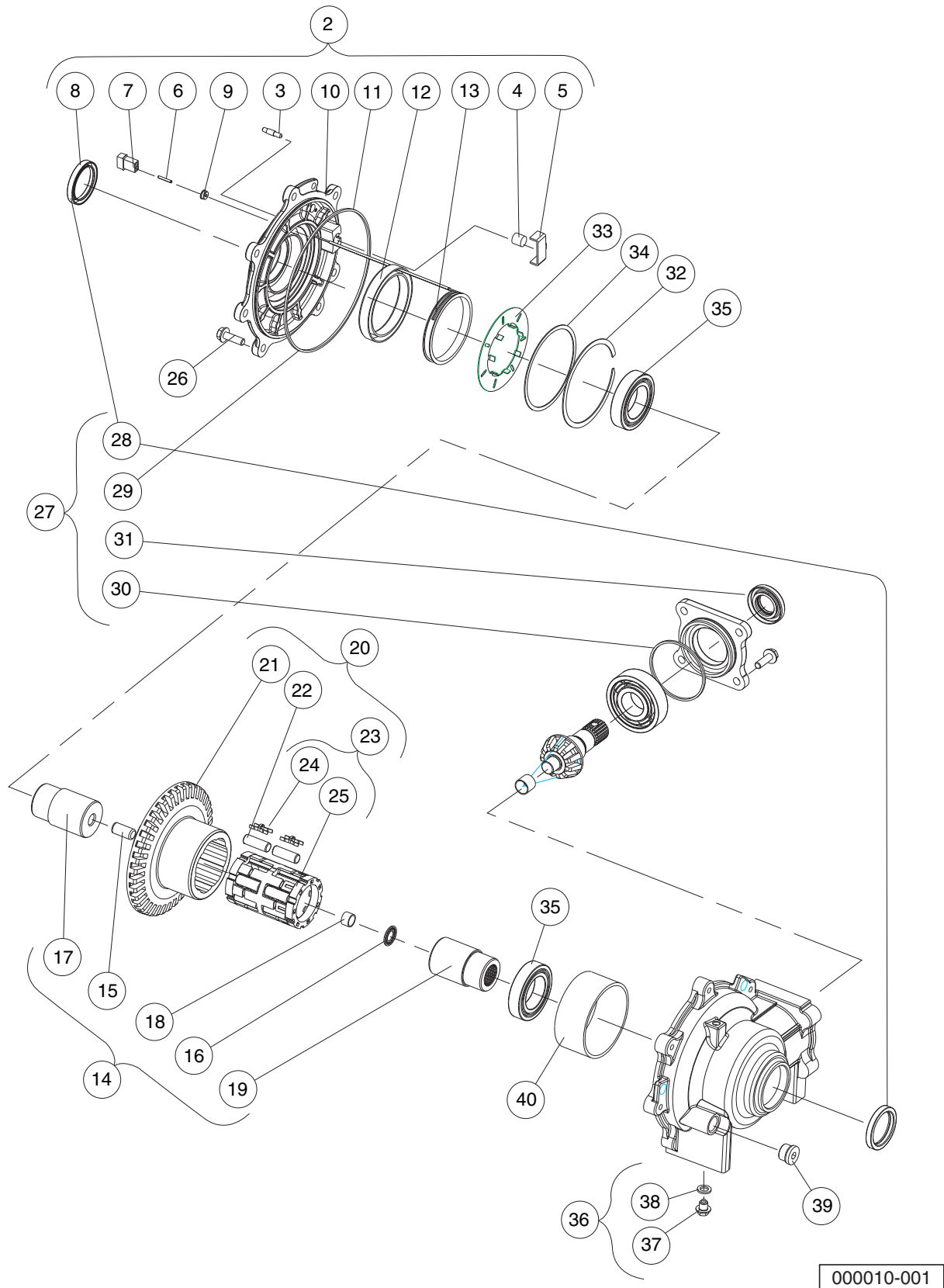
G

D

13

G

D



FRONT DIFFERENTIAL (OUTPUT COMPONENTS)

| ITEM | PART NO. | DESCRIPTION | QTY |
|------|------------------|---|-----|
| | | 1 2 3 4 | |
| 1 | <u>102371801</u> | Differential, Front * (includes items 2 through 40) | 1 |
| 2 | <u>102438201</u> | Kit, Assy, Output Cover Plate (includes items 3 through 13) | 1 |
| 3 | <u>102439001</u> | Set Screw, #10-24 UNC-3A with Patch | 1 |
| 4 | <u>102439101</u> | Thrust Button | 1 |
| 5 | <u>102439201</u> | Thrust Plate | 1 |
| 6 | N/A | Mate-N-Lock Pin | 2 |
| 7 | N/A | Mate-N-Lock Housing | 1 |
| 8 | N/A | Oil Seal | 1 |
| 9 | N/A | Grommet | 1 |
| 10 | N/A | Plate, Output Cover | 1 |
| 11 | N/A | O-Ring | 1 |
| 12 | N/A | Coil, Pocket Insert | 1 |
| 13 | N/A | Coil with Press-Fit Bobbin | 1 |
| 14 | <u>102438301</u> | Kit, Assy, Race Output Hub (includes items 15 through 19) | 1 |
| 15 | <u>102439401</u> | Pin, Dowel | 1 |
| 16 | <u>102439501</u> | Bearing, Needle | 1 |
| 17 | N/A | Race/Output Hub, Male | 1 |
| 18 | N/A | Bushing, PermiGlide | 1 |
| 19 | N/A | Race/Output Hub, Female | 1 |
| 20 | <u>102438401</u> | Kit, Assy, Clutch (includes items 21 through 23) | 1 |
| 21 | <u>102439601</u> | Clutch Hsg/Ring Gear, Machined | 1 |
| 22 | <u>102439801</u> | Kit, Roller (contains 14 rollers) | 1 |
| 23 | <u>102439901</u> | Kit, Assy, Roll Cage (includes items 24 and 25) | 1 |
| 24 | <u>102439701</u> | Kit, H-Clip Spring (contains 14 clips) | 1 |
| 25 | N/A | Roll Cage, Plastic | 1 |
| 26 | <u>102438501</u> | Kit, Bolt (contains 7 bolts) | 1 |
| 27 | <u>102438601</u> | Kit, Minor Repair (includes items 28 through 31) | 1 |
| 28 | N/A | Oil Seal | 1 |
| 29 | N/A | O-Ring | 1 |
| 30 | N/A | O-Ring | 1 |
| 31 | N/A | Oil Seal, Triple-Lipped | 1 |
| 32 | <u>102438701</u> | Retaining, Ring Internal | 1 |
| 33 | <u>102438801</u> | Plate, Armature | 1 |
| 34 | <u>102438901</u> | Shim, Armature, Plate | 1 |
| 35 | <u>102439301</u> | Bearing, Ball | 12 |
| 36 | <u>102440101</u> | Kit, Assy, Drain Plug (includes items 37 and 38) | 1 |
| 37 | N/A | Plug, Oil Drain | 1 |
| 38 | N/A | Washer, Nylon, 0.625 x 0.382 x 0.06 | 1 |
| 39 | <u>102440301</u> | Plug, Oil Fill | 1 |
| 40 | N/A | Bushing, Self-Lubricating, 80 x 85 x 20 | 1 |
| | | * Note: This assembly also contains components listed on the following two pages. | |

13

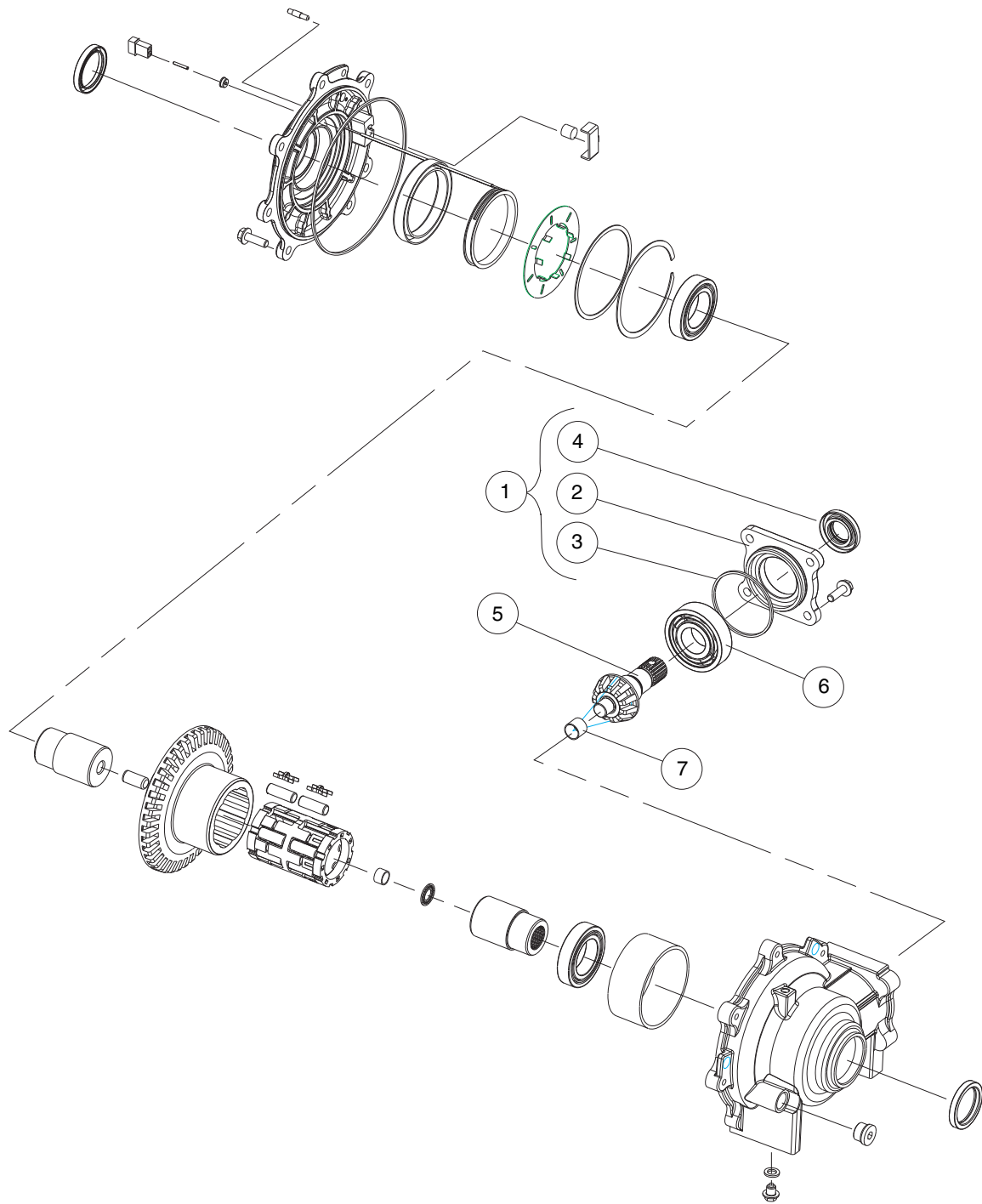
G

D

13

G

D



000010-002

FRONT DIFFERENTIAL (INPUT COMPONENTS)

| ITEM | PART NO. | DESCRIPTION | QTY |
|--|------------------|---|-----|
| | | 1 2 3 4 | |
| 1 | <u>102440201</u> | Kit, Assy, Input Cover Plate (includes items 2 through 4) | 1 |
| 2 | <u>102440601</u> | Cover, Input, Machined | 1 |
| 3 | N/A | O-Ring | 1 |
| 4 | N/A | Oil Seal, Triple-Lipped | 1 |
| 5 | <u>102440401</u> | Shaft, Pinion, Machined | 1 |
| 6 | <u>102440501</u> | Bearing, Ball | 1 |
| 7 | N/A | Bushing, Plain 16 Id X 15 Wide | 1 |
| <p>Note: This page contains a list of components internal to the front differential. See the previous pages for other front differential components.</p> | | | |

13

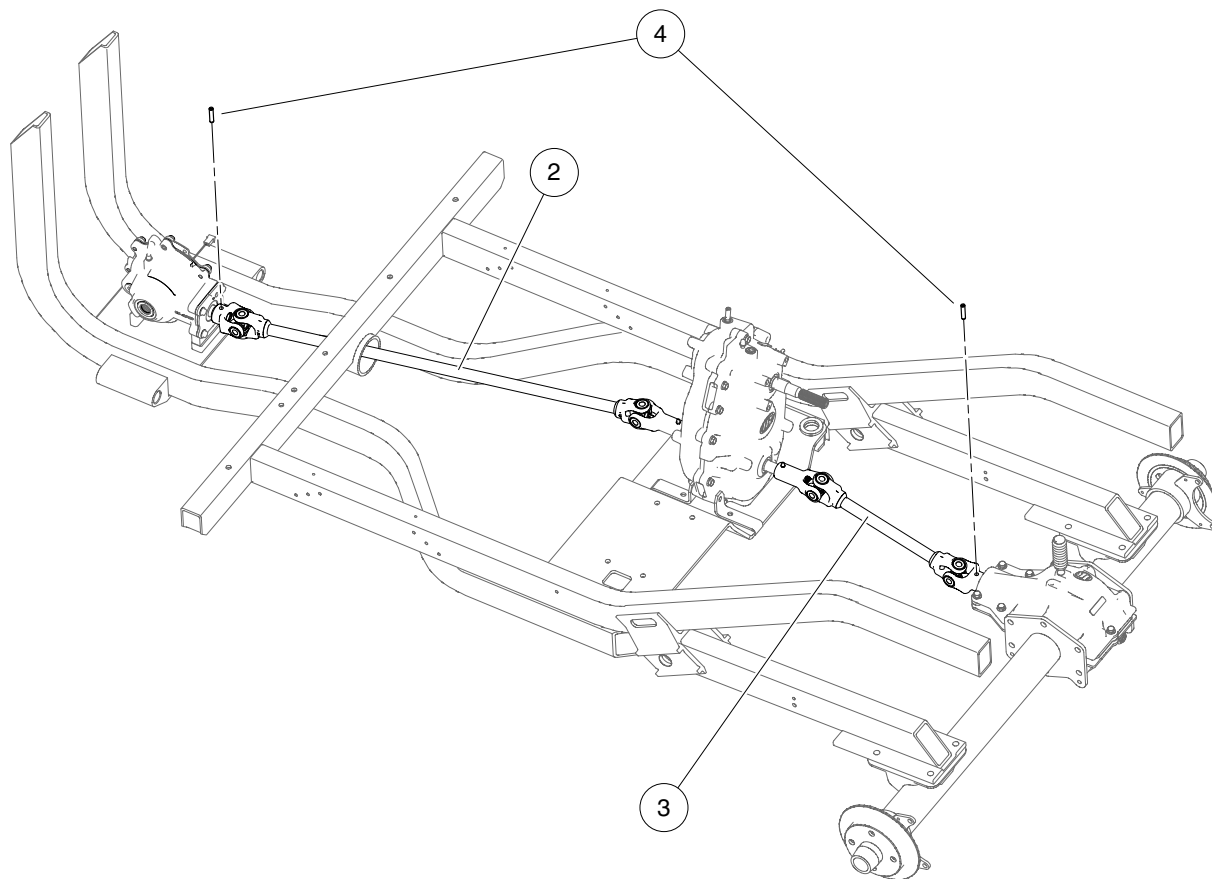
G

D

13

G

D



000091-001

PROP SHAFTS

| ITEM | PART NO. | DESCRIPTION | QTY |
|------|------------------|---|-----|
| | | 1 2 3 4 | |
| 1 | N/A | Inst, Prop Shafts, Awd (includes items 2 through 4) | 1 |
| 2 | <u>102371701</u> | Prop Shaft, Front | 1 |
| 3 | 102372101 | Prop Shaft, Rear | 1 |
| 4 | 95293643 | Pin, Spring, 5/16 X 1-1/2 Hd | 2 |

13

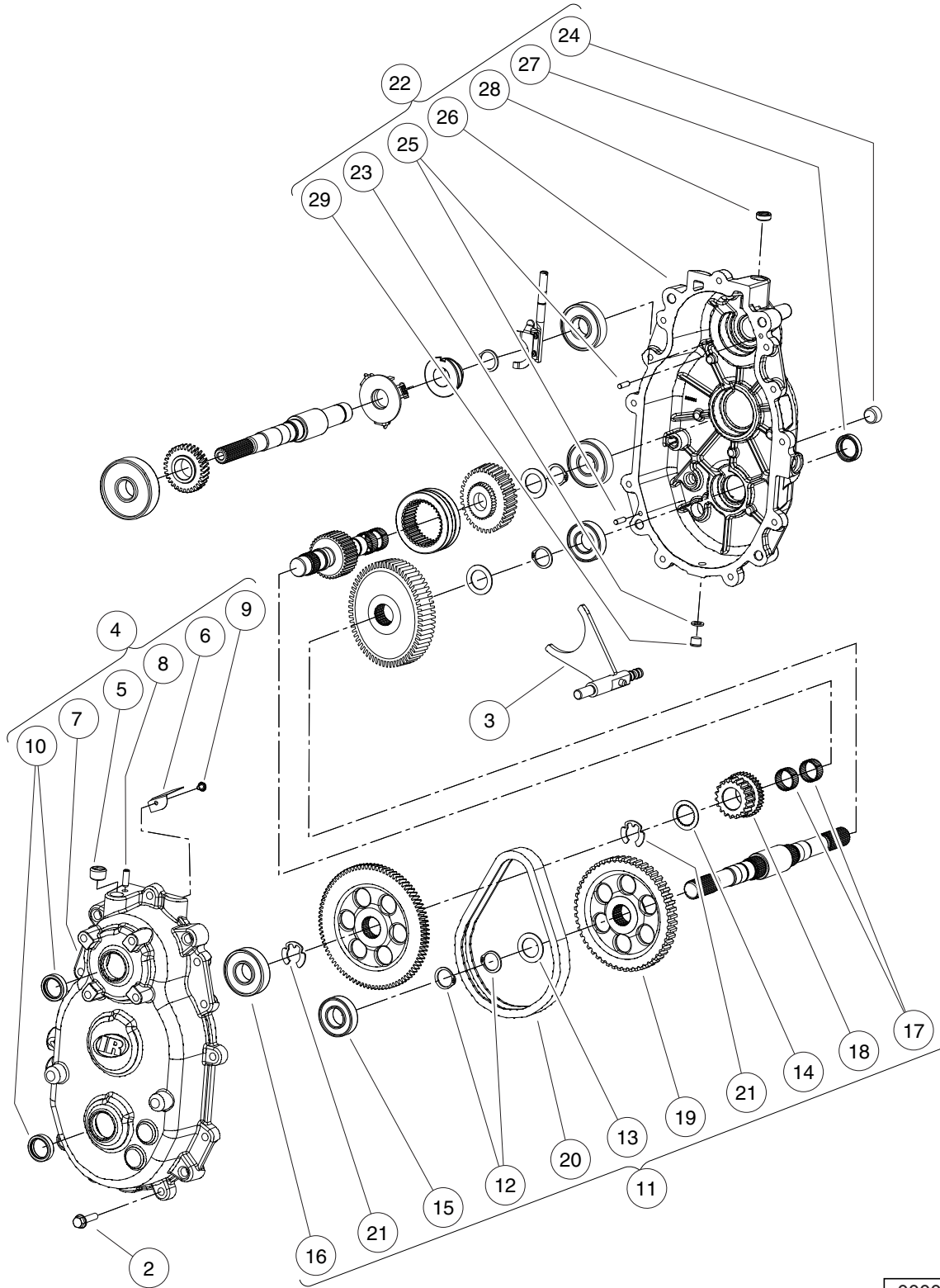
G

D

13

G

D



000016-004

TRANSMISSION – GASOLINE VEHICLES

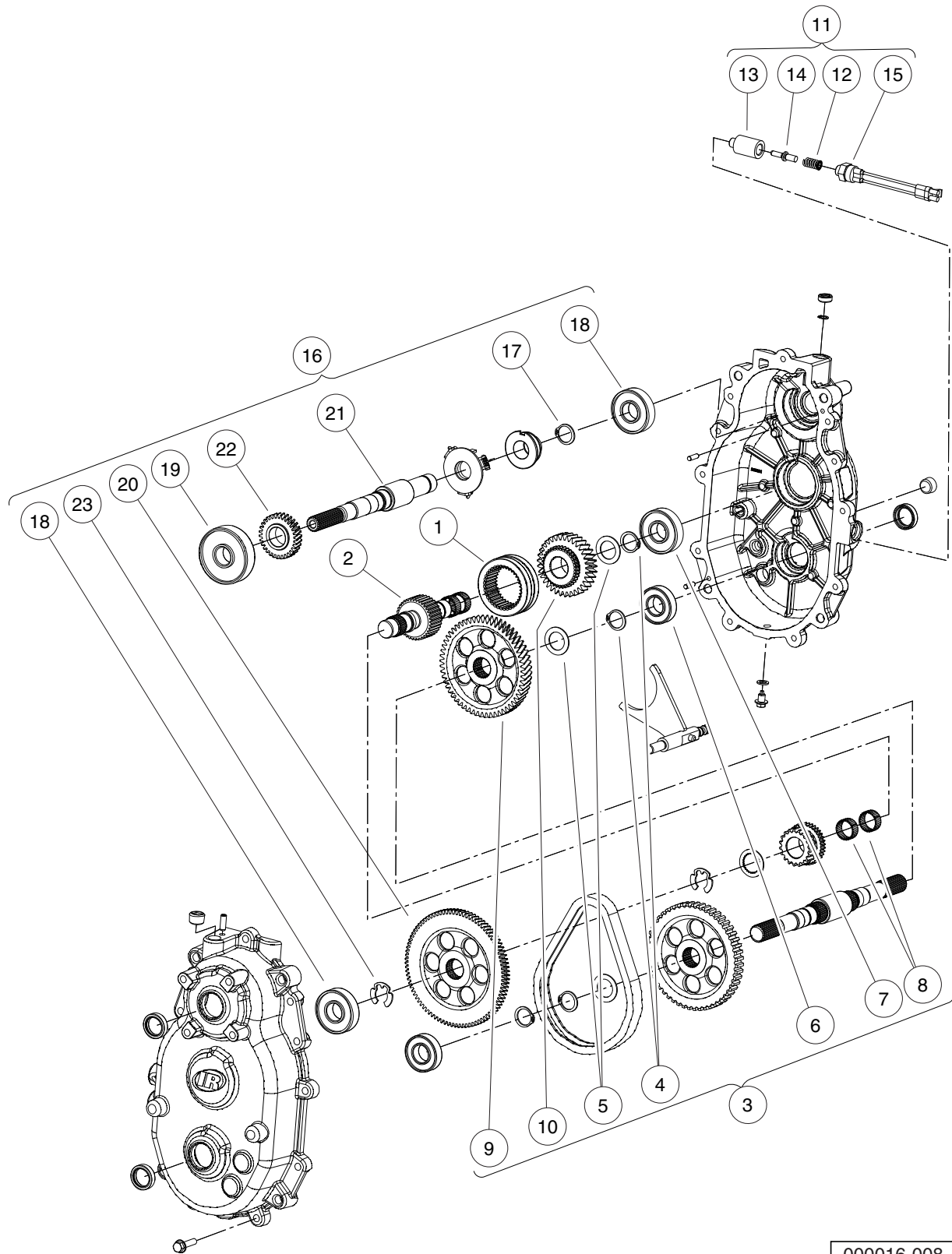
| ITEM | PART NO. | DESCRIPTION | QTY |
|------|------------------|--|-----|
| | | 1 2 3 4 | |
| 1 | <u>103178401</u> | Transmission, Parallel Shaft (includes items 2 through 22) | 1 |
| 2 | <u>102693301</u> | Screw,hex Flange, M8 X 35 | 11 |
| 3 | <u>102697801</u> | Fork, Transmission | 1 |
| 4 | <u>102764201</u> | Asm, Gear Case, Rear (includes items 5 through 10) | 1 |
| 5 | <u>102694201</u> | Plug, Square Skt, 1/12-14, Ptf | 1 |
| 6 | <u>102696301</u> | Oil, Deflector | 1 |
| 7 | <u>102697401</u> | Gearcase, Rear | 1 |
| 8 | <u>102698301</u> | Vent, Trans | 1 |
| 9 | <u>102698901</u> | Screw, Tapping # 10-24 X .375 | 1 |
| 10 | <u>102699401</u> | Seal, Triple, 25 X 35 X 7.8 | 2 |
| 11 | <u>102765201</u> | Kit, Reverse Gear Repair (includes items 12 through 21) | 1 |
| 12 | <u>102696201</u> | Ring, Retaining, Basic External | 2 |
| 13 | <u>102696501</u> | Washer, Thrust, 1.007 X .062 | 1 |
| 14 | <u>102696701</u> | Washer, 26.231 X 39.167 X 1.57 | 1 |
| 15 | <u>102696801</u> | Bearing, Ball | 1 |
| 16 | <u>102696901</u> | Bearing, Ball | 1 |
| 17 | <u>102697101</u> | Bearing, Needle | 2 |
| 18 | <u>102697601</u> | Sprocket, 19-Tooth | 1 |
| 19 | <u>102697701</u> | Sprocket, 51-Tooth | 1 |
| 20 | <u>102699201</u> | Chain, .375p, .75 Wide, 60ptch | 1 |
| 21 | <u>102699701</u> | Ring, Retaining, E-Ring | 2 |
| 22 | <u>103250301</u> | Asm, Case, Gear, Front (includes items 23 through 29) | 1 |
| 23 | <u>102693501</u> | Washer, .625 X .382 X .60 | 1 |
| 24 | <u>102694201</u> | Plug, Square Skt, 1/12-14, Ptf | 1 |
| 25 | <u>102696101</u> | Pin, Dowel, 6 X 20 | 2 |
| 26 | <u>102697301</u> | Gearcase, Front | 1 |
| 27 | <u>102699401</u> | Seal, Triple, 25 X 35 X 7.8 | 1 |
| 28 | <u>102721501</u> | Seal, Dual-Lip | 1 |
| 29 | <u>103250401</u> | Plug, 3/4-16 | 1 |

13
G
D

13

G

D



000016-008

TRANSMISSION, CONTINUED

| ITEM | PART NO. | DESCRIPTION | QTY |
|--|------------------|---|-----|
| | | 1 2 3 4 | |
| 1 | <u>102697501</u> | Dog, Engagement | 1 |
| 2 | <u>102698701</u> | Shaft, Intermediate | 1 |
| 3 | <u>102764901</u> | Kit, Forward Gear Repair (includes items 4 through 10) | 1 |
| 4 | <u>102696201</u> | Ring, Retaining, Basic External | 2 |
| 5 | <u>102696501</u> | Washer, Thrust, 1.007 X .062 | 2 |
| 6 | <u>102696801</u> | Bearing, Ball | 1 |
| 7 | <u>102696901</u> | Bearing, Ball | 1 |
| 8 | <u>102697101</u> | Bearing, Needle | 2 |
| 9 | <u>102697901</u> | Gear, Helical 58-Tooth | 1 |
| 10 | <u>102698001</u> | Gear, Helical 34-Tooth | 1 |
| 11 | <u>102765101</u> | Kit, Neutral Switch Repair (includes items 12 through 15) | 1 |
| 12 | <u>102697201</u> | Spring, .484 X .340 X 1.076 | 1 |
| 13 | N/A | Guide, Detent Bullet | 1 |
| 14 | <u>102698601</u> | Bullet, Detent | 1 |
| 15 | <u>102699301</u> | Switch, Indicator, Pollak | 1 |
| <p>Note: This page contains a list of components internal to the transmission. See the previous pages for other transmission components.</p> | | | |

13

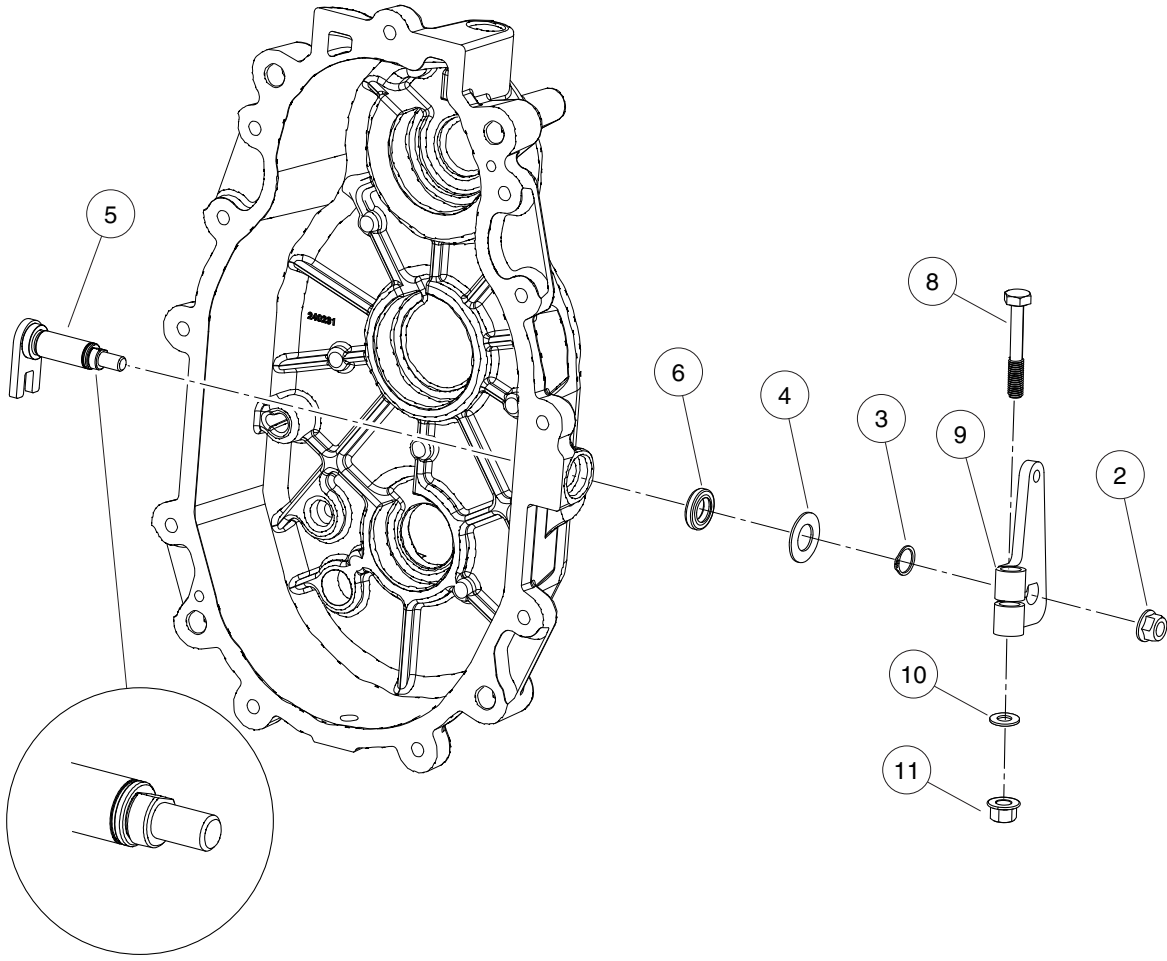
G

D

13

G

D



000016-009

TRANSMISSION SHIFT SHAFT AND BELL CRANK TRANSMISSION SHIFT SHAFT AND BELL CRANK (STYLE

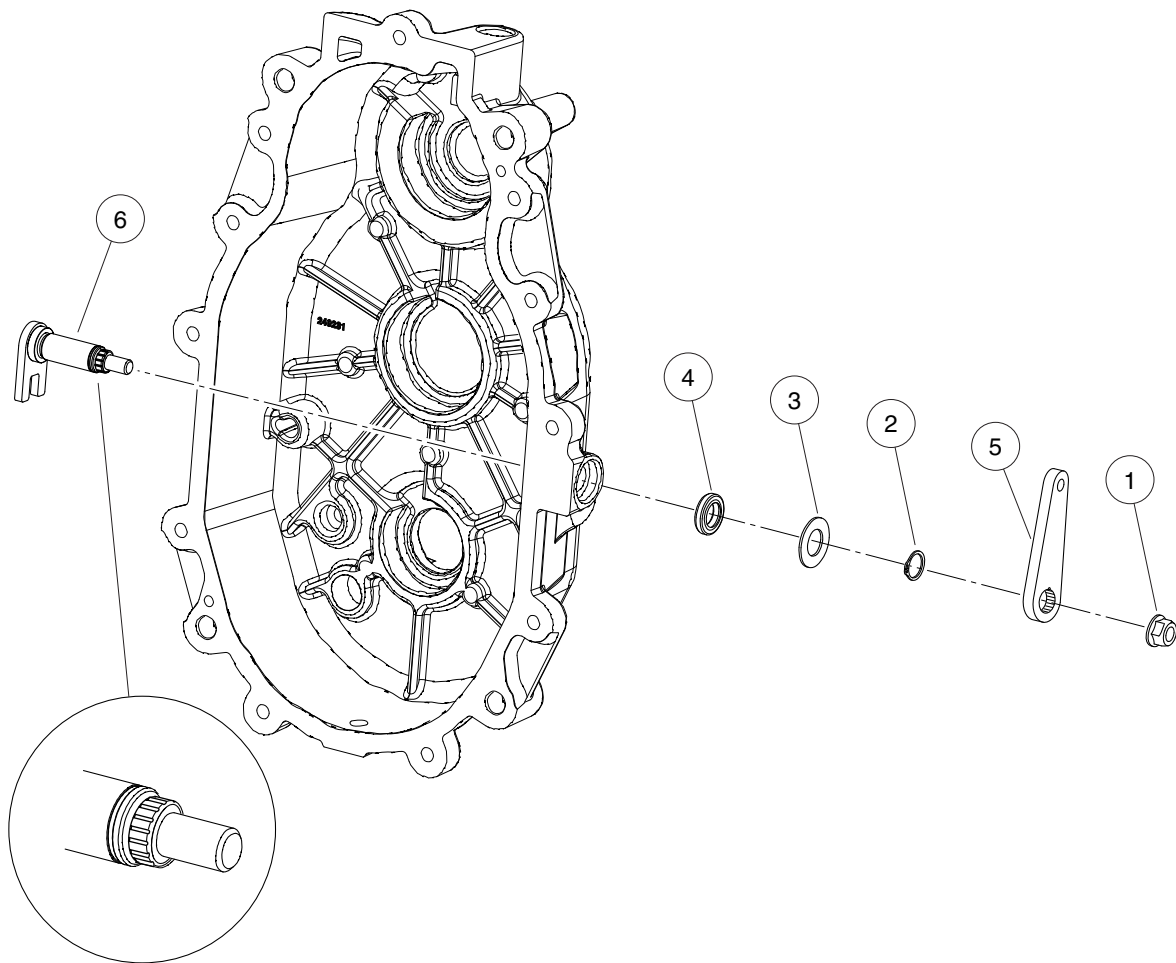
| ITEM | PART NO. | DESCRIPTION | QTY |
|------|------------------|--|-----|
| | | 1 2 3 4 | |
| 1 | 102765001 | Kit, Trans Shift Shaft Repair (includes items 2 through 6) | 1 |
| 2 | <u>102696001</u> | Nut, Lock Hex, Nylon, 5/16-24 | 1 |
| 3 | <u>102696401</u> | Ring, Retaining, External 9/16 | 1 |
| 4 | <u>102696601</u> | Washer, Flat, .58 X 1.08 X .05 | 1 |
| 5 | N/A | Weldment, Shift, Shaft | 1 |
| 6 | <u>102699601</u> | Seal, Dul Lip, .88 X .56 X .19 | 1 |
| 7 | 103294301 | Kit, Bellcrank, D Shape, Clamp (includes items 8 through 11) | 1 |
| 8 | <u>1010177</u> | Bolt, 3/8-16 X 2.00 Hex Head | 1 |
| 9 | N/A | Asm, Bellcrank, D Shape, Clamp | 1 |
| 10 | <u>334</u> | Washer, 3/8 Type A Flat | 1 |
| 11 | <u>8754</u> | Locknut, 3/8-16 Hex | 1 |

13
G
D

13

G

D



000016-010

TRANSMISSION SHIFT SHAFT AND BELL CRANK (STYLE B)

| ITEM | PART NO. | DESCRIPTION | QTY |
|------|------------------|--------------------------------------|-----|
| | | 1 2 3 4 | |
| 1 | <u>102696001</u> | Nut, Lock Hex, Nylon, 5/16-24 | 1 |
| 2 | <u>102696401</u> | Ring, Retaining, External 9/16 | 1 |
| 3 | <u>102696601</u> | Washer, Flat, .58 X 1.08 X .05 | 1 |
| 4 | <u>102699601</u> | Seal, Dul Lip, .88 X .56 X .19 | 1 |
| 5 | <u>103239501</u> | Bellcrank, Alum | 1 |
| 6 | <u>103239801</u> | Shaft, Shift | 1 |

13

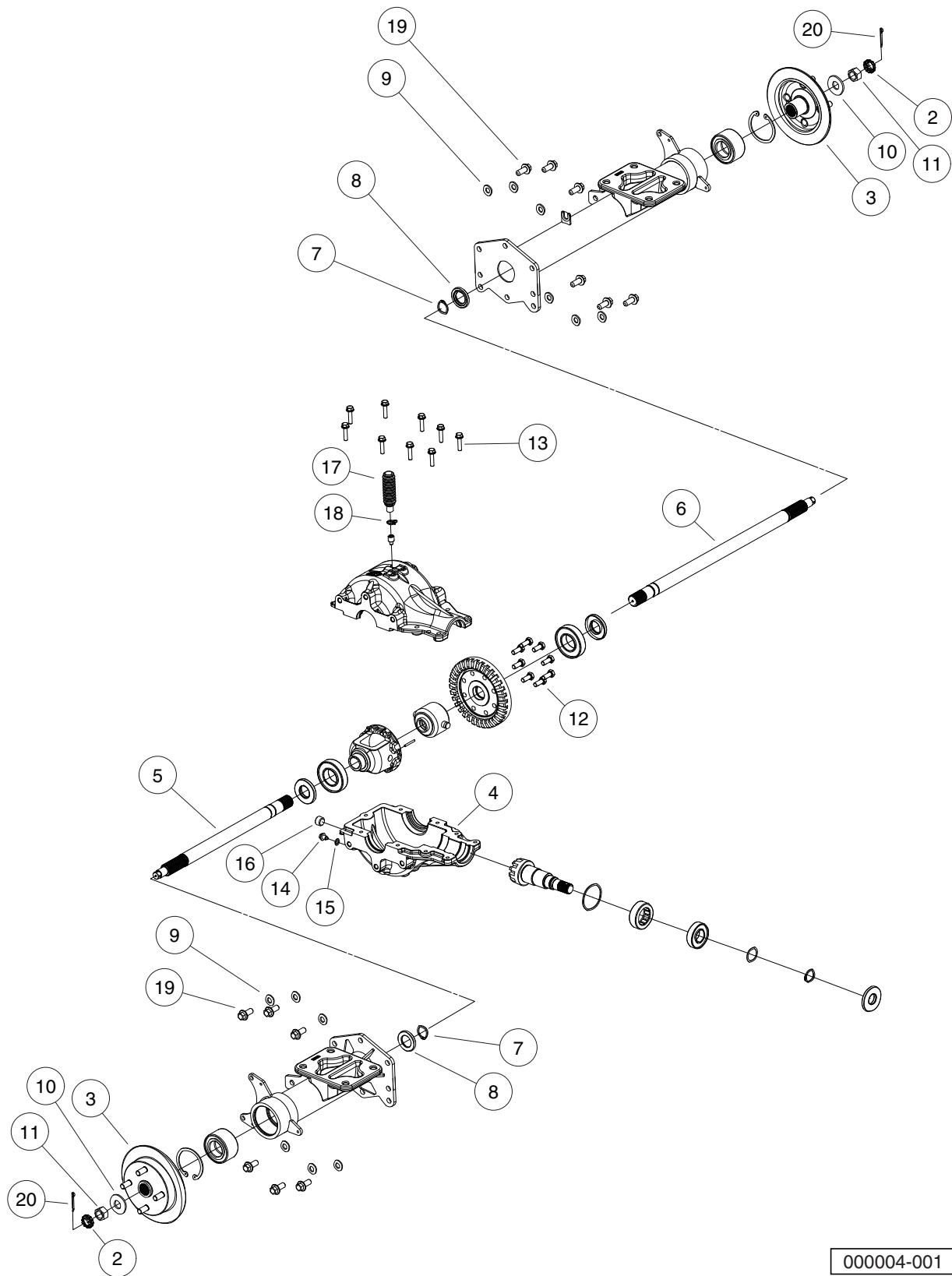
G

D

13

G

D



000004-001

REAR DIFFERENTIAL

| ITEM | PART NO. | DESCRIPTION | QTY |
|------|------------------|--|-----|
| | | 1 2 3 4 | |
| 1 | <u>102831501</u> | Axle, Rear, Guard Mounts (Complete Assembly) (includes items 2 through 20) | 1 |
| 2 | <u>102276001</u> | Locking Cap, Nut | 2 |
| 3 | <u>102376602</u> | Assy, Rotor, Brake, Rear | 2 |
| 4 | <u>102449101</u> | Gearcase, Lower, Machined | 1 |
| 5 | <u>102463501</u> | Axle, Right-hand | 1 |
| 6 | <u>102463601</u> | Axle, Left-Hand | 1 |
| 7 | <u>102463801</u> | Ring, Retaining, Internal | 2 |
| 8 | <u>102672101</u> | Washer, counterbored 51 X 30 | 2 |
| 9 | <u>102672201</u> | Washer, Belleville, 1.063 X .043 | 12 |
| 10 | <u>102672301</u> | Washer, Belleville, 49 X 4 | 2 |
| 11 | <u>102672401</u> | Nut, Hex, M20 X 1.5 , Modified | 2 |
| 12 | N/A | Screw, M10 X 25 | 8 |
| 13 | <u>102693301</u> | Screw, hex Flange, M8 X 35 | 9 |
| 14 | <u>102693401</u> | Plug, 3/8-16, Hex Flange | 1 |
| 15 | <u>102693501</u> | Washer, .625 X .382 X .60 | 1 |
| 16 | <u>102694201</u> | Plug, Square Skt, 1/12-14, Ptf | 1 |
| 17 | <u>102694301</u> | Bellows, Vent, Upper Housing | 1 |
| 18 | <u>102694401</u> | Clamp, Hose, Dw-9.5 | 1 |
| 19 | <u>102694701</u> | Screw, Hex Fl, M12 X 1.75 X 30 | 12 |
| 20 | <u>102694801</u> | Pin, Cotter, 5/32 X 1.25 | 2 |

13

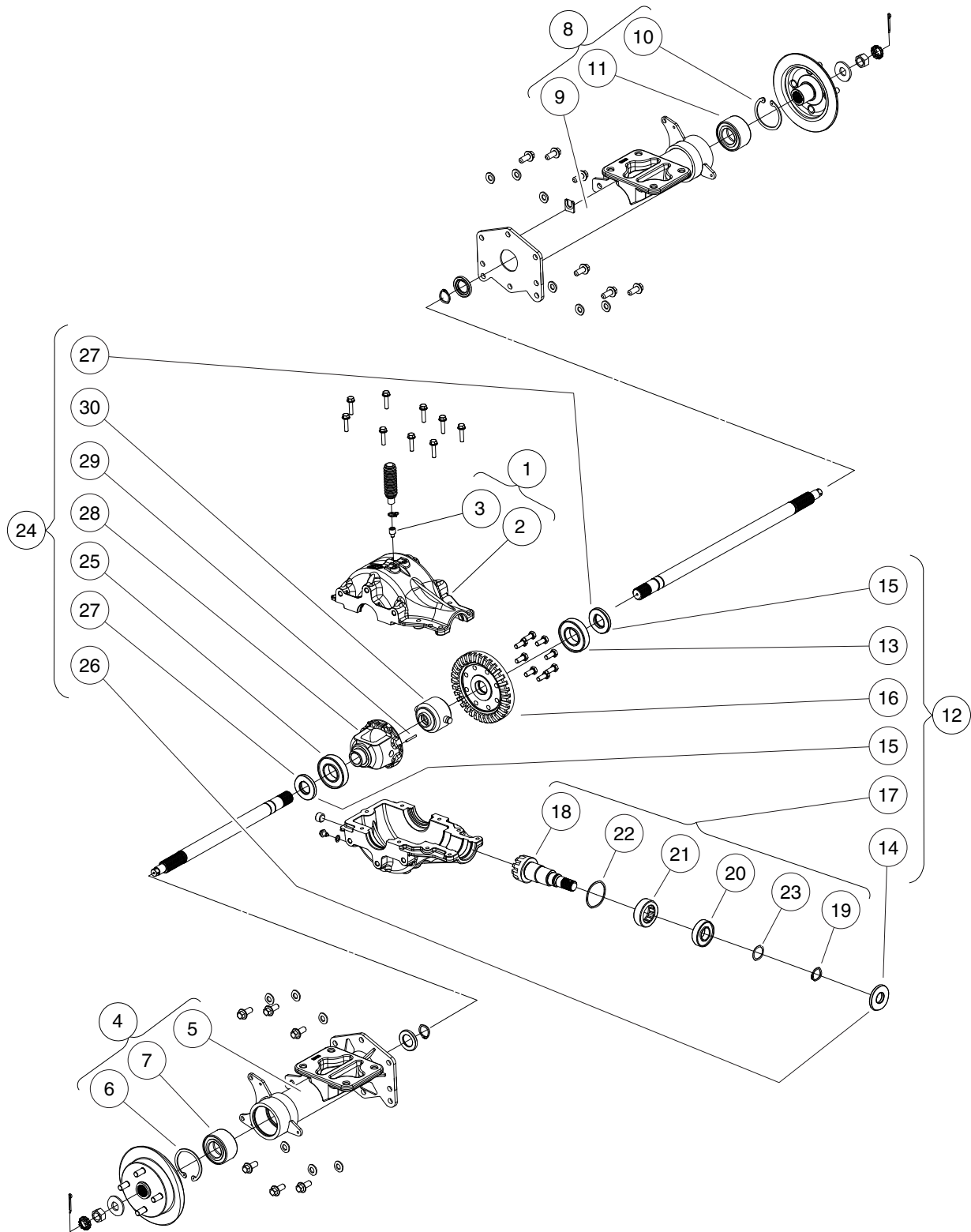
G

D

13

G

D



000004-002

REAR DIFFERENTIAL, CONTINUED

| ITEM | PART NO. | DESCRIPTION | QTY |
|------|------------------|--|-----|
| | | 1 2 3 4 | |
| 1 | <u>102765301</u> | Asm, Gearcase, Upper (includes items 2 and 3) | 1 |
| 2 | <u>102449201</u> | Gearcase, Upper, Machined | 1 |
| 3 | <u>102694001</u> | Vent, Top, Upper Housing | 1 |
| 4 | <u>102765401</u> | Asm, Axle Tube, RH (includes items 5 through 7) | 1 |
| 5 | <u>102463401</u> | Weldment, Axle Tube Rh | 1 |
| 6 | <u>102463801</u> | Ring, Retaining, Internal | 1 |
| 7 | <u>102464301</u> | Bearing | 1 |
| 8 | <u>102765501</u> | Asm, Axle Tube, LH (includes items 9 through 11) | 1 |
| 9 | <u>102463301</u> | Weldment, Axle Tube Lh | 1 |
| 10 | <u>102463801</u> | Ring, Retaining, Internal | 1 |
| 11 | <u>102464301</u> | Bearing | 1 |
| 12 | <u>102765801</u> | Kit, Rear Axle Gear Repair (includes items 13 through 17) | 1 |
| 13 | <u>102464201</u> | Bearing, Ball | 1 |
| 14 | <u>102464401</u> | Seal, Dual-Lip 25x 62x 7tc | 1 |
| 15 | <u>102464501</u> | Seal, Dual-Lip 30x 62x 8tc | 2 |
| 16 | <u>102762601</u> | Gear, Ring, 33-Tooth | 1 |
| 17 | <u>102765701</u> | Asm, Pinion W/ Bearings (includes items 18 through 23) | 1 |
| 18 | <u>102463101</u> | Pinion, 10t Machined | 1 |
| 19 | <u>102463901</u> | Ring, Retaining, External | 1 |
| 20 | <u>102464001</u> | Bearing, Ball | 1 |
| 21 | <u>102464101</u> | Bearing, Needle, Drawn Shell | 1 |
| 22 | <u>102693601</u> | Washer, 2.625 X 2.367 X .06 | 1 |
| 23 | <u>102694502</u> | Shim, 1.50 X 1.189 X .008 | 1 |
| 24 | <u>102961501</u> | Asm, Differential & Carrier (includes items 25 through 30) | 1 |
| 25 | <u>102464201</u> | Bearing, Ball | 1 |
| 26 | <u>102464401</u> | Seal, Dual-Lip 25x 62x 7tc | 1 |
| 27 | <u>102464501</u> | Seal, Dual-Lip 30x 62x 8tc | 2 |
| 28 | <u>102961301</u> | Housing, Differential, Mach | 1 |
| 29 | <u>102961401</u> | Pin, Dowel, 4 X 35 | 1 |
| 30 | <u>102961601</u> | Asm, Locker, Nongrease/Spacers | 1 |

13

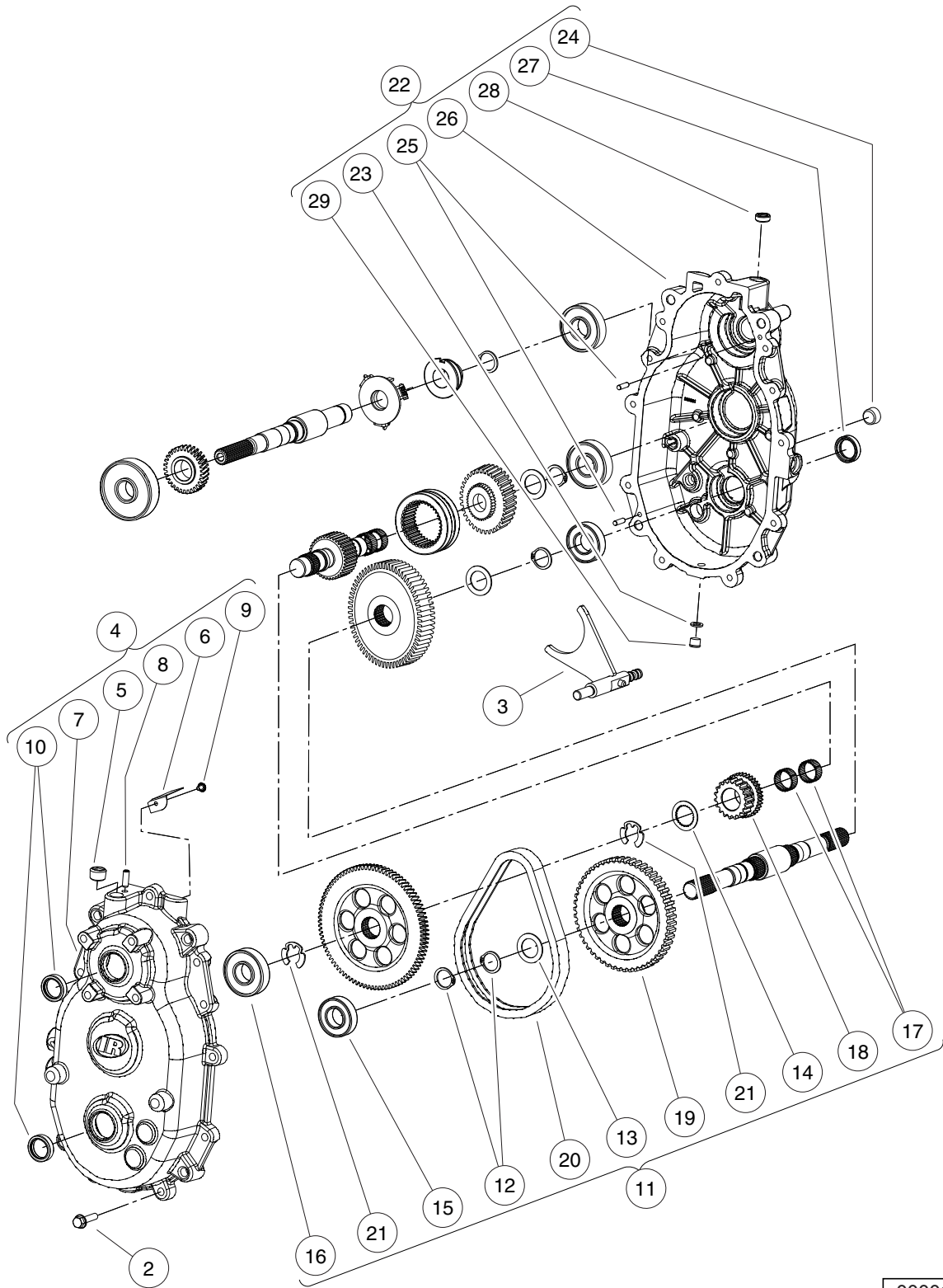
G

D

13

G

D



000016-006

TRANSMISSION – DIESEL VEHICLES

| ITEM | PART NO. | DESCRIPTION | QTY |
|------|------------------|--|-----|
| | | 1 2 3 4 | |
| 1 | <u>102943201</u> | Transmission, Diesel, Parallel Shaft (includes items 2 through 22) | 1 |
| 2 | <u>102693301</u> | Screw,hex Flange, M8 X 35 | 11 |
| 3 | <u>102697801</u> | Fork, Transmission | 1 |
| 4 | <u>102764201</u> | Asm, Gear Case, Rear (includes items 5 through 10) | 1 |
| 5 | <u>102694201</u> | Plug, Square Skt, 1/12-14, Ptf | 1 |
| 6 | <u>102696301</u> | Oil, Deflector | 1 |
| 7 | <u>102697401</u> | Gearcase, Rear | 1 |
| 8 | <u>102698301</u> | Vent, Trans | 1 |
| 9 | <u>102698901</u> | Screw, Tapping # 10-24 X .375 | 1 |
| 10 | <u>102699401</u> | Seal, Triple, 25 X 35 X 7.8 | 2 |
| 11 | <u>102765201</u> | Kit, Reverse Gear Repair (includes items 12 through 21) | 1 |
| 12 | <u>102696201</u> | Ring, Retaining, Basic External | 2 |
| 13 | <u>102696501</u> | Washer, Thrust, 1.007 X .062 | 1 |
| 14 | <u>102696701</u> | Washer, 26.231 X 39.167 X 1.57 | 1 |
| 15 | <u>102696801</u> | Bearing, Ball | 1 |
| 16 | <u>102696901</u> | Bearing, Ball | 1 |
| 17 | <u>102697101</u> | Bearing, Needle | 2 |
| 18 | <u>102697601</u> | Sprocket, 19-Tooth | 1 |
| 19 | <u>102697701</u> | Sprocket, 51-Tooth | 1 |
| 20 | <u>102699201</u> | Chain, .375p, .75 Wide, 60ptch | 1 |
| 21 | <u>102699701</u> | Ring, Retaining, E-Ring | 2 |
| 22 | <u>103250301</u> | Asm, Case, Gear, Front (includes items 23 through 29) | 1 |
| 23 | <u>102693501</u> | Washer, .625 X .382 X .60 | 1 |
| 24 | <u>102694201</u> | Plug, Square Skt, 1/12-14, Ptf | 1 |
| 25 | <u>102696101</u> | Pin, Dowel, 6 X 20 | 2 |
| 26 | <u>102697301</u> | Gearcase, Front | 1 |
| 27 | <u>102699401</u> | Seal, Triple, 25 X 35 X 7.8 | 1 |
| 28 | <u>102721501</u> | Seal, Dual-Lip | 1 |
| 29 | <u>103250401</u> | Plug, 3/4-16 | 1 |

13

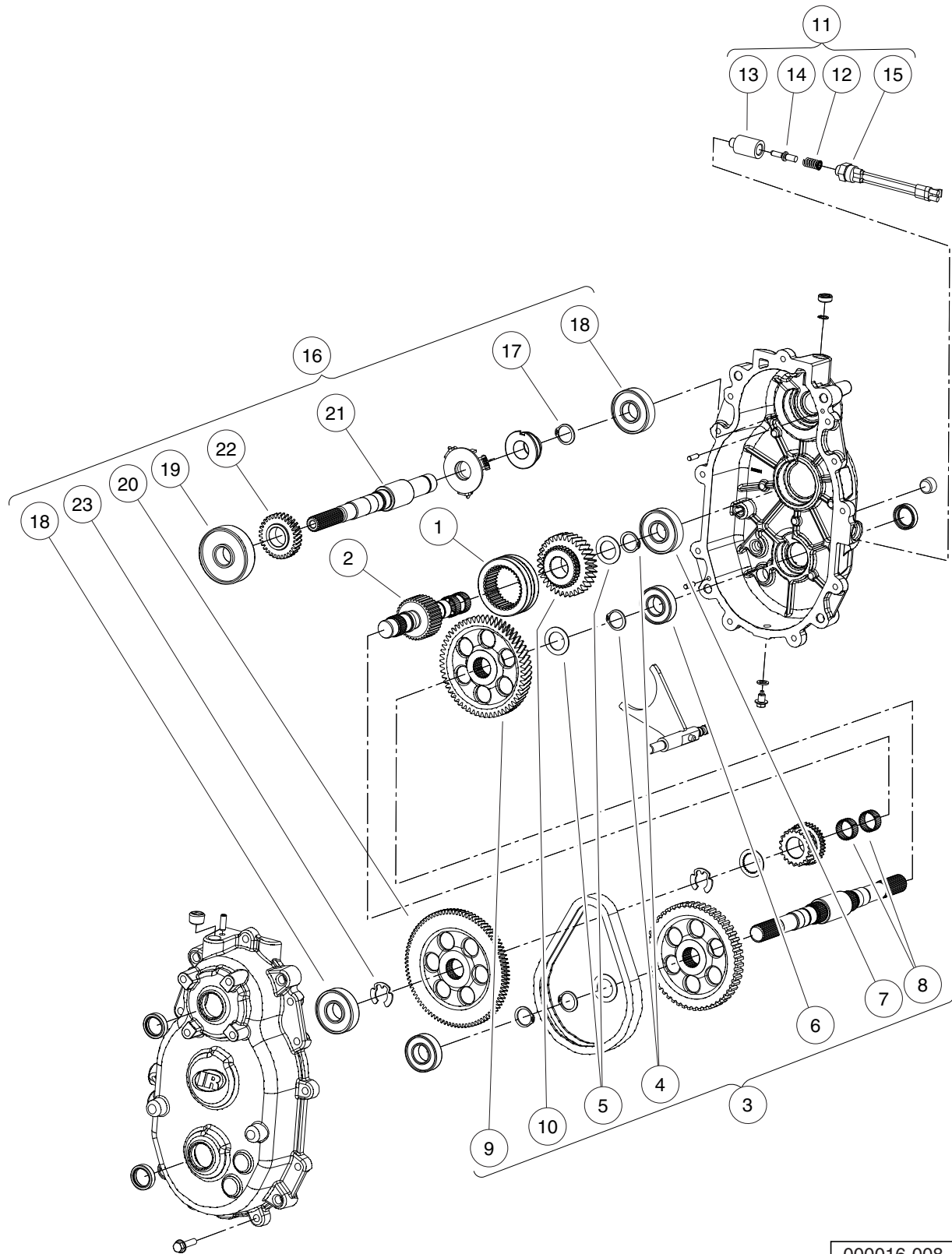
G

D

13

G

D



000016-008

TRANSMISSION – DIESEL VEHICLES, CONTINUED

| ITEM | PART NO. | DESCRIPTION | QTY |
|------|------------------|---|-----|
| | | 1 2 3 4 | |
| 1 | <u>102697501</u> | Dog, Engagement | 1 |
| 2 | <u>102698701</u> | Shaft, Intermediate | 1 |
| 3 | <u>102764901</u> | Kit, Forward Gear Repair (includes items 4 through 10) | 1 |
| 4 | <u>102696201</u> | Ring, Retaining, Basic External | 2 |
| 5 | <u>102696501</u> | Washer, Thrust, 1.007 X .062 | 2 |
| 6 | <u>102696801</u> | Bearing, Ball | 1 |
| 7 | <u>102696901</u> | Bearing, Ball | 1 |
| 8 | <u>102697101</u> | Bearing, Needle | 2 |
| 9 | <u>102697901</u> | Gear, Helical 58-Tooth | 1 |
| 10 | <u>102698001</u> | Gear, Helical 34-Tooth | 1 |
| 11 | <u>102765101</u> | Kit, Neutral Switch Repair (includes items 12 through 15) | 1 |
| 12 | <u>102697201</u> | Spring, .484 X .340 X 1.076 | 1 |
| 13 | N/A | Guide, Detent Bullet | 1 |
| 14 | <u>102698601</u> | Bullet, Detent | 1 |
| 15 | <u>102699301</u> | Switch, Indicator, Pollak | 1 |
| 16 | <u>103721801</u> | Kit, Input Shaft Repair (includes items 17 through 23) | 1 |
| 17 | <u>102696201</u> | Ring, Retaining, Basic External | 1 |
| 18 | <u>102696901</u> | Bearing, Ball | 1 |
| 19 | <u>102697001</u> | Bearing, Ball | 2 |
| 20 | <u>102698101</u> | Gear, Helical 90-Tooth | 1 |
| 21 | <u>102698401</u> | Shaft, Input | 1 |
| 22 | <u>102699001</u> | Gear, Helical, 31-tooth | 1 |
| 23 | <u>102699701</u> | Ring, Retaining, E-Ring | 1 |

13

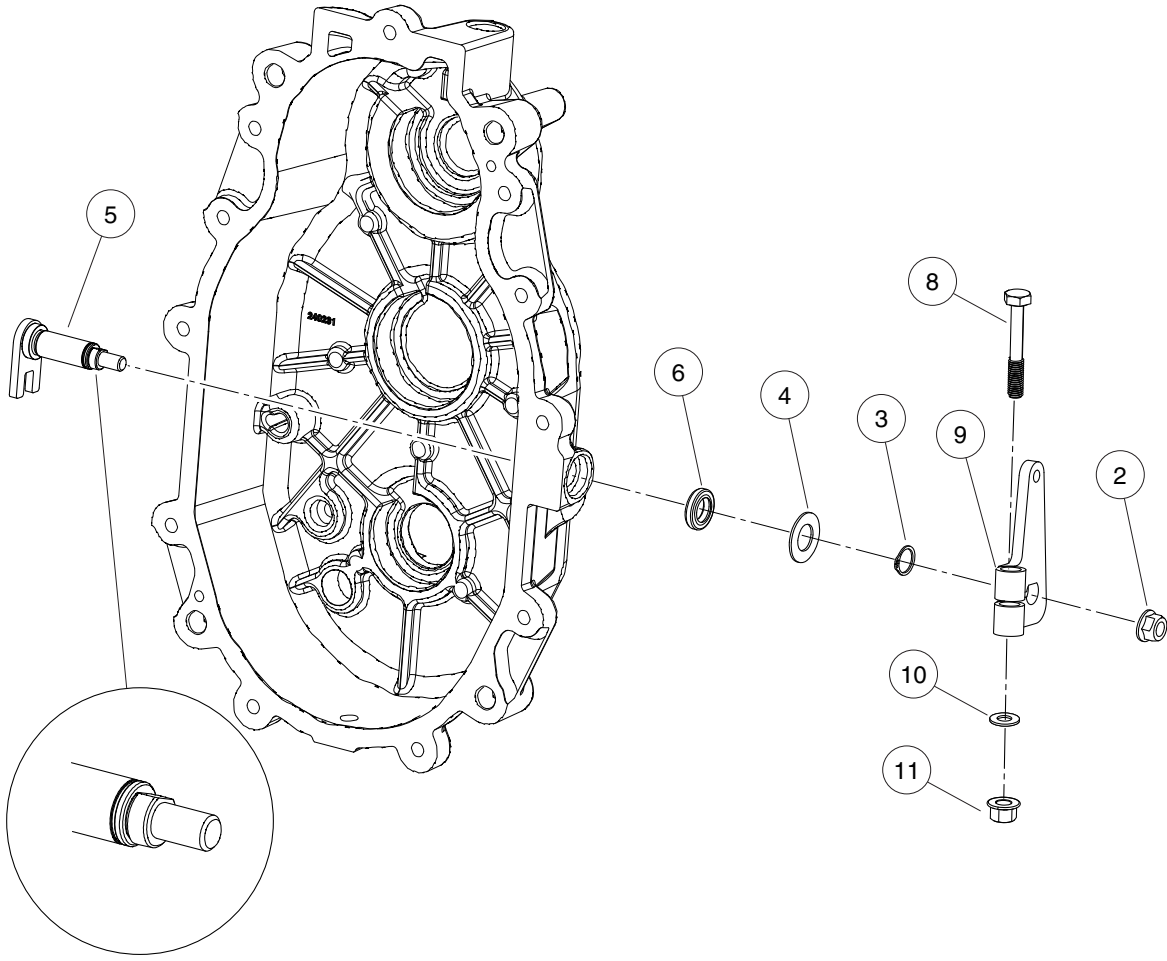
G

D

13

G

D



000016-009

TRANSMISSION – DIESEL VEHICLES, SHIFT SHAFT AND BELL CRANK (STYLE A)

| ITEM | PART NO. | DESCRIPTION | QTY |
|------|------------------|--|-----|
| | | 1 2 3 4 | |
| 1 | 102765001 | Kit, Trans Shift Shaft Repair (includes items 2 through 6) | 1 |
| 2 | <u>102696001</u> | Nut, Lock Hex, Nylon, 5/16-24 | 1 |
| 3 | <u>102696401</u> | Ring, Retaining, External 9/16 | 1 |
| 4 | <u>102696601</u> | Washer, Flat, .58 X 1.08 X .05 | 1 |
| 5 | N/A | Weldment, Shift, Shaft | 1 |
| 6 | <u>102699601</u> | Seal, Dul Lip, .88 X .56 X .19 | 1 |
| 7 | 103294301 | Kit, Bellcrank, D Shape, Clamp (includes items 8 through 11) | 1 |
| 8 | <u>1010177</u> | Bolt, 3/8-16 X 2.00 Hex Head | 1 |
| 9 | N/A | Asm, Bellcrank, D Shape, Clamp | 1 |
| 10 | <u>334</u> | Washer, 3/8 Type A Flat | 1 |
| 11 | <u>8754</u> | Locknut, 3/8-16 Hex | 1 |

13

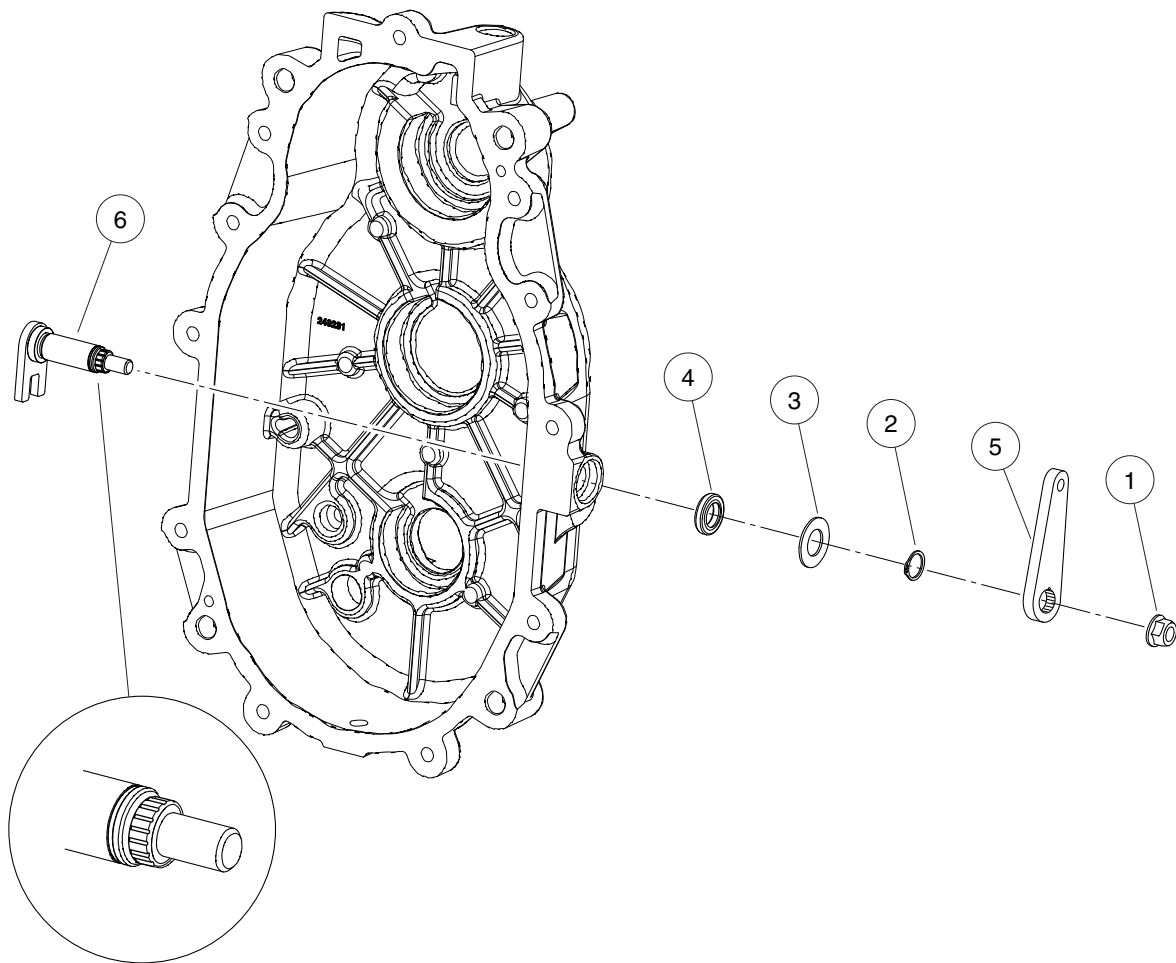
G

D

13

G

D



000016-010

TRANSMISSION – DIESEL VEHICLES, SHIFT SHAFT AND BELL CRANK (STYLE B)

| ITEM | PART NO. | DESCRIPTION | QTY |
|------|------------------|--------------------------------------|-----|
| | | 1 2 3 4 | |
| 1 | <u>102696001</u> | Nut, Lock Hex, Nylon, 5/16-24 | 1 |
| 2 | <u>102696401</u> | Ring, Retaining, External 9/16 | 1 |
| 3 | <u>102696601</u> | Washer, Flat, .58 X 1.08 X .05 | 1 |
| 4 | <u>102699601</u> | Seal, Dul Lip, .88 X .56 X .19 | 1 |
| 5 | <u>103239501</u> | Bellcrank, Alum | 1 |
| 6 | <u>103239801</u> | Shaft, Shift | 1 |

13

G

D

13

G

D

RADIATOR AND COOLANT SYSTEM – DIESEL VEHICLES

14

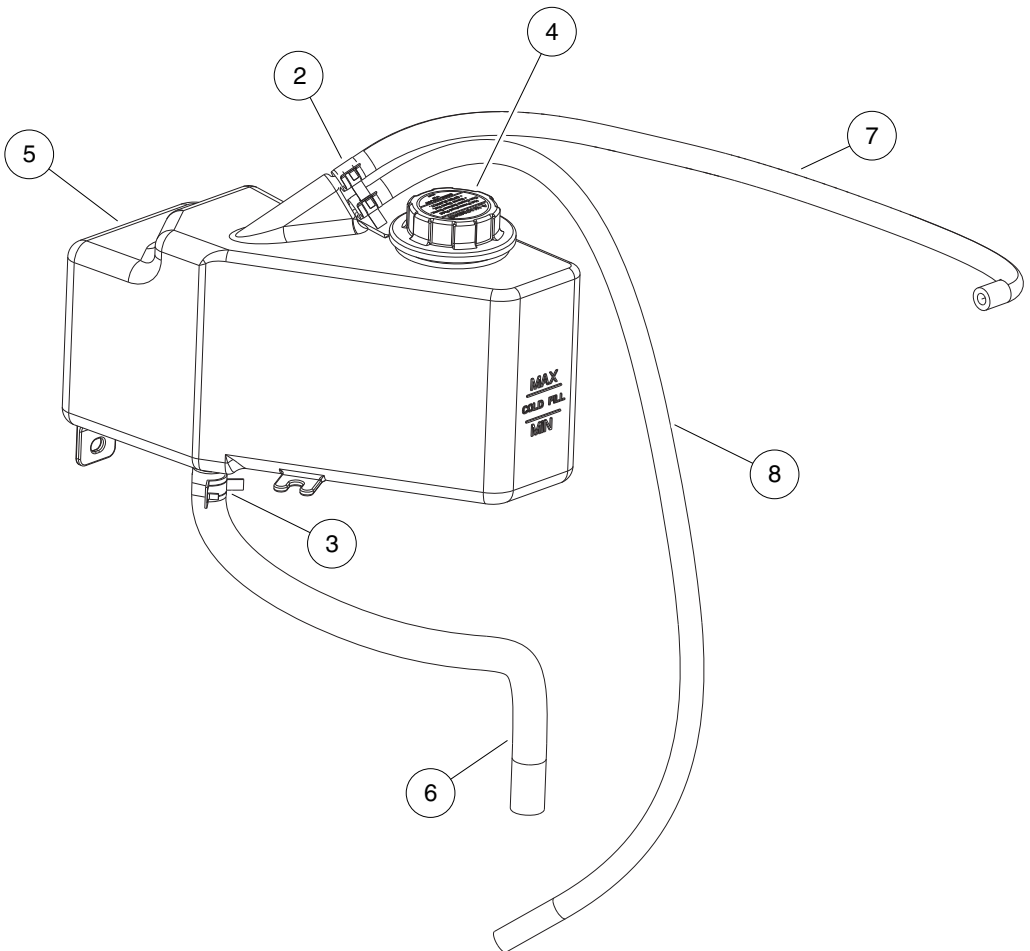
D

RADIATOR

14

D

| ITEM | PART NO. | DESCRIPTION | QTY |
|------|------------------|--|-----|
| | | 1 2 3 4 | |
| 1 | N/A | Asm, Radiator (includes items 2 through 16) | 1 |
| 2 | <u>1014471</u> | Tape, Vinyl Foam 1/8" x 3/4" * | 1 |
| 3 | <u>102377801</u> | Hose, Coolant Lower Pipe | 1 |
| 4 | <u>102377901</u> | Hose, Coolant Lower Rad | 1 |
| 5 | <u>102380301</u> | Tee, Coolant Fill | 1 |
| 6 | <u>102410301</u> | Exchanger, Engine Coolant (includes items 7 and 8) | 1 |
| 7 | <u>102737301</u> | Cap, Radiator | 1 |
| 8 | <u>102737401</u> | Drain Cock, Radiator | 1 |
| 9 | <u>102411207</u> | Clamp, Hose, Ctb 35mm | 2 |
| 10 | <u>102411208</u> | Clamp, Hose, Ctb 38mm | 1 |
| 11 | <u>102411301</u> | Nut, Self Retaining | 4 |
| 12 | <u>102436701</u> | Fan, Cooling 12 In Elect | 1 |
| 13 | <u>102490301</u> | Bolt, M6 X 1 X 16 Loctite | 8 |
| 14 | <u>102685001</u> | Isolator, Twin-Stud | 2 |
| 15 | <u>102855501</u> | Shroud, Radiator Fan | 1 |
| 16 | <u>96705199</u> | Washer, M6 | 4 |
| | | * Note: Item not shown. | |



000540-001

COOLANT EXPANSION TANK

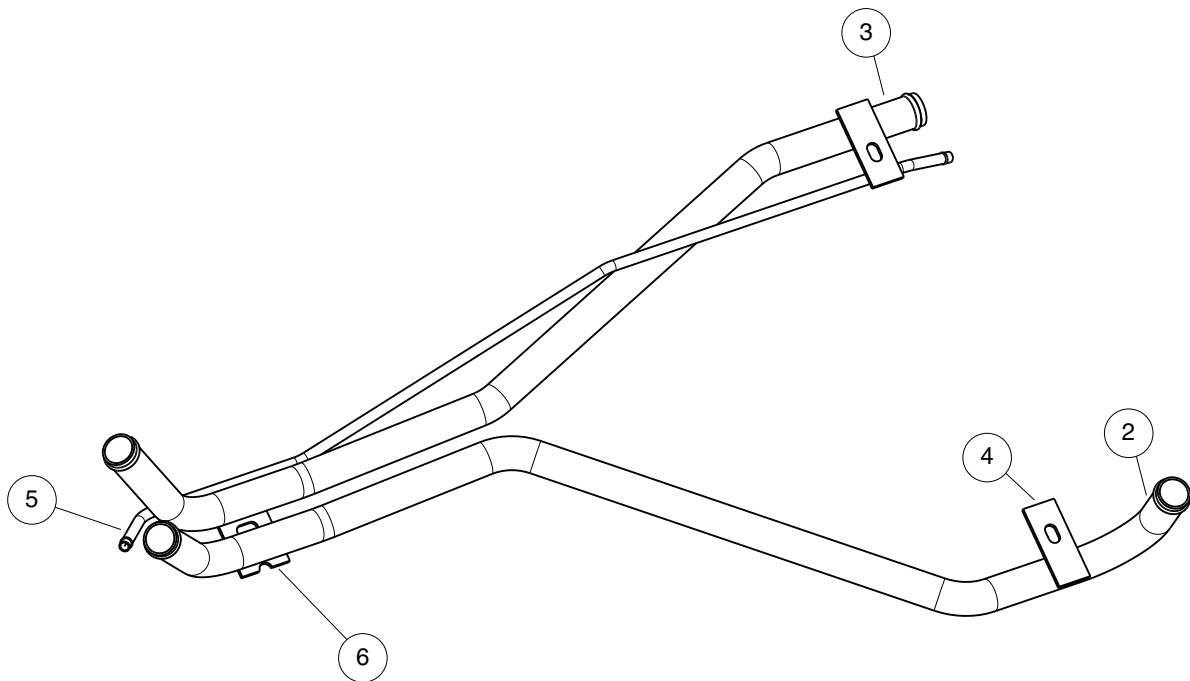
| ITEM | PART NO. | DESCRIPTION | QTY |
|------|------------------|--|-----|
| | | 1 2 3 4 | |
| 1 | N/A | Asm, Coolant Bottle (includes items 2 through 8) | 1 |
| 2 | <u>102411204</u> | Clamp, Hose, CTB 15mm | 2 |
| 3 | N/A | Clamp, Hose, Ctb 25mm | 1 |
| 4 | <u>102427501</u> | Cap, Radiator | 1 |
| 5 | <u>102973201</u> | Bottle, Coolant | 1 |
| 6 | N/A | Hose, Cut, 5/8, 445 | 1 |
| 7 | N/A | Hose, Cut, Coolant, 700 | 1 |
| 8 | N/A | Hose, Cut, Coolant, 1100 | 1 |

14

D

14

D



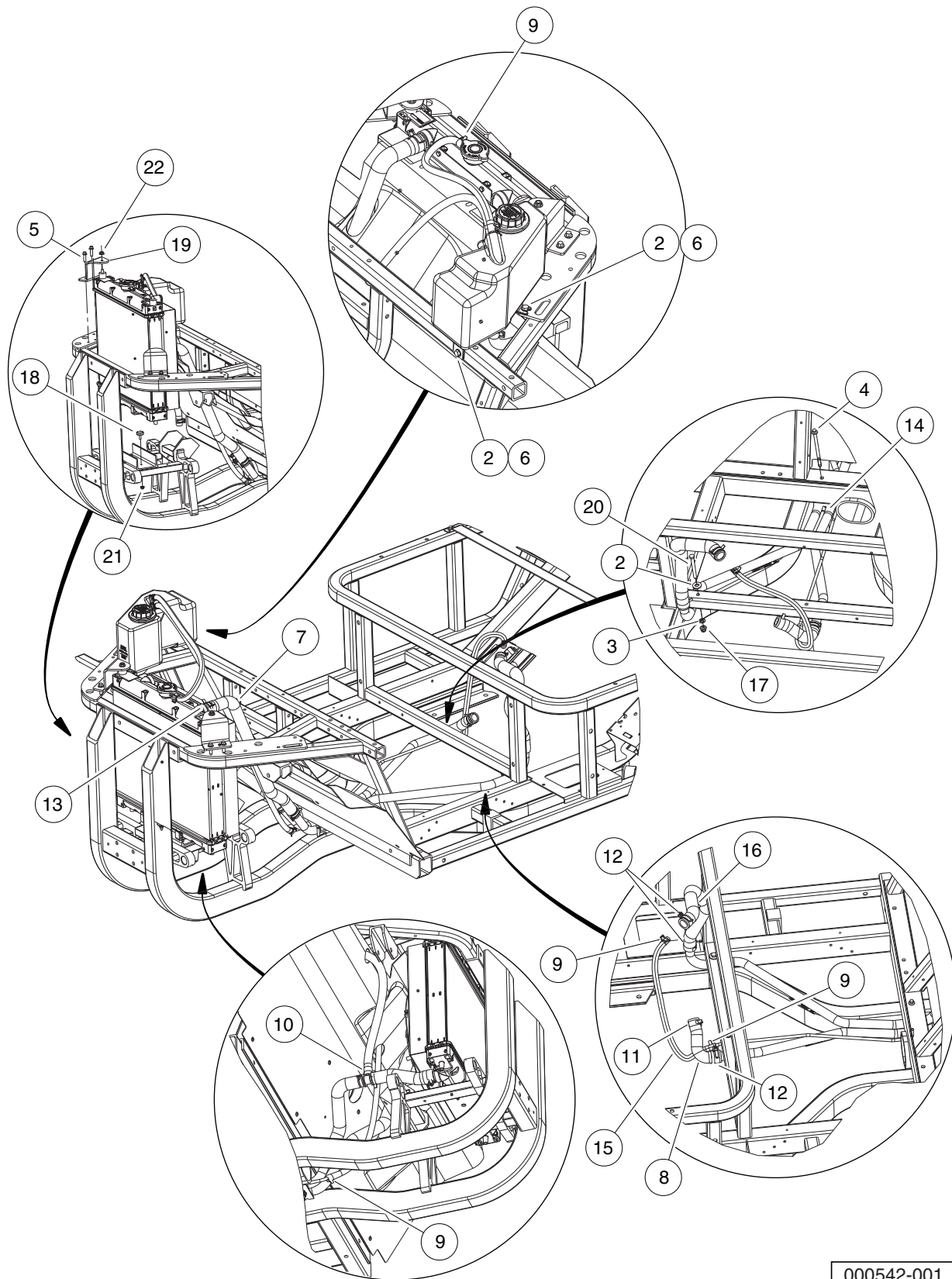
000539-001

COOLANT PIPES AND HOSES

| ITEM | PART NO. | DESCRIPTION | QTY |
|------|------------------|--|-----|
| | | 1 2 3 4 | |
| 1 | <u>102628701</u> | Weldment, Group, Coolant Pipe (includes items 2 through 6) | 1 |
| 2 | <u>102377401</u> | Pipe, Coolant Upper | 1 |
| 3 | <u>102377701</u> | Pipe, Coolant Lower | 1 |
| 4 | N/A | Tab, Rear Mntg, Coolant Pipe | 2 |
| 5 | N/A | Pipe, Vent, Coolant | 1 |
| 6 | N/A | Tab, Cooling Pipe Mount | 1 |

14

D



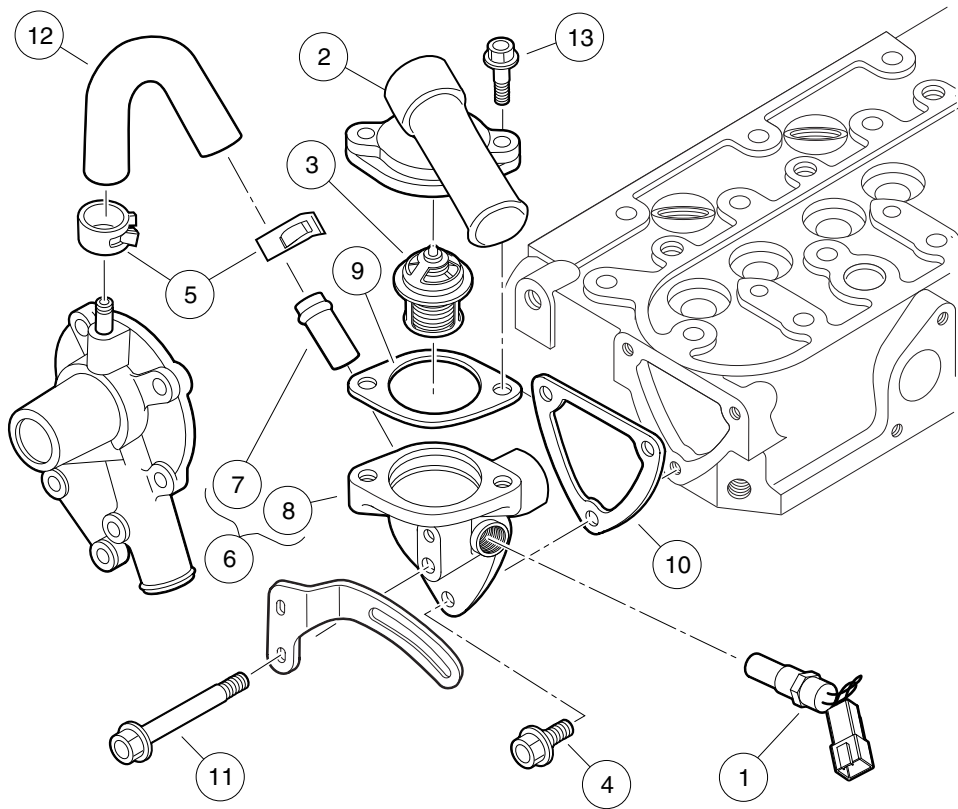
000542-001

COOLING SYSTEM CLAMPS, HOSES, AND HARDWARE

| ITEM | PART NO. | DESCRIPTION | QTY |
|------|------------------|--|-----|
| | | 1 2 3 4 | |
| 1 | N/A | Instl, System, Cooling, Diesel (includes items 2 through 22) | 1 |
| 2 | <u>1011578</u> | Washer, 5/16 Type B Flat | 3 |
| 3 | <u>1015457</u> | Spacer, 0.720" | 1 |
| 4 | <u>102288901</u> | Bolt - Hex, M8x1.25 X 135 | 1 |
| 5 | <u>102289001</u> | Screw, M8X1.25X30, Hex | 4 |
| 6 | <u>102298720</u> | M8-1.25x20 Taptite | 2 |
| 7 | <u>102377501</u> | Hose, Coolant Upper Rad | 1 |
| 8 | <u>102377601</u> | Hose, Coolant Lower Eng | 1 |
| 9 | <u>102411204</u> | Clamp, Hose, CTB 15mm | 4 |
| 10 | <u>102411205</u> | Clamp, Hose, CTB 22mm | 1 |
| 11 | <u>102411206</u> | Clamp, Hose, Ctb 30mm | 1 |
| 12 | <u>102411207</u> | Clamp, Hose, Ctb 35mm | 5 |
| 13 | <u>102411208</u> | Clamp, Hose, Ctb 38mm | 1 |
| 14 | <u>102427601</u> | Clamp, Bar | 1 |
| 15 | <u>102435001</u> | Hose, Vent Tube To Eng, Coolnt | 1 |
| 16 | <u>102480501</u> | Hose, Coolant, Return, Engine | 1 |
| 17 | 102618601 | Lock Nut, Flg M8 X 1.25 Nylon | 3 |
| 18 | <u>102684901</u> | Bumper, 19mm Stud | 2 |
| 19 | <u>102946701</u> | Bracket, Radiator Support | 2 |
| 20 | <u>103423701</u> | Bolt, M8 X 1.25 X 110 | 1 |
| 21 | <u>96704176</u> | Nut Flg, M6 X 1 Serrated | 2 |
| 22 | <u>96704416</u> | Nut Flg, M8 X 1.25 Serrated | 2 |

14

D



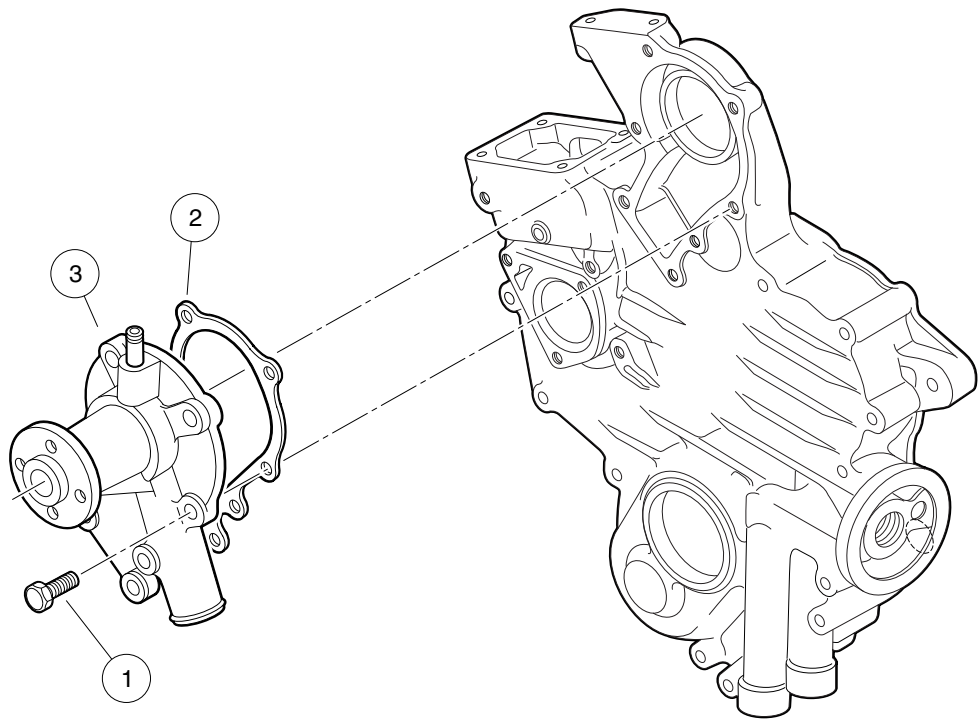
000059-001

WATER FLANGE AND THERMOSTAT

| ITEM | PART NO. | DESCRIPTION | QTY |
|------|------------------|--|-----|
| | | 1 2 3 4 | |
| 1 | <u>102410001</u> | Sensor, Coolant Temp | 1 |
| 2 | <u>102631301</u> | Cover, Thermostat | 1 |
| 3 | <u>102631401</u> | Assy, Thermostat | 1 |
| 4 | <u>102631601</u> | Bolt, M6 X 1 X 20 | 2 |
| 5 | <u>102633001</u> | Band, Pipe | 2 |
| 6 | <u>102633201</u> | Flange, Water (includes items 7 and 8) | 1 |
| 7 | <u>102633301</u> | Pipe, Water Return, D722 | 1 |
| 8 | N/A | Flange, Water | 1 |
| 9 | <u>102633401</u> | Gasket, Thermostat | 1 |
| 10 | <u>102654701</u> | Gasket, Water Flange | 1 |
| 11 | <u>102730901</u> | Bolt, Alt, D722, Stay Lower | 1 |
| 12 | <u>102731001</u> | Pipe, Water Return, D722 | 1 |
| 13 | <u>102731101</u> | Bolt, D722, Thermostat Cover | 2 |

14

D



000060-001

WATER PUMP

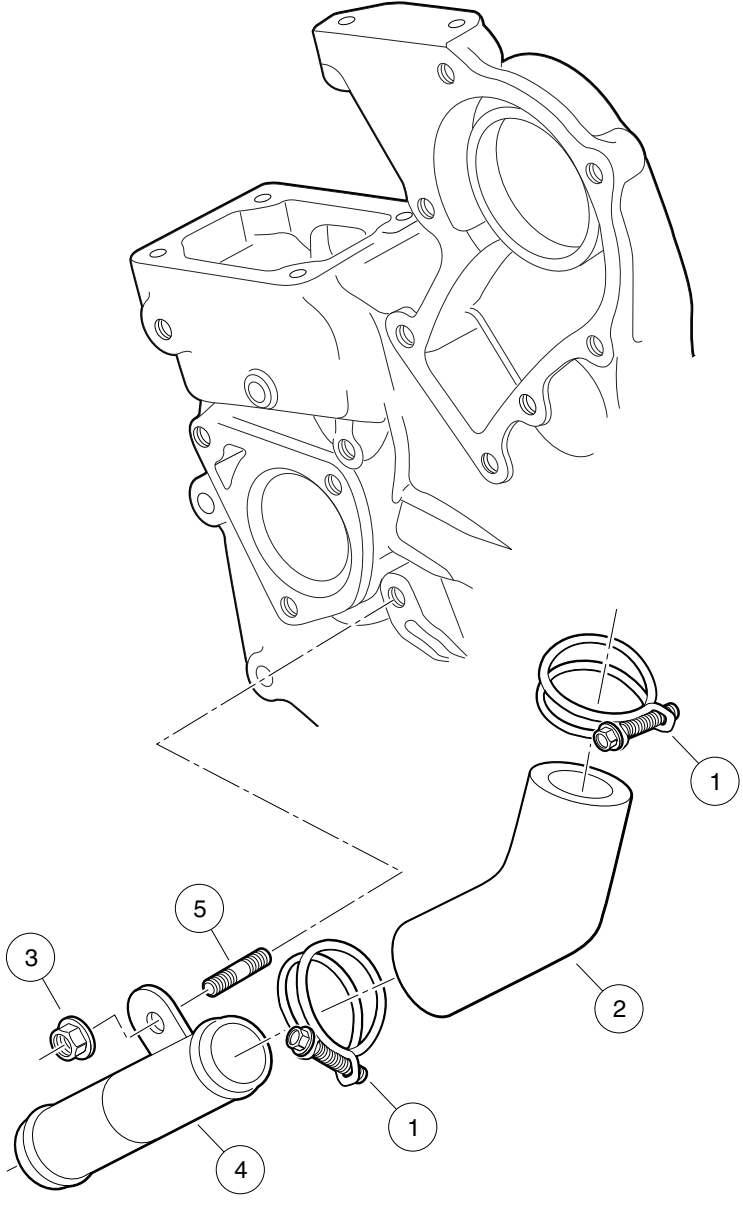
| ITEM | PART NO. | DESCRIPTION | QTY |
|------|------------------|--------------------------------|-----|
| | | 1 2 3 4 | |
| 1 | <u>102608701</u> | Bolt, M6 X 1 X 22 | 4 |
| 2 | <u>102632701</u> | Gasket, Water Pump, D722 | 1 |
| 3 | <u>102731201</u> | Water Pump Assembly | 1 |

14

D

14

D



000061-001

BLOCK COOLANT PIPE

| ITEM | PART NO. | DESCRIPTION | QTY |
|------|------------------|----------------------------|-----|
| | | 1 2 3 4 | |
| 1 | <u>102631701</u> | Band, Pipe, with Nut | 2 |
| 2 | <u>102631801</u> | Pipe, Water, Bent | 1 |
| 3 | <u>102632001</u> | Nut, Flange, M6 | 1 |
| 4 | <u>102632101</u> | Pipe, Water, Bent | 1 |
| 5 | <u>102632201</u> | Stud, M6 X 15 | 1 |

14

D

14

D

MAINTENANCE AND SERVICE TOOLS

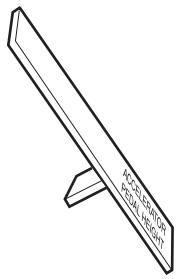
15

G

E

D

15
G
E
D



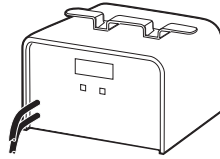
1



2



3



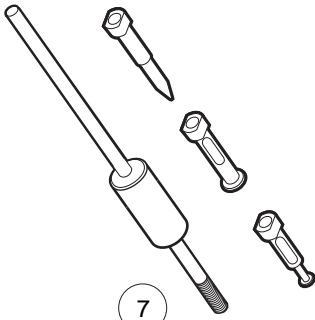
4



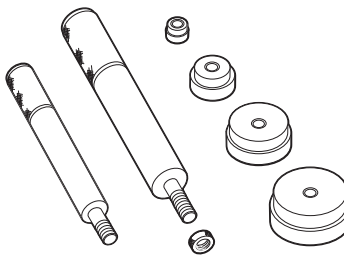
5



6



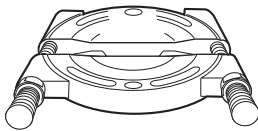
7



8



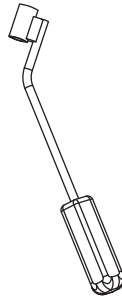
9



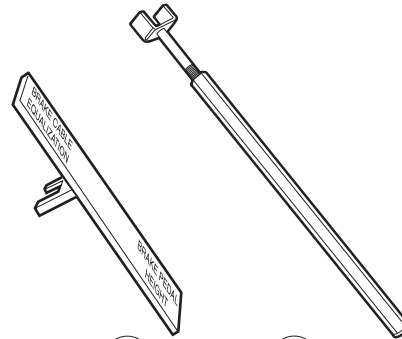
10



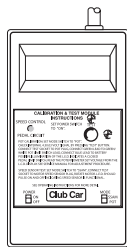
11



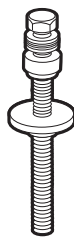
12



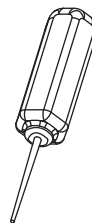
14
15
13



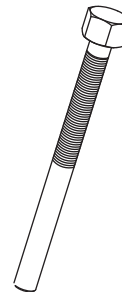
16



17



18



19

MAINTENANCE AND SERVICE TOOLS

| ITEM | PART NO. | DESCRIPTION | QTY DIESEL | QTY GAS | QTY ELEC |
|------|------------------|---|---------------|------------|-------------|
| | | <p style="text-align: center;">1 2 3 4</p> <p>The following tool list includes all tools available from Club Car for maintenance and service procedures for gasoline, electric, and/or diesel vehicles, both past and present models. Be sure to carefully examine the tool list for applicability to your vehicle before ordering.</p> | | | |
| 1 | <u>101871001</u> | Accelerator Pedal Adjustment Tool | | 1 | 1 |
| 2 | <u>101813202</u> | Adhesive, Guide Ring, 3-Gram Tube | | | 1 |
| 3 | <u>101641202</u> | Arbor | | 1 | |
| 4 | <u>101831901</u> | Battery Discharge Machine, 36/48 Volt | | | 1 |
| 5 | <u>1014305</u> | Battery Terminal Protector Spray | 1 | 1 | 1 |
| 6 | 1011767 | Battery Thermometer | 1 | 1 | 1 |
| 7 | <u>1016417</u> | Bearing and Oil Seal Remover Assembly | 1 | 1 | 1 |
| 8 | <u>1016416</u> | Bearing Driver Set | 1 | 1 | 1 |
| 9 | <u>1012811</u> | Bearing Puller | 1 | 1 | 1 |
| 10 | <u>1012812</u> | Bearing Puller Wedge Attachment | 1 | 1 | 1 |
| 11 | 1013582 | Brake Adjustment Tool (used only on vehicles with manually adjusted mechanical brakes) | | | |
| 12 | <u>102555501</u> | Brake Cable Release Tool | 1 | 1 | 1 |
| 13 | 102249901 | Brake Pedal Adjustment Tool Kit (used for the Carryall Electric Industrial Truck only) (includes items 14 and 15)..... | | | 1 |
| 14 | **** | Brake Pedal Adjustment Tool | | | 1 |
| 15 | **** | Brake Pedal Tension Tool | | | 1 |
| 16 | <u>101887101</u> | Calibration Test Module | | | 1 |
| 17 | <u>101808401</u> | Cam Installation Tool | | 1 | |
| 18 | <u>102562401</u> | Charger Bezel Tool | | | 1 |
| 19 | <u>102686101</u> | Clutch Removal Tool (for 4x4 vehicles) | 1 | 1 | |
| | | Please refer to the maintenance and service manual for proper tool application. | | | |
| | **** | Special order item available upon request | | | |

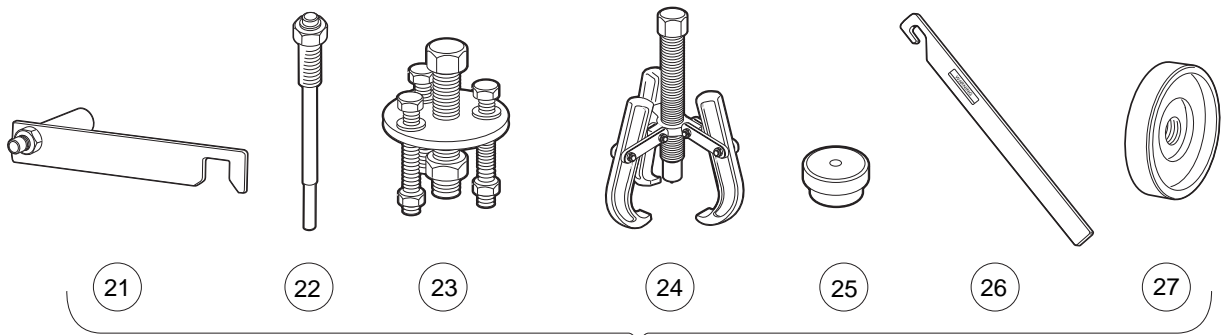
15

G

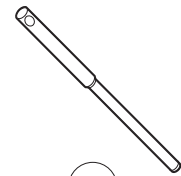
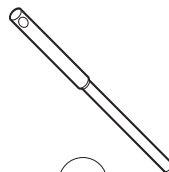
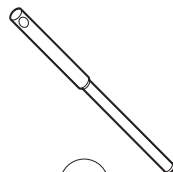
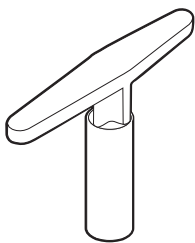
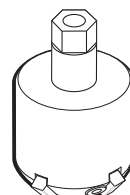
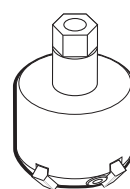
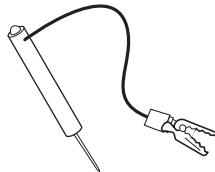
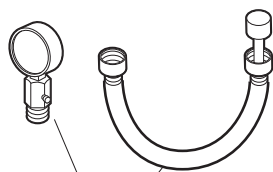
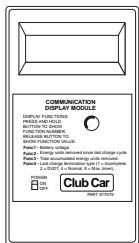
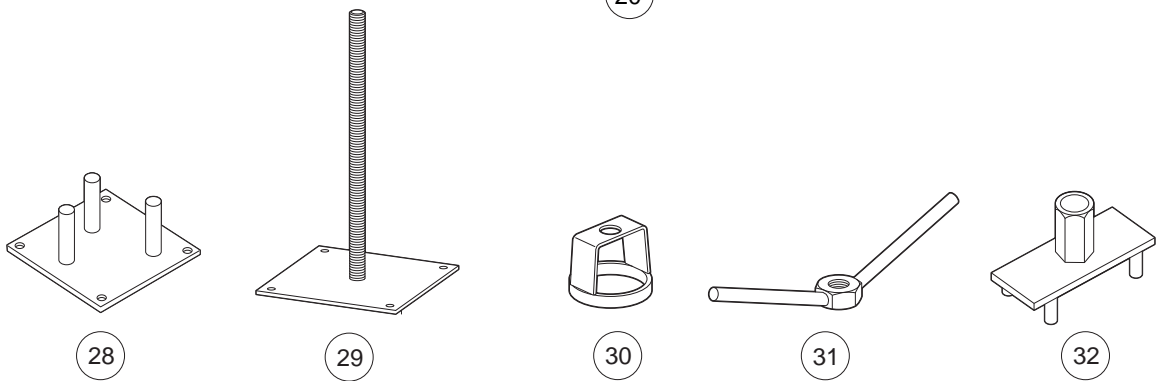
E

D

15
G
E
D



20



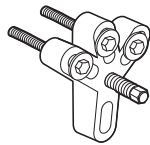
MAINTENANCE AND SERVICE TOOLS, CONTINUED

| ITEM | PART NO. | DESCRIPTION | QTY | QTY | QTY | 15 |
|------|------------------|--|--------|-----|------|----|
| | | | DIESEL | GAS | ELEC | |
| | | 1 2 3 4 | | | | G |
| 20 | <u>1014510</u> | Clutch Tool Kit (includes items 21 - 27) | | 1 | | E |
| 21 | <u>1014498</u> | Clutch Alignment Tool (for pre-unitized transaxle vehicles built prior to 1997 model year) | | 1 | | D |
| 22 | <u>1014496</u> | Drive Clutch Puller (for Kawasaki engines only) | | 1 | | |
| 23 | <u>1014497</u> | Drive Clutch Hub Puller (for Kawasaki engines only) | | 1 | | |
| 24 | <u>1014508</u> | Driven Clutch Cam Puller (for Kawasaki engines only) | | 1 | | |
| 25 | <u>1014507</u> | Driven Clutch Puller Plug (for Kawasaki engines only) | | 1 | | |
| 26 | <u>1015524</u> | Drive Clutch Holder Tool Assembly (for Kawasaki engines only) | | 1 | | |
| 27 | <u>101809101</u> | Press Weldment (for Kawasaki engines only) | | 1 | | |
| 28 | <u>102601501</u> | Drive ClutchFixed Sheave Tool (for 4x4 vehicles) | 1 | 1 | | |
| 29 | <u>102603501</u> | Driven Clutch Spring Compression Base (for use with items 30 and 31) (for 4x4 vehicles) | 1 | 1 | | |
| 30 | <u>102605201</u> | Driven Clutch Spring Compression Collar (for use with items 29 and 31) (for 4x4 vehicles) | 1 | 1 | | |
| 31 | <u>102606101</u> | Driven Clutch Spring Compression Nut (for use with items 29 and 30) (for 4x4 vehicles) | 1 | 1 | | |
| 32 | <u>102607501</u> | Drive Clutch Spider Removal Tool (for 4x4 vehicles) | 1 | 1 | | |
| 33 | 101831801 | Communication Display Module | | | 1 | |
| 34 | 101641002 | Compression Gauge and Adapter | | 1 | | |
| 35 | 1011273 | Continuity Tester | | 1 | 1 | |
| 36 | <u>102773801</u> | Cutter, Valve Seat, #122 | | 1 | | |
| 37 | <u>102773901</u> | Cutter, Valve Seat #115 | | 1 | | |
| 38 | <u>102774101</u> | Wrench, T, #505..... | | 1 | | |
| 39 | <u>102774101</u> | Adapter, T-Wrench | | 1 | | |
| 40 | 102675401 | Cutter, Valve Seat, 60 Degree (requires item 51) (for Honda GX620 Gasoline Engines) | | 1 | | |
| 41 | <u>102774201</u> | Pilot, 6.6 MM | | 1 | | |
| 42 | <u>102774301</u> | Pilot, 6.62 MM..... | | 1 | | |
| 43 | <u>102774401</u> | Pilot, 6.65 MM..... | | 1 | | |
| | | Please refer to the maintenance and service manual for proper tool application. | | | | |

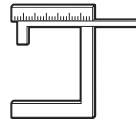
15
G
E
D



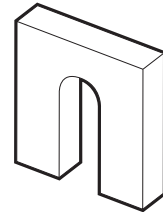
44



45



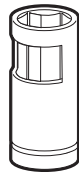
46



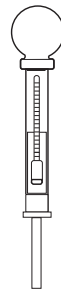
47



48



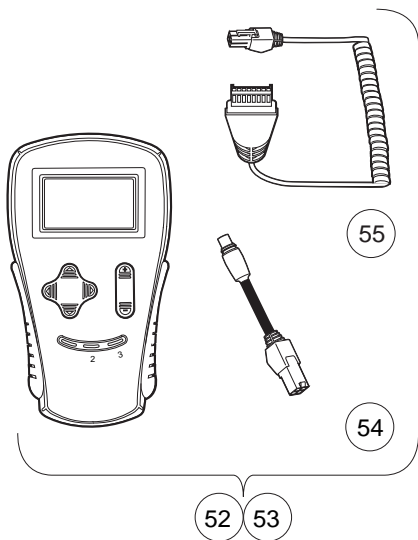
49



50



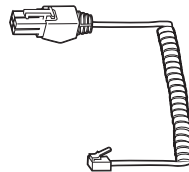
51



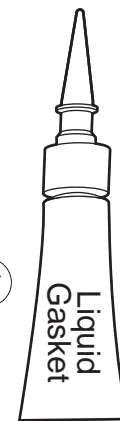
52 53

55

54



56



57



58



59 60



61

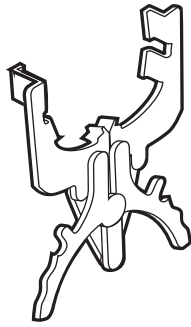
MAINTENANCE AND SERVICE TOOLS, CONTINUED

| ITEM | PART NO. | DESCRIPTION | QTY DIESEL | QTY GAS | QTY ELEC | 15 | |
|------|------------------|--|---------------|------------|-------------|-----------|----------|
| | | 1 2 3 4 | | | | | |
| 44 | <u>1012151</u> | Dry Moly Lubricant | 1 | 1 | 1 | G | |
| 45 | <u>1016627</u> | Flywheel Puller Kit (for Kawasaki Engines) | | 1 | | | E |
| 46 | <u>102669901</u> | Gauge, Carburetor Float Level (for Honda GX620 Gasoline Engines) | | 1 | | | |
| 47 | <u>1016418</u> | Gear Yoke | 1 | 1 | 1 | | |
| 48 | <u>101933101</u> | Governor Shaft Installation Tool (for Kawasaki Engine Vehicles) | | 1 | | | |
| 49 | <u>102169401</u> | Hydraulic Brake Adjuster (for Turf/CA 272/472, Pioneer/XRT 1200, Bobcat 2100, HUV 4213) | | | 1 | | |
| 50 | <u>1011478</u> | Hydrometer | 1 | 1 | 1 | | |
| 51 | <u>1013593</u> | Internal Retaining Ring Pliers | 1 | 1 | 1 | | |
| 52 | <u>102248803</u> | IQ Display Module (IQDM) Kit (IQ System and IQ Plus vehicles) | | | 1 | | |
| | | (includes items 54 and 55) | | | | | |
| 53 | <u>102248804</u> | IQ Display Module (IQDM-P) Kit (IQ System and IQ Plus vehicles) | | | 1 | | |
| | | (includes items 54 and 55) | | | | | |
| 54 | <u>102251501</u> | Adaptor, Cable | | | 1 | | |
| 55 | <u>102241502</u> | IQDM Series 2 Cable | | | 1 | | |
| 56 | <u>102241501</u> | IQDM Series 1 Cable (replacement) | | | 1 | | |
| 57 | <u>101928701</u> | Liquid Gasket (transaxle case) | 1 | 1 | 1 | | |
| 58 | <u>102243402</u> | Moly-Teflon Lubricant (4-oz. (113-gram) tube) | | | 1 | | |
| 59 | <u>101997201</u> | Paint, Touch-Up – Beige* | | 1 | 1 | | |
| 59 | <u>101997207</u> | Paint, Touch-Up – Black* | | 1 | 1 | | |
| 59 | <u>101997212</u> | Paint, Touch-Up – Burgundy* | | 1 | 1 | | |
| 59 | <u>101997211</u> | Paint, Touch-Up – Classic Blue (Navy)* | | 1 | 1 | | |
| 59 | <u>101997205</u> | Paint, Touch-Up – Dark Gray* | 1 | 1 | 1 | | |
| 59 | <u>101997209</u> | Paint, Touch-Up – Dark Green* | 1 | 1 | 1 | | |
| 59 | <u>101997204</u> | Paint, Touch-Up – Gray* | 1 | 1 | 1 | | |
| 59 | <u>101997203</u> | Paint, Touch-Up – Red* | 1 | 1 | 1 | | |
| 59 | <u>101997206</u> | Paint, Touch-Up – Royal Blue (Pacific Blue)* | | 1 | 1 | | |
| 59 | <u>101997202</u> | Paint, Touch-Up – White* | 1 | 1 | 1 | | |
| 60 | <u>102562301</u> | Paint, Precedent Underbody – Gray | | 1 | 1 | | |
| 61 | <u>102587201</u> | Paint Pen, Touch-Up, Precedent Underbody – Black | | 1 | 1 | | |
| | | Please refer to the maintenance and service manual for proper tool application. | | | | | |
| | | * Item 59 is not for use on Surlyn [®] body material, which is used on Precedent vehicles. | | | | | |

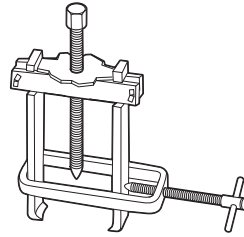
15
G
E
D



62



63



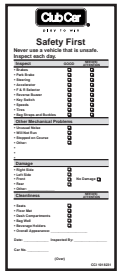
64



65



66



67



68



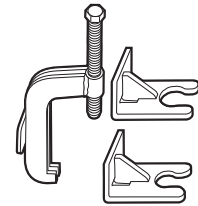
69



70



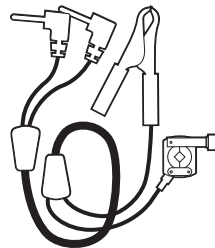
71



72



73



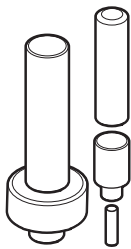
74



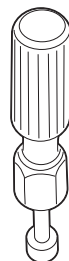
75



76



77



83



84



85



86

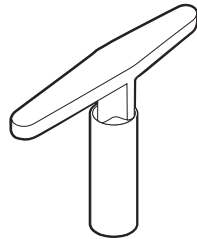
MAINTENANCE AND SERVICE TOOLS, CONTINUED

| ITEM | PART NO. | DESCRIPTION | QTY | QTY | QTY | 15 |
|------|------------------|---|--------|-----|------|----|
| | | | DIESEL | GAS | ELEC | |
| | | 1 2 3 4 | | | | G |
| 62 | <u>1016414</u> | Piston Ring Compressor Kit (FE290, FE350 and FE400 engines) | | 1 | | E |
| 63 | <u>1016415</u> | Piston Ring Pliers (for Kawasaki Engines) | | 1 | | D |
| 64 | <u>102668801</u> | Puller, Special Use (for Kubota D722 Diesel Engines) | 1 | | | |
| 65 | <u>1012549</u> | Retaining Ring Pliers, 45° External | 1 | 1 | 1 | |
| 66 | <u>1012560</u> | Retaining Ring Pliers, 90° Internal | 1 | 1 | 1 | |
| 67 | <u>101823101</u> | Safety First Card (50 per pack) | 1 | 1 | 1 | |
| 68 | <u>1012809</u> | Seal Puller | 1 | 1 | 1 | |
| 69 | <u>102330901</u> | Spanner Wrench (for coil over shock front suspension vehicles only) | 1 | 1 | | |
| 70 | <u>1014264</u> | Steering Column Bearing Press Tool | | 1 | 1 | |
| 71 | <u>1014259</u> | Steering Column Retaining Ring Tool | | 1 | 1 | |
| 72 | <u>102061201</u> | Steering Wheel Puller Tool | 1 | 1 | 1 | |
| 73 | <u>AM10753</u> | Tachometer (includes gasoline engine pick up lead only) | 1 | 1 | | |
| 74 | <u>AM10771</u> | Tachometer Diesel Probe (for use with item 73) | 1 | | | |
| 75 | <u>1014162</u> | Transaxle Axle Seal Tool | | 1 | | |
| 76 | <u>1014161</u> | Transaxle Pinion Seal Tool | | 1 | | |
| 77 | <u>1014115</u> | Transmission Tool Kit | | 1 | | |
| 78 | <u>101611003</u> | Tune-Up Kit, All OHV (for FE290, FE350, FE400 only) (includes air filter, spark plug, oil filter, fuel filters) (not shown) | | 1 | | |
| 79 | <u>AM11804</u> | Tune-Up Kit, Gx620 (for Honda Engines) (includes air filter, spark plug, oil filter, fuel filters) (not shown) | | 1 | | |
| 80 | <u>AM11805</u> | Tune-Up Kit, D722 (for Kubota Engines) (includes air filter, oil filter, fuel filters, water separator filter) (not shown) | 1 | | | |
| 81 | <u>AM1220301</u> | Tune-Up Kit, Precedent (for FE290/350 Engines) (includes air filter, spark plug, oil filter, fuel filters) (not shown) | | 1 | | |
| 82 | <u>AM1232401</u> | Tune-Up Kit, FH680D (for Kawasaki V-Twin Engines) (includes oil filter, fuel filter, air filter, and spark plugs) (not shown) | | 1 | | |
| 83 | <u>1016413</u> | Valve Clearance Adjuster Screw Holder (for FE290 engines only) | | 1 | | |
| 84 | <u>102674601</u> | Valve Guide Driver (for Honda GX620 Gasoline Engines) | | 1 | | |
| 85 | <u>101641201</u> | Valve Guide Reamer (FE290, FE350, and FE400 only) | | 1 | | |
| 86 | <u>102674401</u> | Valve Guide Reamer, 6.6 mm (for Honda GX620 Gasoline Engines) | | 1 | | |

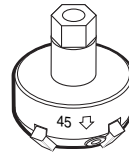
15
G
E
D



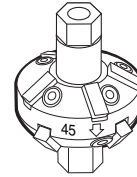
87



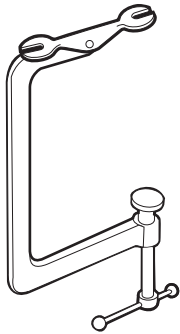
88



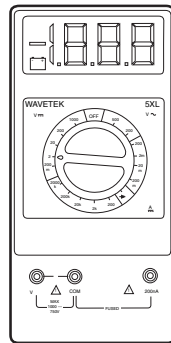
89



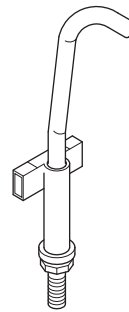
90



91



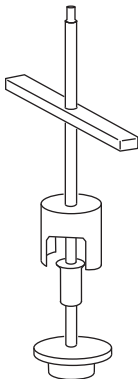
92



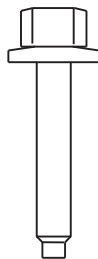
93



94



95



96

MAINTENANCE AND SERVICE TOOLS, CONTINUED

| ITEM | PART NO. | DESCRIPTION | QTY DIESEL | QTY GAS | QTY ELEC | 15 |
|---|------------------|--|---------------|------------|-------------|-----------|
| | | 1 2 3 4 | | | | G |
| 87 | <u>1016552</u> | Valve Seat Cutter Guide | | 1 | | E |
| 88 | <u>1016551</u> | Valve Seat Cutter T-Wrench | | 1 | | D |
| 89 | <u>1016553</u> | Valve Seat Cutter, 45° (32 mm diameter) (for FE290 engines only) | | 1 | | |
| 90 | <u>1016554</u> | Valve Seat Cutter, 45°/30° (35 mm diameter) | | 1 | | |
| 91 | <u>101641101</u> | Valve Spring Compressor | | 1 | | |
| 92 | 1011480 | Volt Ohm Meter | 1 | 1 | 1 | |
| 93 | <u>102570401</u> | Tool, Tensioning, Starter Generator (For Precedent vehicles) | | 1 | | |
| 94 | <u>103601401</u> | Puller, Drive Clutch, XRT 950* | | 1 | | |
| 95 | <u>103601701</u> | Tool, Disassembly, Driven Clutch, XRT 950 | | 1 | | |
| 96 | <u>103600501</u> | Screw, Driven Clutch Disassembly, M6, XRT 950 | | 1 | | |
| <p>*Note: The XRT 950 Drive Clutch Puller requires the use of Screw, Driven Clutch Disassembly, CCI Part Number <u>103600501</u>.</p> | | | | | | |

INDEX

Part Number and Page

| | | | | | |
|-----------|--------------------------------|-----------|------------------|-----------|------------------------|
| AM10753 | 15-9 | 1012295 | 6-19, 6-21 | 1015597 | 5-15 |
| AM10771 | 15-9 | 1012303 | 1-39 | 1015741 | 6-19, 6-21 |
| AM11807 | 5-9 | 1012549 | 15-9 | 101587703 | 10-3, 10-5, 10-9 |
| AM11808 | 5-9 | 1012560 | 15-9 | 1016078 | 1-37 |
| AM1210002 | 1-15 | 1012769 | 7-3, 8-3 | 101609401 | 3-3 |
| AM1210801 | 1-15 | 1012809 | 15-9 | 101611003 | 15-9 |
| AM1211003 | 1-15 | 1012811 | 15-3 | 1016183 | 5-13 |
| AM1211401 | 1-15 | 1012812 | 15-3 | 101641002 | 15-5 |
| AM1215701 | 1-15 | 1012830 | 1-27, 1-29 | 101641101 | 15-11 |
| AM1215801 | 1-15 | 1012871 | 9-7 | 101641201 | 15-9 |
| AM1232301 | 8-7, 8-11, 9-7 | 1012919 | 9-9 | 101641202 | 15-3 |
| AM1241201 | 5-9 | 1013035 | 5-5 | 1016413 | 15-9 |
| AM1241301 | 5-9 | 1013042 | 5-5 | 1016414 | 15-9 |
| 183 | 10-7, 10-11 | 1013044 | 5-5 | 1016415 | 15-9 |
| 332 | 1-27, 1-29, 1-43, 6-19, 6-21 | 1013051 | 5-5 | 1016416 | 15-3 |
| 334 | 1-37, 13-17, 13-29 | 1013052 | 5-5 | 1016417 | 15-3 |
| 357 | 1-41 | 101313402 | 10-9 | 1016418 | 15-7 |
| 403 | 1-39 | 1013366 | 1-43 | 1016467 | 9-11 |
| 451 | 1-27, 1-29 | 1013461 | 10-7, 10-11 | 101648203 | 9-11 |
| 808 | 1-7 | 1013462 | 10-7, 10-11 | 1016513 | 9-9, 10-15 |
| 1016 | 10-7, 10-11 | 1013531 | 4-15 | 1016544 | 9-7 |
| 1035 | 4-17 | 1013582 | 15-3 | 1016551 | 15-11 |
| 1108 | 6-19, 6-21 | 1013593 | 15-7 | 1016552 | 15-11 |
| 1241 | 6-27, 6-29 | 1013734 | 1-27, 1-29 | 1016553 | 15-11 |
| 1242 | 4-15 | 1013746 | 10-3, 10-5, 10-9 | 1016554 | 15-11 |
| 7310 | 2-3 | 1014115 | 15-9 | 1016603 | 1-41 |
| 7473 | 1-39, 1-43, 6-27, 6-29 | 1014161 | 15-9 | 1016627 | 15-7 |
| 8057 | 13-3 | 1014162 | 15-9 | 1016630 | 6-23, 6-25 |
| 8058 | 13-3 | 1014259 | 15-9 | 1016851 | 13-3 |
| 8233 | 1-17, 1-43 | 1014264 | 15-9 | 1016896 | 13-3 |
| 8251 | 1-45 | 1014305 | 15-3 | 1016916 | 1-17 |
| 8639 | 4-11, 4-15 | 1014306 | 1-43, 1-45, 4-7 | 1016967 | 1-11, 1-31 |
| 8717 | 13-3 | 1014375 | 6-27, 6-29 | 1017162 | 1-41 |
| 8754 | 1-39, 1-41, 5-13, 13-17, 13-29 | 1014415 | 1-43 | 1017167 | 1-41 |
| 8755 | 1-39, 1-41 | 1014471 | 1-39, 14-3 | 1017774 | 1-41 |
| 8797 | 10-7, 10-11 | 1014496 | 15-5 | 101802601 | 6-23, 6-25 |
| 8990 | 1-41, 5-5, 10-21, 10-23, 10-25 | 1014497 | 15-5 | 101804301 | 1-17 |
| 1010177 | 13-17, 13-29 | 1014498 | 15-5 | 101808401 | 15-3 |
| 1010200 | 1-41 | 1014507 | 15-5 | 101809101 | 15-5 |
| 1010435 | 1-39, 1-43 | 1014508 | 15-5 | 101813202 | 15-3 |
| 1010436 | 1-43 | 1014510 | 15-5 | 101823101 | 15-9 |
| 101082903 | 4-7, 4-9, 4-15 | 1014537 | 1-43 | 101824401 | 10-3, 10-5, 10-9 |
| 1010934 | 6-27, 6-29 | 1014727 | 13-3 | 101831801 | 15-5 |
| 1011084 | 10-21, 10-23, 10-25 | 1014808 | 13-3 | 101831901 | 15-3 |
| 1011273 | 15-5 | 1015139 | 10-7, 10-11 | 101833101 | 7-3 |
| 1011478 | 15-7 | 1015143 | 10-7, 10-11 | 101833201 | 7-3 |
| 1011480 | 15-11 | 1015258 | 1-39 | 101835601 | 1-37, 1-39 |
| 1011553 | 3-3 | 1015277 | 1-37 | 101856102 | 12-5 |
| 1011578 | 1-7, 14-9 | 1015392 | 1-23 | 101871001 | 15-3 |
| 1011652 | 1-25, 1-27, 1-29, 1-31 | 1015399 | 1-39, 1-43 | 101879401 | 5-5 |
| 1011697 | 1-31 | 1015400 | 1-39 | 101879701 | 5-5 |
| 1011767 | 15-3 | 1015457 | 14-9 | 101879801 | 5-5 |
| 1011779 | 4-15 | 101547601 | 3-5 | 101879901 | 5-5 |
| 1012151 | 15-7 | 1015521 | 6-19, 6-21 | 101880201 | 5-5 |
| | | 1015524 | 15-5 | 101887101 | 15-3 |
| | | 1015583 | 1-39 | 101887601 | 1-27, 1-29, 4-11, 11-3 |

INDEX

| | | | | | |
|-----------|------------|-----------|---|-----------|--------------------------|
| 101894304 | 1-43 | 102243402 | 15-7 | 102377901 | 14-3 |
| 101898001 | 6-27, 6-29 | 102248803 | 15-7 | 102378901 | 10-33 |
| 101928701 | 15-7 | 102249901 | 15-3 | 102379001 | 10-35 |
| 101933101 | 15-7 | 102251501 | 15-7 | 102380301 | 14-3 |
| 101953101 | 4-15 | 102274101 | 5-7, 5-15 | 102380601 | 4-13 |
| 101958602 | 1-37 | 102276001 | 13-21 | 102381701 | 13-5 |
| 101963401 | 1-43 | 102288901 | 14-9 | 102382401 | 7-3, 8-3 |
| 101972001 | 15-7 | 102289001 | 1-7, 1-13, 1-17, 8-15, 9-13, 10-3, 10-9, 14-9 | 102385601 | 12-9, 12-11, 12-15 |
| 101972002 | 15-7 | 102290120 | 5-3 | 102385701 | 12-13 |
| 101972003 | 15-7 | 102292701 | 1-9 | 102385801 | 10-19 |
| 101972004 | 15-7 | 102292801 | 1-9, 4-15 | 102393501 | 5-15 |
| 101972005 | 15-7 | 102296020 | 1-31 | 102395601 | 10-31, 10-33, 10-35 |
| 101972006 | 15-7 | 102296140 | 4-11 | 102398901 | 5-15 |
| 101972007 | 15-7 | 102296401 | 10-27, 10-29 | 102399201 | 4-5 |
| 101972009 | 15-7 | 102296601 | 9-3 | 102399202 | 4-5 |
| 101972011 | 15-7 | 102296716 | 4-11, 12-3, 12-5 | 102402801 | 4-7 |
| 101972012 | 15-7 | 102296920 | 9-3 | 102402901 | 4-7 |
| 101987901 | 1-7 | 102297230 | 1-7, 1-9, 1-17 | 102406701 | 10-11 |
| 102003201 | 10-3 | 102298130 | 1-27, 1-29, 5-3, 5-13 | 102406801 | 10-11 |
| 102010102 | 5-5 | 102298401 | 1-11, 1-27, 1-29, 4-9, 4-15, 7-3, 8-3, 9-13, 11-9, 13-3 | 102407801 | 4-11 |
| 102022601 | 5-5 | 102298580 | 1-17 | 102408401 | 5-7 |
| 102022901 | 5-5, 5-7 | 102298720 | 1-11, 11-3, 14-9 | 102409301 | 11-9 |
| 102023703 | 1-27, 1-29 | 102301401 | 1-37 | 102409501 | 11-3 |
| 102025801 | 1-23 | 102323101 | 1-37 | 102409601 | 11-7 |
| 102044702 | 6-23 | 102323501 | 1-11, 4-17 | 102410001 | 14-11 |
| 102044801 | 6-23 | 102330901 | 15-9 | 102410301 | 14-3 |
| 102045001 | 1-17 | 102331401 | 8-15 | 102410602 | 10-9 |
| 102047001 | 1-27, 1-29 | 102355301 | 6-27, 6-29 | 102410603 | 7-3, 8-3 |
| 102048401 | 1-17 | 102361901 | 5-7 | 102410604 | 10-3 |
| 102051401 | 4-7 | 102363802 | 5-3 | 102410801 | 10-9 |
| 102051601 | 6-23, 6-25 | 102365601 | 5-11 | 102411202 | 10-3, 10-5 |
| 102051701 | 6-23, 6-25 | 102365602 | 5-13 | 102411203 | 10-9 |
| 102059001 | 1-27, 1-29 | 102367101 | 5-3 | 102411204 | 14-5, 14-9 |
| 102059401 | 1-27, 1-29 | 102367601 | 4-3 | 102411205 | 14-9 |
| 102061101 | 1-27, 1-29 | 102369901 | 12-13 | 102411206 | 14-9 |
| 102061201 | 15-9 | 102370101 | 7-3 | 102411207 | 14-3, 14-9 |
| 102065901 | 1-39 | 102370501 | 7-3, 8-3, 9-3 | 102411208 | 14-3, 14-9 |
| 102066001 | 1-41 | 102370601 | 7-3, 8-3, 9-3 | 102411209 | 10-35 |
| 102169401 | 15-7 | 102371401 | 8-15, 9-13 | 102411210 | 10-31, 10-33, 12-3, 12-5 |
| 102171503 | 1-39 | 102371701 | 13-11 | 102411301 | 14-3 |
| 102176901 | 4-7, 4-9 | 102371801 | 13-7 | 102414501 | 12-5 |
| 102198001 | 6-23, 6-25 | 102372101 | 13-11 | 102414701 | 7-3 |
| 102221301 | 1-43 | 102374901 | 12-7 | 102414801 | 7-3 |
| 102221401 | 1-43 | 102375401 | 6-25 | 102414901 | 8-3 |
| 102221501 | 1-43 | 102375901 | 13-3 | 102418101 | 1-37 |
| 102221701 | 1-43 | 102376001 | 13-3 | 102420201 | 6-19, 6-21 |
| 102221801 | 1-43 | 102376601 | 4-11 | 102420401 | 6-19, 6-21 |
| 102222001 | 1-43 | 102376602 | 13-21 | 102420501 | 6-19, 6-21 |
| 102222101 | 1-43 | 102376605 | 5-7 | 102422301 | 7-53, 11-9 |
| 102222201 | 1-43 | 102377401 | 14-7 | 102426301 | 10-3, 10-5, 10-9 |
| 102224001 | 3-3 | 102377501 | 14-9 | 102426601 | 1-37, 1-41 |
| 102229904 | 1-43 | 102377601 | 14-9 | 102426901 | 1-39 |
| 102231601 | 3-5 | 102377701 | 14-7 | 102427501 | 14-5 |
| 102239901 | 1-43 | 102377801 | 14-3 | 102427601 | 14-9 |
| 102241501 | 15-7 | | | 102430001 | 10-9 |
| 102241502 | 15-7 | | | 102430101 | 10-9 |

INDEX

| | | | | | |
|-----------|--------------------|-----------|---------------------------|-----------|---------------------|
| 102430201 | 10-9 | 102459101 | 3-5 | 102490501 | 7-3, 8-3 |
| 102430301 | 10-9 | 102459201 | 3-5 | 102490801 | 5-7 |
| 102430401 | 10-9 | 102459301 | 3-3 | 102491001 | 9-3, 13-5 |
| 102434601 | 10-9 | 102459401 | 3-3 | 102491101 | 13-5 |
| 102434701 | 10-9 | 102459501 | 3-5 | 102491301 | 1-11, 1-33 |
| 102434801 | 8-15, 10-9 | 102460201 | 3-3 | 102491302 | 1-11 |
| 102435001 | 14-9 | 102462301 | 7-3, 8-3 | 102491501 | 1-11, 1-17, 1-33 |
| 102436701 | 14-3 | 102462401 | 13-5 | 102491601 | 4-3, 4-5 |
| 102437001 | 5-7 | 102462501 | 7-3 | 102491701 | 1-21, 1-45 |
| 102438201 | 13-7 | 102462502 | 8-3 | 102492201 | 6-19, 6-21 |
| 102438301 | 13-7 | 102462601 | 10-19 | 102492301 | 6-21 |
| 102438401 | 13-7 | 102463101 | 13-23 | 102493001 | 10-19 |
| 102438501 | 13-7 | 102463301 | 13-23 | 102493301 | 4-3, 4-5 |
| 102438601 | 13-7 | 102463401 | 13-23 | 102493801 | 1-37 |
| 102438701 | 13-7 | 102463501 | 13-21 | 102494401 | 7-3, 8-3 |
| 102438801 | 13-7 | 102463601 | 13-21 | 102494701 | 10-11 |
| 102438901 | 13-7 | 102463801 | 13-21, 13-23 | 102495001 | 5-13 |
| 102439001 | 13-7 | 102463901 | 13-23 | 102495801 | 10-21, 10-23, 10-25 |
| 102439101 | 13-7 | 102464001 | 13-23 | 102498201 | 6-29, 7-3 |
| 102439201 | 13-7 | 102464101 | 13-23 | 102498601 | 10-31, 10-33, 10-35 |
| 102439301 | 13-7 | 102464201 | 13-23 | 102498801 | 10-25 |
| 102439401 | 13-7 | 102464301 | 5-7, 13-23 | 102499001 | 13-3 |
| 102439501 | 13-7 | 102464401 | 13-23 | 102522001 | 10-7, 10-11 |
| 102439601 | 13-7 | 102464501 | 13-23 | 102537801 | 1-31 |
| 102439701 | 13-7 | 102464601 | 5-13 | 102538501 | 6-5, 6-9, 6-13 |
| 102439801 | 13-7 | 102465701 | 1-41 | 102540802 | 1-31 |
| 102439901 | 13-7 | 102465901 | 7-3 | 102541465 | 10-31, 10-33, 10-35 |
| 102440101 | 13-7 | 102466201 | 10-5, 10-9 | 102551901 | 4-15 |
| 102440201 | 13-9 | 102469401 | 10-29 | 102552001 | 4-15 |
| 102440301 | 13-7 | 102470101 | 5-13 | 102555501 | 15-3 |
| 102440401 | 13-9 | 102470501 | 5-13 | 102562401 | 15-3 |
| 102440501 | 13-9 | 102470601 | 5-13 | 102570401 | 15-11 |
| 102440601 | 13-9 | 102473501 | 1-27, 1-29 | 102571301 | 5-3 |
| 102442001 | 1-27, 1-29 | 102473601 | 1-27, 1-29 | 102600001 | 7-5 |
| 102442201 | 6-27, 6-29 | 102473701 | 1-27 | 102600101 | 7-5 |
| 102442301 | 6-27 | 102474301 | 4-11 | 102600201 | 7-5 |
| 102442401 | 6-27 | 102475301 | 8-15 | 102600301 | 7-5, 7-9, 7-53 |
| 102442901 | 4-13, 10-27, 10-29 | 102475701 | 4-11, 10-21, 10-23, 10-25 | 102600401 | 7-5 |
| 102443501 | 8-15 | 102475801 | 4-11 | 102600601 | 7-5 |
| 102443601 | 8-15, 9-13 | 102475901 | 1-27, 1-29 | 102600701 | 7-5 |
| 102445201 | 10-27, 10-29 | 102476301 | 10-27, 10-29 | 102600801 | 7-5, 7-9 |
| 102446601 | 5-13 | 102476401 | 10-27, 10-29 | 102601001 | 7-5, 7-11 |
| 102447601 | 1-33 | 102477001 | 5-15 | 102601101 | 7-33 |
| 102447602 | 1-33 | 102478501 | 10-11 | 102601301 | 7-5 |
| 102447901 | 6-19, 6-21 | 102479301 | 10-27, 10-29 | 102601401 | 7-5 |
| 102448001 | 6-19, 6-21 | 102480501 | 14-9 | 102601501 | 15-5 |
| 102448401 | 6-29 | 102481001 | 12-5 | 102601801 | 7-11, 7-53 |
| 102448501 | 6-29, 9-13 | 102481201 | 12-5 | 102601901 | 7-11 |
| 102449101 | 13-21 | 102481301 | 12-5 | 102602001 | 7-11 |
| 102449201 | 13-23 | 102488001 | 4-3, 4-5 | 102602101 | 7-11 |
| 102456001 | 1-27, 1-29 | 102489901 | 10-29 | 102602301 | 7-11 |
| 102457001 | 10-21 | 102490001 | 12-9 | 102602401 | 7-11 |
| 102457501 | 8-15, 9-13 | 102490101 | 7-3, 8-3 | 102602601 | 7-11 |
| 102457601 | 8-15 | 102490201 | 7-3, 8-3 | 102602701 | 7-11 |
| 102458901 | 1-27, 1-29, 3-5 | 102490301 | 6-27, 14-3 | 102602801 | 7-11 |
| 102459001 | 3-5 | 102490401 | 8-15 | 102603201 | 7-21 |

INDEX

| | | | | | |
|-----------|-------------|-----------|--|-----------|------------------------|
| 102603501 | 15-5 | 102609101 | 7-19 | 102631401 | 14-11 |
| 102603601 | 7-27 | 102609301 | 7-19 | 102631601 | 7-5, 7-33, 7-35, 14-11 |
| 102603701 | 7-27 | 102609401 | 7-19 | 102631701 | 14-15 |
| 102603801 | 7-27 | 102609601 | 7-19 | 102631801 | 14-15 |
| 102603901 | 7-27 | 102609801 | 7-23 | 102632001 | 14-15 |
| 102604001 | 7-27 | 102609803 | 7-23 | 102632101 | 14-15 |
| 102604101 | 7-27 | 102610001 | 7-23 | 102632201 | 14-15 |
| 102604201 | 7-21, 7-27 | 102614101 | 1-39, 1-41 | 102632701 | 7-53, 14-13 |
| 102604301 | 7-27 | 102615701 | 13-3 | 102633001 | 14-11 |
| 102604401 | 7-23, 7-27 | 102615801 | 10-21, 10-23, 10-25 | 102633201 | 14-11 |
| 102604501 | 7-27 | 102616003 | 12-5 | 102633301 | 7-13, 14-11 |
| 102604701 | 7-27 | 102616101 | 12-5 | 102633401 | 7-53, 14-11 |
| 102604901 | 7-21 | 102616301 | 5-7, 5-11, 5-13 | 102633601 | 7-43 |
| 102605001 | 7-21 | 102616501 | 12-11 | 102633701 | 7-39 |
| 102605101 | 7-7, 7-21 | 102616701 | 13-3 | 102633801 | 7-39 |
| 102605201 | 15-5 | 102616801 | 5-3 | 102633901 | 7-39 |
| 102605301 | 7-21 | 102617201 | 1-11, 1-33 | 102634001 | 7-39, 7-53 |
| 102605401 | 7-21 | 102617301 | 10-19 | 102634101 | 7-39 |
| 102605501 | 7-21 | 102617501 | 5-7 | 102634401 | 7-39, 7-53 |
| 102605601 | 7-21 | 102617701 | 5-7 | 102634501 | 7-39, 7-53 |
| 102605701 | 7-41 | 102617801 | 5-7 | 102634601 | 7-39 |
| 102605801 | 7-21 | 102618101 | 4-13, 10-27, 10-29 | 102634701 | 7-39 |
| 102605901 | 7-21 | 102618301 | 1-11, 1-37, 4-13, 4-15, 4-17, 10-27, 10-29, 13-3 | 102635101 | 7-43 |
| 102606001 | 7-21 | 102618401 | 4-7, 4-9 | 102635201 | 7-39 |
| 102606101 | 15-5 | 102618601 | 1-17, 1-37, 1-41, 4-7, 4-13, 4-17, 5-3, 5-13, 7-3, 8-3, 8-15, 9-13, 10-3, 10-5, 10-9, 10-27, 10-29, 14-9 | 102635301 | 7-29, 7-39, 7-41, 7-53 |
| 102606201 | 7-17 | 102619801 | 5-15 | 102635501 | 7-29 |
| 102606301 | 7-17 | 102620301 | 1-33 | 102635701 | 7-29 |
| 102606401 | 7-17 | 102620401 | 5-15 | 102635801 | 7-29 |
| 102606501 | 7-17 | 102620501 | 5-7, 5-11, 5-13, 5-15 | 102635901 | 7-29 |
| 102606601 | 7-17, 7-53 | 102620801 | 10-19 | 102636201 | 7-43 |
| 102606701 | 7-15 | 102621201 | 10-31, 10-33, 10-35, 11-3 | 102636301 | 7-43 |
| 102606901 | 7-7 | 102621301 | 7-3, 9-13, 11-9 | 102636401 | 7-43 |
| 102607001 | 7-7 | 102621501 | 7-3, 8-3, 10-31, 10-33, 10-35 | 102636501 | 7-43 |
| 102607201 | 7-7 | 102623802 | 10-17 | 102636601 | 7-43 |
| 102607301 | 7-7 | 102623805 | 10-17 | 102637001 | 7-29 |
| 102607401 | 7-7 | 102623808 | 10-17 | 102637101 | 7-29 |
| 102607501 | 15-5 | 102626201 | 4-13 | 102637701 | 7-37 |
| 102607601 | 7-23, 7-55 | 102628001 | 12-5 | 102640401 | 7-37 |
| 102607602 | 7-23 | 102628101 | 11-9 | 102640501 | 7-37 |
| 102607801 | 7-23 | 102628701 | 14-7 | 102640601 | 7-31, 7-37 |
| 102607901 | 7-23 | 102629001 | 1-41 | 102640701 | 7-37 |
| 102608001 | 7-23 | 102630001 | 7-23 | 102640901 | 7-37 |
| 102608101 | 7-23 | 102630003 | 7-23 | 102641001 | 7-37 |
| 102608201 | 7-19, 7-53 | 102630101 | 7-23 | 102641101 | 7-37 |
| 102608301 | 7-19, 7-53 | 102630201 | 7-23 | 102641201 | 7-37 |
| 102608401 | 7-19 | 102630301 | 7-23, 7-53 | 102641501 | 7-41 |
| 102608501 | 7-19 | 102630401 | 7-23 | 102642401 | 7-41 |
| 102608601 | 7-19 | 102630601 | 7-33, 7-35 | 102642501 | 7-41 |
| 102608701 | 7-19, 14-13 | 102630701 | 7-23 | 102642601 | 7-41 |
| 102608801 | 7-23 | 102630703 | 7-23 | 102642701 | 7-41 |
| 102608803 | 7-23 | 102630901 | 7-23, 7-55 | 102642801 | 7-41 |
| 102608804 | 7-23 | 102631001 | 7-23, 7-55 | 102642901 | 7-41 |
| 102608806 | 7-23 | 102631301 | 14-11 | 102643001 | 7-41 |
| 102608901 | 7-19 | | | 102643101 | 7-41 |
| 102609001 | 7-23 | | | 102643201 | 7-41 |
| 102609003 | 7-23 | | | 102643301 | 7-41 |

INDEX

| | | | | | |
|-----------|------------------|-----------|-------------|-----------|-----------|
| 102643401 | 7-41 | 102656301 | 10-19 | 102661401 | 8-13 |
| 102643601 | 7-41 | 102656402 | 10-19 | 102661501 | 8-13 |
| 102643701 | 7-41 | 102656501 | 10-19 | 102661601 | 8-13 |
| 102644001 | 7-13, 7-53 | 102656601 | 10-19 | 102661701 | 8-13 |
| 102644101 | 7-13 | 102656701 | 10-19 | 102661801 | 8-13 |
| 102644501 | 7-53 | 102656801 | 10-19 | 102661901 | 8-7, 8-13 |
| 102645501 | 7-45 | 102656901 | 10-19 | 102662101 | 8-11 |
| 102646001 | 7-49, 7-53 | 102657001 | 10-19 | 102662201 | 8-11 |
| 102646101 | 7-49 | 102657101 | 10-19 | 102662301 | 8-11 |
| 102646301 | 7-51 | 102657201 | 10-19 | 102662401 | 8-11 |
| 102646401 | 7-47 | 102657301 | 10-19 | 102662601 | 8-11 |
| 102646501 | 7-51 | 102657401 | 10-19 | 102662701 | 8-11 |
| 102646601 | 7-51, 7-53 | 102657501 | 8-5, 10-19 | 102662801 | 8-11 |
| 102647101 | 7-51 | 102657601 | 8-11, 10-19 | 102662802 | 8-11 |
| 102647201 | 7-51 | 102657701 | 8-11, 10-19 | 102662901 | 8-11 |
| 102647501 | 7-25 | 102657801 | 8-11, 10-19 | 102663001 | 8-11 |
| 102647701 | 7-33, 7-35, 7-45 | 102658001 | 8-9 | 102663101 | 8-11 |
| 102647801 | 7-25 | 102658101 | 8-9 | 102663201 | 8-11 |
| 102647901 | 7-25 | 102658201 | 8-9 | 102663301 | 8-11 |
| 102648001 | 7-25 | 102658301 | 8-9 | 102663401 | 8-11 |
| 102648401 | 7-45 | 102658401 | 8-9 | 102663501 | 8-11 |
| 102648501 | 7-45 | 102658501 | 8-9 | 102663801 | 8-11 |
| 102651301 | 7-47 | 102658601 | 8-9 | 102663901 | 8-11 |
| 102651501 | 7-47 | 102658701 | 8-9 | 102664001 | 8-11 |
| 102651601 | 7-47 | 102658801 | 8-9 | 102664101 | 8-11 |
| 102651701 | 7-47 | 102658901 | 8-9 | 102664301 | 8-11 |
| 102651801 | 7-47 | 102659001 | 8-9 | 102664401 | 8-11 |
| 102652001 | 7-47 | 102659101 | 8-9 | 102664601 | 8-7 |
| 102652601 | 7-47 | 102659201 | 8-9 | 102664701 | 8-7 |
| 102652701 | 7-47 | 102659301 | 8-9 | 102664801 | 8-7 |
| 102652801 | 7-9 | 102659401 | 8-9 | 102664901 | 8-7, 8-13 |
| 102652901 | 7-47 | 102659501 | 8-9 | 102665001 | 8-7 |
| 102653001 | 7-47 | 102659601 | 8-9 | 102665101 | 8-7 |
| 102653101 | 7-47 | 102659801 | 8-13 | 102665301 | 8-7 |
| 102653201 | 7-47 | 102659901 | 8-13 | 102665401 | 8-7 |
| 102653301 | 7-47, 7-53 | 102660001 | 8-13 | 102665501 | 8-7 |
| 102653401 | 7-9 | 102660101 | 8-13 | 102665601 | 8-7 |
| 102653501 | 7-9 | 102660201 | 8-13 | 102665701 | 8-7 |
| 102653601 | 7-47 | 102660301 | 8-13 | 102665901 | 8-7 |
| 102653701 | 7-47 | 102660401 | 8-13 | 102666001 | 8-7 |
| 102653901 | 7-9 | 102660402 | 8-13 | 102666201 | 8-5, 8-7 |
| 102654101 | 7-9, 7-53 | 102660403 | 8-13 | 102666801 | 8-5 |
| 102654301 | 7-11, 7-39, 7-49 | 102660404 | 8-13 | 102666901 | 8-5 |
| 102654401 | 7-21 | 102660501 | 8-13 | 102667001 | 8-5 |
| 102654601 | 7-7, 7-53 | 102660601 | 8-13 | 102667101 | 8-5 |
| 102654701 | 7-53, 14-11 | 102660701 | 8-13 | 102667201 | 8-5 |
| 102655301 | 8-7 | 102660801 | 8-13 | 102667301 | 8-5 |
| 102655401 | 10-17 | 102660802 | 8-13 | 102667401 | 8-5 |
| 102655501 | 10-17 | 102660803 | 8-13 | 102667501 | 8-5 |
| 102655601 | 10-17 | 102660804 | 8-13 | 102667601 | 8-5 |
| 102655701 | 10-17 | 102660901 | 8-13 | 102667701 | 8-5 |
| 102655801 | 10-17 | 102661001 | 8-13 | 102667901 | 8-5 |
| 102655901 | 10-17 | 102661101 | 8-13 | 102668001 | 8-5 |
| 102656001 | 10-17 | 102661201 | 8-13 | 102668101 | 8-5 |
| 102656101 | 10-19 | 102661202 | 8-13 | 102668201 | 8-7, 8-13 |
| 102656201 | 10-19 | 102661301 | 8-13 | 102668301 | 8-5 |

INDEX

| | | | | | |
|-----------|---------------------|-----------|------------------------------|-----------|---------------------|
| 102668401 | 8-5 | 102695401 | 12-13 | 102724201 | 10-17 |
| 102668801 | 15-9 | 102695601 | 12-13 | 102724301 | 8-9 |
| 102669901 | 15-7 | 102695701 | 12-13 | 102724401 | 8-9 |
| 102670601 | 1-27, 1-29 | 102695801 | 12-13 | 102724501 | 8-9 |
| 102670701 | 1-15, 7-3, 8-3 | 102695901 | 12-13 | 102724601 | 8-9 |
| 102670801 | 8-15, 10-9 | 102696001 | 13-17, 13-19, 13-29, 13-31 | 102724701 | 8-9 |
| 102670901 | 10-7 | 102696101 | 13-13, 13-25 | 102725101 | 8-13 |
| 102671201 | 1-33 | 102696201 | 13-13, 13-15, 13-25, 13-27 | 102725201 | 8-13 |
| 102672101 | 13-21 | 102696301 | 13-13, 13-25 | 102725401 | 10-19 |
| 102672201 | 13-21 | 102696401 | 13-17, 13-19, 13-29, 13-31 | 102725501 | 10-31, 10-33, 10-35 |
| 102672301 | 13-21 | 102696501 | 13-13, 13-15, 13-25, 13-27 | 102725601 | 10-31, 10-33, 10-35 |
| 102672401 | 13-21 | 102696601 | 13-17, 13-19, 13-29, 13-31 | 102726201 | 7-5 |
| 102674001 | 15-5 | 102696701 | 13-13, 13-25 | 102726301 | 7-5 |
| 102674101 | 15-5 | 102696801 | 13-13, 13-15, 13-25, 13-27 | 102726401 | 7-5 |
| 102674201 | 15-5 | 102696901 | 13-13, 13-15, 13-25, 13-27 | 102726501 | 7-5 |
| 102674401 | 15-9 | 102697001 | 13-27 | 102726601 | 7-5 |
| 102674601 | 15-9 | 102697101 | 13-13, 13-15, 13-25, 13-27 | 102726701 | 7-9 |
| 102675001 | 15-5 | 102697201 | 13-15, 13-27 | 102726901 | 7-9 |
| 102675101 | 15-5 | 102697301 | 13-13, 13-25 | 102727001 | 7-9 |
| 102675201 | 15-5 | 102697401 | 13-13, 13-25 | 102727101 | 7-9 |
| 102675301 | 15-5 | 102697501 | 13-15, 13-27 | 102727401 | 7-11 |
| 102675401 | 15-5 | 102697601 | 13-13, 13-25 | 102727501 | 7-11 |
| 102682901 | 5-15 | 102697701 | 13-13, 13-25 | 102727601 | 7-11 |
| 102684501 | 5-15, 13-3 | 102697801 | 13-13, 13-25 | 102727701 | 7-15 |
| 102684601 | 13-3 | 102697901 | 13-15, 13-27 | 102727901 | 7-17 |
| 102684901 | 14-9 | 102698001 | 13-15, 13-27 | 102728001 | 7-19 |
| 102685001 | 14-3 | 102698101 | 13-27 | 102728101 | 7-23, 7-55 |
| 102685601 | 5-15 | 102698301 | 13-13, 13-25 | 102728102 | 7-23 |
| 102686101 | 15-3 | 102698401 | 13-27 | 102728301 | 7-25 |
| 102687801 | 5-5 | 102698601 | 13-15, 13-27 | 102728401 | 7-27 |
| 102689001 | 4-11 | 102698701 | 13-15, 13-27 | 102728501 | 7-27 |
| 102689101 | 5-11, 5-13 | 102698901 | 13-13, 13-25 | 102728601 | 7-29 |
| 102689102 | 5-11, 5-13 | 102699001 | 13-27 | 102728701 | 7-29 |
| 102690201 | 12-9, 12-11, 12-15 | 102699201 | 13-13, 13-25 | 102728801 | 7-29, 7-53 |
| 102690301 | 12-9, 12-11, 12-15 | 102699301 | 13-15, 13-27 | 102728901 | 7-29 |
| 102690401 | 12-11 | 102699401 | 13-13, 13-25 | 102729101 | 7-31 |
| 102690501 | 12-9, 12-11, 12-15 | 102699601 | 13-17, 13-19, 13-29, 13-31 | 102729301 | 7-11, 7-53 |
| 102690701 | 12-9, 12-11, 12-15 | 102699701 | 13-13, 13-25, 13-27 | 102729401 | 7-39 |
| 102690801 | 12-11 | 102701001 | 7-9 | 102729501 | 7-39 |
| 102691001 | 12-9, 12-15 | 102701201 | 7-33, 7-35 | 102729601 | 7-41 |
| 102691401 | 12-9, 12-11, 12-15 | 102703301 | 7-11 | 102729701 | 7-41 |
| 102691601 | 12-9, 12-11, 12-15 | 102710301 | 8-15, 10-9 | 102730001 | 7-33 |
| 102691701 | 12-9, 12-11, 12-15 | 102710501 | 10-19 | 102730101 | 7-33 |
| 102691801 | 12-9, 12-11, 12-15 | 102711601 | 13-5 | 102730201 | 7-33, 7-35 |
| 102691901 | 12-9, 12-15 | 102714001 | 4-3, 4-5 | 102730301 | 7-33 |
| 102693301 | 13-13, 13-21, 13-25 | 102716001 | 4-17 | 102730401 | 7-33, 7-35 |
| 102693401 | 13-21 | 102718101 | 1-15, 1-25, 1-27, 1-29, 1-33 | 102730601 | 7-33, 7-35 |
| 102693501 | 13-13, 13-21, 13-25 | 102719301 | 1-15, 12-13 | 102730801 | 7-5 |
| 102693601 | 13-23 | 102721501 | 13-13, 13-25 | 102730901 | 14-11 |
| 102694001 | 13-23 | 102721901 | 8-15 | 102731001 | 14-11 |
| 102694201 | 13-13, 13-21, 13-25 | 102722001 | 8-15, 9-13 | 102731101 | 14-11 |
| 102694301 | 13-21 | 102722301 | 5-7 | 102731201 | 14-13 |
| 102694401 | 13-21 | 102722701 | 8-11 | 102731301 | 7-33, 7-35 |
| 102694502 | 13-23 | 102722801 | 8-11 | 102731501 | 7-51 |
| 102694701 | 13-21 | 102722901 | 8-11 | 102731601 | 7-51, 11-9 |
| 102694801 | 13-21 | 102724101 | 10-17 | 102731801 | 7-53 |

INDEX

| | | | | | |
|-----------|------------------|-----------|---------------------|-----------|-----------------|
| 102731901 | 7-53 | 102799701 | 7-31 | 102896401 | 1-9 |
| 102732001 | 7-55 | 102799801 | 7-31 | 102896501 | 1-9 |
| 102732201 | 7-23, 7-55 | 102800101 | 7-37 | 102912301 | 1-25, 1-31 |
| 102732401 | 1-25, 1-27, 1-29 | 102800201 | 7-43 | 102913801 | 1-45 |
| 102732501 | 7-33, 7-35, 7-45 | 102800301 | 7-43 | 102913901 | 1-45 |
| 102732601 | 7-5, 7-53 | 102800401 | 7-39 | 102914001 | 1-45 |
| 102736901 | 2-3 | 102800501 | 7-39 | 102914101 | 1-45 |
| 102737101 | 5-15 | 102800601 | 7-39 | 102914102 | 1-45 |
| 102737301 | 14-3 | 102800701 | 7-33, 7-35 | 102927101 | 5-7 |
| 102737401 | 14-3 | 102801001 | 7-33, 7-35 | 102927102 | 5-7 |
| 102740401 | 9-3 | 102801101 | 7-47 | 102930901 | 11-3 |
| 102741501 | 4-17 | 102801201 | 7-47 | 102934601 | 7-3 |
| 102741601 | 4-17 | 102801301 | 7-49 | 102934701 | 7-35 |
| 102751301 | 4-17 | 102801401 | 7-49 | 102934801 | 7-35 |
| 102751401 | 4-17 | 102801501 | 7-49 | 102934901 | 7-35 |
| 102751501 | 4-17 | 102810701 | 10-31, 10-33, 10-35 | 102935501 | 1-11 |
| 102751601 | 10-7 | 102812801 | 11-3 | 102943101 | 2-3 |
| 102759401 | 8-5 | 102816801 | 5-5 | 102943201 | 13-25 |
| 102759601 | 1-25, 1-31 | 102827901 | 8-15 | 102943807 | 2-3 |
| 102759901 | 1-25, 1-31 | 102831201 | 8-7 | 102945701 | 2-3 |
| 102762601 | 13-23 | 102831501 | 13-21 | 102946701 | 14-9 |
| 102763301 | 4-15 | 102834901 | 11-7 | 102949301 | 11-5 |
| 102763401 | 4-15 | 102839401 | 12-9, 12-11, 12-15 | 102951901 | 9-3 |
| 102763701 | 1-27, 1-29 | 102849401 | 8-15 | 102952101 | 10-11 |
| 102764201 | 13-13, 13-25 | 102855501 | 14-3 | 102952102 | 10-7 |
| 102764901 | 13-15, 13-27 | 102865101 | 10-3 | 102952801 | 10-23 |
| 102765001 | 13-17, 13-29 | 102866718 | 1-9 | 102958301 | 9-13 |
| 102765101 | 13-15, 13-27 | 102866753 | 1-9 | 102958401 | 9-13 |
| 102765201 | 13-13, 13-25 | 102866754 | 1-9 | 102958501 | 9-13 |
| 102765301 | 13-23 | 102866818 | 1-9 | 102958601 | 9-13 |
| 102765401 | 13-23 | 102866853 | 1-9 | 102960201 | 9-3 |
| 102765501 | 13-23 | 102866854 | 1-9 | 102961201 | 3-3 |
| 102765701 | 13-23 | 102866901 | 1-7 | 102961301 | 13-23 |
| 102765801 | 13-23 | 102867001 | 1-7 | 102961401 | 13-23 |
| 102768801 | 1-43 | 102867101 | 1-17 | 102961501 | 13-23 |
| 102786201 | 11-3 | 102867202 | 1-19 | 102961601 | 13-23 |
| 102786301 | 5-11, 5-13 | 102867301 | 1-17 | 102967901 | 1-9, 1-27, 1-29 |
| 102788701 | 5-11, 5-13 | 102868201 | 13-3 | 102973201 | 14-5 |
| 102791701 | 5-7 | 102869401 | 6-23, 6-25 | 102977101 | 5-3 |
| 102791702 | 5-7 | 102873901 | 1-31 | 102977201 | 1-11 |
| 102792001 | 5-7 | 102874301 | 5-7 | 102981601 | 1-7 |
| 102792002 | 5-7 | 102874501 | 5-7 | 102981701 | 1-7 |
| 102798001 | 7-9 | 102878301 | 1-31 | 102981818 | 1-9 |
| 102798201 | 7-11 | 102879201 | 1-25, 1-31 | 102981853 | 1-9 |
| 102798401 | 7-13 | 102879401 | 1-25, 1-31 | 102981854 | 1-9 |
| 102798501 | 7-13, 7-53 | 102882301 | 1-13 | 102981918 | 1-9 |
| 102798601 | 7-13 | 102882401 | 1-7 | 102981953 | 1-9 |
| 102798701 | 7-13 | 102882501 | 1-41 | 102981954 | 1-9 |
| 102798801 | 7-13 | 102883401 | 1-17 | 102983201 | 1-11 |
| 102798901 | 7-13 | 102884301 | 3-5 | 102983601 | 1-11 |
| 102799001 | 7-13 | 102884401 | 3-3 | 102985001 | 6-9 |
| 102799101 | 7-13 | 102889001 | 1-31 | 102985101 | 6-9 |
| 102799201 | 7-13 | 102889101 | 1-31 | 102986001 | 6-17 |
| 102799401 | 7-21 | 102895101 | 1-7 | 102986101 | 6-17 |
| 102799501 | 7-29 | 102895401 | 1-7 | 102988701 | 1-35 |
| 102799601 | 7-31 | 102895701 | 1-23 | 102989301 | 1-7 |

INDEX

| | | | | | |
|-----------|----------------------|-----------|------------|-----------|------------------------|
| 102989302 | 1-7 | 102996301 | 9-17 | 103182701 | 1-19 |
| 102989801 | 5-3 | 102996401 | 9-17 | 103182702 | 1-19 |
| 102990101 | 9-15 | 102996501 | 9-17 | 103182801 | 1-19 |
| 102990201 | 9-15 | 102996601 | 9-17 | 103183101 | 1-31 |
| 102990301 | 9-15 | 102996701 | 9-17 | 103183201 | 1-31 |
| 102990401 | 9-15 | 102996901 | 9-11 | 103185401 | 12-9, 12-15 |
| 102990501 | 9-15 | 102997001 | 9-11 | 103185501 | 12-11 |
| 102990601 | 9-15 | 102997101 | 9-11 | 103185801 | 12-9, 12-11, 12-15 |
| 102990701 | 9-15 | 102997201 | 9-11 | 103185901 | 12-9, 12-11, 12-15 |
| 102990801 | 9-15 | 102997401 | 9-11 | 103187501 | 13-3 |
| 102990901 | 9-15 | 102997601 | 9-11 | 103192101 | 1-35 |
| 102991101 | 9-15 | 102997701 | 9-11 | 103197201 | 9-13 |
| 102991201 | 9-15 | 102997801 | 9-11 | 103200501 | 1-45 |
| 102991301 | 9-15 | 102997901 | 9-11 | 103201501 | 12-15 |
| 102991401 | 9-15 | 102998001 | 9-11 | 103201601 | 10-17 |
| 102991501 | 9-15 | 102998101 | 9-11 | 103202601 | 3-3 |
| 102991601 | 9-15 | 102998201 | 9-11 | 103203801 | 1-7 |
| 102991801 | 9-15 | 102998301 | 9-11 | 103204001 | 10-23 |
| 102991901 | 9-15 | 102998401 | 9-11 | 103208801 | 6-25 |
| 102992001 | 9-15 | 102998601 | 9-5 | 103210401 | 3-3 |
| 102992101 | 9-15 | 102998701 | 9-5 | 103213201 | 1-7 |
| 102992201 | 9-15 | 102999101 | 9-5 | 103215901 | 1-35 |
| 102992301 | 9-15 | 102999201 | 9-5 | 103216401 | 1-25, 1-27, 1-29, 1-35 |
| 102992401 | 9-5, 9-9, 9-11, 9-15 | 102999301 | 9-5 | 103218107 | 1-7 |
| 102992501 | 9-5, 10-3 | 102999501 | 9-5 | 103218213 | 4-7 |
| 102992601 | 9-15 | 102999601 | 9-5 | 103218401 | 1-3 |
| 102992701 | 9-15 | 103000001 | 9-5 | 103218901 | 1-29 |
| 102992801 | 9-15 | 103000401 | 9-7 | 103220001 | 1-5 |
| 102992901 | 9-15 | 103000501 | 9-7 | 103225801 | 1-35 |
| 102993201 | 9-19 | 103000601 | 9-7 | 103227001 | 1-41 |
| 102993301 | 9-19 | 103000801 | 9-7 | 103231701 | 1-3, 1-5 |
| 102993401 | 9-19 | 103000901 | 9-7 | 103231801 | 1-3, 1-5 |
| 102993501 | 9-19 | 103001301 | 9-7 | 103233001 | 1-17 |
| 102993601 | 9-19 | 103001501 | 9-7 | 103234401 | 6-25 |
| 102993701 | 9-19 | 103002001 | 9-9 | 103234503 | 2-3 |
| 102993901 | 9-19 | 103002101 | 9-9 | 103239501 | 13-19, 13-31 |
| 102994101 | 9-19 | 103002301 | 9-9 | 103239801 | 13-19, 13-31 |
| 102994301 | 9-7 | 103002401 | 9-9 | 103239901 | 7-35 |
| 102994401 | 9-19 | 103002501 | 9-9 | 103240601 | 9-13 |
| 102994601 | 9-17 | 103002801 | 9-9, 10-15 | 103244701 | 13-5 |
| 102994701 | 9-17 | 103002901 | 9-9 | 103245101 | 1-33 |
| 102994801 | 9-17 | 103003801 | 10-15 | 103246901 | 9-13 |
| 102994901 | 9-17 | 103003901 | 10-15 | 103250301 | 13-13, 13-25 |
| 102995001 | 9-17 | 103004201 | 10-15 | 103250401 | 13-13, 13-25 |
| 102995101 | 9-17 | 103005001 | 10-15 | 103252201 | 8-3 |
| 102995201 | 9-17 | 103005601 | 10-15 | 103252418 | 3-7, 3-9, 3-11, 3-13 |
| 102995301 | 9-17 | 103009901 | 10-3 | 103252453 | 3-7, 3-9, 3-11, 3-13 |
| 102995401 | 9-17 | 103010101 | 10-3 | 103252454 | 3-7, 3-9, 3-11, 3-13 |
| 102995501 | 9-17 | 103148501 | 5-7 | 103252518 | 3-7, 3-9, 3-11, 3-13 |
| 102995601 | 9-17 | 103174301 | 4-11 | 103252553 | 3-7, 3-9, 3-11, 3-13 |
| 102995701 | 9-17 | 103178401 | 13-13 | 103252554 | 3-7, 3-9, 3-11, 3-13 |
| 102995801 | 9-17 | 103179901 | 1-17 | 103252618 | 3-7 |
| 102995901 | 9-17 | 103180001 | 1-17 | 103252718 | 3-7 |
| 102996001 | 9-17 | 103180101 | 6-23, 6-25 | 103253801 | 1-17 |
| 102996101 | 9-17 | 103181001 | 1-25 | 103256401 | 5-7 |
| 102996201 | 9-17 | 103181101 | 1-25 | 103256701 | 5-7 |

INDEX

| | | | | | |
|-----------|--------------------|-----------|-----------------------|-------------------|---------------------|
| 103259301 | 6-9, 6-17 | 103297501 | 9-9 | 103342301 | 10-13 |
| 103262201 | 1-25, 1-31 | 103297601 | 9-9 | 103342501 | 10-13 |
| 103262601 | 1-25, 1-31 | 103297701 | 9-9 | 103342601 | 10-13 |
| 103262901 | 9-3 | 103297801 | 9-9 | 103342701 | 10-13 |
| 103267001 | 1-27 | 103298001 | 9-9 | 103343301 | 10-13 |
| 103267002 | 1-29 | 103298101 | 9-9 | 103343401 | 10-13 |
| 103268001 | 1-17 | 103298201 | 9-9 | 103343501 | 10-13 |
| 103268101 | 11-5 | 103298301 | 9-9 | 103343601 | 10-13 |
| 103271618 | 3-7 | 103298501 | 9-7, 9-9, 10-3, 10-15 | 103343701 | 10-13 |
| 103271653 | 3-7 | 103298601 | 9-9, 9-15 | 103343801 | 10-13 |
| 103271654 | 3-7 | 103298901 | 9-15 | 103343901 | 10-13 |
| 103271718 | 3-7 | 103299301 | 9-5 | 103345501 | 9-7 |
| 103271753 | 3-7 | 103299401 | 9-5 | 103345801 | 5-7 |
| 103271754 | 3-7 | 103299501 | 9-7 | 103348101 | 6-23, 6-25 |
| 103271818 | 3-11 | 103299601 | 9-7 | 103348201 | 6-23, 6-25 |
| 103271853 | 3-11 | 103299701 | 9-7 | 103348501 | 6-23, 6-25 |
| 103271854 | 3-11 | 103299801 | 9-7 | 103361701 | 1-33 |
| 103271918 | 3-11 | 103299901 | 9-7 | 103376101 | 4-9 |
| 103271953 | 3-11 | 103300101 | 9-7 | 103380701 | 4-9 |
| 103271954 | 3-11 | 103300301 | 9-5, 9-11 | 103387501 | 10-3 |
| 103272018 | 3-9 | 103305001 | 4-17 | 103418701 | 4-5 |
| 103272053 | 3-9 | 103305101 | 4-17 | 103418801 | 4-3, 4-5 |
| 103272054 | 3-9 | 103305701 | 6-5 | 103423701 | 14-9 |
| 103272118 | 3-9 | 103306801 | 10-13 | 103438201 | 10-31 |
| 103272153 | 3-9 | 103306901 | 10-13 | 103441401 | 10-31, 10-35 |
| 103272154 | 3-9 | 103307001 | 10-13 | 103485501 | 1-21 |
| 103272218 | 3-13 | 103307201 | 10-13 | 103487501 | 1-21 |
| 103272253 | 3-13 | 103307301 | 10-13 | 103500901 | 4-15 |
| 103272254 | 3-13 | 103307401 | 10-13 | 103505301 | 4-15 |
| 103272318 | 3-13 | 103307901 | 10-5 | 103505401 | 4-15, 4-17 |
| 103272353 | 3-13 | 103320201 | 10-15 | 103535001 | 4-15 |
| 103272354 | 3-13 | 103320301 | 10-15 | 103538701 | 1-39 |
| 103273101 | 4-13, 10-27, 10-29 | 103320401 | 10-15 | 103538901 | 1-39 |
| 103276201 | 9-13 | 103320601 | 12-3, 12-5 | 103721801 | 13-27 |
| 103277001 | 5-7 | 103326401 | 9-13 | 103762201 | 5-7 |
| 103277002 | 5-7 | 103327201 | 6-5, 6-13 | 95293643 | 13-11 |
| 103277301 | 10-21 | 103331201 | 1-45 | 96701412 | 7-3, 8-3, 9-3 |
| 103277401 | 10-21 | 103332201 | 9-3 | 96704176 | 14-9 |
| 103277501 | 6-13 | 103340501 | 10-13 | 96704416 | 11-5, 11-7, 14-9 |
| 103278101 | 10-27 | 103340601 | 10-13 | 96704622 | 7-3, 8-3 |
| 103279201 | 9-3 | 103340701 | 10-13 | 96704721 | 7-3, 8-3, 9-3 |
| 103282301 | 5-15 | 103340801 | 10-13 | 96704960 | 8-3, 9-3 |
| 103283201 | 10-27 | 103340901 | 10-13 | 96705199 | 14-3 |
| 103289001 | 1-45 | 103341001 | 10-13 | 96705587 | 8-15, 9-13, 10-9 |
| 103289002 | 1-45 | 103341101 | 10-13 | 96706825 | 10-27, 10-29 |
| 103289101 | 1-45 | 103341201 | 10-13 | 96715552 | 1-11 |
| 103289102 | 1-45 | 103341301 | 10-13 | 96718978 | 7-3, 8-3 |
| 103289103 | 1-45 | 103341401 | 10-13 | 96741038 | 7-3, 8-3 |
| 103289104 | 1-45 | 103341501 | 10-13 | 96741046 | 7-3, 8-3, 9-3 |
| 103293201 | 4-7 | 103341601 | 10-13 | 96742515 | 1-27, 1-29 |
| 103294301 | 13-17, 13-29 | 103341701 | 10-13 | 96950126 | 10-21 |
| 103296001 | 1-11 | 103341801 | 10-13 | | |
| 103297101 | 10-15 | 103341901 | 10-13 | | |
| 103297201 | 10-15 | 103342001 | 10-13 | | |
| 103297301 | 10-15 | 103342101 | 10-13 | | |
| 103297401 | 9-9 | 103342201 | 10-13 | | |
| | | | | A | |
| | | | | A-arm | 5-7 |
| | | | | accelerator cable | 10-21, 10-23, 10-25 |
| | | | | accelerator pedal | 10-27, 10-29 |

INDEX

- accelerator pedal adjustment tool 15-3
 - accessory receptacle 6-23, 6-25
 - actuator 1-41
 - adapter
 - actuator 1-41
 - cable (IQDM) 15-7
 - hose 8-15, 9-13
 - intake, engine 10-19
 - tube 8-15, 9-13, 10-9
 - adapter, oil filter 8-15, 9-13
 - adhesive, guide ring 15-3
 - adjuster
 - hydraulic brake 15-7
 - adjuster, forward/aft 1-27, 1-29
 - adjuster, slide 5-7
 - adjuster, slider 1-27, 1-29
 - air clean support 10-31, 10-33, 10-35
 - air filter 10-31, 10-33, 10-35
 - air filter canister 10-31, 10-33, 10-35
 - air filter evacuator 10-31, 10-33, 10-35
 - air filter gasket 10-15
 - alternator 7-33, 7-35
 - alternator belt 7-35
 - arbor 15-3
 - arm
 - A- 5-7
 - governor shaft 9-9
 - rocker 7-47, 9-17
 - valve rocker 8-11
 - arm, governor lock 9-9
 - arm, swing 5-15
 - assembly
 - accelerator pedal 10-29
 - adjusting bolt 7-29
 - alternator 7-33
 - bearing case cover 7-19
 - brake line 4-11
 - brake pedal 4-13
 - brake rotor 4-11, 13-21
 - bucket seat 1-27
 - camshaft 7-21, 8-13
 - case, main bearing 7-19
 - connecting rod 7-23, 8-13
 - crankcase cover 8-9
 - cylinder head cover 7-13
 - drain cock 7-5
 - filler cap 4-7
 - forward/reverse 13-3
 - fuel camshaft 7-27
 - fuel cap 10-11
 - fuel filter 10-9
 - fuel injection pump 7-37
 - fuel pump 10-9, 10-19
 - fuel tank vent 10-7, 10-11
 - gear case 13-13, 13-23, 13-25
 - governor 8-9
 - governor fork 7-43
 - governor fork lever 7-43
 - headlight harness 1-7
 - idle apparatus 7-29
 - inner ball joint 5-5
 - intake manifold 7-49
 - latch, tilt bed 1-39
 - muffler 13-5
 - nozzle holder 7-41
 - oil pump 7-17
 - oil pump cover 8-9
 - overflow pipe 7-41
 - pinion 13-23
 - piston ring 7-23, 7-55
 - reservoir, remote 4-7
 - rocker arm 7-47
 - speed plate 7-39
 - tailgate 1-43
 - tether 1-43
 - thermostat 14-11
 - tilt bed 1-39
 - tire 2-3
 - valve, lifter 8-13
 - valve, solenoid 10-17
 - water pump 14-13
 - wire 6-27, 6-29, 9-13, 10-7, 10-11
 - assembly, sub-
 - gear case 13-13, 13-25
 - moveable drive clutch 12-9, 12-11, 12-15
 - spider 12-9, 12-11, 12-15
 - stationary 12-9, 12-11, 12-15
 - swingarm 5-15
 - weight clutch 12-9, 12-11, 12-15
 - axle 13-21
 - axle tube 13-23
 - axle, rear, guard mounts 13-21
- ## B
- ball
 - check 7-21
 - crankshaft 7-23
 - governor 7-27
 - injection pump 7-27
 - steel 8-9
 - valve 7-11
 - ball joint 5-7, 10-21, 10-23, 10-25
 - ball stud 13-3
 - band, pipe 14-11, 14-15
 - banjo bolt 4-3, 4-5
 - bar clamp 14-9
 - bar, sway 5-13
 - barb, vent 10-3, 10-5, 10-9
 - base, seat holder 1-27, 1-29
 - battery 6-27, 6-29
 - battery clamp 6-27, 6-29
 - battery discharge machine 15-3
 - battery terminal protector spray 15-3
 - battery thermometer 15-3
 - bearing 5-7, 13-23
 - ball (steering pinion) 5-5
 - lower pinion 5-5
 - needle 8-13, 13-7, 13-13, 13-15, 13-23, 13-25, 13-27
 - radial ball 8-13
 - bearing and oil seal remover 15-3
 - bearing case cover 7-19
 - bearing case, main 7-19
 - bearing driver set 15-3
 - bearing puller 15-3
 - bearing puller wedge 15-3
 - bed floor plate 1-39
 - bed, tilt 1-39
 - bellcrank 4-17, 13-17, 13-19, 13-29, 13-31
 - bellows 5-5, 13-21
 - belt guard 7-35
 - belt, alternator 7-35
 - belt, drive 12-7
 - belt, V- 7-33
 - bench seat back 1-25, 1-31
 - bench seat bottom 1-25, 1-31
 - bench seat kit 1-31
 - bezel, fuel fill 10-5, 10-9
 - block, differential spacer 13-5
 - block, engine 7-5
 - block, fuse 6-19, 6-21
 - bobbin, coil with press fit 13-7
 - body, fascia 1-7
 - body, front cowl 1-9
 - bolt
 - adjusting 7-29
 - banjo 4-3, 4-5
 - drain plug 8-9
 - boot kit, boxed 5-9
 - boot replacement kit 5-9
 - boot, half shaft 5-9
 - bottle, coolant 14-5
 - bracket
 - actuator 1-41
 - anti-sway bar 5-13
 - bed latch 1-37
 - brake line 4-11
 - brake pedal 4-13
 - choke cable 10-19
 - cover inlet 12-5
 - draw latch 1-7
 - hood support 1-17
 - hydraulic line 4-11, 5-11, 5-13
 - muffler 11-3
 - oil filter mount 8-15, 9-13
 - park brake 4-17
 - radiator support 14-9
 - rocker arm 7-47

INDEX

seat back 1-25, 1-31
seat belt 1-25, 1-31
seatbelt 1-27, 1-29
steering column 1-11
transmission cable 7-3, 8-3
transmission mounting 7-3, 8-3
bracket, oil filter 9-13
brake adjustment tool 15-3
brake cable 4-15
brake cable release tool 15-3
brake caliper 4-3, 4-5
brake caliper return spring 4-5
brake fluid reservoir 4-7
brake line 4-11
brake line, front 4-11
brake pad service kit 4-3, 4-5
brake pedal 4-13
brake pedal adjustment tool 15-3
brake pedal tension tool 15-3
brake return spring 4-15
brake rotor 4-11, 13-21
breather cover 7-13
breather gasket 9-15
breather shield 7-13
breather tube 7-13, 10-19
breather valve 7-13, 8-13
brush, FNR 1-17
brushguard 1-3
brushguard kit 1-3
bucket seat 1-27, 1-29
buckle, seatbelt 1-33
bullet, detent 13-15, 13-27
bumper 14-9
 bed 1-37, 1-41
 rubber 1-43
bumper plate 1-5
bushing 1-41
 A-arm 5-7
 anti-sway bar 5-13
 flanged bronze 7-21
 forward/reverse 13-3
 greaseless 4-13, 10-27, 10-29
 link 5-13
 Permiglide 13-7
 piston pin 7-23, 7-55
 pivot, urethane 5-15
 plain 13-9
 return line 10-11
 self-lubricating 13-7
 steel 1-39
 teflon 5-15
 urethane 1-39
button, thrust 13-7
buzzer, reverse 13-3

C

cable
 accelerator 10-21, 10-23, 10-25
 bell crank 4-17
 brake 4-15
 choke 10-21, 10-23
 IQDM 15-7
 transmission 10-21, 10-23, 10-25
cage, roll 13-7
calibration test module 15-3
caliper, brake 4-3, 4-5
cam installation tool 15-3
camshaft 7-21, 8-13, 9-17
camshaft guide 9-17
camshaft kit 9-17
camshaft plate 9-17
camshaft spring 9-17
camshaft, fuel 7-27
canister, air filter 10-31, 10-33, 10-35
cap
 air filter 10-31, 10-33, 10-35
 bolt assembly 7-29
 connecting rod 8-13
 filler 4-7
 fuel 10-11
 fuel tank 10-7
 inlet 12-5
 noise suppressor 8-5, 8-7
 oil fill 9-11
 oil filler 8-9
 pressure 14-5
 radiator 14-3
 rubber 5-7, 5-15
 sealing 7-5, 7-9
 spark plug 8-5, 8-7
 speed control plate 7-39
 steering wheel 5-3
 valve 7-47
cap, filler 4-9
cap, front corner 1-43
carburetor 10-13
carburetor air vent tube 10-3, 10-5, 10-9
carburetor float level tool 15-7
carburetor gasket 10-13, 10-15
carburetor heater 10-13
carburetor jet 10-13
carburetor seal 10-13
carburetor shaft 10-13
carburetor solenoid 10-13
carburetor spring 10-13
carburetor throttle shaft 10-13
carburetor valve 10-13
carburetor, Honda 10-17
card, safety first 15-9
case

gear 7-11, 13-13, 13-21, 13-23, 13-25
governor ball 7-27
 main bearing 7-19
case cover, bearing 7-19
center console cover 1-27, 1-29
chain, transmission 13-13, 13-25
charge coil 8-7, 9-7
charger bezel tool 15-3
choke cable 10-21, 10-23
clamp
 bar 14-9
 battery 6-27, 6-29
 breather tube 7-13
 hose 10-3, 10-5, 10-9
 p- (fuel filter) 7-3, 8-3, 10-3, 10-9
 pipe 7-41
 wire 8-7, 8-13
clevis pin 4-7, 4-9, 4-15
clip
 hair pin 1-43
clip, body trim 1-9
clip, brake line 4-11, 10-21, 10-23, 10-25
clip, breather tube 10-19
clip, governor 8-9
clip, meter 6-23, 6-25
clip, piston pin 8-13
clip, return pipe 7-41
clip, tube 10-19
clip, wire harness 10-19
closeout 1-45
clutch 12-13
clutch alignment tool 15-5
clutch cover 12-9, 12-11, 12-15
clutch housing 13-7
clutch removal tool 15-3
clutch tool kit 15-5
clutch, diesel 12-11
clutch, gas 12-9, 12-15
coil
 charge 8-7, 9-7
 ignition 8-7, 9-7
 pocket insert 13-7
coil over shock 5-11, 5-13
coil with press-fit bobbin 13-7
collar, alternator assembly 7-33, 7-35
collar, crankshaft 7-23
collar, idle gear 7-21
collar, lever 7-39
collet 7-47
column, steering 5-3
communication display module 15-5
compression gauge 15-5
compressor, piston ring 15-9
compressor, valve spring 15-11
connecting rod 7-23, 8-13
connecting rod kit 9-19

INDEX

- connector, relay 6-19, 6-21
 - continuity tester 15-5
 - control panel 9-9
 - coolant bottle 14-5
 - coolant exchanger 14-3
 - coolant fill tee 14-3
 - coolant lamp sensor 14-11
 - coolant pipe 14-7
 - coolant pipe mounting tab 14-7
 - coolant temperature indicator light 6-25
 - cooling fan 8-5, 9-5, 14-3
 - cord, glow plug 7-41
 - corner cap 1-43
 - cotter, rue ring 5-15
 - cover 8-9
 - alternator assembly 7-33
 - bearing case 7-19
 - breather 7-13, 8-13
 - CCI dash storage 1-19
 - clutch 12-9, 12-11, 12-15
 - crankcase 8-9
 - CVT 7-3, 8-3, 9-3, 12-3, 12-5, 12-9, 12-11, 12-15
 - cylinder head 7-13
 - electrical 6-19, 6-21
 - engine 9-3
 - fan 8-5
 - fuel camshaft 7-5
 - head 8-11
 - head filler 8-11
 - heat proof 7-51
 - input 13-9
 - oil filter 8-9
 - oil pump 8-9
 - rocker 9-15
 - rocker switch hole 6-23, 6-25
 - thermostat 14-11
 - cover gasket 10-13
 - cover plate, output 13-7
 - cover, crankcase 9-15
 - cover, steering column 5-3
 - cowl panel, driver-side 1-9
 - cowl panel, passenger-side 1-9
 - cowl, front body 1-9
 - crank 7-23
 - crank oil seal 9-15
 - crankcase 8-9, 9-15
 - crankcase cover 8-9, 9-15
 - crankcase cover gasket 9-15
 - crankcase vent tube 10-15
 - crankshaft 7-23, 8-13, 9-19
 - C-type stop ring 5-5
 - cup holder 1-17
 - cup holder, seat 1-27, 1-29
 - cutter, valve seat 15-5, 15-11
 - CVT 12-13
 - CVT cover 12-3
 - CVT cover kit, sealed 12-5
 - CVT cover kit, unsealed 12-5
 - cylinder head 7-9, 8-11, 9-15
 - cylinder head cover 7-13
 - cylinder, master 4-7, 4-9
- ## D
- dash 1-17
 - Decal
 - Bobcat 2200 3-7
 - decal
 - 4421D 3-11
 - 4421DXP 3-13
 - 4421GXP 3-9
 - bed 3-7, 3-9, 3-11, 3-13
 - crush area warning 3-3
 - driver/passenger 3-5
 - ground warning 3-5
 - hot manifold warning 3-5
 - hot surface warning 1-27, 1-29, 3-5
 - Husqvarna tailgate 1-43
 - HUV 3-7, 3-9, 3-11, 3-13
 - instrument panel warning 1-31
 - operating instructions 1-31, 3-5
 - operator warning 3-3
 - ROPS warning 3-3
 - rotating parts 3-3
 - rotating parts and hot manifold 3-5
 - rotating parts warning 3-3
 - trailer hitch 3-3
 - under 16 warning 3-3
 - vehicle loading 3-3
 - winch cable warning 3-5
 - deflector oil 13-13, 13-25
 - diaphragm tube 10-19
 - diesel tachometer probe 15-9
 - differential housing 13-23
 - differential, front 13-7
 - diode 6-5, 6-9, 6-13
 - diode, engine stop 8-7
 - dipstick, oil 8-9
 - dowel pin 13-7
 - drag link 5-5
 - drain cock 7-5
 - drive belt 12-7
 - drive clutch fixed sheave tool 15-5
 - drive clutch holder tool 15-5
 - drive clutch hub puller 15-5
 - drive clutch puller 15-5
 - drive clutch spider removal tool 15-5
 - drive clutch, moveable 12-9, 12-11, 12-15
 - drive shaft 13-11
 - driven clutch base sheave 12-13
 - driven clutch cam puller 15-5
 - driven clutch puller plug 15-5
 - driven clutch spring compression base tool 15-5
 - driven clutch spring compression collar tool 15-5
 - driven clutch spring compression nut tool 15-5
 - dry moly lubricant 15-7
- ## E
- E-clip 4-15
 - elbow 10-11
 - emblem, Husqvarna 1-7
 - end, tie rod 5-5
 - engine block 7-5
 - engine cover 9-3
 - engine shroud 9-5
 - engine starter motor 9-7
 - engine, diesel, Kubota D722 with closed breather 7-3
 - engine, Honda 8-3
 - engine, Kawasaki FH680D 9-3
 - equalizer rod 4-15
 - exchanger, engine coolant 14-3
 - exhaust header 11-5, 11-7
 - exhaust header gasket 11-5
 - exhaust installation 11-3
 - exhaust pipe 11-3
 - exhaust valve 7-47, 8-11, 9-17
 - extension, spring latch 1-39
- ## F
- fan housing plate 9-5
 - fan shroud 14-3
 - fan, cooling 8-5, 9-5, 14-3
 - fascia 1-7
 - fastener, push-in 6-19, 6-21
 - fender, front 1-7
 - fender, left rear 1-45
 - fender, rear 1-45
 - filler cap 4-7, 4-9
 - filter
 - air 10-31, 10-33, 10-35
 - fuel 10-3, 10-9, 10-19
 - inlet cover 12-5
 - oil 7-7, 7-11, 8-15, 9-11
 - filter, air, canister 10-31, 10-33, 10-35
 - fitting, thread-forming grease 5-15
 - flange, water 14-11
 - float set 10-17
 - float valve 10-13
 - floor mat 1-23
 - floor plate, bed 1-39
 - flywheel 7-25, 8-7, 9-7
 - flywheel puller 15-7
 - FNR brush 1-17
 - FNR brush strip 1-17

INDEX

FNR shifter bracket 7-3, 8-3
fork, transmission 13-13, 13-25
forward/reverse assembly 13-3
Forward/Reverse shifter 13-3
frame, tilt bed 1-39
front body cowl 1-9
front brake line 4-11
front differential 13-7
front gear case 13-13, 13-25
front panel 1-45
fuel camshaft 7-27
fuel cap 10-11
fuel filter 10-3, 10-9, 10-19
fuel gauge sending unit 10-7, 10-11
fuel injection pump 7-37
fuel line 10-3
fuel pickup tube 10-11
fuel pump 10-9, 10-19
fuel system 10-9
fuel tank (diesel) 10-11
fuel tank (gasoline) 10-7
fuel tank cap 10-7
fuel tank strap 10-3, 10-5, 10-9
fuel tank vent 10-7, 10-11
fuel tank, diesel 10-11
fuel tank, gas 10-7
fuel tube 10-19
fuel-hour gauge 6-23, 6-25
fuse
 10-amp 6-19, 6-21
 25-amp 6-19, 6-21
 30-amp 6-21
fuse block 6-19, 6-21

G

gasket 10-13
 air filter 10-15
 bearing case 7-19, 7-53
 breather 9-15
 breather cover 8-13
 carburetor 10-13, 10-15, 10-19
 carburetor adapter 10-19
 carburetor bowl 10-17
 case cover 8-9
 clutch cover 12-9, 12-11, 12-15
 control plate 7-39, 7-53
 cover 7-19, 7-53, 10-13, 12-5
 crankcase cover 9-15
 cylinder head 7-9, 7-53, 8-11
 cylinder head cover 7-13, 7-53, 8-11
 drain plug 7-7
 exhaust 7-53, 11-7, 11-9
 exhaust header 11-5
 ex-manifold 7-51, 7-53
 fuel pump 7-5, 7-53
 gearcase 7-11, 7-53

head 9-15
head cover 7-53
head cover nut 7-29, 7-39, 7-41, 7-53
idle apparatus 7-29, 7-53
intake manifold 7-49, 7-53, 8-11, 10-19
liquid 15-7
manifold 10-15
nozzle 7-41
oil pump 7-17, 7-53
rocker cover 9-15
sending unit 10-7, 10-11
thermostat 7-53, 14-11
water flange 7-53, 14-11
water pump 7-53, 14-13
gasket, carburetor 10-13
gauge, compression 15-5
gauge, fuel-hour 6-23, 6-25
gauge, oil 7-15, 9-11
gear
 cam 7-21
 case 7-11, 13-13, 13-21, 13-23, 13-25
 crank 7-23
 helical 13-15, 13-27
 idle 7-21
 injection pump 7-27
 oil pump drive 7-17
 ring 7-25, 13-7, 13-23
gear case, front 13-13, 13-25
gear ring engagement 13-15, 13-27
gear yoke 15-7
gear, oil pump 9-11
glow plug 7-41
glow plug cord 7-41
governor 8-9
governor control lever 9-9
governor fork lever 7-43
governor lever 7-39
governor lock arm 9-9
governor oil seal 9-15
governor plate 9-9
governor return spring 9-9
governor shaft 9-9
governor shaft arm 9-9
governor shaft installation tool 15-7
governor shield 11-3
governor spring 9-9
grid, screen 8-5
grill 1-7
grip tape, accelerator pad 10-27, 10-29
grip, tilt latch hand 1-39
grommet 10-7, 10-11, 10-19, 13-7
grommet tool 8-7
guard, belt 7-35
guard, brush 1-3
guard, brush, kit 1-3
guard, oil filet 9-13

guard, splash 1-11
guide
 accelerator cable 10-27, 10-29
 detent bullet 13-15, 13-27
 exhaust valve 7-9
 inlet valve 7-9
 oil gauge 7-15
 valve seat cutter 15-11
guide ring adhesive 15-3
guide, camshaft 9-17
guide, rocker arm 9-17

H

hair pin clip 1-43
half shaft boot 5-9
handle, tilt steering 5-3
hanger, engine 8-5
harness 1-41, 6-5, 6-13, 6-17, 9-7
harness, headlight 1-7
harness, wire 6-9, 6-17
head gasket 9-15
head, cylinder 7-9, 8-11, 9-15
header, exhaust 11-5, 11-7
headlamp 1-7
headlight harness 1-7
heat seal 7-41
heater, carburetor 10-13
helical gear 13-15, 13-27
hinge plate 1-25, 1-27, 1-29, 1-31
hinge, hood 1-9
holder
 FNR strip brush 1-17
 fork lever 7-43
 screen grid 8-5
holder, cup 1-17
Honda engine 8-3
hood 1-9
hood hinge 1-9
hood latch 1-7
hood prop 1-9
hook, engine 7-9
hose 14-5
 coolant 14-3, 14-5, 14-9
 fuel filter 10-9
 fuel pump 10-9
 fuel return 10-9
 inlet cover 12-5
 intake 10-31, 10-33, 10-35
 oil, remote 8-15
 overflow 7-41
 vent 7-3, 8-3, 13-5, 14-9
hose, fuel 10-3
hose, outlet 12-3, 12-5
housing
 clutch 13-7
 differential 13-23

INDEX

Mate-N-Lock 13-7
steering gear 5-5
hub, race/output 13-7
hydraulic brake adjuster 15-7
hydrometer 15-7

I

idle apparatus 7-29
idle gear 7-21
ignition coil 8-7, 9-7
injection pump gear 7-27
inlet valve 7-47, 8-11
insert, carburetor adapter 10-19
instructions, bench seat 1-31
instructions, front skidplate 1-15
insulator, carburetor 10-19
insulator, manifold 10-15
intake adapter pipe 10-15
intake adapter, engine 10-19
intake manifold 7-49, 10-15
intake valve 9-17
internal retaining ring pliers 15-7
IQ display module (IQDM) 15-7
isolator ring and bushing 7-3, 8-3, 9-3
isolator, twin stud 14-3

J

jet kit
0-3300 ft 10-13
3300-6600 ft 10-13
6600+ ft 10-13
jet needle 10-13
jet, carburetor 10-13
jet, main 10-17
joint
ball 5-7, 10-21, 10-23, 10-25
eye 7-37
pipe 7-11

K

keeper, push-close latch 1-19
key 9-7
feather 7-17, 7-21, 7-23, 7-27
woodruff 8-7, 8-13
key (pair) 6-23, 6-25
key switch 6-23, 6-25
key switch spacer 6-23, 6-25
keyswitch nut 6-23, 6-25
kick panel 1-45
kit
bench seat 1-31
bolt 13-7
brake pad service 4-3, 4-5
brake pedal adjustment tool 15-3
clutch 13-7

complete bench seat 1-31
cover plate, input 13-9
cover plate, output 13-7
drain plug 13-7
forward gear repair 13-15, 13-27
front skidplate hardware 1-15
front steel skidplate 1-15
gasket 7-53
H-clip spring 13-7
IQ display module (IQDM) 15-7
neutral switch repair 13-15, 13-27
nozzle holder 7-41
piston rebuild 7-55
race output hub 13-7
rear axle gear repair 13-23
repair, minor 13-7
reverse gear repair 13-13, 13-25
roll cage 13-7
roller 13-7
ROPS 1-35
transmission shift shaft repair 13-17, 13-29
tune-up 15-9

kit, boot replacement 5-9
knob, forward/reverse 13-3

L

latch 1-19
latch bracket 1-7
latch keeper 1-19
latch plate, tilt bed 1-37
latch, hood draw 1-7
latch, slam 1-43
latch, spring 1-43
latch, tilt bed 1-39
lever
engine stop 7-39
fork 7-43
governor 7-39
lost motion 10-29
speed control 7-39
lever, governor control 9-9
light
oil 6-23, 6-25
light, coolant temperature indicator 6-25
limit switch 13-3
line, brake reservoir 4-7
line, fuel 10-3
link, drag 5-5
liquid gasket 15-7
low oil warning light 6-23, 6-25
lubricant, dry moly 15-7
lubricant, moly-teflon 15-7

M

main jet 10-17

manifold
exhaust 7-51
inlet 8-11, 10-19
intake 7-49
manifold gasket 10-15
manifold insulator 10-15
manifold, intake 10-15
master cylinder 4-9
mat, floor 1-23
Mate-N-Lock housing 13-7
Mate-N-Lock pin 13-7
meter clip 6-23, 6-25
meter, volt ohm 15-11
module
calibration test 15-3
communication display 15-5
moly-teflon lubricant 15-7
motor
starter 7-45, 8-7
moveable drive clutch 12-9, 12-11, 12-15
muffler 11-3, 13-5

N

needle, jet 10-13
nipple, remote oil 8-15
noise suppressor cap 8-5, 8-7
nongrease/spacers locker 13-23
nozzle holder 7-41
nozzle, main 10-17
nut, keyswitch 6-23, 6-25

O

oil cap 9-11
oil deflector 13-13, 13-25
oil dipstick 8-9
oil drain plug 9-11
oil filter 7-7, 7-11, 8-15, 9-11
oil filter adapter 9-13
oil filter bracket 9-13
oil filter guard 9-13
oil filter nipple 9-15
oil filter screen 8-9
oil gauge 9-11
oil pan 7-7
oil pickup 9-11
oil pickup screen 9-11
oil pressure switch 7-5, 8-7, 9-7
oil pump 7-17, 9-11
oil pump and rotor 9-11
oil pump drive gear 7-17
oil pump plate 9-11
oil pump rotor 9-11
oil pump shaft 9-11
oil pump spring 9-11
oil pump spur gear 9-11

INDEX

oil seal 7-11, 7-19, 8-9, 8-13, 13-7, 13-9
oil seal, crank 9-15
oil seal, governor 9-15
oil slinger 7-23
oil valve seal 9-15
oil warning light, low 6-23, 6-25
O-ring 7-5, 7-7, 7-9, 7-11, 7-13, 7-23, 7-31, 7-39,
7-53, 8-15, 9-11, 9-13, 10-13, 13-7, 13-9
overflow pipe 7-41

P

paint, touch-up 15-7
pan
center 1-27, 1-29
oil 7-7
seat 1-27, 1-29
panel
driver-side 1-45
driver-side cowl 1-9
front kick 1-45
left 1-43
passenger-side 1-45
passenger-side cowl 1-9
right 1-43
panel, control 9-9
panel, front 1-43, 1-45
panel, side 1-45
p-clamp (fuel filter) 7-3, 8-3, 10-3, 10-9
pedal, accelerator 10-27, 10-29
pedal, brake 4-13
pickup, oil 9-11
pin, clevis 4-7, 4-9, 4-15
pin, dowel 13-7
pin, Mate-N-Lock 13-7
pin, piston 7-23, 7-55, 8-13
pin, slide, caliper slide pin 4-3, 4-5
pinion 13-23
pinion, steering 5-5
pipe
breather 7-49
coolant 14-7
exhaust 11-3, 11-9
injection 7-41
overflow 7-41
water 14-15
water return 7-13, 14-11
pipe band 14-11, 14-15
pipe clamp 7-41
pipe, coolant 14-7
pipe, intake adapter 10-15
piston 7-23, 7-55, 8-13, 9-19
piston pin 7-23, 7-55, 8-13
piston ring 7-23, 7-55
piston ring compressor 15-9
piston ring pliers 15-9
piston ring set 8-13

pivot, rocker arm 8-11
plate
armature 13-7
back 1-39, 1-41
camshaft 9-17
cover, output 13-7
electrical 6-19, 6-21
engine block 7-5
engine mounting 7-3, 8-3
engine, left side 8-5
fan housing 9-5
fuel/oil 8-15, 10-9
governor 9-9
hinge 1-25, 1-27, 1-29, 1-31
latch 1-37
oil pump 9-11
push rod guide 8-11
shroud 7-25, 8-5
skid 1-13, 1-15
speed 7-39
speed control 7-39
thrust 13-7
plate, closeout 1-45
plate, steering wheel center 1-31
pliers
internal retaining ring 15-7
piston ring 15-9
retaining ring 15-9
plug 13-13, 13-25
drain 7-7
driven clutch puller 15-5
engine block 7-5, 7-9, 7-11, 13-21
expansion 7-5
gearcase 13-13, 13-21, 13-25
glow 7-41
hole 6-23, 6-25
oil drain 13-7
oil fill 13-7
oil filler 7-13
plug, oil drain 9-11
plug, spark 8-7, 8-11, 9-7
press weldment 15-5
prop rod 1-37
prop shaft 13-11
prop, hood 1-9
protector spray, battery terminal 15-3
puller
bearing 15-3
clutch 15-3
drive clutch 15-5
drive clutch hub 15-5
driven clutch cam 15-5
flywheel 15-7
seal 15-9
special use tool 15-9
pulley

fan drive 7-33, 7-35
water pump 7-33, 7-35
pullrod, compression spring 10-27, 10-29
pump
fuel 10-9, 10-19
fuel injection 7-37
oil 7-17
water 14-13
push rod 7-21, 8-11, 9-17
push rod tappet 9-17

R

rack guide pressure spring 5-5
rack, steering 5-5
radiator 14-3
radiator cap 14-3
radiator pipe 14-7
reamer, valve guide 15-9
receiver, rear 5-15
receptacle, accessory 6-23, 6-25
reed valve assembly 9-15
regulator, voltage 8-15, 9-7
relay 6-19, 6-21
relay connector 6-19, 6-21
remover, bearing and oil seal 15-3
reservoir, brake fluid 4-7
reservoir, remote 4-7
retainer
spring (driven clutch) 12-13
valve spring 7-47, 8-11
retainer, valve spring 9-17
retaining ring pliers 15-9
retractor, seat belt 1-33
reverse buzzer 13-3
ring
piston 7-23, 7-55
snap 5-5
ring gear 7-25, 13-7, 13-23
ring set, piston 8-13
ring, C-type stop 5-5
ring, retaining, ext 5-7
rivet, blind push 1-11, 1-31
rocker arm 7-47, 9-17
rocker arm guide 9-17
rocker arm pivot 8-11
rocker arm stud 9-17
rocker cover 9-15
rocker cover gasket 9-15
rocker switch 1-41
rocker switch (lights) 6-23, 6-25
rod
connecting 7-23, 8-13
crank crank rod 7-23
equalizer 4-15
prop 1-37
push 7-21, 8-11

INDEX

- rod, push 9-17
 - roll cage 13-7
 - roller weight 12-9, 12-11, 12-15
 - roller, torque 12-9, 12-11, 12-15
 - ROPS front base weldment 1-11
 - ROPS kit 1-35
 - ROPS support tube 1-35
 - ROPS top 1-35
 - ROPS warning decal 3-3
 - rotator, valve 8-11
 - rotor, brake 4-11, 13-21
 - rotor, oil pump 8-9, 9-11
 - rotor, oil pump and 9-11
 - rubber bumper 1-43
- ## S
- safety first card 15-9
 - score card plate 1-31
 - screen grid 8-5
 - screen, oil filter 8-9
 - screen, oil pickup 9-11
 - screw, valve clearance adjuster 15-9
 - seal
 - dual lip 13-13, 13-17, 13-19, 13-23, 13-25, 13-29, 13-31
 - heat 7-41
 - oil 7-11, 7-19, 8-9, 8-13, 13-7, 13-9
 - oil valve 9-15
 - steering pinion dust 5-5
 - triple lip 13-13, 13-25
 - valve stem 7-47, 7-53, 8-11
 - seal puller 15-9
 - seal, carburetor 10-13
 - seat
 - bucket 1-27
 - valve 7-11
 - valve spring 8-11
 - seat back, bench 1-25, 1-31
 - seat belt retractor 1-33
 - seat bottom 1-25, 1-31
 - seat bottom, bench 1-25, 1-31
 - seat holder base 1-27, 1-29
 - seat, bucket 1-27, 1-29
 - bucket seat 1-29
 - seatbelt buckle 1-33
 - sending unit, fuel gauge 10-7, 10-11
 - sensor, coolant lamp 14-11
 - service kit, brake pad 4-3, 4-5
 - shaft
 - carburetor 10-13
 - CVT adapter 7-3
 - drive 13-11
 - fork lever 7-43
 - governor 9-9
 - governor arm 8-13
 - governor lever 7-39
 - idle gear 7-21
 - input 13-27
 - intermediate 13-15, 13-27
 - oil pump 9-11
 - output 13-27
 - pinion 13-9
 - prop 13-11
 - rock arm 7-47
 - shift 13-19, 13-31
 - shaft shift 13-17, 13-29
 - sheave, drive clutch base 12-13
 - sheave, driven clutch 12-13
 - shield, breather 7-13
 - shield, exhaust 11-9
 - shield, governor 11-3
 - shift, shaft 13-17, 13-29
 - shim 12-9, 12-11, 12-15, 13-23
 - shim, armature plate 13-7
 - shim, injection pump 7-37
 - shim, latch plate 1-37
 - shock absorber 5-11, 5-13
 - shock absorber, coil over 5-11, 5-13
 - shroud 8-5
 - head 8-5
 - shroud, engine 9-5
 - shroud, fan 14-3
 - side panel 1-45
 - skid plate 1-13, 1-15
 - skidplate hardware kit 1-15
 - skidplate kit 1-15
 - slam latch 1-43
 - sleeve
 - crankshaft 7-23
 - governor 7-27
 - link 5-13
 - lower arm 5-7
 - upper suspension 5-7
 - slide adjuster 5-7
 - slide pin 4-3, 4-5
 - slide, adjuster 5-7
 - slider, governor 8-9
 - slinger, oil 7-23
 - snap ring 5-5
 - solenoid, carburetor 10-13
 - solenoid, stop 7-31
 - spacer 1-15
 - engine 7-3
 - key switch 6-23, 6-25
 - spacer block, differential 13-5
 - spanner wrench 15-9
 - spark plug 8-7, 8-11, 9-7
 - spark plug cap 8-5, 8-7
 - speed plate 7-39
 - spider 12-9, 12-11, 12-15
 - splash guard 1-11
 - spray, battery terminal protector 15-3
 - spring 9-11, 9-17
 - brake caliper return 4-5
 - brake return 4-15
 - carburetor 10-13
 - choke spring 10-21
 - compression 12-9, 12-11, 12-13, 12-15
 - continuity 10-19
 - detent bullet 13-15, 13-27
 - exhaust 11-3
 - governor 7-43, 9-9
 - governor idle 10-21
 - governor return 9-9
 - idle apparatus 7-29
 - pedal 10-27, 10-29
 - pedal stop 10-27, 10-29
 - rack guide pressure 5-5
 - relief valve 8-9
 - return 7-39
 - rocker arm 7-47
 - start 7-9, 7-43
 - torsion 10-27, 10-29
 - valve 7-11, 7-47, 8-11, 9-17
 - spring latch 1-43
 - sprocket 13-13, 13-25
 - start spring 7-43
 - starter motor 7-45, 8-7
 - starter motor, engine 9-7
 - stay
 - alternator assembly 7-33
 - cylinder head 7-9
 - fuel pump 10-19
 - spring 7-11
 - stop solenoid 7-31
 - steel bushing 1-39
 - steering column 5-3
 - steering column bearing press tool 15-9
 - steering column bracket 1-11
 - steering column cover 5-3
 - steering column retaining ring tool 15-9
 - steering gear housing 5-5
 - steering pinion dust seal 5-5
 - steering rack 5-5
 - steering wheel 1-31, 5-3
 - steering wheel puller tool 15-9
 - stem, valve 2-3
 - stop solenoid stay 7-31
 - stopper, camshaft 7-21
 - stopper, fuel camshaft 7-27
 - strap, fuel tank 10-3, 10-5, 10-9
 - strip, FNR brush 1-17
 - stud 7-3, 7-37, 7-51, 14-15
 - engine 8-7
 - idle adjustment 7-29
 - self-clinching 1-43
 - stud, ball 13-3
 - support yoke (steering) 5-5

INDEX

support, structural 1-17
sway bar 5-13
swingarm 5-15
switch
 indicator (transmission) 13-15, 13-27
 key 6-23, 6-25
 light rocker 6-23, 6-25
 limit 13-3
 oil pressure 7-5, 8-7, 9-7
switch, rocker 1-41

T

tab, coolant pipe mounting 14-7
tachometer 15-9
tachometer probe, diesel 15-9
tailgate 1-43
tailgate angle 1-43
tank, fuel 10-7, 10-11
tank, fuel (diesel) 10-11
tank, fuel (gasoline) 10-7
tape, double-sided 1-25
tape, grip, accelerator pad 10-27, 10-29
tape, vinyl foam 1-39, 14-3
tappet 7-21
tappet, push rod 9-17
tee, coolant fill 14-3
temperature indicator light, coolant 6-25
tester, continuity 15-5
tether 1-43
thermometer, battery 15-3
thermostat 14-11
thread-forming grease fitting 5-15
throttle shaft, carburetor 10-13
throttle valve 10-13
thrust button 13-7
thrust plate 13-7
tie rod end 5-5
tie wrap 1-41, 4-11, 4-15, 5-5, 10-21, 10-23, 10-25
tilt bed 1-39
tilt bed frame 1-39
tilt latch hand grip 1-39
tire 2-3
tire assembly, black 2-3
tire, mud 2-3
tool
 accelerator pedal adjustment 15-3
 belt tensioning, starter/generator 15-11
 brake adjustment 15-3
 brake cable release 15-3
 brake pedal adjustment 15-3
 brake pedal tension 15-3
 cam installation 15-3
 carburetor float level 15-7
 charger bezel 15-3
 clutch alignment 15-5

 cT-wrench 15-5
 drive clutch fixed sheave 15-5
 drive clutch holder 15-5
 drive clutch spider removal 15-5
 driven clutch spring compression base 15-5
 driven clutch spring compression collar 15-5
 driven clutch spring compression nut 15-5
 governor shaft installation 15-7
 grommet 8-7
 puller, special use 15-9
 steering column bearing press 15-9
 steering column retaining ring 15-9
 steering wheel puller 15-9
 transaxle axle seal 15-9
 transaxle pinion seal 15-9
 transmission 15-9
 valve guide driver 15-9
 valve seat cutter 15-5
tool kit, clutch 15-5
torque converter 12-13
torque roller 12-9, 12-11, 12-15
touch-up paint 15-7
track, prop rod 1-37
transaxle axle seal tool 15-9
transaxle housing 13-23
transaxle pinion seal tool 15-9
transmission cable 10-21, 10-23, 10-25
transmission cable bracket 7-3, 8-3
transmission chain 13-13, 13-25
transmission fork 13-13, 13-25
transmission tool 15-9
transmission, diesel, parallel shaft 13-25
transmission, gasoline, parallel shaft 13-13
tube
 axle 13-23
 breather 7-13, 10-19
 carburetor air vent 10-3, 10-5, 10-9
 crankcase vent 10-15
 diaphragm 10-19
 fuel 10-19
 fuel pickup 10-11
 ROPS support 1-35
tune-up kit 15-9
T-wrench tool 15-5

U

upright 5-7
urethane bushing 1-39

V

valve 10-31, 10-33, 10-35
 breather 7-13, 8-13
 exhaust 7-47, 8-11
 fuel pickup tube 10-7

 inlet 7-47, 8-11
 lifter 8-13
 rocker arm 8-11
 rotator 8-11
 seat 7-11
 solenoid 10-17
 spring seat 8-11
valve assembly, reed 9-15
valve clearance adjuster screw 15-9
valve guide driver tool 15-9
valve guide reamer 15-9
valve seat cutter 15-5, 15-11
valve seat cutter guide 15-11
valve seat cutter tool 15-5
valve seat t-wrench 15-11
valve spring 9-17
valve spring compressor 15-11
valve spring retainer 9-17
valve stem 2-3
valve, carburetor 10-13
valve, exhaust 9-17
valve, float 10-13
valve, intake 9-17
valve, throttle 10-13
V-belt 7-33
vent barb 10-3, 10-5, 10-9
vent, housing, upper 13-23
vent, transmission 13-13, 13-25
volt ohm meter 15-11
voltage regulator 8-15, 9-7

W

warning light, low oil 6-23, 6-25
water flange 14-11
water pump 14-13
wedge, bearing puller 15-3
weight clutch 12-9, 12-11, 12-15
weldment
 press 15-5
 ROPS base front 1-11
weldment, accelerator pedal 10-27, 10-29
weldment, accelerator pedal bracket 10-27, 10-29
weldment, actuator bracket 1-41
weldment, air cleaner support 10-31, 10-33, 10-35
weldment, brake pedal 4-13
weldment, coolant pipe 14-7
weldment, Forward/Reverse shifter 13-3
weldment, Forward/Reverse shifter bracket 13-3
weldment, front dash
 dash weldment 1-11
weldment, lever, lost motion 10-29
weldment, receiver 5-15
weldment, shaft shift 13-17, 13-29

INDEX

weldment, tilt bed frame 1-39
wheel 2-3
wheel, steering 1-31, 5-3
wire assembly 6-27, 6-29, 9-13, 10-7, 10-11
wire harness 1-41, 6-5, 6-9, 6-13, 6-17, 9-7
wire harness, headlight 1-7
wrap, tie 1-41, 4-11, 4-15, 5-5, 10-21, 10-23,
10-25
wrench, spanner 15-9

Y

yoke, gear 15-7
yoke, support (steering) 5-5

Husqvarna Forest and Garden

7349 Statesville Rd.

Charlotte, NC 28269

USA

www.usa.husqvarna.com/huv