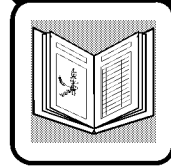


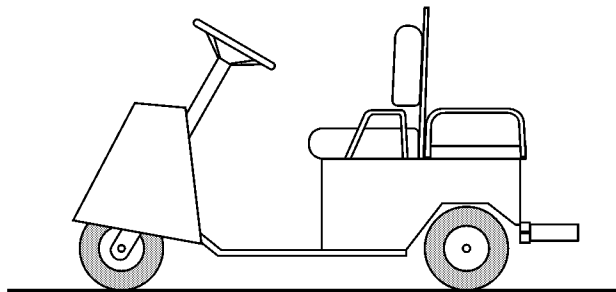
33788-G01



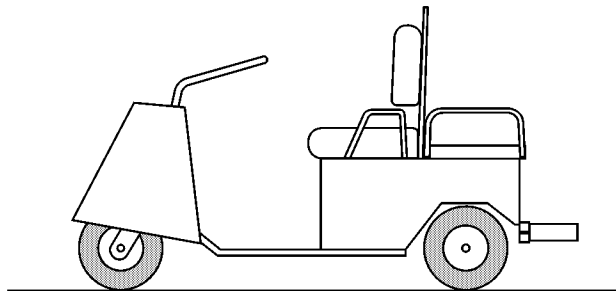
a **TEXTRON** Company



SERVICE PARTS MANUAL



XI-835S



XI-835T

ELECTRIC POWERED THREE WHEEL PERSONNEL CARRIER

MODEL YEARS: 1995 - 1999

REVISED: 9/99

SERVICE PARTS MANUAL

ELECTRIC POWERED THREE WHEEL PERSONNEL CARRIERS

CARGO CARRIERS

XI-835T

XI-835S

CUSTOMER SERVICE DEPARTMENT PHONE 1-800-241-5855 FAX 1-800-448-8124
E-Z-GO DIVISION OF TEXTRON, INC., P.O. BOX 388, AUGUSTA, GEORGIA 30903-0388, 1-800-241-5855

LIMITED WARRANTY

WARRANTY

TO OBTAIN A COPY OF THE LIMITED WARRANTY THAT IS APPLICABLE TO YOUR VEHICLE, CALL OR WRITE YOUR LOCAL DISTRIBUTOR, BRANCH OR E-Z-GO WARRANTY DEPARTMENT.

THE USE OF NON E-Z-GO PARTS MAY VOID YOUR WARRANTY.

OVERFILLING OF BATTERIES MAY VOID YOUR WARRANTY.

GENERAL INDEX

SECTIONS	Page No.
How to use the E-Z-GO Service Manual	vii

Illustrated Parts Breakdown:

Illustration	Page No.
ACCELERATOR LINKAGE.....	A-1
• Accelerator Pedal	
• Potentiometer	
BATTERY CHARGER, TOTAL CHARGE® III, 24 VDC (On Board)	B-1
• Charger	
• Wiring	
• Ammeter	
• Electronic Control Module	
• Capacitor	
• Heat Sink	
• Circuit Breaker	
• Relay	
• Terminal Block	
• Charger Installation	
BATTERY CHARGER, LESTER, CE.....	B-11
• Charger	
BODY AND ASSOCIATED PARTS.....	C-1
• Cowl	
• Dash Tray	
• Dash Panel	
• Inner Fender	
• Front Panel	
• Side Panels	
• Rear Panel	
• Rear Step	
• Bed Frame	
BRAKE LINKAGE.....	D-1
• Brake Pedal	
• Brake Yoke	
• Parking Brake	
DIRECTION SELECTOR	E-1
• Contact Board	
ELECTRICAL SYSTEM	F-1
• Batteries	
• Power Harness	

GENERAL INDEX

Illustration	Page No.
<ul style="list-style-type: none"> • Control Box and Solenoid • Control Harness • Ignition Switch 	
FRONT SUSPENSION	G-1
<ul style="list-style-type: none"> • Front Fork • Axle and Hub 	
HORN AND LIGHTING	H-1
<ul style="list-style-type: none"> • Fuse Panel • Ignition • Hour Meter • State of Charge Meter • Horn • Headlight (Optional) • Rear Lamp 	
LIFT-OUT BATTERY OPTION.....	J-1
<ul style="list-style-type: none"> • Battery Tray • Power Harness • Control Box and Solenoid • Control Harness • Charger • Charger Wiring 	
MOTOR.....	K-1
<ul style="list-style-type: none"> • 2 HP • 2.5 HP (Optional) 	
REAR AXLE.....	L-1
<ul style="list-style-type: none"> • Axle Housing 	
REAR SUSPENSION	M-1
<ul style="list-style-type: none"> • Powertrain • Inner Frame • Shock Absorber 	
SEATING	N-1
<ul style="list-style-type: none"> • Seat Back • Seat Bottom • Hip Restraint 	
STEERING.....	P-1
<ul style="list-style-type: none"> • Tiller • Steering Box • Steering Wheel • Clipboard 	

GENERAL INDEX

Illustration	Page No.
WHEELS AND TIRES	R-1
• Tire	
• Wheel Rim	
• Valve Stem	
WHEEL BRAKE	S-1
• Brake	
• Brake Drum	
• Brake Shoe Set	
SPECIAL TOOLS	Page No.
Special Tools Listing.....	Appendix - A
ACCESSORIES	Page No.
Accessory Installations	Appendix - B
• Pintle Hitch	
• 'E' Hitch	
WIRING DIAGRAM	Page No.
Electric Vehicle.....	Appendix - C

HOW TO USE THE E-Z-GO SERVICE PARTS MANUAL

This manual is divided into several sections:

- GENERAL INFORMATION
- ILLUSTRATED PARTS BREAKDOWN FOR THE ELECTRIC POWERED THREE WHEEL PERSONNEL CARRIER
- APPENDIX A

The first section, GENERAL INFORMATION, contains the following informations:

- WARRANTY INFORMATION
- GENERAL INDEX
- HOW TO USE THE E-Z-GO SERVICE PARTS MANUAL

The second section, ILLUSTRATED PARTS BREAKDOWN (IPB) for the Electric Powered Three Wheel Personnel Carrier, contains illustrations and parts lists for all systems of your vehicle.

The third section, ACCESSORIES and SPECIAL TOOLS, contains a listing of E-Z-GO service accessories and special tools and that may be purchased from the company to aid in the servicing of the vehicle.

USE OF THE MANUAL

To use this manual, consult the GENERAL INDEX (located in the first section) to locate the information or illustration required.

E-Z-GO manuals are revised continually to coincide with design improvements. The manual will cover all models and model years stated on the cover page.

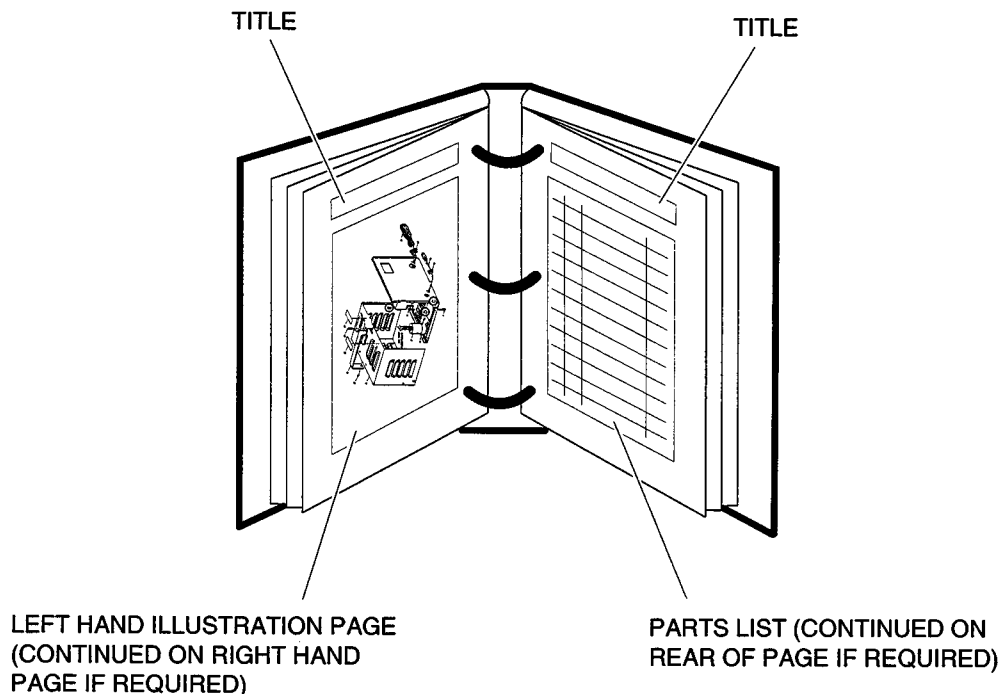
Introduction of some revisions varies due to supply of components; therefore, it is possible that various combinations of components may be found that are not directly reflected by each illustration. Consult the illustration that best suits your situation and then contact the Service Parts Department. It is important that the serial number of your vehicle and its model number be supplied to Service Parts when ordering any replacement components.

Locate the serial number plate (see Body and Associated Parts located in the IPB section of this manual for its location) and note the complete number shown on the plate.

Each system is listed in the index and has an alphabetical prefix. The illustration always appears first and is followed by its related parts list. Additional illustrations and parts lists with the same prefix indicate significant changes that have taken place since the last issue.

Note that many alphabetical prefixes are omitted. These prefixes have been assigned to systems that are not relevant to your vehicle. The index lists all relevant sections that pertain to your vehicle.

HOW TO USE THE E-Z-GO SERVICE PARTS MANUAL



1. WHEN THE PART NUMBER IS NOT KNOWN

- Determine the function and application of the part required. Turn to the General Index and select the most appropriate title.
- Turn to the page number indicated and locate the desired part on the illustration.
- From the illustration, obtain the item number assigned to the desired part. Refer to the accompanying description for specific information regarding the part.

2. IF YOU KNOW THE PART NUMBER

- Locate the part number or description in the appropriate column on the parts list page.
- NOTE: It is suggested that you confirm that the part selected is correct by verifying it with the pictorial representation on the illustrated page.

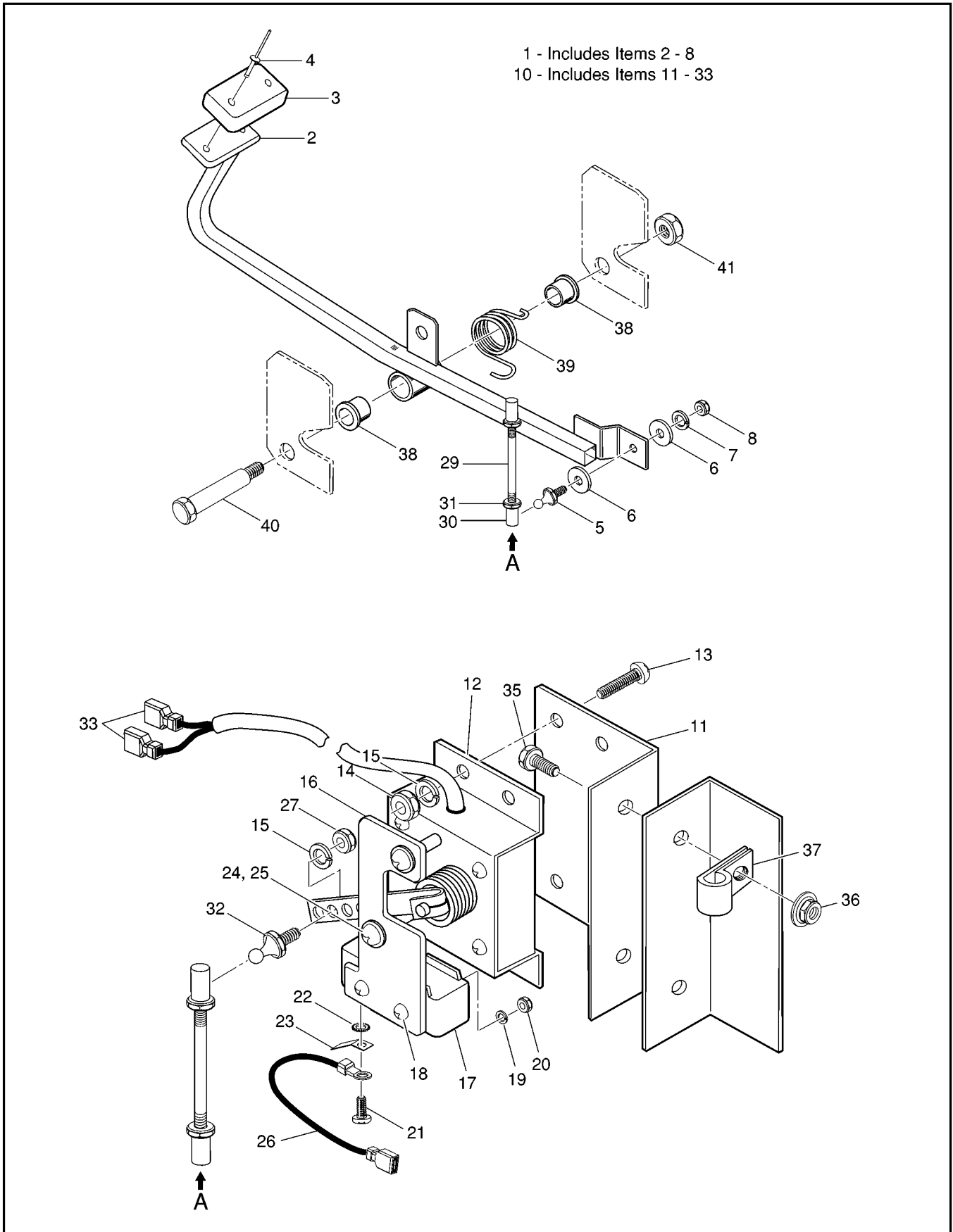
Should an asterisk (*) appear in the part number column on the parts list page, read upwards until a part number is found. The part number is the lowest assembly sold by E-Z-GO and the asterisk (*) indicates that the part depicted is not available for sale by E-Z-GO.

NOTE: Descriptions are indented under the assembly that they are used on. That assembly is, in turn listed under the assembly that it is used on. This process is repeated until the highest final assembly is reached.

To facilitate the maintenance and repair of the vehicle, a Repair and Service Manual (33790-G01) is available from the E-Z-GO Service Parts Department.



ILLUSTRATED PARTS BREAKDOWN



THE USE OF NON UL PARTS WILL VOID ANY UL LISTING.

When ordering parts, please specify the model and serial number of the product.

* Indicates a component that is not available as an individual part.

G** Indicates consult Customer Service Department for additional information.

ITEM	PART NO.	1 2 3 4 5	DESCRIPTION	QTY.
1	33986-G01		PEDAL ASSEMBLY, ACCELERATOR (INCLUDES ITEMS 2 - 8)	1
2	*		PEDAL, ACCELERATOR	1
3	11039-G1		PAD, PEDAL COVER	1
4	14269-G1		RIVET, 3/16" x 3/8" LG	2
5	15944-G1		BALL, STUD	1
6	00559-G5		WASHER, #10	2
7	00565-G5		WASHER, LOCK, #10	1
8	00526-G4		NUT, #10-32.....	1
9				
10	33984-G01		POTENTIOMETER ASSEMBLY (INCLUDES ITEMS 11 - 33).....	1
11	33931-G01		BRACKET, POTENTIOMETER	1
12	25460-G1		POTENTIOMETER.....	1
13	00150-G4		SCREW, #10-24 X 1/2" LG.....	4
14	00526-G3		NUT, #10-24.....	4
15	00565-G5		WASHER, LOCK, #10	5
16	26937-G01		BRACKET, SWITCH.....	1
17	10606-G5		SWITCH, MICRO.....	1
18	00138-G8		SCREW, #6-32 X 1" LG.....	2
19	00565-G3		WASHER, LOCK, #6	2
20	00525-G5		NUT, #6-32.....	2
21	13514-G1		SCREW, #6-32 X 1/4" LG.....	2
22	00567-G3		WASHER, LOCK, #6	2
23	14628-G1		TAB, FASTON, 1/4"	2
24	00372-G2		SCREW, #8-32 X 1/4" LG.....	2
25	00559-G4		WASHER, #8	2
26	20930-G5		WIRE	1
27	00526-G4		NUT, #10-32.....	1
28	35122-G01		ADJUSTING ROD ASSEMBLY (INCLUDES ITEMS 29 - 31)	1
29	*		ROD, ADJUSTING.....	1
30	14444-G1		SOCKET, BALL JOINT.....	2

ACCELERATOR LINKAGE

Electric Vehicle

THE USE OF NON UL PARTS WILL VOID ANY UL LISTING.

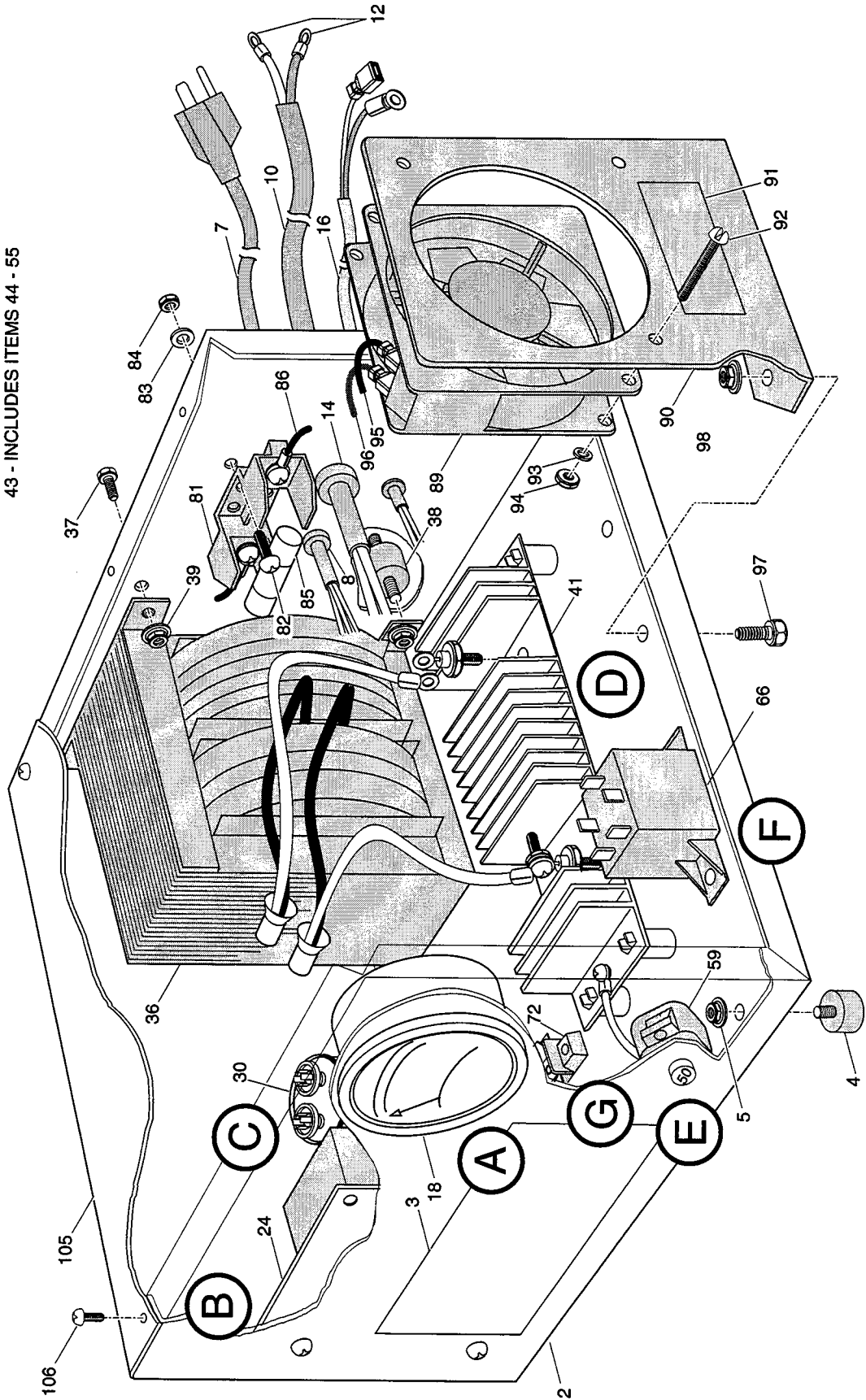
When ordering parts, please specify the model and serial number of the product.

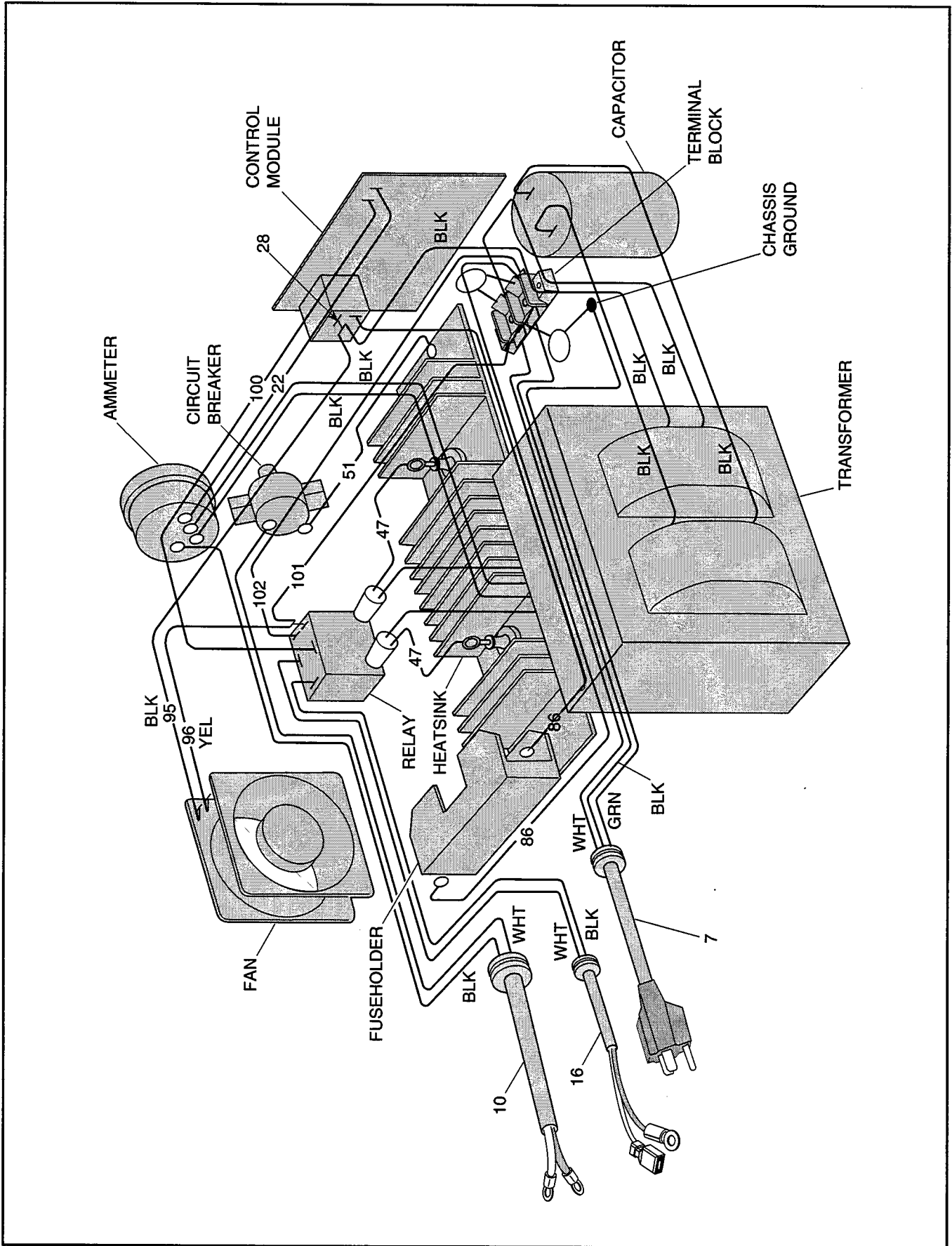
* Indicates a component that is not available as an individual part.

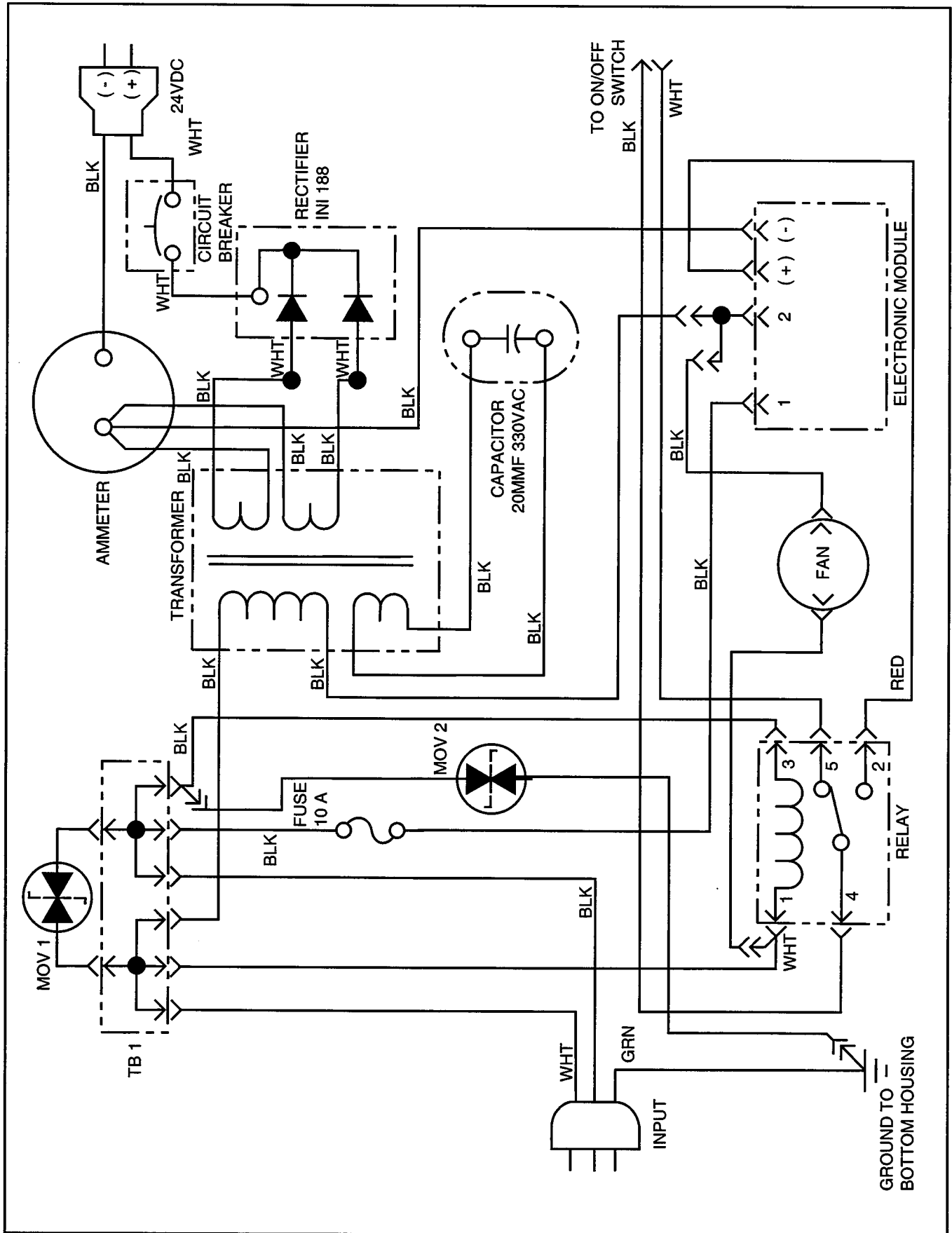
G** Indicates consult Customer Service Department for additional information.

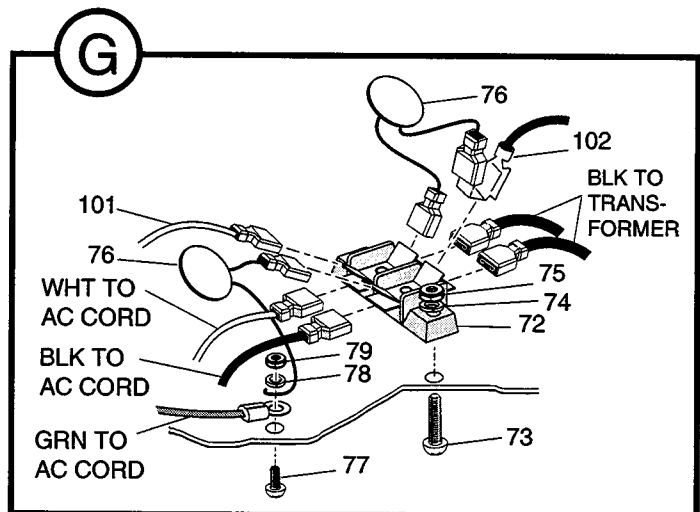
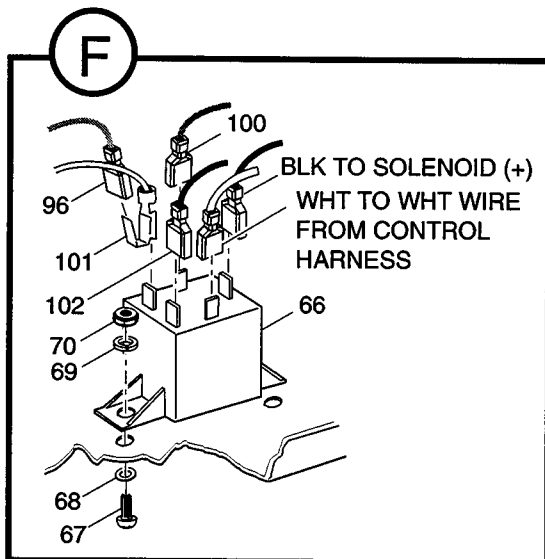
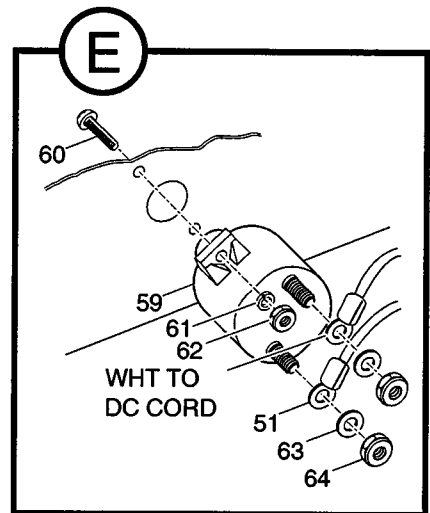
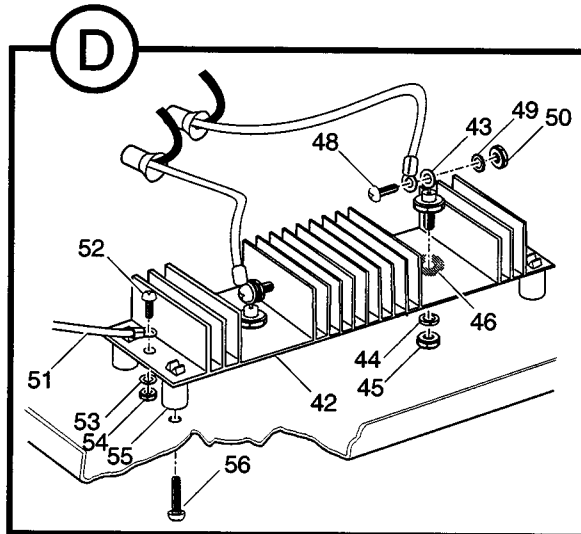
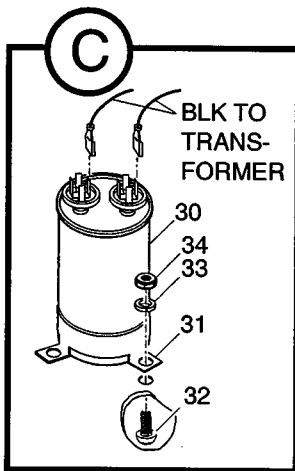
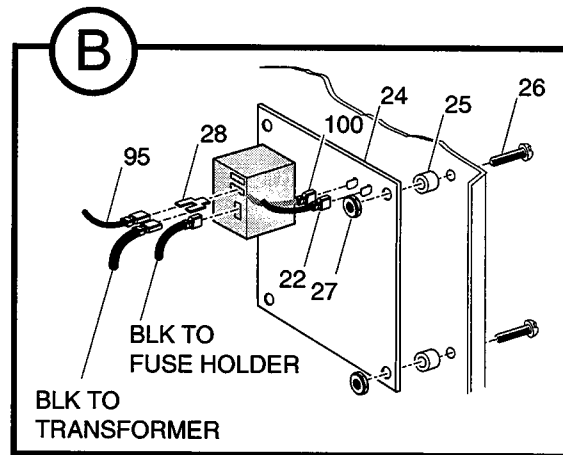
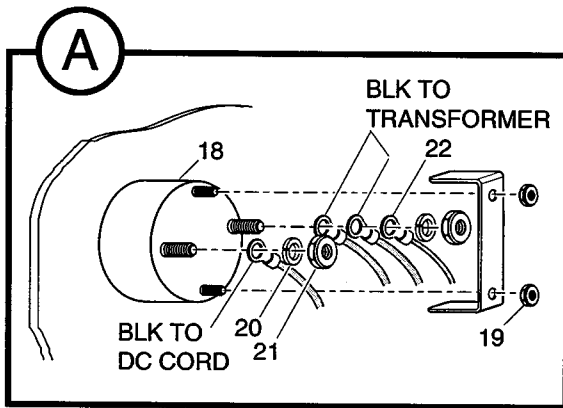
ITEM	PART NO.	1	2	3	4	5	DESCRIPTION	QTY.
31	00526-G4						NUT, #10-32	2
32	15944-G1						BALL, STUD	1
33	17064-G1						TERMINAL.....	2
34								
35	00414-G5						SCREW, 1/4-20 X 5/8" LG.....	2
36	11027-G2						LOCK NUT, 1/4-20	2
37	11845-G5						CABLE CLIP	1
38	70581-G01						FLANGED BUSHING	2
39	25292-G1						TORSION SPRING	1
40	14158-G1						SHOULDER BOLT, 3/8-16 X 3 1/4" LG	1
41	13521-G4						LOCK NUT, 3/8-16	1
42	17618-G1						CLAMP, NYLON	1

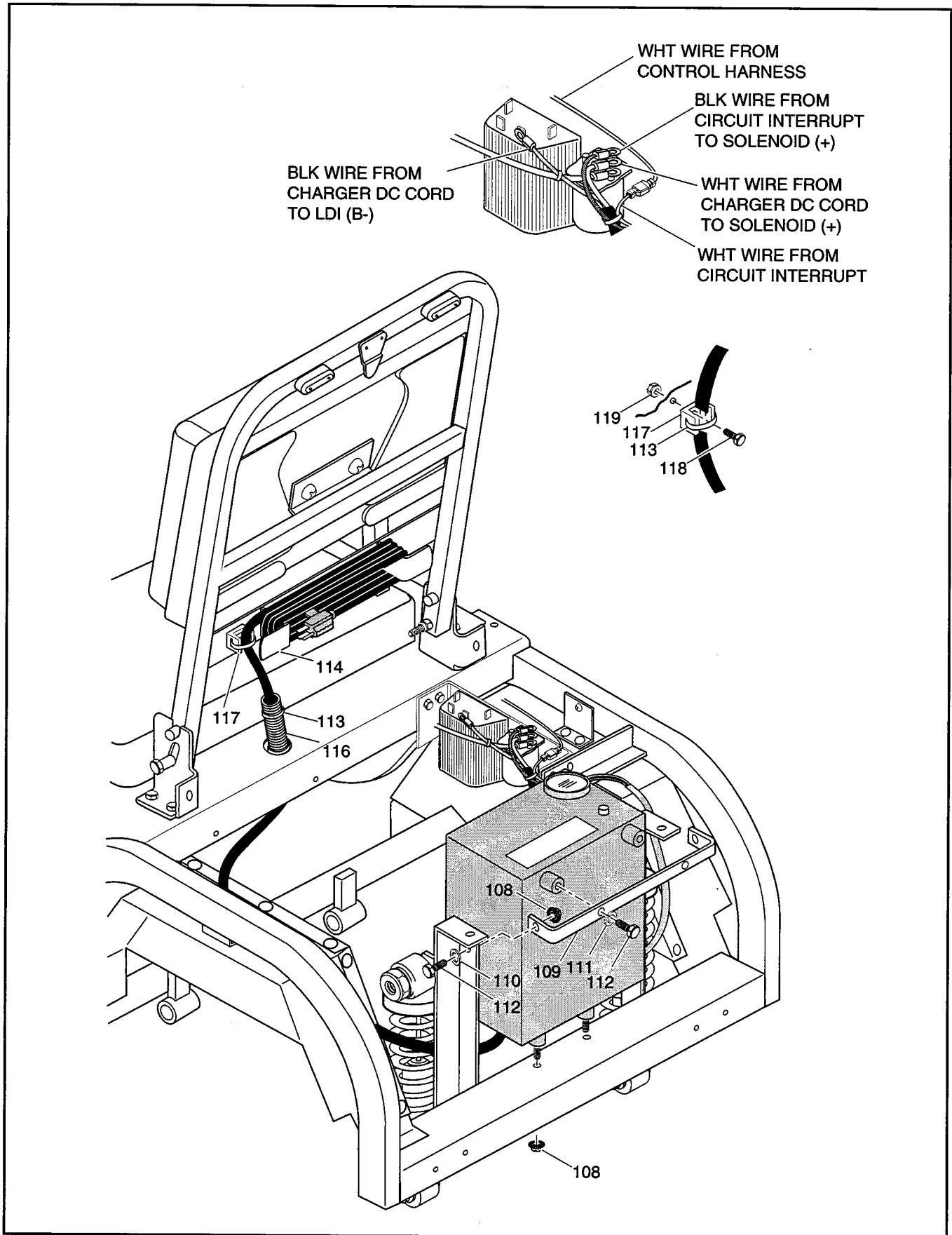
- 1 - INCLUDES ITEMS 3 - 106
- 2 - INCLUDES ITEM 3
- 10 - INCLUDES ITEMS 11 - 13
- 43 - INCLUDES ITEMS 44 - 55











THE USE OF NON UL PARTS WILL VOID ANY UL LISTING.
 When ordering parts, please specify the model and serial number of the product.
 * Indicates a component that is not available as an individual part.
 G** Indicates consult Customer Service Department for additional information.

ITEM	PART NO.	1 2 3 4 5	DESCRIPTION	QTY.
1	27011-G02		BATTERY CHARGER ASSEMBLY, TOTAL CHARGE® III, ON BOARD 24V, 10 FT. DC CORD (INCLUDES ITEMS 3 - 106).....	1
2	27004-G01		CHASSIS (INCLUDES ITEM 3).....	1
3	*		LABEL.....	1
4	32478-G1		MOUNT, ISOLATION.....	2
5	11027-G2		NUT, LOCK, FLANGED, 1/4-20.....	2
6				
7	33847-G01		CORD, AC.....	1
8	13557-G2		STRAIN RELIEF.....	1
9				
10	32500-G1		DC CORD ASSEMBLY (INCLUDES ITEMS 11 - 13).....	1
11				
12	11343-G3		TERMINAL.....	2
13	24120-G1		TERMINAL.....	2
14	13557-G3		STRAIN RELIEF.....	1
15				
16	32510-G5		WIRE, CIRCUIT INTERRUPT.....	1
17				
18	24243-G1		AMMETER.....	1
19	*		NUT, #6-32.....	2
20	*		WASHER, LOCK, #10.....	2
21	*		NUT, #10-32.....	2
22	25977-G09		WIRE.....	1
23				
24	27417-G03		ELECTRONIC CONTROL MODULE.....	1
25	19081-G1		STANDOFF.....	4
26	00138-G5		SCREW, #6-32 X 5/8 LG.....	4
27	00735-G1		NUT, #6-32.....	4
28	17902-G1		ADAPTER, TAB.....	1
29				

THE USE OF NON UL PARTS WILL VOID ANY UL LISTING.

When ordering parts, please specify the model and serial number of the product.

* Indicates a component that is not available as an individual part.

G** Indicates consult Customer Service Department for additional information.

ITEM	PART NO.	1	2	3	4	5	DESCRIPTION	QTY.
30	28109-G01						CAPACITOR	1
31	26979-G01						BRACKET, CAPACITOR.....	1
32	00372-G4						SCREW, #8-32X1/2 LG.	2
33	00565-G4						WASHER, LOCK, #8	2
34	00526-G1						NUT, #8-32.....	2
35								
36	32491-G1						TRANSFORMER	1
37	00414-G5						SCREW, 1/4-20 X 5/8 LG.	2
38	22009-G1						MOUNT, ISOLATION	2
39	11027-G2						NUT, LOCK, FLANGED, 1/4-20.....	4
40								
41								
42	32494-G1						HEAT SINK	1
43	18488-G1						DIODE ASSEMBLY (INCLUDES ITEMS 44 - 55).....	2
44	*						WASHER, LOCK, 1/4	2
45	*						NUT, 1/4-28	2
46								
47								
48	00138-G3						SCREW, #6-32 X 3/8 LG.....	2
49	00567-G3						WASHER, LOCK, #6.....	2
50	00525-G5						NUT, #6-32	2
51	32509-G1						WIRE	1
52	00378-G4						SCREW, #10-24 X 1/2 LG.....	1
53	00565-G5						WASHER, LOCK, #10	1
54	00526-G3						NUT, #10-24	1
55	11572-G2						NUT, EXPANSION.....	4
56	00512-G7						SCREW, #8-18 X 7/8 LG.	4
57								
58								
59	19362-G1						CIRCUIT BREAKER	1

THE USE OF NON UL PARTS WILL VOID ANY UL LISTING.

When ordering parts, please specify the model and serial number of the product.

* Indicates a component that is not available as an individual part.

G** Indicates consult Customer Service Department for additional information.

ITEM	PART NO.	1	2	3	4	5	DESCRIPTION	QTY.
60	00372-G6						SCREW, #8-32 X 3/4 LG.	2
61	00565-G4						WASHER, LOCK, #8	2
62	00526-G1						NUT, #8-32.....	2
63	*						WASHER, #10	4
64	*						NUT, #10-32.....	2
65								
66	21971-G4						RELAY	1
67	00138-G4						SCREW, #6-32 X 1/2 LG.	2
68	00559-G3						WASHER, #6	2
69	00565-G3						WASHER, LOCK, #6	2
70	00525-G5						NUT, #6-32.....	2
71								
72	26962-G01						TERMINAL BLOCK	1
73	00987-G06						SCREW, #6-32 X 3/4 LG.	2
74	00565-G3						WASHER, LOCK, #6	2
75	00525-G5						NUT, #6-32.....	2
76	26320-G01						MOV.....	2
77	00372-G3						SCREW, #8-32 X 3/8 LG.	1
78	00565-G4						WASHER, LOCK, #8	1
79	00526-G1						NUT, #8-32.....	1
80								
81	19363-G1						BLOCK, FUSE	1
82	00372-G5						SCREW, #8-32 X 5/8 LG.	2
83	00565-G4						WASHER, LOCK, #8	2
84	00526-G1						NUT, #8-32.....	2
85	19363-G1						FUSE, 10 AMP.....	1
86	32519-G1						WIRE	2
87								
88								
89	32498-G1						FAN.....	1

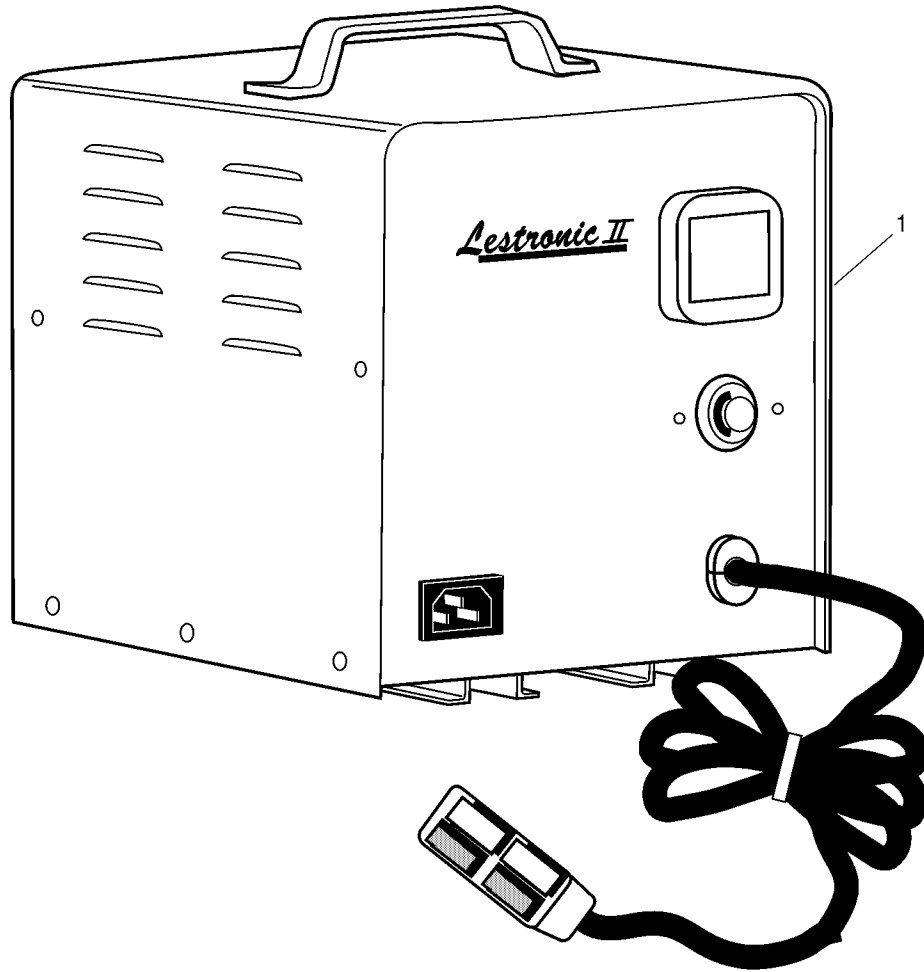
THE USE OF NON UL PARTS WILL VOID ANY UL LISTING.

When ordering parts, please specify the model and serial number of the product.

* Indicates a component that is not available as an individual part.

G** Indicates consult Customer Service Department for additional information.

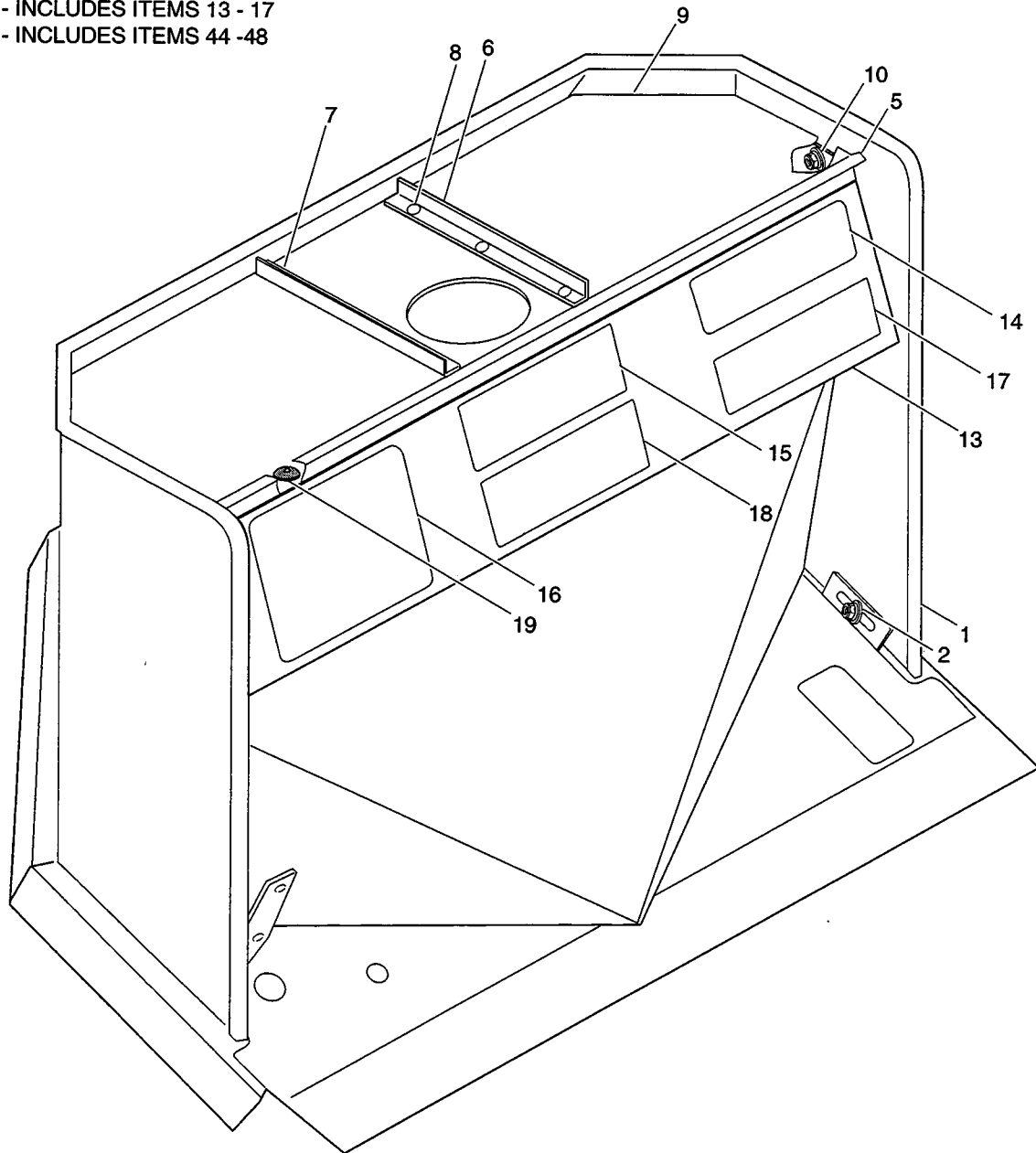
ITEM	PART NO.	1	2	3	4	5	DESCRIPTION	QTY.
90	32497-G1						BRACKET, FAN	1
91	22700-G1						LABEL, FUSE IDENTIFICATION.....	1
92	00645-G2						SCREW, #6-32 X 1 1/4 LG.	3
93	00565-G3						WASHER, LOCK, #6	3
94	00525-G5						NUT, #6-32.....	3
95	32518-G1						WIRE.....	1
96	32516-G1						WIRE.....	1
97	00414-G5						SCREW, 1/4-20 X 5/8 LG.	2
98	11027-G2						NUT, LOCK, FLANGED, 1/4-20	2
99								
100	32515-G1						WIRE.....	1
101	32514-G1						WIRE.....	1
102	32094-G2						WIRE.....	1
103	17618-G1						CLAMP, NYLON.....	2
104								
105	32496-G1						COVER	1
106	00614-G4						SCREW, #8-18 X 1/2 LG.	20
107								
108	11027-G2						NUT, LOCK, FLANGED, 1/4-20	4
109	33884-G01						BRACKET, SUPPORT	1
110	00559-G7						WASHER, 1/4.....	2
111	00565-G7						WASHER, LOCK, 1/4.....	2
112	00414-G6						BOLT, 1/4-20 X 3/4 LG.	4
113	17618-G1						CLAMP, NYLON	8
114	33834-G01						CORD WRAP	1
115	14601-G8						RIVET, BLACK, 3/16 DIA X 7/16 LG.	2
116	17313-G1						FLEXLOOM.....	A/R
117	00992-G01						MOUNT	1
118	00740-G4						SCREW, #10-32 X 1/2 LG.....	1
119	00734-G5						NUT, LOCK, #10-32	1

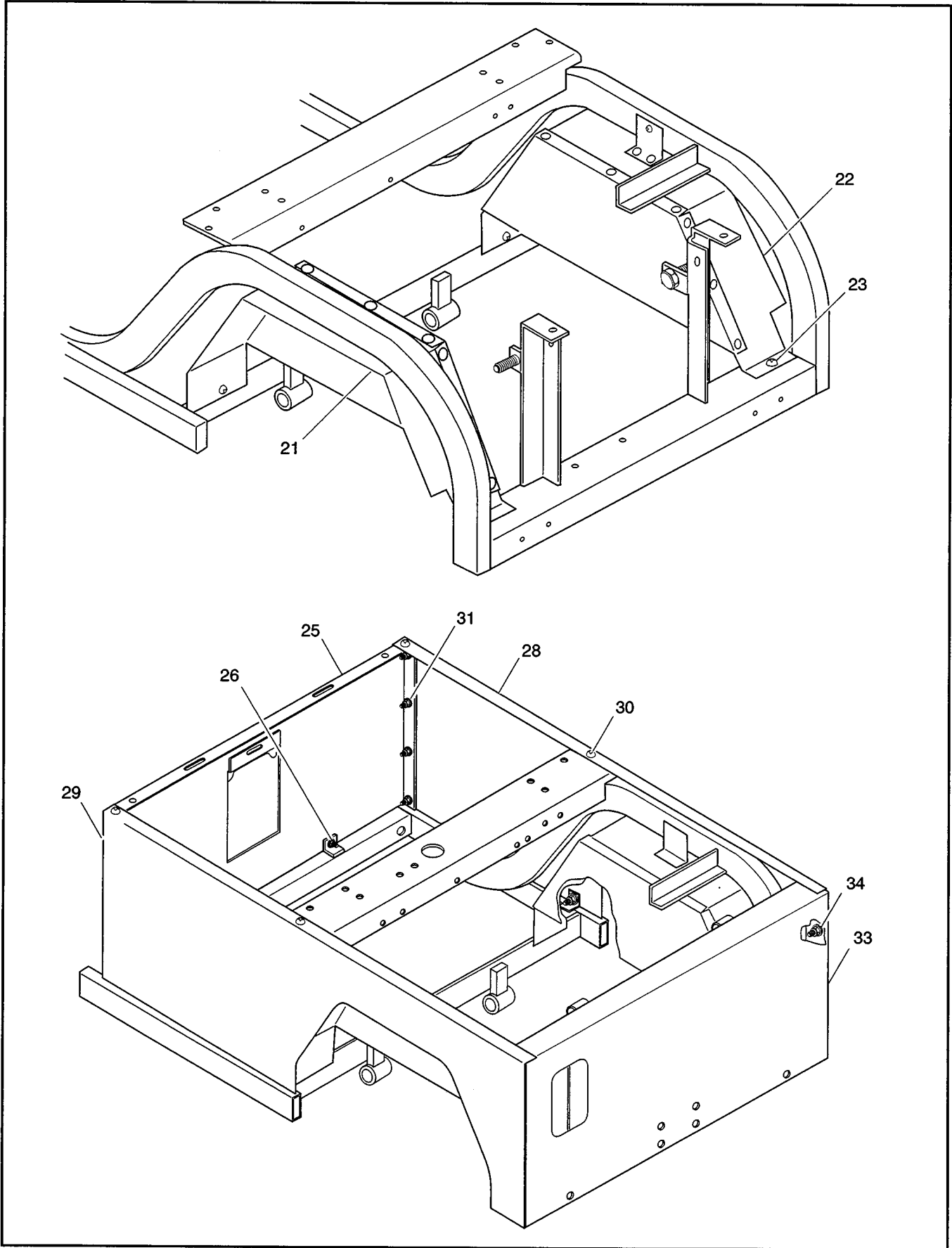


When ordering parts, please specify the model and serial number of the product.
 * Indicates a component that is not available as an individual part.
 G** Indicates consult Customer Service Department for additional information.

ITEM	PART NO.	1 2 3 4 5 DESCRIPTION	QTY.
1	28517-G01	<p>BATTERY CHARGER, LESTER, 24 VOLT, CE APPROVED</p> <p>For service or replacement parts, contact: Lester Electrical 625 West "A" Street Lincoln, NE 68522</p> <p>Phone: (402) 477-8988, FAX: (402) 474-1769</p> <p>Always provide the following information when requesting information or ordering replacement parts:</p> <p>Model Number: 20630-06 Serial Number: (stamped into housing)</p>	

- 4 - INCLUDES ITEMS 5 - 9
- 12 - INCLUDES ITEMS 13 - 17
- 43 - INCLUDES ITEMS 44 - 48





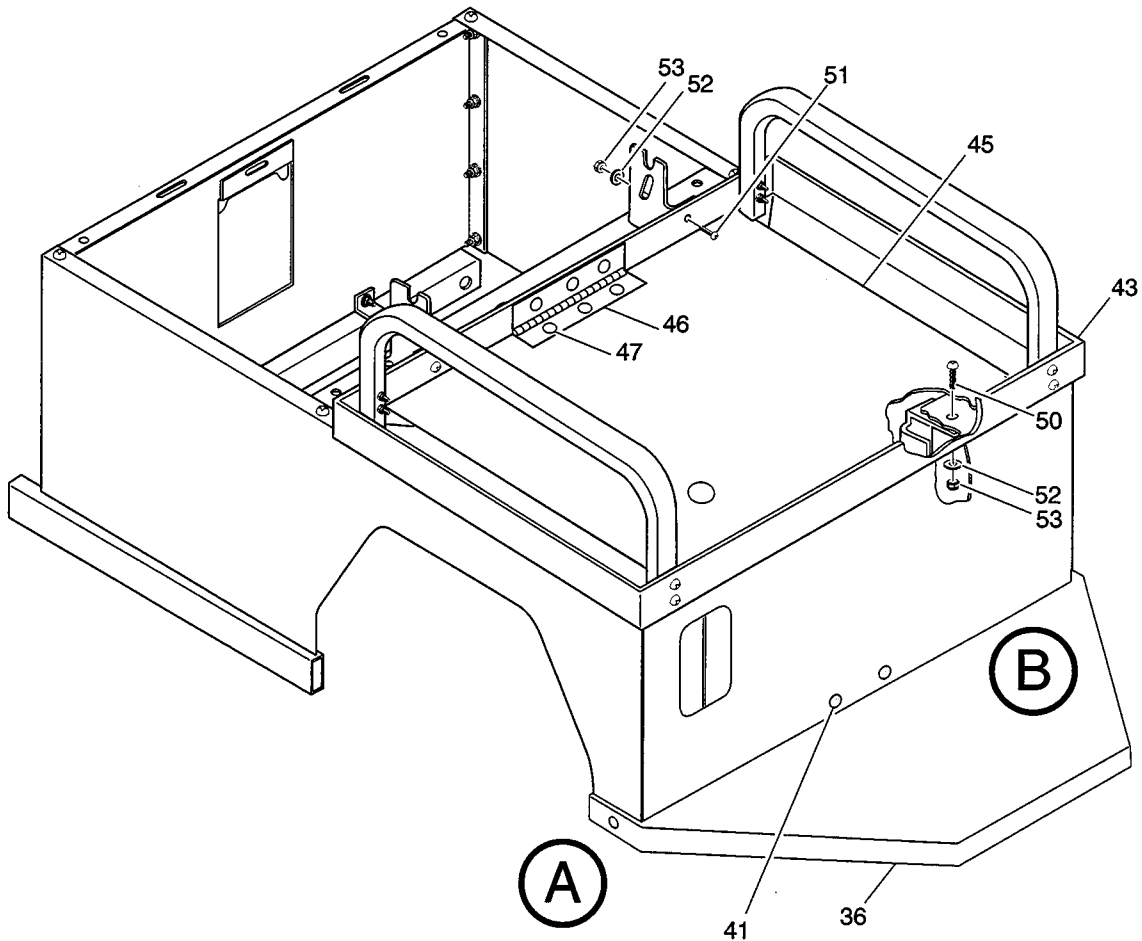
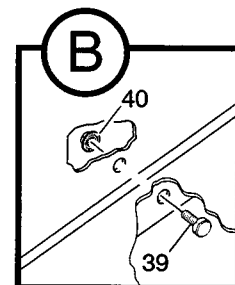
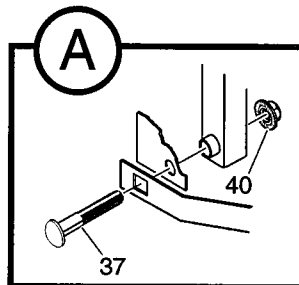
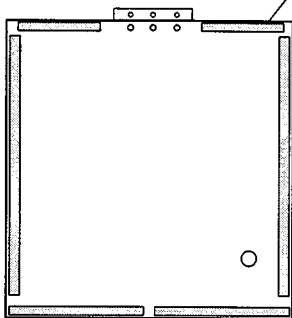


PLATE ASSEMBLY
(BOTTOM VIEW) 48



THE USE OF NON UL PARTS WILL VOID ANY UL LISTING.

When ordering parts, please specify the model and serial number of the product.

* Indicates a component that is not available as an individual part.

G** Indicates consult Customer Service Department for additional information.

ITEM	PART NO.	1	2	3	4	5	DESCRIPTION	QTY.
1	33961-G01						COWL	1
2	11027-G2						NUT, LOCK, 1/4-20	4
3								
4	33899-G01						DASH TRAY ASSEMBLY (INCLUDES ITEMS 5 - 9)	1
5	33836-G01						TRAY, DASH	1
6	33877-G01						ANGLE, PASSENGER SIDE	1
7	33877-G02						ANGLE, DRIVER'S SIDE	1
8	18436-G1						RIVET, 1/4 X 3/4 LG.	6
9	33898-G01						MAT, DASH	1
10	11027-G2						NUT, LOCK, 1/4-20	4
11								
12	33896-G01						DASH PANEL ASSEMBLY (INCLUDES ITEMS 13 - 17)	1
13	33897-G01						PANEL, DASH	1
14	33845-G01						LABEL, IGNITION SWITCH	1
15	25351-G1						LABEL, WARNING, SAFE DRIVING	1
16	23446-G1						LABEL, SAFETY, OPERATING INSTRUCTIONS	1
17	25775-G01						LABEL, CHARGER WARNING	1
18	27493-G01						LABEL, BUILT-IN CHARGER	1
19	18436-G1						RIVET, 1/4 X 3/4 LG.	7
20								
21	33924-G01						INNER FENDER UNIT, DRIVER'S SIDE	1
22	33924-G02						INNER FENDER UNIT, PASSENGER SIDE	1
23	00106-G6						SCREW, #12-24 X 3/4 LG.	6
24								
25	33945-G01						PANEL, FRONT	1
26	11027-G2						NUT, LOCK, 1/4-20	2
27								
28	33947-G01						PANEL, PASSENGER SIDE	1
29	33947-G02						PANEL, DRIVER'S SIDE	1
30	16705-G3						BOLT, 1/4-20 X 3/4 LG.	4

BODY AND ASSOCIATED PARTS

Electric Vehicle

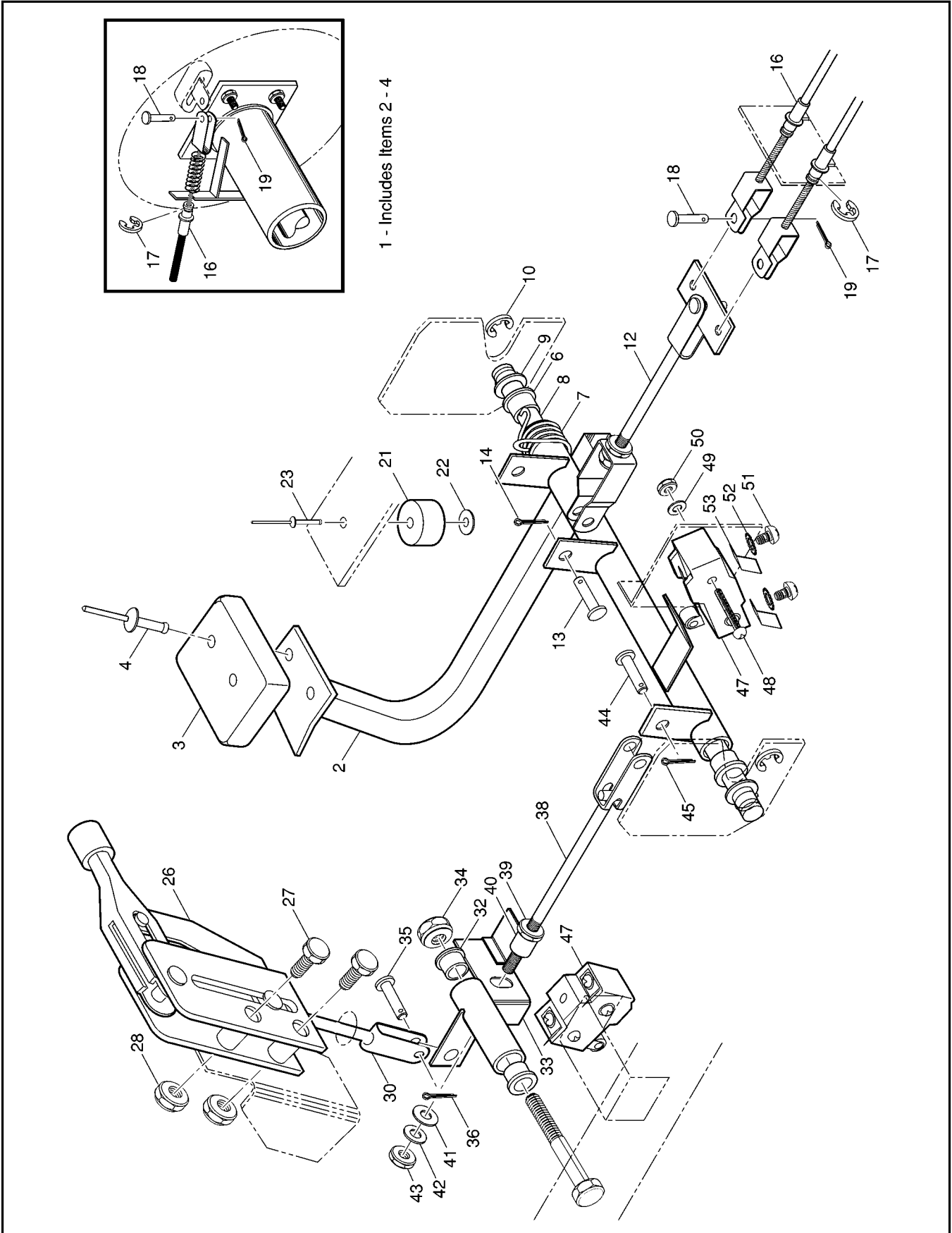
THE USE OF NON UL PARTS WILL VOID ANY UL LISTING.

When ordering parts, please specify the model and serial number of the product.

* Indicates a component that is not available as an individual part.

G** Indicates consult Customer Service Department for additional information.

ITEM	PART NO.	1	2	3	4	5	DESCRIPTION	QTY.
31	11027-G2						NUT, LOCK, 1/4-20	14
32								
33	33957-G01						PANEL, REAR.....	1
34	11027-G2						NUT, LOCK, 1/4-20	6
35								
36	33964-G01						STEP, REAR	1
37	00725-G4						BOLT, CARRIAGE, 3/8-16 X 2 1/2 LG.	2
38								
39	00426-G8						BOLT, 3/8-16 X 1 LG.	2
40	11027-G5						NUT, LOCK, 3/8-16	4
41	20271-G2						PLUG, HOLE.....	2
42								
43	33859-G01						BED FRAME ASSEMBLY (INCLUDES ITEMS 44 - 48).....	1
44	33870-G01						BED ASSEMBLY (INCLUDES ITEMS 45 - 50).....	1
45	33968-G01						PLATE, DECK	1
46	33184-G01						HINGE.....	1
47	14601-G14						RIVET, ALUMINUM, 1/4 X 3/8 LG.	3
48	22981-G1						WEATHER STRIP	A/R
49								
50	16705-G1						BOLT, STAINLESS STEEL, 1/4 - 20 X 1 LG.	2
51	16705-G3						BOLT, STAINLESS STEEL, 1/4 - 20 X 3/4 LG.	2
52	00559-G7						WASHER, 1/4.....	4
53	14390-G4						NUT, LOCK, 1/4 -20	4



THE USE OF NON UL PARTS WILL VOID ANY UL LISTING.

When ordering parts, please specify the model and serial number of the product.

* Indicates a component that is not available as an individual part.

G** Indicates consult Customer Service Department for additional information.

ITEM	PART NO.	1 2 3 4 5	DESCRIPTION	QTY.
1	33707-G01		BRAKE PEDAL ASSEMBLY (INCLUDES ITEMS 2 - 4)	1
2	33708-G01		PEDAL, BRAKE.....	1
3	11039-G1		PAD, PEDAL COVER.....	1
4	14269-G1		RIVET, 3/16" X 3/8" LG.....	2
5				
6	70581-G01		FLANGED BUSHING.....	2
7	25292-G1		SPRING, TORSION	1
8	33709-G01		SHAFT.....	1
9	00560-G3		WASHER, 1/2"	2
10	12305-G1		RING, RETAINING.....	2
11				
12	19960-G3		YOKE UNIT, BRAKE	1
13	10386-G3		PIN, CLEVIS, 5/16" X 15/16" LG.....	4
14	10387-G3		PIN, COTTER, 3/32" X 3/4" LG.....	4
15				
16	25124-G3		CABLE, BRAKE	2
17	12305-G1		RING, RETAINING.....	4
18	10386-G3		PIN, CLEVIS, 5/16" X 15/16" LG.....	4
19	10387-G3		PIN, COTTER, 3/32" X 3/4" LG.....	4
20				
21	13728-G1		BUMPER, RUBBER.....	1
22	00559-G5		WASHER, FLAT, #10	1
23	14601-G1		RIVET, 3/16" X 13/16" LG.	1
24				
25				
26	30197-G1		LEVER UNIT, PARKING BRAKE	1
27	00439-G6		BOLT, 5/16-18 X 1 3/4" LG.....	2
28	11098-G6		NUT, LOCK, 5/16 - 18	2
29				
30	33875-G01		LINKAGE, PARKING BRAKE	1

BRAKE LINKAGE**Electric Vehicle**

THE USE OF NON UL PARTS WILL VOID ANY UL LISTING.

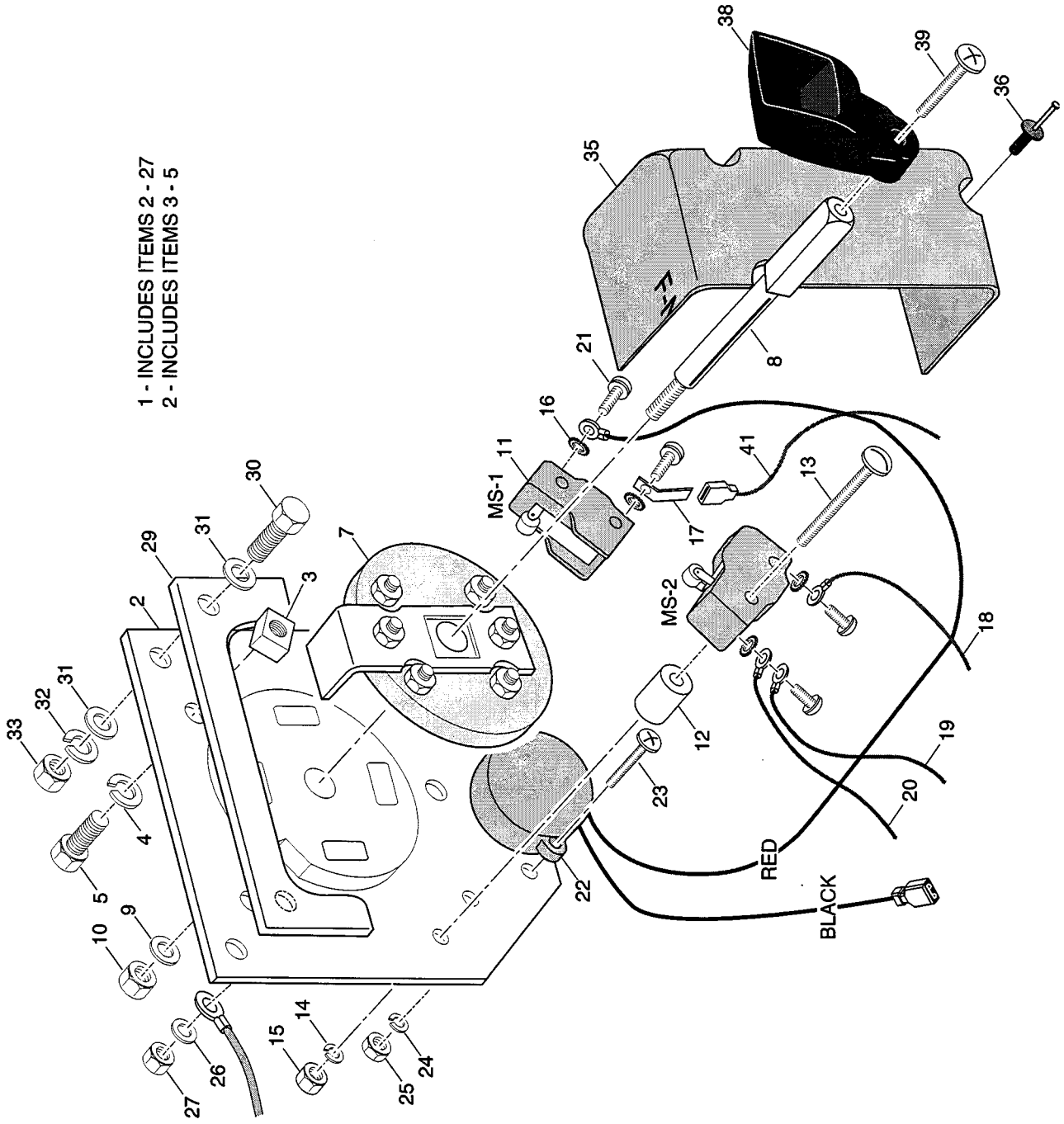
When ordering parts, please specify the model and serial number of the product.

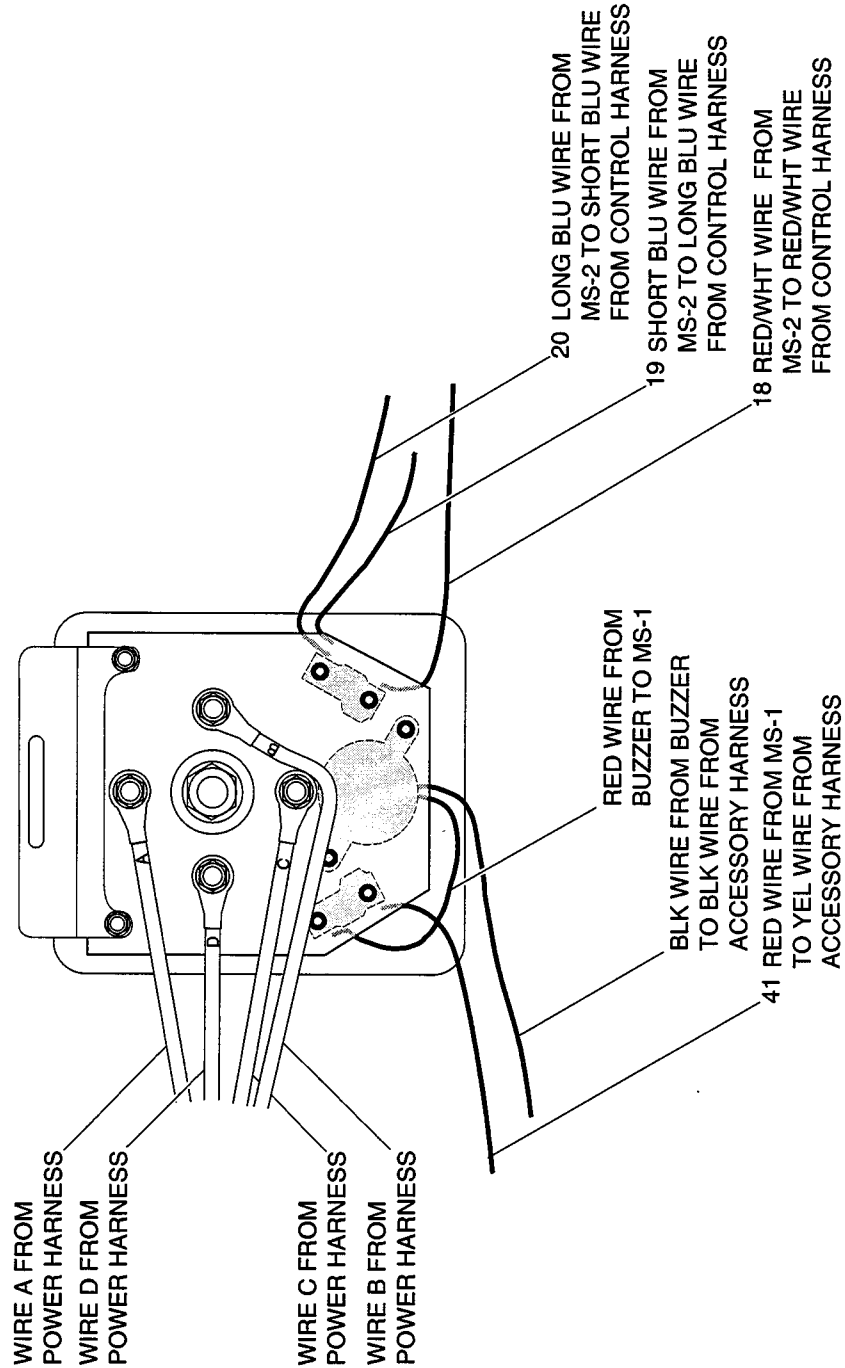
* Indicates a component that is not available as an individual part.

G** Indicates consult Customer Service Department for additional information.

ITEM	PART NO.	1 2 3 4 5	DESCRIPTION	QTY.
31				
32	70581-G01		FLANGED BUSHING	2
33	33873-G01		BELLCRANK, PARKING BRAKE	1
34	13521-G4		NUT, LOCK, 3/8-16	1
35	10386-G3		PIN, CLEVIS, 5/16" X 15/16" LG.....	1
36	10387-G3		PIN, COTTER, 3/32" X 3/4" LG.....	1
37				
38	19957-G5		ROD AND YOKE	1
39	00544-G3		NUT, JAM, 5/16-18	1
40	33932-G01		SLEEVE	1
41	00771-G2		NYLON WASHER, 5/16"	1
42	00571-G2		WASHER, 5/16"	1
43	11098-G6		NUT, LOCK, 5/16-18	3
44	10386-G3		PIN, CLEVIS, 5/16" X 15/16" LG.....	1
45	10387-G3		PIN, COTTER, 3/32" X 3/4" LG.....	1
46				
47	10606-G6		SWITCH, MICRO	2
48	00138-G8		SCREW, #6-32 X 1" LG.....	4
49	00565-G3		WASHER, LOCK, #6	4
50	00525-G5		NUT, LOCK, #6-32	4
51	13514-G1		SCREW, BRASS, #6-32 X 7/32" LG.	4
52	00567-G3		WASHER, LOCK, #6	4
53	14628-G1		TAB, FASTON, 1/4	4

1 - INCLUDES ITEMS 2 - 27
2 - INCLUDES ITEMS 3 - 5





DIRECTION SELECTOR

Electric Vehicle

THE USE OF NON UL PARTS WILL VOID ANY UL LISTING.

When ordering parts, please specify the model and serial number of the product.

* Indicates a component that is not available as an individual part.

G** Indicates consult Customer Service Department for additional information.

ITEM	PART NO.	1	2	3	4	5	DESCRIPTION	QTY.
1	32030-G4						DIRECTION SELECTOR ASSEMBLY (INCLUDES ITEMS 2 - 27).....	1
2	14651-G1						CONTACT BOARD ASSEMBLY (INCLUDES ITEMS 3 - 5)	1
3	24940-G1						STOP.....	2
4	00565-G7						WASHER, LOCK, 1/4.....	2
5	00414-G6						BOLT, 1/4 - 20 X 3/4 LG.	2
6								
7	12835-G1						CAM.....	1
8	19470-G1						SHAFT, DIRECTION SELECTOR	1
9	00560-G1						WASHER, 3/8	1
10	14390-G1						NUT, LOCK, 3/8 - 24.....	1
11	10606-G2						SWITCH, MICRO.....	2
12	12806-G1						SPACER	4
13	00139-G6						SCREW, #6 - 32 X 1 3/4 LG.	4
14	00565-G3						WASHER, LOCK, #6	4
15	00525-G5						NUT, #6 - 32.....	4
16	00567-G3						WASHER, LOCK, #6	4
17	14628-G1						TAB, FASTON, 5/16.....	1
18	24013-G1						WIRE.....	1
19	32480-G1						WIRE.....	1
20	32031-G1						WIRE.....	1
21	*						SCREW.....	4
22	17940-G1						BUZZER, REVERSE WARNING	1
23	00138-G5						SCREW, #6 - 32 X 5/8 LG.	2
24	00565-G3						WASHER, LOCK, #6	2
25	00525-G5						NUT, #6 - 32.....	2
26	00565-G8						WASHER, LOCK, 5/16	4
27	00544-G3						NUT, 5/16 - 18.....	4
28								
29	15461-G1						BRACKET, MOUNTING SUPPORT	1
30	00415-G2						SCREW, 1/4 - 20 x 1 1/4 LG.	2

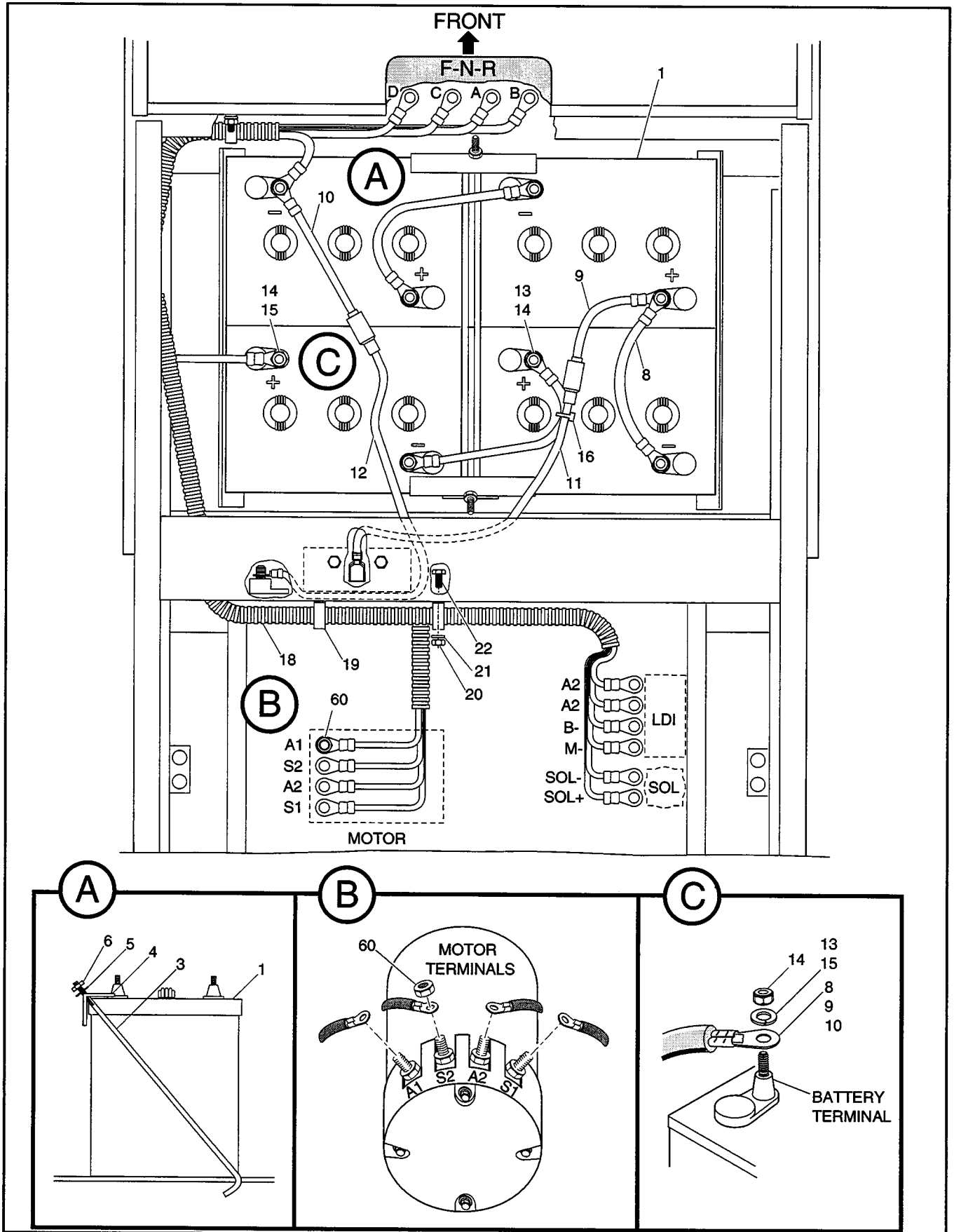
THE USE OF NON UL PARTS WILL VOID ANY UL LISTING.

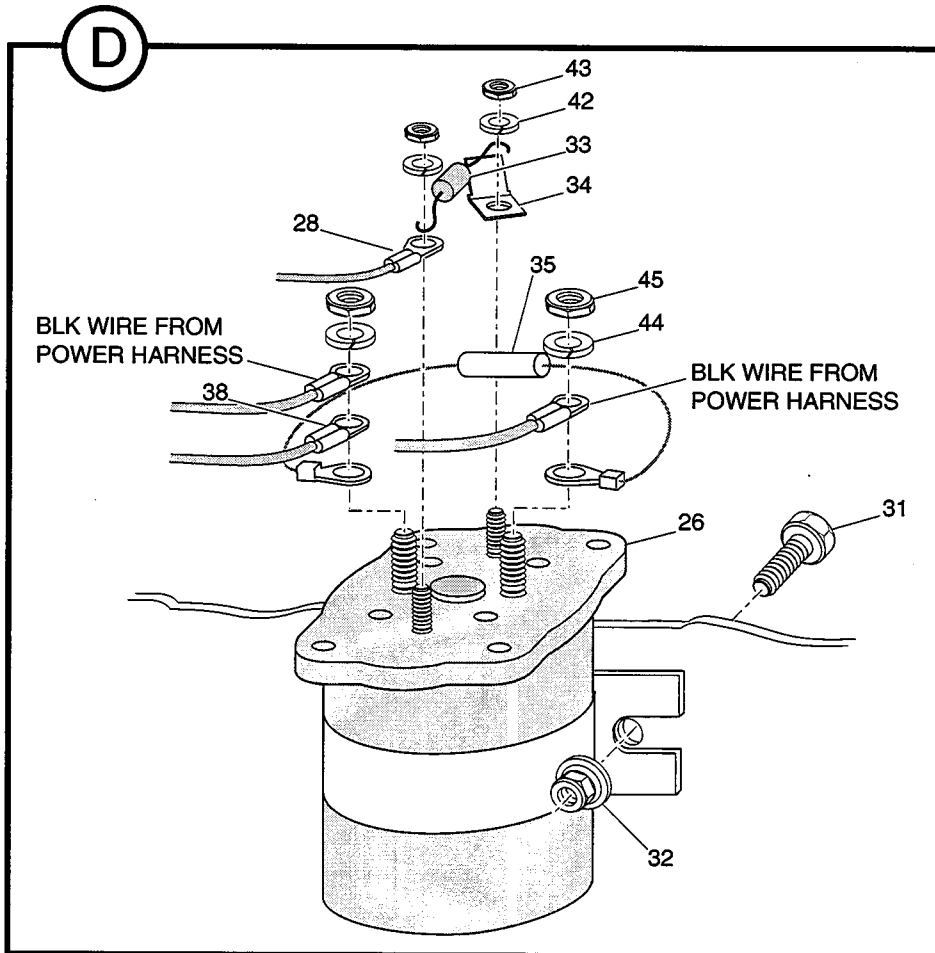
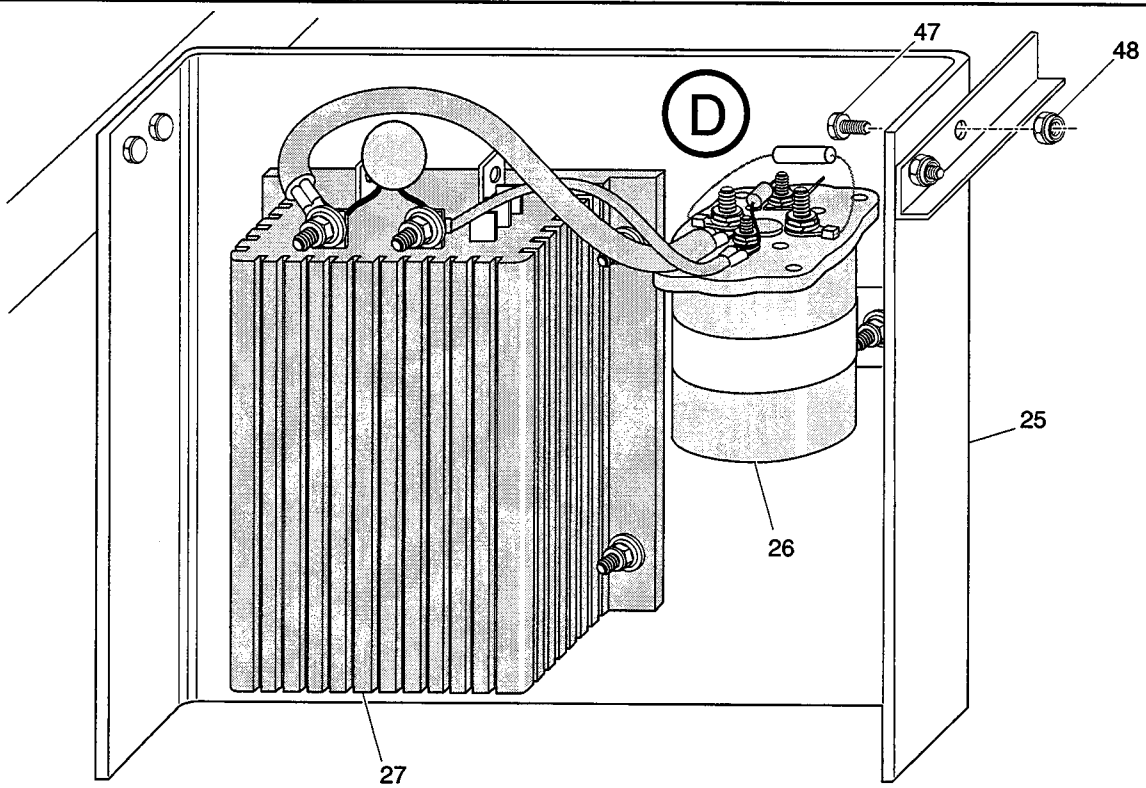
When ordering parts, please specify the model and serial number of the product.

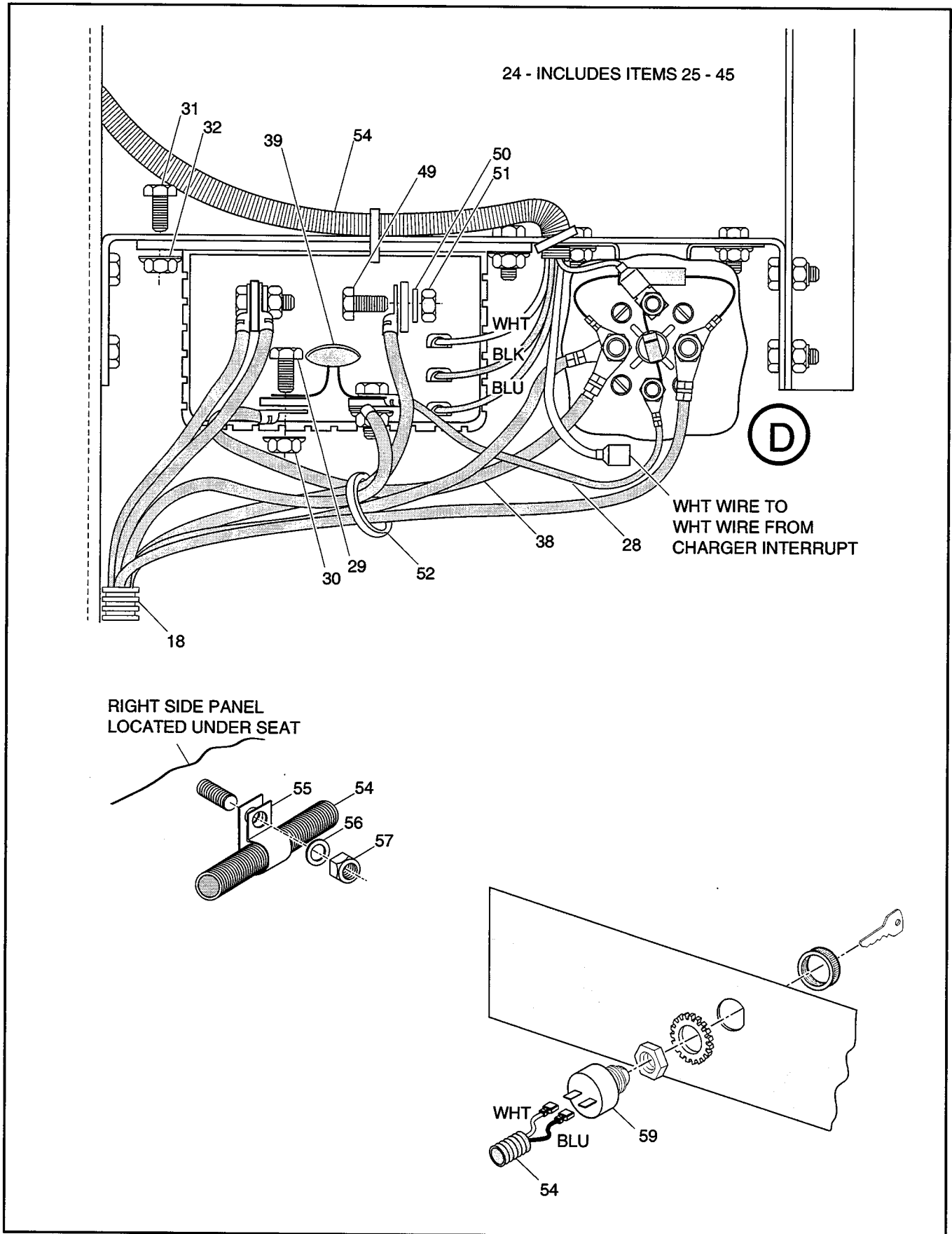
* Indicates a component that is not available as an individual part.

G** Indicates consult Customer Service Department for additional information.

ITEM	PART NO.	1	2	3	4	5	DESCRIPTION	QTY.
31	00559-G7						WASHER, 1/4.....	4
32	00565-G7						WASHER, LOCK, 1/4.....	2
33	00532-G1						NUT, 1/4 - 20.....	2
34								
35	71903-G01						COVER, DIRECTION SELECTOR	1
36	18436-G1						RIVET, 1/4 DIA X 3/4 LG.....	4
37								
38	71905-G01						HANDLE, DIRECTION SELECTOR	1
39	00740-G4						SCREW, STAINLESS STEEL, #10 - 32 X 1/2 LG.....	1
40								
41	33887-G08						WIRE.....	1







THE USE OF NON UL PARTS WILL VOID ANY UL LISTING.

When ordering parts, please specify the model and serial number of the product.

* Indicates a component that is not available as an individual part.

G** Indicates consult Customer Service Department for additional information.

ITEM	PART NO.	1	2	3	4	5	DESCRIPTION	QTY.
1	XXXXX-G**						BATTERY	4
2								
3	30429-G3						ROD, BATTERY HOLD DOWN.....	2
4	11841-G1						ANGLE, BATTERY HOLD DOWN	2
5	00561-G8						WASHER, 5/16.....	2
6	11098-G6						NUT, LOCK, 5/16-18	2
7								
8	11893-G1						WIRE.....	3
9	23968-G01						WIRE.....	1
10	21743-G1						WIRE.....	1
11	33825-G01						WIRE.....	1
12	18432-G1						WIRE.....	1
13	00561-G8						WASHER, LOCK, 5/16.....	6
14	00702-G2						NUT, 5/16-18.....	8
15	00567-G8						WASHER, LOCK, 5/16.....	2
16	17618-G1						CLAMP, NYLON.....	1
17								
18	33889-G01						WIRE HARNESS, POWER.....	1
19	11845-G4						CLIP, INSULATED.....	4
20	14390-G4						NUT, LOCK, 1/4-20	4
21	00559-G7						WASHER, 1/4.....	4
22	00414-G6						BOLT, 1/4-20 X 3/4 LG.	2
23								
24	33893-G01						CONTROL BOX AND SOLENOID ASSEMBLY (INCLUDES ITEMS 25 - 45) ...	1
25	33927-G01						SUPPORT	1
26	20468-G3						SOLENOID	1
27	20972-G1						MODULE, SPEED CONTROL.....	1
28	24021-G1						WIRE	1
29	00438-G5						BOLT, 5/16-18 X 5/8 LG.....	2
30	11027-G1						NUT, LOCK, 5/16-18.....	2

ELECTRICAL SYSTEM

Electric Vehicle

THE USE OF NON UL PARTS WILL VOID ANY UL LISTING.

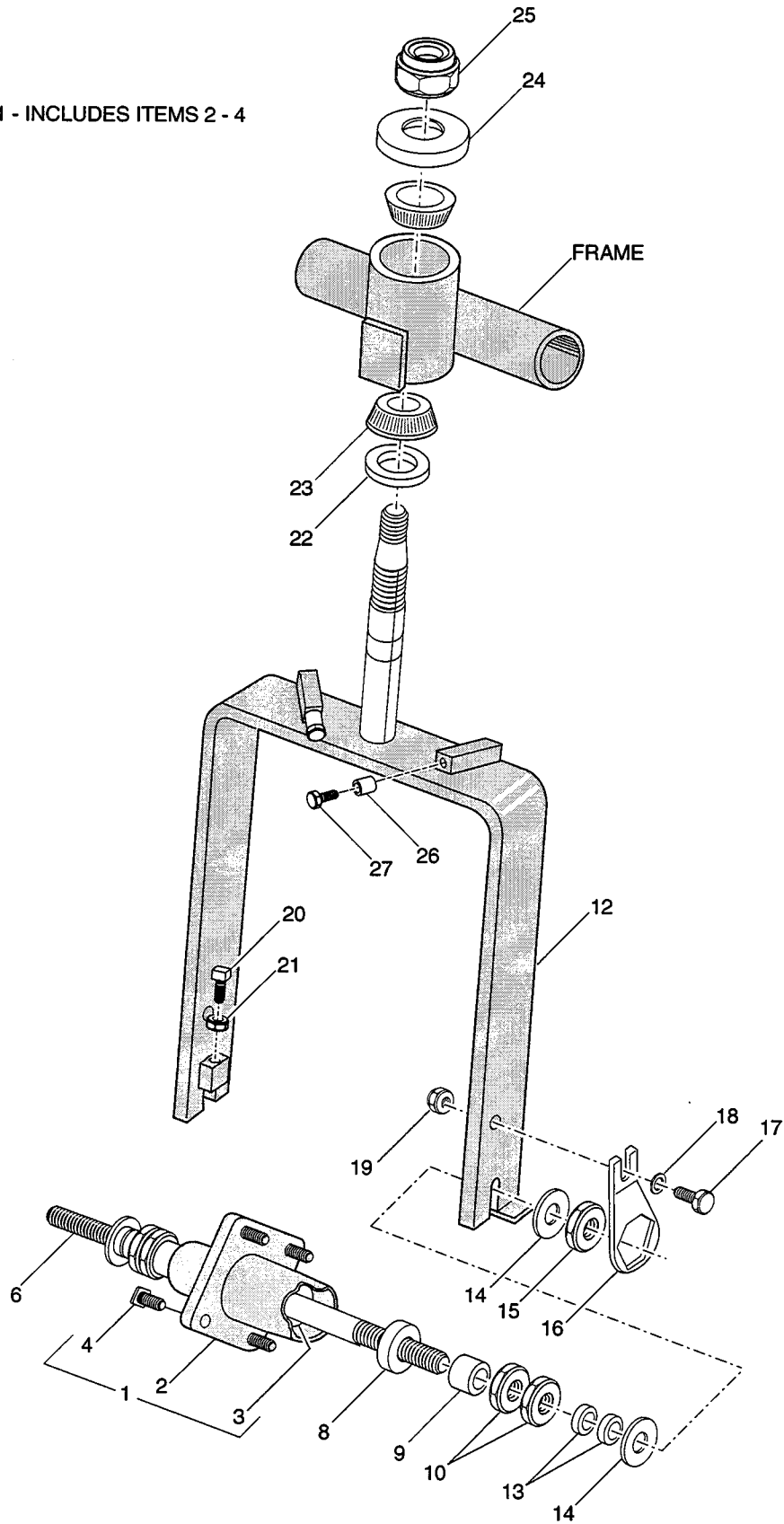
When ordering parts, please specify the model and serial number of the product.

* Indicates a component that is not available as an individual part.

G** Indicates consult Customer Service Department for additional information.

ITEM	PART NO.	1	2	3	4	5	DESCRIPTION	QTY.
31	00414-G5						BOLT, 1/4-20 X 4/8 LG.....	6
32	11027-G2						NUT, LOCK, 1/4-20.....	6
33	30353-G1						DIODE.....	1
34	12914-G1						TAB, FASTON, 1/4.....	1
35	21764-G1						RESISTOR.....	1
36								
37								
38	23959-G9						WIRE.....	1
39	25949-G01						MOV.....	1
40								
41								
42	00565-G5						WASHER, LOCK, #10	2
43	00526-G4						NUT, #10-32.....	2
44	00565-G8						WASHER, LOCK, 5/16	2
45	00544-G4						NUT, JAM, 5/16-24.....	2
46								
47	00414-G6						BOLT, 1/4-20 X 3/4 LG.	4
48	14390-G4						NUT, LOCK, 1/4-20	4
49	00438-G5						BOLT, 5/16-18 X 5/8 LG.	4
50	00565-G8						WASHER, LOCK, 5/16.....	2
51	00532-G3						NUT, 5/16-18	2
52	17618-G1						CLAMP, NYLON	3
53								
54	33886-G01						WIRE HARNESS, CONTROL.....	1
55	11845-G7						CLIP, INSULATED	1
56	14390-G4						NUT, LOCK, 1/4-20	1
57	00559-G7						WASHER, 1/4.....	1
58								
59	33639-G01						SWITCH, IGNITION	1
60	00532-G3						NUT, 5/16 - 18	4

1 - INCLUDES ITEMS 2 - 4



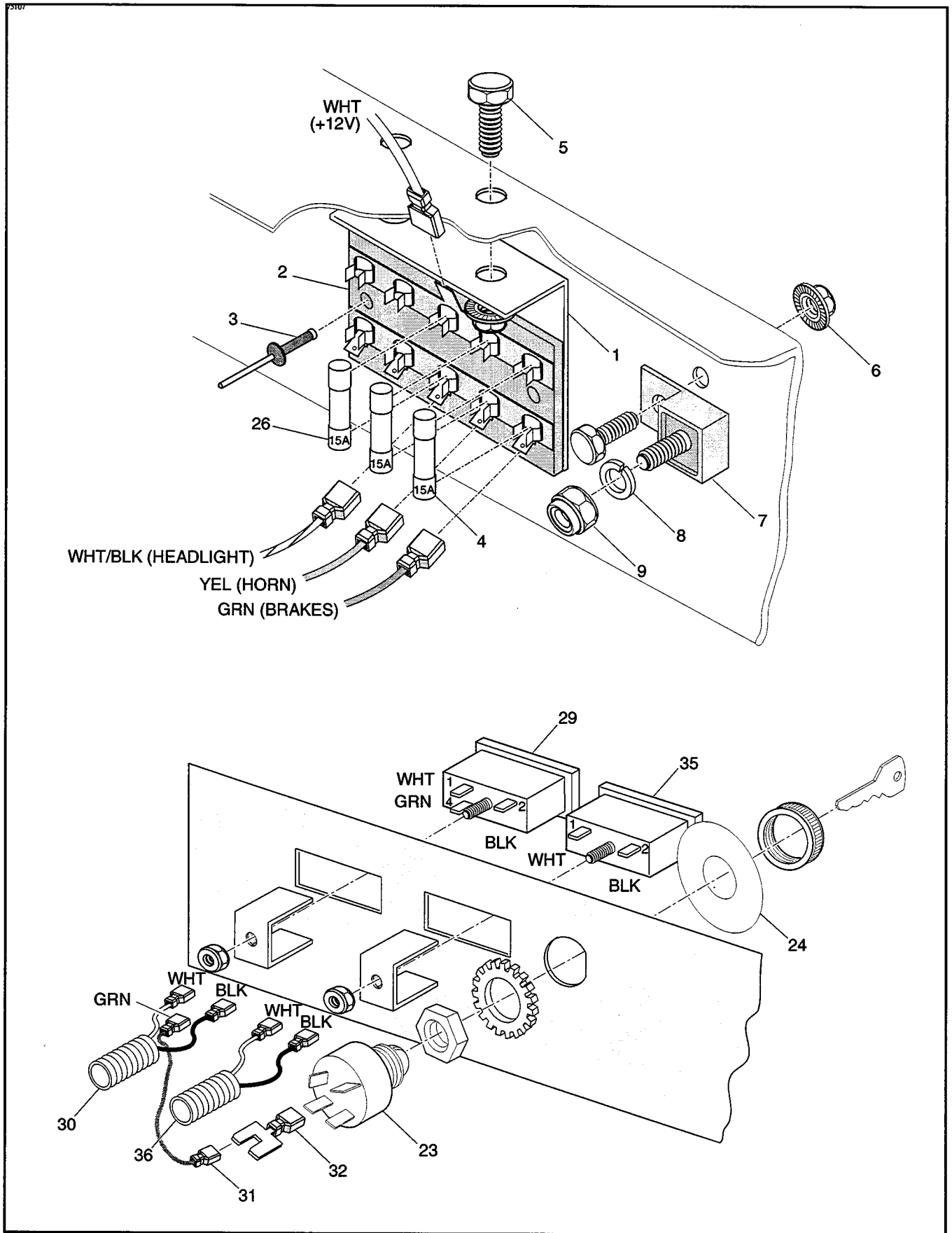
THE USE OF NON UL PARTS WILL VOID ANY UL LISTING.

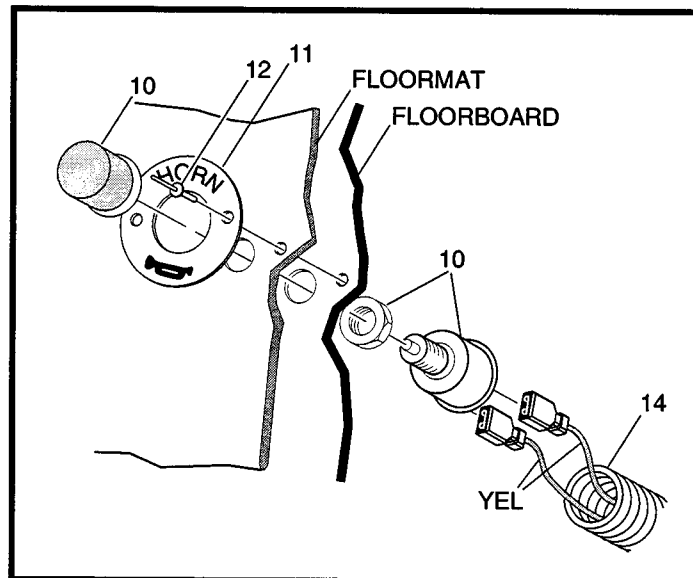
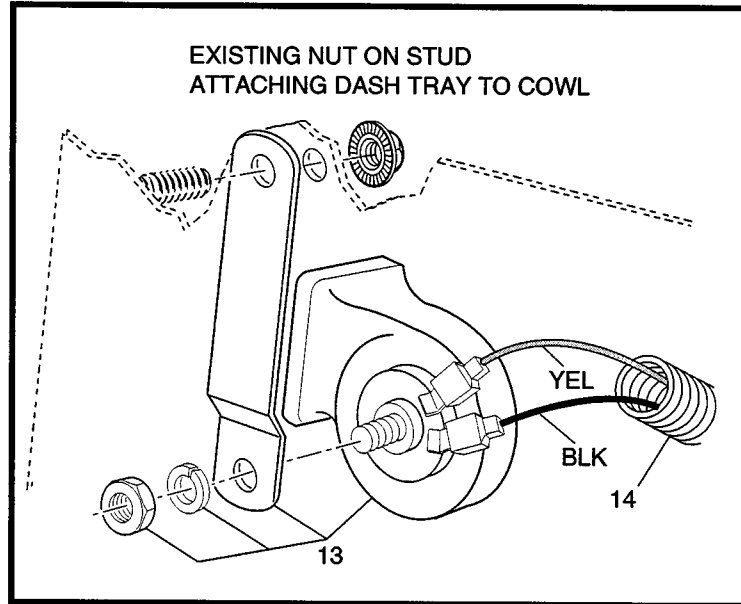
When ordering parts, please specify the model and serial number of the product.

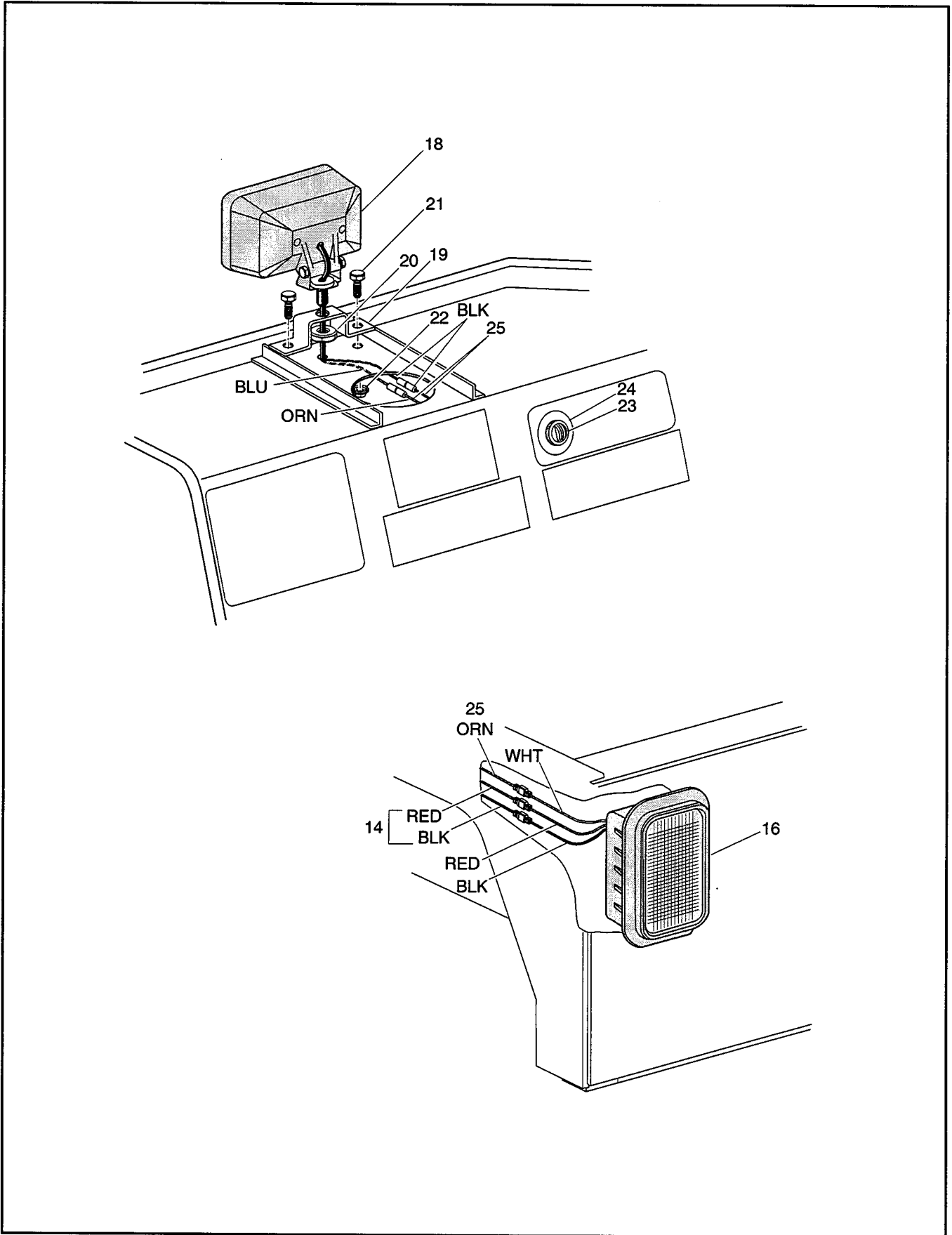
* Indicates a component that is not available as an individual part.

G** Indicates consult Customer Service Department for additional information.

ITEM	PART NO.	1 2 3 4 5	DESCRIPTION	QTY.
1	19888-G1		HUB ASSEMBLY (INCLUDES ITEMS 2 - 4).....	1
2	*		HUB	1
3	50908-G1		BEARING.....	2
4	19862-G1		BOLT, 1/2-20 X 1 7/32 LG.....	4
5				
6	10223-G6		AXLE, FRONT.....	1
7				
8	19471-G1		SEAL, GREASE.....	2
9	11655-G1		SPACER, FRONT AXLE	2
10	00667-G8		NUT, 3/4-16.....	4
11				
12	34270-G01		FORK.....	1
13	17650-G2		ADJUSTER, RING	4
14	00560-G6		WASHER, FLAT, 3/4	4
15	00673-G1		NUT, LOCK, 3/4-16	2
16	18256-G2		RETAINER, AXLE NUT.....	2
17	00665-G2		BOLT, 3/8-16 X 1 LG.....	2
18	00679-G1		WASHER, 3/8.....	2
19	00654-G1		NUT, LOCK, 3/8-16	2
20	00655-G4		SETSCREW, 1/4-20 X 1 1/2 LG.....	2
21	00656-G1		NUT, 1/4-20.....	2
22	25146-G1		SEAL, GREASE.....	1
23	50892-G1		BEARING, ROLLER.....	2
24	33868-G01		COVER, BEARING	1
25	11098-G2		NUT, LOCK, 1 - 14	1
26	34268-G01		SPACER (835S MODEL ONLY).....	2
27	00414-G8		BOLT, 1/4-20 X 1 LG. (835S MODEL ONLY).....	2







THE USE OF NON UL PARTS WILL VOID ANY UL LISTING.

When ordering parts, please specify the model and serial number of the product.

* Indicates a component that is not available as an individual part.

G** Indicates consult Customer Service Department for additional information.

ITEM	PART NO.	1	2	3	4	5	DESCRIPTION	QTY.
1	25953-G01						PLATE, FUSE BLOCK	1
2	22674-G1						FUSE BLOCK	1
3	10570-G3						RIVET, 1/8 X 17/32 LG.....	2
4	18392-G1						FUSE, 15 AMP.....	1
5	00414-G5						BOLT, 1/4-20 X 5/8 LG.....	3
6	11027-G2						NUT, LOCK, 1/4-20	3
7	33343-G01						TERMINAL BLOCK.....	1
8	00565-G8						WASHER, LOCK, 5/16.....	1
9	00532-G3						NUT, 5/16-18.....	1
10	17318-G2						SWITCH, HORN	1
11	19233-G1						LABEL, HORN BUTTON.....	1
12	14601-G7						RIVET, 3/16 X 11/16 LG.....	2
13	32860-G01						HORN.....	1
14	33879-G01						WIRING HARNESS, ACCESSORY	1
15	17618-G1						CLAMP, NYLON.....	6
16	32739-G2						TAILLIGHT (COMPLETE)	1
17								
18	30394-G1						HEADLIGHT, RECTANGULAR (OPTIONAL) (REQUIRES ITEMS 19 - 27)	1
19	33857-G01						BRACKET, HEADLIGHT	1
20	00545-G1						NUT, 1/2-13.....	1
21	16705-G2						BOLT, 1/4-20 X 5/8 LG.....	2
22	11027-G2						NUT, LOCK, 1/4-20	2
23	33639-G01						SWITCH, IGNITION WITH LIGHTS.....	1
24	33840-G01						LABEL, IGNITION WITH LIGHTS.....	1
25	33822-G01						WIRING HARNESS, HEADLIGHT	1
26	18392-G1						FUSE, 15 AMP	1
27	17618-G1						CLAMP, NYLON.....	12
28								
29	33636-G02						STATE OF CHARGE METER (OPTIONAL) (REQUIRES ITEMS 30 - 33)	1
30	33819-G01						WIRING HARNESS, STATE OF CHARGE METER	1

HORN AND LIGHTING

Electric Vehicle

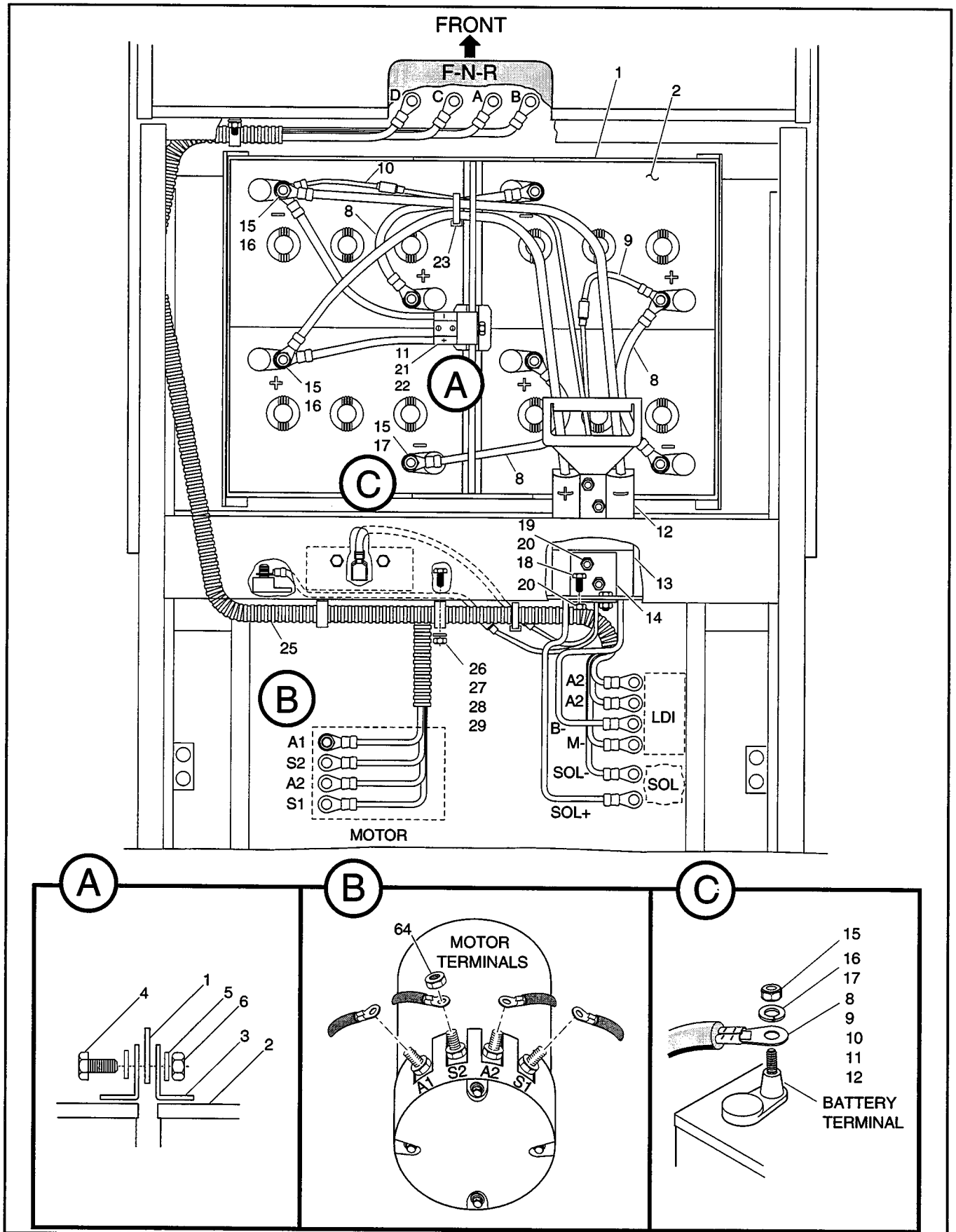
THE USE OF NON UL PARTS WILL VOID ANY UL LISTING.

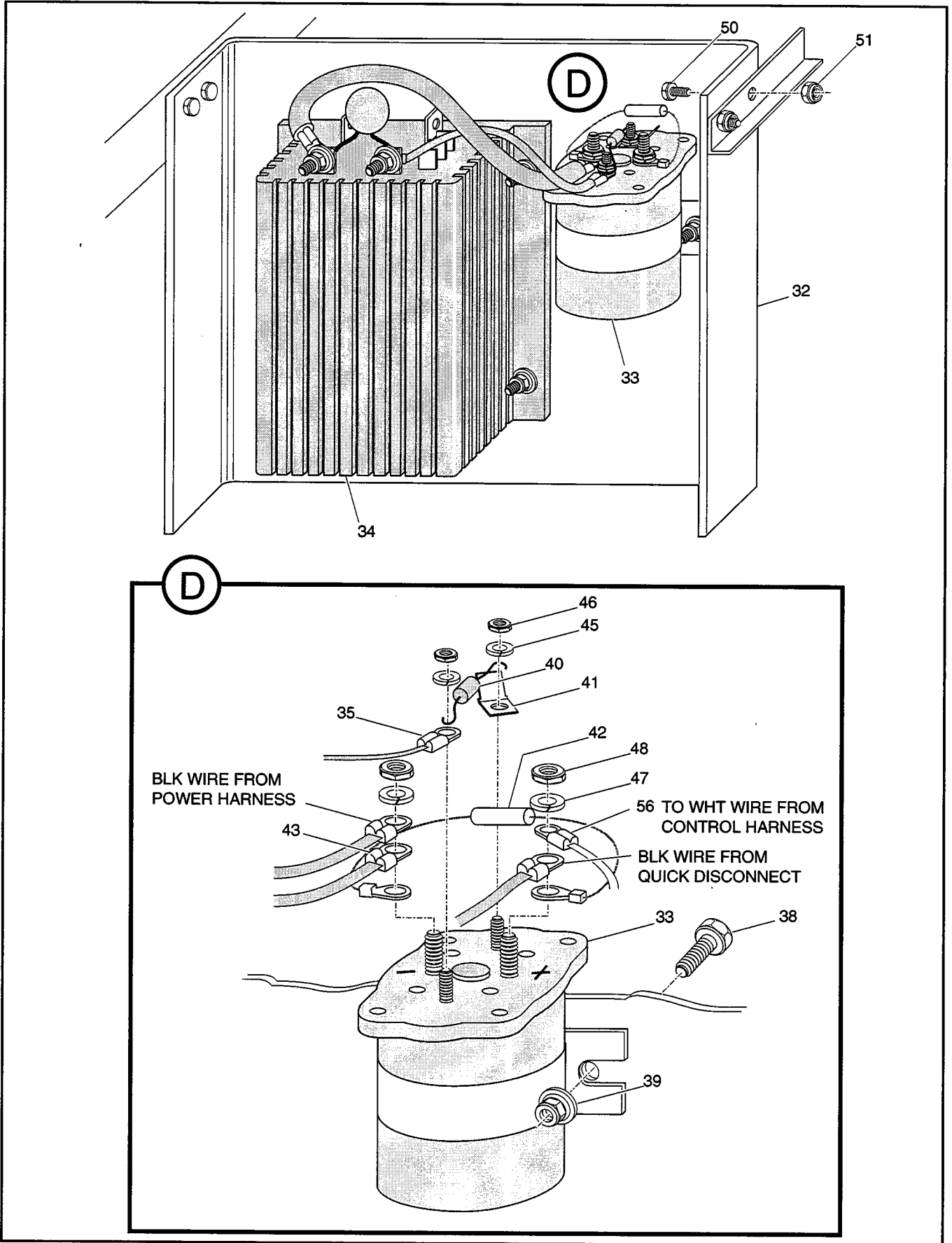
When ordering parts, please specify the model and serial number of the product.

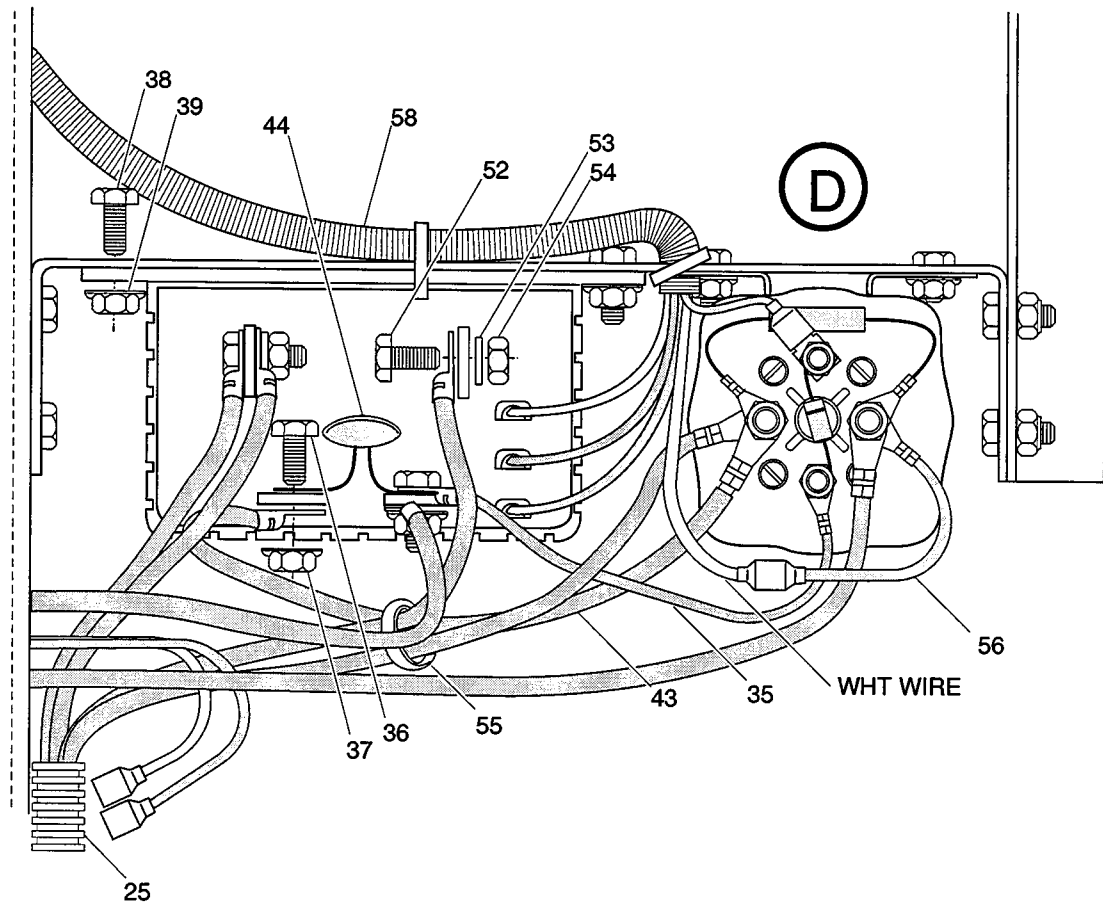
* Indicates a component that is not available as an individual part.

G** Indicates consult Customer Service Department for additional information.

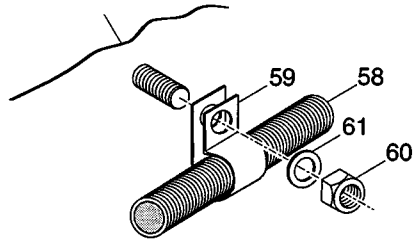
ITEM	PART NO.	1	2	3	4	5	DESCRIPTION	QTY.
31	25978-G62						WIRE	1
32	17902-G1						TAB, ADAPTER.....	1
33	17618-G1						CLAMP, NYLON	12
34								
35	33633-G1						HOUR METER (OPTIONAL) (REQUIRES ITEMS 36 - 37)	1
36	33820-G01						HARNESS, HOUR METER.....	1
37	17618-G1						CLAMP, NYLON	12



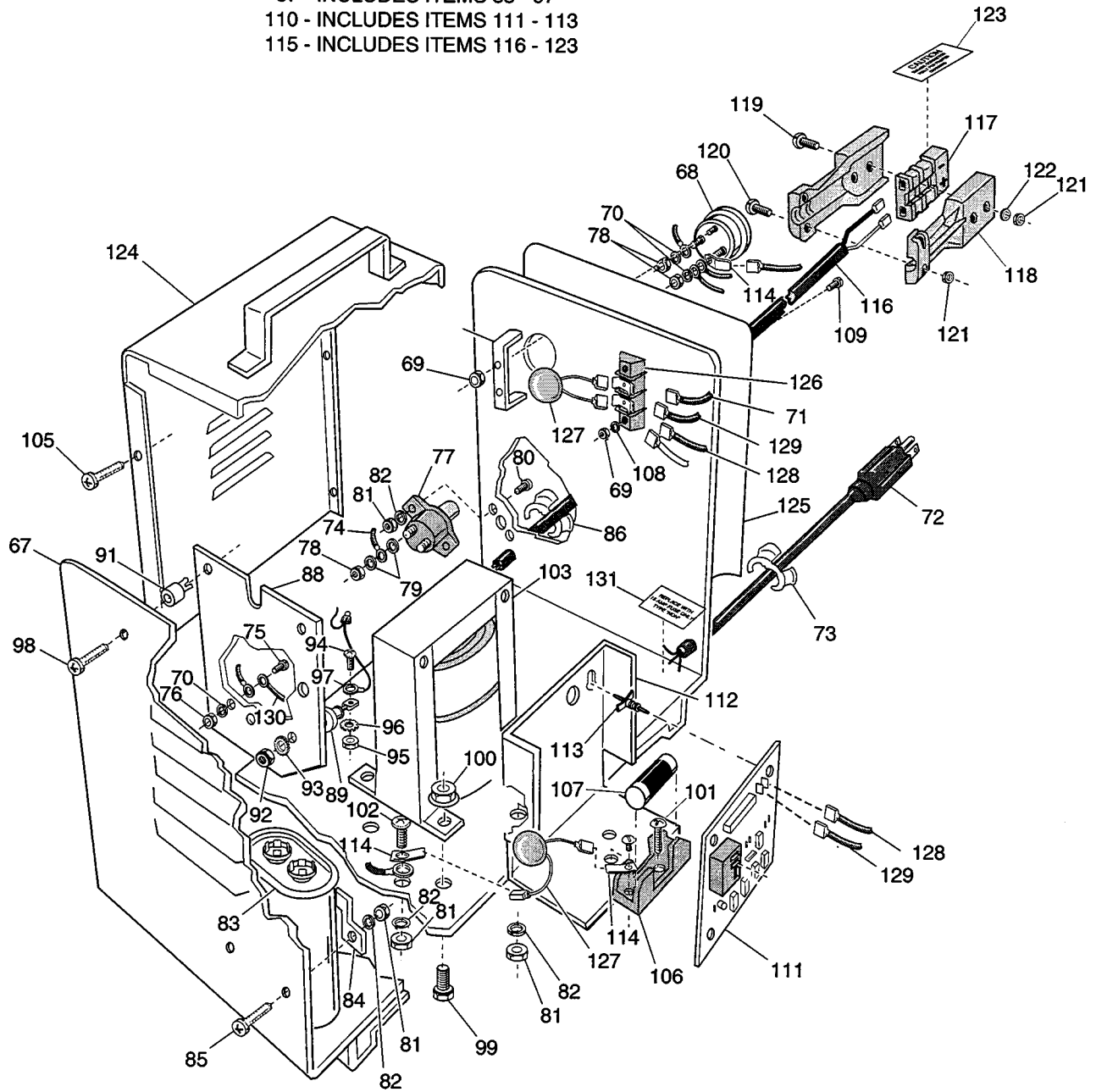


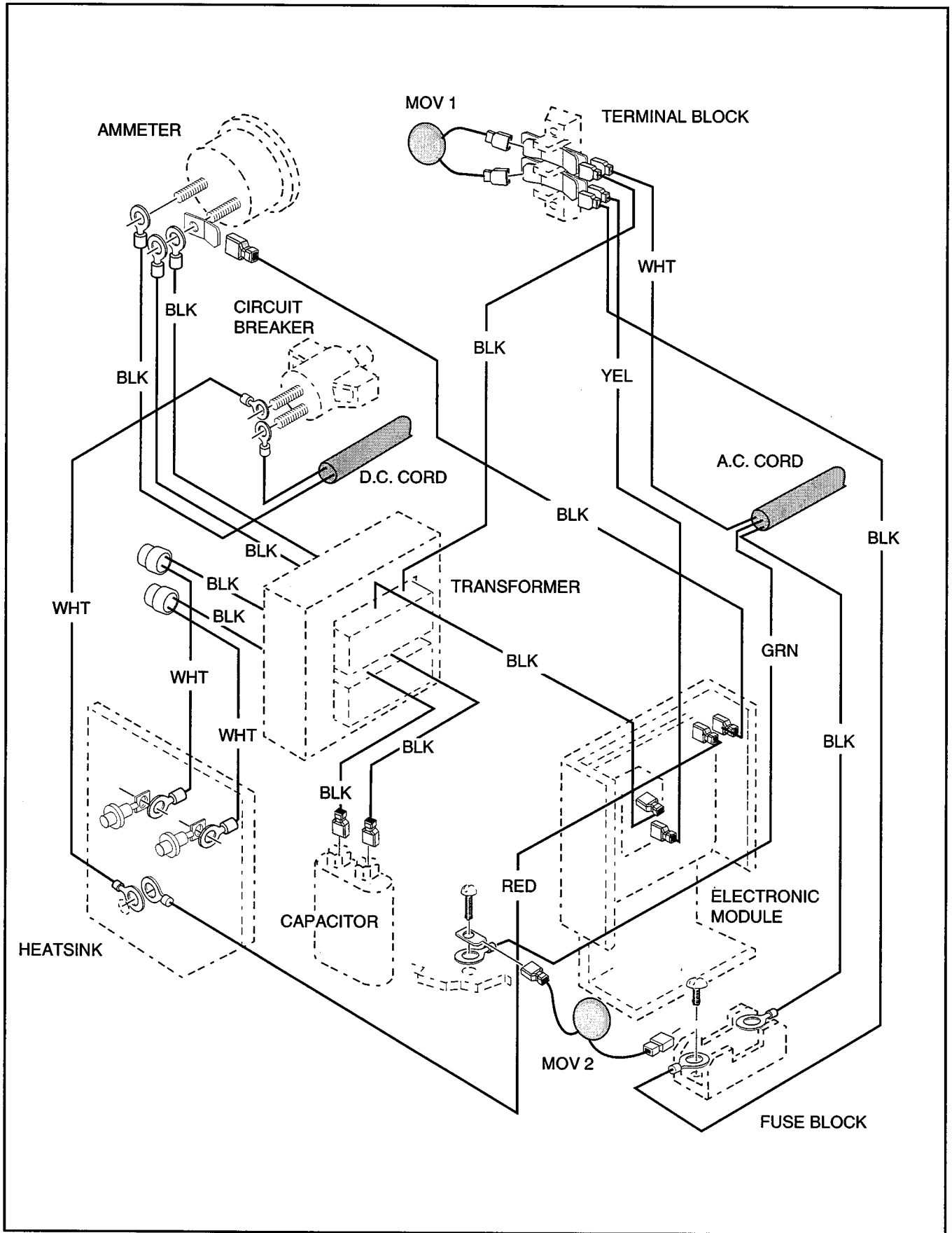


RIGHT SIDE PANEL
LOCATED UNDER SEAT



- 31 - INCLUDES ITEMS 32 - 48
- 66 - INCLUDES ITEMS 67 - 132
- 87 - INCLUDES ITEMS 88 - 97
- 110 - INCLUDES ITEMS 111 - 113
- 115 - INCLUDES ITEMS 116 - 123





THE USE OF NON UL PARTS WILL VOID ANY UL LISTING.

When ordering parts, please specify the model and serial number of the product.

* Indicates a component that is not available as an individual part.

G** Indicates consult Customer Service Department for additional information.

ITEM	PART NO.	1 2 3 4 5	DESCRIPTION	QTY.
1	33864-G01		TRAY, LIFT-OUT BATTERY	1
2	25917-G09		BATTERY	4
3	33824-G01		ANGLE, BATTERY HOLD DOWN	2
4	00439-G2		BOLT, 5/16 - 18 X 1 1/4 LG.	1
5	00561-G8		WASHER, 5/16.....	2
6	11098-G6		NUT, LOCK, 5/16-18	1
7				
8	11893-G1		WIRE.....	3
9	23968-G01		WIRE.....	1
10	21743-G1		WIRE.....	1
11	32718-G2		CHARGING HARNESS, BATTERY TRAY	1
12	33831-G01		HARNESS, QUICK DISCONNECT (LIFT-OUT TRAY)	1
13	33832-G01		HARNESS, STATIONARY QUICK DISCONNECT	1
14	33863-G01		SUPPORT, CONNECTOR	1
15	00702-G2		NUT, 5/16-18	8
16	00567-G8		WASHER, LOCK, 5/16.....	2
17	00565-G8		WASHER, 5/16.....	6
18	00414-G6		BOLT, 1-4-20 X 3/4 LG.	2
19	00415-G4		BOLT, 1/4-20 X 1 1/2 LG.	2
20	14390-G4		NUT, LOCK, 1/4-20	4
21	00645-G1		SCREW, #6-32 X 1 LG.....	2
22	14390-G9		NUT, LOCK, #6-32	2
23	17618-G1		CLAMP, NYLON.....	1
24				
25	33889-G02		WIRE HARNESS, POWER (LIFT-OUT TRAY)	1
26	11845-G4		CLIP, INSULATED.....	4
27	14390-G4		NUT, LOCK, 1/4-20	4
28	00559-G7		WASHER, 1/4.....	4
29	00414-G6		BOLT, 1/4-20 X 3/4 LG.	2
30				

LIFT-OUT BATTERY OPTION

Electric Vehicle

THE USE OF NON UL PARTS WILL VOID ANY UL LISTING.

When ordering parts, please specify the model and serial number of the product.

* Indicates a component that is not available as an individual part.

G** Indicates consult Customer Service Department for additional information.

ITEM	PART NO.	1	2	3	4	5	DESCRIPTION	QTY.
31	33893-G01						CONTROL BOX AND SOLENOID ASSEMBLY (INCLUDES ITEMS 32 - 48).....	1
32	33927-G01						SUPPORT, MODULE.....	1
33	20468-G3						SOLENOID	1
34	20972-G1						MODULE, SPEED CONTROL.....	1
35	24021-G1						WIRE, #16 BLACK.....	1
36	00438-G5						BOLT, 5/16-18 X 5/8 LG.....	2
37	11027-G1						NUT, LOCK, FLANGED, 5/16-18	2
38	00414-G5						BOLT, 1/4-20 X 5/8 LG.....	6
39	11027-G2						NUT, LOCK, FLANGED, 1/4-20	6
40	30353-G1						DIODE.....	1
41	122914-G1						TAB, FASTON.....	1
42	21764-G1						RESISTOR.....	1
43	23959-G9						WIRE.....	1
44	25949-G01						MOV	1
45	00565-G5						WASHER, LOCK, #10	2
46	00526-G4						NUT, #10-32.....	2
47	00565-G8						WASHER, LOCK, 5/16	2
48	00544-G4						NUT, 5/16-24.....	2
49								
50	00414-G6						BOLT, 1/4-20 X 3/4 LG.	4
51	14390-G4						NUT, LOCK, 1/4-20	4
52	00438-G5						BOLT, 5/16-18 X 5/8 LG.	4
53	00565-G8						WASHER, LOCK, 5/16.....	2
54	00532-G3						NUT, 5/16-18	2
55	17618-G1						CLAMP, NYLON	3
56	23968-G01						WIRE	1
57								
58	33886-G01						WIRING HARNESS, CONTROL	1
59	11845-G7						CLIP, INSULATED	1
60	14390-G4						NUT, LOCK, 1/4-20	1

THE USE OF NON UL PARTS WILL VOID ANY UL LISTING.

When ordering parts, please specify the model and serial number of the product.

* Indicates a component that is not available as an individual part.

G** Indicates consult Customer Service Department for additional information.

ITEM	PART NO.	1	2	3	4	5	DESCRIPTION	QTY.
61	00559-G7						WASHER, 1/4.....	1
62								
63	XXXXX-XX						SWITCH, IGNITION (SEE ELECTRICAL, SECTION F).....	1
64	00532-G3						NUT, 5/16 - 18.....	4
65								
66	XXXXX-G**						BATTERY CHARGER, TOTAL CHARGE III, 24V®, PORTABLE (INCLUDES ITEMS 67 - 132).....	1
67	24919-G1						CHASSIS.....	1
68	24243-G1						AMMETER.....	1
69	*						NUT, #6 - 32.....	4
70	00565-G5						WASHER, LOCK, #10.....	3
71	19402-G1						WIRE.....	1
72	19388-G1						CORD, AC.....	1
73	13557-G2						STRAIN RELIEF.....	1
74	19441-G1						WIRE.....	1
75	00378-G4						SCREW, #10 - 24 X 1/2 LG.....	1
76	00526-G3						NUT, #10 - 24.....	1
77	19362-G1						CIRCUIT BREAKER.....	1
78	00526-G4						NUT, #10 - 32.....	4
79	*						WASHER, #10.....	4
80	00372-G6						SCREW, #8 - 32 X 3/4 LG.....	2
81	00526-G1						NUT, #8 - 32.....	7
82	00565-G4						WASHER, LOCK, #8.....	7
83	17077-G1						CAPACITOR.....	1
84	*						BRACKET.....	1
85	00372-G4						BOLT, #8 - 32 X 1/2 LG.....	2
86	13557-G3						STRAIN RELIEF.....	1
87	18768-G1						HEAT SINK ASSEMBLY (INCLUDES ITEMS 88 - 97).....	1
88	18489-G1						HEAT SINK.....	1
89	18488-G1						DIODE.....	2

LIFT-OUT BATTERY OPTION

Electric Vehicle

THE USE OF NON UL PARTS WILL VOID ANY UL LISTING.

When ordering parts, please specify the model and serial number of the product.

* Indicates a component that is not available as an individual part.

G** Indicates consult Customer Service Department for additional information.

ITEM	PART NO.	1	2	3	4	5	DESCRIPTION	QTY.
90								
91	11572-G2						NUT, EXPANSION.....	3
92	00532-G2						NUT, 1/4 - 28	2
93	00565-G7						WASHER, LOCK, 1/4	2
94	00138-G3						SCREW, #6 - 32 X 3/8 LG.....	2
95	00525-G5						NUT, #6 - 32	2
96	00567-G3						WASHER, LOCK, #6.....	2
97	18769-G2						WIRE, HEAT SINK	2
98	00512-G7						SCREW, #8 - 18 X 7/8 LG.	3
99	00414-G5						BOLT, 1/4 - 20 X 5/8 LG.....	4
100	11027-G2						NUT, LOCK, 1/4 - 20.....	4
101	00372-G5						SCREW, #8 - 32 X 5/8 LG.	2
102	00372-G3						SCREW, #8 - 32 X 3/8 LG.	1
103	32491-G1						TRANSFORMER	1
104								
105	00614-G4						SCREW, #8 - 18 X 1/2 LG.	1
106	19363-G1						BLOCK, FUSE	1
107	19361-G2						FUSE, AC.....	1
108	00565-G3						WASHER, LOCK, #6	2
109	00987-G06						SCREW, #6 - 32 X 3/4 LG.	2
110	26342-G03						ELECTRONIC MODULE ASSEMBLY (INCLUDES ITEMS 111 - 113)	1
111	27417-G03						ELECTRONIC MODULE.....	1
112	19459-G1						BRACKET	1
113	27877-G01						SUPPORT, SPACER.....	4
114	12914-G1						ADAPTER, TAB	1
115	31887-G**						DC CORD ASSEMBLY (INCLUDES ITEMS 116 - 123).....	1
116	14489-G**						CORD, DC	1
117	188782-G2						CONNECTOR	1
118	18700-G1						HANDLE.....	1
119	00647-G8						SCREW, #6 - 32 X 7/8 LG.....	2

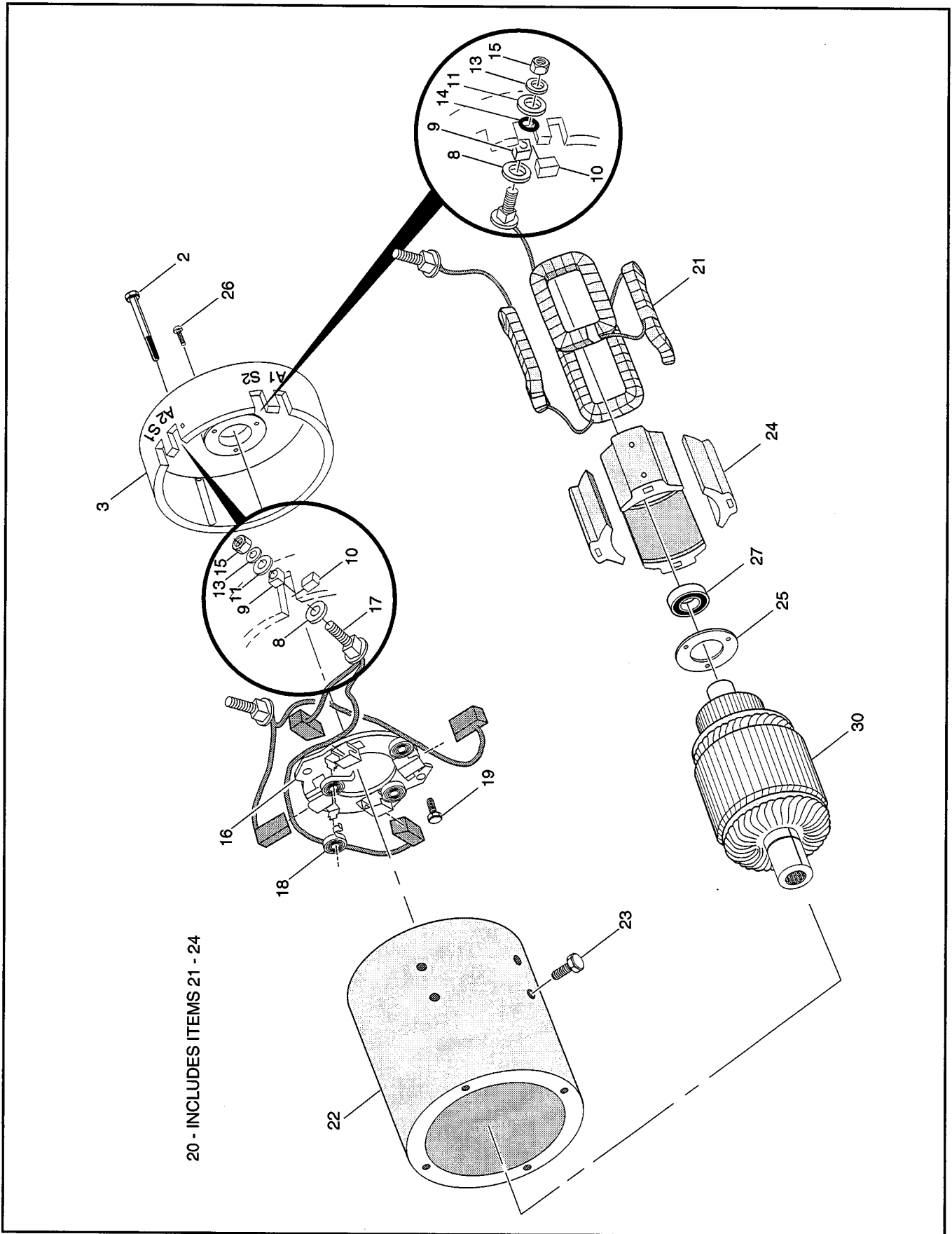
THE USE OF NON UL PARTS WILL VOID ANY UL LISTING.

When ordering parts, please specify the model and serial number of the product.

* Indicates a component that is not available as an individual part.

G** Indicates consult Customer Service Department for additional information.

ITEM	PART NO.	1	2	3	4	5	DESCRIPTION	QTY.
120	00647-G3						SCREW, #6 - 32 X 3/8 LG.....	2
121	13521-G5						NUT, #6 - 32	4
122	00650-G2						WASHER, FLAT	2
123	20628-G1						LABEL, CAUTION	1
124	19096-G1						COVER, CHARGER	1
125	26317-G01						LABEL, OPERATING INSTRUCTIONS.....	1
126	26962-G01						TERMINAL BLOCK	1
127	26320-G01						MOV.....	2
128	25977-G07						WIRE	1
129	19954-G1						WIRE	1
130	19952-G1						WIRE	1
131	22700-G1						LABEL, FUSE IDENTIFICATION.....	1
132	25775-G01						LABEL, WARNING (SEE BODY AND ASSOCIATED PARTS, SECTION C, FOR INSTALLATION LOCATION)	1



20 - INCLUDES ITEMS 21 - 24

THE USE OF NON UL PARTS WILL VOID ANY UL LISTING.

When ordering parts, please specify the model and serial number of the product.

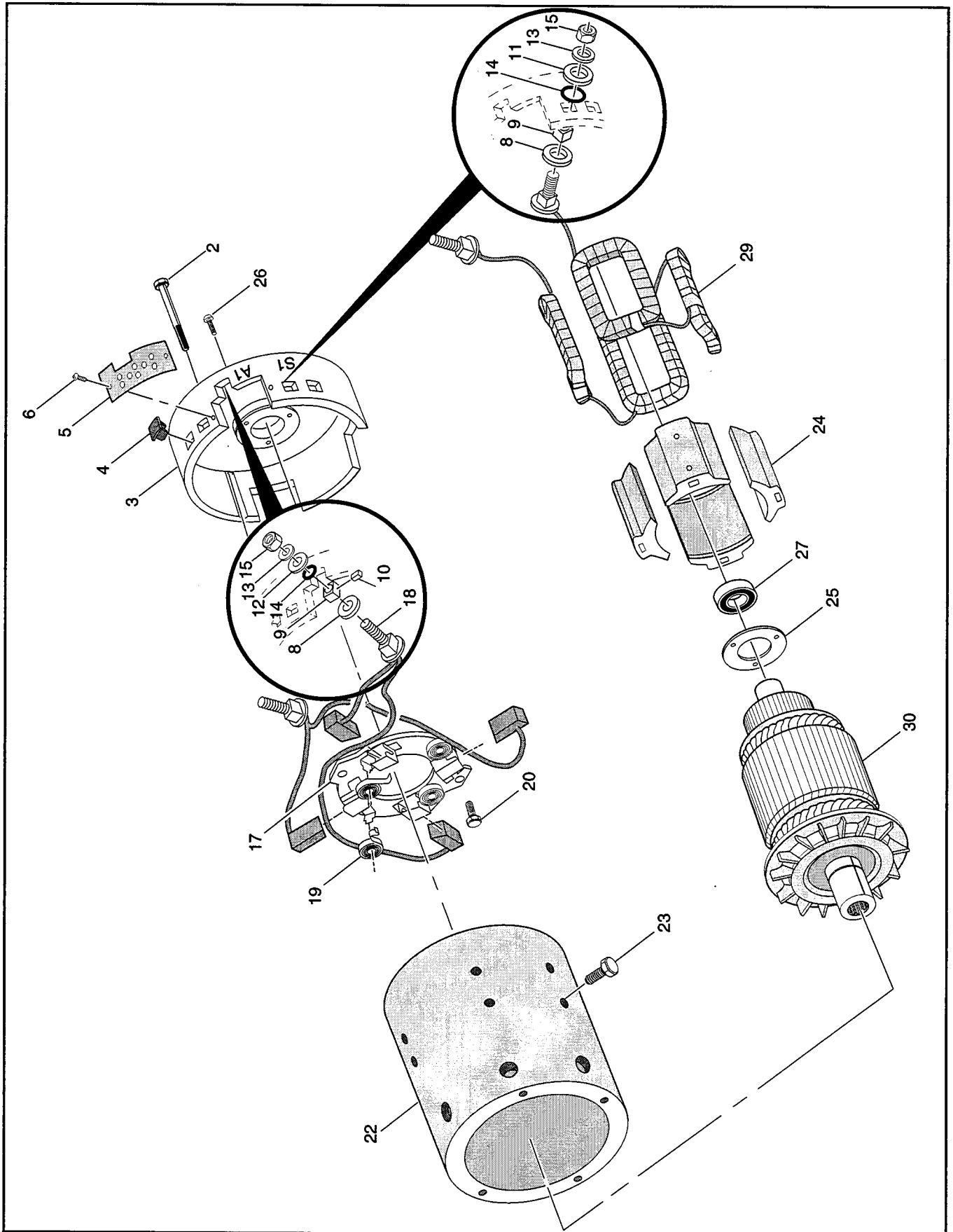
* Indicates a component that is not available as an individual part.

G** Indicates consult Customer Service Department for additional information.

MODEL

ALL MODELS

ITEM	PART NO.	1	2	3	4	5	DESCRIPTION	QTY.		
1	25028-G1						MOTOR, 2 HP COMPLETE (INCLUDES ITEMS 2 - 30)		1	
2	33777-G30						SCREW, CLAMP		2	
3	33777-G31						SHIELD, END		1	
4										
5										
6										
7										
8	33777-G06						WASHER, INSULATED		4	
9	33777-G32						GASKET		4	
10	33777-G08						BUSHING, INSULATED		4	
11	33777-G09						WASHER, INSULATED		4	
12										
13	33777-G11						WASHER		4	
14	33777-G12						GASKET		4	
15	33777-G13						LOCK NUT.....		4	
16	33777-G14						BRUSH HOLDER		1	
17	33777-G15						BRUSH AND PARTS		2	
18	33777-G16						SPRING.....		4	
19	33777-G17						SCREW, BRUSH HOLDER.....		2	
20	33777-G38						STATOR, COMPLETE (INCLUDES ITEMS 21 - 24)		1	
21	33777-G34						FIELD COIL.....		1	
22	33777-G33						STATOR SHELL.....		1	
23	33777-G20						SCREW POLE		8	
24	33777-G21						MAIN POLE.....		4	
25	33777-G35						RETAINER, BEARING.....		2	
26	33777-G36						SCREW		3	
27	33777-G37						BALL BEARING.....		1	
28										
29										
30	*						ARMATURE.....		1	



THE USE OF NON UL PARTS WILL VOID ANY UL LISTING.

When ordering parts, please specify the model and serial number of the product.

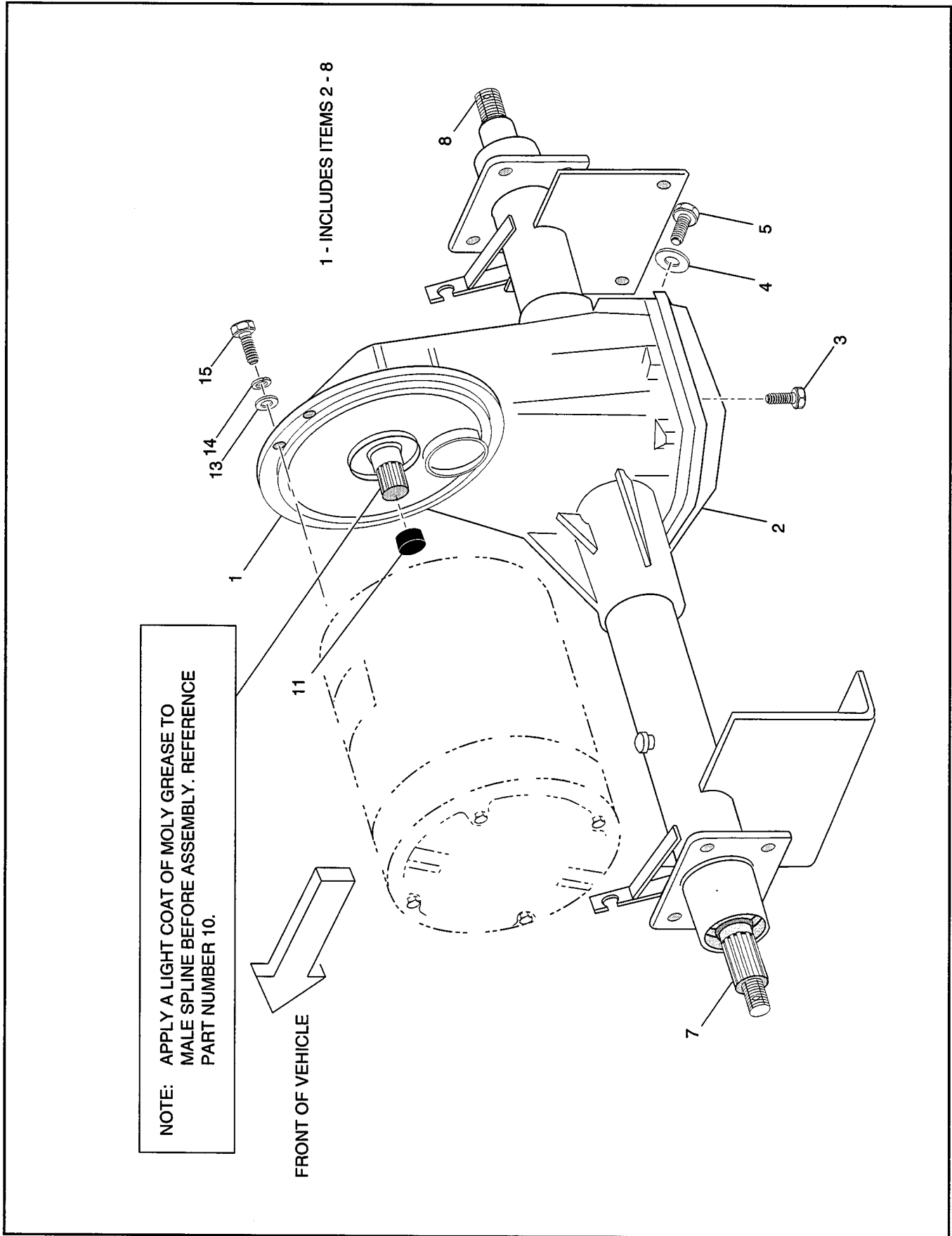
* Indicates a component that is not available as an individual part.

G** Indicates consult Customer Service Department for additional information.

MODEL

ALL MODELS

ITEM	PART NO.	1 2 3 4 5	DESCRIPTION	QTY.		
1	32863-G2		MOTOR, 2.5 HP, UL, COMPLETE (INCLUDES ITEMS 2 - 30)	1		
2	33777-G01		SCREW, CLAMP	2		
3	33777-G02		SHIELD, END	1		
4	33777-G03		PLUG	4		
5	33777-G04		COVER, BRUSH ACCESS	4		
6	33777-G05		SCREW, BRUSH ACCESS COVER	8		
7						
8	33777-G06		WASHER, INSULATED	4		
9	33777-G07		BUSHING, INSULATED	2		
10	33777-G08		BUSHING, INSULATED	2		
11	33777-G09		WASHER, INSULATED	2		
12	33777-G10		WASHER, INSULATED	2		
13	33777-G11		WASHER	4		
14	33777-G12		GASKET	4		
15	33777-G13		LOCK NUT	4		
16						
17	33777-G14		BRUSH HOLDER	1		
18	33777-G15		BRUSH AND PARTS	2		
19	33777-G16		SPRING	4		
20	33777-G17		SCREW, BRUSH HOLDER	2		
21						
22	33777-G19		STATOR SHELL	1		
23	33777-G20		SCREW-POLE	8		
24	33777-G21		MAIN POLE	4		
25	33777-G23		RETAINER, BEARING	1		
26	33777-G24		SCREW	3		
27	33777-G25		BALL BEARING	1		
28	33777-G27		STATOR, COMPLETE (INCLUDES ITEMS 22, 23, 24, 29)	1		
29	33777-G28		FIELD COIL	1		
30	*		ARMATURE	1		



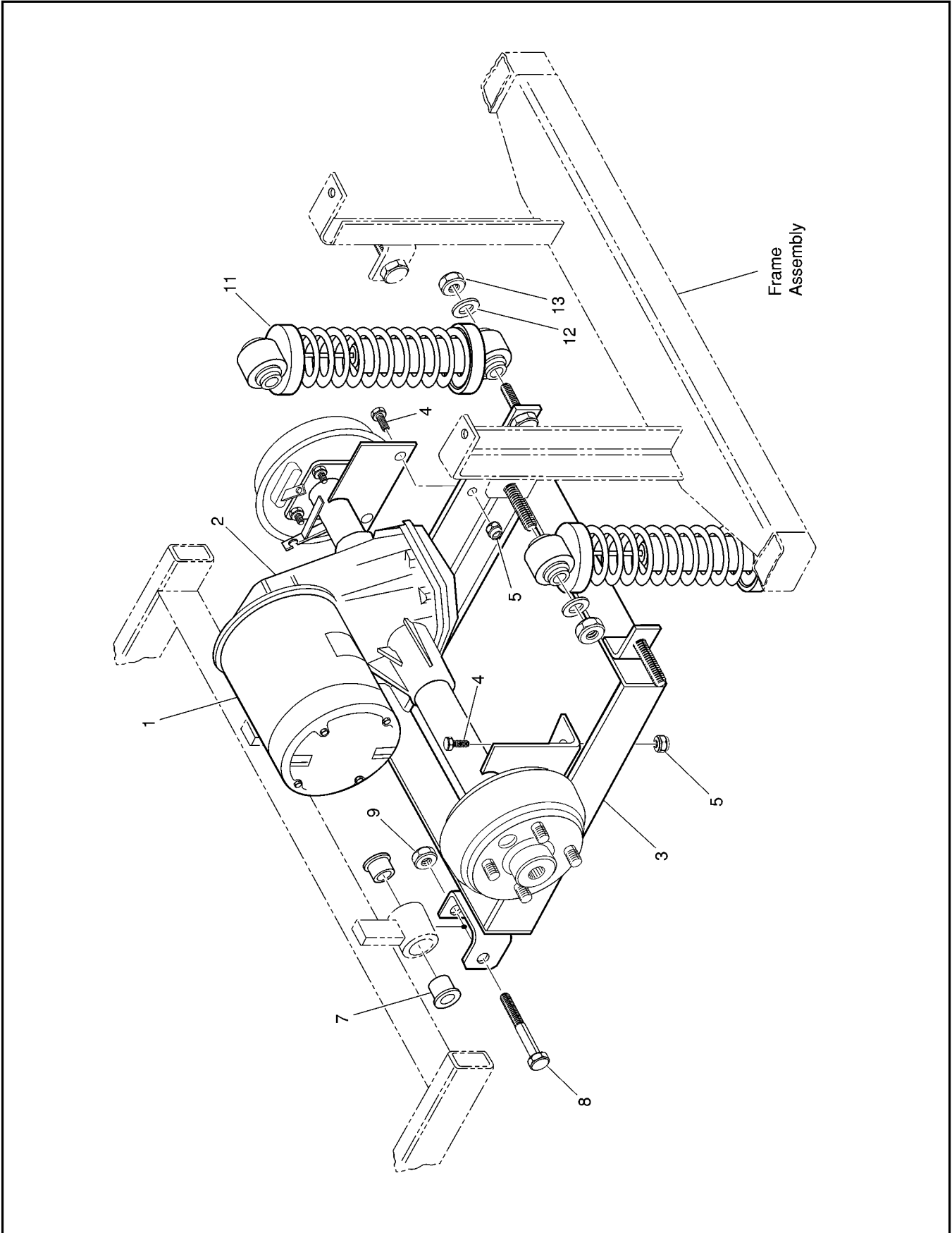
THE USE OF NON UL PARTS WILL VOID ANY UL LISTING.

When ordering parts, please specify the model and serial number of the product.

* Indicates a component that is not available as an individual part.

G** Indicates consult Customer Service Department for additional information.

ITEM	PART NO.	1 2 3 4 5	DESCRIPTION	QTY.
1	33807-G01		REAR AXLE ASSEMBLY (INCLUDES ITEMS 2 - 8).....	1
2	23527-G1		COVER, DIFFERENTIAL	1
3	15558-G1		SCREW, 5/16 - 18 X 3/4 LG.	10
4	25227-G1		WASHER.....	1
5	25226-G1		PLUG, FILL/CHECK.....	1
6				
7	20377-G5		AXLE SHAFT, DRIVER'S SIDE	1
8	20377-G6		AXLE SHAFT, PASSENGER SIDE.....	1
9				
10	27023-G01		MOLY LUBE, 2 OZ.....	AR
11	24261-G1		BUMPER SPLINE	1
12				
13	00559-G7		WASHER, 1/4.....	3
14	00565-G7		WASHER, LOCK, 1/4.....	3
15	00797-G2		BOLT, 1/4 - 20 X 1 1/4 LG.	3



THE USE OF NON UL PARTS WILL VOID ANY UL LISTING.

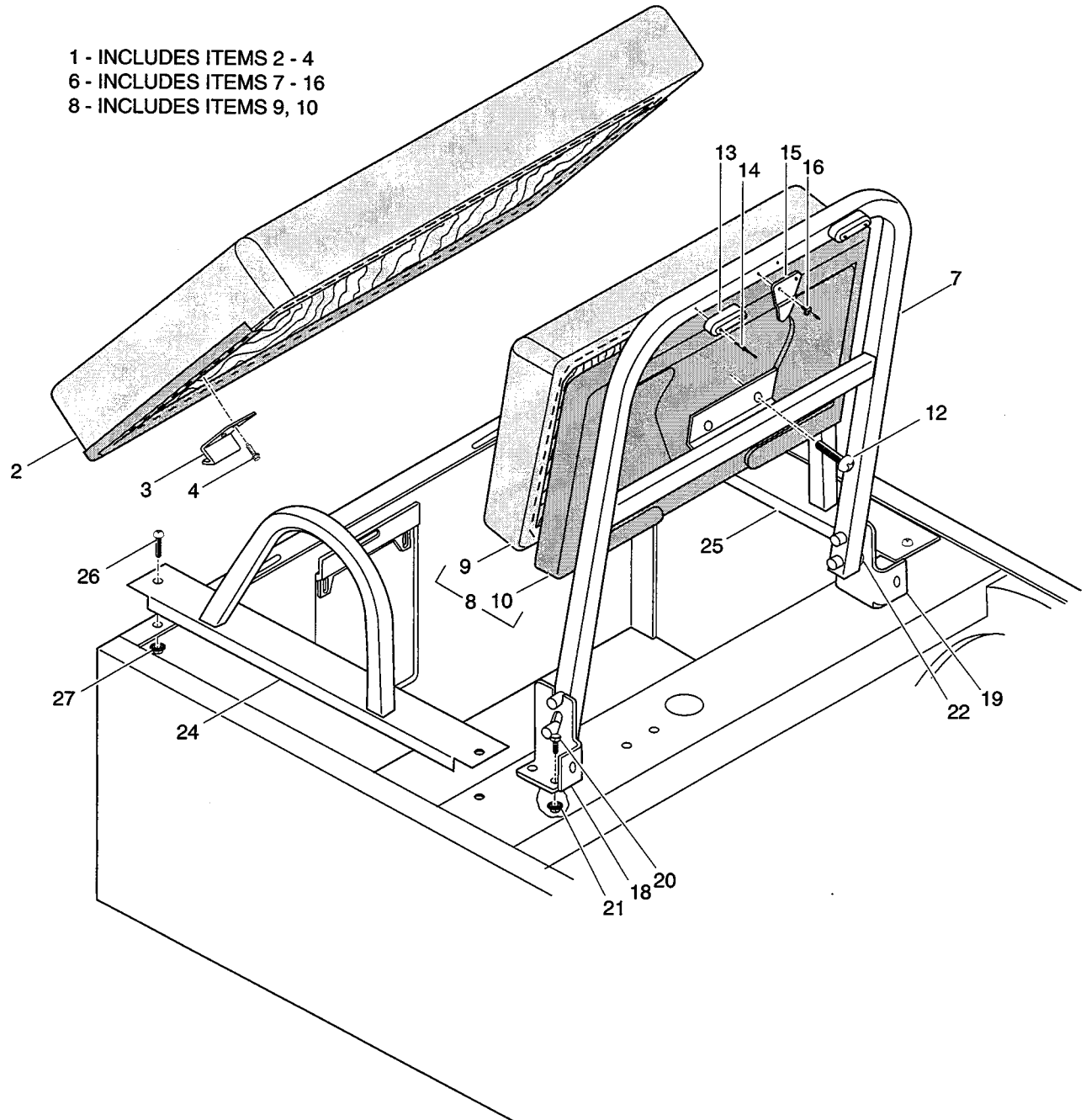
When ordering parts, please specify the model and serial number of the product.

* Indicates a component that is not available as an individual part.

G** Indicates consult Customer Service Department for additional information.

ITEM	PART NO.	1 2 3 4 5	DESCRIPTION	QTY.
1	XXXXX-XX		MOTOR (SEE MOTOR SECTION FOR PART NUMBER).....	1
2	XXXXX-XX		REAR AXLE (SEE REAR AXLE SECTION FOR PART NUMBER).....	1
3	33976-G01		INNER FRAME	1
4	00427-G2		BOLT, 3/8-16 X 1 1/4" LG.....	4
5	11098-G5		LOCK NUT, 3/8-16	4
6				
7	20098-G1		RUBBER BUSHING.....	4
8	15727-G1		SHOULDER BOLT, 3/8 - 16 X 2 3/8" LG.....	2
9	13521-G4		LOCK NUT, 3/8-16	2
10				
11	21297-G2		SHOCK ABSORBER	2
12	00560-G5		WASHER, 5/8"	8
13	00557-G5		LOCK NUT, 5/8-11	4

- 1 - INCLUDES ITEMS 2 - 4
- 6 - INCLUDES ITEMS 7 - 16
- 8 - INCLUDES ITEMS 9, 10



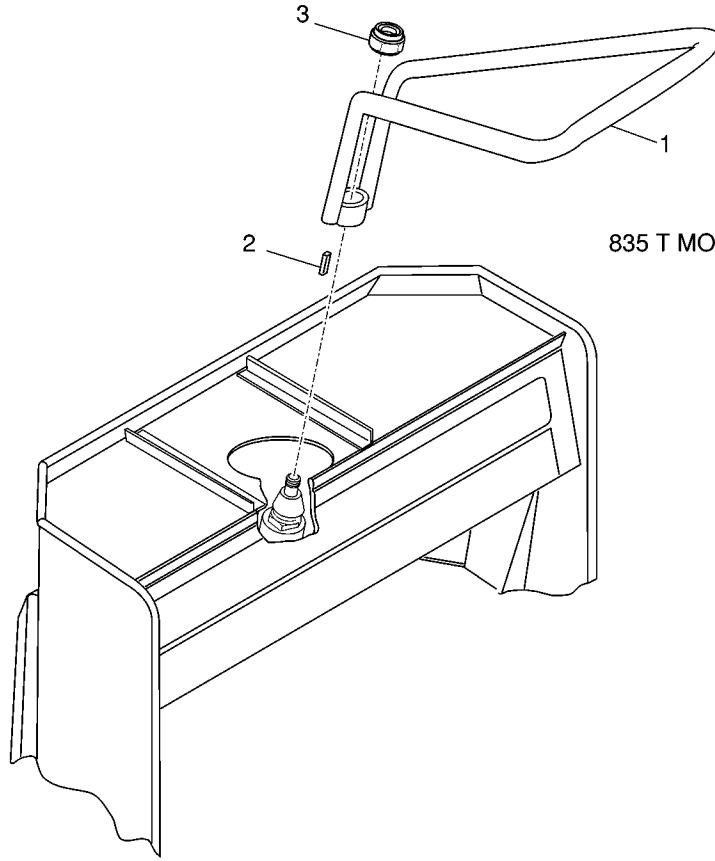
THE USE OF NON UL PARTS WILL VOID ANY UL LISTING.

When ordering parts, please specify the model and serial number of the product.

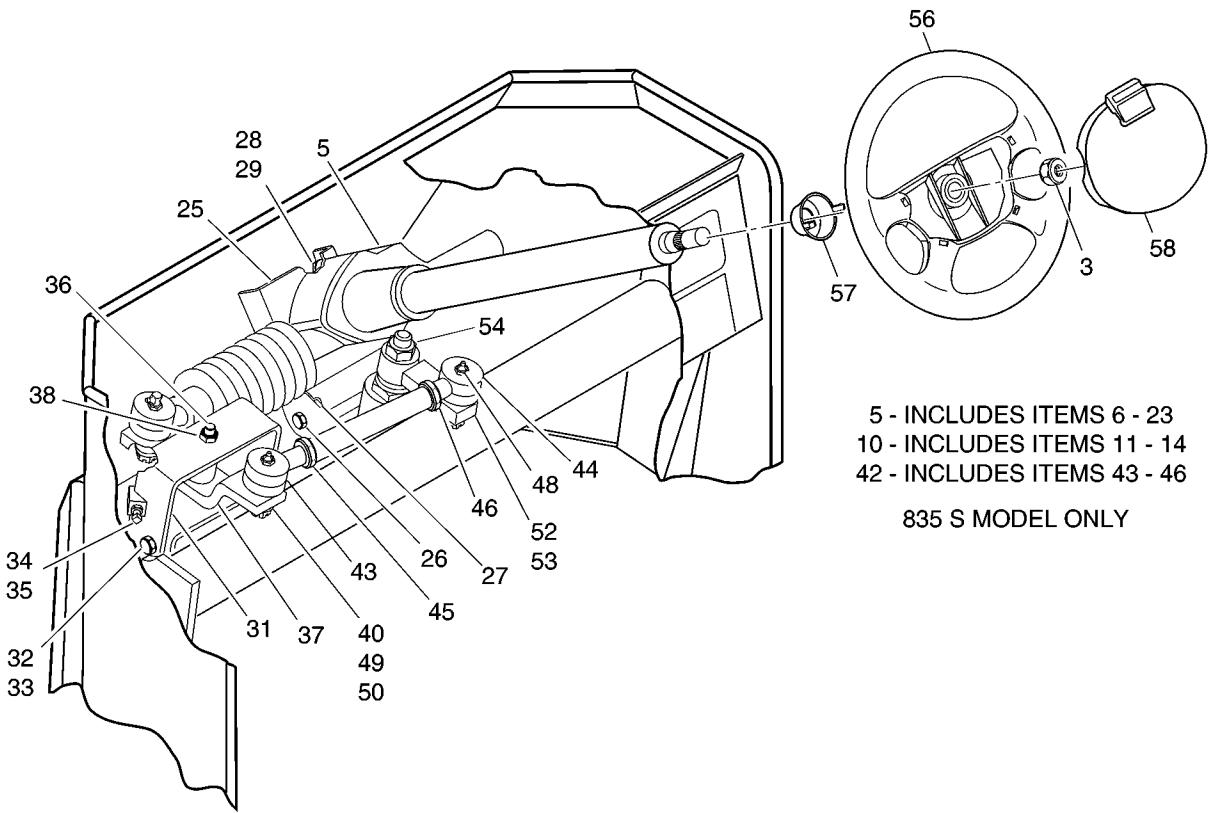
* Indicates a component that is not available as an individual part.

G** Indicates consult Customer Service Department for additional information.

ITEM	PART NO.	1	2	3	4	5	DESCRIPTION	QTY.
1	33993-G01						SEAT BOTTOM ASSEMBLY (INCLUDES ITEMS 2 - 4)	1
2	32318-G*						COVER, SEAT	1
3	18250-G1						BRACKET, SEAT HINGE	2
4	00115-G2						SCREW, 1/4 - 14 X 1 1/4 LG.	4
5								
6	33992-G01						BACK SUPPORT ASSEMBLY (INCLUDES ITEMS 7 - 16)	1
7	33991-G01						FRAME, BACK SUPPORT	1
8	33846-G01						BACK REST ASSEMBLY (INCLUDES ITEMS 9 - 10)	1
9	*						COVER, BACK	1
10	14371-G3						COVER, SEAT BACK	1
11								
12	16705-G3						BOLT, 1/4 - 20 X 3/4 LG.	2
13	11097-G1						PAD, BUMPER	2
14	10570-G3						RIVET, 1/8 X 17/32 LG.	4
15	33835-G01						CATCH, BACK	1
16	14601-G8						RIVET, 3/16 X 7/16 LG.	2
17								
18	33909-G01						BRACKET, SEAT, DRIVER'S SIDE	1
19	33909-G02						BRACKET, SEAT, PASSENGER SIDE	1
20	00414-G5						BOLT, 1/4 - 20 X 5/8 LG.	4
21	11027-G2						NUT, LOCK, 1/4 - 20	4
22	00771-G2						WASHER, NYLON	2
23								
24	33860-G01						HIP RESTRAINT, DRIVER'S SIDE	1
25	33860-G02						HIP RESTRAINT, PASSENGER SIDE	1
26	16705-G2						BOLT, 1/4 - 20 X 5/8 LG.	4
27	11027-G2						NUT, LOCK, 1/4 - 20	4



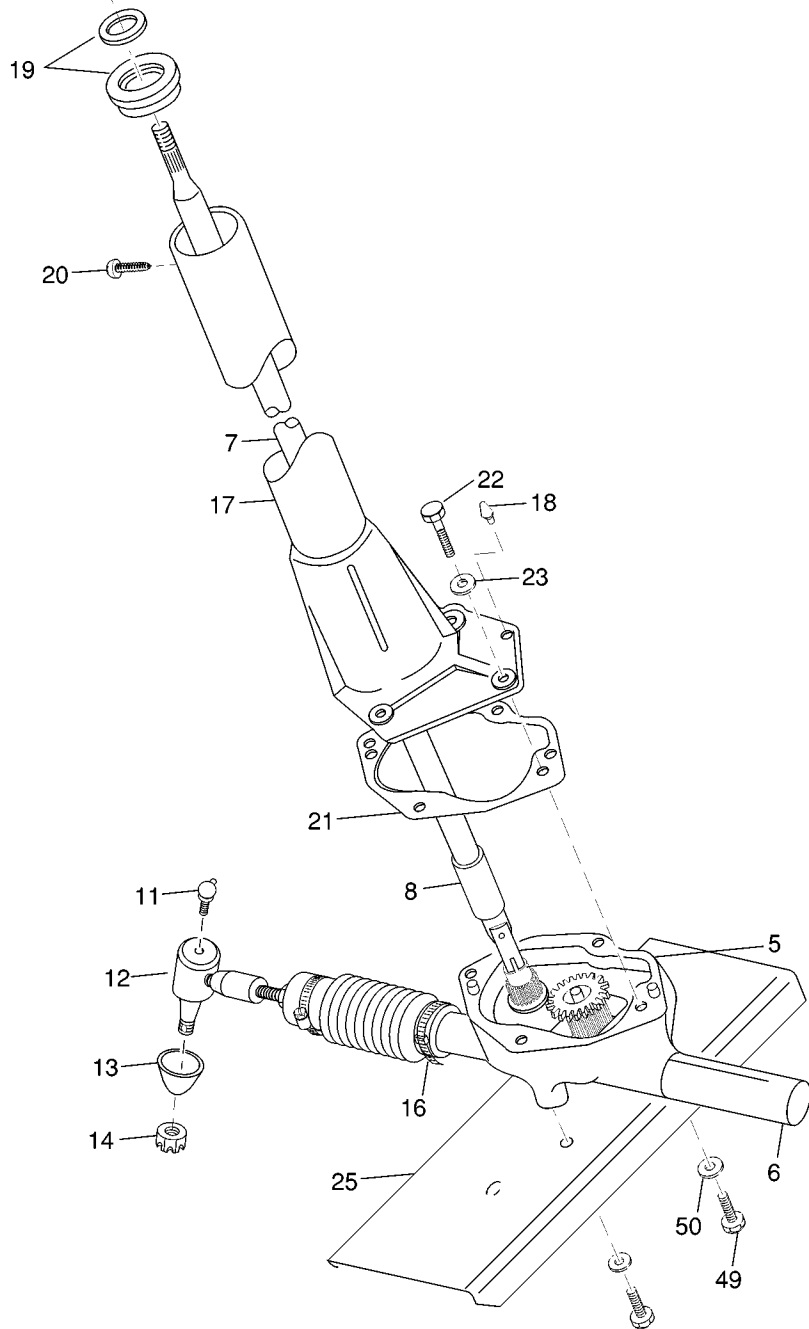
835 T MODEL ONLY



- 5 - INCLUDES ITEMS 6 - 23
- 10 - INCLUDES ITEMS 11 - 14
- 42 - INCLUDES ITEMS 43 - 46

835 S MODEL ONLY

835 S MODELS ONLY



THE USE OF NON UL PARTS WILL VOID ANY UL LISTING.

When ordering parts, please specify the model and serial number of the product.

* Indicates a component that is not available as an individual part.

G** Indicates consult Customer Service Department for additional information.

ITEM	PART NO.	1 2 3 4 5	DESCRIPTION	QTY.
1	33981-G01		TILLER, STEERING	1
2	21228-G3		KEY, SQUARE, 3/16	1
3	14390-G2		LOCK NUT, 5/8 - 18	1
4				
5	19152-G10		STEERING UNIT ASSEMBLY (INCLUDES ITEMS 6 - 23).....	1
6	13570-G2		COVER, RACK	1
7	17163-G2		STEERING SHAFT	1
8	17140-G1		SLEEVE	1
9				
10	15407-G1		RACK AND ROD END ASSEMBLY (INCLUDES ITEMS 11 - 14)	1
11	18456-G1		GREASE FITTING, 90 DEGREES	1
12	*		BALL JOINT / ROD END ASSEMBLY (INCLUDES ITEMS 13 - 14).....	1
13	50641-G1		BOOT, RUBBER	1
14	50209-G1		NUT, SLOTTED, 7/16 - 20	1
15				
16	17618-G1		CLAMP, NYLON.....	1
17	19153-G7		STEERING COLUMN.....	1
18	13098-G1		GREASE FITTING, STRAIGHT	1
19	17161-G1		BUSHING AND SEAL.....	1
20	00118-G2		SCREW, SELF TAPPING, #6-18 X 1/8 LG.....	1
21	19154-G1		GASKET, HOUSING	1
22	00444-G8		BOLT, 5/16-24 X 1 LG	4
23	00565-G8		WASHER, LOCK, 5/16	4
24				
25	33956-G01		SUPPORT, STEERING	1
26	00438-G7		BOLT, 5/16-18 X 7/8 LG.	4
27	11098-G6		NUT, LOCK, 5/16-18	4
28	00276-G6		BOLT, 5/16-24 X 3/4	3
29	00565-G8		WASHER, LOCK, 5/16.....	3

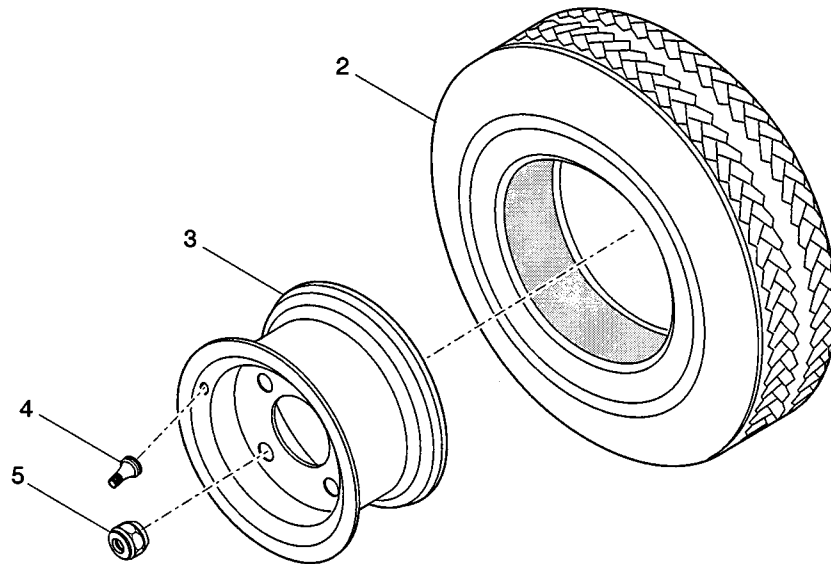
THE USE OF NON UL PARTS WILL VOID ANY UL LISTING.

When ordering parts, please specify the model and serial number of the product.

* Indicates a component that is not available as an individual part.

G** Indicates consult Customer Service Department for additional information.

ITEM	PART NO.	1	2	3	4	5	DESCRIPTION	QTY.
30								
31	33811-G01						SUPPORT, IDLER.....	1
32	00426-G8						BOLT, 3/8-16 X 1 LG.	4
33	11098-G5						NUT, LOCK, 3/8-16	4
34	00655-G4						SETSCREW, 1/4-20 X 1 1/2 LG.....	2
35	00656-G1						NUT, 1/4-20	2
36	33954-G01						SHAFT, IDLER	1
37	33869-G01						ARM, IDLER	1
38	14390-G1						NUT, LOCK, 3/8-24	2
39								
40	10387-G2						PIN, COTTER, 3/32 X 1 LG.	3
41								
42	20788-G4						TIE ROD ASSEMBLY (INCLUDES ITEMS 43 - 46).....	1
43	27205-G01						TIE ROD END, DRIVER'S SIDE	1
44	27205-G02						TIE ROD END, PASSENGER SIDE	1
45	18434-G3*						NUT, 9/16-18, LH THREAD	1
46	18434-G4*						NUT, 9/16-18, RH THREAD.....	1
47								
48	10389-G3						GREASE FITTING, STRAIGHT	2
49	50209-G2*						NUT, SLOTTED, 7/16-20	2
50	50641-G1*						BOOT, RUBBER	2
51								
52	33855-G01						ARM, PITMAN.....	1
53	21228-G3						KEY, SQUARE, 3/16	1
54	14390-G2						NUT, LOCK, 5/8-18	1
55								
56	71948-G01						STEERING WHEEL.....	1
57	71949-G01						HUB.....	1
58	71950-G01						CLIPBOARD	1



1 - INCLUDES ITEMS 2 - 4

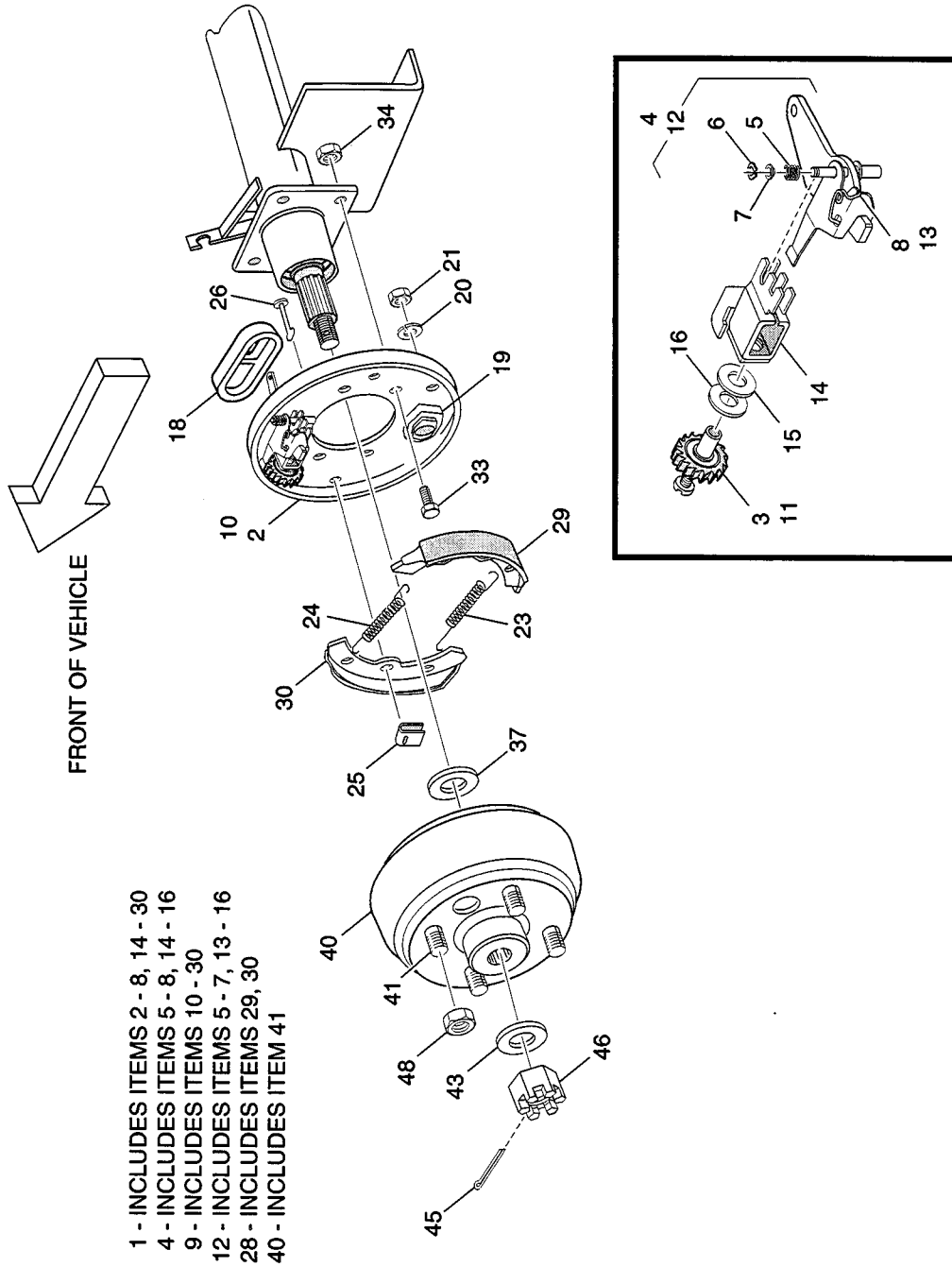
THE USE OF NON UL PARTS WILL VOID ANY UL LISTING.

When ordering parts, please specify the model and serial number of the product.

* Indicates a component that is not available as an individual part.

G** Indicates consult Customer Service Department for additional information.

ITEM	PART NO.	1 2 3 4 5	DESCRIPTION	QTY.
1	33779-G01		TIRE AND WHEEL ASSEMBLY (INCLUDES ITEMS 2 - 4)	3
2	33779-G02		TIRE, 4.80 - 8	1
3	33678-G01		WHEEL	1
4	26482-G02		VALVE STEM.....	1
5	14723-G1		NUT, LUG, 1/2 - 20.....	4



THE USE OF NON UL PARTS WILL VOID ANY UL LISTING.
 When ordering parts, please specify the model and serial number of the product.
 * Indicates a component that is not available as an individual part.
 G** Indicates consult Customer Service Department for additional information.

ITEM	PART NO.	1	2	3	4	5	DESCRIPTION	QTY.
1	22997-G2						BRAKE ASSEMBLY, PASSENGER SIDE (INCLUDES ITEMS 2 - 8, 14 - 30)	1
2	22518-G1						BACKING PLATE	1
3	23360-G1						ADJUSTER.....	1
4	23357-G1						LEVER ASSEMBLY (INCLUDES ITEMS 5 - 8, 14 - 16)	1
5	*						SPRING	1
6	*						RETAINER	1
7	*						WASHER, SHOULDER.....	1
8	23536-G1						TORSION SPRING, PASSENGER SIDE (SILVER).....	1
9	22997-G1						BRAKE ASSEMBLY, DRIVER'S SIDE (INCLUDES ITEMS 10 - 30)	1
10	22519-G1						BACKING PLATE	1
11	23361-G1						ADJUSTER.....	1
12	23358-G1						LEVER ASSEMBLY (INCLUDES ITEMS 5 - 7, 13 - 16)	1
13	23537-G1						TORSION SPRING, DRIVER'S SIDE (GOLD)	1
14	23363-G1						ADJUSTER BODY	1
15	23382-G1						WASHER, 1/4.....	1
16	23362-G1						WASHER, THRUST, 1/4	1
17								
18	22519-G1						DUST COVER	1
19	23356-G1						ANCHOR BLOCK.....	1
20	00565-G1						WASHER, LOCK, 1/4	2
21	13632-G1						NUT, 6 MM.....	2
22								
23	23359-G1						SPRING, BRAKE ADJUSTER.....	1
24	17290-G1						SPRING, BRAKE ANCHOR	1
25	17291-G1						CLAMP, SHOE.....	2
26	17292-G1						PIN, SHOE CLAMP TENSION	2
27								
28	23364-G1						BRAKE SHOE SET (INCLUDES ITEMS 29, 30).....	1
29	*						BRAKE SHOE, TRAILING	1

WHEEL BRAKE

Electric Vehicle

THE USE OF NON UL PARTS WILL VOID ANY UL LISTING.

When ordering parts, please specify the model and serial number of the product.

* Indicates a component that is not available as an individual part.

G** Indicates consult Customer Service Department for additional information.

ITEM	PART NO.	1	2	3	4	5	DESCRIPTION	QTY.
30	*						BRAKE SHOE, LEADING	1
31								
32								
33	17083-G2						BOLT, 5/16 - 24 X 1 LG.	8
34	15126-G1						NUT, LOCK, 5/16 - 24	8
35								
36								
37	15485-G1						WASHER, INNER.....	2
38								
39								
40	19186-G1						BRAKE DRUM (INCLUDES ITEM 41)	2
41	17126-G1						BOLT, LUG, 1/2 - 20.....	4
42								
43	15487-G1						WASHER, OUTER	2
44								
45	10387-G1						PIN, COTTER, 1/8 X 1 1/2 LG.	2
46	15483-G1						NUT, 5/8 - 18	2
47								
48	14723-G1						NUT, LUG, 1/2 - 20.....	8

SPECIAL TOOLS

SPECIAL TOOLS LISTING

SPECIAL TOOLS

Part No.

SPECIAL TOOLS

BATTERY MAINTANANCE KIT	25587-G01
SEAL INSTALLATION TOOL (REAR AXLE SHAFT SEAL).....	18739-G1
CURRENT INDICATOR.....	16489-G1
MULTI-METER, DIGITAL.....	27481-G01
CRIMPING TOOL	27765-G01
SLIDE HAMMER (AXLE/HUB REMOVAL)	15947-G1
SLIDE HAMMER (AXLE REMOVAL ONLY).....	18753-G1

PAINT

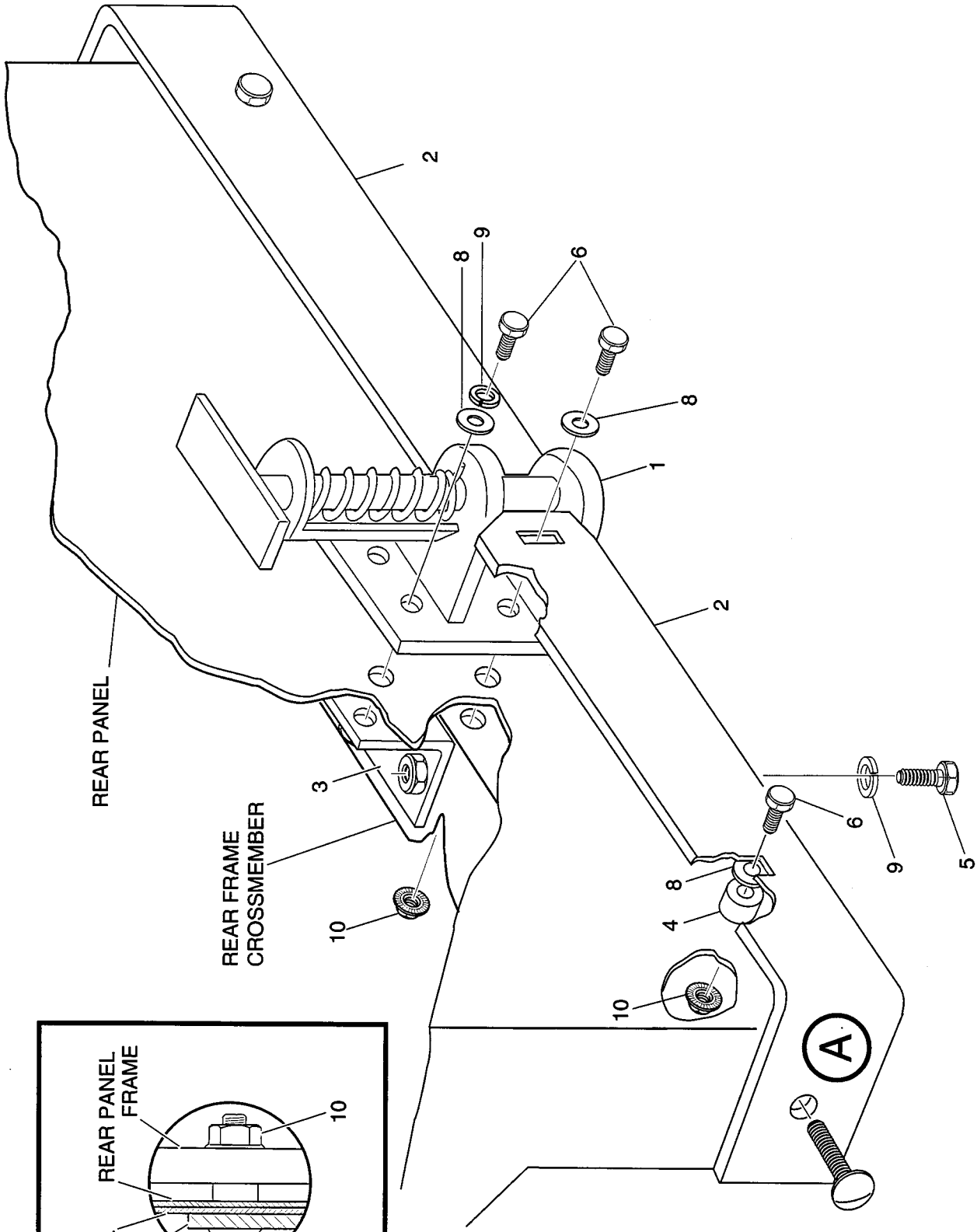
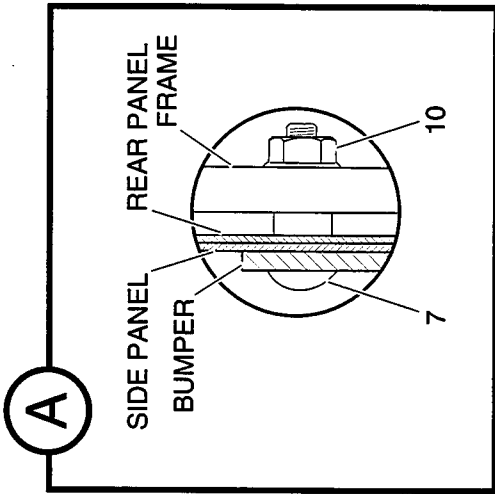
CONTACT CUSTOMER REPRESENTATIVE FOR COLOR SPECIFICATIONS AND PART NUMBERS

ACCESSORIES

ACCESSORIES ILLUSTRATED

ACCESSORIES

Notes:



TITLE "E" HITCH INSTALLATION INSTRUCTIONS				REV B
E-Z-GO Textron		REV BY J. RICE REV DATE 04/07/95	DRAWING NO. 33803	PG. 1 OF 2
DRN BY J. RICE ORIG DATE 09/02/94	A			
E-Z-GO DIVISION OF TEXTRON, INC., P.O. BOX 388, AUGUSTA, GA. 30913-2699, 1-800-241-5855				

THE SYMBOL ◁ REFERS TO A NOTE CORRESPONDING TO THE LETTER ENCLOSED WITHIN IT. SEE FOLLOWING PAGE(S) FOR NOTES AND PARTS LISTS. RETAIN THIS DOCUMENT TO FACILITATE THE ORDER-

NOTE: TO ORDER THIS ENTIRE FIELD KIT, REQUEST PART NO. 35114-G02

READ ALL INSTRUCTIONS BEFORE PROCEEDING.

A. IF HITCH IS TO BE FIELD INSTALLED, REMOVE FOOT REST AND (2) HOLE PLUGS.

NOTE

THE BACKING PLATE CAN BE INSTALLED WITHOUT REMOVING THE CHARGER OR REAR PANEL

B. INSTALL BACKING PLATE (ITEM 3) TO REAR FRAME CROSSMEMBER WITH BOLTS (ITEM 5) AND LOCK WASHERS (ITEM 9) AS SHOWN. INSTALL BOLTS FINGER TIGHT.

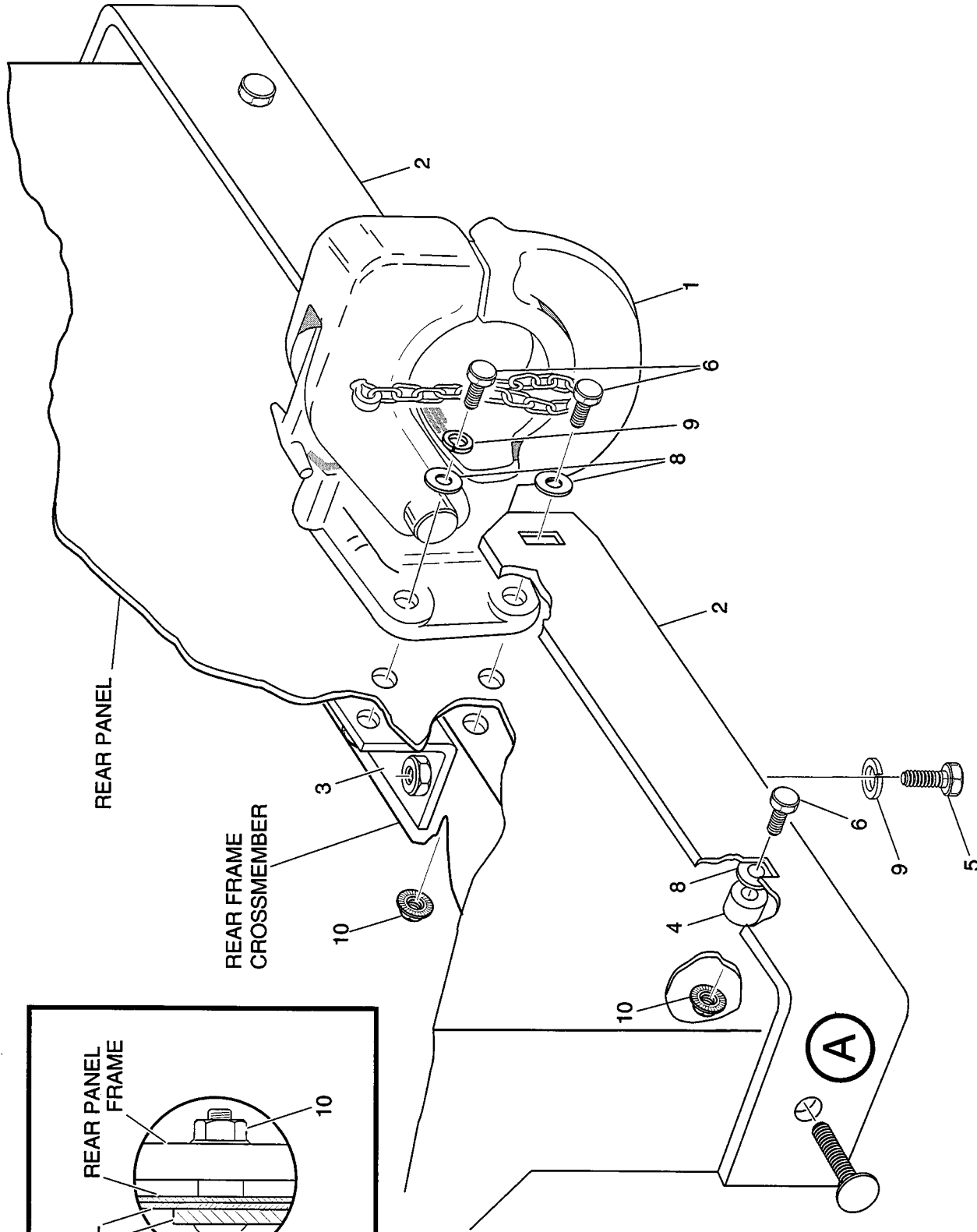
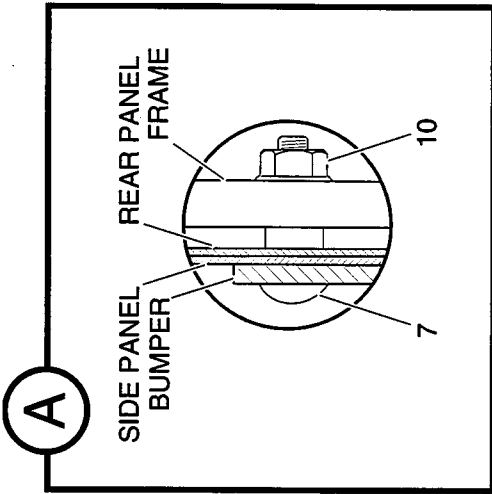
C. ATTACH "E" HITCH (ITEM 1) TO BODY USING TOP MOUNTING HOLES AND BOLTS (ITEM 6), WASHERS (ITEM 8), AND LOCK WASHERS (ITEM 9) AS SHOWN. FINGER TIGHTEN HARDWARE.

D. INSTALL EACH BUMPER (ITEM 2) WITH CARRIAGE BOLT (ITEM 7), SPACERS (ITEM 4), WASHERS (ITEM 8), BOLTS (ITEM 6), AND LOCK NUTS (ITEM 10) IN LOCATION AND SEQUENCE SHOWN.

E. TIGHTEN ALL HARDWARE TO 23 FT.LBS TORQUE.

ITEM	QTY	PART NO.	DESCRIPTION
1	1	33731-G01	"E" HITCH ASSEMBLY
2	2	33802-G01	BUMPER, REAR
3	1	33805-G01	BACKING PLATE
4	2	33970-G02	SPACER
5	2	00665-G2	BOLT, 3/8-16 X 1 LG.
6	6	00665-G4	BOLT, 3/8-16 X 1 1/2 LG
7	2	00725-G4	BOLT, CARRIAGE 3/8-16 X 2 1/4 LG
8	6	00653-G1	WASHER, 3/8
9	4	00670-G1	WASH, LOCK, 3/8
10	6	11027-G5	NUT, LOCK, 3/8-16

<p>THE SYMBOL < REFERS TO A NOTE CORRESPONDING TO THE LETTER ENCLOSED WITHIN IT. SEE FOLLOWING PAGE(S) FOR NOTES AND PARTS LISTS.</p>		<p>RETAIN THIS DOCUMENT TO FACILITATE THE ORDER-</p>	
<p>TITLE "E" HITCH INSTALLATION INSTRUCTIONS</p>			
<p>E-Z-GO</p>		<p>DRN BY J.RICE ORIG DATE 08/02/94</p>	<p>REV BY J.RICE REV DATE 04/07/95</p>
<p>DRAWING NO. 33803</p>		<p>REV B</p>	
<p>PG. 2 OF 2</p>		<p>E-Z-GO DIVISION OF TEXTRON, INC., P. O. BOX 388, AUGUSTA, GA. 30913-2699, 1-800-241-5855</p>	



TITLE PINTLE HITCH INSTALLATION INSTRUCTIONS

REV B

DRAWING NO. 33804

REV BY J.RICE
REV DATE 04/07/95

DRN BY J.RICE
ORIG DATE 08/01/94

E-Z-GO TEXTRON

THE SYMBOL \sphericalangle REFERS TO A NOTE CORRESPONDING TO THE LETTER ENCLOSED WITHIN IT. SEE FOLLOWING PAGE(S) FOR NOTES AND PARTS LISTS.

RETAIN THIS DOCUMENT TO FACILITATE THE ORDER-

E-Z-GO DIVISION OF TEXTRON, INC., P.O. BOX 388, AUGUSTA, GA. 30913-2699, 1-800-241-5855

NOTE: TO ORDER THIS ENTIRE FIELD KIT, REQUEST PART NO. 35113-G02

READ ALL INSTRUCTIONS BEFORE PROCEEDING.

A. IF HITCH IS TO BE FIELD INSTALLED, REMOVE FOOT REST AND (2) HOLE PLUGS.

NOTE

THE BACKING PLATE CAN BE INSTALLED WITHOUT REMOVING THE CHARGER OR REAR PANEL


B. INSTALL BACKING PLATE (ITEM 3) TO REAR FRAME CROSSMEMBER WITH BOLTS (ITEM 5) AND LOCK WASHERS (ITEM 9) AS SHOWN. INSTALL BOLTS FINGER TIGHT.

C. ATTACH PINTLE HITCH (ITEM 1) TO BODY USING TOP MOUNTING HOLES AND BOLTS (ITEM 6), WASHERS (ITEM 8), AND LOCK WASHERS (ITEM 9) AS SHOWN. FINGER TIGHTEN HARDWARE.

D. INSTALL EACH BUMPER (ITEM 2) WITH CARRIAGE BOLT (ITEM 7), SPACERS (ITEM 4), WASHERS (ITEM 8), BOLTS (ITEM 6), AND LOCK NUTS (ITEM 10) IN LOCATION AND SEQUENCE SHOWN.

E. TIGHTEN ALL HARDWARE TO 23 FT.LBS TORQUE.

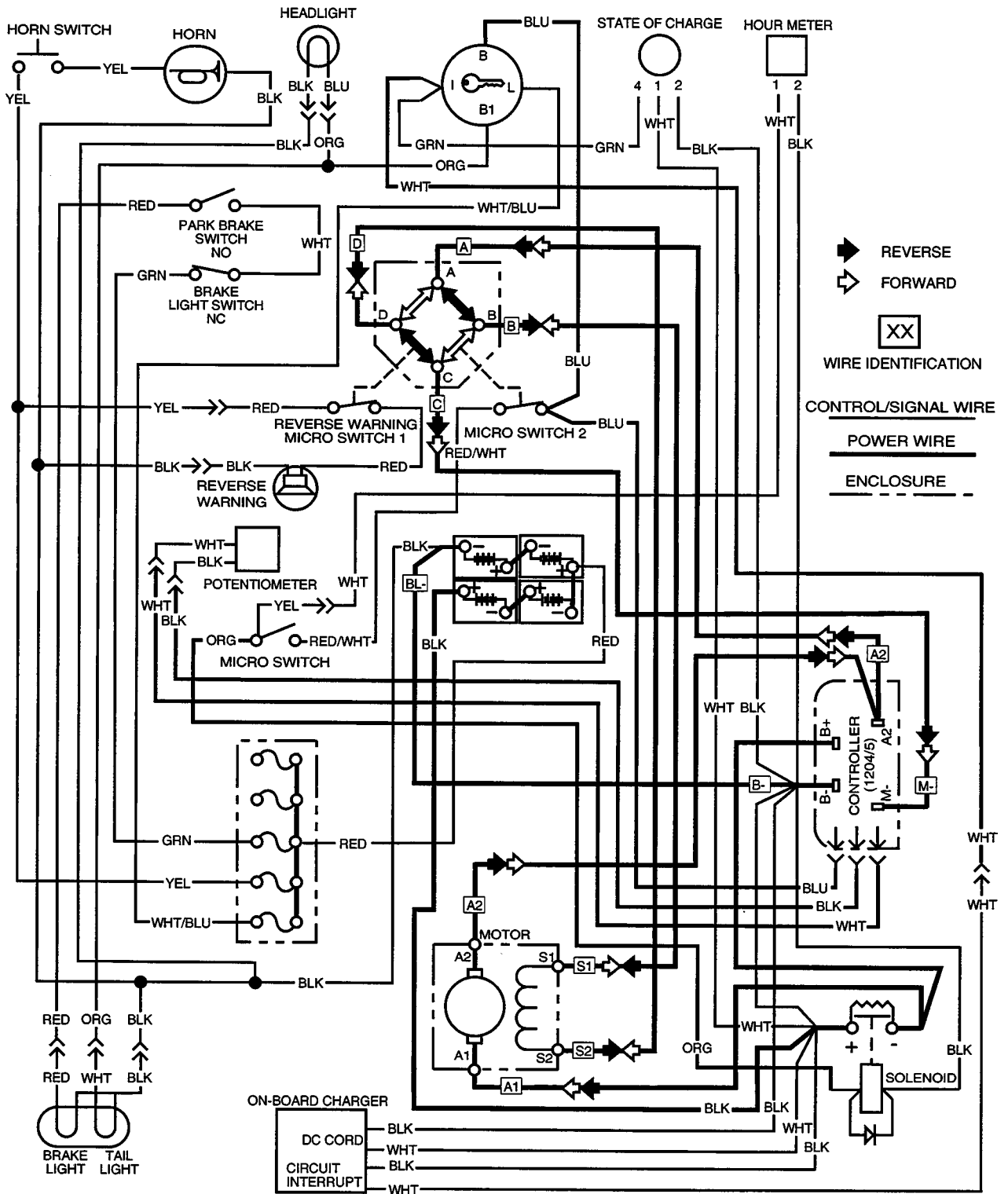
ITEM	QTY	PART NO.	DESCRIPTION
1	1	30817-G1	PINTLE HITCH ASSEMBLY
2	2	33802-G01	BUMPER, REAR
3	1	33805-G01	BACKING PLATE
4	2	33970-G02	SPACER
5	2	00665-G2	BOLT, 3/8-16 X 1 LG.
6	6	00665-G4	BOLT, 3/8-16 X 1 1/2 LG
7	2	00725-G4	BOLT, CARRIAGE 3/8-16 X 2 1/4 LG
8	6	00653-G1	WASHER, 3/8
9	4	00670-G1	WASH, LOCK, 3/8
10	6	11027-G5	NUT, LOCK, 3/8-16

TITLE PINTLE HITCH INSTALLATION INSTRUCTIONS				REV	B
		DRN BY J. RICE 08/01/94	REV BY J. RICE 04/07/95	DRAWING NO. 33804	PG. 2 OF 2
THE SYMBOL ◁ REFERS TO A NOTE CORRESPONDING TO THE LETTER ENCLOSED WITHIN IT. SEE FOLLOWING PAGE(S) FOR NOTES AND PARTS LISTS.					
RETAIN THIS DOCUMENT TO FACILITATE THE ORDER-					
E-Z-GO DIVISION OF TEXTRON, INC., P.O. BOX 388, AUGUSTA, GA. 30913-2699, 1-800-241-5855					

DIAGRAMS

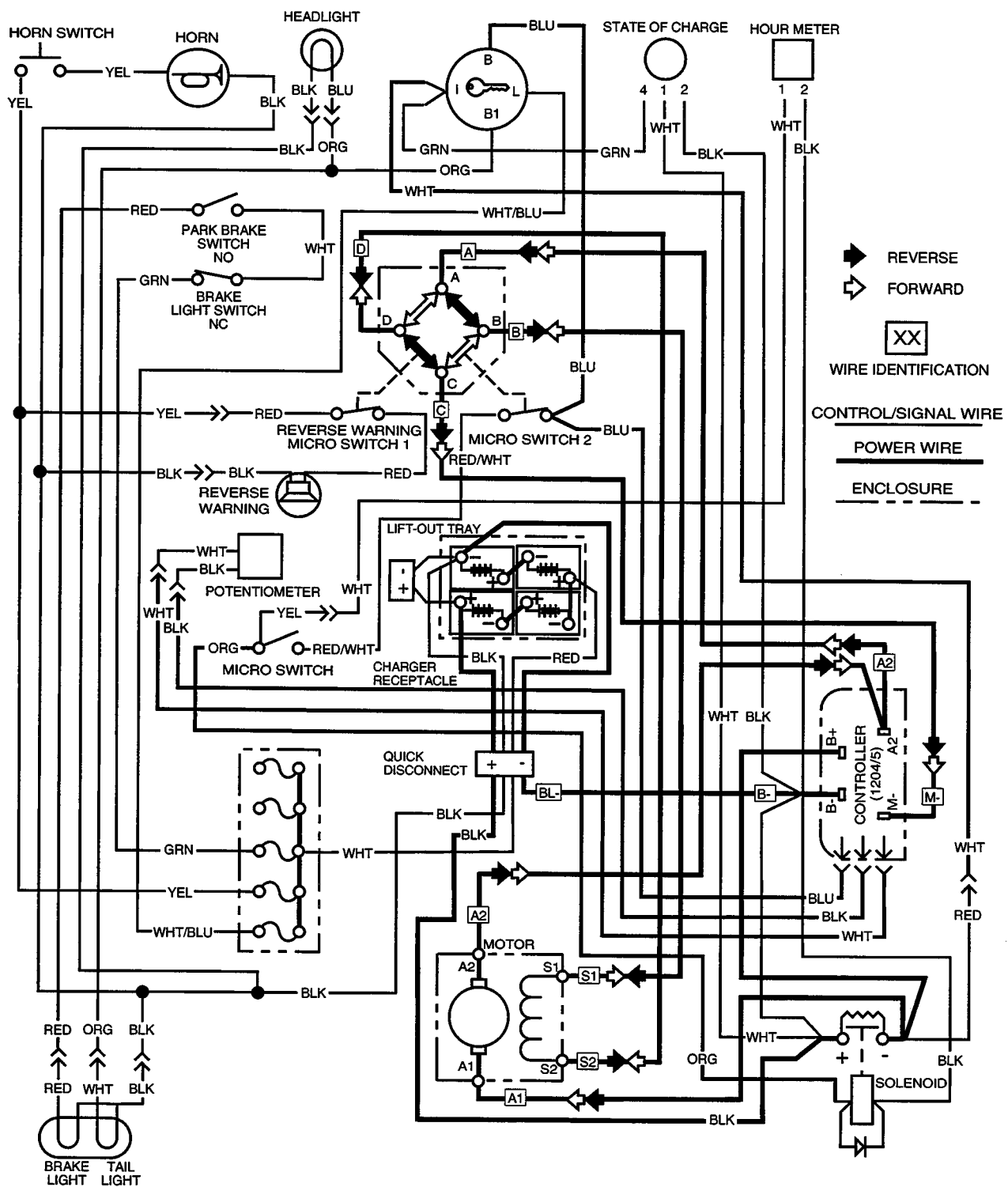
WIRING DIAGRAMS

WIRING DIAGRAM



POWER WIRING EQUIPPED WITH ONBOARD CHARGER

WIRING DIAGRAM



POWER WIRING EQUIPPED WITH LIFT-OUT BATTERY TRAY



E-Z-GO Division of Textron Inc.
P.O. Box 388 Augusta, Georgia 30903-0388
Telephone 1-800-241-5855

Copyrighted Material
This manual may not be reproduced in whole or
in part without the express permission of
E-Z-GO Division of Textron Inc.
Technical Communications Department