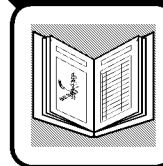


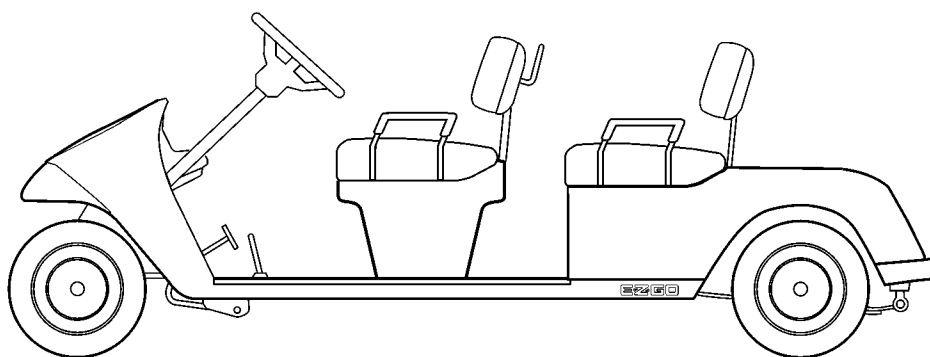
28290-G01



a **TEXTRON** Company



SERVICE PARTS MANUAL



GASOLINE POWERED 5 PASSENGER GOLF CAR

MODEL YEARS: 1995-2000

REVISED: 5/2000

SERVICE PARTS MANUAL

**5 PASSENGER
4 CYCLE GASOLINE POWERED
GOLF CAR**

VEHICLES

MG5

**SERVICE PARTS DEPARTMENT PHONE 1-800-227-7029 FAX 1-800-752-6175
OUTSIDE USA PHONE: 010-1-706-798-4311, FAX: 010-1-706-771-4601
E-Z-GO DIVISION OF TEXTRON, INC., P.O. BOX 388, AUGUSTA, GEORGIA 30903-0388**



LIMITED WARRANTY

WARRANTY

TO OBTAIN A COPY OF THE LIMITED WARRANTY THAT IS APPLICABLE TO YOUR VEHICLE, CALL OR WRITE YOUR LOCAL DISTRIBUTOR, BRANCH OR E-Z-GO WARRANTY DEPARTMENT.

THE USE OF NON E-Z-GO PARTS MAY VOID YOUR WARRANTY.

TAMPERING WITH OR ADJUSTING OF GOVERNOR TO PERMIT THE VEHICLE TO OPERATE AT ABOVE FACTORY SETTINGS 12-15 MPH (19-24KPH) WILL VOID YOUR VEHICLE WARRANTY.

GENERAL INDEX

SECTIONS Page No.

How to use the E-Z-GO Service Manual v

Illustrated Parts Breakdown:

Illustration	Page No.
ACCELERATOR LINKAGE.....	B-1
•Accelerator Pedal	
•Accelerator Rod	
METAL BODY AND ASSOCIATED PARTS	D-1
•Bagwell	
•Center Console	
•Floorboard	
PLASTIC BODY AND ASSOCIATED PARTS.....	D-9
•Bagwell	
•Center Console	
•Floorboard	
BRAKES.....	E-1
•Brakes - Mechanical	
•Brakes - Hydraulic	
•Brakes - Non-Bendix Mechanical	
CARBURETOR	F-1
CLUTCHES	G-1
•Drive Belt	
•Drive Clutch	
•Driven Clutch	
DIRECTION SELECTOR	J-1
ELECTRICAL SYSTEM	L-1
ENGINE AND MUFFLER	M-1
•Engine	
•Muffler	
•Oil Filter	
•Spark Plugs	
ENGINE AND STARTER MOUNTING	N-1
•Belt, Starter/Generator	
•Adjuster, Starter/Generator	
•Engine Guard	
•Isolator	

GENERAL INDEX

Illustrated Parts Breakdown:

Illustration	Page No.
AIR FILTER	O-1
•Air Cleaner Box, Air Filter, PCV Hose	
FRONT SUSPENSION	Q-1
•Front Axle Assembly	
•Leaf Springs and Idler Assembly	
•Hub and Spindle Assemblies	
•Tie Rod Assembly	
FUEL SYSTEM	R-1
•Fuel Gauge	
•Fuel Pump	
•Fuel Tank Assembly	
REAR AXLE	V-1
•Rear Axle - Hydraulic Brakes	
•Rear Axle - Mechanical Brakes	
REAR SUSPENSION	X-1
SEATING	Y-1
STARTER/GENERATOR.....	AA-1
•Brush Holder Assembly	
•Pulley	
•Terminal Assembly	
STEERING.....	BB-1
•Rack and Rod Assembly	
•Steering Wheel	
•Tie Rod Assembly	
WHEELS AND TIRES.....	CC-1
•Tire and Wheel Assembly	
•Valve Stem	
•Wheel Rim	

SPECIAL TOOLS	Page No.
Special Tools Listing.....	Appendix - A

ACCESSORIES	Page No.
Accessory Listing.....	Appendix - B

HOW TO USE THE E-Z-GO SERVICE PARTS MANUAL

This manual is divided into several sections:

- GENERAL INFORMATION
- ILLUSTRATED PARTS BREAKDOWN
- APPENDIX

The first section, GENERAL INFORMATION, contains the following information:

- WARRANTY INFORMATION
- GENERAL INDEX
- HOW TO USE THE E-Z-GO SERVICE PARTS MANUAL

The second section, ILLUSTRATED PARTS BREAKDOWN, contains illustrations and parts lists for all systems of your vehicle.

The third section, APPENDIX, contains a listing of E-Z-GO service accessories and special tools and that may be purchased from the company to aid in the servicing of the vehicle.

USE OF THE MANUAL

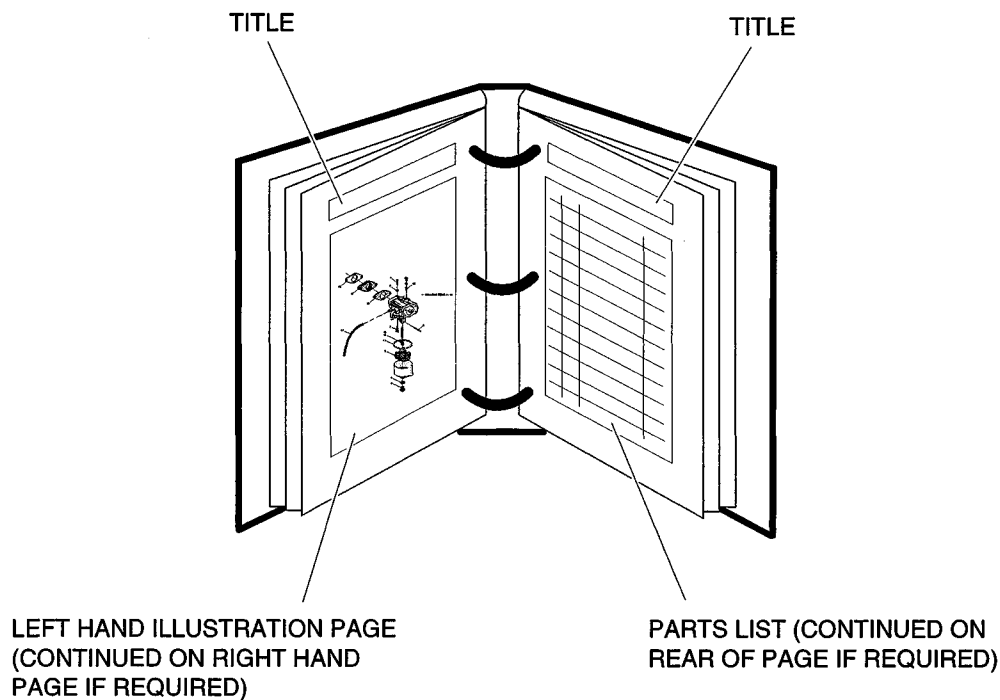
To use this manual, consult the GENERAL INDEX to locate the information or illustration required.

Introduction of some revisions varies due to supply of components; therefore, it is possible that various combinations of components may be found that are not directly reflected by each illustration. Consult the illustration that best suits your situation and then contact the Service Parts Department. It is important that the serial number of your vehicle and its model number be supplied to Service Parts when ordering any replacement components.

Locate the serial number plate (see Body and Associated Parts located in the ILLUSTRATED PARTS BREAKDOWN section of this manual for its location) and note the complete number shown on the plate.

All relevant systems are listed in the General Index and has an alphabetical prefix. The illustration always appears first and is followed by its related parts list. Additional illustrations and parts lists with the same prefix indicate significant changes that have taken place since the last issue.

HOW TO USE THE E-Z-GO SERVICE PARTS MANUAL



1. WHEN THE PART NUMBER IS NOT KNOWN

- Determine the function and application of the part required. Turn to the General Index and select the most appropriate title.
- Turn to the page number indicated and locate the desired part on the illustration.
- From the illustration, obtain the item number assigned to the desired part. Refer to the accompanying description for specific information regarding the part.

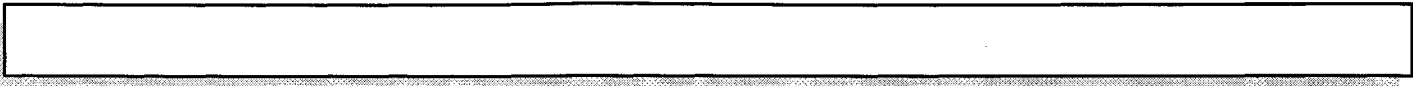
2. IF YOU KNOW THE PART NUMBER

- Locate the part number or description in the appropriate column on the parts list page.

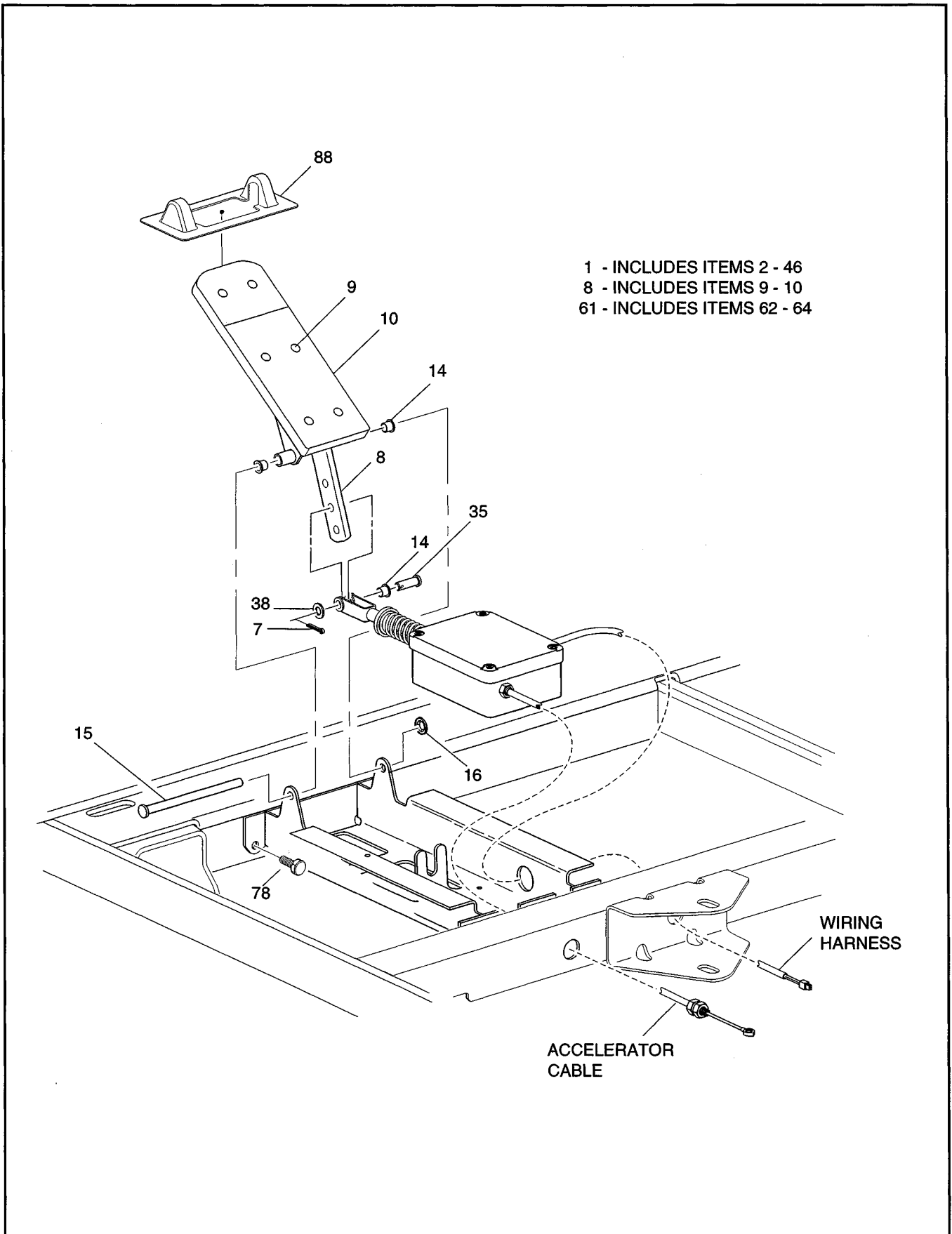
NOTE: It is suggested that you confirm that the part selected is correct by verifying it with the pictorial representation on the illustrated page.

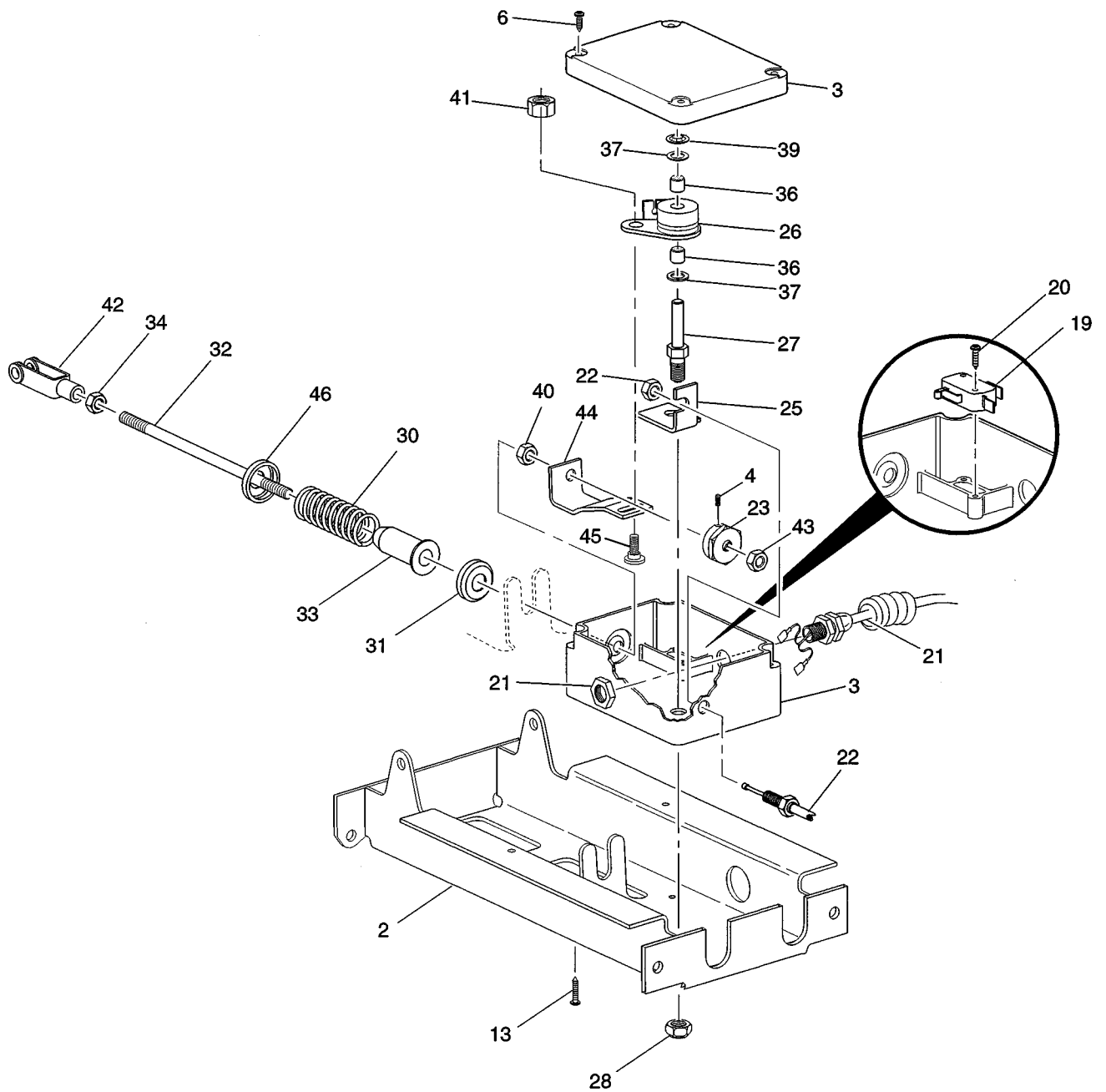
Should an asterisk (*) appear in the part number column on the parts list page, read upwards until a part number is found. The part number is the lowest assembly sold by E-Z-GO and the asterisk (*) indicates that the part depicted is not available for sale by E-Z-GO.

NOTE: Descriptions are indented under the assembly that they are used on. That assembly is, in turn listed under the assembly that it is used on. This process is repeated until the highest final assembly is reached.

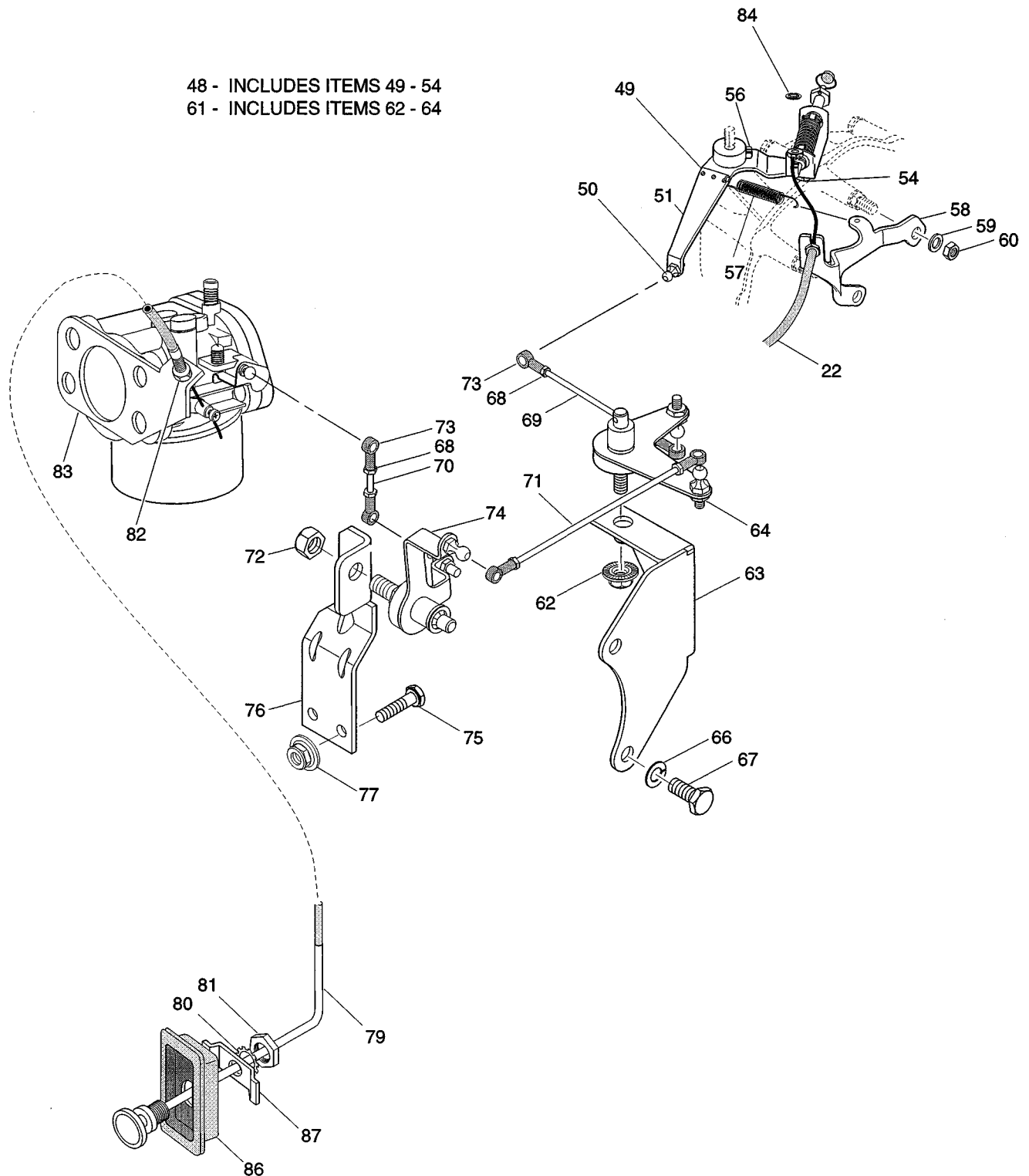


ILLUSTRATED PARTS BREAKDOWN





48 - INCLUDES ITEMS 49 - 54
61 - INCLUDES ITEMS 62 - 64



When ordering parts, please specify the model and serial number of the product.
 * Indicates a component that is not available as an individual part.
 G** Indicates consult Customer Service Department for additional information.

ITEM	PART NO.	1 2 3 4 5	DESCRIPTION	QTY.
1	72062-G02		ACCELERATOR PEDAL BOX (INCLUDES ITEMS 2 - 46)	1
2	70116-G01		ACCELERATOR PEDAL BRACKET	1
3	25853-G02		PEDAL BOX AND COVER.....	1
4	00487-G3		SETSCREW, 1/4 - 20 X 3/8" LG.....	1
5				
6	00984-G01		SCREW, #8 - 32 X 1/2" LG.....	4
7	10387-G3		COTTER PIN, 3/32 x 3/4" LG.....	1
8	25799-G02		ACCELERATOR PEDAL (INCLUDES ITEMS 9 - 10)	1
9	*		OVAL RIVET	6
10	27844-G01		ACCELERATOR PEDAL PAD KIT	1
11				
12				
13	00684-G6		SCREW, #8 - 10 X 1/2" LG.....	4
14	17838-G1		BUSHING	3
15	70134-G01		PEDAL PIVOT PIN	1
16	00986-G01		PUSHNUT, 19/64"	1
17				
18				
19	25861-G01		MICRO SWITCH.....	1
20	00982-G01		SCREW, #4 - 14 X 5/8" LG.....	2
21	72403-G01		PEDAL BOX WIRING HARNESS.....	1
22	72402-G01		ACCELERATOR CABLE (WITH NUT)	1
23	72198-G01		MICRO SWITCH CAM.....	1
24				
25	72199-G01		PIVOT BRACKET	1
26	72066-G01		CONTROL ARM	1
27	25768-G01		PIVOT ROD	1
28	14390-G1		LOCK NUT, 3/8 - 24.....	1
29				
30	73046-G01		COMPRESSION SPRING	1



ACCELERATOR LINKAGE

Gasoline Vehicle

When ordering parts, please specify the model and serial number of the product.

* Indicates a component that is not available as an individual part.

G** Indicates consult Customer Service Department for additional information.

ITEM	PART NO.	1	2	3	4	5	DESCRIPTION	QTY.
31	17677-G1						SPRING RETAINER	1
32	72072-G01						ACCELERATOR ROD	1
33	17979-G1						ACCELERATOR ROD BUSHING	1
34	00532-G4						NUT, 5/16 - 24.....	1
35	10386-G3						CLEVIS PIN, 5/16 X 1"LG.....	1
36	23860-G1						BEARING.....	2
37	24621-G1						NYLON WASHER, 5/16".....	2
38	17255-G1						TEFLON WASHER, 5/16".....	1
39	12064-G1						PUSHNUT, 1/4".....	1
40	00532-G01						NUT, 5/16 - 24.....	1
41	14390-G10						NUT, LOCK, #10 - 24.....	1
42	10385-G4						CLEVIS YOKE.....	1
43	00550-G4						LOCK NUT, 5/16 - 24.....	1
44	72074-G01						CONTROL ARM LINK	1
45	72225-G01						SHOULDER BOLT, 10-24 X 11/16" LG.....	1
46	17677-G2						SPRING RETAINER	1
47								
48	25690-G01						GOVERNOR BELLCRANK (INCLUDES ITEMS 49 - 54)	1
49	25765-G01						GOVERNOR BELLCRANK.....	1
50	24479-G1						BALL JOINT BALL.....	1
51	00734-G5						LOCK NUT, 10 - 32.....	1
52								
53								
54	14390-G4						LOCK NUT, 1/4 - 20.....	1
55								
56	00491-G4						SETSCREW, 1/4 - 20 X 1/2" LG.....	1
57	25738-G01						GOVERNOR TO ACCELERATOR BRACKET SPRING	1
58	25653-G01						ACCELERATOR CABLE BRACKET	1
59	*						WASHER (PROVIDED ON DIFFERENTIAL).....	2
60	*						NUT (PROVIDED ON DIFFERENTIAL).....	2



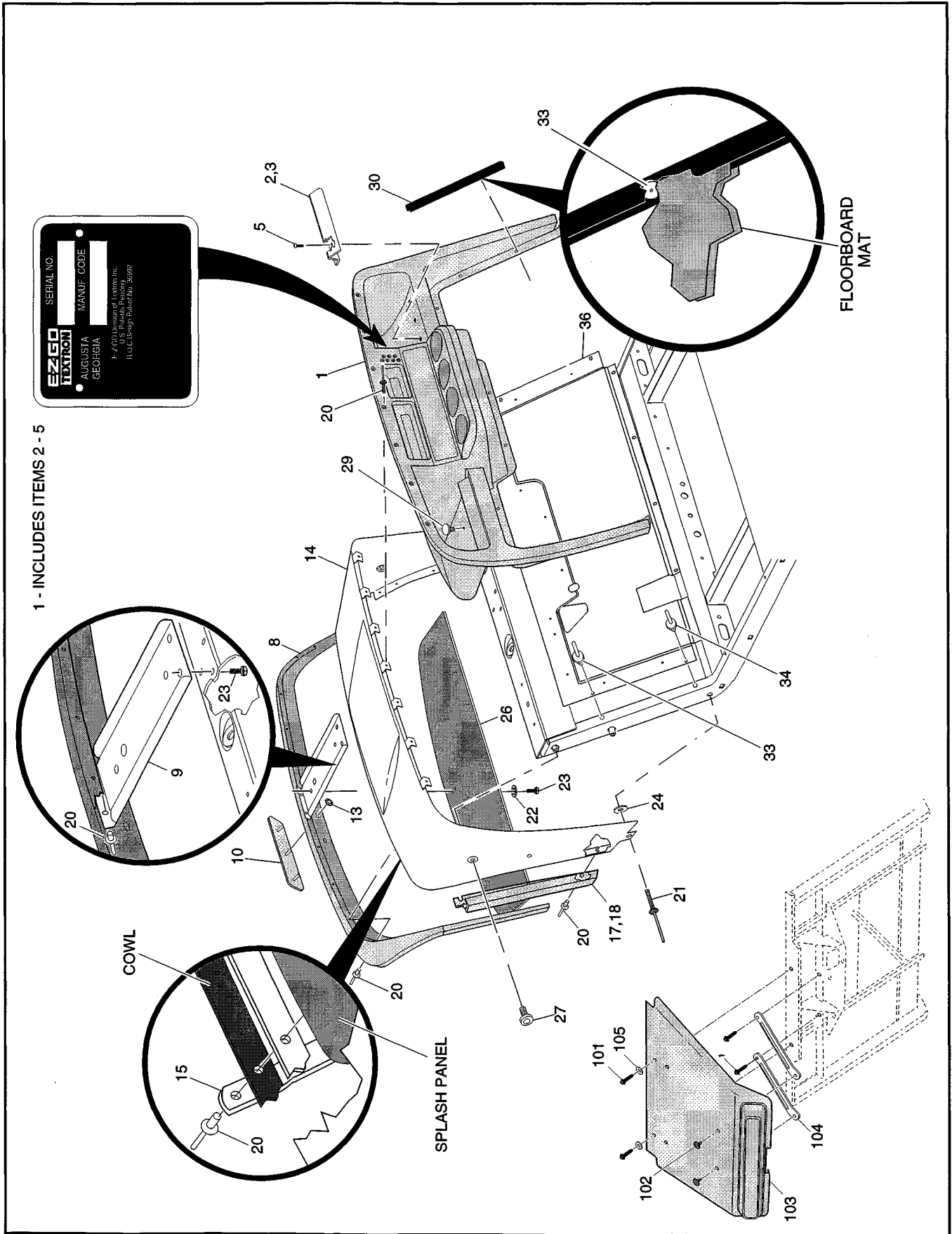
When ordering parts, please specify the model and serial number of the product.

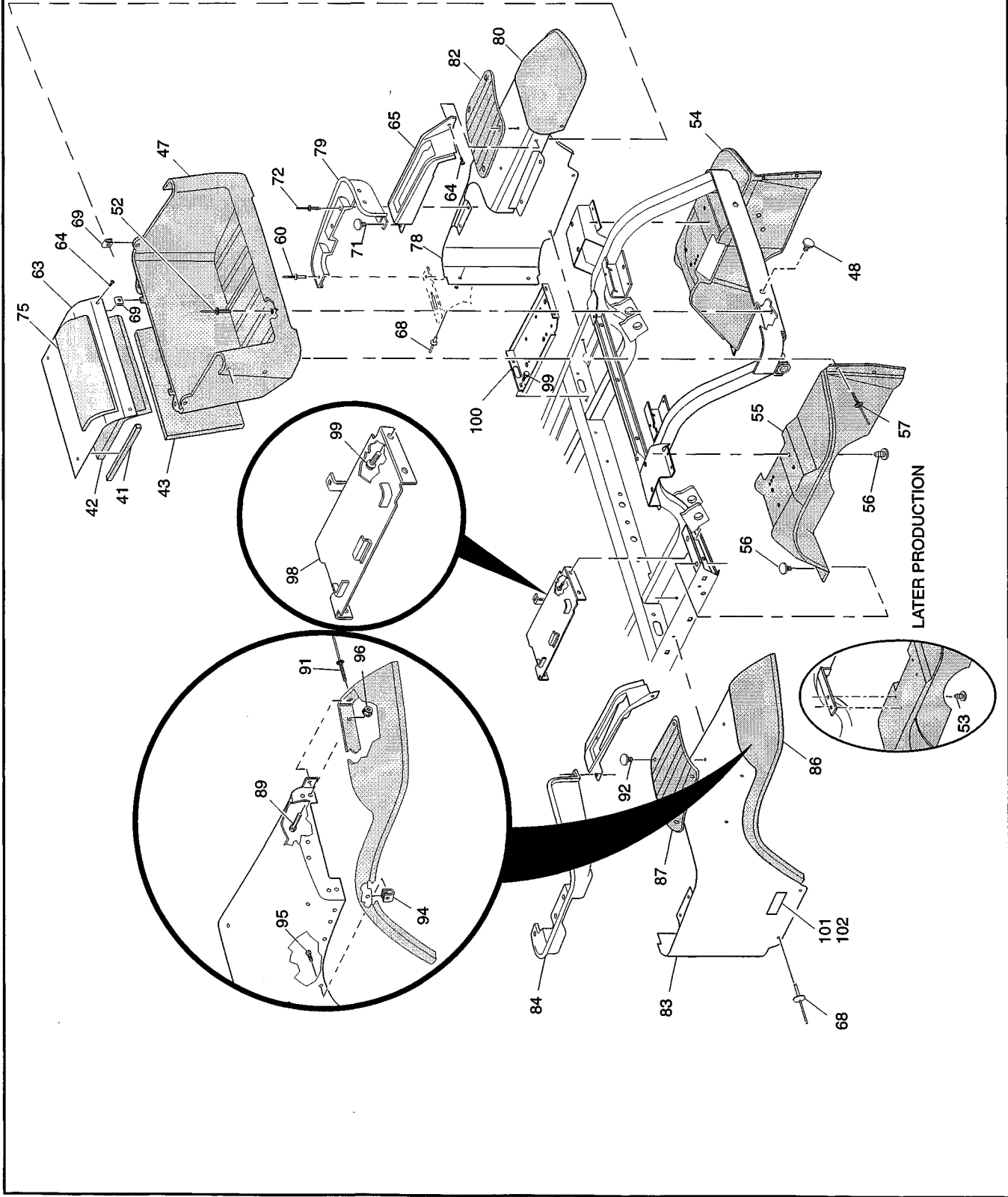
* Indicates a component that is not available as an individual part.

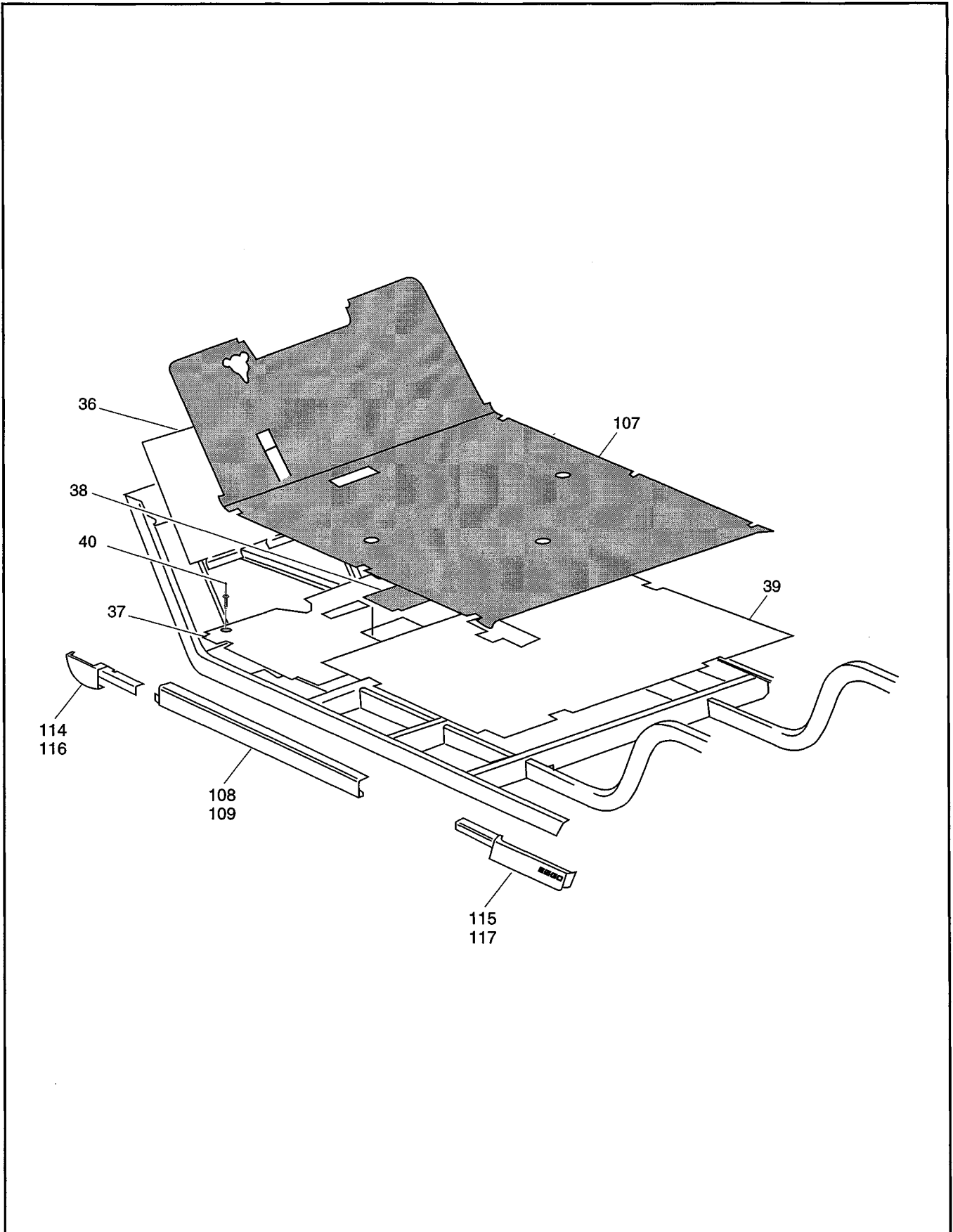
G** Indicates consult Customer Service Department for additional information.

ITEM	PART NO.	1	2	3	4	5	DESCRIPTION	QTY.
61	25702-G01						GOVERNOR PIVOT BRACKET (INCLUDES ITEMS 62 - 64).....	1
62	14390-G1						LOCK NUT, 3/8 - 24.....	1
63	25655-G01						BELLCRANK BRACKET	1
64	25763-G01						GOVERNOR PIVOT	1
65								
66	00565-G8						LOCK WASHER, 5/16"	2
67	00276-G6						BOLT, 5/16 - 24 X 3/4" LG.....	2
68	00526-G4						NUT, #10 - 32	2
69	25737-G03						GOVERNOR LINKAGE ROD.....	1
70	25737-G01						CARBURETOR LINKAGE ROD	1
71	25737-G02						THROTTLE LINKAGE ROD.....	1
72	14390-G1						LOCK NUT, 3/8 - 24	1
73	24465-G1						BALLJOINT SOCKET	AR
74	25760-G01						CARBURETOR PIVOT	1
75	00414-G8						BOLT, 1/4 - 20 X 1" LG.....	2
76	72197-G01						PIVOT BRACKET	1
77	14390-G4						LOCK NUT, 1/4 - 20	2
78	00715-G1						BOLT, 5/16 - 18 X 13/16" LG.....	1
79	72401-G01						CHOKE CONTROL, (WITH NUTS)	1
80	00568-G4						LOCK WASHER, 9/16"	1
81	00545-G4						NUT, 9/16 - 18	1
82	00544-G4						NUT, 5/16 - 24	2
83	26728-G01						CHOKE BRACKET	1
84	12064-G3						PUSHNUT, 3/16"	1
85								
86	72108-G01						CHOKE CABLE ADAPTER.....	1
87	72109-G01						ADAPTER RETAINER	1
88	70135-G01						PEDAL PIVOT COVER.....	1









When ordering parts, please specify the model and serial number of the product.

* Indicates a component that is not available as an individual part.

G** Indicates consult Customer Service Department for additional information.

ITEM	PART NO.	1 2 3 4 5	DESCRIPTION	QTY.
1	71151-G01		INSTRUMENT PANEL (INCLUDES ITEMS 2 - 5)	1
2	71153-G01		BALL DEFLECTOR, PASSENGER SIDE.....	1
3	71154-G01		BALL DEFLECTOR, DRIVER'S SIDE	1
4				
5	00614-G5		SCREW, #8 - 18 X 5/8" LG.....	6
6				
7				
8	71030-G01		COWL CAP	1
9	71101-G01		COWL SUPPORT BRACKET	1
10	19817-G1		E-Z-GO NAMEPLATE	1
11				
12				
13	12064-G3		PUSHNUT, 3/16"	3
14	71071-G**		FRONT COWL	1
15	71076-G01		RETAINING TAB	2
16				
17	71036-G01		FENDER FLANGE, DRIVER'S SIDE	1
18	71035-G01		FENDER FLANGE, PASSENGER SIDE	1
19	10570-G10		STAINLESS STEEL RIVET, 5/32 X 1/2" LG.....	2
20	14601-G10		RIVET, 5/32 X 7/16" LG.....	16
21	10570-G10		RIVET, 5/32 X 9/16" LG.....	2
22	16469-G7		WASHER, 1/4.....	1
23	71102-G02		BOLT, 1/4 - 20 X 1/2" LG.....	4
24	15121-G3		WASHER, 1 1/4 O.D. X 7/32 I.D.	2
25				
26	71117-G01		FRONT COWL SPLASH PANEL	1
27	71056-G01		BOLT, 5/16 - 18 X 5/8" LG.....	4
28				
29	16816-G2		RATCHET FASTENER	4
30	71115-G01		VINYL TRIM	2



When ordering parts, please specify the model and serial number of the product.

* Indicates a component that is not available as an individual part.

G** Indicates consult Customer Service Department for additional information.

ITEM	PART NO.	1	2	3	4	5	DESCRIPTION	QTY.
31								
32								
33	14601-G13						RIVET, 5/32 X 9/16" LG.....	2
34	14601-G11						RIVET, 3/16 X 9/16" LG.....	10
35								
36	70047-G01						UPPER FLOORPAN	1
37	70451-G01						LOWER FLOORPAN	1
38	70452-G01						SWITCH ACCESS COVER	1
39	70316-G01						LOWER FLOOR PANEL	1
40	14601-G11						RIVET, 3/16 X 9/16" LG.....	7
41	18391-G1						NOISE SUPPRESSOR STRIP	2
42	72113-G01						TRUNK LID NOISE SUPPRESSOR.....	1
43	22744-G1						BAGWELL NOISE SUPPRESSOR.....	1
44								
45								
46								
47	71401-G02						BAGWELL.....	1
48	20271-G2						BUMPER PLUG HOLE	2
49								
50								
51								
52	18436-G1						RIVET, 1/4 X 5/8" LG.....	4
53	16816-G2						RATCHET FASTENER	8
54	71551-G04						FENDER LINER, PASSENGER SIDE	1
55	71552-G04						FENDER LINER, DRIVER'S SIDE.....	1
56	16816-G2						RATCHET FASTENER	12
57	71055-G01						RIVET, 3/16 X 3/8" LG.....	4
58								
59								
60	10570-G10						BUMPER RIVET, 5/32 X 9/16" LG.....	12

When ordering parts, please specify the model and serial number of the product.

* Indicates a component that is not available as an individual part.

G** Indicates consult Customer Service Department for additional information.

ITEM	PART NO.	1	2	3	4	5	DESCRIPTION	QTY.
61								
62								
63	71353-G**						ACCESS PANEL.....	1
64	71002-G01						SCREW, #8 X 1/2" LG.....	6
65	71347-G01						FILLER PANEL, PASSENGER SIDE.....	1
66	71348-G01						FILLER PANEL, DRIVER SIDE.....	1
67								
68	10570-G12						RIVET, 1/4 X 1/2" LG.....	4
69	71003-G01						SPEED NUT, #8.....	4
70	14601-G13						RIVET, 5/32 X 9/16" LG.....	2
71	16816-G2						RATCHET FASTENER.....	2
72	14601-G10						RIVET, 5/32 X 7/16" LG.....	8
73								
74								
75	75017-G01						SCUFFGUARD ACCESS PANEL.....	1
76								
77								
78	71341-G**						FENDER, PASSENGER SIDE.....	1
79	71345-G01						FENDER POCKET, PASSENGER SIDE.....	1
80	71355-G01						FENDER CAP, PASSENGER SIDE.....	1
81								
82	71373-G02						SCUFF GUARD, PASSENGER SIDE.....	1
83	71342-G**						FENDER, DRIVER'S SIDE.....	1
84								
85								
86	71356-G01						FENDER CAP, DRIVER'S SIDE.....	1
87	71373-G01						SCUFF GUARD, DRIVER'S SIDE.....	1
88								
89	00228-G4						SCREW, #10 - 24 x 1/2" LG.....	3
90								



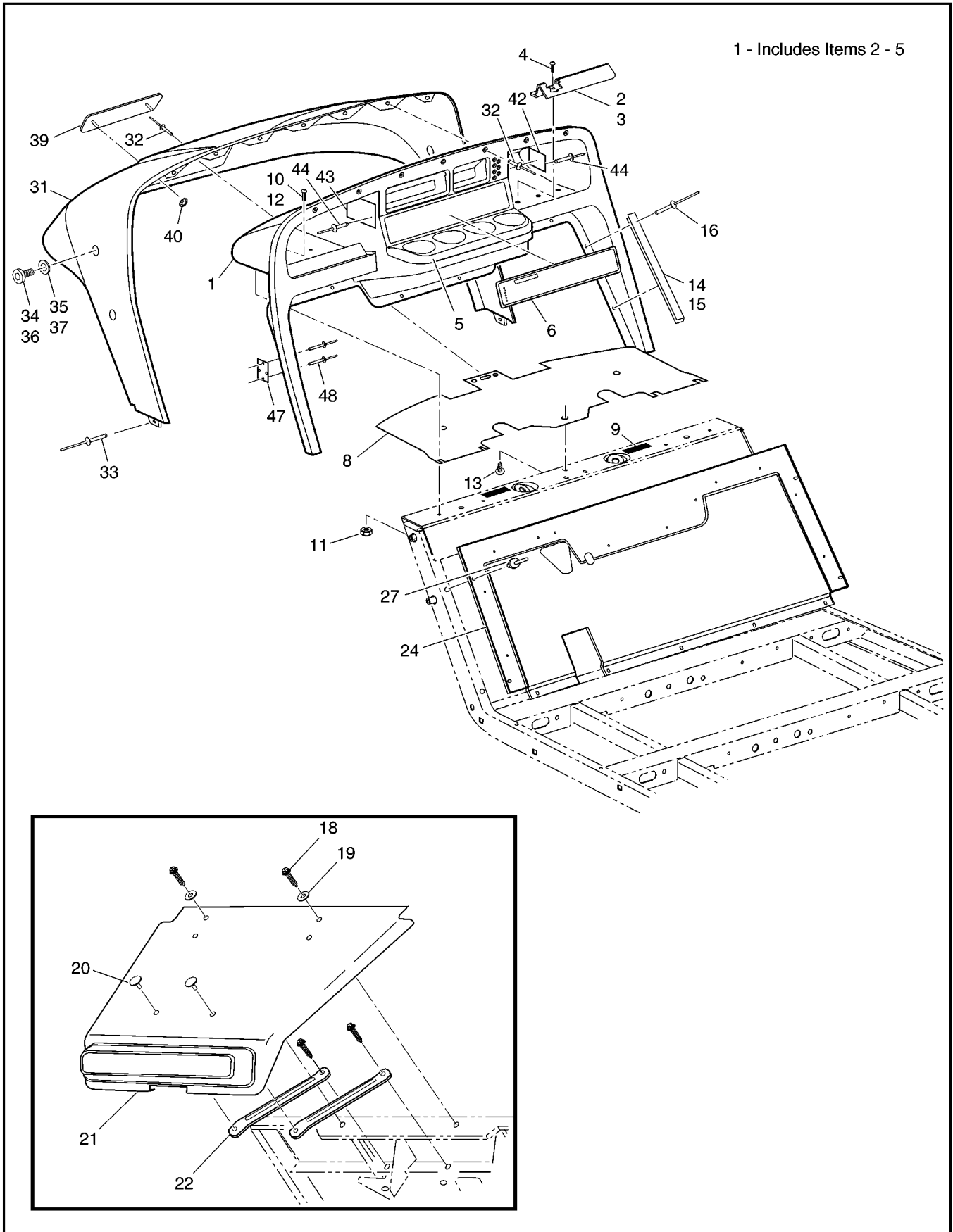
When ordering parts, please specify the model and serial number of the product.

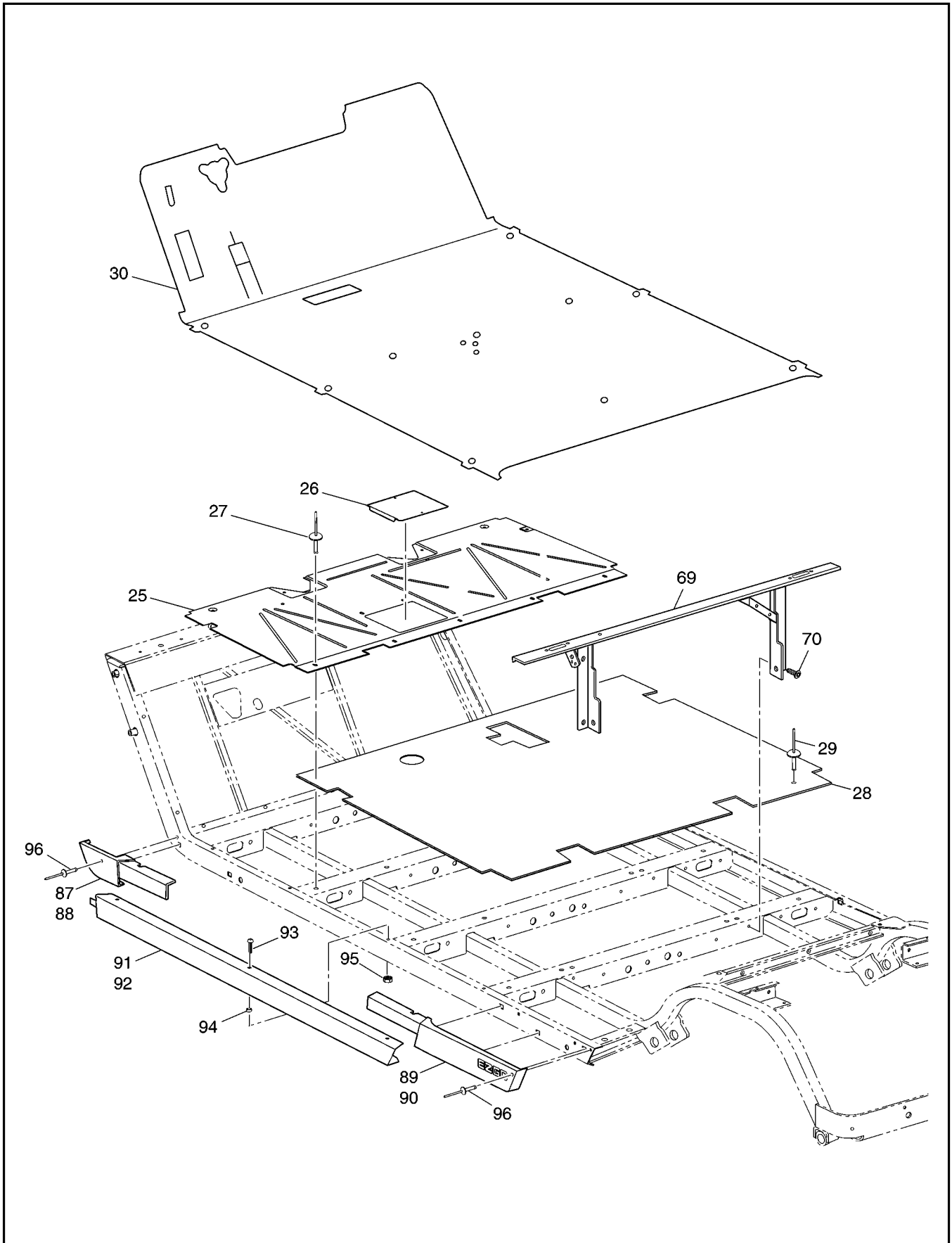
* Indicates a component that is not available as an individual part.

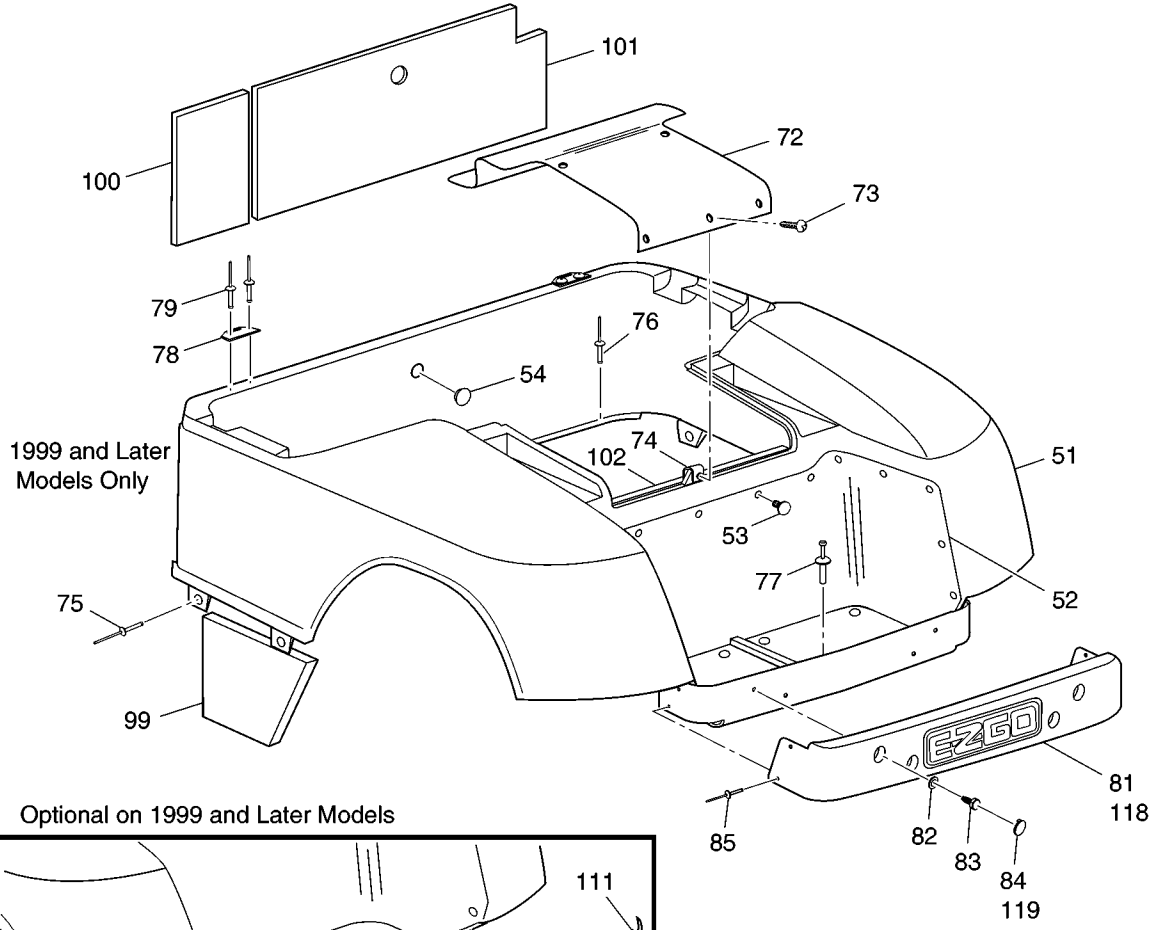
G** Indicates consult Customer Service Department for additional information.

ITEM	PART NO.	1 2 3 4 5	DESCRIPTION	QTY.
91	14601-G10		RIVET, 5/32 X 7/16" LG.....	5
92	16816-G2		RATCHET FASTENER	4
93				
94	71003-G03		SPEED NUT, #8.....	4
95	71004-G01		SCREW, #8 X 3/8" LG.....	4
96	11027-G3		LOCK NUT, 10 - 24	3
97				
98	70245-G01		BATTERY TRAY.....	1
99	00715-G2		BOLT, 5/16 - 18 X 13/16" LG.....	4
100	70244-G01		SPLASH PANEL	1
101	00114-G6		SCREW, 1/4-14 X 3/4" LG	4
102	16816-G2		FASTENER	2
103	27166-G02		FRONT SHIELD.....	1
104	71015-G01		FRONT SHIELD BRACE	2
105	16469-G7		WASHER, 1/4.....	2
106				
107	71644-G01		FLOORMAT	1
108	71641-G01		ROCKER PANEL SILL PLATE, PASSENGER SIDE	1
109	71641-G02		ROCKER PANEL SILL PLATE, DRIVER'S SIDE.....	1
110				
111	16705-G1		STAINLESS STEEL SCREW, 1/4 - 20 X 1" LG.	4
112	23726-G4		SPACER.....	4
113	00891-G2		LOCK NUT, 1/4 - 20	4
114	71642-G02		ROCKER PANEL, PASSENGER SIDE, FRONT	1
115	71643-G02		ROCKER PANEL, PASSENGER SIDE, REAR.....	1
116	71642-G01		ROCKER PANEL, DRIVER'S SIDE, FRONT	1
117	71643-G01		ROCKER PANEL, DRIVER'S SIDE, REAR	1



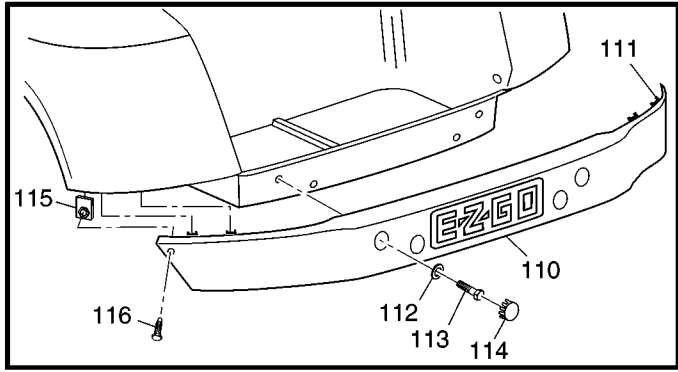




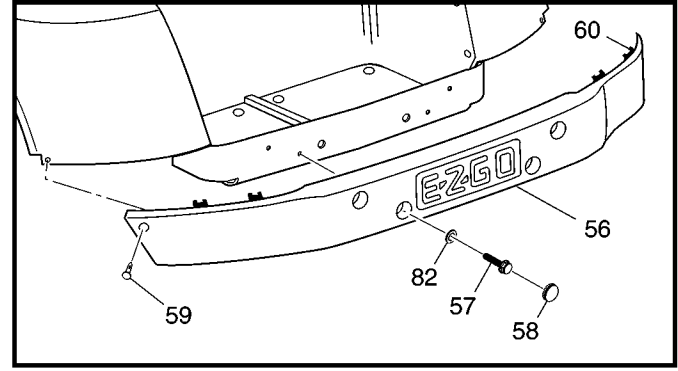


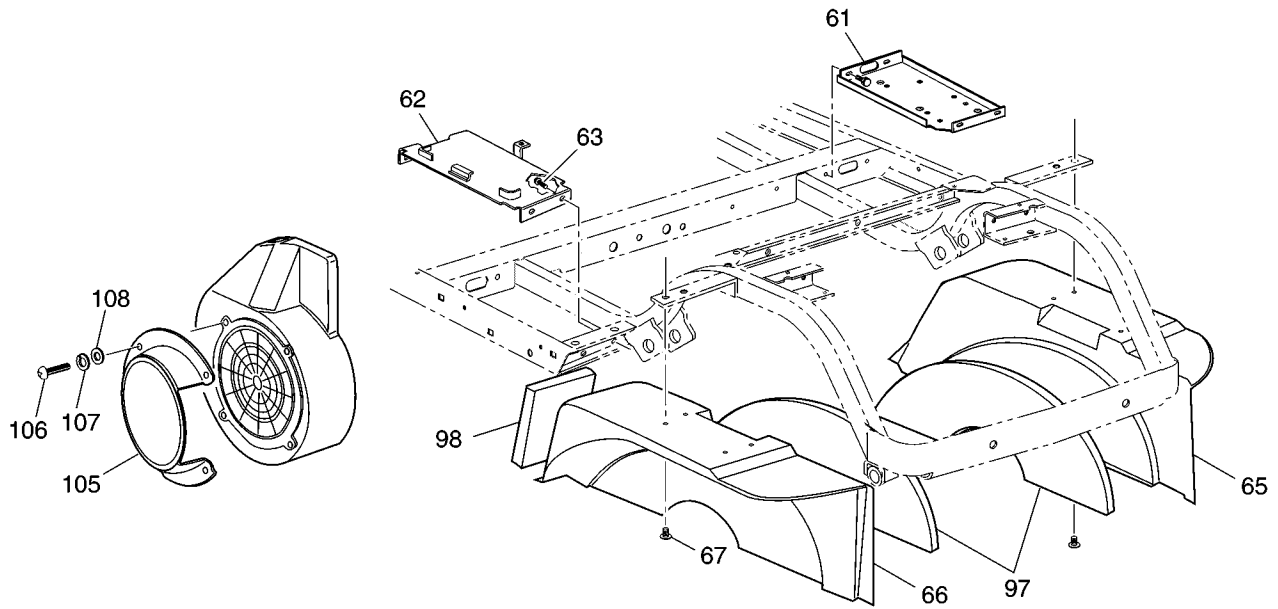
1999 and Later Models Only

Optional on 1999 and Later Models



1995-98 Models Only





PLASTIC BODY AND ASSOCIATED PARTS

Gasoline Vehicle

When ordering parts, please specify the model and serial number of the product.

* Indicates a component that is not available as an individual part.

G** Indicates consult Customer Service Department for additional information.

ITEM	PART NO.	1 2 3 4 5	DESCRIPTION	QTY.
1	71151-G01		INSTRUMENT PANEL ASSEMBLY (INCLUDES ITEMS 2 - 5)	1
2	71153-G01		BALL DEFLECTOR (PASSENGER SIDE)	1
3	71154-G01		BALL DEFLECTOR (DRIVER SIDE).....	1
4	00614-G5		SCREW, #8 - 18 X 5/8" LG.....	6
5	71158-G01		INSTRUMENT PANEL INSERT (4 CUP HOLDER)	1
6	28169-G01		LABEL (SAFETY).....	1
7				
8	71413-G01		SPLASH PANEL.....	1
9	27919-G02		FOAM TAPE.....	3
10	01036-G01		SCREW, #10 - 24 X 3/4" LG. (TO EARLY 2000 PRODUCTION)	4
11	11098-G7		LOCK NUT, #10 - 24 (TO EARLY 2000 PRODUCTION)	4
12	16816-G2		RATCHET FASTENER, 1/4" X 3/4" LG. (LATE 2000 PRODUCTION).....	4
13	16816-G2		RATCHET FASTENER, 1/4" X 3/4" LG.....	1
14	71115-G01		VINYL TRIM (PASSENGER SIDE)	1
15	71115-G02		VINYL TRIM (DRIVER SIDE).....	1
16	71055-G01		RIVET, 3/16" X 3/8" LG.	10
17				
18	01038-G01		SCREW, 1/4 - 20 X 1/2" LG.	4
19	16469-G7		WASHER, 1/4"	2
20	16816-G2		RATCHET FASTENER, 1/4" X 3/4" LG.....	2
21	27166-G02		FRONT SHIELD	1
22	71015-G01		FRONT SHIELD BRACE.....	2
23				
24	71510-G02		UPPER FLOORPAN	1
25	70451-G01		LOWER FLOORPAN.....	1
26	70452-G01		ACCESS COVER.....	1
27	14601-G11		RIVET, 3/16 X 9/16" LG.....	16
28	70316-G01		REAR FLOORPAN.....	1
29	10570-G10		RIVET, 5/32 X 1/2" LG.....	5
30	71598-G04		FLOORMAT.....	1



When ordering parts, please specify the model and serial number of the product.

* Indicates a component that is not available as an individual part.

G** Indicates consult Customer Service Department for additional information.

ITEM	PART NO.	1 2 3 4 5	DESCRIPTION	QTY.
31	71051-G**		COWL	1
32	71055-G01		RIVET, 3/16" X 3/8" LG.	9
33	10570-G11		RIVET, 3/16" X 3/4" LG.	2
34	71056-G01		BOLT, 5/16 - 18 X 5/8" LG.	4
35	00570-G2		WASHER, 5/16.....	4
36	01035-G01		BOLT, 5/16 - 18 X 2 1/4" LG. (WITH SUNTOP)	4
37	00905-G8		LOCK WASHER, 5/16" (WITH SUNTOP)	4
38				
39	71037-G02		E-Z-GO NAMEPLATE (GOLD).....	1
40	12064-G3		PUSHNUT, 3/16"	2
41				
42	*		SERIAL NUMBER PLATE.....	1
43	*		EC PLATE	1
44	01041-G01		RIVET, 5/32" X 7/8" LG.	4
45				
46				
47	70484-G01		SUPPORT PLATE.....	1
48	14601-G8		RIVET, 3/16 X 7/16" LG.....	2
49				
50				
51	71912-G**		REAR BODY ASSEMBLY (INCLUDES ITEMS 52, 53)	1
52	71318-G01		BAGWELL LINER.....	1
53	16816-G1		RATCHET FASTENER, 1/4" X 5/8" LG	26
54	71316-G01		PLUG	1
55				
56	71451-G01		REAR BUMPER (1995-98 MODELS ONLY).....	1
57	71398-G01		BOLT, 1/4 - 20 X 1 1/4" LG.....	4
58	71455-G01		BUMPER PLUG	4
59	16816-G4		RATCHET FASTENER.....	2
60	71457-G01		BUMPER STAY	4



PLASTIC BODY AND ASSOCIATED PARTS

Gasoline Vehicle

When ordering parts, please specify the model and serial number of the product.

* Indicates a component that is not available as an individual part.

G** Indicates consult Customer Service Department for additional information.

ITEM	PART NO.	1 2 3 4 5	DESCRIPTION	QTY.
61	70244-G02		SPLASH PAN.....	1
62	70245-G01		BATTERY TRAY.....	1
63	00715-G2		BOLT, 5/16 - 18 X 13/16" LG.....	8
64				
65	71551-G05		EXTENDED FENDER LINER (PASSENGER SIDE)	1
66	71552-G05		EXTENDED FENDER LINER (DRIVER SIDE)	1
67	16816-G2		RATCHET FASTENER, 1/4" X 3/4" LG.....	8
68				
69	70440-G01		SEAT FRAME.....	1
70	00715-G2		BOLT, 5/16 - 18 X 13/16" LG.....	2
71				
72	71320-G01		ACCESS PANEL	1
73	71002-G01		SCREW, #8 X 5/8" LG.....	5
74	71364-G02		"J" CLIP	1
75	10570-G12		RIVET, 1/4 X 1/2" LG.....	4
76	10570-G10		RIVET, 5/32 X 1/2" LG.....	6
77	18436-G1		PLASTIC DRIVE RIVET, 1/4 X 3/4" LG.....	2
78	71609-G01		HINGE PLATE.....	2
79	10570-G11		RIVET, 3/16 X 3/4" LG.....	4
80				
81	71336-G01		REAR BUMPER (EARLY 1999 MODELS ONLY)	1
82	00559-G8		WASHER, 5/16"	4
83	01039-G01		BOLT, 1/4 - 20 X 5/8" LG.....	4
84	71945-G01		BUMPER PLUG (EARLY 1999 MODELS ONLY)	4
85	14601-G17		RIVET, 3/16" X 9/16" LG.	4
86				
87	71642-G02		ROCKER PANEL (FRONT, PASSENGER SIDE)	1
88	71642-G01		ROCKER PANEL (FRONT, DRIVER SIDE)	1
89	71643-G02		ROCKER PANEL (REAR, PASSENGER SIDE)	1
90	71643-G01		ROCKER PANEL (REAR, DRIVER SIDE)	1



When ordering parts, please specify the model and serial number of the product.

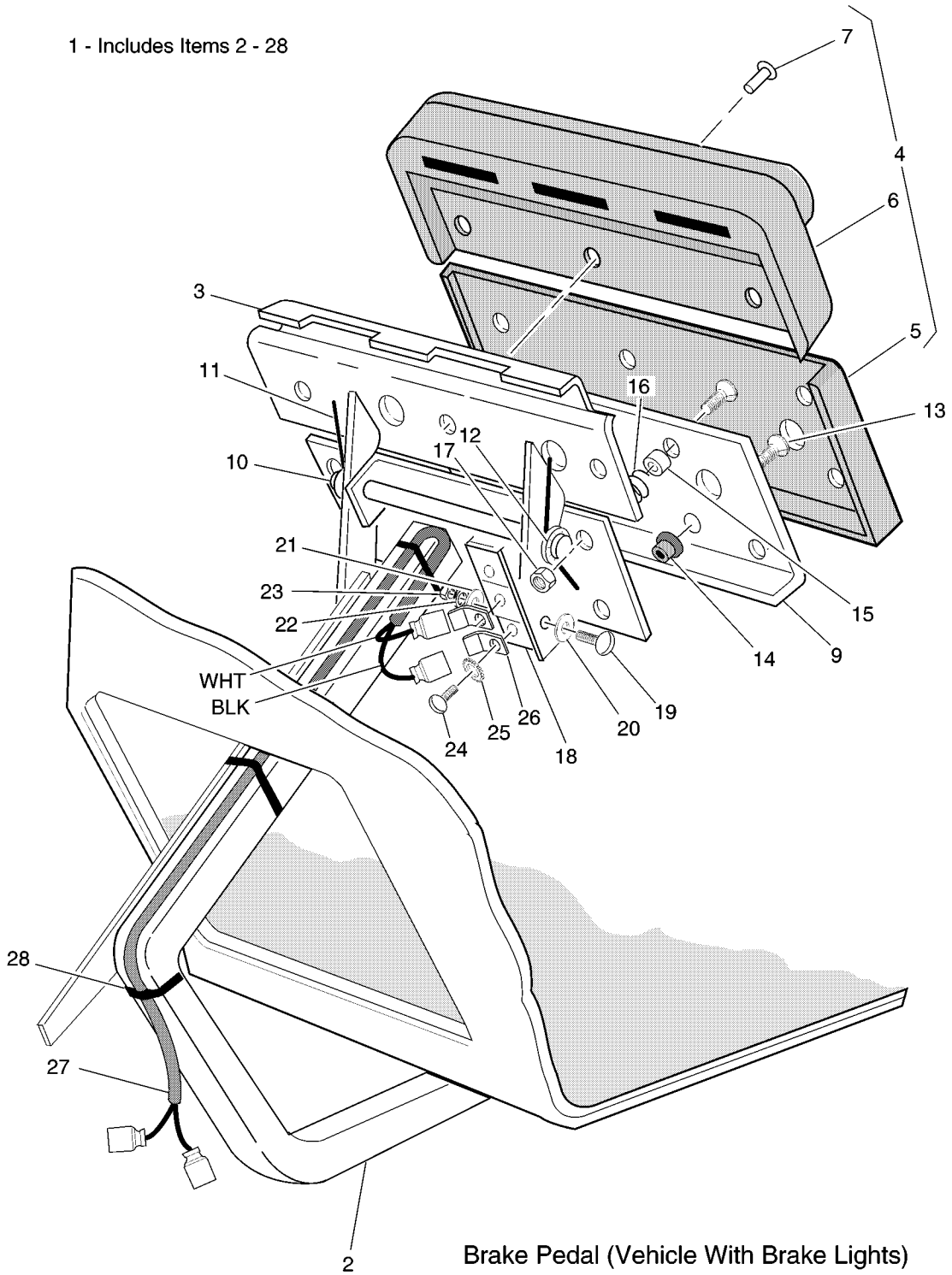
* Indicates a component that is not available as an individual part.

G** Indicates consult Customer Service Department for additional information.

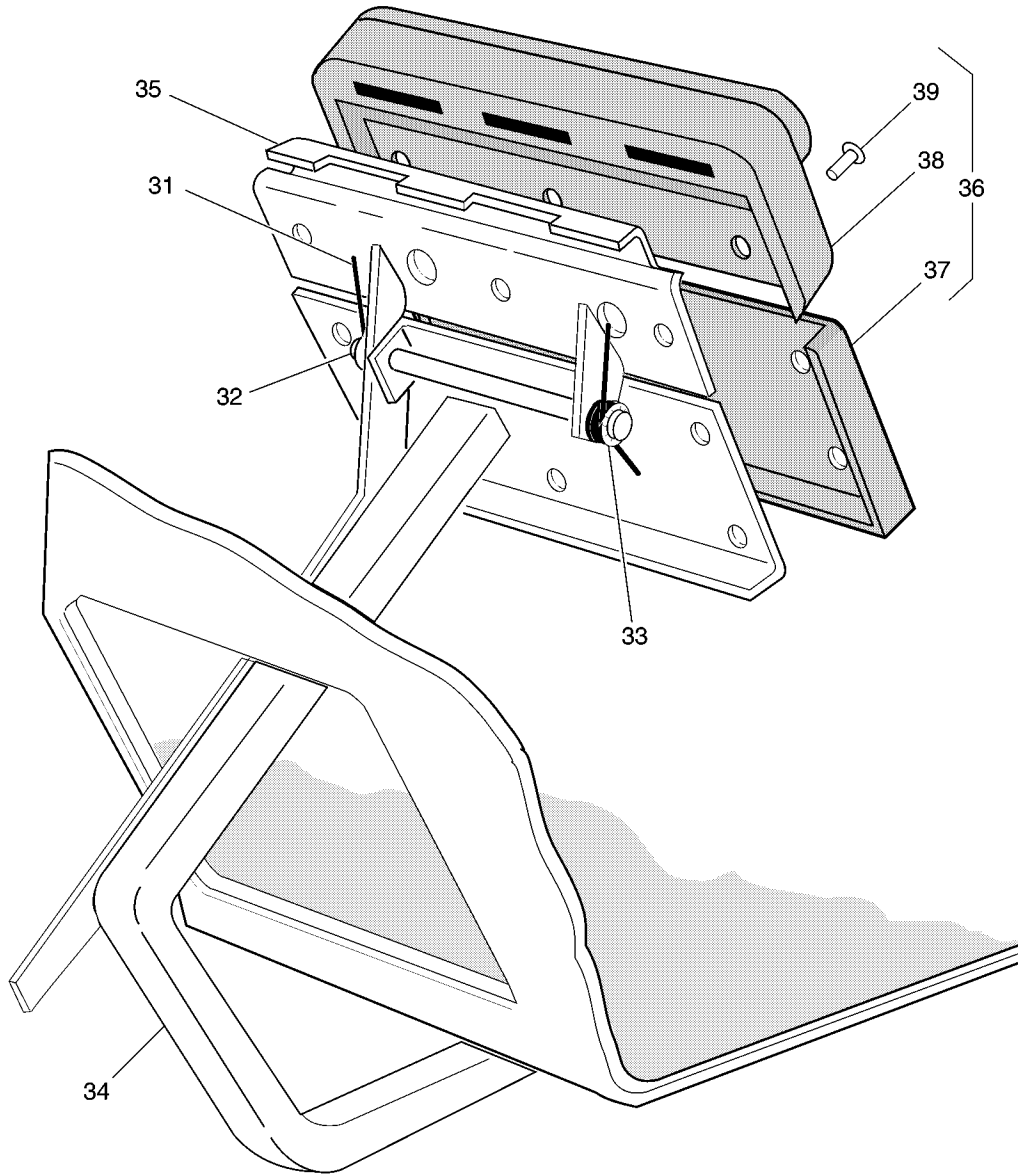
ITEM	PART NO.	1 2 3 4 5	DESCRIPTION	QTY.
91	71641-G01		SILL PLATE (PASSENGER SIDE).....	1
92	71641-G02		SILL PLATE (DRIVER SIDE)	1
93	16705-G1		SCREW, 1/4 - 20 X 1" LG	6
94	23726-G4		SPACER.....	6
95	00891-G2		LOCK NUT, 1/4 - 20	6
96	15058-G6		RIVET, 3/16 X 15/16" LG.....	4
97	72548-G01		BACK FENDER NOISE SUPPRESSOR.....	2
98	72551-G01		SIDE FENDER NOISE SUPPRESSOR.....	1
99	72552-G01		FENDER NOISE SUPPRESSOR	1
100	72549-G01		SMALL SEATWRAP NOISE SUPPRESSOR	1
101	72112-G01		SEATWRAP NOISE SUPPRESSOR	1
102	22744-G1		BAGWELL NOISE SUPPRESSOR.....	1
103				
104				
105	28382-G01		BLOWER HOUSING NOISE SUPPRESSOR.....	1
106	12547-G1		SCREW, 6MM	4
107	00565-G7		LOCKWASHER.....	4
108	00559-G7		WASHER.....	4
109				
110	71451-G01		REAR BUMPER.....	1
111	71457-G01		BUMPER STAY	4
112	00559-G8		WASHER, 5/16"	4
113	71398-G01		BOLT, 1/4 - 20 X 1 1/4" LG.....	4
114	71445-G01		BUMPER PLUG	4
115	01042-G01		J-TYPE NUT RETAINER, 1/4 - 20	2
116	01038-G01		SWAGE FORM SCREW, 1/4 - 20	2
117				
118	71515-G01		REAR BUMPER (LATE 1999 MODELS ONLY)	1
119	71514-G01		BUMPER PLUG (LATE 1999 MODELS ONLY)	4



1 - Includes Items 2 - 28

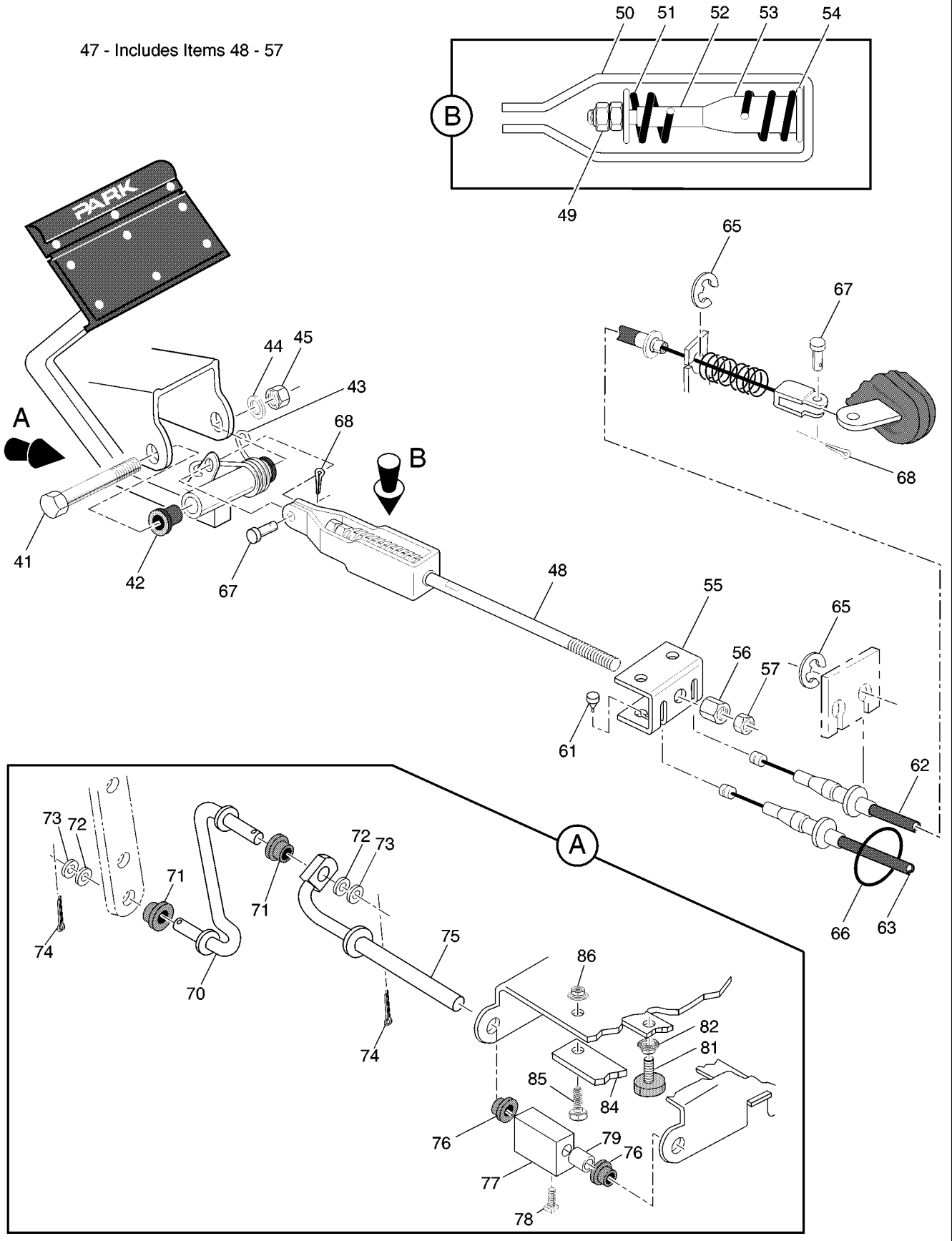


30 - Includes Items 31 - 39



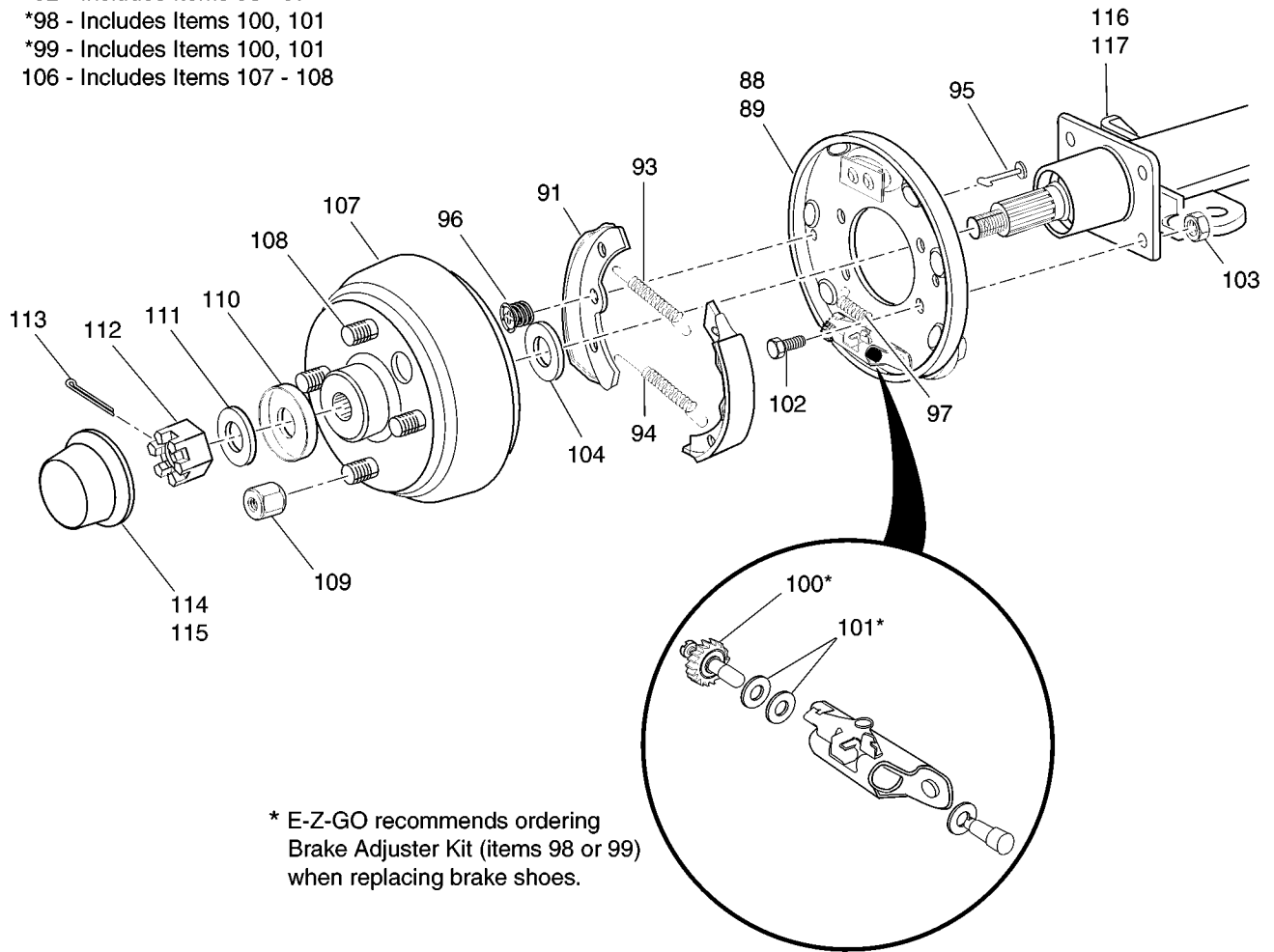
Brake Pedal (Vehicle Without Brake Lights)

47 - Includes Items 48 - 57



- 88 - Includes Items 90 - 98, 100, 101
- 89 - Includes Items 90 - 97, 99 - 101
- 90 - Includes Item 91
- 92 - Includes Items 93 - 97
- *98 - Includes Items 100, 101
- *99 - Includes Items 100, 101
- 106 - Includes Items 107 - 108

Front of Vehicle



* E-Z-GO recommends ordering Brake Adjuster Kit (items 98 or 99) when replacing brake shoes.

BRAKES - MECHANICAL

Gasoline Vehicle

When ordering parts, please specify the model and serial number of the product.

* Indicates a component that is not available as an individual part.

G** Indicates consult Customer Service Department for additional information.

ITEM	PART NO.	1 2 3 4 5	DESCRIPTION	QTY.
1	70263-G01		BRAKE PEDAL ASSEMBLY (WITH BRAKE LIGHTS) (INCLUDES ITEMS 2 - 28)	1
2	*		BRAKE PEDAL.....	1
3	70265-G01		PARK BRAKE PEDAL	1
4	70274-G01		BRAKE/PARK BRAKE PEDAL PAD KIT (INCLUDES ITEMS 5 - 7)	1
5	*		SERVICE BRAKE PAD	1
6	*		PARK BRAKE PAD	1
7	15766-G1		OVAL RIVET, 3/16 x 3/8" LG	9
8				
9	*		SERVICE BRAKE PEDAL PLATE.....	1
10	15932-G2		PIVOT PIN.....	1
11	11737-G1		TORSION SPRING	2
12	12064-G1		PUSHNUT, 5/16"	1
13	00737-G8		SCREW, #10 - 24 X 1" LG.....	4
14	00739-G1		RUBBER NUT, #10 - 24	2
15	22362-G3		BRAKE PEDAL STANDOFF	2
16	27137-G01		CONICAL SPRING.....	2
17	11098-G7		LOCK NUT, #10 - 24.....	2
18	10606-G8		MICRO SWITCH	1
19	00645-G2		SCREW, #6 - 32 X 1 1/4" LG.....	2
20	00559-G5		WASHER, #10.....	2
21	00559-G3		WASHER, #6.....	2
22	00565-G3		LOCK WASHER, #6	2
23	00525-G5		NUT, #6 - 32	2
24	*		BRASS SCREW	2
25	00567-G3		LOCK WASHER, #6	6
26	14628-G1		FASTON TAB	2
27	24605-G1		WIRE HARNESS (BRAKE LIGHT).....	1
28	17618-G1		WIRE TIE.....	3
29				

When ordering parts, please specify the model and serial number of the product.

* Indicates a component that is not available as an individual part.

G** Indicates consult Customer Service Department for additional information.

ITEM	PART NO.	1 2 3 4 5	DESCRIPTION	QTY.
30	70264-G01		BRAKE PEDAL ASSEMBLY (WITHOUT BRAKE LIGHTS) (INCLUDES ITEMS 31 - 39)	1
31	11737-G1		TORSION SPRING	2
32	15932-G2		PIVOT PIN.....	1
33	12064-G1		PUSHNUT, 5/16"	1
34	*		BRAKE PEDAL.....	1
35	70265-G01		PARK BRAKE PEDAL.....	1
36	70274-G01		BRAKE/PARK BRAKE PEDAL PAD KIT (INCLUDES ITEMS 37 - 39).....	1
37	*		SERVICE BRAKE PAD	1
38	*		PARK BRAKE PEDAL PAD.....	1
39	15766-G1		OVAL RIVET, 3/16" X 3/8" LG	9
40				
41	70582-G01		SHOULDER BOLT, 3/8 - 16 X 4" LG.....	1
42	70581-G01		FLANGED BUSHING	2
43	70676-G01		TORSION SPRING	1
44	00643-G1		WASHER, 3/8"	1
45	11098-G5		LOCK NUT, 3/8 - 16	1
46				
47	70272-G04		COMPENSATOR ASSEMBLY (INCLUDES ITEMS 48 - 57).....	1
48	25882-G04		LINKAGE ROD	1
49	00532-G4		NUT, 5/16 - 24	2
50	*		YOKE.....	1
51	23463-G1		COMPRESSION SPRING.....	1
52	23061-G2		COMPENSATOR STOP TUBE	1
53	17979-G1		BUSHING	1
54	15121-G1		WASHER, 3/8".....	2
55	28082-G01		EQUALIZER BRACKET	1
56	00963-G01		SPHERICAL NUT, 5/16 - 24.....	1
57	11098-G9		LOCK NUT, 5/16 - 24.....	1
58				



BRAKES - MECHANICAL

Gasoline Vehicle

When ordering parts, please specify the model and serial number of the product.

* Indicates a component that is not available as an individual part.

G** Indicates consult Customer Service Department for additional information.

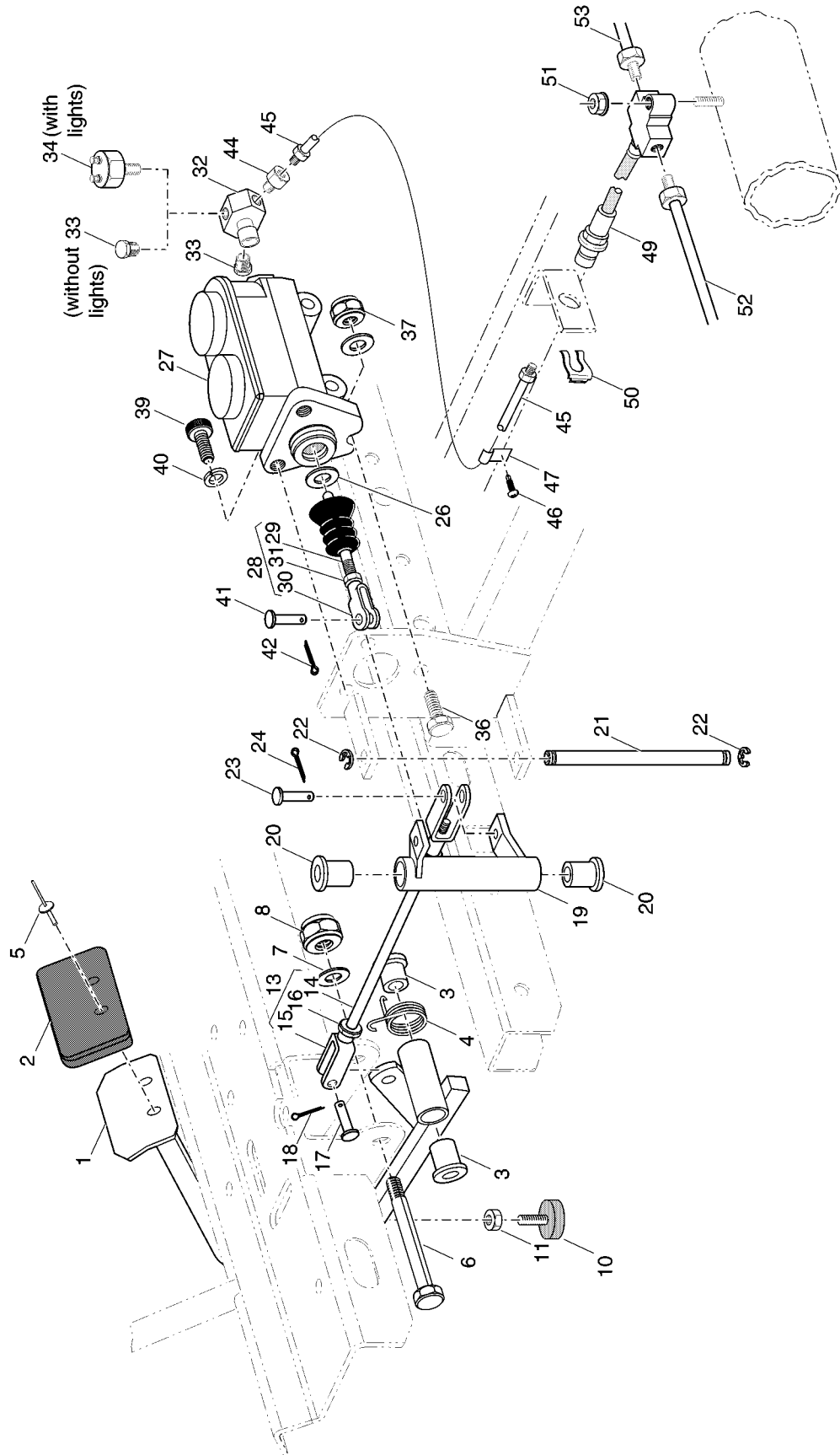
ITEM	PART NO.	1	2	3	4	5	DESCRIPTION	QTY.
59								
60								
61	28083-G01						BRAKE COMPENSATOR BUMPER.....	2
62	70700-G09						BRAKE CABLE (PASSENGER SIDE)	1
63	70700-G08						BRAKE CABLE (DRIVER SIDE).....	1
64								
65	12305-G1						RETAINING RING.....	4
66	12416-G2						WIRE TIE	2
67	10386-G3						CLEVIS PIN, 5/16" X 1" LG.....	3
68	10387-G3						COTTER PIN, 3/32" X 3/4" LG.....	3
69								
70	70601-G01						KICK-OFF LINK	1
71	17838-G1						NYLON BUSHING.....	2
72	20835-G1						TEFLON WASHER, 3/8"	2
73	00559-G8						WASHER, 5/16"	2
74	10387-G3						COTTER PIN, 3/32" X 3/4" LG.....	2
75	70098-G01						KICK OFF CAM PIVOT.....	1
76	10097-G6						FLANGED BEARING	2
77	25103-G1						KICK-OFF CAM.....	1
78	71215-G01						SETSCREW, 1/4 - 20 X 1/2" LG	2
79	14134-G4						SPACER.....	1
80								
81	70113-G01						ADJUSTABLE BUMPER.....	1
82	11027-G1						LOCK NUT, 5/16 - 18	1
83								
84	70080-G01						CATCH BRACKET	1
85	00414-G6						BOLT, 1/4 - 20 X 3/4" LG.....	2
86	11027-G2						LOCK NUT, 1/4 - 20	2
87								
88	72422-G01						BRAKE ASSEMBLY (DRIVER SIDE) (INCLUDES ITEMS 90 - 98, 100, 101)....	1

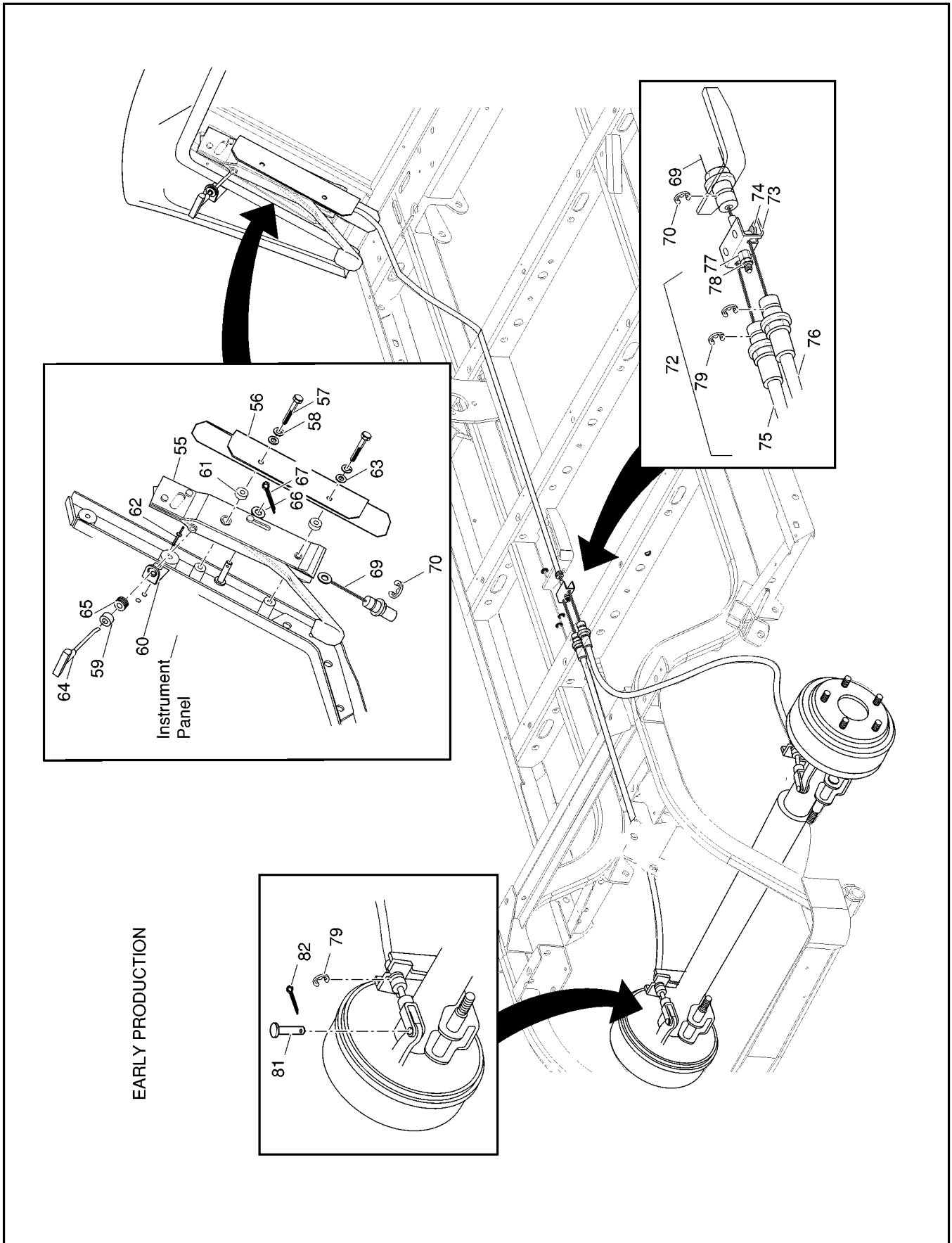
When ordering parts, please specify the model and serial number of the product.
 * Indicates a component that is not available as an individual part.
 G** Indicates consult Customer Service Department for additional information.

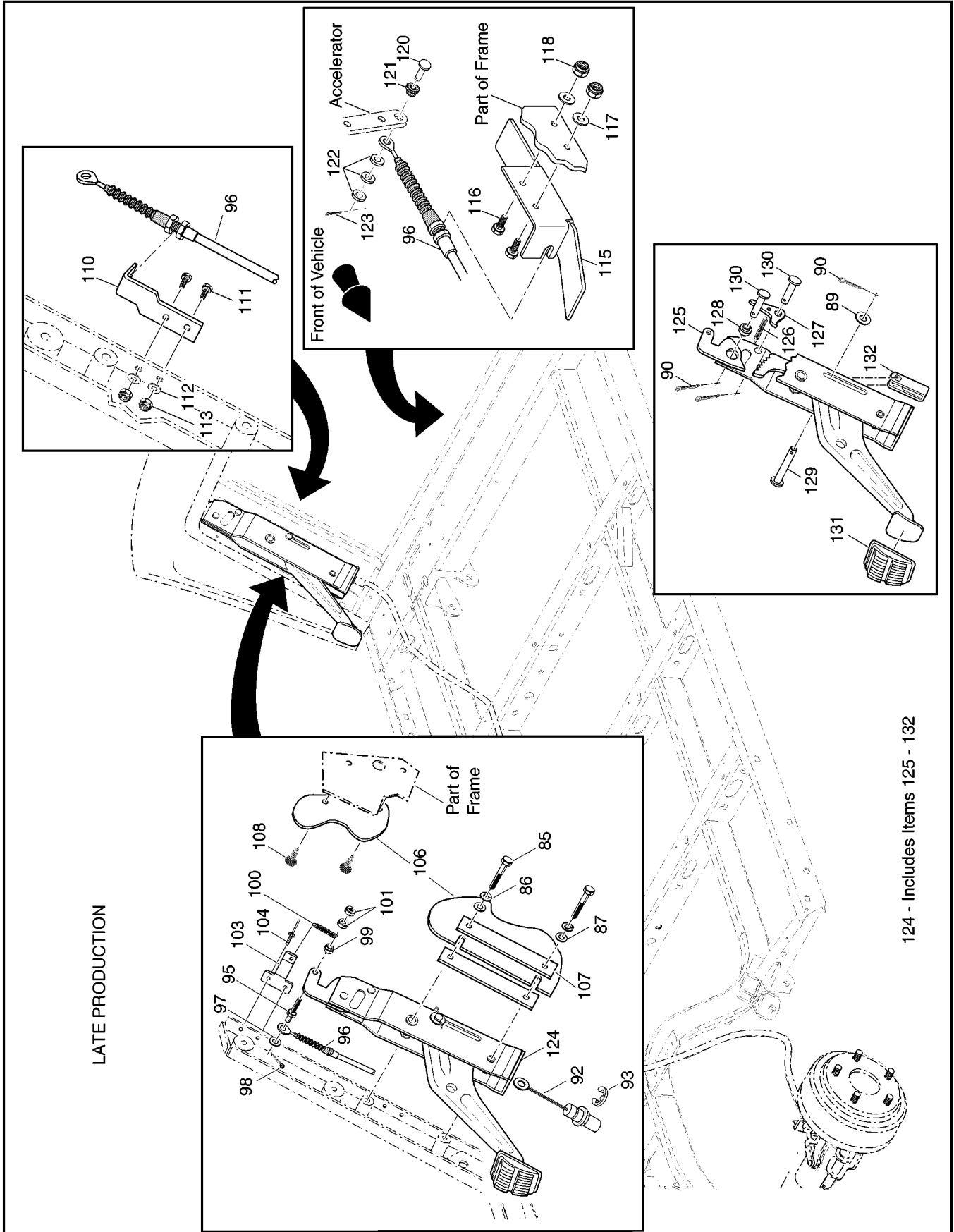
ITEM	PART NO.	1	2	3	4	5	DESCRIPTION	QTY.
89	72422-G02						BRAKE ASSEMBLY (PASSENGER SIDE) (INCL. ITEMS 90 - 97, 99 - 101)	1
90	27945-G01						BRAKE SHOE KIT (INCLUDES ITEM 91)	2
91	*						BRAKE SHOE	2
92	27944-G01						BRAKE SPRING KIT (INCLUDES ITEMS 93 - 97)	2
93	*						UPPER SPRING	1
94	*						LOWER SPRING	1
95	*						PIN	2
96	*						CUP AND SPRING	2
97	*						ADJUSTER SPRING.....	1
98	72582-G01						BRAKE ADJUSTER KIT (DRIVER SIDE) (INCLUDES ITEMS 100 - 101)....	1
99	72582-G02						BRAKE ADJUSTER KIT (PASSENGER SIDE) (INCL. ITEMS 100 - 101)	1
100	*						ADJUSTER	1
101	*						TEFLON WASHER	2
102	17083-G2						BOLT, 5/16 - 24 X 1" LG.....	8
103	15126-G1						LOCK NUT, 5/16 - 24	8
104	21809-G1						INNER BRAKE DRUM WASHER	2
105								
106	21807-G1						BRAKE DRUM ASSEMBLY (INCLUDES ITEMS 107 - 108)	2
107	*						BRAKE DRUM.....	1
108	19862-G1						LUG BOLT, 1/2 - 20	4
109	14723-G1						LUG NUT, 1/2 - 20.....	8
110	24939-G2						SPINDLE CAP ADAPTER (EARLY PRODUCTION)	2
111	21830-G1						OUTER BRAKE DRUM WASHER.....	2
112	00518-G8						SLOTTED NUT, 3/4 - 16	2
113	10387-G1						COTTER PIN, 1/8" x 1 1/2" LG	2
114	74175-G01						SPINDLE CAP (LATE PRODUCTION)	2
115	12091-G2						SPINDLE CAP (EARLY PRODUCTION)	2
116	72036-G01						BRAKE CABLE BRACKET (PASSENGER SIDE)	1
117	72036-G02						BRAKE CABLE BRACKET (DRIVER SIDE).....	1

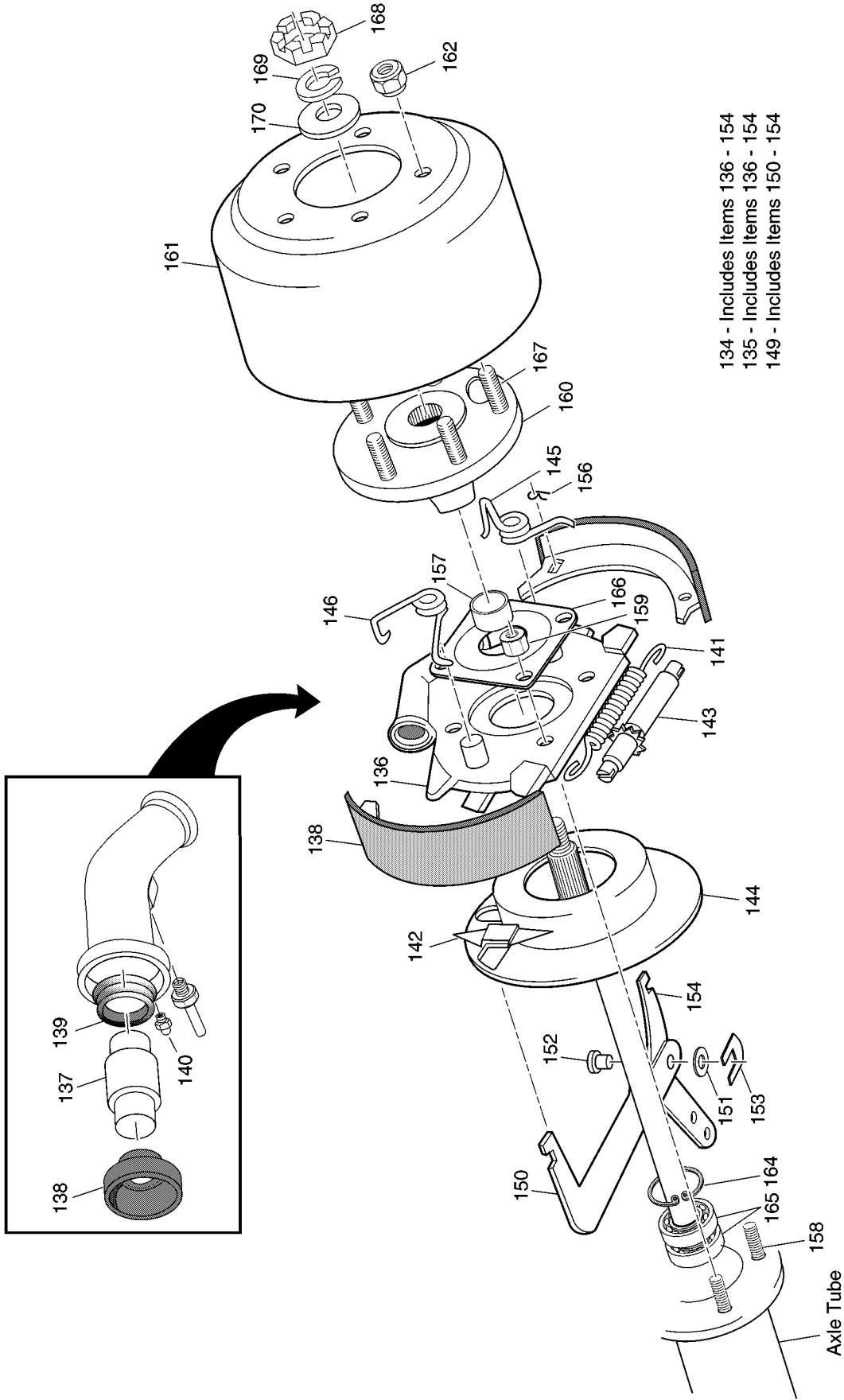


- 13 - Includes Items 14 - 16
- 25 - Includes Items 26 - 27
- 28 - Includes Items 29 - 31









BRAKES - HYDRAULIC**Gasoline Vehicle**

When ordering parts, please specify the model and serial number of the product.

* Indicates a component that is not available as an individual part.

G** Indicates consult Customer Service Department for additional information.

ITEM	PART NO.	1 2 3 4 5	DESCRIPTION	QTY.
1	70413-G01		BRAKE PEDAL	1
2	11039-G1		BRAKE PEDAL PAD	1
3	70581-G01		FLANGED BUSHING	2
4	70676-G01		TORSION SPRING	1
5	14269-G1		RIVET, 3/16" X 1/2" LG	2
6	70582-G01		SHOULDER BOLT, 3/8 - 16 X 4" LG	1
7	00643-G1		WASHER, 3/8"	1
8	11098-G5		LOCK NUT, 3/8 - 16	1
9				
10	70113-G01		ADJUSTABLE RUBBER BUMPER	1
11	11027-G1		LOCK NUT, 5/16-18	1
12				
13	30295-G8		LINKAGE ROD ASSEMBLY (INCLUDES ITEMS 14 - 16).....	1
14	30297-G8		THREADED ROD.....	1
15	10385-G4		YOKE.....	2
16	00544-G4		NUT, 5/16-24	2
17	10386-G3		CLEVIS PIN, 5/16X 15/16" LG	1
18	10387-G3		COTTER PIN, 3/32 X 3/4" LG	1
19	70415-G01		BRAKE BELLCRANK.....	1
20	70581-G01		FLANGED BUSHING	2
21	70410-G01		BELLCRANK SHAFT	1
22	12305-G1		RETAINING RING	2
23	10386-G3		CLEVIS PIN, 5/16 X 15/16" LG	1
24	10387-G3		COTTER PIN, 3/32 X 3/4" LG	1
25	70643-G03		MASTER CYLINDER SERVICE KIT (INCLUDES ITEMS 26 - 27)	1
26	00675-G1		WASHER, 3/8"	1
27	*		MASTER CYLINDER	1
28	30298-G2		PUSH ROD ASSEMBLY (INCLUDES ITEMS 29 - 31)	1
29	30293-G2		PUSH ROD, 3 1/8" LG	1
30	21508-G1		CLEVIS YOKE.....	1

When ordering parts, please specify the model and serial number of the product.

* Indicates a component that is not available as an individual part.

G** Indicates consult Customer Service Department for additional information.

ITEM	PART NO.	1 2 3 4 5	DESCRIPTION	QTY.
31	00544-G6		NUT, 5/16-24	1
32	26469-G01		MALE BRANCH - TEE	1
33	21503-G1		PIPE PLUG	A/R
34	21510-G1		STOPLIGHT SWITCH (IF EQUIPPED WITH BRAKE LIGHTS)	1
35				
36	00427-G4		BOLT, 3/8-16 X 1 1/2" LG	2
37	11098-G5		LOCK NUT, 3/8-16	2
38	00560-G1		WASHER, 3/8"	1
39	01020-G01		BOLT, 3/8-16 X 1" LG	1
40	00566-G1		LOCK WASHER, 3/8"	1
41	14443-G3		CLEVIS PIN, 5/16 X 1 1/8" LG	1
42	10387-G3		COTTER PIN, 3/32 X 3/4" LG	1
43				
44	33724-G01		INVERTED FLAIR FITTING	1
45	21104-G11		BRAKE LINE WITH NUTS, 60" LG	1
46	11845-G5		CABLE CLIP	2
47	00100-G6		SELF THREADING SCREW, #10 X 3/4" LG	2
48				
49	33534-G01		FLEXIBLE HOSE	1
50	11456-G1		FLEX HOSE CLIP	1
51	11098-G6		LOCK NUT, 5/16-18	1
52	21104-G9		BRAKE LINE WITH NUTS - 30" LG	1
53	21104-G6		BRAKE LINE WITH NUTS - 8" LG	1
54				
55	74177-G01		PARKING BRAKE (EARLY PRODUCTION)	1
56	70493-G01		PARKING BRAKE BRACKET	1
57	00440-G2		BOLT, 5/16-18 X 2 1/4" LG	2
58	00565-G8		LOCK WASHER, 5/16"	2
59	74179-G01		HANDLE SPACER	1
60	71026-G01		RELEASE HANDLE BRACKET	1



BRAKES - HYDRAULIC**Gasoline Vehicle**

When ordering parts, please specify the model and serial number of the product.

* Indicates a component that is not available as an individual part.

G** Indicates consult Customer Service Department for additional information.

ITEM	PART NO.	1 2 3 4 5	DESCRIPTION	QTY.
61	70465-G01		BRACKET SPACER.....	2
62	71055-G01		RIVET.....	2
63	00571-G2		WASHER, 5/16".....	2
64	71029-G01		BRAKE RELEASE HANDLE.....	1
65	20367-G1		GROMMET.....	1
66	00559-G7		WASHER, 1/4".....	1
67	00798-G3		COTTER PIN.....	1
68				
69	74176-G01		PARKING BRAKE CABLE.....	1
70	12305-G1		RETAINING RING.....	2
71				
72	70716-G04		BRAKE CABLE ASSEMBLY (INCLUDES ITEMS 73 - 76).....	1
73	28082-G01		EQUILIZER BRACKET.....	1
74	28083-G01		BUMPER.....	2
75	*		BRAKE CABLE, DRIVER SIDE.....	1
76	*		BRAKE CABLE, PASSENGER SIDE.....	1
77	00963-G01		SPHERICAL NUT, 5/16-24.....	1
78	11098-G9		LOCK NUT, 5/16-24.....	1
79	12305-G1		RETAINING RING.....	4
80				
81	10386-G3		CLEVIS PIN, 5/16 X 15/16" LG.....	2
82	10387-G3		COTTER PIN, 3/32 X 3/4" LG.....	2
83				
84				
85	00440-G2		BOLT, 5/16-18 X 2 1/4" LG.....	2
86	00565-G8		LOCK WASHER, 5/16".....	2
87	00571-G2		WASHER, 5/16".....	2
88				
89	00559-G8		WASHER, 5/16".....	1
90	10387-G3		COTTER PIN, 3/32 X 3/4" LG.....	3

When ordering parts, please specify the model and serial number of the product.

* Indicates a component that is not available as an individual part.

G** Indicates consult Customer Service Department for additional information.

ITEM	PART NO.	1 2 3 4 5	DESCRIPTION	QTY.
91				
92	74176-G01		PARKING BRAKE CABLE	1
93	12305-G1		RETAINING RING	2
94				
95	70545-G01		PARKING BRAKE RELEASE PIN.....	1
96	71870-G01		PARKING BRAKE RELEASE CABLE.....	1
97	00559-G7		WASHER, 1/4"	1
98	10387-G8		COTTER PIN	1
99	00891-G2		LOCK NUT, 1/4 - 20	1
100	71872-G01		BRAKE RELEASE COIL SPRING	1
101	00544-G1		JAM NUT, 5/16 - 18.....	2
102				
103	71866-G01		SPRING MOUNT	1
104	10570-G11		RIVET, 3/16" X 3/4" LG	2
105				
106	70693-G01		PARKING BRAKE COVER	1
107	71892-G01		RETAINER PLATE	2
108	16816-G2		RATCHET FASTENER.....	2
109				
110	71864-G01		UPPER CABLE MOUNT	1
111	00414-G6		BOLT, 1/4 - 20 X 3/4" LG.....	2
112	00559-G7		WASHER, 1/4"	2
113	00891-G2		LOCK NUT, 1/4 - 20	2
114				
115	71865-G01		LOWER CABLE MOUNT	1
116	00414-G6		BOLT, 1/4 - 20 X 3/4" LG.....	2
117	00559-G7		WASHER, 1/4"	2
118	00891-G2		LOCK NUT, 1/4 - 20	2
119				
120	10386-G3		CLEVIS PIN, 5/16" X 1" LG.....	1



BRAKES - HYDRAULIC

Gasoline Vehicle

When ordering parts, please specify the model and serial number of the product.

* Indicates a component that is not available as an individual part.

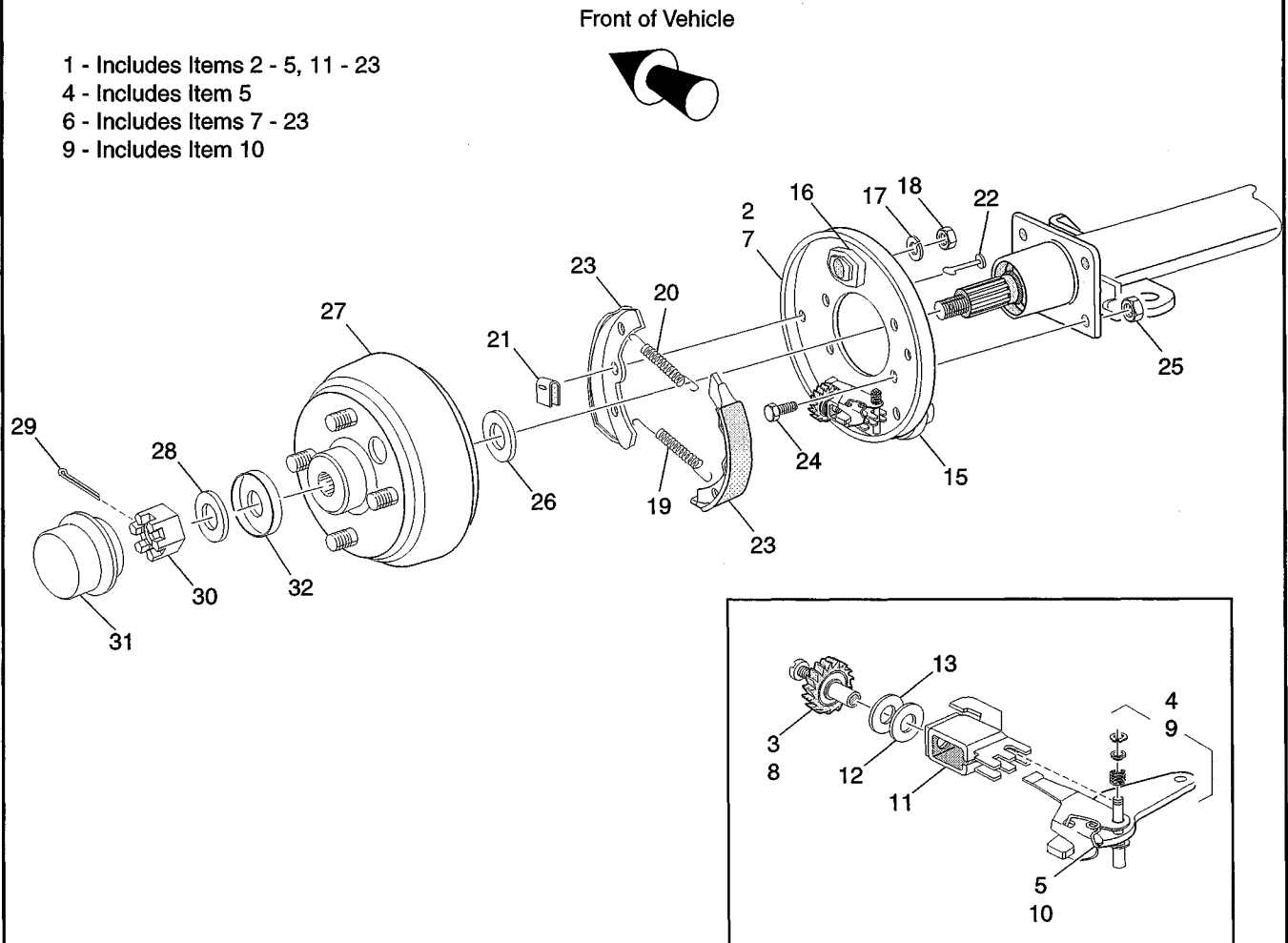
G** Indicates consult Customer Service Department for additional information.

ITEM	PART NO.	1 2 3 4 5	DESCRIPTION	QTY.
121	17838-G1		NYLON BUSHING.....	1
122	00559-G8		WASHER, 5/16"	3
123	10387-G3		COTTER PIN, 3/32" X 3/4" LG.....	1
124	71871-G01		PARKING BRAKE (LATE PRODUCTION) (INCLUDES ITEMS 125 - 132)	1
125	70652-G01		RELEASE ARM.....	1
126	70653-G01		SPRING.....	1
127	70654-G01		PAWL.....	1
128	70656-G01		SPACER.....	1
129	70657-G01		CLEVIS PIN, 5/16" X 1 3/8" LG.....	1
130	70659-G01		CLEVIS PIN, 5/16" X 5/8" LG.....	2
131	70660-G01		RUBBER PEDAL COVER.....	1
132	70661-G01		SLOTTED CLEVIS	1
133				
134	33725-G02		BRAKE ASSEMBLY (DRIVER SIDE) (INCLUDES ITEMS 136 - 154).....	1
135	33725-G01		BRAKE ASSEMBLY (PASSENGER SIDE) (INCLUDES ITEMS 136 - 154)	1
136	21086-G1		TORQUE SPIDER.....	1
137	21087-G1		WHEEL CYLINDER PISTON	2
138	21088-G1		HYDRAULIC CUP	2
139	21089-G1		SEAL	2
140	21094-G1		BLEEDER VALVE.....	1
141	13466-G1		LOWER SPRING.....	1
142	21096-G1		SHOE HOLD DOWN.....	1
143	21097-G1		ADJUSTER.....	1
144	21908-G1		DUST SHIELD.....	1
145	70670-G01		SPRING (YELLOW)	1
146	70669-G01		SPRING (BLUE).....	1
147	33726-G01		BRAKE SHOE	1
148				
149	*		PARKING BRAKE LEVER ASSEMBLY (INCLUDES ITEMS 150 - 154).....	1
150	13460-G1		CURVED LEVER	1

When ordering parts, please specify the model and serial number of the product.
 * Indicates a component that is not available as an individual part.
 G** Indicates consult Customer Service Department for additional information.

ITEM	PART NO.	1	2	3	4	5	DESCRIPTION	QTY.
151	13463-G1						SPRING WASHER.....	1
152	13462-G1						CLEVIS PIN.....	1
153	13464-G1						CLEVIS PIN RETAINER.....	1
154	22604-G1						STRAIGHT LEVER	2
155								
156	13468-G1						CLIP	2
157	33666-G01						COLLAR.....	1
158	33662-G01						STUD, 5/16 - 24	4
159	21562-G1						NUT, 5/16 - 24	4
160	33661-G01						FLANGE.....	1
161	17953-G2						BRAKE DRUM	2
162	14723-G1						LUG NUT, 1/2 - 20.....	5
163								
164	XXXXX-XX						RETAINING RING (SEE REAR AXLE - HYDRAULIC BRAKES FOR P/N)	
165	XXXXX-XX						BEARING (SEE REAR AXLE - HYDRAULIC BRAKES FOR P/N)	
166	21559-G1						WIPER SEAL	1
167	14590-G1						WHEEL BOLT, 1/2 - 20.....	5
168	00518-G8						SLOTTED NUT, 3/4 - 16	1
169	00566-G6						LOCK WASHER, 3/4".....	1
170	33665-G01						WASHER, 3/4"	1
171	28066-G02						MASTER CYLINDER REPAIR KIT (NOT SHOWN).....	AR





When ordering parts, please specify the model and serial number of the product.

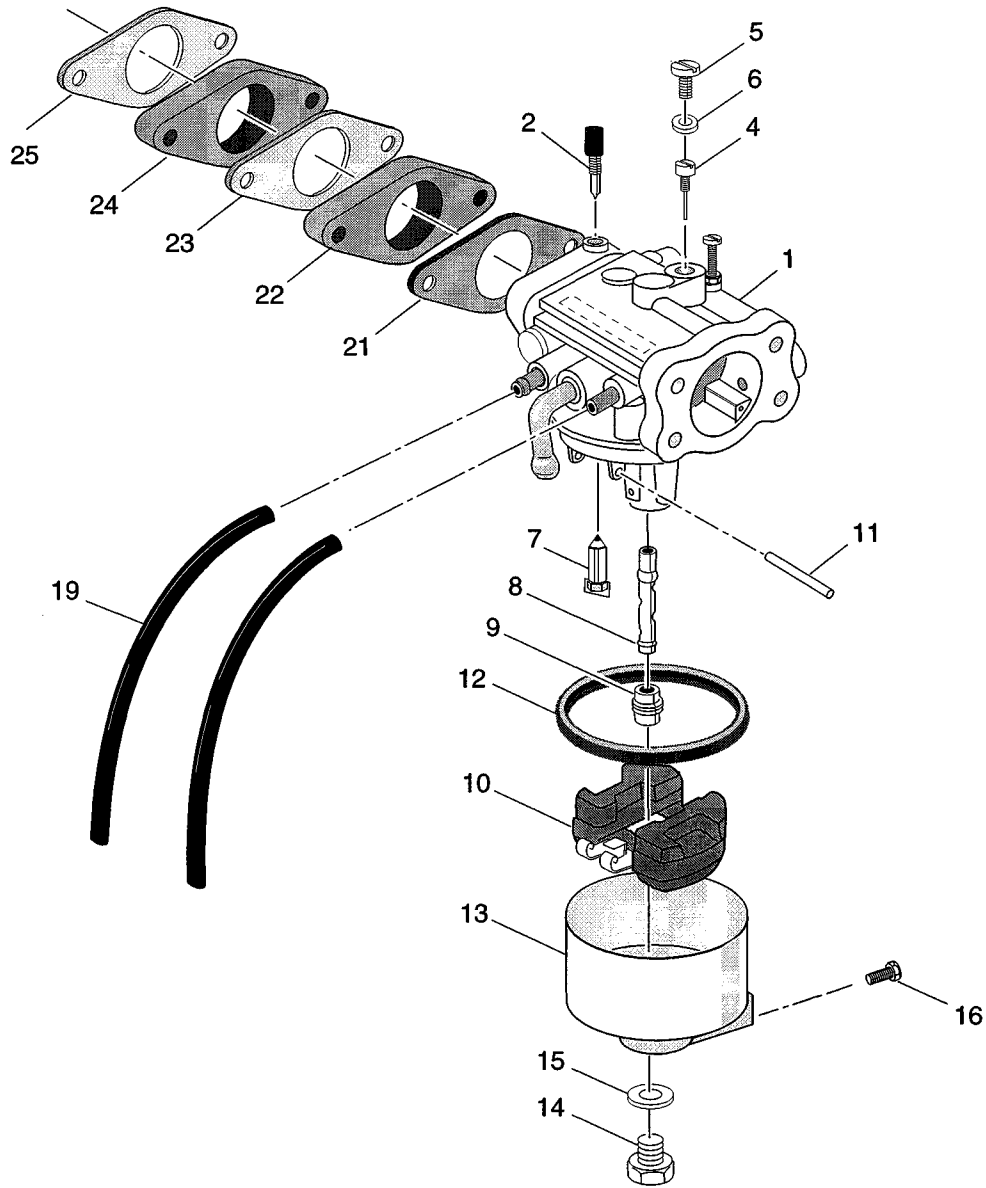
* Indicates a component that is not available as an individual part.

G** Indicates consult Customer Service Department for additional information.

ITEM	PART NO.	1 2 3 4 5	DESCRIPTION	QTY.
1	22997-G2		BRAKE ASSEMBLY, PASSENGER SIDE (INCLUDES ITEMS 2 - 5, 11 - 23)	1
2	22518-G1		BACKING PLATE	1
3	23360-G1		ADJUSTER.....	1
4	23357-G1		LEVER ASSEMBLY (INCLUDES ITEM 5)	1
5	23536-G1		TORSION SPRING, PASSENGER SIDE (SILVER).....	1
6	22997-G1		BRAKE ASSEMBLY, DRIVER'S SIDE (INCLUDES ITEMS 7 - 23)	1
7	22519-G1		BACKING PLATE	1
8	23361-G1		ADJUSTER.....	1
9	23358-G1		LEVER ASSEMBLY (INCLUDES ITEM 10)	1
10	23537-G1		TORSION SPRING, DRIVER'S SIDE (GOLD)	1
11	23363-G1		ADJUSTER BODY	1
12	23382-G1		WASHER, 1/4".....	1
13	23362-G1		THRUST WASHER, 1/4"	1
14				
15	22511-G1		DUST COVER.....	1
16	23356-G1		ANCHOR BLOCK.....	1
17	00565-G1		LOCK WASHER, 1/4".....	2
18	13632-G1		NUT, 6 MM.....	2
19	23359-G1		BRAKE ADJUSTER SPRING.....	1
20	17290-G1		BRAKE ANCHOR SPRING	1
21	17291-G1		SHOE CLAMP	2
22	17292-G1		SHOE CLAMP TENSION PIN	2
23	23364-G1		BRAKE SHOE SET	1
24	17083-G2		BOLT, 5/16 - 24 X 1" LG.....	8
25	15126-G1		LOCK NUT, 5/16 - 24	8
26	15485-G1		INNER WHEEL RIM WASHER	2
27	19186-G1		BRAKE DRUM WITH LUG BOLTS	2
28	15487-G1		OUTER WHEEL RIM WASHER.....	2
29	10387-G1		COTTER PIN, 1/8 X 1 1/2" LG.....	2
30	15483-G1		SLOTTED NUT, 5/8 - 18	2
31	12091-G2		SPINDLE CAP	2
32	24939-G1		SPINDLE CAP ADAPTOR	2



1 - Includes Items 2 - 17



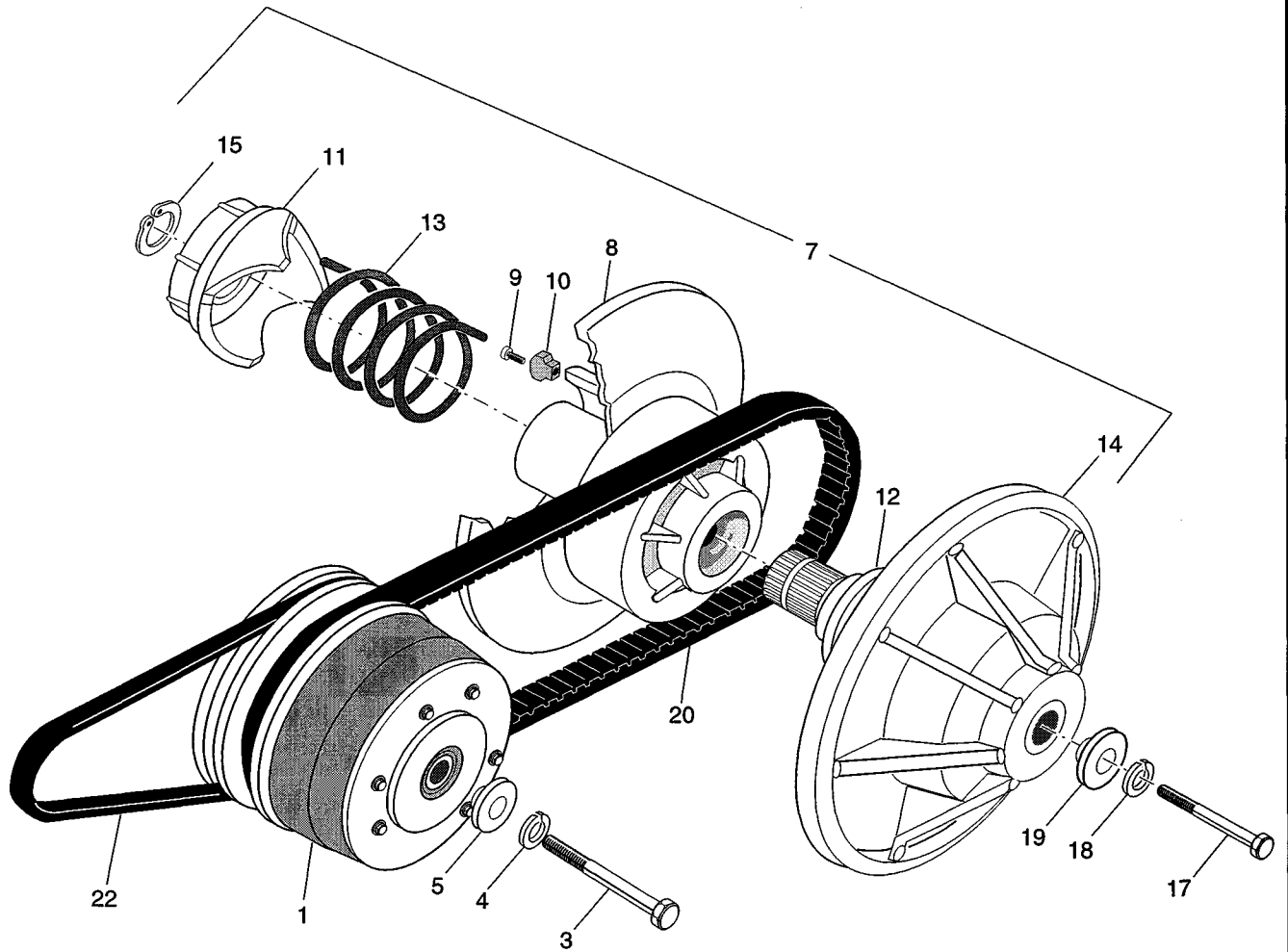
When ordering parts, please specify the model and serial number of the product.

* Indicates a component that is not available as an individual part.

G** Indicates consult Customer Service Department for additional information.

ITEM	PART NO.	1	2	3	4	5	DESCRIPTION	QTY.
1	72558-G01						CARBURETOR ASSEMBLY (INCLUDES ITEMS 2 - 17)	1
2	*						PILOT SCREW	1
3								
4	72307-G01						PILOT JET (#46P)	1
5	26841-G01						PLUG	1
6	26731-G01						BOWL SCREEN GASKET	1
7	26647-G01						NEEDLE VALVE	1
8	26837-G01						MAIN NOZZLE	1
9	26646-G05						MAIN JET (#94)	1
10	26648-G01						FLOAT	1
11	26840-G01						FLOAT PIN	1
12	26843-G01						FLOAT BOWL GASKET	1
13	26844-G01						FLOAT CHAMBER	1
14	26839-G01						BOWL SCREW	1
15	26730-G01						BOWL GASKET	1
16	*						DRAIN SCREW	1
17	26845-G01						SPRING	1
18								
19	26650-G01						VENT TUBE	2
20								
21	26726-G01						CARBURETOR GASKET	1
22	26637-G01						INSULATOR	1
23	72306-G01						GASKET	1
24	26637-G01						INSULATOR	1
25	26725-G01						ENGINE GASKET	1



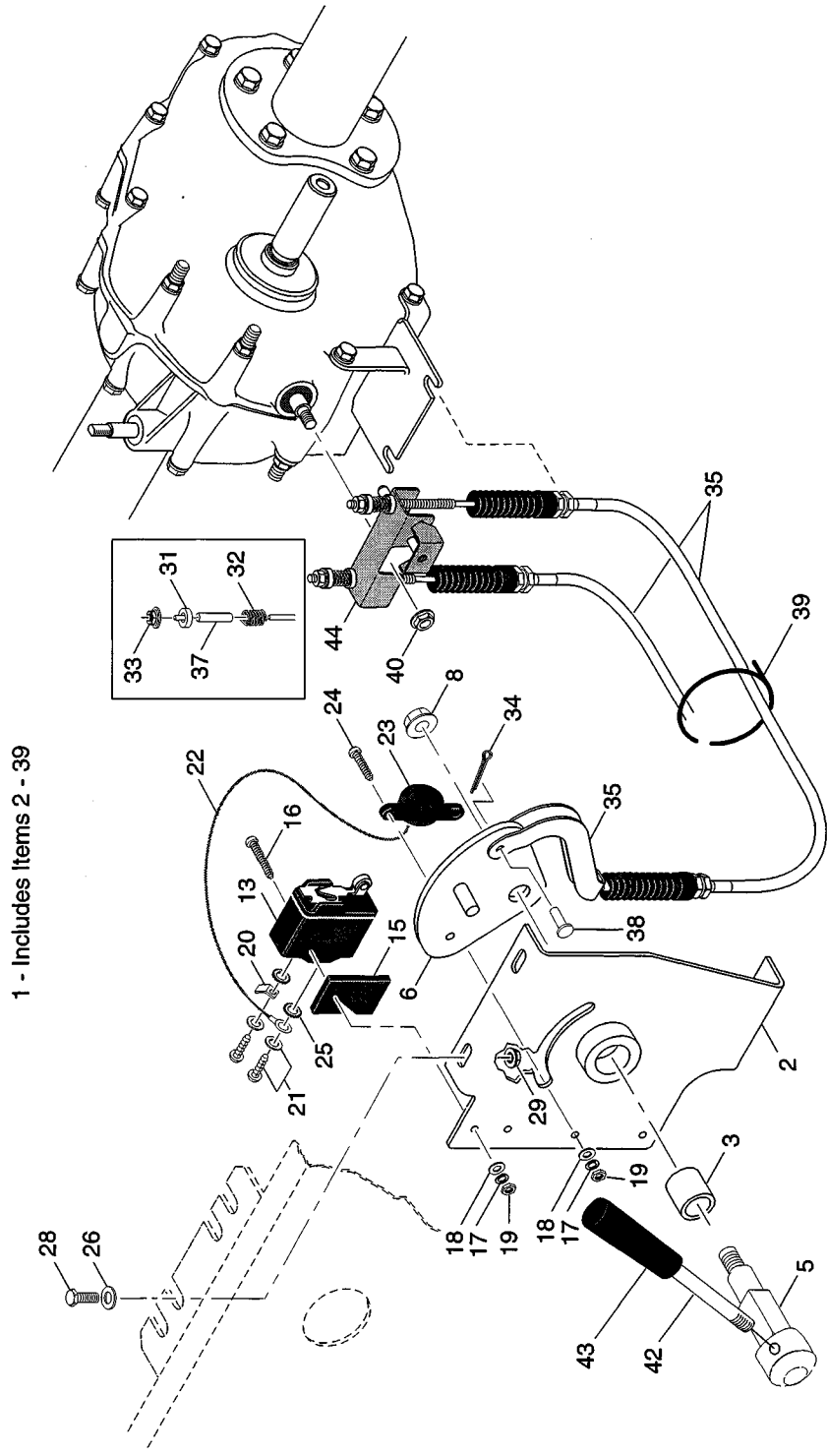


When ordering parts, please specify the model and serial number of the product.

* Indicates a component that is not available as an individual part.

G** Indicates consult Customer Service Department for additional information.

ITEM	PART NO.	1 2 3 4 5	DESCRIPTION	QTY.
1	26952-G01		DRIVE CLUTCH	1
2				
3	00473-G9		BOLT, 7/16-20 X 6 1/2" LG.....	1
4	00566-G2		LOCK WASHER, 7/16"	1
5	25757-G1		PILOT WASHER.....	1
6				
7	26301-G02		DRIVEN CLUTCH (INCLUDES ITEMS 8 - 15)	1
8	25626-G02		MOVABLE CAM SHEAVE (INCLUDES ITEMS 9 -10)	1
9	00979-G01		SCREW, #10-24.....	3
10	26479-G01		RAMP BUTTON	3
11	26302-G01		FIXED CAM	1
12	24600-G1		WASHER	1
13	26304-G01		COMPRESSION SPRING.....	1
14	25643-G03		FIXED POST SHEAVE.....	1
15	27270-G01		EXTERNAL RETAINING RING, 1 3/8" ID.....	1
16				
17	00441-G8		BOLT, 5/16-18 X 4" LG.....	1
18	00565-G8		LOCK WASHER, 5/16"	4
19	25756-G1		RETAINING WASHER	1
20	72054-G01		DRIVE BELT	1
21				
22	26414-G01		STARTER/GENERATOR BELT.....	1



When ordering parts, please specify the model and serial number of the product.
 * Indicates a component that is not available as an individual part.
 G** Indicates consult Customer Service Department for additional information.

ITEM	PART NO.	1 2 3 4 5	DESCRIPTION	QTY.
1	25700-G07		DIRECTION SELECTOR ASSEMBLY (INCLUDES ITEMS 2 - 39)	1
2	25684-G01		DIRECTION SELECTOR BRACKET	1
3	25664-G1		BUSHING	1
4				
5	25677-G01		DIRECTION SELECTOR SHAFT	1
6	25745-G01		DIRECTION SELECTOR CAM.....	1
7				
8	14390-G1		LOCK NUT, 3/8 - 24.....	1
9				
10				
11				
12				
13	10606-G1		MICRO SWITCH.....	1
14				
15	27151-G01		MICRO SWITCH SPACER.....	1
16	00645-G2		SCREW, #6 - 32 X 1 1/4" LG.....	2
17	00565-G3		LOCK WASHER, #6	4
18	00559-G3		WASHER, #6	4
19	00525-G5		NUT, #6 - 32.....	4
20	14628-G1		FASTON TAB.....	1
21	13514-G1		SCREW AND WASHER ASSEMBLY	2
22	25978-G234		WIRE, RED.....	1
23	17940-G5		REVERSE WARNING BUZZER.....	1
24	00138-G5		SCREW, #6 - 32 X 5/8" LG.....	2
25	00567-G3		LOCK WASHER, #6	2
26	00559-G7		WASHER, 1/4.....	2
27				
28	00414-G6		SCREW, 1/4 - 20 X 3/4" LG.....	2
29	11027-G2		LOCK NUT, 1/4 - 20.....	2
30				



DIRECTION SELECTOR

Gasoline Vehicle

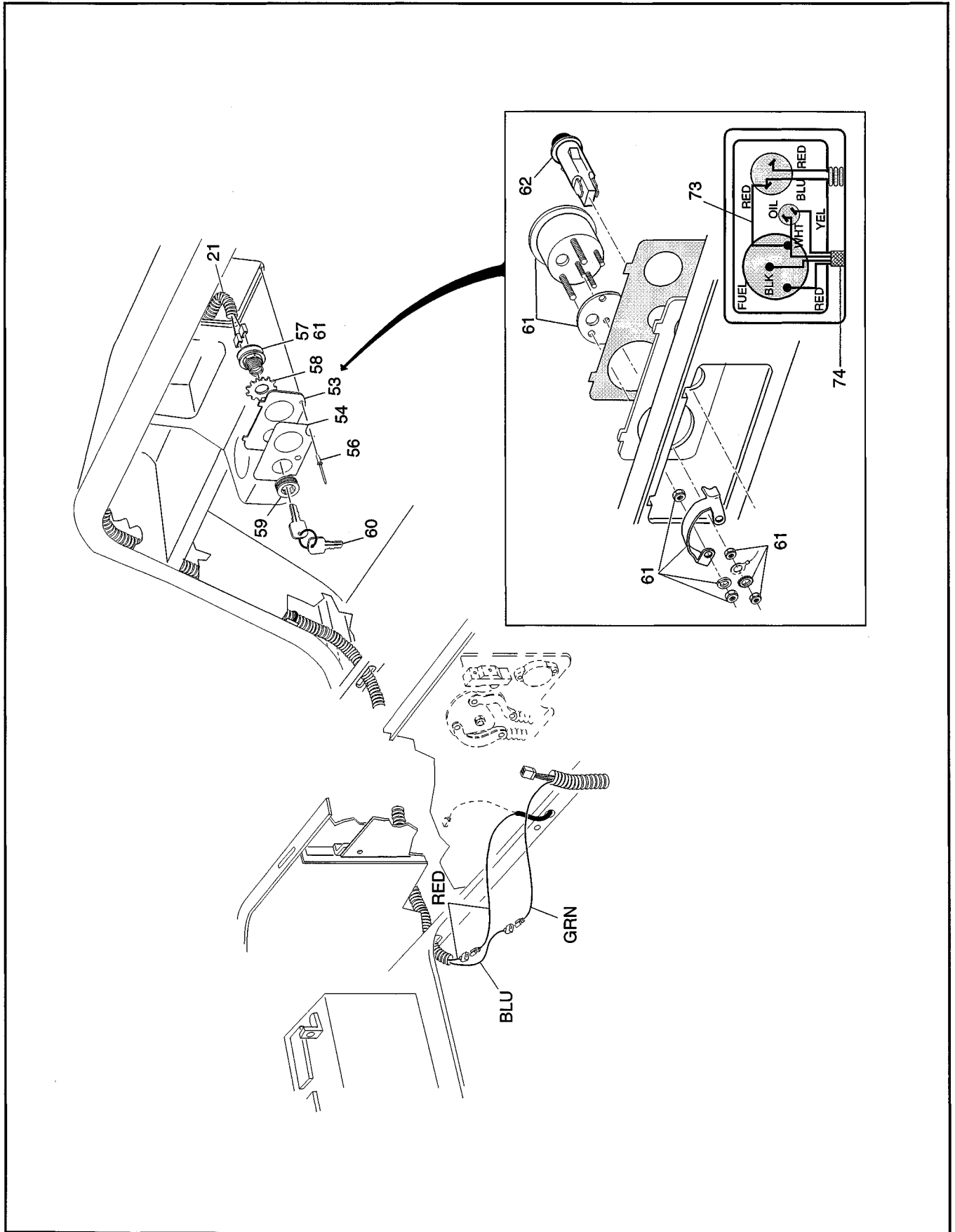
When ordering parts, please specify the model and serial number of the product.

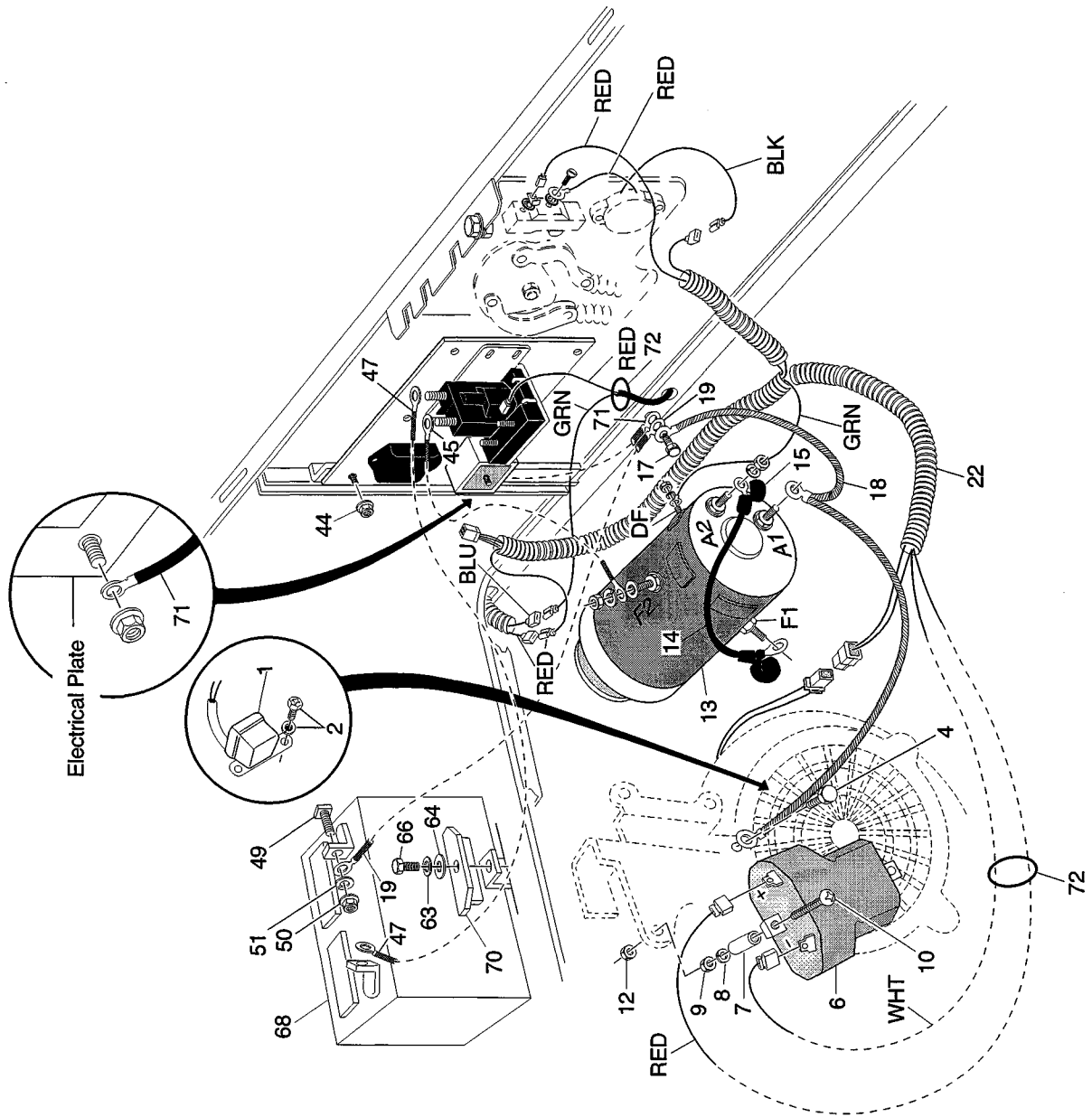
* Indicates a component that is not available as an individual part.

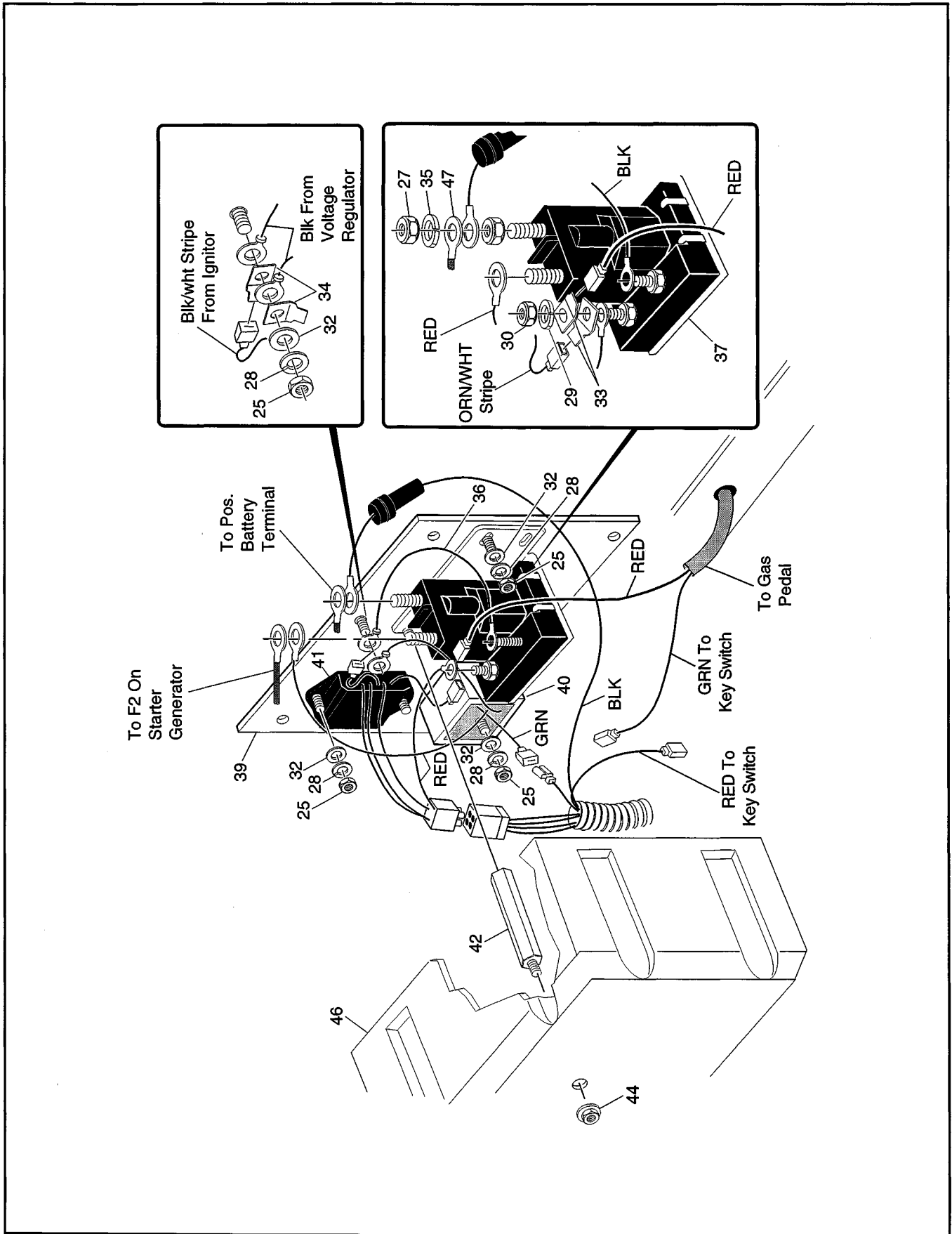
G** Indicates consult Customer Service Department for additional information.

ITEM	PART NO.	1	2	3	4	5	DESCRIPTION	QTY.
31	25727-G01						CUP WASHER.....	4
32	27764-G01						SPRING	2
33	11098-G7						NUT, #10 - 24.....	2
34	10387-G8						COTTER PIN, 1/16 X 3/4" LG.....	2
35	72400-G01						SHIFTER CONTROL CABLE	2
36								
37	23726-G5						SPACER	2
38	23176-G1						CLEVIS PIN, 5/16" X 1/2" LG.	2
39	17618-G1						WIRE TIE	1
40	26830-G01						SHIFTER LEVER NUT, M8 X 1.25 MM	1
41								
42	25748-G01						DIRECTION SELECTOR ROD	1
43	11989-G1						DIRECTION SELECTOR HANDLE.....	1
44	72099-G01						CONTROL PIVOT	1









When ordering parts, please specify the model and serial number of the product.

* Indicates a component that is not available as an individual part.

G** Indicates consult Customer Service Department for additional information.

ITEM	PART NO.	1 2 3 4 5	DESCRIPTION	QTY.
1	26651-G01		IGNITION PICKUP (INCLUDES ITEM 2).....	1
2	26707-G01		BOLT AND WASHER, M5 X .8 X 10 MM LG.....	1
3				
4	26676-G01		SCREW, M6 X 1 X 23 MM LG.	1
5	26652-G01		IGNITION COIL ASSEMBLY (INCLUDES ITEMS 6 - 10).....	1
6	*		IGNITION COIL	1
7	*		SPACER	1
8	*		LOCK WASHER	1
9	*		NUT	1
10	*		SCREW	1
11				
12	13632-G1		NUT, M6 X 1 LG.	2
13	XXXXX-XX		STARTER / GENERATOR (SEE SECTION AA FOR PARTS LIST AND QUANTITY)	X
14	25887-G01		WIRE, F1 - A2.....	1
15	25682-G1		TERMINAL COVER	3
16				
17	00715-G3		BOLT, 5/16 - 18 X 1 1/4" LG.....	1
18	20294-G3		GROUND CABLE	1
19	25972-G12		WIRE, B- GRD	1
20				
21	27778-G02		KEY SWITCH HARNESS	1
22	27777-G02		CONTROL HARNESS	1
23	27740-G03		ELECTRICAL PLATE (INCLUDES ITEMS 25 - 42)	1
24				
25	00532-G1		NUT, 1/4 - 20.....	5
26				
27	*		NUT, 5/16 - 24.....	2
28	00565-G7		LOCK WASHER, 1/4"	6
29	*		LOCK WASHER, #10	2



ELECTRICAL SYSTEM

Gasoline Vehicle

When ordering parts, please specify the model and serial number of the product.
 * Indicates a component that is not available as an individual part.
 G** Indicates consult Customer Service Department for additional information.

ITEM	PART NO.	1	2	3	4	5	DESCRIPTION	QTY.
30	*						NUT, #10 - 32.....	2
31								
32	00650-G7						WASHER, 1/4"	6
33	12914-G1						FASTON TAB, 5/16 x 5/16"	2
34	12914-G2						FASTON TAB, 3/8 x 13/32".....	2
35	*						LOCK WASHER, 5/16"	2
36	25978-G56						WIRE, 5 3/4" LG.	1
37	27153-G01						SOLENOID	1
38								
39	*						ELECTRONIC PLATE.....	1
40	27739-G01						VOLTAGE REGULATOR	1
41	72562-G01						IGNITOR ASSEMBLY	1
42	*						COVER SPACER.....	1
43								
44	11027-G2						LOCK NUT, 1/4 - 20	3
45	25972-G13						WIRE, SOL - F2	1
46	72004-G01						ELECTRICAL PLATE COVER	1
47	25972-G33						WIRE, B+ - SOL	1
48								
49	*						BOLT, 5/16 X 3/4" LG.	2
50	*						NUT, 5/16	2
51	*						LOCK WASHER, 5/16"	2
52								
53	73030-G01						CONSOLE INSERT PLATE.....	1
54	71133-G01						IGNITION SWITCH DECAL	1
55								
56	33623-G02						DRIVE RIVET	2
57	17421-G1						IGNITION SWITCH KIT, INCLUDES ALL MOUNTING HARDWARE	1
58	00568-G6						LOCK WASHER, 3/4"	1
59	17137-G1						FACE NUT.....	1



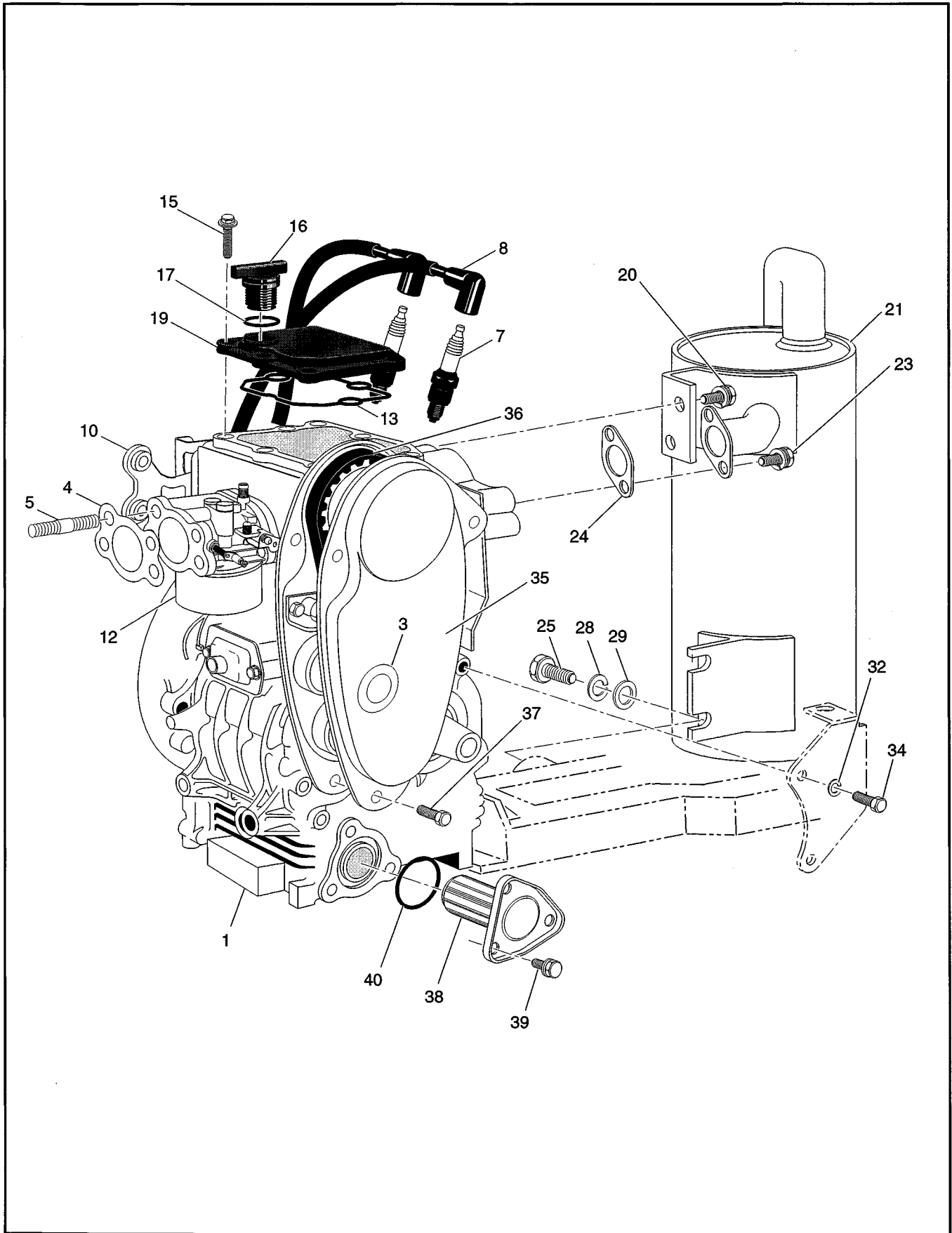
When ordering parts, please specify the model and serial number of the product.

* Indicates a component that is not available as an individual part.

G** Indicates consult Customer Service Department for additional information.

ITEM	PART NO.	1 2 3 4 5	DESCRIPTION	QTY.
60	17063-G1		IGNITION KEY	AR
61	21553-G1		FUEL GAUGE (COMPLETE WITH HARDWARE).....	1
62	23474-G1		LOW OIL INDICATOR.....	1
63	00565-G8		LOCK WASHER, 5/16"	1
64	00571-G2		WASHER, 5/16.....	1
65				
66	00952-G6		BOLT, 5/16 - 18 X 3/4" LG.....	1
67				
68	24775-G1		BATTERY, 12 VOLT	1
69				
70	72101-G01		BATTERY HOLD DOWN.....	1
71	25976-G11		WIRE.....	1
72	17618-G1		NYLON CLAMP	2
73	25978-G122		WIRE.....	1
74	74025-G01		FUEL GAUGE/OIL INDICATOR WIRE HARNESS	1





When ordering parts, please specify the model and serial number of the product.

* Indicates a component that is not available as an individual part.

G** Indicates consult Customer Service Department for additional information.

ITEM	PART NO.	1 2 3 4 5	DESCRIPTION	QTY.
1	72500-G04		ENGINE, 350cc.....	1
2				
3	26631-G01		TIMING BELT COVER GROMMET	1
4	26727-G01		CARBURETOR / AIR BOX GASKET	1
5	72307-G01		STUD	2
6				
7	25523-G2		SPARK PLUG, NGK BP4ES	2
8	26733-G01		SPARK PLUG WIRE SET (2 WITH BOOTS).....	1
9				
10	72305-G01		IGNITION COIL BRACKET.....	1
11				
12	XXXXX-XX		CARBURETOR (SEE SECTION F FOR PART NUMBER AND QUANTITY	X
13	26719-G01		VALVE COVER GASKET.....	1
14				
15	26676-G01		BOLT, M6 X 1 X 23 MM LG.....	6
16	26601-G01		OIL FILLER CAP.....	1
17	26720-G01		"O" RING	1
18				
19	26600-G01		VALVE COVER	1
20	25532-G1		BOLT AND WASHER, M8 X 1.25 X 18 MM LG.	2
21	72019-G01		MUFFLER	1
22				
23	25532-G1		BOLT AND WASHER, M8 X 1.25 X 18 MM LG.	2
24	25531-G1		EXHAUST GASKET.....	1
25	00438-G8		BOLT, 5/16 - 18 X 1" LG.....	1
26				
27				
28	00565-G8		LOCK WASHER, 5/16"	1
29	00642-G8		WASHER, 5/16"	1



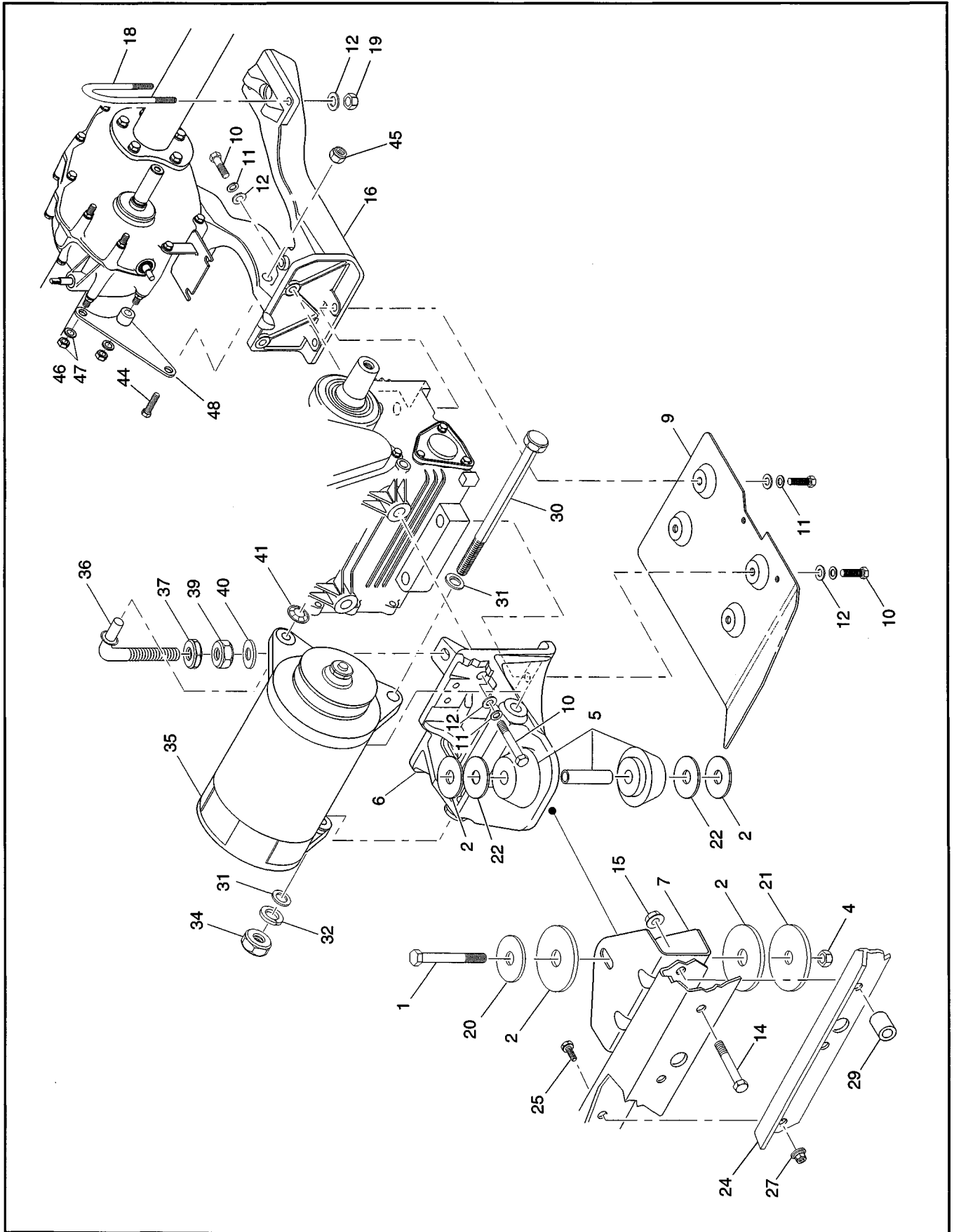
When ordering parts, please specify the model and serial number of the product.

* Indicates a component that is not available as an individual part.

G** Indicates consult Customer Service Department for additional information.

ITEM	PART NO.	1 2 3 4 5	DESCRIPTION	QTY.
30				
31				
32	00565-G8		LOCK WASHER, 5/16".....	2
33				
34	00276-G6		SCREW, 5/16 - 24 X 3/4" LG.....	2
35	26630-G01		TIMING BELT COVER.....	1
36	26626-G01		TIMING BELT.....	1
37	26678-G01		BOLT, M6 X 1 X 12 MM LG.....	3
38	26591-G01		OIL FILTER.....	1
39	26680-G01		BOLT AND WASHER, M6 X 1 X 12 MM LG.....	3
40	26710-G01		OIL FILTER "O" RING.....	1





When ordering parts, please specify the model and serial number of the product.

* Indicates a component that is not available as an individual part.

G** Indicates consult Customer Service Department for additional information.

ITEM	PART NO.	1	2	3	4	5	DESCRIPTION	QTY.
1	00430-G4						SCREW, 3/8 - 16 X 4 1/2" LG.	1
2	72050-G01						PLASTIC WASHER.....	4
3								
4	11098-G5						LOCK NUT, 3/8 - 16	1
5	72015-G01						ISOLATION MOUNT	1
6	72010-G01						FRONT MOUNT	1
7	72044-G01						MOUNT BRACKET	1
8								
9	27432-G02						ENGINE GUARD	1
10	00463-G4						SCREW, 7/16 - 14 X 1 1/2" LG.	6
11	00566-G2						LOCK WASHER, 7/16"	6
12	00922-G3						WASHER, 7/16"	6
13								
14	00428-G6						SCREW, 3/8 - 16 X 2 3/4" LG.	2
15	12262-G1						LOCK NUT, 3/8 - 16	2
16	72011-G01						REAR ENGINE MOUNT	1
17								
18	72035-G01						"U" - BOLT	2
19	00734-G1						LOCK NUT, 7/16 - 14	4
20	15121-G1						WASHER, 1 1/4 X 3/8".....	1
21	72051-G02						WASHER, 2.50 X .390 X .134"	1
22	72051-G01						WASHER, 2.50 X .641 X .134"	2
23								
24	70269-G01						CROSSMEMBER BRACE	1
25	00715-G3						SCREW, 5/16 - 18 X 1 1/4" LG.	2
26	00571-G2						WASHER, 5/16"	2
27	11098-G6						LOCK NUT, 5/16 - 18	2
28								
29	72016-G01						ISOLATOR SPACER.....	2
30	00938-G4						SCREW, 1/2 - 13 X 8" LG.	1



ENGINE AND STARTER MOUNTING

Gasoline Vehicle

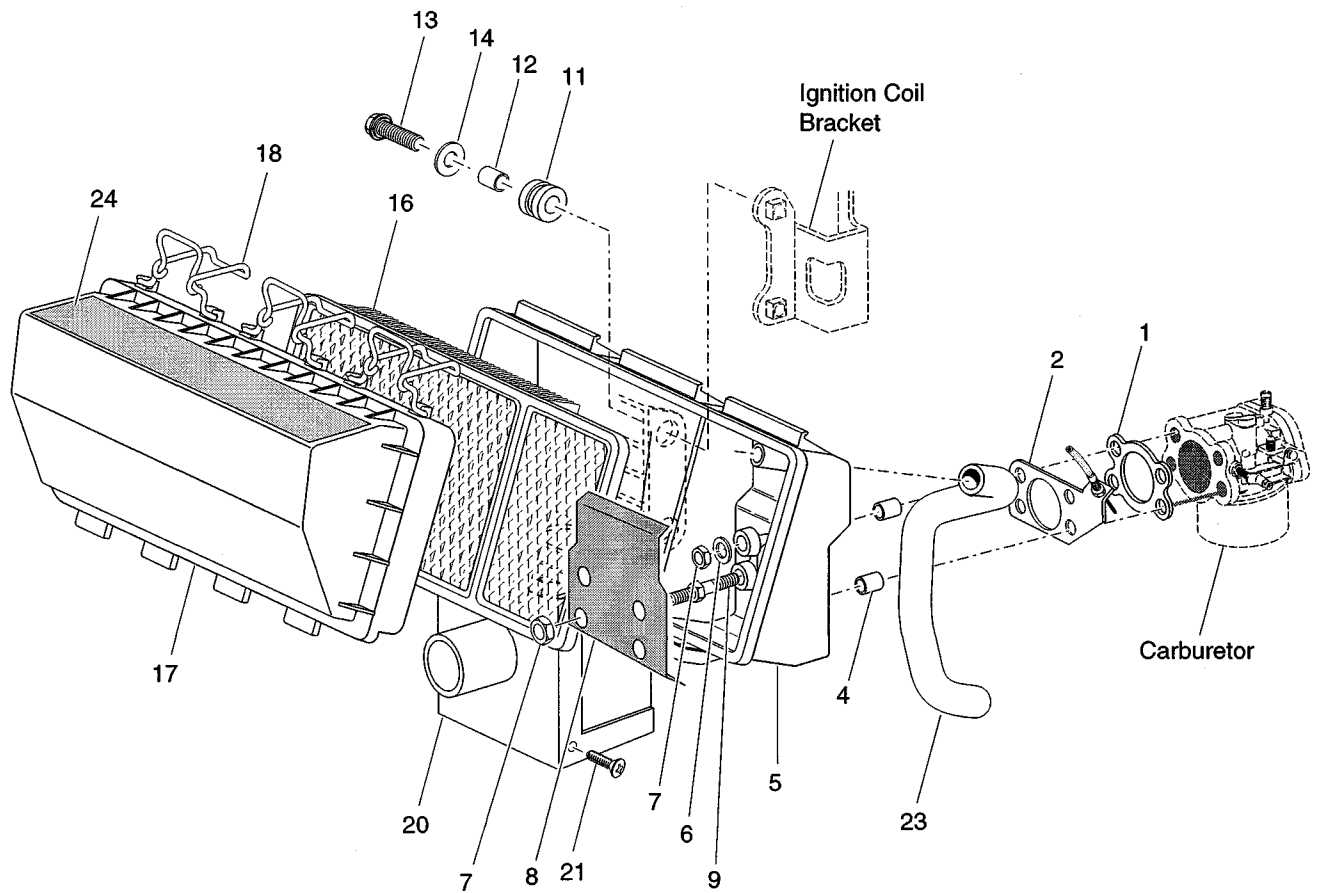
When ordering parts, please specify the model and serial number of the product.

* Indicates a component that is not available as an individual part.

G** Indicates consult Customer Service Department for additional information.

ITEM	PART NO.	1 2 3 4 5	DESCRIPTION	QTY.
31	00560-G3		WASHER, 1/2"	2
32	00566-G3		LOCK WASHER, 1/2"	1
33				
34	00533-G1		NUT, 1/2 - 13	1
35	XXXXX-XX		STARTER/GENERATOR (SEE SECTION AA FOR PART NUMBER).....	1
36	72045-G01		STARTER/GENERATOR ADJUSTER.....	1
37	00544-G5		NUT, 3/8 - 16	1
38				
39	00532-G5		NUT, 3/8 - 16	1
40	00560-G1		WASHER, 3/8"	1
41	12064-G1		PUSH NUT, 5/16"	1
42				
43				
44	00439-G2		BOLT, 5/16 - 18 X 1" LG.	1
45	11098-G6		LOCK NUT, 5/16 - 18	1
46	26826-G01		LOCK WASHER, 8MM	2
47	26827-G01		NUT, M8 X 1.25MM	2
48	72017-G01		AXLE STRAP	1



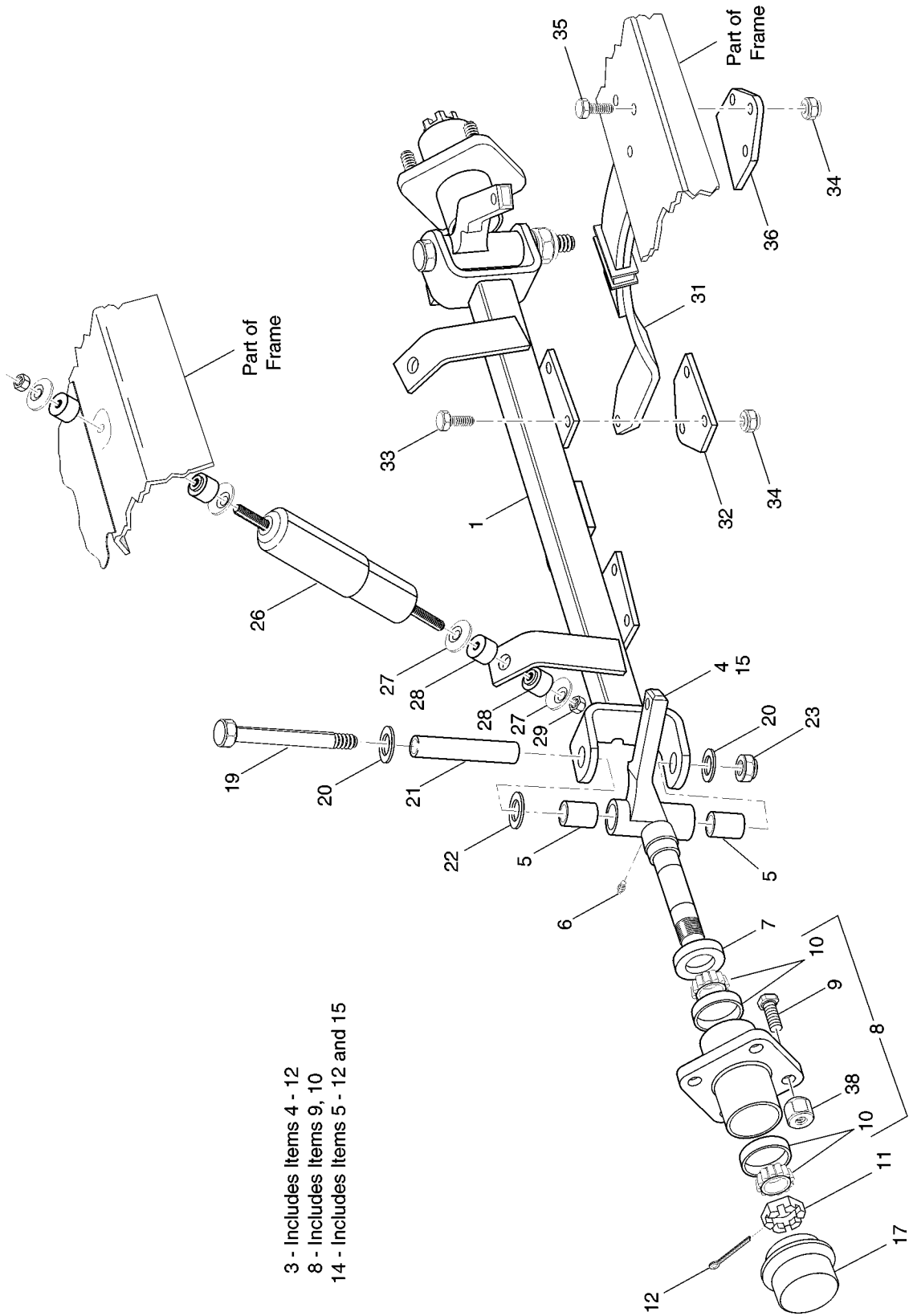


When ordering parts, please specify the model and serial number of the product.

* Indicates a component that is not available as an individual part.

G** Indicates consult Customer Service Department for additional information.

ITEM	PART NO.	1 2 3 4 5	DESCRIPTION	QTY.
1	26727-G01		CARBURETOR / AIR BOX GASKET	2
2	26728-G01		CHOKE BRACKET	1
3				
4	23726-G6		SPACER, 7/16"	4
5	72178-G02		HOUSING	1
6	51400-G1		LOCK WASHER, 6 MM.....	2
7	13632-G1		NUT, M6 X 1.....	4
8	72529-G01		BAFFLE	1
9	72514-G01		STUD, M6 X 1 X 39 MM LG.....	2
10				
11	72147-G01		HOUSING MOUNT GROMMET	2
12	23726-G7		SPACER, 9/16"	2
13	26671-G01		BOLT AND WASHER, M6 X 1 X 30 MM LG.	2
14	26701-G01		WASHER, 6.5MM	2
15				
16	72368-G01		AIR FILTER ELEMENT	1
17	72179-G02		AIR FILTER COVER	1
18	72145-G01		LATCH.....	3
19				
20	72146-G02		INLET COVER	1
21	00614-G5		SCREW, #8 - 18 X 5/8" LG.	6
22				
23	72151-G01		PCV HOSE	1
24	74093-G01		LABEL (WARNING)	1



When ordering parts, please specify the model and serial number of the product.
 * Indicates a component that is not available as an individual part.
 G** Indicates consult Customer Service Department for additional information.

ITEM	PART NO.	1 2 3 4 5	DESCRIPTION	QTY.
1	70536-G01		FRONT AXLE.....	1
2				
3	70220-G01		SPINDLE ASSEMBLY (DRIVER SIDE) (INCLUDES ITEMS 4 - 12).....	1
4	*		SPINDLE (DRIVER SIDE).....	1
5	16623-G1		BEARING	2
6	10389-G3		GREASE FITTING, STRAIGHT	1
7	25146-G1		GREASE SEAL	1
8	19932-G1		WHEEL HUB ASSEMBLY (INCLUDES ITEMS 9, 10)	1
9	19862-G1		LUG BOLT, 1/2 - 20 X 1 7/32" LG.....	4
10	50892-G1		BEARING AND RACE ASSEMBLY (COMPLETE)	2
11	12093-G1		SLOTTED NUT, 1 - 14.....	1
12	00798-G8		COTTER PIN, 5/32" X 1 3/4" LG.....	1
13				
14	70221-G01		SPINDLE ASSEMBLY (PASSENGER SIDE) (INCLUDES ITEMS 5 - 12, 15) ...	1
15	*		SPINDLE (PASSENGER SIDE)	1
16				
17	12091-G2		SPINDLE CAP	2
18				
19	01040-G01		KING PIN, 1/2 - 13 X 5" LG.....	2
20	00571-G5		WASHER, 1/2"	4
21	70328-G01		KING PIN TUBE.....	2
22	16982-G1		THRUST WASHER, 7/8".....	2
23	14390-G6		LOCK NUT, 1/2 - 13	2
24				
25				
26	70324-G01		SHOCK ABSORBER	2
27	10435-G1		SHOCK ABSORBER WASHER.....	8
28	10194-G1		RUBBER SHOCK ABSORBER BUSHING	8
29	00532-G6		NUT, 3/8 - 24	4
30				



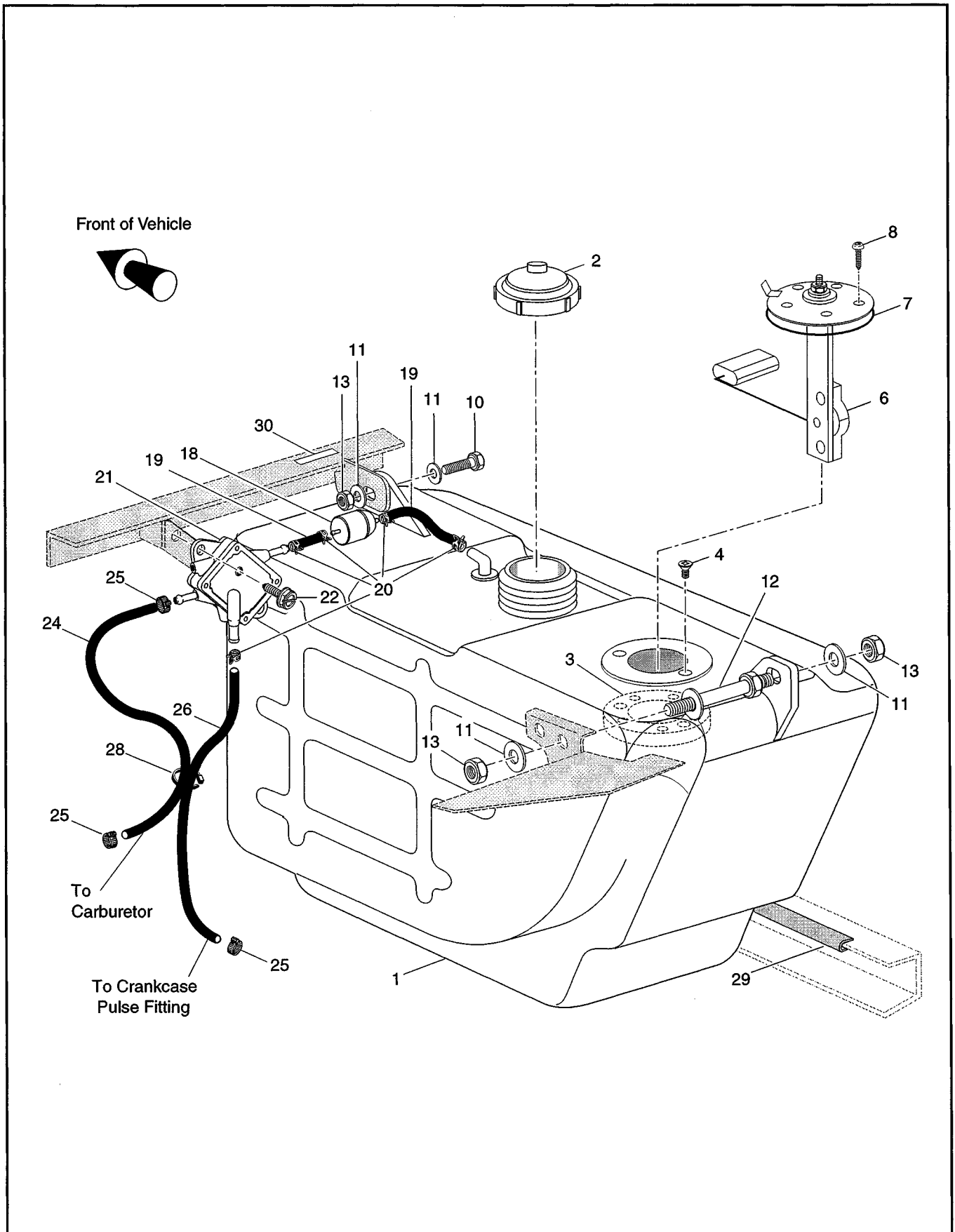
FRONT SUSPENSION

Gasoline Vehicle

When ordering parts, please specify the model and serial number of the product.
 * Indicates a component that is not available as an individual part.
 G** Indicates consult Customer Service Department for additional information.

ITEM	PART NO.	1 2 3 4 5	DESCRIPTION	QTY.
31	70049-G01		LEAF SPRING	2
32	70540-G02		SPRING PLATE	2
33	00463-G4		BOLT, 7/16 - 14 X 1 1/2" LG.....	6
34	00734-G1		LOCK NUT, 7/16 - 14	12
35	00463-G6		BOLT, 7/16 - 14 X 1 3/4" LG.....	6
36	70163-G02		SPRING PLATE	2
37				
38	14723-G1		LUG NUT, 1/2 - 20.....	8





When ordering parts, please specify the model and serial number of the product.

* Indicates a component that is not available as an individual part.

G** Indicates consult Customer Service Department for additional information.

ITEM	PART NO.	1 2 3 4 5	DESCRIPTION	QTY.
1	72092-G02		FUEL TANK (FOR ELECTRIC GAUGE / WARNING LIGHT)	1
2	72282-G01		FUEL TANK CAP	1
3	72229-G01		FUEL LEVEL SENDER ADAPTER	1
4	72230-G01		SCREW, #6 - 32 X 1/2" LG.	2
5				
6	20048-G2		FUEL LEVEL SENDER (ELECT. FUEL GAUGE) (INCLUDES ITEMS 7, 8).....	1
7	*		GASKET	1
8	72232-G01		SCREW, #10 - 32 x 3/4" LG.	5
9				
10	00438-G8		BOLT, 5/16 - 18 X 1" LG.	1
11	00559-G8		WASHER, 5/16"	4
12	70483-G01		SPACER.....	1
13	11098-G6		LOCK NUT, 5/16 - 18	3
14				
15				
16				
17				
18	72084-G01		FUEL FILTER	1
19	17470-G1		TUBING, 3 1/4" LG. (BULK).....	2
20	18292-G1		CLAMP.....	5
21	72021-G01		FUEL PUMP.....	1
22	00114-G6		SCREW, 1/4 - 14 X 3/4" LG.	2
23				
24	17470-G1		TUBING, 16" LG. (BULK)	A/R
25	11391-G4		HOSE CLAMP.....	3
26	27183-G01		PULSE TUBING, 16" LG. (BULK)	A/R
27				
28	17618-G1		WIRE TIE	3
29	22280-G1		VINYL TRIM, 6 1/4" LG. (BULK)	A/R
30	26459-G01		LABEL (UNLEADED GASOLINE ONLY)	1



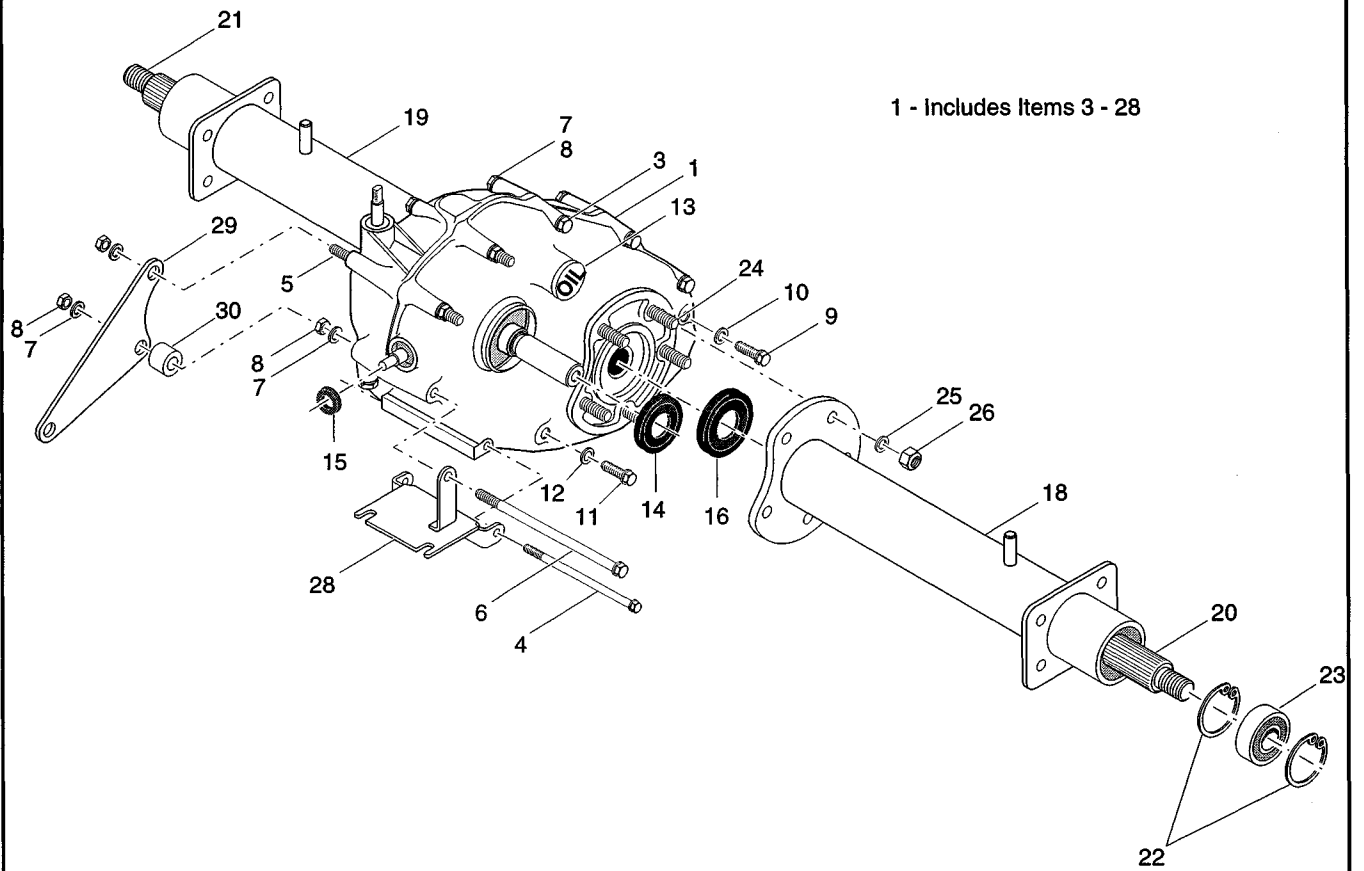
When ordering parts, please specify the model and serial number of the product.

* Indicates a component that is not available as an individual part.

G** Indicates consult Customer Service Department for additional information.

ITEM	PART NO.	1 2 3 4 5	DESCRIPTION	QTY.
1	72601-G01		REAR AXLE (13.32:1) (INCLUDES ITEMS 3 - 28)	1
2				
3	26823-G01		FLANGED BOLT, M8 X 1.25 X 100 MM LG.	7
4	26824-G01		FLANGED BOLT, M8 X 1.25 X 110 MM LG.	1
5	72053-G01		BOLT, M8 X 1.25 X 120 MM LG.	1
6	72052-G01		FLANGED BOLT, M8 X 1.25 X 130 MM LG.	1
7	26826-G01		LOCK WASHER, M8.....	14
8	26827-G01		NUT, M8 X 1.25 MM	14
9	26768-G01		OIL CHECK PLUG	1
10	26769-G01		GASKET, 8 MM	1
11	26770-G01		OIL DRAIN PLUG.....	1
12	26771-G01		GASKET, 14 MM	1
13	26772-G01		OIL FILLER PLUG.....	1
14	26761-G01		INPUT SHAFT SEAL.....	1
15	26762-G01		SHIFTER SHAFT SEAL.....	1
16	26766-G01		AXLE SHAFT SEAL.....	2
17				
18	34138-G01		AXLE TUBE (DRIVER SIDE)	1
19	34139-G01		AXLE TUBE (PASSENGER SIDE).....	1
20	34136-G01		AXLE SHAFT (DRIVER SIDE)	1
21	34137-G01		AXLE SHAFT (PASSENGER SIDE).....	1
22	33687-G01		RETAINING RING	2
23	33686-G01		BEARING	2
24	26767-G01		STUD, M10 X 1.5 X 40 MM LG.	10
25	26828-G01		WASHER, 10 MM.....	10
26	26829-G01		NUT, 10 MM X 1.5 MM	10
27				
28	26815-G01		SHIFTER CABLE BRACKET.....	1
29	72017-G01		AXLE BRACKET	1
30	75048-G01		SPACER, 1/2"	1





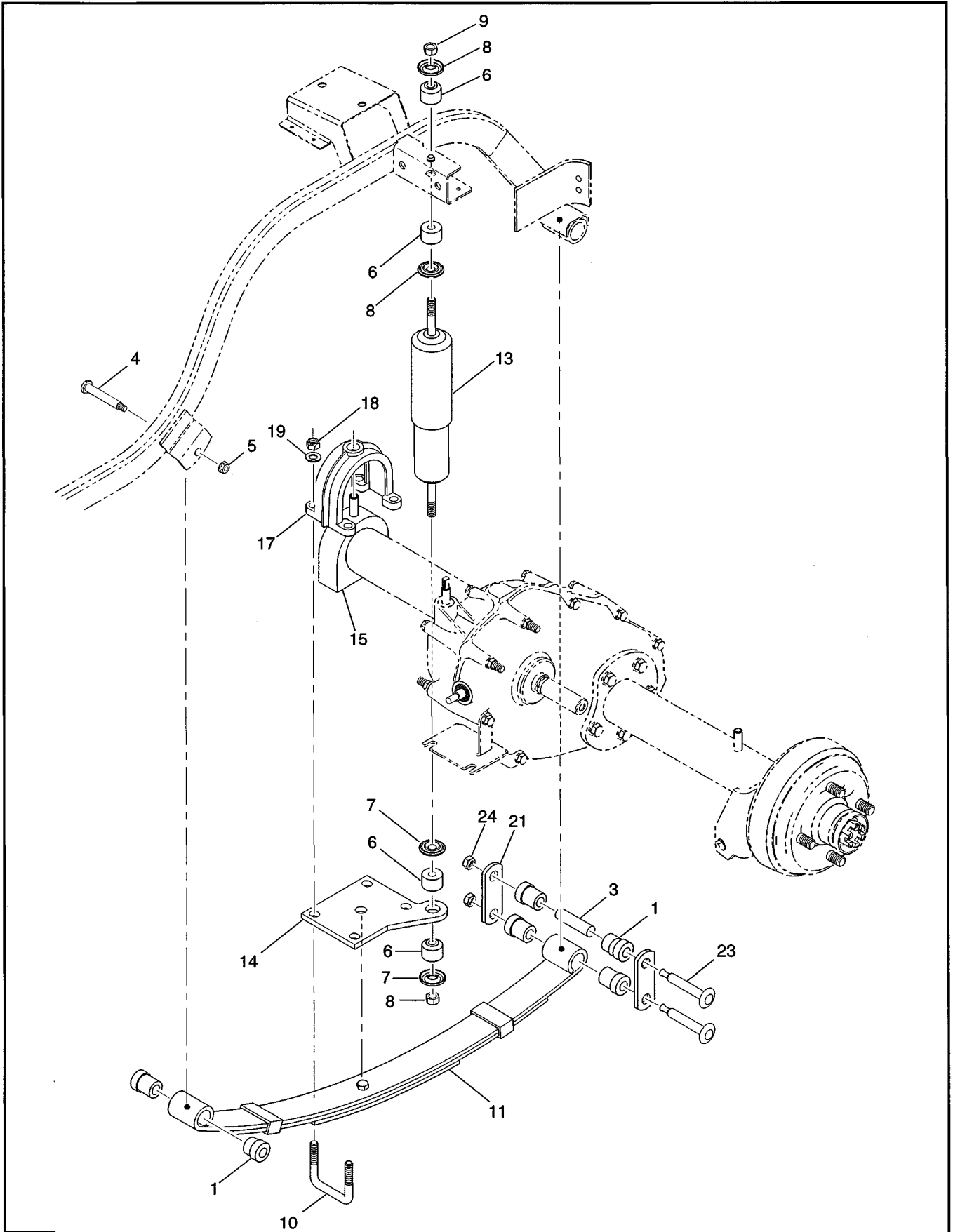
When ordering parts, please specify the model and serial number of the product.

* Indicates a component that is not available as an individual part.

G** Indicates consult Customer Service Department for additional information.

ITEM	PART NO.	1 2 3 4 5	DESCRIPTION	QTY.
1	72031-G01		REAR AXLE (13.32:1) (INCLUDES ITEMS 3 - 28)	1
2				
3	26823-G01		FLANGED BOLT, M8 X 1.25 X 100 MM LG.	7
4	26824-G01		FLANGED BOLT, M8 X 1.25 X 110 MM LG.	1
5	72053-G01		BOLT, M8 X 1.25 X 120 MM LG.	1
6	72052-G01		FLANGED BOLT, M8 X 1.25 X 130 MM LG.	1
7	26826-G01		LOCK WASHER, M8	14
8	26827-G01		NUT, M8 X 1.25 MM	14
9	26768-G01		OIL CHECK PLUG	1
10	26769-G01		GASKET, 8 MM	1
11	26770-G01		OIL DRAIN PLUG.....	1
12	26771-G01		GASKET, 14 MM	1
13	26772-G01		OIL FILLER PLUG.....	1
14	26761-G01		INPUT SHAFT SEAL.....	1
15	26762-G01		SHIFTER SHAFT SEAL.....	1
16	26766-G01		AXLE SHAFT SEAL.....	2
17				
18	72115-G01		AXLE TUBE (DRIVER SIDE)	1
19	72116-G01		AXLE TUBE (PASSENGER SIDE).....	1
20	72056-G01		AXLE SHAFT (DRIVER SIDE)	1
21	72057-G01		AXLE SHAFT (PASSENGER SIDE).....	1
22	26814-G01		RETAINING RING	4
23	26811-G01		BALL BEARING.....	2
24	26767-G01		STUD, M10 X 1.5 X 40 MM LG.	10
25	26828-G01		WASHER, 10 MM.....	10
26	26829-G01		NUT, 10 MM X 1.5 MM	10
27				
28	26815-G01		SHIFTER CABLE BRACKET.....	1
29	72017-G01		AXLE BRACKET	1
30	75048-G01		SPACER, 1/2"	1



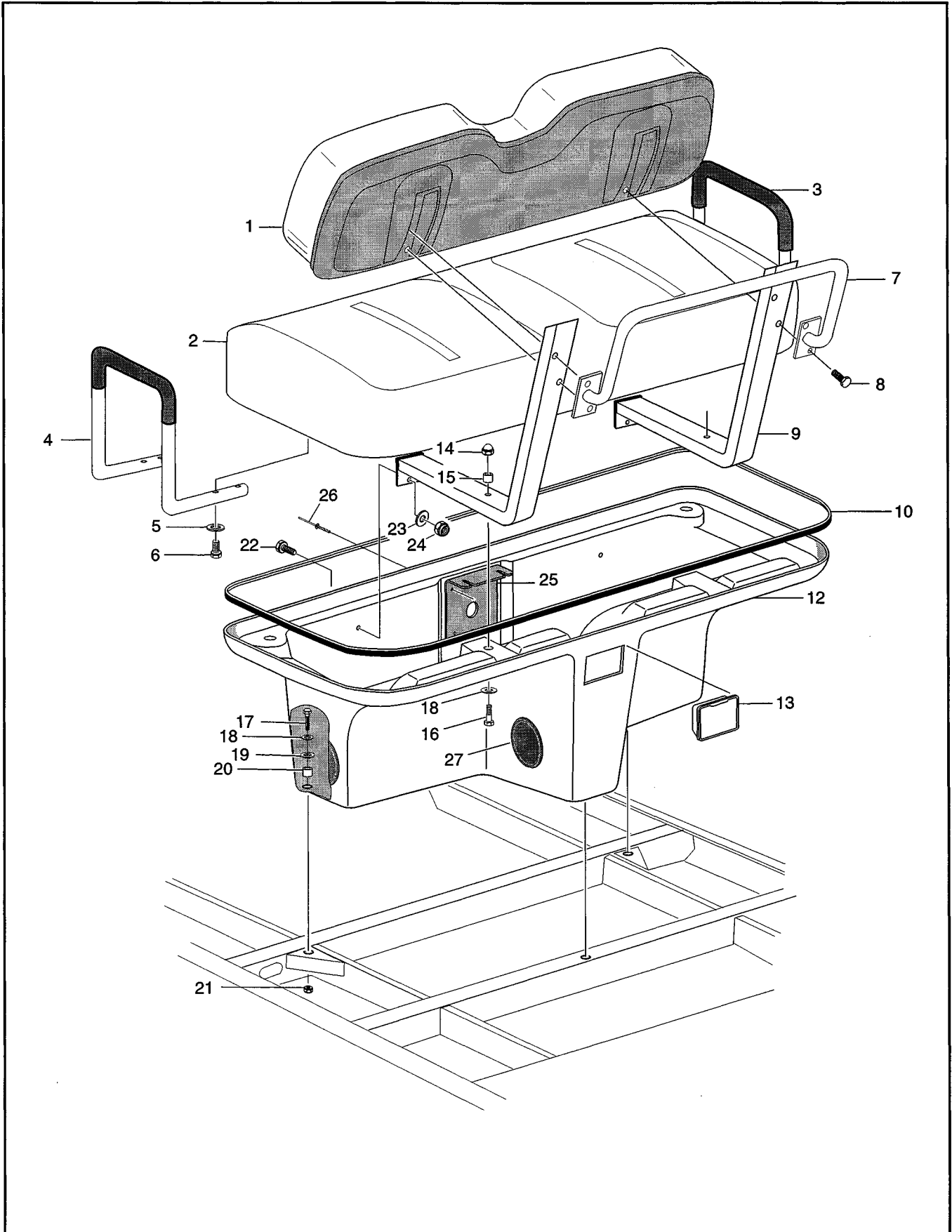


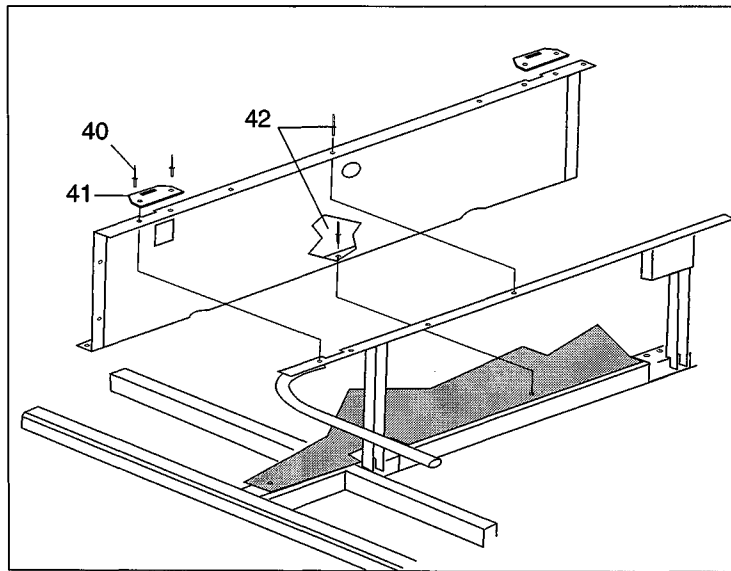
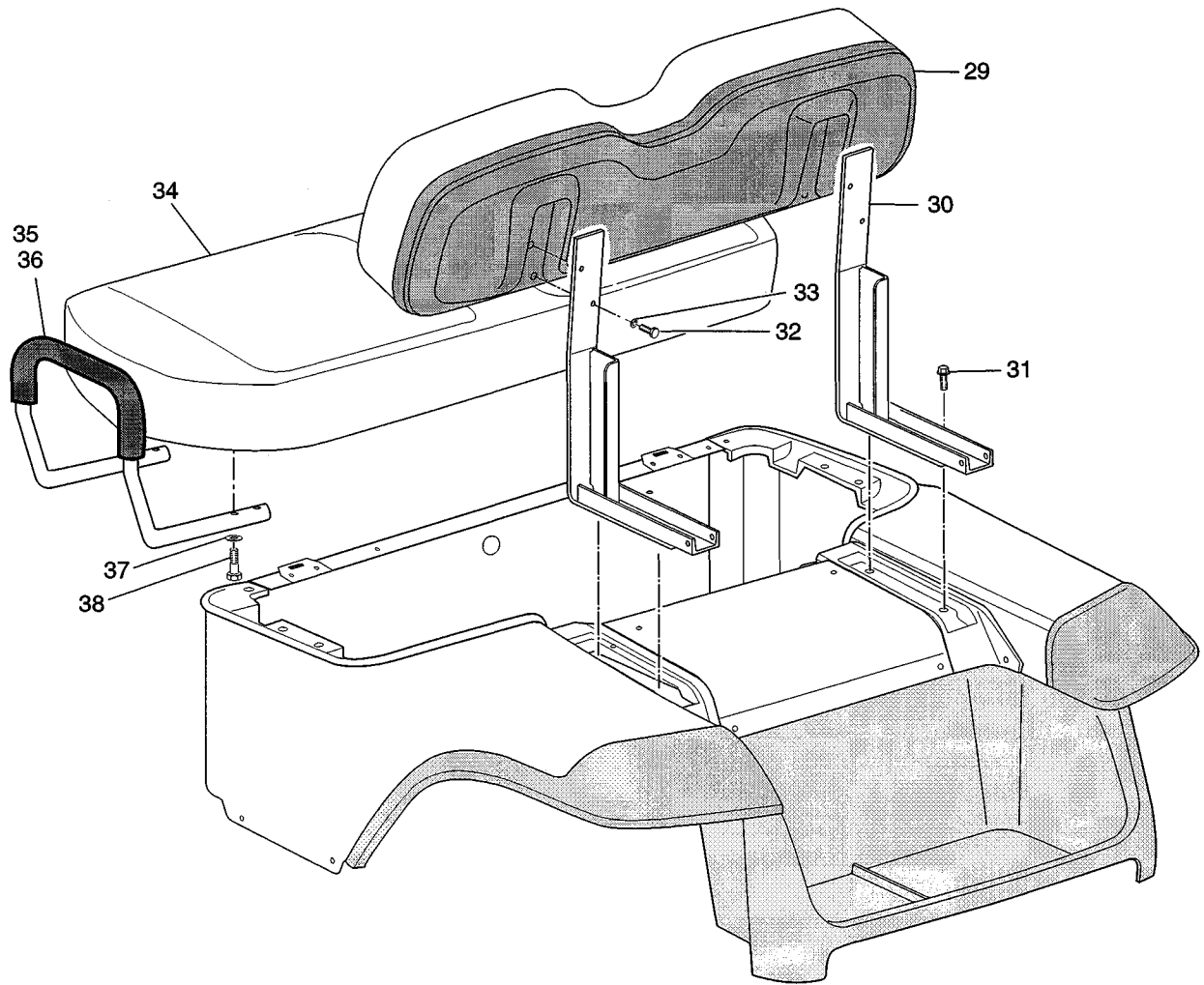
When ordering parts, please specify the model and serial number of the product.

* Indicates a component that is not available as an individual part.

G** Indicates consult Customer Service Department for additional information.

ITEM	PART NO.	1 2 3 4 5	DESCRIPTION	QTY.
1	70291-G01		RUBBER BUSHING (LEAF SPRING).....	12
2				
3	70289-G02		SPACER.....	4
4	00429-G2		BOLT, 3/16 x 3 1/4" LG.....	2
5	12262-G1		LOCK NUT, 3/8 - 16	2
6	10194-G1		RUBBER BUSHING (SHOCK ABSORBER).....	8
7	10435-G1		WASHER (SHOCK ABSORBER)	8
8	00532-G6		NUT, 3/8 - 24	4
9				
10	74124-G01		U-BOLT, 3/8 - 16	4
11	74135-G01		LEAF SPRING (HEAVY DUTY)	2
12				
13	70324-G01		SHOCK ABSORBER	2
14	72028-G01		ISOMOUNT BASE PLATE	2
15	72117-G01		ISOMOUNT BUSHING	2
16				
17	72037-G01		ISOMOUNT CAP	2
18	11098-G5		LOCK NUT, 3/8 - 16	8
19	00560-G1		WASHER, 3/8"	8
20				
21	70290-G01		SHACKLE PLATE	4
22				
23	00429-G4		SCREW, 3/8 - 16 X 3 1/2" LG.	4
24	11098-G5		LOCK NUT, 3/8 - 16	1





SEATING

Gasoline Vehicle

When ordering parts, please specify the model and serial number of the product.

* Indicates a component that is not available as an individual part.

G** Indicates consult Customer Service Department for additional information.

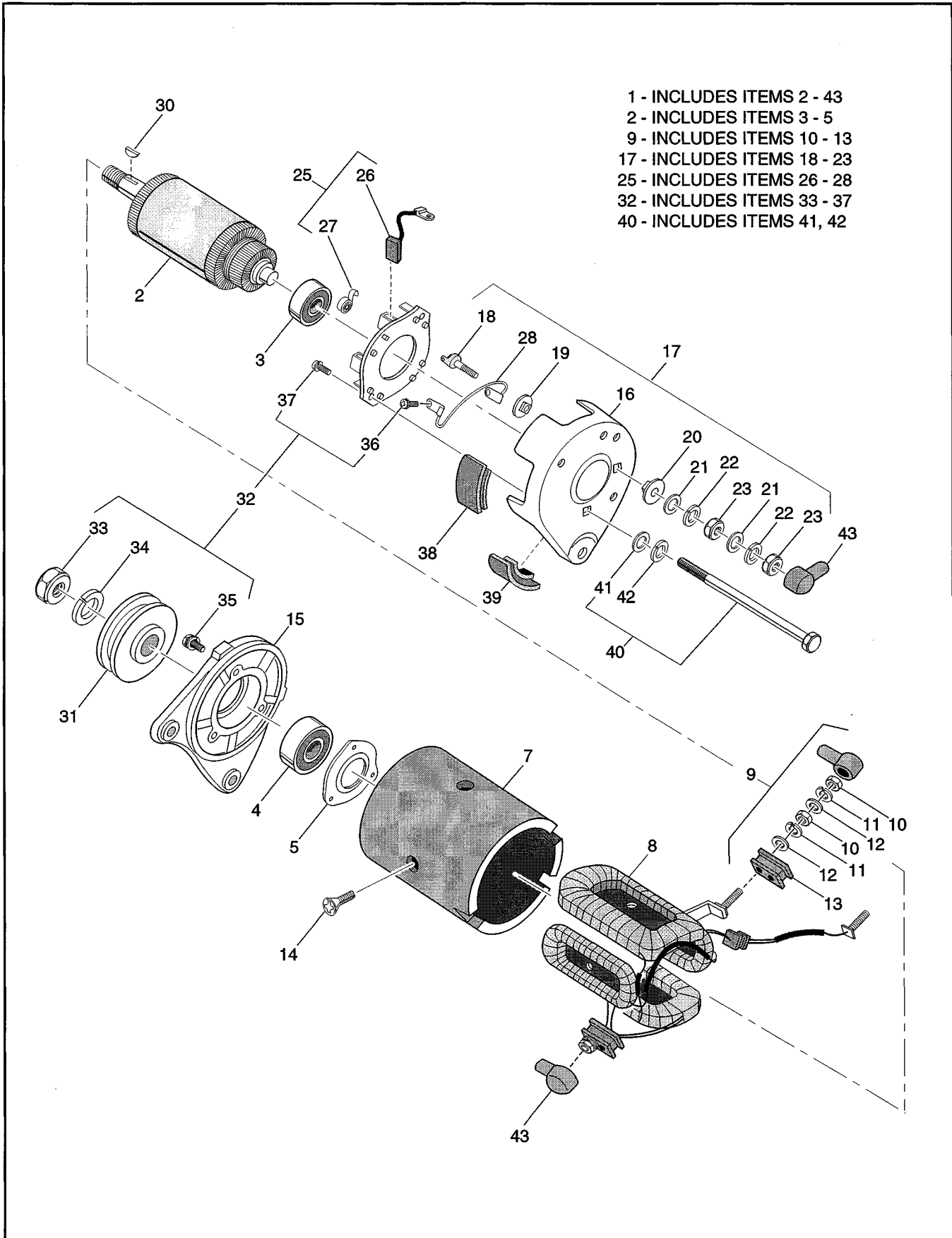
ITEM	PART NO.	1	2	3	4	5	DESCRIPTION	QTY.
1	71751-G0*						SEAT BACK,	1
2	71875-G**						FRONT SEAT BOTTOM (INCLUDES ITEMS 3 - 6).....	1
3	71877-G01						HIP RESTRAINT (PASSENGER SIDE).....	1
4	71877-G02						HIP RESTRAINT (DRIVER SIDE)	1
5	00559-G7						WASHER, 1/4"	8
6	00415-G2						BOLT, 1/4 - 20 X 1 1/4" LG.....	8
7	71632-G01						REAR HAND HOLD BAR.....	1
8	71204-G02						BOLT, 1/4 - 20 X 2" LG	4
9	71868-G01						SEAT BACK BRACKET	2
10	32805-G6						TRIM, BLACK.....	1
11								
12	71873-G**						SEAT POD	1
13	27731-G01						ASHTRAY	1
14	15717-G5						ACORN NUT, 3/8 - 16	2
15	23726-G8						SPACER, 3/8"	2
16	00427-G8						BOLT, 3/8 - 16 X 2" LG	2
17	00439-G8						BOLT, 5/16 - 18 X 2" LG	3
18	00675-G1						WASHER, 1 1/4" X 3/8"	5
19	71883-G01						RUBBER WASHER, 5/8"	3
20	23726-G9						SPACER, 3/4"	3
21	11098-G6						LOCK NUT, 5/16-18	3
22	16705-G1						BOLT, 1/4 - 20 X 1" LG	2
23	00559-G7						WASHER, 1/4"	2
24	00891-G2						LOCK NUT, 1/4 - 20	2
25	71637-G01						DIRECTION SELECTOR MOUNT PLATE	1
26	14601-G8						RIVET, 3/16 X 7/16" LG.....	3
27	71599-G01						VENT PLUG	4
28								
29	71751-G**						SEAT BACK	1
30	74137-G01						SEAT SUPPORT	2

When ordering parts, please specify the model and serial number of the product.

* Indicates a component that is not available as an individual part.

G** Indicates consult Customer Service Department for additional information.

ITEM	PART NO.	1	2	3	4	5	DESCRIPTION	QTY.
31	01006-G01						SCREW, THREAD FORM, 3/8-16	4
32	00414-G8						BOLT, 1/4 - 20 X 1" LG.....	4
33	00565-G7						LOCK WASHER, 1/4"	4
34	71651-G**						REAR SEAT BOTTOM (INCLUDES ITEMS 35 - 38).....	1
35	71876-G01						HIP RESTRAINT, REAR SEAT (DRIVER SIDE)	1
36	71876-G02						HIP RESTRAINT, REAR SEAT (PASSENGER SIDE).....	1
37	00559-G7						WASHER, 1/4".....	4
38	00415-G2						BOLT, 1/4 - 20 X 1 1/4" LG.	4
39								
40	10570-G1						RIVET, 1/8 X 1/2" LG.....	4
41	71610-G01						SEAT HINGE.....	2
42	10570-G1						RIVET, 1/8 X 1/2" LG.....	7



THE USE OF NON U.L. PARTS WILL VOID ANY U.L. LISTING.

When ordering parts, please specify the model and serial number of the product.

* Indicates a component that is not available as an individual part.

G** Indicates consult Customer Service Department for additional information.

ITEM	PART NO.	1	2	3	4	5	DESCRIPTION	QTY.
1	27065-G01						STARTER/GENERATOR, COMPLETE (INCLUDES ITEMS 2 - 43).....	1
2	26870-G01						ARMATURE (INCLUDES ITEMS 3 - 5)	1
3	26871-G01						BALL BEARING, REAR	1
4	26872-G01						BALL BEARING, FRONT	1
5	26873-G01						BEARING HOLDER	1
6								
7								
8	26875-G01						FIELD COIL	1
9	26876-G01						"F" INSULATING BRUSH (INCLUDES ITEMS 10 - 13)	2
10	*						NUT	2
11	*						LOCK WASHER.....	2
12	*						WASHER.....	2
13	*						INSULATOR	1
14	26877-G01						POLE CORE SET SCREW	4
15	26878-G01						FRONT COVER.....	1
16	16885-G01						REAR COVER.....	1
17	26880-G01						"A" TERMINAL (INCLUDES ITEMS 18 - 23)	2
18	*						TERMINAL	2
19	*						INSULATOR	2
20	*						INSULATOR	2
21	*						WASHER.....	4
22	*						LOCK WASHER.....	4
23	*						NUT	4
24								
25	26881-G01						BRUSH HOLDER (INCLUDES ITEMS 26 - 28)	1
26	26658-G01						BRUSH.....	4
27	26882-G01						BRUSH SPRING	4
28	26883-G01						BRUSH CONNECTOR.....	2
29								
30	26884-G01						KEY.....	1

THE USE OF NON U.L. PARTS WILL VOID ANY U.L. LISTING.
 When ordering parts, please specify the model and serial number of the product.
 * Indicates a component that is not available as an individual part.
 G** Indicates consult Customer Service Department for additional information.

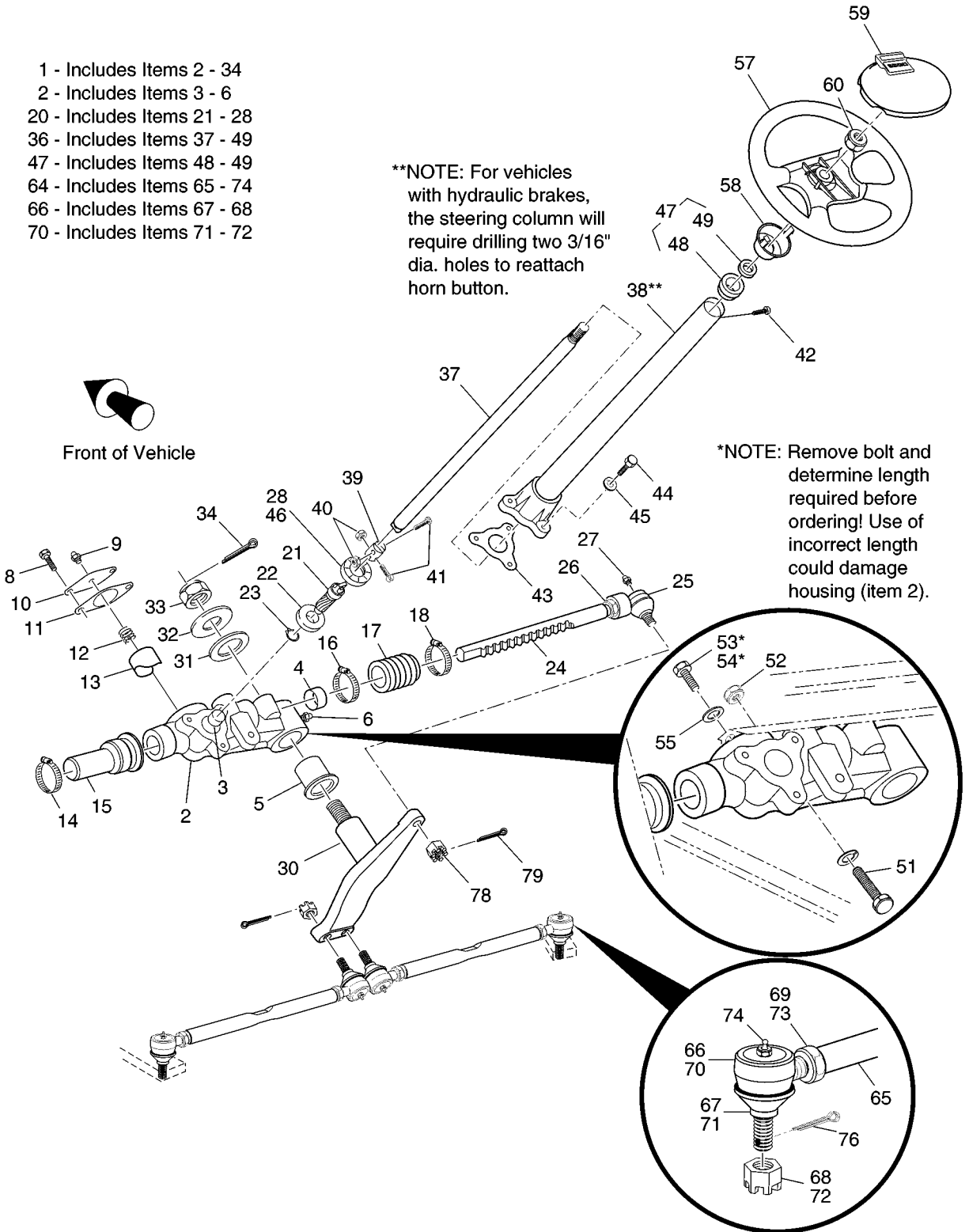
ITEM	PART NO.	1	2	3	4	5	DESCRIPTION	QTY.
31	26885-G01						PULLEY WHEEL	1
32	26886-G01						PULLEY (INCLUDES ITEMS 33 - 37)	1
33	*						NUT	1
34	*						LOCK WASHER	1
35	*						SCREW	3
36	*						SCREW	4
37	*						SCREW	2
38	26887-G01						BRUSH 1 COVER.....	2
39	26888-G01						BRUSH 2 COVER.....	3
40	26889-G01						BOLT AND WASHER (INCLUDES ITEMS 41, 42)	2
41	*						WASHER.....	2
42	*						LOCK WASHER	2
43	16896-G1						TERMINAL COVER	4



- 1 - Includes Items 2 - 34
- 2 - Includes Items 3 - 6
- 20 - Includes Items 21 - 28
- 36 - Includes Items 37 - 49
- 47 - Includes Items 48 - 49
- 64 - Includes Items 65 - 74
- 66 - Includes Items 67 - 68
- 70 - Includes Items 71 - 72

****NOTE:** For vehicles with hydraulic brakes, the steering column will require drilling two 3/16" dia. holes to reattach horn button.

***NOTE:** Remove bolt and determine length required before ordering! Use of incorrect length could damage housing (item 2).



When ordering parts, please specify the model and serial number of the product.
 * Indicates a component that is not available as an individual part.
 G** Indicates consult Customer Service Department for additional information.

ITEM	PART NO.	1	2	3	4	5	DESCRIPTION	QTY.
1	70314-G02						STEERING BOX ASSEMBLY (COMPLETE) (INCLUDES ITEMS 2 - 34)	1
2	75364-G01						STEERING HOUSING (INCLUDES ITEMS 3 - 6).....	1
3	*						SLEEVE BEARING	1
4	*						SLEEVE BEARING	1
5	*						FLANGED BEARING	1
6	10389-G3						GREASE FITTING, STRAIGHT	1
7								
8	00426-G6						BOLT, 3/8 - 16 X 3/4" LG.....	2
9	18456-G1						GREASE FITTING, 90°	1
10	70177-G01						RACK GUIDE COVER	1
11	70225-G01						GASKET	1
12	70178-G01						COMPRESSION SPRING.....	1
13	70179-G01						RACK GUIDE	1
14	11391-G1						HOSE CLAMP, 1 1/4"	1
15	70041-G01						RACK COVER.....	1
16	11391-G1						HOSE CLAMP, 1 1/4"	1
17	70183-G01						BELLOWS	1
18	11391-G5						HOSE CLAMP, 3/4"	1
19								
20	70299-G01						STEERING GEAR KIT (INCLUDES ITEMS 21 - 28).....	1
21	70297-G01						GEAR PINION.....	1
22	15112-G1						BALL BEARING	1
23	70190-G01						EXTERNAL RETAINING RING	1
24	70298-G01						STEERING RACK	1
25	70192-G01						RACK BALL END	1
26	00532-G8						NUT, 7/16 - 20	1
27	18456-G1						GREASE FITTING, 90°	1
28	70466-G01						RETAINER	1
29								
30	70184-G01						IDLER.....	1



When ordering parts, please specify the model and serial number of the product.
 * Indicates a component that is not available as an individual part.
 G** Indicates consult Customer Service Department for additional information.

ITEM	PART NO.	1 2 3 4 5	DESCRIPTION	QTY.
31	70216-G01		THRUST WASHER, 1 1/2"	1
32	70195-G01		THRUST WASHER, 7/8"	1
33	00734-G6		LOCK NUT, 7/8 - 9.....	1
34	00798-G8		COTTER PIN, 5/32" X 1 3/4" LG.	1
35				
36	70360-G01		STEERING SHAFT/COLUMN KIT (INCLUDES ITEMS 37 - 49)	1
37	14322-G3		STEERING SHAFT.....	1
38	70333-G01		STEERING COLUMN (SEE **NOTE IN ILLUSTRATION)	1
39	70558-G01		COUPLING.....	1
40	00550-G1		LOCK NUT, 1/4 - 20.....	2
41	70227-G01		BOLT, 1/4 - 20 X 7/8" LG.	2
42	01022-G01		SCREW, #6 - 20 X 5/16" LG.....	1
43	70223-G01		GASKET	1
44	01034-G01		BOLT, 3/8 - 16 X 1 1/2" LG. WITH PATCHLOCK	3
45	00878-G1		LOCK WASHER, 3/8"	3
46	70466-G01		RETAINER.....	1
47	17161-G1		BUSHING AND SEAL KIT (INCLUDES ITEMS 48, 49)	1
48	*		STEERING COLUMN BUSHING.....	1
49	*		SHAFT SEAL.....	1
50				
51	00470-G4		BOLT, 7/16 - 20 X 2 1/2" LG.....	1
52	00734-G3		LOCK NUT, 7/16 - 20	1
53	01033-G01		BOLT, 7/16 - 14 X 1 1/4" LG. WITH PATCHLOCK (PROD. SINCE 4-98)	2
54	01033-G02		BOLT, 7/16 - 14 X 7/8" LG. WITH PATCHLOCK (PRIOR TO 4-98 PROD.)	2
55	00566-G2		LOCK WASHER, 7/16".....	3
56				
57	71948-G01		STEERING WHEEL	1
58	71949-G01		HUB.....	1
59	71950-G01		CLIPBOARD	1
60	14390-G2		LOCK NUT, 5/8 - 18	1

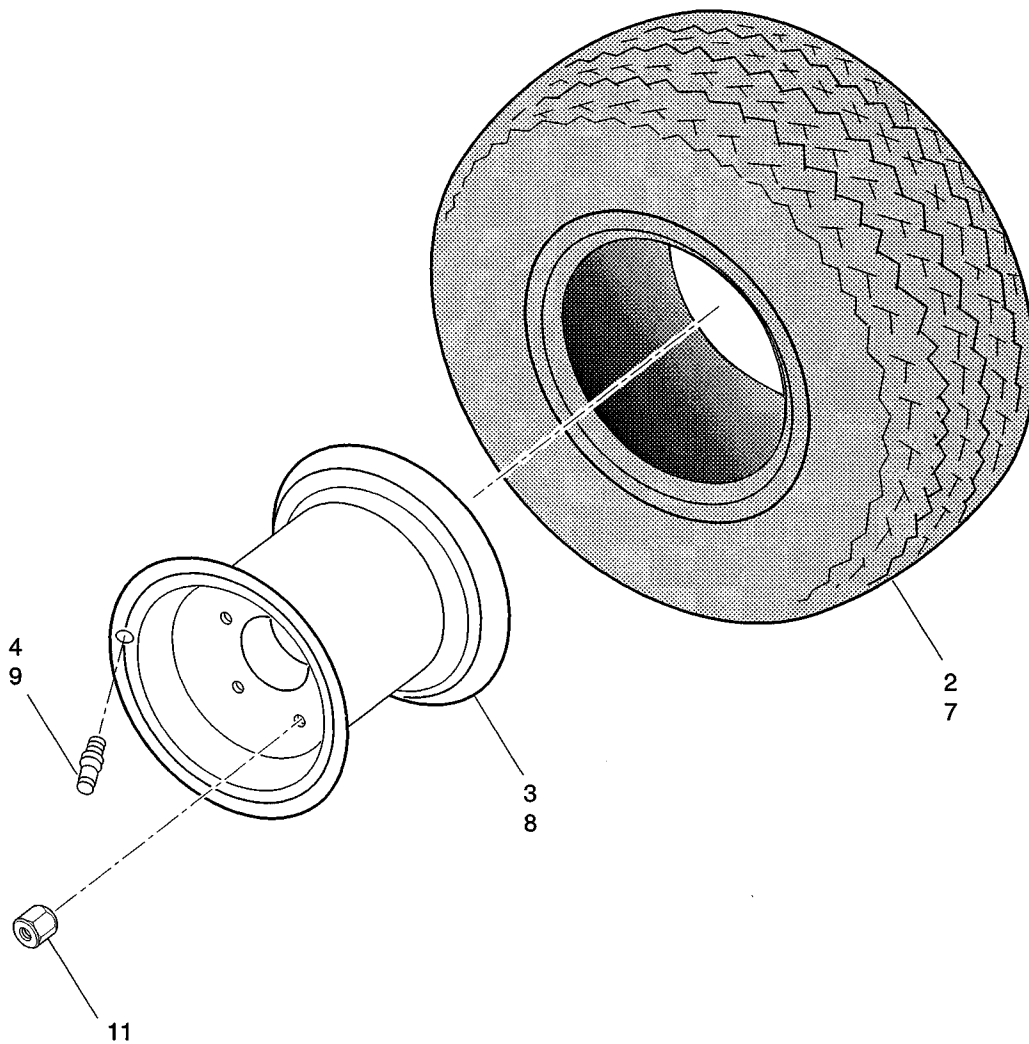


When ordering parts, please specify the model and serial number of the product.
 * Indicates a component that is not available as an individual part.
 G** Indicates consult Customer Service Department for additional information.

ITEM	PART NO.	1	2	3	4	5	DESCRIPTION	QTY.
61								
62								
63								
64	70074-G01						TIE ROD ASSEMBLY (INCLUDES ITEMS 65 - 74).....	2
65	70583-G02						THREADED TUBE WITH FLAT	1
66	27205-G01						TIE ROD END (LEFT HAND THREAD) (INCLUDES ITEMS 67 - 68).....	1
67	50641-G1						RUBBER BOOT	1
68	50209-G2						SLOTTED NUT, 7/16 - 20.....	1
69	18434-G3						JAM NUT, 9/16 - 18 (LEFT HAND THREAD)	1
70	27205-G02						TIE ROD END (RIGHT HAND THREAD) (INCLUDES ITEMS 71 - 72).....	1
71	50641-G1						RUBBER BOOT	1
72	50209-G2						SLOTTED NUT, 7/16 - 20.....	1
73	18434-G4						JAM NUT, 9/16 - 18 (RIGHT HAND THREAD).....	1
74	10389-G3						GREASE FITTING, STRAIGHT	2
75								
76	10387-G2						COTTER PIN, 3/32" X 1" LG.....	2
77								
78	50209-G2						SLOTTED NUT, 7/16 - 20	1
79	10387-G2						COTTER PIN, 3/32" X 1" LG.....	1



1 - Includes Items 2 - 4
6 - Includes Items 7 - 9



When ordering parts, please specify the model and serial number of the product.
 * Indicates a component that is not available as an individual part.
 G** Indicates consult Customer Service Department for additional information.

ITEM	PART NO.	1 2 3 4 5	DESCRIPTION	QTY.
1	27772-G11		WHEEL AND TIRE ASSEMBLY (LINKS 1 - STANDARD) (INCLUDES ITEMS 2 - 4)	4
2	27772-G10		TIRE	1
3	10641-G1		WHEEL.....	1
4	11657-G1		VALVE STEM	1
5				
6	32028-G2		WHEEL AND TIRE ASSEMBLY (USA TRAIL - OPTIONAL) (INCLUDES ITEMS 7 - 9)	4
7	27775-G02		TIRE	1
8	10641-G2		WHEEL.....	1
9	11657-G1		VALVE STEM	1
10				
11	14723-G1		LUG NUT, 1/2-20.....	20





SPECIAL TOOLS

SPECIAL TOOLS LISTING

SPECIAL TOOLS

Part No.
GASOLINE
VEHICLE

SPECIAL TOOLS

HIGH RESISTANCE SPARK PLUG WIRE SET	26733-G02
PULLER, DRIVE CLUTCH	19779-G2
PULLER, FLYWHEEL	27111-G01
CAM PULLEY TOOL.....	27851-G01
CURRENT INDICATOR	16489-G2
MULTI-METER, DIGITAL	27481-G01
CRIMPING TOOL	27765-G01
SLIDE HAMMER (AXLE/HUB REMOVAL).....	15947-G1
SLIDE HAMMER (AXLE REMOVAL ONLY).....	18753-G1
TACHOMETER	72526-G01
FEELER GAUGE	72525-G01
COMPRESSION TESTER.....	72524-G01
MANUAL, ENGINE REBUILD.....	27615-G01
BATTERY PROTECTANT (14 OZ AEROSOL).....	75500-G01
CARBURETOR & CHOKE CLEANER (15 OZ AEROSOL).....	75501-G01
WHITE LITHIUM GREASE (14 OZ AEROSOL)	75502-G01
MULTI-PURPOSE PENETRANT & LUBRICANT (15 OZ AEROSOL)	75503-G01
MULTI-PURPOSE CLEANER/DEGREASER (14 OZ AEROSOL)	75504-G01
MULTI-PURPOSE HAND CLEANER & SKIN SOFTENER (32 OZ.).....	75505-G01
BATTERY CLEANER (32 OZ. W/TRIGGER SPRAYER)	75506-G01
MULTI-PURPOSE BIODEGRADABLE CLEANER (32 OZ W/TRIGGER SPRAYER)	75507-G01
SAMPLER PACKAGE (4 OZ AEROSOL CANS, 1 EACH; MULTI-PURPOSE BATTERY PROTECTOR, MULTI-PURPOSE PENETRANT/LUBRICANT, WHITE LITHIUM GREASE AND CARBURETOR & CHOKE CLEANER)	75508-G01

PAINT

CONTACT CUSTOMER REPRESENTATIVE FOR COLOR SPECIFICATIONS AND PART NUMBERS

ACCESSORIES

ACCESSORIES LISTING

ACCESSORIES

Part No.
GASOLINE
VEHICLES

ACCESSORIES LISTING

SUN TOP KIT (INCLUDES FIELD INSTALLED HANDLES).....	75277-G01
WINDSHIELD KIT, FRONT (CLEAR AND REQUIRES SUN TOP KIT).....	75041-G05
WINDSHIELD KIT, FRONT (TINTED AND REQUIRES SUN TOP KIT).....	75041-G06
WINDSHIELD KIT, REAR (CLEAR AND REQUIRES SUN TOP KIT).....	75208-G01
WINDSHIELD KIT, REAR (TINTED AND REQUIRES SUN TOP KIT).....	75208-G02
MUD FLAPS	75013-G02
CENTER BASKET	75003-G02
CHROME HUB CAP 8"	14913-G1
CHROME HUB CAP 6"	16402-G1
GOLD SPOKE WHEEL COVERS.....	19241-G2
SILVER SPOKE WHEEL COVERS.....	19241-G1



a **TEXTRON** Company

E-Z-GO Division of Textron Inc.

P.O. Box 388 Augusta, Georgia USA 30903-0388

Inside USA Phone: 1-800-227-7029, FAX: 1-800-752-6175

Outside USA Phone: 010-1-706-798-4311, FAX: 010-1-706-771-4601

Copyrighted Material
This manual may not be reproduced in whole or
in part without the express permission of
E-Z-GO Division of Textron Inc.
Technical Communications Department