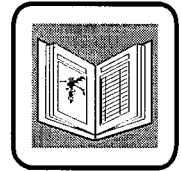
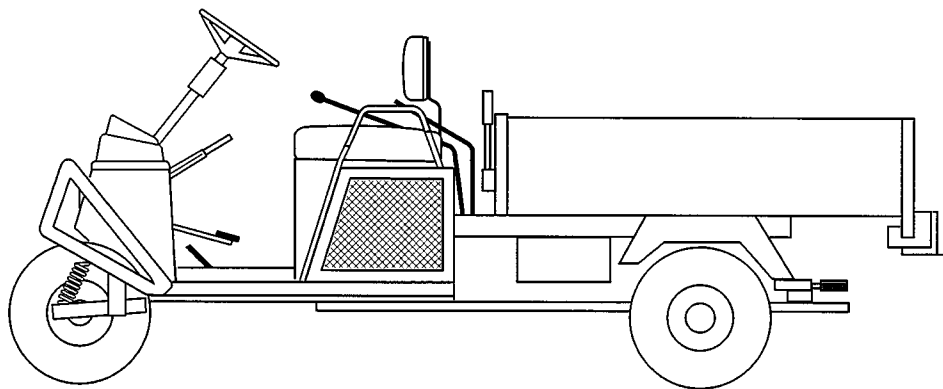




a **TEXTRON** Company



SERVICE PARTS MANUAL



WorkHorse™
1500G

EZGO
INDUSTRIAL
1500G

GASOLINE POWERED HEAVY DUTY TRUCK

MANUAL: 28281-G01

MODEL YEAR: 1996 - 1998

ISSUED: 03/96 REVISED: 10/97

SERVICE PARTS MANUAL

**GASOLINE POWERED
HEAVY DUTY TRUCK**

TRUCKS



CUSTOMER SERVICE DEPARTMENT PHONE 1-800-227-7029 FAX 1-800-752-6175
E-Z-GO DIVISION OF TEXTRON, INC., P.O.BOX 388, AUGUSTA, GEORGIA 30903-0388, 1-800-241-5855



LIMITED WARRANTY

TO OBTAIN A COPY OF THE LIMITED WARRANTY THAT IS APPLICABLE TO THE VEHICLE, CALL OR WRITE THE LOCAL DISTRIBUTOR, BRANCH OR E-Z-GO WARRANTY DEPARTMENT WITH VEHICLE SERIAL NUMBER AND MANUFACTURE CODE.

THE USE OF NON E-Z-GO PARTS MAY VOID THE WARRANTY.

TAMPERING WITH OR ADJUSTING OF GOVERNOR TO PERMIT THE VEHICLE TO OPERATE AT ABOVE FACTORY SETTINGS (24 MPH) WILL VOID YOUR VEHICLE WARRANTY.

GENERAL INDEX

LIMITED WARRANTY	ii
HOW TO USE THE E-Z-GO SERVICE PARTS MANUAL	vi
SPECIAL TOOLS LISTING	Appendix-A
ACCESSORIES LISTING.....	Appendix-B

Illustration	Page No.
ACCELERATOR LINKAGE	
• Accelerator Pedal	A-1
• Accelerator Shaft Assembly	A-1
AIR CLEANER	B-1
ALTERNATOR	C-1
BODY AND ASSOCIATED PARTS	
• Bumpers/Guard.....	D-1
• Lower Hitch	D-2
• Decals	D-2
• Floorboard.....	D-3
BRAKES	
• Master Cylinder.....	E-1
• Service Brake Pedal.....	E-1
• Parking Brake.....	E-3
CLUTCH.....	F-1
ELECTRICAL	
• Main Wire Harness.....	G-1
• Turn Signals.....	G-2
• Dash.....	G-3
• Horn	G-3
• Dash Wire Harness	G-4
• Speedometer.....	G-5
• Headlights	G-5
• Battery.....	G-6



GENERAL INDEX

ENGINE

- Carburetor..... H-1
- Spark Plugs H-1

EXHAUST

- Muffler..... J-1
- Spark Arrestor..... J-1

FUEL SYSTEM

- Fuel Tank K-1
- Fuel Pump K-1
- Fuel Filter..... K-1

PTO

- Tachometer L-1

REAR AXLE..... M-1

SEAT FRAME

- Choke N-1
- Hand Hold Assembly N-1

SEATING..... P-1

SHIFTER AND LINKAGE Q-1

SPEED CONTROL R-1

STARTER..... S-1

STEERING..... T-1

SUSPENSION, FRONT

- Front Fork U-1
- Shock Absorber U-1
- Axle and Hub Assembly..... U-1

SUSPENSION, REAR

- Inner Frame V-1
- Transmission Support V-1
- Stabilizer Bar V-2
- Leaf Springs..... V-2
- Shock Absorber V-2

TRANSMISSION..... W-1

GENERAL INDEX

TRUCKBED

- Tail Lights X-1
- Manual Prop X-2
- Tailgate..... X-3
- Latch X-3
- Dump Bed Lock Down X-4
- Tie Down X-4

TRUCKBED, ELECTRIC DUMP

- Toggle Switch Y-1
- Electric Actuator..... Y-2
- Circuit Breaker Y-2

WHEELS AND TIRES..... Z-1

HOW TO USE THE E-Z-GO SERVICE PARTS MANUAL

This manual contains optional items that may not be applicable to every vehicle.

This manual is divided into several sections:

- GENERAL INFORMATION
- ILLUSTRATED PARTS BREAKDOWN FOR THE GASOLINE POWERED HEAVY DUTY TRUCKS
- SPECIAL TOOLS LISTING
- ACCESSORIES LISTING

The first section, GENERAL INFORMATION, contains the following information:

- WARRANTY INFORMATION
- GENERAL INDEX
- HOW TO USE THE E-Z-GO SERVICE PARTS MANUAL

The second section, ILLUSTRATED PARTS BREAKDOWN (IPB) FOR THE GASOLINE POWERED HEAVY DUTY TRUCKS, contains illustrations and parts lists for all systems of the vehicle.

The third section, SPECIAL TOOLS, contains a listing of E-Z-GO special tools that may be purchased from the company to aid in the servicing of the vehicle.

The fourth section, ACCESSORIES LISTING, contains a listing of available accessories that may be purchased from the Service Parts Department.

USE OF THE MANUAL

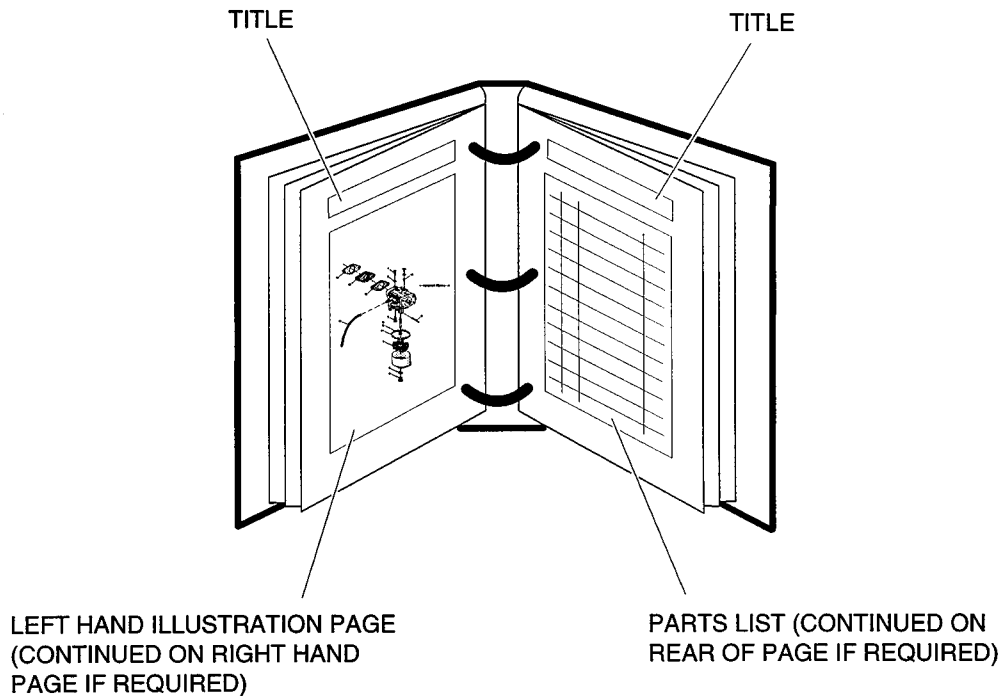
To use this manual, consult the GENERAL INDEX to locate the information or illustration required.

Introduction of some revisions varies due to supply of components; therefore, it is possible that various combinations of components may be found that are not directly reflected by each illustration. Consult the illustration that best suits your situation and then contact the Service Parts Department. It is important that the serial number of your vehicle and its model number be supplied to Service Parts when ordering any replacement components.

Locate the serial number plate (see Model Details located in the IPB section of this manual for its location) and note the complete vehicle serial number and manufacture code shown on the plate.

All relevant systems are listed in the General Index and has an alphabetical prefix. The illustration always appears first and is followed by its related parts list.

HOW TO USE THE E-Z-GO SERVICE PARTS MANUAL



1. WHEN THE PART NUMBER IS NOT KNOWN

- Determine the function and application of the part required. Turn to the General Index and select the most appropriate title.
- Turn to the page number indicated and locate the desired part on the illustration.
- From the illustration, obtain the item number assigned to the desired part. Refer to the accompanying description for specific information regarding the part.

2. IF YOU KNOW THE PART NUMBER

- Locate the part number or description in the appropriate column on the parts list page.

NOTE: It is suggested that you confirm that the part selected is correct by verifying it with the pictorial representation on the illustrated page.

Should an asterisk (*) appear in the part number column on the parts list page, read upwards until a part number is found. The part number is the *lowest* assembly sold by E-Z-GO and the asterisk (*) indicates that the part depicted is not available for sale by E-Z-GO.

NOTE: Descriptions are *indented* under the assembly that they are used on. That assembly is, in turn listed under the assembly that it is used on. This process is repeated until the highest *final assembly* is reached.



ILLUSTRATED PARTS BREAKDOWN

ACCELERATOR LINKAGE

16 - Includes Items 17 - 24

Note: All components not shown are only available from Ohan

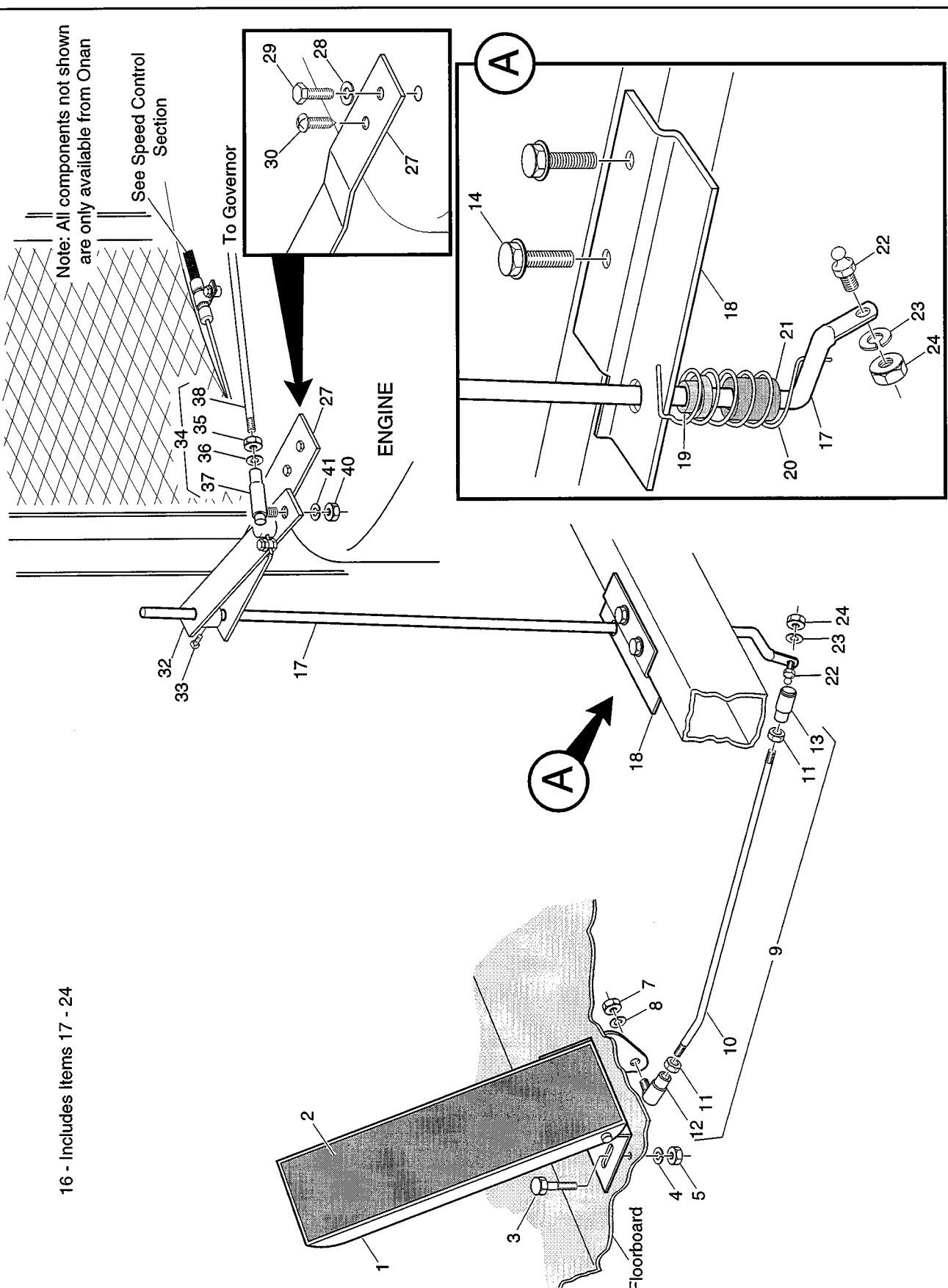
See Speed Control Section

To Governor

ENGINE

A

A



ACCELERATOR LINKAGE

When ordering parts, please specify the model and serial number of the product.

* Indicates a component that is not available as an individual part.

G** Indicates consult Customer Service Department for additional information.

ITEM	PART NO.	1 2 3 4 5	DESCRIPTION	QTY.
1	21528-G1		ACCELERATOR PEDAL	1
2	21531-G1		ABRASIVE STRIP	1
3	00240-G8		BOLT, 1/4 - 20 X 1" LG.	2
4	00565-G7		LOCK WASHER, 1/4"	2
5	00532-G1		NUT, 1/4 - 20	2
6				
7	00532-G4		NUT, 5/16 - 24	1
8	00565-G8		WASHER, LOCK, 5/16	1
9	11110-G1		ROD ASSEMBLY (INCLUDES ITEMS 10 - 13)	1
10	11109-G1		ACCELERATOR LINKAGE ROD	1
11	00544-G4		NUT, 5/16 - 24	2
12	10089-G3		BALL JOINT (COMPLETE)	1
13	14444-G3		BALL JOINT SOCKET	1
14	71102-G02		BOLT, 1/4 - 20 X 7/8" LG.	2
15				
16	21116-G1		ACCELERATOR SHAFT ASSEMBLY (INCLUDES ITEMS 17 - 24)	1
17	21117-G1		ACCELERATOR SHAFT	1
18	21118-G1		ACCELERATOR SHAFT BRACKET	1
19	21119-G1		BEARING	1
20	21120-G1		ACCELERATOR SPRING	1
21	21122-G1		SPACER	1
22	15944-G3		BALL JOINT	1
23	00565-G8		WASHER, 5/16"	1
24	00532-G4		NUT, 5/16 - 24	1
25				
26				
27	27887-G01		ACCELERATOR ROD SUPPORT BRACKET	1
28	00664-G7		LOCK WASHER, 1/4"	1
29	00414-G4		BOLT, 1/4 - 20 X 1/2" LG.	1
30	00106-G6		SELF-TAPPING SCREW, #12 - 24 X 3/4" LG.	1



ACCELERATOR LINKAGE

When ordering parts, please specify the model and serial number of the product.

* Indicates a component that is not available as an individual part.

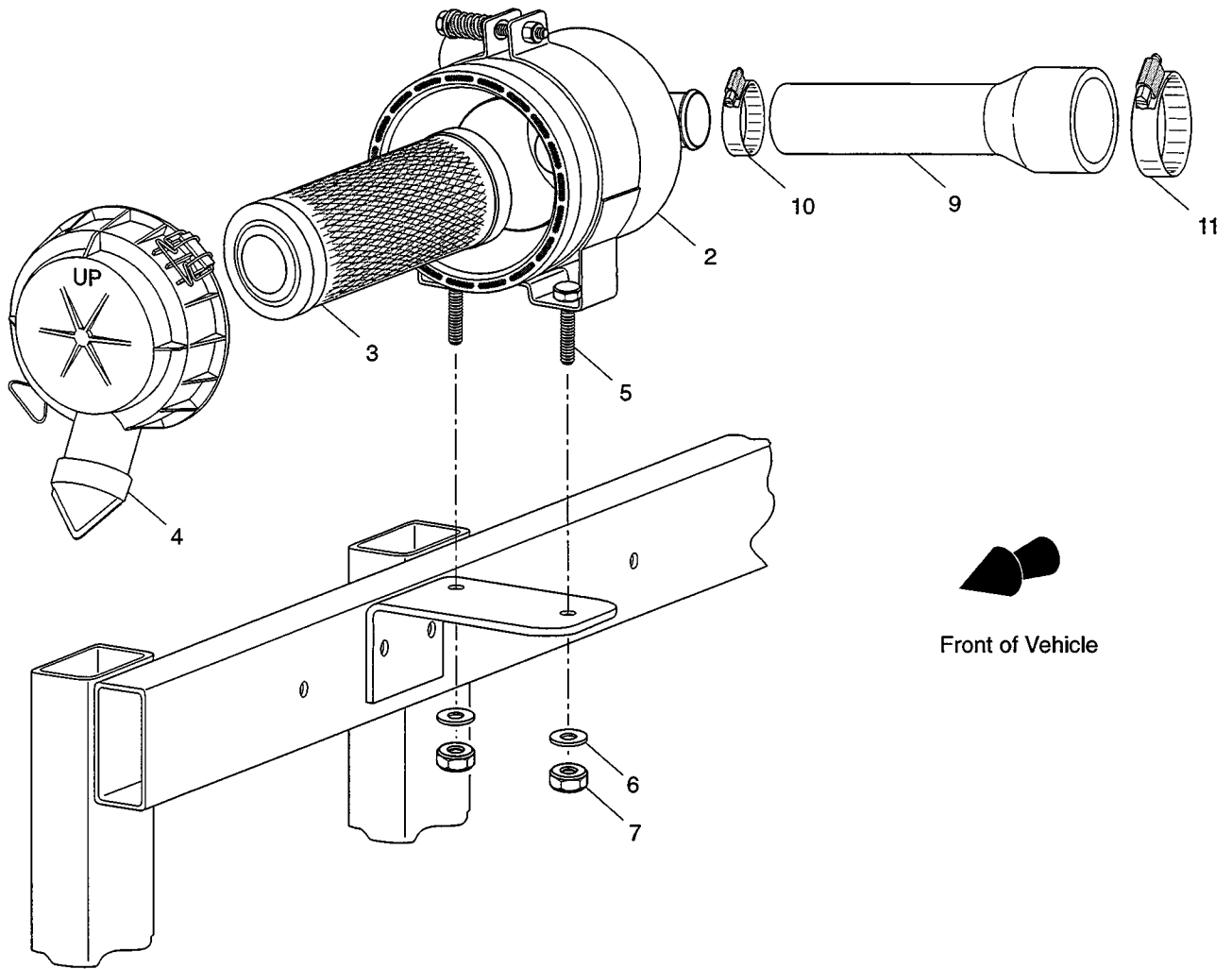
G** Indicates consult Customer Service Department for additional information.

ITEM	PART NO.	1 2 3 4 5	DESCRIPTION	QTY.
31				
32	27081-G01		ACCELERATOR SHAFT ARM	1
33	00491-G4		SETSCREW, 1/4 - 20 X 1/2" LG.....	1
34	27079-G01		ADJUSTING ROD ASSEMBLY (INCLUDES ITEMS 35 - 38)	1
35	00526-G4		NUT, #10 - 32.....	2
36	00567-G5		LOCK WASHER, #10.....	2
37	10089-G1		BALL JOINT (COMPLETE).....	2
38	27078-G01		ADJUSTING ROD.....	1
39				
40	00526-G4		NUT, #10 - 32	1
41	00565-G5		LOCK WASHER, #10	1



ACCELERATOR LINKAGE

AIR CLEANER



AIR CLEANER

When ordering parts, please specify the model and serial number of the product.

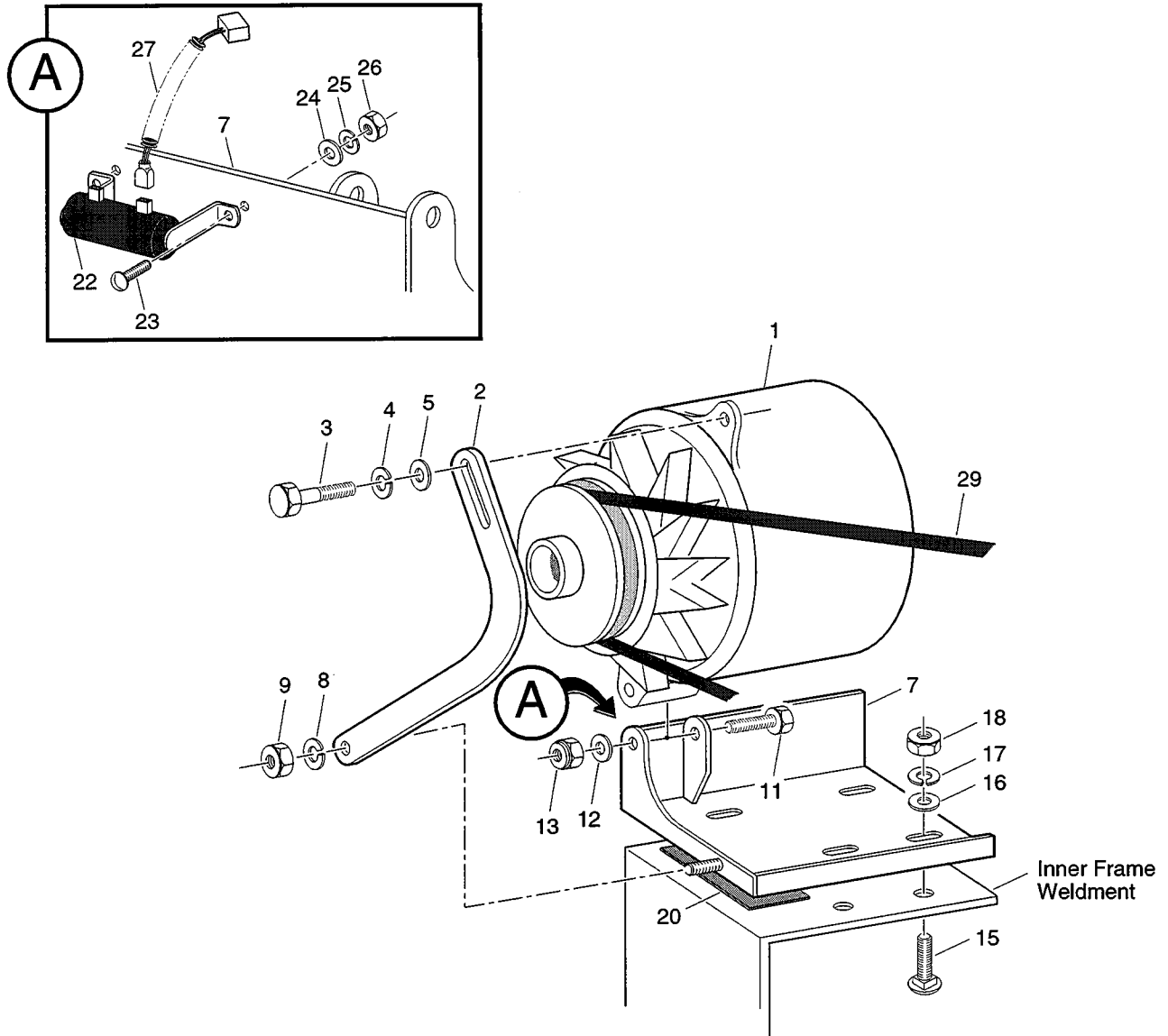
* Indicates a component that is not available as an individual part.

G** Indicates consult Customer Service Department for additional information.

ITEM	PART NO.	1	2	3	4	5	DESCRIPTION	QTY.
1	28461-G01						AIR CLEANER ASSEMBLY (INCLUDES ITEMS 2 - 4).....	1
2	28460-G01						CANISTER.....	1
3	28463-G01						ELEMENT.....	1
4	28462-G01						DUST UNLOADER.....	1
5	00438-G5						BOLT, 5/16 - 18 X 5/8" LG.....	2
6	00559-G8						WASHER, 5/16".....	2
7	00532-G3						NUT, 5/16 - 18.....	2
8								
9	28466-G01						HOSE.....	1
10	11391-G1						CLAMP.....	1
11	11391-G2						CLAMP.....	1



ALTERNATOR



ALTERNATOR

When ordering parts, please specify the model and serial number of the product.

* Indicates a component that is not available as an individual part.

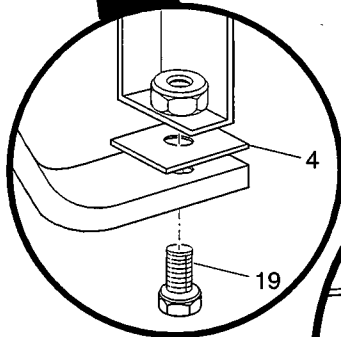
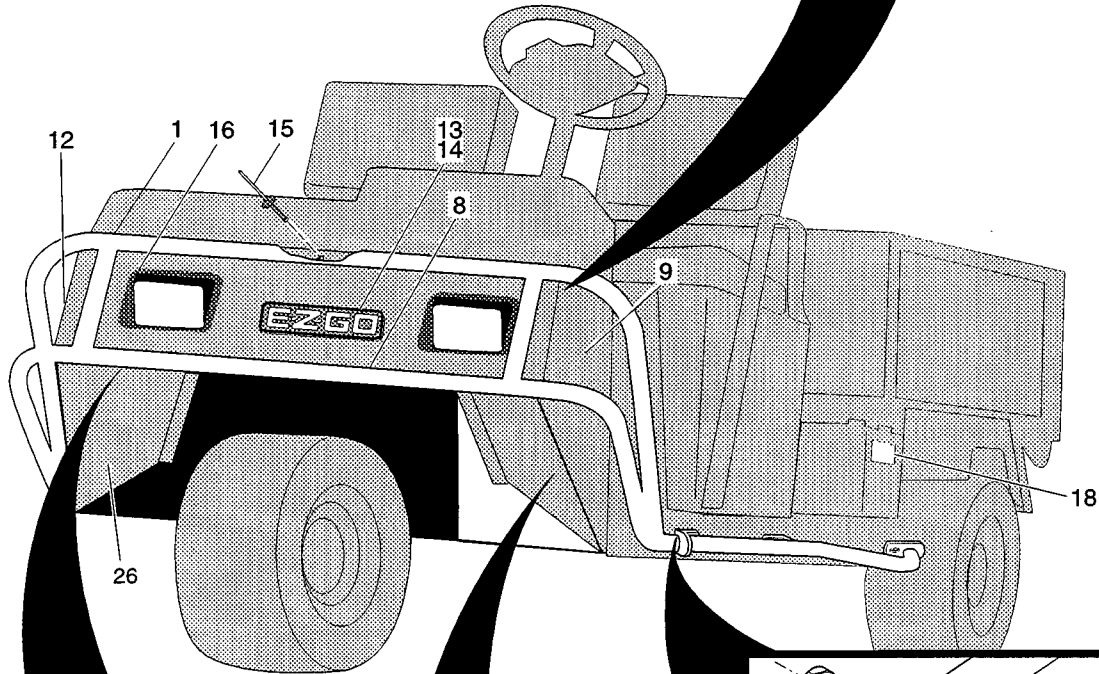
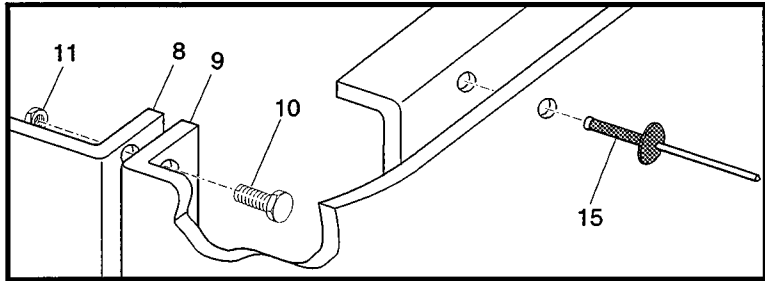
G** Indicates consult Customer Service Department for additional information.

ITEM	PART NO.	1 2 3 4 5	DESCRIPTION	QTY.
1	27929-G01		ALTERNATOR.....	1
2	24575-G1		ALTERNATOR ADJUSTING ARM.....	1
3	00438-G6		BOLT, 5/16 - 18 X 3/4" LG.....	1
4	00565-G8		LOCK WASHER, 5/16".....	1
5	00559-G8		WASHER, 5/16"	1
6				
7	20032-G1		ALTERNATOR BRACKET	1
8	00565-G8		LOCK WASHER, 5/16".....	1
9	00532-G3		NUT, 5/16 - 18.....	1
10				
11	00428-G8		BOLT, 3/8 - 16 X 3" LG.....	1
12	00560-G1		WASHER, 3/8"	1
13	11098-G4		LOCK NUT, 3/8 - 16	1
14				
15	21486-G1		CARRIAGE BOLT, 3/8 - 16 X 1" LG.	4
16	00560-G1		WASHER, 3/8"	4
17	00566-G1		LOCK WASHER, 3/8"	4
18	00532-G5		NUT, 3/8 - 16	4
19				
20	23093-G1		NOISE SUPPRESSOR STRIP (SOLD IN YARD INCREMENTS).....	A/R
21				
22	20045-G1		RESISTOR.....	1
23	00150-G3		SCREW, #10 - 24 X 3/8" LG.	2
24	00559-G5		WASHER, #10.....	2
25	00565-G5		LOCK WASHER, #10	2
26	00526-G3		NUT, #10 - 24	2
27	20044-G1		WIRE.....	1
28				
29	24310-G1		ALTERNATOR BELT	1

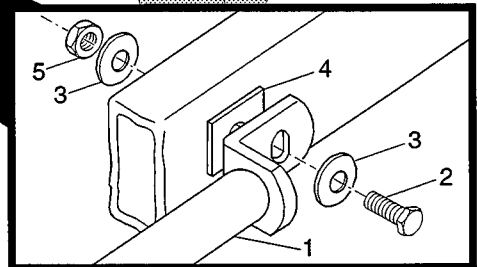
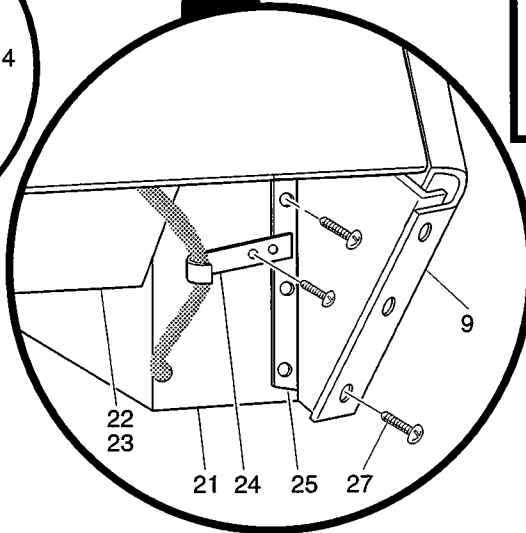


BODY AND ASSOCIATED PARTS

7 - Includes Items 8 - 12

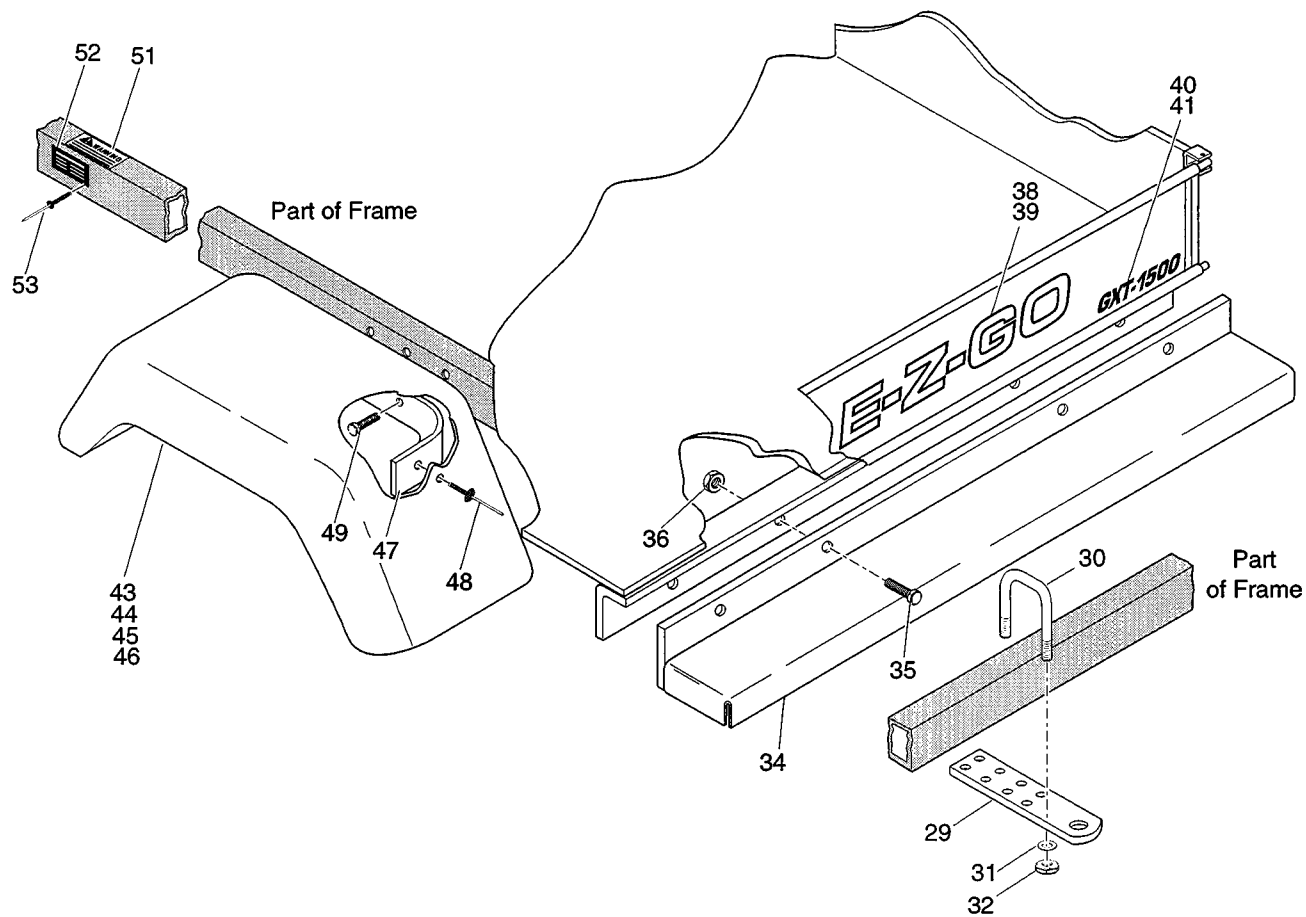


Use Shims as Needed
at Front Mounting

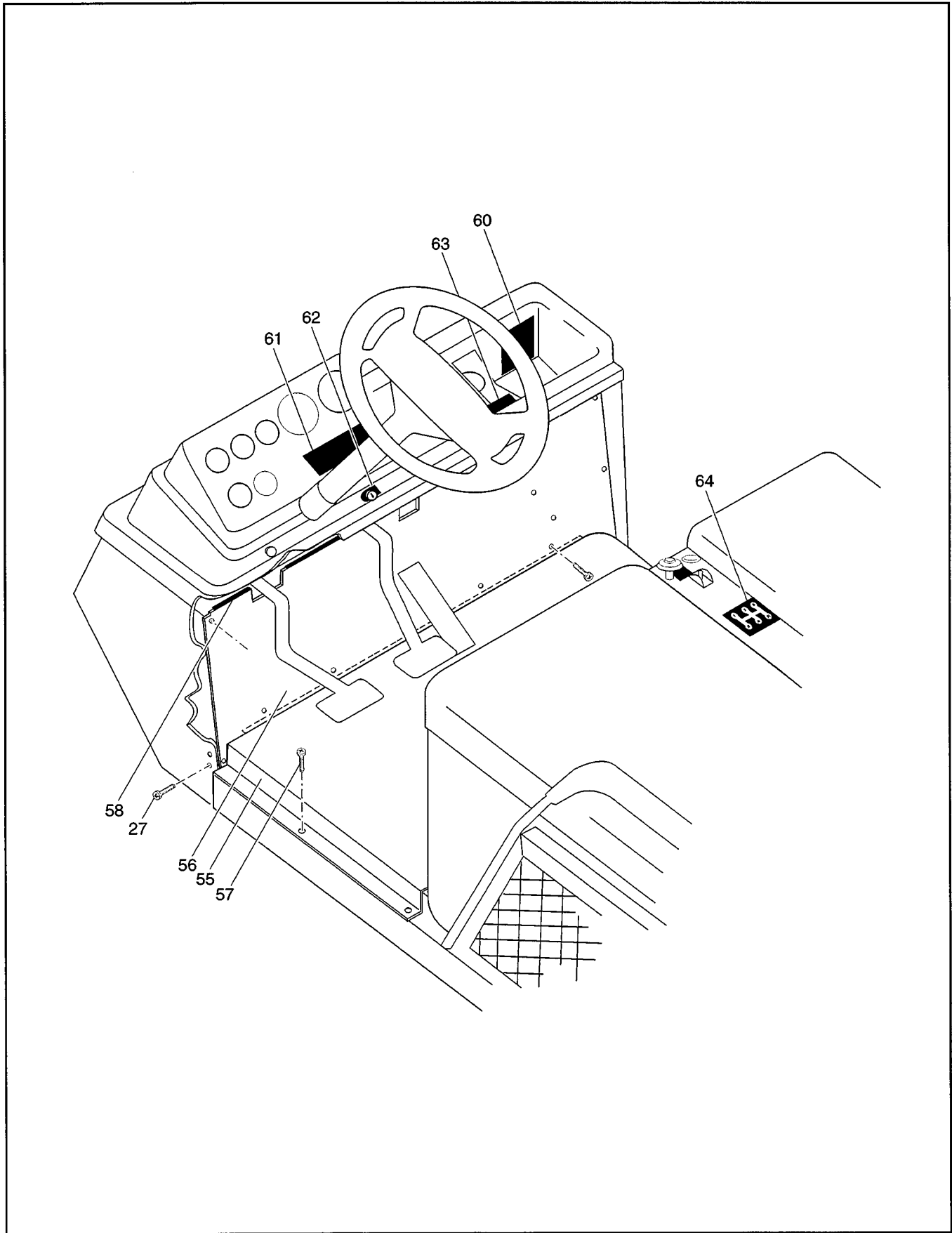


Use Shims as Needed
at Side Mounting

BODY AND ASSOCIATED PARTS



BODY AND ASSOCIATED PARTS



BODY AND ASSOCIATED PARTS

When ordering parts, please specify the model and serial number of the product.

* Indicates a component that is not available as an individual part.

G** Indicates consult Customer Service Department for additional information.

ITEM	PART NO.	1	2	3	4	5	DESCRIPTION	QTY.
1	20524-G1						FRONT BUMPER.....	1
2	00665-G3						BOLT, STAINLESS STEEL, 3/8 - 16 X 2 1/2" LG.	6
3	00653-G1						WASHER, 3/8"	6
4	12025-G1						SHIM PLATE	AR
5	11027-G5						LOCK NUT, 3/8 - 16	6
6								
7	27812-G02						HEADLIGHT PANEL ASSEMBLY (INCLUDES ITEMS 8 - 12).....	1
8	27822-G02						HEADLIGHT PANEL.....	1
9	27821-G02						COWL PANEL (DRIVER SIDE)	1
10	00228-G4						BOLT, #10 - 24 X 1/2" LG	8
11	11027-G3						NUT, 10 - 24.....	8
12	27821-G01						COWL PANEL (PASSENGER SIDE).....	1
13	12064-G3						PUSHNUT, 3/16"	3
14	19817-G1						E-Z-GO NAMEPLATE	1
15	14601-G5						RIVET, 3/16" x 13/32" LG.....	5
16	22281-G2						TRIM	2
17								
18	26159-G01						DANGER DECAL.....	1
19	13437-G4						BOLT, 3/8 - 16 x 1" LG.....	2
20								
21	27814-G01						CHASE PANEL	1
22	20304-G1						DUST SEAL EXTRUSION	1
23	20304-G2						DUST SEAL EXTRUSION	1
24	12103-G1						CABLE CLIP BAR	1
25	27813-G02						WHEEL WELL PANEL (DRIVER SIDE).....	1
26	27813-G01						WHEEL WELL PANEL (PASSENGER SIDE).....	1
27	00106-G6						SCREW, #12 - 24 X 3/4" LG	24
28								
29	26170-G01						HITCH BAR.....	1
30	26160-G01						"U" BOLT	2



BODY AND ASSOCIATED PARTS

THE USE OF NON UL PARTS WILL VOID ANY UL LISTING.

When ordering parts, please specify the model and serial number of the product.

* Indicates a component that is not available as an individual part.

G** Indicates consult Customer Service Department for additional information.

ITEM	PART NO.	1	2	3	4	5	DESCRIPTION	QTY.
31	00566-G1						LOCK WASHER, 3/8"	4
32	00532-G5						NUT, 3/8 - 16	4
33								
34	27440-G01						REAR BUMPER	1
35	00438-G8						BOLT, 5/16 - 18 X 1" LG	4
36	11027-G1						LOCK NUT, 5/16 - 18	4
37								
38	19818-G1						E-Z-GO DECAL (WHITE - GXT MODELS ONLY)	1
39	19818-G2						E-Z-GO DECAL (BLACK - GXI MODELS ONLY)	1
40	21844-G1						DECAL (WHITE - GXT MODELS ONLY)	1
41	21846-G1						DECAL (BLACK - GXI MODELS ONLY)	1
42								
43	27596-G01						METAL FENDER, DRIVER SIDE	1
44	27596-G02						METAL FENDER, PASSENGER SIDE	1
45	25954-G01						FENDER (DRIVER SIDE)	1
46	25954-G02						FENDER (PASSENGER SIDE)	1
47	21523-G1						BRACE	2
48	15058-G2						RIVET, 3/16" X 23/32" LG	4
49	00965-G03						BOLT, 1/4 X 20 X 1" LG	6
50								
51	26158-G01						HEAT WARNING DECAL	1
52	*						STAMPED NAMEPLATE	1
53	10570-G9						RIVET, 1/8" X 11/32" LG	4
54								
55	26142-G01						FLOORBOARD	1
56	26112-G01						FLOORBOARD PANEL (UPPER)	1
57	00106-G6						SCREW, #12 - 24 X 3/4" LG	17
58	22280-G1						TRIM	1
59								
60	21561-G1						OPERATING INSTRUCTIONS DECAL	1



BODY AND ASSOCIATED PARTS

When ordering parts, please specify the model and serial number of the product.

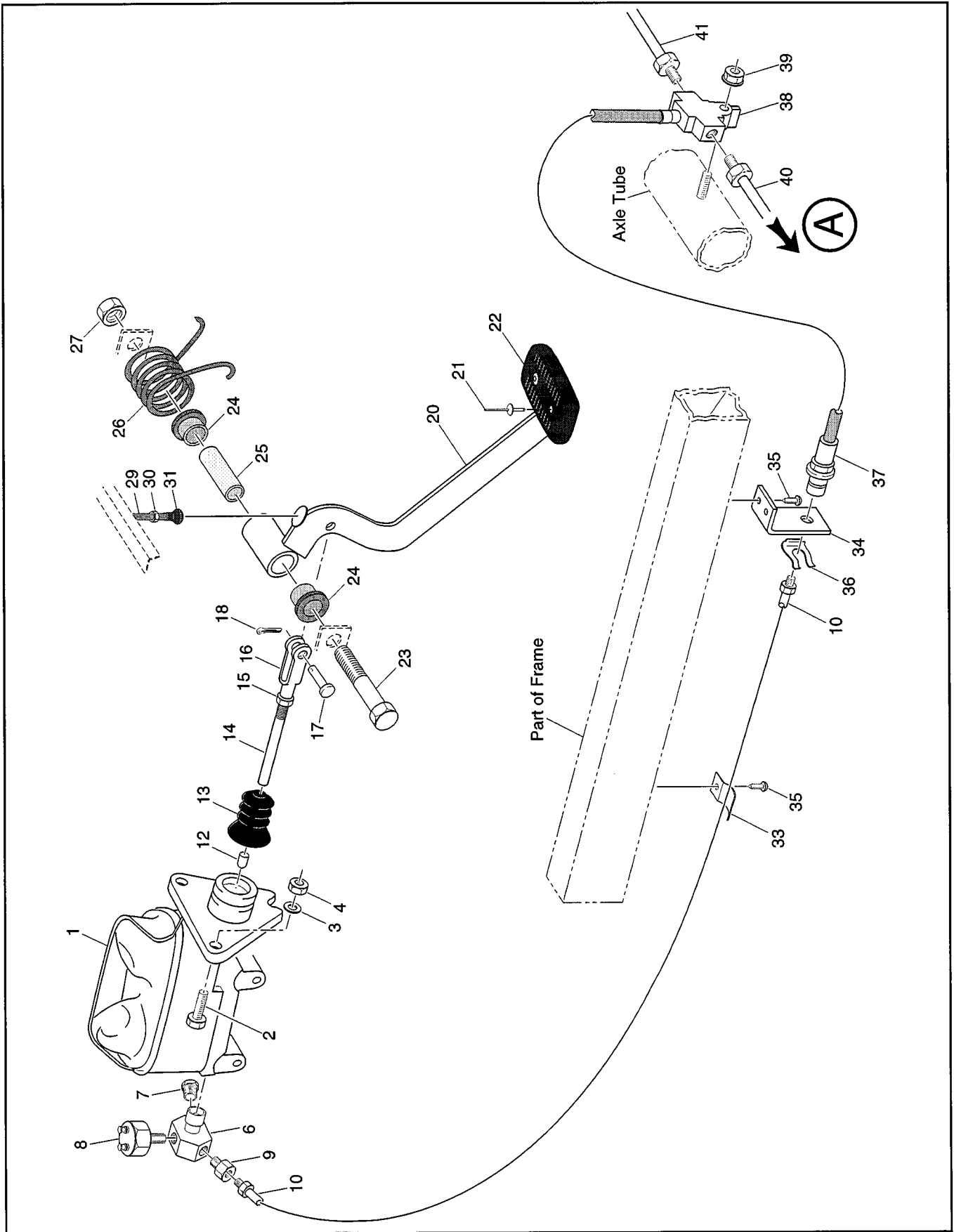
* Indicates a component that is not available as an individual part.

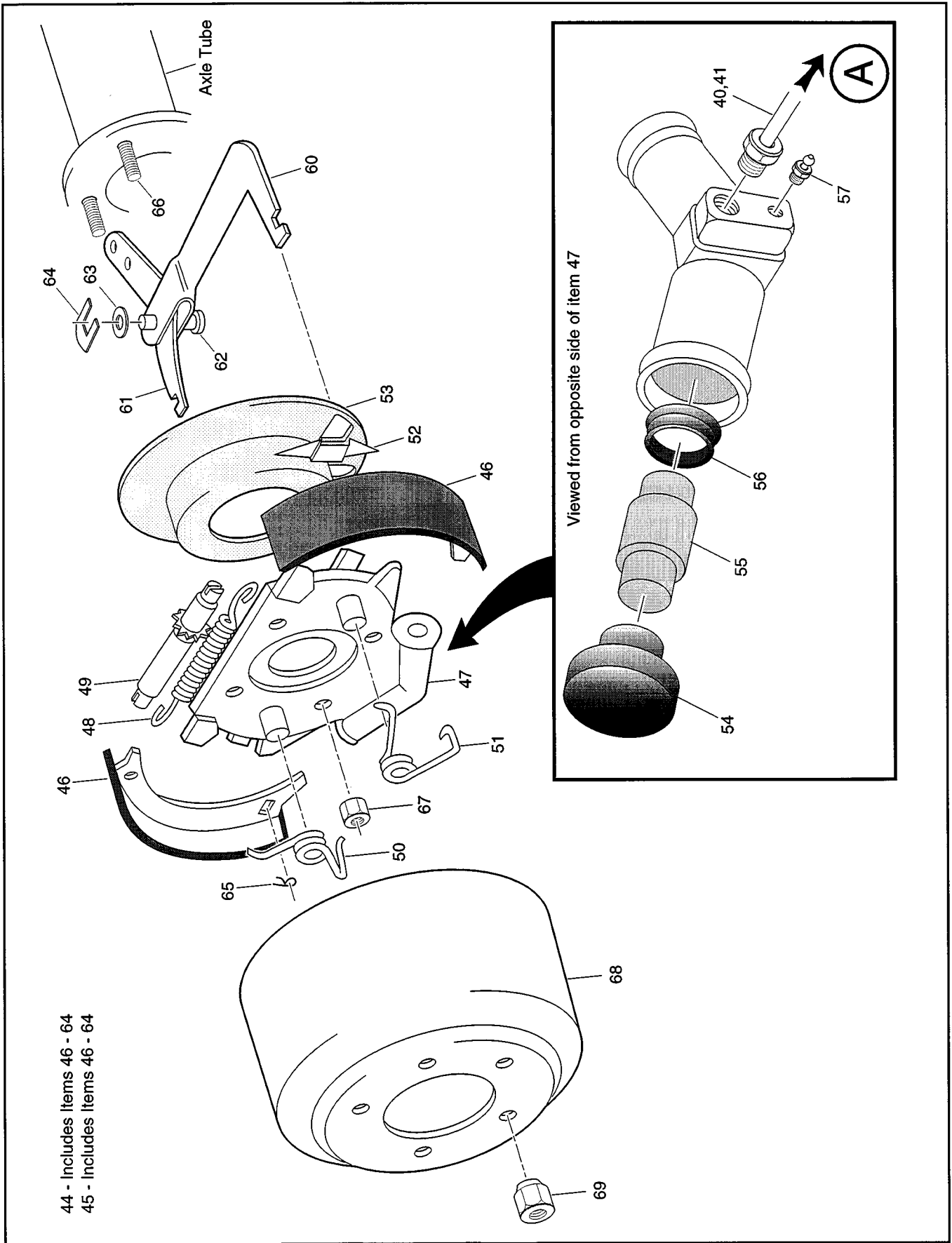
G** Indicates consult Customer Service Department for additional information.

ITEM	PART NO.	1	2	3	4	5	DESCRIPTION	QTY.
61	21566-G1						CAUTION DECAL	1
62	21551-G1						IGNITION SWITCH DECAL	1
63	21602-G1						LOAD CAPACITY DECAL	1
64	21889-G1						5-SPEED DECAL.....	1



BRAKES

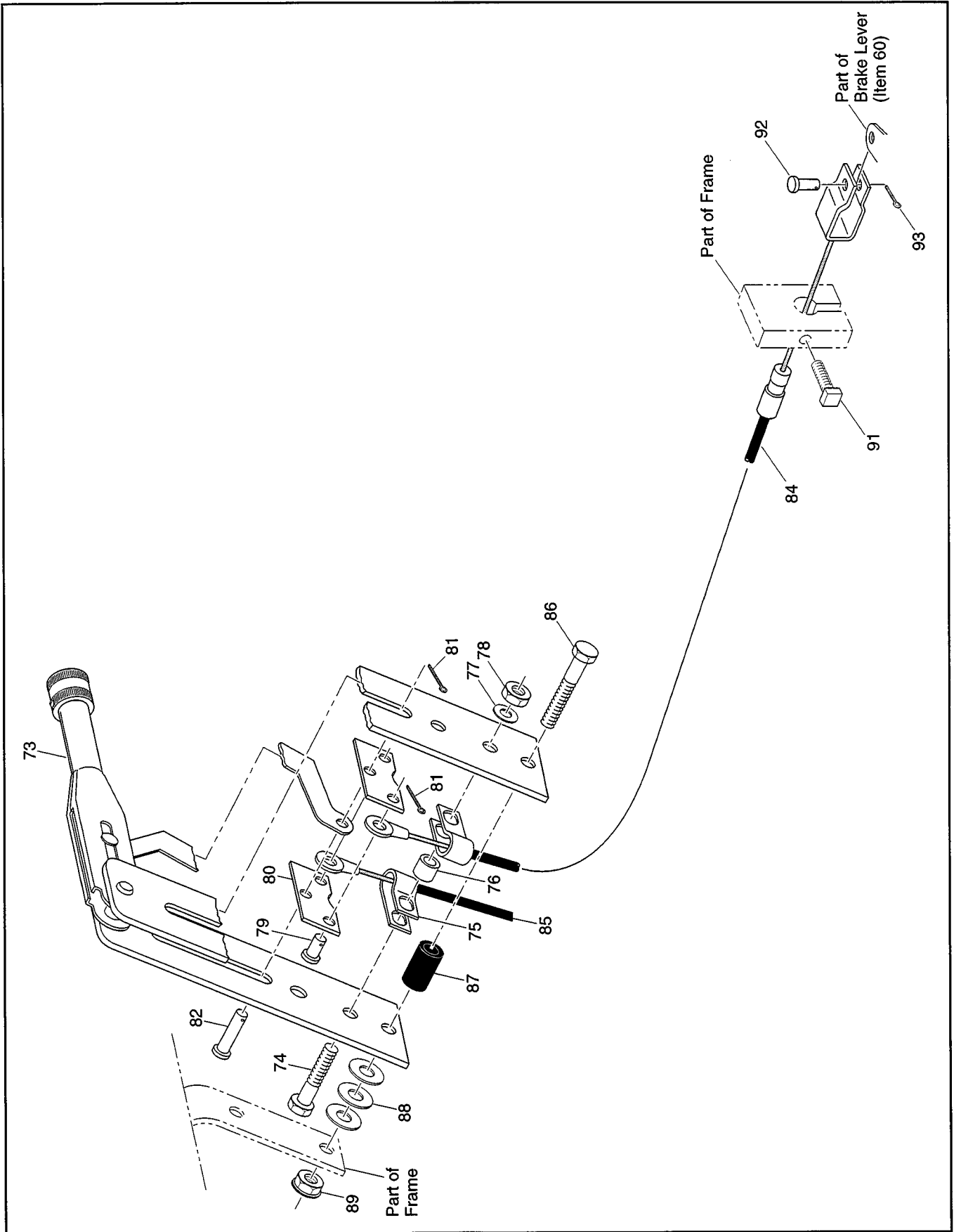




44 - Includes Items 46 - 64
 45 - Includes Items 46 - 64



BRAKES



BRAKES

When ordering parts, please specify the model and serial number of the product.

* Indicates a component that is not available as an individual part.

G** Indicates consult Customer Service Department for additional information.

ITEM	PART NO.	1 2 3 4 5	DESCRIPTION	QTY.
1	24810-G2		MASTER CYLINDER.....	1
2	00427-G2		BOLT, 3/8 - 16 X 1 1/4" LG.....	2
3	00560-G1		WASHER, 3/8".....	2
4	11098-G4		LOCK NUT, 3/8 - 16.....	2
5				
6	26469-G01		BRANCH TEE (MALE).....	1
7	21503-G1		PIPE PLUG.....	1
8	21510-G1		STOPLIGHT SWITCH.....	1
9	21505-G1		NIPPLE (MALE).....	1
10	21104-G1		BRAKE LINE TUBING (COMPLETE WITH NUTS).....	1
11				
12	21509-G2		SPACER.....	1
13	32768-G1		MASTER CYLINDER BOOT.....	1
14	26465-G01		PUSH ROD.....	1
15	00532-G6		NUT, 3/8 - 24.....	1
16	21508-G1		CLEVIS YOKE.....	1
17	14443-G3		CLEVIS PIN, 5/16" X 1 1/8".....	1
18	10387-G3		COTTER PIN, 3/32" X 3/4".....	1
19				
20	26466-G01		BRAKE PEDAL.....	1
21	14269-G1		RIVET, 3/16".....	2
22	11039-G1		PEDAL COVER PAD.....	1
23	00429-G4		BOLT, 3/8 - 16 X 3 1/2" LG.....	1
24	11079-G1		NYLON BUSHING.....	2
25	26448-G01		BUSHING.....	1
26	26446-G01		PEDAL RETURN SPRING.....	1
27	11098-G5		NUT, 3/8 - 16.....	1
28				
29	21545-G1		PEDAL ADJUSTMENT ROD.....	1
30	00544-G5		NUT, 3/8 - 16.....	1



BRAKES

When ordering parts, please specify the model and serial number of the product.

* Indicates a component that is not available as an individual part.

G** Indicates consult Customer Service Department for additional information.

ITEM	PART NO.	1 2 3 4 5	DESCRIPTION	QTY.
31	21501-G2		RUBBER CAP	1
32				
33	11227-G1		TUBING CLAMP	5
34	11332-G2		TUBE FASTENER BRACKET	1
35	00106-G6		SCREW, #12 - 24 X 3/4" LG.....	7
36	11456-G1		CLIP	1
37	11090-G1		FLEXIBLE HOSE	1
38	21103-G1		FRAME TEE	1
39	00556-G3		LOCK NUT, 5/16 - 18	1
40	21104-G3		BRAKE LINE TUBING (SHORT - COMPLETE WITH NUTS)	1
41	21104-G4		BRAKE LINE TUBING (LONG - COMPLETE WITH NUTS)	1
42				
43				
44	27291-G01		BRAKE ASSEMBLY (DRIVER SIDE) (INCLUDES ITEMS 46 - 64)	1
45	27291-G02		BRAKE ASSEMBLY (PASSENGER SIDE) (INCLUDES ITEMS 46 - 64)	1
46	27290-G01		BRAKE SHOES (SET OF 2).....	1
47	21086-G1		TORQUE SPIDER	1
48	13466-G1		SPRING	1
49	21097-G1		ADJUSTER.....	1
50	13465-G2		SPRING (GREEN).....	1
51	13465-G1		SPRING (RED)	1
52	21096-G1		SHOE HOLD DOWN	2
53	21908-G1		DUST SHIELD	1
54	21088-G1		HYDRAULIC CUP	2
55	21087-G1		WHEEL CYLINDER PISTON.....	2
56	21089-G1		SEAL.....	2
57	21094-G1		BLEEDER VALVE	1
58				
59	*		PARKING BRAKE LEVER ASSEMBLY (INCLUDES ITEMS 60 - 64)	1
60	13460-G1		CURVED LEVER.....	1



BRAKES

When ordering parts, please specify the model and serial number of the product.

* Indicates a component that is not available as an individual part.

G** Indicates consult Customer Service Department for additional information.

ITEM	PART NO.	1 2 3 4 5	DESCRIPTION	QTY.
61	22604-G1		STRAIGHT LEVER	2
62	13462-G1		CLEVIS PIN	1
63	13463-G1		SPRING WASHER	1
64	13464-G1		RETAINER	1
65	13468-G1		CLIP	2
66	14195-G1		BOLT	8
67	21562-G1		NUT, 5/16 - 24	8
68	17953-G1		BRAKE DRUM (REAR)	2
69	14723-G3		LUG NUT, 7/16-20	10
70	28066-G02		MASTER CYLINDER REPAIR KIT (NOT SHOWN)	AR
71				
72				
73	27331-G01		PARKING BRAKE LEVER (INCLUDES ITEMS 74 - 82)	1
74	00439-G4		BOLT, 5/16 - 18 X 2" LG.	1
75	21880-G1		CABLE CLAMP	2
76	21878-G2		SPACER	1
77	00571-G8		WASHER, 5/16"	1
78	00544-G3		NUT, 5/16 - 18	1
79	17651-G3		CLEVIS PIN, 5/16" X 5/8"	2
80	27595-G01		CONNECTING LINK	2
81	10387-G9		COTTER PIN, 1/8" X 1 1/4"	3
82	17651-G4		CLEVIS PIN, 5/16" X 1 3/8"	1
83				
84	21870-G1		BRAKE CABLE (DRIVER SIDE)	1
85	21870-G2		BRAKE CABLE (PASSENGER SIDE)	1
86	00439-G4		BOLT, 5/16 - 18 X 1 1/2" LG.	2
87	20586-G1		SPACER	2
88	00559-G8		WASHER, 5/16"	6
89	11027-G1		LOCK NUT, 5/16 - 18	2
90				



BRAKES

When ordering parts, please specify the model and serial number of the product.

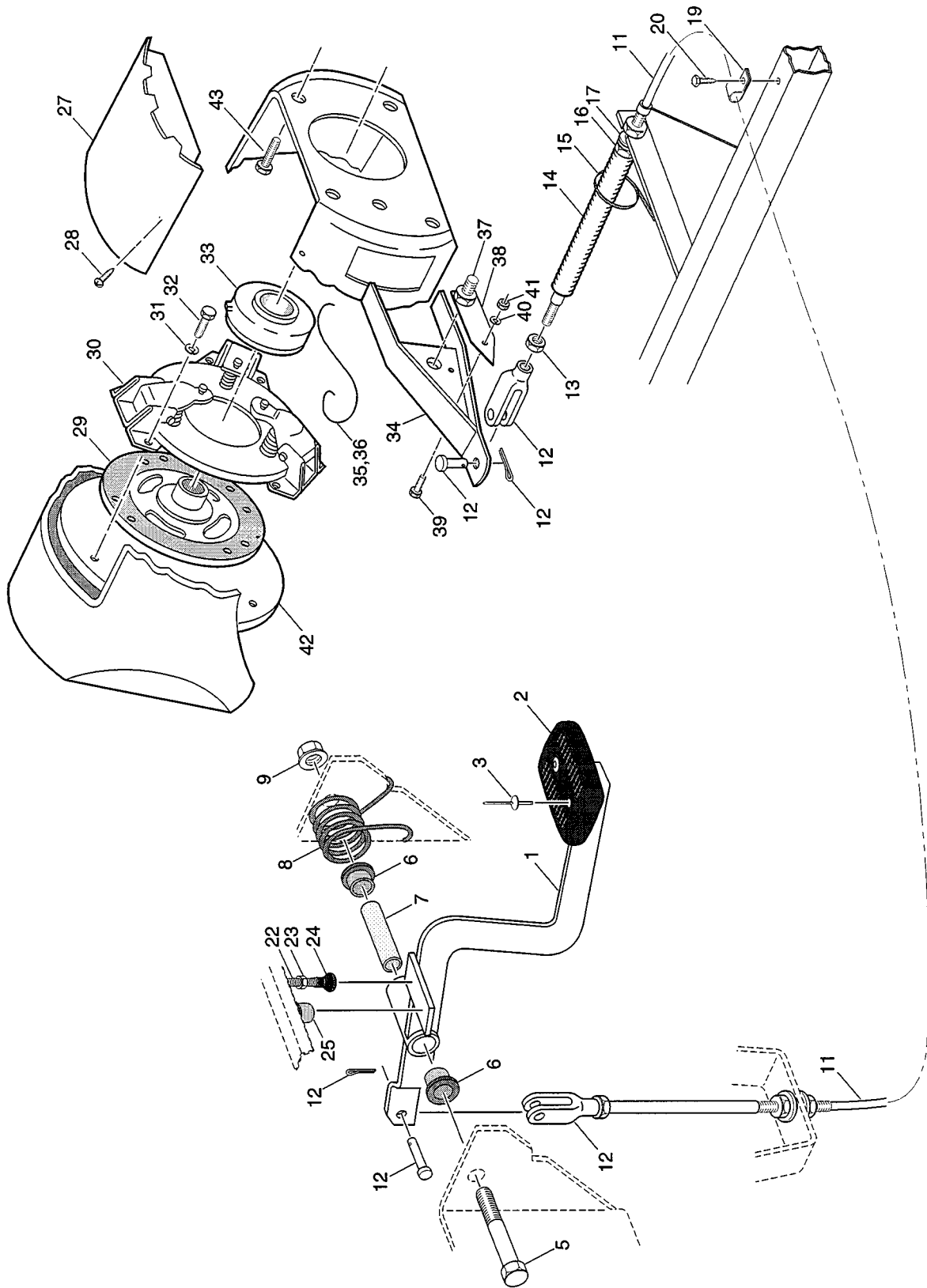
* Indicates a component that is not available as an individual part.

G** Indicates consult Customer Service Department for additional information.

ITEM	PART NO.	1 2 3 4 5	DESCRIPTION	QTY.
91	00491-G4		SETSCREW, 1/4 - 20 X 1/2" LG.....	2
92	10386-G3		CLEVIS PIN, 5/16" X 15/16".....	2
93	10387-G3		COTTER PIN, 3/32" X 3/4".....	2



CLUTCH



CLUTCH

When ordering parts, please specify the model and serial number of the product.

* Indicates a component that is not available as an individual part.

G** Indicates consult Customer Service Department for additional information.

ITEM	PART NO.	1	2	3	4	5	DESCRIPTION	QTY.
1	26466-G02						CLUTCH PEDAL	1
2	11039-G1						PEDAL COVER PAD	1
3	14269-G1						RIVET, 3/16"	2
4								
5	00428-G6						BOLT, 3/8 - 16 X 2 3/4" LG.	1
6	11079-G1						NYLON BUSHING	2
7	26448-G01						BUSHING	1
8	26446-G01						PEDAL RETURN SPRING	1
9	11098-G5						LOCK NUT, 3/8 - 16	1
10								
11	21511-G1						CLUTCH CABLE	1
12	21512-G1						CLEVIS, YOKE AND PINS	2
13	00532-G2						NUT, 1/4 - 28	1
14	22450-G1						CABLE BELLOWS	1
15	17618-G1						NYLON CLAMP	1
16	00545-G6						NUT, 5/8 - 18	1
17	00595-G5						WASHER, 5/8"	1
18								
19	11845-G2						CABLE CLAMP	3
20	00106-G6						SCREW, #12 - 24 X 3/4" LG.	3
21								
22	21545-G1						PEDAL ADJUSTMENT ROD	1
23	00544-G5						NUT, 3/8 - 16	1
24	21501-G2						RUBBER CAP	1
25	26210-G01						NEUTRAL SWITCH	1
26								
27	21827-G1						CLUTCH HOUSING COVER	1
28	00106-G6						SCREW, #12 - 24 X 3/4" LG.	2
29	21140-G1						DISC CLUTCH	1
30	21139-G1						PRESSURE PLATE	1

CLUTCH

When ordering parts, please specify the model and serial number of the product.

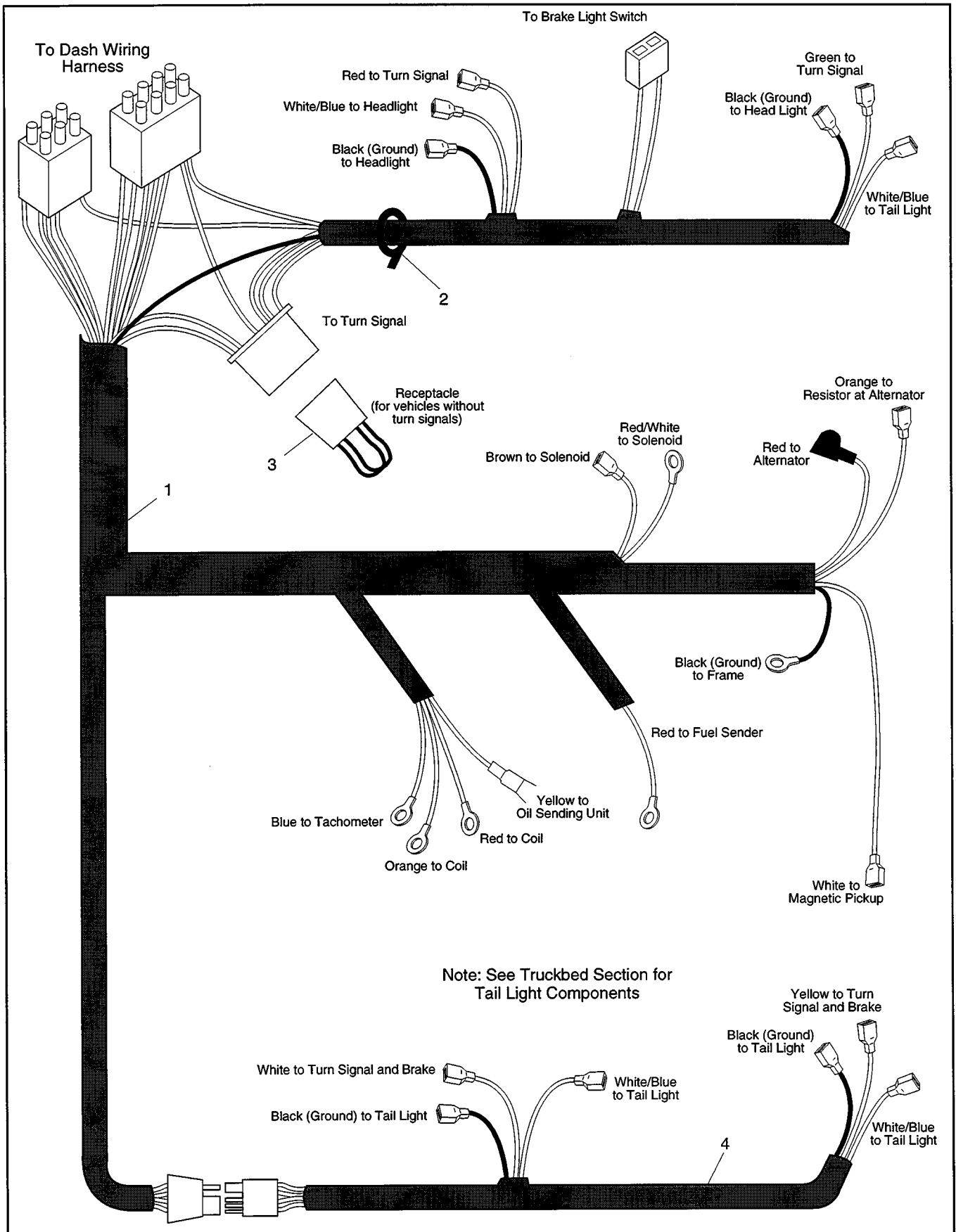
* Indicates a component that is not available as an individual part.

G** Indicates consult Customer Service Department for additional information.

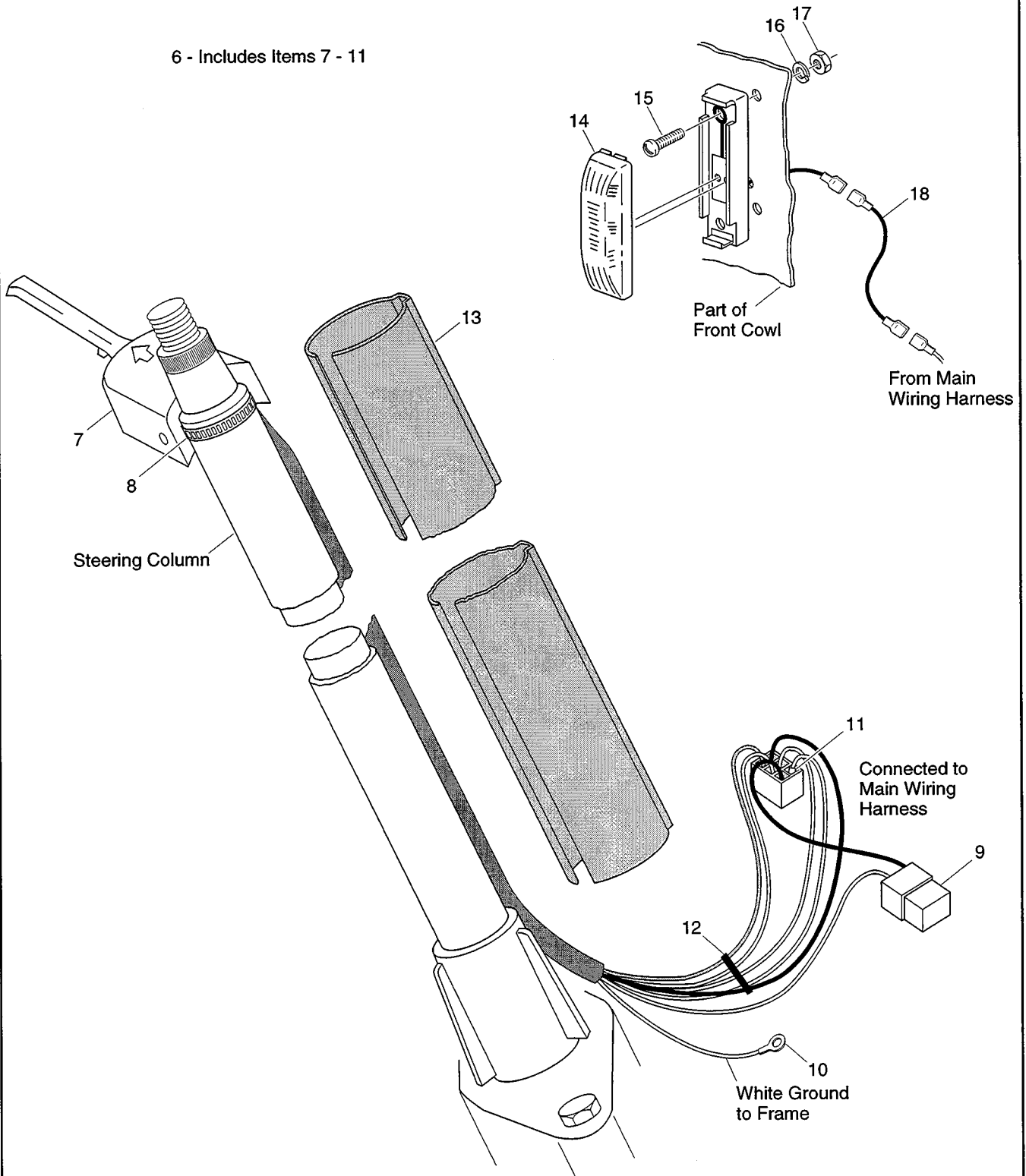
ITEM	PART NO.	1 2 3 4 5	DESCRIPTION	QTY.
31	00565-G8		LOCK WASHER, 5/16"	6
32	00438-G6		BOLT, 5/16 - 18 X 3/4" LG.	6
33	21150-G1		THROW OUT BEARING	1
34	21831-G1		THROW OUT FORK	1
35	21149-G1		THROW OUT SPRING (DRIVER SIDE)	1
36	21149-G2		THROW OUT SPRING (PASSENGER SIDE).....	1
37	22063-G1		PIVOT FORK BALL JOINT.....	1
38	22065-G1		BALL JOINT RETAINER	1
39	00414-G6		BOLT, 1/4 - 20 X 3/4" LG	1
40	00567-G7		LOCK WASHER, 1/4"	1
41	00532-G1		NUT, 1/4 - 20	1
42	23891-G1		FLYWHEEL.....	1
43	22193-G1		BOLT, FLANGED, M10 X 1.5" LG.....	4



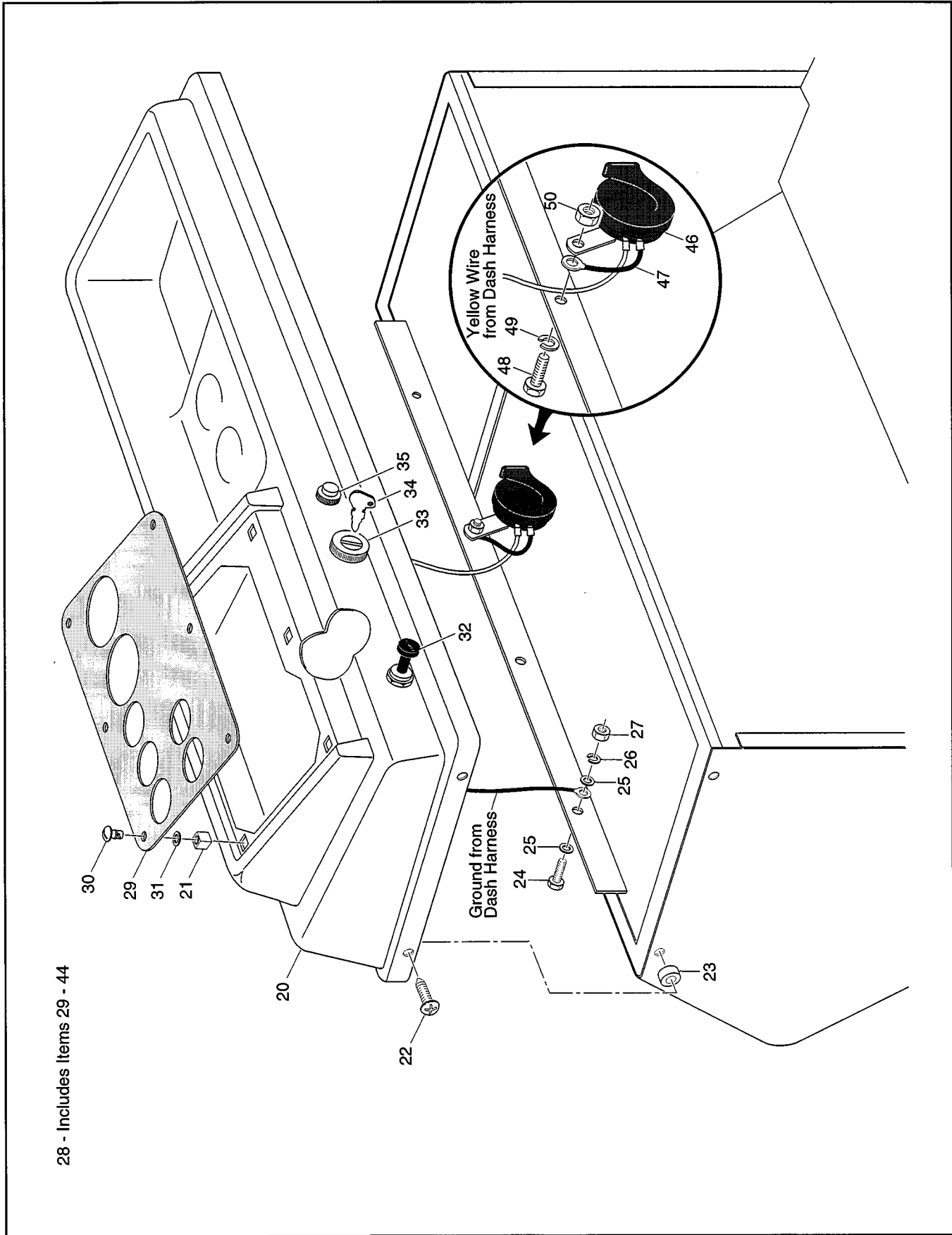
ELECTRICAL SYSTEM



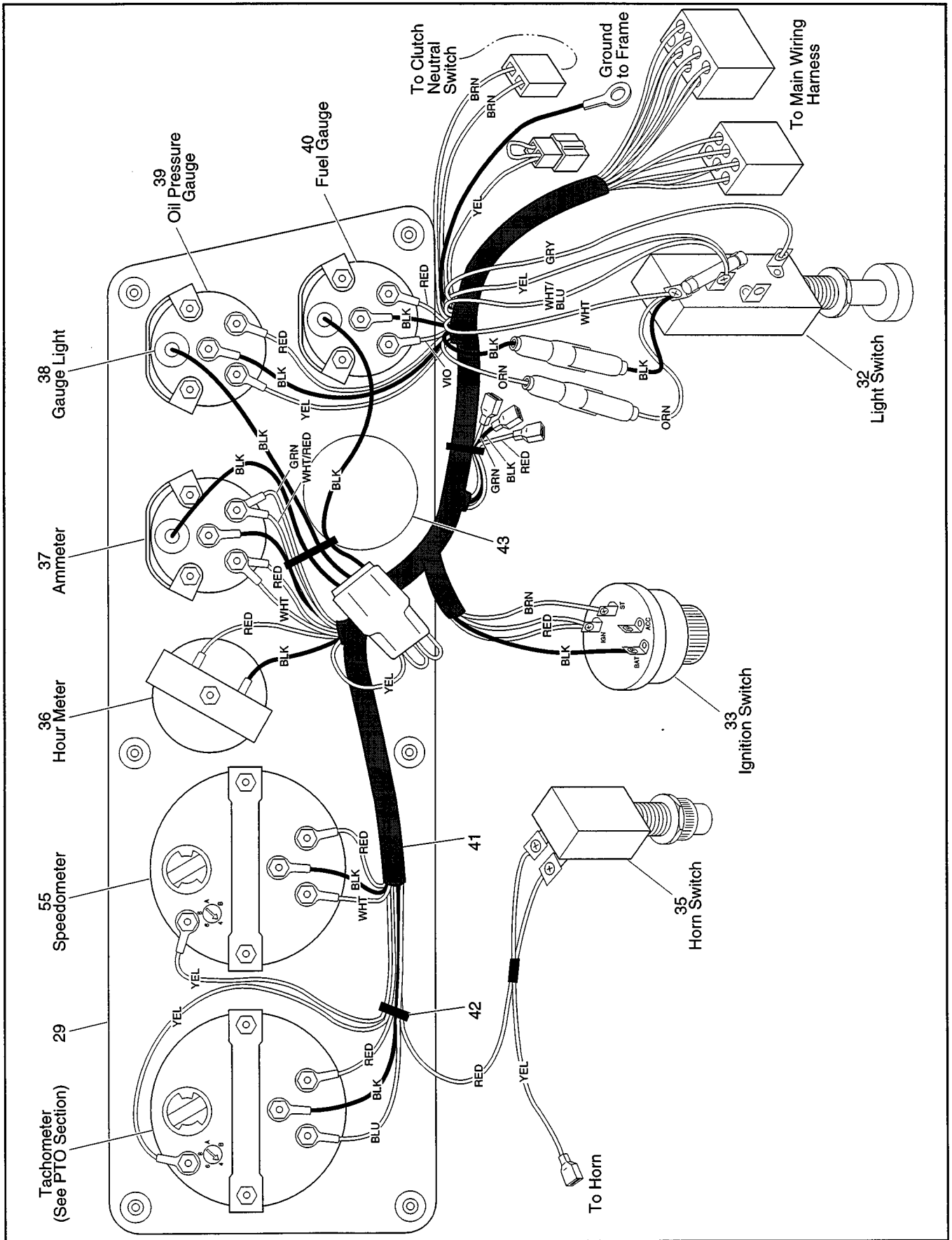
6 - Includes Items 7 - 11



ELECTRICAL SYSTEM

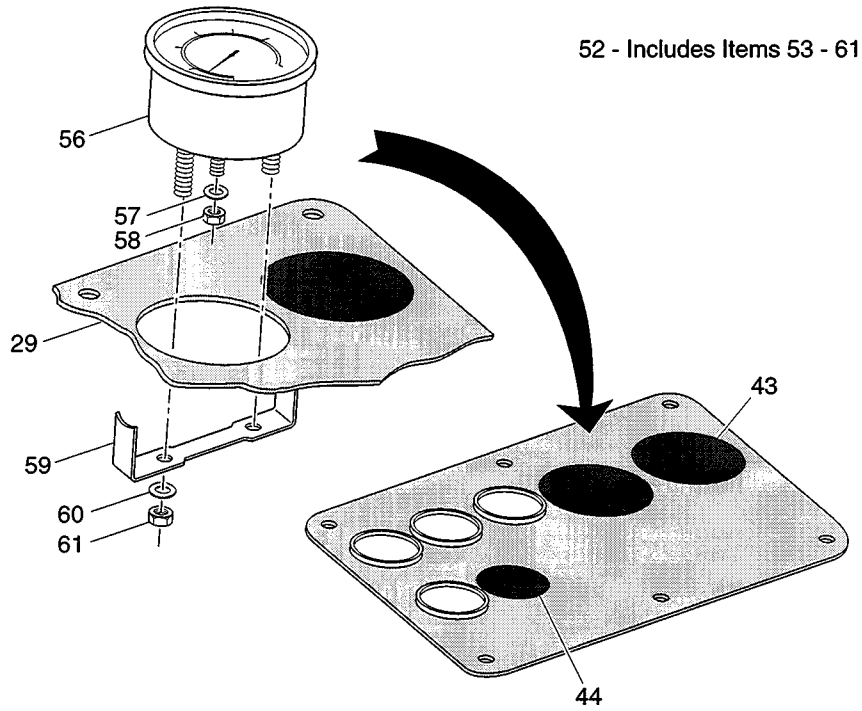


ELECTRICAL SYSTEM

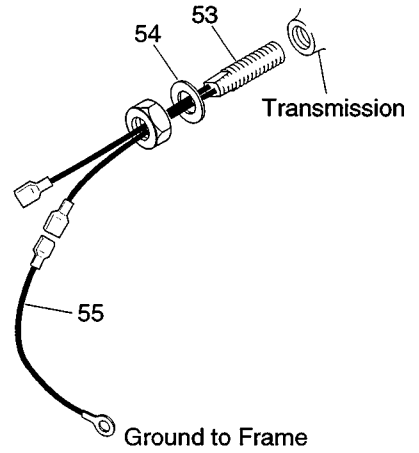


ELECTRICAL SYSTEM

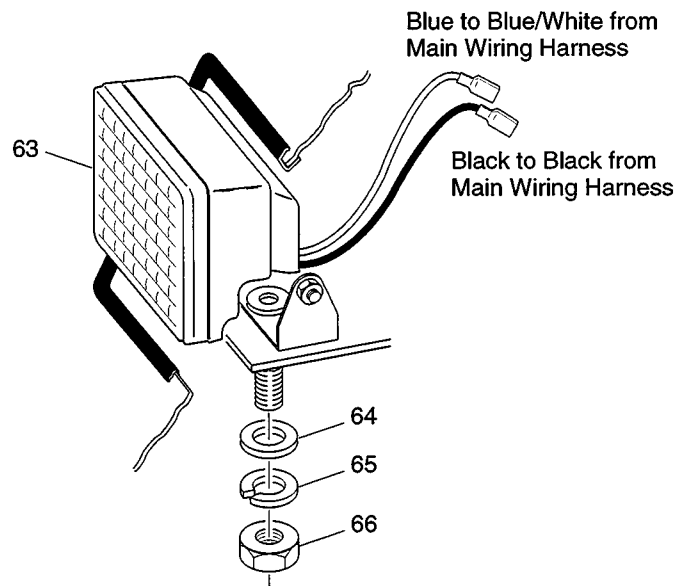
SPEEDOMETER DETAIL

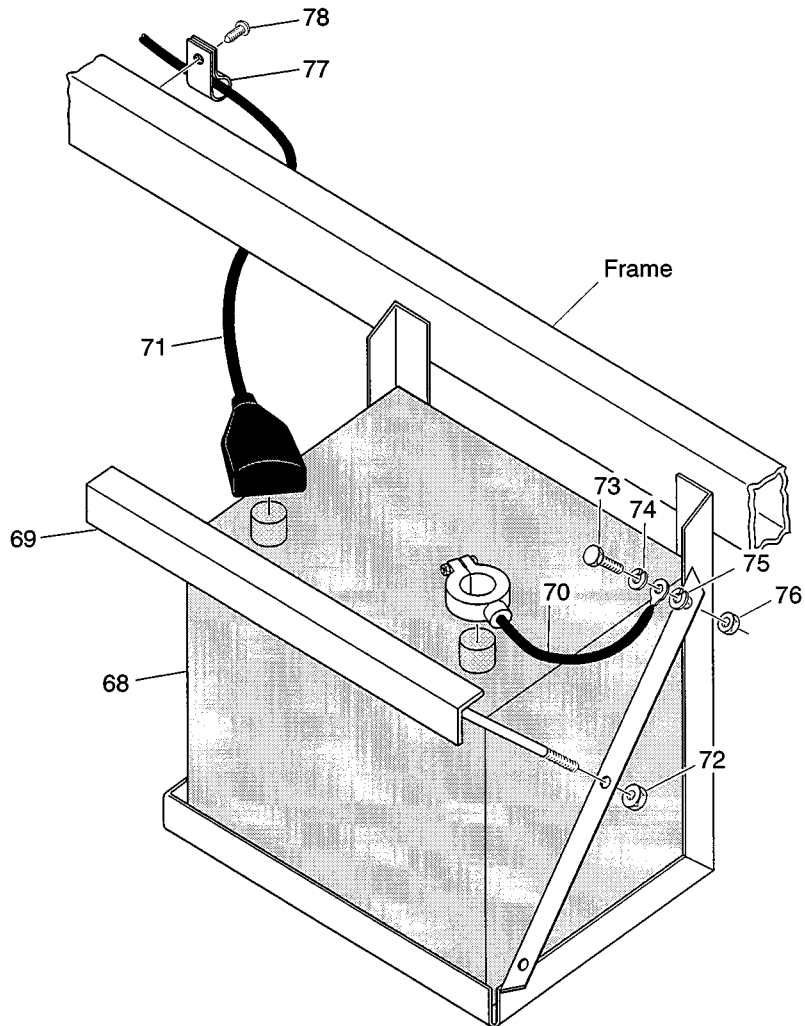


MAGNETIC PICKUP DETAIL



HEADLIGHT DETAIL





ELECTRICAL SYSTEM

When ordering parts, please specify the model and serial number of the product.

* Indicates a component that is not available as an individual part.

G** Indicates consult Customer Service Department for additional information.

ITEM	PART NO.	1 2 3 4 5	DESCRIPTION	QTY.
1	27405-G01		MAIN WIRE HARNESS	1
2	17618-G1		NYLON CLAMP	4
3	*		RECEPTACLE (USED ON VEHICLES WITHOUT TURN SIGNALS)	1
4	27403-G01		TAIL LIGHT WIRING HARNESS	1
5				
6	21635-G2		TURN SIGNAL ASSEMBLY (INCLUDES ITEMS 7 - 11).....	1
7	17751-G1		SWITCH.....	1
8	11391-G5		CLAMP.....	1
9	21640-G1		FLASHER	1
10	11343-G2		RING TERMINAL	1
11	14363-G1		TAB TERMINAL	6
12	17618-G1		NYLON CLAMP	3
13	20965-G4		STEERING COLUMN COVER (ON VEHICLES WITH TURN SIGNALS)	1
14	21636-G1		LAMP ASSEMBLY (COMPLETE).....	2
15	00671-G6		SCREW, #10 - 24 X 3/4" LG.....	4
16	00565-G5		LOCK WASHER, #10	4
17	00526-G3		NUT, #10 - 24	4
18	24066-G1		WIRE (BLACK #16)	2
19				
20	26197-G01		DASH.....	1
21	26096-G01		RECEPTACLE	6
22	00106-G6		SCREW, #12 - 24 X 3/4" LG.....	4
23	20932-G1		RUBBER WASHER	4
24	00414-G8		BOLT, 1/4 - 20 X 1" LG	1
25	00559-G7		WASHER, 1/4".....	2
26	00565-G7		LOCK WASHER, 1/4".....	1
27	00532-G1		NUT, 1/4-20	1
28	26124-G02		INSTRUMENT PANEL ASSEMBLY (INCLUDES ITEMS 29 - 44).....	1
29	26113-G01		INSTRUMENT PANEL	1
30	26098-G01		STUD, 1/4 TURN.....	6



ELECTRICAL SYSTEM

When ordering parts, please specify the model and serial number of the product.

* Indicates a component that is not available as an individual part.

G** Indicates consult Customer Service Department for additional information.

ITEM	PART NO.	1	2	3	4	5	DESCRIPTION	QTY.
31	26097-G01						RETAINER, 1/4 TURN	6
32	21564-G1						LIGHT SWITCH	1
33	21563-G1						IGNITION SWITCH (INCLUDES ITEM 34)	1
34	13942-G1						IGNITION KEY	1
35	26100-G01						HORN SWITCH	1
36	21573-G1						HOUR METER.....	1
37	20836-G1						AMMETER.....	1
38	21235-G1						GAUGE LIGHT	3
39	22270-G1						OIL PRESSURE GAUGE	1
40	21553-G1						FUEL GAUGE.....	1
41	26126-G01						DASH WIRE HARNESS	1
42	17618-G1						NYLON CLAMP	3
43	30392-G2						PLUG (ONLY ON VEHICLES WITHOUT OPTIONAL TACHOMETER AND SPEEDOMETER.....	2
44	30392-G1						PLUG	2
45								
46	32860-G1						HORN.....	1
47	23942-G1						WIRE (BLACK 18 GA.).....	1
48	00414-G6						BOLT, 1/4 - 20 X 3/4" LG.	1
49	00565-G7						LOCK WASHER, 1/4"	1
50	00532-G1						NUT, 1/4 - 20	1
51								
52	22319-G1						SPEEDOMETER KIT (INCLUDES ITEMS 53 - 61)	1
53	22292-G1						MAGNETIC PICKUP	1
54	00761-G1						WASHER, NYLON 1.22 X .879 X .61	1
55	17319-G2						WIRE (BLACK)	1
56	21962-G1						SPEEDOMETER (INCLUDES ITEMS 57 - 61)	1
57	00567-G3						LOCK WASHER, #6	4
58	00527-G5						NUT, #6 - 32	4
59	22743-G1						CLAMP BRACKET	1



ELECTRICAL SYSTEM

When ordering parts, please specify the model and serial number of the product.

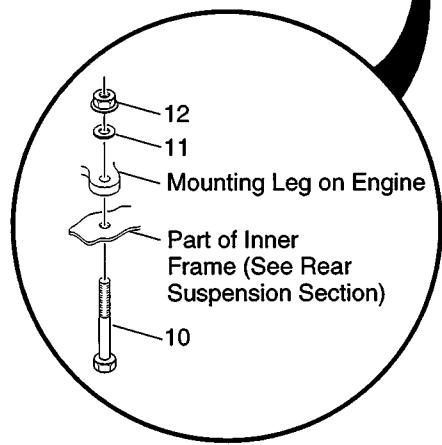
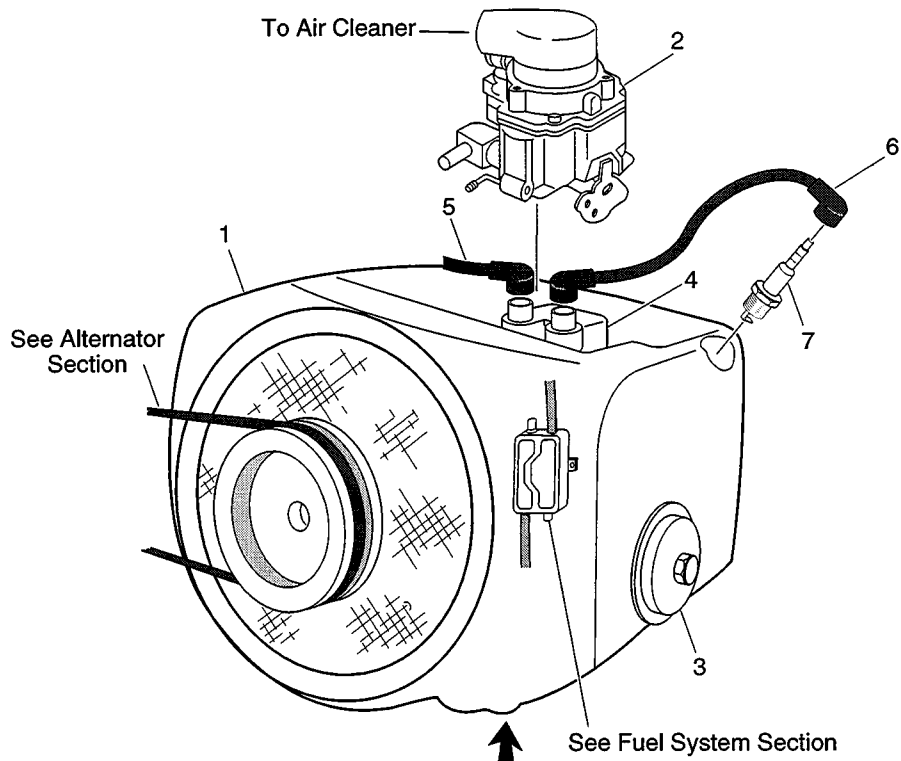
* Indicates a component that is not available as an individual part.

G** Indicates consult Customer Service Department for additional information.

ITEM	PART NO.	1	2	3	4	5	DESCRIPTION	QTY.
60	00594-G4						LOCK WASHER, #8	2
61	00526-G1						NUT, #8 - 32	2
62								
63	20209-G2						HEADLIGHT	2
64	00560-G3						WASHER, 1/2"	2
65	00566-G3						LOCK WASHER, 1/2"	2
66	00533-G1						NUT, 1/2 - 13	2
67								
68	24775-G3						BATTERY, 12V	1
69	28064-G01						BATTERY HOLDOWN	1
70	21515-G1						NEGATIVE BATTERY CABLE	1
71	21516-G2						POSITIVE BATTERY CABLE (WITH PROTECTOR BOOT)	1
72	11098-G9						LOCK NUT, 5/16 - 24	2
73	00438-G6						BOLT, 5/16 - 18 X 3/4" LG.	2
74	00565-G8						LOCK WASHER, 5/16"	1
75	00567-G8						LOCK WASHER, 5/16"	1
76	00532-G3						NUT, 5/16 - 18	1
77	11845-G2						INSULATED CABLE CLAMP	1
78	00106-G6						SCREW, #12 - 24 X 3/4" LG.....	1



ENGINE



ENGINE

When ordering parts, please specify the model and serial number of the product.

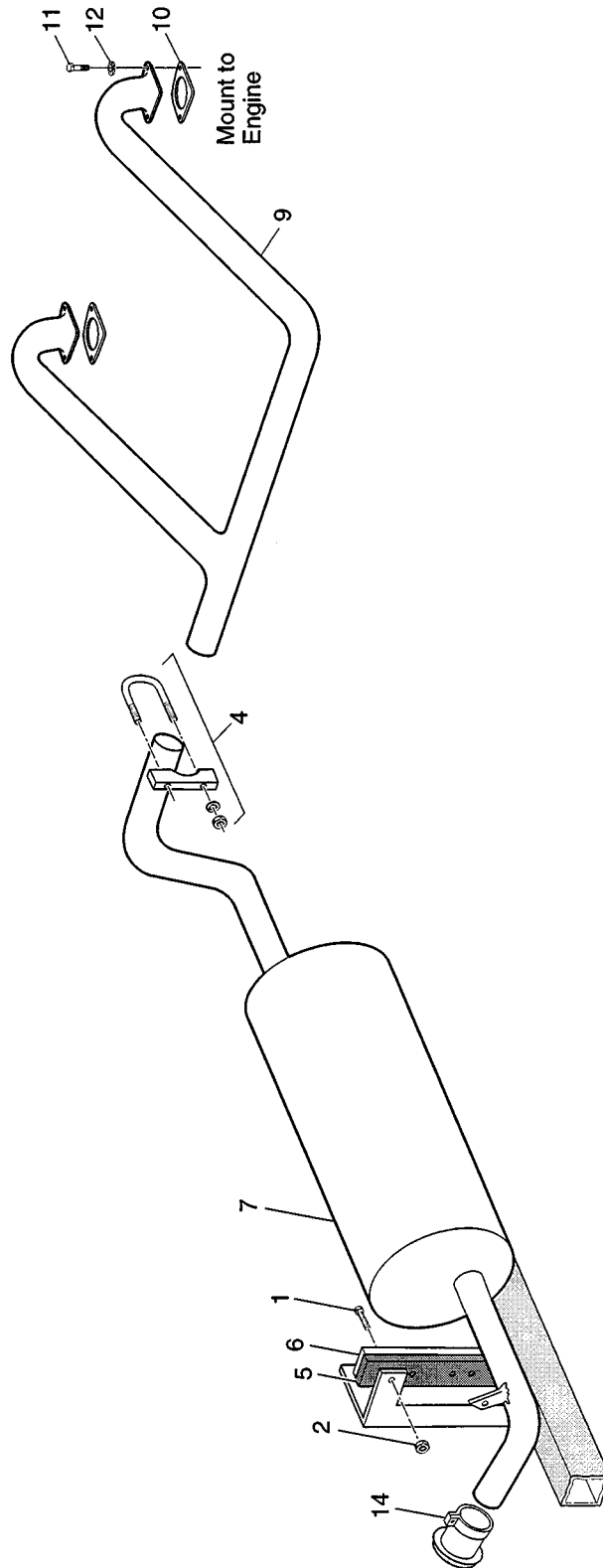
* Indicates a component that is not available as an individual part.

G** Indicates consult Customer Service Department for additional information.

ITEM	PART NO.	1 2 3 4 5	DESCRIPTION	QTY.
1	23890-G2		ENGINE (20 HP ONAN).....	1
2	28133-G01		CARBURETOR WITH GASKET.....	1
3	24812-G1		OIL FILTER	1
4	24816-G1		COIL.....	1
5	24824-G1		SPARK PLUG CABLE (18.5" LG.)	1
6	24825-G1		SPARK PLUG CABLE (9" LG.).....	1
7	27869-G01		SPARK PLUG (CHAMPION RS17YX)	2
8				
9				
10	00427-G6		BOLT, 3/8 - 16 X 1 3/4" LG.	4
11	00560-G1		WASHER, 3/8"	4
12	11098-G4		LOCK NUT, 3/8 - 16	4



EXHAUST



EXHAUST

When ordering parts, please specify the model and serial number of the product.

* Indicates a component that is not available as an individual part.

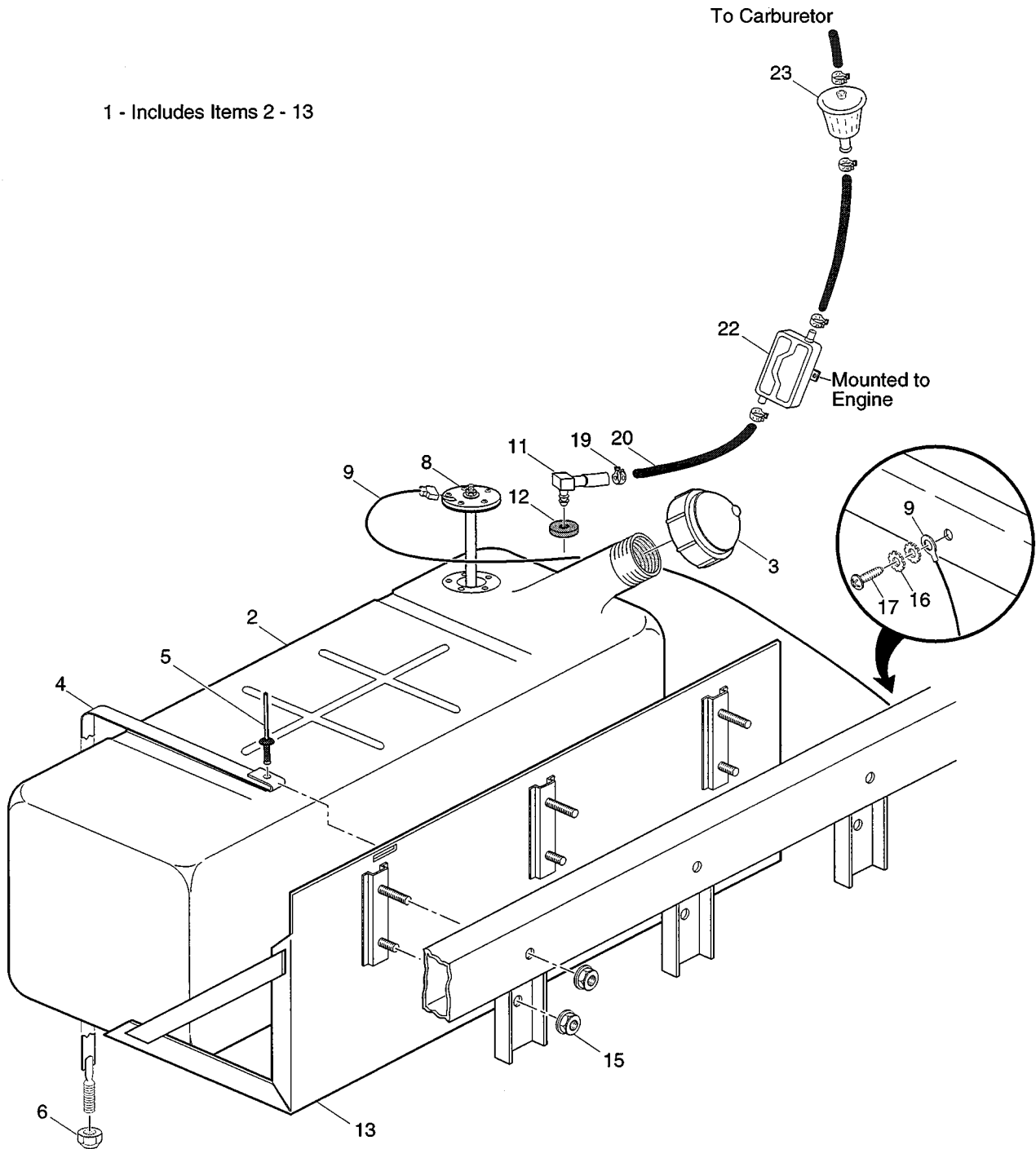
G** Indicates consult Customer Service Department for additional information.

ITEM	PART NO.	1 2 3 4 5	DESCRIPTION	QTY.
1	00438-G8		BOLT, 5/16 - 18 X 1" LG.....	2
2	11027-G1		LOCK NUT, 5/16 - 18.....	2
3				
4	21480-G1		MUFFLER CLAMP.....	1
5	21482-G1		RUBBER HANGER.....	1
6	24695-G2		MUFFLER SHIM.....	2
7	24801-G2		EXHAUST MUFFLER.....	1
8				
9	22003-G1		EXHAUST MANIFOLD.....	1
10	21107-G1		GASKET.....	2
11	21114-G1		SCREW, 5/16 - 18.....	4
12	00565-G8		LOCK WASHER, 5/16".....	4
13				
14	20334-G2		SPARK ARRESTOR KIT.....	1



FUEL SYSTEM

1 - Includes Items 2 - 13



FUEL SYSTEM

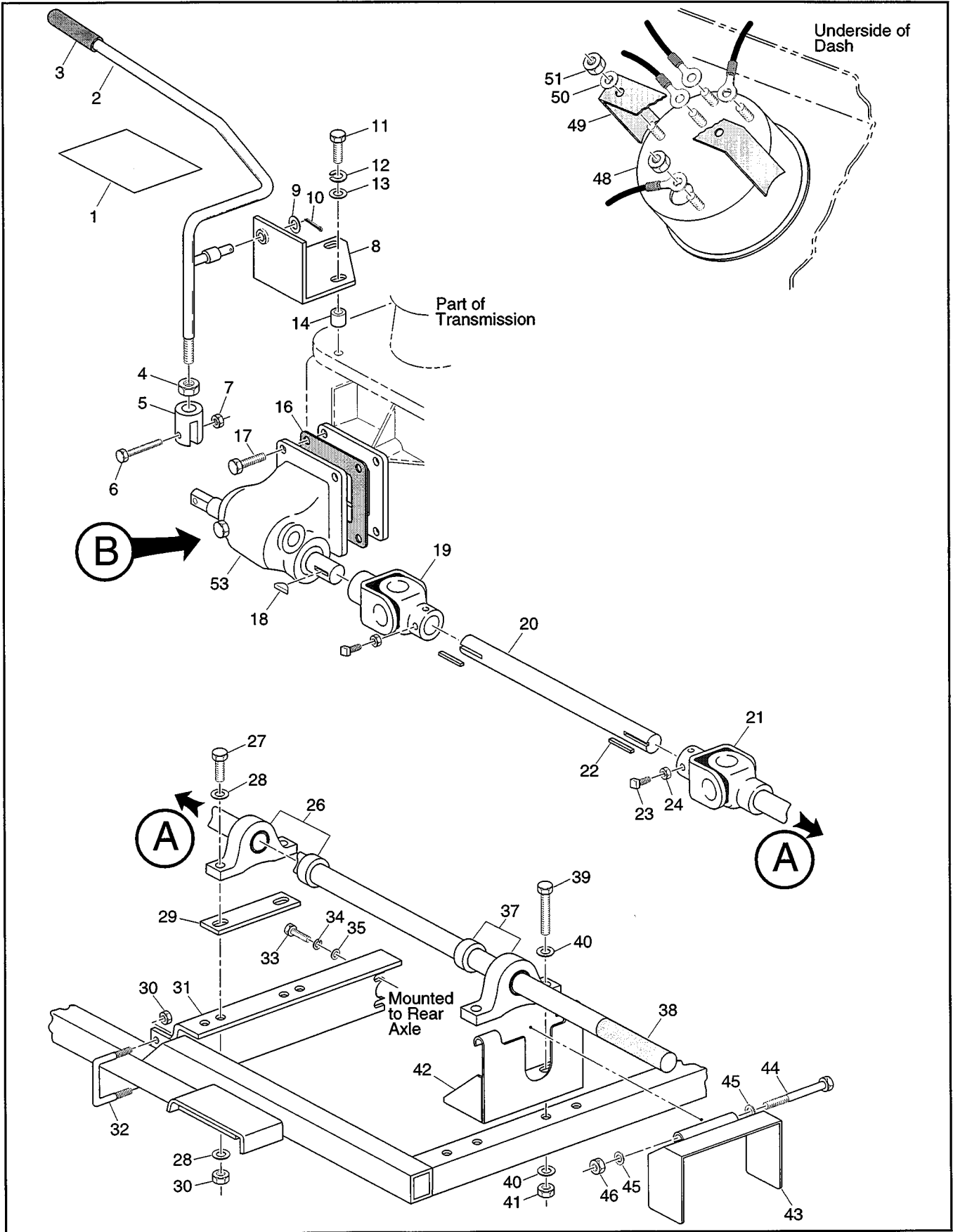
When ordering parts, please specify the model and serial number of the product.

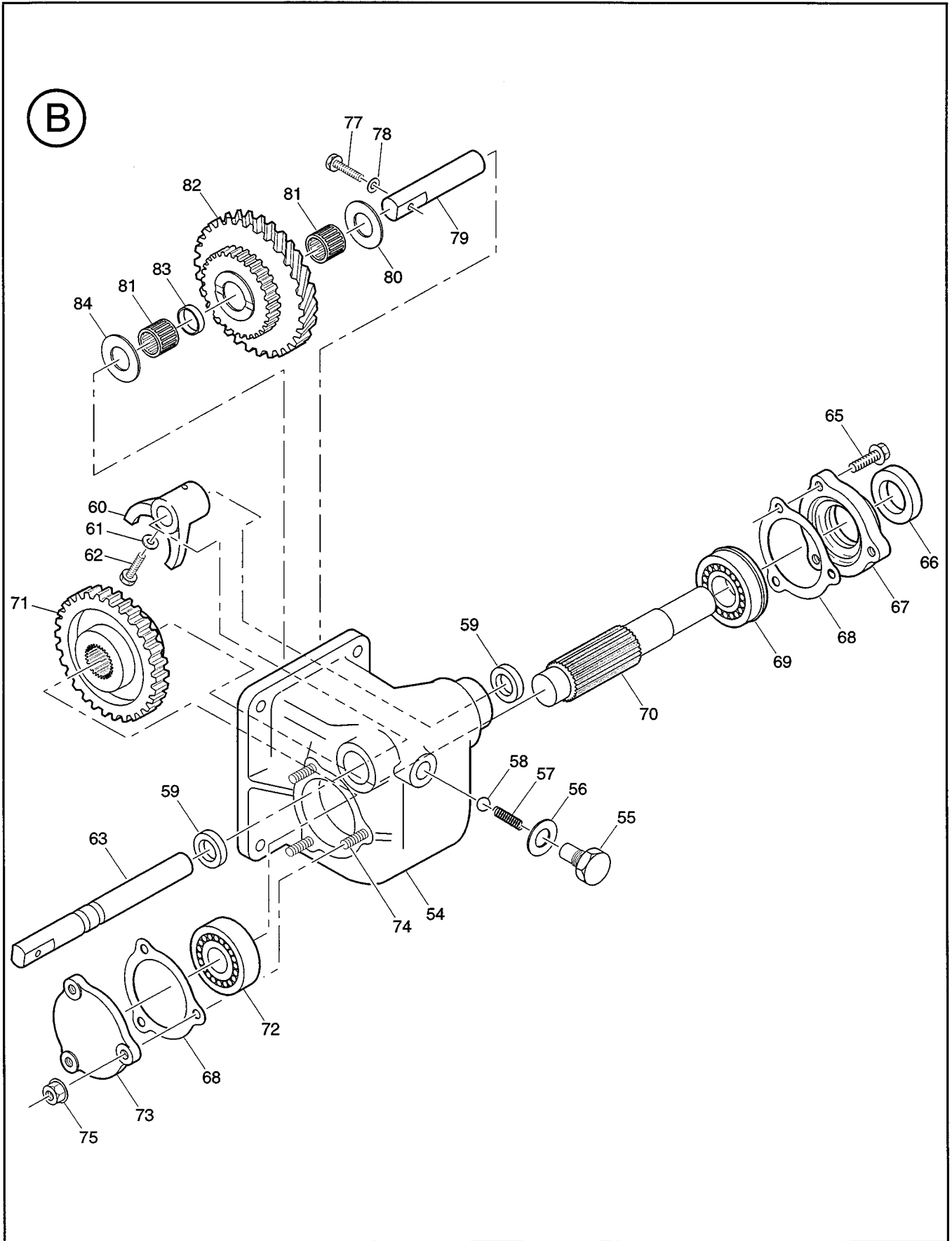
* Indicates a component that is not available as an individual part.

G** Indicates consult Customer Service Department for additional information.

ITEM	PART NO.	1 2 3 4 5	DESCRIPTION	QTY.
1	20036-G1		FUEL TANK ASSEMBLY (INCLUDES ITEMS 2 - 13)	1
2	19716-G1		FUEL TANK.....	1
3	20039-G1		CAP	1
4	18302-G3		STRAP.....	2
5	14601-G5		RIVET, 3/8"	2
6	14390-G4		NUT, 1/4 - 20.....	2
7				
8	20048-G1		FUEL LEVEL SENDER	1
9	16754-G1		WIRE (BLACK 18 GA.)	1
10				
11	27210-G02		SIPHON TUBE	1
12	26060-G01		BUSHING	1
13	20037-G1		SUPPORT PAN	1
14				
15	11027-G1		NUT, 5/16 - 18	6
16	00567-G7		WASHER, 1/4"	2
17	00965-G01		SCREW, 1/4 - 20 X 3/4" LG	1
18				
19	18292-G1		CLAMP.....	6
20	17470-G1		BULK TUBING	1
21				
22	21591-G1		FUEL PUMP.....	1
23	12902-G1		FUEL FILTER	1







PTO

When ordering parts, please specify the model and serial number of the product.

* Indicates a component that is not available as an individual part.

G** Indicates consult Customer Service Department for additional information.

ITEM	PART NO.	1 2 3 4 5	DESCRIPTION	QTY.
1	22036-G1		LABEL	1
2	22071-G1		LEVER.....	1
3	21164-G1		LEVER CAP	1
4	00545-G2		NUT, 1/2 - 20	1
5	22066-G1		PTO CLEVIS	1
6	12547-G8		BOLT, 6 MM X 1 X 35 MM LG.	1
7	00765-G1		LOCK NUT, 6 MM.....	1
8	22027-G1		BRACKET.....	1
9	00560-G3		WASHER, 1/2"	1
10	10387-G4		COTTER PIN, 1/8" X 1" LG.	1
11	12547-G5		BOLT, M6 X 1 X 40 MM LG.	2
12	00565-G7		LOCK WASHER, 1/4"	2
13	00559-G7		WASHER, 1/4"	2
14	22205-G1		PIVOT SPACER.....	2
15				
16	22160-G1		GASKET	1
17	22161-G1		FLANGED BOLT	4
18	00757-G2		WOODRUFF KEY	1
19	21227-G3		FRONT UNIVERSAL JOINT	1
20	26525-G01		FRONT SHAFT	1
21	21227-G4		REAR UNIVERSAL JOINT.....	1
22	21228-G1		SQUARE KEY, 3/16" X 1 1/2" LG.	3
23	00495-G8		SETSCREW, 3/8 - 16 X 1" LG.....	8
24	00544-G5		NUT, 3/8 - 16	8
25				
26	23109-G1		PILLOW BLOCK, 3/4"	1
27	00427-G4		BOLT, 3/8 - 16 X 1 1/2" LG.	2
28	00560-G1		WASHER, 3/8"	4
29	27201-G01		SHIM	1
30	11098-G5		LOCK NUT, 3/8 - 16	4



When ordering parts, please specify the model and serial number of the product.

* Indicates a component that is not available as an individual part.

G** Indicates consult Customer Service Department for additional information.

ITEM	PART NO.	1 2 3 4 5	DESCRIPTION	QTY.
31	26139-G01		MOUNTING BRACKET.....	1
32	23171-G1		"U" BOLT, 3/8 - 16.....	1
33	00426-G8		SCREW, 3/8 - 16 X 1" LG.	2
34	00566-G1		LOCK WASHER, 3/8".....	2
35	00560-G1		WASHER, 3/8".....	2
36				
37	25431-G1		PILLOW BLOCK, 1".....	1
38	26140-G01		REAR SHAFT.....	1
39	00429-G2		BOLT, 3/8 - 16 X 3 1/4" LG.....	2
40	00560-G1		WASHER, 3/8".....	4
41	11098-G5		LOCK NUT, 3/8 - 16.....	2
42	27088-G01		BRACKET.....	1
43	27087-G02		COVER.....	1
44	00990-G06		BOLT, 3/8 - 16 X 7 3/4" LG.....	1
45	00560-G1		WASHER, 3/8".....	2
46	11098-G5		LOCK NUT, 3/8 - 16.....	1
47				
48	21963-G1		TACHOMETER.....	1
49	*		BRACKET.....	1
50	*		LOCK WASHER.....	2
51	*		NUT.....	6
52				
53	22271-G1		PTO UNIT (COMPLETE) (INCLUDES ITEMS 54 - 84).....	1
54	*		CASE.....	1
55	22178-G1		CAP.....	1
56	22177-G1		GASKET.....	1
57	22176-G1		SPRING.....	1
58	22175-G1		BALL.....	1
59	22156-G1		OIL SEAL.....	2
60	22141-G1		SHIFT FORK.....	1



PTO

When ordering parts, please specify the model and serial number of the product.

* Indicates a component that is not available as an individual part.

G** Indicates consult Customer Service Department for additional information.

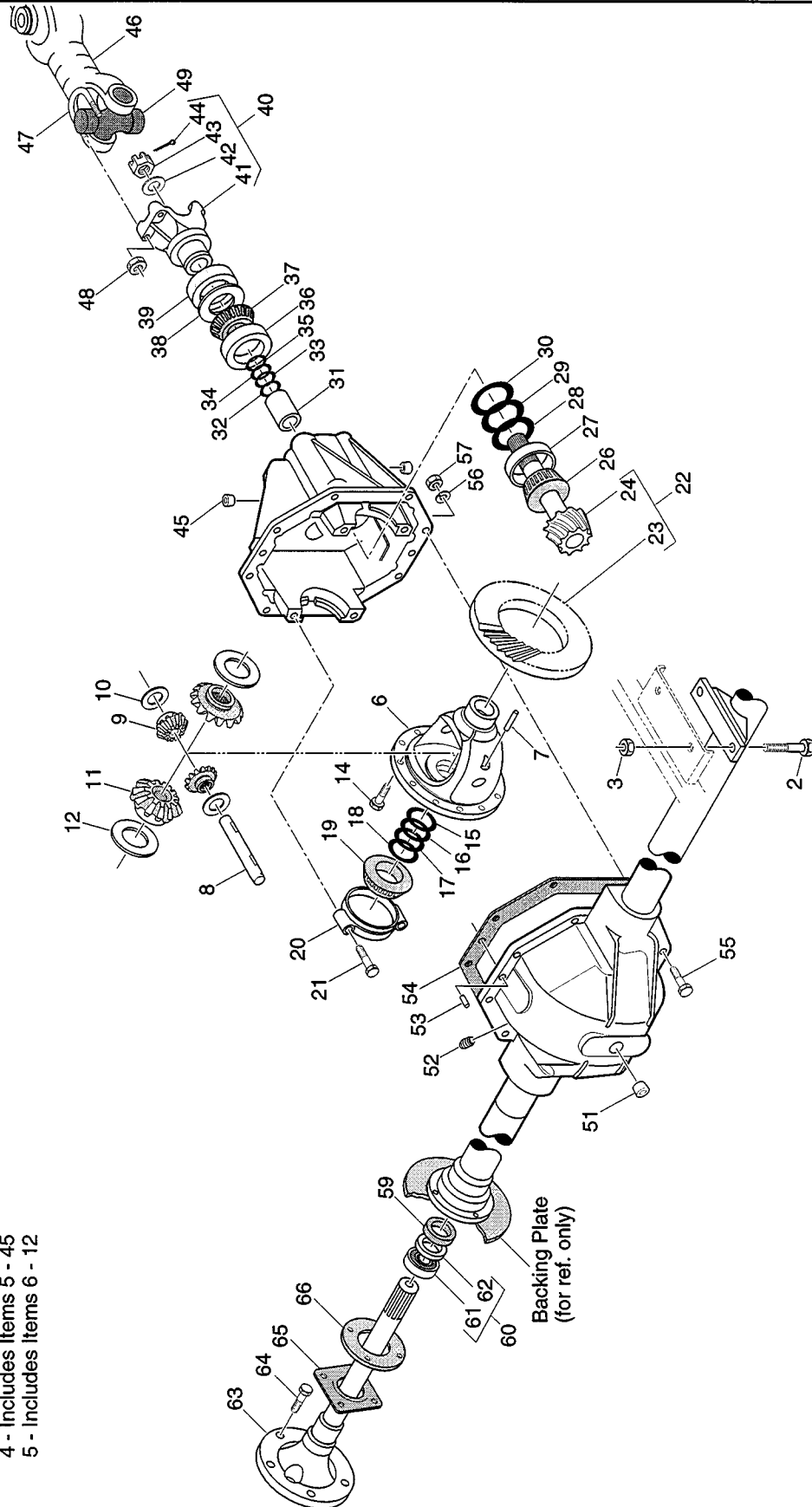
ITEM	PART NO.	1 2 3 4 5	DESCRIPTION	QTY.
61	22157-G1		SPRING WASHER.....	1
62	22158-G1		SET BOLT	1
63	22155-G1		SHIFT ROD.....	1
64				
65	22147-G1		FLANGED BOLT	3
66	22148-G1		OIL SEAL	1
67	22139-G1		BEARING COVER	1
68	22146-G1		GASKET	2
69	22145-G1		BALL BEARING	1
70	22143-G1		OUTPUT SHAFT	1
71	22142-G1		PTO GEAR	1
72	22149-G1		BALL BEARING	1
73	22140-G1		FRONT COVER.....	1
74	22201-G1		STUD	3
75	22198-G1		FLANGED NUT.....	3
76				
77	22158-G1		SET BOLT	1
78	22157-G1		SPRING WASHER.....	1
79	22151-G1		IDLER SHAFT.....	1
80	22154-G1		THRUST WASHER	1
81	22153-G1		NEEDLE BEARING	2
82	22144-G1		IDLE GEAR.....	1
83	22152-G1		COLLAR.....	1
84	22241-G1		THRUST WASHER	1





REAR AXLE

- 4 - Includes Items 5 - 45
- 5 - Includes Items 6 - 12



REAR AXLE

When ordering parts, please specify the model and serial number of the product.

* Indicates a component that is not available as an individual part.

G** Indicates consult Customer Service Department for additional information.

ITEM	PART NO.	1 2 3 4 5	DESCRIPTION	QTY.
1	27288-G02		REAR AXLE (COMPLETE WITH BRAKES - SEE SECTION E FOR BRAKE COMPONENTS)	1
2	00469-G4		BOLT, 7/16 - 20 X 1 1/2" LG	4
3	00734-G3		LOCK NUT, 7/16 - 20	4
4	*		CARRIER ASSEMBLY (INCLUDES ITEMS 5 - 45)	1
5	13900-G1		DIFFERENTIAL CASE ASSEMBLY (INCLUDES ITEMS 6 - 12).....	1
6	13871-G1		DIFFERENTIAL CASE.....	1
7	13870-G1		LOCK PIN	1
8	13876-G1		SHAFT	1
9	13873-G1		DIFFERENTIAL BEVEL PINION MATE	2
10	13872-G1		THRUST WASHER	2
11	13874-G1		DIFFERENTIAL BEVEL SIDE GEAR	2
12	13875-G1		THRUST WASHER	2
13				
14	50528-G1		SCREW	10
15	13881-G1		SHIM (.003)	A/R
16	13882-G1		SHIM (.005)	A/R
17	13943-G1		SHIM (.010)	A/R
18	13883-G1		SHIM (.030)	A/R
19	13880-G1		BEARING CONE	2
20	13879-G1		BEARING CUP	2
21	13878-G1		BOLT	4
22	22528-G1		PINION AND RING GEAR ASSEMBLY (INCLUDES ITEMS 23 AND 24) ..	1
23	*		HYPOID DRIVE GEAR	1
24	*		HYPOID DRIVE PINION	1
25				
26	13867-G1		BEARING CONE	1
27	13866-G1		BEARING CUP.....	1
28	13863-G1		SHIM (.003)	A/R
29	13864-G1		SHIM (.005)	A/R



REAR AXLE

THE USE OF NON U.L. PARTS WILL VOID ANY U.L. LISTING.

When ordering parts, please specify the model and serial number of the product.

* Indicates a component that is not available as an individual part.

G** Indicates consult Customer Service Department for additional information.

ITEM	PART NO.	1 2 3 4 5	DESCRIPTION	QTY.
30	13865-G1		SHIM (.010).....	A/R
31	13860-G1		SPACER.....	1
32	13859-G1		SHIM (.030).....	A/R
33	13858-G1		SHIM (.010).....	A/R
34	13857-G1		SHIM (.005).....	A/R
35	13856-G1		SHIM (.003).....	A/R
36	13855-G1		BEARING CUP	1
37	13854-G1		BEARING CONE	1
38	13853-G1		WASHER	1
39	13852-G1		PINION OIL SEAL.....	1
40	*		YOKE, WASHER AND NUT (INCLUDES ITEMS 41 - 44).....	1
41	13851-G1		YOKE.....	1
42	15487-G1		WASHER.....	1
43	13848-G1		NUT	1
44	10387-G1		COTTER PIN, 1/8" X 1 1/2" LG	1
45	13861-G1		PIPE PLUG.....	2
46	21960-G1		DRIVE SHAFT ASSEMBLY	1
47	21167-G1		"U" BOLT, 5/16 - 24.....	4
48	11098-G9		LOCK NUT, 5/16-24	4
49	22612-G1		DRIVE SHAFT REPAIR KIT (UNIVERSAL)	2
50				
51	13889-G1		PIPE PLUG	1
52	13962-G1		VENT TUBE	1
53	13887-G1		DOWEL PIN	2
54	13885-G1		HOUSING GASKET	1
55	00445-G2		BOLT, 5/16-24 X 1 1/2" LG	8
56	00567-G8		LOCK WASHER, 5/16"	8
57	00529-G4		NUT, 5/16-24	8
58				
59	14585-G1		INNER OIL SEAL	2

REAR AXLE

When ordering parts, please specify the model and serial number of the product.

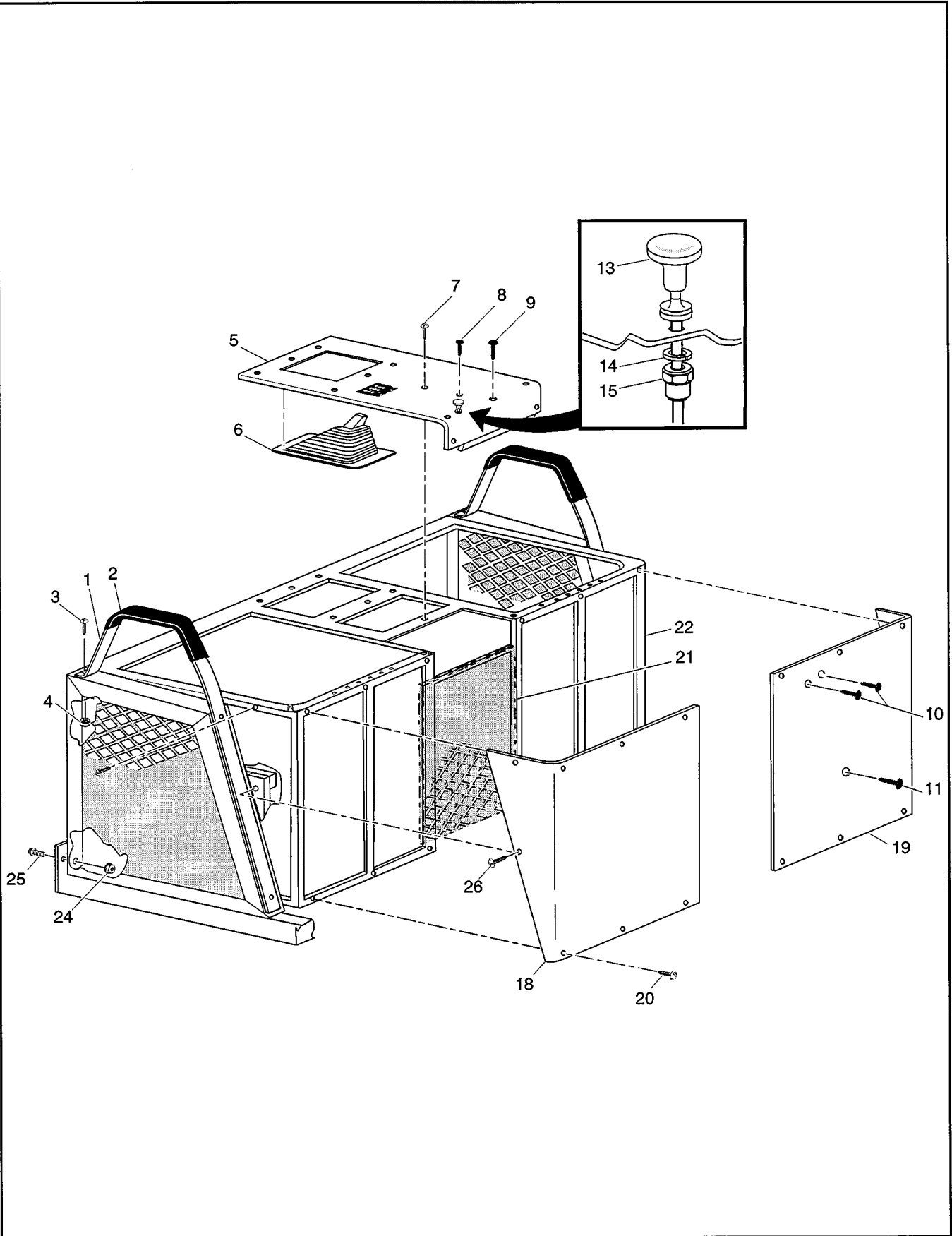
* Indicates a component that is not available as an individual part.

G** Indicates consult Customer Service Department for additional information.

ITEM	PART NO.	1	2	3	4	5	DESCRIPTION	QTY.
60	*						BEARING AND RETAINER KIT (INCLUDES ITEMS 61 - 62)	1
61	13084-G1						WHEEL BEARING.....	1
62	14584-G1						RETAINER RING	1
63	13970-G1						AXLE SHAFT ASSEMBLY (INCLUDES WHEEL BOLT)	1
64	13896-G1						WHEEL BOLT	10
65	21559-G1						WIPER SEAL	2
66	13091-G1						GASKET.....	2



SEAT FRAME



SEAT FRAME

When ordering parts, please specify the model and serial number of the product.

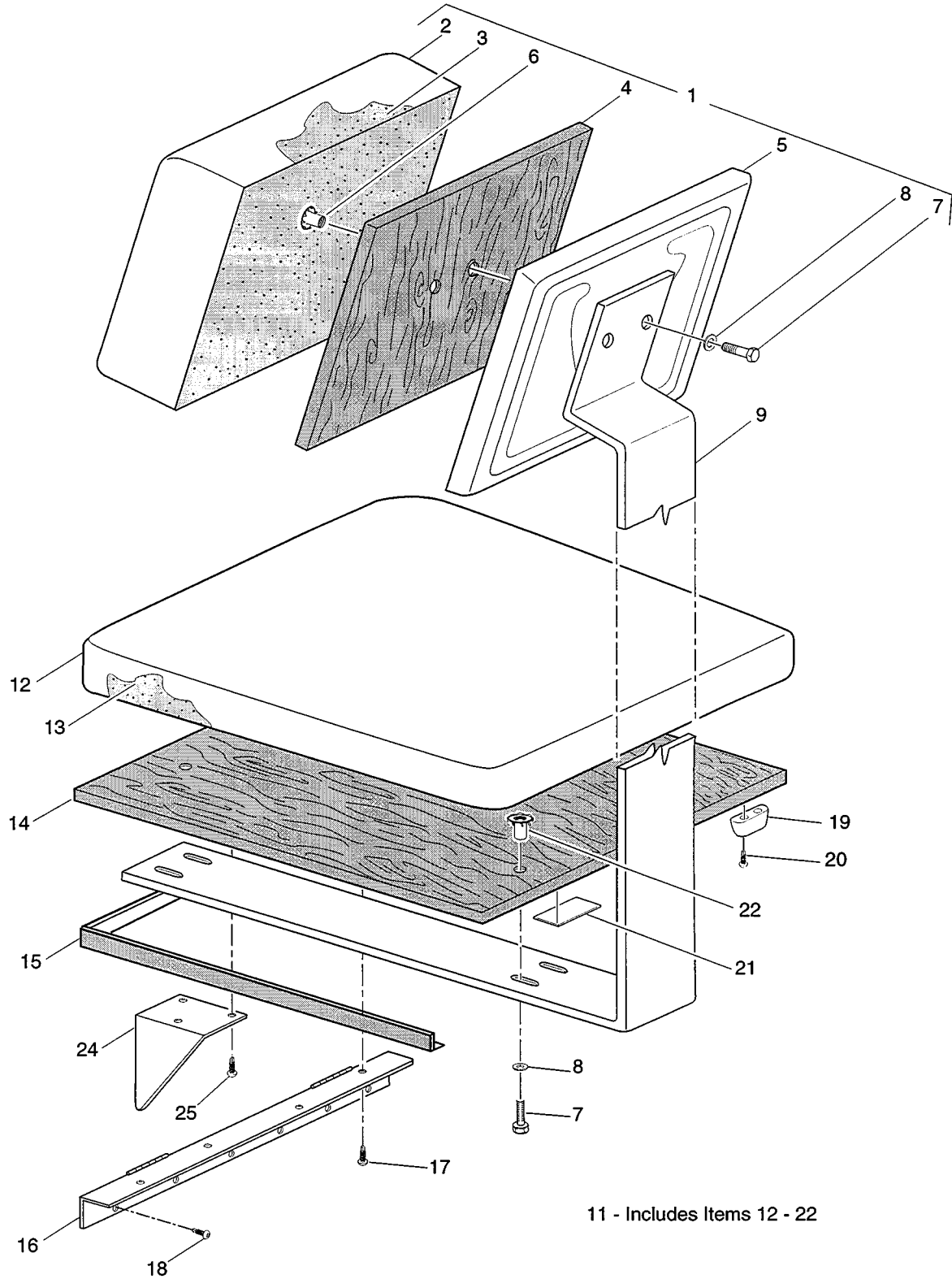
* Indicates a component that is not available as an individual part.

G** Indicates consult Customer Service Department for additional information.

ITEM	PART NO.	1	2	3	4	5	DESCRIPTION	QTY.
1	21710-G1						HAND HOLD ASSEMBLY (INCLUDES ITEM 2).....	2
2	23152-G1						HAND GRIP	1
3	16705-G1						SCREW, 1/4 - 20 X 1" LG.	6
4	11027-G2						LOCK NUT, 1/4 - 20	6
5	27888-G01						CONTROL PANEL	1
6	21805-G1						BOOT	1
7	00106-G6						SCREW, #12 - 24 X 3/4" LG.	11
8	20271-G2						HOLE PLUG, 1/2"	1
9	20271-G5						HOLE PLUG, 3/4"	1
10	20271-G1						HOLE PLUG, 3/8"	2
11	20271-G6						HOLE PLUG, 7/8"	1
12								
13	27890-G01						CHOKE CABLE ASSEMBLY (INCLUDES ITEMS 14 - 15).....	
14	00566-G1						LOCK WASHER, 3/8"	1
15	00532-G6						NUT, 3/8 - 24.....	1
16								
17	26196-G02						SEAT FRAME AND PANEL ASSEMBLY (INCLUDES ITEMS 18 - 26).....	1
18	27889-G01						FRONT PANEL (PASSENGER SIDE)	1
19	27889-G02						FRONT PANEL (DRIVER SIDE).....	1
20	00106-G6						SCREW, #12 - 24 X 3/4 " LG	14
21	27899-G01						GRILL	1
22	26195-G01						SEAT FRAME	1
23								
24	11027-G1						LOCK NUT, 5/16 - 18.....	2
25	13437-G3						LOCK SCREW, 5/16 - 18 X 1" LG	2
26	00106-G6						SCREW, 12-24 x 3/4" LG.....	2



SEATING



SEATING

When ordering parts, please specify the model and serial number of the product.

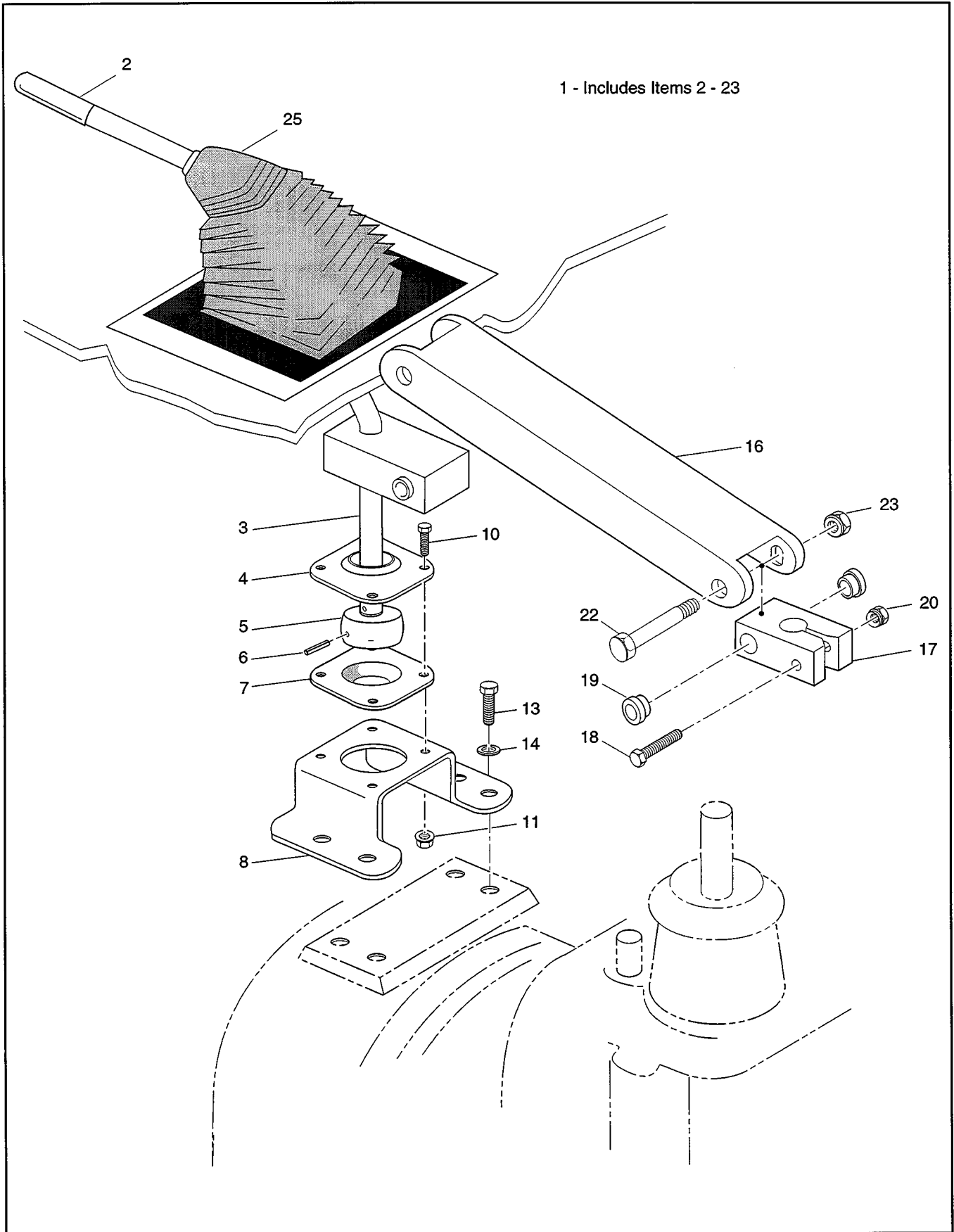
* Indicates a component that is not available as an individual part.

G** Indicates consult Customer Service Department for additional information.

ITEM	PART NO.	1 2 3 4 5	DESCRIPTION	QTY.
1	19579-G**		BACK REST ASSEMBLY (INCLUDES ITEMS 2 - 9).....	1
2	14371-G**		COVER.....	1
3	*		FOAM.....	1
4	*		PLYWOOD	1
5	14724-G**		BACK COVER.....	1
6	11782-G2		TEE NUT, 1/4 - 20	2
7	00240-G8		BOLT, 1/4 - 20 X 1" LG	6
8	00559-G7		WASHER, 1/4"	6
9	26019-G01		BRACKET	1
10				
11	19585-G**		SEAT BOTTOM ASSEMBLY (INCLUDES ITEMS 12 - 22).....	1
12	19584-G**		COVER.....	1
13	*		FOAM.....	1
14	*		PLYWOOD	1
15	17113-G4		TRIM	1
16	10222-G1		HINGE.....	1
17	00592-G6		SCREW, #12 - 14 X 3/4" LG	4
18	00106-G6		SCREW, #12 - 24 X 3/4" LG.	6
19	11097-G1		BUMPER PAD	2
20	00128-G8		SCREW, #5 - 20 X 1" LG	4
21	22981-G1		WEATHER STRIPPING (BULK).....	AR
22	11782-G2		TEE NUT, 1/4 - 20	4
23				
24	11809-G1		SEAT PROP BRACKET (DRIVER SIDE ONLY).....	1
25	00592-G6		SCREW, #12 - 14 X 3/4" LG.	3



SHIFTER AND LINKAGE



SHIFTER AND LINKAGE

When ordering parts, please specify the model and serial number of the product.

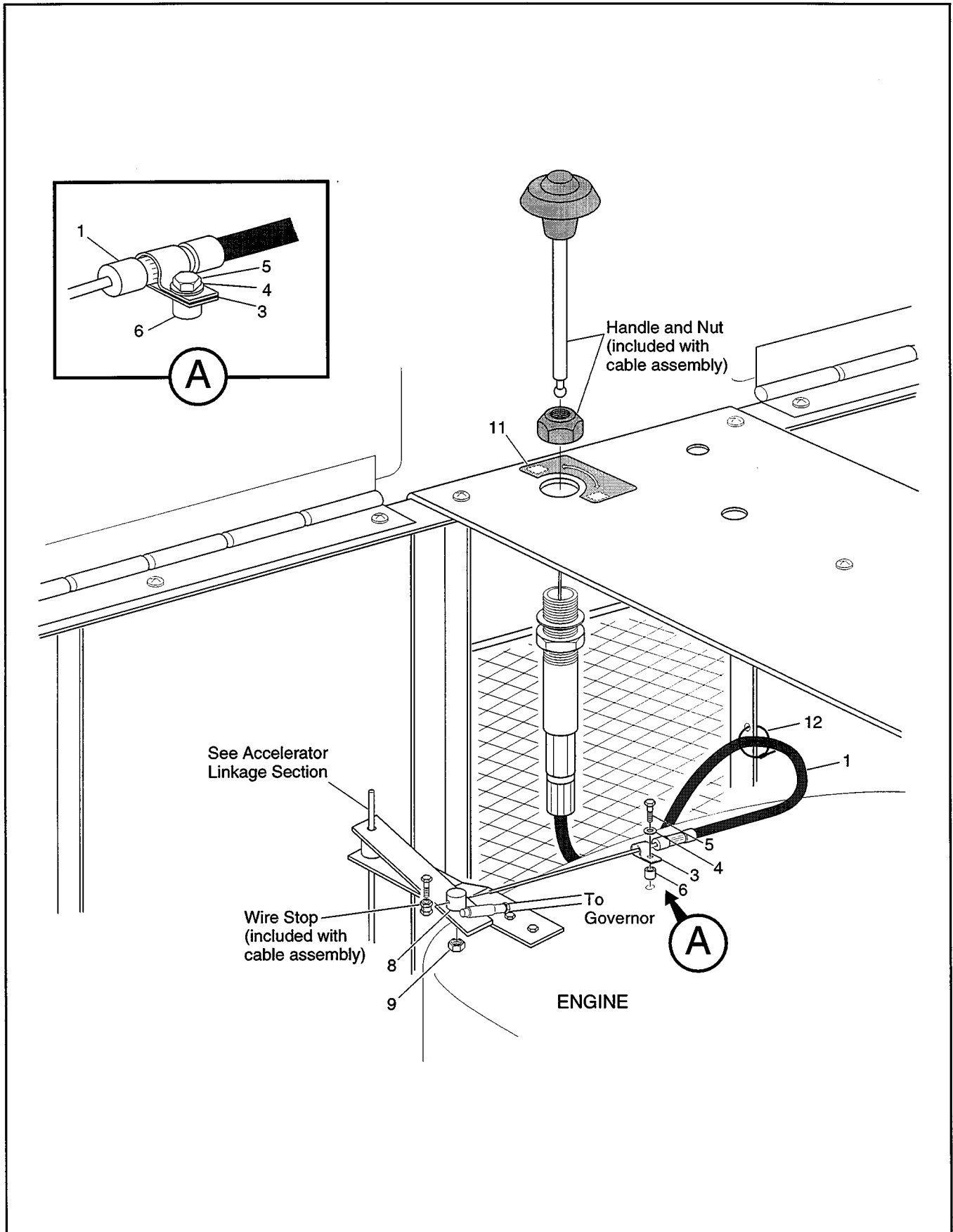
* Indicates a component that is not available as an individual part.

G** Indicates consult Customer Service Department for additional information.

ITEM	PART NO.	1 2 3 4 5	DESCRIPTION	QTY.
1	25079-G2		GEAR SHIFTER AND LINKAGE ASSEMBLY (INCLUDES ITEMS 2 - 23).....	1
2	21159-G1		TRANSMISSION KNOB	1
3	25061-G1		GEAR SHIFTER ROD	1
4	25085-G1		UPPER HOUSING BEARING	
5	25077-G1		GEAR SHIFT BEARING	1
6	00946-G1		ROLL PIN, 3/16 X 1 1/4" LG	
7	25411-G1		LOWER HOUSING BEARING.....	1
8	25073-G1		MOUNTING PLATE	1
9				
10	00414-G6		BOLT, 1/4 - 20 X 3/4" LG.....	4
11	00556-G1		LOCK NUT, 1/4 - 20.....	4
12				
13	00438-G6		SCREW, 5/16 - 18 X 3/4" LG	4
14	00565-G8		LOCK WASHER, 5/16	4
15				
16	25084-G1		SHIFTER ARM	1
17	25083-G1		PIVOT BLOCK.....	1
18	00427-G6		BOLT, 3/8 - 16 X 1 3/4".....	1
19	10097-G6		BUSHING	4
20	11098-G5		LOCK NUT, 3/8 - 16.....	1
21				
22	25415-G1		SHOULDER BOLT.....	2
23	00556-G3		LOCK NUT, 5/16 - 18.....	2
24				
25	*****		BOOT (SEE SEAT FRAME SECTION FOR PART NO.).....	1



SPEED CONTROL



SPEED CONTROL

When ordering parts, please specify the model and serial number of the product.

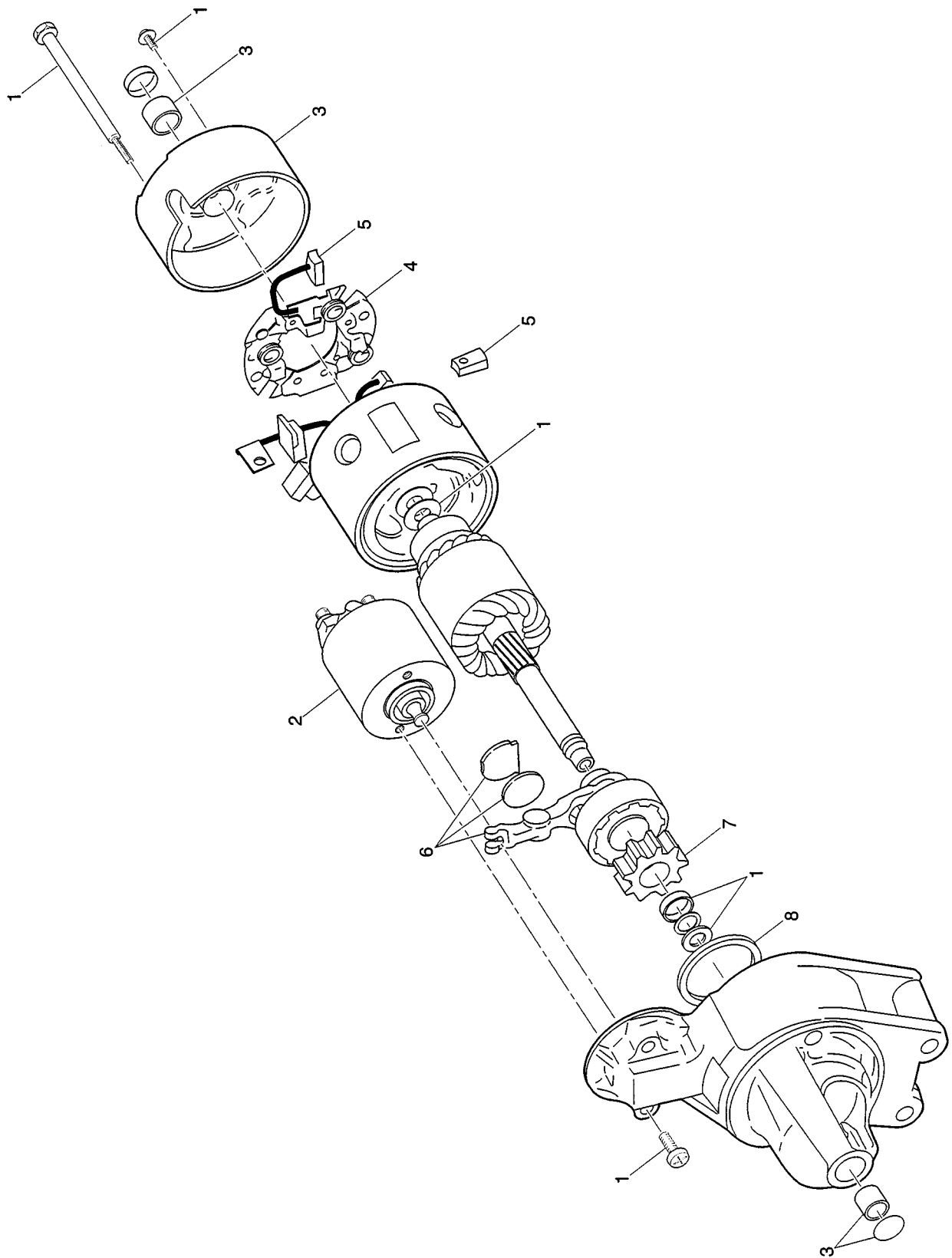
* Indicates a component that is not available as an individual part.

G** Indicates consult Customer Service Department for additional information.

ITEM	PART NO.	1 2 3 4 5	DESCRIPTION	QTY.
1	26486-G01		THROTTLE CABLE.....	1
2				
3	26530-G01		CABLE CLAMP.....	1
4	00565-G7		LOCK WASHER, 1/4".....	1
5	00414-G8		SCREW, 1/4 - 20 X 1" LG.	1
6	22205-G1		SPACER.....	1
7				
8	25999-G01		PIVOT.....	1
9	11027-G2		NUT, 1/4 - 20.....	1
10				
11	27892-G01		DECAL.....	1
12	17618-G1		NYLON CLAMP	1



STARTER



STARTER

When ordering parts, please specify the model and serial number of the product.

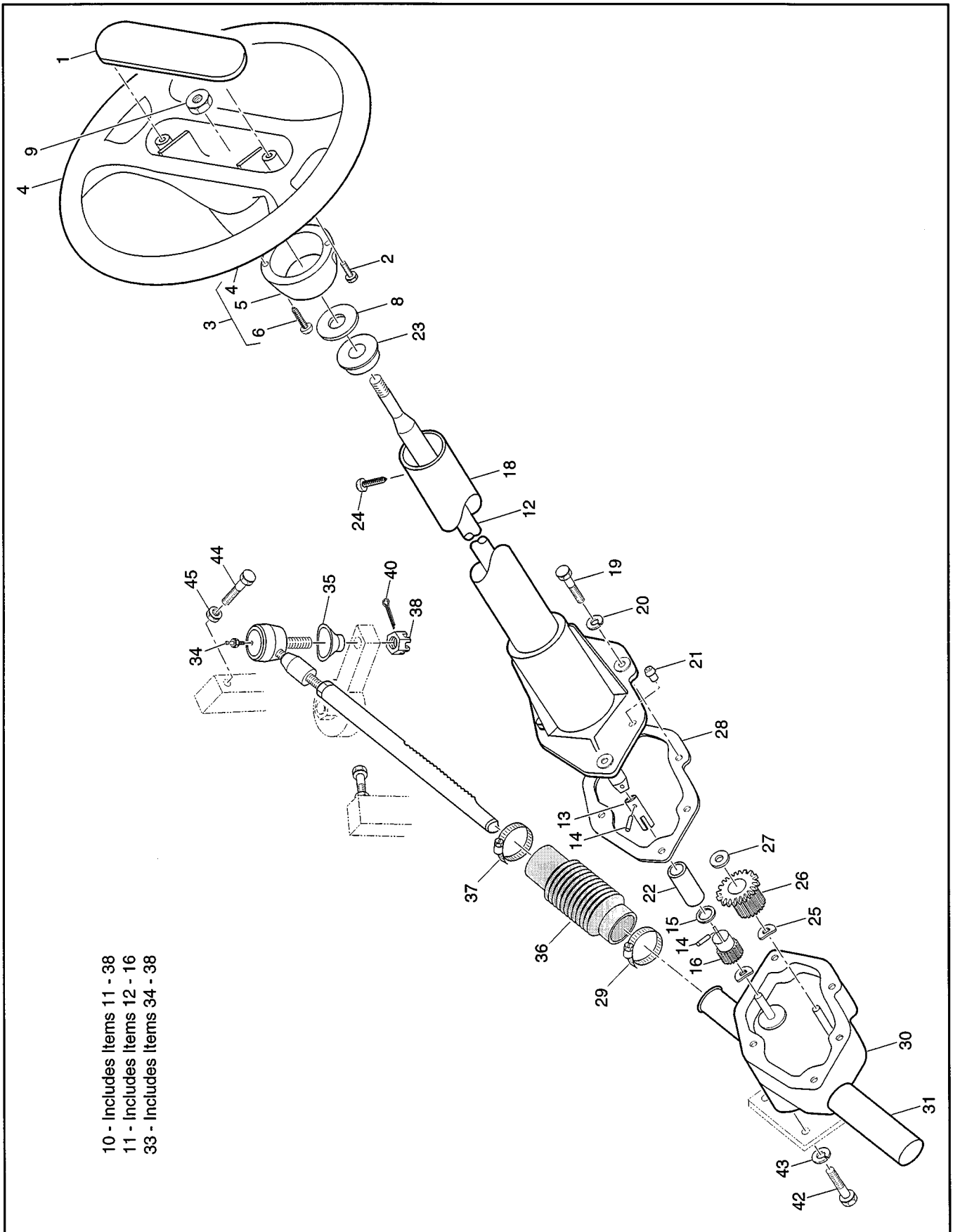
* Indicates a component that is not available as an individual part.

G** Indicates consult Customer Service Department for additional information.

ITEM	PART NO.	1 2 3 4 5	DESCRIPTION	QTY.
1	25481-G1		STARTER HARDWARE KIT.....	1
2	25482-G1		STARTER SOLENOID KIT.....	1
3	25483-G1		STARTER BUSHING KIT.....	1
4	24864-G1		BRUSH HOLDER.....	1
5	24865-G1		STARTER BRUSH KIT.....	1
6	25486-G1		STARTER SHIFT LEVER KIT.....	1
7	25487-G1		STARTER CLUTCH.....	1
8	25488-G1		DUST SEAL.....	1
9	24863-G1		STARTER (COMPLETE).....	1



STEERING



- 10 - Includes Items 11 - 38
- 11 - Includes Items 12 - 16
- 33 - Includes Items 34 - 38

STEERING

When ordering parts, please specify the model and serial number of the product.

* Indicates a component that is not available as an individual part.

G** Indicates consult Customer Service Department for additional information.

ITEM	PART NO.	1	2	3	4	5	DESCRIPTION	QTY.
1	33333-G01						STEERING WHEEL COVER.....	1
2	18464-G2						SCREW, #8 X 1/2" LG.....	2
3	18325-G1						STEERING WHEEL ASSEMBLY (INCLUDES ITEMS 4 - 6)	1
4	*						STEERING WHEEL.....	1
5	23225-G1						HUB COVER	1
6	00999-G01						SCREW, #8.....	2
7								
8	16772-G1						STEERING WHEEL SEAL.....	1
9	14390-G2						LOCK NUT, 5/8 - 18	1
10	19152-G7						STEERING UNIT ASSEMBLY (INCLUDES ITEMS 11 - 38).....	1
11	17163-G2						STEERING SHAFT ASSEMBLY (INCLUDES ITEMS 12 - 16).....	1
12	*						STEERING SHAFT	1
13	*						COUPLING	1
14	*						DOWEL PIN, 1/4"	2
15	*						THRUST WASHER	1
16	*						STEERING PINION	1
17								
18	19153-G7						STEERING COLUMN.....	1
19	00444-G8						SCREW, 5/16 - 24 X 1" LG.....	4
20	00565-G8						LOCK WASHER, 5/16"	4
21	*						GREASE FITTING.....	1
22	17140-G1						SLEEVE.....	1
23	17161-G1						BUSHING	1
24	00118-G2						SCREW, #6 - 18 X 1/4" LG.....	1
25	51294-G1						WAVE WASHER	2
26	23279-G1						REDUCTION GEAR	1
27	13059-G2						THRUST WASHER.....	1
28	19154-G1						GASKET	1
29	17618-G1						NYLON CLAMP	1
30	13097-G1						HOUSING ASSEMBLY (INCLUDES ITEM 31).....	1



STEERING

When ordering parts, please specify the model and serial number of the product.

* Indicates a component that is not available as an individual part.

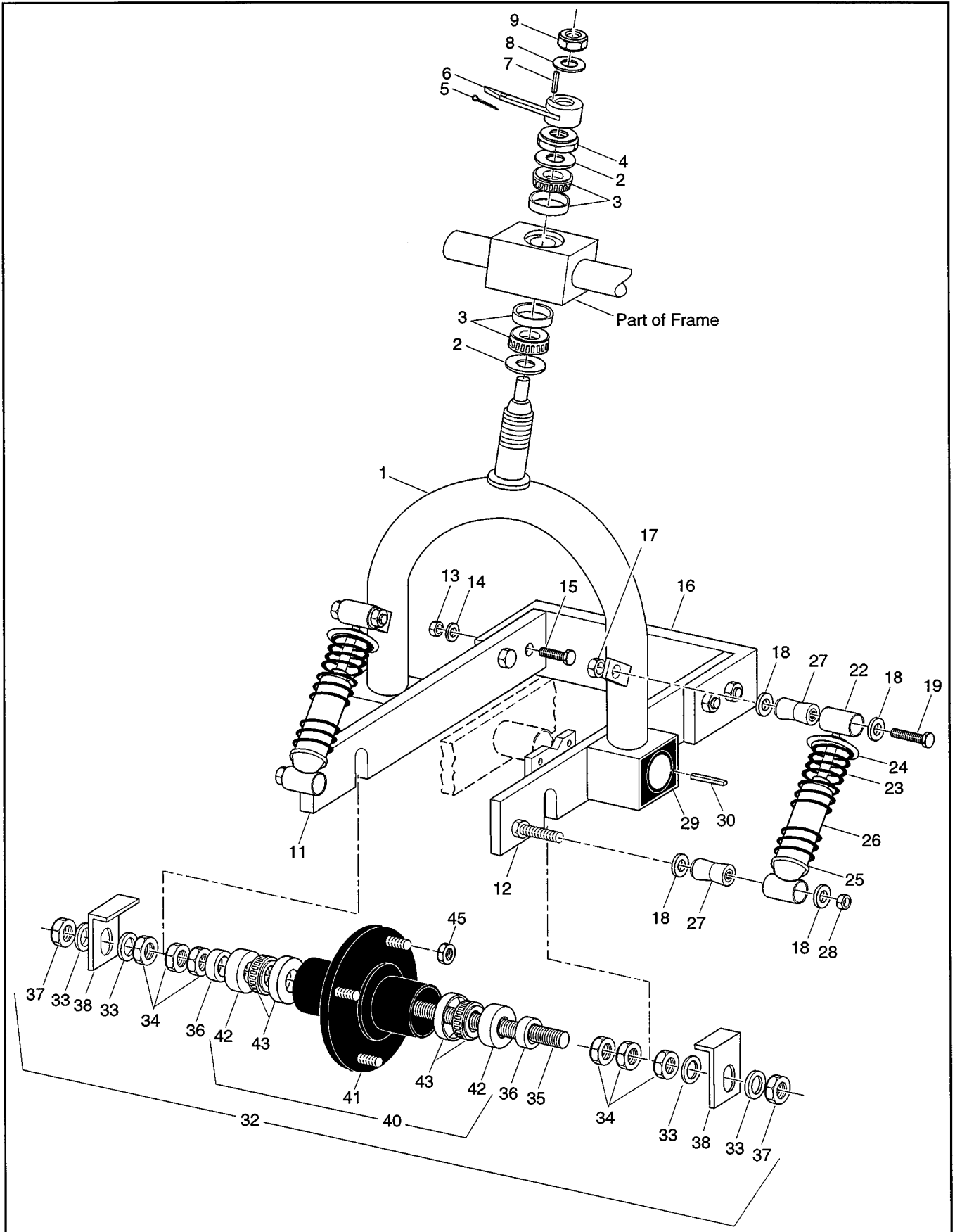
G** Indicates consult Customer Service Department for additional information.

ITEM	PART NO.	1	2	3	4	5	DESCRIPTION	QTY.
31	13570-G2						RACK COVER	1
32								
33	15407-G2						RACK AND ROD END ASSEMBLY (INCLUDES ITEMS 34 - 38)	1
34	18456-G1						GREASE FITTING	1
35	*						RUBBER BOOT	1
36	26579-G01						BELLOWS	1
37	11391-G1						HOSE CLAMP	1
38	50209-G1						SLOTTED NUT, 7/16 - 20	1
39								
40	10387-G2						COTTER PIN, 3/16 X 1" LG.	1
41								
42	00444-G8						SCREW, 5/16 - 24 X 1" LG.....	3
43	00565-G8						LOCK WASHER, 5/16"	3
44	00415-G4						SCREW, 1/4 - 20 X 1 1/2" LG.....	2
45	00532-G1						NUT, 1/4 - 20	2





SUSPENSION, FRONT



SUSPENSION, FRONT

When ordering parts, please specify the model and serial number of the product.

* Indicates a component that is not available as an individual part.

G** Indicates consult Customer Service Department for additional information.

ITEM	PART NO.	1 2 3 4 5	DESCRIPTION	QTY.
1	19956-G1		FRONT FORK.....	1
2	10669-G3		WASHER, 1 7/16"	2
3	11103-G1		BEARING AND RACE.....	2
4	11098-G1		LOCK NUT, 1 3/8 - 12	1
5	10387-G5		COTTER PIN, 3/32" X 1 1/4"	1
6	26456-G01		STEERING ARM.....	1
7	21230-G1		KEY, 1/4"	1
8	00566-G5		LOCK WASHER, 3/8 - 16.....	1
9	00545-G5		NUT, 5/8 - 11	1
10				
11	25491-G1		PIVOT (PASSENGER SIDE).....	1
12	25491-G2		PIVOT (DRIVER SIDE)	1
13	00532-G5		NUT, 3/8 - 16	4
14	00566-G1		LOCK WASHER, 3/8".....	4
15	00427-G6		BOLT, 3/8 - 16 X 1 3/4" LG.....	4
16	25489-G1		PIVOT BRACKET	1
17	00545-G2		NUT, 1/2 - 20	2
18	00560-G5		WASHER, 5/8"	8
19	15589-G1		BOLT, 1/2 - 20 X 2 1/4" LG.....	2
20				
21	21297-G1		SHOCK ABSORBER ASSEMBLY (INCLUDES ITEMS 22 - 26).....	2
22	21784-G1		SHOCK ABSORBER.....	1
23	18123-G2		SPRING	1
24	*		SPRING RETAINER	1
25	*		RING.....	1
26	*		PROTECTIVE SLEEVE.....	1
27	21779-G1		BUSHING.....	2
28	00557-G2		NUT, 1/2 - 20	2
29	21282-G1		RUBBER TORSION BLOCK.....	2
30	21299-G1		KEY, 3/16"	2

SUSPENSION, FRONT

When ordering parts, please specify the model and serial number of the product.

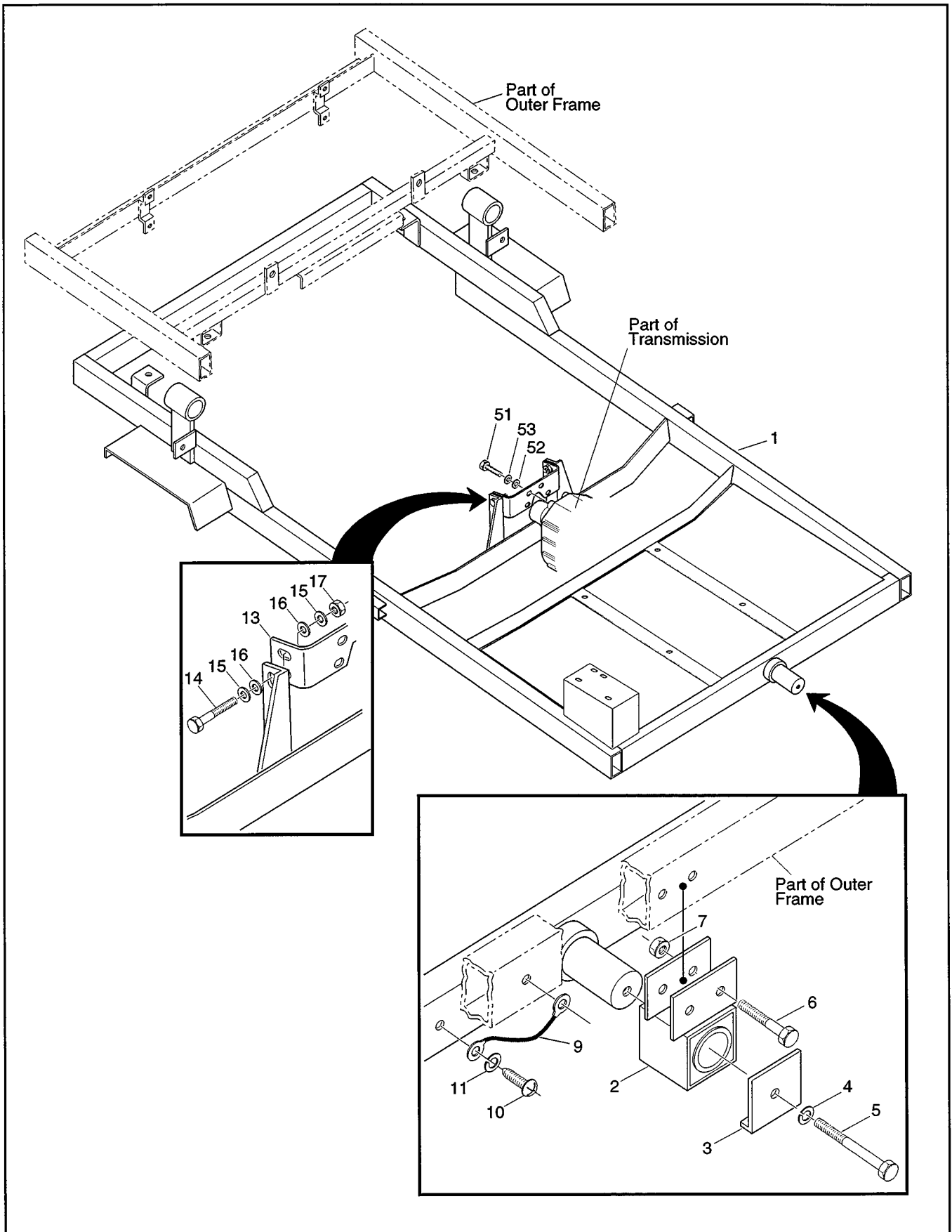
* Indicates a component that is not available as an individual part.

G** Indicates consult Customer Service Department for additional information.

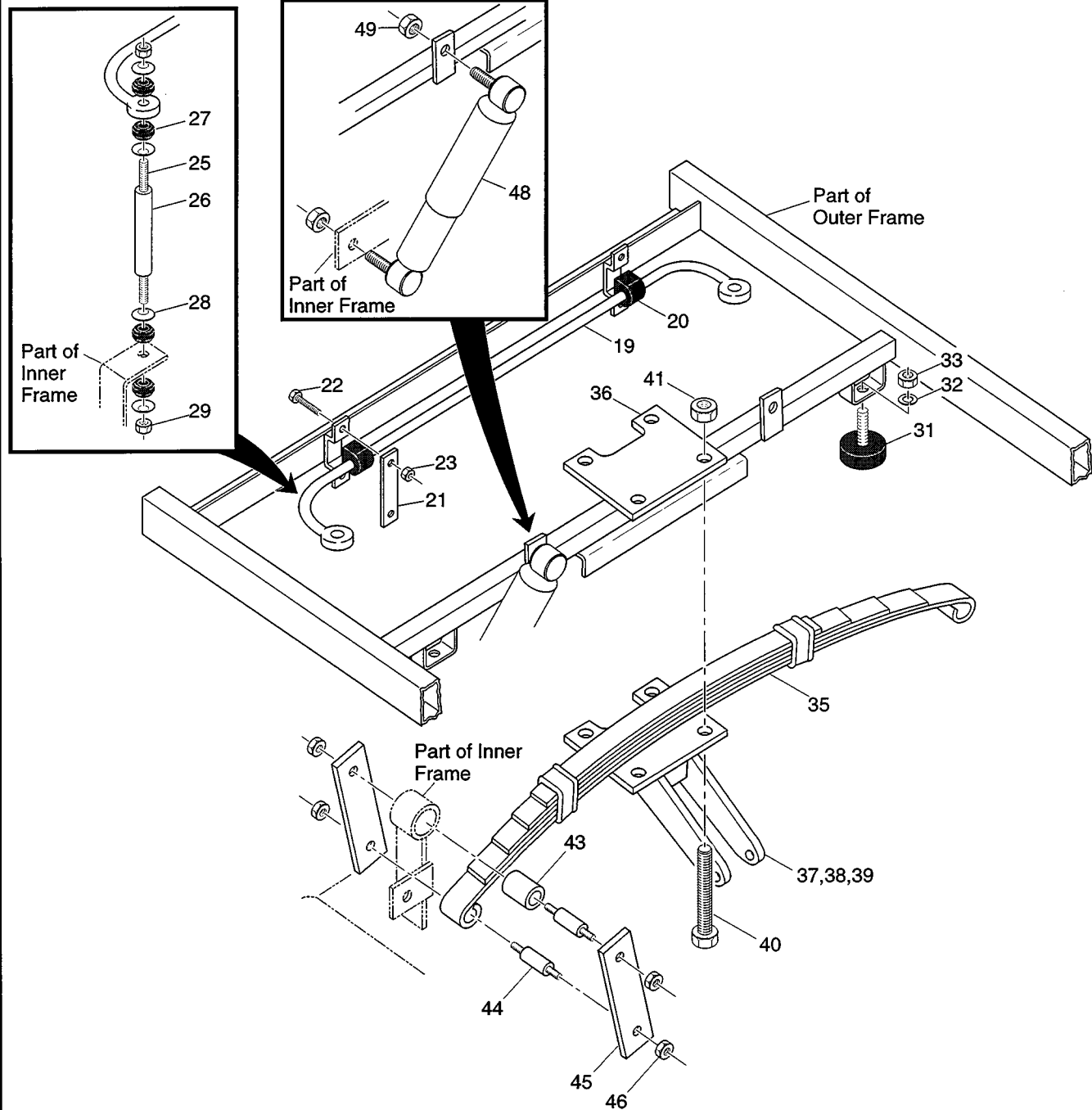
ITEM	PART NO.	1 2 3 4 5	DESCRIPTION	QTY.
31				
32	21348-G1		AXLE AND HUB ASSEMBLY (INCLUDES ITEMS 33 - 43)	1
33	00560-G6		WASHER, 3/4"	4
34	00545-G8		NUT, 3/4 - 16	6
35	10223-G2		FRONT AXLE	1
36	11655-G1		WHEEL BEARING SPACER.....	2
37	11081-G1		NUT, 3/4 - 16.....	2
38	21346-G1		AXLE RETAINER BRACKET	2
39				
40	*		HUB ASSEMBLY (INCLUDES ITEMS 41 - 43).....	1
41	21344-G1		HUB.....	1
42	19471-G1		BEARING SEAL	2
43	50908-G1		BEARING AND RACE.....	2
44				
45	14723-G3		LUG NUT.....	5



SUSPENSION, REAR



SUSPENSION, REAR



SUSPENSION, REAR

When ordering parts, please specify the model and serial number of the product.

* Indicates a component that is not available as an individual part.

G** Indicates consult Customer Service Department for additional information.

ITEM	PART NO.	1 2 3 4 5	DESCRIPTION	QTY.
1	26277-G01		INNER FRAME.....	1
2	11042-G1		HOUSING AND PIVOT.....	1
3	11374-G1		BRACKET.....	1
4	00566-G3		LOCK WASHER, 1/2".....	1
5	00234-G8		BOLT, 1/2 - 13 X 1" LG.	1
6	00296-G4		BOLT, 7/16 - 20 X 2 1/2" LG.	2
7	00734-G3		LOCK NUT, 7/16 - 20	2
8				
9	13378-G1		GROUND CABLE.....	1
10	00965-G01		BOLT, 1/4 - 20 X 3/4" LG.	2
11	00567-G7		LOCK WASHER, 1/4".....	4
12				
13	21826-G1		TRANSMISSION SUPPORT.....	1
14	00469-G4		BOLT, 7/16 - 20 X 1 1/2" LG.	4
15	00560-G2		WASHER, 7/16".....	8
16	00560-G3		WASHER, 1/2".....	8
17	00734-G3		LOCK NUT, 7/16 - 20	4
18				
19	17284-G1		STABILIZER BAR ASSEMBLY (INCLUDES ITEM 20).....	1
20	11155-G1		RUBBER BUSHING.....	2
21	10290-G1		STABILIZER MOUNT	2
22	00438-G8		BOLT, 5/16 - 18 X 1" LG	4
23	11027-G1		NUT, 5/16 - 18	4
24				
25	10579-G2		THREADED ROD.....	2
26	21547-G1		SPACER	2
27	10194-G1		RUBBER BUSHING	8
28	10435-G1		SHOCK ABSORBER WASHER	8
29	00532-G5		NUT, 3/8 - 16	4
30				

SUSPENSION, REAR

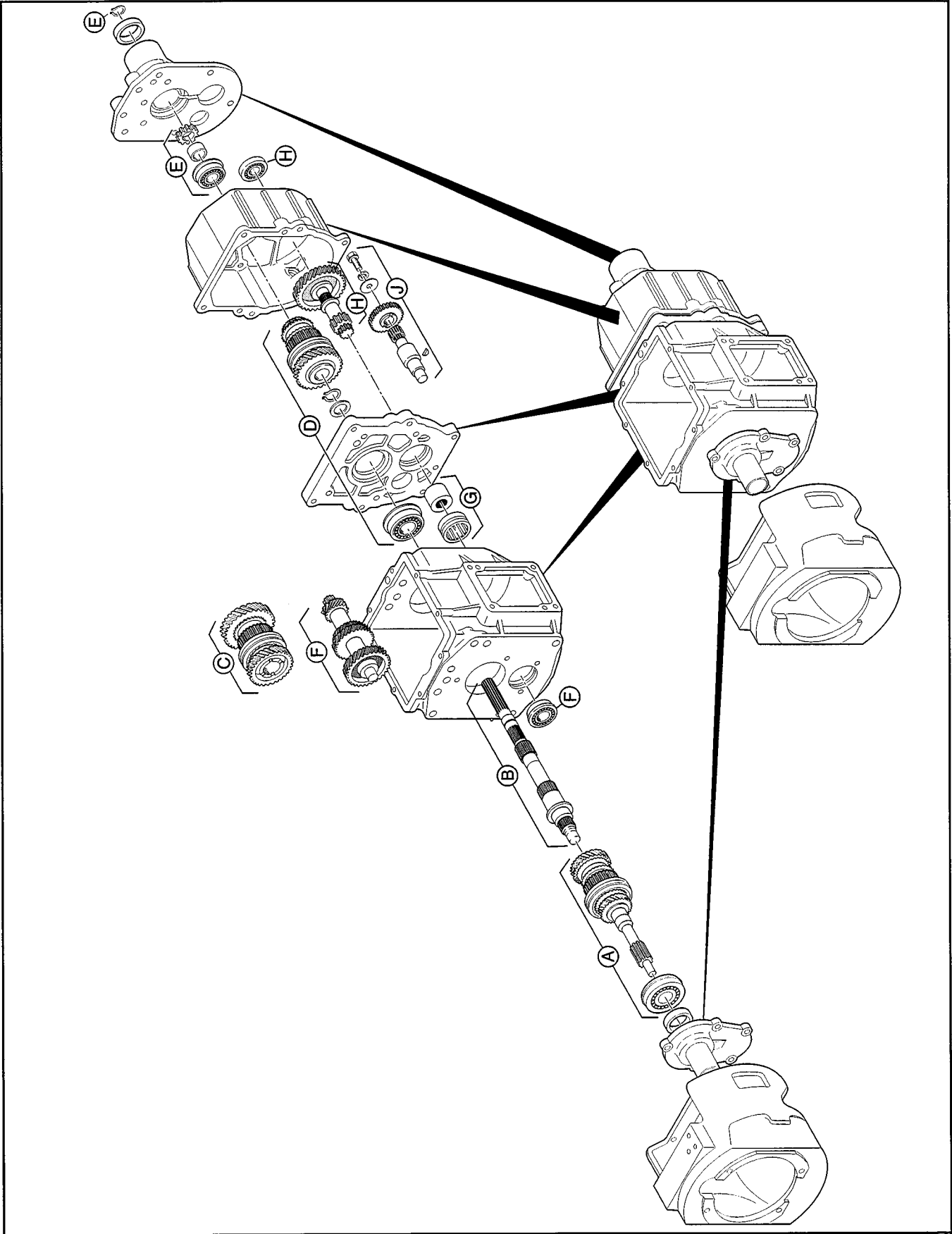
When ordering parts, please specify the model and serial number of the product.

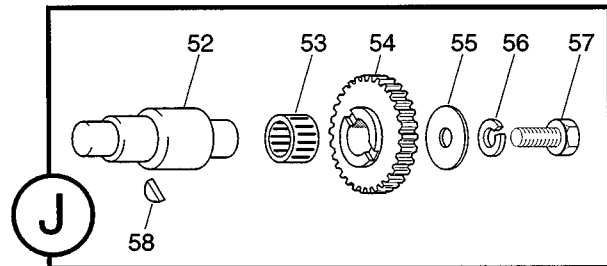
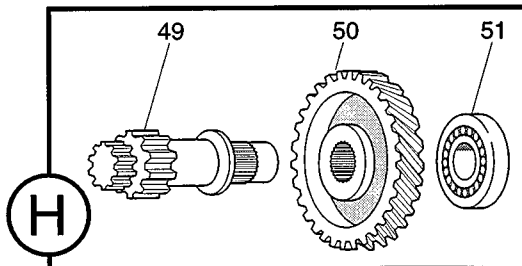
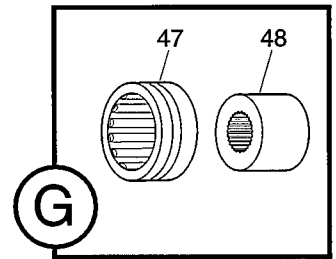
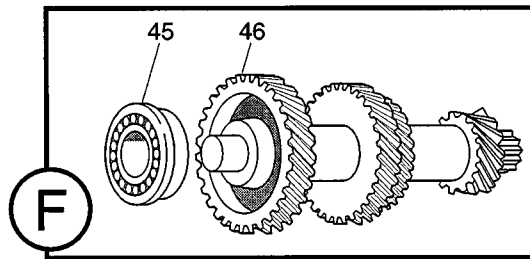
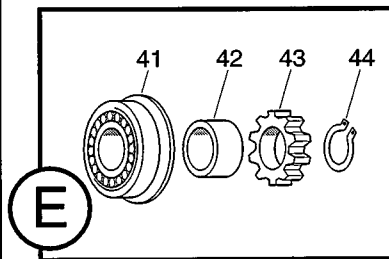
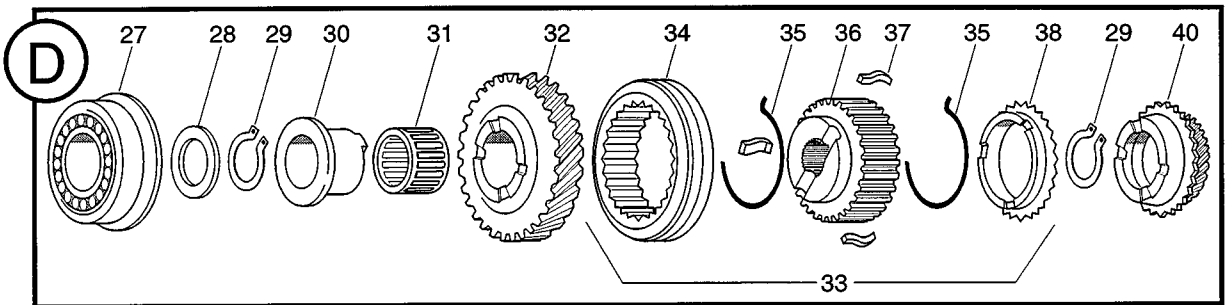
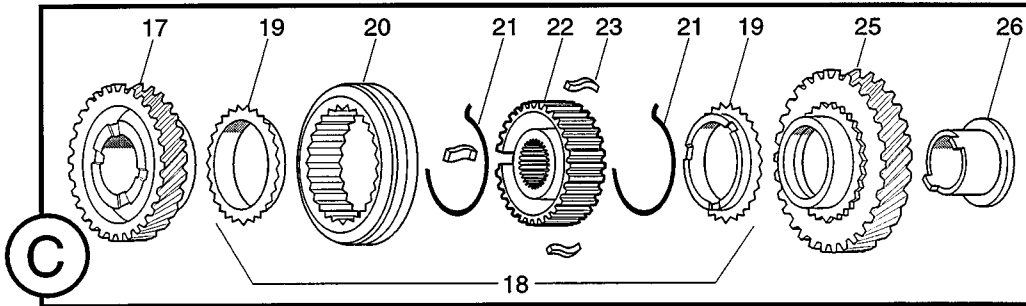
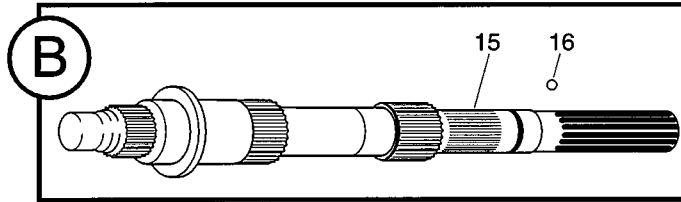
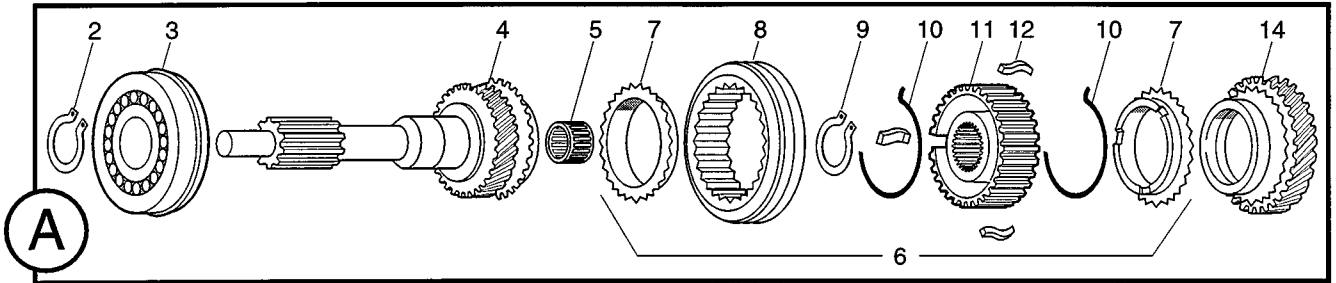
* Indicates a component that is not available as an individual part.

G** Indicates consult Customer Service Department for additional information.

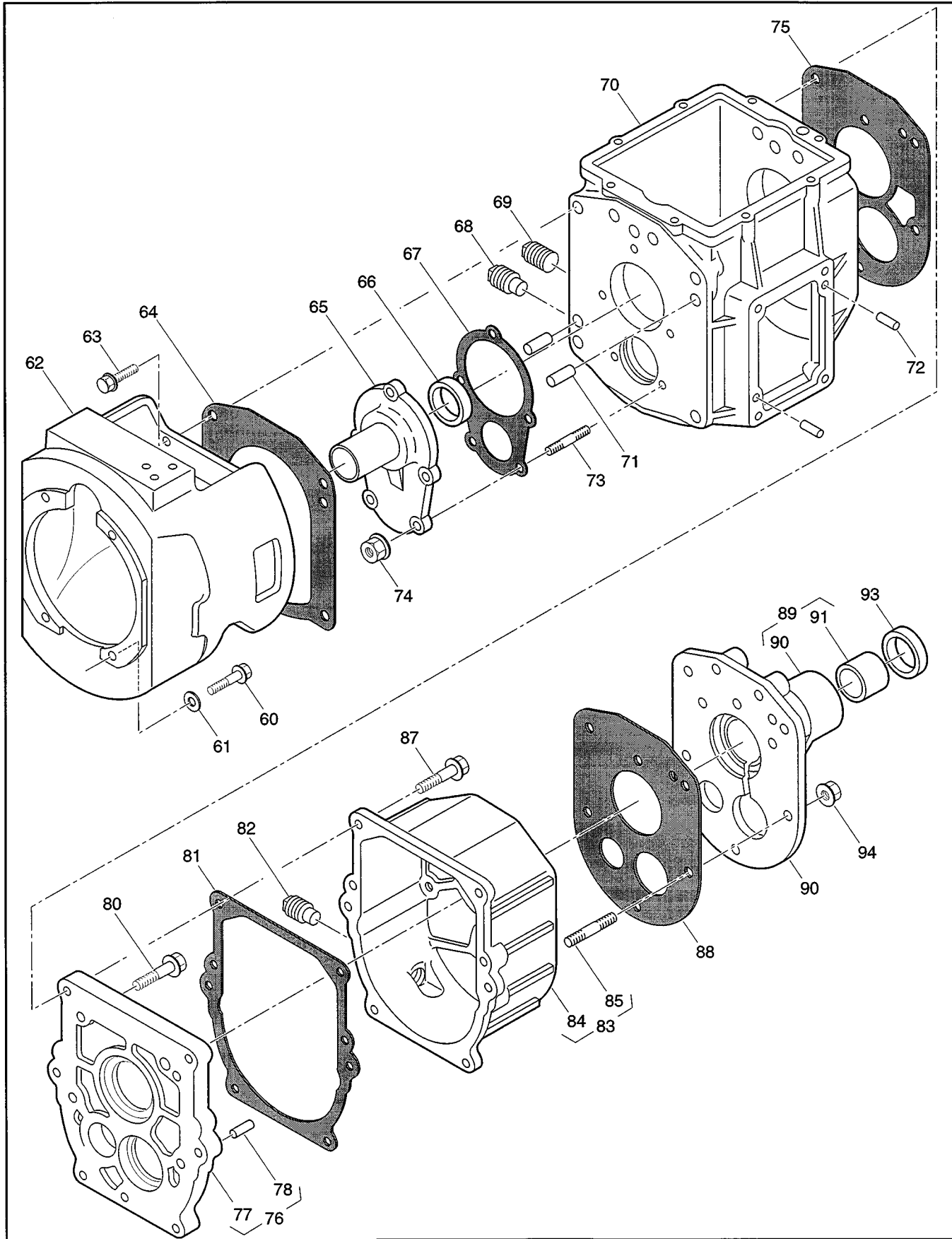
ITEM	PART NO.	1 2 3 4 5	DESCRIPTION	QTY.
31	10210-G1		RUBBER BUMPER	2
32	00566-G1		LOCK WASHER, 3/8"	2
33	00532-G6		NUT, 3/8 - 24	2
34				
35	18569-G1		LEAF SPRING	1
36	21308-G1		TOP PLATE	1
37	27909-G01		CYLINDER MOUNTING PLATE (FOR USE WITH ELECTRIC DUMP ONLY)	1
38	21309-G1		CYLINDER MOUNTING PLATE (FOR USE ON VEHICLES WITH REAR HYDRAULIC DUMP)	1
39	21308-G3		SPRING MOUNT TOP PLATE (FOR USE ON VEHICLES WITH MANUAL TILT BEDS)	1
40	00407-G4		BOLT, 1/2 - 13 X 5 1/2" LG	4
41	00551-G1		NUT, 1/2 - 13	4
42				
43	18570-G1		BUSHING	2
44	21492-G1		SHACKLE BOLT	4
45	21494-G1		SHACKLE PLATE	4
46	21491-G1		LOCK NUT, 3/8"	8
47				
48	11428-G1		SHOCK ABSORBER (COMPLETE)	2
49	00557-G1		LOCK NUT, 1/2-13	4
50				
51	00759-G1		SCREW, M10 X 1.5 X 25MM	4
52	00968-G01		LOCK WASHER, M10	4
53	00967G01		WASHER, M10	4

TRANSMISSION

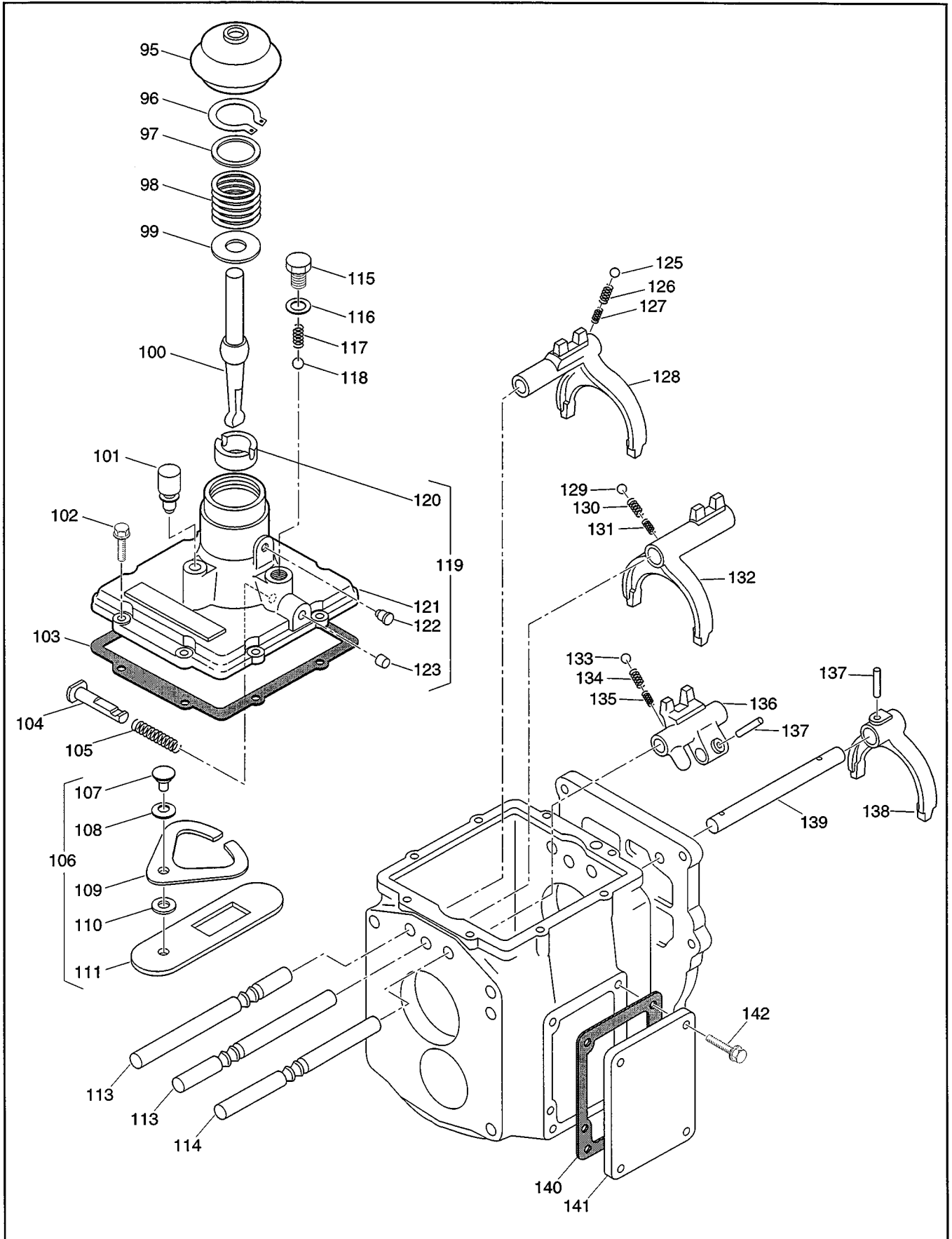




TRANSMISSION



TRANSMISSION



TRANSMISSION

When ordering parts, please specify the model and serial number of the product.

* Indicates a component that is not available as an individual part.

G** Indicates consult Customer Service Department for additional information.

ITEM	PART NO.	1 2 3 4 5	DESCRIPTION	QTY.
1	27413-G01		TRANSMISSION (5 SPEED) (INCLUDES ITEMS 2 - 142).....	1
2	22095-G1		RETAINER RING	1
3	22094-G1		BALL BEARING	1
4	22093-G1		DRIVE GEAR.....	1
5	22096-G1		NEEDLE CAGE	1
6	22135-G1		SYNCHRONIZER SET (INCLUDES ITEMS 7 - 12)	1
7	22103-G1		SYNCHRONIZER RING.....	2
8	22100-G1		CLUTCH SLEEVE.....	1
9	22095-G1		RETAINER RING.....	1
10	22102-G1		SYNCHRONIZER SPRING.....	2
11	22099-G1		CLUTCH HUB	1
12	22101-G1		SYNCHRONIZER KEY	3
13				
14	22098-G1		THIRD GEAR.....	1
15	22097-G1		MAIN SHAFT	1
16	22133-G1		STEEL BALL.....	1
17	22104-G1		SECOND GEAR	1
18	22136-G1		SYNCHRONIZER SET (INCLUDES ITEMS 19 - 23)	1
19	22103-G1		SYNCHRONIZER RING.....	2
20	22100-G1		CLUTCH SLEEVE.....	1
21	22102-G1		SYNCHRONIZER SPRING.....	2
22	22105-G1		CLUTCH HUB	1
23	22101-G1		SYNCHRONIZER KEY	3
24				
25	22106-G1		FIRST GEAR	1
26	22107-G1		FIRST GEAR SLEEVE	1
27	22108-G1		BALL BEARING	1
28	22114-G1		SPACER.....	1
29	22110-G1		RETAINER RING	2
30	22113-G1		REVERSE GEAR SLEEVE.....	1



TRANSMISSION

When ordering parts, please specify the model and serial number of the product.

* Indicates a component that is not available as an individual part.

G** Indicates consult Customer Service Department for additional information.

ITEM	PART NO.	1	2	3	4	5	DESCRIPTION	QTY.
31	22111-G1						NEEDLE CAGE	1
32	22112-G1						REVERSE GEAR	1
33	22137-G1						SYNCHRONIZER SET (INCLUDES ITEMS 34 - 38).....	1
34	22100-G1						CLUTCH SLEEVE.....	1
35	22102-G1						SYNCHRONIZER SPRING	2
36	22115-G1						CLUTCH HUB	1
37	22101-G1						SYNCHRONIZER KEY	3
38	22103-G1						SYNCHRONIZER RING.....	2
39								
40	22116-G1						FIFTH GEAR	1
41	22117-G1						BALL BEARING.....	1
42	22131-G1						SPACER	1
43	22132-G1						ROTOR SPEED SENSOR.....	1
44	22134-G1						RETAINING RING.....	1
45	22119-G1						BALL BEARING.....	1
46	22118-G1						COUNTER SHAFT GEAR.....	1
47	22120-G1						NEEDLE BEARING	1
48	22109-G1						SLEEVE JOINT	1
49	22121-G1						REVERSE GEAR COUNTER.....	1
50	22122-G1						GEAR COUNTER.....	1
51	22123-G1						BALL BEARING.....	1
52	22125-G1						REVERSE IDLE SHAFT.....	1
53	22127-G1						NEEDLE CAGE	1
54	22124-G1						REVERSE IDLE GEAR	1
55	22128-G1						THRUST WASHER.....	1
56	22129-G1						SPRING WASHER	1
57	22130-G1						BOLT, SET	1
58	22126-G1						WOODRUFF KEY.....	1
59								
60	00427-G4						BOLT, 3/8 - 24.....	4



TRANSMISSION

When ordering parts, please specify the model and serial number of the product.

* Indicates a component that is not available as an individual part.

G** Indicates consult Customer Service Department for additional information.

ITEM	PART NO.	1	2	3	4	5	DESCRIPTION	QTY.
61	00560-G1						WASHER	4
62	22250-G1						CLUTCH HOUSING.....	1
63	22193-G1						FLANGED BOLT	4
64	22194-G1						CLUTCH HOUSING GASKET	1
65	22195-G1						FRONT COVER	1
66	22196-G1						OIL SEAL	1
67	22197-G1						FRONT CASE GASKET	1
68	22202-G1						MAGNETIC PLUG	1
69	22203-G1						OIL PLUG	1
70	*						TRANSMISSION CASE.....	1
71	22199-G1						KNOCK PIN	2
72	22200-G1						KNOCK PIN	2
73	22201-G1						STUD	5
74	22198-G1						FLANGED NUT.....	5
75	22204-G1						REAR CASE GASKET.....	1
76	22215-G1						REAR PLATE ASSEMBLY (INCLUDES ITEMS 77, 78)	1
77	*						REAR PLATE	1
78	22200-G1						KNOCK PIN.....	2
79								
80	22206-G1						FLANGED BOLT	5
81	22207-G1						CASE GASKET.....	1
82	22202-G1						MAGNETIC PLUG	1
83	22216-G1						OVERRIDE/REVERSE CASE ASSEMBLY (INCLUDES ITEMS 84, 85).....	1
84	*						CASE.....	1
85	22208-G1						STUD.....	5
86								
87	22161-G1						FLANGED BOLT	6
88	22210-G1						REAR COVER GASKET.....	1
89	22217-G1						REAR COVER ASSEMBLY (INCLUDES ITEMS 90, 91)	1
90	*						COVER.....	1



TRANSMISSION

When ordering parts, please specify the model and serial number of the product.

* Indicates a component that is not available as an individual part.

G** Indicates consult Customer Service Department for additional information.

ITEM	PART NO.	1	2	3	4	5	DESCRIPTION	QTY.
91	22211-G2						BUSHING	1
92								
93	22212-G1						OIL SEAL.....	1
94	22213-G1						FLANGED NUT	5
95	22172-G1						BOOT.....	1
96	22171-G1						RETAINER RING	1
97	22170-G1						PLATE RING.....	1
98	22168-G1						COIL SPRING.....	1
99	22169-G1						SEAT SPRING.....	1
100	27284-G01						CHANGE CONTROL LEVER	1
101	22166-G1						BREATHER.....	1
102	22147-G1						FLANGED BOLT.....	8
103	22179-G1						TOP COVER GASKET	1
104	22173-G1						REVERSE LOCK SPINDLE	1
105	22174-G1						COIL SPRING.....	1
106	27536-G01						CHANGE GUIDE ASSEMBLY (INCLUDES ITEMS 107 - 111)	1
107	*						PIN	1
108	*						CONICAL WASHER.....	1
109	*						ARM	1
110	*						SHIM	1
111	*						PLATE	1
112								
113	22181-G1						SHIFT ROD	2
114	22182-G1						SHIFT ROD	1
115	22178-G1						CAP SPRING.....	1
116	22177-G1						GASKET	1
117	22176-G1						COIL SPRING.....	1
118	22175-G1						STEEL BALL.....	1
119	27536-G01						TOP COVER ASSEMBLY (INCLUDES ITEMS 120 - 123)	1
120	22163-G1						LEVER BUSHING	1



TRANSMISSION

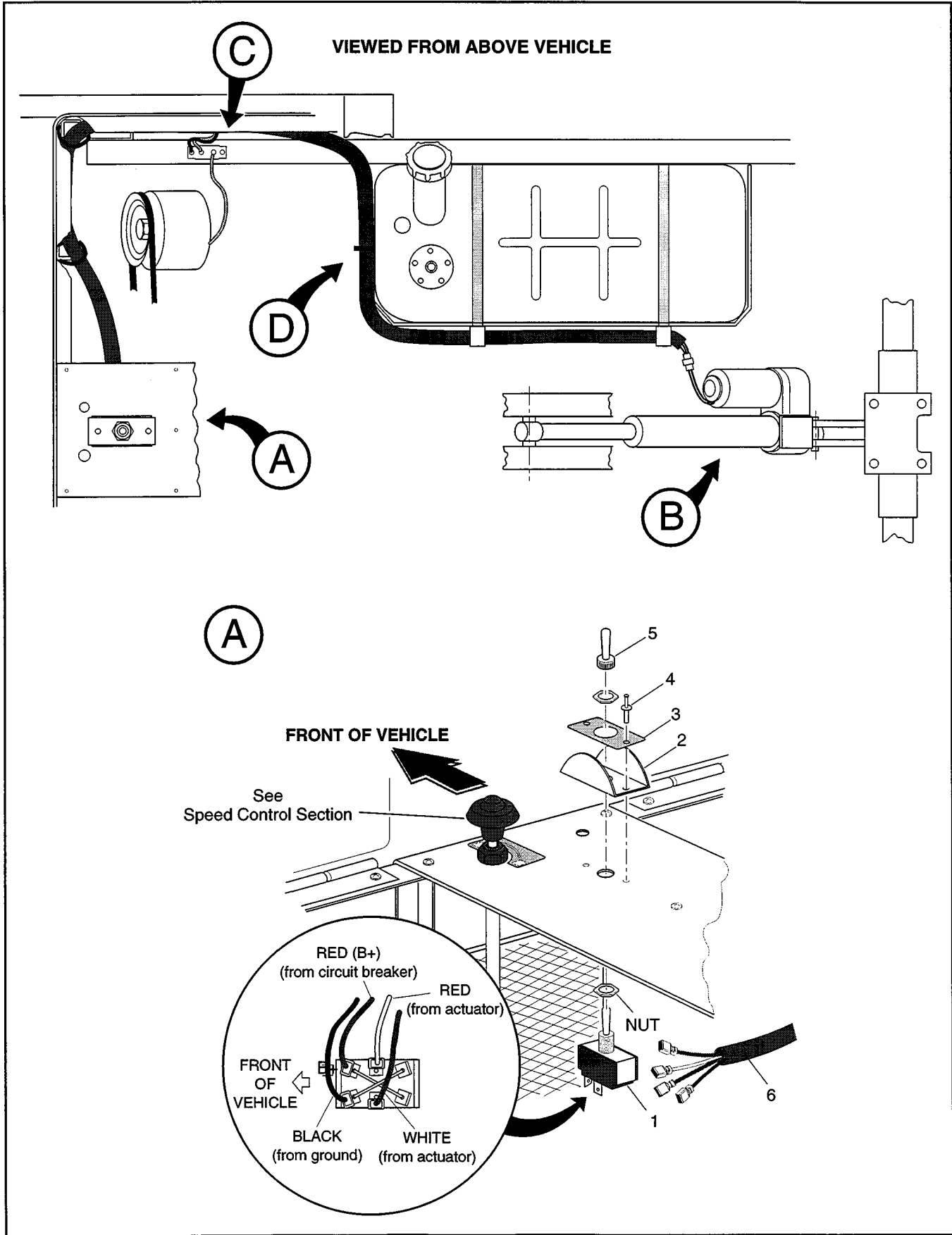
When ordering parts, please specify the model and serial number of the product.

* Indicates a component that is not available as an individual part.

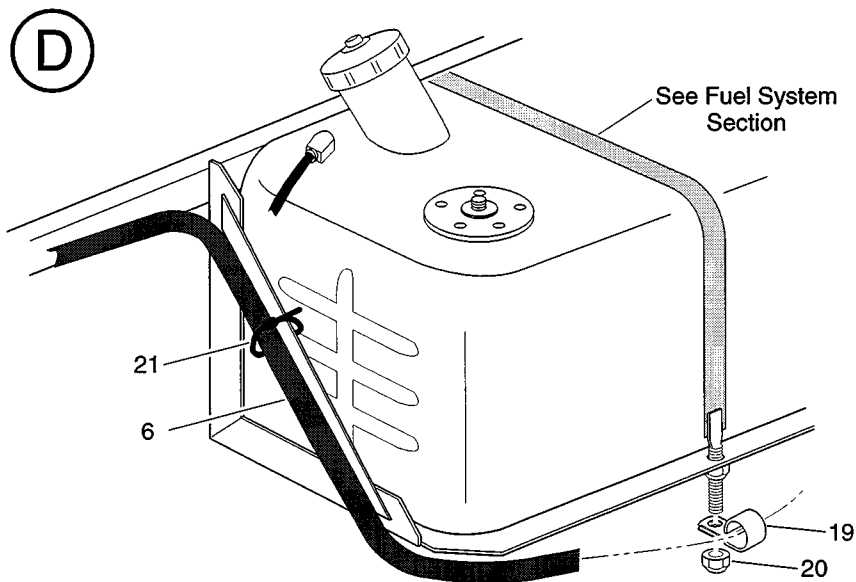
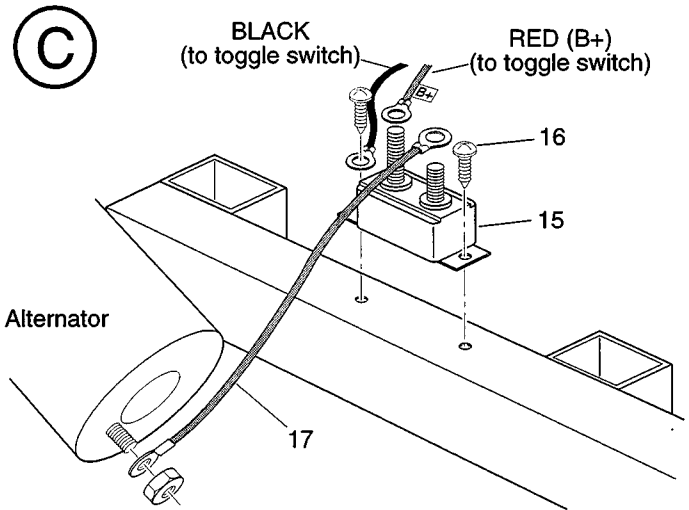
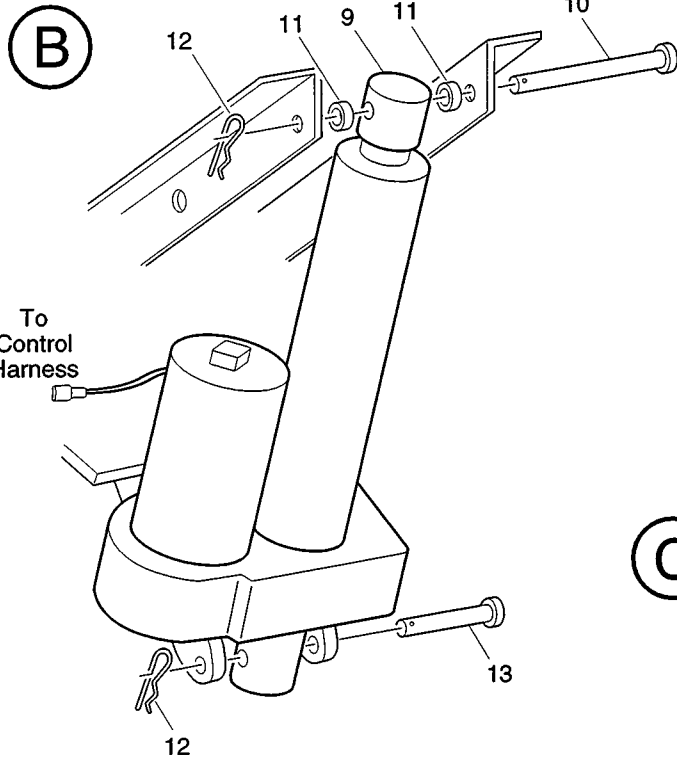
G** Indicates consult Customer Service Department for additional information.

ITEM	PART NO.	1	2	3	4	5	DESCRIPTION	QTY.
121	*						COVER.....	1
122	22164-G1						KNOCK PIN.....	2
123	22165-G1						PLUG.....	1
124								
125	22175-G1						STEEL BALL.....	1
126	27861-G01						COIL SPRING.....	1
127	22186-G1						COIL SPRING.....	1
128	27860-G01						SHIFT FORK (FIRST AND SECOND).....	1
129	22175-G1						STEEL BALL.....	1
130	27861-G01						COIL SPRING.....	1
131	22186-G1						COIL SPRING.....	1
132	27862-G01						SHIFT FORK (THIRD AND TOP)	1
133	22175-G1						STEEL BALL.....	1
134	27861-G01						COIL SPRING.....	1
135	22186-G1						COIL SPRING.....	1
136	27863-G01						SHIFT END (REVERSE/OVERRIDE).....	1
137	22190-G1						SPRING PIN	2
138	22188-G1						SHIFT FORK (REVERSE/OVERRIDE)	1
139	22183-G1						SHIFT END ROD (REVERSE/OVERRIDE).....	1
140	22160-G1						GASKET	1
141	22533-G1						PTO COVER PLATE	1
142	22161-G1						FLANGED BOLT	4

TRUCKBED, ELECTRIC DUMP



TRUCKBED, ELECTRIC DUMP



TRUCKBED, ELECTRIC DUMP

When ordering parts, please specify the model and serial number of the product.

* Indicates a component that is not available as an individual part.

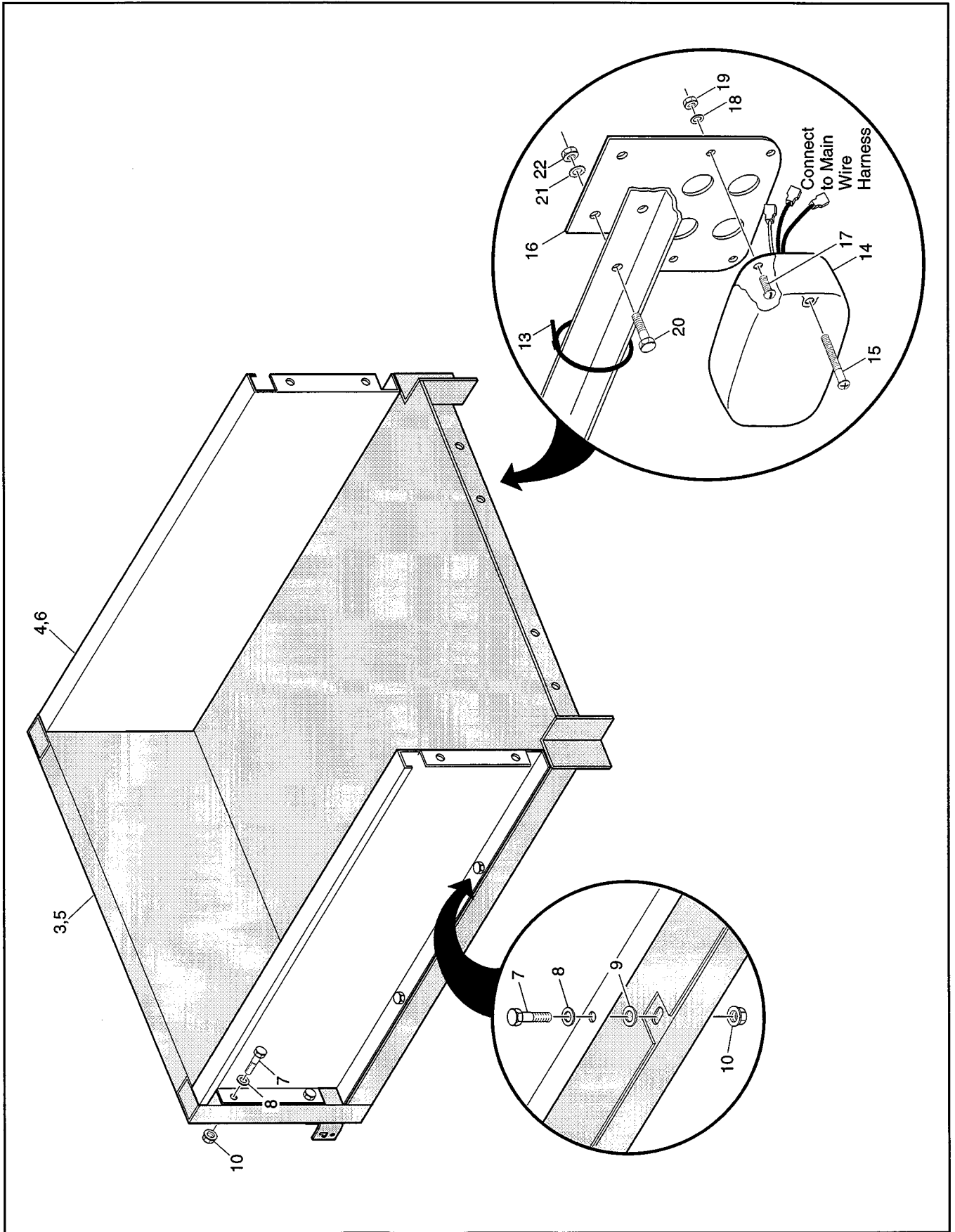
G** Indicates consult Customer Service Department for additional information.

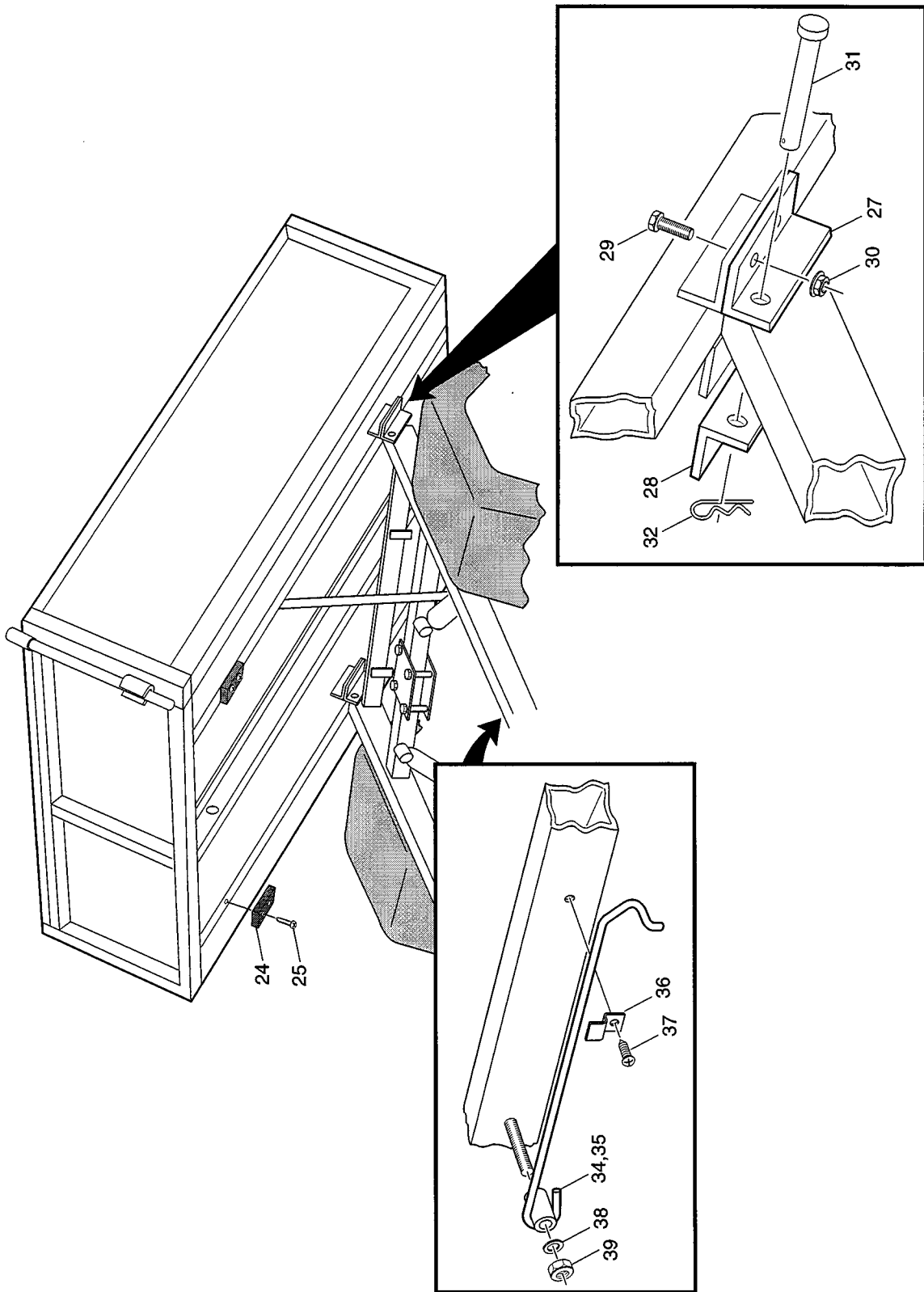
ITEM	PART NO.	1 2 3 4 5	DESCRIPTION	QTY.
1	27680-G01		TOGGLE SWITCH	1
2	27362-G01		TOGGLE GUARD.....	1
3	27901-G01		LABEL	1
4	10570-G9		RIVET, 1/8" X 11/32" LG.	2
5	26071-G01		SWITCH BOOT	1
6	27921-G01		HARNESS	1
7				
8				
9	27908-G01		ELECTRIC ACTUATOR.....	1
10	14443-G10		CLEVIS PIN, 1/2" X 3" LG.....	1
11	27613-G01		SPACER	2
12	21683-G1		COTTER PIN, 13/32" X 2 11/16" LG.....	2
13	14443-G12		CLEVIS PIN, 1/2" X 2 7/32" LG.....	1
14				
15	21320-G3		CIRCUIT BREAKER.....	1
16	00614-G4		SCREW, #8 - 18 X 1/2" LG.....	2
17	25976-G08		WIRE (RED 14 GA.).....	1
18				
19	11845-G2		CLAMP	2
20	14390-G4		LOCK NUT, 1/4 - 20	2
21	17618-G1		NYLON CLAMP.....	3

TRUCKBED, ELECTRIC DUMP



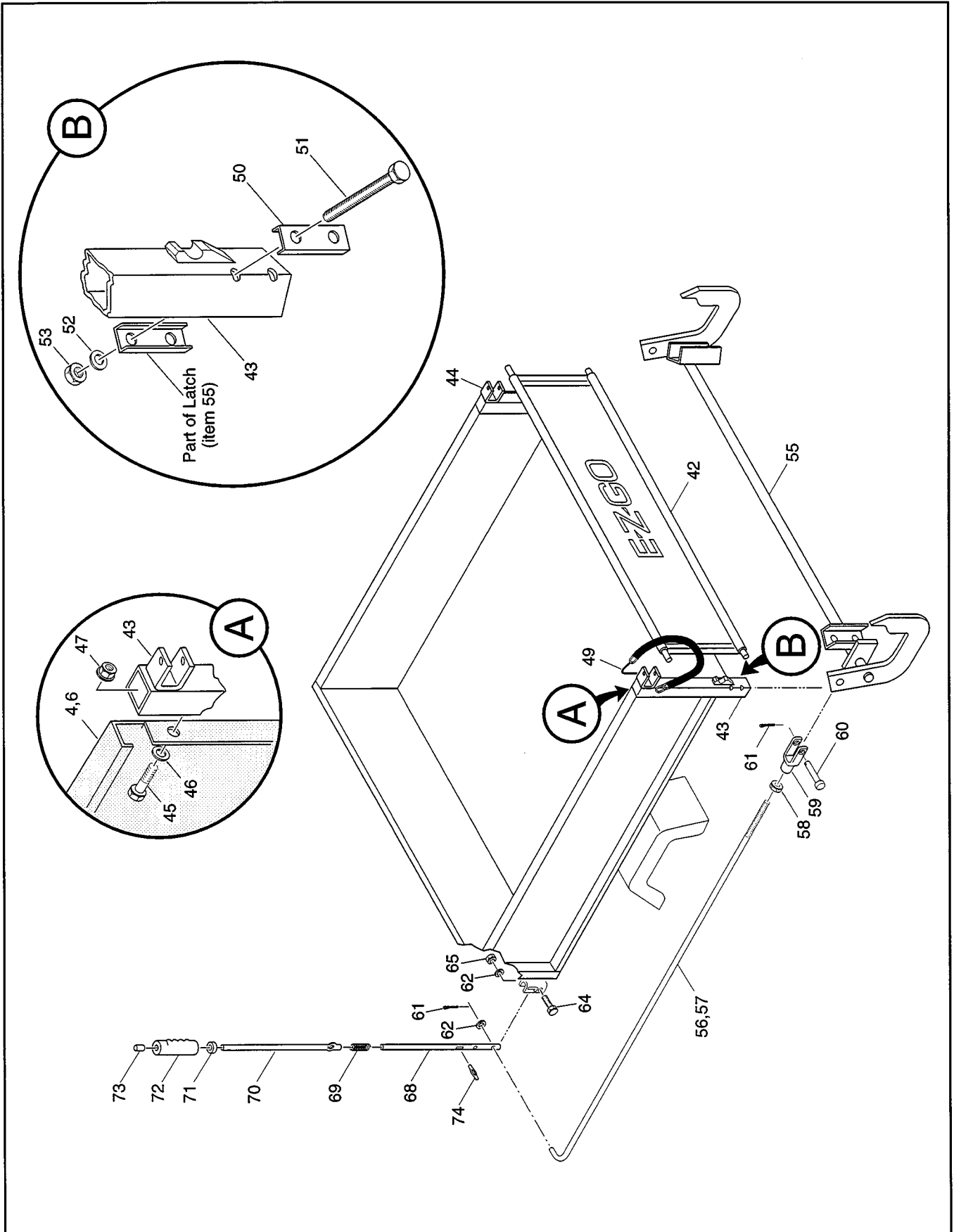
TRUCKBED

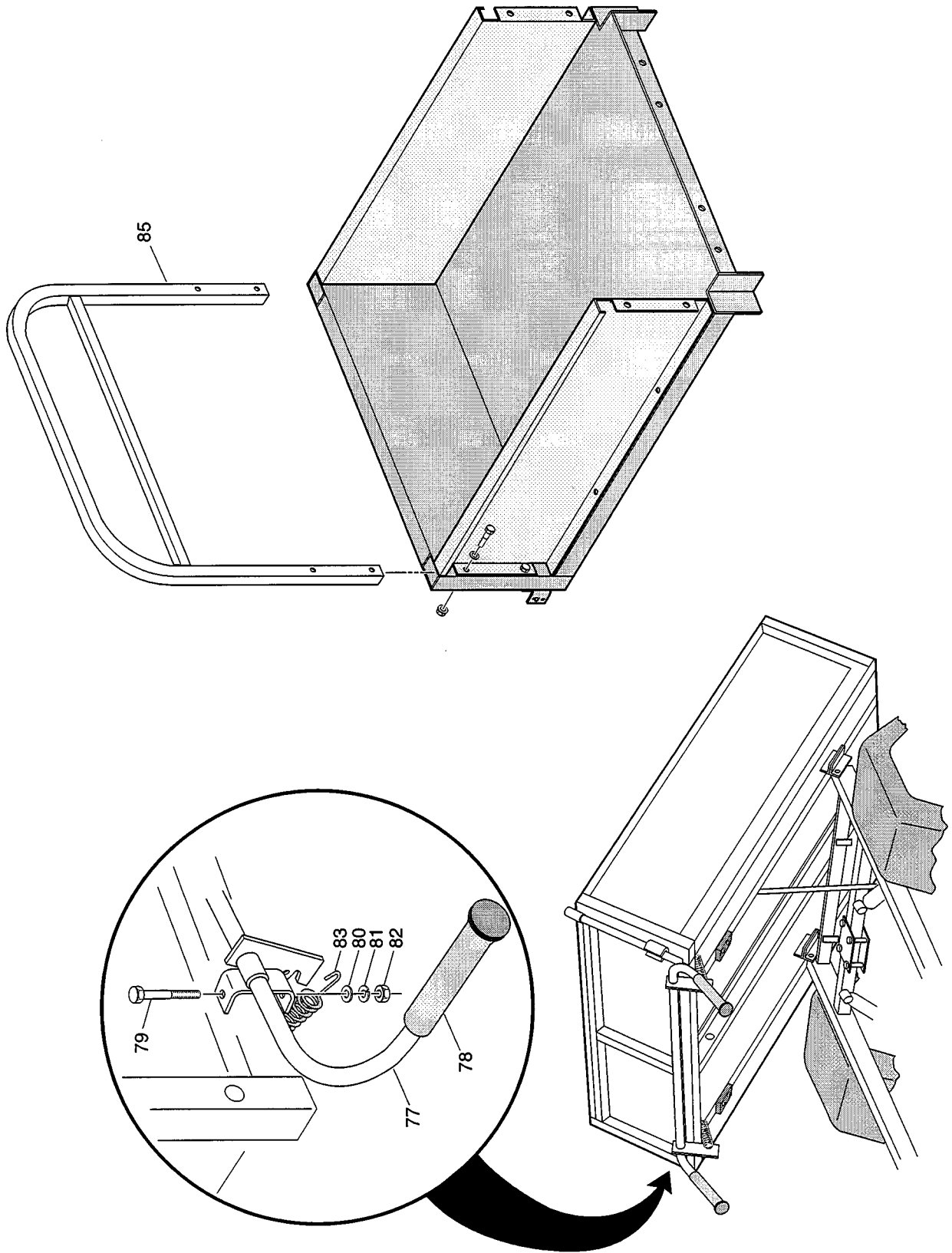




WHEELS AND TIRES

TRUCKBED





TRUCKBED

When ordering parts, please specify the model and serial number of the product.

* Indicates a component that is not available as an individual part.

G** Indicates consult Customer Service Department for additional information.

ITEM	PART NO.	1 2 3 4 5	DESCRIPTION	QTY.
1	*		TRUCKBED ASSEMBLY (54") (INCLUDES ITEMS 3, 4, 7 - 10, 24, 25)	1
2	*		TRUCKBED ASSEMBLY (46") (INCLUDES ITEMS 5, 6, 7 - 10, 24, 25)	1
3	21417-G2		FLAT BED (54" LG.).....	1
4	27817-G02		SIDE BOX (54" LG.).....	2
5	27367-G01		FLAT BED (46" LG.).....	1
6	27820-G02		SIDE BOX (46" LG.).....	2
7	00438-G6		SCREW, 5/16 - 18 X 3/4" LG.	8
8	00559-G8		WASHER, 5/16"	8
9	16538-G1		WASHER	4
10	11027-G1		LOCK NUT, 5/16 - 18	8
11				
12				
13	17618-G1		NYLON CLAMP.....	3
14	22288-G2		STOP/TAIL LIGHT LAMP	2
15	00513-G4		SCREW, #8 - 18 X 1 1/2" LG.....	4
16	27492-G01		BRACKET	2
17	00138-G4		SCREW, #6 X 1/2" LG.....	8
18	00565-G3		WASHER, #6.....	8
19	00525-G5		NUT, #6	8
20	00414-G8		BOLT, 1/4 - 20 X 1" LG.	4
21	00567-G7		LOCK WASHER, 1/4"	4
22	00532-G1		NUT, 1/4 - 20	4
23				
24	21436-G1		BUMPER.....	2
25	00106-G6		SCREW, #12 - 24 X 3/4" LG.	4
26				
27	21544-G1		PIVOT ANGLE (DRIVER SIDE)	1
28	21543-G1		PIVOT ANGLE (PASSENGER SIDE)	1
29	00438-G8		BOLT, 5/16 - 18 X 1" LG.	8
30	11027-G1		LOCK NUT, 5/16 - 18	8



TRUCKBED

When ordering parts, please specify the model and serial number of the product.

* Indicates a component that is not available as an individual part.

G** Indicates consult Customer Service Department for additional information.

ITEM	PART NO.	1 2 3 4 5	DESCRIPTION	QTY.
31	21682-G1		CLEVIS PIN, 13/32" X 3" LG.....	2
32	21683-G1		COTTER PIN, 13/32" X 2 11/16" LG.....	2
33				
34	24099-G2		SAFETY ROD (FOR USE ON 46" TRUCKBED).....	1
35	24099-G1		SAFETY ROD (FOR USE ON 54" TRUCKBED).....	1
36	21548-G1		CLIP	1
37	18449-G1		SCREW, #8 - 18 X 1/2" LG	1
38	00560-G1		WASHER, 3/8"	1
39	11098-G4		LOCK NUT, 3/8 - 16	1
40				
41				
42	28071-G01		TAILGATE.....	1
43	26206-G02		STAKE ASSEMBLY, DRIVER SIDE (INCLUDES ITEMS 49).....	1
44	26206-G01		STAKE ASSEMBLY, PASSENGER SIDE (INCLUDES ITEMS 49)	1
45	00438-G6		BOLT, 5/16 - 18 X 3/4" LG.....	4
46	00559-G8		WASHER, 5/16"	4
47	11027-G1		LOCK NUT, 5/16 - 18	4
48				
49	21455-G1		TAILGATE HOOK	1
50	21438-G2		CLAMP	2
51	00405-G8		BOLT, 1/2 - 13 X 4" LG.....	4
52	00566-G3		LOCK WASHER, 1/2".....	4
53	00533-G1		NUT, 1/2 - 13	4
54				
55	26187-G01		LATCH.....	1
56	26179-G01		LATCH ROD, 54" BED	1
57	26179-G02		LATCH ROD, 46" BED	1
58	00544-G6		NUT, 3/8 - 24	1
59	26167-G01		YOKE	1
60	26168-G01		CLEVIS PIN, 3/8" X 1 1/4" LG.....	1



TRUCKBED

When ordering parts, please specify the model and serial number of the product.

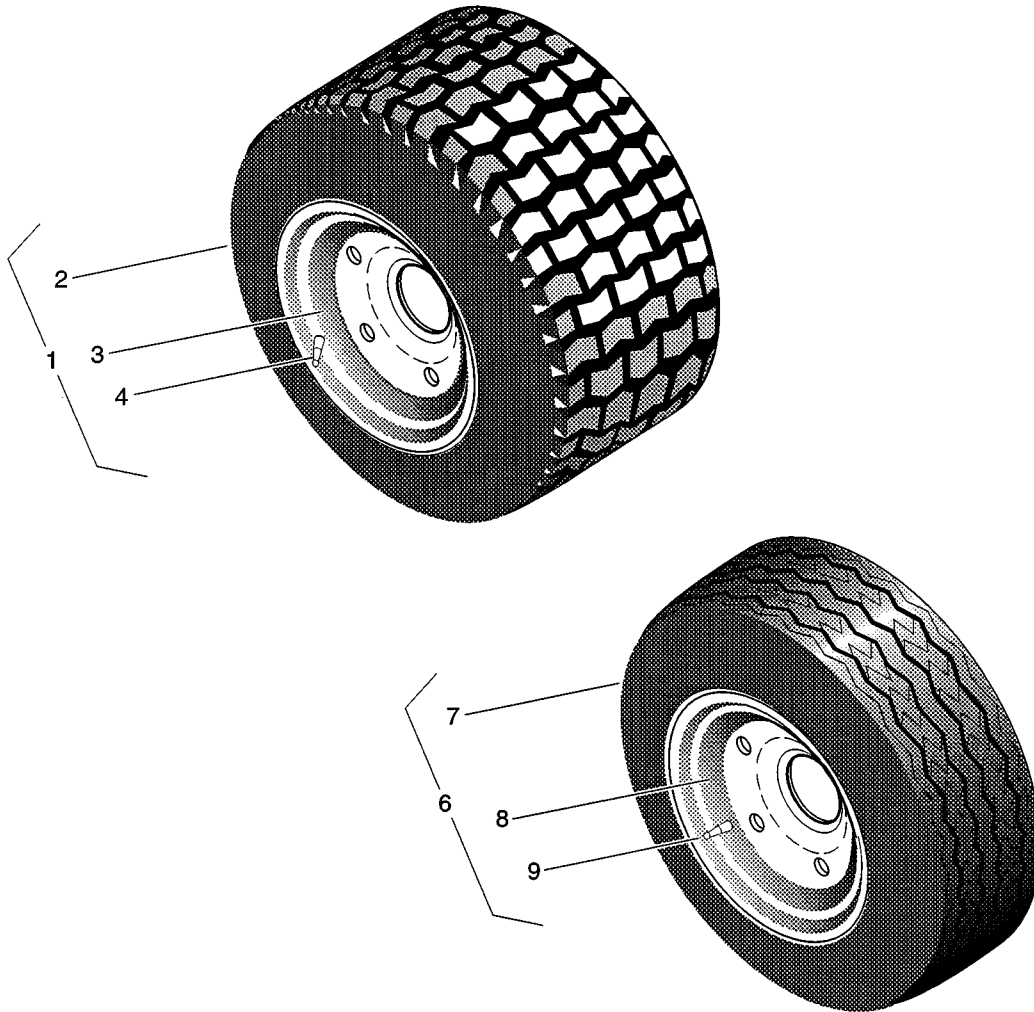
* Indicates a component that is not available as an individual part.

G** Indicates consult Customer Service Department for additional information.

ITEM	PART NO.	1 2 3 4 5	DESCRIPTION	QTY.
61	00798-G9		COTTER PIN, 9/64" X 3/4" LG	2
62	00922-G2		WASHER, 3/8".....	2
63				
64	00427-G8		BOLT, 3/8 - 16 X 2" LG	2
65	11098-G5		LOCK NUT, 3/8-16	1
66				
67				
68	*		HANDLE TUBE	1
69	26164-G01		SPRING.....	1
70	26183-G01		ROD	1
71	26169-G01		SPACER	1
72	26157-G01		GRIP.....	1
73	27761-G01		CAP	1
74	26217-G01		GROOVED PIN, 1/4" X 1 1/2" LG.....	1
75				
76				
77	26299-G01		DUMP BED LOCKDOWN ASSEMBLY (INCLUDES ITEM 78)	1
78	21454-G1		HANDLE GRIP.....	2
79	00416-G8		BOLT, 1/4 - 20 X 3" LG.	2
80	00559-G7		WASHER, 1/4".....	2
81	00565-G7		LOCK WASHER, 1/4".....	2
82	00532-G1		NUT, 1/4 - 20	2
83	21435-G1		SPRING.....	2
84				
85	27414-G01		TIE DOWN KIT	1



WHEELS AND TIRES



WHEELS AND TIRES

When ordering parts, please specify the model and serial number of the product.

* Indicates a component that is not available as an individual part.

G** Indicates consult Customer Service Department for additional information.

ITEM	PART NO.	1 2 3 4 5	DESCRIPTION	QTY.
1	21525-G3		WHEEL AND TIRE COMPLETE (INCLUDES ITEMS 2 - 4)	1
2	21526-G2		18 X 9.5 - 8" 6 PLY TIRE.....	1
3	10641-G2		RIM	1
4	11657-G1		VALVE STEM.....	1
5				
6	32028-G2		FRONT WHEEL AND TIRE COMPLETE (INCLUDES ITEMS 7 - 9)	1
7	27775-G02		18.5 X 8.5 - 8" 6 PLY TIRE.....	1
8	10641-G2		RIM	1
9	11657-G1		VALVE STEM.....	1



WHEELS AND TIRES

SPECIAL TOOLS

SPECIAL TOOLS LISTING

SPECIAL TOOLS

SPECIAL TOOLS	Part No.
CURRENT INDICATOR	16489-G2
DIGITAL VOLT OHM METER (DVOM)	27481-G01

PAINT	Part No.
PRIMER (13 OZ. SPRAY)	51130-G1
GLOSS BLACK (12 OZ. SPRAY)	50633-G1
FLAT BLACK (13 OZ. SPRAY)	15430-G1
HUNTER GREEN (13 OZ. SPRAY)	28140-G09
FLEET YELLOW (13 OZ. SPRAY)	28140-G14

ACCESSORIES

ACCESSORIES LISTING

ACCESSORIES

ACCESSORIES LISTING

Part No.

TURN SIGNALS WITH 4-WAY FLASHERS KIT	21639-G2
SPEEDOMETER KIT	22319-G1
SPARK ARRESTER MUFFLER KIT	20334-G2
POWER TAKEOFF AND TACHOMETER WITH LOCKABLE HAND SPEED CONTROL KIT	27946-G01
TUBULAR FRONT BUMPER KIT	19891-G2
TUBULAR SIDE RUB RAILS KIT	20525-G2
TAILGATE LOADING RAMP KIT	19684-G1
CHROME HUB CAP (REAR).....	16042-G1
POWER INVERTER KIT	22470-G1
TIE DOWN KIT	27414-G01
CAB, DOORS AND WINDSHIELD WIPER KIT (WHITE)	27075-G08
ELECTRIC TRUCKBED DUMP KIT.....	27920-G02
SPEED CONTROL KIT.....	27893-G02
REFUSE DUMP BOX KIT.....	22684-G1
BOTTOM OPENING TAILGATE KIT	28062-G01
HEAVY DUTY REAR BUMPER.....	28131-G02
VICON SPREADER MOUNTING KIT.....	23231-G1



a **TEXTRON** Company

E-Z-GO Division of Textron Inc.

P.O. Box 388 Augusta, Georgia 30903-0388 USA

Inside USA Phone: 1-800-241-5855, FAX: 1-800-448-8124

Outside USA Phone: 010-1-706-798-4311, FAX: 010-1-706-771-4609

Copyrighted Material
This manual may not be reproduced in whole or
in part without the express permission of
E-Z-GO Division of Textron Inc.
Technical Communications Department