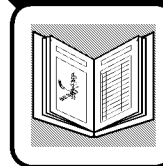


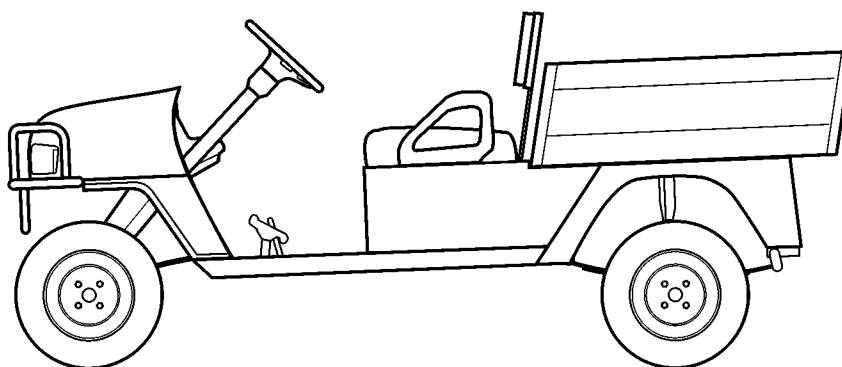
28502-G01



a **TEXTRON** Company



SERVICE PARTS MANUAL



GASOLINE POWERED UTILITY VEHICLE

MODEL YEARS: 1998-1999

REVISED: 9/99

SERVICE PARTS MANUAL



GASOLINE POWERED UTILITY VEHICLE

SERVICE PARTS DEPARTMENT INSIDE USA PHONE 1-800-227-7029 FAX 1-800-752-6175
OUTSIDE USA PHONE 010-1-706-798-4311 FAX 010-1-706-771-4601
E-Z-GO DIVISION OF TEXTRON, INC., P.O.BOX 388, AUGUSTA, GEORGIA 30903-0388



LIMITED WARRANTY

TO OBTAIN A COPY OF THE LIMITED WARRANTY THAT IS APPLICABLE TO YOUR VEHICLE, CALL OR WRITE YOUR LOCAL DISTRIBUTOR, BRANCH OR THE E-Z-GO WARRANTY DEPARTMENT.

THE USE OF NON E-Z-GO PARTS AND HARDWARE MAY VOID YOUR WARRANTY.

TAMPERING WITH OR ADJUSTING OF GOVERNOR TO PERMIT THE VEHICLE TO OPERATE AT ABOVE FACTORY SETTING OF 15 MPH (24 KPH) WILL VOID YOUR VEHICLE WARRANTY.

GENERAL INDEX

SECTION	Page No.
How to use the E-Z-GO Service Parts Manual.....	vii
ACCELERATOR	
• Accelerator Pedal, Accelerator Box	A-1
• Governor Linkage, Throttle Linkage.....	A-2
AIR FILTER	
• Remote Air Components, Air Cleaner, Air Filter Element, Carburetor Baffle, Gasket, PCV Hose	B-1
BODY	
• Front Cowl, Instrument Panel, Floor Panel	C-1
• Seat Frame, Splash Panels	C-2
• Floor mat, Seat Wrap, Side Panels, Rocker Panels.....	C-3
• Seat Filler Panels, Rear Fenders, Rear Panel, Front Bumper.....	C-4
• Ashtray, Ball Hitch/Receiver.....	C-5
• Ball Hitch, 'C' Hitch.....	C-6
BRAKES	
• Brake Pedal With Brake Lights	D-1
• Brake Pedal Without Brake Lights	D-2
• Brake Linkage, Equalizer and Brake Cables.....	D-3
• Wheel Brake Assembly	D-4
CAB	
• Cab.....	E-1
• Cab Mounting Brackets, Windshield Wiper	E-2
• Steel Doors, Vinyl Doors, Strobe Light.....	E-3
• Worklights	E-4
• Defroster/Cooling Fan, Switch Panel	E-5
CARBURETOR	
• Pilot Jet, Main Jet, Carburetor Mount Gasket	F-1
CLUTCHES	
• Drive Clutch, Driven Clutch, Drive Belt	G-1
DIRECTION SELECTOR	
• Direction Selector Handle, Reverse Warning Buzzer, Shifter Control Pivot.....	H-1



GENERAL INDEX

ELECTRICAL SYSTEM

- Battery, Control Harness..... J-1
- Electrical Plate Assembly, Voltage Regulator J-2
- Horn, Fuse Block J-3
- Headlight, Turn Signal Light, Taillight..... J-4
- Ignition Switch, Turn Signal, Indicator Light/Fuel Gauge J-5
- Hour Meter, Power Outlet (12 volt) J-6
- Strut Mounted Strobe and Work Lights..... J-7

ENGINE AND MUFFLER

- Engine, Spark Plugs, Muffler, Oil Filter, Spark Arrester K-1

ENGINE AND STARTER MOUNTING

- Engine Guard, Starter/Generator, Belt Adjuster, Isolation Mount L-1

FRONT SUSPENSION

- Front Axle, Hub and Spindle, Leaf Springs, Shock Absorber M-1

FUEL SYSTEM

- Fuel Tank, Fuel Filter, Fuel Gauge, Fuel Pump N-1

REAR AXLE

- Axle Tube, Axle Shaft, Bearing, Shifter Bracket, Differential Guard P-1

REAR SUSPENSION

- Leaf Spring, Shock Absorber Q-1

SEATING

- Seat Bottom, Seat Back, Hip Restraint, Seat Back Support..... R-1

STARTER/GENERATOR

- Terminal Assembly, Brush Holder Assembly, Pulley..... S-1

STEERING

- Steering Box, Steering Shaft/Column/Wheel, Tie Rod T-1

TRUCKBEDS

- Electric Dump Bed, Decals, Pivot Mounting U-1
- Electric Circuit Breaker, Toggle Switch, Actuator..... U-2
- Bed Liner U-3
- Flat Bed, Pivot Mounting..... U-7
- Tilt Latch, Bed Prop U-8
- Cargo Racks U-9

GENERAL INDEX

WEATHER PROTECTION

- Sun Top..... V-1
- Top Mounted Rear View Mirror, 3-Sided Soft Enclosure..... V-2
- Windshields V-3

WHEELS AND TIRES

- Tire, Wheel Rim, Valve Stems W-1

WINCH

- Mounting X-1
- Solenoids, Electrical Wiring X-2
- Winch Components X-3

SPECIALTY PRODUCTS Appendix A

- Special Tools
- Performance Products
- Paint
- Engine Oil

ACCESSORIES Appendix B

- Accessory Listing

GENERAL INDEX

Notes:



HOW TO USE THE E-Z-GO SERVICE PARTS MANUAL

This manual is divided into several sections:

- GENERAL INFORMATION
- ILLUSTRATED PARTS BREAKDOWN
- APPENDIX

The first section, GENERAL INFORMATION, contains the following information:

- WARRANTY INFORMATION
- GENERAL INDEX
- HOW TO USE THE E-Z-GO SERVICE PARTS MANUAL

The second section, ILLUSTRATED PARTS BREAKDOWN, contains illustrations and parts lists for all systems of your vehicle.

The third section, APPENDIX, contains a list of Specialty Products and Accessories for your vehicle.

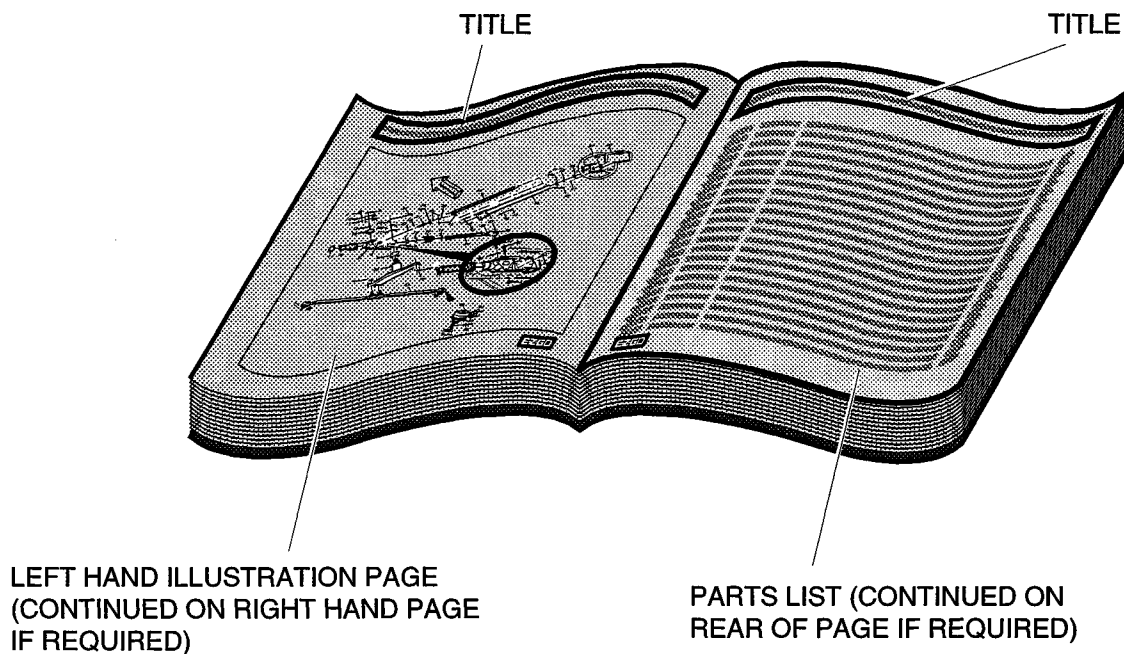
USE OF THE MANUAL

To use this manual, consult the GENERAL INDEX to locate the information or illustration required.

Introduction of some revisions varies due to supply of components; therefore, it is possible that various combinations of components may be found that are not directly reflected by each illustration. Consult the illustration that best suits your situation and then contact the Service Parts Department. It is important that the serial number of your vehicle and its model number be supplied to Service Parts when ordering any replacement components.

Locate the serial number plate (see Body located in the ILLUSTRATED PARTS BREAKDOWN section of this manual for its location) and note the complete number shown on the plate.

HOW TO USE THE E-Z-GO SERVICE PARTS MANUAL



1. WHEN THE PART NUMBER IS NOT KNOWN

- Determine the function and application of the part required. Turn to the General Index and select the most appropriate title.
- Turn to the page number indicated and locate the desired part on the illustration.
- From the illustration, obtain the item number assigned to the desired part. Refer to the accompanying description for specific information regarding the part.

2. IF YOU KNOW THE PART NUMBER

- Locate the part number or description in the appropriate column on the parts list page.

NOTE: It is suggested that you confirm that the part selected is correct by verifying it with the pictorial representation on the illustrated page.

Should an asterisk (*) appear in the part number column on the parts list page, read upwards until a part number is found. The part number is the lowest assembly sold by E-Z-GO and the asterisk (*) indicates that the part depicted is not available for sale by E-Z-GO.

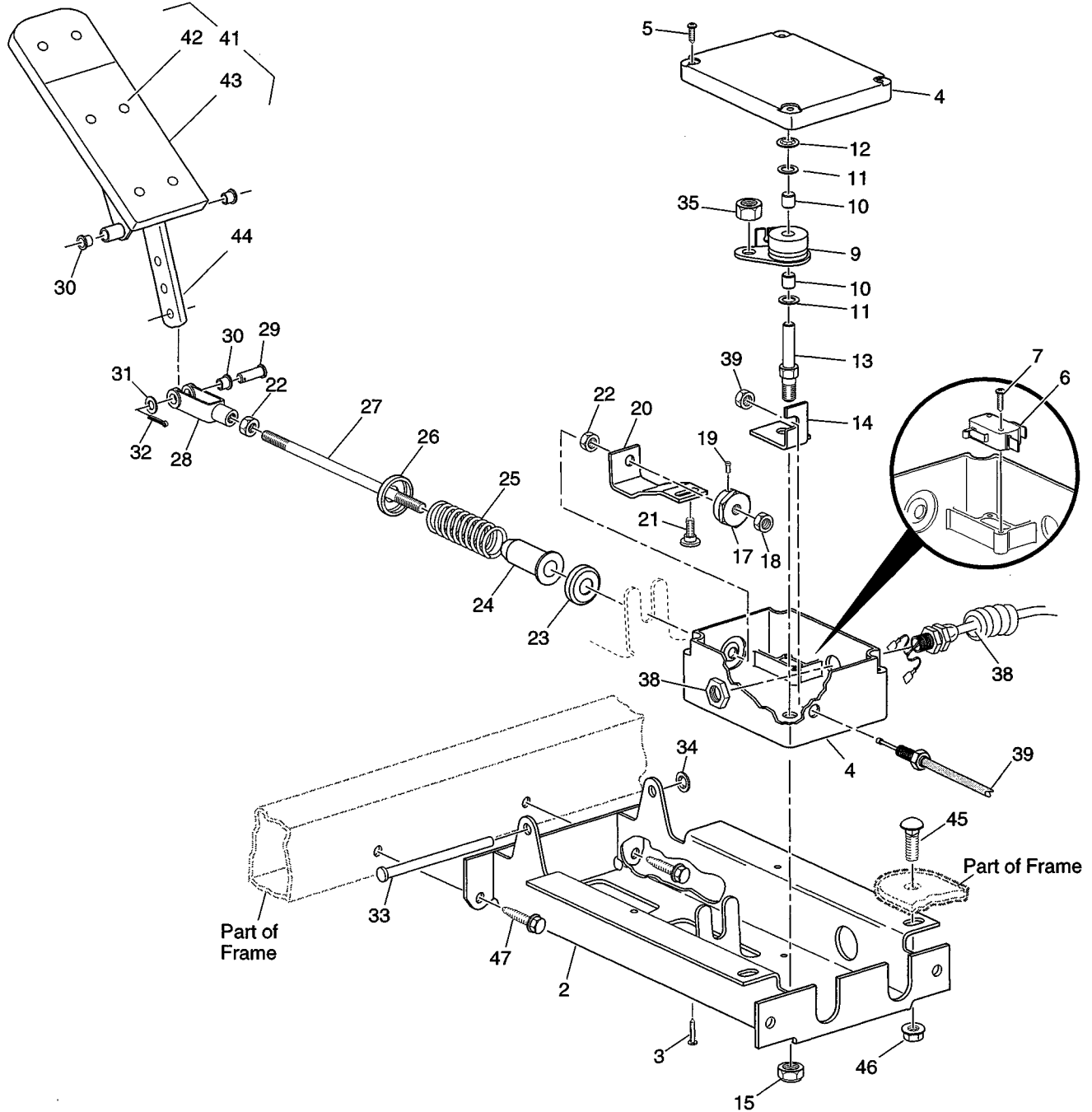
NOTE: Descriptions are indented under the assembly that they are used on. That assembly is, in turn listed under the assembly that it is used on. This process is repeated until the highest final assembly is reached.

To facilitate the maintenance and repair of the vehicle, a Technician's Repair and Service Manual (P/N 28503-G01) will be available from the E-Z-GO Service Parts Department.

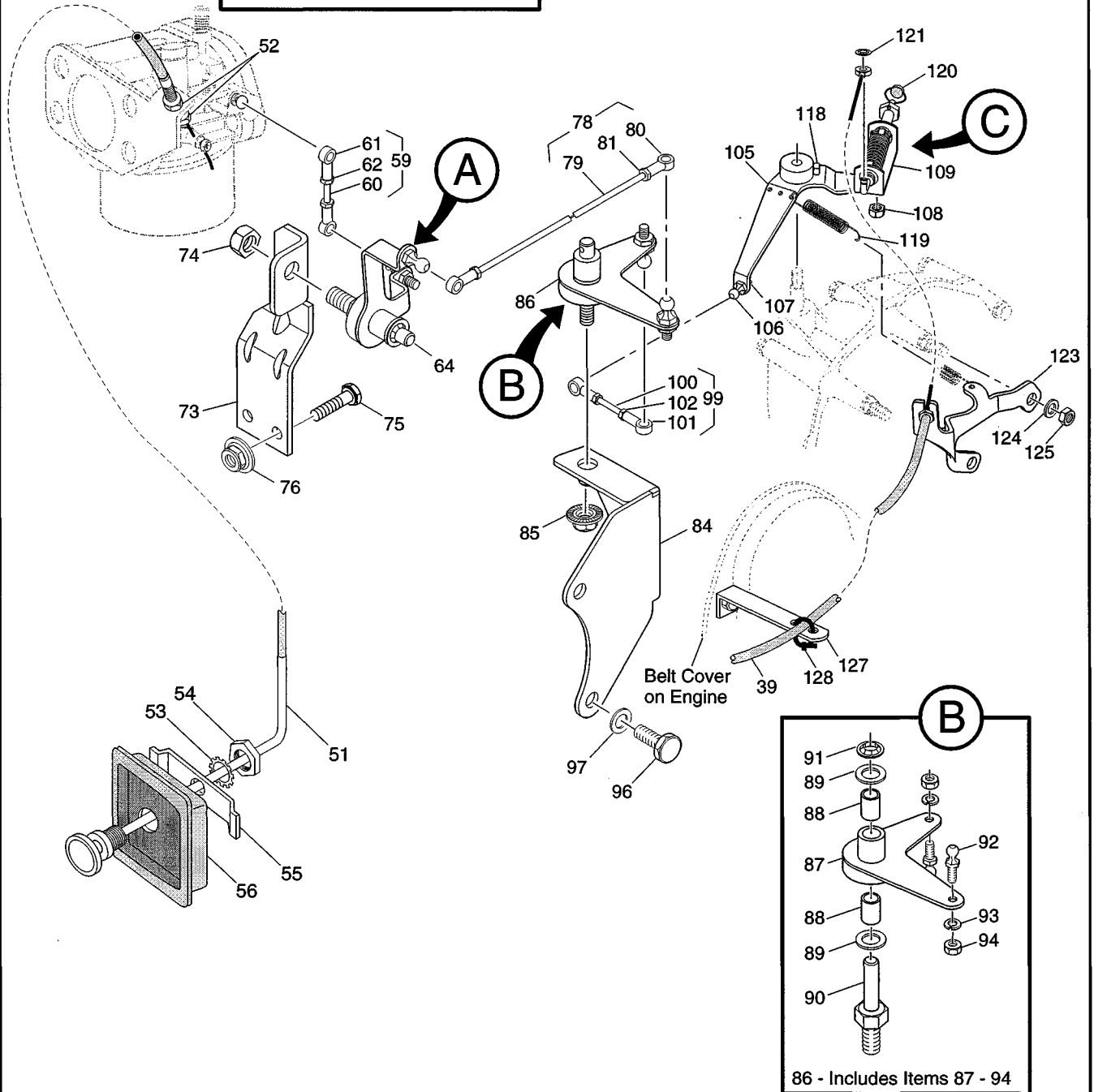
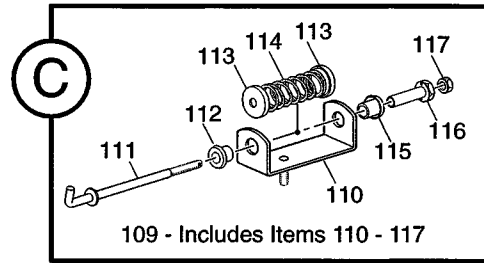
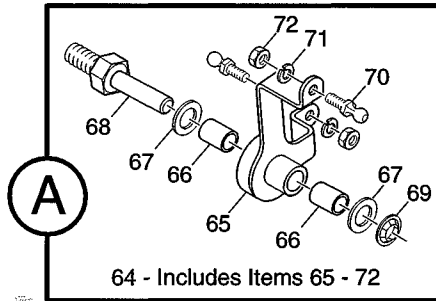


ILLUSTRATED PARTS BREAKDOWN

1 - Includes Items 2 - 44
40 - Includes items 41 - 44



83 - Includes Items 84 - 94
104 - Includes Items 105 - 117



When ordering parts, please specify the model and serial number of the product.

* Indicates a component that is not available as an individual part.

G** Indicates consult Customer Service Department for additional information.

ITEM	PART NO.	1 2 3 4 5	DESCRIPTION	QTY.
1	72062-G03		PEDAL BOX ASSEMBLY (INCLUDES ITEMS 2 - 44)	1
2	70116-G01		ACCELERATOR PEDAL BRACKET.....	1
3	00984-G01		SCREW, #8 - 10 X 1/2" LG.	4
4	25853-G02		PEDAL BOX AND COVER	1
5	00684-G6		SCREW, #8 - 32 X 3/4" LG.	4
6	25861-G01		MICRO SWITCH.....	1
7	00982-G01		SCREW, #4 - 14 X 5/8" LG	2
8				
9	72066-G01		CONTROL ARM	1
10	23860-G1		BEARING.....	2
11	24621-G1		NYLON WASHER, 5/16".....	2
12	12064-G1		PUSH NUT, 5/16".....	1
13	25768-G01		PIVOT ROD	1
14	72199-G01		PIVOT BRACKET	1
15	14390-G1		LOCK NUT, 3/8 - 24.....	1
16				
17	72198-G03		MICRO SWITCH CAM.....	1
18	00550-G4		LOCK NUT, 5/16 - 24.....	1
19	00487-G3		SETSCREW, 1/4 - 20 X 3/8" LG.	1
20	72074-G01		CONTROL ARM LINK	1
21	72225-G01		SHOULDER BOLT, #10 - 24 X 11/16" LG.....	1
22	00532-G4		LOCKNUT, 5/16 - 24.....	2
23	17677-G1		SPRING RETAINER, 1/2"	1
24	17979-G1		ACCELERATOR ROD BUSHING	1
25	73046-G01		COMPRESSION SPRING	1
26	17677-G2		SPRING RETAINER, 3/8"	1
27	72072-G01		ACCELERATOR ROD	1
28	10385-G4		CLEVIS YOKE (ADJUSTABLE).....	1
29	10386-G3		CLEVIS PIN, 5/16" X 1" LG	1
30	17838-G1		NYLON BUSHING	3

When ordering parts, please specify the model and serial number of the product.

* Indicates a component that is not available as an individual part.

G** Indicates consult Customer Service Department for additional information.

ITEM	PART NO.	1	2	3	4	5	DESCRIPTION	QTY.
31	17255-G1						TEFLON WASHER, 5/16".....	1
32	10387-G3						COTTER PIN, 3/32" X 3/4" LG	1
33	70134-G01						PEDAL PIVOT PIN	1
34	00986-G01						PUSH NUT, 9/32"	1
35	14390-G10						LOCK NUT, #10 - 24.....	1
36								
37								
38	72201-G01						WIRE HARNESS (PEDAL BOX)	1
39	72065-G02						ACCELERATOR CABLE	1
40	25799-G01						ACCELERATOR PEDAL ASSEMBLY (INCLUDES ITEMS 41 - 44)	1
41	27844-G01						ACCELERATOR PEDAL PAD KIT (INCLUDES ITEMS 42 - 43)	1
42	15766-G1						OVAL RIVET, 3/16" X 3/8" LG.	6
43	27512-G01						ACCELERATOR PEDAL PAD	1
44	*						ACCELERATOR PEDAL.....	1
45								
46								
47	00715-G2						BOLT, 5/16 - 18 X 13/16" LG.....	2
48								
49								
50								
51	74201-G02						CHOKE CABLE (WITH NUTS) (INCLUDES ITEM 52)	1
52	00544-G4						JAM NUT, 5/16 - 24	2
53	00568-G4						LOCK WASHER, 9/16"	1
54	00545-G4						NUT, 9/16 - 18.....	1
55	72155-G02						ADAPTER RETAINER	1
56	72154-G01						CHOKE CABLE ADAPTER.....	1
57								
58								
59	25737-G01						CARBURETOR LINKAGE ROD (INCLUDES ITEMS 60 - 62).....	1
60	23722-G1						ADJUSTING ROD (SHORT)	1

When ordering parts, please specify the model and serial number of the product.

* Indicates a component that is not available as an individual part.

G** Indicates consult Customer Service Department for additional information.

ITEM	PART NO.	1	2	3	4	5	DESCRIPTION	QTY.
61	24465-G1						BALL JOINT SOCKET	2
62	00526-G4						NUT, #10 - 32.....	2
63								
64	25760-G01						CARBURETOR LINKAGE BELLCRANK (INCLUDES ITEMS 65 - 72).....	1
65	25759-G01						CARBURETOR PIVOT	1
66	23860-G1						BEARING.....	2
67	24621-G1						NYLON WASHER, 5/16".....	2
68	25768-G01						PIVOT ROD	1
69	12064-G1						PUSH NUT, 5/16"	1
70	24479-G1						BALL JOINT BALL	2
71	00565-G5						LOCK WASHER, #10	2
72	00526-G4						NUT, #10 - 32.....	2
73	72197-G01						PIVOT BRACKET	1
74	14390-G1						LOCK NUT, 3/8 - 24	1
75	00414-G8						BOLT, 1/4 - 20 X 1" LG	2
76	14390-G4						LOCK NUT, 1/4 - 20	2
77								
78	72254-G01						THROTTLE LINKAGE ROD ASSEMBLY (INCLUDES ITEMS 79 - 81).....	1
79	72255-G01						LINKAGE ROD (JOINTED).....	1
80	24465-G1						BALL JOINT SOCKET	2
81	00526-G4						NUT, #10-32.....	2
82								
83	25702-G01						GOVERNOR PIVOT BRACKET ASSEMBLY (INCLUDES ITEMS 84 - 94).....	1
84	25655-G01						BELLCRANK BRACKET.....	1
85	14390-G1						LOCK NUT, 3/8 - 24	1
86	25763-G01						GOVERNOR PIVOT ASSEMBLY (INCLUDES ITEMS 87 - 94)	1
87	25762-G01						GOVERNOR PIVOT.....	1
88	23860-G1						BEARING	2
89	24621-G1						NYLON WASHER, 5/16"	2
90	25768-G01						PIVOT ROD.....	1

When ordering parts, please specify the model and serial number of the product.

* Indicates a component that is not available as an individual part.

G** Indicates consult Customer Service Department for additional information.

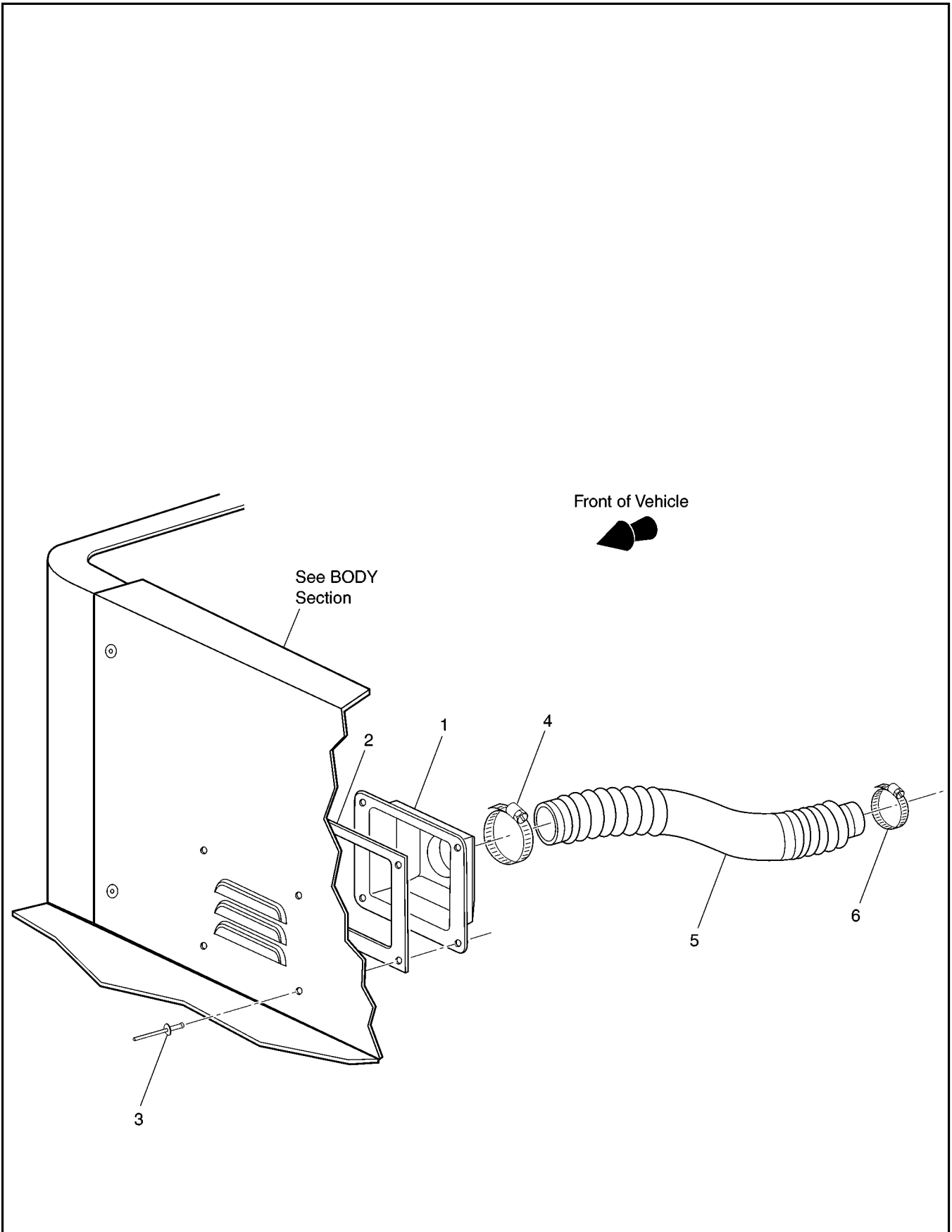
ITEM	PART NO.	1	2	3	4	5	DESCRIPTION	QTY.
91	12064-G1						PUSH NUT, 5/16"	1
92	24479-G1						BALL JOINT BALL	2
93	00565-G5						LOCK WASHER, #10.....	2
94	00526-G4						NUT, #10 - 32	2
95								
96	00276-G6						BOLT, 5/16 - 24 X 3/4" LG.....	2
97	00565-G8						LOCK WASHER, 5/16"	2
98								
99	25737-G03						GOVERNOR LINKAGE ROD (INCLUDES ITEMS 100 - 102).....	1
100	23722-G1						ADJUSTING ROD	1
101	24465-G1						BALL JOINT SOCKET	2
102	00526-G4						NUT, #10 - 32.....	2
103								
104	25690-G01						GOVERNOR BELLCRANK ASSEMBLY (INCLUDES ITEMS 105 - 117)	1
105	25765-G01						GOVERNOR BELLCRANK	1
106	24479-G1						BALL JOINT BALL.....	1
107	00734-G5						LOCK NUT, #10 - 32.....	1
108	14390-G4						LOCK NUT, 1/4 - 20.....	1
109	22751-G2						GOVERNOR BRACKET ASSEMBLY (INCLUDES ITEMS 110 - 117)	1
110	22752-G1						GOVERNOR BRACKET	1
111	25274-G1						GOVERNOR ROD	1
112	22754-G1						BUSHING.....	1
113	25661-G01						CUP WASHER.....	2
114	23578-G1						COMPRESSION SPRING	1
115	22754-G2						BUSHING.....	1
116	23859-G1						GOVERNOR ADJUSTER	1
117	00526-G4						NUT, #10 - 32	1
118	00491-G4						SETSCREW, 1/4 - 20 X 1/2" LG	2
119	25738-G01						SPRING	1
120	25286-G1						SAFETY SEAL, 3/8".....	1

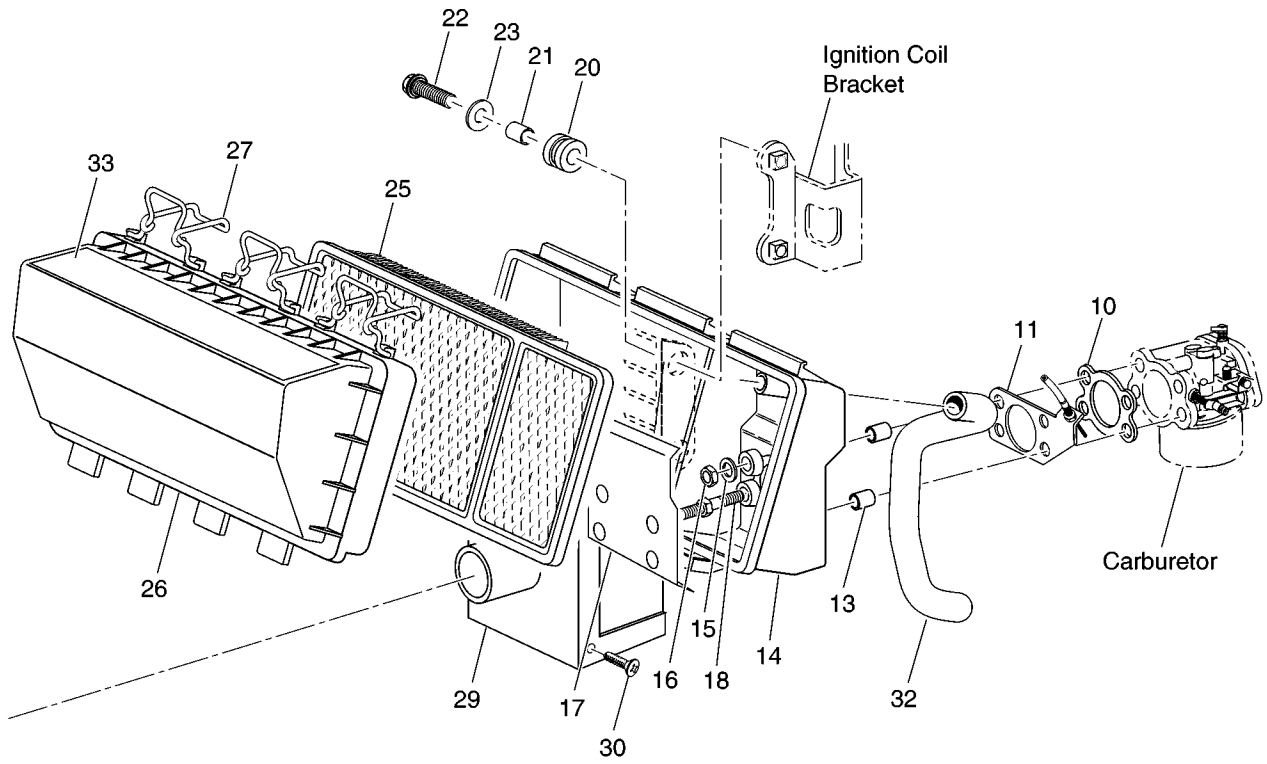
When ordering parts, please specify the model and serial number of the product.

* Indicates a component that is not available as an individual part.

G** Indicates consult Customer Service Department for additional information.

ITEM	PART NO.	1 2 3 4 5	DESCRIPTION	QTY.
121	12064-G3		PUSH NUT, 3/16"	1
122				
123	25653-G01		ACCELERATOR CABLE BRACKET	1
124	26826-G01		LOCK WASHER, 8MM	2
125	26827-G01		NUT, M8 X 1.25MM	2
126				
127	72055-G01		ACCELERATOR CABLE BRACKET	1
128	17618-G1		WIRE TIE	7





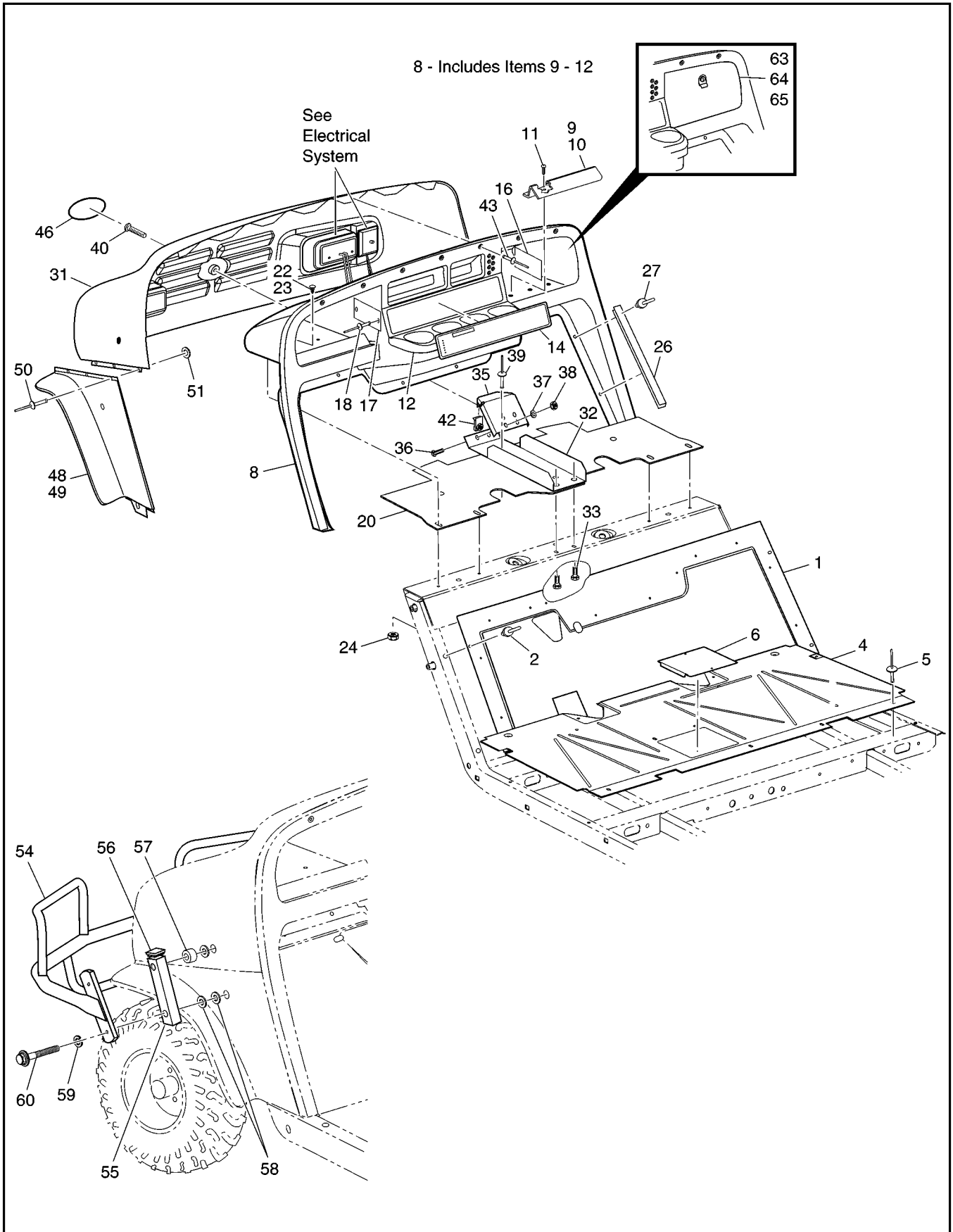
When ordering parts, please specify the model and serial number of the product.
 * Indicates a component that is not available as an individual part.
 G** Indicates consult Customer Service Department for additional information.

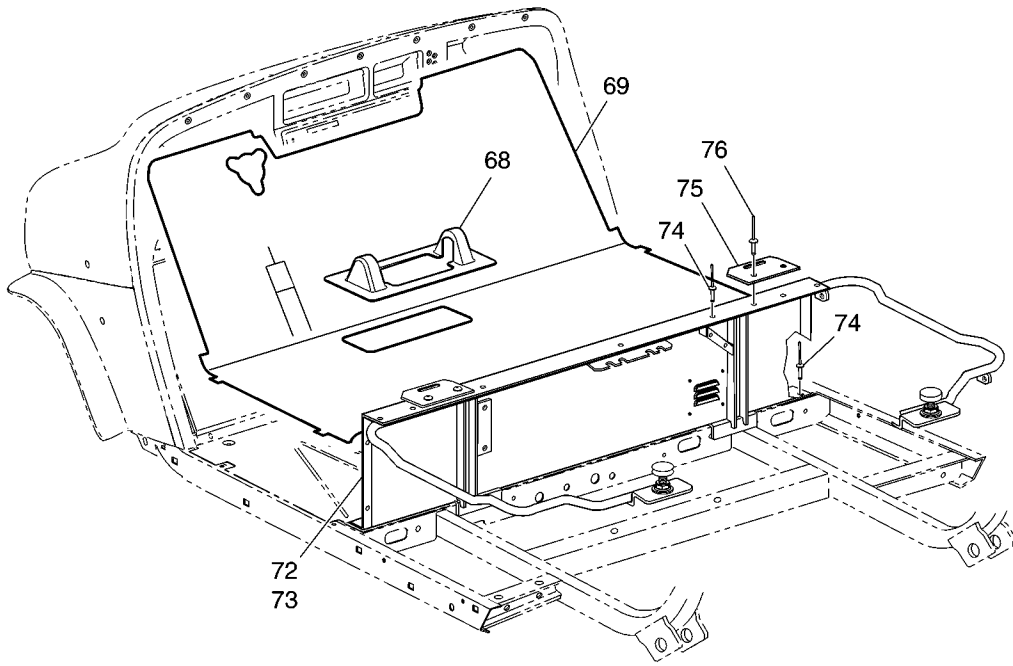
ITEM	PART NO.	1 2 3 4 5	DESCRIPTION	QTY.
1	72416-G01		INLET ADAPTER (PRODUCTION SINCE 4-99)	1
2	72415-G01		GASKET	1
3	71055-G01		RIVET, 3/16" X 3/8" LG	4
4	11391-G2		CLAMP, 2"	1
5	72367-G01		HOSE, 18"	1
6	11391-G5		CLAMP, 3/4"	1
7				
8				
9				
10	26727-G01		CARBURETOR / AIR BOX GASKET	2
11	26728-G01		CHOKE BRACKET.....	1
12				
13	23726-G6		CARBURETOR MOUNT SPACER	4
14	72178-G02		HOUSING	1
15	51400-G1		LOCK WASHER, 6 MM.....	2
16	13632-G1		NUT, M6 X 1	4
17	72529-G01		BAFFLE.....	1
18	72514-G01		STUD, M6 X 1 X 39 MM LG	2
19				
20	72147-G01		HOUSING MOUNT GROMMET.....	2
21	23726-G7		HOUSING MOUNT SPACER.....	2
22	26671-G01		BOLT AND WASHER, M6 X 1 X 30 MM LG	2
23	26701-G01		WASHER, 6.5 MM.....	2
24				
25	72368-G01		AIR FILTER ELEMENT	1
26	72179-G02		AIR FILTER COVER	1
27	72145-G01		LATCH.....	3
28				
29	72146-G02		INLET COVER	1
30	00614-G5		SCREW, #8 - 18 X 5/8" LG	6

When ordering parts, please specify the model and serial number of the product.
* Indicates a component that is not available as an individual part.
G** Indicates consult Customer Service Department for additional information.

ITEM	PART NO.	1 2 3 4 5	DESCRIPTION	QTY.
31				
32	72151-G01		PCV HOSE.....	1
33	74093-G01		LABEL (WARNING)	1

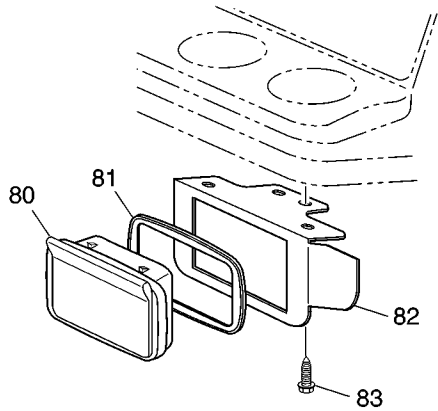




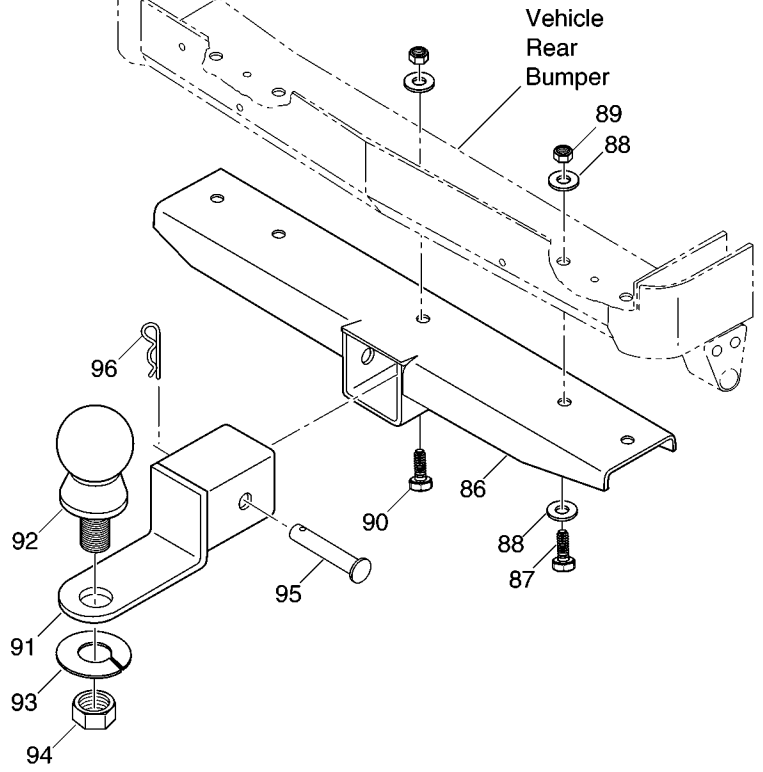


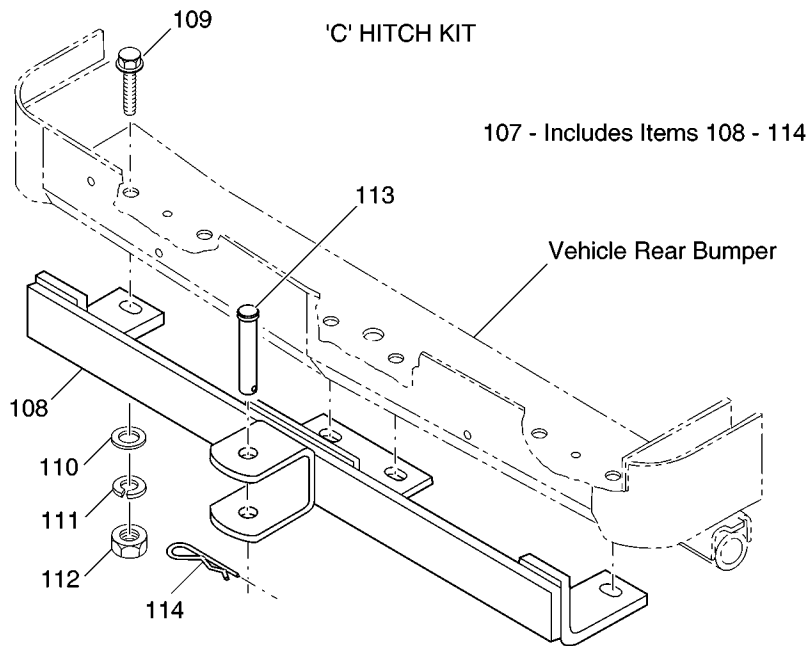
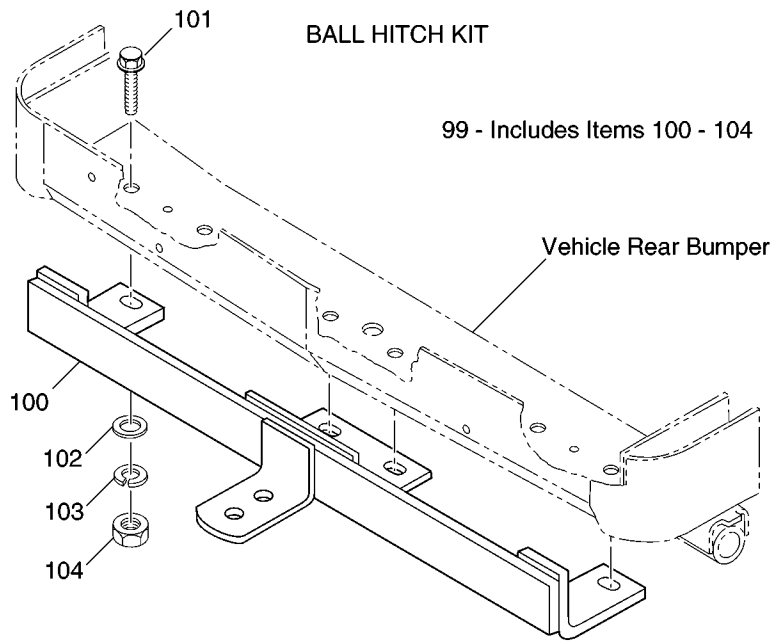
ASH TRAY

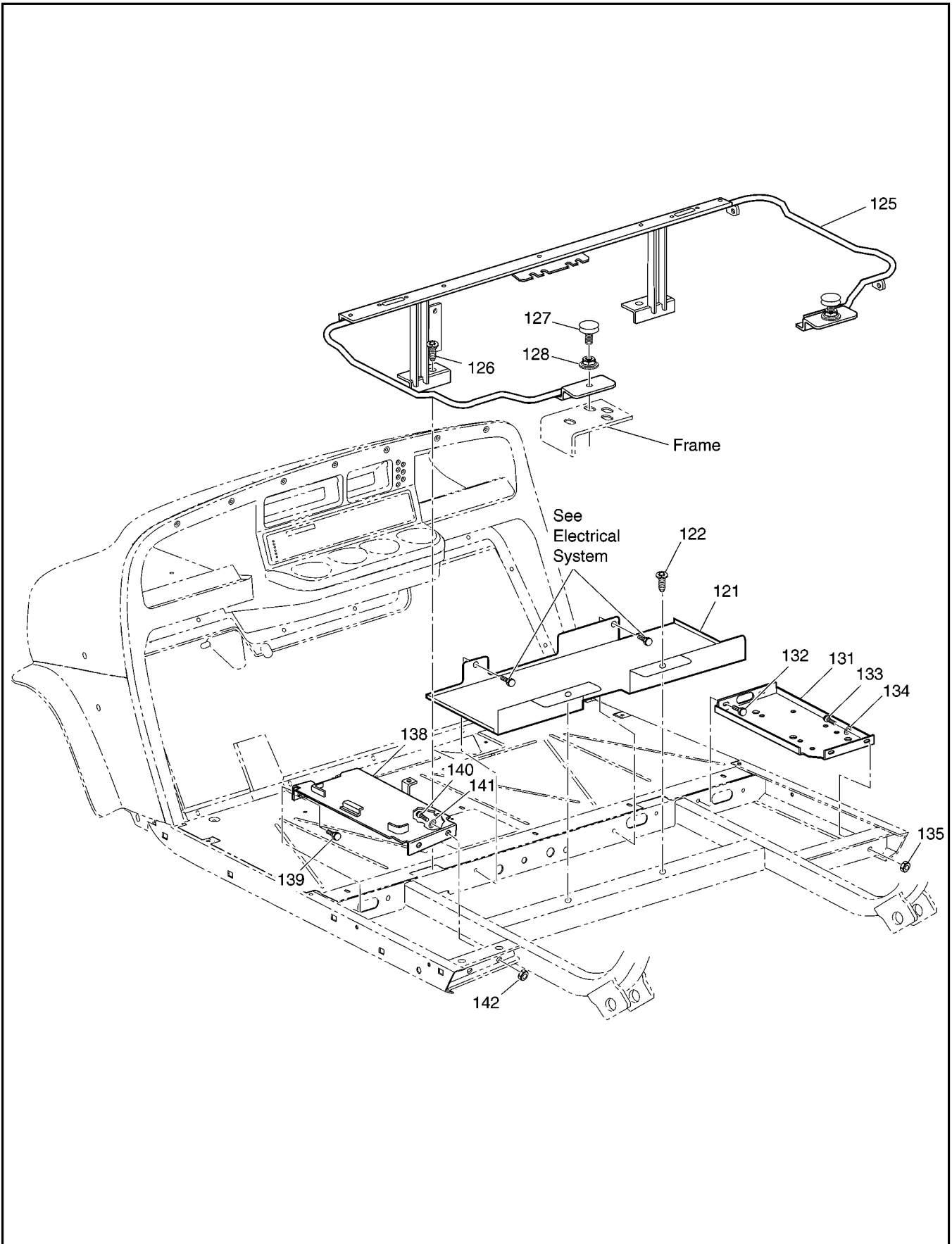
79 - Includes Items 80 - 83

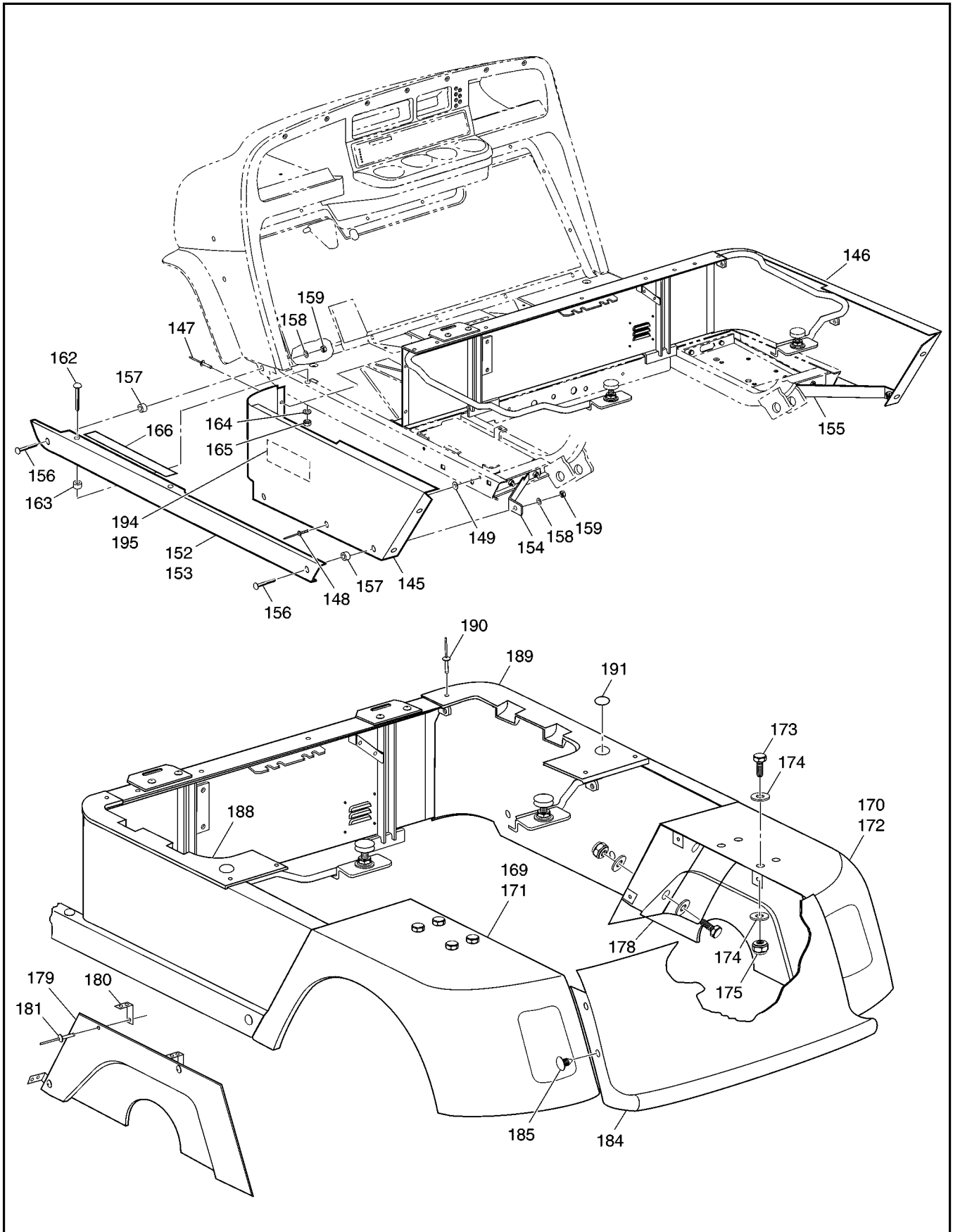


BALL HITCH









When ordering parts, please specify the model and serial number of the product.
 * Indicates a component that is not available as an individual part.
 G** Indicates consult Customer Service Department for additional information.

ITEM	PART NO.	1 2 3 4 5	DESCRIPTION	QTY.
1	71510-G01		UPPER FLOORPAN	1
2	14601-G11		RIVET, 3/16" X 9/16" LG	9
3				
4	70451-G01		LOWER FLOORPAN.....	1
5	14601-G11		RIVET, 3/16" X 9/16" LG	7
6	70452-G01		ACCESS COVER.....	1
7				
8	71151-G**		INSTRUMENT PANEL ASSEMBLY (INCLUDES ITEMS 9 - 12)	1
9	71153-G01		DEFLECTOR (PASSENGER SIDE).....	1
10	71154-G01		DEFLECTOR (DRIVER SIDE)	1
11	00614-G5		SCREW, #8 - 18 X 5/8" LG.....	6
12	71158-G01		INSTRUMENT PANEL INSERT (FOUR CUP)	1
13				
14	71481-G01		LABEL (SAFETY).....	1
15				
16	*		SERIAL NUMBER PLATE.....	1
17	*		CAPACITY PLATE	1
18	01041-G01		RIVET, 5/32" X 7/8" LG	4
19				
20	71413-G02		SPLASH PANEL.....	1
21				
22	16816-G2		RATCHET FASTENER, 1/4" X 3/4" LG (LATE 2000 PRODUCTION).....	4
23	01036-G01		SCREW, #10 - 24 X 3/4" LG (TO EARLY 2000 PRODUCTION)	4
24	11098-G7		LOCK NUT, #10 - 24 (TO EARLY 2000 PRODUCTION)	4
25				
26	71115-G01		VINYL TRIM	2
27	71055-G01		RIVET, 3/16" X 1" LG	10
28				
29				
30				



When ordering parts, please specify the model and serial number of the product.
 * Indicates a component that is not available as an individual part.
 G** Indicates consult Customer Service Department for additional information.

ITEM	PART NO.	1 2 3 4 5	DESCRIPTION	QTY.
31	71219-G01		COWL	1
32	71101-G01		COWL SUPPORT BRACKET	1
33	71102-G02		SELF TAPPING SCREW, 1/4 - 20 X 1/2" LG.....	3
34				
35	71462-G01		COWL SUPPORT BRACE.....	1
36	00740-G4		SCREW, #10 - 32 X 1/2" LG	2
37	00559-G5		WASHER, #10.....	2
38	00921-G8		LOCK NUT, #10 - 32	2
39	71055-G02		RIVET, 3/16" X 1 1/8" LG	1
40	16705-G9		SCREW, 1/4 - 20 X 1 1/4" LG	1
41				
42	14776-G1		RETAINER NUT ('J' TYPE), 1/4 - 20.....	1
43	71055-G01		RIVET, 3/16" X 1" LG	7
44				
45				
46	71289-G01		NAMEPLATE (E-Z-GO) (OVAL)	1
47				
48	71214-G01		FENDER FLARE (DRIVER SIDE).....	1
49	71214-G02		FENDER FLARE (PASSENGER SIDE)	1
50	71045-G01		RIVET, 5/32 X 3/4" LG.....	6
51	00559-G4		WASHER, #8.....	6
52				
53				
54	74265-G01		BUMPER.....	1
55	74037-G01		SPACER TUBE	2
56	19859-G1		END CAP, 3/4"	2
57	75048-G01		SPACER, 1/2"	2
58	00570-G2		WASHER, 5/16"	6
59	00905-G8		LOCK WASHER, 5/16".....	4
60	01035-G02		BOLT, 5/16 - 18 X 2 1/2" LG.....	4



When ordering parts, please specify the model and serial number of the product.

* Indicates a component that is not available as an individual part.

G** Indicates consult Customer Service Department for additional information.

ITEM	PART NO.	1 2 3 4 5	DESCRIPTION	QTY.
61				
62				
63	75459-G01		GLOVE BOX DOORS (BOTH SIDES)	1
64	75459-G02		GLOVE BOX DOOR (DRIVER SIDE)	1
65	75459-G03		GLOVE BOX DOOR (PASSENGER SIDE).....	1
66				
67				
68	70135-G01		PEDAL PIVOT COVER.....	1
69	70048-G**		FLOORMAT.....	1
70				
71				
72	71844-G**		SEAT WRAP PANEL WITH LOUVERS (PRODUCTION SINCE 4-99).....	1
73	71379-G**		SEAT WRAP PANEL (PRODUCTION PRIOR TO 4-99).....	1
74	10570-G10		RIVET, 5/32" X 9/16" LG	8
75	71609-G01		SEAT HINGE PLATE.....	2
76	10570-G11		RIVET, 3/16" X 3/4" LG	4
77				
78				
79	75109-G02		ASH TRAY KIT (INCLUDES ITEMS 80 - 83)	1
80	27731-G01		ASH TRAY.....	1
81	27736-G01		GASKET.....	1
82	75108-G01		BRACKET.....	1
83	00100-G4		SCREW, #10 - 16 X 1/2" LG.....	4
84				
85				
86	74261-G01		BALL HITCH RECEIVER	1
87	00439-G2		BOLT, 5/16 - 18 X 1 1/4" LG.....	4
88	00569-G2		WASHER, 5/16"	9
89	11098-G6		LOCK NUT, 5/16 - 18	5
90	00198-G8		BOLT, 5/16 - 18 X 1" LG.....	1



When ordering parts, please specify the model and serial number of the product.
 * Indicates a component that is not available as an individual part.
 G** Indicates consult Customer Service Department for additional information.

ITEM	PART NO.	1 2 3 4 5	DESCRIPTION	QTY.
91	74260-G01		HITCH	1
92	31757-G01		HITCH BALL, 1 7/8" (INCLUDES ITEMS 93 - 94)	1
93	00566-G6		LOCK WASHER, 3/4"	1
94	00702-G11		NUT, 3/4 - 16	1
95	21317-G01		CLEVIS PIN, 5/8 X 3" LG	1
96	21683-G1		COTTER PIN, 15/32" X 2 11/16" LG	1
97				
98				
99	75326-G02		BALL HITCH KIT (INCLUDES ITEMS 100 - 104)	1
100	75324-G01		HITCH.....	1
101	13437-G5		LOCK SCREW, 3/8-16 X 1 1/2" LG	4
102	00571-G3		WASHER, 3/8".....	4
103	00566-G1		LOCK WASHER, 3/8".....	4
104	00532-G5		NUT, 3/8-16	4
105				
106				
107	75327-G02		CLEVIS HITCH KIT (INCLUDES ITEMS 108 - 114)	1
108	75325-G01		HITCH.....	1
109	13437-G5		LOCK SCREW, 3/8-16 X 1 1/2" LG	4
110	00571-G3		WASHER, 3/8".....	4
111	00566-G1		LOCK WASHER, 3/8".....	4
112	00532-G5		NUT, 3/8-16	4
113	14443-G7		CLEVIS PIN, 1/2" X 2 1/2" LG	1
114	19314-G1		COTTER PIN, 2 1/2" LG.....	1
115				
116				
117				
118				
119				
120				



When ordering parts, please specify the model and serial number of the product.
 * Indicates a component that is not available as an individual part.
 G** Indicates consult Customer Service Department for additional information.

ITEM	PART NO.	1 2 3 4 5	DESCRIPTION	QTY.
121	70629-G01		SPLASH PANEL.....	1
122	00106-G6		SELF THREADING SCREW, #12 - 24 X 3/4" LG	2
123				
124				
125	70384-G02		SEAT FRAME.....	1
126	70200-G01		SCREW, 3/8 - 16 X 1/4" LG	4
127	70113-G01		ADJUSTABLE BUMPER.....	2
128	11027-G1		LOCK NUT, 5/16 - 18	2
129				
130				
131	70244-G02		SPLASH PANEL.....	1
132	00715-G2		BOLT, 5/16 - 18 X 13/16" LG	2
133	00438-G8		BOLT, 5/16 - 18 X 1" LG.....	2
134	00559-G8		WASHER, 5/16"	2
135	11098-G6		LOCK NUT, 5/16 - 18	2
136				
137				
138	70245-G01		BATTERY TRAY.....	1
139	00715-G2		BOLT, 5/16 - 18 X 13/16" LG	2
140	00438-G8		BOLT, 5/16 - 18 X 1" LG.....	2
141	00571-G2		WASHER, 5/16"	2
142	11098-G6		LOCK NUT, 5/16 - 18	2
143				
144				
145	71674-G01		SIDE PANEL (DRIVER SIDE)	1
146	71674-G02		SIDE PANEL (PASSENGER SIDE)	1
147	10570-G10		RIVET, 5/32" X 9/16" LG	4
148	10570-G12		RIVET, 1/4" X 1/2" LG	4
149	16469-G7		WASHER, 1/4"	4
150				



When ordering parts, please specify the model and serial number of the product.
 * Indicates a component that is not available as an individual part.
 G** Indicates consult Customer Service Department for additional information.

ITEM	PART NO.	1 2 3 4 5	DESCRIPTION	QTY.
151				
152	71439-G01		ROCKER PANEL (DRIVER SIDE)	1
153	71439-G02		ROCKER PANEL (PASSENGER SIDE)	1
154	71440-G01		BRACE (DRIVER SIDE).....	1
155	71440-G02		BRACE (PASSENGER SIDE)	1
156	00789-G2		SCREW, #10 - 24 X 1 1/4" LG	4
157	19247-G3		SPACER, 9/32"	4
158	00660-G5		WASHER, #10.....	4
159	11098-G7		LOCK NUT, #10 - 24	4
160				
161				
162	16705-G1		SCREW, 1/4 - 20 X 1" LG	4
163	23726-G2		SPACER, 1/4"	4
164	00559-G7		WASHER, 1/4"	4
165	14390-G4		LOCK NUT, 1/4 - 20	4
166	71764-G01		SILL PLATE TREAD.....	2
167				
168				
169	71586-G01		FENDER (DRIVER SIDE)	1
170	71586-G02		FENDER (PASSENGER SIDE).....	1
171	71586-G03		FENDER WITH TAILLIGHT (DRIVER SIDE)	1
172	71586-G04		FENDER WITH TAILLIGHT (PASSENGER SIDE)	1
173	00414-G7		BOLT, 1/4 - 20 X 7/8" LG.....	12
174	00559-G7		WASHER, 1/4"	24
175	14390-G4		LOCK NUT, 1/4 - 20	12
176				
177				
178	71372-G01		INNER FENDER, (PASSENGER SIDE)	1
179	71372-G02		INNER FENDER, (DRIVER SIDE)	1
180	71374-G01		BRACKET	6

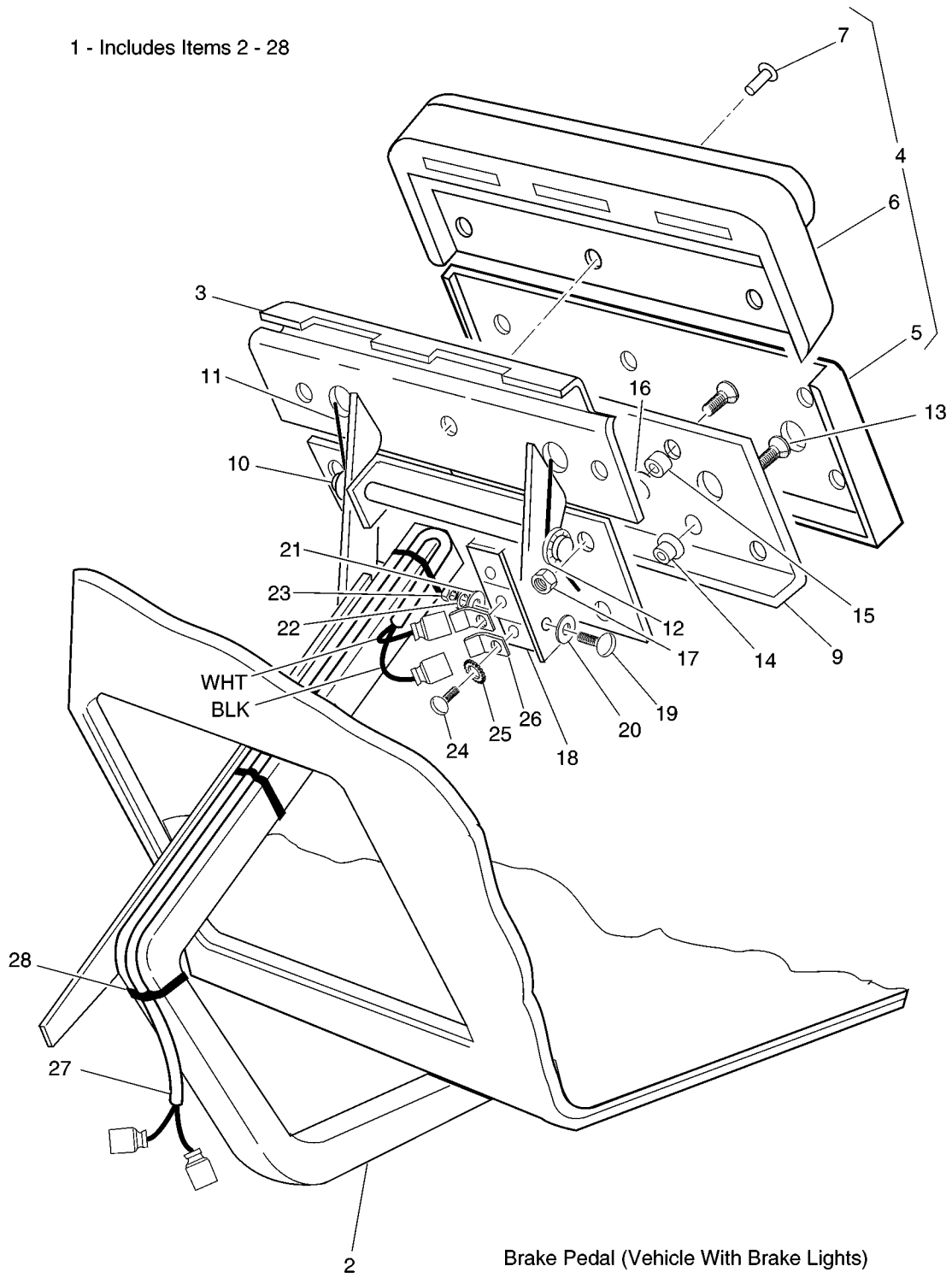


When ordering parts, please specify the model and serial number of the product.
 * Indicates a component that is not available as an individual part.
 G** Indicates consult Customer Service Department for additional information.

ITEM	PART NO.	1 2 3 4 5	DESCRIPTION	QTY.
181	15058-G1		RIVET, 3/16" X 7/16" LG (ALUMINUM).....	8
182				
183				
184	71587-G01		REAR PANEL.....	1
185	71055-G01		RIVET, 3/16" X 1" LG	4
186				
187				
188	71588-G01		SEAT FILLER PANEL (DRIVER SIDE)	1
189	71588-G02		SEAT FILLER PANEL (PASSENGER SIDE).....	1
190	10570-G10		RIVET, 5/32" X 9/16" LG	6
191	20271-G3		HOLE PLUG, 2" (VEHICLES WITHOUT TOP)	2
192				
193				
194	35062-G01		DECAL (WORKHORSE®).....	2
195	35430-G08		DECAL (ST350)	2

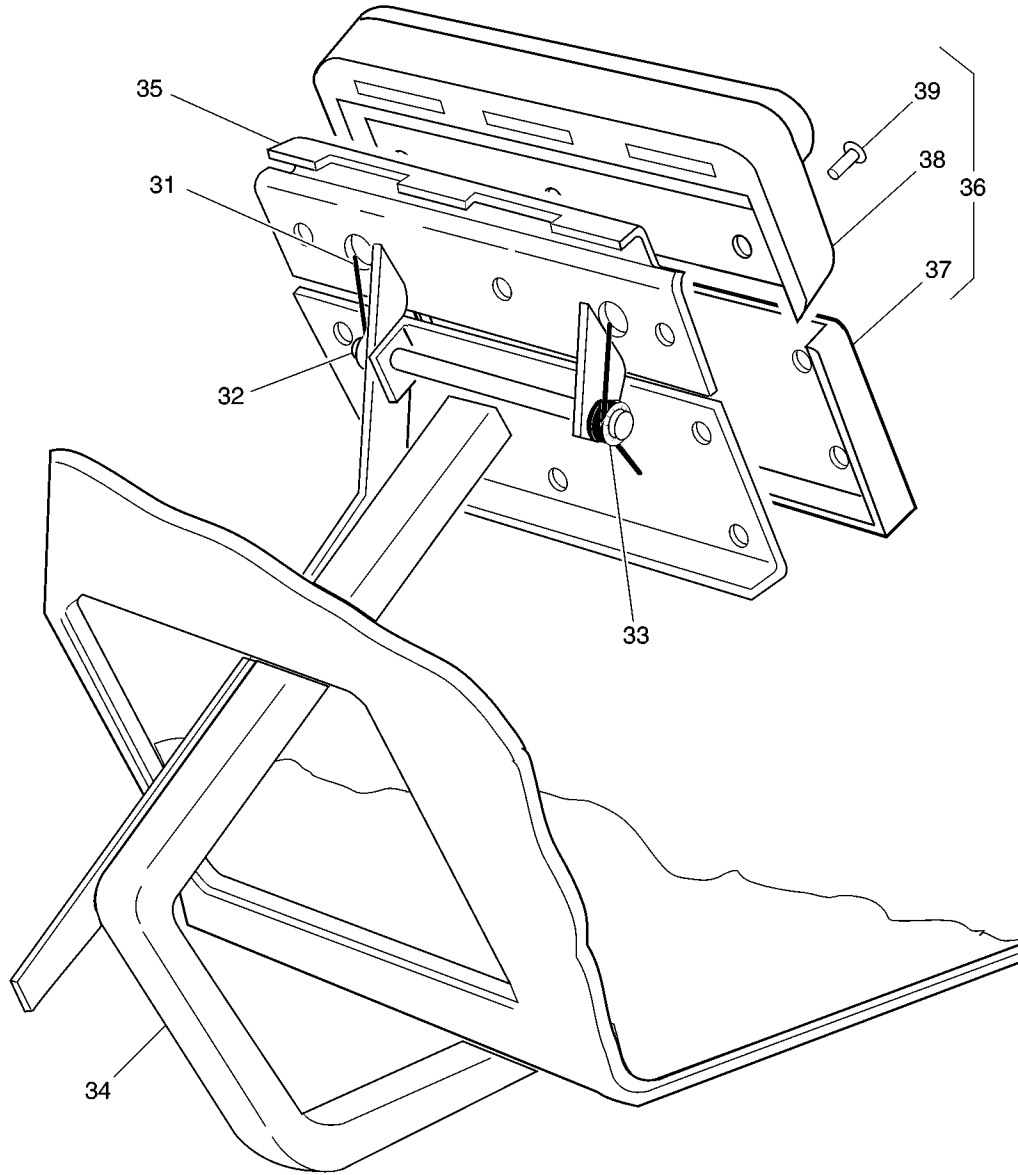


1 - Includes Items 2 - 28



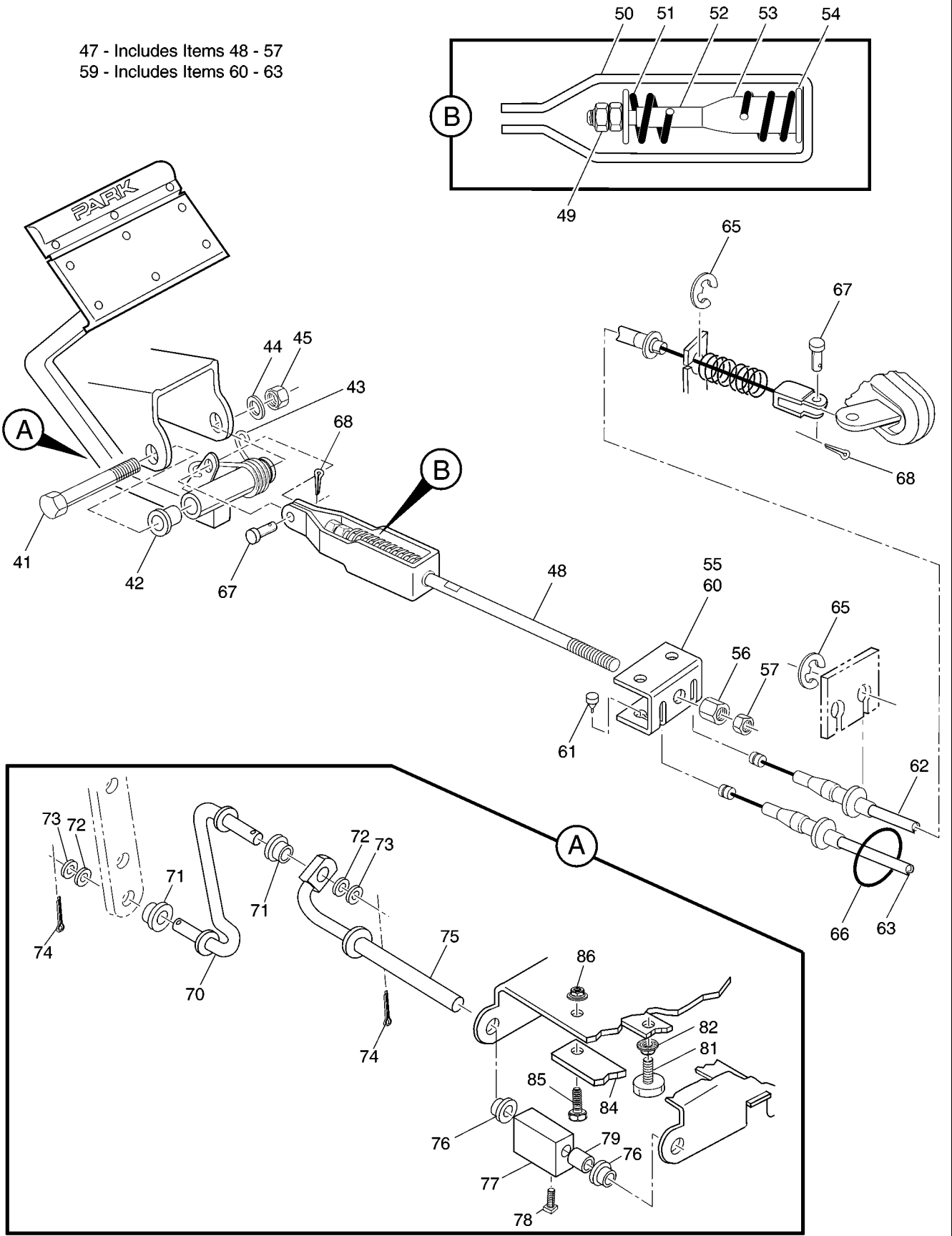
Brake Pedal (Vehicle With Brake Lights)

30 - Includes Items 31 - 39



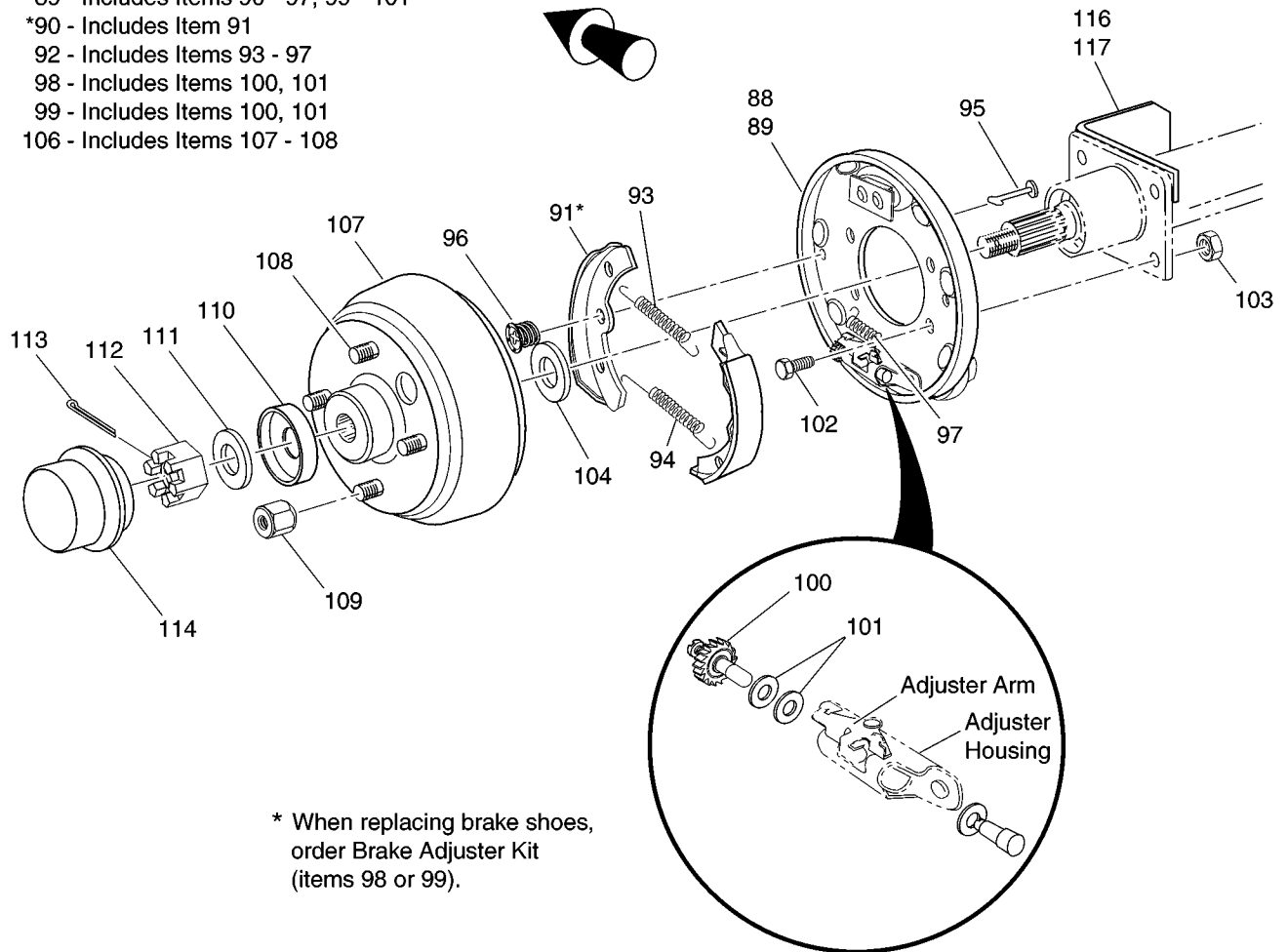
Brake Pedal (Vehicle Without Brake Lights)

47 - Includes Items 48 - 57
59 - Includes Items 60 - 63



- 88 - Includes Items 90 - 98, 100, 101
- 89 - Includes Items 90 - 97, 99 - 101
- *90 - Includes Item 91
- 92 - Includes Items 93 - 97
- 98 - Includes Items 100, 101
- 99 - Includes Items 100, 101
- 106 - Includes Items 107 - 108

Front of Vehicle



* When replacing brake shoes, order Brake Adjuster Kit (items 98 or 99).

BRAKES

Gasoline Vehicle

When ordering parts, please specify the model and serial number of the product.

* Indicates a component that is not available as an individual part.

G** Indicates consult Customer Service Department for additional information.

ITEM	PART NO.	1 2 3 4 5	DESCRIPTION	QTY.
1	70263-G01		BRAKE PEDAL ASSEMBLY (WITH BRAKE LIGHTS) (INCLUDES ITEMS 2 - 28)	1
2	*		BRAKE PEDAL.....	1
3	70265-G01		PARK BRAKE PEDAL	1
4	70274-G01		BRAKE/PARK BRAKE PEDAL PAD KIT (INCLUDES ITEMS 5 - 7)	1
5	*		SERVICE BRAKE PAD	1
6	*		PARK BRAKE PAD	1
7	15766-G1		OVAL RIVET, 3/16 x 3/8" LG.....	9
8				
9	*		SERVICE BRAKE PEDAL PLATE.....	1
10	15932-G2		PIVOT PIN.....	1
11	11737-G1		TORSION SPRING	2
12	12064-G1		PUSHNUT, 5/16"	1
13	00737-G8		SCREW, #10 - 24 X 1" LG.....	4
14	00739-G1		RUBBER NUT, #10 - 24	2
15	22362-G3		BRAKE PEDAL STANDOFF	2
16	27137-G01		CONICAL SPRING.....	2
17	11098-G7		LOCK NUT, #10 - 24.....	2
18	10606-G8		MICRO SWITCH	1
19	00645-G2		SCREW, #6 - 32 X 1 1/4" LG.....	2
20	00559-G5		WASHER, #10.....	2
21	00559-G3		WASHER, #6.....	2
22	00565-G3		LOCK WASHER, #6	2
23	00525-G5		NUT, #6 - 32	2
24	*		BRASS SCREW	2
25	00567-G3		LOCK WASHER, #6	6
26	14628-G1		FASTON TAB	2
27	24605-G1		WIRE HARNESS (BRAKE LIGHT).....	1
28	17618-G1		WIRE TIE.....	3
29				

When ordering parts, please specify the model and serial number of the product.

* Indicates a component that is not available as an individual part.

G** Indicates consult Customer Service Department for additional information.

ITEM	PART NO.	1 2 3 4 5	DESCRIPTION	QTY.
30	70264-G01		BRAKE PEDAL ASSEMBLY (WITHOUT BRAKE LIGHTS) (INCLUDES ITEMS 31 - 39)	1
31	11737-G1		TORSION SPRING	2
32	15932-G2		PIVOT PIN.....	1
33	12064-G1		PUSHNUT, 5/16"	1
34	*		BRAKE PEDAL.....	1
35	70265-G01		PARK BRAKE PEDAL.....	1
36	70274-G01		BRAKE/PARK BRAKE PEDAL PAD KIT (INCLUDES ITEMS 37 - 39).....	1
37	*		SERVICE BRAKE PAD	1
38	*		PARK BRAKE PEDAL PAD.....	1
39	15766-G1		OVAL RIVET, 3/16" X 3/8" LG.	9
40				
41	70582-G01		SHOULDER BOLT, 3/8 - 16 X 4" LG.	1
42	70581-G01		FLANGED BUSHING	2
43	70676-G01		TORSION SPRING	1
44	00643-G1		WASHER, 3/8"	1
45	11098-G5		LOCK NUT, 3/8 - 16	1
46				
47	70272-G04		COMPENSATOR ASSEMBLY (INCLUDES ITEMS 48 - 57).....	1
48	25882-G04		LINKAGE ROD	1
49	00532-G4		NUT, 5/16 - 24	2
50	*		YOKE.....	1
51	23463-G1		COMPRESSION SPRING.....	1
52	23061-G2		COMPENSATOR STOP TUBE	1
53	17979-G1		BUSHING	1
54	15121-G1		WASHER, 3/8".....	2
55	28082-G01		EQUALIZER BRACKET	1
56	00963-G01		SPHERICAL NUT, 5/16 - 24.....	1
57	11098-G9		LOCK NUT, 5/16 - 24.....	1
58				



BRAKES

Gasoline Vehicle

When ordering parts, please specify the model and serial number of the product.

* Indicates a component that is not available as an individual part.

G** Indicates consult Customer Service Department for additional information.

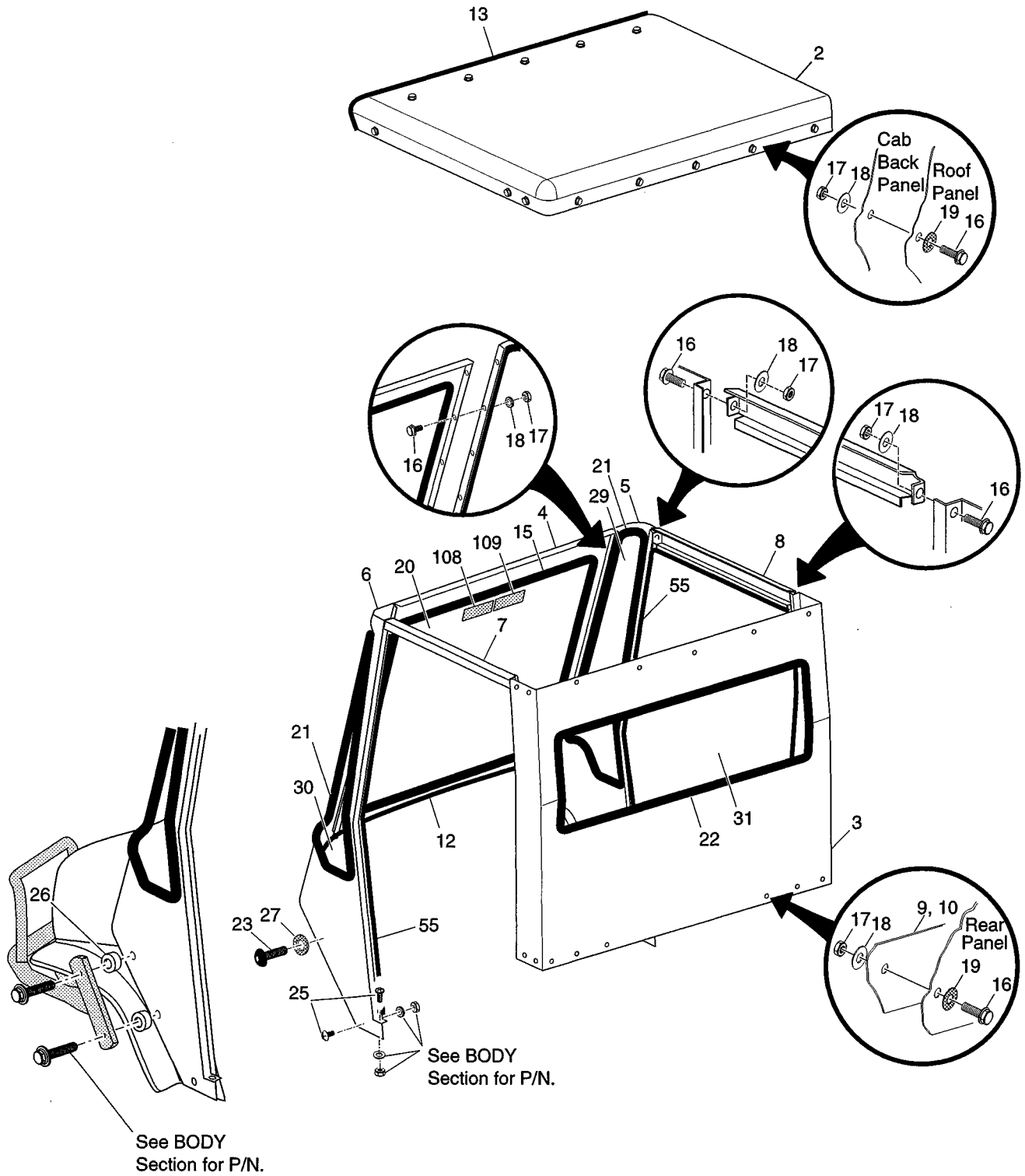
ITEM	PART NO.	1 2 3 4 5	DESCRIPTION	QTY.
59	70716-G05		EQUALIZER AND BRAKE CABLE ASSEMBLY (INCLUDES ITEMS 60 - 63) ...	1
60	28082-G01		EQUALIZER BRACKET	1
61	28083-G01		BRAKE COMPENSATOR BUMPER	2
62	*		BRAKE CABLE (PASSENGER SIDE).....	1
63	*		BRAKE CABLE (DRIVER SIDE)	1
64				
65	12305-G1		RETAINING RING	4
66	12416-G2		WIRE TIE	2
67	10386-G3		CLEVIS PIN, 5/16" X 1" LG.....	3
68	10387-G3		COTTER PIN, 3/32" X 3/4" LG.....	3
69				
70	70601-G01		KICK-OFF LINK	1
71	17838-G1		NYLON BUSHING.....	2
72	20835-G1		TEFLON WASHER, 3/8"	2
73	00559-G8		WASHER, 5/16"	2
74	10387-G3		COTTER PIN, 3/32" X 3/4" LG.....	2
75	70098-G01		KICK OFF CAM PIVOT	1
76	10097-G6		FLANGED BEARING	2
77	25103-G2		KICK-OFF CAM.....	1
78	71215-G01		SETSCREW, 1/4 - 20 X 1/2" LG.	2
79	14134-G4		SPACER.....	1
80				
81	70113-G01		ADJUSTABLE BUMPER.....	1
82	11027-G1		LOCK NUT, 5/16 - 18	1
83				
84	70080-G01		CATCH BRACKET	1
85	00414-G6		BOLT, 1/4 - 20 X 3/4" LG.....	2
86	11027-G2		LOCK NUT, 1/4 - 20	2
87				
88	72422-G01		BRAKE ASSEMBLY (DRIVER SIDE) (INCLUDES ITEMS 90 - 98, 100, 101)....	1

When ordering parts, please specify the model and serial number of the product.
 * Indicates a component that is not available as an individual part.
 G** Indicates consult Customer Service Department for additional information.

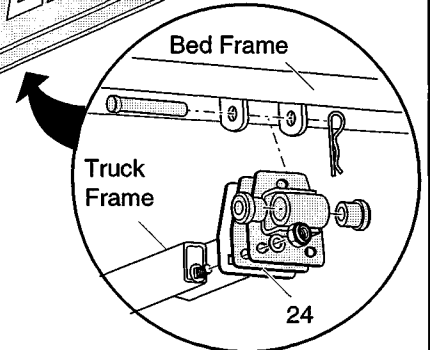
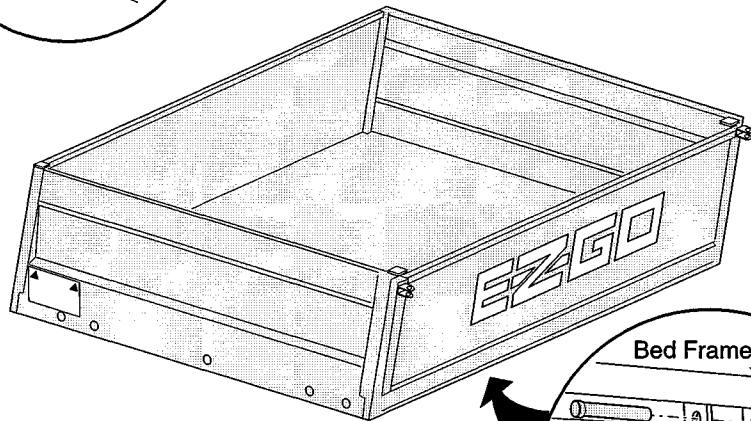
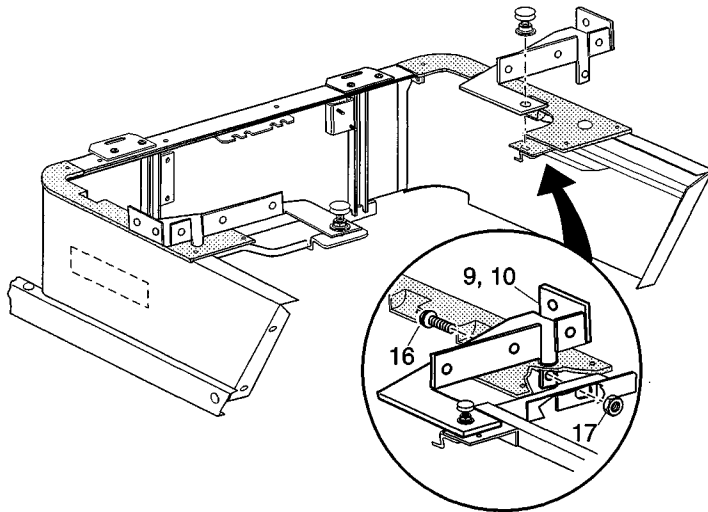
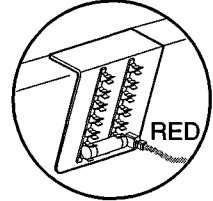
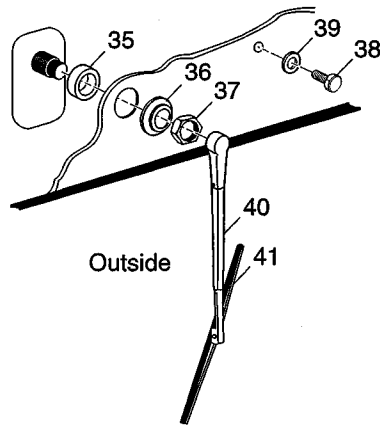
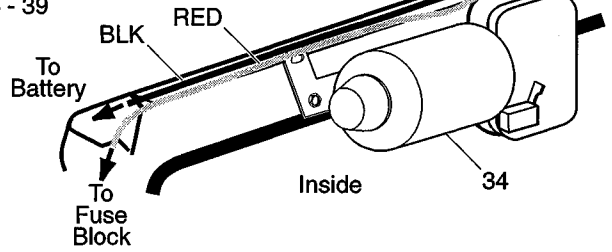
ITEM	PART NO.	1 2 3 4 5	DESCRIPTION	QTY.
89	72422-G02		BRAKE ASSEMBLY (PASSENGER SIDE) (INCL. ITEMS 90 - 97, 99 - 101)	1
90	27945-G01		BRAKE SHOE KIT (INCLUDES ITEM 91)	2
91	*		BRAKE SHOE	2
92	27944-G01		BRAKE SPRING KIT (INCLUDES ITEMS 93 - 97)	2
93	*		UPPER SPRING	1
94	*		LOWER SPRING	1
95	*		PIN	2
96	*		CUP AND SPRING	2
97	*		ADJUSTER SPRING.....	1
98	72582-G01		BRAKE ADJUSTER KIT (DRIVER SIDE) (INCLUDES ITEMS 100 - 101)....	1
99	72582-G02		BRAKE ADJUSTER KIT (PASSENGER SIDE) (INCL. ITEMS 100 - 101)	1
100	*		ADJUSTER	1
101	*		TEFLON WASHER	2
102	17083-G2		BOLT, 5/16 - 24 X 1" LG.....	8
103	15126-G1		LOCK NUT, 5/16 - 24	8
104	21809-G1		INNER BRAKE DRUM WASHER	2
105				
106	21807-G2		BRAKE DRUM ASSEMBLY (INCLUDES ITEMS 107 - 108)	2
107	*		BRAKE DRUM.....	1
108	19862-G2		LUG BOLT, 1/2 - 20 X 1 23/32" LG.....	4
109	14723-G1		LUG NUT, 1/2 - 20.....	8
110	24939-G2		SPINDLE CAP ADAPTER.....	2
111	21830-G1		OUTER BRAKE DRUM WASHER.....	2
112	00518-G8		SLOTTED NUT, 3/4 - 16	2
113	10387-G1		COTTER PIN, 1/8" x 1 1/2" LG	2
114	12091-G2		SPINDLE CAP	2
115				
116	72036-G01		BRAKE CABLE BRACKET (PASSENGER SIDE)	1
117	72237-G01		BRAKE CABLE BRACKET (DRIVER SIDE).....	1



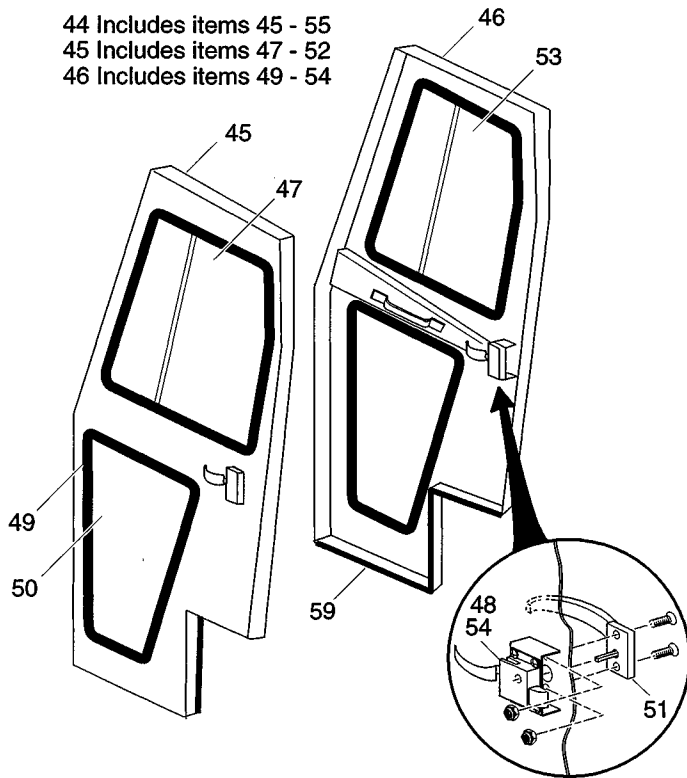
1 Includes items 2 - 42



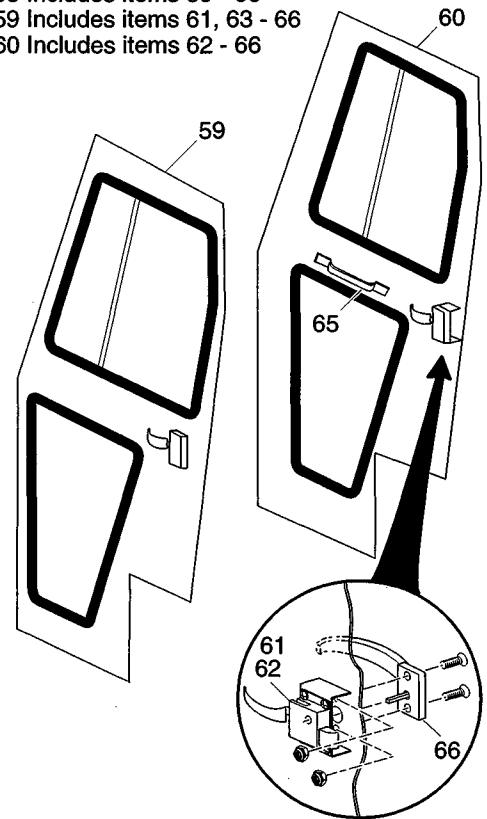
33 Includes items 34 - 42
34 Includes items 35 - 39



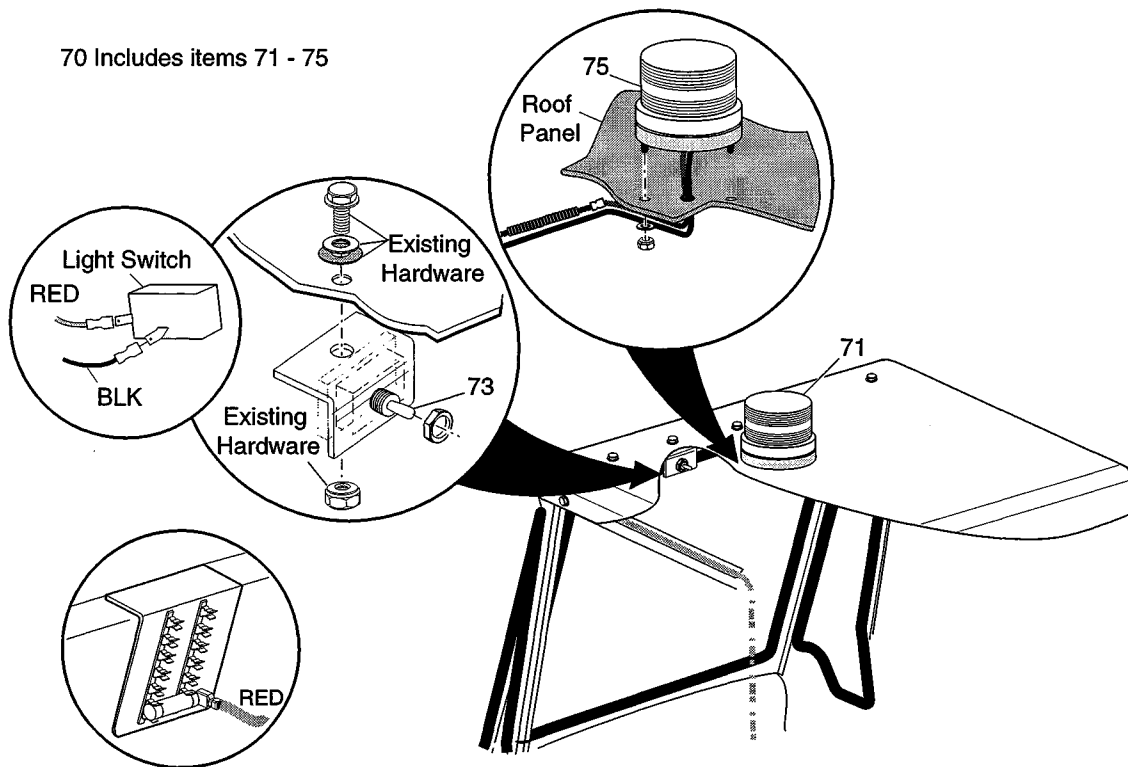
44 Includes items 45 - 55
45 Includes items 47 - 52
46 Includes items 49 - 54

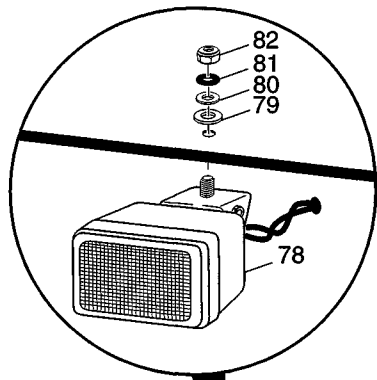


58 Includes items 59 - 66
59 Includes items 61, 63 - 66
60 Includes items 62 - 66

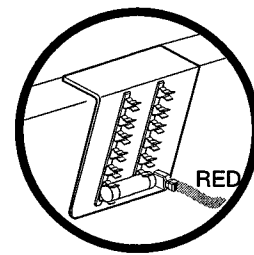
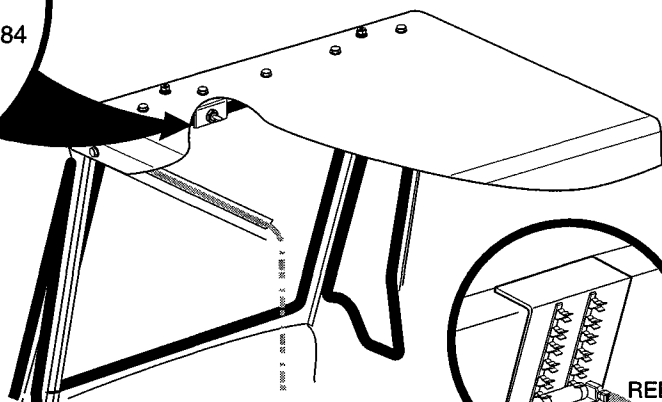
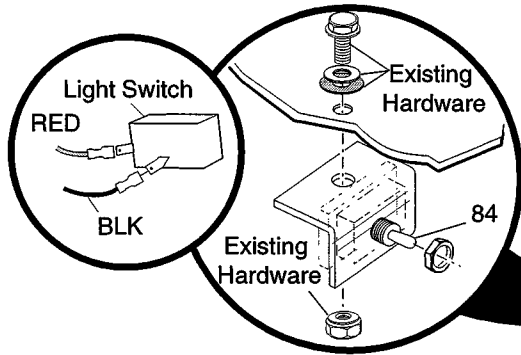
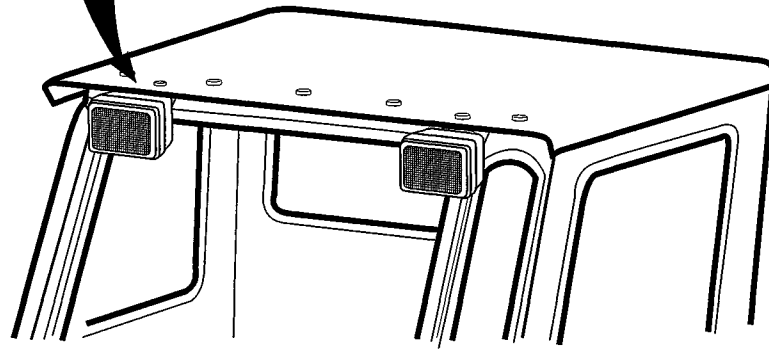


70 Includes items 71 - 75





77 Includes items 78 - 84
78 Includes items 79 - 82



86 Includes items 87 - 88

Add Silicone Under Head

#10 Phillips Head Screw

#10 Washer

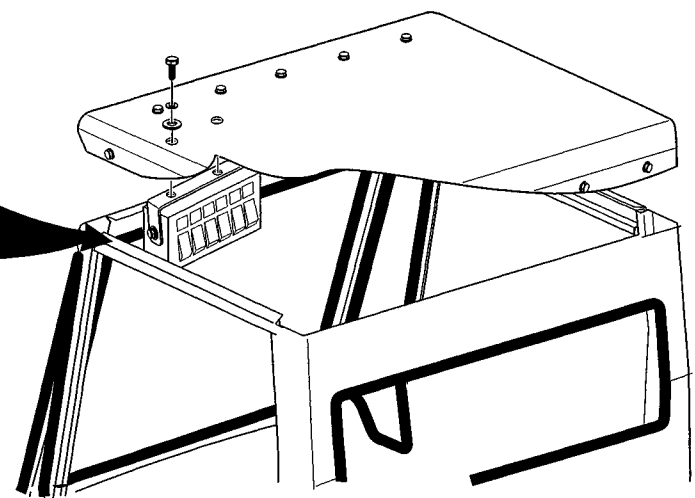
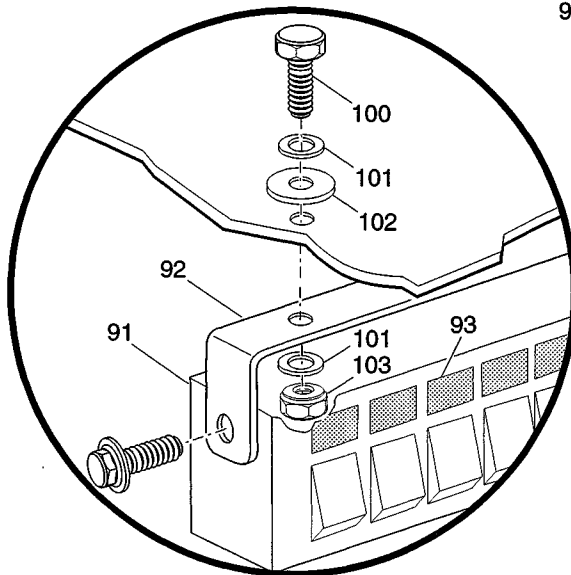
Nylon Washer

Roof Panel

Lock Nut

87

90 Includes items 91 - 105



Replacement parts may be obtained from Curtis Tractor Cab Inc., 111 Higgins Street, Worcester, MA 01606. Telephone (508) 853-2200, or FAX (508) 854-3377.

* Indicates a component that is not available as an individual part.

ITEM	PART NO.	1	2	3	4	5	DESCRIPTION	QTY.
1	74294-G0*						STEEL CAB KIT (WITHOUT DOORS) (INCLUDES ITEMS 2 - 42).....	1
2	74294-G0*A						ROOF PANEL.....	1
3	74294-G0*B						REAR PANEL.....	1
4	74294-G0*C						WINDSHIELD PANEL.....	1
5	74294-G0*D						FRONT CORNER PANEL (PASSENGER SIDE).....	1
6	74294-G0*E						FRONT CORNER PANEL (DRIVER SIDE).....	1
7	74294-G0*F						RECEIVER (DRIVER SIDE).....	1
8	74294-G0*G						RECEIVER (PASSENGER SIDE).....	1
9	74294-G0*H						LOWER MOUNTING BRACKET (DRIVER SIDE).....	1
10	74294-G0*I						LOWER MOUNTING BRACKET (PASSENGER SIDE).....	1
11								
12	1P004A						FRONT PANEL COWL SEAL GASKET (85" LONG).....	1
13	1P004D						ROOF TRIM (50").....	1
14								
15	6E03						FRONT WINDSHIELD MOUNTING GASKET.....	1
16	6E03A						BOLT, 3/8-16 X 7/8" LONG.....	44
17	6E03B						LOCK NUT, 3/8-16.....	44
18	6E03C						WASHER, 3/8".....	44
19	6E03D						NYLON WASHER, 3/8".....	26
20	6E03E						FRONT WINDSHIELD GLASS.....	1
21	6E03H						FRONT CORNER PANEL WINDOW GASKET.....	2
22	6E03J						REAR PANEL WINDOW GASKET.....	1
23	6E03S						ALLEN BUTTON HEAD BOLT.....	4
24	6E03T						BED SPACER.....	2
25	6E03U						BOLT, 1/4-20 X 1 1/2" LG.....	4
26	6E03V						NYLON SPACER, 1/4".....	4
27	6E03W						WASHER, 5/16".....	4
28								
29	6E05A						FRONT CORNER PANEL WINDOW (PASSENGER SIDE).....	1
30	6E05B						FRONT CORNER PANEL WINDOW (DRIVER SIDE).....	1



Replacement parts may be obtained from Curtis Tractor Cab Inc., 111 Higgins Street, Worcester, MA 01606. Telephone (508) 853-2200, or FAX (508) 854-3377.

* Indicates a component that is not available as an individual part.

ITEM	PART NO.	1	2	3	4	5	DESCRIPTION	QTY.
31	6E05C						REAR PANEL WINDOW.....	1
32								
33	74244-G01						WINDSHIELD WIPER KIT (INCLUDES ITEMS 34 - 42)	1
34	9PWM85						WIPER MOTOR (INCLUDES ITEMS 35 - 39).....	1
35	*						SPACER	1
36	*						SHAFT COVER (SEAL)	1
37	*						NUT.....	1
38	*						BOLT.....	1
39	*						WASHER	1
40	9PWA						WIPER ARM.....	1
41	9PWB						WIPER BLADE.....	1
42	9E003						ELECTRICAL HARDWARE KIT (NOT ILLUSTRATED).....	1
43								
44	74241-G0*						STEEL DOOR KIT (INCLUDES ITEMS 45 - 46, 55)	1
45	74241-G0*A						STEEL DOOR (DRIVER SIDE) (INCLUDES ITEMS 47 - 52).....	1
46	74241-G0*B						STEEL DOOR (PASSENGER SIDE) (INCLUDES ITEMS 49 - 54)	1
47	6E05D						SLIDING DOOR WINDOW ASSEMBLY (DRIVER SIDE)	1
48	9DHSL						INSIDE DOOR LATCH (DRIVER SIDE).....	1
49	6E03P						LOWER DOOR WINDOW MOUNTING GASKET.....	1
50	6E05F						LOWER DOOR WINDOW.....	1
51	9DHOS1						OUTSIDE DOOR HANDLE, KEY LOCKING.....	1
52	1P004B						LOWER DOOR SEAL GASKET (43" LG)	1
53	6E05E						SLIDING DOOR WINDOW ASSEMBLY (PASSENGER SIDE)	1
54	9DHSLR						INSIDE DOOR LATCH (PASSENGER SIDE)	1
55	1P004C						DOOR SEAL GASKET (121" LG).....	2
56	9P001A						REPLACEMENT DOOR HINGE KIT (NOT ILLUSTRATED).....	AR
57								
58	74242-G01						VINYL DOOR KIT (INCLUDES ITEMS 59 - 66).....	1
59	9DVK-L						VINYL DOOR (DRIVER SIDE) (INCLUDES ITEMS 61, 63 - 66).....	1
60	9DVK-R						VINYL DOOR (PASSENGER SIDE) (INCLUDES ITEMS 62 - 66)	1

Replacement parts may be obtained from Curtis Tractor Cab Inc., 111 Higgins Street, Worcester, MA 01606. Telephone (508) 853-2200, or FAX (508) 854-3377.

* Indicates a component that is not available as an individual part.

ITEM	PART NO.	1	2	3	4	5	DESCRIPTION	QTY.
61	9DHSL						INSIDE DOOR LATCH (DRIVER SIDE).....	1
62	9DHSLR						INSIDE DOOR LATCH (PASSENGER SIDE).....	1
63	9DCK						DOOR CHECK (NOT ILLUSTRATED).....	1
64	9DSTK1						DOOR STRIKER (NOT ILLUSTRATED).....	1
65	9DGH1						DOOR GRAB HANDLE.....	1
66	9DHOS1						OUTSIDE DOOR HANDLE, KEY LOCKING	1
67	9PSSHL						REPLACEMENT DOOR HINGE (DRIVER SIDE) (NOT ILLUSTRATED).....	1
68	9PSSHR						REPLACEMENT DOOR HINGE (PASSENGER SIDE) (NOT ILLUSTRATED).....	1
69								
70	74245-G01						STROBE LIGHT KIT (INCLUDES ITEMS 71 - 75)	1
71	9LS1						STROBE LIGHT	1
72	9E001						ELECTRICAL HARDWARE KIT (NOT ILLUSTRATED).....	1
73	9E002						TOGGLE SWITCH.....	1
74	9PSLRB						REPLACEMENT BULB (NOT ILLUSTRATED)	1
75	9PSLRL						STROBE LENS.....	1
76								
77	74247-G01						WORK LIGHT KIT (INCLUDES ITEMS 78 - 84).....	1
78	9LW1A						WORK LIGHT (INCLUDES HARDWARE 79 - 82)	2
79	*						NYLON WASHER	2
80	*						WASHER.....	2
81	*						LOCK WASHER.....	2
82	*						NUT	2
83	9E001						ELECTRICAL HARDWARE KIT (NOT ILLUSTRATED).....	1
84	9E002						TOGGLE SWITCH.....	1
85								
86	74248-G01						DEFROSTER / COOLING FAN KIT (INCLUDES ITEMS 87 - 88).....	1
87	9PDF						FAN.....	1
88	9E001						ELECTRICAL HARDWARE KIT (NOT ILLUSTRATED).....	1
89								
90	74250-G01						SWITCH PANEL KIT (INCLUDES ITEMS 91 - 105).....	1



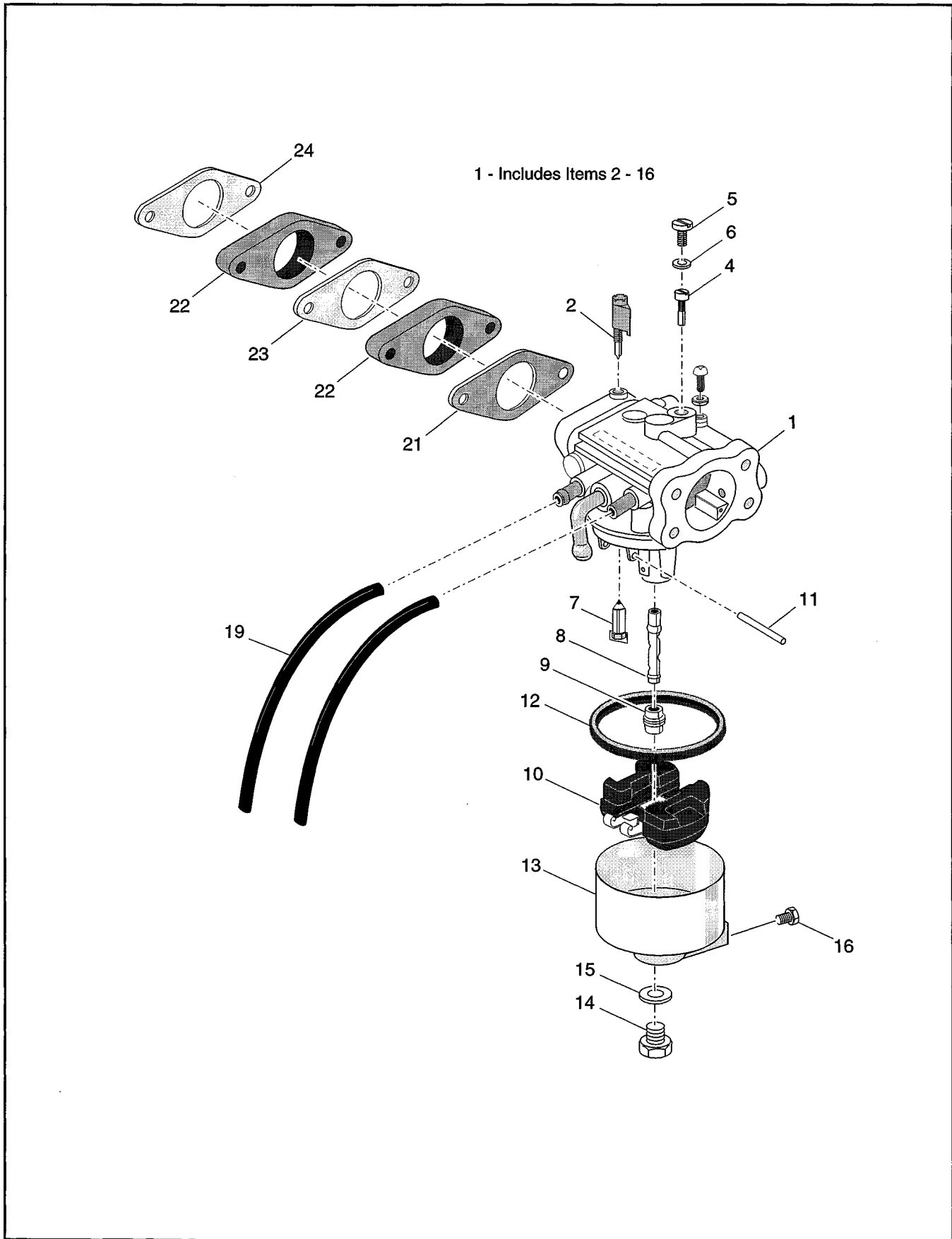
Replacement parts may be obtained from Curtis Tractor Cab Inc., 111 Higgins Street, Worcester, MA 01606. Telephone (508) 853-2200, or FAX (508) 854-3377.

* Indicates a component that is not available as an individual part.

ITEM	PART NO.	1	2	3	4	5	DESCRIPTION	QTY.
91	9PSF1-001						SWITCH PANEL	1
92	9PSF1-002						MOUNTING BRACKET AND HARDWARE	1
93	9PSF1-003						ADHESIVE LABELS	1
94	9PSF1-004						3 AMP FUSE (NOT ILLUSTRATED)	2
95	9PSF1-005						5 AMP FUSE (NOT ILLUSTRATED)	3
96	9PSF1-006						7.5 AMP FUSE (NOT ILLUSTRATED)	1
97	9PSF1-007						FLEX LOOM, 5/8" X 10" LG (NOT ILLUSTRATED)	1
98	9PSF1-008						4-WAY BASE TIE (NOT ILLUSTRATED).....	6
99	9PSF1-009						WIRE TIE (NOT ILLUSTRATED).....	14
100	9PSF1-010						BOLT, 1/4-20 X 7/8" LG.....	2
101	9PSF1-011						WASHER, 1/4"	4
102	9PSF1-012						NYLON WASHER, 1/4".....	2
103	9PSF1-013						LOCK NUT, 1/4-20	2
104	9PSF1-014						10 GA WIRE (RED 8" LG)	1
105	9PSF1-015						10 GA WIRE (BLACK 8" LG)	1
106								
107								
108	71485-G01						WARNING LABEL (TOP)	1
109	71487-G01						WARNING LABEL (WINDSHIELD)	1
110								
111	27924-G01						RECTANGULAR SIDE MIRROR KIT (NOT ILLUSTRATED).....	2



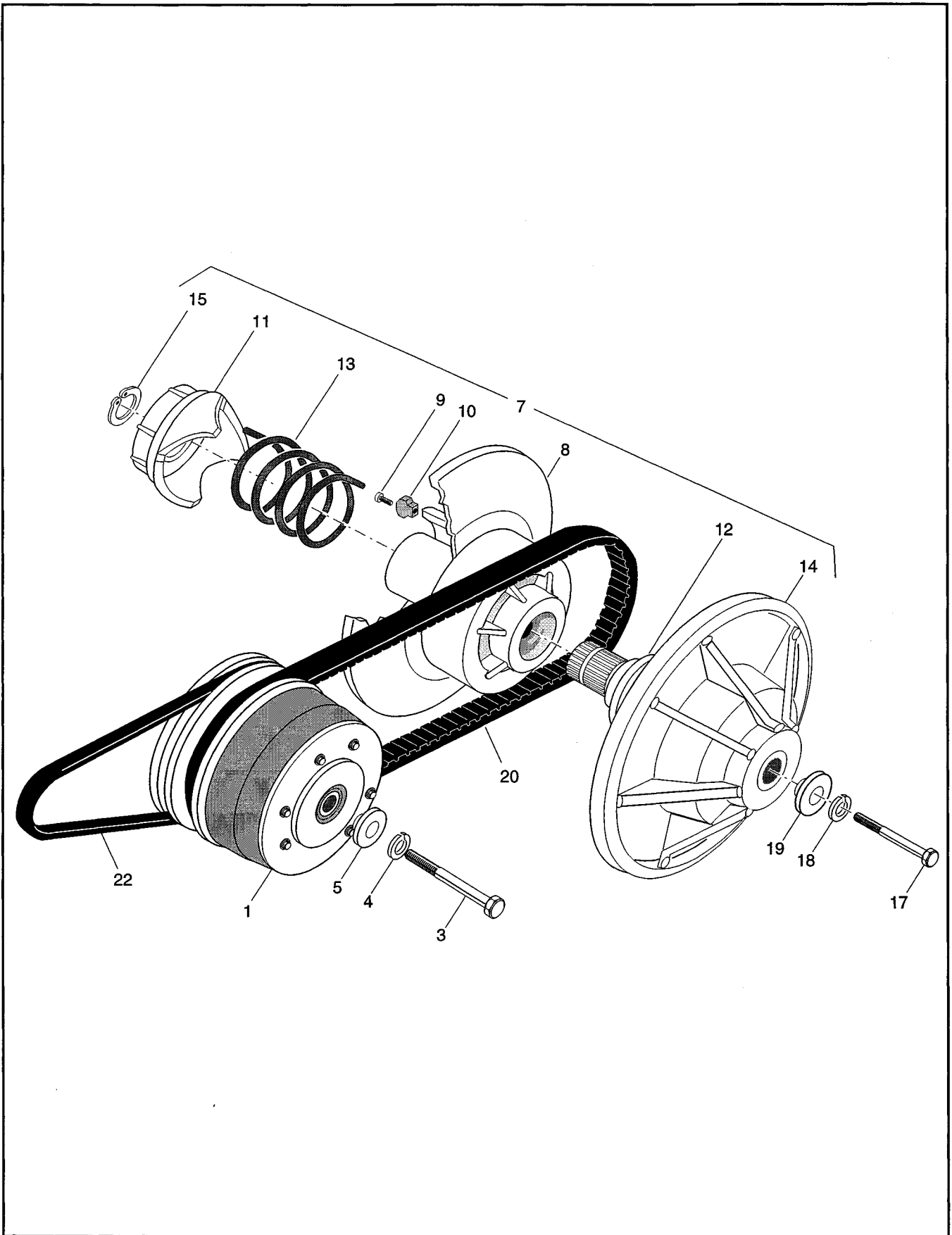




When ordering parts, please specify the model and serial number of the product.
 * Indicates a component that is not available as an individual part.
 G** Indicates consult Customer Service Department for additional information.

ITEM	PART NO.	1 2 3 4 5	DESCRIPTION	QTY.
1	72558-G01		CARBURETOR (INCLUDES ITEMS 2 - 16)	1
2	*		PILOT SCREW	1
3				
4	26649-G05		PILOT JET (#46P)	1
5	26841-G01		PLUG	1
6	26731-G01		BOWL SCREEN GASKET	1
7	26647-G01		NEEDLE VALVE	1
8	26837-G01		MAIN NOZZLE	1
9	26646-G05		MAIN JET (#94)	1
10	26648-G01		FLOAT	1
11	26840-G01		FLOAT PIN	1
12	26843-G01		FLOAT BOWL GASKET	1
13	26844-G01		FLOAT CHAMBER	1
14	26839-G01		BOWL SCREW	1
15	26730-G01		BOWL GASKET	1
16	*		DRAIN SCREW	1
17				
18				
19	26650-G01		VENT TUBE	2
20				
21	26726-G01		CARBURETOR MOUNT GASKET	1
22	26637-G01		CARBURETOR INSULATOR	2
23	72306-G01		GASKET	1
24	26725-G01		CARBURETOR MOUNT GASKET	1

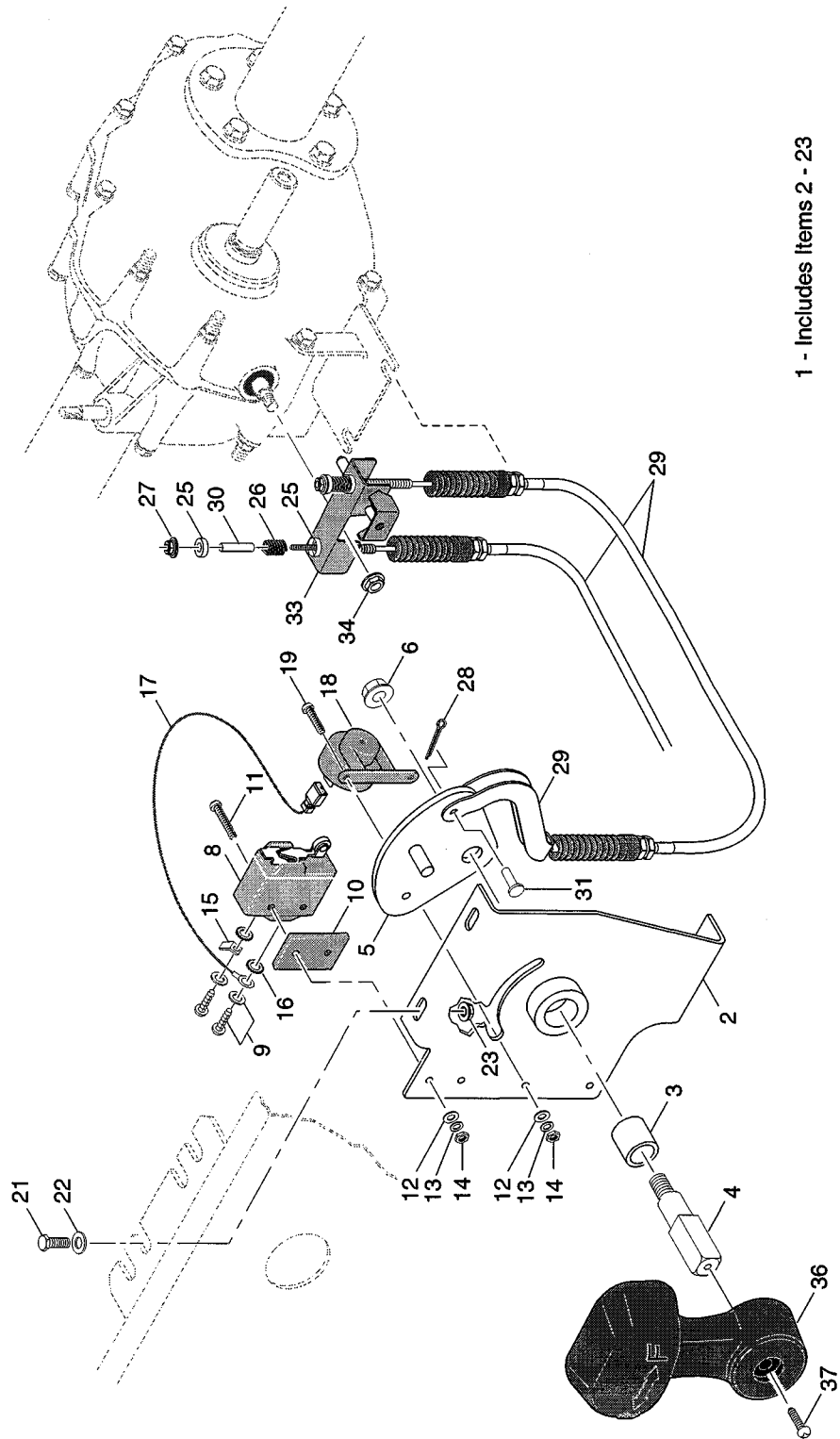




When ordering parts, please specify the model and serial number of the product.
 * Indicates a component that is not available as an individual part.
 G** Indicates consult Customer Service Department for additional information.

ITEM	PART NO.	1 2 3 4 5	DESCRIPTION	QTY.
1	26952-G01		DRIVE CLUTCH	1
2				
3	00473-G9		BOLT, 7/16 - 20 X 6 1/2" LG	1
4	00566-G2		LOCK WASHER, 7/16"	1
5	25757-G1		PILOT WASHER	1
6				
7	26301-G02		DRIVEN CLUTCH ASSEMBLY (INCLUDES ITEMS 8 - 15)	1
8	25626-G02		MOVABLE CAM SHEAVE (INCLUDES ITEMS 9 -10)	1
9	00979-G01		SCREW, #10 - 24 X 7/8" LG	3
10	26479-G01		RAMP BUTTON	3
11	26302-G01		FIXED CAM	1
12	24600-G1		SPACER	1
13	26304-G01		COMPRESSION SPRING	1
14	25643-G03		FIXED POST SHEAVE	1
15	27270-G01		HEAVY DUTY RETAINING RING	1
16				
17	00441-G8		BOLT, 5/16 - 18 X 4" LG	1
18	00565-G8		LOCK WASHER, 5/16"	4
19	25756-G1		RETAINING WASHER	1
20	72054-G01		DRIVE BELT	1
21				
22	26414-G01		STARTER/GENERATOR BELT	1





1 - Includes Items 2 - 23

When ordering parts, please specify the model and serial number of the product.
 * Indicates a component that is not available as an individual part.
 G** Indicates consult Customer Service Department for additional information.

ITEM	PART NO.	1 2 3 4 5	DESCRIPTION	QTY.
1	70594-G02		DIRECTION SELECTOR ASSEMBLY (INCLUDES ITEMS 2 - 23)	1
2	25684-G01		DIRECTION SELECTOR BRACKET	1
3	25664-G1		BUSHING	1
4	27537-G01		DIRECTION SELECTOR SHAFT	1
5	25745-G01		DIRECTION SELECTOR CAM.....	1
6	14390-G1		LOCK NUT, 3/8 - 24.....	1
7				
8	10606-G1		MICRO SWITCH.....	1
9	*		SCREW AND WASHER ASSEMBLY	2
10	27151-G01		SPACER	1
11	00645-G2		SCREW, #6 - 32 X 1 1/4" LG.....	2
12	00559-G3		WASHER, #6	4
13	00565-G3		LOCK WASHER, #6	4
14	00525-G5		NUT, #6 - 32.....	4
15	14628-G1		FASTON TAB.....	1
16	00567-G3		LOCK WASHER, #6	2
17	25978-G234		18 GA. WIRE (RED)	1
18	73290-G02		REVERSE WARNING BUZZER	1
19	00138-G5		SCREW, #6 - 32 X 5/8" LG.....	2
20				
21	00414-G6		BOLT, 1/4 - 20 X 3/4" LG.	2
22	00559-G7		WASHER, 1/4"	2
23	11027-G2		LOCK NUT, 1/4 - 20.....	2
24				
25	25727-G01		CUP WASHER	4
26	27764-G01		SPRING	2
27	11098-G7		LOCK NUT, #10 - 24	2
28	10387-G8		COTTER PIN, 1/16" X 3/4" LG.....	2
29	72341-G01		SHIFTER CONTROL CABLE	2
30	23726-G5		SPACER.....	2



DIRECTION SELECTOR

Gasoline Vehicle

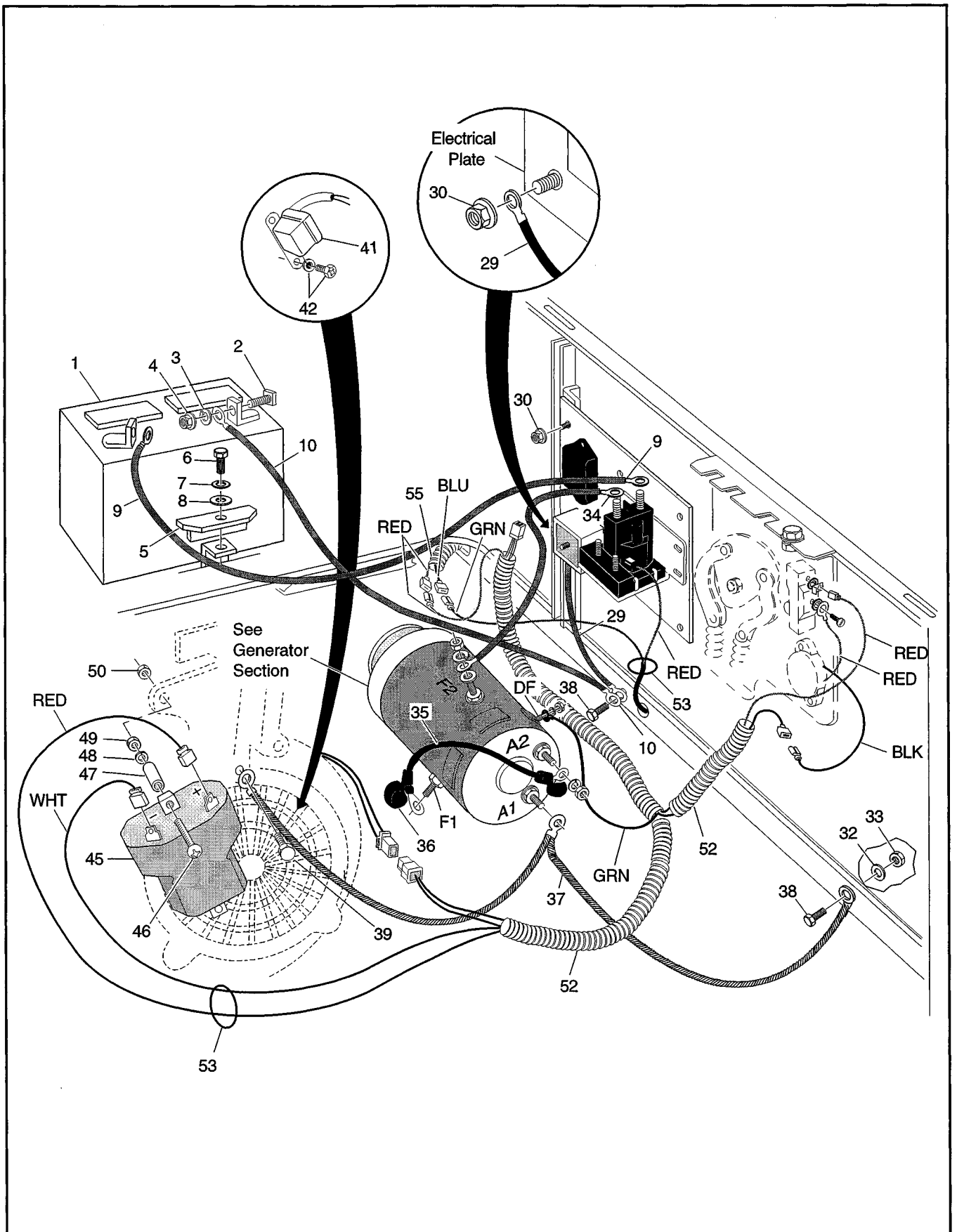
When ordering parts, please specify the model and serial number of the product.

* Indicates a component that is not available as an individual part.

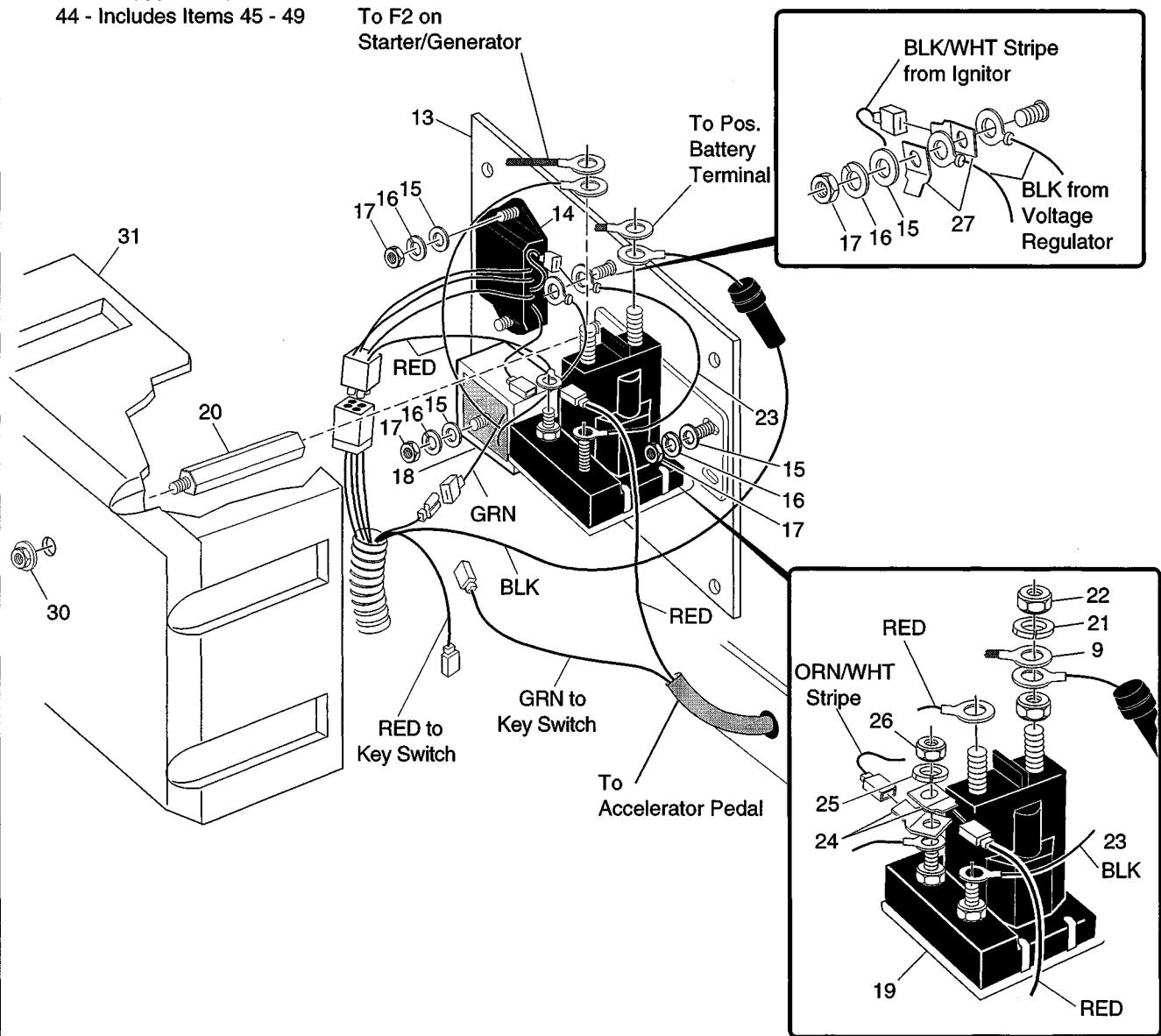
G** Indicates consult Customer Service Department for additional information.

ITEM	PART NO.	1 2 3 4 5	DESCRIPTION	QTY.
31	23176-G1		CLEVIS PIN, 5/16" X 3/8" LG.	2
32				
33	25946-G01		SHIFTER CONTROL PIVOT	1
34	26830-G01		SHIFTER LEVER NUT, M8 X 1.25 MM	1
35				
36	71205-G01		DIRECTION SELECTOR HANDLE.....	1
37	00740-G4		SCREW, #10 - 32 X 1/2" LG. (STAINLESS STEEL)	1

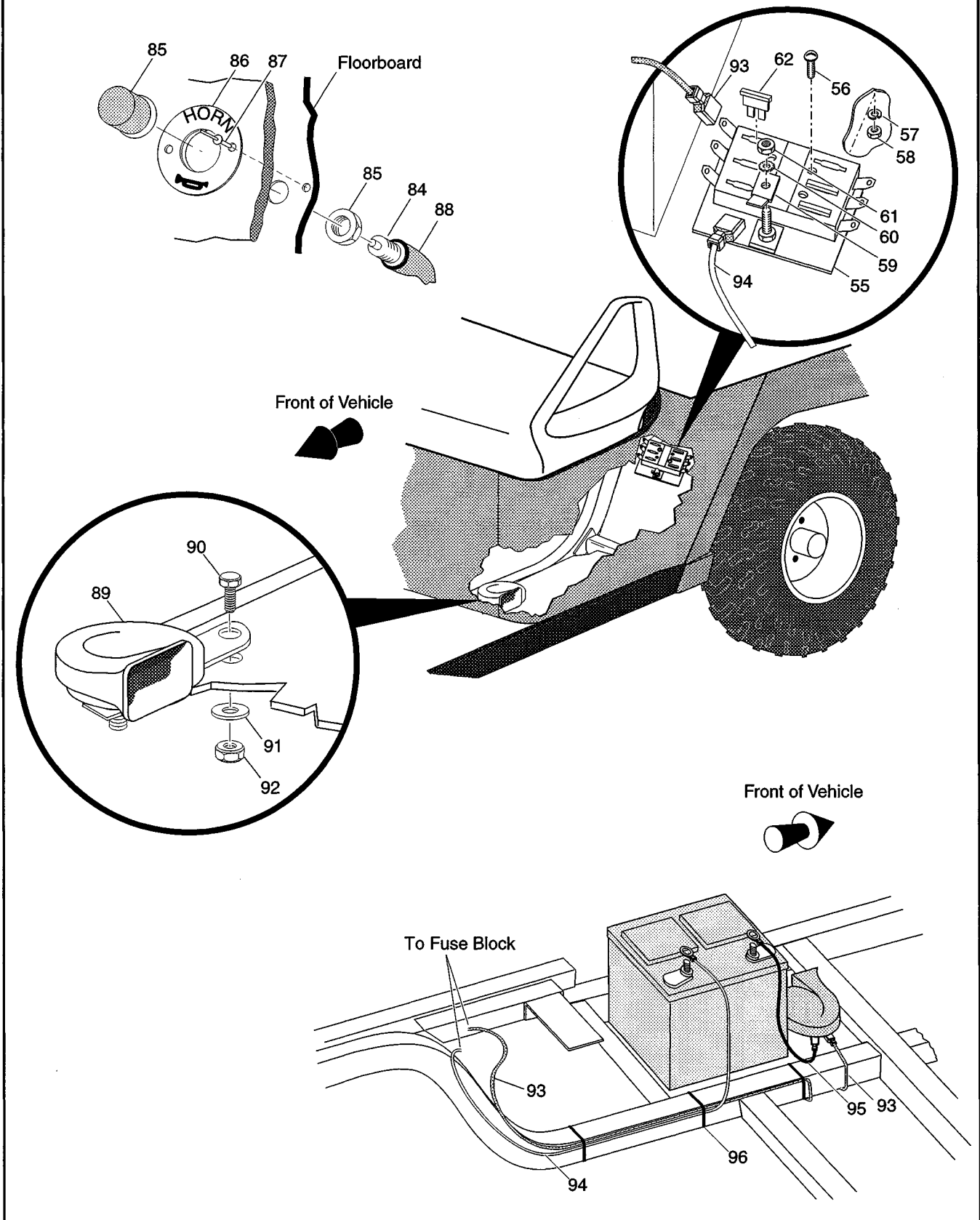


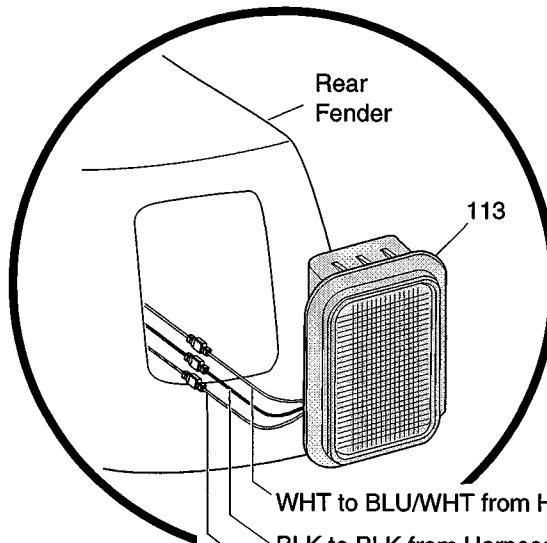
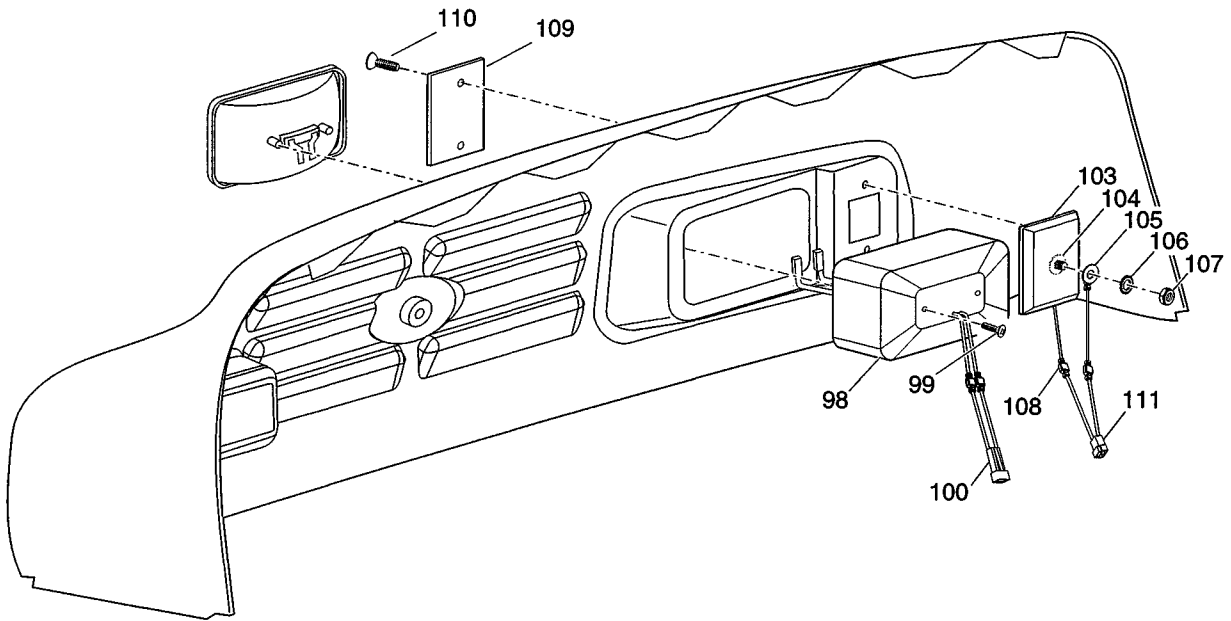


12 - Includes Items 13 - 27
 44 - Includes Items 45 - 49

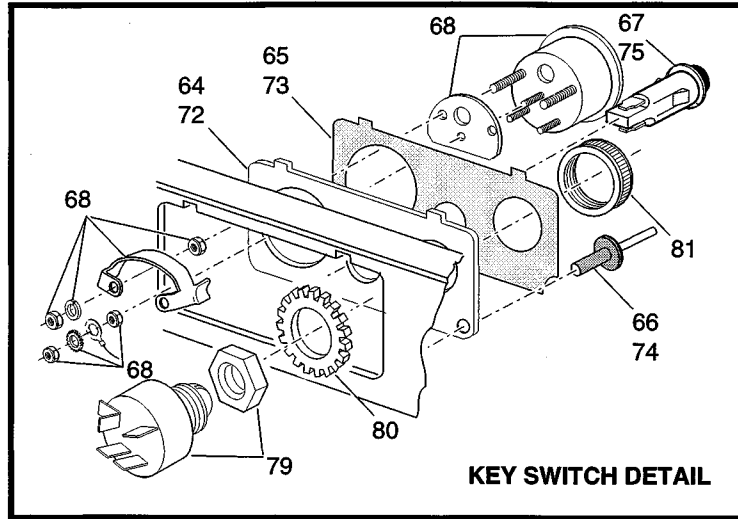


HORN AND FUSE BLOCK

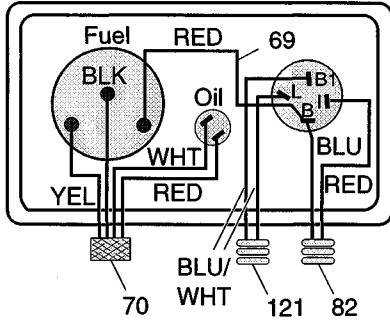




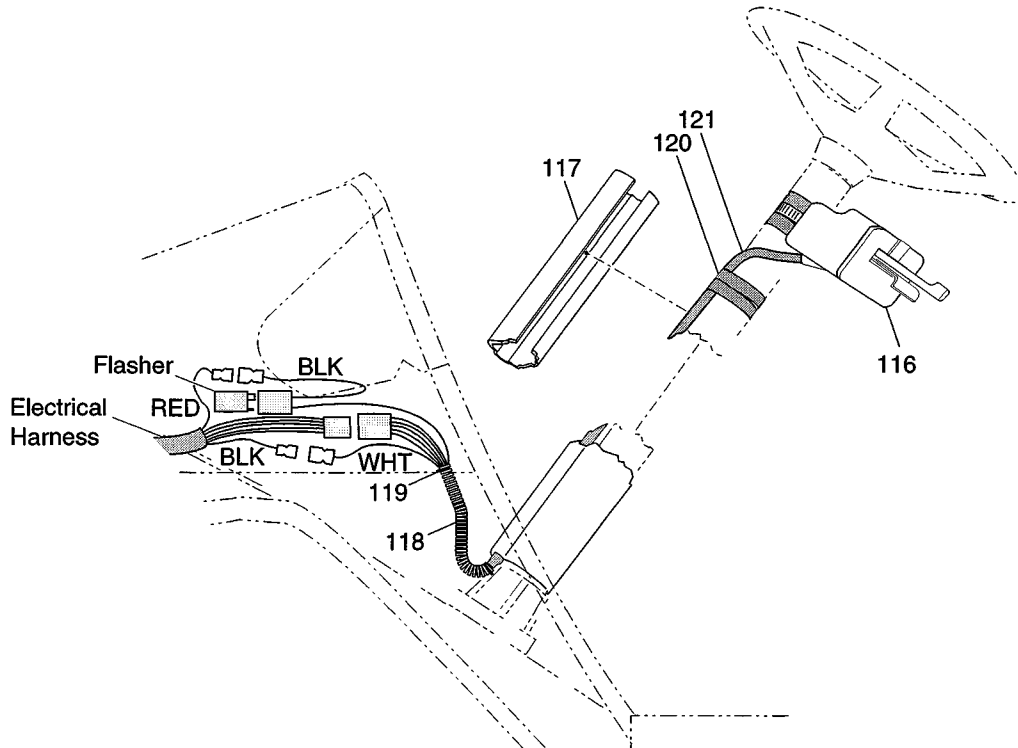
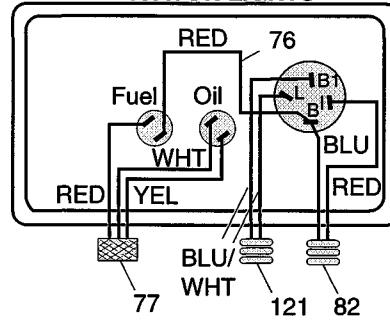
- WHT to BLU/WHT from Harness - Both Sides
- BLK to BLK from Harness - Both Sides
- RED to BRN from Harness - Both Sides (without Turn Signals)
- RED to WHT from Harness - Driver Side (with Turn Signals)
- RED to YEL from Harness - Passenger Side (with Turn Signals)

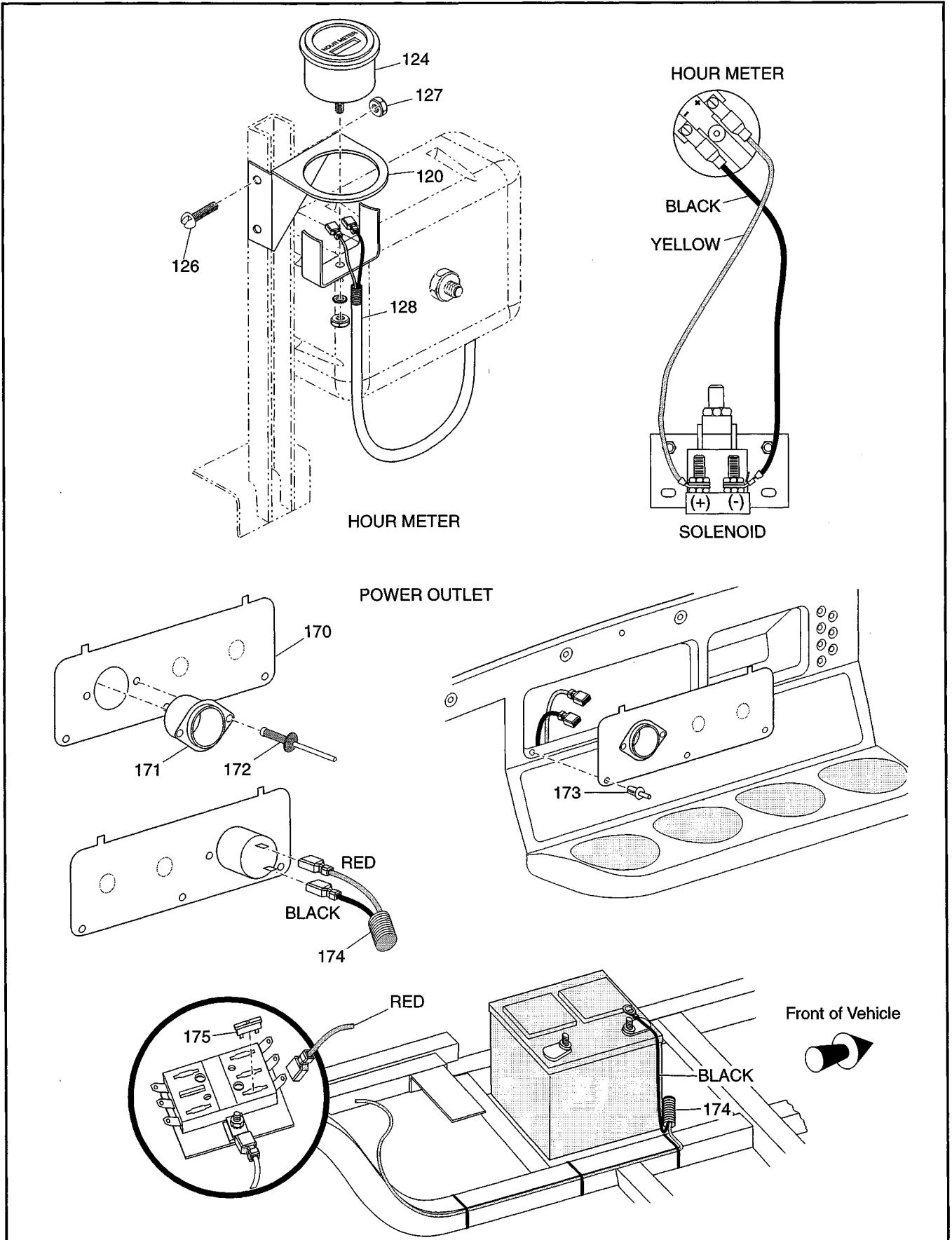


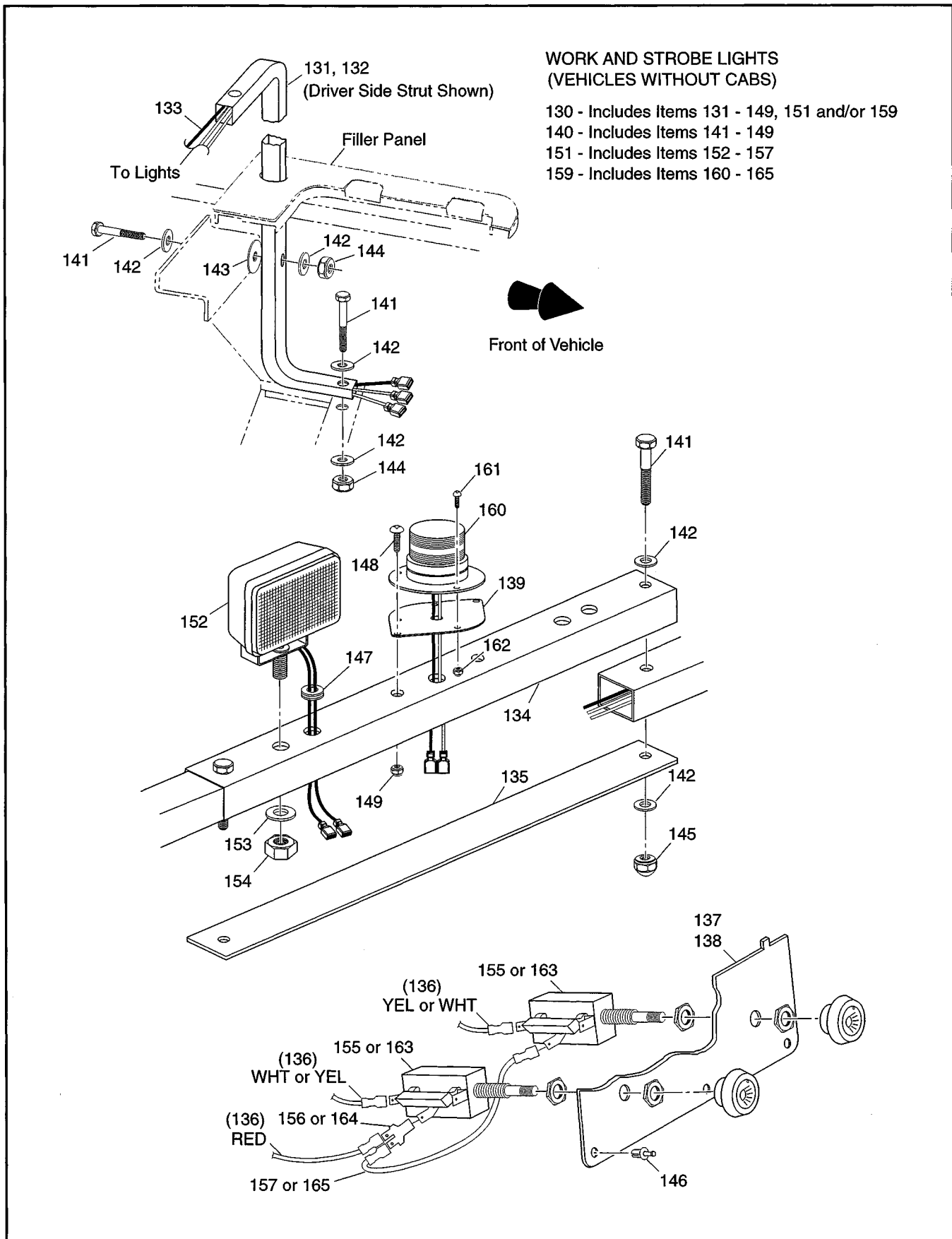
KEY SWITCH AND INDICATOR LIGHT/FUEL GAUGE



KEY SWITCH AND INDICATOR LIGHTS







When ordering parts, please specify the model and serial number of the product.

* Indicates a component that is not available as an individual part.

G** Indicates consult Customer Service Department for additional information.

ITEM	PART NO.	1	2	3	4	5	DESCRIPTION	QTY.
1	24775-G**						BATTERY (12 VOLT) (INCLUDES ITEMS 2 - 4).....	1
2	*						BOLT, 5/16 - 18 X 3/4" LG.	2
3	*						LOCK WASHER, 5/16"	2
4	*						NUT, 5/16 - 18	2
5	72101-G01						BATTERY HOLD DOWN.....	1
6	00952-G6						BOLT, 5/16 - 18 X 3/4" LG.	1
7	00565-G8						LOCK WASHER, 5/16".....	1
8	00571-G2						WASHER, 5/16"	1
9	25972-G33						6 GA WIRE (BLACK 24" B+ - SOL)	1
10	25972-G12						6 GA WIRE (BLACK 16" B- - GRD)	1
11								
12	27740-G03						ELECTRICAL PLATE ASSEMBLY (INCLUDES ITEMS 13 - 27).....	1
13	27738-G01						ELECTRICAL PLATE	1
14	72562-G01						IGNITOR.....	1
15	00650-G7						WASHER, 1/4".....	6
16	00565-G7						LOCK WASHER, 1/4".....	6
17	00532-G1						NUT, 1/4 - 20	5
18	27739-G01						VOLTAGE REGULATOR.....	1
19	27153-G01						SOLENOID	1
20	72003-G01						SPACER.....	1
21	00565-G8						LOCK WASHER, 5/16".....	2
22	00544-G4						JAM NUT, 5/16 - 24	2
23	25978-G56						18 GA WIRE (BLACK 5 3/4")	1
24	12914-G1						FASTON TAB	2
25	00565-G5						LOCK WASHER, #10.....	2
26	00526-G4						NUT, #10 - 32	2
27	12914-G2						FASTON TAB	2
28								
29	25976-G11						14 GA WIRE (BLACK 6")	1
30	11027-G2						LOCK NUT, 1/4 - 20	3



When ordering parts, please specify the model and serial number of the product.

* Indicates a component that is not available as an individual part.

G** Indicates consult Customer Service Department for additional information.

ITEM	PART NO.	1 2 3 4 5	DESCRIPTION	QTY.
31	72004-G01		ELECTRICAL PLATE COVER	1
32	00571-G2		WASHER, 5/16"	2
33	11098-G6		LOCK NUT, 5/16 - 18	2
34	25972-G58		6 GA WIRE (BLACK 26", SOL - F2).....	1
35	25887-G01		6 GA WIRE (BLACK 6", F1 - A2)	1
36	16563-G1		RUBBER BOOT	3
37	20294-G3		GROUND CABLE.....	1
38	00438-G7		BOLT, 5/16 - 18 X 7/8" LG.....	2
39	26676-G01		BOLT, M6 X 1 X 23 MM LG.....	1
40				
41	26651-G02		IGNITION PICKUP ASSEMBLY (INCLUDES ITEM 42).....	1
42	26707-G01		BOLT AND WASHER, M5 X .8 X 10 MM LG.....	1
43				
44	26652-G01		IGNITION COIL ASSEMBLY (INCLUDES ITEMS 45 - 49).....	1
45	*		COIL	1
46	*		SCREW	1
47	*		SPACER.....	1
48	*		LOCK WASHER	1
49	*		NUT	1
50	13632-G1		NUT, M6 X 1.....	2
51				
52	72344-G01		WIRE HARNESS (CONTROL).....	1
53	17618-G1		WIRE TIE	2
54				
55	35211-G01		FUSE BLOCK (6 POSITION).....	1
56	00379-G2		SCREW, #10-24 X 1 1/4" LG.	2
57	00559-G5		WASHER, #10.....	2
58	14390-G10		LOCK NUT, #10-24	2
59	12914-G1		FASTON TAB	1
60	00567-G5		LOCK WASHER, #10.....	1



When ordering parts, please specify the model and serial number of the product.

* Indicates a component that is not available as an individual part.

G** Indicates consult Customer Service Department for additional information.

ITEM	PART NO.	1 2 3 4 5	DESCRIPTION	QTY.
61	00526-G4		NUT, #10 - 32	1
62	35212-G01		15 AMP FUSE	3
63				
64	73030-G04		PLATE (LOW OIL PRESSURE LIGHT AND FUEL GAUGE).....	1
65	71131-G01		DECAL (LOW OIL PRESSURE LIGHT AND FUEL GAUGE, HEADLIGHT)	1
66	33623-G02		RIVET, 3/16" X 3/8" LG	2
67	23474-G1		INDICATOR LIGHT	1
68	21553-G1		FUEL GAUGE	1
69	25978-G122		18 GA WIRE (RED 6")	1
70	74029-G02		WIRE HARNESS (LOW OIL PRESSURE LIGHT AND FUEL GAUGE)	1
71				
72	73030-G03		PLATE (LOW OIL PRESSURE AND LOW FUEL INDICATOR LIGHTS).....	1
73	71183-G01		DECAL (INDICATOR LIGHTS, HEADLIGHT).....	1
74	33623-G02		RIVET, 3/16" X 3/8" LG	2
75	23474-G1		INDICATOR LIGHT	2
76	25978-G74		18 GA WIRE (RED 6")	1
77	74020-G01		HARNESS (INDICATOR LIGHTS)	1
78				
79	33639-G*		IGNITION SWITCH	1
80	00568-G6		LOCK WASHER, 3/4".....	1
81	17137-G1		FACE NUT, 3/4 - 20.....	1
82	27778-G01		WIRE HARNESS (IGNITION SWITCH).....	1
83				
84	17318-G1		HORN SWITCH	1
85	17318-G2		HORN SWITCH CAP AND NUT	1
86	19233-G1		HORN SWITCH LABEL	1
87	14601-G7		RIVET, 3/16" X 11/16" LG (STAINLESS STEEL)	2
88	27068-G01		HORN SWITCH BOOT	1
89	32860-G1		HORN.....	1
90	00414-G5		BOLT, 1/4 - 20 X 5/8" LG.....	1



When ordering parts, please specify the model and serial number of the product.

* Indicates a component that is not available as an individual part.

G** Indicates consult Customer Service Department for additional information.

ITEM	PART NO.	1 2 3 4 5	DESCRIPTION	QTY.
91	00559-G8		WASHER, 5/16"	1
92	00891-G2		LOCK NUT, 1/4 - 20	1
93	73214-G01		WIRE HARNESS (HORN).....	1
94	25974-G22		10 GA WIRE (WHITE 34")	1
95	25977-G40		16 GA WIRE (BLACK 17")	1
96	17618-G1		WIRE TIE	5
97				
98	20209-G3		HEADLIGHT (RECTANGULAR) (INCLUDES ITEM 99)	2
99	00906-G6		SCREW, #10 - 16 X 1" LG.....	2
100	74055-G01		JUMPER	2
101				
102	20570-G2		TURN SIGNAL LIGHT ASSEMBLY (INCLUDES ITEMS 103 - 110).....	2
103	20574-G2		TURN SIGNAL LIGHT	1
104	00660-G7		WASHER, 1/4"	1
105	20606-G1		WIRE ASSEMBLY	1
106	00567-G7		LOCK WASHER, 1/4"	1
107	00532-G1		NUT, 1/4 - 20	1
108	18995-G1		PUSH ON TERMINAL (MALE).....	1
109	20574-G5		LENS, AMBER	1
110	00118-G5		SCREW, #6 - 18 X 5/8" LG.....	2
111	74056-G01		JUMPER	2
112				
113	32739-G2		TAILLIGHT	2
114				
115	75107-G02		TURN SIGNAL KIT (INCLUDES ITEMS 116 - 119)	1
116	17867-G1		TURN SIGNAL SWITCH	1
117	20965-G3		STEERING COLUMN COVER.....	1
118	32307-G3		FLEX LOOM, 3/8" X 8" LG	1
119	17618-G1		WIRE TIE.....	2
120	19344-G1		ELECTRICAL TAPE	A/R



When ordering parts, please specify the model and serial number of the product.
 * Indicates a component that is not available as an individual part.
 G** Indicates consult Customer Service Department for additional information.

ITEM	PART NO.	1 2 3 4 5	DESCRIPTION	QTY.
121	74042-G01		WIRE HARNESS (LIGHT).....	1
122				
123	75114-G02		HOUR METER KIT (INCLUDES ITEMS 124 - 128).....	1
124	21573-G1		HOUR METER	1
125	74019-G01		HOUR METER BRACKET	1
126	00150-G4		SCREW, #10 - 24 - 1/2 LG.	2
127	11098-G7		LOCK NUT, #10 - 24.....	2
128	75117-G01		WIRE HARNESS (HOUR METER)	1
129				
130	75354-G**		WORK LIGHT BAR WITH LIGHTS AND/OR STROBE (INCLUDES ITEMS 131 - 149, 151 AND/OR 159)	1
131	75352-G01		WORK LIGHT STRUT (PASSENGER SIDE).....	1
132	75352-G02		WORK LIGHT STRUT (DRIVER SIDE)	1
133	75346-G01		WIRE HARNESS (WORK LIGHT).....	1
134	75353-G01		WORK LIGHT BRACE	1
135	75363-G01		COVER PLATE.....	1
136	75347--G01		LIGHT SWITCH HARNESS	1
137	71077-G04		CONSOLE INSERT PLATE (ONE LIGHT WITHOUT POWER OUTLET)	1
138	71077-G05		CONSOLE INSERT PLATE (TWO LIGHTS WITHOUT POWER OUTLET) .	1
139	33201-G02		STROBE LIGHT MOUNT	1
140	75365-G01		HARDWARE KIT (INCLUDES ITEMS 141 - 149)	1
141	00685-G7		BOLT, 5/16 - 18 X 1 3/4" LG	6
142	00660-G8		WASHER, 5/16"	12
143	15121-G1		WASHER, 3/8"	2
144	11098-G6		LOCK NUT, 5/16 - 18	4
145	00918-G3		ACORN NUT, 5/16 - 18	2
146	33623-G01		RIVET, 3/16" X 3/8" LG	3
147	20367-G1		GROMMET.....	2
148	16705-G3		SCREW, 1/4-20 X 3/4" LG	2
149	14390-G4		LOCK NUT, 1/4-20	2

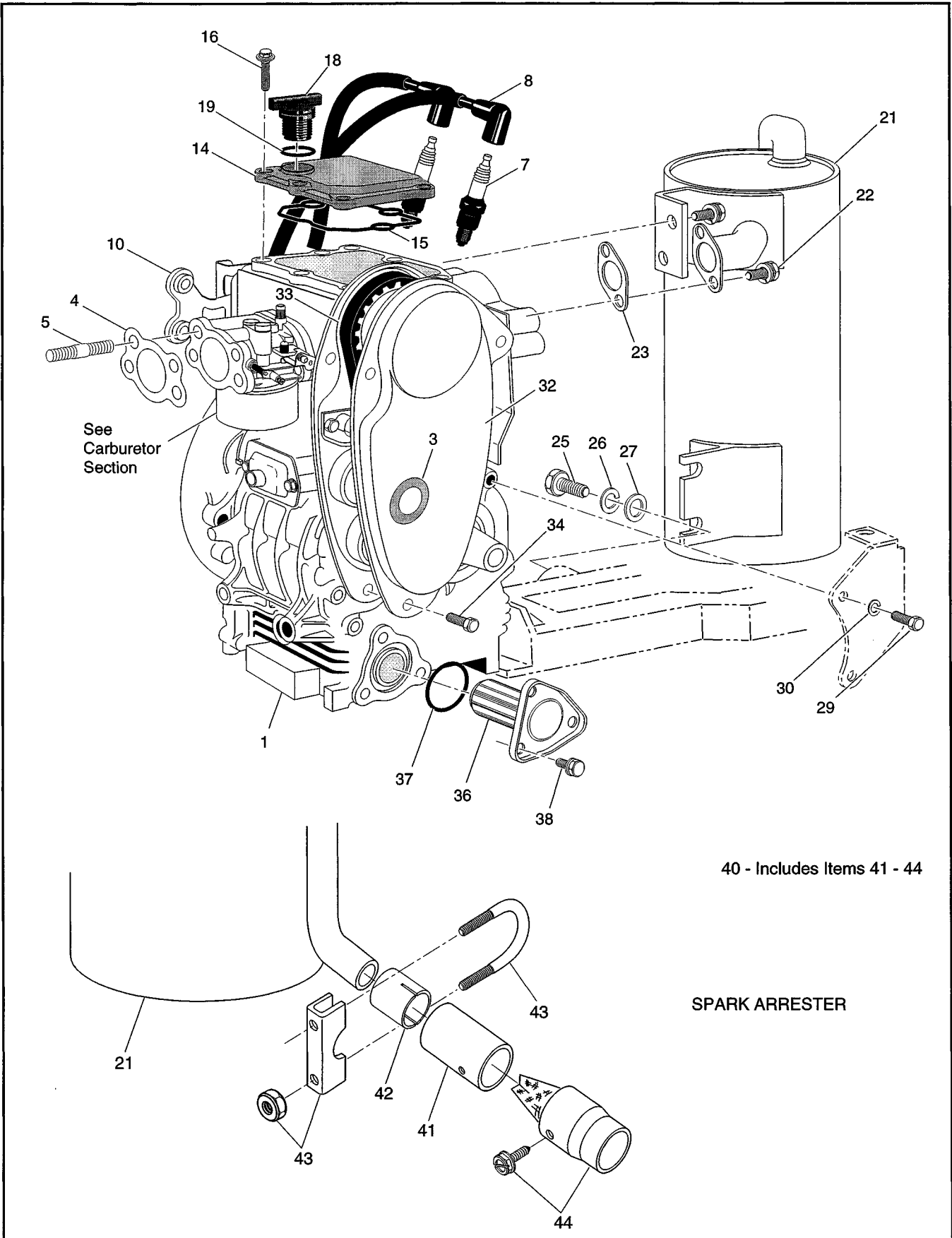


When ordering parts, please specify the model and serial number of the product.

* Indicates a component that is not available as an individual part.

G** Indicates consult Customer Service Department for additional information.

ITEM	PART NO.	1	2	3	4	5	DESCRIPTION	QTY.
150								
151	20383-G2						WORK LIGHT KIT (INCLUDES ITEMS 152 - 157)	1
152	20209-G2						HEADLIGHT (RECTANGULAR)	2
153	00566-G3						LOCK WASHER, 1/2"	2
154	00533-G1						NUT, 1/2 - 13	2
155	17317-G1						LIGHT SWITCH.....	1
156	17902-G1						TAB ADAPTER.....	1
157	20053-G1						16 GA WIRE (RED 5 3/8")	1
158								
159	20385-G2						STROBE LIGHT KIT (INCLUDES ITEMS 160 - 165).....	1
160	20394-G1						STROBE LIGHT	1
161	00379-G4						SCREW, #10-24 X 1/2" LG	3
162	11098-G7						LOCK NUT, #10-24	3
163	17317-G1						LIGHT SWITCH.....	2
164	17902-G1						TAB ADAPTER.....	1
165	20053-G1						16 GA WIRE (RED 5 3/8")	1
166								
167	71080-G01						CONSOLE INSERT ASSEMBLY (POWER OUTLET WITHOUT LIGHTS)	1
168	71080-G02						CONSOLE INSERT ASSEMBLY (POWER OUTLET AND ONE LIGHT)	1
169	71080-G03						CONSOLE INSERT ASSEMBLY (POWER OUTLET AND TWO LIGHTS)	1
170	71077-G0*						PLATE	1
171	71078-G01						POWER OUTLET.....	1
172	14601-G10						RIVET, 5/32 X 7/16" LG.....	2
173	33623-G02						RIVET, 3/16" X 3/8" LG	3
174	71081-G01						POWER OUTLET HARNESS	1
175	35212-G01						15 AMP FUSE.....	1



When ordering parts, please specify the model and serial number of the product.
 * Indicates a component that is not available as an individual part.
 G** Indicates consult Customer Service Department for additional information.

ITEM	PART NO.	1 2 3 4 5	DESCRIPTION	QTY.
1	72500-G04		ENGINE, 350cc.....	1
2				
3	26631-G01		TIMING BELT COVER GROMMET	1
4	26727-G01		CARBURETOR / AIR BOX GASKET	1
5	26667-G01		STUD, M10 X 1.5 X 40 MM LG.....	2
6				
7	25523-G4		SPARK PLUG (NGK BPR5ES)	2
8	26733-G01		SPARK PLUG WIRE SET	1
9				
10	72305-G01		IGNITION COIL BRACKET	1
11				
12				
13				
14	26600-G01		VALVE COVER	1
15	26719-G01		VALVE COVER GASKET.....	1
16	26676-G01		FLANGED BOLT, M6 X 1 X 23 MM LG.....	6
17				
18	26601-G01		OIL FILLER CAP	1
19	26720-G01		OIL FILLER CAP "O" RING.....	1
20				
21	72019-G01		MUFFLER	1
22	25532-G1		BOLT AND WASHER, M8 X 1.25 X 18 MM LG.	4
23	25531-G1		EXHAUST GASKET.....	1
24				
25	00438-G8		BOLT, 5/16 - 18 X 1" LG.....	1
26	00565-G8		LOCK WASHER, 5/16"	1
27	00642-G8		WASHER, 5/16"	1
28				
29	00276-G6		BOLT, 5/16 - 24 X 3/4" LG.....	2
30	00565-G8		LOCK WASHER, 5/16"	2



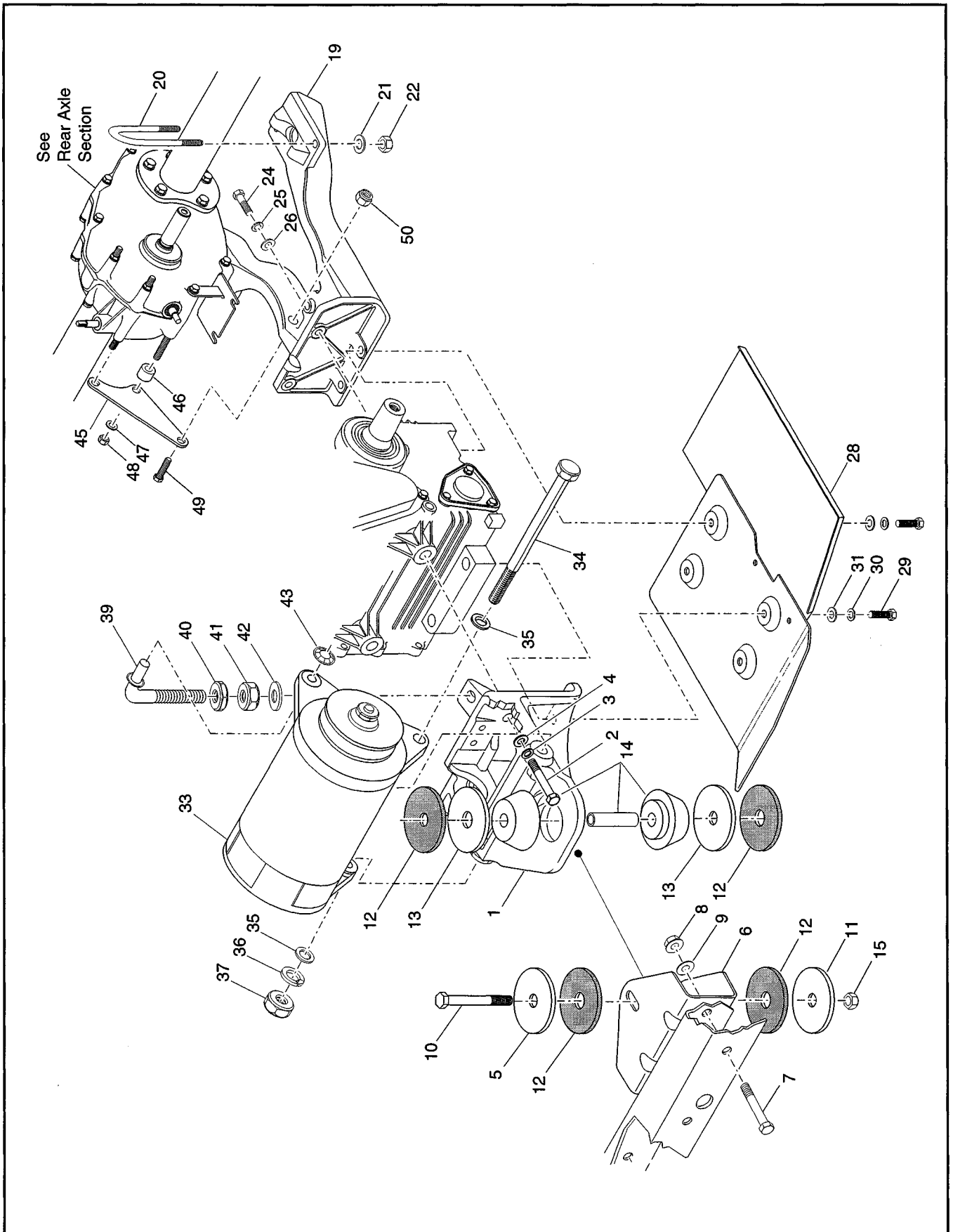
When ordering parts, please specify the model and serial number of the product.

* Indicates a component that is not available as an individual part.

G** Indicates consult Customer Service Department for additional information.

ITEM	PART NO.	1 2 3 4 5	DESCRIPTION	QTY.
31				
32	26630-G01		TIMING BELT COVER	1
33	26626-G01		TIMING BELT	1
34	26678-G01		BOLT, M6 X 1 X 12 MM LG.	3
35				
36	26591-G01		OIL FILTER	1
37	26710-G01		OIL FILTER "O" RING	1
38	26680-G01		BOLT AND WASHER, M6 X 1 X 12 MM LG.	3
39				
40	25747-G01		SPARK ARRESTER KIT (INCLUDES ITEMS 41 - 44).....	1
41	25746-G01		ADAPTER TUBE	1
42	25388-G1		SLEEVE	1
43	25405-G1		TUBE CLAMP	1
44	25406-G1		SPARK ARRESTER	1





When ordering parts, please specify the model and serial number of the product.

* Indicates a component that is not available as an individual part.

G** Indicates consult Customer Service Department for additional information.

ITEM	PART NO.	1 2 3 4 5	DESCRIPTION	QTY.
1	72010-G01		FRONT ENGINE MOUNT	1
2	00463-G4		BOLT, 7/16 - 14 X 1 1/2" LG.	2
3	00566-G2		LOCK WASHER, 7/16"	2
4	00922-G3		WASHER, 7/16"	2
5	15121-G1		WASHER, 1 1/4" X 3/8"	1
6	72253-G01		ISOLATOR BRACKET	1
7	00428-G6		BOLT, 3/8 - 16 X 2 3/4" LG.	2
8	11098-G5		LOCK NUT, 3/8 - 16	2
9	00643-G1		WASHER, 3/8"	2
10	00430-G4		BOLT, 3/8 - 16 X 4 1/2" LG.	1
11	72051-G02		WASHER, 2 1/2" X 11/32"	1
12	72050-G01		PLASTIC WASHER, 2 1/2" X 5/8"	4
13	72051-G01		WASHER, 2 1/2" X 5/8"	2
14	72015-G01		ISOLATION MOUNT	1
15	11098-G5		LOCK NUT, 3/8 - 16	1
16				
17	XXXXX-XX		REAR AXLE (SEE SECTION P)	X
18				
19	72011-G01		REAR ENGINE MOUNT	1
20	72035-G01		"U" BOLT, 7/16 - 14 X 1 3/8"	2
21	00922-G3		WASHER, 7/16"	4
22	00734-G1		LOCK NUT, 7/16 - 14	4
23				
24	00463-G4		BOLT, 7/16 - 14 X 1 1/2" LG.	2
25	00566-G2		LOCK WASHER, 7/16"	2
26	00922-G3		WASHER, 7/16"	2
27				
28	70527-G01		ENGINE GUARD	1
29	00463-G4		BOLT, 7/16 - 14 X 1 1/2" LG.	4
30	00566-G2		LOCK WASHER, 7/16"	4

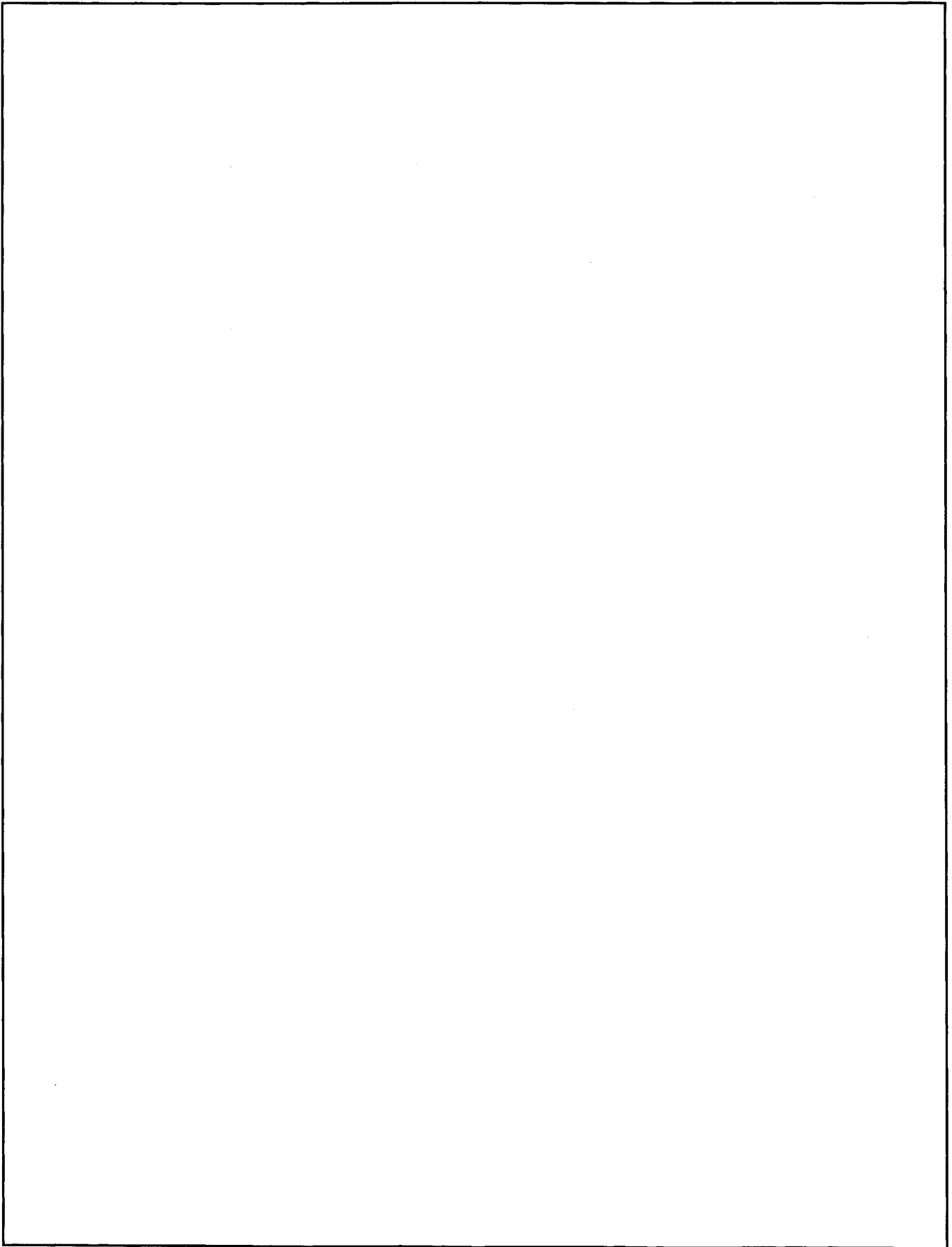


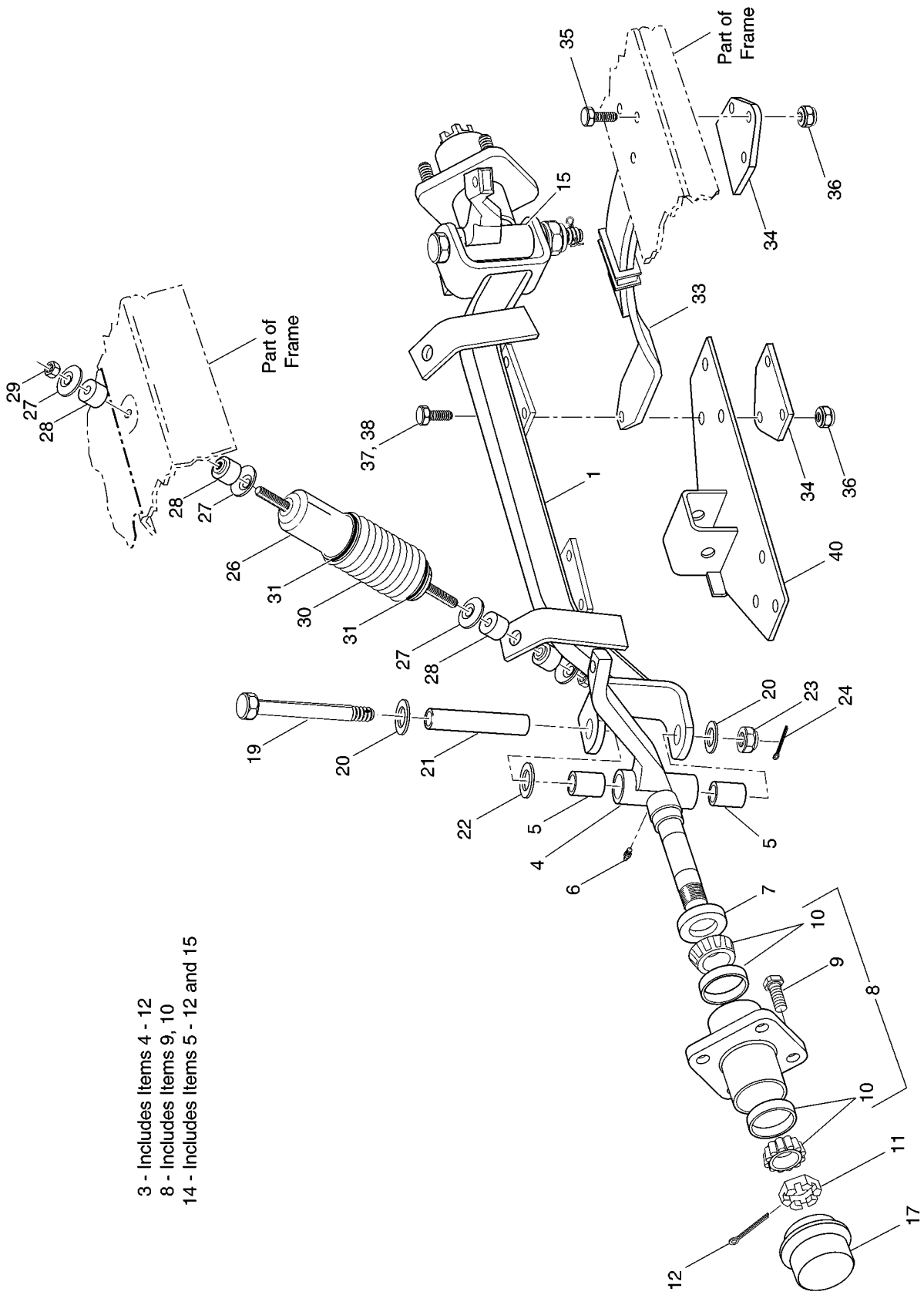
When ordering parts, please specify the model and serial number of the product.

* Indicates a component that is not available as an individual part.

G** Indicates consult Customer Service Department for additional information.

ITEM	PART NO.	1 2 3 4 5	DESCRIPTION	QTY.
31	00922-G3		WASHER, 7/16"	4
32				
33	XXXXX-XX		STARTER / GENERATOR (SEE SECTION S)	1
34	00938-G4		BOLT, 1/2 - 13 X 8" LG.	1
35	00560-G3		WASHER, 1/2"	2
36	00566-G3		LOCK WASHER, 1/2"	1
37	00533-G1		NUT, 1/2 - 13	1
38				
39	72045-G01		STARTER / GENERATOR ADJUSTER	1
40	00544-G5		JAM NUT, 3/8 - 16	1
41	00532-G5		NUT, 3/8 - 16	1
42	00560-G1		WASHER, 3/8"	1
43	12064-G1		PUSH NUT, 5/16"	1
44				
45	72017-G01		REAR AXLE BRACKET	1
46	75048-G01		SPACER, 1/2"	1
47	26826-G01		LOCK WASHER, 8 MM	2
48	26827-G01		NUT, M8 X 1.25 MM	2
49	00439-G2		BOLT, 5/16 - 18 X 1 1/4" LG.	1
50	11098-G6		LOCK NUT, 5/16 - 18	1





- 3 - Includes Items 4 - 12
- 8 - Includes Items 9, 10
- 14 - Includes Items 5 - 12 and 15



When ordering parts, please specify the model and serial number of the product.

* Indicates a component that is not available as an individual part.

G** Indicates consult Customer Service Department for additional information.

ITEM	PART NO.	1 2 3 4 5	DESCRIPTION	QTY.
1	70515-G01		FRONT AXLE.....	1
2				
3	70535-G01		SPINDLE ASSEMBLY (DRIVER SIDE) (INCLUDES ITEMS 4 - 12).....	1
4	*		SPINDLE (DRIVER SIDE)	1
5	16623-G1		BEARING.....	2
6	10389-G3		GREASE FITTING, STRAIGHT.....	1
7	25146-G1		GREASE SEAL.....	1
8	19932-G1		WHEEL HUB ASSEMBLY (INCLUDES ITEMS 9, 10).....	1
9	19862-G1		LUG BOLT, 1/2 - 20 X 1 7/32" LG	4
10	50892-G1		BEARING AND RACE ASSEMBLY (COMPLETE)	2
11	12093-G1		SLOTTED NUT, 1 - 14.....	1
12	00798-G8		COTTER PIN, 5/32 X 1 3/4" LG.	1
13				
14	70534-G01		SPINDLE ASSEMBLY (PASSENGER SIDE) (INCLUDES ITEMS 5 - 12, 15) ...	1
15	*		SPINDLE (PASSENGER SIDE)	1
16				
17	12091-G2		SPINDLE CAP	2
18				
19	70327-G01		SPINDLE PIN, 1/2 - 13 X 5 1/2" LG.	2
20	00571-G5		WASHER, 1/2"	4
21	70328-G01		SPINDLE PIN TUBE	2
22	16982-G1		THRUST WASHER, 7/8"	2
23	14390-G6		LOCK NUT, 1/2 -13	2
24	10387-G2		COTTER PIN, 3/32 X 1" LG.....	2
25				
26	70630-G01		SHOCK ABSORBER	2
27	10435-G1		SHOCK ABSORBER WASHER.....	8
28	10194-G1		RUBBER SHOCK ABSORBER BUSHING	8
29	00532-G6		NUT, 3/8 - 24	4
30	70509-G01		SHOCK ABSORBER BOOT	2

FRONT SUSPENSION

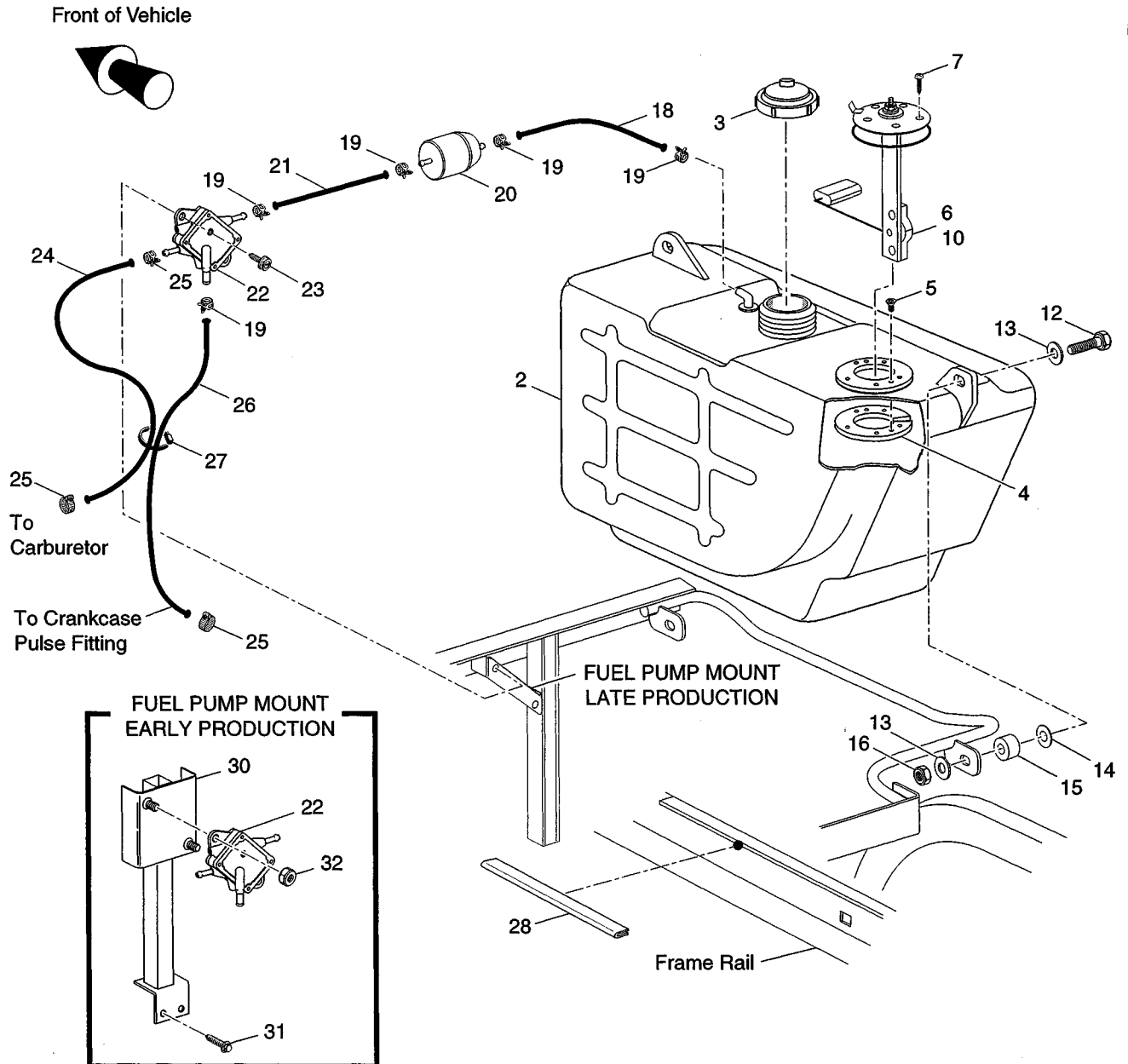
Gasoline Vehicle

When ordering parts, please specify the model and serial number of the product.
 * Indicates a component that is not available as an individual part.
 G** Indicates consult Customer Service Department for additional information.

ITEM	PART NO.	1 2 3 4 5	DESCRIPTION	QTY.
31	31539-G1		WIRE TIE	4
32				
33	70422-G01		LEAF SPRING (HEAVY DUTY)	2
34	70163-G02		SPRING PLATE	4
35	00463-G6		BOLT, 7/16 - 14 X 1 3/4" LG.	6
36	00734-G1		LOCK NUT, 7/16 - 14	12
37	00463-G4		BOLT, 7/16 - 14 X 1 1/2" LG (WITHOUT WINCH RECEIVER).	6
38	00463-G6		BOLT, 7/16 - 14 X 1 3/4" LG (WITH WINCH RECEIVER).....	6
39				
40	74255-G01		WINCH RECEIVER.....	1



1 - Includes Items 2 - 7
9 - Includes Items 2 - 5, 7, 10



When ordering parts, please specify the model and serial number of the product.

* Indicates a component that is not available as an individual part.

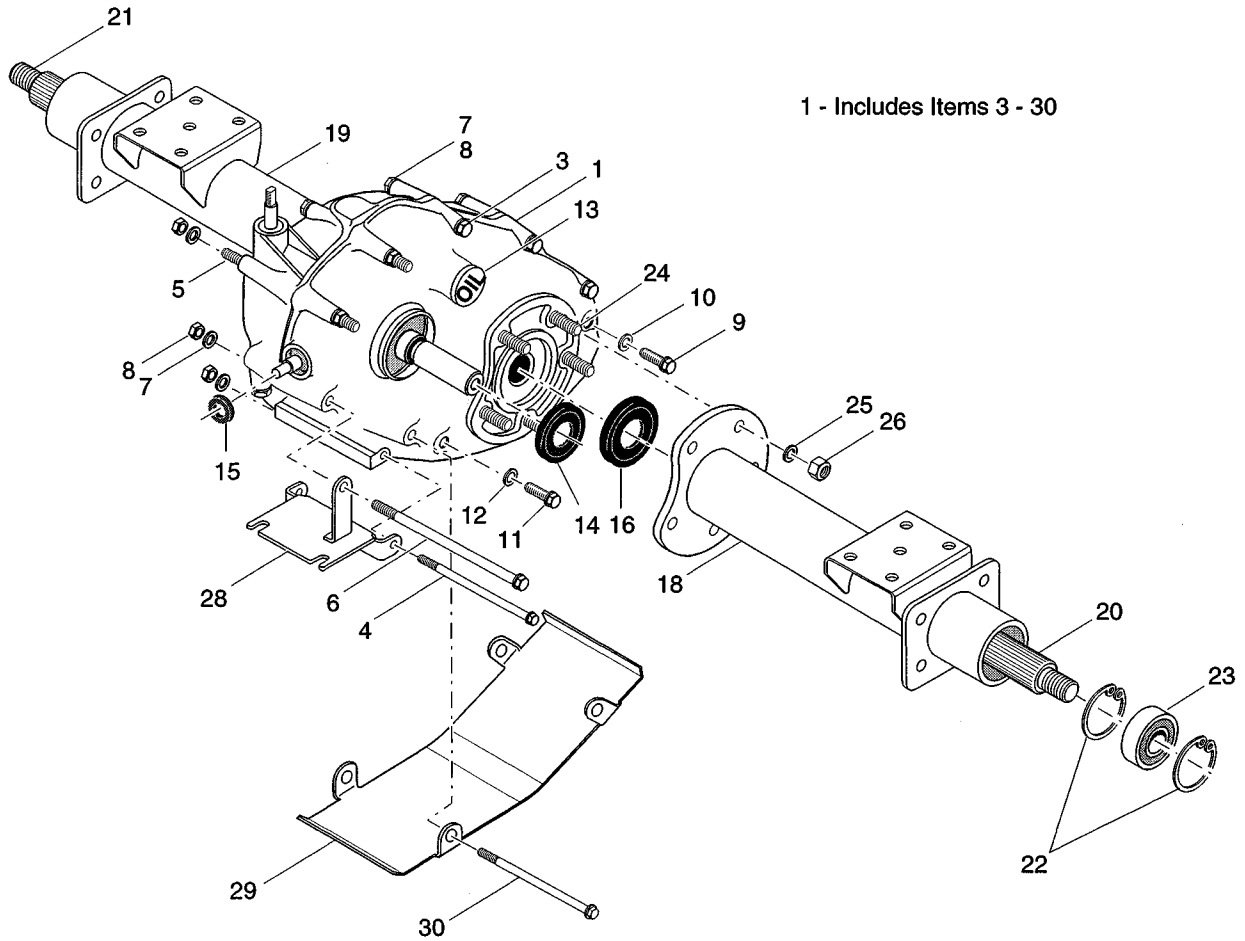
G** Indicates consult Customer Service Department for additional information.

ITEM	PART NO.	1 2 3 4 5	DESCRIPTION	QTY.
1	72231-G01		FUEL TANK ASSEMBLY (INCLUDES ITEMS 2 - 7).....	1
2	72092-G02		FUEL TANK (FOR ELECTRIC GAUGE / WARNING LIGHT)	1
3	72282-G01		FUEL TANK CAP.....	1
4	72229-G01		FUEL LEVEL SENDER ADAPTER	1
5	72230-G01		SCREW, #6 - 32 X 1/2" LG.....	2
6	20048-G2		FUEL LEVEL SENDER (ELECTRIC FUEL GAUGE).....	1
7	72232-G01		SCREW, #10 - 32 X 3/4"	5
8				
9	72231-G02		FUEL TANK ASSEMBLY (INCLUDES ITEMS 2 - 5, 7, 10).....	1
10	20048-G4		FUEL LEVEL SENDER (LOW FUEL WARNING LIGHT).....	1
11				
12	00439-G1		BOLT, 5/16 - 18 X 1 1/8" LG.....	2
13	00559-G8		WASHER, 5/16"	4
14	15121-G1		WASHER, 1 1/4" X 3/8".....	1
15	72234-G01		PLASTIC SPACER.....	1
16	11098-G6		LOCK NUT, 5/16 - 18	2
17				
18	17470-G1		FUEL SYSTEM TUBE, 2 5/8" LG. (BULK).....	1
19	18292-G1		CLAMP.....	5
20	72084-G01		FUEL FILTER	1
21	17470-G1		FUEL SYSTEM TUBE, 4" LG. (BULK).....	1
22	72021-G01		FUEL PUMP.....	1
23	00114-G6		SCREW, 1/4 - 14 X 3/4" LG. (LATE PRODUCTION)	2
24	17470-G1		FUEL SYSTEM TUBE, 26" LG. (BULK).....	AR
25	11391-G4		HOSE CLAMP, 1/4"	3
26	27183-G01		PULSE TUBE, 26" LG. (BULK).....	AR
27	17618-G1		WIRE TIE	3
28	22280-G1		VINYL TRIM, 14" LG. (BULK)	1
29				
30	72244-G01		FUEL PUMP MOUNT (EARLY PRODUCTION)	1



When ordering parts, please specify the model and serial number of the product.
 * Indicates a component that is not available as an individual part.
 G** Indicates consult Customer Service Department for additional information.

ITEM	PART NO.	1 2 3 4 5 DESCRIPTION	QTY.
31	00715-G2	BOLT, 5/16 - 18 X 13/16" LG.....	2
32	11027-G2	LOCK NUT, 1/4 - 20	2



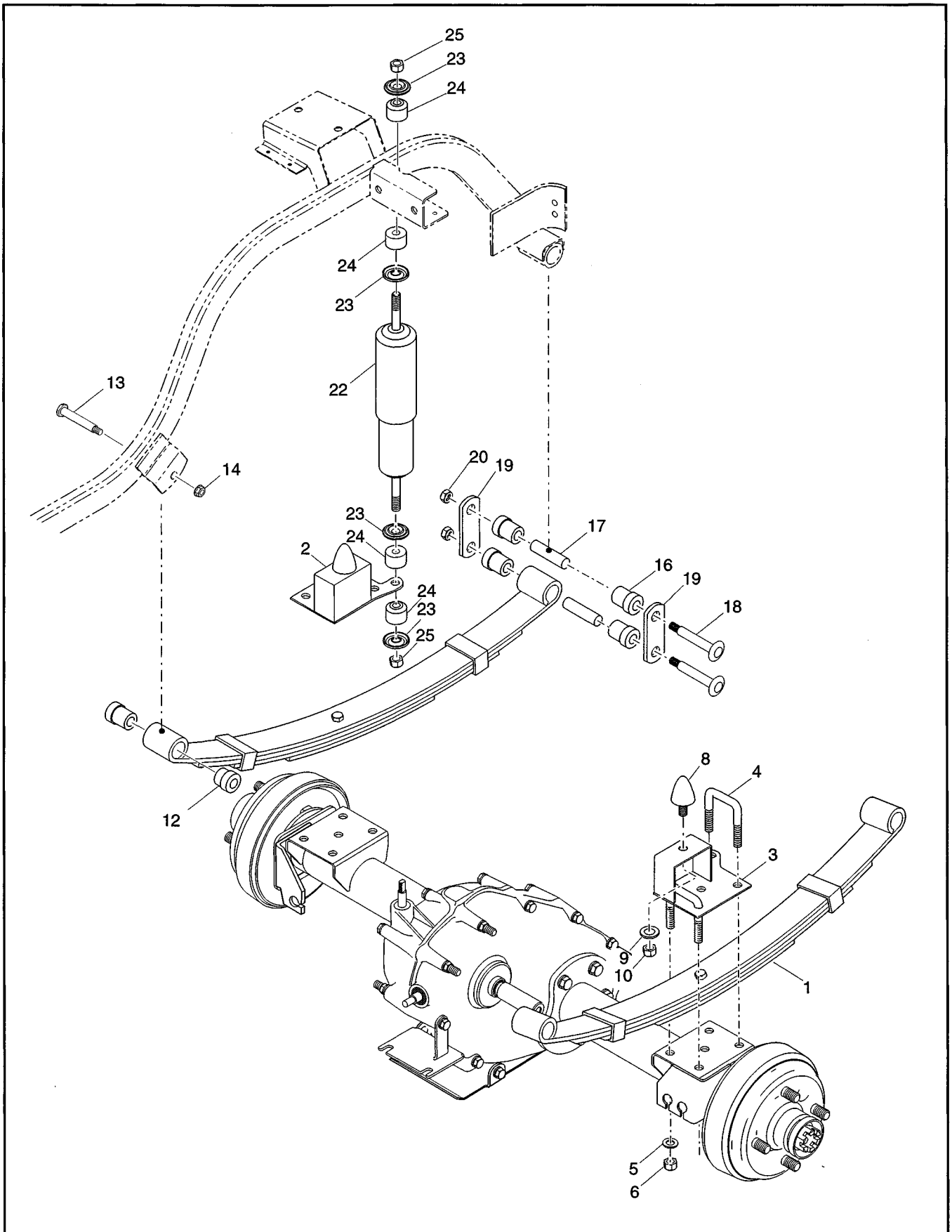
When ordering parts, please specify the model and serial number of the product.

* Indicates a component that is not available as an individual part.

G** Indicates consult Customer Service Department for additional information.

ITEM	PART NO.	1 2 3 4 5	DESCRIPTION	QTY.
1	72408-G01		REAR AXLE (13.32:1) (INCLUDES ITEMS 3 - 30)	1
2				
3	26823-G01		FLANGED BOLT, M8 X 1.25 X 100 MM LG.	5
4	26824-G01		FLANGED BOLT, M8 X 1.25 X 110 MM LG.	1
5	72053-G01		BOLT, M8 X 1.25 X 120 MM LG.	1
6	72052-G01		FLANGED BOLT, M8 X 1.25 X 130 MM LG.	1
7	26826-G01		LOCK WASHER, 8 MM	14
8	26827-G01		NUT, M8 X 1.25 MM	14
9	26768-G01		OIL CHECK PLUG	1
10	26769-G01		GASKET, 8 MM	1
11	26770-G01		OIL DRAIN PLUG.....	1
12	26771-G01		GASKET, 14 MM	1
13	26772-G01		OIL FILLER PLUG.....	1
14	26761-G01		INPUT SHAFT SEAL.....	1
15	26762-G01		SHIFTER SHAFT SEAL.....	1
16	26766-G01		AXLE SHAFT SEAL.....	2
17				
18	70636-G01		AXLE TUBE (DRIVER SIDE)	1
19	70637-G01		AXLE TUBE (PASSENGER SIDE).....	1
20	72056-G01		AXLE SHAFT (DRIVER SIDE)	1
21	72057-G01		AXLE SHAFT (PASSENGER SIDE).....	1
22	26814-G01		RETAINING RING	4
23	26811-G01		BALL BEARING.....	2
24	26667-G01		STUD, M10 X 1.5 X 40 MM LG.	5
25	26828-G01		WASHER, 10 MM.....	10
26	26829-G01		NUT, 10 MM X 1.5 MM	10
27				
28	26815-G01		SHIFTER CABLE BRACKET.....	1
29	72349-G01		DIFFERENTIAL SKID PLATE	1
30	26824-G01		FLANGED BOLT, M8 X 1.25 X 110 MM LG	2



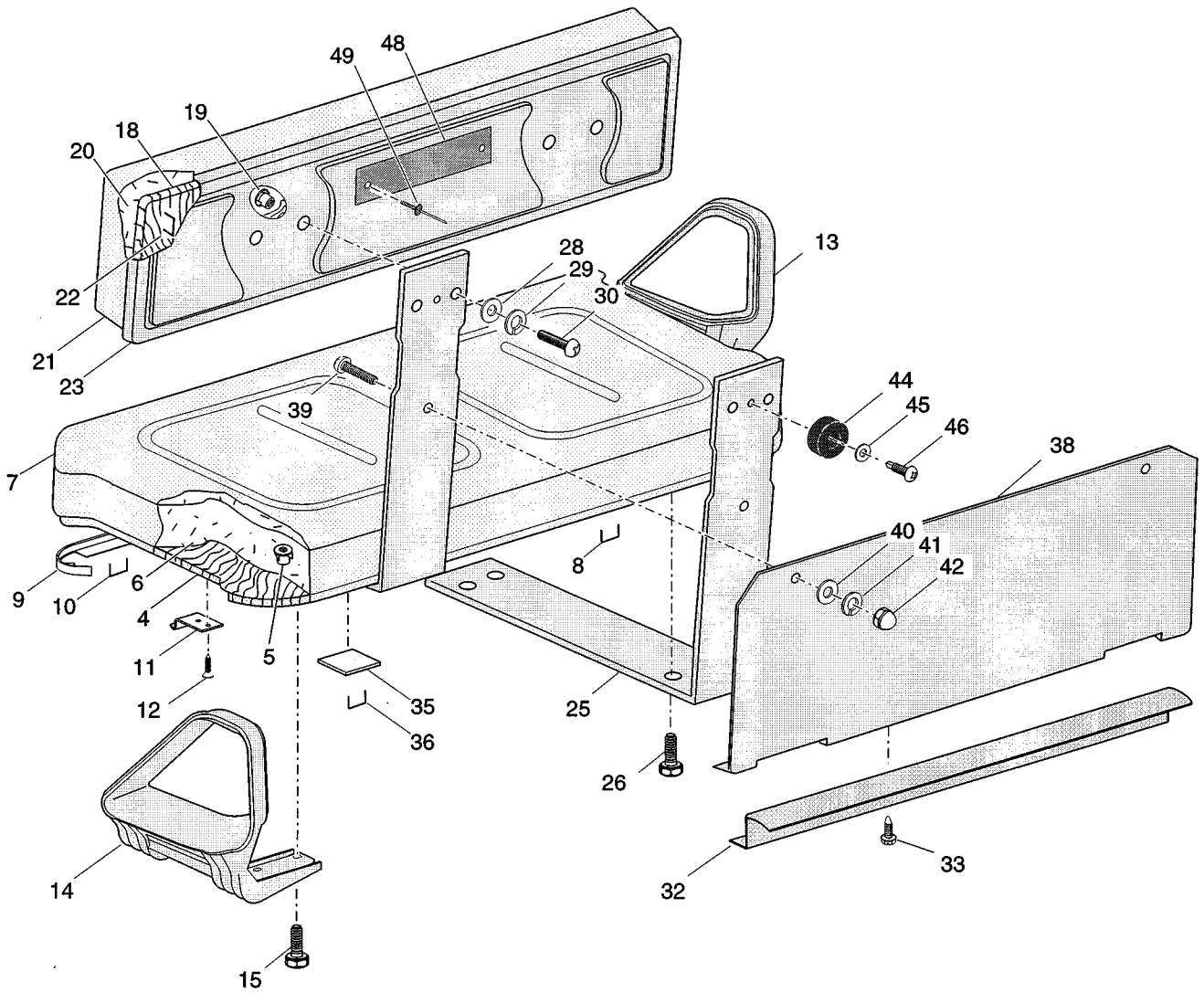


When ordering parts, please specify the model and serial number of the product.
 * Indicates a component that is not available as an individual part.
 G** Indicates consult Customer Service Department for additional information.

ITEM	PART NO.	1 2 3 4 5	DESCRIPTION	QTY.
1	74207-G01		HEAVY DUTY LEAF SPRING.....	2
2	72360-G01		SHOCK/STOP MOUNT (PASSENGER SIDE).....	1
3	72360-G02		SHOCK/STOP MOUNT (DRIVER SIDE).....	1
4	72029-G01		"U" BOLT, 3/8 - 16.....	4
5	00560-G1		WASHER, 3/8".....	8
6	11098-G5		LOCK NUT, 3/8 - 16.....	8
7				
8	70492-G01		RUBBER BUMPER.....	2
9	00968-G01		LOCK WASHER, 10 MM.....	2
10	00974-G01		NUT, M10 X 1.5.....	2
11				
12	70291-G01		RUBBER BUSHING.....	4
13	14158-G1		SHOULDER BOLT, 3/8 - 16 x 3 1/4" LG.	2
14	12262-G1		LOCK NUT, 3/8 - 16.....	2
15				
16	70291-G01		RUBBER BUSHING.....	8
17	70289-G02		SPACER.....	4
18	00429-G4		BOLT, 3/8 - 16 X 3 1/2" LG.....	4
19	70290-G01		SHACKLE PLATE.....	4
20	11098-G5		LOCK NUT, 3/8 - 16.....	4
21				
22	70324-G01		SHOCK ABSORBER.....	2
23	10435-G1		SHOCK ABSORBER WASHER.....	8
24	10194-G1		RUBBER SHOCK ABSORBER BUSHING.....	8
25	00532-G6		NUT, 3/8 - 24.....	4



- 1 - Includes Items 3 - 46
- 3 - Includes Items 4 - 15
- 17 - Includes Items 18 - 23



When ordering parts, please specify the model and serial number of the product.

* Indicates a component that is not available as an individual part.

G** Indicates consult Customer Service Department for additional information.

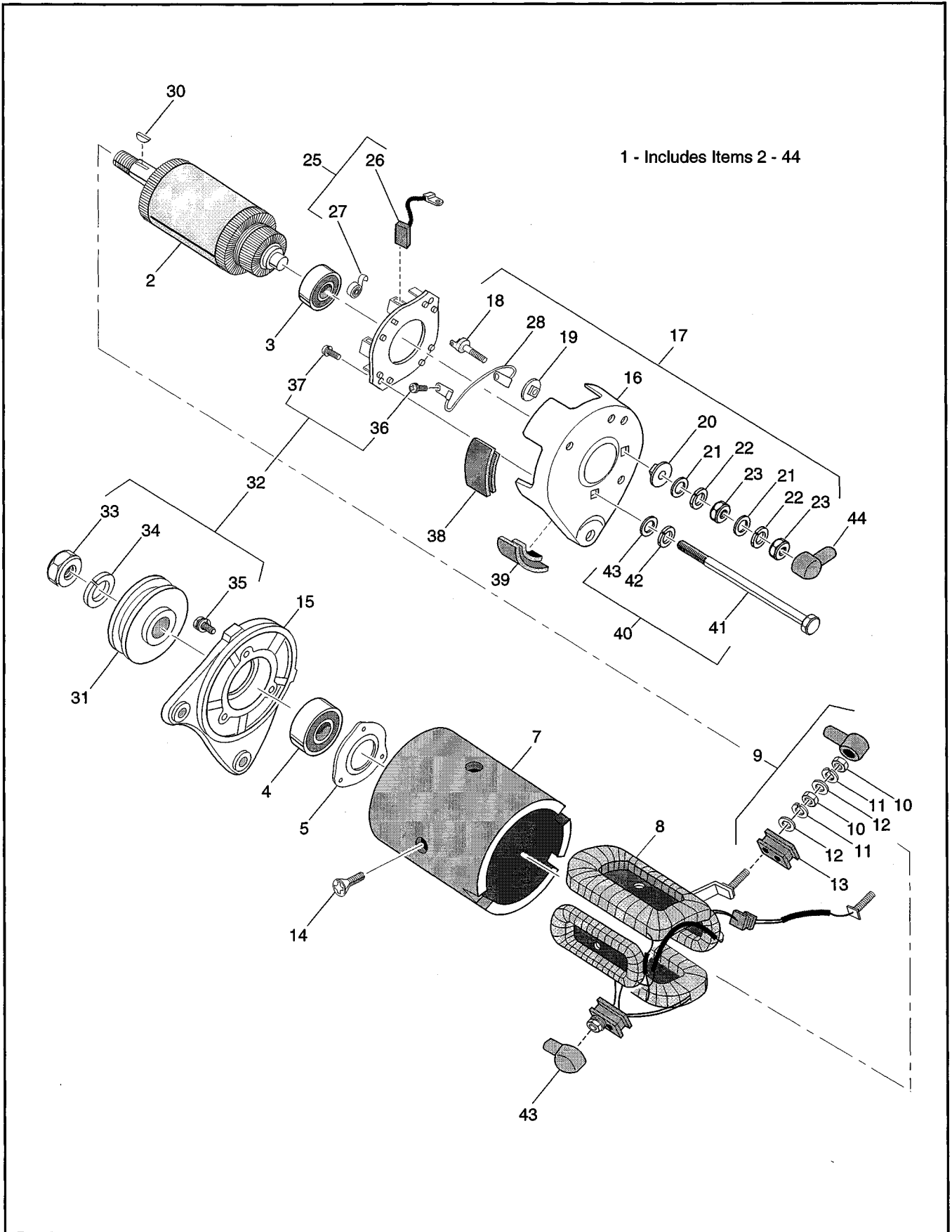
ITEM	PART NO.	1 2 3 4 5	DESCRIPTION	QTY.
1	71788-G**		SEAT ASSEMBLY (INCLUDES ITEMS 3 - 46)	1
2				
3	71664-G**		SEAT BOTTOM ASSEMBLY (INCLUDES ITEMS 4 - 15)	1
4	71663-G01		PLYWOOD BASE.....	1
5	11782-G2		TEE NUT, 1/4 - 20	16
6	71603-G02		FOAM.....	1
7	71602-G**		VINYL SEAT BOTTOM COVER.....	1
8	*		FLAT STAPLES.....	110
9	71012-G01		VINYL TRIM (SEAT BOTTOM)	1
10	23223-G1		FLAT STAPLES.....	26
11	71610-G01		SEAT HINGE.....	2
12	00720-G08		SCREW, #12 - 14 X 1" LG.	6
13	71701-G01		HIP RESTRAINT (PASSENGER SIDE)	1
14	71702-G01		HIP RESTRAINT (DRIVER SIDE)	1
15	71204-G01		BOLT, 1/4 - 20 X 7/8" LG.....	8
16				
17	27546-G**		SEAT BACK ASSEMBLY (INCLUDES ITEMS 18 - 23)	1
18	18951-G1		PLYWOOD SEAT BACK	1
19	11782-G2		TEE NUT, 1/4 - 20	4
20	25433-G4		FOAM.....	1
21	18144-G**		VINYL SEAT BACK COVER	1
22	*		FLAT STAPLES.....	95
23	18868-G3		PLASTIC SEAT BACK COVER (BLACK)	1
24				
25	71662-G01		SEAT BACK SUPPORT BRACKET	2
26	71204-G01		BOLT, 1/4 - 20 X 7/8" LG.	8
27				
28	00559-G7		WASHER, 1/4".....	4
29	00565-G7		LOCK WASHER, 1/4"	4
30	16705-G1		BOLT, 1/4 - 20 X 1" LG.	4



When ordering parts, please specify the model and serial number of the product.
 * Indicates a component that is not available as an individual part.
 G** Indicates consult Customer Service Department for additional information.

ITEM	PART NO.	1	2	3	4	5	DESCRIPTION	QTY.
31								
32	71762-G02						SEAL.....	1
33	00114-G6						SCREW, 1/4 - 14 X 3/4" LG.....	2
34								
35	17074-G1						BUMPER.....	2
36	23223-G1						FLAT STAPLE.....	10
37								
38	71783-G01						SEAT SHIELD.....	1
39	16705-G3						SCREW, 1/4 - 20 X 3/4" LG.....	2
40	00559-G7						WASHER, 1/4".....	2
41	00565-G7						LOCK WASHER, 1/4".....	2
42	15158-G1						ACORN NUT, 1/4 - 20.....	2
43								
44	13728-G1						RUBBER BUMPER.....	2
45	00559-G5						WASHER, #10.....	2
46	00106-G6						SELF THREADING SCREW, #12 - 24 X 3/4" LG.....	2
47								
48	71483-G01						PLATE / LABEL (500 LB).....	1
49	14601-G1						RIVET, 3/16" X 13/16" LG (ALUMINUM).....	2





THE USE OF NON U.L. PARTS WILL VOID ANY U.L. LISTING.

When ordering parts, please specify the model and serial number of the product.

* Indicates a component that is not available as an individual part.

G** Indicates consult Customer Service Department for additional information.

ITEM	PART NO.	1 2 3 4 5	DESCRIPTION	QTY.
1	27065-G01		STARTER / GENERATOR (INCLUDES ITEMS 2 - 44).....	1
2	26870-G01		ARMATURE (INCLUDES ITEMS 3 - 5).....	1
3	26871-G01		REAR BALL BEARING	1
4	26872-G01		FRONT BALL BEARING	1
5	26873-G01		BEARING HOLDER	1
6				
7				
8	26875-G01		FIELD COIL	1
9	26876-G01		INSULATING BRUSH ASSEMBLY ('F') (INCLUDES ITEMS 10 - 13).....	2
10	*		NUT	2
11	*		LOCK WASHER.....	2
12	*		WASHER.....	2
13	*		INSULATOR	1
14	26877-G01		POLE CORE SETSCREW	4
15	26878-G01		FRONT COVER.....	1
16	27879-G01		REAR COVER	1
17	26880-G01		TERMINAL ASSEMBLY ('A') (INCLUDES ITEMS 18 - 23).....	2
18	*		TERMINAL	2
19	*		INSULATOR	2
20	*		INSULATOR	2
21	*		WASHER.....	4
22	*		LOCK WASHER.....	4
23	*		NUT	4
24				
25	26881-G01		BRUSH HOLDER ASSEMBLY (INCLUDES ITEMS 26 - 28)	1
26	26658-G01		BRUSH.....	4
27	26882-G01		BRUSH SPRING	4
28	26883-G01		BRUSH CONNECTOR.....	2
29				
30	26884-G01		KEY.....	1



STARTER / GENERATOR

Gasoline Vehicle

THE USE OF NON U.L. PARTS WILL VOID ANY U.L. LISTING.

When ordering parts, please specify the model and serial number of the product.

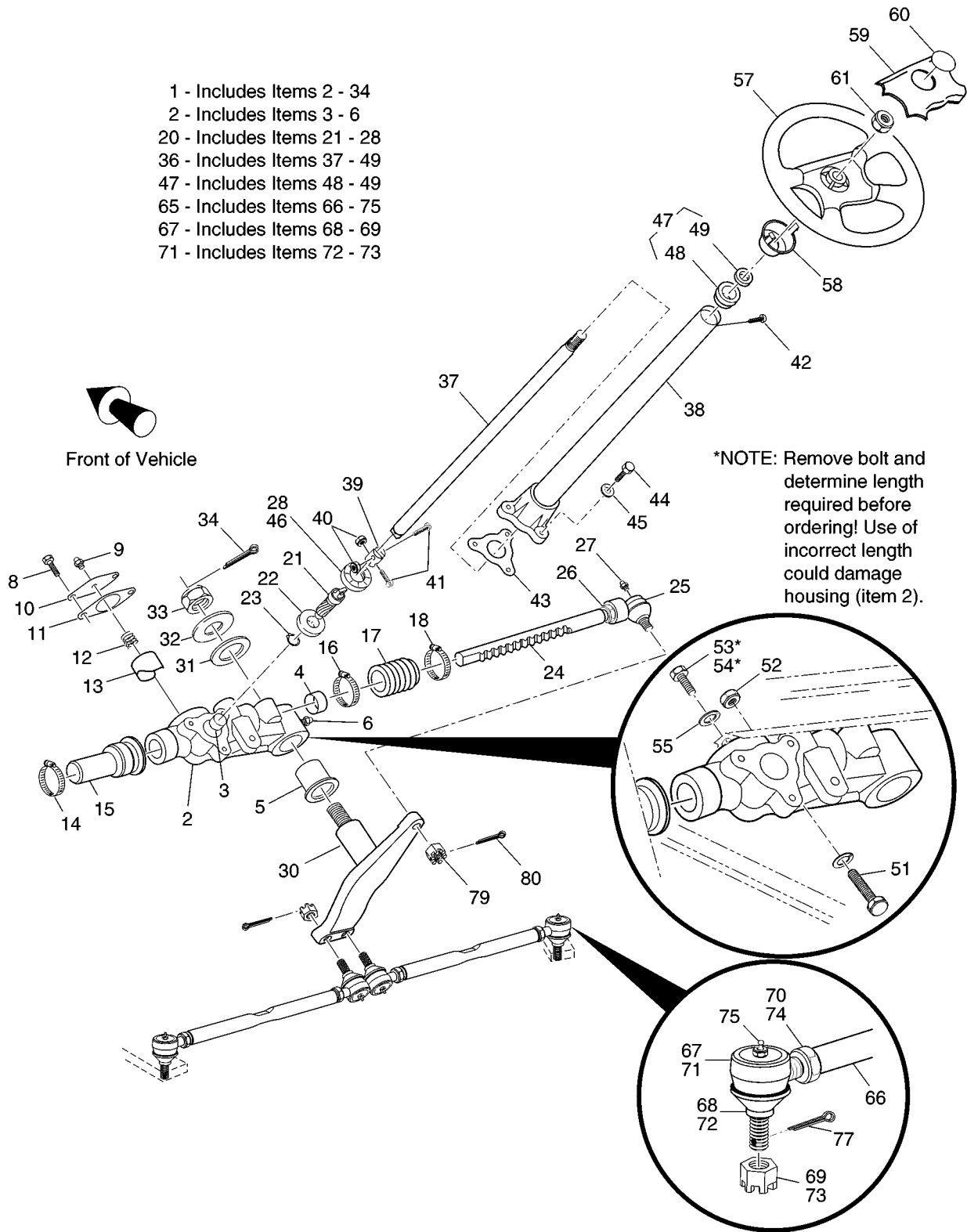
* Indicates a component that is not available as an individual part.

G** Indicates consult Customer Service Department for additional information.

ITEM	PART NO.	1	2	3	4	5	DESCRIPTION	QTY.
31	26885-G01						PULLEY	1
32	26886-G01						PULLEY HARDWARE KIT (INCLUDES ITEMS 33 - 37)	1
33	*						NUT	1
34	*						LOCK WASHER	1
35	*						SCREW	3
36	*						SCREW	4
37	*						SCREW	2
38	26887-G01						BRUSH 1 COVER.....	3
39	26888-G01						BRUSH 2 COVER.....	2
40	26889-G01						BOLT AND WASHER ASSEMBLY (INCLUDES ITEMS 41, 43)	2
41	*						BOLT	2
42	*						LOCK WASHER.....	2
43	*						WASHER.....	2
44	16896-G1						TERMINAL COVER	4



- 1 - Includes Items 2 - 34
- 2 - Includes Items 3 - 6
- 20 - Includes Items 21 - 28
- 36 - Includes Items 37 - 49
- 47 - Includes Items 48 - 49
- 65 - Includes Items 66 - 75
- 67 - Includes Items 68 - 69
- 71 - Includes Items 72 - 73



When ordering parts, please specify the model and serial number of the product.

* Indicates a component that is not available as an individual part.

G** Indicates consult Customer Service Department for additional information.

ITEM	PART NO.	1	2	3	4	5	DESCRIPTION	QTY.
1	70314-G02						STEERING BOX ASSEMBLY (COMPLETE) (INCLUDES ITEMS 2 - 34)	1
2	75364-G01						STEERING HOUSING (INCLUDES ITEMS 3 - 6).....	1
3	*						SLEEVE BEARING	1
4	*						SLEEVE BEARING	1
5	*						FLANGED BEARING	1
6	10389-G3						GREASE FITTING, STRAIGHT	1
7								
8	00426-G6						BOLT, 3/8 - 16 X 3/4" LG.....	2
9	18456-G1						GREASE FITTING, 90°	1
10	70177-G01						RACK GUIDE COVER	1
11	70225-G01						GASKET	1
12	70178-G01						COMPRESSION SPRING	1
13	70179-G01						RACK GUIDE	1
14	11391-G1						HOSE CLAMP, 1 1/4"	1
15	70041-G01						RACK COVER.....	1
16	11391-G1						HOSE CLAMP, 1 1/4"	1
17	70183-G01						BELLOWS	1
18	11391-G5						HOSE CLAMP, 3/4"	1
19								
20	70299-G01						STEERING GEAR KIT (INCLUDES ITEMS 21 - 28).....	1
21	70297-G01						GEAR PINION.....	1
22	15112-G1						BALL BEARING	1
23	70190-G01						EXTERNAL RETAINING RING	1
24	70298-G01						STEERING RACK	1
25	70192-G01						RACK BALL END	1
26	00532-G8						NUT, 7/16 - 20	1
27	18456-G1						GREASE FITTING, 90°	1
28	70466-G01						RETAINER	1
29								
30	70184-G01						IDLER.....	1



When ordering parts, please specify the model and serial number of the product.

* Indicates a component that is not available as an individual part.

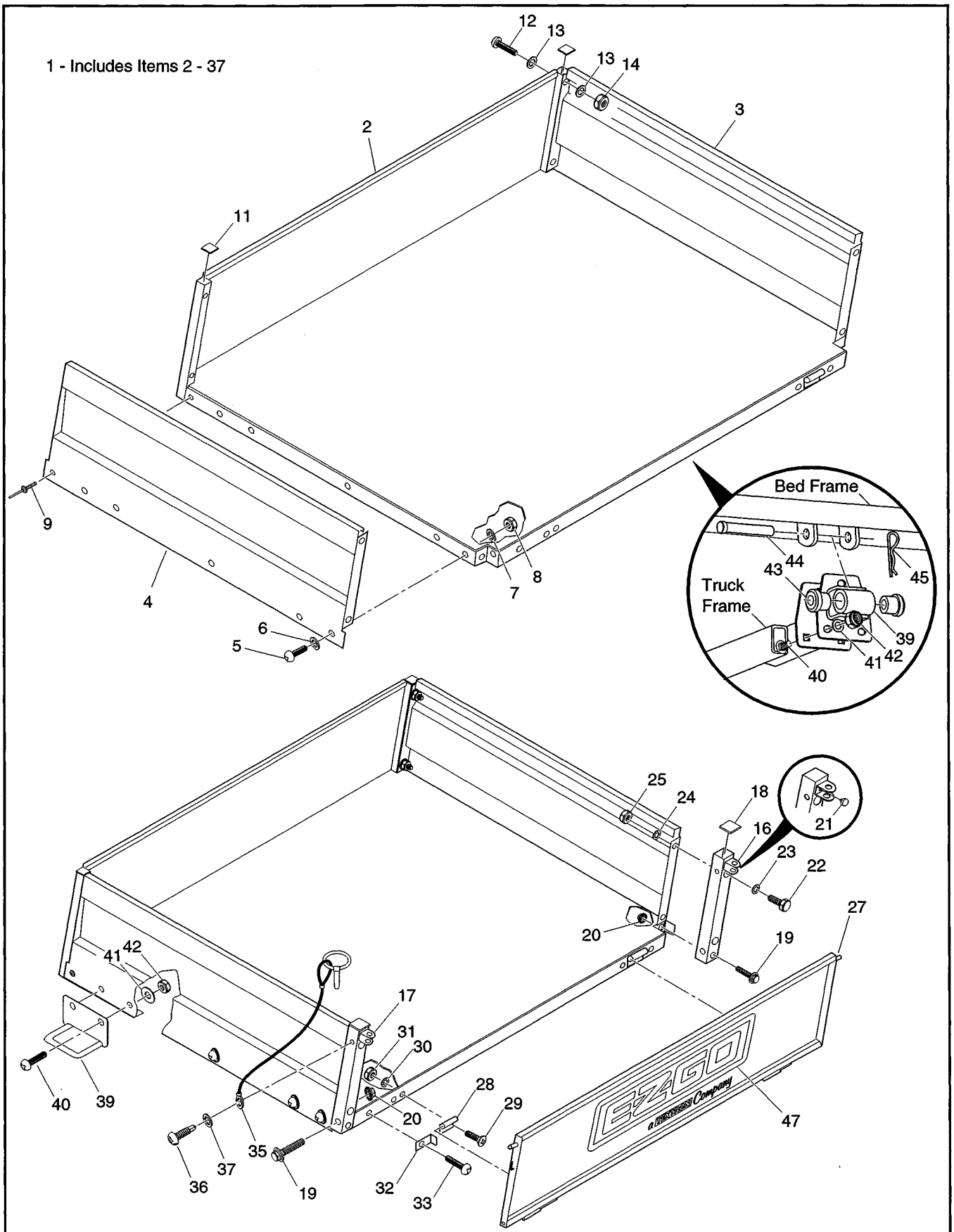
G** Indicates consult Customer Service Department for additional information.

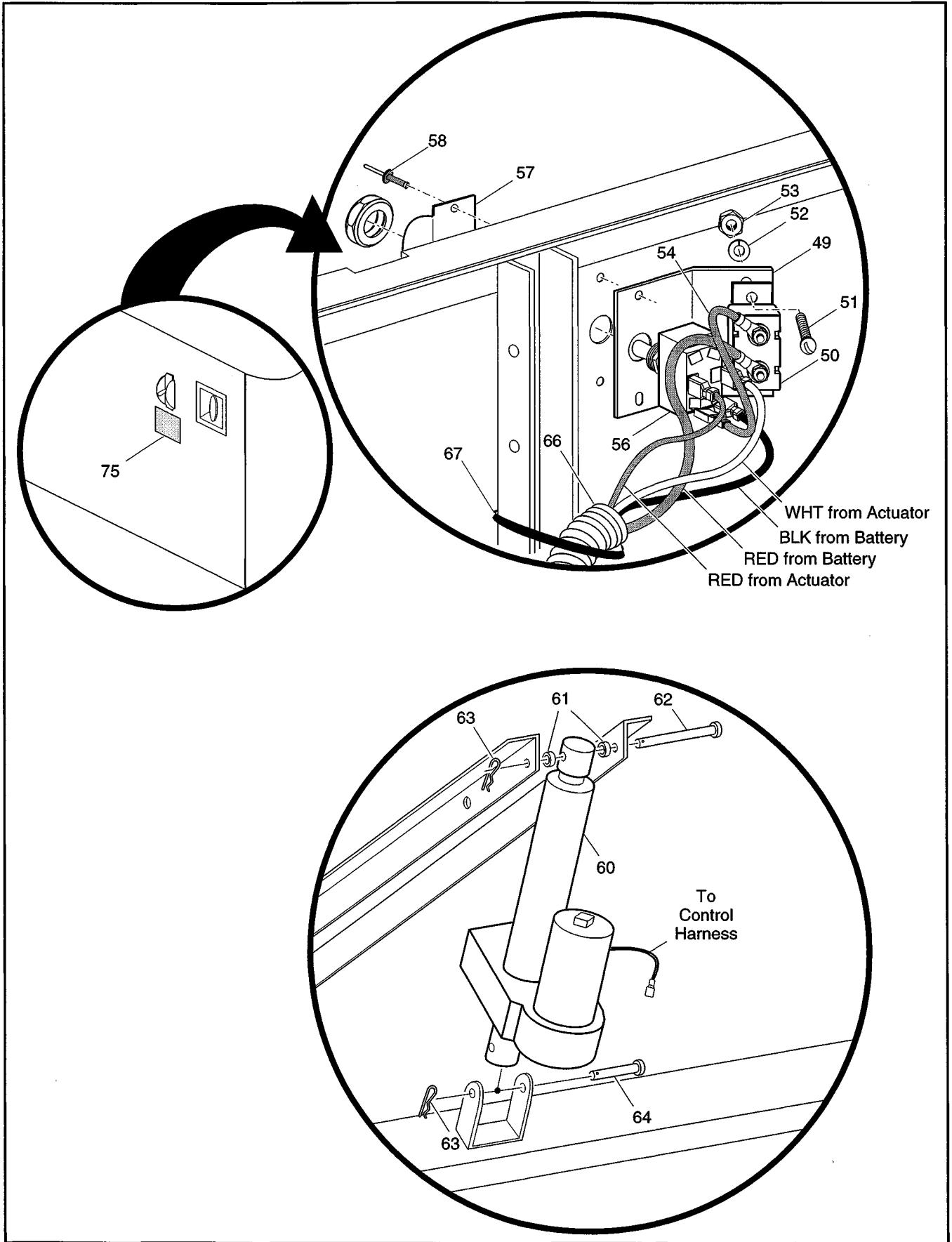
ITEM	PART NO.	1 2 3 4 5	DESCRIPTION	QTY.
31	70216-G01		THRUST WASHER, 1 1/2"	1
32	70195-G01		THRUST WASHER, 7/8"	1
33	00734-G6		LOCK NUT, 7/8 - 9.....	1
34	00798-G8		COTTER PIN, 5/32" X 1 3/4" LG.	1
35				
36	70360-G01		STEERING SHAFT/COLUMN KIT (INCLUDES ITEMS 37 - 49)	1
37	14322-G3		STEERING SHAFT.....	1
38	70333-G01		STEERING COLUMN	1
39	70558-G01		COUPLING.....	1
40	00550-G1		LOCK NUT, 1/4 - 20.....	2
41	70227-G01		BOLT, 1/4 - 20 X 7/8" LG.	2
42	01022-G01		SCREW, #6 - 20 X 5/16" LG.....	1
43	70223-G01		GASKET	1
44	01034-G01		BOLT, 3/8 - 16 X 1 1/2" LG. WITH PATCHLOCK	3
45	00878-G1		LOCK WASHER, 3/8"	3
46	70466-G01		RETAINER.....	1
47	17161-G1		BUSHING AND SEAL KIT (INCLUDES ITEMS 48, 49)	1
48	*		STEERING COLUMN BUSHING.....	1
49	*		SHAFT SEAL.....	1
50				
51	00470-G4		BOLT, 7/16 - 20 X 2 1/2" LG.....	1
52	00734-G3		LOCK NUT, 7/16 - 20	1
53	01033-G01		BOLT, 7/16 - 14 X 1 1/4" LG. WITH PATCHLOCK (PROD. SINCE 4-98)	2
54	01033-G02		BOLT, 7/16 - 14 X 7/8" LG. WITH PATCHLOCK (PRIOR TO 4-98 PROD.).....	2
55	00566-G2		LOCK WASHER, 7/16".....	3
56				
57	71146-G01		STEERING WHEEL	1
58	71949-G01		HUB.....	1
59	71147-G01		COVER	1
60	71047-G01		DECAL	1

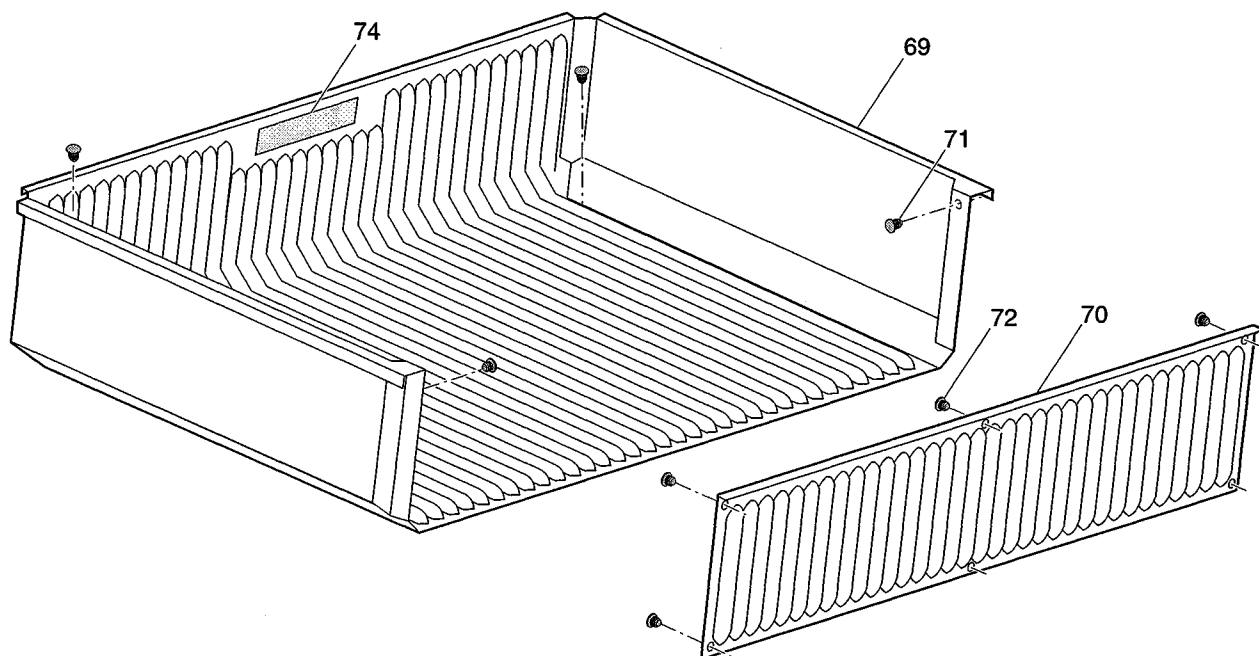
When ordering parts, please specify the model and serial number of the product.
 * Indicates a component that is not available as an individual part.
 G** Indicates consult Customer Service Department for additional information.

ITEM	PART NO.	1 2 3 4 5	DESCRIPTION	QTY.
61	14390-G2		LOCK NUT, 5/8 - 18	1
62				
63				
64				
65	75069-G01		TIE ROD ASSEMBLY (INCLUDES ITEMS 66 - 75).....	2
66	70583-G05		THREADED TUBE WITH FLAT	1
67	27205-G01		TIE ROD END (LEFT HAND THREAD) (INCLUDES ITEMS 68 - 69).....	1
68	50641-G1		RUBBER BOOT	1
69	50209-G2		SLOTTED NUT, 7/16 - 20.....	1
70	18434-G3		JAM NUT, 9/16 - 18 (LEFT HAND THREAD)	1
71	27205-G02		TIE ROD END (RIGHT HAND THREAD) (INCLUDES ITEMS 72 - 73).....	1
72	50641-G1		RUBBER BOOT	1
73	50209-G2		SLOTTED NUT, 7/16 - 20.....	1
74	18434-G4		JAM NUT, 9/16 - 18 (RIGHT HAND THREAD).....	1
75	10389-G3		GREASE FITTING, STRAIGHT	2
76				
77	10387-G2		COTTER PIN, 3/32" X 1" LG.....	2
78				
79	50209-G2		SLOTTED NUT, 7/16 - 20	1
80	10387-G2		COTTER PIN, 3/32" X 1" LG.....	1

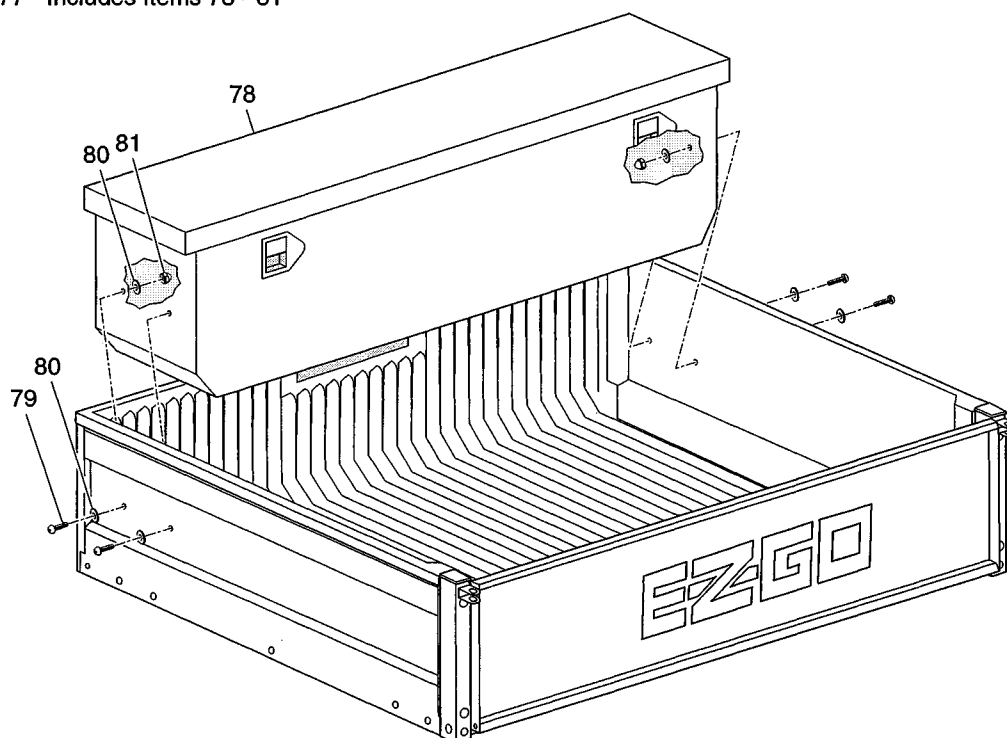








77 - Includes Items 78 - 81



When ordering parts, please specify the model and serial number of the product.

* Indicates a component that is not available as an individual part.

G** Indicates consult Customer Service Department for additional information.

ITEM	PART NO.	1 2 3 4 5	DESCRIPTION	QTY.
1	71711-G01		TRUCK BED ASSEMBLY (ELECTRIC DUMP) (INCLUDES ITEMS 2-37).....	1
2	71719-G01		BED FRAME.....	1
3	71714-G01		SIDE PANEL (PASSENGER SIDE).....	1
4	71714-G02		SIDE PANEL (DRIVER SIDE)	1
5	16705-G3		SCREW, 1/4 - 20 X 3/4" LG.....	10
6	00915-G1		BONDED WASHER, 1/4"	10
7	00559-G7		WASHER, 1/4".....	10
8	14390-G4		LOCK NUT, 1/4-20.....	10
9	14601-G8		RIVET, 3/8" X 7/16" LG (ALUMINUM).....	2
10				
11	71717-G01		END CAP, 1".....	2
12	16705-G6		SCREW, 1/4 - 20 X 1 3/4" LG.....	4
13	00915-G1		BONDED WASHER, 1/4"	8
14	14390-G4		LOCK NUT, 1/4 - 20.....	4
15				
16	71837-G01		POST (PASSENGER SIDE).....	1
17	71837-G02		POST (DRIVER SIDE)	1
18	71718-G01		END CAP, 1 1/2".....	2
19	13437-G8		LOCK SCREW, 3/8 - 16 X 2" LG.....	4
20	11027-G5		LOCK NUT, 3/8 - 16.....	4
21	71838-G01		BUMPER	2
22	16705-G3		SCREW, 1/4 - 20 X 3/4" LG.....	4
23	00915-G1		BONDED WASHER, 1/4"	4
24	00559-G7		WASHER, 1/4".....	4
25	14390-G4		LOCK NUT, 1/4 - 20.....	4
26				
27	71732-G01		TAILGATE.....	1
28	27666-G01		HINGE	2
29	01002-G08		SCREW, 1/4 - 20 X 1" LG.....	4
30	00559-G7		WASHER, 1/4".....	4



TRUCK BED, ELECTRIC LIFT**Gasoline Vehicle**

When ordering parts, please specify the model and serial number of the product.

* Indicates a component that is not available as an individual part.

G** Indicates consult Customer Service Department for additional information.

ITEM	PART NO.	1	2	3	4	5	DESCRIPTION	QTY.
31	14390-G4						LOCK NUT, 1/4 - 20.....	4
32	71748-G01						TAILGATE KEEPER	1
33	16705-G3						SCREW, 1/4 - 20 X 3/4" LG.....	1
34								
35	71083-G01						TAILGATE CABLE	2
36	00106-G6						SELF-THREADING SCREW, #12 - 24 X 3/4" LG	2
37	00915-G1						BONDED WASHER, 1/4"	2
38								
39	70396-G01						BED PIVOT	2
40	00764-G1						CARRIAGE BOLT, 5/16 - 18 X 3/4" LG	6
41	00559-G8						WASHER, 5/16"	6
42	11098-G6						LOCK NUT, 5/16-18	6
43	70291-G01						FLANGED BUSHING	4
44	21682-G1						CLEVIS PIN, 1/2" X 2 7/8" LG.....	2
45	21683-G1						COTTER PIN, 15/32" X 2 11/16" LG	2
46								
47	71901-G01						E-Z-GO DECAL (E-Z-GO).....	1
48								
49	74165-G01						CIRCUIT BREAKER MOUNTING BRACKET	1
50	21320-G3						CIRCUIT BREAKER, 30 AMP, 12V	1
51	00150-G4						SCREW, #10 - 24 X 1/2" LG	2
52	00565-G5						LOCK WASHER, #10.....	2
53	00526-G3						NUT, #10 - 24.....	2
54	25976-G14						14 GA WIRE (RED 5")	1
55								
56	27680-G01						TOGGLE SWITCH	1
57	27447-G01						TOGGLE GUARD	1
58	10570-G9						RIVET, 1/8" X 11/32" LG.....	2
59								
60	27612-G02						ELECTRIC ACTUATOR, 12V.....	1

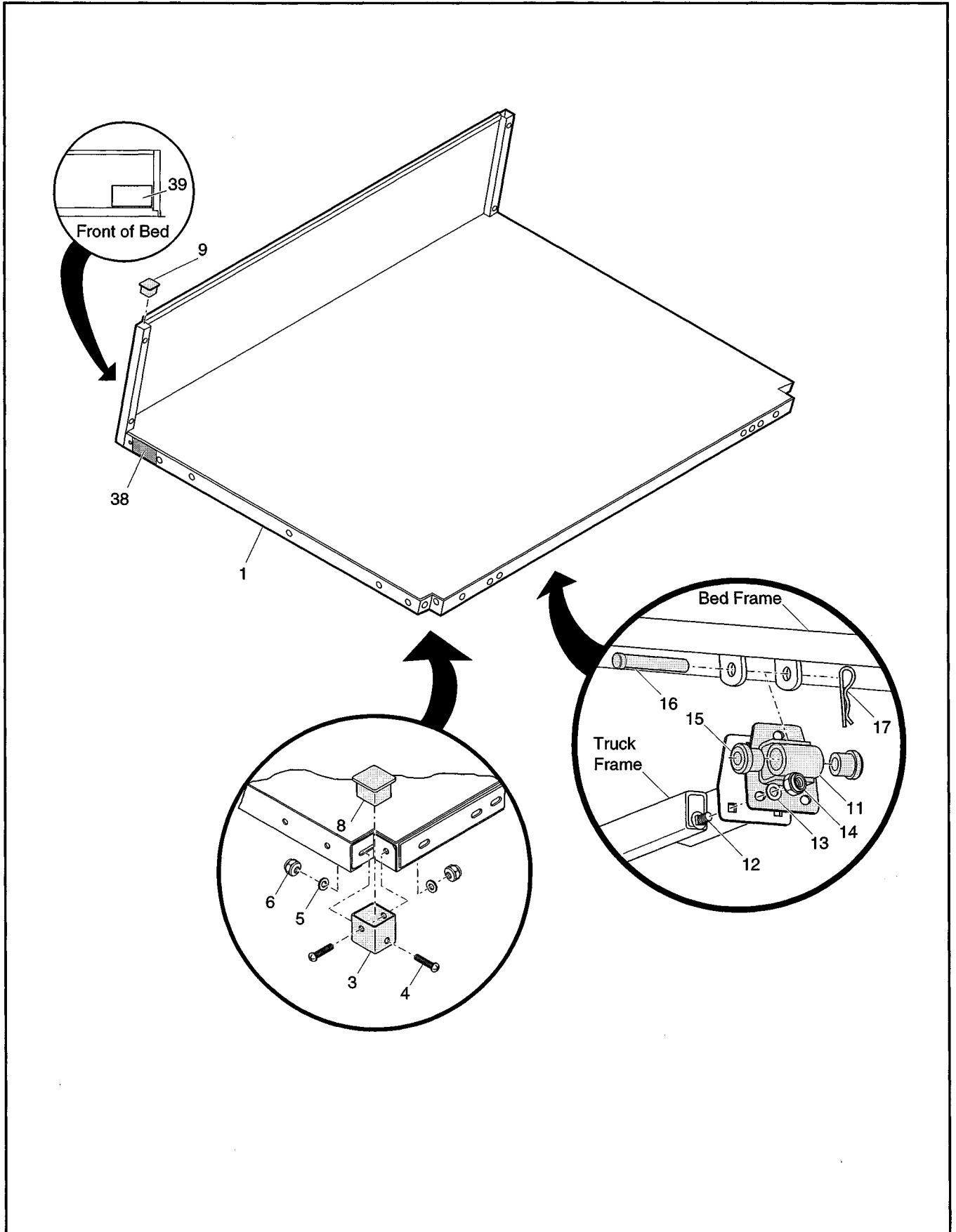
When ordering parts, please specify the model and serial number of the product.

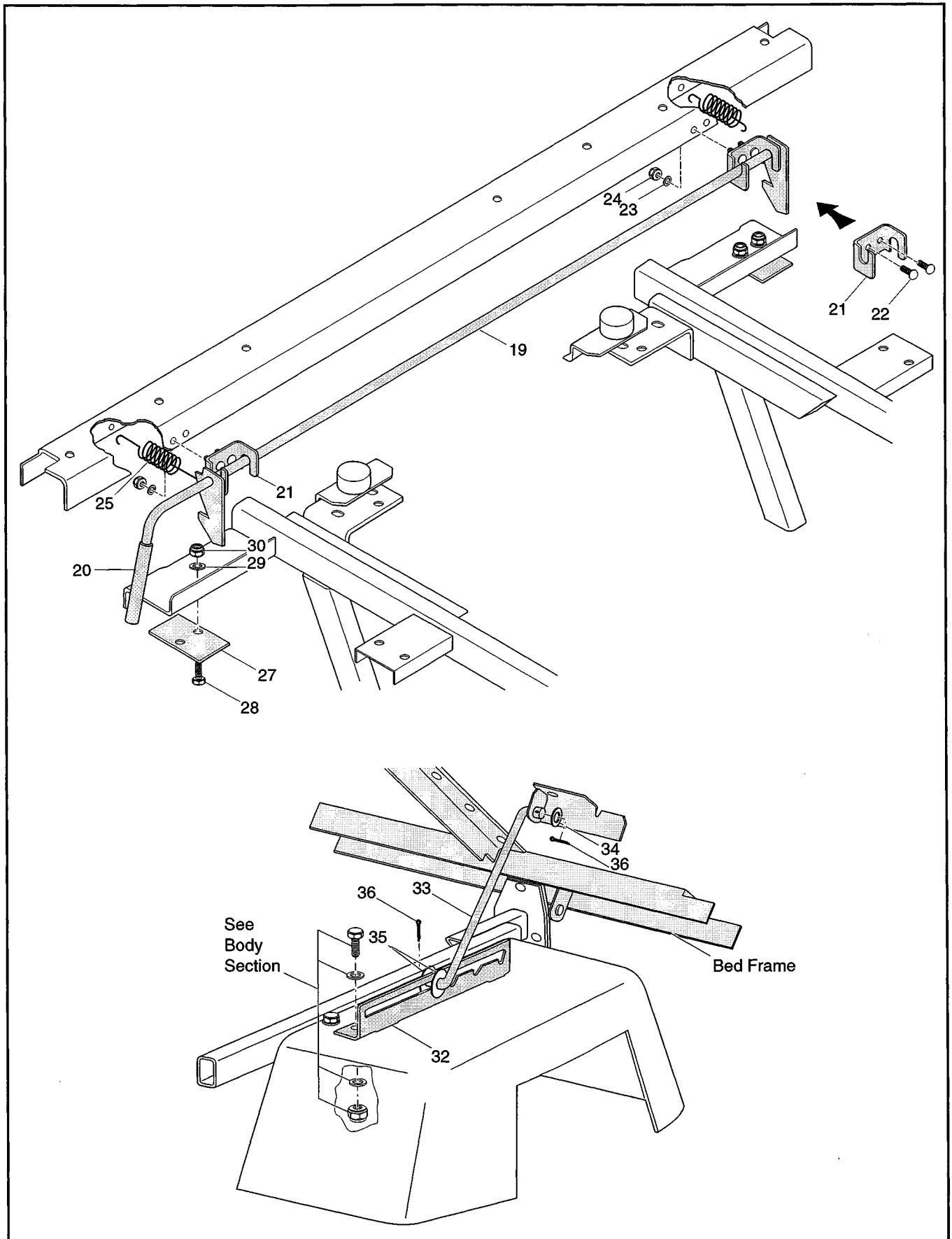
* Indicates a component that is not available as an individual part.

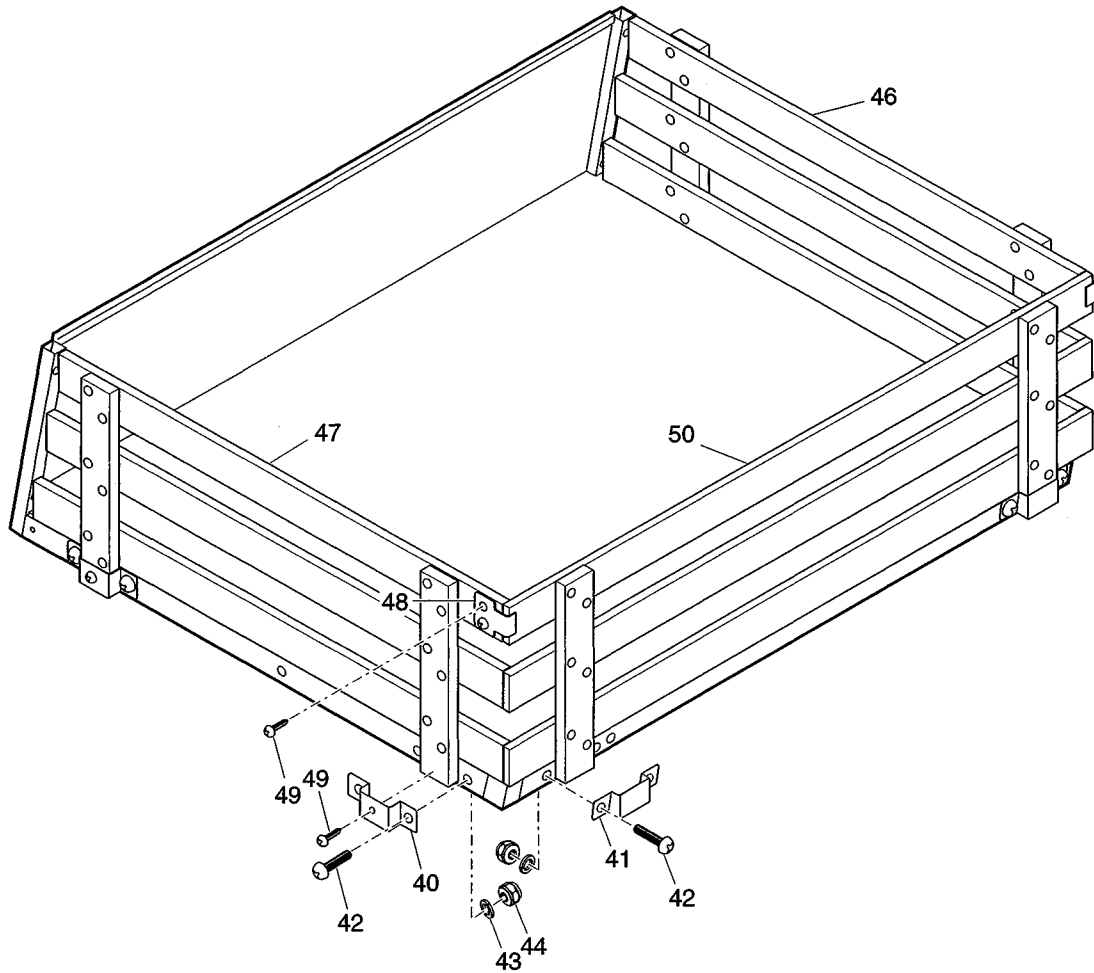
G** Indicates consult Customer Service Department for additional information.

ITEM	PART NO.	1 2 3 4 5	DESCRIPTION	QTY.
61	27613-G01		SPACER.....	2
62	14443-G10		CLEVIS PIN, 1/2" X 3" LG.....	1
63	21683-G1		COTTER PIN, 2 11/16" LG.....	2
64	14443-G11		CLEVIS PIN, 1/2" X 1 7/8" LG.....	1
65				
66	74163-G01		WIRE HARNESS (CONTROL).....	1
67	17618-G1		WIRE TIE	8
68				
69	74234-G01		BED LINER, 40".....	1
70	74235-G01		TAILGATE LINER.....	1
71	18436-G1		RIVET, 1/4" X 3/4" LG	4
72	14601-G10		RIVET, 5/32" X 7/16" LG	6
73				
74	71517-G01		BED CAPACITY DECAL	1
75	71489-G01		LABEL (READ INSTRUCTIONS).....	1
76				
77	75454-G02		ALUMINUM TOOLBOX KIT (INCLUDES ITEMS 78 - 81)	1
78	75493-G01		ALUMINUM TOOLBOX.....	1
79	16705-G3		SCREW, 1/4 - 20 x 3/4" LG	4
80	00915-G1		BONDED WASHER, 1/4"	8
81	00903-G1		ACORN NUT, 1/4 - 20	4









When ordering parts, please specify the model and serial number of the product.

* Indicates a component that is not available as an individual part.

G** Indicates consult Customer Service Department for additional information.

ITEM	PART NO.	1 2 3 4 5	DESCRIPTION	QTY.
1	71719-G01		BED FRAME	1
2				
3	71772-G01		CORNER TUBE	2
4	00762-G9		SCREW, 5/16 - 18 X 2 1/2" LG	4
5	00559-G8		WASHER, 5/16"	4
6	00550-G3		LOCK NUT, 5/16 - 18	4
7				
8	71718-G01		END CAP, 1 1/2"	2
9	71717-G01		END CAP, 1"	2
10				
11	70396-G01		BED PIVOT	2
12	00764-G2		CARRIAGE BOLT, 5/16 - 18 X 1" LG	6
13	00559-G8		WASHER, 5/16"	6
14	11098-G6		LOCK NUT, 5/16-18	6
15	70291-G01		FLANGED BUSHING	4
16	21682-G1		CLEVIS PIN, 1/2" X 2 7/8" LG	2
17	21683-G1		COTTER PIN, 15/32" X 2 11/16" LG	2
18				
19	71831-G01		BED LATCH	1
20	71704-G01		HANDLE GRIP	1
21	71827-G01		LATCH BRACKET	2
22	01014-G03		CARRIAGE BOLT, 1/4-20 X 3/4" LG	4
23	00559-G7		WASHER, 1/4"	4
24	14390-G4		LOCK NUT, 1/4-20	4
25	71707-G01		EXTENSION SPRING	2
26				
27	71766-G01		CATCH BRACKET	2
28	00414-G6		BOLT, 1/4-20 X 3/4" LG	4
29	00559-G7		WASHER, 1/4"	4
30	14390-G4		LOCK NUT, 1/4-20	4



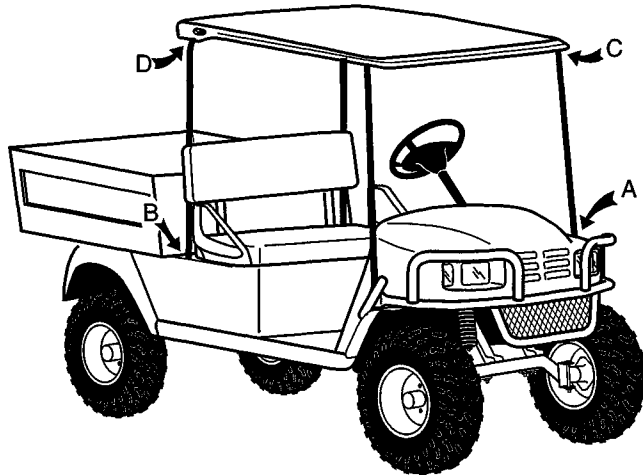
When ordering parts, please specify the model and serial number of the product.

* Indicates a component that is not available as an individual part.

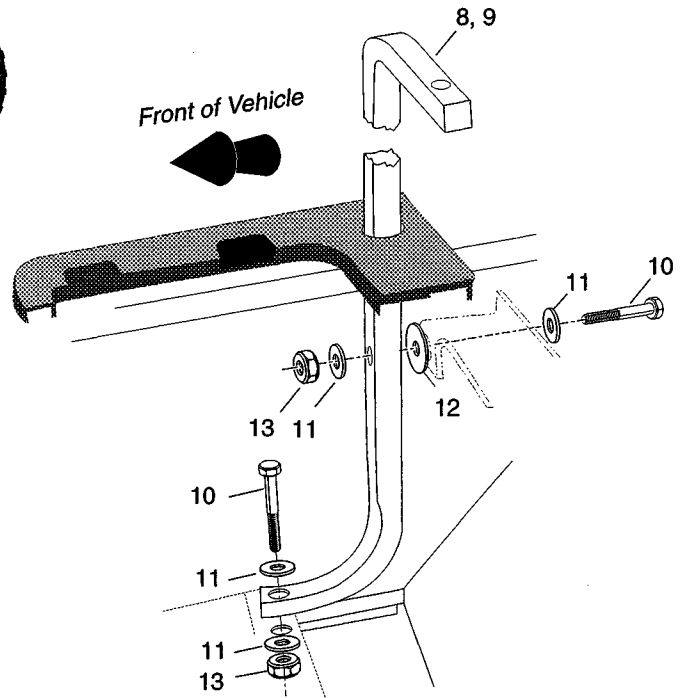
G** Indicates consult Customer Service Department for additional information.

ITEM	PART NO.	1	2	3	4	5	DESCRIPTION	QTY.
31								
32	71673-G01						PROP BRACKET	1
33	71657-G01						PROP ROD	1
34	00560-G3						WASHER, 1/2"	1
35	15121-G1						WASHER, 3/8"	2
36	10387-G3						COTTER PIN, 3/32 X 3/4" LG	2
37								
38	71777-G01						LABEL (WARNING)	1
39	71200-G01						LABEL (LOAD WARNING).....	1
40	74157-G01						SIDE RAIL SUPPORT	4
41	74161-G01						BACK RAIL SUPPORT	2
42	16705-G1						SCREW, 1/4-20 X 1" LG	12
43	00559-G7						WASHER, 1/4"	12
44	14390-G4						LOCK NUT, 1/4 - 20	12
45								
46	74167-G01						SIDE CARGO RACK (PASSENGER SIDE).....	1
47	74167-G02						SIDE CARGO RACK (DRIVER SIDE)	1
48	74079-G01						TAILGATE RETAINER BRACKET.....	2
49	00666-G6						SCREW, #10 - 12 X 3/4" LG	8
50	74162-G03						REAR CARGO RACK	1

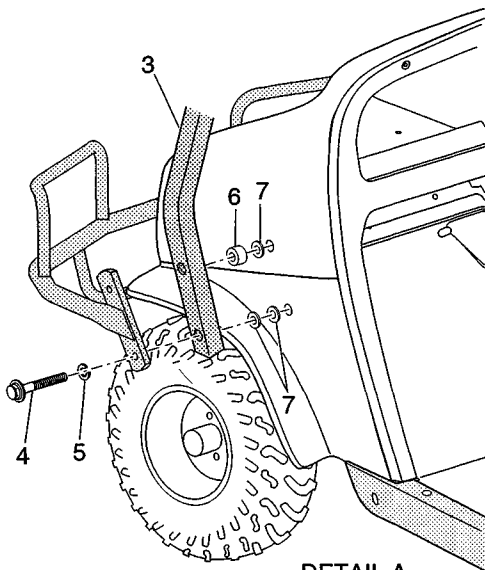




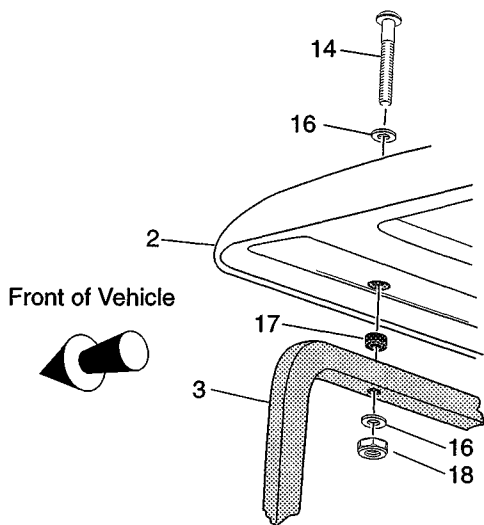
SUN TOP



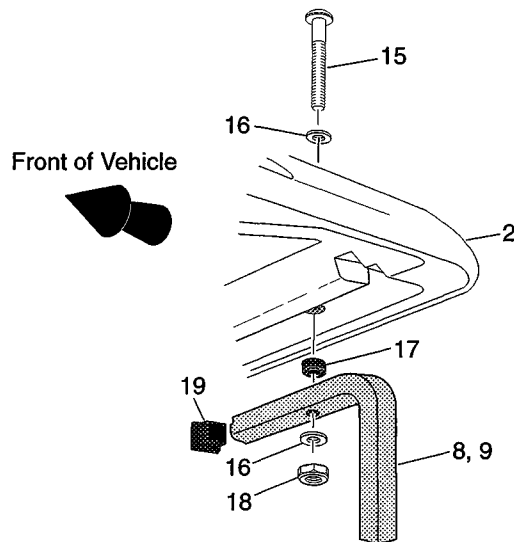
DETAIL B



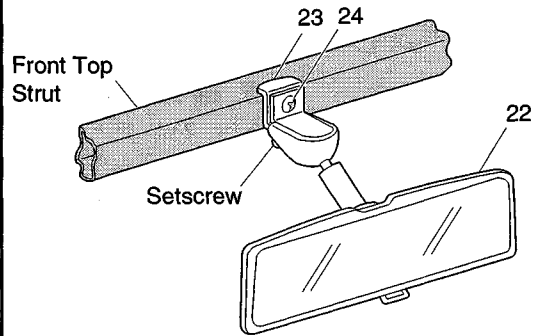
DETAIL A



DETAIL C (FRONT)

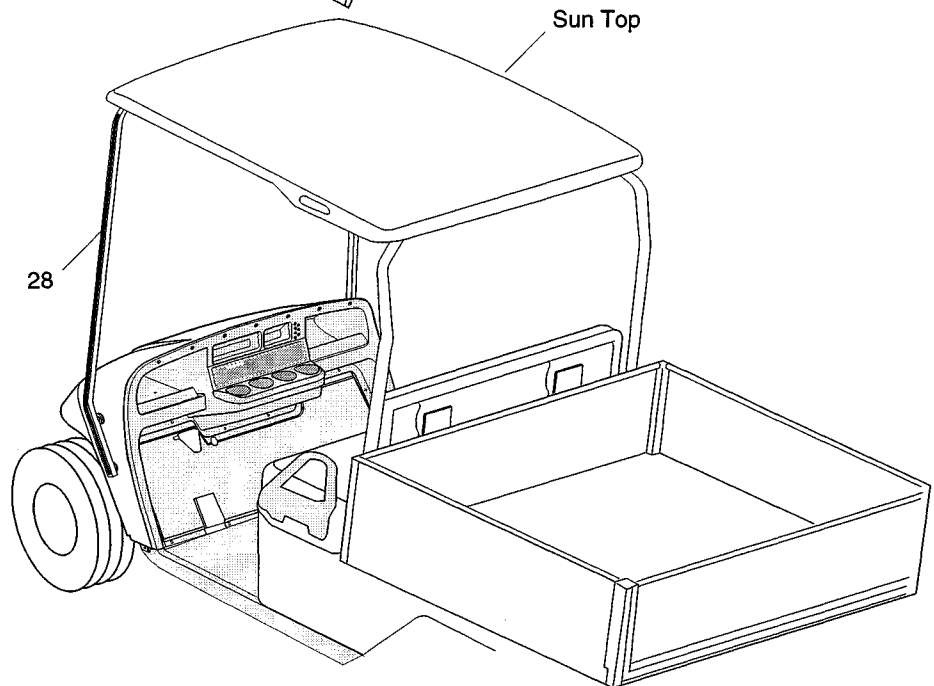
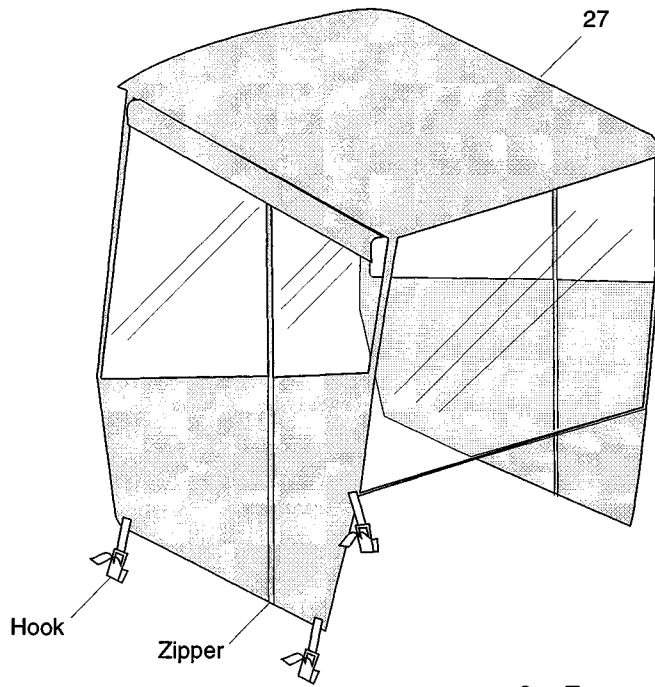


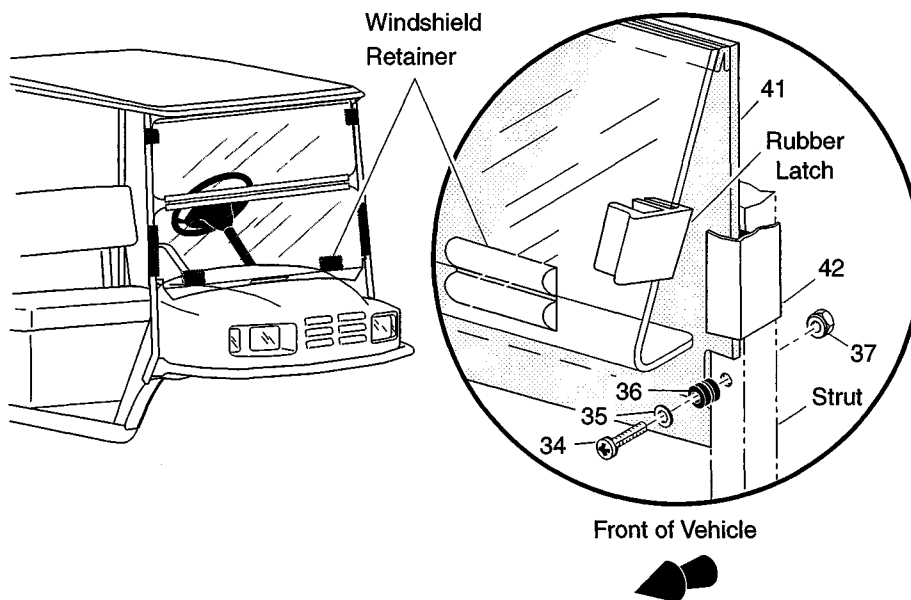
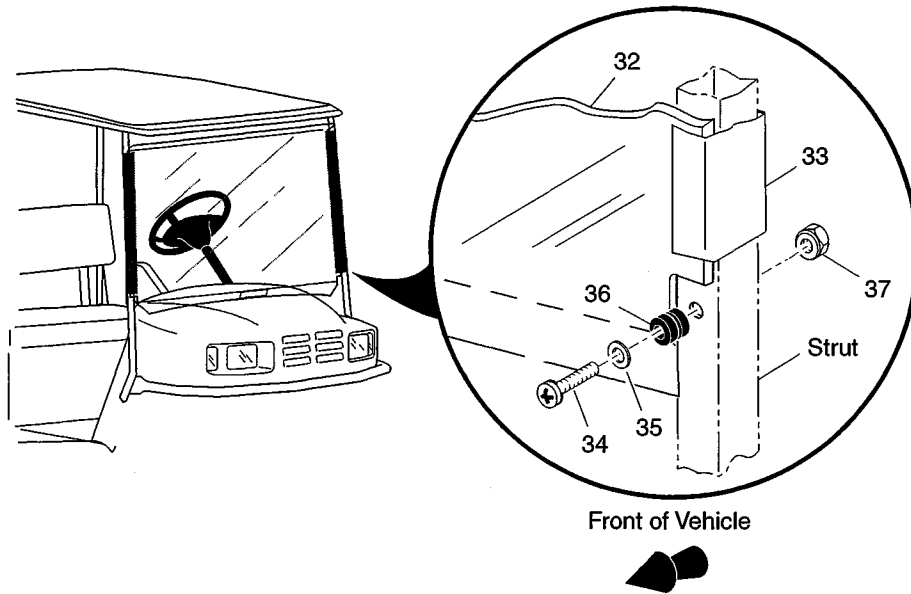
DETAIL D (REAR)



REAR VIEW MIRROR

21 - Includes Items 22 - 24





When ordering parts, please specify the model and serial number of the product.

* Indicates a component that is not available as an individual part.

G** Indicates consult Customer Service Department for additional information.

ITEM	PART NO.	1 2 3 4 5	DESCRIPTION	QTY.
1	75350-G02		SUN TOP KIT (INCLUDES ITEMS 2 -19)	1
2	27069-G07		SUN TOP.....	1
3	75045-G01		FRONT STRUT	1
4	01035-G02		BOLT, 5/16-18 X 2 1/2" LG	4
5	00905-G8		LOCK WASHER, 5/16".....	4
6	75048-G01		SPACER, 1/2".....	2
7	00570-G2		WASHER, 5/16".....	6
8	75343-G01		REAR STRUT (PASSENGER SIDE).....	1
9	75343-G02		REAR STRUT (DRIVER SIDE)	1
10	00439-G6		BOLT, 5/16-18 X 1 3/4" LG	4
11	00571-G2		WASHER, 5/16".....	8
12	15121-G1		WASHER, 3/8" X 1 1/4"	2
13	11098-G6		LOCK NUT, 5/16-18.....	4
14	00753-G5		BOLT, 1/4-20 X 2" LG (STAINLESS STEEL).....	2
15	00753-G6		BOLT, 1/4-20 X 2 1/4" LG (STAINLESS STEEL).....	2
16	00559-G7		WASHER, 1/4".....	8
17	75051-G01		PLASTIC SPACER.....	4
18	00891-G2		LOCK NUT, 1/4-20.....	4
19	19853-G1		END CAP, 1".....	2
20				
21	19528G2		REAR VIEW MIRROR KIT (INCLUDES ITEMS 22 -24)	1
22	19496-G1		REAR VIEW MIRROR.....	1
23	19502-G2		SUPPORT BRACKET	1
24	19527-G1		SELF TAPPING SCREW, #8-32 X 5/8" LG (STAINLESS STEEL).....	1
25				
26	75367-G**		3 SIDED SOFT ENCLOSURE KIT (INCLUDES ITEMS 27 - 28)	1
27	XXXXX-XX		ENCLOSURE	1
28	XXXXX-XX		VELCRO.....	A/R
29				
30				



Replacement parts for the windshield may be obtained from Eagle Parts, Inc. 1811 Wilkinson Rd. Augusta, GA 30904. Telephone (706) 729-9911 or FAX (706) 729-9955

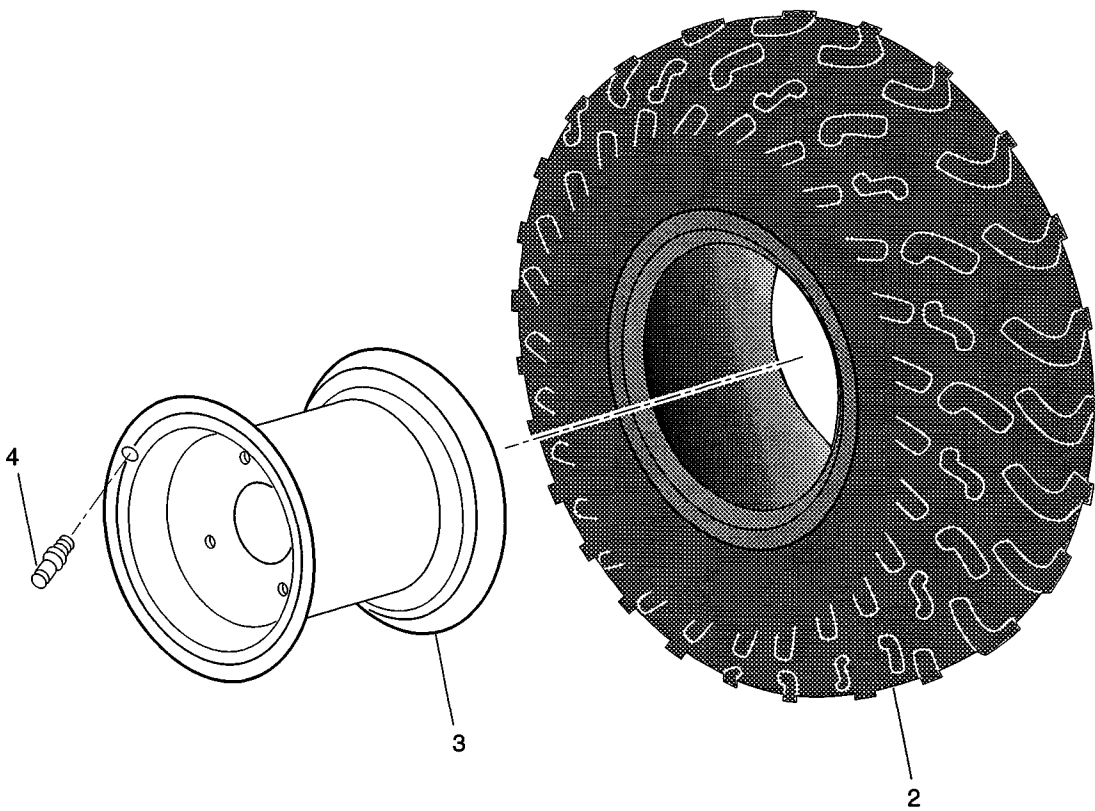
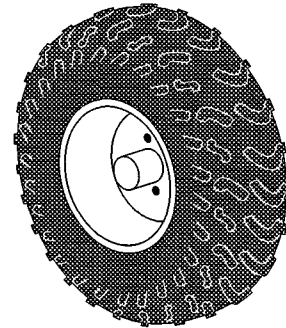
* Indicates a component that is not available as an individual part.

G** Indicates consult Customer Service Department for additional information.

ITEM	PART NO.	1 2 3 4 5	DESCRIPTION	QTY.
31	71966-G01		WINDSHIELD KIT (FULL) (INCLUDES ITEMS 32 - 38) (REQUIRES SUN TOP KIT)	1
32	71954-G01		WINDSHIELD (FULL) (LEXAN).....	1
33	EGWHC12		SASH, 26" LG.....	2
34	EGWHS12		BOLT, 1/4 - 20 X 1 3/4" LG (STAINLESS STEEL).....	2
35	EGHWH12		WASHER, 1/4" (STAINLESS STEEL)	4
36	EGWHG13		RUBBER GROMMET.....	2
37	EGWHN12		LOCK NUT, 1/4 - 20 (STAINLESS STEEL)	2
38	EGWHL14		SAFETY LABEL	1
39				
40	71966-G02		WINDSHIELD KIT (SPLIT) (INCLUDES ITEMS 41, 42, 34 - 38).....	1
41	71955-G01		WINDSHIELD (SPLIT) (LEXAN)	1
42	EGWHC10		SASH, 12" LG.....	2



1 - Includes Items 2 - 4

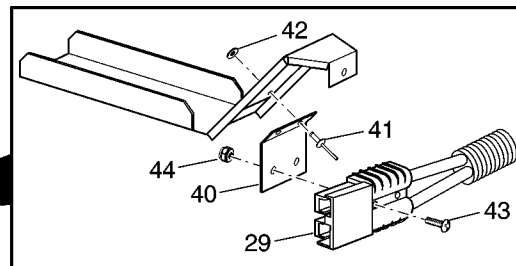
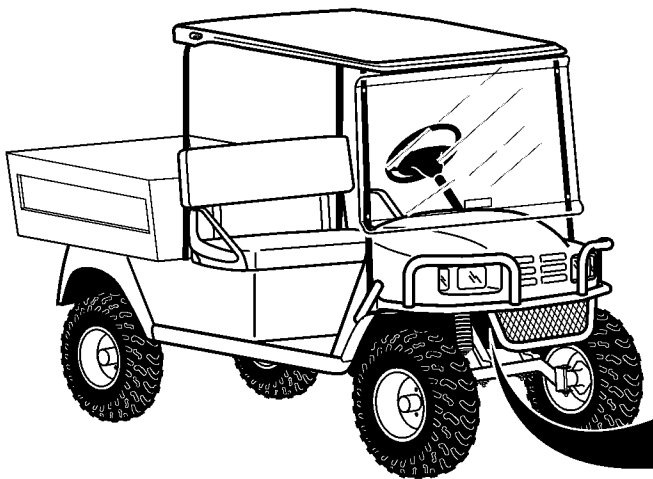
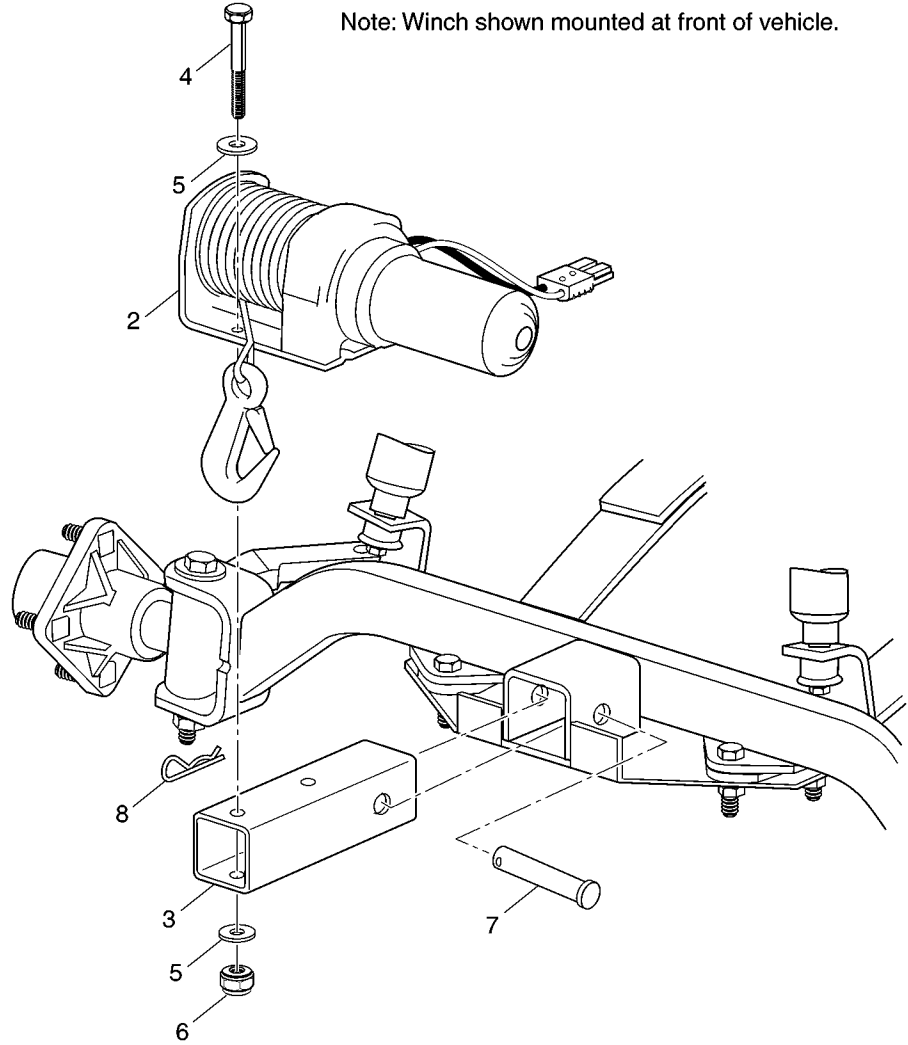


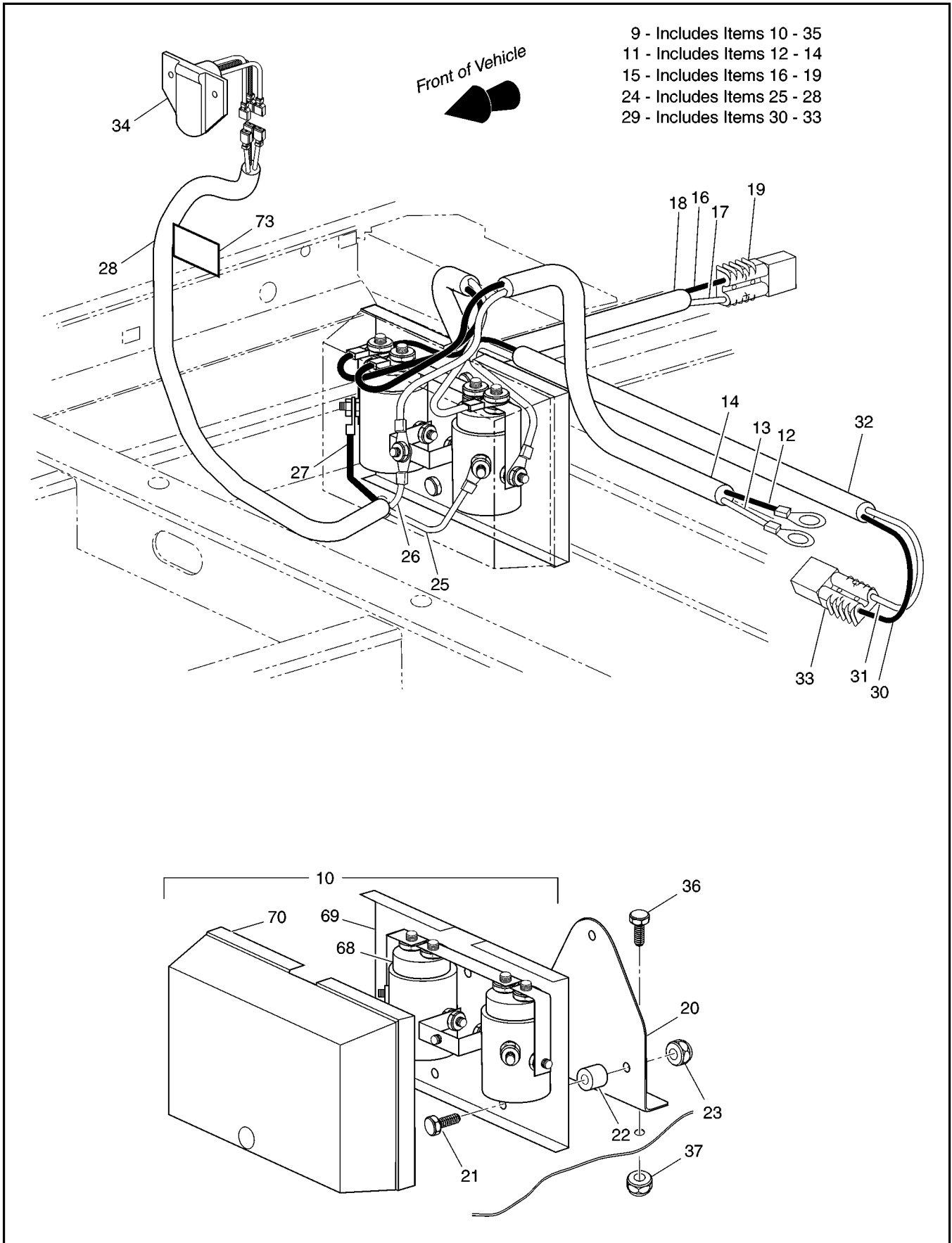
When ordering parts, please specify the model and serial number of the product.
 * Indicates a component that is not available as an individual part.
 G** Indicates consult Customer Service Department for additional information.

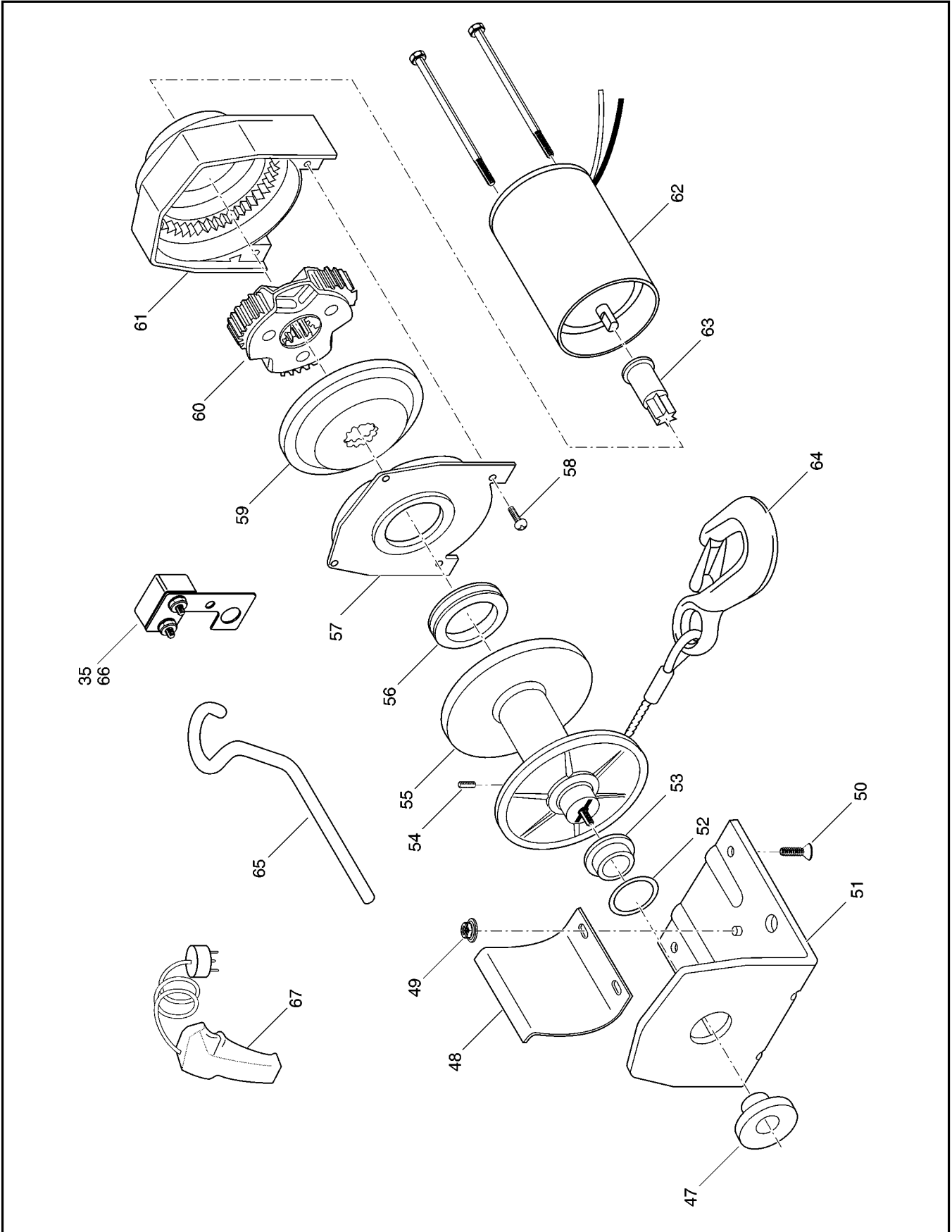
ITEM	PART NO.	1 2 3 4 5	DESCRIPTION	QTY.
1	28513-G01		WHEEL AND TIRE ASSEMBLY (DRIVER SIDE) (INCLUDES ITEMS 2 - 4)	
2	28513-G03		TIRE, 20 X 9 - 10 UTILITY.....	AR
3	15172-G01		WHEEL RIM (4 LUG).....	AR
4	11657-G1		VALVE STEM.....	AR
5				
6	28513-G02		WHEEL AND TIRE ASSEMBLY (PASSENGER SIDE) (INCLUDES ITEMS 7 - 9)	
7	28513-G03		TIRE, 20 X 9 - 10 UTILITY.....	AR
8	15172-G01		WHEEL RIM (4 LUG).....	AR
9	11657-G1		VALVE STEM.....	AR
10				
11	28442-G01		WHEEL AND TIRE ASSEMBLY, TURF SAVER (INCLUDES ITEMS 12 - 14)....	AR
12	28442-G02		TIRE, 20 X 10 - 10 TURF SAVER.....	AR
13	15172-G01		WHEEL RIM (4 LUG).....	AR
14	11657-G1		VALVE STEM.....	AR



Note: Winch shown mounted at front of vehicle.







When ordering parts, please specify the model and serial number of the product.

* Indicates a component that is not available as an individual part.

G** Indicates consult Customer Service Department for additional information.

ITEM	PART NO.	1 2 3 4 5	DESCRIPTION	QTY.
1				
2	74299-G01		WINCH ASSEMBLY, T1500	1
3	74271-G01		WINCH MOUNTING TUBE	1
4	00440-G6		BOLT, 5/16 - 18 X 2 3/4" LG	2
5	00571-G2		WASHER, 5/16"	4
6	00891-G3		LOCK NUT, 5/16 - 18	2
7	21317-G01		CLEVIS PIN, 5/8" x 3" LG	1
8	21683-G1		COTTER PIN, 15/32" x 2 11/16" LG.....	1
9	74286-G01		REMOTE SOLENOID (INCLUDES ITEMS 10 - 35).....	1
10	74256-G02		SOLENOID KIT	1
11	74283-G01		WIRE HARNESS (SOLENOID to BATTERY) (INCLUDES 12 - 14).....	1
12	25973-G01		8 GA WIRE (BLACK, 37")	1
13	25973-G02		8 GA WIRE (RED, 37")	1
14	18833-G1		FLEX LOOM, 20" (BULK).....	1
15	74284-G01		WIRE HARNESS (SOLENOID to REAR WINCH) (INCLUDES 16 - 19).....	1
16	25973-G03		8 GA WIRE (BLACK, 60")	1
17	25973-G04		8 GA WIRE (RED, 60")	1
18	18833-G1		FLEX LOOM, 42" (BULK).....	1
19	73235-G01		CONNECTOR	1
20	74281-G01		MOUNTING BRACKET	1
21	00414-G6		BOLT, 1/4 - 20 X 3/4" LG	3
22	23726-G1		SPACER, 1/4"	3
23	14390-G4		LOCK NUT, 1/4 - 20.....	3
24	74298-G01		WIRE HARNESS (SOLENOID to RECEPTACLE) (INCLUDES 25-28)	1
25	25977-G63		16 GA WIRE (GREEN, 14")	1
26	25977-G64		16 GA WIRE (WHITE, 14")	1
27	25977-G65		16 GA WIRE (BLACK, 14")	1
28	20436-G1		FLEX LOOM, 4" (BULK).....	1
29	74291-G01		WIRE HARNESS (SOLENOID to FRONT WINCH) (INCLUDES 30-33)	1
30	25973-G05		8 GA WIRE (BLACK, 102")	1

When ordering parts, please specify the model and serial number of the product.
 * Indicates a component that is not available as an individual part.
 G** Indicates consult Customer Service Department for additional information.

ITEM	PART NO.	1 2 3 4 5	DESCRIPTION	QTY.
31	25973-G06		8 GA WIRE (RED, 102")	1
32	18833-G1		FLEX LOOM, 84" (BULK).....	1
33	73235-G01		CONNECTOR	1
34	74285-G01		RECEPTACLE WITH LEADS (GREEN, WHITE, BLACK)	1
35	*		CIRCUIT BREAKER WITH BRACKET.....	1
36	00414-G5		BOLT, 1/4 - 20 X 5/8" LG.....	2
37	14390-G4		LOCK NUT, 1/4 - 20	2
38				
39				
40	74289-G01		CONNECTOR MOUNT PLATE.....	1
41	14601-G5		RIVET, 3/16 X 13/32" LG (STAINLESS STEEL)	2
42	00559-G4		WASHER, #8.....	2
43	00156-G8		SCREW, #10 - 32 X 1" LG	2
44	00526-G4		NUT, #10 - 32	2
45				
46				
<p>The following items are replacement components for the winch. For service or replacement parts, contact Superwinch, Inc., Winch Drive, Putnam, CT 06260 Phone: (860) 928-7787, FAX: (860) 928-1143</p> <p>Always provide the following information when requesting information or ordering replacement parts:</p> <p>Winch Part Number: T1500 Serial Number: (found on housing) Part Number and Description</p>				
47	87-10490		KNOB ASSEMBLY, T-SERIES F/W	1
48	87-22381		TENSION PLATE	1
49	87-23149-05		NUT, HEX, FLANGED, M5 X 0.8.....	2
50	89-22291-01		SCREW, ST HEX SKY FH, M6 X 1 X 20	2
51	87-22394		BASEPLATE ASSEMBLY, T-SERIES.....	1
52	AS REQ'D		WASHER, .020 OR .030 THICK	A/R
53	87-10466		BUSHING, T-SERIES.....	1



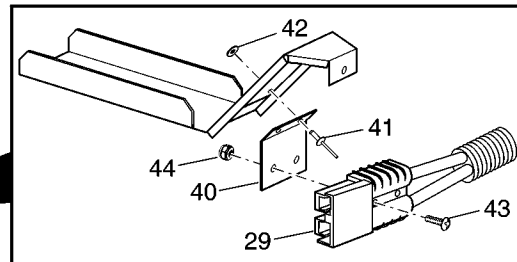
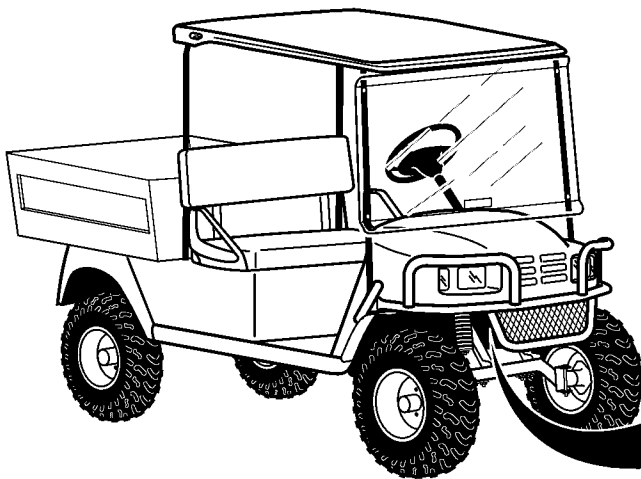
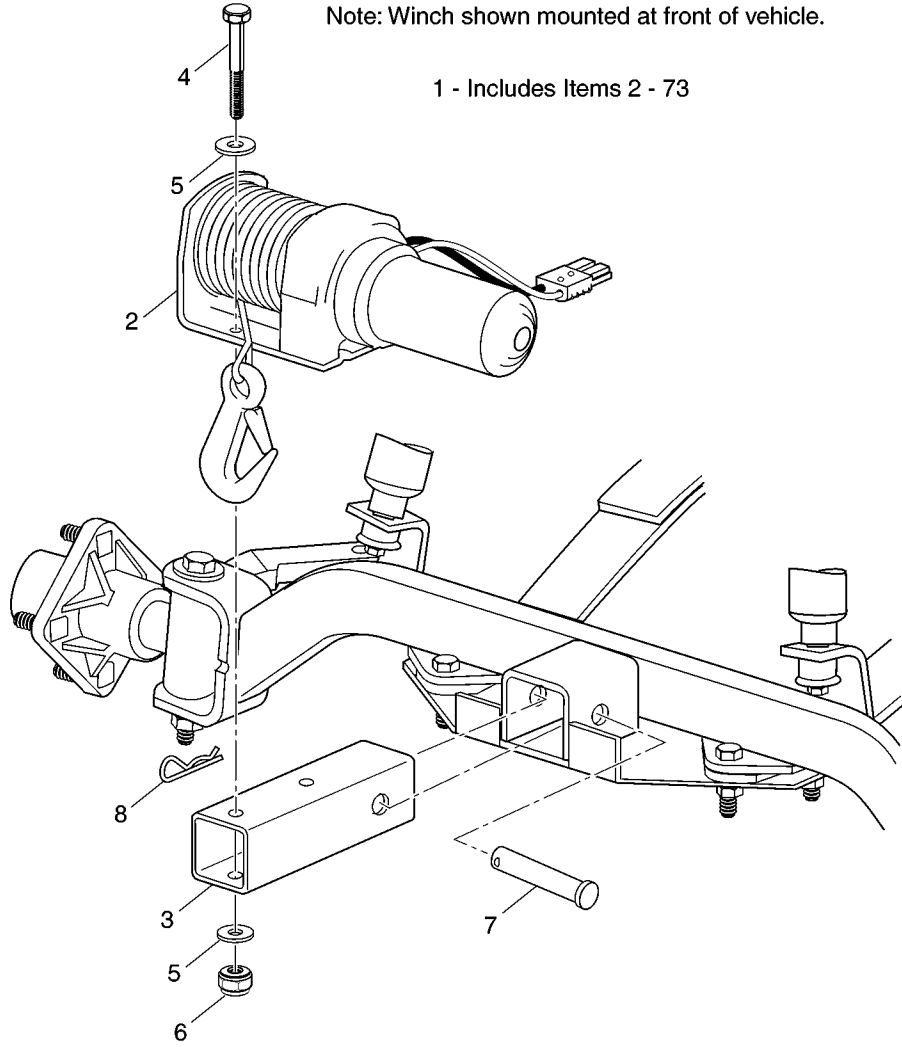
When ordering parts, please specify the model and serial number of the product.
 * Indicates a component that is not available as an individual part.
 G** Indicates consult Customer Service Department for additional information.

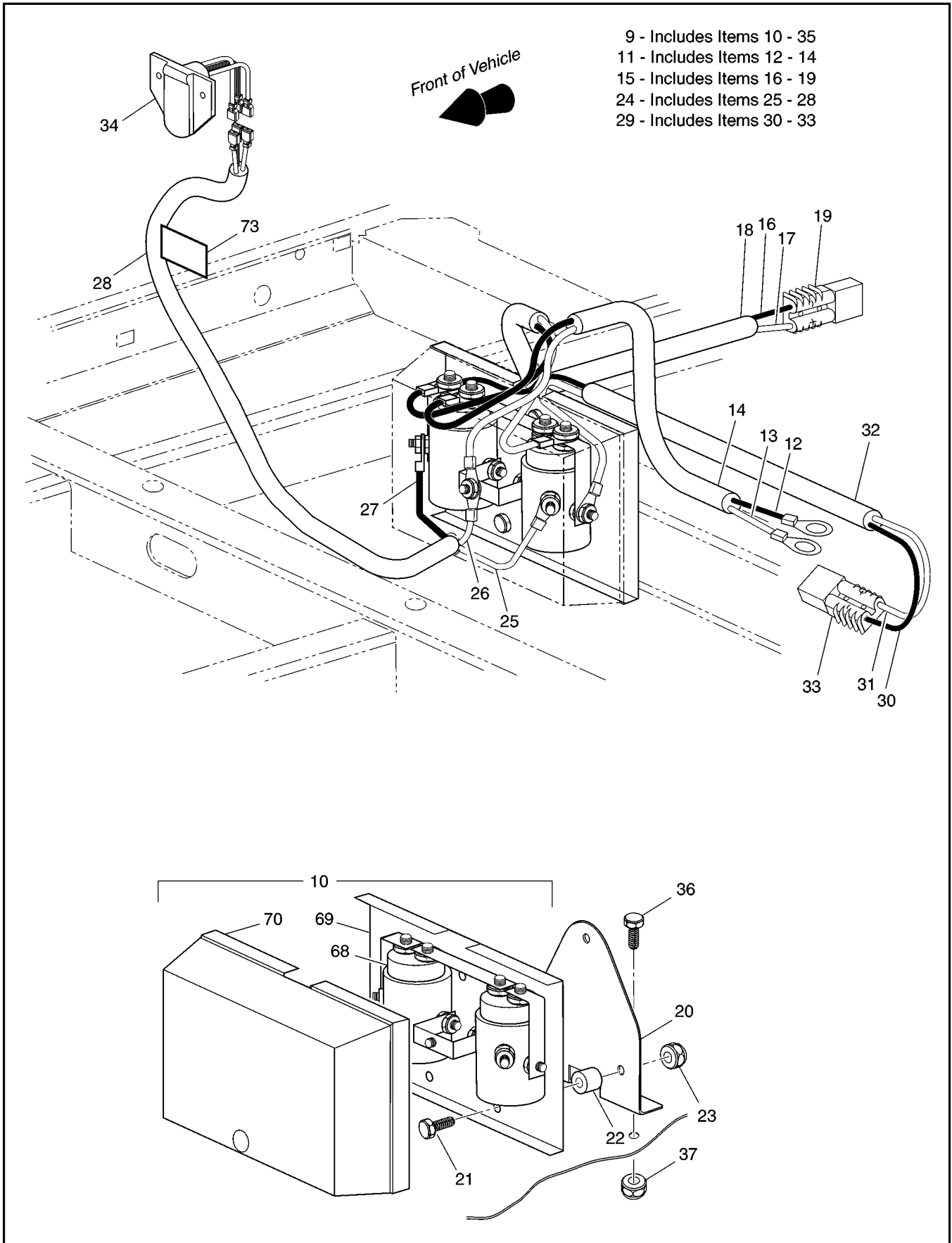
ITEM	PART NO.	1 2 3 4 5	DESCRIPTION	QTY.
54	87-23309-01		SET SCREW, M5 X 0.8 X 6	1
55	87-22397		DRUM ASSEMBLY	1
56	87-10470		DRUM SUPPORT BUSHING.....	1
57	87-33257		DRUM SUPPORT PLATE	1
58	87-23030-10		SCREW, ST PAN HEAD, M4 X 0.7 X 10.....	4
59	87-33251		ROTATOR GEAR, T-SERIES.....	1
60	87-22380		CARRIER ASSEMBLY, T-SERIES	1
61	87-22396		STATIONARY GEAR HOUSING ASSEMBLY, T-SERIES.....	1
62	87-33249		MOTOR, 12 VOLT	1
63	87-22401		MOTOR PINION GEAR	1
64	1535A		WIRE ROPE AND HOOK ASSEMBLY, 5/32" X 25 FEET	1
65	89-32300		HANSAVER BAR.....	1
66	90-22873-03		CIRCUIT BREAKER ASSEMBLY, 12 VOLT, T-SERIES.....	1
67	90-22117		REMOTE CONTROL ASSEMBLY	1
68	92-20172		SOLENOID, 12 VOLT.....	2
69	90-32070		SOLENOID BACK PLATE.....	1
70	90-31079		SOLENOID COVER.....	1
71				
72				
73	71489-G01		LABEL (READ INSTRUCTIONS).....	1

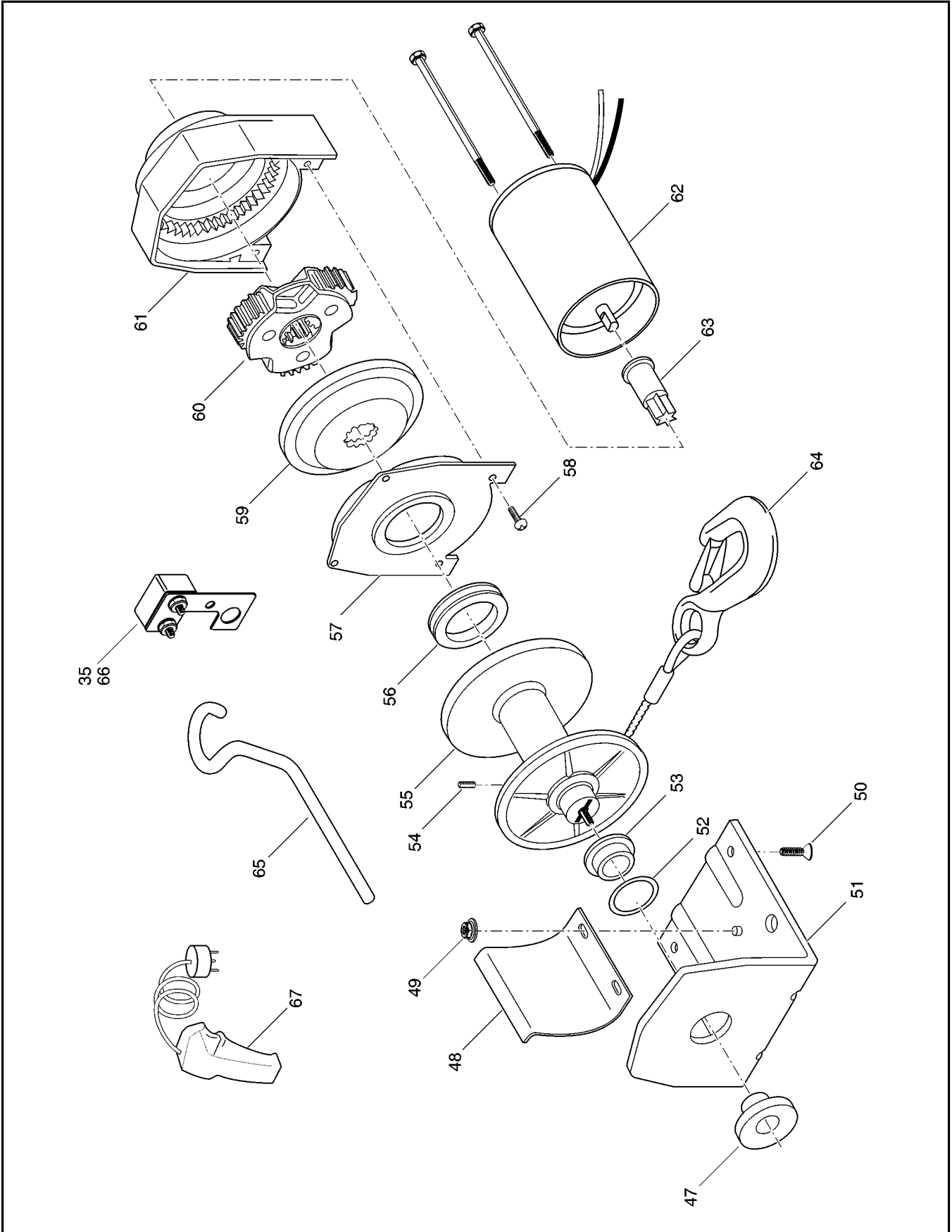


Note: Winch shown mounted at front of vehicle.

1 - Includes Items 2 - 73







When ordering parts, please specify the model and serial number of the product.

* Indicates a component that is not available as an individual part.

G** Indicates consult Customer Service Department for additional information.

ITEM	PART NO.	1 2 3 4 5	DESCRIPTION	QTY.
1	74259-G02		WINCH KIT (INCLUDES ITEMS 2 - 73).....	1
2	74299-G01		WINCH ASSEMBLY, T1500	1
3	74271-G01		WINCH MOUNTING TUBE	1
4	00440-G6		BOLT, 5/16 - 18 X 2 3/4" LG	2
5	00571-G2		WASHER, 5/16".....	4
6	00891-G3		LOCK NUT, 5/16 - 18.....	2
7	21317-G01		CLEVIS PIN, 5/8" x 3" LG.....	1
8	21683-G1		COTTER PIN, 15/32" x 2 11/16" LG.....	1
9	74286-G02		REMOTE SOLENOID (INCLUDES ITEMS 10 - 35).....	1
10	74256-G02		SOLENOID KIT	1
11	74327-G01		WIRE HARNESS (SOLENOID to BATTERY) (INCLUDES 12 - 14).....	1
12	25973-G07		8 GA WIRE (BLACK, 30")	1
13	25973-G08		8 GA WIRE (RED, 30")	1
14	18833-G1		FLEX LOOM, 20" (BULK).....	1
15	74328-G01		WIRE HARNESS (SOLENOID to REAR WINCH) (INCLUDES 16 - 19)	1
16	25973-G09		8 GA WIRE (BLACK, 67")	1
17	25973-G10		8 GA WIRE (RED, 67")	1
18	18833-G1		FLEX LOOM, 42" (BULK).....	1
19	73235-G01		CONNECTOR	1
20	74326-G01		MOUNTING BRACKET.....	1
21	00414-G6		BOLT, 1/4 - 20 X 3/4" LG	3
22	23726-G1		SPACER, 1/4"	3
23	14390-G4		LOCK NUT, 1/4 - 20	3
24	74298-G01		WIRE HARNESS (SOLENOID to RECEPTACLE) (INCLUDES 25-28) .	1
25	25977-G63		16 GA WIRE (GREEN, 14")	1
26	25977-G64		16 GA WIRE (WHITE, 14")	1
27	25977-G65		16 GA WIRE (BLACK, 14")	1
28	20436-G1		FLEX LOOM, 4" (BULK).....	1
29	74329-G01		WIRE HARNESS (SOLENOID to FRONT WINCH) (INCLUDES 30-33)	1
30	25973-G11		8 GA WIRE (BLACK, 94")	1



When ordering parts, please specify the model and serial number of the product.
 * Indicates a component that is not available as an individual part.
 G** Indicates consult Customer Service Department for additional information.

ITEM	PART NO.	1	2	3	4	5	DESCRIPTION	QTY.
31	25973-G12						8 GA WIRE (RED, 94")	1
32	18833-G1						FLEX LOOM, 84" (BULK).....	1
33	73235-G01						CONNECTOR	1
34	74285-G01						RECEPTACLE WITH LEADS (GREEN, WHITE, BLACK)	1
35	*						CIRCUIT BREAKER WITH BRACKET	1
36	00414-G5						BOLT, 1/4 - 20 X 5/8" LG	2
37	14390-G4						LOCK NUT, 1/4 - 20.....	2
38								
39								
40	74289-G01						CONNECTOR MOUNT PLATE	1
41	14601-G5						RIVET, 3/16 X 13/32" LG (STAINLESS STEEL).....	2
42	00559-G4						WASHER, #8.....	2
43	00156-G8						SCREW, #10 - 32 X 1" LG.....	2
44	00526-G4						NUT, #10 - 32	2
45								
46								
<p>The following items are replacement components for the winch. For service or replacement parts, contact Superwinch, Inc., Winch Drive, Putnam, CT 06260 Phone: (860) 928-7787, FAX: (860) 928-1143</p> <p>Always provide the following information when requesting information or ordering replacement parts:</p> <p>Winch Part Number: T1500 Serial Number: (found on housing) Part Number and Description</p>								
47	87-10490						KNOB ASSEMBLY, T-SERIES F/W	1
48	87-22381						TENSION PLATE	1
49	87-23149-05						NUT, HEX, FLANGED, M5 X 0.8.....	2
50	89-22291-01						SCREW, ST HEX SKY FH, M6 X 1 X 20.....	2
51	87-22394						BASEPLATE ASSEMBLY, T-SERIES.....	1
52	AS REQ'D						WASHER, .020 OR .030 THICK.....	A/R
53	87-10466						BUSHING, T-SERIES.....	1



When ordering parts, please specify the model and serial number of the product.
 * Indicates a component that is not available as an individual part.
 G** Indicates consult Customer Service Department for additional information.

ITEM	PART NO.	1	2	3	4	5	DESCRIPTION	QTY.
54	87-23309-01						SET SCREW, M5 X 0.8 X 6.....	1
55	87-22397						DRUM ASSEMBLY.....	1
56	87-10470						DRUM SUPPORT BUSHING.....	1
57	87-33257						DRUM SUPPORT PLATE.....	1
58	87-23030-10						SCREW, ST PAN HEAD, M4 X 0.7 X 10.....	4
59	87-33251						ROTATOR GEAR, T-SERIES.....	1
60	87-22380						CARRIER ASSEMBLY, T-SERIES.....	1
61	87-22396						STATIONARY GEAR HOUSING ASSEMBLY, T-SERIES.....	1
62	87-33249						MOTOR, 12 VOLT.....	1
63	87-22401						MOTOR PINION GEAR.....	1
64	1535A						WIRE ROPE AND HOOK ASSEMBLY, 5/32" X 25 FEET.....	1
65	89-32300						HANSAVER BAR.....	1
66	90-22873-03						CIRCUIT BREAKER ASSEMBLY, 12 VOLT, T-SERIES.....	1
67	90-22117						REMOTE CONTROL ASSEMBLY.....	1
68	92-20172						SOLENOID, 12 VOLT.....	2
69	90-32070						SOLENOID BACK PLATE.....	1
70	90-31079						SOLENOID COVER.....	1
71								
72								
73	71489-G01						LABEL (READ INSTRUCTIONS).....	1



SPECIALTY PRODUCTS

SPECIALTY PRODUCTS

SPECIALTY PRODUCTS

SPECIAL TOOLS	Part No.
DRIVE CLUTCH PULLER	19779-G2
FLYWHEEL PULLER.....	27111-G01
CAM PULLER.....	27851-G01
TACHOMETER.....	72526-G01
FEELER GAUGE.....	72525-G01
COMPRESSION TESTER.....	72524-G01
ENGINE REBUILD MANUAL	27615-G01
REAR AXLE REBUILD MANUAL	27660-G01
CURRENT INDICATOR.....	16489-G1
DIGITAL MULTI-METER.....	27481-G01
CRIMPING TOOL	27765-G01
SLIDE HAMMER (AXLE/HUB REMOVAL).....	15947-G1
SLIDE HAMMER (AXLE REMOVAL ONLY)	18753-G1

PERFORMANCE PRODUCTS

BATTERY PROTECTOR, 14 OZ AEROSOL	75500-G01
CARBURETOR & CHOKE CLEANER, 15 OZ AEROSOL	75501-G01
WHITE LITHIUM GREASE, 14 OZ AEROSOL	75502-G01
PENETRANT/LUBRICANT, 15 OZ AEROSOL.....	75503-G01
MULTI-PURPOSE CLEANER & DEGREASER, 14 OZ AEROSOL	75504-G01
MULTI-PURPOSE HAND CLEANER, 32 OZ LIQUID	75505-G01
BATTERY CLEANER, 32 OZ W/TRIGGER SPRAYER	75506-G01
BIODEGRADABLE CLEANER, 32 OZ W/TRIGGER SPRAYER.....	75507-G01
MULTI-PURPOSE VALUE PACK.....	75508-G01
<ul style="list-style-type: none"> •BATTERY PROTECTOR, 4 OZ AEROSOL •PENETRANT/LUBRICANT, 4 OZ AEROSOL •WHITE LITHIUM GREASE, 4 OZ AEROSOL •CARBURETOR & CHOKE CLEANER, 4 OZ AEROSOL 	

PAINT

HUNTER GREEN - TOUCH-UP PEN.....	28432-G02
HUNTER GREEN - 12 OZ. AEROSOL.....	28140-G09

ENGINE OIL

4-CYCLE ENGINE OIL, 10W-30, 5 GALLON.....	25730-G03
4-CYCLE ENGINE OIL, 10W-30, 12 QUART CASE	25730-G04
4-CYCLE ENGINE OIL, 10W-30, QUART BOTTLE	25730-G06

ACCESSORIES

ACCESSORIES LIST

ACCESSORIES

ACCESSORIES LISTING	KIT NO.	LOCATION IN MANUAL
ASHTRAY KIT.....	75109-G02	See BODY
BALL HITCH KIT.....	75326-G02	See BODY
BALL HITCH RECEIVER KIT	74270-G01	See BODY
“C” HITCH KIT.....	75327-G02	See BODY
DEFROSTER/COOLING FAN	74248-G01	See CAB
DOME LIGHT.....	20495-G2	See CAB
DOOR SET (STEEL)	74241-G0*	See CAB
DOOR SET (VINYL)	74242-G01	See CAB
GLOVE BOX	75459-G01	See BODY
HOUR METER KIT	75114-G02	See ELECTRICAL SYSTEM
INSIDE MIRROR	27924-G01	See CAB
INSTRUMENT/SWITCH PANEL.....	74250-G01	See CAB
REAR VIEW MIRROR KIT (REQUIRES SUN TOP KIT)	19528-G2	See WEATHER PROTECTION
SOFT ENCLOSURE (3 SIDED).....	75367-G0*	See WEATHER PROTECTION
STEEL CAB, W/O DOORS.....	74294-G0*	See CAB
STROBE LIGHT.....	74245-G01	See CAB
SUN TOP KIT.....	75350-G02	See WEATHER PROTECTION
TURN SIGNAL KIT	75107-G02	See ELECTRICAL SYSTEM
WINCH.....	74259-G01	See WINCH
WINDSHIELD KIT (REQUIRES SUN TOP KIT)	71966-G01	See WEATHER PROTECTION
SPLIT WINDSHIELD KIT (REQUIRES SUN TOP KIT).....	71966-G02	See WEATHER PROTECTION
WINDSHIELD WIPER.....	74244-G01	See CAB
WORK LIGHTS.....	74247-G01	See CAB
WORK LIGHT WITH LIGHTS	75354-G01	See ELECTRICAL SYSTEM
WORK LIGHT WITH STROBE	75354-G02	See ELECTRICAL SYSTEM
WORK LIGHT WITH LIGHTS AND STROBE.....	75354-G03	See ELECTRICAL SYSTEM
ALUMINUM TOOLBOX.....	75454-G02	See TRUCKBED



a **TEXTRON** Company

E-Z-GO Division of Textron Inc.

P.O. Box 388 Augusta, Georgia USA 30903-0388

Inside USA Phone: 1-800-227-7029, FAX: 1-800-752-6175

Outside USA Phone: 010-1-706-798-4311, FAX: 010-1-706-771-4601

Copyrighted Material
This manual may not be reproduced in whole or
in part without the express permission of
E-Z-GO Division of Textron Inc.
Technical Communications Department