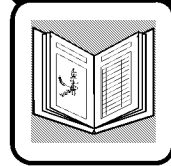


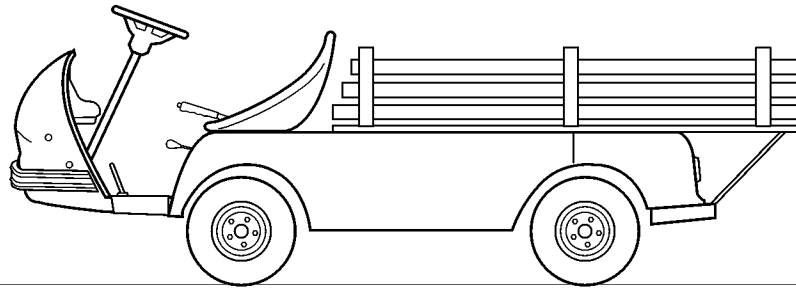
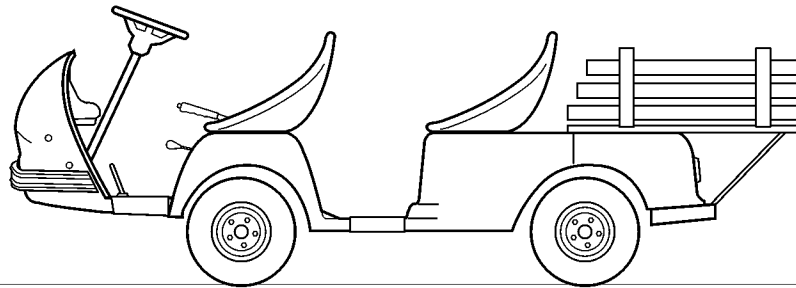
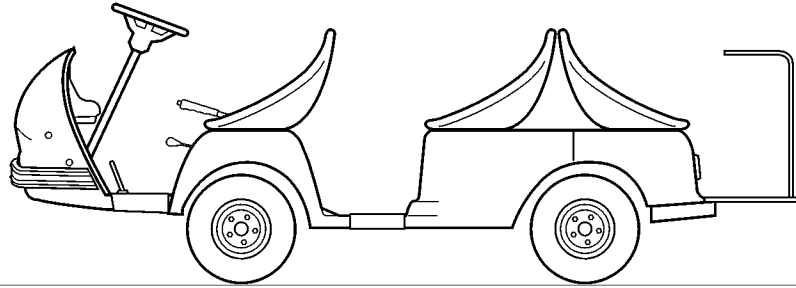
34887-G01



a **TEXTRON** Company



# SERVICE PARTS MANUAL



## **GASOLINE POWERED CARGO AND PERSONNEL CARRIERS (950 SERIES)**

STARTING MODEL YEAR: 1999

REVISED: 11/2000



# **SERVICE PARTS MANUAL**

## **GASOLINE POWERED CARGO AND PERSONNEL CARRIERS (950 SERIES)**

### **VEHICLES**

**SHUTTLE 952G**

**SHUTTLE 954G**

**SHUTTLE 956G**

E-Z-GO Division of Textron reserves the right to make design changes without obligation to make these changes on units previously sold and the information contained in this manual is subject to change without notice.

E-Z-GO Division of Textron is not liable for errors in this manual or for incidental or consequential damages that result from the use of the material in this manual.

**CUSTOMER SERVICE DEPARTMENT IN USA PHONE: 1-800-241-5855 FAX: 1-800-448-8124**

**OUTSIDE USA PHONE: 010-1-706-798-4311, FAX: 010-1-706-771-4609**

**E-Z-GO DIVISION OF TEXTRON, INC., P.O.BOX 388, AUGUSTA, GEORGIA USA 30903-0388**



## **NOTES**

To obtain a copy of the limited warranty applicable to the vehicle, call or write a local distributor, E-Z-GO Branch or the E-Z-GO Warranty Department with vehicle serial number and manufacturer code.

The use of non E-Z-GO parts may void the warranty.

Tampering with or adjusting the governor to permit vehicle to operate at above factory specifications will void the vehicle warranty.

When servicing engines, all adjustments and replacement components must be per original vehicle specifications in order to maintain Federal and State emission certification.

### **BATTERY PROLONGED STORAGE**

All batteries will self discharge over time. The rate of self discharge varies depending on the ambient temperature and the age and condition of the batteries.

A fully charged battery will not freeze in winter temperatures unless the temperature falls below -75° F (-60° C).

# GENERAL INDEX

SECTION	Page No.
---------	----------

How to use the <b>E-Z-GO</b> Service Parts Manual	vii
---	-----

Illustration	Page No.
--------------	----------

## ACCELERATOR

- Pedal Box Assembly ..... A-1
- Accelerator Pedal ..... A-1
- Choke Cable ..... A-2
- Linkages ..... A-2
- Governor ..... A-2

AIR FILTER ..... B-1

## BODY

- Front Bumper, Name Plate, Cowl, Front Floor Pan and Instrument Panel ..... C-1
- Floorboard, Floormat and Rocker Panels (Front) ..... C-2
- Front Housing and Parking Brake Cover ..... C-2
- Floorboard, Floormat and Rocker Panels (Rear) ..... C-3
- Rear Hinged Housing and Wheel Well Shields ..... C-3
- Rear Stationary Housing, Bumper Caps and Nameplate ..... C-4
- Rear Foot Rest ..... C-4
- Side Panel ..... C-5

## BRAKES

- Service Brake, Master Cylinder, Front Hydraulic Disc Brake Lines and Hoses ..... D-1
- Brake Lines ..... D-2
- Parking Brake ..... D-3
- Wheel Brake ..... D-4

CARBURETOR ..... E-1

## CARGO DECKS AND HITCHES

- 954 Cargo Deck Components ..... F-1
- 952 Cargo Deck Components ..... F-2
- 952 Stake Sides and Hitches ..... F-3

CLUTCHES ..... G-1

DIRECTION SELECTOR ..... H-1

## ELECTRICAL

- Battery and Fuse Block ..... J-1



# GENERAL INDEX

• Control Harness.....	J-2
• Electrical Plate.....	J-3
• Pulser Coil and Ignition Coil.....	J-4
• Turn Signal Switch, Horn, and Taillights .....	J-5
• Accessory Harness.....	J-6
• Headlight .....	J-7
• Ignition Switch, Oil/Fuel Light, Fuel Gauge, and Hour Meter.....	J-8
<b>ENGINE AND MUFFLER</b>	
• Engine.....	K-1
• Muffler.....	K-1
• Engine Mount.....	K-2
<b>FRONT SUSPENSION / BRAKES</b>	
• Front Axle, Leaf Springs and Shock Absorbers.....	L-1
• Front Hydraulic Disc Brakes .....	L-2
<b>FUEL SYSTEM</b>	
• Fuel Tank and Lines.....	M-1
• Fuel Pump .....	M-1
REAR AXLE .....	N-1
<b>REAR SUSPENSION</b>	
• Leaf Springs.....	P-1
• Shock Absorbers .....	P-1
<b>SEATS</b>	
• Driver Seat (952, 954, 956) .....	Q-1
• Rear, Forward-Facing Seat (954, 956) .....	Q-2
• Rear, Rear-Facing Seat (956).....	Q-3
STARTER/GENERATOR.....	R-1
STEERING.....	S-1
<b>WEATHER PROTECTION</b>	
• Sun Top.....	T-1
• Windshield .....	T-2
• Weather Enclosure .....	T-3
WHEELS AND TIRES.....	T-1

# GENERAL INDEX

**SPECIALTY PRODUCTS** ..... Appendix A

- Special Tools
- Paint
- Performance Products

**ACCESSORIES** ..... Appendix B

- Accessories Listing





# HOW TO USE THE E-Z-GO SERVICE PARTS MANUAL

This manual is divided into several sections:

- GENERAL INFORMATION
- ILLUSTRATED PARTS BREAKDOWN
- APPENDIX

The first section, GENERAL INFORMATION, contains the following information:

- WARRANTY INFORMATION
- GENERAL INDEX
- HOW TO USE THE E-Z-GO SERVICE PARTS MANUAL

The second section, ILLUSTRATED PARTS BREAKDOWN, contains illustrations and parts lists for all systems of your vehicle.

The third section, APPENDIX, contains a listing of specialty products and accessories.

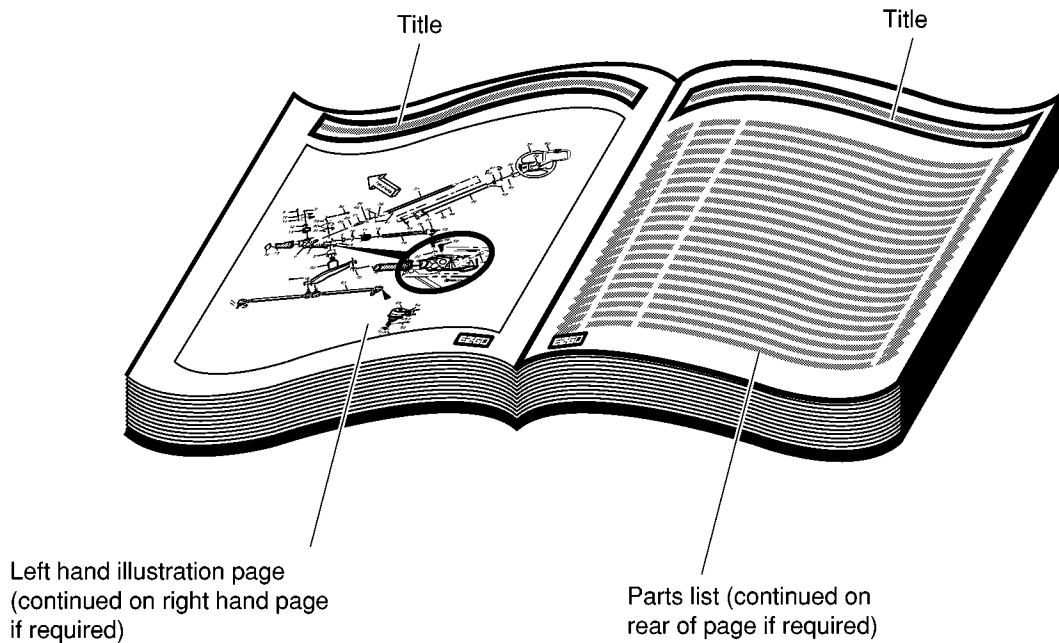
## USE OF THE MANUAL

To use this manual, consult the GENERAL INDEX to locate the information or illustration required.

Introduction of some revisions varies due to supply of components; therefore, it is possible that various combinations of components may be found that are not directly reflected by each illustration. Consult the illustration that best suits your situation and then contact the Service Parts Department. It is important that the serial number of your vehicle and its model number be supplied to Service Parts when ordering any replacement components.

Locate the serial number plate (see BODY located in the Illustrated Parts Breakdown section of this manual for its location) and note the complete number shown on the plate.

# HOW TO USE THE E-Z-GO SERVICE PARTS MANUAL



## 1. WHEN THE PART NUMBER IS NOT KNOWN

- Determine the function and application of the part required. Turn to the General Index and select the most appropriate title.
- Turn to the page number indicated and locate the desired part on the illustration.
- From the illustration, obtain the item number assigned to the desired part. Refer to the accompanying description for specific information regarding the part.

## 2. IF YOU KNOW THE PART NUMBER

- Locate the part number or description in the appropriate column on the parts list page.

**NOTE:** It is suggested that you confirm that the part selected is correct by verifying it with the pictorial representation on the illustrated page.

Should an asterisk (\*) appear in the part number column on the parts list page, read upwards until a part number is found. The part number is the lowest assembly sold by E-Z-GO and the asterisk (\*) indicates that the part depicted is not available for sale by E-Z-GO.

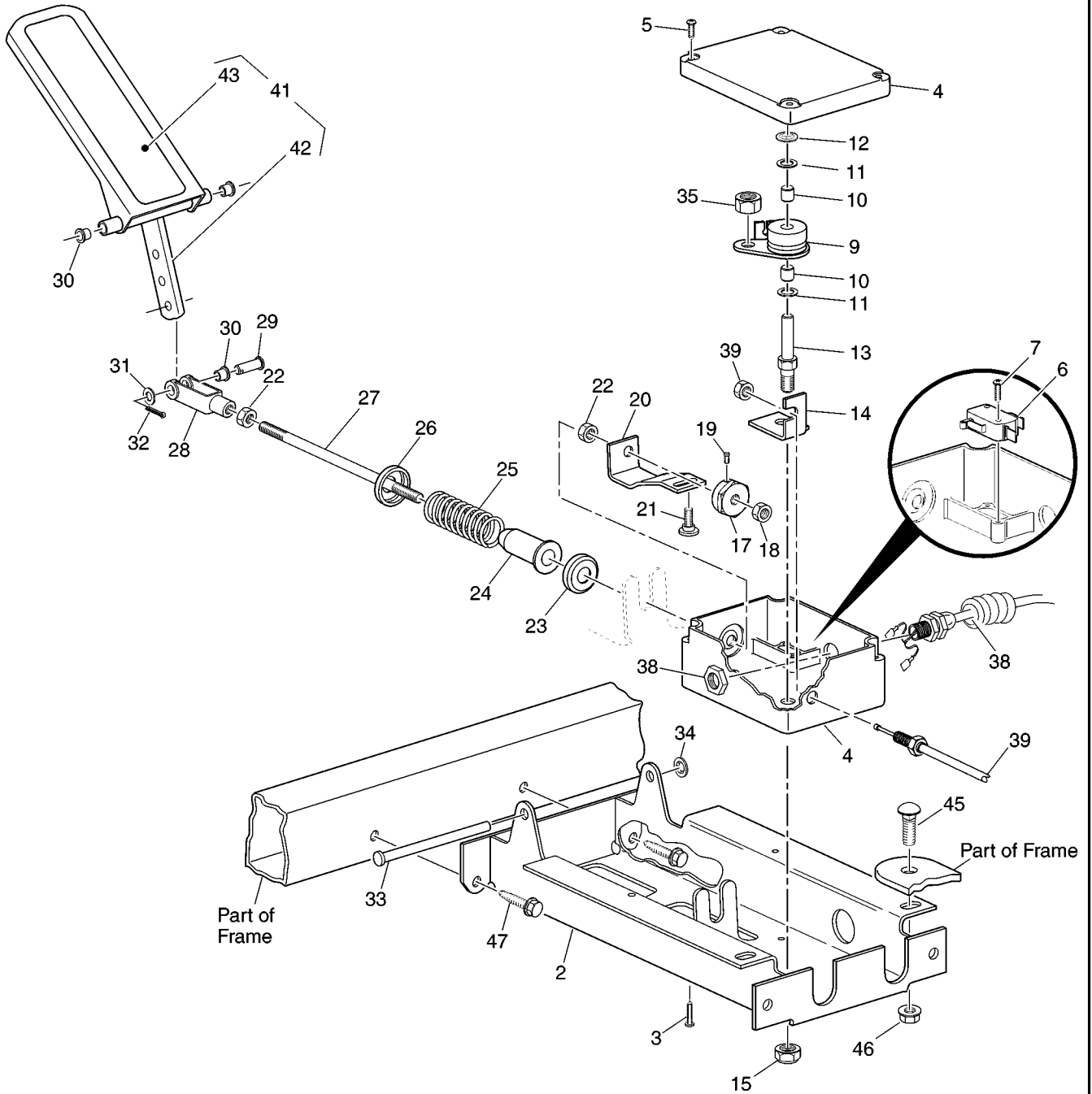
**NOTE:** Descriptions are indented under the assembly that they are used on. That assembly is, in turn listed under the assembly that it is used on. This process is repeated until the highest final assembly is reached.

**To facilitate the maintenance and repair of the vehicle, a Technician's Repair and Service Manual is available from the E-Z-GO Service Parts Department.**

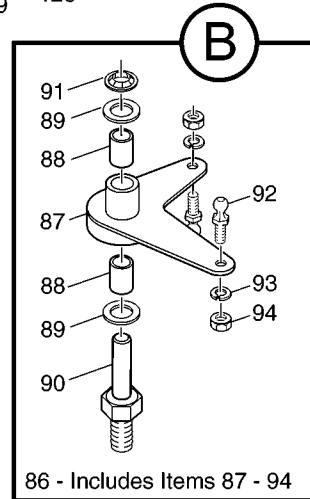
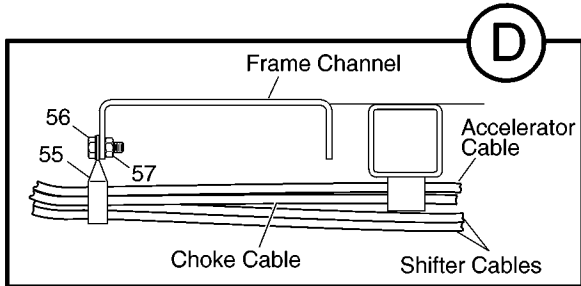
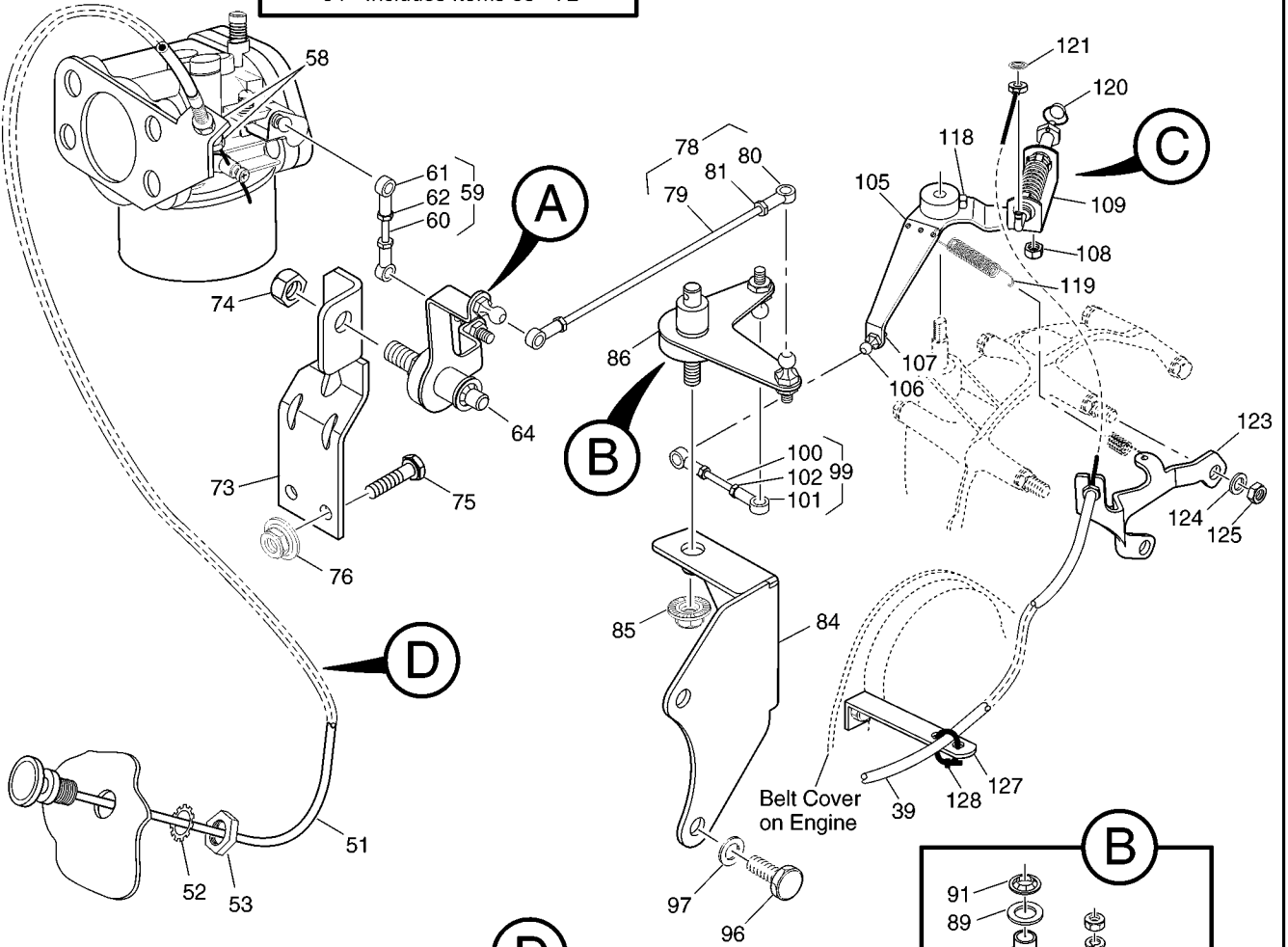
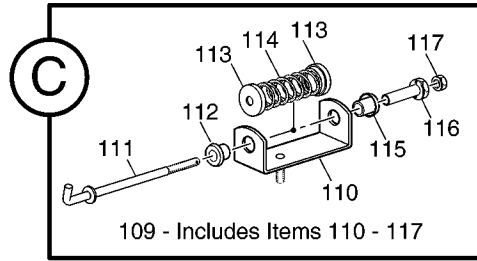
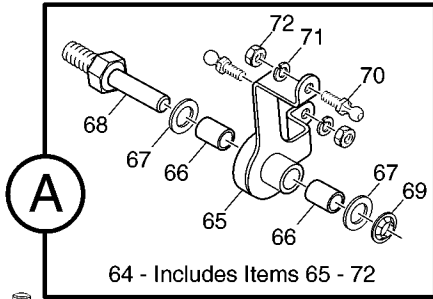
# ILLUSTRATED PARTS BREAKDOWN

# ILLUSTRATED PARTS BREAKDOWN

1 - Includes Items 2 - 43



83 - Includes Items 84 - 94  
 104 - Includes Items 105 - 117



When ordering parts, please specify the model and serial number of the product.

\* Indicates a component that is not available as an individual part.

G\*\* Indicates consult Customer Service Department for additional information.

ITEM	PART NO.	1 2 3 4 5	DESCRIPTION	QTY.
1	72062-G04		PEDAL BOX ASSEMBLY (INCLUDES ITEMS 2 - 43) .....	1
2	70116-G01		ACCELERATOR PEDAL BRACKET.....	1
3	00984-G01		SCREW, #8 - 10 X 1/2" LG .....	4
4	25853-G02		PEDAL BOX AND COVER .....	1
5	00684-G6		SCREW, #8 - 32 X 3/4" LG .....	4
6	25861-G01		MICRO SWITCH.....	1
7	00982-G01		SCREW, #4 - 14 X 5/8" LG .....	2
8				
9	72066-G01		CONTROL ARM .....	1
10	23860-G1		BEARING.....	2
11	24621-G1		NYLON WASHER, 5/16".....	2
12	12064-G1		PUSH NUT, 5/16".....	1
13	25768-G01		PIVOT ROD .....	1
14	72199-G01		PIVOT BOX AND COVER .....	1
15	14390-G1		LOCK NUT, 3/8 - 24.....	1
16				
17	72198-G01		MICRO SWITCH CAM.....	1
18	00550-G4		LOCK NUT, 5/16 - 24 .....	3
19	00487-G3		SETSCREW, 1/4 - 20 X 3/8" LG .....	1
20	72074-G01		CONTROL ARM LINK .....	1
21	72225-G01		SHOULDER BOLT, #10 - 24 X 11/16" LG.....	1
22	00532-G4		NUT, 5/16 - 24.....	2
23	17677-G1		SPRING RETAINER .....	1
24	17979-G1		ACCELERATOR ROD BUSHING.....	1
25	73046-G01		COMPRESSION SPRING .....	1
26	17677-G2		SPRING RETAINER .....	1
27	72072-G01		ACCELERATOR ROD .....	1
28	10385-G4		CLEVIS YOKE (ADJUSTABLE).....	1
29	10386-G3		CLEVIS PIN, 5/16" X 1" LG .....	1
30	17838-G1		NYLON BUSHING .....	3

When ordering parts, please specify the model and serial number of the product.

\* Indicates a component that is not available as an individual part.

G\*\* Indicates consult Customer Service Department for additional information.

ITEM	PART NO.	1	2	3	4	5	DESCRIPTION	QTY.
31	17255-G1						TEFLON WASHER, 5/16".....	1
32	10387-G3						COTTER PIN, 3/32" X 3/4" LG .....	1
33	70134-G01						PEDAL PIVOT PIN .....	1
34	00986-G01						PUSH NUT, 9/32" .....	1
35	14390-G10						LOCK NUT, #10 - 24.....	1
36	12730-G1						WHEEL BEARING GREASE (NOT ILLUSTRATED).....	A/R
37								
38	34204-G01						WIRE HARNESS (PEDAL BOX) .....	1
39	34043-G01						ACCELERATOR CABLE .....	1
40								
41	34437-G01						ACCELERATOR PEDAL ASSEMBLY (INCLUDES ITEMS 42 - 43) .....	1
42	*						ACCELERATOR PEDAL .....	1
43	71764-G02						PEDAL PAD .....	1
44								
45	00827-G8						CARRIAGE BOLT, 1/4 - 20 X 1" LG .....	2
46	11027-G2						LOCK NUT, 1/4 - 20 .....	2
47	00715-G2						BOLT, 5/16 - 18 X 13/16" LG.....	2
48								
49								
50								
51	34042-G01						CHOKE CABLE.....	1
52	00568-G4						LOCK WASHER, 9/16" .....	1
53	00545-G4						NUT, 9/16 - 18.....	1
54								
55	27327-G01						CLAMP.....	1
56	00414-G6						BOLT, 1/4 - 20 X 3/4" LG.....	1
57	11027-G2						LOCK NUT, 1/4 - 20 .....	1
58	00544-G4						NUT, 5/16 - 24.....	2
59	25737-G01						CARBURETOR LINKAGE ROD (INCLUDES ITEMS 60 - 62).....	1
60	23722-G1						ADJUSTING ROD (SHORT) .....	1



When ordering parts, please specify the model and serial number of the product.

\* Indicates a component that is not available as an individual part.

G\*\* Indicates consult Customer Service Department for additional information.

ITEM	PART NO.	1	2	3	4	5	DESCRIPTION	QTY.
61	24465-G1						BALL JOINT SOCKET .....	2
62	00526-G4						NUT, #10 - 32.....	2
63								
64	25760-G01						CARBURETOR LINKAGE BELLCRANK (INCLUDES ITEMS 65 - 72).....	1
65	25759-G01						CARBURETOR PIVOT .....	1
66	23860-G1						BEARING.....	2
67	24621-G1						NYLON WASHER, 5/16".....	2
68	25768-G01						PIVOT ROD .....	1
69	12064-G1						PUSH NUT, 5/16".....	1
70	24479-G1						BALL JOINT BALL .....	2
71	00565-G5						LOCK WASHER, #10 .....	2
72	00526-G4						NUT, #10 - 32.....	2
73	72197-G01						PIVOT BRACKET.....	1
74	14390-G1						LOCK NUT, 3/8 - 24 .....	1
75	00414-G8						BOLT, 1/4 - 20 X 1" LG .....	2
76	14390-G4						LOCK NUT, 1/4 - 20 .....	2
77								
78	25737-G02						THROTTLE LINKAGE ROD ASSEMBLY (INCLUDES ITEMS 79 - 81).....	1
79	28250-G01						ADJUSTING ROD (LONG).....	1
80	24465-G1						BALL JOINT SOCKET .....	2
81	00526-G4						NUT, #10 - 32.....	2
82								
83	25702-G01						GOVERNOR PIVOT BRACKET ASSEMBLY (INCLUDES ITEMS 84 - 94).....	1
84	25655-G01						BELLCRANK BRACKET.....	1
85	14390-G1						LOCK NUT, 3/8 - 24 .....	1
86	25763-G01						GOVERNOR PIVOT ASSEMBLY (INCLUDES ITEMS 87 - 94) .....	1
87	25762-G01						GOVERNOR PIVOT.....	1
88	23860-G1						BEARING .....	2
89	24621-G1						NYLON WASHER, 5/16" .....	2
90	25768-G01						PIVOT ROD.....	1



When ordering parts, please specify the model and serial number of the product.

\* Indicates a component that is not available as an individual part.

G\*\* Indicates consult Customer Service Department for additional information.

ITEM	PART NO.	1	2	3	4	5	DESCRIPTION	QTY.
91	12064-G1						PUSH NUT, 5/16" .....	1
92	24479-G1						BALL JOINT BALL .....	2
93	00565-G5						LOCK WASHER, #10 .....	2
94	00526-G4						NUT, #10 - 32 .....	2
95								
96	00276-G6						BOLT, 5/16 - 24 X 3/4" LG .....	2
97	00565-G8						LOCK WASHER, 5/16" .....	2
98								
99	25737-G03						GOVERNOR LINKAGE ROD (INCLUDES ITEMS 100 - 102) .....	1
100	23722-G1						ADJUSTING ROD .....	1
101	24465-G1						BALL JOINT SOCKET .....	2
102	00526-G4						NUT, #10 - 32 .....	2
103								
104	25690-G01						GOVERNOR BELLCRANK ASSEMBLY (INCLUDES ITEMS 105 - 117) .....	1
105	25765-G01						GOVERNOR BELLCRANK .....	1
106	24479-G1						BALL JOINT BALL .....	1
107	00734-G5						LOCK NUT, #10 - 32 .....	1
108	14390-G4						LOCK NUT, 1/4 - 20 .....	1
109	22751-G2						GOVERNOR BRACKET ASSEMBLY (INCLUDES ITEMS 110 - 117) .....	1
110	22752-G1						GOVERNOR BRACKET .....	1
111	25274-G1						GOVERNOR ROD .....	1
112	22754-G1						BUSHING .....	1
113	25661-G01						CUP WASHER .....	2
114	23578-G1						COMPRESSION SPRING .....	1
115	22754-G2						BUSHING .....	1
116	23859-G1						GOVERNOR ADJUSTER .....	1
117	00526-G4						NUT, #10 - 32 .....	1
118	00491-G4						SETSCREW, 1/4 - 20 X 1/2" LG .....	2
119	25738-G01						SPRING .....	1
120	25286-G1						SAFETY SEAL, 3/8" .....	1

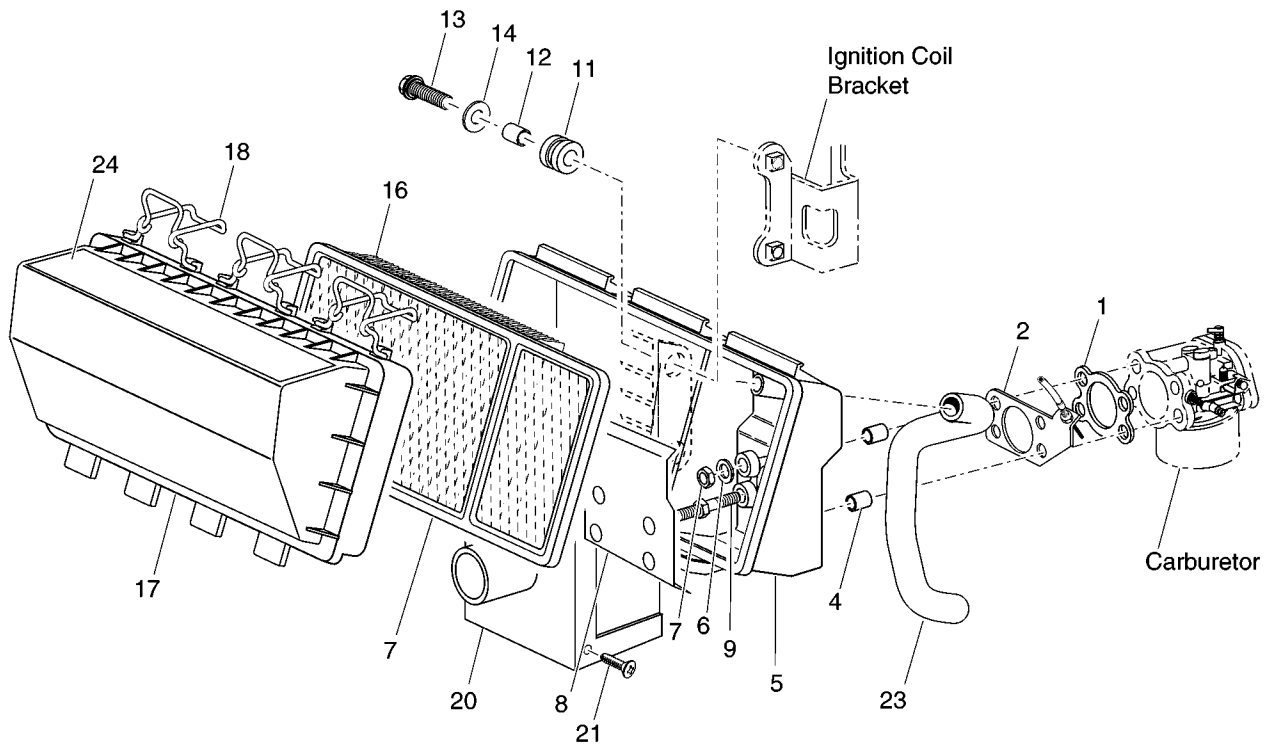


When ordering parts, please specify the model and serial number of the product.  
 \* Indicates a component that is not available as an individual part.  
 G\*\* Indicates consult Customer Service Department for additional information.

ITEM	PART NO.	1 2 3 4 5	DESCRIPTION	QTY.
121	12064-G3		PUSH NUT, 3/16" .....	1
122				
123	25653-G01		ACCELERATOR CABLE BRACKET .....	1
124	26826-G01		LOCK WASHER, M8 .....	2
125	26827-G01		NUT, M8 X 1.25 MM .....	2
126				
127	72055-G01		ACCELERATOR CABLE BRACKET .....	1
128	17618-G1		WIRE TIE .....	7



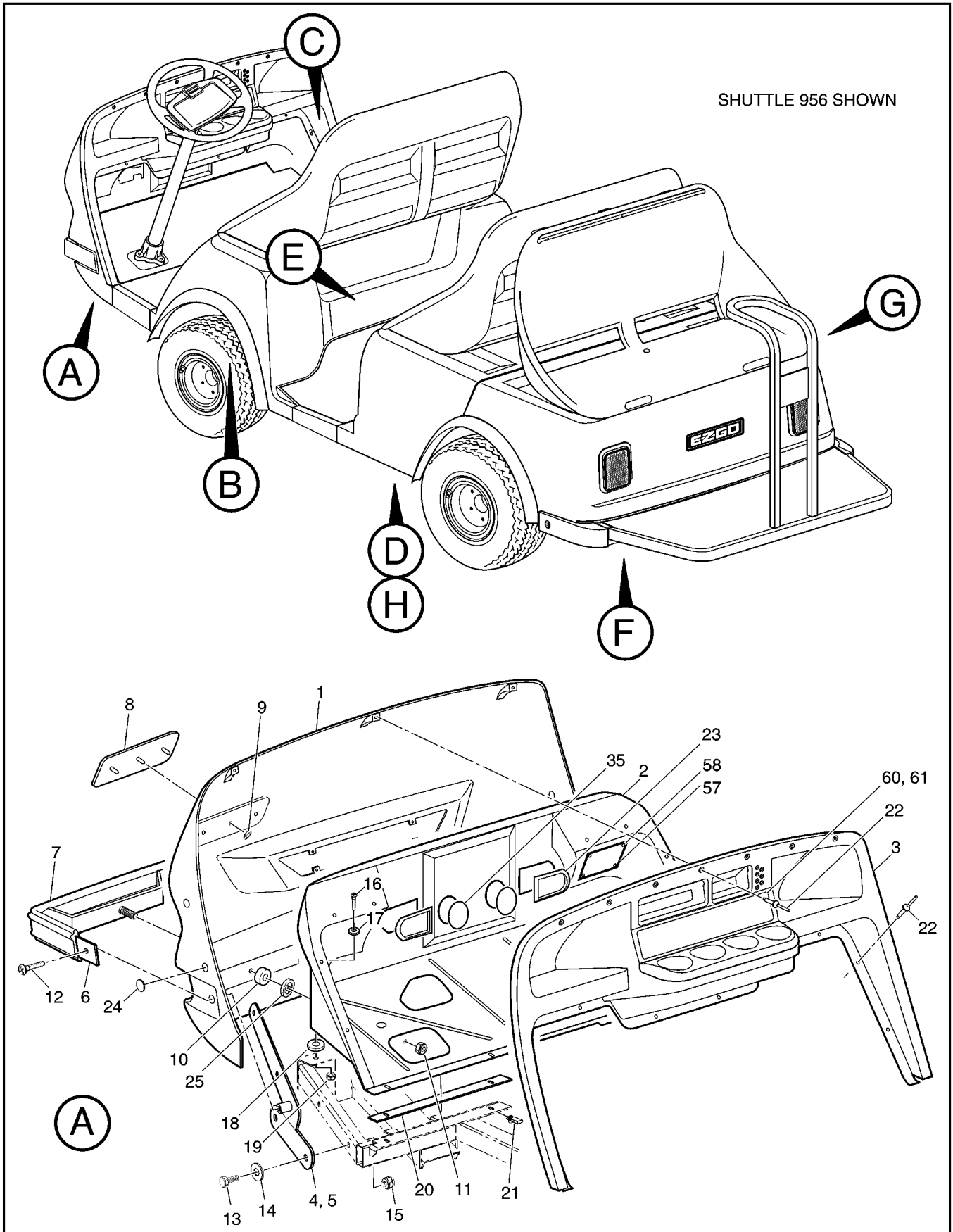


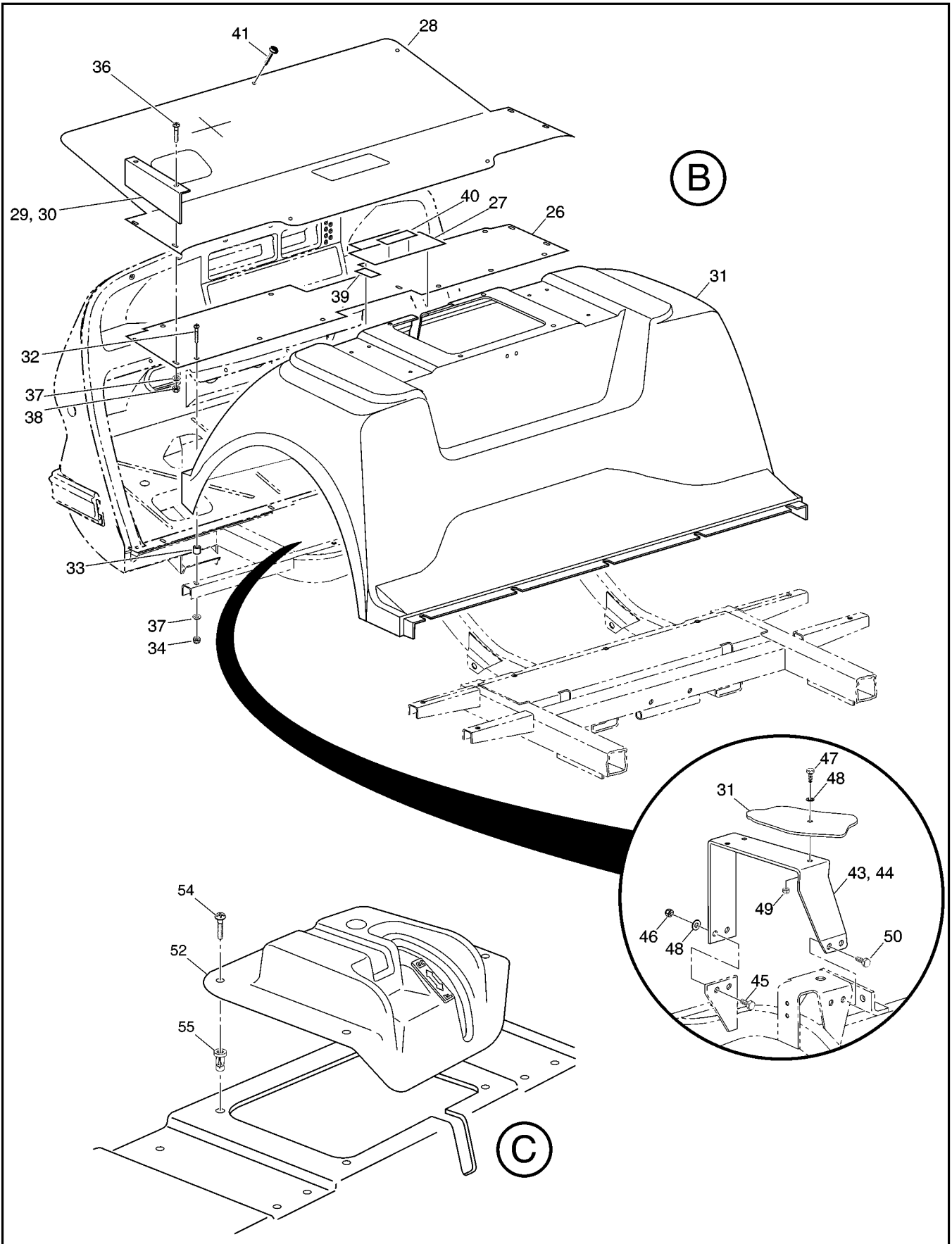


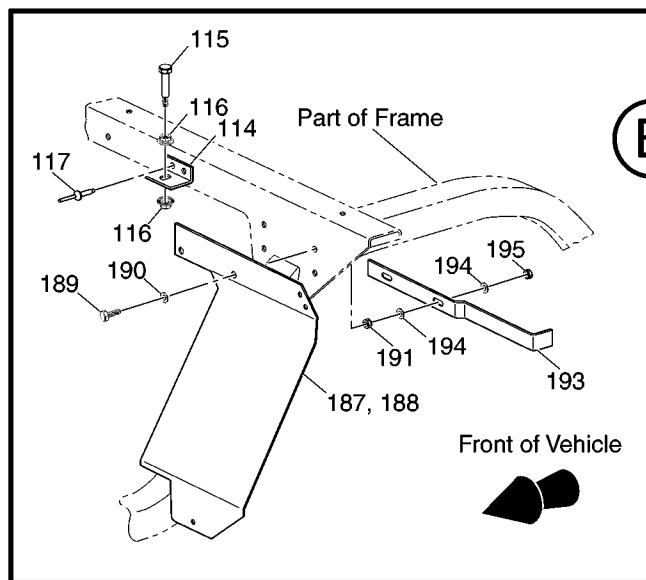
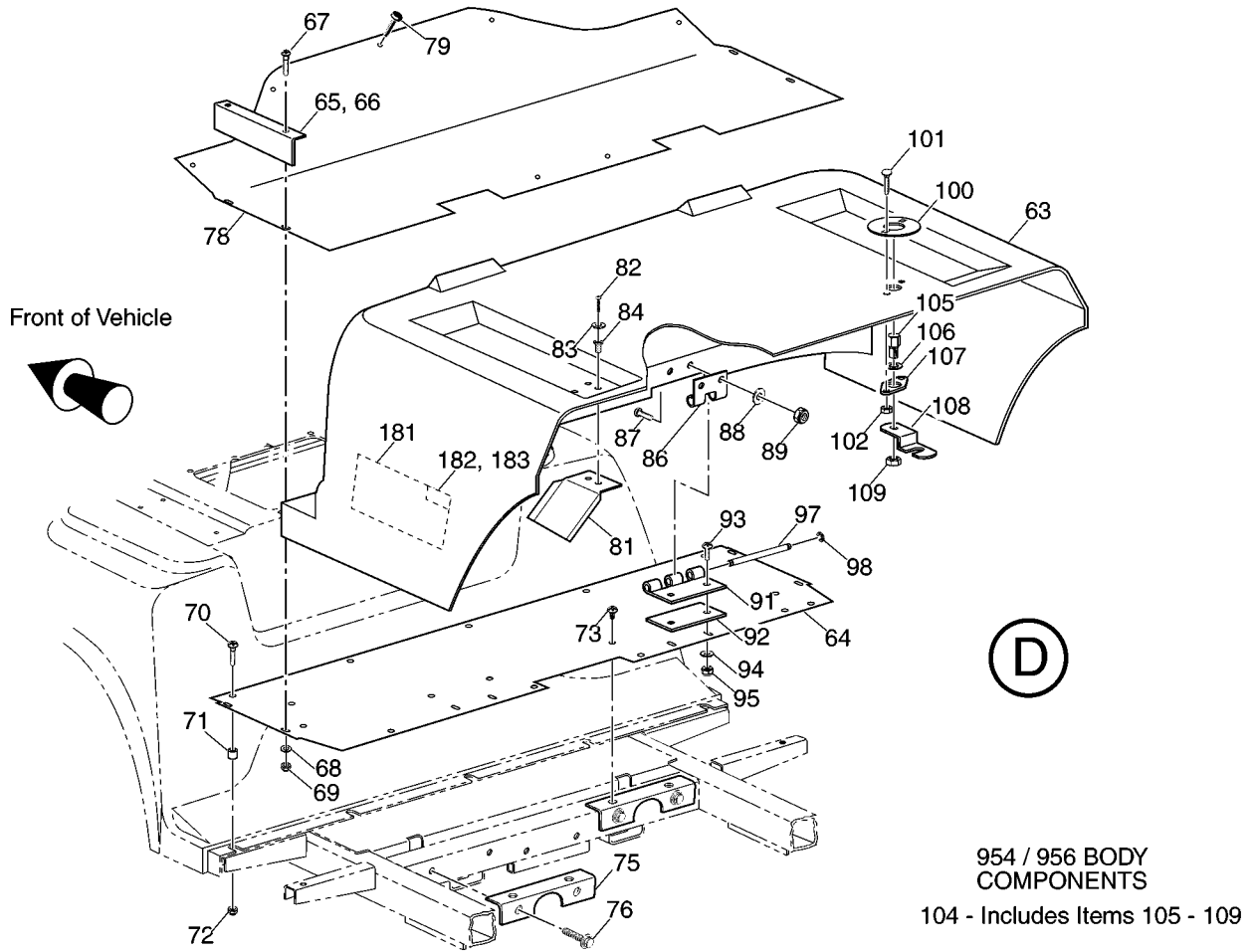
When ordering parts, please specify the model and serial number of the product.  
 \* Indicates a component that is not available as an individual part.  
 G\*\* Indicates consult Customer Service Department for additional information.

ITEM	PART NO.	1 2 3 4 5	DESCRIPTION	QTY.
1	26727-G01		CARBURETOR / AIR BOX GASKET .....	2
2	26728-G01		CHOKE BRACKET .....	1
3				
4	23726-G6		SPACER, 7/16" .....	4
5	72178-G02		HOUSING .....	1
6	51400-G1		LOCK WASHER, 6 MM.....	2
7	13632-G1		NUT, M6 X 1.....	4
8	72529-G01		BAFFLE .....	1
9	72514-G01		STUD, M6 X 1 X 39 MM LG.....	2
10				
11	72147-G01		HOUSING MOUNT GROMMET .....	2
12	23726-G7		SPACER, 9/16" .....	2
13	26671-G01		BOLT AND WASHER, M6 X 1 X 30 MM LG .....	2
14	26701-G01		WASHER, 6.5 MM .....	2
15				
16	72368-G01		AIR FILTER ELEMENT.....	1
17	72179-G02		AIR FILTER COVER .....	1
18	72145-G01		LATCH .....	3
19				
20	72146-G02		INLET COVER.....	1
21	00614-G5		SCREW, #8 - 18 X 5/8" LG .....	6
22				
23	72151-G01		PCV HOSE .....	1
24	74093-G01		LABEL (WARNING) .....	1

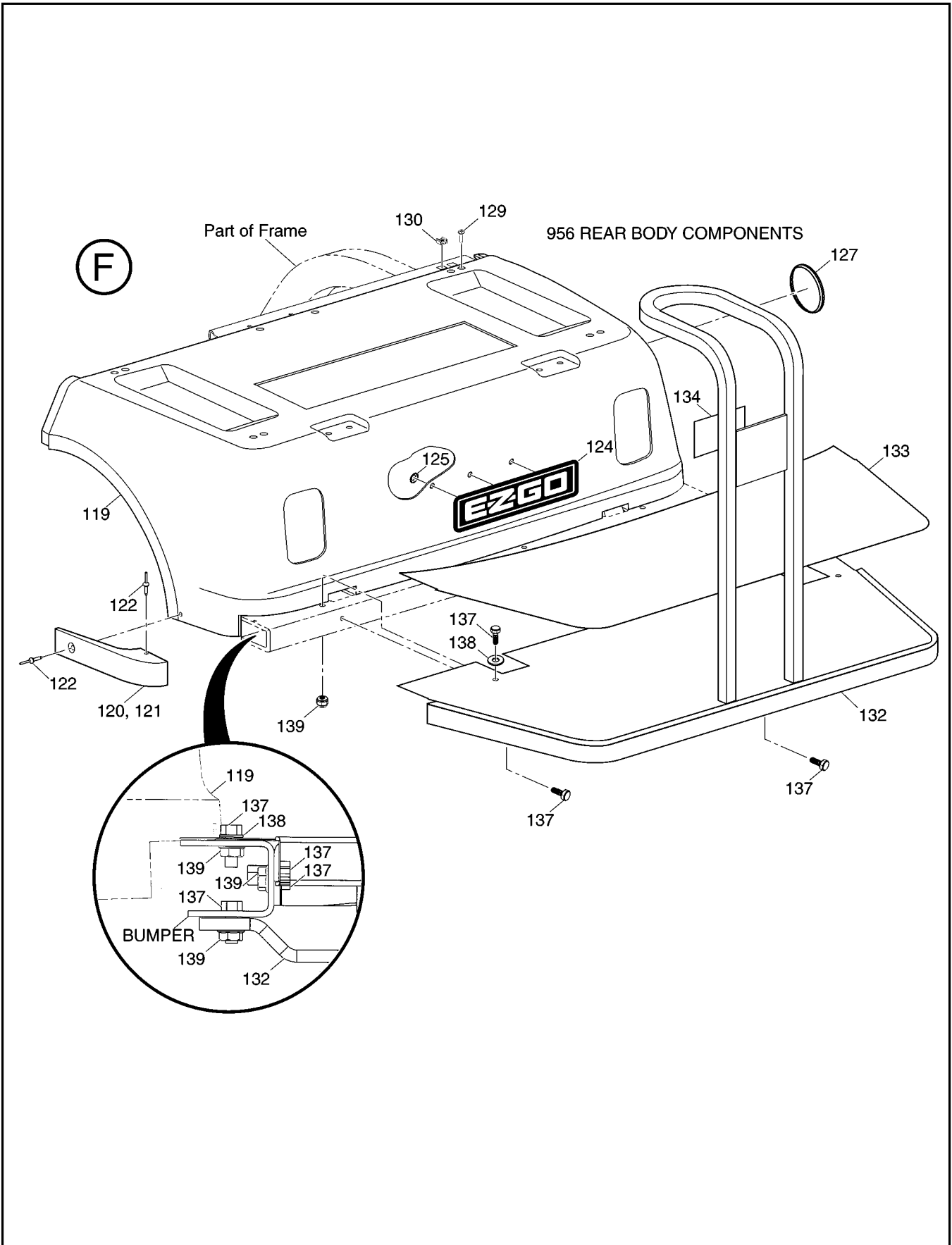


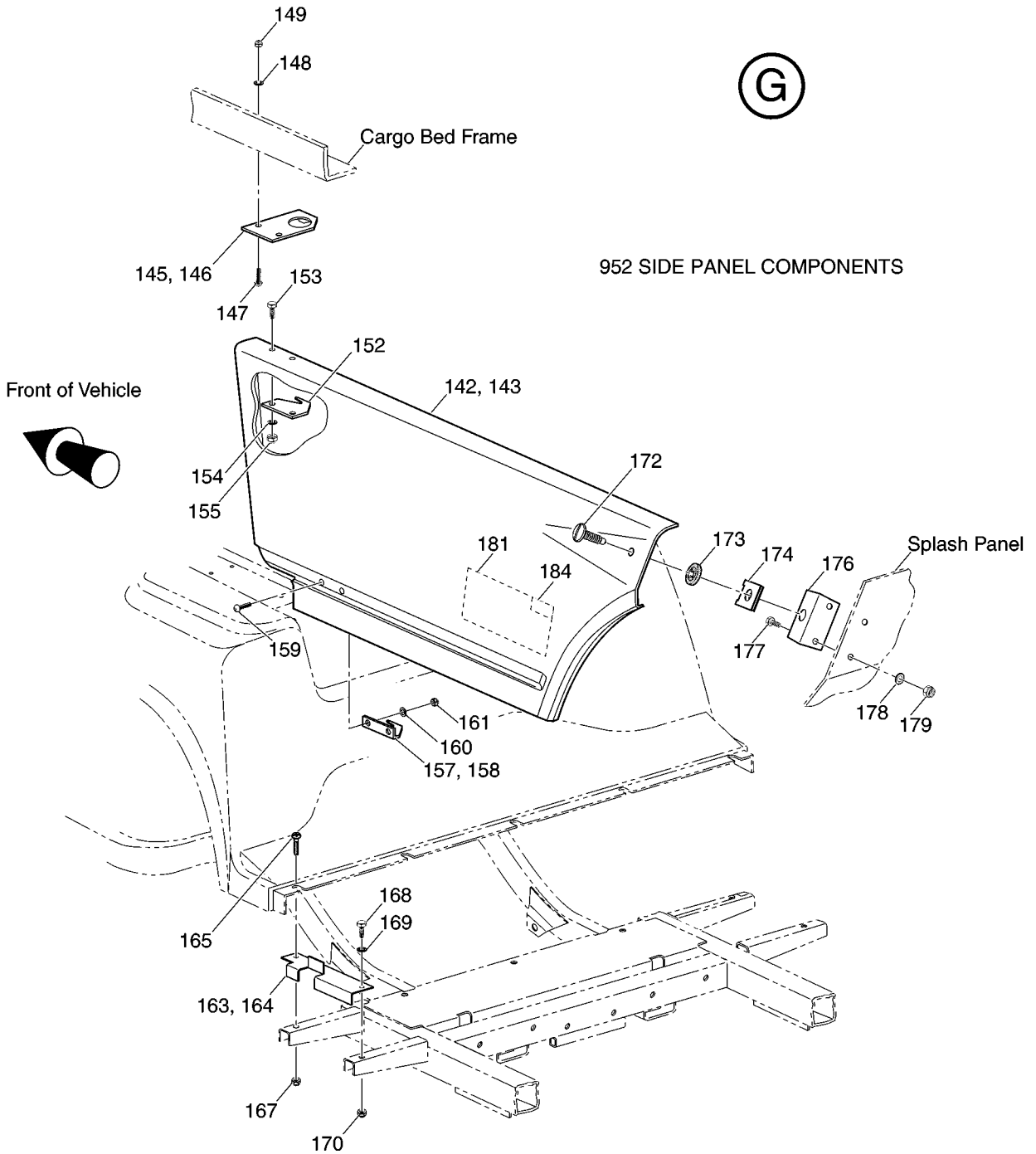












When ordering parts, please specify the model and serial number of the product.  
 \* Indicates a component that is not available as an individual part.  
 G\*\* Indicates consult Customer Service Department for additional information.

ITEM	PART NO.	1 2 3 4 5	DESCRIPTION	QTY.
1	34142-G**		COWL .....	1
2	34145-G01		FRONT FLOOR PAN .....	1
3	34597-G01		INSTRUMENT PANEL .....	1
4	35410-G01		SUPPORT PLATE (DRIVER SIDE) .....	1
5	35410-G02		SUPPORT PLATE (PASSENGER SIDE) .....	1
6	34247-G01		BUMPER .....	1
7	34248-G01		RUBBER BUMPER COVER .....	1
8	71037-G02		NAMEPLATE (E-Z-GO) .....	1
9	12064-G3		PUSH NUT, 3/16" .....	3
10	34758-G01		COWL SPACER .....	2
11	00891-G1		LOCK NUT, 3/8 - 16 .....	2
12	00762-G8		SCREW, 5/16 - 18 X 2 1/2" LG .....	2
13	00438-G8		BOLT, 5/16 - 18 X 1" LG .....	4
14	00571-G2		WASHER, 5/16" .....	4
15	11098-G6		LOCK NUT, 5/16 - 18 .....	4
16	16705-G1		SCREW, 1/4 - 20 X 1" LG .....	2
17	00559-G7		WASHER, 1/4" .....	2
18	34176-G01		NEOPRENE WASHER .....	2
19	00891-G2		LOCK NUT, 1/4 - 20 .....	2
20	34134-G01		ISOLATION STRIP .....	2
21	14776-G1		"J" TYPE RETAINER .....	4
22	71055-G01		RIVET, 3/16" X 13/32" LG (STAINLESS STEEL) .....	11
23	34840-G01		HOLE COVER .....	2
24	34507-G01		HOLE PLUG .....	4
25	01008-G01		RETAINER .....	2
26	34146-G01		FRONT FLOORBOARD .....	1
27	34614-G01		ACCESS COVER .....	1
28	34607-G01		FRONT FLOORMAT .....	1
29	34609-G02		FRONT ROCKER PANEL (DRIVER SIDE) .....	1
30	34609-G01		FRONT ROCKER PANEL (PASSENGER SIDE) .....	1



When ordering parts, please specify the model and serial number of the product.  
 \* Indicates a component that is not available as an individual part.  
 G\*\* Indicates consult Customer Service Department for additional information.

ITEM	PART NO.	1 2 3 4 5	DESCRIPTION	QTY.
31	34141-G**		FRONT HOUSING .....	1
32	16705-G9		SCREW, 1/4 - 20 X 1 1/4" LG .....	10
33	20275-G3		PIVOT SPACER .....	6
34	00891-G2		LOCK NUT, 1/4 - 20 .....	6
35	35643-G01		HOLE PLUG .....	2
36	16705-G3		SCREW, 1/4 - 20 X 3/4" LG .....	4
37	00559-G7		WASHER, 1/4" .....	10
38	00891-G2		LOCK NUT, 1/4 - 20 .....	4
39	27919-G02		ACRYLIC FOAM TAPE (2") .....	2
40	27919-G04		ACRYLIC FOAM TAPE (4") .....	1
41	16816-G2		RATCHET FASTENER .....	4
42				
43	35654-G02		HOUSING BRACKET (DRIVER SIDE) .....	1
44	35654-G01		HOUSING BRACKET (PASSENGER SIDE) .....	1
45	16705-G11		BOLT, 5/16 - 18 X 7/8" LG .....	4
46	11098-G6		LOCK NUT, 5/16 - 18 .....	4
47	00438-G8		BOLT, 5/16 - 18 X 1" LG .....	2
48	00660-G8		WASHER, 5/16" .....	6
49	11098-G6		LOCK NUT, 5/16 - 18 .....	2
50	00438-G6		BOLT, 5/16 - 18 X 3/4" LG .....	4
51				
52	34596-G01		PARKING BRAKE COVER .....	1
53				
54	16705-G1		SCREW, 1/4 - 20 X 5/8" LG .....	4
55	30054-G2		MOLY JACK NUT .....	4
56				
57	*		SERIAL NUMBER PLATE .....	1
58	10570-G9		RIVET, 1/8" X 11/32" LG .....	4
59				
60	33645-G01		LABEL (SAFETY) .....	1



When ordering parts, please specify the model and serial number of the product.  
 \* Indicates a component that is not available as an individual part.  
 G\*\* Indicates consult Customer Service Department for additional information.

ITEM	PART NO.	1	2	3	4	5	DESCRIPTION	QTY.
61								
62								
63	34143-G**						REAR HINGED HOUSING .....	1
64	34147-G01						REAR FLOORBOARD .....	1
65	34610-G02						REAR ROCKER PANEL (DRIVER SIDE) .....	1
66	34610-G01						REAR ROCKER PANEL (PASSENGER SIDE) .....	1
67	16705-G3						SCREW, 1/4 - 20 X 3/4" LG .....	4
68	00559-G7						WASHER, 1/4" .....	4
69	00891-G2						LOCK NUT, 1/4 - 20 .....	4
70	16705-G9						SCREW, 1/4 - 20 X 1 1/4" LG .....	7
71	20275-G3						PIVOT SPACER .....	5
72	00891-G2						LOCK NUT, 1/4 - 20 .....	7
73	16705-G10						SCREW, 1/4 - 20 X 3/8" LG .....	4
74								
75	34149-G01						FLOOR SUPPORT .....	2
76	00715-G1						BOLT, 5/16 - 18 X 3/4" LG .....	4
77								
78	34608-G01						REAR FLOORMAT .....	1
79	16816-G2						RATCHET FASTENER, 11/16" X 7/8" LG .....	4
80								
81	34978-G01						DRIP SHIELD .....	1
82	00789-G1						SCREW, #10 - 24 X 1" LG .....	2
83	00660-G5						WASHER, #10 .....	2
84	00739-G1						RUBBER WELL NUT, #10 - 24 .....	2
85								
86	34197-G02						HINGE .....	2
87	16705-G1						SCREW, 1/4 - 20 X 1" LG .....	4
88	00559-G7						WASHER, 1/4" .....	4
89	14390-G4						LOCK NUT, 1/4 - 20 .....	4
90								



When ordering parts, please specify the model and serial number of the product.  
 \* Indicates a component that is not available as an individual part.  
 G\*\* Indicates consult Customer Service Department for additional information.

ITEM	PART NO.	1 2 3 4 5	DESCRIPTION	QTY.
91	34198-G01		HINGE.....	2
92	34852-G01		HINGE SPACER .....	2
93	16705-G1		SCREW, 1/4 - 20 X 1" LG .....	4
94	00559-G7		WASHER, 1/4" .....	4
95	14390-G4		LOCK NUT, 1/4 - 20 .....	4
96				
97	34228-G01		HINGE PIN.....	2
98	14117-G1		RETAINING RING, 1/4".....	4
99				
100	34881-G01		LATCH PLATE.....	2
101	00827-G8		CARRIAGE BOLT, 1/4 - 20 X 1" LG .....	4
102	14390-G4		LOCK NUT, 1/4 - 20 .....	4
103				
104	34884-G01		LATCH ASSEMBLY (INCLUDES ITEMS 105 - 109).....	2
105	34432-G01		LATCH PIN .....	1
106	34434-G01		WASHER, 3/8" .....	1
107	34431-G01		LATCH PLATE .....	1
108	34883-G01		LATCH .....	1
109	14390-G1		LOCK NUT, 3/8 - 24.....	1
110				
111				
112				
113				
114	34882-G01		LOCKDOWN SUPPORT ANGLE .....	2
115	00415-G4		BOLT, 1/4 - 20 X 1 1/2" LG.....	2
116	11027-G2		NUT, 1/4 - 20 .....	4
117	14601-G5		RIVET, 3/16" X 13/32" LG .....	4
118				
119	34144-G**		REAR STATIONARY HOUSING.....	1
120	34668-G02		BUMPER CAP (DRIVER SIDE) .....	1



When ordering parts, please specify the model and serial number of the product.  
 \* Indicates a component that is not available as an individual part.  
 G\*\* Indicates consult Customer Service Department for additional information.

ITEM	PART NO.	1 2 3 4 5	DESCRIPTION	QTY.
121	34668-G01		BUMPER CAP (PASSENGER SIDE) .....	1
122	71055-G01		RIVET, 3/16" X 13/32" LG (STAINLESS STEEL) .....	4
123				
124	71037-G02		NAMEPLATE (E-Z-GO).....	1
125	12064-G3		PUSH NUT, 3/16" .....	3
126				
127	34295-G01		GROMMET .....	1
128				
129	16705-G1		SCREW, 1/4 - 20 X 1" LG .....	4
130	34855-G01		SELF-RETAINING NUT .....	8
131				
132	34611-G01		FOOTREST.....	1
133	34700-G01		RUBBER FLOORMAT .....	1
134	74132-G01		DECAL (WARNING).....	1
135				
136				
137	00665-G2		BOLT, 3/8 - 16 X 1" LG.....	8
138	00653-G1		WASHER, 3/8" .....	2
139	11027-G5		NUT, 3/8 - 16 .....	6
140				
141				
142	34140-G01		SIDE PANEL (DRIVER SIDE).....	1
143	34140-G02		SIDE PANEL (PASSENGER SIDE) .....	1
144				
145	34708-G02		UPPER CATCH (DRIVER SIDE) .....	1
146	34708-G01		UPPER CATCH (PASSENGER SIDE).....	1
147	16705-G3		SCREW, 1/4 - 20 X 3/4" LG .....	2
148	00660-G7		WASHER, 1/4" .....	2
149	00891-G2		LOCK NUT, 1/4 - 20 .....	2
150				



When ordering parts, please specify the model and serial number of the product.  
 \* Indicates a component that is not available as an individual part.  
 G\*\* Indicates consult Customer Service Department for additional information.

ITEM	PART NO.	1 2 3 4 5	DESCRIPTION	QTY.
151				
152	34706-G01		UPPER LATCH .....	2
153	00414-G6		BOLT, 1/4 - 20 X 3/4" .....	4
154	00660-G7		WASHER, 1/4" .....	4
155	00891-G2		LOCK NUT, 1/4 - 20 .....	4
156				
157	34707-G02		LOWER LATCH (DRIVER SIDE) .....	1
158	34707-G01		LOWER LATCH (PASSENGER SIDE).....	1
159	16705-G3		SCREW, 1/4 - 20 X 3/4" LG .....	2
160	00660-G7		WASHER, 1/4" .....	2
161	00891-G2		LOCK NUT, 1/4 - 20 .....	2
162				
163	34709-G01		LOWER CATCH (DRIVER SIDE).....	1
164	34709-G02		LOWER CATCH (PASSENGER SIDE).....	1
165	00415-G2		SCREW, 1/4 - 20 X 1 1/2" LG .....	1
166				
167	00891-G2		LOCK NUT, 1/4 - 20 .....	1
168	00414-G8		BOLT, 1/4 - 20 X 1" LG.....	1
169	00660-G7		WASHER, 1/4" .....	2
170	00891-G2		LOCK NUT, 1/4 - 20 .....	1
171				
172	34613-G01		SPECIAL SLOTTED SCREW, 1" LG .....	1
173	34737-G01		RETAINER .....	1
174	34612-G01		CLIP ON RECEPTACLE .....	1
175				
176	34841-G01		RETAINER BRACKET .....	1
177	00414-G8		BOLT, 1/4 - 20 X 1" LG.....	2
178	00660-G7		WASHER, 1/4" .....	2
179	00891-G2		LOCK NUT, 1/4 - 20 .....	2
180				

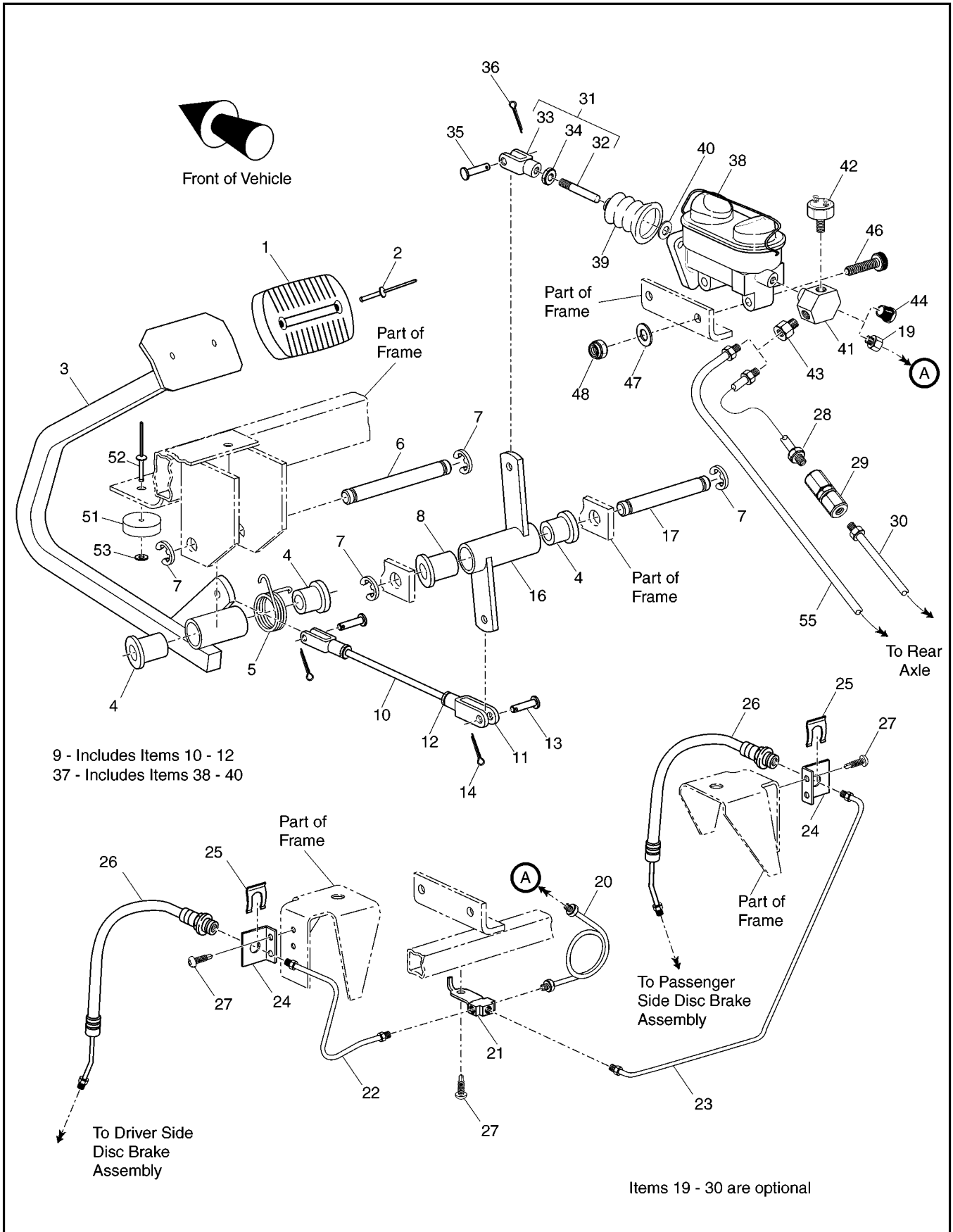




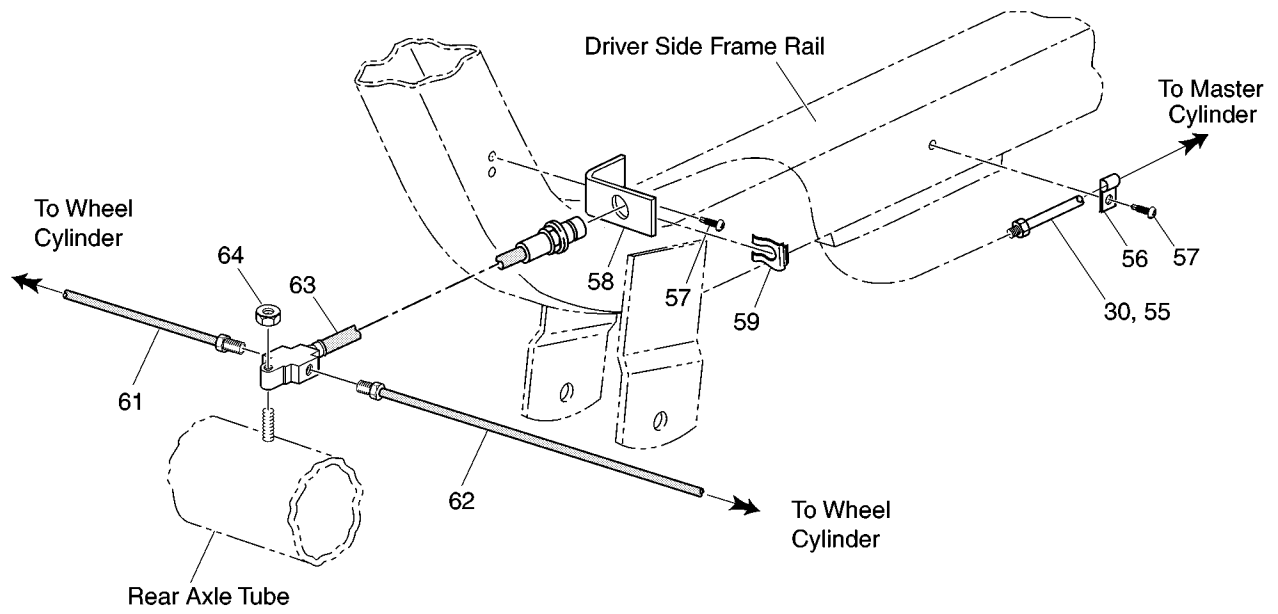
When ordering parts, please specify the model and serial number of the product.  
 \* Indicates a component that is not available as an individual part.  
 G\*\* Indicates consult Customer Service Department for additional information.

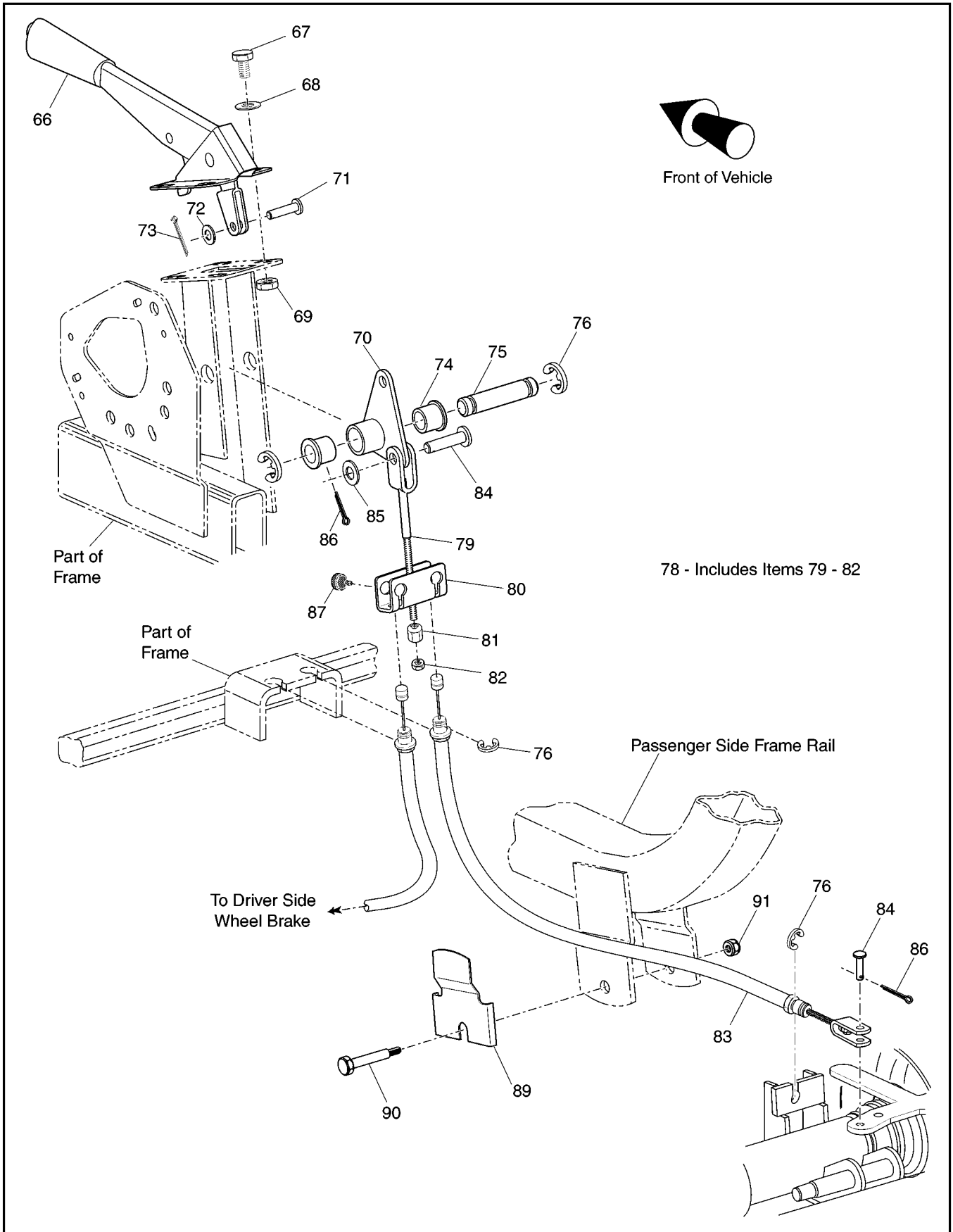
ITEM	PART NO.	1 2 3 4 5	DESCRIPTION	QTY.
181	35434-G01		DECAL (SHUTTLE) .....	2
182	35430-G10		DECAL (IDENTIFICATION - 954) .....	2
183	35430-G09		DECAL (IDENTIFICATION - 956) .....	2
184	35430-G11		DECAL (IDENTIFICATION - 952) .....	2
185				
186				
187	35530-G02		BATTERY SHIELD (DRIVER SIDE).....	1
188	35530-G01		BATTERY SHIELD (PASSENGER SIDE) .....	1
189	00933-G1		BOLT, 1/4 - 20 X 1 1/4" LG.....	4
190	00559-G7		WASHER, 1/4" .....	4
191	00891-G2		LOCK NUT, 1/4 - 20 .....	4
192				
193	35378-G01		BODY BRACE.....	2
194	00559-G7		WASHER, 1/4" .....	8
195	00891-G2		LOCK NUT, 1/4 - 20 .....	4

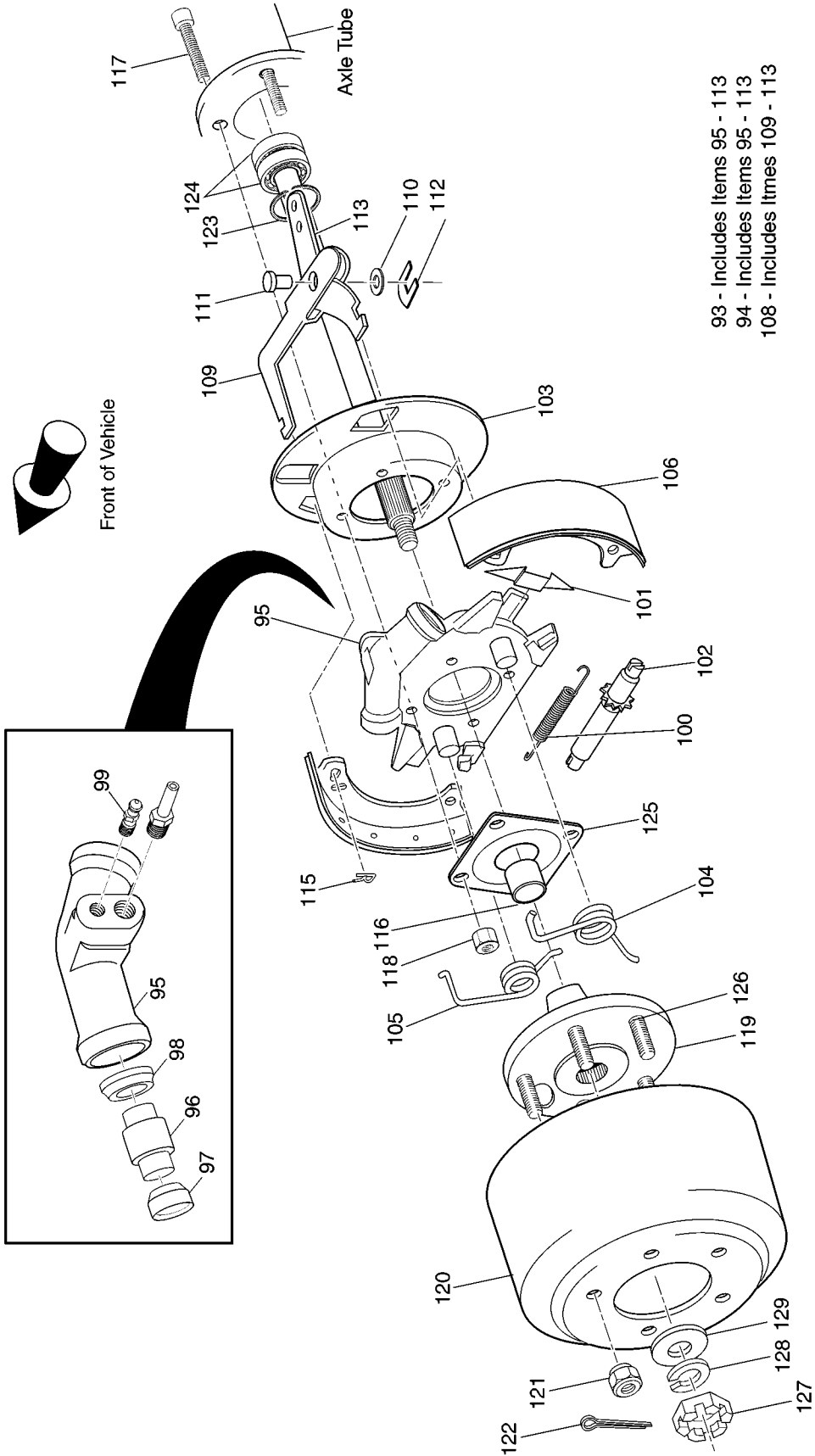




Front of Vehicle







**BRAKES****Gasoline Vehicle**

When ordering parts, please specify the model and serial number of the product.

\* Indicates a component that is not available as an individual part.

G\*\* Indicates consult Customer Service Department for additional information.

ITEM	PART NO.	1 2 3 4 5	DESCRIPTION	QTY.
1	11039-G1		PEDAL PAD .....	1
2	14269-G1		RIVET, 3/16" X 1/2" LG. ....	2
3	33227-G02		BRAKE PEDAL .....	1
4	70581-G02		FLANGED BUSHING .....	2
5	13197-G1		TORSION SPRING .....	1
6	34158-G02		SHAFT, 3 1/2" LG .....	1
7	12305-G1		RETAINING RING .....	4
8	70581-G02		FLANGED BUSHING .....	2
9	34124-G01		LINKAGE ROD (INCLUDES ITEMS 10 - 12) .....	1
10	30297-G3		THREADED ROD .....	1
11	10385-G4		CLEVIS YOKE (ADJUSTABLE) .....	2
12	00544-G4		NUT, 5/16 - 24 .....	2
13	10386-G3		CLEVIS PIN, 5/16" X 1" LG .....	2
14	10387-G3		COTTER PIN, 3/32" X 3/4" LG .....	2
15				
16	34157-G01		BELL CRANK .....	1
17	34158-G01		SHAFT, 4 7/8" LG .....	1
18				
19	21505-G1		NIPPLE (MALE) (FRONT BRAKES OPTION) .....	1
20	34984-G01		BRAKE LINE - COILED (12" COMPLETE WITH NUTS) .....	1
21	21103-G1		BRAKE LINE TEE .....	1
22	34987-G01		BRAKE LINE (12" COMPLETE WITH NUTS) .....	1
23	34985-G01		BRAKE LINE (20" COMPLETE WITH NUTS) .....	1
24	11332-G2		TUBE FASTENER BRACKET .....	2
25	11456-G1		CLIP .....	2
26	34989-G01		FLEXIBLE HYDRAULIC HOSE .....	2
27	00106-G6		SCREW, #12 - 24 X 3/4" LG .....	5
28	34986-G01		BRAKE LINE (8" COMPLETE WITH NUTS) .....	1
29	34988-G01		PROPORTIONING VALVE .....	1
30	34982-G01		REAR BRAKE LINE WITH NUTS (50" COMPLETE WITH NUTS) .....	1

When ordering parts, please specify the model and serial number of the product.  
 \* Indicates a component that is not available as an individual part.  
 G\*\* Indicates consult Customer Service Department for additional information.

ITEM	PART NO.	1	2	3	4	5	DESCRIPTION	QTY.
31	30298-G2						PUSH ROD ASSEMBLY (INCLUDES ITEMS 32 - 34) .....	1
32	30293-G2						PUSH ROD, 3 1/8" LG.....	1
33	21508-G1						CLEVIS YOKE.....	2
34	00544-G6						NUT, 3/8 - 24.....	2
35	14443-G3						CLEVIS PIN, 5/16" X 1 1/8" LG.....	1
36	10387-G3						COTTER PIN, 3/32" X 3/4" LG.....	1
37	70643-G02						MASTER CYLINDER KIT (INCLUDES ITEMS 38 - 40).....	1
38	*						MASTER CYLINDER.....	1
39	32768-G1						MASTER CYLINDER BOOT.....	1
40	00675-G1						WASHER, 3/8".....	1
41	26469-G01						BRANCH TEE (MALE).....	1
42	21510-G1						BRAKE LIGHT SWITCH.....	1
43	33724-G01						INVERTED FLARE FITTING.....	1
44	21503-G1						PLUG (STANDARD BRAKE SYSTEM).....	1
45	22283-G1						TEFLON TAPE, 1/2" WIDE (NOT ILLUSTRATED).....	A/R
46	00428-G4						BOLT, 3/8 - 16 X 2 1/2" LG.....	2
47	00560-G1						WASHER, 3/8".....	2
48	11098-G5						LOCK NUT, 3/8 - 16.....	2
49	21504-G1						BRAKE FLUID (DOT 3) (NOT ILLUSTRATED).....	A/R
50								
51	13728-G1						RUBBER BUMPER.....	1
52	14601-G1						RIVET, 5/32" X 13/32" LG (ALUMINUM).....	1
53	00559-G5						WASHER, #10.....	1
54								
55	21104-G12						BRAKE LINE (55" COMPLETE WITH NUTS).....	1
56	11845-G5						'J' CLIP.....	1
57	00100-G6						SCREW, #10 - 16 X 3/4" LG.....	3
58	11332-G2						TUBE FASTENER BRACKET.....	1
59	11456-G1						CLIP.....	1
60								



**BRAKES****Gasoline Vehicle**

When ordering parts, please specify the model and serial number of the product.

\* Indicates a component that is not available as an individual part.

G\*\* Indicates consult Customer Service Department for additional information.

ITEM	PART NO.	1 2 3 4 5	DESCRIPTION	QTY.
61	34702-G01		REAR BRAKE LINE .....	1
62	34542-G01		REAR BRAKE LINE .....	1
63	33534-G01		HYDRAULIC HOSE, 10 1/2" LG .....	1
64	11098-G6		LOCK NUT, 5/16 - 18 .....	1
65				
66	34380-G01		PARKING BRAKE .....	1
67	00276-G6		BOLT, 5/16 - 24 X 3/4" LG .....	4
68	00559-G8		WASHER, 5/16" .....	4
69	11098-G9		LOCK NUT, 5/16 - 24 .....	4
70	34384-G01		BELLCRANK .....	1
71	14443-G2		CLEVIS PIN, 5/16" X 3/4" LG .....	1
72	00559-G8		WASHER, 5/16" .....	1
73	10387-G3		COTTER PIN, 3/32" X 3/4" LG .....	1
74	70581-G02		FLANGED BUSHING .....	2
75	34158-G03		SHAFT, 2 5/8" LG .....	1
76	12305-G1		RETAINING RING .....	6
77				
78	34518-G01		PARKING BRAKE LINK (INCLUDES ITEMS 79 - 82).....	1
79	34389-G01		CLEVIS LINK .....	1
80	28082-G01		EQUALIZER BRACKET.....	1
81	00963-G01		SPHERICAL NUT, 5/16 - 24 .....	1
82	00544-G4		NUT, 5/16 - 24.....	1
83	34034-G01		BRAKE CABLE .....	2
84	10386-G3		CLEVIS PIN, 5/16" X 1" LG.....	2
85	00559-G8		WASHER, 5/16" .....	1
86	10387-G3		COTTER PIN, 3/32" X 3/4" LG.....	2
87	28083-G01		BRAKE COMPENSATOR BUMPER.....	2
88				
89	34031-G01		CABLE RETAINER BRACKET.....	2
90	XXXXX-XX		SHOULDER BOLT (SEE REAR SUSPENSION SECTION FOR P/N).....	2



When ordering parts, please specify the model and serial number of the product.  
 \* Indicates a component that is not available as an individual part.  
 G\*\* Indicates consult Customer Service Department for additional information.

ITEM	PART NO.	1 2 3 4 5	DESCRIPTION	QTY.
91	XXXXX-XX		LOCK NUT, 3/8 - 16 (SEE REAR SUSPENSION SECTION FOR P/N) .....	2
92				
93	33725-G02		BRAKE ASSEMBLY (DRIVER SIDE) (INCLUDES ITEMS 95 - 113) .....	1
94	33725-G01		BRAKE ASSEMBLY (PASSENGER SIDE) (INCLUDES ITEMS 95 - 113) .....	1
95	21086-G1		TORQUE SPIDER .....	1
96	21087-G1		WHEEL CYLINDER PISTON .....	2
97	21088-G1		HYDRAULIC CUP .....	2
98	21089-G1		SEAL.....	2
99	21094-G1		BLEEDER VALVE.....	1
100	13466-G1		LOWER SPRING.....	1
101	21096-G1		SHOE HOLD DOWN .....	1
102	21097-G1		ADJUSTER.....	1
103	21098-G1		DUST SHIELD .....	1
104	70669-G01		SPRING (BLUE) .....	1
105	70670-G01		SPRING (YELLOW).....	1
106	33726-G01		BRAKE SHOE .....	1
107				
108	*		PARKING BRAKE LEVER ASSEMBLY (INCLUDES ITEMS 109 - 113) .....	1
109	13460-G1		CURVED LEVER .....	1
110	13463-G1		SPRING WASHER.....	1
111	13462-G1		CLEVIS PIN .....	1
112	13464-G1		CLEVIS PIN RETAINER.....	1
113	22604-G1		STRAIGHT LEVER .....	2
114				
115	13468-G1		CLIP .....	2
116	33666-G01		COLLAR.....	1
117	33662-G01		STUD, 5/16 - 24 .....	4
118	21562-G1		NUT, 5/16 - 24.....	4
119	33661-G01		FLANGE.....	1
120	17953-G2		BRAKE DRUM .....	2

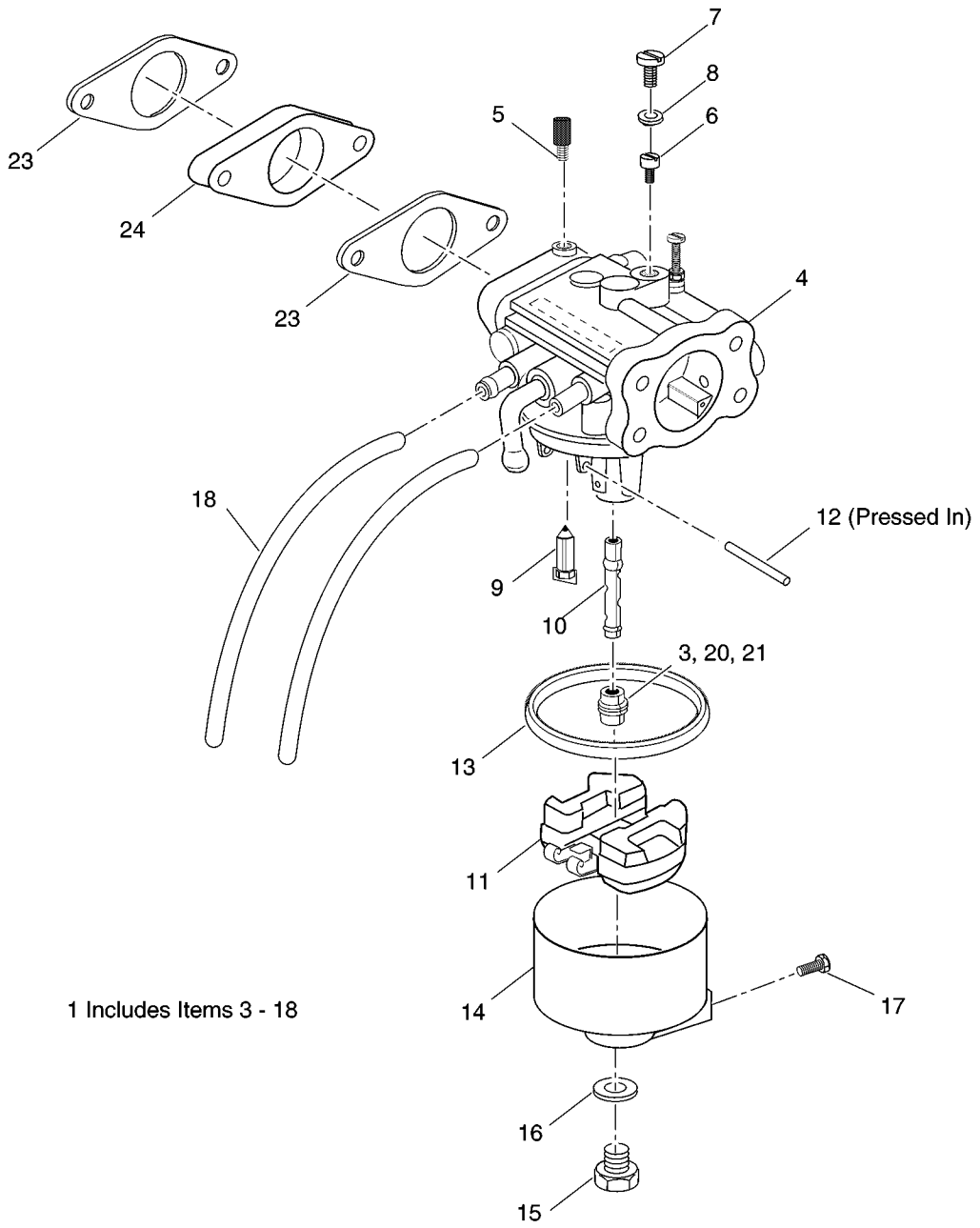


When ordering parts, please specify the model and serial number of the product.  
 \* Indicates a component that is not available as an individual part.  
 G\*\* Indicates consult Customer Service Department for additional information.

ITEM	PART NO.	1 2 3 4 5	DESCRIPTION	QTY.
121	XXXXX-XX		LUG NUT, 1/2 - 20 (SEE WHEELS AND TIRES SECTION FOR P/N) .....	5
122				
123	XXXXX-XX		RETAINING RING (SEE REAR AXLE SECTION FOR P/N).....	1
124	XXXXX-XX		BEARING (SEE REAR AXLE SECTION FOR P/N).....	2
125	21559-G1		WIPER SEAL .....	1
126	*		WHEEL BOLT, 1/2 - 20.....	5
127	00518-G8		SLOTTED NUT, 3/4 - 16.....	1
128	00566-G6		LOCK WASHER, 3/4".....	1
129	33665-G01		WASHER, 3/4" .....	1
130	28066-G02		MASTER CYLINDER REPAIR KIT (NOT SHOWN).....	AR







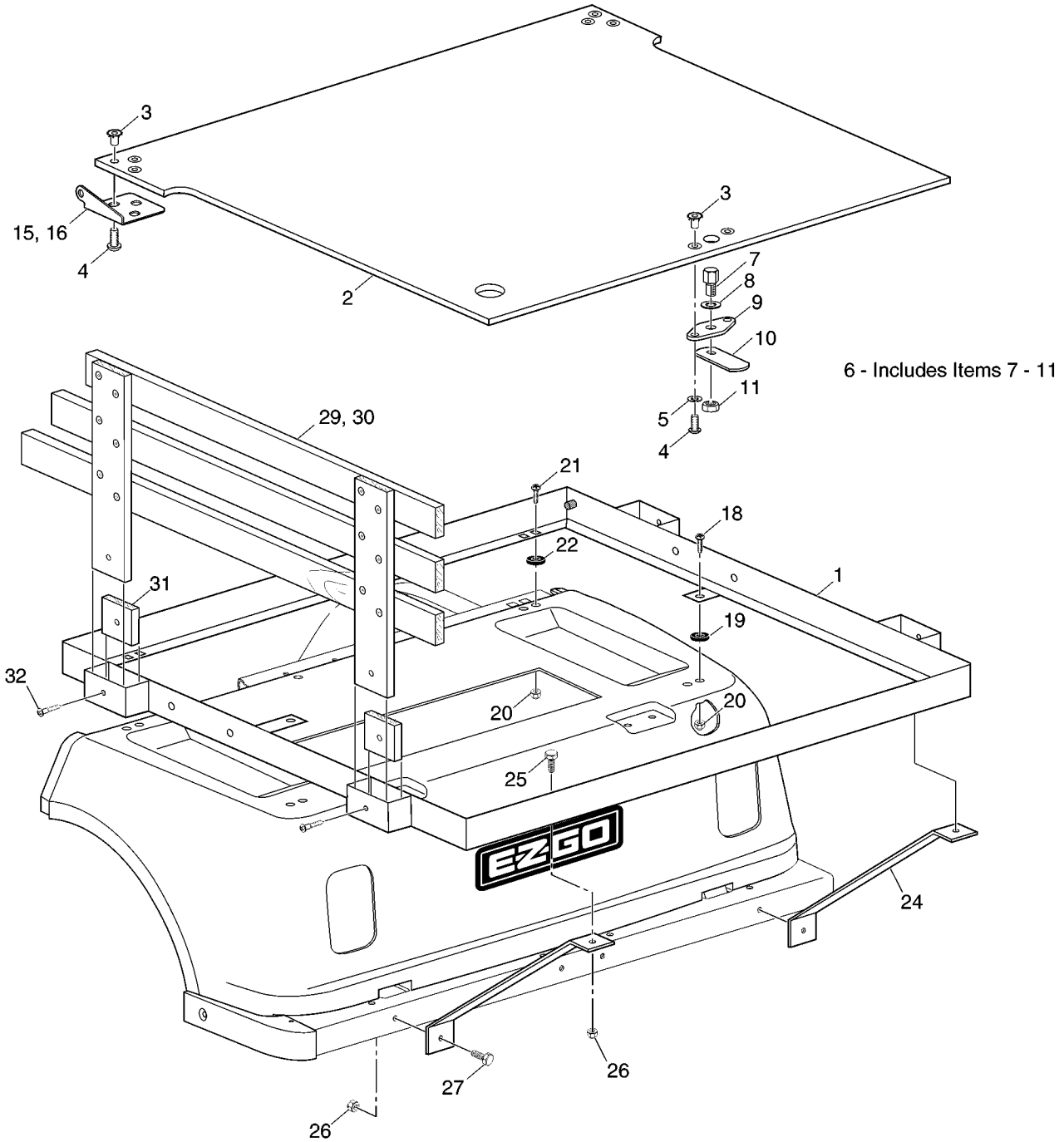
1 Includes Items 3 - 18



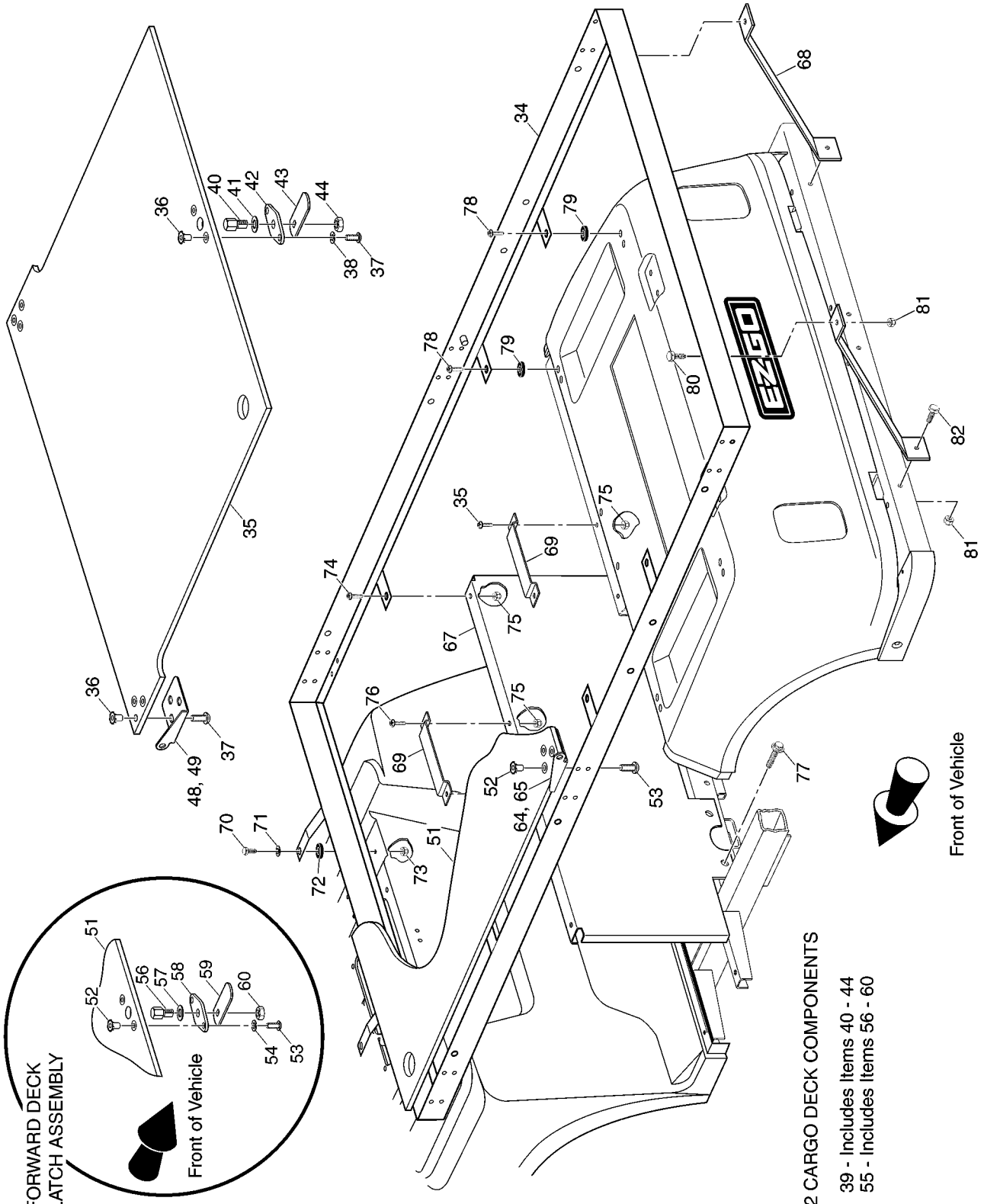
When ordering parts, please specify the model and serial number of the product.  
 \* Indicates a component that is not available as an individual part.  
 G\*\* Indicates consult Customer Service Department for additional information.

ITEM	PART NO.	1	2	3	4	5	DESCRIPTION	QTY.	
1	72558-G01	CARBURETOR ASSEMBLY (INCLUDES ITEMS 3 - 18) .....							1
2									
3	26646-G09	MAIN JET (#92) .....							1
4	*	CARBURETOR BODY .....							1
5	*	PILOT SCREW .....							1
6	26649-G05	PILOT JET (#46).....							1
7	26841-G01	PLUG .....							1
8	72306-G01	GASKET .....							1
9	72578-G01	NEEDLE VALVE .....							1
10	72576-G01	MAIN NOZZLE.....							1
11	26648-G01	FLOAT .....							1
12	26840-G01	FLOAT PIN .....							1
13	26843-G01	FLOAT BOWL GASKET .....							1
14	26844-G01	FLOAT CHAMBER .....							1
15	26839-G01	BOWL SCREW.....							1
16	26838-G01	BOWL GASKET.....							1
17	*	DRAIN SCREW .....							1
18	26650-G01	VENT TUBE.....							2
19									
20	26646-G01	MAIN JET (#88) (FOR ELEVATIONS OF 3000 FT - 6000 FT) .....							1
21	26646-G08	MAIN JET (#86) (FOR ELEVATIONS OF 6000 FT - 10000 FT) .....							1
22									
23	26726-G01	CARBURETOR MOUNT GASKET .....							2
24	72311-G01	CARBURETOR INSULATOR.....							1





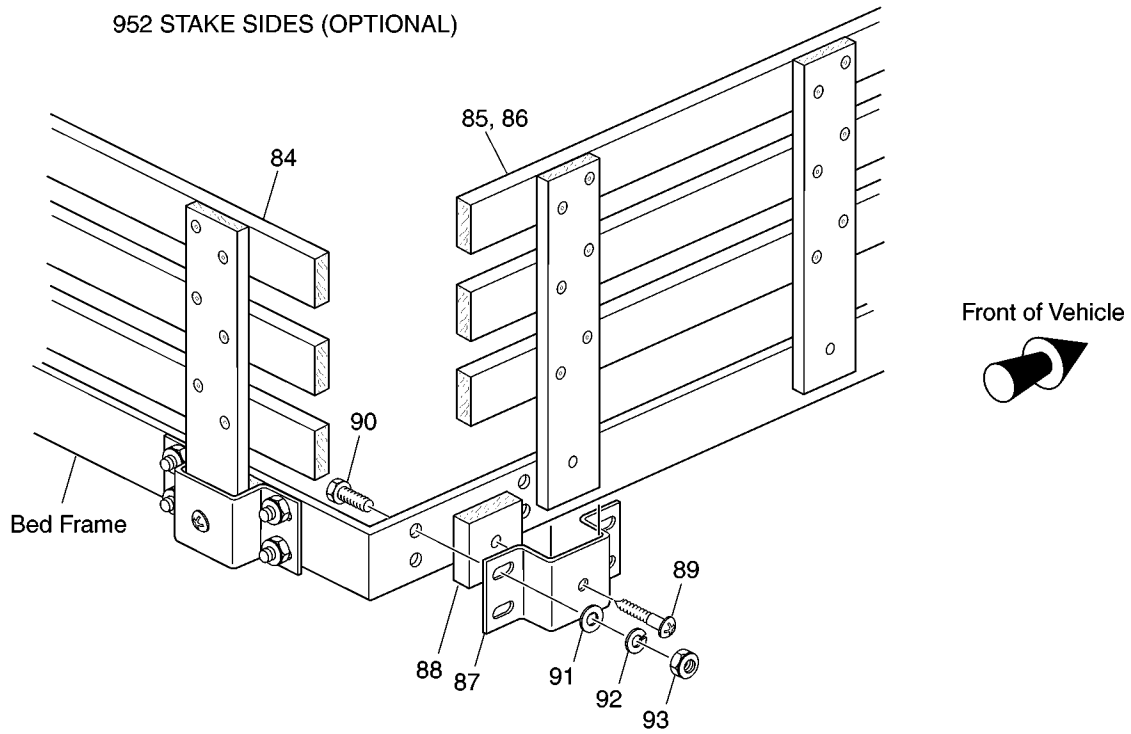
954 CARGO DECK COMPONENTS



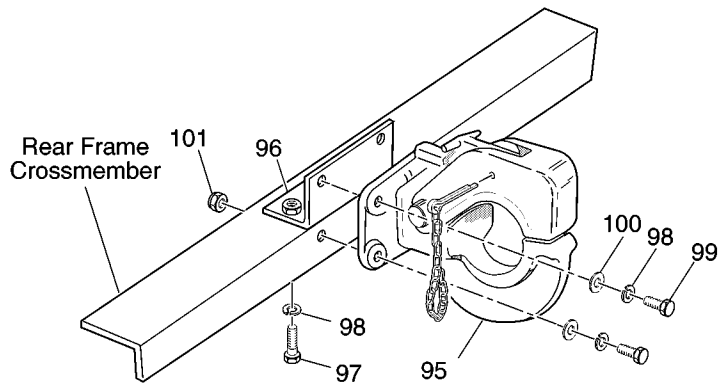
952 CARGO DECK COMPONENTS  
39 - Includes Items 40 - 44  
55 - Includes Items 56 - 60



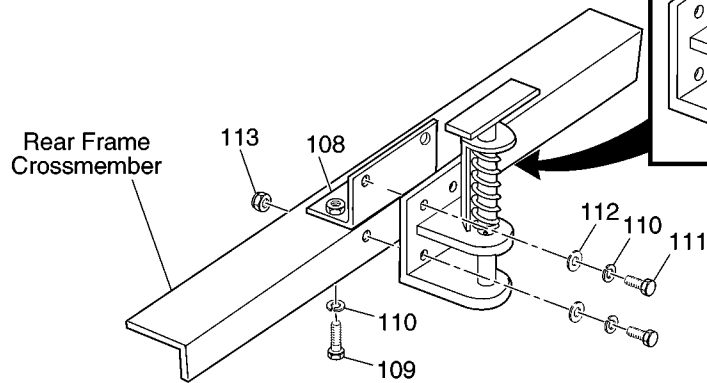
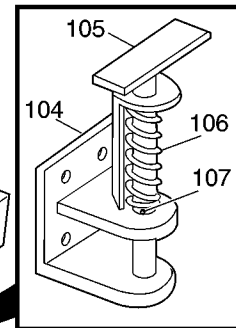
952 STAKE SIDES (OPTIONAL)



OPTIONAL HITCHES



103 - Includes Items 104 - 107





When ordering parts, please specify the model and serial number of the product.  
 \* Indicates a component that is not available as an individual part.  
 G\*\* Indicates consult Customer Service Department for additional information.

ITEM	PART NO.	1 2 3 4 5	DESCRIPTION	QTY.
1	34621-G01		BED FRAME .....	1
2	35621-G01		CARGO DECK (INCLUDES ITEM 3) .....	1
3	01048-G01		TEE NUT, 1/4 - 20.....	8
4	16705-G2		BOLT, 1/4 - 20 X 5/8" LG.....	8
5	00565-G7		LOCK WASHER, 1/4" .....	2
6	34430-G01		LATCH ASSEMBLY (INCLUDES ITEMS 7 - 11) .....	1
7	34432-G01		LATCH PIN .....	1
8	34434-G01		WASHER, 3/8" .....	1
9	34431-G01		LATCH PLATE .....	1
10	34433-G01		LATCH .....	1
11	14390-G1		LOCK NUT, 3/8 - 24.....	1
12				
13				
14				
15	34298-G03		HINGE (DRIVER SIDE) .....	1
16	34298-G04		HINGE (PASSENGER SIDE) .....	1
17				
18	16705-G9		SCREW, 1/4 - 20 X 1 1/4" LG .....	2
19	34176-G01		RUBBER WASHER.....	2
20	14390-G4		LOCK NUT, 1/4 - 20 .....	4
21	16705-G1		SCREW, 1/4 - 20 X 1" LG .....	2
22	30036-G1		RUBBER WASHER.....	2
23				
24	34711-G01		BED FRAME SUPPORT .....	2
25	00976-G08		BOLT, 5/16 - 18 X 1" LG.....	2
26	00891-G3		LOCK NUT, 5/16 - 18 .....	4
27	00438-G8		BOLT, 5/16 - 18 X 1" LG.....	2
28				
29	34776-G01		STAKE SIDE (DRIVER SIDE) .....	1
30	34776-G02		STAKE SIDE (PASSENGER SIDE) .....	1



When ordering parts, please specify the model and serial number of the product.

\* Indicates a component that is not available as an individual part.

G\*\* Indicates consult Customer Service Department for additional information.

ITEM	PART NO.	1 2 3 4 5	DESCRIPTION	QTY.
31	32802-G1		WOOD SPACER .....	4
32	00130-G9		SCREW, #10 - 13 X 1 1/4" LG.....	4
33				
34	34616-G01		BED FRAME .....	1
35	35621-G01		REAR CARGO DECK (INCLUDES ITEM 36) .....	1
36	01048-G01		TEE NUT, 1/4 - 20.....	8
37	16705-G2		BOLT, 1/4 - 20 X 5/8" LG .....	8
38	00565-G7		LOCK WASHER, 1/4".....	2
39	34430-G01		LATCH ASSEMBLY (INCLUDES ITEMS 40 - 44) .....	1
40	34432-G01		LATCH PIN .....	1
41	34434-G01		WASHER, 3/8" .....	1
42	34431-G01		LATCH PLATE .....	1
43	34433-G01		LATCH .....	1
44	14390-G1		LOCK NUT, 3/8 - 24 .....	1
45				
46				
47				
48	34298-G03		HINGE (DRIVER SIDE).....	1
49	34298-G04		HINGE (PASSENGER SIDE) .....	1
50				
51	35620-G01		FORWARD CARGO DECK (INCLUDES ITEM 52).....	1
52	01048-G01		TEE NUT, 1/4 - 20.....	8
53	16705-G2		BOLT, 1/4 - 20 X 5/8" LG .....	8
54	00565-G7		LOCK WASHER, 1/4".....	2
55	34430-G01		LATCH ASSEMBLY (INCLUDES ITEMS 56 - 60) .....	1
56	34432-G01		LATCH PIN .....	1
57	34434-G01		WASHER, 3/8" .....	1
58	34431-G01		LATCH PLATE .....	1
59	34433-G01		LATCH .....	1
60	14390-G1		LOCK NUT, 3/8 - 24 .....	1

When ordering parts, please specify the model and serial number of the product.  
 \* Indicates a component that is not available as an individual part.  
 G\*\* Indicates consult Customer Service Department for additional information.

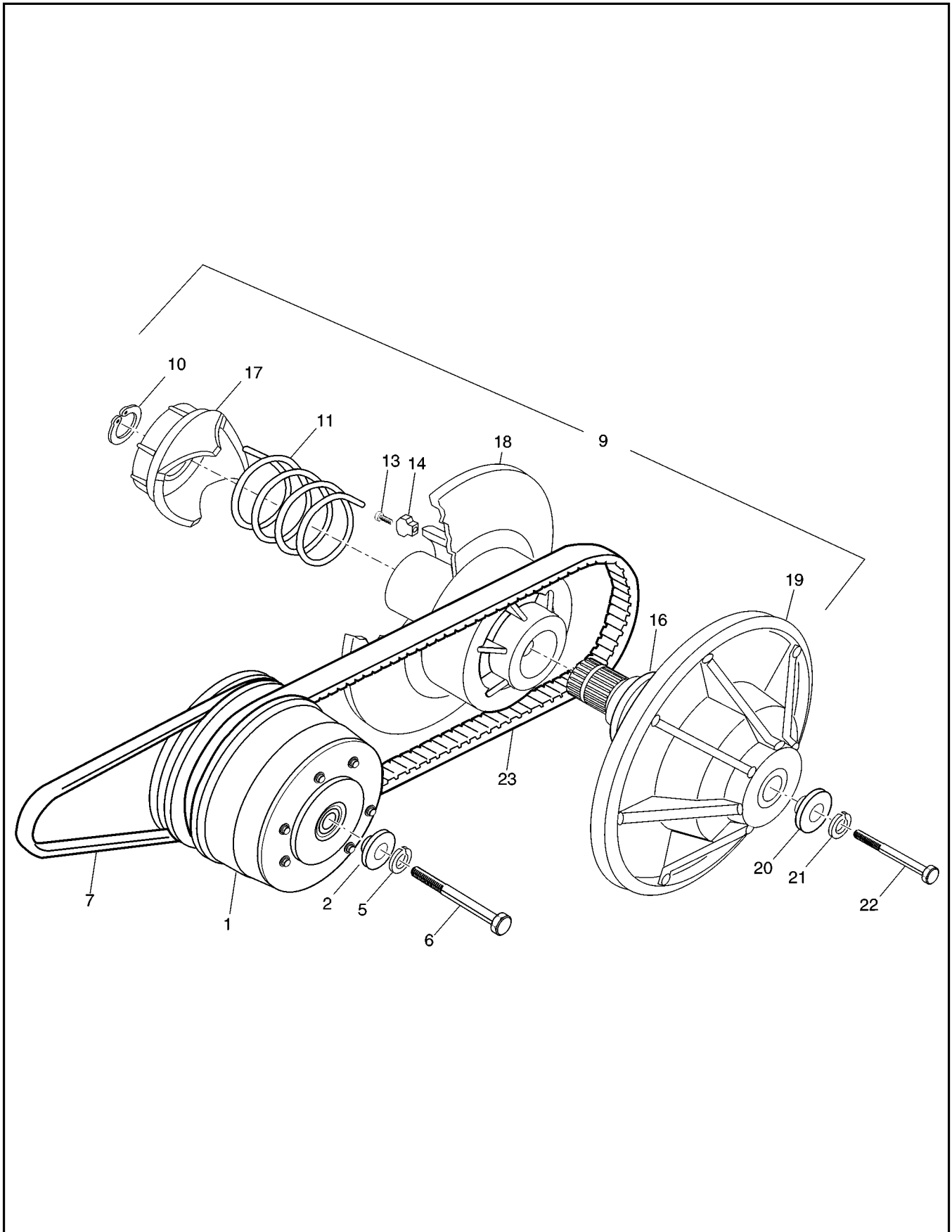
ITEM	PART NO.	1	2	3	4	5	DESCRIPTION	QTY.
61								
62								
63								
64	34298-G03						HINGE (DRIVER SIDE) .....	1
65	34298-G04						HINGE (PASSENGER SIDE) .....	1
66								
67	34615-G01						BED FRAME SUPPORT .....	1
68	34711-G01						REAR BED FRAME SUPPORT .....	2
69	34435-G01						DECK SPACER.....	2
70	00685-G7						BOLT, 5/16 - 18 X 1 3/4" LG.....	2
71	00660-G8						WASHER, 5/16" .....	2
72	30036-G1						RUBBER WASHER.....	2
73	00891-G3						LOCK NUT, 5/16 - 18 .....	2
74	16705-G3						BOLT, 1/4 - 20 X 3/4" LG.....	2
75	14390-G4						LOCK NUT, 1/4 - 20 .....	6
76	00414-G6						BOLT, 1/4 - 20 X 3/4" LG.....	4
77	00715-G1						BOLT, 5/16 - 18 X 7/8" LG.....	4
78	16705-G9						SCREW, 1/4 - 20 X 1 1/4" LG .....	4
79	34176-G01						RUBBER WASHER.....	4
80	00976-G08						BOLT, 5/16 - 18 X 1" LG.....	2
81	00891-G3						LOCK NUT, 5/16 - 18 .....	4
82	00438-G8						BOLT, 5/16 - 18 X 1" LG.....	2
83								
84	34523-G03						STAKE SIDE, 44 1/2" (REAR).....	1
85	34775-G02						STAKE SIDE, (DRIVER SIDE) .....	1
86	34775-G01						STAKE SIDE, (PASSENGER SIDE) .....	1
87	32787-G1						RAIL POCKET .....	8
88	32802-G1						WOOD SPACER .....	8
89	00130-G9						SCREW, #10 - 13 X 1 1/4" LG .....	8
90	00414-G6						BOLT, 1/4 - 20 X 3/4" LG.....	32



When ordering parts, please specify the model and serial number of the product.  
 \* Indicates a component that is not available as an individual part.  
 G\*\* Indicates consult Customer Service Department for additional information.

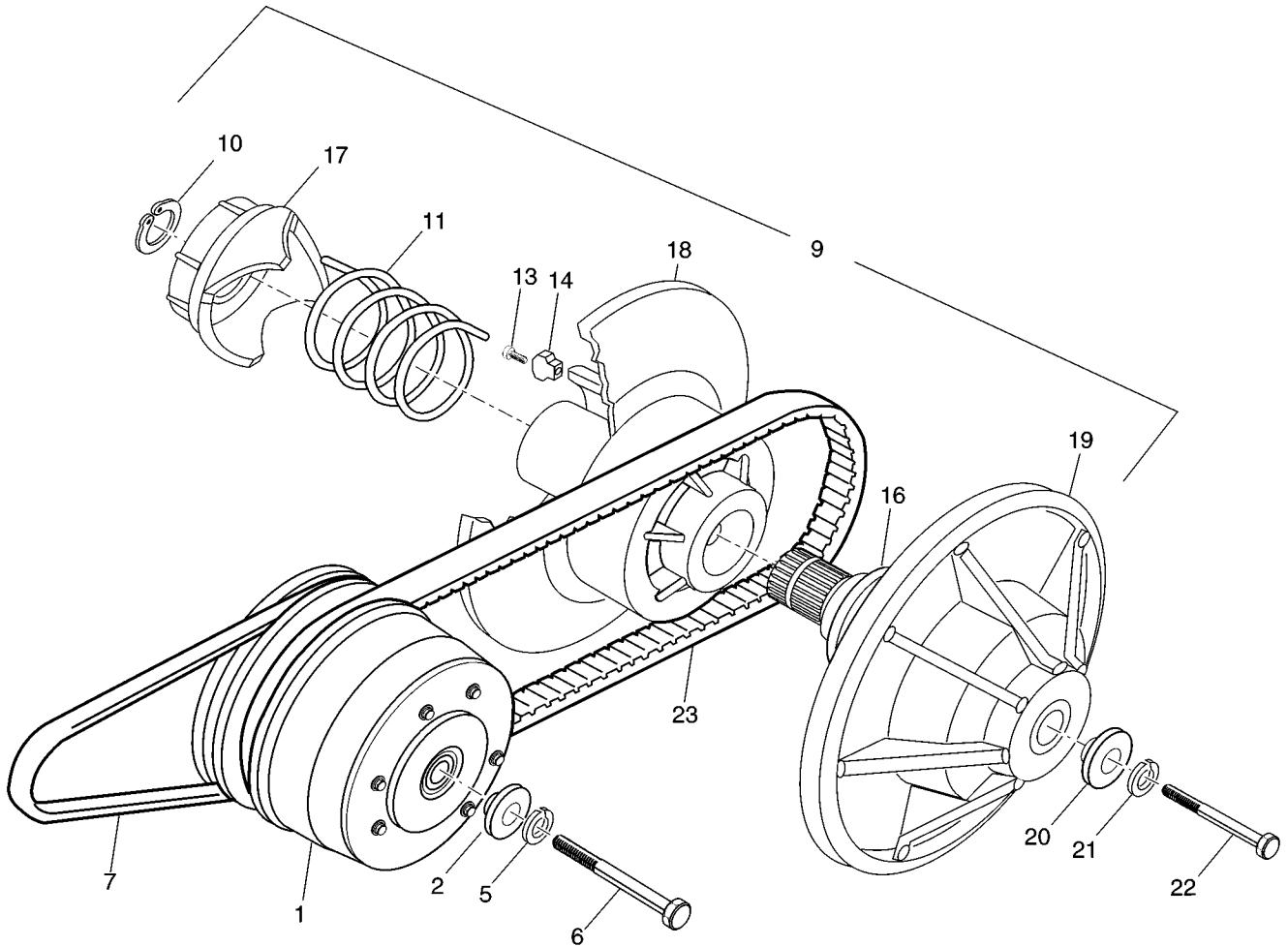
ITEM	PART NO.	1 2 3 4 5	DESCRIPTION	QTY.
91	00559-G7		WASHER, 1/4" .....	32
92	00565-G7		LOCK WASHER, 1/4" .....	32
93	00532-G1		NUT, 1/4 - 20 .....	32
94				
95	30817-G1		PINTLE HITCH.....	1
96	33805-G01		BACKING PLATE .....	1
97	00665-G2		BOLT, 3/8 - 16 X 1" LG (STAINLESS STEEL).....	2
98	00670-G1		LOCK WASHER, 3/8" (STAINLESS STEEL) .....	6
99	00665-G4		BOLT, 3/8 - 16 X 1 1/2" LG .....	4
100	00653-G1		WASHER, 3/8" (STAINLESS STEEL) .....	4
101	11027-G5		LOCK NUT, 3/8 - 16 .....	2
102				
103	33731-G01		'E' HITCH ASSEMBLY (INCLUDES ITEMS 104 - 107).....	1
104	33730-G01		HITCH .....	1
105	30838-G1		PIN .....	1
106	30843-G1		COMPRESSION SPRING .....	1
107	10686-G8		SLOTTED PIN, 3/16" X 1 1/2" LG.....	1
108	33805-G01		BACKING PLATE .....	1
109	00665-G2		BOLT, 3/8 - 16 X 1" LG .....	2
110	00670-G1		LOCK WASHER, 3/8" (STAINLESS STEEL) .....	6
111	00665-G4		BOLT, 3/8 - 16 X 1 1/2" LG .....	4
112	00653-G1		WASHER, 3/8" (STAINLESS STEEL) .....	4
113	11027-G5		LOCK NUT, 3/8 - 16 .....	2





When ordering parts, please specify the model and serial number of the product.  
 \* Indicates a component that is not available as an individual part.  
 G\*\* Indicates consult Customer Service Department for additional information.

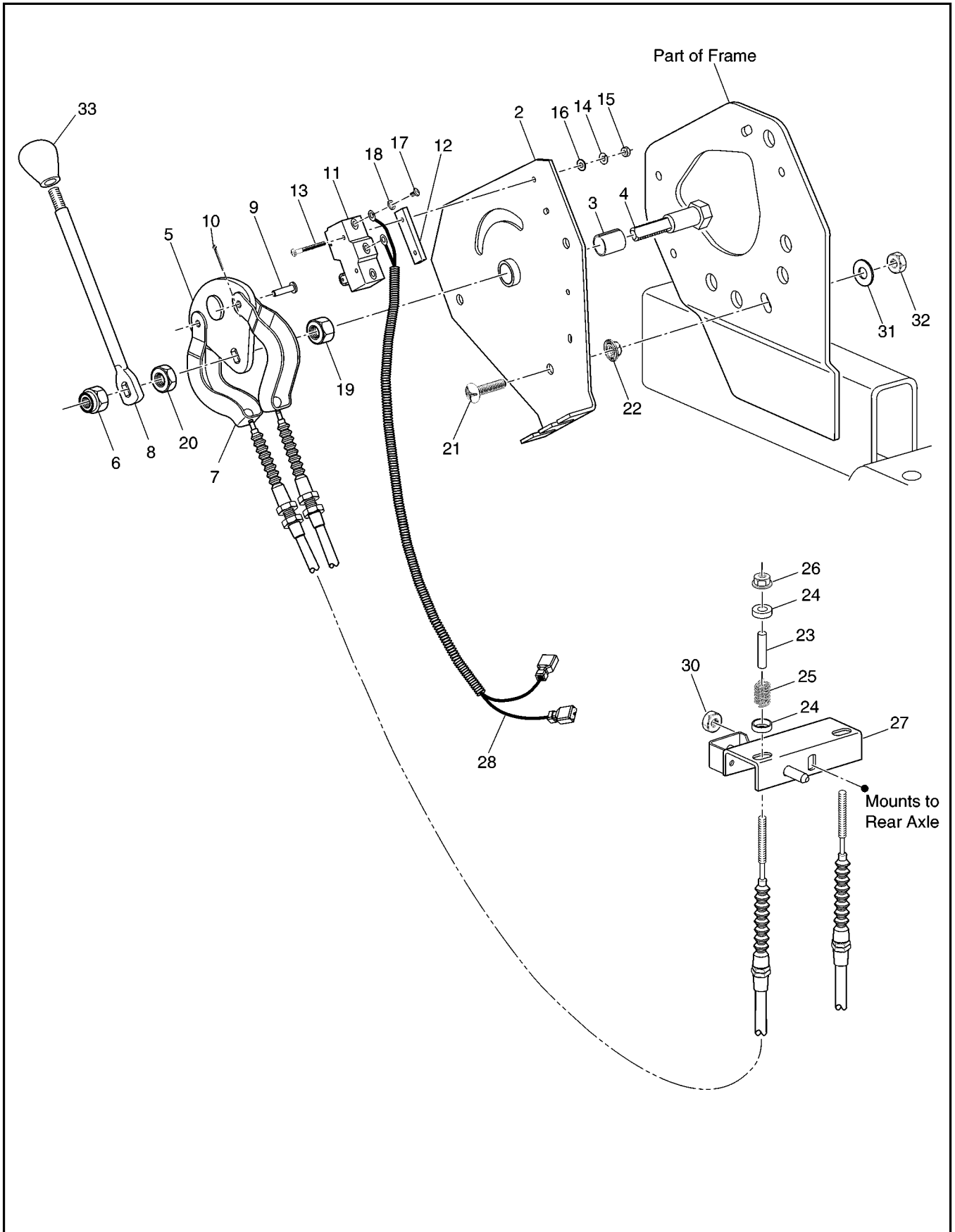
ITEM	PART NO.	1 2 3 4 5	DESCRIPTION	QTY.
1	26952-G01		DRIVE CLUTCH.....	1
2	25757-G1		PILOT WASHER .....	1
3				
4				
5	00566-G2		LOCK WASHER, 7/16" .....	1
6	00473-G9		BOLT, 7/16 - 20 X 6 1/2" LG.....	1
7	26414-G01		STARTER / GENERATOR BELT.....	1
8				
9	26301-G02		DRIVEN CLUTCH ASSEMBLY (INCLUDES ITEMS 10 - 19) .....	1
10	27270-G01		HEAVY DUTY RETAINING RING.....	1
11	26304-G01		COMPRESSION SPRING .....	1
12				
13	00979-G01		SCREW, #10 - 24 x 7/8" LG .....	3
14	26479-G01		RAMP BUTTON.....	3
15				
16	24600-G1		SPACER .....	1
17	*		CAM.....	1
18	*		MOVABLE SHEAVE .....	1
19	*		SHEAVE AND POST .....	1
20	25756-G1		RETAINING WASHER .....	1
21	00565-G8		LOCK WASHER, 5/16" .....	1
22	00441-G8		BOLT, 5/16 - 18 X 4" LG.....	1
23	72054-G01		DRIVE BELT .....	1





When ordering parts, please specify the model and serial number of the product.  
 \* Indicates a component that is not available as an individual part.  
 G\*\* Indicates consult Customer Service Department for additional information.

ITEM	PART NO.	1 2 3 4 5	DESCRIPTION	QTY.
1	26952-G02		DRIVE CLUTCH.....	1
2	25757-G1		PILOT WASHER .....	1
3				
4				
5	00566-G2		LOCK WASHER, 7/16" .....	1
6	00473-G9		BOLT, 7/16 - 20 X 6 1/2" LG.....	1
7	26414-G01		STARTER / GENERATOR BELT.....	1
8				
9	25632-G03		DRIVEN CLUTCH ASSEMBLY (INCLUDES ITEMS 10 - 19) .....	1
10	27270-G01		HEAVY DUTY RETAINING RING.....	1
11	25612-G1		COMPRESSION SPRING .....	1
12				
13	00979-G01		SCREW, #10 - 24 x 7/8" LG .....	3
14	26479-G01		RAMP BUTTON.....	3
15				
16	24600-G1		SPACER .....	1
17	*		CAM.....	1
18	*		MOVABLE SHEAVE .....	1
19	*		SHEAVE AND POST .....	1
20	25756-G1		RETAINING WASHER .....	1
21	00565-G8		LOCK WASHER, 5/16" .....	1
22	00441-G8		BOLT, 5/16 - 18 X 4" LG.....	1
23	72054-G01		DRIVE BELT .....	1



When ordering parts, please specify the model and serial number of the product.  
 \* Indicates a component that is not available as an individual part.  
 G\*\* Indicates consult Customer Service Department for additional information.

ITEM	PART NO.	1 2 3 4 5	DESCRIPTION	QTY.
1				
2	34172-G01		BRACKET .....	1
3	25664-G1		BUSHING.....	1
4	34170-G01		SHAFT.....	1
5	25745-G01		DIRECTION SELECTOR CAM.....	1
6	14390-G1		LOCK NUT, 3/8 - 24 .....	1
7	72400-G01		SHIFTER CONTROL CABLE.....	1
8	34168-G01		SHIFTER ARM.....	1
9	23176-G1		CLEVIS PIN, 5/16" X 1/2" LG.....	2
10	10387-G8		COTTER PIN, 1/16" X 3/4" LG.....	2
11	10606-G6		MICRO SWITCH.....	1
12	27151-G01		SPACER.....	1
13	00645-G2		SCREW, #6 - 32 X 1 1/4" LG .....	2
14	00565-G3		LOCK WASHER, #6.....	2
15	00525-G5		NUT, #6 - 32 .....	2
16	00559-G3		WASHER, #6.....	2
17	13514-G1		SCREW, #6 - 32 X 1/4" LG (BRASS).....	2
18	00567-G3		LOCK WASHER, #6.....	2
19	00532-G6		NUT, 3/8 - 24 .....	1
20	00544-G6		NUT, 3/8 - 24 .....	1
21	16705-G1		SCREW, 1/4 - 20 X 1" LG .....	3
22	11027-G2		LOCK NUT, 1/4 - 20 .....	3
23	23726-G5		SPACER.....	2
24	25727-G01		CUP WASHER.....	4
25	27764-G01		SPRING .....	2
26	11098-G7		LOCK NUT, #10 - 24 .....	2
27	72099-G01		SHIFTER CONTROL PIVOT.....	1
28	34159-G01		WIRING HARNESS .....	1
29				
30	26830-G01		LOCK NUT, M8 X 1.25.....	1

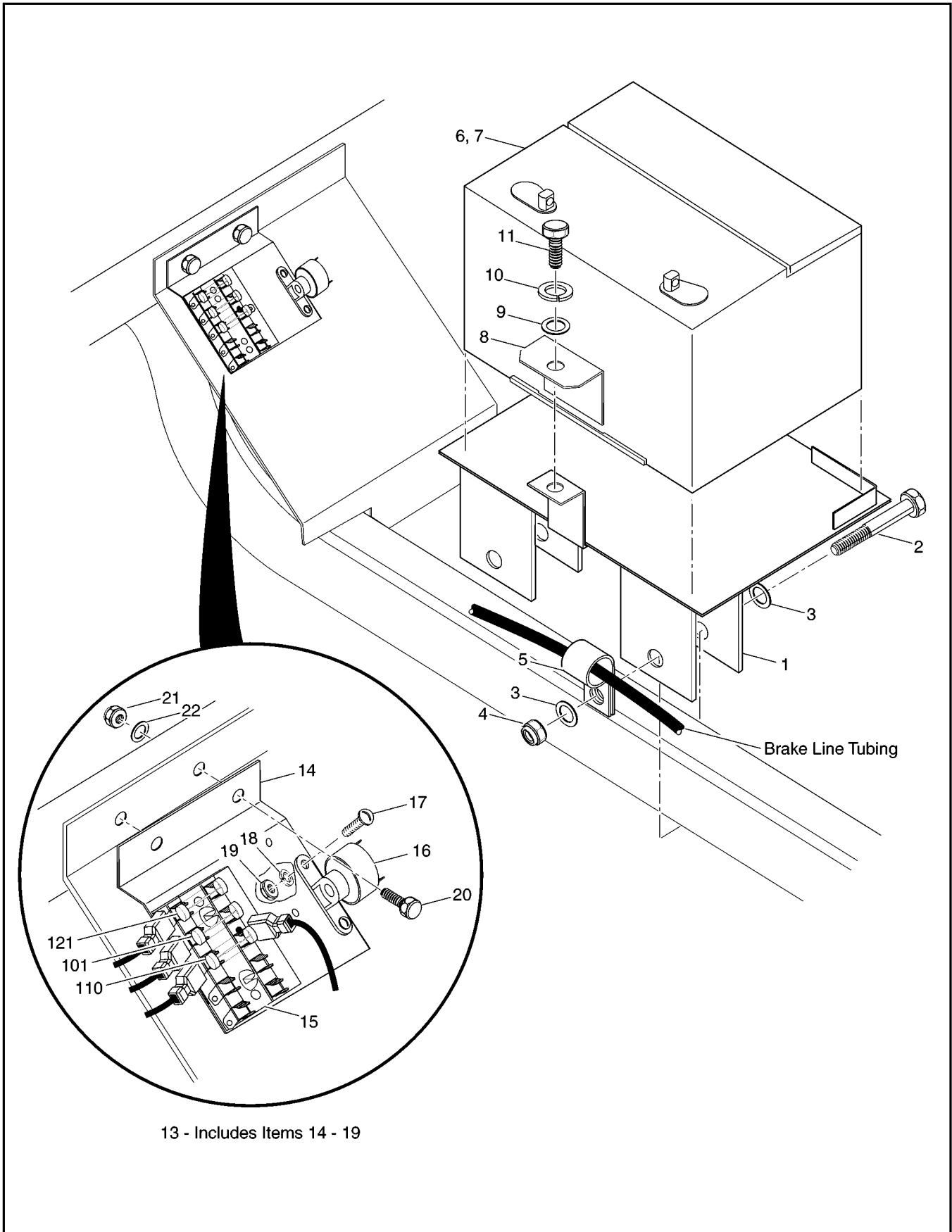


When ordering parts, please specify the model and serial number of the product.  
 \* Indicates a component that is not available as an individual part.  
 G\*\* Indicates consult Customer Service Department for additional information.

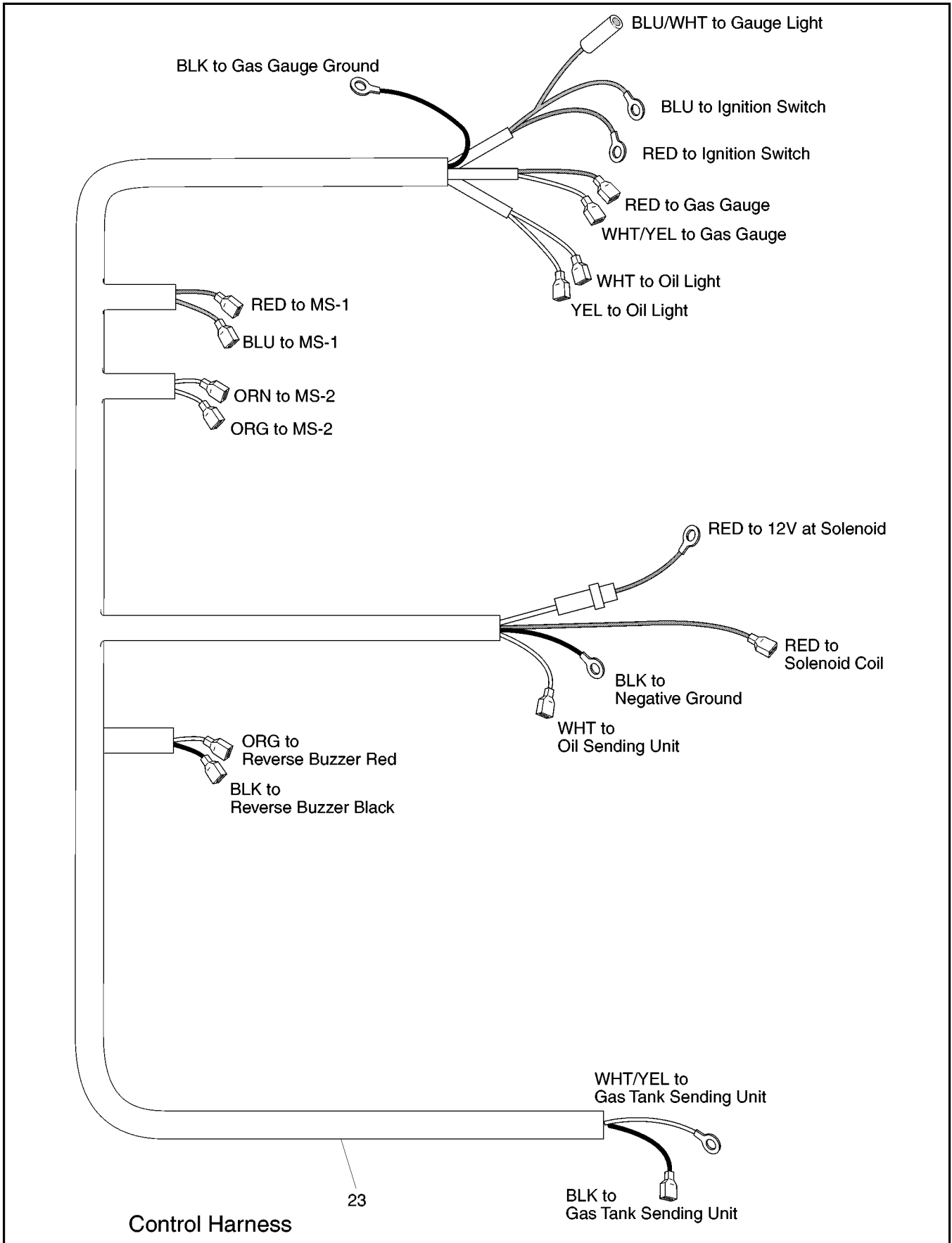
ITEM	PART NO.	1 2 3 4 5 DESCRIPTION	QTY.
31	00559-G7	WASHER, 1/4" .....	3
32	14390-G4	LOCK NUT, 1/4 - 20 .....	3
33	11989-G1	KNOB .....	1



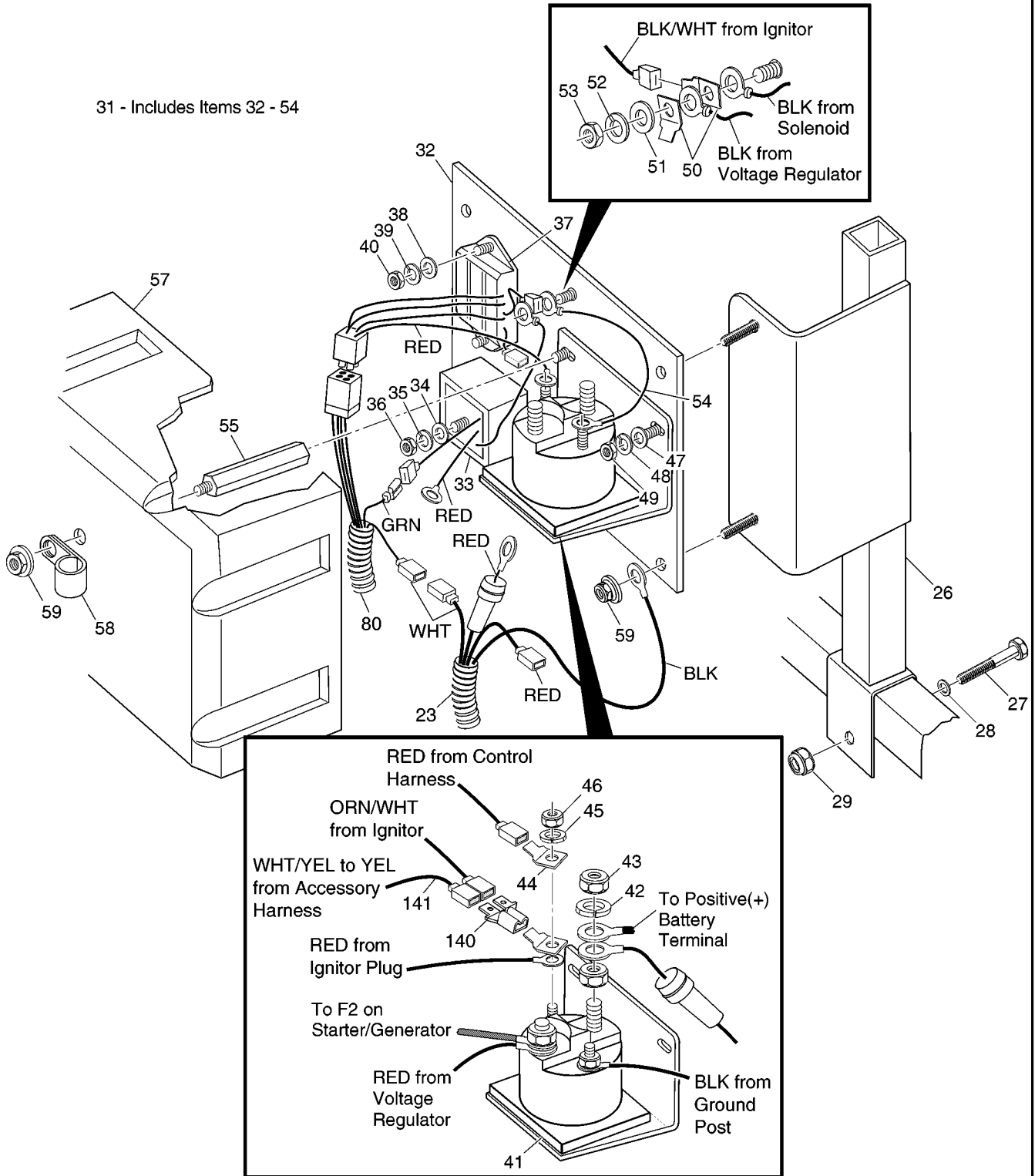




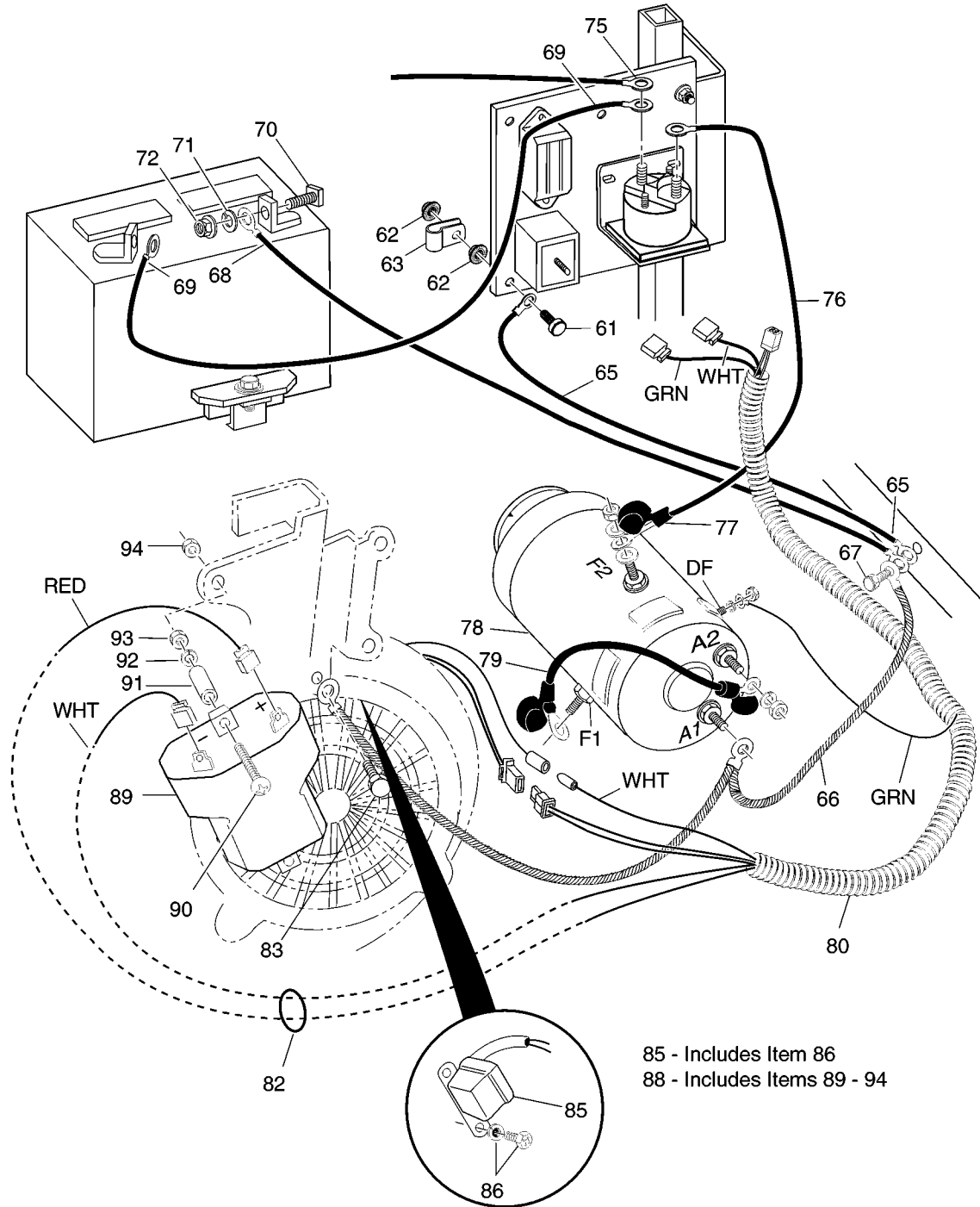
13 - Includes Items 14 - 19



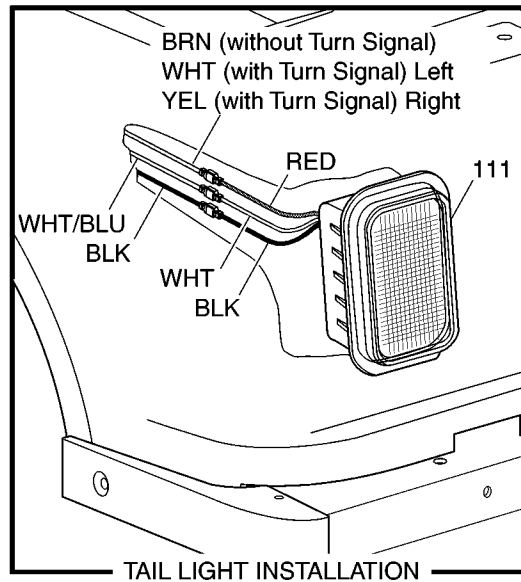
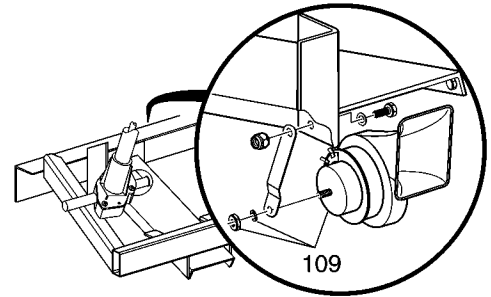
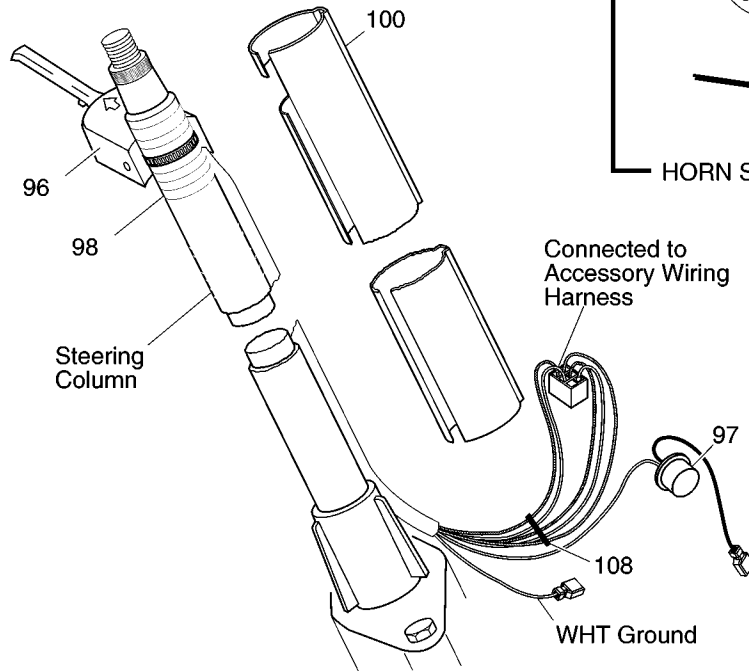
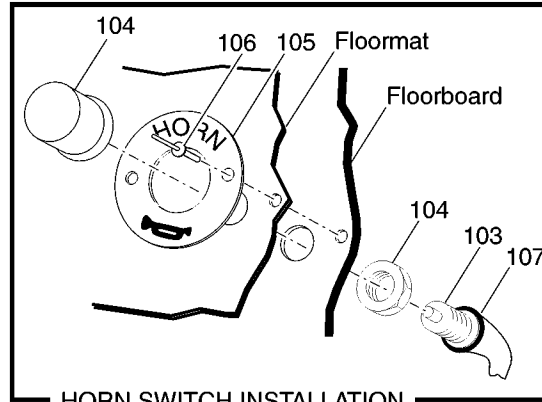
31 - Includes Items 32 - 54

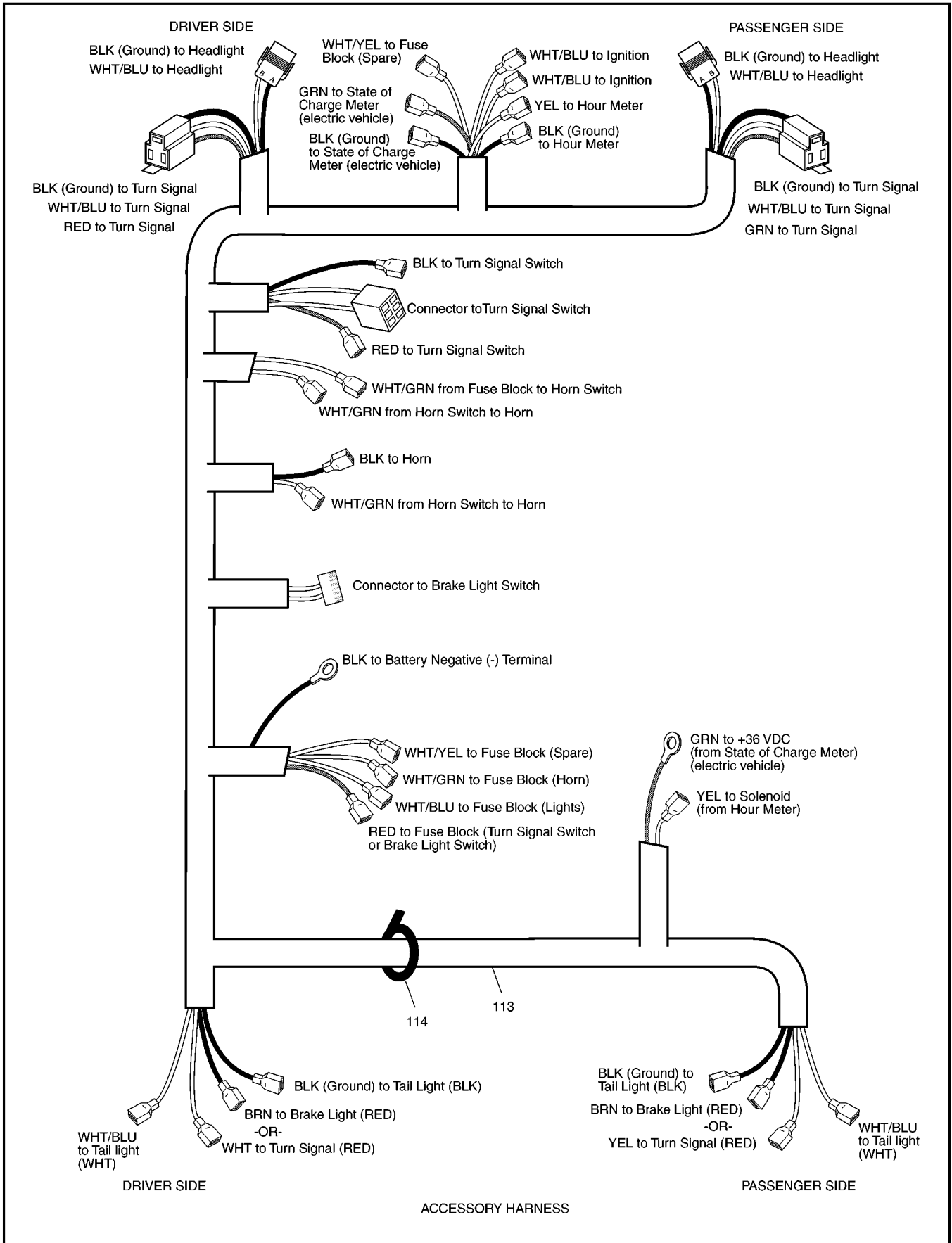


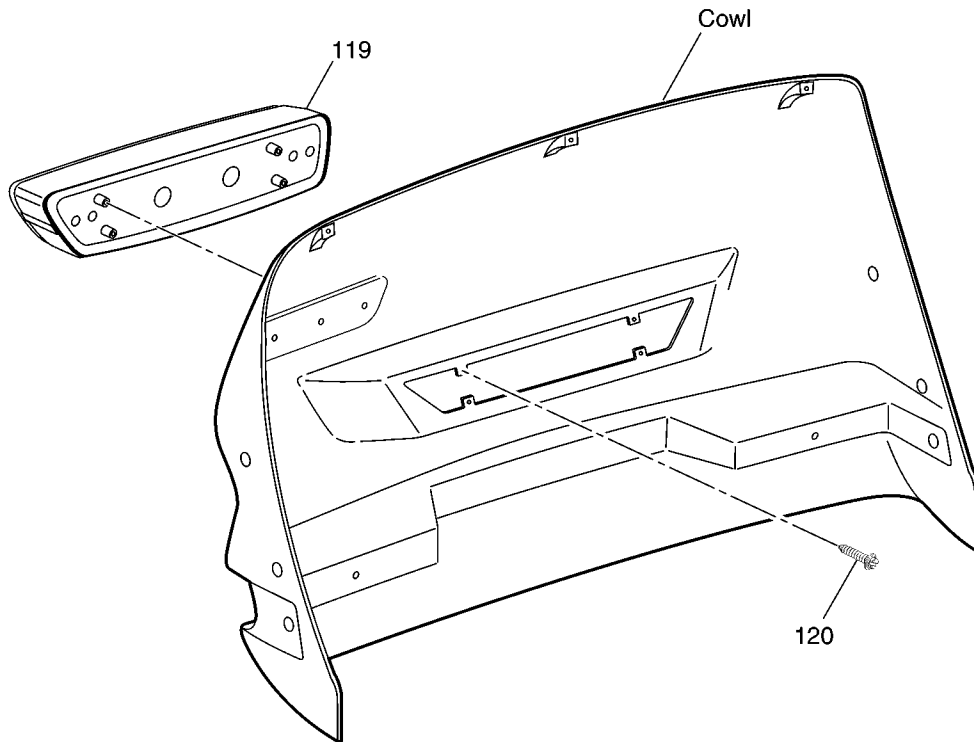
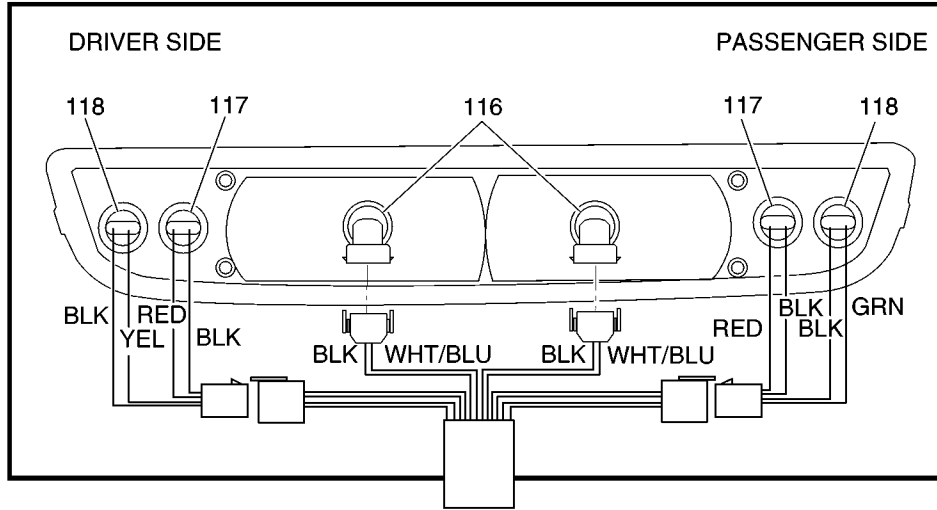




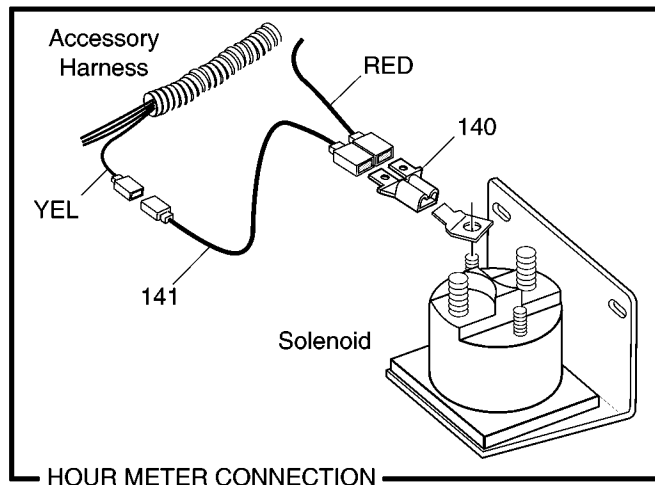
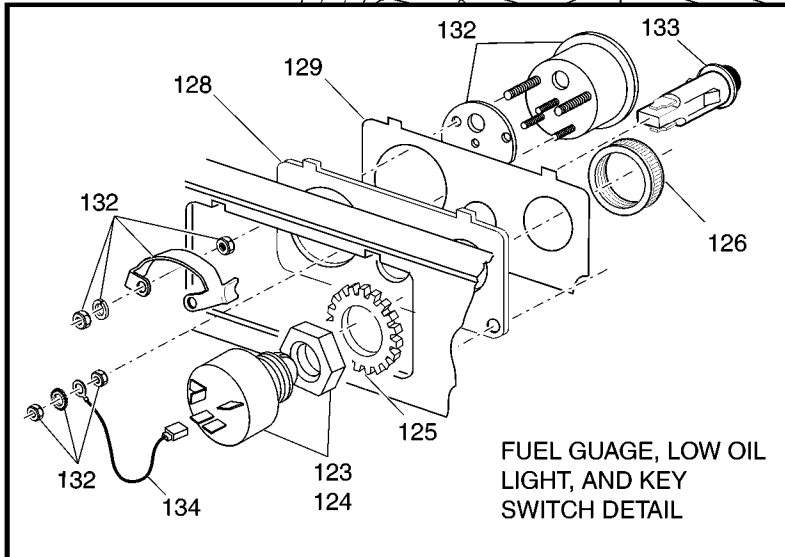
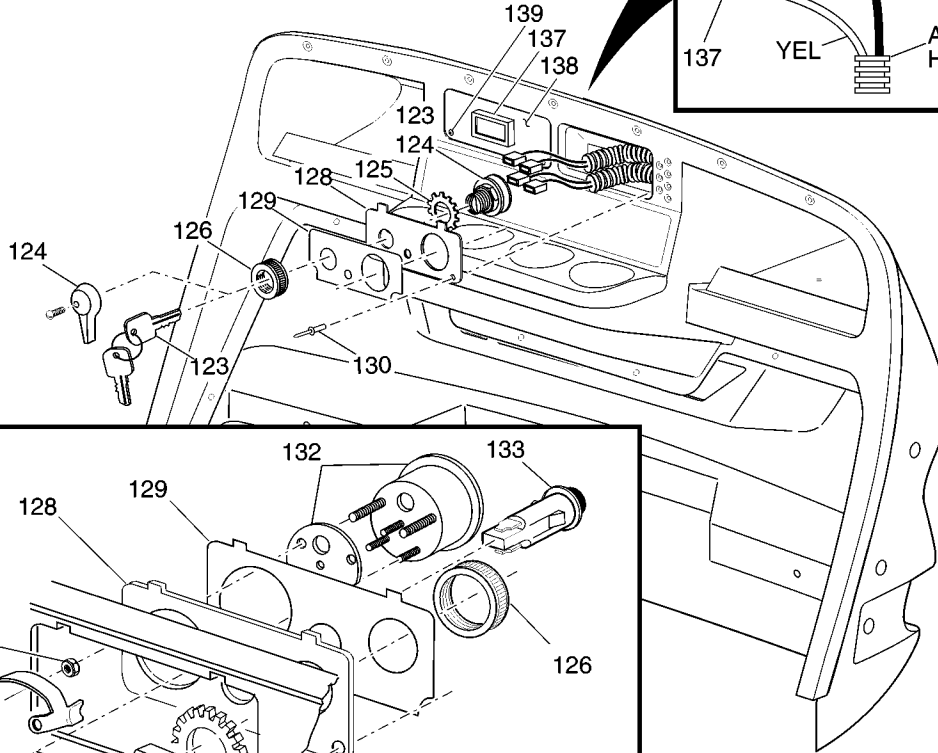
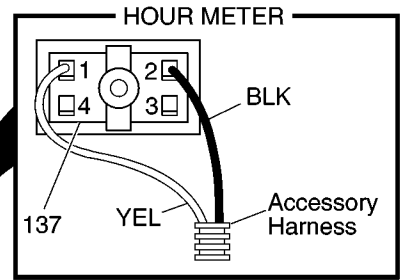
103 - Includes Item 104  
96 - Includes Item 97







136 Includes Items 137 - 141



When ordering parts, please specify the model and serial number of the product.  
 \* Indicates a component that is not available as an individual part.  
 G\*\* Indicates consult Customer Service Department for additional information.

ITEM	PART NO.	1 2 3 4 5	DESCRIPTION	QTY.
1	34037-G01		BATTERY TRAY.....	1
2	00428-G8		BOLT, 3/8 - 16 X 3" LG.....	2
3	00560-G1		WASHER, 3/8".....	4
4	11098-G5		LOCK NUT, 3/8 - 16.....	2
5	34750-G01		'J' CLIP.....	1
6	24775-G1		12 VOLT BATTERY (STANDARD).....	1
7	24775-G2		12 VOLT HD BATTERY (HEAVY DUTY) (OPTIONAL).....	1
8	72101-G01		BATTERY HOLD DOWN.....	1
9	00561-G8		WASHER, 5/16".....	1
10	00565-G8		LOCK WASHER, 5/16".....	1
11	00438-G6		BOLT, 5/16 - 18 X 3/4" LG.....	1
12				
13	70574-G02		FUSE BLOCK ASSEMBLY (INCLUDES ITEMS 14 - 19).....	1
14	34221-G01		MOUNTING PLATE.....	1
15	22674-G1		FUSE BLOCK.....	1
16	73290-G02		BUZZER, CONTINUOUS TONE.....	1
17	00138-G4		SCREW, #6 - 32 X 1/2" LG.....	4
18	00565-G3		LOCK WASHER, #6.....	4
19	00525-G5		NUT, #6 - 32.....	4
20	00933-G1		BOLT, 1/4 - 20 X 1 1/4" LG.....	2
21	00891-G2		LOCK NUT, 1/4 - 20.....	2
22	00559-G7		WASHER, 1/4".....	2
23	34464-G01		WIRE HARNESS (CONTROL).....	1
24	31539-G1		WIRE TIE (NOT ILLUSTRATED).....	10
25				
26	34324-G01		STANCHION.....	1
27	00428-G8		BOLT, 3/8 - 16 X 3" LG.....	1
28	00560-G1		WASHER, 3/8".....	1
29	11098-G5		LOCK NUT, 3/8 - 16.....	1
30				



When ordering parts, please specify the model and serial number of the product.  
 \* Indicates a component that is not available as an individual part.  
 G\*\* Indicates consult Customer Service Department for additional information.

ITEM	PART NO.	1 2 3 4 5	DESCRIPTION	QTY.
31	27740-G02		ELECTRICAL PLATE ASSEMBLY (INCLUDES ITEMS 32 - 54) .....	1
32	*		ELECTRONICS PLATE .....	1
33	27739-G01		VOLTAGE REGULATOR .....	1
34	00650-G7		WASHER, 1/4" .....	1
35	00565-G7		LOCK WASHER, 1/4" .....	1
36	00532-G1		NUT, 1/4 - 20.....	1
37	72562-G01		IGNITOR.....	1
38	00650-G7		WASHER, 1/4" .....	2
39	00565-G7		LOCK WASHER, 1/4" .....	2
40	00532-G1		NUT, 1/4 - 20.....	2
41	73341-G01		SOLENOID .....	1
42	*		LOCK WASHER, 5/16" .....	2
43	*		JAM NUT, 5/16 - 24 .....	2
44	12914-G1		FASTON TAB.....	2
45	*		LOCK WASHER, #10 .....	2
46	*		NUT, #10 - 32.....	2
47	00650-G7		WASHER, 1/4" .....	2
48	00565-G7		LOCK WASHER, 1/4" .....	2
49	00532-G1		NUT, 1/4 - 20.....	1
50	12914-G2		FASTON TAB.....	2
51	00650-G7		WASHER, 1/4" .....	1
52	00565-G7		LOCK WASHER, 1/4" .....	1
53	00532-G1		NUT, 1/4 - 20.....	1
54	25978-G56		18 GA WIRE (BLACK 5 3/4").....	1
55	72003-G01		SPACER.....	1
56				
57	72004-G01		COVER .....	1
58	11845-G7		INSULATED CLIP .....	1
59	11027-G2		LOCK NUT, 1/4 - 20 .....	3
60				



When ordering parts, please specify the model and serial number of the product.  
 \* Indicates a component that is not available as an individual part.  
 G\*\* Indicates consult Customer Service Department for additional information.

ITEM	PART NO.	1	2	3	4	5	DESCRIPTION	QTY.
61	00414-G6						SCREW, 1/4 - 20 X 3/4" LG.....	1
62	11027-G2						LOCK NUT, 1/4 - 20 .....	2
63	11845-G7						INSULATED CLIP.....	1
64								
65	25976-G12						14 GA WIRE (BLACK 10", ELECTRICAL PLATE - GRD).....	1
66	20294-G3						GROUND CABLE.....	1
67	00715-G2						BOLT, 5/16 - 18 X 13/16" LG .....	1
68	25972-G54						6 GA WIRE (BLACK 13", B- - GRD).....	1
69	25972-G53						6 GA WIRE (BLACK 24", B+ - SOL) .....	1
70	*						SCREW, 5/16 - 18 X 1 1/4" LG.....	2
71	*						LOCK WASHER, 5/16".....	2
72	*						NUT, 5/16 - 24 .....	2
73								
74								
75	25977-G36						16 GA WIRE (RED 42", SOL - FUSE BLOCK) .....	1
76	25972-G52						6 GA WIRE (BLACK 27", SOL - F2).....	1
77	16563-G1						RUBBER BOOT .....	1
78	XXXXX-XX						STARTER/GENERATOR (SEE STARTER/GENERATOR SECTION).....	1
79	25887-G01						6 GA WIRE (BLACK 6", F1 - A2).....	1
80	34219-G01						WIRE HARNESS (ENGINE CONTROL).....	1
81								
82	17618-G1						WIRE TIE .....	4
83	26676-G01						BOLT, M6 X 1 X 23 MM LG .....	1
84								
85	26651-G02						PULSER COIL (INCLUDES ITEM 86) .....	1
86	26707-G01						BOLT AND WASHER, M5 X 0.8 X 10 MM LG.....	2
87								
88	26652-G01						IGNITION COIL ASSEMBLY (INCLUDES ITEMS 89 - 94) .....	1
89	*						COIL.....	1
90	*						SCREW.....	1





When ordering parts, please specify the model and serial number of the product.  
 \* Indicates a component that is not available as an individual part.  
 G\*\* Indicates consult Customer Service Department for additional information.

ITEM	PART NO.	1	2	3	4	5	DESCRIPTION	QTY.
91	*						SPACER .....	1
92	*						LOCK WASHER .....	1
93	*						NUT .....	1
94	*						NUT .....	1
95								
96	17867-G1						TURN SIGNAL (WITH MOUNTING HARDWARE) (OPTIONAL) (INCLUDES ITEM 97) .....	1
97	21640-G1						TURN SIGNAL FLASHER .....	1
98	19344-G1						VINYL ELECTRICAL TAPE .....	A/R
99								
100	32675-G3						STEERING COLUMN COVER .....	1
101	18392-G1						15 AMP FUSE .....	1
102								
103	17318-G1						HORN SWITCH (INCLUDES ITEM 104) .....	1
104	17318-G2						BUTTON AND NUT .....	1
105	19233-G1						PLATE (HORN LABEL) .....	1
106	71055-G01						RIVET, 3/16" X 3/8" LG .....	2
107	27068-G01						BOOT .....	1
108	31539-G1						WIRE TIE .....	1
109	32860-G1						HORN .....	1
110	18392-G1						15 AMP FUSE .....	1
111	32739-G2						STOP/ TAIL LIGHT .....	2
112								
113	34598-G01						WIRE HARNESS (ACCESSORY) .....	1
114	31539-G1						WIRE TIE .....	10
115								
116	74004-G01						HEADLIGHT BULB, REPLACEMENT .....	A/R
117	74005-G01						MARKER LIGHT BULB, REPLACEMENT .....	A/R
118	74006-G01						TURN LIGHT BULB, REPLACEMENT .....	A/R
119	74001-G01						LIGHT BAR .....	1



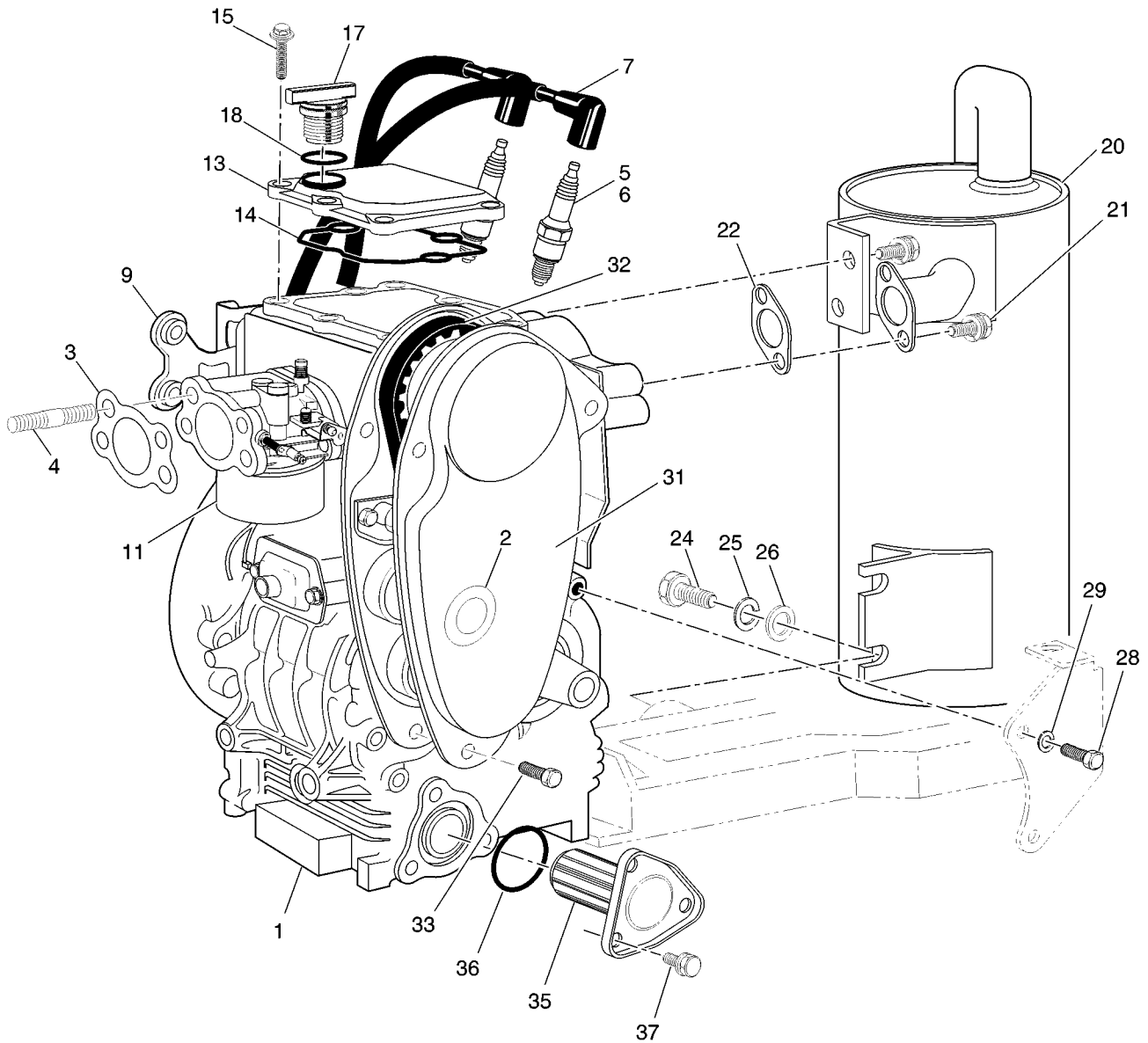
When ordering parts, please specify the model and serial number of the product.  
 \* Indicates a component that is not available as an individual part.  
 G\*\* Indicates consult Customer Service Department for additional information.

ITEM	PART NO.	1 2 3 4 5	DESCRIPTION	QTY.
120	00114-G6		SCREW, 1/4 - 14 X 3/4" LG.....	4
121	18392-G1		15 AMP FUSE .....	1
122				
123	33639-G01		IGNITION SWITCH WITH LIGHTS (STANDARD) .....	1
124	33783-G01		KEYLESS IGNITION SWITCH (OPTIONAL) .....	1
125	00568-G6		LOCK WASHER, 3/4" .....	1
126	17137-G1		FACE NUT, 3/4 - 20 .....	1
127				
128	73030-G04		PLATE (IGNITION SWITCH, LOW OIL LIGHT AND FUEL GAUGE) .....	1
129	71131-G01		DECAL (SWITCH, LOW OIL LIGHT AND FUEL GAUGE) WITH LIGHTS .....	1
130	33623-G02		RIVET, 3/16" X 3/8" LG .....	2
131				
132	21553-G1		FUEL GAUGE .....	1
133	23474-G1		INDICATOR LIGHT .....	1
134	25978-G122		18 GA WIRE (RED 6").....	1
135				
136	34886-G04		HOUR METER KIT (OPTIONAL) (INCLUDES ITEMS 137 - 141) .....	1
137	33633-G01		HOUR METER.....	1
138	34851-G01		CONSOLE INSERT PLATE .....	1
139	33623-G01		RIVET, 3/16" X 1/4" LG .....	2
140	17902-G1		TAB ADAPTER .....	1
141	25978-G231		18 GA WIRE ( WHT/YEL 36").....	1

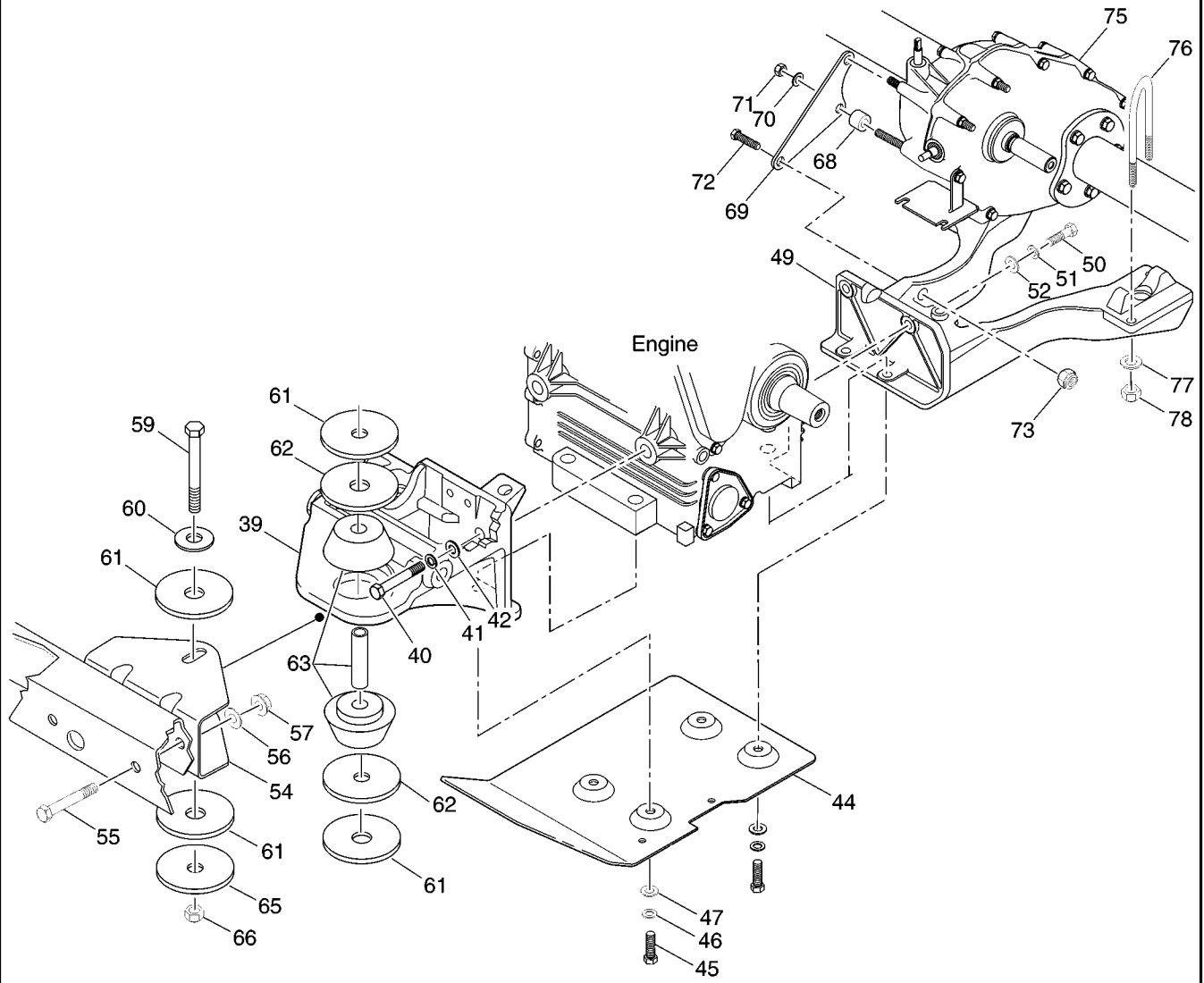




1 - Includes Items 2 - 37



ENGINE MOUNTING COMPONENTS



# ENGINE AND MUFFLER

# Gasoline Vehicle

When ordering parts, please specify the model and serial number of the product.

\* Indicates a component that is not available as an individual part.

G\*\* Indicates consult Customer Service Department for additional information.

ITEM	PART NO.	1 2 3 4 5	DESCRIPTION	QTY.
1	72500-G04		ENGINE, 350CC (INCLUDES ITEMS 2 - 37).....	1
2	26631-G01		TIMING BELT COVER GROMMET .....	1
3	26727-G01		CARBURETOR / AIR BOX GASKET.....	1
4	72514-G01		STUD .....	2
5	25523-G3		SPARK PLUG (NGK BPR4ES - RESISTOR) .....	A/R
6	25523-G2		SPARK PLUG (NGK BP4ES) .....	2
7	26733-G01		SPARK PLUG WIRE SET .....	1
8				
9	72305-G01		IGNITION COIL BRACKET.....	1
10				
11	XXXXX-XX		CARBURETOR (SEE CARBURETOR SECTION FOR PART NUMBER).....	X
12				
13	26600-G01		VALVE COVER .....	1
14	26719-G01		VALVE COVER GASKET .....	1
15	26676-G01		BOLT, M6 X 23 MM LG .....	6
16				
17	26601-G01		OIL FILLER CAP.....	1
18	26720-G01		FILLER CAP 'O' RING .....	1
19				
20	72019-G01		MUFFLER.....	1
21	25532-G1		BOLT AND WASHER, M8 X 1.25 X 18 MM LG .....	2
22	25531-G1		EXHAUST GASKET .....	1
23				
24	00438-G8		BOLT, 5/16 - 18 X 1" LG.....	1
25	00565-G8		LOCK WASHER, 5/16" .....	1
26	00642-G8		WASHER, 5/16" .....	1
27				
28	00276-G6		SCREW, 5/16 - 24 X 3/4" LG .....	2
29	00565-G8		LOCK WASHER, 5/16" .....	2



When ordering parts, please specify the model and serial number of the product.  
 \* Indicates a component that is not available as an individual part.  
 G\*\* Indicates consult Customer Service Department for additional information.

ITEM	PART NO.	1	2	3	4	5	DESCRIPTION	QTY.
30								
31	26630-G01						TIMING BELT COVER.....	1
32	26626-G01						TIMING BELT .....	1
33	26678-G01						BOLT, M6 X 1 X 12 MM LG .....	3
34								
35	26591-G01						OIL FILTER.....	1
36	26710-G01						OIL FILTER 'O' RING .....	1
37	26680-G01						BOLT AND WASHER, M6 X 1 X 12 MM LG.....	3
38								
39	72010-G01						FRONT ENGINE MOUNT .....	1
40	00463-G4						BOLT, 7/16 - 14 X 1 1/2" LG.....	2
41	00566-G2						LOCK WASHER, 7/16" .....	2
42	00922-G3						WASHER, 7/16" .....	2
43								
44	27432-G02						ENGINE GUARD .....	1
45	00463-G4						BOLT, 7/16 - 14 X 1 1/2" LG.....	4
46	00566-G2						LOCK WASHER, 7/16" .....	4
47	00922-G3						WASHER, 7/16" .....	4
48								
49	72011-G01						REAR ENGINE MOUNT .....	1
50	00463-G4						BOLT, 7/16 - 14 X 1 1/2" LG.....	2
51	00566-G2						LOCK WASHER, 7/16" .....	2
52	00922-G3						WASHER, 7/16" .....	2
53								
54	72044-G01						MOUNT BRACKET .....	1
55	00428-G6						BOLT, 3/8 - 16 X 2 3/4" LG.....	2
56	00643-G1						WASHER, 3/8" .....	2
57	11098-G5						LOCK NUT, 3/8 - 16 .....	2
58								
59	00430-G4						BOLT, 3/8 - 16 X 4 1/2" LG.....	1



When ordering parts, please specify the model and serial number of the product.  
 \* Indicates a component that is not available as an individual part.  
 G\*\* Indicates consult Customer Service Department for additional information.

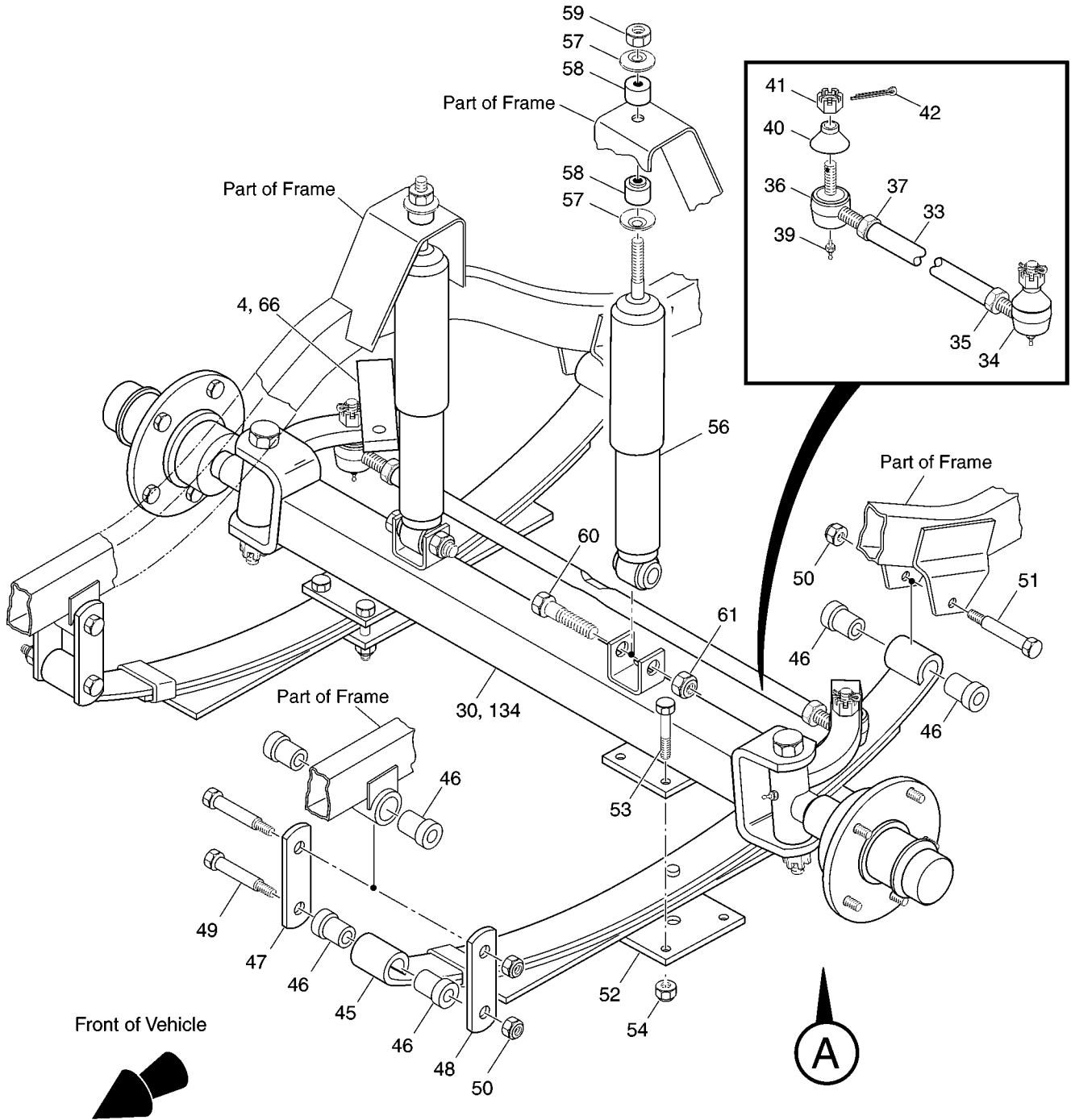
ITEM	PART NO.	1 2 3 4 5	DESCRIPTION	QTY.
60	15121-G1		WASHER, 3/8" .....	1
61	72050-G01		PLASTIC WASHER, 5/18" I.D. X 2 1/2" O.D. ....	4
62	72051-G01		WASHER, 5/8" .....	2
63	72015-G01		ISOLATION MOUNT .....	1
64				
65	72051-G02		WASHER, 11/32" .....	1
66	11098-G5		LOCK NUT, 3/8-16 .....	1
67				
68	75048-G01		SPACER.....	1
69	72017-G01		AXLE BRACKET .....	1
70	26826-G01		LOCK WASHER, 8 MM .....	2
71	26827-G01		NUT, M8 X 1.25 MM .....	2
72	00439-G2		BOLT, 5/16-18 X 1 1/4" LG .....	1
73	11098-G6		LOCK NUT, 5/16 - 18 .....	1
74				
75	XXXXX-XX		REAR AXLE (SEE REAR AXLE SECTION FOR PART NUMBER) .....	X
76	XXXXX-XX		'U' BOLT (SEE REAR AXLE SECTION FOR PART NUMBER) .....	X
77	XXXXX-XX		WASHER (SEE REAR AXLE SECTION FOR PART NUMBER) .....	X
78	XXXXX-XX		NUT (SEE REAR AXLE SECTION FOR PART NUMBER) .....	X



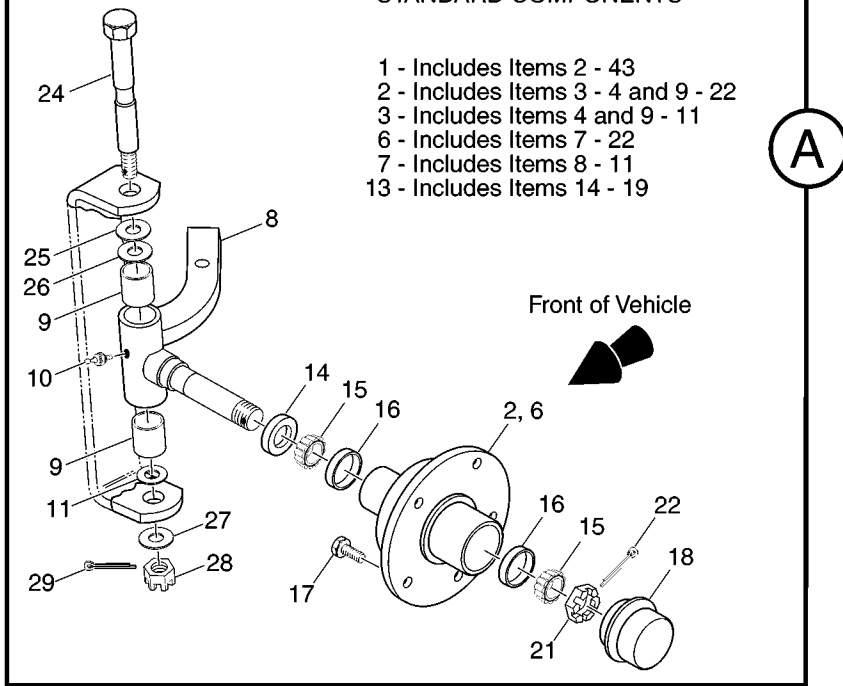




- 1 - Includes Items 2 - 43
- 3 - Includes Items 4 and 9 - 11
- 32 - Includes Items 33 - 37
- 63 - Includes Items 64 - 134 and 32 - 43
- 65 - Includes Items 66 and 74 - 76

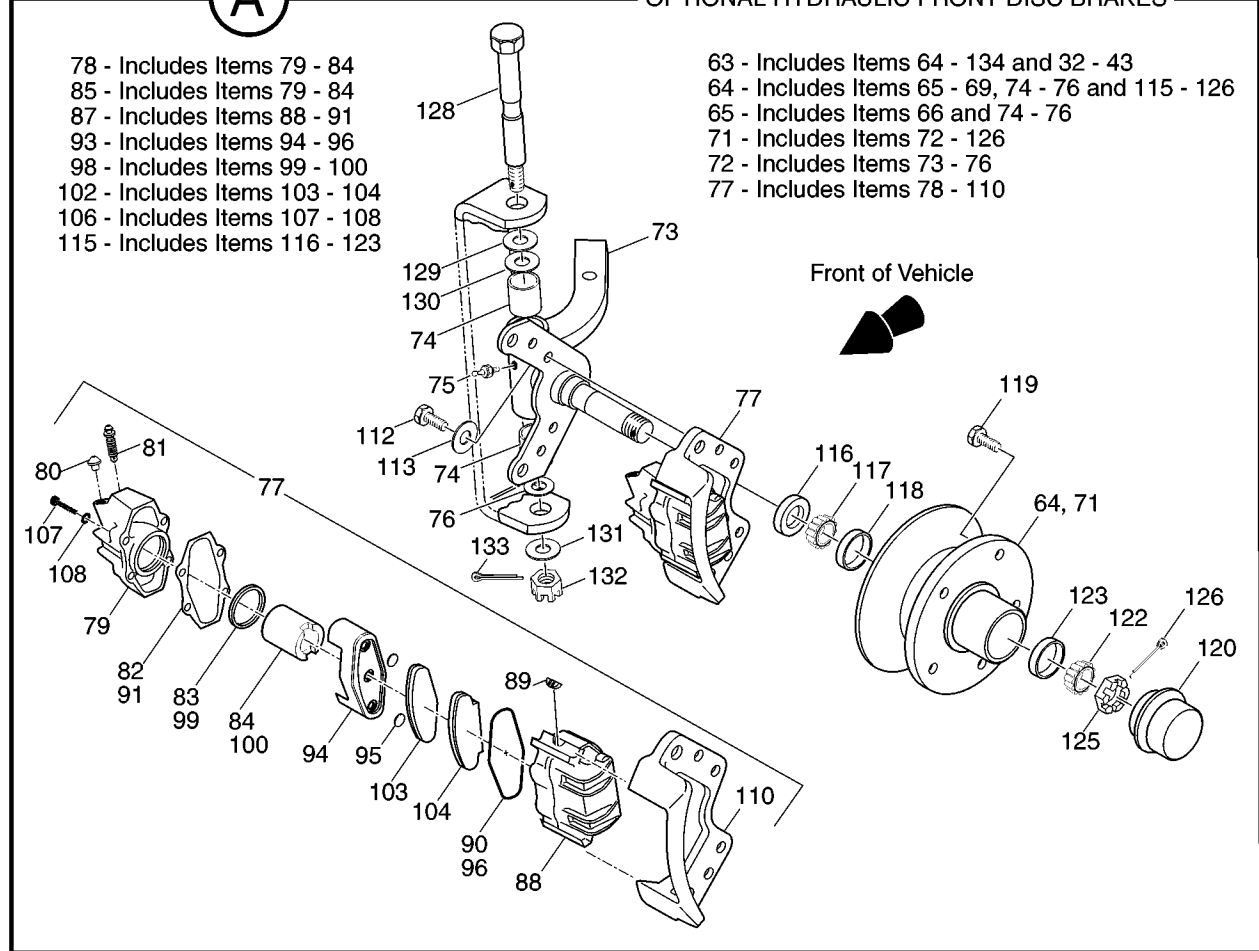


STANDARD COMPONENTS



A

OPTIONAL HYDRAULIC FRONT DISC BRAKES



# FRONT SUSPENSION / BRAKES

Gasoline Vehicle

When ordering parts, please specify the model and serial number of the product.

\* Indicates a component that is not available as an individual part.

G\*\* Indicates consult Customer Service Department for additional information.

ITEM	PART NO.	1 2 3 4 5	DESCRIPTION	QTY.
1	34082-G01		FRONT AXLE ASSEMBLY (INCLUDES ITEMS 2 - 43).....	1
2	34088-G01		SPINDLE AND HUB ASSEMBLY (PASSENGER SIDE) (INCLUDES ITEMS 3 - 4 AND 9 - 22) .....	1
3	34089-G01		SPINDLE ASSEMBLY (PASSENGER SIDE) (INCLUDES ITEMS 4 AND 9 - 11) .....	1
4	34083-G01		SPINDLE (PASSENGER SIDE).....	1
5				
6	34286-G01		SPINDLE AND HUB ASSEMBLY (DRIVER SIDE) (INCLUDES ITEMS 7 - 22).....	1
7	34285-G01		SPINDLE ASSEMBLY (DRIVER SIDE) (INCLUDES ITEMS 8 - 11).....	1
8	34284-G01		SPINDLE (DRIVER SIDE) .....	1
9	16623-G1		BEARING .....	2
10	10389-G3		GREASE FITTING .....	1
11	16626-G1		OIL SEAL .....	1
12				
13	32783-G1		HUB ASSEMBLY (INCLUDES ITEMS 14 - 19).....	1
14	12092-G1		GREASE SEAL .....	1
15	11750-G2		ROLLER BEARING CONE .....	2
16	51141-G1		BEARING CUP .....	2
17	30143-G1		WHEEL BOLT, 1/2 - 20 X 1 7/32" LG .....	5
18	30146-G1		DUST CAP .....	1
19	12730-G1		WHEEL BEARING GREASE (NOT ILLUSTRATED) .....	A/R
20				
21	12093-G1		CASTELLATED NUT, 1 - 14.....	1
22	00798-G8		COTTER PIN, 5/32" X 1 3/4" LG.....	1
23				
24	25177-G2		KING PIN.....	2
25	00879-G7		WASHER, 7/8".....	2
26	16982-G1		THRUST WASHER, 7/8" .....	2
27	00560-G5		WASHER, 5/8".....	2



When ordering parts, please specify the model and serial number of the product.

\* Indicates a component that is not available as an individual part.

G\*\* Indicates consult Customer Service Department for additional information.

ITEM	PART NO.	1	2	3	4	5	DESCRIPTION	QTY.
28	14390-G2						LOCK NUT, 5/8 - 18.....	2
29	19060-G1						COTTER PIN, 1 1/4" LG.....	2
30	34081-G01						FRONT AXLE.....	1
31								
32	34084-G01						TIE ROD (INCLUDES ITEMS 33 - 37).....	1
33	70583-G08						THREADED TUBE WITH FLAT.....	1
34	27205-G01						TIE ROD END (LEFT HAND THREADS).....	1
35	18434-G3						JAM NUT, 9/16 - 18 (LEFT HAND THREADS).....	1
36	27205-G02						TIE ROD END (RIGHT HAND THREADS).....	1
37	18434-G4						JAM NUT, 9/16 - 18 (RIGHT HAND THREADS).....	1
38								
39	10389-G3						GREASE FITTING.....	2
40	50641-G1						RUBBER BOOT.....	2
41	50209-G1						CASTELLATED NUT, 7/16 - 20.....	2
42	10387-G2						COTTER PIN, 3/32" X 1" LG.....	2
43	12730-G1						WHEEL BEARING GREASE.....	A/R
44								
45	33670-G01						LEAF SPRING.....	2
46	20098-G1						RUBBER BUSHING.....	12
47	30035-G1						LEAF SPRING SHACKLE.....	2
48	30035-G2						LEAF SPRING SHACKLE.....	2
49	15727-G1						SHOULDER BOLT, 3/8 - 16 X 2 3/8" LG.....	4
50	13521-G4						LOCK NUT, 3/8 - 16.....	6
51	14158-G1						SHOULDER BOLT, 3/8 - 16 X 3 1/4" LG.....	2
52	34032-G02						SPRING MOUNTING PLATE.....	2
53	00427-G8						BOLT, 3/8 - 16 X 2" LG.....	8
54	11098-G5						LOCK NUT, 3/8 - 16.....	8
55								
56	21782-G1						SHOCK ABSORBER.....	2
57	10435-G1						SHOCK ABSORBER WASHER.....	4



# FRONT SUSPENSION / BRAKES

# Gasoline Vehicle

When ordering parts, please specify the model and serial number of the product.

\* Indicates a component that is not available as an individual part.

G\*\* Indicates consult Customer Service Department for additional information.

ITEM	PART NO.	1 2 3 4 5	DESCRIPTION	QTY.
58	10194-G1		RUBBER BUSHING .....	4
59	00532-G6		NUT, 3/8 - 24 .....	2
60	00458-G2		BOLT, 5/8 - 11 X 2 1/4" LG .....	2
61	14390-G7		LOCK NUT, 5/8 - 11 .....	2
62				
63	34082-G03		FRONT AXLE ASSEMBLY WITH HYDRAULIC DISC BRAKES (INCLUDES ITEMS 64 - 134 AND 32 - 43) .....	1
64	34114-G02		SPINDLE AND DISC HUB ASSEMBLY (PASSENGER SIDE) (INCLUDES ITEMS 65 - 69, 74 - 76 AND 115 - 126) .....	1
65	34119-G01		SPINDLE ASSEMBLY (PASSENGER SIDE) (INCLUDES ITEMS 66 AND 74 - 76) .....	1
66	34103-G01		SPINDLE (PASSENGER SIDE) .....	1
67	34116-G02		DISC BRAKE ASSEMBLY (PASSENGER SIDE) (NOT SHOWN - OPPOSITE OF ITEM 77) .....	1
68	34118-G01		BOLT, M8 X 1.25 X 20 MM LG (NOT SHOWN - OPPOSITE OF ITEM 112) .....	4
69	00565-G8		WASHER, 5/16" (NOT SHOWN - OPPOSITE OF ITEM 113) .....	4
70				
71	34115-G02		SPINDLE AND DISC HUB ASSEMBLY (DRIVER SIDE) (INCLUDES ITEMS 72 - 126) .....	1
72	34119-G02		SPINDLE ASSEMBLY (DRIVER SIDE) (INCLUDES ITEMS 73 - 76) .....	1
73	34104-G01		SPINDLE (DRIVER SIDE) .....	1
74	16623-G1		BEARING .....	2
75	10389-G3		GREASE FITTING .....	1
76	16626-G1		OIL SEAL .....	1
77	34116-G01		DISC BRAKE ASSEMBLY (DRIVER SIDE) (INCLUDES ITEMS 78 - 110) .....	1
78	34110-G01		PISTON AND COVER ASSEMBLY KIT (DRIVER SIDE) (INCLUDES ITEMS 79 - 84) .....	1
79	*		COVER .....	1
80	*		SEAT INSERT .....	1
81	*		BLEEDER SCREW .....	1

When ordering parts, please specify the model and serial number of the product.

\* Indicates a component that is not available as an individual part.

G\*\* Indicates consult Customer Service Department for additional information.

ITEM	PART NO.	1	2	3	4	5	DESCRIPTION	QTY.
82	*						GASKET .....	1
83	*						PISTON SQUARE SEAL .....	1
84	*						PISTON.....	1
85	34110-G02						PISTON AND COVER ASSEMBLY KIT (PASSENGER SIDE) (INCLUDES ITEMS 79 - 84) (ITEMS 80 AND 81 ARE MOUNTED OPPOSITE OF THEIR MOUNTED ORIENTATION IN 34110-G01)	1
86								
87	34112-G01						DISC BRAKE HOUSING KIT (INCLUDES ITEMS 88 - 91) .....	1
88	*						HOUSING .....	1
89	*						RUBBER SPRING .....	2
90	*						PISTON "O" RING .....	1
91	*						GASKET .....	1
92								
93	34573-G01						DISC BRAKE PISTON AND "O" RING KIT (INCLUDES ITEMS 94 - 96) .....	1
94	*						PISTON.....	1
95	*						PISTON PLUG.....	2
96	*						PISTON "O" RING .....	1
97								
98	34572-G01						DISC BRAKE PISTON AND SEAL KIT (INCLUDES ITEMS 99 - 100) .....	1
99	*						PISTON SQUARE SEAL .....	1
100	*						PISTON.....	1
101								
102	34574-G01						DISC BRAKE PADS KIT (INCLUDES ITEMS 103 - 104).....	1
103	*						BRAKE PAD (PISTON SIDE).....	1
104	*						BRAKE PAD (HOUSING SIDE) .....	1
105								
106	35222-G01						DISC BRAKE SCREW AND WASHER KIT (INCLUDES ITEMS 107 -108) .....	1
107	*						SCREW M5 X 0.8 X 25 MM LG .....	1
108	*						WASHER, #10 .....	1



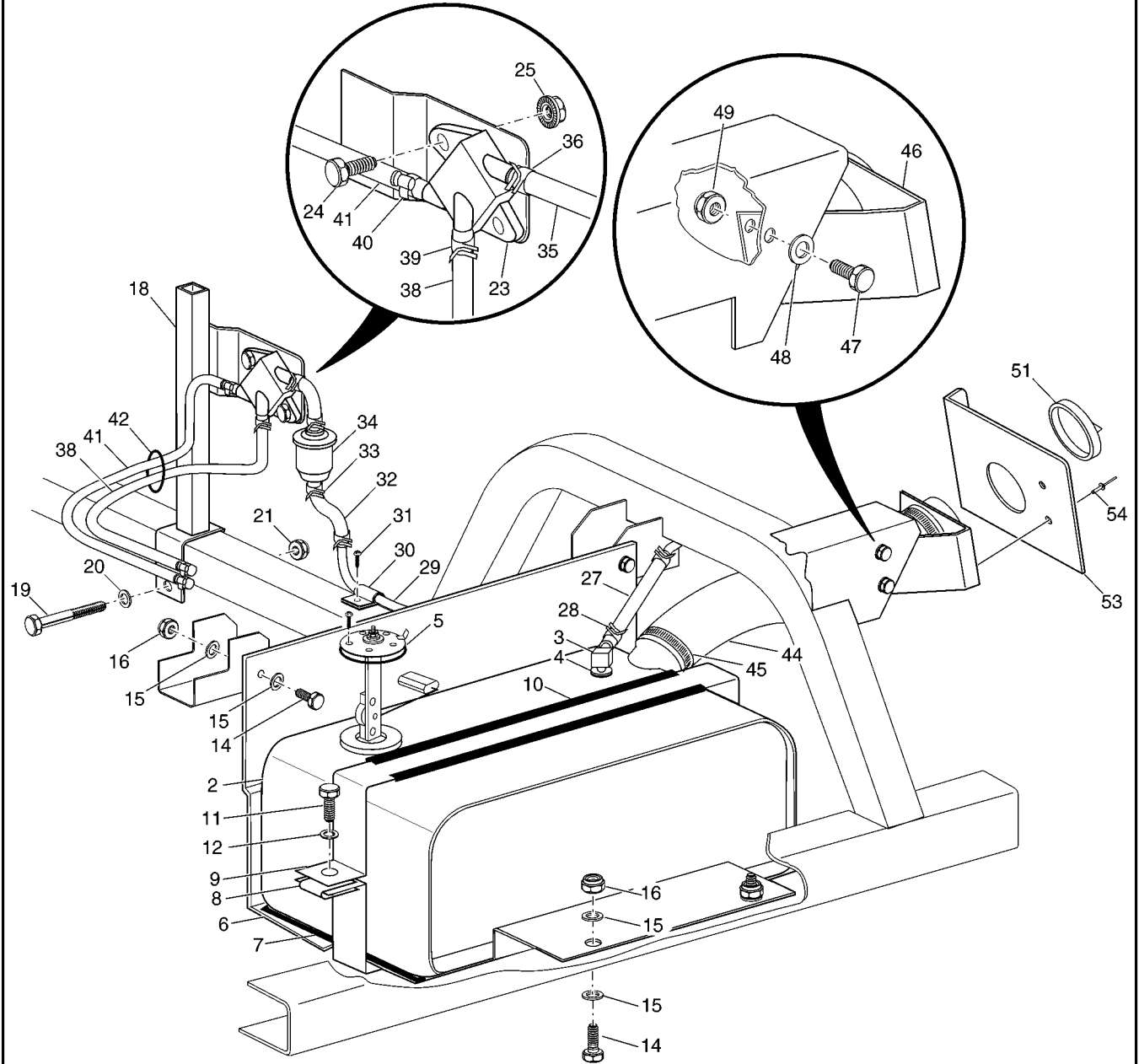
When ordering parts, please specify the model and serial number of the product.  
 \* Indicates a component that is not available as an individual part.  
 G\*\* Indicates consult Customer Service Department for additional information.

ITEM	PART NO.	1	2	3	4	5	DESCRIPTION	QTY.
109								
110	34108-G01						DISC BRAKE MOUNTING BRACKET .....	1
111								
112	34118-G01						BOLT, M8 X 1.25 X 20 MM LG .....	4
113	00565-G8						LOCK WASHER, 5/16".....	4
114								
115	32783-G1						DISC HUB ASSEMBLY (INCLUDES ITEMS 116 - 123).....	1
116	12092-G1						GREASE SEAL .....	1
117	11750-G2						ROLLER BEARING CONE (INNER).....	1
118	51141-G1						BEARING CUP (INNER).....	1
119	34117-G01						WHEEL BOLT, 1/2 - 20 X 1 3/4" LG .....	5
120	30146-G1						DUST CAP .....	1
121	12730-G1						WHEEL BEARING GREASE .....	A/R
122	11750-G1						ROLLER BEARING CONE (OUTER) .....	1
123	11752-G1						BEARING CUP (OUTER) .....	1
124								
125	12093-G1						CASTELLATED NUT, 1 - 14.....	1
126	00798-G8						COTTER PIN, 5/32" X 1 3/4" LG.....	1
127								
128	25177-G2						KING PIN.....	2
129	00879-G7						WASHER, 7/8".....	2
130	16982-G1						THRUST WASHER, 7/8" .....	2
131	00560-G5						WASHER, 5/8".....	2
132	14390-G2						LOCK NUT, 5/8 - 18.....	2
133	19060-G1						COTTER PIN, 1 1/4" LG.....	2
134	34081-G01						FRONT AXLE .....	1









When ordering parts, please specify the model and serial number of the product.  
 \* Indicates a component that is not available as an individual part.  
 G\*\* Indicates consult Customer Service Department for additional information.

ITEM	PART NO.	1 2 3 4 5	DESCRIPTION	QTY.
1				
2	34070-G01		FUEL TANK.....	1
3	27210-G04		SIPHON TUBE.....	1
4	26060-G01		BUSHING.....	1
5	20048-G5		FUEL LEVEL SENDER.....	1
6	34130-G01		FUEL TANK SUPPORT .....	1
7	34131-G01		FUEL TANK MAT .....	1
8	14776-G1		"J" TYPE RETAINER NUT .....	2
9	34129-G02		FUEL TANK RETAINER.....	1
10	14643-G4		VINYL EXTRUSION, 15" LG.....	1
11	00414-G6		BOLT, 1/4 - 20 X 3/4" LG.....	2
12	00559-G7		WASHER, 1/4" .....	2
13				
14	00438-G8		BOLT, 5/16 - 18 X 1" LG.....	4
15	00559-G8		WASHER, 5/16" .....	8
16	11098-G6		LOCK NUT, 5/16 - 18 .....	4
17				
18	34321-G01		FUEL PUMP STANCHION.....	1
19	00428-G8		BOLT, 3/8 - 16 X 3" LG.....	2
20	00560-G1		WASHER, 3/8" .....	2
21	11098-G5		LOCK NUT, 3/8 - 16 .....	2
22				
23	72021-G01		FUEL PUMP.....	1
24	00414-G6		BOLT, 1/4 - 20 X 3/4" LG.....	2
25	11027-G2		LOCK NUT, 1/4 - 20 .....	2
26				
27	19702-G2		TUBE, 8" .....	1
28	18292-G1		CLAMP.....	2
29	34160-G01		FUEL LINE TUBING .....	1
30	11845-G8		INSULATED CLAMP.....	4

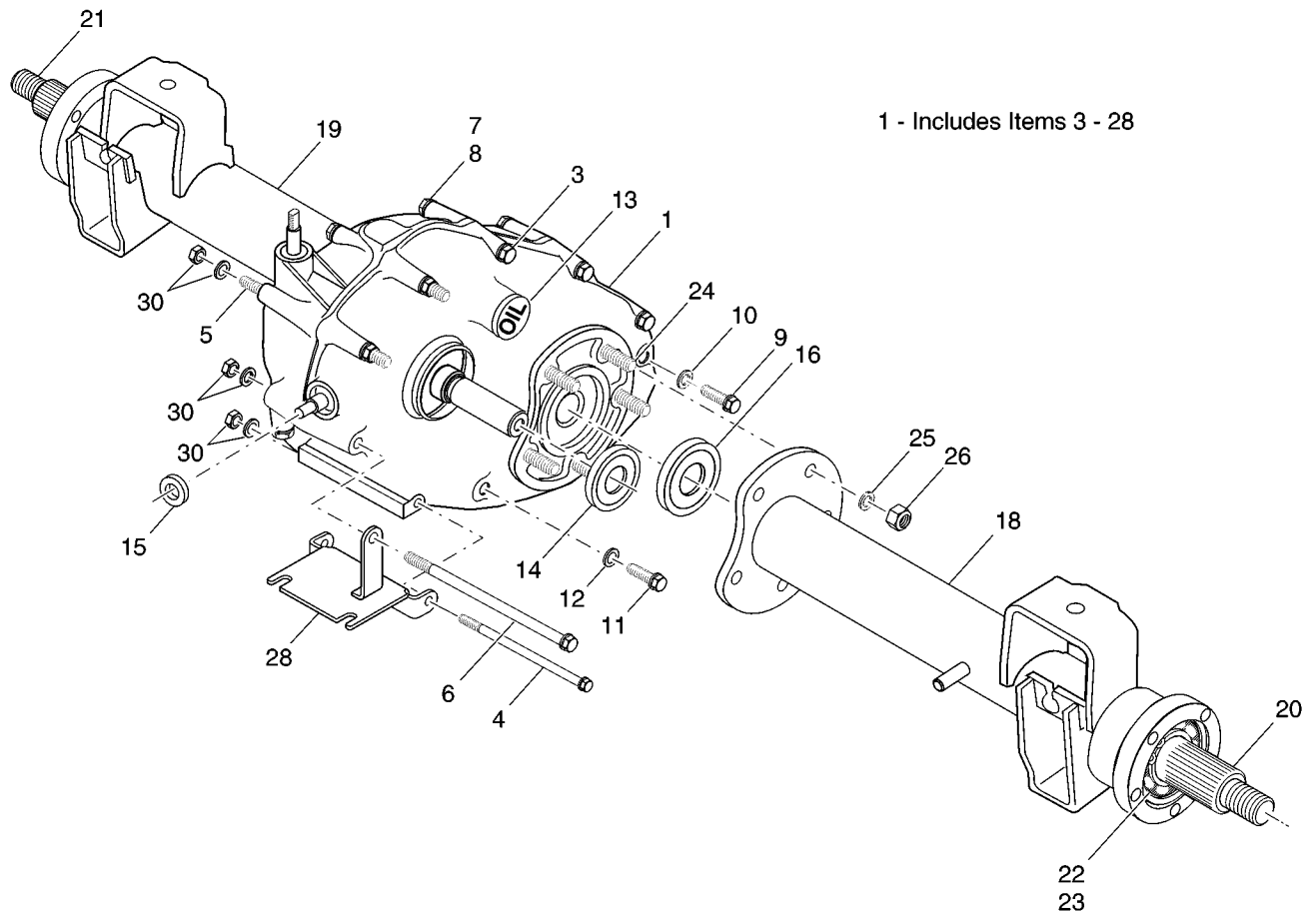


When ordering parts, please specify the model and serial number of the product.  
 \* Indicates a component that is not available as a individual part.  
 G\*\* Indicates consult Customer Service Department for additional information.

ITEM	PART NO.	1 2 3 4 5	DESCRIPTION	QTY.
31	00106-G6		SELF THREADING SCREW, #12 - 24 X 3/4" LG .....	4
32	17471-G7		TUBING (BULK) 2 3/4" .....	A/R
33	18292-G1		CLAMP .....	2
34	72084-G01		FUEL FILTER .....	1
35	17471-G7		TUBING (BULK) 2 3/4" .....	A/R
36	18292-G1		CLAMP .....	2
37				
38	27184-G08		TUBE, 20" .....	1
39	18292-G1		CLAMP .....	1
40	11391-G4		CLAMP .....	3
41	25346-G12		TUBE, 22" .....	1
42	17618-G1		WIRE TIE .....	1
43				
44	34282-G01		FUEL INLET HOSE .....	1
45	11391-G2		CLAMP .....	2
46	34194-G02		FUEL INLET .....	1
47	00438-G8		BOLT, 5/16 - 18 X 1" LG .....	2
48	00559-G8		WASHER, 5/16" .....	2
49	11098-G6		LOCK NUT, 5/16 - 18 .....	2
50				
51	34132-G01		FUEL CAP (VENTED) .....	1
52				
53	34722-G01		FUEL CAP SHIELD .....	1
54	14601-G9		RIVET, 3/16" X 9/16" LG .....	2



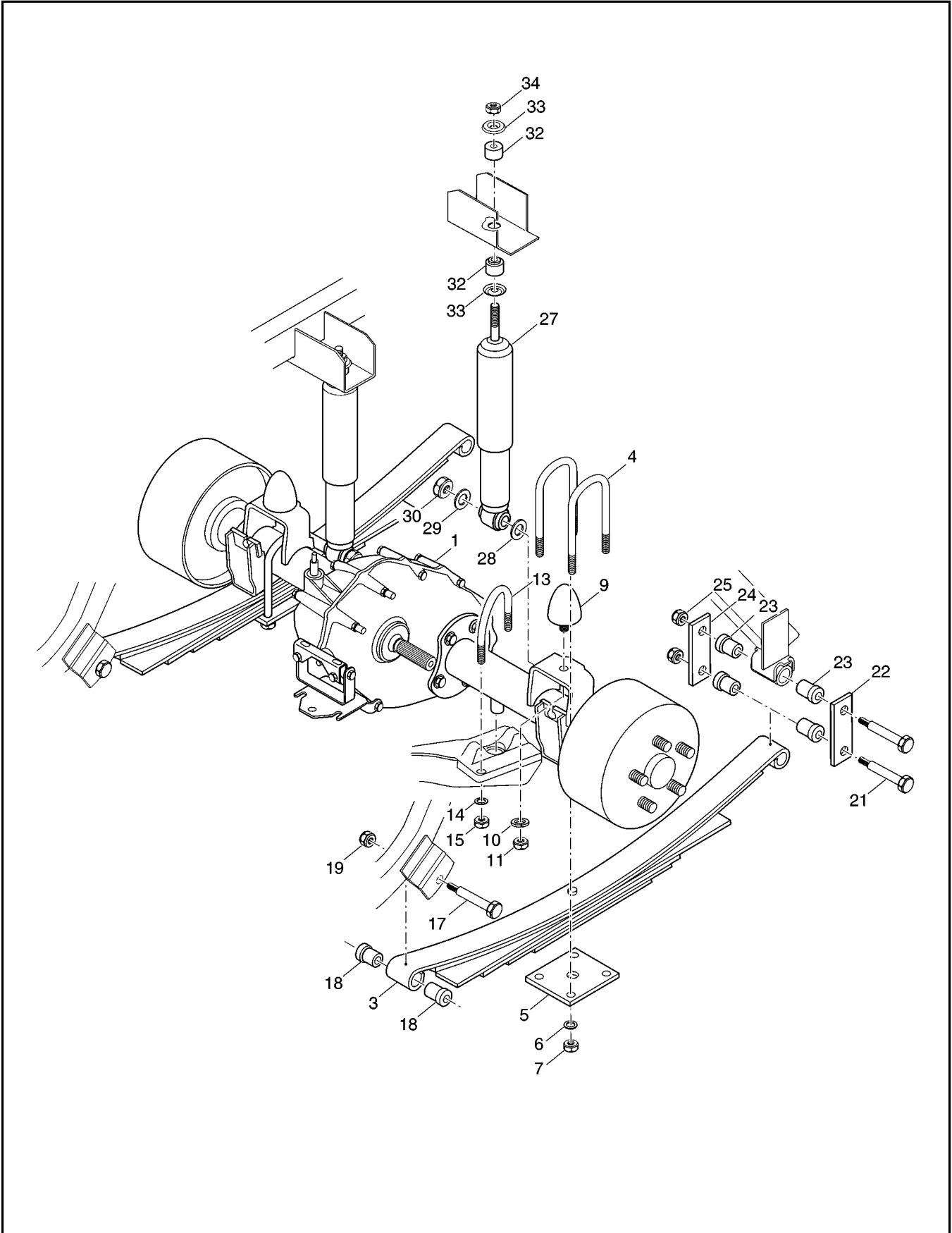




When ordering parts, please specify the model and serial number of the product.  
 \* Indicates a component that is not available as an individual part.  
 G\*\* Indicates consult Customer Service Department for additional information.

ITEM	PART NO.	1 2 3 4 5	DESCRIPTION	QTY.
1	34047-G01		REAR AXLE (13.32:1) (INCLUDES ITEMS 3 - 28).....	1
2				
3	26823-G01		FLANGED BOLT, M8 X 1.25 X 100 MM LG .....	7
4	26824-G01		FLANGED BOLT, M8 X 1.25 X 110 MM LG.....	1
5	72053-G01		BOLT, M8 X 1.25 X 120 MM LG .....	1
6	72052-G01		FLANGED BOLT, M8 X 1.25 X 130 MM LG .....	1
7	26826-G01		LOCK WASHER, 8 MM .....	11
8	26827-G01		NUT, M8 X 1.25 .....	11
9	26768-G01		OIL CHECK PLUG.....	1
10	26769-G01		GASKET, 8 MM.....	1
11	26770-G01		OIL DRAIN PLUG .....	1
12	26771-G01		GASKET, 14 MM.....	1
13	26772-G01		OIL FILLER PLUG .....	1
14	26761-G01		INPUT SHAFT SEAL .....	1
15	26762-G01		SHIFTER SHAFT SEAL .....	1
16	26766-G01		AXLE SHAFT SEAL.....	2
17				
18	34138-G01		AXLE TUBE (DRIVER SIDE).....	1
19	34139-G01		AXLE TUBE (PASSENGER SIDE) .....	1
20	34136-G01		AXLE SHAFT (DRIVER SIDE).....	1
21	34137-G01		AXLE SHAFT (PASSENGER SIDE) .....	1
22	33687-G01		RETAINING RING .....	1
23	33686-G01		SEALED BALL BEARING.....	2
24	26767-G01		STUD, M10 X 1.5 X 40 MM LG .....	5
25	26828-G01		WASHER, 10 MM .....	10
26	26829-G01		NUT, M10 X 1.5 .....	10
27				
28	26815-G01		SHIFTER CABLE BRACKET .....	1
29				
30	XXXXX-XX		NUT AND LOCK WASHER (SEE ENGINE AND MUFFLER SECTION FOR P/N'S)	







When ordering parts, please specify the model and serial number of the product.  
 \* Indicates a component that is not available as an individual part.  
 G\*\* Indicates consult Customer Service Department for additional information.

ITEM	PART NO.	1 2 3 4 5	DESCRIPTION	QTY.
1	XXXXX-XX		REAR AXLE (SEE REAR AXLE SECTION FOR PART NUMBER).....	1
2				
3	34041-G01		LEAF SPRING .....	2
4	32195-G1		"U" BOLT, 2 3/8" .....	4
5	34011-G01		SPRING MOUNTING PLATE.....	2
6	00560-G1		WASHER, 3/8" .....	8
7	11098-G5		LOCK NUT, 3/8 - 16 .....	8
8				
9	70492-G01		RUBBER BUMPER.....	2
10	00968-G01		LOCK WASHER, 10 MM.....	2
11	00974-G01		NUT, M10 X 1.5.....	2
12				
13	72035-G01		"U" BOLT, 7/16 - 14 .....	2
14	00922-G3		WASHER, 7/16" .....	4
15	00734-G1		LOCK NUT, 7/16 - 14 .....	4
16				
17	14158-G1		SHOULDER BOLT, 3/8 - 16 X 3 1/4" LG.....	2
18	20098-G1		RUBBER BUSHING.....	4
19	13521-G4		LOCK NUT, 3/8 - 16 .....	2
20				
21	15727-G1		SHOULDER BOLT, 3/8 - 16 X 2 3/8" LG.....	4
22	34135-G01		SHACKLE (OUTBOARD).....	2
23	20098-G1		RUBBER BUSHING.....	8
24	34135-G02		SHACKLE (INBOARD).....	2
25	13521-G4		LOCK NUT, 3/8 - 16 .....	4
26				
27	21782-G1		SHOCK ABSORBER .....	2
28	70472-G01		SHOCK ABSORBER SPACER.....	2
29	00643-G3		WASHER, 1/2" .....	2
30	00551-G1		LOCK NUT, 1/2 - 13 .....	2



# REAR SUSPENSION

Gasoline Vehicle

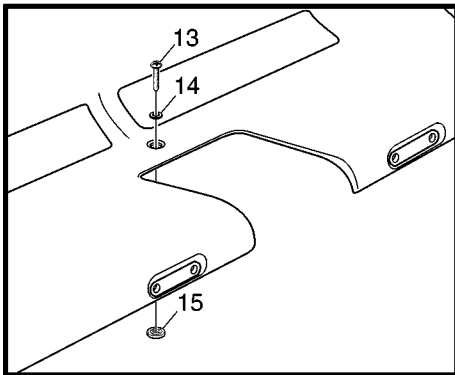
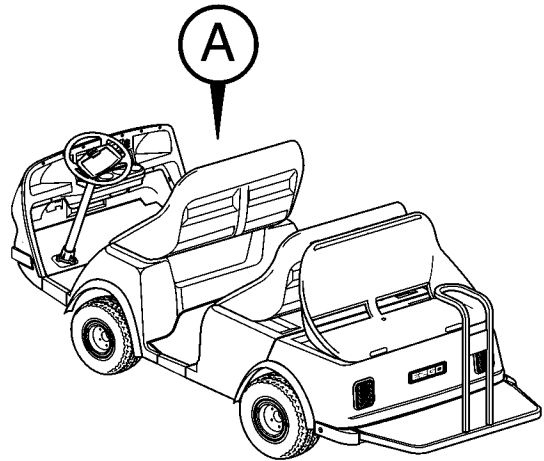
When ordering parts, please specify the model and serial number of the product.  
\* Indicates a component that is not available as a individual part.  
G\*\* Indicates cousing Customer Service Department for additional information.

ITEM	PART NO.	1 2 3 4 5	DESCRIPTION	QTY.
31				
32	10194-G1		SHOCK ABSORBER RUBBER BUSHING .....	4
33	10435-G1		SHOCK ABSORBER WASHER .....	4
34	00532-G6		NUT, 3/8 - 24 .....	2

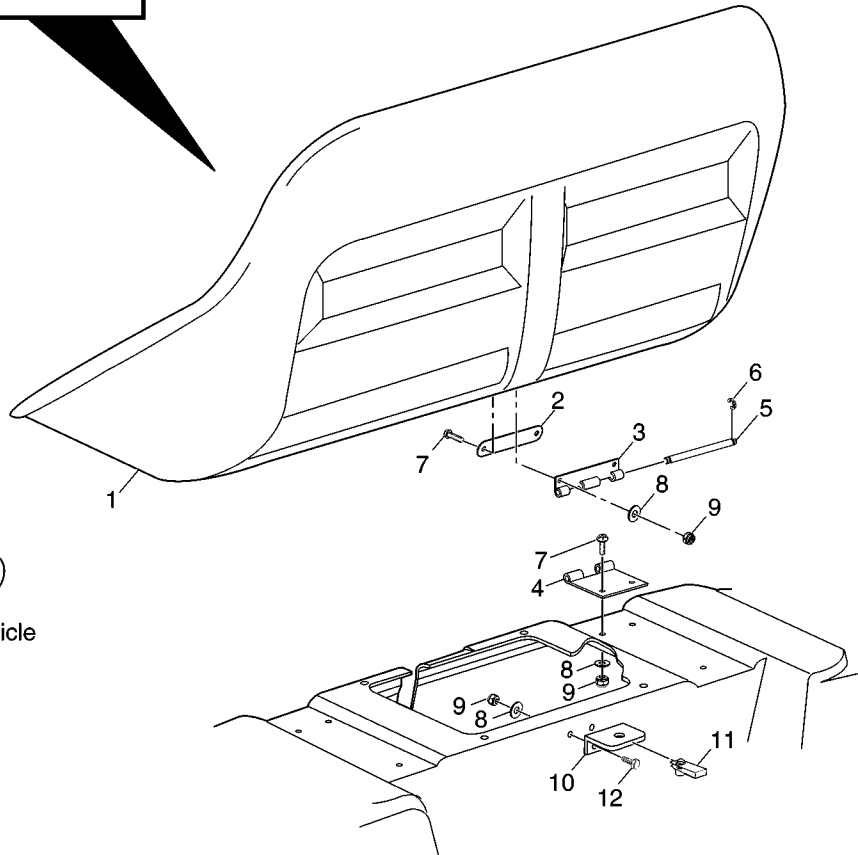




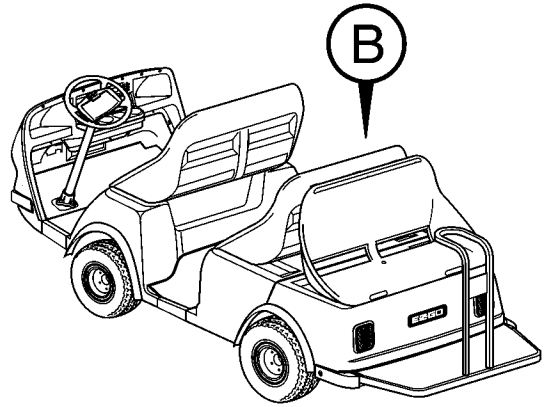
SHUTTLE 956 SHOWN



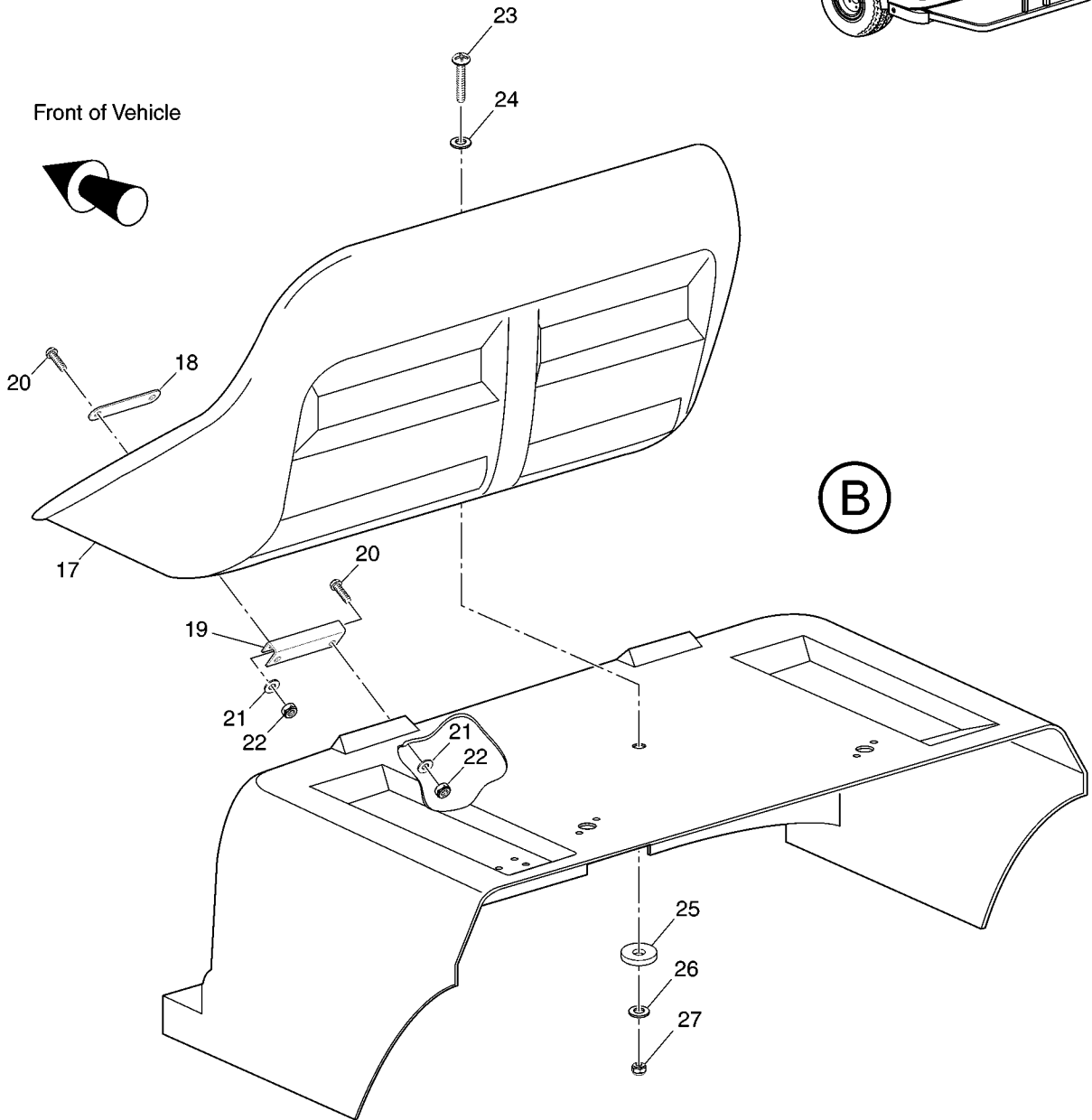
A

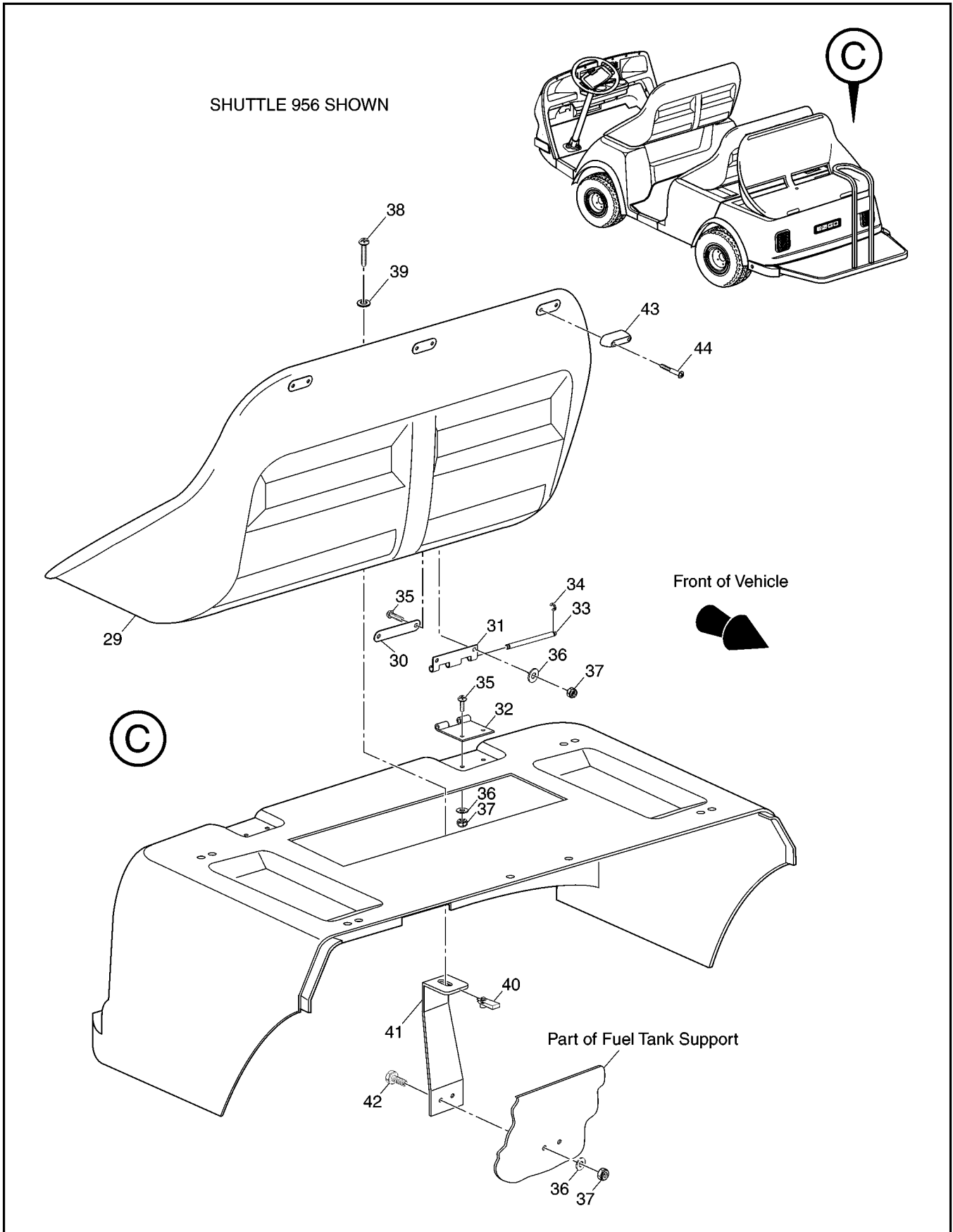


SHUTTLE 956 SHOWN



Front of Vehicle





When ordering parts, please specify the model and serial number of the product.  
 \* Indicates a component that is not available as an individual part.  
 G\*\* Indicates consult Customer Service Department for additional information.

ITEM	PART NO.	1 2 3 4 5	DESCRIPTION	QTY.
1	34098-G02		FRONT SEAT .....	1
2	34230-G01		BACKING PLATE .....	2
3	34198-G01		HINGE (SEAT HALF) .....	2
4	34197-G01		HINGE (HOUSING HALF) .....	2
5	34228-G01		HINGE PIN.....	2
6	14117-G1		RETAINING RING.....	4
7	16705-G9		SCREW, 1/4 - 20 X 1 1/4" LG .....	8
8	00559-G7		WASHER, 1/4" .....	10
9	00891-G2		LOCK NUT, 1/4 - 20 .....	10
10	34710-G01		LOCKDOWN SUPPORT ANGLE .....	1
11	14776-G1		RETAINER NUT ('J' TYPE) .....	1
12	00661-G6		BOLT, 1/4 - 20 X 3/4" LG.....	2
13	16705-G8		SCREW, 1/4 - 20 X 2" LG .....	1
14	00559-G7		WASHER, 1/4" .....	1
15	34737-G02		RETAINER .....	1
16				
17	34098-G01		SEAT .....	1
18	34230-G01		BACKING PLATE .....	2
19	34229-G01		SEAT MOUNTING BRACKET .....	2
20	16705-G1		SCREW, 1/4 - 20 X 1" LG .....	8
21	00559-G7		WASHER, 1/4" .....	8
22	00891-G2		LOCK NUT, 1/4 - 20 .....	8
23	16705-G8		SCREW, 1/4 - 20 X 2" LG .....	1
24	00660-G7		WASHER, 1/4" .....	1
25	30036-G1		RUBBER WASHER.....	1
26	10669-G6		WASHER, 1" .....	1
27	00891-G2		LOCK NUT, 1/4 - 20 .....	1
28				
29	34098-G01		SEAT .....	1
30	34230-G01		BACKING PLATE .....	2



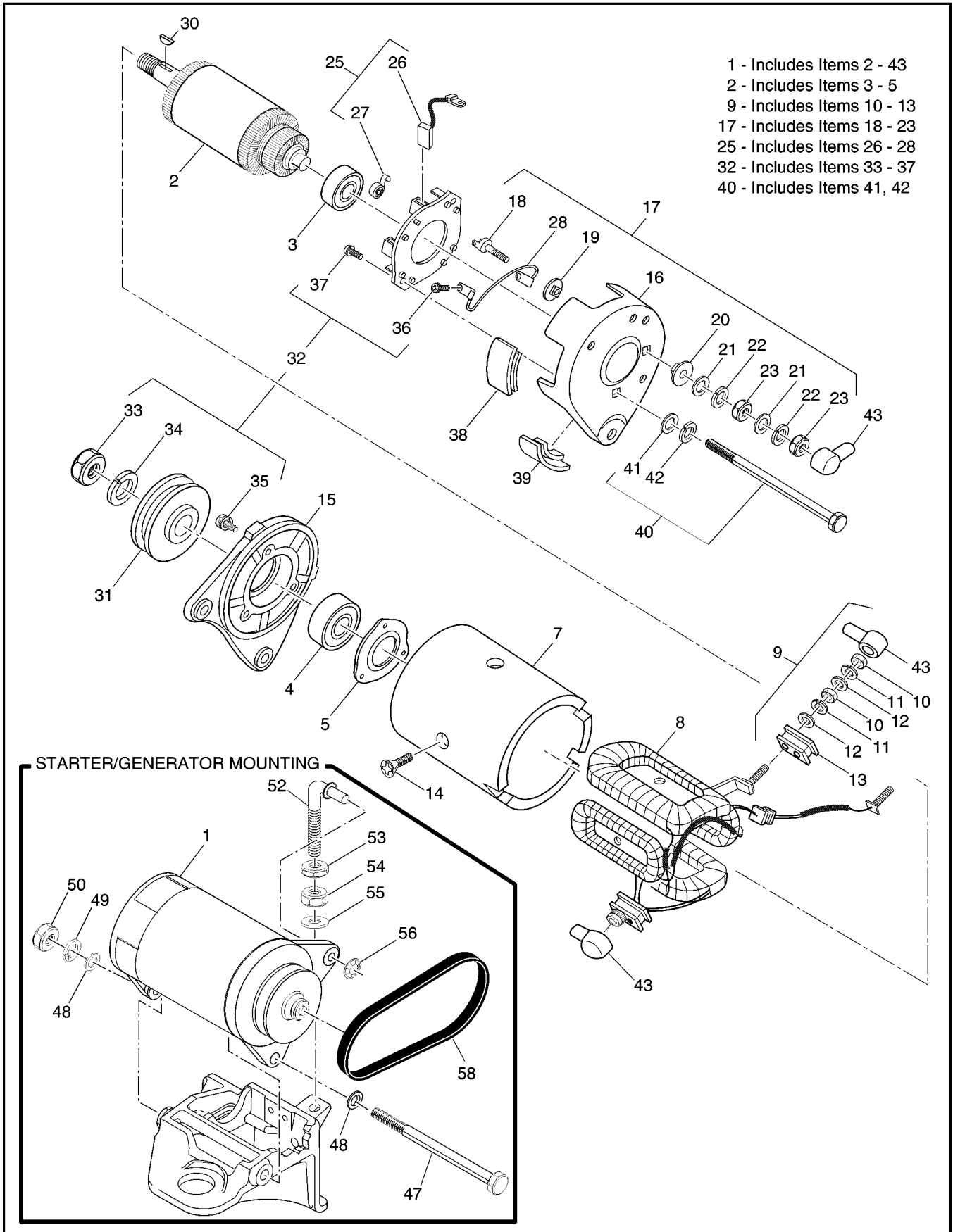
When ordering parts, please specify the model and serial number of the product.  
 \* Indicates a component that is not available as an individual part.  
 G\*\* Indicates consult Customer Service Department for additional information.

ITEM	PART NO.	1 2 3 4 5	DESCRIPTION	QTY.
31	34198-G01		HINGE (SEAT HALF) .....	2
32	34197-G01		HINGE (HOUSING HALF).....	2
33	34228-G01		HINGE PIN .....	2
34	14117-G1		RETAINING RING .....	4
35	16705-G1		SCREW, 1/4 - 20 X 1" LG.....	8
36	00559-G7		WASHER, 1/4" .....	10
37	00891-G2		LOCK NUT, 1/4 - 20 .....	10
38	16705-G8		SCREW, 1/4 - 20 X 2" LG.....	1
39	00660-G7		WASHER, 1/4" .....	1
40	14776-G1		RETAINER NUT ('J' TYPE).....	1
41	34240-G01		HOLD DOWN BRACKET .....	1
42	00661-G6		BOLT, 1/4 - 20 X 3/4" LG .....	2
43	11097-G1		BUMPER PAD .....	3
44	00128-G8		SCREW, #5 - 20 X 1" LG.....	6









When ordering parts, please specify the model and serial number of the product.  
 \* Indicates a component that is not available as an individual part.  
 G\*\* Indicates consult Customer Service Department for additional information.

ITEM	PART NO.	1 2 3 4 5	DESCRIPTION	QTY.
1	27065-G01		STARTER / GENERATOR, COMPLETE (INCLUDES ITEMS 2 - 43).....	1
2	26870-G01		ARMATURE ASSEMBLY (INCLUDES ITEMS 3 - 5).....	1
3	26871-G01		REAR BALL BEARING .....	1
4	26872-G01		FRONT BALL BEARING.....	1
5	26873-G01		BEARING HOLDER .....	1
6				
7	26874-G01		FRAME & FIELD COIL ASSEMBLY (INCLUDES ITEM 8).....	1
8	26875-G01		FIELD COIL.....	1
9	26876-G01		INSULATING BRUSH ASSEMBLY ('F') (INCLUDES ITEMS 10 - 13).....	2
10	*		NUT .....	2
11	*		LOCK WASHER.....	2
12	*		WASHER.....	2
13	*		INSULATOR .....	1
14	26877-G01		POLE CORE SET SCREW .....	4
15	26878-G01		FRONT COVER.....	1
16	26879-G01		REAR COVER.....	1
17	26880-G01		TERMINAL ASSEMBLY ('A') (INCLUDES ITEMS 18 - 23).....	2
18	*		TERMINAL .....	2
19	*		INSULATOR .....	2
20	*		INSULATOR .....	2
21	*		WASHER.....	4
22	*		LOCK WASHER.....	4
23	*		NUT .....	4
24				
25	26881-G01		BRUSH HOLDER ASSEMBLY (INCLUDES ITEMS 26 - 28) .....	1
26	26658-G01		BRUSH.....	4
27	26882-G01		BRUSH SPRING.....	4
28	26883-G01		BRUSH CONNECTOR.....	2
29				
30	26884-G01		KEY.....	1



**STARTER / GENERATOR****Gasoline Vehicle**

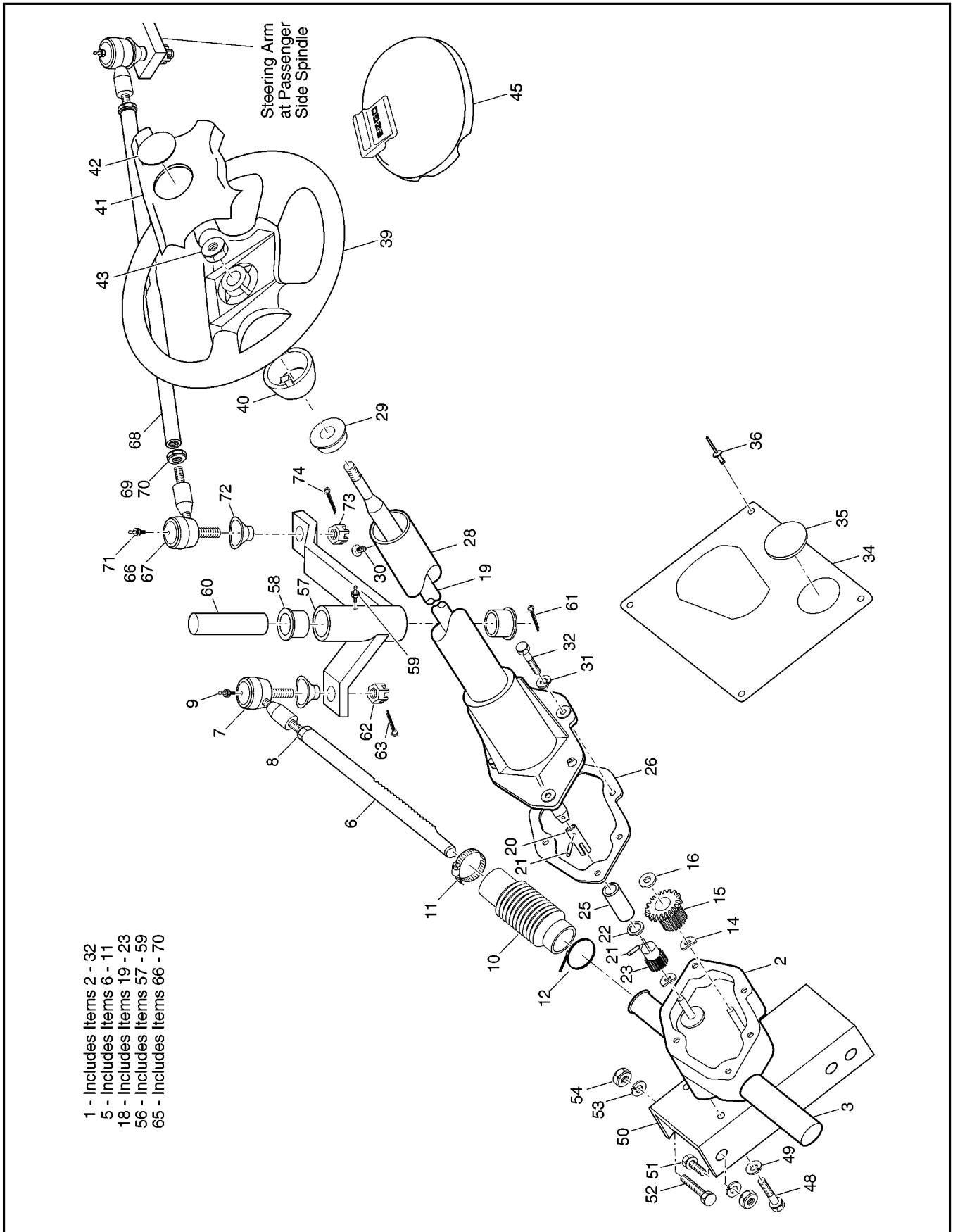
When ordering parts, please specify the model and serial number of the product.

\* Indicates a component that is not available as an individual part.

G\*\* Indicates consult Customer Service Department for additional information.

ITEM	PART NO.	1	2	3	4	5	DESCRIPTION	QTY.
31	26885-G01						PULLEY .....	1
32	26886-G01						NUT/SCREW ASSEMBLY (INCLUDES ITEMS 33 - 37) .....	1
33	*						NUT .....	1
34	*						LOCK WASHER .....	1
35	*						SCREW .....	3
36	*						SCREW .....	4
37	*						SCREW .....	2
38	26887-G01						BRUSH 1 COVER.....	2
39	26888-G01						BRUSH 2 COVER.....	3
40	26889-G01						BOLT AND WASHER ASSEMBLY (INCLUDES ITEMS 41, 42).....	2
41	*						WASHER.....	2
42	*						LOCK WASHER.....	2
43	25682-G01						TERMINAL COVER.....	4
44								
45								
46								
47	00938-G4						BOLT, 1/2 - 13 X 8" LG .....	1
48	00560-G3						WASHER, 1/2" .....	2
49	00566-G3						LOCK WASHER, 1/2".....	1
50	00533-G1						NUT, 1/2 - 13 .....	1
51								
52	72045-G01						STARTER/GENERATOR ADJUSTER.....	1
53	00544-G5						JAM NUT, 3/8 - 16 .....	1
54	00532-G5						NUT, 3/8 - 16 .....	1
55	00560-G1						WASHER, 3/8" .....	1
56	12064-G1						PUSH NUT, 5/16" .....	1
57								
58	26414-G01						STARTER/GENERATOR BELT .....	1





When ordering parts, please specify the model and serial number of the product.  
 \* Indicates a component that is not available as an individual part.  
 G\*\* Indicates consult Customer Service Department for additional information.

ITEM	PART NO.	1 2 3 4 5	DESCRIPTION	QTY.
1	19152-G8		STEERING UNIT (INCLUDES ITEMS 2 - 32).....	1
2	13097-G1		HOUSING (INCLUDES ITEM 3).....	1
3	13570-G2		RACK COVER .....	1
4				
5	15407-G1		RACK AND ROD END (INCLUDES ITEMS 6 - 11).....	1
6	*		STEERING RACK.....	1
7	23278-G1		BALL JOINT AND TIE ROD END .....	1
8	00532-G8		NUT, 7/16 - 20 .....	1
9	18456-G1		GREASE FITTING .....	1
10	17617-G1		BELLOWS.....	1
11	11391-G5		CLAMP .....	1
12	17618-G1		WIRE TIE.....	1
13				
14	51294-G1		WAVE WASHER.....	2
15	23279-G1		REDUCTION GEAR .....	1
16	13059-G2		THRUST WASHER .....	1
17				
18	17163-G3		STEERING SHAFT ASSEMBLY (INCLUDES ITEMS 19 - 23).....	1
19	*		STEERING SHAFT .....	1
20	*		COUPLING .....	1
21	*		DOWEL PIN, 1/4" X 5/8" LG .....	2
22	*		THRUST WASHER .....	1
23	*		STEERING PINION .....	1
24				
25	17140-G1		SLEEVE.....	1
26	19154-G1		GASKET .....	1
27				
28	19153-G5		STEERING COLUMN.....	1
29	28569-G01		STEERING COLUMN BUSHING .....	1
30	01022-G01		SCREW, #6 - 20 X 5/16" LG.....	1



When ordering parts, please specify the model and serial number of the product.  
 \* Indicates a component that is not available as an individual part.  
 G\*\* Indicates consult Customer Service Department for additional information.

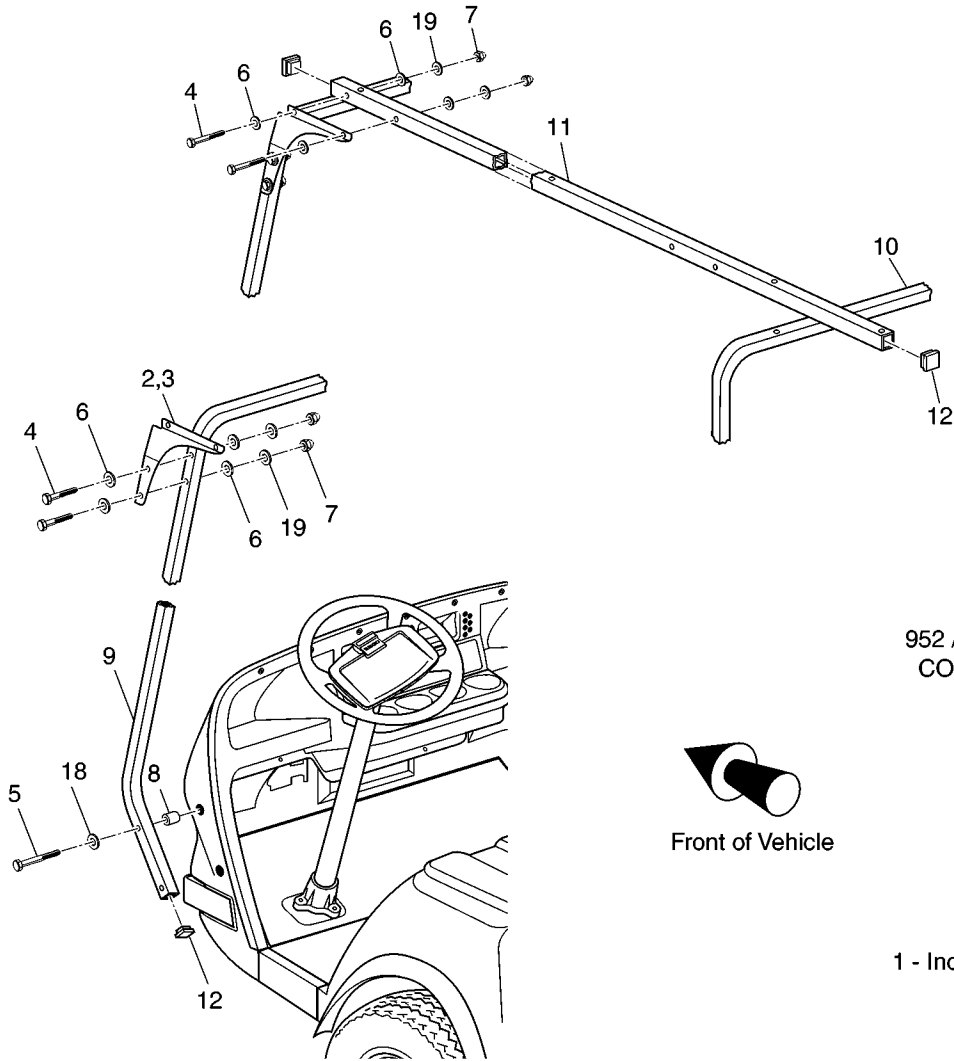
ITEM	PART NO.	1 2 3 4 5	DESCRIPTION	QTY.
31	00565-G8		LOCK WASHER, 5/16" .....	4
32	00444-G8		BOLT, 5/16 - 24 X 1" LG.....	4
33				
34	34122-G01		COVER PLATE .....	1
35	20271-G6		HOLE PLUG.....	1
36	71055-G01		RIVET, 3/16" X 3/8" LG (ALUMINUM) .....	4
37				
38				
39	71948-G01		STEERING WHEEL .....	1
40	71949-G01		HUB.....	1
41	71147-G01		COVER.....	1
42	71047-G01		DECAL .....	1
43	14390-G2		LOCK NUT, 5/8 - 18 .....	1
44				
45	71950-G01		CLIPBOARD.....	1
46				
47				
48	00276-G6		BOLT, 5/16 - 24 X 3/4" LG .....	3
49	00565-G8		LOCK WASHER, 5/16".....	3
50	34056-G01		STEERING SUPPORT.....	1
51	00438-G7		BOLT, 5/16 - 18 X 7/8" LG .....	5
52	00439-G2		BOLT, 5/16 - 18 X 1 1/4" LG .....	1
53	00559-G8		WASHER, 5/16" .....	6
54	11098-G6		LOCK NUT, 5/16 - 18 .....	6
55				
56	34093-G01		IDLER ASSEMBLY (INCLUDES ITEMS 57 - 59).....	1
57	34094-G01		IDLER .....	1
58	15012-G1		FLANGED BEARING.....	2
59	10389-G3		GREASE FITTING.....	1
60	33264-G01		IDLER SHAFT .....	1



When ordering parts, please specify the model and serial number of the product.  
 \* Indicates a component that is not available as an individual part.  
 G\*\* Indicates consult Customer Service Department for additional information.

ITEM	PART NO.	1	2	3	4	5	DESCRIPTION	QTY.
61	10387-G6						COTTER PIN, 1 1/2" LG .....	1
62	50209-G1						CASTELLATED NUT, 7/16 - 20.....	1
63	10387-G2						COTTER PIN, 3/32" X 1" LG.....	1
64								
65	34084-G03						TIE ROD (INCLUDES ITEMS 66 - 70).....	1
66	27205-G01						TIE ROD END (LEFT HAND THREADS) .....	1
67	27205-G02						TIE ROD END (RIGHT HAND THREADS).....	1
68	70583-G09						THREADED TUBE WITH FLAT.....	1
69	18434-G3						JAM NUT, 9/16 - 18 (LEFT HAND THREADS) .....	1
70	18434-G4						JAM NUT, 9/16 - 18 (RIGHT HAND THREADS) .....	1
71	10389-G3						GREASE FITTING .....	2
72	50641-G1						RUBBER BOOT .....	2
73	50209-G2						CASTELLATED NUT, 7/16 - 20.....	2
74	10387-G2						COTTER PIN, 3/32" X 1" LG.....	2



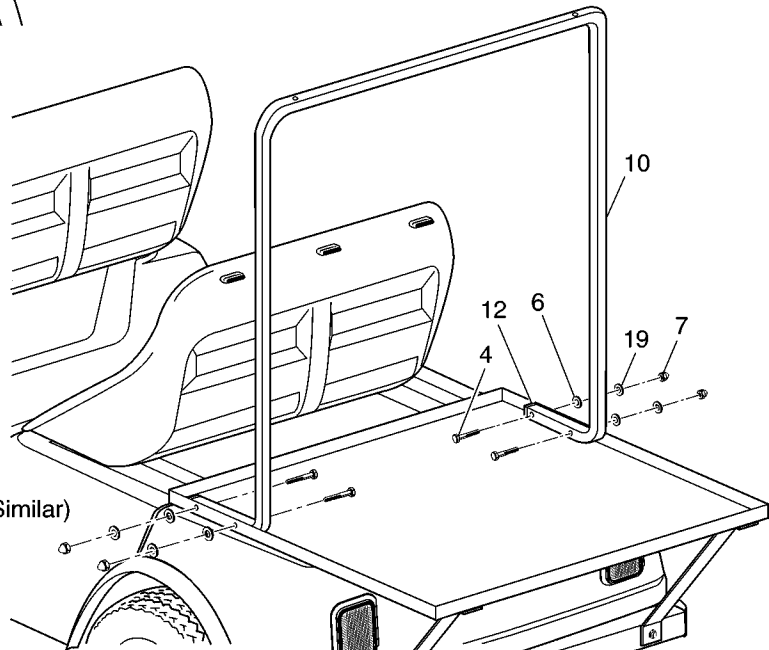


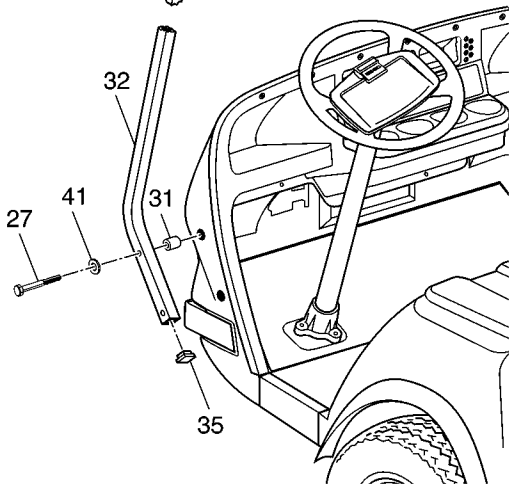
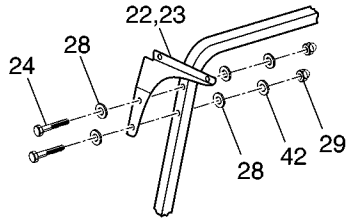
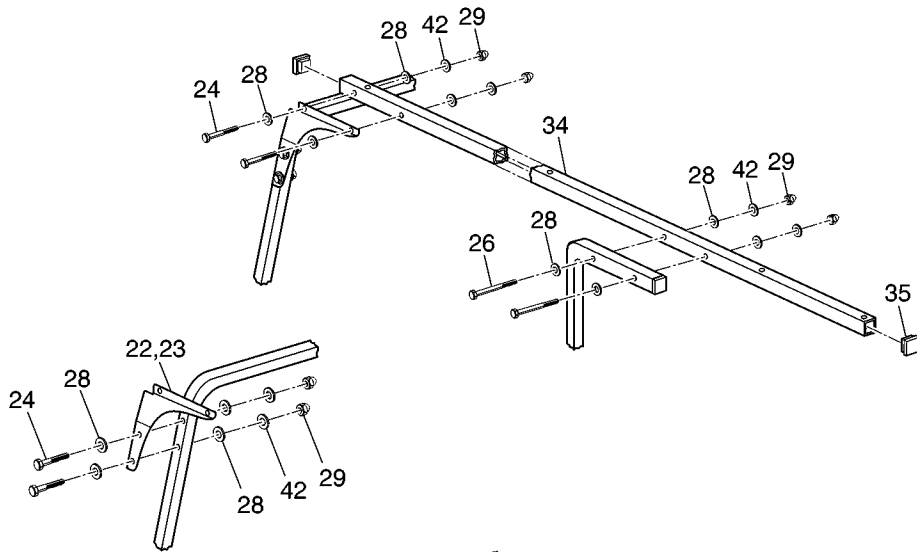
952 / 954 SUNTOP  
COMPONENTS



1 - Includes Items 2 - 19

NOTE:  
954 Shown (952 Similar)



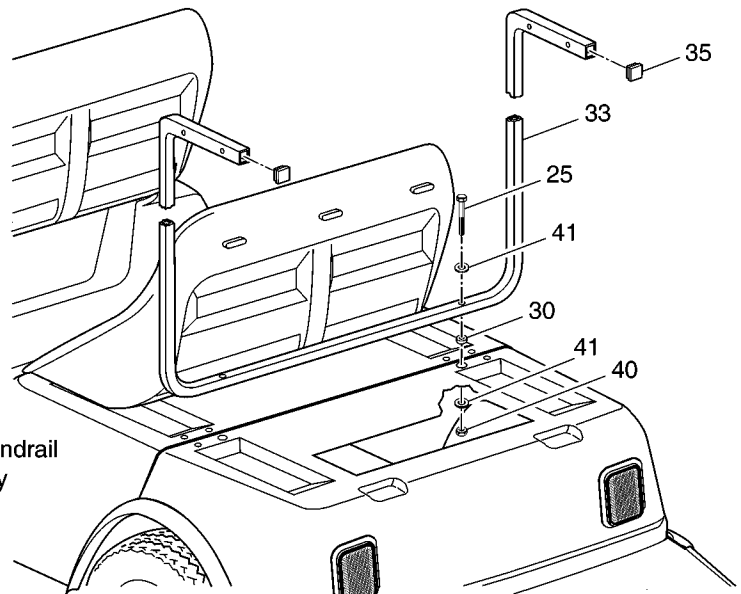


956 SUNTOP  
COMPONENTS

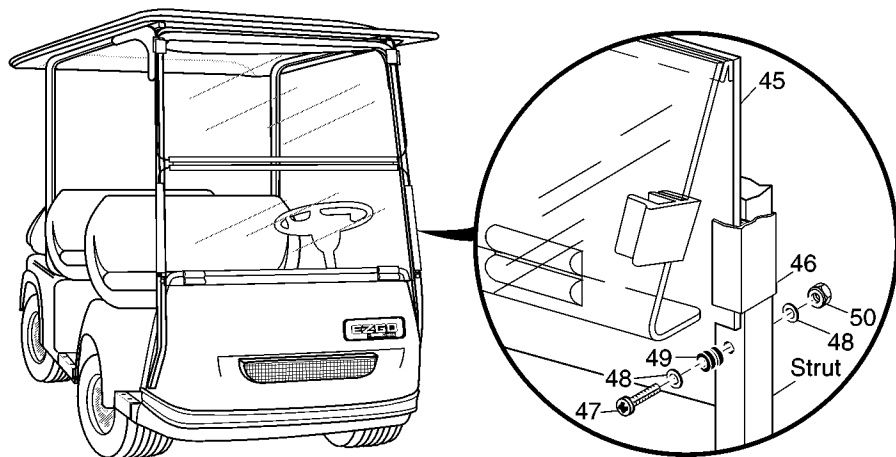
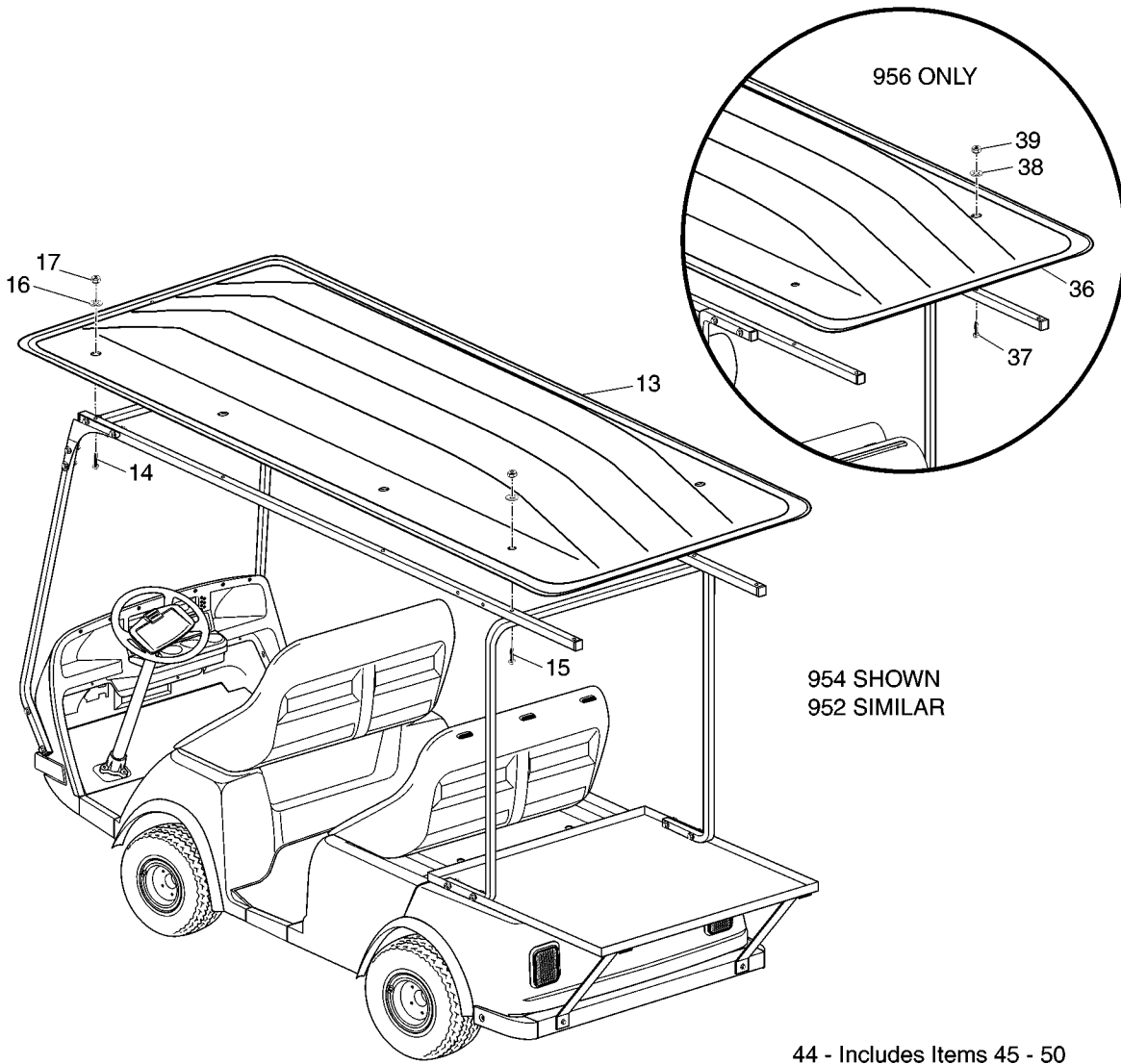


Front of Vehicle

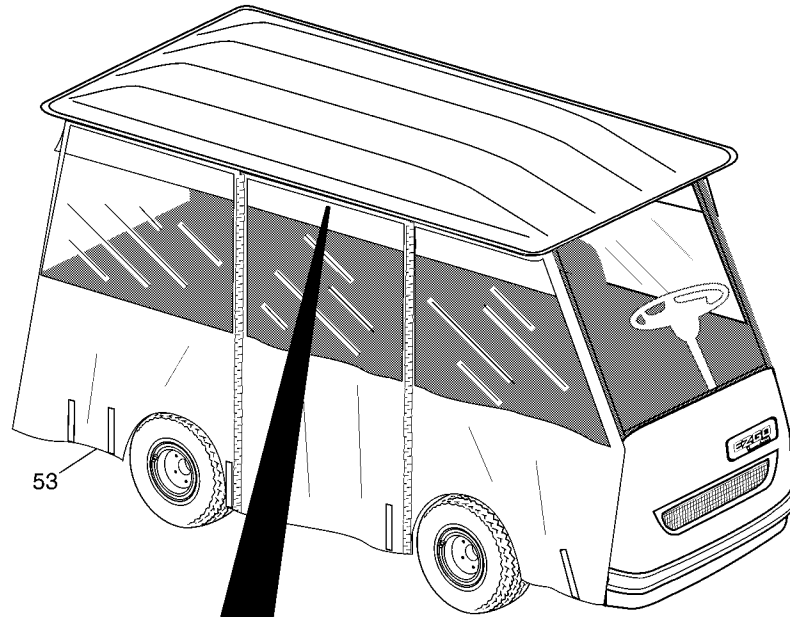
21 - Includes Items 22 - 42



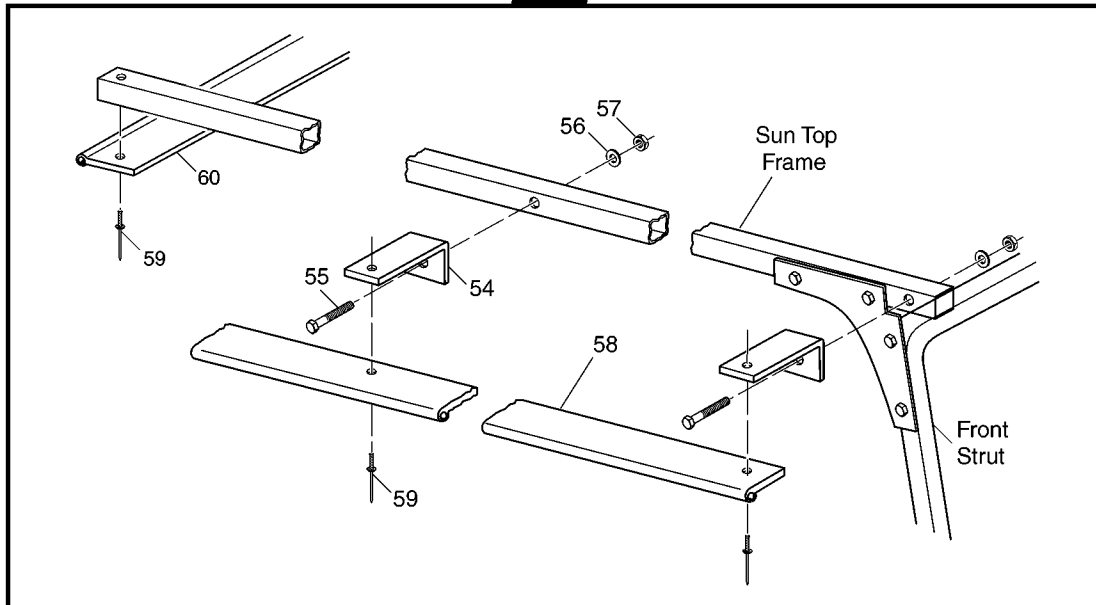
NOTE:  
Back Seat and Handrail  
Omitted For Clarity



52 - Includes Items 53 - 60



ENCLOSURE COMPONENTS



# WEATHER PROTECTION

# Gasoline Vehicle

Replacement parts for the windshield may be obtained from Eagle Parts, Inc. 1811 Wilkinson Rd. Augusta, GA 30904. Telephone (706) 729-9911 or FAX (706) 729-0055

\* Indicates a component that is not available as an individual part.

G\*\* Indicates consult Customer Service Department for additional information.

ITEM	PART NO.	1 2 3 4 5	DESCRIPTION	QTY.
1	35541-G**		SUN TOP KIT (952/954) (INCLUDES ITEMS 2 - 19).....	1
2	35577-G01		STABILIZER (DRIVER SIDE) .....	1
3	35577-G02		STABILIZER (PASSENGER SIDE).....	1
4	01043-G04		BOLT, 5/16 - 18 X 1 3/4" LG.....	12
5	00441-G2		BOLT, 5/16 - 18 X 3 1/4" LG.....	4
6	01045-G01		WASHER, 5/16" .....	20
7	01046-G01		ACORN NUT, 5/16 - 18.....	12
8	34472-G01		SPACER, 1/2" X 1 7/16" LG.....	4
9	34746-G01		FRONT STRUT.....	1
10	35540-G01		REAR STRUT .....	1
11	35539-G01		TOP FRAME .....	2
12	19853-G1		END CAP, 1" .....	8
13	75530-G0*		SUN TOP .....	1
14	01044-G04		BOLT, 1/4 - 20 X 1 3/4" LG.....	6
15	01044-G08		BOLT, 1/4 - 20 X 2 3/4" LG.....	2
16	00915-G1		BONDED WASHER, 1/4".....	8
17	14390-G4		LOCK NUT, 1/4 - 20 .....	8
18	00642-G8		WASHER, 5/16" .....	4
19	00905-G8		LOCK WASHER, 5/16" .....	12
20				
21	35543-G**		SUN TOP KIT (956) (INCLUDES ITEMS 22 - 42).....	1
22	35577-G01		STABILIZER (DRIVER SIDE) .....	1
23	35577-G02		STABILIZER (PASSENGER SIDE).....	1
24	01043-G04		BOLT, 5/16 - 18 X 1 3/4" LG.....	8
25	00440-G2		BOLT, 5/16 - 18 X 2 1/4" LG.....	2
26	01043-G07		BOLT, 5/16 - 18 X 2 1/2" LG.....	4
27	00441-G2		BOLT, 5/16 - 18 X 3 1/4" LG.....	4
28	01045-G01		WASHER, 5/16" .....	24
29	01046-G01		ACORN NUT, 5/16 - 18.....	12
30	19247-G2		SPACER, 13/32" LG .....	2



Replacement parts for the windshield may be obtained from Eagle Parts, Inc. 1811 Wilkinson Rd. Augusta, GA 30904. Telephone (706) 729-9911 or FAX (706) 729-0055

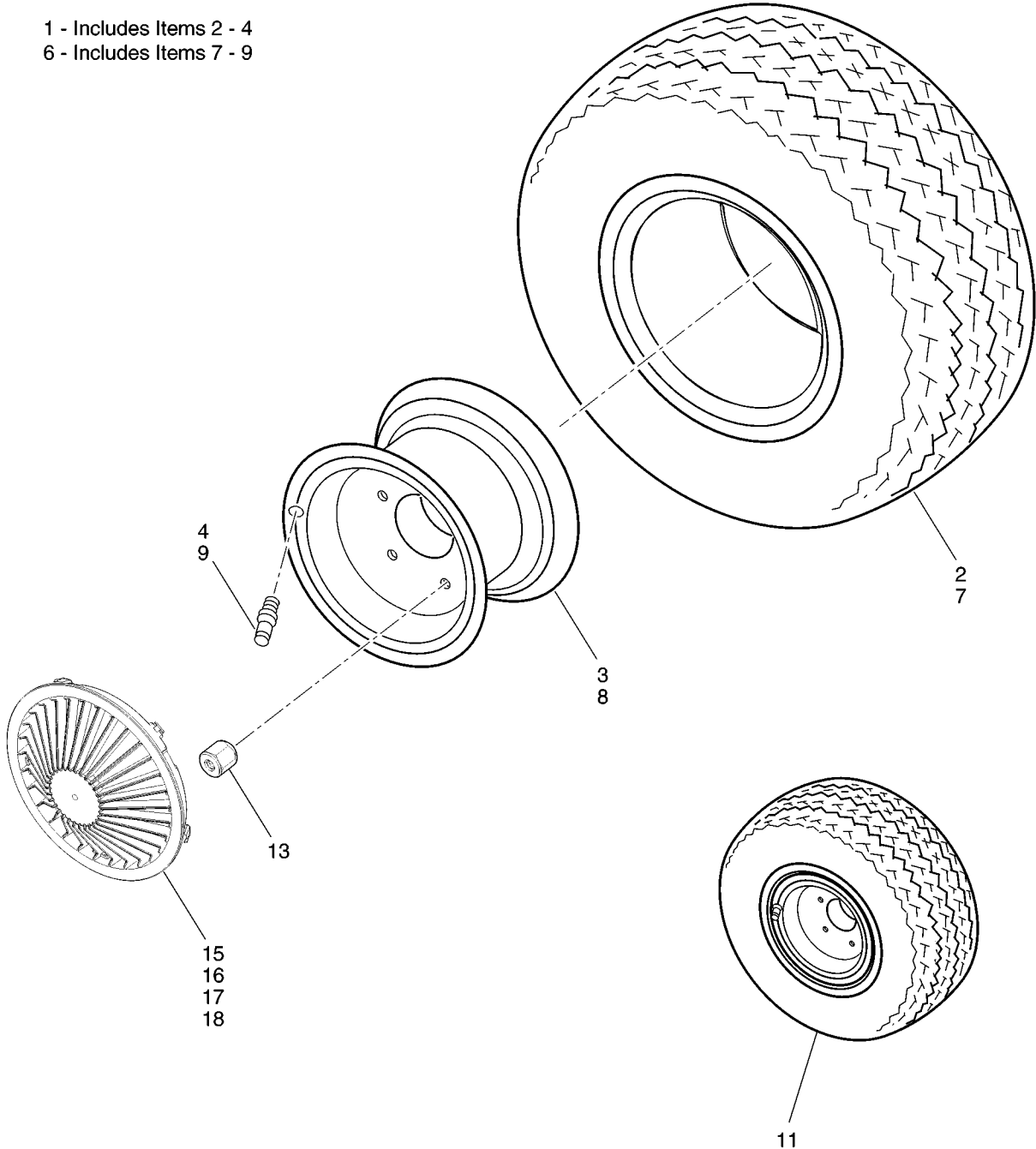
\* Indicates a component that is not available as an individual part.

G\*\* Indicates consult Customer Service Department for additional information.

ITEM	PART NO.	1	2	3	4	5	DESCRIPTION	QTY.
31	34472-G01						SPACER, 1 7/16" LG .....	4
32	34746-G01						FRONT STRUT .....	1
33	35578-G01						REAR STRUT .....	1
34	35539-G01						TOP FRAME .....	2
35	19853-G1						END CAP, 1" .....	8
36	75530-G0*						SUN TOP .....	1
37	01044-G04						BOLT, 1/4 - 20 X 1 3/4" LG .....	8
38	00915-G1						BONDED WASHER, 1/4" .....	8
39	14390-G4						LOCK NUT, 1/4 - 20 .....	8
40	11098-G6						LOCK NUT, 5/16 - 18 .....	2
41	00642-G8						WASHER, 5/16" .....	8
42	00905-G8						LOCK WASHER, 5/16" .....	12
43								
44	35567-G01						SPLIT WINDSHIELD KIT (INCLUDES ITEMS 45 - 50) .....	1
45	E950WSB3						SPLIT WINDSHIELD .....	1
46	EGWHC24						SASH, 14" LG .....	2
47	EGWHS12						BOLT, 1/4 - 20 X 2" LG .....	2
48	EGWHW12						WASHER, 1/4" .....	4
49	EGWHG13						RUBBER GROMMET .....	2
50	EGWHN12						LOCK NUT, 1/4 - 20 .....	2
51								
52	35550-G03						WEATHER ENCLOSURE KIT (INCLUDES ITEMS 53 - 60) .....	1
53	35586-G01						WEATHER ENCLOSURE CURTAIN SET .....	1
54	35579-G01						SIDE SUPPORT BRACKET .....	8
55	00415-G4						BOLT, 1/4 - 20 X 1 1/2" LG .....	8
56	00559-G7						WASHER, 1/4" .....	8
57	14390-G4						LOCK NUT, 1/4 - 20 .....	8
58	35560-G01						SIDE EXTRUSION .....	2
59	00852-G1						RIVET, 3/16" X 7/16" LG .....	10
60	35561-G01						REAR EXTRUSION .....	1



1 - Includes Items 2 - 4  
6 - Includes Items 7 - 9





When ordering parts, please specify the model and serial number of the product.  
 \* Indicates a component that is not available as an individual part.  
 G\*\* Indicates consult Customer Service Department for additional information.

ITEM	PART NO.	1 2 3 4 5	DESCRIPTION	QTY.
1	32153-G2		WHEEL AND TIRE ASSEMBLY (USA TRAIL, LRC, 5.70 - 8, STANDARD) (INCLUDES ITEMS 2 - 4) .....	4
2	27784-G03		TIRE (USA TRAIL 5.70 - 8 LRC) .....	1
3	23385-G1		RIM (5 LUG) .....	1
4	26482-G01		VALVE STEM.....	1
5				
6	32028-G2		WHEEL AND TIRE ASSEMBLY (USA TRAIL, LRC, 8.5 - 8, OPTIONAL) (INCLUDES ITEMS 7 - 9) .....	4
7	27775-G02		TIRE (USA TRAIL 8.5 - 8 - 6 PLY RATED).....	1
8	10641-G2		RIM (5 LUG) .....	1
9	11657-G1		VALVE STEM.....	1
10				
11	35154-G01		WHEEL AND TIRE ASSEMBLY (FOAM FILLED, LRC, 5.70 - 8, OPTIONAL) ..	4
12				
13	14723-G1		LUG NUT, 1/2 - 20.....	20
14				
15	35599-G01		SILVER SPOKE HUBCAP (OPTIONAL).....	4
16	35599-G02		GOLD SPOKE HUBCAP (OPTIONAL) .....	4
17	35599-G03		SILVER SPOKE HUBCAP SET (OPTIONAL).....	1
18	35599-G04		GOLD SPOKE HUBCAP SET (OPTIONAL) .....	1



## **SPECIALTY PRODUCTS**

# **SPECIALTY PRODUCTS**

## SPECIALTY PRODUCTS

### SPECIAL TOOLS

### PART NO.

HIGH RESISTANCE SPARK PLUG WIRE SET .....	26733-G02
CLUTCH PULLER (2 PRONG).....	19779-G1
CLUTCH PULLER (3 PRONG - 4 CYCLE).....	19779-G2
FLYWHEEL PULLER.....	27111-G01
CAM PULLEY TOOL .....	27851-G01
CURRENT INDICATOR.....	16489-G2
DIGITAL MULTI-METER.....	27481-G01
CRIMPING TOOL .....	27765-G01
SLIDE HAMMER (AXLE/HUB REMOVAL) .....	15947-G1
SLIDE HAMMER (AXLE REMOVAL ONLY) .....	18753-G1
VALVE SEAT CUTTER KIT.....	72516-G01
FLEX-HONE CYLINDER HONE - 240 GRIT .....	72517-G01
FLEX-HONE HONING OIL - 1 QUART .....	72518--G01
FLEX-HONE CLEANING BRUSH .....	72519-G01
PISTON RING INSTALLER .....	72521-G01
VALVE GRINDER - CUP TYPE .....	72522-G01
GRINDING COMPOUND - 280/320 GRIT.....	72523-G01
COMPRESSION TESTER.....	72524-G01
FEELER GAUGE .....	72525-G01
TACHOMETER .....	72526-G01

### ENGINE OIL

4 CYCLE ENGINE OIL, 5 GALLON.....	25730-G03
4 CYCLE ENGINE OIL, 12 QUART CASE .....	25730-G04
4 CYCLE ENGINE OIL, 1 QUART BOTTLE.....	25730-G06

### PAINT

TOUCH UP PEN - CHAMPAGNE BEIGE.....	28432-G01
TOUCH UP PEN - WHITE .....	28432-G05
12 OUNCE SPRAY - CHAMPAGNE BEIGE .....	28140-G15
12 OUNCE SPRAY -WHITE .....	28140-G03

## SPECIALTY PRODUCTS

<b>PERFORMANCE PRODUCTS</b>	<b>PART NO.</b>
FORMULA 40 VINYL-COAT® - WHITE.....	28166-G01
PLEXUS® CLEANER, 7 OUNCE (FOR WINDSHIELDS).....	28433-G01
PLEXUS® CLEANER, 13 OUNCE (FOR WINDSHIELDS).....	28433-G02
BATTERY PROTECTOR, 14 OUNCE SPRAY .....	75500-G01
CARBURETOR & CHOKE CLEANER, 15 OUNCE SPRAY .....	75501-G01
WHITE LITHIUM GREASE, 14 OUNCE SPRAY .....	75502-G01
PENETRANT/LUBRICANT, 15 OUNCE SPRAY .....	75503-G01
MULTI-PURPOSE CLEANER & DEGREASER, 14 OUNCE SPRAY .....	75504-G01
MULTI-PURPOSE HAND CLEANER, 32 OUNCE LIQUID.....	75505-G01
BATTERY CLEANER, 32 OUNCE WITH TRIGGER SPRAYER .....	75506-G01
BIO-DEGRADABLE CLEANER, 32 OUNCE WITH TRIGGER SPRAYER .....	75507-G01
MULTI-PURPOSE VALUE PACK.....	75508-G01
<ul style="list-style-type: none"><li>• BATTERY PROTECTOR, 4 OUNCE SPRAY</li><li>• PENETRANT/LUBRICANT, 4 OUNCE SPRAY</li><li>• WHITE LITHIUM GREASE, 4 OUNCE SPRAY</li><li>• CARBURETOR &amp; CHOKE CLEANER, 4 OUNCE SPRAY</li></ul>	

# SPECIALTY PRODUCTS

# ACCESSORIES

## ACCESSORIES LISTING

# ACCESSORIES

ACCESSORIES LISTING	KIT NO.	SECTION
'E' HITCH KIT .....	34781-G02.....	CARGO DECKS AND HITCHES
PINTLE HITCH KIT .....	34780-G02.....	CARGO DECKS AND HITCHES
HOUR METER KIT .....	34886-G04.....	ELECTRICAL
STAKE SIDE KIT (FOR 952 ONLY).....	34761-G01.....	CARGO DECKS AND HITCHES
SUN TOP KIT (WHITE 952/954) .....	35541-G01.....	WEATHER PROTECTION
SUN TOP KIT (WHITE 956) .....	35543-G01.....	WEATHER PROTECTION
SUN TOP KIT (CHAMPAGNE 952/954) .....	35541-G02.....	WEATHER PROTECTION
SUN TOP KIT (CHAMPAGNE 956).....	35543-G02.....	WEATHER PROTECTION
SILVER SPOKE WHEEL COVERS (SET OF 4) .....	35599-G03.....	WHEELS AND TIRES
GOLD SPOKE WHEEL COVERS (SET OF 4) .....	35599-G04.....	WHEELS AND TIRES
WEATHER ENCLOSURE CURTAIN KIT.....	35550-G03.....	WEATHER PROTECTION
WINDSHIELD .....	35567-G01.....	WEATHER PROTECTION







a **TEXTRON** Company

E-Z-GO Division of Textron Inc.  
P.O. Box 388 Augusta, Georgia 30903-0388 USA  
Inside USA Phone: 1-800-241-5855, FAX: 1-800-448-8124  
Outside USA Phone: 010-1-706-798-4311, FAX: 010-1-706-771-4609

Copyrighted Material  
This manual may not be reproduced in whole or  
in part without the express permission of  
E-Z-GO Division of Textron Inc.  
Technical Communications Department