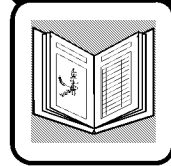


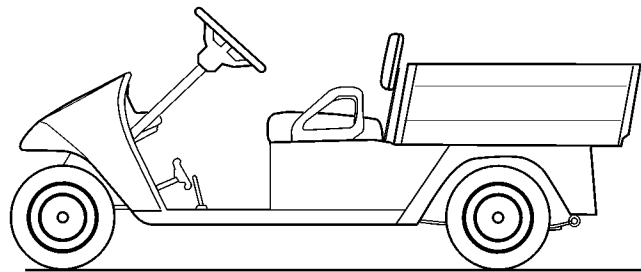
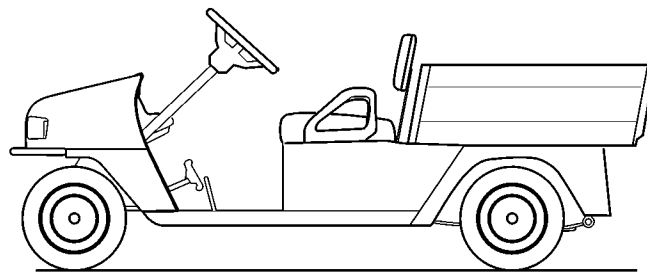
28558-G01



a **TEXTRON** Company



# SERVICE PARTS MANUAL



## **ELECTRIC POWERED UTILITY VEHICLE (1000 SERIES)**

MODEL YEARS: 1999 - 2000

REVISED: 10/2000



# **SERVICE PARTS MANUAL**

## **ELECTRIC POWERED UTILITY VEHICLE**

### **VEHICLES**

**WORKHORSE<sup>®</sup> 1000**

**WORKHORSE<sup>®</sup> 1000 LX**

E-Z-GO Division of Textron reserves the right to make design changes without obligation to make these changes on units previously sold and the information contained in this manual is subject to change without notice.

E-Z-GO Division of Textron is not liable for errors in this manual or for incidental or consequential damage that result from the use of material in

**SERVICE PARTS DEPARTMENT INSIDE USA PHONE 1-800-227-7029 FAX 1-800-752-6175**

**OUTSIDE USA PHONE 010-1-706-798-4311 FAX 010-1-706-771-4601**



## **LIMITED WARRANTY**

# **WARRANTY**

To obtain a copy of the limited warranty that is applicable to your vehicle, call or write your local Distributor, Branch or the E-Z-GO Warranty Department.

The use of non E-Z-GO parts and hardware may void your warranty.

Overfilling of batteries may void your vehicle warranty.



# GENERAL INDEX

SECTION	Page No.
How to use the E-Z-GO Service Parts Manual .....	vii
ILLUSTRATED PARTS BREAKDOWN:	
ACCELERATOR	
• Pedal Box Assembly, Accelerator Pedal .....	A-1
BATTERY CHARGER	
• PowerWise™ Battery Charger (Portable) .....	B-1
• PowerWise™ Battery Charger (On Board) .....	B-9
• Lester Battery Charger (Portable) .....	B-17
BODY	
• (WorkHorse® 1000) Cowl, Front Shield, Dash Panel, Floor Boards, Ash Tray .....	C-1
• Seat Frame, Battery Frame, Splash Panels .....	C-2
• Floor mat, Seat Wrap, Side Panels, Side Panel Decals, Rocker Panels .....	C-3
• Seat Filler Panels, Rear Fenders, Rear Panel, Front Bumper .....	C-4
• Ball Hitch, Clevis Hitch .....	C-5
• (WorkHorse® 1000 LX) Cowl, Front Fenders, Front Shield, Dash Panel, Glove Box Doors .....	C-6
• (WorkHorse® 1000 LX) Bumper, Side Panel Decals .....	C-7
BRAKES	
• Brake Pedal (with brake lights) .....	D-1
• Brake Pedal (without brake lights) .....	D-2
• Brake Linkage .....	D-3
• Wheel Brake .....	D-4
CAB	
• Cab .....	E-1
• Cab Mounts, Windshield Wiper .....	E-2
• Steel Doors, Vinyl Doors, Strobe Light .....	E-3
• Control Panel, Defroster/Cooling Fan, Worklight .....	E-4
DIRECTION SELECTOR	
• Direction Selector, Reverse Warning Buzzer .....	F-1
ELECTRIC MOTOR	
• Electric Motor .....	G-1

# GENERAL INDEX

SECTION	Page No.
ELECTRICAL SYSTEM	
• Batteries.....	H-1
• Charger Receptacle, Fuse Blocks .....	H-2
• Ignition Switch, State of Charge Meter, Horn.....	H-3
• Headlight.....	H-4
• Brake Pedal and Taillight Connections .....	H-5
• Turn Signal, Hour Meter.....	H-6
• Worklights, Strobe Light.....	H-7
• (WorkHorse® 1000 LX) Headlights, Turn Signal .....	H-8
ELECTRONIC SPEED CONTROL	
• Electronic Speed Control and Wiring, Solenoid and Wiring.....	J-1
FRONT SUSPENSION	
• Front Axle, Spindle, Wheel Hub, Shock Absorber, Spring.....	K-1
REAR AXLE	
• Rear Axle, Differential Cover, Drain Plug, Vent, Differential Guard .....	L-1
REAR SUSPENSION	
• Leaf Spring, Shock Absorber.....	M-1
SEATS	
• Seat Back, Seat Bottom, Hip Restraint.....	N-1
STEERING	
• Steering Box, Steering Shaft/Column/Wheel, Tie Rods.....	P-1
TRUCKBED	
• Manual Dump Bed, Bed Pivot, Tailgate, Decals .....	Q-1
• Tilt Latch, Bed Prop .....	Q-2
• Bed Liner, Ramp.....	Q-3
• Electric Dump Bed, Bed Pivot, Tailgate, Decals .....	Q-9
• Actuator, Battery Connections, Toggle Switch .....	Q-10
• Bed Liner, Ramp.....	Q-11
• Flat Bed, Bed Pivot.....	Q-17
• Tilt Latch, Bed Prop .....	Q-18
• Cargo Racks .....	Q-19

# GENERAL INDEX

## SECTION

Page No.

### WEATHER PROTECTION

- Sun Top..... R-1
- Inside Mirror, 3-Sided Soft Enclosure ..... R-2
- Windshields ..... R-3

### WHEELS AND TIRES

- Tire and Wheel Assembly, Wheel, Valve Stem..... S-1
- Wheel Covers ..... S-2

### SPECIALTY PRODUCTS ..... Appendix - A

- Special Tools
- Paint
- Performance Products

### ACCESSORIES ..... Appendix - B

- Accessories Listing





# HOW TO USE THE E-Z-GO SERVICE PARTS MANUAL

This manual is divided into several sections:

- GENERAL INFORMATION
- ILLUSTRATED PARTS BREAKDOWN
- APPENDIX

The first section, GENERAL INFORMATION, contains the following information:

- WARRANTY INFORMATION
- GENERAL INDEX
- HOW TO USE THE E-Z-GO SERVICE PARTS MANUAL

The second section, ILLUSTRATED PARTS BREAKDOWN, contains illustrations and parts lists for all systems of your vehicle.

The third section, APPENDIX, contains a listing of specialty products and accessories.

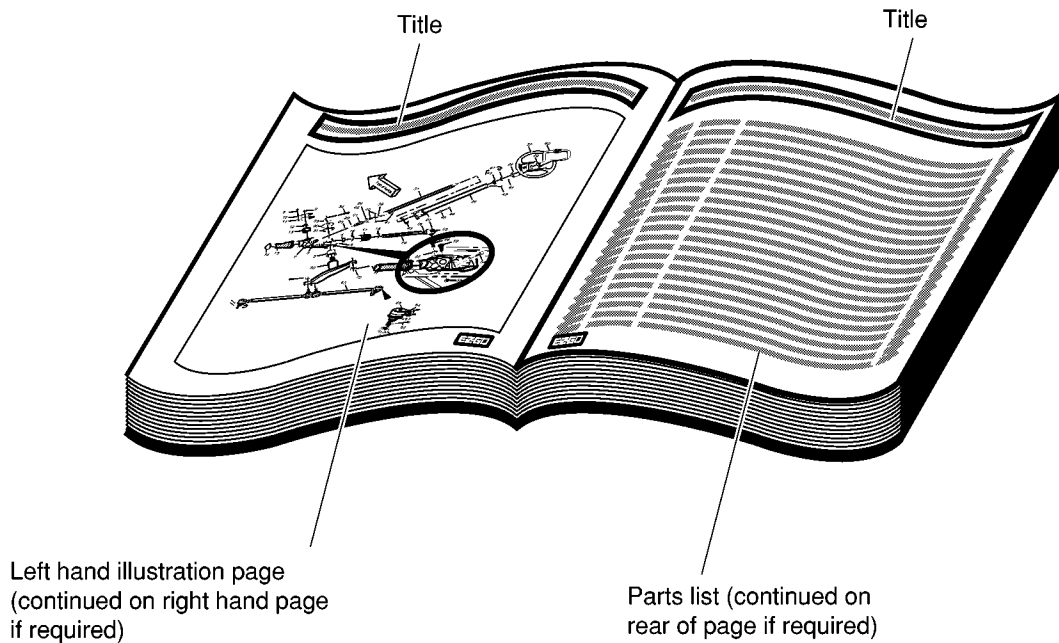
## USE OF THE MANUAL

To use this manual, consult the GENERAL INDEX to locate the information or illustration required.

Introduction of some revisions varies due to supply of components; therefore, it is possible that various combinations of components may be found that are not directly reflected by each illustration. Consult the illustration that best suits your situation and then contact the Service Parts Department. It is important that the serial number of your vehicle and its model number be supplied to Service Parts when ordering any replacement components.

Locate the serial number plate (see BODY located in the Illustrated Parts Breakdown section of this manual for its location) and note the complete number shown on the plate.

# HOW TO USE THE E-Z-GO SERVICE PARTS MANUAL



## 1. WHEN THE PART NUMBER IS NOT KNOWN

- Determine the function and application of the part required. Turn to the General Index and select the most appropriate title.
- Turn to the page number indicated and locate the desired part on the illustration.
- From the illustration, obtain the item number assigned to the desired part. Refer to the accompanying description for specific information regarding the part.

## 2. IF YOU KNOW THE PART NUMBER

- Locate the part number or description in the appropriate column on the parts list page.

**NOTE:** It is suggested that you confirm that the part selected is correct by verifying it with the pictorial representation on the illustrated page.

Should an asterisk (\*) appear in the part number column on the parts list page, read upwards until a part number is found. The part number is the lowest assembly sold by E-Z-GO and the asterisk (\*) indicates that the part depicted is not available for sale by E-Z-GO.

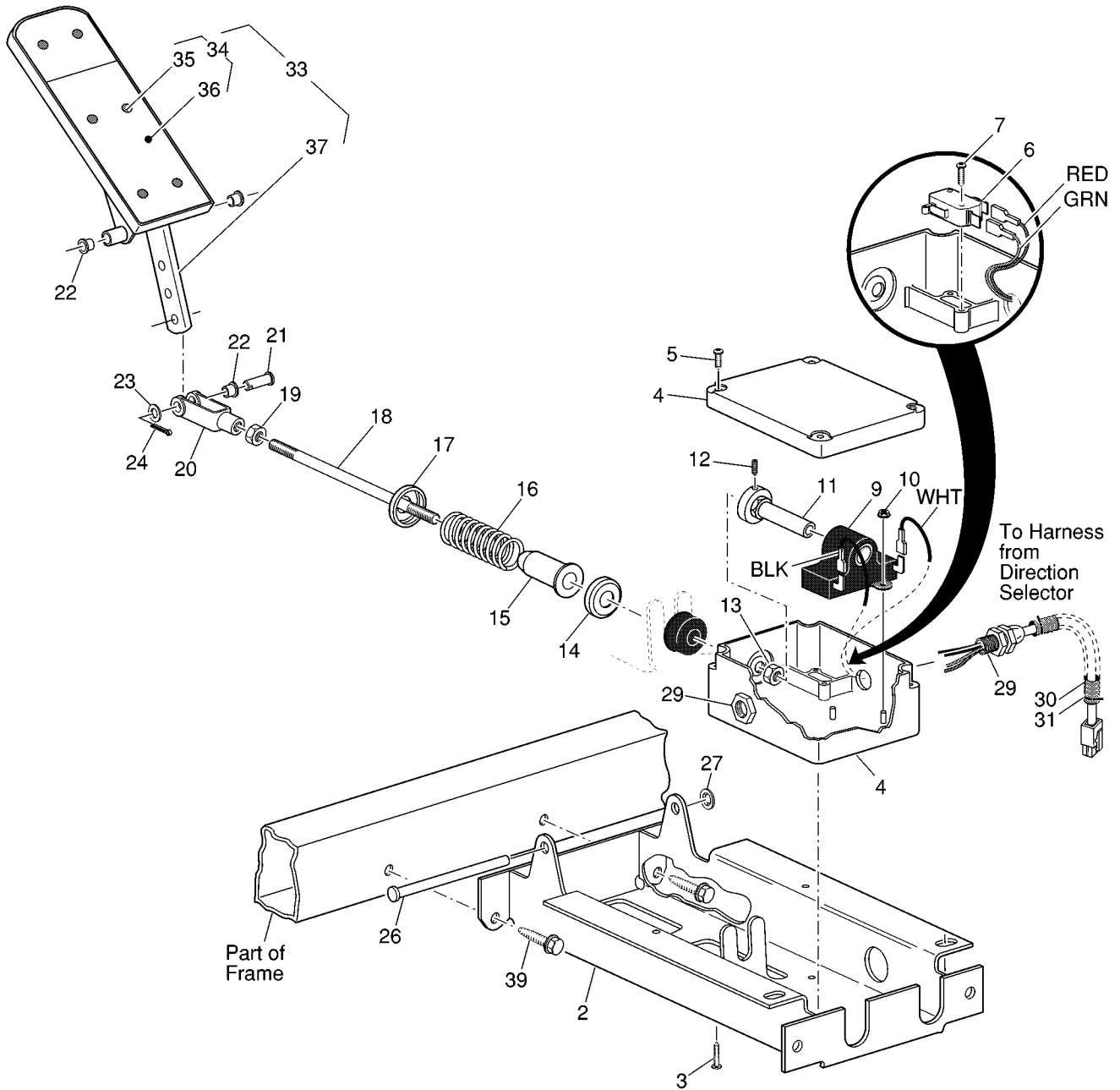
**NOTE:** Descriptions are indented under the assembly that they are used on. That assembly is, in turn listed under the assembly that it is used on. This process is repeated until the highest final assembly is reached.

**To facilitate the maintenance and repair of the vehicle, a Technician's Repair and Service Manual is available from the E-Z-GO Service Parts Department.**

# ILLUSTRATED PARTS BREAKDOWN

# ILLUSTRATED PARTS BREAKDOWN

1 - Includes Items 2 - 37





THE USE OF NON UL PARTS WILL VOID ANY UL LISTING.

When ordering parts, please specify the model and serial number of the product.

\* Indicates a component that is not available as an individual part.

G\*\* Indicates consult Customer Service Department for additional information.

ITEM	PART NO.	1	2	3	4	5	DESCRIPTION	QTY.	
1	25870-G03	PEDAL BOX ASSEMBLY (INCLUDES ITEMS 2 - 37).....					1		1
2	70116-G01	ACCELERATOR PEDAL BRACKET .....					1		1
3	00984-G01	SCREW, #8 - 10 X 1/2" LG.....					4		4
4	25853-G01	PEDAL BOX AND COVER.....					1		1
5	00684-G6	SCREW, #8 - 32 X 3/4" LG.....					4		4
6	25861-G01	MICRO SWITCH.....					1		1
7	00982-G01	SCREW, #4 - 14 X 5/8" LG.....					2		2
8									
9	25854-G01	INDUCTIVE THROTTLE SENSOR .....					1		1
10	00983-G01	SELF THREADING NUT, 3/16" .....					2		2
11	26551-G01	PLUNGER .....					1		1
12	00486-G2	SETSCREW, #8 - 32 X 1/8" LG.....					1		1
13	00550-G2	LOCK NUT, 1/4 - 28.....					1		1
14	17677-G1	SPRING RETAINER, 1/2".....					1		1
15	17979-G1	BUSHING .....					1		1
16	73046-G01	COMPRESSION SPRING .....					1		1
17	17677-G2	SPRING RETAINER, 3/8" .....					1		1
18	25859-G01	ACCELERATOR ROD .....					1		1
19	00532-G4	LOCK NUT, 5/16 - 24.....					1		1
20	10385-G4	CLEVIS YOKE (ADJUSTABLE).....					1		1
21	10386-G3	CLEVIS PIN, 5/16" X 1" LG .....					1		1
22	17838-G1	NYLON BUSHING.....					3		3
23	17255-G1	TEFLON WASHER, 5/16".....					1		1
24	10387-G3	COTTER PIN, 3/32" X 3/4" LG .....					1		1
25									
26	70134-G01	PEDAL PIVOT PIN .....					1		1
27	00986-G01	PUSH NUT, 9/32" .....					1		1
28									
29	25879-G03	WIRING HARNESS (PEDAL BOX ASSEMBLY).....					1		1
30	17313-G1	LOOM FLEX, 3/8" X 6" LG (BULK).....					1		1



# ACCELERATOR

# Electric Vehicle

THE USE OF NON UL PARTS WILL VOID ANY UL LISTING.

When ordering parts, please specify the model and serial number of the product.

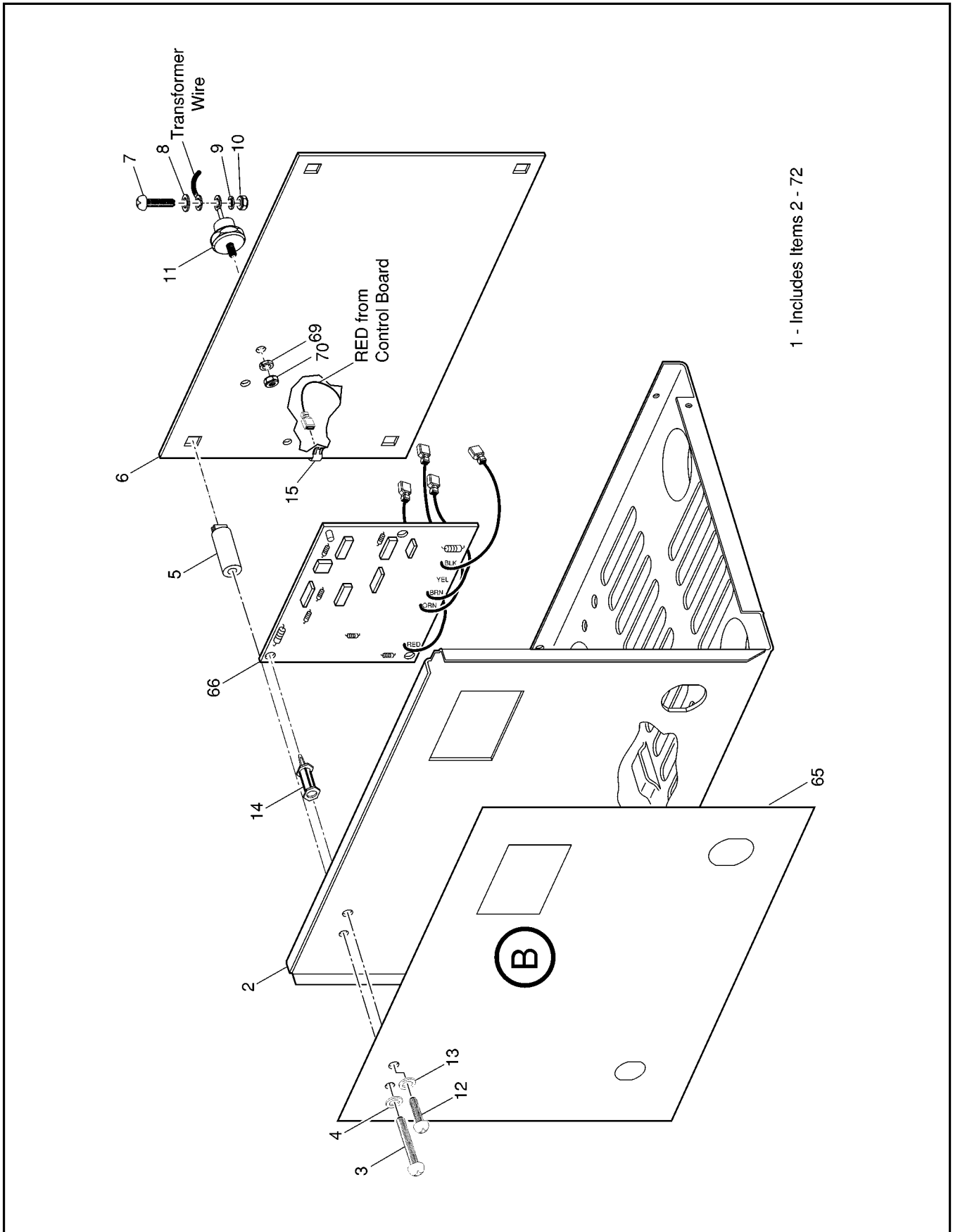
\* Indicates a component that is not available as an individual part.

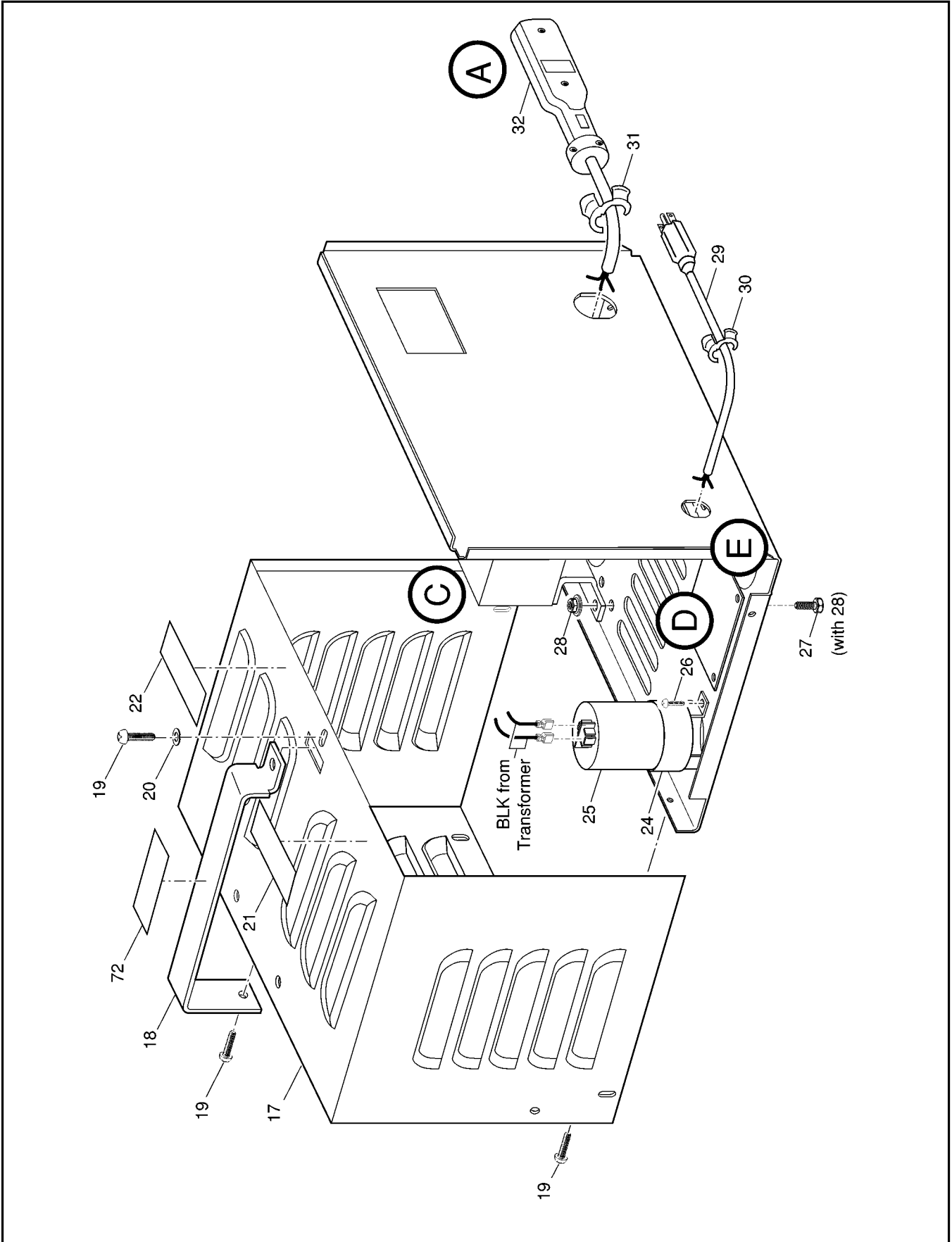
G\*\* Indicates consult Customer Service Department for additional information.

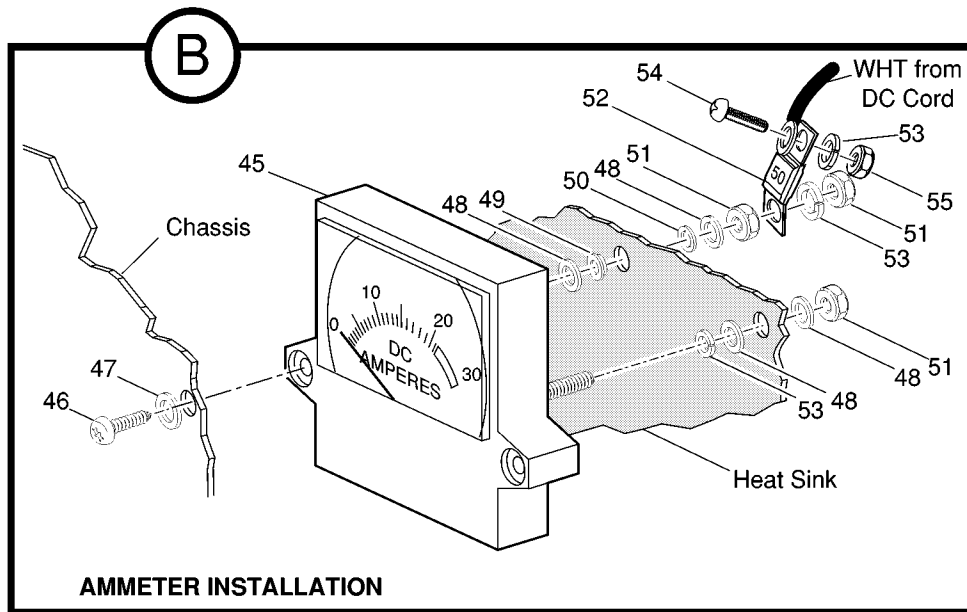
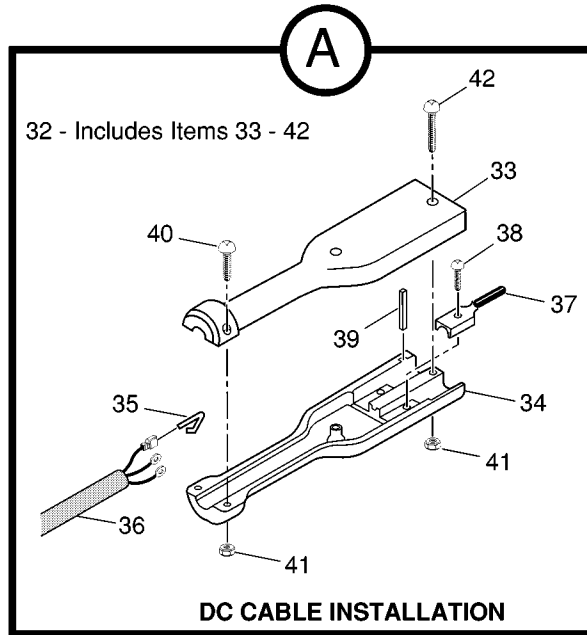
ITEM	PART NO.	1	2	3	4	5	DESCRIPTION	QTY.
31	17618-G1						WIRE TIE .....	2
32								
33	25799-G01						ACCELERATOR PEDAL ASSEMBLY (INCLUDES ITEMS 34 - 37).....	1
34	27844-G01						ACCELERATOR PEDAL PAD KIT (INCLUDES ITEMS 35 - 36).....	1
35	15766-G1						OVAL RIVET, 3/16" X 3/8" LG.....	6
36	27512-G01						ACCELERATOR PEDAL PAD .....	1
37	*						ACCELERATOR PEDAL .....	1
38								
39	00715-G2						BOLT, 5/16 - 18 X 13/16" LG .....	4

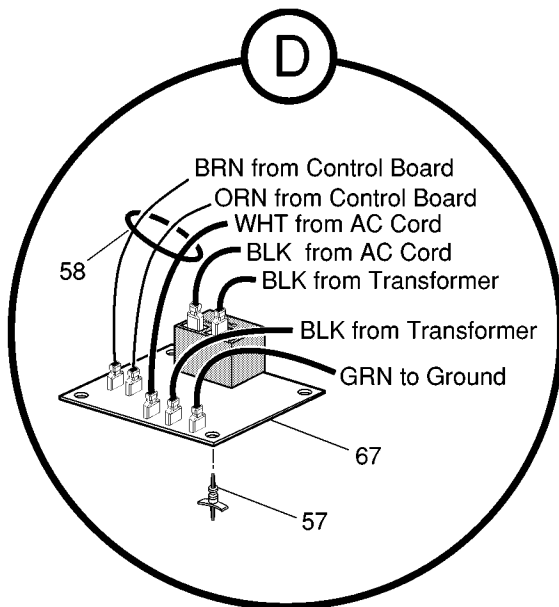
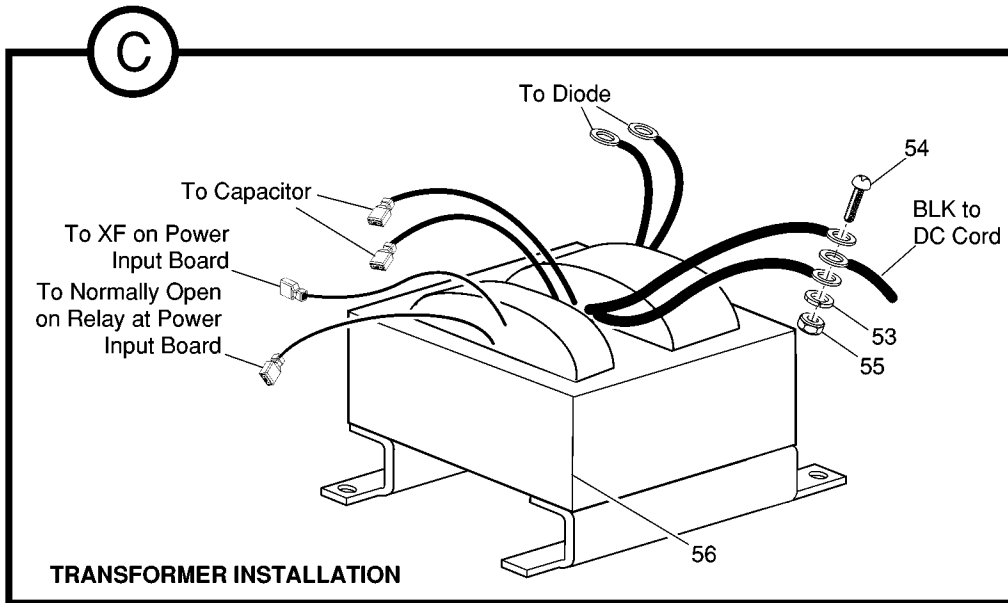




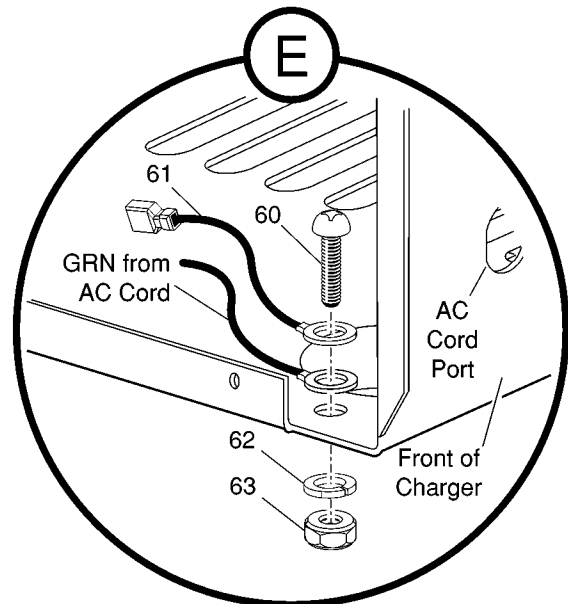








**POWER INPUT BOARD INSTALLATION**



**GROUNDING DETAIL**

**BATTERY CHARGER****Electric Vehicle**

THE USE OF NON UL PARTS WILL VOID ANY UL LISTING.

When ordering parts, please specify the model and serial number of the product.

\* Indicates a component that is not available as an individual part.

G\*\* Indicates consult Customer Service Department for additional information.

ITEM	PART NO.	1 2 3 4 5	DESCRIPTION	QTY.
1	28115-G04		POWERWISE™ CHARGER (INCLUDES ITEMS 2 - 72) .....	1
2	*		CHASSIS .....	1
3	00513-G6		SCREW, #8 - 18 X 1 3/4" LG. ....	2
4	00559-G4		WASHER, #8 .....	2
5	11572-G3		EXPANSION NUT .....	2
6	28104-G01		HEAT SINK .....	1
7	00138-G3		SCREW, #6 - 32 X 3/8" LG. ....	2
8	00559-G3		WASHER, #6 .....	2
9	00567-G3		LOCK WASHER, #6 .....	2
10	00525-G5		NUT, #6 - 32.....	2
11	18488-G1		DIODE.....	2
12	01005-G01		SCREW, #6 - 19 X 5/16" LG. ....	3
13	00559-G3		WASHER, #6 .....	3
14	28111-G01		SUPPORT SPACER .....	3
15	28110-G01		ELECTRICAL CLIP .....	1
16				
17	*		COVER .....	1
18	28102-G01		HANDLE .....	1
19	00614-G4		SCREW, #8 - 18 X 1/2" LG. ....	6
20	00559-G4		WASHER, #8 .....	1
21	28136-G01		LABEL (VENTILATION) .....	1
22	28136-G02		LABEL (DC CORD CONDITION) .....	1
23				
24	26979-G01		CAPACITOR BRACKET .....	1
25	28109-G01		CAPACITOR .....	1
26	00969-G01		SCREW, #8 - 32 X 3/8" LG. ....	3
27	00414-G5		BOLT, 1/4 - 20 X 5/8" LG.....	3
28	11027-G2		LOCK NUT, 1/4 - 20.....	3
29	19388-G4		AC CORD .....	1
30	13557-G2		STRAIN RELIEF (AC).....	1



THE USE OF NON UL PARTS WILL VOID ANY UL LISTING.

When ordering parts, please specify the model and serial number of the product.

\* Indicates a component that is not available as an individual part.

G\*\* Indicates consult Customer Service Department for additional information.

ITEM	PART NO.	1	2	3	4	5	DESCRIPTION	QTY.
31	13557-G3						STRAIN RELIEF (DC) .....	1
32	28137-G01						DC CORD AND HANDLE ASSEMBLY (INCLUDES ITEMS 33 - 42).....	1
33	73051-G11						PLUG (TOP HALF).....	1
34	73051-G12						PLUG (BOTTOM HALF).....	1
35	73051-G27						AUXILIARY CONTACT .....	1
36	28114-G01						DC CORD .....	1
37	73051-G14						MALE PIN .....	2
38	73051-G08						SCREW, #10 - 32 X 1/2" LG (BRASS).....	2
39	73051-G15						MAGNET .....	1
40	73051-G16						SCREW, #6 - 32 X 1/2" LG (STAINLESS STEEL) .....	2
41	73051-G10						LOCK NUT, #6 - 32 .....	4
42	73051-G17						SCREW, #6 - 32 X 1" LG (STAINLESS STEEL) .....	2
43								
44								
45	28105-G01						AMMETER.....	1
46	00984-G01						SCREW, #8 - 10 X 1/2" LG.....	2
47	00559-G4						WASHER, #8 .....	2
48	01003-G01						BRASS WASHER, #10 .....	4
49	22589-G2						SHOULDER WASHER, #10 .....	1
50	00771-G6						NYLON WASHER, #10.....	1
51	00528-G4						NUT, #10 - 32.....	3
52	28106-G01						50 AMP FUSE .....	1
53	00565-G5						LOCK WASHER, #10 .....	4
54	00378-G4						SCREW, #10 - 24 X 1/2" LG.....	2
55	00526-G3						NUT, #10 - 24.....	2
56	28103-G01						TRANSFORMER.....	1
57	27877-G01						SPACER SUPPORT .....	4
58	17618-G1						WIRE TIE.....	2
59								
60	00372-G3						SCREW, #8 - 32 X 3/8" LG.....	1



# BATTERY CHARGER

# Electric Vehicle

THE USE OF NON UL PARTS WILL VOID ANY UL LISTING.

When ordering parts, please specify the model and serial number of the product.

\* Indicates a component that is not available as an individual part.

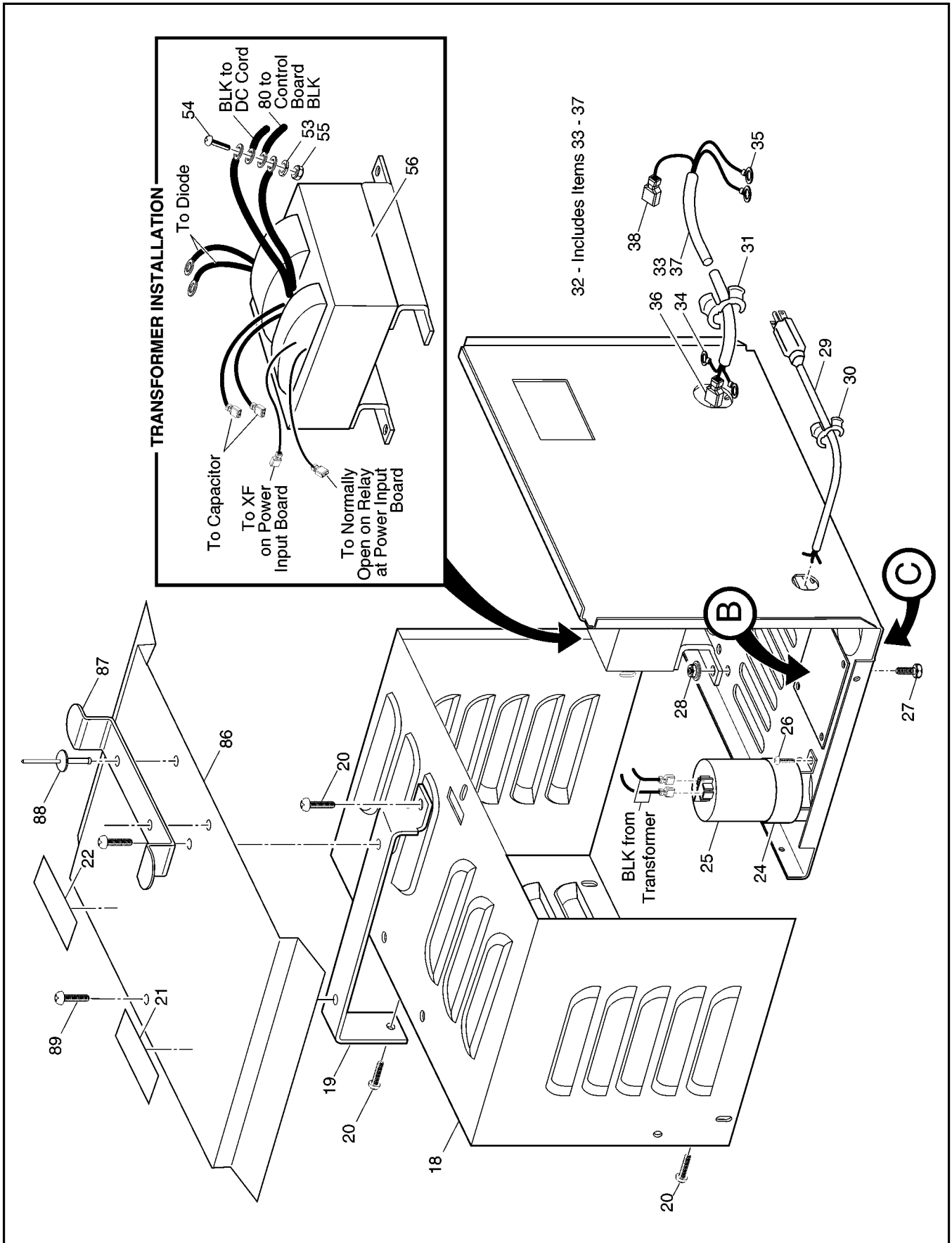
G\*\* Indicates consult Customer Service Department for additional information.

ITEM	PART NO.	1	2	3	4	5	DESCRIPTION	QTY.
61	25977-G32						16 GA WIRE (GREEN 4" LG) .....	1
62	00565-G4						LOCK WASHER, #8 .....	1
63	00526-G1						NUT, #8 - 32.....	1
64								
65	*						LABEL (POWERWISE™) .....	1
66	28126-G01						CONTROL BOARD (POWERWISE™).....	1
67	28126-G03						POWER INPUT BOARD (POWERWISE™) .....	1
68								
69	00565-G7						LOCK WASHER, 1/4" .....	2
70	00532-G2						NUT, 1/4 - 28.....	2
71								
72	71785-G01						LABEL (REMOVE BATTERY) .....	1

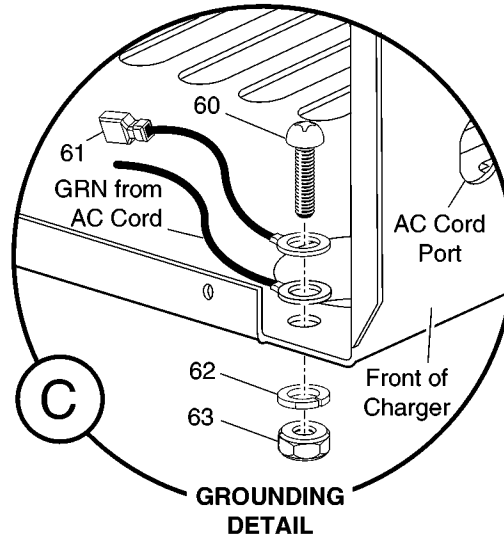
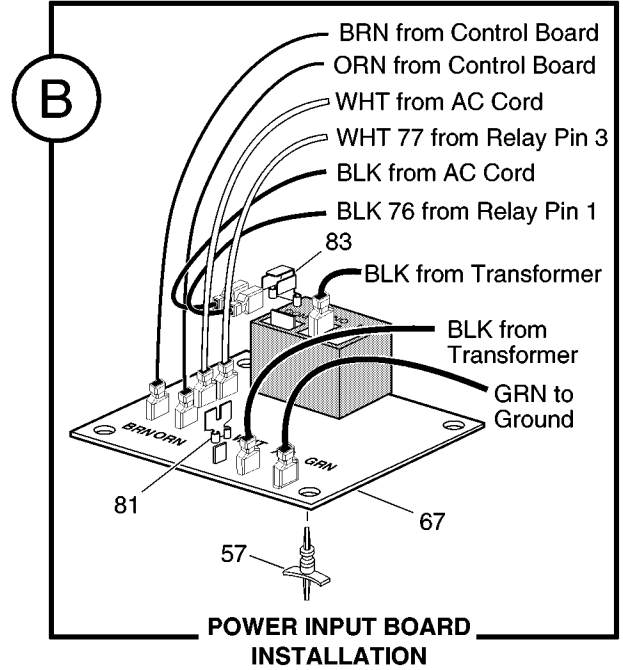
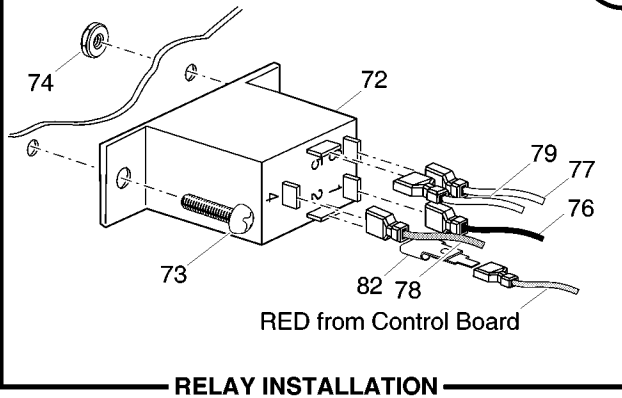


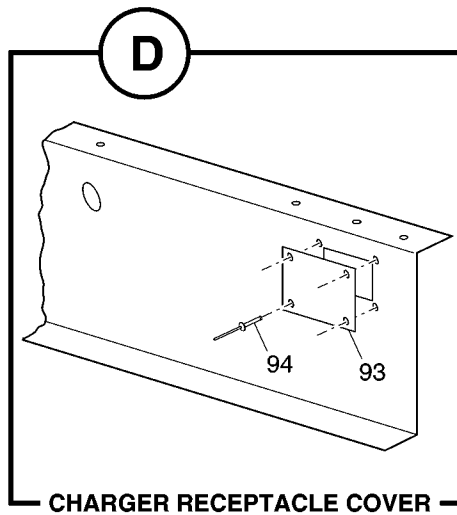
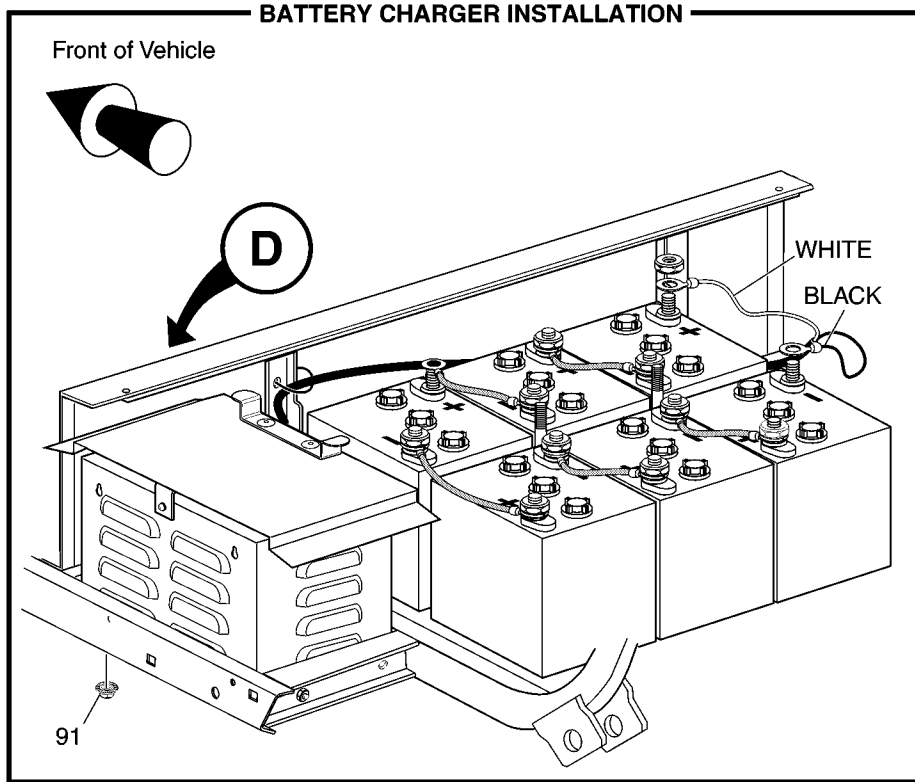






- Pin 1 - Wire 76 to Input Board "COM"
- Pin 2 - Tab Adapter 82, RED wire from Control Board
- Pin 3 - Wire 77 to Input Board "WHT"
- Pin 4 - Wire 78 to Heat Sink Clip
- Pin 5 - Wire 79 to DC Cord RED Wire





**BATTERY CHARGER (ON BOARD)****Electric Vehicle**

THE USE OF NON UL PARTS WILL VOID ANY UL LISTING.

When ordering parts, please specify the model and serial number of the product.

\* Indicates a component that is not available as an individual part.

G\*\* Indicates consult Customer Service Department for additional information.

ITEM	PART NO.	1	2	3	4	5	DESCRIPTION	QTY.
1	28115-G06	POWERWISE™ CHARGER (ON BOARD) (INCLUDES ITEMS 3 - 83).....					1	
2								
3	*	CHASSIS .....					1	
4	00513-G6	SCREW, #8 - 18 X 1 3/4" LG .....					2	
5	00559-G4	WASHER, #8 .....					2	
6	11572-G3	EXPANSION NUT .....					2	
7	28104-G01	HEAT SINK .....					1	
8	00138-G3	SCREW, #6 - 32 X 3/8" LG .....					2	
9	00559-G3	WASHER, #6 .....					2	
10	00567-G3	LOCK WASHER, #6 .....					2	
11	00525-G5	NUT, #6 - 32.....					2	
12	18488-G1	DIODE.....					2	
13	01005-G01	SCREW, #6 - 19 X 5/16" LG .....					3	
14	00559-G3	WASHER, #6 .....					3	
15	28111-G01	SUPPORT SPACER.....					3	
16	28110-G01	ELECTRICAL CLIP.....					1	
17								
18	*	COVER .....					1	
19	28102-G01	HANDLE .....					1	
20	00614-G4	SCREW, #8 - 18 X 1/2" LG .....					6	
21	28136-G01	LABEL (VENTILATION).....					1	
22	28136-G02	LABEL (CORD CONDITION).....					1	
23								
24	26979-G01	CAPACITOR BRACKET .....					1	
25	28109-G01	CAPACITOR .....					1	
26	00969-G01	SCREW, #8 - 32 X 3/8" LG .....					3	
27	00414-G5	BOLT, 1/4 - 20 X 5/8" LG.....					3	
28	11027-G2	LOCK NUT, 1/4 - 20.....					3	
29	19388-G5	AC CORD .....					1	
30	13557-G2	STRAIN RELIEF (AC).....					1	



THE USE OF NON UL PARTS WILL VOID ANY UL LISTING.

When ordering parts, please specify the model and serial number of the product.

\* Indicates a component that is not available as an individual part.

G\*\* Indicates consult Customer Service Department for additional information.

ITEM	PART NO.	1	2	3	4	5	DESCRIPTION	QTY.
31	13557-G3						STRAIN RELIEF (DC) .....	1
32	73331-G06						DC CORD ASSEMBLY (INCLUDES ITEMS 33 - 37) .....	1
33	28108-G01						DC CORD .....	1
34	11343-G3						RING TERMINAL, 3/16" .....	2
35	11343-G1						RING TERMINAL, 5/16" .....	2
36	17064-G1						FEMALE TERMINAL .....	2
37	22476-G1						HEAT SHRINK TUBING .....	A/R
38								
39								
40	22009-G1						ISOLATION MOUNT .....	4
41	00559-G7						WASHER, 1/4" .....	4
42	00565-G7						LOCK WASHER, 1/4" .....	4
43	00532-G1						NUT, 1/4 - 20 .....	4
44								
45	28105-G01						AMMETER .....	1
46	00984-G01						SCREW, #8 - 10 X 1/2" LG. ....	2
47	00559-G4						WASHER, #8 .....	2
48	01003-G01						BRASS WASHER, #10 .....	4
49	22589-G2						SHOULDER WASHER, #10 .....	1
50	00771-G6						NYLON WASHER, #10 .....	1
51	00528-G4						NUT, #10 - 32 .....	3
52	28106-G01						50 AMP FUSE .....	1
53	00565-G5						LOCK WASHER, #10 .....	4
54	00378-G4						SCREW, #10 - 24 X 1/2" LG. ....	2
55	00526-G3						NUT, #10 - 24 .....	2
56	28103-G01						TRANSFORMER .....	1
57	27877-G01						SPACER SUPPORT .....	4
58	17618-G1						WIRE TIE .....	3
59								
60	00372-G3						SCREW, #8 - 32 X 3/8" LG. ....	1



**BATTERY CHARGER (ON BOARD)****Electric Vehicle**

THE USE OF NON UL PARTS WILL VOID ANY UL LISTING.

When ordering parts, please specify the model and serial number of the product.

\* Indicates a component that is not available as an individual part.

G\*\* Indicates consult Customer Service Department for additional information.

ITEM	PART NO.	1	2	3	4	5	DESCRIPTION	QTY.
61	25977-G32						16 GA WIRE (GREEN 4") .....	1
62	00565-G4						LOCK WASHER, #8 .....	1
63	00526-G1						NUT, #8 - 32.....	1
64								
65	*						LABEL (POWERWISE™) .....	1
66	28126-G01						CONTROL BOARD.....	1
67	28126-G03						POWER INPUT BOARD.....	1
68								
69	00565-G7						LOCK WASHER, 1/4" .....	2
70	00532-G2						NUT, 1/4 - 28.....	2
71								
72	21971-G4						RELAY .....	1
73	00138-G4						SCREW, #6 - 32 X 1/2" LG .....	2
74	14390-G9						LOCK NUT, #6 - 32 .....	2
75								
76	25977-G38						16 GA WIRE (BLACK 4") (from Relay 1 to Power Input Board "COM") .....	1
77	25977-G37						16 GA WIRE (WHITE 5") (from Relay 3 to Power Input Board "WHT").....	1
78	25978-G161						18 GA WIRE (BLUE 6") (from Relay 4 to Heat Sink clip).....	1
79	25978-G162						18 GA WIRE (YELLOW 6") (from Relay 5 to DC Cord "RED").....	1
80	25978-G163						18 GA WIRE (BLACK 7") (from Transformer S2/S3 to Control Module "Black") .....	1
81	17902-G1						TAB ADAPTER (on Power Input Board "WHT" w/ 77 & AC Cord WHT) .....	1
82	28305-G01						TERMINAL ADAPTER (on Relay 2 w/ Control Board RED).....	1
83	27285-G01						TERMINAL ADAPTER (on Relay "COM" w/ 76 & AC Cord BLK).....	1
84								
85	71968-G01						SHIELD ASSEMBLY (INCLUDES ITEMS 86 - 88).....	1
86	71967-G01						SHIELD .....	1
87	22045-G01						CORD HOLDER .....	1
88	10570-G01						RIVET,.....	2
89	00106-G6						SCREW, #12 - 24 X 3/4" LG.....	2

THE USE OF NON UL PARTS WILL VOID ANY UL LISTING.

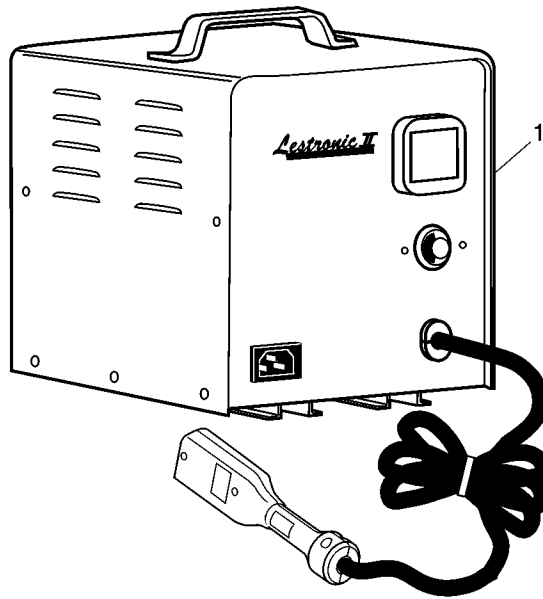
When ordering parts, please specify the model and serial number of the product.

\* Indicates a component that is not available as an individual part.

G\*\* Indicates consult Customer Service Department for additional information.

ITEM	PART NO.	1 2 3 4 5	DESCRIPTION	QTY.
90				
91	11027-G2		LOCK NUT, 1/4 - 20 .....	4
92				
93	73173-G01		COVER PLATE .....	1
94	14601-G10		RIVET, 5/32" X 7/16" LG .....	4

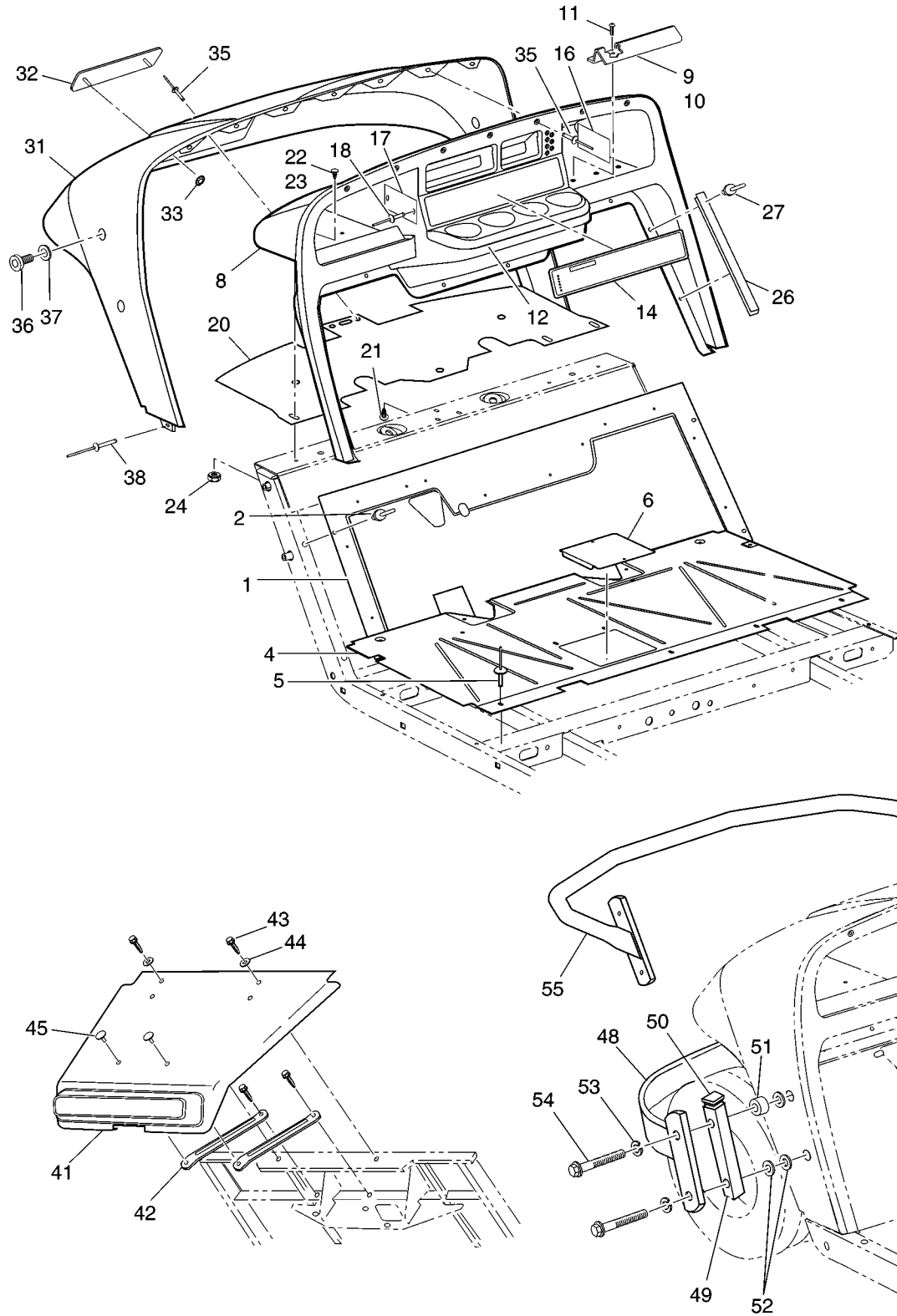


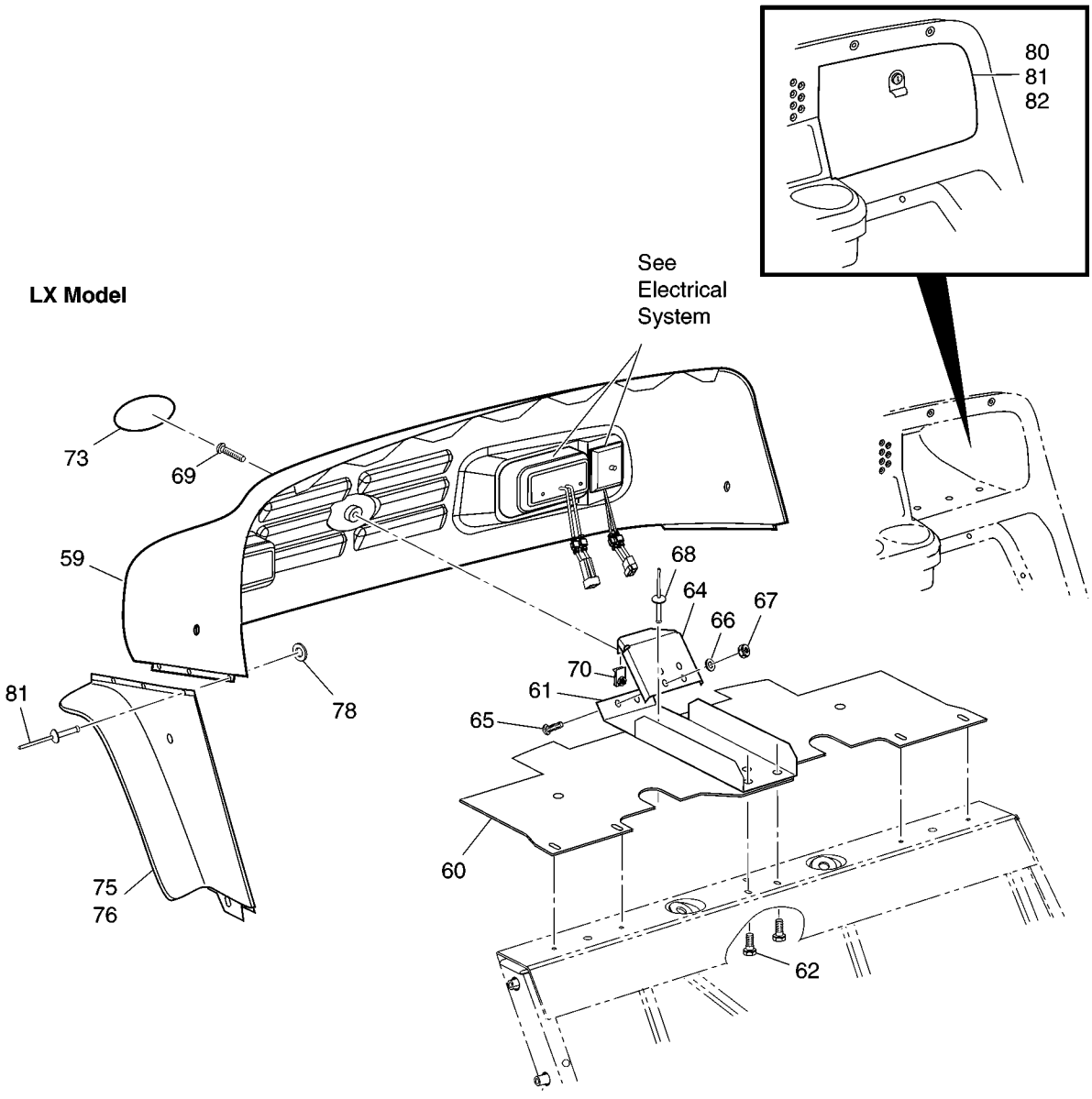


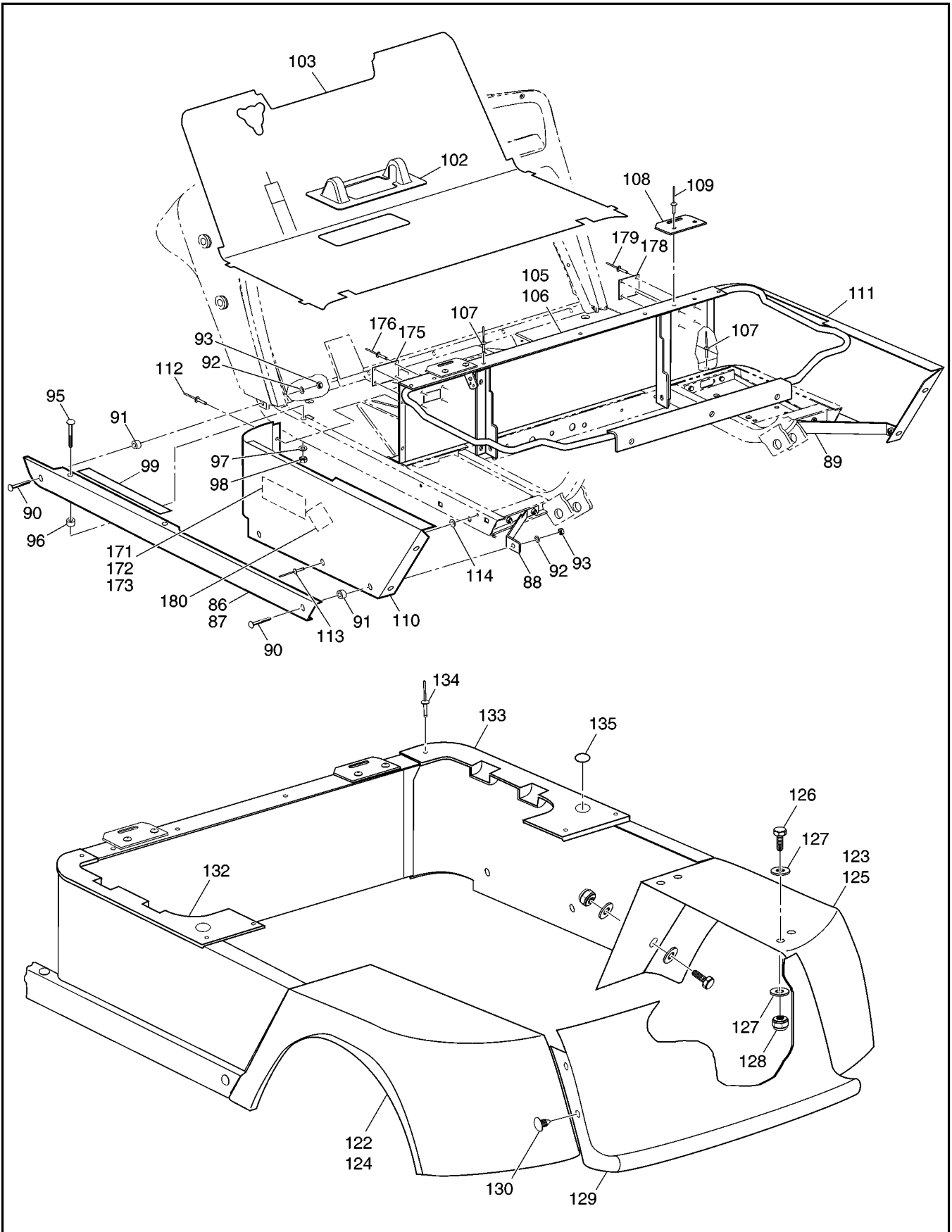
THE USE OF NON U.L. PARTS WILL VOID ANY U.L. LISTING.  
 When ordering parts, please specify the model and serial number of the product.  
 \* Indicates a component that is not available as an individual part.  
 G\*\* Indicates consult Customer Service Department for additional information.

ITEM	PART NO.	1 2 3 4 5 DESCRIPTION	QTY.
1	28516-G01	<p>BATTERY CHARGER, LESTER, 36 VOLT, PORTABLE WITH POWERWISE CONNECTOR, CE APPROVED (OPTIONAL)</p> <p>For service or replacement parts, contact:                      Lester Electrical                      625 West "A" Street                      Lincoln, NE 68522</p> <p>Phone: (402) 477-8988, FAX: (402) 474-1769</p> <p>Always provide the following information when requesting information or ordering replacement parts:</p> <p>Model Number:                      Serial Number: (stamped into housing)</p>	

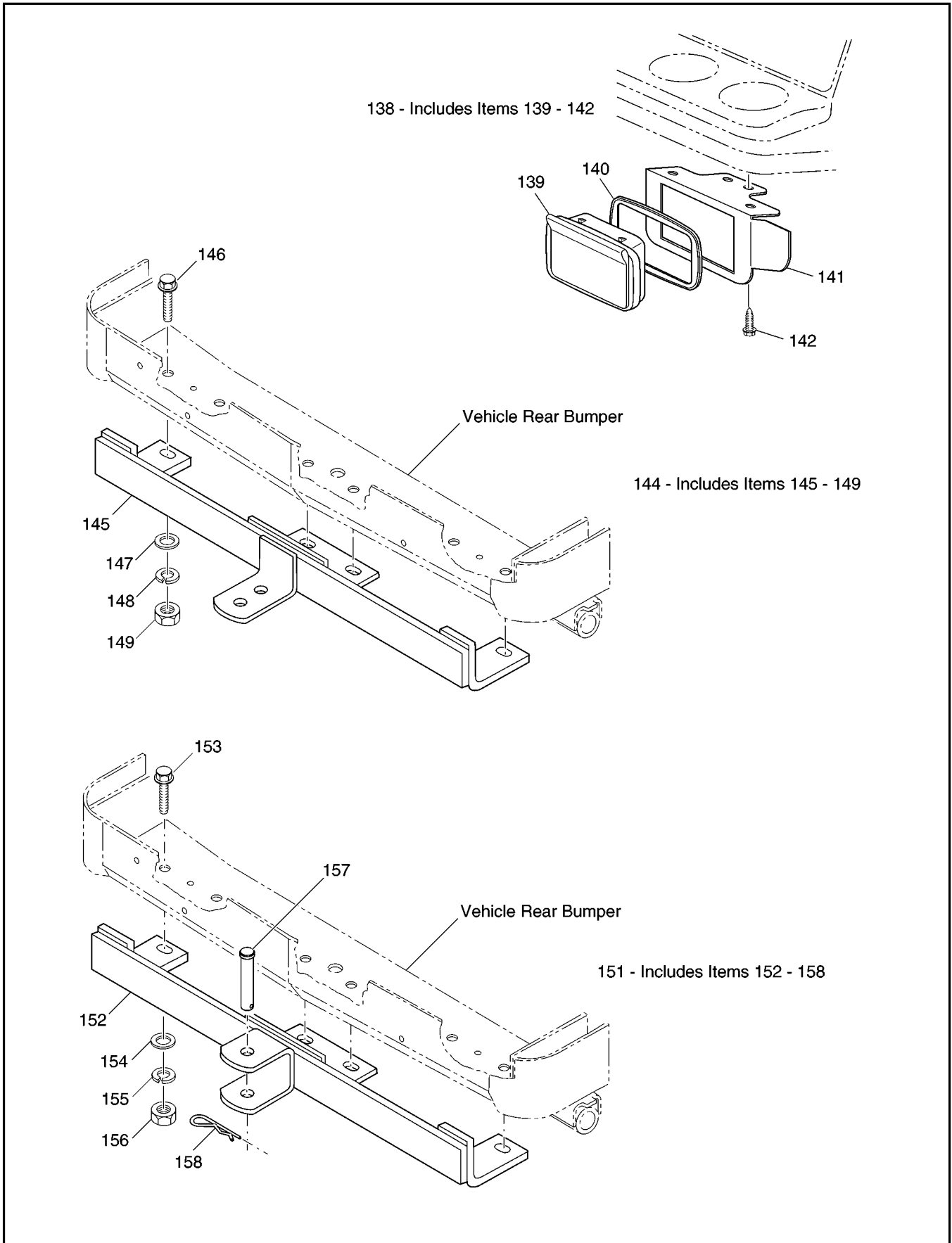


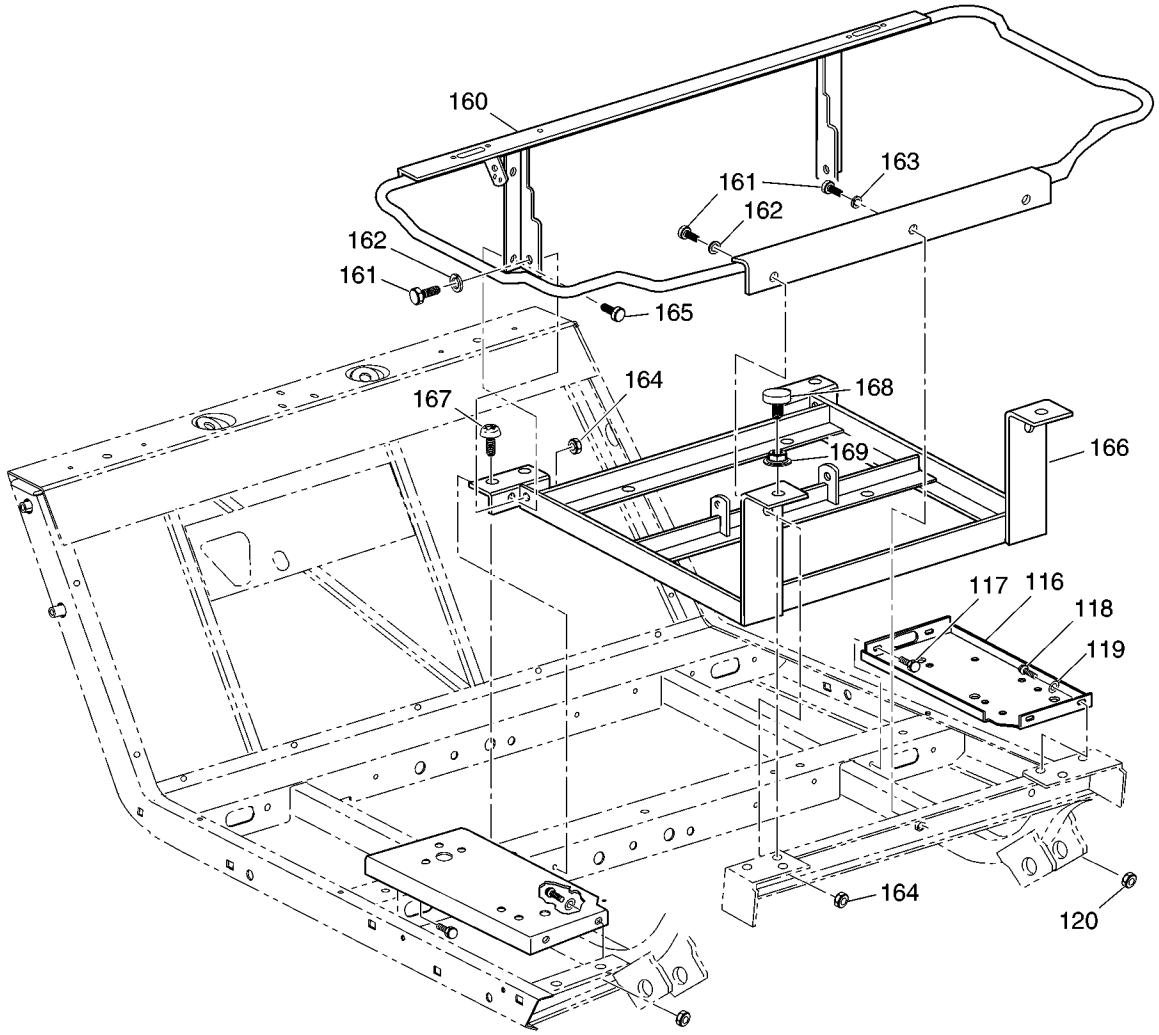












When ordering parts, please specify the model and serial number of the product.

\* Indicates a component that is not available as an individual part.

G\*\* Indicates consult Customer Service Department for additional information.

ITEM	PART NO.	1 2 3 4 5	DESCRIPTION	QTY.
1	71510-G01		UPPER FLOORPAN .....	1
2	14601-G11		RIVET, 3/16" X 9/16" LG .....	9
3				
4	70451-G01		LOWER FLOORPAN.....	1
5	14601-G11		RIVET, 3/16" X 9/16" LG .....	7
6	70452-G01		ACCESS COVER.....	1
7				
8	71151-G01		INSTRUMENT PANEL ASSEMBLY (INCLUDES ITEMS 9 - 12) .....	1
9	71153-G01		DEFLECTOR (PASSENGER SIDE).....	1
10	71154-G01		DEFLECTOR (DRIVER SIDE) .....	1
11	00614-G5		SCREW, #8 - 18 X 5/8" LG.....	6
12	71158-G01		INSTRUMENT PANEL INSERT (FOUR CUP) .....	1
13				
14	71179-G02		LABEL (SAFETY).....	1
15				
16	*		SERIAL NUMBER PLATE.....	1
17	*		CAPACITY PLATE .....	1
18	01041-G01		RIVET, 5/32" X 7/8" LG .....	4
19				
20	71413-G01		SPLASH PANEL.....	1
21	16816-G2		RATCHET FASTENER, 1/4" X 3/4" LG.....	1
22	16816-G2		RATCHET FASTENER, 1/4" X 3/4" LG (LATE 2000 PRODUCTION).....	4
23	01036-G01		SCREW, #10 - 24 X 3/4" LG (TO EARLY 2000 PRODUCTION) .....	4
24	11098-G7		LOCK NUT, #10 - 24 (TO EARLY 2000 PRODUCTION) .....	4
25				
26	71115-G01		VINYL TRIM .....	2
27	71055-G01		RIVET, 3/16" X 1" LG .....	10
28				
29				
30				

When ordering parts, please specify the model and serial number of the product.  
 \* Indicates a component that is not available as an individual part.  
 G\*\* Indicates consult Customer Service Department for additional information.

ITEM	PART NO.	1 2 3 4 5	DESCRIPTION	QTY.
31	71051-G**		COWL .....	1
32	71037-G02		NAMEPLATE (E-Z-GO).....	1
33	12064-G3		PUSHNUT, 3/16" .....	2
34				
35	71055-G01		RIVET, 3/16" X 1" LG .....	9
36	71056-G01		BOLT, 5/16 - 18 X 5/8" LG.....	4
37	00570-G2		WASHER, 5/16" .....	4
38	14601-G13		RIVET, 5/32" X 9/16" LG .....	2
39				
40				
41	27166-G02		FRONT SHIELD.....	1
42	71015-G01		FRONT SHIELD BRACE.....	2
43	01038-G01		SCREW, 1/4 - 20 X 1/2" LG .....	4
44	16469-G7		WASHER, 1/4" .....	2
45	16816-G2		RATCHET FASTENER, 1/4" X 3/4" LG .....	2
46				
47				
48	74040-G01		FRONT BUMPER.....	1
49	74037-G01		SPACER TUBE .....	2
50	19859-G1		END CAP, 3/4" .....	2
51	75048-G01		SPACER, 1/2" .....	2
52	00570-G2		WASHER, 5/16" .....	6
53	00905-G8		LOCK WASHER, 5/16".....	4
54	01035-G02		BOLT, 5/16 - 18 X 2 1/2" LG.....	4
55	74306-G01		BUMPER (LX) .....	1
56				
57				
58				
59	71219-G01		COWL, LX.....	1
60	71413-G02		SPLASH PANEL.....	1



When ordering parts, please specify the model and serial number of the product.

\* Indicates a component that is not available as an individual part.

G\*\* Indicates consult Customer Service Department for additional information.

ITEM	PART NO.	1 2 3 4 5	DESCRIPTION	QTY.
61	71101-G01		COWL SUPPORT BRACKET .....	1
62	71102-G02		SELF TAPPING SCREW, 1/4 - 20 X 1/2" LG .....	3
63				
64	71462-G01		COWL SUPPORT BRACE.....	1
65	00740-G4		SCREW, #10 - 32 X 1/2" LG .....	2
66	00559-G5		WASHER, #10.....	2
67	00921-G8		LOCK NUT, #10 - 32 .....	2
68	71055-G02		RIVET, 3/16" X 1 1/8" LG .....	1
69	16705-G9		SCREW, 1/4 - 20 X 1 1/4" LG .....	1
70	14776-G1		RETAINER NUT ('J' TYPE), 1/4 - 20.....	1
71				
72				
73	71289-G01		NAMEPLATE (E-Z-GO) (OVAL) .....	1
74				
75	71214-G01		FENDER FLARE (DRIVER SIDE).....	1
76	71214-G02		FENDER FLARE (PASSENGER SIDE) .....	1
77	71045-G01		RIVET, 5/32 X 3/4" LG.....	6
78	00559-G4		WASHER, #8.....	6
79				
80	75459-G01		GLOVE BOX DOORS (BOTH SIDES).....	1
81	75459-G02		GLOVE BOX DOOR (DRIVER SIDE) .....	1
82	75459-G03		GLOVE BOX DOOR (PASSENGER SIDE).....	1
83				
84				
85				
86	71439-G01		ROCKER PANEL (DRIVER SIDE) .....	1
87	71439-G02		ROCKER PANEL (PASSENGER SIDE) .....	1
88	71440-G01		BRACE (DRIVER SIDE).....	1
89	71440-G02		BRACE (PASSENGER SIDE) .....	1
90	00789-G2		SCREW, #10 - 24 X 1 1/4" LG .....	4



When ordering parts, please specify the model and serial number of the product.  
 \* Indicates a component that is not available as an individual part.  
 G\*\* Indicates consult Customer Service Department for additional information.

ITEM	PART NO.	1 2 3 4 5	DESCRIPTION	QTY.
91	19247-G3		SPACER, 9/32" .....	4
92	00660-G5		WASHER, #10.....	4
93	11098-G7		LOCK NUT, #10 - 24 .....	4
94				
95	16705-G1		SCREW, 1/4 - 20 X 1" LG .....	4
96	23726-G2		SPACER, 1/4" .....	4
97	00559-G7		WASHER, 1/4" .....	4
98	14390-G4		LOCK NUT, 1/4 - 20 .....	4
99	71764-G01		SILL PLATE TREAD.....	2
100				
101				
102	70135-G01		PEDAL PIVOT COVER.....	1
103	70048-G06		FLOORMAT.....	1
104				
105	71844-G**		SEAT WRAP PANEL WITH LOUVERS (PRODUCTION SINCE 4-99).....	1
106	71379-G**		SEAT WRAP PANEL (PRODUCTION PRIOR TO 4-99).....	1
107	10570-G10		RIVET, 5/32" X 9/16" LG .....	8
108	71609-G01		SEAT HINGE PLATE.....	2
109	10570-G11		RIVET, 3/16" X 3/4" LG .....	4
110	71674-G**		SIDE PANEL (DRIVER SIDE) .....	1
111	71674-G**		SIDE PANEL (PASSENGER SIDE) .....	1
112	10570-G10		RIVET, 5/32" X 9/16" LG .....	4
113	10570-G12		RIVET, 1/4" X 1/2" LG .....	4
114	16469-G7		WASHER, 1/4" .....	4
115				
116	70244-G02		SPLASH PANEL.....	2
117	00715-G2		BOLT, 5/16 - 18 X 13/16" LG.....	4
118	00438-G8		BOLT, 5/16 - 18 X 1" LG.....	4
119	00559-G8		WASHER, 5/16" .....	4
120	11098-G6		LOCK NUT, 5/16 - 18 .....	4



When ordering parts, please specify the model and serial number of the product.

\* Indicates a component that is not available as an individual part.

G\*\* Indicates consult Customer Service Department for additional information.

ITEM	PART NO.	1 2 3 4 5	DESCRIPTION	QTY.
121				
122	71586-G01		FENDER (DRIVER SIDE) .....	1
123	71586-G02		FENDER (PASSENGER SIDE).....	1
124	71586-G03		FENDER WITH TAILLIGHT (DRIVER SIDE) .....	1
125	71586-G04		FENDER WITH TAILLIGHT (PASSENGER SIDE) .....	1
126	00414-G7		BOLT, 1/4 - 20 X 7/8" LG.....	12
127	00559-G7		WASHER, 1/4" .....	24
128	14390-G4		LOCK NUT, 1/4 - 20 .....	12
129	71587-G01		REAR PANEL.....	1
130	71055-G01		RIVET, 3/16" X 1" LG .....	4
131				
132	71588-G01		SEAT FILLER PANEL (DRIVER SIDE) .....	1
133	71588-G02		SEAT FILLER PANEL (PASSENGER SIDE).....	1
134	10570-G10		RIVET, 5/32" X 9/16" LG .....	6
135	20271-G3		HOLE PLUG, 2" (VEHICLES WITHOUT TOP) .....	2
136				
137				
138	75109-G02		ASH TRAY KIT (INCLUDES ITEMS 139 - 142) .....	1
139	27731-G01		ASH TRAY.....	1
140	27736-G01		GASKET .....	1
141	75108-G01		BRACKET.....	1
142	00100-G4		SCREW, #10 - 16 X 1/2" LG.....	4
143				
144	75326-G02		BALL HITCH KIT (INCLUDES ITEMS 145 - 149) .....	1
145	75324-G01		HITCH.....	1
146	13437-G5		LOCK SCREW, 3/8-16 X 1 1/2" LG.....	4
147	00571-G3		WASHER, 3/8".....	4
148	00566-G1		LOCK WASHER, 3/8".....	4
149	00532-G5		NUT, 3/8-16 .....	4
150				

When ordering parts, please specify the model and serial number of the product.  
 \* Indicates a component that is not available as an individual part.  
 G\*\* Indicates consult Customer Service Department for additional information.

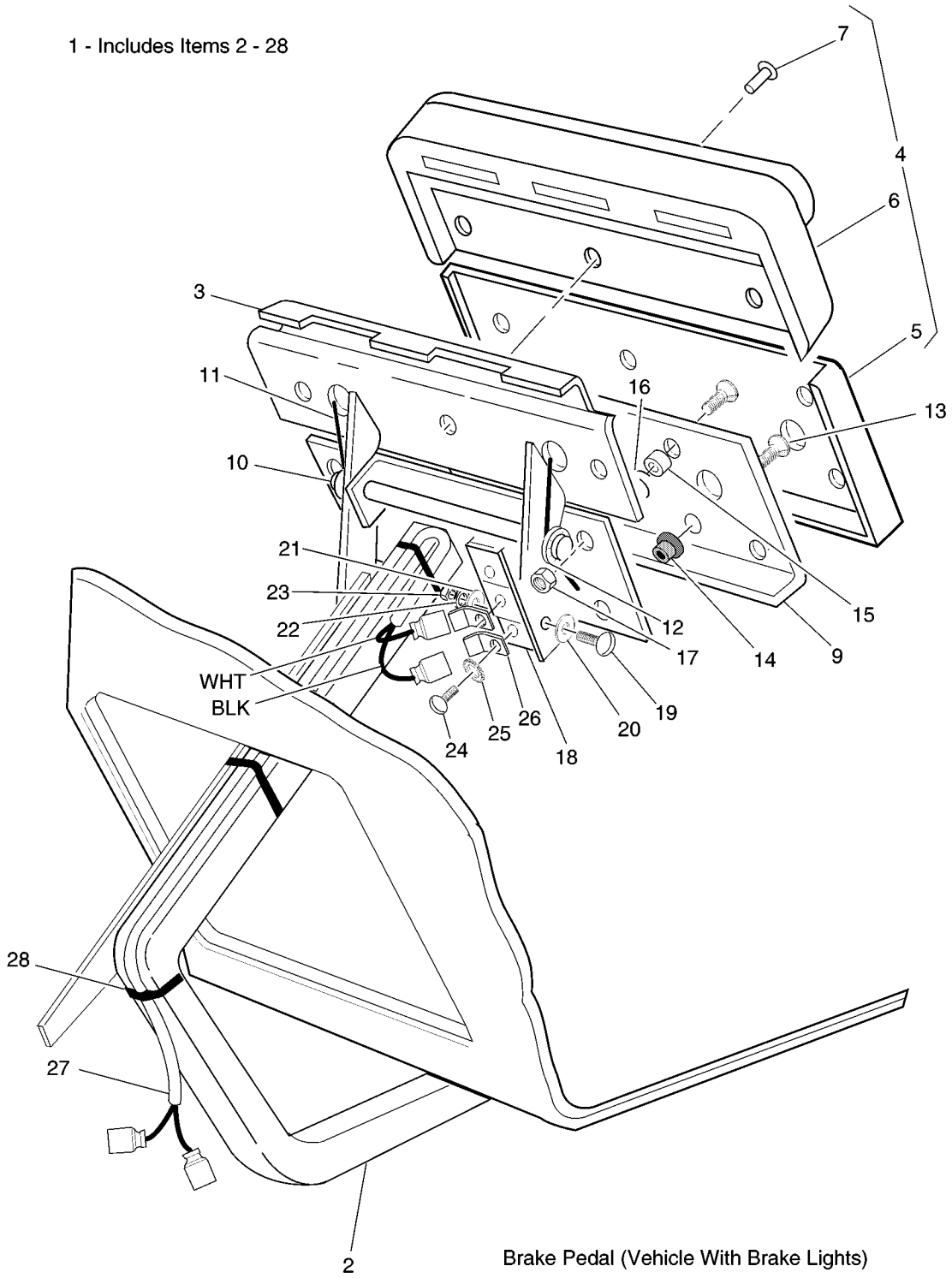
ITEM	PART NO.	1 2 3 4 5	DESCRIPTION	QTY.
151	75327-G02		CLEVIS HITCH KIT (INCLUDES ITEMS 152 - 158) .....	1
152	75325-G01		HITCH.....	1
153	13437-G5		LOCK SCREW, 3/8-16 X 1 1/2" LG .....	4
154	00571-G3		WASHER, 3/8".....	4
155	00566-G1		LOCK WASHER, 3/8".....	4
156	00532-G5		NUT, 3/8-16 .....	4
157	14443-G7		CLEVIS PIN, 1/2" X 2 1/2" LG .....	1
158	19314-G1		COTTER PIN, 2 1/2" LG.....	1
159				
160	70494-G01		SEAT FRAME.....	1
161	00438-G8		BOLT, 5/16 - 18 X 1" LG.....	5
162	00559-G8		WASHER, 5/16" .....	4
163	00565-G8		LOCK WASHER, 5/16".....	1
164	11098-G6		LOCK NUT, 5/16 - 18 .....	4
165	00715-G2		BOLT, 5/16 - 18 X 13/16" LG .....	2
166	70046-G01		BATTERY RACK .....	1
167	70200-G01		SCREW, 3/8 - 16 X 1/4" LG .....	2
168	70113-G01		ADJUSTABLE BUMPER.....	2
169	11027-G1		LOCK NUT, 5/16 - 18 .....	2
170				
171	35062-G01		DECAL (WORKHORSE®).....	2
172	35430-G04		DECAL (1000).....	2
173	35430-G03		DECAL (1000LX) .....	2
174				
175	73173-G01		COVER PLATE (ON-BOARD CHARGER MODELS ONLY).....	1
176	14601-G10		RIVET, 5/32" X 7/16" LG .....	4
177				
178	*		PLATE UL (EE) .....	1
179	10570-G9		RIVET, 1/8" X 11/32" LG.....	4
180	35216-G01		DECAL (EE) .....	2





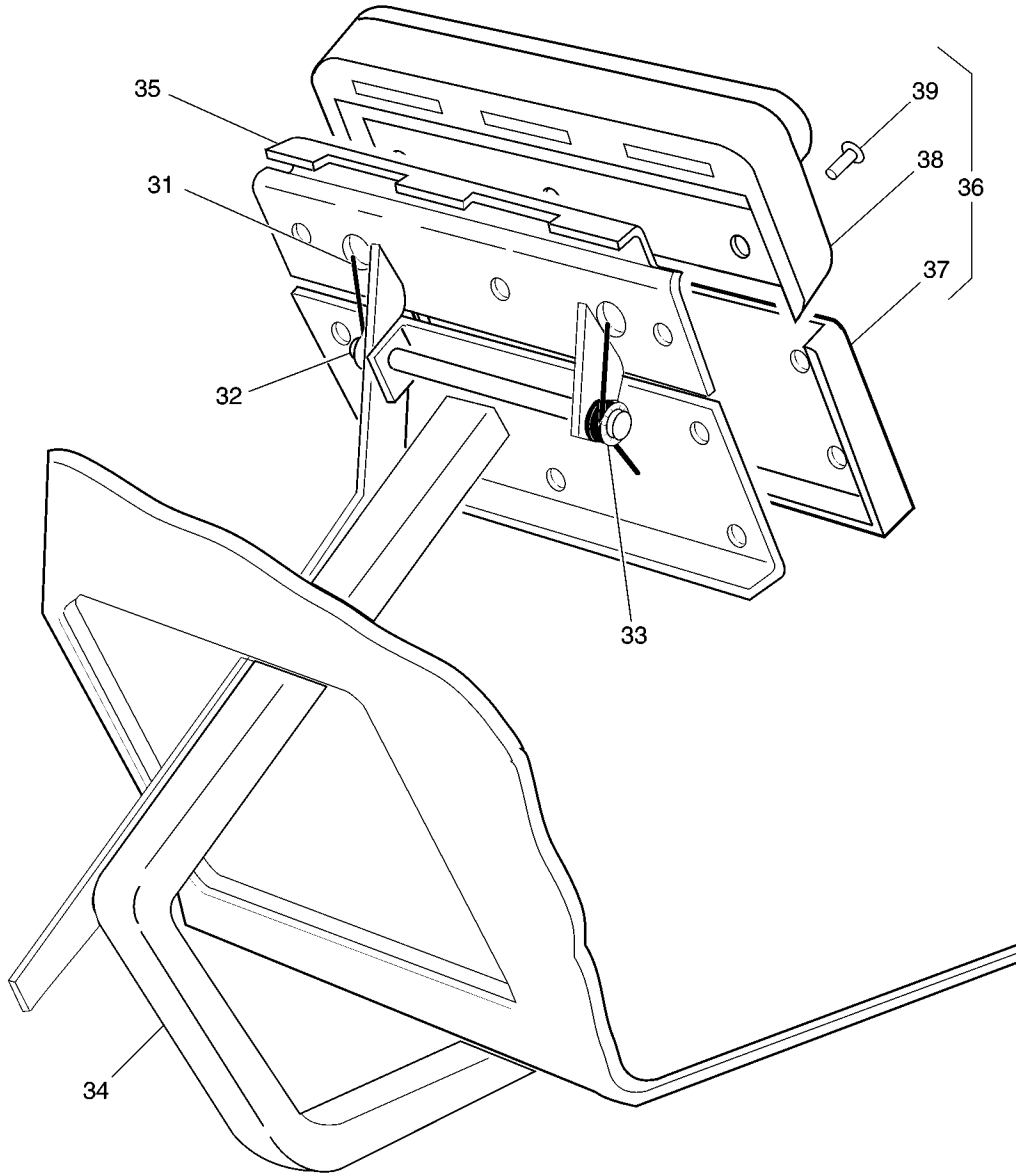


1 - Includes Items 2 - 28



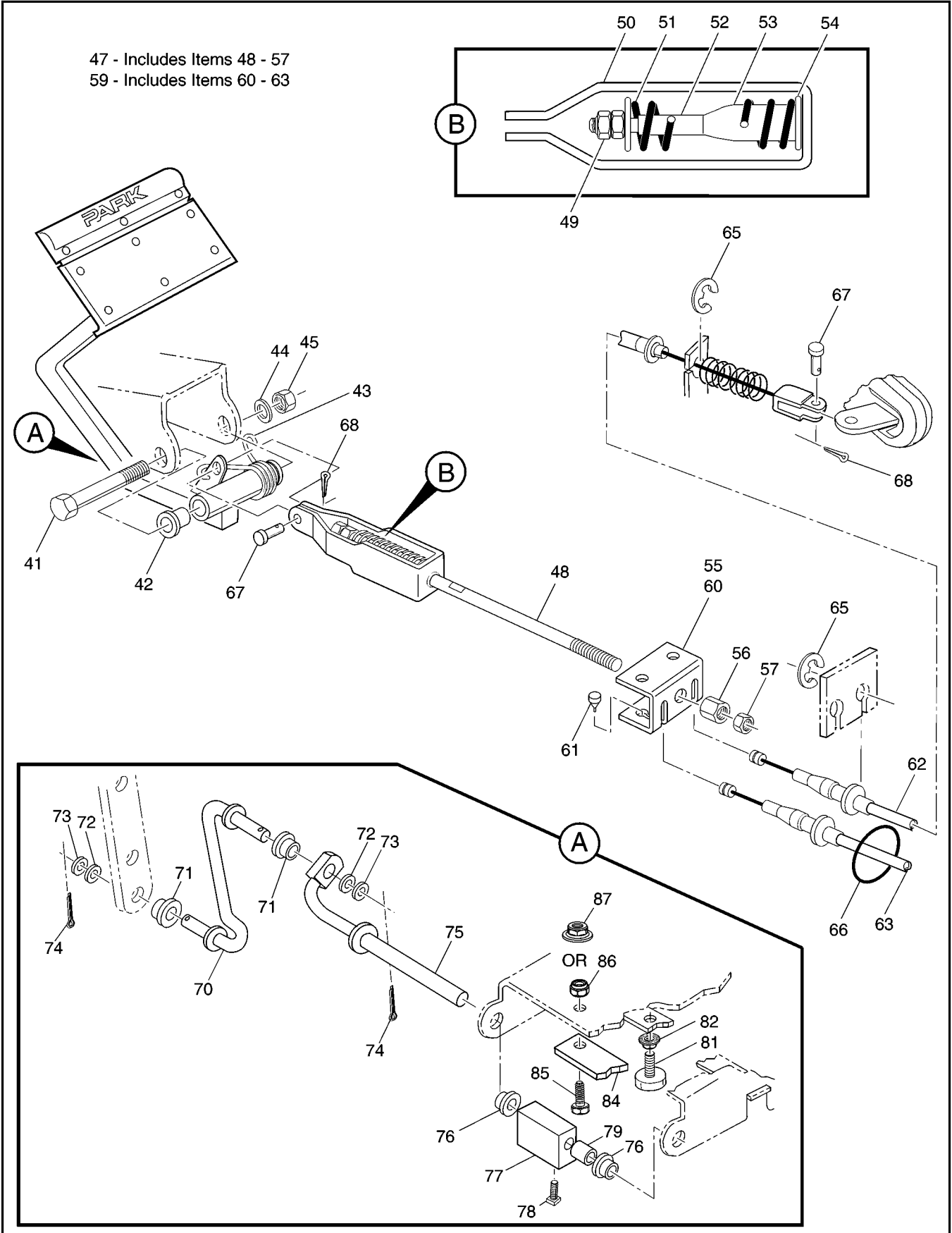
Brake Pedal (Vehicle With Brake Lights)

30 - Includes Items 31 - 39



Brake Pedal (Vehicle Without Brake Lights)

47 - Includes Items 48 - 57  
 59 - Includes Items 60 - 63



Front of Vehicle



88 - Includes Items 90 - 98, 100, 101

89 - Includes Items 90 - 97, 99 - 101

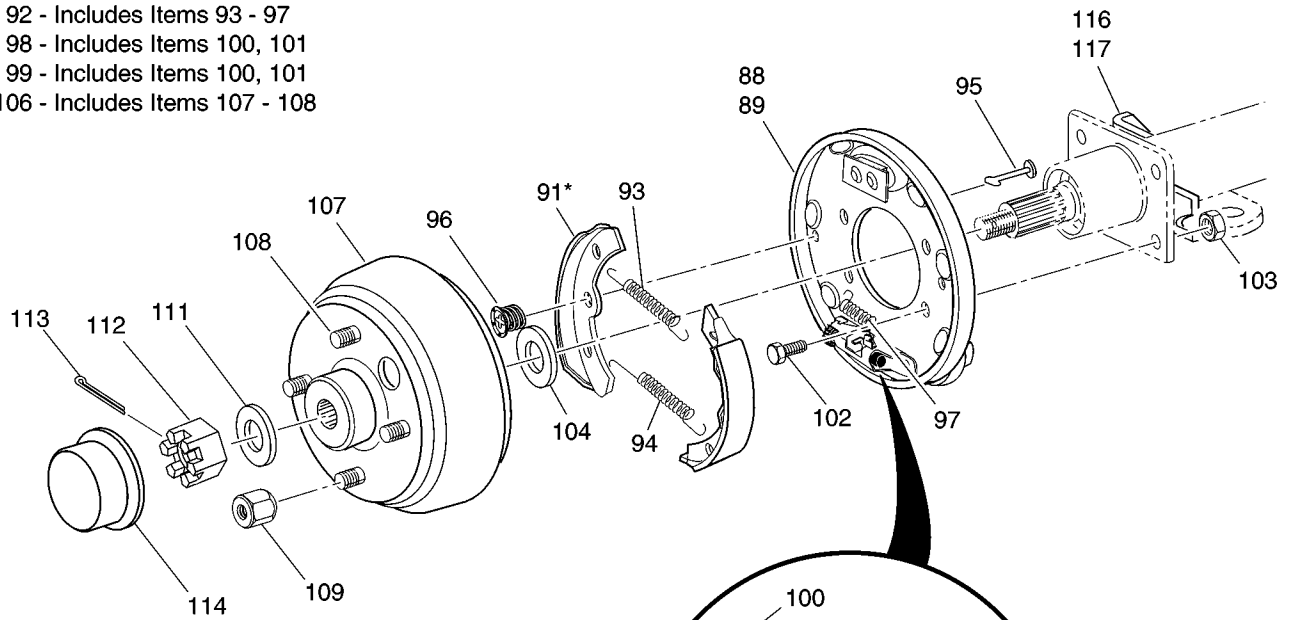
\*90 - Includes Item 91

92 - Includes Items 93 - 97

98 - Includes Items 100, 101

99 - Includes Items 100, 101

106 - Includes Items 107 - 108



\* When replacing brake shoes, order Brake Adjuster Kit (items 98 or 99).

**BRAKES****Electric Vehicle**

THE USE OF NON UL PARTS WILL VOID ANY UL LISTING.

When ordering parts, please specify the model and serial number of the product.

\* Indicates a component that is not available as an individual part.

G\*\* Indicates consult Customer Service Department for additional information.

ITEM	PART NO.	1 2 3 4 5	DESCRIPTION	QTY.
1	70263-G01		BRAKE PEDAL ASSEMBLY (WITH BRAKE LIGHTS) (INCLUDES ITEMS 2 - 28).....	1
2	70249-G01		BRAKE PEDAL.....	1
3	70254-G01		PARK BRAKE PEDAL.....	1
4	70274-G01		BRAKE/PARK BRAKE PEDAL PAD KIT (INCLUDES ITEMS 5 - 7).....	1
5	*		SERVICE BRAKE PAD.....	1
6	*		PARK BRAKE PAD.....	1
7	15766-G1		OVAL RIVET, 3/16" x 3/8" LG.....	9
8				
9	*		SERVICE BRAKE PEDAL PLATE.....	1
10	15932-G2		PIVOT PIN.....	1
11	11737-G1		TORSION SPRING.....	2
12	12064-G1		PUSH NUT, 5/16".....	1
13	00737-G8		SCREW, #10 - 24 X 1" LG.....	4
14	00739-G1		RUBBER NUT, #10 - 24.....	2
15	22362-G3		BRAKE PEDAL STANDOFF.....	2
16	27137-G01		CONICAL SPRING.....	2
17	11098-G7		LOCK NUT, #10 - 24.....	2
18	10606-G8		MICRO SWITCH.....	1
19	00645-G2		SCREW, #6 - 32 X 1 1/4" LG.....	2
20	00559-G5		WASHER, #10.....	2
21	00559-G3		WASHER, #6.....	2
22	00565-G3		LOCK WASHER, #6.....	2
23	00525-G5		NUT, #6 - 32.....	2
24	*		BRASS SCREW.....	2
25	00567-G3		LOCK WASHER, #6.....	6
26	14628-G1		FASTON TAB.....	2
27	24605-G1		WIRE HARNESS (BRAKE LIGHT).....	1
28	17618-G1		WIRE TIE.....	3
29				

THE USE OF NON UL PARTS WILL VOID ANY UL LISTING.

When ordering parts, please specify the model and serial number of the product.

\* Indicates a component that is not available as an individual part.

G\*\* Indicates consult Customer Service Department for additional information.

ITEM	PART NO.	1 2 3 4 5	DESCRIPTION	QTY.
30	70264-G01		BRAKE PEDAL ASSEMBLY (WITHOUT BRAKE LIGHTS) (INCLUDES ITEMS 31 - 39) .....	1
31	11737-G1		TORSION SPRING.....	2
32	15932-G2		PIVOT PIN.....	1
33	12064-G1		PUSHNUT, 5/16" .....	1
34	*		SERVICE BRAKE PEDAL .....	1
35	70265-G01		PARK BRAKE PEDAL .....	1
36	70274-G01		BRAKE/PARK BRAKE PEDAL PAD KIT (INCLUDES ITEMS 37 - 39).....	1
37	*		SERVICE BRAKE PAD .....	1
38	*		PARK BRAKE PAD .....	1
39	15766-G1		OVAL RIVET, 3/16" X 3/8" LG.....	9
40				
41	70582-G01		SHOULDER BOLT, 3/8 - 16 X 4" LG.....	1
42	70581-G01		FLANGED BUSHING.....	2
43	70676-G01		TORSION SPRING .....	1
44	00643-G1		WASHER, 3/8" .....	1
45	11098-G5		LOCK NUT, 3/8 - 16 .....	1
46				
47	70272-G04		COMPENSATOR ASSEMBLY (INCLUDES ITEMS 48 - 57) .....	1
48	25882-G04		LINKAGE ROD .....	1
49	00532-G4		NUT, 5/16 - 24.....	2
50	27330-G01		YOKE.....	1
51	23463-G1		COMPRESSION SPRING .....	1
52	23061-G2		COMPENSATOR STOP TUBE.....	1
53	17979-G1		BUSHING .....	1
54	15121-G1		WASHER, 3/8" .....	2
55	28082-G01		EQUALIZER BRACKET .....	1
56	00963-G01		SPHERICAL NUT, 5/16 - 24 .....	1
57	11098-G9		LOCK NUT, 5/16 - 24.....	1



**BRAKES****Electric Vehicle**

THE USE OF NON UL PARTS WILL VOID ANY UL LISTING.

When ordering parts, please specify the model and serial number of the product.

\* Indicates a component that is not available as an individual part.

G\*\* Indicates consult Customer Service Department for additional information.

ITEM	PART NO.	1	2	3	4	5	DESCRIPTION	QTY.
58								
59	70716-G05						EQUALIZER AND BRAKE CABLE ASSEMBLY (INCLUDES ITEMS 60 - 63)....	1
60	28082-G01						EQUALIZER BRACKET.....	1
61	28083-G01						BRAKE COMPENSATOR BUMPER.....	2
62	*						BRAKE CABLE (PASSENGER SIDE) .....	1
63	*						BRAKE CABLE (DRIVER SIDE).....	1
64								
65	12305-G1						RETAINING RING .....	4
66	12416-G2						WIRE TIE .....	2
67	10386-G3						CLEVIS PIN, 5/16" X 1" LG.....	3
68	10387-G3						COTTER PIN, 3/32" X 3/4" LG.....	3
69								
70	70601-G01						KICK-OFF LINK.....	1
71	17838-G1						NYLON BUSHING.....	2
72	20835-G1						TEFLON WASHER, 3/8" .....	2
73	00559-G8						WASHER, 5/16" .....	2
74	10387-G3						COTTER PIN, 3/32" X 3/4" LG.....	2
75	70098-G01						KICK-OFF CAM PIVOT.....	1
76	10097-G6						FLANGED BEARING .....	2
77	25103-G2						KICK-OFF CAM.....	1
78	71215-G01						SETSCREW, 1/4 - 20 X 1/2" LG.....	2
79	14134-G4						SPACER.....	1
80								
81	70113-G01						ADJUSTABLE BUMPER .....	1
82	11027-G1						LOCK NUT, 5/16 - 18 .....	1
83								
84	70080-G01						CATCH BRACKET .....	1
85	00414-G6						BOLT, 1/4 - 20 X 3/4" LG.....	2
86	00891-G2						LOCK NUT, 1/4 - 20 .....	2
87	11027-G2						LOCK NUT, 1/4 - 20 .....	2



THE USE OF NON UL PARTS WILL VOID ANY UL LISTING.

When ordering parts, please specify the model and serial number of the product.

\* Indicates a component that is not available as an individual part.

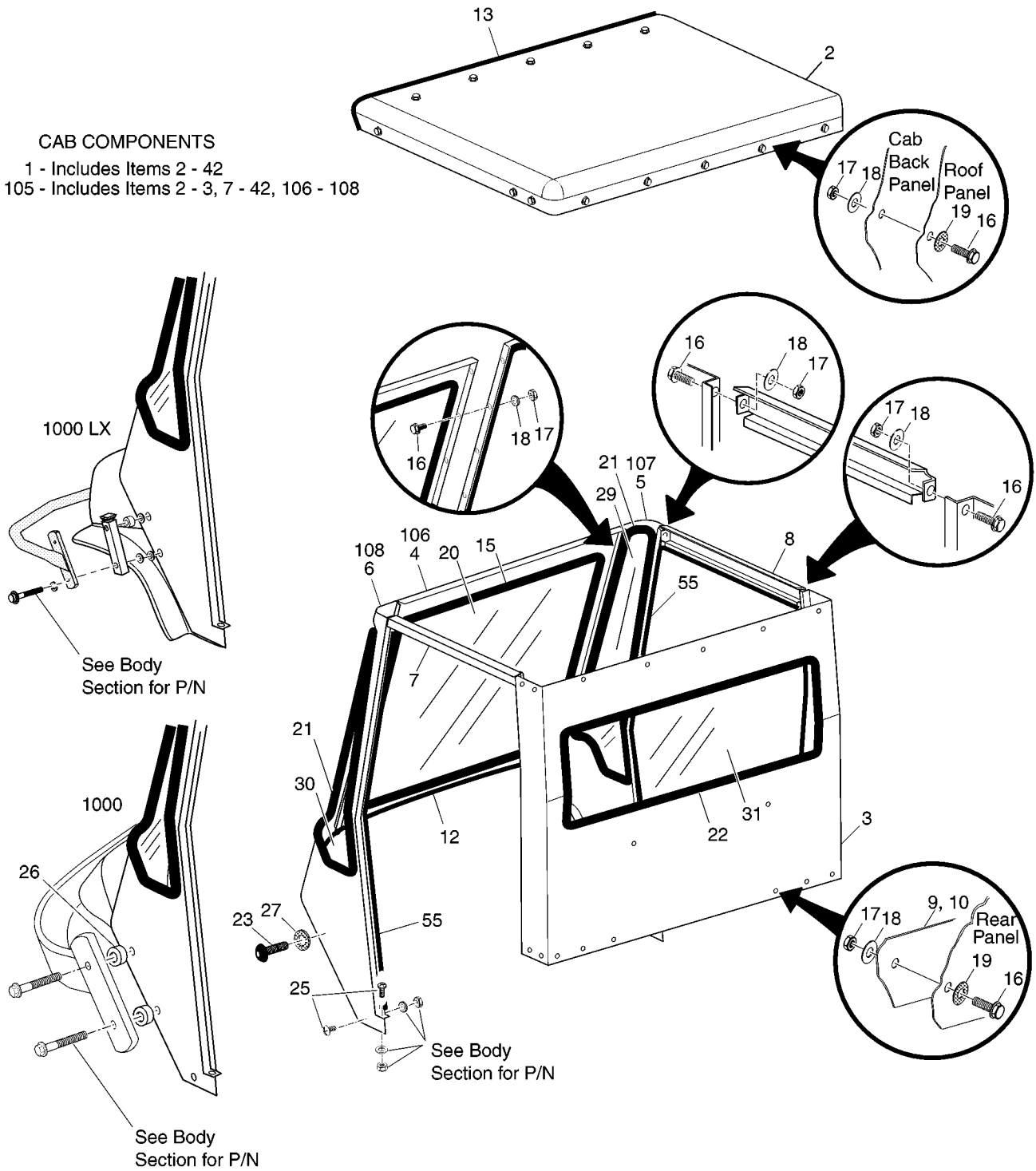
G\*\* Indicates consult Customer Service Department for additional information.

ITEM	PART NO.	1	2	3	4	5	DESCRIPTION	QTY.
88	72422-G01						BRAKE ASSEMBLY (DRIVER SIDE) (INCLUDES ITEMS 90 - 98).....	1
89	72422-G02						BRAKE ASSEMBLY (PASSENGER SIDE) (INCLUDES ITEMS 90 - 97, 99) ....	1
90	27945-G01						BRAKE SHOE KIT (INCLUDES ITEM 91).....	2
91	*						BRAKE SHOE.....	2
92	27944-G01						BRAKE SPRING KIT (INCLUDES ITEMS 93 - 97) .....	2
93	*						UPPER SPRING .....	1
94	*						LOWER SPRING .....	1
95	*						PIN .....	2
96	*						CUP AND SPRING .....	2
97	*						ADJUSTER SPRING .....	1
98	72582-G01						BRAKE ADJUSTER KIT (DRIVER SIDE) (INCLUDES ITEMS 100 - 101)...	1
99	72582-G02						BRAKE ADJUSTER KIT (PASSENGER SIDE) (INCL ITEMS 100 - 101) ...	1
100	*						ADJUSTER .....	1
101	*						TEFLON WASHER .....	2
102	17083-G2						BOLT, 5/16 - 24 X 1" LG.....	8
103	15126-G1						LOCK NUT, 5/16 - 24 .....	8
104	15485-G1						INNER BRAKE DRUM WASHER .....	2
105								
106	19186-G1						BRAKE DRUM ASSEMBLY (INCLUDES ITEMS 107 - 108) .....	2
107	*						BRAKE DRUM.....	1
108	19862-G1						LUG BOLT, 1/2 - 20 X 1 7/32" LG .....	4
109	14723-G1						LUG NUT, 1/2 - 20.....	8
110								
111	15487-G1						WASHER, 1 3/8" O.D. X 21/32" .....	2
112	15483-G1						SLOTTED NUT, 5/8 - 18 .....	2
113	10387-G1						COTTER PIN, 1/8" X 1 1/2" LG.....	2
114	74175-G01						SPINDLE CAP .....	2
115								
116	72036-G02						BRAKE CABLE BRACKET (PASSENGER SIDE) .....	1
117	72237-G02						BRAKE CABLE BRACKET (DRIVER SIDE).....	1

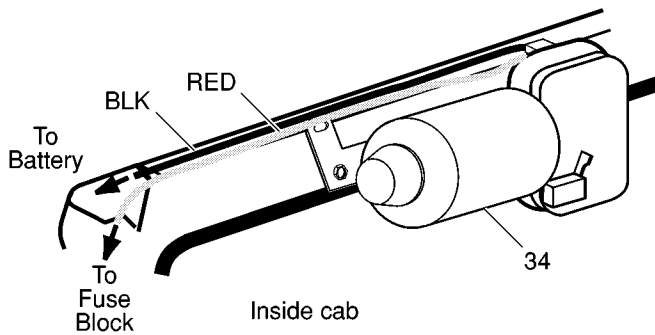
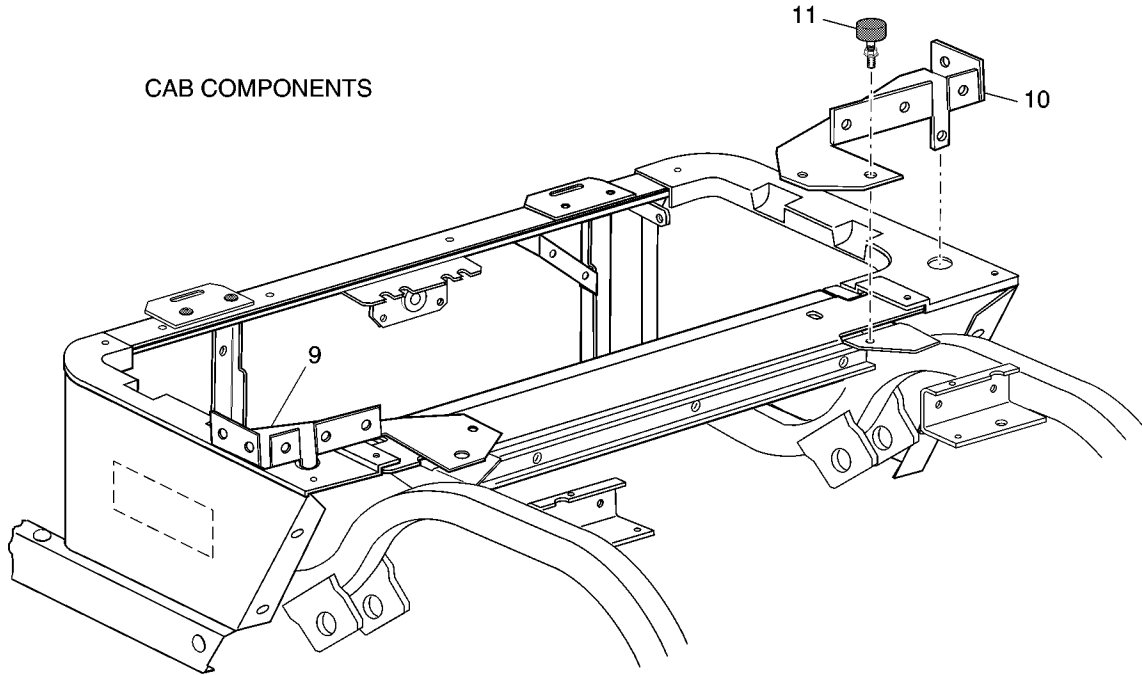


**CAB COMPONENTS**

1 - Includes Items 2 - 42  
 105 - Includes Items 2 - 3, 7 - 42, 106 - 108



CAB COMPONENTS



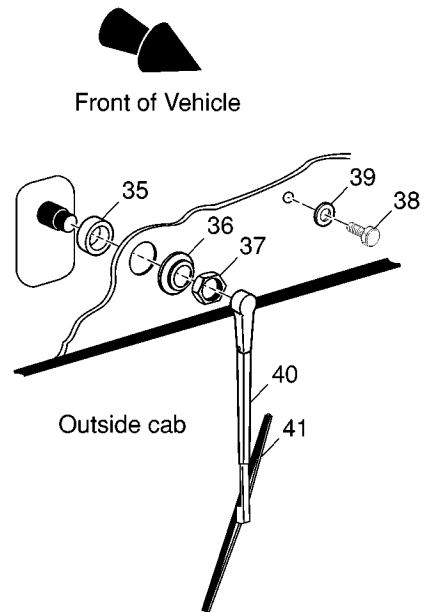
Front of Vehicle



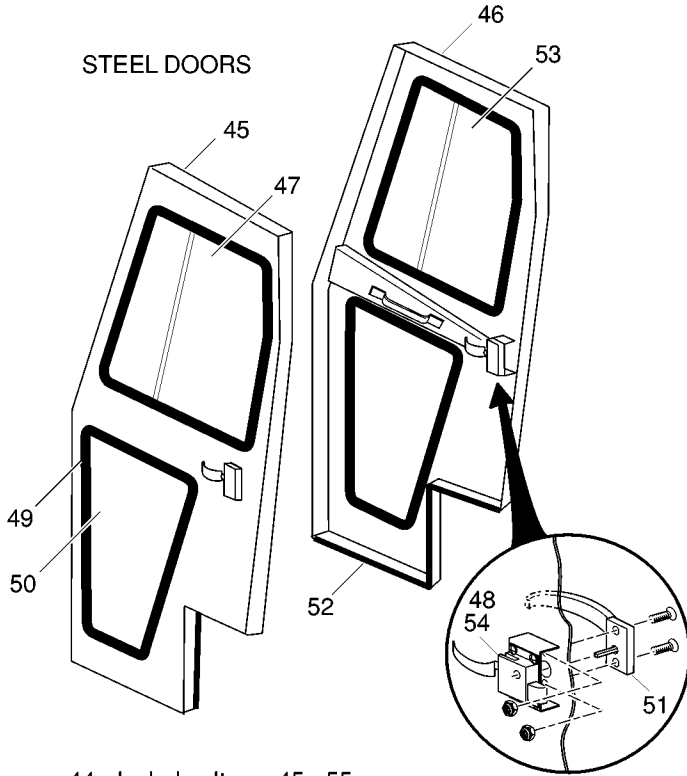
WINDSHIELD WIPER COMPONENTS

33 - Includes Items 34 - 42

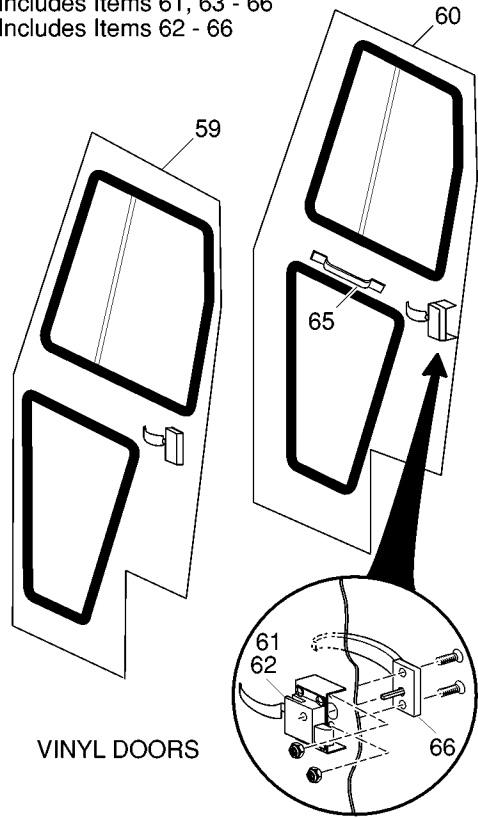
34 - Includes Items 35 - 39



STEEL DOORS



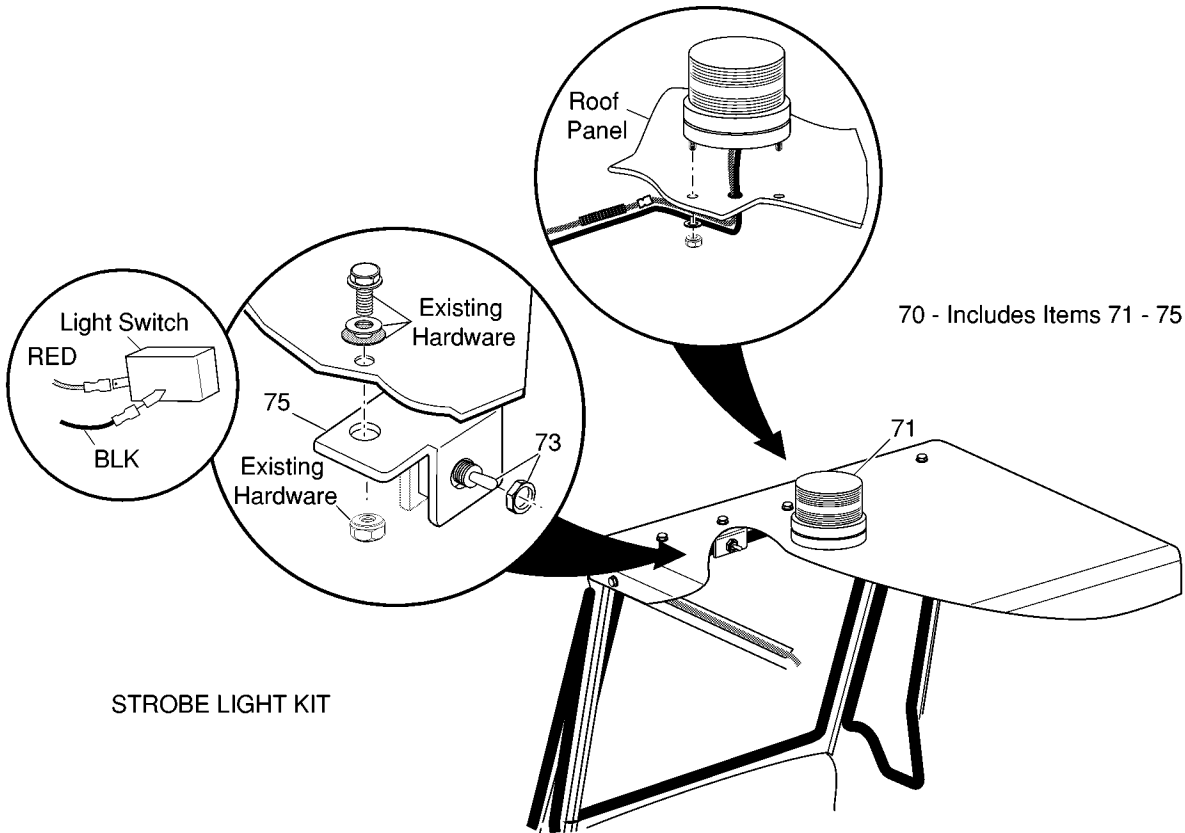
58 - Includes Items 59 - 66  
59 - Includes Items 61, 63 - 66  
60 - Includes Items 62 - 66



44 - Includes Items 45 - 55  
45 - Includes Items 47 - 52  
46 - Includes Items 49 - 54

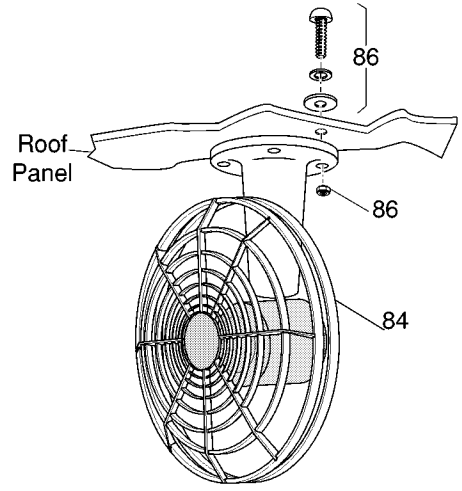
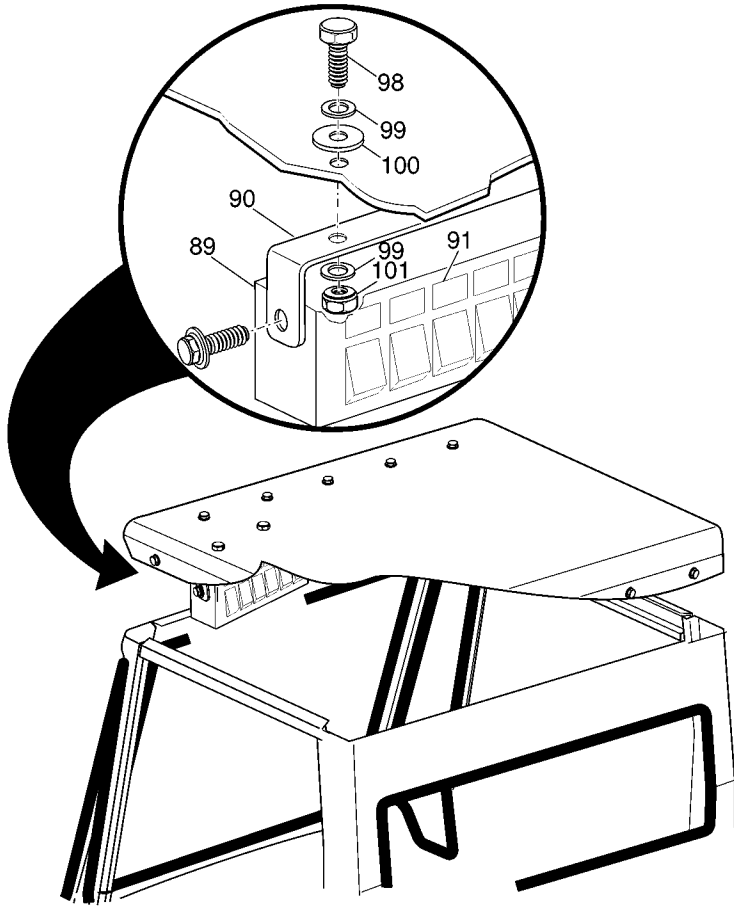
VINYL DOORS

70 - Includes Items 71 - 75

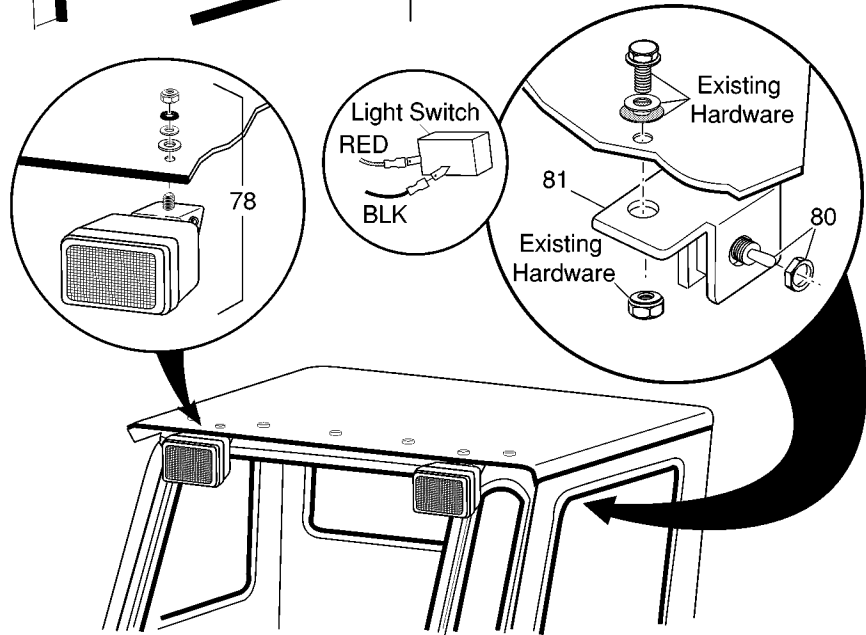


STROBE LIGHT KIT

SWITCH PANEL KIT  
88 - Includes Items 89 - 103



DEFROSTER / COOLING FAN KIT  
83 - Includes Items 84 - 86



WORKLIGHT KIT  
77 - Includes Items 78 - 81

Replacement parts may be obtained from Curtis Tractor Cab Inc., 111 Higgins Street, Worcester, MA 01606. Telephone (508) 853-2200, or FAX (508) 854-3377.

\* Indicates a component that is not available as an individual part.

ITEM	PART NO.	1 2 3 4 5	DESCRIPTION	QTY.
1	74300-G0*		STEEL CAB KIT (WITHOUT DOORS) (1000 MODEL) (INCL ITEMS 2 - 42).....	1
2	74300-G0*A		ROOF PANEL .....	1
3	74300-G0*B		REAR PANEL .....	1
4	74300-G0*C		WINDSHIELD PANEL.....	1
5	74300-G0*D		FRONT CORNER PANEL (PASSENGER SIDE).....	1
6	74300-G0*E		FRONT CORNER PANEL (DRIVER SIDE) .....	1
7	74300-G0*F		RECEIVER (DRIVER SIDE) .....	1
8	74300-G0*G		RECEIVER (PASSENGER SIDE).....	1
9	74300-G0*H		LOWER MOUNTING BRACKET (DRIVER SIDE).....	1
10	74300-G0*I		LOWER MOUNTING BRACKET (PASSENGER SIDE) .....	1
11	70113-G01		ADJUSTABLE BUMPER.....	2
12	1P004A		FRONT PANEL COWL SEAL GASKET (85" LG) .....	1
13	1P004D		ROOF TRIM (50") .....	1
14				
15	6E03		FRONT WINDSHIELD MOUNTING GASKET.....	1
16	6E03A		BOLT, 3/8 - 16 X 7/8" LG.....	44
17	6E03B		LOCK NUT, 3/8 - 16.....	44
18	6E03C		WASHER, 3/8" .....	44
19	6E03D		NYLON WASHER, 3/8".....	26
20	6E03E		FRONT WINDSHIELD GLASS .....	1
21	6E03H		FRONT CORNER PANEL MOUNTING GASKET .....	2
22	6E03J		REAR PANEL WINDOW MOUNTING GASKET .....	1
23	6E03S		ALLEN BUTTON HEAD BOLT.....	4
24				
25	6E03U		BOLT, 1/4 - 20 X 1 1/2" LG.....	4
26	6E03V		NYLON SPACER, 1/4" .....	4
27	6E03W		WASHER, 5/16" .....	4
28				
29	6E05A		FRONT CORNER PANEL WINDOW (PASSENGER SIDE).....	1
30	6E05B		FRONT CORNER PANEL WINDOW (DRIVER SIDE) .....	1



Replacement parts may be obtained from Curtis Tractor Cab Inc., 111 Higgins Street, Worcester, MA 01606. Telephone (508) 853-2200, or FAX (508) 854-3377.

\* Indicates a component that is not available as an individual part.

ITEM	PART NO.	1	2	3	4	5	DESCRIPTION	QTY.
31	6E05C						REAR PANEL WINDOW .....	1
32								
33	74244-G01						WINDSHIELD WIPER KIT (INCLUDES ITEMS 34 - 42) .....	1
34	9PWM85						WIPER MOTOR (INCLUDES ITEMS 35 - 39) .....	1
35	*						SPACER .....	1
36	*						SHAFT COVER (SEAL) .....	1
37	*						NUT .....	1
38	*						BOLT .....	1
39	*						WASHER .....	1
40	9PWA						WIPER ARM .....	1
41	9PWB						WINDSHIELD WIPER BLADE .....	1
42	9E003						ELECTRICAL HARDWARE KIT (NOT ILLUSTRATED) .....	1
43								
44	74301-G0*						STEEL DOOR KIT (INCLUDES ITEMS 45 - 55) .....	1
45	74301-G0*A						STEEL DOOR (DRIVER SIDE) (INCLUDES ITEMS 47 - 52) .....	1
46	74301-G0*B						STEEL DOOR (PASSENGER SIDE) (INCLUDES ITEMS 49 - 54) .....	1
47	6E05D						SLIDING DOOR WINDOW ASSEMBLY (DRIVER SIDE) .....	1
48	9DHSL						INSIDE DOOR LATCH (DRIVER SIDE) .....	1
49	6E03P						LOWER DOOR WINDOW MOUNTING GASKET .....	1
50	6E05F						LOWER DOOR WINDOW .....	1
51	9DHOS1						OUTSIDE DOOR HANDLE (KEY LOCKING) .....	2
52	1P004B						LOWER DOOR SEAL GASKET (43" LG) .....	1
53	6E05E						SLIDING DOOR WINDOW ASSEMBLY (PASSENGER SIDE) .....	1
54	9DHSLR						INSIDE DOOR LATCH (PASSENGER SIDE) .....	1
55	1P004C						DOOR SEAL GASKET (123" LG) .....	2
56	9P001A						REPLACEMENT DOOR HINGE KIT (NOT ILLUSTRATED) .....	A/R
57								
58	74242-G01						VINYL DOOR KIT (INCLUDES ITEMS 59 - 66) .....	1
59	9DVK-L						VINYL DOOR (DRIVER SIDE) (INCLUDES ITEMS 61, 63 - 66) .....	1
60	9DVK-R						VINYL DOOR (PASSENGER SIDE) (INCLUDES ITEMS 62 - 66) .....	1



Replacement parts may be obtained from Curtis Tractor Cab Inc., 111 Higgins Street, Worcester, MA 01606. Telephone (508) 853-2200, or FAX (508) 854-3377.

\* Indicates a component that is not available as an individual part.

ITEM	PART NO.	1 2 3 4 5	DESCRIPTION	QTY.
61	9DHSL		INSIDE DOOR LATCH (DRIVER SIDE).....	1
62	9DHSLR		INSIDE DOOR LATCH (PASSENGER SIDE) .....	1
63	9DCK		DOOR CHECK (NOT ILLUSTRATED) .....	1
64	9DSTK1		DOOR STRIKER (NOT ILLUSTRATED).....	1
65	9DGH1		DOOR GRAB HANDLE.....	1
66	9DHOS1		OUTSIDE DOOR HANDLE (KEY LOCKING) .....	1
67	9PSSH		REPLACEMENT DOOR HINGE (DRIVER SIDE) (NOT ILLUSTRATED).....	1
68	9PSSHR		REPLACEMENT DOOR HINGE (PASSENGER SIDE) (NOT ILLUSTRATED) ..	1
69				
70	74245-G01		STROBE LIGHT KIT (INCLUDES ITEMS 71 - 75).....	1
71	9PSLRL		STROBE LENS.....	1
72	9E001		ELECTRICAL HARDWARE KIT (NOT ILLUSTRATED) .....	1
73	9E002		TOGGLE SWITCH.....	1
74	9PSLRB		REPLACEMENT BULB (NOT ILLUSTRATED) .....	1
75	9PB001		BRACKET .....	1
76				
77	74247-G01		WORK LIGHT KIT (INCLUDES ITEMS 78 - 81) .....	1
78	9LW1A		WORK LIGHT (INCLUDES HARDWARE).....	2
79	9E001		ELECTRICAL HARDWARE KIT (NOT ILLUSTRATED) .....	1
80	9E002		TOGGLE SWITCH.....	1
81	9PB001		BRACKET .....	1
82				
83	74248-G01		DEFROSTER / COOLING FAN KIT (INCLUDES ITEMS 84 - 86) .....	1
84	9PDF		FAN.....	1
85	9E001		ELECTRICAL HARDWARE KIT (NOT ILLUSTRATED) .....	1
86	9PFHK		HARDWARE KIT .....	1
87				
88	74250-G01		SWITCH PANEL KIT (INCLUDES ITEMS 89 - 103) .....	1
89	9PSF1-001		SWITCH PANEL .....	1
90	9PSF1-002		MOUNTING BRACKET AND HARDWARE .....	1



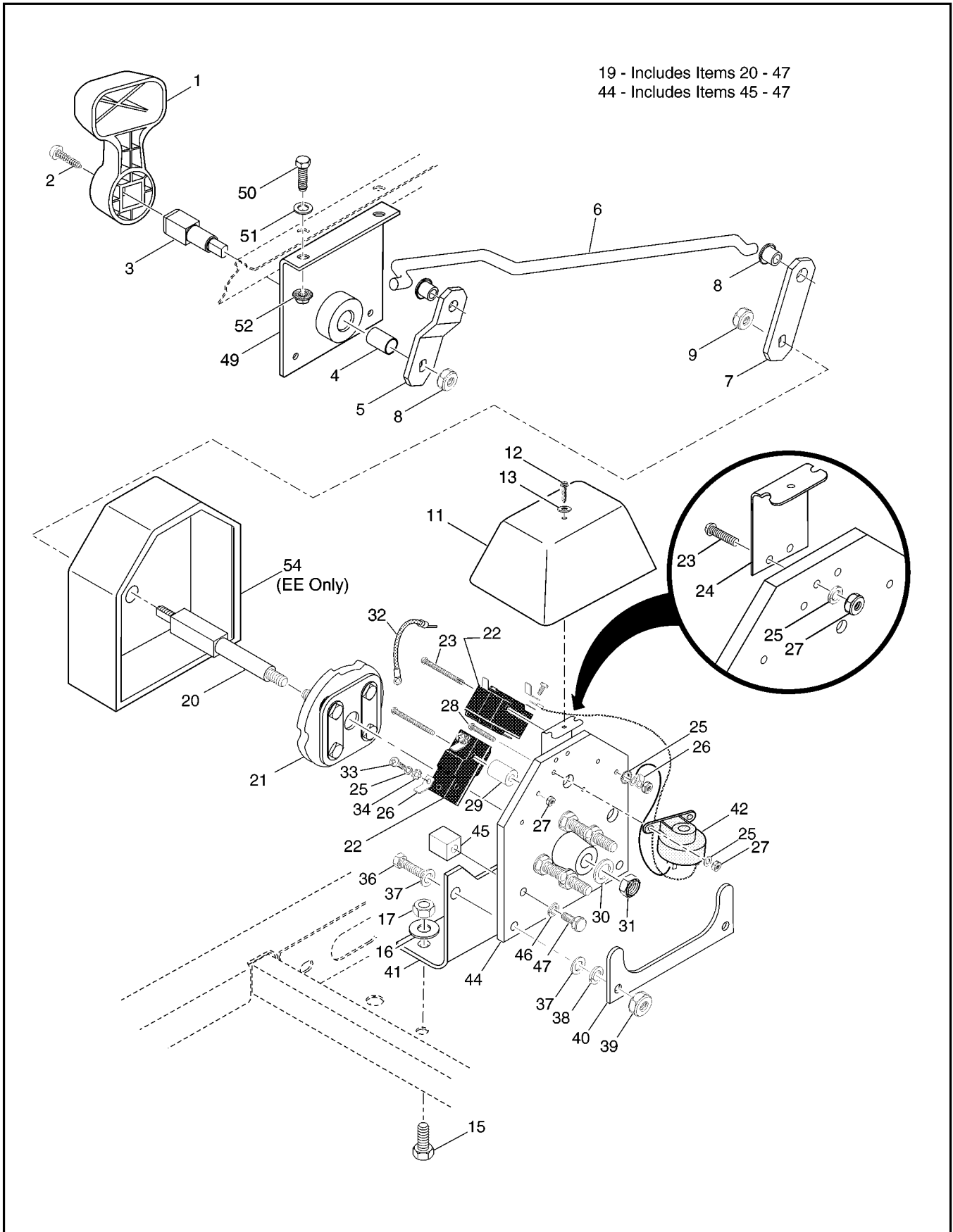


Replacement parts may be obtained from Curtis Tractor Cab Inc., 111 Higgins Street, Worcester, MA 01606. Telephone (508) 853-2200, or FAX (508) 854-3377.

\* Indicates a component that is not available as an individual part.

ITEM	PART NO.	1	2	3	4	5	DESCRIPTION	QTY.
91	9PSF1-003						ADHESIVE LABELS.....	1
92	9PSF1-004						3 AMP FUSE (NOT ILLUSTRATED) .....	2
93	9PSF1-005						5 AMP FUSE (NOT ILLUSTRATED) .....	3
94	9PSF1-006						7.5 AMP FUSE (NOT ILLUSTRATED) .....	1
95	9PSF1-007						FLEX LOOM, 5/8" X 10 FT LG (NOT ILLUSTRATED) .....	1
96	9PSF1-008						4-WAY BASE TIE (NOT ILLUSTRATED) .....	6
97	9PSF1-009						WIRE TIE (NOT ILLUSTRATED).....	14
98	9PSF1-010						BOLT, 1/4 - 20 X 7/8" LG .....	2
99	9PSF1-011						WASHER, 1/4" .....	4
100	9PSF1-012						NYLON WASHER, 1/4" .....	2
101	9PSF1-013						LOCK NUT, 1/4-20.....	2
102	9PSF1-014						10 GA WIRE (RED, 8" LG) (NOT ILLUSTRATED) .....	1
103	9PSF1-015						10 GA WIRE (BLACK, 8" LG) (NOT ILLUSTRATED).....	1
104								
105	74294-G0*						STEEL CAB KIT (WITHOUT DOORS) (1000 LX MODEL) (INCLUDES ITEMS 2 - 3, 7 - 42, 106 - 108) .....	1
106	74294-G0*C						WINDSHIELD PANEL.....	1
107	74294-G0*D						FRONT CORNER PANEL (PASSENGER SIDE) .....	1
108	74294-G0*E						FRONT CORNER PANEL (DRIVER SIDE) .....	1





THE USE OF NON UL PARTS WILL VOID ANY UL LISTING.

When ordering parts, please specify the model and serial number of the product.

\* Indicates a component that is not available as an individual part.

G\*\* Indicates consult Customer Service Department for additional information.

ITEM	PART NO.	1 2 3 4 5	DESCRIPTION	QTY.
1	71205-G01		DIRECTION SELECTOR HANDLE .....	1
2	00740-G4		SCREW, #10 - 32 X 1/2" LG. ....	1
3	70233-G01		DIRECTION SELECTOR SHAFT.....	1
4	25664-G2		BUSHING.....	1
5	70334-G01		OFFSET SHIFT LINKAGE ARM .....	1
6	70313-G01		LINKAGE ROD.....	1
7	70232-G03		SHIFT LINKAGE ARM .....	1
8	22754-G3		BUSHING.....	2
9	14390-G1		LOCK NUT, 3/8 - 24 .....	2
10				
11	73049-G01		COVER .....	1
12	00114-G6		SCREW, 1/4 - 14 x 3/4" LG.....	1
13	16469-G7		WASHER, 1/4" .....	1
14				
15	00438-G6		BOLT, 5/16 - 18 X 3/4" LG.....	2
16	00571-G2		WASHER, 5/16" .....	2
17	11098-G6		LOCK NUT, 5/16 - 18 .....	2
18				
19	73036-G01		DIRECTION SELECTOR ASSEMBLY (INCLUDES ITEMS 20 - 47) .....	1
20	73027-G01		DIRECTION SELECTOR SHAFT .....	1
21	12835-G1		CAM.....	1
22	10606-G2		MICRO SWITCH.....	2
23	00139-G8		SCREW, #6 - 32 X 2" LG.....	4
24	73048-G01		COVER BRACKET .....	1
25	00565-G3		LOCK WASHER, #6 .....	8
26	14628-G1		FASTON TAB.....	4
27	00525-G5		NUT, #6 - 32.....	8
28	00138-G6		SCREW, #6 - 32 X 3/4" LG.....	3
29	12806-G1		SPACER .....	4
30	00560-G1		WASHER, 3/8" .....	1



# DIRECTION SELECTOR

# Electric Vehicle

THE USE OF NON UL PARTS WILL VOID ANY UL LISTING.

When ordering parts, please specify the model and serial number of the product.

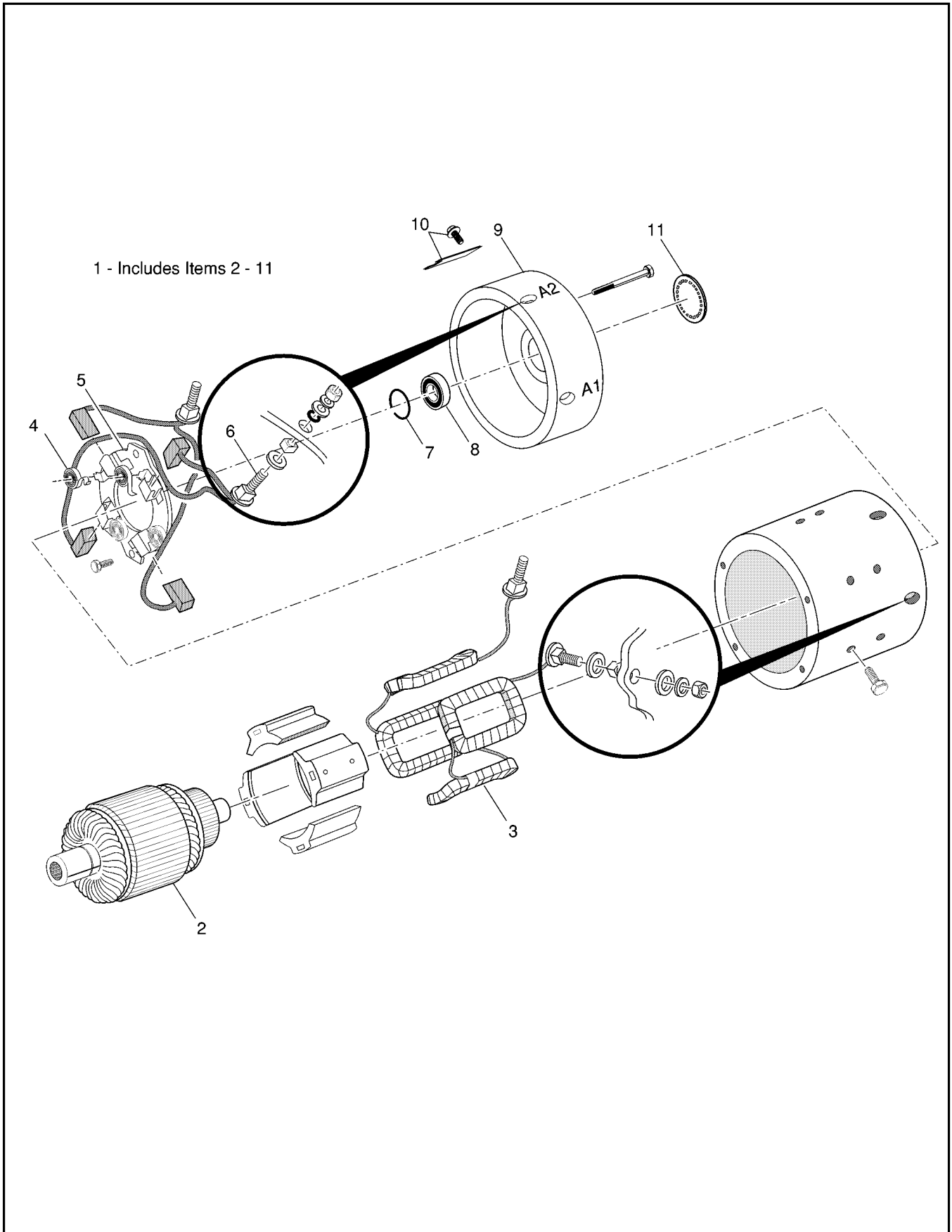
\* Indicates a component that is not available as an individual part.

G\*\* Indicates consult Customer Service Department for additional information.

ITEM	PART NO.	1	2	3	4	5	DESCRIPTION	QTY.
31	14390-G1						LOCK NUT, 3/8 - 24 .....	2
32	25978-G37						18 GA WIRE (RED 6") .....	1
33	*						SCREW.....	4
34	00567-G3						LOCK WASHER, #6 .....	4
35								
36	00414-G8						BOLT, 1/4 - 20 X 1" LG.....	2
37	00559-G7						WASHER, 1/4" .....	4
38	00565-G7						LOCK WASHER, 1/4" .....	2
39	00532-G1						NUT, 1/4 - 20.....	2
40	15461-G1						SUPPORT BRACKET.....	1
41	73031-G01						DIRECTION SELECTOR MOUNTING BRACKET .....	1
42	73290-G02						REVERSE WARNING BUZZER .....	1
43								
44	14651-G1						CONTACT BOARD ASSEMBLY (INCLUDES ITEMS 45 - 47) .....	1
45	24940-G1						STOP.....	2
46	00565-G7						LOCK WASHER, 1/4".....	2
47	00414-G6						BOLT, 1/4 - 20 X 3/4" LG. ....	2
48								
49	70444-G01						BRACKET .....	1
50	28272-G01						BOLT, 1/4 - 20 X 5/8" LG .....	2
51	00559-G7						WASHER, 1/4" .....	2
52	11027-G2						LOCK NUT, 1/4 - 20 .....	2







THE USE OF NON UL PARTS WILL VOID ANY UL LISTING.

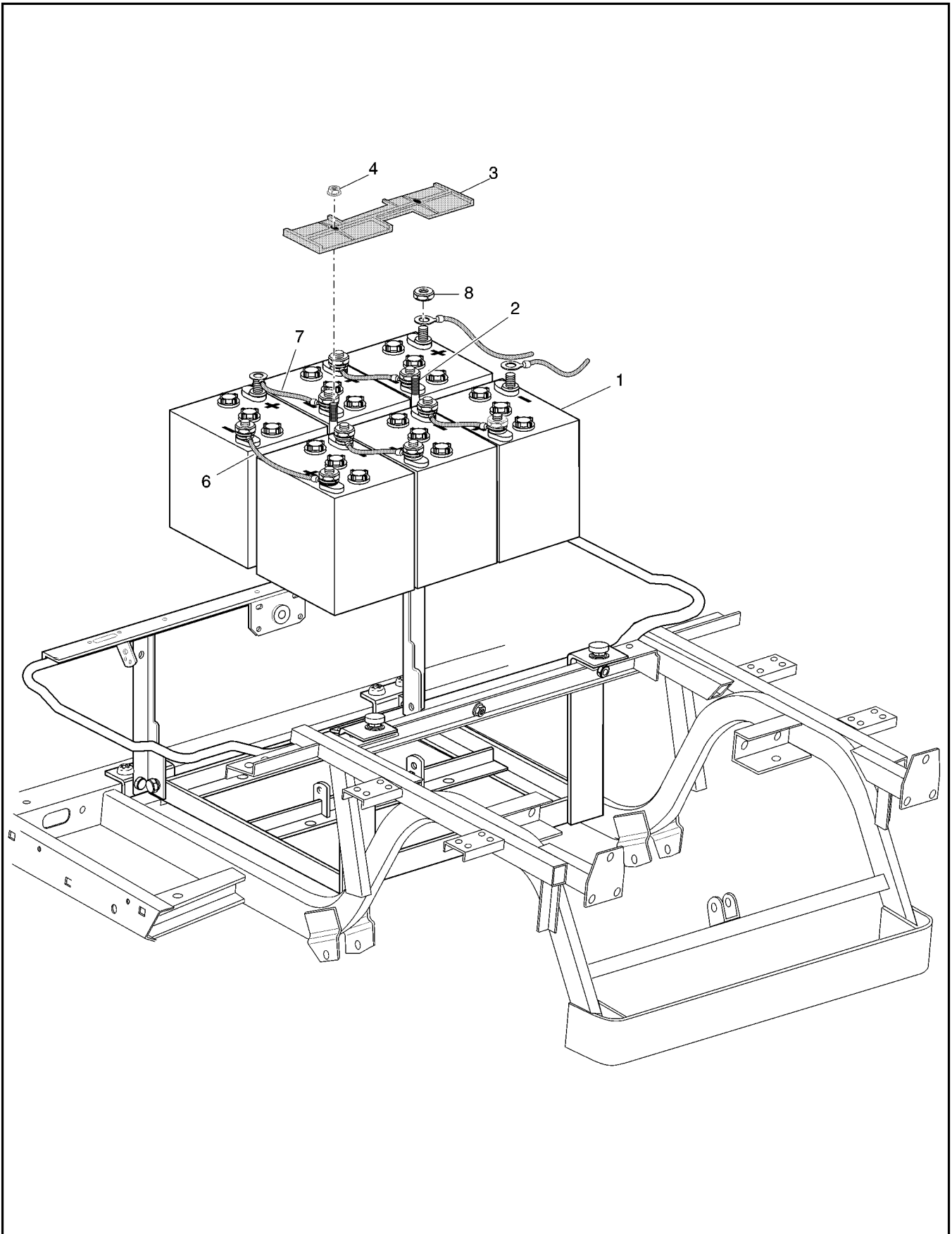
When ordering parts, please specify the model and serial number of the product.

\* Indicates a component that is not available as an individual part.

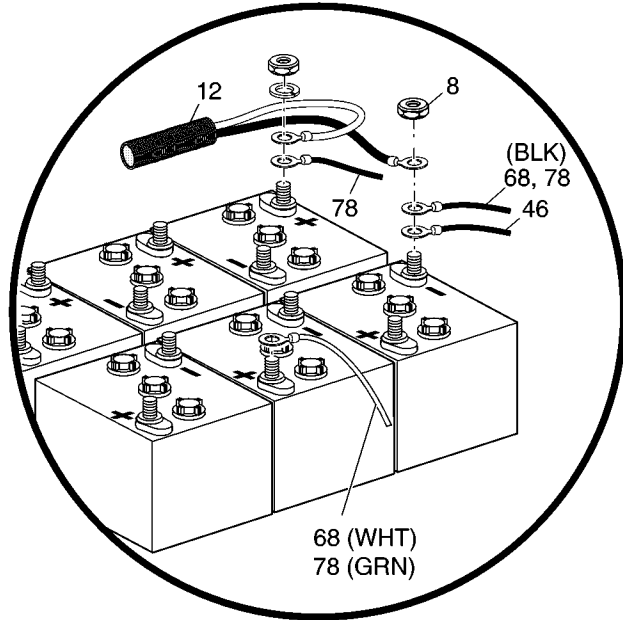
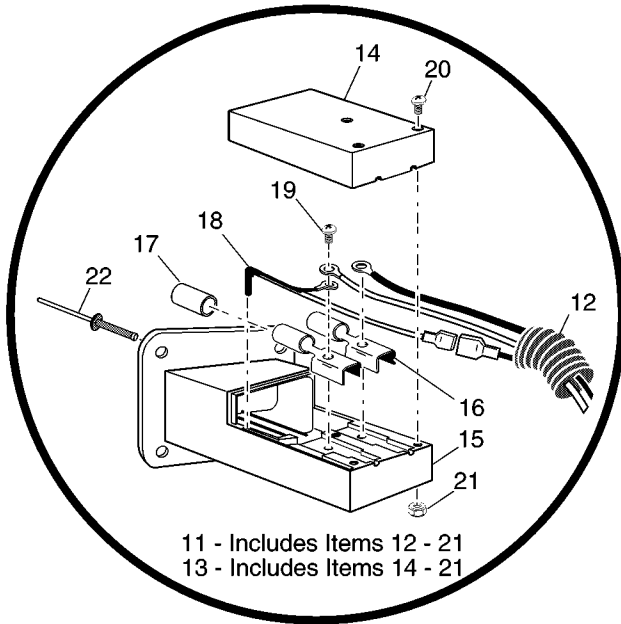
G\*\* Indicates consult Customer Service Department for additional information.

ITEM	PART NO.	1	2	3	4	5	DESCRIPTION	QTY.	
1	73124-G02	MOTOR, FLEET SPEED, NON-VENTED (INCLUDES ITEMS 2 - 11) .....							1
2	73120-G01	ARMATURE .....							1
3	73120-G11	FIELD COIL KIT (INCLUDES HARDWARE) .....							1
4	73120-G03	BRUSH SPRING .....							4
5	73120-G15	BRUSH PLATE AND BOX .....							1
6	73120-G05	BRUSH REPLACEMENT KIT (INCLUDES HARDWARE) .....							1
7	73120-G06	SNAP RING .....							1
8	73120-G07	BEARING .....							1
9	73120-G08	COVER COMMUTATOR END .....							1
10	73120-G09	COVER PLATE AND SCREW .....							1
11	73120-G10	CAP .....							1



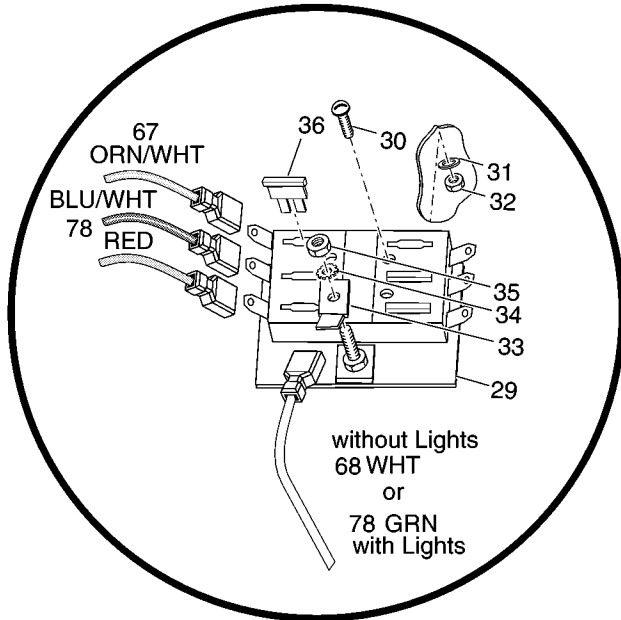
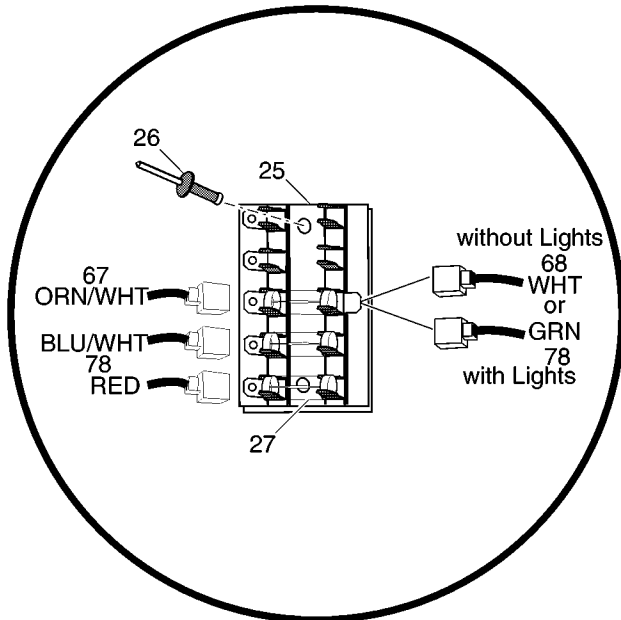


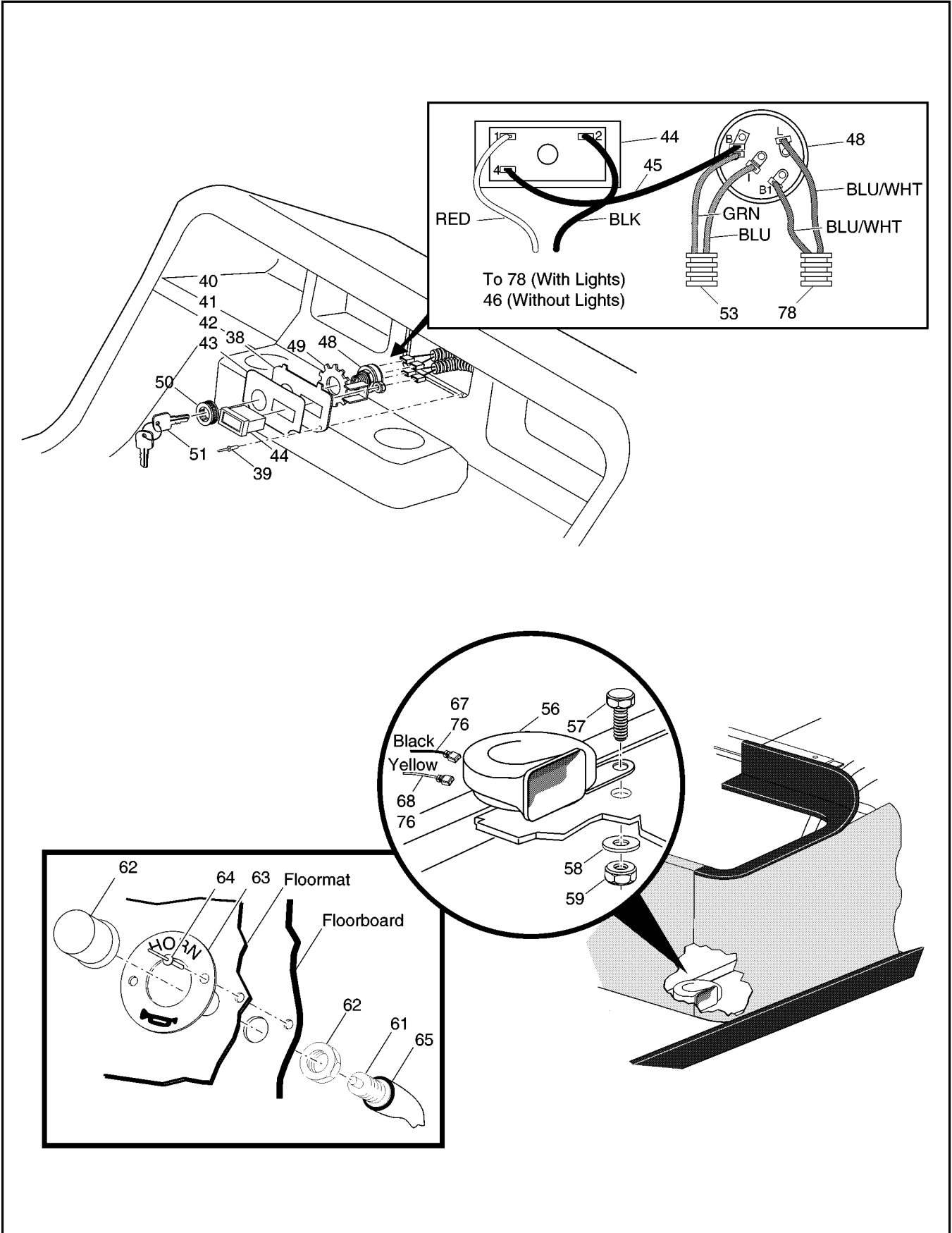


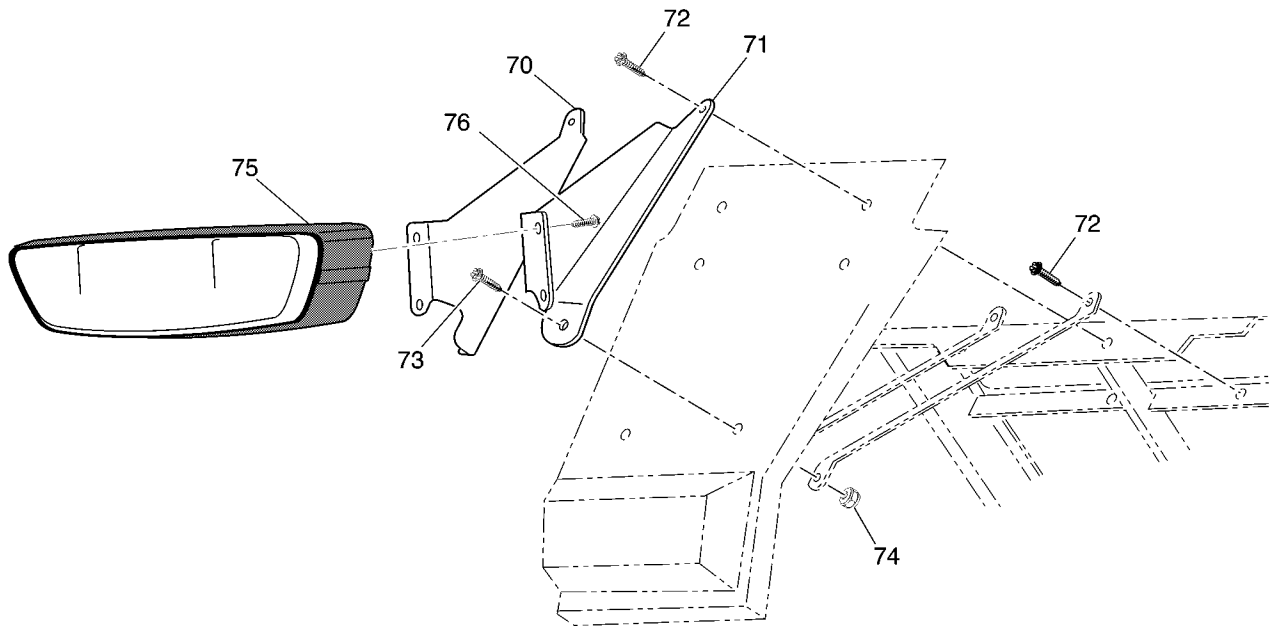
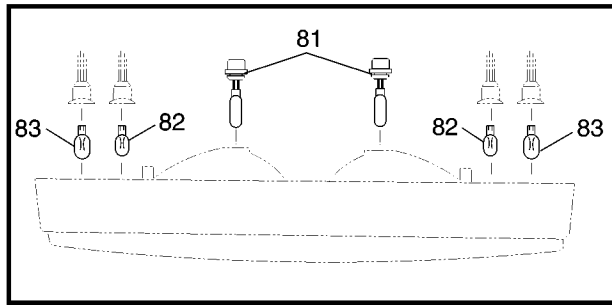
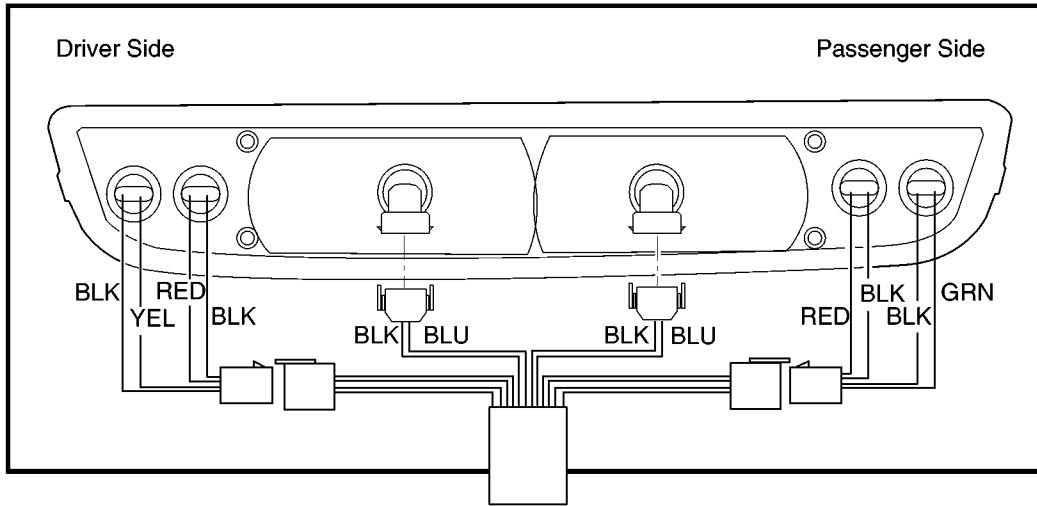


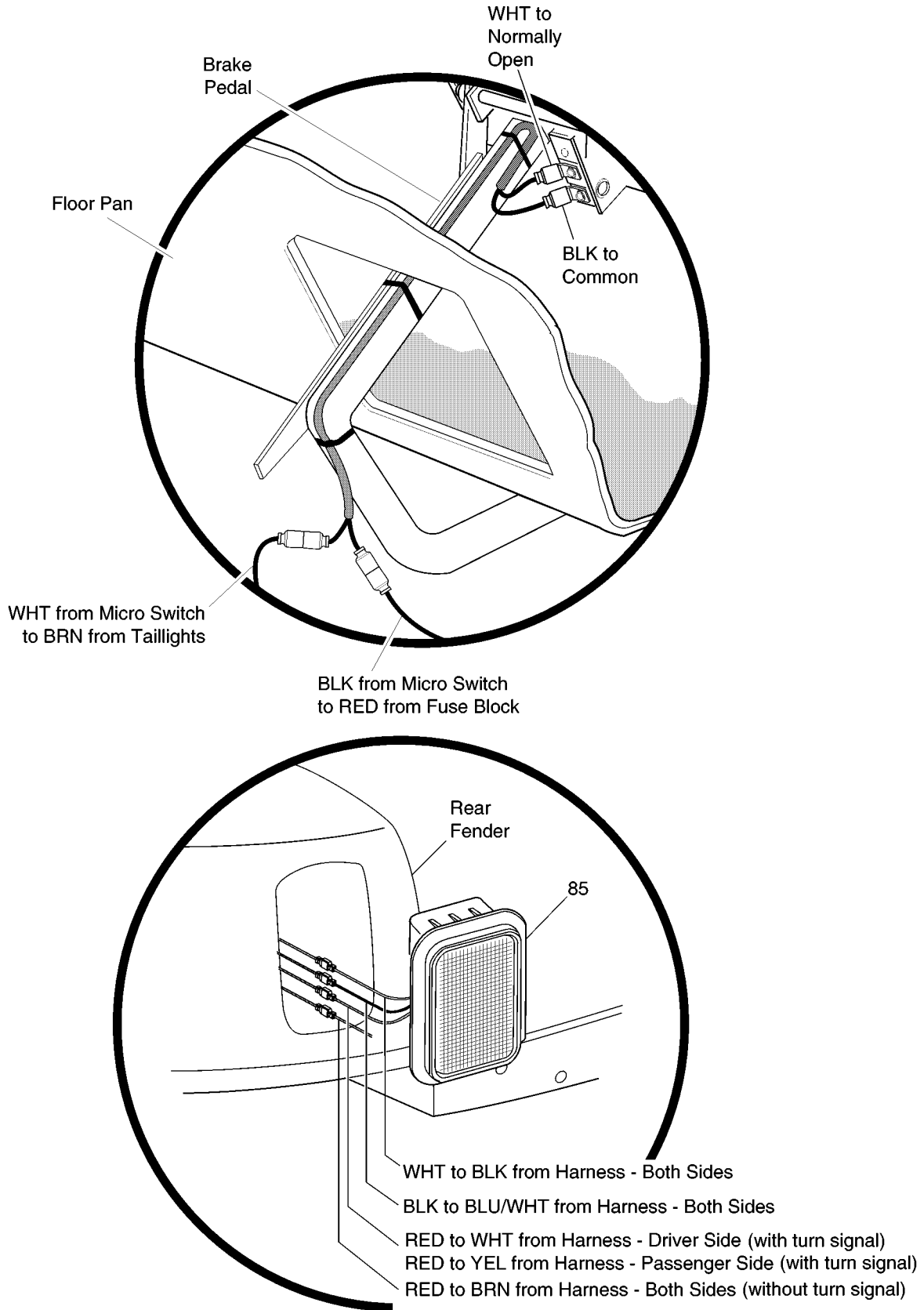
WORKHORSE 1000

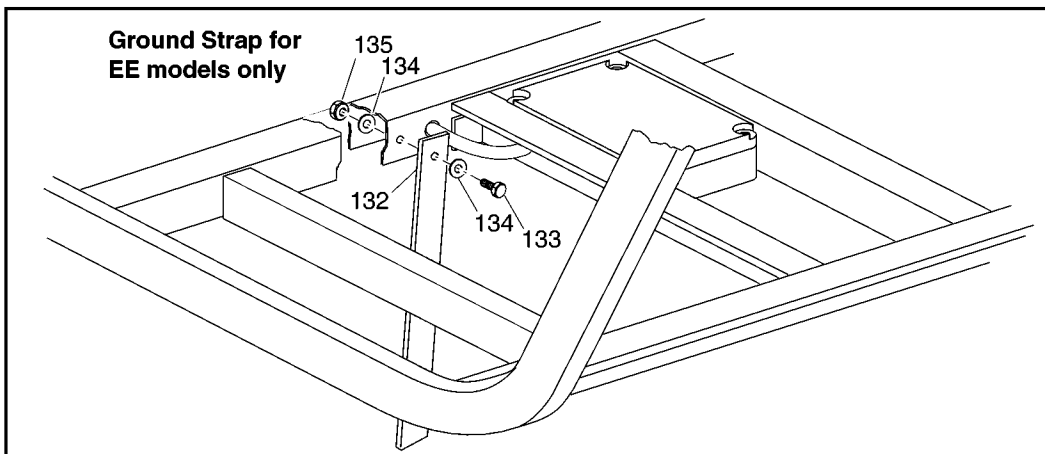
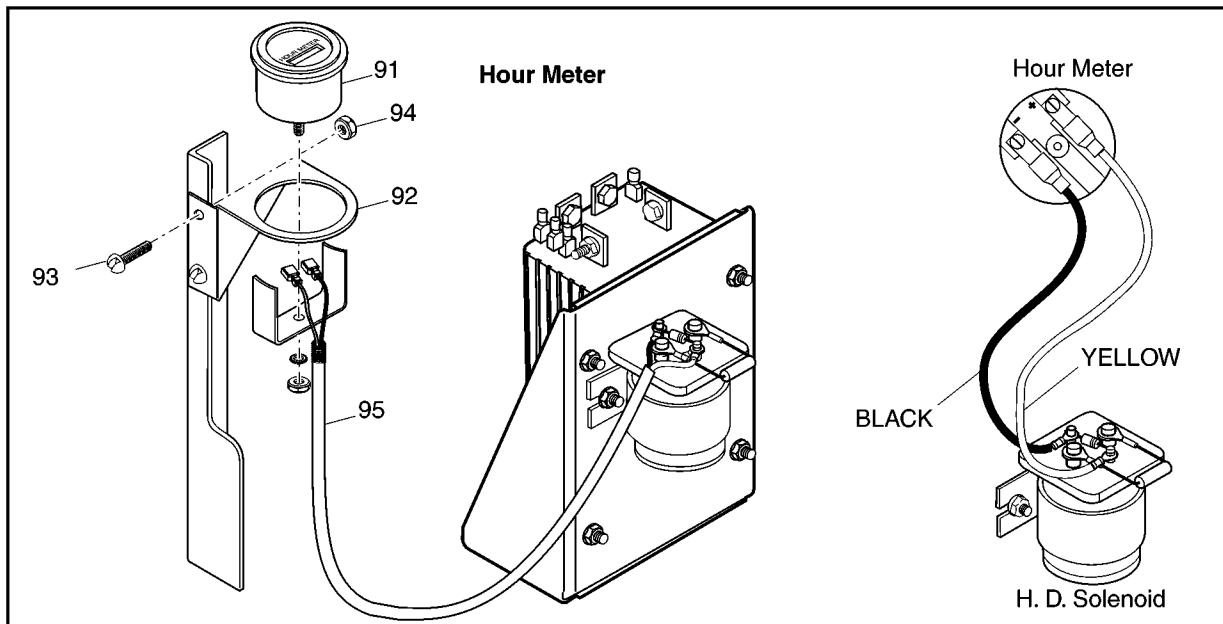
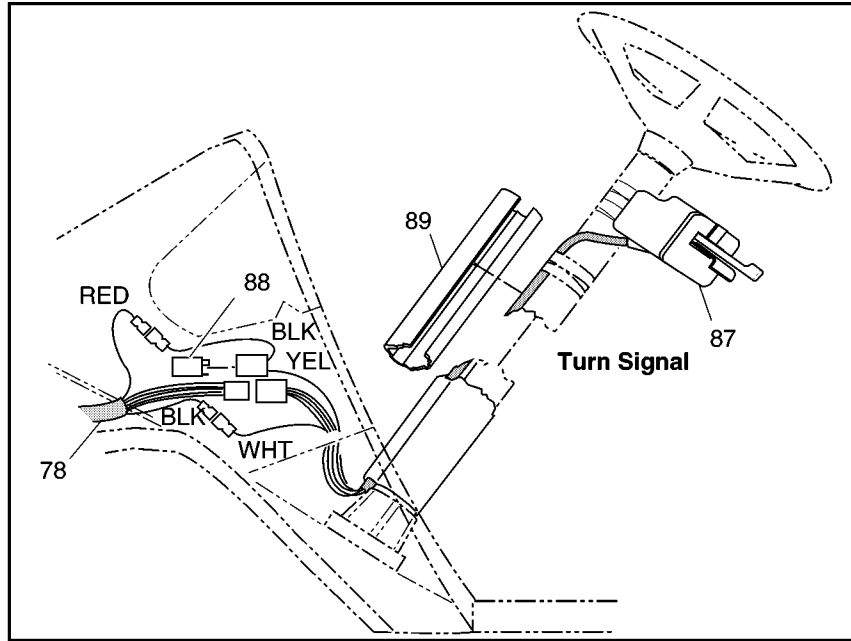
WORKHORSE 1000 LX



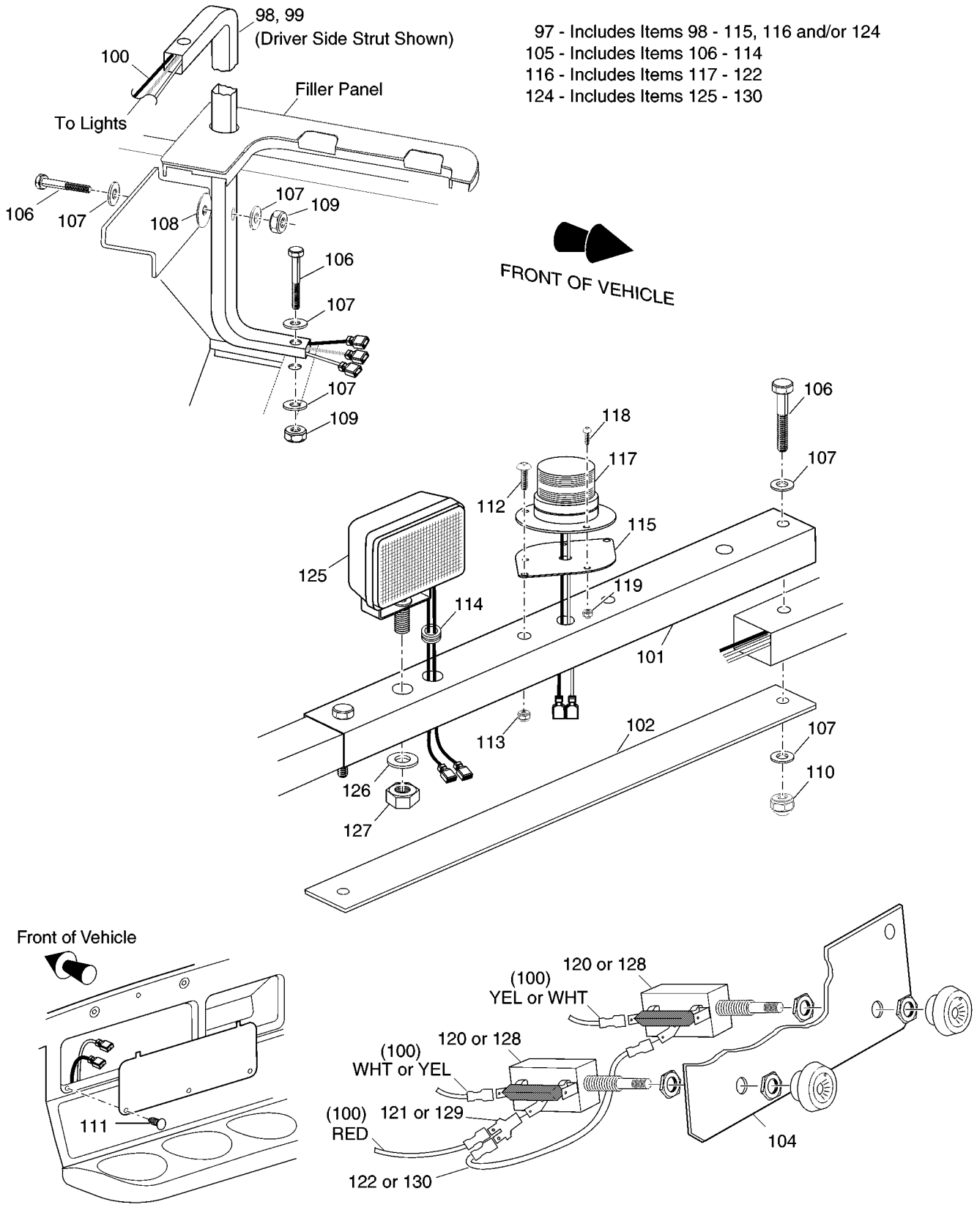


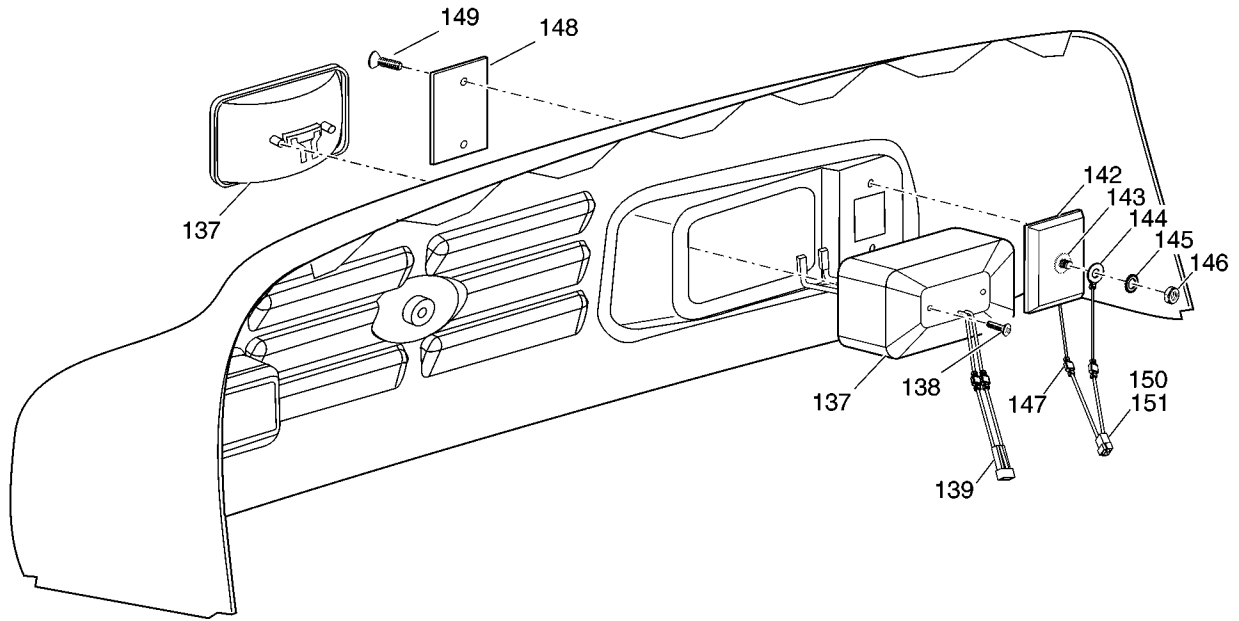






**Work And Strobe Lights**





THE USE OF NON UL PARTS WILL VOID ANY UL LISTING.

When ordering parts, please specify the model and serial number of the product.

\* Indicates a component that is not available as an individual part.

G\*\* Indicates consult Customer Service Department for additional information.

ITEM	PART NO.	1 2 3 4 5	DESCRIPTION	QTY.
1	XXXXX-G**		BATTERY (6 VOLT).....	6
2	70121-G01		HOLD DOWN BOLT .....	2
3	70045-G01		BATTERY RETAINER .....	1
4	11027-G1		LOCK NUT, 5/16 - 18 .....	2
5				
6	25972-G32		6 GA WIRE (BLACK 10 1/2") .....	1
7	25972-G40		6 GA WIRE (BLACK 6") .....	4
8	00702-G2		NUT, 5/16 - 18 .....	12
9				
10				
11	73063-G01		CHARGER WIRE HARNESS/RECEPTACLE ASSEMBLY (PORTABLE CHARGER) (INCLUDES ITEMS 12 - 21) .....	1
12	73082-G01		CHARGER HARNESS.....	1
13	73051-G01		WIRE HARNESS (CHARGER RECEPTACLE)(INCLUDES ITEMS 14 - 21)	1
14	73051-G03		RECEPTACLE COVER .....	1
15	73051-G04		RECEPTACLE BOTTOM .....	1
16	73051-G05		FEMALE CONTACT .....	2
17	73051-G06		INSULATOR SLEEVE .....	1
18	73051-G18		REED SWITCH .....	1
19	73051-G08		SCREW, #10 - 32 X 1/2" LG. (BRASS, BINDING HEAD) .....	2
20	73051-G09		SCREW, #6 - 32 X 1 3/4" LG. (STAINLESS STEEL) .....	3
21	73051-G10		LOCK NUT, #6-32 .....	3
22	14601-G10		RIVET, 5/32" X 7/16" LG .....	4
23	17618-G1		WIRE TIE (NOT ILLUSTRATED) .....	3
24				
25	22674-G1		FUSE BLOCK.....	1
26	71010-G01		RIVET, 5/32" X 3/8" LG .....	2
27	18392-G1		FUSE, 15 AMP .....	3
28				
29	35211-G01		FUSE BLOCK.....	1





THE USE OF NON UL PARTS WILL VOID ANY UL LISTING.

When ordering parts, please specify the model and serial number of the product.

\* Indicates a component that is not available as an individual part.

G\*\* Indicates consult Customer Service Department for additional information.

ITEM	PART NO.	1	2	3	4	5	DESCRIPTION	QTY.
30	00379-G2						SCREW, #10 - 24 X 1 1/4" LG .....	2
31	00559-G5						WASHER, #10.....	2
32	14390-G10						LOCK NUT, #10 - 24 .....	2
33	12914-G1						FASTON TAB .....	1
34	00567-G5						LOCK WASHER, #10.....	1
35	00526-G4						NUT, #10 - 32.....	1
36	35212-G01						FUSE, 15 AMP .....	3
37								
38	73030-G**						INSTRUMENT PANEL PLATE INSERT .....	1
39	33623-G02						DRIVE RIVET, 3/16 X 3/8" LG.....	2
40	71181-G01						DECAL (WITH LIGHTS).....	1
41	71181-G02						DECAL (WITHOUT LIGHTS) .....	1
42	71129-G01						DECAL (WITH LIGHTS AND STATE OF CHARGE METER) .....	1
43	71123-G01						DECAL (WITHOUT LIGHTS, WITH STATE OF CHARGE METER).....	1
44	33636-G01						STATE OF CHARGE METER .....	1
45	25978-G74						18 GA WIRE (RED 6") .....	1
46	74018-G01						STATE OF CHARGE METER HARNESS.....	1
47								
48	33639-G**						IGNITION SWITCH (WITH LIGHTS) .....	1
49	00568-G6						LOCK WASHER, 3/4" .....	1
50	17137-G1						FACE NUT, 3/4 - 20.....	1
51	17063-G1						IGNITION KEY (SET).....	A/R
52								
53	73041-G01						IGNITION SWITCH HARNESS.....	1
54	17618-G1						WIRE TIE (NOT ILLUSTRATED) .....	1
55								
56	32860-G1						HORN.....	1
57	00414-G5						BOLT, 1/4 - 20 X 5/8" LG.....	1
58	00559-G8						WASHER, 5/16" .....	1
59	00891-G2						LOCK NUT, 1/4 - 20 .....	1



**ELECTRICAL SYSTEM****Electric Vehicle**

THE USE OF NON UL PARTS WILL VOID ANY UL LISTING.

When ordering parts, please specify the model and serial number of the product.

\* Indicates a component that is not available as an individual part.

G\*\* Indicates consult Customer Service Department for additional information.

ITEM	PART NO.	1 2 3 4 5	DESCRIPTION	QTY.
60				
61	17318-G1		HORN SWITCH (INCLUDES ITEM 62) .....	1
62	17318-G2		BUTTON AND NUT .....	1
63	19233-G1		HORN SWITCH PLATE.....	1
64	71055-G01		RIVET, 3/16 X 1" LG (STAINLESS STEEL) .....	2
65	27068-G01		HORN SWITCH BOOT .....	1
66				
67	73214-G01		WIRE HARNESS (HORN ).....	1
68	73213-G01		WIRE HARNESS.....	1
69				
70	74236-G01		LIGHT BAR MOUNTING BRACKET (PASSENGER SIDE) .....	1
71	74236-G02		LIGHT BAR MOUNTING BRACKET (DRIVER SIDE) .....	1
72	01038-G01		SCREW, 1/4 - 20 X 1/2" LG.....	4
73	00414-G6		BOLT, 1/4 - 20 X 3/4" LG.....	2
74	11027-G2		LOCK NUT, 1/4 - 20 .....	2
75	74001-G01		LIGHT BAR .....	1
76	00114-G6		SCREW, 1/4 - 14 X 3/4" LG.....	4
77				
78	73043-G01		WIRE HARNESS (ACCESSORY).....	1
79	17618-G1		WIRE TIE (NOT ILLUSTRATED) .....	10
80				
81	74004-G01		HEADLIGHT BULB (REPLACEMENT) .....	A/R
82	74005-G01		MARKER LIGHT BULB (REPLACEMENT).....	A/R
83	74006-G01		TURN LIGHT BULB (REPLACEMENT) .....	A/R
84				
85	32739-G2		STOP/TAIL LIGHT .....	2
86				
87	17867-G1		TURN SIGNAL (WITH MOUNTING HARDWARE) .....	1
88	21640-G1		FLASHER .....	1
89	20965-G3		STEERING COLUMN COVER.....	1

THE USE OF NON UL PARTS WILL VOID ANY UL LISTING.

When ordering parts, please specify the model and serial number of the product.

\* Indicates a component that is not available as an individual part.

G\*\* Indicates consult Customer Service Department for additional information.

ITEM	PART NO.	1	2	3	4	5	DESCRIPTION	QTY.
90								
91	21573-G1						HOUR METER .....	1
92	74019-G01						BRACKET .....	1
93	00150-G4						SCREW, #10 - 24 X 1/2" LG .....	2
94	11098-G7						NUT, #10 - 24 .....	2
95	75117-G02						WIRE HARNESS (HOUR METER) .....	1
96								
97	75354-G0*						WORK LIGHT BAR WITH LIGHTS .....	1
98	75352-G01						STRUT (PASSENGER SIDE) .....	1
99	75352-G02						STRUT (DRIVER SIDE) .....	1
100	75346-G01						WIRE HARNESS (WORK LIGHT) .....	1
101	75353-G01						BRACE .....	1
102	75363-G01						COVER PLATE .....	1
103	75430-G01						SWITCH HARNESS .....	1
104	71077-G**						LIGHT SWITCH PLATE .....	1
105	75365-G01						HARDWARE KIT (INCLUDES ITEMS 106 - 114) .....	1
106	00685-G7						BOLT, 5/16 - 18 X 1 3/4" LG .....	6
107	00660-G8						WASHER, 5/16" .....	12
108	15121-G1						WASHER, 3/8" X 1 1/4" .....	2
109	11098-G6						LOCK NUT, 5/16 - 18 .....	4
110	00918-G3						ACORN NUT, 5/16 - 18 .....	2
111	33623-G02						DRIVE RIVET, 3/16" X 3/8" LG .....	3
112	16705-G3						SCREW, 1/4 - 20 X 3/4" LG .....	2
113	14390-G4						LOCK NUT, 1/4 - 20 .....	2
114	20367-G01						GROMMET .....	2
115	33201-G02						STROBE LIGHT MOUNT (USED ONLY WITH STROBE LIGHT) .....	1
116	20385-G2						STROBE LIGHT KIT (INCLUDES ITEMS 117 - 122) .....	1
117	20394-G1						STROBE LIGHT .....	1
118	00379-G4						SCREW, #10 - 24 x 1/2" LG .....	3
119	11098-G7						LOCK NUT, #10 - 24 .....	3



**ELECTRICAL SYSTEM****Electric Vehicle**

THE USE OF NON UL PARTS WILL VOID ANY UL LISTING.

When ordering parts, please specify the model and serial number of the product.

\* Indicates a component that is not available as an individual part.

G\*\* Indicates consult Customer Service Department for additional information.

ITEM	PART NO.	1	2	3	4	5	DESCRIPTION	QTY.
120	17317-G1						LIGHT SWITCH.....	2
121	17902-G1						TAB ADAPTER.....	1
122	20053-G1						16 GA WIRE (RED 5 3/8").....	1
123								
124	20383-G2						WORK LIGHT KIT (INCLUDES ITEMS 125-130).....	1
125	20209-G2						WORK LIGHT (RECTANGULAR) .....	2
126	00566-G3						LOCK WASHER, 1/2" .....	2
127	00533-G1						NUT, 1/2 - 13 .....	2
128	17317-G1						LIGHT SWITCH.....	2
129	17902-G1						TAB ADAPTER.....	1
130	20053-G1						16 GA WIRE (RED 5 3/8").....	1
131								
132	35213-G02						GROUND STRAP, 16" (EE ONLY).....	1
133	00426-G8						BOLT, 3/8 - 16 X 1" LG .....	1
134	00560-G1						WASHER, 3/8" .....	2
135	11098-G4						LOCK NUT, 3/8 - 16 .....	1
136								
137	20209-G3						HEADLIGHT (RECTANGULAR) (INCLUDES ITEM 138) (1000 LX).....	2
138	00906-G6						SCREW, #10 - 16 X 1" LG .....	2
139	74055-G01						JUMPER.....	2
140								
141	20570-G3						TURN SIGNAL LIGHT ASSEMBLY (INCLUDES ITEMS 142 - 147) (1000 LX) ..	2
142	20574-G3						TURN SIGNAL LIGHT .....	1
143	00660-G7						WASHER, 1/4" .....	1
144	20606-G1						WIRE ASSEMBLY .....	1
145	00567-G7						LOCK WASHER, 1/4" .....	1
146	00532-G1						NUT, 1/4 - 20.....	1
147	18995-G1						PUSH-ON MALE TERMINAL .....	1
148	20574-G5						LENS, AMBER .....	1
149	00118-G5						SCREW, #6 - 18 X 5/8" LG.....	2

THE USE OF NON UL PARTS WILL VOID ANY UL LISTING.

When ordering parts, please specify the model and serial number of the product.

\* Indicates a component that is not available as an individual part.

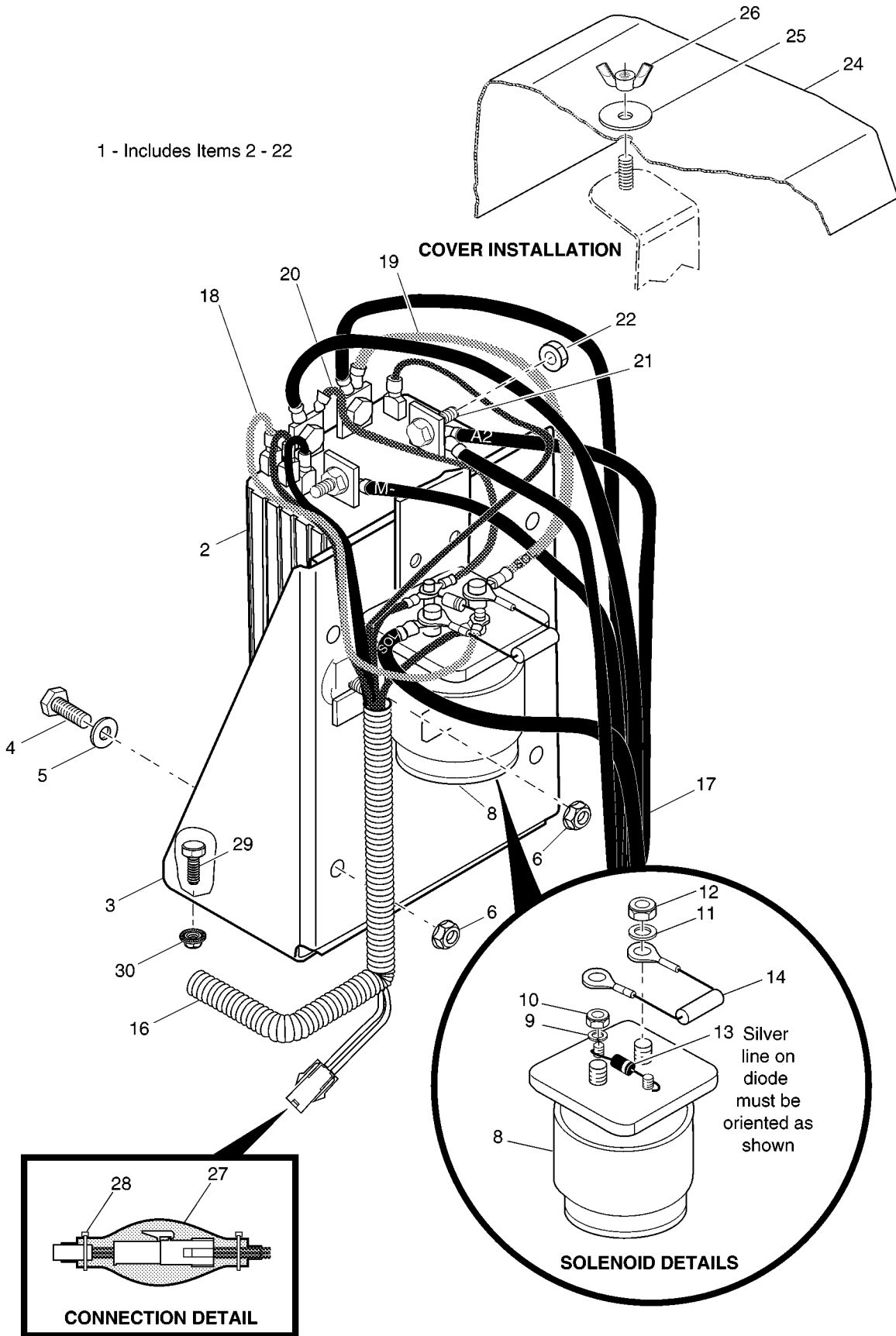
G\*\* Indicates consult Customer Service Department for additional information.

ITEM	PART NO.	1 2 3 4 5 DESCRIPTION	QTY.
150	74056-G01	JUMPER, RED/BLACK (PASSENGER SIDE) .....	1
151	74056-G02	JUMPER, GREEN/BLACK (DRIVER SIDE) .....	1



1 - Includes Items 2 - 22

### COVER INSTALLATION



THE USE OF NON UL PARTS WILL VOID ANY UL LISTING.

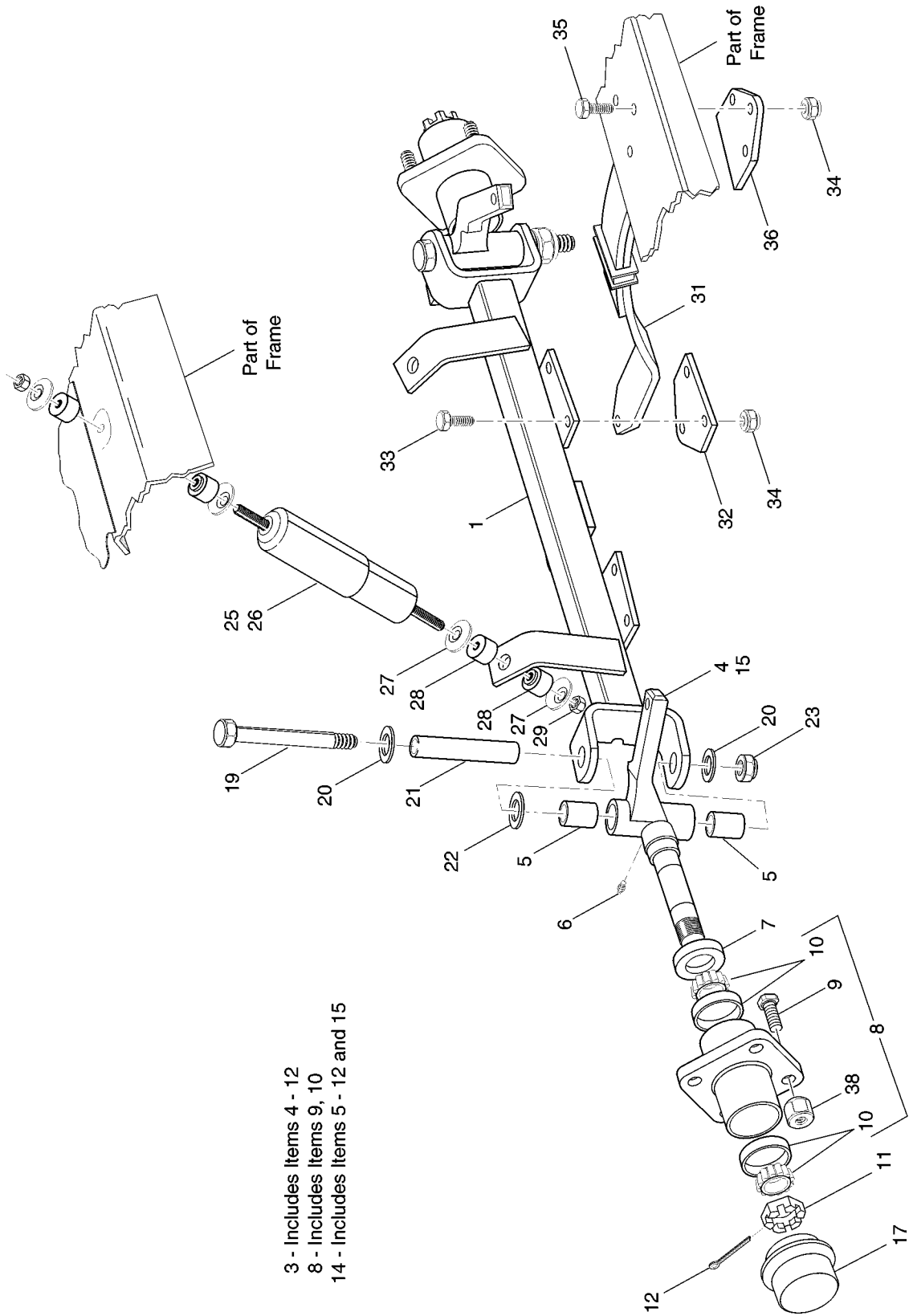
When ordering parts, please specify the model and serial number of the product.

\* Indicates a component that is not available as an individual part.

G\*\* Indicates consult Customer Service Department for additional information.

ITEM	PART NO.	1 2 3 4 5	DESCRIPTION	QTY.
1	73055-G04		ELECTRONIC SPEED CONTROL ASSEMBLY (INCLUDES ITEMS 2 - 22) ....	1
2	73060-G01		ELECTRONIC SPEED CONTROLLER.....	1
3	74014-G01		CONTROLLER MOUNT .....	1
4	00414-G5		BOLT, 1/4 - 20 X 5/8" LG. ....	4
5	00559-G7		WASHER, 1/4" .....	2
6	11027-G2		LOCK NUT, 1/4 - 20.....	6
7				
8	20468-G1		SOLENOID (INCLUDES ITEMS 9 - 12) .....	1
9	*		LOCK WASHER, #10.....	2
10	*		NUT, #10 - 32 .....	2
11	*		WASHER, 5/16" .....	2
12	*		NUT, 5/16 - 24 .....	2
13	30353-G1		DIODE, 3 AMP.....	1
14	21764-G1		RESISTOR .....	1
15				
16	73095-G02		WIRE HARNESS (CONTROL - HD).....	1
17	73269-G01		WIRE HARNESS (POWER).....	1
18	25978-G88		18 GA WIRE (RED 9").....	1
19	25972-G83		6 GA WIRE (BLACK 9", SOL - B+).....	1
20	25978-G10		18 GA WIRE(BLACK 6", SOL - B-).....	1
21	00270-G5		BOLT, 5/16 - 18 X 5/8" LG. ....	4
22	11027-G1		LOCK NUT, 5/16 - 18.....	4
23				
24	23723-G2		COVER .....	1
25	16469-G1		WASHER, 1/4" .....	1
26	14419-G1		WING NUT, 1/4 - 20 .....	1
27	28326-G02		GELTEK STRIP.....	1
28	17618-G1		WIRE TIE .....	2
29	00414-G5		BOLT, 1/4 - 20 X 5/8" LG.....	4
30	11027-G2		LOCK NUT, 1/4 - 20 .....	4





- 3 - Includes Items 4 - 12
- 8 - Includes Items 9, 10
- 14 - Includes Items 5 - 12 and 15



When ordering parts, please specify the model and serial number of the product.  
 \* Indicates a component that is not available as an individual part.  
 G\*\* Indicates consult Customer Service Department for additional information.

ITEM	PART NO.	1 2 3 4 5	DESCRIPTION	QTY.
1	70536-G01		FRONT AXLE.....	1
2				
3	70220-G01		SPINDLE ASSEMBLY (DRIVER SIDE) (INCLUDES ITEMS 4 - 12).....	1
4	*		SPINDLE (DRIVER SIDE).....	1
5	16623-G1		BEARING .....	2
6	10389-G3		GREASE FITTING, STRAIGHT .....	1
7	25146-G1		GREASE SEAL .....	1
8	19932-G1		WHEEL HUB ASSEMBLY (INCLUDES ITEMS 9, 10) .....	1
9	19862-G1		LUG BOLT, 1/2 - 20 X 1 7/32" LG.....	4
10	50892-G1		BEARING AND RACE ASSEMBLY (COMPLETE) .....	2
11	12093-G1		SLOTTED NUT, 1 - 14.....	1
12	00798-G8		COTTER PIN, 5/32" X 1 3/4" LG.....	1
13				
14	70221-G01		SPINDLE ASSEMBLY (PASSENGER SIDE) (INCLUDES ITEMS 5 - 12, 15) ...	1
15	*		SPINDLE (PASSENGER SIDE) .....	1
16				
17	12091-G2		SPINDLE CAP .....	2
18				
19	01040-G01		KING PIN, 1/2 - 13 X 5" LG.....	2
20	00571-G5		WASHER, 1/2" .....	4
21	70328-G01		KING PIN TUBE.....	2
22	16982-G1		THRUST WASHER, 7/8".....	2
23	14390-G6		LOCK NUT, 1/2 - 13 .....	2
24				
25	70324-G01		SHOCK ABSORBER .....	2
26	70630-G01		SHOCK ABSORBER (LX).....	2
27	10435-G1		SHOCK ABSORBER WASHER.....	8
28	10194-G1		RUBBER SHOCK ABSORBER BUSHING .....	8
29	00532-G6		NUT, 3/8 - 24 .....	4
30				



# FRONT SUSPENSION

# Gasoline Vehicle

When ordering parts, please specify the model and serial number of the product.  
 \* Indicates a component that is not available as an individual part.  
 G\*\* Indicates consult Customer Service Department for additional information.

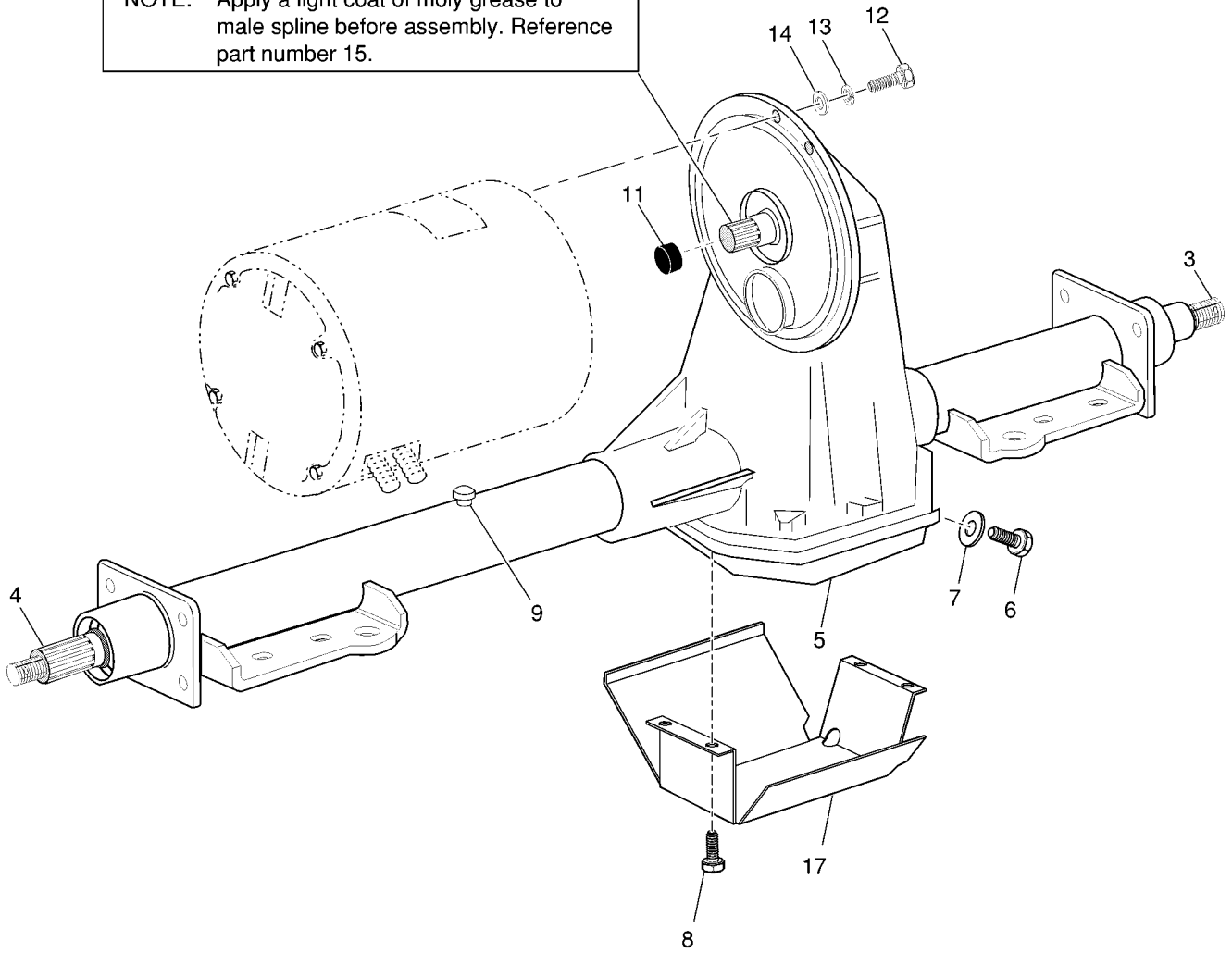
ITEM	PART NO.	1 2 3 4 5	DESCRIPTION	QTY.
31	70422-G01		LEAF SPRING (HEAVY DUTY) .....	2
32	70540-G02		SPRING PLATE .....	2
33	00463-G4		BOLT, 7/16 - 14 X 1 1/2" LG. ....	6
34	00734-G1		LOCK NUT, 7/16 - 14 .....	12
35	00463-G6		BOLT, 7/16 - 14 X 1 3/4" LG. ....	6
36	70163-G02		SPRING PLATE .....	2
37				
38	14723-G1		LUG NUT, 1/2 - 20.....	8





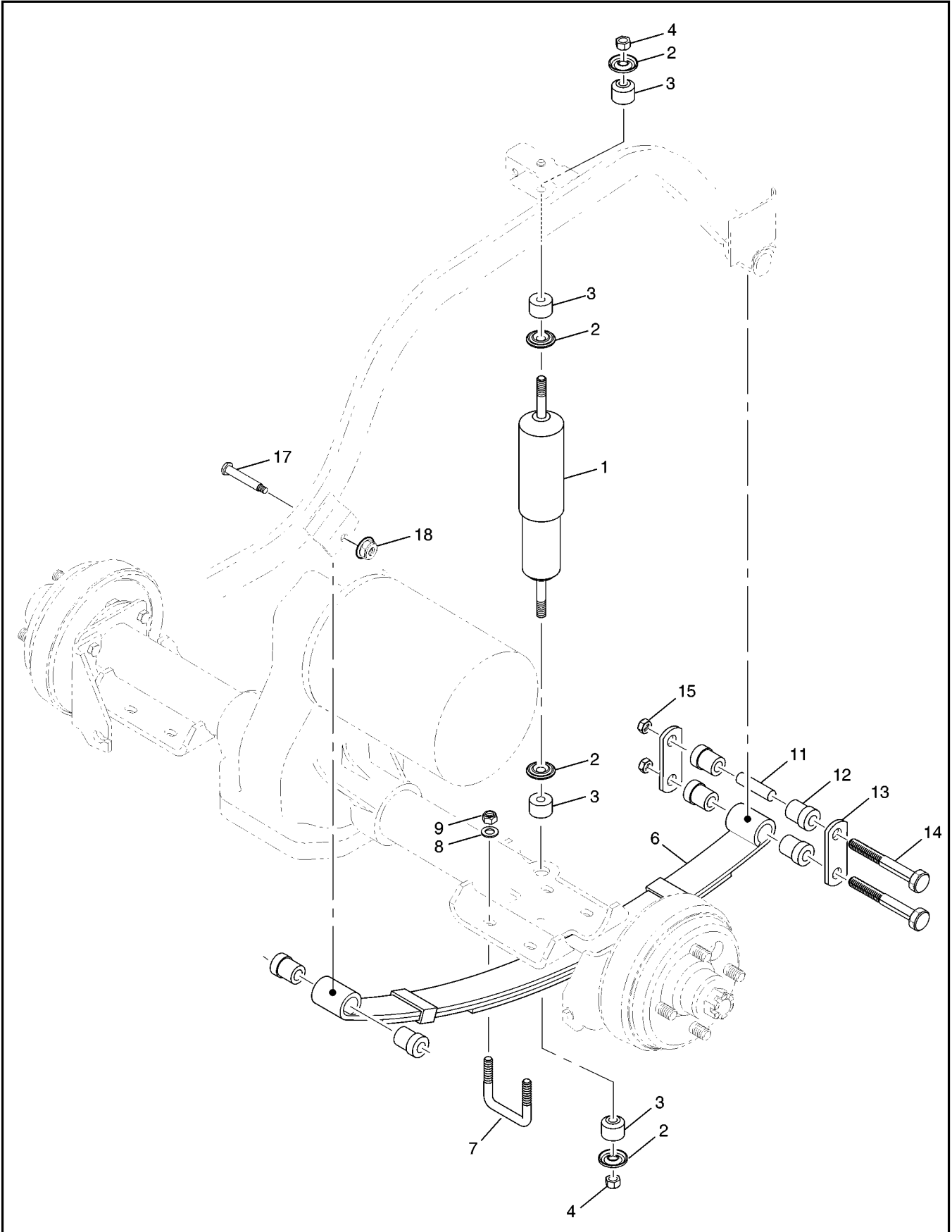
- 1 - Includes Items 3 - 9
- 2 - Includes Items 3 - 9

**NOTE:** Apply a light coat of moly grease to male spline before assembly. Reference part number 15.



THE USE OF NON UL PARTS WILL VOID ANY UL LISTING.  
 When ordering parts, please specify the model and serial number of the product.  
 \* Indicates a component that is not available as an individual part.  
 G\*\* Indicates consult Customer Service Department for additional information.

ITEM	PART NO.	1 2 3 4 5	DESCRIPTION	QTY.
1	73176-G01		REAR AXLE ASSEMBLY, 12.44:1 (INCLUDES ITEMS 3 - 9).....	1
2	73176-G02		REAR AXLE ASSEMBLY 14.78:1 (INCLUDES ITEMS 3 - 9) .....	1
3	20377-G12		AXLE SHAFT (PASSENGER SIDE) .....	1
4	20377-G11		AXLE SHAFT (DRIVER SIDE).....	1
5	25228-G1		DIFFERENTIAL COVER .....	1
6	25226-G1		FILL/CHECK PLUG .....	1
7	25227-G1		WASHER .....	1
8	15558-G1		SCREW, 5/16 - 18 X 3/4" LG.....	10
9	73050-G01		VENT .....	1
10				
11	24261-G1		BUMPER SPLINE .....	1
12	00797-G2		BOLT, 1/4 - 20 X 1 1/4" LG.....	3
13	00565-G7		LOCK WASHER, 1/4" .....	3
14	00559-G7		WASHER, 1/4" .....	3
15	28095-G01		MOLY LUBE, 2 OZ.....	AR
16				
17	25353-G1		DIFFERENTIAL GUARD.....	1



When ordering parts, please specify the model and serial number of the product.

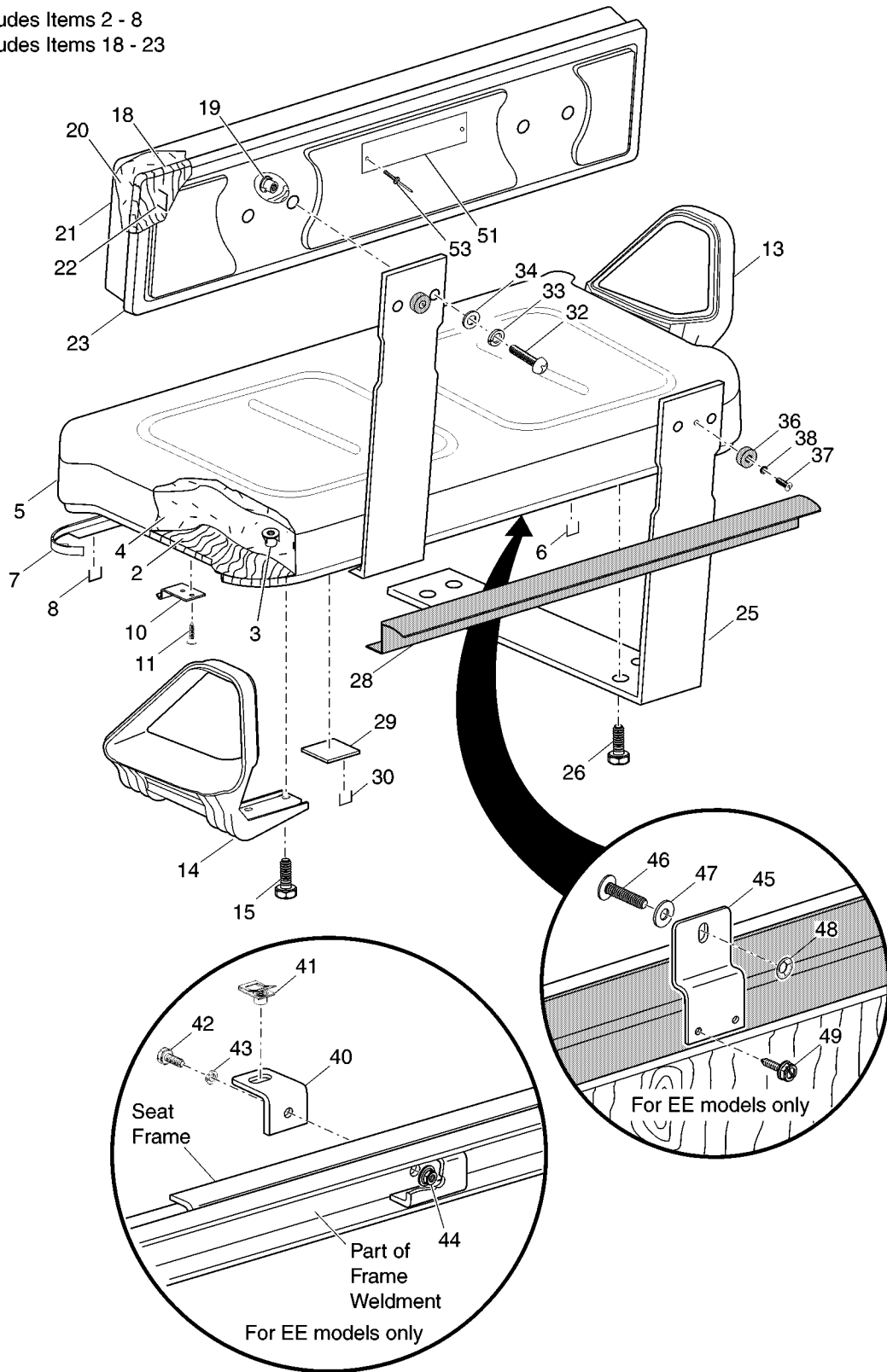
\* Indicates a component that is not available as an individual part.

G\*\* Indicates consult Customer Service Department for additional information.

ITEM	PART NO.	1 2 3 4 5	DESCRIPTION	QTY.
1	70324-G01		SHOCK ABSORBER .....	2
2	10435-G1		SHOCK ABSORBER WASHER.....	8
3	10194-G1		RUBBER SHOCK ABSORBER BUSHING .....	8
4	00532-G6		NUT, 3/8 - 24 .....	4
5				
6	74207-G01		LEAF SPRING (HEAVY DUTY) .....	2
7	74124-G01		"U" BOLT, 3/8 - 16 .....	4
8	00560-G1		WASHER, 3/8" .....	8
9	11098-G5		LOCK NUT, 3/8 - 16 .....	8
10				
11	70289-G02		SPACER.....	4
12	70291-G01		RUBBER BUSHING.....	12
13	70290-G01		SHACKLE PLATE .....	4
14	00429-G4		BOLT, 3/8 - 16 X 3 1/2" LG.....	4
15	11098-G5		LOCK NUT, 3/8 - 16 .....	4
16				
17	14158-G1		SHOULDER BOLT, 3/8 - 16 X 3 1/4" LG.....	2
18	12262-G1		LOCK NUT, 3/8 - 16 .....	2



1 - Includes Items 2 - 8  
17 - Includes Items 18 - 23





When ordering parts, please specify the model and serial number of the product.  
 \* Indicates a component that is not available as an individual part.  
 G\*\* Indicates consult Customer Service Department for additional information.

ITEM	PART NO.	1 2 3 4 5	DESCRIPTION	QTY.
1	71664-G**		SEAT BOTTOM ASSEMBLY (INCLUDES ITEMS 2 - 8) .....	1
2	*		PLYWOOD BASE .....	1
3	*		TEE NUT, 1/4 - 20.....	16
4	*		FOAM .....	1
5	71602-G**		VINYL SEAT BOTTOM COVER .....	1
6	*		FLAT STAPLES .....	A/R
7	71012-G01		VINYL TRIM (SEAT BOTTOM).....	1
8	*		FLAT STAPLES .....	A/R
9				
10	71610-G01		SEAT HINGE.....	2
11	00720-G08		SCREW, #12 - 14 X 1" LG. ....	6
12				
13	71701-G01		HIP RESTRAINT (PASSENGER SIDE) .....	1
14	71702-G01		HIP RESTRAINT (DRIVER SIDE) .....	1
15	71204-G01		BOLT, 1/4 - 20 X 1" LG.....	8
16				
17	27546-G**		SEAT BACK ASSEMBLY (INCLUDES ITEMS 18 - 23) .....	1
18	*		PLYWOOD SEAT BACK.....	1
19	*		TEE NUT, 1/4 - 20.....	4
20	*		FOAM .....	1
21	18144-G**		VINYL SEAT BACK COVER .....	1
22	*		FLAT STAPLES .....	A/R
23	18868-G3		PLASTIC SEAT BACK COVER .....	1
24				
25	71662-G01		SEAT BACK SUPPORT BRACKET .....	2
26	71204-G01		BOLT, 1/4 - 20 X 7/8" LG.....	8
27				
28	71762-G01		SEAL .....	1
29	17074-G1		BUMPER.....	2
30	*		FLAT STAPLES.....	A/R

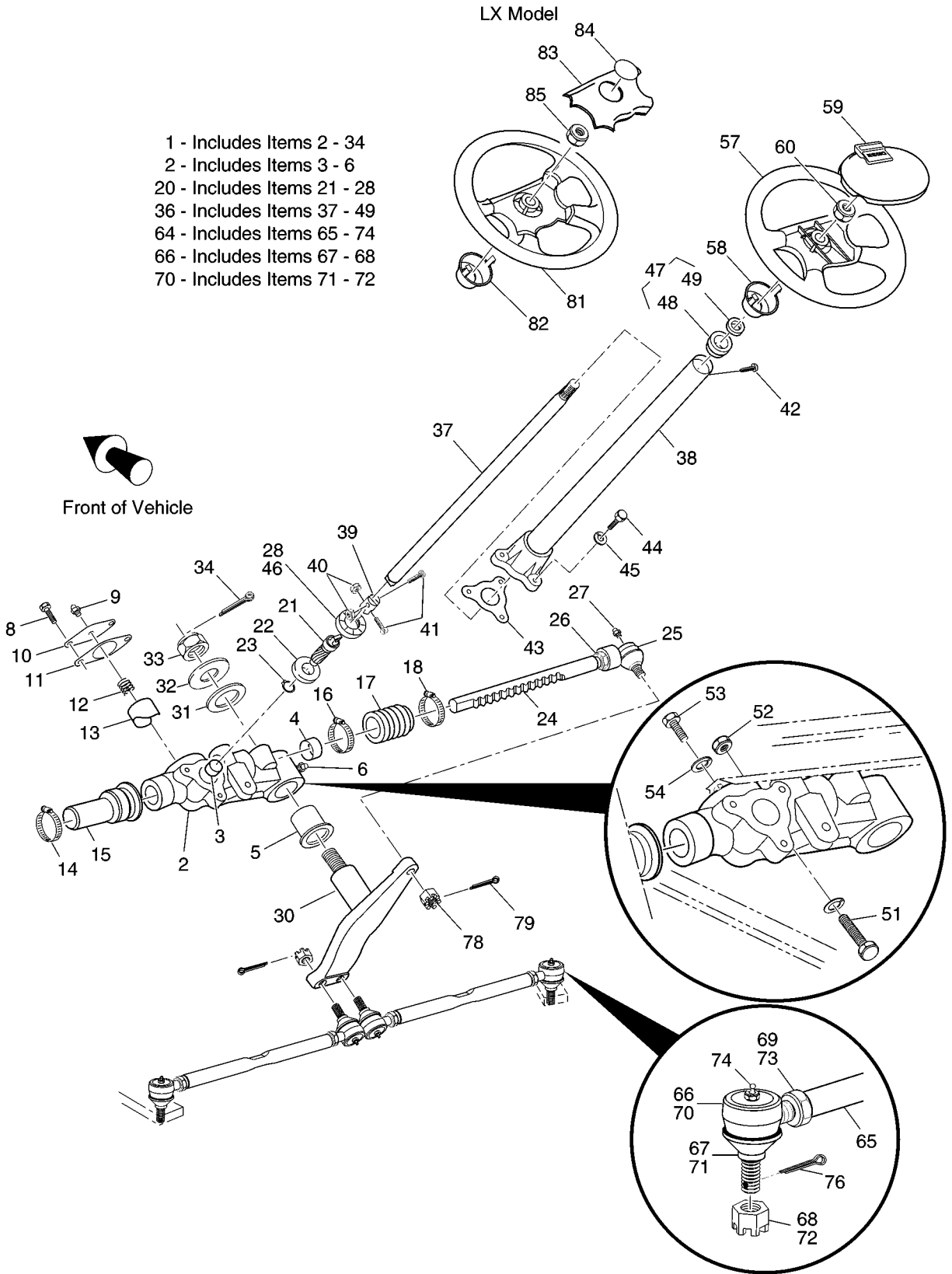


When ordering parts, please specify the model and serial number of the product.  
 \* Indicates a component that is not available as an individual part.  
 G\*\* Indicates consult Customer Service Department for additional information.

ITEM	PART NO.	1 2 3 4 5	DESCRIPTION	QTY.
31				
32	16705-G1		SCREW, 1/4 - 20 X 1" LG.....	4
33	00565-G7		LOCK WASHER, 1/4".....	4
34	00559-G7		WASHER, 1/4".....	4
35				
36	13728-G1		RUBBER BUMPER.....	2
37	00106-G6		SELF THREADING SCREW, #12 - 24 X 3/4" LG.....	2
38	00559-G5		WASHER, #10.....	2
39				
40	74221-G01		SEAT LOCK ANGLE (EE ONLY).....	1
41	01024-G01		"U" TYPE NUT (EE ONLY).....	1
42	XXXXX-XX		BOLT (SEE ELECTRICAL SYSTEM).....	X
43	XXXXX-XX		WASHER (SEE ELECTRICAL SYSTEM).....	X
44	XXXXX-XX		NUT (SEE ELECTRICAL SYSTEM).....	X
45	74220-G01		LATCH SUPPORT BRACKET (EE ONLY).....	1
46	01023-G01		TORX SCREW 5/16-18 X 1" LG (EE ONLY).....	1
47	00559-G8		WASHER, 5/16" (EE ONLY).....	1
48	18315-G1		SELF-LOCKING FASTENER, 5/16" (EE ONLY).....	1
49	00114-G6		SCREW, 1/4 - 14 X 3/4" LG (EE ONLY).....	2
50				
51	71211-G02		PLATE / LABEL (600 LB) (INCLUDES ITEM 52).....	1
52	71517-G02		LABEL (600 LB).....	1
53	14601-G1		RIVET, 3/16" X 13/16" LG.....	2







When ordering parts, please specify the model and serial number of the product.  
 \* Indicates a component that is not available as an individual part.  
 G\*\* Indicates consult Customer Service Department for additional information.

ITEM	PART NO.	1	2	3	4	5	DESCRIPTION	QTY.
1	70314-G02						STEERING BOX ASSEMBLY (COMPLETE) (INCLUDES ITEMS 2 - 34) .....	1
2	75364-G01						STEERING HOUSING (INCLUDES ITEMS 3 - 6).....	1
3	*						SLEEVE BEARING .....	1
4	*						SLEEVE BEARING .....	1
5	*						FLANGED BEARING .....	1
6	10389-G3						GREASE FITTING, STRAIGHT .....	1
7								
8	00426-G6						BOLT, 3/8 - 16 X 3/4" LG.....	2
9	18456-G1						GREASE FITTING, 90° .....	1
10	70177-G01						RACK GUIDE COVER .....	1
11	70225-G01						GASKET .....	1
12	70178-G01						COMPRESSION SPRING .....	1
13	70179-G01						RACK GUIDE .....	1
14	11391-G1						HOSE CLAMP, 1 1/4" .....	1
15	70041-G01						RACK COVER.....	1
16	11391-G1						HOSE CLAMP, 1 1/4" .....	1
17	70183-G01						BELLOWS .....	1
18	11391-G5						HOSE CLAMP, 3/4" .....	1
19								
20	70299-G01						STEERING GEAR KIT (INCLUDES ITEMS 21 - 28).....	1
21	70297-G01						GEAR PINION.....	1
22	15112-G1						BALL BEARING .....	1
23	70190-G01						EXTERNAL RETAINING RING .....	1
24	70298-G01						STEERING RACK .....	1
25	70192-G01						RACK BALL END .....	1
26	00532-G8						NUT, 7/16 - 20 .....	1
27	18456-G1						GREASE FITTING, 90° .....	1
28	70466-G01						RETAINER .....	1
29								
30	70184-G01						IDLER.....	1

When ordering parts, please specify the model and serial number of the product.  
 \* Indicates a component that is not available as an individual part.  
 G\*\* Indicates consult Customer Service Department for additional information.

ITEM	PART NO.	1 2 3 4 5	DESCRIPTION	QTY.
31	70216-G01		THRUST WASHER, 1 1/2" .....	1
32	70195-G01		THRUST WASHER, 7/8" .....	1
33	00734-G6		LOCK NUT, 7/8 - 9.....	1
34	00798-G8		COTTER PIN, 5/32" X 1 3/4" LG. ....	1
35				
36	70360-G01		STEERING SHAFT/COLUMN KIT (INCLUDES ITEMS 37 - 49) .....	1
37	14322-G3		STEERING SHAFT.....	1
38	70333-G01		STEERING COLUMN .....	1
39	70558-G01		COUPLING.....	1
40	00550-G1		LOCK NUT, 1/4 - 20.....	2
41	70227-G01		BOLT, 1/4 - 20 X 7/8" LG. ....	2
42	01022-G01		SCREW, #6 - 20 X 5/16" LG.....	1
43	70223-G01		GASKET .....	1
44	01034-G01		BOLT, 3/8 - 16 X 1 1/2" LG. WITH PATCHLOCK .....	3
45	00878-G1		LOCK WASHER, 3/8" .....	3
46	70466-G01		RETAINER.....	1
47	17161-G1		BUSHING AND SEAL KIT (INCLUDES ITEMS 48, 49) .....	1
48	*		STEERING COLUMN BUSHING.....	1
49	*		SHAFT SEAL.....	1
50				
51	00470-G4		BOLT, 7/16 - 20 X 2 1/2" LG.....	1
52	00734-G3		LOCK NUT, 7/16 - 20 .....	1
53	01033-G01		BOLT, 7/16 - 14 X 1 1/4" LG. WITH PATCHLOCK .....	2
54	00566-G2		LOCK WASHER, 7/16".....	3
55				
56				
57	71948-G01		STEERING WHEEL .....	1
58	71949-G01		HUB.....	1
59	71950-G01		CLIPBOARD .....	1
60	14390-G2		LOCK NUT, 5/8 - 18 .....	1

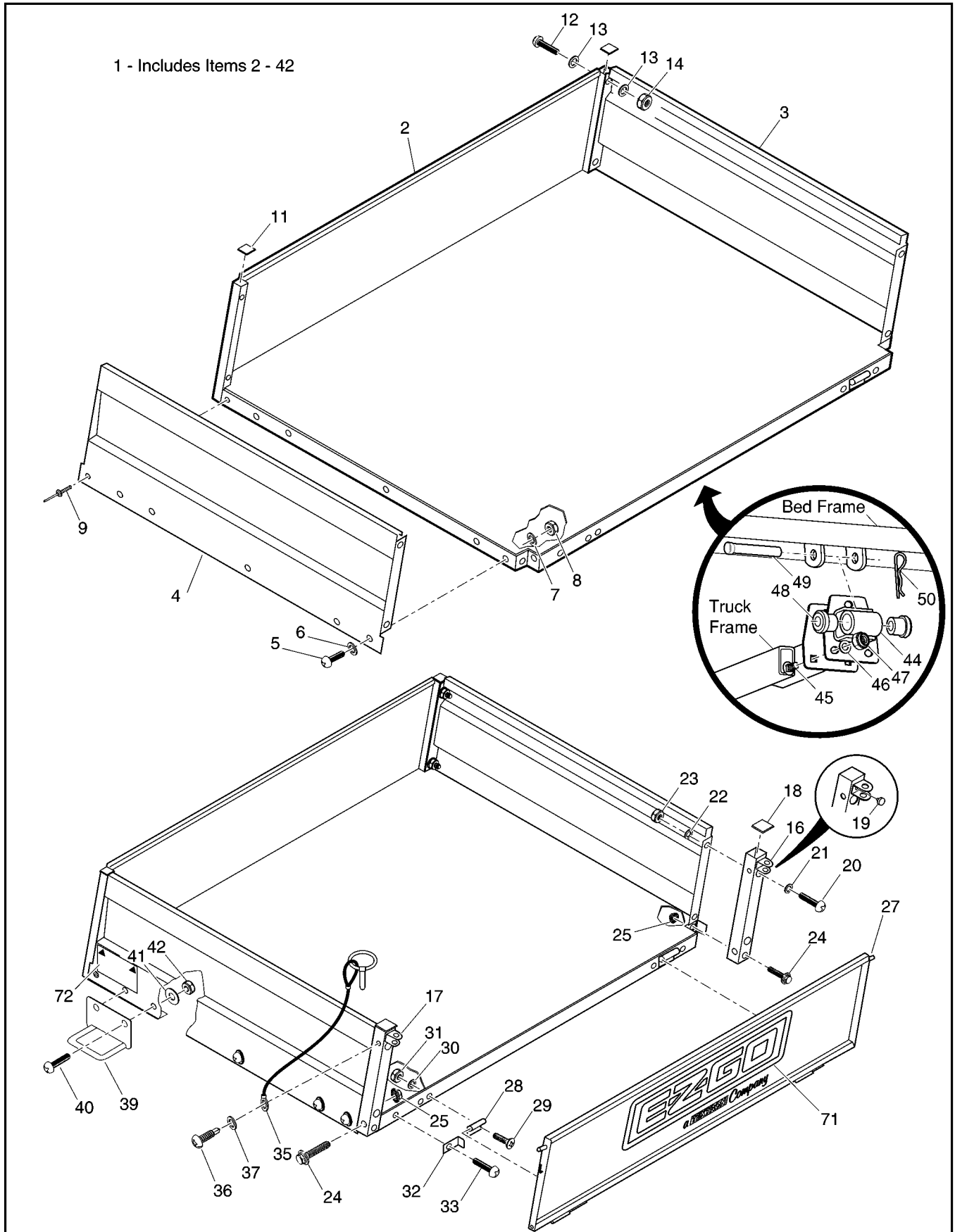


When ordering parts, please specify the model and serial number of the product.

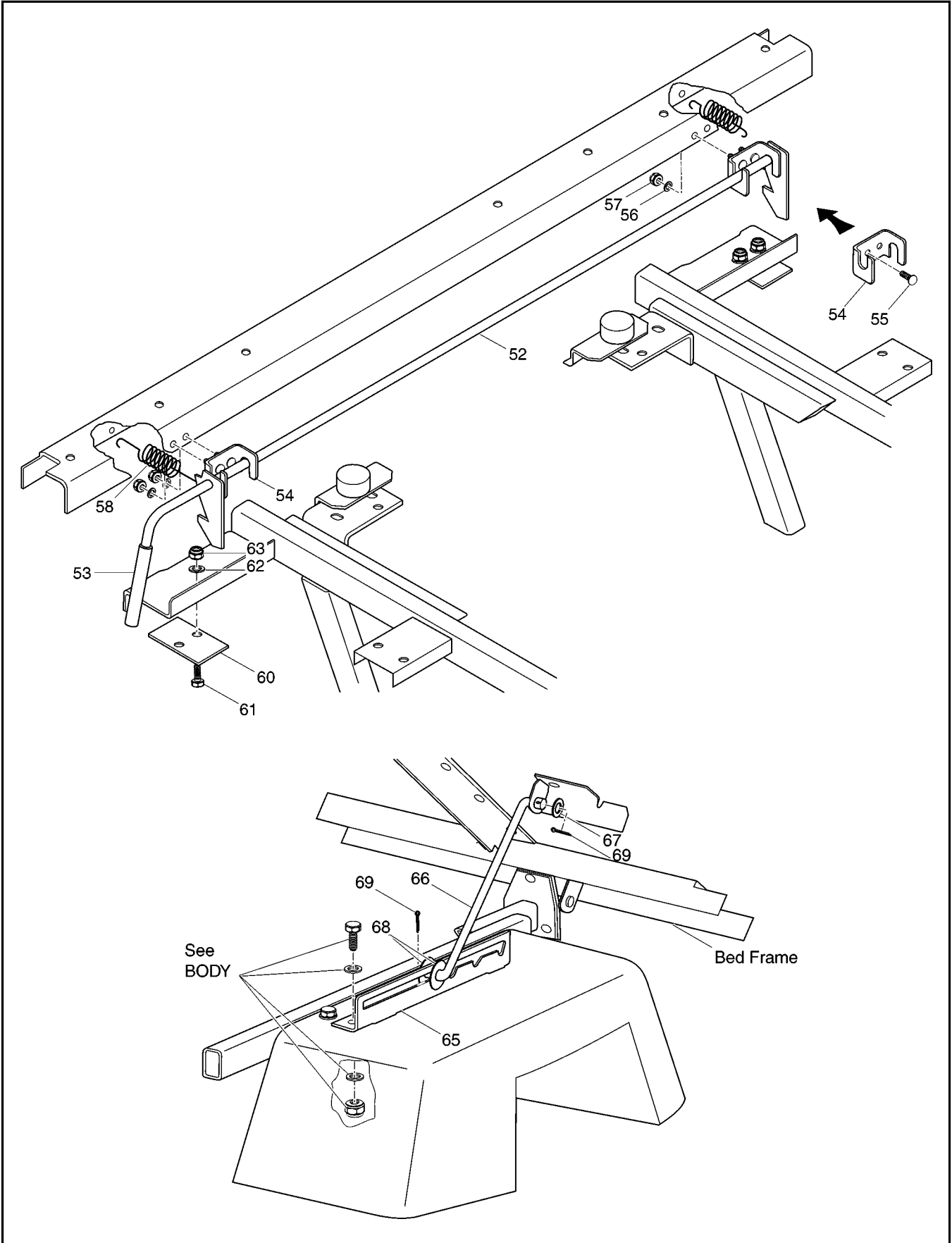
\* Indicates a component that is not available as an individual part.

G\*\* Indicates consult Customer Service Department for additional information.

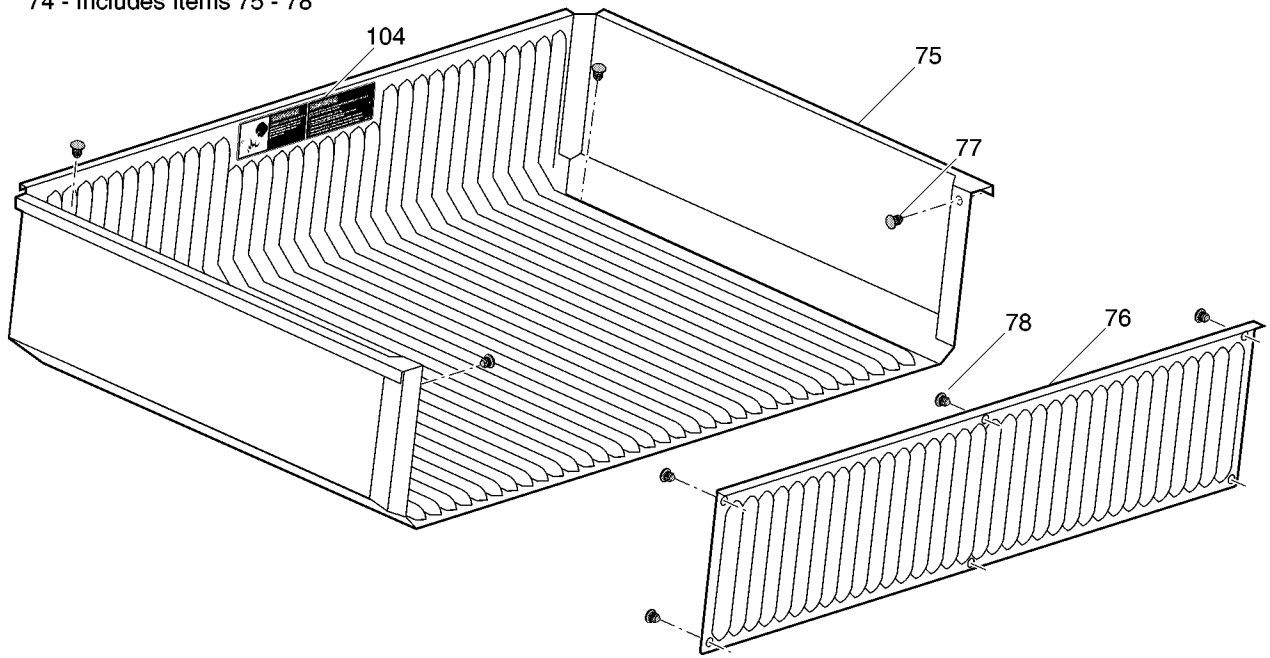
ITEM	PART NO.	1	2	3	4	5	DESCRIPTION	QTY.
61	00999-G01						SCREW, #8 - 18 X 7/8" LG.....	2
62								
63								
64	70074-G01						TIE ROD ASSEMBLY (INCLUDES ITEMS 65 - 74).....	2
65	70583-G02						THREADED TUBE WITH FLAT .....	1
66	27205-G01						TIE ROD END (LEFT HAND THREAD) (INCLUDES ITEMS 67 - 68).....	1
67	50641-G1						RUBBER BOOT .....	1
68	50209-G2						SLOTTED NUT, 7/16 - 20.....	1
69	18434-G3						JAM NUT, 9/16 - 18 (LEFT HAND THREAD) .....	1
70	27205-G02						TIE ROD END (RIGHT HAND THREAD) (INCLUDES ITEMS 71 - 72).....	1
71	50641-G1						RUBBER BOOT .....	1
72	50209-G2						SLOTTED NUT, 7/16 - 20.....	1
73	18434-G4						JAM NUT, 9/16 - 18 (RIGHT HAND THREAD).....	1
74	10389-G3						GREASE FITTING, STRAIGHT .....	2
75								
76	10387-G2						COTTER PIN, 3/32" X 1" LG.....	2
77								
78	50209-G2						SLOTTED NUT, 7/16 - 20 .....	1
79	10387-G2						COTTER PIN, 3/32" X 1" LG.....	1
80								
81	71146-G01						STEERING WHEEL .....	1
82	71949-G01						HUB.....	1
83	71147-G01						COVER .....	1
84	71047-G01						DECAL .....	1
85	14390-G2						LOCK NUT, 5/8 - 18 .....	1



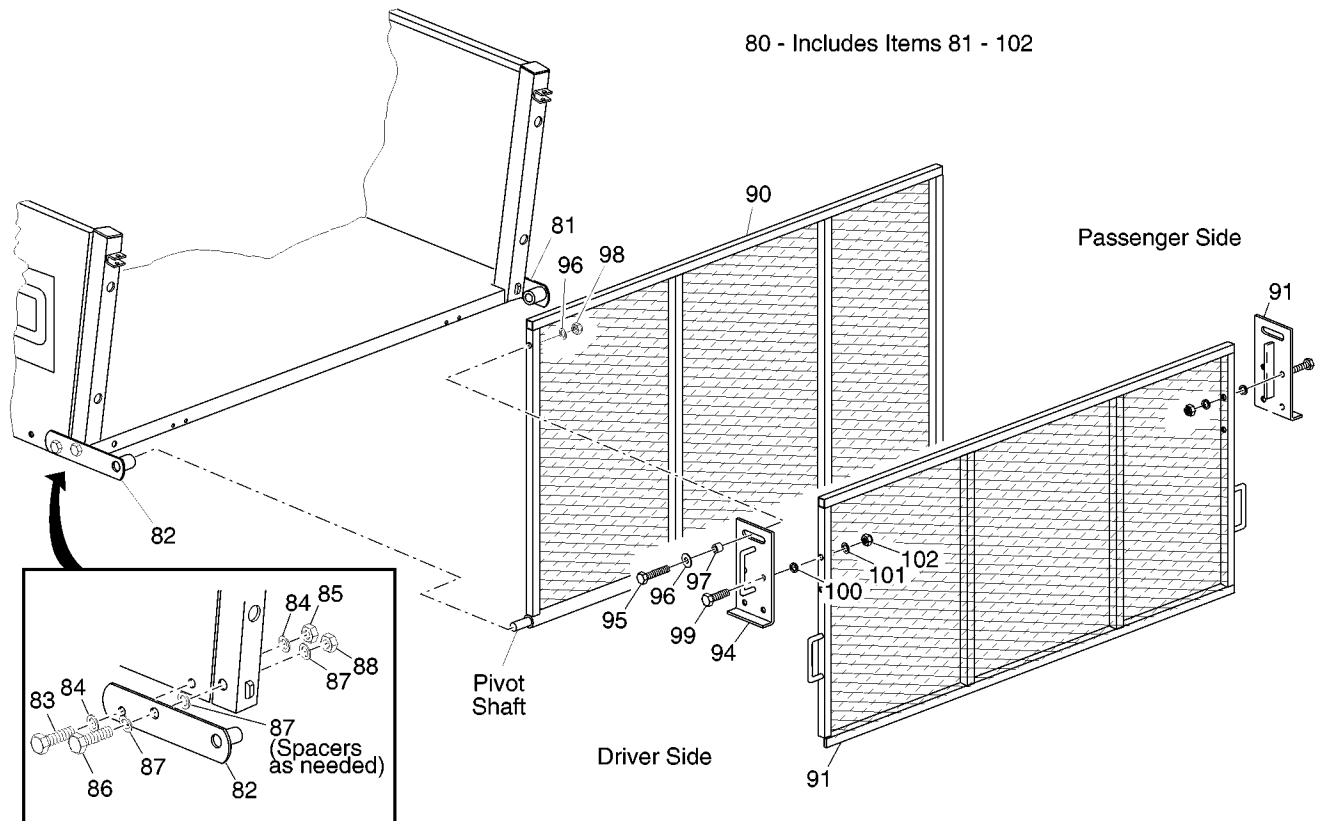




74 - Includes Items 75 - 78



80 - Includes Items 81 - 102



When ordering parts, please specify the model and serial number of the product.

\* Indicates a component that is not available as an individual part.

G\*\* Indicates consult Customer Service Department for additional information.

ITEM	PART NO.	1	2	3	4	5	DESCRIPTION	QTY.
1	71711-G03						TRUCK BED ASSEMBLY, 40" (MANUAL DUMP) (INCLUDES ITEMS 2 - 42)...	1
2	71719-G01						BED FRAME, 40" .....	1
3	71714-G01						SIDE PANEL, 40" (PASSENGER SIDE).....	1
4	71714-G02						SIDE PANEL, 40" (DRIVER SIDE) .....	1
5	16705-G3						SCREW, 1/4 - 20 X 3/4" LG.....	8
6	00915-G1						BONDED WASHER, 1/4" .....	8
7	00559-G7						WASHER, 1/4" .....	8
8	14390-G4						LOCK NUT, 1/4 - 20.....	8
9	14601-G8						RIVET, 3/8" X 7/16" LG. (ALUMINUM) .....	2
10								
11	71717-G01						END CAP, 1" .....	2
12	16705-G6						SCREW, 1/4 - 20 X 1 3/4" LG.....	4
13	00915-G1						BONDED WASHER, 1/4" .....	8
14	14390-G4						LOCK NUT, 1/4 - 20.....	4
15								
16	71837-G01						POST (PASSENGER SIDE) .....	1
17	71837-G02						POST (DRIVER SIDE).....	1
18	71718-G01						END CAP, 1 1/2" .....	2
19	71838-G01						RUBBER BUMPER .....	2
20	16705-G3						SCREW, 1/4 - 20 X 3/4" LG.....	4
21	00915-G1						BONDED WASHER, 1/4" .....	4
22	00559-G7						WASHER, 1/4" .....	4
23	14390-G4						LOCK NUT, 1/4 - 20.....	4
24	13437-G8						LOCK SCREW, 3/8-16 X 2" LG. ....	4
25	11027-G5						LOCK NUT, 3/8 - 16.....	4
26								
27	71732-G01						TAILGATE .....	1
28	27666-G01						HINGE .....	2
29	01002-G08						SCREW, 1/4 - 20 X 1" LG.....	4
30	00559-G7						WASHER, 1/4" .....	4



When ordering parts, please specify the model and serial number of the product.

\* Indicates a component that is not available as an individual part.

G\*\* Indicates consult Customer Service Department for additional information.

ITEM	PART NO.	1	2	3	4	5	DESCRIPTION	QTY.
31	14390-G4						LOCK NUT, 1/4 - 20.....	4
32	71748-G01						TAILGATE KEEPER .....	1
33	16705-G3						SCREW, 1/4 - 20 X 3/4" LG.....	1
34								
35	71083-G01						TAILGATE CABLE .....	2
36	00106-G6						SELF THREADING SCREW, #12 - 24 X 3/4" LG.....	2
37	00915-G1						BONDED WASHER, 1/4" .....	2
38								
39	71794-G01						LIFT HANDLE .....	1
40	00976-G08						SCREW, 5/16 - 18 X 1" LG.....	2
41	00559-G8						WASHER, 5/16" .....	2
42	11098-G6						LOCK NUT, 5/16 - 18.....	2
43								
44	70396-G01						BED PIVOT .....	2
45	00764-G2						CARRIAGE BOLT, 5/16 - 18 X 1" LG.....	6
46	00559-G8						WASHER, 5/16" .....	6
47	11098-G6						LOCK NUT, 5/16 - 18 .....	6
48	70291-G01						FLANGED BUSHING.....	4
49	21682-G1						CLEVIS PIN, 1/2" X 2 7/8" LG.....	2
50	21683-G1						COTTER PIN, 15/32" X 2 11/16" LG.....	2
51								
52	71831-G01						BED LATCH .....	1
53	71704-G01						HANDLE GRIP .....	1
54	71827-G01						LATCH BRACKET.....	2
55	01014-G03						CARRIAGE BOLT, 1/4 - 20 X 3/4" LG .....	4
56	00559-G7						WASHER, 1/4" .....	4
57	14390-G4						LOCK NUT, 1/4 - 20 .....	4
58	71707-G01						EXTENSION SPRING.....	2
59								
60	71766-G01						CATCH BRACKET .....	2



When ordering parts, please specify the model and serial number of the product.

\* Indicates a component that is not available as an individual part.

G\*\* Indicates consult Customer Service Department for additional information.

ITEM	PART NO.	1 2 3 4 5	DESCRIPTION	QTY.
61	00414-G6		BOLT, 1/4 - 20 X 3/4" LG.....	4
62	00559-G7		WASHER, 1/4" .....	4
63	14390-G4		LOCK NUT, 1/4 - 20 .....	4
64				
65	71673-G01		PROP BRACKET .....	1
66	71657-G01		PROP ROD .....	1
67	00560-G3		WASHER, 1/2" .....	1
68	15121-G1		WASHER, 3/8" .....	2
69	10387-G3		COTTER PIN, 3/32" X 3/4" LG.....	2
70				
71	71901-G01		DECAL (E-Z-GO) .....	1
72	71771-G01		LABEL (TILT WARNING) .....	1
73				
74	74035-G03		BED LINER KIT (INCLUDES ITEMS 75 - 78).....	1
75	74234-G01		BED LINER, 40" .....	1
76	74235-G01		TAILGATE LINER .....	1
77	18436-G1		RIVET, 1/4" X 3/4" LG.....	4
78	14601-G10		RIVET, 3/16" X 3/8" LG.....	6
79				
80	28334-G01		RAMP KIT (INCLUDES ITEMS 81 - 102) .....	1
81	28331-G01		RAMP SUPPORT (PASSENGER SIDE) .....	1
82	28331-G02		RAMP SUPPORT (DRIVER SIDE).....	1
83	00438-G8		BOLT, 5/16 - 18 X 1" LG .....	2
84	00559-G8		WASHER, 5/16".....	4
85	11098-G6		LOCK NUT, 5/16 - 18.....	2
86	00428-G6		BOLT, 3/8 - 16 X 2 3/4" LG .....	2
87	00562-G1		WASHER, 3/8" .....	6
88	11098-G5		LOCK NUT, 3/8 - 16.....	2
89				
90	20264-G1		UPPER RAMP .....	1

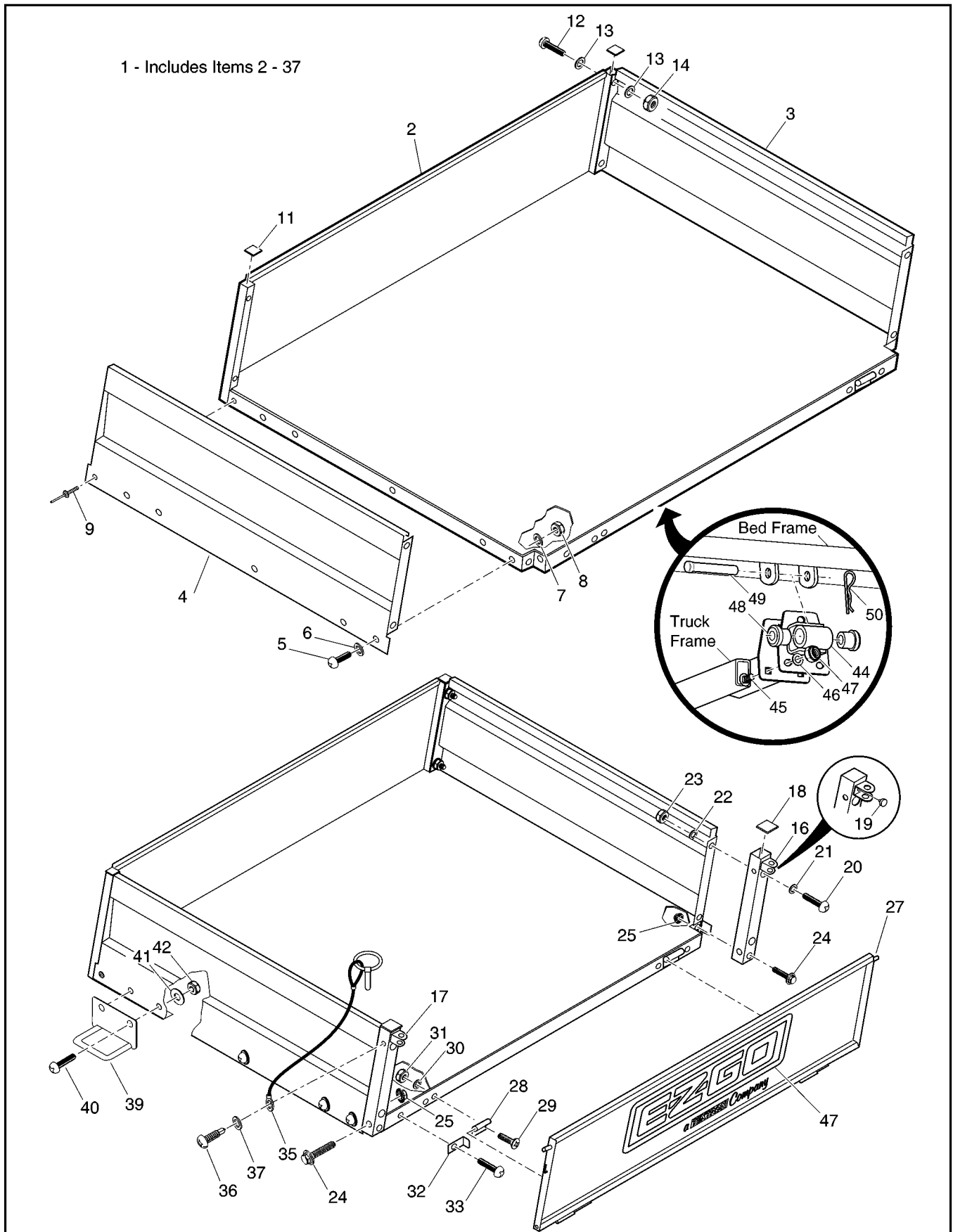


When ordering parts, please specify the model and serial number of the product.  
 \* Indicates a component that is not available as an individual part.  
 G\*\* Indicates consult Customer Service Department for additional information.

ITEM	PART NO.	1	2	3	4	5	DESCRIPTION	QTY.
91	20257-G2						LOWER RAMP .....	1
92								
93	20252-G1						PIVOT (PASSENGER SIDE) .....	1
94	20252-G2						PIVOT (DRIVER SIDE).....	1
95	00427-G8						BOLT, 3/8 - 16 X 2" LG .....	2
96	00562-G1						WASHER, 3/8" .....	4
97	20275-G1						PIVOT SPACER .....	2
98	11098-G5						LOCK NUT, 3/8-16.....	2
99	00439-G6						BOLT, 5/16 - 18 X 1 3/4" LG .....	4
100	00569-G2						WASHER, 5/16" .....	4
101	00559-G8						WASHER, 5/16" .....	4
102	11098-G6						LOCK NUT, 5/16 - 18.....	4
103								
104	71517-G02						SAFETY LABEL .....	1

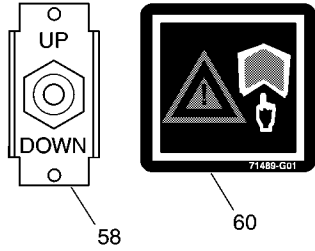
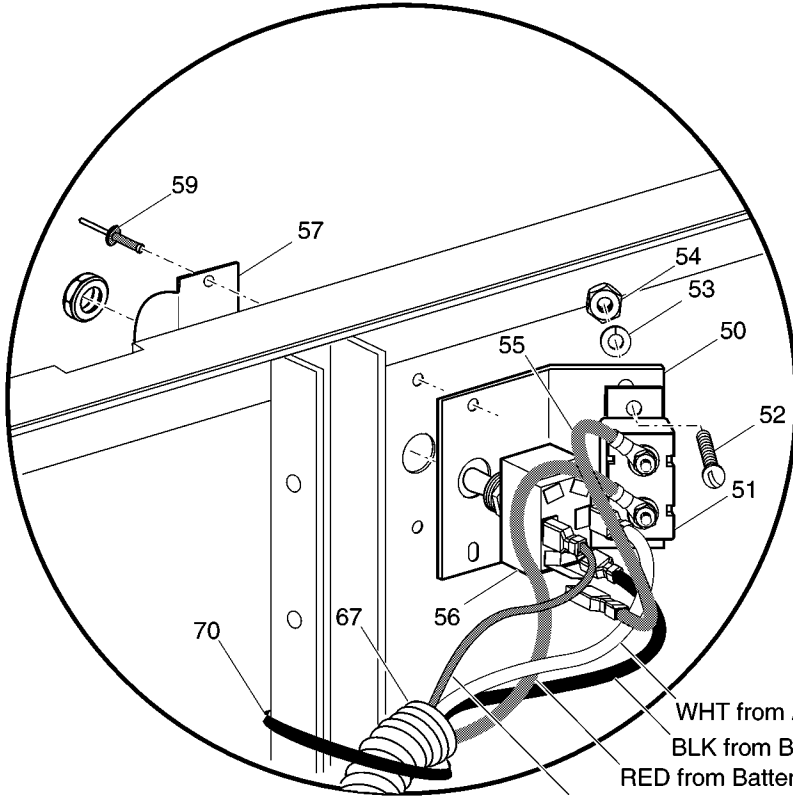




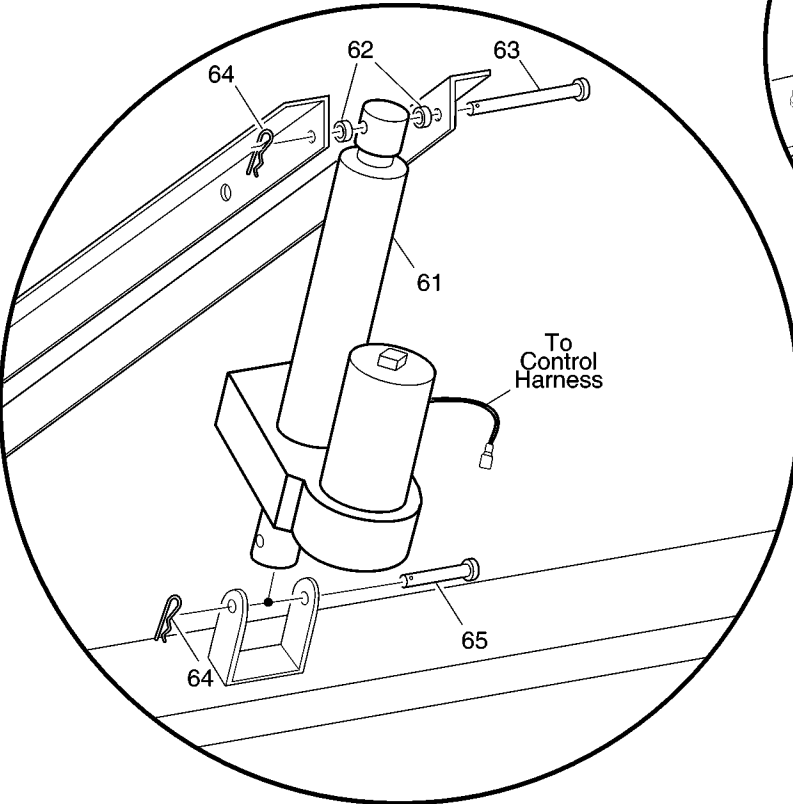
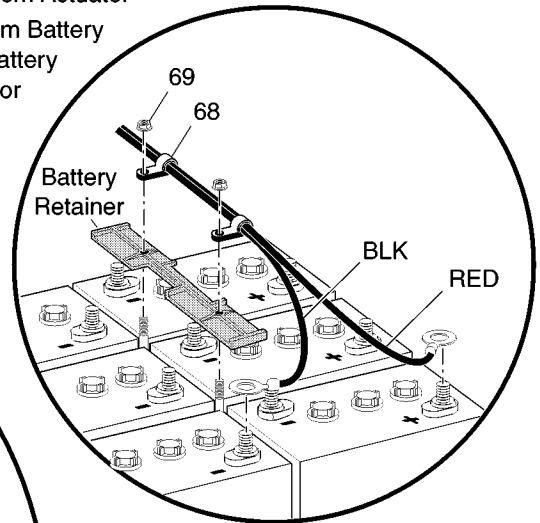




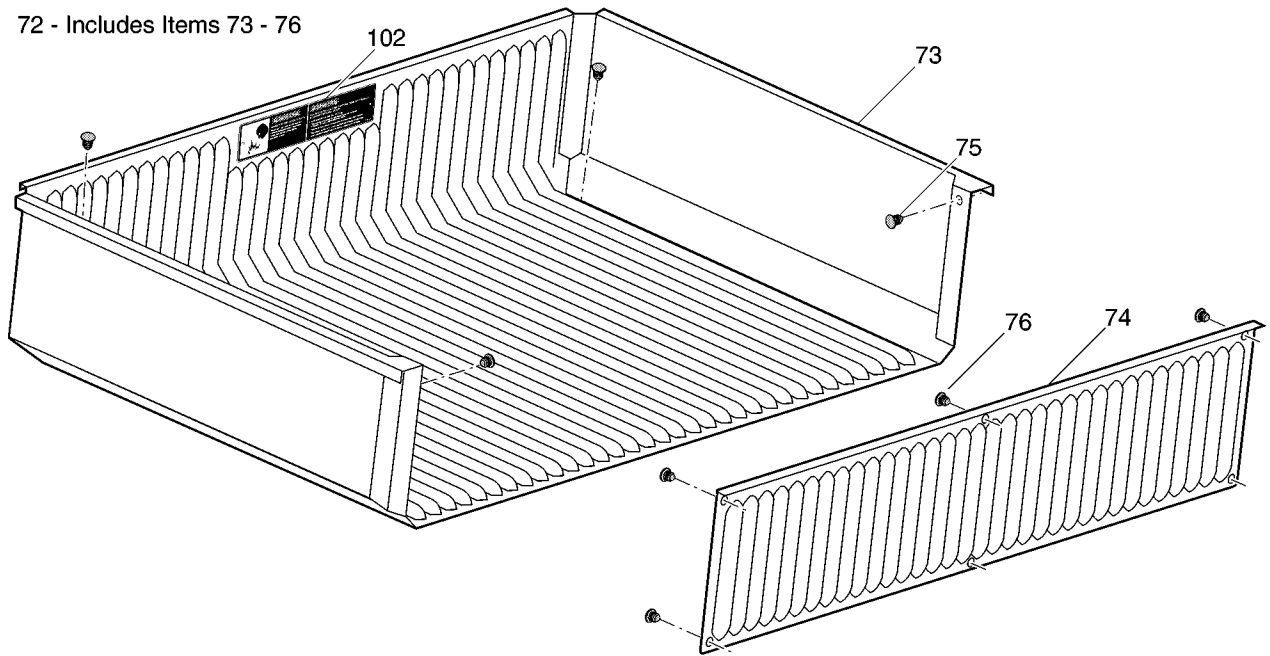
49 - Includes Items 50 - 70



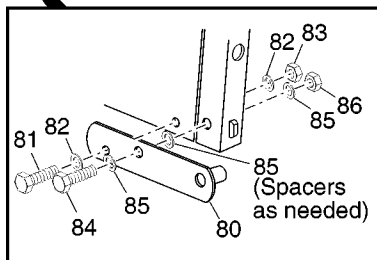
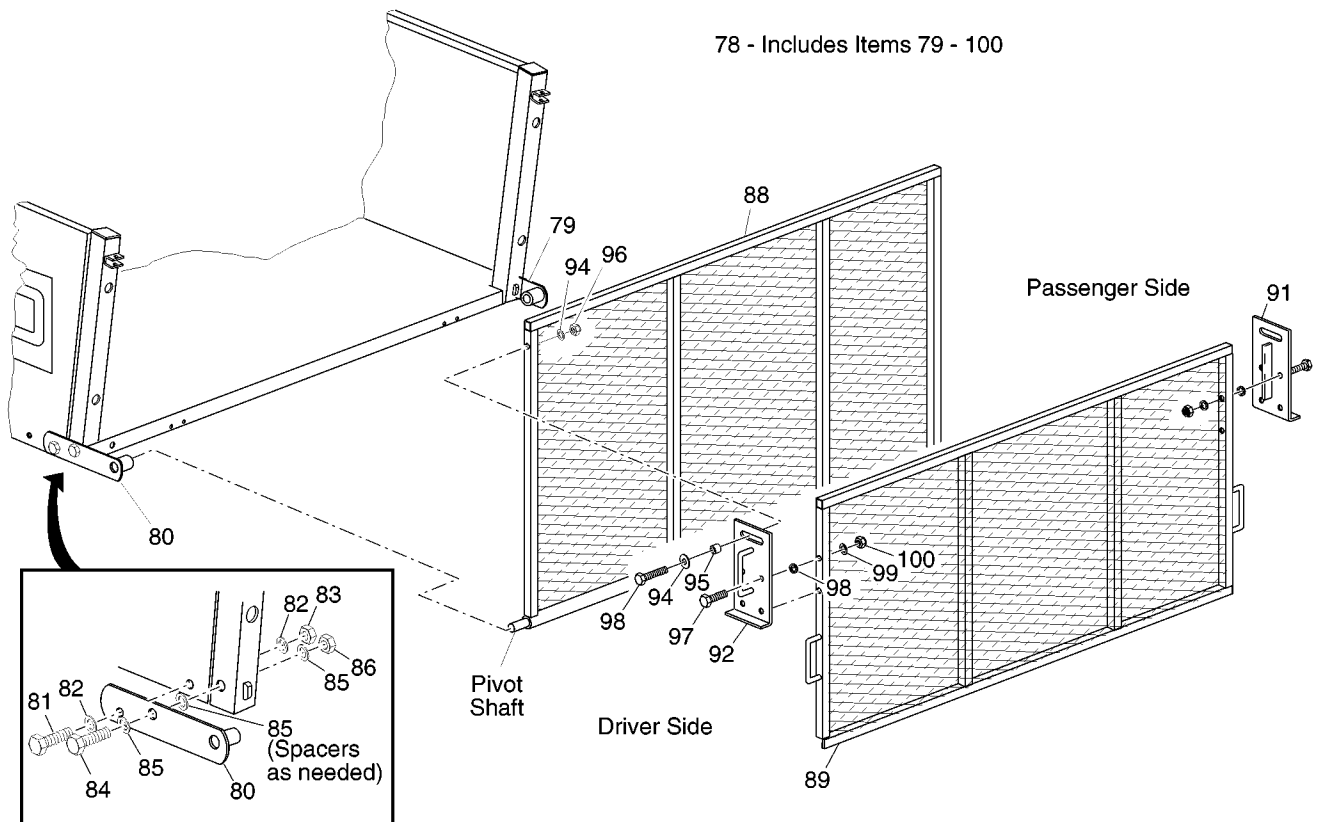
WHT from Actuator  
BLK from Battery  
RED from Battery  
RED from Actuator



72 - Includes Items 73 - 76



78 - Includes Items 79 - 100



When ordering parts, please specify the model and serial number of the product.

\* Indicates a component that is not available as an individual part.

G\*\* Indicates consult Customer Service Department for additional information.

ITEM	PART NO.	1	2	3	4	5	DESCRIPTION	QTY.
1	71711-G01						TRUCK BED ASSEMBLY, 40" (ELECTRIC DUMP) (INCLUDES ITEMS 2-37)..	1
2	71719-G01						BED FRAME, 40" .....	1
3	71714-G01						SIDE PANEL, 40" (PASSENGER SIDE).....	1
4	71714-G02						SIDE PANEL, 40" (DRIVER SIDE) .....	1
5	16705-G3						SCREW, 1/4 - 20 X 3/4" LG.....	10
6	00915-G1						BONDED WASHER, 1/4" .....	10
7	00559-G7						WASHER, 1/4" .....	10
8	14390-G4						LOCK NUT, 1/4 - 20.....	10
9	14601-G8						RIVET, 3/8" X 7/16" LG.....	2
10								
11	71717-G01						END CAP, 1" .....	2
12	16705-G6						SCREW, 1/4 - 20 X 1 3/4" LG.....	4
13	00915-G1						BONDED WASHER, 1/4" .....	8
14	14390-G4						LOCK NUT, 1/4 - 20.....	4
15								
16	71837-G01						POST (PASSENGER SIDE) .....	1
17	71837-G02						POST (DRIVER SIDE).....	1
18	71718-G01						END CAP, 1 1/2" .....	2
19	71838-G01						RUBBER BUMPER .....	2
20	16705-G3						SCREW, 1/4 - 20 X 3/4" LG.....	4
21	00915-G1						BONDED WASHER, 1/4" .....	4
22	00559-G7						WASHER, 1/4" .....	4
23	14390-G4						LOCK NUT, 1/4 - 20.....	4
24	13437-G8						LOCK SCREW, 3/8 - 16 X 2" LG. ....	4
25	11027-G5						LOCK NUT, 3/8 - 16.....	4
26								
27	71732-G01						TAILGATE .....	1
28	27666-G01						HINGE .....	2
29	01002-G08						SCREW, 1/4 - 20 X 1" LG.....	4
30	00559-G7						WASHER, 1/4" .....	4



# TRUCK BED, ELECTRIC LIFT

# Electric Vehicle

When ordering parts, please specify the model and serial number of the product.

\* Indicates a component that is not available as an individual part.

G\*\* Indicates consult Customer Service Department for additional information.

ITEM	PART NO.	1	2	3	4	5	DESCRIPTION	QTY.
31	14390-G4						LOCK NUT, 1/4 - 20.....	4
32	71748-G01						TAILGATE KEEPER .....	1
33	16705-G3						SCREW, 1/4 - 20 X 3/4" LG.....	1
34								
35	71083-G01						TAILGATE CABLE .....	2
36	00106-G6						SELF THREADING SCREW, #12 - 24 X 3/4" LG.....	2
37	00915-G1						BONDED WASHER, 1/4" .....	2
38								
39	70396-G01						BED PIVOT .....	2
40	00764-G1						CARRIAGE BOLT, 5/16 - 18 X 3/4" LG. ....	6
41	00559-G8						WASHER, 5/16" .....	6
42	11098-G6						LOCK NUT, 5/16 - 18 .....	6
43	70291-G01						FLANGED BUSHING.....	4
44	21682-G1						CLEVIS PIN, 1/2" X 2 7/8" LG.....	2
45	21683-G1						COTTER PIN, 15/32" X 2 11/16".....	2
46								
47	71901-G01						DECAL (E-Z-GO) .....	1
48								
49	74052-G02						ELECTRIC DUMP KIT (INCLUDES ITEMS 50 - 70) .....	1
50	74165-G01						CIRCUIT BREAKER MOUNTING BRACKET .....	1
51	21320-G4						CIRCUIT BREAKER, 15 AMP .....	1
52	00150-G4						SCREW, #10 - 24 X 1/2" LG.....	2
53	00565-G5						LOCK WASHER, #10 .....	2
54	00526-G3						NUT, #10 - 24.....	2
55	25976-G14						14 GA WIRE (RED 5").....	1
56	27680-G01						TOGGLE SWITCH.....	1
57	27447-G01						TOGGLE GUARD.....	1
58	27446-G01						LABEL.....	1
59	10570-G9						RIVET, 1/8" X 11/32" LG. ....	2
60	71489-G01						SAFETY DECAL	



When ordering parts, please specify the model and serial number of the product.

\* Indicates a component that is not available as an individual part.

G\*\* Indicates consult Customer Service Department for additional information.

ITEM	PART NO.	1	2	3	4	5	DESCRIPTION	QTY.
61	27612-G03						ELECTRIC ACTUATOR .....	1
62	27613-G01						SPACER .....	2
63	14443-G10						CLEVIS PIN, 1/2" X 2 27/32" LG. ....	1
64	21683-G1						COTTER PIN, 2 11/16" LG .....	2
65	14443-G11						CLEVIS PIN, 1/2" X 1 3/4" LG .....	1
66								
67	74054-G01						WIRE HARNESS .....	1
68	11845-G3						CABLE CLIP, 11/16" .....	2
69	00532-G3						NUT, 5/16 - 18.....	2
70	17618-G1						WIRE TIE.....	8
71								
72	74035-G03						BED LINER KIT (INCLUDES ITEMS 73 - 76).....	1
73	74234-G01						BED LINER, 40" .....	1
74	74235-G01						TAILGATE LINER .....	1
75	18436-G1						RIVET, 1/4" X 3/4" LG.....	4
76	14601-G10						RIVET, 3/16" X 3/8" LG.....	6
77								
78	28334-G01						RAMP KIT (INCLUDES ITEMS 79 - 100) .....	1
79	28331-G01						RAMP SUPPORT (PASSENGER SIDE) .....	1
80	28331-G02						RAMP SUPPORT (DRIVER SIDE).....	1
81	00438-G8						BOLT, 5/16 - 18 X 1" LG .....	2
82	00559-G8						WASHER, 5/16" .....	4
83	11098-G6						LOCK NUT, 5/16 - 18.....	2
84	00428-G6						BOLT, 3/8-16 X 2 3/4" LG .....	2
85	00562-G1						WASHER, 3/8" .....	6
86	11098-G5						LOCK NUT, 3/8 - 16.....	2
87								
88	20264-G1						UPPER RAMP .....	1
89	20257-G2						LOWER RAMP .....	1
90								

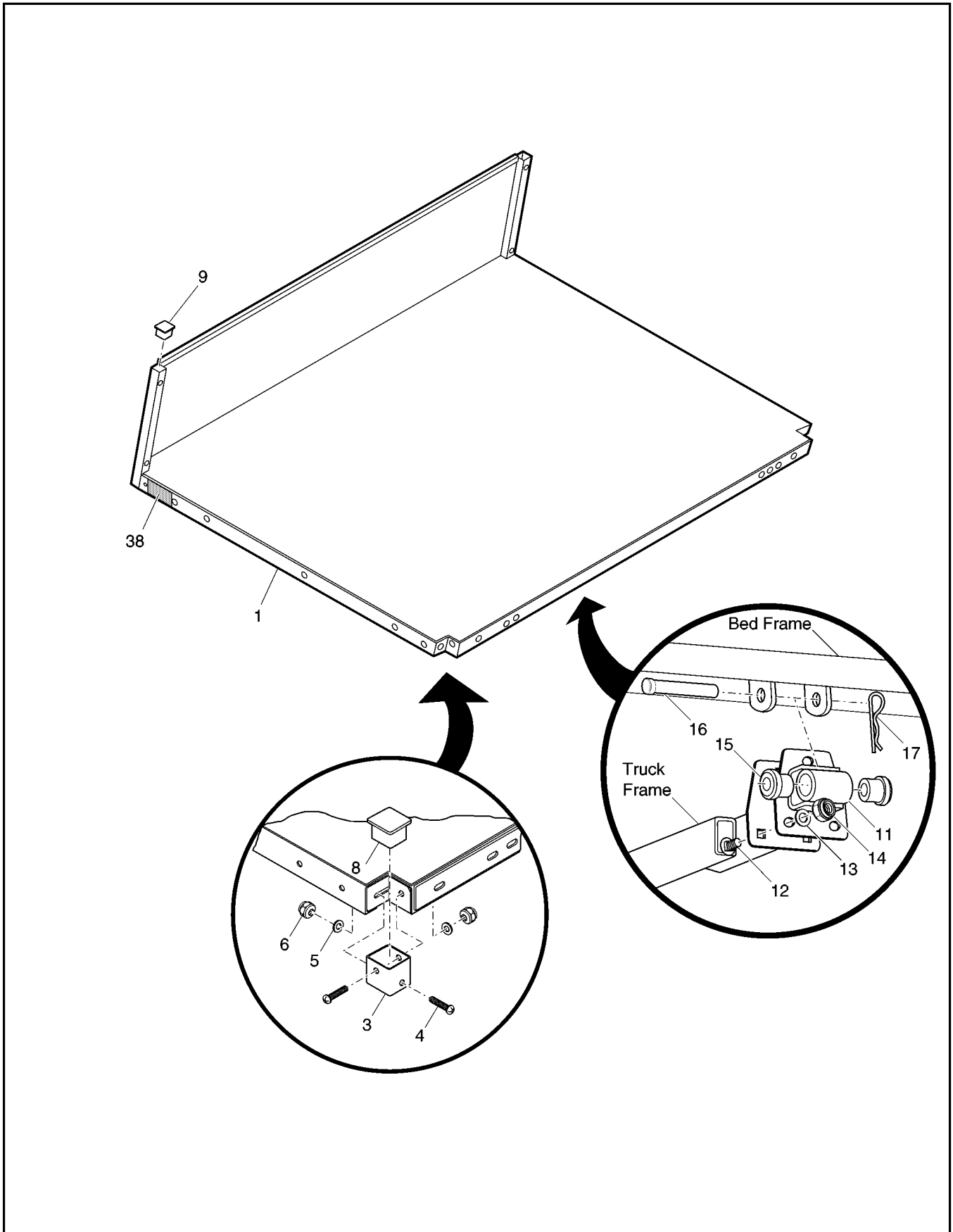


When ordering parts, please specify the model and serial number of the product.  
 \* Indicates a component that is not available as an individual part.  
 G\*\* Indicates consult Customer Service Department for additional information.

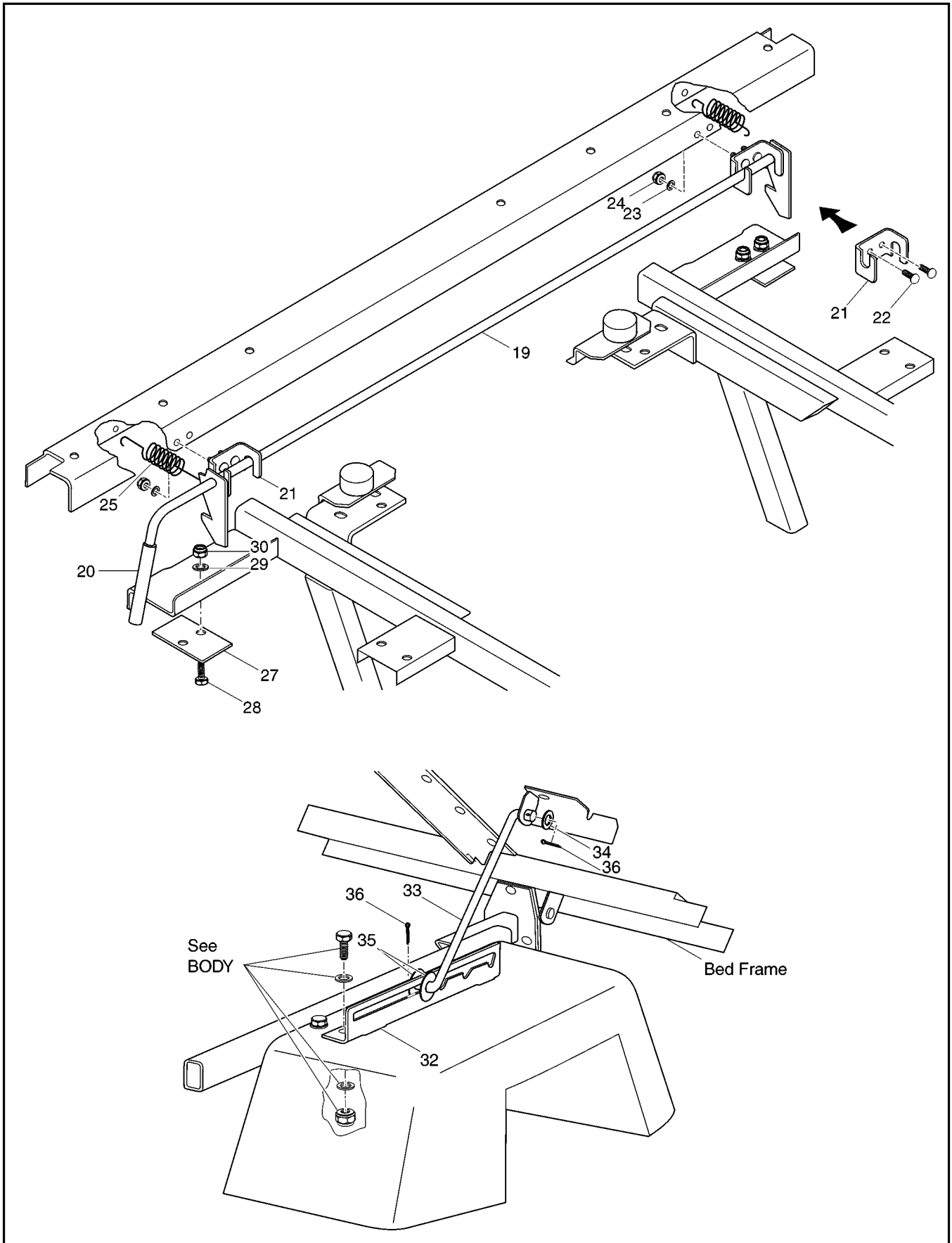
ITEM	PART NO.	1	2	3	4	5	DESCRIPTION	QTY.
91	20252-G1						PIVOT (PASSENGER SIDE) .....	1
92	20252-G2						PIVOT (DRIVER SIDE).....	1
93	00427-G8						BOLT, 3/8 - 16 X 2" LG .....	2
94	00562-G1						WASHER, 3/8" .....	4
95	20275-G1						PIVOT SPACER .....	2
96	11098-G5						LOCK NUT, 3/8-16.....	2
97	00439-G6						BOLT, 5/16-18 X 1 3/4" LG .....	4
98	00569-G2						WASHER, 5/16" .....	4
99	00559-G8						WASHER, 5/16" .....	4
100	11098-G6						LOCK NUT, 5/16 - 18.....	4
101								
102	71517-G02						SAFETY LABEL .....	1

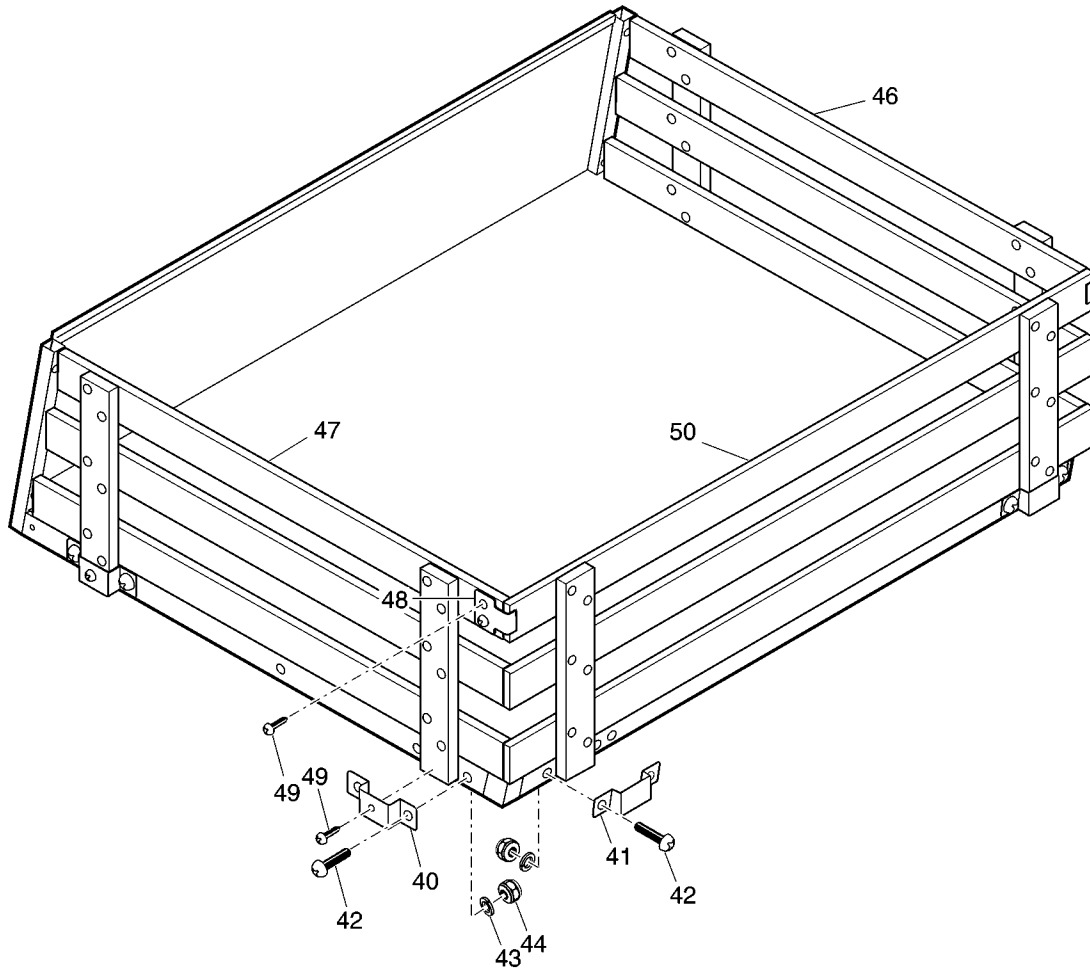












When ordering parts, please specify the model and serial number of the product.

\* Indicates a component that is not available as an individual part.

G\*\* Indicates consult Customer Service Department for additional information.

ITEM	PART NO.	1 2 3 4 5	DESCRIPTION	QTY.
1	71719-G01		FLAT BED .....	1
2				
3	71772-G01		CORNER TUBE .....	2
4	00762-G8		SCREW, 5/16 - 18 X 2" LG. ....	4
5	00559-G8		WASHER, 5/16" .....	4
6	00550-G3		LOCK NUT, 5/16 - 18 .....	4
7				
8	71718-G01		END CAP, 1 1/2" .....	2
9	71717-G01		END CAP, 1" .....	2
10				
11	70396-G01		BED PIVOT .....	2
12	00764-G2		CARRIAGE BOLT, , 5/16 - 18 X 1" LG. ....	6
13	00559-G8		WASHER, 5/16" .....	6
14	11098-G6		LOCK NUT, 5/16 - 18 .....	6
15	70291-G01		FLANGED BUSHING .....	4
16	21682-G1		CLEVIS PIN, 1/2" X 2 7/8" LG.....	2
17	21683-G1		COTTER PIN, 15/32" X 2 11/16" .....	2
18				
19	71831-G01		BED LATCH .....	1
20	71704-G01		HANDLE GRIP .....	1
21	71827-G01		LATCH BRACKET .....	2
22	01014-G03		CARRIAGE BOLT, 1/4 - 20 X 3/4" LG .....	4
23	00559-G7		WASHER, 1/4" .....	4
24	14390-G4		LOCK NUT, 1/4 - 20 .....	4
25	71707-G01		EXTENSION SPRING.....	2
26				
27	71766-G01		CATCH BRACKET .....	2
28	00414-G6		BOLT, 1/4 - 20 X 3/4" LG.....	4
29	00559-G7		WASHER, 1/4" .....	4
30	14390-G4		LOCK NUT, 1/4 - 20 .....	4

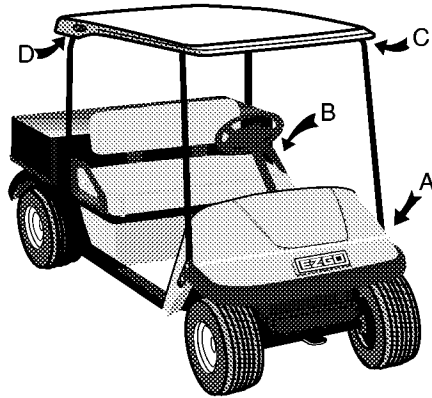


When ordering parts, please specify the model and serial number of the product.  
 \* Indicates a component that is not available as an individual part.  
 G\*\* Indicates consult Customer Service Department for additional information.

ITEM	PART NO.	1 2 3 4 5	DESCRIPTION	QTY.
31				
32	71673-G01		PROP BRACKET .....	1
33	71657-G01		PROP ROD .....	1
34	00560-G3		WASHER, 1/2" .....	1
35	15121-G1		WASHER, 3/8" .....	2
36	10387-G3		COTTER PIN, 3/32" X 3/4" LG.....	2
37				
38	71777-G01		DECAL (WARNING).....	1
39				
40	74157-G01		SIDE RAIL SUPPORT .....	4
41	74161-G01		BACK RAIL SUPPORT .....	2
42	16705-G3		SCREW, 1/4-20 X 3/4" LG. ....	12
43	00559-G7		WASHER, 1/4" .....	12
44	14390-G4		NUT, 1/4-20 .....	12
45				
46	74167-G01		SIDE CARGO RACK, 40" (PASSENGER SIDE) .....	1
47	74167-G02		SIDE CARGO RACK, 40" (DRIVER SIDE) .....	1
48	74079-G01		TAILGATE RETAINER BRACKET .....	2
49	00666-G6		SCREW, #10 - 12 X 3/4" LG. ....	8
50	74162-G03		REAR CARGO RACK.....	1

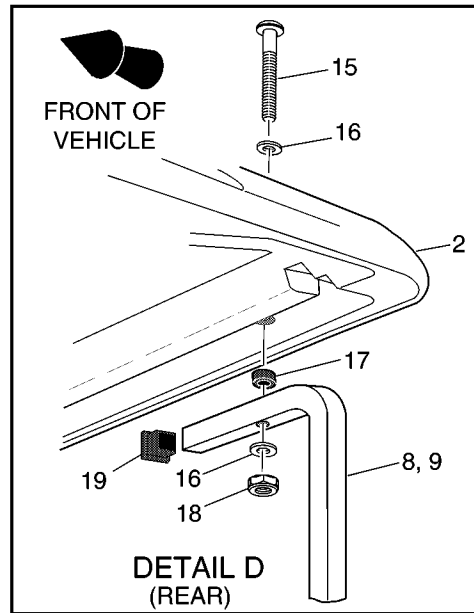
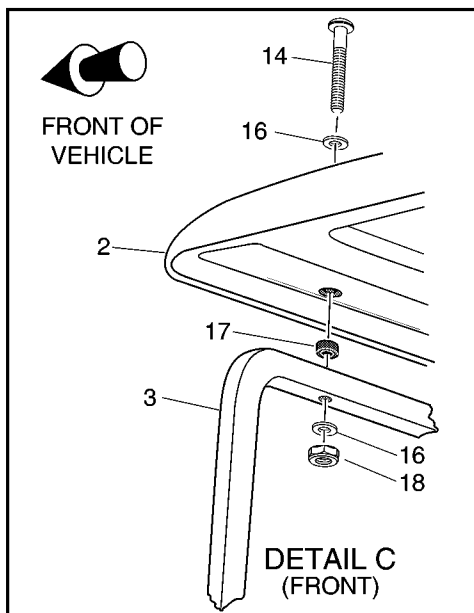
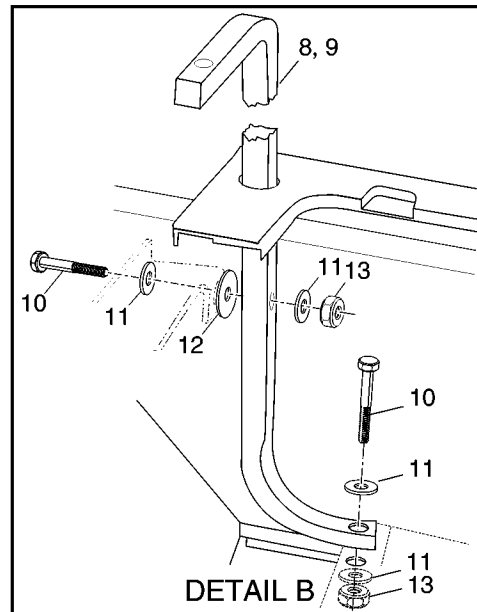
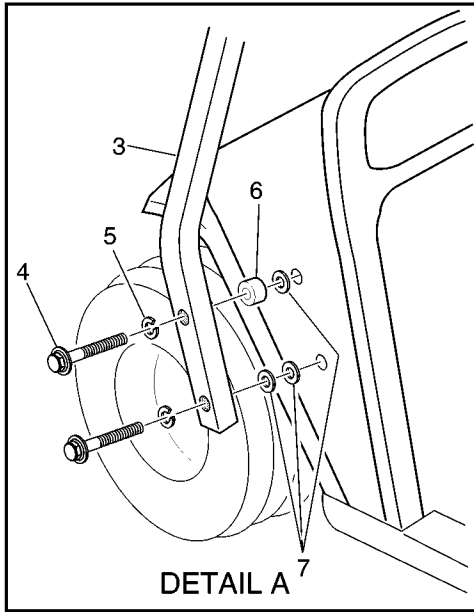


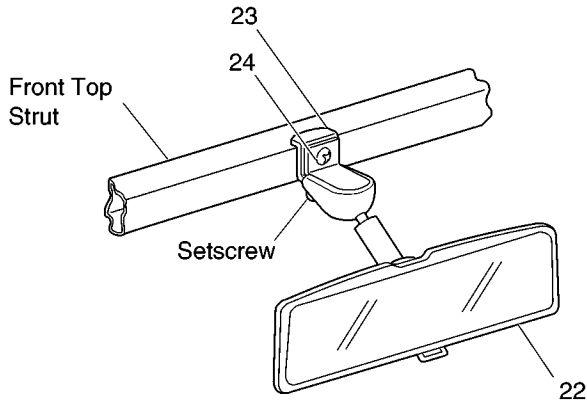




**SUN TOP**

1 - Includes Items 2 - 19

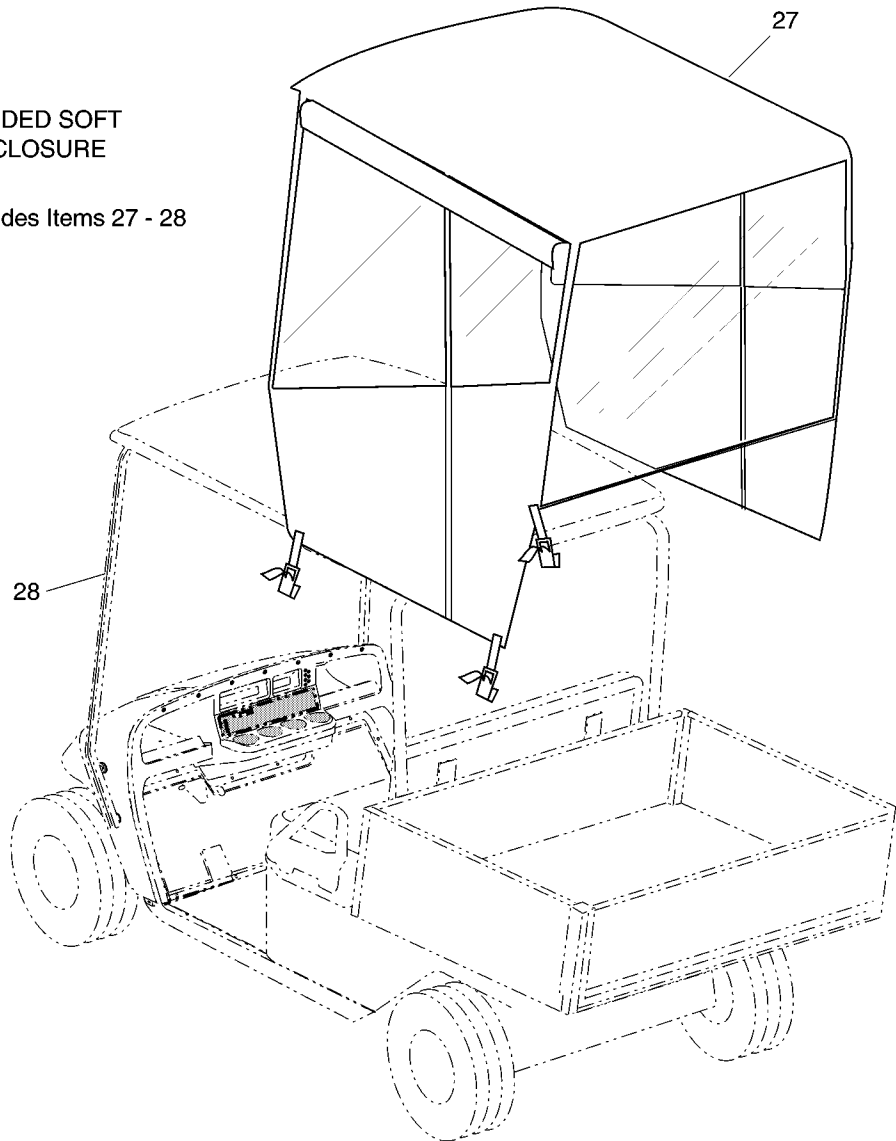


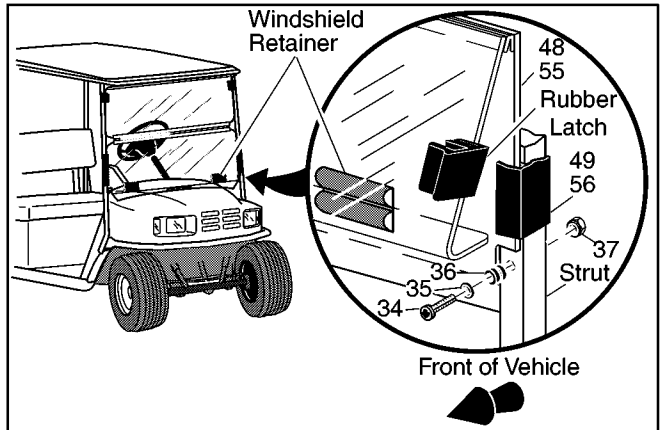
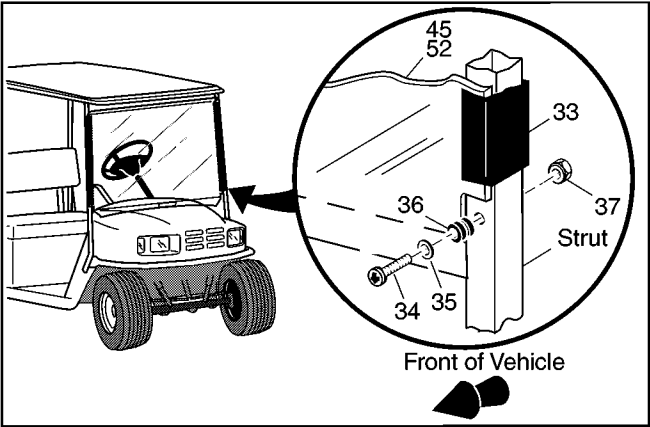
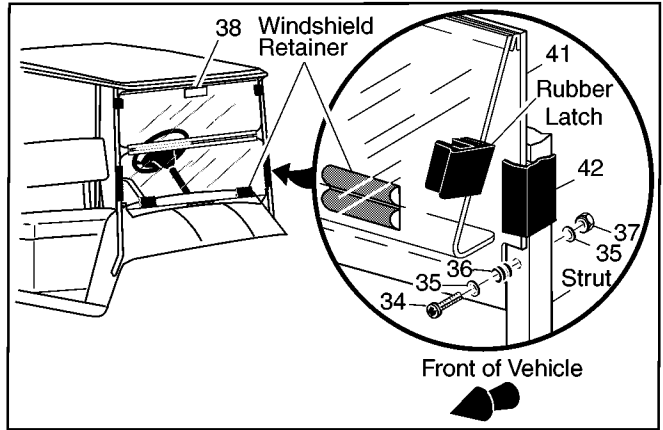
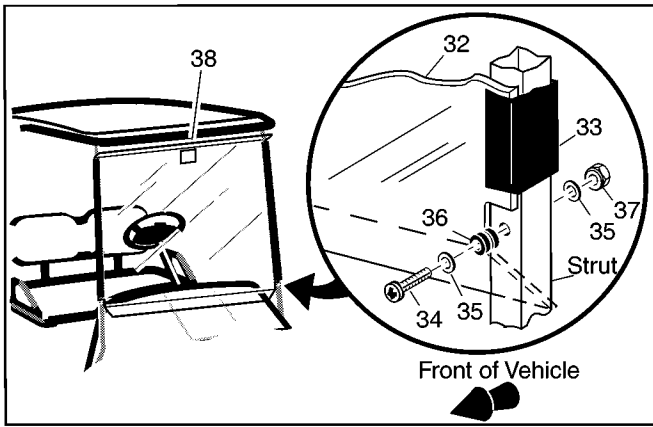


REAR VIEW MIRROR

21 - Includes Items 22 - 24

3-SIDED SOFT ENCLOSURE  
26 - Includes Items 27 - 28







When ordering parts, please specify the model and serial number of the product.

\* Indicates a component that is not available as an individual part.

G\*\* Indicates consult Customer Service Department for additional information.

ITEM	PART NO.	1 2 3 4 5	DESCRIPTION	QTY.
1	75350-G02		SUN TOP KIT (INCLUDES ITEMS 2 - 19) .....	1
2	27069-G07		SUN TOP.....	1
3	75045-G01		FRONT STRUT .....	1
4	01035-G01		BOLT, 5/16 - 18 X 2 1/4" LG .....	4
5	00905-G8		LOCK WASHER, 5/16".....	4
6	75048-G01		SPACER, 1/2".....	2
7	00570-G2		WASHER, 5/16".....	6
8	75343-G01		REAR STRUT (PASSENGER SIDE).....	1
9	75343-G02		REAR STRUT (DRIVER SIDE) .....	1
10	00439-G6		BOLT, 5/16 - 18 X 1 3/4" LG .....	4
11	00571-G2		WASHER, 5/16".....	8
12	15121-G1		WASHER, 3/8".....	2
13	11098-G6		LOCK NUT, 5/16 - 18.....	4
14	00753-G5		SCREW, 1/4 - 20 X 2" LG (STAINLESS STEEL) .....	2
15	00753-G6		SCREW, 1/4 - 20 X 2 1/4" LG (STAINLESS STEEL) .....	2
16	00559-G7		WASHER, 1/4".....	8
17	75051-G01		SPACER.....	4
18	00891-G2		LOCK NUT, 1/4 - 20.....	4
19	19853-G1		END CAP, 1".....	2
20				
21	19528-G2		REAR VIEW MIRROR KIT (REQUIRES SUN TOP) (INCLUDES ITEMS 22 - 24) .....	1
22	19496-G1		REAR VIEW MIRROR.....	1
23	19502-G2		SUPPORT BRACKET .....	1
24	19527-G1		SCREW, #8 - 32 X 5/8" LG (STAINLESS STEEL) .....	1
25				
26	75367-G03		3-SIDED SOFT ENCLOSURE (REQUIRES SUN TOP) (INCL ITEMS 27 - 28) .....	1
27	*		ENCLOSURE .....	1
28	*		VELCRO.....	AR
29				



Replacement parts for the windshield may be obtained from Eagle Parts, Inc. 1811 Wilkinson Rd. Augusta, GA 30904. Telephone (706) 729-9911 or FAX (706) 729-9955

\* Indicates a component that is not available as an individual part.

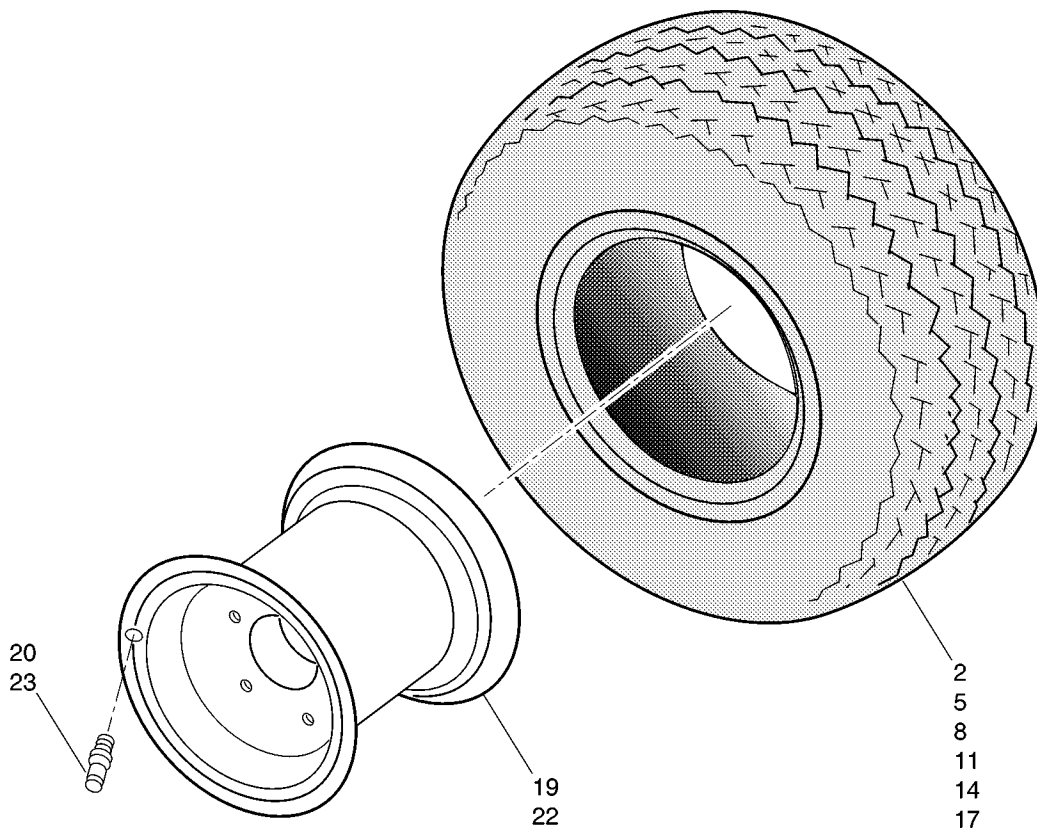
G\*\* Indicates consult Customer Service Department for additional information.

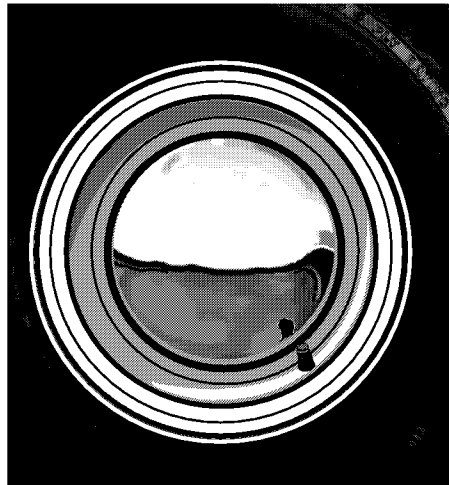
ITEM	PART NO.	1	2	3	4	5	DESCRIPTION	QTY.
30								
31	75524-G01						WINDSHIELD KIT (FULL (1000) (INCLUDES ITEMS 32 - 38).....	1
32	EGWFX03						WINDSHIELD (FULL).....	1
33	EGWHC12						SASH, 26" LG.....	2
34	EGWHS12						BOLT, 1/4 - 20 X 1 3/4" LG. (STAINLESS STEEL).....	2
35	EGWHW12						WASHER, 1/4" (STAINLESS STEEL) .....	4
36	EGWHG13						RUBBER GROMMET .....	2
37	EGWHN12						LOCK NUT, 1/4 - 20 (STAINLESS STEEL) .....	2
38	EGWHL14						SAFETY LABEL .....	1
39								
40	75525-G01						WINDSHIELD KIT (SPLIT) (1000) (INCLUDES ITEMS 41, 42, 34 - 38).....	1
41	EGWSX03						WINDSHIELD (SPLIT).....	1
42	EGWHC10						SASH, 12" LG.....	2
43								
44	71966-G03						WINDSHIELD KIT (FULL) (1000LX) (INCLUDES ITEMS 45, 33 - 37) .....	1
45	71960-G01						WINDSHIELD (FULL).....	1
46								
47	71966-G04						WINDSHIELD KIT (SPLIT) (1000LX) (INCLUDES ITEMS 48, 49, 34 - 37) .....	1
48	71961-G01						WINDSHIELD (SPLIT).....	1
49	EGWHC10						SASH, 12" LG.....	2
50								
51	71966-G01						WINDSHIELD KIT (FULL (1000LX) (INCLUDES ITEMS 52, 33 - 37).....	1
52	71954-G01						WINDSHIELD (FULL) (LEXAN).....	1
53								
54	71966-G02						WINDSHIELD KIT (SPLIT) (1000LX) (INCLUDES ITEMS 55, 56, 34 - 37) .....	1
55	71955-G01						WINDSHIELD (SPLIT) (LEXAN) .....	1
56	EGWHC10						SASH, 12" LG.....	2



- 1 - Includes Items 2, 19, 20
- 4 - Includes Items 5, 19, 20
- 7 - Includes Items 8, 19, 20
- 10 - Includes Items 11, 19, 20
- 13 - Includes Items 14, 22, 23
- 16 - Includes Items 17, 22, 23

Tire design may vary by Part Number

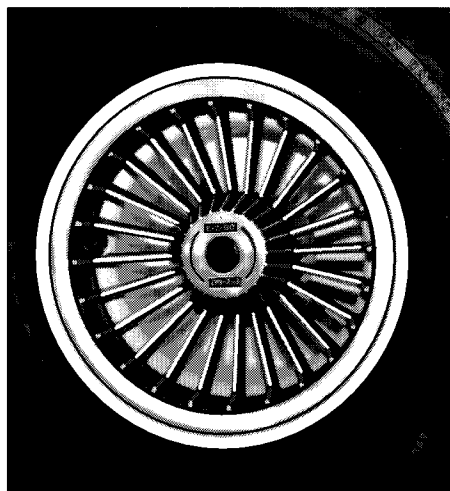




6"CHROME HUBCAP  
27



8"CHROME HUBCAP  
26



GOLD / SILVER SPOKE HUBCAP  
28, 29

# WHEELS AND TIRES

# Electric Vehicle

When ordering parts, please specify the model and serial number of the product.

\* Indicates a component that is not available as an individual part.

G\*\* Indicates consult Customer Service Department for additional information.

ITEM	PART NO.	1 2 3 4 5	DESCRIPTION	QTY.
1	27772-G01		WHEEL AND TIRE ASSEMBLY, LINKS (INCLUDES ITEMS 2, 19, 20) .....	A/R
2	27772-G05		CARLISLE TIRE (LINKS 18 X 8.5 - 8, 4 PLY RATED).....	A/R
3				
4	27772-G03		WHEEL AND TIRE ASSEMBLY, TURF SAVER (INCLUDES ITEMS 5, 19, 20) ..	A/R
5	27772-G07		CARLISLE TIRE (TURF SAVER 18 X 8.5 - 8, 4 PLY RATED) .....	A/R
6				
7	27772-G09		WHEEL AND TIRE ASSEMBLY, LINKS (INCLUDES ITEMS 8, 19, 20) .....	A/R
8	27772-G10		CARLISLE TIRE (LINKS 18 X 8.5 - 8, 4 PLY RATED).....	A/R
9				
10	27775-G01		WHEEL AND TIRE ASSEMBLY, USA TRAIL (INCLUDES ITEMS 11, 19, 20) ...	A/R
11	27775-G02		CARLISLE TIRE (USA TRAIL 6 PLY 18.5 X 8.5 - 8, LOAD RANGE C) .....	A/R
12				
13	27784-G02		WHEEL AND TIRE ASSEMBLY, USA TRAIL (INCLUDES ITEMS 14, 22, 23) ...	A/R
14	27784-G04		CARLISLE TIRE (USA TRAIL 18.5 X 5.7 - 8, LOAD RANGE C).....	A/R
15				
16	35154-G03		WHEEL AND TIRE ASSEMBLY, FOAM FILLED USA TRAIL (INCLUDES ITEMS 17, 22, 23) .....	A/R
17	27784-G01		CARLISLE TIRE (USA TRAIL 18.5 X 5.7 - 8).....	A/R
18				
19	15169-G2		WHEEL RIM (4 LUG).....	A/R
20	11657-G1		VALVE STEM.....	A/R
21				
22	33678-G01		WHEEL RIM (4 LUG).....	A/R
23	26482-G01		VALVE STEM (METAL).....	A/R
24				
25	14913-G*		8" CHROME HUBCAP (OPTIONAL).....	A/R
26	16042-G*		6" CHROME HUBCAP (OPTIONAL).....	A/R
27	19241-G*		GOLD SPOKE HUBCAP (OPTIONAL) .....	A/R
28	19241-G*		SILVER SPOKE HUBCAP (OPTIONAL) .....	A/R



## **SPECIALTY PRODUCTS**

# **SPECIALTY PRODUCTS**

## SPECIALTY PRODUCTS

<b>SPECIAL TOOLS</b>	<b>PART NO.</b>
BATTERY MAINTENANCE KIT .....	25587-G01
SEAL INSTALLATION TOOL (REAR AXLE SHAFT SEAL).....	18739-G1
BATTERY SET DISCHARGER, 36 VOLT, 75 AMP .....	28251-G01
CURRENT INDICATOR.....	16489-G2
DIGITAL MULTI-METER.....	27481-G01
CRIMPING TOOL .....	27765-G01
SLIDE HAMMER (AXLE/HUB REMOVAL) .....	15947-G1
SLIDE HAMMER (AXLE REMOVAL ONLY) .....	18753-G1

### PAINT

.6 OUNCE BRUSH ON PAINT - HUNTER GREEN.....	28432-G02
.6 OUNCE BRUSH ON PAINT - INDUSTRIAL YELLOW .....	28432-G03
12 OUNCE SPRAY - HUNTER GREEN .....	28140-G09
12 OUNCE SPRAY - INDUSTRIAL YELLOW .....	28140-G14

### PERFORMANCE PRODUCTS

FORMULA 40 VINYL-COAT® - WHITE.....	28166-G01
PLEXUS® CLEANER, 7 OUNCE (FOR WINDSHIELDS).....	28433-G01
PLEXUS® CLEANER, 13 OUNCE (FOR WINDSHIELDS).....	28433-G02
BATTERY PROTECTOR, 14 OUNCE SPRAY .....	75500-G01
WHITE LITHIUM GREASE, 14 OUNCE SPRAY .....	75502-G01
PENETRANT/LUBRICANT, 15 OUNCE SPRAY .....	75503-G01
MULTI-PURPOSE CLEANER & DEGREASER, 14 OUNCE SPRAY.....	75504-G01
MULTI-PURPOSE HAND CLEANER, 32 OUNCE LIQUID.....	75505-G01
BATTERY CLEANER, 32 OUNCE WITH TRIGGER SPRAYER .....	75506-G01
BIO-DEGRADABLE CLEANER, 32 OUNCE WITH TRIGGER SPRAYER .....	75507-G01
MULTI-PURPOSE VALUE PACK.....	75508-G01
• BATTERY PROTECTOR, 4 OUNCE SPRAY	
• PENETRANT/LUBRICANT, 4 OUNCE SPRAY	
• WHITE LITHIUM GREASE, 4 OUNCE SPRAY	
• CARBURETOR & CHOKE CLEANER, 4 OUNCE SPRAY	



# ACCESSORIES

## ACCESSORIES LISTING

# ACCESSORIES

ACCESSORIES LISTING	KIT NO.	
ASHTRAY KIT .....	75109-G02 .....	See BODY
BALL HITCH KIT .....	75326-G02 .....	See BODY
CLEVIS HITCH KIT .....	75327-G02 .....	See BODY
CHROME HUB CAP 8" .....	14913-G* .....	See WHEELS AND TIRES
CHROME HUB CAP 6" .....	16042-G* .....	See WHEELS AND TIRES
DEFROSTER/COOLING FAN .....	74248-G01 .....	See CAB
DOOR SET .....	74301-G0* .....	See CAB
DOOR SET (VINYL) .....	74242-G01 .....	See CAB
ELECTRIC DUMP KIT .....	74052-G02 .....	See TRUCKBED
GLOVE BOX DOOR .....	75459-G0* .....	See BODY
HOUR METER KIT .....	75113-G02 .....	See ELECTRICAL SYSTEM
INSIDE MIRROR .....	27924-G01 .....	See WEATHER PROTECTION
INSTRUMENT/SWITCH PANEL .....	74250-G01 .....	See CAB
RAMP .....	28334-G01 .....	See TRUCKBED
REAR VIEW MIRROR KIT .....	19528-G2 .....	See WEATHER PROTECTION
SOFT ENCLOSURE .....	75367-G01 .....	See WEATHER PROTECTION
STEEL CAB, W/O DOORS (1000 LX) .....	74294-G0* .....	See CAB
STEEL CAB, W/O DOORS (1000) .....	74300-G0* .....	See CAB
STROBE LIGHT .....	74245-G01 .....	See CAB
SUN TOP KIT .....	75350-G02 .....	See WEATHER PROTECTION
TURN SIGNAL KIT .....	75107-G02 .....	See ELECTRICAL SYSTEM
GOLD SPOKE WHEEL COVERS .....	19241-G* .....	See WHEELS AND TIRES
SILVER SPOKE WHEEL COVERS .....	19241-G* .....	See WHEELS AND TIRES
WINDSHIELD (FULL) (1000) .....	75524-G01 .....	See WEATHER PROTECTION
WINDSHIELD (SPLIT) (1000) .....	75525-G01 .....	See WEATHER PROTECTION
WINDSHIELDS (1000 LX) .....	71966-G0* .....	See WEATHER PROTECTION
WINDSHIELD WIPER .....	74244-G01 .....	See CAB
WORK LIGHTS .....	74247-G01 .....	See CAB
WORK LIGHT BAR WITH LIGHTS .....	71354-G04 .....	See ELECTRICAL SYSTEM
WORK LIGHT BAR WITH STROBE .....	71354-G05 .....	See ELECTRICAL SYSTEM
WORK LIGHT BAR WITH LIGHTS AND STROBE .....	71354-G06 .....	See ELECTRICAL SYSTEM





a **TEXTRON** Company

E-Z-GO Division of Textron Inc.

P.O. Box 388 Augusta, Georgia 30903-0388 USA

Inside USA Phone: 1-800-241-5855, FAX: 1-800-448-8124

Outside USA Phone: 010-1-706-798-4311, FAX: 010-1-706-771-4609

Copyrighted Material  
This manual may not be reproduced in whole or  
in part without the express permission of  
E-Z-GO Division of Textron Inc.  
Technical Communications Department