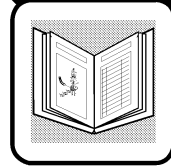


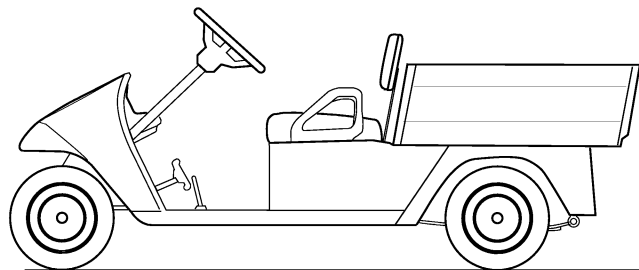
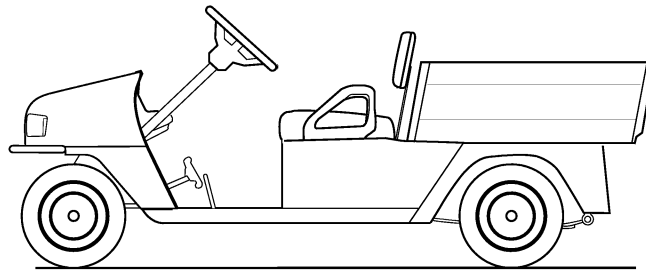
28559-G01



a **TEXTRON** Company



SERVICE PARTS MANUAL



GASOLINE POWERED UTILITY VEHICLE (1200 SERIES)

MODEL YEARS: 1999 - 2000

REVISED: 10/2000

SERVICE PARTS MANUAL

GASOLINE POWERED UTILITY VEHICLE

VEHICLES

WORKHORSE[®] 1200 WORKHORSE[®] 1200 LX

E-Z-GO Division of Textron reserves the right to make design changes without obligation to make these changes on units previously sold and the information contained in this manual is subject to change without notice.

E-Z-GO Division of Textron is not liable for errors in this manual or for incidental or consequential damage that result from the use of material in this manual.

SERVICE PARTS DEPARTMENT INSIDE USA PHONE 1-800-227-7029 FAX 1-800-752-6175

OUTSIDE USA PHONE 010-1-706-798-4311 FAX 010-1-706-771-4601

E-Z-GO DIVISION OF TEXTRON, INC., P.O.BOX 388, AUGUSTA, GEORGIA 30903-0388



LIMITED WARRANTY

WARRANTY

To obtain a copy of the limited warranty that is applicable to your vehicle, call or write your local Distributor, Branch or the E-Z-GO Warranty Department.

The use of non E-Z-GO parts and hardware may void your warranty.

Tampering with or adjusting of governor to permit the vehicle to operate at above factory setting (12 - 15 mph) will void your vehicle warranty.

When servicing engines, all adjustments and replacement components must be per original vehicle specifications to maintain federal and state emission certifications.

GENERAL INDEX

SECTION

Page No.

How to use the **E-Z-GO** Service Parts Manual.....vii

ACCELERATOR

- Accelerator Pedal, Accelerator BoxA-1
- Governor Linkage, Throttle Linkage.....A-2

AIR FILTER

- Remote Air Components, Air Cleaner, Air Filter Element, Carburetor Baffle, Gasket.....B-1

BODY

- Front Cowl (WorkHorse® 1200), Front Shield, Instrument Panel, Floorboard, BumpersC-1
- Front Cowl (WorkHorse® 1200 LX), Glove Box Doors.....C-2
- Floormat, Seat Frame, Seat Wrap, Side Panels, Splash Panels, Rocker Panel, Rear Fenders, Panel ..C-3
- Ashtray, Ball Hitch, Clevis HitchC-4

BRAKES

- Brake Pedal With Brake LightsD-1
- Brake Pedal Without Brake LightsD-2
- Brake Linkage, Equalizer and Brake Cables.....D-3
- Wheel Brake AssemblyD-4

CAB

- Cab.....E-1
- Cab Mounting Brackets, Windshield Wiper.....E-2
- Steel Doors, Vinyl Doors, Strobe Light.....E-3
- Switch Panel, Defroster/Cooling Fan, Worklights.....E-4

CARBURETOR

- Pilot Jet, Main Jet, Carburetor Mount GasketF-1

CLUTCHES

- Drive Clutch, Driven Clutch, Drive BeltG-1
- (High Altitude) Drive Clutch, Driven Clutch, Drive BeltG-3

DIRECTION SELECTOR

- Direction Selector Handle, Reverse Warning Buzzer, Shifter Control Pivot.....H-1

ELECTRICAL SYSTEM

- Battery, Control HarnessJ-1
- Electrical Plate Assembly, Voltage Regulator.....J-2



GENERAL INDEX

• Horn, Fuse Block	J-3
• Headlight.....	J-4
• Taillight Assembly	J-5
• Ignition Switch, Turn Signal, Indicator Light/Fuel Gauge	J-6
• Hour Meter, Power Outlet (12 volt)	J-7
• Strut Mounted Strobe and Work Lights.....	J-8
ENGINE AND MUFFLER	
• Engine, Spark Plugs, Muffler, Oil Filter, Spark Arrester	K-1
ENGINE AND STARTER MOUNTING	
• Engine Guard, Starter/Generator, Belt Adjuster, Isolation Mount	L-1
FRONT SUSPENSION	
• Front Axle, Hub and Spindle, Leaf Springs, Shock Absorber	M-1
FUEL SYSTEM	
• Fuel Tank Assembly, Fuel Gauge, Fuel Pump.....	N-1
REAR AXLE	
• Axle Tube, Axle Shaft, Differential Guard	P-1
REAR SUSPENSION	
• Leaf Spring, Shock Absorber.....	Q-1
SEATING	
• Seat Bottom, Seat Back, Seat Back Support.....	R-1
STARTER/GENERATOR	
• Terminal Assembly, Brush Holder Assembly, Pulley.....	S-1
STEERING	
• Steering Box Assembly, Steering Wheel, Tie Rod Assembly	T-1
TRUCKBEDS	
• Manual Dump Bed, Decals, Tailgate.....	U-1
• Truck Bed Latch, Bed Prop.....	U-2
• Bed Liner, Ramp	U-3
• Electric Dump Bed, Decals, Tailgate.....	U-9
• Bed Liner, Ramp	U-10
• Actuator, Battery Connection, Toggle Switch.....	U-11
• Flat Bed	U-17
• Truck Bed Latch, Bed Prop.....	U-18
• Cargo Racks	U-19

GENERAL INDEX

WEATHER PROTECTION

- Sun Top..... V-1
- Top Mounted Rear View Mirror, 3-Sided Soft Enclosure..... V-2
- Windshields V-3

WHEELS AND TIRES

- Tire, Wheel Rim, Valve Stems W-1
- Chrome Hubcaps, Spoke Hubcaps W-2

SPECIALTY PRODUCTS Appendix A

- Special Tools
- Performance Products
- Paint
- Engine Oil

ACCESSORIES Appendix B

- Accessory Listing

HOW TO USE THE E-Z-GO SERVICE PARTS MANUAL

This manual is divided into several sections:

- GENERAL INFORMATION
- ILLUSTRATED PARTS BREAKDOWN
- APPENDIX

The first section, GENERAL INFORMATION, contains the following information:

- WARRANTY INFORMATION
- GENERAL INDEX
- HOW TO USE THE E-Z-GO SERVICE PARTS MANUAL

The second section, ILLUSTRATED PARTS BREAKDOWN, contains illustrations and parts lists for all systems of your vehicle.

The third section, APPENDIX, contains a listing of specialty products and accessories.

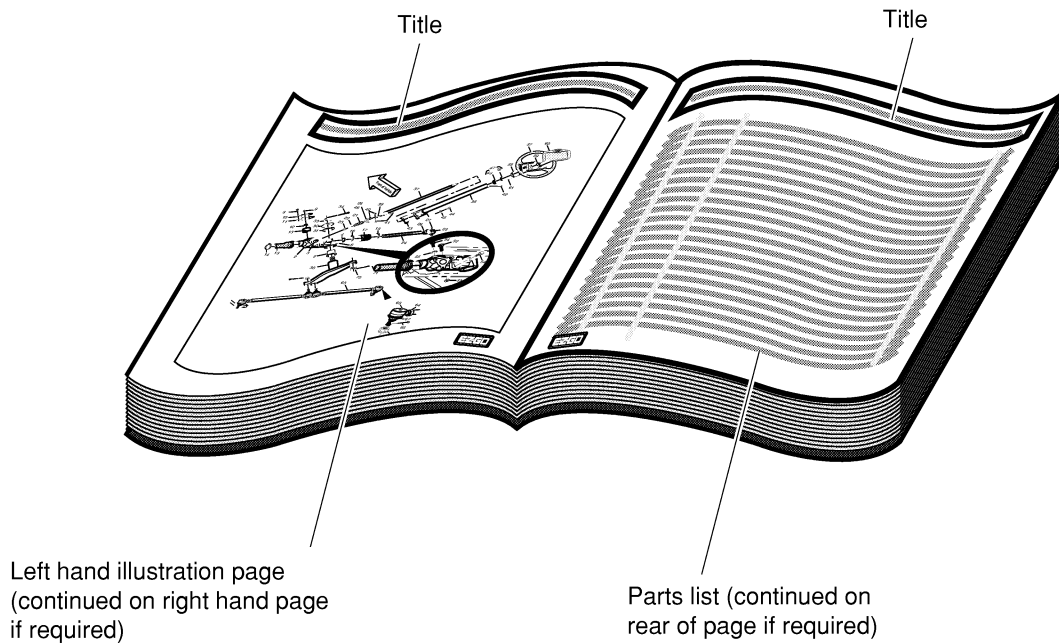
USE OF THE MANUAL

To use this manual, consult the GENERAL INDEX to locate the information or illustration required.

Introduction of some revisions varies due to supply of components; therefore, it is possible that various combinations of components may be found that are not directly reflected by each illustration. Consult the illustration that best suits your situation and then contact the Service Parts Department. It is important that the serial number of your vehicle and its model number be supplied to Service Parts when ordering any replacement components.

Locate the serial number plate (see BODY located in the Illustrated Parts Breakdown section of this manual for its location) and note the complete number shown on the plate.

HOW TO USE THE E-Z-GO SERVICE PARTS MANUAL



1. WHEN THE PART NUMBER IS NOT KNOWN

- Determine the function and application of the part required. Turn to the General Index and select the most appropriate title.
- Turn to the page number indicated and locate the desired part on the illustration.
- From the illustration, obtain the item number assigned to the desired part. Refer to the accompanying description for specific information regarding the part.

2. IF YOU KNOW THE PART NUMBER

- Locate the part number or description in the appropriate column on the parts list page.

NOTE: It is suggested that you confirm that the part selected is correct by verifying it with the pictorial representation on the illustrated page.

Should an asterisk (*) appear in the part number column on the parts list page, read upwards until a part number is found. The part number is the lowest assembly sold by E-Z-GO and the asterisk (*) indicates that the part depicted is not available for sale by E-Z-GO.

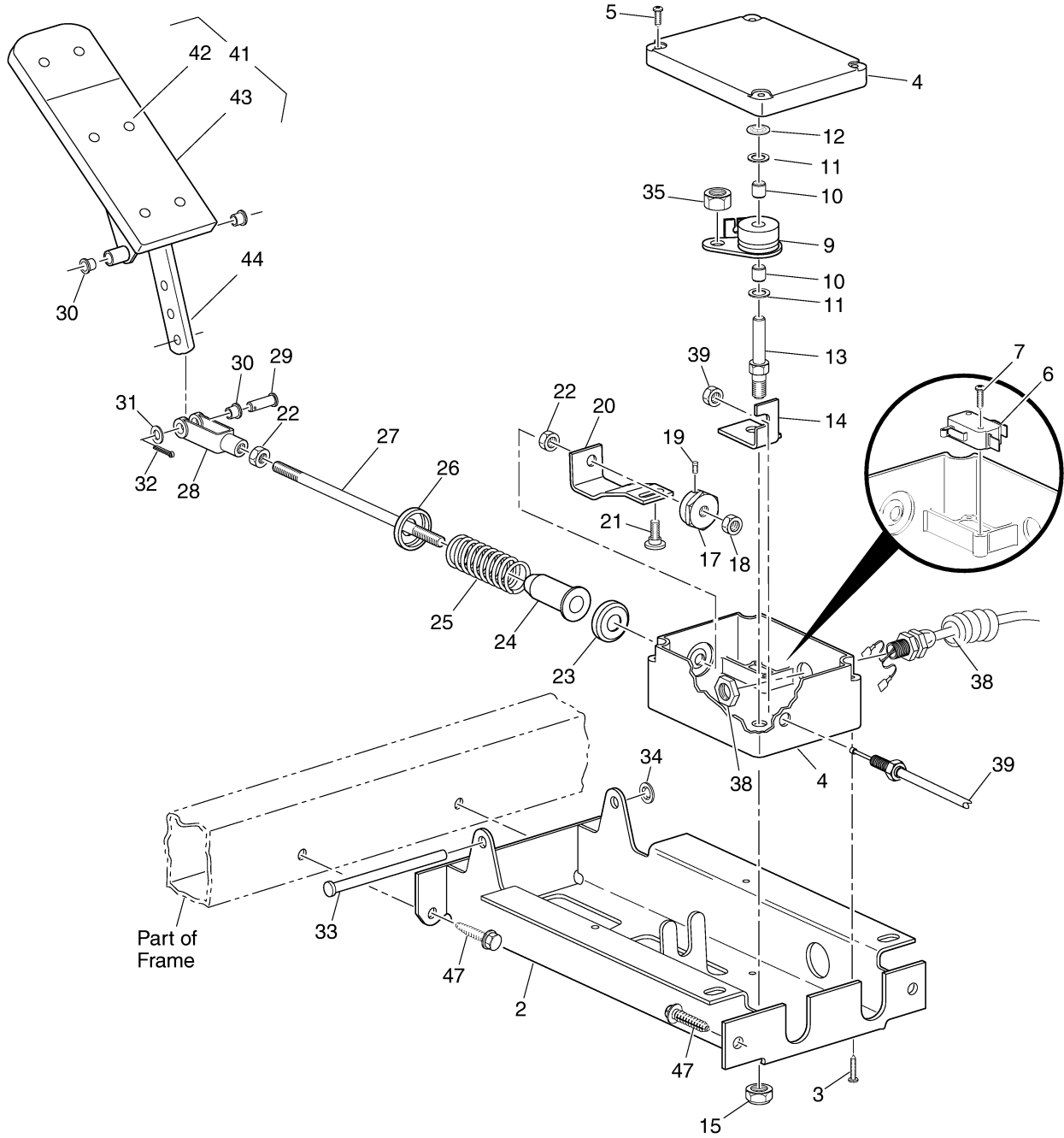
NOTE: Descriptions are indented under the assembly that they are used on. That assembly is, in turn listed under the assembly that it is used on. This process is repeated until the highest final assembly is reached.

To facilitate the maintenance and repair of the vehicle, a Technician's Repair and Service Manual is available from the E-Z-GO Service Parts Department.

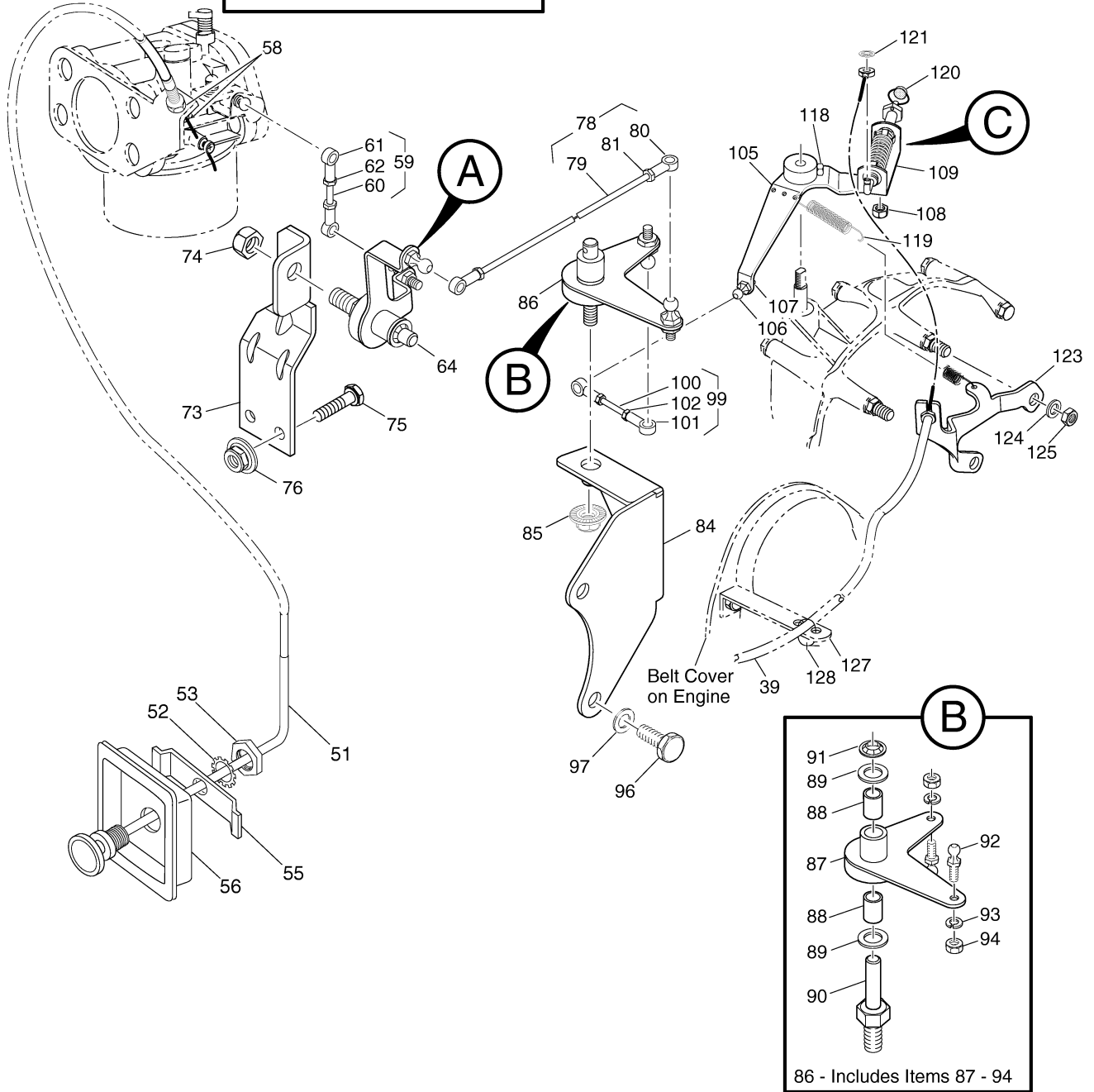
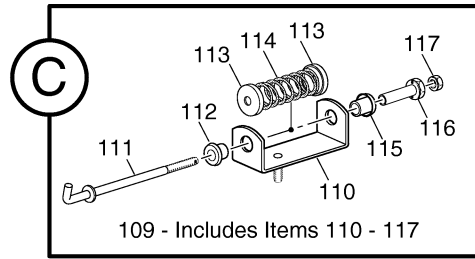
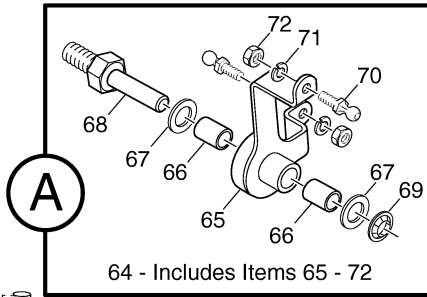
ILLUSTRATED PARTS BREAKDOWN

ILLUSTRATED PARTS BREAKDOWN

1 - Includes Items 2 - 44
40 - Includes items 41 - 44



83 - Includes Items 84 - 94
104 - Includes Items 105 - 117



When ordering parts, please specify the model and serial number of the product.

* Indicates a component that is not available as an individual part.

G** Indicates consult Customer Service Department for additional information.

ITEM	PART NO.	1	2	3	4	5	DESCRIPTION	QTY.	
1	72062-G03	PEDAL BOX ASSEMBLY (INCLUDES ITEMS 2 - 44)							1
2	70116-G01	ACCELERATOR PEDAL BRACKET.....							1
3	00984-G01	SCREW, #8 - 10 X 1/2" LG.							4
4	25853-G02	PEDAL BOX AND COVER							1
5	00684-G6	SCREW, #8 - 32 X 3/4" LG.							4
6	25861-G01	MICRO SWITCH.....							1
7	00982-G01	SCREW, #4 - 14 X 5/8" LG							2
8									
9	72066-G01	CONTROL ARM							1
10	23860-G1	BEARING.....							2
11	24621-G1	NYLON WASHER, 5/16".....							2
12	12064-G1	PUSH NUT, 5/16".....							1
13	25768-G01	PIVOT ROD							1
14	72199-G01	PIVOT BRACKET							1
15	14390-G1	LOCK NUT, 3/8 - 24.....							1
16									
17	72198-G03	MICRO SWITCH CAM.....							1
18	00550-G4	LOCK NUT, 5/16 - 24.....							1
19	00487-G3	SETSCREW, 1/4 - 20 X 3/8" LG.							1
20	72074-G01	CONTROL ARM LINK							1
21	72225-G01	SHOULDER BOLT, #10 - 24 X 11/16" LG.....							1
22	00532-G4	LOCKNUT, 5/16 - 24.....							2
23	17677-G1	SPRING RETAINER							1
24	17979-G1	ACCELERATOR ROD BUSHING.....							1
25	73046-G01	COMPRESSION SPRING							1
26	17677-G2	SPRING RETAINER							1
27	72072-G01	ACCELERATOR ROD							1
28	10385-G4	CLEVIS YOKE (ADJUSTABLE).....							1
29	10386-G3	CLEVIS PIN, 5/16" X 1" LG							1
30	17838-G1	NYLON BUSHING							3

When ordering parts, please specify the model and serial number of the product.

* Indicates a component that is not available as an individual part.

G** Indicates consult Customer Service Department for additional information.

ITEM	PART NO.	1	2	3	4	5	DESCRIPTION	QTY.
31	17255-G1						TEFLON WASHER, 5/16".....	1
32	10387-G3						COTTER PIN, 3/32" X 3/4" LG.....	1
33	70134-G01						PEDAL PIVOT PIN.....	1
34	00986-G01						PUSH NUT, 9/32".....	1
35	14390-G10						LOCK NUT, #10 - 24.....	1
36	12730-G1						WHEEL BEARING GREASE (NOT ILLUSTRATED).....	A/R
37								
38	72201-G01						WIRE HARNESS (PEDAL BOX).....	1
39	72065-G02						ACCELERATOR CABLE.....	1
40	25799-G01						ACCELERATOR PEDAL ASSEMBLY (INCLUDES ITEMS 41 - 44).....	1
41	27844-G01						ACCELERATOR PEDAL PAD KIT (INCLUDES ITEMS 42 - 43).....	1
42	15766-G1						OVAL RIVET, 3/16" X 3/8" LG.	6
43	27512-G01						ACCELERATOR PEDAL PAD.....	1
44	*						ACCELERATOR PEDAL.....	1
45								
46								
47	00715-G2						BOLT, 5/16 - 18 X 13/16" LG.....	4
48								
49								
50								
51	72401-G01						CHOKE CABLE (WITH NUTS).....	1
52	00568-G4						LOCK WASHER, 9/16".....	1
53	00545-G4						NUT, 9/16-18.....	1
54								
55	72155-G02						RETAINER.....	1
56	72154-G01						CHOKE CABLE ADAPTER.....	1
57								
58	00544-G4						JAM NUT, 5/16 - 24.....	2
59	25737-G01						CARBURETOR LINKAGE ROD (INCLUDES ITEMS 60 - 62).....	1
60	23722-G1						ADJUSTING ROD (SHORT).....	1



When ordering parts, please specify the model and serial number of the product.
 * Indicates a component that is not available as an individual part.
 G** Indicates consult Customer Service Department for additional information.

ITEM	PART NO.	1	2	3	4	5	DESCRIPTION	QTY.
61	24465-G1						BALL JOINT SOCKET	2
62	00526-G4						NUT, #10 - 32.....	2
63								
64	25760-G01						CARBURETOR LINKAGE BELLCRANK (INCLUDES ITEMS 65 - 72).....	1
65	25759-G01						CARBURETOR PIVOT	1
66	23860-G1						BEARING.....	2
67	24621-G1						NYLON WASHER, 5/16".....	2
68	25768-G01						PIVOT ROD	1
69	12064-G1						PUSH NUT, 5/16".....	1
70	24479-G1						BALL JOINT BALL	2
71	00565-G5						LOCK WASHER, #10	2
72	00526-G4						NUT, #10 - 32.....	2
73	72197-G01						PIVOT BRACKET.....	1
74	14390-G1						LOCK NUT, 3/8 - 24	1
75	00414-G8						BOLT, 1/4 - 20 X 1" LG	2
76	14390-G4						LOCK NUT, 1/4 - 20	2
77								
78	72254-G01						THROTTLE LINKAGE ROD ASSEMBLY (INCLUDES ITEMS 79 - 81).....	1
79	72255-G01						ADJUSTING ROD (LONG).....	1
80	24465-G1						BALL JOINT SOCKET	2
81	00526-G4						NUT, #10 - 32.....	2
82								
83	25702-G01						GOVERNOR PIVOT BRACKET ASSEMBLY (INCLUDES ITEMS 84 - 94).....	1
84	25655-G01						BELLCRANK BRACKET.....	1
85	14390-G1						LOCK NUT, 3/8 - 24	1
86	25763-G01						GOVERNOR PIVOT ASSEMBLY (INCLUDES ITEMS 87 - 94)	1
87	25762-G01						GOVERNOR PIVOT.....	1
88	23860-G1						BEARING	2
89	24621-G1						NYLON WASHER, 5/16"	2
90	25768-G01						PIVOT ROD.....	1



When ordering parts, please specify the model and serial number of the product.
 * Indicates a component that is not available as an individual part.
 G** Indicates consult Customer Service Department for additional information.

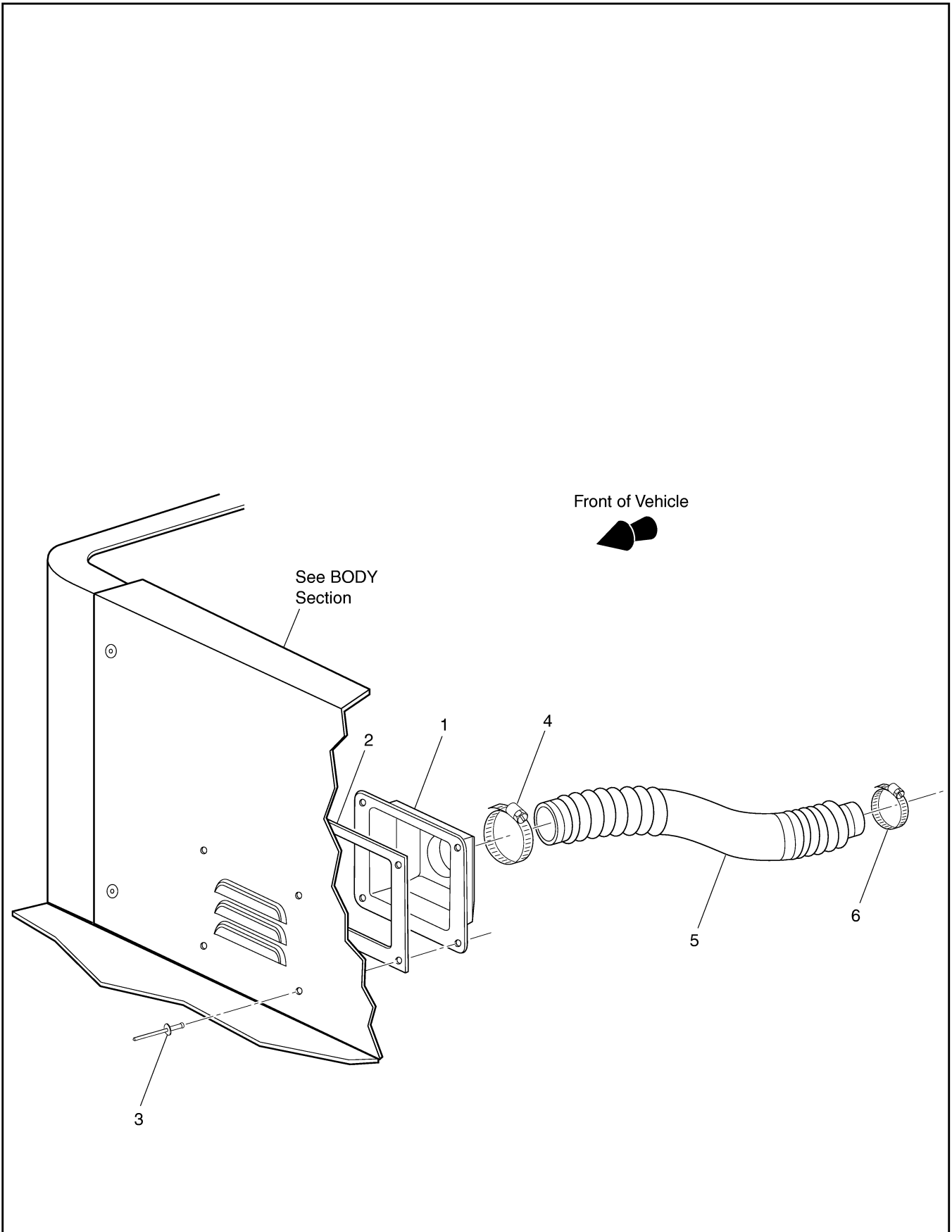
ITEM	PART NO.	1	2	3	4	5	DESCRIPTION	QTY.
91	12064-G1						PUSH NUT, 5/16"	1
92	24479-G1						BALL JOINT BALL	2
93	00565-G5						LOCK WASHER, #10	2
94	00526-G4						NUT, #10 - 32	2
95								
96	00276-G6						BOLT, 5/16 - 24 X 3/4" LG	2
97	00565-G8						LOCK WASHER, 5/16"	2
98								
99	25737-G03						GOVERNOR LINKAGE ROD (INCLUDES ITEMS 100 - 102)	1
100	23722-G1						ADJUSTING ROD	1
101	24465-G1						BALL JOINT SOCKET	2
102	00526-G4						NUT, #10 - 32	2
103								
104	25690-G01						GOVERNOR BELLCRANK ASSEMBLY (INCLUDES ITEMS 105 - 117)	1
105	25765-G01						GOVERNOR BELLCRANK	1
106	24479-G1						BALL JOINT BALL	1
107	00734-G5						LOCK NUT, #10 - 32	1
108	14390-G4						LOCK NUT, 1/4 - 20	1
109	22751-G2						GOVERNOR BRACKET ASSEMBLY (INCLUDES ITEMS 110 - 117)	1
110	22752-G1						GOVERNOR BRACKET	1
111	25274-G1						GOVERNOR ROD	1
112	22754-G1						BUSHING	1
113	25661-G01						CUP WASHER	2
114	23578-G1						COMPRESSION SPRING	1
115	22754-G2						BUSHING	1
116	23859-G1						GOVERNOR ADJUSTER	1
117	00526-G4						NUT, #10-32	1
118	00491-G4						SETSCREW, 1/4 - 20 X 1/2" LG	2
119	25738-G01						SPRING	1
120	25286-G1						SAFETY SEAL, 3/8"	1

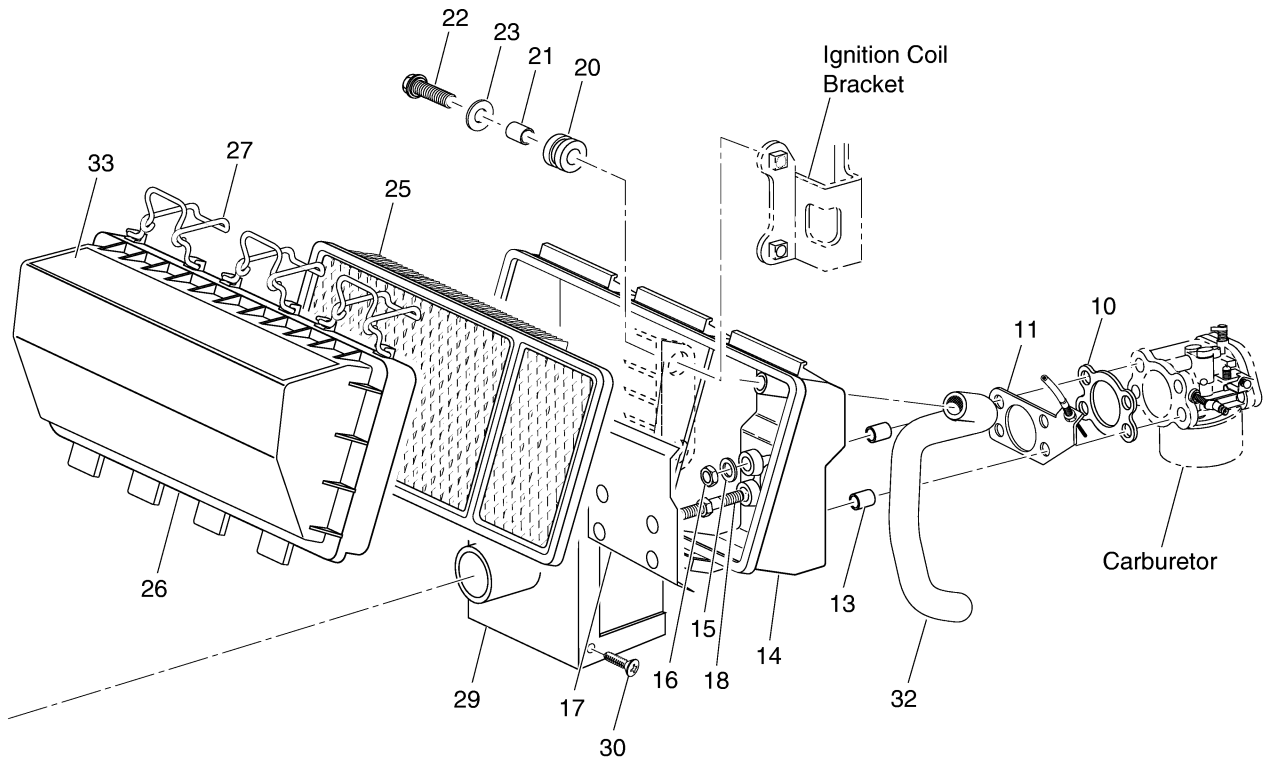


When ordering parts, please specify the model and serial number of the product.
 * Indicates a component that is not available as an individual part.
 G** Indicates consult Customer Service Department for additional information.

ITEM	PART NO.	1 2 3 4 5	DESCRIPTION	QTY.
121	12064-G3		PUSH NUT, 3/16"	1
122				
123	25653-G01		ACCELERATOR CABLE BRACKET	1
124	26826-G01		LOCK WASHER, 8 MM	2
125	26827-G01		NUT, M8 X 1.25 MM	2
126				
127	72055-G01		ACCELERATOR CABLE BRACKET	1
128	17618-G1		WIRE TIE	7







AIR FILTER**Gasoline Vehicle**

When ordering parts, please specify the model and serial number of the product.

* Indicates a component that is not available as an individual part.

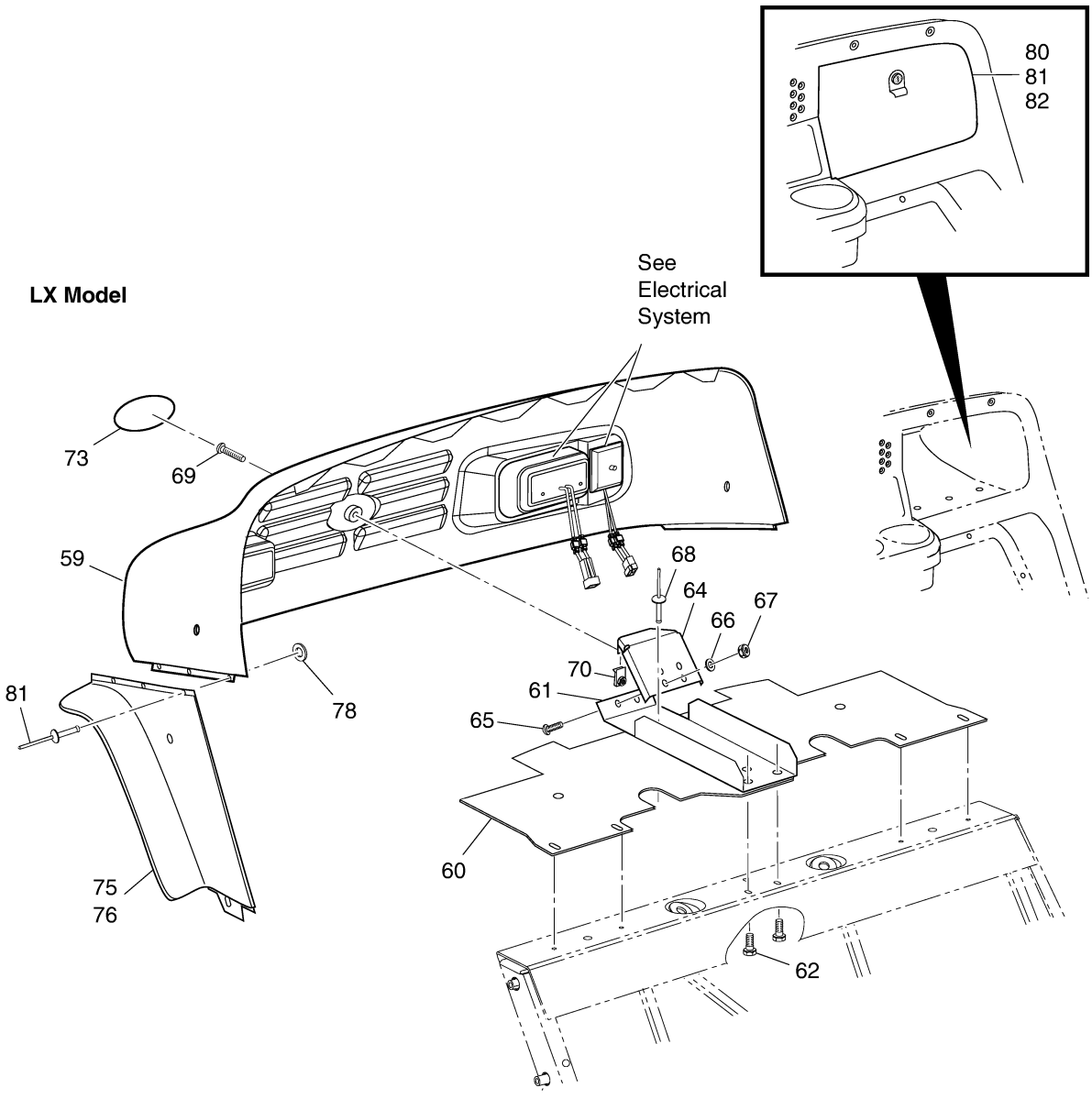
G** Indicates consult Customer Service Department for additional information.

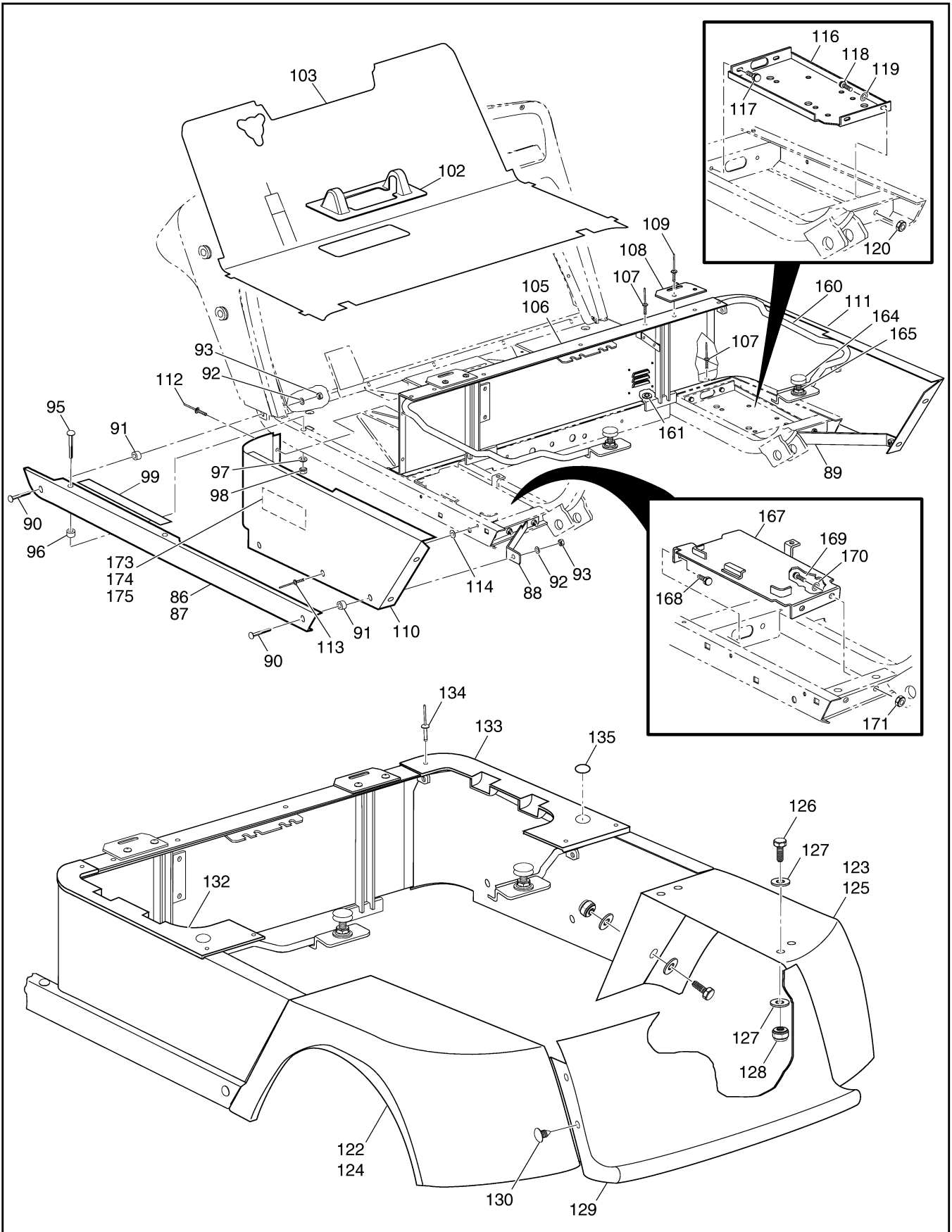
ITEM	PART NO.	1 2 3 4 5	DESCRIPTION	QTY.
1	72416-G01		INLET ADAPTER (PRODUCTION SINCE 4-99)	1
2	72415-G01		GASKET	1
3	71055-G01		RIVET, 3/16" X 3/8" LG	4
4	11391-G2		CLAMP, 2"	1
5	72367-G01		HOSE, 18"	1
6	11391-G5		CLAMP, 3/4"	1
7				
8				
9				
10	26727-G01		CARBURETOR / AIR BOX GASKET	2
11	26728-G01		CHOKE BRACKET.....	1
12				
13	23726-G6		CARBURETOR MOUNT SPACER	4
14	72178-G02		HOUSING	1
15	51400-G1		LOCK WASHER, 6 MM.....	2
16	13632-G1		NUT, M6 X 1	4
17	72529-G01		BAFFLE.....	1
18	72514-G01		STUD, M6 X 1 X 39 MM LG	2
19				
20	72147-G01		HOUSING MOUNT GROMMET.....	2
21	23726-G7		HOUSING MOUNT SPACER.....	2
22	26671-G01		BOLT AND WASHER, M6 X 1 X 30 MM LG	2
23	26701-G01		WASHER, 6.5 MM.....	2
24				
25	72368-G01		AIR FILTER ELEMENT	1
26	72179-G02		AIR FILTER COVER	1
27	72145-G01		LATCH.....	3
28				
29	72146-G02		INLET COVER	1
30	00614-G5		SCREW, #8 - 18 X 5/8" LG	6

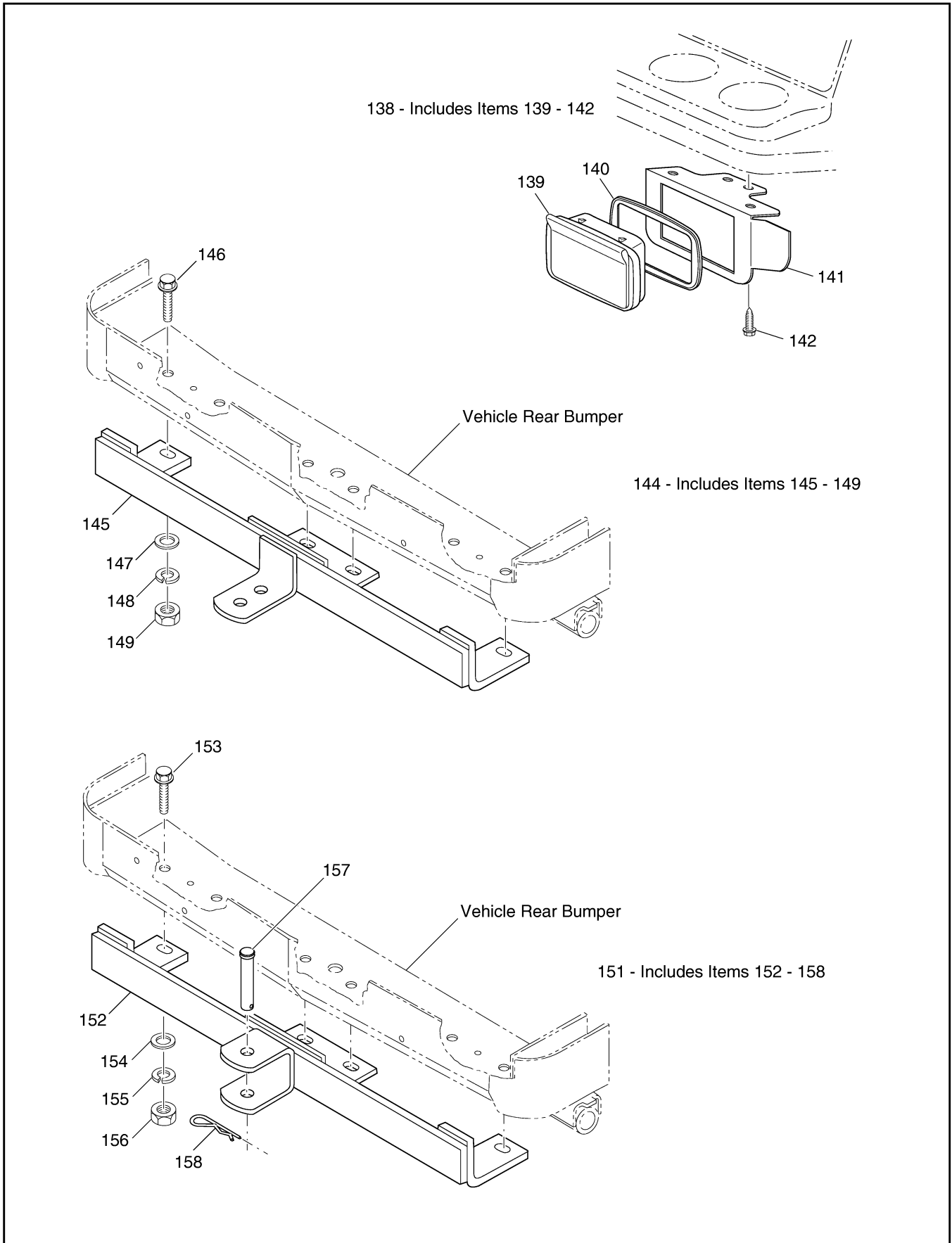
When ordering parts, please specify the model and serial number of the product.
* Indicates a component that is not available as an individual part.
G** Indicates consult Customer Service Department for additional information.

ITEM	PART NO.	1 2 3 4 5	DESCRIPTION	QTY.
31				
32	72151-G01		PCV HOSE.....	1
33	74093-G01		LABEL (WARNING)	1









When ordering parts, please specify the model and serial number of the product.
 * Indicates a component that is not available as an individual part.
 G** Indicates consult Customer Service Department for additional information.

ITEM	PART NO.	1 2 3 4 5	DESCRIPTION	QTY.
1	71510-G01		UPPER FLOORPAN	1
2	14601-G11		RIVET, 3/16" X 9/16" LG	9
3				
4	70451-G01		LOWER FLOORPAN.....	1
5	14601-G11		RIVET, 3/16" X 9/16" LG	7
6	70452-G01		ACCESS COVER.....	1
7				
8	71151-G01		INSTRUMENT PANEL ASSEMBLY (INCLUDES ITEMS 9 - 12)	1
9	71153-G01		DEFLECTOR (PASSENGER SIDE)	1
10	71154-G01		DEFLECTOR (DRIVER SIDE)	1
11	00614-G5		SCREW, #8 - 18 X 5/8" LG.....	6
12	71158-G01		INSTRUMENT PANEL INSERT (FOUR CUP)	1
13				
14	71177-G01		LABEL (SAFETY).....	1
15				
16	*		SERIAL NUMBER PLATE.....	1
17	*		CAPACITY PLATE	1
18	01041-G01		RIVET, 5/32" X 7/8" LG	4
19				
20	71413-G01		SPLASH PANEL.....	1
21	16816-G2		RATCHET FASTENER, 1/4" X 3/4" LG.....	1
22	16816-G2		RATCHET FASTENER, 1/4" X 3/4" LG (LATE 2000 PRODUCTION).....	4
23	01036-G01		SCREW, #10 - 24 X 3/4" LG (TO EARLY 2000 PRODUCTION)	4
24	11098-G7		LOCK NUT, #10 - 24 (TO EARLY 2000 PRODUCTION)	4
25				
26	71115-G01		VINYL TRIM	2
27	71055-G01		RIVET, 3/16" X 1" LG	10
28				
29				
30				



When ordering parts, please specify the model and serial number of the product.

* Indicates a component that is not available as an individual part.

G** Indicates consult Customer Service Department for additional information.

ITEM	PART NO.	1 2 3 4 5	DESCRIPTION	QTY.
31	71051-G**		COWL	1
32	71037-G02		NAMEPLATE (E-Z-GO).....	1
33	12064-G3		PUSHNUT, 3/16"	2
34				
35	71055-G01		RIVET, 3/16" X 1" LG	9
36	71056-G01		BOLT, 5/16 - 18 X 5/8" LG.....	4
37	00570-G2		WASHER, 5/16"	4
38	14601-G13		RIVET, 5/32" X 9/16" LG	2
39				
40				
41	27166-G02		FRONT SHIELD.....	1
42	71015-G01		FRONT SHIELD BRACE.....	2
43	01038-G01		SCREW, 1/4 - 20 X 1/2" LG	4
44	16469-G7		WASHER, 1/4"	2
45	16816-G2		RATCHET FASTENER, 1/4" X 3/4" LG	2
46				
47				
48	74040-G01		FRONT BUMPER	1
49	74037-G01		SPACER TUBE	2
50	19859-G1		END CAP, 3/4"	2
51	75048-G01		SPACER, 1/2"	2
52	00570-G2		WASHER, 5/16"	6
53	00905-G8		LOCK WASHER, 5/16".....	4
54	01035-G02		BOLT, 5/16 - 18 X 2 1/2" LG.....	4
55	74306-G01		BUMPER (LX)	1
56				
57				
58				
59	71219-G01		COWL, LX.....	1
60	71413-G02		SPLASH PANEL.....	1



When ordering parts, please specify the model and serial number of the product.
 * Indicates a component that is not available as an individual part.
 G** Indicates consult Customer Service Department for additional information.

ITEM	PART NO.	1 2 3 4 5	DESCRIPTION	QTY.
61	71101-G01		COWL SUPPORT BRACKET	1
62	71102-G02		SELF TAPPING SCREW, 1/4 - 20 X 1/2" LG	3
63				
64	71462-G01		COWL SUPPORT BRACE	1
65	00740-G4		SCREW, #10 - 32 X 1/2" LG	2
66	00559-G5		WASHER, #10.....	2
67	00921-G8		LOCK NUT, #10 - 32	2
68	71055-G02		RIVET, 3/16" X 1 1/8" LG	1
69	16705-G9		SCREW, 1/4 - 20 X 1 1/4" LG	1
70	14776-G1		RETAINER NUT ('J' TYPE), 1/4 - 20.....	1
71				
72				
73	71289-G01		NAMEPLATE (E-Z-GO) (OVAL)	1
74				
75	71214-G01		FENDER FLARE (DRIVER SIDE).....	1
76	71214-G02		FENDER FLARE (PASSENGER SIDE)	1
77	71045-G01		RIVET, 5/32 X 3/4" LG.....	6
78	00559-G4		WASHER, #8.....	6
79				
80	75459-G01		GLOVE BOX DOORS (BOTH SIDES)	1
81	75459-G02		GLOVE BOX DOOR (DRIVER SIDE)	1
82	75459-G03		GLOVE BOX DOOR (PASSENGER SIDE).....	1
83				
84				
85				
86	71439-G01		ROCKER PANEL (DRIVER SIDE)	1
87	71439-G02		ROCKER PANEL (PASSENGER SIDE)	1
88	71440-G01		BRACE (DRIVER SIDE).....	1
89	71440-G02		BRACE (PASSENGER SIDE)	1
90	00789-G2		SCREW, #10 - 24 X 1 1/4" LG	4



When ordering parts, please specify the model and serial number of the product.

* Indicates a component that is not available as an individual part.

G** Indicates consult Customer Service Department for additional information.

ITEM	PART NO.	1 2 3 4 5	DESCRIPTION	QTY.
91	19247-G3		SPACER, 9/32"	4
92	00660-G5		WASHER, #10.....	4
93	11098-G7		LOCK NUT, #10 - 24	4
94				
95	16705-G1		SCREW, 1/4 - 20 X 1" LG	4
96	23726-G2		SPACER, 1/4"	4
97	00559-G7		WASHER, 1/4"	4
98	14390-G4		LOCK NUT, 1/4 - 20	4
99	71764-G01		SILL PLATE TREAD.....	2
100				
101				
102	70135-G01		PEDAL PIVOT COVER.....	1
103	70048-G**		FLOORMAT.....	1
104				
105	71844-G**		SEAT WRAP PANEL WITH LOUVERS (PRODUCTION SINCE 4-99).....	1
106	71379-G**		SEAT WRAP PANEL (PRODUCTION PRIOR TO 4-99).....	1
107	10570-G10		RIVET, 5/32" X 9/16" LG	8
108	71609-G01		SEAT HINGE PLATE.....	2
109	10570-G11		RIVET, 3/16" X 3/4" LG	4
110	71674-G01		SIDE PANEL (DRIVER SIDE)	1
111	71674-G02		SIDE PANEL (PASSENGER SIDE)	1
112	10570-G10		RIVET, 5/32" X 9/16" LG	4
113	10570-G12		RIVET, 1/4" X 1/2" LG	4
114	16469-G7		WASHER, 1/4"	4
115				
116	70244-G02		SPLASH PANEL.....	1
117	00715-G2		BOLT, 5/16 - 18 X 13/16" LG.....	2
118	00438-G8		BOLT, 5/16 - 18 X 1" LG.....	2
119	00559-G8		WASHER, 5/16"	2
120	11098-G6		LOCK NUT, 5/16 - 18	2



When ordering parts, please specify the model and serial number of the product.
 * Indicates a component that is not available as an individual part.
 G** Indicates consult Customer Service Department for additional information.

ITEM	PART NO.	1 2 3 4 5	DESCRIPTION	QTY.
121				
122	71586-G01		FENDER (DRIVER SIDE)	1
123	71586-G02		FENDER (PASSENGER SIDE).....	1
124	71586-G03		FENDER WITH TAILLIGHT (DRIVER SIDE)	1
125	71586-G04		FENDER WITH TAILLIGHT (PASSENGER SIDE)	1
126	00414-G7		BOLT, 1/4 - 20 X 7/8" LG.....	12
127	00559-G7		WASHER, 1/4"	24
128	14390-G4		LOCK NUT, 1/4 - 20	12
129	71587-G01		REAR PANEL.....	1
130	71055-G01		RIVET, 3/16" X 1" LG	4
131				
132	71588-G01		SEAT FILLER PANEL (DRIVER SIDE)	1
133	71588-G02		SEAT FILLER PANEL (PASSENGER SIDE).....	1
134	10570-G10		RIVET, 5/32" X 9/16" LG	6
135	20271-G3		HOLE PLUG, 2" (VEHICLES WITHOUT TOP)	2
136				
137				
138	75109-G02		ASH TRAY KIT (INCLUDES ITEMS 159 - 162)	1
139	27731-G01		ASH TRAY.....	1
140	27736-G01		GASKET	1
141	75108-G01		BRACKET.....	1
142	00100-G4		SCREW, #10 - 16 X 1/2" LG.....	4
143				
144	75326-G02		BALL HITCH KIT (INCLUDES ITEMS 166 - 170)	1
145	75324-G01		HITCH.....	1
146	13437-G5		LOCK SCREW, 3/8-16 X 1 1/2" LG	4
147	00571-G3		WASHER, 3/8".....	4
148	00566-G1		LOCK WASHER, 3/8"	4
149	00532-G5		NUT, 3/8-16	4
150				



When ordering parts, please specify the model and serial number of the product.

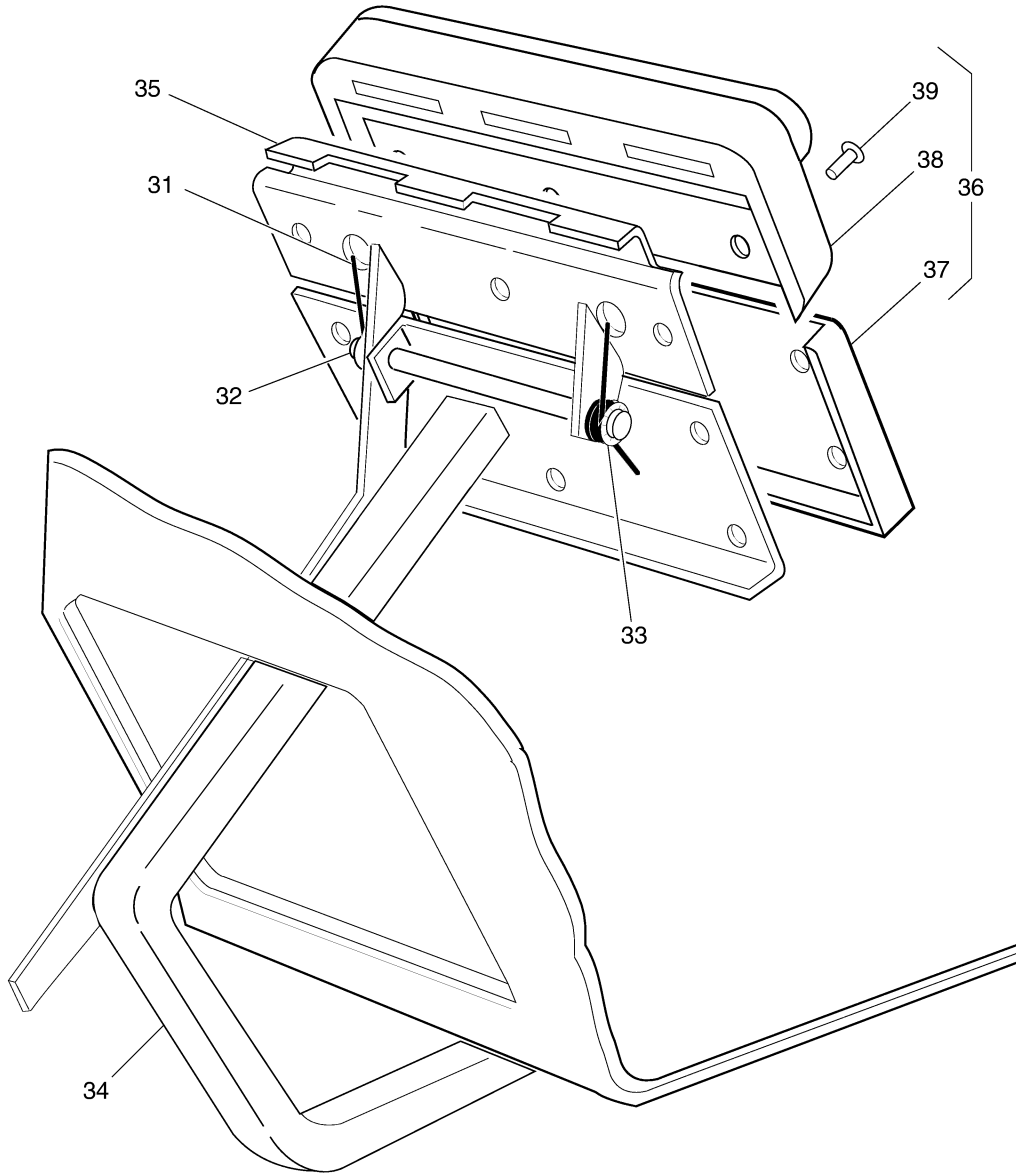
* Indicates a component that is not available as an individual part.

G** Indicates consult Customer Service Department for additional information.

ITEM	PART NO.	1 2 3 4 5	DESCRIPTION	QTY.
151	75327-G02		CLEVIS HITCH KIT (INCLUDES ITEMS 174 - 180)	1
152	75325-G01		HITCH.....	1
153	13437-G5		LOCK SCREW, 3/8-16 X 1 1/2" LG	4
154	00571-G3		WASHER, 3/8".....	4
155	00566-G1		LOCK WASHER, 3/8".....	4
156	00532-G5		NUT, 3/8-16	4
157	14443-G7		CLEVIS PIN, 1/2" X 2 1/2" LG	1
158	19314-G1		COTTER PIN, 2 1/2" LG.....	1
159				
160	70384-G02		SEAT FRAME.....	1
161	70200-G01		SCREW, 3/8 - 16 X 1/4" LG	4
162				
163				
164	70113-G01		ADJUSTABLE BUMPER.....	2
165	11027-G1		LOCK NUT, 5/16 - 18	2
166				
167	70245-G01		BATTERY TRAY.....	1
168	00715-G2		BOLT, 5/16 - 18 X 13/16" LG	2
169	00438-G8		BOLT, 5/16 - 18 X 1" LG.....	2
170	00571-G2		WASHER, 5/16"	2
171	11098-G6		LOCK NUT, 5/16 - 18	2
172				
173	35062-G01		DECAL (WORKHORSE®).....	2
174	35430-G02		DECAL (1200).....	2
175	35430-G01		DECAL (1200LX)	2



30 - Includes Items 31 - 39

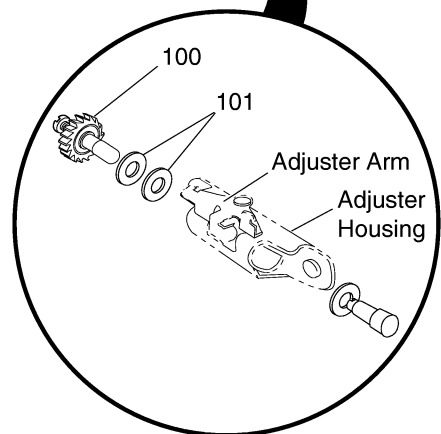
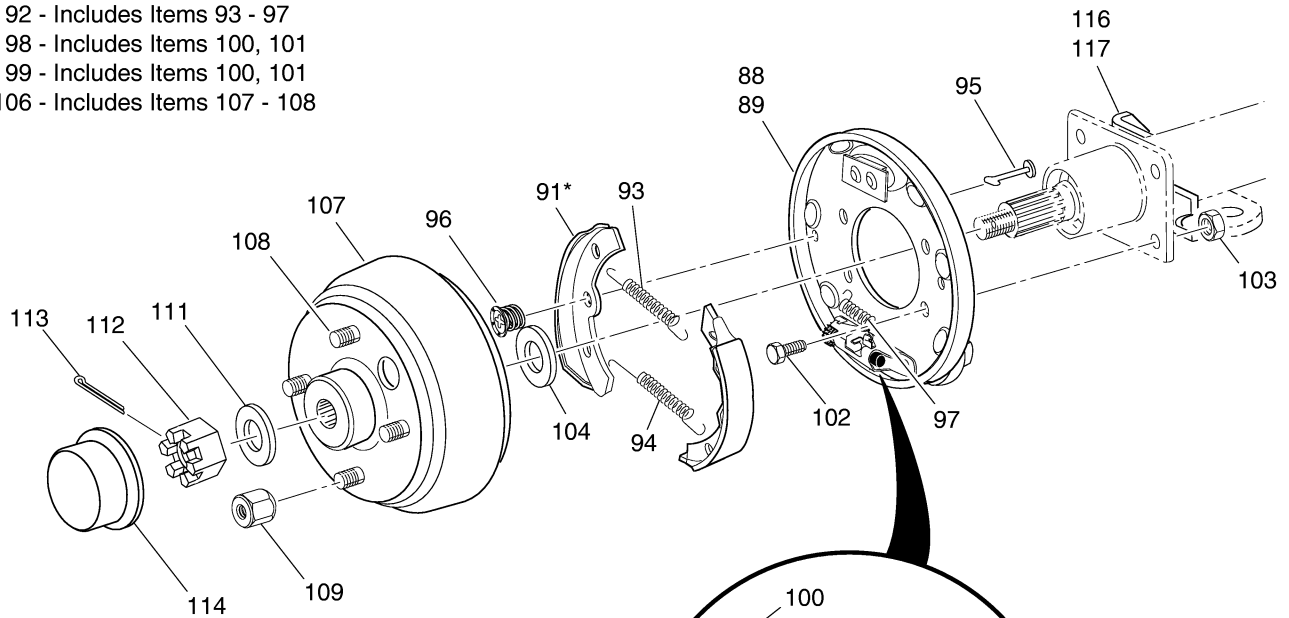


Brake Pedal (Vehicle Without Brake Lights)

Front of Vehicle



- 88 - Includes Items 90 - 98, 100, 101
- 89 - Includes Items 90 - 97, 99 - 101
- *90 - Includes Item 91
- 92 - Includes Items 93 - 97
- 98 - Includes Items 100, 101
- 99 - Includes Items 100, 101
- 106 - Includes Items 107 - 108



* When replacing brake shoes, order Brake Adjuster Kit (items 98 or 99).

BRAKES

Gasoline Vehicle

When ordering parts, please specify the model and serial number of the product.

* Indicates a component that is not available as an individual part.

G** Indicates consult Customer Service Department for additional information.

ITEM	PART NO.	1 2 3 4 5	DESCRIPTION	QTY.
1	70263-G01		BRAKE PEDAL ASSEMBLY (WITH BRAKE LIGHTS) (INCLUDES ITEMS 2 - 28).....	1
2	70249-G01		BRAKE PEDAL	1
3	70254-G01		PARK BRAKE PEDAL	1
4	70274-G01		BRAKE/PARK BRAKE PEDAL PAD KIT (INCLUDES ITEMS 5 - 7).....	1
5	*		SERVICE BRAKE PAD	1
6	*		PARK BRAKE PAD.....	1
7	15766-G1		OVAL RIVET, 3/16" X 3/8" LG.	9
8				
9	*		SERVICE BRAKE PEDAL PLATE	1
10	15932-G2		PIVOT PIN	1
11	11737-G1		TORSION SPRING.....	2
12	12064-G1		PUSH NUT, 5/16".....	1
13	00737-G8		SCREW, #10 - 24 X 1" LG.	4
14	00739-G1		RUBBER NUT, #10 - 24.....	2
15	22362-G3		BRAKE PEDAL STANDOFF.....	2
16	27137-G01		CONICAL SPRING	2
17	11098-G7		LOCK NUT, #10 - 24	2
18	10606-G8		MICRO SWITCH.....	1
19	00645-G2		SCREW, #6 - 32 X 1 1/4" LG.	2
20	00559-G5		WASHER, #10	2
21	00559-G3		WASHER, #6	2
22	00565-G3		LOCK WASHER, #6	2
23	00525-G5		NUT, #6 - 32.....	2
24	*		BRASS SCREW	2
25	00567-G3		LOCK WASHER, #6	6
26	14628-G1		FASTON TAB.....	2
27	24605-G1		WIRE HARNESS (BRAKE LIGHT)	1
28	17618-G1		WIRE TIE	3
29				



When ordering parts, please specify the model and serial number of the product.
 * Indicates a component that is not available as an individual part.
 G** Indicates consult Customer Service Department for additional information.

ITEM	PART NO.	1 2 3 4 5	DESCRIPTION	QTY.
30	70264-G01		BRAKE PEDAL ASSEMBLY (WITHOUT BRAKE LIGHTS) (INCLUDES ITEMS 31 - 39)	1
31	11737-G1		TORSION SPRING.....	2
32	15932-G2		PIVOT PIN.....	1
33	12064-G1		PUSHNUT, 5/16"	1
34	*		SERVICE BRAKE PEDAL	1
35	70265-G01		PARK BRAKE PEDAL	1
36	70274-G01		BRAKE/PARK BRAKE PEDAL PAD KIT (INCLUDES ITEMS 37 - 39).....	1
37	*		SERVICE BRAKE PAD	1
38	*		PARK BRAKE PAD	1
39	15766-G1		OVAL RIVET, 3/16" X 3/8" LG.....	9
40				
41	70582-G01		SHOULDER BOLT, 3/8 - 16 X 4" LG.....	1
42	70581-G01		FLANGED BUSHING.....	2
43	70676-G01		TORSION SPRING	1
44	00643-G1		WASHER, 3/8"	1
45	11098-G5		LOCK NUT, 3/8 - 16	1
46				
47	70272-G04		COMPENSATOR ASSEMBLY (INCLUDES ITEMS 48 - 57)	1
48	25882-G04		LINKAGE ROD	1
49	00532-G4		NUT, 5/16 - 24.....	2
50	27330-G01		YOKE.....	1
51	23463-G1		COMPRESSION SPRING	1
52	23061-G2		COMPENSATOR STOP TUBE.....	1
53	17979-G1		BUSHING	1
54	15121-G1		WASHER, 3/8"	2
55	28082-G01		EQUALIZER BRACKET	1
56	00963-G01		SPHERICAL NUT, 5/16 - 24	1
57	11098-G9		LOCK NUT, 5/16 - 24.....	1



BRAKES

Gasoline Vehicle

When ordering parts, please specify the model and serial number of the product.

* Indicates a component that is not available as an individual part.

G** Indicates consult Customer Service Department for additional information.

ITEM	PART NO.	1	2	3	4	5	DESCRIPTION	QTY.
58								
59	70716-G05						EQUALIZER AND BRAKE CABLE ASSEMBLY (INCLUDES ITEMS 60 - 63)....	1
60	28082-G01						EQUALIZER BRACKET.....	1
61	28083-G01						BRAKE COMPENSATOR BUMPER.....	2
62	*						BRAKE CABLE (PASSENGER SIDE)	1
63	*						BRAKE CABLE (DRIVER SIDE).....	1
64								
65	12305-G1						RETAINING RING, 13/32".....	4
66	12416-G2						WIRE TIE	2
67	10386-G3						CLEVIS PIN, 5/16" X 1" LG.....	3
68	10387-G3						COTTER PIN, 3/32" X 3/4" LG.....	3
69								
70	70601-G01						KICK-OFF LINK.....	1
71	17838-G1						NYLON BUSHING.....	2
72	20835-G1						TEFLON WASHER, 3/8"	2
73	00559-G8						WASHER, 5/16"	2
74	10387-G3						COTTER PIN, 3/32" X 3/4" LG.....	2
75	70098-G01						KICK-OFF CAM PIVOT.....	1
76	10097-G6						FLANGED BEARING	2
77	25103-G2						KICK-OFF CAM.....	1
78	71215-G01						SETSCREW, 1/4 - 20 X 1/2" LG.....	2
79	14134-G4						SPACER.....	1
80								
81	70113-G01						ADJUSTABLE BUMPER.....	1
82	11027-G1						LOCK NUT, 5/16 - 18	1
83								
84	70080-G01						CATCH BRACKET	1
85	00414-G6						BOLT, 1/4 - 20 X 3/4" LG.....	2
86	00891-G2						LOCK NUT, 1/4 - 20	2
87	11027-G2						LOCK NUT, 1/4 - 20	2



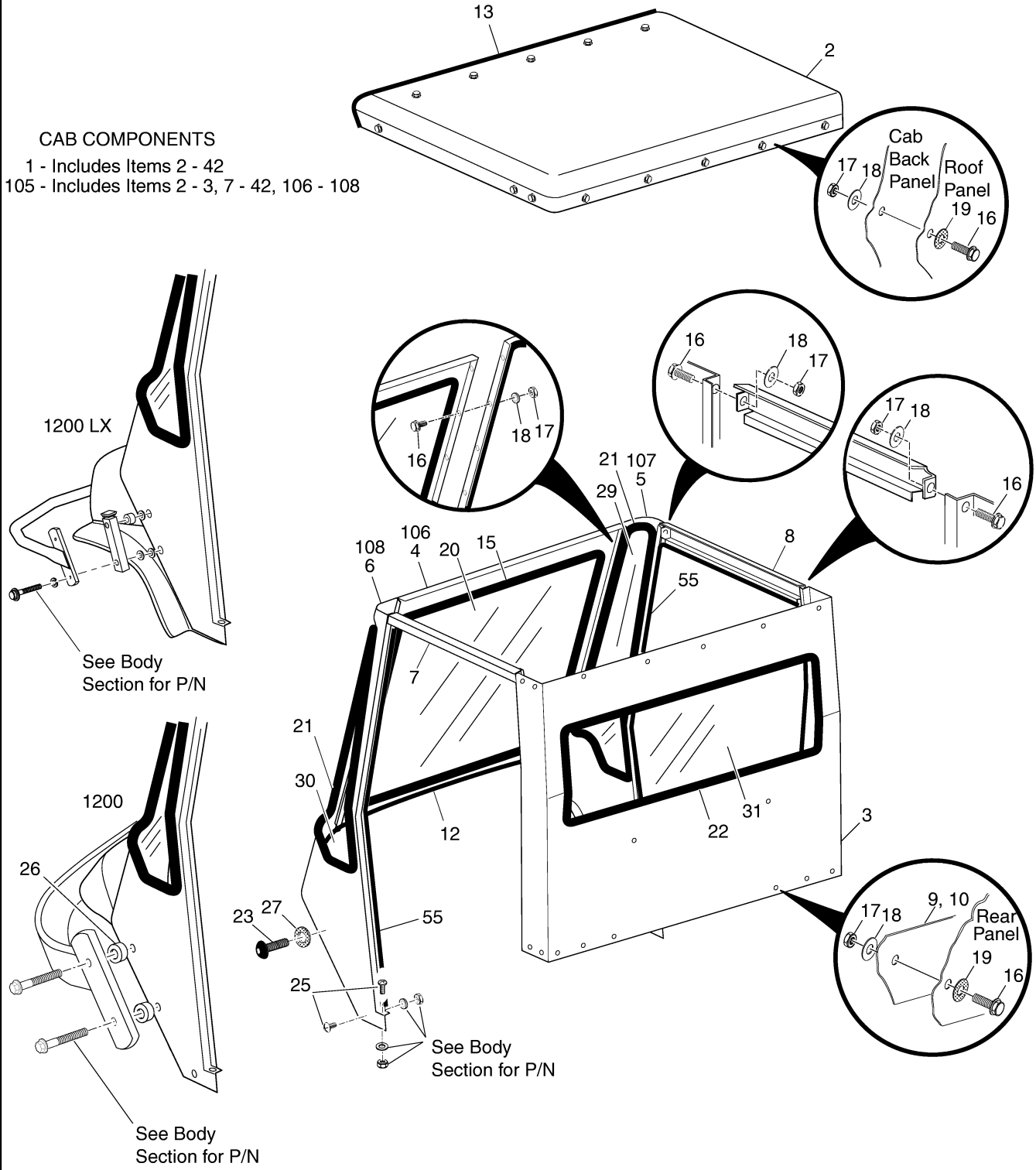
When ordering parts, please specify the model and serial number of the product.
 * Indicates a component that is not available as an individual part.
 G** Indicates consult Customer Service Department for additional information.

ITEM	PART NO.	1	2	3	4	5	DESCRIPTION	QTY.
88	72422-G01						BRAKE ASSEMBLY (DRIVER SIDE) (INCLUDES ITEMS 90 - 98).....	1
89	72422-G02						BRAKE ASSEMBLY (PASSENGER SIDE) (INCLUDES ITEMS 90 - 97, 99)	1
90	27945-G01						BRAKE SHOE KIT (INCLUDES ITEM 91).....	2
91	*						BRAKE SHOE.....	2
92	27944-G01						BRAKE SPRING KIT (INCLUDES ITEMS 93 - 97)	2
93	*						UPPER SPRING	1
94	*						LOWER SPRING	1
95	*						PIN	2
96	*						CUP AND SPRING	2
97	*						ADJUSTER SPRING	1
98	72582-G01						BRAKE ADJUSTER KIT (DRIVER SIDE) (INCLUDES ITEMS 100 - 101)...	1
99	72582-G02						BRAKE ADJUSTER KIT (PASSENGER SIDE) (INCL ITEMS 100 - 101) ...	1
100	*						ADJUSTER	1
101	*						TEFLON WASHER	2
102	17083-G2						BOLT, 5/16 - 24 X 1" LG.....	8
103	15126-G1						LOCK NUT, 5/16 - 24	8
104	21809-G1						INNER BRAKE DRUM WASHER, 1 5/16" O.D. X 1" I.D. X 1/32".....	2
105								
106	21807-G1						BRAKE DRUM ASSEMBLY (INCLUDES ITEMS 107 - 108)	2
107	*						BRAKE DRUM.....	1
108	19862-G1						LUG BOLT, 1/2 - 20 X 1 7/32" LG	4
109	14723-G1						LUG NUT, 1/2 - 20.....	8
110								
111	21830-G1						WASHER, 1 1/2" O.D. X 3/4" I.D. X 1/8".....	2
112	00518-G8						SLOTTED NUT, 3/4 - 16	2
113	10387-G1						COTTER PIN, 1/8" X 1 1/2" LG.....	2
114	74175-G01						SPINDLE CAP	2
115								
116	72036-G02						BRAKE CABLE BRACKET (PASSENGER SIDE)	1
117	72237-G02						BRAKE CABLE BRACKET (DRIVER SIDE).....	1

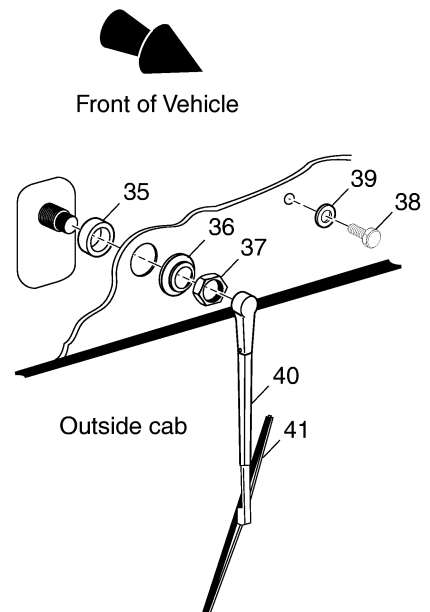
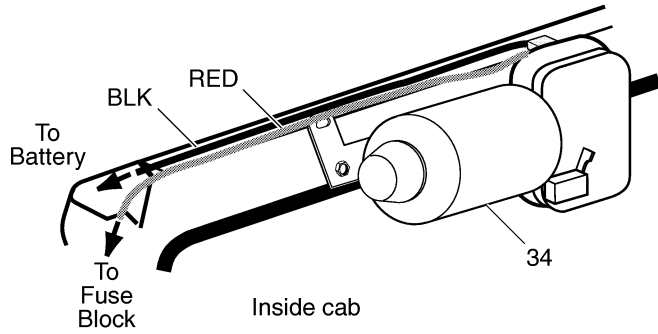
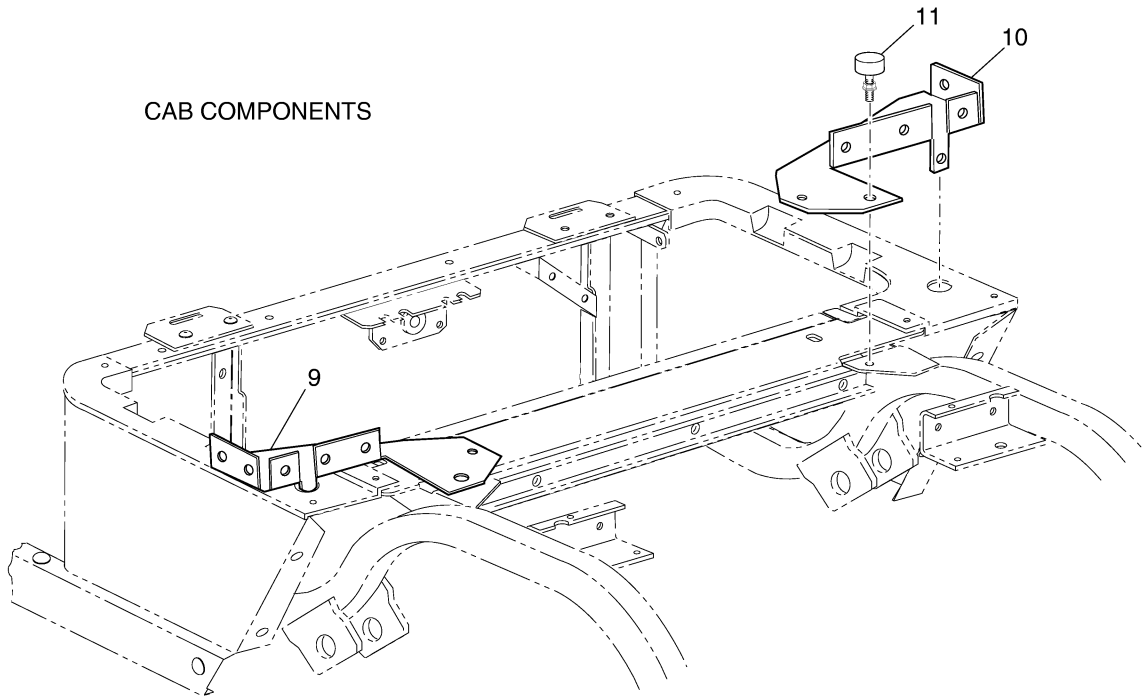


CAB COMPONENTS

1 - Includes Items 2 - 42
105 - Includes Items 2 - 3, 7 - 42, 106 - 108



CAB COMPONENTS

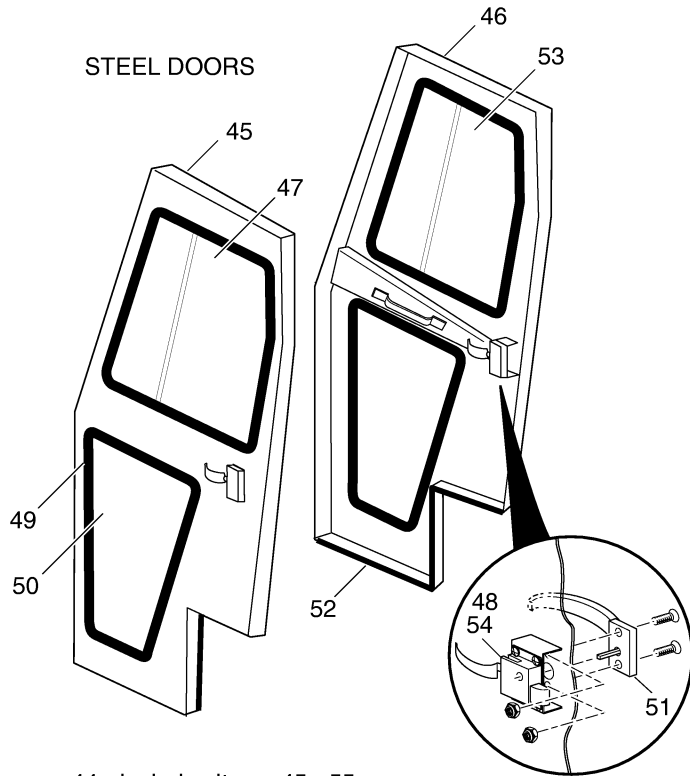


WINDSHIELD WIPER COMPONENTS

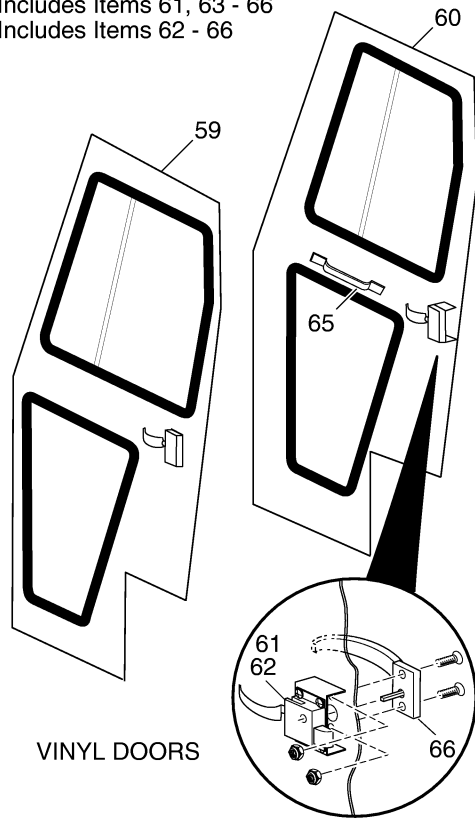
33 - Includes Items 34 - 42

34 - Includes Items 35 - 39

STEEL DOORS

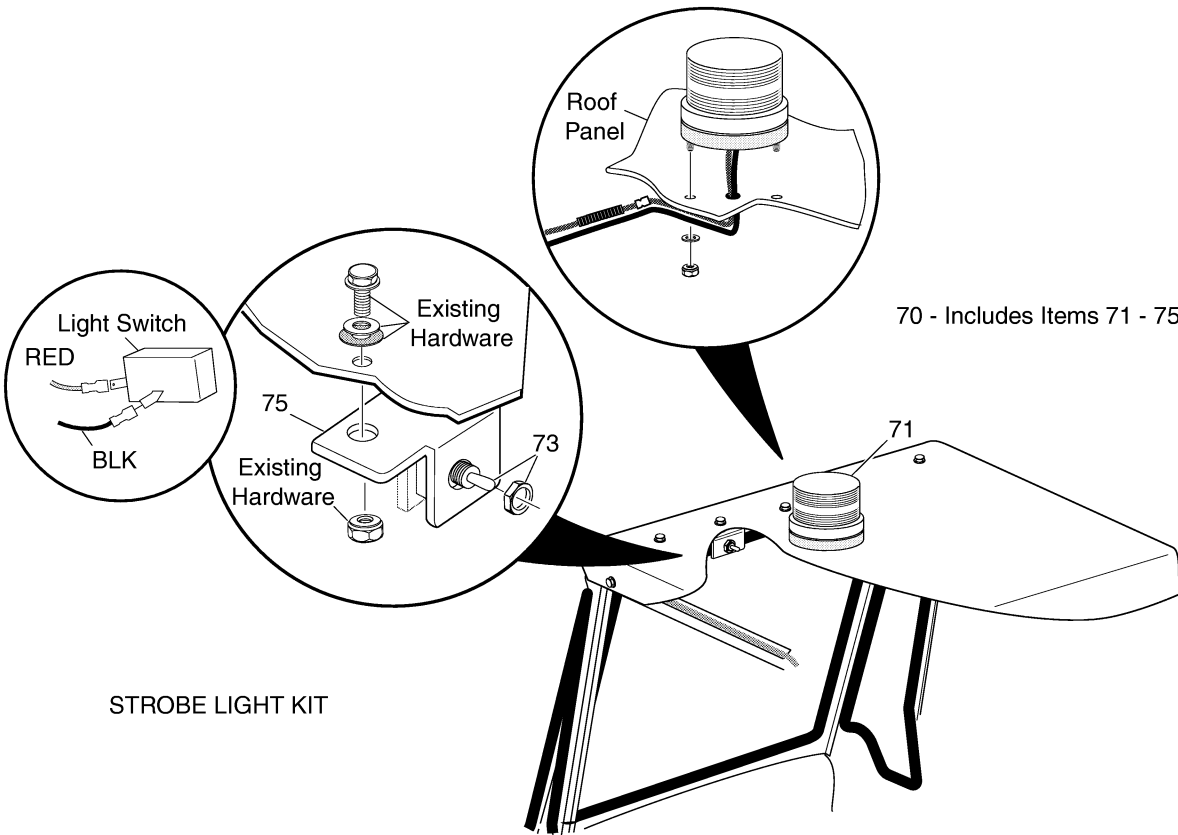


- 58 - Includes Items 59 - 66
- 59 - Includes Items 61, 63 - 66
- 60 - Includes Items 62 - 66



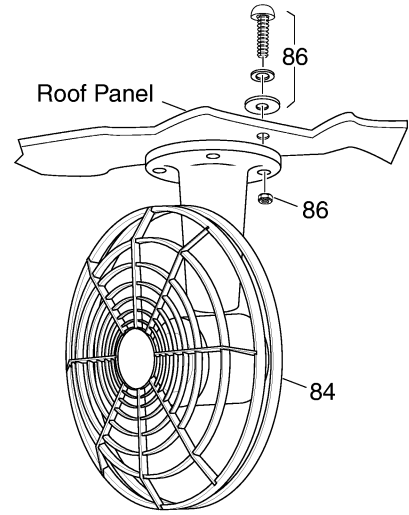
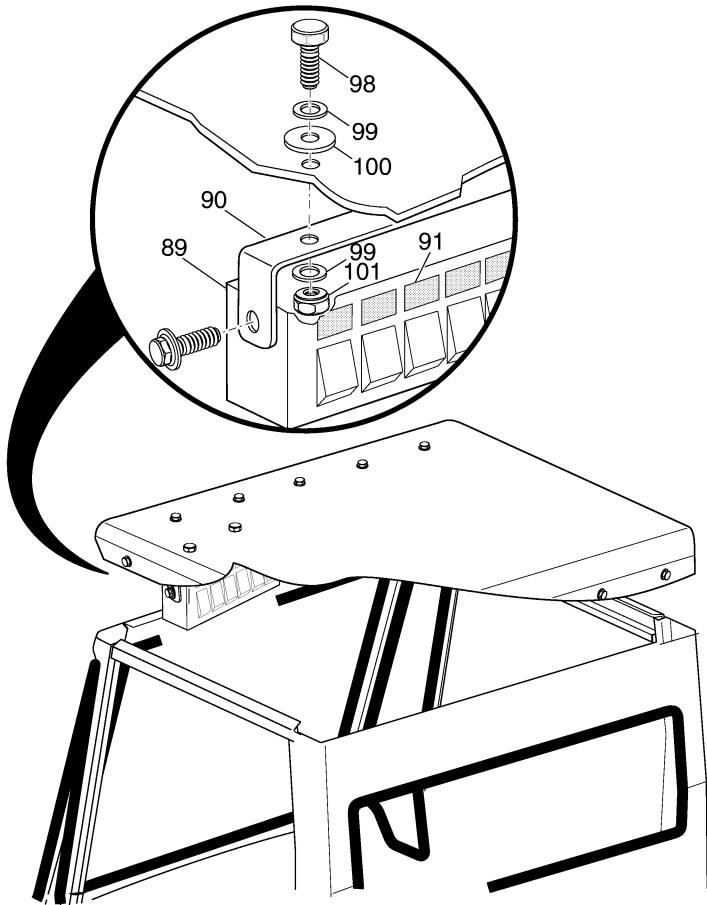
- 44 - Includes Items 45 - 55
- 45 - Includes Items 47 - 52
- 46 - Includes Items 49 - 54

VINYL DOORS

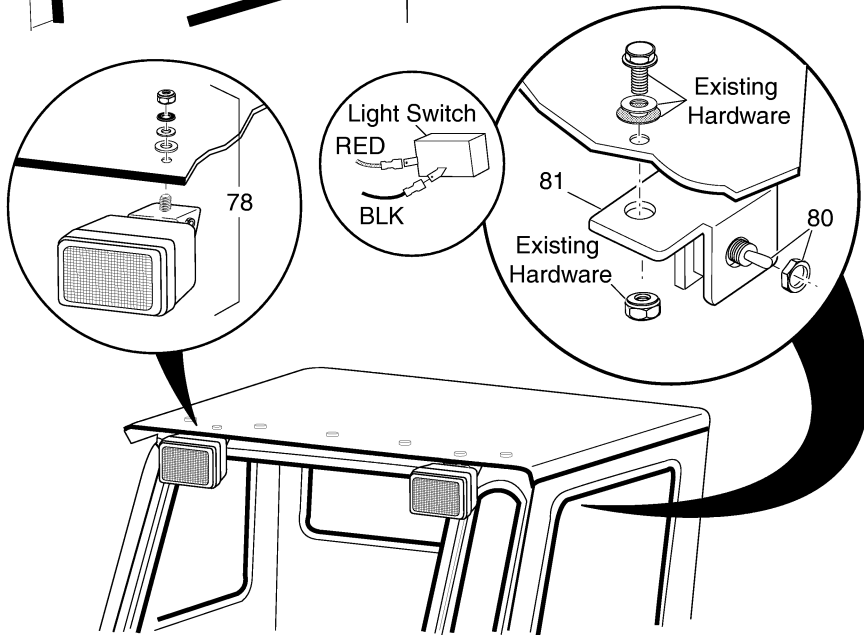


STROBE LIGHT KIT

SWITCH PANEL KIT
88 - Includes Items 89 - 103



DEFROSTER / COOLING FAN KIT
83 - Includes Items 84 - 86



WORKLIGHT KIT
77 - Includes Items 78 - 81

Replacement parts may be obtained from Curtis Tractor Cab Inc., 111 Higgins Street, Worcester, MA 01606. Telephone (508) 853-2200, or FAX (508) 854-3377.

* Indicates a component that is not available as an individual part.

ITEM	PART NO.	1 2 3 4 5	DESCRIPTION	QTY.
1	74300-G0*		STEEL CAB KIT (WITHOUT DOORS) (1200) (INCLUDES ITEMS 2 - 42)	1
2	74300-G0*A		ROOF PANEL	1
3	74300-G0*B		REAR PANEL	1
4	74300-G0*C		WINDSHIELD PANEL.....	1
5	74300-G0*D		FRONT CORNER PANEL (PASSENGER SIDE).....	1
6	74300-G0*E		FRONT CORNER PANEL (DRIVER SIDE)	1
7	74300-G0*F		RECEIVER (DRIVER SIDE)	1
8	74300-G0*G		RECEIVER (PASSENGER SIDE).....	1
9	74300-G0*H		LOWER MOUNTING BRACKET (DRIVER SIDE).....	1
10	74300-G0*I		LOWER MOUNTING BRACKET (PASSENGER SIDE)	1
11	70113-G01		ADJUSTABLE BUMPER.....	2
12	1P004A		FRONT PANEL COWL SEAL GASKET (85" LG)	1
13	1P004D		ROOF TRIM (50")	1
14				
15	6E03		FRONT WINDSHIELD MOUNTING GASKET	1
16	6E03A		BOLT, 3/8-16 X 7/8"LG.....	44
17	6E03B		LOCK NUT, 3/8-16.....	44
18	6E03C		WASHER, 3/8"	44
19	6E03D		NYLON WASHER, 3/8".....	26
20	6E03E		FRONT WINDSHIELD GLASS	1
21	6E03H		FRONT CORNER PANEL MOUNTING GASKET	2
22	6E03J		REAR PANEL WINDOW MOUNTING GASKET	1
23	6E03S		ALLEN BUTTON HEAD BOLT.....	4
24				
25	6E03U		BOLT, 1/4-20 X 1 1/2"LG.....	4
26	6E03V		NYLON SPACER, 1/4"	4
27	6E03W		WASHER, 5/16"	4
28				
29	6E05A		FRONT CORNER PANEL WINDOW (PASSENGER SIDE).....	1
30	6E05B		FRONT CORNER PANEL WINDOW (DRIVER SIDE)	1



Replacement parts may be obtained from Curtis Tractor Cab Inc., 111 Higgins Street, Worcester, MA 01606. Telephone (508) 853-2200, or FAX (508) 854-3377.

* Indicates a component that is not available as an individual part.

ITEM	PART NO.	1	2	3	4	5	DESCRIPTION	QTY.
31	6E05C						REAR PANEL WINDOW	1
32								
33	74244-G01						WINDSHIELD WIPER KIT (INCLUDES ITEMS 34 - 42)	1
34	9PWM85						WIPER MOTOR (INCLUDES ITEMS 35 - 39)	1
35	*						SPACER	1
36	*						SHAFT COVER (SEAL)	1
37	*						NUT	1
38	*						BOLT	1
39	*						WASHER	1
40	9PWA						WIPER ARM	1
41	9PWB						WINDSHIELD WIPER BLADE	1
42	9E003						ELECTRICAL HARDWARE KIT (NOT ILLUSTRATED)	1
43								
44	74301-G0*						STEEL DOOR KIT (INCLUDES ITEMS 45 - 55)	1
45	74301-G0*A						STEEL DOOR (DRIVER SIDE) (INCLUDES ITEMS 47 - 52)	1
46	74301-G0*B						STEEL DOOR (PASSENGER SIDE) (INCLUDES ITEMS 49 - 54)	1
47	6E05D						SLIDING DOOR WINDOW ASSEMBLY (DRIVER SIDE)	1
48	9DHSL						INSIDE DOOR LATCH (DRIVER SIDE)	1
49	6E03P						LOWER DOOR WINDOW MOUNTING GASKET	1
50	6E05F						LOWER DOOR WINDOW	1
51	9DHOS1						OUTSIDE DOOR HANDLE (KEY LOCKING)	2
52	1P004B						LOWER DOOR SEAL GASKET (43" LG)	1
53	6E05E						SLIDING DOOR WINDOW ASSEMBLY (PASSENGER SIDE)	1
54	9DHSLR						INSIDE DOOR LATCH (PASSENGER SIDE)	1
55	1P004C						DOOR SEAL GASKET (123" LG)	2
56	9P001A						REPLACEMENT DOOR HINGE KIT (NOT ILLUSTRATED)	A/R
57								
58	74242-G01						VINYL DOOR KIT (INCLUDES ITEMS 59 - 66)	1
59	9DVK-L						VINYL DOOR (DRIVER SIDE) (INCLUDES ITEMS 61, 63 - 66)	1
60	9DVK-R						VINYL DOOR (PASSENGER SIDE) (INCLUDES ITEMS 62 - 66)	1



Replacement parts may be obtained from Curtis Tractor Cab Inc., 111 Higgins Street, Worcester, MA 01606. Telephone (508) 853-2200, or FAX (508) 854-3377.

* Indicates a component that is not available as an individual part.

ITEM	PART NO.	1 2 3 4 5	DESCRIPTION	QTY.
61	9DHSL		INSIDE DOOR LATCH (DRIVER SIDE).....	1
62	9DHSLR		INSIDE DOOR LATCH (PASSENGER SIDE)	1
63	9DCK		DOOR CHECK (NOT ILLUSTRATED)	1
64	9DSTK1		DOOR STRIKER (NOT ILLUSTRATED)	1
65	9DGH1		DOOR GRAB HANDLE	1
66	9DHOS1		OUTSIDE DOOR HANDLE (KEY LOCKING)	1
67	9PSSH		REPLACEMENT DOOR HINGE (DRIVER SIDE) (NOT ILLUSTRATED).....	1
68	9PSSHR		REPLACEMENT DOOR HINGE (PASSENGER SIDE) (NOT ILLUSTRATED) ..	1
69				
70	74245-G01		STROBE LIGHT KIT (INCLUDES ITEMS 71 - 75).....	1
71	9PSLRL		STROBE LENS.....	1
72	9E001		ELECTRICAL HARDWARE KIT (NOT ILLUSTRATED)	1
73	9E002		TOGGLE SWITCH.....	1
74	9PSLRB		REPLACEMENT BULB (NOT ILLUSTRATED)	1
75	9PB001		BRACKET	1
76				
77	74247-G01		WORK LIGHT KIT (INCLUDES ITEMS 78 - 81)	1
78	9LW1A		WORK LIGHT (INCLUDES HARDWARE).....	2
79	9E001		ELECTRICAL HARDWARE KIT (NOT ILLUSTRATED)	1
80	9E002		TOGGLE SWITCH.....	1
81	9PB001		BRACKET	1
82				
83	74248-G01		DEFROSTER / COOLING FAN KIT (INCLUDES ITEMS 84 - 86)	1
84	9PDF		FAN.....	1
85	9E001		ELECTRICAL HARDWARE KIT (NOT ILLUSTRATED)	1
86	9PFHK		HARDWARE KIT	1
87				
88	74250-G01		SWITCH PANEL KIT (INCLUDES ITEMS 89 - 103)	1
89	9PSF1-001		SWITCH PANEL	1
90	9PSF1-002		MOUNTING BRACKET AND HARDWARE	1

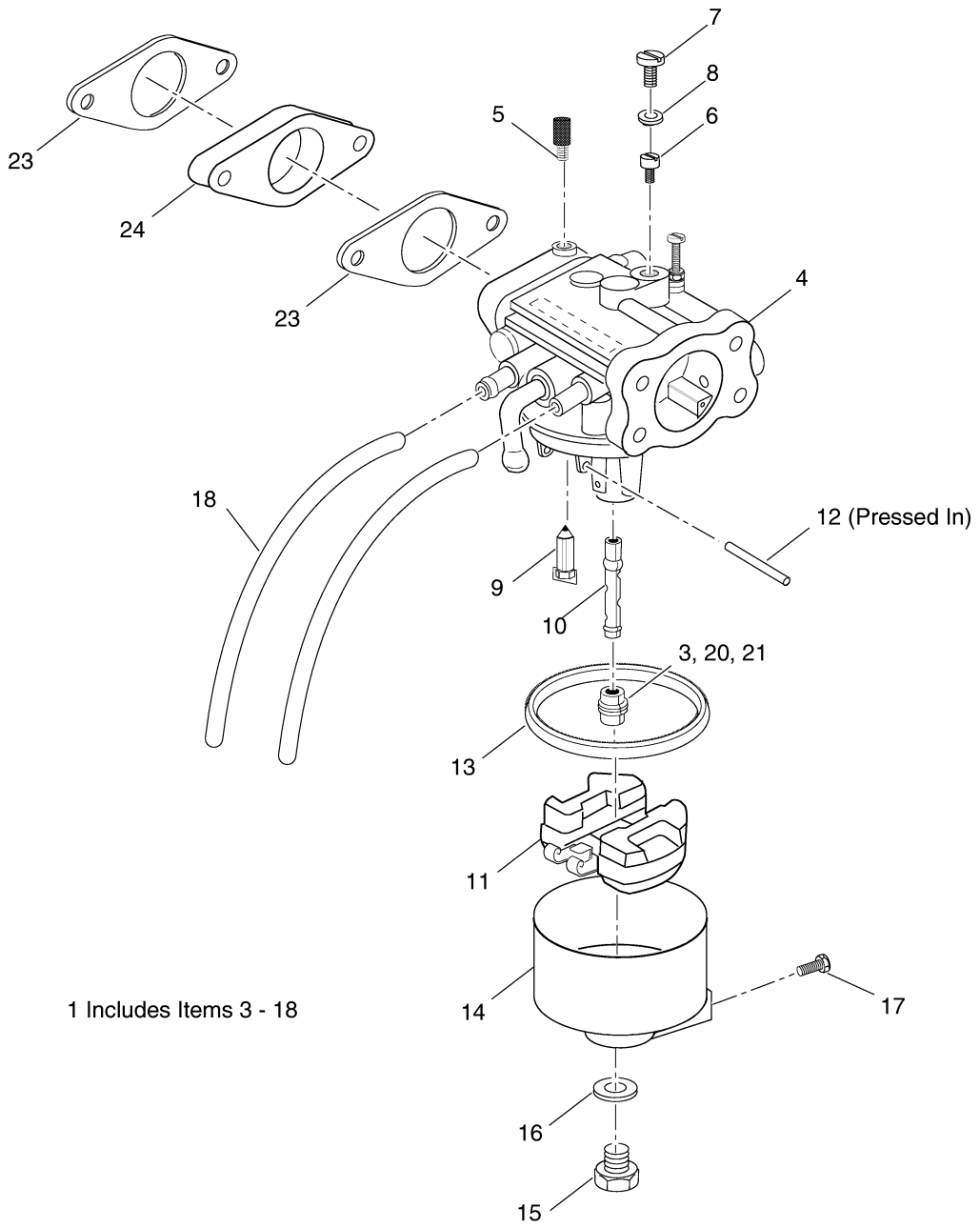


Replacement parts may be obtained from Curtis Tractor Cab Inc., 111 Higgins Street, Worcester, MA 01606. Telephone (508) 853-2200, or FAX (508) 854-3377.

* Indicates a component that is not available as an individual part.

ITEM	PART NO.	1	2	3	4	5	DESCRIPTION	QTY.
91	9PSF1-003						ADHESIVE LABELS.....	1
92	9PSF1-004						3 AMP FUSE (NOT ILLUSTRATED)	2
93	9PSF1-005						5 AMP FUSE (NOT ILLUSTRATED)	3
94	9PSF1-006						7.5 AMP FUSE (NOT ILLUSTRATED)	1
95	9PSF1-007						FLEX LOOM, 5/8" X 10' LG (NOT ILLUSTRATED).....	1
96	9PSF1-008						4-WAY BASE TIE (NOT ILLUSTRATED)	6
97	9PSF1-009						WIRE TIE (NOT ILLUSTRATED).....	14
98	9PSF1-010						BOLT, 1/4 - 20 X 7/8" LG	2
99	9PSF1-011						WASHER, 1/4"	4
100	9PSF1-012						NYLON WASHER, 1/4"	2
101	9PSF1-013						LOCK NUT, 1/4-20.....	2
102	9PSF1-014						10 GA WIRE (RED, 8" LG) (NOT ILLUSTRATED)	1
103	9PSF1-015						10 GA WIRE (BLACK, 8" LG) (NOT ILLUSTRATED).....	1
104								
105	74294-G0*						STEEL CAB KIT (WITHOUT DOORS) (WORKHORSE® 1200 LX) (INCLUDES ITEMS 2 - 3, 7 - 42, 106 - 108)	1
106	74294-G0*C						WINDSHIELD PANEL.....	1
107	74294-G0*D						FRONT CORNER PANEL (PASSENGER SIDE)	1
108	74294-G0*E						FRONT CORNER PANEL (DRIVER SIDE).....	1





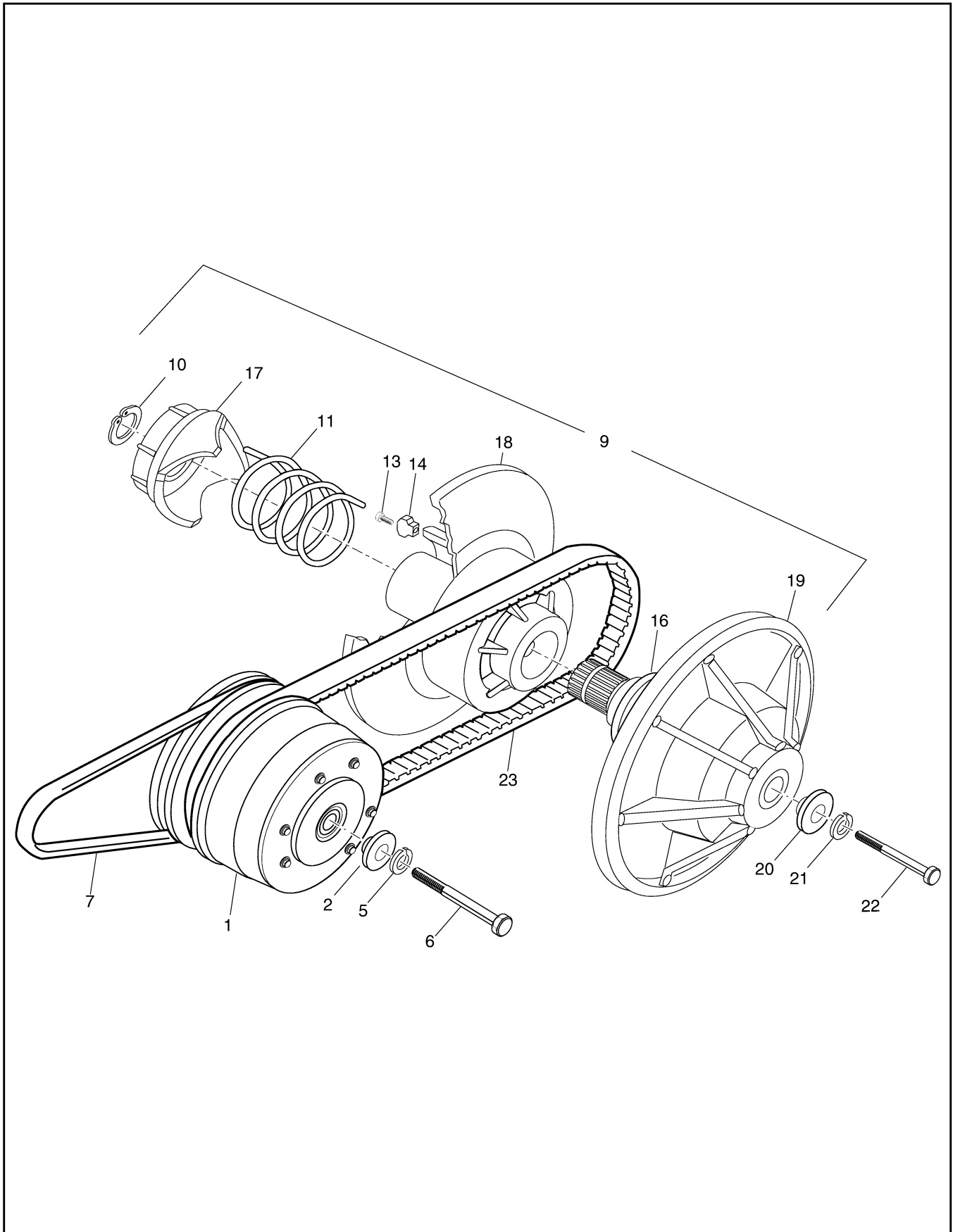
1 Includes Items 3 - 18



When ordering parts, please specify the model and serial number of the product.
 * Indicates a component that is not available as an individual part.
 G** Indicates consult Customer Service Department for additional information.

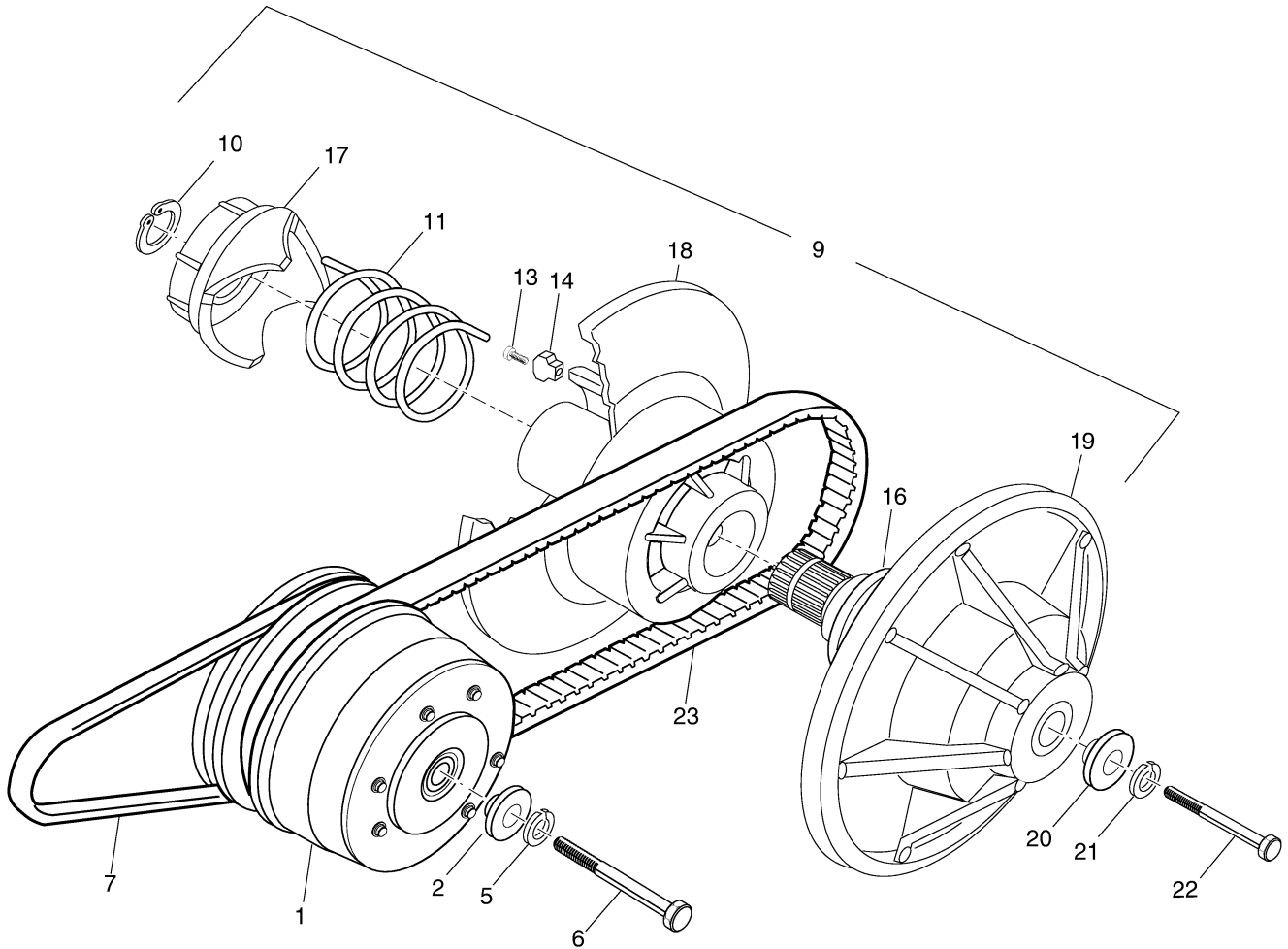
ITEM	PART NO.	1	2	3	4	5	DESCRIPTION	QTY.	
1	72558-G01	CARBURETOR ASSEMBLY (INCLUDES ITEMS 3 - 18)							1
2									
3	26646-G09	MAIN JET (#92)							1
4	*	CARBURETOR BODY							1
5	*	PILOT SCREW							1
6	26649-G05	PILOT JET (#46).....							1
7	26841-G01	PLUG							1
8	72306-G01	GASKET							1
9	72578-G01	NEEDLE VALVE							1
10	72576-G01	MAIN NOZZLE.....							1
11	26648-G01	FLOAT							1
12	26840-G01	FLOAT PIN							1
13	26843-G01	FLOAT BOWL GASKET							1
14	26844-G01	FLOAT CHAMBER							1
15	26839-G01	BOWL SCREW.....							1
16	26838-G01	BOWL GASKET.....							1
17	*	DRAIN SCREW							1
18	26650-G01	VENT TUBE.....							2
19									
20	26646-G01	MAIN JET (#88) (FOR ELEVATIONS OF 3000 FT - 6000 FT)							1
21	26646-G08	MAIN JET (#86) (FOR ELEVATIONS OF 6000 FT - 10000 FT)							1
22									
23	26726-G01	CARBURETOR MOUNT GASKET							2
24	72311-G01	CARBURETOR INSULATOR.....							1





When ordering parts, please specify the model and serial number of the product.
 * Indicates a component that is not available as an individual part.
 G** Indicates consult Customer Service Department for additional information.

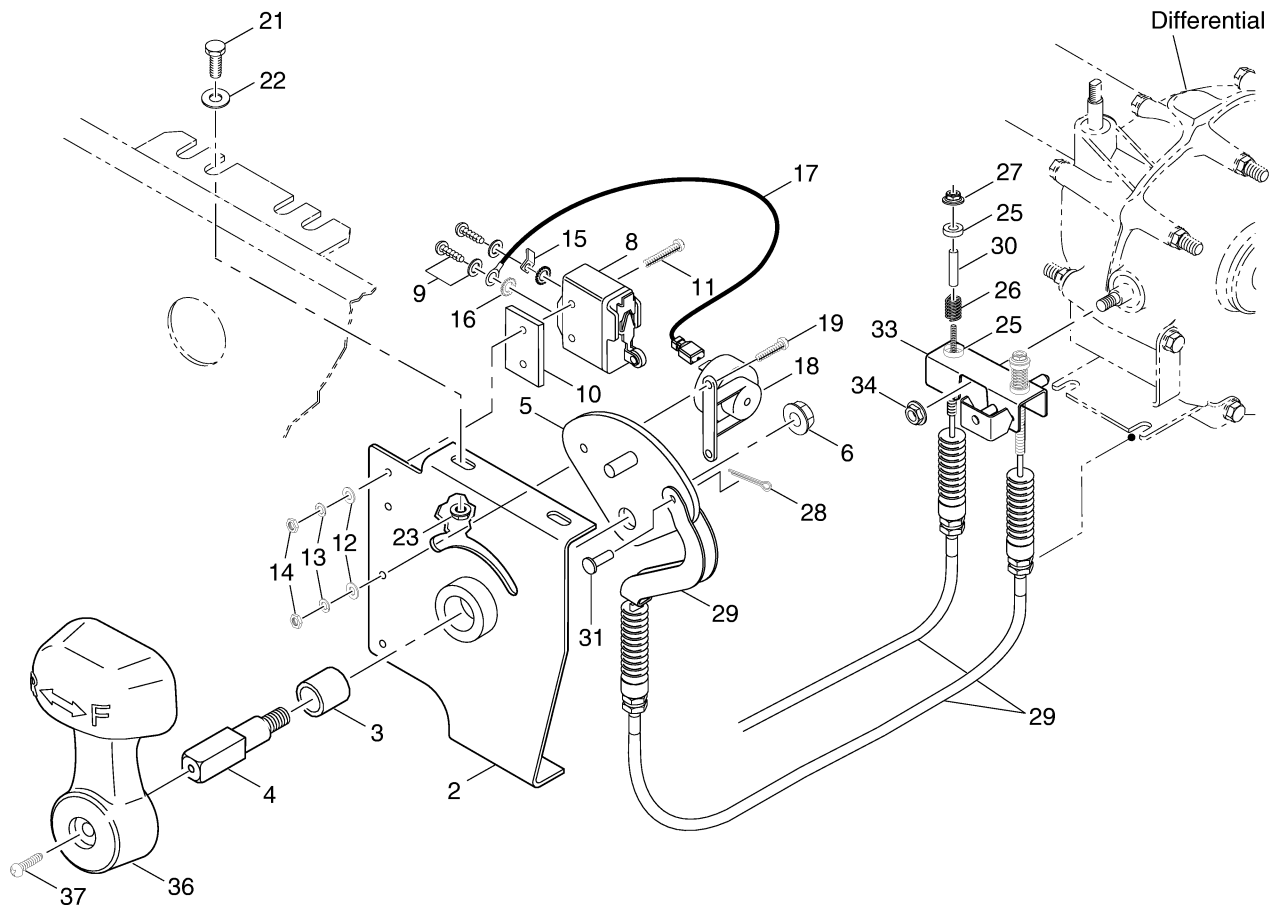
ITEM	PART NO.	1 2 3 4 5	DESCRIPTION	QTY.
1	26952-G01		DRIVE CLUTCH.....	1
2	25757-G1		PILOT WASHER	1
3				
4				
5	00566-G2		LOCK WASHER, 7/16"	1
6	00473-G9		BOLT, 7/16 - 20 X 6 1/2" LG.....	1
7	26414-G01		STARTER / GENERATOR BELT.....	1
8				
9	26301-G02		DRIVEN CLUTCH ASSEMBLY (INCLUDES ITEMS 10 - 19)	1
10	27270-G01		HEAVY DUTY RETAINING RING.....	1
11	26304-G01		COMPRESSION SPRING	1
12				
13	00979-G01		SCREW, #10 - 24 x 7/8" LG	3
14	26479-G01		RAMP BUTTON.....	3
15				
16	24600-G1		SPACER	1
17	*		CAM.....	1
18	*		MOVABLE SHEAVE	1
19	*		SHEAVE AND POST	1
20	25756-G1		RETAINING WASHER	1
21	00565-G8		LOCK WASHER, 5/16"	1
22	00441-G8		BOLT, 5/16 - 18 X 4" LG.....	1
23	72054-G01		DRIVE BELT	1



When ordering parts, please specify the model and serial number of the product.
 * Indicates a component that is not available as an individual part.
 G** Indicates consult Customer Service Department for additional information.

ITEM	PART NO.	1 2 3 4 5	DESCRIPTION	QTY.
1	26952-G02		DRIVE CLUTCH.....	1
2	25757-G1		PILOT WASHER	1
3				
4				
5	00566-G2		LOCK WASHER, 7/16"	1
6	00473-G9		BOLT, 7/16 - 20 X 6 1/2" LG.....	1
7	26414-G01		STARTER / GENERATOR BELT.....	1
8				
9	25632-G03		DRIVEN CLUTCH ASSEMBLY (INCLUDES ITEMS 10 - 19)	1
10	27270-G01		HEAVY DUTY RETAINING RING.....	1
11	25612-G1		COMPRESSION SPRING	1
12				
13	00979-G01		SCREW, #10 - 24 x 7/8" LG	3
14	26479-G01		RAMP BUTTON.....	3
15				
16	24600-G1		SPACER	1
17	*		CAM.....	1
18	*		MOVABLE SHEAVE	1
19	*		SHEAVE AND POST	1
20	25756-G1		RETAINING WASHER	1
21	00565-G8		LOCK WASHER, 5/16"	1
22	00441-G8		BOLT, 5/16 - 18 X 4" LG.....	1
23	72054-G01		DRIVE BELT	1

1 - Includes Items 2 - 23



When ordering parts, please specify the model and serial number of the product.

* Indicates a component that is not available as an individual part.

G** Indicates consult Customer Service Department for additional information.

ITEM	PART NO.	1 2 3 4 5	DESCRIPTION	QTY.
1	70594-G02		DIRECTION SELECTOR ASSEMBLY (INCLUDES ITEMS 2 - 23)	1
2	25684-G01		DIRECTION SELECTOR BRACKET.....	1
3	25664-G1		BUSHING	1
4	27537-G01		DIRECTION SELECTOR SHAFT	1
5	25745-G01		DIRECTION SELECTOR CAM.....	1
6	14390-G1		LOCK NUT, 3/8 - 24.....	1
7				
8	10606-G1		MICRO SWITCH.....	1
9	*		SCREW AND WASHER ASSEMBLY	2
10	27151-G01		SPACER	1
11	00645-G2		SCREW, #6 - 32 X 1 1/4" LG.....	2
12	00559-G3		WASHER, #6	4
13	00565-G3		LOCK WASHER, #6	4
14	00525-G5		NUT, #6 - 32.....	4
15	14628-G1		FASTON TAB.....	1
16	00567-G3		LOCK WASHER, #6	2
17	25978-G234		18 GA. WIRE (RED 6").....	1
18	73290-G02		REVERSE WARNING BUZZER.....	1
19	00138-G5		SCREW, #6 - 32 X 5/8" LG.....	2
20				
21	00414-G6		BOLT, 1/4 - 20 X 3/4" LG.	2
22	00559-G7		WASHER, 1/4"	2
23	11027-G2		LOCK NUT, 1/4 - 20.....	2
24				
25	25727-G01		CUP WASHER	4
26	27764-G01		SPRING	2
27	11098-G7		NUT, #10 - 24	2
28	10387-G8		COTTER PIN, 1/16" X 3/4" LG.....	2
29	72341-G01		SHIFTER CONTROL CABLE.....	2
30	23726-G5		SPACER.....	2



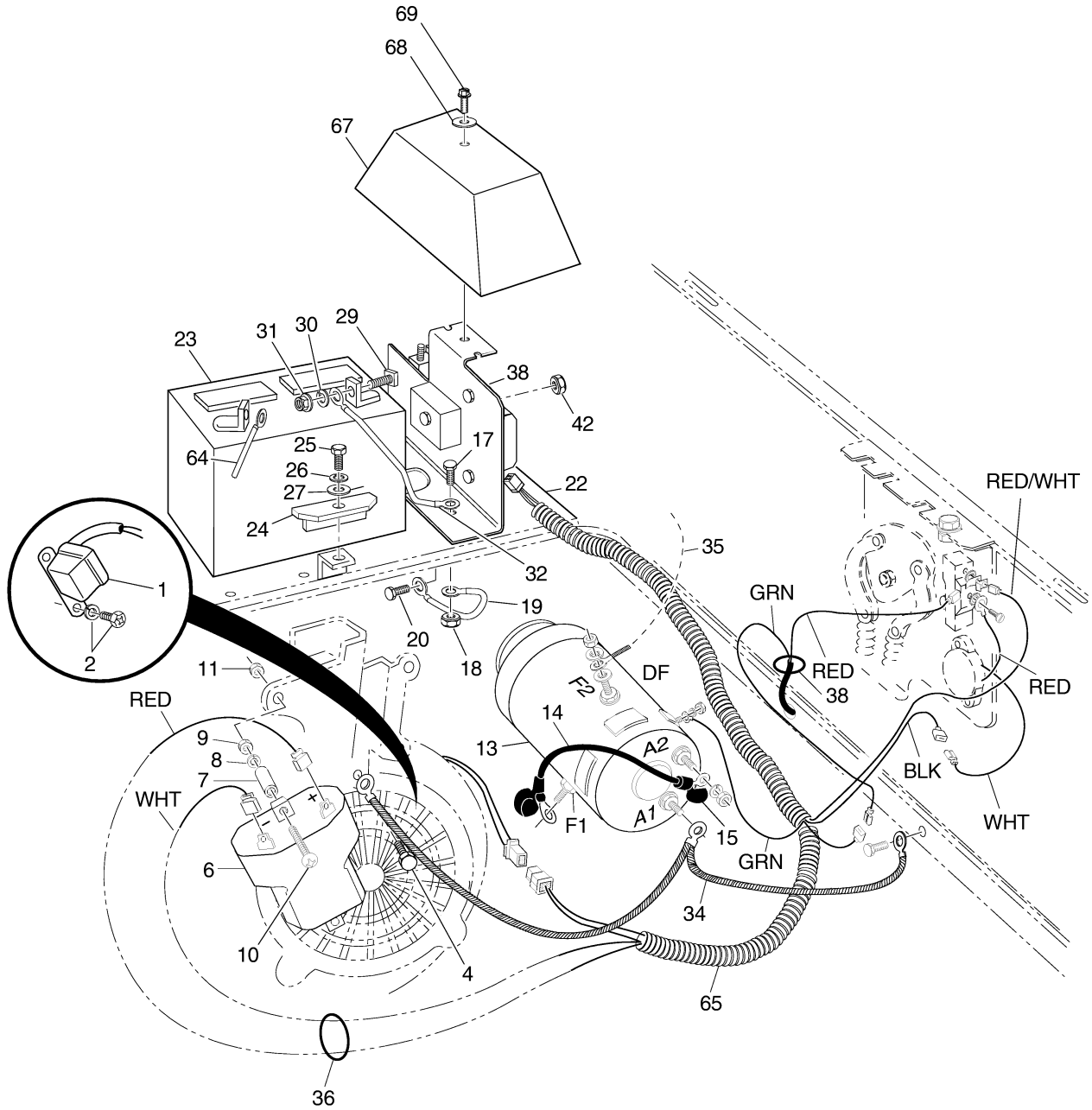
DIRECTION SELECTOR

Gasoline Vehicle

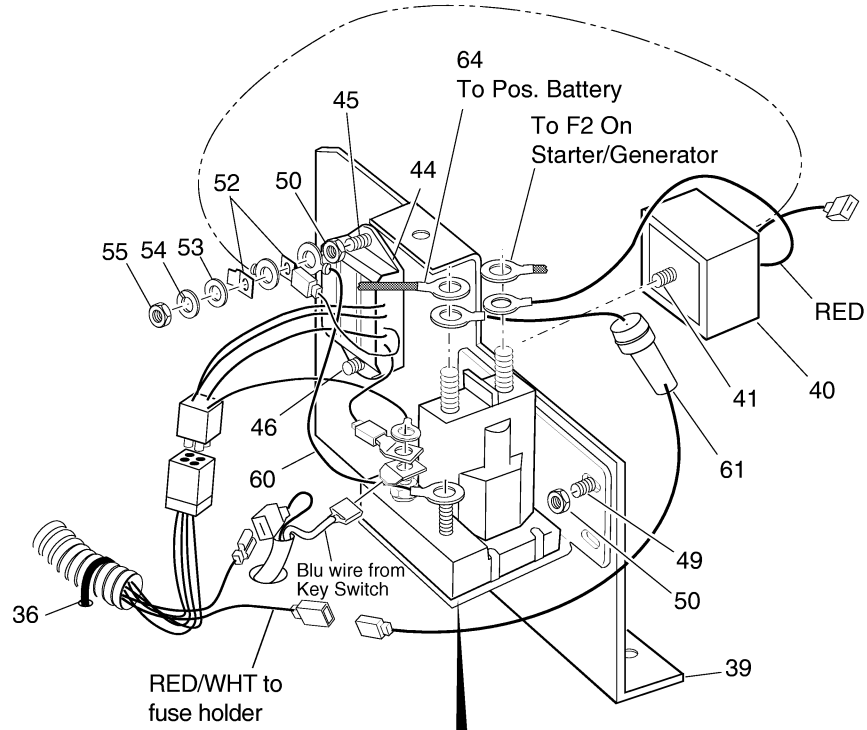
When ordering parts, please specify the model and serial number of the product.
* Indicates a component that is not available as an individual part.
G** Indicates consult Customer Service Department for additional information.

ITEM	PART NO.	1 2 3 4 5	DESCRIPTION	QTY.
31	23176-G1		CLEVIS PIN, 5/16" X 3/8" LG.....	2
32				
33	25946-G01		SHIFTER CONTROL PIVOT.....	1
34	26830-G01		SHIFTER LEVER NUT, M8 X 1.25 MM.....	1
35				
36	71205-G01		DIRECTION SELECTOR HANDLE.....	1
37	00740-G4		SCREW, #10 - 32 X 1/2" LG. (STAINLESS STEEL).....	1

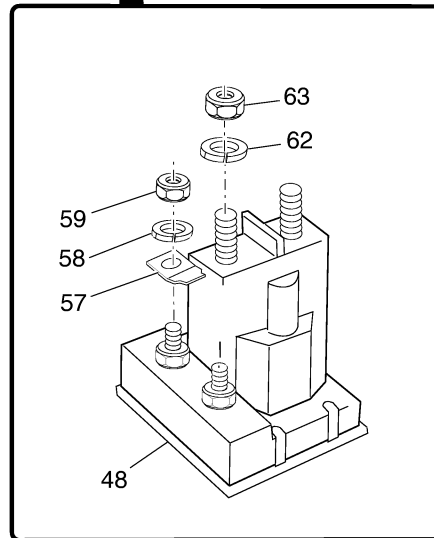


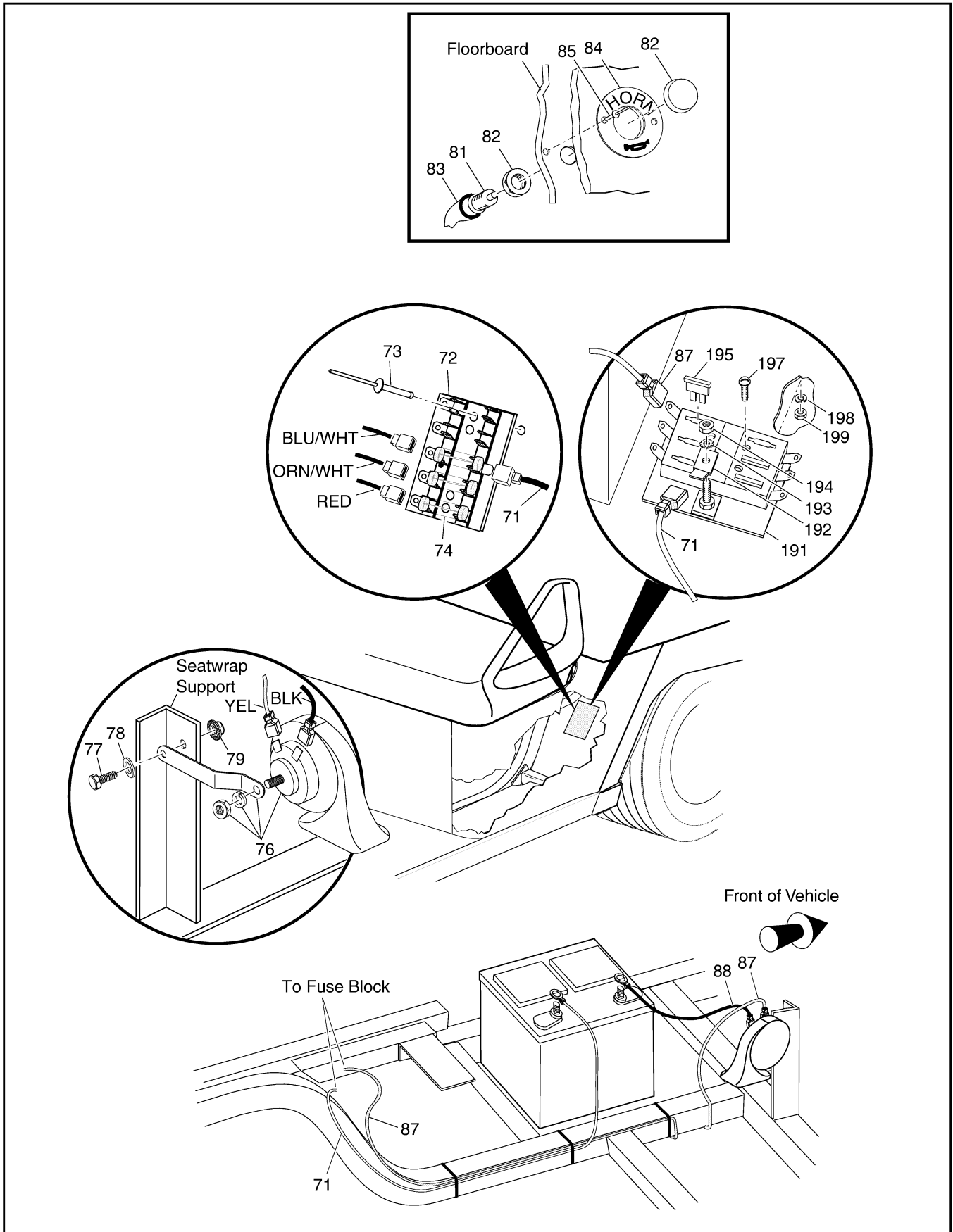


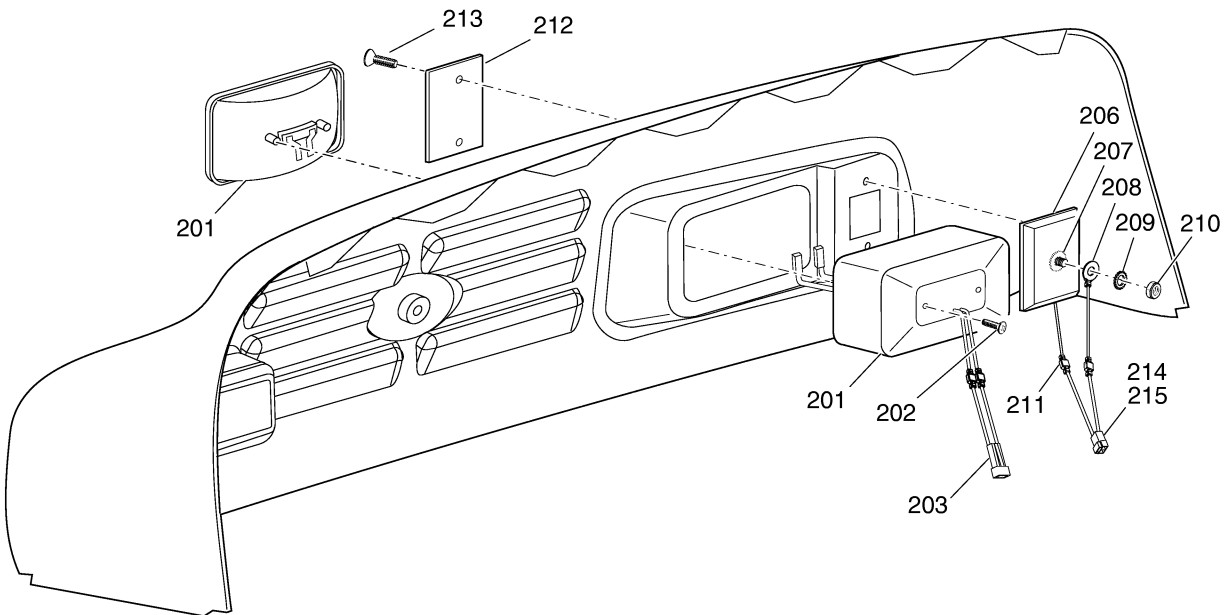
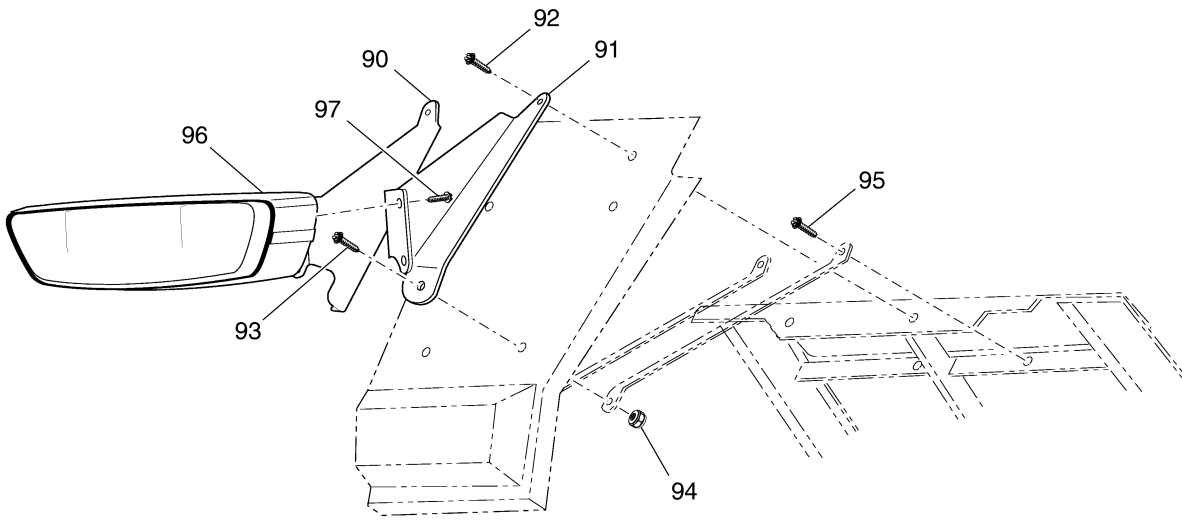
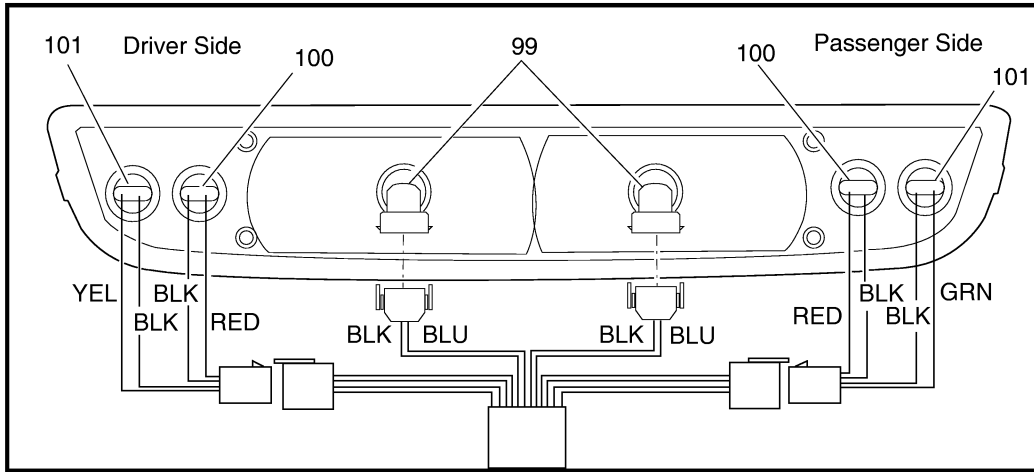
5 - Includes Items 6 - 10

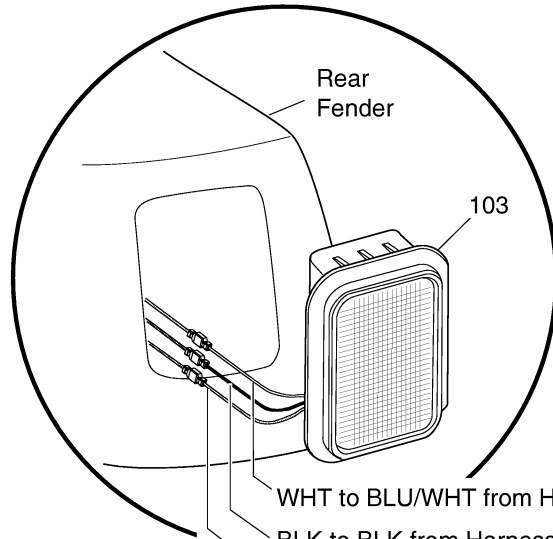


38 - Includes Items 39 - 64

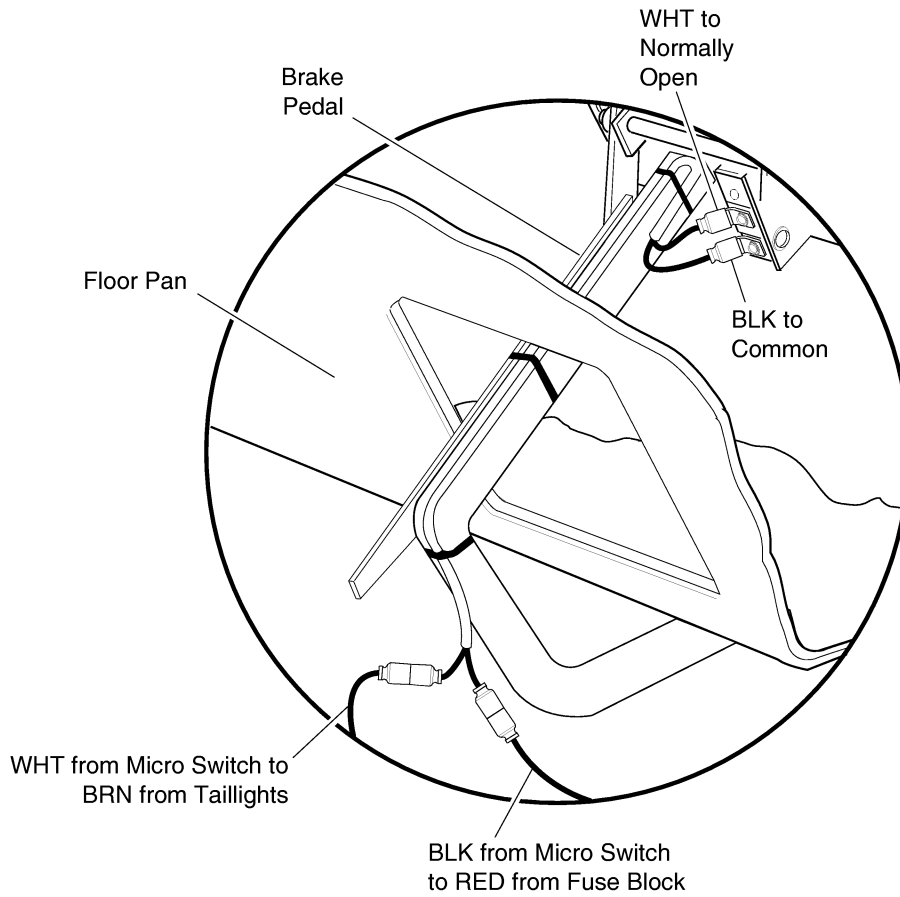




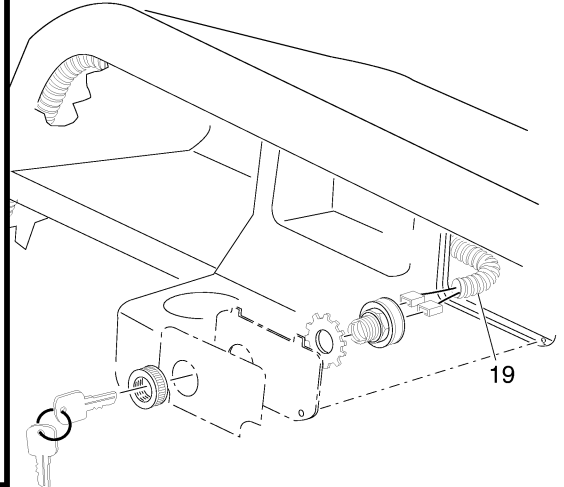
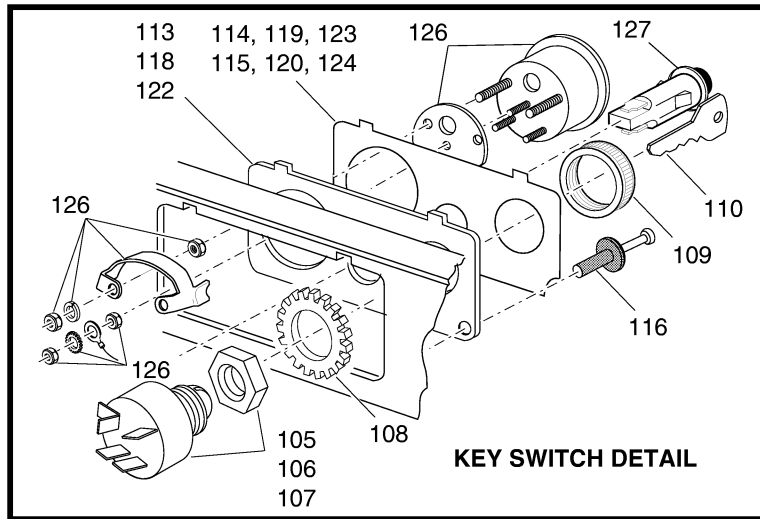




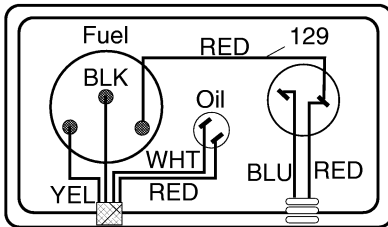
- WHT to BLU/WHT from Harness - Both Sides
- BLK to BLK from Harness - Both Sides
- RED to BRN from Harness - Both Sides (without Turn Signals)
- RED to WHT from Harness - Driver Side (with Turn Signals)
- RED to YEL from Harness - Passenger Side (with Turn Signals)



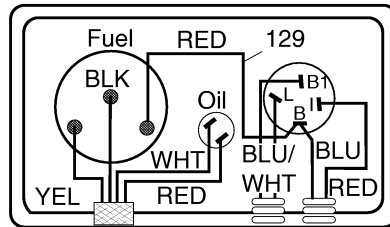
BRAKE LIGHTS MICRO SWITCH CONNECTION



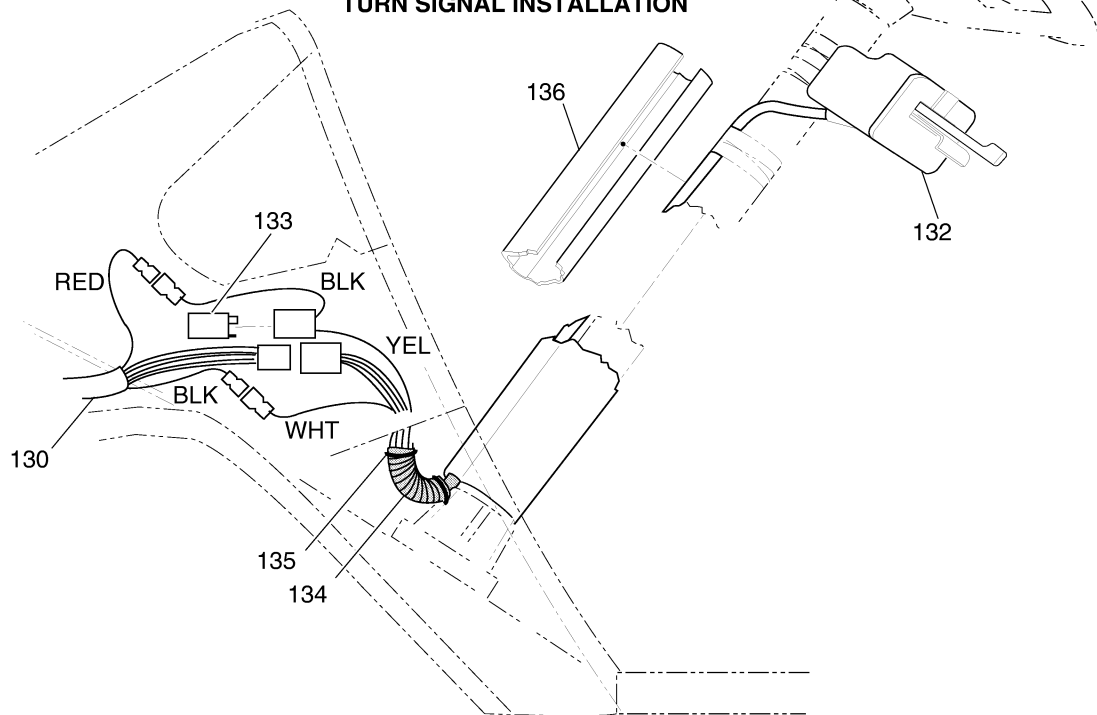
KEY SWITCH WITHOUT LIGHTS

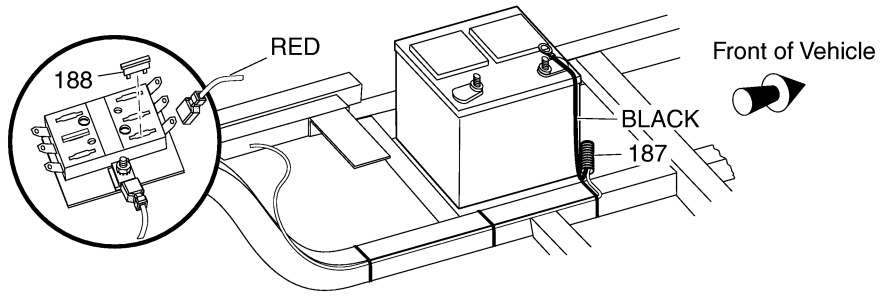
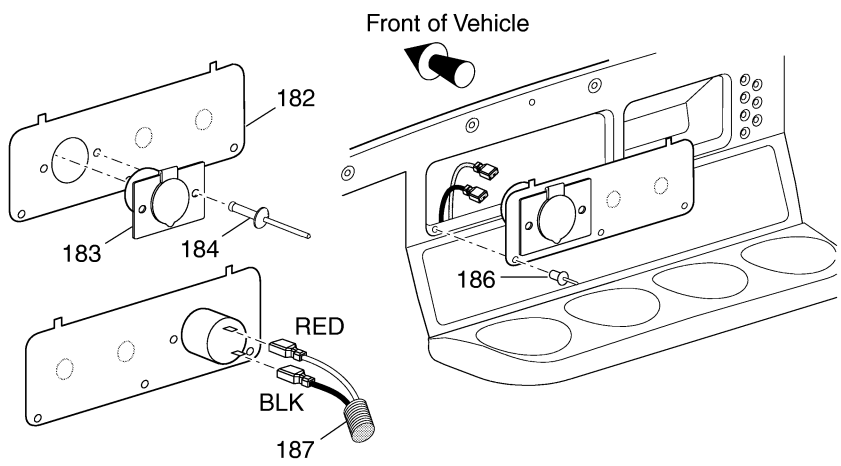
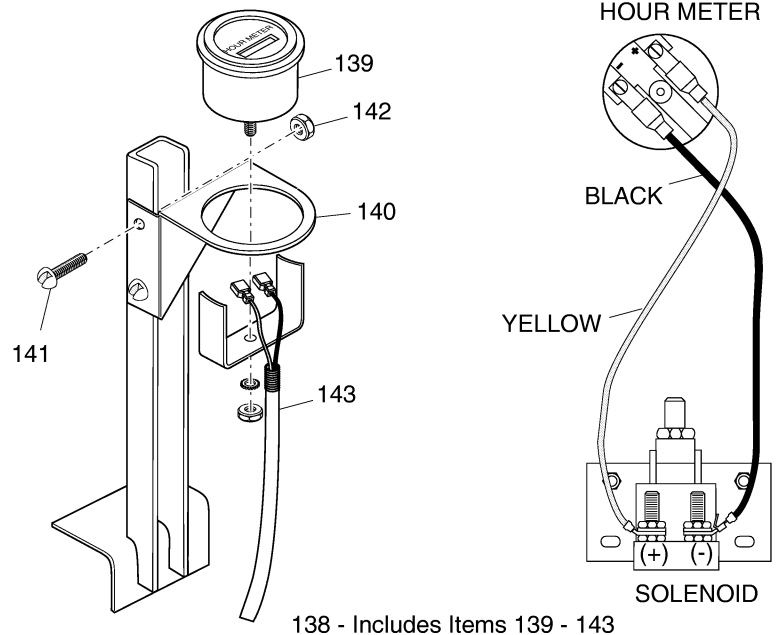


KEY SWITCH WITH LIGHTS

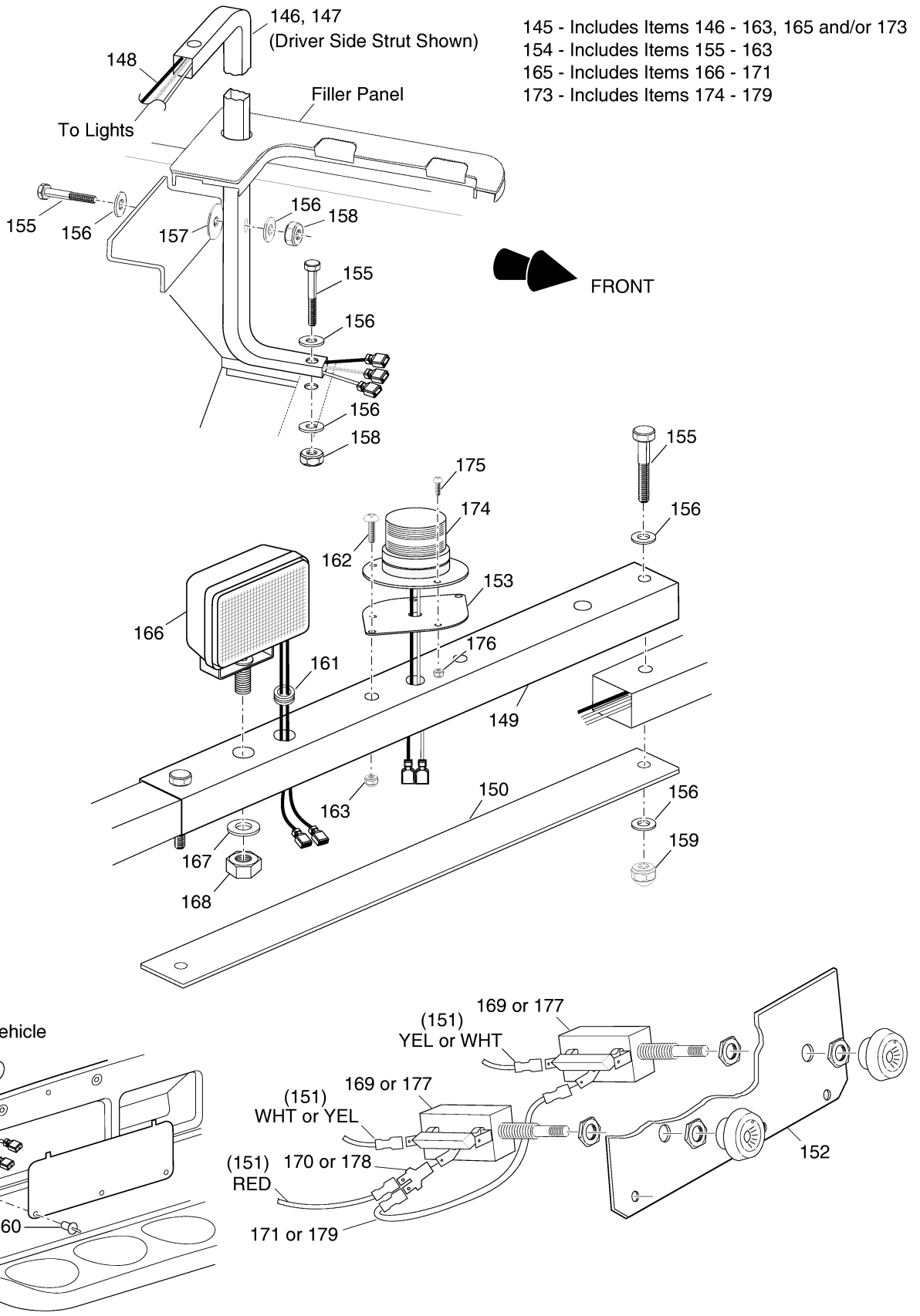


TURN SIGNAL INSTALLATION





Work And Strobe Lights



When ordering parts, please specify the model and serial number of the product.
 * Indicates a component that is not available as an individual part.
 G** Indicates consult Customer Service Department for additional information.

ITEM	PART NO.	1 2 3 4 5	DESCRIPTION	QTY.
1	26651-G02		IGNITION PICKUP ASSEMBLY (INCLUDES ITEM 2).....	1
2	26707-G01		BOLT AND WASHER ASSEMBLY, M5 X .8 X 10 MM LG.	1
3				
4	26676-G01		SCREW, M6 X 1 X 23 MM LG.....	1
5	26652-G01		IGNITION COIL ASSEMBLY (INCLUDES ITEMS 6 - 10)	1
6	*		IGNITION COIL.....	1
7	*		SPACER	1
8	*		LOCK WASHER	1
9	*		NUT.....	1
10	*		SCREW.....	1
11	13632-G1		NUT, M6 X 1.....	2
12				
13	XXXXX-XX		SEE STARTER / GENERATOR	X
14	25887-G01		6 GA WIRE (BLACK 6", F1 - A2).....	1
15	25682-G1		TERMINAL COVER	3
16				
17	00438-G6		SCREW, 5/16 - 18 X 3/4" LG.....	2
18	11027-G1		LOCK NUT, 5/16 - 18	2
19	25976-G19		14 GA WIRE (BLACK 6")	1
20	00715-G2		SCREW, 5/16 - 18 X 13/16" LG.....	1
21				
22	70245-G01		BATTERY TRAY.....	1
23	24775-G*		BATTERY, 12V	1
24	72101-G01		BATTERY HOLD DOWN.....	1
25	00438-G6		BOLT, 5/16 - 18 X 3/4" LG.	1
26	00565-G8		LOCK WASHER, 5/16".....	1
27	00571-G2		WASHER, 5/16"	1
28				
29	00962-G1		BOLT, 5/16 - 18 X 1 1/4" LG.....	2
30	00993-G01		LOCK WASHER, 5/16" (SILICON BRONZE).....	2



When ordering parts, please specify the model and serial number of the product.

* Indicates a component that is not available as an individual part.

G** Indicates consult Customer Service Department for additional information.

ITEM	PART NO.	1 2 3 4 5	DESCRIPTION	QTY.
31	00994-G01		NUT, 5/16 - 18 (SILICON BRONZE)	2
32	28519-G01		BATTERY GROUND CABLE	1
33				
34	28520-G01		ENGINE GROUND CABLE.....	1
35	25972-G85		6 GA WIRE (BLACK 23", F2 - SOL).....	1
36	17618-G1		WIRE TIE	AR
37				
38	73059-G01		ELECTRICAL PLATE ASSEMBLY (INCLUDES ITEMS 39 - 64)	1
39	73057-G01		BRACKET.....	1
40	27739-G01		VOLTAGE REGULATOR	1
41	00415-G2		SCREW, 1/4 - 20 X 1 1/4" LG.....	1
42	11027-G2		LOCK NUT, 1/4 - 20.....	1
43				
44	27746-G01		IGNITOR.....	1
45	00414-G8		SCREW, 1/4 - 20 X 1" LG.....	1
46	00414-G5		SCREW, 1/4 - 20 X 5/8" LG.....	1
47				
48	27153-G01		SOLENOID	1
49	00414-G5		SCREW, 1/4 - 20 X 5/8" LG.....	1
50	11027-G2		LOCK NUT, 1/4 - 20.....	4
51				
52	12914-G2		FASTON TAB.....	2
53	00650-G7		WASHER, 1/4"	1
54	00565-G7		LOCK WASHER, 1/4"	1
55	00532-G1		NUT, 1/4 - 20.....	1
56				
57	12914-G1		FASTON TAB.....	2
58	00565-G5		LOCK WASHER, #10	2
59	00526-G4		NUT, #10 - 32.....	2
60	25978-G56		18 GA WIRE (BLACK 5 3/4").....	1



ELECTRICAL SYSTEM**Gasoline Vehicle**

When ordering parts, please specify the model and serial number of the product.

* Indicates a component that is not available as an individual part.

G** Indicates consult Customer Service Department for additional information.

ITEM	PART NO.	1 2 3 4 5	DESCRIPTION	QTY.
61	22585-G3		IN-LINE FUSE HOLDER	1
62	00565-G8		LOCK WASHER, 5/16"	2
63	00544-G4		NUT, 5/16 - 24.....	2
64	25972-G33		6 GA WIRE (BLACK 24", B+ - SOL)	1
65	70596-G01		WIRE HARNESS (CONTROL).....	1
66				
67	73049-G01		COVER.....	1
68	16469-G7		WASHER, 1/4"	1
69	00114-G6		SCREW, 1/4 - 14 X 3/4" LG.....	1
70				
71	25974-G22		WIRE (WHITE), POWER	1
72	22674-G1		FUSE BLOCK (1200)	1
73	71010-G01		RIVET, 5/32" X 3/8" LG (1200).....	2
74	18392-G1		15 AMP FUSE (1200).....	3
75				
76	32860-G1		HORN.....	1
77	00414-G5		BOLT, 1/4 - 20 x 5/8" LG.....	1
78	00559-G8		WASHER, 5/16"	1
79	00891-G2		LOCK NUT, 1/4 - 20	1
80				
81	17318-G1		HORN SWITCH.....	1
82	17318-G2		HORN SWITCH CAP AND NUT	1
83	27068-G01		HORN SWITCH BOOT	1
84	19233-G1		HORN SWITCH LABEL	1
85	71055-G01		RIVET, 5/32" X 3/8" GRIP (STAINLESS STEEL)	2
86				
87	73214-G01		HORN HARNESS	1
88	25977-G40		WIRE (BLACK), HORN GROUND	1
89				
90	74236-G01		LIGHT BRACKET (PASSENGER SIDE).....	1



When ordering parts, please specify the model and serial number of the product.

* Indicates a component that is not available as an individual part.

G** Indicates consult Customer Service Department for additional information.

ITEM	PART NO.	1 2 3 4 5	DESCRIPTION	QTY.
91	74236-G02		LIGHT BRACKET (DRIVER SIDE)	1
92	01038-G01		SCREW, 1/4-14 X 3/4" LG.	2
93	00414-G6		BOLT, 1/4 - 20 X 3/4" LG.....	2
94	11027-G2		LOCK NUT, 1/4 - 20	2
95	01038-G01		SCREW, 1/4 - 14 X 3/4" LG	2
96	74001-G01		HEADLIGHT AND TURN SIGNAL LIGHT	1
97	00114-G6		SCREW, 1/4 - 14 X 3/4" LG.	4
98				
99	74004-G01		HEADLIGHT BULB	AR
100	74005-G01		MARKER LIGHT BULB.....	AR
101	74006-G01		TURN SIGNAL BULB.....	AR
102				
103	32739-G2		TAILLIGHT ASSEMBLY (COMPLETE)	1
104				
105	17955-G1		IGNITION SWITCH (WITHOUT LIGHTS).....	1
106	18027-G1		IGNITION SWITCH (WITHOUT LIGHTS - INDIVIDUALLY KEYED)	1
107	33639-G01		IGNITION SWITCH (WITH LIGHTS)	1
108	00568-G6		LOCK WASHER, 3/4"	1
109	17137-G1		FACE NUT, 3/4 - 20.....	1
110	17063-G1		IGNITION KEY (SET).....	1
111	73041-G01		WIRE HARNESS (KEY SWITCH).....	1
112				
113	73030-G01		PLATE (IGNITION SWITCH ONLY)	1
114	71181-G02		DECAL (IGNITION SWITCH ONLY) WITHOUT HEADLIGHTS	1
115	71181-G01		DECAL (IGNITION SWITCH ONLY) WITH HEADLIGHTS	1
116	33623-G02		RIVET, 3/16" X 3/8" LG	2
117				
118	73030-G03		PLATE (IGNITION SWITCH AND INDICATOR LIGHTS)	1
119	71125-G01		DECAL (SWITCH AND INDICATOR LIGHTS) WITHOUT HEADLIGHTS.....	1
120	71183-G01		DECAL (IGNITION SWITCH AND INDICATOR LIGHTS) WITH HEADLIGHTS	1



When ordering parts, please specify the model and serial number of the product.
 * Indicates a component that is not available as an individual part.
 G** Indicates consult Customer Service Department for additional information.

ITEM	PART NO.	1 2 3 4 5	DESCRIPTION	QTY.
121				
122	73030-G04		PLATE (IGNITION SWITCH, LOW OIL LIGHT AND FUEL GAUGE)	1
123	71127-G01		DECAL (IGNITION SWITCH, LOW OIL LIGHT AND FUEL GAUGE) WITH- OUT HEADLIGHTS.....	1
124	71131-G01		DECAL (SWITCH, LOW OIL LIGHT AND FUEL GAUGE) WITH HEADLIGHTS	1
125				
126	21553-G1		FUEL GAUGE	1
127	23474-G1		INDICATOR LIGHT	1
128	74029-G02		HARNES (OIL LIGHT/FUEL GAUGE)	1
129	25978-G122		18 GA WIRE (RED) 6" LG.....	1
130	72228-G01		HARNES (ACCESSORY)	1
131				
132	17867-G1		TURN SIGNAL (WITH MOUNTING HARDWARE)	1
133	21640-G1		TURN SIGNAL FLASHER	1
134	32307-G3		FLEX LOOM, 3/8 X 8" LG.	1
135	17618-G1		WIRE TIE	2
136	20965-G3		STEERING COLUMN COVER.....	1
137				
138	75114-G02		HOUR METER KIT (INCLUDES ITEMS 139 - 143).....	1
139	21573-G1		HOUR METER ASSEMBLY.....	1
140	74019-G01		HOUR METER BRACKET.....	1
141	00150-G4		SCREW, #10 - 24 X 1/2" LG.	2
142	11098-G7		LOCK NUT, #10- 24.....	2
143	75117-G01		WIRE HARNES (HOUR METER).....	1
144				
145	75354-G**		WORK LIGHT BAR WITH LIGHTS AND/OR STROBE (INCLUDES ITEMS 146 - 163, 165 AND/OR 173).....	1
146	75352-G01		STRUT (DRIVER SIDE).....	1
147	75352-G02		STRUT (PASSENGER SIDE)	1
148	75346-G01		WIRE HARNES (WORK LIGHT)	1
149	75353-G01		BRACE.....	1



When ordering parts, please specify the model and serial number of the product.
 * Indicates a component that is not available as an individual part.
 G** Indicates consult Customer Service Department for additional information.

ITEM	PART NO.	1	2	3	4	5	DESCRIPTION	QTY.
150	75363-G01						COVER PLATE	1
151	75347-G01						SWITCH HARNESS	1
152	71077-G**						LIGHT SWITCH PLATE	1
153	33201-G02						STROBE LIGHT MOUNT (USED ONLY WITH STROBE LIGHT).....	1
154	75365-G01						HARDWARE KIT (INCLUDES ITEMS 155 - 163)	1
155	00685-G7						BOLT, 5/16 - 18 X 1 3/4" LG	6
156	00660-G8						WASHER, 5/16"	12
157	15121-G1						WASHER, 3/8" X 1 1/4".....	2
158	11098-G6						LOCK NUT, 5/16 - 18	4
159	00918-G3						ACORN NUT, 5/16 - 18	2
160	33623-G02						DRIVE RIVET, 3/16" X 3/8" LG	3
161	20367-G1						GROMMET	2
162	16705-G3						SCREW, 1/4 - 20 X 3/4" LG	2
163	14390-G4						LOCK NUT, 1/4 - 20	2
164								
165	20383-G2						WORK LIGHT KIT (INCLUDES ITEMS 166 - 171).....	1
166	20209-G2						WORK LIGHT (RECTANGULAR)	2
167	00566-G3						LOCK WASHER, 1/2"	2
168	00533-G1						NUT, 1/2 - 13	2
169	17317-G1						LIGHT SWITCH	1
170	17902-G1						TAB ADAPTER.....	1
171	20053-G1						16 GA WIRE (RED, 5 3/8" LG.).....	1
172								
173	20385-G2						STROBE LIGHT KIT (INCLUDES ITEMS 174 - 179).....	1
174	20394-G1						STROBE LIGHT	1
175	00379-G4						SCREW, #10 - 24 x 1/2" LG	3
176	11098-G7						LOCK NUT, #10 - 24	3
177	17317-G1						LIGHT SWITCH	1
178	17902-G1						TAB ADAPTER.....	1
179	20053-G1						16 GA WIRE (RED, 5 3/8" LG.).....	1



When ordering parts, please specify the model and serial number of the product.
 * Indicates a component that is not available as an individual part.
 G** Indicates consult Customer Service Department for additional information.

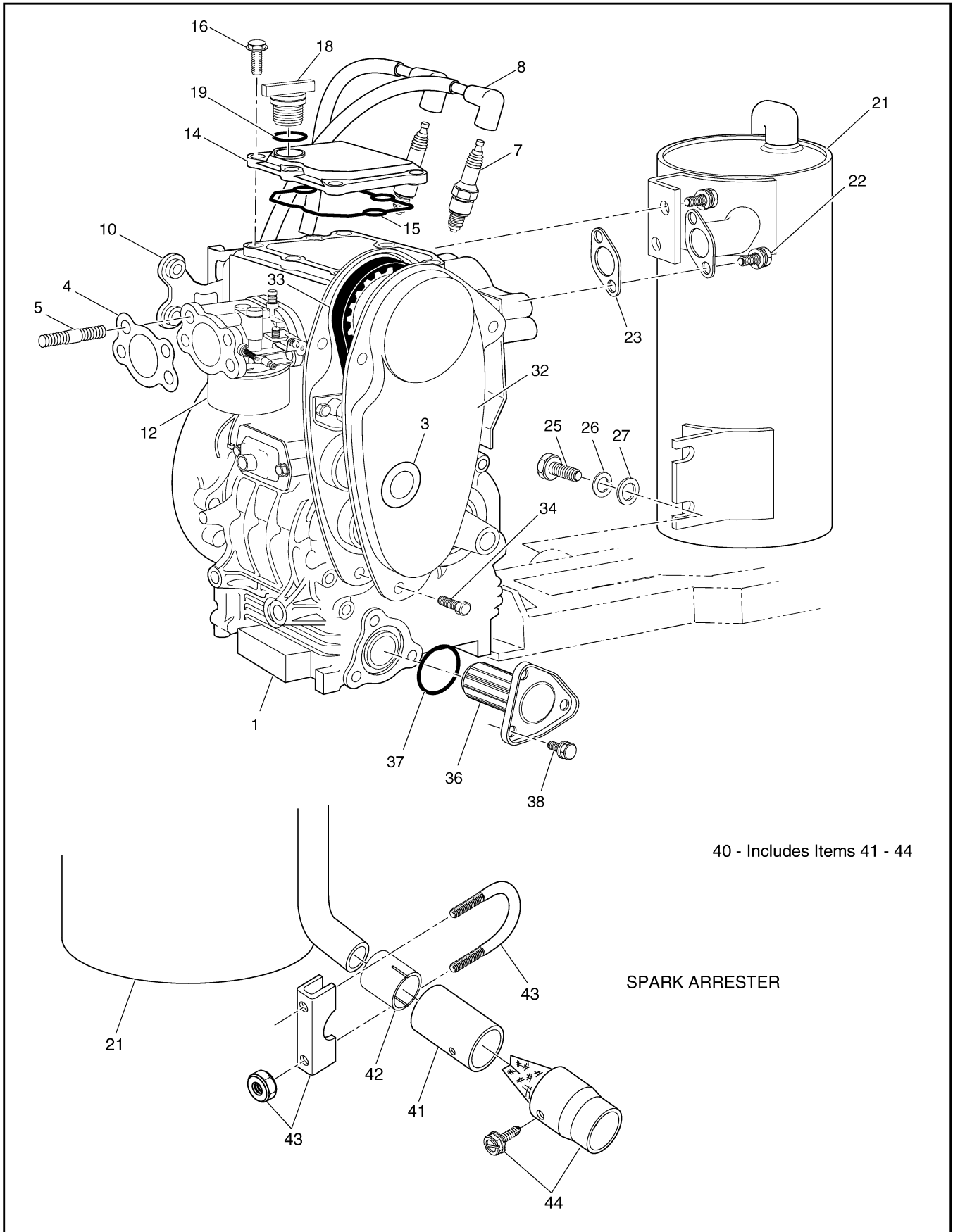
ITEM	PART NO.	1 2 3 4 5	DESCRIPTION	QTY.
180				
181	71080-G01		POWER OUTLET PLATE (INCLUDES ITEMS 182 - 184)	1
182	71077-G01		CONSOLE PLATE.....	1
183	71078-G01		POWER OUTLET (12 VOLT)	1
184	14601-G10		RIVET, 5/32" X 7/16" LG.	2
185				
186	33623-G02		DRIVE RIVET, 3/16" X 3/8" LG.....	3
187	71081-G01		HARNESS	1
188	35212-G01		FUSE, 15 AMP	1
189	17618-G1		WIRE TIE.....	5
190				
191	35211-G01		FUSE BLOCK (1200 LX)	1
192	12914-G1		FAST ON TAB.....	1
193	00567-G5		LOCK WASHER, #10	1
194	00526-G4		NUT, #10 - 32.....	1
195	35212-G01		FUSE, 15 AMP	1
196				
197	00379-G2		SCREW, #10 - 24 X 1 1/4" LG.....	2
198	00559-G5		WASHER, #10	2
199	14390-G10		LOCK NUT, #10 - 24.....	2
200				
201	20209-G3		HEADLIGHT (RECTANGULAR) (INCL ITEM 202) (WORKHORSE 1200 LX) ...	2
202	00906-G6		SCREW, #10 - 16 X 1" LG.....	2
203	74055-G01		JUMPER	2
204				
205	20570-G3		TURN SIGNAL LIGHT (INCLUDES ITEMS 206 - 211).....	2
206	20574-G3		TURN SIGNAL LIGHT.....	1
207	00660-G7		WASHER, 1/4"	1
208	20606-G1		WIRE ASSEMBLY	1
209	00567-G7		LOCK WASHER, 1/4".....	1



When ordering parts, please specify the model and serial number of the product.
 * Indicates a component that is not available as an individual part.
 G** Indicates consult Customer Service Department for additional information.

ITEM	PART NO.	1 2 3 4 5	DESCRIPTION	QTY.
210	00532-G1		NUT, 1/4 - 20.....	1
211	18995-G1		PUSH-ON MALE TERMINAL	1
212	20574-G5		LENS, AMBER	1
213	00118-G5		SCREW, #6 - 18 X 5/8" LG	2
214	74056-G01		JUMPER, RED/BLACK (PASSENGER SIDE)	1
215	74056-G02		JUMPER, GREEN/BLACK (DRIVER SIDE)	1





40 - Includes Items 41 - 44

SPARK ARRESTER

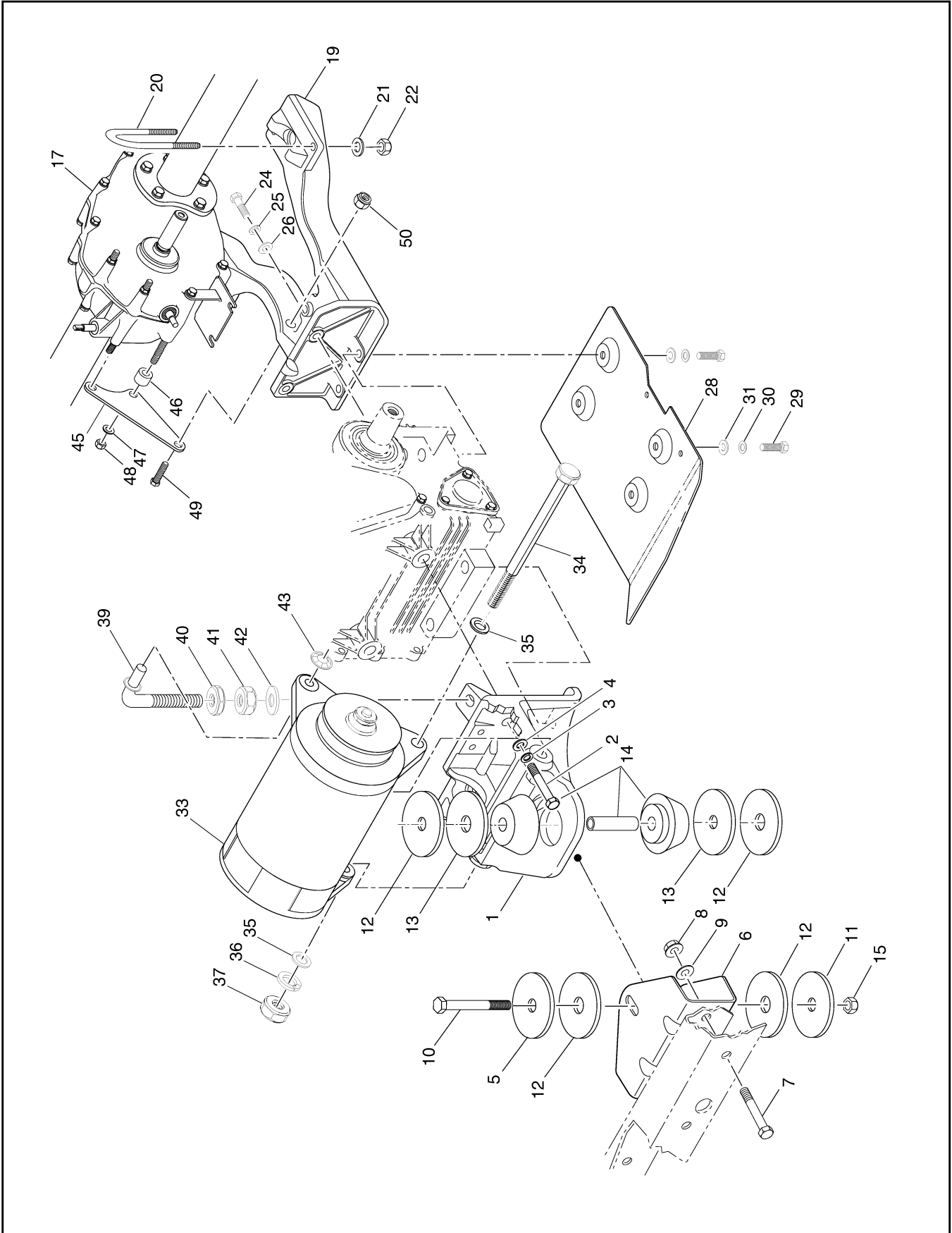
When ordering parts, please specify the model and serial number of the product.
 * Indicates a component that is not available as an individual part.
 G** Indicates consult Customer Service Department for additional information.

ITEM	PART NO.	1 2 3 4 5	DESCRIPTION	QTY.
1	72500-G04		ENGINE, 350cc.....	1
2				
3	26631-G01		TIMING BELT COVER GROMMET	1
4	26727-G01		CARBURETOR / AIR BOX GASKET	1
5	72307-G01		STUD	2
6				
7	25523-G4		SPARK PLUG (NGK BPR5ES)	2
8	26733-G01		SPARK PLUG WIRE SET (2 WITH BOOTS).....	1
9				
10	72305-G01		IGNITION COIL BRACKET	1
11				
12	XXXXX-XX		SEE CARBURETOR SECTION.....	X
13				
14	26600-G01		VALVE COVER	1
15	26719-G01		VALVE COVER GASKET.....	1
16	26676-G01		FLANGED BOLT, M6 X 1 X 23 MM LG.....	6
17				
18	26601-G01		OIL FILLER CAP	1
19	26720-G01		FILLER CAP "O" RING	1
20				
21	72019-G01		MUFFLER	1
22	25532-G1		BOLT AND WASHER, M8 X 1.25 X 18 MM LG.	4
23	25531-G1		EXHAUST GASKET.....	1
24				
25	00438-G8		BOLT, 5/16 - 18 X 1" LG.....	1
26	00565-G8		LOCK WASHER, 5/16"	1
27	00642-G8		WASHER, 5/16"	1
28				
29	00276-G6		BOLT, 5/16 - 24 X 3/4" LG.....	2
30	00565-G8		LOCK WASHER, 5/16"	2



When ordering parts, please specify the model and serial number of the product.
 * Indicates a component that is not available as an individual part.
 G** Indicates consult Customer Service Department for additional information.

ITEM	PART NO.	1 2 3 4 5	DESCRIPTION	QTY.
31				
32	26630-G01		TIMING BELT COVER	1
33	26626-G01		TIMING BELT	1
34	26678-G01		BOLT, M6 X 1 X 12 MM LG.	3
35				
36	26591-G01		OIL FILTER	1
37	26710-G01		OIL FILTER "O" RING	1
38	26680-G01		BOLT AND WASHER, M6 X 1 X 12 MM LG.	3
39				
40	25747-G01		SPARK ARRESTER (INCLUDES ITEMS 41 - 44)	1
41	25746-G01		ADAPTER TUBE	1
42	25388-G1		SLEEVE	1
43	25405-G1		TUBE CLAMP	1
44	25406-G1		SPARK ARRESTER	1



When ordering parts, please specify the model and serial number of the product.

* Indicates a component that is not available as an individual part.

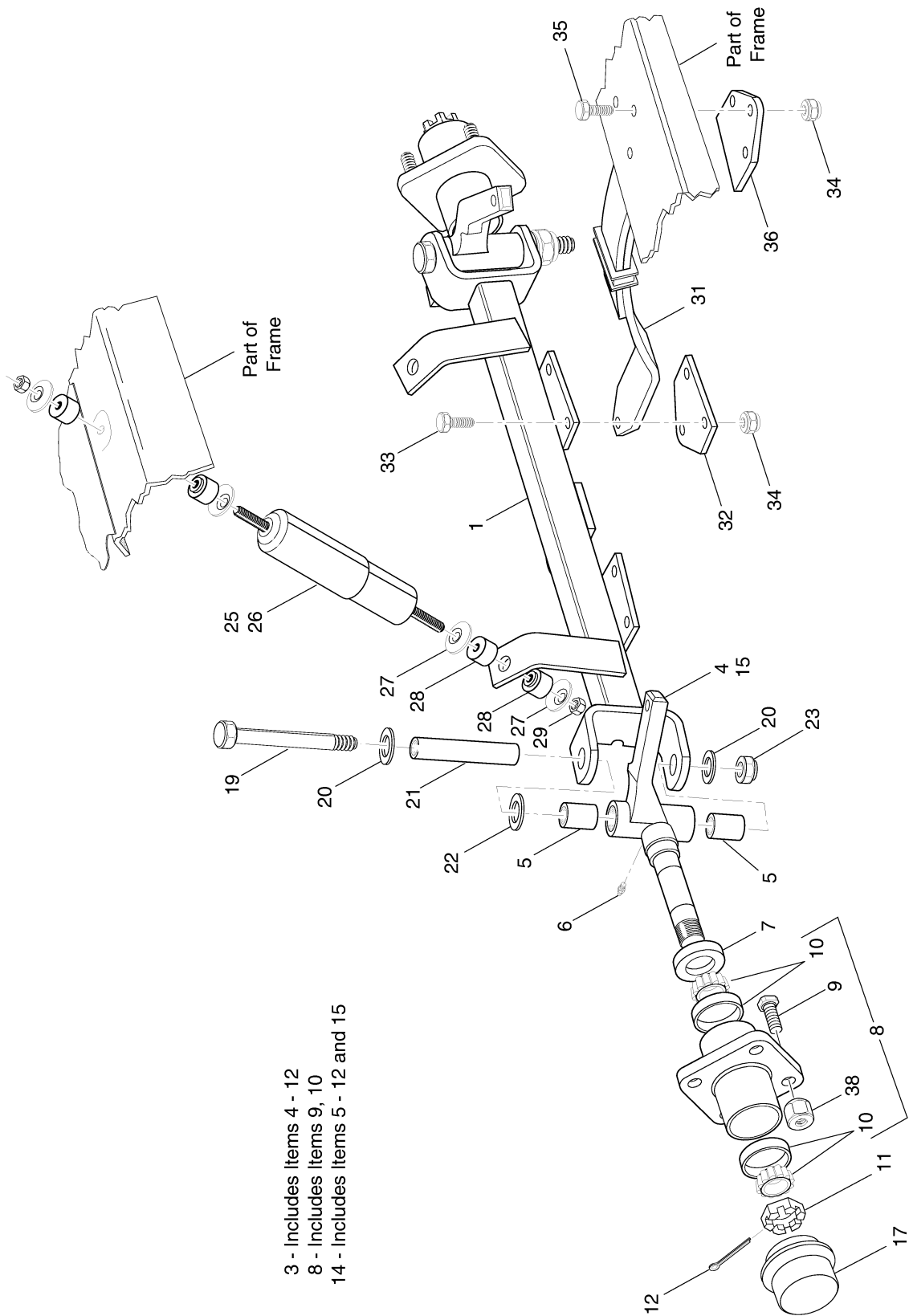
G** Indicates consult Customer Service Department for additional information.

ITEM	PART NO.	1 2 3 4 5	DESCRIPTION	QTY.
1	72010-G01		FRONT ENGINE MOUNT	1
2	00463-G4		BOLT, 7/16 - 14 X 1 1/2" LG.....	2
3	00566-G2		LOCK WASHER, 7/16"	2
4	00922-G3		WASHER, 7/16"	2
5	15121-G1		WASHER, 1 1/4" X 3/8".....	1
6	72044-G01		MOUNT BRACKET	1
7	00428-G6		BOLT, 3/8 - 16 X 2 3/4" LG.....	2
8	11098-G5		LOCK NUT, 3/8 - 16	2
9	00643-G1		WASHER, 3/8"	2
10	00430-G4		BOLT, 3/8 - 16 X 4 1/2" LG.....	1
11	72051-G02		WASHER, 2 1/2" X 11/32"	1
12	72050-G01		PLASTIC WASHER, 2 1/2" X 5/8"	4
13	72051-G01		WASHER, 2 1/2" X 5/8".....	2
14	72015-G01		ISOLATION MOUNT	1
15	11098-G5		LOCK NUT, 3/8 - 16	1
16				
17	XXXXX-XX		SEE REAR AXLE SECTION.....	X
18				
19	72011-G01		REAR ENGINE MOUNT	1
20	72035-G01		"U" BOLT, 7/16 - 14 X 1 3/8" X 3 7/8"	2
21	00922-G3		WASHER, 7/16"	4
22	00734-G1		LOCK NUT, 7/16 - 14	4
23				
24	00463-G4		BOLT, 7/16 - 14 X 1 1/2" LG.....	2
25	00566-G2		LOCK WASHER, 7/16"	2
26	00922-G3		WASHER, 7/16"	2
27				
28	27432-G02		ENGINE GUARD	1
29	00463-G4		BOLT, 7/16 - 14 X 1 1/2" LG.....	4
30	00566-G2		LOCK WASHER, 7/16"	4



When ordering parts, please specify the model and serial number of the product.
 * Indicates a component that is not available as an individual part.
 G** Indicates consult Customer Service Department for additional information.

ITEM	PART NO.	1 2 3 4 5	DESCRIPTION	QTY.
31	00922-G3		WASHER, 7/16"	4
32				
33	XXXXX-XX		SEE STARTER / GENERATOR SECTION	1
34	00938-G4		BOLT, 1/2 - 13 X 8" LG.	1
35	00560-G3		WASHER, 1/2"	2
36	00566-G3		LOCK WASHER, 1/2"	1
37	00533-G1		NUT, 1/2 - 13	1
38				
39	72045-G01		STARTER / GENERATOR ADJUSTER.....	1
40	00544-G5		JAM NUT, 3/8 - 16	1
41	00532-G5		NUT, 3/8 - 16	1
42	00560-G1		WASHER, 3/8"	1
43	12064-G1		PUSH NUT, 5/16"	1
44				
45	72017-G01		AXLE BRACKET	1
46	75048-G01		SPACER, 1/2"	1
47	26826-G01		LOCK WASHER, 8 MM	2
48	26827-G01		NUT, M8 X 1.25 MM	2
49	00439-G2		BOLT, 5/16 - 18 X 1 1/4" LG.	1
50	11098-G6		LOCK NUT, 5/16 - 18	1



When ordering parts, please specify the model and serial number of the product.
 * Indicates a component that is not available as an individual part.
 G** Indicates consult Customer Service Department for additional information.

ITEM	PART NO.	1 2 3 4 5	DESCRIPTION	QTY.
1	70536-G01		FRONT AXLE.....	1
2				
3	70220-G01		SPINDLE ASSEMBLY (DRIVER SIDE) (INCLUDES ITEMS 4 - 12).....	1
4	*		SPINDLE (DRIVER SIDE).....	1
5	16623-G1		BEARING	2
6	10389-G3		GREASE FITTING, STRAIGHT	1
7	25146-G1		GREASE SEAL	1
8	19932-G1		WHEEL HUB ASSEMBLY (INCLUDES ITEMS 9, 10)	1
9	19862-G1		LUG BOLT, 1/2 - 20 X 1 7/32" LG.....	4
10	50892-G1		BEARING AND RACE ASSEMBLY (COMPLETE)	2
11	12093-G1		SLOTTED NUT, 1 - 14.....	1
12	00798-G8		COTTER PIN, 5/32" X 1 3/4" LG.....	1
13				
14	70221-G01		SPINDLE ASSEMBLY (PASSENGER SIDE) (INCLUDES ITEMS 5 - 12, 15) ...	1
15	*		SPINDLE (PASSENGER SIDE)	1
16				
17	12091-G2		SPINDLE CAP	2
18				
19	01040-G01		KING PIN, 1/2 - 13 X 5" LG.....	2
20	00571-G5		WASHER, 1/2"	4
21	70328-G01		KING PIN TUBE.....	2
22	16982-G1		THRUST WASHER, 7/8".....	2
23	14390-G6		LOCK NUT, 1/2 - 13	2
24				
25	70324-G01		SHOCK ABSORBER	2
26	70630-G01		SHOCK ABSORBER (LX).....	2
27	10435-G1		SHOCK ABSORBER WASHER.....	8
28	10194-G1		RUBBER SHOCK ABSORBER BUSHING	8
29	00532-G6		NUT, 3/8 - 24	4
30				



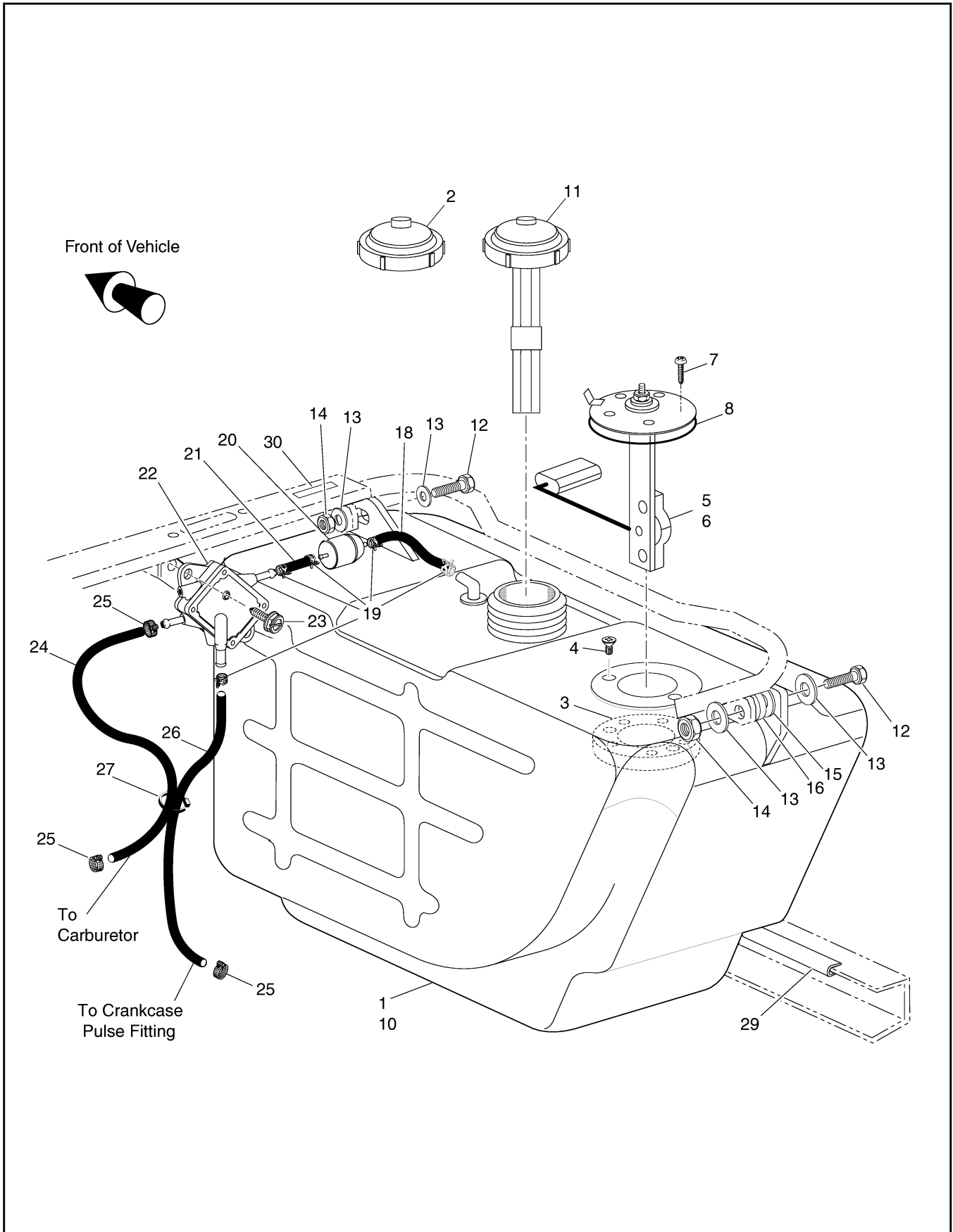
FRONT SUSPENSION

Gasoline Vehicle

When ordering parts, please specify the model and serial number of the product.
 * Indicates a component that is not available as an individual part.
 G** Indicates consult Customer Service Department for additional information.

ITEM	PART NO.	1 2 3 4 5	DESCRIPTION	QTY.
31	70422-G01		LEAF SPRING (HEAVY DUTY)	2
32	70540-G02		SPRING PLATE	2
33	00463-G4		BOLT, 7/16 - 14 X 1 1/2" LG.	6
34	00734-G1		LOCK NUT, 7/16 - 14	12
35	00463-G6		BOLT, 7/16 - 14 X 1 3/4" LG.	6
36	70163-G02		SPRING PLATE	2
37				
38	14723-G1		LUG NUT, 1/2 - 20.....	8

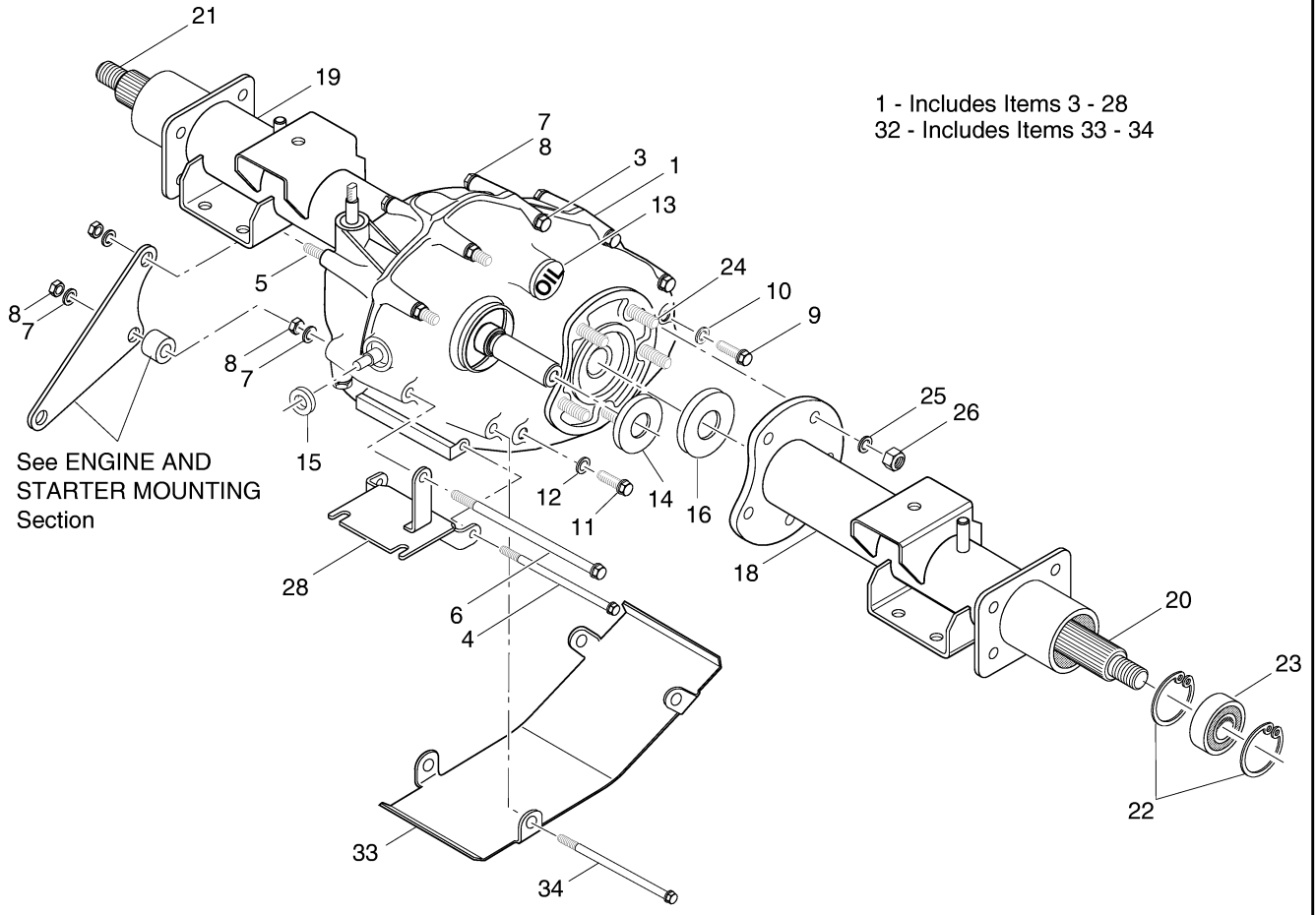




When ordering parts, please specify the model and serial number of the product.
 * Indicates a component that is not available as an individual part.
 G** Indicates consult Customer Service Department for additional information.

ITEM	PART NO.	1 2 3 4 5	DESCRIPTION	QTY.
1	72092-G02		FUEL TANK (WITH FUEL LEVEL SENDER).....	1
2	72282-G01		FUEL TANK CAP	1
3	72229-G01		FUEL LEVEL SENDER ADAPTER.....	1
4	72230-G01		SCREW, #6 - 32 X 1/2" LG.	2
5	20048-G2		FUEL GAUGE SENDER (INCLUDES ITEMS 7 AND 8).....	1
6	20048-G4		LOW FUEL SENDER (INCLUDES ITEMS 7 AND 8).....	1
7	72232-G01		SCREW, #10 - 32 x 3/4" LG	5
8	*		GASKET	1
9				
10	72092-G01		FUEL TANK (STANDARD).....	1
11	14099-G2		FUEL TANK CAP WITH WITH GAUGE	1
12	00438-G1		BOLT, 5/16 - 18 X 1 1/8" LG.....	2
13	00559-G8		WASHER, 5/16"	4
14	11098-G6		LOCK NUT, 5/16 - 18	3
15	15121-G1		WASHER, 1 1/4" X 3/8".....	1
16	72234-G01		SPACER.....	1
17				
18	25346-G10		TUBING, 2 5/8" LG. (BULK).....	A/R
19	18292-G1		CLAMP	5
20	72084-G01		FUEL FILTER	1
21	25346-G11		TUBING, 4" LG. (BULK).....	A/R
22	72021-G01		FUEL PUMP.....	1
23	00114-G6		SCREW, 1/4 - 14 X 3/4" LG	2
24	25346-G6		TUBING, 26" LG. (BULK)	A/R
25	11391-G4		HOSE CLAMP	3
26	27184-G01		PULSE TUBING, 26" LG. (BULK).....	A/R
27	17618-G1		WIRE TIE	1
28				
29	32617-G2		VINYL TRIM, 14" LG. (BULK)	A/R
30	26459-G01		LABEL (UNLEADED GASOLINE ONLY)	1





When ordering parts, please specify the model and serial number of the product.
 * Indicates a component that is not available as an individual part.
 G** Indicates consult Customer Service Department for additional information.

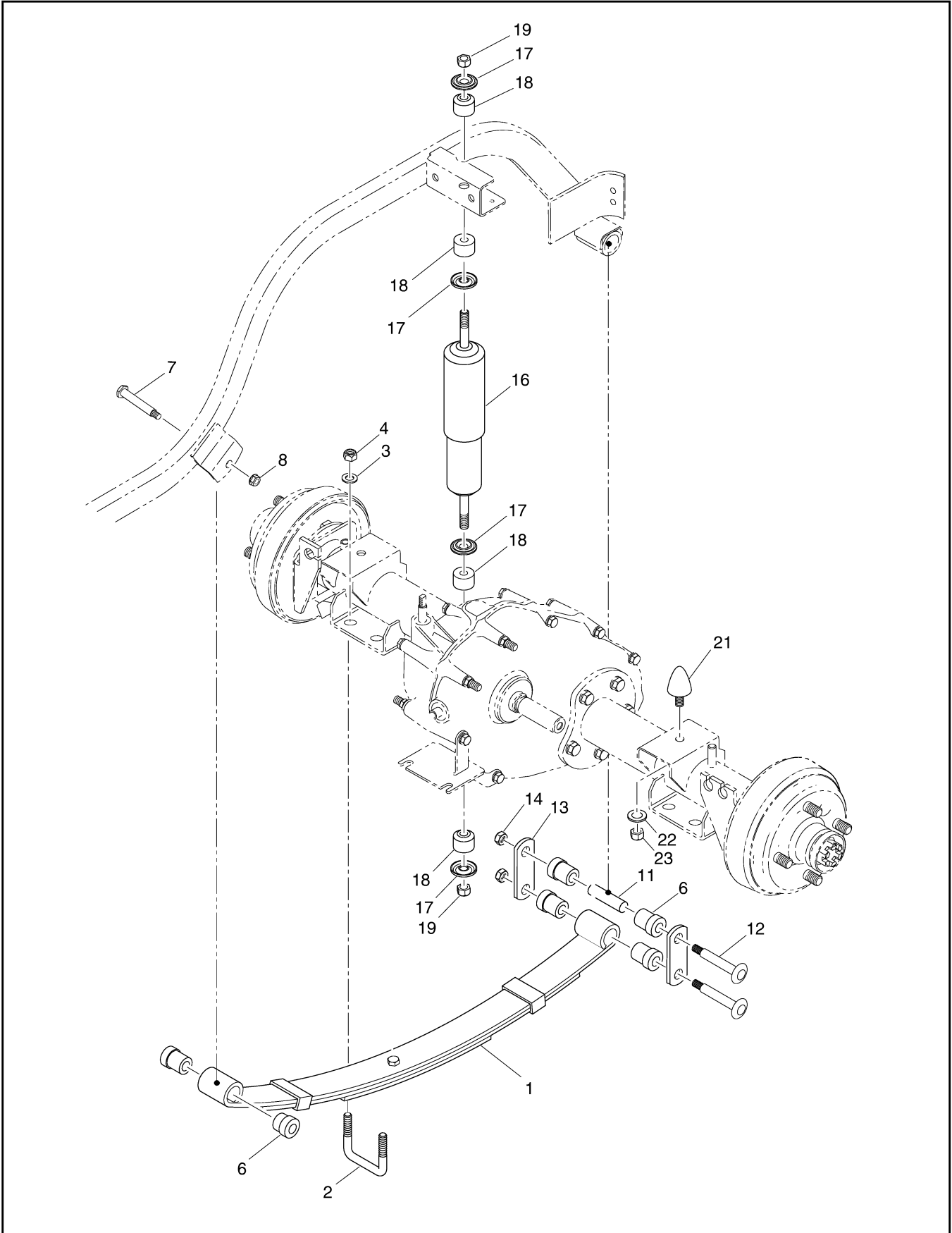
ITEM	PART NO.	1	2	3	4	5	DESCRIPTION	QTY.
1	72246-G01						REAR AXLE (13.32:1) (INCLUDES ITEMS 3 - 30)	1
2								
3	26823-G01						FLANGED BOLT, M8 X 1.25 X 100 MM LG.	7
4	26824-G01						FLANGED BOLT, M8 X 1.25 X 110 MM LG.....	1
5	72053-G01						BOLT, M8 X 1.25 X 120 MM LG.	1
6	72052-G01						FLANGED BOLT, M8 X 1.25 X 130 MM LG.	1
7	26826-G01						LOCK WASHER, 8 MM	14
8	26827-G01						NUT, M8 X 1.25 MM	14
9	26768-G01						OIL CHECK PLUG.....	1
10	26769-G01						GASKET, 8 MM.....	1
11	26770-G01						OIL DRAIN PLUG	1
12	26771-G01						GASKET, 14 MM.....	1
13	26772-G01						OIL FILLER PLUG	1
14	26761-G01						INPUT SHAFT SEAL	1
15	26762-G01						SHIFTER SHAFT SEAL	1
16	26766-G01						AXLE SHAFT SEAL.....	2
17								
18	72249-G01						AXLE TUBE (DRIVER SIDE).....	1
19	72248-G01						AXLE TUBE (PASSENGER SIDE)	1
20	72056-G01						AXLE SHAFT (DRIVER SIDE).....	1
21	72057-G01						AXLE SHAFT (PASSENGER SIDE)	1
22	26814-G01						RETAINING RING	4
23	26811-G01						BALL BEARING.....	2
24	26667-G01						STUD, M10 X 1.5 X 40 MM LG.	5
25	26828-G01						WASHER, 10 MM	10
26	26829-G01						NUT, 10 MM X 1.5 MM	10
27								
28	26815-G01						SHIFTER CABLE BRACKET	1
29								
30								



When ordering parts, please specify the model and serial number of the product.
 * Indicates a component that is not available as an individual part.
 G** Indicates consult Customer Service Department for additional information.

ITEM	PART NO.	1 2 3 4 5	DESCRIPTION	QTY.
31				
32	72347-G01		DIFFERENTIAL GUARD (INCLUDES ITEMS 33 - 34)	1
33	72349-G01		DIFFERENTIAL GUARD	1
34	72053-G01		BOLT, M8 X 1.25 X 120 MM LG.....	2



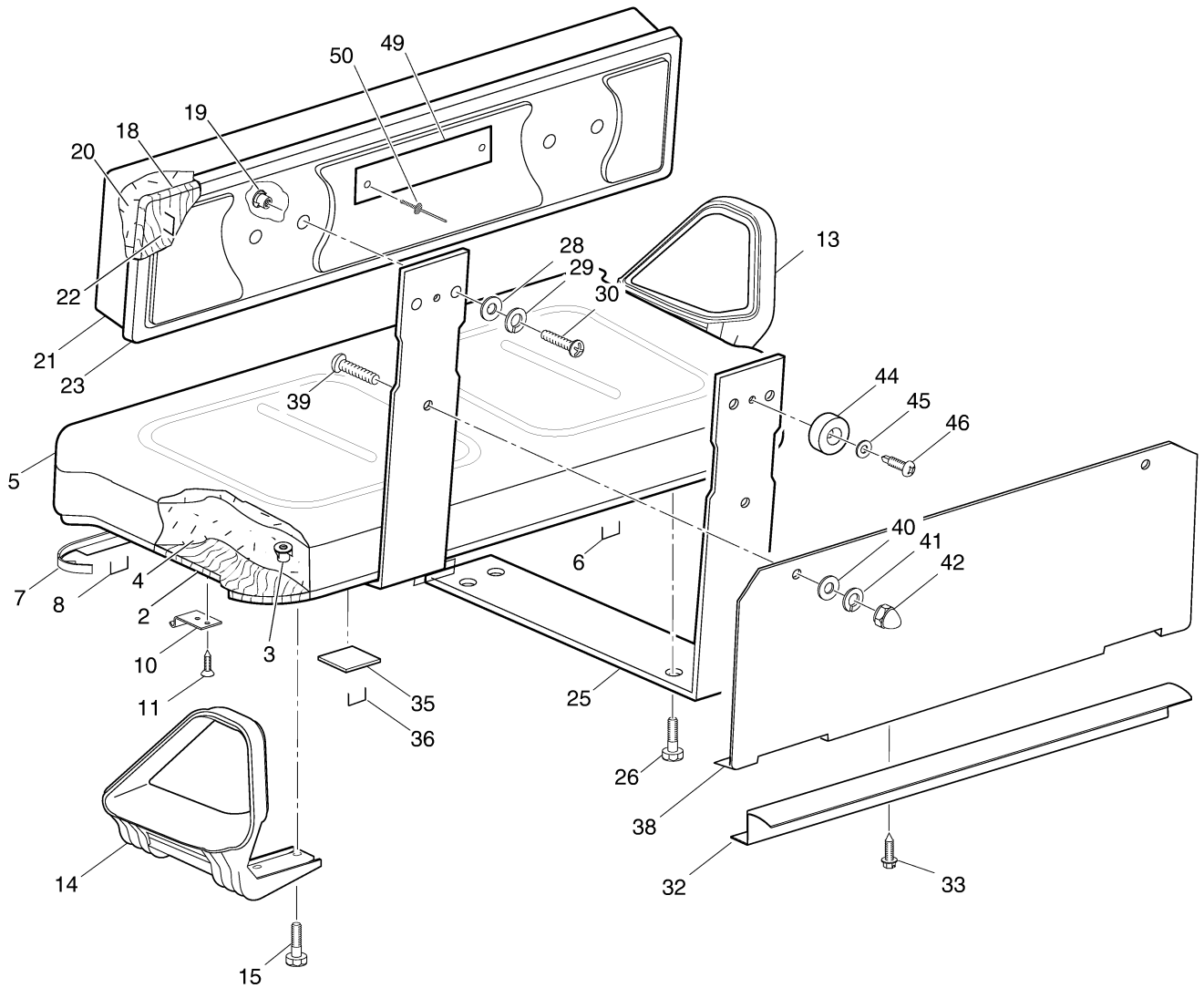


When ordering parts, please specify the model and serial number of the product.
 * Indicates a component that is not available as an individual part.
 G** Indicates consult Customer Service Department for additional information.

ITEM	PART NO.	1 2 3 4 5	DESCRIPTION	QTY.
1	74207-G01		LEAF SPRING SET	2
2	72618-G01		"U" BOLT, 3/8 - 16	4
3	00560-G1		WASHER, 3/8"	8
4	11098-G5		LOCK NUT, 3/8 - 16	8
5				
6	70291-G01		RUBBER BUSHING.....	12
7	14158-G1		SHOULDER BOLT, 3/8 - 16 x 3 1/4" LG.	2
8	12262-G1		LOCK NUT, 3/8 - 16	2
9				
10				
11	70289-G02		SPACER.....	4
12	00429-G4		BOLT, 3/8 - 16 X 3 1/2" LG.....	4
13	70290-G01		SHACKLE PLATE	4
14	11098-G5		LOCK NUT, 3/8 - 16	1
15				
16	70324-G01		SHOCK ABSORBER	2
17	10435-G1		WASHER (SHOCK ABSORBER)	8
18	10194-G1		RUBBER BUSHING.....	8
19	00532-G6		NUT, 3/8 - 24	4
20				
21	70492-G01		RUBBER BUMPER.....	2
22	00968-G01		LOCK WASHER, 10 MM.....	2
23	00974-G01		NUT, M10 X 1.5.....	2



1 - Includes Items 2 - 8
17 - Includes Items 18 - 23



When ordering parts, please specify the model and serial number of the product.
 * Indicates a component that is not available as an individual part.
 G** Indicates consult Customer Service Department for additional information.

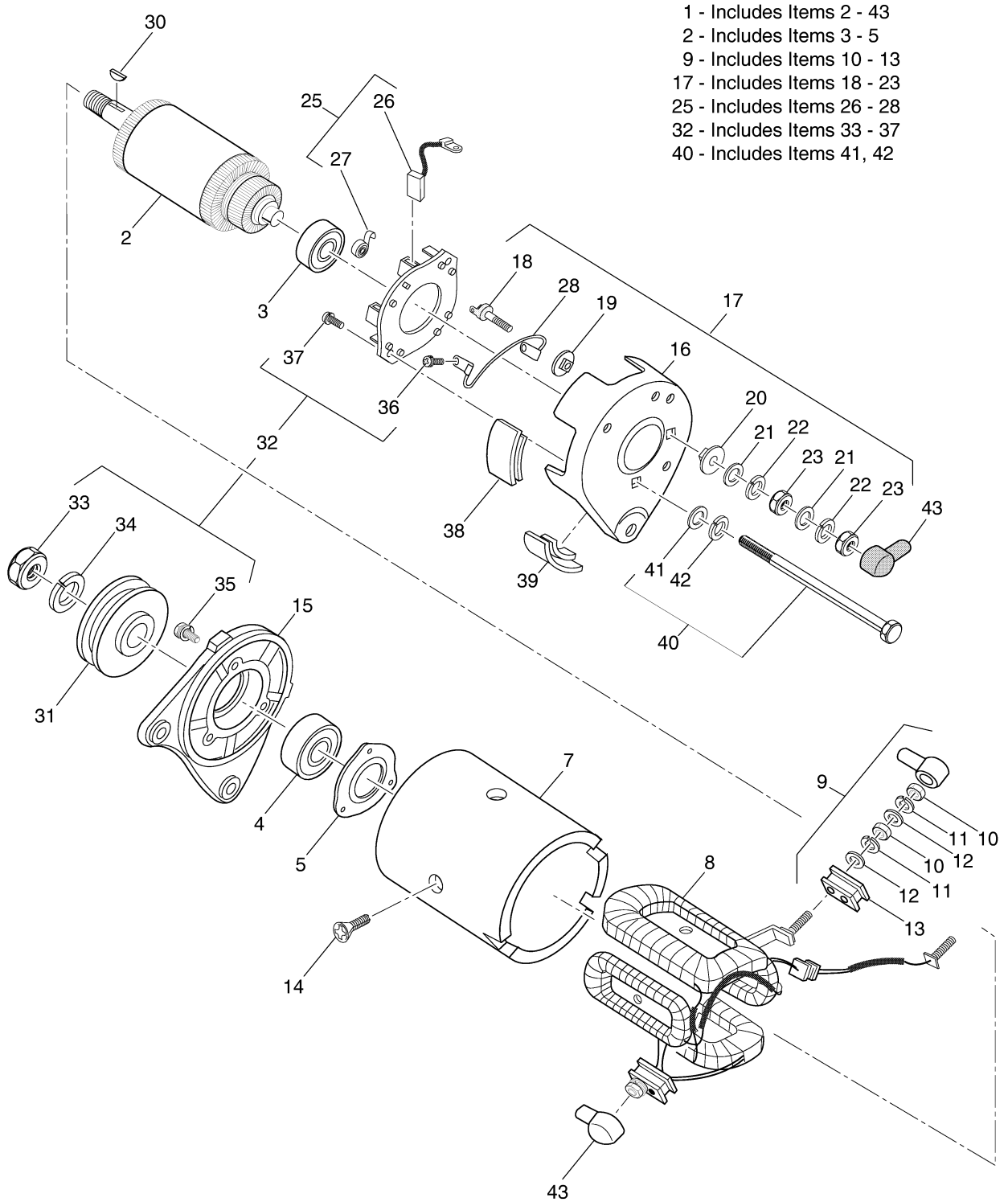
ITEM	PART NO.	1 2 3 4 5	DESCRIPTION	QTY.
1	71664-G**		SEAT BOTTOM ASSEMBLY (INCLUDES ITEMS 2 - 8)	1
2	*		PLYWOOD BASE	1
3	*		TEE NUT, 1/4 - 20.....	16
4	*		FOAM	1
5	71602-G**		VINYL SEAT BOTTOM COVER	1
6	*		FLAT STAPLES	110
7	71012-G01		VINYL TRIM (SEAT BOTTOM).....	1
8	*		FLAT STAPLES	26
9				
10	71610-G01		SEAT HINGE.....	2
11	00720-G08		SCREW, #12 - 14 X 1" LG.	6
12				
13	71701-G01		HIP RESTRAINT (PASSENGER SIDE).....	1
14	71702-G01		HIP RESTRAINT (DRIVER SIDE)	1
15	71204-G01		BOLT, 1/4 - 20 X 7/8" LG.....	8
16				
17	27546-G**		SEAT BACK ASSEMBLY (INCLUDES ITEMS 18 - 23)	1
18	*		PLYWOOD SEAT BACK.....	1
19	*		TEE NUT, 1/4 - 20.....	4
20	*		FOAM	1
21	18144-G**		VINYL SEAT BACK COVER	1
22	*		FLAT STAPLES	95
23	18868-G3		PLASTIC SEAT BACK COVER (BLACK)	1
24				
25	71662-G01		SEAT BACK SUPPORT BRACKET	2
26	71204-G01		BOLT, 1/4 - 20 X 7/8" LG.....	8
27				
28	00559-G7		WASHER, 1/4"	4
29	00565-G7		LOCK WASHER, 1/4"	4
30	16705-G1		BOLT, 1/4 - 20 X 1" LG.....	4



When ordering parts, please specify the model and serial number of the product.
 * Indicates a component that is not available as an individual part.
 G** Indicates consult Customer Service Department for additional information.

ITEM	PART NO.	1	2	3	4	5	DESCRIPTION	QTY.
31								
32	71762-G02						SEAL	1
33	00114-G6						SCREW, 1/4 - 14 X 3/4" LG.....	2
34								
35	17074-G1						BUMPER.....	2
36	*						FLAT STAPLE	10
37								
38	71783-G01						SEAT SHIELD	1
39	16705-G3						SCREW, 1/4 - 20 X 3/4" LG.....	2
40	00559-G7						WASHER, 1/4"	2
41	00565-G7						LOCK WASHER, 1/4"	2
42	15158-G1						ACORN NUT, 1/4 - 20	2
43								
44	13728-G1						RUBBER BUMPER	2
45	00559-G5						WASHER, #10.....	2
46	00106-G6						SELF THREADING SCREW, #12 - 24 X 3/4" LG	2
47								
48	71211-G01						PLATE / LABEL (800 LB) (INCLUDES ITEM 49)	1
49	71517-G03						LABEL (800 LB)	1
50	14601-G1						RIVET, 3/16" X 13/16" LG (ALUMINUM)	2





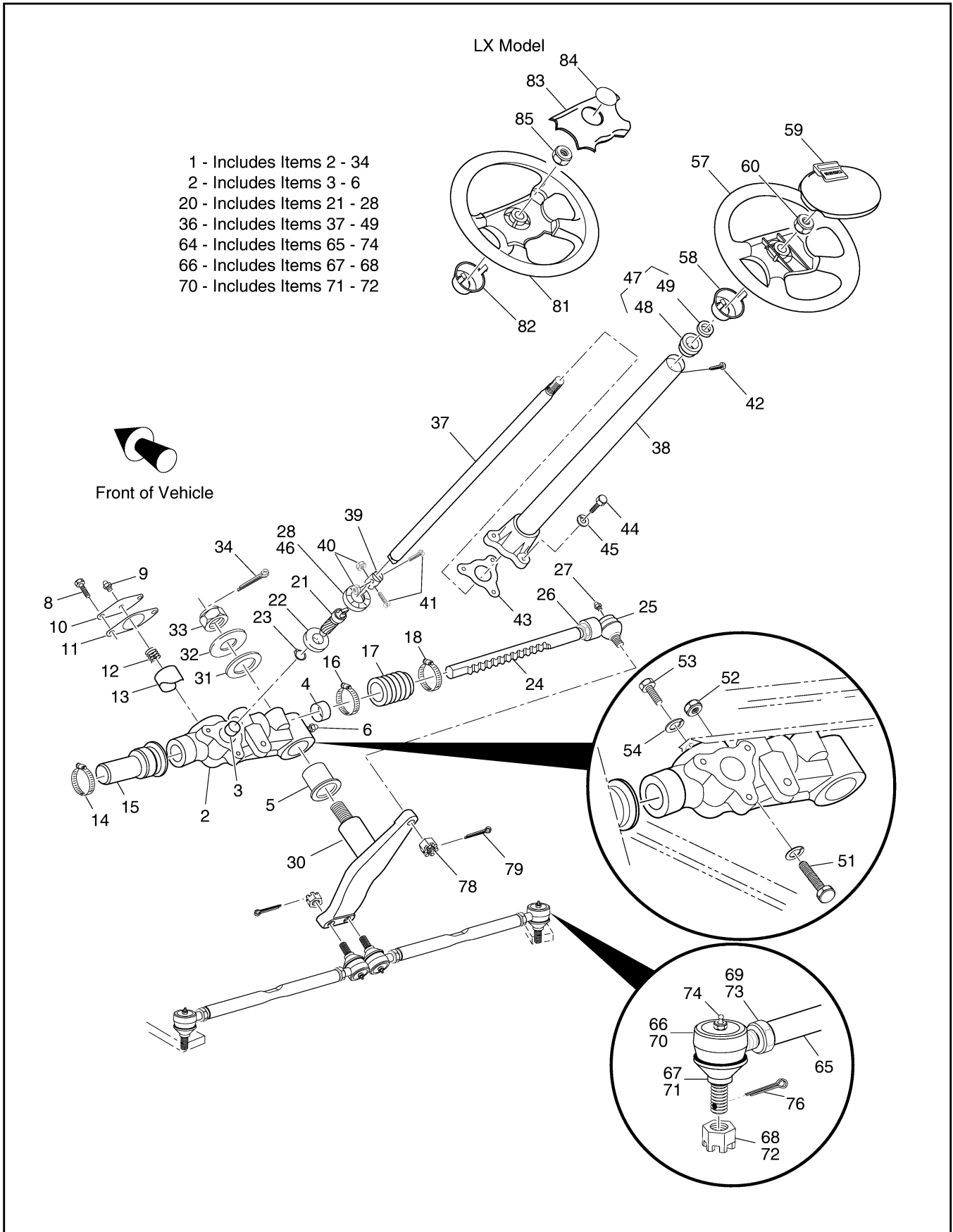
When ordering parts, please specify the model and serial number of the product.
 * Indicates a component that is not available as an individual part.
 G** Indicates consult Customer Service Department for additional information.

ITEM	PART NO.	1 2 3 4 5	DESCRIPTION	QTY.
1	27065-G01		STARTER / GENERATOR, COMPLETE (INCLUDES ITEMS 2 - 43).....	1
2	26870-G01		ARMATURE ASSEMBLY (INCLUDES ITEMS 3 - 5).....	1
3	26871-G01		REAR BALL BEARING	1
4	26872-G01		FRONT BALL BEARING.....	1
5	26873-G01		BEARING HOLDER	1
6				
7	26874-G01		FRAME & FIELD COIL ASSEMBLY (INCLUDES ITEM 8).....	1
8	26875-G01		FIELD COIL.....	1
9	26876-G01		INSULATING BRUSH ASSEMBLY ('F') (INCLUDES ITEMS 10 - 13).....	2
10	*		NUT	2
11	*		LOCK WASHER.....	2
12	*		WASHER.....	2
13	*		INSULATOR	1
14	26877-G01		POLE CORE SET SCREW	4
15	26878-G01		FRONT COVER.....	1
16	26879-G01		REAR COVER.....	1
17	26880-G01		TERMINAL ASSEMBLY ('A') (INCLUDES ITEMS 18 - 23).....	2
18	*		TERMINAL	2
19	*		INSULATOR	2
20	*		INSULATOR	2
21	*		WASHER.....	4
22	*		LOCK WASHER.....	4
23	*		NUT	4
24				
25	26881-G01		BRUSH HOLDER ASSEMBLY (INCLUDES ITEMS 26 - 28)	1
26	26658-G01		BRUSH.....	4
27	26882-G01		BRUSH SPRING.....	4
28	26883-G01		BRUSH CONNECTOR.....	2
29				
30	26884-G01		KEY.....	1



When ordering parts, please specify the model and serial number of the product.
 * Indicates a component that is not available as an individual part.
 G** Indicates consult Customer Service Department for additional information.

ITEM	PART NO.	1	2	3	4	5	DESCRIPTION	QTY.
31	26885-G01						PULLEY	1
32	26886-G01						NUT/SCREW ASSEMBLY (INCLUDES ITEMS 33 - 37)	1
33	*						NUT	1
34	*						LOCK WASHER	1
35	*						SCREW	3
36	*						SCREW	4
37	*						SCREW	2
38	26887-G01						BRUSH 1 COVER.....	2
39	26888-G01						BRUSH 2 COVER.....	3
40	26889-G01						BOLT AND WASHER ASSEMBLY (INCLUDES ITEMS 41, 42)	2
41	*						WASHER.....	2
42	*						LOCK WASHER.....	2
43	25682-G01						TERMINAL COVER.....	4



When ordering parts, please specify the model and serial number of the product.

* Indicates a component that is not available as an individual part.

G** Indicates consult Customer Service Department for additional information.

ITEM	PART NO.	1	2	3	4	5	DESCRIPTION	QTY.
1	70314-G02						STEERING BOX ASSEMBLY (COMPLETE) (INCLUDES ITEMS 2 - 34)	1
2	75364-G01						STEERING HOUSING (INCLUDES ITEMS 3 - 6).....	1
3	*						SLEEVE BEARING	1
4	*						SLEEVE BEARING	1
5	*						FLANGED BEARING	1
6	10389-G3						GREASE FITTING, STRAIGHT	1
7								
8	00426-G6						BOLT, 3/8 - 16 X 3/4" LG.....	2
9	18456-G1						GREASE FITTING, 90°	1
10	70177-G01						RACK GUIDE COVER	1
11	70225-G01						GASKET	1
12	70178-G01						COMPRESSION SPRING.....	1
13	70179-G01						RACK GUIDE	1
14	11391-G1						HOSE CLAMP, 1 1/4"	1
15	70041-G01						RACK COVER.....	1
16	11391-G1						HOSE CLAMP, 1 1/4"	1
17	70183-G01						BELLOWS	1
18	11391-G5						HOSE CLAMP, 3/4"	1
19								
20	70299-G01						STEERING GEAR KIT (INCLUDES ITEMS 21 - 28).....	1
21	70297-G01						GEAR PINION.....	1
22	15112-G1						BALL BEARING	1
23	70190-G01						EXTERNAL RETAINING RING	1
24	70298-G01						STEERING RACK	1
25	70192-G01						RACK BALL END	1
26	00532-G8						NUT, 7/16 - 20	1
27	18456-G1						GREASE FITTING, 90°	1
28	70466-G01						RETAINER	1
29								
30	70184-G01						IDLER.....	1



When ordering parts, please specify the model and serial number of the product.
 * Indicates a component that is not available as an individual part.
 G** Indicates consult Customer Service Department for additional information.

ITEM	PART NO.	1	2	3	4	5	DESCRIPTION	QTY.
31	70216-G01						THRUST WASHER, 1 1/2"	1
32	70195-G01						THRUST WASHER, 7/8"	1
33	00734-G6						LOCK NUT, 7/8 - 9.....	1
34	00798-G8						COTTER PIN, 5/32" X 1 3/4" LG.	1
35								
36	70360-G01						STEERING SHAFT/COLUMN KIT (INCLUDES ITEMS 37 - 49)	1
37	14322-G3						STEERING SHAFT.....	1
38	70333-G01						STEERING COLUMN	1
39	70558-G01						COUPLING.....	1
40	00550-G1						LOCK NUT, 1/4 - 20.....	2
41	70227-G01						BOLT, 1/4 - 20 X 7/8" LG.	2
42	01022-G01						SCREW, #6 - 20 X 5/16" LG.....	1
43	70223-G01						GASKET	1
44	01034-G01						BOLT, 3/8 - 16 X 1 1/2" LG. WITH PATCHLOCK	3
45	00878-G1						LOCK WASHER, 3/8"	3
46	70466-G01						RETAINER.....	1
47	17161-G1						BUSHING AND SEAL KIT (INCLUDES ITEMS 48, 49)	1
48	*						STEERING COLUMN BUSHING.....	1
49	*						SHAFT SEAL.....	1
50								
51	00470-G4						BOLT, 7/16 - 20 X 2 1/2" LG.....	1
52	00734-G3						LOCK NUT, 7/16 - 20	1
53	01033-G01						BOLT, 7/16 - 14 X 1 1/4" LG. WITH PATCHLOCK	2
54	00566-G2						LOCK WASHER, 7/16".....	3
55								
56								
57	71948-G01						STEERING WHEEL	1
58	71949-G01						HUB.....	1
59	71950-G01						CLIPBOARD	1
60	14390-G2						LOCK NUT, 5/8 - 18	1



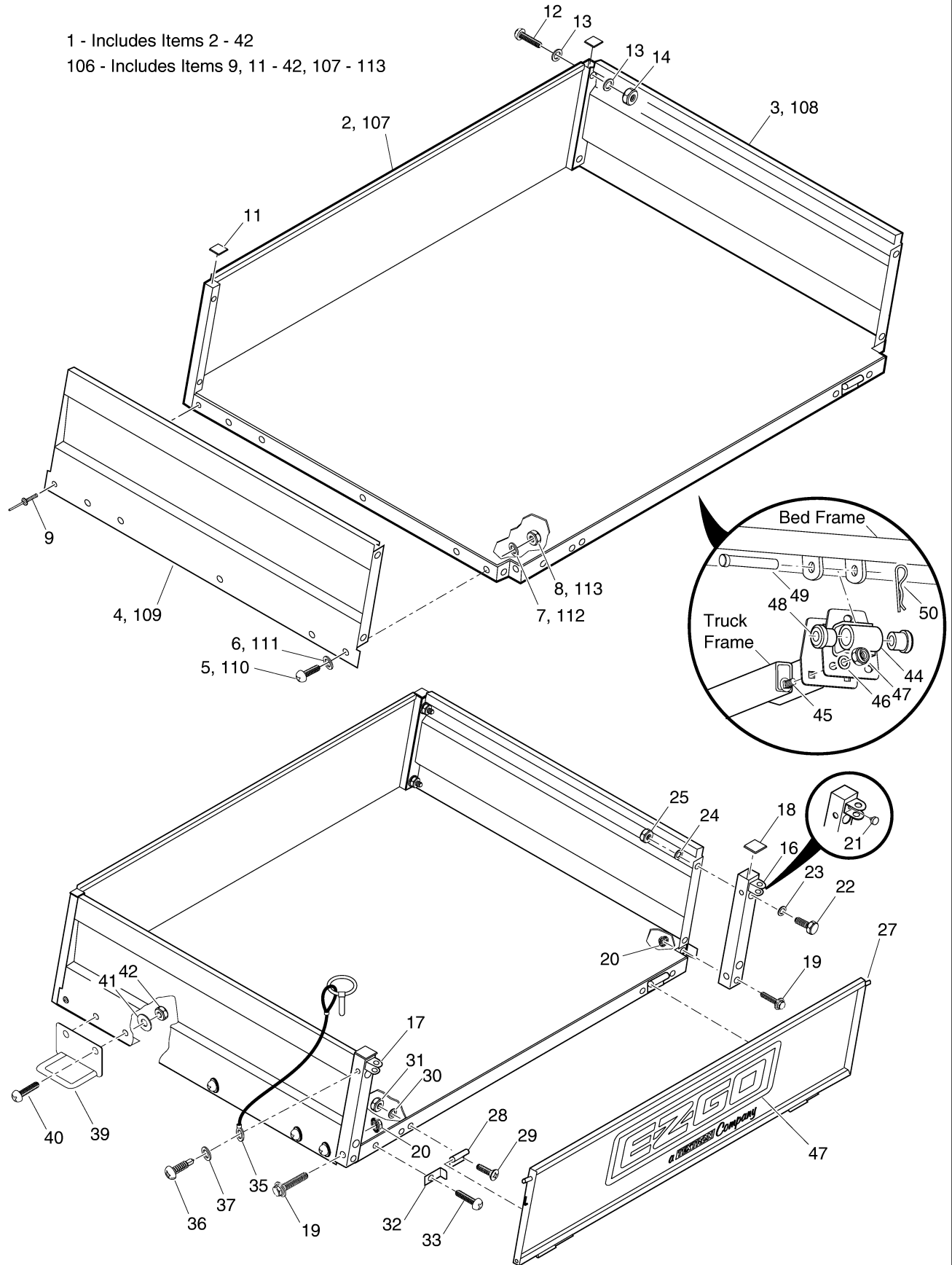
When ordering parts, please specify the model and serial number of the product.
 * Indicates a component that is not available as an individual part.
 G** Indicates consult Customer Service Department for additional information.

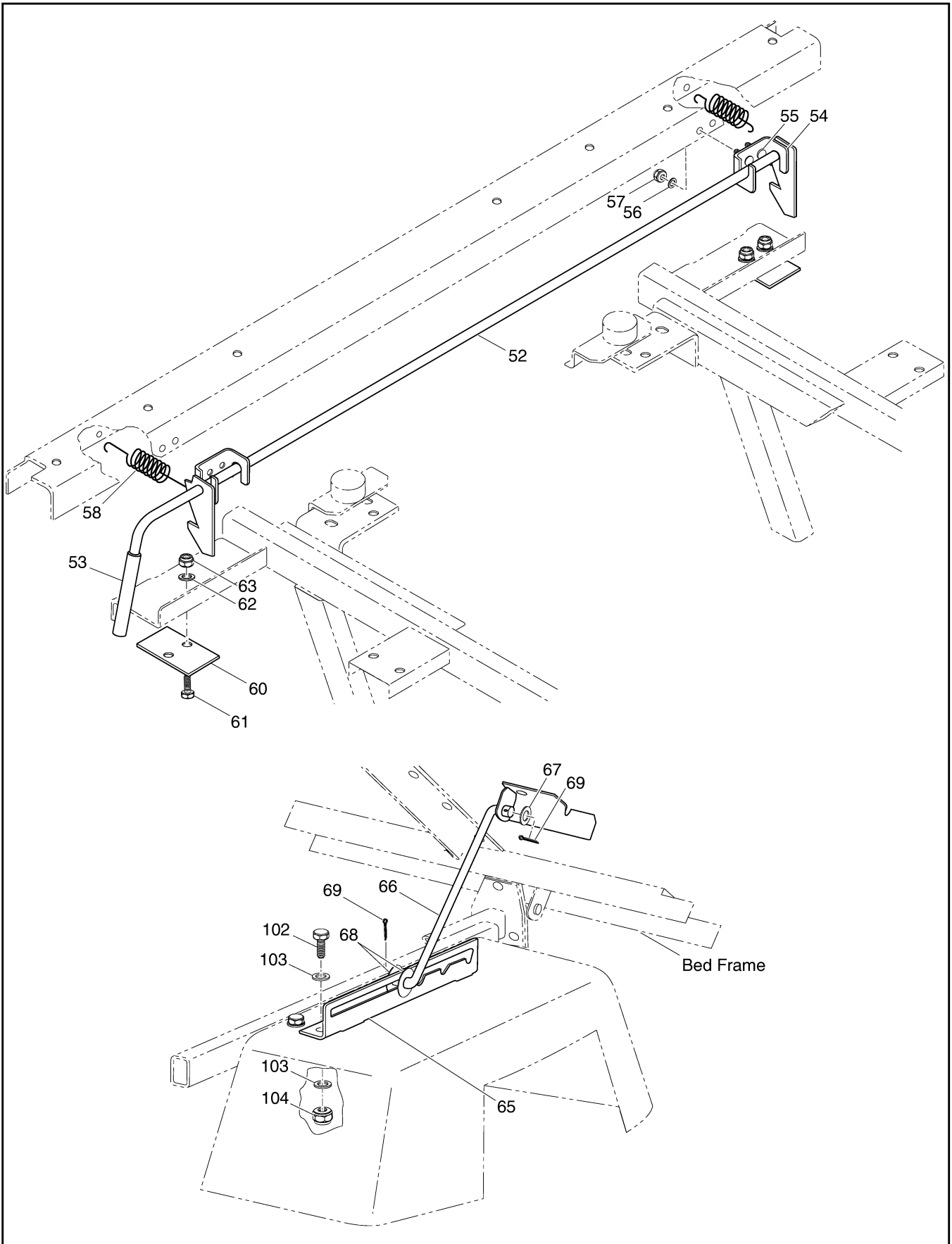
ITEM	PART NO.	1	2	3	4	5	DESCRIPTION	QTY.
61								
62								
63								
64	70074-G01						TIE ROD ASSEMBLY (INCLUDES ITEMS 65 - 74).....	2
65	70583-G02						THREADED TUBE WITH FLAT	1
66	27205-G01						TIE ROD END (LEFT HAND THREAD) (INCLUDES ITEMS 67 - 68).....	1
67	50641-G1						RUBBER BOOT	1
68	50209-G2						SLOTTED NUT, 7/16 - 20.....	1
69	18434-G3						JAM NUT, 9/16 - 18 (LEFT HAND THREAD)	1
70	27205-G02						TIE ROD END (RIGHT HAND THREAD) (INCLUDES ITEMS 71 - 72).....	1
71	50641-G1						RUBBER BOOT	1
72	50209-G2						SLOTTED NUT, 7/16 - 20.....	1
73	18434-G4						JAM NUT, 9/16 - 18 (RIGHT HAND THREAD).....	1
74	10389-G3						GREASE FITTING, STRAIGHT	2
75								
76	10387-G2						COTTER PIN, 3/32" X 1" LG.....	2
77								
78	50209-G2						SLOTTED NUT, 7/16 - 20	1
79	10387-G2						COTTER PIN, 3/32" X 1" LG.....	1
80								
81	71146-G01						STEERING WHEEL	1
82	71949-G01						HUB.....	1
83	71147-G01						COVER	1
84	71047-G01						DECAL	1
85	14390-G2						LOCK NUT, 5/8 - 18	1

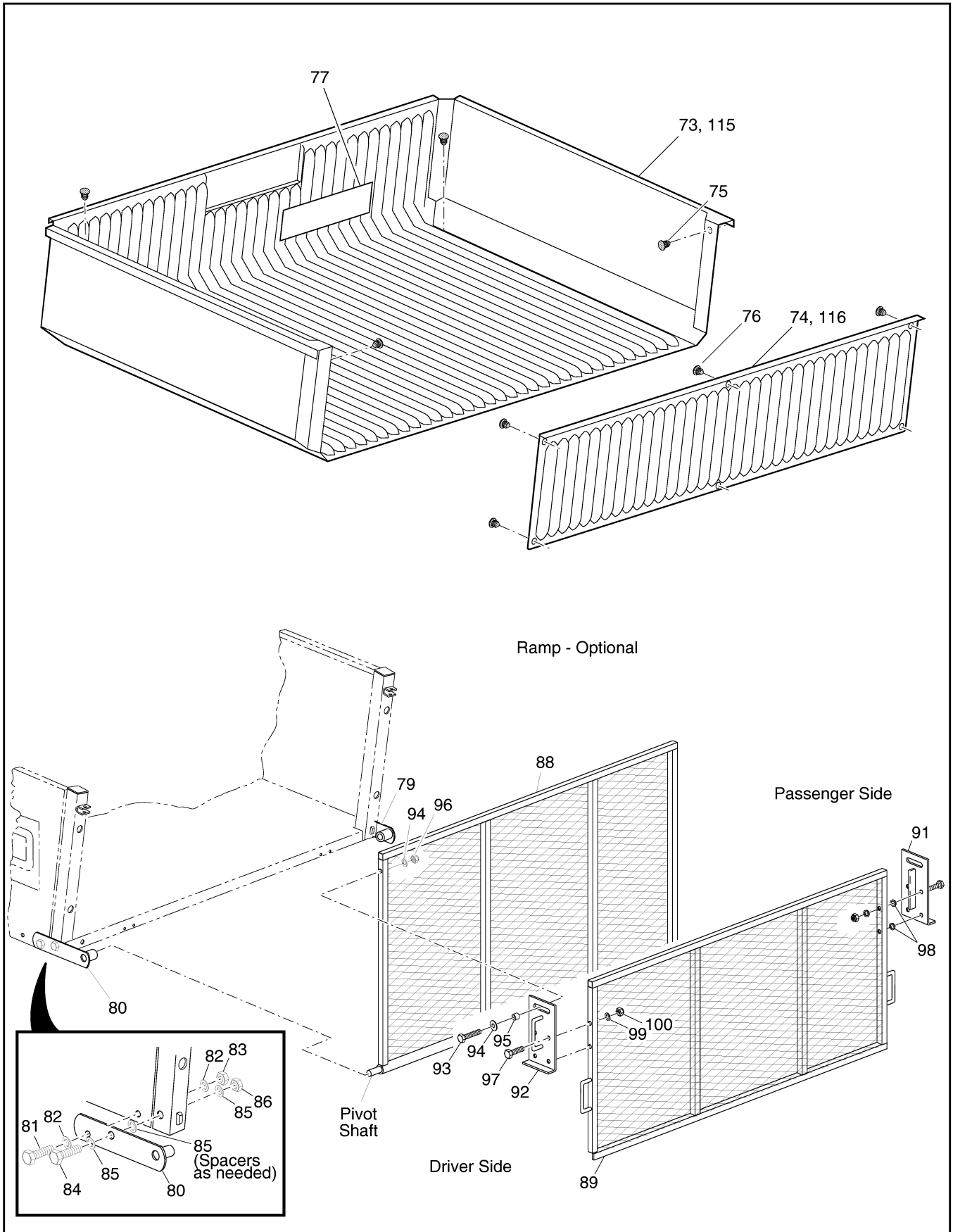


1 - Includes Items 2 - 42

106 - Includes Items 9, 11 - 42, 107 - 113







When ordering parts, please specify the model and serial number of the product.

* Indicates a component that is not available as an individual part.

G** Indicates consult Customer Service Department for additional information.

ITEM	PART NO.	1	2	3	4	5	DESCRIPTION	QTY.
1	71711-G03						TRUCK BED ASSEMBLY (40") (MANUAL DUMP) (INCLUDES ITEMS 2 - 42)	1
2	71719-G01						BED FRAME (40")	1
3	71714-G01						SIDE PANEL (40", PASSENGER SIDE).....	1
4	71714-G02						SIDE PANEL (40", DRIVER SIDE)	1
5	16705-G3						SCREW, 1/4-20 X 3/4" LG.....	8
6	00915-G1						BONDED WASHER, 1/4"	8
7	00559-G7						WASHER, 1/4"	8
8	14390-G4						LOCK NUT, 1/4-20.....	8
9	14601-G8						RIVET, 3/8" X 11/16" LG (ALUMINUM).	2
10								
11	71717-G01						END CAP 1"	2
12	16705-G6						SCREW, 1/4-20 X 1 3/4" LG.....	4
13	00915-G1						BONDED WASHER, 1/4"	8
14	14390-G4						LOCK NUT, 1/4-20.....	4
15								
16	71837-G01						POST (PASSENGER SIDE)	1
17	71837-G02						POST (DRIVER SIDE).....	1
18	71718-G01						TUBE CAP (1 1/2" SQUARE).....	2
19	13437-G8						LOCK SCREW, 3/8-20.....	4
20	11027-G5						LOCK NUT, 3/8-16.....	4
21	71838-G01						BUMPER	2
22	16705-G3						SCREW, 1/4-20 X 3/4" LG.....	4
23	00915-G1						WASHER, 1/4"	4
24	00559-G7						WASHER, 1/4"	4
25	14390-G4						LOCK NUT, 1/4-20.....	4
26								
27	71732-G01						TAILGATE	1
28	27666-G01						HINGE	2
29	01002-G08						BOLT, 1/4-20 X 1" LG.	4
30	00559-G7						WASHER, 1/4"	4



TRUCK BED, MANUAL LIFT

Gasoline Vehicle

When ordering parts, please specify the model and serial number of the product.

* Indicates a component that is not available as an individual part.

G** Indicates consult Customer Service Department for additional information.

ITEM	PART NO.	1	2	3	4	5	DESCRIPTION	QTY.
31	14390-G4						LOCK NUT, 1/4 - 20.....	4
32	71748-G01						TAILGATE KEEPER	1
33	16705-G3						SCREW, 1/4-20 X 3/4" LG.....	1
34								
35	71083-G01						TAILGATE CABLE	2
36	00106-G6						SELF-TAPPING SCREW, #12 - 24 X 3/4" LG.....	2
37	00915-G1						WASHER, 1/4".....	2
38								
39	71794-G01						LIFT HANDLE	1
40	00976-G08						SCREW, 5/16 - 18 X 1" LG.....	2
41	00559-G8						WASHER, 5/16".....	2
42	11098-G6						LOCK NUT, 5/16 - 18.....	2
43								
44	70396-G01						BED PIVOT	2
45	00764-G2						CARRIAGE BOLT, 5/16 X 1" LG.....	6
46	00559-G8						WASHER, 5/16"	6
47	11098-G6						LOCK NUT, 5/16-18	6
48	70291-G01						RUBBER BUSHING.....	4
49	21682-G1						CLEVIS PIN, 1/2" x 2 7/8" LG	2
50	21683-G1						COTTER PIN, 15/32" X 2 11/16".....	2
51								
52	71831-G01						BED LATCH	1
53	71704-G01						HANDLE GRIP	1
54	71827-G01						LATCH BRACKET.....	2
55	01014-G03						CARRIAGE BOLT, 1/4 - 20 X 3/4" LG	4
56	00559-G7						WASHER, 1/4"	4
57	14390-G4						LOCK NUT, 1/4 - 20	4
58	71707-G01						EXTENSION SPRING.....	2
59								
60	71766-G01						CATCH BRACKET	2



When ordering parts, please specify the model and serial number of the product.

* Indicates a component that is not available as an individual part.

G** Indicates consult Customer Service Department for additional information.

ITEM	PART NO.	1 2 3 4 5	DESCRIPTION	QTY.
61	00414-G6		BOLT, 1/4 - 20 X 3/4" LG.....	4
62	00559-G7		WASHER, 1/4"	4
63	14390-G4		LOCK NUT, 1/4-20	4
64				
65	71673-G01		PROP BRACKET	1
66	71657-G01		PROP ROD	1
67	00560-G3		WASHER, 1/2"	1
68	15121-G1		WASHER, 1 1/4" X 3/8".....	2
69	10387-G3		COTTER PIN, 3/32 X 3/4" LG	2
70				
71	71901-G01		E-Z-GO DECAL (E-Z-GO).....	1
72	71771-G01		LABEL (TILT WARNING)	1
73	74234-G01		BED LINER, 40"	1
74	74235-G01		TAILGATE LINER.....	1
75	18436-G1		RIVET, 1/4" X 1/2" LG	4
76	14601-G10		RIVET, 3/16" X 3/8" LG	6
77	71517-G03		SAFETY DECAL	1
78				
79	28331-G01		RAMP SUPPORT (PASSENGER SIDE).....	1
80	28331-G02		RAMP SUPPORT (DRIVER SIDE)	1
81	00438-G8		BOLT, 5/16 - 18 X 1" LG.....	2
82	00559-G8		WASHER, 5/16"	4
83	11098-G6		LOCK NUT, 5/16 - 18	2
84	00428-G6		BOLT, 3/8 - 16 X 2 3/4" LG.....	2
85	00562-G1		WASHER, 3/8"	6
86	11098-G5		LOCK NUT, 3/8 - 16	2
87				
88	20264-G1		UPPER RAMP	1
89	20257-G2		LOWER RAMP.....	1
90				



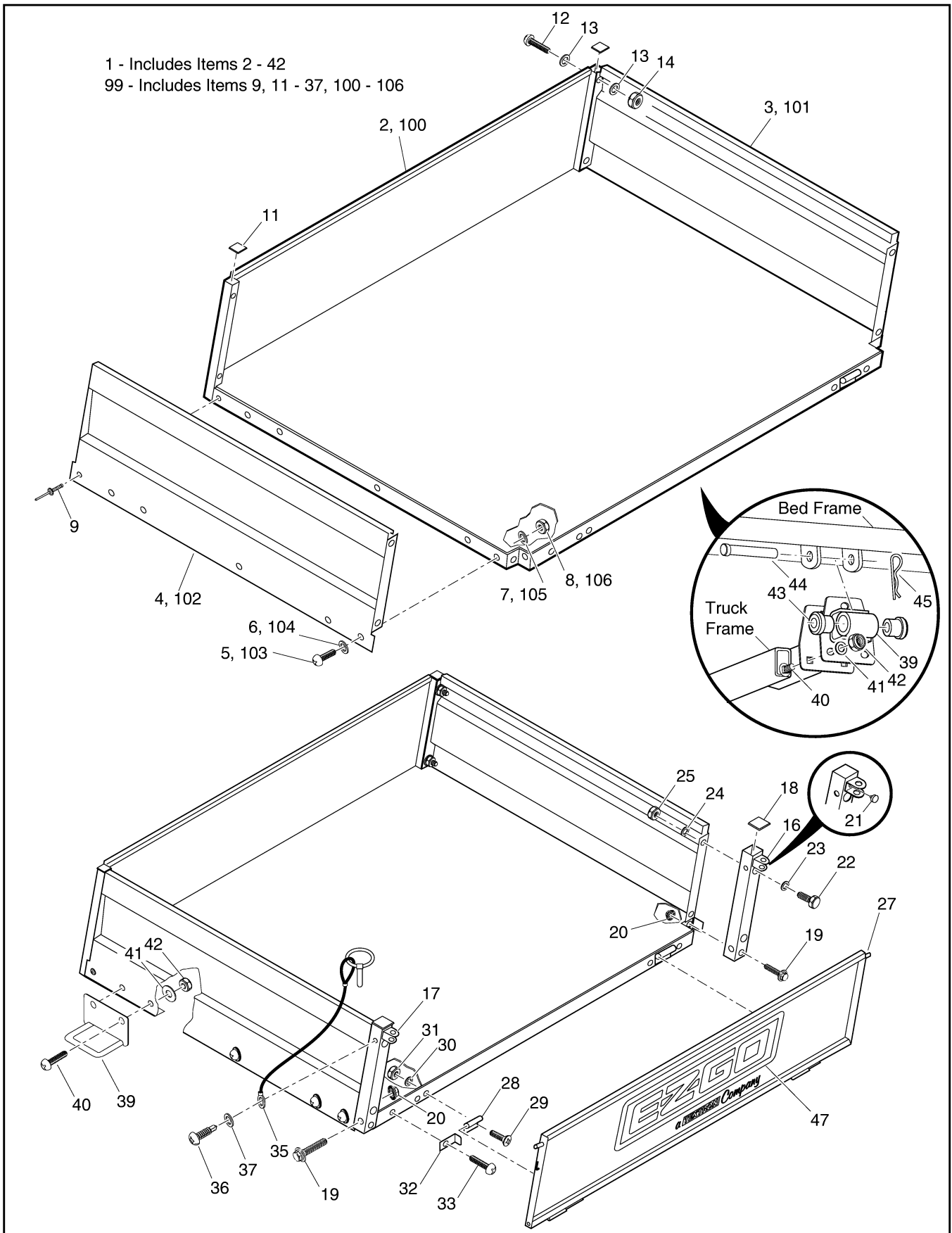
When ordering parts, please specify the model and serial number of the product.

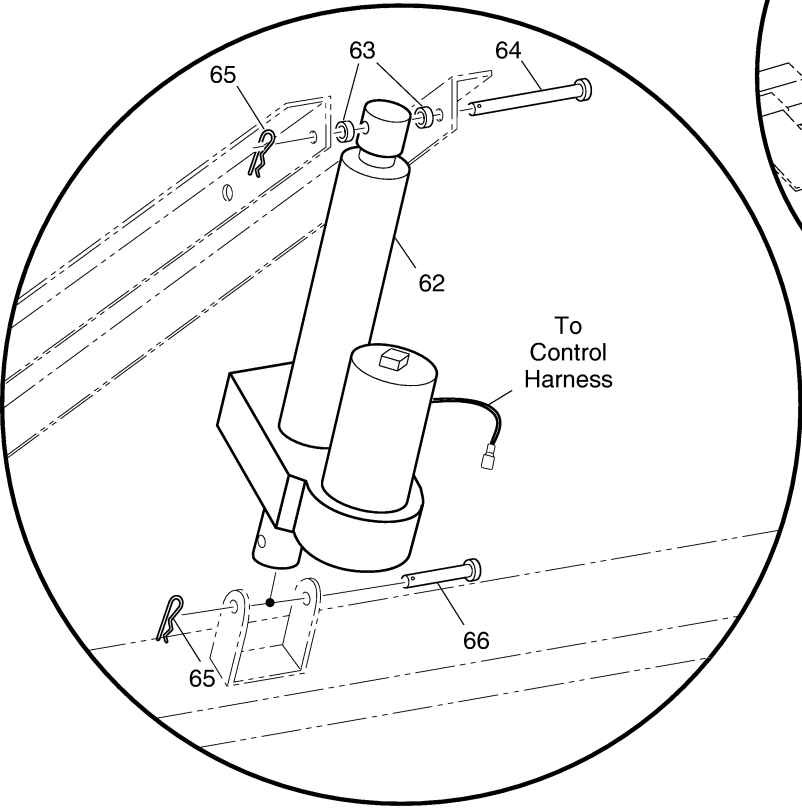
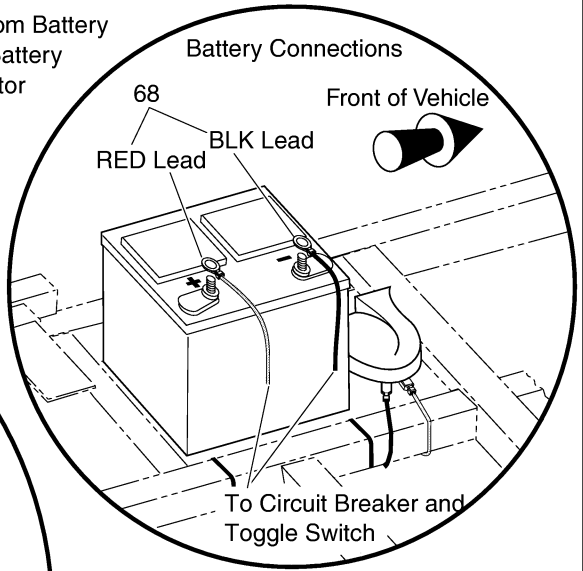
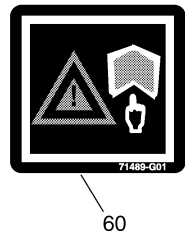
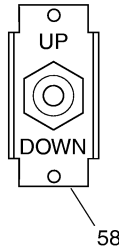
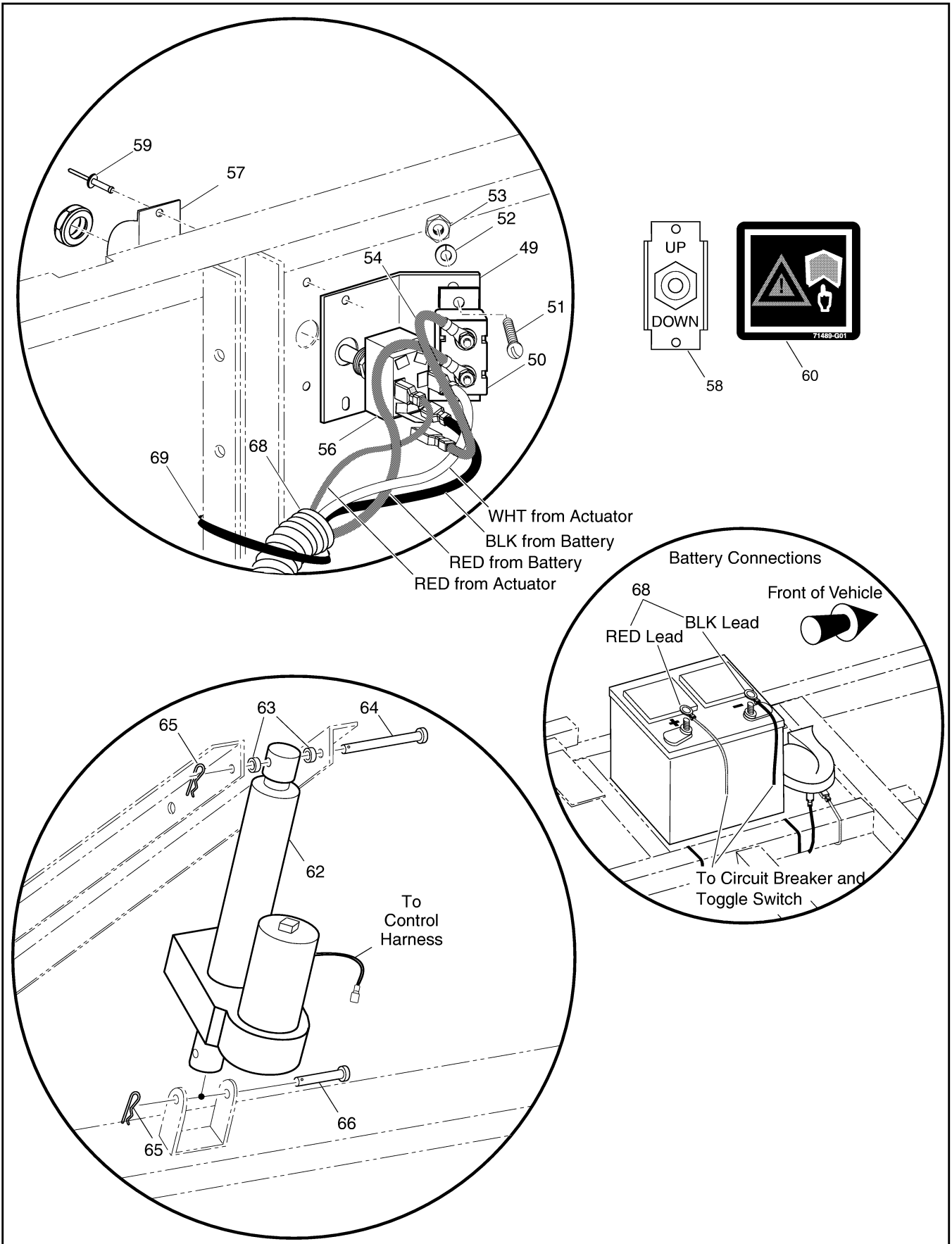
* Indicates a component that is not available as an individual part.

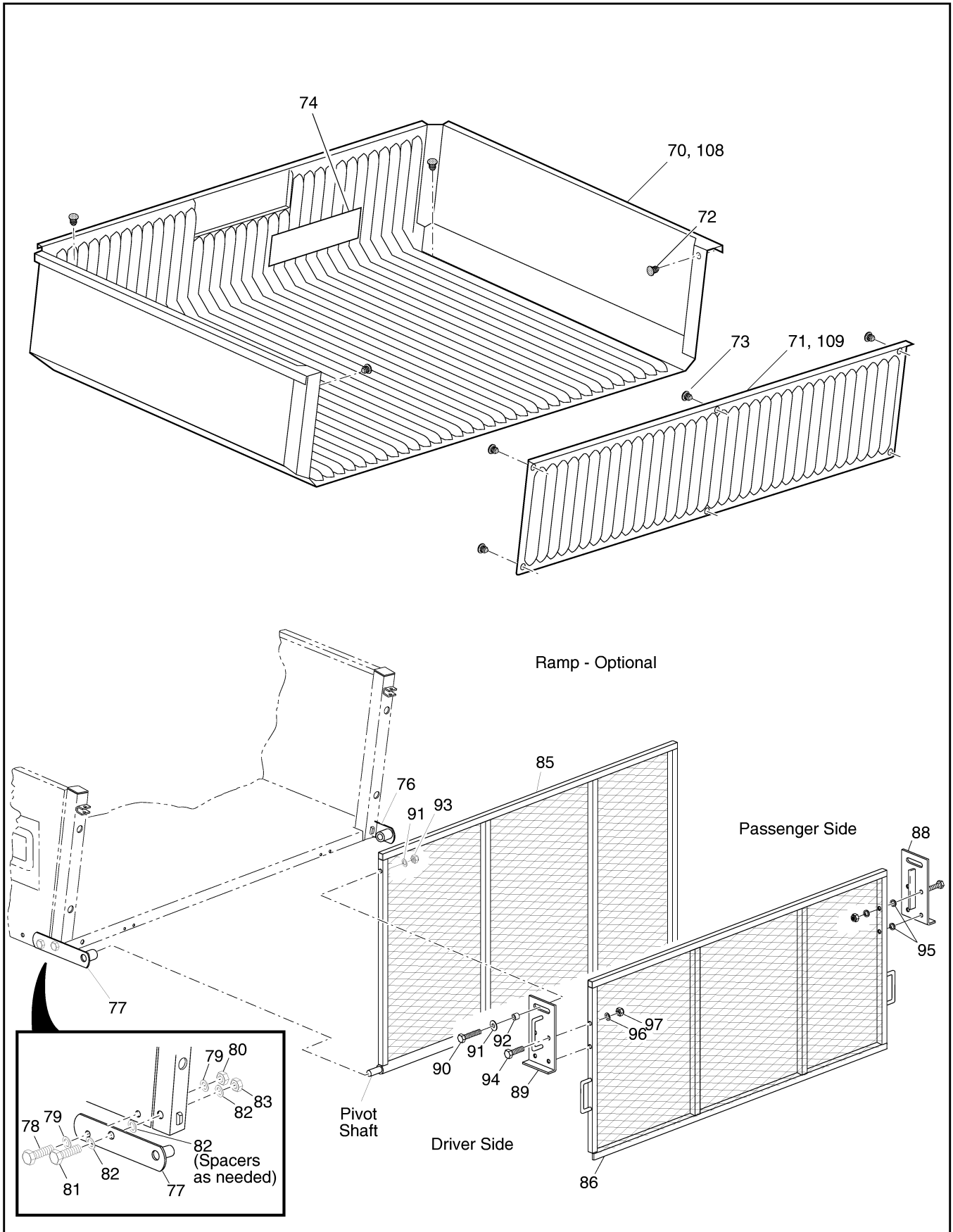
G** Indicates consult Customer Service Department for additional information.

ITEM	PART NO.	1	2	3	4	5	DESCRIPTION	QTY.
91	20252-G1						PIVOT (PASSENGER SIDE)	1
92	20252-G2						PIVOT (DRIVER SIDE)	1
93	00427-G8						BOLT, 3/8 - 16 X 2" LG.....	2
94	00562-G1						WASHER, 3/8"	4
95	20275-G1						PIVOT SPACER.....	2
96	11098-G5						LOCK NUT, 3/8 - 16	2
97	00439-G6						BOLT, 5/16 - 18 X 1 3/4" LG.....	4
98	00569-G2						WASHER, 5/16"	4
99	00559-G8						WASHER, 5/16"	4
100	11098-G6						LOCK NUT, 5/16 - 18	4
101								
102	XXXXX-XX						BOLT, 1/4 - 20 X 7/8" LG (SEE SECTION C - BODY)	
103	XXXXX-XX						WASHER, 1/4" (SEE SECTION C - BODY)	
104	XXXXX-XX						LOCK NUT, 1/4 - 20 (SEE SECTION C - BODY)	
105								
106	71711-G04						TRUCK BED ASSEMBLY 48" (MANUAL DUMP) (INCLUDES ITEMS 9, 11- 42, 107 - 113).....	1
107	71719-G02						BED FRAME, 48"	1
108	71742-G01						SIDE PANEL 48", (PASSENGER SIDE).....	1
109	71742-G02						SIDE PANEL, 48", (DRIVER SIDE)	1
110	16705-G3						SCREW, 1/4 - 20 X 3/4" LG.....	10
111	00915-G1						BONDED WASHER, 1/4"	10
112	00559-G7						WASHER, 1/4"	10
113	14390-G4						LOCK NUT, 1/4 - 20.....	10
114								
115	74033-G02						BED LINER, 48"	1
116	74036-G01						TAILGATE LINER, 48"	1









When ordering parts, please specify the model and serial number of the product.

* Indicates a component that is not available as an individual part.

G** Indicates consult Customer Service Department for additional information.

ITEM	PART NO.	1	2	3	4	5	DESCRIPTION	QTY.
1	71711-G01						TRUCK BED ASSEMBLY 40" (ELECTRIC DUMP) (INCLUDES ITEMS 2-37)	1
2	71719-G01						BED FRAME,40"	1
3	71714-G01						SIDE PANEL ,40" (PASSENGER SIDE).....	1
4	71714-G02						SIDE PANEL ,40"(DRIVER SIDE)	1
5	16705-G3						SCREW, 1/4-20 X 3/4" LG.....	10
6	00915-G1						BONDED WASHER, 1/4"	10
7	00559-G7						WASHER, 1/4"	10
8	14390-G4						LOCK NUT, 1/4-20.....	10
9	14601-G8						RIVET, 3/8" X 11/16" LG (ALUMINUM).	2
10								
11	71717-G01						END CAP, 1"	2
12	16705-G6						SCREW, 1/4-20 X 1 3/4" LG.....	4
13	00915-G1						WASHER, 1/4"	8
14	14390-G4						LOCK NUT, 1/4-20.....	4
15								
16	71837-G01						POST (PASSENGER SIDE)	1
17	71837-G02						POST (DRIVER SIDE).....	1
18	71718-G01						END CAP, 1 1/2"	2
19	13437-G8						LOCK SCREW, 3/8-16 X 2" LG.	4
20	11027-G5						LOCK NUT, 3/8-16.....	4
21	71838-G01						BUMPER	2
22	16705-G3						SCREW, 1/4-20 X 3/4" LG.....	4
23	00915-G1						BONDED WASHER, 1/4"	4
24	00559-G7						WASHER, 1/4"	4
25	14390-G4						LOCK NUT, 1/4-20.....	4
26								
27	71732-G01						TAILGATE	1
28	27666-G01						HINGE	2
29	01002-G08						BOLT, 1/4-20 X 1" LG.	4
30	00559-G7						WASHER, 1/4"	4



TRUCK BED, ELECTRIC LIFT

Gasoline Vehicle

When ordering parts, please specify the model and serial number of the product.

* Indicates a component that is not available as an individual part.

G** Indicates consult Customer Service Department for additional information.

ITEM	PART NO.	1	2	3	4	5	DESCRIPTION	QTY.
31	14390-G4						LOCK NUT, 1/4-20.....	4
32	71748-G01						TAILGATE KEEPER	1
33	16705-G3						SCREW, 1/4-20 X 3/4" LG.....	1
34								
35	71083-G01						TAILGATE CABLE	2
36	00106-G6						SELF-THREADING SCREW, #12-24 X 3/4" LG.	2
37	00915-G1						WASHER, 1/4"	2
38								
39	70396-G01						BED PIVOT	2
40	00764-G1						CARRIAGE BOLT, 5/16 - 18 X 3/4" LG.	6
41	00559-G8						WASHER, 5/16"	6
42	11098-G6						LOCK NUT, 5/16-18	6
43	70291-G01						RUBBER BUSHING.....	4
44	21682-G1						CLEVIS PIN, 1/2" X 2 7/8" LG.....	2
45	21683-G1						COTTER PIN, 15/32" X 2 11/16" LG.....	2
46								
47	71901-G01						E-Z-GO DECAL (E-Z-GO).....	1
48								
49	74165-G01						CIRCUIT BREAKER MOUNTING BRACKET.....	1
50	21320-G3						CIRCUIT BREAKER, 30 AMP, 12V.....	1
51	00150-G4						SCREW, #10-24 X 1/2" LG.	2
52	00565-G5						LOCK WASHER, #10.....	2
53	00526-G3						NUT, #10-24	2
54	25976-G14						14 GA WIRE (RED 5")	1
55								
56	27680-G01						TOGGLE SWITCH	1
57	27447-G01						TOGGLE GUARD	1
58	27556-G01						LABEL	1
59	10570-G9						RIVET, 1/8" X 11/32" LG.....	2
60	71489-G01						SAFETY DECAL	1



When ordering parts, please specify the model and serial number of the product.

* Indicates a component that is not available as an individual part.

G** Indicates consult Customer Service Department for additional information.

ITEM	PART NO.	1 2 3 4 5	DESCRIPTION	QTY.
61				
62	27612-G02		ELECTRIC ACTUATOR.....	1
63	27613-G01		SPACER.....	2
64	14443-G10		CLEVIS PIN, 1/2" X 3" LG.....	1
65	21683-G1		COTTER PIN, 2 11/16" LG.....	2
66	14443-G11		CLEVIS PIN, 1/2" X 1 7/8" LG.....	1
67				
68	74163-G01		WIRE HARNESS	1
69	17618-G1		WIRE TIE	8
70	74234-G01		BED LINER, 40"	1
71	74235-G01		TAILGATE LINER.....	1
72	18436-G1		RIVET, 1/4" X 1/2" LG	4
73	14601-G10		RIVET, 3/16" X 3/8" LG	6
74	71517-G03		SAFETY DECAL	1
75				
76	28331-G01		RAMP SUPPORT (PASSENGER SIDE).....	1
77	28331-G02		RAMP SUPPORT (DRIVER SIDE)	1
78	00438-G8		BOLT, 5/16-18 X 1" LG.....	2
79	00559-G8		WASHER, 5/16",	4
80	11098-G6		LOCK NUT, 5/16 - 18	2
81	00428-G6		BOLT, 3/8 - 16 X 2 3/4" LG.....	2
82	00562-G1		WASHER, 3/8"	6
83	11098-G5		LOCK NUT, 3/8-16	2
84				
85	20264-G1		UPPER RAMP	1
86	20257-G2		LOWER RAMP.....	1
87				
88	20252-G1		PIVOT (PASSENGER SIDE)	1
89	20252-G2		PIVOT (DRIVER SIDE)	1
90	00427-G8		BOLT, 3/8-16 X 2" LG.....	2



TRUCK BED, ELECTRIC LIFT

Gasoline Vehicle

When ordering parts, please specify the model and serial number of the product.

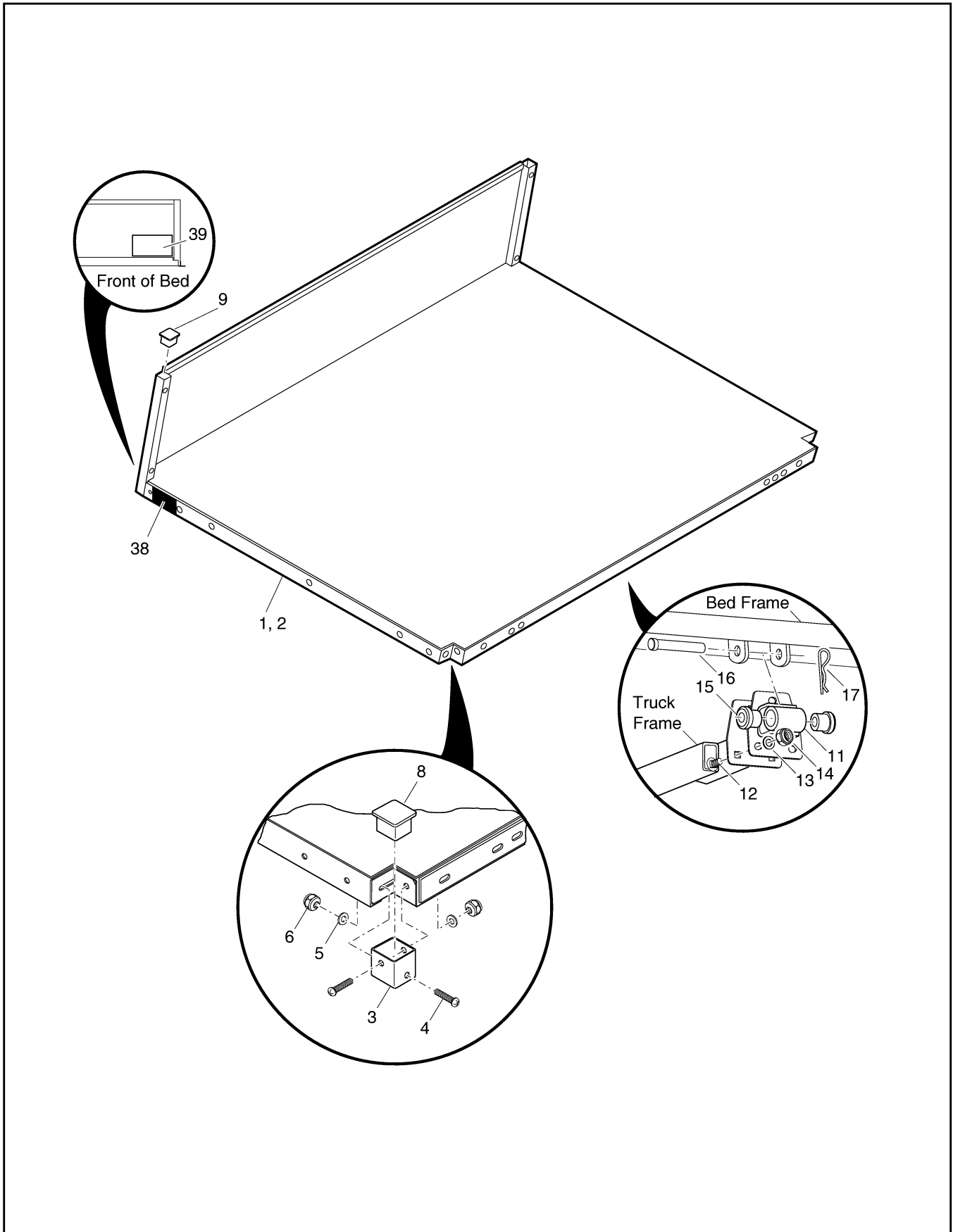
* Indicates a component that is not available as an individual part.

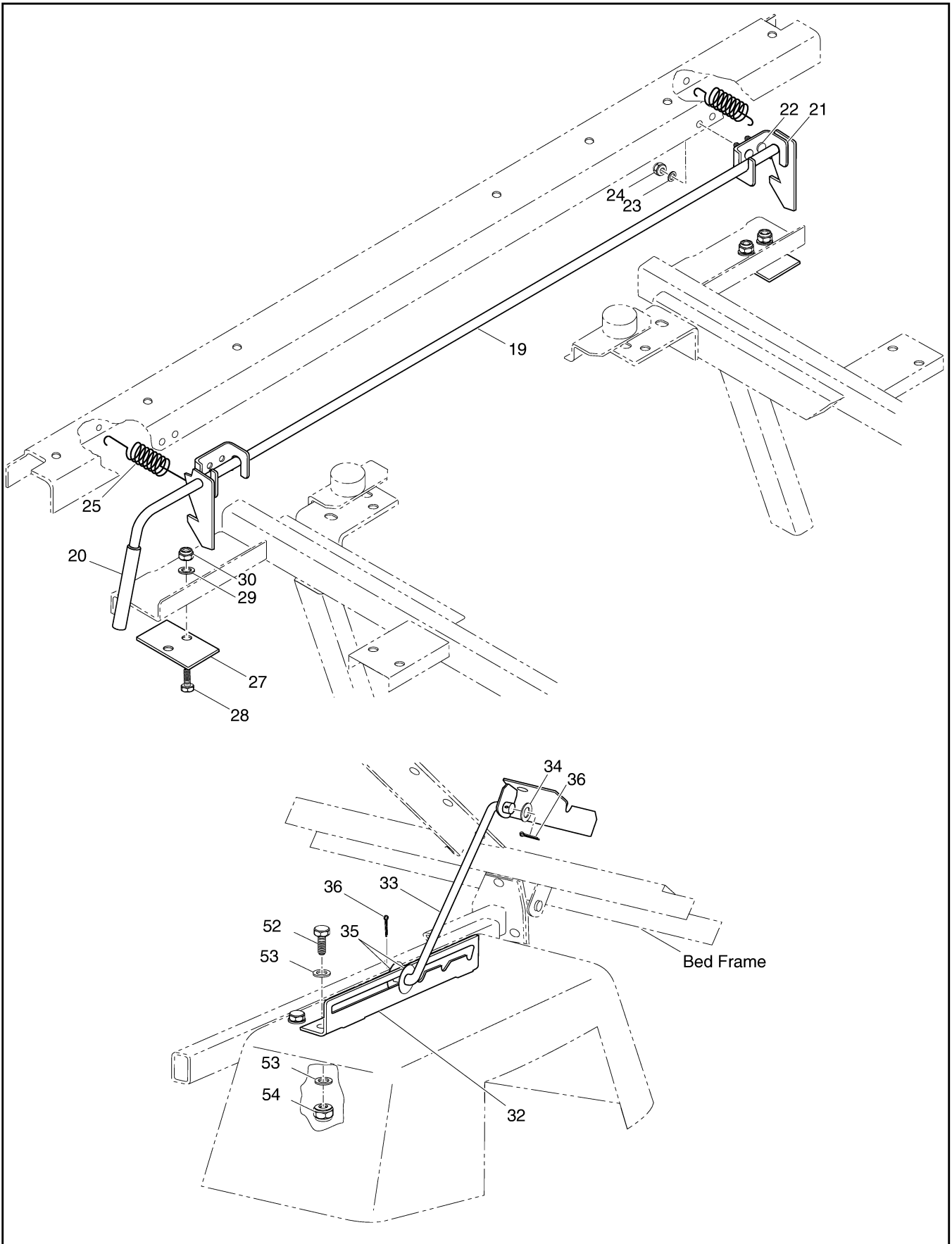
G** Indicates consult Customer Service Department for additional information.

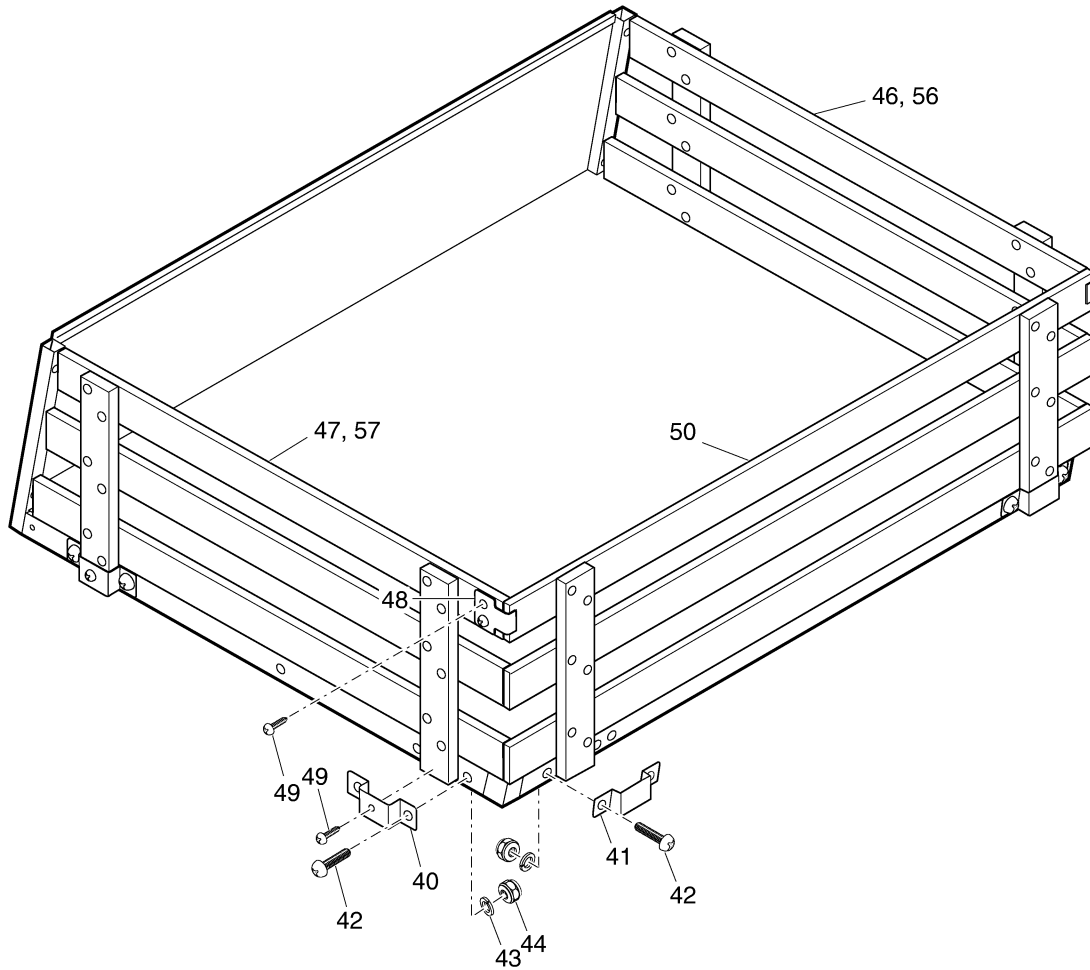
ITEM	PART NO.	1 2 3 4 5	DESCRIPTION	QTY.
91	00562-G1		WASHER, 3/8"	4
92	20275-G1		PIVOT SPACER	2
93	11098-G5		LOCK NUT, 3/8-16	2
94	00439-G6		BOLT, 5/16-18 X 1 3/4" LG	4
95	00569-G2		WASHER, 5/16"	4
96	00559-G8		WASHER, 5/16"	4
97	11098-G6		LOCK NUT, 5/16-18	4
98				
99	71711-G02		TRUCK BED ASSEMBLY (48") (ELETRIC DUMP) (INCLUDES ITEMS 9, 11- 37, 100 - 106)	1
100	71719-G02		BED FRAME (48")	1
101	71742-G01		SIDE PANEL (48", PASSENGER SIDE).....	1
102	71742-G02		SIDE PANEL (48", DRIVER SIDE)	1
103	16705-G3		SCREW, 1/4-20 X 3/4" LG	12
104	00915-G1		BONDED WASHER, 1/4"	12
105	00559-G7		WASHER, 1/4"	12
106	14390-G4		LOCK NUT, 1/4-20.....	12
107				
108	74033-G02		BED LINER, 48"	1
109	74036-G01		TAILGATE LINER, 48"	1











When ordering parts, please specify the model and serial number of the product.

* Indicates a component that is not available as an individual part.

G** Indicates consult Customer Service Department for additional information.

ITEM	PART NO.	1 2 3 4 5	DESCRIPTION	QTY.
1	71719-G01		FLAT BED, 40"	1
2	71719-G02		FLAT BED, 48"	1
3	71772-G01		CORNER TUBE	2
4	00762-G9		SCREW, 5/16 - 18 X 2 1/2" LG.	4
5	00559-G8		WASHER, 5/16"	4
6	00550-G3		NUT, 5/16 - 18	4
7				
8	71718-G01		END CAP, 1 1/2"	2
9	71717-G01		END CAP, 1"	2
10				
11	70396-G01		BED PIVOT	2
12	00764-G2		CARRIAGE BOLT, 5/16 - 18 X 1" LG.	6
13	00559-G8		WASHER, 5/16"	6
14	11098-G6		LOCK NUT, 5/16-18	6
15	70291-G01		RUBBER BUSHING	4
16	21682-G1		CLEVIS PIN, 1/2" X 3" LG.....	2
17	21683-G1		COTTER PIN, 15/32" X 2 11/16" LG	2
18				
19	71831-G01		BED LATCH	1
20	71704-G01		HANDLE GRIP	1
21	71827-G01		LATCH BRACKET	2
22	01014-G03		CARRIAGE BOLT, 1/4-20 X 3/4" LG	4
23	00559-G7		WASHER, 1/4"	4
24	14390-G4		LOCK NUT, 1/4-20	4
25	71707-G01		EXTENSION SPRING.....	2
26				
27	71766-G01		CATCH BRACKET	2
28	00414-G6		BOLT, 1/4-20 X 3/4" LG.....	4
29	00559-G7		WASHER, 1/4"	4
30	14390-G4		LOCK NUT, 1/4-20	4



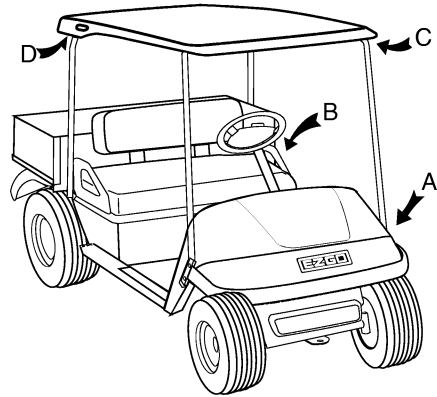
When ordering parts, please specify the model and serial number of the product.

* Indicates a component that is not available as an individual part.

G** Indicates consult Customer Service Department for additional information.

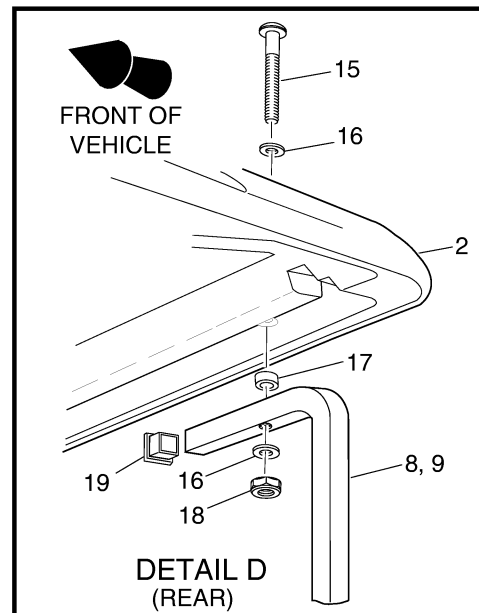
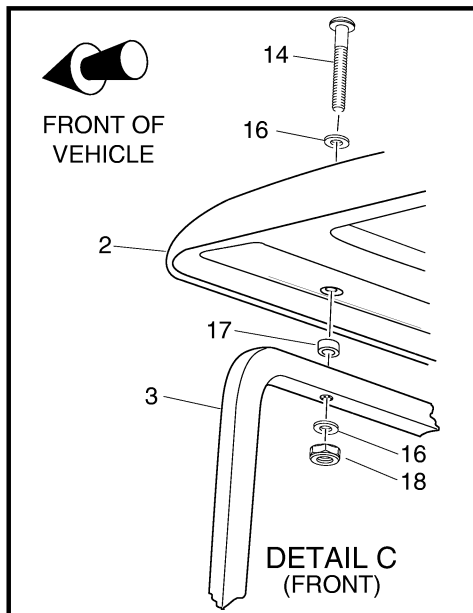
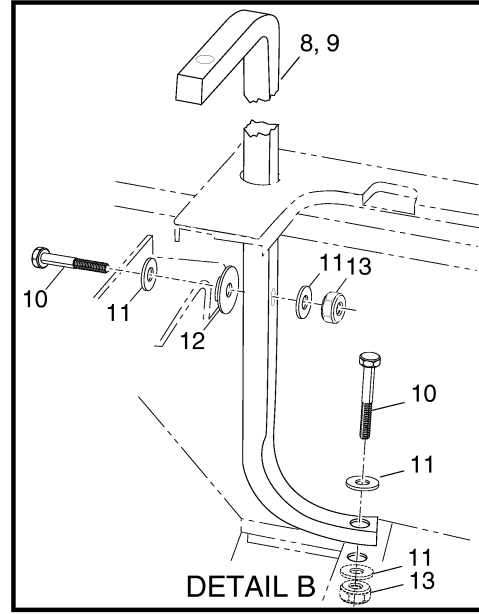
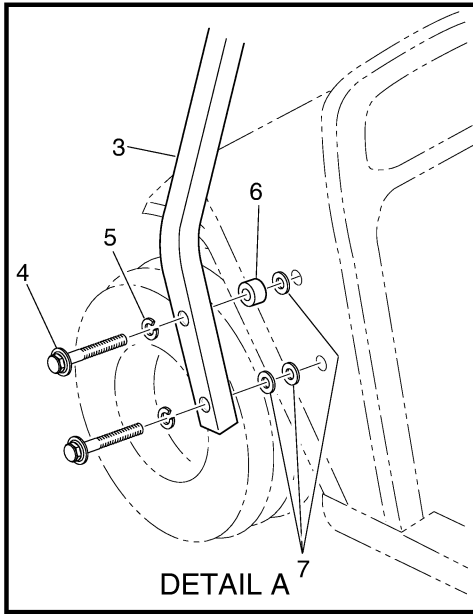
ITEM	PART NO.	1	2	3	4	5	DESCRIPTION	QTY.
31								
32	71673-G01						PROP BRACKET	1
33	71657-G01						PROP ROD	1
34	00560-G3						WASHER, 1/2"	1
35	15121-G1						WASHER, 1 1/4" X 3/8".....	2
36	10387-G3						COTTER PIN, 3/32 X 3/4" LG.....	2
37								
38	71777-G01						DECAL (WARNING)	1
39	71200-G01						LABEL (LOAD WARNING).....	1
40	74157-G01						SIDE RAIL SUPPORT	4
41	74161-G01						BACK RAIL SUPPORT	2
42	16705-G1						SCREW, 1/4-20 X 1" LG.	12
43	00559-G7						WASHER, 1/4"	12
44	14390-G4						NUT, 1/4-20	12
45								
46	74167-G01						SIDE CARGO RACK, 40" (PASSENGER SIDE)	1
47	74167-G02						SIDE CARGO RACK, 40" (DRIVER SIDE)	1
48	74079-G01						TAILGATE RETAINER BRACKET	2
49	00666-G6						SCREW, #10 - 12 X 3/4" LG.	8
50	74162-G03						REAR CARGO RACK.....	1
51								
52	XXXXX-XX						BOLT, 1/4 - 20 X 7/8" LG (SEE SECTION C - BODY)	
53	XXXXX-XX						WASHER, 1/4" (SEE SECTION C - BODY)	
54	XXXXX-XX						LOCK NUT, 1/4 - 20 (SEE SECTION C - BODY)	
55								
56	74168-G01						SIDE CARGO RACK, 48" (PASSENGER SIDE)	1
57	74168-G02						SIDE CARGO RACK, 48" (DRIVER SIDE)	1
58								

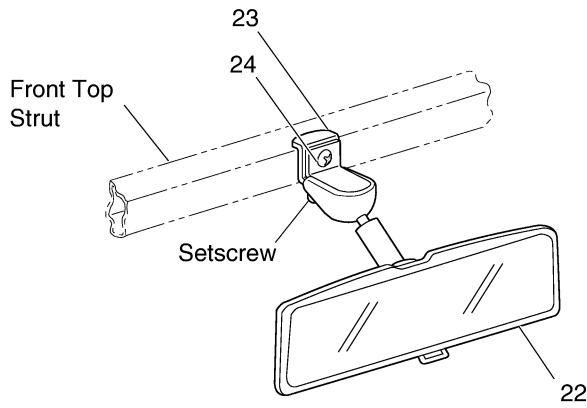




SUN TOP

1 - Includes Items 2 - 19

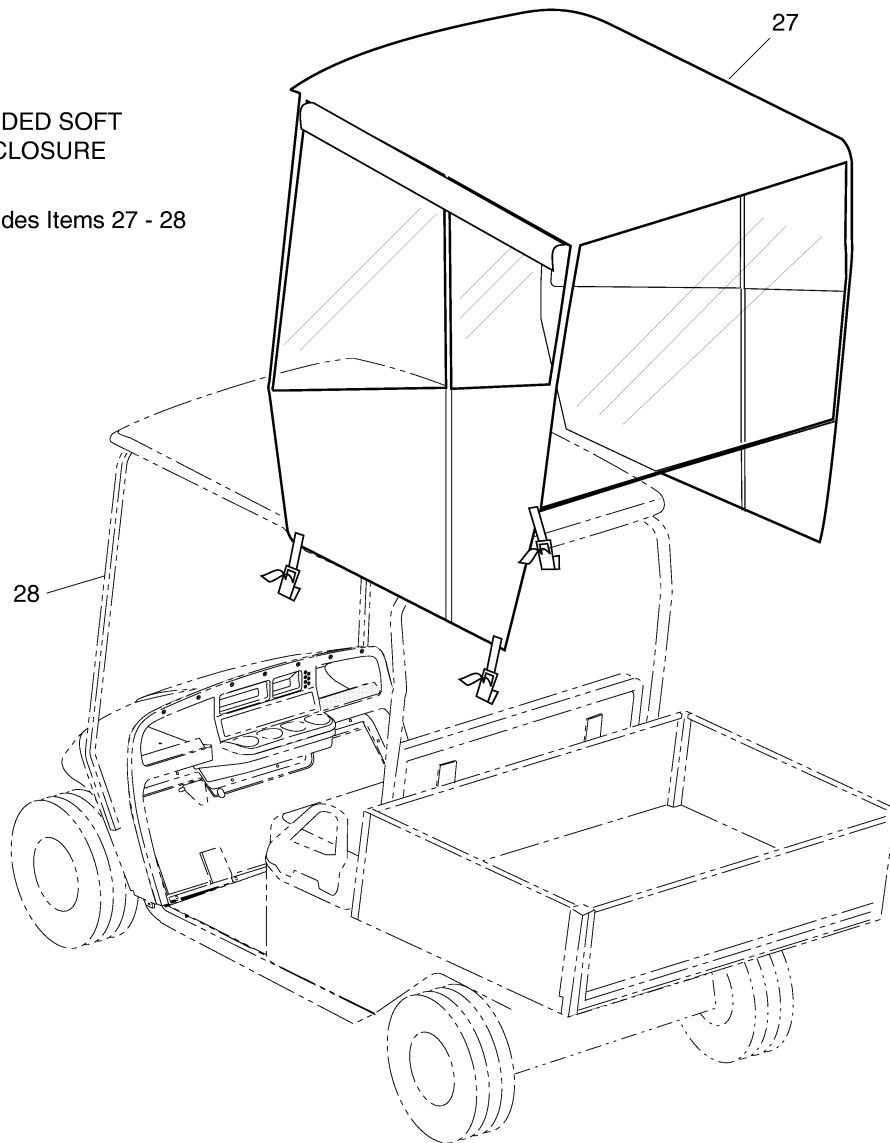


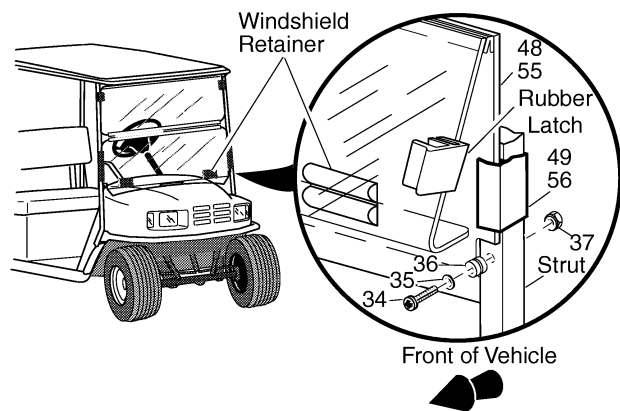
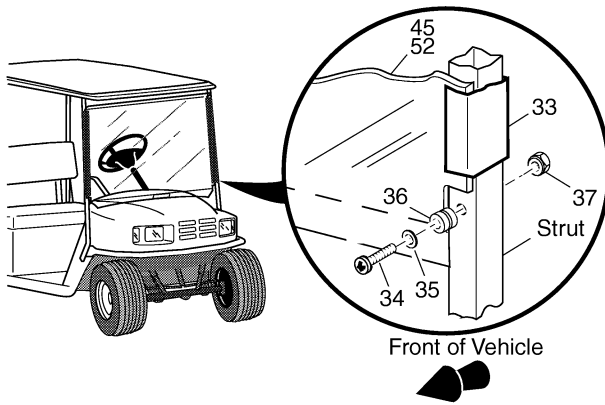
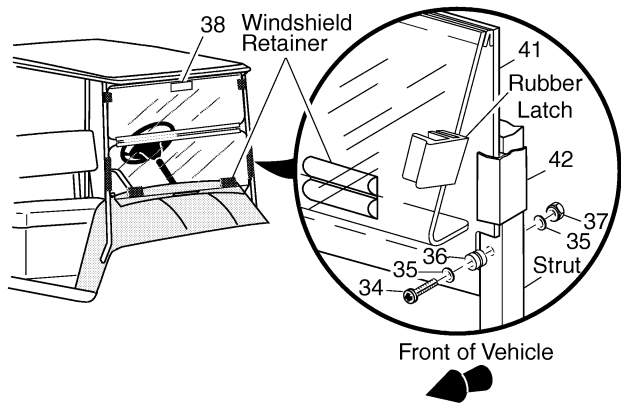
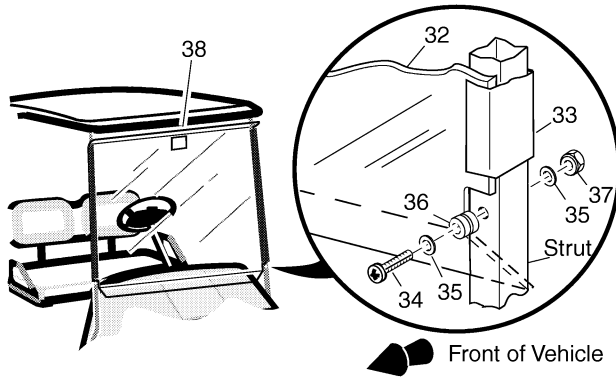


REAR VIEW MIRROR

21 - Includes Items 22 - 24

3-SIDED SOFT ENCLOSURE
26 - Includes Items 27 - 28





When ordering parts, please specify the model and serial number of the product.
 * Indicates a component that is not available as an individual part.
 G** Indicates consult Customer Service Department for additional information.

ITEM	PART NO.	1 2 3 4 5	DESCRIPTION	QTY.
1	75350-G02		SUN TOP KIT (INCLUDES ITEMS 2 - 19)	1
2	27069-G07		SUN TOP.....	1
3	75045-G01		FRONT STRUT	1
4	01035-G01		BOLT, 5/16 - 18 X 2 1/4" LG	4
5	00905-G8		LOCK WASHER, 5/16".....	4
6	75048-G01		SPACER, 1/2".....	2
7	00570-G2		WASHER, 5/16".....	6
8	75343-G01		REAR STRUT (PASSENGER SIDE).....	1
9	75343-G02		REAR STRUT (DRIVER SIDE)	1
10	00439-G6		BOLT, 5/16 - 18 X 1 3/4" LG	4
11	00571-G2		WASHER, 5/16".....	8
12	15121-G1		WASHER, 3/8".....	2
13	11098-G6		LOCK NUT, 5/16 - 18.....	4
14	00753-G5		SCREW, 1/4 - 20 X 2" LG (STAINLESS STEEL)	2
15	00753-G6		SCREW, 1/4 - 20 X 2 1/4" LG (STAINLESS STEEL)	2
16	00559-G7		WASHER, 1/4".....	8
17	75051-G01		SPACER.....	4
18	00891-G2		LOCK NUT, 1/4 - 20.....	4
19	19853-G1		END CAP, 1".....	2
20				
21	19528-G2		REAR VIEW MIRROR KIT (REQUIRES SUN TOP) (INCLUDES ITEMS 22 - 24)	1
22	19496-G1		REAR VIEW MIRROR.....	1
23	19502-G2		SUPPORT BRACKET	1
24	19527-G1		SCREW, #8 - 32 X 5/8" LG (STAINLESS STEEL)	1
25				
26	75367-G03		3-SIDED SOFT ENCLOSURE (REQUIRES SUN TOP) (INCLUDES ITEMS 27 - 28)	1
27	*		ENCLOSURE	1
28	*		VELCRO.....	AR
29				



WEATHER PROTECTION

Gasoline Vehicle

Replacement parts for the windshield may be obtained from Eagle Parts, Inc. 1811 Wilkinson Rd. Augusta, GA 30904. Telephone (706) 729-9911 or FAX (706) 729-9955

* Indicates a component that is not available as an individual part.

G** Indicates consult Customer Service Department for additional information.

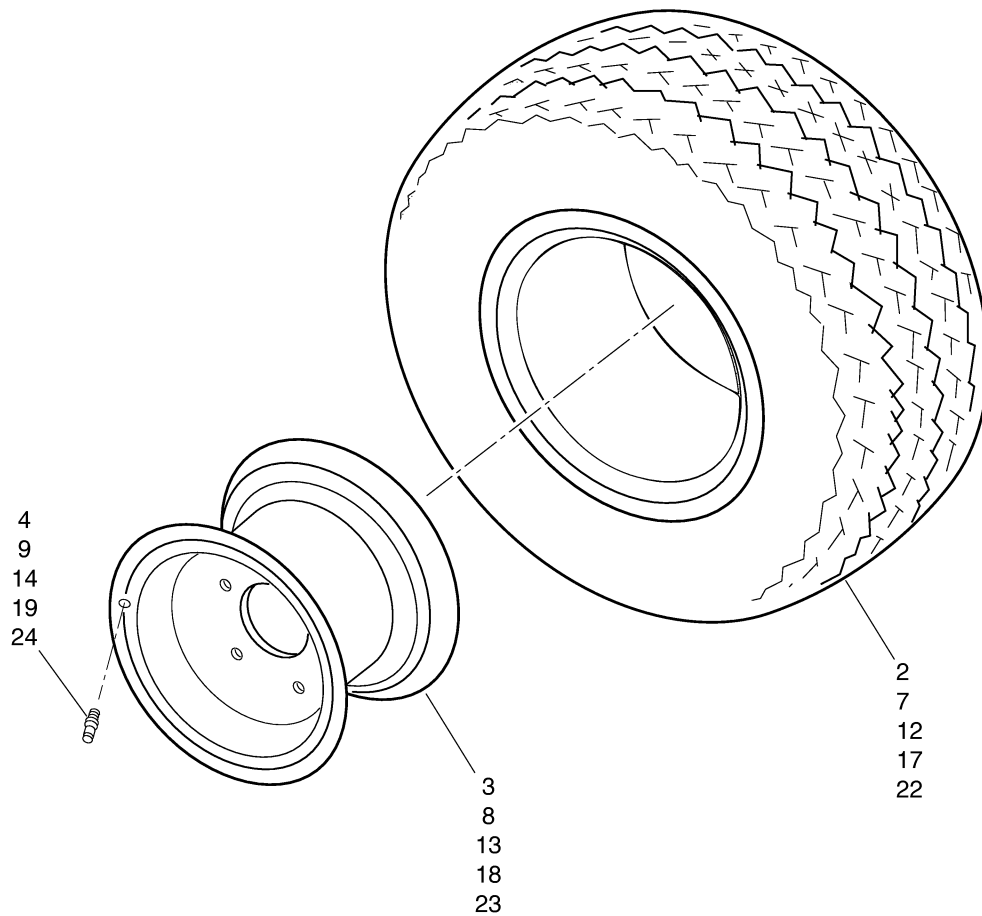
ITEM	PART NO.	1	2	3	4	5	DESCRIPTION	QTY.
30								
31	75524-G01						WINDSHIELD KIT (FULL) (1200) (INCLUDES ITEMS 32 - 38).....	1
32	EGWFX03						WINDSHIELD (FULL).....	1
33	EGWHC12						SASH, 26" LG.....	2
34	EGWHS12						BOLT, 1/4 - 20 X 1 3/4' LG. (STAINLESS STEEL)	2
35	EGWHW12						WASHER, 1/4" (STAINLESS STEEL)	4
36	EGWHG13						RUBBER GROMMET	2
37	EGWHN12						LOCK NUT, 1/4 - 20 (STAINLESS STEEL)	2
38	EGWHL14						SAFETY LABEL	1
39								
40	75525-G01						WINDSHIELD KIT (SPLIT) (1200) (INCLUDES ITEMS 41, 42, 34 - 38).....	1
41	EGWSX03						WINDSHIELD (SPLIT).....	1
42	EGWHC10						SASH, 12" LG.....	2
43								
44	71966-G03						WINDSHIELD KIT (FULL) (1200LX) (INCLUDES ITEMS 45, 33 - 37)	1
45	71960-G01						WINDSHIELD (FULL).....	1
46								
47	71966-G04						WINDSHIELD KIT (SPLIT) (1200LX) (INCLUDES ITEMS 48, 49, 34 - 37)	1
48	71961-G01						WINDSHIELD (SPLIT).....	1
49	EGWHC10						SASH, 12" LG.....	2
50								
51	71966-G01						WINDSHIELD KIT (FULL) (1200LX) (INCLUDES ITEMS 52, 33 - 37)	1
52	71954-G01						WINDSHIELD (FULL) (LEXAN).....	1
53								
54	71966-G02						WINDSHIELD KIT (SPLIT) (1200LX) (INCLUDES ITEMS 55, 56, 34 - 37)	1
55	71955-G01						WINDSHIELD (SPLIT) (LEXAN)	1
56	EGWHC10						SASH, 12" LG.....	2

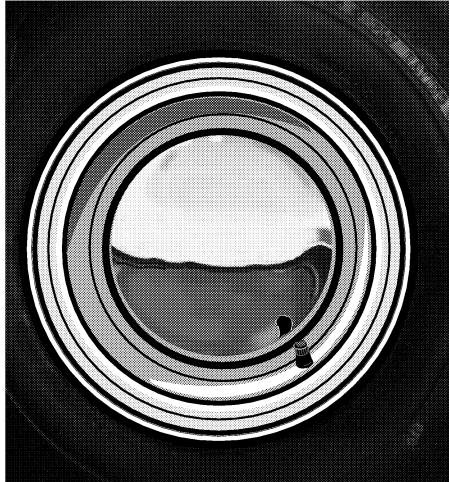




- 1 - Includes Items 2 - 4
- 6 - Includes Items 7 - 9
- 11 - Includes Items 12 - 14
- 16 - Includes Items 17 - 19
- 21 - Includes Items 22 - 24

Tire design may vary by Part Number

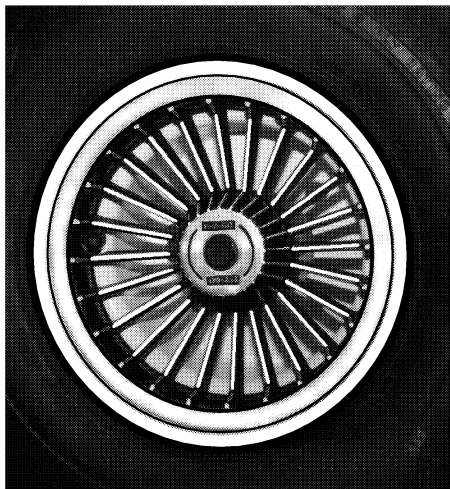




6"CHROME HUBCAP
27



8"CHROME HUBCAP
26



GOLD / SILVER SPOKE HUBCAP
28, 29

WHEELS AND TIRES

Gasoline Vehicle

When ordering parts, please specify the model and serial number of the product.

* Indicates a component that is not available as an individual part.

G** Indicates consult Customer Service Department for additional information.

ITEM	PART NO.	1 2 3 4 5	DESCRIPTION	QTY.
1	27772-G03		WHEEL AND TIRE ASSEMBLY, TURF SAVER (INCLUDES ITEMS 2 - 4	A/R
2	27772-G07		CARLISLE TIRE (TURF SAVER 18 X 8.5 - 8, 4 PLY RATED)	1
3	15169-G1		WHEEL RIM, 4 LUG	1
4	11657-G1		VALVE STEM	1
5				
6	27772-G09		WHEEL AND TIRE ASSEMBLY, LINKS 1 (INCLUDES ITEMS 7 - 9)	A/R
7	27772-G10		CARLISLE TIRE (LINKS 1 18 X 8.5 - 8, 4 PLY RATED)	1
8	15169-G1		WHEEL RIM, 4 LUG	1
9	11657-G1		VALVE STEM	1
10				
11	27772-G01		WHEEL AND TIRE ASSEMBLY, LINKS (INCLUDES ITEMS 12 - 14	A/R
12	27772-G05		CARLISLE TIRE (LINKS 18 X 8.5 - 8, 4 PLY RATED)	1
13	15169-G1		WHEEL RIM, 4 LUG	1
14	11657-G1		VALVE STEM	1
15				
16	27775-G01		WHEEL AND TIRE ASSEMBLY, USA TRAIL (INCLUDES ITEMS 17 - 19)	A/R
17	27775-G02		CARLISLE TIRE (USA TRAIL 18.0 X 8.50 - 8, LOAD RANGE C)	1
18	15169-G1		WHEEL RIM, 4 LUG	1
19	11657-G1		VALVE STEM	1
20				
21	27784-G01		WHEEL AND TIRE ASSEMBLY, USA TRAIL (INCL ITEMS 22 - 24)	A/R
22	27784-G03		CARLISLE TIRE (USA TRAIL 5.70 - 8, LOAD RANGE C)	1
23	20732-G1		WHEEL RIM, 4 LUG	1
24	11657-G1		VALVE STEM	1
25				
26	14913-G*		8" CHROME HUBCAP (OPTIONAL)	A/R
27	16042-G*		6" CHROME HUBCAP (OPTIONAL)	A/R
28	19241-G*		GOLD SPOKE HUBCAP (OPTIONAL)	A/R
29	19241-G*		SILVER SPOKE HUBCAP (OPTIONAL)	A/R



SPECIALTY PRODUCTS

SPECIALTY PRODUCTS

SPECIALTY PRODUCTS

SPECIAL TOOLS	PART NO.
HIGH RESISTANCE SPARK PLUG WIRE SET	26733-G02
DRIVE CLUTCH PULLER	19779-G2
FLYWHEEL PULLER.....	27111-G01
CAM PULLER.....	27851-G01
TACHOMETER	72526-G01
FEELER GAUGE	72525-G01
COMPRESSION TESTER.....	72524-G01
ENGINE REBUILD MANUAL.....	27615-G01
REAR AXLE REBUILD MANUAL	27660-G01
CURRENT INDICATOR.....	16489-G2
DIGITAL MULTI-METER.....	27481-G01
CRIMPING TOOL	27765-G01
SLIDE HAMMER (AXLE/HUB REMOVAL)	15947-G1
SLIDE HAMMER (AXLE REMOVAL ONLY)	18753-G1

PERFORMANCE PRODUCTS

FORMULA 40 VINYL-COAT® - WHITE.....	28166-G01
PLEXUS® CLEANER, 7 OUNCE (FOR WINDSHIELDS).....	28433-G01
PLEXUS® CLEANER, 13 OUNCE (FOR WINDSHIELDS).....	28433-G02
BATTERY PROTECTOR, 14 OUNCE AEROSOL.....	75500-G01
CARBURETOR & CHOKE CLEANER, 15 OUNCE AEROSOL	75501-G01
WHITE LITHIUM GREASE, 14 OUNCE AEROSOL.....	75502-G01
PENETRANT/LUBRICANT, 15 OUNCE AEROSOL.....	75503-G01
MULTI-PURPOSE CLEANER & DEGREASER, 14 OUNCE AEROSOL	75504-G01
MULTI-PURPOSE HAND CLEANER, 32 OUNCE LIQUID.....	75505-G01
BATTERY CLEANER, 32 OUNCE WITH TRIGGER SPRAYER	75506-G01
BIO-DEGRADABLE CLEANER, 32 OUNCE WITH TRIGGER SPRAYER	75507-G01
MULTI-PURPOSE VALUE PACK.....	75508-G01
<ul style="list-style-type: none"> • BATTERY PROTECTOR, 4 OUNCE AEROSOL • PENETRANT/LUBRICANT, 4 OUNCE AEROSOL • WHITE LITHIUM GREASE, 4 OUNCE AEROSOL • CARBURETOR & CHOKE CLEANER, 4 OUNCE AEROSOL 	

PAINT

.6 OUNCE BRUSH ON PAINT - HUNTER GREEN.....	28432-G02
.6 OUNCE BRUSH ON PAINT - INDUSTRIAL YELLOW	28432-G03
12 OUNCE AEROSOL - HUNTER GREEN.....	28140-G09
12 OUNCE AEROSOL - INDUSTRIAL YELLOW	28140-G14

ENGINE OIL

4-CYCLE ENGINE OIL, 10W-30, 5 GALLON	25730-G03
4-CYCLE ENGINE OIL, 10W-30, 12 QUART CASE	25730-G04
4-CYCLE ENGINE OIL, 10W-30, QUART BOTTLE	25730-G06

ACCESSORIES

ACCESSORIES LISTING

ACCESSORIES

ACCESSORIES LISTING

KIT NO.

ASHTRAY KIT	75109-G02	See BODY
BALL HITCH KIT	75326-G02	See BODY
CLEVIS HITCH KIT	75327-G02	See BODY
CHROME HUB CAP 8"	14913-G*	See WHEELS AND TIRES
CHROME HUB CAP 6"	16042-G*	See WHEELS AND TIRES
DEFROSTER/COOLING FAN	74248-G01	See CAB
DOOR SET	74301-G0*	See CAB
DOOR SET (VINYL)	74242-G01	See CAB
ELECTRIC DUMP KIT	74164-G02	See TRUCKBED
GLOVE BOX DOOR	75459-G0*	See BODY
HOUR METER KIT	75114-G02	See ELECTRICAL SYSTEM
INSIDE MIRROR	27924-G01	See WEATHER PROTECTION
INSTRUMENT/SWITCH PANEL	74250-G01	See CAB
REAR VIEW MIRROR KIT	19528-G2	See WEATHER PROTECTION
SOFT ENCLOSURE	75367-G0*	See WEATHER PROTECTION
STEEL CAB, W/O DOORS (WORKHORSE® 1200 LX)	74294-G0*	See CAB
STEEL CAB, W/O DOORS (WORKHORSE® 1200)	74300-G0*	See CAB
STROBE LIGHT	74245-G01	See CAB
SUN TOP KIT	75350-G02	See WEATHER PROTECTION
TURN SIGNAL KIT	75107-G02	See ELECTRICAL SYSTEM
GOLD SPOKE WHEEL COVERS	19241-G*	See WHEELS AND TIRES
SILVER SPOKE WHEEL COVERS	19241-G*	See WHEELS AND TIRES
WINDSHIELD (FULL) (WORKHORSE® 1200)	75524-G01	See WEATHER PROTECTION
WINDSHIELD (SPLIT) (WORKHORSE® 1200)	75525-G01	See WEATHER PROTECTION
WINDSHIELDS (WORKHORSE® 1200 LX)	71966-G0*	See WEATHER PROTECTION
WINDSHIELD WIPER	74244-G01	See CAB
WORK LIGHTS	74247-G01	See CAB
WORK LIGHT BAR WITH LIGHTS	71354-G01	See ELECTRICAL SYSTEM
WORK LIGHT BAR WITH STROBE	71354-G02	See ELECTRICAL SYSTEM
WORK LIGHT BAR WITH LIGHTS AND STROBE	71354-G03	See ELECTRICAL SYSTEM



a **TEXTRON** Company

E-Z-GO Division of Textron Inc.

P.O. Box 388 Augusta, Georgia 30903-0388 USA

Inside USA Phone: 1-800-241-5855, FAX: 1-800-448-8124

Outside USA Phone: 010-1-706-798-4311, FAX: 010-1-706-771-4609

Copyrighted Material
This manual may not be reproduced in whole or
in part without the express permission of
E-Z-GO Division of Textron Inc.
Technical Communications Department