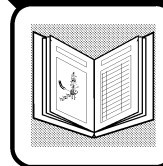


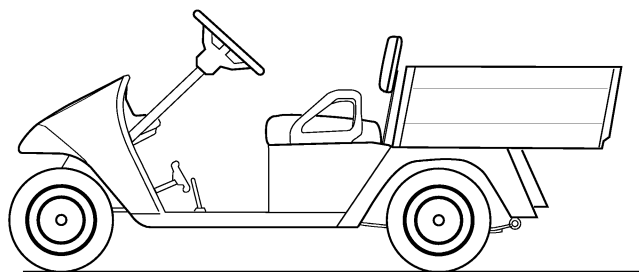
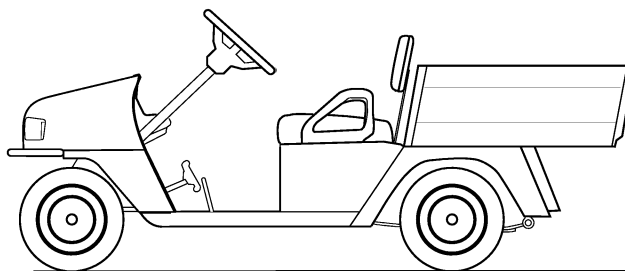
28556-G01



a **TEXTRON** Company



SERVICE PARTS MANUAL



GASOLINE POWERED UTILITY VEHICLE (800 SERIES)

MODEL YEARS: 1999 - 2000

REVISED: 10/2000

SERVICE PARTS MANUAL

GASOLINE POWERED UTILITY VEHICLE

VEHICLES

WORKHORSE[®] 800

WORKHORSE[®] 800 LX

INDUSTRIAL 800

E-Z-GO Division of Textron reserves the right to make design changes without obligation to make these changes on units previously sold and the information contained in this manual is subject to change without notice.

E-Z-GO Division of Textron is not liable for errors in this manual or for incidental or consequential damages that result from the use of the material in this manual.

CUSTOMER SERVICE DEPARTMENT IN USA PHONE: 1-800-241-5855 FAX: 1-800-448-8124

OUTSIDE USA PHONE: 010-1-706-798-4311, FAX: 010-1-706-771-4609

E-Z-GO DIVISION OF TEXTRON, INC., P.O.BOX 388, AUGUSTA, GEORGIA USA 30903-0388



NOTES

To obtain a copy of the limited warranty applicable to the vehicle, call or write a local distributor, E-Z-GO Branch or the E-Z-GO Warranty Department with vehicle serial number and manufacturer code.

The use of non E-Z-GO parts may void the warranty.

Tampering with or adjusting the governor to permit vehicle to operate at above factory specifications will void the vehicle warranty.

When servicing engines, all adjustments and replacement components must be per original vehicle specifications in order to maintain Federal and State emission certification.

BATTERY PROLONGED STORAGE

All batteries will self discharge over time. The rate of self discharge varies depending on the ambient temperature and the age and condition of the batteries.

A fully charged battery will not freeze in winter temperatures unless the temperature falls below -75° F (-60° C).

GENERAL INDEX

SECTION	Page No.
How to use the E-Z-GO Service Parts Manual.....	vii
ACCELERATOR	
• Accelerator Pedal, Accelerator Box	A-1
• Governor Linkage, Throttle Linkage.....	A-2
AIR FILTER	
• Remote Air Components, Air Cleaner, Air Filter Element, Carburetor Baffle, Gasket.....	B-1
BODY	
• Front Cowl (WorkHorse® 800), Front Shield, Instrument Panel, Floorboard, Bumpers	C-1
• Front Cowl (Industrial 800) (WorkHorse® 800 LX), Glove Box Doors.....	C-2
• Floormat, Seat Frame, Seat Wrap, Side Panels, Splash Panels, Rocker Panel, Rear Fenders, Panel ..	C-3
• Ashtray, Ball Hitch, Clevis Hitch	C-4
BRAKES	
• Brake Pedal With Brake Lights	D-1
• Brake Pedal Without Brake Lights	D-2
• Equalizer and Brake Cables.....	D-3
• Wheel Brake Assembly	D-4
CAB	
• Cab.....	E-1
• Cab Mounting Brackets, Windshield Wiper.....	E-2
• Steel Doors, Vinyl Doors, Strobe Light.....	E-3
• Switch Panel, Defroster/Cooling Fan, Worklights.....	E-4
CARBURETOR	
• Pilot Jet, Main Jet, Carburetor Mount Gasket	F-1
CLUTCHES	
• Drive Clutch, Driven Clutch, Drive Belt	G-1
• (High Altitude) Drive Clutch, Driven Clutch, Drive Belt	G-3
DIRECTION SELECTOR	
• Direction Selector Handle, Reverse Warning Buzzer, Shifter Control Pivot.....	H-1
ELECTRICAL SYSTEM	
• Battery, Control Harness	J-1
• Electrical Plate Assembly, Voltage Regulator.....	J-2



GENERAL INDEX

• Horn, Fuse Block	J-3
• Headlights.....	J-4
• Taillight Assembly	J-5
• Ignition Switch, Indicator Light/Fuel Gauge, Turn Signal	J-6
• Hour Meter.....	J-7
• Strut Mounted Strobe and Work Lights.....	J-8
• Power Outlet (12 volt)	J-9
ENGINE AND MUFFLER	
• Engine, Spark Plugs, Muffler, Oil Filter, Spark Arrester	K-1
ENGINE AND STARTER MOUNTING	
• Engine Guard, Starter/Generator, Belt Adjuster, Isolation Mount	L-1
FRONT SUSPENSION	
• Front Axle, Hub and Spindle, Leaf Springs, Shock Absorber	M-1
FUEL SYSTEM	
• Fuel Tank Assembly, Fuel Gauge, Fuel Pump.....	N-1
REAR AXLE	
• Axle Tube, Axle Shaft, Differential Guard	P-1
REAR SUSPENSION	
• Leaf Spring, Shock Absorber.....	Q-1
SEATING	
• Seat Bottom, Seat Back, Seat Back Support.....	R-1
STARTER/GENERATOR	
• Terminal Assembly, Brush Holder Assembly, Pulley.....	S-1
STEERING	
• Steering Box Assembly, Steering Wheel, Tie Rod Assembly	T-1
TRUCKBEDS	
• Manual Dump Bed, Decals, Tailgate.....	U-1
• Truck Bed Latch, Bed Stop Cable.....	U-2
• Bed Liner, Bed Frame.....	U-3
• Flat Bed	U-4
• Electric Dump Bed, Decals, Tailgate.....	U-9
• Bed Liner, Bed Frame.....	U-10
• Actuator, Battery Connection, Toggle Switch.....	U-11
• Refresher Cooler	U-15

GENERAL INDEX

WEATHER PROTECTION

- Sun Top..... V-1
- Top Mounted Rear View Mirror, 3-Sided Soft Enclosure..... V-2
- Windshields V-3

WHEELS AND TIRES

- Tire, Wheel Rim, Valve Stems W-1
- Chrome Hubcaps, Spoke Hubcaps W-2

SPECIALTY PRODUCTS:

- Special Tools..... Appendix A
- Performance Products Appendix A
- Paint..... Appendix A
- Engine Oil Appendix A

ACCESSORIES:

- Accessory Listing Appendix B

HOW TO USE THE E-Z-GO SERVICE PARTS MANUAL

This manual is divided into several sections:

- GENERAL INFORMATION
- ILLUSTRATED PARTS BREAKDOWN
- APPENDIX

The first section, GENERAL INFORMATION, contains the following information:

- WARRANTY INFORMATION
- GENERAL INDEX
- HOW TO USE THE E-Z-GO SERVICE PARTS MANUAL

The second section, ILLUSTRATED PARTS BREAKDOWN, contains illustrations and parts lists for all systems of your vehicle.

The third section, APPENDIX, contains a listing of specialty products and accessories.

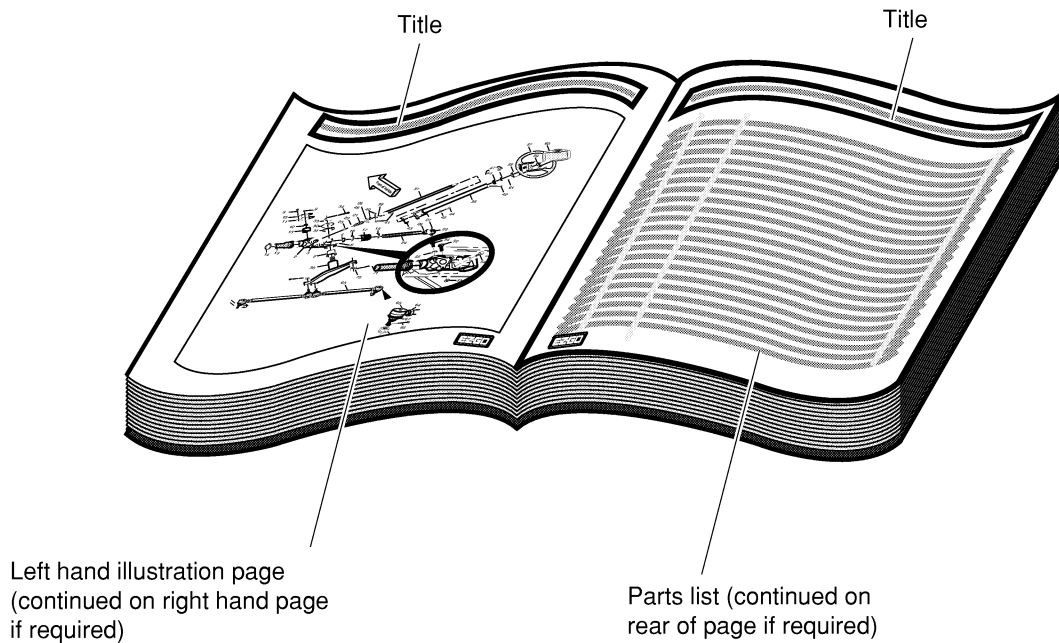
USE OF THE MANUAL

To use this manual, consult the GENERAL INDEX to locate the information or illustration required.

Introduction of some revisions varies due to supply of components; therefore, it is possible that various combinations of components may be found that are not directly reflected by each illustration. Consult the illustration that best suits your situation and then contact the Service Parts Department. It is important that the serial number of your vehicle and its model number be supplied to Service Parts when ordering any replacement components.

Locate the serial number plate (see BODY located in the Illustrated Parts Breakdown section of this manual for its location) and note the complete number shown on the plate.

HOW TO USE THE E-Z-GO SERVICE PARTS MANUAL



1. WHEN THE PART NUMBER IS NOT KNOWN

- Determine the function and application of the part required. Turn to the General Index and select the most appropriate title.
- Turn to the page number indicated and locate the desired part on the illustration.
- From the illustration, obtain the item number assigned to the desired part. Refer to the accompanying description for specific information regarding the part.

2. IF YOU KNOW THE PART NUMBER

- Locate the part number or description in the appropriate column on the parts list page.

NOTE: It is suggested that you confirm that the part selected is correct by verifying it with the pictorial representation on the illustrated page.

Should an asterisk (*) appear in the part number column on the parts list page, read upwards until a part number is found. The part number is the lowest assembly sold by E-Z-GO and the asterisk (*) indicates that the part depicted is not available for sale by E-Z-GO.

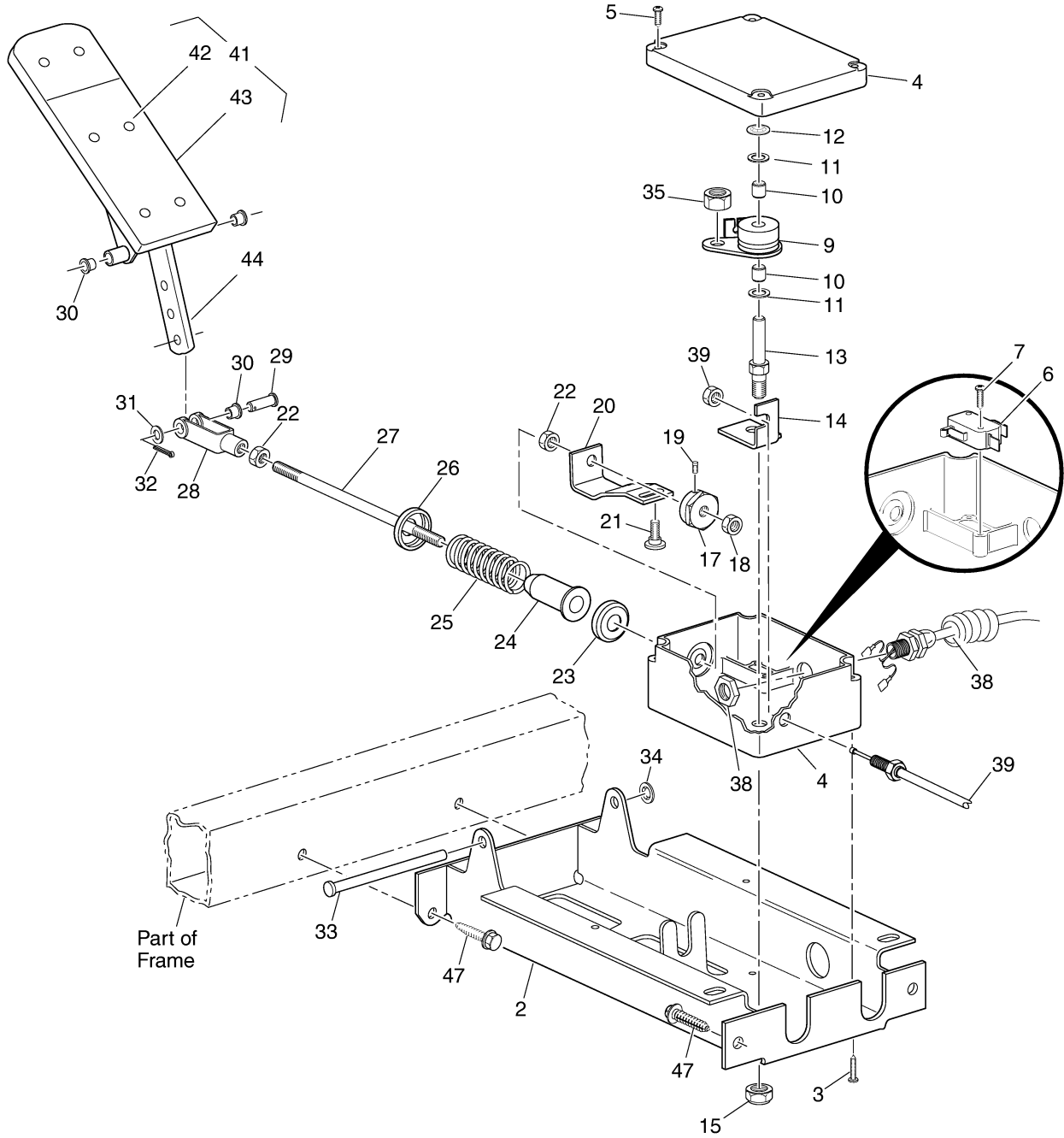
NOTE: Descriptions are indented under the assembly that they are used on. That assembly is, in turn listed under the assembly that it is used on. This process is repeated until the highest final assembly is reached.

To facilitate the maintenance and repair of the vehicle, a Technician's Repair and Service Manual is available from the E-Z-GO Service Parts Department.

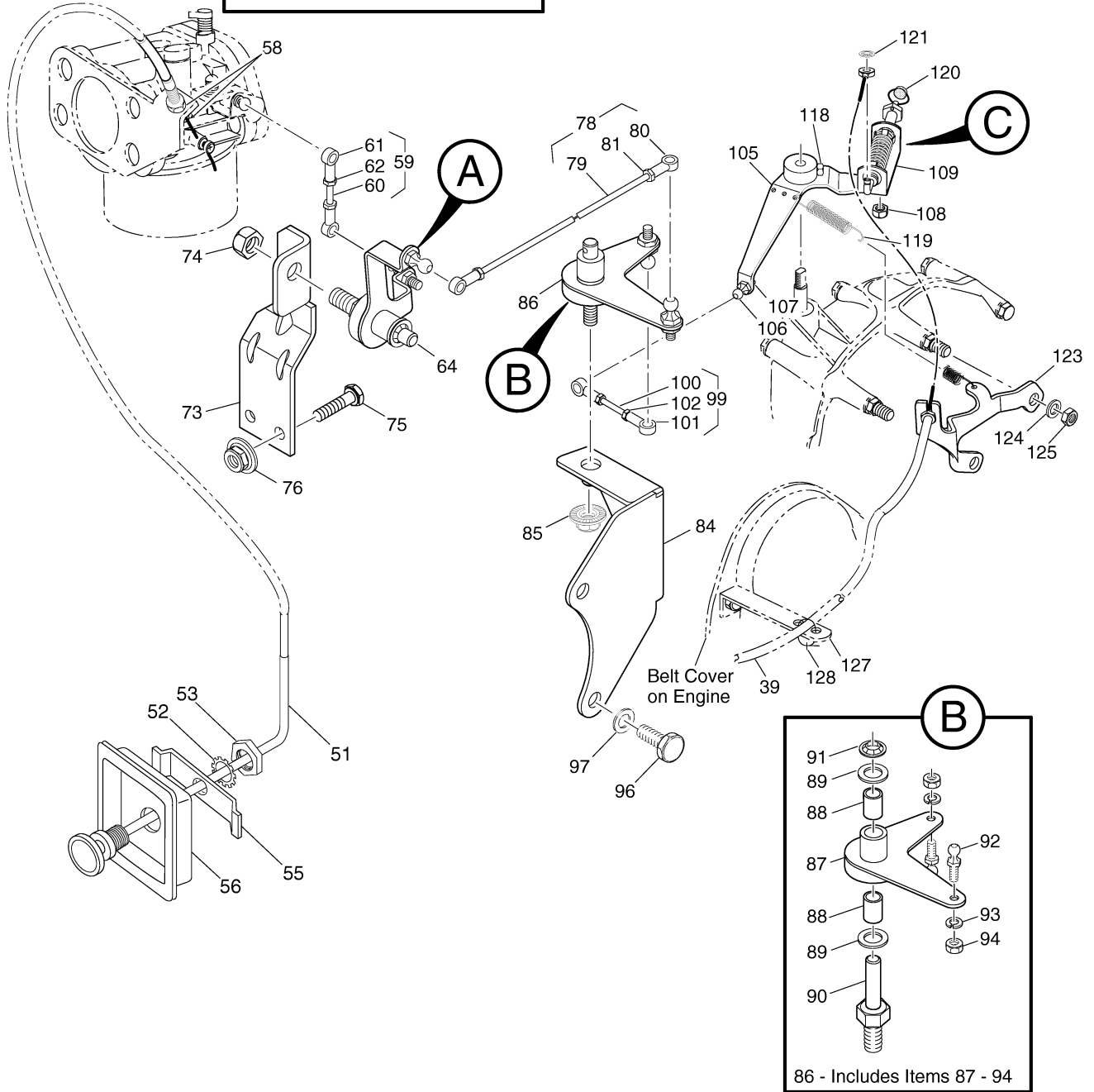
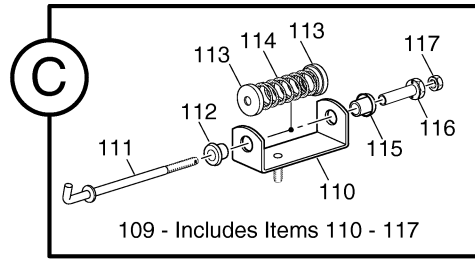
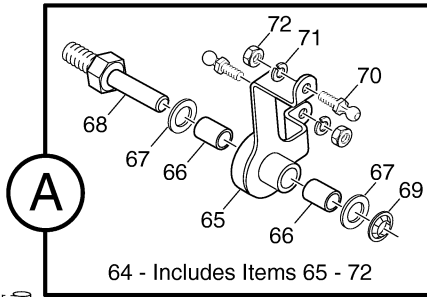
ILLUSTRATED PARTS BREAKDOWN

ILLUSTRATED PARTS BREAKDOWN

1 - Includes Items 2 - 44
40 - Includes items 41 - 44



83 - Includes Items 84 - 94
104 - Includes Items 105 - 117



When ordering parts, please specify the model and serial number of the product.
 * Indicates a component that is not available as an individual part.
 G** Indicates consult Customer Service Department for additional information.

ITEM	PART NO.	1	2	3	4	5	DESCRIPTION	QTY.	
1	72062-G01	PEDAL BOX ASSEMBLY (INCLUDES ITEMS 2 - 44)							1
2	70116-G01	ACCELERATOR PEDAL BRACKET.....							1
3	00984-G01	SCREW, #8 - 10 X 1/2" LG.							4
4	25853-G02	PEDAL BOX AND COVER							1
5	00684-G6	SCREW, #8 - 32 X 3/4" LG.							4
6	25861-G01	MICRO SWITCH.....							1
7	00982-G01	SCREW, #4 - 14 X 5/8" LG							2
8									
9	72066-G01	CONTROL ARM							1
10	23860-G1	BEARING.....							2
11	24621-G1	NYLON WASHER, 5/16".....							2
12	12064-G1	PUSH NUT, 5/16".....							1
13	25768-G01	PIVOT ROD							1
14	72199-G01	PIVOT BRACKET							1
15	14390-G1	LOCK NUT, 3/8 - 24.....							1
16									
17	72198-G03	MICRO SWITCH CAM.....							1
18	00550-G4	LOCK NUT, 5/16 - 24							1
19	00487-G3	SETSCREW, 1/4 - 20 X 3/8" LG.							1
20	72074-G01	CONTROL ARM LINK							1
21	72225-G01	SHOULDER BOLT, #10 - 24 X 11/16" LG.....							1
22	00532-G4	LOCKNUT, 5/16 - 24.....							2
23	17677-G1	SPRING RETAINER							1
24	17979-G1	ACCELERATOR ROD BUSHING.....							1
25	73046-G01	COMPRESSION SPRING							1
26	17677-G2	SPRING RETAINER							1
27	72072-G01	ACCELERATOR ROD							1
28	10385-G4	CLEVIS YOKE (ADJUSTABLE).....							1
29	10386-G3	CLEVIS PIN, 5/16" X 1" LG							1
30	17838-G1	NYLON BUSHING							3



When ordering parts, please specify the model and serial number of the product.
 * Indicates a component that is not available as an individual part.
 G** Indicates consult Customer Service Department for additional information.

ITEM	PART NO.	1	2	3	4	5	DESCRIPTION	QTY.
31	17255-G1						TEFLON WASHER, 5/16".....	1
32	10387-G3						COTTER PIN, 3/32" X 3/4" LG.....	1
33	70134-G01						PEDAL PIVOT PIN.....	1
34	00986-G01						PUSH NUT, 9/32".....	1
35	14390-G10						LOCK NUT, #10 - 24.....	1
36	12730-G1						WHEEL BEARING GREASE (NOT ILLUSTRATED).....	A/R
37								
38	72201-G01						WIRE HARNESS (PEDAL BOX).....	1
39	72065-G01						ACCELERATOR CABLE.....	1
40	25799-G01						ACCELERATOR PEDAL ASSEMBLY (INCLUDES ITEMS 41 - 44).....	1
41	27844-G01						ACCELERATOR PEDAL PAD KIT (INCLUDES ITEMS 42 - 43).....	1
42	15766-G1						OVAL RIVET, 3/16" X 3/8" LG.	6
43	27512-G01						ACCELERATOR PEDAL PAD.....	1
44	*						ACCELERATOR PEDAL.....	1
45								
46								
47	00715-G2						BOLT, 5/16 - 18 X 13/16" LG.....	4
48								
49								
50								
51	25693-G04						CHOKE CABLE (WITH NUTS).....	1
52	00568-G4						LOCK WASHER, 9/16".....	1
53	00545-G4						NUT, 9/16-18.....	1
54								
55	72155-G01						RETAINER.....	1
56	72154-G01						CHOKE CABLE ADAPTER.....	1
57								
58	00544-G4						JAM NUT, 5/16 - 24.....	2
59	25737-G01						CARBURETOR LINKAGE ROD (INCLUDES ITEMS 60 - 62).....	1
60	23722-G1						ADJUSTING ROD (SHORT).....	1



When ordering parts, please specify the model and serial number of the product.
 * Indicates a component that is not available as an individual part.
 G** Indicates consult Customer Service Department for additional information.

ITEM	PART NO.	1	2	3	4	5	DESCRIPTION	QTY.
61	24465-G1						BALL JOINT SOCKET	2
62	00526-G4						NUT, #10 - 32.....	2
63								
64	25760-G01						CARBURETOR LINKAGE BELLCRANK (INCLUDES ITEMS 65 - 72).....	1
65	25759-G01						CARBURETOR PIVOT	1
66	23860-G1						BEARING.....	2
67	24621-G1						NYLON WASHER, 5/16".....	2
68	25768-G01						PIVOT ROD	1
69	12064-G1						PUSH NUT, 5/16".....	1
70	24479-G1						BALL JOINT BALL	2
71	00565-G5						LOCK WASHER, #10	2
72	00526-G4						NUT, #10 - 32.....	2
73	72197-G01						PIVOT BRACKET.....	1
74	14390-G1						LOCK NUT, 3/8 - 24	1
75	00414-G8						BOLT, 1/4 - 20 X 1" LG	2
76	14390-G4						LOCK NUT, 1/4 - 20	2
77								
78	72254-G01						THROTTLE LINKAGE ROD ASSEMBLY (INCLUDES ITEMS 79 - 81).....	1
79	72255-G01						ADJUSTING ROD (LONG).....	1
80	24465-G1						BALL JOINT SOCKET	2
81	00526-G4						NUT, #10 - 32.....	2
82								
83	25702-G01						GOVERNOR PIVOT BRACKET ASSEMBLY (INCLUDES ITEMS 84 - 94).....	1
84	25655-G01						BELLCRANK BRACKET.....	1
85	14390-G1						LOCK NUT, 3/8 - 24	1
86	25763-G01						GOVERNOR PIVOT ASSEMBLY (INCLUDES ITEMS 87 - 94)	1
87	25762-G01						GOVERNOR PIVOT.....	1
88	23860-G1						BEARING	2
89	24621-G1						NYLON WASHER, 5/16"	2
90	25768-G01						PIVOT ROD.....	1



When ordering parts, please specify the model and serial number of the product.
 * Indicates a component that is not available as an individual part.
 G** Indicates consult Customer Service Department for additional information.

ITEM	PART NO.	1	2	3	4	5	DESCRIPTION	QTY.
91	12064-G1						PUSH NUT, 5/16"	1
92	24479-G1						BALL JOINT BALL	2
93	00565-G5						LOCK WASHER, #10	2
94	00526-G4						NUT, #10 - 32	2
95								
96	00276-G6						BOLT, 5/16 - 24 X 3/4" LG	2
97	00565-G8						LOCK WASHER, 5/16"	2
98								
99	25737-G03						GOVERNOR LINKAGE ROD (INCLUDES ITEMS 100 - 102)	1
100	23722-G1						ADJUSTING ROD	1
101	24465-G1						BALL JOINT SOCKET	2
102	00526-G4						NUT, #10 - 32	2
103								
104	25690-G01						GOVERNOR BELLCRANK ASSEMBLY (INCLUDES ITEMS 105 - 117)	1
105	25765-G01						GOVERNOR BELLCRANK	1
106	24479-G1						BALL JOINT BALL	1
107	00734-G5						LOCK NUT, #10 - 32	1
108	14390-G4						LOCK NUT, 1/4 - 20	1
109	22751-G2						GOVERNOR BRACKET ASSEMBLY (INCLUDES ITEMS 110 - 117)	1
110	22752-G1						GOVERNOR BRACKET	1
111	25274-G1						GOVERNOR ROD	1
112	22754-G1						BUSHING	1
113	25661-G01						CUP WASHER	2
114	23578-G1						COMPRESSION SPRING	1
115	22754-G2						BUSHING	1
116	23859-G1						GOVERNOR ADJUSTER	1
117	00526-G4						NUT, #10-32	1
118	00491-G4						SETSCREW, 1/4 - 20 X 1/2" LG	2
119	25738-G01						SPRING	1
120	25286-G1						SAFETY SEAL, 3/8"	1

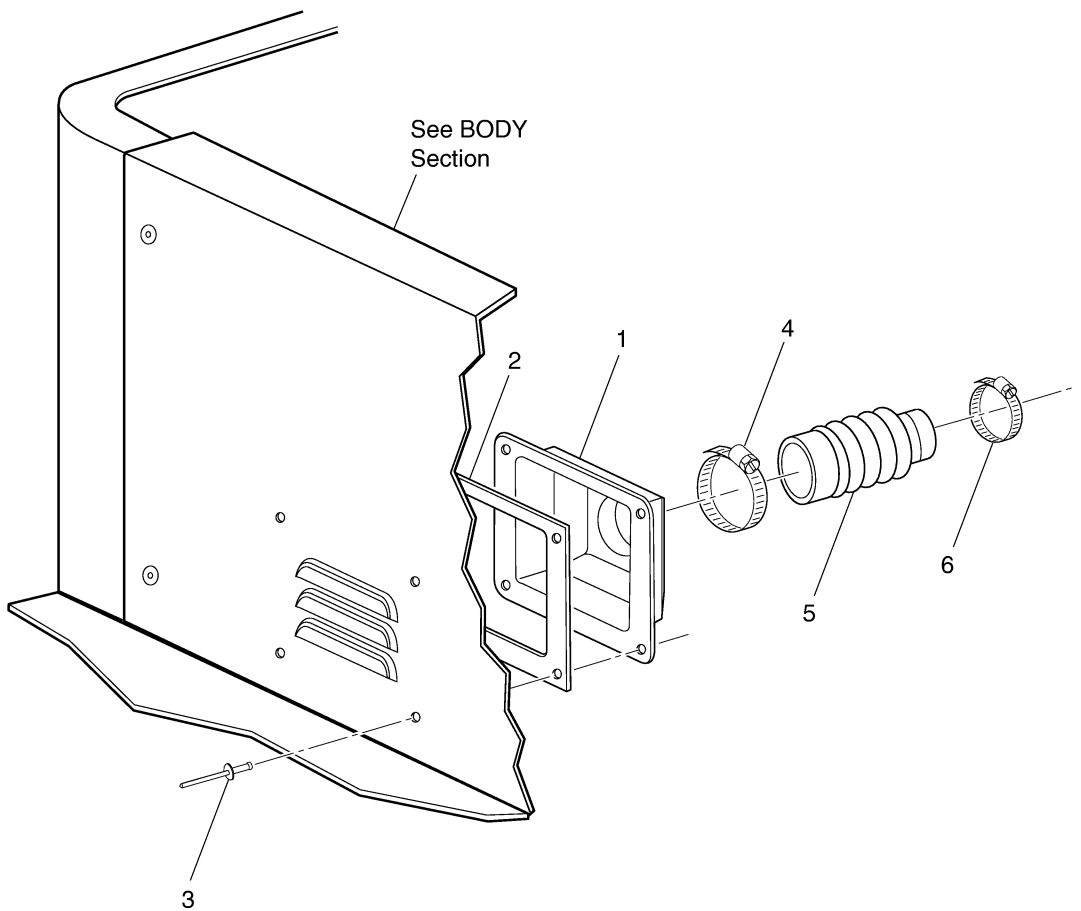


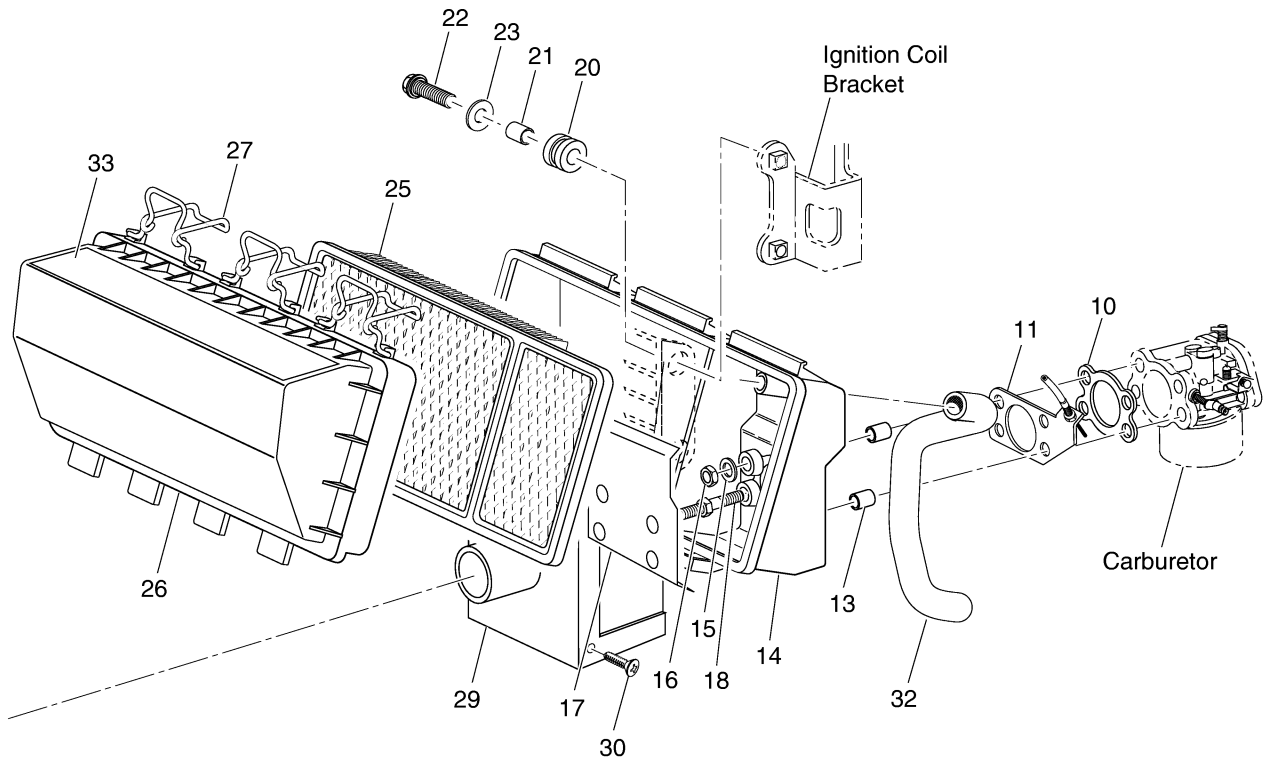
When ordering parts, please specify the model and serial number of the product.
 * Indicates a component that is not available as an individual part.
 G** Indicates consult Customer Service Department for additional information.

ITEM	PART NO.	1 2 3 4 5	DESCRIPTION	QTY.
121	12064-G3		PUSH NUT, 3/16"	1
122				
123	25653-G01		ACCELERATOR CABLE BRACKET	1
124	26826-G01		LOCK WASHER, 8 MM	2
125	26827-G01		NUT, M8 X 1.25 MM	2
126				
127	72055-G01		ACCELERATOR CABLE BRACKET	1
128	17618-G1		WIRE TIE	7



Front of Vehicle





AIR FILTER**Gasoline Vehicle**

When ordering parts, please specify the model and serial number of the product.

* Indicates a component that is not available as an individual part.

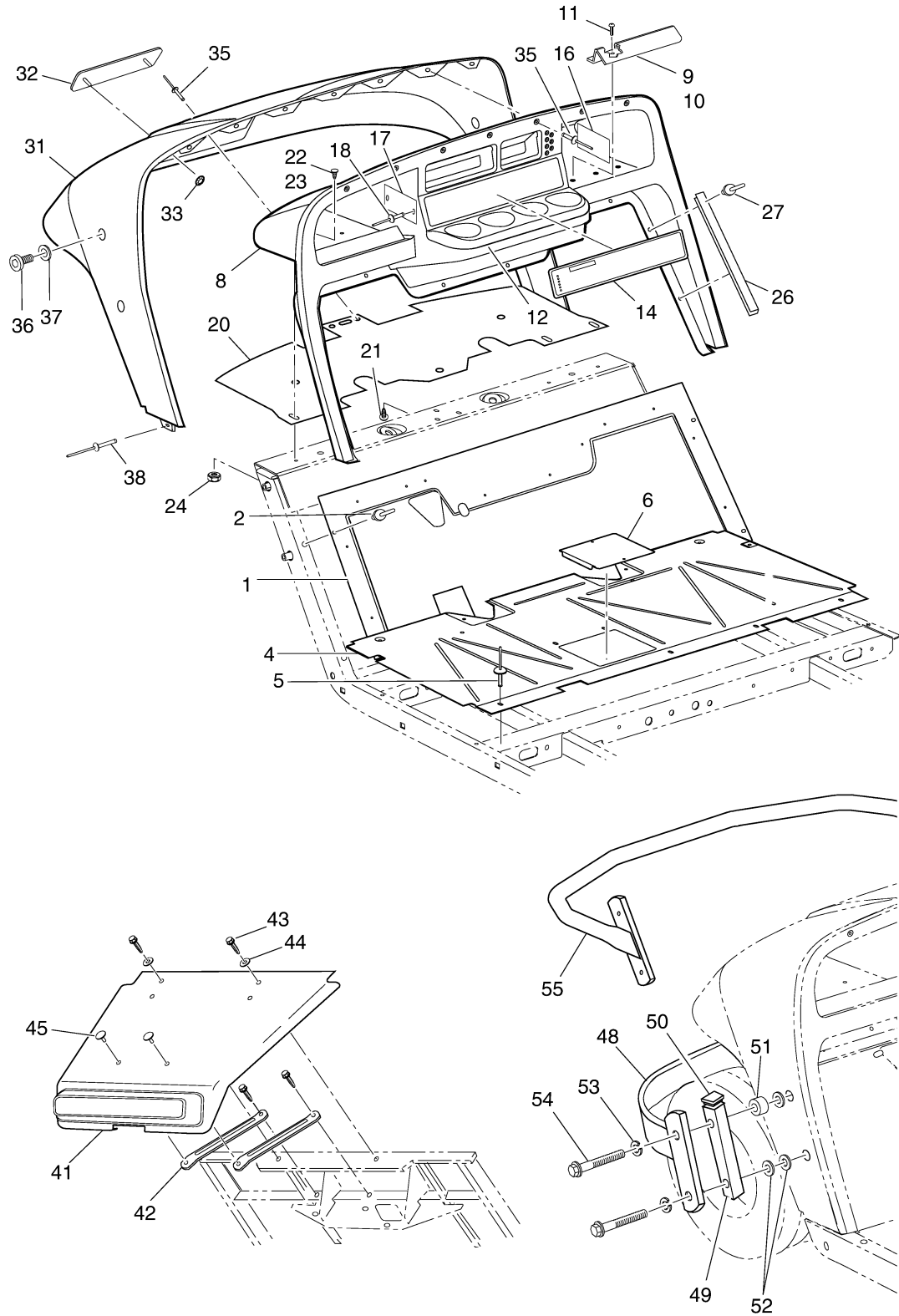
G** Indicates consult Customer Service Department for additional information.

ITEM	PART NO.	1 2 3 4 5	DESCRIPTION	QTY.
1	72416-G01		INLET ADAPTER (PRODUCTION SINCE 5-99.....	1
2	72415-G01		GASKET.....	1
3	71055-G01		RIVET, 3/16" X 3/8" LG.....	4
4	11391-G2		CLAMP, 2".....	1
5	72367-G02		HOSE, 9".....	1
6	11391-G5		CLAMP, 3/4".....	1
7				
8				
9				
10	26727-G01		CARBURETOR / AIR BOX GASKET.....	2
11	26728-G01		CHOKE BRACKET.....	1
12				
13	23726-G6		CARBURETOR MOUNT SPACER.....	4
14	72178-G02		HOUSING.....	1
15	51400-G1		LOCK WASHER, 6 MM.....	2
16	13632-G1		NUT, M6 X 1.....	4
17	72529-G01		BAFFLE.....	1
18	72514-G01		STUD, M6 X 1 X 39 MM LG.....	2
19				
20	72147-G01		HOUSING MOUNT GROMMET.....	2
21	23726-G7		HOUSING MOUNT SPACER.....	2
22	26671-G01		BOLT AND WASHER, M6 X 1 X 30 MM LG.....	2
23	26701-G01		WASHER, 6.5 MM.....	2
24				
25	72368-G01		AIR FILTER ELEMENT.....	1
26	72179-G02		AIR FILTER COVER.....	1
27	72145-G01		LATCH.....	3
28				
29	72146-G02		INLET COVER.....	1
30	00614-G5		SCREW, #8 - 18 X 5/8" LG.....	6

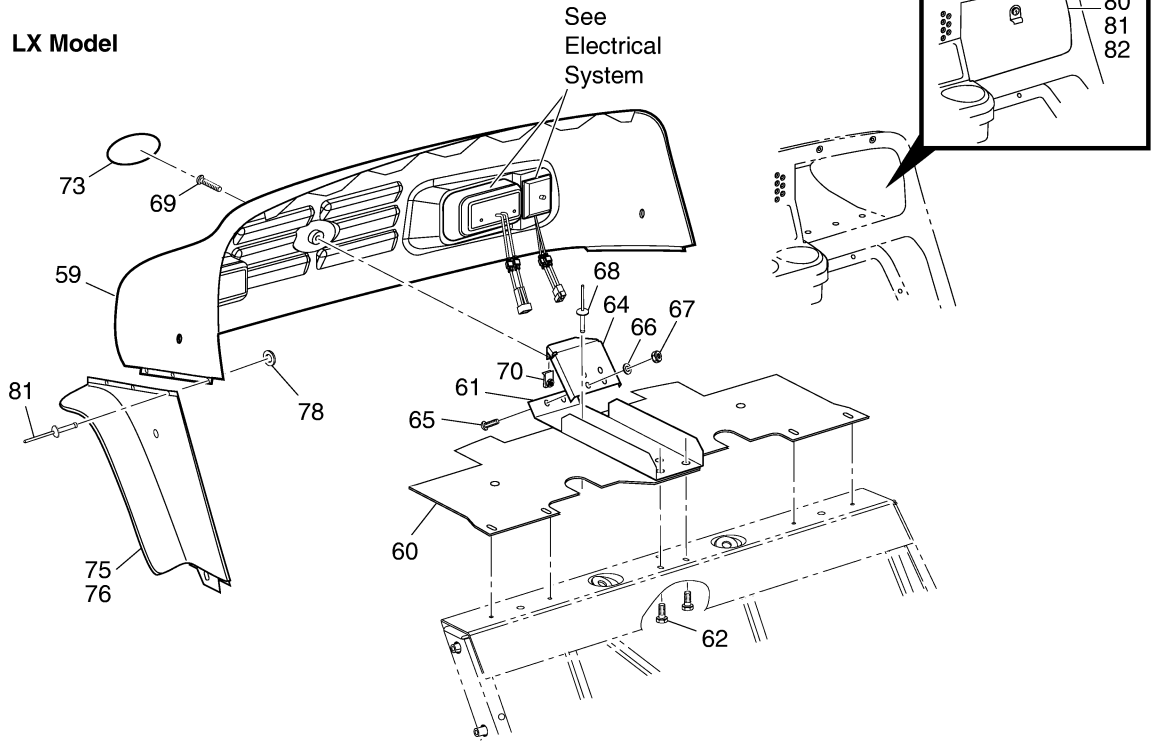
When ordering parts, please specify the model and serial number of the product.
* Indicates a component that is not available as an individual part.
G** Indicates consult Customer Service Department for additional information.

ITEM	PART NO.	1 2 3 4 5	DESCRIPTION	QTY.
31				
32	72151-G01		PCV HOSE.....	1
33	74093-G01		LABEL (WARNING)	1

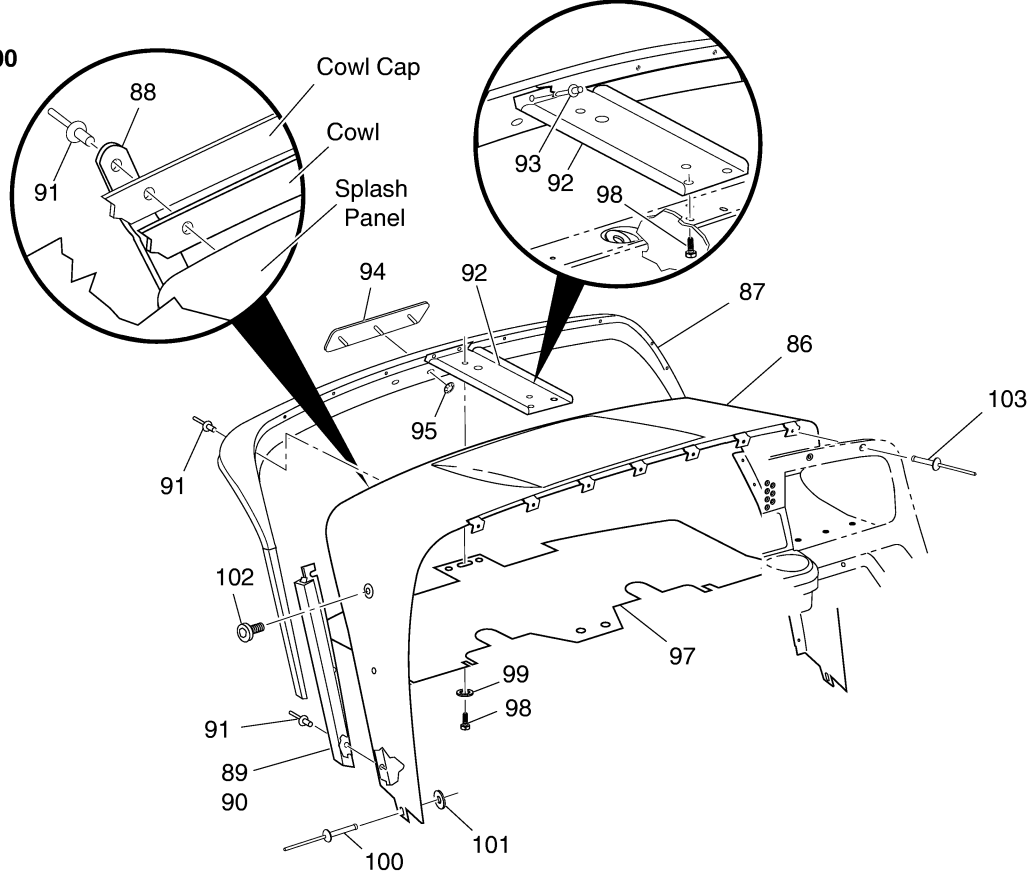


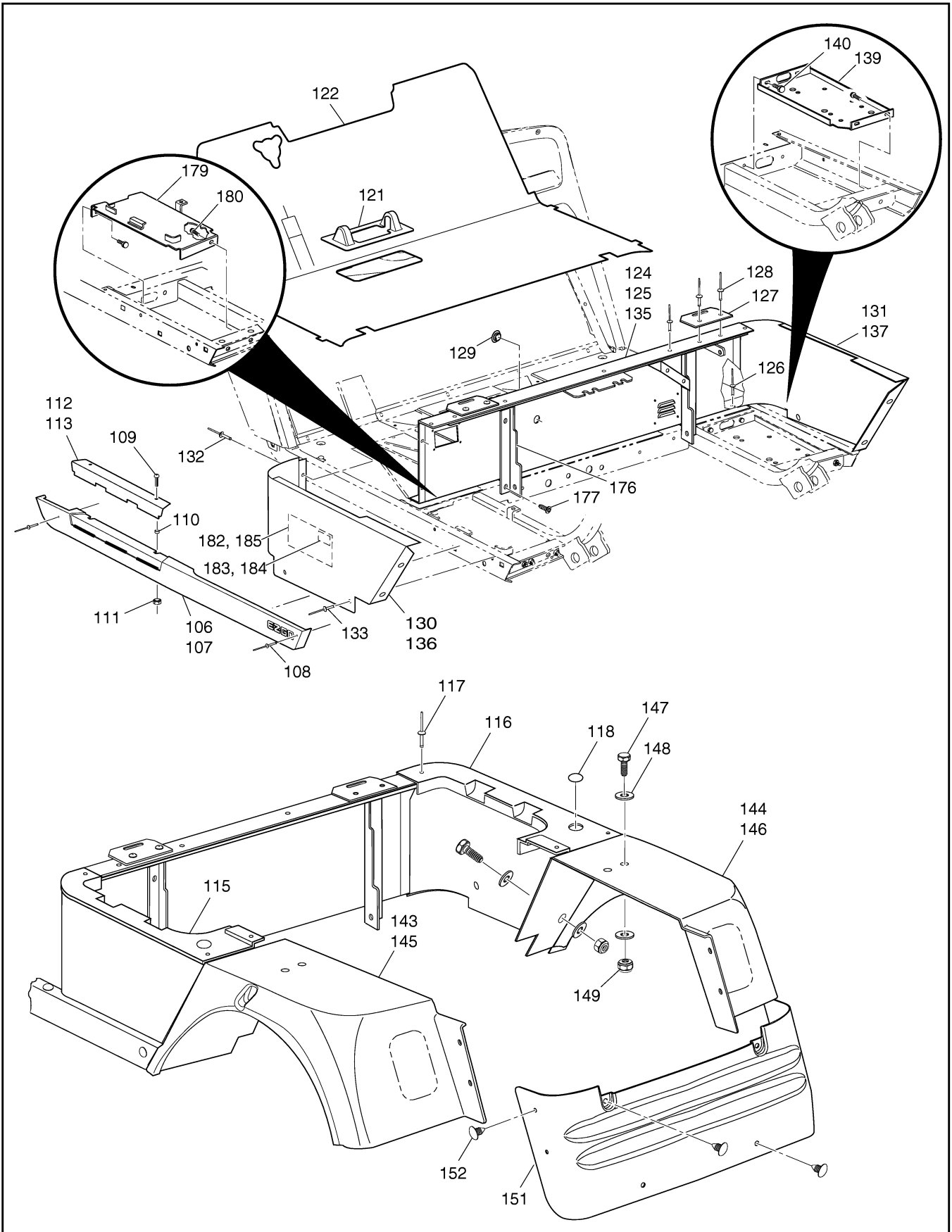


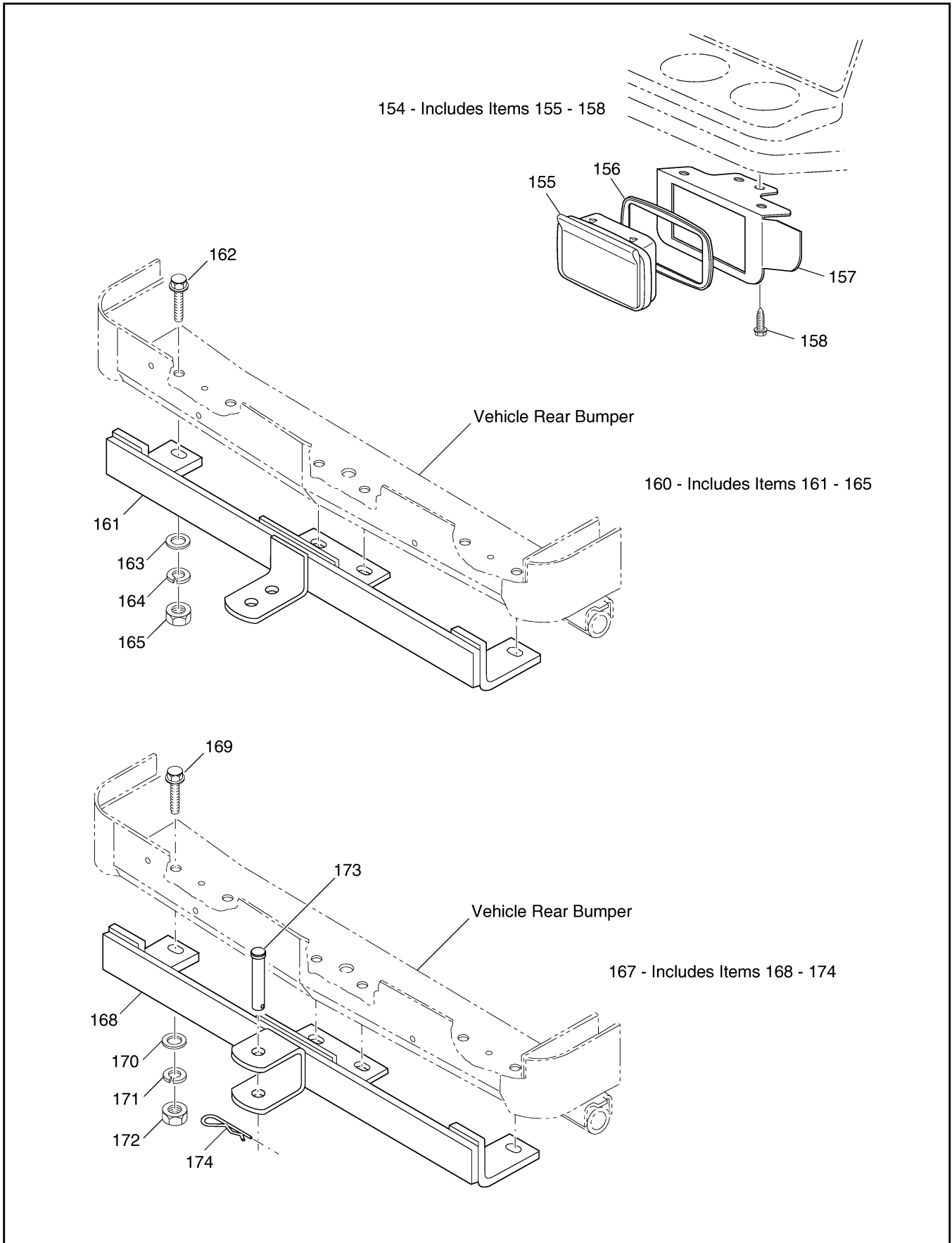
LX Model



Industrial 800







When ordering parts, please specify the model and serial number of the product.
 * Indicates a component that is not available as an individual part.
 G** Indicates consult Customer Service Department for additional information.

ITEM	PART NO.	1 2 3 4 5	DESCRIPTION	QTY.
1	71510-G01		UPPER FLOORPAN	1
2	14601-G11		RIVET, 3/16" X 9/16" LG	9
3				
4	70451-G01		LOWER FLOORPAN.....	1
5	14601-G11		RIVET, 3/16" X 9/16" LG	7
6	70452-G01		ACCESS COVER.....	1
7				
8	71151-G01		INSTRUMENT PANEL ASSEMBLY (INCLUDES ITEMS 9 - 12)	1
9	71153-G01		DEFLECTOR (PASSENGER SIDE)	1
10	71154-G01		DEFLECTOR (DRIVER SIDE)	1
11	00614-G5		SCREW, #8 - 18 X 5/8" LG.....	6
12	71158-G01		INSTRUMENT PANEL INSERT (FOUR CUP)	1
13				
14	71177-G01		LABEL (SAFETY).....	1
15				
16	*		SERIAL NUMBER PLATE.....	1
17	*		CAPACITY PLATE	1
18	01041-G01		RIVET, 5/32" X 7/8" LG	4
19				
20	71413-G01		SPLASH PANEL.....	1
21	16816-G2		RATCHET FASTENER, 1/4" X 3/4" LG.....	1
22	16816-G2		RATCHET FASTENER, 1/4" X 3/4" LG (LATE 2000 PRODUCTION).....	4
23	01036-G01		SCREW, #10 - 24 X 3/4" LG (TO EARLY 2000 PRODUCTION)	4
24	11098-G7		LOCK NUT, #10 - 24 (TO EARLY 2000 PRODUCTION)	4
25				
26	71115-G01		VINYL TRIM	2
27	71055-G01		RIVET, 3/16" X 1" LG	10
28				
29				
30				



When ordering parts, please specify the model and serial number of the product.

* Indicates a component that is not available as an individual part.

G** Indicates consult Customer Service Department for additional information.

ITEM	PART NO.	1 2 3 4 5	DESCRIPTION	QTY.
31	71051-G**		COWL	1
32	71037-G02		NAMEPLATE (E-Z-GO).....	1
33	12064-G3		PUSHNUT, 3/16"	2
34				
35	71055-G01		RIVET, 3/16" X 1" LG	9
36	71056-G01		BOLT, 5/16 - 18 X 5/8" LG.....	4
37	00570-G2		WASHER, 5/16"	4
38	14601-G13		RIVET, 5/32" X 9/16" LG	2
39				
40				
41	27166-G02		FRONT SHIELD.....	1
42	71015-G01		FRONT SHIELD BRACE.....	2
43	01038-G01		SCREW, 1/4 - 20 X 1/2" LG	4
44	16469-G7		WASHER, 1/4"	2
45	16816-G2		RATCHET FASTENER, 1/4" X 3/4" LG	2
46				
47				
48	74040-G01		FRONT BUMPER	1
49	74037-G01		SPACER TUBE	2
50	19859-G1		END CAP, 3/4"	2
51	75048-G01		SPACER, 1/2"	2
52	00570-G2		WASHER, 5/16"	6
53	00905-G8		LOCK WASHER, 5/16".....	4
54	01035-G02		BOLT, 5/16 - 18 X 2 1/2" LG.....	4
55	74306-G01		BUMPER (LX)	1
56				
57				
58				
59	71219-G01		COWL, LX.....	1
60	71413-G02		SPLASH PANEL.....	1



When ordering parts, please specify the model and serial number of the product.
 * Indicates a component that is not available as an individual part.
 G** Indicates consult Customer Service Department for additional information.

ITEM	PART NO.	1 2 3 4 5	DESCRIPTION	QTY.
61	71101-G01		COWL SUPPORT BRACKET	1
62	71102-G02		SELF TAPPING SCREW, 1/4 - 20 X 1/2" LG	3
63				
64	71462-G01		COWL SUPPORT BRACE	1
65	00740-G4		SCREW, #10 - 32 X 1/2" LG	2
66	00559-G5		WASHER, #10.....	2
67	00921-G8		LOCK NUT, #10 - 32	2
68	71055-G02		RIVET, 3/16" X 1 1/8" LG	1
69	16705-G9		SCREW, 1/4 - 20 X 1 1/4" LG	1
70	14776-G1		RETAINER NUT ('J' TYPE), 1/4 - 20.....	1
71				
72				
73	71289-G01		NAMEPLATE (E-Z-GO) (OVAL)	1
74				
75	71214-G01		FENDER FLARE (DRIVER SIDE).....	1
76	71214-G02		FENDER FLARE (PASSENGER SIDE)	1
77	71045-G01		RIVET, 5/32 X 3/4" LG.....	6
78	00559-G4		WASHER, #8.....	6
79				
80	75459-G01		GLOVE BOX DOORS (BOTH SIDES)	1
81	75459-G02		GLOVE BOX DOOR (DRIVER SIDE)	1
82	75459-G03		GLOVE BOX DOOR (PASSENGER SIDE).....	1
83				
84				
85	71025-G02		COWL ASSEMBLY (INDUSTRIAL) (INCLUDES ITEMS 86 - 95).....	1
86	71071-G**		COWL (INDUSTRIAL)	1
87	71030-G01		COWL CAP	1
88	71076-G01		TAB.....	2
89	71035-G01		FENDER FLANGE (PASSENGER SIDE)	1
90	71036-G01		FENDER FLANGE (DRIVER SIDE)	1



When ordering parts, please specify the model and serial number of the product.
 * Indicates a component that is not available as an individual part.
 G** Indicates consult Customer Service Department for additional information.

ITEM	PART NO.	1 2 3 4 5	DESCRIPTION	QTY.
91	14601-G10		RIVET, 5/32" X 7/16" LG.....	16
92	71101-G01		COWL SUPPORT BRACKET	1
93	10570-G10		RIVET, 5/32" X 9/16" LG.....	2
94	71037-G02		NAMEPLATE (E-Z-GO) (GOLD)	1
95	12064-G3		PUSHNUT, 3/16"	3
96				
97	71117-G01		FRONT COWL SPLASH PANEL	1
98	71102-G02		BOLT, 1/4 - 20 X 1/2" LG.....	4
99	16469-G7		WASHER, 1/4"	1
100	10570-G11		RIVET, 3/16" X 3/4" LG	2
101	15121-G3		WASHER, 1 1/4" X 7/32".....	2
102	71056-G01		BOLT, 5/16 - 18 X 5/8" LG.....	4
103	14601-G10		RIVET, 5/32" X 7/16" LG	7
104				
105				
106	71502-G01		ROCKER PANEL (DRIVER SIDE)	1
107	71501-G01		ROCKER PANEL (PASSENGER SIDE)	1
108	15058-G6		RIVET, 3/16" X 3/4" LG	4
109	16705-G1		SCREW, 1/4 - 20 X 1" LG	4
110	23726-G4		SPACER.....	4
111	00891-G2		LOCK NUT, 1/4 - 20	4
112	71507-G02		SILL PLATE (DRIVER SIDE)	1
113	71507-G01		SILL PLATE (PASSENGER SIDE).....	1
114				
115	71588-G01		SEAT FILLER PANEL (DRIVER SIDE)	1
116	71588-G02		SEAT FILLER PANEL (PASSENGER SIDE).....	1
117	14601-G10		RIVET, 5/32" X 7/16" LG	6
118	20271-G3		HOLE PLUG, 2"	2
119				
120				



When ordering parts, please specify the model and serial number of the product.
 * Indicates a component that is not available as an individual part.
 G** Indicates consult Customer Service Department for additional information.

ITEM	PART NO.	1 2 3 4 5	DESCRIPTION	QTY.
121	70135-G01		PEDAL PIVOT COVER.....	1
122	70048-G**		FLOORMAT.....	1
123				
124	71844-G**		SEAT WRAP PANEL WITH LOUVERS (PRODUCTION SINCE 5-99).....	1
125	71379-G**		SEAT WRAP PANEL (PRODUCTION PRIOR TO 5-99).....	1
126	10570-G10		RIVET, 5/32" X 9/16" LG.....	8
127	71609-G01		SEAT HINGE PLATE.....	2
128	10570-G11		RIVET, 3/16" X 3/4" LG.....	4
129	20271-G2		HOLE PLUG, 1/2".....	1
130	71259-G01		SIDE PANEL (DRIVER SIDE).....	1
131	71259-G02		SIDE PANEL (PASSENGER SIDE).....	1
132	10570-G10		RIVET, 5/32" X 9/16" LG.....	4
133	10570-G12		RIVET, 1/4" X 1/2" LG.....	4
134				
135	71379-G29		SEAT WRAP (INDUSTRIAL).....	1
136	71259-G13		SIDE PANEL (INDUSTRIAL) (DRIVER SIDE).....	1
137	71259-G14		SIDE PANEL (INDUSTRIAL) (PASSENGER SIDE).....	1
138				
139	70244-G02		SPLASH PANEL.....	1
140	00715-G2		BOLT, 5/16 - 18 X 13/16" LG.....	4
141				
142				
143	71224-G01		FENDER (DRIVER SIDE).....	1
144	71224-G02		FENDER (PASSENGER SIDE).....	1
145	71224-G03		FENDER WITH TAILLIGHT (DRIVER SIDE).....	1
146	71224-G04		FENDER WITH TAILLIGHT (PASSENGER SIDE).....	1
147	00414-G6		BOLT, 1/4 - 20 X 3/4" LG.....	8
148	00642-G7		WASHER, 1/4".....	16
149	00891-G2		LOCK NUT, 1/4 - 20.....	8
150				



When ordering parts, please specify the model and serial number of the product.
 * Indicates a component that is not available as an individual part.
 G** Indicates consult Customer Service Department for additional information.

ITEM	PART NO.	1 2 3 4 5	DESCRIPTION	QTY.
151	71225-G01		REAR PANEL.....	1
152	16816-G2		RATCHET FASTENER, 1/4" X 3/4" LG.....	8
153				
154	75109-G02		ASH TRAY KIT (INCLUDES ITEMS 155 - 158)	1
155	27731-G01		ASH TRAY.....	1
156	27736-G01		GASKET.....	1
157	75108-G01		BRACKET.....	1
158	00100-G4		SCREW, #10 - 16 X 1/2" LG.....	4
159				
160	75326-G02		BALL HITCH KIT (INCLUDES ITEMS 161 - 165)	1
161	75324-G01		HITCH.....	1
162	13437-G5		LOCK SCREW, 3/8-16 X 1 1/2" LG.....	4
163	00571-G3		WASHER, 3/8".....	4
164	00566-G1		LOCK WASHER, 3/8".....	4
165	00532-G5		NUT, 3/8-16	4
166				
167	75327-G02		CLEVIS HITCH KIT (INCLUDES ITEMS 168 - 174)	1
168	75325-G01		HITCH.....	1
169	13437-G5		LOCK SCREW, 3/8-16 X 1 1/2" LG.....	4
170	00571-G3		WASHER, 3/8".....	4
171	00566-G1		LOCK WASHER, 3/8".....	4
172	00532-G5		NUT, 3/8-16	4
173	14443-G7		CLEVIS PIN, 1/2" X 2 1/2" LG.....	1
174	19314-G1		COTTER PIN, 2 1/2" LG.....	1
175				
176	70440-G01		SEAT FRAME.....	1
177	00715-G2		BOLT, 5/16 - 18 X 13/16" LG.....	2
178				
179	70245-G01		BATTERY TRAY.....	1
180	00715-G2		BOLT, 5/16 - 18 X 13/16" LG.....	4



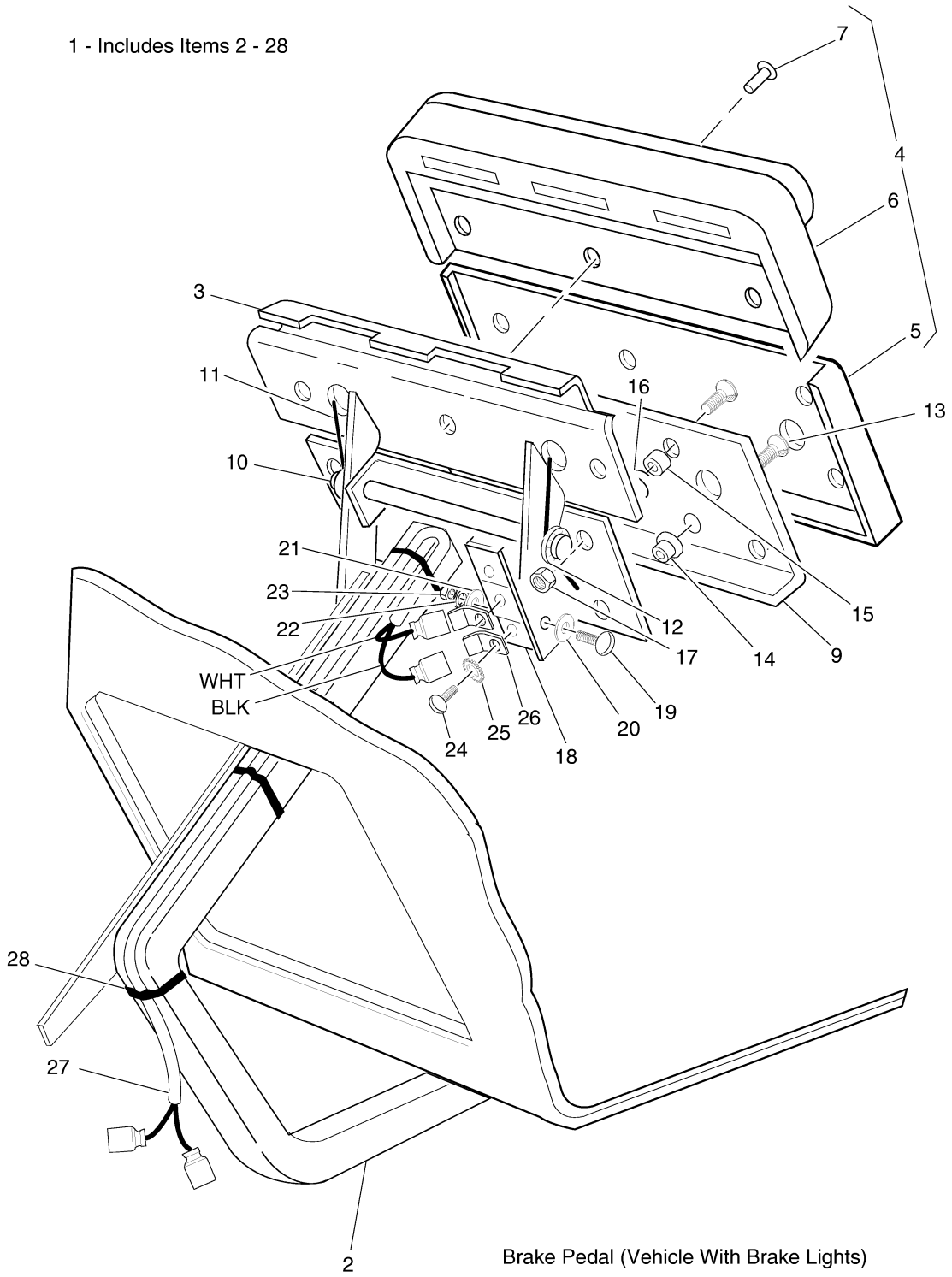
When ordering parts, please specify the model and serial number of the product.
 * Indicates a component that is not available as an individual part.
 G** Indicates consult Customer Service Department for additional information.

ITEM	PART NO.	1 2 3 4 5 DESCRIPTION	QTY.
181			
182	35062-G01	DECAL (WORKHORSE®).....	2
183	35430-G07	DECAL (800).....	2
184	35430-G06	DECAL (800LX)	2
185	35432-G01	DECAL (INDUSTRIAL).....	2

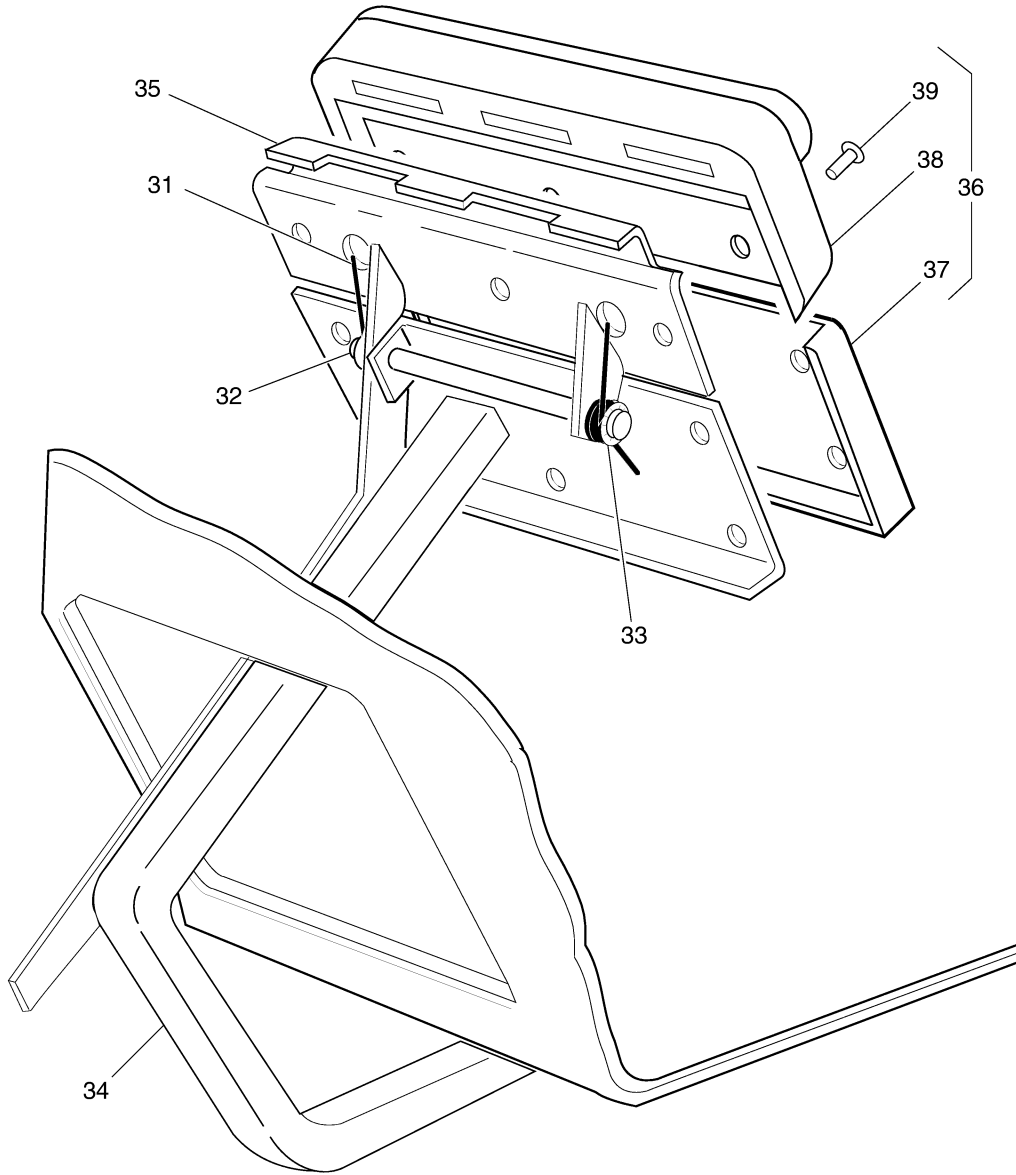




1 - Includes Items 2 - 28

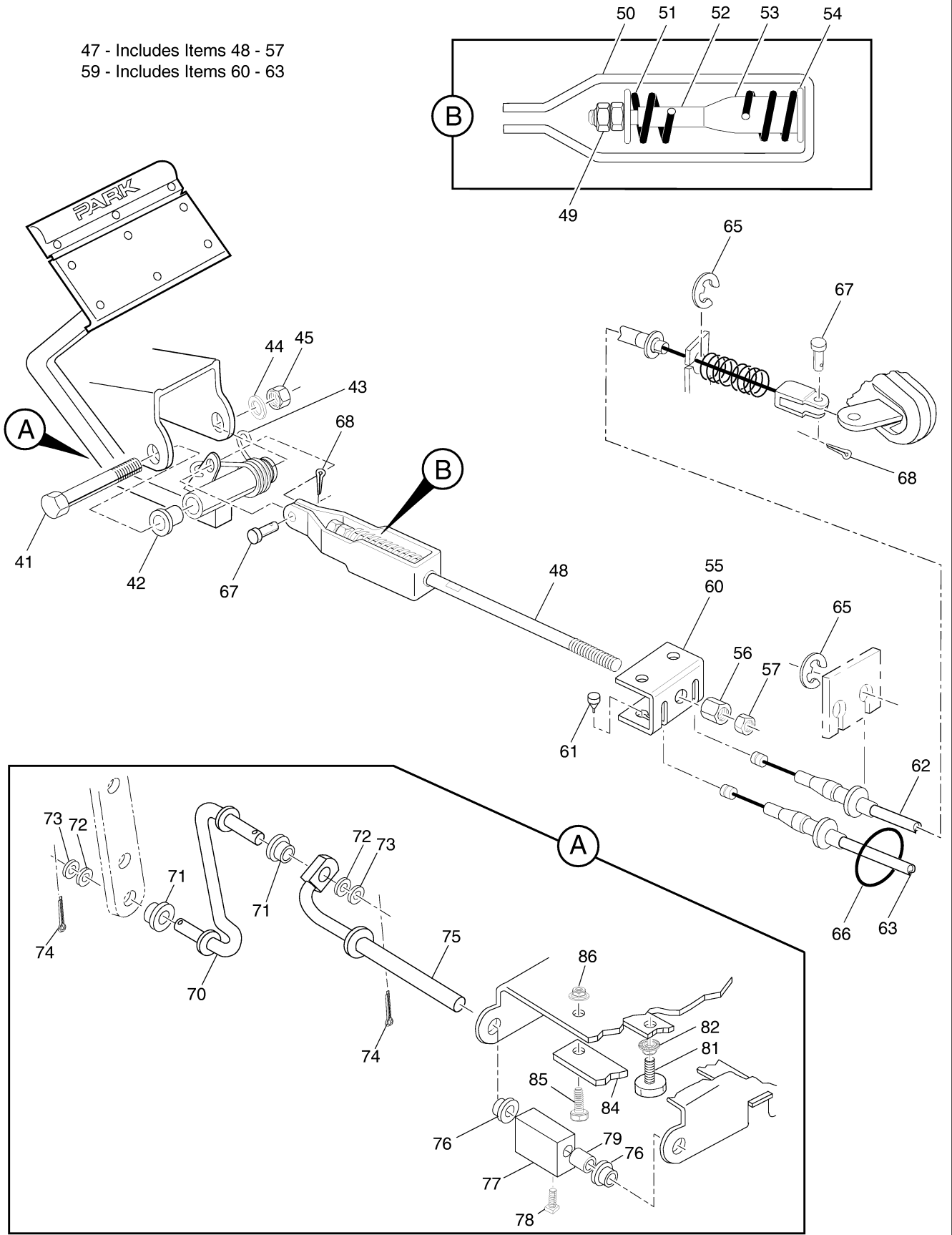


30 - Includes Items 31 - 39



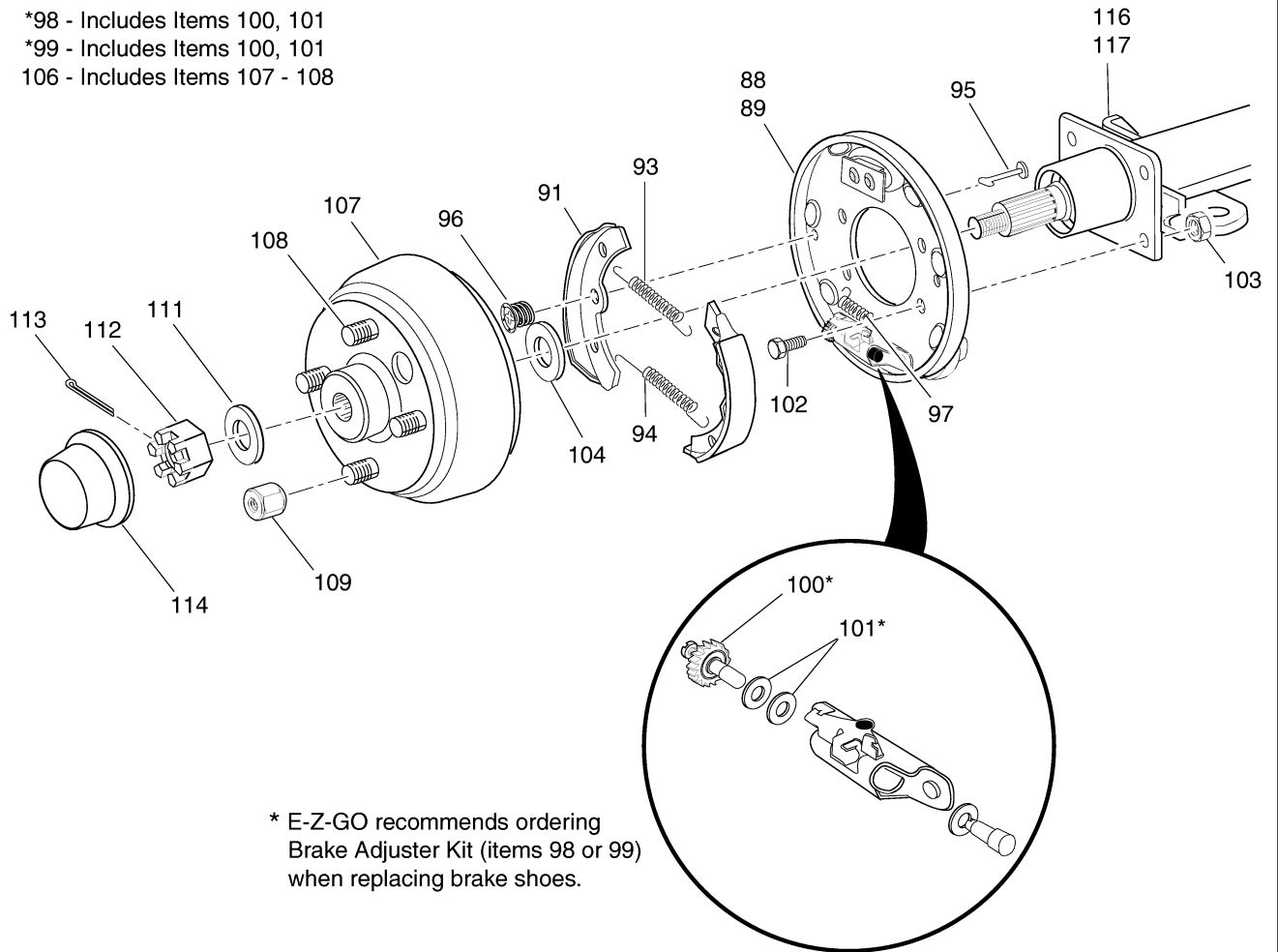
Brake Pedal (Vehicle Without Brake Lights)

47 - Includes Items 48 - 57
59 - Includes Items 60 - 63



- 88 - Includes Items 90 - 98, 100, 101
- 89 - Includes Items 90 - 97, 99 - 101
- 90 - Includes Item 91
- 92 - Includes Items 93 - 97
- *98 - Includes Items 100, 101
- *99 - Includes Items 100, 101
- 106 - Includes Items 107 - 108

Front of Vehicle



* E-Z-GO recommends ordering Brake Adjuster Kit (items 98 or 99) when replacing brake shoes.

BRAKES

Gasoline Vehicle

When ordering parts, please specify the model and serial number of the product.

* Indicates a component that is not available as an individual part.

G** Indicates consult Customer Service Department for additional information.

ITEM	PART NO.	1 2 3 4 5	DESCRIPTION	QTY.
1	70263-G01		BRAKE PEDAL ASSEMBLY (WITH BRAKE LIGHTS) (INCLUDES ITEMS 2 - 28)	1
2	*		BRAKE PEDAL.....	1
3	70265-G01		PARK BRAKE PEDAL	1
4	70274-G01		BRAKE/PARK BRAKE PEDAL PAD KIT (INCLUDES ITEMS 5 - 7)	1
5	*		SERVICE BRAKE PAD	1
6	*		PARK BRAKE PAD	1
7	15766-G1		OVAL RIVET, 3/16 x 3/8" LG	9
8				
9	*		SERVICE BRAKE PEDAL PLATE.....	1
10	15932-G2		PIVOT PIN.....	1
11	11737-G1		TORSION SPRING	2
12	12064-G1		PUSHNUT, 5/16"	1
13	00737-G8		SCREW, #10 - 24 X 1" LG.....	4
14	00739-G1		RUBBER NUT, #10 - 24	2
15	22362-G3		BRAKE PEDAL STANDOFF	2
16	27137-G01		CONICAL SPRING.....	2
17	11098-G7		LOCK NUT, #10 - 24.....	2
18	10606-G8		MICRO SWITCH	1
19	00645-G2		SCREW, #6 - 32 X 1 1/4" LG.....	2
20	00559-G5		WASHER, #10.....	2
21	00559-G3		WASHER, #6.....	2
22	00565-G3		LOCK WASHER, #6	2
23	00525-G5		NUT, #6 - 32	2
24	*		BRASS SCREW	2
25	00567-G3		LOCK WASHER, #6	6
26	14628-G1		FASTON TAB	2
27	24605-G1		WIRE HARNESS (BRAKE LIGHT).....	1
28	17618-G1		WIRE TIE.....	3
29				

When ordering parts, please specify the model and serial number of the product.
 * Indicates a component that is not available as an individual part.
 G** Indicates consult Customer Service Department for additional information.

ITEM	PART NO.	1 2 3 4 5	DESCRIPTION	QTY.
30	70264-G01		BRAKE PEDAL ASSEMBLY (WITHOUT BRAKE LIGHTS) (INCLUDES ITEMS 31 - 39)	1
31	11737-G1		TORSION SPRING	2
32	15932-G2		PIVOT PIN.....	1
33	12064-G1		PUSHNUT, 5/16"	1
34	*		BRAKE PEDAL.....	1
35	70265-G01		PARK BRAKE PEDAL.....	1
36	70274-G01		BRAKE/PARK BRAKE PEDAL PAD KIT (INCLUDES ITEMS 37 - 39).....	1
37	*		SERVICE BRAKE PAD	1
38	*		PARK BRAKE PEDAL PAD.....	1
39	15766-G1		OVAL RIVET, 3/16" X 3/8" LG	9
40				
41	70582-G01		SHOULDER BOLT, 3/8 - 16 X 4" LG.....	1
42	70581-G01		FLANGED BUSHING	2
43	70676-G01		TORSION SPRING	1
44	00643-G1		WASHER, 3/8"	1
45	11098-G5		LOCK NUT, 3/8 - 16	1
46				
47	70272-G04		COMPENSATOR ASSEMBLY (INCLUDES ITEMS 48 - 57).....	1
48	25882-G04		LINKAGE ROD.....	1
49	00532-G4		NUT, 5/16 - 24	2
50	*		YOKE.....	1
51	23463-G1		COMPRESSION SPRING.....	1
52	23061-G2		COMPENSATOR STOP TUBE	1
53	17979-G1		BUSHING	1
54	15121-G1		WASHER, 3/8".....	2
55	28082-G01		EQUALIZER BRACKET	1
56	00963-G01		SPHERICAL NUT, 5/16 - 24.....	1
57	11098-G9		LOCK NUT, 5/16 - 24.....	1
58				



BRAKES**Gasoline Vehicle**

When ordering parts, please specify the model and serial number of the product.

* Indicates a component that is not available as an individual part.

G** Indicates consult Customer Service Department for additional information.

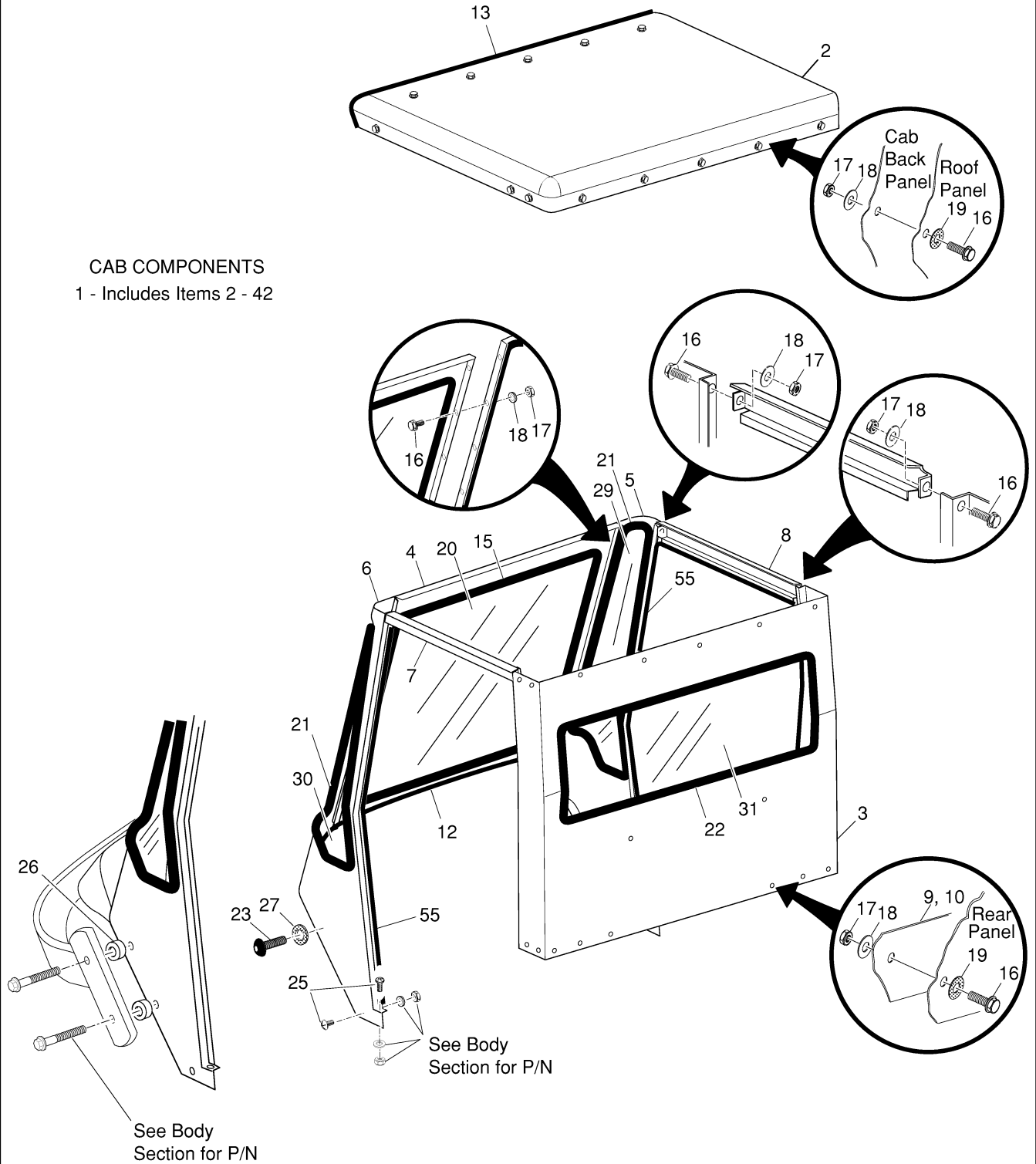
ITEM	PART NO.	1	2	3	4	5	DESCRIPTION	QTY.
59	70716-G03						EQUALIZER AND BRAKE CABLE ASSEMBLY (INCLUDES ITEMS 60 - 63) ...	1
60	28082-G01						EQUALIZER BRACKET	1
61	28083-G01						BRAKE COMPENSATOR BUMPER	2
62	*						BRAKE CABLE (PASSENGER SIDE).....	1
63	*						BRAKE CABLE (DRIVER SIDE)	1
64								
65	12305-G1						RETAINING RING	4
66	12416-G2						WIRE TIE	2
67	10386-G3						CLEVIS PIN, 5/16" X 1" LG.....	3
68	10387-G3						COTTER PIN, 3/32" X 3/4" LG.....	3
69								
70	70601-G01						KICK-OFF LINK	1
71	17838-G1						NYLON BUSHING.....	2
72	20835-G1						TEFLON WASHER, 3/8"	2
73	00559-G8						WASHER, 5/16"	2
74	10387-G3						COTTER PIN, 3/32" X 3/4" LG.....	2
75	70098-G01						KICK OFF CAM PIVOT	1
76	10097-G6						FLANGED BEARING	2
77	25103-G1						KICK-OFF CAM.....	1
78	71215-G01						SETSCREW, 1/4 - 20 X 1/2" LG	2
79	14134-G4						SPACER.....	1
80								
81	70113-G01						ADJUSTABLE BUMPER.....	1
82	11027-G1						LOCK NUT, 5/16 - 18	1
83								
84	70080-G01						CATCH BRACKET	1
85	00414-G6						BOLT, 1/4 - 20 X 3/4" LG.....	2
86	11027-G2						LOCK NUT, 1/4 - 20	2
87								
88	72422-G01						BRAKE ASSEMBLY (DRIVER SIDE) (INCLUDES ITEMS 90 - 98, 100, 101)....	1

When ordering parts, please specify the model and serial number of the product.
 * Indicates a component that is not available as an individual part.
 G** Indicates consult Customer Service Department for additional information.

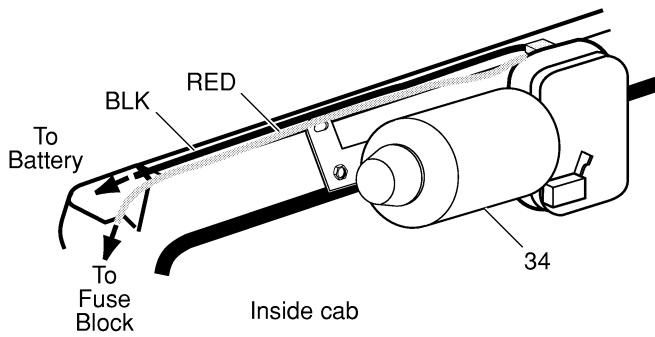
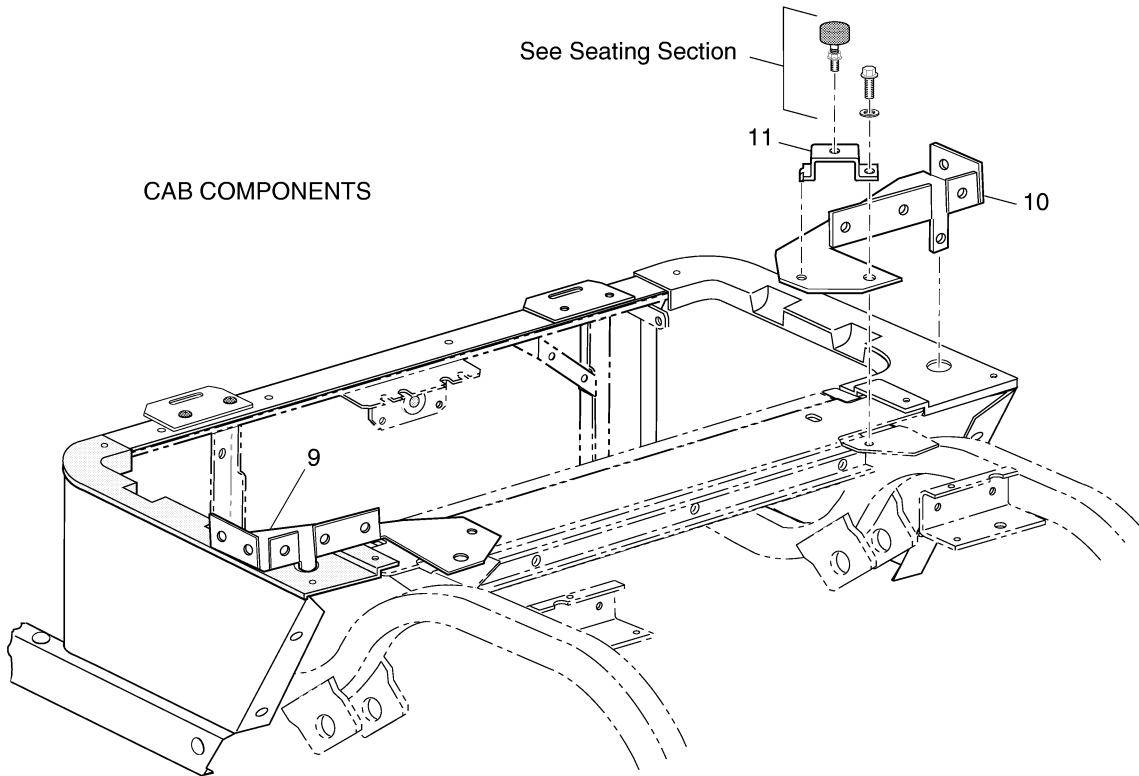
ITEM	PART NO.	1	2	3	4	5	DESCRIPTION	QTY.
89	72422-G02						BRAKE ASSEMBLY (PASSENGER SIDE) (INCL. ITEMS 90 - 97, 99 - 101)	1
90	27945-G01						BRAKE SHOE KIT (INCLUDES ITEM 91)	2
91	*						BRAKE SHOE	2
92	27944-G01						BRAKE SPRING KIT (INCLUDES ITEMS 93 - 97)	2
93	*						UPPER SPRING	1
94	*						LOWER SPRING	1
95	*						PIN	2
96	*						CUP AND SPRING	2
97	*						ADJUSTER SPRING.....	1
98	72582-G01						BRAKE ADJUSTER KIT (DRIVER SIDE) (INCLUDES ITEMS 100 - 101)....	1
99	72582-G02						BRAKE ADJUSTER KIT (PASSENGER SIDE) (INCL. ITEMS 100 - 101)	1
100	*						ADJUSTER	1
101	*						TEFLON WASHER	2
102	17083-G2						BOLT, 5/16 - 24 X 1" LG.....	8
103	15126-G1						LOCK NUT, 5/16 - 24	8
104	21809-G1						INNER BRAKE DRUM WASHER	2
105								
106	21807-G1						BRAKE DRUM ASSEMBLY (INCLUDES ITEMS 107 - 108)	2
107	*						BRAKE DRUM.....	1
108	19862-G1						LUG BOLT, 1/2 - 20	4
109	14723-G1						LUG NUT, 1/2 - 20.....	8
110								
111	21830-G1						OUTER BRAKE DRUM WASHER.....	2
112	00518-G8						SLOTTED NUT, 3/4 - 16	2
113	10387-G1						COTTER PIN, 1/8" x 1 1/2" LG	2
114	74175-G01						SPINDLE CAP	2
115								
116	72036-G01						BRAKE CABLE BRACKET (PASSENGER SIDE)	1
117	72036-G02						BRAKE CABLE BRACKET (DRIVER SIDE).....	1



CAB COMPONENTS
1 - Includes Items 2 - 42



CAB COMPONENTS



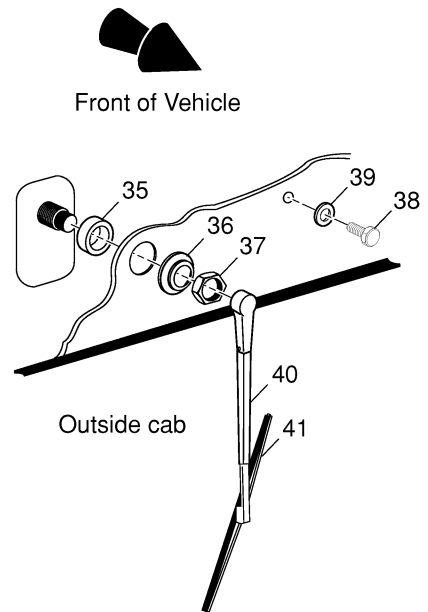
Front of Vehicle

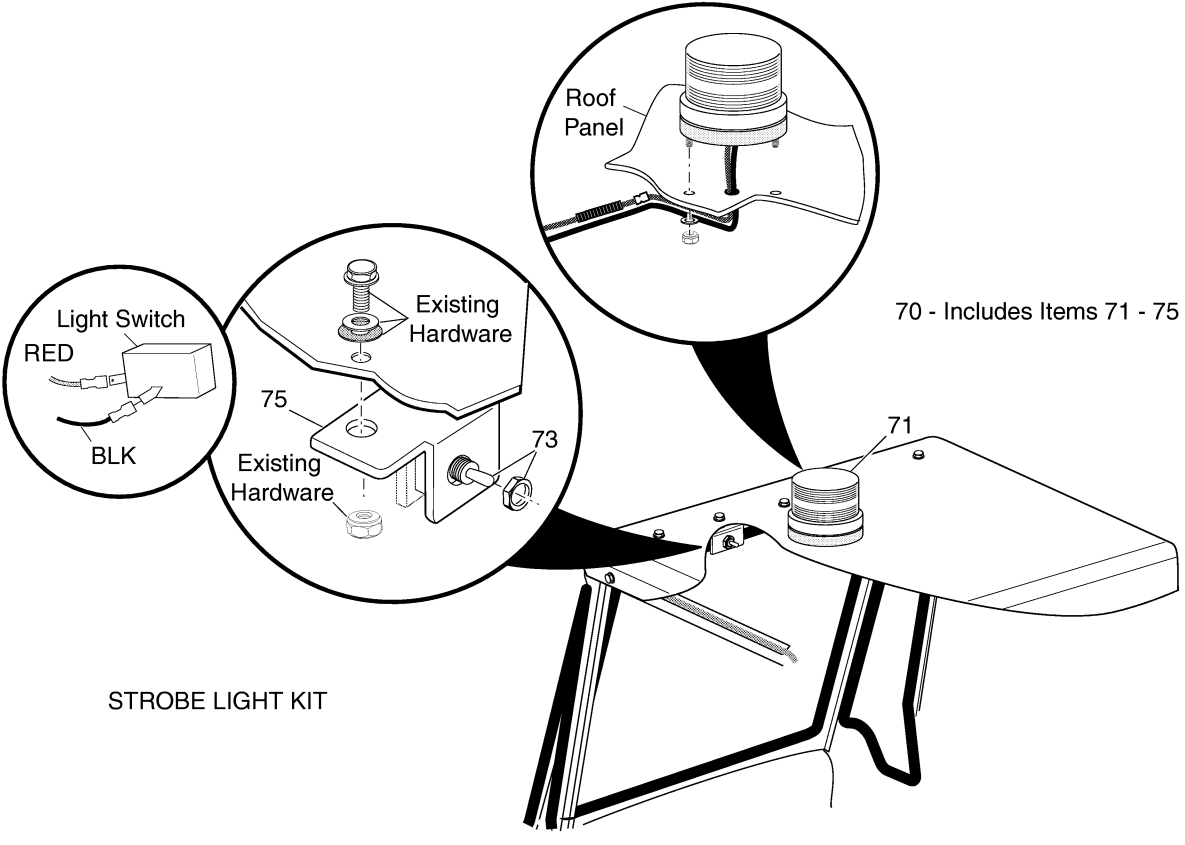
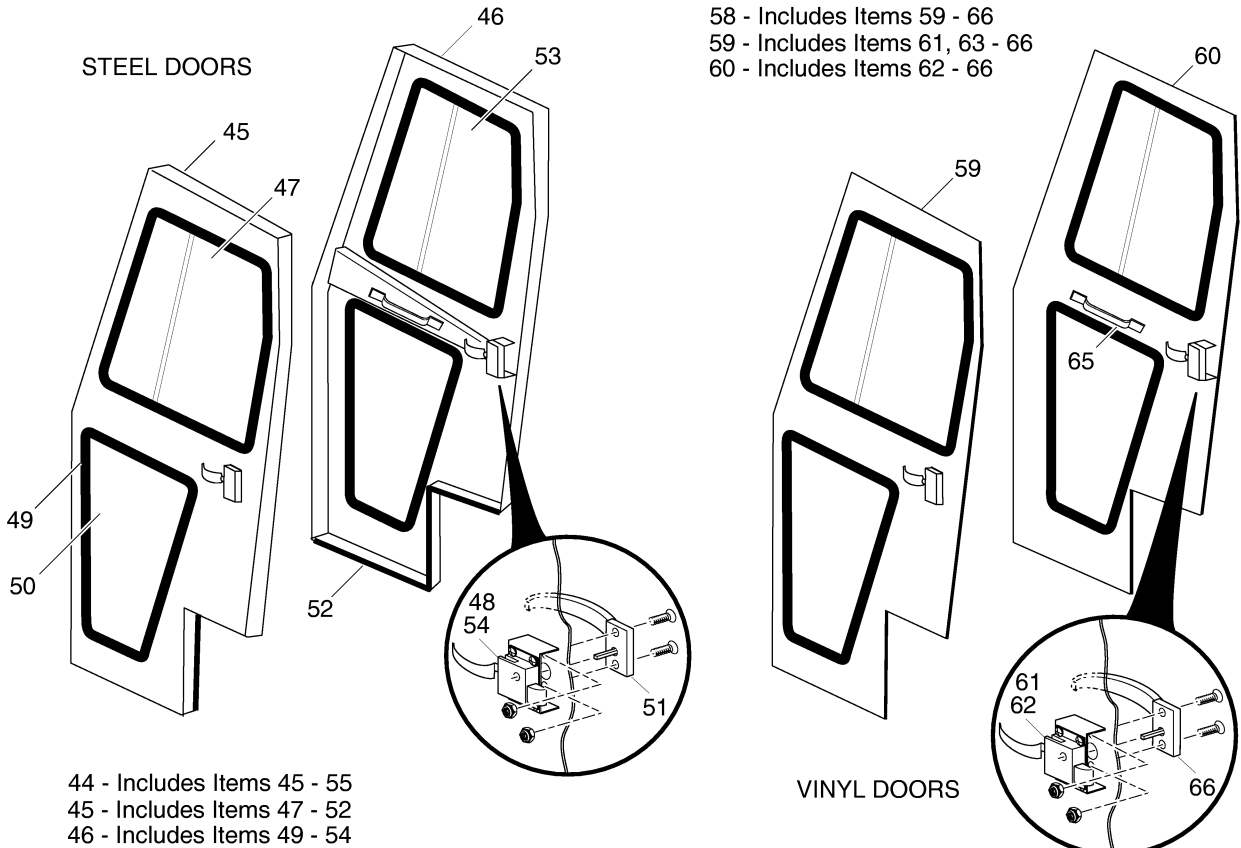


WINDSHIELD WIPER COMPONENTS

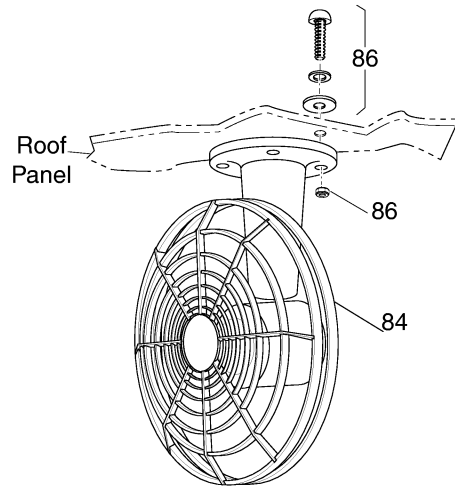
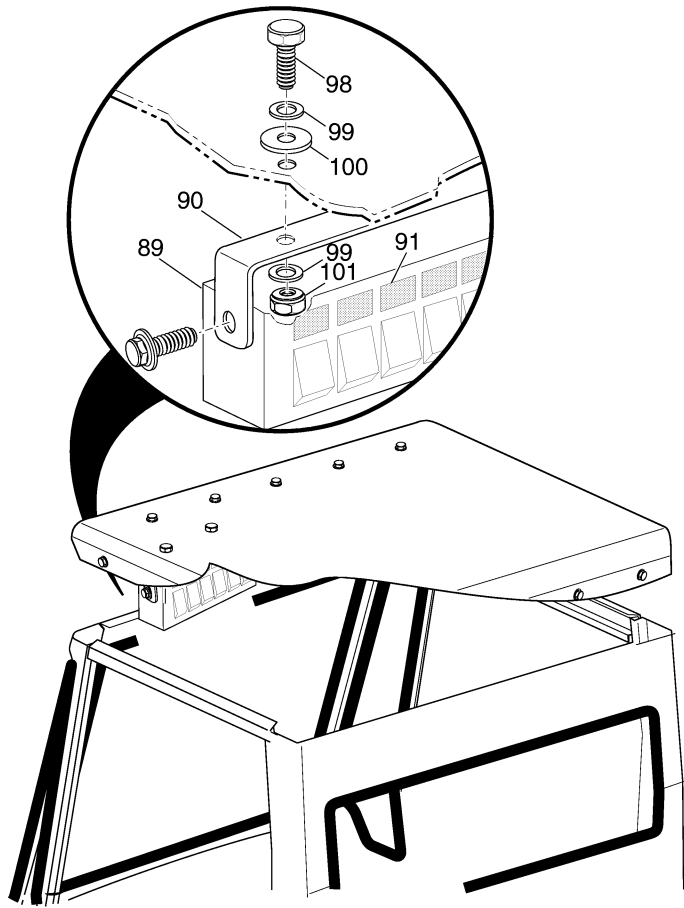
33 - Includes Items 34 - 42

34 - Includes Items 35 - 39

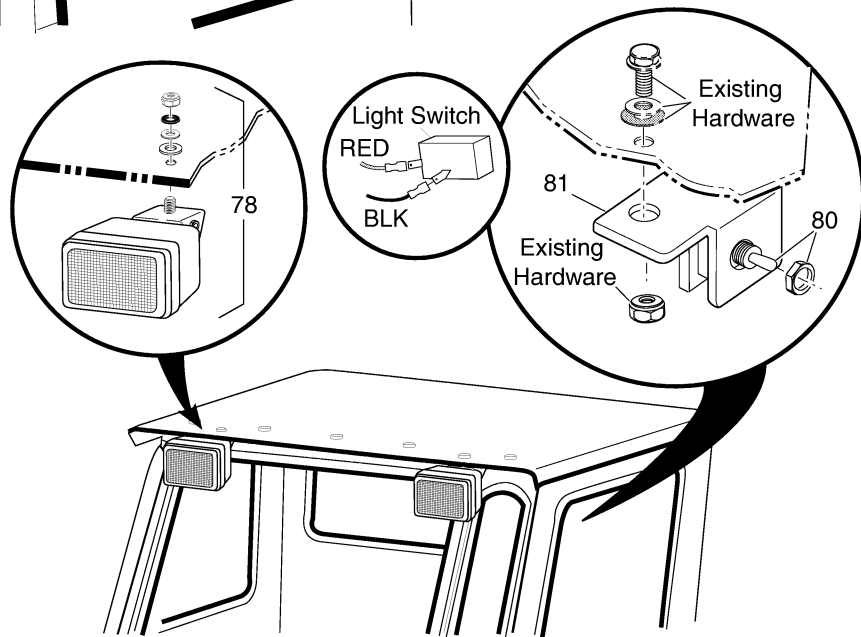




SWITCH PANEL KIT
88 - Includes Items 89 - 103



DEFROSTER / COOLING FAN KIT
83 - Includes Items 84 - 86



WORKLIGHT KIT
77 - Includes Items 78 - 81

Replacement parts may be obtained from Curtis Tractor Cab Inc., 111 Higgins Street, Worcester, MA 01606. Telephone (508) 853-2200, or FAX (508) 854-3377.

* Indicates a component that is not available as an individual part.

ITEM	PART NO.	1 2 3 4 5	DESCRIPTION	QTY.
1	74300-G0*		STEEL CAB KIT (WITHOUT DOORS) (INCLUDES ITEMS 2 - 42).....	1
2	74300-G0*A		ROOF PANEL	1
3	74300-G0*B		REAR PANEL	1
4	74300-G0*C		WINDSHIELD PANEL.....	1
5	74300-G0*D		FRONT CORNER PANEL (PASSENGER SIDE).....	1
6	74300-G0*E		FRONT CORNER PANEL (DRIVER SIDE)	1
7	74300-G0*F		RECEIVER (DRIVER SIDE)	1
8	74300-G0*G		RECEIVER (PASSENGER SIDE).....	1
9	74300-G0*H		LOWER MOUNTING BRACKET (DRIVER SIDE).....	1
10	74300-G0*I		LOWER MOUNTING BRACKET (PASSENGER SIDE)	1
11	6E05G		BUMPER BRACKET.....	2
12	1P004A		FRONT PANEL COWL SEAL GASKET (85" LG)	1
13	1P004D		ROOF TRIM (50")	1
14				
15	6E03		FRONT WINDSHIELD MOUNTING GASKET	1
16	6E03A		BOLT, 3/8 - 16 X 7/8" LG.....	44
17	6E03B		LOCK NUT, 3/8 - 16	44
18	6E03C		WASHER, 3/8"	44
19	6E03D		NYLON WASHER, 3/8".....	26
20	6E03E		FRONT WINDSHIELD GLASS	1
21	6E03H		FRONT CORNER PANEL MOUNTING GASKET	2
22	6E03J		REAR PANEL WINDOW MOUNTING GASKET	1
23	6E03S		ALLEN BUTTON HEAD BOLT.....	4
24				
25	6E03U		BOLT, 1/4 - 20 X 1 1/2" LG.....	4
26	6E03V		NYLON SPACER, 1/4"	4
27	6E03W		WASHER, 5/16"	4
28				
29	6E05A		FRONT CORNER PANEL WINDOW (PASSENGER SIDE).....	1
30	6E05B		FRONT CORNER PANEL WINDOW (DRIVER SIDE)	1



Replacement parts may be obtained from Curtis Tractor Cab Inc., 111 Higgins Street, Worcester, MA 01606. Telephone (508) 853-2200, or FAX (508) 854-3377.

* Indicates a component that is not available as an individual part.

ITEM	PART NO.	1	2	3	4	5	DESCRIPTION	QTY.
31	6E05C						REAR PANEL WINDOW	1
32								
33	74244-G01						WINDSHIELD WIPER KIT (INCLUDES ITEMS 34 - 42)	1
34	9PWM85						WIPER MOTOR (INCLUDES ITEMS 35 - 39)	1
35	*						SPACER	1
36	*						SHAFT COVER (SEAL)	1
37	*						NUT	1
38	*						BOLT	1
39	*						WASHER	1
40	9PWA						WIPER ARM	1
41	9PWB						WINDSHIELD WIPER BLADE	1
42	9E003						ELECTRICAL HARDWARE KIT (NOT ILLUSTRATED)	1
43								
44	74301-G0*						STEEL DOOR KIT (INCLUDES ITEMS 45 - 55)	1
45	74301-G0*A						STEEL DOOR (DRIVER SIDE) (INCLUDES ITEMS 47 - 52)	1
46	74301-G0*B						STEEL DOOR (PASSENGER SIDE) (INCLUDES ITEMS 49 - 54)	1
47	6E05D						SLIDING DOOR WINDOW ASSEMBLY (DRIVER SIDE)	1
48	9DHSL						INSIDE DOOR LATCH (DRIVER SIDE)	1
49	6E03P						LOWER DOOR WINDOW MOUNTING GASKET	1
50	6E05F						LOWER DOOR WINDOW	1
51	9DHOS1						OUTSIDE DOOR HANDLE (KEY LOCKING)	2
52	1P004B						LOWER DOOR SEAL GASKET (43" LG)	1
53	6E05E						SLIDING DOOR WINDOW ASSEMBLY (PASSENGER SIDE)	1
54	9DHSLR						INSIDE DOOR LATCH (PASSENGER SIDE)	1
55	1P004C						DOOR SEAL GASKET (123" LG)	2
56	9P001A						REPLACEMENT DOOR HINGE KIT (NOT ILLUSTRATED)	A/R
57								
58	74242-G01						VINYL DOOR KIT (INCLUDES ITEMS 59 - 66)	1
59	9DVK-L						VINYL DOOR (DRIVER SIDE) (INCLUDES ITEMS 61, 63 - 66)	1
60	9DVK-R						VINYL DOOR (PASSENGER SIDE) (INCLUDES ITEMS 62 - 66)	1



Replacement parts may be obtained from Curtis Tractor Cab Inc., 111 Higgins Street, Worcester, MA 01606. Telephone (508) 853-2200, or FAX (508) 854-3377.

* Indicates a component that is not available as an individual part.

ITEM	PART NO.	1 2 3 4 5	DESCRIPTION	QTY.
61	9DHSL		INSIDE DOOR LATCH (DRIVER SIDE).....	1
62	9DHSLR		INSIDE DOOR LATCH (PASSENGER SIDE)	1
63	9DCK		DOOR CHECK (NOT ILLUSTRATED)	1
64	9DSTK1		DOOR STRIKER (NOT ILLUSTRATED)	1
65	9DGH1		DOOR GRAB HANDLE	1
66	9DHOS1		OUTSIDE DOOR HANDLE (KEY LOCKING)	1
67	9PSSH		REPLACEMENT DOOR HINGE (DRIVER SIDE) (NOT ILLUSTRATED).....	1
68	9PSSHR		REPLACEMENT DOOR HINGE (PASSENGER SIDE) (NOT ILLUSTRATED) ..	1
69				
70	74245-G01		STROBE LIGHT KIT (INCLUDES ITEMS 71 - 75).....	1
71	9PSLRL		STROBE LENS.....	1
72	9E001		ELECTRICAL HARDWARE KIT (NOT ILLUSTRATED)	1
73	9E002		TOGGLE SWITCH.....	1
74	9PSLRB		REPLACEMENT BULB (NOT ILLUSTRATED)	1
75	9PB001		BRACKET	1
76				
77	74247-G01		WORK LIGHT KIT (INCLUDES ITEMS 78 - 81)	1
78	9LW1A		WORK LIGHT (INCLUDES HARDWARE).....	2
79	9E001		ELECTRICAL HARDWARE KIT (NOT ILLUSTRATED)	1
80	9E002		TOGGLE SWITCH.....	1
81	9PB001		BRACKET	1
82				
83	74248-G01		DEFROSTER / COOLING FAN KIT (INCLUDES ITEMS 84 - 86)	1
84	9PDF		FAN.....	1
85	9E001		ELECTRICAL HARDWARE KIT (NOT ILLUSTRATED)	1
86	9PFHK		HARDWARE KIT	1
87				
88	74250-G01		SWITCH PANEL KIT (INCLUDES ITEMS 89 - 103)	1
89	9PSF1-001		SWITCH PANEL	1
90	9PSF1-002		MOUNTING BRACKET AND HARDWARE	1

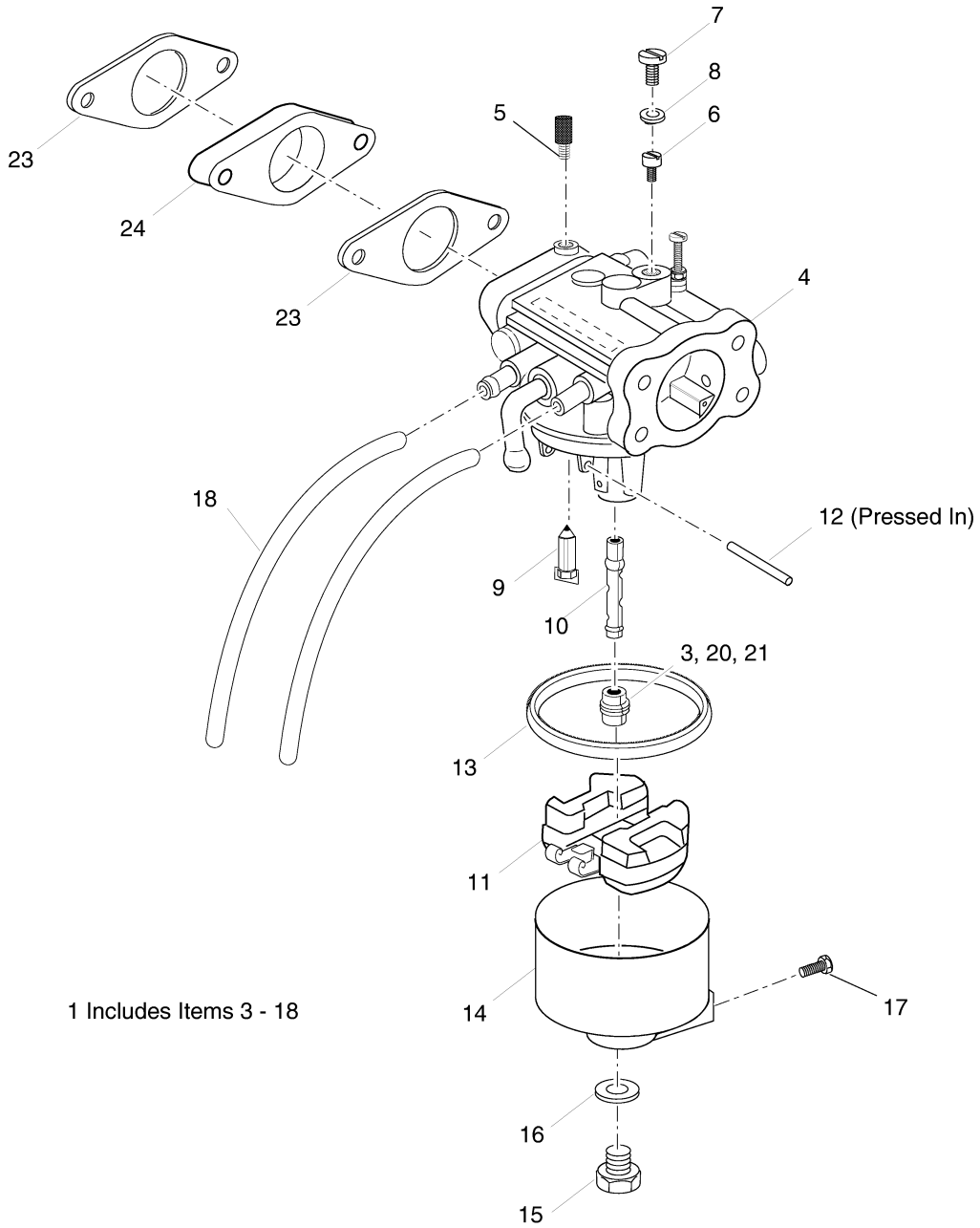


Replacement parts may be obtained from Curtis Tractor Cab Inc., 111 Higgins Street, Worcester, MA 01606. Telephone (508) 853-2200, or FAX (508) 854-3377.

* Indicates a component that is not available as an individual part.

ITEM	PART NO.	1	2	3	4	5	DESCRIPTION	QTY.
91	9PSF1-003						ADHESIVE LABELS	1
92	9PSF1-004						3 AMP FUSE (NOT ILLUSTRATED)	2
93	9PSF1-005						5 AMP FUSE (NOT ILLUSTRATED)	3
94	9PSF1-006						7.5 AMP FUSE (NOT ILLUSTRATED)	1
95	9PSF1-007						FLEX LOOM, 5/8" X 10 FT LG (NOT ILLUSTRATED)	1
96	9PSF1-008						4-WAY BASE TIE (NOT ILLUSTRATED)	6
97	9PSF1-009						WIRE TIE (NOT ILLUSTRATED).....	14
98	9PSF1-010						BOLT, 1/4 - 20 X 7/8" LG	2
99	9PSF1-011						WASHER, 1/4"	4
100	9PSF1-012						NYLON WASHER, 1/4"	2
101	9PSF1-013						LOCK NUT, 1/4-20.....	2
102	9PSF1-014						10 GA WIRE (RED, 8" LG) (NOT ILLUSTRATED)	1
103	9PSF1-015						10 GA WIRE (BLACK, 8" LG) (NOT ILLUSTRATED).....	1
104								
105	74294-G0*						STEEL CAB KIT (WITHOUT DOORS) (WORKHORSE® 800 LX) (INCLUDES ITEMS 2 - 3, 7 - 42, 106 - 108)	1
106	74294-G0*C						WINDSHIELD PANEL.....	1
107	74294-G0*D						FRONT CORNER PANEL (PASSENGER SIDE)	1
108	74294-G0*E						FRONT CORNER PANEL (DRIVER SIDE)	1



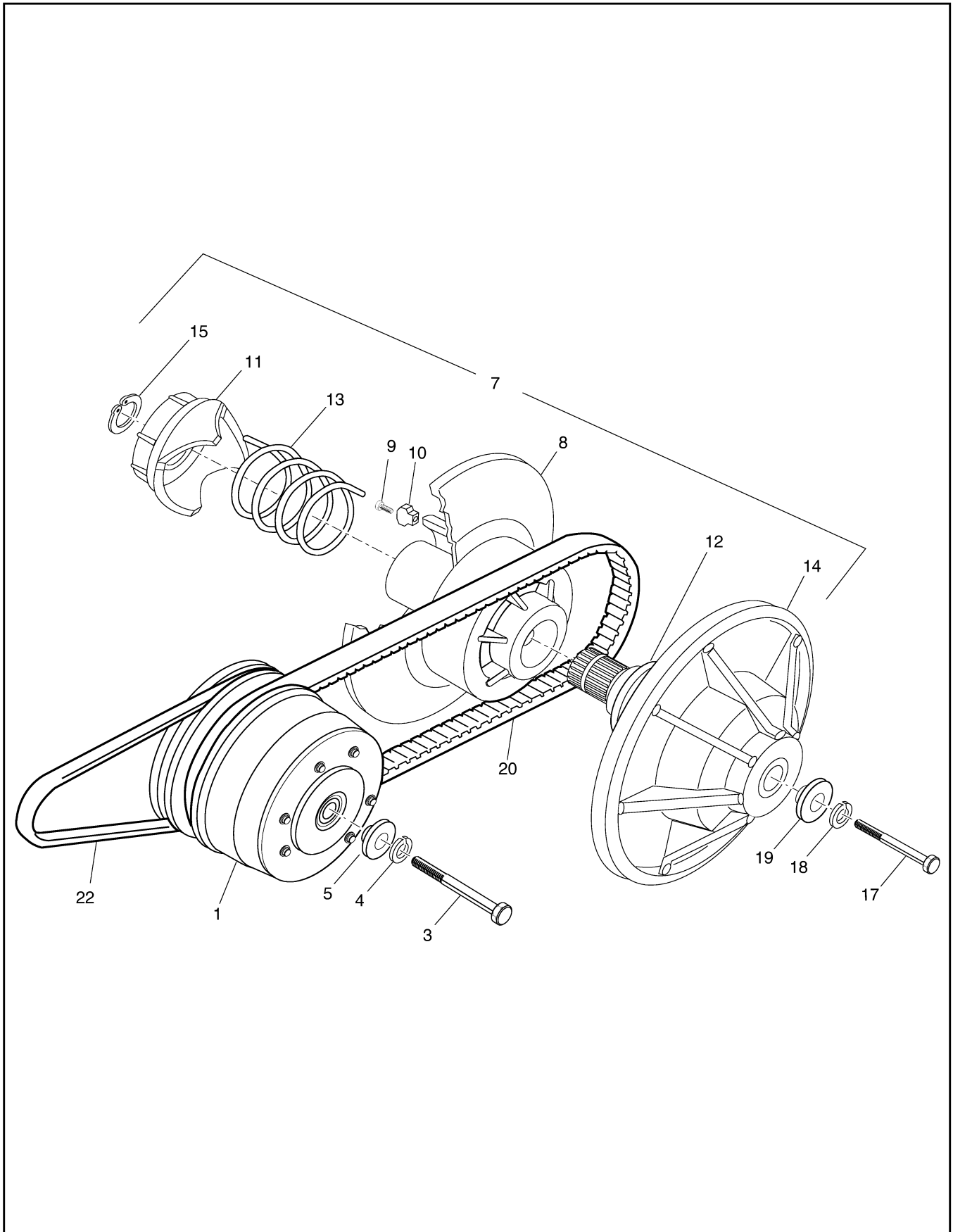


When ordering parts, please specify the model and serial number of the product.

* Indicates a component that is not available as an individual part.

G** Indicates consult Customer Service Department for additional information.

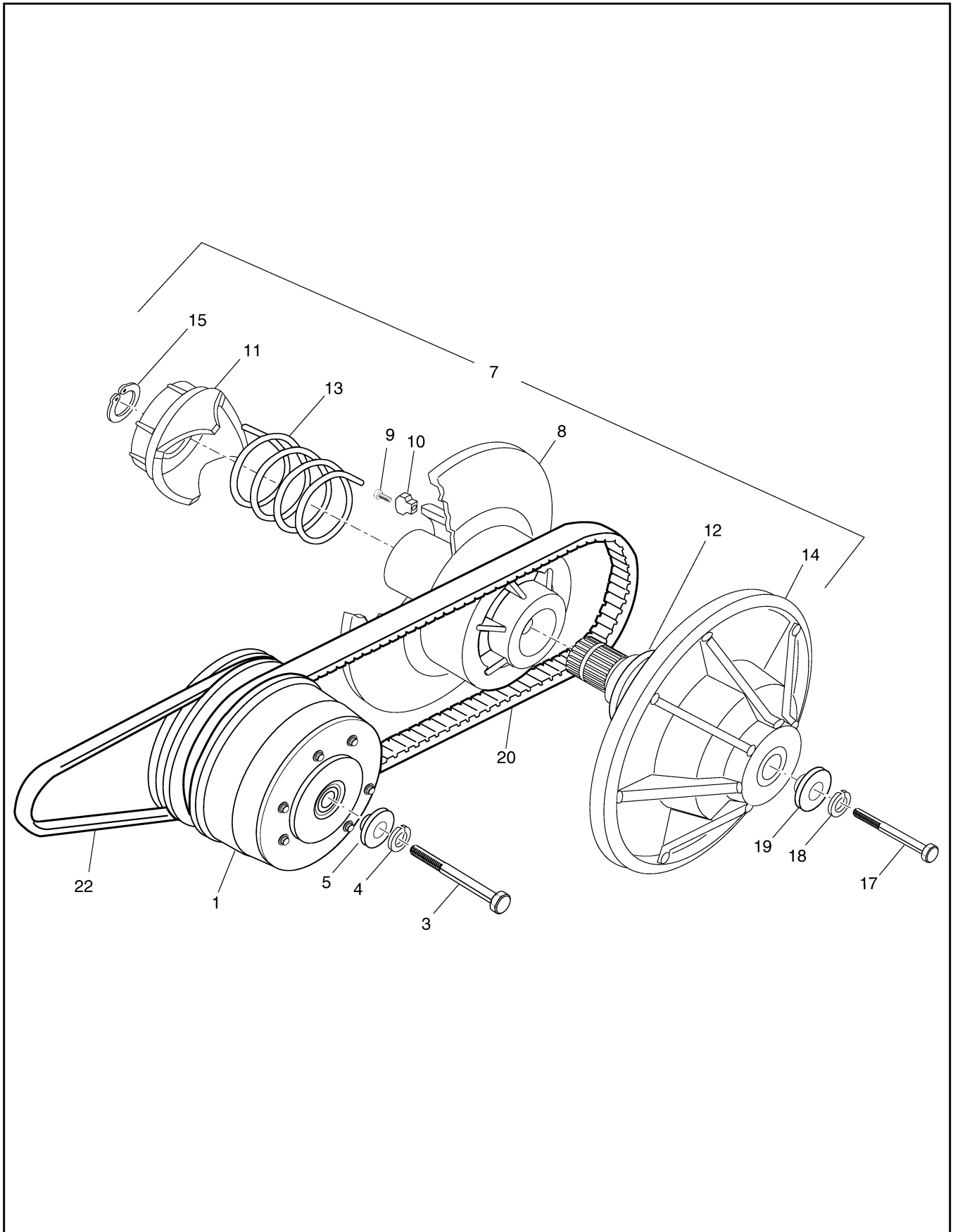
ITEM	PART NO.	1	2	3	4	5	DESCRIPTION	QTY.
1	72558-G02	CARBURETOR ASSEMBLY (INCLUDES ITEMS 3 - 18)					1	
2								
3	26646-G07	MAIN JET (#90)					1	
4	*	CARBURETOR BODY					1	
5	*	PILOT SCREW					1	
6	26649-G05	PILOT JET (#46).....					1	
7	26841-G01	PLUG					1	
8	72306-G01	GASKET					1	
9	72578-G01	NEEDLE VALVE					1	
10	72576-G01	MAIN NOZZLE.....					1	
11	26648-G01	FLOAT					1	
12	26840-G01	FLOAT PIN					1	
13	26843-G01	FLOAT BOWL GASKET					1	
14	26844-G01	FLOAT CHAMBER					1	
15	26839-G01	BOWL SCREW.....					1	
16	26838-G01	BOWL GASKET.....					1	
17	*	DRAIN SCREW					1	
18	26650-G01	VENT TUBE.....					2	
19								
20	26646-G08	MAIN JET (#86) (FOR ELEVATIONS OF 3000 FT - 6000 FT)					1	
21	26646-G02	MAIN JET (#84) (FOR ELEVATIONS OF 6000 FT - 10000 FT)					1	
22								
23	26726-G01	CARBURETOR MOUNT GASKET					2	
24	26637-G01	CARBURETOR INSULATOR.....					1	



When ordering parts, please specify the model and serial number of the product.
 * Indicates a component that is not available as an individual part.
 G** Indicates consult Customer Service Department for additional information.

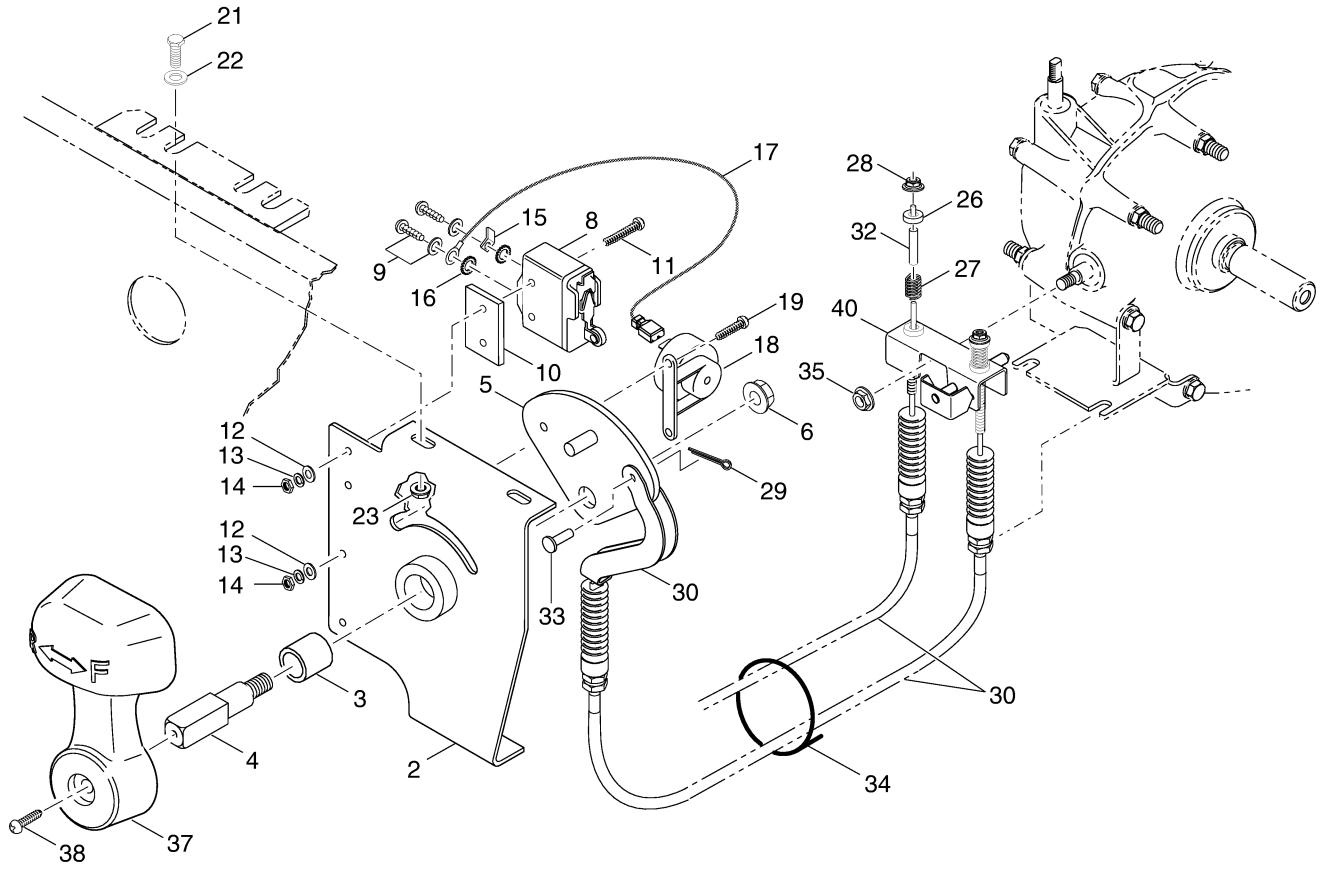
ITEM	PART NO.	1 2 3 4 5	DESCRIPTION	QTY.
1	26952-G01		DRIVE CLUTCH.....	1
2				
3	00473-G9		BOLT, 7/16 - 20 X 6 1/2" LG.....	1
4	00566-G2		LOCK WASHER, 7/16"	1
5	25757-G1		PILOT WASHER	1
6				
7	26301-G02		DRIVEN CLUTCH ASSEMBLY (INCLUDES ITEMS 8 - 15)	1
8	25626-G2		MOVABLE SHEAVE (INCLUDES ITEMS 9 - 10)	1
9	00979-G01		SCREW, #10 - 24 x 7/8" LG	3
10	26479-G01		RAMP BUTTON	3
11	26302-G01		CAM.....	1
12	24600-G1		SPACER	1
13	26304-G01		COMPRESSION SPRING	1
14	25643-G03		FIXED SHEAVE AND POST	1
15	27270-G01		HEAVY DUTY RETAINING RING.....	1
16				
17	00441-G8		BOLT, 5/16 - 18 X 4" LG.....	1
18	00565-G8		LOCK WASHER, 5/16"	1
19	25756-G1		RETAINING WASHER	1
20	72054-G01		DRIVE BELT	1
21				
22	26414-G01		STARTER / GENERATOR BELT.....	1





When ordering parts, please specify the model and serial number of the product.
 * Indicates a component that is not available as an individual part.
 G** Indicates consult Customer Service Department for additional information.

ITEM	PART NO.	1 2 3 4 5	DESCRIPTION	QTY.
1	26952-G01		DRIVE CLUTCH.....	1
2				
3	00473-G9		BOLT, 7/16 - 20 X 6 1/2" LG.....	1
4	00566-G2		LOCK WASHER, 7/16"	1
5	25757-G1		PILOT WASHER	1
6				
7	26301-G02		DRIVEN CLUTCH ASSEMBLY (INCLUDES ITEMS 8 - 15)	1
8	25626-G2		MOVABLE SHEAVE (INCLUDES ITEMS 9 - 10)	1
9	00979-G01		SCREW, #10 - 24 x 7/8" LG	3
10	26479-G01		RAMP BUTTON	3
11	25535-G1		CAM.....	1
12	24600-G1		SPACER	1
13	25612-G1		COMPRESSION SPRING	1
14	25643-G03		FIXED SHEAVE AND POST	1
15	27270-G01		HEAVY DUTY RETAINING RING.....	1
16				
17	00441-G8		BOLT, 5/16 - 18 X 4" LG.....	1
18	00565-G8		LOCK WASHER, 5/16"	1
19	25756-G1		RETAINING WASHER	1
20	72054-G01		DRIVE BELT	1
21				
22	26414-G01		STARTER / GENERATOR BELT.....	1
23				



1 - Includes Items 2 - 23
25 - Includes Items 26 - 34

When ordering parts, please specify the model and serial number of the product.

* Indicates a component that is not available as an individual part.

G** Indicates consult Customer Service Department for additional information.

ITEM	PART NO.	1 2 3 4 5	DESCRIPTION	QTY.
1	70594-G01		DIRECTION SELECTOR ASSEMBLY (INCLUDES ITEMS 2 - 23)	1
2	25684-G01		DIRECTION SELECTOR BRACKET.....	1
3	25664-G1		BUSHING	1
4	27537-G01		DIRECTION SELECTOR SHAFT	1
5	25745-G01		DIRECTION SELECTOR CAM.....	1
6	14390-G1		LOCK NUT, 3/8 - 24.....	1
7				
8	10606-G1		MICRO SWITCH.....	1
9	*		SCREW AND WASHER ASSEMBLY	2
10	27151-G01		SPACER	1
11	00645-G2		SCREW, #6 - 32 X 1 1/4" LG.....	2
12	00559-G3		WASHER, #6	4
13	00565-G3		LOCK WASHER, #6	4
14	00525-G5		NUT, #6 - 32.....	4
15	14628-G1		FASTON TAB.....	1
16	00567-G3		LOCK WASHER, #6	2
17	25978-G234		18 GA. WIRE (RED 6").....	1
18	73290-G02		REVERSE WARNING BUZZER.....	1
19	00138-G5		SCREW, #6 - 32 X 5/8" LG.....	2
20				
21	00414-G6		BOLT, 1/4 - 20 X 3/4" LG.	2
22	00559-G7		WASHER, 1/4"	2
23	11027-G2		LOCK NUT, 1/4 - 20.....	2
24				
25	27170-G01		CABLE KIT (INCLUDES ITEMS 26- 34)	2
26	25727-G01		CUP WASHER	4
27	27764-G01		SPRING	2
28	11098-G7		NUT, #10 - 24.....	2
29	10387-G8		COTTER PIN, 1/16" X 3/4" LG.	2
30	25691-G01		SHIFTER CONTROL CABLE	2



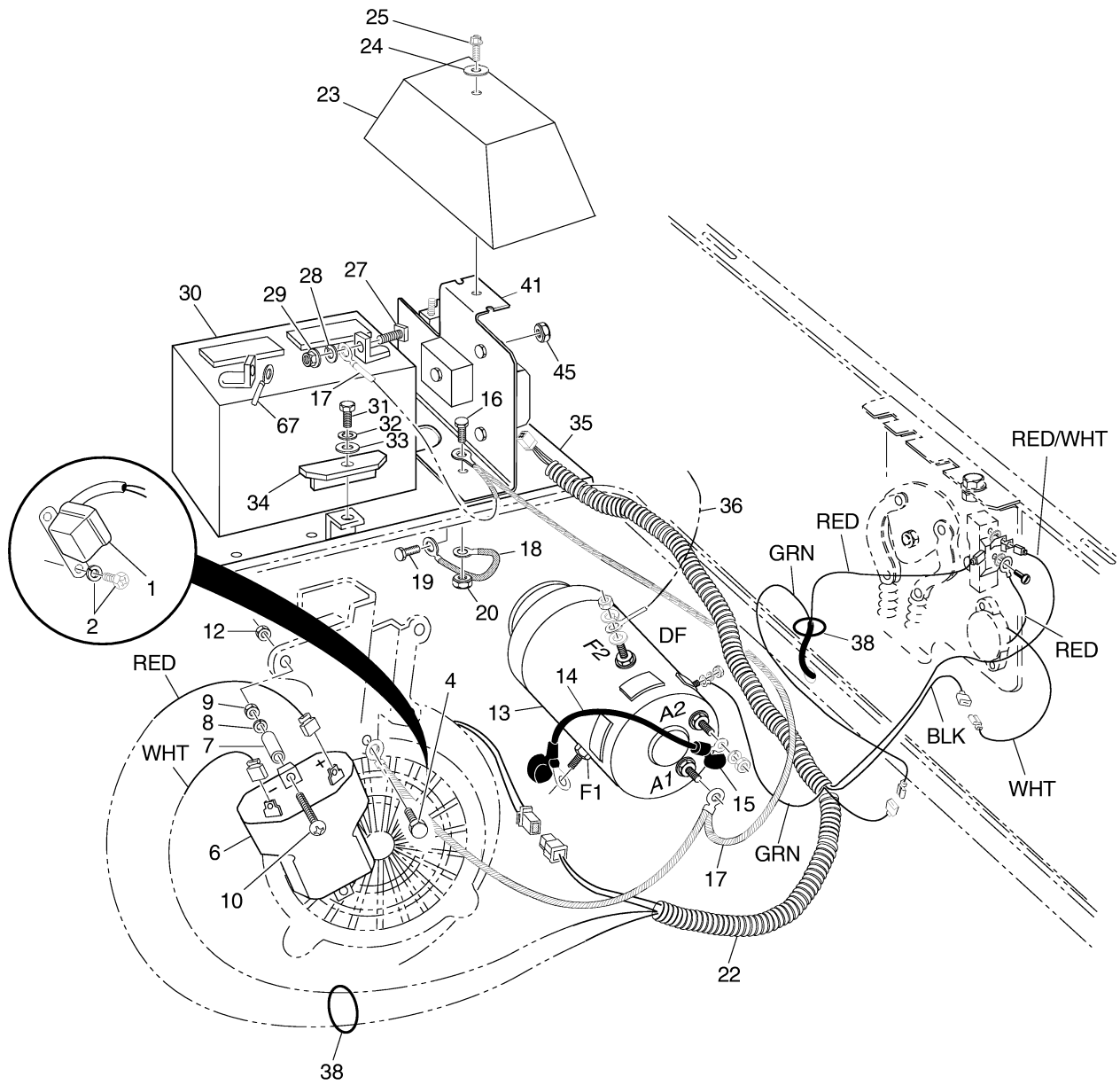
DIRECTION SELECTOR

Gasoline Vehicle

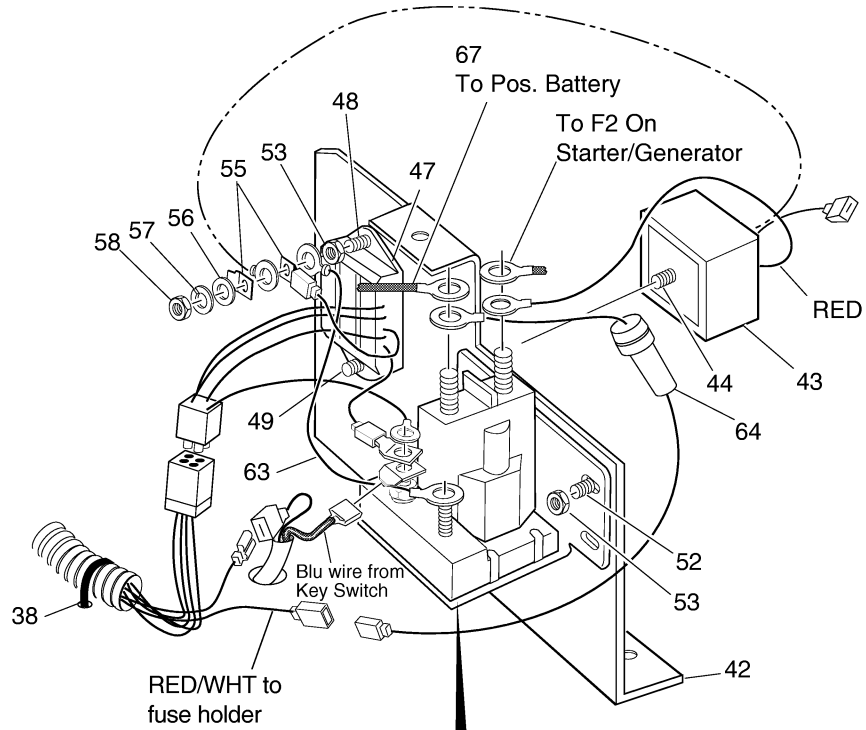
When ordering parts, please specify the model and serial number of the product.
 * Indicates a component that is not available as an individual part.
 G** Indicates consult Customer Service Department for additional information.

ITEM	PART NO.	1	2	3	4	5	DESCRIPTION	QTY.
31								
32	23726-G5						SPACER	2
33	23176-G1						CLEVIS PIN, 5/16" X 3/8" LG.	2
34	17618-G1						WIRE TIE	1
35	26830-G01						SHIFTER LEVER NUT, M8 X 1.25 MM	1
36								
37	71205-G01						DIRECTION SELECTOR HANDLE.....	1
38	00740-G4						SCREW, #10 - 32 X 1/2" LG. (STAINLESS STEEL)	1
39								
40	25946-G01						SHIFTER CONTROL PIVOT	1

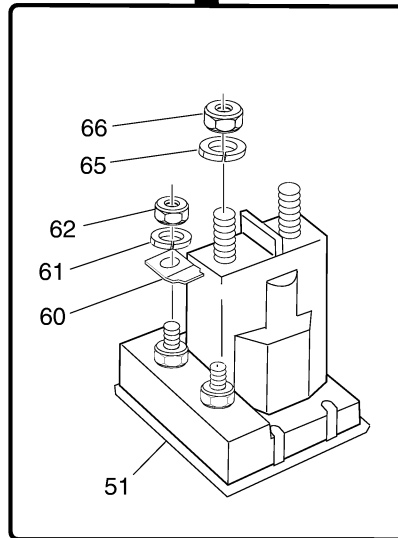


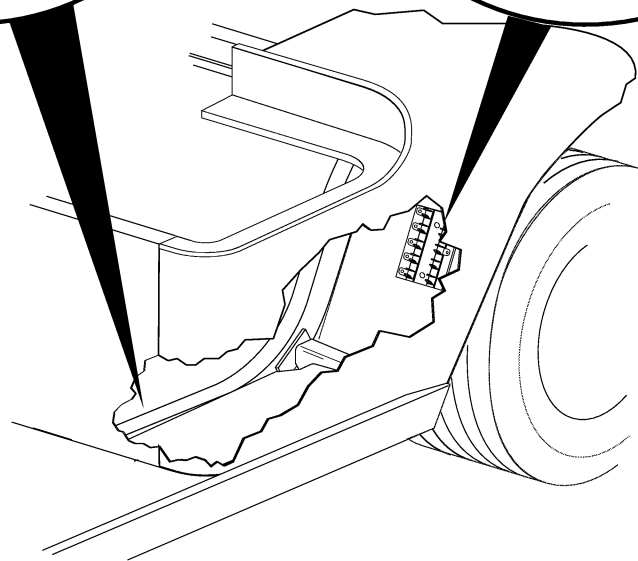
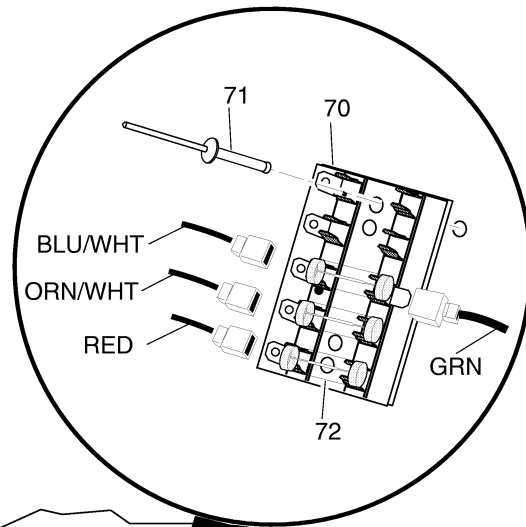
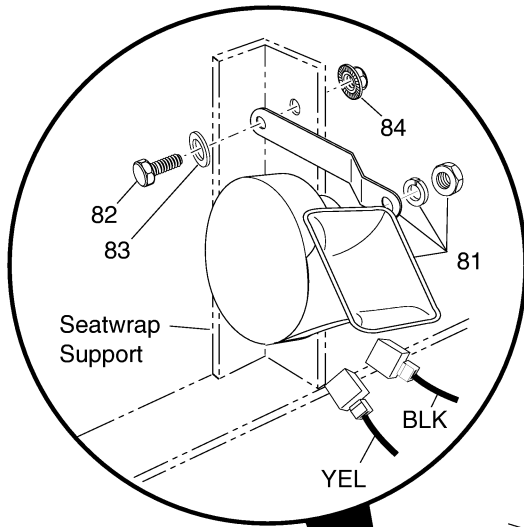
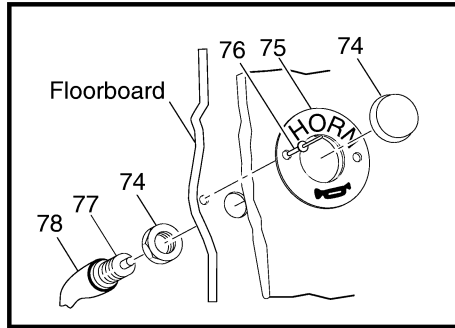


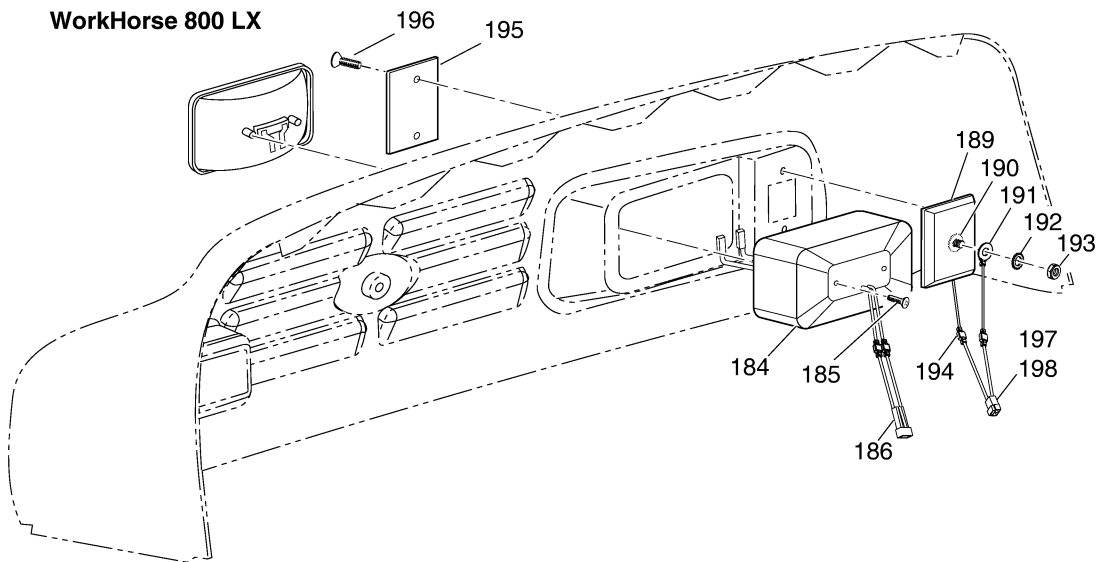
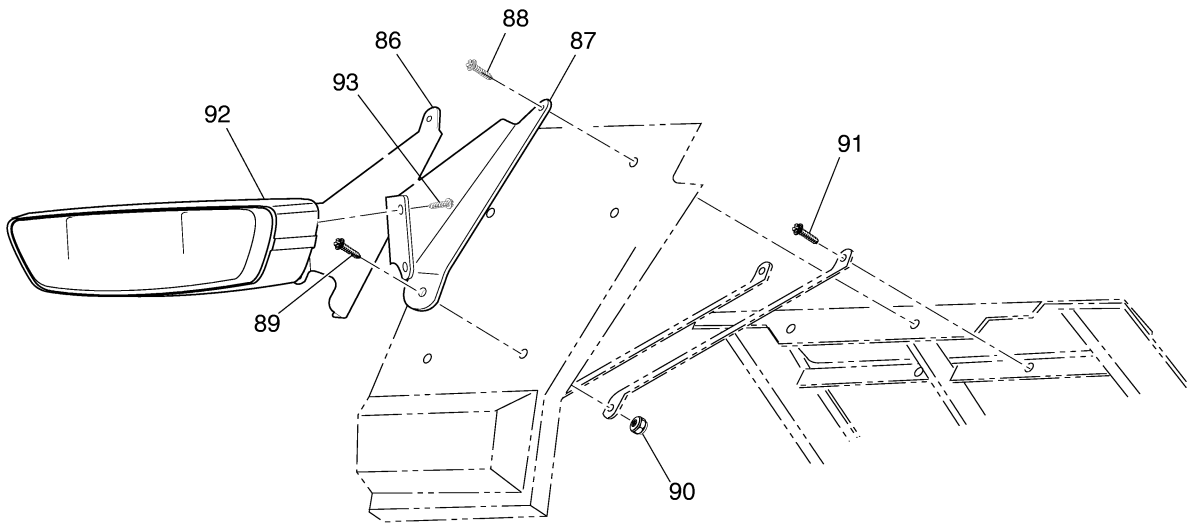
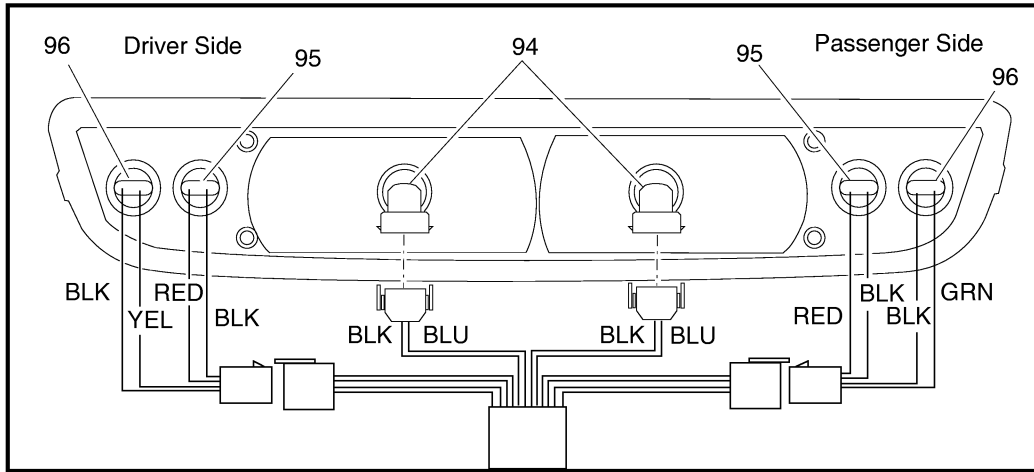
5 - Includes Items 6 - 10

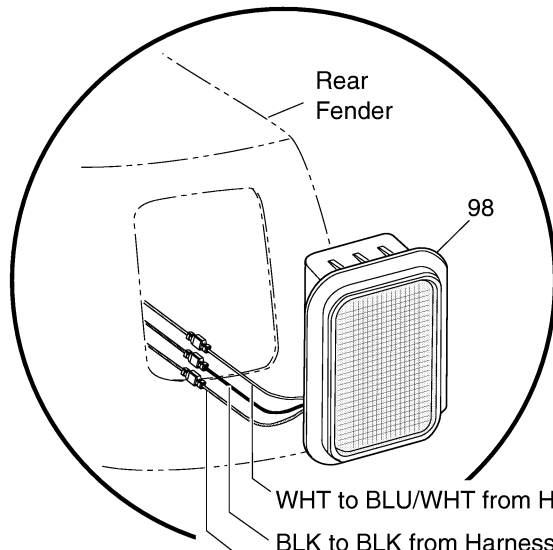


41 - Includes Items 42 - 67

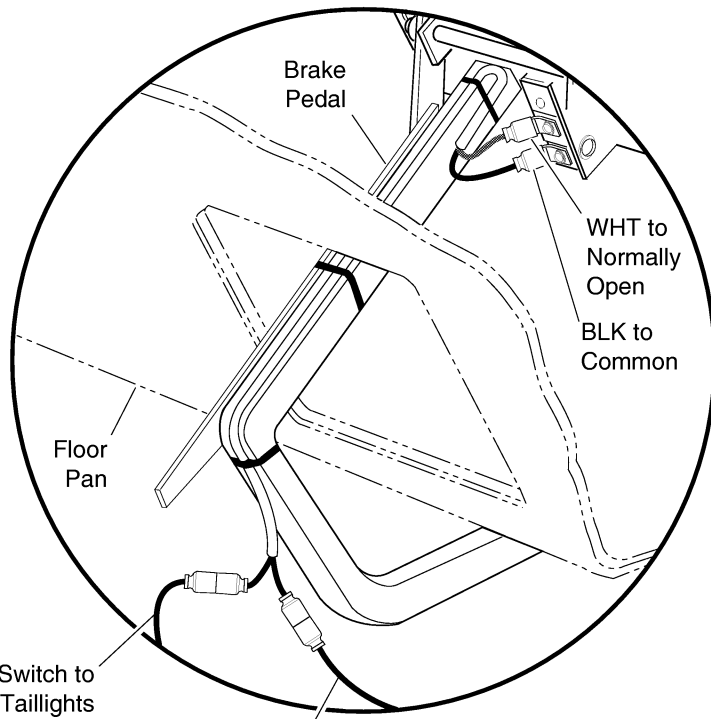








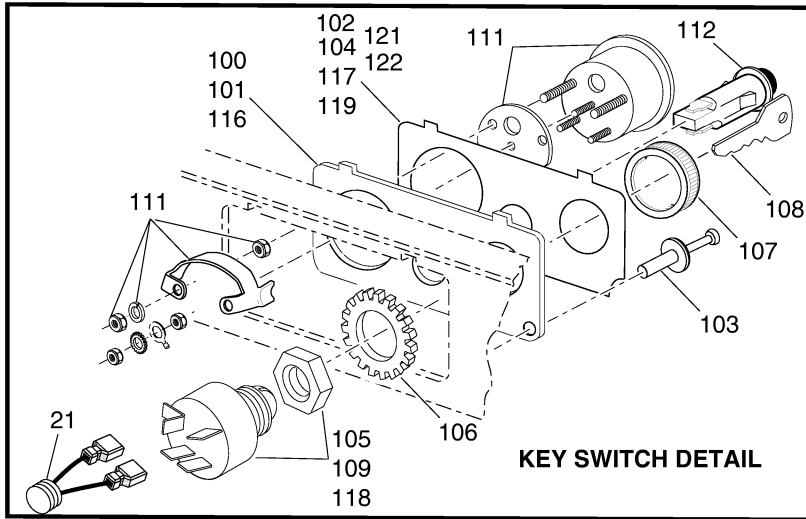
WHT to BLU/WHT from Harness - Both Sides
BLK to BLK from Harness - Both Sides
RED to BRN from Harness - Both Sides (without Turn Signals)
RED to WHT from Harness - Driver Side (with Turn Signals)
RED to YEL from Harness - Passenger Side (with Turn Signals)



WHT from Micro Switch to
BRN from Taillights

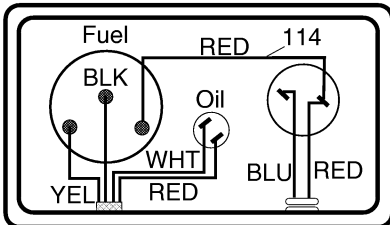
BLK from Micro Switch
to RED from Fuse Block

BRAKE LIGHTS MICRO SWITCH CONNECTION

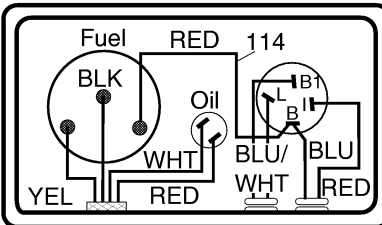


KEY SWITCH DETAIL

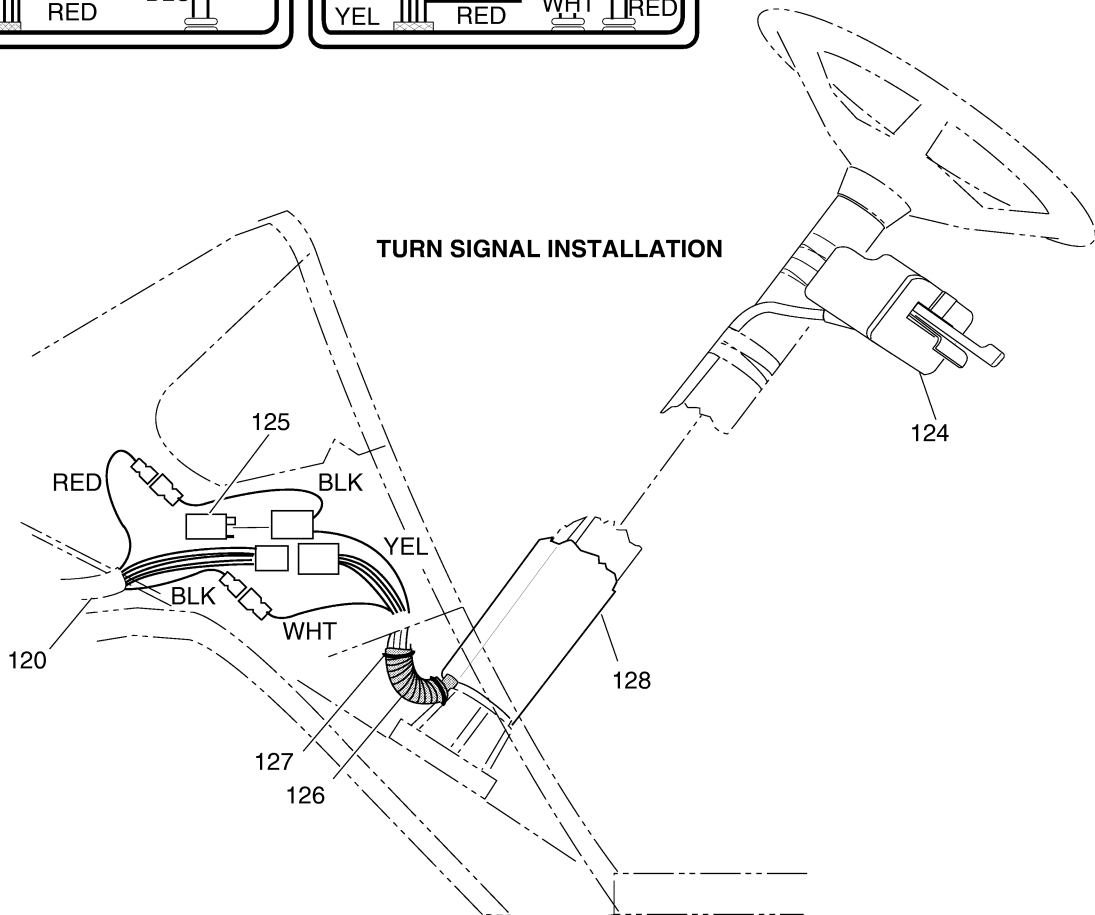
KEY SWITCH WITHOUT LIGHTS

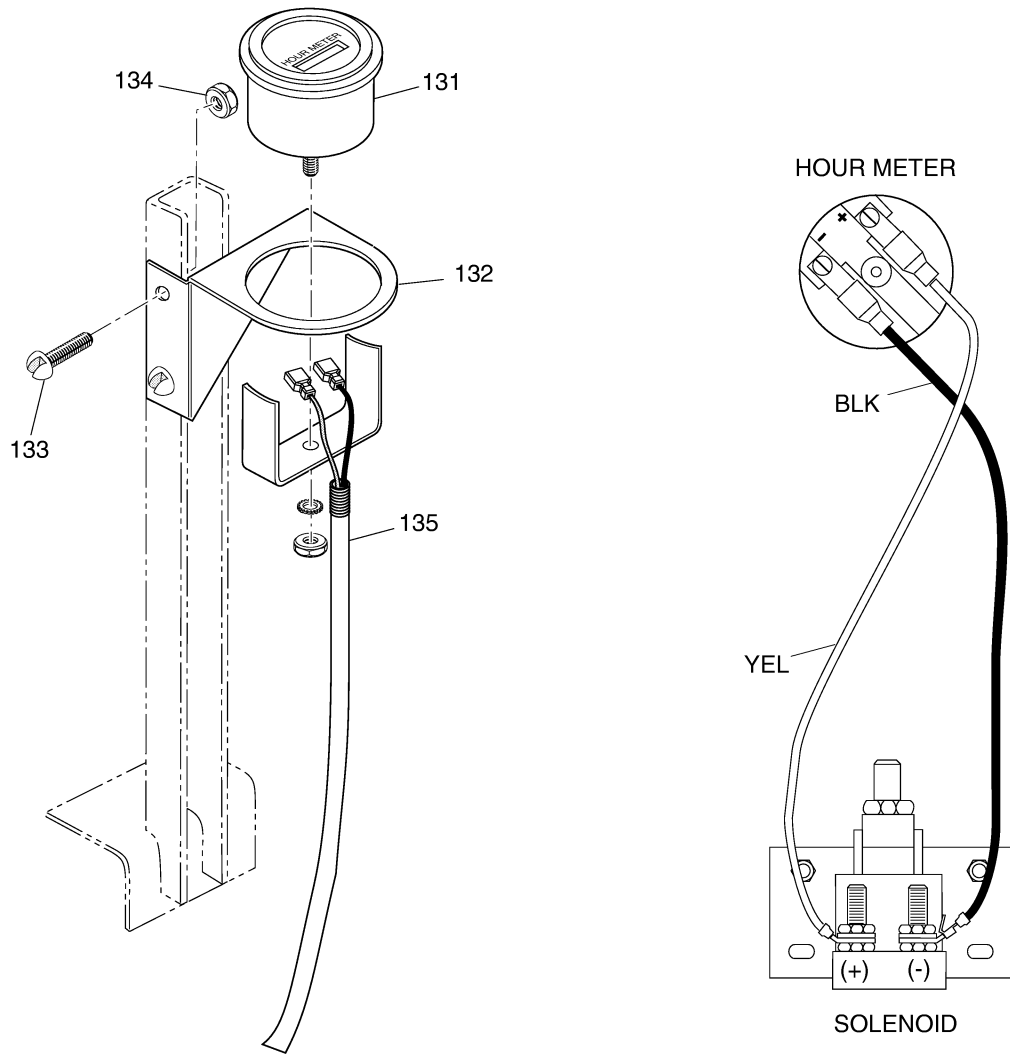


KEY SWITCH WITH LIGHTS

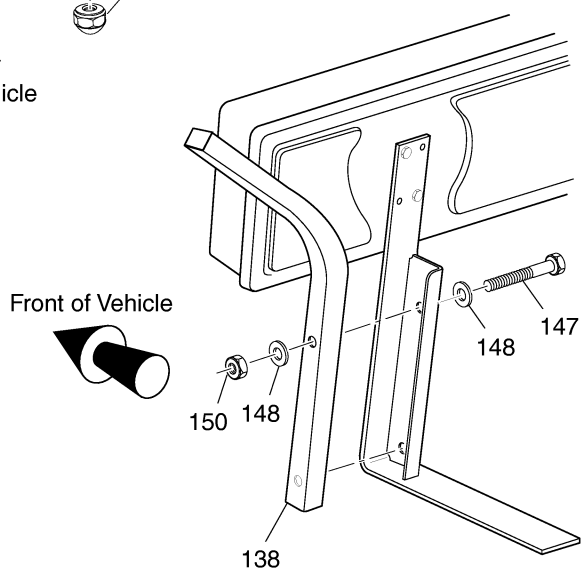
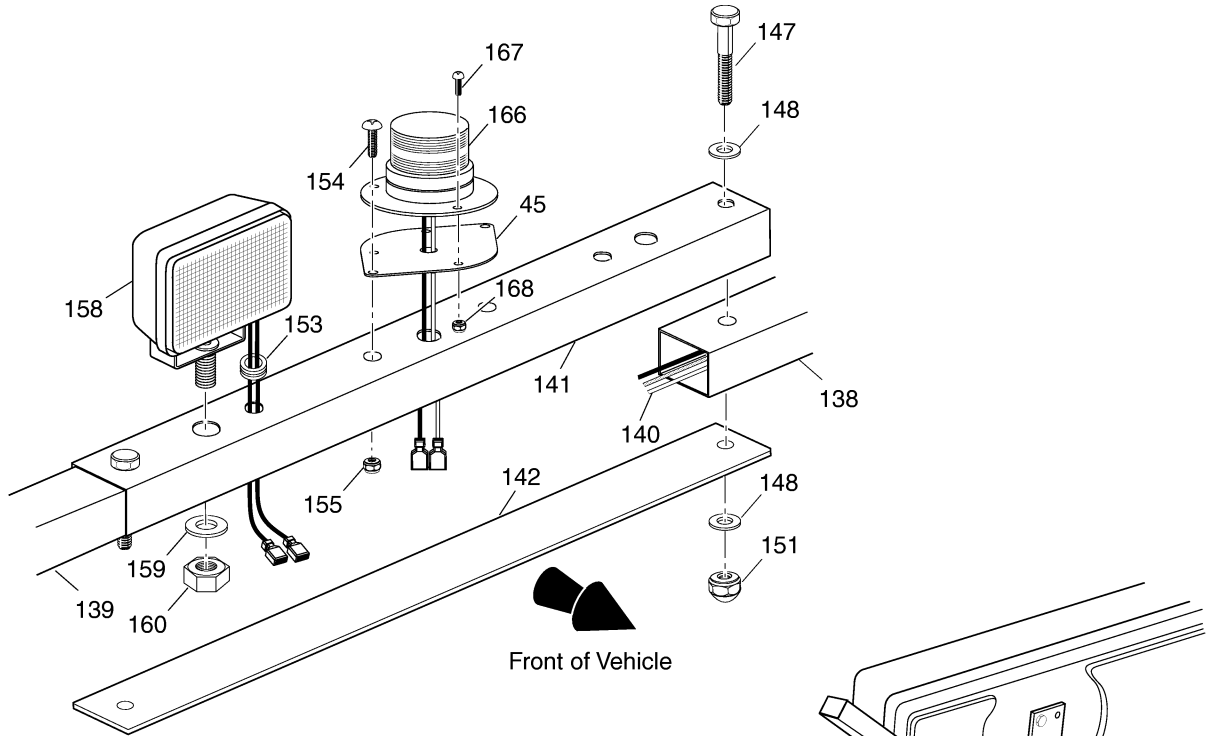


TURN SIGNAL INSTALLATION

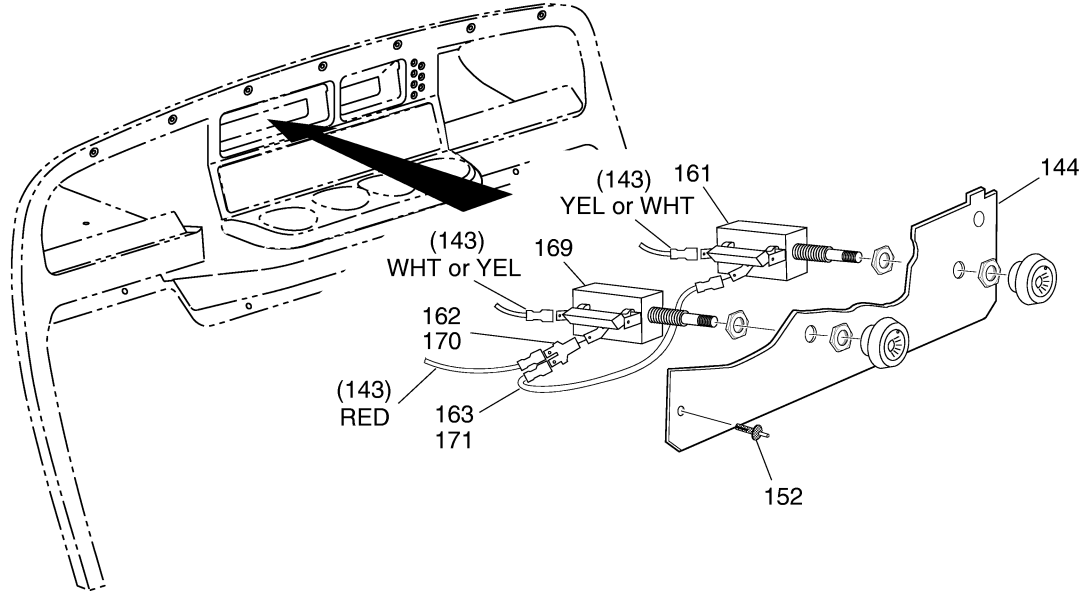


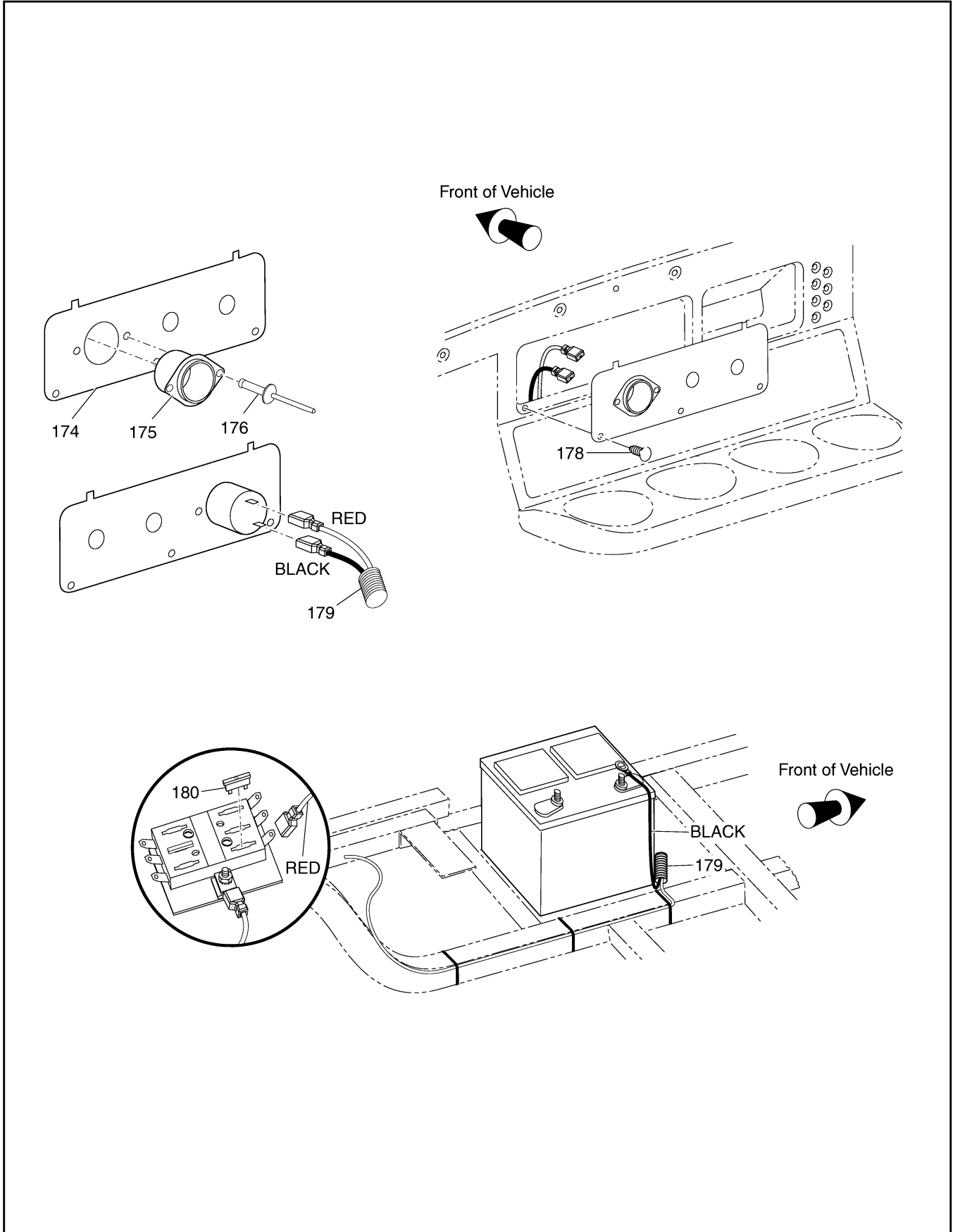


130 - Includes Items 131 - 135



WORK AND STROBE LIGHTS
 (VEHICLES WITHOUT CABS)
 137 - Includes Items 138 - 155, 157 and/or 165
 157 - Includes Items 158 - 163
 165 - Includes Items 166 - 171





When ordering parts, please specify the model and serial number of the product.
 * Indicates a component that is not available as an individual part.
 G** Indicates consult Customer Service Department for additional information.

ITEM	PART NO.	1 2 3 4 5	DESCRIPTION	QTY.
1	26651-G02		IGNITION PICKUP ASSEMBLY (INCLUDES ITEM 2).....	1
2	26707-G01		BOLT AND WASHER ASSEMBLY, M5 X .8 X 10 MM LG.	1
3				
4	26676-G01		SCREW, M6 X 1 X 23 MM LG.	1
5	26652-G01		IGNITION COIL ASSEMBLY (INCLUDES ITEMS 6 - 10).....	1
6	*		IGNITION COIL	1
7	*		SPACER	1
8	*		LOCK WASHER	1
9	*		NUT	1
10	*		SCREW	1
11				
12	13632-G1		NUT, M6 X 1.....	2
13	XXXXX-XX		SEE STARTER / GENERATOR	X
14	25887-G01		6 GA WIRE (BLACK 6", F1 - A2)	1
15	25682-G1		TERMINAL COVER	3
16	00438-G6		SCREW, 5/16 - 18 X 3/4" LG.	2
17	27044-G03		GROUND CABLE	1
18	25976-G19		14 GA WIRE (BLACK 6")	1
19	00715-G2		SCREW, 5/16 - 18 X 13/16" LG.	2
20	11027-G1		LOCK NUT, 5/16 - 18	2
21	73041-G01		WIRE HARNESS (KEY SWITCH).....	1
22	70595-G01		WIRE HARNESS (CONTROL)	1
23	73049-G01		COVER	1
24	16469-G7		WASHER, 1/4"	1
25	00114-G6		SCREW, 1/4 - 14 X 3/4" LG	1
26				
27	00962-G1		SCREW, 5/16 - 18 X 1 1/4" LG.	2
28	00993-G01		LOCK WASHER, 5/16" (SILICON BRONZE).....	2
29	00994-G01		NUT, 5/16 - 18 (SILICON BRONZE)	2
30	24775-G1		BATTERY, 12 VOLT	1



When ordering parts, please specify the model and serial number of the product.
 * Indicates a component that is not available as an individual part.
 G** Indicates consult Customer Service Department for additional information.

ITEM	PART NO.	1 2 3 4 5	DESCRIPTION	QTY.
31	00438-G6		BOLT, 5/16 - 18 X 3/4" LG.	1
32	00565-G8		LOCK WASHER, 5/16"	1
33	00571-G2		WASHER, 5/16"	1
34	72101-G01		BATTERY HOLD DOWN.....	1
35	70245-G01		BATTERY TRAY	1
36	25972-G85		6 GA WIRE (BLACK 23", F2 - SOL).....	1
37				
38	17618-G1		WIRE TIE	A/R
39				
40				
41	73059-G01		ELECTRICAL PLATE ASSEMBLY (INCLUDES ITEMS 42 - 67)	1
42	73057-G01		BRACKET	1
43	27739-G01		VOLTAGE REGULATOR	1
44	00415-G2		SCREW, 1/4 - 20 X 1 1/4" LG.	1
45	11027-G2		LOCK NUT, 1/4 - 20.....	1
46				
47	27746-G01		IGNITOR	1
48	00414-G8		SCREW, 1/4 - 20 X 1" LG.	1
49	00414-G5		SCREW, 1/4 - 20 X 5/8" LG.	1
50				
51	27153-G01		SOLENOID	1
52	00414-G5		SCREW, 1/4 - 20 X 5/8" LG.	1
53	11027-G2		LOCK NUT, 1/4 - 20.....	4
54				
55	12914-G2		FASTON TAB.....	2
56	00650-G7		WASHER, 1/4"	1
57	00565-G7		LOCK WASHER, 1/4"	1
58	00532-G1		NUT, 1/4 - 20.....	1
59				
60	12914-G1		FASTON TAB.....	2



When ordering parts, please specify the model and serial number of the product.
 * Indicates a component that is not available as an individual part.
 G** Indicates consult Customer Service Department for additional information.

ITEM	PART NO.	1	2	3	4	5	DESCRIPTION	QTY.
61	00565-G5						LOCK WASHER, #10	2
62	00526-G4						NUT, #10 - 32.....	2
63	25978-G56						18 GA WIRE (BLACK 5 3/4").....	1
64	22585-G3						IN-LINE FUSE HOLDER	1
65	00565-G8						LOCK WASHER, 5/16"	2
66	00544-G4						NUT, 5/16 - 24.....	2
67	25972-G33						6 GA WIRE (BLACK 24", B+ - SOL).....	1
68								
69								
70	22674-G1						FUSE BLOCK	1
71	71010-G01						RIVET, 5/32" X 3/8" LG.	2
72	18392-G1						15 AMP FUSE.....	3
73								
74	17318-G2						HORN SWITCH CAP AND NUT	1
75	19233-G1						HORN SWITCH LABEL	1
76	71053-G01						RIVET, 11/16" X 11/16" LG (STAINLESS STEEL)	2
77	17318-G1						HORN SWITCH	1
78	27068-G01						HORN SWITCH BOOT	1
79								
80								
81	32860-G1						HORN.....	1
82	00414-G5						BOLT, 1/4 - 20 x 5/8" LG.	1
83	00559-G7						WASHER, 5/16"	1
84	00891-G2						LOCK NUT, 1/4 - 20	1
85								
86	74236-G01						LIGHT BRACKET (PASSENGER SIDE).....	1
87	74236-G02						LIGHT BRACKET (DRIVER SIDE)	1
88	01038-G01						SCREW, 1/4-20 X 1/2" LG.	2
89	00414-G6						BOLT, 1/4 - 20 X 3/4" LG.....	2
90	11027-G2						LOCK NUT, 1/4 - 20	2



When ordering parts, please specify the model and serial number of the product.

* Indicates a component that is not available as an individual part.

G** Indicates consult Customer Service Department for additional information.

ITEM	PART NO.	1 2 3 4 5	DESCRIPTION	QTY.
91	01038-G01		SCREW, 1/4 - 14 X 3/4" LG.....	2
92	74001-G01		HEADLIGHT AND TURN SIGNAL LIGHT	1
93	00114-G6		SCREW, 1/4 - 14 X 3/4" LG.....	4
94	74004-G01		HEADLIGHT BULB	AR
95	74005-G01		MARKER LIGHT BULB	AR
96	74006-G01		TURN SIGNAL BULB.....	AR
97				
98	32739-G2		TAILLIGHT ASSEMBLY (COMPLETE)	1
99				
100	73030-G01		PLATE (IGNITION SWITCH ONLY)	1
101	73030-G03		PLATE (IGNITION SWITCH AND INDICATOR LIGHTS).....	1
102	71127-G01		DECAL (IGNITION SWITCH, LOW OIL LIGHT AND FUEL GAUGE) WITH- OUT HEADLIGHTS.....	1
103	33623-G02		RIVET, 3/16" X 3/8" LG	2
104	71125-G01		DECAL (SWITCH AND INDICATOR LIGHTS) WITHOUT HEADLIGHTS	1
105	33639-G01		IGNITION SWITCH (WITH LIGHTS).....	1
106	00568-G6		LOCK WASHER, 3/4".....	1
107	17137-G1		FACE NUT, 3/4 - 20.....	1
108	17063-G1		IGNITION KEY (SET).....	1
109	17955-G1		IGNITION SWITCH (WITHOUT LIGHTS)	1
110				
111	21553-G1		FUEL GAUGE	1
112	23474-G1		INDICATOR LIGHT	1
113				
114	25977-G27		16 GA WIRE (RED 6").....	1
115				
116	73030-G04		PLATE (IGNITION SWITCH, LOW OIL LIGHT AND FUEL GAUGE)	1
117	71131-G01		DECAL (SWITCH, LOW OIL LIGHT AND FUEL GAUGE) WITH HEADLIGHTS	1
118	18027-G1		IGNITION SWITCH (WITHOUT LIGHTS - INDIVIDUALLY KEYED)	1
119	71181-G01		DECAL (IGNITION SWITCH ONLY) WITH HEADLIGHTS	1

When ordering parts, please specify the model and serial number of the product.
 * Indicates a component that is not available as an individual part.
 G** Indicates consult Customer Service Department for additional information.

ITEM	PART NO.	1	2	3	4	5	DESCRIPTION	QTY.
120	72228-G01						HARNES (ACCESSORY).....	1
121	71181-G02						DECAL (IGNITION SWITCH ONLY) WITHOUT HEADLIGHTS	1
122	71183-G01						DECAL (IGNITION SWITCH AND INDICATOR LIGHTS) WITH HEADLIGHTS	1
123								
124	17867-G1						TURN SIGNAL (WITH MOUNTING HARDWARE) (INCLUDES ITEM 125).....	1
125	21640-G1						TURN SIGNAL FLASHER.....	1
126	32307-G3						FLEX LOOM, 3/8 X 8" LG.	1
127	17618-G1						WIRE TIE	2
128	20965-G3						STEERING COLUMN COVER	1
129								
130	75114-G02						HOUR METER KIT (INCLUDES ITEMS 131 - 135).....	1
131	21573-G1						HOUR METER ASSEMBLY	1
132	74019-G01						HOUR METER BRACKET.....	1
133	00150-G4						SCREW, #10 - 24 X 1/2" LG.....	2
134	11098-G7						LOCK NUT, #10- 24.....	2
135	75117-G01						WIRE HARNES (HOUR METER)	1
136								
137	71323-G**						WORK LIGHT BAR WITH LIGHTS AND/OR STROBE (INCLUDES ITEMS 138 - 155, 157 AND/OR 165)	1
138	71328-G01						STRUT (DRIVER SIDE)	1
139	71328-G02						STRUT (PASSENGER SIDE).....	1
140	75346-G01						WIRE HARNES (WORK LIGHT).....	1
141	71294-G01						BRACE	1
142	71293-G01						COVER PLATE	1
143	75430-G01						SWITCH HARNES	1
144	71077-G**						LIGHT SWITCH PLATE	1
145	33201-G02						STROBE LIGHT MOUNT (USED ONLY WITH STROBE LIGHT).....	1
146	75365-G02						HARDWARE KIT (INCLUDES ITEMS 147 - 155)	1
147	00685-G7						BOLT, 5/16 - 18 X 1 3/4" LG.....	6
148	00660-G8						WASHER, 5/16"	12



When ordering parts, please specify the model and serial number of the product.
 * Indicates a component that is not available as an individual part.
 G** Indicates consult Customer Service Department for additional information.

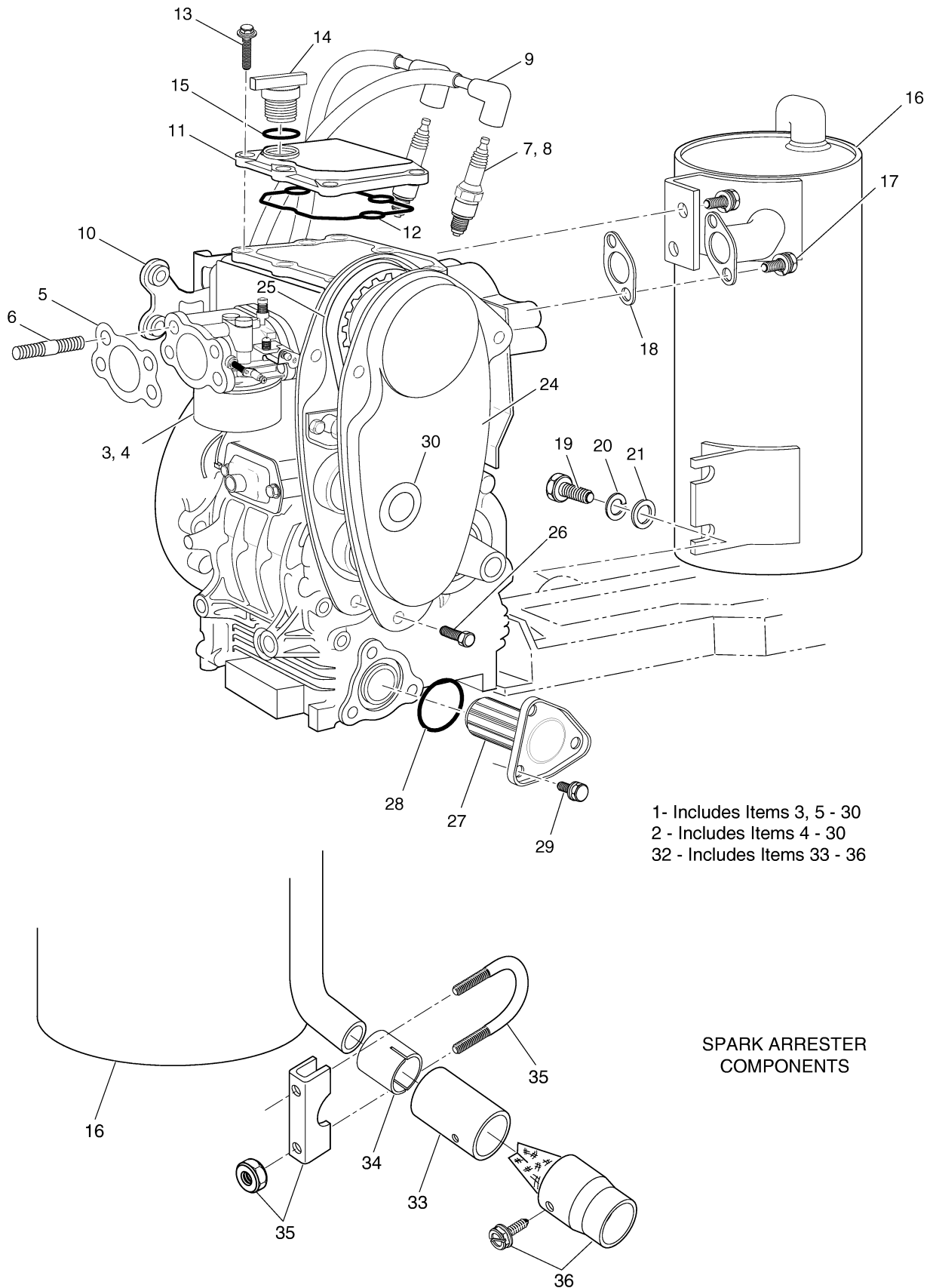
ITEM	PART NO.	1	2	3	4	5	DESCRIPTION	QTY.
149	15121-G1						WASHER, 3/8" X 1 1/4"	2
150	11098-G6						LOCK NUT, 5/16 - 18	4
151	00918-G3						ACORN NUT, 5/16 - 18	2
152	33623-G02						DRIVE RIVET, 3/16" X 3/8" LG.....	3
153	20367-G1						GROMMET	2
154	16705-G3						SCREW, 1/4 - 20 X 3/4" LG.....	2
155	14390-G4						LOCK NUT, 1/4 - 20	2
156								
157	20383-G2						WORK LIGHT KIT (INCLUDES ITEMS 158-163).....	1
158	20209-G2						WORK LIGHT (RECTANGULAR)	2
159	00566-G3						LOCK WASHER, 1/2"	2
160	00533-G1						NUT, 1/2 - 13	2
161	17317-G1						LIGHT SWITCH.....	1
162	17902-G1						TAB ADAPTER.....	1
163	20053-G1						16 GA WIRE (RED, 5 3/8" LG.).....	1
164								
165	20385-G2						STROBE LIGHT KIT (INCLUDES ITEMS 166 - 171)	1
166	20394-G1						STROBE LIGHT	1
167	00379-G4						SCREW, #10 - 24 x 1/2" LG	3
168	11098-G7						LOCK NUT, #10 - 24	3
169	17317-G1						LIGHT SWITCH.....	1
170	17902-G1						TAB ADAPTER.....	1
171	20053-G1						16 GA WIRE (RED, 5 3/8" LG.).....	1
172								
173	71080-G01						POWER OUTLET PLATE (INCLUDES ITEMS 174 - 176).....	1
174	71077-G01						CONSOLE PLATE	1
175	71078-G01						POWER OUTLET (12 VOLT).....	1
176	14601-G10						RIVET, 5/32" X 7/16" LG.....	2
177								
178	33623-G01						DRIVE RIVET, 5/32" X 5/16" LG	3



When ordering parts, please specify the model and serial number of the product.
 * Indicates a component that is not available as an individual part.
 G** Indicates consult Customer Service Department for additional information.

ITEM	PART NO.	1 2 3 4 5	DESCRIPTION	QTY.
179	71081-G01		HARNESSES.....	1
180	35212-G01		FUSE, 15 AMP.....	1
181	17618-G01		WIRE TIE.....	5
182				
183				
184	20209-G3		HEADLIGHT (800 LX) (RECTANGULAR) (INCLUDES ITEM 128).....	2
185	00906-G6		SCREW, #10 - 16 X 1" LG.....	2
186	74055-G01		JUMPER.....	2
187				
188	20570-G3		TURN SIGNAL LIGHT ASSEMBLY (800 LX) (INCLUDES ITEMS 132 - 137)....	2
189	20574-G3		TURN SIGNAL LIGHT.....	1
190	00660-G7		WASHER, 1/4".....	1
191	20606-G1		WIRE ASSEMBLY.....	1
192	00567-G7		LOCK WASHER, 1/4".....	1
193	00532-G1		NUT, 1/4 - 20.....	1
194	18995-G1		PUSH-ON MALE TERMINAL.....	1
195	20574-G5		LENS, AMBER.....	1
196	00118-G5		SCREW, #6 - 18 X 5/8" LG.....	2
197	74056-G01		JUMPER, RED/BLACK (PASSENGER SIDE).....	1
198	74056-G02		JUMPER, GREEN/BLACK (DRIVER SIDE).....	1





When ordering parts, please specify the model and serial number of the product.
 * Indicates a component that is not available as an individual part.
 G** Indicates consult Customer Service Department for additional information.

ITEM	PART NO.	1 2 3 4 5	DESCRIPTION	QTY.
1	25660-G4		ENGINE, 295cc (INCLUDES ITEMS 3, 5 - 30)	1
2	XXXXX-XX		CARBURETOR (SEE CARBURETOR SECTION)	X
3	XXXXX-XX		CARBURETOR (3000 FT - 6000 FT) (SEE CARBURETOR SECTION)	X
4	XXXXX-XX		CARBURETOR (6000 FT -10000 FT) (SEE CARBURETOR SECTION) ...	X
5	26727-G01		CARBURETOR / AIR BOX GASKET	1
6	26667-G01		STUD	2
7	25523-G3		SPARK PLUG (NGK BPR4ES - RESISTOR)	A/R
8				
9	26733-G01		SPARK PLUG WIRE SET (2 WITH BOOTS)	1
10	26657-G01		IGNITION COIL BRACKET	1
11	26600-G01		VALVE COVER.....	1
12	26719-G01		VALVE COVER GASKET	1
13	26676-G01		FLANGED BOLT, M6 X 1 X 23 MM LG.	6
14	26601-G01		OIL FILLER CAP	1
15	26720-G01		FILLER CAP 'O' RING.....	1
16	72019-G01		MUFFLER.....	1
17	25532-G1		BOLT AND WASHER, M8 X 1.25 X 18 MM LG.....	4
18	25531-G1		EXHAUST GASKET	1
19	00438-G8		BOLT, 5/16 - 18 X 1" LG.	1
20	00565-G8		LOCK WASHER, 5/16"	1
21	00642-G8		WASHER, 5/16"	1
22				
23				
24	26630-G01		TIMING BELT COVER.....	1
25	26626-G01		TIMING BELT	1
26	26678-G01		BOLT, M6 X 1 X 12 MM LG.	3
27	26591-G01		OIL FILTER.....	1
28	26710-G01		OIL FILTER "O" RING.....	1
29	26680-G01		BOLT AND WASHER, M6 X 1 X 12 MM LG.....	3
30	26631-G01		TIMING BELT COVER GROMMET	1



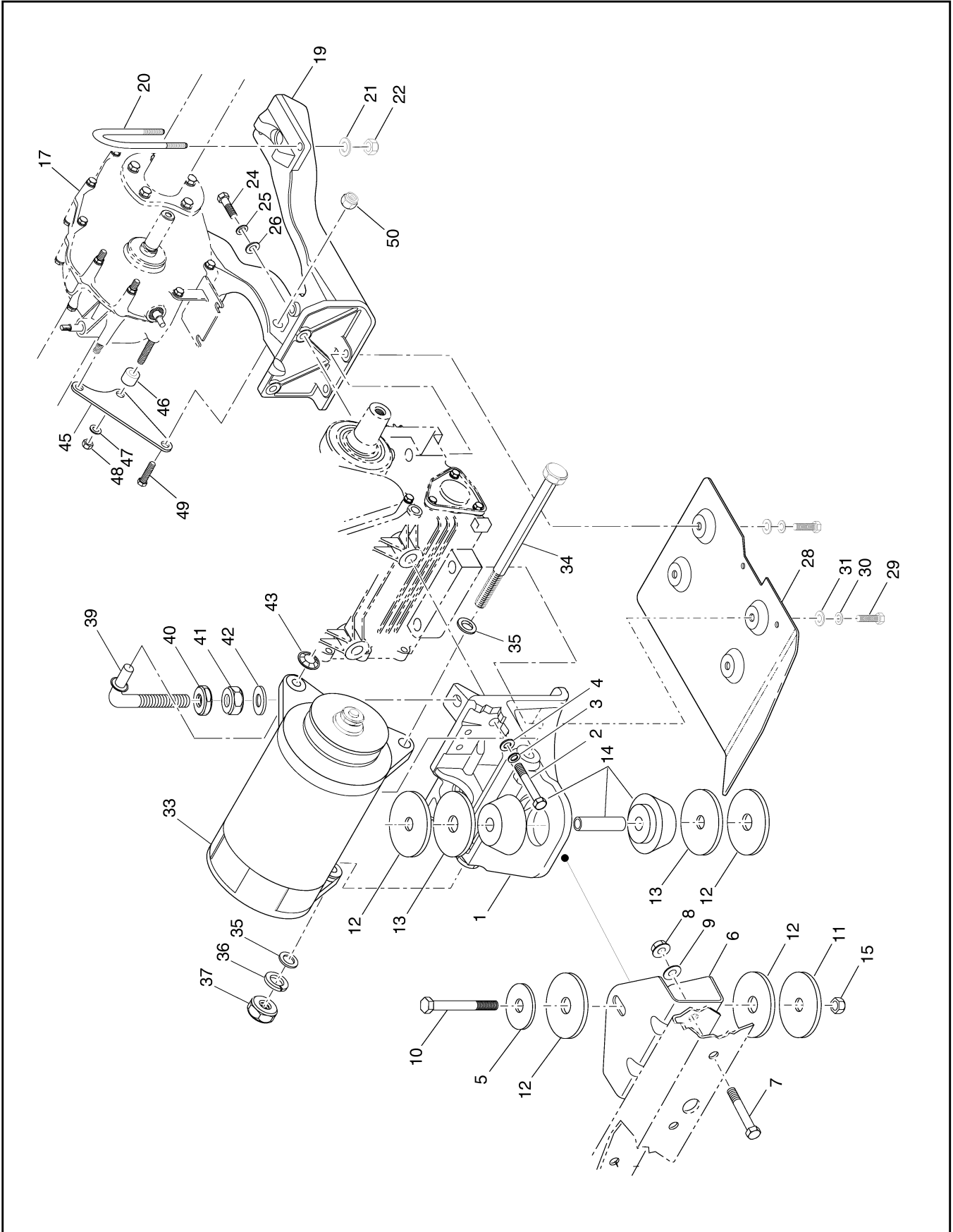
ENGINE AND MUFFLER

Gasoline Vehicle

When ordering parts, please specify the model and serial number of the product.
 * Indicates a component that is not available as an individual part.
 G** Indicates consult Customer Service Department for additional information.

ITEM	PART NO.	1 2 3 4 5	DESCRIPTION	QTY.
31				
32	25747-G01		SPARK ARRESTER (INCLUDES ITEMS 33 - 36)	1
33	25746-G01		ADAPTER TUBE	1
34	25388-G1		SLEEVE	1
35	25405-G1		TUBE CLAMP	1
36	25406-G1		SPARK ARRESTER	1





When ordering parts, please specify the model and serial number of the product.

* Indicates a component that is not available as an individual part.

G** Indicates consult Customer Service Department for additional information.

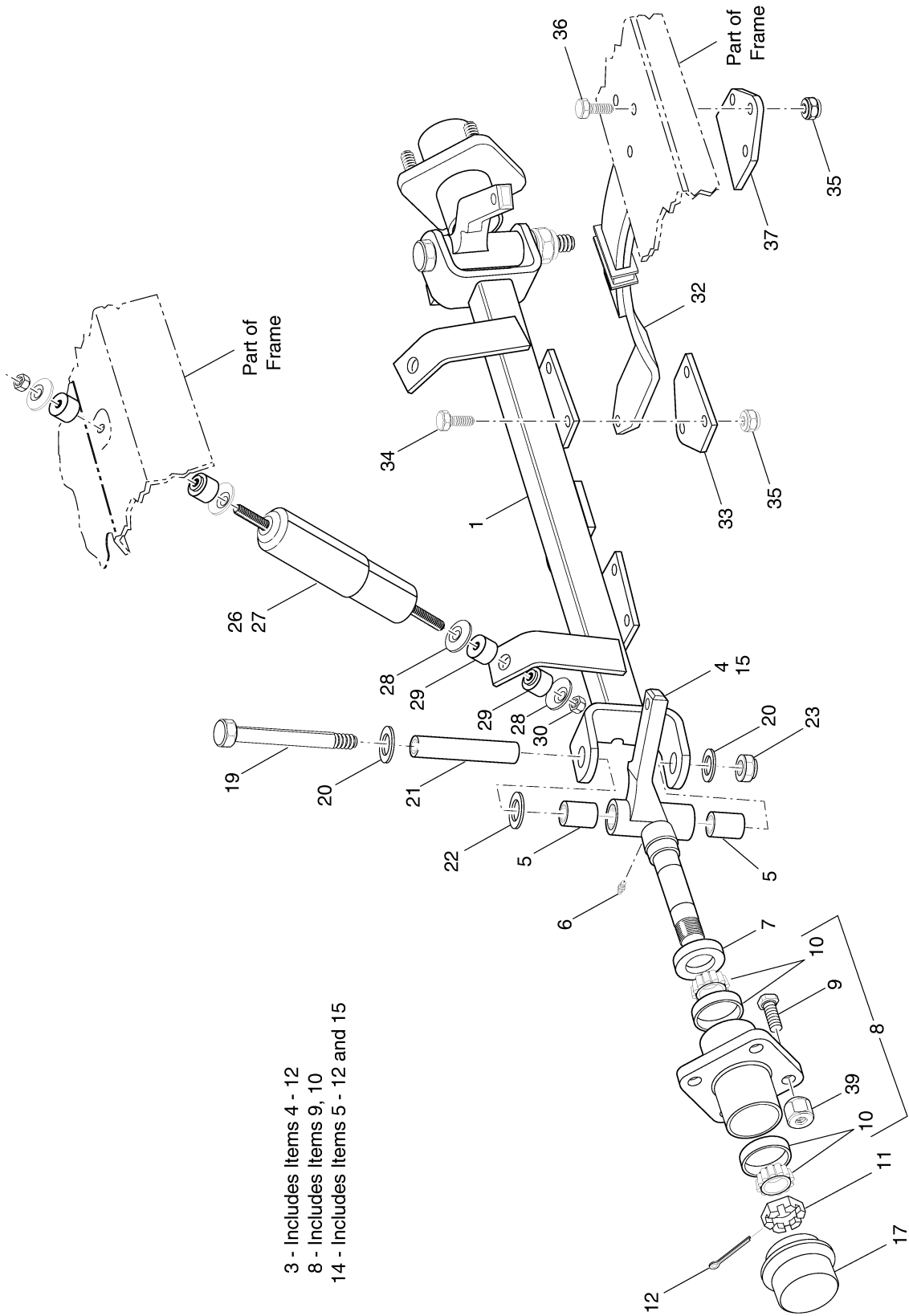
ITEM	PART NO.	1 2 3 4 5	DESCRIPTION	QTY.
1	72010-G01		FRONT ENGINE MOUNT	1
2	00463-G4		BOLT, 7/16 - 14 X 1 1/2" LG.....	2
3	00566-G2		LOCK WASHER, 7/16"	2
4	00922-G3		WASHER, 7/16"	2
5	15121-G1		WASHER, 1 1/4" X 3/8".....	1
6	72044-G01		MOUNT BRACKET	1
7	00428-G6		BOLT, 3/8 - 16 X 2 3/4" LG.....	2
8	11098-G5		LOCK NUT, 3/8 - 16	2
9	00643-G1		WASHER, 3/8"	2
10	00430-G4		BOLT, 3/8 - 16 X 4 1/2" LG.....	1
11	72051-G02		WASHER, 2 1/2" X 11/32"	1
12	72050-G01		PLASTIC WASHER, 2 1/2" x 5/8"	4
13	72051-G01		WASHER, 2 1/2" X 5/8".....	2
14	72015-G01		ISOLATION MOUNT	1
15	11098-G5		LOCK NUT, 3/8 - 16	1
16				
17	XXXXX-XX		SEE REAR AXLE.....	X
18				
19	72011-G01		REAR ENGINE MOUNT	1
20	72035-G01		"U" BOLT, 7/16 - 14	2
21	00922-G3		WASHER, 7/16"	4
22	00734-G1		LOCK NUT, 7/16 - 14	4
23				
24	00463-G4		BOLT, 7/16 - 14 X 1 1/2" LG.....	2
25	00566-G2		LOCK WASHER, 7/16"	2
26	00922-G3		WASHER, 7/16"	2
27				
28	27432-G02		ENGINE GUARD	1
29	00463-G4		BOLT, 7/16 - 14 X 1 1/2" LG.....	4
30	00566-G2		LOCK WASHER, 7/16"	4

When ordering parts, please specify the model and serial number of the product.

* Indicates a component that is not available as an individual part.

G** Indicates consult Customer Service Department for additional information.

ITEM	PART NO.	1 2 3 4 5	DESCRIPTION	QTY.
31	00922-G3		WASHER, 7/16"	4
32				
33	XXXXX-XX		SEE STARTER / GENERATOR SECTION	1
34	00938-G4		BOLT, 1/2 - 13 X 8" LG.	1
35	00560-G3		WASHER, 1/2"	2
36	00566-G3		LOCK WASHER, 1/2"	1
37	00533-G1		NUT, 1/2 - 13	1
38				
39	72045-G01		STARTER / GENERATOR ADJUSTER.....	1
40	00544-G5		JAM NUT, 3/8 - 16	1
41	00532-G5		NUT, 3/8 - 16	1
42	00560-G1		WASHER, 3/8"	1
43	12064-G1		PUSH NUT, 5/16"	1
44				
45	72017-G01		AXLE BRACKET	1
46	75048-G01		SPACER	1
47	26826-G01		LOCK WASHER, M8	2
48	26827-G01		NUT, M8 X 1.25 MM	2
49	00439-G1		BOLT, 5/16 - 18 X 1 1/8" LG.	1
50	11098-G6		LOCK NUT, 5/16 - 18	1



- 3 - Includes Items 4 - 12
- 8 - Includes Items 9, 10
- 14 - Includes Items 5 - 12 and 15



When ordering parts, please specify the model and serial number of the product.
 * Indicates a component that is not available as an individual part.
 G** Indicates consult Customer Service Department for additional information.

ITEM	PART NO.	1 2 3 4 5	DESCRIPTION	QTY.
1	70536-G01		FRONT AXLE.....	1
2				
3	70220-G01		SPINDLE ASSEMBLY (DRIVER SIDE) (INCLUDES ITEMS 4 - 12).....	1
4	*		SPINDLE (DRIVER SIDE).....	1
5	16623-G1		BEARING	2
6	10389-G3		GREASE FITTING, STRAIGHT	1
7	25146-G1		GREASE SEAL	1
8	19932-G1		WHEEL HUB ASSEMBLY (INCLUDES ITEMS 9, 10)	1
9	19862-G1		LUG BOLT, 1/2 - 20 X 1 7/32" LG.....	4
10	50892-G1		BEARING AND RACE ASSEMBLY (COMPLETE)	2
11	12093-G1		SLOTTED NUT, 1 - 14.....	1
12	00798-G8		COTTER PIN, 5/32" X 1 3/4" LG.....	1
13				
14	70221-G01		SPINDLE ASSEMBLY (PASSENGER SIDE) (INCLUDES ITEMS 5 - 12, 15) ...	1
15	*		SPINDLE (PASSENGER SIDE)	1
16				
17	12091-G2		SPINDLE CAP	2
18				
19	01040-G01		KING PIN, 1/2 - 13 X 5" LG.....	2
20	00571-G5		WASHER, 1/2"	4
21	70328-G01		KING PIN TUBE.....	2
22	16982-G1		THRUST WASHER, 7/8".....	2
23	14390-G6		LOCK NUT, 1/2 - 13	2
24				
25				
26	70324-G01		SHOCK ABSORBER	2
27	70630-G01		SHOCK ABSORBER (LX).....	2
28	10435-G1		SHOCK ABSORBER WASHER.....	8
29	10194-G1		RUBBER SHOCK ABSORBER BUSHING	8
30	00532-G6		NUT, 3/8 - 24	4



FRONT SUSPENSION

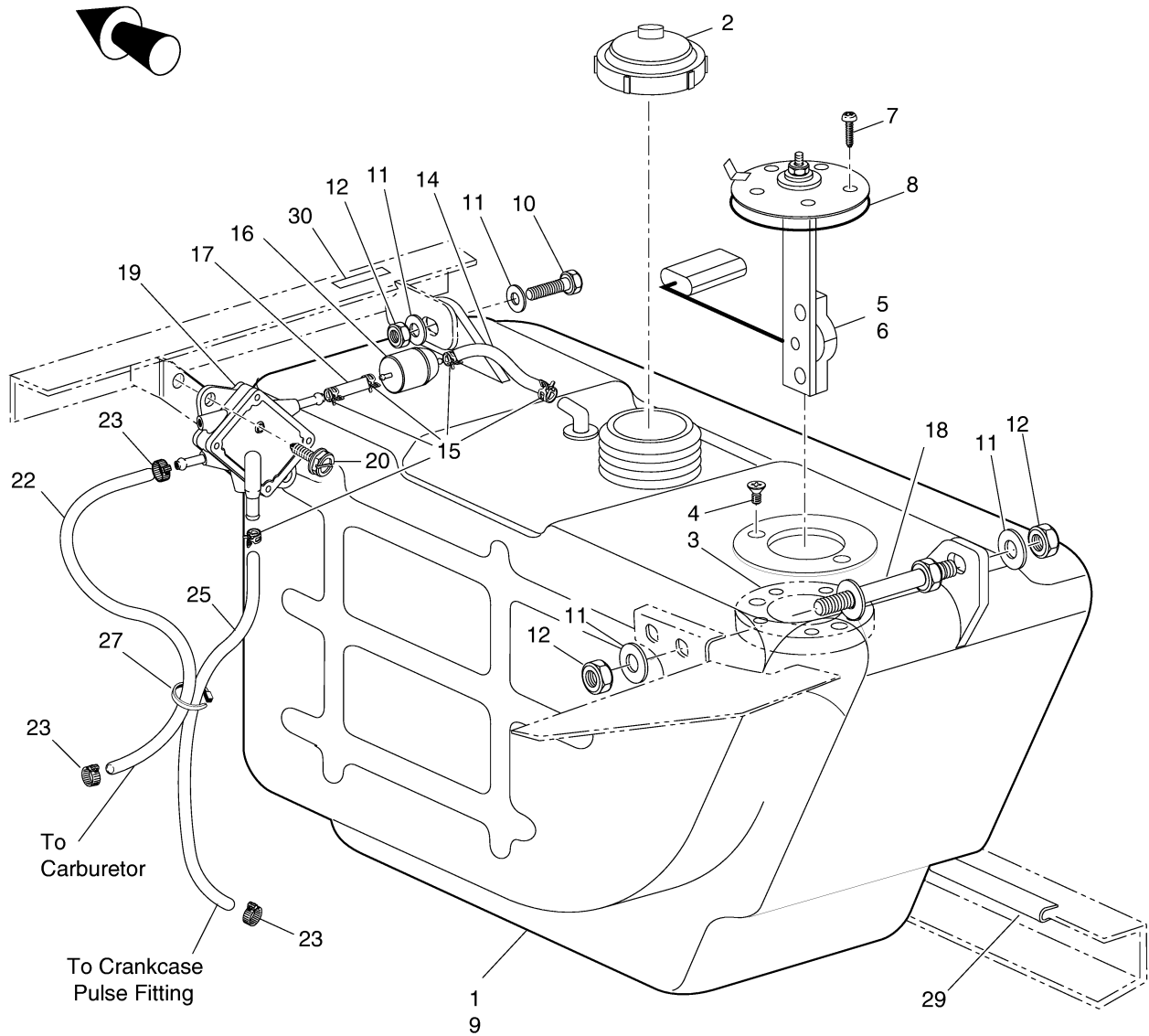
Gasoline Vehicle

When ordering parts, please specify the model and serial number of the product.
 * Indicates a component that is not available as an individual part.
 G** Indicates consult Customer Service Department for additional information.

ITEM	PART NO.	1 2 3 4 5	DESCRIPTION	QTY.
31				
32	70422-G01		LEAF SPRING (HEAVY DUTY)	2
33	70540-G02		SPRING PLATE	2
34	00463-G4		BOLT, 7/16 - 14 X 1 1/2" LG.	6
35	00734-G1		LOCK NUT, 7/16 - 14	12
36	00463-G6		BOLT, 7/16 - 14 X 1 3/4" LG.	6
37	70163-G02		SPRING PLATE	2
38				
39	14723-G1		LUG NUT, 1/2 - 20.....	8



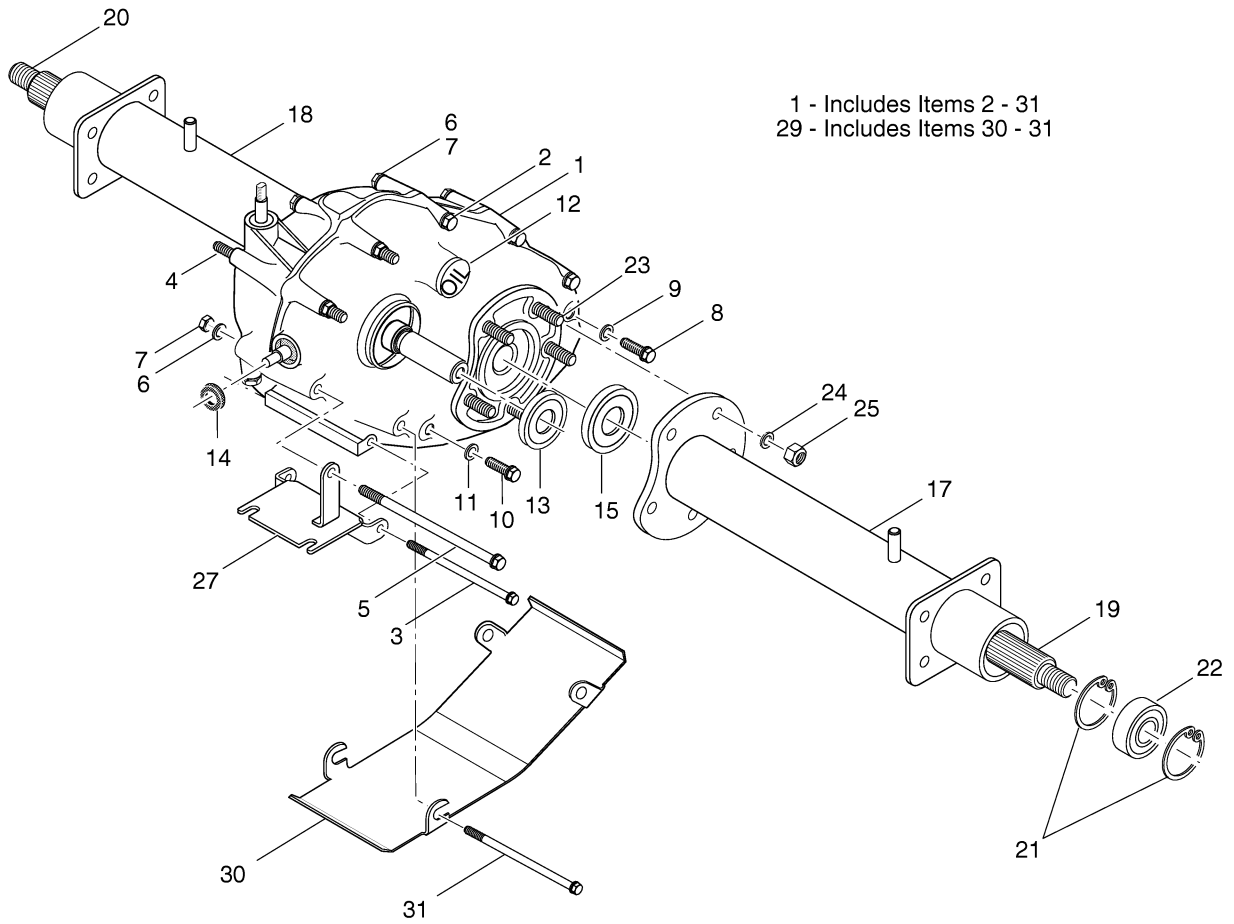
Front of Vehicle



When ordering parts, please specify the model and serial number of the product.
 * Indicates a component that is not available as an individual part.
 G** Indicates consult Customer Service Department for additional information.

ITEM	PART NO.	1 2 3 4 5	DESCRIPTION	QTY.
1	72092-G02		FUEL TANK (WITH FUEL LEVEL SENDER).....	1
2	72282-G01		FUEL TANK CAP	1
3	72229-G01		FUEL LEVEL SENDER ADAPTER.....	1
4	72230-G01		SCREW, #6 - 32 X 1/2" LG.	2
5	20048-G2		FUEL GAUGE SENDER (INCLUDES ITEMS 7 AND 8).....	1
6	20048-G4		LOW FUEL SENDER (INCLUDES ITEMS 7 AND 8).....	1
7	72232-G01		SCREW, #10 - 32 x 3/4" LG	5
8	*		GASKET	1
9	72092-G01		FUEL TANK (STANDARD).....	1
10	00438-G8		BOLT, 5/16 - 18 X 1" LG.....	2
11	00559-G8		WASHER, 5/16"	4
12	11098-G6		LOCK NUT, 5/16 - 18	3
13				
14	19702-G8		TUBING, 3 1/4" LG. (BULK).....	A/R
15	18292-G1		CLAMP	5
16	72084-G01		FUEL FILTER.....	1
17	19702-G8		TUBING, 3 1/4" LG. (BULK).....	A/R
18	70483-G01		SPACER.....	1
19	72021-G01		FUEL PUMP.....	1
20	00114-G6		SCREW, 1/4 - 14 X 3/4" LG	2
21				
22	25346-G3		TUBING, 16" LG. (BULK)	A/R
23	11391-G4		HOSE CLAMP.....	3
24				
25	27183-G01		PULSE TUBING, 16" LG. (BULK).....	A/R
26				
27	17618-G1		WIRE TIE	1
28				
29	32372-G6		VINYL TRIM, 6 1/4" LG. (BULK)	A/R
30	26459-G01		LABEL (UNLEADED GASOLINE ONLY)	1

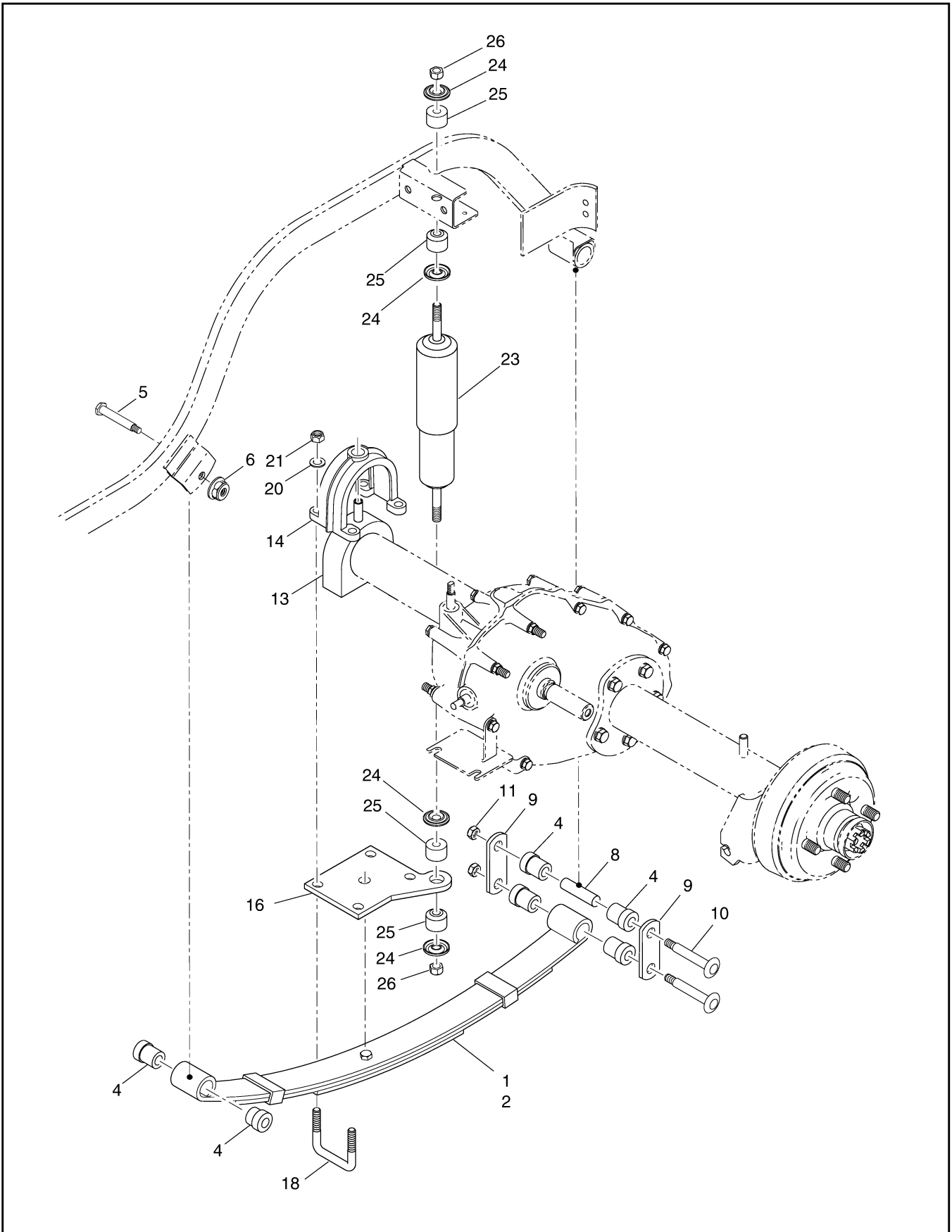




When ordering parts, please specify the model and serial number of the product.
 * Indicates a component that is not available as an individual part.
 G** Indicates consult Customer Service Department for additional information.

ITEM	PART NO.	1 2 3 4 5	DESCRIPTION	QTY.
1	72031-G01		REAR AXLE (INCLUDES ITEMS 2 - 31)	1
2	26823-G01		FLANGED BOLT, M8 X 1.25 X 100 MM LG.	7
3	26824-G01		FLANGED BOLT, M8 X 1.25 X 110 MM LG.....	1
4	72053-G01		BOLT, M8 X 1.25 X 120 MM LG.	1
5	72052-G01		FLANGED BOLT, M8 X 1.25 X 130 MM LG.	1
6	26826-G01		LOCK WASHER, M 8	14
7	26827-G01		NUT, M8 X 1.25 MM	14
8	26768-G01		OIL CHECK PLUG.....	1
9	26769-G01		GASKET, 8 MM.....	1
10	26770-G01		OIL DRAIN PLUG	1
11	26771-G01		GASKET, 14 MM.....	1
12	26772-G01		OIL FILLER PLUG	1
13	26761-G01		INPUT SHAFT SEAL	1
14	26762-G01		SHIFTER SHAFT SEAL	1
15	26766-G01		AXLE SHAFT SEAL.....	2
16				
17	72058-G01		AXLE TUBE (DRIVER SIDE).....	1
18	72059-G01		AXLE TUBE (PASSENGER SIDE)	1
19	72056-G01		AXLE SHAFT (DRIVER SIDE).....	1
20	72057-G01		AXLE SHAFT (PASSENGER SIDE)	1
21	26814-G01		RETAINING RING	4
22	26811-G01		BALL BEARING.....	2
23	26767-G01		STUD, M10 X 1.5 X 40 MM LG.	10
24	26828-G01		WASHER, 10 MM	10
25	26829-G01		NUT, 10 MM X 1.5 MM	10
26				
27	26815-G01		SHIFTER CABLE BRACKET	1
28				
29	72347-G01		DIFFERENTIAL GUARD KIT (INCLUDES ITEMS 30 - 31).....	1
30	72349-G01		DIFFERENTIAL GUARD.....	1
31	72053-G01		BOLT, M8 X 1.25 X 120 MM LG.....	2



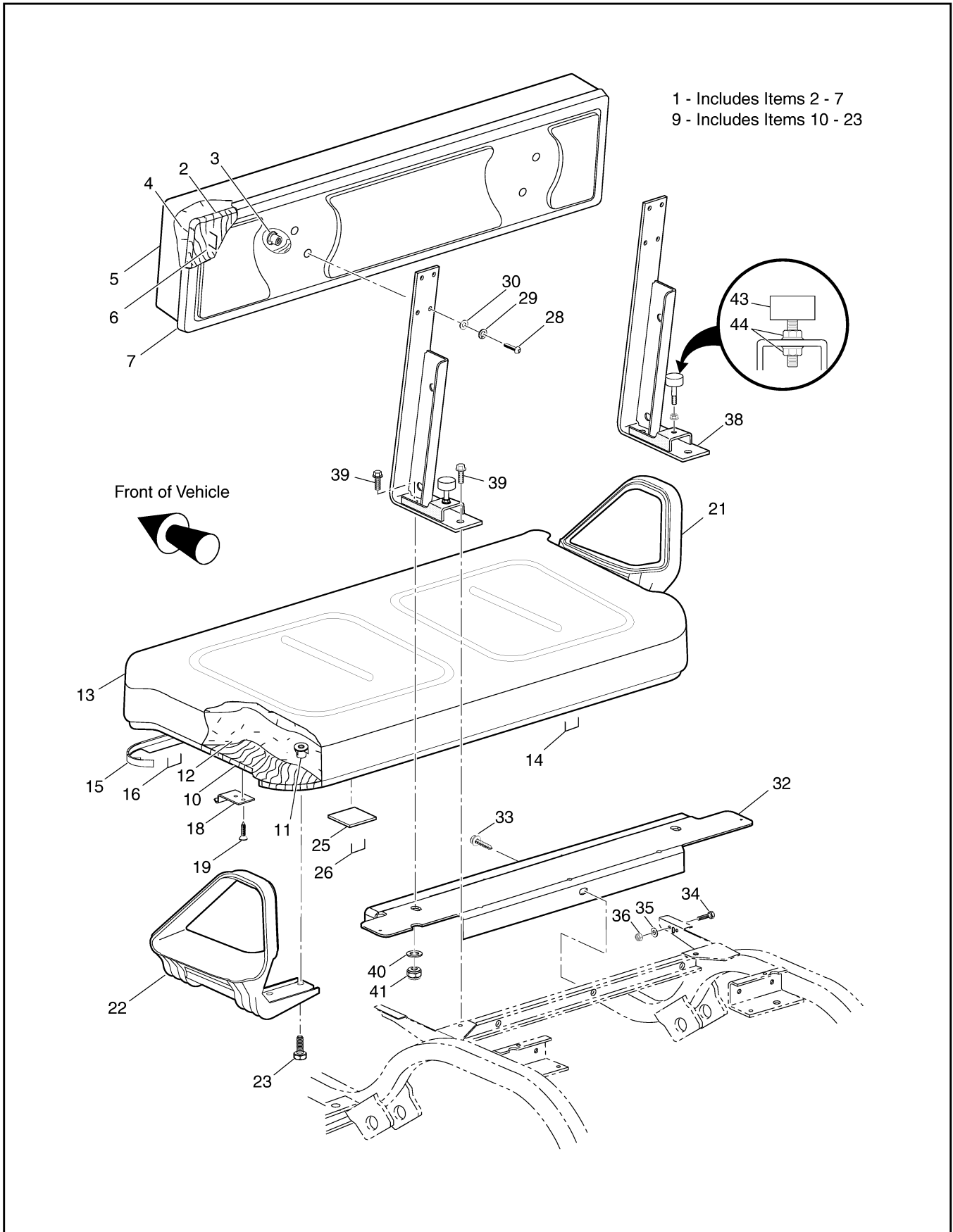


When ordering parts, please specify the model and serial number of the product.

* Indicates a component that is not available as an individual part.

G** Indicates consult Customer Service Department for additional information.

ITEM	PART NO.	1 2 3 4 5	DESCRIPTION	QTY.
1	70474-G01		LEAF SPRING SET (WORKHORSE® 800).....	1
2	74207-G01		LEAF SPRING SET (INDUSTRIAL 800 AND WORKHORSE® 800 LX).....	1
3				
4	70291-G01		RUBBER BUSHING (LEAF SPRING).....	12
5	14158-G1		SHOULDER BOLT, 3/8 - 3/16 x 3 1/4" LG.	2
6	12262-G1		LOCK NUT, 3/8 - 16	2
7				
8	70289-G02		SPACER.....	4
9	70290-G01		SHACKLE PLATE	4
10	00429-G4		BOLT, 3/8 - 16 X 3 1/2" LG.....	4
11	11098-G5		LOCK NUT, 3/8 - 16	4
12				
13	72117-G01		ISOMOUNT BUSHING	2
14	72037-G01		ISOMOUNT CAP	2
15				
16	72028-G01		ISOMOUNT BASE PLATE	2
17				
18	72618-G01		"U" BOLT, 3/8 - 16	4
19				
20	00560-G1		WASHER, 3/8"	8
21	11098-G5		LOCK NUT, 3/8 - 16	8
22				
23	70324-G01		SHOCK ABSORBER	2
24	10435-G1		WASHER (SHOCK ABSORBER)	8
25	10194-G1		RUBBER BUSHING (SHOCK ABSORBER).....	8
26	00532-G6		NUT, 3/8 - 24	4



When ordering parts, please specify the model and serial number of the product.
 * Indicates a component that is not available as an individual part.
 G** Indicates consult Customer Service Department for additional information.

ITEM	PART NO.	1 2 3 4 5	DESCRIPTION	QTY.
1	71274-G**		SEAT BACK ASSEMBLY (INCLUDES ITEMS 2 -7)	1
2	*		PLYWOOD SEAT BACK.....	1
3	*		TEE NUT, 1/4 - 20.....	4
4	*		FOAM	1
5	18144-G**		VINYL SEAT BACK COVER	1
6	*		FLAT STAPLES	A/R
7	18868-G4		PLASTIC SEAT BACK COVER (BLACK)	1
8				
9	71664-G**		SEAT BOTTOM ASSEMBLY (INCLUDES ITEMS 10 - 23).....	1
10	*		PLYWOOD BASE	1
11	*		TEE NUT, 1/4 - 20.....	16
12	*		FOAM	1
13	71602-G**		VINYL SEAT BOTTOM COVER	1
14	*		FLAT STAPLES	A/R
15	71012-G01		VINYL TRIM (SEAT BOTTOM).....	1
16	*		FLAT STAPLES	A/R
17				
18	71610-G01		SEAT HINGE	2
19	00720-G08		SCREW, #12 - 14 X 1" LG.....	6
20				
21	71701-G01		HIP RESTRAINT (PASSENGER SIDE)	1
22	71702-G01		HIP RESTRAINT (DRIVER SIDE)	1
23	71204-G01		BOLT, 1/4 - 20 X 7/8" LG.	8
24				
25	17074-G1		BUMPER.....	2
26	*		FLAT STAPLES.....	A/R
27				
28	16705-G1		SCREW, 1/4 - 20 X 1" LG	4
29	00565-G7		LOCK WASHER, 1/4"	4
30	00559-G7		WASHER, 1/4"	4

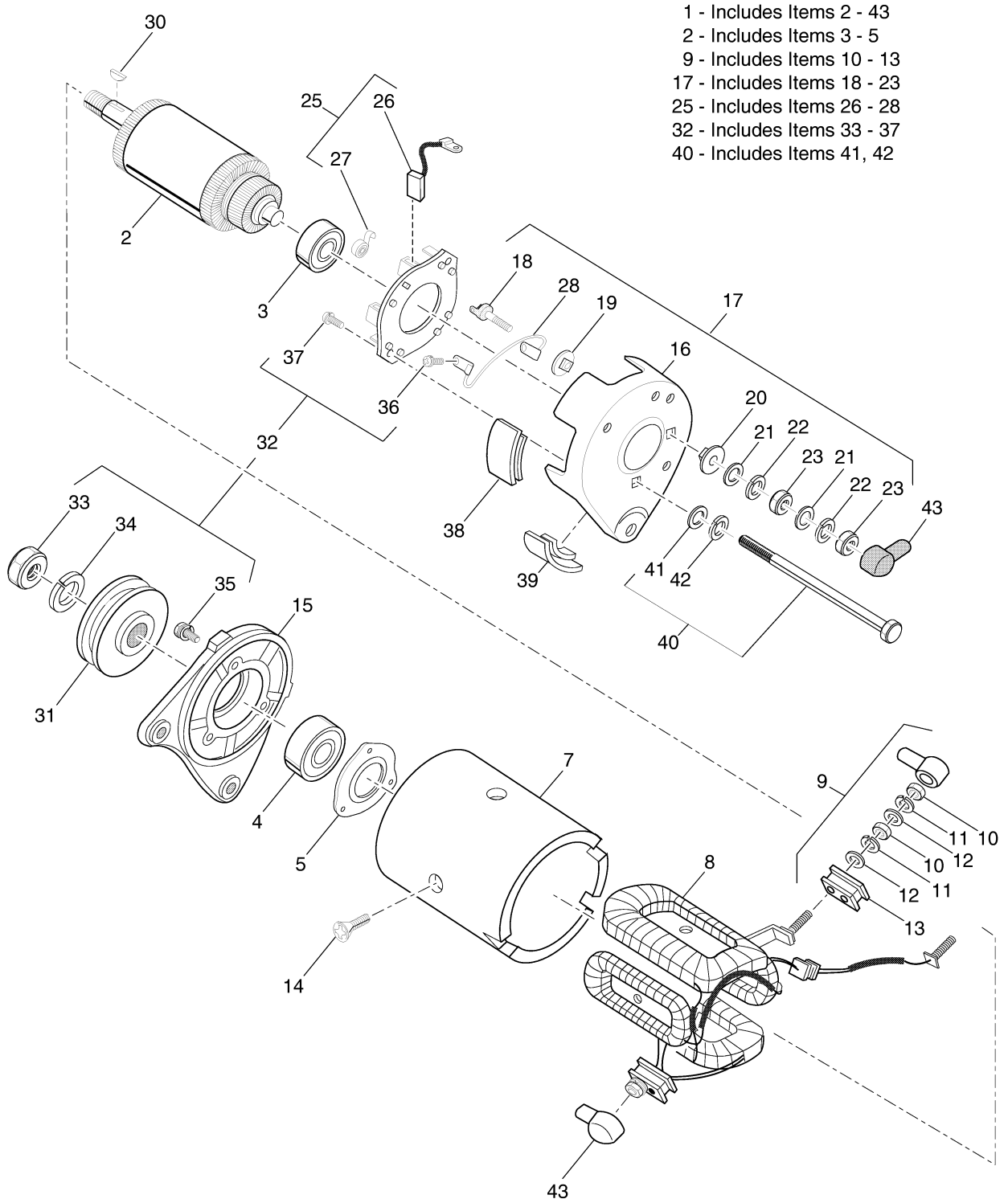


When ordering parts, please specify the model and serial number of the product.
 * Indicates a component that is not available as an individual part.
 G** Indicates consult Customer Service Department for additional information.

ITEM	PART NO.	1 2 3 4 5	DESCRIPTION	QTY.
31				
32	71262-G01		SEAT BACK SUPPORT	1
33	00715-G2		BOLT, 5/16 - 18 X 13/16" LG	1
34	00438-G6		BOLT, 5/16 - 18 X 3/4" LG	2
35	00642-G8		WASHER, 5/16"	2
36	11098-G6		LOCK NUT, 5/16 - 18	2
37				
38	71436-G01		SEAT BACK SUPPORT BRACKET	2
39	01006-G1		BOLT, 3/8 - 16 X 1 1/4" LG	4
40	00560-G1		WASHER, 3/8"	2
41	11098-G5		LOCK NUT, 3/8 - 16	2
42				
43	70113-G01		ADJUSTABLE BUMPER	2
44	11027-G1		LOCK NUT, 5/16 - 18	4







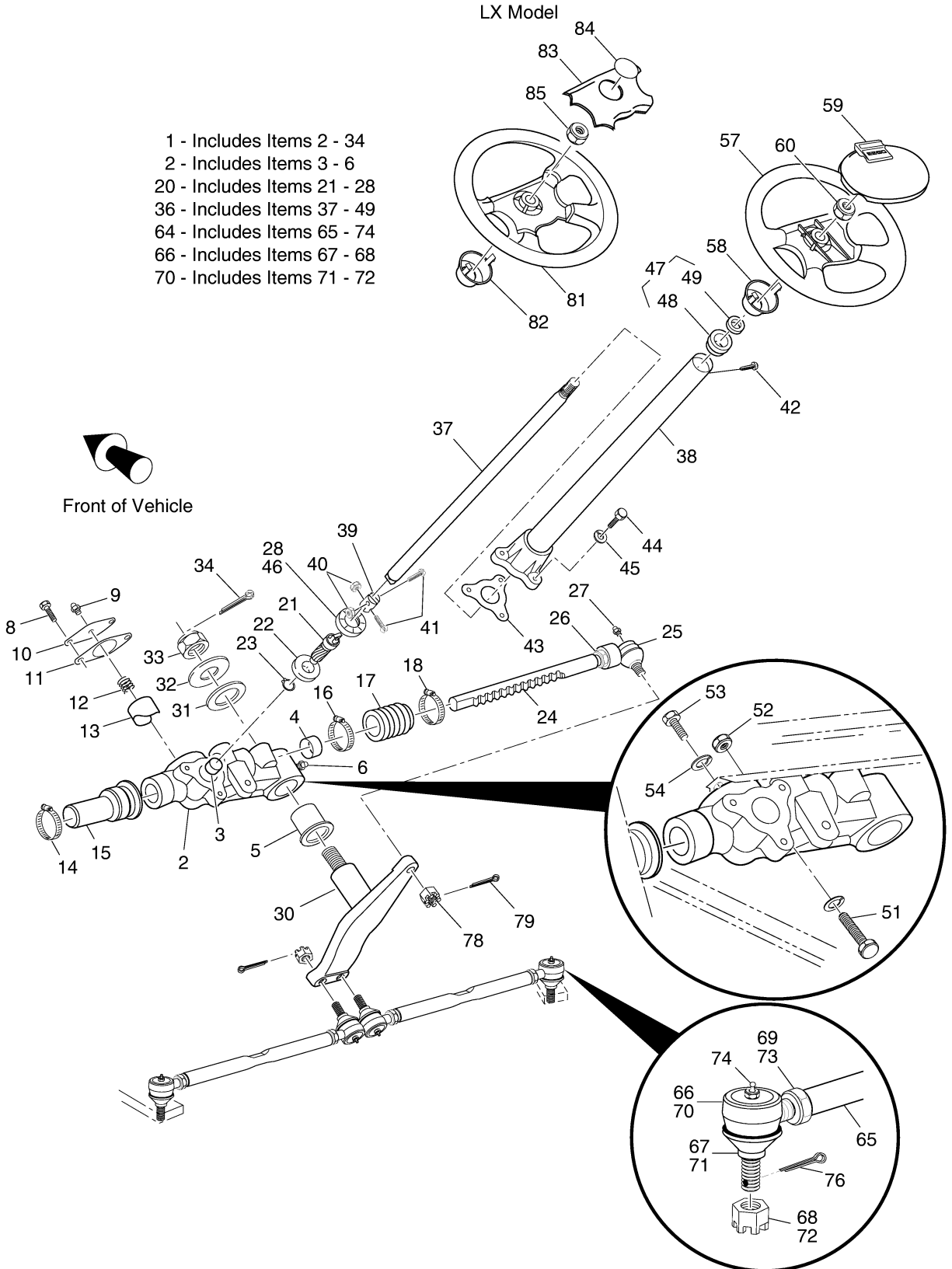
When ordering parts, please specify the model and serial number of the product.
 * Indicates a component that is not available as an individual part.
 G** Indicates consult Customer Service Department for additional information.

ITEM	PART NO.	1 2 3 4 5	DESCRIPTION	QTY.
1	27065-G01		STARTER / GENERATOR, COMPLETE (INCLUDES ITEMS 2 - 43).....	1
2	26870-G01		ARMATURE ASSEMBLY (INCLUDES ITEMS 3 - 5).....	1
3	26871-G01		REAR BALL BEARING	1
4	26872-G01		FRONT BALL BEARING.....	1
5	26873-G01		BEARING HOLDER	1
6				
7	26874-G01		FRAME & FIELD COIL ASSEMBLY (INCLUDES ITEM 8).....	1
8	26875-G01		FIELD COIL.....	1
9	26876-G01		INSULATING BRUSH ASSEMBLY ('F') (INCLUDES ITEMS 10 - 13).....	2
10	*		NUT	2
11	*		LOCK WASHER.....	2
12	*		WASHER.....	2
13	*		INSULATOR	1
14	26877-G01		POLE CORE SET SCREW	4
15	26878-G01		FRONT COVER.....	1
16	26879-G01		REAR COVER.....	1
17	26880-G01		TERMINAL ASSEMBLY ('A') (INCLUDES ITEMS 18 - 23).....	2
18	*		TERMINAL	2
19	*		INSULATOR	2
20	*		INSULATOR	2
21	*		WASHER.....	4
22	*		LOCK WASHER.....	4
23	*		NUT	4
24				
25	26881-G01		BRUSH HOLDER ASSEMBLY (INCLUDES ITEMS 26 - 28)	1
26	26658-G01		BRUSH.....	4
27	26882-G01		BRUSH SPRING.....	4
28	26883-G01		BRUSH CONNECTOR.....	2
29				
30	26884-G01		KEY.....	1



When ordering parts, please specify the model and serial number of the product.
 * Indicates a component that is not available as an individual part.
 G** Indicates consult Customer Service Department for additional information.

ITEM	PART NO.	1	2	3	4	5	DESCRIPTION	QTY.
31	26885-G01						PULLEY	1
32	26886-G01						NUT/SCREW ASSEMBLY (INCLUDES ITEMS 33 - 37)	1
33	*						NUT	1
34	*						LOCK WASHER	1
35	*						SCREW	3
36	*						SCREW	4
37	*						SCREW	2
38	26887-G01						BRUSH 1 COVER.....	2
39	26888-G01						BRUSH 2 COVER.....	3
40	26889-G01						BOLT AND WASHER ASSEMBLY (INCLUDES ITEMS 41, 42)	2
41	*						WASHER.....	2
42	*						LOCK WASHER.....	2
43	25682-G01						TERMINAL COVER.....	4



When ordering parts, please specify the model and serial number of the product.

* Indicates a component that is not available as an individual part.

G** Indicates consult Customer Service Department for additional information.

ITEM	PART NO.	1	2	3	4	5	DESCRIPTION	QTY.
1	70314-G02						STEERING BOX ASSEMBLY (COMPLETE) (INCLUDES ITEMS 2 - 34)	1
2	75364-G01						STEERING HOUSING (INCLUDES ITEMS 3 - 6).....	1
3	*						SLEEVE BEARING	1
4	*						SLEEVE BEARING	1
5	*						FLANGED BEARING	1
6	10389-G3						GREASE FITTING, STRAIGHT	1
7								
8	00426-G6						BOLT, 3/8 - 16 X 3/4" LG.....	2
9	18456-G1						GREASE FITTING, 90°	1
10	70177-G01						RACK GUIDE COVER	1
11	70225-G01						GASKET	1
12	70178-G01						COMPRESSION SPRING.....	1
13	70179-G01						RACK GUIDE	1
14	11391-G1						HOSE CLAMP, 1 1/4"	1
15	70041-G01						RACK COVER.....	1
16	11391-G1						HOSE CLAMP, 1 1/4"	1
17	70183-G01						BELLOWS	1
18	11391-G5						HOSE CLAMP, 3/4"	1
19								
20	70299-G01						STEERING GEAR KIT (INCLUDES ITEMS 21 - 28).....	1
21	70297-G01						GEAR PINION.....	1
22	15112-G1						BALL BEARING	1
23	70190-G01						EXTERNAL RETAINING RING	1
24	70298-G01						STEERING RACK	1
25	70192-G01						RACK BALL END	1
26	00532-G8						NUT, 7/16 - 20	1
27	18456-G1						GREASE FITTING, 90°	1
28	70466-G01						RETAINER	1
29								
30	70184-G01						IDLER.....	1



When ordering parts, please specify the model and serial number of the product.

* Indicates a component that is not available as an individual part.

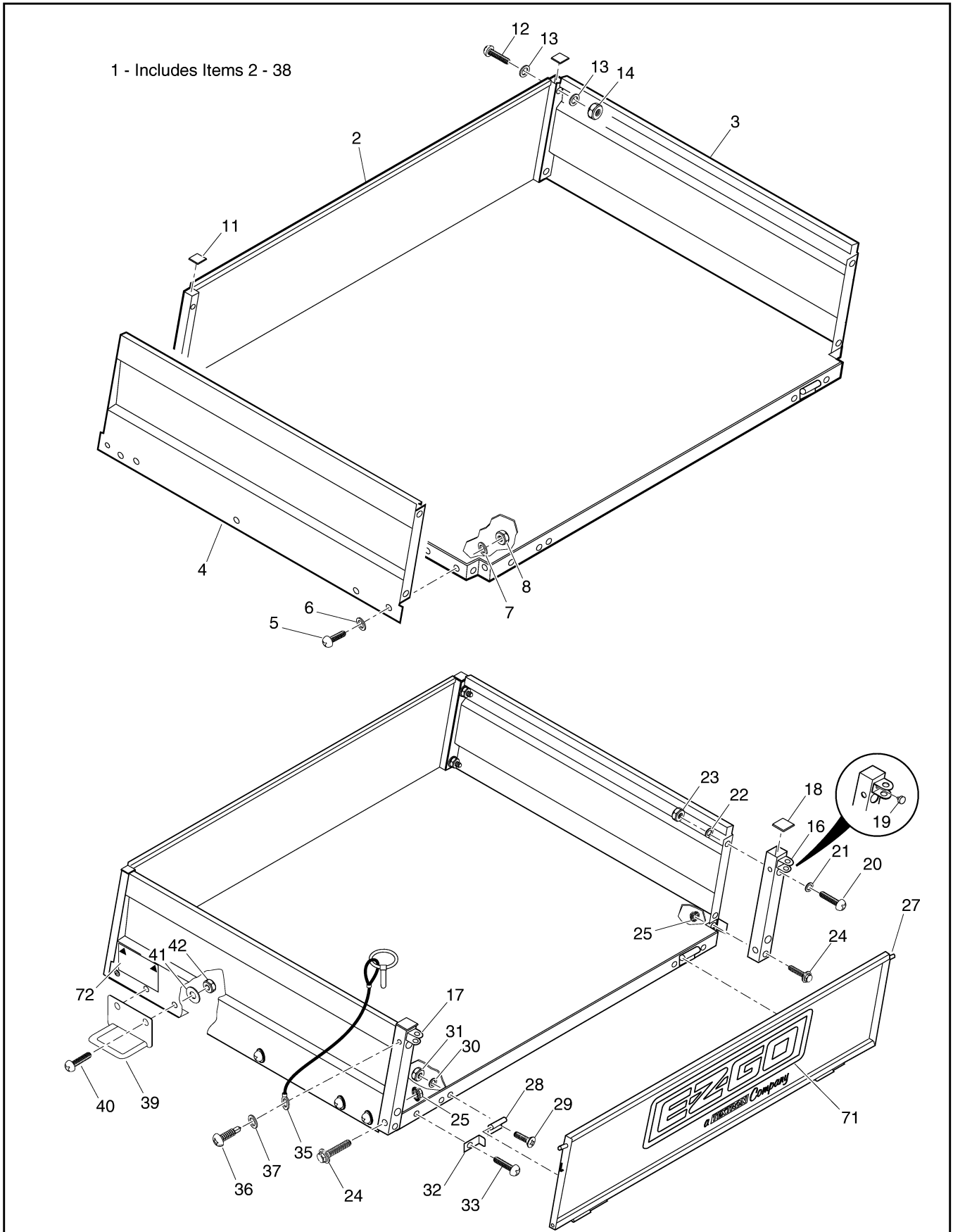
G** Indicates consult Customer Service Department for additional information.

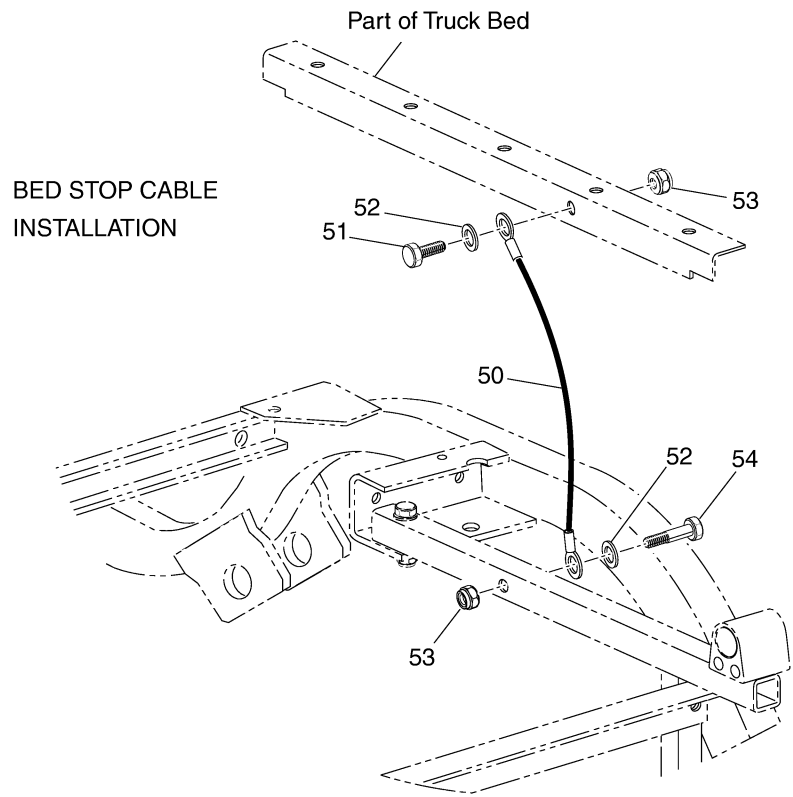
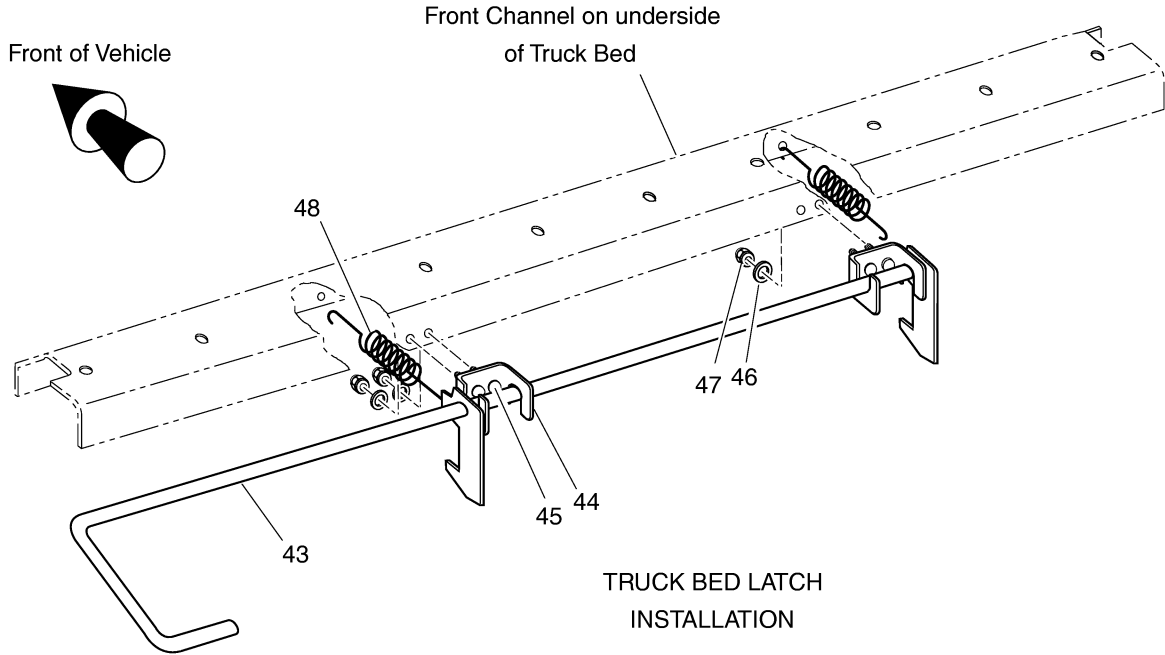
ITEM	PART NO.	1	2	3	4	5	DESCRIPTION	QTY.
31	70216-G01						THRUST WASHER, 1 1/2"	1
32	70195-G01						THRUST WASHER, 7/8"	1
33	00734-G6						LOCK NUT, 7/8 - 9.....	1
34	00798-G8						COTTER PIN, 5/32" X 1 3/4" LG.	1
35								
36	70360-G01						STEERING SHAFT/COLUMN KIT (INCLUDES ITEMS 37 - 49)	1
37	14322-G3						STEERING SHAFT.....	1
38	70333-G01						STEERING COLUMN	1
39	70558-G01						COUPLING.....	1
40	00550-G1						LOCK NUT, 1/4 - 20.....	2
41	70227-G01						BOLT, 1/4 - 20 X 7/8" LG.	2
42	01022-G01						SCREW, #6 - 20 X 5/16" LG.....	1
43	70223-G01						GASKET	1
44	01034-G01						BOLT, 3/8 - 16 X 1 1/2" LG. WITH PATCHLOCK	3
45	00878-G1						LOCK WASHER, 3/8"	3
46	70466-G01						RETAINER.....	1
47	17161-G1						BUSHING AND SEAL KIT (INCLUDES ITEMS 48, 49)	1
48	*						STEERING COLUMN BUSHING.....	1
49	*						SHAFT SEAL.....	1
50								
51	00470-G4						BOLT, 7/16 - 20 X 2 1/2" LG.....	1
52	00734-G3						LOCK NUT, 7/16 - 20	1
53	01033-G01						BOLT, 7/16 - 14 X 1 1/4" LG. WITH PATCHLOCK	2
54	00566-G2						LOCK WASHER, 7/16".....	3
55								
56								
57	71948-G01						STEERING WHEEL	1
58	71949-G01						HUB.....	1
59	71950-G01						CLIPBOARD	1
60	14390-G2						LOCK NUT, 5/8 - 18	1

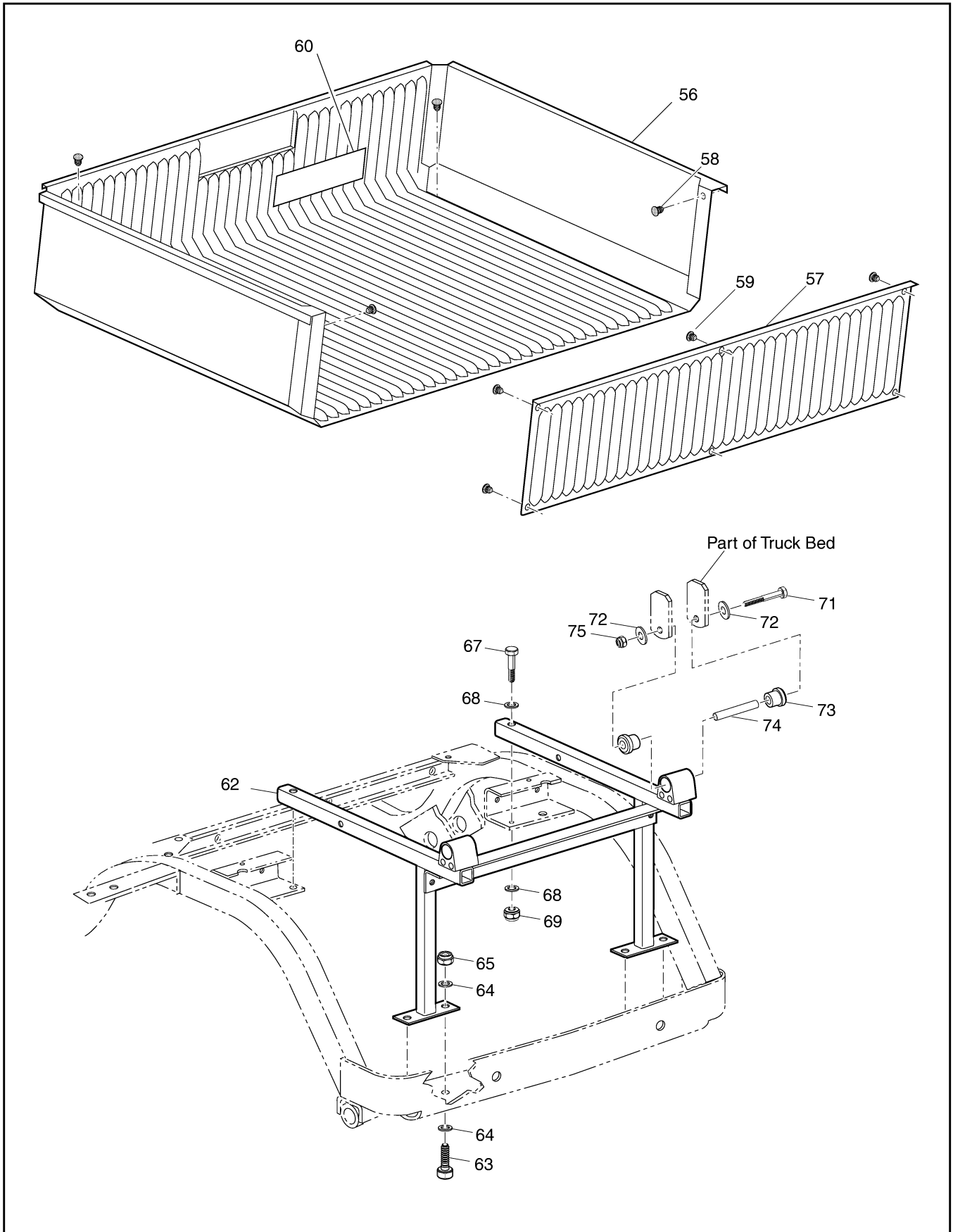
When ordering parts, please specify the model and serial number of the product.
 * Indicates a component that is not available as an individual part.
 G** Indicates consult Customer Service Department for additional information.

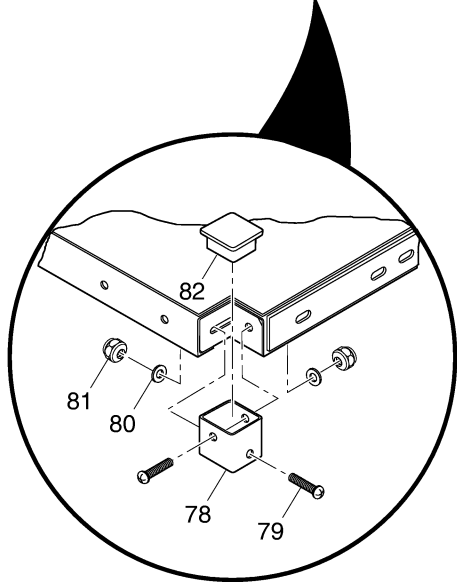
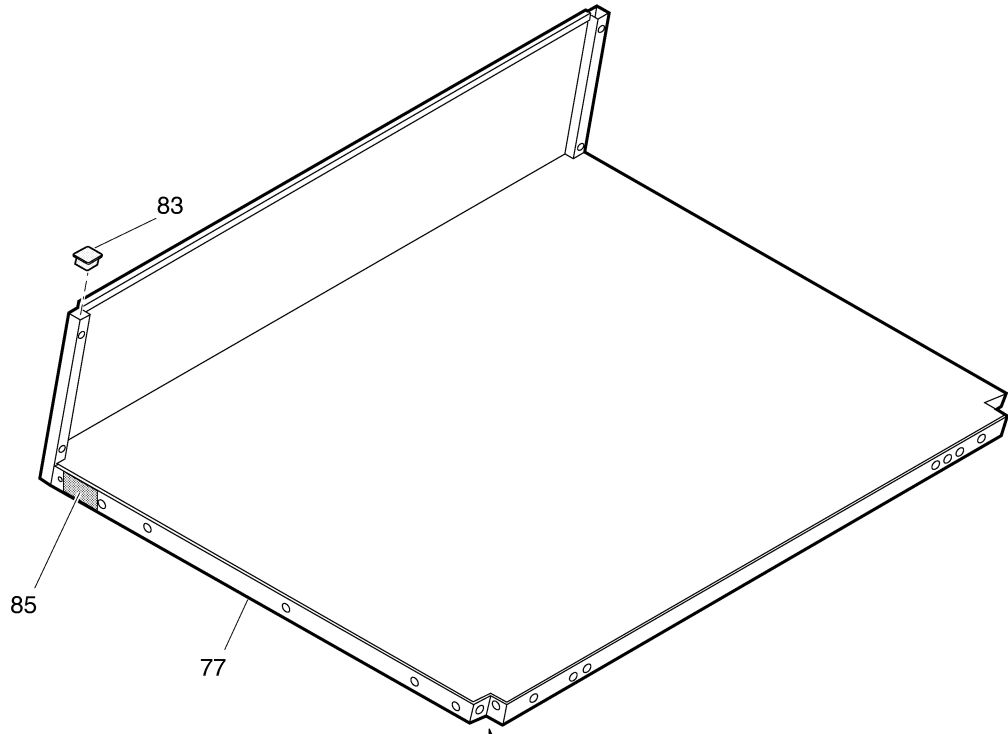
ITEM	PART NO.	1	2	3	4	5	DESCRIPTION	QTY.
61								
62								
63								
64	70074-G01						TIE ROD ASSEMBLY (INCLUDES ITEMS 65 - 74).....	2
65	70583-G02						THREADED TUBE WITH FLAT	1
66	27205-G01						TIE ROD END (LEFT HAND THREAD) (INCLUDES ITEMS 67 - 68).....	1
67	50641-G1						RUBBER BOOT	1
68	50209-G2						SLOTTED NUT, 7/16 - 20.....	1
69	18434-G3						JAM NUT, 9/16 - 18 (LEFT HAND THREAD)	1
70	27205-G02						TIE ROD END (RIGHT HAND THREAD) (INCLUDES ITEMS 71 - 72).....	1
71	50641-G1						RUBBER BOOT	1
72	50209-G2						SLOTTED NUT, 7/16 - 20.....	1
73	18434-G4						JAM NUT, 9/16 - 18 (RIGHT HAND THREAD).....	1
74	10389-G3						GREASE FITTING, STRAIGHT	2
75								
76	10387-G2						COTTER PIN, 3/32" X 1" LG.....	2
77								
78	50209-G2						SLOTTED NUT, 7/16 - 20	1
79	10387-G2						COTTER PIN, 3/32" X 1" LG.....	1
80								
81	71146-G01						STEERING WHEEL	1
82	71949-G01						HUB.....	1
83	71147-G01						COVER	1
84	71047-G01						DECAL	1
85	14390-G2						LOCK NUT, 5/8 - 18	1











TRUCK BED, MANUAL LIFT

Gasoline Vehicle

When ordering parts, please specify the model and serial number of the product.

* Indicates a component that is not available as an individual part.

G** Indicates consult Customer Service Department for additional information.

ITEM	PART NO.	1 2 3 4 5	DESCRIPTION	QTY.
1	71260-G01		TRUCK BED ASSEMBLY (35") (INCLUDES ITEMS 2 - 38).....	1
2	71231-G01		BED (35").....	1
3	71248-G01		SIDE PANEL (35") (PASSENGER SIDE)	1
4	71248-G02		SIDE PANEL (35") (DRIVER SIDE).....	1
5	16705-G3		SCREW, 1/4-20 X 3/4" LG.....	10
6	00915-G1		BONDED WASHER, 1/4"	10
7	00559-G7		WASHER, 1/4"	10
8	14390-G4		LOCK NUT, 1/4-20.....	10
9				
10				
11	71717-G01		END CAP 1"	2
12	16705-G6		SCREW, 1/4-20 X 1 3/4" LG.....	4
13	00915-G1		BONDED WASHER, 1/4"	8
14	14390-G4		LOCK NUT, 1/4-20.....	4
15				
16	71322-G01		POST (PASSENGER SIDE)	1
17	71322-G02		POST (DRIVER SIDE).....	1
18	71718-G01		END CAP 1 1/2"	2
19	71838-G01		RUBBER BUMPER	2
20	16705-G3		SCREW, 1/4-20 X 3/4" LG.....	4
21	00915-G1		BONDED WASHER, 1/4"	4
22	00559-G7		WASHER, 1/4"	4
23	14390-G4		LOCK NUT, 1/4-20.....	4
24	13437-G8		LOCK SCREW, 3/8-16 X 2" LG	4
25	11027-G5		LOCK NUT, 3/8-16.....	4
26				
27	71245-G01		TAILGATE	1
28	27666-G01		HINGE	2
29	01002-G08		BOLT, 1/4-20 X 1" LG.	4
30	00559-G7		WASHER, 1/4"	4



When ordering parts, please specify the model and serial number of the product.

* Indicates a component that is not available as an individual part.

G** Indicates consult Customer Service Department for additional information.

ITEM	PART NO.	1	2	3	4	5	DESCRIPTION	QTY.
31	14390-G4						LOCK NUT, 1/4 - 20.....	4
32	71748-G01						TAILGATE KEEPER	1
33	16705-G3						SCREW, 1/4-20 X 3/4" LG.....	1
34	00559-G7						WASHER, 1/4".....	1
35	14390-G4						LOCK NUT, 1/4 - 20.....	1
36	71083-G01						TAILGATE CABLE	2
37	00106-G6						SELF-TAPPING SCREW, #12 - 24 X 3/4" LG.....	2
38	00915-G1						BONDED WASHER, 1/4"	2
39								
40	71901-G01						E-Z-GO DECAL (E-Z-GO).....	1
41	71771-G01						LABEL (TILT WARNING)	1
42								
43	71264-G01						BED LATCH	1
44	71827-G01						LATCH BRACKET.....	2
45	01014-G03						CARRIAGE BOLT, 1/4 - 20 X 3/4" LG	4
46	00559-G7						WASHER, 1/4"	4
47	14390-G4						LOCK NUT, 1/4 - 20	4
48	71965-G01						EXTENSION SPRING.....	2
49								
50	71273-G01						BED STOP CABLE	1
51	00438-G8						BOLT, 5/16 - 18 X 1" LG.....	1
52	00642-G8						WASHER, 5/16"	2
53	11098-G6						LOCK NUT, 5/16 - 18	2
54	00439-G4						SCREW, 5/16 - 18 X 1 1/2" LG	1
55								
56	74231-G01						BED LINER	1
57	74232-G01						TAILGATE LINER.....	1
58	18436-G1						RIVET, 1/4" X 3/4" LG	4
59	14601-G10						RIVET, 3/16" X 3/8" LG	6
60	71517-G01						BED CAPACITY DECAL (500 LB)	1



TRUCK BED, MANUAL LIFT

Gasoline Vehicle

When ordering parts, please specify the model and serial number of the product.

* Indicates a component that is not available as an individual part.

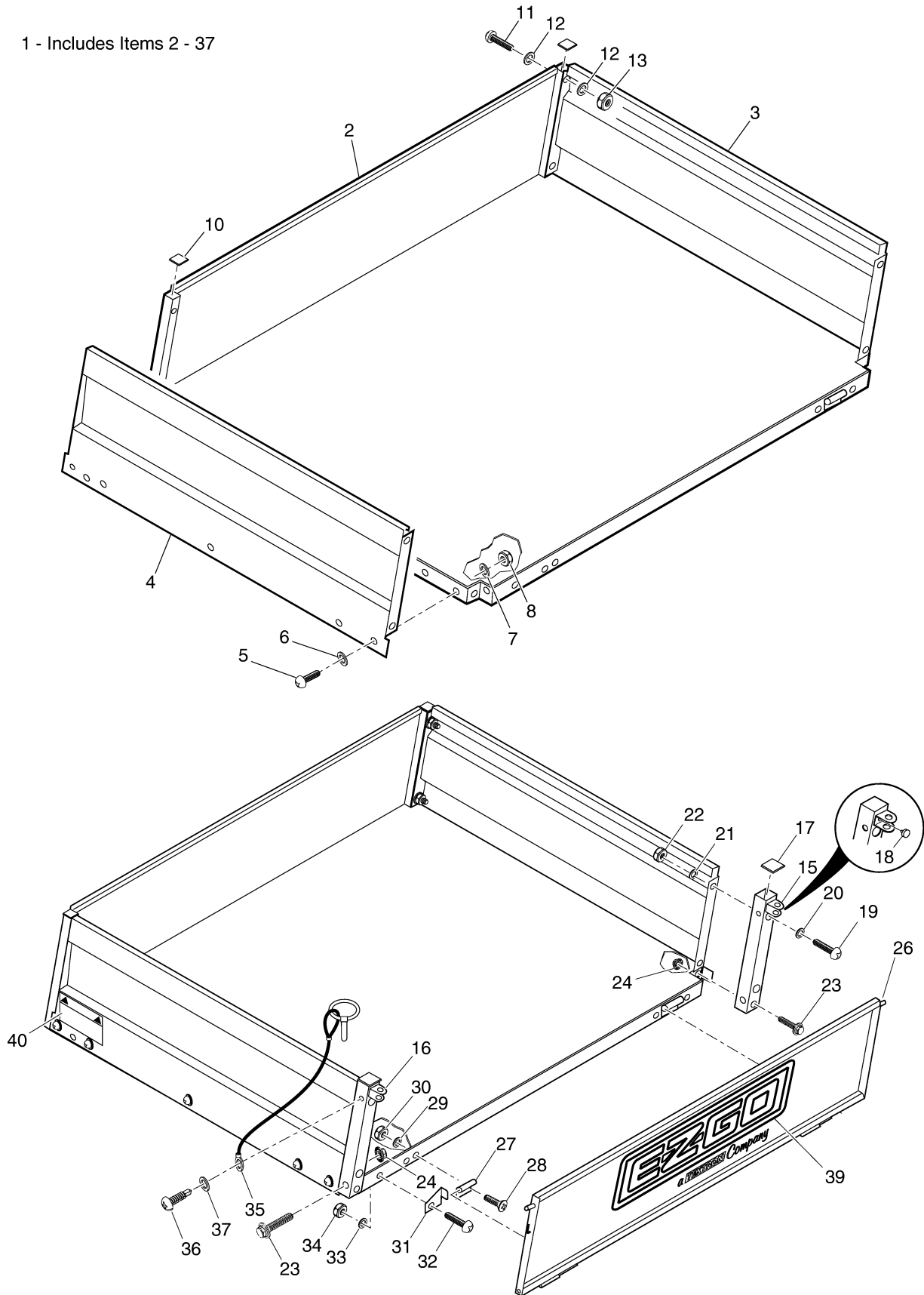
G** Indicates consult Customer Service Department for additional information.

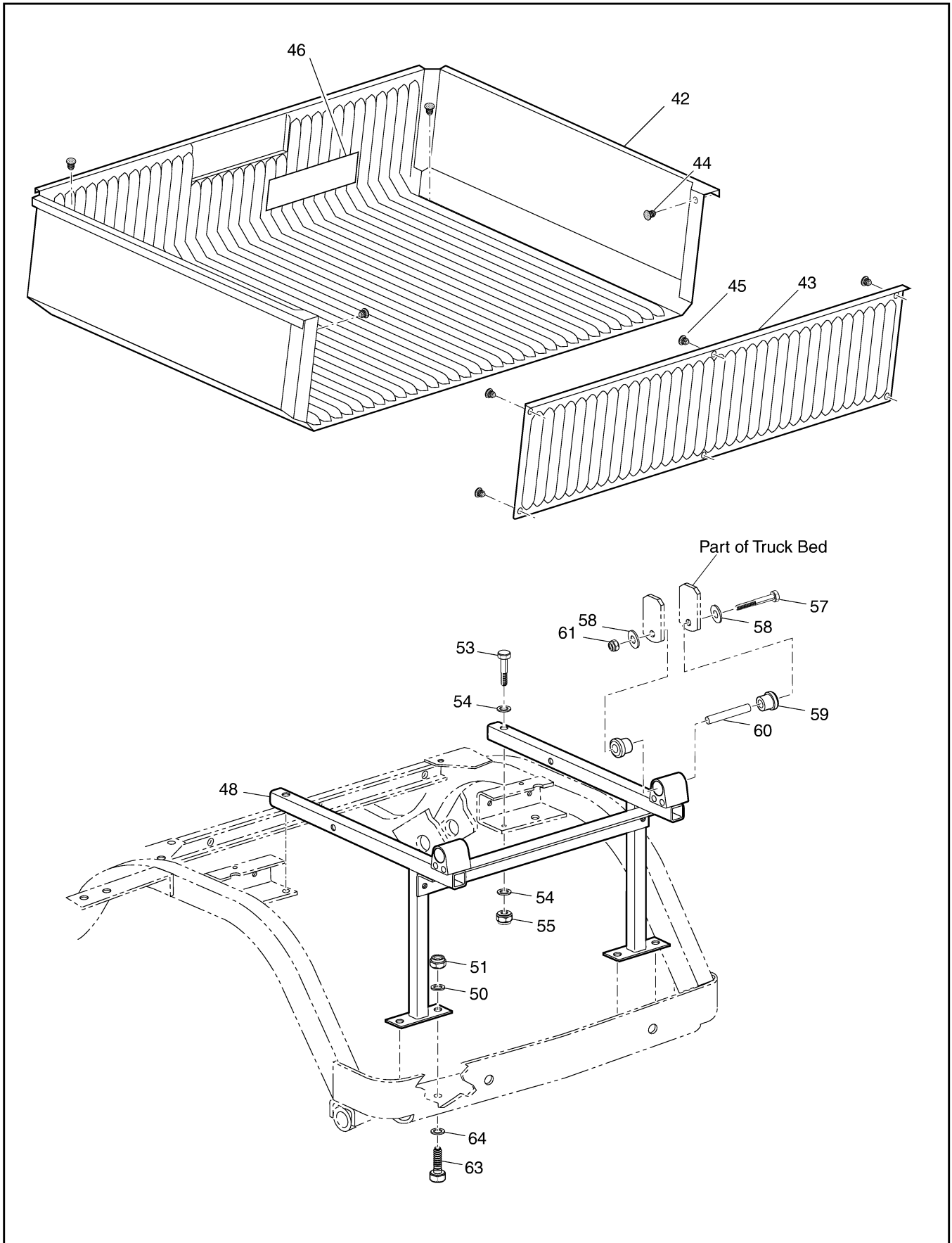
ITEM	PART NO.	1	2	3	4	5	DESCRIPTION	QTY.
61								
62	71258-G01						BED FRAME	1
63	00438-G8						SCREW, 5/16 - 18 X 1" LG	4
64	00642-G8						WASHER, 5/16"	8
65	11098-G6						LOCK NUT, 5/16 - 18	4
66								
67	00415-G6						BOLT, 1/4 - 20 X 1 3/4" LG.....	2
68	00642-G7						WASHER, 1/4"	4
69	00891-G2						LOCK NUT, 1/4 - 20	2
70								
71	00429-G4						BOLT, 3/8 - 16 X 3 1/2".....	2
72	00643-G1						WASHER, 3/8"	4
73	70291-G01						RUBBER BUSHING.....	4
74	70289-G02						SPACER.....	2
75	11098-G5						LOCK NUT, 3/8 - 16	2
76								
77	71231-G01						BED, 35".....	1
78	71772-G01						CORNER TUBE	2
79	00762-G9						SCREW, 5/16 - 18 X 2 1/2" LG.	4
80	00559-G8						WASHER, 5/16"	4
81	00550-G3						LOCK NUT, 5/16 - 18	4
82	71718-G01						END CAP, 1 1/2"	2
83	71717-G01						END CAP, 1"	2
84								
85	71777-G01						DECAL (WARNING)	1

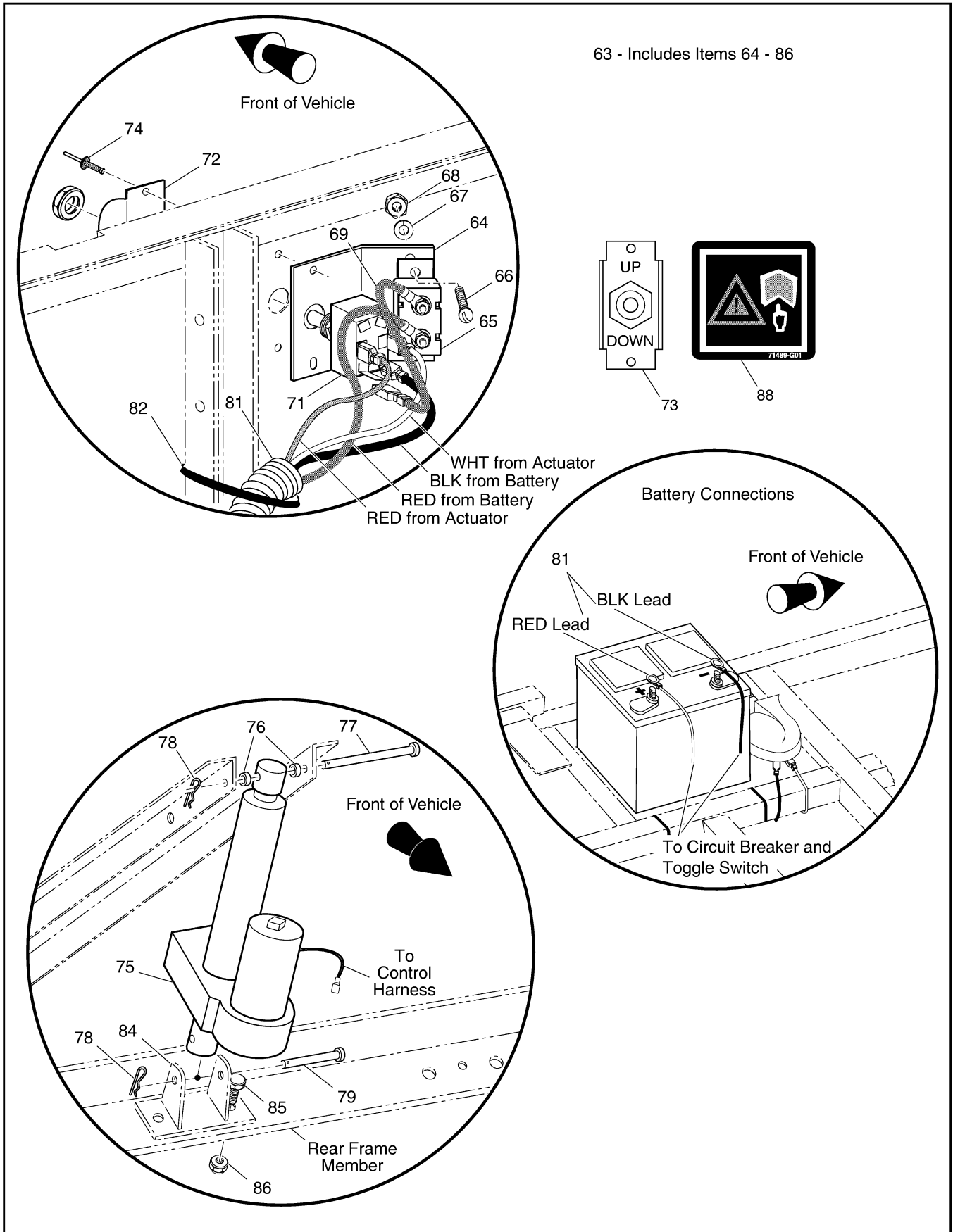




1 - Includes Items 2 - 37







When ordering parts, please specify the model and serial number of the product.

* Indicates a component that is not available as an individual part.

G** Indicates consult Customer Service Department for additional information.

ITEM	PART NO.	1	2	3	4	5	DESCRIPTION	QTY.
1	71260-G01						TRUCK BED ASSEMBLY (35") (INCLUDES ITEMS 2 - 37).....	1
2	71231-G01						BED (35").....	1
3	71248-G01						SIDE PANEL (35") (PASSENGER SIDE)	1
4	71248-G02						SIDE PANEL (35") (DRIVER SIDE).....	1
5	16705-G3						SCREW, 1/4 - 20 X 3/4" LG.....	10
6	00915-G1						BONDED WASHER, 1/4"	10
7	00559-G7						WASHER, 1/4"	10
8	14390-G4						LOCK NUT, 1/4 - 20.....	10
9								
10	71717-G01						END CAP, 1"	2
11	16705-G6						SCREW, 1/4 - 20 X 1 3/4" LG.....	4
12	00915-G1						BONDED WASHER, 1/4"	8
13	14390-G4						LOCK NUT, 1/4 - 20.....	4
14								
15	71322-G01						POST (PASSENGER SIDE)	1
16	71322-G02						POST (DRIVER SIDE).....	1
17	71718-G01						END CAP, 1 1/2"	2
18	71838-G01						RUBBER BUMPER	2
19	16705-G3						SCREW, 1/4 - 20 X 3/4" LG.....	4
20	00915-G1						BONDED WASHER, 1/4"	4
21	00559-G7						WASHER, 1/4"	4
22	14390-G4						LOCK NUT, 1/4 - 20.....	4
23	13437-G8						LOCK SCREW, 3/8 - 16 X 2" LG	4
24	11027-G5						LOCK NUT, 3/8 - 16.....	4
25								
26	71245-G01						TAILGATE	1
27	27666-G01						HINGE	2
28	01002-G08						BOLT, 1/4 - 20 X 1" LG.	4
29	00559-G7						WASHER, 1/4"	4
30	14390-G4						LOCK NUT, 1/4 - 20.....	4



TRUCK BED, ELECTRIC LIFT

Gasoline Vehicle

When ordering parts, please specify the model and serial number of the product.

* Indicates a component that is not available as an individual part.

G** Indicates consult Customer Service Department for additional information.

ITEM	PART NO.	1 2 3 4 5	DESCRIPTION	QTY.
31	71748-G01		TAILGATE KEEPER	1
32	16705-G3		SCREW, 1/4 - 20 X 3/4" LG.....	1
33	00559-G7		WASHER, 1/4".....	1
34	14390-G4		LOCK NUT, 1/4 - 20.....	1
35	71083-G01		TAILGATE CABLE	2
36	00106-G6		SELF-TAPPING SCREW, #12 - 24 X 3/4" LG.....	2
37	00915-G1		BONDED WASHER, 1/4"	2
38				
39	71901-G01		E-Z-GO DECAL (E-Z-GO).....	1
40	71771-G01		LABEL (TILT WARNING)	1
41				
42	74231-G01		BED LINER	1
43	74232-G01		TAILGATE LINER.....	1
44	18436-G1		RIVET, 1/4" X 1/2" LG	4
45	14601-G10		RIVET, 3/16" X 3/8" LG	6
46	71517-G01		BED CAPACITY DECAL (500 LB)	1
47				
48	71258-G01		BED FRAME	1
49	00438-G8		SCREW, 5/16 - 18 X 1" LG	4
50	00642-G8		WASHER, 5/16"	8
51	11098-G6		LOCK NUT, 5/16 - 18	4
52				
53	00415-G6		SCREW, 1/4 - 20 X 1 3/4" LG	2
54	00642-G7		WASHER, 5/16"	4
55	00891-G2		LOCK NUT, 1/4 - 20	2
56				
57	00429-G4		BOLT, 3/8 - 16 X 3 1/2".....	2
58	00643-G1		WASHER, 3/8"	4
59	70291-G01		RUBBER BUSHING.....	4
60	70289-G02		SPACER.....	2



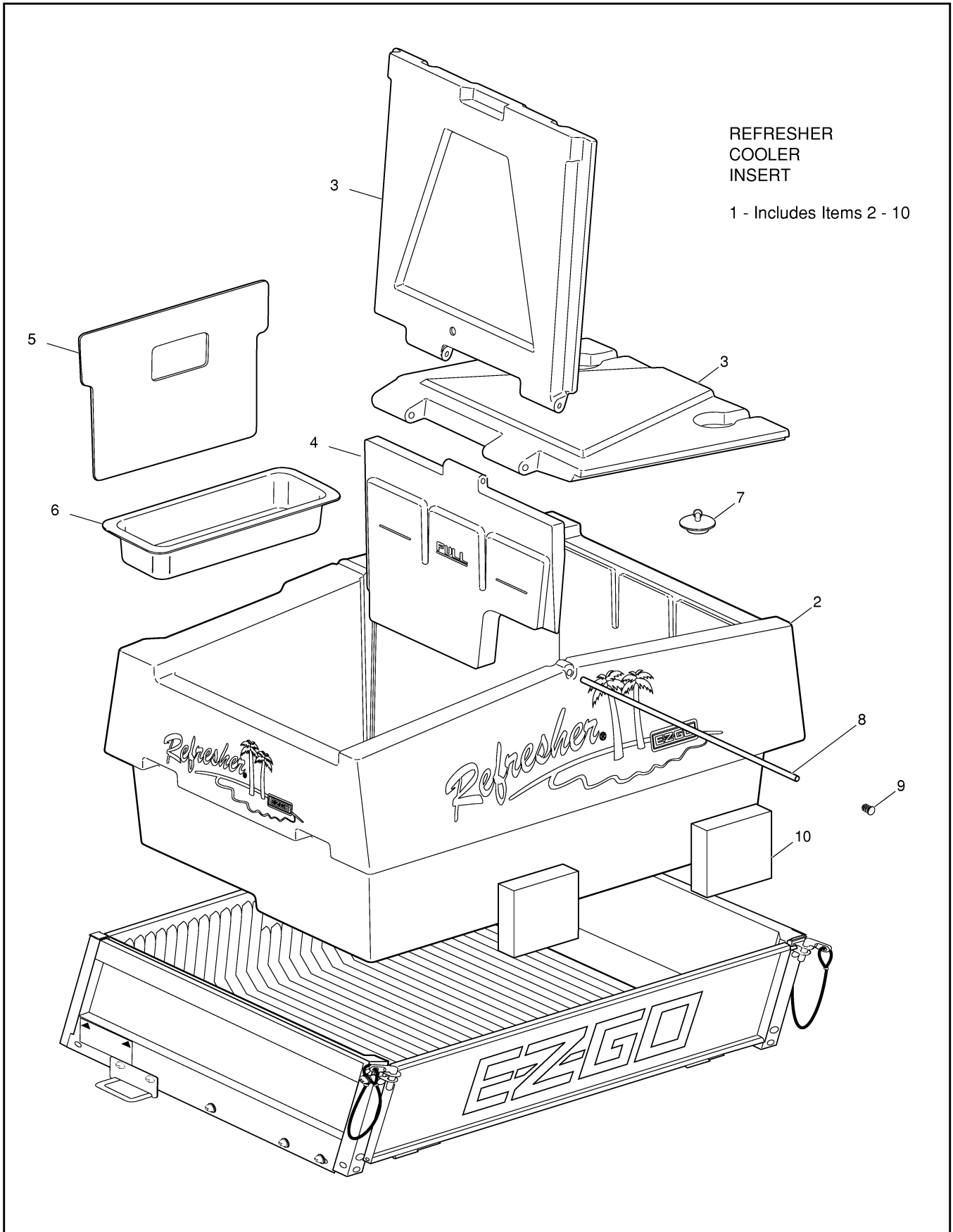
When ordering parts, please specify the model and serial number of the product.

* Indicates a component that is not available as an individual part.

G** Indicates consult Customer Service Department for additional information.

ITEM	PART NO.	1	2	3	4	5	DESCRIPTION	QTY.
61	11098-G5						LOCK NUT, 3/8 - 16	2
62								
63	74164-G02						ELECTRIC DUMP KIT (INCLUDES ITEMS 64 - 86)	1
64	74165-G01						CIRCUIT BREAKER MOUNTING BRACKET	1
65	21320-G4						CIRCUIT BREAKER, 30 AMP, 12V	1
66	00150-G4						SCREW, #10 - 24 X 1/2" LG.	2
67	00565-G5						LOCK WASHER, #10	2
68	00526-G3						NUT, #10 - 24.....	2
69	25976-G14						14 GA WIRE (RED 5").....	1
70								
71	27680-G01						TOGGLE SWITCH.....	1
72	27447-G01						TOGGLE GUARD.....	1
73	27446-G01						LABEL.....	1
74	10570-G9						RIVET, 1/8" X 11/32" LG.	2
75	27612-G02						ELECTRIC ACTUATOR	1
76	27613-G01						SPACER	2
77	14443-G10						CLEVIS PIN, 1/2" X 3" LG.	1
78	21683-G1						COTTER PIN, 2 11/16" LG	2
79	14443-G11						CLEVIS PIN, 1/2" X 1 3/4" LG	1
80								
81	74163-G01						WIRE HARNESS (CONTROL).....	1
82	17618-G1						WIRE TIE.....	8
83								
84	71283-G01						ELECTRIC LIFT BRACKET	1
85	00462-G7						BOLT, 7/16 - 14 X 7/8" LG	2
86	00734-G1						LOCK NUT, 7/16 - 14.....	2
87								
88	71489-G01						WARNING LABEL.....	1

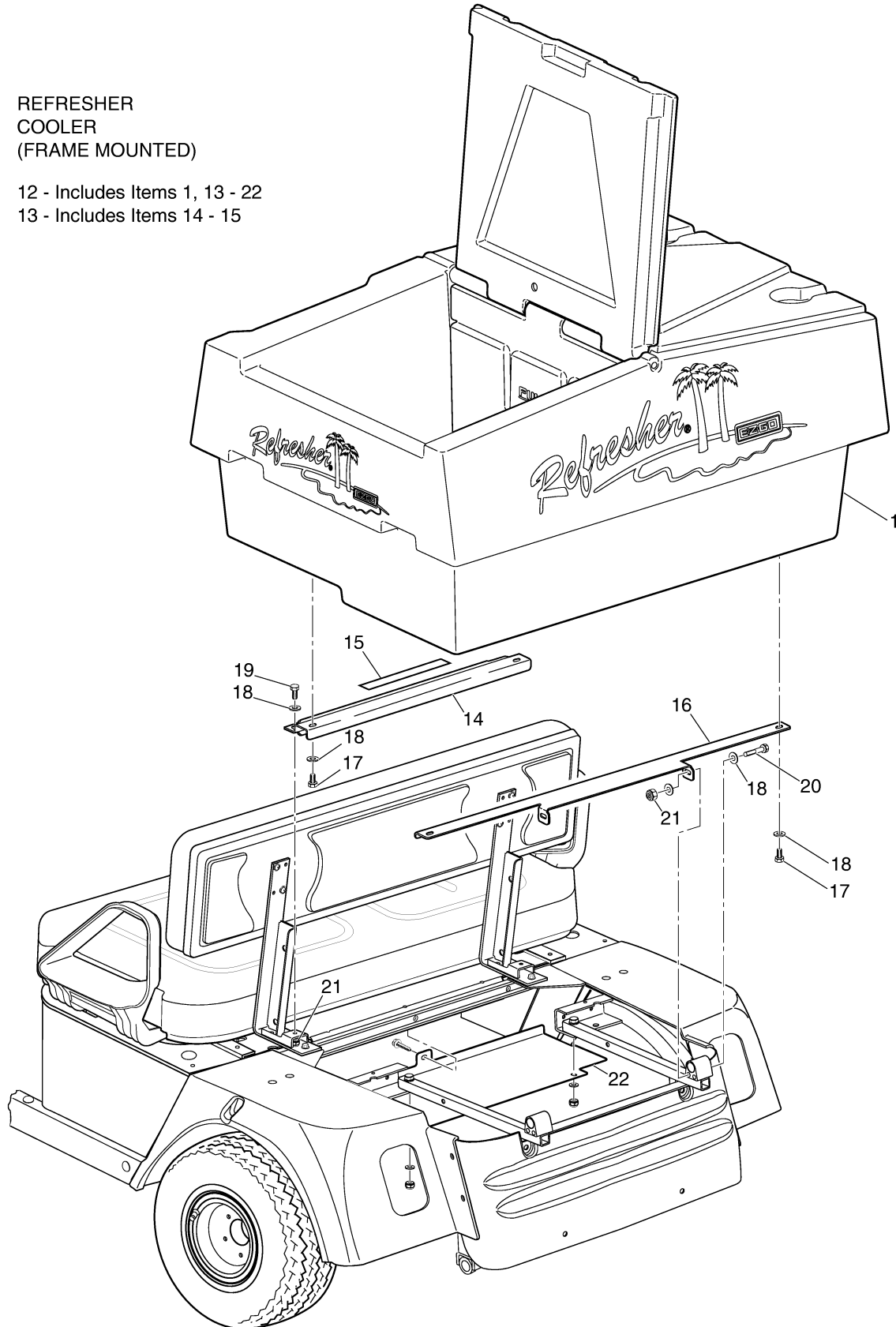




REFRESHER
COOLER
(FRAME MOUNTED)

12 - Includes Items 1, 13 - 22

13 - Includes Items 14 - 15



TRUCK BED, REFRESHER COOLER

Gasoline Vehicle

When ordering parts, please specify the model and serial number of the product.

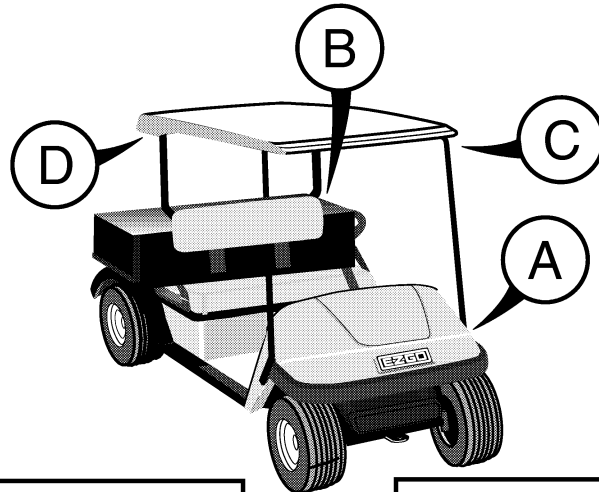
* Indicates a component that is not available as an individual part.

G** Indicates consult Customer Service Department for additional information.

ITEM	PART NO.	1 2 3 4 5	DESCRIPTION	QTY.
1	75663-G01		REFRESHER COOLER INSERT KIT (INCLUDES ITEMS 2 - 10)	1
2	75664-G01		REFRESHER COOLER	1
3	75665-G01		DOOR.....	2
4	75666-G01		CENTER DIVIDER	1
5	75667-G01		SIDE DIVIDER.....	2
6	75668-G01		TRAY	2
7	75669-G01		RUBBER STOPPER.....	1
8	75670-G01		HINGE ROD	1
9	75744-G01		HOLE PLUG	2
10	75739-G01		FOAM SPACER.....	2
11				
12	75738-G01		REFRESHER COOLER (FRAME MOUNTED) (INCLUDES ITEMS 1, 13 - 22)	1
13	75752-G01		SUPPORT / DECAL ASSEMBLY (INCLUDES ITEMS 14 - 15)	1
14	*		REFRESHER FRONT SUPPORT	1
15	75751-G01		REFRESHER CAUTION DECAL.....	1
16	75672-G01		REFRESHER REAR SUPPORT	1
17	00270-G5		BOLT, 5/16 - 18 x 5/8" LG.....	4
18	00559-G8		WASHER, 5/16"	10
19	00438-G6		BOLT, 5/16 - 18 x 3/4" LG	2
20	00440-G4		BOLT, 5/16 - 18 x 2 1/2" LG.....	2
21	11098-G6		LOCK NUT, 5/16 - 18.....	4
22	75749-G01		HEAT SHIELD	1

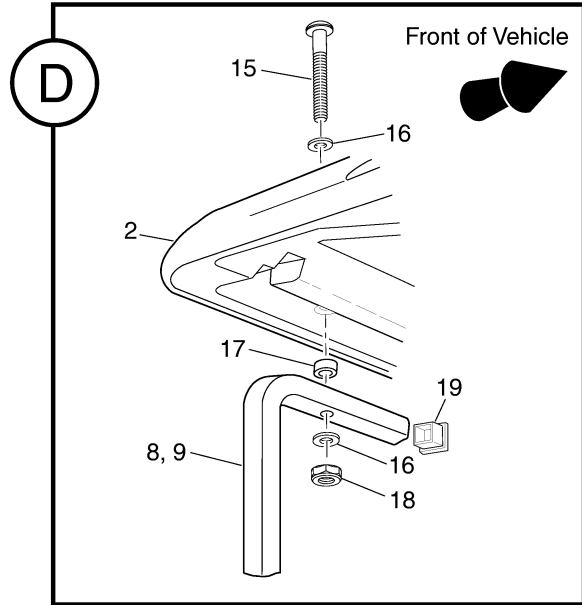
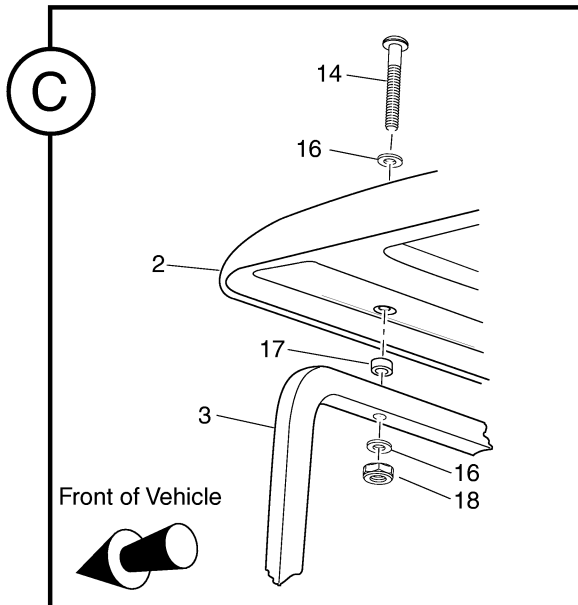
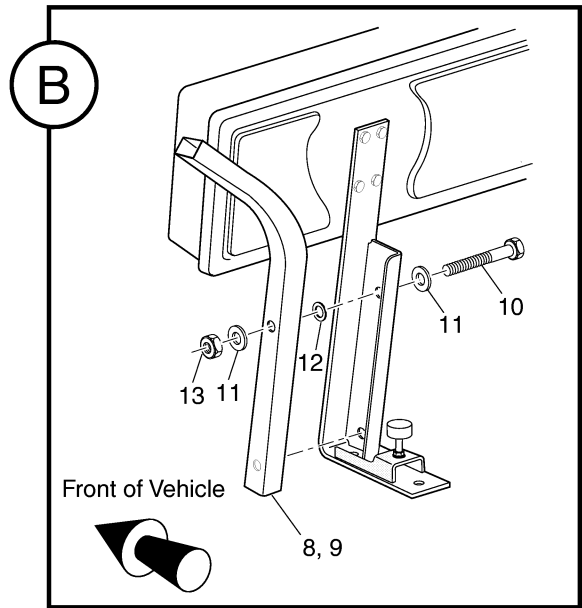
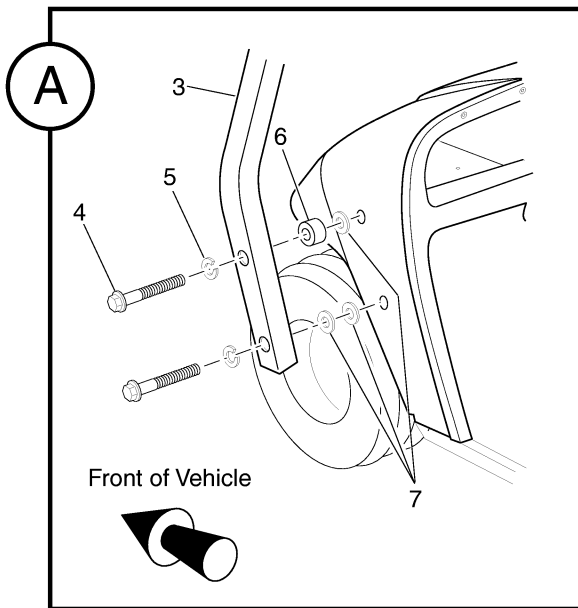


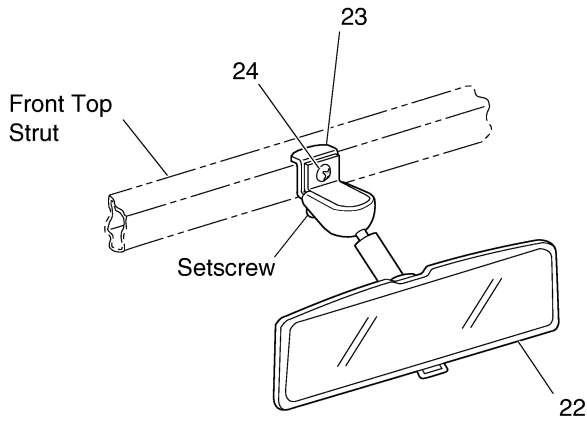




SUN TOP

1 - Includes Items 2 - 19

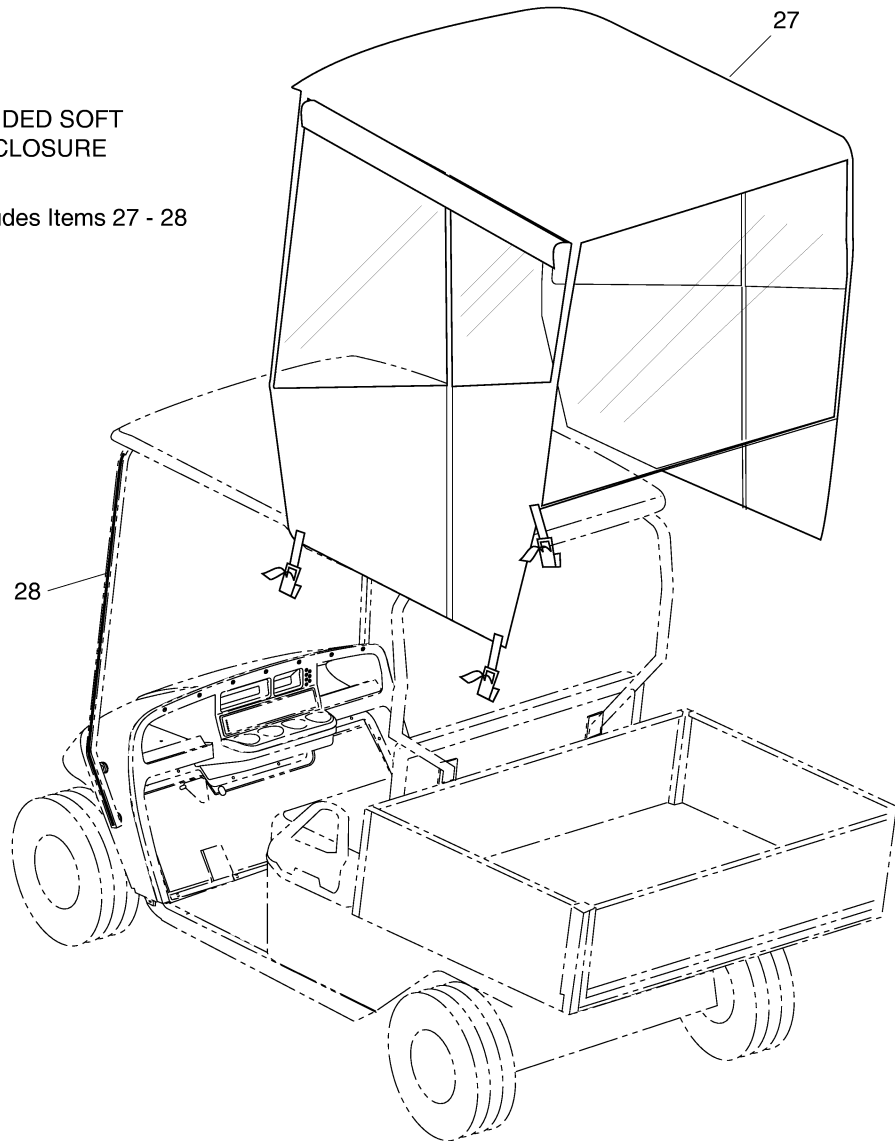


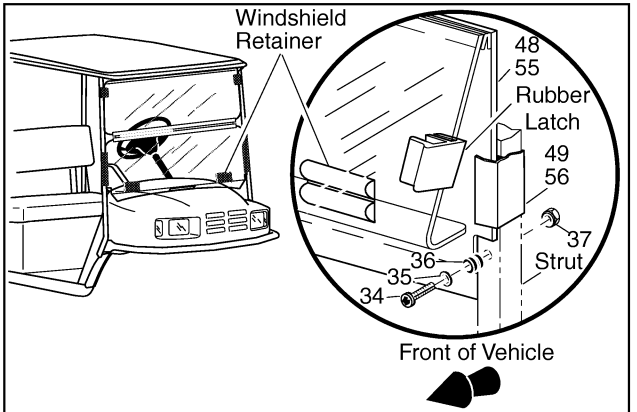
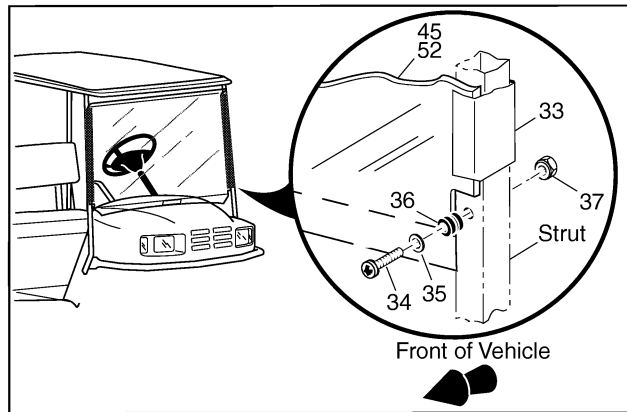
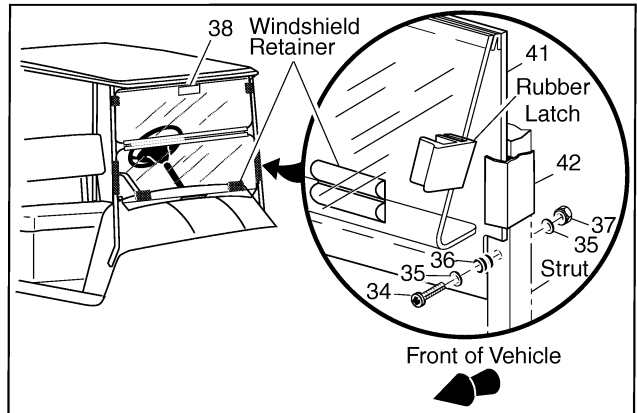
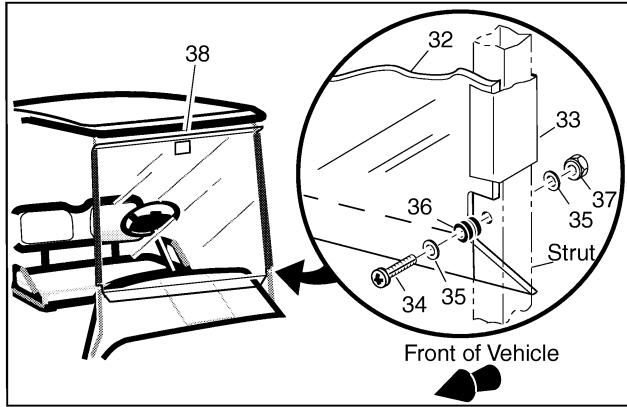


REAR VIEW MIRROR

21 - Includes Items 22 - 24

3-SIDED SOFT ENCLOSURE
26 - Includes Items 27 - 28





When ordering parts, please specify the model and serial number of the product.
 * Indicates a component that is not available as an individual part.
 G** Indicates consult Customer Service Department for additional information.

ITEM	PART NO.	1 2 3 4 5	DESCRIPTION	QTY.
1	75040-G0*		SUN TOP KIT (INCLUDES ITEMS 2 -19)	1
2	27069-G07		SUN TOP.....	1
3	75045-G01		FRONT STRUT	1
4	01035-G01		BOLT, 5/16 - 18 X 2 1/4" LG	4
5	00905-G8		LOCK WASHER, 5/16".....	4
6	75048-G01		SPACER, 1/2".....	2
7	00570-G2		WASHER, 5/16".....	6
8	71328-G01		REAR STRUT (DRIVER SIDE)	1
9	71328-G02		REAR STRUT (PASSENGER SIDE).....	1
10	00439-G6		BOLT, 5/16 - 18 X 1 3/4" LG	4
11	00571-G2		WASHER, 5/16".....	8
12	17255-G1		NYLON WASHER, 5/16"	4
13	11098-G6		LOCK NUT, 5/16 - 18.....	4
14	00753-G5		SCREW, 1/4 - 20 X 2" LG (STAINLESS STEEL)	2
15	00753-G6		BOLT, 1/4 - 20 X 2 1/4" LG (STAINLESS STEEL).....	2
16	00559-G7		WASHER, 1/4".....	8
17	75051-G01		PLASTIC SPACER.....	4
18	00891-G2		LOCK NUT, 1/4 - 20.....	4
19	19853-G1		END CAP, 1".....	2
20				
21	19528-G2		REAR VIEW MIRROR KIT (REQUIRES SUN TOP) (INCLUDES ITEMS 22 - 24)	1
22	19496-G1		REAR VIEW MIRROR.....	1
23	19502-G2		SUPPORT BRACKET	1
24	19527-G1		SCREW, #8 - 32 X 5/8" LG (STAINLESS STEEL)	1
25				
26	75367-G01		3-SIDED SOFT ENCLOSURE KIT (REQUIRES SUN TOP) (INCLUDES ITEMS 27 - 28)	1
27	*		ENCLOSURE	1
28	*		VELCRO.....	AR
29				



WEATHER PROTECTION

Gasoline Vehicle

Replacement parts for the windshield may be obtained from Eagle Parts, Inc. 1811 Wilkinson Rd. Augusta, GA 30904. Telephone (706) 729-9911 or FAX (706) 729-9955

* Indicates a component that is not available as an individual part.

G** Indicates consult Customer Service Department for additional information.

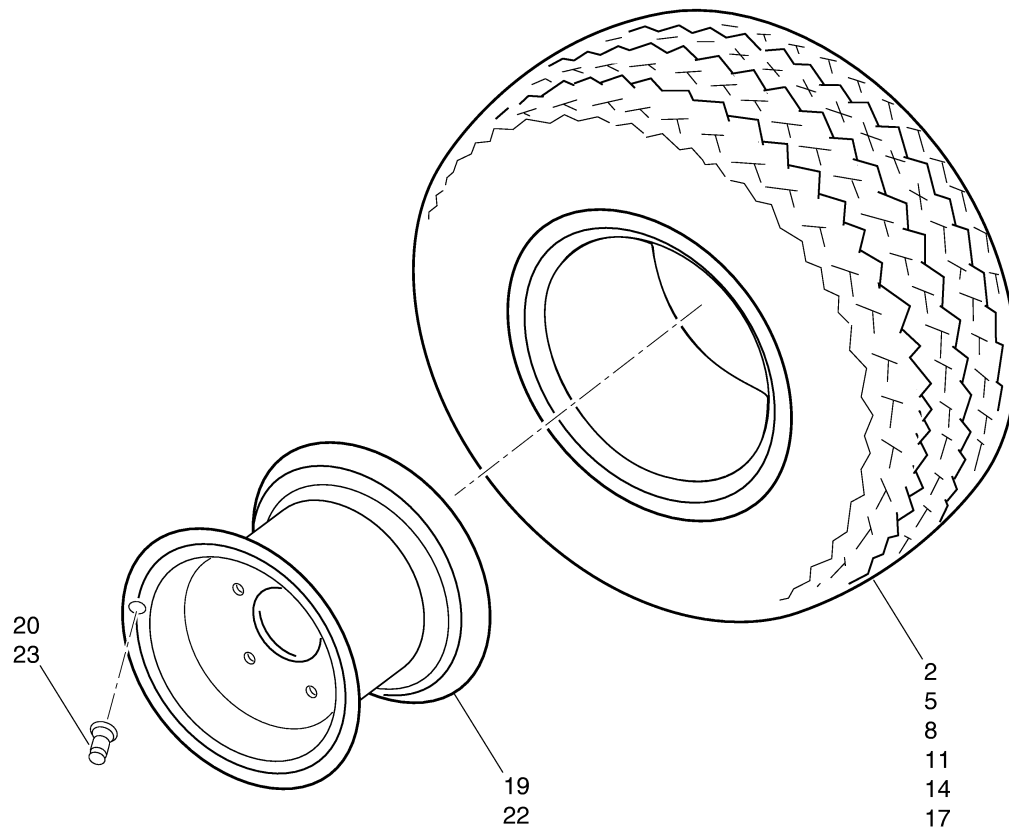
ITEM	PART NO.	1 2 3 4 5	DESCRIPTION	QTY.
30				
31	75524-G01		WINDSHIELD KIT (FULL) (800) (INCLUDES ITEMS 32 - 38).....	1
32	EGWFX03		WINDSHIELD (FULL).....	1
33	EGWHC12		SASH, 26" LG.....	2
34	EGWHS12		BOLT, 1/4 - 20 X 1 3/4' LG. (STAINLESS STEEL)	2
35	EGWHW12		WASHER, 1/4" (STAINLESS STEEL)	4
36	EGWHG13		RUBBER GROMMET	2
37	EGWHN12		LOCK NUT, 1/4 - 20 (STAINLESS STEEL)	2
38	EGWHL14		SAFETY LABEL	1
39				
40	75525-G01		WINDSHIELD KIT (SPLIT) (800) (INCLUDES ITEMS 41, 42, 34 - 38).....	1
41	EGWSX03		WINDSHIELD (SPLIT)	1
42	EGWHC10		SASH, 12" LG.....	2
43				
44	71966-G03		WINDSHIELD KIT (FULL) (800LX) (INCLUDES ITEMS 45, 33 - 37)	1
45	71960-G01		WINDSHIELD (FULL)	1
46				
47	71966-G04		WINDSHIELD KIT (SPLIT) (800LX) (INCLUDES ITEMS 48, 49, 34 - 37)	1
48	71961-G01		WINDSHIELD (SPLIT).....	1
49	EGWHC10		SASH, 12" LG.....	2
50				
51	71966-G01		WINDSHIELD KIT (FULL) (800LX) (INCLUDES ITEMS 52, 33 - 37)	1
52	71954-G01		WINDSHIELD (FULL) (LEXAN).....	1
53				
54	71966-G02		WINDSHIELD KIT (SPLIT) (800LX) (INCLUDES ITEMS 55, 56, 34 - 37)	1
55	71955-G01		WINDSHIELD (SPLIT) (LEXAN)	1
56	EGWHC10		SASH, 12" LG.....	2





- 1 - Includes Items 2, 19, 20
- 4 - Includes Items 5, 19, 20
- 7 - Includes Items 8, 19, 20
- 10 - Includes Items 11, 19, 20
- 13 - Includes Items 14, 22, 23
- 16 - Includes Items 17, 22, 23

Tire design may vary by Part Number

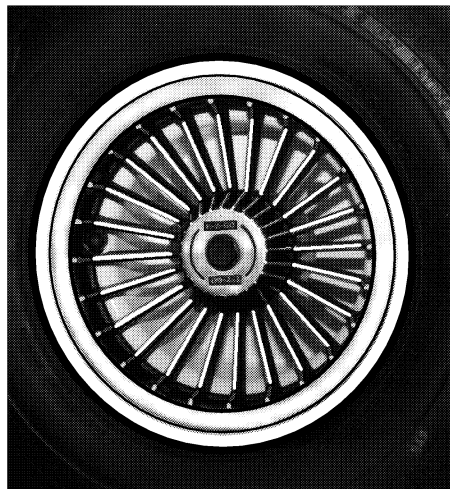




6"CHROME HUBCAP
26



8"CHROME HUBCAP
25



GOLD / SILVER SPOKE HUBCAP
27, 28

WHEELS AND TIRES

Gasoline Vehicle

When ordering parts, please specify the model and serial number of the product.

* Indicates a component that is not available as an individual part.

G** Indicates consult Customer Service Department for additional information.

ITEM	PART NO.	1 2 3 4 5	DESCRIPTION	QTY.
1	27772-G01		WHEEL AND TIRE ASSEMBLY, LINKS (INCLUDES ITEMS 2, 19, 20)	A/R
2	27772-G05		CARLISLE TIRE (LINKS 18 X 8.5 - 8)	A/R
3				
4	27772-G03		WHEEL AND TIRE ASSEMBLY, TURF SAVER (INCLUDES ITEMS 5, 19, 20)	A/R
5	27772-G07		CARLISLE TIRE (TURF SAVER 18 X 8.5 - 8)	A/R
6				
7	27772-G09		WHEEL AND TIRE ASSEMBLY, LINKS (INCLUDES ITEMS 8, 19, 20)	A/R
8	27772-G10		CARLISLE TIRE (LINKS 18 X 8.5 - 8)	A/R
9				
10	27775-G01		WHEEL AND TIRE ASSEMBLY, USA TRAIL (INCLUDES ITEMS 11, 19, 20)	A/R
11	27775-G02		CARLISLE TIRE (USA TRAIL 6 PLY 18.5 X 8.5 - 8)	A/R
12				
13	27784-G02		WHEEL AND TIRE ASSEMBLY, USA TRAIL (INCLUDES ITEMS 14, 22, 23)	A/R
14	27784-G04		CARLISLE TIRE (USA TRAIL 18.5 X 5.7 - 8)	A/R
15				
16	35154-G03		WHEEL AND TIRE ASSEMBLY, FOAM FILLED USA TRAIL (INCLUDES ITEMS 17, 22, 23)	A/R
17	27784-G01		CARLISLE TIRE (USA TRAIL 18.5 X 5.7 - 8)	A/R
18				
19	15169-G2		WHEEL RIM (4 LUG)	A/R
20	11657-G1		VALVE STEM	A/R
21				
22	33678-G01		WHEEL RIM (4 LUG)	A/R
23	26482-G01		VALVE STEM (METAL)	A/R
24				
25	14913-G*		8" CHROME HUBCAP (OPTIONAL)	A/R
26	16042-G*		6" CHROME HUBCAP (OPTIONAL)	A/R
27	19241-G*		GOLD SPOKE HUBCAP (OPTIONAL)	A/R
28	19241-G*		SILVER SPOKE HUBCAP (OPTIONAL)	A/R



SPECIALTY PRODUCTS

SPECIALTY PRODUCTS

SPECIALTY PRODUCTS

SPECIAL TOOLS	PART NO.
HIGH RESISTANCE SPARK PLUG WIRE SET	26733-G02
DRIVE CLUTCH PULLER	19779-G2
FLYWHEEL PULLER.....	27111-G01
CAM PULLER.....	27851-G01
TACHOMETER	72526-G01
FEELER GAUGE	72525-G01
COMPRESSION TESTER.....	72524-G01
ENGINE REBUILD MANUAL.....	27615-G01
REAR AXLE REBUILD MANUAL	27660-G01
CURRENT INDICATOR.....	16489-G2
DIGITAL MULTI-METER.....	27481-G01
CRIMPING TOOL	27765-G01
SLIDE HAMMER (AXLE/HUB REMOVAL)	15947-G1
SLIDE HAMMER (AXLE REMOVAL ONLY)	18753-G1

PERFORMANCE PRODUCTS

FORMULA 40 VINYL-COAT® - WHITE.....	28166-G01
PLEXUS® CLEANER, 7 OUNCE (FOR WINDSHIELDS).....	28433-G01
PLEXUS® CLEANER, 13 OUNCE (FOR WINDSHIELDS).....	28433-G02
BATTERY PROTECTOR, 14 OUNCE AEROSOL.....	75500-G01
CARBURETOR & CHOKE CLEANER, 15 OUNCE AEROSOL	75501-G01
WHITE LITHIUM GREASE, 14 OUNCE AEROSOL.....	75502-G01
PENETRANT/LUBRICANT, 15 OUNCE AEROSOL.....	75503-G01
MULTI-PURPOSE CLEANER & DEGREASER, 14 OUNCE AEROSOL	75504-G01
MULTI-PURPOSE HAND CLEANER, 32 OUNCE LIQUID.....	75505-G01
BATTERY CLEANER, 32 OUNCE WITH TRIGGER SPRAYER	75506-G01
BIO-DEGRADABLE CLEANER, 32 OUNCE W/ TRIGGER SPRAYER.....	75507-G01
MULTI-PURPOSE VALUE PACK.....	75508-G01
<ul style="list-style-type: none"> • BATTERY PROTECTOR, 4 OUNCE AEROSOL • PENETRANT/LUBRICANT, 4 OUNCE AEROSOL • WHITE LITHIUM GREASE, 4 OUNCE AEROSOL • CARBURETOR & CHOKE CLEANER, 4 OUNCE AEROSOL 	

PAINT

.6 OUNCE BRUSH ON PAINT - HUNTER GREEN.....	28432-G02
.6 OUNCE BRUSH ON PAINT - INDUSTRIAL YELLOW	28432-G03
12 OUNCE AEROSOL - HUNTER GREEN.....	28140-G09
12 OUNCE AEROSOL - INDUSTRIAL YELLOW	28140-G14

ENGINE OIL

4-CYCLE ENGINE OIL, 10W-30, 5 GALLON	25730-G03
4-CYCLE ENGINE OIL, 10W-30, 12 QUART CASE	25730-G04
4-CYCLE ENGINE OIL, 10W-30, QUART BOTTLE	25730-G06

ACCESSORIES

ACCESSORIES LISTING

ACCESSORIES

ACCESSORIES LISTING

KIT NO.

ASHTRAY KIT	75109-G02	See BODY
BALL HITCH KIT	75326-G02	See BODY
BUMPER KIT	74041-G01	See BODY
CLEVIS HITCH KIT	75327-G02	See BODY
CHROME HUB CAP 8"	14913-G*	See WHEELS AND TIRES
CHROME HUB CAP 6"	16042-G*	See WHEELS AND TIRES
DEFROSTER/COOLING FAN	74248-G01	See CAB
DIFFERENTIAL GUARD	72347-G01	See REAR AXLE
DOOR SET	74301-G0*	See CAB
DOOR SET (VINYL)	74242-G01	See CAB
ELECTRIC DUMP KIT	74164-G02	See TRUCKBED
GLOVE BOX DOOR	75459-G0*	See BODY
HOUR METER KIT	75114-G02	See ELECTRICAL SYSTEM
INSIDE MIRROR	27924-G01	See WEATHER PROTECTION
INSTRUMENT/SWITCH PANEL	74250-G01	See CAB
REAR VIEW MIRROR KIT	19528-G2	See WEATHER PROTECTION
SOFT ENCLOSURE	75367-G01	See WEATHER PROTECTION
STEEL CAB, W/O DOORS (WORKHORSE® 800 LX)	74294-G0*	See CAB
STEEL CAB, W/O DOORS (800 & INDUSTRIAL 800)	74300-G0*	See CAB
STROBE LIGHT	74245-G01	See CAB
SUN TOP KIT	75040-G0*	See WEATHER PROTECTION
TURN SIGNAL KIT	75107-G02	See ELECTRICAL SYSTEM
GOLD SPOKE WHEEL COVERS	19241-G*	See WHEELS AND TIRES
SILVER SPOKE WHEEL COVERS	19241-G*	See WHEELS AND TIRES
WINDSHIELD (FULL) (800 & INDUSTRIAL 800)	75524-G01	See WEATHER PROTECTION
WINDSHIELD (SPLIT) (800 & INDUSTRIAL 800)	75525-G01	See WEATHER PROTECTION
WINDSHIELDS (WORKHORSE® 800 LX)	71966-G0*	See WEATHER PROTECTION
WINDSHIELD WIPER	74244-G01	See CAB
WORK LIGHTS	74247-G01	See CAB
WORK LIGHT BAR WITH LIGHTS	71323-G04	See ELECTRICAL SYSTEM
WORK LIGHT BAR WITH STROBE	71323-G05	See ELECTRICAL SYSTEM
WORK LIGHT BAR WITH LIGHTS AND STROBE	71323-G06	See ELECTRICAL SYSTEM



a **TEXTRON** Company

E-Z-GO Division of Textron Inc.

P.O. Box 388 Augusta, Georgia 30903-0388 USA

Inside USA Phone: 1-800-241-5855, FAX: 1-800-448-8124

Outside USA Phone: 010-1-706-798-4311, FAX: 010-1-706-771-4609

Copyrighted Material
This manual may not be reproduced in whole or
in part without the express permission of
E-Z-GO Division of Textron Inc.
Technical Communications Department