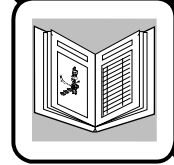


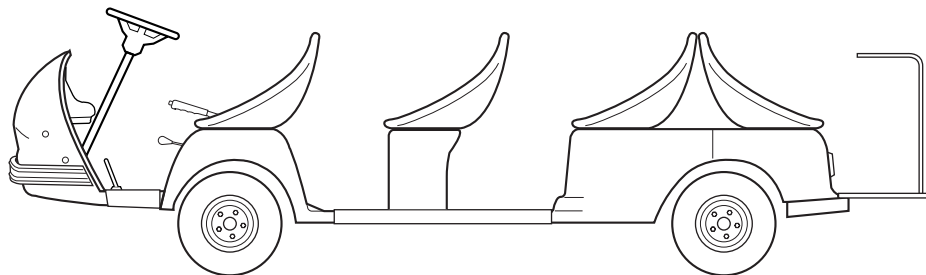
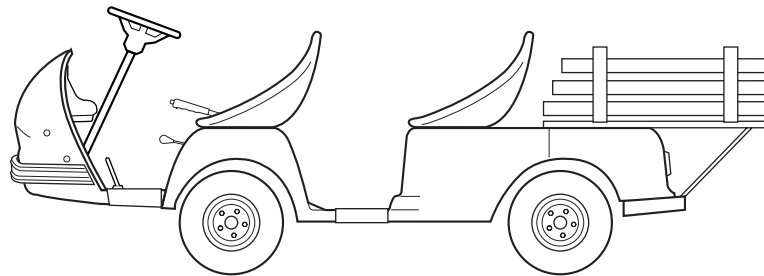
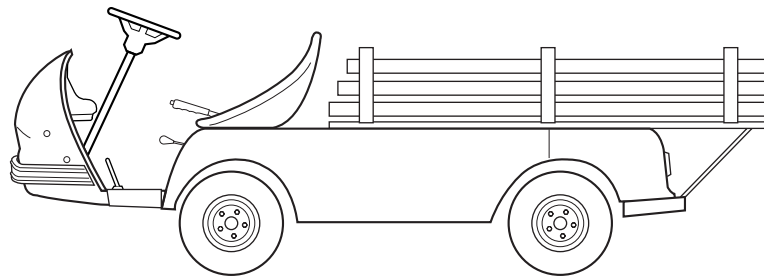
35826-G01



A Textron Company



SERVICE PARTS MANUAL



ELECTRIC POWERED CARGO AND PERSONNEL CARRIERS (950 SERIES)

STARTING MODEL YEAR: 2000

REVISED: 12/2002

SERVICE PARTS MANUAL

ELECTRIC POWERED CARGO AND PERSONNEL CARRIERS (950 SERIES)

VEHICLES

SHUTTLE 952E

SHUTTLE 954E

SHUTTLE 955E

SHUTTLE 956E

SHUTTLE 957E

E-Z-GO Division of Textron reserves the right to make design changes without obligation to make these changes on units previously sold and the information contained in this manual is subject to change without notice.

E-Z-GO Division of Textron is not liable for errors in this manual or for incidental or consequential damages that result from the use of the material in this manual.

CUSTOMER SERVICE DEPARTMENT IN USA PHONE: 1-800-241-5855 FAX: 1-800-448-8124

OUTSIDE USA PHONE: 010-1-706-798-4311, FAX: 010-1-706-771-4609

E-Z-GO DIVISION OF TEXTRON, INC., P.O.BOX 388, AUGUSTA, GEORGIA USA 30903-0388



NOTES

To obtain a copy of the limited warranty applicable to the vehicle, call or write a local distributor, E-Z-GO Branch or the E-Z-GO Warranty Department with vehicle serial number and manufacturer code.

The use of non E-Z-GO parts may void the warranty.

Overfilling of batteries may void the warranty.

BATTERY PROLONGED STORAGE

All batteries will self discharge over time. The rate of self discharge varies depending on the ambient temperature and the age and condition of the batteries.

A fully charged battery will not freeze in winter temperatures unless the temperature falls below -75° F (-60° C).

As with all electric vehicles, the batteries must be checked and recharged as required or at a minimum of 30 day intervals.

TABLE OF CONTENTS

| SECTION | Page No. |
|---|-----------------|
| HOW TO USE THE SERVICE PARTS MANUAL | v |
| ILLUSTRATED PARTS BREAKDOWN | vii |
| ACCELERATOR | A-1 |
| BATTERY CHARGERS (ON BOARD)..... | B-1 |
| BATTERY CHARGER (PORTABLE)..... | B-11 |
| BODY | C-1 |
| BRAKES | D-1 |
| CARGO DECKS AND HITCHES | E-1 |
| DIRECTION SELECTOR | F-1 |
| 36 VOLT ELECTRICAL SYSTEM | G-1 |
| 48 VOLT ELECTRICAL SYSTEM | G-21 |
| ELECTRONIC SPEED CONTROL | H-1 |
| FRONT SUSPENSION / BRAKES | J-1 |
| MOTOR | K-1 |
| REAR AXLE | L-1 |
| REAR SUSPENSION | M-1 |
| SEATS | N-1 |
| STEERING | P-1 |
| WEATHER PROTECTION | Q-1 |
| WHEELS AND TIRES | R-1 |
| SPECIALTY PRODUCTS | APPENDIX A-1 |
| OPTIONS/ACCESSORIES | APPENDIX B-i |
| INDEX OF MAJOR COMPONENTS | INDEX-1 |

TABLE OF CONTENTS

Notes:

HOW TO USE THE SERVICE PARTS MANUAL

This manual is divided into several sections:

GENERAL INFORMATION

- TABLE OF CONTENTS
- HOW TO USE THE SERVICE PARTS MANUAL

ILLUSTRATED PARTS BREAKDOWN

- Contains illustrations and parts lists for all systems of the vehicle

APPENDIX

- Contains a listing of specialty products and options/accessories

INDEX OF MAJOR COMPONENTS

- Contains a listing of parts (excluding hardware) grouped by part number and description and indicates on which page(s) they can be found

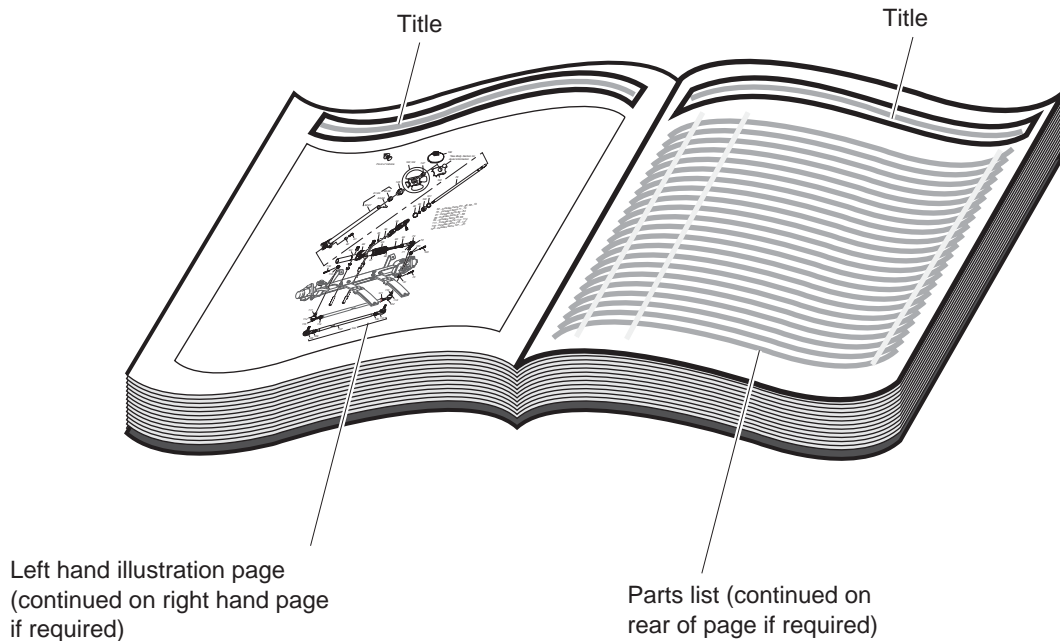
USE OF THE MANUAL

To use this manual, consult the TABLE OF CONTENTS (page iii) or the INDEX OF MAJOR COMPONENTS (located at rear of this manual) to locate the information or illustration required.

Introduction of some revisions varies due to supply of components; therefore, it is possible that various combinations of components may be found that are not directly reflected by each illustration. Consult the illustration that best suits your situation. Locate the serial number plate (see BODY located in the Illustrated Parts Breakdown section of this manual for its location) and note the complete number shown on the plate. It is important that the serial number of your vehicle and its model number be supplied to Service Parts when ordering any replacement components.

Locate the serial number plate (see BODY located in the Illustrated Parts Breakdown section of this manual for its location) and note the complete number shown on the plate.

HOW TO USE THE SERVICE PARTS MANUAL



1. WHEN THE PART NUMBER IS NOT KNOWN

- Determine the function and application of the part required. Turn to the INDEX OF MAJOR COMPONENTS and select the most appropriate component description.
- Turn to the page number indicated and locate the part description in the parts list. Read the full accompanying description for specific information regarding the part that was not shown in the index.
- From the parts list, obtain the item number assigned to it and confirm that the part selected is correct by verifying it with the pictorial representation on the illustrated page.

2. IF YOU KNOW THE PART NUMBER

- Use the INDEX OF MAJOR COMPONENTS to find the page(s) the part number appears on.
- Turn to the page number indicated and locate the part number in the parts list. Refer to the accompanying description for specific information regarding the part.
- From the parts list, obtain the item number assigned to it and confirm that the part selected is correct by verifying it with the pictorial representation on the illustrated page.

Should an asterisk (*) appear in the part number column on the parts list page, read upwards until a part number is found. The part number is the lowest assembly sold by Service Parts. The asterisk (*) indicates that the part depicted is not available for purchase.

NOTE: Descriptions are indented under the assembly that they are used on. That assembly is, in turn listed under the assembly that it is used on. This process is repeated until the highest final assembly is reached.

To facilitate the maintenance and repair of the vehicle, a Technician's Repair and Service Manual is available from the Service Parts Department.

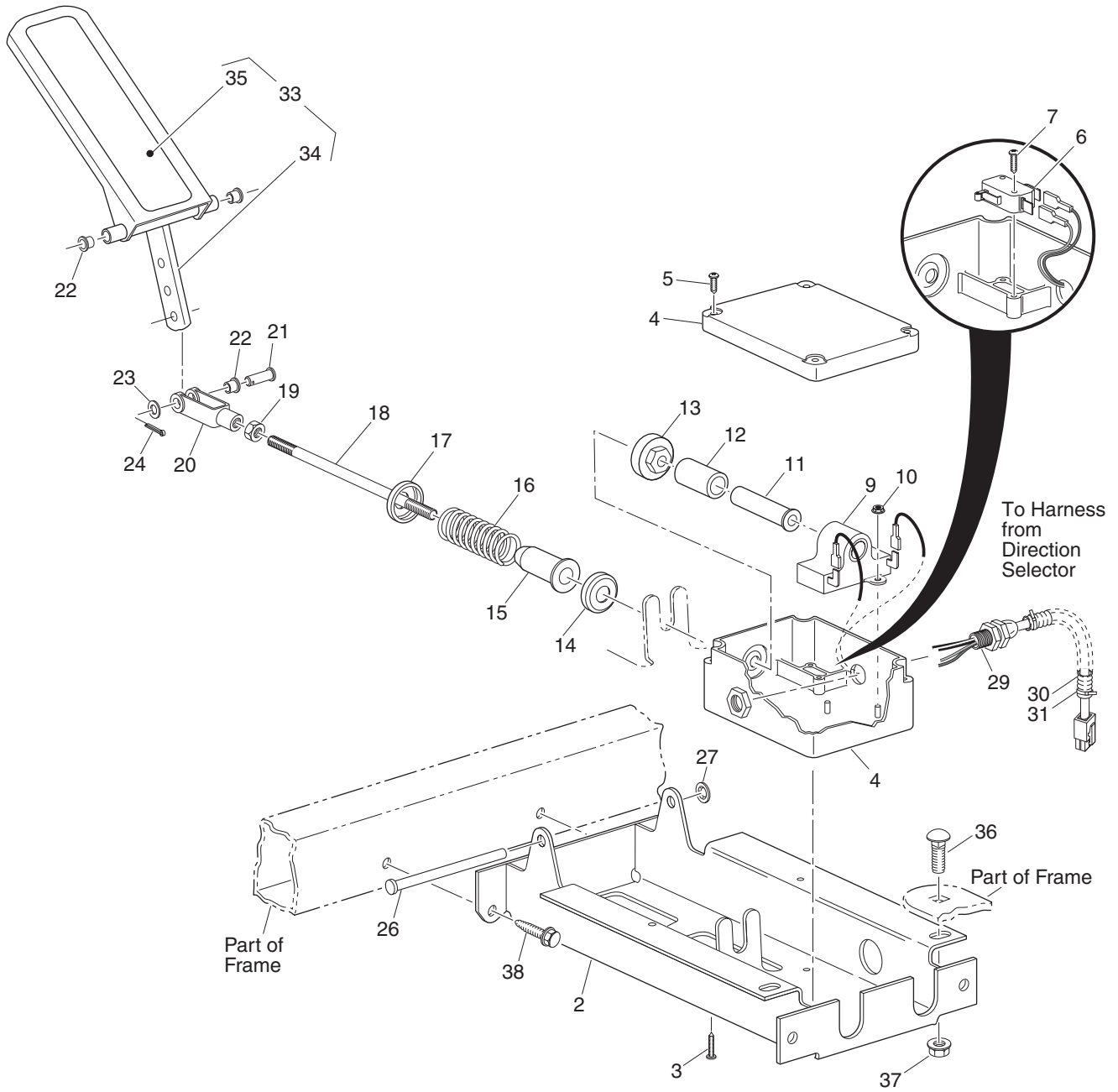
ILLUSTRATED PARTS BREAKDOWN

HOW TO USE THE SERVICE PARTS MANUAL



ACCELERATOR

1 - Includes Items 2 - 35



Ref Acl 12

ACCELERATOR

When ordering parts, please specify the model and serial number of the product.

* Indicates a component that is not available as an individual part.

G** Indicates consult Customer Service Department for additional information.

| ITEM | PART NO. | 1 2 3 4 5 | DESCRIPTION | QTY. |
|------|------------------|-----------|--|------|
| 1 | <u>73333-G06</u> | | PEDAL BOX ASSEMBLY (INCLUDES ITEMS 2 - 35) | 1 |
| 2 | <u>70116-G01</u> | | ACCELERATOR PEDAL BRACKET..... | 1 |
| 3 | <u>01052-G01</u> | | SCREW, #6 - 19 X 5/8" LG. | 4 |
| 4 | <u>25853-G01</u> | | PEDAL BOX AND COVER | 1 |
| 5 | <u>00684-G6</u> | | SCREW, #8 - 32 X 3/4" LG (STAINLESS STEEL)..... | 4 |
| 6 | <u>25861-G01</u> | | MICRO SWITCH..... | 1 |
| 7 | <u>01050-G01</u> | | SCREW, #4 - 20 X 5/8" LG | 2 |
| 8 | | | | |
| 9 | <u>25854-G01</u> | | INDUCTIVE THROTTLE SENSOR | 1 |
| 10 | <u>00983-G01</u> | | SELF THREADING NUT, 3/16" | 2 |
| 11 | <u>28443-G01</u> | | PLUNGER..... | 1 |
| 12 | <u>25857-G01</u> | | PLUNGER SLEEVE..... | 1 |
| 13 | <u>28444-G01</u> | | PLUNGER CAM..... | 1 |
| 14 | <u>17677-G1</u> | | SPRING RETAINER | 1 |
| 15 | <u>17979-G1</u> | | ACCELERATOR ROD BUSHING | 1 |
| 16 | <u>73046-G01</u> | | COMPRESSION SPRING | 1 |
| 17 | <u>17677-G2</u> | | SPRING RETAINER | 1 |
| 18 | <u>73332-G01</u> | | ACCELERATOR ROD | 1 |
| 19 | <u>00532-G4</u> | | NUT, 5/16 - 24..... | 1 |
| 20 | <u>10385-G4</u> | | CLEVIS YOKE (ADJUSTABLE)..... | 1 |
| 21 | <u>10386-G3</u> | | CLEVIS PIN, 5/16" X 13/16" LG | 1 |
| 22 | <u>17838-G1</u> | | NYLON BUSHING | 3 |
| 23 | <u>17255-G1</u> | | TEFLON WASHER, 5/16" | 1 |
| 24 | <u>10387-G3</u> | | COTTER PIN, 3/32" X 3/4" LG | 1 |
| 25 | | | | |
| 26 | <u>70134-G01</u> | | PEDAL PIVOT PIN | 1 |
| 27 | <u>00986-G01</u> | | PUSH NUT, 5/16" | 1 |
| 28 | | | | |
| 29 | <u>35679-G01</u> | | WIRE HARNESS (PEDAL BOX) | 1 |
| 30 | <u>17313-G1</u> | | FLEX LOOM (BULK)..... | A/R |

ACCELERATOR

When ordering parts, please specify the model and serial number of the product.

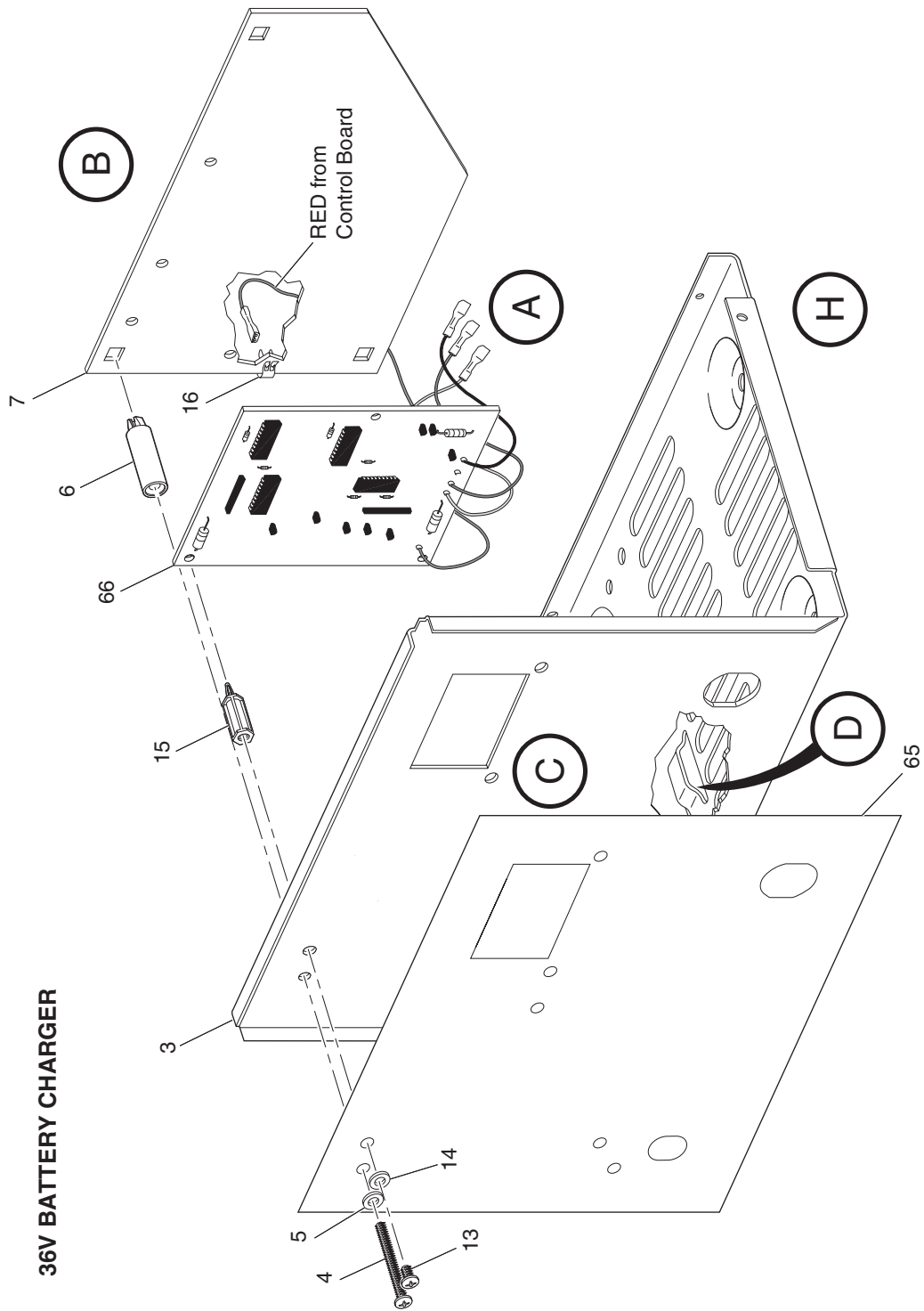
* Indicates a component that is not available as an individual part.

G** Indicates consult Customer Service Department for additional information.

| ITEM | PART NO. | 1 2 3 4 5 | DESCRIPTION | QTY. |
|------|------------------|-----------|--|------|
| 31 | <u>17618-G1</u> | | WIRE TIE | 2 |
| 32 | | | | |
| 33 | <u>34437-G01</u> | | ACCELERATOR PEDAL ASSEMBLY (INCLUDES ITEMS 34 - 35)..... | 1 |
| 34 | * | | ACCELERATOR PEDAL | 1 |
| 35 | 71764-G02 | | PEDAL PAD..... | 1 |
| 36 | 00827-G8 | | CARRIAGE BOLT, 1/4 - 20 X 1" LG (STAINLESS STEEL)..... | 2 |
| 37 | <u>11027-G2</u> | | LOCK NUT, 1/4 - 20 | 2 |
| 38 | <u>00715-G2</u> | | BOLT, 5/16 - 18 X 4/5" LG | 2 |

BATTERY CHARGERS (ON BOARD)

36V BATTERY CHARGER



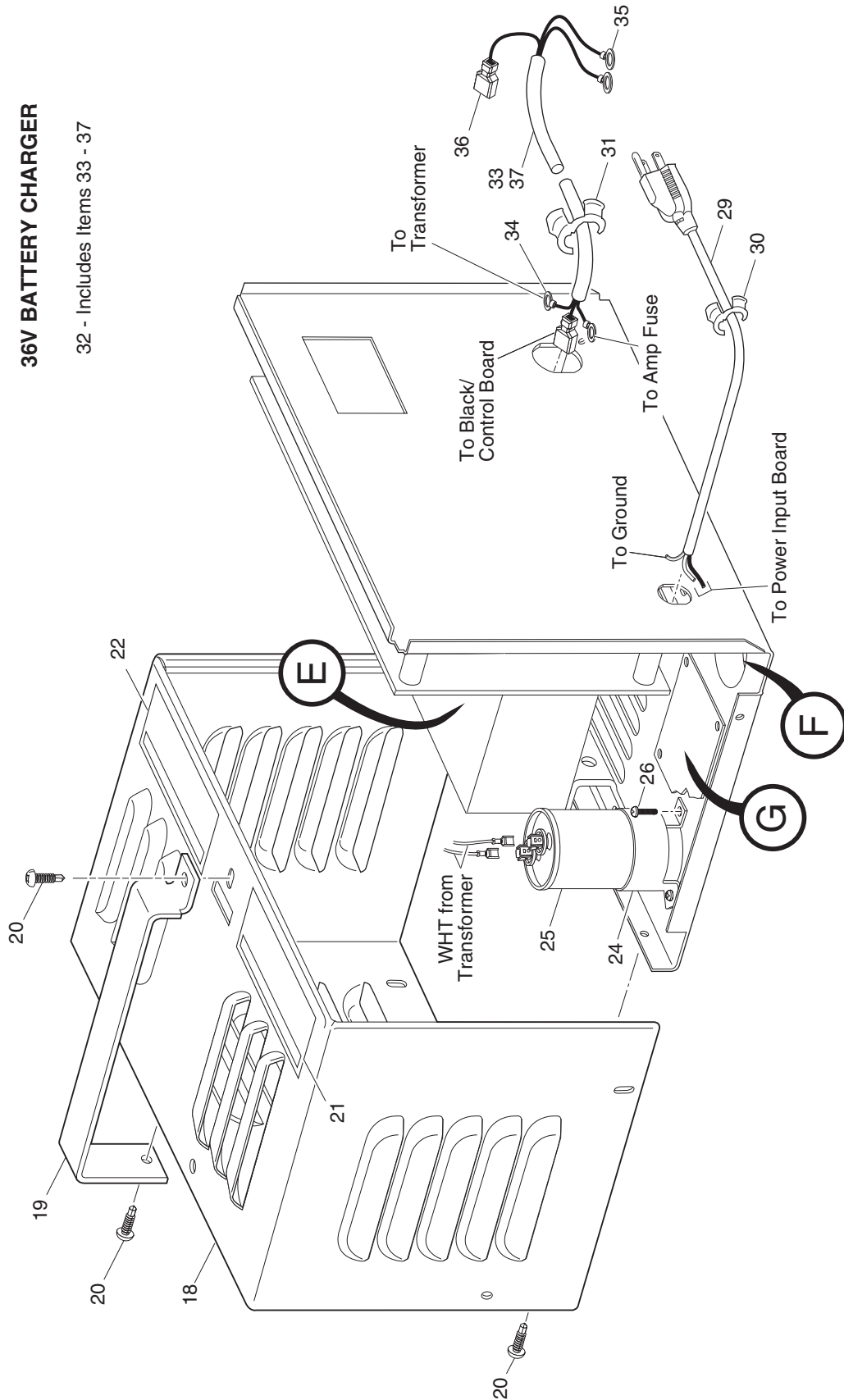
1 - Includes Items 3 - 83, 96 - 100

Ref Bco 12-1

BATTERY CHARGERS (ON BOARD)

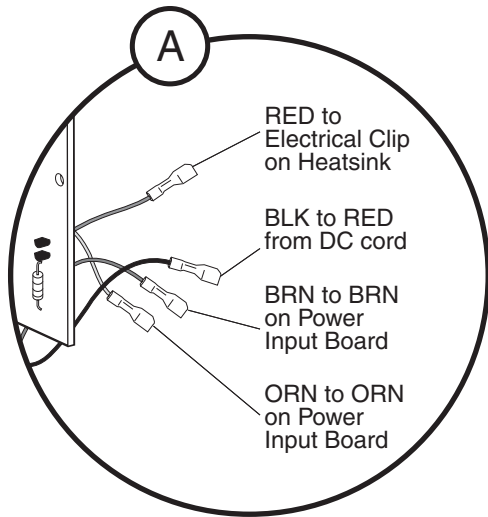
36V BATTERY CHARGER

32 - Includes Items 33 - 37

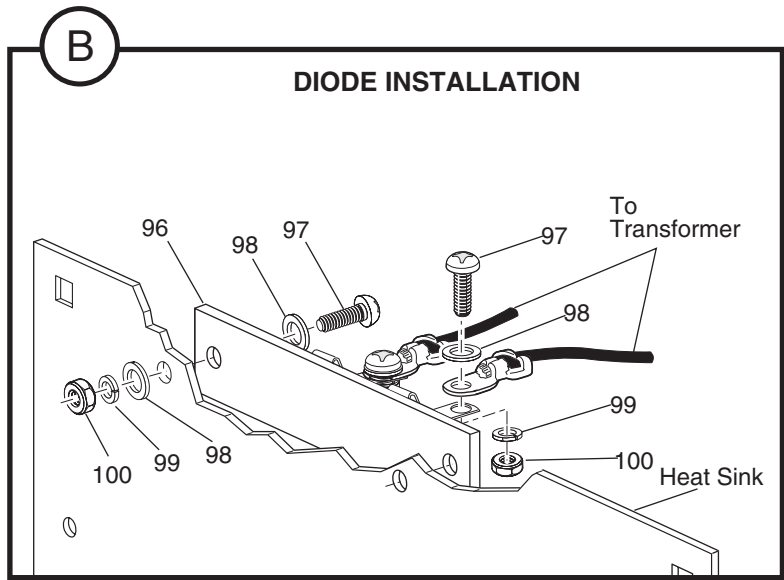


Ref Bco 12-2

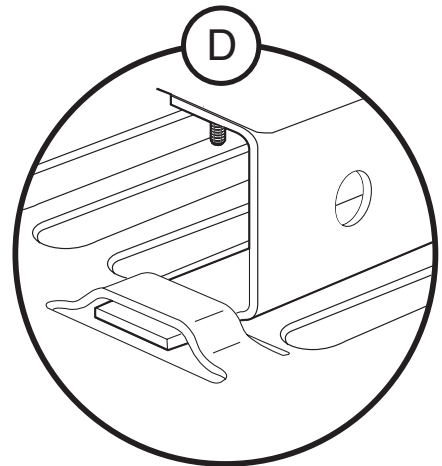
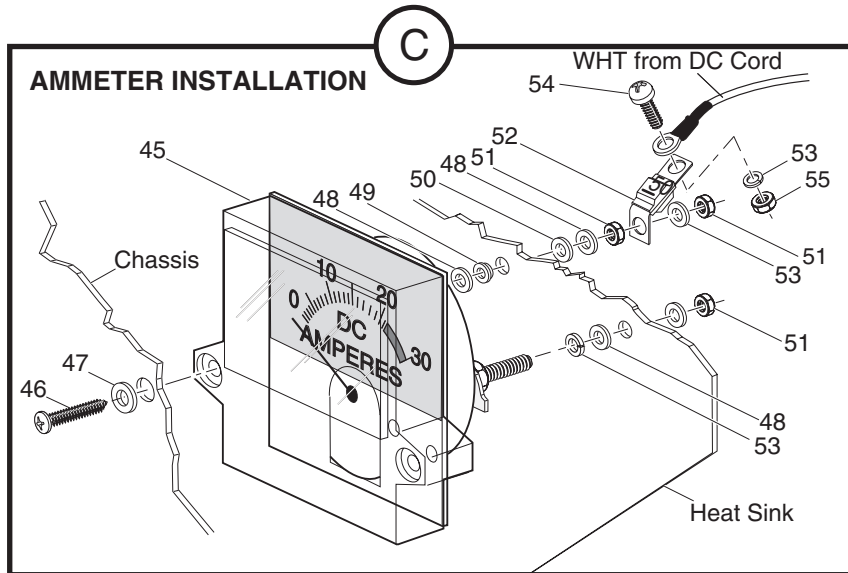
BATTERY CHARGERS (ON BOARD)



CONTROL BOARD CONNECTIONS



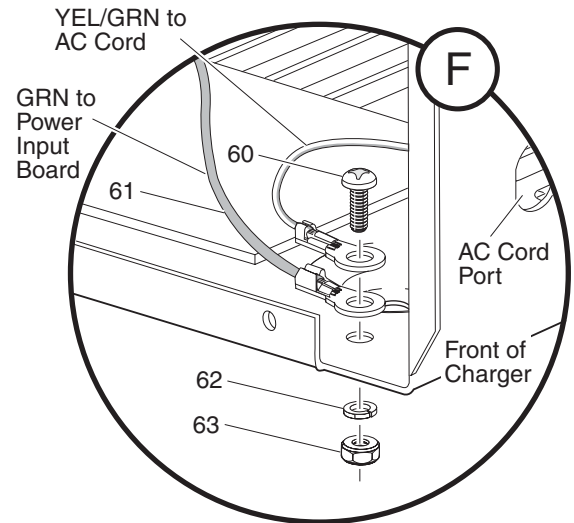
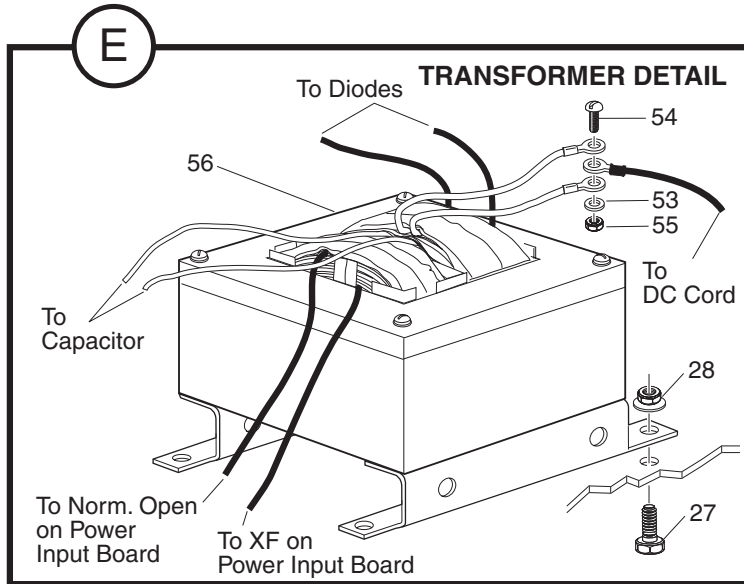
36V BATTERY CHARGER



TRANSFORMER LEG INSTALLATION

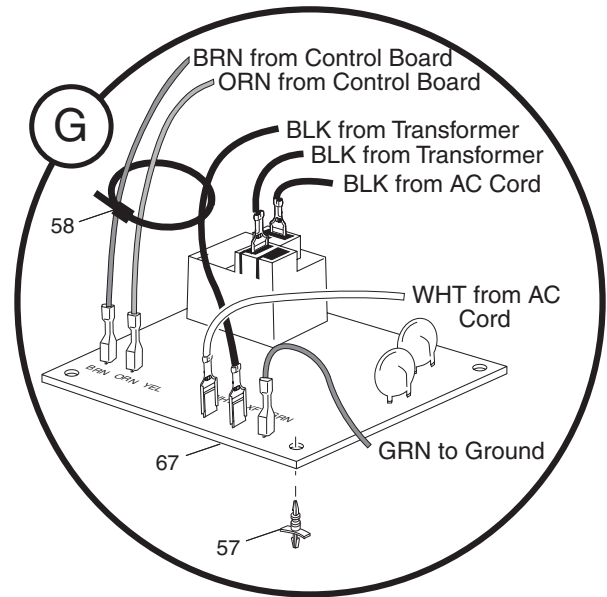
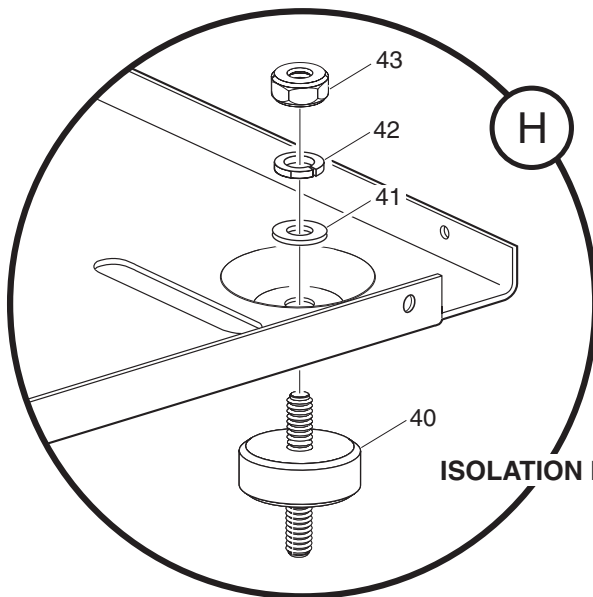
Ref Bco 12-3

BATTERY CHARGERS (ON BOARD)



GROUNDING DETAIL

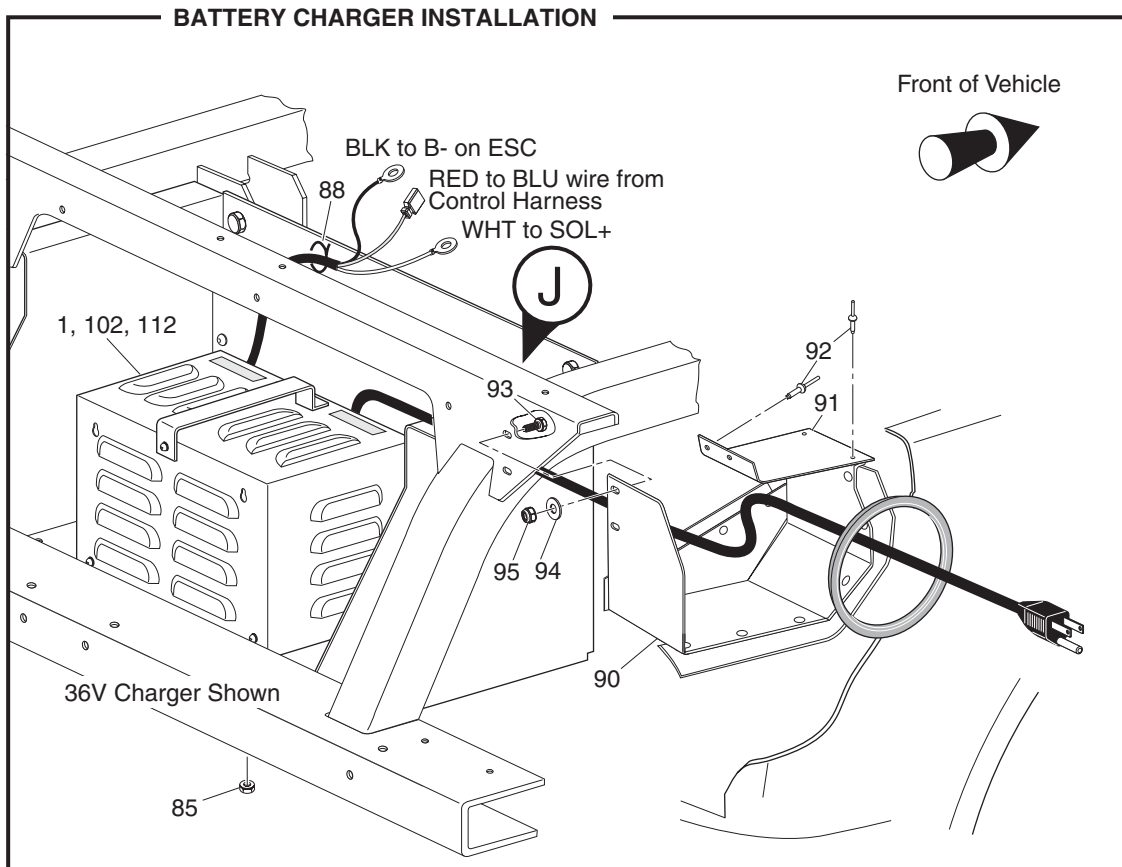
36V BATTERY CHARGER



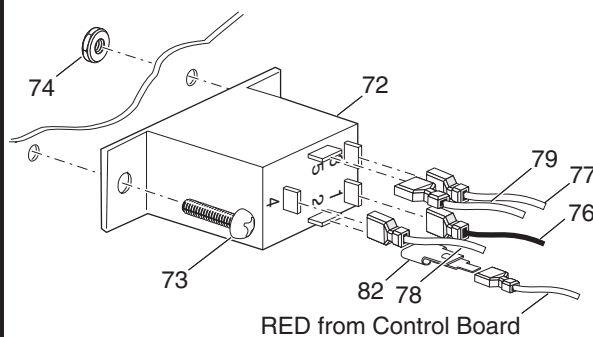
POWER INPUT BOARD INSTALLATION

Ref Bco 12-4

BATTERY CHARGERS (ON BOARD)



- Pin 1 - Wire 76 to Input Board "COM"
- Pin 2 - Tab Adapter 82, RED wire from Control Board
- Pin 3 - Wire 77 to Input Board "WHT"
- Pin 4 - Wire 78 to Heat Sink Clip
- Pin 5 - Wire 79 to DC Cord RED Wire

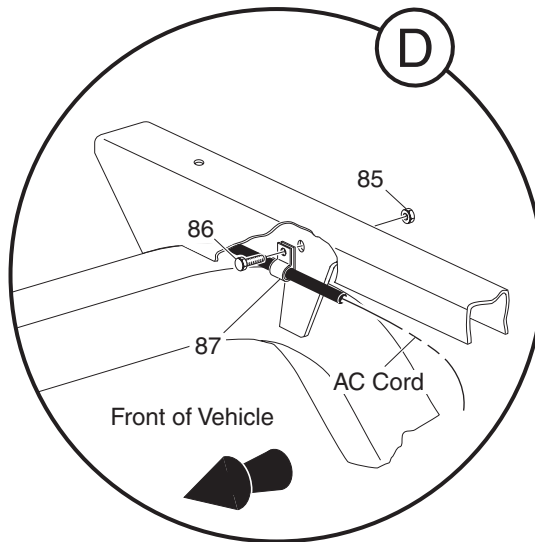
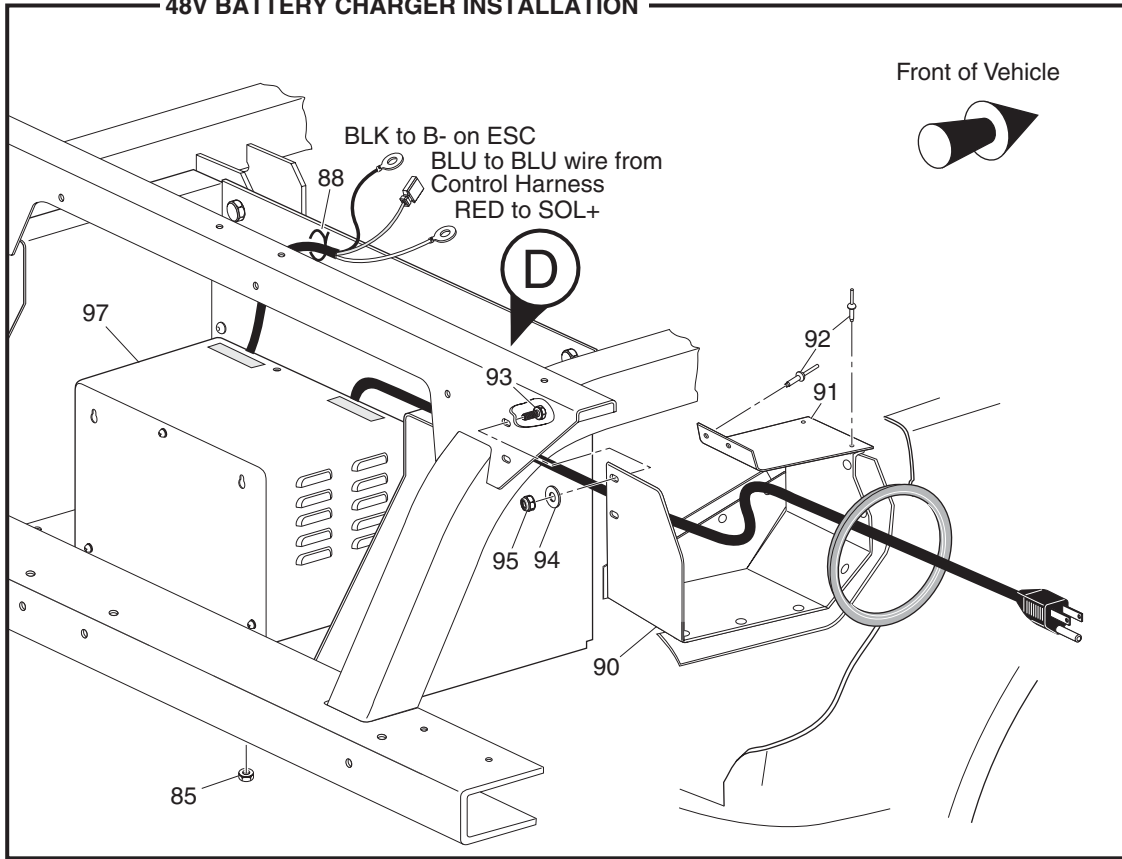


RELAY INSTALLATION

Ref Bco 12-5

BATTERY CHARGERS (ON BOARD)

48V BATTERY CHARGER INSTALLATION



Ref Bco 12-6

BATTERY CHARGERS (ON BOARD)

When ordering parts, please specify the model and serial number of the product.

* Indicates a component that is not available as an individual part.

G** Indicates consult Customer Service Department for additional information.

| ITEM | PART NO. | 1 2 3 4 5 | DESCRIPTION | QTY. |
|------|------------------|-----------|---|------|
| 1 | <u>28115-G03</u> | | POWERWISE™ 36V CHARGER (ON BOARD) (INCL ITEMS 3 - 83, 96 - 100) | 1 |
| 2 | | | | |
| 3 | * | | CHASSIS | 1 |
| 4 | <u>00513-G6</u> | | SCREW, #8 - 18 X 1 3/4" LG | 2 |
| 5 | <u>00559-G4</u> | | WASHER, #8 | 2 |
| 6 | <u>11572-G3</u> | | EXPANSION NUT | 2 |
| 7 | <u>28104-G01</u> | | HEAT SINK | 1 |
| 8 | | | | |
| 9 | | | | |
| 10 | | | | |
| 11 | | | | |
| 12 | | | | |
| 13 | <u>01005-G01</u> | | SCREW, #6 - 19 X 5/16" LG | 3 |
| 14 | <u>00559-G3</u> | | WASHER, #6 | 3 |
| 15 | <u>28111-G01</u> | | SUPPORT SPACER | 3 |
| 16 | <u>28110-G01</u> | | ELECTRICAL CLIP | 1 |
| 17 | | | | |
| 18 | * | | COVER | 1 |
| 19 | <u>28102-G01</u> | | HANDLE | 1 |
| 20 | <u>00614-G4</u> | | SCREW, #8 - 18 X 1/2" LG | 6 |
| 21 | <u>28136-G01</u> | | LABEL (VENTILATION) | 1 |
| 22 | <u>28136-G02</u> | | LABEL (CORD CONDITION) | 1 |
| 23 | | | | |
| 24 | <u>26979-G01</u> | | CAPACITOR BRACKET | 1 |
| 25 | <u>28109-G01</u> | | CAPACITOR | 1 |
| 26 | <u>00969-G01</u> | | SCREW, #8 - 32 X 3/8" LG | 3 |
| 27 | <u>00414-G5</u> | | BOLT, 1/4 - 20 X 5/8" LG | 3 |
| 28 | <u>11027-G2</u> | | LOCK NUT, 1/4 - 20 | 3 |
| 29 | <u>19388-G5</u> | | AC CORD | 1 |
| 30 | <u>13557-G2</u> | | STRAIN RELIEF (AC) | 1 |

BATTERY CHARGERS (ON BOARD)

When ordering parts, please specify the model and serial number of the product.

* Indicates a component that is not available as an individual part.

G** Indicates consult Customer Service Department for additional information.

| ITEM | PART NO. | 1 | 2 | 3 | 4 | 5 | DESCRIPTION | QTY. |
|------|------------------|---|---|---|---|---|---|------|
| 31 | <u>13557-G3</u> | | | | | | STRAIN RELIEF (DC)..... | 1 |
| 32 | 73331-G05 | | | | | | DC CORD ASSEMBLY (INCLUDES ITEMS 33 - 37) | 1 |
| 33 | 28108-G01 | | | | | | DC CORD..... | 1 |
| 34 | <u>11343-G3</u> | | | | | | RING TERMINAL, 3/16" | 2 |
| 35 | 11343-G1 | | | | | | RING TERMINAL, 5/16" | 2 |
| 36 | <u>17064-G1</u> | | | | | | FEMALE TERMINAL..... | 2 |
| 37 | 22476-G1 | | | | | | HEAT SHRINK TUBING | A/R |
| 38 | | | | | | | | |
| 39 | | | | | | | | |
| 40 | <u>22009-G1</u> | | | | | | ISOLATION MOUNT..... | 4 |
| 41 | <u>01110-G01</u> | | | | | | WASHER, 1/4" (STAINLESS STEEL)..... | 4 |
| 42 | <u>00664-G7</u> | | | | | | LOCK WASHER, 1/4" (STAINLESS STEEL)..... | 4 |
| 43 | <u>00532-G1</u> | | | | | | NUT, 1/4 - 20..... | 4 |
| 44 | | | | | | | | |
| 45 | <u>28105-G01</u> | | | | | | AMMETER | 1 |
| 46 | 00984-G01 | | | | | | SCREW, #8 - 16 X 1/2" LG | 2 |
| 47 | <u>00559-G4</u> | | | | | | WASHER, #8 | 2 |
| 48 | <u>01003-G01</u> | | | | | | BRASS WASHER, #10 | 4 |
| 49 | <u>22589-G2</u> | | | | | | SHOULDER WASHER, 1/4" | 1 |
| 50 | <u>00771-G6</u> | | | | | | NYLON WASHER, 3/8"..... | 1 |
| 51 | 00528-G4 | | | | | | NUT, #10 - 32 (BRASS) | 3 |
| 52 | <u>28106-G01</u> | | | | | | 50 AMP FUSE..... | 1 |
| 53 | <u>00565-G5</u> | | | | | | LOCK WASHER, #10 | 4 |
| 54 | <u>00378-G4</u> | | | | | | SCREW, #10 - 24 X 1/2" LG | 2 |
| 55 | <u>00526-G3</u> | | | | | | NUT, #10 - 24..... | 2 |
| 56 | <u>28103-G01</u> | | | | | | TRANSFORMER | 1 |
| 57 | <u>27877-G01</u> | | | | | | SPACER SUPPORT | 4 |
| 58 | <u>17618-G1</u> | | | | | | WIRE TIE | 3 |
| 59 | | | | | | | | |
| 60 | <u>00372-G3</u> | | | | | | SCREW, #8 - 32 X 3/8" LG | 1 |

BATTERY CHARGERS (ON BOARD)

When ordering parts, please specify the model and serial number of the product.

* Indicates a component that is not available as an individual part.

G** Indicates consult Customer Service Department for additional information.

| ITEM | PART NO. | 1 | 2 | 3 | 4 | 5 | DESCRIPTION | QTY. |
|------|------------------|---|---|---|---|---|--|------|
| 61 | <u>25977-G32</u> | | | | | | 16 GA WIRE (GREEN 4") | 1 |
| 62 | <u>00565-G4</u> | | | | | | LOCK WASHER, #8 | 1 |
| 63 | <u>00526-G1</u> | | | | | | NUT, #8 - 32..... | 1 |
| 64 | | | | | | | | |
| 65 | * | | | | | | LABEL (POWERWISE™) | 1 |
| 66 | 28566-G01 | | | | | | CONTROL BOARD..... | 1 |
| 67 | 28566-G03 | | | | | | POWER INPUT BOARD..... | 1 |
| 68 | | | | | | | | |
| 69 | | | | | | | | |
| 70 | | | | | | | | |
| 71 | | | | | | | | |
| 72 | <u>21971-G4</u> | | | | | | RELAY | 1 |
| 73 | <u>00138-G4</u> | | | | | | SCREW, #6 - 32 X 1/2" LG | 2 |
| 74 | <u>14390-G9</u> | | | | | | LOCK NUT, #6 - 32 | 2 |
| 75 | | | | | | | | |
| 76 | 25977-G38 | | | | | | 16 GA WIRE (BLACK 4") (from Relay 1 to Power Input Board "COM") | 1 |
| 77 | 25977-G37 | | | | | | 16 GA WIRE (WHITE 5") (from Relay 3 to Power Input Board "WHT")..... | 1 |
| 78 | 25978-G161 | | | | | | 18 GA WIRE (BLUE 6") (from Relay 4 to Heat Sink clip)..... | 1 |
| 79 | 25978-G162 | | | | | | 18 GA WIRE (YELLOW 6") (from Relay 5 to DC Cord "RED")..... | 1 |
| 80 | 25978-G163 | | | | | | 18 GA WIRE (BLACK 7") (from Transformer S2/S3 to Control Module "Black") | 1 |
| 81 | <u>17902-G1</u> | | | | | | TAB ADAPTER (on Power Input Board "WHT" w/ 77 & AC Cord WHT) | 1 |
| 82 | <u>28305-G01</u> | | | | | | TERMINAL ADAPTER (on Relay 2 w/ Control Board RED)..... | 1 |
| 83 | <u>27285-G01</u> | | | | | | TERMINAL ADAPTER (on Relay "COM" w/ 76 & AC Cord BLK)..... | 1 |
| 84 | | | | | | | | |
| 85 | <u>00654-G2</u> | | | | | | LOCK NUT, 1/4 - 20 (STAINLESS STEEL) | 5 |
| 86 | <u>00414-G6</u> | | | | | | BOLT, 1/4 - 20 X 3/4" LG | 1 |
| 87 | <u>11845-G7</u> | | | | | | INSULATED CABLE CLAMP, 1/2" | 1 |
| 88 | <u>17618-G1</u> | | | | | | WIRE TIE | 1 |
| 89 | | | | | | | | |

BATTERY CHARGERS (ON BOARD)

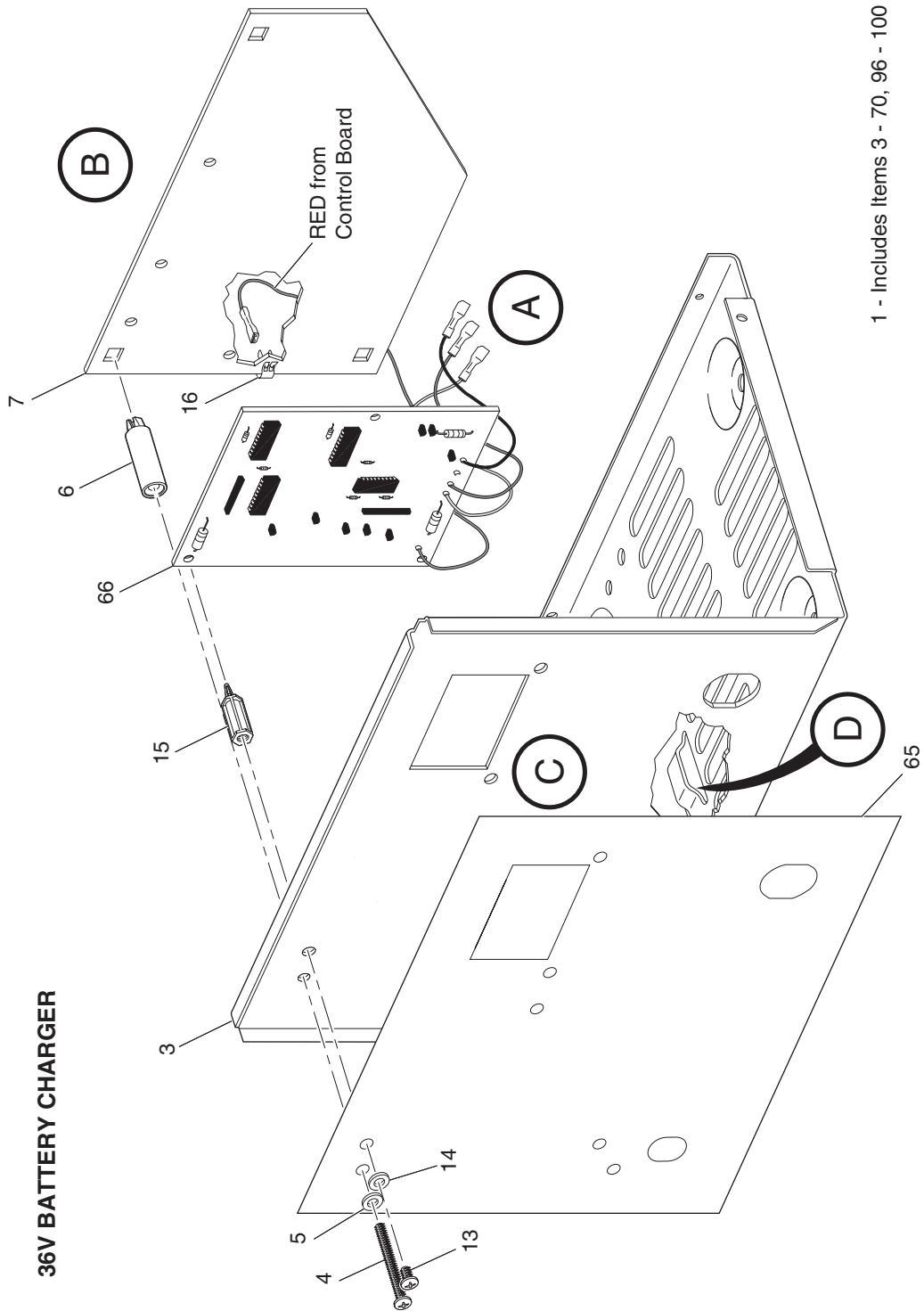
When ordering parts, please specify the model and serial number of the product.

* Indicates a component that is not available as an individual part.

G** Indicates consult Customer Service Department for additional information.

| ITEM | PART NO. | 1 | 2 | 3 | 4 | 5 | DESCRIPTION | QTY. |
|------|------------------|---|---|---|---|---|--|------|
| 90 | 34720-G01 | | | | | | CORD STORAGE UNIT | 1 |
| 91 | 34717-G01 | | | | | | CORD STORAGE SUPPORT | 1 |
| 92 | <u>14601-G8</u> | | | | | | RIVET, 3/16" X 7/16" LG (ALUMINUM) | 4 |
| 93 | <u>00414-G6</u> | | | | | | BOLT, 1/4 - 20 X 3/4" LG | 2 |
| 94 | <u>01110-G01</u> | | | | | | WASHER, 1/4" (STAINLESS STEEL) | 2 |
| 95 | <u>00654-G2</u> | | | | | | LOCK NUT, 1/4 - 20 (STAINLESS STEEL) | 2 |
| 96 | <u>28548-G01</u> | | | | | | DIODE | 1 |
| 97 | <u>00372-G4</u> | | | | | | SCREW, #8 - 32 X 1/2" LG..... | 4 |
| 98 | <u>00559-G4</u> | | | | | | WASHER, #8..... | 10 |
| 99 | <u>00565-G4</u> | | | | | | LOCK WASHER, #8 | 4 |
| 100 | <u>00526-G1</u> | | | | | | NUT, #8 - 32 | 4 |
| 101 | | | | | | | | |
| 102 | <u>28435-G04</u> | | | | | | 48V LESTER BATTERY CHARGER (ON BOARD) | 1 |
| 103 | | | | | | | | |
| 104 | 35591-G01 | | | | | | RETRACTABLE CORD REEL ASSEMBLY (INCLUDES ITEMS 105 - 110)..... | 1 |
| 105 | <u>19466-G1</u> | | | | | | RETRACTABLE CORD REEL | 1 |
| 106 | 35590-G01 | | | | | | CORD REEL BRACKET | 1 |
| 107 | 35592-G01 | | | | | | REAR CORD REEL BRACKET | 1 |
| 108 | <u>15058-G1</u> | | | | | | RIVET, 3/16" X 7/16" LG (ALUMINUM) | 16 |
| 109 | 35659-G01 | | | | | | FRAME WEATHER STRIP | 1 |
| 110 | 35660-G01 | | | | | | BODY WEATHER STRIP | 1 |
| 111 | | | | | | | | |
| 112 | <u>28435-G06</u> | | | | | | 48V LESTER BATTERY CHARGER CE APPROVED (ON BOARD) | 1 |

BATTERY CHARGER (PORTABLE)



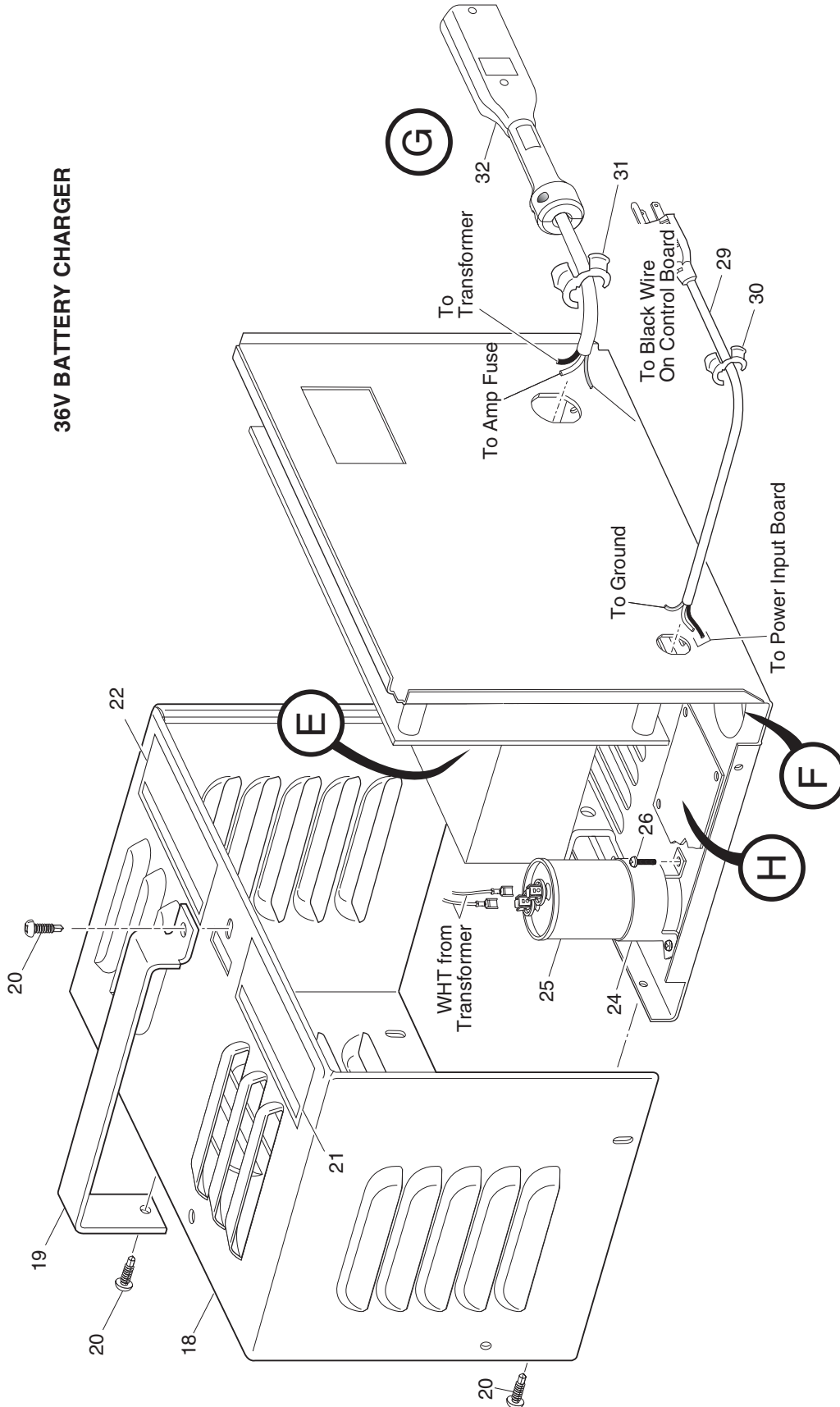
1 - Includes Items 3 - 70, 96 - 100

36V BATTERY CHARGER

Ref Bcp 12-1

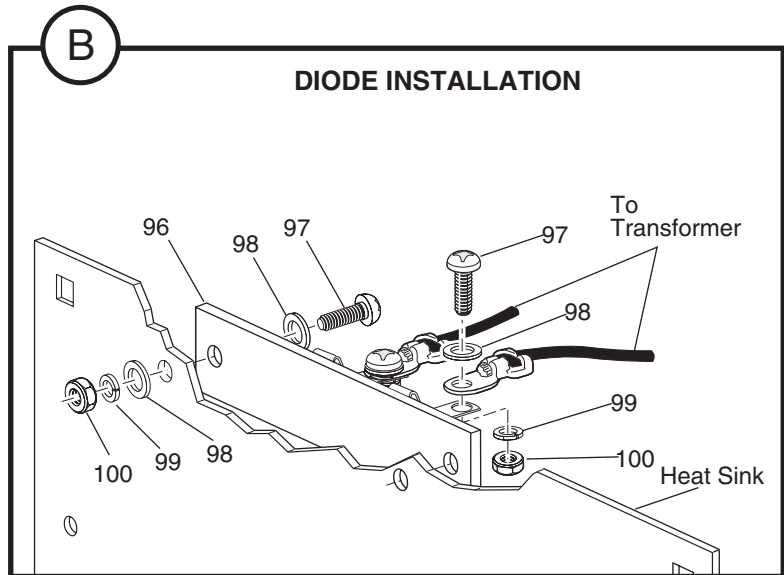
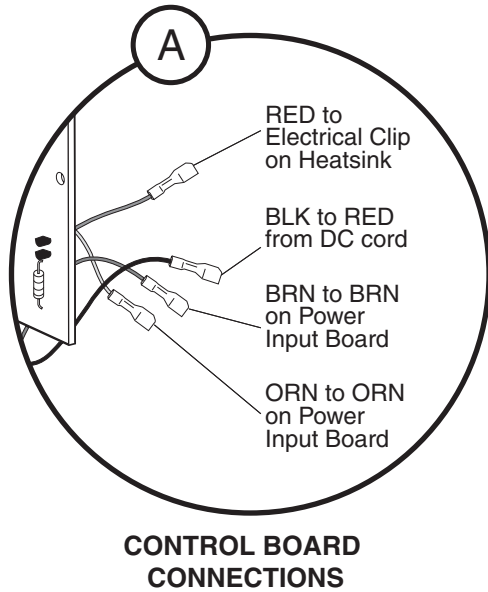
BATTERY CHARGER (PORTABLE)

36V BATTERY CHARGER

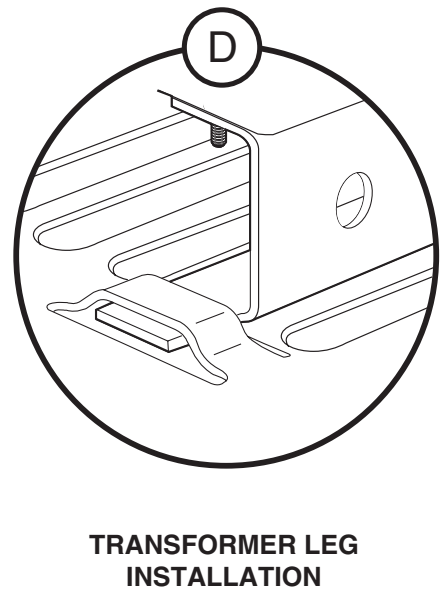
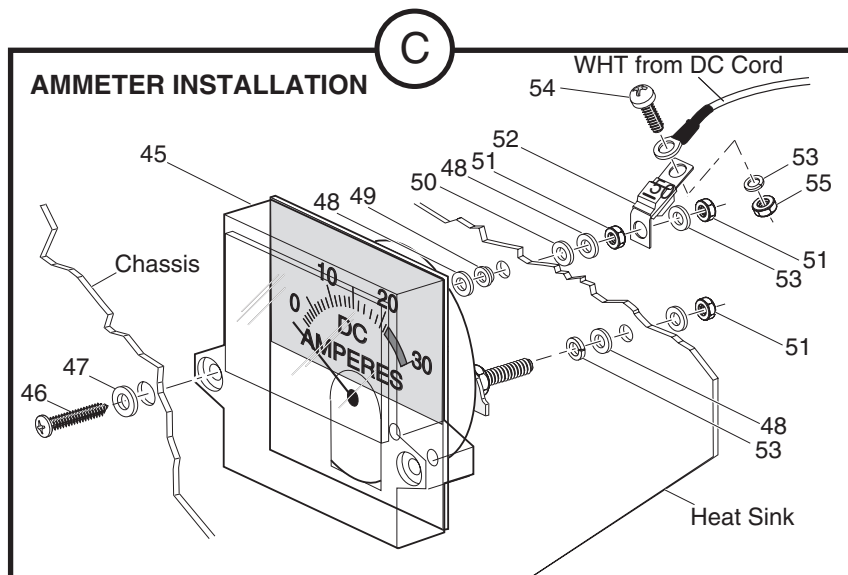


Ref Bcp 12-2

BATTERY CHARGER (PORTABLE)

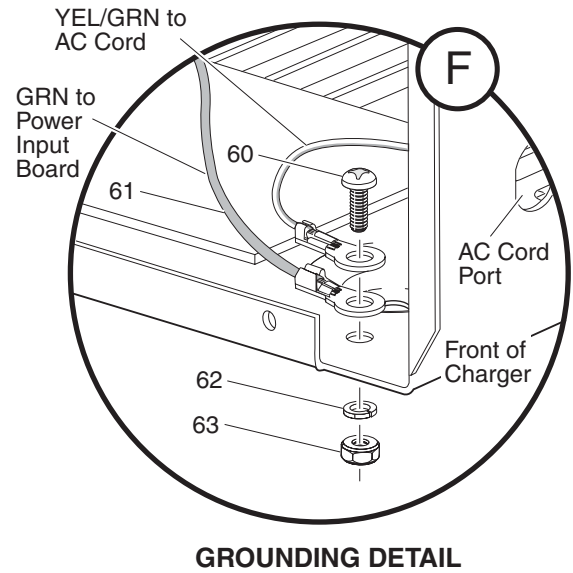
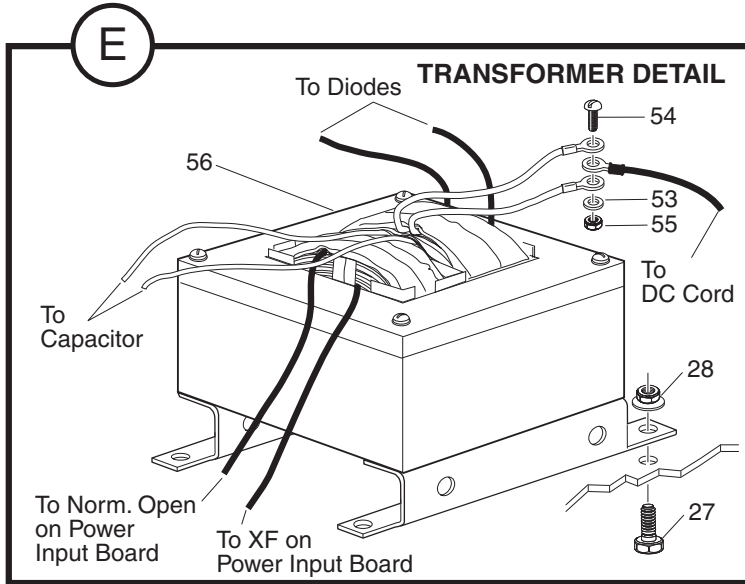


36V BATTERY CHARGER

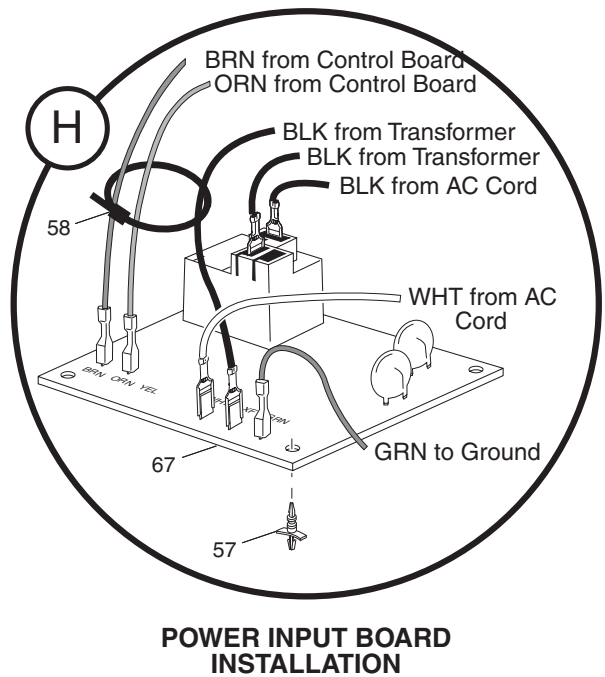
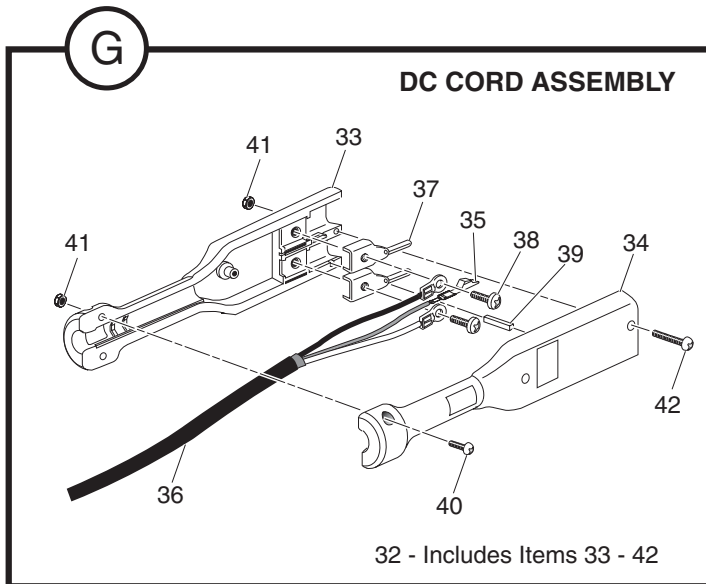


Ref Bcp 12-3

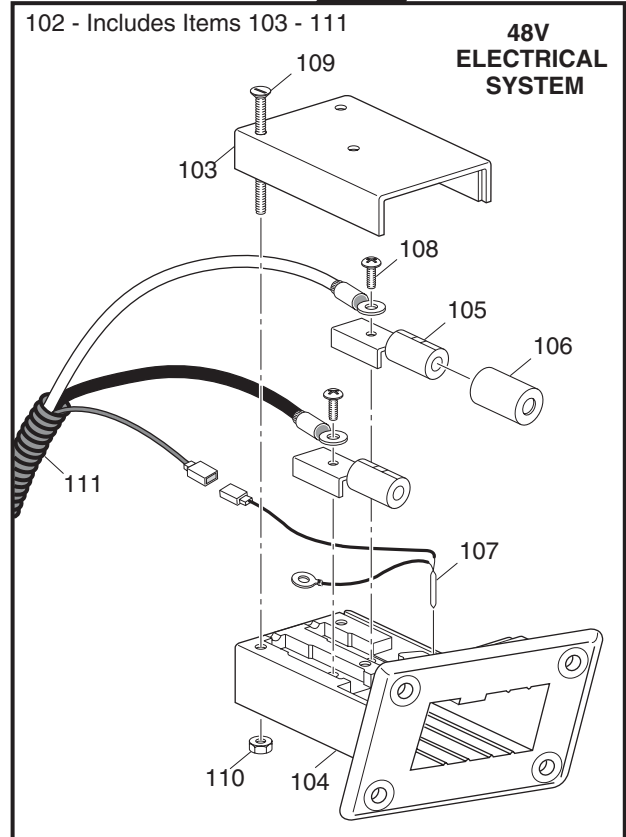
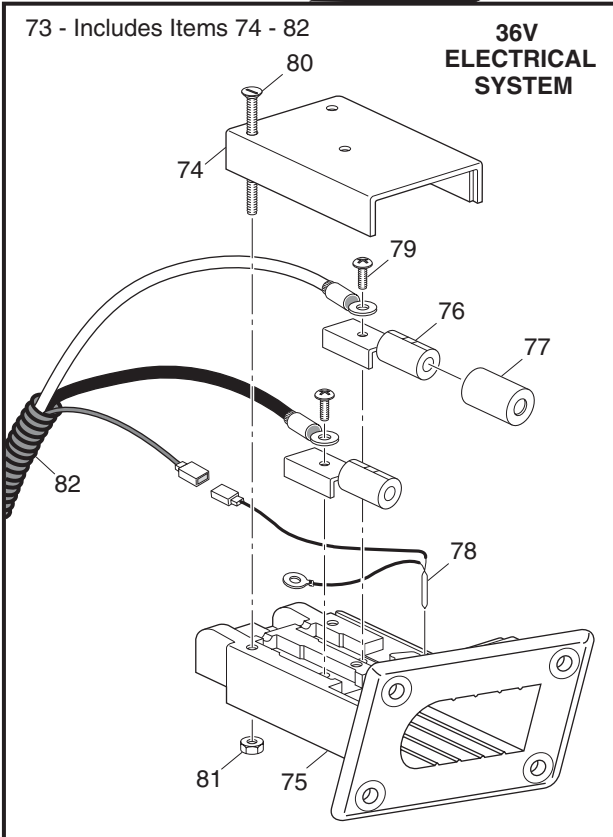
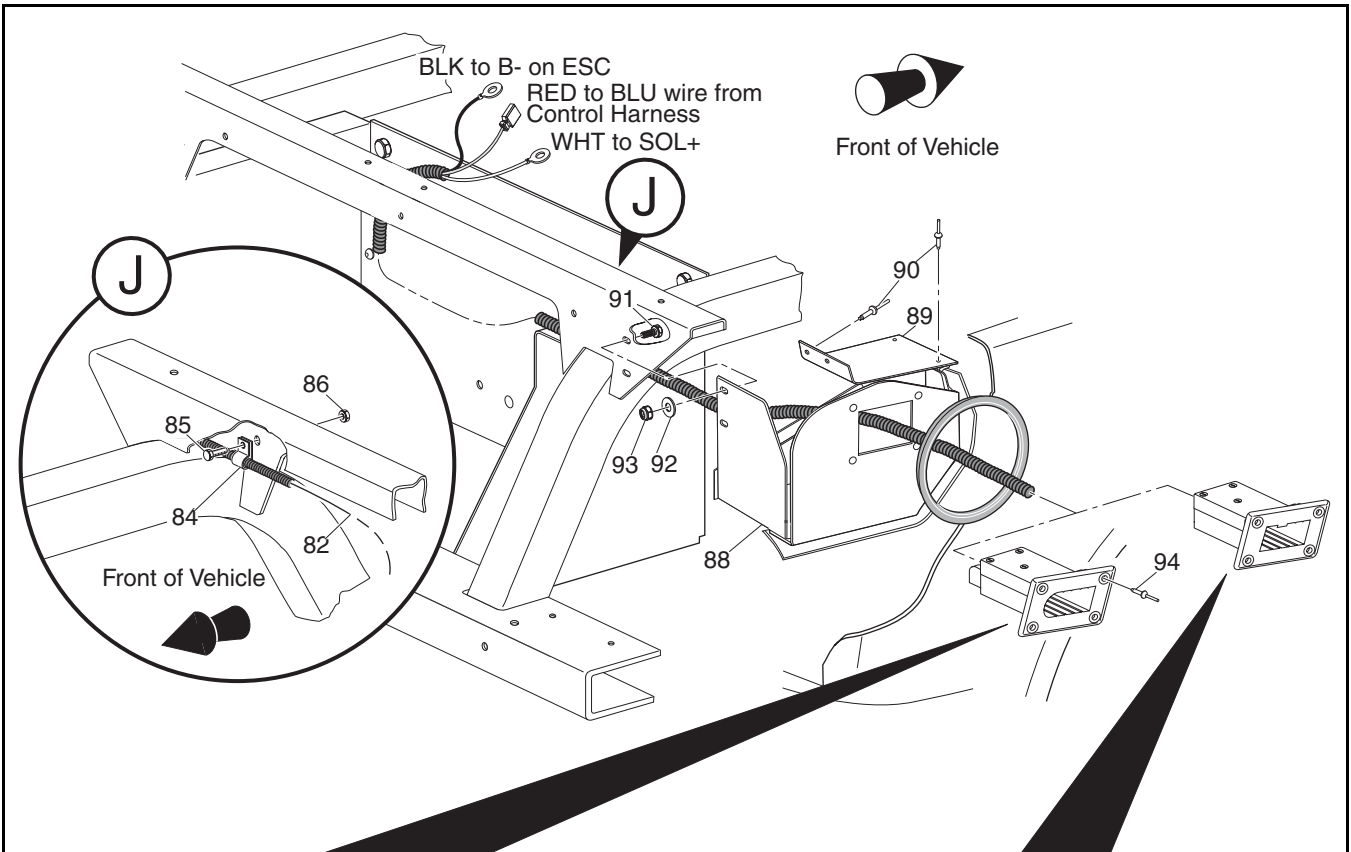
BATTERY CHARGER (PORTABLE)



36V BATTERY CHARGER

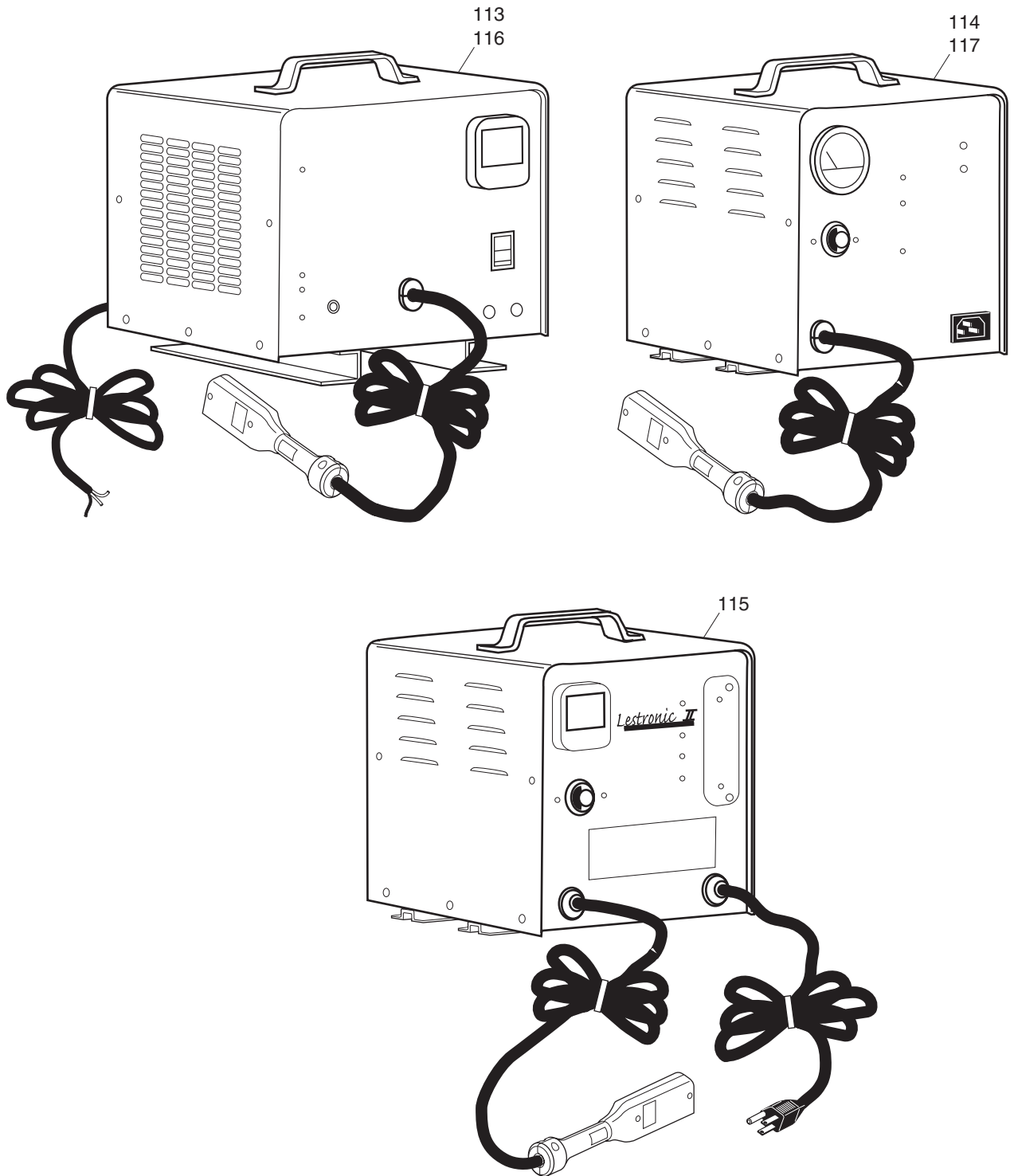


BATTERY CHARGER (PORTABLE)



Ref Bcp 12-5

BATTERY CHARGER (PORTABLE)



Ref Bcp 12-6

BATTERY CHARGER (PORTABLE)

When ordering parts, please specify the model and serial number of the product.

* Indicates a component that is not available as an individual part.

G** Indicates consult Customer Service Department for additional information.

| ITEM | PART NO. | 1 2 3 4 5 | DESCRIPTION | QTY. |
|------|------------------|-----------|---|------|
| 1 | 28115-G01 | | POWERWISE™ 36V CHARGER (INCLUDES ITEMS 3 - 70, 96 - 100)..... | 1 |
| 2 | | | | |
| 3 | * | | CHASSIS | 1 |
| 4 | <u>00513-G6</u> | | SCREW, #8 - 18 X 1 3/4" LG | 2 |
| 5 | <u>00559-G4</u> | | WASHER, #8 | 2 |
| 6 | <u>11572-G3</u> | | EXPANSION NUT | 2 |
| 7 | <u>28104-G01</u> | | HEAT SINK | 1 |
| 8 | | | | |
| 9 | | | | |
| 10 | | | | |
| 11 | | | | |
| 12 | | | | |
| 13 | <u>01005-G01</u> | | SCREW, #6 - 19 X 5/16" LG | 3 |
| 14 | <u>00559-G3</u> | | WASHER, #6 | 3 |
| 15 | <u>28111-G01</u> | | SUPPORT SPACER | 3 |
| 16 | <u>28110-G01</u> | | ELECTRICAL CLIP | 1 |
| 17 | | | | |
| 18 | * | | COVER | 1 |
| 19 | <u>28102-G01</u> | | HANDLE | 1 |
| 20 | <u>00614-G4</u> | | SCREW, #8 - 18 X 1/2" LG | 6 |
| 21 | <u>28136-G01</u> | | LABEL (VENTILATION) | 1 |
| 22 | <u>28136-G02</u> | | LABEL (CORD CONDITION)..... | 1 |
| 23 | | | | |
| 24 | <u>26979-G01</u> | | CAPACITOR BRACKET | 1 |
| 25 | <u>28109-G01</u> | | CAPACITOR | 1 |
| 26 | <u>00969-G01</u> | | SCREW, #8 - 32 X 3/8" LG | 3 |
| 27 | <u>00414-G5</u> | | BOLT, 1/4 - 20 X 5/8" LG | 3 |
| 28 | <u>11027-G2</u> | | LOCK NUT, 1/4 - 20 | 3 |
| 29 | <u>19388-G4</u> | | AC CORD | 1 |
| 30 | <u>13557-G2</u> | | STRAIN RELIEF (AC)..... | 1 |

BATTERY CHARGER (PORTABLE)

When ordering parts, please specify the model and serial number of the product.

* Indicates a component that is not available as an individual part.

G** Indicates consult Customer Service Department for additional information.

| ITEM | PART NO. | 1 | 2 | 3 | 4 | 5 | DESCRIPTION | QTY. |
|------|------------------|---|---|---|---|---|--|------|
| 31 | <u>13557-G3</u> | | | | | | STRAIN RELIEF (DC)..... | 1 |
| 32 | <u>28137-G01</u> | | | | | | DC CORD AND HANDLE ASSEMBLY (INCLUDES ITEMS 33 - 42) | 1 |
| 33 | <u>73051-G11</u> | | | | | | PLUG (TOP HALF)..... | 1 |
| 34 | <u>73051-G12</u> | | | | | | PLUG (BOTTOM HALF)..... | 1 |
| 35 | <u>73051-G27</u> | | | | | | AUXILARY CONTACT..... | 1 |
| 36 | <u>73331-G01</u> | | | | | | DC CORD..... | 1 |
| 37 | <u>73051-G14</u> | | | | | | MALE PIN..... | 2 |
| 38 | <u>73051-G08</u> | | | | | | BRASS SCREW, #10 - 32 X 1/2" LG | 2 |
| 39 | <u>73051-G15</u> | | | | | | MAGNET | 1 |
| 40 | <u>73051-G16</u> | | | | | | SCREW, #6 - 32 X 1/2" LG (STAINLESS STEEL) | 2 |
| 41 | <u>73051-G10</u> | | | | | | LOCK NUT, #6 - 32 | 4 |
| 42 | <u>73051-G17</u> | | | | | | SCREW, #6 - 32 X 1" LG (STAINLESS STEEL) | 2 |
| 43 | | | | | | | | |
| 44 | | | | | | | | |
| 45 | <u>28105-G01</u> | | | | | | AMMETER | 1 |
| 46 | <u>00984-G01</u> | | | | | | SCREW, #8 - 16 X 1/2" LG | 2 |
| 47 | <u>00559-G4</u> | | | | | | WASHER, #8 | 2 |
| 48 | <u>01003-G01</u> | | | | | | BRASS WASHER, #10 | 4 |
| 49 | <u>22589-G2</u> | | | | | | SHOULDER WASHER, 1/4" | 1 |
| 50 | <u>00771-G6</u> | | | | | | NYLON WASHER, 3/8"..... | 1 |
| 51 | <u>00528-G4</u> | | | | | | NUT, #10 - 32 (BRASS) | 3 |
| 52 | <u>28106-G01</u> | | | | | | 50 AMP FUSE..... | 1 |
| 53 | <u>00565-G5</u> | | | | | | LOCK WASHER, #10 | 4 |
| 54 | <u>00378-G4</u> | | | | | | SCREW, #10 - 24 X 1/2" LG | 2 |
| 55 | <u>00526-G3</u> | | | | | | NUT, #10 - 24..... | 2 |
| 56 | <u>28103-G01</u> | | | | | | TRANSFORMER | 1 |
| 57 | <u>27877-G01</u> | | | | | | SPACER SUPPORT | 4 |
| 58 | <u>17618-G1</u> | | | | | | WIRE TIE | 2 |
| 59 | | | | | | | | |
| 60 | <u>00372-G3</u> | | | | | | SCREW, #8 - 32 X 3/8" LG | 1 |

BATTERY CHARGER (PORTABLE)

When ordering parts, please specify the model and serial number of the product.

* Indicates a component that is not available as an individual part.

G** Indicates consult Customer Service Department for additional information.

| ITEM | PART NO. | 1 | 2 | 3 | 4 | 5 | DESCRIPTION | QTY. |
|------|------------------|---|---|---|---|---|--|------|
| 61 | <u>25977-G32</u> | | | | | | 16 GA WIRE (GREEN 4") | 1 |
| 62 | <u>00565-G4</u> | | | | | | LOCK WASHER, #8 | 1 |
| 63 | <u>00526-G1</u> | | | | | | NUT, #8 - 32..... | 1 |
| 64 | | | | | | | | |
| 65 | * | | | | | | LABEL (POWERWISE™) | 1 |
| 66 | 28566-G01 | | | | | | CONTROL BOARD..... | 1 |
| 67 | 28566-G03 | | | | | | POWER INPUT BOARD..... | 1 |
| 68 | | | | | | | | |
| 69 | | | | | | | | |
| 70 | | | | | | | | |
| 71 | | | | | | | | |
| 72 | | | | | | | | |
| 73 | 73149-G01 | | | | | | 36V CHARGER RECEPTACLE AND HARNESS ASSEMBLY (INCLUDES ITEMS 74 - 82)..... | 1 |
| 74 | 73051-G03 | | | | | | RECEPTACLE COVER | 1 |
| 75 | 73051-G04 | | | | | | RECEPTACLE BOTTOM | 1 |
| 76 | <u>73051-G05</u> | | | | | | FEMALE CONNECTOR | 2 |
| 77 | <u>73051G06</u> | | | | | | INSULATOR SLEEVE..... | 1 |
| 78 | 73051-G07 | | | | | | REED SWITCH..... | 1 |
| 79 | <u>73051-G08</u> | | | | | | SCREW, #10 - 32 X 1/2" LG (BRASS) | 2 |
| 80 | <u>73051-G09</u> | | | | | | SCREW, #6 - 32 X 1 3/4" LG (STAINLESS STEEL)..... | 3 |
| 81 | <u>73051-G10</u> | | | | | | LOCK NUT, #6 - 32 | 3 |
| 82 | <u>73147-G01</u> | | | | | | WIRE HARNESS (CHARGER)..... | 1 |
| 83 | | | | | | | | |
| 84 | <u>11845-G7</u> | | | | | | INSULATED CABLE CLAMP, 1/2" | 1 |
| 85 | <u>00414-G6</u> | | | | | | BOLT, 1/4 - 20 X 3/4" LG | 1 |
| 86 | <u>00654-G2</u> | | | | | | LOCK NUT, 1/4 - 20 (STAINLESS STEEL) | 1 |
| 87 | | | | | | | | |
| 88 | 34729-G01 | | | | | | CORD STORAGE ASSEMBLY | 1 |
| 89 | 34717-G01 | | | | | | CORD STORAGE SUPPORT | 1 |

BATTERY CHARGER (PORTABLE)

When ordering parts, please specify the model and serial number of the product.

* Indicates a component that is not available as an individual part.

G** Indicates consult Customer Service Department for additional information.

| ITEM | PART NO. | 1 | 2 | 3 | 4 | 5 | DESCRIPTION | QTY. |
|------|------------------|---|---|---|---|---|--|------|
| 90 | <u>14601-G8</u> | | | | | | RIVET, 3/16" X 7/16" LG (ALUMINUM) | 4 |
| 91 | <u>00414-G6</u> | | | | | | BOLT, 1/4 - 20 X 3/4" LG | 2 |
| 92 | <u>01110-G01</u> | | | | | | WASHER, 1/4" (STAINLESS STEEL) | 2 |
| 93 | <u>00654-G2</u> | | | | | | LOCK NUT, 1/4 - 20 (STAINLESS STEEL) | 2 |
| 94 | <u>14601-G7</u> | | | | | | RIVET, 3/16" X 11/16" LG (ALUMINUM) | 4 |
| 95 | | | | | | | | |
| 96 | <u>28548-G01</u> | | | | | | DIODE | 1 |
| 97 | <u>00372-G4</u> | | | | | | SCREW, #8 - 32 X 1/2" LG..... | 4 |
| 98 | <u>00559-G4</u> | | | | | | WASHER, #8..... | 10 |
| 99 | <u>00565-G4</u> | | | | | | LOCK WASHER, #8 | 4 |
| 100 | <u>00526-G1</u> | | | | | | NUT, #8 - 32 | 4 |
| 101 | | | | | | | | |
| 102 | <u>73149-G02</u> | | | | | | 48V CHARGER RECEPTACLE (BLUE) AND HARNESS ASSEMBLY (INCLUDES ITEMS 103 - 111) | 1 |
| 103 | <u>73051-G21</u> | | | | | | 48V RECEPTACLE COVER | 1 |
| 104 | <u>73051-G22</u> | | | | | | 48V RECEPTACLE BOTTOM..... | 1 |
| 105 | <u>73051-G23</u> | | | | | | 48V FEMALE CONNECTOR | 2 |
| 106 | <u>73051-G24</u> | | | | | | 48V INSULATOR SLEEVE | 1 |
| 107 | <u>73051-G18</u> | | | | | | 48V REED SWITCH | 1 |
| 108 | <u>73051-G08</u> | | | | | | SCREW, #10 - 32 X 1/2" LG (BRASS) | 2 |
| 109 | <u>73051-G09</u> | | | | | | SCREW, #6 - 32 X 1 3/4" LG (STAINLESS STEEL)..... | 3 |
| 110 | <u>73051-G10</u> | | | | | | LOCK NUT, #6 - 32 | 3 |
| 111 | <u>73147-G01</u> | | | | | | WIRE HARNESS (CHARGER)..... | 1 |
| 112 | | | | | | | | |
| 113 | <u>28380-G02</u> | | | | | | 36V LESTER BATTERY CHARGER WITH SWITCHABLE INPUT | 1 |
| 114 | <u>28516-G01</u> | | | | | | 36V LESTER BATTERY CHARGER CE APPROVED..... | 1 |
| 115 | <u>28435-G03</u> | | | | | | 48V LESTER BATTERY CHARGER..... | 1 |
| 116 | <u>28435-G01</u> | | | | | | 48V LESTER BATTERY CHARGER WITH SWITCHABLE INPUT | 1 |
| 117 | <u>28435-G05</u> | | | | | | 48V LESTER BATTERY CHARGER CE APPROVED..... | 1 |

BATTERY CHARGER (PORTABLE)

When ordering parts, please specify the model and serial number of the product.

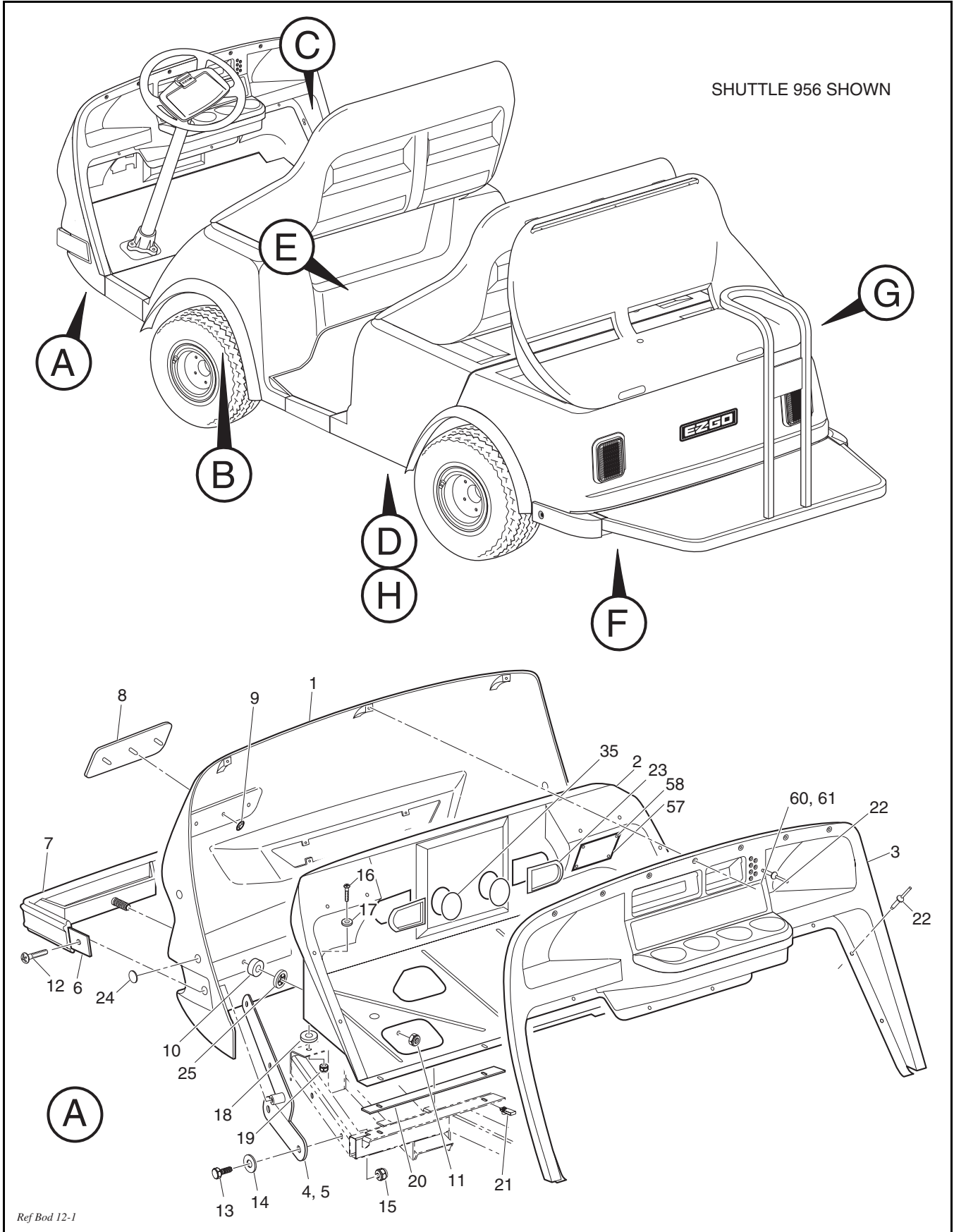
* Indicates a component that is not available as an individual part.

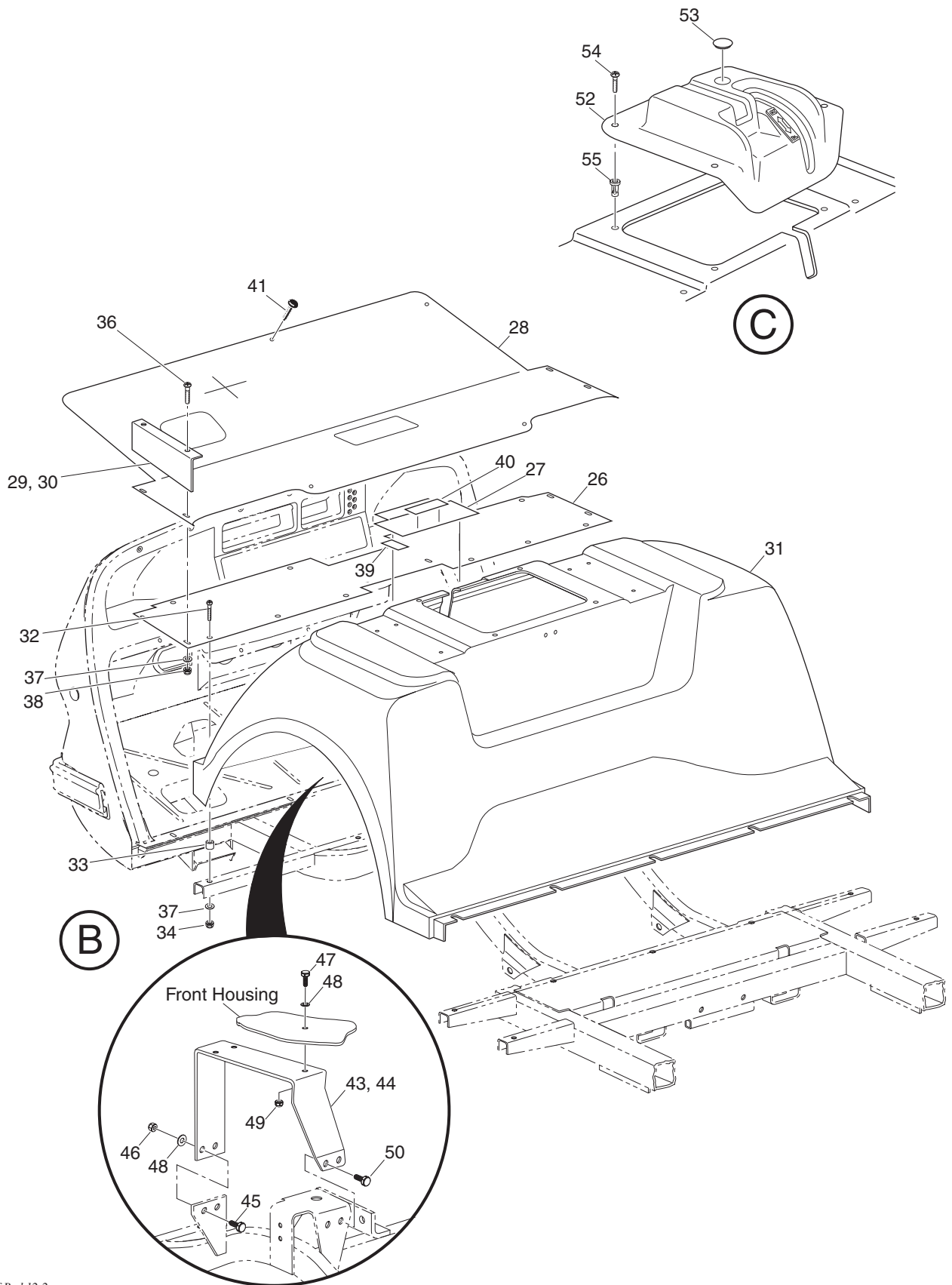
G** Indicates consult Customer Service Department for additional information.

| ITEM | PART NO. | 1 2 3 4 5 DESCRIPTION | QTY. |
|------|----------|--|------|
| | | <p>For service or replacement parts, contact: Lester Electrical 625 West "A" Street Lincoln, NE 68522</p> <p>Phone: (402) 477-8988, FAX: (402) 474-1769</p> <p>Always provide the following information when requesting information or ordering replacement parts:</p> <p>Model Number: Serial Number: (stamped into housing)</p> | |

BATTERY CHARGER (PORTABLE)

BODY

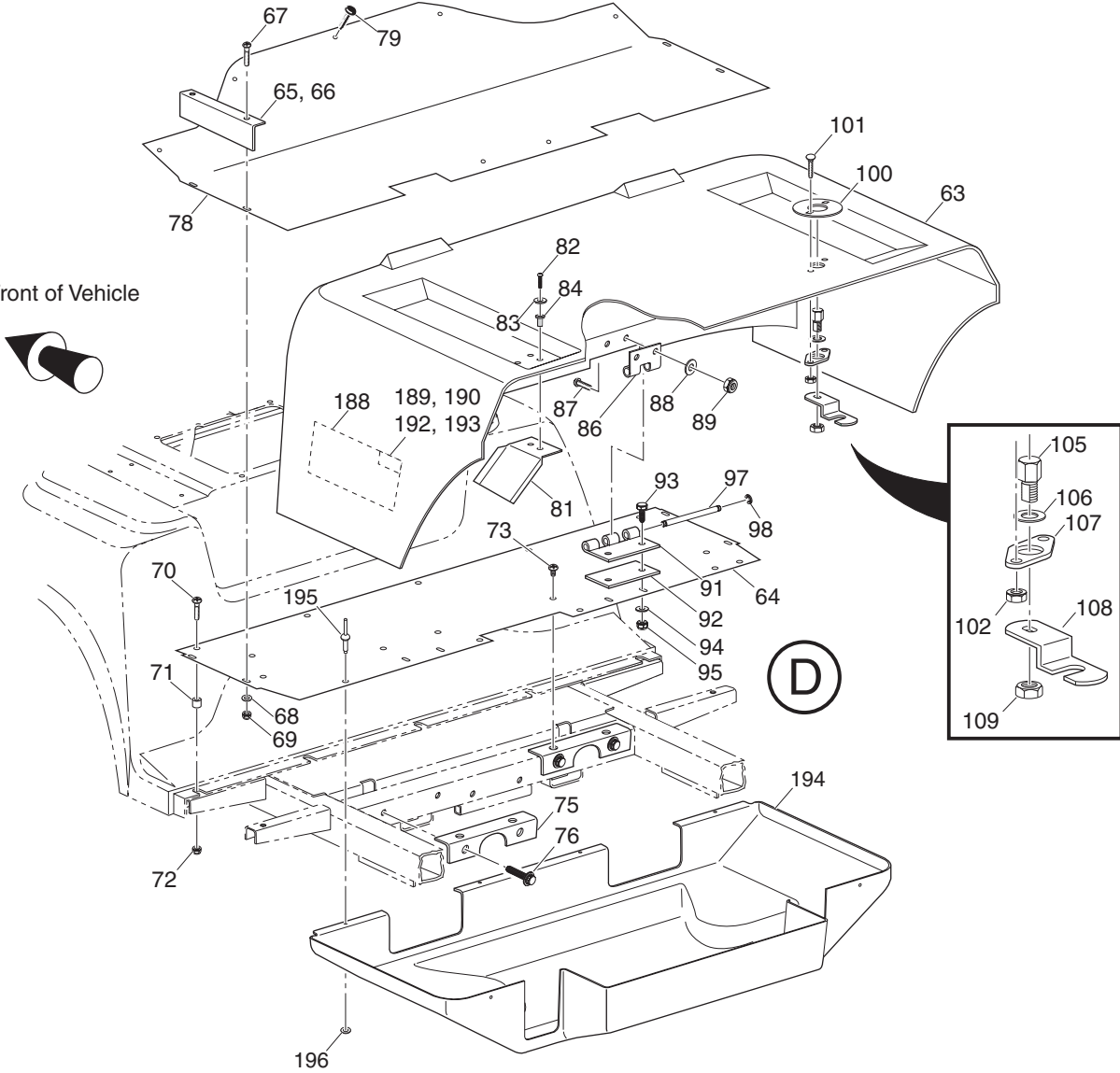




Ref Bod 12-2

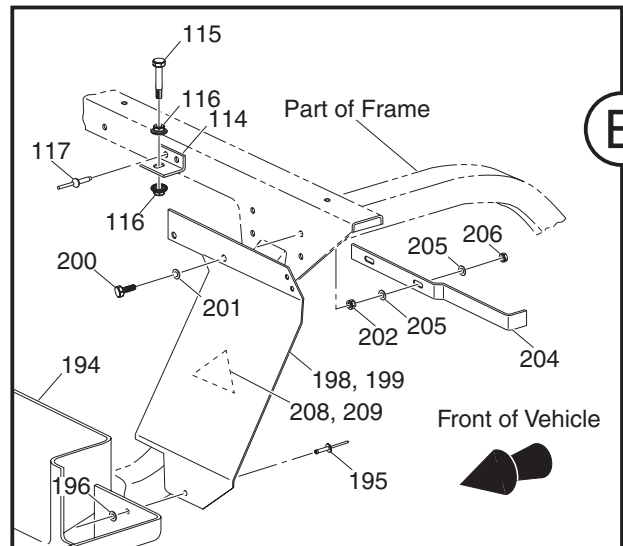
BODY

Front of Vehicle

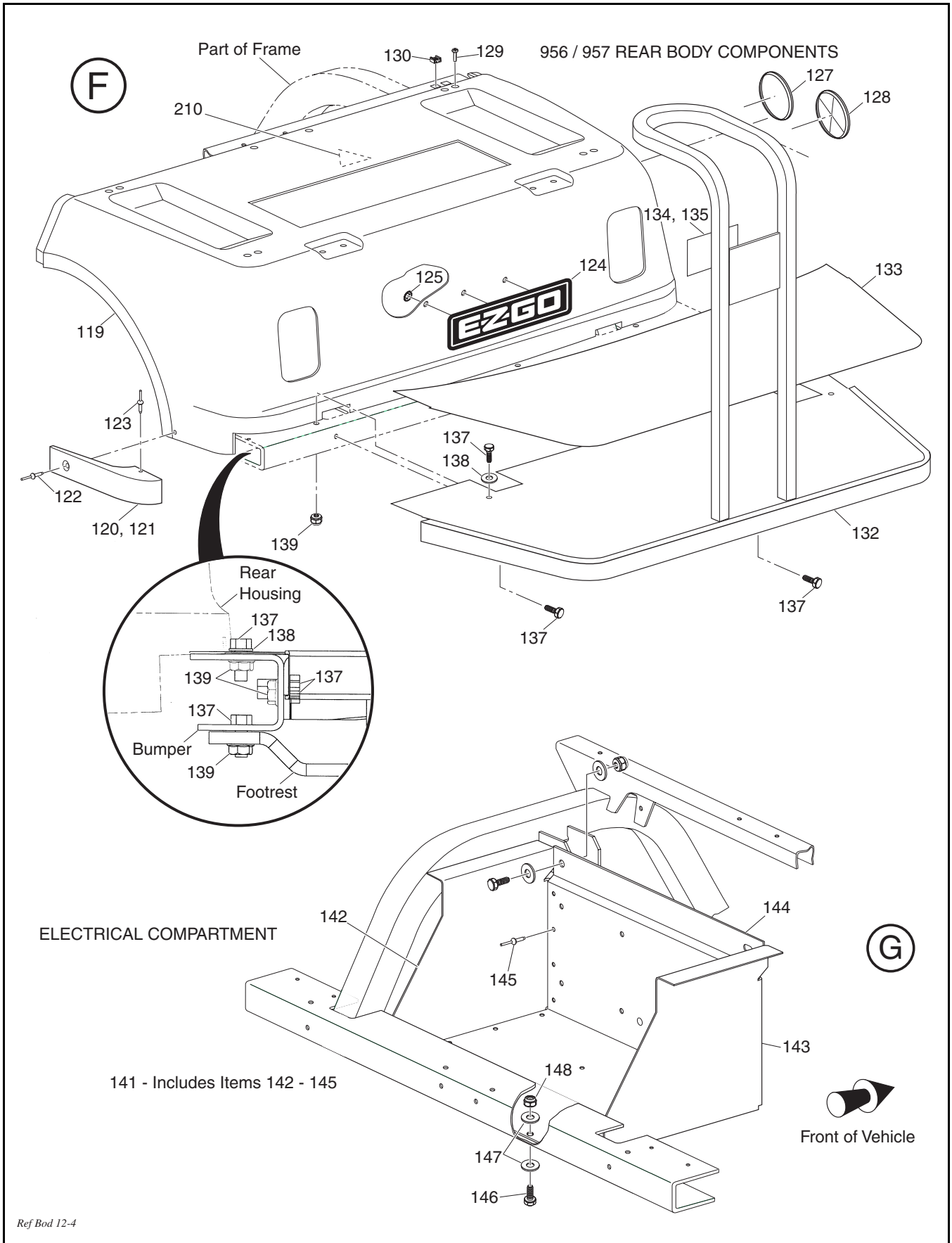


BODY COMPONENTS

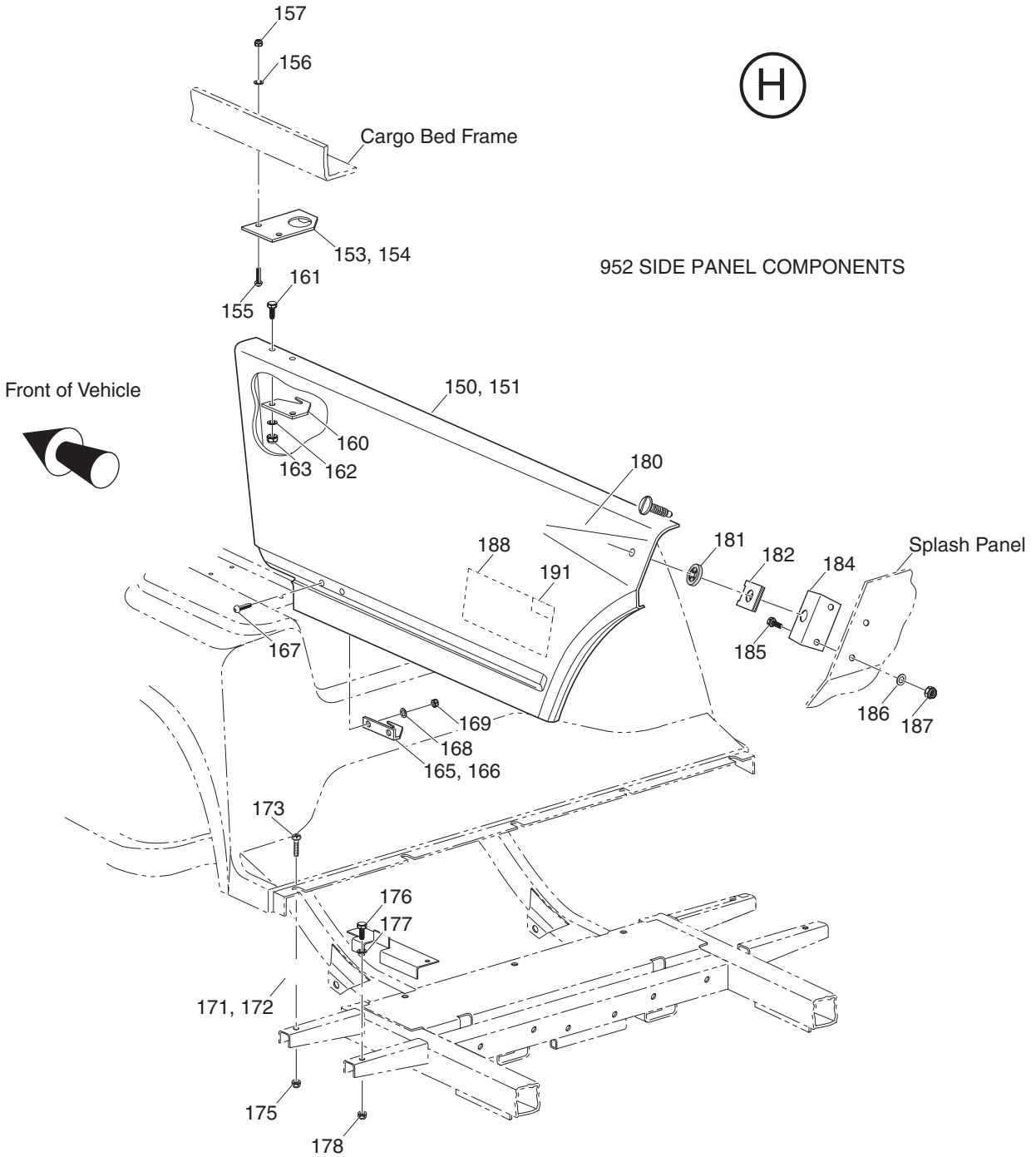
104 - Includes Items 105 - 109



Ref Bod 12-3

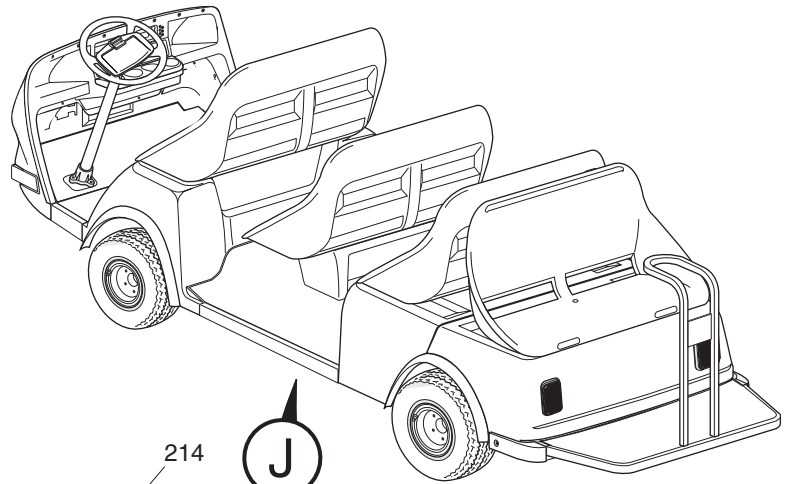


BODY



Ref Bod 12-5

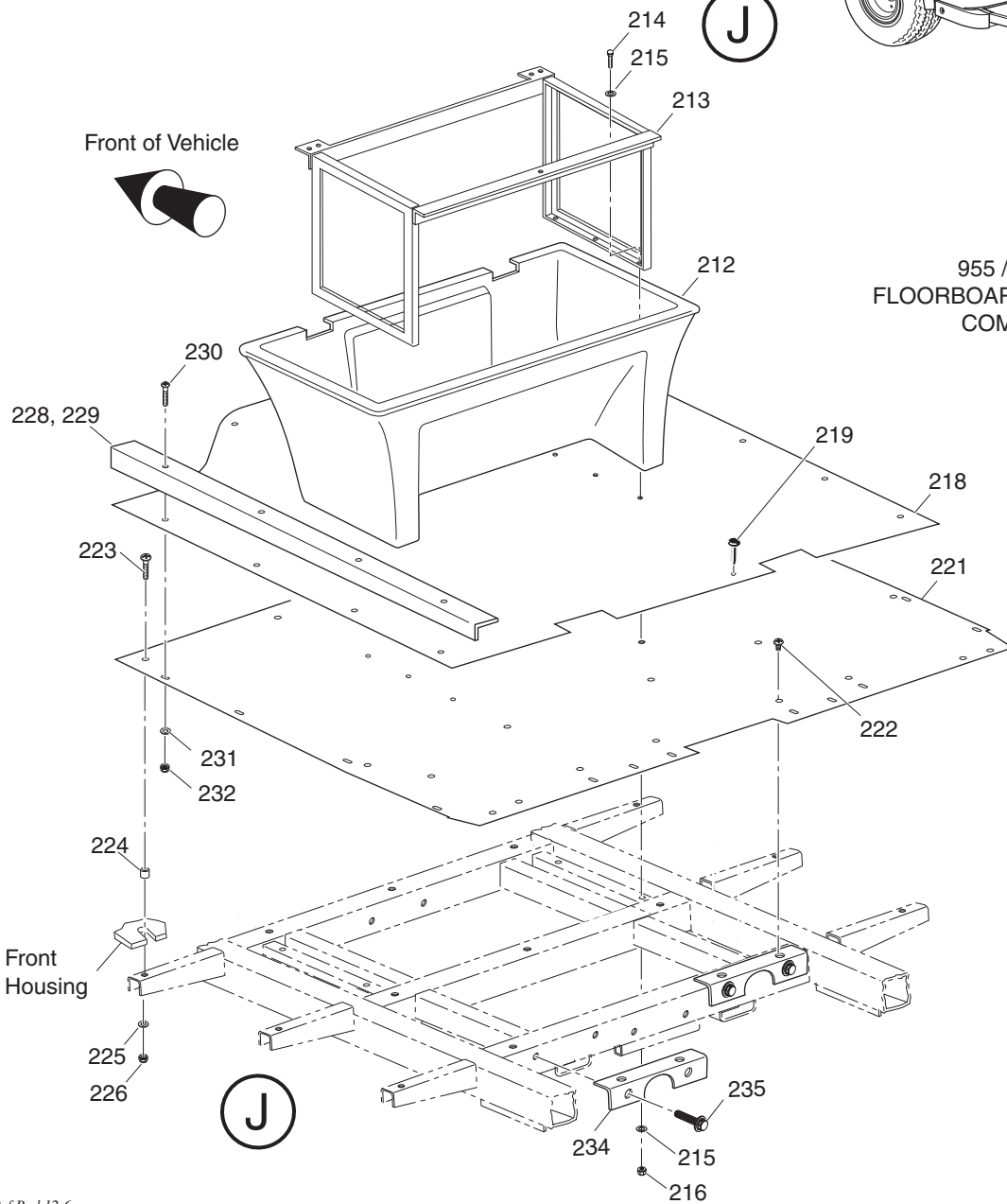
SHUTTLE 957 SHOWN



Front of Vehicle



955 / 957 REAR
FLOORBOARD AND SEAT POD
COMPONENTS



Ref Bod 12-6

BODY

When ordering parts, please specify the model and serial number of the product.

* Indicates a component that is not available as an individual part.

G** Indicates consult Customer Service Department for additional information.

| ITEM | PART NO. | 1 2 3 4 5 | DESCRIPTION | QTY. |
|------|------------------|-----------|--|------|
| 1 | 34142-G** | | COWL..... | 1 |
| 2 | 34145-G01 | | FRONT FLOORPAN..... | 1 |
| 3 | <u>34597-G01</u> | | INSTRUMENT PANEL | 1 |
| 4 | <u>35410-G01</u> | | SUPPORT PLATE (DRIVER SIDE)..... | 1 |
| 5 | <u>35410-G02</u> | | SUPPORT PLATE (PASSENGER SIDE) | 1 |
| 6 | 34247-G01 | | BUMPER | 1 |
| 7 | <u>34248-G01</u> | | RUBBER BUMPER COVER | 1 |
| 8 | <u>71037-G02</u> | | NAMEPLATE (E-Z-GO)..... | 1 |
| 9 | <u>12064-G3</u> | | PUSH NUT, 3/16" | 3 |
| 10 | <u>34758-G01</u> | | COWL SPACER | 2 |
| 11 | <u>00891-G1</u> | | LOCK NUT, 3/8 - 16 | 2 |
| 12 | <u>00762-G8</u> | | SCREW, 5/16 - 18 X 2" LG (STAINLESS STEEL) | 2 |
| 13 | <u>00438-G8</u> | | BOLT, 5/16 - 18 X 1" LG | 4 |
| 14 | <u>01110-G03</u> | | WASHER, 5/16" (STAINLESS STEEL) | 4 |
| 15 | <u>01109-G01</u> | | LOCK NUT, 5/16 - 18 (STAINLESS STEEL) | 4 |
| 16 | <u>16705-G1</u> | | SCREW, 1/4 - 20 X 1" LG (STAINLESS STEEL) | 2 |
| 17 | <u>01110-G01</u> | | WASHER, 1/4" (STAINLESS STEEL) | 2 |
| 18 | <u>34176-G01</u> | | NEOPRENE WASHER..... | 2 |
| 19 | <u>00654-G2</u> | | LOCK NUT, 1/4 - 20 (STAINLESS STEEL) | 2 |
| 20 | <u>34134-G01</u> | | ISOLATION STRIP..... | 2 |
| 21 | <u>14776-G1</u> | | 'J' TYPE RETAINER..... | 4 |
| 22 | <u>71055-G01</u> | | RIVET, 3/16" X 1" LG (ALUMINUM)..... | 11 |
| 23 | <u>34840-G01</u> | | HOLE COVER..... | 2 |
| 24 | <u>34507-G01</u> | | HOLE PLUG..... | 4 |
| 25 | <u>01008-G01</u> | | RETAINER | 2 |
| 26 | <u>34146-G01</u> | | FRONT FLOORBOARD..... | 1 |
| 27 | <u>34614-G01</u> | | ACCESS COVER..... | 1 |
| 28 | <u>34607-G01</u> | | FRONT FLOORMAT | 1 |
| 29 | <u>34609-G02</u> | | FRONT ROCKER PANEL (DRIVER SIDE)..... | 1 |
| 30 | <u>34609-G01</u> | | FRONT ROCKER PANEL (PASSENGER SIDE) | 1 |

When ordering parts, please specify the model and serial number of the product.

* Indicates a component that is not available as an individual part.

G** Indicates consult Customer Service Department for additional information.

| ITEM | PART NO. | 1 2 3 4 5 | DESCRIPTION | QTY. |
|------|------------------|-----------|---|------|
| 31 | 34141-G** | | FRONT HOUSING | 1 |
| 32 | <u>16705-G9</u> | | SCREW, 1/4 - 20 X 1 1/4" LG (STAINLESS STEEL) | 10 |
| 33 | <u>20275-G3</u> | | PIVOT SPACER | 6 |
| 34 | <u>00654-G2</u> | | LOCK NUT, 1/4 - 20 (STAINLESS STEEL) | 6 |
| 35 | <u>35643-G01</u> | | HOLE PLUG | 2 |
| 36 | 16705-G3 | | SCREW, 1/4 - 20 X 3/4" LG (STAINLESS STEEL) | 4 |
| 37 | <u>01110-G01</u> | | WASHER, 1/4" (STAINLESS STEEL) | 10 |
| 38 | <u>00654-G2</u> | | LOCK NUT, 1/4 - 20 (STAINLESS STEEL) | 4 |
| 39 | 27919-G02 | | FOAM TAPE (3/4" X 2")..... | 2 |
| 40 | 27919-G04 | | FOAM TAPE (3/4" X 4")..... | 1 |
| 41 | <u>16816-G2</u> | | RATCHET FASTENER..... | 4 |
| 42 | | | | |
| 43 | <u>35651-G02</u> | | HOUSING BRACKET (DRIVER SIDE) | 1 |
| 44 | <u>35651-G01</u> | | HOUSING BRACKET (PASSENGER SIDE)..... | 1 |
| 45 | <u>16705-G11</u> | | SCREW, 5/16 - 18 X 7/8" LG (STAINLESS STEEL) | 4 |
| 46 | <u>01109-G01</u> | | LOCK NUT, 5/16 - 18 (STAINLESS STEEL) | 4 |
| 47 | <u>00438-G8</u> | | BOLT, 5/16 - 18 X 1" LG | 2 |
| 48 | <u>00660-G8</u> | | WASHER, 5/16" (STAINLESS STEEL) | 6 |
| 49 | <u>01109-G01</u> | | LOCK NUT, 5/16 - 18 (STAINLESS STEEL) | 2 |
| 50 | 00438-G6 | | BOLT, 5/16 - 18 X 3/4" LG | 4 |
| 51 | | | | |
| 52 | <u>34596-G01</u> | | PARKING BRAKE COVER..... | 1 |
| 53 | <u>20271-G8</u> | | HOLE PLUG | 1 |
| 54 | <u>16705-G1</u> | | SCREW, 1/4 - 20 X 1" LG (STAINLESS STEEL) | 4 |
| 55 | <u>30054-G2</u> | | MOLY JACK NUT | 4 |
| 56 | | | | |
| 57 | * | | SERIAL NUMBER PLATE | 1 |
| 58 | <u>10570-G9</u> | | RIVET, 1/8" X 11/32" LG (ALUMINUM) | 4 |
| 59 | | | | |
| 60 | 33645-G01 | | LABEL (SAFETY)..... | 1 |

BODY

When ordering parts, please specify the model and serial number of the product.

* Indicates a component that is not available as an individual part.

G** Indicates consult Customer Service Department for additional information.

| ITEM | PART NO. | 1 2 3 4 5 | DESCRIPTION | QTY. |
|------|------------------|-----------|---|------|
| 61 | <u>35345-G01</u> | | LABEL (SAFETY - CE)..... | 1 |
| 62 | | | | |
| 63 | 35682-G** | | REAR HINGED HOUSING..... | 1 |
| 64 | 34147-G01 | | REAR FLOORBOARD | 1 |
| 65 | <u>34610-G02</u> | | REAR ROCKER PANEL (DRIVER SIDE) | 1 |
| 66 | <u>34610-G01</u> | | REAR ROCKER PANEL (PASSENGER SIDE)..... | 1 |
| 67 | 16705-G3 | | SCREW, 1/4 - 20 X 3/4" LG (STAINLESS STEEL) | 4 |
| 68 | <u>01110-G01</u> | | WASHER, 1/4" (STAINLESS STEEL) | 4 |
| 69 | <u>00654-G2</u> | | LOCK NUT, 1/4 - 20 (STAINLESS STEEL) | 4 |
| 70 | <u>16705-G9</u> | | SCREW, 1/4 - 20 X 1 1/4" LG (STAINLESS STEEL) | 7 |
| 71 | <u>20275-G3</u> | | PIVOT SPACER | 5 |
| 72 | <u>00654-G2</u> | | LOCK NUT, 1/4 - 20 (STAINLESS STEEL) | 7 |
| 73 | <u>16705-G10</u> | | SCREW, 1/4 - 20 X 7/8" LG (STAINLESS STEEL) | 4 |
| 74 | | | | |
| 75 | <u>34149-G01</u> | | FLOOR SUPPORT..... | 2 |
| 76 | 00715-G1 | | BOLT, 5/16 - 18 X 3/4" LG | 4 |
| 77 | | | | |
| 78 | <u>34608-G01</u> | | REAR FLOORMAT..... | 1 |
| 79 | <u>16816-G2</u> | | RATCHET FASTENER, 11/16" X 7/8" LG | 4 |
| 80 | | | | |
| 81 | 34978-G01 | | DRIP SHIELD..... | 1 |
| 82 | <u>00789-G1</u> | | SCREW, #10 - 24 X 1" LG..... | 2 |
| 83 | <u>00660-G5</u> | | WASHER, #10 (STAINLESS STEEL) | 2 |
| 84 | <u>00739-G1</u> | | RUBBER WELL NUT, #10 - 24 | 2 |
| 85 | | | | |
| 86 | <u>34197-G02</u> | | HINGE | 2 |
| 87 | <u>16705-G1</u> | | SCREW, 1/4 - 20 X 1" LG (STAINLESS STEEL) | 4 |
| 88 | <u>01110-G01</u> | | WASHER, 1/4" (STAINLESS STEEL) | 4 |
| 89 | <u>14390-G4</u> | | LOCK NUT, 1/4 - 20 | 4 |
| 90 | | | | |

When ordering parts, please specify the model and serial number of the product.

* Indicates a component that is not available as an individual part.

G** Indicates consult Customer Service Department for additional information.

| ITEM | PART NO. | 1 2 3 4 5 | DESCRIPTION | QTY. |
|------|------------------|-----------|--|------|
| 91 | <u>35722-G01</u> | | HINGE | 2 |
| 92 | <u>35749-G01</u> | | HINGE SPACER..... | 2 |
| 93 | <u>00661-G8</u> | | BOLT, 1/4 - 20 X 1" LG (STAINLESS STEEL)..... | 4 |
| 94 | <u>01110-G01</u> | | WASHER, 1/4" (STAINLESS STEEL) | 4 |
| 95 | <u>14390-G4</u> | | LOCK NUT, 1/4 - 20 | 4 |
| 96 | | | | |
| 97 | <u>34228-G01</u> | | HINGE PIN | 2 |
| 98 | <u>14117-G1</u> | | RETAINING RING, 1/4" | 4 |
| 99 | | | | |
| 100 | <u>34881-G01</u> | | LATCH PLATE | 2 |
| 101 | 00827-G8 | | CARRIAGE BOLT, 1/4 - 20 X 1" LG (STAINLESS STEEL)..... | 4 |
| 102 | <u>14390-G4</u> | | LOCK NUT, 1/4 - 20 | 4 |
| 103 | | | | |
| 104 | 34884-G01 | | LATCH ASSEMBLY (INCLUDES ITEMS 105 - 109) | 2 |
| 105 | 34432-G01 | | LATCH PIN | 1 |
| 106 | <u>34434-G01</u> | | WASHER, 3/8" | 1 |
| 107 | <u>34431-G01</u> | | LATCH PLATE | 1 |
| 108 | 34883-G01 | | LATCH | 1 |
| 109 | <u>14390-G1</u> | | LOCK NUT, 3/8 - 24..... | 1 |
| 110 | | | | |
| 111 | | | | |
| 112 | | | | |
| 113 | | | | |
| 114 | 34882-G01 | | LOCKDOWN SUPPORT ANGLE..... | 2 |
| 115 | <u>00415-G4</u> | | BOLT, 1/4 - 20 X 1 1/2" LG | 2 |
| 116 | <u>11027-G2</u> | | NUT, 1/4 - 20 | 4 |
| 117 | <u>14601-G5</u> | | RIVET, 3/16" X 3/8" LG (STAINLESS STEEL) | 4 |
| 118 | | | | |
| 119 | 34144-G** | | REAR STATIONARY HOUSING | 1 |
| 120 | 34668-G02 | | BUMPER CAP (DRIVER SIDE) | 1 |

BODY

When ordering parts, please specify the model and serial number of the product.

* Indicates a component that is not available as an individual part.

G** Indicates consult Customer Service Department for additional information.

| ITEM | PART NO. | 1 2 3 4 5 | DESCRIPTION | QTY. |
|------|------------------|-----------|--|------|
| 121 | 34668-G01 | | BUMPER CAP (PASSENGER SIDE)..... | 1 |
| 122 | <u>71055-G01</u> | | RIVET, 3/16" X 1" LG (ALUMINUM)..... | 2 |
| 123 | <u>15058-G1</u> | | RIVET, 3/16" X 7/16" LG (ALUMINUM)..... | 2 |
| 124 | <u>71037-G02</u> | | NAMEPLATE (E-Z-GO)..... | 1 |
| 125 | <u>12064-G3</u> | | PUSH NUT, 3/16"..... | 3 |
| 126 | | | | |
| 127 | 34295-G01 | | GROMMET..... | 1 |
| 128 | 35648-G01 | | COVER GROMMET (ON BOARD CHARGER)..... | 1 |
| 129 | <u>16705-G1</u> | | SCREW, 1/4 - 20 X 1" LG (STAINLESS STEEL)..... | 4 |
| 130 | <u>34855-G01</u> | | SELF-RETAINING NUT..... | 8 |
| 131 | | | | |
| 132 | 34611-G01 | | FOOTREST..... | 1 |
| 133 | <u>34700-G01</u> | | RUBBER FLOORMAT..... | 1 |
| 134 | <u>74132-G01</u> | | LABEL (WARNING)..... | 1 |
| 135 | <u>74074-G01</u> | | LABEL (WARNING - EC)..... | 1 |
| 136 | | | | |
| 137 | <u>00665-G2</u> | | BOLT, 3/8 - 16 X 1" LG (STAINLESS STEEL)..... | 8 |
| 138 | <u>00653-G1</u> | | WASHER, 3/8"..... | 2 |
| 139 | <u>11027-G5</u> | | NUT, 3/8 - 16..... | 6 |
| 140 | | | | |
| 141 | 34391-G01 | | ELECTRICAL COMPARTMENT (INCLUDES ITEMS 142 - 145)..... | 1 |
| 142 | 34394-G01 | | SIDE PANEL (DRIVER SIDE)..... | 1 |
| 143 | 34394-G02 | | SIDE PANEL (PASSENGER SIDE)..... | 1 |
| 144 | 34393-G01 | | PAN..... | 1 |
| 145 | <u>14601-G5</u> | | RIVET, 3/16" X 3/8" LG (STAINLESS STEEL)..... | 16 |
| 146 | <u>00438-G8</u> | | BOLT, 5/16 - 18 X 1" LG..... | 4 |
| 147 | 00559-G8 | | WASHER, 5/16"..... | 8 |
| 148 | <u>01109-G01</u> | | LOCK NUT, 5/16 - 18 (STAINLESS STEEL)..... | 4 |
| 149 | | | | |
| 150 | 34140-G01 | | SIDE PANEL (DRIVER SIDE)..... | 1 |

When ordering parts, please specify the model and serial number of the product.

* Indicates a component that is not available as an individual part.

G** Indicates consult Customer Service Department for additional information.

| ITEM | PART NO. | 1 2 3 4 5 | DESCRIPTION | QTY. |
|------|------------------|-----------|---|------|
| 151 | 34140-G02 | | SIDE PANEL (PASSENGER SIDE)..... | 1 |
| 152 | | | | |
| 153 | <u>34708-G02</u> | | UPPER CATCH (DRIVER SIDE)..... | 1 |
| 154 | <u>34708-G01</u> | | UPPER CATCH (PASSENGER SIDE) | 1 |
| 155 | 16705-G3 | | SCREW, 1/4 - 20 X 3/4" LG (STAINLESS STEEL) | 2 |
| 156 | <u>00660-G7</u> | | WASHER, 1/4" (STAINLESS STEEL) | 2 |
| 157 | <u>00654-G2</u> | | LOCK NUT, 1/4 - 20 (STAINLESS STEEL) | 2 |
| 158 | | | | |
| 159 | | | | |
| 160 | <u>34706-G01</u> | | UPPER LATCH..... | 2 |
| 161 | <u>00414-G6</u> | | BOLT, 1/4 - 20 X 3/4" LG | 4 |
| 162 | <u>00660-G7</u> | | WASHER, 1/4" (STAINLESS STEEL) | 4 |
| 163 | <u>00654-G2</u> | | LOCK NUT, 1/4 - 20 (STAINLESS STEEL) | 4 |
| 164 | | | | |
| 165 | <u>34707-G02</u> | | LOWER LATCH (DRIVER SIDE) | 1 |
| 166 | <u>34707-G01</u> | | LOWER LATCH (PASSENGER SIDE)..... | 1 |
| 167 | 16705-G3 | | SCREW, 1/4 - 20 X 3/4" LG (STAINLESS STEEL) | 2 |
| 168 | <u>00660-G7</u> | | WASHER, 1/4" (STAINLESS STEEL) | 2 |
| 169 | <u>00654-G2</u> | | LOCK NUT, 1/4 - 20 (STAINLESS STEEL) | 2 |
| 170 | | | | |
| 171 | <u>34709-G01</u> | | LOWER CATCH (DRIVER SIDE)..... | 1 |
| 172 | <u>34709-G02</u> | | LOWER CATCH (PASSENGER SIDE) | 1 |
| 173 | <u>00415-G2</u> | | BOLT, 1/4 - 20 X 1 1/2" LG | 1 |
| 174 | | | | |
| 175 | <u>00654-G2</u> | | LOCK NUT, 1/4 - 20 (STAINLESS STEEL) | 1 |
| 176 | <u>00661-G8</u> | | BOLT, 1/4 - 20 X 1" LG (STAINLESS STEEL)..... | 1 |
| 177 | <u>00660-G7</u> | | WASHER, 1/4" (STAINLESS STEEL) | 2 |
| 178 | <u>00654-G2</u> | | LOCK NUT, 1/4 - 20 (STAINLESS STEEL) | 1 |
| 179 | | | | |
| 180 | <u>34613-G01</u> | | SPECIAL SLOTTED SCREW, 1" LG | 1 |

BODY

When ordering parts, please specify the model and serial number of the product.

* Indicates a component that is not available as an individual part.

G** Indicates consult Customer Service Department for additional information.

| ITEM | PART NO. | 1 2 3 4 5 | DESCRIPTION | QTY. |
|------|------------------|-----------|--|------|
| 181 | 34737-G01 | | RETAINER | 1 |
| 182 | 34612-G01 | | CLIP ON RECEPTACLE | 1 |
| 183 | | | | |
| 184 | <u>34841-G01</u> | | RETAINER BRACKET..... | 1 |
| 185 | <u>00661-G8</u> | | BOLT, 1/4 - 20 X 1" LG (STAINLESS STEEL)..... | 2 |
| 186 | <u>00660-G7</u> | | WASHER, 1/4" (STAINLESS STEEL) | 2 |
| 187 | <u>00654-G2</u> | | LOCK NUT, 1/4 - 20 (STAINLESS STEEL) | 2 |
| 188 | <u>35434-G01</u> | | LABEL (SHUTTLE) | 2 |
| 189 | <u>35430-G09</u> | | LABEL (IDENTIFICATION - 956) | 2 |
| 190 | <u>35430-G10</u> | | LABEL (IDENTIFICATION - 954) | 2 |
| 191 | 35430-G11 | | LABEL (IDENTIFICATION - 952) | 2 |
| 192 | 35430-G16 | | LABEL (IDENTIFICATION - 955) | 2 |
| 193 | <u>35430-G17</u> | | LABEL (IDENTIFICATION - 957) | 2 |
| 194 | 35529-G01 | | BATTERY DRIP TRAY | 1 |
| 195 | <u>71055-G01</u> | | RIVET, 3/16 X 1" LG (ALUMINUM) | 6 |
| 196 | <u>00559-G4</u> | | WASHER, #8..... | 6 |
| 197 | | | | |
| 198 | 35530-G02 | | BATTERY SHIELD (DRIVER SIDE)..... | 1 |
| 199 | 35530-G01 | | BATTERY SHIELD (PASSENGER SIDE) | 1 |
| 200 | 00933-G1 | | BOLT, 1/4 - 20 X 1 1/4" LG | 4 |
| 201 | <u>01110-G01</u> | | WASHER, 1/4" (STAINLESS STEEL) | 4 |
| 202 | <u>00654-G2</u> | | LOCK NUT, 1/4 - 20 (STAINLESS STEEL) | 4 |
| 203 | | | | |
| 204 | 35378-G01 | | BODY BRACE..... | 2 |
| 205 | <u>01110-G01</u> | | WASHER, 1/4" (STAINLESS STEEL) | 8 |
| 206 | <u>00654-G2</u> | | LOCK NUT, 1/4 - 20 (STAINLESS STEEL) | 4 |
| 207 | | | | |
| 208 | <u>71417-G01</u> | | LABEL (DRIVER SIDE - EXPLOSIVE GAS WARNING - CE) | 1 |
| 209 | <u>71419-G01</u> | | LABEL (PASSENGER SIDE - ACID WARNING - CE)..... | 1 |
| 210 | <u>71415-G01</u> | | LABEL (ELECTRIC SHOCK WARNING - CE)..... | 1 |

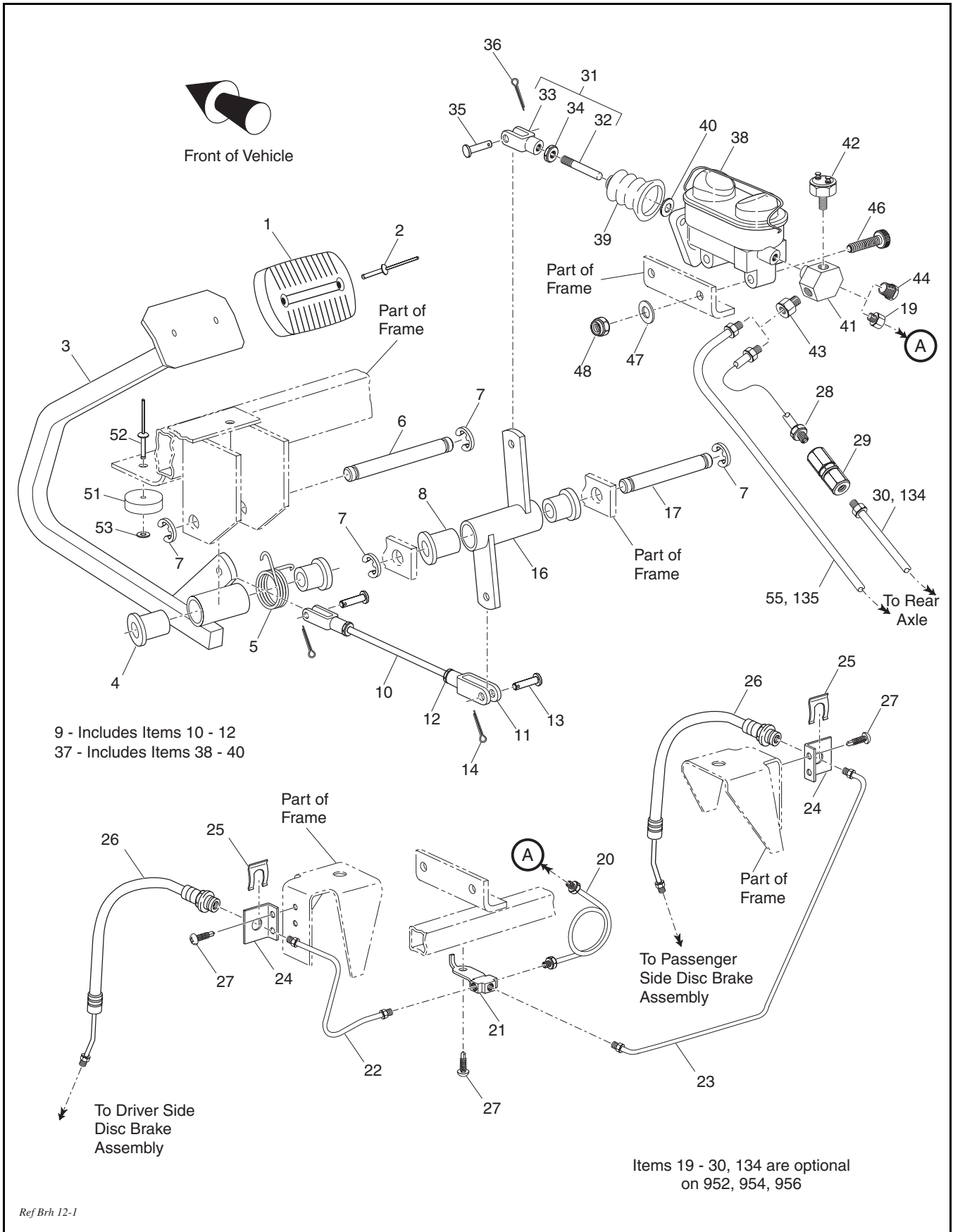
When ordering parts, please specify the model and serial number of the product.

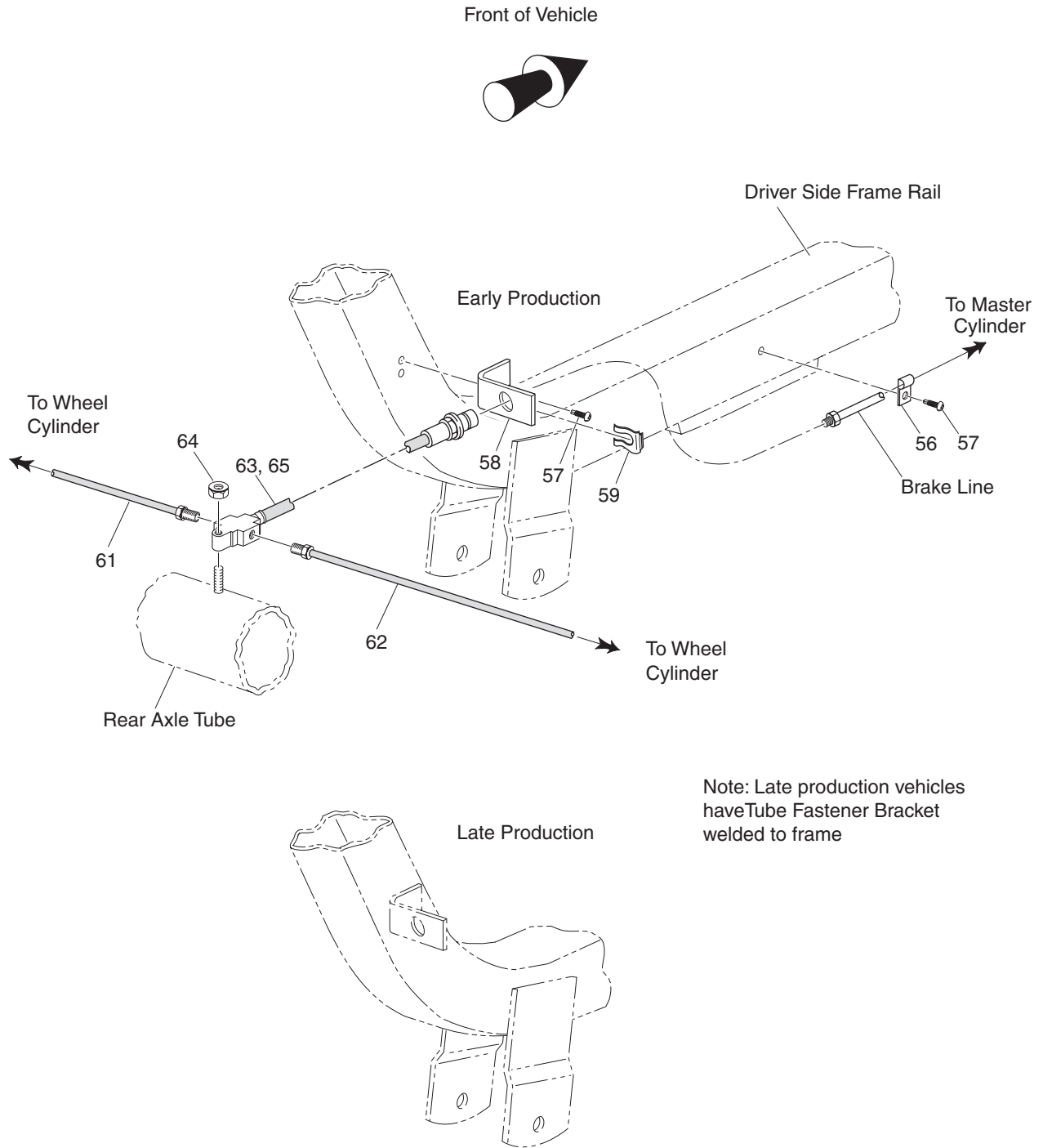
* Indicates a component that is not available as an individual part.

G** Indicates consult Customer Service Department for additional information.

| ITEM | PART NO. | 1 2 3 4 5 | DESCRIPTION | QTY. |
|------|------------------|-----------|--|------|
| 211 | | | | |
| 212 | 35518-G** | | SEAT POD HOUSING..... | 1 |
| 213 | <u>35622-G01</u> | | SEAT SUPPORT..... | 1 |
| 214 | <u>00415-G2</u> | | BOLT, 1/4 - 20, 1 1/4" LG..... | 6 |
| 215 | <u>01110-G01</u> | | WASHER, 1/4" (STAINLESS STEEL)..... | 12 |
| 216 | <u>00654-G2</u> | | LOCK NUT, 1/4 - 20 (STAINLESS STEEL)..... | 6 |
| 217 | | | | |
| 218 | <u>35662-G01</u> | | REAR FLOORMAT..... | 1 |
| 219 | <u>16816-G2</u> | | RATCHET FASTENER, 11/16" X 7/8" LG..... | 7 |
| 220 | | | | |
| 221 | 35536-G01 | | REAR FLOORBOARD..... | 1 |
| 222 | <u>16705-G10</u> | | SCREW, 1/4 - 20 X 7/8" LG (STAINLESS STEEL)..... | 4 |
| 223 | <u>16705-G9</u> | | SCREW, 1/4 - 20 X 1 1/4" LG (STAINLESS STEEL)..... | 7 |
| 224 | <u>20275-G3</u> | | PIVOT SPACER..... | 5 |
| 225 | <u>01110-G01</u> | | WASHER, 1/4" (STAINLESS STEEL)..... | 5 |
| 226 | <u>00654-G2</u> | | LOCK NUT, 1/4 - 20 (STAINLESS STEEL)..... | 6 |
| 227 | | | | |
| 228 | <u>35663-G02</u> | | REAR ROCKER PANEL (DRIVER SIDE)..... | 1 |
| 229 | <u>35663-G01</u> | | REAR ROCKER PANEL (PASSENGER SIDE)..... | 1 |
| 230 | 16705-G3 | | SCREW, 1/4 - 20 X 3/4" LG (STAINLESS STEEL)..... | 8 |
| 231 | <u>01110-G01</u> | | WASHER, 1/4" (STAINLESS STEEL)..... | 8 |
| 232 | <u>00654-G2</u> | | LOCK NUT, 1/4 - 20 (STAINLESS STEEL)..... | 8 |
| 233 | | | | |
| 234 | <u>34149-G01</u> | | FLOOR SUPPORT..... | 2 |
| 235 | 00715-G1 | | BOLT, 5/16 - 18 X 3/4" LG..... | 4 |

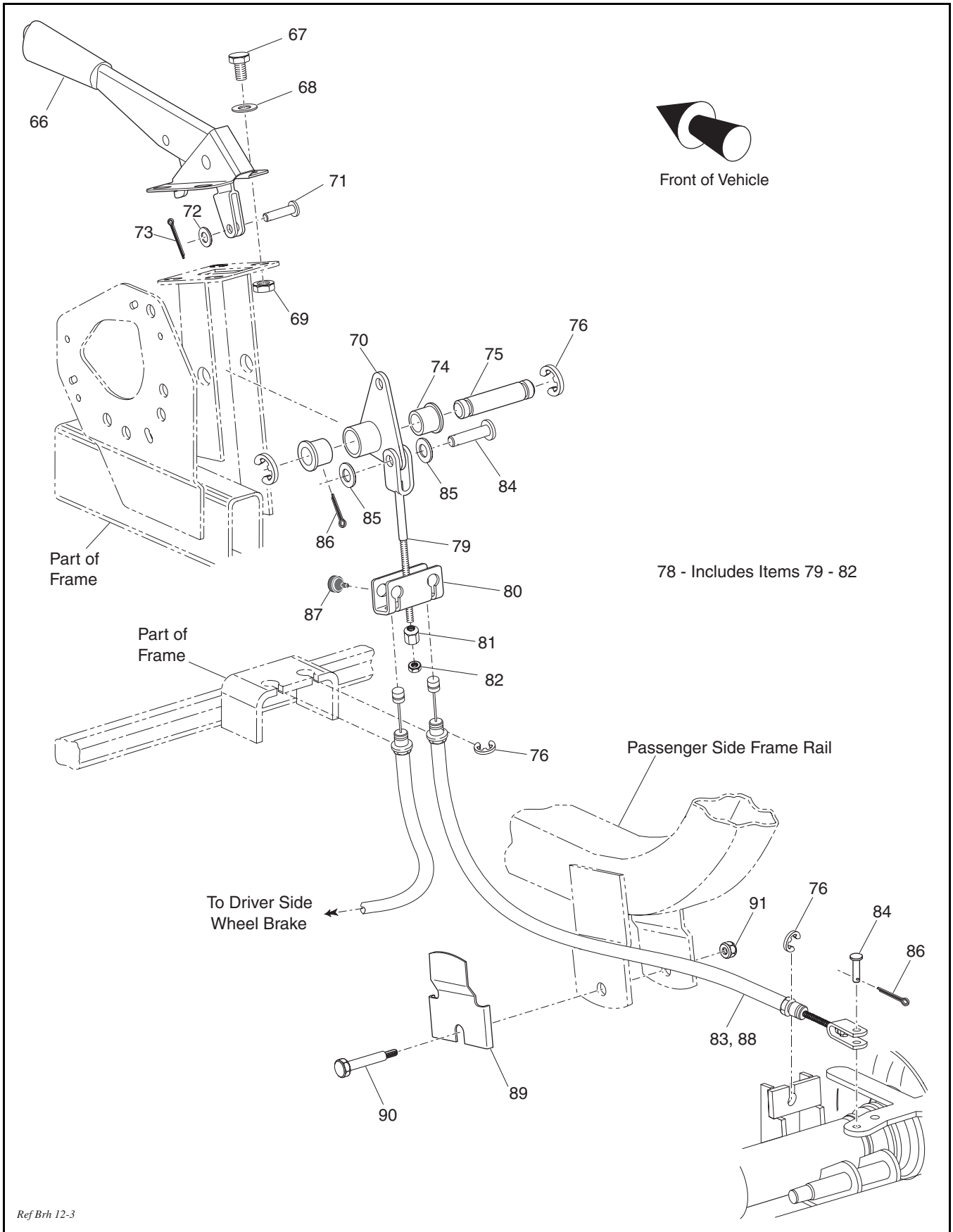
BRAKES

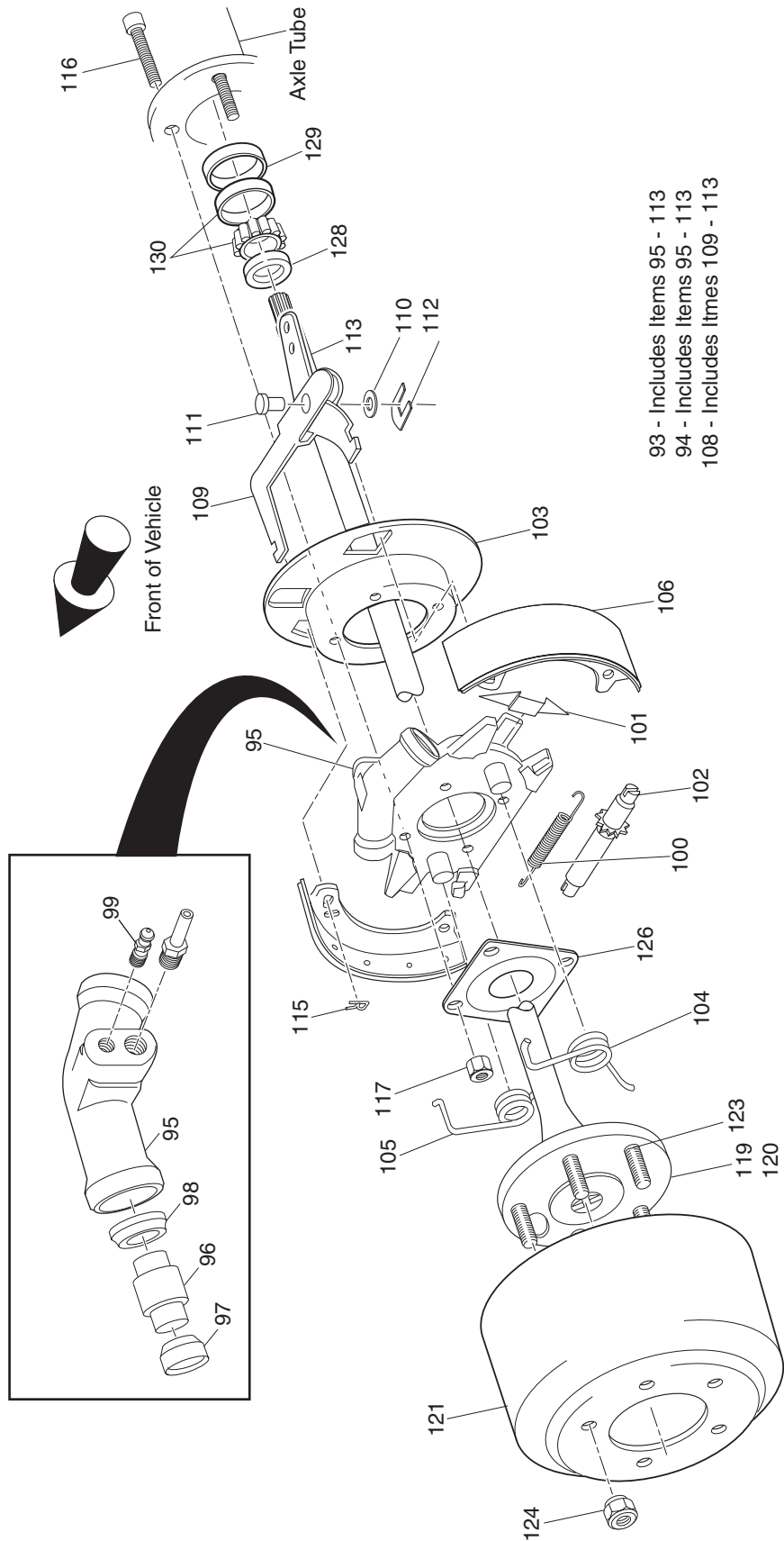




Ref Brh 12-2

BRAKES





Ref Brh 12-4

BRAKES

When ordering parts, please specify the model and serial number of the product.

* Indicates a component that is not available as an individual part.

G** Indicates consult Customer Service Department for additional information.

| ITEM | PART NO. | 1 2 3 4 5 | DESCRIPTION | QTY. |
|------|------------------|-----------|---|------|
| 1 | <u>11039-G1</u> | | PEDAL PAD | 1 |
| 2 | <u>14269-G1</u> | | RIVET, 3/16" X 1/2" LG | 2 |
| 3 | <u>33227-G02</u> | | BRAKE PEDAL | 1 |
| 4 | <u>70581-G02</u> | | FLANGED BUSHING | 2 |
| 5 | <u>13197-G1</u> | | TORSION SPRING | 1 |
| 6 | <u>34158-G02</u> | | SHAFT, 3 1/2" LG | 1 |
| 7 | <u>01111-G01</u> | | RETAINING RING, 13/32" (STAINLESS STEEL) | 4 |
| 8 | <u>70581-G02</u> | | FLANGED BUSHING | 2 |
| 9 | <u>34124-G01</u> | | LINKAGE ROD (INCLUDES ITEMS 10 - 12) | 1 |
| 10 | <u>30297-G3</u> | | THREADED ROD | 1 |
| 11 | <u>10385-G4</u> | | CLEVIS YOKE (ADJUSTABLE) | 2 |
| 12 | <u>00544-G4</u> | | NUT, 5/16 - 24 | 2 |
| 13 | <u>10386-G3</u> | | CLEVIS PIN, 5/16" X 13/16" LG | 2 |
| 14 | <u>10387-G3</u> | | COTTER PIN, 3/32" X 3/4" LG | 2 |
| 15 | | | | |
| 16 | <u>34157-G01</u> | | PIVOT | 1 |
| 17 | <u>34158-G01</u> | | SHAFT, 4 7/8" LG | 1 |
| 18 | | | | |
| 19 | <u>21505-G1</u> | | NIPPLE (MALE) | 1 |
| 20 | <u>34984-G01</u> | | BRAKE LINE - COILED (12" COMPLETE WITH NUTS) | 1 |
| 21 | <u>21103-G1</u> | | BRAKE LINE TEE | 1 |
| 22 | <u>34987-G01</u> | | BRAKE LINE (11" COMPLETE WITH NUTS) | 1 |
| 23 | <u>34985-G01</u> | | BRAKE LINE (19" COMPLETE WITH NUTS) | 1 |
| 24 | <u>35419-G01</u> | | TUBE FASTENER BRACKET | 2 |
| 25 | <u>11456-G1</u> | | CLIP | 2 |
| 26 | <u>34989-G01</u> | | FLEXIBLE HYDRAULIC HOSE | 2 |
| 27 | <u>00106-G6</u> | | SCREW, #12 - 24 X 3/4" LG | 5 |
| 28 | <u>34986-G01</u> | | BRAKE LINE (8" COMPLETE WITH NUTS) | 1 |
| 29 | <u>34988-G01</u> | | PROPORTIONING VALVE | 1 |
| 30 | <u>34982-G01</u> | | BRAKE LINE (50" COMPLETE WITH NUTS) (952, 954, 956) | 1 |

BRAKES

When ordering parts, please specify the model and serial number of the product.

* Indicates a component that is not available as an individual part.

G** Indicates consult Customer Service Department for additional information.

| ITEM | PART NO. | 1 2 3 4 5 | DESCRIPTION | QTY. |
|------|------------------|-----------|--|------|
| 31 | <u>30298-G2</u> | | PUSH ROD ASSEMBLY (INCLUDES ITEMS 32 - 34)..... | 1 |
| 32 | <u>30293-G2</u> | | PUSH ROD, 3 1/8" LG..... | 1 |
| 33 | <u>21508-G1</u> | | CLEVIS YOKE..... | 2 |
| 34 | <u>00544-G6</u> | | JAM NUT, 3/8 - 24..... | 2 |
| 35 | <u>14443-G3</u> | | CLEVIS PIN, 5/16" X 1" LG..... | 1 |
| 36 | <u>10387-G3</u> | | COTTER PIN, 3/32" X 3/4" LG..... | 1 |
| 37 | <u>70643-G02</u> | | MASTER CYLINDER KIT (INCLUDES ITEMS 38 - 40)..... | 1 |
| 38 | * | | MASTER CYLINDER..... | 1 |
| 39 | <u>32768-G1</u> | | MASTER CYLINDER BOOT..... | 1 |
| 40 | <u>00675-G1</u> | | WASHER, 3/8" (STAINLESS STEEL)..... | 1 |
| 41 | <u>26469-G01</u> | | BRANCH TEE (MALE)..... | 1 |
| 42 | <u>21510-G1</u> | | BRAKE LIGHT SWITCH..... | 1 |
| 43 | <u>33724-G01</u> | | INVERTED FLARE FITTING..... | 1 |
| 44 | <u>21503-G1</u> | | PLUG (STANDARD BRAKE SYSTEM)..... | 1 |
| 45 | 22283-G1 | | TEFLON TAPE, 1/2" WIDE (NOT ILLUSTRATED)..... | A/R |
| 46 | <u>00428-G4</u> | | BOLT, 3/8 - 16 X 2 1/2" LG..... | 2 |
| 47 | <u>00560-G1</u> | | WASHER, 3/8"..... | 2 |
| 48 | <u>11098-G5</u> | | LOCK NUT, 3/8 - 16..... | 2 |
| 49 | <u>21504-G1</u> | | BRAKE FLUID (NOT ILLUSTRATED)..... | A/R |
| 50 | | | | |
| 51 | <u>13728-G1</u> | | RUBBER BUMPER..... | 1 |
| 52 | <u>14601-G1</u> | | RIVET, 3/16" X 13/16" LG (ALUMINUM)..... | 1 |
| 53 | <u>00559-G5</u> | | WASHER, #10..... | 1 |
| 54 | | | | |
| 55 | 21104-G12 | | BRAKE LINE (55" COMPLETE WITH NUTS) (952, 954, 956)..... | 1 |
| 56 | <u>11845-G5</u> | | INSULATED CABLE CLAMP, 3/8"..... | 1 |
| 57 | <u>00100-G6</u> | | SCREW, #10 - 16 X 3/4" LG..... | 3 |
| 58 | <u>11332-G2</u> | | TUBE FASTENER BRACKET (EARLY PRODUCTION)..... | 1 |
| 59 | <u>11456-G1</u> | | CLIP..... | 1 |
| 60 | | | | |

BRAKES

When ordering parts, please specify the model and serial number of the product.

* Indicates a component that is not available as an individual part.

G** Indicates consult Customer Service Department for additional information.

| ITEM | PART NO. | 1 2 3 4 5 | DESCRIPTION | QTY. |
|------|------------------|-----------|---|------|
| 61 | 34702-G01 | | REAR BRAKE LINE | 1 |
| 62 | 34542-G01 | | REAR BRAKE LINE | 1 |
| 63 | <u>33534-G01</u> | | FLEXIBLE HYDRAULIC HOSE, 10 1/2" LG (952, 954, 956) | 1 |
| 64 | <u>01109-G01</u> | | LOCK NUT, 5/16 - 18 (STAINLESS STEEL) | 1 |
| 65 | <u>33534-G02</u> | | FLEXIBLE HYDRAULIC HOSE, 13 1/2" LG (955, 957) | 1 |
| 66 | <u>34380-G01</u> | | PARKING BRAKE | 1 |
| 67 | 00276-G6 | | BOLT, 5/16 - 24 X 3/4" LG | 4 |
| 68 | 00559-G8 | | WASHER, 5/16" | 4 |
| 69 | <u>11098-G9</u> | | LOCK NUT, 5/16 - 24 | 4 |
| 70 | 34384-G01 | | BELLCRANK | 1 |
| 71 | <u>14443-G2</u> | | CLEVIS PIN, 5/16" X 5/8" LG | 1 |
| 72 | 00559-G8 | | WASHER, 5/16" | 1 |
| 73 | <u>10387-G3</u> | | COTTER PIN, 3/32" X 3/4" LG | 1 |
| 74 | <u>70581-G02</u> | | FLANGED BUSHING | 2 |
| 75 | <u>34158-G03</u> | | SHAFT, 2 5/8" LG | 1 |
| 76 | <u>01111-G01</u> | | RETAINING RING, 13/32" (STAINLESS STEEL) | 6 |
| 77 | | | | |
| 78 | 34518-G01 | | PARKING BRAKE LINK (INCLUDES ITEMS 79 - 82)..... | 1 |
| 79 | <u>34389-G01</u> | | CLEVIS LINK | 1 |
| 80 | <u>28082-G01</u> | | EQUALIZER BRACKET | 1 |
| 81 | <u>00963-G01</u> | | SPHERICAL NUT, 5/16 - 24 | 1 |
| 82 | <u>00544-G4</u> | | NUT, 5/16 - 24 | 1 |
| 83 | <u>34034-G01</u> | | BRAKE CABLE (952, 954, 956) | 2 |
| 84 | <u>10386-G3</u> | | CLEVIS PIN, 5/16" X 13/16" LG | 2 |
| 85 | 00559-G8 | | WASHER, 5/16" | 1 |
| 86 | <u>10387-G3</u> | | COTTER PIN, 3/32" X 3/4" LG | 2 |
| 87 | <u>28083-G01</u> | | BRAKE COMPENSATOR BUMPER | 2 |
| 88 | 35584-G01 | | BRAKE CABLE (955, 957) | 2 |
| 89 | <u>34031-G01</u> | | CABLE RETAINER BRACKET | 2 |
| 90 | XXXXX-XX | | SHOULDER BOLT (SEE REAR SUSPENSION SECTION FOR P/N)..... | 2 |

BRAKES

When ordering parts, please specify the model and serial number of the product.

* Indicates a component that is not available as an individual part.

G** Indicates consult Customer Service Department for additional information.

| ITEM | PART NO. | 1 2 3 4 5 | DESCRIPTION | QTY. |
|------|------------------|-----------|---|------|
| 91 | XXXXX-XX | | LOCK NUT, 3/8-16 (SEE REAR SUSPENSION SECTION FOR P/N)..... | 2 |
| 92 | | | | |
| 93 | <u>33725-G01</u> | | BRAKE ASSEMBLY (DRIVER SIDE) (INCLUDES ITEMS 95 - 113) | 1 |
| 94 | <u>33725-G02</u> | | BRAKE ASSEMBLY (PASSENGER SIDE) (INCLUDES ITEMS 95 - 113)..... | 1 |
| 95 | <u>21086-G1</u> | | TORQUE SPIDER | 1 |
| 96 | <u>21087-G1</u> | | WHEEL CYLINDER PISTON..... | 2 |
| 97 | 21088-G1 | | HYDRAULIC CUP | 2 |
| 98 | <u>21089-G1</u> | | SEAL..... | 2 |
| 99 | <u>21094-G1</u> | | BLEEDER VALVE | 1 |
| 100 | 21095-G1 | | LOWER SPRING | 1 |
| 101 | <u>21096-G1</u> | | SHOE HOLD DOWN | 1 |
| 102 | <u>21097-G1</u> | | ADJUSTER | 1 |
| 103 | <u>21908-G1</u> | | DUST SHIELD | 1 |
| 104 | <u>70669-G01</u> | | SPRING (BLUE) | 1 |
| 105 | <u>70670-G01</u> | | SPRING (YELLOW)..... | 1 |
| 106 | 33726-G01 | | BRAKE SHOE..... | 2 |
| 107 | | | | |
| 108 | * | | PARKING BRAKE LEVER ASSEMBLY (INCLUDES ITEMS 109 - 113) | 1 |
| 109 | <u>13460-G1</u> | | CURVED LEVER..... | 1 |
| 110 | <u>13463-G1</u> | | SPRING WASHER | 1 |
| 111 | <u>13462-G1</u> | | CLEVIS PIN..... | 1 |
| 112 | <u>13464-G1</u> | | CLEVIS PIN RETAINER..... | 1 |
| 113 | <u>22604-G1</u> | | STRAIGHT LEVER | 2 |
| 114 | | | | |
| 115 | <u>13468-G1</u> | | CLIP | 2 |
| 116 | 33662-G01 | | STUD, 5/16 - 24 X 1 5/8" LG | 4 |
| 117 | <u>21562-G1</u> | | NUT, 5/16 - 24 | 4 |
| 118 | | | | |
| 119 | XXXXX-XX | | AXLE SHAFT (DRIVER SIDE) (SEE REAR AXLE SECTION FOR P/N)..... | 1 |
| 120 | XXXXX-XX | | AXLE SHAFT (PASSENGER SIDE) (SEE REAR AXLE SECTION FOR P/N) ... | 1 |

BRAKES

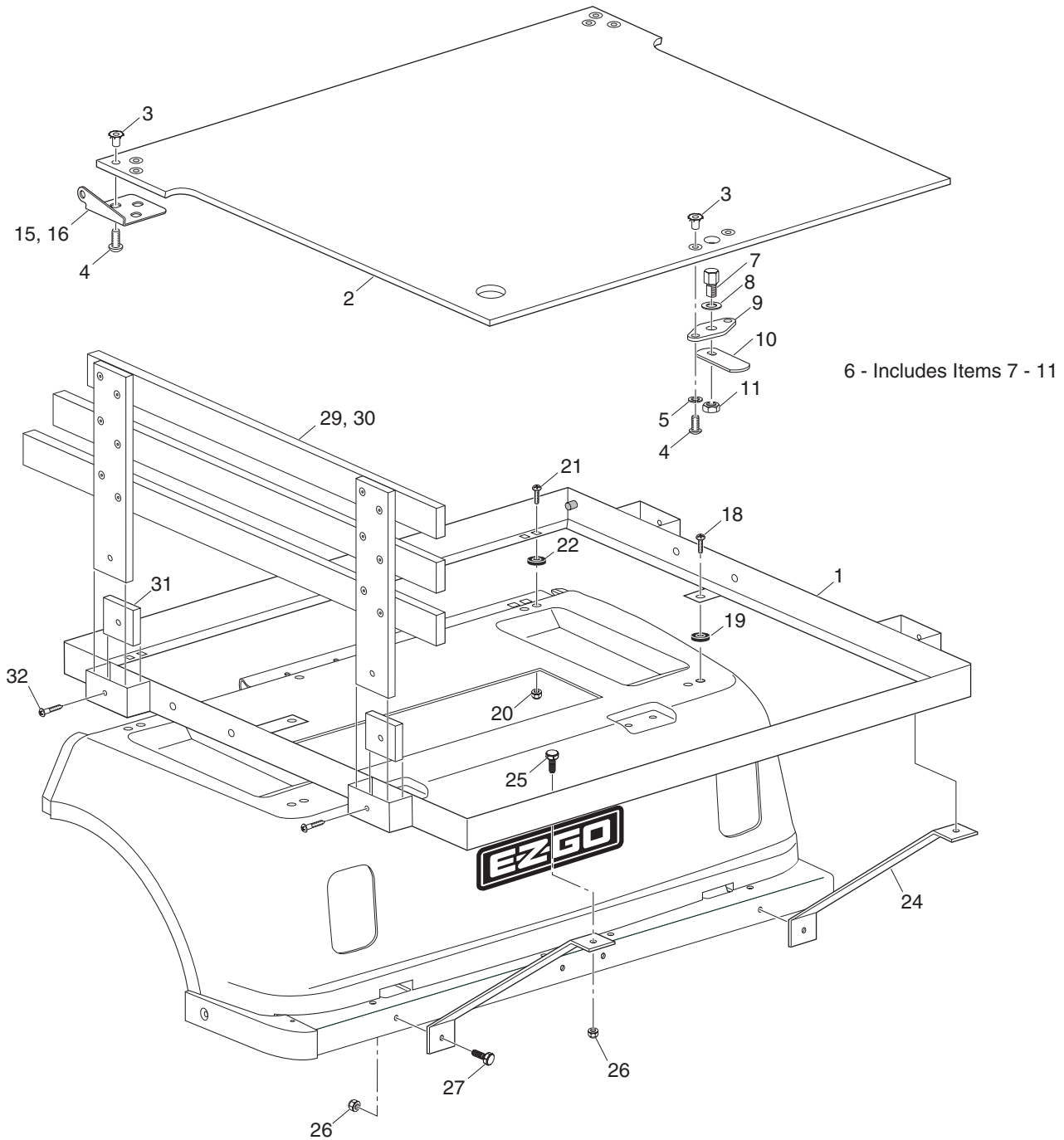
When ordering parts, please specify the model and serial number of the product.

* Indicates a component that is not available as an individual part.

G** Indicates consult Customer Service Department for additional information.

| ITEM | PART NO. | 1 2 3 4 5 | DESCRIPTION | QTY. |
|------|-----------------|-----------|--|------|
| 121 | <u>17953-G2</u> | | BRAKE DRUM | 2 |
| 122 | | | | |
| 123 | XXXXX-XX | | WHEEL BOLT, 1/2 - 20 (SEE REAR AXLE SECTION FOR P/N) | 5 |
| 124 | XXXXX-XX | | LUG NUT, 1/2 - 20 (SEE WHEELS AND TIRES SECTION FOR P/N) | 5 |
| 125 | | | | |
| 126 | 21559-G1 | | WIPER SEAL | 1 |
| 127 | | | | |
| 128 | 14584-G1 | | BEARING RETAINER RING | 1 |
| 129 | 14585-G1 | | INNER OIL SEAL | 1 |
| 130 | <u>13084-G1</u> | | WHEEL BEARING | 1 |
| 131 | | | | |
| 132 | 28066-G02 | | MASTER CYLINDER REPAIR KIT (NOT SHOWN)..... | AR |
| 133 | | | | |
| 134 | 35608-G01 | | BRAKE LINE (67" COMPLETE WITH NUTS) (955, 957) | 1 |
| 135 | 21104-G14 | | BRAKE LINE (82" COMPLETE WITH NUTS) (955, 957) | 1 |

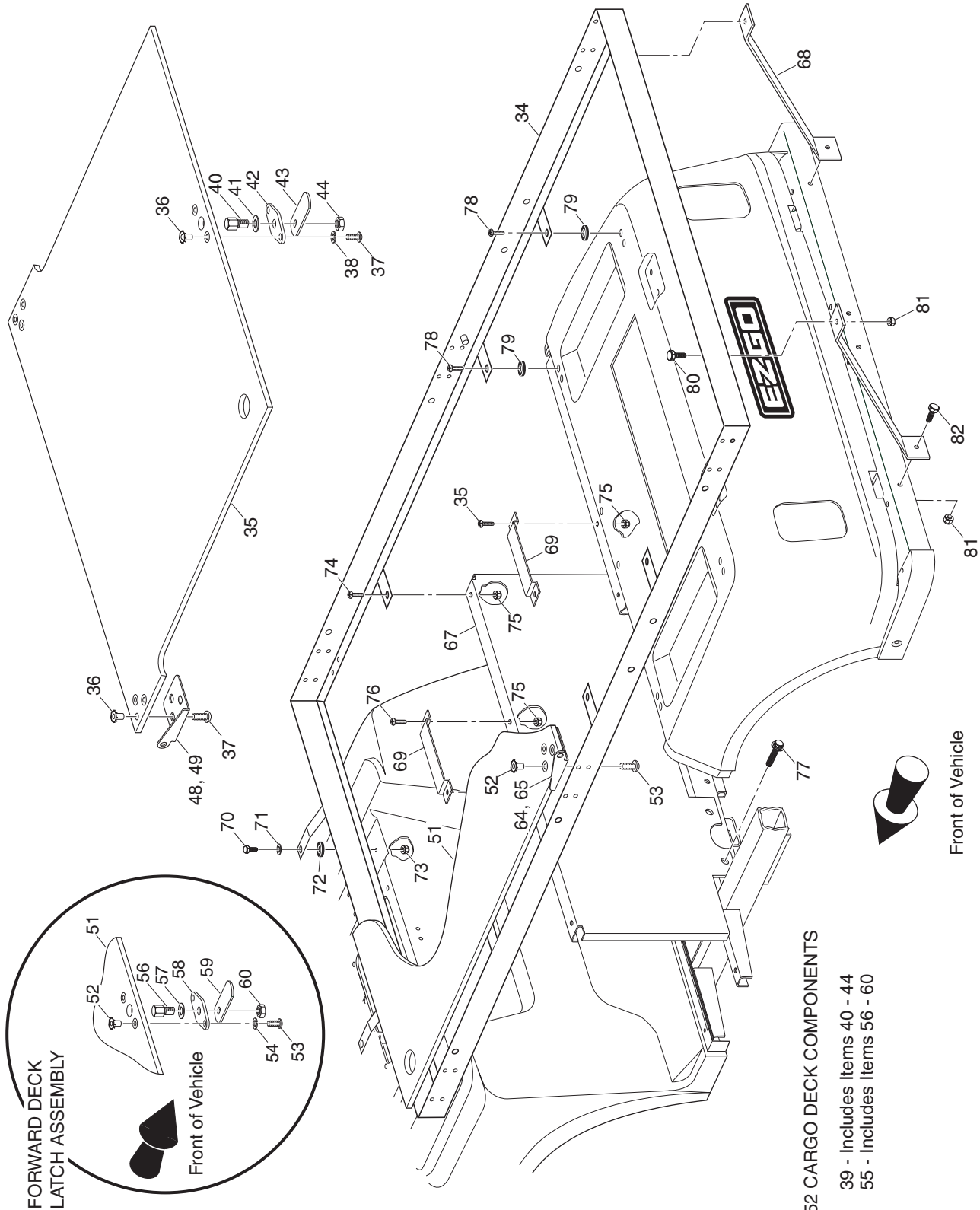
CARGO DECKS AND HITCHES



954 / 955 CARGO DECK COMPONENTS

Ref Cdk 12-1

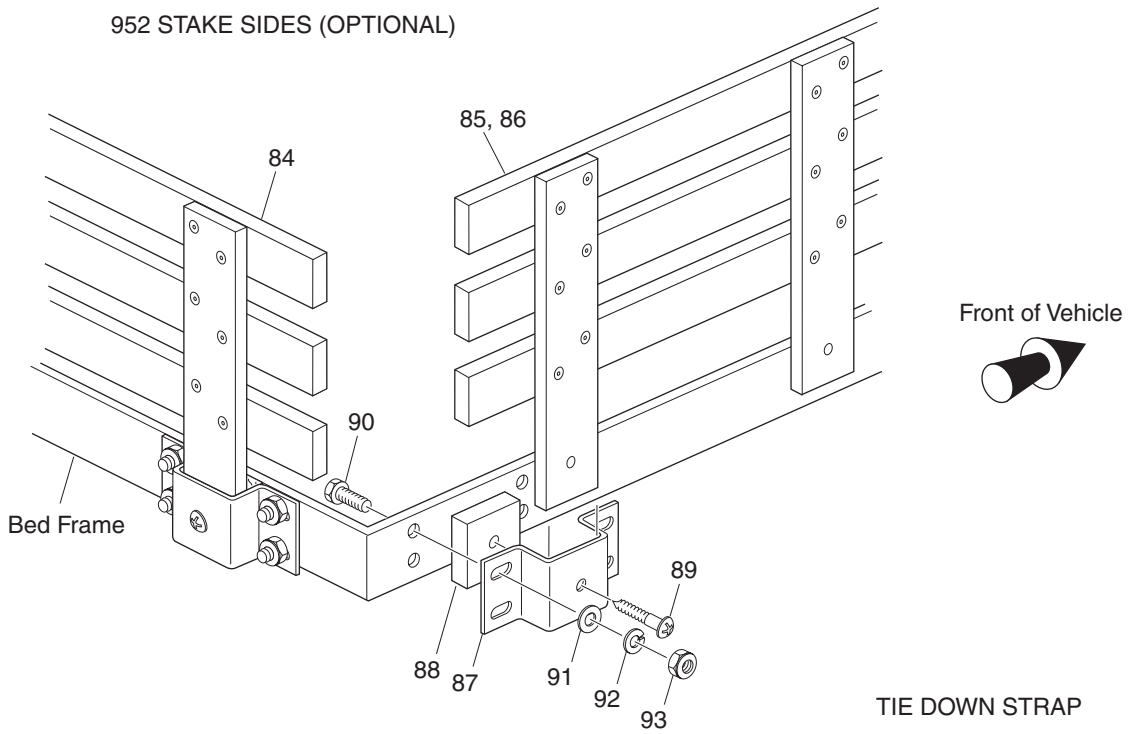
CARGO DECKS AND HITCHES



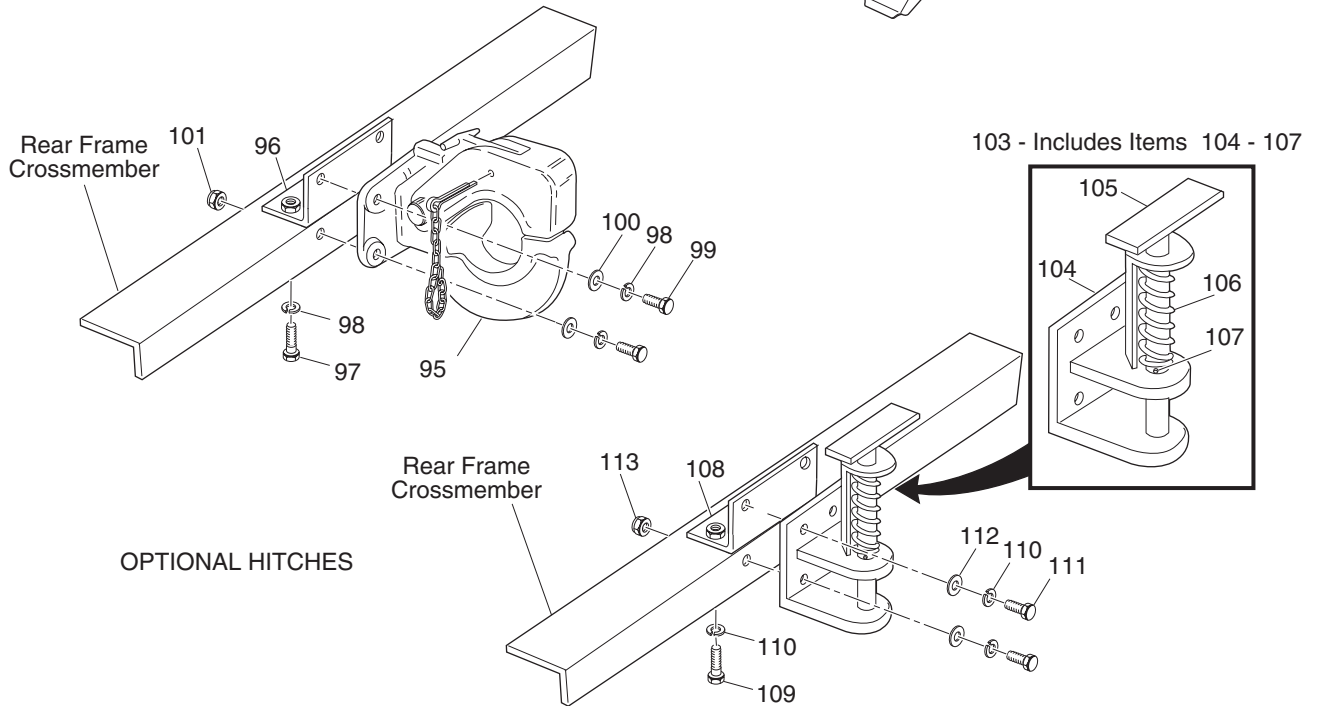
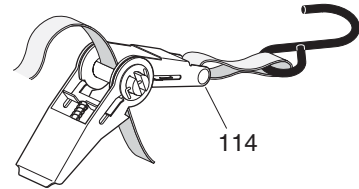
Ref Cdk 12-2

CARGO DECKS AND HITCHES

952 STAKE SIDES (OPTIONAL)



TIE DOWN STRAP



Ref Cdk 12-3

CARGO DECKS AND HITCHES

When ordering parts, please specify the model and serial number of the product.

* Indicates a component that is not available as an individual part.

G** Indicates consult Customer Service Department for additional information.

| ITEM | PART NO. | 1 | 2 | 3 | 4 | 5 | DESCRIPTION | QTY. |
|------|------------------|---|---|---|---|---|---|------|
| 1 | 34621-G01 | | | | | | BED FRAME | 1 |
| 2 | <u>35621-G01</u> | | | | | | CARGO DECK (INCLUDES ITEM 3) | 1 |
| 3 | <u>01048-G01</u> | | | | | | TEE NUT, 1/4 - 20 | 8 |
| 4 | <u>16705-G2</u> | | | | | | SCREW, 1/4 - 20 X 5/8" LG (STAINLESS STEEL) | 8 |
| 5 | <u>00664-G7</u> | | | | | | LOCK WASHER, 1/4" (STAINLESS STEEL) | 2 |
| 6 | 34430-G01 | | | | | | LATCH ASSEMBLY (INCLUDES ITEMS 7 - 11) | 1 |
| 7 | 34432-G01 | | | | | | LATCH PIN | 1 |
| 8 | <u>34434-G01</u> | | | | | | WASHER, 3/8" | 1 |
| 9 | <u>34431-G01</u> | | | | | | LATCH PLATE | 1 |
| 10 | <u>34433-G01</u> | | | | | | LATCH | 1 |
| 11 | <u>14390-G1</u> | | | | | | LOCK NUT, 3/8 - 24 | 1 |
| 12 | | | | | | | | |
| 13 | | | | | | | | |
| 14 | | | | | | | | |
| 15 | <u>34298-G03</u> | | | | | | HINGE (DRIVER SIDE) | 1 |
| 16 | <u>34298-G04</u> | | | | | | HINGE (PASSENGER SIDE) | 1 |
| 17 | | | | | | | | |
| 18 | <u>16705-G9</u> | | | | | | SCREW, 1/4 - 20 X 1 1/4" LG (STAINLESS STEEL) | 2 |
| 19 | <u>34176-G01</u> | | | | | | RUBBER WASHER, 1" OD X 5/16" ID | 2 |
| 20 | <u>14390-G4</u> | | | | | | LOCK NUT, 1/4 - 20 | 2 |
| 21 | <u>16705-G1</u> | | | | | | SCREW, 1/4 - 20 X 1" LG (STAINLESS STEEL) | 2 |
| 22 | <u>30036-G1</u> | | | | | | RUBBER WASHER, 1 1/2" OD X 3/8" ID | 2 |
| 23 | | | | | | | | |
| 24 | <u>34711-G01</u> | | | | | | BED FRAME SUPPORT | 2 |
| 25 | <u>00976-G08</u> | | | | | | SCREW, 5/16 - 18 X 1" LG (STAINLESS STEEL) | 2 |
| 26 | <u>00891-G3</u> | | | | | | LOCK NUT, 5/16 - 18 | 4 |
| 27 | <u>00438-G8</u> | | | | | | BOLT, 5/16 - 18 X 1" LG | 2 |
| 28 | | | | | | | | |
| 29 | <u>34776-G01</u> | | | | | | STAKE SIDE (DRIVER SIDE) | 1 |
| 30 | 34776-G02 | | | | | | STAKE SIDE (PASSENGER SIDE) | 1 |

CARGO DECKS AND HITCHES

When ordering parts, please specify the model and serial number of the product.

* Indicates a component that is not available as an individual part.

G** Indicates consult Customer Service Department for additional information.

| ITEM | PART NO. | 1 2 3 4 5 | DESCRIPTION | QTY. |
|------|------------------|-----------|---|------|
| 31 | <u>32802-G1</u> | | WOOD SPACER | 4 |
| 32 | <u>00130-G9</u> | | SCREW, #10 - 13 X 1 1/4" LG..... | 4 |
| 33 | | | | |
| 34 | 34616-G01 | | BED FRAME | 1 |
| 35 | <u>35621-G01</u> | | REAR CARGO DECK (INCLUDES ITEM 36) | 1 |
| 36 | <u>01048-G01</u> | | TEE NUT, 1/4 - 20..... | 8 |
| 37 | <u>16705-G2</u> | | SCREW, 1/4 - 20 X 5/8" LG (STAINLESS STEEL) | 8 |
| 38 | <u>00664-G7</u> | | LOCK WASHER, 1/4" (STAINLESS STEEL) | 2 |
| 39 | 34430-G01 | | LATCH ASSEMBLY (INCLUDES ITEMS 40 - 44) | 1 |
| 40 | 34432-G01 | | LATCH PIN | 1 |
| 41 | <u>34434-G01</u> | | WASHER, 3/8" | 1 |
| 42 | <u>34431-G01</u> | | LATCH PLATE | 1 |
| 43 | <u>34433-G01</u> | | LATCH | 1 |
| 44 | <u>14390-G1</u> | | LOCK NUT, 3/8 - 24 | 1 |
| 45 | | | | |
| 46 | | | | |
| 47 | | | | |
| 48 | <u>34298-G03</u> | | HINGE (DRIVER SIDE)..... | 1 |
| 49 | <u>34298-G04</u> | | HINGE (PASSENGER SIDE) | 1 |
| 50 | | | | |
| 51 | 35620-G01 | | FORWARD CARGO DECK (INCLUDES ITEM 52)..... | 1 |
| 52 | <u>01048-G01</u> | | TEE NUT, 1/4 - 20..... | 8 |
| 53 | <u>16705-G2</u> | | SCREW, 1/4 - 20 X 5/8" LG (STAINLESS STEEL) | 8 |
| 54 | <u>00664-G7</u> | | LOCK WASHER, 1/4" (STAINLESS STEEL) | 2 |
| 55 | 34430-G01 | | LATCH ASSEMBLY (INCLUDES ITEMS 56 - 60) | 1 |
| 56 | 34432-G01 | | LATCH PIN | 1 |
| 57 | <u>34434-G01</u> | | WASHER, 3/8" | 1 |
| 58 | <u>34431-G01</u> | | LATCH PLATE | 1 |
| 59 | <u>34433-G01</u> | | LATCH | 1 |
| 60 | <u>14390-G1</u> | | LOCK NUT, 3/8 - 24 | 1 |

CARGO DECKS AND HITCHES

When ordering parts, please specify the model and serial number of the product.

* Indicates a component that is not available as an individual part.

G** Indicates consult Customer Service Department for additional information.

| ITEM | PART NO. | 1 | 2 | 3 | 4 | 5 | DESCRIPTION | QTY. |
|------|------------------|---|---|---|---|---|---|------|
| 61 | | | | | | | | |
| 62 | | | | | | | | |
| 63 | | | | | | | | |
| 64 | <u>34298-G03</u> | | | | | | HINGE (DRIVER SIDE)..... | 1 |
| 65 | <u>34298-G04</u> | | | | | | HINGE (PASSENGER SIDE)..... | 1 |
| 66 | | | | | | | | |
| 67 | <u>34615-G01</u> | | | | | | BED FRAME SUPPORT | 1 |
| 68 | <u>34711-G01</u> | | | | | | REAR BED FRAME SUPPORT | 2 |
| 69 | <u>34435-G01</u> | | | | | | DECK SPACER | 2 |
| 70 | <u>00685-G7</u> | | | | | | BOLT, 5/16 - 18 X 1 3/4" LG (STAINLESS STEEL)..... | 2 |
| 71 | <u>00660-G8</u> | | | | | | WASHER, 5/16" (STAINLESS STEEL) | 2 |
| 72 | <u>30036-G1</u> | | | | | | RUBBER WASHER, 1 1/2" OD X 3/8" ID | 2 |
| 73 | <u>00891-G3</u> | | | | | | LOCK NUT, 5/16 - 18 | 2 |
| 74 | <u>16705-G3</u> | | | | | | SCREW, 1/4 - 20 X 3/4" LG (STAINLESS STEEL) | 2 |
| 75 | <u>14390-G4</u> | | | | | | LOCK NUT, 1/4 - 20 | 6 |
| 76 | <u>00414-G6</u> | | | | | | BOLT, 1/4 - 20 X 3/4" LG | 4 |
| 77 | <u>00715-G1</u> | | | | | | BOLT, 5/16 - 18 X 7/8" LG | 4 |
| 78 | <u>16705-G9</u> | | | | | | SCREW, 1/4 - 20 X 1 1/4" LG (STAINLESS STEEL) | 4 |
| 79 | <u>34176-G01</u> | | | | | | RUBBER WASHER, 1" OD X 5/16" ID | 4 |
| 80 | <u>00976-G08</u> | | | | | | SCREW, 5/16 - 18 X 1" LG (STAINLESS STEEL) | 2 |
| 81 | <u>00891-G3</u> | | | | | | LOCK NUT, 5/16 - 18 | 4 |
| 82 | <u>00438-G8</u> | | | | | | BOLT, 5/16 - 18 X 1" LG | 2 |
| 83 | | | | | | | | |
| 84 | <u>34523-G03</u> | | | | | | STAKE SIDE, 44 1/2" | 1 |
| 85 | <u>34775-G02</u> | | | | | | STAKE SIDE, (DRIVER SIDE) | 1 |
| 86 | <u>34775-G01</u> | | | | | | STAKE SIDE, (PASSENGER SIDE)..... | 1 |
| 87 | <u>32787-G1</u> | | | | | | RAIL POCKET..... | 8 |
| 88 | <u>32802-G1</u> | | | | | | WOOD SPACER | 8 |
| 89 | <u>00130-G9</u> | | | | | | SCREW, #10 - 13 X 1 1/4" LG..... | 8 |
| 90 | <u>00414-G6</u> | | | | | | BOLT, 1/4 - 20 X 3/4" LG | 32 |

CARGO DECKS AND HITCHES

When ordering parts, please specify the model and serial number of the product.

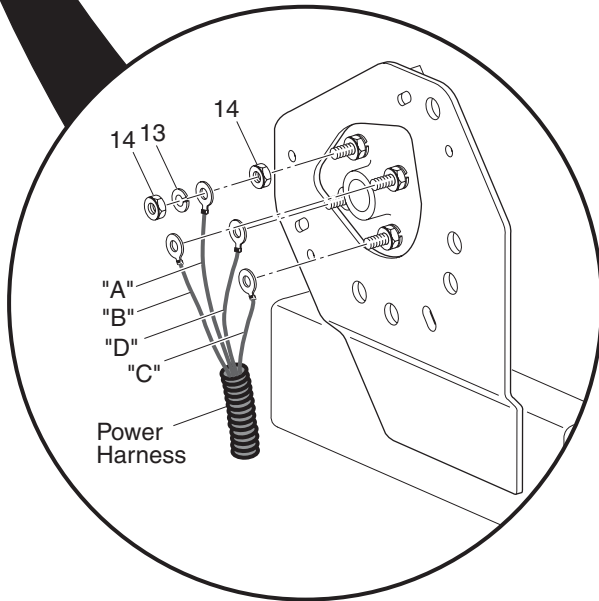
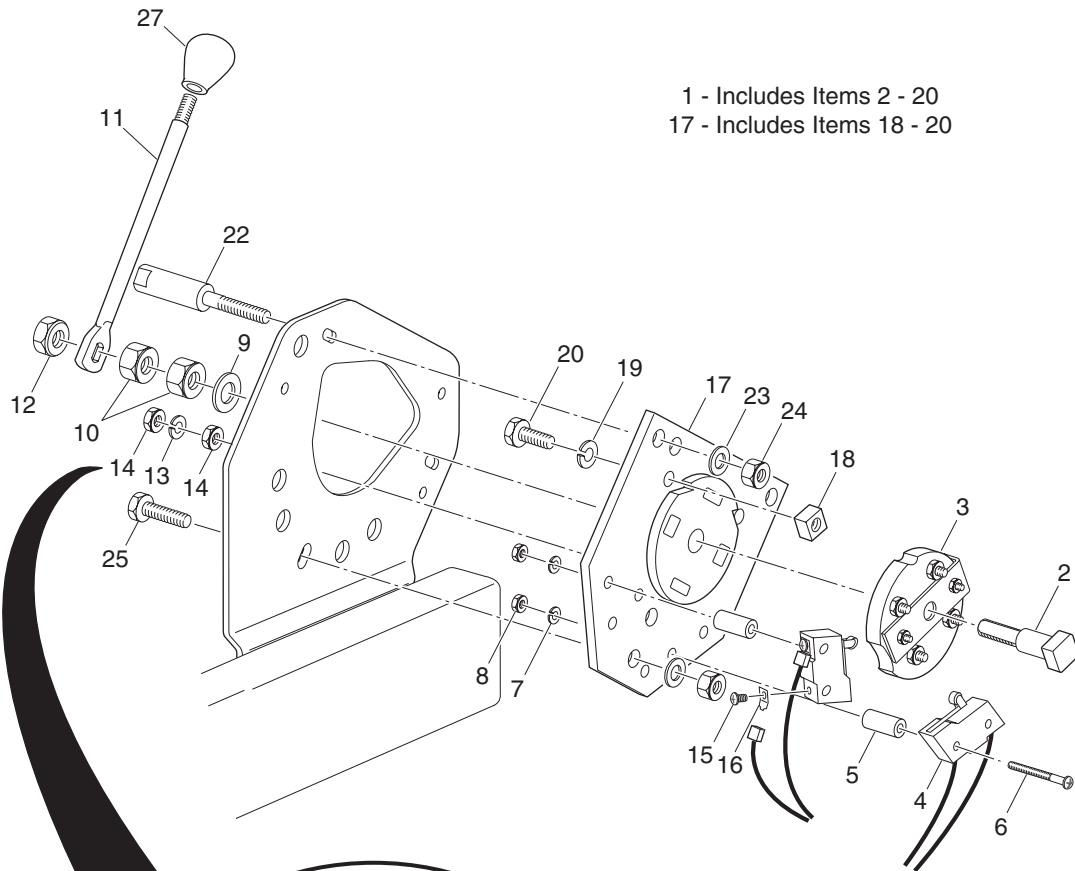
* Indicates a component that is not available as an individual part.

G** Indicates consult Customer Service Department for additional information.

| ITEM | PART NO. | 1 2 3 4 5 | DESCRIPTION | QTY. |
|------|------------------|-----------|--|------|
| 91 | <u>01110-G01</u> | | WASHER, 1/4" (STAINLESS STEEL) | 32 |
| 92 | <u>00664-G7</u> | | LOCK WASHER, 1/4" (STAINLESS STEEL) | 32 |
| 93 | <u>00532-G1</u> | | NUT, 1/4 - 20 | 32 |
| 94 | | | | |
| 95 | 30817-G1 | | PINTLE HITCH..... | 1 |
| 96 | <u>33805-G01</u> | | BACKING PLATE | 1 |
| 97 | <u>00665-G2</u> | | BOLT, 3/8 - 16 X 1" LG (STAINLESS STEEL)..... | 2 |
| 98 | <u>00670-G1</u> | | LOCK WASHER, 3/8" (STAINLESS STEEL) | 6 |
| 99 | 00665-G4 | | BOLT, 3/8 - 16 X 1 1/2" LG (STAINLESS STEEL)..... | 4 |
| 100 | <u>00653-G1</u> | | WASHER, 3/8" (STAINLESS STEEL) | 4 |
| 101 | <u>11027-G5</u> | | LOCK NUT, 3/8 - 16 | 2 |
| 102 | | | | |
| 103 | <u>33731-G01</u> | | 'E' HITCH ASSEMBLY (INCLUDES ITEMS 104 - 107)..... | 1 |
| 104 | 33730-G01 | | HITCH | 1 |
| 105 | <u>30838-G1</u> | | PIN | 1 |
| 106 | <u>30843-G1</u> | | COMPRESSION SPRING | 1 |
| 107 | <u>10686-G8</u> | | SLOTTED PIN, 3/16" X 1 1/2" LG..... | 1 |
| 108 | <u>33805-G01</u> | | BACKING PLATE | 1 |
| 109 | <u>00665-G2</u> | | BOLT, 3/8 - 16 X 1" LG (STAINLESS STEEL)..... | 2 |
| 110 | <u>00670-G1</u> | | LOCK WASHER, 3/8" (STAINLESS STEEL) | 6 |
| 111 | 00665-G4 | | BOLT, 3/8 - 16 X 1 1/2" LG (STAINLESS STEEL)..... | 4 |
| 112 | <u>00653-G1</u> | | WASHER, 3/8" (STAINLESS STEEL) | 4 |
| 113 | <u>11027-G5</u> | | LOCK NUT, 3/8 - 16 | 2 |
| 114 | <u>35462-G01</u> | | TIE DOWN STRAP (CE) | 2 |

CARGO DECKS AND HITCHES

DIRECTION SELECTOR



Ref Dsl 12

DIRECTION SELECTOR

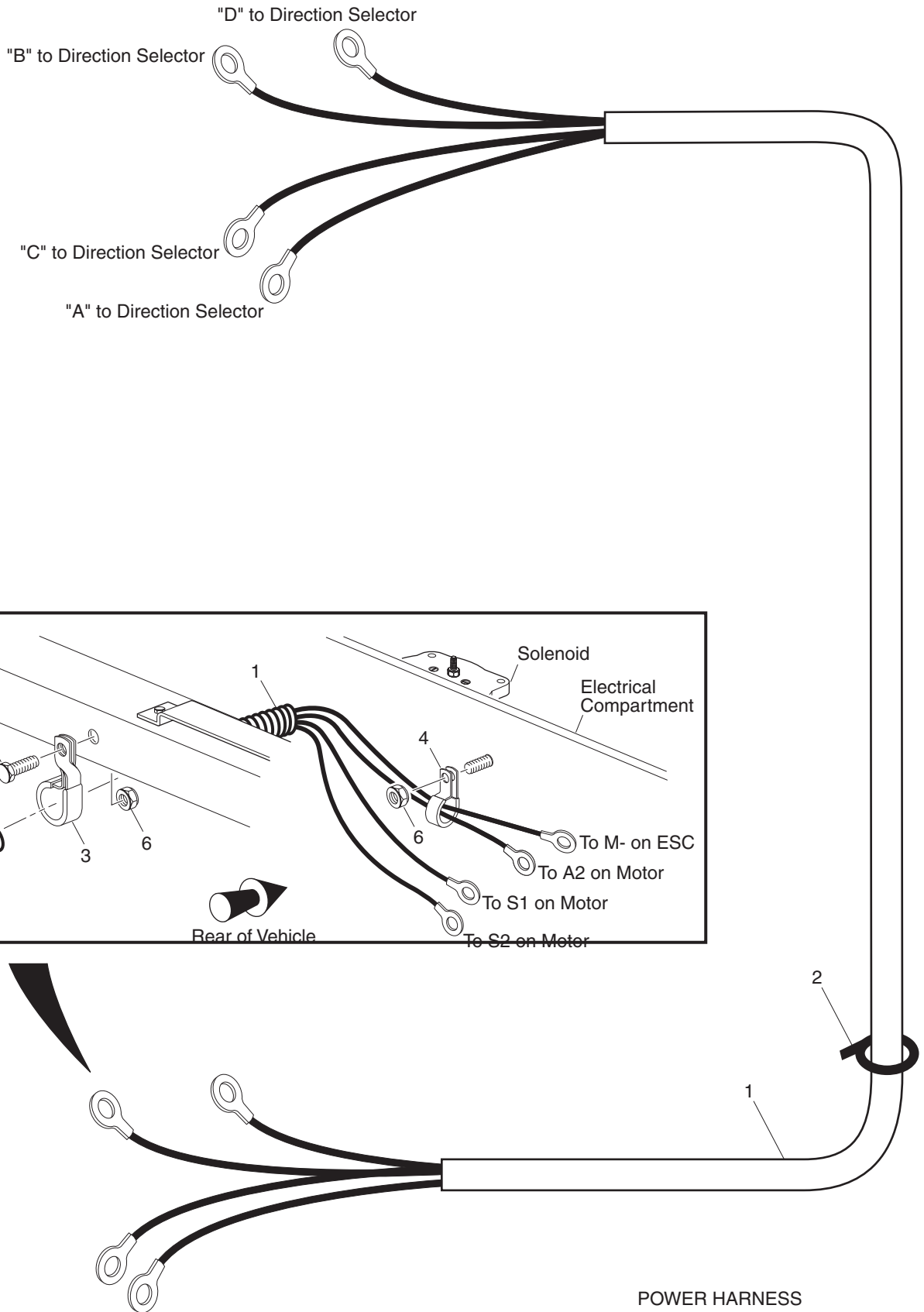
When ordering parts, please specify the model and serial number of the product.

* Indicates a component that is not available as an individual part.

G** Indicates consult Customer Service Department for additional information.

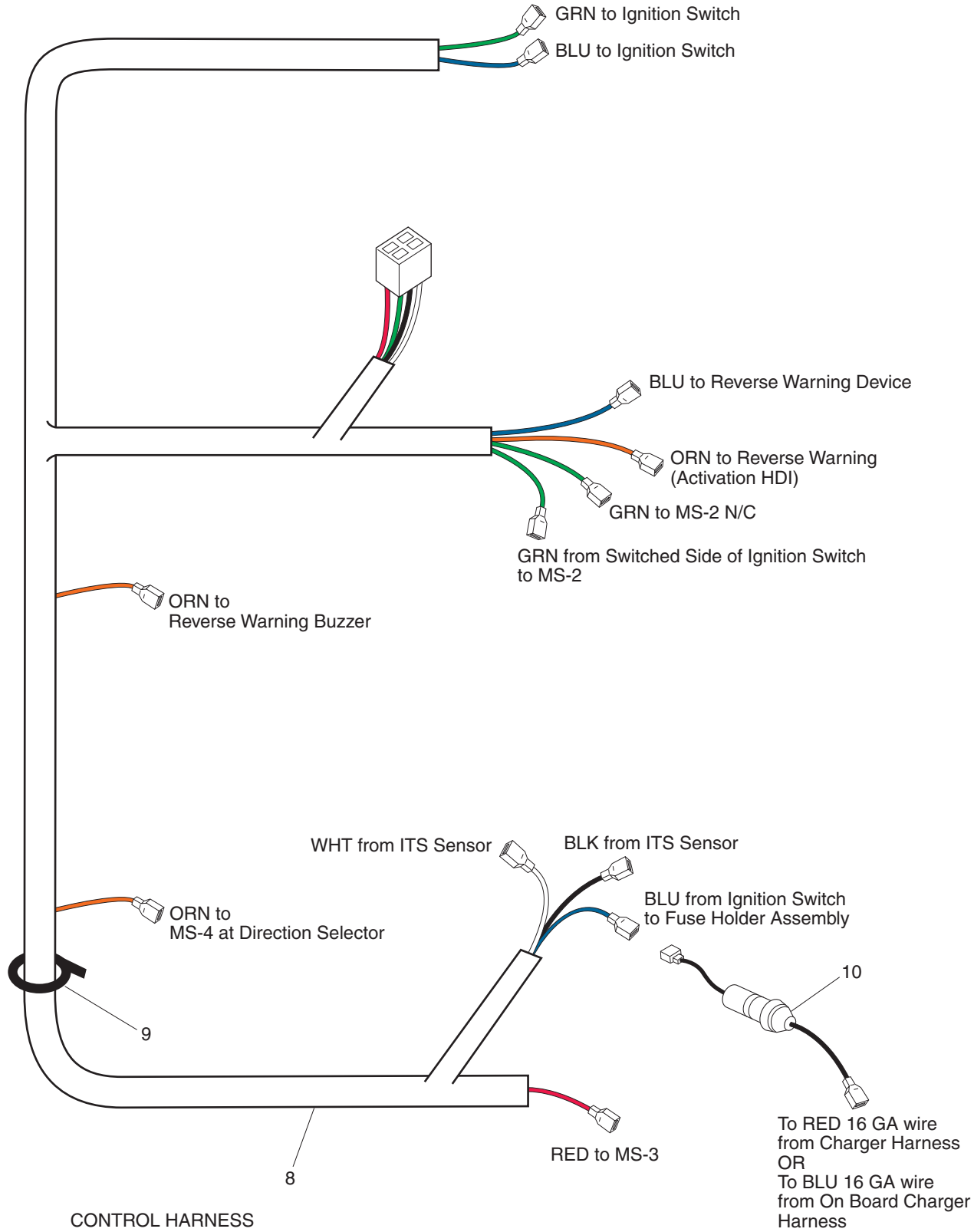
| ITEM | PART NO. | 1 | 2 | 3 | 4 | 5 | DESCRIPTION | QTY. |
|------|------------------|---|---|---|---|---|---|------|
| 1 | <u>34190-G01</u> | | | | | | DIRECTION SELECTOR ASSEMBLY (INCLUDES ITEMS 2 - 20) | 1 |
| 2 | <u>34169-G01</u> | | | | | | SHAFT | 1 |
| 3 | <u>12835-G1</u> | | | | | | CAM..... | 1 |
| 4 | 10606-G4 | | | | | | MICRO SWITCH (HEAVY DUTY)..... | 2 |
| 5 | <u>12806-G1</u> | | | | | | SPACER | 4 |
| 6 | <u>00139-G6</u> | | | | | | SCREW, #6 - 32 X 1 3/4" LG | 4 |
| 7 | <u>00565-G3</u> | | | | | | LOCK WASHER, #6 | 4 |
| 8 | <u>00525-G5</u> | | | | | | NUT, #6 - 32..... | 4 |
| 9 | <u>00560-G1</u> | | | | | | WASHER, 3/8" | 1 |
| 10 | <u>00532-G6</u> | | | | | | NUT, 3/8 - 24..... | 2 |
| 11 | <u>34168-G01</u> | | | | | | SELECTOR ARM..... | 1 |
| 12 | <u>14390-G1</u> | | | | | | LOCK NUT, 3/8 - 24 | 1 |
| 13 | <u>00565-G8</u> | | | | | | LOCK WASHER, 5/16" | 4 |
| 14 | <u>00544-G3</u> | | | | | | NUT, 5/16 - 18..... | 8 |
| 15 | <u>13514-G1</u> | | | | | | SCREW #6 - 32 X 1/4" LG (BRASS) | 4 |
| 16 | <u>14628-G1</u> | | | | | | FASTON TAB..... | 4 |
| 17 | <u>14651-G1</u> | | | | | | CONTACT BOARD ASSEMBLY (INCLUDES ITEMS 18 - 20) | 1 |
| 18 | <u>24940-G1</u> | | | | | | STOP..... | 2 |
| 19 | <u>00664-G7</u> | | | | | | LOCK WASHER, 1/4" (STAINLESS STEEL) | 2 |
| 20 | <u>00414-G6</u> | | | | | | BOLT, 1/4 - 20 X 3/4" LG | 2 |
| 21 | | | | | | | | |
| 22 | <u>34167-G01</u> | | | | | | STOP..... | 2 |
| 23 | <u>01110-G01</u> | | | | | | WASHER, 1/4" (STAINLESS STEEL) | 3 |
| 24 | <u>14390-G4</u> | | | | | | LOCK NUT, 1/4 - 20 | 3 |
| 25 | <u>00661-G8</u> | | | | | | BOLT, 1/4 - 20 X 1" LG (STAINLESS STEEL)..... | 1 |
| 26 | | | | | | | | |
| 27 | <u>11989-G1</u> | | | | | | DIRECTION SELECTOR KNOB | 1 |

36 VOLT ELECTRICAL SYSTEM



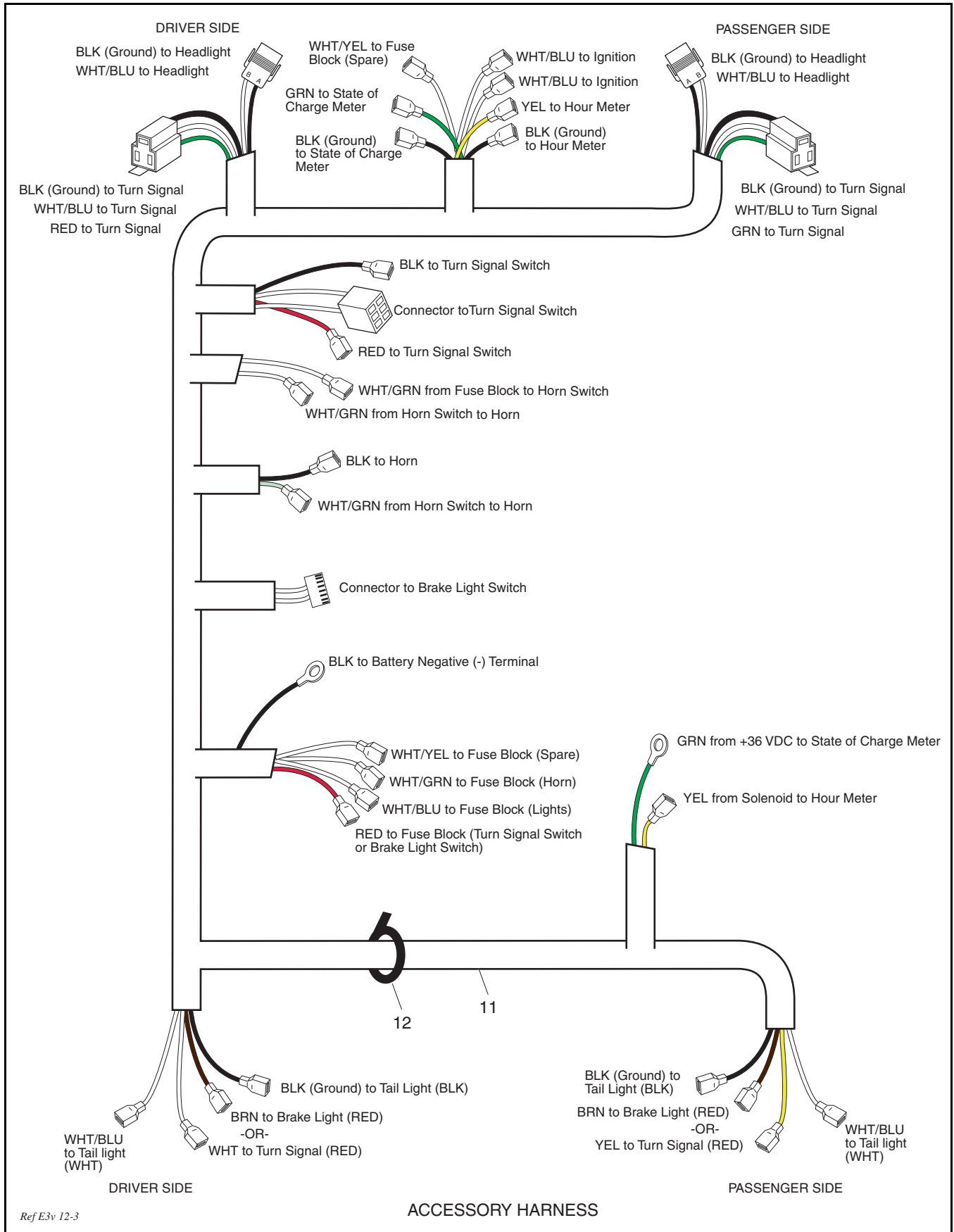
Ref E3v 12-1

36 VOLT ELECTRICAL SYSTEM

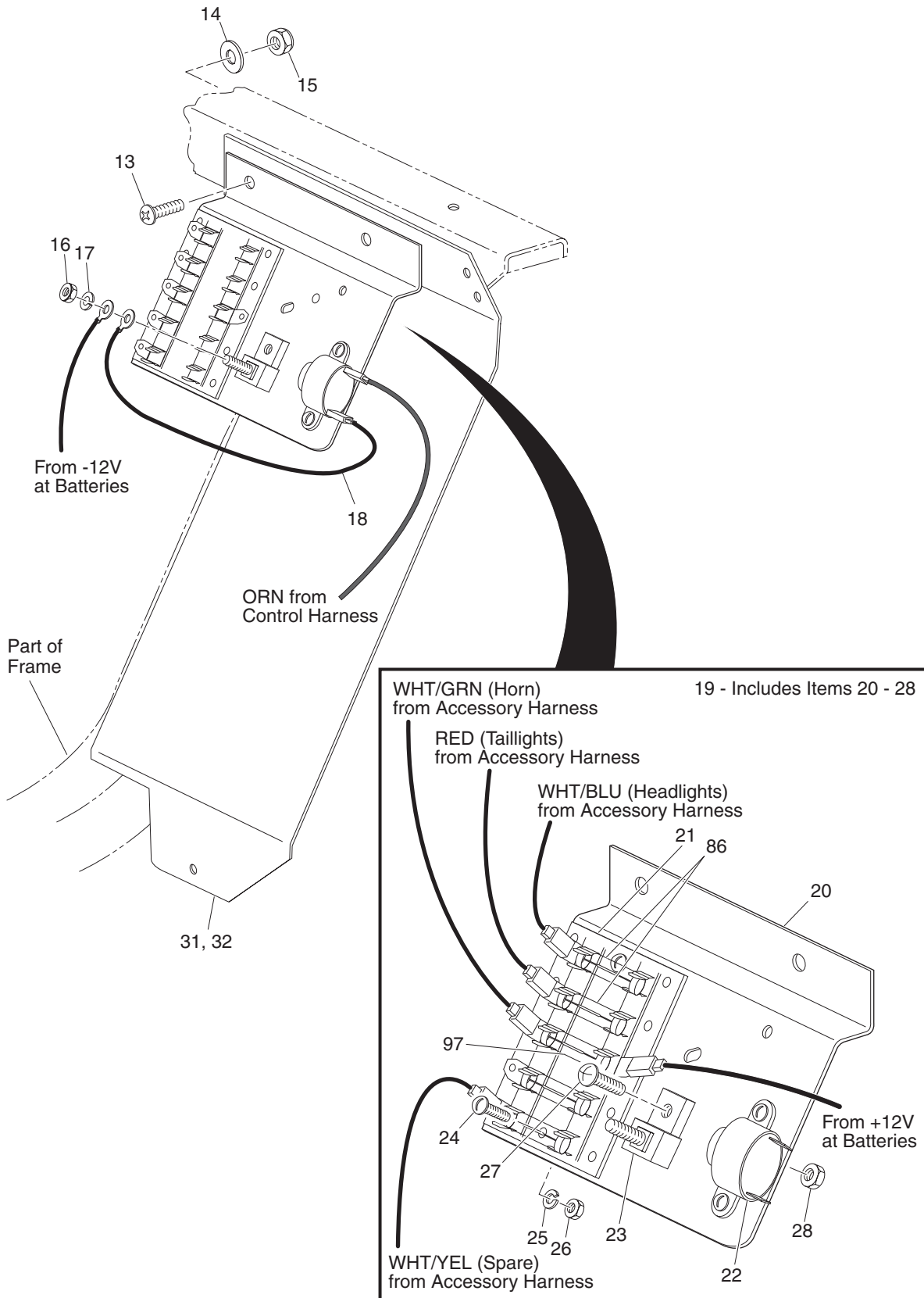


Ref E3v 12-2

36 VOLT ELECTRICAL SYSTEM



36 VOLT ELECTRICAL SYSTEM

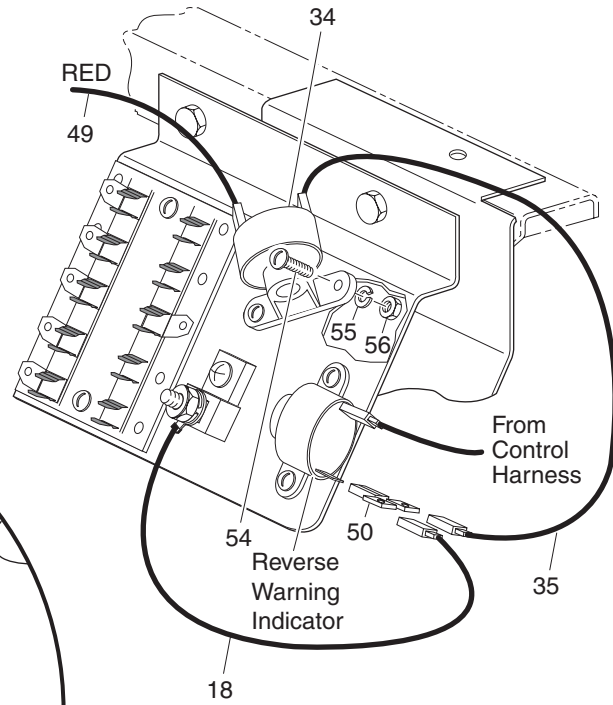
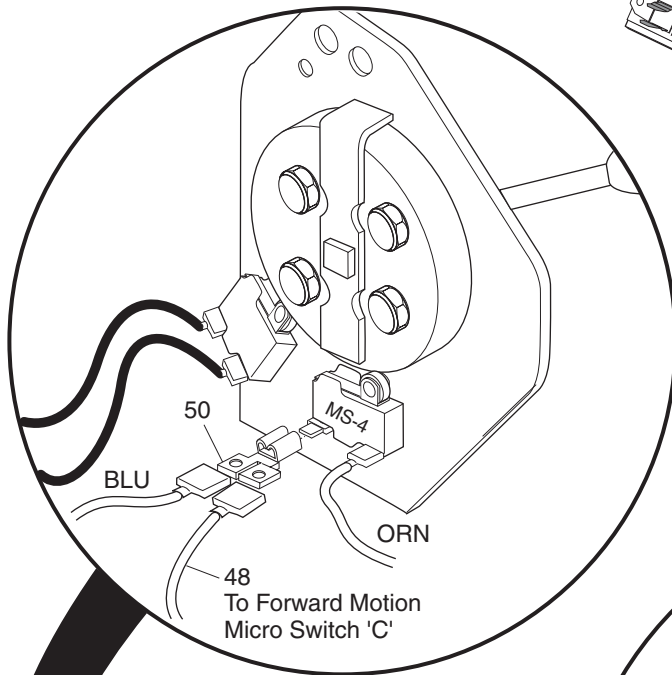


Ref E3v 12-4

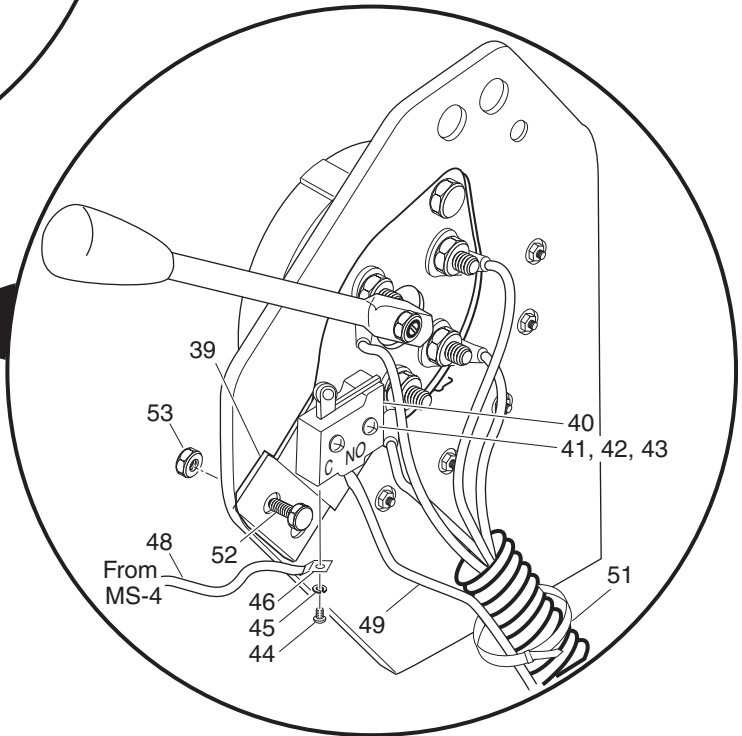
36 VOLT ELECTRICAL SYSTEM

FORWARD MOTION INDICATOR

NOTE: Items shown on this page are optional equipment

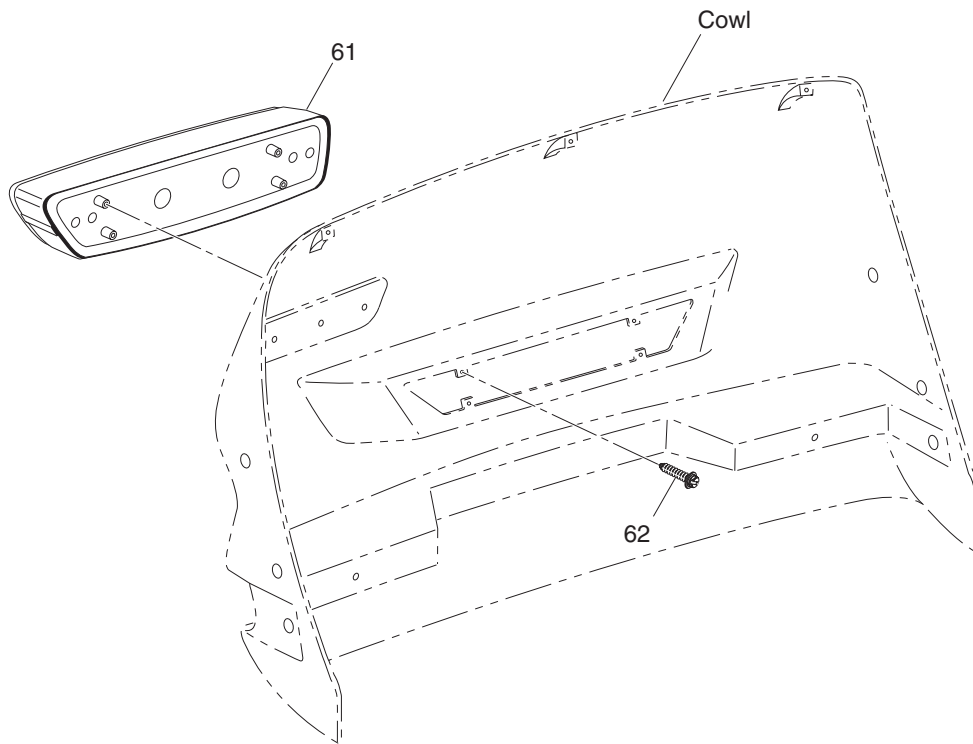
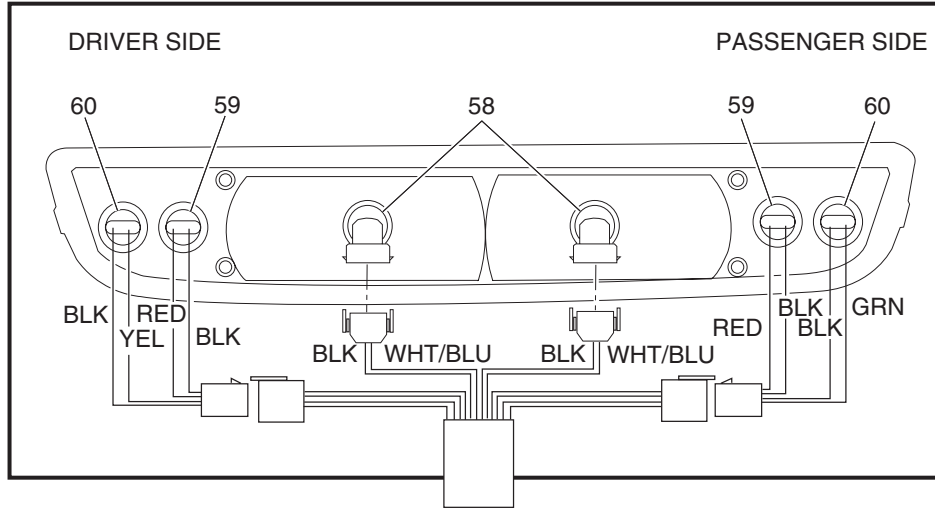


38 - Includes Items 39 - 46



Ref E3v 12-5

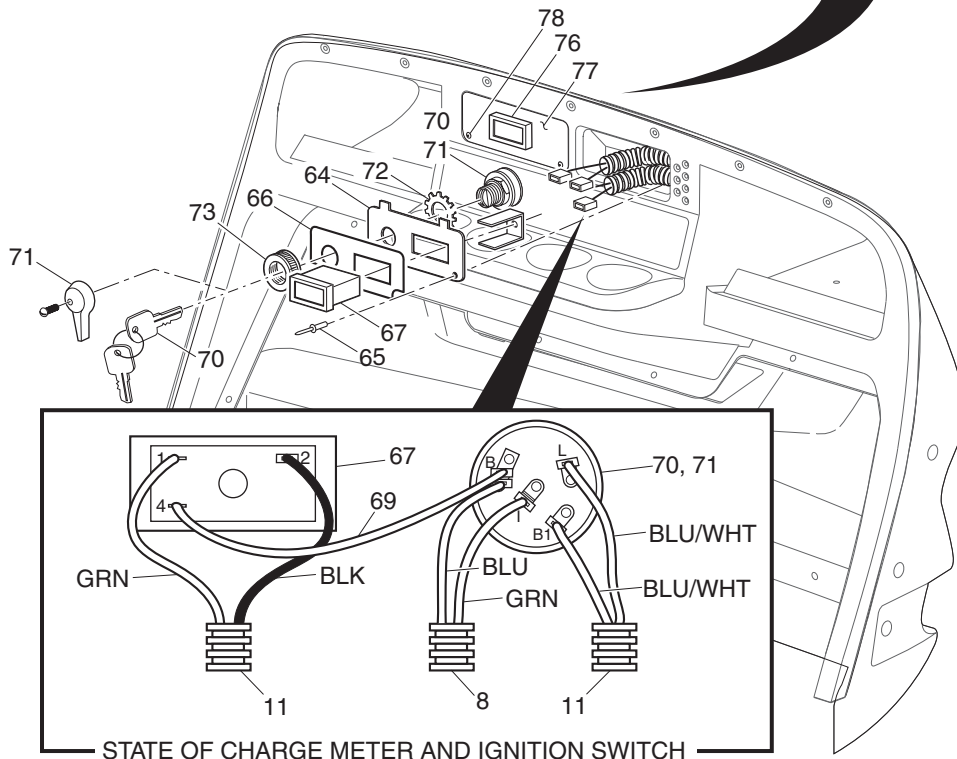
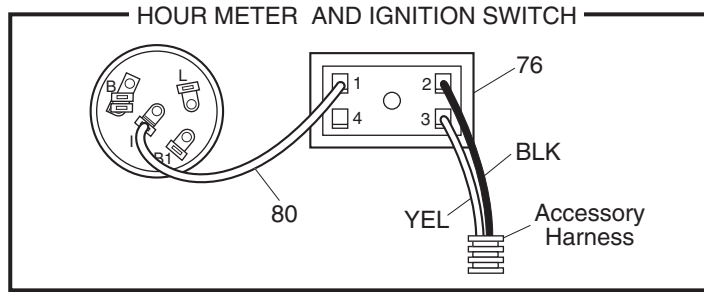
36 VOLT ELECTRICAL SYSTEM



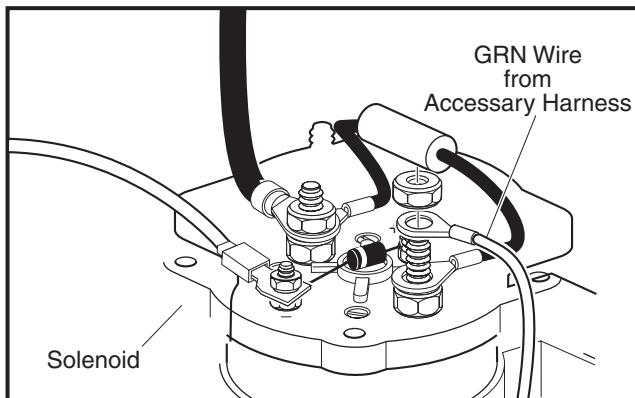
Ref E3v 12-6

36 VOLT ELECTRICAL SYSTEM

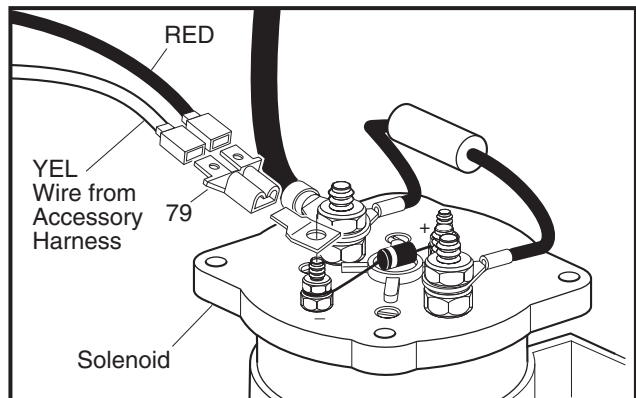
75 - Includes Items 76 - 80



STATE OF CHARGE METER SOLENOID CONNECTION



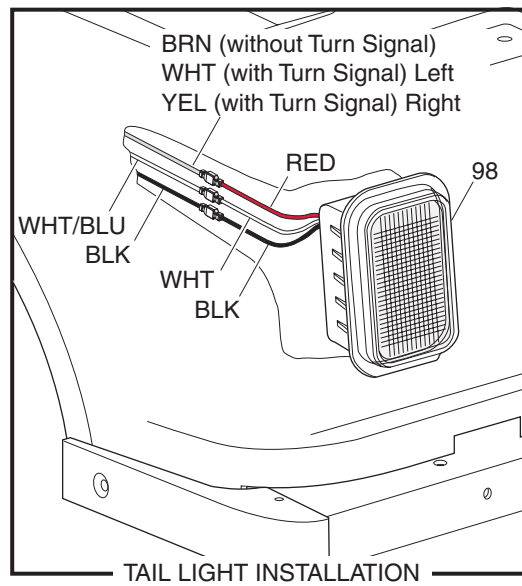
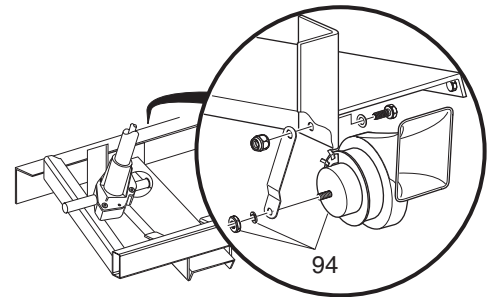
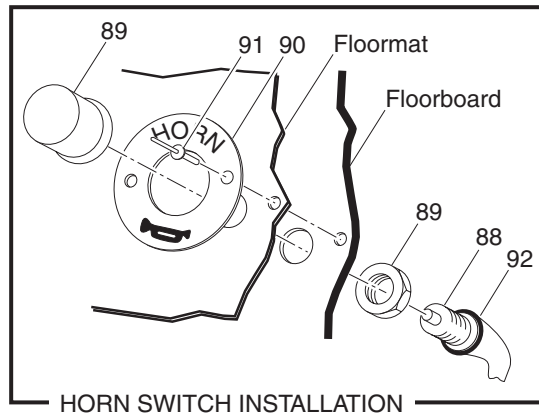
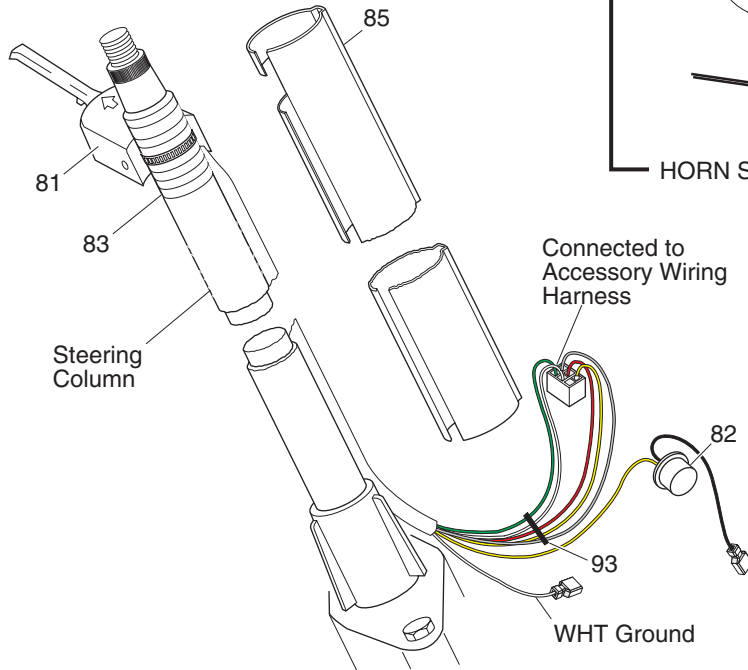
HOUR METER SOLENOID CONNECTION



Ref E3v 12-7

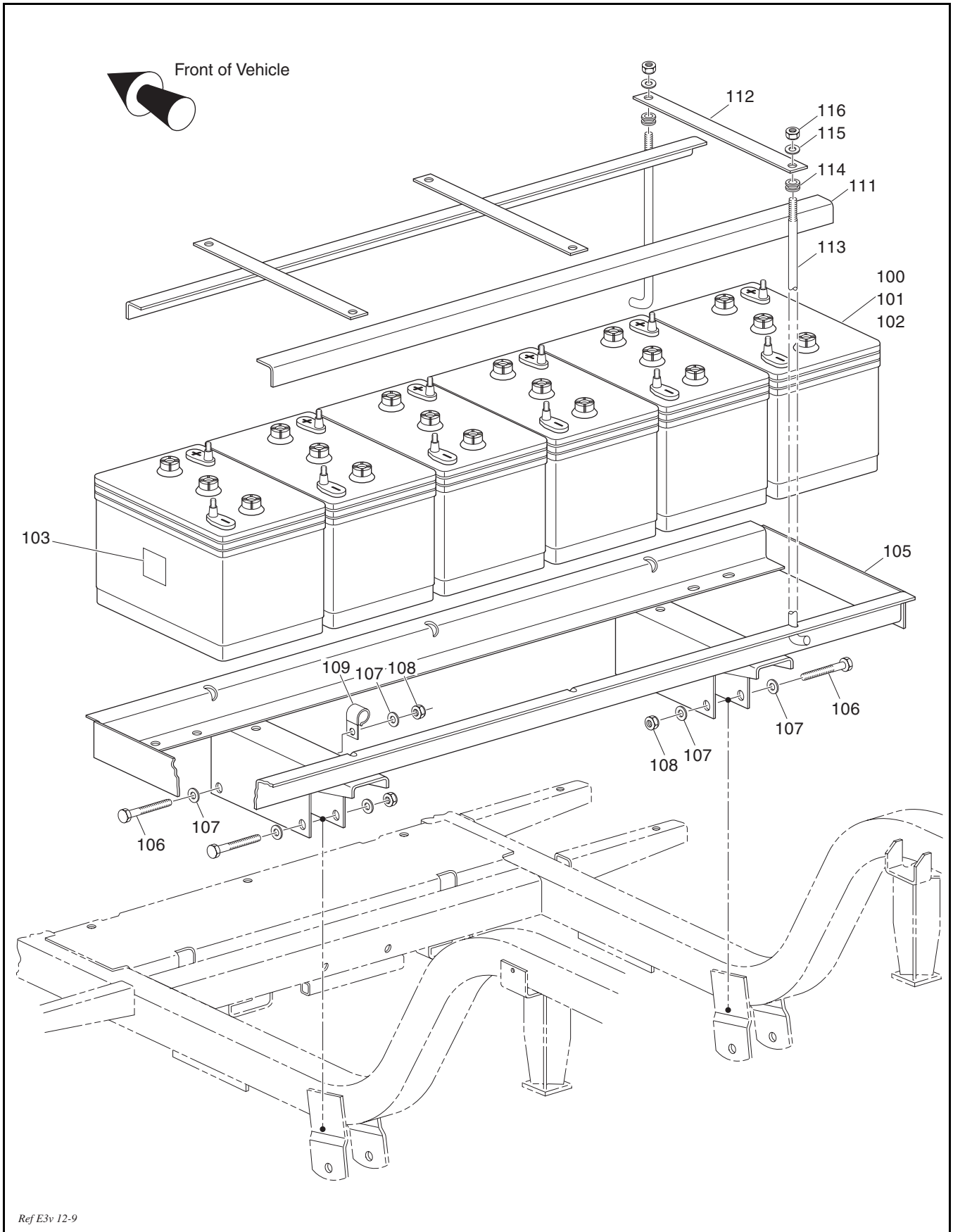
36 VOLT ELECTRICAL SYSTEM

81 - Includes Item 82
88 - Includes Item 89



Ref E3v 12-8

36 VOLT ELECTRICAL SYSTEM

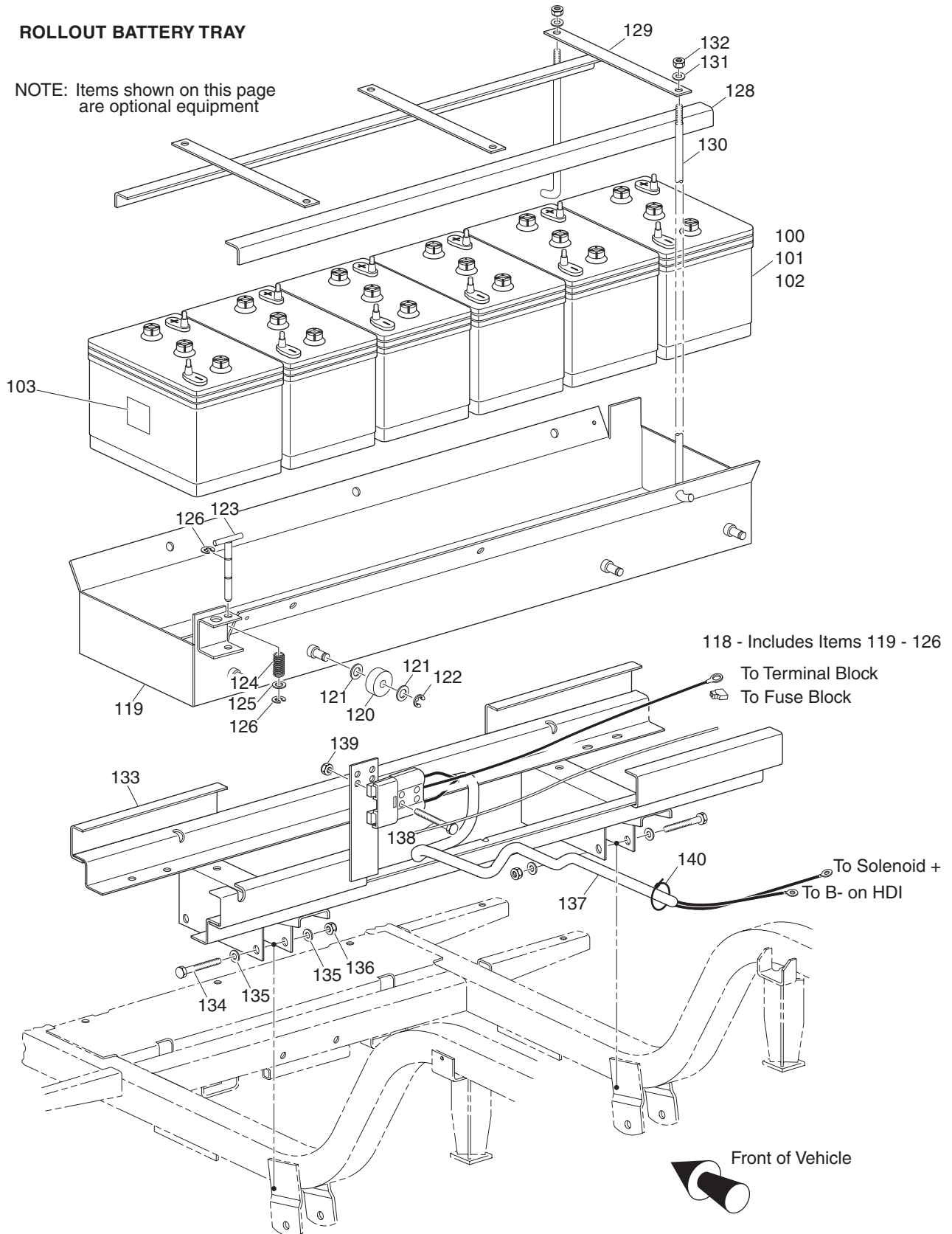


Ref E3v 12-9

36 VOLT ELECTRICAL SYSTEM

ROLLOUT BATTERY TRAY

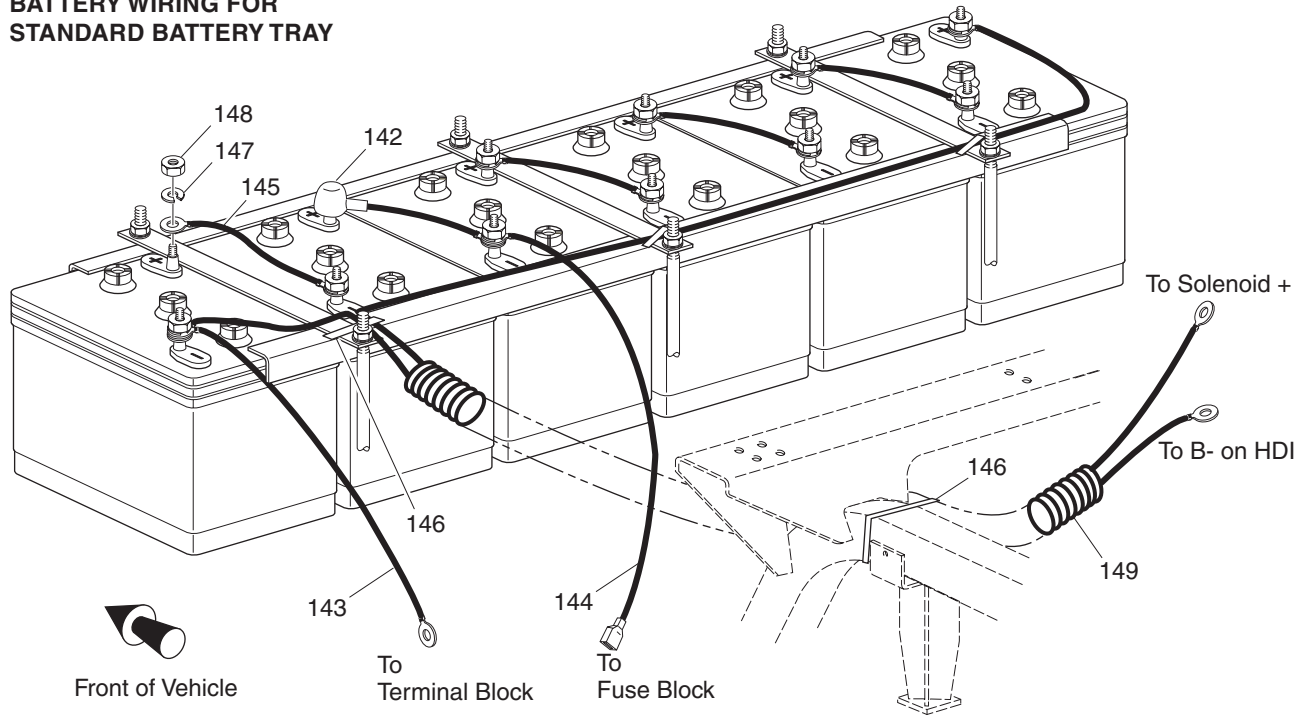
NOTE: Items shown on this page are optional equipment



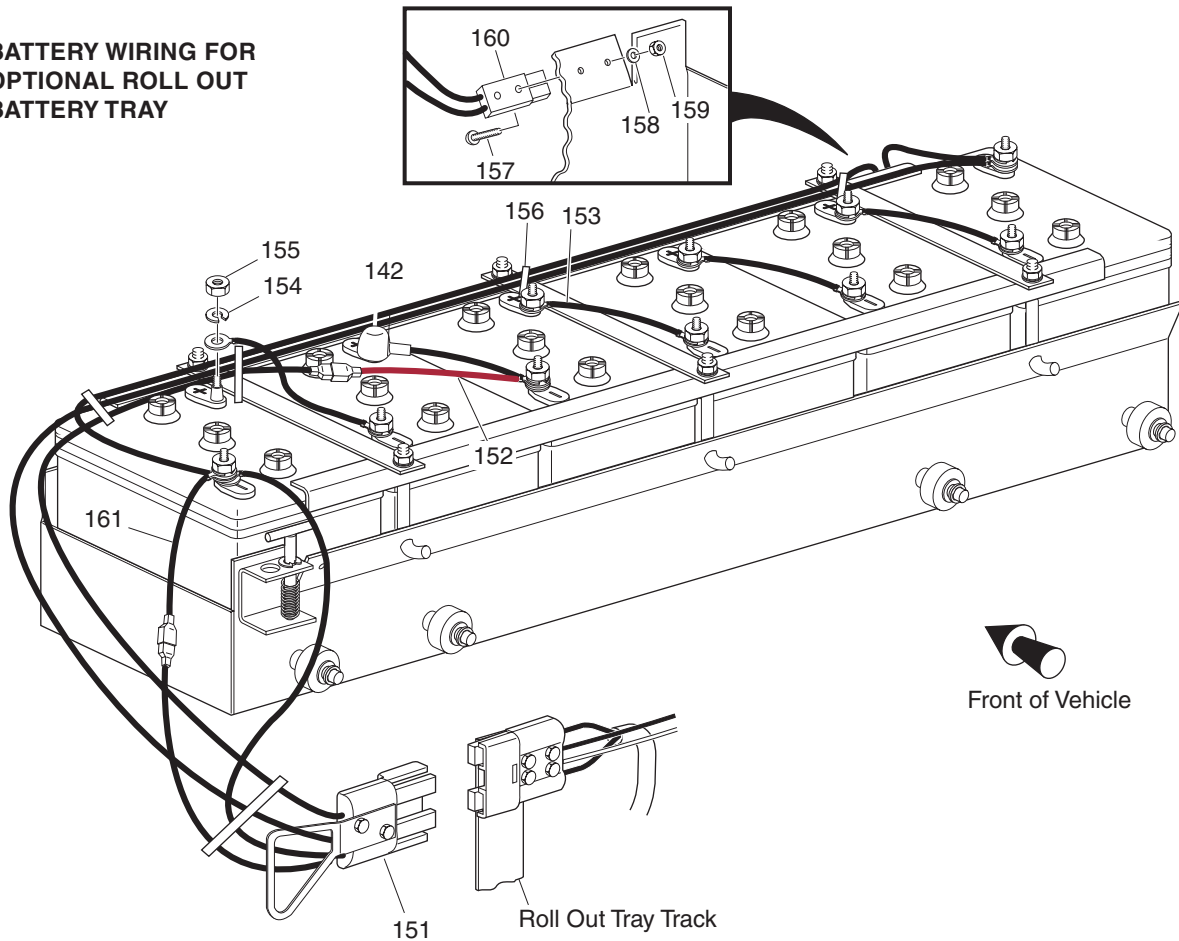
Ref E3v 12-10

36 VOLT ELECTRICAL SYSTEM

BATTERY WIRING FOR STANDARD BATTERY TRAY



BATTERY WIRING FOR OPTIONAL ROLL OUT BATTERY TRAY

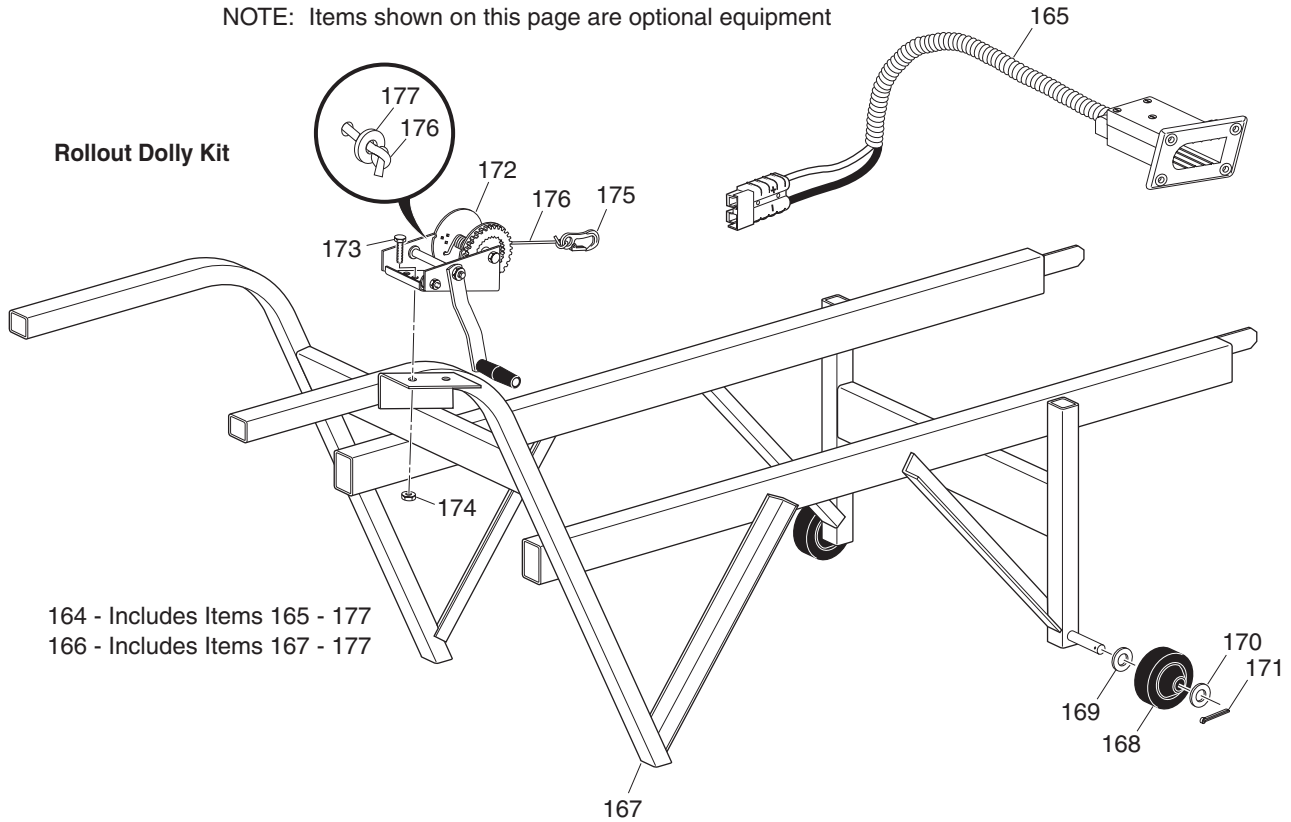


Ref E3v 12-11

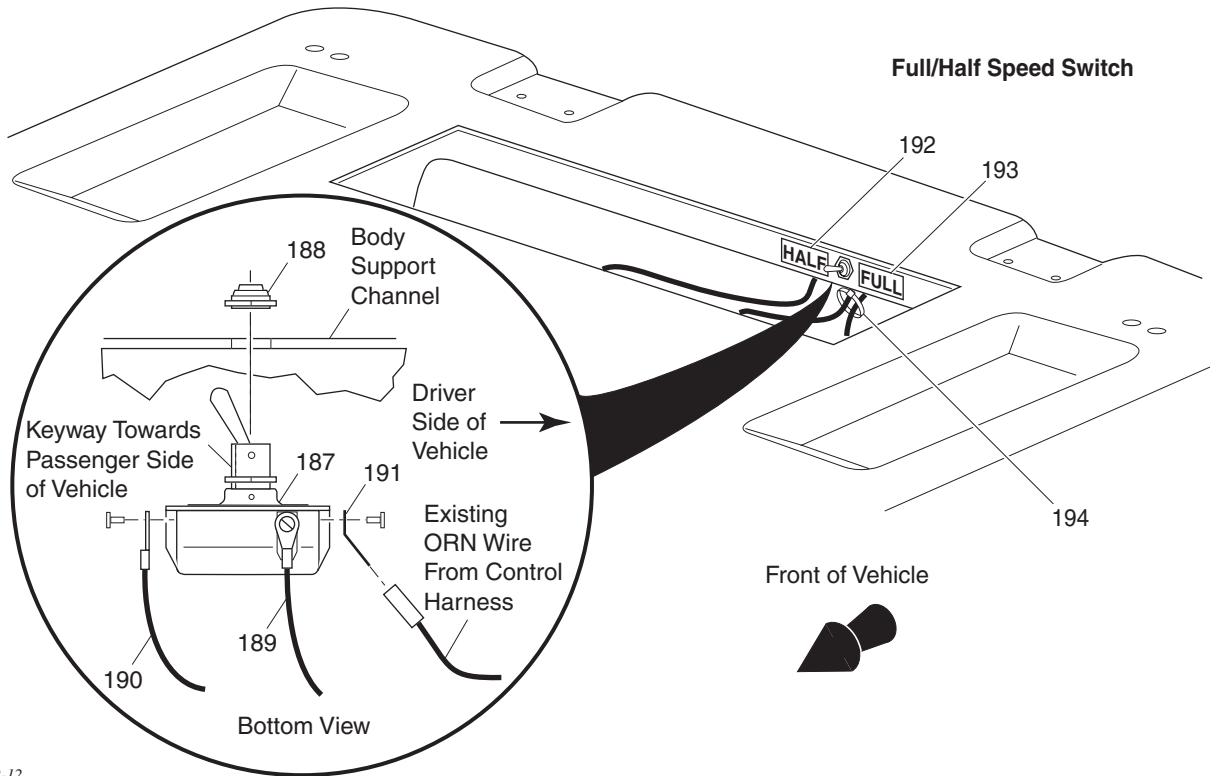
36 VOLT ELECTRICAL SYSTEM

NOTE: Items shown on this page are optional equipment

Rollout Dolly Kit



Full/Half Speed Switch



Ref E3v 12-12

36 VOLT ELECTRICAL SYSTEM

When ordering parts, please specify the model and serial number of the product.

* Indicates a component that is not available as an individual part.

G** Indicates consult Customer Service Department for additional information.

| ITEM | PART NO. | 1 2 3 4 5 | DESCRIPTION | QTY. |
|------|------------------|-----------|---|------|
| 1 | <u>34408-G01</u> | | WIRE HARNESS (POWER)..... | 1 |
| 2 | <u>23544-G1</u> | | WIRE TIE | 4 |
| 3 | <u>27327-G01</u> | | CLAMP | 1 |
| 4 | <u>27868-G01</u> | | CLAMP | 1 |
| 5 | <u>00414-G6</u> | | BOLT, 1/4 - 20 X 3/4" LG | 1 |
| 6 | <u>00654-G2</u> | | LOCK NUT, 1/4 - 20 (STAINLESS STEEL) | 2 |
| 7 | | | | |
| 8 | <u>70720-G01</u> | | WIRE HARNESS (CONTROL)..... | 1 |
| 9 | <u>31539-G1</u> | | WIRE TIE | 10 |
| 10 | <u>22585-G4</u> | | INLINE FUSE HOLDER (CE)..... | 1 |
| 11 | <u>34598-G01</u> | | WIRE HARNESS (ACCESSORY)..... | 1 |
| 12 | <u>31539-G1</u> | | WIRE TIE | 10 |
| 13 | <u>00933-G1</u> | | BOLT, 1/4 - 20 X 1 1/4" LG | 4 |
| 14 | <u>01110-G01</u> | | WASHER, 1/4" (STAINLESS STEEL) | 2 |
| 15 | <u>00654-G2</u> | | LOCK NUT, 1/4 - 20 (STAINLESS STEEL) | 4 |
| 16 | <u>00544-G3</u> | | NUT, 5/16 - 18 | 1 |
| 17 | <u>00565-G8</u> | | LOCK WASHER, 5/16"..... | 1 |
| 18 | <u>34478-G01</u> | | 18 GA WIRE (BLACK 5") | 1 |
| 19 | <u>70574-G01</u> | | FUSE BLOCK ASSEMBLY (INCLUDES ITEMS 20 - 28)..... | 1 |
| 20 | <u>34221-G01</u> | | MOUNTING PLATE | 1 |
| 21 | <u>22674-G1</u> | | FUSE BLOCK | 1 |
| 22 | <u>73290-G02</u> | | CONTINUOUS TONE BUZZER | 1 |
| 23 | <u>33343-G01</u> | | TERMINAL BLOCK..... | 1 |
| 24 | <u>00138-G4</u> | | SCREW, #6 - 32 X 1/2" LG | 4 |
| 25 | <u>00565-G3</u> | | LOCK WASHER, #6 | 4 |
| 26 | <u>00525-G5</u> | | NUT, #6 - 32..... | 4 |
| 27 | <u>16705-G3</u> | | SCREW, 1/4 - 20 X 3/4" LG (STAINLESS STEEL)..... | 1 |
| 28 | <u>14390-G4</u> | | LOCK NUT, 1/4 - 20..... | 1 |
| 29 | | | | |
| 30 | | | | |

36 VOLT ELECTRICAL SYSTEM

When ordering parts, please specify the model and serial number of the product.

* Indicates a component that is not available as an individual part.

G** Indicates consult Customer Service Department for additional information.

| ITEM | PART NO. | 1 | 2 | 3 | 4 | 5 | DESCRIPTION | QTY. |
|------|------------------|---|---|---|---|---|---|------|
| 31 | 35530-G02 | | | | | | BATTERY SHIELD (DRIVER SIDE)..... | 1 |
| 32 | 35530-G01 | | | | | | BATTERY SHIELD (PASSENGER SIDE) | 1 |
| 33 | | | | | | | | |
| 34 | <u>73290-G01</u> | | | | | | BUZZER, INTERMITTENT | 1 |
| 35 | 25977-G89 | | | | | | 16 GA WIRE (BLACK 8")..... | 1 |
| 36 | | | | | | | | |
| 37 | | | | | | | | |
| 38 | <u>34631-G01</u> | | | | | | SWITCH AND BRACKET ASSEMBLY (INCLUDES ITEMS 39 - 46)..... | 1 |
| 39 | 34629-G01 | | | | | | SWITCH BRACKET | 1 |
| 40 | 10606-G6 | | | | | | MICRO SWITCH..... | 1 |
| 41 | <u>00645-G1</u> | | | | | | SCREW, #6 - 32 X 1" LG | 2 |
| 42 | <u>00565-G3</u> | | | | | | LOCK WASHER, #6 | 2 |
| 43 | <u>00525-G5</u> | | | | | | NUT, #6 - 32..... | 2 |
| 44 | <u>13514-G1</u> | | | | | | SCREW, #6 - 32 X 7/32" LG (BRASS) | 2 |
| 45 | <u>00567-G3</u> | | | | | | LOCK WASHER, #6 | 2 |
| 46 | <u>14628-G1</u> | | | | | | FASTON TAB..... | 1 |
| 47 | | | | | | | | |
| 48 | <u>33887-G17</u> | | | | | | 16 GA WIRE (RED 12")..... | 1 |
| 49 | 33887-G18 | | | | | | 16 GA WIRE (RED 80")..... | 1 |
| 50 | <u>17902-G1</u> | | | | | | TAB ADAPTER..... | 2 |
| 51 | <u>17618-G1</u> | | | | | | WIRE TIE | 5 |
| 52 | <u>00414-G5</u> | | | | | | BOLT, 1/4 - 20 X 5/8" LG | 2 |
| 53 | <u>11027-G2</u> | | | | | | LOCK NUT, 1/4 - 20 | 2 |
| 54 | <u>00138-G4</u> | | | | | | SCREW, #6 - 32 X 1/2" LG..... | 2 |
| 55 | <u>00565-G3</u> | | | | | | LOCK WASHER, #6 | 2 |
| 56 | <u>00525-G5</u> | | | | | | NUT, #6 - 32 | 2 |
| 57 | | | | | | | | |
| 58 | <u>74004-G01</u> | | | | | | HEADLIGHT BULB, REPLACEMENT | A/R |
| 59 | <u>74005-G01</u> | | | | | | MARKER LIGHT BULB, REPLACEMENT | A/R |
| 60 | <u>74006-G01</u> | | | | | | TURN LIGHT BULB, REPLACEMENT | A/R |

36 VOLT ELECTRICAL SYSTEM

When ordering parts, please specify the model and serial number of the product.

* Indicates a component that is not available as an individual part.

G** Indicates consult Customer Service Department for additional information.

| ITEM | PART NO. | 1 2 3 4 5 | DESCRIPTION | QTY. |
|------|------------------|-----------|---|------|
| 61 | <u>74001-G01</u> | | LIGHT BAR | 1 |
| 62 | <u>00114-G6</u> | | SCREW, 1/4 - 14 X 3/4" LG..... | 4 |
| 63 | | | | |
| 64 | 73030-G02 | | PLATE (IGNITION WITH STATE OF CHARGE METER)..... | 1 |
| 65 | 33623-G02 | | DRIVE RIVET, 3/16 X 3/8" LG..... | 2 |
| 66 | 71129-G01 | | LABEL (WITH LIGHTS, WITH STATE OF CHARGE METER) | 1 |
| 67 | <u>33636-G01</u> | | STATE OF CHARGE METER (36V)..... | 1 |
| 68 | | | | |
| 69 | <u>25978-G74</u> | | 18 GA WIRE (RED 6")..... | 1 |
| 70 | <u>33639-G01</u> | | IGNITION SWITCH WITH LIGHTS (STANDARD) | 1 |
| 71 | <u>33783-G01</u> | | KEYLESS IGNITION SWITCH (OPTIONAL) | 1 |
| 72 | <u>00568-G6</u> | | LOCK WASHER, 3/4" | 1 |
| 73 | 17137-G1 | | FACE NUT, 3/4 - 20..... | 1 |
| 74 | | | | |
| 75 | <u>34886-G02</u> | | HOUR METER KIT (INCLUDES ITEMS 76 - 80)..... | 1 |
| 76 | <u>33633-G03</u> | | HOUR METER..... | 1 |
| 77 | <u>34851-G01</u> | | CONSOLE INSERT PLATE | 1 |
| 78 | <u>33623-G01</u> | | RIVET, 3/16 X 3/8" LG | 2 |
| 79 | <u>17902-G1</u> | | TAB ADAPTER | 1 |
| 80 | 25978-G344 | | 18 GA WIRE (RED/WHITE, 10") | 1 |
| 81 | <u>17867-G1</u> | | TURN SIGNAL (WITH MOUNTING HARDWARE) (OPTIONAL) (INCLUDES ITEM 82) | 1 |
| 82 | <u>21640-G1</u> | | TURN SIGNAL FLASHER | 1 |
| 83 | <u>19344-G1</u> | | ELECTRICAL TAPE | A/R |
| 84 | | | | |
| 85 | <u>32675-G4</u> | | STEERING COLUMN COVER..... | 1 |
| 86 | <u>18392-G1</u> | | 15 AMP FUSE | 2 |
| 87 | | | | |
| 88 | <u>17318-G1</u> | | HORN SWITCH (INCLUDES ITEM 89) | 1 |
| 89 | <u>17318-G2</u> | | HORN SWITCH CAP AND NUT..... | 1 |

36 VOLT ELECTRICAL SYSTEM

When ordering parts, please specify the model and serial number of the product.

* Indicates a component that is not available as an individual part.

G** Indicates consult Customer Service Department for additional information.

| ITEM | PART NO. | 1 | 2 | 3 | 4 | 5 | DESCRIPTION | QTY. |
|------|------------------|---|---|---|---|---|---|------|
| 90 | 19233-G1 | | | | | | PLATE (HORN LABEL) | 1 |
| 91 | <u>71055-G01</u> | | | | | | RIVET, 3/16" X 1" LG (ALUMINUM) | 2 |
| 92 | <u>27068-G01</u> | | | | | | BOOT | 1 |
| 93 | <u>31539-G1</u> | | | | | | WIRE TIE | 1 |
| 94 | <u>32860-G1</u> | | | | | | HORN..... | 1 |
| 95 | | | | | | | | |
| 96 | | | | | | | | |
| 97 | <u>18392-G1</u> | | | | | | 15 AMP FUSE | 1 |
| 98 | <u>32739-G2</u> | | | | | | STOP/ TAIL LIGHT | 2 |
| 99 | | | | | | | | |
| 100 | <u>25917-G09</u> | | | | | | BATTERY (6V) (E-2200 - STANDARD)..... | 6 |
| 101 | <u>24185-G2</u> | | | | | | BATTERY (6V) (T-145 - OPTIONAL) | 6 |
| 102 | 16994-G2 | | | | | | BATTERY (6V) (A-2200 - OPTIONAL) | 6 |
| 103 | <u>35493-G01</u> | | | | | | LABEL (BATTERY DISPOSAL - CE) | 6 |
| 104 | | | | | | | | |
| 105 | <u>34151-G01</u> | | | | | | BATTERY TRAY (STANDARD) | 1 |
| 106 | <u>00428-G8</u> | | | | | | BOLT, 3/8 - 16 X 3" LG | 4 |
| 107 | <u>00560-G1</u> | | | | | | WASHER, 3/8" | 8 |
| 108 | <u>11098-G5</u> | | | | | | LOCK NUT, 3/8 - 16 | 4 |
| 109 | <u>34750-G01</u> | | | | | | 'J' CLIP | 1 |
| 110 | | | | | | | | |
| 111 | 11841-G3 | | | | | | ANGLE | 2 |
| 112 | <u>30430-G1</u> | | | | | | STRAP | 3 |
| 113 | 30429-G6 | | | | | | ROD | 6 |
| 114 | <u>18345-G1</u> | | | | | | GROMMET..... | 6 |
| 115 | 00559-G8 | | | | | | WASHER, 5/16" | 6 |
| 116 | <u>01109-G01</u> | | | | | | LOCK NUT, 5/16 - 18 (STAINLESS STEEL) | 6 |
| 117 | | | | | | | | |
| 118 | <u>34187-G01</u> | | | | | | ROLL OUT BATTERY TRAY ASSEMBLY (INCLUDES ITEMS 119 - 126) | 1 |
| 119 | 34180-G01 | | | | | | ROLL OUT BATTERY TRAY | 1 |

36 VOLT ELECTRICAL SYSTEM

When ordering parts, please specify the model and serial number of the product.

* Indicates a component that is not available as an individual part.

G** Indicates consult Customer Service Department for additional information.

| ITEM | PART NO. | 1 2 3 4 5 | DESCRIPTION | QTY. |
|------|------------------|-----------|---|------|
| 120 | <u>30886-G1</u> | | ROLLER..... | 8 |
| 121 | <u>00560-G2</u> | | WASHER, 7/16" | 16 |
| 122 | 34215-G01 | | RETAINING RING, 7/16" | 8 |
| 123 | <u>34184-G01</u> | | LOCK PIN | 1 |
| 124 | <u>33768-G01</u> | | COMPRESSION SPRING | 1 |
| 125 | <u>00560-G1</u> | | WASHER, 3/8" | 1 |
| 126 | 34214-G01 | | RETAINING RING, 3/8" | 2 |
| 127 | | | | |
| 128 | 11841-G3 | | ANGLE | 2 |
| 129 | <u>30430-G1</u> | | STRAP | 3 |
| 130 | <u>30429-G5</u> | | ROD | 6 |
| 131 | 00559-G8 | | WASHER, 5/16" | 6 |
| 132 | <u>01109-G01</u> | | LOCK NUT, 5/16 - 18 (STAINLESS STEEL) | 6 |
| 133 | 34177-G01 | | ROLL OUT TRAY TRACK..... | 1 |
| 134 | <u>00428-G8</u> | | BOLT, 3/8 - 16 X 3" LG | 4 |
| 135 | <u>00560-G1</u> | | WASHER, 3/8" | 8 |
| 136 | <u>11098-G5</u> | | LOCK NUT, 3/8 - 16 | 4 |
| 137 | 34438-G01 | | WIRE HARNESS (STATIONARY QUICK DISCONNECT)..... | 1 |
| 138 | <u>00415-G4</u> | | BOLT, 1/4 - 20 X 1 1/2" LG | 4 |
| 139 | <u>00654-G2</u> | | LOCK NUT, 1/4 - 20 (STAINLESS STEEL) | 4 |
| 140 | <u>17618-G1</u> | | WIRE TIE | 3 |
| 141 | | | | |
| 142 | <u>25682-G01</u> | | TERMINAL BOOT (CE)..... | 12 |
| 143 | 34217-G01 | | 10 GA WIRE (BLACK 18 1/2") | 1 |
| 144 | 25974-G31 | | 10 GA WIRE (WHITE 18")..... | 1 |
| 145 | <u>11893-G1</u> | | 6 GA WIRE (BLACK 8") | 5 |
| 146 | <u>17618-G1</u> | | WIRE TIE | 6 |
| 147 | <u>00565-G8</u> | | LOCK WASHER, 5/16"..... | 12 |
| 148 | <u>00702-G2</u> | | NUT, 5/16 - 18 | 12 |
| 149 | 34439-G01 | | WIRE HARNESS (BATTERY POWER) | 1 |

36 VOLT ELECTRICAL SYSTEM

When ordering parts, please specify the model and serial number of the product.

* Indicates a component that is not available as an individual part.

G** Indicates consult Customer Service Department for additional information.

| ITEM | PART NO. | 1 | 2 | 3 | 4 | 5 | DESCRIPTION | QTY. |
|------|------------------|---|---|---|---|---|--|------|
| 150 | | | | | | | | |
| 151 | 33334-G01 | | | | | | WIRE HARNESS (QUICK DISCONNECT) | 1 |
| 152 | <u>23968-G01</u> | | | | | | 10 GA WIRE (RED 6")..... | 1 |
| 153 | <u>11893-G1</u> | | | | | | 6 GA WIRE (BLACK 8") | 5 |
| 154 | <u>00565-G8</u> | | | | | | LOCK WASHER, 5/16"..... | 12 |
| 155 | <u>00702-G2</u> | | | | | | NUT, 5/16 - 18 | 12 |
| 156 | <u>17618-G1</u> | | | | | | WIRE TIE | 5 |
| 157 | <u>00645-G2</u> | | | | | | SCREW, #6 - 32 X 1 1/4" LG..... | 2 |
| 158 | <u>00559-G3</u> | | | | | | WASHER, #6..... | 2 |
| 159 | <u>14390-G9</u> | | | | | | LOCK NUT, #6 - 32 | 2 |
| 160 | 32718-G4 | | | | | | BATTERY TRAY CHARGING HARNESS | 1 |
| 161 | <u>21743-G1</u> | | | | | | 10 GA WIRE (BLACK 4") | 1 |
| 162 | | | | | | | | |
| 163 | | | | | | | | |
| 164 | <u>34896-G01</u> | | | | | | ROLLOUT DOLLY KIT (INCLUDES ITEMS 165 - 177)..... | 1 |
| 165 | <u>34879-G01</u> | | | | | | CHARGER HARNESS JUMPER..... | 1 |
| 166 | 34474-G01 | | | | | | ROLLOUT DOLLY ASSEMBLY (INCLUDES ITEMS 167 - 177)..... | 1 |
| 167 | 34475-G01 | | | | | | ROLLOUT BATTERY TRAY DOLLY | 1 |
| 168 | <u>31042-G1</u> | | | | | | WHEEL..... | 2 |
| 169 | <u>00771-G2</u> | | | | | | NYLON WASHER, 1/2" | 2 |
| 170 | <u>00560-G3</u> | | | | | | WASHER, 1/2"..... | 2 |
| 171 | <u>10387-G4</u> | | | | | | COTTER PIN, 1/8" X 1" LG | 2 |
| 172 | <u>31038-G1</u> | | | | | | WINCH | 1 |
| 173 | <u>00427-G4</u> | | | | | | BOLT, 3/8 - 16 X 1 1/2" LG | 2 |
| 174 | 00532-G5 | | | | | | NUT, 3/8 - 16 | 2 |
| 175 | 00810-G1 | | | | | | SNAP HOOK | 1 |
| 176 | 31040-G1 | | | | | | WINCH ROPE, 5' | 1 |
| 177 | <u>00566-G1</u> | | | | | | LOCK WASHER, 3/8" | 3 |
| 178 | | | | | | | | |
| 179 | | | | | | | | |

36 VOLT ELECTRICAL SYSTEM

When ordering parts, please specify the model and serial number of the product.

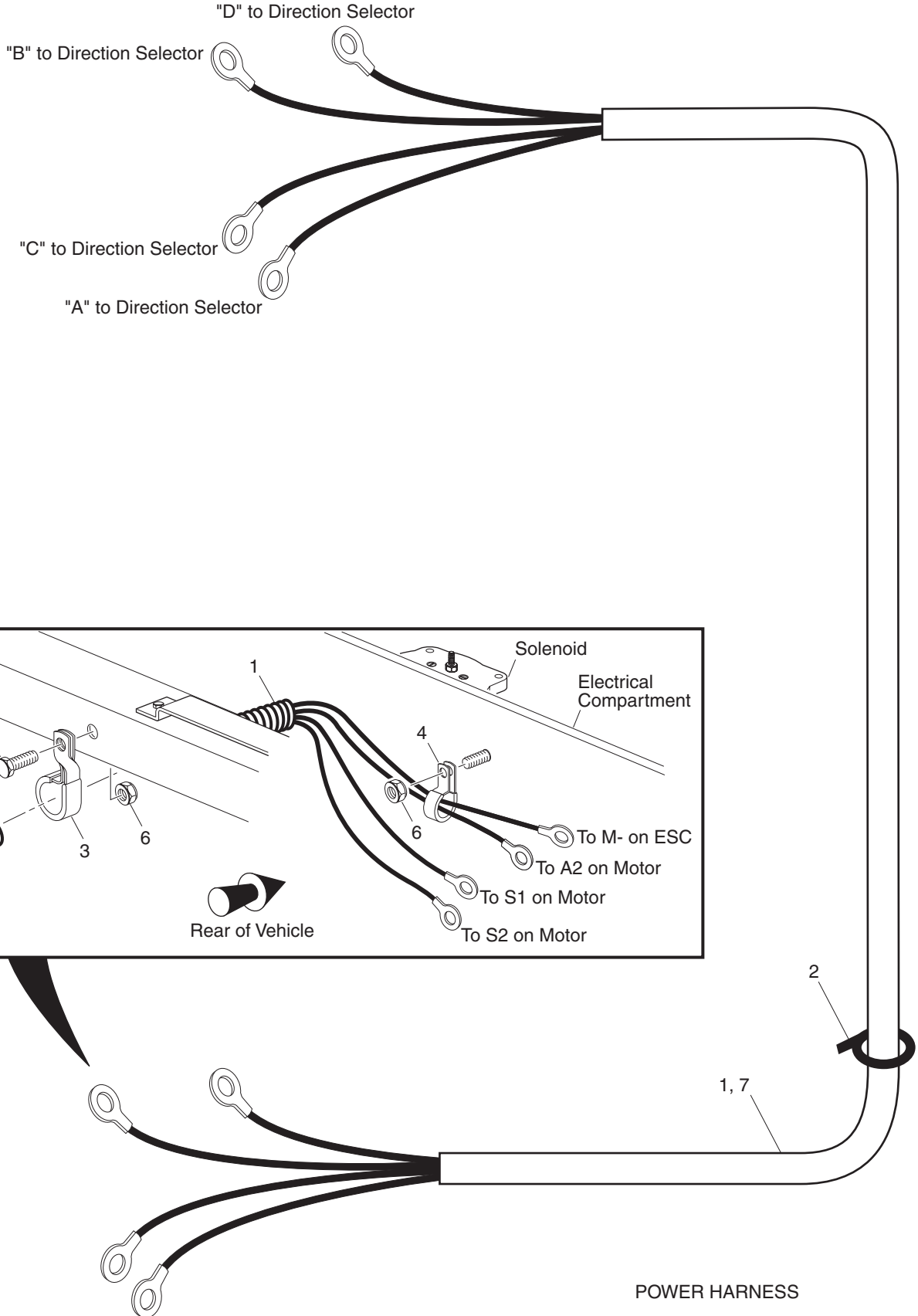
* Indicates a component that is not available as an individual part.

G** Indicates consult Customer Service Department for additional information.

| ITEM | PART NO. | 1 2 3 4 5 | DESCRIPTION | QTY. |
|------|------------------|-----------|--|------|
| 180 | <u>34555-G01</u> | | ROLLOUT BATTERY TRAY WITH BATTERIES KIT (T-145) (OPTIONAL) (INCLUDES ITEMS 101, 118 - 126, 128 - 132, AND 151 - 161) | A/R |
| 181 | 34555-G02 | | ROLLOUT BATTERY TRAY WITH BATTERIES KIT (A-2200) (OPTIONAL) (INCLUDES ITEMS 102, 118 - 126, 128 - 132, AND 151 - 161) | A/R |
| 182 | <u>34555-G03</u> | | ROLLOUT BATTERY TRAY WITH BATTERIES KIT (E-2200) (OPTIONAL) (INCLUDES ITEMS 100, 118 - 126, 128 - 132, AND 151 - 161) | A/R |
| 183 | <u>34553-G01</u> | | ROLLOUT BATTERY TRAY WITHOUT BATTERIES KIT (OPTIONAL) (INCLUDES ITEMS 118 - 126, 128 - 132, AND 151 - 161) | A/R |
| 184 | | | | |
| 185 | | | | |
| 186 | <u>35724-G02</u> | | HALF/FULL SPEED SWITCH KIT (OPTIONAL) | 1 |
| 187 | 35723-G01 | | HALF/FULL SPEED SWITCH | 1 |
| 188 | <u>73139-G01</u> | | SEALED NUT, 15/32 - 32 | 1 |
| 189 | 25977-G86 | | 16 GA WIRE (ORANGE 7") | 1 |
| 190 | 25977-G87 | | 16 GA WIRE (ORANGE 26") | 1 |
| 191 | <u>17064-G2</u> | | FASTON TAB ADAPTER | 1 |
| 192 | 35726-G01 | | LABEL ('FULL') | 1 |
| 193 | 35728-G01 | | LABEL ('HALF') | 1 |
| 194 | <u>17618-G1</u> | | WIRE TIE | 1 |

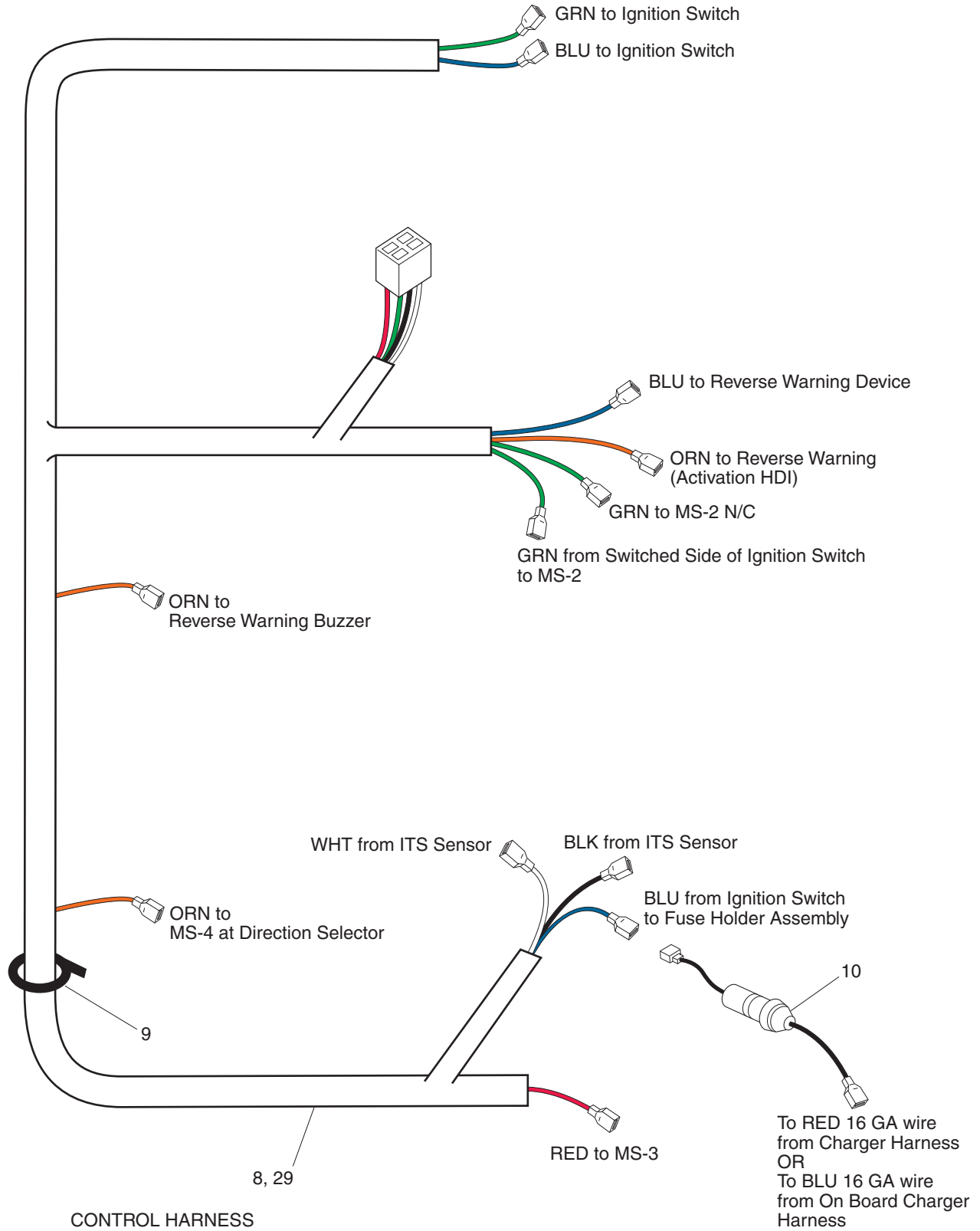
36 VOLT ELECTRICAL SYSTEM

48 VOLT ELECTRICAL SYSTEM



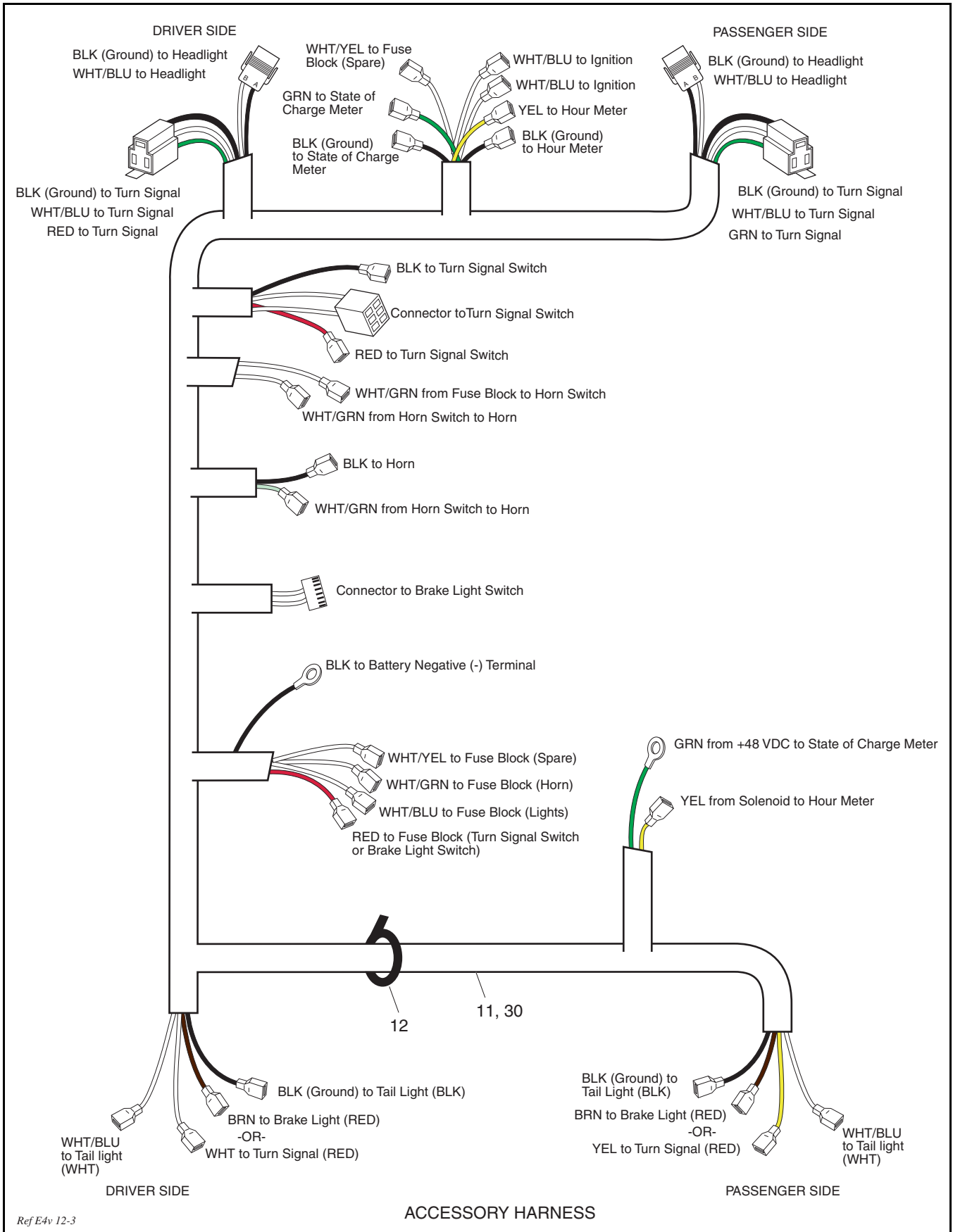
Ref E4v 12-1

48 VOLT ELECTRICAL SYSTEM

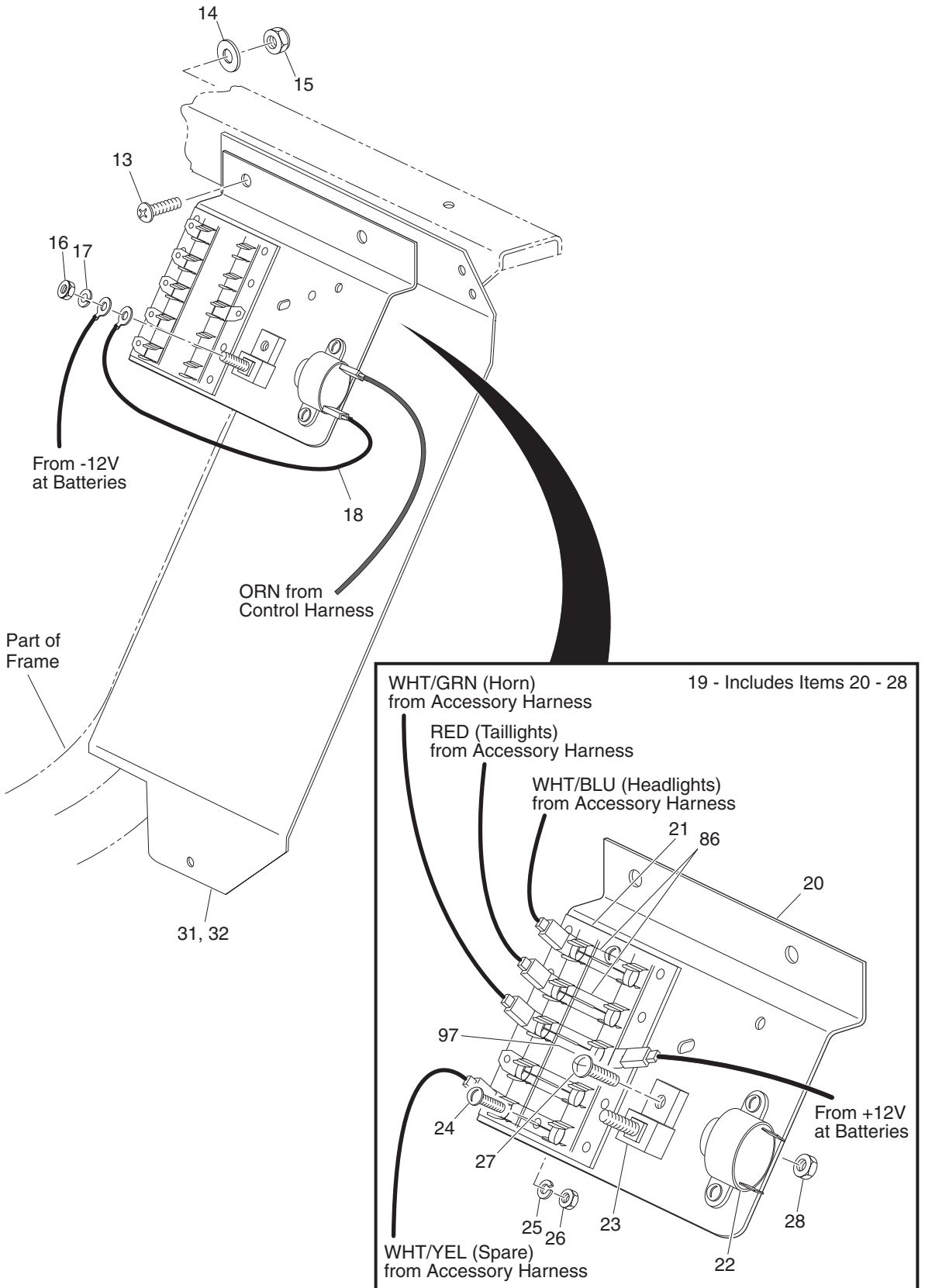


Ref E4v 12-2

48 VOLT ELECTRICAL SYSTEM



48 VOLT ELECTRICAL SYSTEM

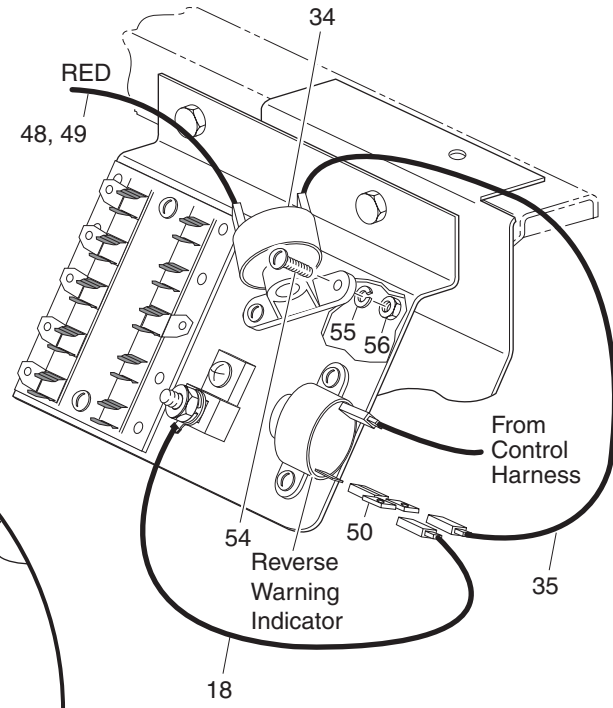
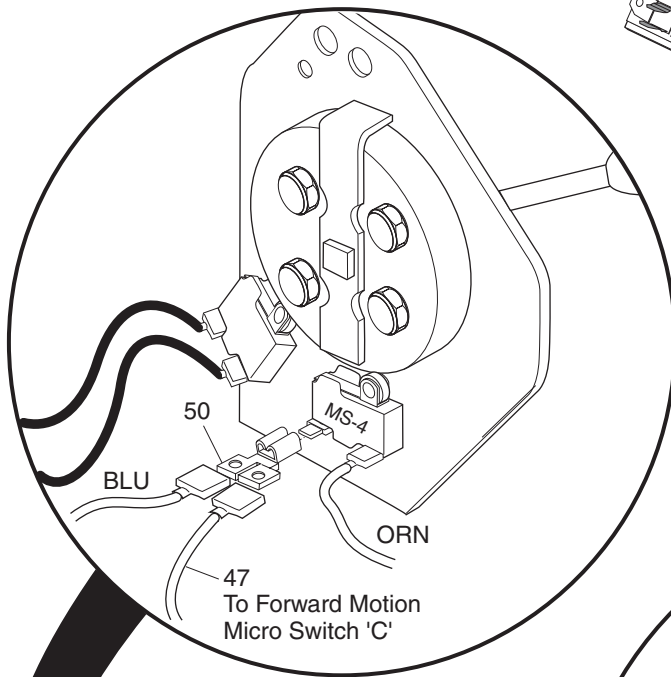


Ref E4v 12-4

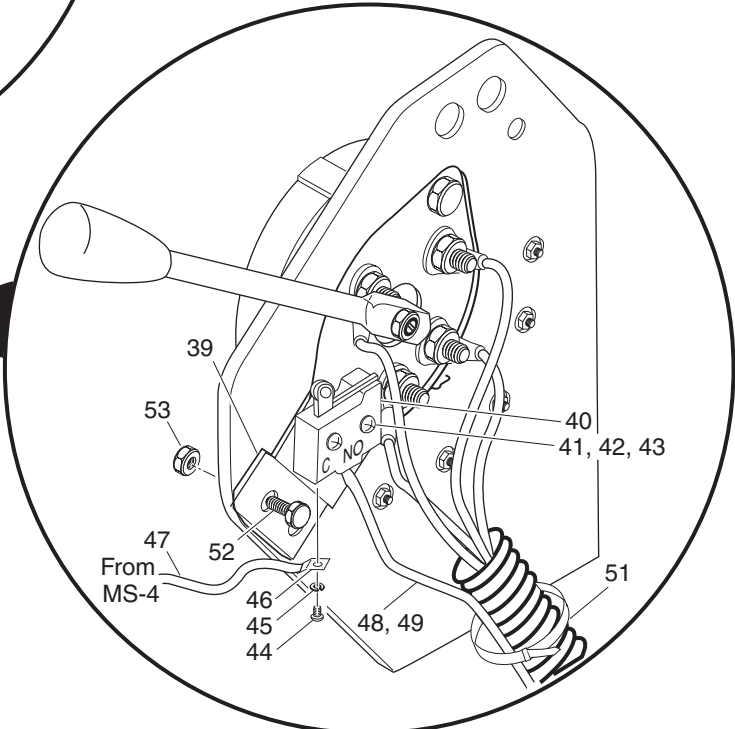
48 VOLT ELECTRICAL SYSTEM

FORWARD MOTION INDICATOR

NOTE: Items shown on this page are optional equipment

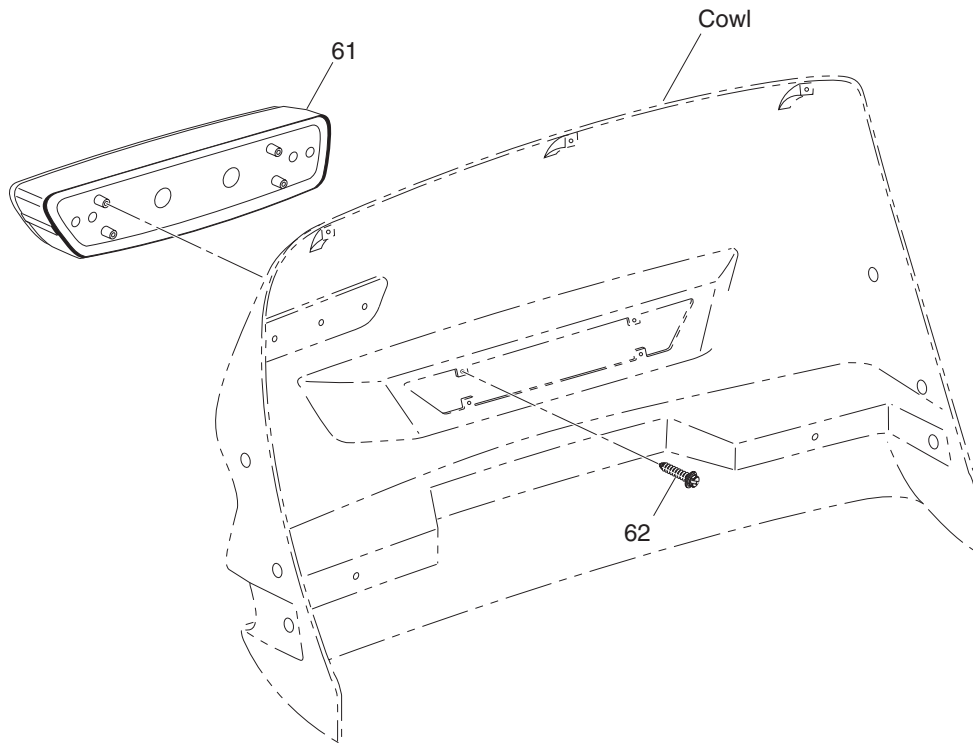
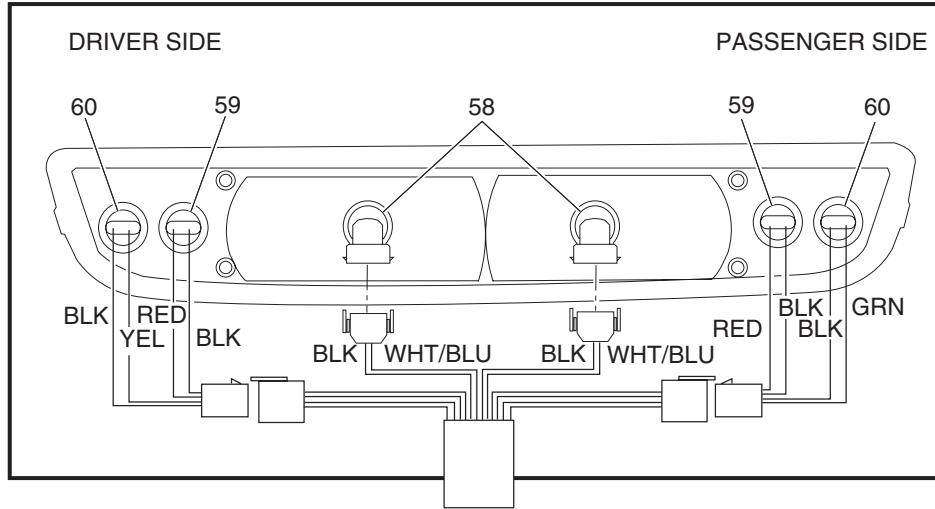


38 - Includes Items 39 - 46



Ref E4v 12-5

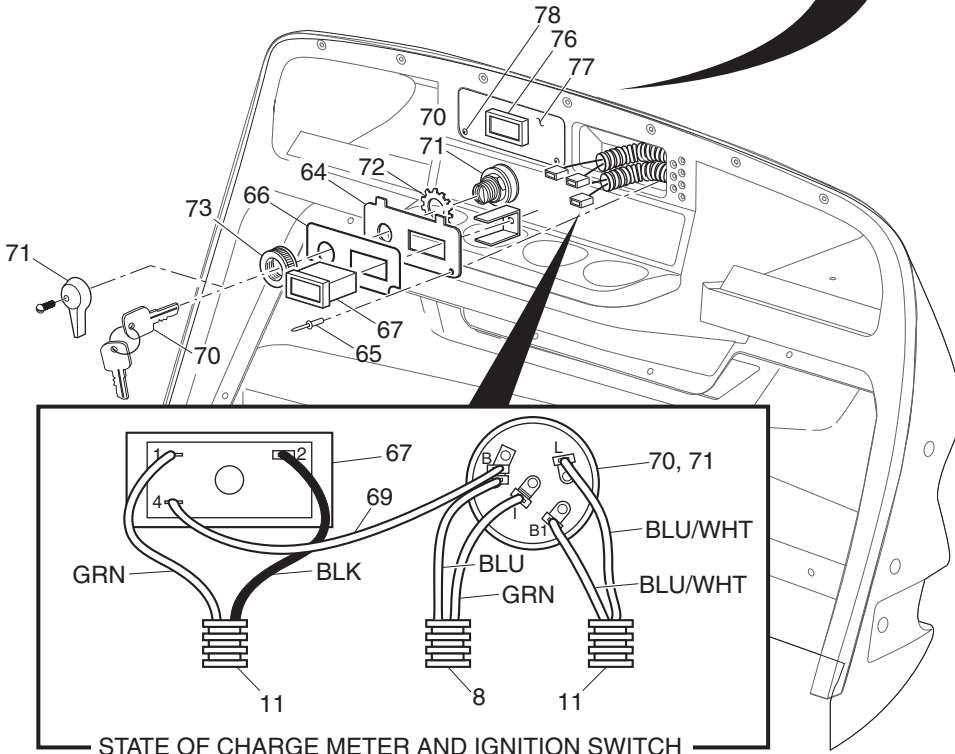
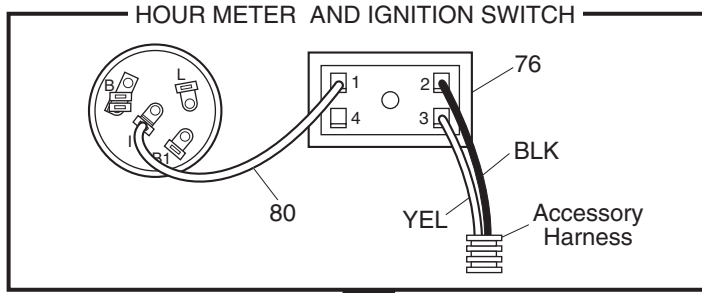
48 VOLT ELECTRICAL SYSTEM



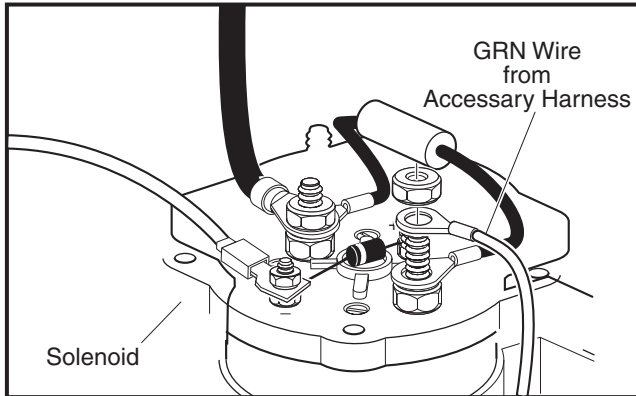
Ref E4v 12-6

48 VOLT ELECTRICAL SYSTEM

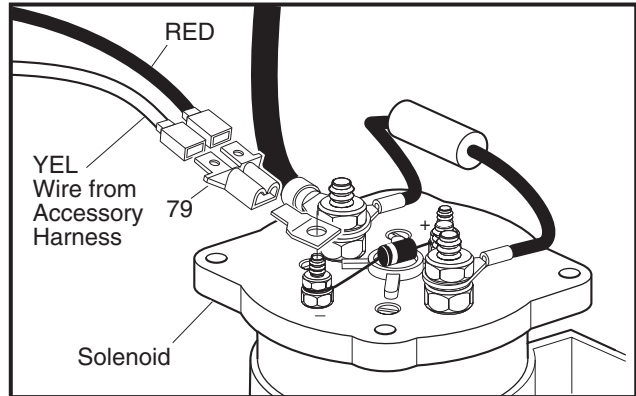
75 - Includes Items 76 - 80



STATE OF CHARGE METER SOLENOID CONNECTION



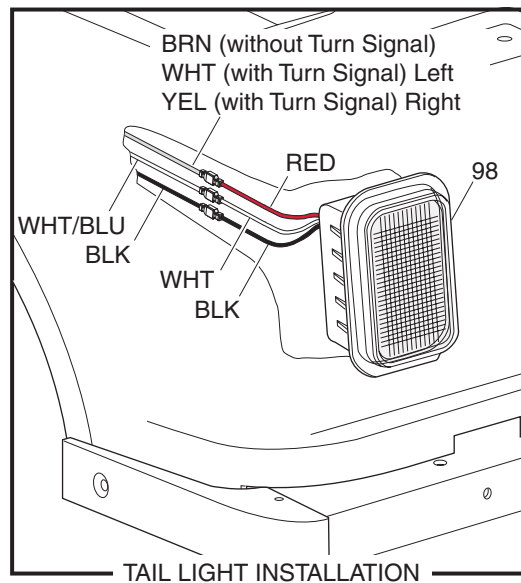
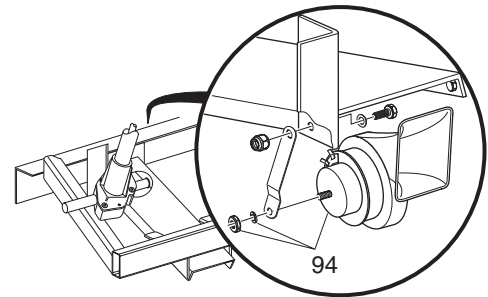
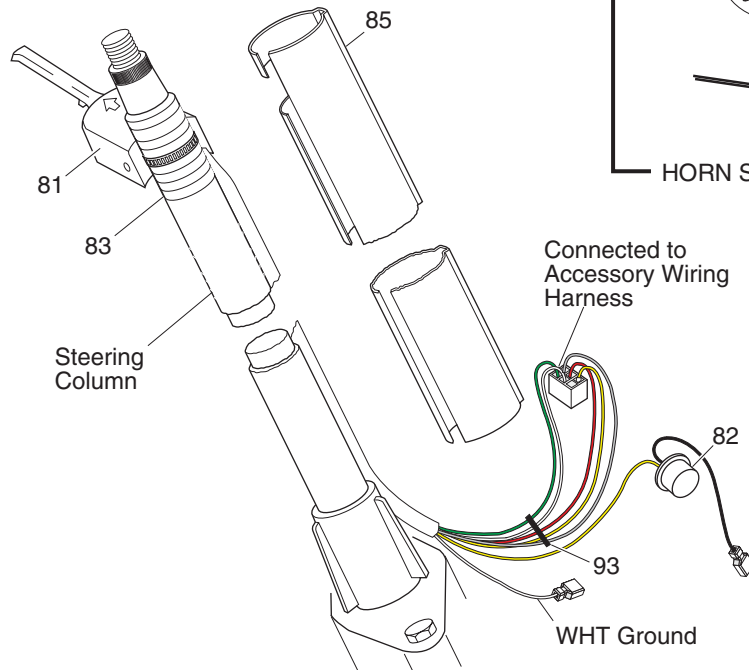
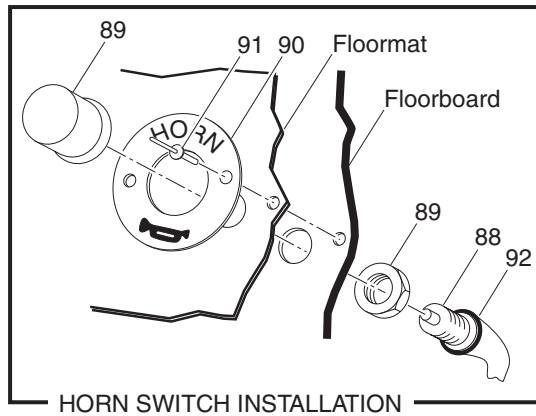
HOUR METER SOLENOID CONNECTION



Ref E4v 12-7

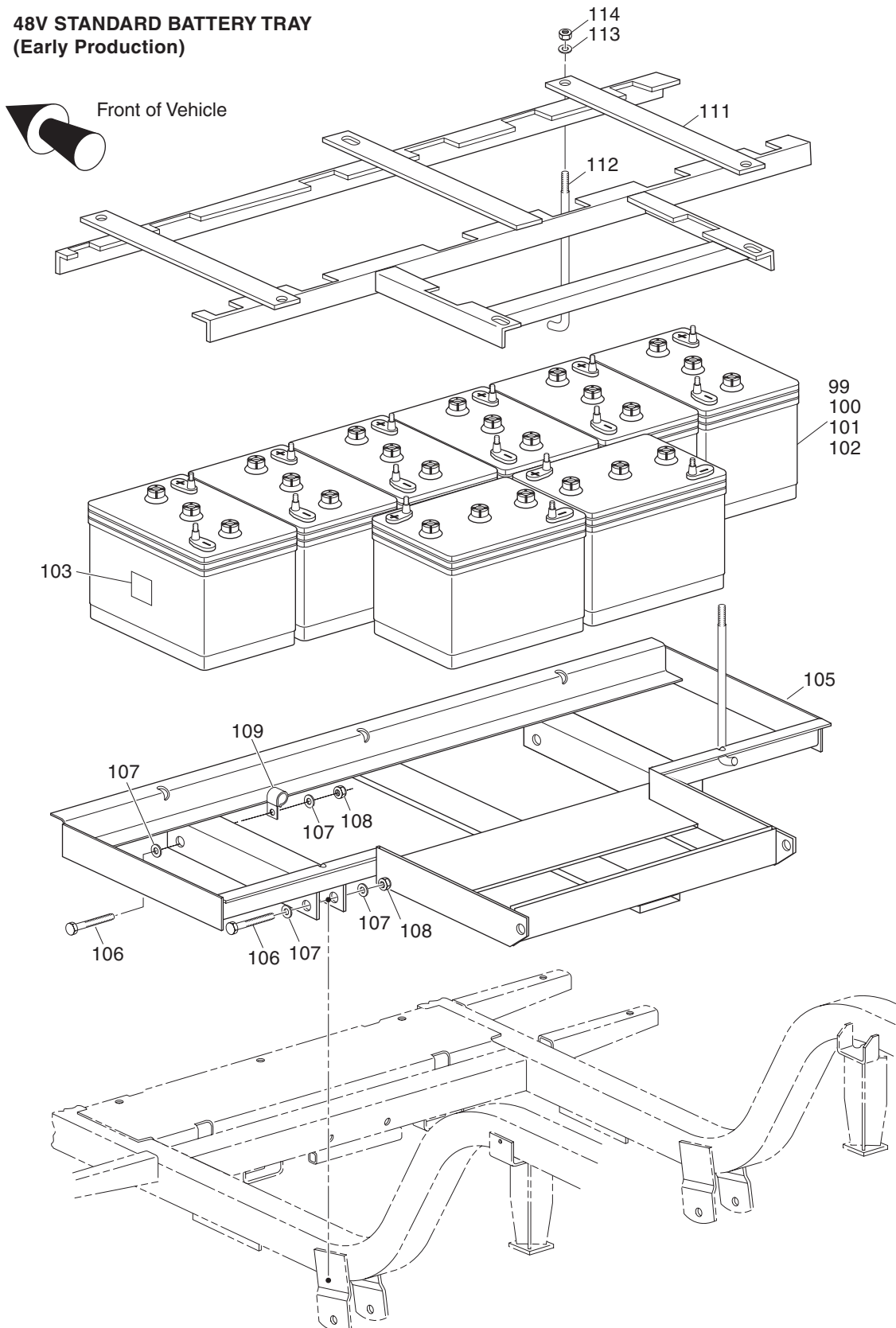
48 VOLT ELECTRICAL SYSTEM

81 - Includes Item 82
88 - Includes Item 89



48 VOLT ELECTRICAL SYSTEM

48V STANDARD BATTERY TRAY (Early Production)



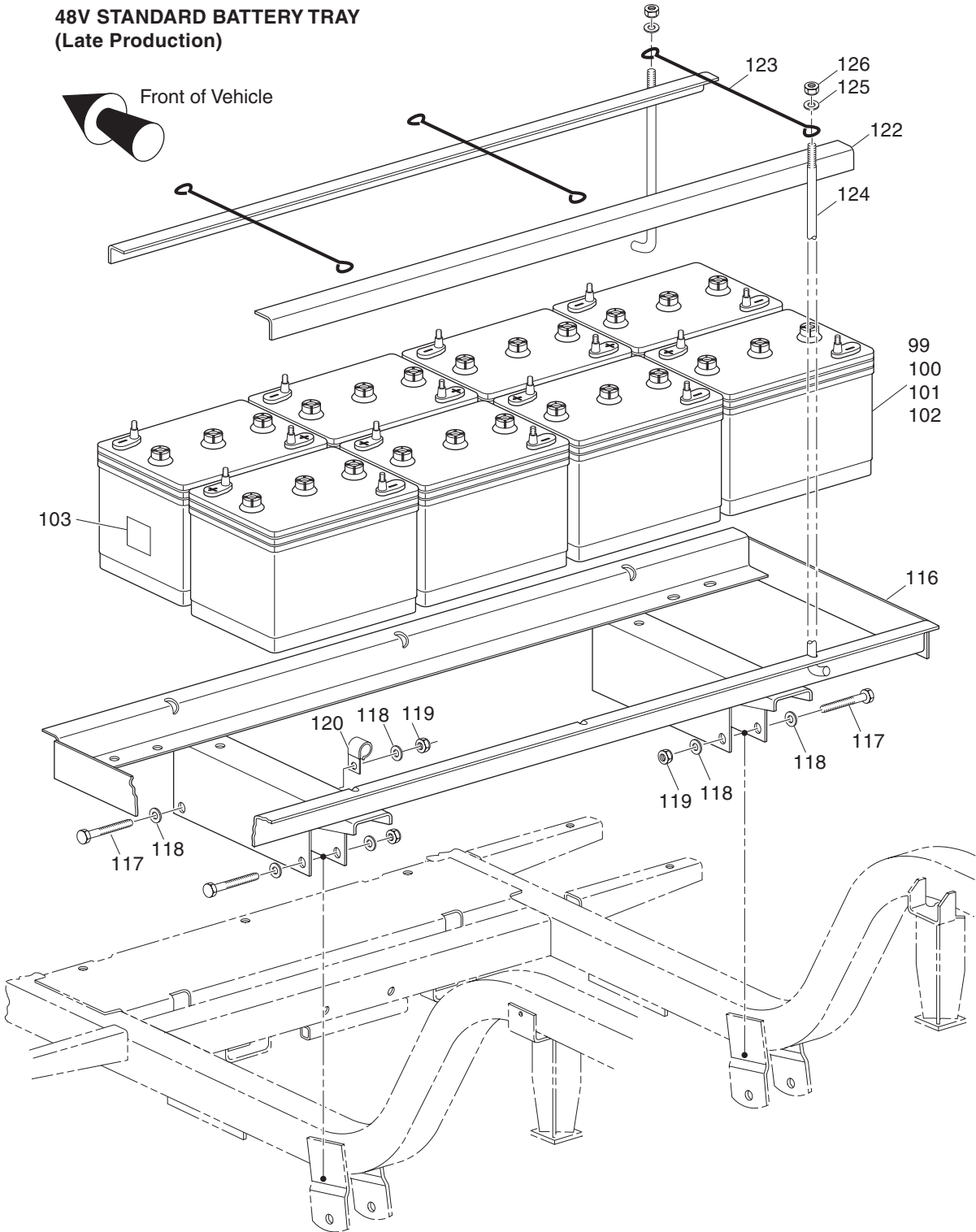
Ref E4v 12-9

48 VOLT ELECTRICAL SYSTEM

48V STANDARD BATTERY TRAY (Late Production)



Front of Vehicle

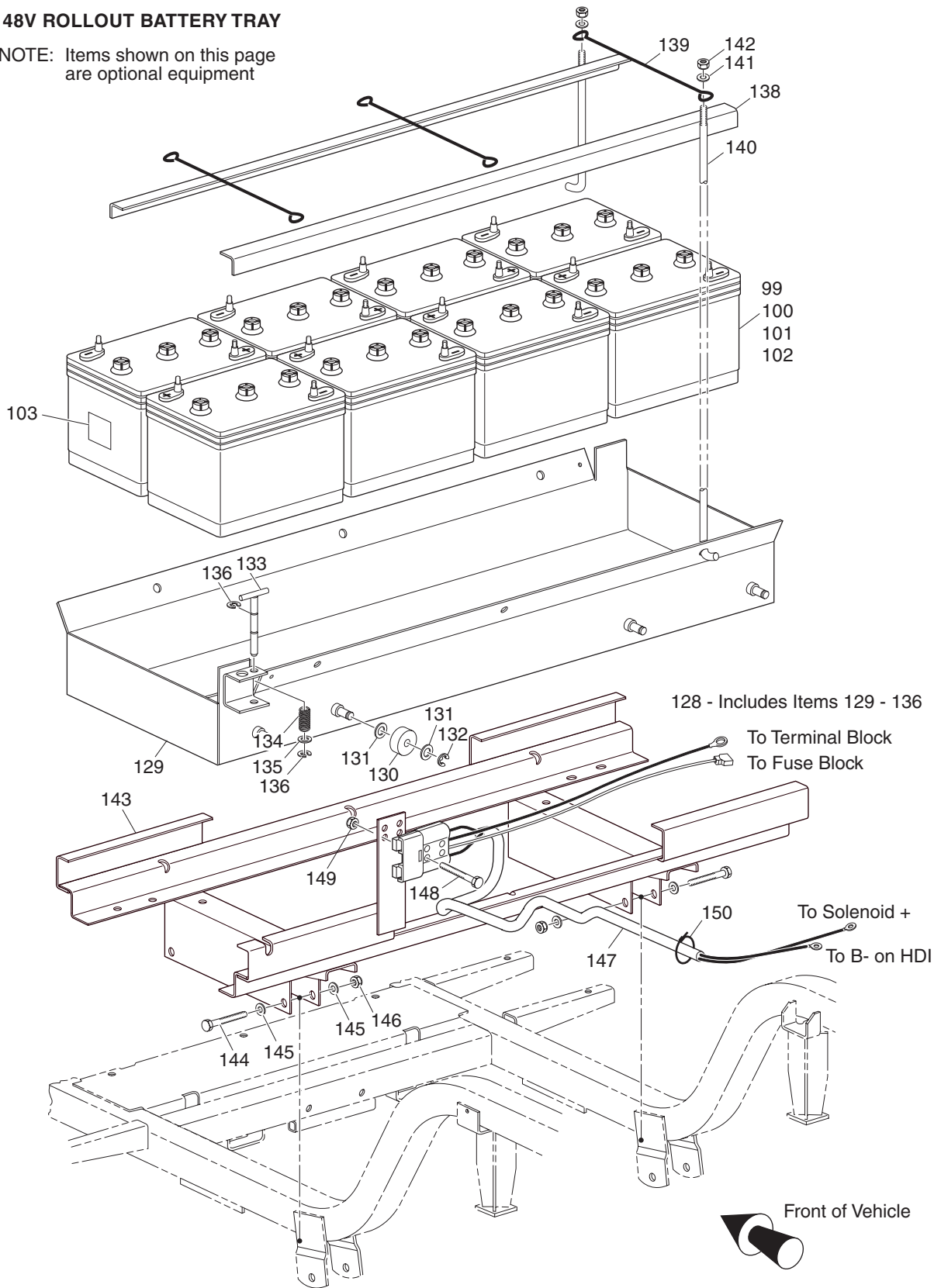


Ref E4v 12-10

48 VOLT ELECTRICAL SYSTEM

48V ROLLOUT BATTERY TRAY

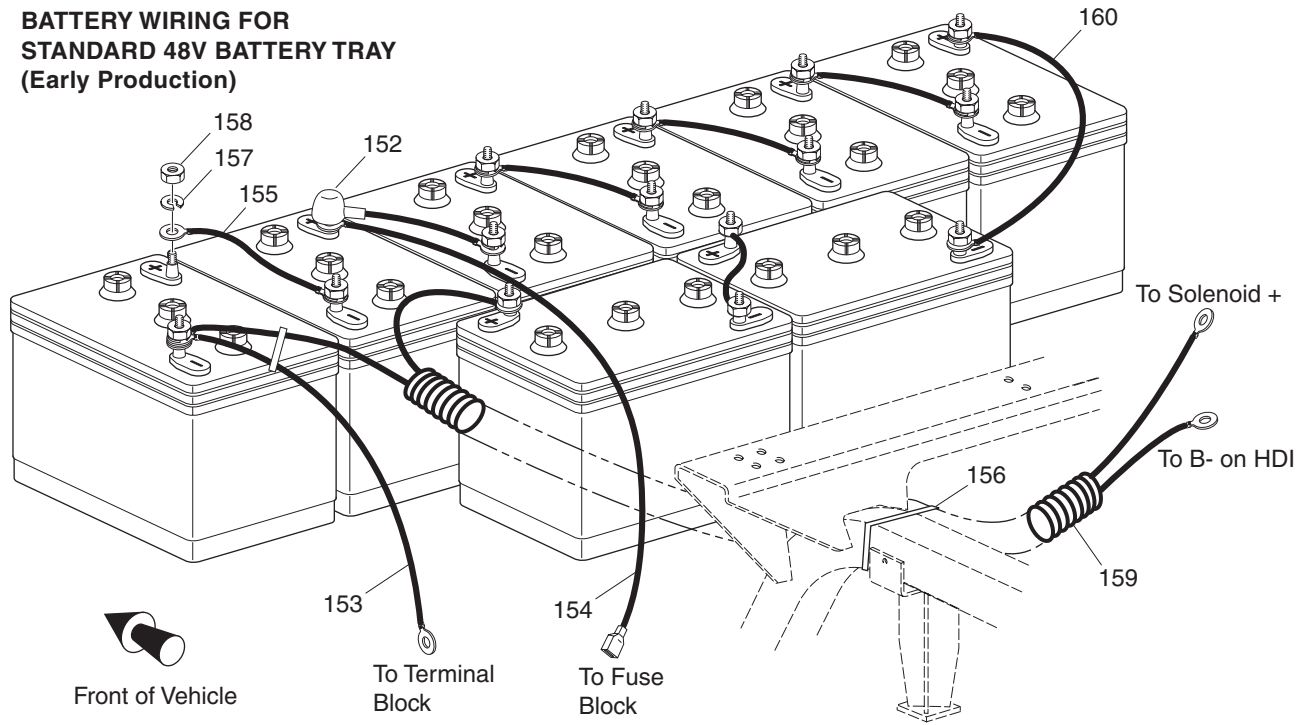
NOTE: Items shown on this page are optional equipment



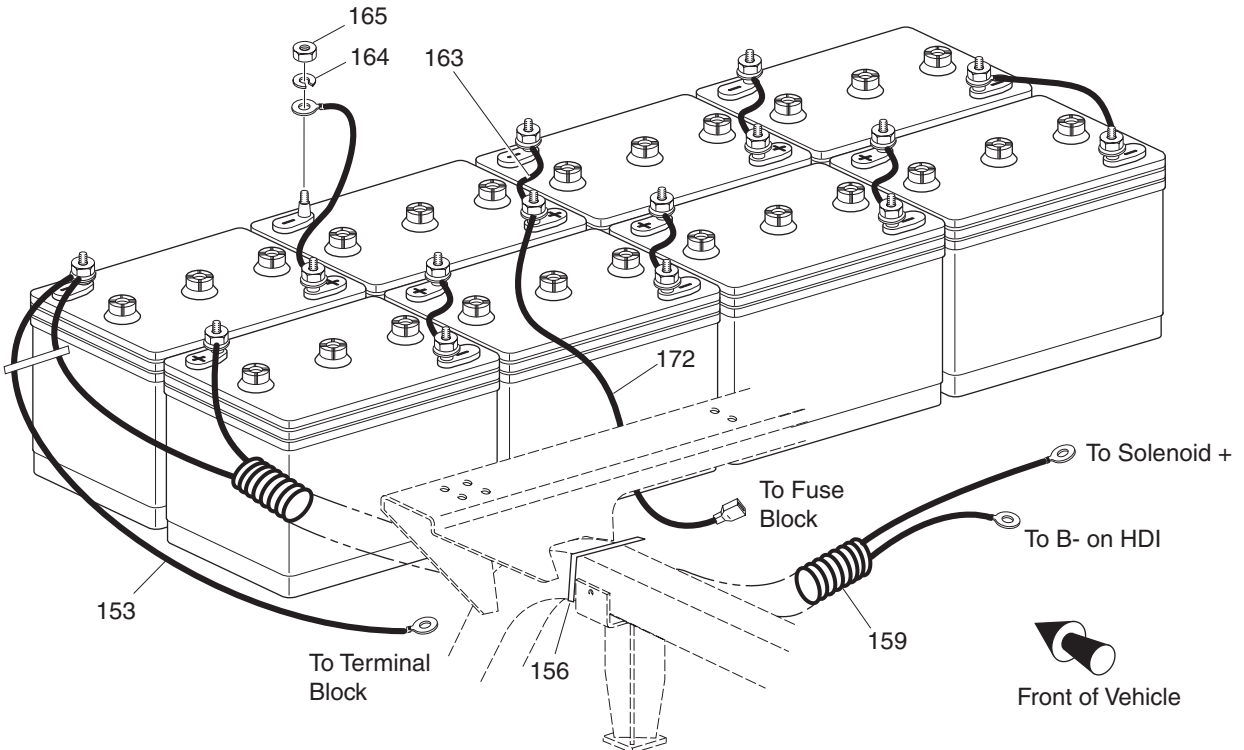
Ref E4v 12-11

48 VOLT ELECTRICAL SYSTEM

BATTERY WIRING FOR STANDARD 48V BATTERY TRAY (Early Production)



BATTERY WIRING FOR STANDARD 48V BATTERY TRAY (Late Production)

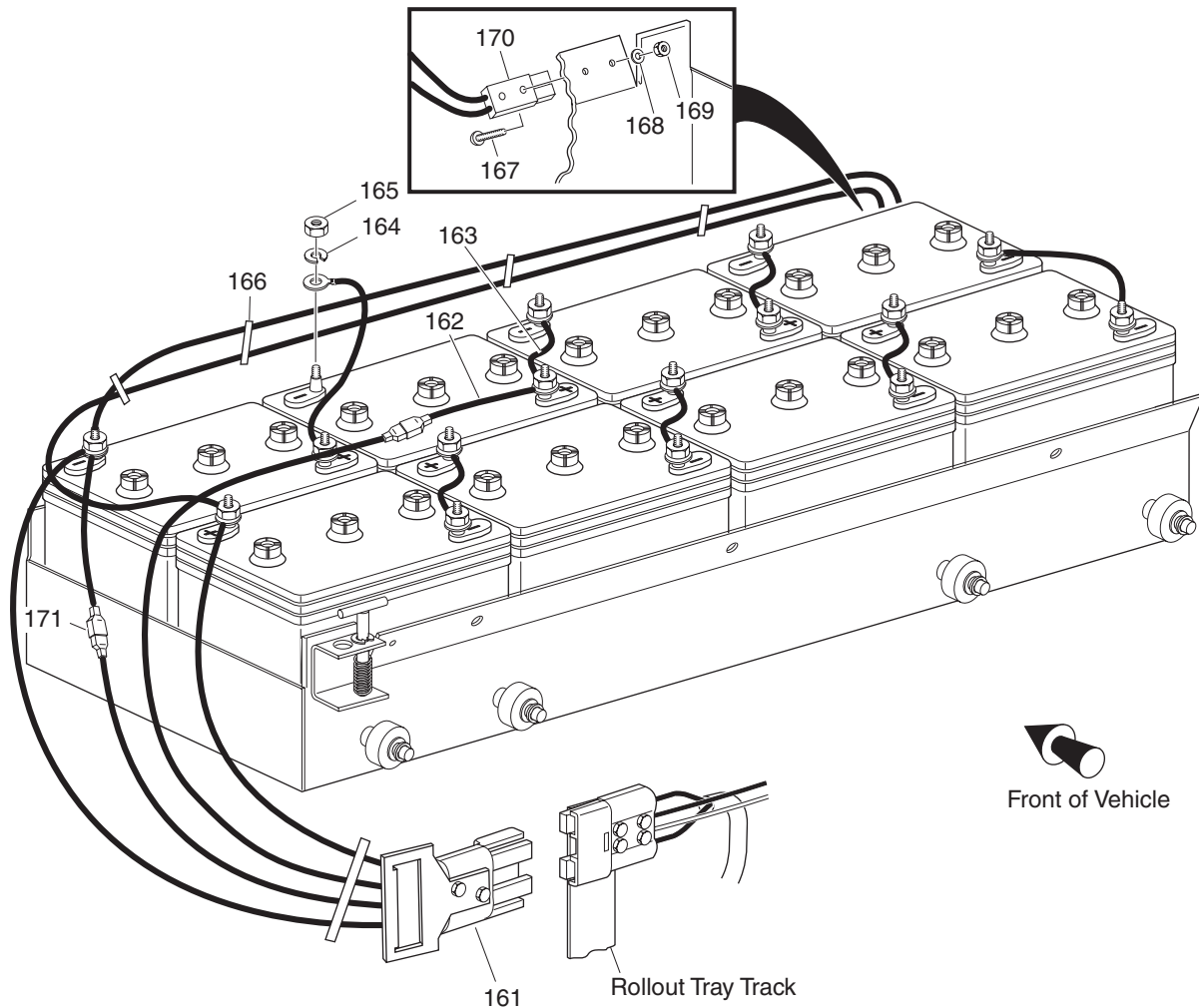


Ref E4v 12-12

48 VOLT ELECTRICAL SYSTEM

BATTERY WIRING FOR OPTIONAL 48V ROLLOUT BATTERY TRAY

- 195 - Includes Items 99, 128 - 142, 161 - 171
- 196 - Includes Items 100, 128 - 142, 161 - 171
- 197 - Includes Items 101, 128 - 142, 161 - 171
- 198 - Includes Items 102, 128 - 142, 161 - 171
- 210 - Includes Items 129 - 142, 161 - 171

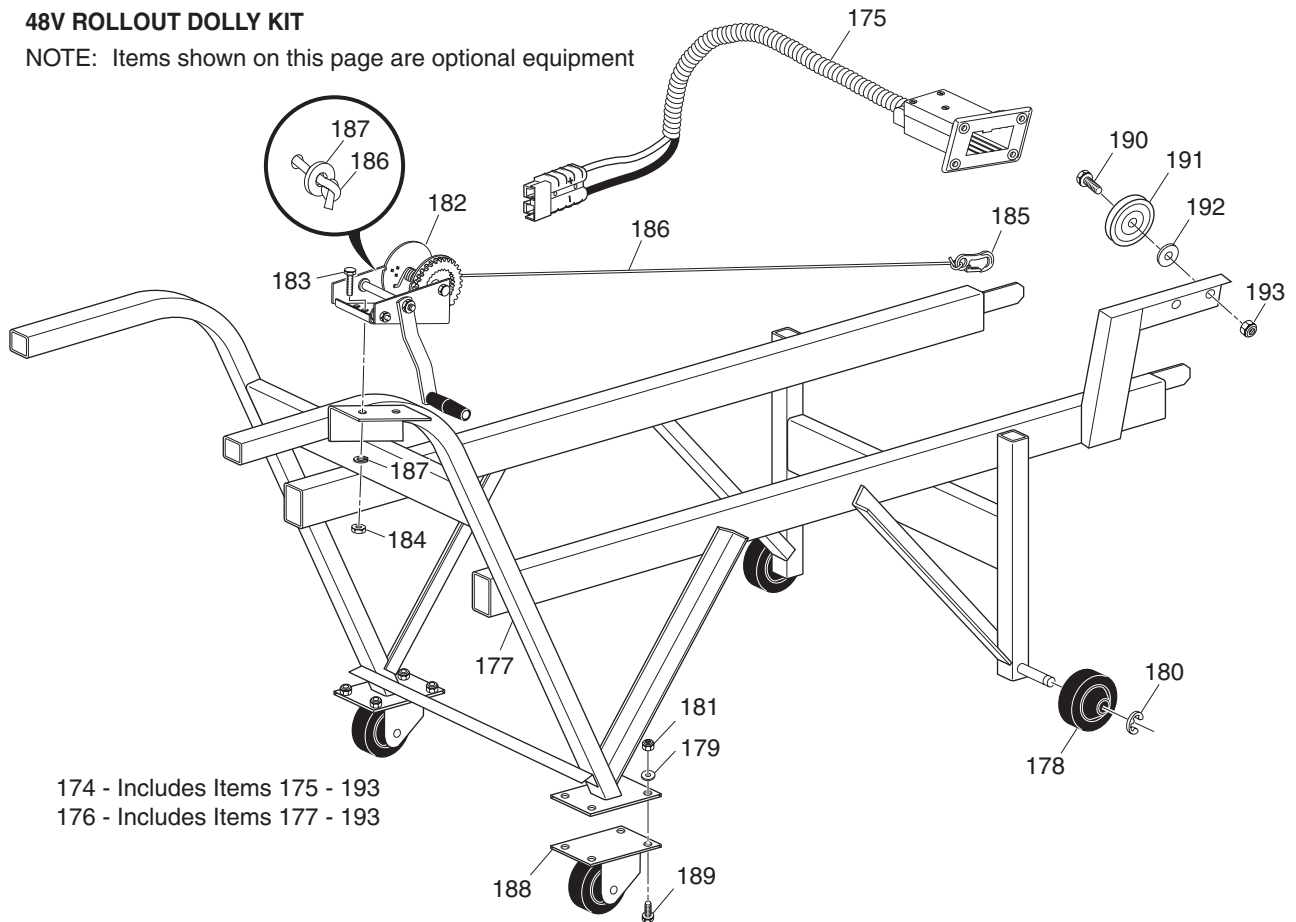


Ref E4v 12-13

48 VOLT ELECTRICAL SYSTEM

48V ROLLOUT DOLLY KIT

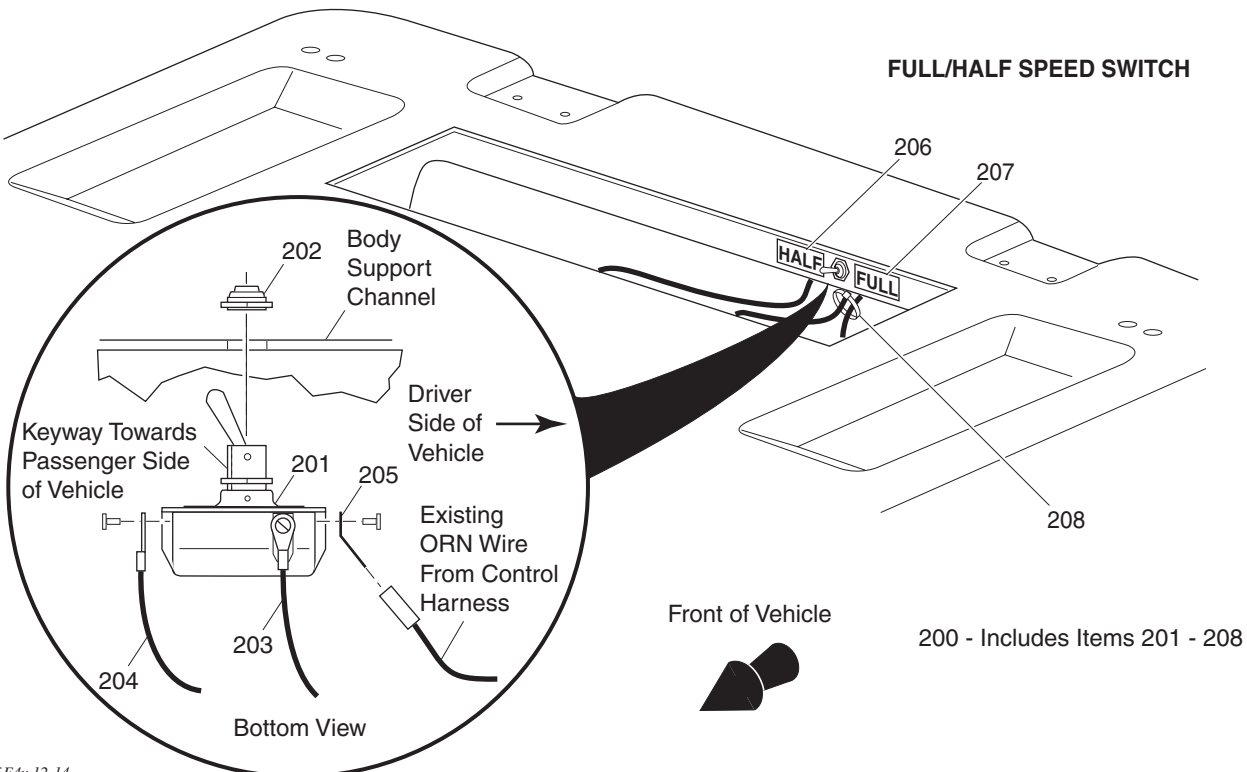
NOTE: Items shown on this page are optional equipment



174 - Includes Items 175 - 193

176 - Includes Items 177 - 193

FULL/HALF SPEED SWITCH



200 - Includes Items 201 - 208

Ref E4v 12-14

48 VOLT ELECTRICAL SYSTEM

When ordering parts, please specify the model and serial number of the product.

* Indicates a component that is not available as an individual part.

G** Indicates consult Customer Service Department for additional information.

| ITEM | PART NO. | 1 2 3 4 5 | DESCRIPTION | QTY. |
|------|------------------|-----------|---|------|
| 1 | <u>35524-G01</u> | | WIRE HARNESS (POWER - 955, 957) | 1 |
| 2 | <u>23544-G1</u> | | WIRE TIE | 6 |
| 3 | <u>27327-G01</u> | | CLAMP | 1 |
| 4 | <u>27868-G01</u> | | CLAMP | 1 |
| 5 | <u>00414-G6</u> | | BOLT, 1/4 - 20 X 3/4" LG | 1 |
| 6 | <u>00654-G2</u> | | LOCK NUT, 1/4 - 20 (STAINLESS STEEL) | 2 |
| 7 | <u>34408-G01</u> | | WIRE HARNESS (POWER - 952, 954, 956) | 1 |
| 8 | <u>35526-G01</u> | | WIRE HARNESS (CONTROL - 955, 957) | 1 |
| 9 | <u>31539-G1</u> | | WIRE TIE | 11 |
| 10 | <u>22585-G4</u> | | INLINE FUSE HOLDER (CE) | 1 |
| 11 | <u>35527-G01</u> | | WIRE HARNESS (ACCESSORY - 955, 957)..... | 1 |
| 12 | <u>31539-G1</u> | | WIRE TIE | 10 |
| 13 | <u>00933-G1</u> | | BOLT, 1/4 - 20 X 1 1/4" LG | 4 |
| 14 | <u>01110-G01</u> | | WASHER, 1/4" (STAINLESS STEEL) | 2 |
| 15 | <u>00654-G2</u> | | LOCK NUT, 1/4 - 20 (STAINLESS STEEL) | 4 |
| 16 | <u>00544-G3</u> | | NUT, 5/16 - 18 | 1 |
| 17 | <u>00565-G8</u> | | LOCK WASHER, 5/16" | 1 |
| 18 | <u>34478-G01</u> | | 18 GA WIRE (BLACK 5") | 1 |
| 19 | <u>70574-G01</u> | | FUSE BLOCK ASSEMBLY (INCLUDES ITEMS 20 - 28)..... | 1 |
| 20 | <u>34221-G01</u> | | MOUNTING PLATE | 1 |
| 21 | <u>22674-G1</u> | | FUSE BLOCK | 1 |
| 22 | <u>73290-G02</u> | | CONTINUOUS TONE BUZZER | 1 |
| 23 | <u>33343-G01</u> | | TERMINAL BLOCK..... | 1 |
| 24 | <u>00138-G4</u> | | SCREW, #6 - 32 X 1/2" LG | 4 |
| 25 | <u>00565-G3</u> | | LOCK WASHER, #6 | 4 |
| 26 | <u>00525-G5</u> | | NUT, #6 - 32..... | 4 |
| 27 | <u>16705-G3</u> | | SCREW, 1/4 - 20 X 3/4" LG (STAINLESS STEEL)..... | 1 |
| 28 | <u>14390-G4</u> | | LOCK NUT, 1/4 - 20..... | 1 |
| 29 | <u>70720-G01</u> | | WIRE HARNESS (CONTROL - 952, 954, 956) | 1 |
| 30 | <u>34598-G01</u> | | WIRE HARNESS (ACCESSORY - 952, 954, 956)..... | 1 |

48 VOLT ELECTRICAL SYSTEM

When ordering parts, please specify the model and serial number of the product.

* Indicates a component that is not available as an individual part.

G** Indicates consult Customer Service Department for additional information.

| ITEM | PART NO. | 1 | 2 | 3 | 4 | 5 | DESCRIPTION | QTY. |
|------|------------------|---|---|---|---|---|---|------|
| 31 | 35530-G02 | | | | | | BATTERY SHIELD (DRIVER SIDE)..... | 1 |
| 32 | 35530-G01 | | | | | | BATTERY SHIELD (PASSENGER SIDE) | 1 |
| 33 | | | | | | | | |
| 34 | <u>73290-G01</u> | | | | | | BUZZER, INTERMITTENT | 1 |
| 35 | 25977-G88 | | | | | | 16 GA WIRE (BLACK 8")..... | 1 |
| 36 | | | | | | | | |
| 37 | | | | | | | | |
| 38 | <u>34631-G01</u> | | | | | | SWITCH AND BRACKET ASSEMBLY (INCLUDES ITEMS 39 - 46)..... | 1 |
| 39 | 34629-G01 | | | | | | SWITCH BRACKET | 1 |
| 40 | 10606-G6 | | | | | | MICRO SWITCH..... | 1 |
| 41 | <u>00645-G1</u> | | | | | | SCREW, #6 - 32 X 1" LG | 2 |
| 42 | <u>00565-G3</u> | | | | | | LOCK WASHER, #6 | 2 |
| 43 | <u>00525-G5</u> | | | | | | NUT, #6 - 32..... | 2 |
| 44 | <u>13514-G1</u> | | | | | | SCREW, #6 - 32 X 7/32" LG (BRASS) | 2 |
| 45 | <u>00567-G3</u> | | | | | | LOCK WASHER, #6 | 2 |
| 46 | <u>14628-G1</u> | | | | | | FASTON TAB..... | 1 |
| 47 | <u>33887-G17</u> | | | | | | 16 GA WIRE (RED 12")..... | 1 |
| 48 | 33887-G18 | | | | | | 16 GA WIRE (RED 80" - 952, 954, 956) | 1 |
| 49 | 25977-G88 | | | | | | 16 GA WIRE (RED 107" - 955, 957) | 1 |
| 50 | <u>17902-G1</u> | | | | | | TAB ADAPTER..... | 2 |
| 51 | <u>17618-G1</u> | | | | | | WIRE TIE | 5 |
| 52 | <u>00414-G5</u> | | | | | | BOLT, 1/4 - 20 X 5/8" LG | 2 |
| 53 | <u>11027-G2</u> | | | | | | LOCK NUT, 1/4 - 20 | 2 |
| 54 | <u>00138-G4</u> | | | | | | SCREW, #6 - 32 X 1/2" LG..... | 2 |
| 55 | <u>00565-G3</u> | | | | | | LOCK WASHER, #6 | 2 |
| 56 | <u>00525-G5</u> | | | | | | NUT, #6 - 32 | 2 |
| 57 | | | | | | | | |
| 58 | <u>74004-G01</u> | | | | | | HEADLIGHT BULB | A/R |
| 59 | <u>74005-G01</u> | | | | | | MARKER LIGHT BULB | A/R |
| 60 | <u>74006-G01</u> | | | | | | TURN LIGHT BULB | A/R |

48 VOLT ELECTRICAL SYSTEM

When ordering parts, please specify the model and serial number of the product.

* Indicates a component that is not available as an individual part.

G** Indicates consult Customer Service Department for additional information.

| ITEM | PART NO. | 1 2 3 4 5 | DESCRIPTION | QTY. |
|------|------------------|-----------|---|------|
| 61 | <u>74001-G01</u> | | HEADLIGHT AND TURN SIGNAL LIGHT BAR | 1 |
| 62 | <u>00114-G6</u> | | SCREW, 1/4 - 14 X 3/4" LG..... | 4 |
| 63 | | | | |
| 64 | 73030-G02 | | PLATE (IGNITION WITH STATE OF CHARGE METER)..... | 1 |
| 65 | 33623-G02 | | DRIVE RIVET, 3/16 X 3/8" LG..... | 2 |
| 66 | 71129-G01 | | LABEL (WITH LIGHTS, WITH STATE OF CHARGE METER) | 1 |
| 67 | <u>33636-G03</u> | | STATE OF CHARGE METER (48V)..... | 1 |
| 68 | | | | |
| 69 | <u>25978-G74</u> | | 18 GA WIRE (RED 6")..... | 1 |
| 70 | <u>33639-G01</u> | | IGNITION SWITCH WITH LIGHTS (STANDARD) | 1 |
| 71 | <u>33783-G01</u> | | KEYLESS IGNITION SWITCH (OPTIONAL) | 1 |
| 72 | <u>00568-G6</u> | | LOCK WASHER, 3/4"..... | 1 |
| 73 | 17137-G1 | | FACE NUT, 3/4 - 20..... | 1 |
| 74 | | | | |
| 75 | <u>34886-G02</u> | | HOUR METER KIT (INCLUDES ITEMS 76 - 80)..... | 1 |
| 76 | <u>33633-G03</u> | | HOUR METER..... | 1 |
| 77 | <u>34851-G01</u> | | CONSOLE INSERT PLATE | 1 |
| 78 | <u>33623-G01</u> | | RIVET, 3/16 X 3/8" LG | 2 |
| 79 | <u>17902-G1</u> | | TAB ADAPTER | 1 |
| 80 | 25978-G344 | | 18 GA WIRE (RED/WHITE, 10") | 1 |
| 81 | <u>17867-G1</u> | | TURN SIGNAL (WITH MOUNTING HARDWARE) (OPTIONAL) (INCLUDES ITEM 82) | 1 |
| 82 | <u>21640-G1</u> | | TURN SIGNAL FLASHER | 1 |
| 83 | <u>19344-G1</u> | | ELECTRICAL TAPE | A/R |
| 84 | | | | |
| 85 | <u>32675-G4</u> | | STEERING COLUMN COVER..... | 1 |
| 86 | <u>18392-G1</u> | | 15 AMP FUSE | 2 |
| 87 | | | | |
| 88 | <u>17318-G1</u> | | HORN SWITCH (INCLUDES ITEM 89) | 1 |
| 89 | <u>17318-G2</u> | | HORN SWITCH CAP AND NUT..... | 1 |

48 VOLT ELECTRICAL SYSTEM

When ordering parts, please specify the model and serial number of the product.

* Indicates a component that is not available as an individual part.

G** Indicates consult Customer Service Department for additional information.

| ITEM | PART NO. | 1 | 2 | 3 | 4 | 5 | DESCRIPTION | QTY. |
|------|------------------|---|---|---|---|---|---|------|
| 90 | 19233-G1 | | | | | | PLATE (HORN LABEL) | 1 |
| 91 | <u>71055-G01</u> | | | | | | RIVET, 3/16" X 1" LG (ALUMINUM) | 2 |
| 92 | <u>27068-G01</u> | | | | | | BOOT | 1 |
| 93 | <u>31539-G1</u> | | | | | | WIRE TIE | 1 |
| 94 | <u>32860-G1</u> | | | | | | HORN..... | 1 |
| 95 | | | | | | | | |
| 96 | | | | | | | | |
| 97 | <u>18392-G1</u> | | | | | | 15 AMP FUSE | 1 |
| 98 | <u>32739-G2</u> | | | | | | STOP/ TAIL LIGHT | 2 |
| 99 | <u>25917-G09</u> | | | | | | BATTERY (6V) (E-3600 - STANDARD)..... | 8 |
| 100 | 12648-G11 | | | | | | BATTERY (6V) (T-105 - OPTIONAL) | 8 |
| 101 | <u>24185-G2</u> | | | | | | BATTERY (6V) (T-145 - OPTIONAL) | 8 |
| 102 | 16994-G2 | | | | | | BATTERY (6V) (A-2200 - OPTIONAL) | 8 |
| 103 | <u>35493-G01</u> | | | | | | LABEL (BATTERY DISPOSAL - CE) | 8 |
| 104 | | | | | | | | |
| 105 | 34827-G01 | | | | | | 48V STANDARD BATTERY TRAY (EARLY PRODUCTION)..... | 1 |
| 106 | <u>00428-G8</u> | | | | | | BOLT, 3/8 - 16 X 3" LG | 4 |
| 107 | <u>00560-G1</u> | | | | | | WASHER, 3/8" | 8 |
| 108 | <u>11098-G5</u> | | | | | | LOCK NUT, 3/8 - 16 | 4 |
| 109 | <u>34750-G01</u> | | | | | | 'J' CLIP | 1 |
| 110 | | | | | | | | |
| 111 | 34816-G01 | | | | | | UPPER BATTERY TRAY | 1 |
| 112 | <u>30429-G1</u> | | | | | | ROD | 7 |
| 113 | 00559-G8 | | | | | | WASHER, 5/16" | 7 |
| 114 | <u>01109-G01</u> | | | | | | LOCK NUT, 5/16 - 18 (STAINLESS STEEL) | 7 |
| 115 | | | | | | | | |
| 116 | <u>34812-G01</u> | | | | | | 48V STANDARD BATTERY TRAY (LATE PRODUCTION)..... | 1 |
| 117 | <u>00428-G8</u> | | | | | | BOLT, 3/8 - 16 X 3" LG | 4 |
| 118 | <u>00560-G1</u> | | | | | | WASHER, 3/8" | 8 |
| 119 | <u>11098-G5</u> | | | | | | LOCK NUT, 3/8 - 16 | 4 |

48 VOLT ELECTRICAL SYSTEM

When ordering parts, please specify the model and serial number of the product.

* Indicates a component that is not available as an individual part.

G** Indicates consult Customer Service Department for additional information.

| ITEM | PART NO. | 1 2 3 4 5 | DESCRIPTION | QTY. |
|------|------------------|-----------|---|------|
| 120 | <u>34750-G01</u> | | 'J' CLIP | 1 |
| 121 | | | | |
| 122 | 11841-G3 | | ANGLE | 2 |
| 123 | <u>34865-G01</u> | | STRAP | 3 |
| 124 | <u>30429-G1</u> | | ROD | 6 |
| 125 | 00559-G8 | | WASHER, 5/16" | 6 |
| 126 | <u>01109-G01</u> | | LOCK NUT, 5/16 - 18 (STAINLESS STEEL) | 6 |
| 127 | | | | |
| 128 | <u>34801-G01</u> | | 48V ROLLOUT BATTERY TRAY ASSEMBLY (INCLUDES ITEMS 129 - 136)... | 1 |
| 129 | <u>34802-G01</u> | | 48V ROLLOUT BATTERY TRAY | 1 |
| 130 | <u>30886-G1</u> | | ROLLER..... | 8 |
| 131 | <u>00560-G2</u> | | WASHER, 7/16" | 16 |
| 132 | 34215-G01 | | RETAINING RING, 7/16" | 8 |
| 133 | <u>34184-G01</u> | | LOCK PIN | 1 |
| 134 | <u>33768-G01</u> | | COMPRESSION SPRING | 1 |
| 135 | <u>00560-G1</u> | | WASHER, 3/8" | 1 |
| 136 | 34214-G01 | | RETAINING RING, 3/8" | 2 |
| 137 | | | | |
| 138 | 11841-G3 | | ANGLE | 2 |
| 139 | <u>34865-G01</u> | | STRAP | 3 |
| 140 | <u>30429-G5</u> | | ROD | 6 |
| 141 | 00559-G8 | | WASHER, 5/16" | 6 |
| 142 | <u>01109-G01</u> | | LOCK NUT, 5/16 - 18 (STAINLESS STEEL) | 6 |
| 143 | <u>34805-G01</u> | | ROLL OUT TRAY TRACK..... | 1 |
| 144 | <u>00428-G8</u> | | BOLT, 3/8 - 16 X 3" LG | 4 |
| 145 | <u>00560-G1</u> | | WASHER, 3/8" | 8 |
| 146 | <u>11098-G5</u> | | LOCK NUT, 3/8 - 16 | 4 |
| 147 | 34438-G01 | | WIRE HARNESS (STATIONARY QUICK DISCONNECT)..... | 1 |
| 148 | <u>00415-G4</u> | | BOLT, 1/4 - 20 X 1 1/2" LG | 4 |
| 149 | <u>00654-G2</u> | | LOCK NUT, 1/4 - 20 (STAINLESS STEEL) | 4 |

48 VOLT ELECTRICAL SYSTEM

When ordering parts, please specify the model and serial number of the product.

* Indicates a component that is not available as an individual part.

G** Indicates consult Customer Service Department for additional information.

| ITEM | PART NO. | 1 2 3 4 5 | DESCRIPTION | QTY. |
|------|------------------|-----------|---|------|
| 150 | <u>17618-G1</u> | | WIRE TIE | 3 |
| 151 | | | | |
| 152 | <u>25682-G01</u> | | TERMINAL COVER (CE) | 16 |
| 153 | 25974-G37 | | 10 GA WIRE (BLACK 24") | 1 |
| 154 | 25974-G36 | | 10 GA WIRE (WHITE 22")..... | 1 |
| 155 | <u>11893-G1</u> | | 6 GA WIRE (BLACK 8") | 6 |
| 156 | <u>17618-G1</u> | | WIRE TIE | 6 |
| 157 | <u>00565-G8</u> | | LOCK WASHER, 5/16"..... | 16 |
| 158 | <u>00702-G2</u> | | NUT, 5/16 - 18 | 16 |
| 159 | <u>34866-G01</u> | | WIRE HARNESS (BATTERY POWER) | 1 |
| 160 | <u>11885-G4</u> | | 6 GA WIRE (RED 19")(EARLY PRODUCTION) | 1 |
| 161 | <u>33334-G03</u> | | WIRE HARNESS (QUICK DISCONNECT) | 1 |
| 162 | <u>23968-G01</u> | | 10 GA WIRE (RED 6")..... | 1 |
| 163 | <u>11893-G1</u> | | 6 GA WIRE (BLACK 8") | 7 |
| 164 | <u>00565-G8</u> | | LOCK WASHER, 5/16"..... | 16 |
| 165 | <u>00702-G2</u> | | NUT, 5/16 - 18 | 16 |
| 166 | <u>17618-G1</u> | | WIRE TIE | 6 |
| 167 | <u>00645-G2</u> | | SCREW, #6 - 32 X 1 1/4" LG..... | 2 |
| 168 | <u>00559-G3</u> | | WASHER, #6..... | 2 |
| 169 | <u>14390-G9</u> | | LOCK NUT, #6 - 32 | 2 |
| 170 | <u>32718-G5</u> | | 48V BATTERY TRAY CHARGING HARNESS (BLUE)..... | 1 |
| 171 | <u>21743-G1</u> | | 10 GA WIRE (BLACK 4") | 1 |
| 172 | 25974-G36 | | 10 GA WIRE (WHITE 22")..... | 1 |
| 173 | | | | |
| 174 | <u>34896-G02</u> | | 48V ROLLOUT DOLLY KIT (INCLUDES ITEMS 175 - 193) | 1 |
| 175 | <u>34879-G02</u> | | 48V CHARGER HARNESS JUMPER (BLUE)..... | 1 |
| 176 | <u>34861-G01</u> | | 48V ROLLOUT DOLLY ASSEMBLY (INCLUDES ITEMS 177 - 193) | 1 |
| 177 | 34860-G01 | | 48V ROLLOUT BATTERY TRAY DOLLY | 1 |
| 178 | <u>35703-G01</u> | | FRONT WHEEL | 2 |
| 179 | 00559-G8 | | WASHER, 5/16"..... | 8 |

48 VOLT ELECTRICAL SYSTEM

When ordering parts, please specify the model and serial number of the product.

* Indicates a component that is not available as an individual part.

G** Indicates consult Customer Service Department for additional information.

| ITEM | PART NO. | 1 | 2 | 3 | 4 | 5 | DESCRIPTION | QTY. |
|------|------------------|---|---|---|---|---|---|------|
| 180 | <u>01111-G01</u> | | | | | | RETAINING RING, 13/32" (STAINLESS STEEL) | 2 |
| 181 | <u>01109-G01</u> | | | | | | LOCK NUT, 5/16 - 18 (STAINLESS STEEL) | 8 |
| 182 | <u>31038-G1</u> | | | | | | WINCH | 1 |
| 183 | <u>00427-G4</u> | | | | | | BOLT, 3/8 - 16 X 1 1/2" LG | 2 |
| 184 | 00532-G5 | | | | | | NUT, 3/8 - 16 | 2 |
| 185 | 00810-G1 | | | | | | SNAP HOOK | 1 |
| 186 | 31040-G1 | | | | | | WINCH ROPE, 25' | 1 |
| 187 | <u>00566-G1</u> | | | | | | LOCK WASHER, 3/8" | 3 |
| 188 | <u>35704-G01</u> | | | | | | REAR SWIVEL WHEEL | 2 |
| 189 | 00438-G6 | | | | | | BOLT, 5/16 - 18 X 3/4" LG | 8 |
| 190 | <u>00630-G6</u> | | | | | | BOLT, 1/2 - 13 X 1 3/4" LG | 1 |
| 191 | <u>35667-G01</u> | | | | | | PULLEY | 1 |
| 192 | <u>25757-G1</u> | | | | | | PILOT WASHER | 1 |
| 193 | 00734-G4 | | | | | | LOCK NUT, 1/2 - 13 | 1 |
| 194 | | | | | | | | |
| 195 | <u>34875-G03</u> | | | | | | ROLLOUT BATTERY TRAY WITH BATTERIES KIT (E-3600) (OPTIONAL) (INCLUDES ITEMS 99, 128 - 142, AND 161 - 171) | A/R |
| 196 | <u>34875-G04</u> | | | | | | ROLLOUT BATTERY TRAY WITH BATTERIES KIT (T-105) (OPTIONAL) (INCLUDES ITEMS 100, 128 - 142, AND 161 - 171) | A/R |
| 197 | <u>34875-G01</u> | | | | | | ROLLOUT BATTERY TRAY WITH BATTERIES KIT (T-145) (OPTIONAL) (INCLUDES ITEMS 101, 128 - 142, AND 161 - 171) | A/R |
| 198 | 34875-G02 | | | | | | ROLLOUT BATTERY TRAY WITH BATTERIES KIT (A-2200) (OPTIONAL) (INCLUDES ITEMS 102, 128 - 142, AND 161 - 171) | A/R |
| 199 | | | | | | | | |
| 200 | <u>35724-G02</u> | | | | | | HALF/FULL SPEED SWITCH KIT (OPTIONAL)(INCLUDES ITEMS 201 - 208) | 1 |
| 201 | 35723-G01 | | | | | | HALF/FULL SPEED SWITCH | 1 |
| 202 | <u>73139-G01</u> | | | | | | SEALED NUT, 15/32 - 32 | 1 |
| 203 | 25977-G86 | | | | | | 16 GA WIRE (ORANGE 7") | 1 |
| 204 | 25977-G87 | | | | | | 16 GA WIRE (ORANGE 26") | 1 |
| 205 | <u>17064-G2</u> | | | | | | FEMALE TERMINAL | 1 |
| 206 | 35726-G01 | | | | | | LABEL ('FULL') | 1 |

48 VOLT ELECTRICAL SYSTEM

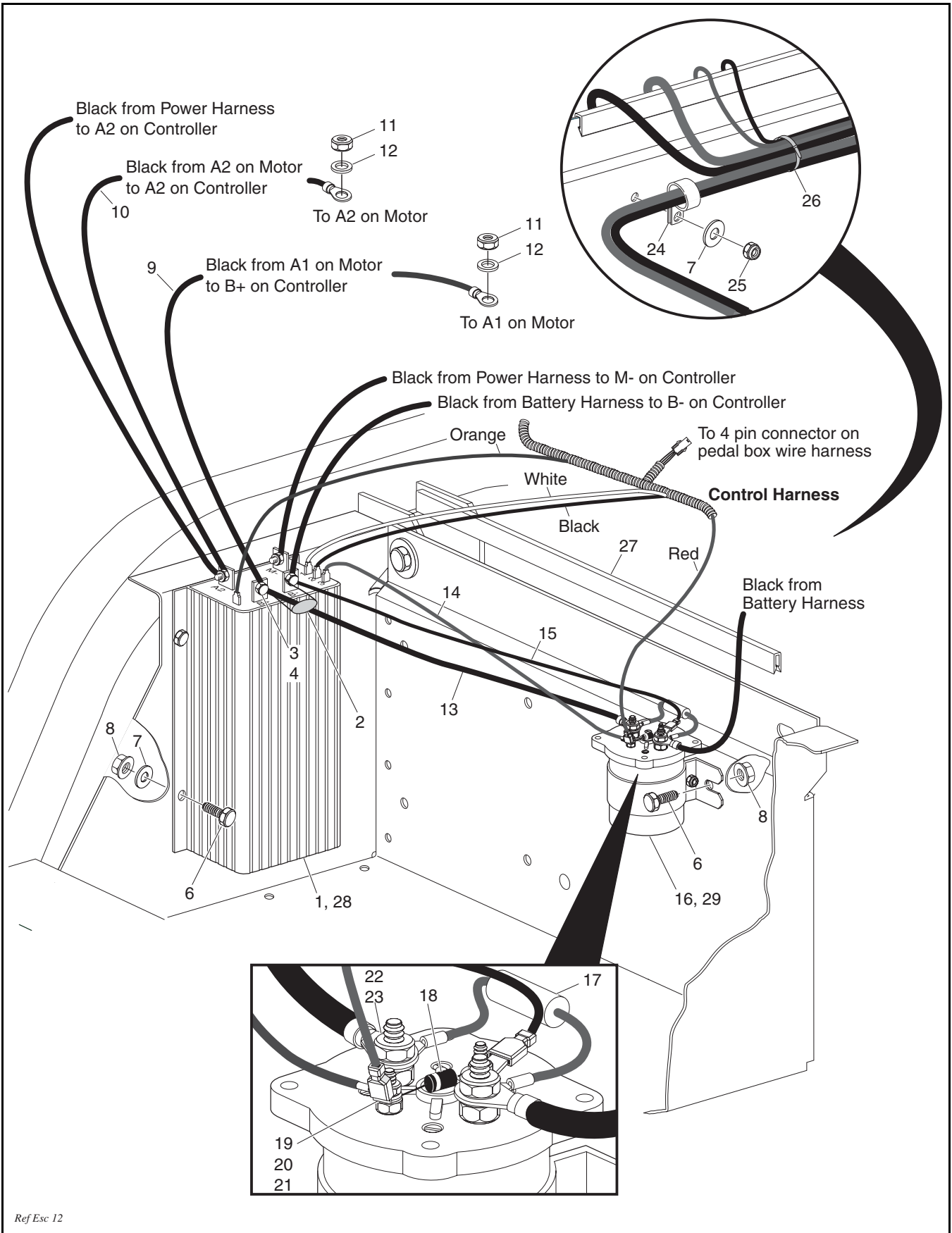
When ordering parts, please specify the model and serial number of the product.

* Indicates a component that is not available as an individual part.

G** Indicates consult Customer Service Department for additional information.

| ITEM | PART NO. | 1 | 2 | 3 | 4 | 5 | DESCRIPTION | QTY. |
|------|------------------|---|---|---|---|---|--|------|
| 207 | 35728-G01 | | | | | | LABEL ('HALF') | 1 |
| 208 | <u>17618-G1</u> | | | | | | WIRE TIE | 1 |
| 209 | | | | | | | | |
| 210 | <u>34876-G01</u> | | | | | | 48V ROLLOUT BATTERY TRAY WITH HOLD DOWNS AND WIRING WITHOUT BATTERIES (OPTIONAL) (INCLUDES ITEMS 129 - 142, 161 - 171) | 1 |

ELECTRONIC SPEED CONTROL



Ref Esc 12

ELECTRONIC SPEED CONTROL

When ordering parts, please specify the model and serial number of the product.

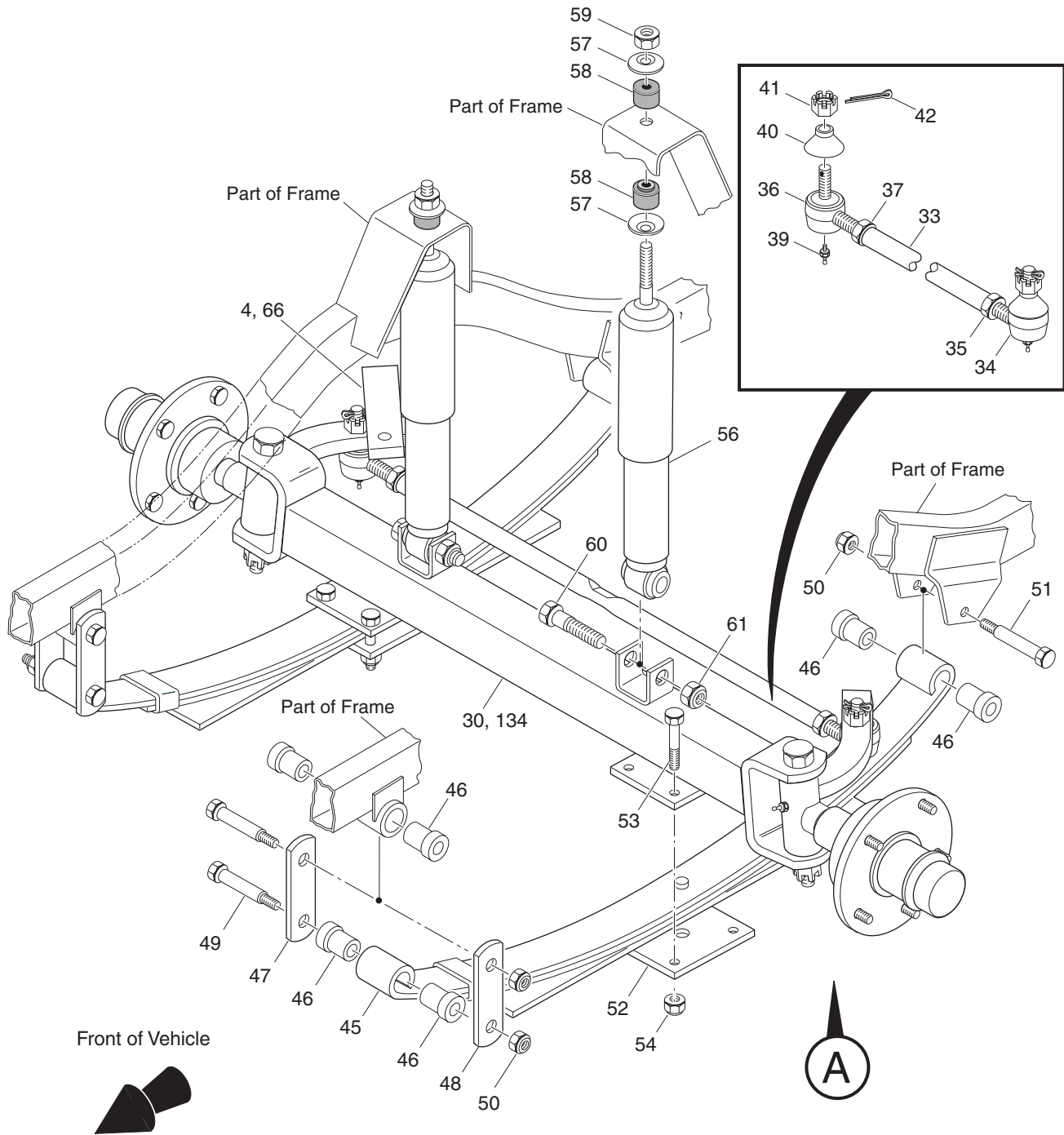
* Indicates a component that is not available as an individual part.

G** Indicates consult Customer Service Department for additional information.

| ITEM | PART NO. | 1 | 2 | 3 | 4 | 5 | DESCRIPTION | QTY. |
|------|------------------|---|---|---|---|---|--|------|
| 1 | 73060-G01 | | | | | | ELECTRONIC SPEED CONTROLLER (36V SYSTEM) | 1 |
| 2 | <u>25949-G01</u> | | | | | | VARISTOR MOV | 1 |
| 3 | 00438-G6 | | | | | | BOLT, 5/16 - 18 X 3/4" LG | 4 |
| 4 | <u>11027-G1</u> | | | | | | NUT, 5/16 - 18 | 4 |
| 5 | | | | | | | | |
| 6 | <u>00414-G6</u> | | | | | | BOLT, 1/4 - 20 X 3/4" LG | 6 |
| 7 | <u>01110-G01</u> | | | | | | WASHER, 1/4" (STAINLESS STEEL) | 5 |
| 8 | <u>11027-G2</u> | | | | | | LOCK NUT, 1/4 - 20 | 5 |
| 9 | 32474-G10 | | | | | | 6 GA WIRE (BLACK 19 1/2") A1 - B+ | 1 |
| 10 | 32474-G9 | | | | | | 6 GA WIRE (BLACK 15 1/2") A2 - A2 | 1 |
| 11 | <u>28418-G01</u> | | | | | | NUT, 5/16 - 18 (BRASS)..... | 4 |
| 12 | <u>00993-G01</u> | | | | | | LOCK WASHER, 5/16" (SILICONE BRONZE)..... | 4 |
| 13 | 32474-G8 | | | | | | 6 GA WIRE (BLACK 15") SOL - B+ | 1 |
| 14 | 25977-G56 | | | | | | 16 GA WIRE (RED 20") SOL - #1 | 1 |
| 15 | 33887-G81 | | | | | | 16 GA WIRE (BLACK 15") SOL - B- | 1 |
| 16 | <u>20468-G1</u> | | | | | | SOLENOID (36V SYSTEM) | 1 |
| 17 | <u>21764-G1</u> | | | | | | RESISTOR | 1 |
| 18 | <u>30353-G1</u> | | | | | | DIODE | 1 |
| 19 | <u>00565-G5</u> | | | | | | LOCK WASHER, #10 | 2 |
| 20 | <u>00526-G4</u> | | | | | | NUT, #10 - 32 | 2 |
| 21 | <u>12914-G1</u> | | | | | | FASTON TAB | 2 |
| 22 | <u>00565-G8</u> | | | | | | LOCK WASHER, 5/16" | 2 |
| 23 | <u>00544-G4</u> | | | | | | JAM NUT, 5/16 - 24 | 2 |
| 24 | <u>11845-G6</u> | | | | | | INSULATED CABLE CLAMP, 1" | 1 |
| 25 | <u>00654-G2</u> | | | | | | LOCK NUT, 1/4 - 20 (STAINLESS STEEL) | 1 |
| 26 | <u>17618-G1</u> | | | | | | WIRE TIE | 3 |
| 27 | 22281-G11 | | | | | | TRIM..... | 1 |
| 28 | <u>73233-G01</u> | | | | | | ELECTRONIC SPEED CONTROLLER (48V SYSTEM) | 1 |
| 29 | <u>73231-G01</u> | | | | | | SOLENOID (48V SYSTEM) | 1 |

FRONT SUSPENSION / BRAKES

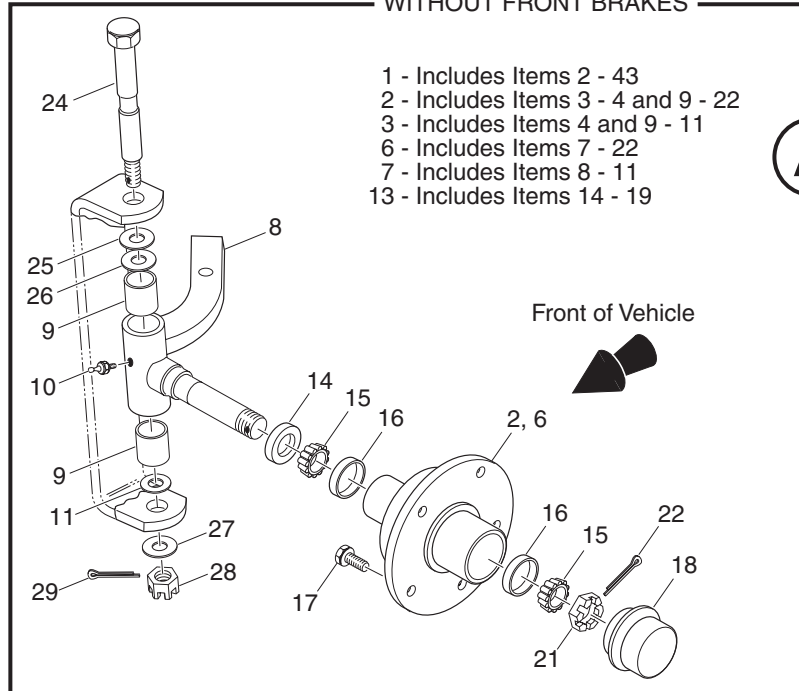
- 1 - Includes Items 2 - 43
- 3 - Includes Items 4 and 9 - 11
- 32 - Includes Items 33 - 37
- 63 - Includes Items 64 - 134 and 32 - 43
- 65 - Includes Items 66 and 74 - 76



Ref Fsp 12-1

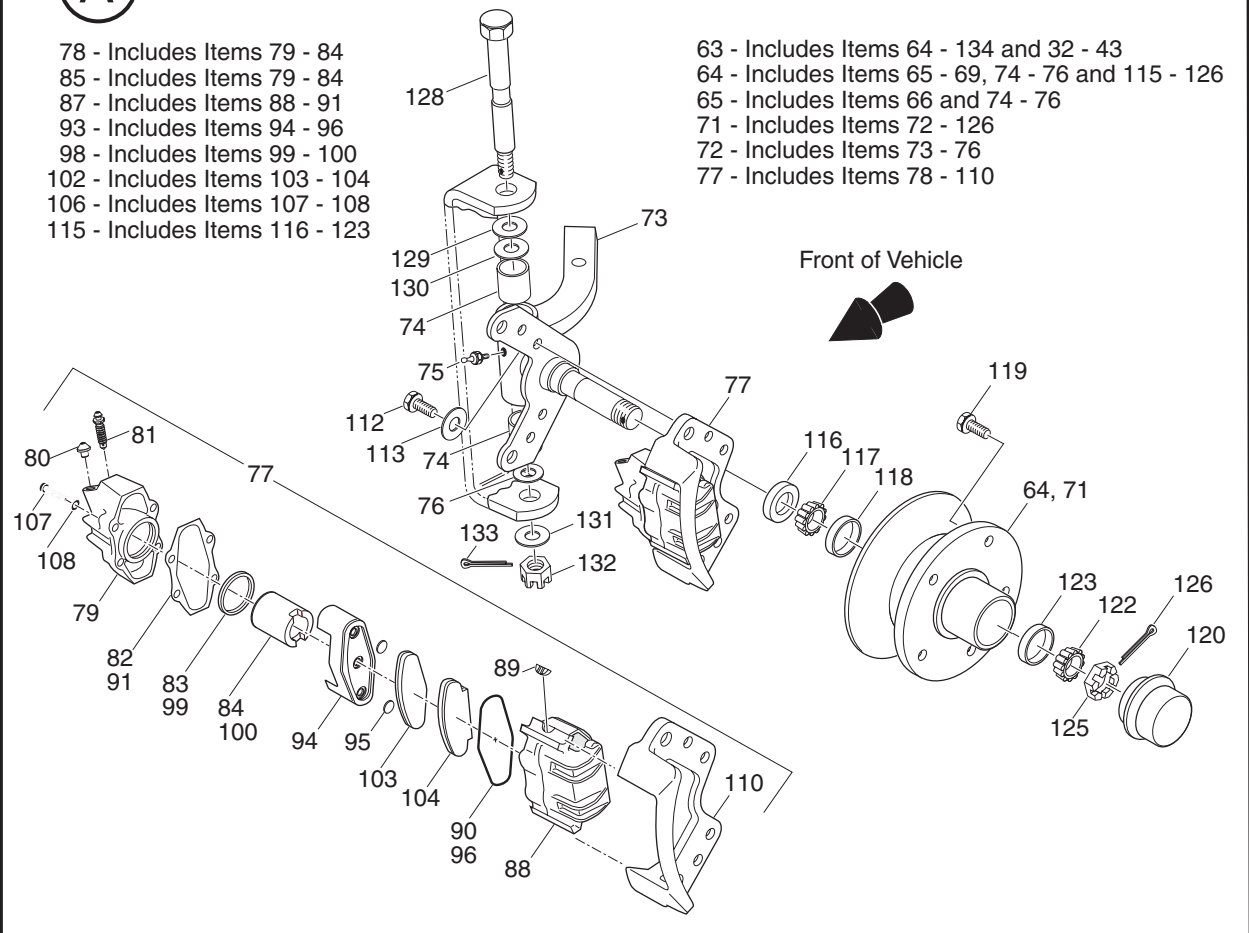
FRONT SUSPENSION / BRAKES

WITHOUT FRONT BRAKES



A

HYDRAULIC FRONT DISC BRAKES



Ref E3p 12-2

FRONT SUSPENSION / BRAKES

When ordering parts, please specify the model and serial number of the product.

* Indicates a component that is not available as an individual part.

G** Indicates consult Customer Service Department for additional information.

| ITEM | PART NO. | 1 2 3 4 5 | DESCRIPTION | QTY. |
|------|------------------|-----------|--|------|
| 1 | <u>34082-G01</u> | | FRONT AXLE ASSEMBLY (INCLUDES ITEMS 2 - 43) | 1 |
| 2 | <u>34088-G01</u> | | SPINDLE AND HUB ASSEMBLY (PASSENGER SIDE) (INCLUDES ITEMS 3 - 4 AND 9 - 22) | 1 |
| 3 | <u>34089-G01</u> | | SPINDLE ASSEMBLY (PASSENGER SIDE) (INCLUDES ITEMS 4 AND 9 - 11) | 1 |
| 4 | 34083-G01 | | SPINDLE (PASSENGER SIDE)..... | 1 |
| 5 | | | | |
| 6 | <u>34286-G01</u> | | SPINDLE AND HUB ASSEMBLY (DRIVER SIDE) (INCLUDES ITEMS 7 - 22) | 1 |
| 7 | <u>34285-G01</u> | | SPINDLE ASSEMBLY (DRIVER SIDE) (INCLUDES ITEMS 8 - 11) | 1 |
| 8 | <u>34284-G01</u> | | SPINDLE (DRIVER SIDE) | 1 |
| 9 | <u>16623-G1</u> | | BEARING | 2 |
| 10 | <u>10389-G3</u> | | GREASE FITTING | 1 |
| 11 | <u>16626-G1</u> | | OIL SEAL | 1 |
| 12 | | | | |
| 13 | <u>32783-G1</u> | | HUB ASSEMBLY (INCLUDES ITEMS 14 - 19) | 1 |
| 14 | <u>12092-G1</u> | | GREASE SEAL | 1 |
| 15 | <u>11750-G2</u> | | ROLLER BEARING CONE | 2 |
| 16 | <u>51141-G1</u> | | BEARING CUP | 2 |
| 17 | 30143-G1 | | LUG BOLT, 1/2 - 20 X 1 7/32" LG | 5 |
| 18 | <u>30146-G1</u> | | DUST CAP | 1 |
| 19 | 12730-G1 | | WHEEL BEARING GREASE | A/R |
| 20 | | | | |
| 21 | 12093-G1 | | CASTELLATED NUT, 1 - 14 | 1 |
| 22 | <u>00798-G8</u> | | COTTER PIN, 5/32" X 1 3/4" LG | 1 |
| 23 | | | | |
| 24 | <u>25177-G2</u> | | KING PIN | 2 |
| 25 | <u>00879-G7</u> | | WASHER, 7/8" | 2 |
| 26 | <u>16982-G1</u> | | THRUST WASHER, 7/8" | 2 |
| 27 | <u>00560-G5</u> | | WASHER, 5/8" | 2 |

FRONT SUSPENSION / BRAKES

When ordering parts, please specify the model and serial number of the product.

* Indicates a component that is not available as an individual part.

G** Indicates consult Customer Service Department for additional information.

| ITEM | PART NO. | 1 | 2 | 3 | 4 | 5 | DESCRIPTION | QTY. |
|------|------------------|---|---|---|---|---|---|------|
| 28 | <u>14390-G2</u> | | | | | | LOCK NUT, 5/8 - 18 | 2 |
| 29 | <u>19060-G1</u> | | | | | | COTTER PIN, 1 1/4" LG | 2 |
| 30 | <u>34081-G01</u> | | | | | | FRONT AXLE | 1 |
| 31 | | | | | | | | |
| 32 | <u>34084-G01</u> | | | | | | TIE ROD (INCLUDES ITEMS 33 - 37)..... | 1 |
| 33 | <u>70583-G08</u> | | | | | | THREADED TUBE WITH FLAT | 1 |
| 34 | <u>27205-G01</u> | | | | | | TIE ROD END (LEFT HAND THREADS)..... | 1 |
| 35 | <u>18434-G3</u> | | | | | | JAM NUT, 9/16 - 18 (LEFT HAND THREADS)..... | 1 |
| 36 | <u>27205-G02</u> | | | | | | TIE ROD END (RIGHT HAND THREADS) | 1 |
| 37 | <u>18434-G4</u> | | | | | | JAM NUT, 9/16 - 18 (RIGHT HAND THREADS) | 1 |
| 38 | | | | | | | | |
| 39 | <u>10389-G3</u> | | | | | | GREASE FITTING | 2 |
| 40 | <u>50641-G1</u> | | | | | | RUBBER BOOT | 2 |
| 41 | <u>50209-G2</u> | | | | | | CASTELLATED NUT, 7/16 - 20 | 2 |
| 42 | <u>10387-G2</u> | | | | | | COTTER PIN, 3/32" X 1" LG | 2 |
| 43 | <u>12730-G1</u> | | | | | | WHEEL BEARING GREASE | A/R |
| 44 | | | | | | | | |
| 45 | <u>33670-G01</u> | | | | | | LEAF SPRING..... | 2 |
| 46 | <u>20098-G1</u> | | | | | | RUBBER BUSHING | 12 |
| 47 | <u>30035-G1</u> | | | | | | LEAF SPRING SHACKLE | 2 |
| 48 | <u>30035-G2</u> | | | | | | LEAF SPRING SHACKLE | 2 |
| 49 | <u>15727-G1</u> | | | | | | SHOULDER BOLT, 3/8 - 16 X 2 3/8" LG | 4 |
| 50 | <u>13521-G4</u> | | | | | | LOCK NUT, 3/8 - 16 | 6 |
| 51 | <u>14158-G1</u> | | | | | | SHOULDER BOLT, 3/8 - 16 X 3 1/4" LG | 2 |
| 52 | <u>34032-G02</u> | | | | | | SPRING MOUNTING PLATE | 2 |
| 53 | <u>00428-G2</u> | | | | | | BOLT, 3/8 - 16 X 2 1/4" LG | 8 |
| 54 | <u>11098-G5</u> | | | | | | LOCK NUT, 3/8 - 16 | 8 |
| 55 | | | | | | | | |
| 56 | <u>21781-G1</u> | | | | | | SHOCK ABSORBER..... | 2 |
| 57 | <u>10435-G1</u> | | | | | | SHOCK ABSORBER WASHER | 4 |

FRONT SUSPENSION / BRAKES

When ordering parts, please specify the model and serial number of the product.

* Indicates a component that is not available as an individual part.

G** Indicates consult Customer Service Department for additional information.

| ITEM | PART NO. | 1 | 2 | 3 | 4 | 5 | DESCRIPTION | QTY. |
|------|------------------|---|---|---|---|---|---|------|
| 58 | <u>10194-G1</u> | | | | | | RUBBER BUSHING | 4 |
| 59 | <u>00532-G6</u> | | | | | | NUT, 3/8 - 24 | 2 |
| 60 | <u>00458-G2</u> | | | | | | BOLT, 5/8 - 11 X 2 1/4" LG | 2 |
| 61 | <u>14390-G7</u> | | | | | | LOCK NUT, 5/8 - 11 | 2 |
| 62 | | | | | | | | |
| 63 | 34082-G03 | | | | | | FRONT AXLE ASSEMBLY WITH HYDRAULIC DISC BRAKES (INCLUDES ITEMS 64 - 134 AND 32 - 43)..... | 1 |
| 64 | 34114-G02 | | | | | | SPINDLE AND DISC HUB ASSEMBLY (PASSENGER SIDE) (INCLUDES ITEMS 65 - 69, 74 - 76 AND 115 - 126) | 1 |
| 65 | <u>34119-G01</u> | | | | | | SPINDLE ASSEMBLY (PASSENGER SIDE) (INCLUDES ITEMS 66 AND 74 - 76) | 1 |
| 66 | 34103-G01 | | | | | | SPINDLE (PASSENGER SIDE)..... | 1 |
| 67 | 34116-G02 | | | | | | DISC BRAKE ASSEMBLY (PASSENGER SIDE) (NOT SHOWN - OPPOSITE OF ITEM 77)..... | 1 |
| 68 | <u>34118-G01</u> | | | | | | BOLT, M8 X 1.25 X 20 MM LG (NOT SHOWN - OPPOSITE OF ITEM 112)..... | 4 |
| 69 | <u>00565-G8</u> | | | | | | WASHER, 5/16" (NOT SHOWN - OPPOSITE OF ITEM 113)..... | 4 |
| 70 | | | | | | | | |
| 71 | 34115-G02 | | | | | | SPINDLE AND DISC HUB ASSEMBLY (DRIVER SIDE) (INCLUDES ITEMS 72 - 126) | 1 |
| 72 | <u>34119-G02</u> | | | | | | SPINDLE ASSEMBLY (DRIVER SIDE) (INCLUDES ITEMS 73 - 76)..... | 1 |
| 73 | <u>34104-G01</u> | | | | | | SPINDLE (DRIVER SIDE) | 1 |
| 74 | <u>16623-G1</u> | | | | | | BEARING | 2 |
| 75 | <u>10389-G3</u> | | | | | | GREASE FITTING | 1 |
| 76 | <u>16626-G1</u> | | | | | | OIL SEAL | 1 |
| 77 | 34116-G01 | | | | | | DISC BRAKE ASSEMBLY (DRIVER SIDE) (INCLUDES ITEMS 78 - 110) | 1 |
| 78 | <u>34110-G01</u> | | | | | | PISTON AND COVER ASSEMBLY KIT (DRIVER SIDE) (INCLUDES ITEMS 79 - 84) | 1 |
| 79 | * | | | | | | COVER..... | 1 |
| 80 | * | | | | | | SEAT INSERT | 1 |
| 81 | * | | | | | | BLEEDER SCREW | 1 |

FRONT SUSPENSION / BRAKES

When ordering parts, please specify the model and serial number of the product.

* Indicates a component that is not available as an individual part.

G** Indicates consult Customer Service Department for additional information.

| ITEM | PART NO. | 1 | 2 | 3 | 4 | 5 | DESCRIPTION | QTY. |
|------|------------------|---|---|---|---|---|---|------|
| 82 | * | | | | | | GASKET | 1 |
| 83 | * | | | | | | PISTON SQUARE SEAL..... | 1 |
| 84 | * | | | | | | PISTON | 1 |
| 85 | 34110-G02 | | | | | | PISTON AND COVER ASSEMBLY KIT (PASSENGER SIDE) (INCLUDES ITEMS 79 - 84) (ITEMS 80 AND 81 ARE MOUNTED OPPOSITE OF THEIR MOUNTED ORIENTATION IN 34110-G01) | 1 |
| 86 | | | | | | | | |
| 87 | <u>34112-G01</u> | | | | | | DISC BRAKE HOUSING KIT (INCLUDES ITEMS 88 - 91) | 1 |
| 88 | * | | | | | | HOUSING..... | 1 |
| 89 | * | | | | | | RUBBER SPRING..... | 2 |
| 90 | * | | | | | | PISTON "O" RING | 1 |
| 91 | * | | | | | | GASKET | 1 |
| 92 | | | | | | | | |
| 93 | <u>34573-G01</u> | | | | | | DISC BRAKE PISTON AND "O" RING KIT (INCLUDES ITEMS 94 - 96) | 1 |
| 94 | * | | | | | | PISTON | 1 |
| 95 | * | | | | | | PISTON PLUG | 2 |
| 96 | * | | | | | | PISTON "O" RING | 1 |
| 97 | | | | | | | | |
| 98 | <u>34572-G01</u> | | | | | | DISC BRAKE PISTON AND SEAL KIT (INCLUDES ITEMS 99 - 100) | 1 |
| 99 | * | | | | | | PISTON SQUARE SEAL..... | 1 |
| 100 | * | | | | | | PISTON | 1 |
| 101 | | | | | | | | |
| 102 | 34574-G01 | | | | | | DISC BRAKE PADS KIT (INCLUDES ITEMS 103 - 104) | 1 |
| 103 | * | | | | | | BRAKE PAD (PISTON SIDE) | 1 |
| 104 | * | | | | | | BRAKE PAD (HOUSING SIDE)..... | 1 |
| 105 | | | | | | | | |
| 106 | 35222-G01 | | | | | | DISC BRAKE SCREW AND WASHER KIT (INCLUDES ITEMS 107 -108) | 1 |
| 107 | * | | | | | | SCREW M5 X 0.8 X 25 MM LG..... | 1 |
| 108 | * | | | | | | WASHER, #10..... | 1 |

FRONT SUSPENSION / BRAKES

When ordering parts, please specify the model and serial number of the product.

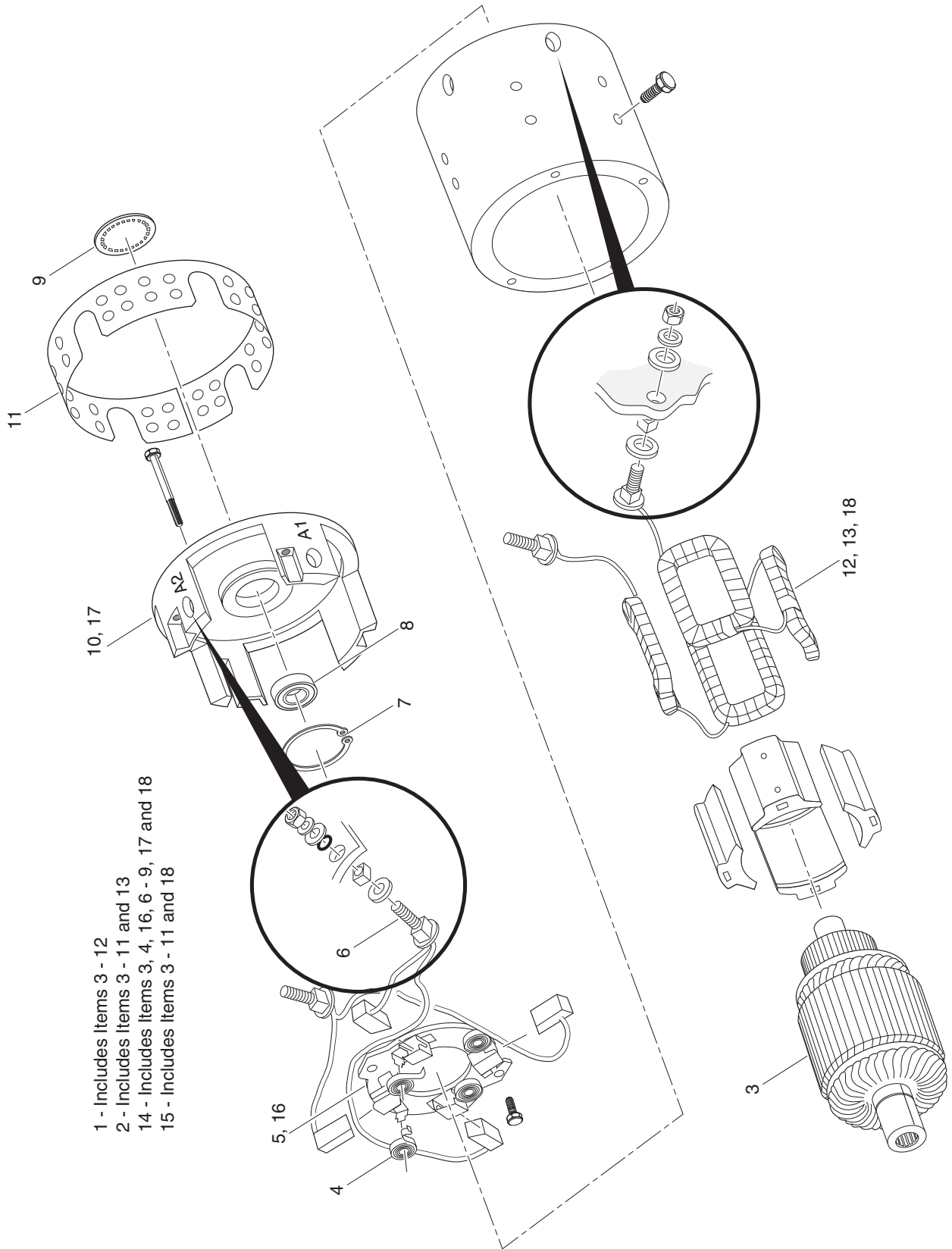
* Indicates a component that is not available as an individual part.

G** Indicates consult Customer Service Department for additional information.

| ITEM | PART NO. | 1 | 2 | 3 | 4 | 5 | DESCRIPTION | QTY. |
|------|------------------|---|---|---|---|---|---|------|
| 109 | | | | | | | | |
| 110 | <u>34108-G01</u> | | | | | | DISC BRAKE MOUNTING BRACKET | 1 |
| 111 | | | | | | | | |
| 112 | <u>34118-G01</u> | | | | | | BOLT, M8 X 1.25 X 20 MM LG | 4 |
| 113 | <u>00565-G8</u> | | | | | | LOCK WASHER, 5/16" | 4 |
| 114 | | | | | | | | |
| 115 | <u>32783-G1</u> | | | | | | HUB ASSEMBLY (INCLUDES ITEMS 116 - 123) | 1 |
| 116 | <u>12092-G1</u> | | | | | | GREASE SEAL | 1 |
| 117 | <u>11750-G2</u> | | | | | | ROLLER BEARING (INNER) | 1 |
| 118 | <u>51141-G1</u> | | | | | | BEARING RACE (INNER) | 1 |
| 119 | <u>34117-G01</u> | | | | | | WHEEL BOLT, 1/2 - 20 X 1 3/4" LG | 5 |
| 120 | <u>30146-G1</u> | | | | | | DUST CAP | 1 |
| 121 | 12730-G1 | | | | | | WHEEL BEARING GREASE | A/R |
| 122 | <u>11750-G1</u> | | | | | | ROLLER BEARING (OUTER) | 1 |
| 123 | <u>11752-G1</u> | | | | | | BEARING RACE (OUTER) | 1 |
| 124 | | | | | | | | |
| 125 | 12093-G1 | | | | | | CASTELLATED NUT, 17/32" | 1 |
| 126 | <u>00798-G8</u> | | | | | | COTTER PIN, 5/32" X 1 3/4" LG | 1 |
| 127 | | | | | | | | |
| 128 | <u>25177-G2</u> | | | | | | KING PIN | 2 |
| 129 | <u>00879-G7</u> | | | | | | WASHER, 7/8" | 2 |
| 130 | <u>16982-G1</u> | | | | | | THRUST WASHER, 7/8" | 2 |
| 131 | <u>00560-G5</u> | | | | | | WASHER, 5/8" | 2 |
| 132 | <u>14390-G2</u> | | | | | | LOCK NUT, 5/8 - 18 | 2 |
| 133 | <u>19060-G1</u> | | | | | | COTTER PIN, 1 1/4" LG | 2 |
| 134 | <u>34081-G01</u> | | | | | | FRONT AXLE | 1 |

FRONT SUSPENSION / BRAKES

MOTOR



Ref Mtr 12

MOTOR

When ordering parts, please specify the model and serial number of the product.

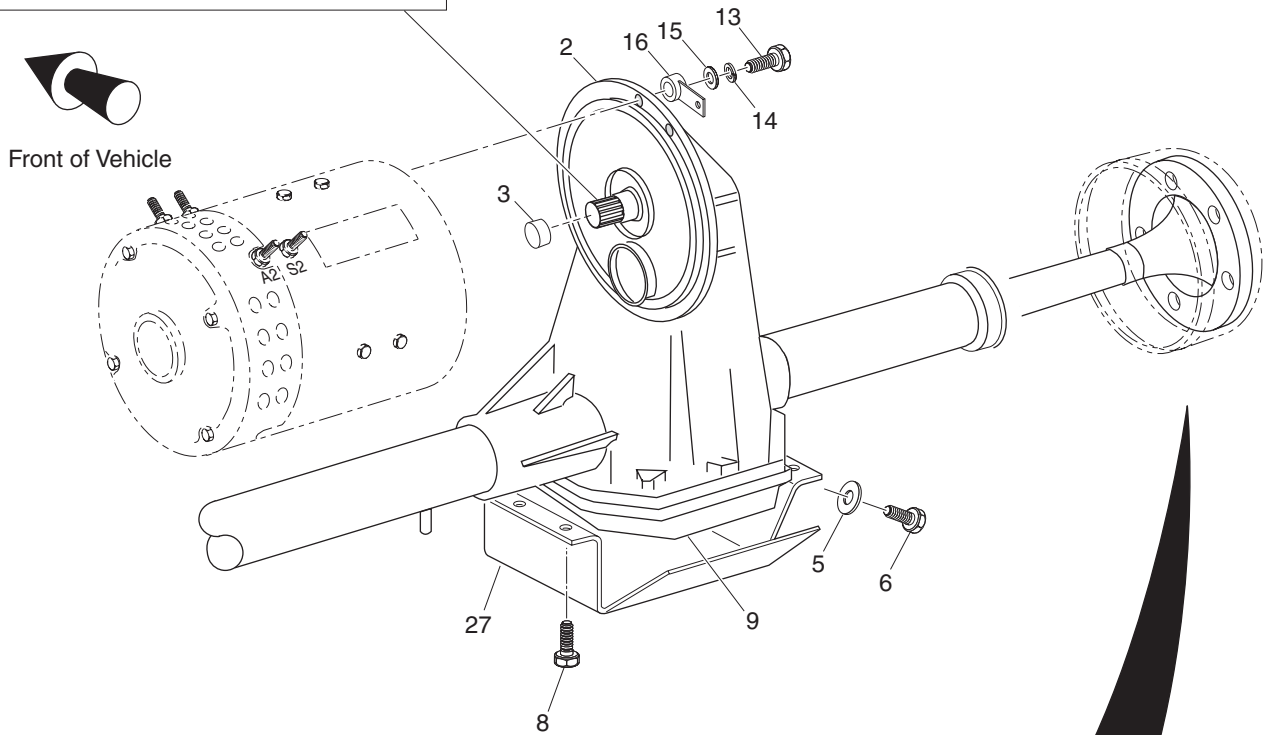
* Indicates a component that is not available as an individual part.

G** Indicates consult Customer Service Department for additional information.

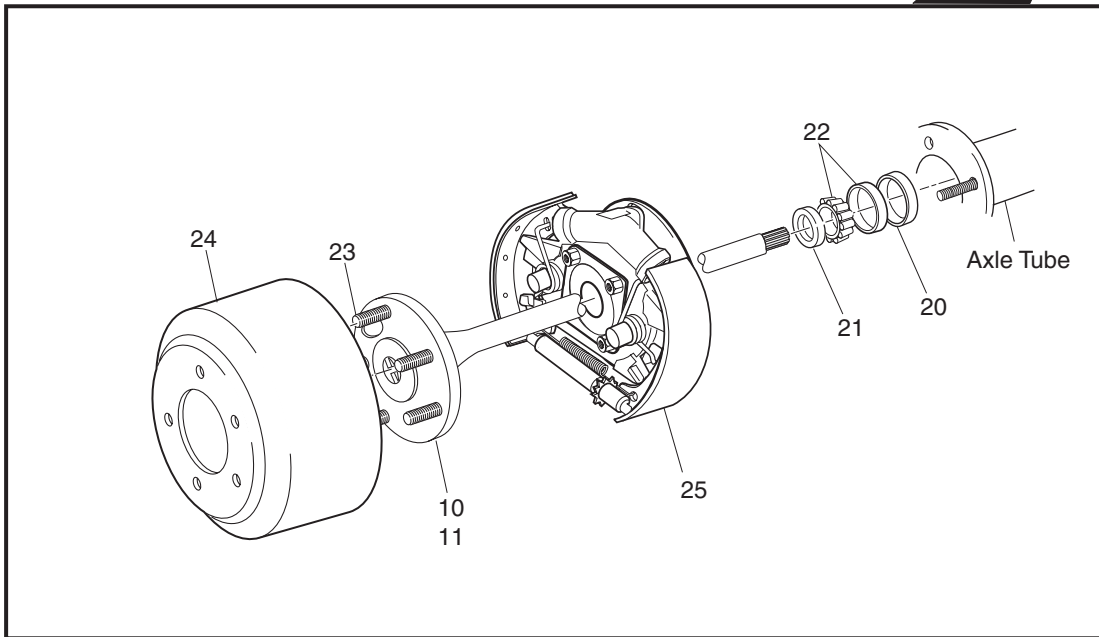
| ITEM | PART NO. | 1 2 3 4 5 | DESCRIPTION | QTY. |
|------|------------------|-----------|---|------|
| 1 | <u>73124-G04</u> | | MOTOR, 2 HP 36V VENTED - STANDARD (INCLUDES ITEMS 3 - 12)..... | 1 |
| 2 | <u>73124-G05</u> | | MOTOR, 2 1/2 HP 36V VENTED - OPTIONAL (INCLUDES ITEMS 3 - 11 AND 13) | 1 |
| 3 | * | | ARMATURE | 1 |
| 4 | <u>73120-G03</u> | | BRUSH SPRING..... | 4 |
| 5 | <u>73120-G04</u> | | BRUSH PLATE AND BOX | 1 |
| 6 | <u>73120-G05</u> | | BRUSH REPLACEMENT KIT (INCLUDES HARDWARE) | 1 |
| 7 | <u>73120-G06</u> | | SNAP RING | 1 |
| 8 | <u>73120-G07</u> | | BEARING..... | 1 |
| 9 | <u>73120-G10</u> | | CAP..... | 1 |
| 10 | <u>73120-G13</u> | | COMMUTATOR END HEAD..... | 1 |
| 11 | <u>73120-G14</u> | | HEAD BAND | 1 |
| 12 | <u>73120-G11</u> | | FIELD COIL KIT (INCLUDES HARDWARE) (FOR STANDARD)..... | 1 |
| 13 | <u>73120-G12</u> | | FIELD COIL KIT (INCLUDES HARDWARE) (FOR HIGH SPEED) | 1 |
| 14 | <u>73291-G01</u> | | MOTOR, 48V STANDARD (INCLUDES ITEMS 3,4,16,6 - 9,17,18) | 1 |
| 15 | <u>73291-G02</u> | | MOTOR, 48V VENTED OPTIONAL (INCLUDES ITEMS 3 - 11 and 18) | 1 |
| 16 | <u>73120-G15</u> | | BRUSH PLATE AND BOX (48V STANDARD)..... | 1 |
| 17 | <u>73120-G08</u> | | COMMUTATOR END HEAD (48V STANDARD) | 1 |
| 18 | <u>73120-G21</u> | | FIELD COIL KIT (INCLUDES HARDWARE) | 1 |

REAR AXLE

NOTE: Apply a light coat of moly grease to male spline before assembly.
Reference item 17



1- Includes Items 2 - 11



Ref Rax 12

REAR AXLE

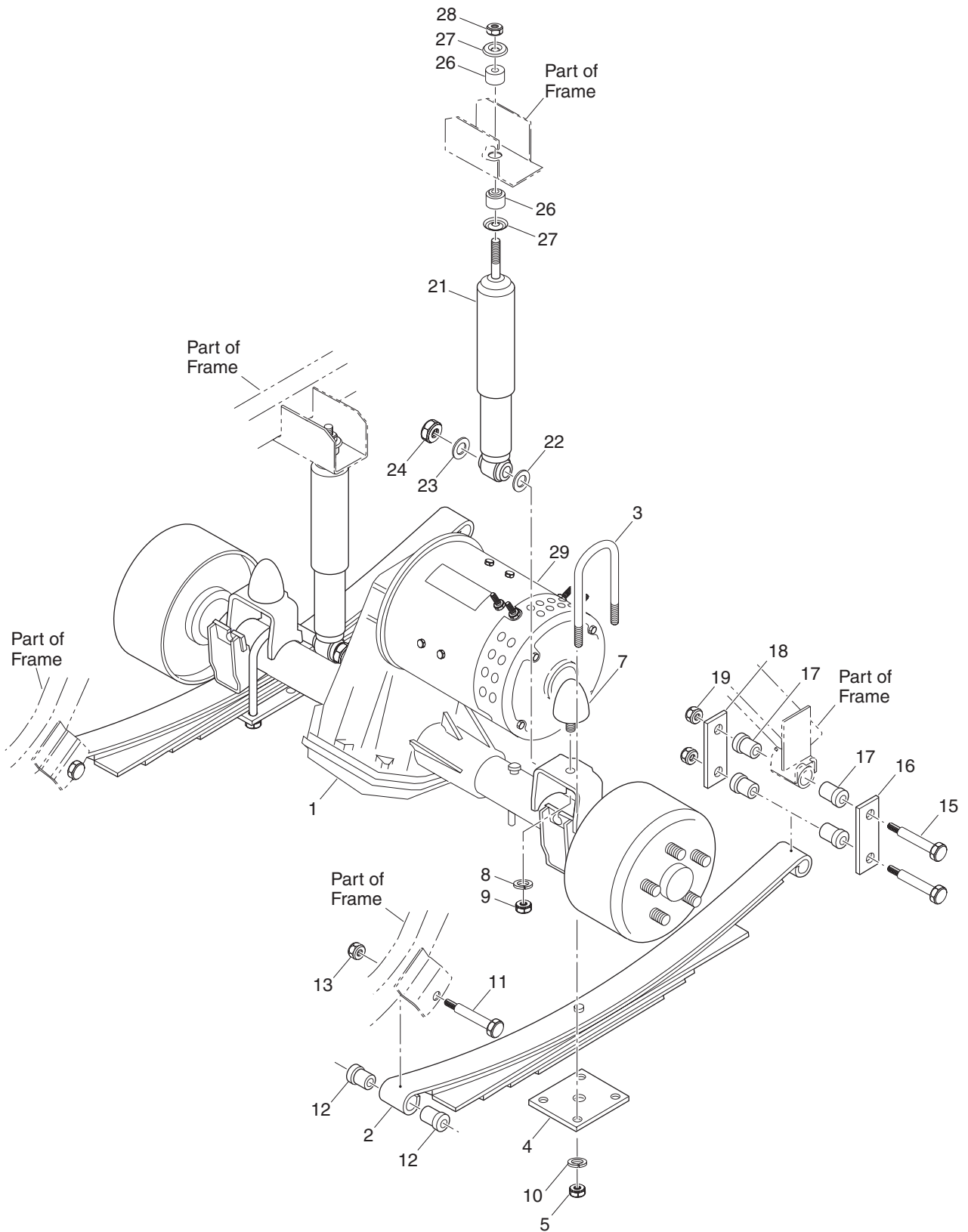
When ordering parts, please specify the model and serial number of the product.

* Indicates a component that is not available as an individual part.

G** Indicates consult Customer Service Department for additional information.

| ITEM | PART NO. | 1 2 3 4 5 | DESCRIPTION | QTY. |
|------|------------------|-----------|---|------|
| 1 | 35525-G01 | | REAR AXLE AND BRAKE ASSEMBLY (INCLUDES ITEMS 2 - 11)..... | 1 |
| 2 | * | | REAR AXLE..... | 1 |
| 3 | <u>24261-G1</u> | | BUMPER SPLINE..... | 1 |
| 4 | | | | |
| 5 | 25227-G1 | | WASHER..... | 1 |
| 6 | 25226-G1 | | FILL/CHECK PLUG..... | 1 |
| 7 | | | | |
| 8 | <u>15558-G1</u> | | BOLT, 5/16 - 18 X 3/4" LG..... | 10 |
| 9 | <u>25228-G1</u> | | DIFFERENTIAL COVER..... | 1 |
| 10 | <u>23589-G5</u> | | AXLE SHAFT (DRIVER SIDE)..... | 1 |
| 11 | <u>23589-G6</u> | | AXLE SHAFT (PASSENGER SIDE)..... | 1 |
| 12 | | | | |
| 13 | <u>00797-G2</u> | | BOLT, 1/4 - 20 X 1 1/4" LG..... | 3 |
| 14 | <u>00664-G7</u> | | LOCK WASHER, 1/4" (STAINLESS STEEL)..... | 3 |
| 15 | <u>01110-G01</u> | | WASHER, 1/4" (STAINLESS STEEL)..... | 3 |
| 16 | <u>27327-G01</u> | | CLAMP..... | 1 |
| 17 | 28095-G01 | | MOLY LUBE, 2 OZ. | A/R |
| 18 | | | | |
| 19 | | | | |
| 20 | 14585-G1 | | INNER OIL SEAL..... | 1 |
| 21 | 14584-G1 | | BEARING RETAINER RING..... | 1 |
| 22 | <u>13084-G1</u> | | WHEEL BEARING ASSEMBLY..... | 1 |
| 23 | 14590-G1 | | WHEEL BOLT, 1/2 - 20..... | 5 |
| 24 | XXXXX-XX | | BRAKE DRUM (SEE BRAKES SECTION)..... | 1 |
| 25 | XXXXX-XX | | BRAKE ASSEMBLY (SEE BRAKES SECTION)..... | 1 |
| 26 | | | | |
| 27 | <u>25353-G1</u> | | DIFFERENTIAL GUARD (OPTIONAL)..... | 1 |

REAR SUSPENSION



Ref Rsp 12

REAR SUSPENSION

When ordering parts, please specify the model and serial number of the product.

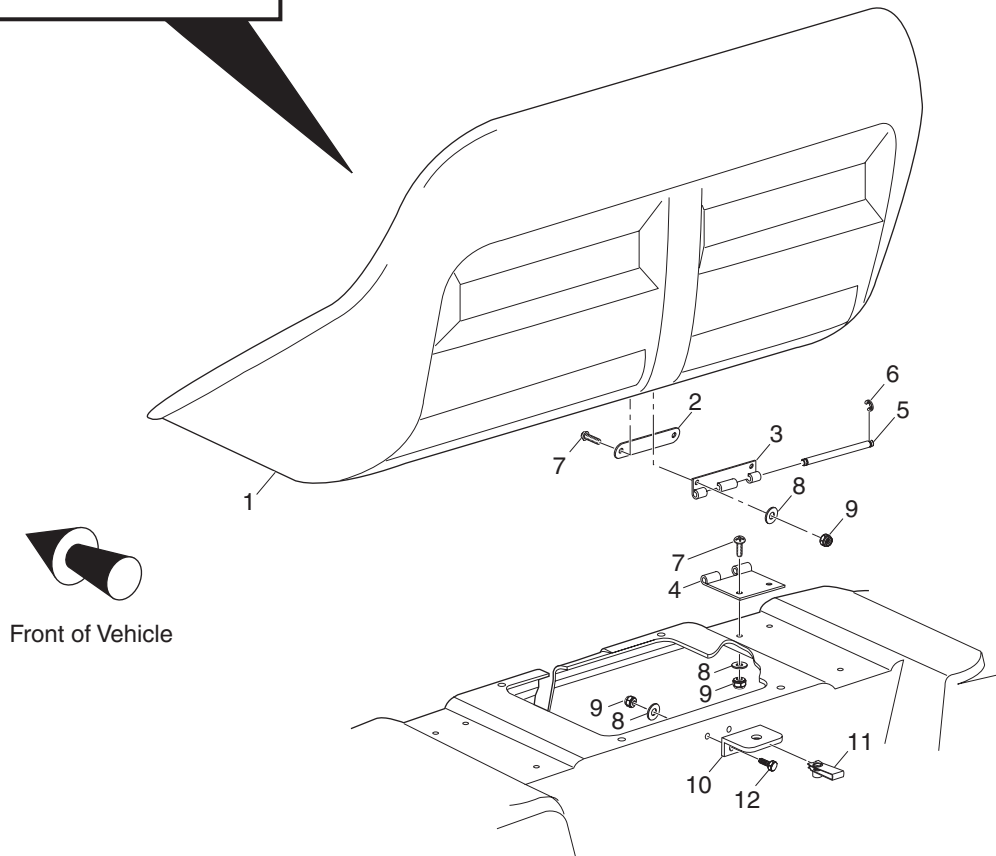
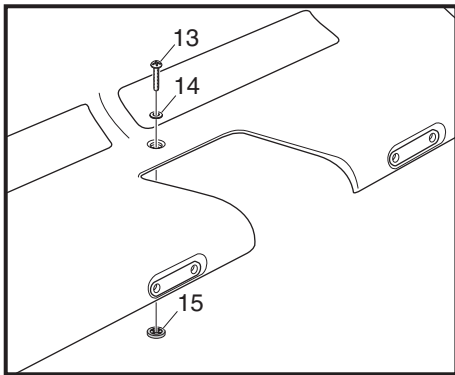
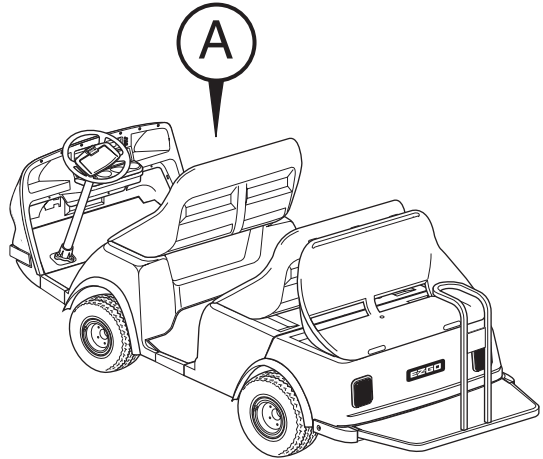
* Indicates a component that is not available as an individual part.

G** Indicates consult Customer Service Department for additional information.

| ITEM | PART NO. | 1 2 3 4 5 | DESCRIPTION | QTY. |
|------|------------------|-----------|---|------|
| 1 | XXXXX-XX | | REAR AXLE (SEE REAR AXLE SECTION FOR PART NUMBER) | 1 |
| 2 | 34041-G01 | | LEAF SPRING..... | 2 |
| 3 | <u>30553-G1</u> | | 'U' BOLT, 3/8 - 16 X 2 1/8" X 5" LG | 4 |
| 4 | <u>34010-G01</u> | | SPRING PLATE | 2 |
| 5 | <u>11098-G5</u> | | LOCK NUT, 3/8 - 16 | 8 |
| 6 | | | | |
| 7 | <u>70492-G01</u> | | RUBBER BUMPER | 2 |
| 8 | <u>00968-G01</u> | | LOCK WASHER, 10 MM..... | 2 |
| 9 | <u>00974-G01</u> | | NUT, M10 X 1.5..... | 2 |
| 10 | <u>00560-G1</u> | | WASHER, 3/8" | 8 |
| 11 | <u>14158-G1</u> | | SHOULDER BOLT, 3/8 - 16 X 3 1/4" LG | 2 |
| 12 | <u>20098-G1</u> | | RUBBER BUSHING | 4 |
| 13 | <u>13521-G4</u> | | LOCK NUT, 3/8 - 16 | 2 |
| 14 | | | | |
| 15 | <u>15727-G1</u> | | SHOULDER BOLT, 3/8 - 16 X 3 1/8" LG | 4 |
| 16 | <u>34135-G01</u> | | SHACKLE (OUTBOARD)..... | 2 |
| 17 | <u>20098-G1</u> | | RUBBER BUSHING | 8 |
| 18 | <u>34135-G02</u> | | SHACKLE (INBOARD)..... | 2 |
| 19 | <u>13521-G4</u> | | LOCK NUT, 3/8 - 16 | 4 |
| 20 | | | | |
| 21 | <u>21782-G1</u> | | SHOCK ABSORBER..... | 2 |
| 22 | <u>70472-G01</u> | | SHOCK ABSORBER SPACER | 2 |
| 23 | <u>00643-G3</u> | | WASHER, 1/2" | 2 |
| 24 | <u>00551-G1</u> | | LOCK NUT, 1/2 - 13 | 2 |
| 25 | | | | |
| 26 | <u>10194-G1</u> | | RUBBER BUSHING | 4 |
| 27 | <u>10435-G1</u> | | SHOCK ABSORBER WASHER..... | 4 |
| 28 | <u>00532-G6</u> | | NUT, 3/8 - 24 | 2 |
| 29 | XXXXX-XX | | MOTOR (SEE MOTOR SECTION FOR PART NUMBER)..... | 1 |

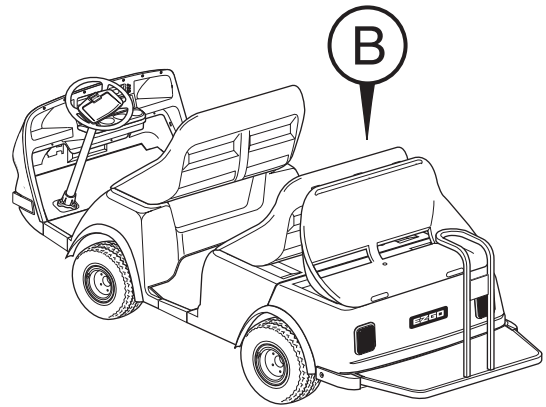
SEATS

SHUTTLE 956 SHOWN

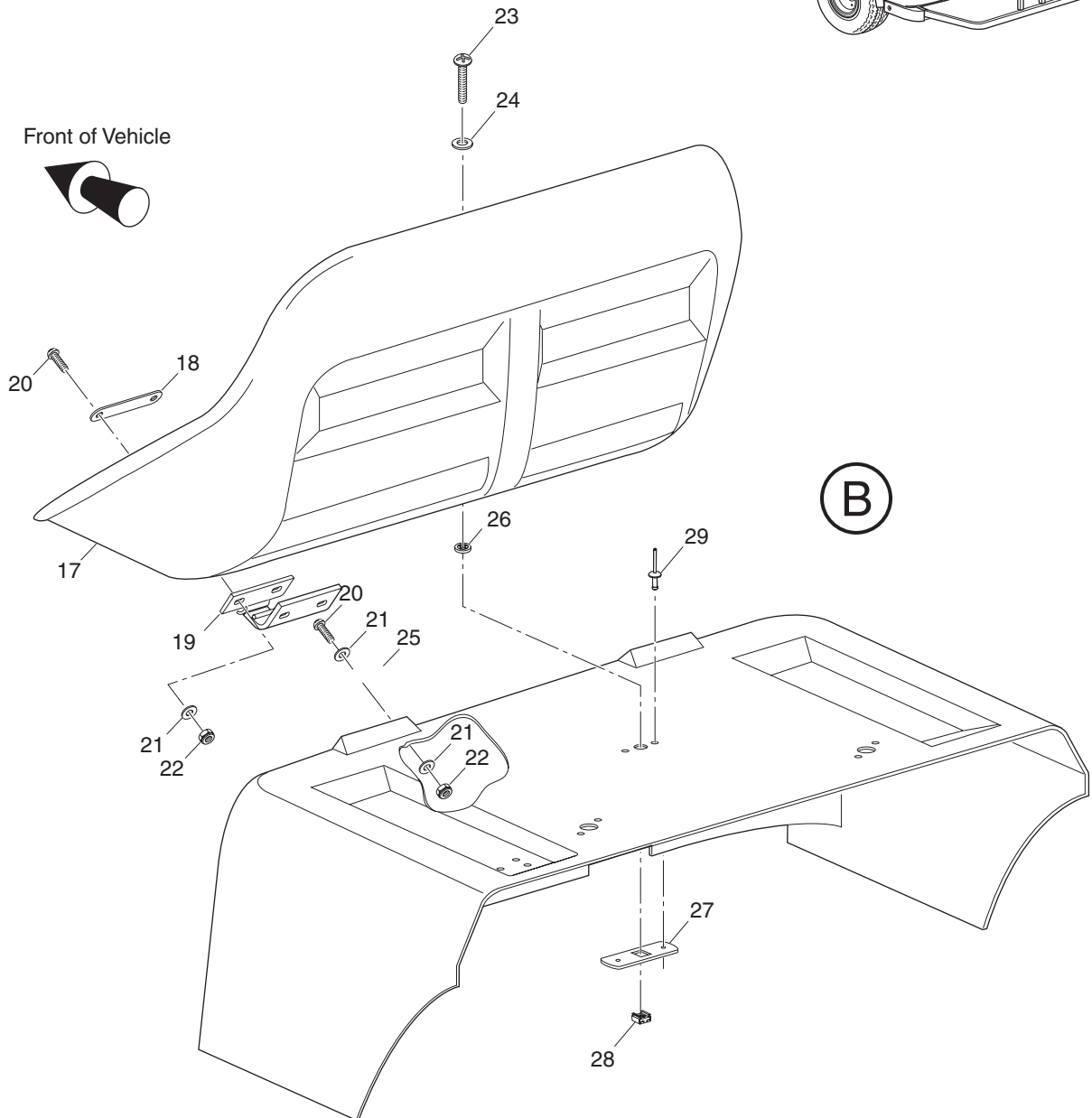


Ref Sea 12-1

SHUTTLE 956 SHOWN



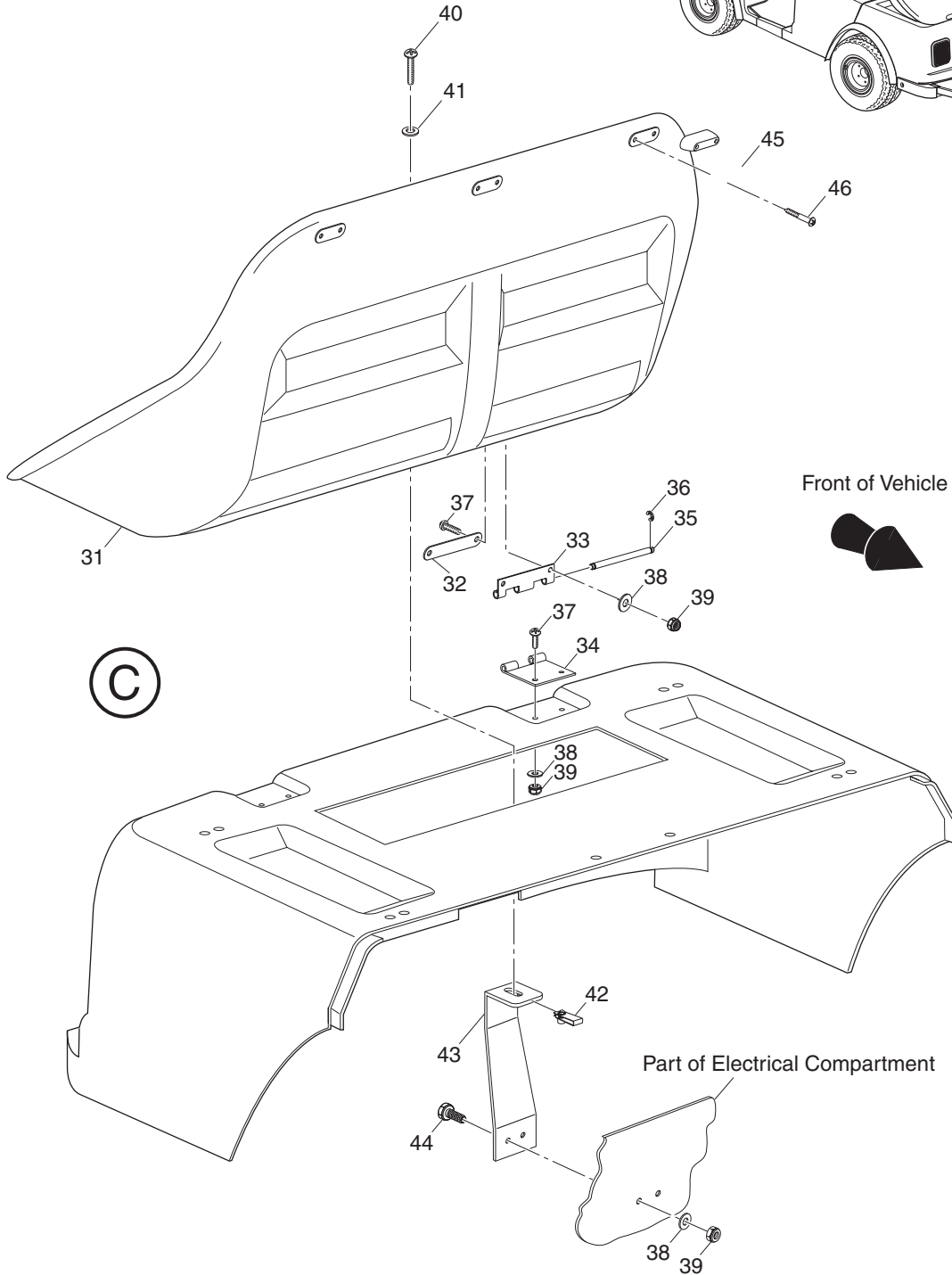
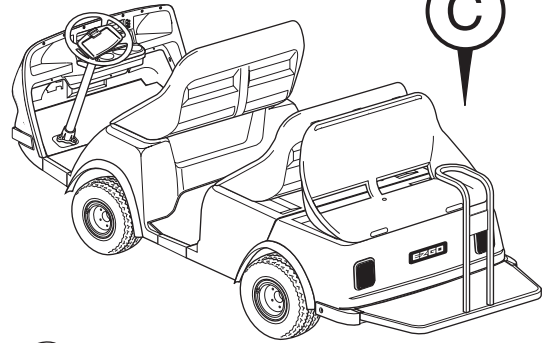
Front of Vehicle



Ref Sea 12-2

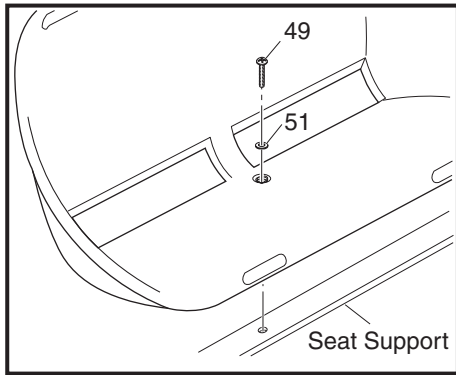
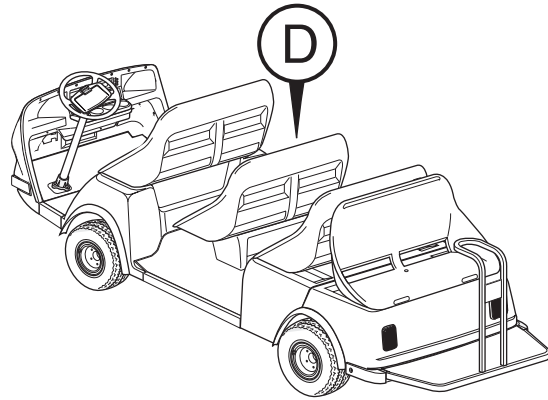
SEATS

SHUTTLE 956 SHOWN

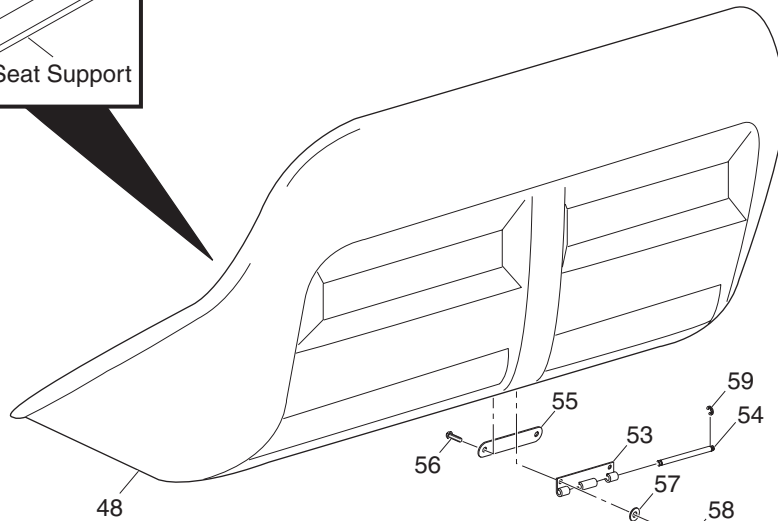


Ref Sea 12-3

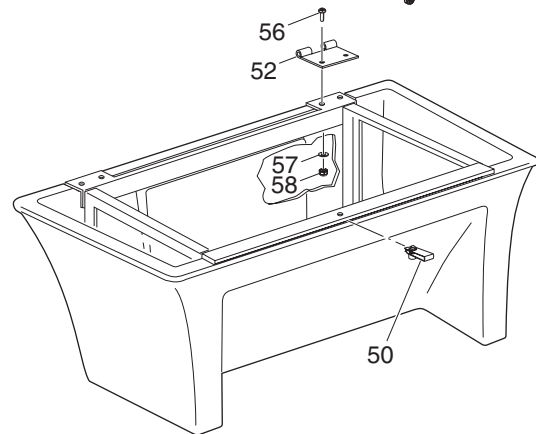
SHUTTLE 957 SHOWN



Front of Vehicle



D



Ref Sea 12-4

SEATS

When ordering parts, please specify the model and serial number of the product.

* Indicates a component that is not available as an individual part.

G** Indicates consult Customer Service Department for additional information.

| ITEM | PART NO. | 1 2 3 4 5 | DESCRIPTION | QTY. |
|------|------------------|-----------|---|------|
| 1 | 34098-G02 | | FRONT SEAT | 1 |
| 2 | <u>34230-G01</u> | | BACKING PLATE | 2 |
| 3 | 34198-G01 | | HINGE (SEAT HALF) | 2 |
| 4 | <u>34197-G01</u> | | HINGE (HOUSING HALF)..... | 2 |
| 5 | <u>34228-G01</u> | | HINGE PIN | 2 |
| 6 | <u>14117-G1</u> | | RETAINING RING | 4 |
| 7 | <u>16705-G9</u> | | SCREW, 1/4 - 20 X 1 1/4" LG (STAINLESS STEEL) | 8 |
| 8 | <u>01110-G01</u> | | WASHER, 1/4" (STAINLESS STEEL) | 10 |
| 9 | <u>00654-G2</u> | | LOCK NUT, 1/4 - 20 (STAINLESS STEEL) | 10 |
| 10 | 34710-G01 | | LOCKDOWN SUPPORT ANGLE..... | 1 |
| 11 | <u>14776-G1</u> | | RETAINER NUT ('J' TYPE) | 1 |
| 12 | <u>00661-G6</u> | | BOLT, 1/4 - 20 X 3/4" LG (STAINLESS STEEL)..... | 2 |
| 13 | <u>16705-G8</u> | | SCREW, 1/4 - 20 X 2" LG (STAINLESS STEEL) | 1 |
| 14 | <u>01110-G01</u> | | WASHER, 1/4" (STAINLESS STEEL) | 1 |
| 15 | <u>34737-G02</u> | | RETAINER | 1 |
| 16 | | | | |
| 17 | 34098-G01 | | SEAT | 1 |
| 18 | <u>34230-G01</u> | | BACKING PLATE | 2 |
| 19 | <u>35744-G01</u> | | HINGE (SEAT HALF) | 2 |
| 20 | <u>16705-G1</u> | | SCREW, 1/4 - 20 X 1" LG (STAINLESS STEEL) | 8 |
| 21 | <u>01110-G01</u> | | WASHER, 1/4" (STAINLESS STEEL) | 12 |
| 22 | <u>00654-G2</u> | | LOCK NUT, 1/4 - 20 (STAINLESS STEEL) | 8 |
| 23 | <u>16705-G8</u> | | SCREW, 1/4 - 20 X 2" LG (STAINLESS STEEL) | 1 |
| 24 | <u>00660-G7</u> | | WASHER, 1/4" (STAINLESS STEEL) | 1 |
| 25 | <u>35745-G01</u> | | HINGE (HOUSING HALF)..... | 2 |
| 26 | <u>34737-G02</u> | | RETAINER | 1 |
| 27 | 35746-G01 | | NUT RETAINER | 1 |
| 28 | <u>34855-G01</u> | | SELF RETAINING NUT, 1/4 - 20..... | 1 |
| 29 | <u>10570-G11</u> | | RIVET, 3/16" X 3/4" LG (STAINLESS STEEL) | 2 |
| 30 | | | | |

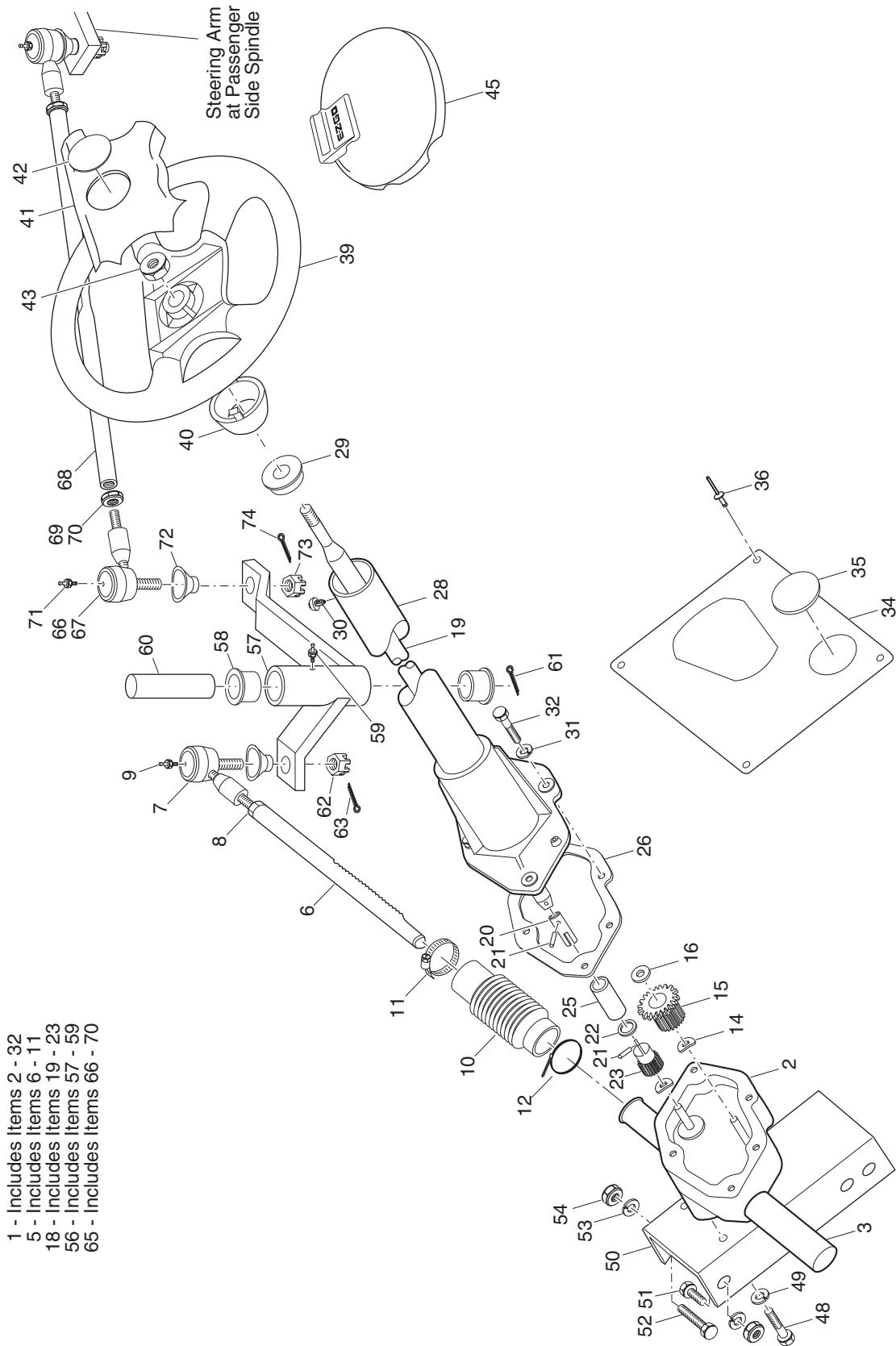
When ordering parts, please specify the model and serial number of the product.

* Indicates a component that is not available as an individual part.

G** Indicates consult Customer Service Department for additional information.

| ITEM | PART NO. | 1 2 3 4 5 | DESCRIPTION | QTY. |
|------|------------------|-----------|---|------|
| 31 | 34098-G01 | | SEAT | 1 |
| 32 | <u>34230-G01</u> | | BACKING PLATE | 2 |
| 33 | 34198-G01 | | HINGE (SEAT HALF) | 2 |
| 34 | <u>34197-G01</u> | | HINGE (HOUSING HALF)..... | 2 |
| 35 | <u>34228-G01</u> | | HINGE PIN | 2 |
| 36 | <u>14117-G1</u> | | RETAINING RING | 4 |
| 37 | <u>16705-G1</u> | | SCREW, 1/4 - 20 X 1" LG (STAINLESS STEEL) | 8 |
| 38 | <u>01110-G01</u> | | WASHER, 1/4" (STAINLESS STEEL) | 10 |
| 39 | <u>00654-G2</u> | | LOCK NUT, 1/4 - 20 (STAINLESS STEEL) | 10 |
| 40 | <u>16705-G8</u> | | SCREW, 1/4 - 20 X 2" LG (STAINLESS STEEL) | 1 |
| 41 | <u>00660-G7</u> | | WASHER, 1/4" (STAINLESS STEEL) | 1 |
| 42 | <u>14776-G1</u> | | RETAINER NUT ('J' TYPE)..... | 1 |
| 43 | <u>34240-G01</u> | | HOLD DOWN BRACKET | 1 |
| 44 | <u>00661-G6</u> | | BOLT, 1/4 - 20 X 3/4" LG (STAINLESS STEEL)..... | 2 |
| 45 | <u>11097-G1</u> | | BUMPER PAD | 3 |
| 46 | <u>00128-G8</u> | | SCREW, #5 - 20 X 1" LG..... | 6 |
| 47 | | | | |
| 48 | 34098-G01 | | SEAT | 1 |
| 49 | <u>16705-G8</u> | | SCREW, 1/4 - 20 X 2" LG (STAINLESS STEEL) | 1 |
| 50 | <u>14776-G1</u> | | RETAINER NUT ('J' TYPE)..... | 1 |
| 51 | <u>34737-G02</u> | | RETAINER | 1 |
| 52 | <u>34197-G02</u> | | HINGE (HOUSING HALF)..... | 2 |
| 53 | 34198-G01 | | HINGE (SEAT HALF) | 2 |
| 54 | <u>34228-G01</u> | | HINGE PIN | 2 |
| 55 | <u>34230-G01</u> | | BACKING PLATE | 2 |
| 56 | <u>16705-G1</u> | | SCREW, 1/4 - 20 X 1" LG (STAINLESS STEEL) | 8 |
| 57 | <u>00660-G7</u> | | WASHER, 1/4" (STAINLESS STEEL) | 9 |
| 58 | <u>00654-G2</u> | | LOCK NUT, 1/4 - 20 (STAINLESS STEEL) | 10 |
| 59 | <u>14117-G1</u> | | RETAINING RING | 4 |

STEERING



Ref Str 12

STEERING

When ordering parts, please specify the model and serial number of the product.

* Indicates a component that is not available as an individual part.

G** Indicates consult Customer Service Department for additional information.

| ITEM | PART NO. | 1 2 3 4 5 | DESCRIPTION | QTY. |
|------|------------------|-----------|---|------|
| 1 | <u>19152-G8</u> | | STEERING UNIT (INCLUDES ITEMS 2 - 32)..... | 1 |
| 2 | <u>13097-G1</u> | | HOUSING (INCLUDES ITEM 3)..... | 1 |
| 3 | <u>13570-G2</u> | | RACK COVER..... | 1 |
| 4 | | | | |
| 5 | <u>15407-G1</u> | | RACK AND ROD END (INCLUDES ITEMS 6 - 11)..... | 1 |
| 6 | * | | STEERING RACK..... | 1 |
| 7 | <u>23278-G1</u> | | BALL JOINT AND TIE ROD END..... | 1 |
| 8 | <u>00532-G8</u> | | NUT, 7/16 - 20..... | 1 |
| 9 | <u>18456-G1</u> | | GREASE FITTING..... | 1 |
| 10 | <u>17617-G1</u> | | BELLOWS..... | 1 |
| 11 | <u>11391-G5</u> | | HOSE CLAMP, 13/16"..... | 1 |
| 12 | <u>17618-G1</u> | | WIRE TIE..... | 1 |
| 13 | | | | |
| 14 | <u>51294-G1</u> | | WAVE WASHER..... | 2 |
| 15 | <u>23279-G1</u> | | REDUCTION GEAR..... | 1 |
| 16 | <u>13059-G2</u> | | THRUST WASHER..... | 1 |
| 17 | | | | |
| 18 | <u>17163-G3</u> | | STEERING SHAFT ASSEMBLY (INCLUDES ITEMS 19 - 23)..... | 1 |
| 19 | * | | STEERING SHAFT..... | 1 |
| 20 | * | | COUPLING..... | 1 |
| 21 | * | | DOWEL PIN, 1/4" X 5/8" LG..... | 2 |
| 22 | * | | THRUST WASHER..... | 1 |
| 23 | * | | STEERING PINION..... | 1 |
| 24 | | | | |
| 25 | <u>17140-G1</u> | | SLEEVE..... | 1 |
| 26 | <u>19154-G1</u> | | GASKET..... | 1 |
| 27 | | | | |
| 28 | <u>19153-G5</u> | | STEERING COLUMN..... | 1 |
| 29 | <u>28569-G01</u> | | STEERING COLUMN BUSHING..... | 1 |
| 30 | <u>01022-G01</u> | | SCREW, #6 - 20 X 5/16" LG..... | 1 |

STEERING

When ordering parts, please specify the model and serial number of the product.

* Indicates a component that is not available as an individual part.

G** Indicates consult Customer Service Department for additional information.

| ITEM | PART NO. | 1 2 3 4 5 | DESCRIPTION | QTY. |
|------|------------------|-----------|--|------|
| 31 | <u>00565-G8</u> | | LOCK WASHER, 5/16" | 4 |
| 32 | <u>00444-G8</u> | | BOLT, 5/16 - 24 X 1" LG..... | 4 |
| 33 | | | | |
| 34 | <u>34122-G01</u> | | COVER PLATE | 1 |
| 35 | <u>20271-G6</u> | | HOLE PLUG..... | 1 |
| 36 | <u>71055-G01</u> | | RIVET, 3/16" X 1" LG (ALUMINUM)..... | 4 |
| 37 | | | | |
| 38 | | | | |
| 39 | <u>71948-G01</u> | | STEERING WHEEL | 1 |
| 40 | <u>71949-G01</u> | | HUB..... | 1 |
| 41 | <u>71147-G01</u> | | COVER..... | 1 |
| 42 | <u>71047-G01</u> | | DECAL | 1 |
| 43 | <u>14390-G2</u> | | LOCK NUT, 5/8 - 18 | 1 |
| 44 | | | | |
| 45 | <u>71950-G01</u> | | CLIPBOARD..... | 1 |
| 46 | | | | |
| 47 | | | | |
| 48 | <u>00276-G6</u> | | BOLT, 5/16 - 24 X 3/4" LG | 3 |
| 49 | <u>00565-G8</u> | | LOCK WASHER, 5/16"..... | 3 |
| 50 | <u>34056-G01</u> | | STEERING SUPPORT..... | 1 |
| 51 | <u>00438-G7</u> | | BOLT, 5/16 - 18 X 7/8" LG | 5 |
| 52 | <u>00439-G2</u> | | BOLT, 5/16 - 18 X 1 1/4" LG | 1 |
| 53 | <u>00559-G8</u> | | WASHER, 5/16" | 6 |
| 54 | <u>01109-G01</u> | | LOCK NUT, 5/16 - 18 (STAINLESS STEEL) | 6 |
| 55 | | | | |
| 56 | <u>34093-G01</u> | | IDLER ASSEMBLY (INCLUDES ITEMS 57 - 59)..... | 1 |
| 57 | <u>34094-G01</u> | | IDLER | 1 |
| 58 | <u>15012-G1</u> | | FLANGED BEARING..... | 2 |
| 59 | <u>10389-G3</u> | | GREASE FITTING | 1 |
| 60 | <u>33264-G01</u> | | IDLER SHAFT | 1 |

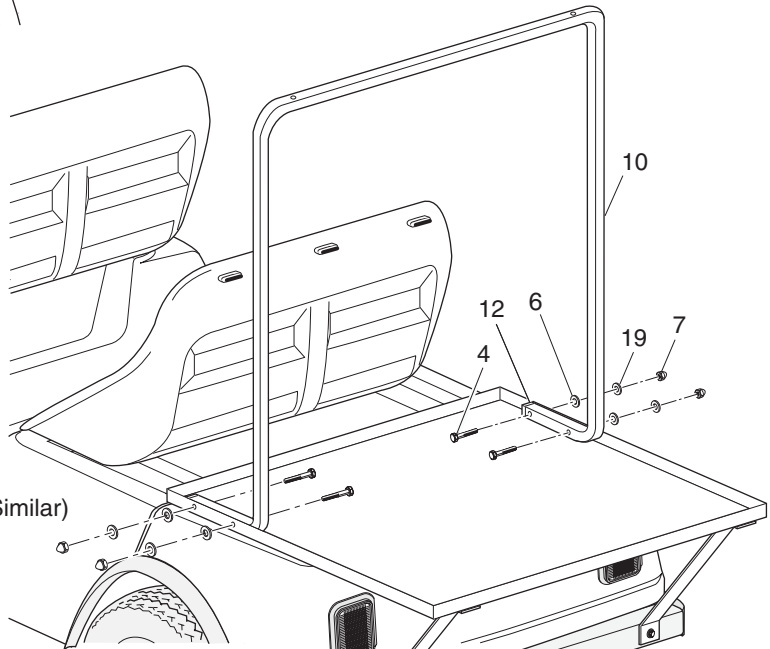
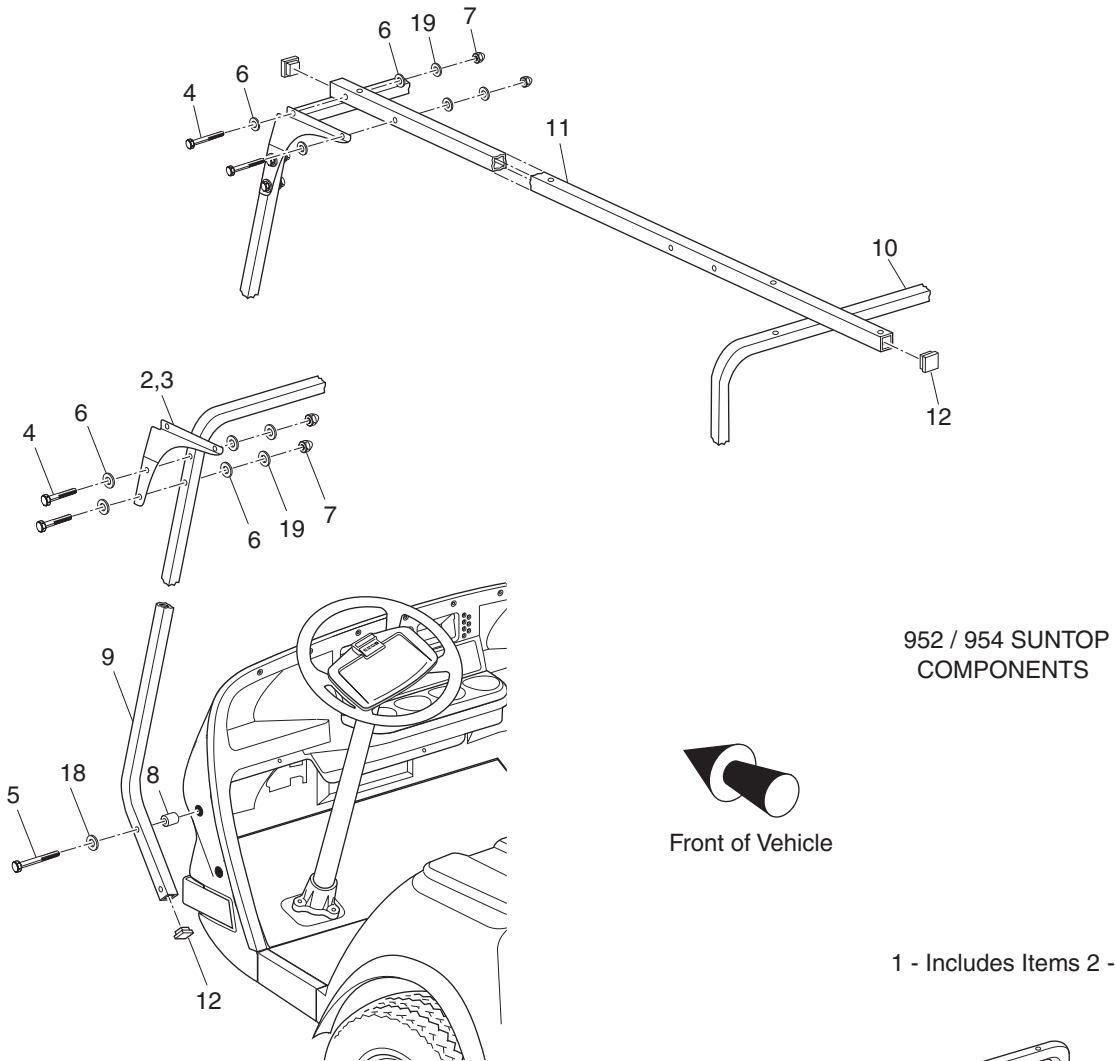
When ordering parts, please specify the model and serial number of the product.

* Indicates a component that is not available as an individual part.

G** Indicates consult Customer Service Department for additional information.

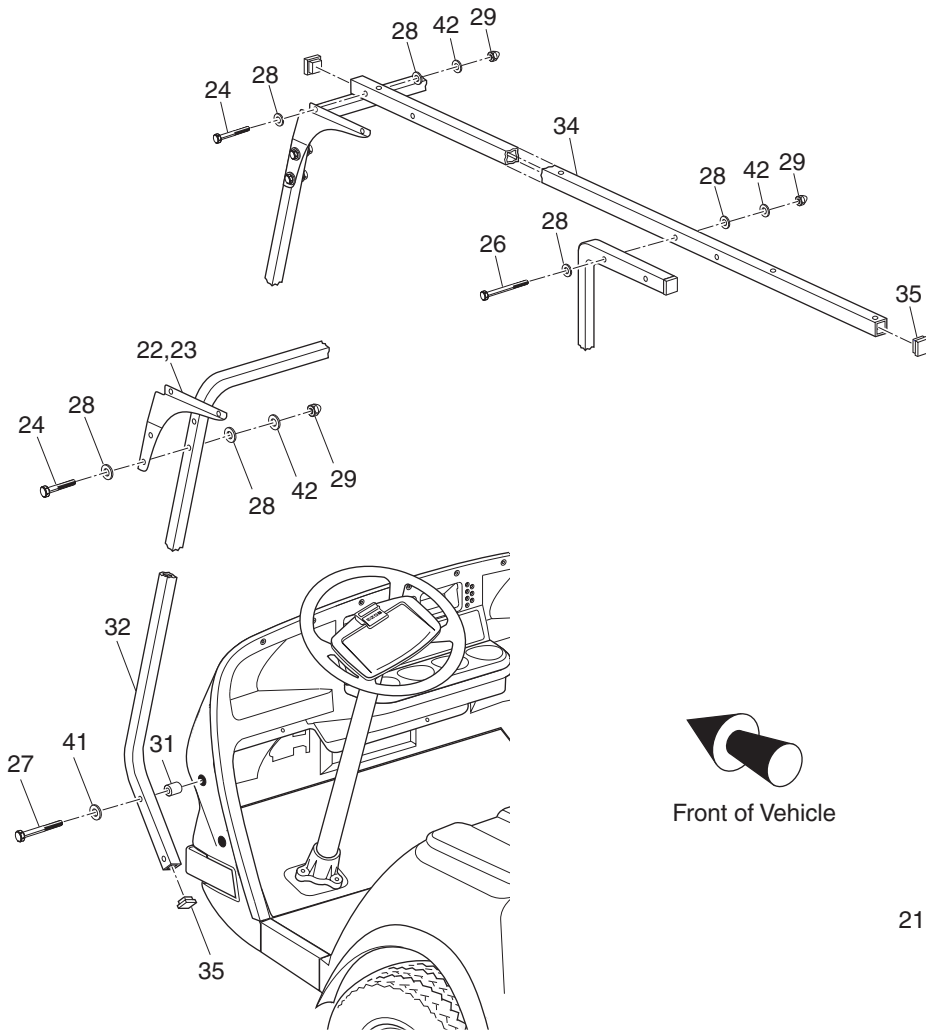
| ITEM | PART NO. | 1 2 3 4 5 | DESCRIPTION | QTY. |
|------|------------------|-----------|--|------|
| 61 | <u>10387-G6</u> | | COTTER PIN, 3/16" X 1 1/2" LG | 1 |
| 62 | <u>50209-G1</u> | | CASTELLATED NUT, 7/16 - 20 | 1 |
| 63 | <u>10387-G2</u> | | COTTER PIN, 3/32" X 1" LG | 1 |
| 64 | | | | |
| 65 | 34084-G03 | | TIE ROD (INCLUDES ITEMS 66 - 70) | 1 |
| 66 | <u>27205-G01</u> | | TIE ROD END (LEFT HAND THREADS) | 1 |
| 67 | <u>27205-G02</u> | | TIE ROD END (RIGHT HAND THREADS) | 1 |
| 68 | 70583-G09 | | THREADED TUBE WITH FLAT | 1 |
| 69 | <u>18434-G3</u> | | JAM NUT, 9/16 - 18 (LEFT HAND THREADS) | 1 |
| 70 | <u>18434-G4</u> | | JAM NUT, 9/16 - 18 (RIGHT HAND THREADS)..... | 1 |
| 71 | <u>10389-G3</u> | | GREASE FITTING | 2 |
| 72 | <u>50641-G1</u> | | RUBBER BOOT | 2 |
| 73 | <u>50209-G2</u> | | CASTELLATED NUT, 7/16 - 20 | 2 |
| 74 | <u>10387-G2</u> | | COTTER PIN, 3/32" X 1" LG | 2 |

WEATHER PROTECTION



Ref Wea 13-1

WEATHER PROTECTION

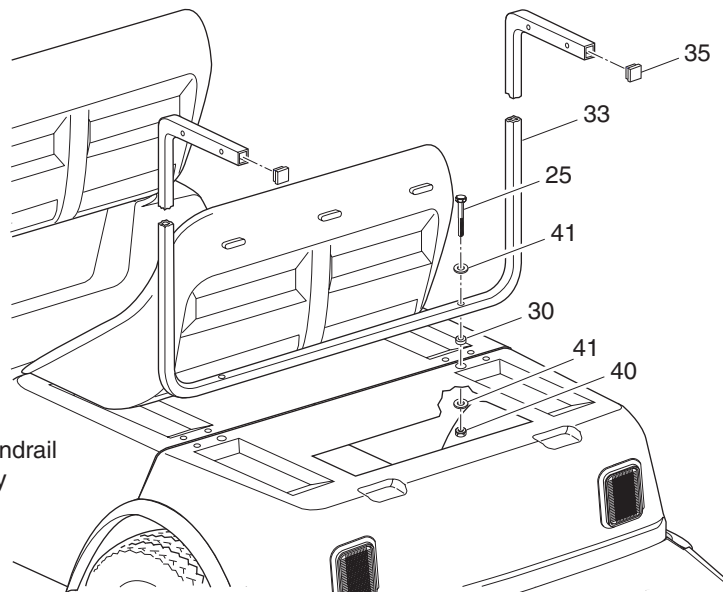


956 SUNTOP
COMPONENTS



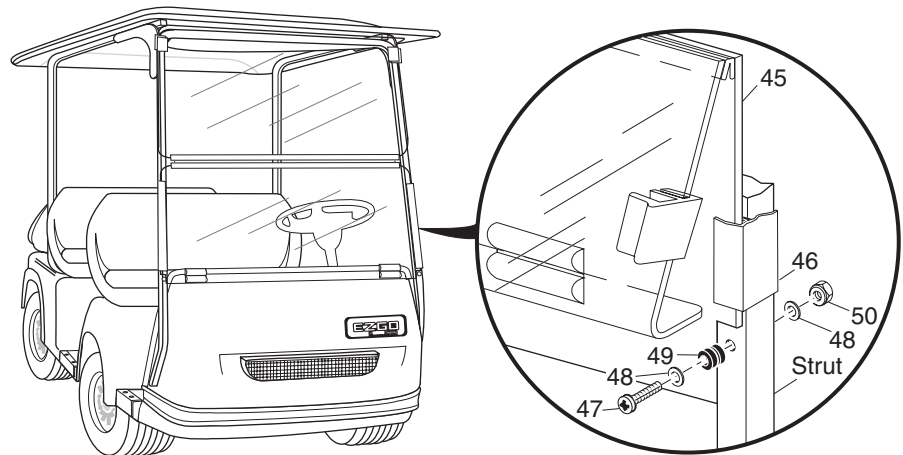
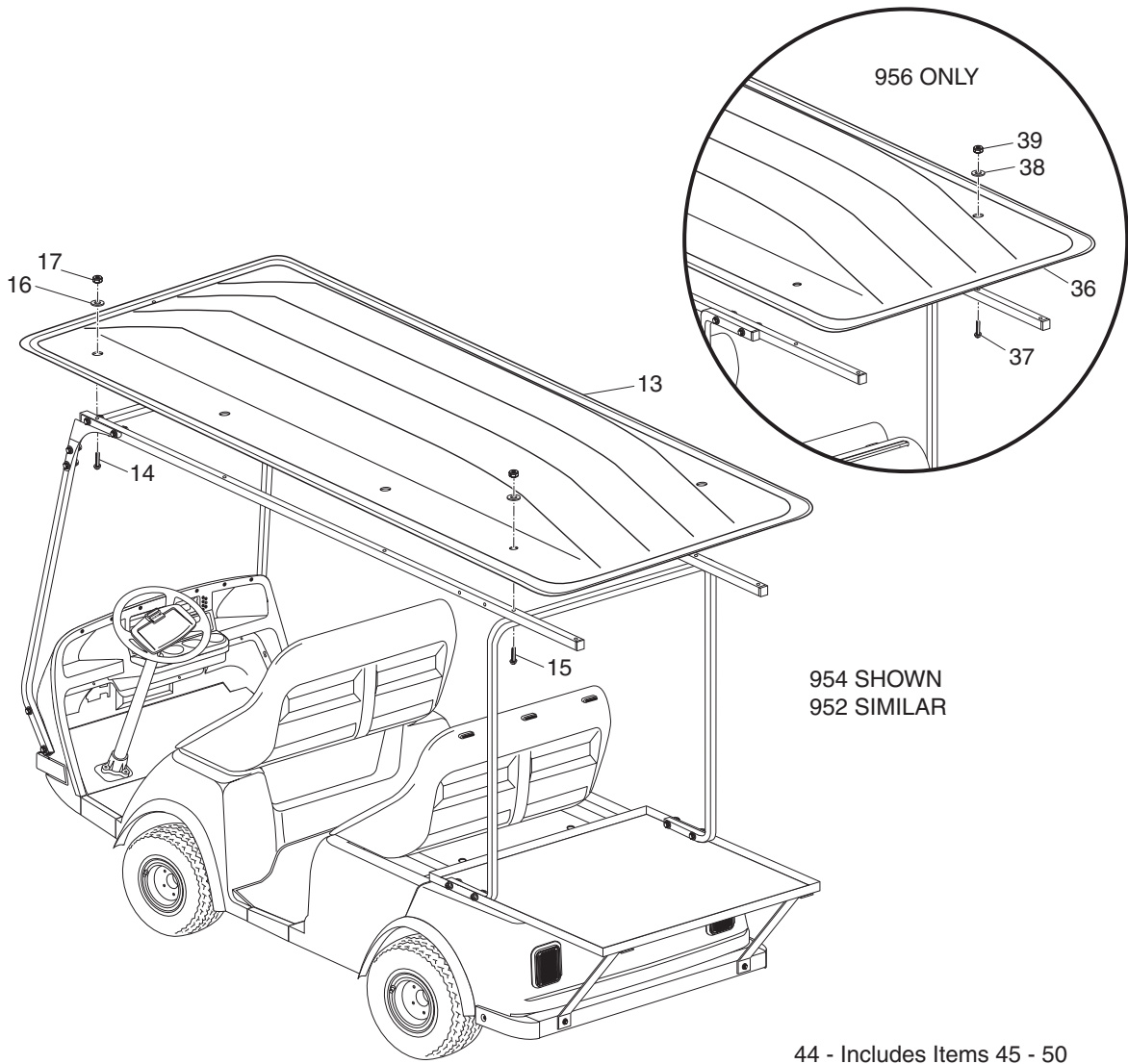
21 - Includes Items 22 - 42

NOTE:
Back Seat and Handrail
Omitted For Clarity



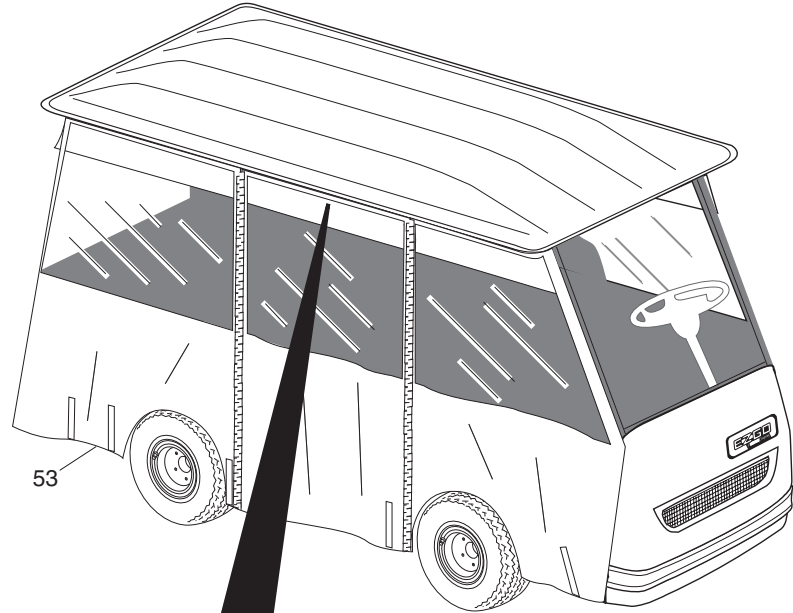
Ref Wea 13-2

WEATHER PROTECTION

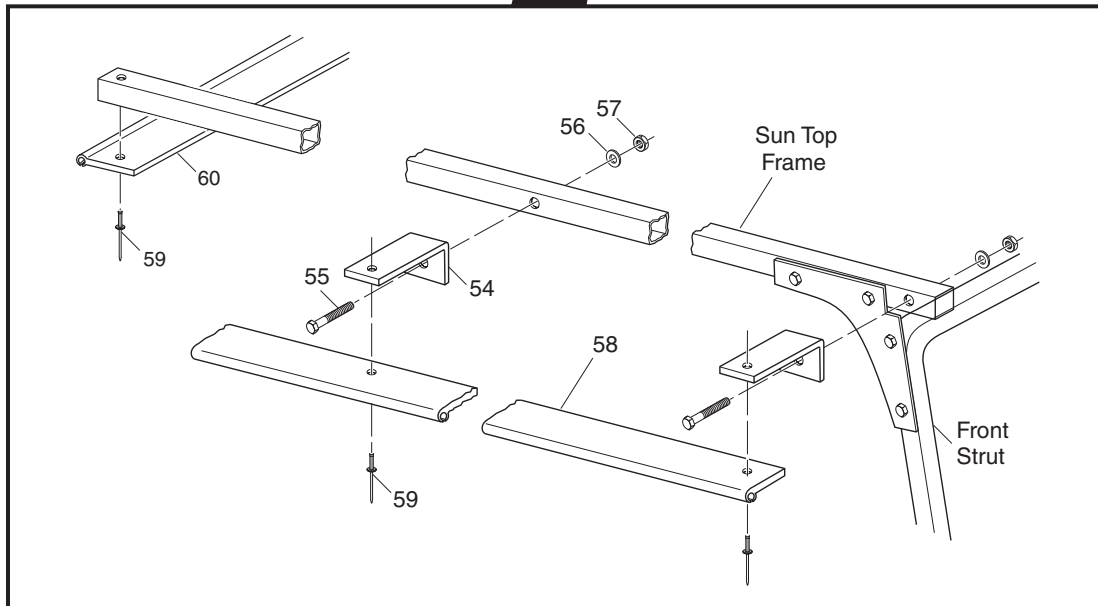


Ref Wea 13-3

52 - Includes Items 53 - 60

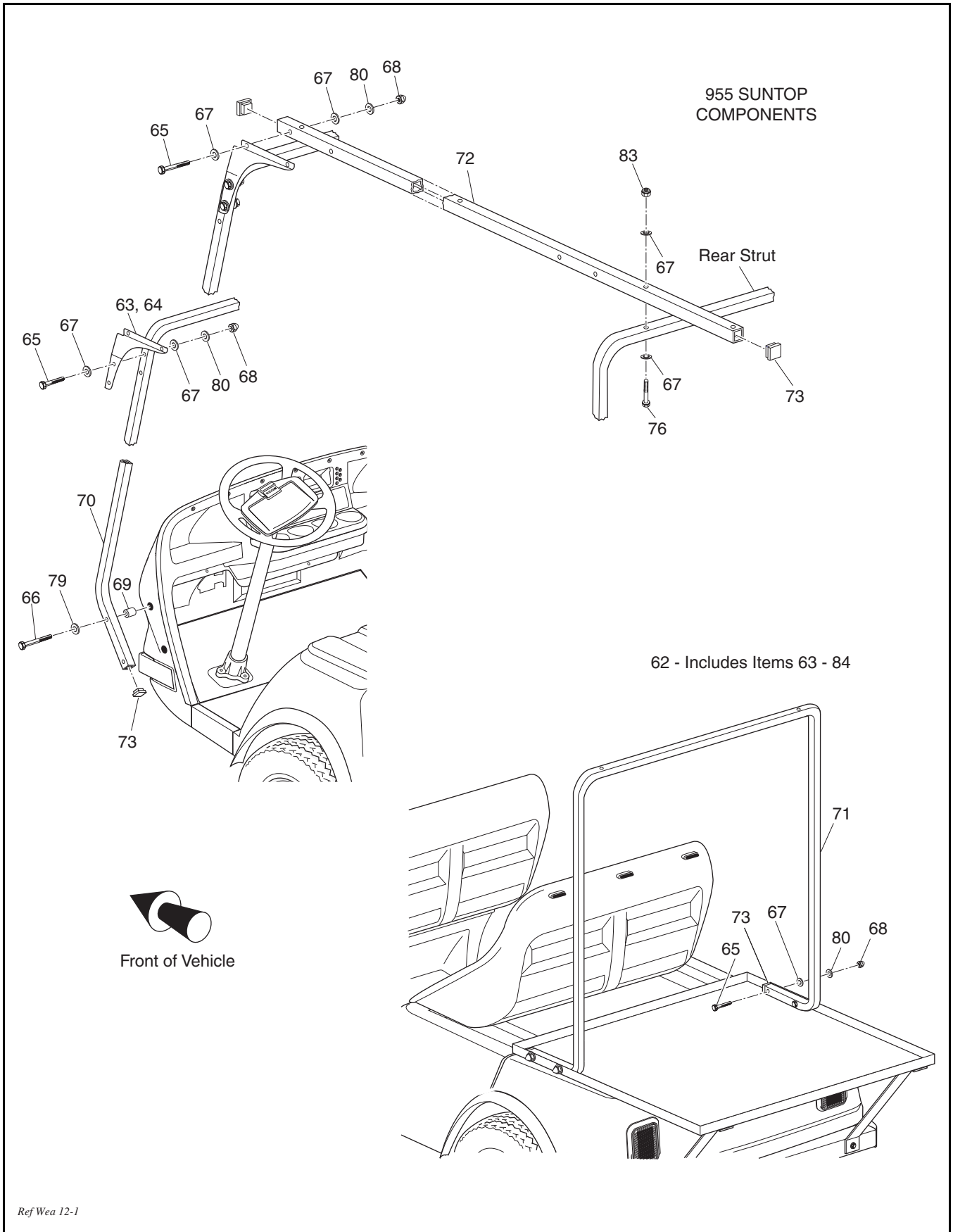


ENCLOSURE COMPONENTS

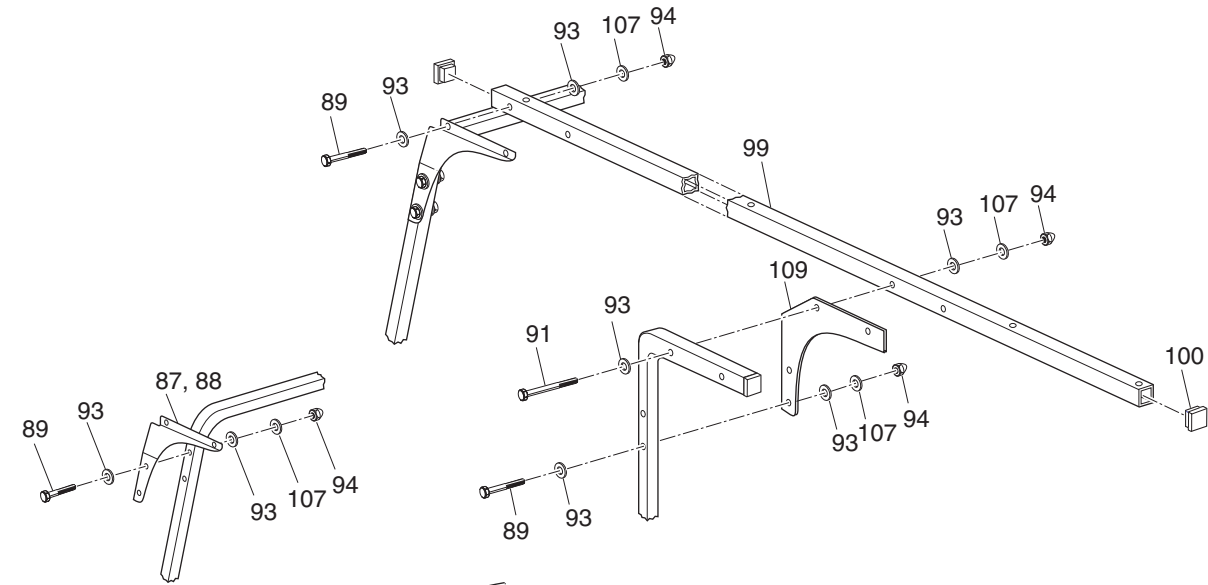


Ref Wea 13-4

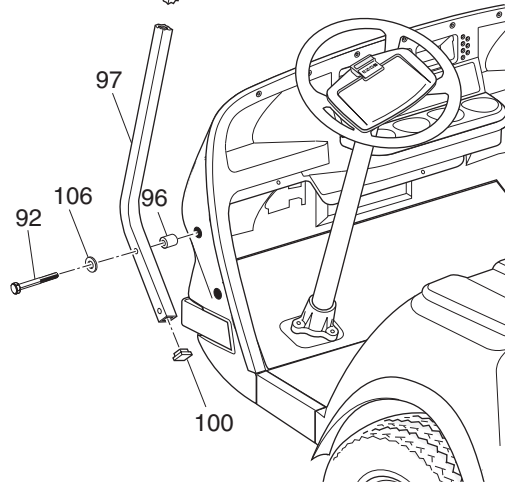
WEATHER PROTECTION



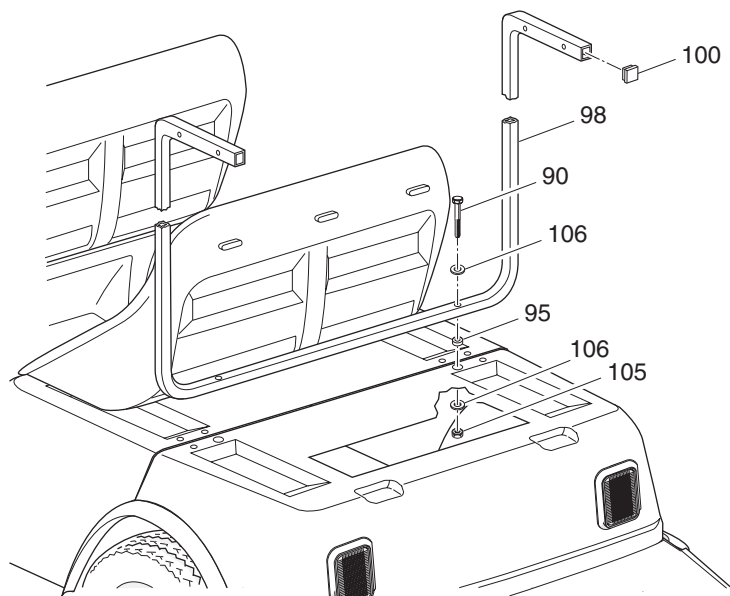
WEATHER PROTECTION



957 SUNTOP
COMPONENTS

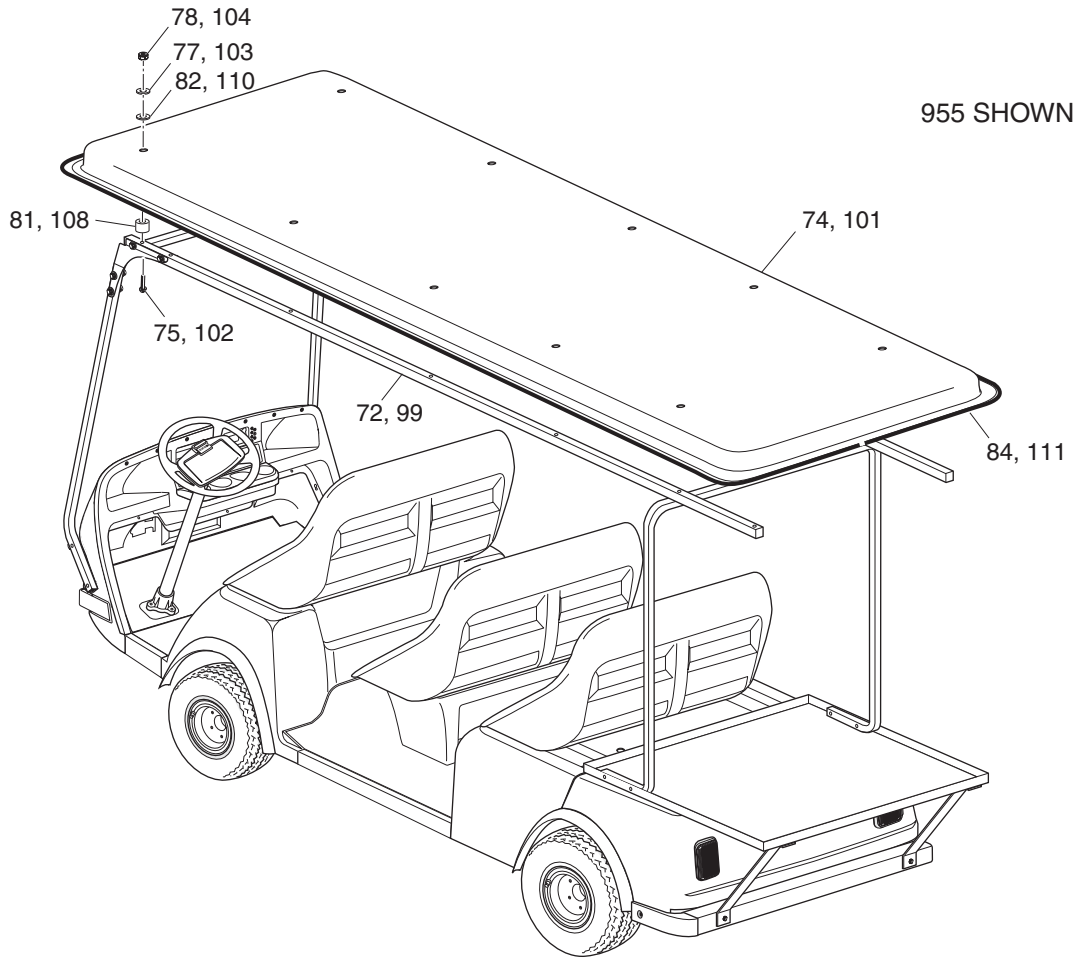


86 - Includes Items 87 - 111

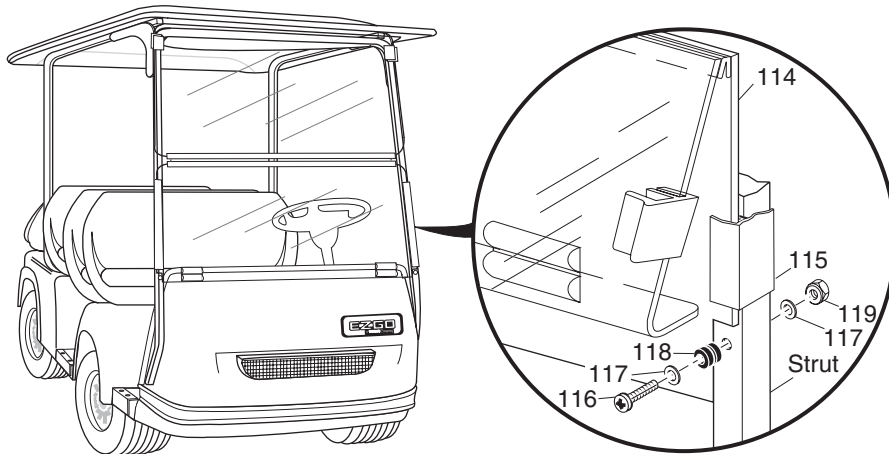


NOTE:
Back Seat and Handrail
Omitted For Clarity

WEATHER PROTECTION

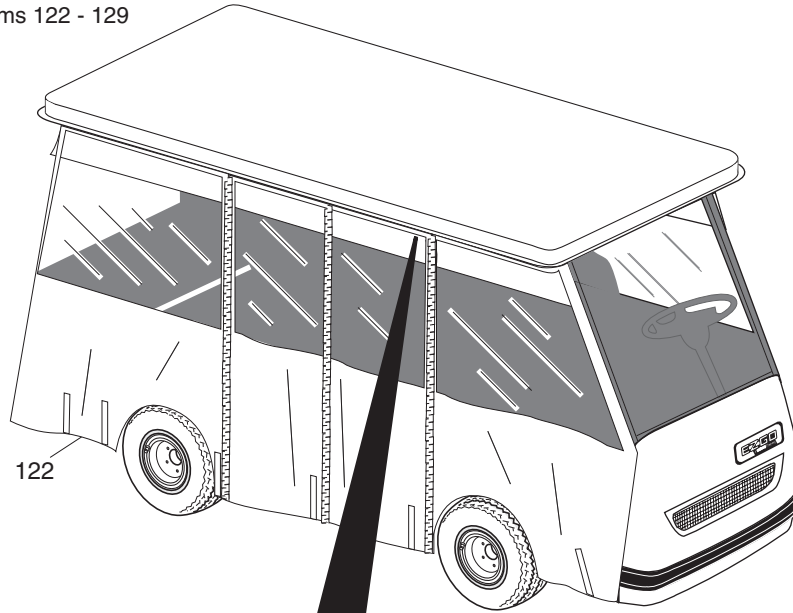


113 - Includes Items 114 - 119

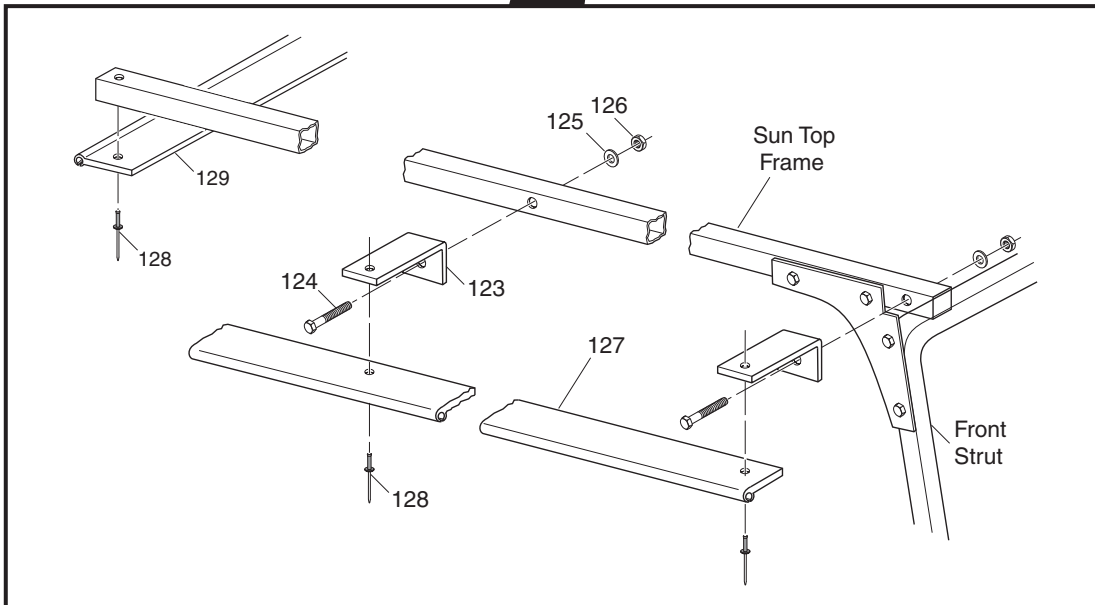


Ref Wea 12-3

121 - Includes Items 122 - 129



955 / 957 ENCLOSURE COMPONENTS



Ref Wea 12-4

WEATHER PROTECTION

When ordering parts, please specify the model and serial number of the product.

* Indicates a component that is not available as an individual part.

G** Indicates consult Customer Service Department for additional information.

| ITEM | PART NO. | 1 2 3 4 5 | DESCRIPTION | QTY. |
|------|------------------|-----------|--|------|
| 1 | 35541-G** | | SUN TOP KIT (952/954) (INCLUDES ITEMS 2 - 19)..... | 1 |
| 2 | <u>35577-G01</u> | | STABILIZER (DRIVER SIDE) | 1 |
| 3 | <u>35577-G02</u> | | STABILIZER (PASSENGER SIDE)..... | 1 |
| 4 | 01043-G04 | | BOLT, 5/16 - 18 X 1 3/4" LG..... | 12 |
| 5 | <u>00441-G2</u> | | BOLT, 5/16 - 18 X 3 1/4" LG..... | 4 |
| 6 | 01045-G01 | | WASHER, 5/16" | 20 |
| 7 | 01046-G01 | | ACORN NUT, 5/16 - 18..... | 12 |
| 8 | <u>34472-G01</u> | | SPACER, 1/2" X 1 7/16" LG..... | 4 |
| 9 | <u>34746-G01</u> | | FRONT STRUT..... | 1 |
| 10 | <u>35540-G01</u> | | REAR STRUT | 1 |
| 11 | <u>35539-G01</u> | | TOP FRAME | 2 |
| 12 | <u>19853-G1</u> | | END CAP, 1" | 8 |
| 13 | 75530-G0* | | SUN TOP | 1 |
| 14 | 01044-G04 | | SCREW, 1/4 - 20 X 1 3/4" LG | 6 |
| 15 | 01044-G08 | | SCREW, 1/4 - 20 X 2 3/4" LG | 2 |
| 16 | <u>00915-G1</u> | | BONDED WASHER, 1/4"..... | 8 |
| 17 | <u>14390-G4</u> | | LOCK NUT, 1/4 - 20 | 8 |
| 18 | <u>00642-G8</u> | | WASHER, 5/16" | 4 |
| 19 | <u>00905-G8</u> | | LOCK WASHER, 5/16" | 12 |
| 20 | | | | |
| 21 | 35543-G** | | SUN TOP KIT (956) (INCLUDES ITEMS 22 - 42)..... | 1 |
| 22 | <u>35577-G01</u> | | STABILIZER (DRIVER SIDE) | 1 |
| 23 | <u>35577-G02</u> | | STABILIZER (PASSENGER SIDE)..... | 1 |
| 24 | 01043-G04 | | BOLT, 5/16 - 18 X 1 3/4" LG..... | 8 |
| 25 | <u>00440-G2</u> | | BOLT, 5/16 - 18 X 2 1/4" LG..... | 2 |
| 26 | 01043-G07 | | BOLT, 5/16 - 18 X 2 1/2" LG..... | 4 |
| 27 | <u>00441-G2</u> | | BOLT, 5/16 - 18 X 3 1/4" LG..... | 4 |
| 28 | 01045-G01 | | WASHER, 5/16" | 24 |
| 29 | 01046-G01 | | ACORN NUT, 5/16 - 18..... | 12 |
| 30 | <u>19247-G2</u> | | SPACER, 3/8" LG | 2 |

WEATHER PROTECTION

When ordering parts, please specify the model and serial number of the product.

* Indicates a component that is not available as an individual part.

G** Indicates consult Customer Service Department for additional information.

| ITEM | PART NO. | 1 | 2 | 3 | 4 | 5 | DESCRIPTION | QTY. |
|------|------------------|---|---|---|---|---|---|------|
| 31 | <u>34472-G01</u> | | | | | | SPACER, 1 7/16" LG | 4 |
| 32 | <u>34746-G01</u> | | | | | | FRONT STRUT | 1 |
| 33 | <u>35578-G01</u> | | | | | | REAR STRUT | 1 |
| 34 | <u>35539-G01</u> | | | | | | TOP FRAME | 2 |
| 35 | <u>19853-G1</u> | | | | | | END CAP, 1" | 8 |
| 36 | 75530-G0* | | | | | | SUN TOP | 1 |
| 37 | 01044-G04 | | | | | | SCREW, 1/4 - 20 X 1 3/4" LG | 8 |
| 38 | <u>00915-G1</u> | | | | | | BONDED WASHER, 1/4" | 8 |
| 39 | <u>14390-G4</u> | | | | | | LOCK NUT, 1/4 - 20 | 8 |
| 40 | <u>01109-G01</u> | | | | | | LOCK NUT, 5/16 - 18 (STAINLESS STEEL)..... | 2 |
| 41 | <u>00642-G8</u> | | | | | | WASHER, 5/16" | 8 |
| 42 | <u>00905-G8</u> | | | | | | LOCK WASHER, 5/16" | 12 |
| 43 | | | | | | | | |
| 44 | <u>35567-G01</u> | | | | | | SPLIT WINDSHIELD KIT (952/954/956) (INCLUDES ITEMS 45 - 50) | 1 |
| 45 | E950WSB3 | | | | | | SPLIT WINDSHIELD | 1 |
| 46 | EGWHC24 | | | | | | SASH, 14" LG | 2 |
| 47 | EGWHS12 | | | | | | SCREW, 1/4 - 20 X 2" LG | 2 |
| 48 | EGWHW12 | | | | | | WASHER, 1/4" | 4 |
| 49 | EGWHG13 | | | | | | RUBBER GROMMET | 2 |
| 50 | EGWHN12 | | | | | | LOCK NUT, 1/4 - 20 | 2 |
| 51 | | | | | | | | |
| 52 | <u>35550-G03</u> | | | | | | WEATHER ENCLOSURE KIT (952/954/956) (INCLUDES ITEMS 53 - 60)..... | 1 |
| 53 | 35586-G01 | | | | | | WEATHER ENCLOSURE CURTAIN SET | 1 |
| 54 | 35579-G01 | | | | | | SIDE SUPPORT BRACKET | 8 |
| 55 | <u>00415-G4</u> | | | | | | BOLT, 1/4 - 20 X 1 1/2" LG..... | 8 |
| 56 | <u>01110-G01</u> | | | | | | WASHER, 1/4" (STAINLESS STEEL)..... | 8 |
| 57 | <u>14390-G4</u> | | | | | | LOCK NUT, 1/4 - 20 | 8 |
| 58 | <u>35560-G01</u> | | | | | | SIDE EXTRUSION..... | 2 |
| 59 | <u>00852-G1</u> | | | | | | RIVET, 3/16" X 7/16" LG | 10 |
| 60 | <u>35561-G01</u> | | | | | | REAR EXTRUSION | 1 |

WEATHER PROTECTION

When ordering parts, please specify the model and serial number of the product.

* Indicates a component that is not available as an individual part.

G** Indicates consult Customer Service Department for additional information.

| ITEM | PART NO. | 1 2 3 4 5 | DESCRIPTION | QTY. |
|------|------------------|-----------|--|------|
| 61 | | | | |
| 62 | <u>35633-G01</u> | | SUN TOP KIT (955) (INCLUDES ITEMS 63 - 84)..... | 1 |
| 63 | <u>35577-G01</u> | | STABILIZER (DRIVER SIDE) | 1 |
| 64 | <u>35577-G02</u> | | STABILIZER (PASSENGER SIDE)..... | 1 |
| 65 | 01043-G04 | | BOLT, 5/16 - 18 X 1 3/4" LG..... | 12 |
| 66 | <u>00441-G2</u> | | BOLT, 5/16 - 18 X 3 1/4" LG..... | 4 |
| 67 | 01045-G01 | | WASHER, 5/16" | 24 |
| 68 | 01046-G01 | | ACORN NUT, 5/16 - 18..... | 12 |
| 69 | <u>34472-G01</u> | | SPACER, 1/2" X 1 7/16" LG..... | 4 |
| 70 | <u>34746-G01</u> | | FRONT STRUT..... | 1 |
| 71 | <u>35540-G01</u> | | REAR STRUT | 1 |
| 72 | <u>35632-G01</u> | | TOP FRAME | 2 |
| 73 | <u>19853-G1</u> | | END CAP, 1" | 8 |
| 74 | <u>35630-G01</u> | | SUN TOP, 145" | 1 |
| 75 | 00753-G6 | | SCREW, 1/4 - 20 X 2 1/4" LG (STAINLESS STEEL)..... | 10 |
| 76 | 01043-G07 | | BOLT, 5/16 - 18 X 2 1/2" LG..... | 2 |
| 77 | 00907-G1 | | WASHER, 1/4" (STAINLESS STEEL)..... | 10 |
| 78 | <u>14390-G4</u> | | LOCK NUT, 1/4 - 20 | 10 |
| 79 | <u>00642-G8</u> | | WASHER, 5/16" | 4 |
| 80 | <u>00905-G8</u> | | LOCK WASHER, 5/16" | 12 |
| 81 | <u>10194-G1</u> | | RUBBER BUSHING..... | 10 |
| 82 | <u>34176-G01</u> | | RUBBER WASHER, 5/16" X 1" | 10 |
| 83 | <u>01109-G01</u> | | LOCK NUT, 5/16 - 18 (STAINLESS STEEL)..... | 2 |
| 84 | <u>32805-G3</u> | | VINYL TRIM..... | 1 |
| 85 | | | | |
| 86 | <u>35633-G02</u> | | SUN TOP KIT (957) (INCLUDES ITEMS 87 - 111) | 1 |
| 87 | <u>35577-G01</u> | | STABILIZER (DRIVER SIDE) | 1 |
| 88 | <u>35577-G02</u> | | STABILIZER (PASSENGER SIDE)..... | 1 |
| 89 | 01043-G04 | | BOLT, 5/16 - 18 X 1 3/4" LG..... | 12 |
| 90 | <u>00440-G2</u> | | BOLT, 5/16 - 18 X 2 1/4" LG..... | 2 |

WEATHER PROTECTION

When ordering parts, please specify the model and serial number of the product.

* Indicates a component that is not available as an individual part.

G** Indicates consult Customer Service Department for additional information.

| ITEM | PART NO. | 1 | 2 | 3 | 4 | 5 | DESCRIPTION | QTY. |
|------|------------------|---|---|---|---|---|--|------|
| 91 | 01043-G07 | | | | | | BOLT, 5/16 - 18 X 2 1/2" LG..... | 4 |
| 92 | <u>00441-G2</u> | | | | | | BOLT, 5/16 - 18 X 3 1/4" LG..... | 4 |
| 93 | 01045-G01 | | | | | | WASHER, 5/16" | 32 |
| 94 | 01046-G01 | | | | | | ACORN NUT, 5/16 - 18..... | 16 |
| 95 | <u>19247-G2</u> | | | | | | SPACER, 3/8" LG | 2 |
| 96 | <u>34472-G01</u> | | | | | | SPACER, 1/2" X 1 7/16" LG..... | 4 |
| 97 | <u>34746-G01</u> | | | | | | FRONT STRUT..... | 1 |
| 98 | <u>35578-G01</u> | | | | | | REAR STRUT | 1 |
| 99 | <u>35632-G01</u> | | | | | | TOP FRAME | 2 |
| 100 | <u>19853-G1</u> | | | | | | END CAP, 1" | 8 |
| 101 | <u>35630-G01</u> | | | | | | SUN TOP, 145" | 1 |
| 102 | 00753-G6 | | | | | | SCREW, 1/4 - 20 X 2 1/4" LG (STAINLESS STEEL)..... | 10 |
| 103 | 00907-G1 | | | | | | WASHER, 1/4" (STAINLESS STEEL)..... | 10 |
| 104 | <u>14390-G4</u> | | | | | | LOCK NUT, 1/4 - 20..... | 10 |
| 105 | <u>01109-G01</u> | | | | | | LOCK NUT, 5/16 - 18 (STAINLESS STEEL)..... | 2 |
| 106 | <u>00642-G8</u> | | | | | | WASHER, 5/16" | 8 |
| 107 | <u>00905-G8</u> | | | | | | LOCK WASHER, 5/16" | 16 |
| 108 | <u>10194-G1</u> | | | | | | RUBBER BUSHING..... | 10 |
| 109 | <u>35631-G01</u> | | | | | | REAR STABILIZER..... | 2 |
| 110 | <u>34176-G01</u> | | | | | | RUBBER WASHER, 5/16" X 1" | 10 |
| 111 | <u>32805-G3</u> | | | | | | VINYL TRIM..... | 1 |
| 112 | | | | | | | | |
| 113 | <u>35798-G01</u> | | | | | | SPLIT WINDSHIELD KIT (955/957) (INCLUDES ITEMS 114 - 119)..... | 1 |
| 114 | 35809-G01 | | | | | | SPLIT WINDSHIELD | 1 |
| 115 | EGWHC24 | | | | | | SASH, 14" LG | 2 |
| 116 | EGWHS12 | | | | | | SCREW, 1/4 - 20 X 2" LG | 2 |
| 117 | EGWHW12 | | | | | | WASHER, 1/4" | 4 |
| 118 | EGWHG13 | | | | | | RUBBER GROMMET | 2 |
| 119 | EGWHN12 | | | | | | LOCK NUT, 1/4 - 20 | 2 |
| 120 | | | | | | | | |

WEATHER PROTECTION

When ordering parts, please specify the model and serial number of the product.

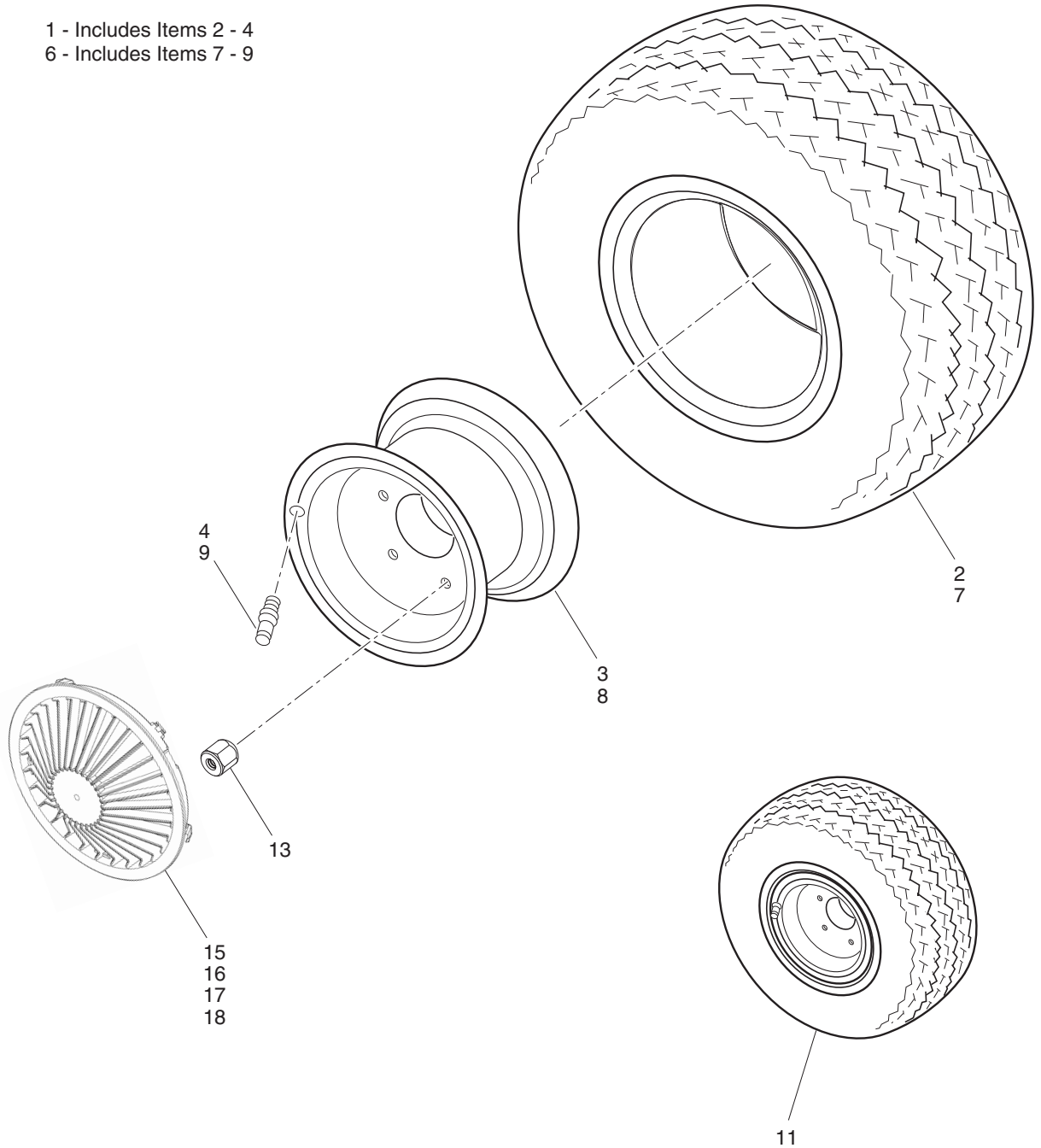
* Indicates a component that is not available as an individual part.

G** Indicates consult Customer Service Department for additional information.

| ITEM | PART NO. | 1 2 3 4 5 | DESCRIPTION | QTY. |
|------|------------------|-----------|---|------|
| 121 | <u>35449-G02</u> | | WEATHER ENCLOSURE KIT (955/957) (INCLUDES ITEMS 122 - 129)..... | 1 |
| 122 | 35441-G01 | | WEATHER ENCLOSURE CURTAIN SET | 1 |
| 123 | 35579-G01 | | SIDE SUPPORT BRACKET | 10 |
| 124 | <u>00415-G4</u> | | BOLT, 1/4 - 20 X 1 1/2" LG..... | 10 |
| 125 | <u>01110-G01</u> | | WASHER, 1/4" (STAINLESS STEEL)..... | 10 |
| 126 | <u>14390-G4</u> | | LOCK NUT, 1/4 - 20..... | 10 |
| 127 | <u>35442-G01</u> | | SIDE EXTRUSION..... | 2 |
| 128 | <u>00852-G1</u> | | RIVET, 3/16" X 7/16" LG | 12 |
| 129 | <u>35561-G01</u> | | REAR EXTRUSION | 1 |

WHEELS AND TIRES

1 - Includes Items 2 - 4
6 - Includes Items 7 - 9



Ref Whl 13

WHEELS AND TIRES

When ordering parts, please specify the model and serial number of the product.
 * Indicates a component that is not available as an individual part.
 G** Indicates consult Customer Service Department for additional information.

| ITEM | PART NO. | 1 | 2 | 3 | 4 | 5 | DESCRIPTION | QTY. |
|------|------------------|---|---|---|---|---|---|------|
| 1 | <u>32153-G2</u> | | | | | | WHEEL AND TIRE ASSEMBLY (USA TRAIL, LRC, 5.70 - 8, STANDARD) (INCLUDES ITEMS 2 - 4)..... | 4 |
| 2 | <u>27784-G03</u> | | | | | | TIRE (USA TRAIL 5.70 - 8 LRC) | 1 |
| 3 | 23385-G1 | | | | | | RIM (5 LUG)..... | 1 |
| 4 | 26482-G01 | | | | | | VALVE STEM..... | 1 |
| 5 | | | | | | | | |
| 6 | <u>32028-G2</u> | | | | | | WHEEL AND TIRE ASSEMBLY (USA TRAIL, LRC, 8.5 - 8, OPTIONAL) (INCLUDES ITEMS 7 - 9)..... | 4 |
| 7 | 27775-G02 | | | | | | TIRE (USA TRAIL 8.5 - 8 - 6 PLY RATED)..... | 1 |
| 8 | <u>10641-G2</u> | | | | | | RIM (5 LUG)..... | 1 |
| 9 | <u>11657-G1</u> | | | | | | VALVE STEM..... | 1 |
| 10 | | | | | | | | |
| 11 | <u>35154-G01</u> | | | | | | WHEEL AND TIRE ASSEMBLY (FOAM FILLED, LRC, 5.70 - 8, OPTIONAL) ... | 4 |
| 12 | | | | | | | | |
| 13 | <u>14723-G1</u> | | | | | | LUG NUT, 1/2 - 20..... | 20 |
| 14 | | | | | | | | |
| 15 | <u>35599-G01</u> | | | | | | SILVER SPOKE HUBCAP (OPTIONAL)..... | 4 |
| 16 | <u>35599-G02</u> | | | | | | GOLD SPOKE HUBCAP (OPTIONAL) | 4 |
| 17 | 35599-G03 | | | | | | SILVER SPOKE HUBCAP SET (OPTIONAL)..... | 1 |
| 18 | 35599-G04 | | | | | | GOLD SPOKE HUBCAP SET (OPTIONAL) | 1 |

WHEELS AND TIRES

SPECIALTY PRODUCTS

SPECIALTY PRODUCTS

| SPECIAL TOOLS | PART NO. |
|---|-----------------|
| BATTERY MAINTENANCE KIT | 25587-G01 |
| SEAL INSTALLATION TOOL (REAR AXLE SHAFT SEAL) | 18739-G1 |
| BATTERY SET DISCHARGER, 36 VOLT, 75 AMP | 28251-G01 |
| CURRENT INDICATOR | 16489-G2 |
| DIGITAL MULTI-METER | 27481-G01 |
| CRIMPING TOOL | 27765-G01 |
| SLIDE HAMMER (AXLE/HUB REMOVAL) | 15947-G1 |
| SLIDE HAMMER (AXLE REMOVAL ONLY) | 18753-G1 |

| TOUCH UP PAINT | PART NO. |
|---|-----------------|
| PEN 3 OUNCE (89 ML) - HUNTER GREEN | 28432-G02 |
| PEN 3 OUNCE (89 ML) - CHAMPAGNE BEIGE | 28432-G01 |
| PEN 3 OUNCE (89 ML) - WHITE | 28432-G05 |
| PEN 3 OUNCE (89 ML) - INDUSTRIAL YELLOW..... | 28432-G03 |
| PEN 3 OUNCE (89 ML) - ORANGE | 28432-G04 |
| PEN 3 OUNCE (89 ML) - STEEL BLUE PEARL | 28432-G** |
| PEN 3 OUNCE (89 ML) - CAMOUFLAGE PAINT (THREE PENS) | 75831-G01 |
| AEROSOL 12 OUNCE (360 ML) - HUNTER GREEN | 28140-G09 |
| AEROSOL 12 OUNCE (360 ML) - CHAMPAGNE BEIGE | 28140-G15 |
| AEROSOL 12 OUNCE (360 ML) - WHITE | 28140-G03 |
| AEROSOL 12 OUNCE (360 ML) - INDUSTRIAL YELLOW..... | 28140-G14 |
| AEROSOL 12 OUNCE (360 ML) - ORANGE | 28140-G13 |
| AEROSOL 12 OUNCE (360 ML) - STEEL BLUE PEARL | 28140-G** |

| MAINTENANCE PRODUCTS | PART NO. |
|--|-----------------|
| FORMULA 40 VINYL-COAT® - WHITE | 28166-G01 |
| PLEXUS® CLEANER, 7 OUNCE (210 ML) (FOR WINDSHIELDS) | 28433-G01 |
| PLEXUS® CLEANER, 13 OUNCE (380 ML) (FOR WINDSHIELDS) | 28433-G02 |
| BATTERY PROTECTOR, 14 OUNCE (410 ML) SPRAY | 75500-G01 |
| WHITE LITHIUM GREASE, 14 OUNCE (410 ML) SPRAY | 75502-G01 |
| PENETRANT/LUBRICANT, 15 OUNCE (440 ML) SPRAY | 75503-G01 |
| MULTI-PURPOSE CLEANER & DEGREASER, 14 OUNCE (410 ML) SPRAY | 75504-G01 |
| MULTI-PURPOSE HAND CLEANER, 32 OUNCE (950 ML) LIQUID | 75505-G01 |

SPECIALTY PRODUCTS

| | |
|---|-----------|
| BATTERY CLEANER, 32 OUNCE (950 ML) WITH TRIGGER SPRAYER | 75506-G01 |
| BIO-DEGRADABLE CLEANER, 32 OUNCE (950 ML) WITH TRIGGER SPRAYER..... | 75507-G01 |
| MULTI-PURPOSE VALUE PACK..... | 75508-G01 |
| • BATTERY PROTECTOR, 4 OUNCE (120 ML) SPRAY | |
| • PENETRANT/LUBRICANT, 4 OUNCE (120 ML) SPRAY | |
| • WHITE LITHIUM GREASE, 4 OUNCE (120 ML) SPRAY | |
| • CARBURETOR & CHOKE CLEANER, 4 OUNCE (120 ML) SPRAY | |

OPTIONS/ACCESSORIES

OPTIONS/ACCESSORIES

| ITEM | KIT NO. | COMMENTS |
|--|-----------------|-------------------------|
| ACCESSORIES LISTING | KIT NO. | SECTION |
| FORWARD MOTION INDICATOR KIT | 34643-G02 | ELECTRICAL |
| 'E' HITCH KIT | 34781-G02 | CARGO DECKS AND HITCHES |
| PINTLE HITCH KIT | 34780-G02 | CARGO DECKS AND HITCHES |
| HOUR METER KIT | 34886-G02 | ELECTRICAL |
| 36V ROLLOUT BATTERY TRAY DOLLY | 34896-G01 | ELECTRICAL |
| 48V ROLLOUT BATTERY TRAY DOLLY | 34896-G02 | ELECTRICAL |
| STAKE SIDE KIT (FOR 952 ONLY)..... | 34761-G01 | CARGO DECKS AND HITCHES |
| SUN TOP KIT (WHITE 952/954) | 35541-G01 | WEATHER PROTECTION |
| SUN TOP KIT (WHITE 956) | 35543-G01 | WEATHER PROTECTION |
| SUN TOP KIT (CHAMPAGNE 952/954) | 35541-G02 | WEATHER PROTECTION |
| SUN TOP KIT (CHAMPAGNE 956)..... | 35543-G02 | WEATHER PROTECTION |
| SUN TOP KIT (955)..... | 35633-G01 | WEATHER PROTECTION |
| SUN TOP KIT (957)..... | 35633-G02 | WEATHER PROTECTION |
| SILVER SPOKE WHEEL COVERS (SET OF 4) | 35599-G03 | WHEELS AND TIRES |
| GOLD SPOKE WHEEL COVERS (SET OF 4) | 35599-G04 | WHEELS AND TIRES |
| WEATHER ENCLOSURE CURTAIN KIT (952/954/956)... | 35550-G03 | WEATHER PROTECTION |
| WEATHER ENCLOSURE CURTAIN KIT (955/957) | 35449-G02 | WEATHER PROTECTION |
| WINDSHIELD (952/954/956)..... | 35567-G01 | WEATHER PROTECTION |
| WINDSHIELD (955/957) | 35798-G01 | WEATHER PROTECTION |

INDEX OF MAJOR COMPONENTS

INDEX OF MAJOR COMPONENTS

BY PART DESCRIPTION



A Textron Company

E-Z-GO Division of Textron, Inc.
P.O. Box 388 Augusta, Georgia 30903-0388 USA
Inside USA Phone: 1-800-241-5855, FAX: 1-800-448-8124
Outside USA Phone: 010-1-706-798-4311, FAX: 010-1-706-771-4609

Copyrighted Material
This manual may not be reproduced in whole or
in part without the express permission of
E-Z-GO Division of Textron, Inc.
Technical Communications Department