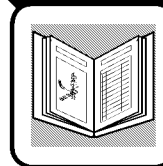


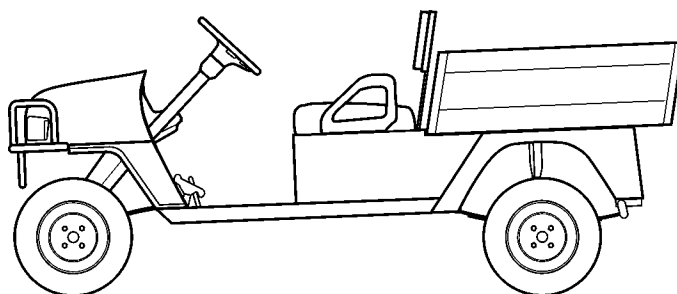
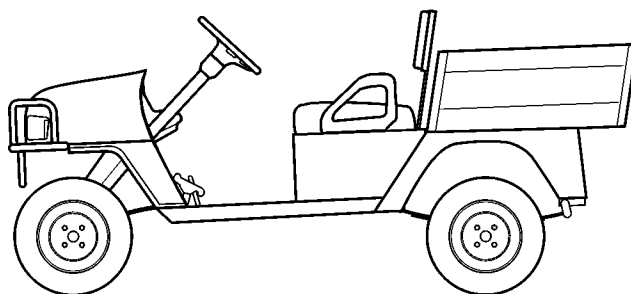
28571-G01



a **TEXTRON** Company



SERVICE PARTS MANUAL



GASOLINE POWERED UTILITY VEHICLES

MODEL YEARS: 2000-2001

REVISED: 7/2001

SERVICE PARTS MANUAL

GASOLINE POWERED UTILITY VEHICLES

VEHICLES

ST 350

ST SPORT

E-Z-GO Division of Textron reserves the right to make design changes without obligation to make these changes on units previously sold and the information contained in this manual is subject to change without notice.

E-Z-GO Division of Textron is not liable for errors in this manual or for incidental or consequential damages that result from the use of the material in this manual.

CUSTOMER SERVICE DEPARTMENT IN USA PHONE: 1-800-241-5855 FAX: 1-800-448-8124

OUTSIDE USA PHONE: 010-1-706-798-4311, FAX: 010-1-706-771-4609

E-Z-GO DIVISION OF TEXTRON, INC., P.O.BOX 388, AUGUSTA, GEORGIA USA 30903-0388



NOTES

To obtain a copy of the limited warranty applicable to the vehicle, call or write a local distributor, E-Z-GO Branch or the E-Z-GO Warranty Department with vehicle serial number and manufacturer code.

The use of non E-Z-GO parts may void the warranty.

Tampering with or adjusting the governor to permit vehicle to operate at above factory specifications will void the vehicle warranty.

When servicing engines, all adjustments and replacement components must be per original vehicle specifications in order to maintain Federal and State emission certification.

BATTERY PROLONGED STORAGE

All batteries will self discharge over time. The rate of self discharge varies depending on the ambient temperature and the age and condition of the batteries.

A fully charged battery will not freeze in winter temperatures unless the temperature falls below -75° F (-60° C).

GENERAL INDEX

SECTION	Page No.
How to use the E-Z-GO Service Parts Manual.....	vii
ACCELERATOR	
• Accelerator Pedal, Accelerator Box	A-1
• Governor Linkage, Throttle Linkage.....	A-2
AIR FILTER - EARLY PRODUCTION	
• Remote Air Components.....	B-1
AIR FILTER - LATE PRODUCTION	
• Remote Air Components.....	B-5
BODY	
• Front Cowl, Instrument Panel, Glove Box Door, Floor Panel, Bumper	C-1
• Floormat, Seat Wrap, Ashtray, Ball Hitch Receiver.....	C-2
• Ball Hitch, 'C' Hitch.....	C-3
• Seat Frame, Splash Panels, Battery Tray (ST 350).....	C-4
• Side Panels, Rocker Panels, Seat Filler Panels, Rear Fenders, Rear Panel (ST 350)	C-5
• Side Panels, Rocker Panels, Rear Fenders, Rear Panel (ST SPORT)	C-6
BRAKES	
• Brake Pedal With Brake Lights	D-1
• Brake Pedal Without Brake Lights	D-2
• Brake Linkage, Equalizer and Brake Cables.....	D-3
• Wheel Brake Assembly	D-4
CAB (ST 350)	
• Cab.....	E-1
• Cab Mounting Brackets, Windshield Wiper.....	E-2
• Steel Doors, Vinyl Doors, Strobe Light.....	E-3
• Worklights	E-4
• Defroster/Cooling Fan, Switch Panel.....	E-5
CARBURETOR	
• Pilot Jet, Main Jet, Carburetor Mount Gasket	F-1
CLUTCHES	
• Drive Clutch, Driven Clutch, Drive Belt	G-1
DIRECTION SELECTOR	



GENERAL INDEX

- Direction Selector Handle, Reverse Warning Buzzer, Shifter Control Pivot H-1

ELECTRICAL SYSTEM

- Battery, Control Harness..... J-1
- Electrical Plate Assembly, Voltage Regulator J-2
- Horn, Fuse Block J-3
- Headlight, Turn Signal Light, Ignition Switch/Plate J-4
- Taillight, Brake Pedal Stop Light J-5
- Turn Signal Switch, Hour Meter J-6
- Outlet (12 volt) J-7

ENGINE AND MUFFLER

- Engine, Spark Plugs, Muffler, Oil Filter K-1

ENGINE AND STARTER MOUNTING

- Engine Guard, Starter/Generator, Belt Adjuster, Isolation Mount L-1

FRONT SUSPENSION

- Front Axle, Hub and Spindle, Leaf Springs, Shock Absorber M-1

FUEL SYSTEM

- Fuel Tank, Fuel Filter, Fuel Gauge, Fuel Pump (ST 350) N-1
- Fuel Tank, Fuel Filter, Fuel Pump (ST SPORT)..... N-2

REAR AXLE

- Axle Tube, Axle Shaft, Bearing, Shifter Bracket, Differential Guard P-1

REAR SUSPENSION

- Leaf Spring, Shock Absorber Q-1

SEATING

- Seat Bottom, Seat Back, Hip Restraint, Seat Back Support (ST 350) R-1
- Seat Back Support, Seat Back Support Bracket (ST SPORT) R-2

STARTER/GENERATOR

- Terminal Assembly, Brush Holder Assembly, Pulley S-1

STEERING

- Steering Box, Steering Shaft/Column/Wheel, Tie Rod T-1

TRUCKBEDS (ST 350)

- 40" Bed U-1
- Bed Liner, Tool Box U-2
- Flat Bed U-3
- Cargo Bed and Racks U-4

GENERAL INDEX

• Electric Circuit Breaker, Toggle Switch, Actuator	U-5	
• Tilt Latch, Bed Prop	U-6	
TRUCKBED (ST SPORT)		
• 35" Bed	U-13	
• Bed Hold Down, Bed Frame	U-14	
• Bed Liner	U-15	
WEATHER PROTECTION		
• Sun Top.....	V-1	
• Top Mounted Rear View Mirror, 3-Sided Soft Enclosure.....	V-2	
• Windshields	V-3	
WHEELS AND TIRES		
• Tire, Wheel Rim, Valve Stems	W-1	
WINCH (ST 350)		
• Mounting	X-1	
• Solenoids, Electrical Wiring	X-2	
• Winch Components	X-3	
SPECIALTY PRODUCTS		Appendix A
• Special Tools		
• Performance Products		
• Paint		
• Engine Oil		
ACCESSORIES		Appendix B
• Accessory Listing		

HOW TO USE THE E-Z-GO SERVICE PARTS MANUAL

This manual is divided into several sections:

- GENERAL INFORMATION
- ILLUSTRATED PARTS BREAKDOWN
- APPENDIX

The first section, GENERAL INFORMATION, contains the following information:

- WARRANTY INFORMATION
- GENERAL INDEX
- HOW TO USE THE E-Z-GO SERVICE PARTS MANUAL

The second section, ILLUSTRATED PARTS BREAKDOWN, contains illustrations and parts lists for all systems of your vehicle.

The third section, APPENDIX, contains a listing of specialty products and accessories.

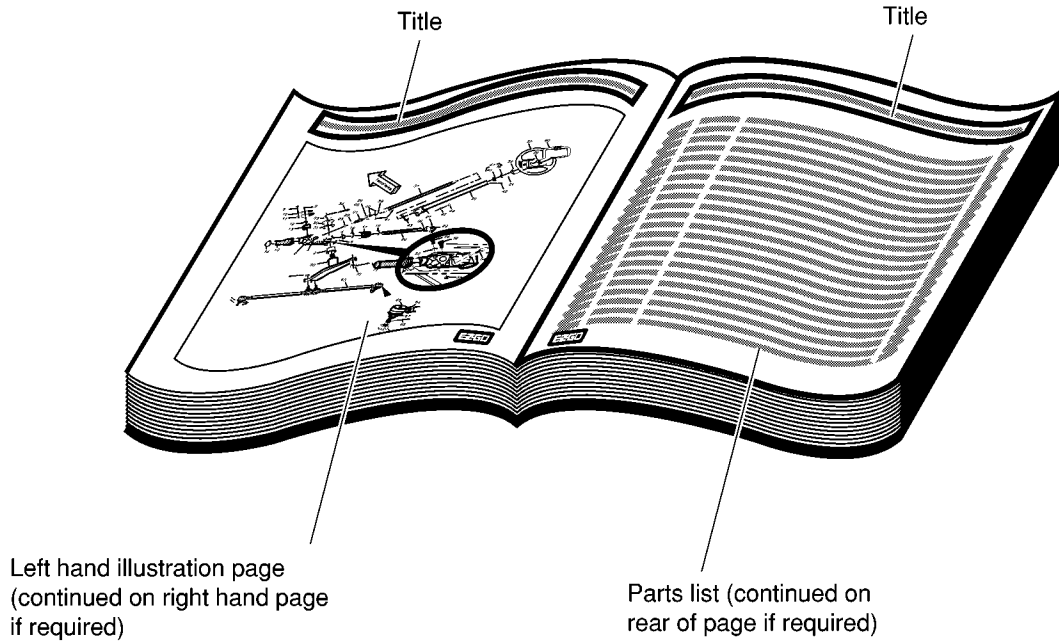
USE OF THE MANUAL

To use this manual, consult the GENERAL INDEX to locate the information or illustration required.

Introduction of some revisions varies due to supply of components; therefore, it is possible that various combinations of components may be found on the vehicle that are not directly reflected by each illustration. Find the illustration that best suits your situation and then contact the Service Parts Department. It is important that the serial number of your vehicle and its model number be supplied to Service Parts when ordering any replacement components.

Locate the serial number plate (see BODY located in the Illustrated Parts Breakdown section of this manual for its location) and note the complete number shown on the plate.

HOW TO USE THE E-Z-GO SERVICE PARTS MANUAL



1. WHEN THE PART NUMBER IS NOT KNOWN

- Determine the function and application of the part required. Turn to the General Index and select the most appropriate title.
- Turn to the page number indicated and locate the desired part on the illustration.
- From the illustration, obtain the item number assigned to the desired part. Refer to the accompanying description for specific information regarding the part.

2. IF YOU KNOW THE PART NUMBER

- Locate the part number or description in the appropriate column on the parts list page.

NOTE: It is suggested that you confirm that the part selected is correct by verifying it with the pictorial representation on the illustrated page.

Should an asterisk (*) appear in the part number column on the parts list page, read upwards until a part number is found. The part number is the lowest assembly sold by E-Z-GO and the asterisk (*) indicates that the part depicted is not available for sale by E-Z-GO.

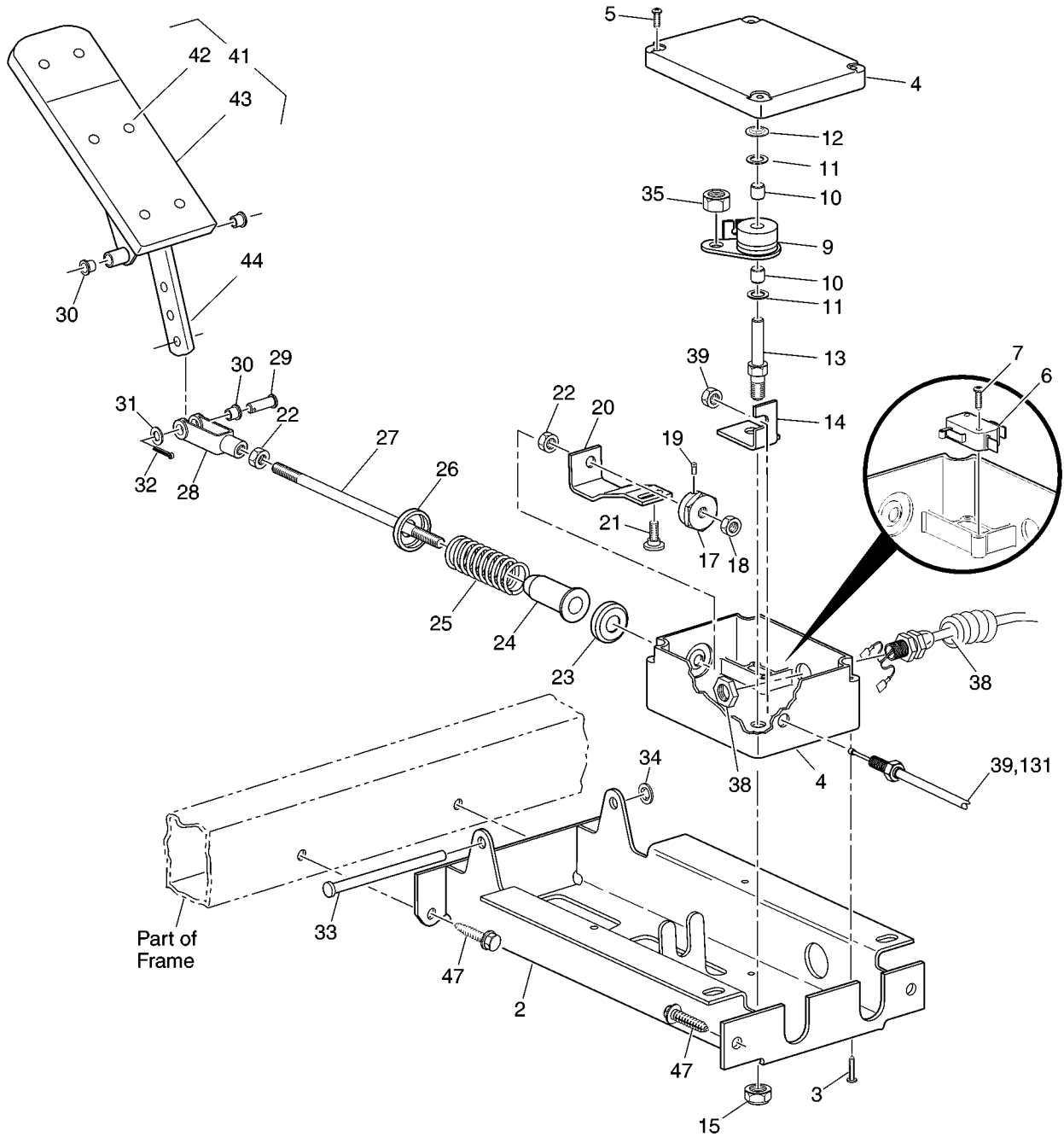
NOTE: Descriptions are indented under the assembly that they are used on. That assembly is, in turn listed under the assembly that it is used on. This process is repeated until the highest final assembly is reached.

To facilitate the maintenance and repair of the vehicle, a Technician's Repair and Service Manual is available from the E-Z-GO Service Parts Department.

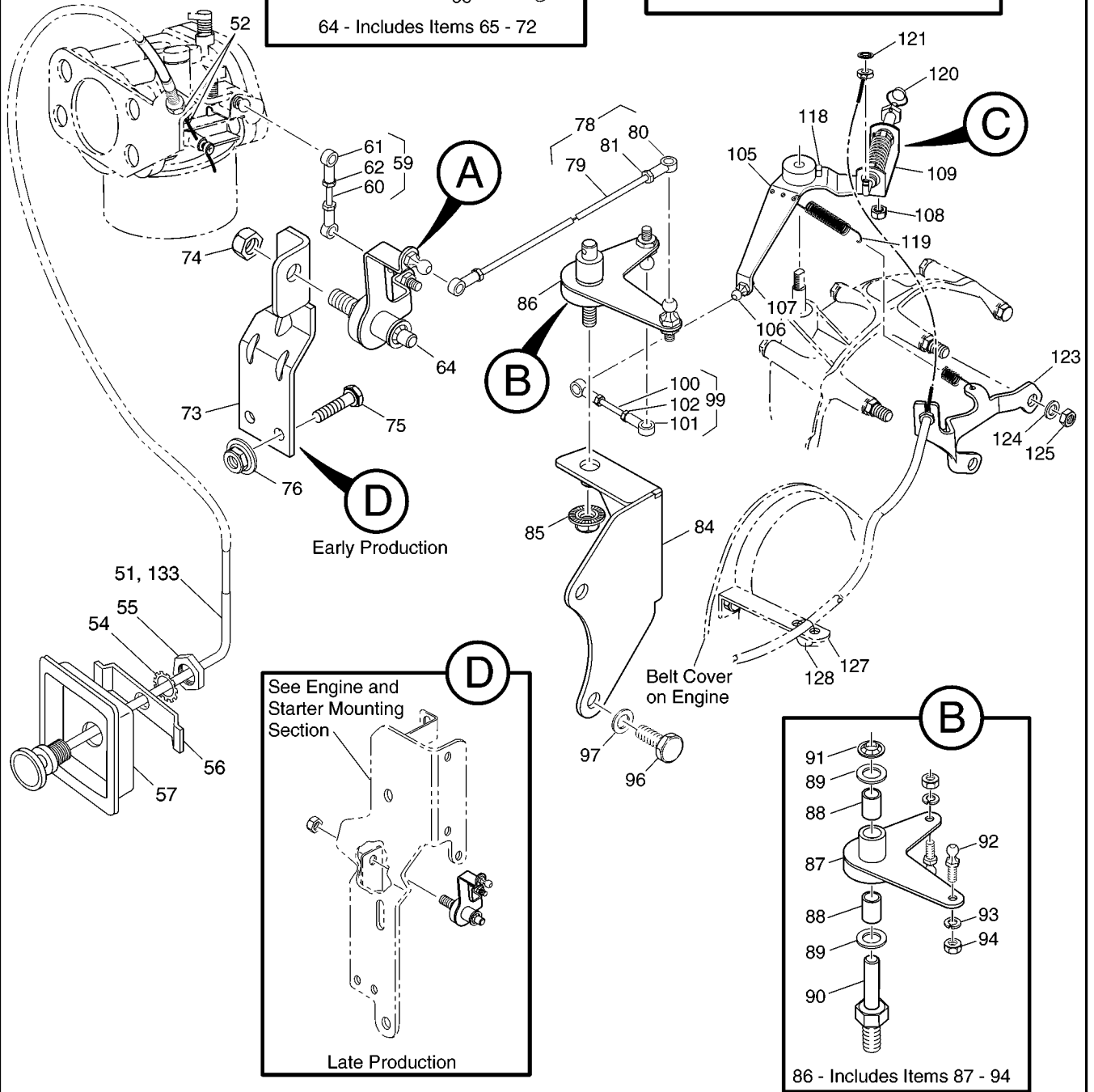
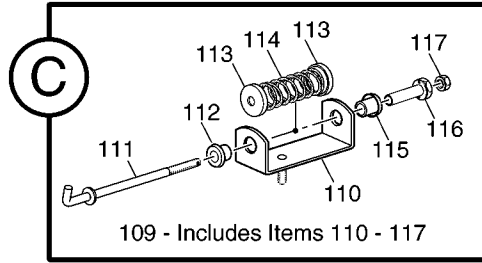
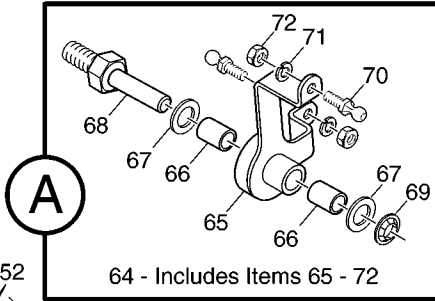
ILLUSTRATED PARTS BREAKDOWN

ILLUSTRATED PARTS BREAKDOWN

- 1 - Includes Items 2 - 44
- 40 - Includes Items 41 - 44
- 130 - Includes Items 2 - 38, 40 - 44, 131



83 - Includes Items 84 - 94
104 - Includes Items 105 - 117



When ordering parts, please specify the model and serial number of the product.

* Indicates a component that is not available as an individual part.

G** Indicates consult Customer Service Department for additional information.

ITEM	PART NO.	1 2 3 4 5	DESCRIPTION	QTY.
1	72062-G03		PEDAL BOX ASSEMBLY (INCLUDES ITEMS 2 - 44) (ST 350)	1
2	70116-G01		ACCELERATOR PEDAL BRACKET.....	1
3	00984-G01		SCREW, #8 - 10 X 1/2" LG.	4
4	25853-G02		PEDAL BOX AND COVER	1
5	00684-G6		SCREW, #8 - 32 X 3/4" LG.	4
6	25861-G01		MICRO SWITCH.....	1
7	00982-G01		SCREW, #4 - 14 X 5/8" LG	2
8				
9	72066-G01		CONTROL ARM	1
10	23860-G1		BEARING.....	2
11	24621-G1		NYLON WASHER, 5/16".....	2
12	12064-G1		PUSH NUT, 5/16".....	1
13	25768-G01		PIVOT ROD	1
14	72199-G01		PIVOT BRACKET	1
15	14390-G1		LOCK NUT, 3/8 - 24.....	1
16				
17	72198-G03		MICRO SWITCH CAM.....	1
18	00550-G4		LOCK NUT, 5/16 - 24	1
19	00487-G3		SETSCREW, 1/4 - 20 X 3/8" LG.	1
20	72074-G01		CONTROL ARM LINK	1
21	72225-G01		SHOULDER BOLT, #10 - 24 X 11/16" LG.....	1
22	00532-G4		LOCK NUT, 5/16 - 24	2
23	17677-G1		SPRING RETAINER	1
24	17979-G1		ACCELERATOR ROD BUSHING.....	1
25	73046-G01		COMPRESSION SPRING	1
26	17677-G2		SPRING RETAINER	1
27	72072-G01		ACCELERATOR ROD	1
28	10385-G4		CLEVIS YOKE (ADJUSTABLE).....	1
29	10386-G3		CLEVIS PIN, 5/16" X 1" LG	1
30	17838-G1		NYLON BUSHING	3

When ordering parts, please specify the model and serial number of the product.

* Indicates a component that is not available as an individual part.

G** Indicates consult Customer Service Department for additional information.

ITEM	PART NO.	1	2	3	4	5	DESCRIPTION	QTY.
31	17255-G1						TEFLON WASHER, 5/16".....	1
32	10387-G3						COTTER PIN, 3/32" X 3/4" LG.....	1
33	70134-G01						PEDAL PIVOT PIN.....	1
34	00986-G01						PUSH NUT, 9/32".....	1
35	14390-G10						LOCK NUT, #10 - 24.....	1
36								
37								
38	72201-G01						WIRE HARNESS (PEDAL BOX).....	1
39	72065-G02						ACCELERATOR CABLE (ST 350).....	1
40	25799-G01						ACCELERATOR PEDAL ASSEMBLY (INCLUDES ITEMS 41 - 44).....	1
41	27844-G01						ACCELERATOR PEDAL PAD KIT (INCLUDES ITEMS 42 - 43).....	1
42	15766-G1						OVAL RIVET, 3/16" X 3/8" LG.....	6
43	27512-G01						ACCELERATOR PEDAL PAD.....	1
44	*						ACCELERATOR PEDAL.....	1
45								
46								
47	00715-G2						BOLT, 5/16 - 18 X 13/16" LG.....	4
48								
49								
50								
51	72401-G02						CHOKE CABLE (INCLUDES ITEM 52) (ST 350).....	1
52	00544-G4						JAM NUT, 5/16 - 24.....	2
53								
54	00568-G4						LOCK WASHER, 9/16".....	1
55	00545-G4						NUT, 9/16 - 18.....	1
56	72155-G01						RETAINER.....	1
57	72154-G01						CHOKE CABLE ADAPTER.....	1
58								
59	25737-G01						CARBURETOR LINKAGE ROD (INCLUDES ITEMS 60 - 62).....	1
60	23722-G1						ADJUSTING ROD (SHORT).....	1



When ordering parts, please specify the model and serial number of the product.
 * Indicates a component that is not available as an individual part.
 G** Indicates consult Customer Service Department for additional information.

ITEM	PART NO.	1	2	3	4	5	DESCRIPTION	QTY.
61	24465-G1						BALL JOINT SOCKET	2
62	00526-G4						NUT, #10 - 32.....	2
63								
64	25760-G01						CARBURETOR LINKAGE BELLCRANK (INCLUDES ITEMS 65 - 72).....	1
65	25759-G01						CARBURETOR PIVOT	1
66	23860-G1						BEARING.....	2
67	24621-G1						NYLON WASHER, 5/16".....	2
68	25768-G01						PIVOT ROD	1
69	12064-G1						PUSH NUT, 5/16".....	1
70	24479-G1						BALL JOINT BALL	2
71	00565-G5						LOCK WASHER, #10	2
72	00526-G4						NUT, #10 - 32.....	2
73	72197-G01						PIVOT BRACKET.....	1
74	14390-G1						LOCK NUT, 3/8 - 24	1
75	00414-G8						BOLT, 1/4 - 20 X 1" LG	2
76	14390-G4						LOCK NUT, 1/4 - 20	2
77								
78	72254-G01						THROTTLE LINKAGE ROD ASSEMBLY (INCLUDES ITEMS 79 - 81).....	1
79	72255-G01						ADJUSTING ROD (LONG).....	1
80	24465-G1						BALL JOINT SOCKET	2
81	00526-G4						NUT, #10 - 32.....	2
82								
83	25702-G01						GOVERNOR PIVOT BRACKET ASSEMBLY (INCLUDES ITEMS 84 - 94).....	1
84	25655-G01						BELLCRANK BRACKET.....	1
85	14390-G1						LOCK NUT, 3/8 - 24	1
86	25763-G01						GOVERNOR PIVOT ASSEMBLY (INCLUDES ITEMS 87 - 94)	1
87	25762-G01						GOVERNOR PIVOT.....	1
88	23860-G1						BEARING	2
89	24621-G1						NYLON WASHER, 5/16"	2
90	25768-G01						PIVOT ROD.....	1



When ordering parts, please specify the model and serial number of the product.
 * Indicates a component that is not available as an individual part.
 G** Indicates consult Customer Service Department for additional information.

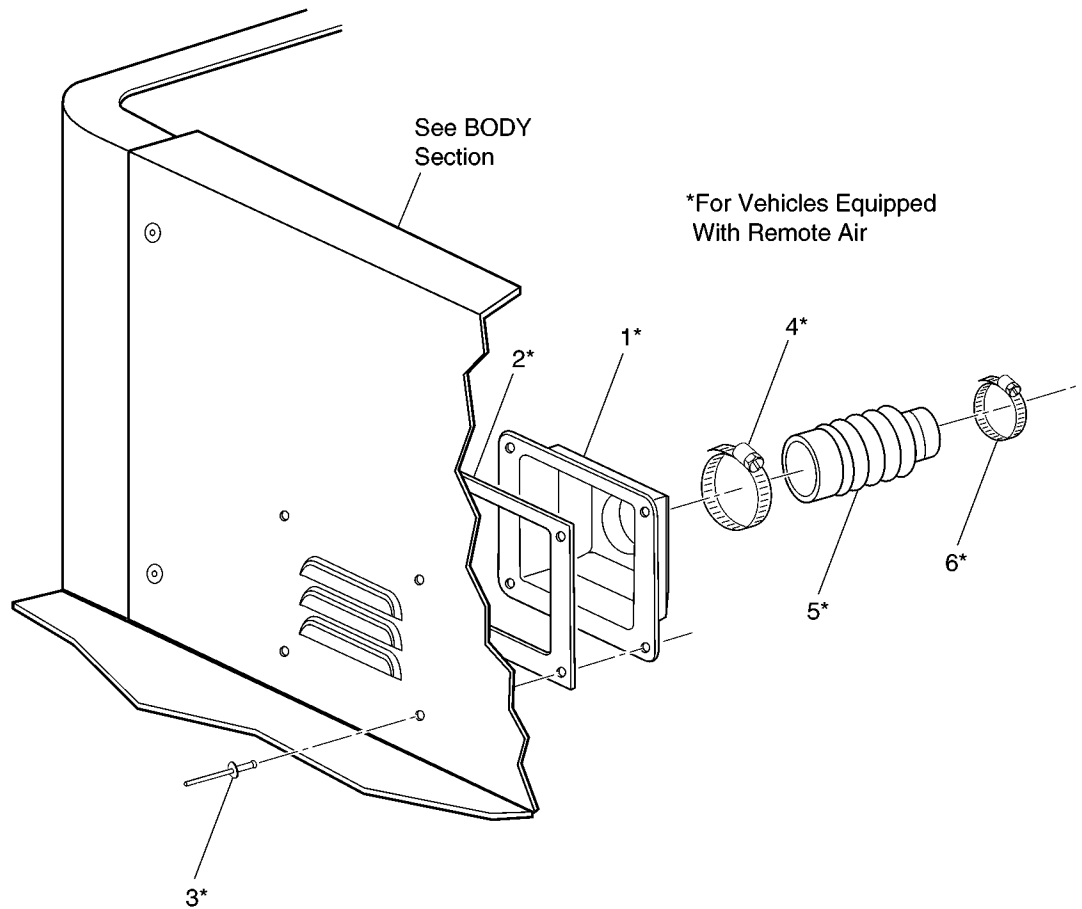
ITEM	PART NO.	1	2	3	4	5	DESCRIPTION	QTY.
91	12064-G1						PUSH NUT, 5/16"	1
92	24479-G1						BALL JOINT BALL	2
93	00565-G5						LOCK WASHER, #10	2
94	00526-G4						NUT, #10 - 32	2
95								
96	00276-G6						BOLT, 5/16 - 24 X 3/4" LG	2
97	00565-G8						LOCK WASHER, 5/16"	2
98								
99	25737-G03						GOVERNOR LINKAGE ROD (INCLUDES ITEMS 100 - 102)	1
100	23722-G1						ADJUSTING ROD	1
101	24465-G1						BALL JOINT SOCKET	2
102	00526-G4						NUT, #10 - 32	2
103								
104	25690-G01						GOVERNOR BELLCRANK ASSEMBLY (INCLUDES ITEMS 105 - 117)	1
105	25765-G01						GOVERNOR BELLCRANK	1
106	24479-G1						BALL JOINT BALL	1
107	00734-G5						LOCK NUT, #10 - 32	1
108	14390-G4						LOCK NUT, 1/4 - 20	1
109	22751-G2						GOVERNOR BRACKET ASSEMBLY (INCLUDES ITEMS 110 - 117)	1
110	22752-G1						GOVERNOR BRACKET	1
111	25274-G1						GOVERNOR ROD	1
112	22754-G1						BUSHING	1
113	25661-G01						CUP WASHER	2
114	23578-G1						COMPRESSION SPRING	1
115	22754-G2						BUSHING	1
116	23859-G1						GOVERNOR ADJUSTER	1
117	00526-G4						NUT, #10-32	1
118	00491-G4						SETSCREW, 1/4 - 20 X 1/2" LG	2
119	25738-G01						SPRING	1
120	25286-G1						SAFETY SEAL, 3/8"	1

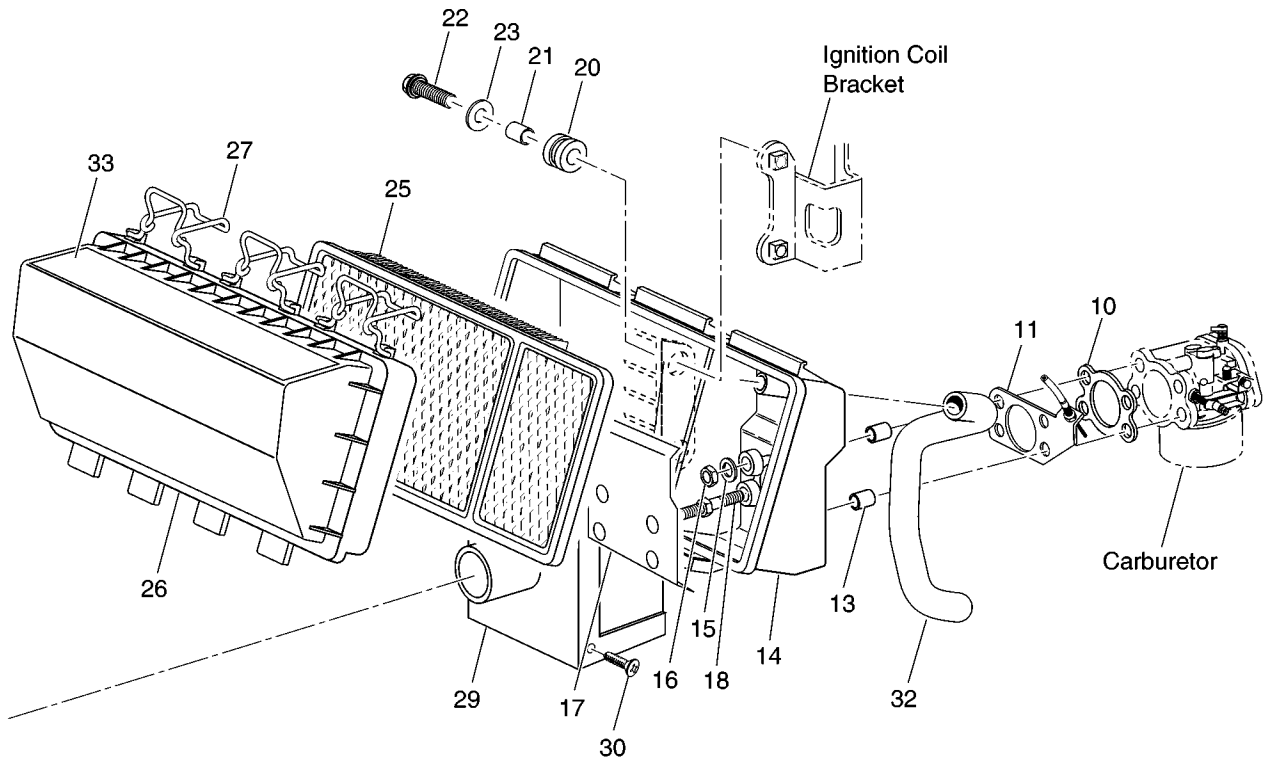


When ordering parts, please specify the model and serial number of the product.
 * Indicates a component that is not available as an individual part.
 G** Indicates consult Customer Service Department for additional information.

ITEM	PART NO.	1 2 3 4 5	DESCRIPTION	QTY.
121	12064-G3		PUSH NUT, 3/16"	1
122				
123	25653-G01		ACCELERATOR CABLE BRACKET	1
124	26826-G01		LOCK WASHER, 8 MM	2
125	26827-G01		NUT, M8 X 1.25 MM	2
126				
127	72055-G01		ACCELERATOR CABLE BRACKET	1
128	17618-G1		WIRE TIE	7
129				
130	72062-G01		PEDAL BOX ASSEMBLY (INCL ITEMS 2 - 38, 40 - 44, 131) (ST SPORT).....	1
131	72065-G01		ACCELERATOR CABLE (ST SPORT)	1
132				
133	25693-G04		CHOKE CABLE (INCLUDES ITEM 52) (ST SPORT)	1

Front of Vehicle





AIR FILTER - BOX TYPE

Gasoline Vehicle

When ordering parts, please specify the model and serial number of the product.

* Indicates a component that is not available as an individual part.

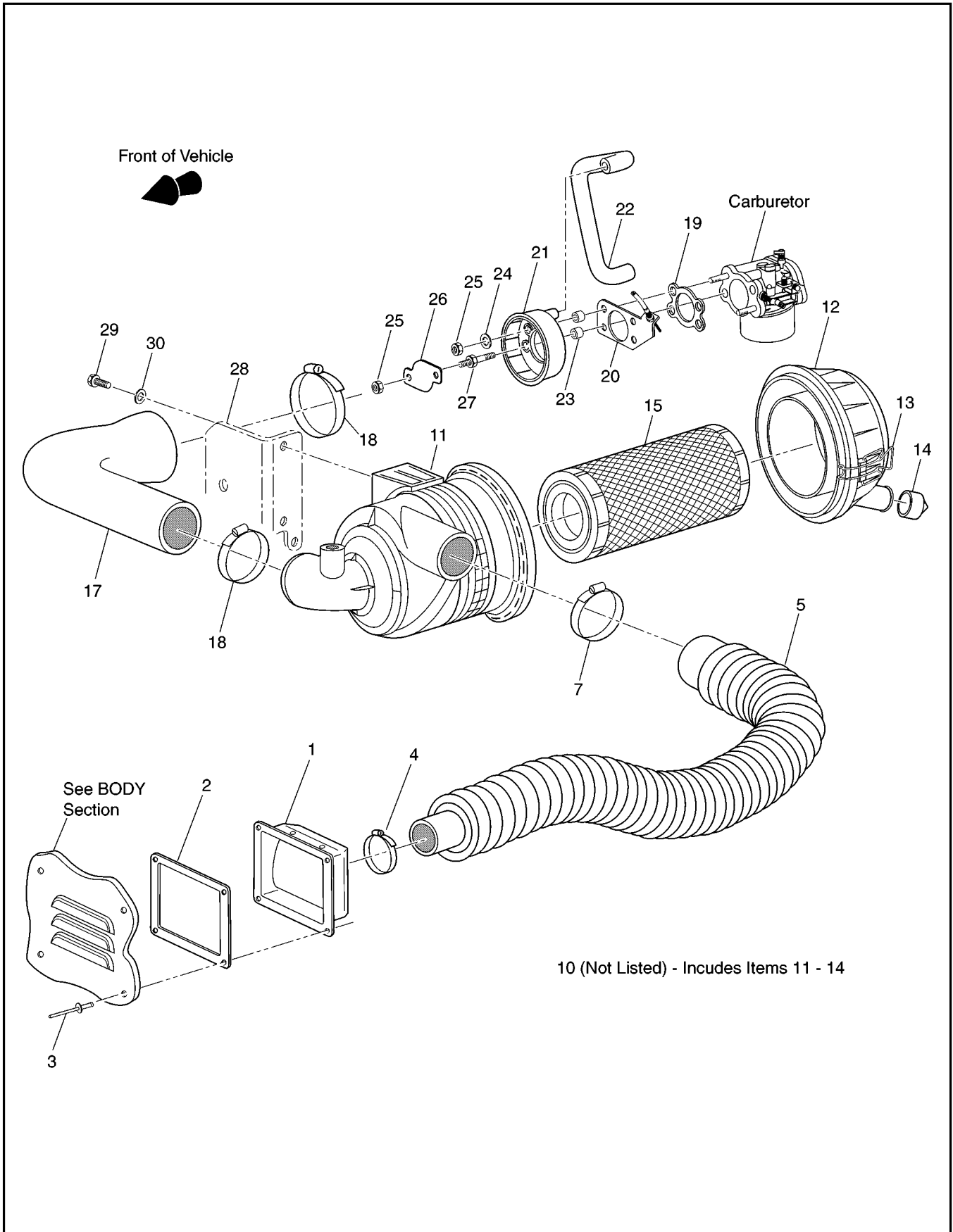
G** Indicates consult Customer Service Department for additional information.

ITEM	PART NO.	1 2 3 4 5	DESCRIPTION	QTY.
1	72416-G01		INLET ADAPTER (PRODUCTION SINCE 5-99)	1
2	72415-G01		GASKET	1
3	71055-G01		RIVET, 3/16" X 3/8" LG	4
4	11391-G2		CLAMP, 2"	1
5	72367-G02		HOSE, 9"	1
6	11391-G5		CLAMP, 3/4"	1
7				
8				
9				
10	26727-G01		CARBURETOR / AIR BOX GASKET	2
11	26728-G01		CHOKE BRACKET.....	1
12				
13	23726-G6		CARBURETOR MOUNT SPACER	4
14	72178-G02		HOUSING	1
15	51400-G1		LOCK WASHER, 6 MM.....	2
16	13632-G1		NUT, M6 X 1	4
17	72529-G01		BAFFLE.....	1
18	72514-G01		STUD, M6 X 1 X 39 MM LG	2
19				
20	72147-G01		HOUSING MOUNT GROMMET.....	2
21	23726-G7		HOUSING MOUNT SPACER.....	2
22	26671-G01		BOLT AND WASHER, M6 X 1 X 30 MM LG	2
23	26701-G01		WASHER, 6.5 MM.....	2
24				
25	72368-G01		AIR FILTER ELEMENT	1
26	72179-G02		AIR FILTER COVER	1
27	72145-G01		LATCH.....	3
28				
29	72146-G02		INLET COVER	1
30	00614-G5		SCREW, #8 - 18 X 5/8" LG	6



When ordering parts, please specify the model and serial number of the product.
 * Indicates a component that is not available as an individual part.
 G** Indicates consult Customer Service Department for additional information.

ITEM	PART NO.	1 2 3 4 5 DESCRIPTION	QTY.
31			
32	72151-G01	PCV HOSE.....	1
33	74093-G01	LABEL (WARNING)	1



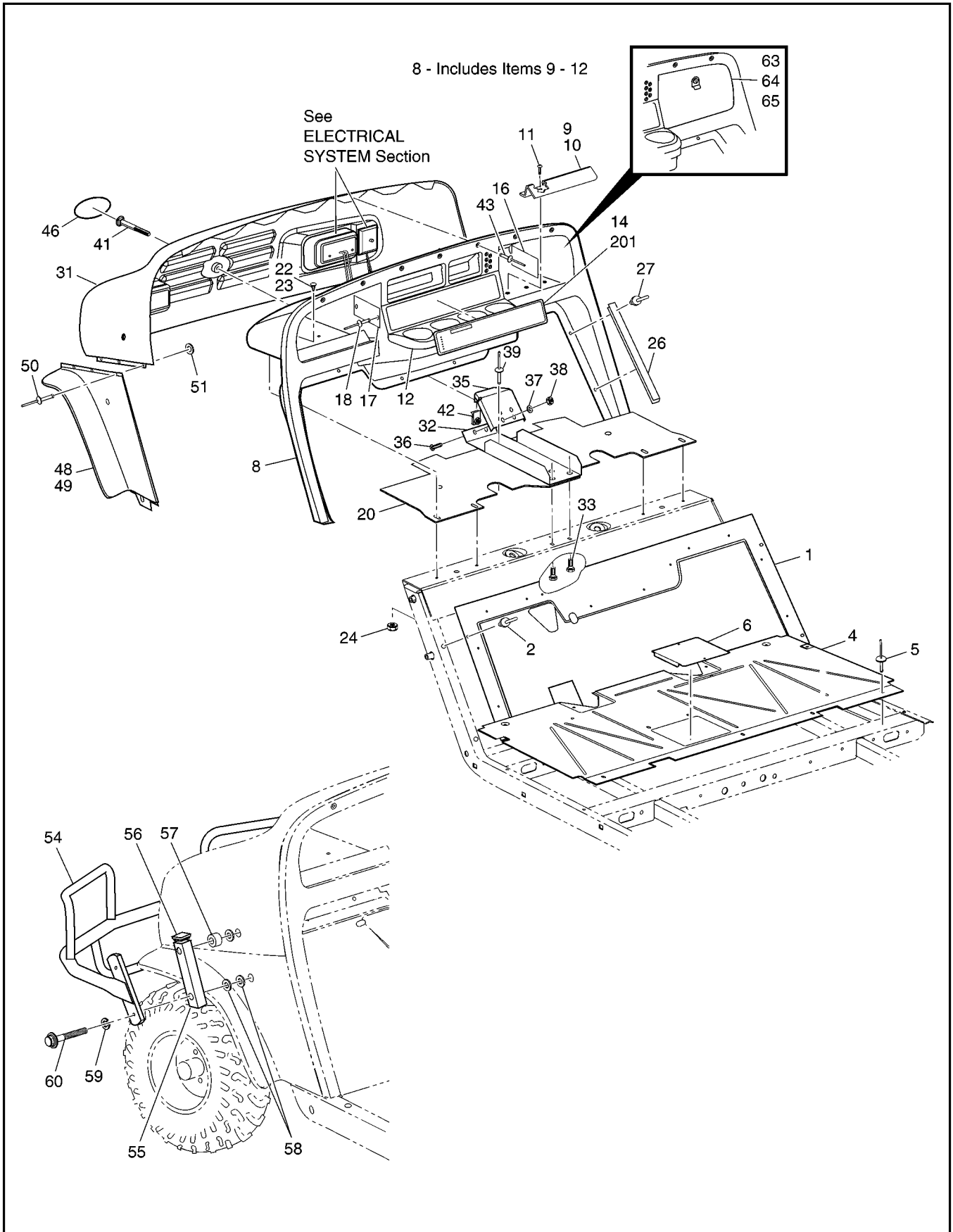
When ordering parts, please specify the model and serial number of the product.

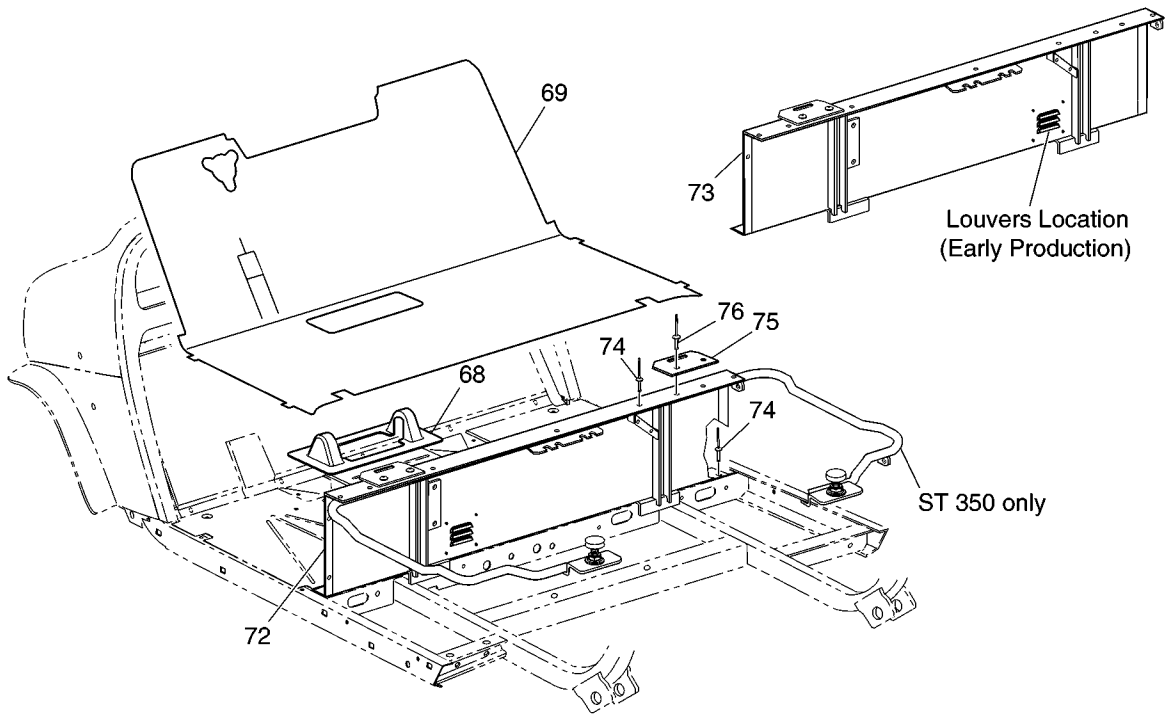
* Indicates a component that is not available as an individual part.

G** Indicates consult Customer Service Department for additional information.

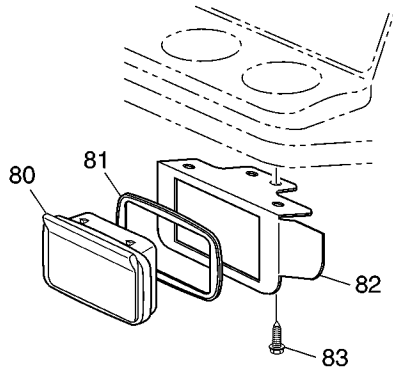
ITEM	PART NO.	1 2 3 4 5	DESCRIPTION	QTY.
1	72416-G01		INLET ADAPTER	1
2	72415-G01		GASKET	1
3	71055-G01		RIVET, 3/16" X 3/8" LG	4
4	11391-G2		CLAMP	1
5	72637-G02		HOSE (CONVOLUTED).....	1
6				
7	11391-G1		CLAMP	1
8				
9				
10	72607-G01		AIR CLEANER CANISTER ASSEMBLY (INCLUDES ITEMS 11 - 14)	1
11	72598-G01		AIR CLEANER CANISTER	1
12	72599-G01		AIR CLEANER COVER.....	1
13	72604-G01		AIR CLEANER LATCH	2
14	28462-G01		AIR CLEANER DUST COLLECTOR.....	1
15	28463-G01		AIR CLEANER ELEMENT	1
16				
17	72592-G01		HOSE (AIR FILTER TO CARBURETOR).....	1
18	11391-G6		CLAMP	2
19	26727-G01		CARBURETOR GASKET.....	2
20	26728-G01		CHOKE BRACKET	1
21	72591-G01		CARBURETOR ADAPTER	1
22	72151-G01		PCV HOSE.....	1
23	23726-G11		CARBURETOR MOUNTING SPACER	4
24	51400-G1		WASHER, 1/4"	2
25	13632-G1		NUT, M6 X 1	4
26	72605-G01		CARBURETOR BAFFLE.....	1
27	26676-G01		STUD	2
28	XXXXXXXX		AIR CLEANER BRACKET (SEE ENGINE AND STARTER MTG. SECTION)....	X
29	12583-G3		BOLT, M8 X 1.25 X 16 MM.....	2
30	00565-G8		WASHER, 5/16"	2



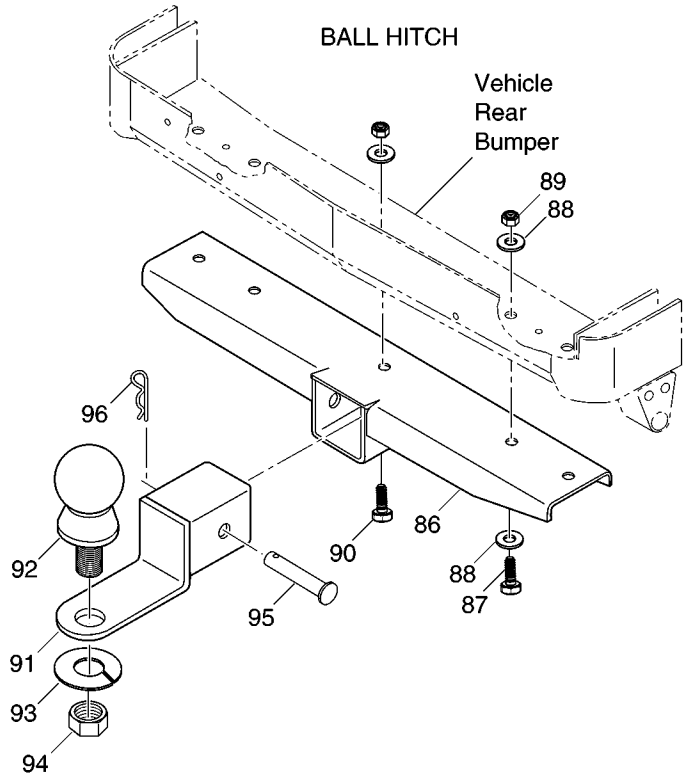


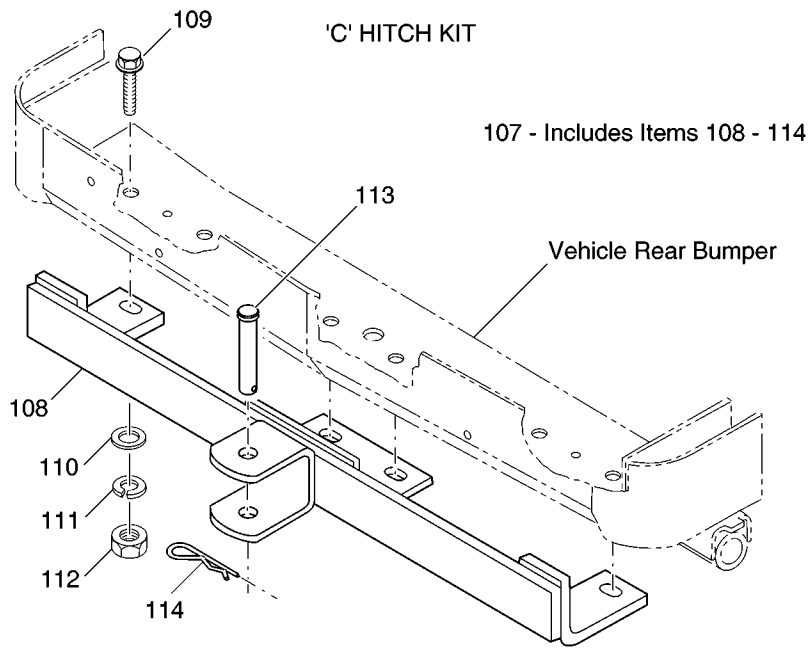
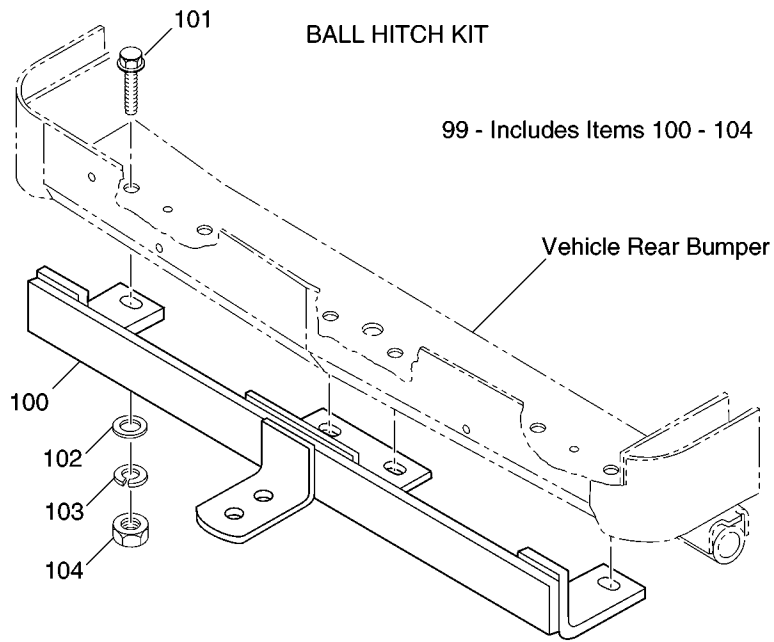


ASH TRAY
79 - Includes Items 80 - 83

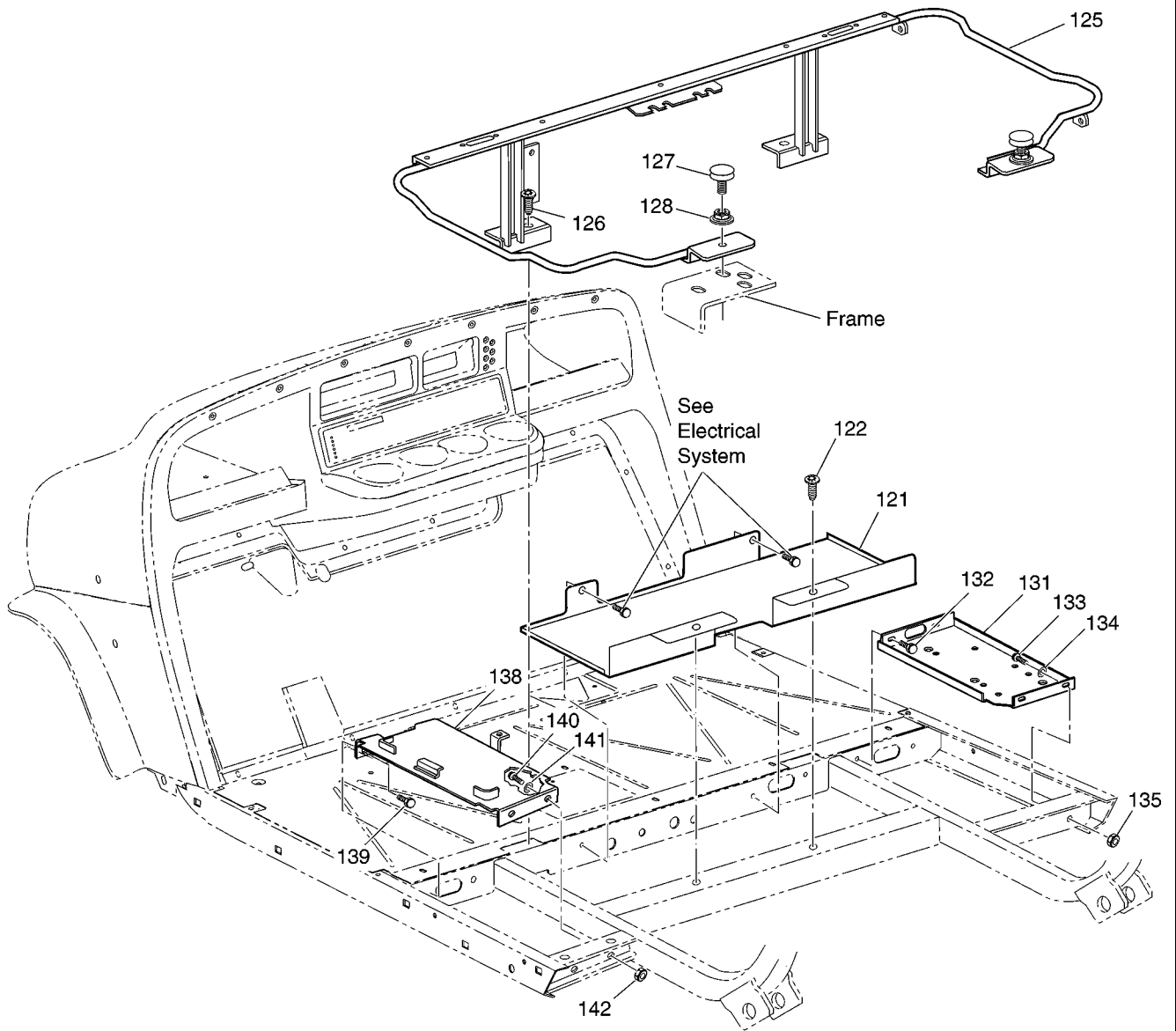


BALL HITCH

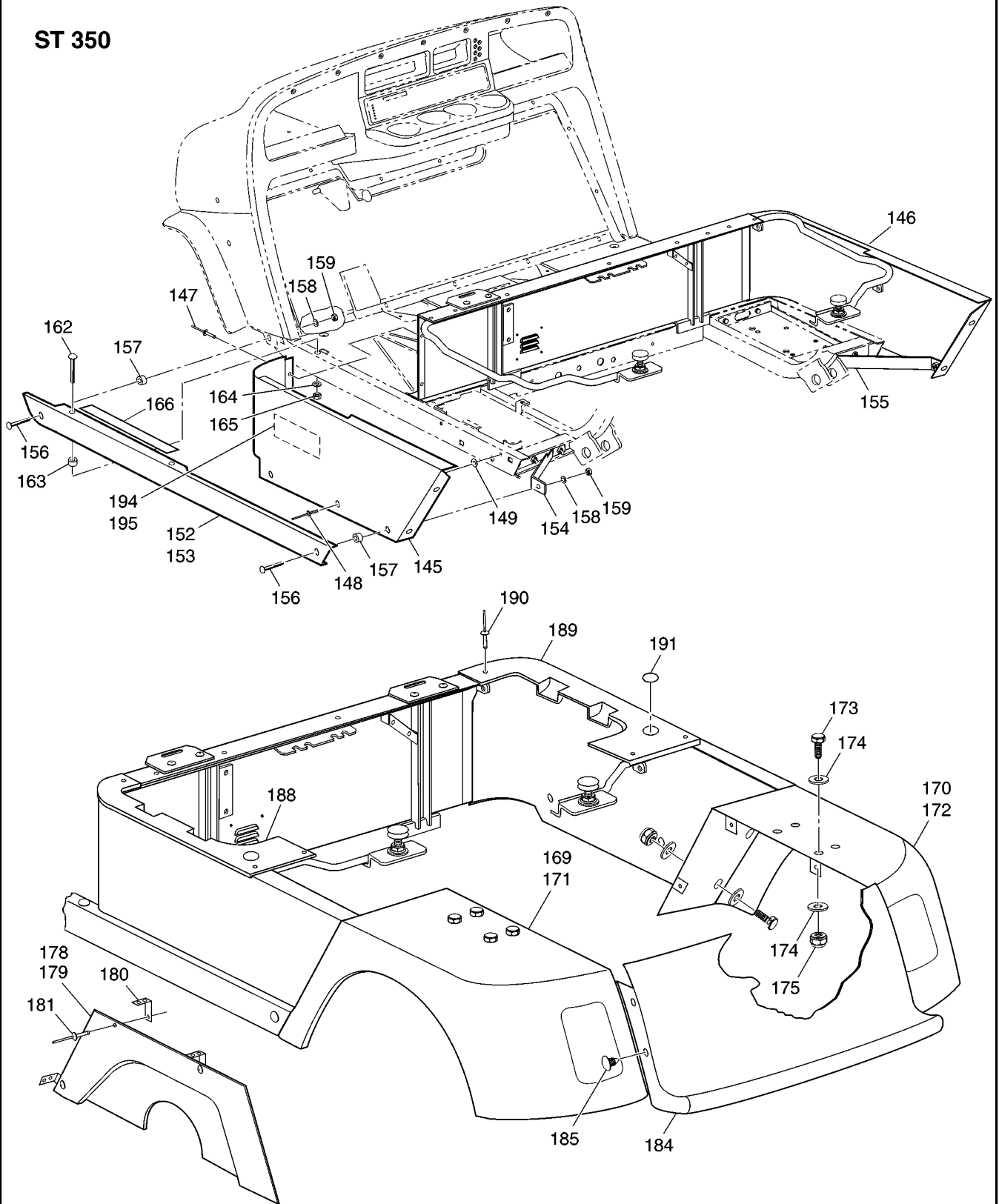




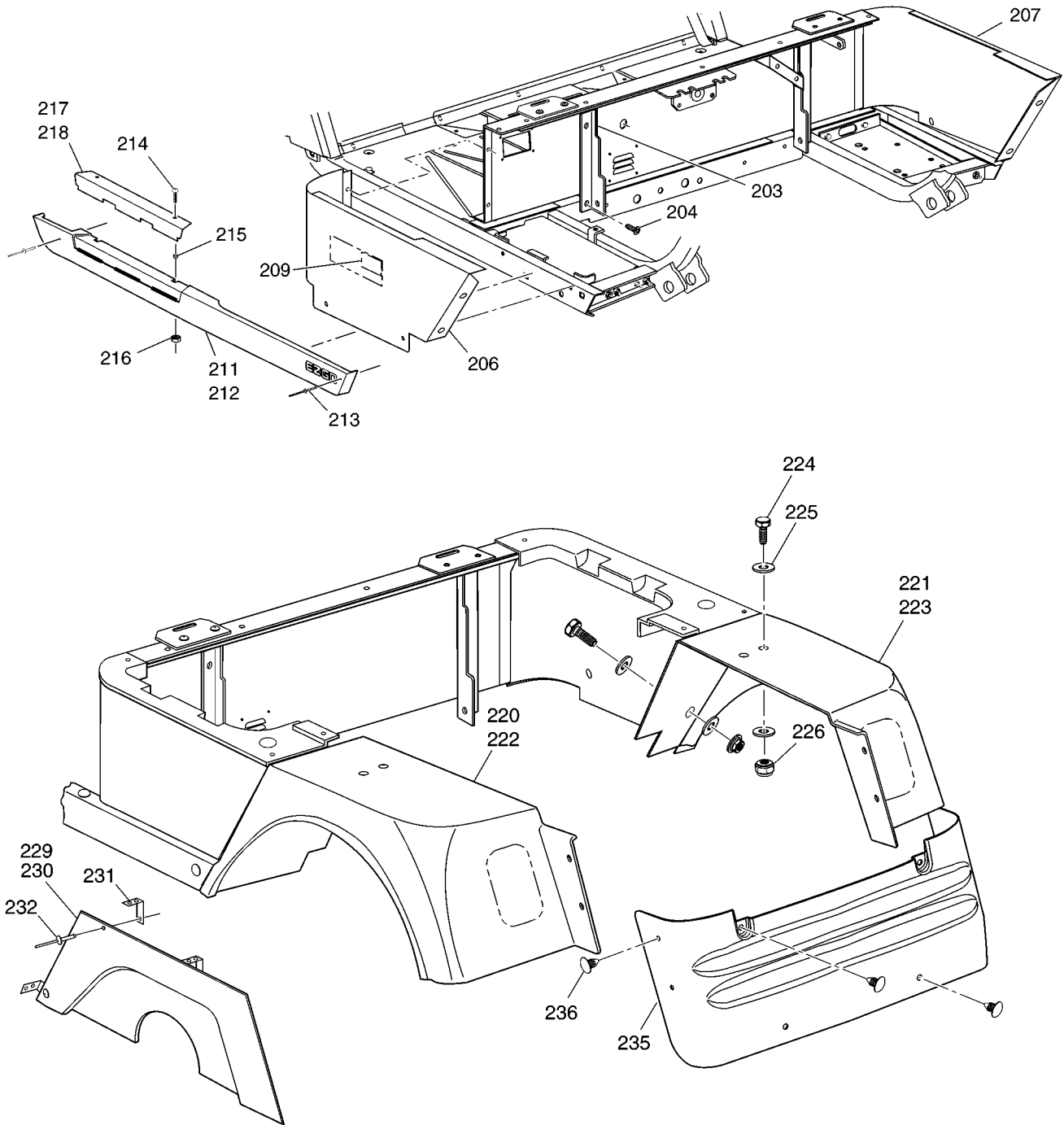
ST 350



ST 350



ST SPORT



When ordering parts, please specify the model and serial number of the product.
 * Indicates a component that is not available as an individual part.
 G** Indicates consult Customer Service Department for additional information.

ITEM	PART NO.	1 2 3 4 5	DESCRIPTION	QTY.
1	71510-G01		UPPER FLOORPAN	1
2	14601-G11		RIVET, 3/16" X 9/16" LG	9
3				
4	70451-G01		LOWER FLOORPAN.....	1
5	14601-G11		RIVET, 3/16" X 9/16" LG	7
6	70452-G01		ACCESS COVER.....	1
7				
8	71151-G**		INSTRUMENT PANEL ASSEMBLY (INCLUDES ITEMS 9 - 12)	1
9	71153-G01		DEFLECTOR (PASSENGER SIDE)	1
10	71154-G01		DEFLECTOR (DRIVER SIDE)	1
11	00614-G5		SCREW, #8 - 18 X 5/8" LG.....	6
12	71158-G01		INSTRUMENT PANEL INSERT (FOUR CUP)	1
13				
14	71177-G03		LABEL (SAFETY) (ST 350).....	1
15				
16	*		SERIAL NUMBER PLATE.....	1
17	*		CAPACITY PLATE	1
18	01041-G01		RIVET, 5/32" X 3/4" LG	4
19				
20	71413-G02		SPLASH PANEL.....	1
21				
22	16816-G2		RATCHET FASTENER, 1/4" X 3/4" LG (LATE 2000 PRODUCTION).....	4
23	01036-G01		SCREW, #10 - 24 X 3/4" LG (TO EARLY 2000 PRODUCTION)	4
24	11098-G7		LOCK NUT, #10 - 24 (TO EARLY 2000 PRODUCTION)	4
25				
26	71115-G01		VINYL TRIM	2
27	71055-G01		RIVET, 3/16" X 1" LG	10
28				
29				
30				



When ordering parts, please specify the model and serial number of the product.

* Indicates a component that is not available as an individual part.

G** Indicates consult Customer Service Department for additional information.

ITEM	PART NO.	1 2 3 4 5	DESCRIPTION	QTY.
31	71219-G01		COWL	1
32	71101-G01		COWL SUPPORT BRACKET	1
33	71102-G02		SELF TAPPING SCREW, 1/4 - 20 X 1/2" LG	3
34				
35	71462-G01		COWL SUPPORT BRACE.....	1
36	00740-G4		SCREW, #10 - 32 X 1/2" LG	2
37	00559-G5		WASHER, #10.....	2
38	00921-G8		LOCK NUT, #10 - 32	2
39	71055-G02		RIVET, 3/16" X 1 1/8" LG	1
40				
41	16705-G9		SCREW, 1/4 - 20 X 1 1/4" LG	1
42	14776-G1		'J' NUT	1
43	71055-G01		RIVET, 3/16" X 1" LG	7
44				
45				
46	71289-G01		NAMEPLATE (E-Z-GO) (OVAL)	1
47				
48	71214-G01		FENDER FLARE (DRIVER SIDE).....	1
49	71214-G02		FENDER FLARE (PASSENGER SIDE)	1
50	71045-G01		RIVET, 5/32 X 3/4" LG.....	6
51	00559-G4		WASHER, #8.....	6
52				
53				
54	74265-G01		BUMPER.....	1
55	74037-G01		SPACER TUBE	2
56	19859-G1		END CAP, 3/4"	2
57	75048-G01		SPACER, 1/2"	2
58	00570-G2		WASHER, 5/16"	6
59	00905-G8		LOCK WASHER, 5/16".....	4
60	01035-G02		BOLT, 5/16 - 18 X 2 1/2" LG	4



When ordering parts, please specify the model and serial number of the product.
 * Indicates a component that is not available as an individual part.
 G** Indicates consult Customer Service Department for additional information.

ITEM	PART NO.	1 2 3 4 5	DESCRIPTION	QTY.
61				
62				
63	75459-G01		GLOVE BOX DOORS (BOTH SIDES)	1
64	75459-G02		GLOVE BOX DOOR (DRIVER SIDE)	1
65	75459-G03		GLOVE BOX DOOR (PASSENGER SIDE).....	1
66				
67				
68	70135-G01		PEDAL PIVOT COVER.....	1
69	70048-G**		FLOORMAT.....	1
70				
71				
72	71844-G**		SEAT WRAP PANEL (PASS. SIDE LOUVERS - (EARLY PRODUCTION)	1
73	71976-G**		SEAT WRAP PANEL (DRIVER SIDE LOUVERS - (LATE PRODUCTION).....	1
74	10570-G10		RIVET, 5/32" X 9/16" LG	8
75	71609-G01		SEAT HINGE PLATE.....	2
76	10570-G11		RIVET, 3/16" X 3/4" LG	4
77				
78				
79	75109-G02		ASH TRAY KIT (INCLUDES ITEMS 80 - 83)	1
80	27731-G01		ASH TRAY.....	1
81	27736-G01		GASKET	1
82	75108-G01		BRACKET.....	1
83	00100-G4		SCREW, #10 - 16 X 1/2" LG.....	4
84				
85				
86	74261-G01		BALL HITCH RECEIVER	1
87	00439-G2		BOLT, 5/16 - 18 X 1 1/4" LG.....	4
88	00569-G8		WASHER, 5/16"	9
89	11098-G6		LOCK NUT, 5/16 - 18	5
90	00198-G8		BOLT, 5/16 - 18 X 1" LG.....	1



When ordering parts, please specify the model and serial number of the product.
 * Indicates a component that is not available as an individual part.
 G** Indicates consult Customer Service Department for additional information.

ITEM	PART NO.	1 2 3 4 5	DESCRIPTION	QTY.
91	74260-G01		HITCH	1
92	31757-G01		HITCH BALL, 1 7/8" (INCLUDES ITEMS 93 - 94)	1
93	00566-G6		LOCK WASHER, 3/4"	1
94	00702-G11		NUT, 3/4 - 16	1
95	21317-G01		CLEVIS PIN, 5/8 X 3" LG	1
96	21683-G1		COTTER PIN, 15/32" X 2 11/16" LG	1
97				
98				
99	75326-G02		BALL HITCH KIT (INCLUDES ITEMS 100 - 104)	1
100	75324-G01		HITCH.....	1
101	13437-G5		LOCK SCREW, 3/8 - 16 X 1 1/2" LG	4
102	00571-G3		WASHER, 3/8".....	4
103	00566-G1		LOCK WASHER, 3/8".....	4
104	00532-G5		NUT, 3/8 - 16	4
105				
106				
107	75327-G02		CLEVIS HITCH KIT (INCLUDES ITEMS 108 - 114)	1
108	75325-G01		HITCH.....	1
109	13437-G5		LOCK SCREW, 3/8 - 16 X 1 1/2" LG	4
110	00571-G3		WASHER, 3/8".....	4
111	00566-G1		LOCK WASHER, 3/8".....	4
112	00532-G5		NUT, 3/8 - 16	4
113	14443-G7		CLEVIS PIN, 1/2" X 2 1/2" LG	1
114	19314-G1		COTTER PIN, 2 1/2" LG.....	1
115				
116				
117				
118				
119				
120				



When ordering parts, please specify the model and serial number of the product.
 * Indicates a component that is not available as an individual part.
 G** Indicates consult Customer Service Department for additional information.

ITEM	PART NO.	1 2 3 4 5	DESCRIPTION	QTY.
121	70629-G01		SPLASH PANEL.....	1
122	00106-G6		SELF THREADING SCREW, #12 - 24 X 3/4" LG	2
123				
124				
125	70384-G02		SEAT FRAME.....	1
126	70200-G01		SCREW, 3/8 - 16 X 1/4" LG	4
127	70113-G01		ADJUSTABLE BUMPER.....	2
128	11027-G1		LOCK NUT, 5/16 - 18	2
129				
130				
131	70244-G02		SPLASH PANEL.....	1
132	00715-G2		BOLT, 5/16 - 18 X 13/16" LG	4
133	00438-G8		BOLT, 5/16 - 18 X 1" LG.....	2
134	00559-G8		WASHER, 5/16"	2
135	11098-G6		LOCK NUT, 5/16 - 18	2
136				
137				
138	70245-G01		BATTERY TRAY.....	1
139	00715-G2		BOLT, 5/16 - 18 X 13/16" LG	4
140	00438-G8		BOLT, 5/16 - 18 X 1" LG.....	2
141	00571-G2		WASHER, 5/16"	2
142	11098-G6		LOCK NUT, 5/16 - 18	2
143				
144				
145	71674-G01		SIDE PANEL (DRIVER SIDE)	1
146	71674-G02		SIDE PANEL (PASSENGER SIDE)	1
147	10570-G10		RIVET, 5/32" X 9/16" LG	4
148	10570-G12		RIVET, 1/4" X 1/2" LG	4
149	16469-G7		WASHER, 1/4"	4
150				



When ordering parts, please specify the model and serial number of the product.

* Indicates a component that is not available as an individual part.

G** Indicates consult Customer Service Department for additional information.

ITEM	PART NO.	1 2 3 4 5	DESCRIPTION	QTY.
151				
152	71439-G01		ROCKER PANEL (DRIVER SIDE)	1
153	71439-G02		ROCKER PANEL (PASSENGER SIDE)	1
154	71440-G01		BRACE (DRIVER SIDE).....	1
155	71440-G02		BRACE (PASSENGER SIDE)	1
156	00789-G2		SCREW, #10 - 24 X 1 1/4" LG	4
157	19247-G3		SPACER, 9/32"	4
158	00660-G5		WASHER, #10.....	4
159	11098-G7		LOCK NUT, #10 - 24	4
160				
161				
162	16705-G1		SCREW, 1/4 - 20 X 1" LG	4
163	23726-G2		SPACER, 1/4"	4
164	00559-G7		WASHER, 1/4"	4
165	14390-G4		LOCK NUT, 1/4 - 20	4
166	71764-G01		SILL PLATE TREAD.....	2
167				
168				
169	71586-G01		FENDER (DRIVER SIDE)	1
170	71586-G02		FENDER (PASSENGER SIDE).....	1
171	71586-G03		FENDER WITH TAILLIGHT (DRIVER SIDE)	1
172	71586-G04		FENDER WITH TAILLIGHT (PASSENGER SIDE)	1
173	00414-G7		BOLT, 1/4 - 20 X 7/8" LG.....	12
174	00559-G7		WASHER, 1/4"	24
175	14390-G4		LOCK NUT, 1/4 - 20	12
176				
177				
178	71372-G01		INNER FENDER (PASSENGER SIDE)	1
179	71372-G02		INNER FENDER (DRIVER SIDE)	1
180	71374-G01		BRACKET	6



When ordering parts, please specify the model and serial number of the product.
 * Indicates a component that is not available as an individual part.
 G** Indicates consult Customer Service Department for additional information.

ITEM	PART NO.	1 2 3 4 5	DESCRIPTION	QTY.
181	15058-G1		RIVET, 3/16" X 7/16" LG (ALUMINUM).....	8
182				
183				
184	71587-G01		REAR PANEL.....	1
185	71055-G01		RIVET, 3/16" X 1" LG	4
186				
187				
188	71588-G01		SEAT FILLER PANEL (DRIVER SIDE)	1
189	71588-G02		SEAT FILLER PANEL (PASSENGER SIDE).....	1
190	10570-G10		RIVET, 5/32" X 9/16" LG	6
191	20271-G3		HOLE PLUG, 2" (VEHICLES WITHOUT TOP)	2
192				
193				
194	35062-G01		DECAL (SERIES).....	2
195	35430-G08		DECAL (ST 350)	2
196				
197				
198				
199				
200				
201	71177-G04		LABEL (SAFETY) (ST SPORT)	1
202				
203	70441-G01		SEAT FRAME.....	1
204	00715-G2		BOLT, 5/16 - 18 X 13/16" LG	2
205				
206	71259-G01		SIDE PANEL (DRIVER SIDE)	1
207	71259-G02		SIDE PANEL (PASSENGER SIDE)	1
208				
209	35430-G22		DECAL (ST SPORT).....	2
210				



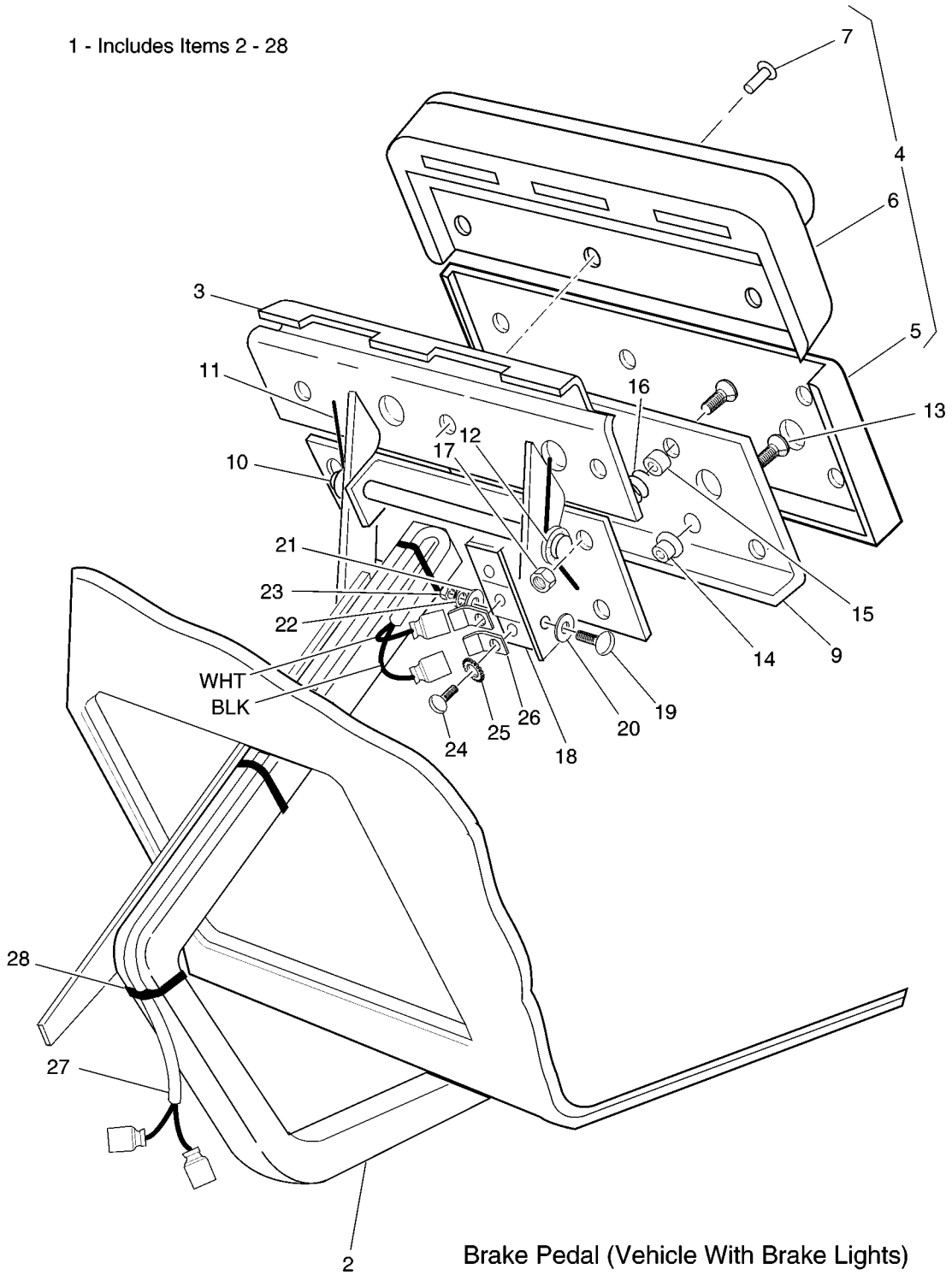
When ordering parts, please specify the model and serial number of the product.

* Indicates a component that is not available as an individual part.

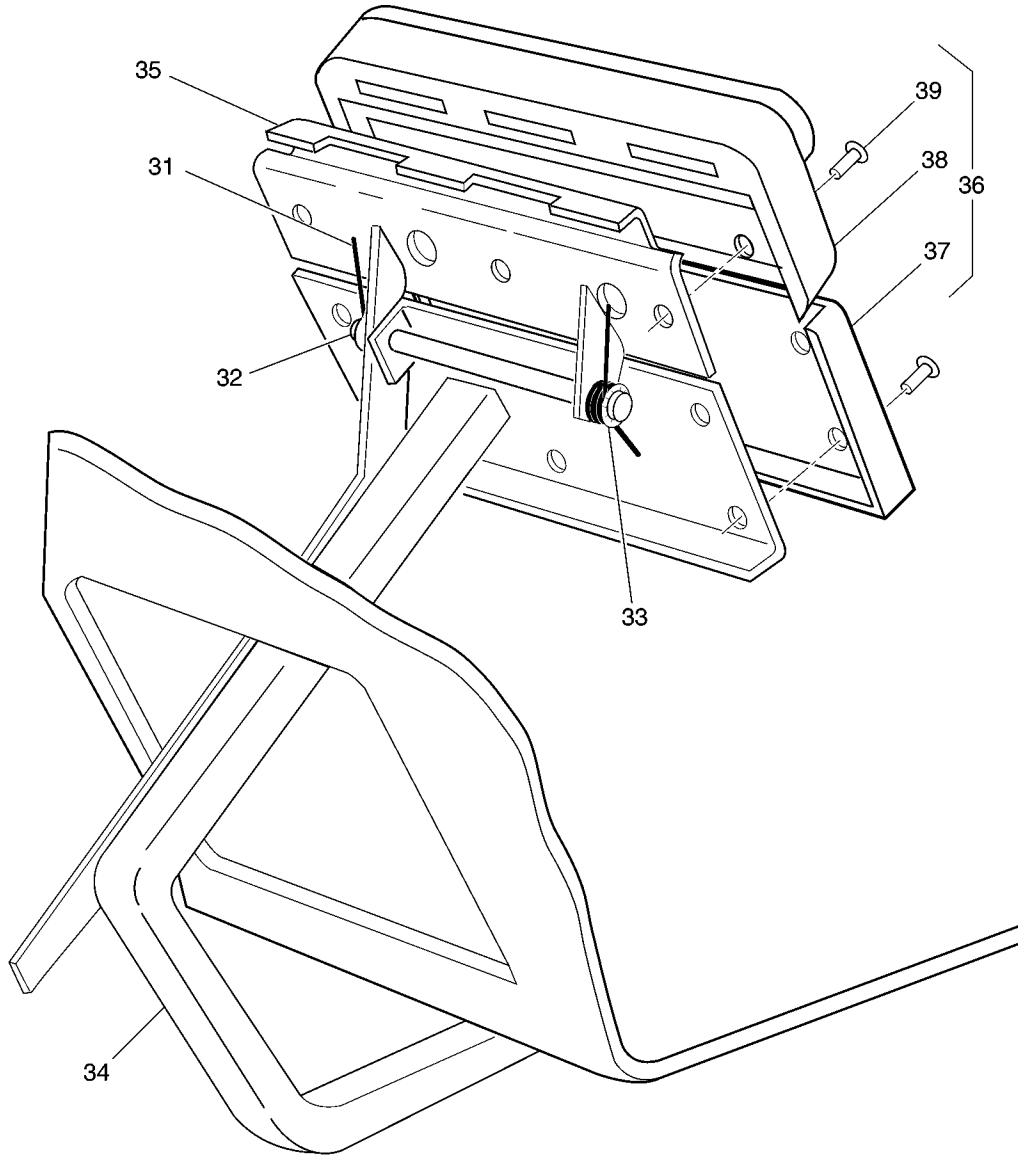
G** Indicates consult Customer Service Department for additional information.

ITEM	PART NO.	1 2 3 4 5	DESCRIPTION	QTY.
211	71502-G01		ROCKER PANEL (DRIVER SIDE)	1
212	71501-G01		ROCKER PANEL (PASSENGER SIDE)	1
213	15058-G6		RIVET, 3/16" X 3/4" LG	4
214	16705-G1		SCREW, 1/4 - 20 X 1" LG	4
215	23726-G4		SPACER.....	4
216	00891-G2		LOCK NUT, 1/4 - 20	4
217	71507-G02		SILL PLATE (DRIVER SIDE)	1
218	71507-G01		SILL PLATE (PASSENGER SIDE).....	1
219				
220	71224-G01		FENDER (DRIVER SIDE)	1
221	71224-G02		FENDER (PASSENGER SIDE).....	1
222	71224-G03		FENDER WITH TAILLIGHT (DRIVER SIDE)	1
223	71224-G04		FENDER WITH TAILLIGHT (PASSENGER SIDE)	1
224	00414-G6		BOLT, 1/4 - 20 X 3/4" LG.....	8
225	00642-G7		WASHER, 1/4"	16
226	00891-G2		LOCK NUT, 1/4 - 20	8
227				
228				
229	71372-G01		INNER FENDER (PASSENGER SIDE)	1
230	71372-G02		INNER FENDER (DRIVER SIDE)	1
231	71374-G01		BRACKET	4
232	15058-G1		RIVET, 3/16" X 7/16" LG (ALUMINUM).....	6
233				
234				
235	71225-G01		REAR PANEL.....	1
236	16816-G2		RATCHET FASTENER, 1/4" X 3/4"	8

1 - Includes Items 2 - 28

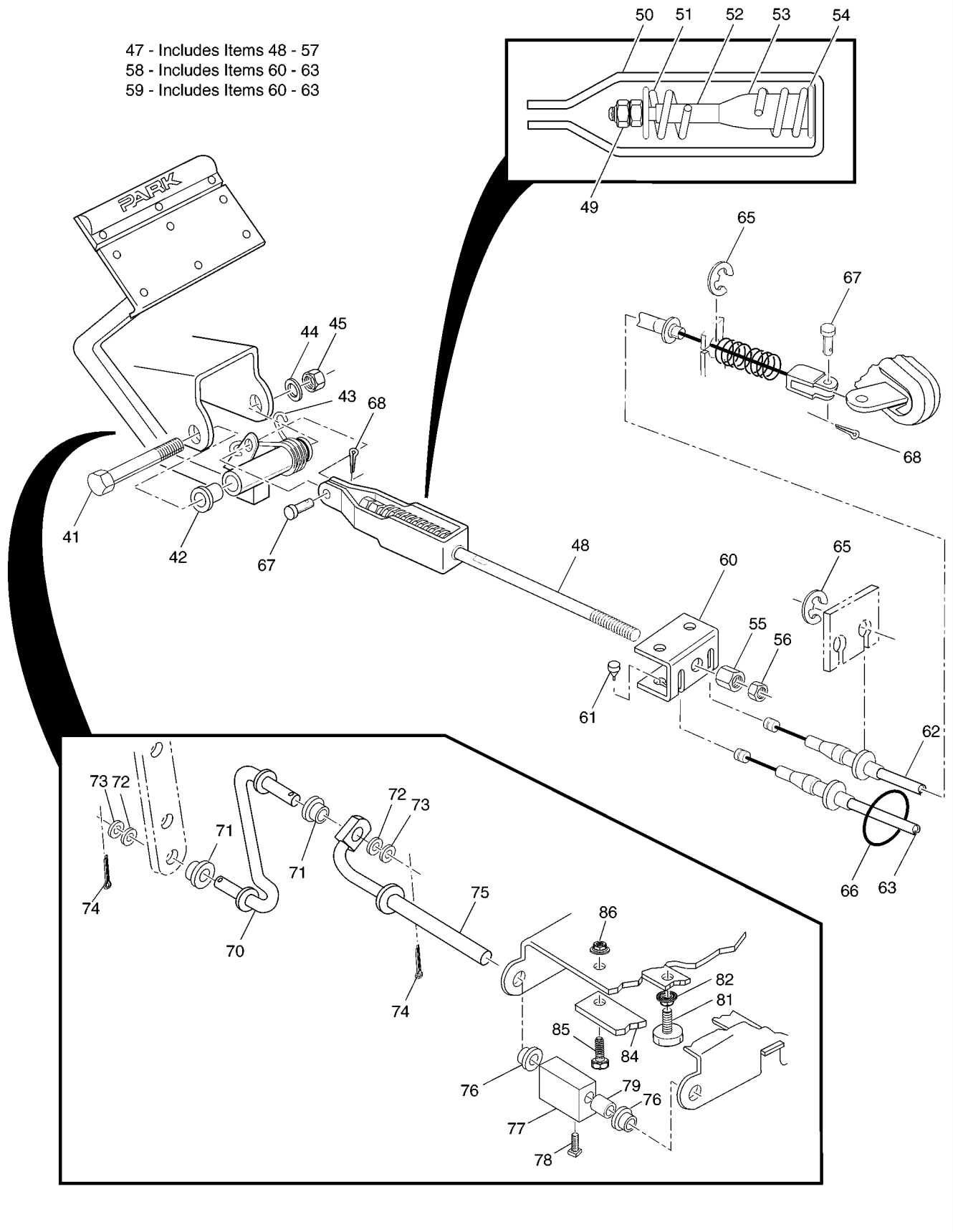


30 - Includes Items 31 - 39

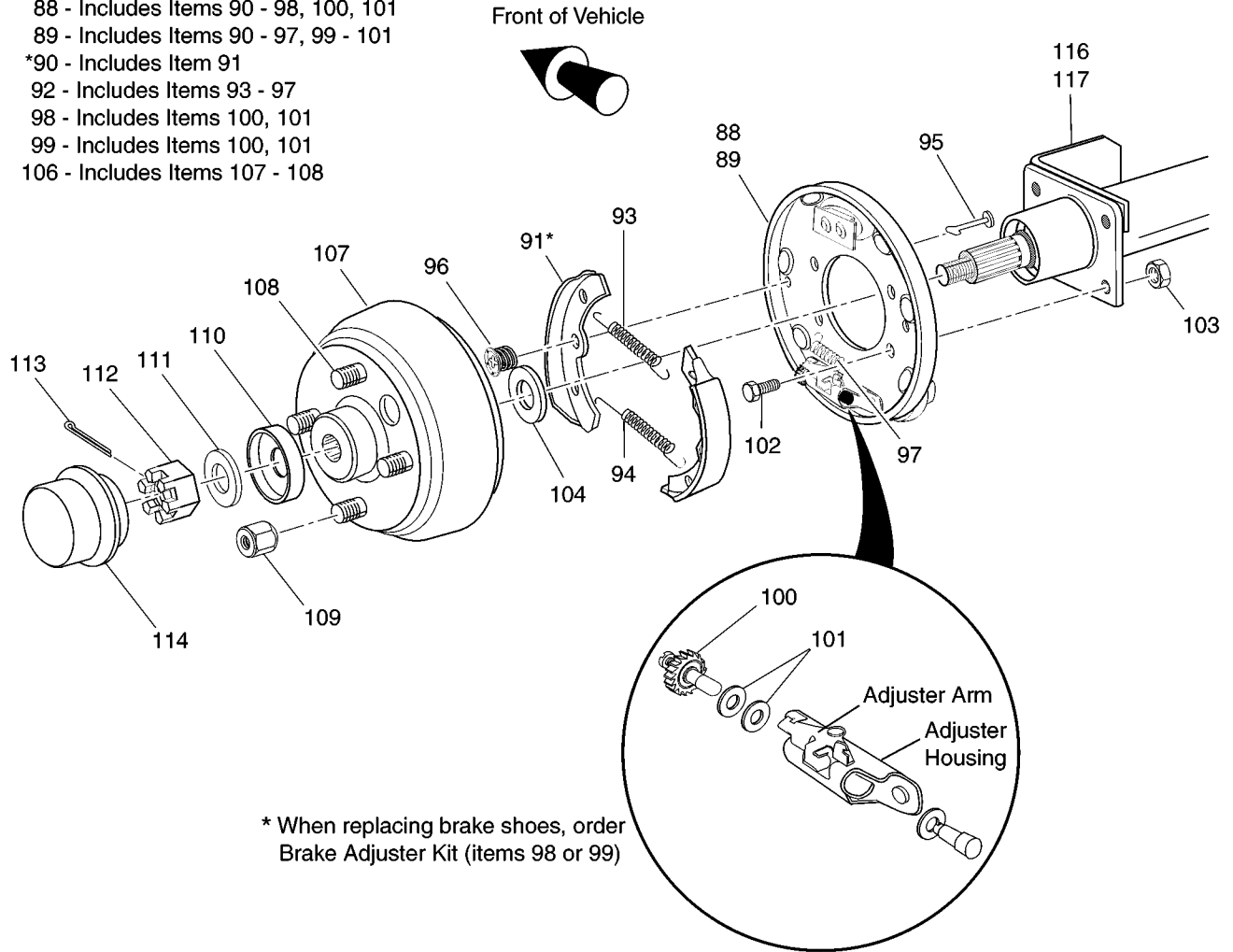


Brake Pedal (Vehicle Without Brake Lights)

- 47 - Includes Items 48 - 57
- 58 - Includes Items 60 - 63
- 59 - Includes Items 60 - 63



- 88 - Includes Items 90 - 98, 100, 101
- 89 - Includes Items 90 - 97, 99 - 101
- *90 - Includes Item 91
- 92 - Includes Items 93 - 97
- 98 - Includes Items 100, 101
- 99 - Includes Items 100, 101
- 106 - Includes Items 107 - 108



BRAKES**Gasoline Vehicle**

When ordering parts, please specify the model and serial number of the product.

* Indicates a component that is not available as an individual part.

G** Indicates consult Customer Service Department for additional information.

ITEM	PART NO.	1 2 3 4 5	DESCRIPTION	QTY.
1	70263-G01		BRAKE PEDAL ASSEMBLY (WITH BRAKE LIGHTS) (INCLUDES ITEMS 2 - 28)	1
2	*		BRAKE PEDAL.....	1
3	70265-G01		PARK BRAKE PEDAL	1
4	70274-G01		BRAKE/PARK BRAKE PEDAL PAD KIT (INCLUDES ITEMS 5 - 7)	1
5	*		SERVICE BRAKE PAD	1
6	*		PARK BRAKE PAD	1
7	15766-G1		OVAL RIVET, 3/16 X 3/8" LG.	9
8				
9	*		SERVICE BRAKE PEDAL PLATE.....	1
10	15932-G2		PIVOT PIN.....	1
11	11737-G1		TORSION SPRING	2
12	12064-G1		PUSHNUT, 5/16"	1
13	00737-G8		SCREW, #10 - 24 X 1" LG.....	4
14	00739-G1		RUBBER NUT, #10 - 24	2
15	22362-G3		BRAKE PEDAL STANDOFF	2
16	27137-G01		CONICAL SPRING.....	2
17	11098-G7		LOCK NUT, #10 - 24.....	2
18	10606-G8		MICRO SWITCH	1
19	00645-G2		SCREW, #6 - 32 X 1 1/4" LG.....	2
20	00559-G5		WASHER, #10.....	2
21	00559-G3		WASHER, #6.....	2
22	00565-G3		LOCK WASHER, #6	2
23	00525-G5		NUT, #6 - 32	2
24	*		BRASS SCREW	2
25	00567-G3		LOCK WASHER, #6	6
26	14628-G1		FASTON TAB	2
27	24605-G1		WIRE HARNESS (BRAKE LIGHT).....	1
28	17618-G1		WIRE TIE.....	3
29				

When ordering parts, please specify the model and serial number of the product.

* Indicates a component that is not available as an individual part.

G** Indicates consult Customer Service Department for additional information.

ITEM	PART NO.	1 2 3 4 5	DESCRIPTION	QTY.
30	70264-G01		BRAKE PEDAL ASSEMBLY (WITHOUT BRAKE LIGHTS) (INCLUDES ITEMS 31 - 39)	1
31	11737-G1		TORSION SPRING	2
32	15932-G2		PIVOT PIN.....	1
33	12064-G1		PUSHNUT, 5/16"	1
34	*		BRAKE PEDAL.....	1
35	70265-G01		PARK BRAKE PEDAL.....	1
36	70274-G01		BRAKE/PARK BRAKE PEDAL PAD KIT (INCLUDES ITEMS 37 - 39).....	1
37	*		SERVICE BRAKE PAD	1
38	*		PARK BRAKE PEDAL PAD.....	1
39	15766-G1		OVAL RIVET, 3/16" X 3/8" LG.	9
40				
41	70582-G01		SHOULDER BOLT, 3/8 - 16 X 4" LG.....	1
42	70581-G01		FLANGED BUSHING	2
43	70676-G01		TORSION SPRING	1
44	00643-G1		WASHER, 3/8"	1
45	11098-G5		LOCK NUT, 3/8 - 16	1
46				
47	70272-G04		COMPENSATOR ASSEMBLY (INCLUDES ITEMS 48 - 56).....	1
48	25882-G04		LINKAGE ROD	1
49	00532-G4		NUT, 5/16 - 24	2
50	*		YOKE.....	1
51	23463-G1		COMPRESSION SPRING.....	1
52	23061-G2		COMPENSATOR STOP TUBE	1
53	17979-G1		BUSHING	1
54	15121-G1		WASHER, 3/8".....	2
55	00963-G01		SPHERICAL NUT, 5/16 - 24.....	1
56	11098-G9		LOCK NUT, 5/16 - 24.....	1
57				
58	70716-G05		EQUALIZER & BRAKE CABLE (INCLUDES ITEMS 60 - 63) (ST 350).....	1



BRAKES**Gasoline Vehicle**

When ordering parts, please specify the model and serial number of the product.

* Indicates a component that is not available as an individual part.

G** Indicates consult Customer Service Department for additional information.

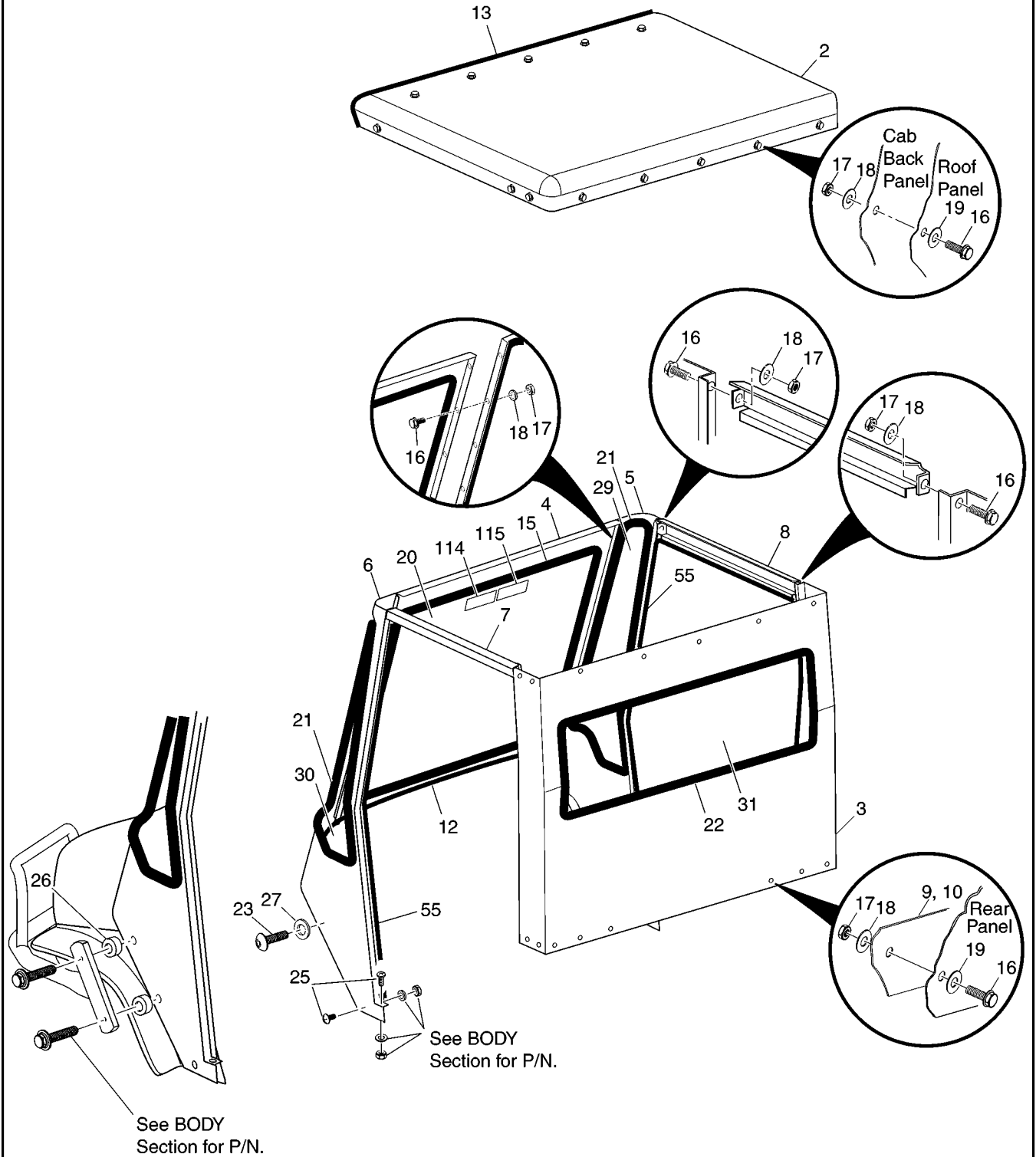
ITEM	PART NO.	1 2 3 4 5	DESCRIPTION	QTY.
59	70716-G03		EQUALIZER & BRAKE CABLE (INCLUDES ITEMS 60 - 63) (ST SPORT)	1
60	28082-G01		EQUALIZER BRACKET	1
61	28083-G01		BRAKE COMPENSATOR BUMPER	2
62	*		BRAKE CABLE (PASSENGER SIDE).....	1
63	*		BRAKE CABLE (DRIVER SIDE)	1
64				
65	12305-G1		RETAINING RING	4
66	12416-G2		WIRE TIE	2
67	10386-G3		CLEVIS PIN, 5/16" X 1" LG.....	3
68	10387-G3		COTTER PIN, 3/32" X 3/4" LG.....	3
69				
70	70601-G01		KICK-OFF LINK	1
71	17838-G1		NYLON BUSHING.....	2
72	20835-G1		TEFLON WASHER, 3/8"	2
73	00559-G8		WASHER, 5/16"	2
74	10387-G3		COTTER PIN, 3/32" X 3/4" LG.....	2
75	70098-G01		KICK-OFF CAM PIVOT.....	1
76	10097-G6		FLANGED BEARING	2
77	25103-G2		KICK-OFF CAM.....	1
78	71215-G01		SETSCREW, 1/4 - 20 X 1/2" LG.	2
79	14134-G4		SPACER.....	1
80				
81	70113-G01		ADJUSTABLE BUMPER.....	1
82	11027-G1		LOCK NUT, 5/16 - 18	1
83				
84	70080-G01		CATCH BRACKET	1
85	00414-G6		BOLT, 1/4 - 20 X 3/4" LG.....	2
86	11027-G2		LOCK NUT, 1/4 - 20	2
87				
88	72422-G01		BRAKE ASSEMBLY (DRIVER SIDE) (INCLUDES ITEMS 90 - 98, 100, 101)....	1

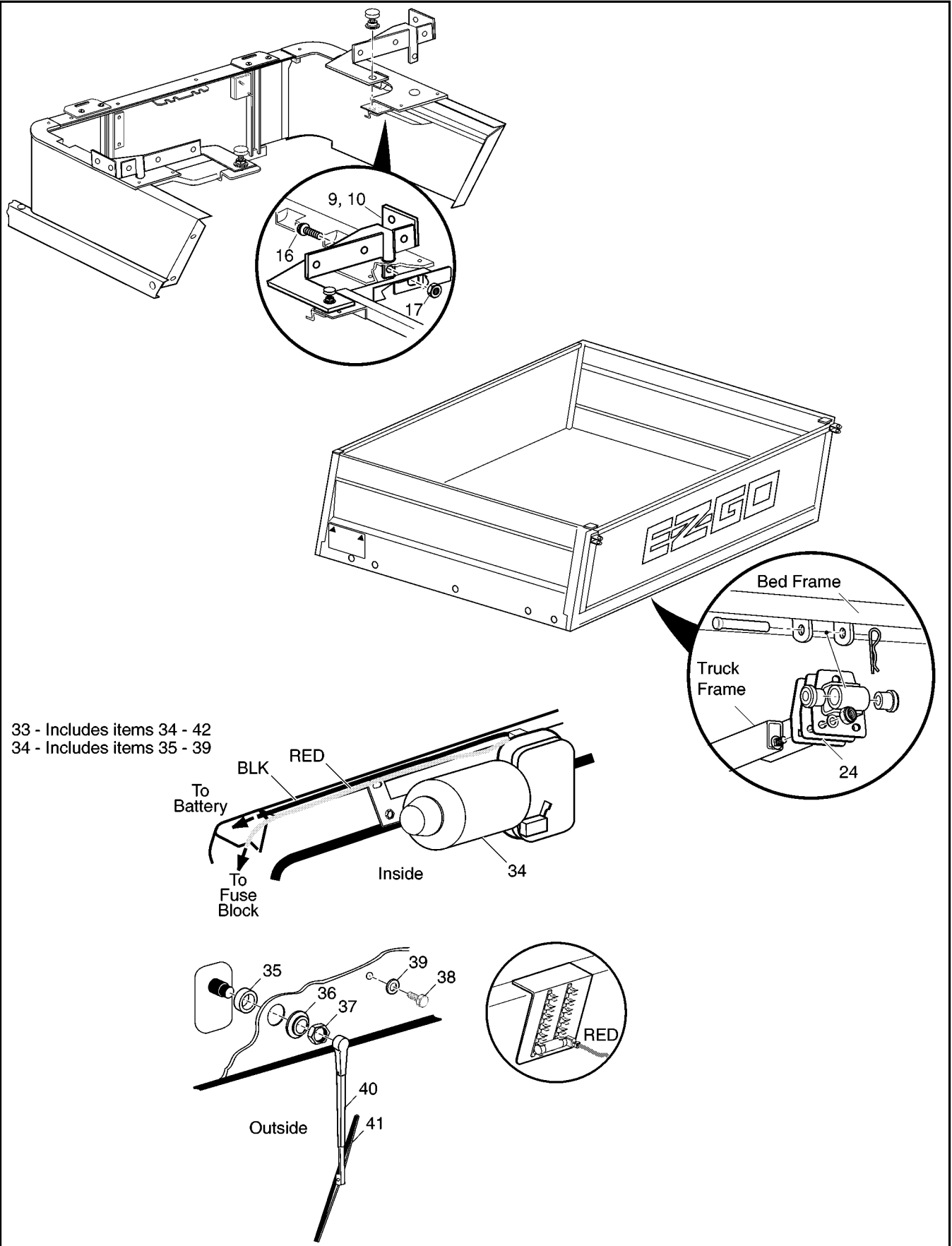
When ordering parts, please specify the model and serial number of the product.
 * Indicates a component that is not available as an individual part.
 G** Indicates consult Customer Service Department for additional information.

ITEM	PART NO.	1 2 3 4 5	DESCRIPTION	QTY.
89	72422-G02		BRAKE ASSEMBLY (PASSENGER SIDE) (INCL. ITEMS 90 - 97, 99 - 101)	1
90	27945-G01		BRAKE SHOE KIT (INCLUDES ITEM 91)	2
91	*		BRAKE SHOE	2
92	27944-G01		BRAKE SPRING KIT (INCLUDES ITEMS 93 - 97)	2
93	*		UPPER SPRING	1
94	*		LOWER SPRING	1
95	*		PIN	2
96	*		CUP AND SPRING	2
97	*		ADJUSTER SPRING.....	1
98	72582-G01		BRAKE ADJUSTER KIT (DRIVER SIDE) (INCLUDES ITEMS 100 - 101)....	1
99	72582-G02		BRAKE ADJUSTER KIT (PASSENGER SIDE) (INCL. ITEMS 100 - 101)	1
100	*		ADJUSTER	1
101	*		TEFLON WASHER	2
102	17083-G2		BOLT, 5/16 - 24 X 1" LG.....	8
103	15126-G1		LOCK NUT, 5/16 - 24	8
104	21809-G1		INNER BRAKE DRUM WASHER	2
105				
106	21807-G2		BRAKE DRUM ASSEMBLY (INCLUDES ITEMS 107 - 108)	2
107	*		BRAKE DRUM.....	1
108	19862-G2		LUG BOLT, 1/2 - 20 X 1 23/32" LG.....	4
109	14723-G1		LUG NUT, 1/2 - 20.....	8
110	24939-G2		SPINDLE CAP ADAPTER.....	2
111	21830-G1		OUTER BRAKE DRUM WASHER.....	2
112	00518-G8		SLOTTED NUT, 3/4 - 16	2
113	10387-G1		COTTER PIN, 1/8" X 1 1/2" LG.....	2
114	12091-G2		SPINDLE CAP	2
115				
116	72036-G01		BRAKE CABLE BRACKET (PASSENGER SIDE)	1
117	72237-G01		BRAKE CABLE BRACKET (DRIVER SIDE).....	1

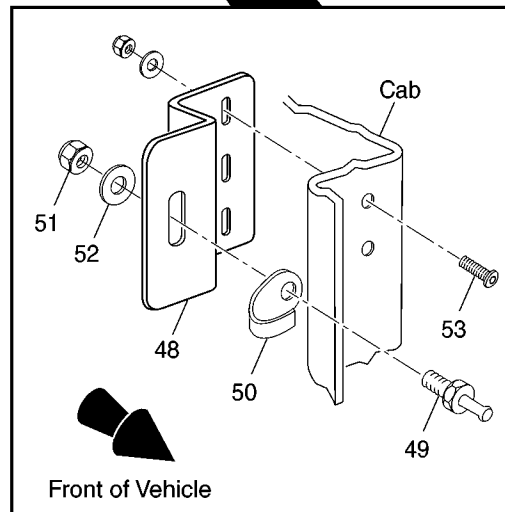
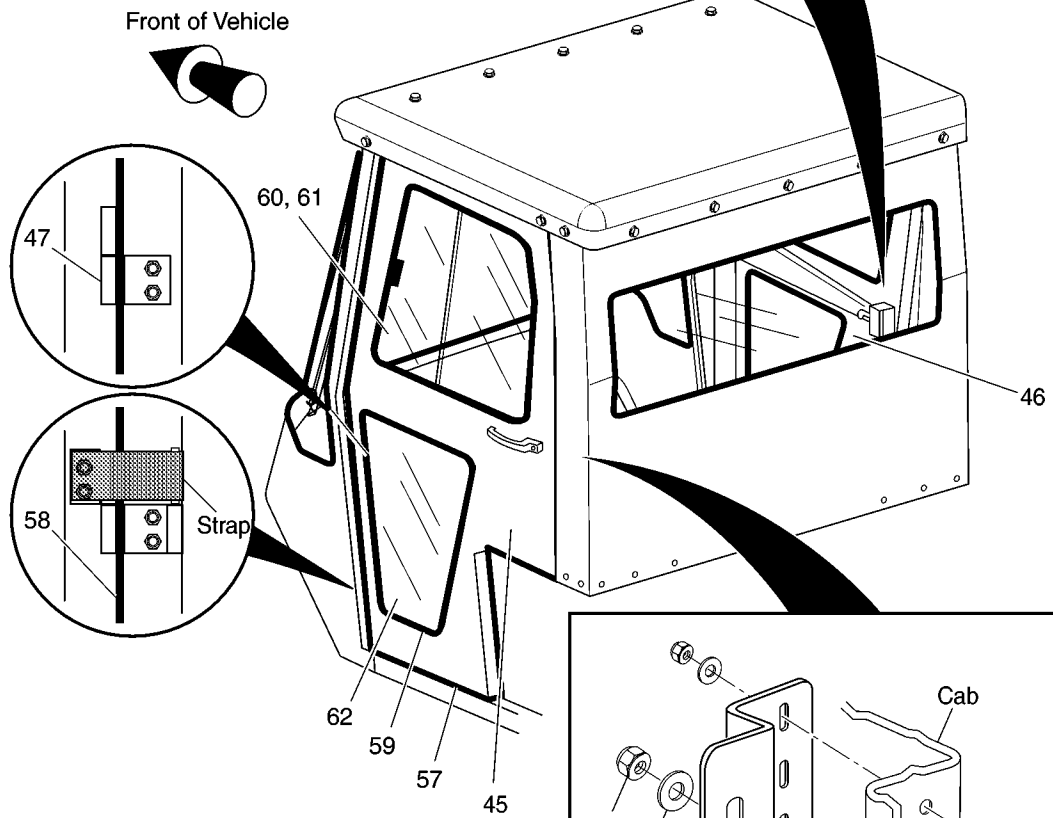
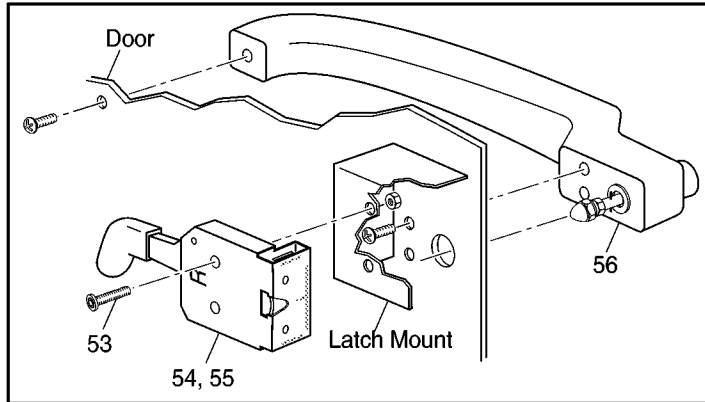


1 - Includes items 2 - 42

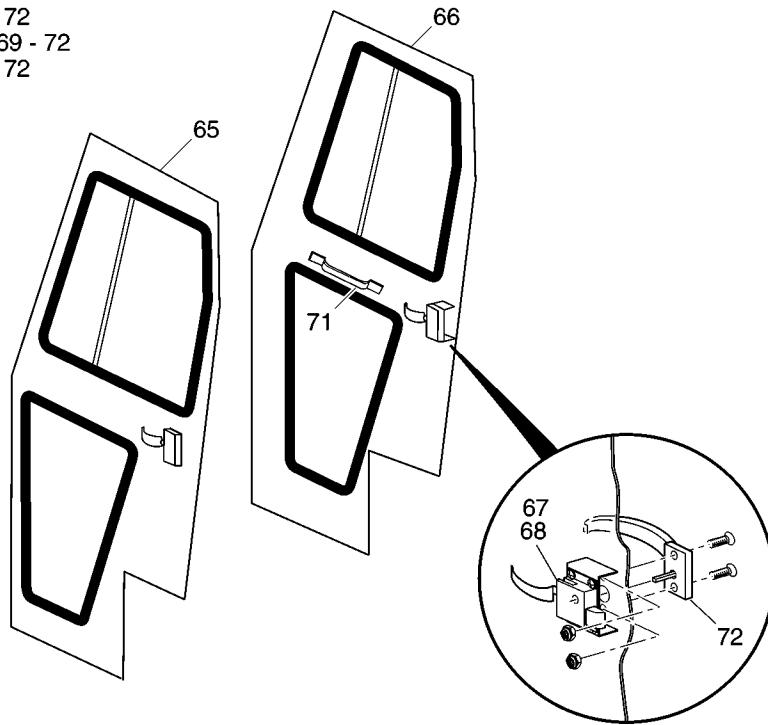




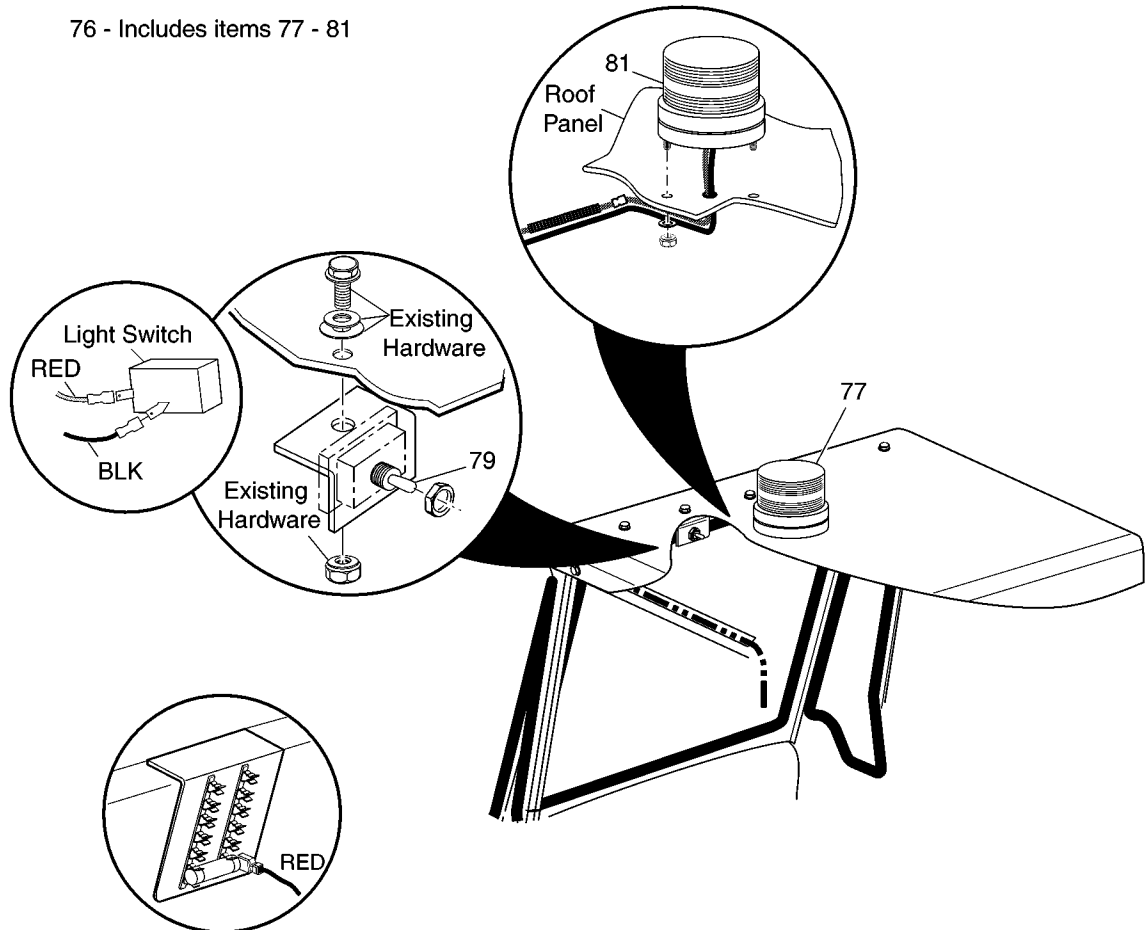
- 44 - Includes items 45 - 62
- 45 - Includes items 47 - 54, 56 - 60, 62
- 46 - Includes items 49 - 53, 55 - 59, 61, 62

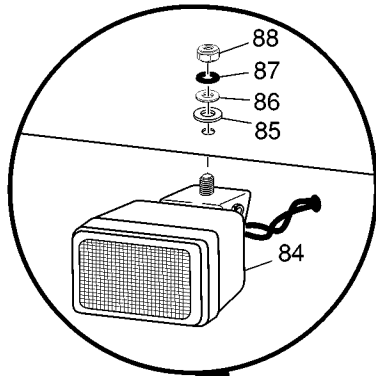


- 64 - Includes items 59 - 72
- 65 - Includes items 67, 69 - 72
- 66 - Includes items 68 - 72

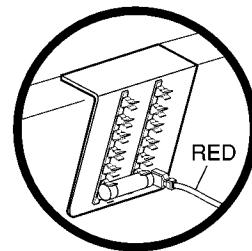
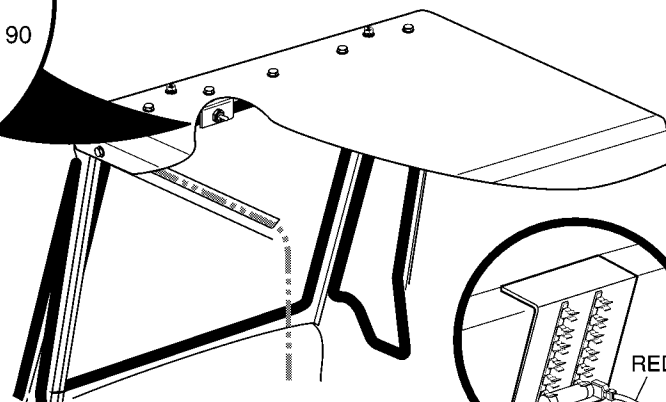
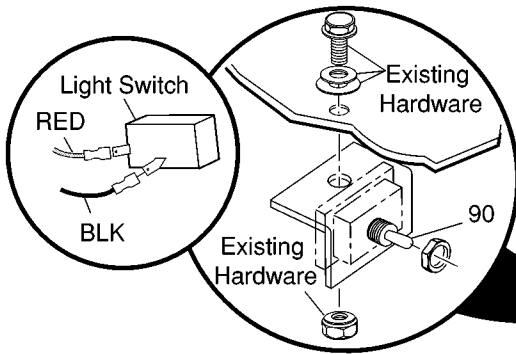
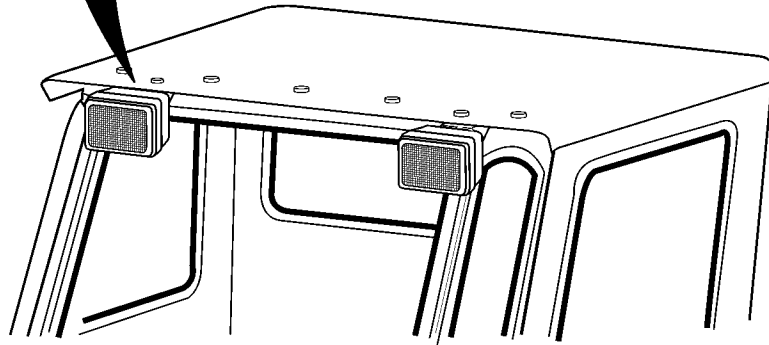


- 76 - Includes items 77 - 81

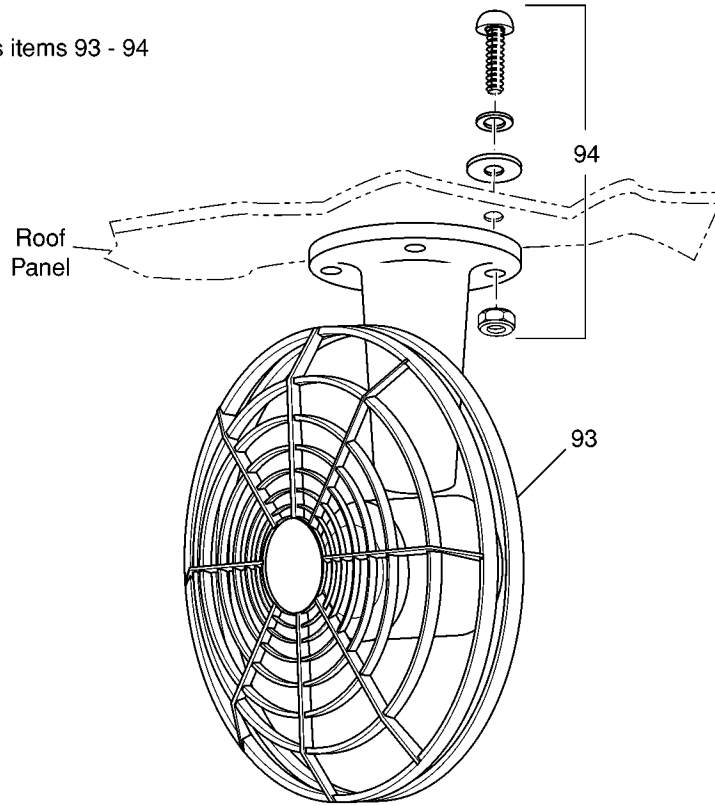




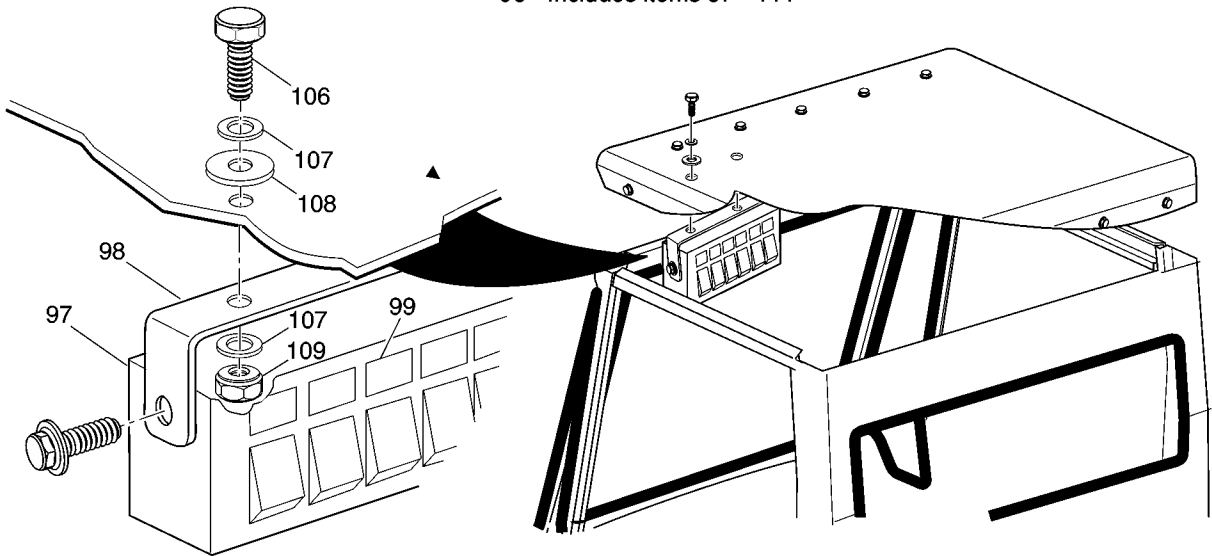
83 - Includes items 84 - 90
84 - Includes items 85 - 88



92 - Includes items 93 - 94



96 - Includes items 97 - 111



Replacement parts may be obtained from Curtis Tractor Cab Inc., 111 Higgins Street, Worcester, MA 01606. Telephone (508) 853-2200, or FAX (508) 854-3377.

* Indicates a component that is not available as an individual part.

ITEM	PART NO.	1 2 3 4 5	DESCRIPTION	QTY.
1	74227-G0*		STEEL CAB KIT (WITHOUT DOORS) (INCLUDES ITEMS 2 - 42) (ST 350).....	1
2	74227-G0*A		ROOF PANEL	1
3	74227-G0*B		REAR PANEL	1
4	74227-G0*C		WINDSHIELD PANEL.....	1
5	74227-G0*D		FRONT CORNER PANEL (PASSENGER SIDE).....	1
6	74227-G0*E		FRONT CORNER PANEL (DRIVER SIDE)	1
7	74227-G0*F		RECEIVER (DRIVER SIDE)	1
8	74227-G0*G		RECEIVER (PASSENGER SIDE).....	1
9	74227-G0*H		LOWER MOUNTING BRACKET (DRIVER SIDE).....	1
10	74227-G0*I		LOWER MOUNTING BRACKET (PASSENGER SIDE)	1
11				
12	1P004A		FRONT PANEL COWL SEAL GASKET (85" LONG).....	1
13	1P004D		ROOF TRIM (50")	1
14				
15	6E03		FRONT WINDSHIELD MOUNTING GASKET.....	1
16	6E03A		BOLT, 3/8 - 16 X 7/8" LONG	44
17	6E03B		LOCK NUT, 3/8 - 16.....	44
18	6E03C		WASHER, 3/8"	44
19	6E03D		NYLON WASHER, 3/8".....	26
20	6E03E		FRONT WINDSHIELD GLASS	1
21	6E03H		FRONT CORNER PANEL WINDOW GASKET	2
22	6E03J		REAR PANEL WINDOW GASKET	1
23	6E03S		ALLEN BUTTON HEAD BOLT.....	4
24	6E03T		BED SPACER	2
25	6E03U		BOLT, 1/4 - 20 X 1 1/2" LG.....	4
26	6E03V		NYLON SPACER, 1/4"	4
27	6E03W		WASHER, 5/16"	4
28				
29	6E05A		FRONT CORNER PANEL WINDOW (PASSENGER SIDE).....	1
30	6E05B		FRONT CORNER PANEL WINDOW (DRIVER SIDE)	1



Replacement parts may be obtained from Curtis Tractor Cab Inc., 111 Higgins Street, Worcester, MA 01606. Telephone (508) 853-2200, or FAX (508) 854-3377.

* Indicates a component that is not available as an individual part.

ITEM	PART NO.	1	2	3	4	5	DESCRIPTION	QTY.
31	6E05C						REAR PANEL WINDOW	1
32								
33	74244-G01						WINDSHIELD WIPER KIT (INCLUDES ITEMS 34 - 42)	1
34	9PWM85						WIPER MOTOR (INCLUDES ITEMS 35 - 39)	1
35	*						SPACER	1
36	*						SHAFT COVER (SEAL)	1
37	*						NUT	1
38	*						BOLT	1
39	*						WASHER	1
40	9PWA						WIPER ARM	1
41	9PWB						WIPER BLADE	1
42	9E003						ELECTRICAL HARDWARE KIT (NOT ILLUSTRATED)	1
43								
44	74229-G0*						STEEL DOOR KIT (INCLUDES ITEMS 45 - 46)	1
45	74229-G0*A						STEEL DOOR (DRIVER SIDE) (INCLUDES ITEMS 47 - 54, 56 - 60, 62)	1
46	74229-G0*B						STEEL DOOR (PASSENGER SIDE) (INCLUDES ITEMS 47 - 53, 55 - 59, 61, 62)	1
47	9P001A						DOOR HINGE KIT	1
48	EZWH-019						STRIKER PLATE	1
49	9DL01D						STRIKER BOLT	1
50	9DL01E						STRIKER GUARD	1
51	9DL01F						STRIKER NUT	1
52	9DL01G						STRIKER WASHER	1
53	JCB						BOLT, 1/4 - 20 X 7/8" LG	4
54	9DL01A						INSIDE DOOR LATCH (DRIVER SIDE)	1
55	9DL01B						INSIDE DOOR LATCH (PASSENGER SIDE)	1
56	9DL01C						OUTSIDE DOOR HANDLE, KEY LOCKING	1
57	1P004B						LOWER DOOR SEAL GASKET (43" LG)	1
58	1P004C						DOOR SEAL GASKET (121" LG)	1
59	6E03P						LOWER DOOR WINDOW MOUNTING GASKET	1



Replacement parts may be obtained from Curtis Tractor Cab Inc., 111 Higgins Street, Worcester, MA 01606. Telephone (508) 853-2200, or FAX (508) 854-3377.

* Indicates a component that is not available as an individual part.

ITEM	PART NO.	1	2	3	4	5	DESCRIPTION	QTY.
60	6E05D						SLIDING DOOR WINDOW ASSEMBLY (DRIVER SIDE)	1
61	6E05E						SLIDING DOOR WINDOW ASSEMBLY (PASSENGER SIDE)	1
62	6E05F						LOWER DOOR WINDOW.....	1
63								
64	74242-G01						VINYL DOOR KIT (INCLUDES ITEMS 65 - 66).....	1
65	9DVK-L						VINYL DOOR (DRIVER SIDE) (INCLUDES ITEMS 67, 69 - 72).....	1
66	9DVK-R						VINYL DOOR (PASSENGER SIDE) (INCLUDES ITEMS 68 - 72)	1
67	9DHSL						INSIDE DOOR LATCH (DRIVER SIDE).....	1
68	9DHSLR						INSIDE DOOR LATCH (PASSENGER SIDE)	1
69	9DCK						DOOR CHECK (NOT ILLUSTRATED).....	1
70	9DSTK1						DOOR STRIKER (NOT ILLUSTRATED).....	1
71	9DGH1						DOOR GRAB HANDLE.....	1
72	9DHOS1						OUTSIDE DOOR HANDLE, KEY LOCKING.....	1
73	9PSSHL						REPLACEMENT DOOR HINGE (DRIVER SIDE) (NOT ILLUSTRATED).....	1
74	9PSSHR						REPLACEMENT DOOR HINGE (PASSENGER SIDE) (NOT ILLUSTRATED) ..	1
75								
76	74245-G01						STROBE LIGHT KIT (INCLUDES ITEMS 77 - 81).....	1
77	9LS1						STROBE LIGHT.....	1
78	9E001						ELECTRICAL HARDWARE KIT (NOT ILLUSTRATED)	1
79	9E002						TOGGLE SWITCH.....	1
80	9PSLRB						REPLACEMENT BULB (NOT ILLUSTRATED)	1
81	9PSLRL						STROBE LENS.....	1
82								
83	74247-G01						WORK LIGHT KIT (INCLUDES ITEMS 84 - 90)	1
84	9LW1A						WORK LIGHT (INCLUDES HARDWARE 85 - 88).....	2
85	*						NYLON WASHER	2
86	*						WASHER.....	2
87	*						LOCK WASHER.....	2
88	*						NUT	2
89	9E001						ELECTRICAL HARDWARE KIT (NOT ILLUSTRATED)	1

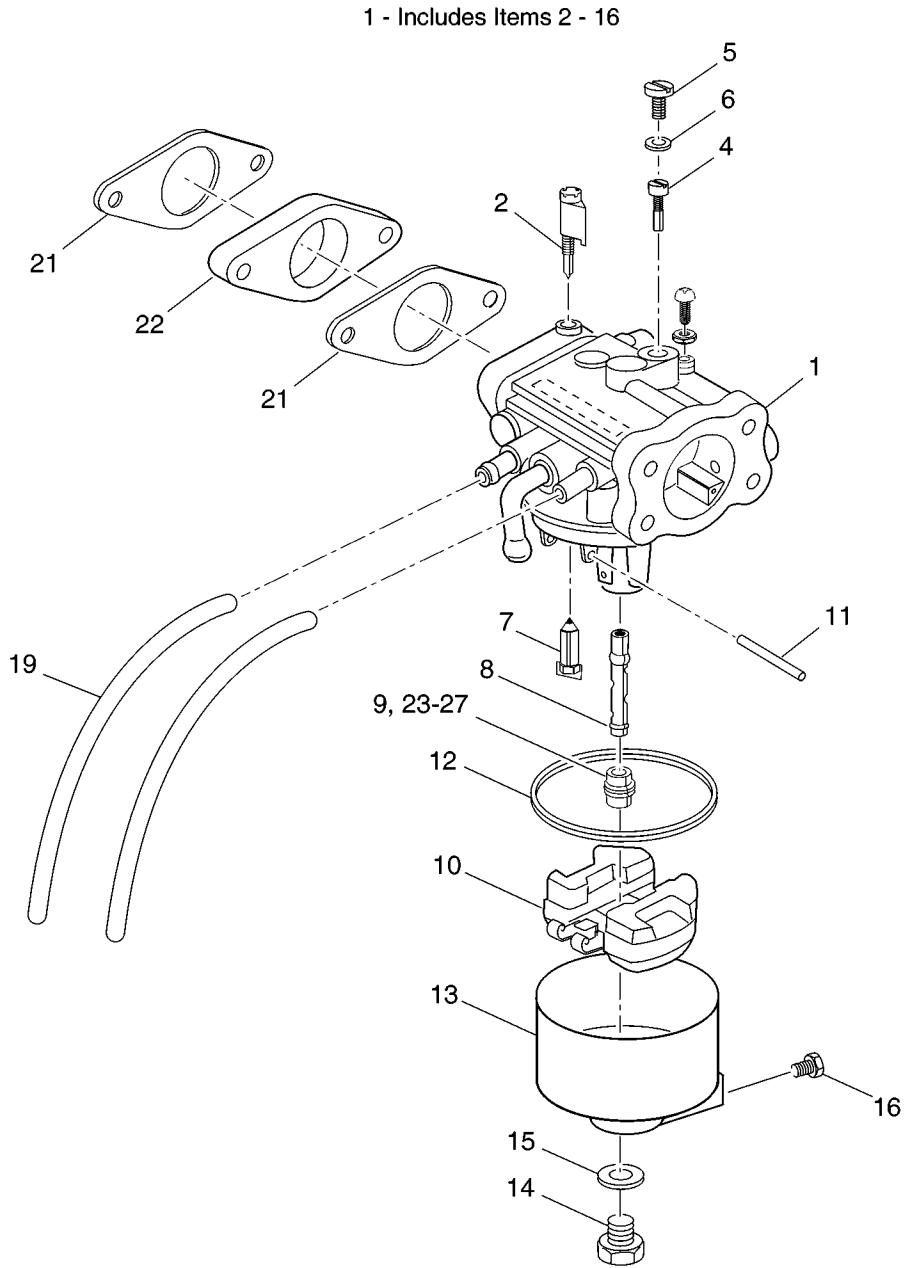


Replacement parts may be obtained from Curtis Tractor Cab Inc., 111 Higgins Street, Worcester, MA 01606. Telephone (508) 853-2200, or FAX (508) 854-3377.

* Indicates a component that is not available as an individual part.

ITEM	PART NO.	1	2	3	4	5	DESCRIPTION	QTY.
90	9E002						TOGGLE SWITCH.....	1
91								
92	74248-G01						DEFROSTER / COOLING FAN KIT (INCLUDES ITEMS 93 - 94)	1
93	9PDF						FAN.....	1
94	9E001						ELECTRICAL HARDWARE KIT (NOT ILLUSTRATED)	1
95								
96	74250-G01						SWITCH PANEL KIT (INCLUDES ITEMS 97 - 111).....	1
97	9PSF1-001						SWITCH PANEL	1
98	9PSF1-002						MOUNTING BRACKET AND HARDWARE.....	1
99	9PSF1-003						ADHESIVE LABELS.....	1
100	9PSF1-004						3 AMP FUSE (NOT ILLUSTRATED)	2
101	9PSF1-005						5 AMP FUSE (NOT ILLUSTRATED)	3
102	9PSF1-006						7.5 AMP FUSE (NOT ILLUSTRATED)	1
103	9PSF1-007						FLEX LOOM, 5/8" X 10" LG (NOT ILLUSTRATED)	1
104	9PSF1-008						4-WAY BASE TIE (NOT ILLUSTRATED)	6
105	9PSF1-009						WIRE TIE (NOT ILLUSTRATED).....	14
106	9PSF1-010						BOLT, 1/4 - 20 X 7/8" LG	2
107	9PSF1-011						WASHER, 1/4"	4
108	9PSF1-012						NYLON WASHER, 1/4"	2
109	9PSF1-013						LOCK NUT, 1/4 - 20.....	2
110	9PSF1-014						10 GA WIRE (RED 8" LG)	1
111	9PSF1-015						10 GA WIRE (BLACK 8" LG).....	1
112								
113								
114	71485-G01						WARNING LABEL (TOP).....	1
115	71487-G01						WARNING LABEL (WINDSHIELD).....	1
116								
117	27924-G01						RECTANGULAR SIDE MIRROR KIT (NOT ILLUSTRATED).....	2

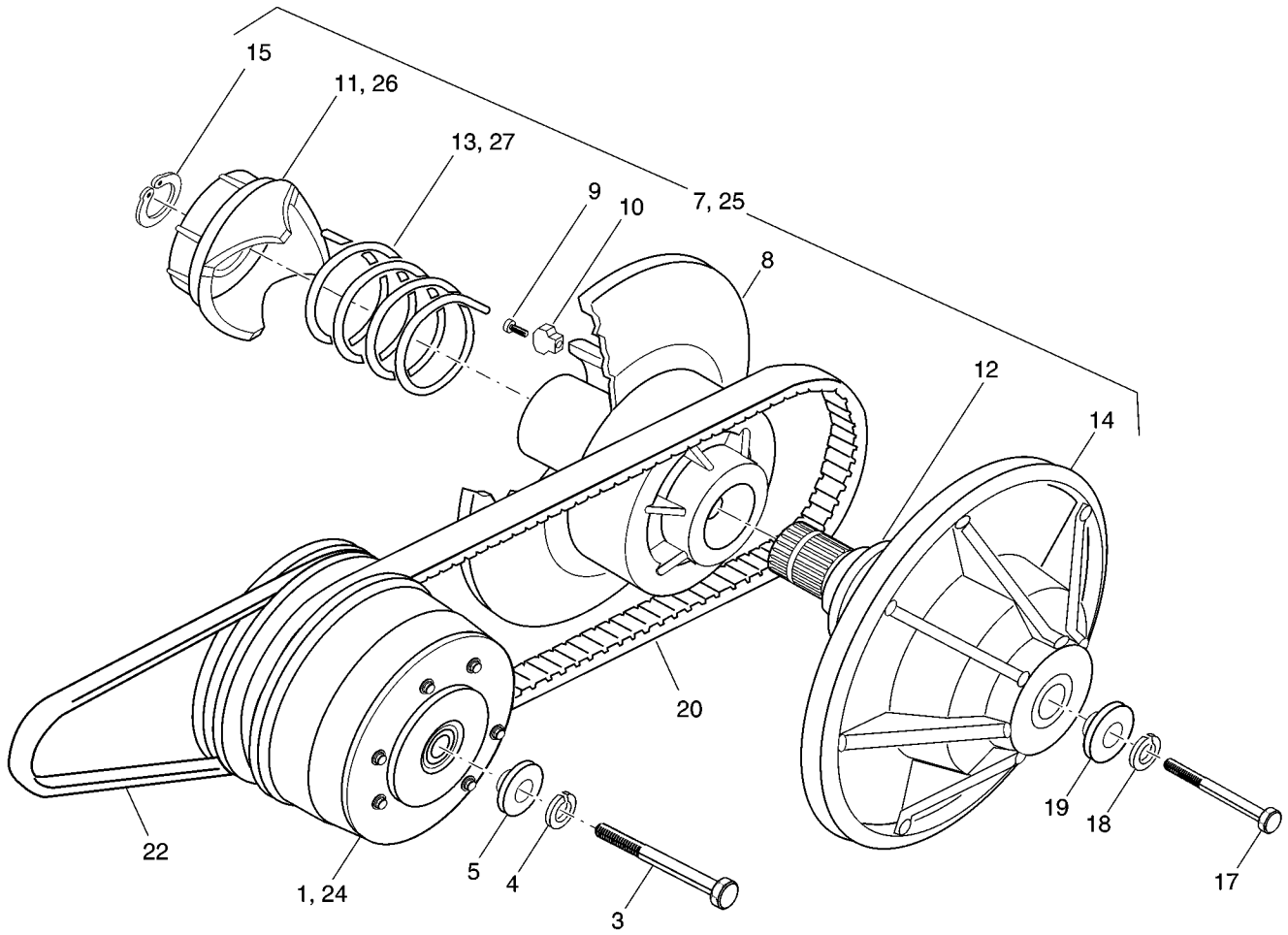




When ordering parts, please specify the model and serial number of the product.
 * Indicates a component that is not available as an individual part.
 G** Indicates consult Customer Service Department for additional information.

ITEM	PART NO.	1 2 3 4 5	DESCRIPTION	QTY.
1	72558-G01		CARBURETOR (INCLUDES ITEMS 2 - 16)	1
2	*		PILOT SCREW	1
3				
4	26649-G05		PILOT JET (#46P)	1
5	26841-G01		PLUG	1
6	72306-G01		BOWL SCREEN GASKET	1
7	72578-G01		NEEDLE VALVE	1
8	72576-G01		MAIN NOZZLE	1
9	26646-G09		MAIN JET (#92)	1
10	26648-G01		FLOAT	1
11	26840-G01		FLOAT PIN	1
12	26843-G01		FLOAT BOWL GASKET	1
13	26844-G01		FLOAT CHAMBER	1
14	26839-G01		BOWL SCREW	1
15	26838-G01		BOWL GASKET	1
16	72579-G01		DRAIN SCREW	1
17				
18				
19	26650-G01		VENT TUBE	2
20				
21	26726-G01		CARBURETOR INSULATOR GASKET	2
22	72311-G01		CARBURETOR INSULATOR	1
23	XXXXXXXXXX		MAIN JET (#XX)	1
24	XXXXXXXXXX		MAIN JET (#XX HIGH ALTITUDE 3000 - 6000 FT)	1
25	XXXXXXXXXX		MAIN JET (#XX HIGH ALTITUDE 6000 - 10,000 FT)	1
26	26646-G01		MAIN JET (#88 HIGH ALTITUDE 3000 - 6000 FT)	1
27	26646-G08		MAIN JET (#86 HIGH ALTITUDE 6000 - 10,000 FT)	1

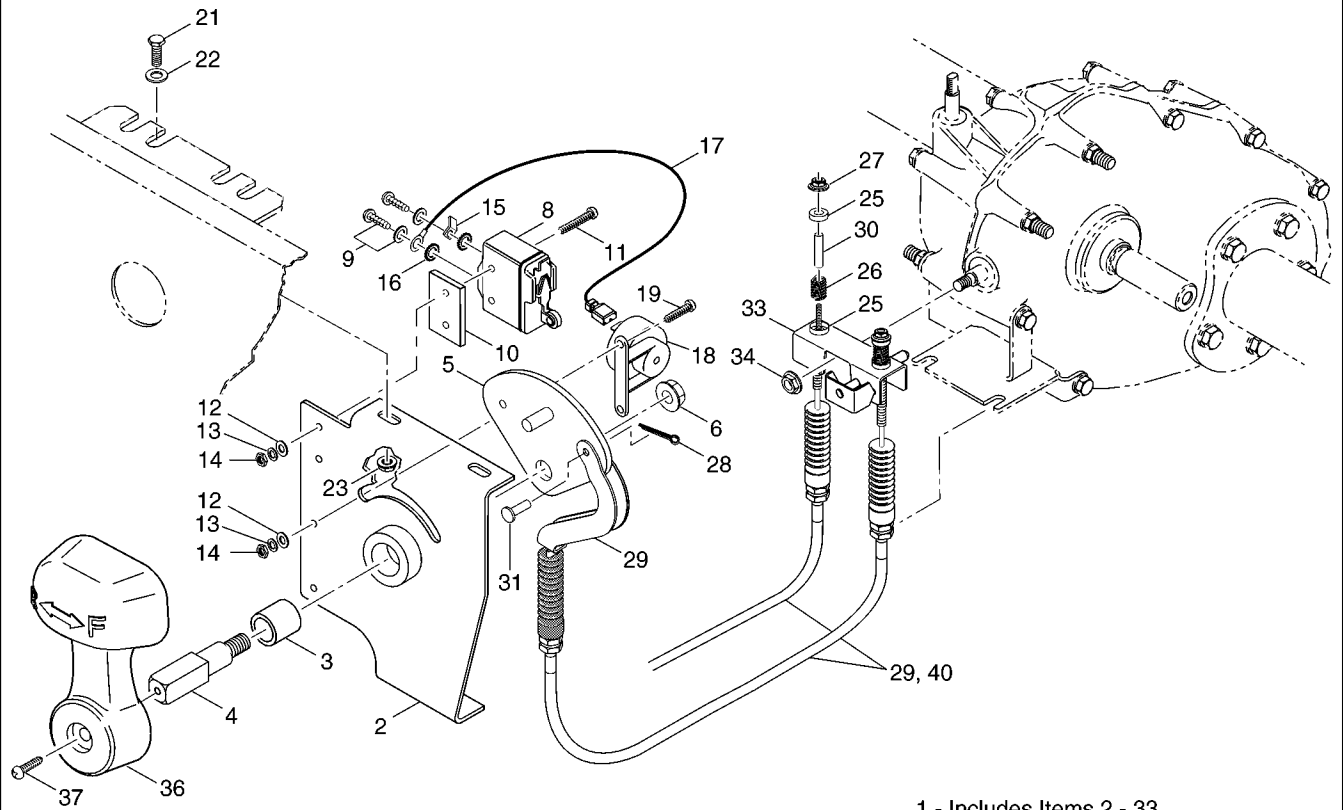




When ordering parts, please specify the model and serial number of the product.
 * Indicates a component that is not available as an individual part.
 G** Indicates consult Customer Service Department for additional information.

ITEM	PART NO.	1 2 3 4 5	DESCRIPTION	QTY.
1	26952-G01		DRIVE CLUTCH	1
2				
3	00473-G9		BOLT, 7/16 - 20 X 6 1/2" LG.....	1
4	00566-G2		LOCK WASHER, 7/16"	1
5	25757-G1		PILOT WASHER	1
6				
7	26301-G02		DRIVEN CLUTCH ASSEMBLY (INCLUDES ITEMS 8 - 15)	1
8	*		MOVABLE SHEAVE (INCLUDES ITEMS 9 -10)	1
9	00979-G01		SCREW, #10 - 24 X 7/8" LG	3
10	26479-G01		RAMP BUTTON	3
11	*		CAM.....	1
12	24600-G1		SPACER	1
13	26304-G01		COMPRESSION SPRING	1
14	*		SHEAVE AND POST	1
15	27270-G01		HEAVY DUTY RETAINING RING.....	1
16				
17	00441-G8		BOLT, 5/16 - 18 X 4" LG.....	1
18	00565-G8		LOCK WASHER, 5/16"	4
19	25756-G1		RETAINING WASHER	1
20	72054-G01		DRIVE BELT	1
21				
22	26414-G01		STARTER/GENERATOR BELT.....	1
23				
24	26952-G02		DRIVE CLUTCH (HIGH ALTITUDE)	1
25	25632-G03		DRIVEN CLUTCH (HIGH ALTITUDE) (INCLUDES ITEMS 8, 12, 14, 15, 26, 27).....	1
26	*		CAM.....	1
27	25612-G1		COMPRESSION SPRING	1





1 - Includes Items 2 - 33
39 - Includes Items 2 - 28, 30 - 33, 40

When ordering parts, please specify the model and serial number of the product.

* Indicates a component that is not available as an individual part.

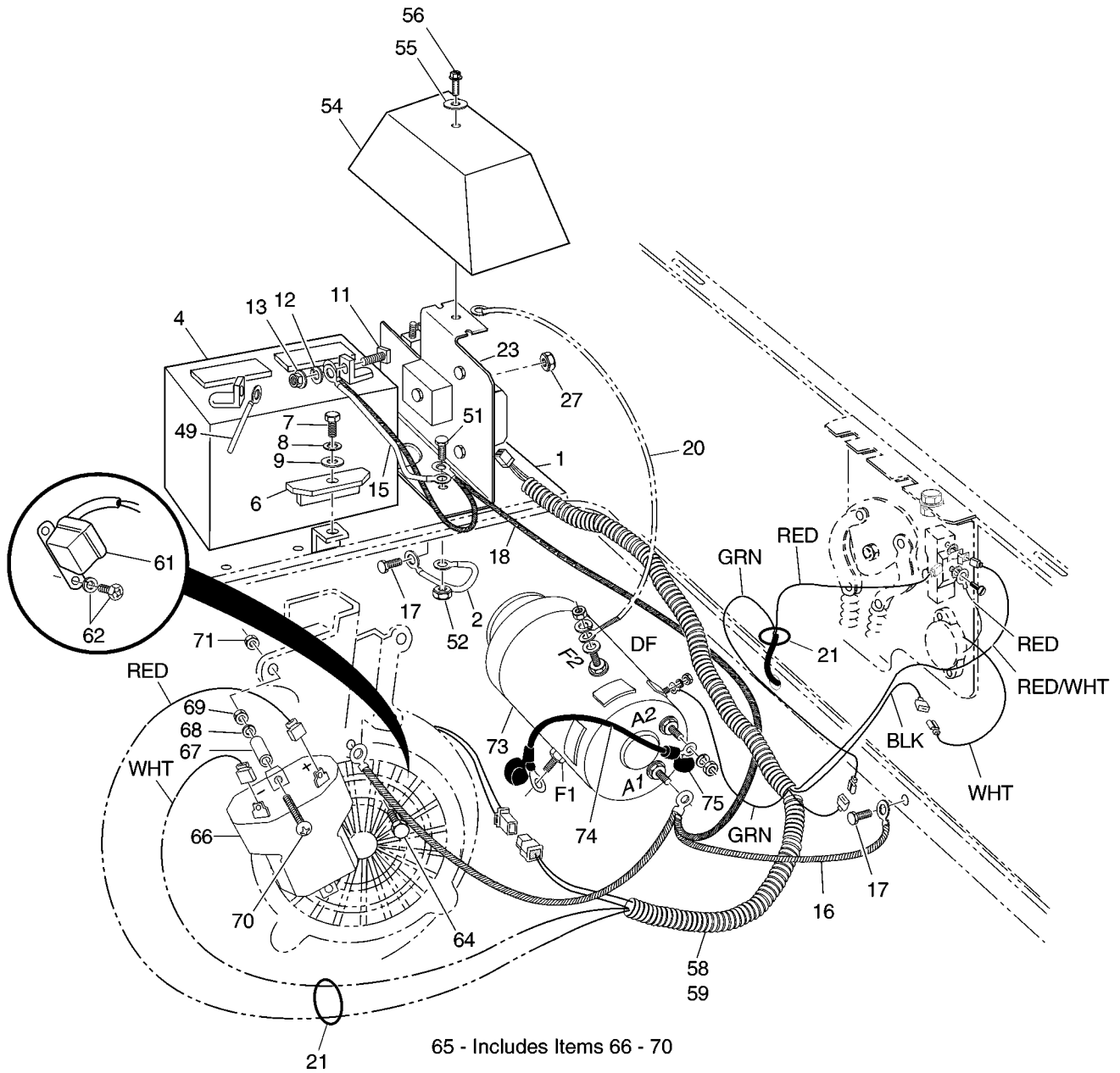
G** Indicates consult Customer Service Department for additional information.

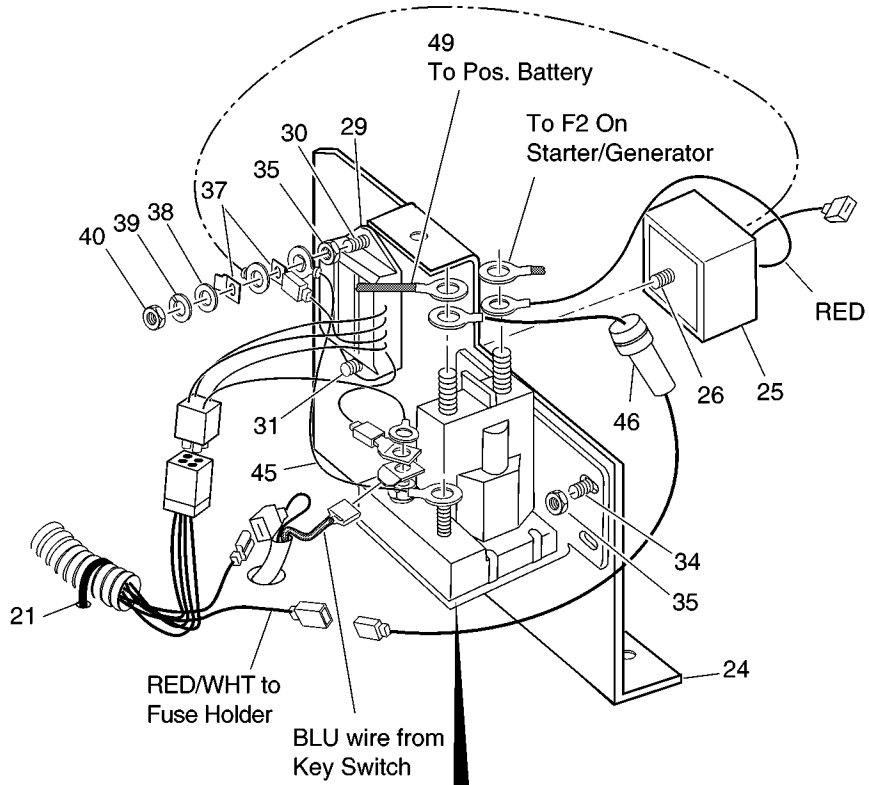
ITEM	PART NO.	1 2 3 4 5	DESCRIPTION	QTY.
1	70594-G02		DIRECTION SELECTOR ASSEMBLY (INCLUDES ITEMS 2 - 33) (ST 350)	1
2	25684-G01		DIRECTION SELECTOR BRACKET.....	1
3	25664-G1		BUSHING	1
4	27537-G01		DIRECTION SELECTOR SHAFT	1
5	25745-G01		DIRECTION SELECTOR CAM.....	1
6	14390-G1		LOCK NUT, 3/8 - 24.....	1
7				
8	10606-G1		MICRO SWITCH.....	1
9	*		SCREW AND WASHER ASSEMBLY	2
10	27151-G01		SPACER	1
11	00645-G2		SCREW, #6 - 32 X 1 1/4" LG.....	2
12	00559-G3		WASHER, #6	4
13	00565-G3		LOCK WASHER, #6	4
14	00525-G5		NUT, #6 - 32.....	4
15	14628-G1		FASTON TAB.....	1
16	00567-G3		LOCK WASHER, #6	2
17	25978-G234		18 GA WIRE (RED, 6" LG)	1
18	73290-G02		REVERSE WARNING BUZZER	1
19	00138-G5		SCREW, #6 - 32 X 5/8" LG.....	2
20				
21	00414-G6		BOLT, 1/4 - 20 X 3/4" LG.	2
22	00559-G7		WASHER, 1/4"	2
23	11027-G2		LOCK NUT, 1/4 - 20.....	2
24				
25	25727-G01		CUP WASHER	4
26	27764-G01		SPRING	2
27	11098-G7		LOCK NUT, #10 - 24.....	2
28	10387-G8		COTTER PIN, 1/16" X 3/4" LG.	2
29	72341-G01		SHIFTER CONTROL CABLE (ST 350)	2

DIRECTION SELECTOR**Gasoline Vehicle**

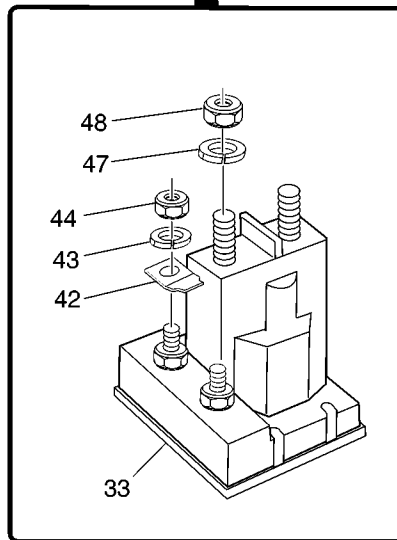
When ordering parts, please specify the model and serial number of the product.
 * Indicates a component that is not available as an individual part.
 G** Indicates consult Customer Service Department for additional information.

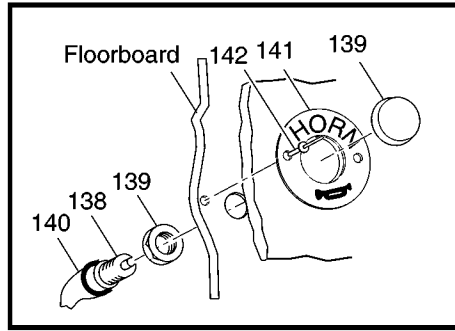
ITEM	PART NO.	1 2 3 4 5	DESCRIPTION	QTY.
30	23726-G5		SPACER	2
31	23176-G1		CLEVIS PIN, 5/16" X 3/8" LG.	2
32				
33	25946-G01		SHIFTER CONTROL PIVOT	1
34	26830-G01		SHIFTER LEVER NUT, M8 X 1.25 MM	1
35				
36	71205-G01		DIRECTION SELECTOR HANDLE.....	1
37	00740-G4		SCREW, #10 - 32 X 1/2" LG. (STAINLESS STEEL)	1
38				
39	70594-G01		DIRECTION SELECTOR ASSEMBLY (INCLUDES ITEMS 2 - 28, 30 - 33, 40) (ST SPORT)	1
40	25691-G01		SHIFTER CONTROL CABLE (ST SPORT)	2





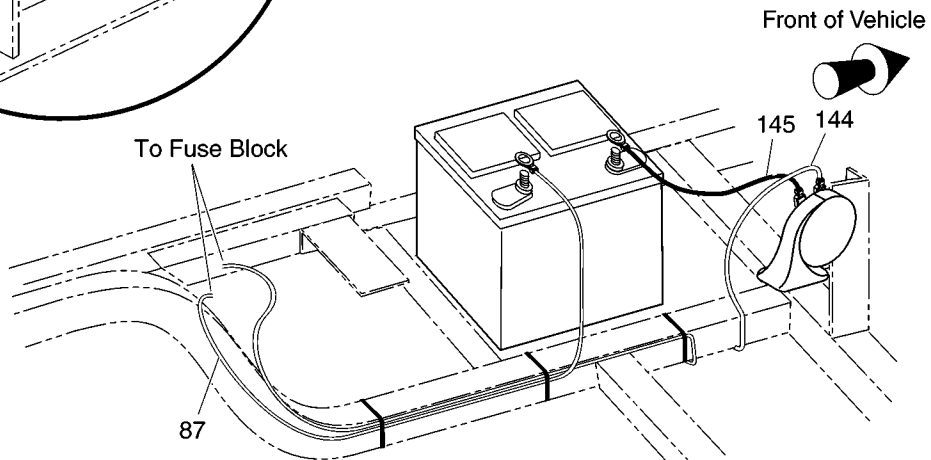
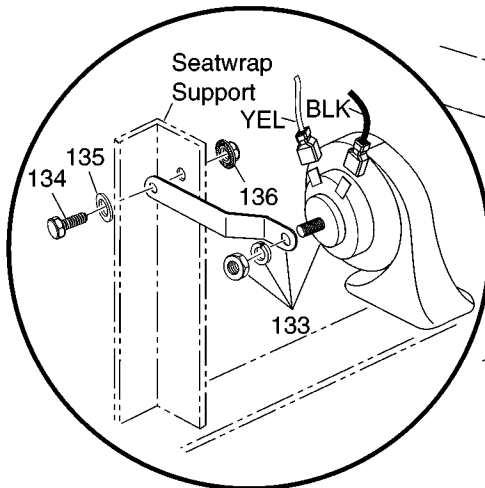
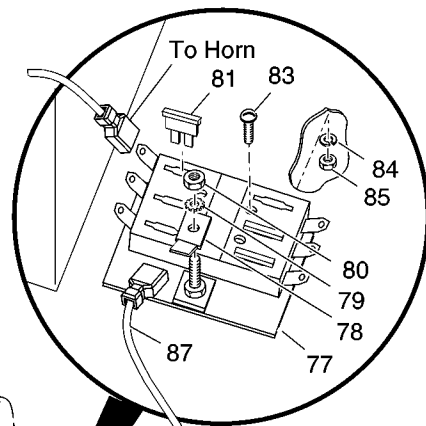
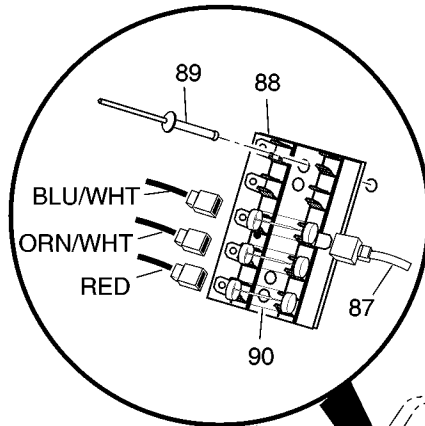
23 - Includes Items 24 - 49

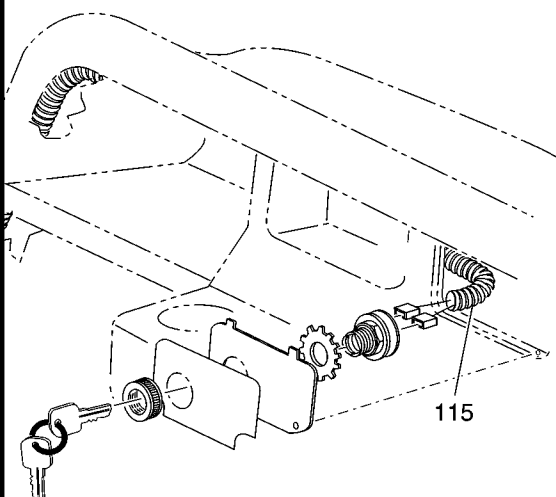
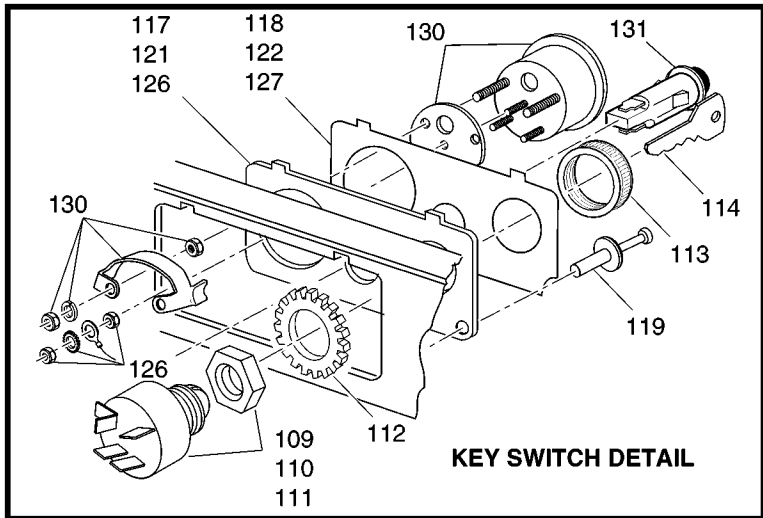
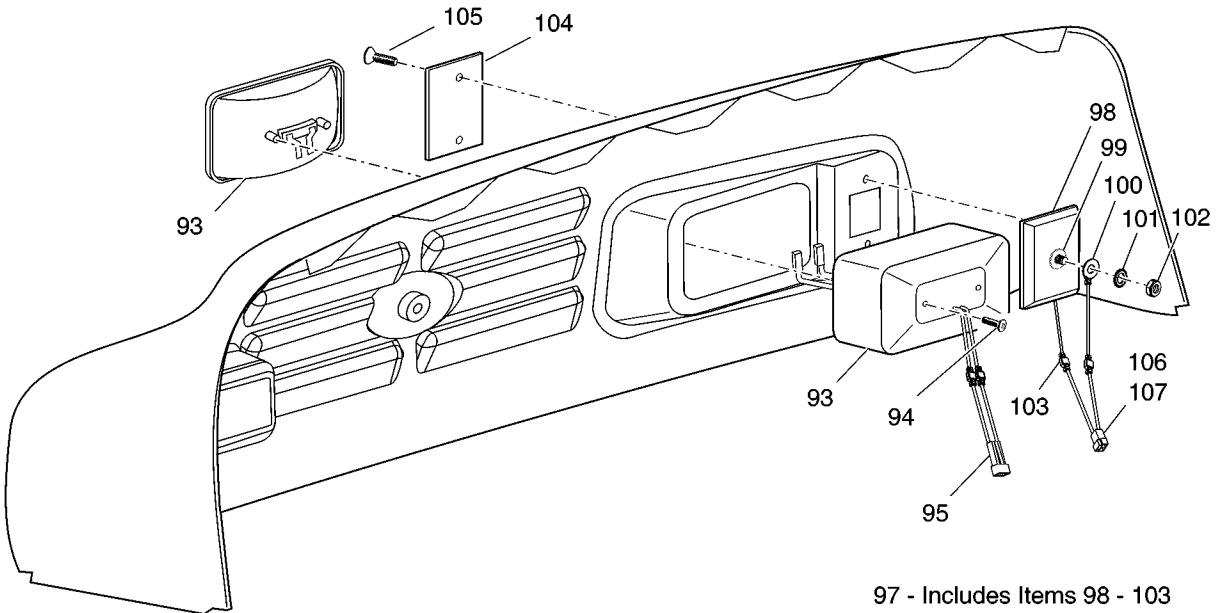




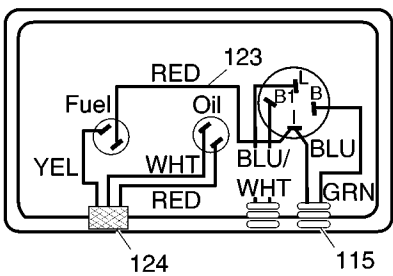
ST SPORT

ST 350

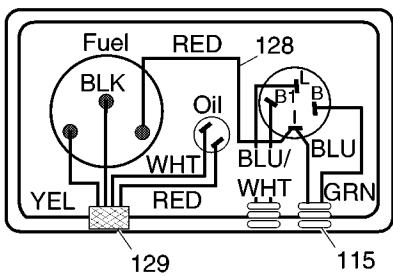


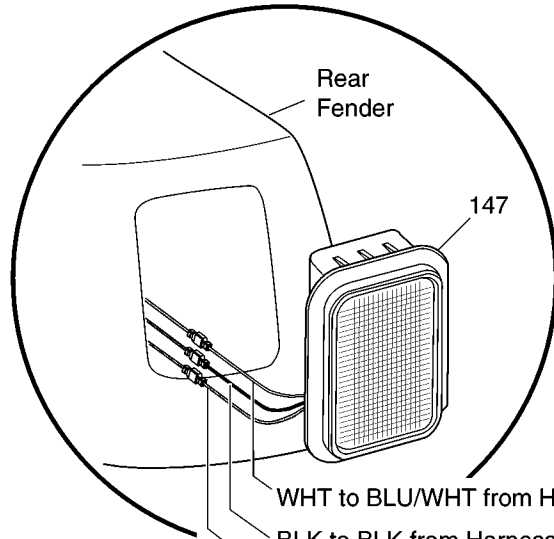


LOW OIL & LOW FUEL LIGHTS

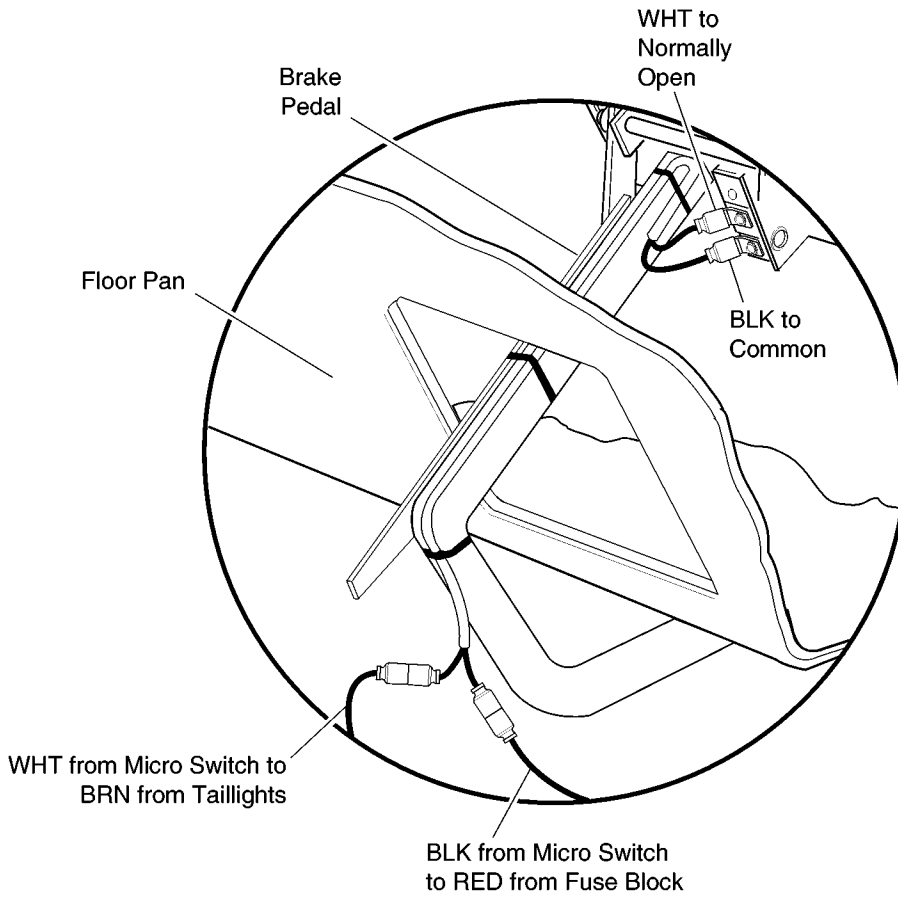


LOW OIL LIGHT & FUEL GAUGE



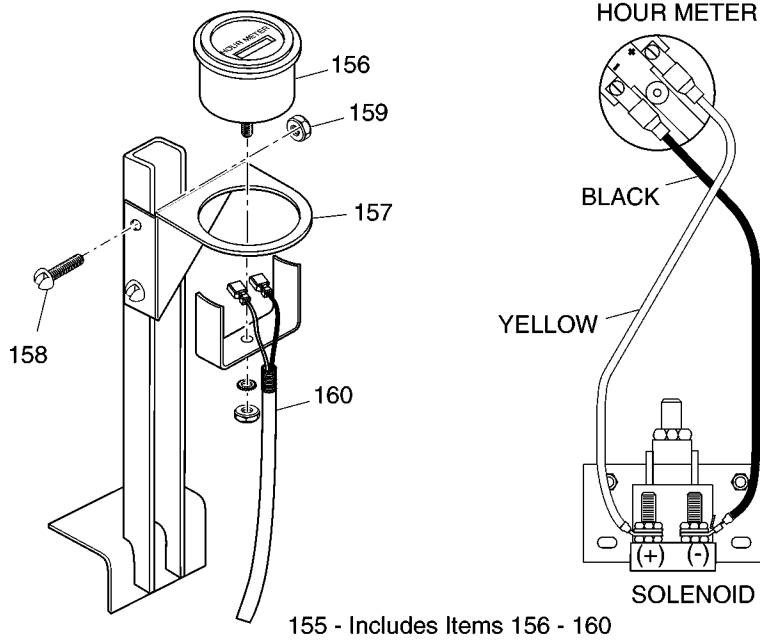
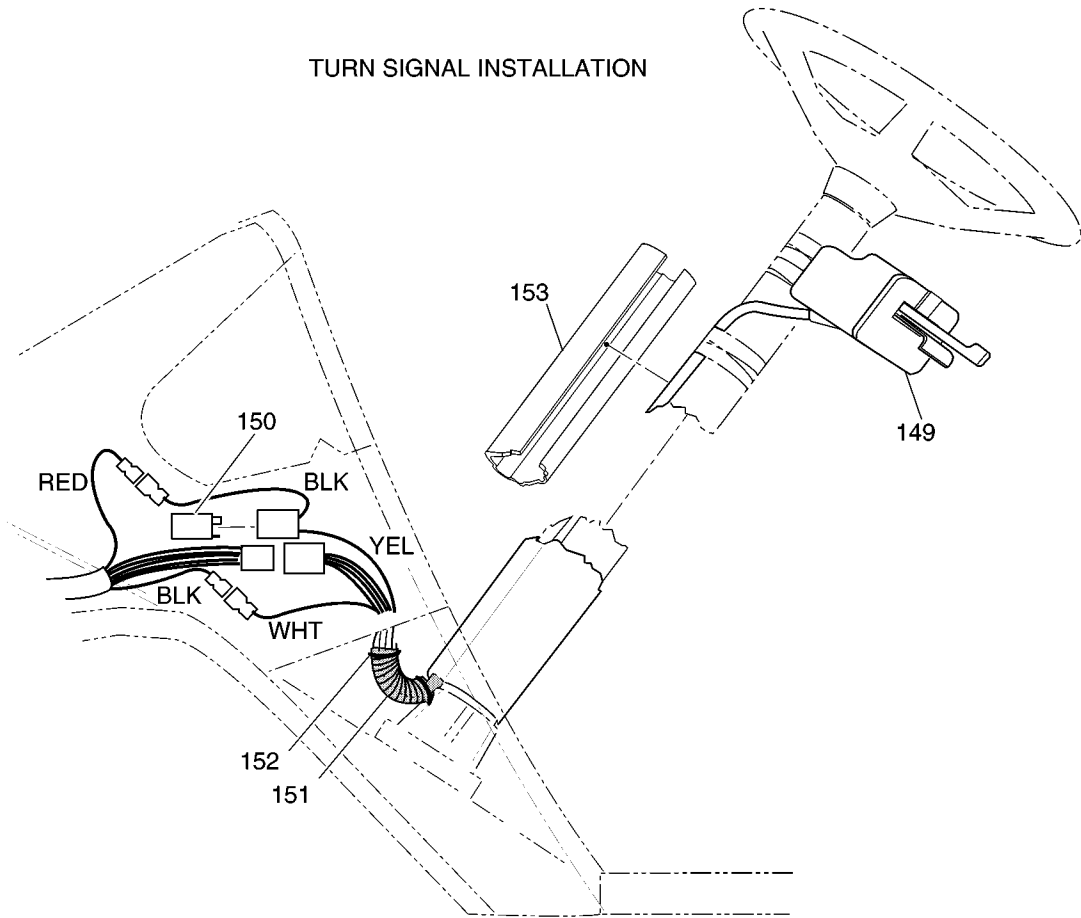


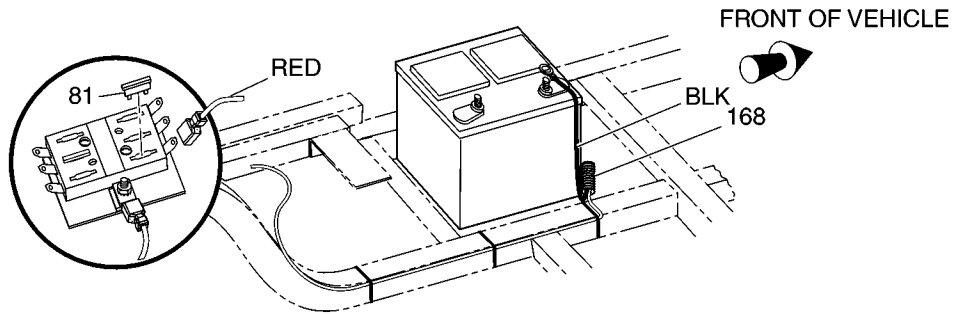
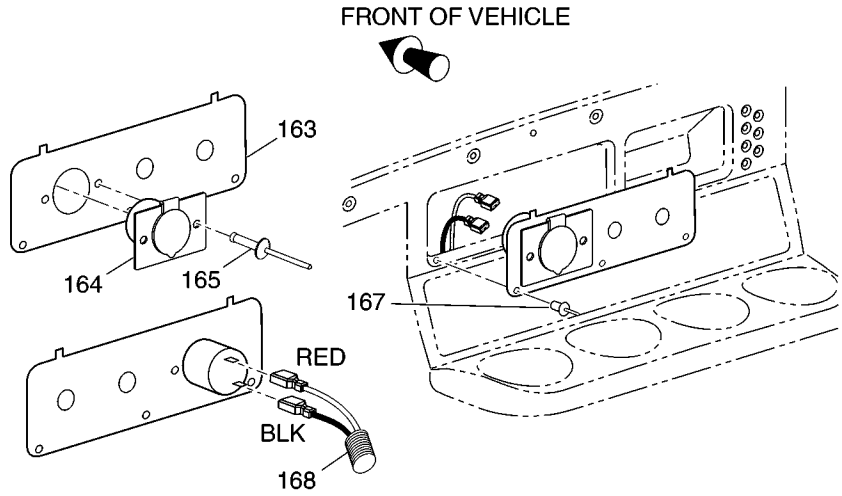
- WHT to BLU/WHT from Harness - Both Sides
- BLK to BLK from Harness - Both Sides
- RED to BRN from Harness - Both Sides (without Turn Signals)
- RED to WHT from Harness - Driver Side (with Turn Signals)
- RED to YEL from Harness - Passenger Side (with Turn Signals)



BRAKE LIGHTS MICRO SWITCH CONNECTION

TURN SIGNAL INSTALLATION





162 - Includes Items 163 - 165

When ordering parts, please specify the model and serial number of the product.
 * Indicates a component that is not available as an individual part.
 G** Indicates consult Customer Service Department for additional information.

ITEM	PART NO.	1 2 3 4 5	DESCRIPTION	QTY.
1	XXXXX-XXX		BATTERY TRAY.....	X
2	25976-G19		14 GA WIRE (BLACK 6").....	1
3				
4	24775-G*		BATTERY, 12V.....	1
5				
6	72101-G01		BATTERY HOLD DOWN.....	1
7	00438-G6		BOLT, 5/16 - 18 X 3/4" LG.....	1
8	00565-G8		LOCK WASHER, 5/16".....	1
9	00571-G2		WASHER, 5/16".....	1
10				
11	00962-G1		BOLT, 5/16 - 18 X 1 1/4" LG.....	2
12	00993-G01		LOCK WASHER, 5/16" (SILICON BRONZE).....	2
13	00994-G01		NUT, 5/16 - 18 (SILICON BRONZE).....	2
14				
15	28519-G01		BATTERY GROUND CABLE (ST 350).....	1
16	28520-G01		ENGINE GROUND CABLE (ST 350).....	1
17	00715-G2		SCREW, 5/16 - 18 X 13/16" LG.....	AR
18	27044-G03		BATTERY/ENGINE GROUND CABLE (ST SPORT).....	1
19				
20	25972-G85		6 GA WIRE (BLACK 23", F2 - SOL).....	1
21	17618-G1		WIRE TIE.....	AR
22				
23	73059-G01		ELECTRICAL PLATE ASSEMBLY (INCLUDES ITEMS 24 - 49).....	1
24	73057-G01		BRACKET.....	1
25	27739-G01		VOLTAGE REGULATOR.....	1
26	00415-G2		SCREW, 1/4 - 20 X 1 1/4" LG.....	1
27	11027-G2		LOCK NUT, 1/4 - 20.....	1
28				
29	27746-G01		IGNITOR.....	1
30	00414-G8		SCREW, 1/4 - 20 X 1" LG.....	1



When ordering parts, please specify the model and serial number of the product.
 * Indicates a component that is not available as an individual part.
 G** Indicates consult Customer Service Department for additional information.

ITEM	PART NO.	1	2	3	4	5	DESCRIPTION	QTY.
31	00414-G5						SCREW, 1/4 - 20 X 5/8" LG.	1
32								
33	27153-G01						SOLENOID	1
34	00414-G5						SCREW, 1/4 - 20 X 5/8" LG.	1
35	11027-G2						LOCK NUT, 1/4 - 20	4
36								
37	12914-G2						FASTON TAB	2
38	00650-G7						WASHER, 1/4"	1
39	00565-G7						LOCK WASHER, 1/4"	1
40	00532-G1						NUT, 1/4 - 20	1
41								
42	12914-G1						FASTON TAB	2
43	00565-G5						LOCK WASHER, #10	2
44	00526-G4						NUT, #10 - 32	2
45	25978-G56						18 GA WIRE (BLACK 5 3/4")	1
46	22585-G3						IN-LINE FUSE HOLDER	1
47	00565-G8						LOCK WASHER, 5/16"	2
48	00544-G4						NUT, 5/16 - 24	2
49	25972-G33						6 GA WIRE (BLACK 24", B+ - SOL)	1
50								
51	00438-G6						SCREW, 5/16 - 18 X 3/4" LG.	2
52	11027-G1						LOCK NUT, 5/16 - 18	2
53								
54	73049-G01						COVER	1
55	16469-G7						WASHER, 1/4"	1
56	00114-G6						SCREW, 1/4 - 14 X 3/4" LG.	1
57								
58	70596-G01						WIRE HARNESS (CONTROL) (ST 350)	1
59	70595-G01						WIRE HARNESS (CONTROL) (ST SPORT)	1
60								



When ordering parts, please specify the model and serial number of the product.
 * Indicates a component that is not available as an individual part.
 G** Indicates consult Customer Service Department for additional information.

ITEM	PART NO.	1	2	3	4	5	DESCRIPTION	QTY.
61	26651-G02						IGNITION PICKUP ASSEMBLY (INCLUDES ITEM 62).....	1
62	26707-G01						BOLT AND WASHER ASSEMBLY, M5 X .8 X 10 MM LG.	1
63								
64	26676-G01						SCREW, M6 X 1 X 23 MM LG.	1
65	26652-G01						IGNITION COIL ASSEMBLY (INCLUDES ITEMS 66 - 70).....	1
66	*						IGNITION COIL	1
67	*						SPACER	1
68	*						LOCK WASHER	1
69	*						NUT	1
70	*						SCREW	1
71	13632-G1						NUT, M6 X 1.....	2
72								
73	XXXXX-XX						SEE STARTER / GENERATOR SECTION	X
74	25887-G01						6 GA WIRE (BLACK 6", F1 - A2)	1
75	25682-G1						TERMINAL COVER	3
76								
77	35211-G01						FUSE BLOCK (ST 350)	1
78	12914-G1						FASTON TAB	1
79	00567-G5						LOCK WASHER, #10.....	1
80	00526-G4						NUT, #10 - 32.....	1
81	35212-G01						FUSE, 15 AMP.....	1
82								
83	00379-G2						SCREW, #10 - 24 X 1 1/4" LG.	2
84	00559-G5						WASHER, #10.....	2
85	14390-G10						LOCK NUT, #10 - 24	2
86								
87	25974-G22						WIRE (WHITE), POWER	1
88	22674-G1						FUSE BLOCK (ST SPORT)	1
89	71010-G01						RIVET, 5/32" X 3/8" LG (ST SPORT).....	2
90	18392-G1						15 AMP FUSE (ST SPORT)	3



When ordering parts, please specify the model and serial number of the product.
 * Indicates a component that is not available as an individual part.
 G** Indicates consult Customer Service Department for additional information.

ITEM	PART NO.	1 2 3 4 5	DESCRIPTION	QTY.
91	72228-G01		HARNES (ACCESSORY)	1
92				
93	20209-G3		HEADLIGHT (RECTANGULAR) (INCLUDES ITEM 94)	2
94	00906-G6		SCREW, #10 - 16 X 1" LG	2
95	74055-G01		JUMPER.....	2
96				
97	20570-G3		TURN SIGNAL LIGHT (INCLUDES ITEMS 98 - 103).....	2
98	20574-G3		TURN SIGNAL LIGHT	1
99	00660-G7		WASHER, 1/4"	1
100	20606-G1		WIRE.....	1
101	00567-G7		LOCK WASHER, 1/4"	1
102	00532-G1		NUT, 1/4 - 20.....	1
103	18995-G1		PUSH-ON MALE TERMINAL	1
104	20574-G5		LENS, AMBER	1
105	00118-G5		SCREW, #6 - 18 X 5/8" LG.....	2
106	74056-G01		JUMPER, RED/BLACK (PASSENGER SIDE)	1
107	74056-G02		JUMPER, GREEN/BLACK (DRIVER SIDE).....	1
108				
109	33639-G03		IGNITION SWITCH (WITH LIGHTS, INDIVIDUALLY KEYED)	1
110	33639-G02		IGNITION SWITCH (WITH LIGHTS, NON-STANDARD)	1
111	33639-G01		IGNITION SWITCH (WITH LIGHTS, STANDARD)	1
112	00568-G6		LOCK WASHER, 3/4"	1
113	17137-G1		FACE NUT, 3/4 - 20.....	1
114	17063-G1		IGNITION KEY (SET).....	1
115	73041-G01		WIRE HARNES (KEY SWITCH).....	1
116				
117	73030-G01		PLATE (IGNITION SWITCH ONLY)	1
118	71181-G01		DECAL (IGNITION SWITCH ONLY) WITH HEADLIGHTS	1
119	33623-G02		RIVET, 3/16" X 3/8" LG	2
120				



When ordering parts, please specify the model and serial number of the product.
 * Indicates a component that is not available as an individual part.
 G** Indicates consult Customer Service Department for additional information.

ITEM	PART NO.	1 2 3 4 5	DESCRIPTION	QTY.
121	73030-G03		PLATE (IGNITION SWITCH AND INDICATOR LIGHTS)	1
122	71183-G01		DECAL (IGNITION SWITCH AND INDICATOR LIGHTS) WITH HEADLIGHTS	1
123	25978-G74		18 GA WIRE (RED) 6" LG (ST 350).....	1
124	74309-G01		HARNESS (INDICATOR LIGHTS)	1
125				
126	73030-G04		PLATE (IGNITION SWITCH, LOW OIL LIGHT AND FUEL GAUGE)	1
127	71131-G01		DECAL (SWITCH, LOW OIL LIGHT AND FUEL GAUGE) WITH HEADLIGHTS	1
128	25978-G122		18 GA WIRE (RED) 6" LG.....	1
129	72228-G01		ACCESSORY HARNESS (OIL LIGHT/FUEL GAUGE)	1
130	21553-G1		FUEL GAUGE	1
131	23474-G1		INDICATOR LIGHT	1
132				
133	32860-G1		HORN.....	1
134	00414-G5		BOLT, 1/4 - 20 X 5/8" LG.....	1
135	00559-G8		WASHER, 5/16"	1
136	00891-G2		LOCK NUT, 1/4 - 20	1
137				
138	17318-G1		HORN SWITCH	1
139	17318-G2		HORN SWITCH CAP AND NUT	1
140	27068-G01		HORN SWITCH BOOT	1
141	19233-G1		HORN SWITCH LABEL	1
142	71055-G01		RIVET, 5/32" X 3/8" GRIP (STAINLESS STEEL)	2
143	72228-G01		ACCESSORY HARNESS (ST SPORT)	1
144	73214-G01		HORN HARNESS (ST 350)	1
145	25977-G40		WIRE (BLACK), HORN GROUND	1
146				
147	32739-G2		TAILLIGHT ASSEMBLY (COMPLETE)	2
148				
149	17867-G1		TURN SIGNAL (WITH MOUNTING HARDWARE)	1
150	21640-G1		TURN SIGNAL FLASHER	1



ELECTRICAL SYSTEM

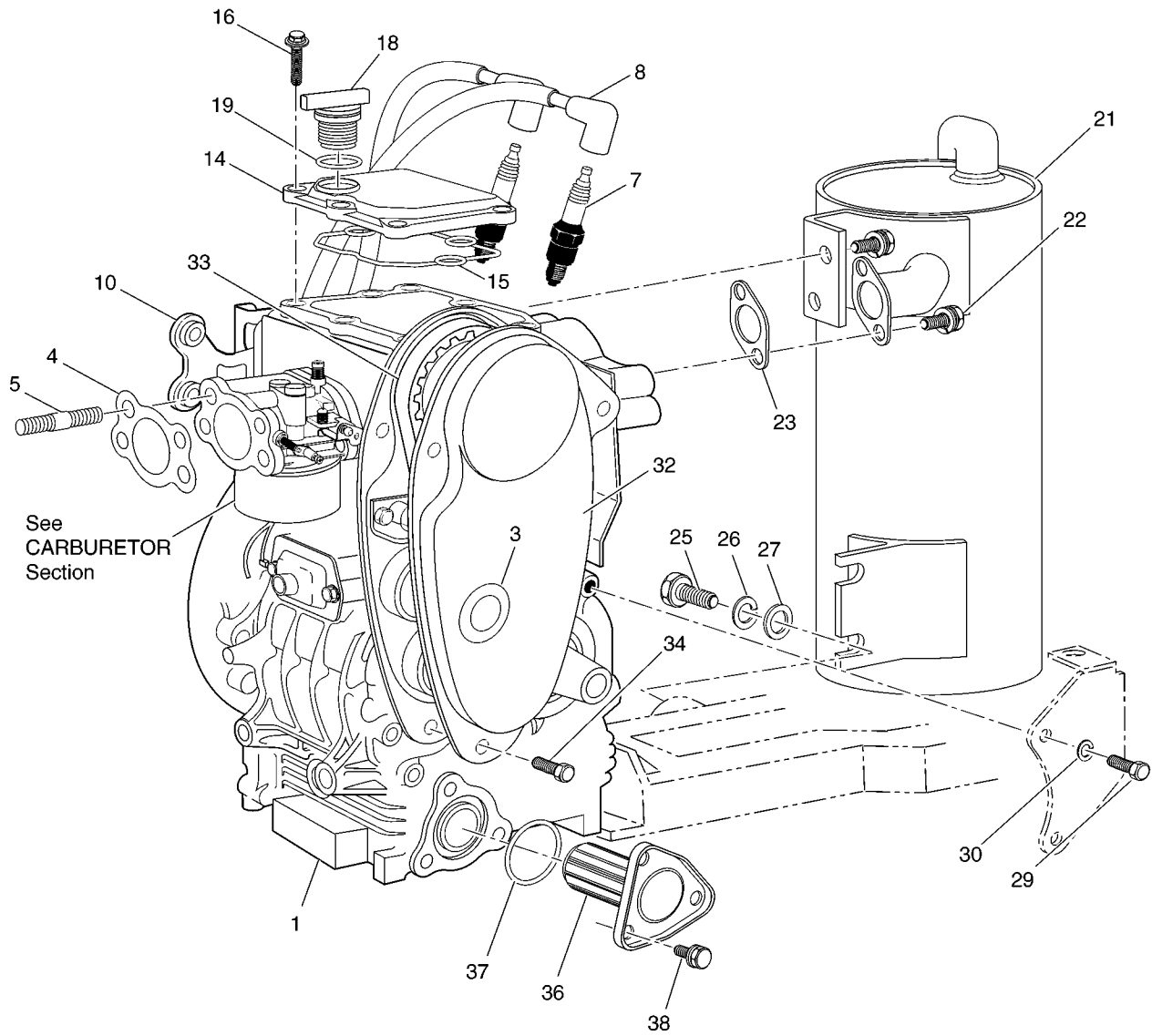
Gasoline Vehicle

When ordering parts, please specify the model and serial number of the product.
 * Indicates a component that is not available as an individual part.
 G** Indicates consult Customer Service Department for additional information.

ITEM	PART NO.	1 2 3 4 5	DESCRIPTION	QTY.
151	32307-G3		FLEX LOOM, 3/8 X 8" LG.	1
152	17618-G1		WIRE TIE	2
153	20965-G3		STEERING COLUMN COVER.....	1
154				
155	75114-G02		HOUR METER KIT (INCLUDES ITEMS 156 - 160).....	1
156	21573-G1		HOUR METER ASSEMBLY.....	1
157	74019-G01		HOUR METER BRACKET	1
158	00150-G4		SCREW, #10 - 24 X 1/2" LG.	2
159	11098-G7		LOCK NUT, #10- 24.....	2
160	75117-G01		WIRE HARNESS (HOUR METER).....	1
161				
162	71080-G01		POWER OUTLET PLATE (INCLUDES ITEMS 163 - 165).....	1
163	71077-G01		CONSOLE PLATE	1
164	71078-G01		POWER OUTLET (12 VOLT).....	1
165	14601-G10		RIVET, 5/32" X 7/16" LG.	2
166				
167	33623-G02		DRIVE RIVET, 3/16" X 3/8" LG	3
168	71081-G01		HARNESS	1







When ordering parts, please specify the model and serial number of the product.
 * Indicates a component that is not available as an individual part.
 G** Indicates consult Customer Service Department for additional information.

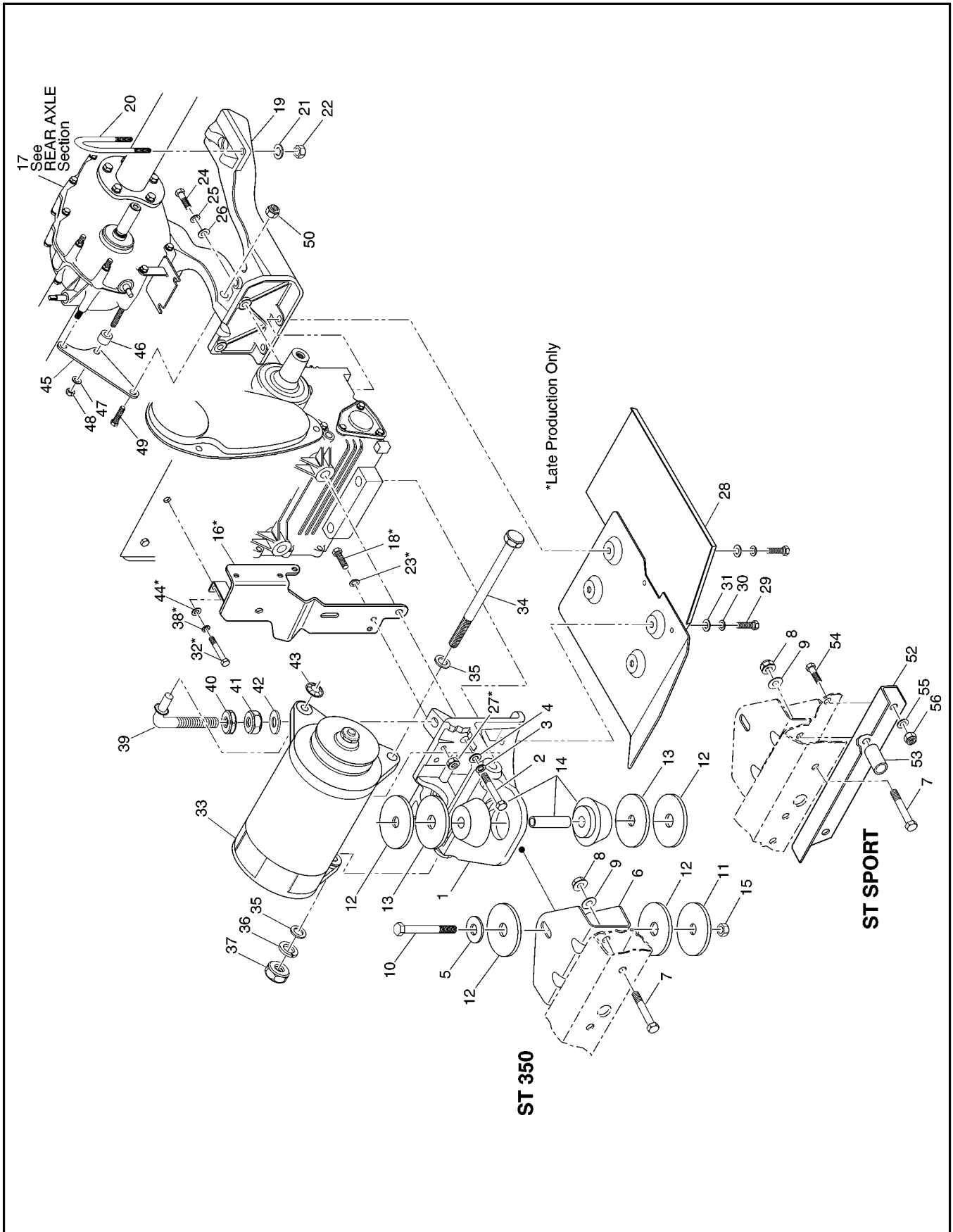
ITEM	PART NO.	1 2 3 4 5	DESCRIPTION	QTY.
1	72500-G04		ENGINE, 350cc.....	1
2				
3	26631-G01		TIMING BELT COVER GROMMET	1
4	26727-G01		CARBURETOR / AIR BOX GASKET	1
5	72307-G01		STUD, M6 X 1.0 X 115 MM LG	2
6				
7	25523-G4		SPARK PLUG (NGK BPR5ES)	2
8	26733-G01		SPARK PLUG WIRE SET	1
9				
10	72305-G01		IGNITION COIL BRACKET	1
11				
12				
13				
14	26600-G01		VALVE COVER	1
15	26719-G01		VALVE COVER GASKET.....	1
16	26676-G01		FLANGED BOLT, M6 X 1 X 23 MM LG.....	6
17				
18	26601-G01		OIL FILLER CAP	1
19	26720-G01		OIL FILLER CAP "O" RING.....	1
20				
21	72019-G01		MUFFLER	1
22	25532-G1		BOLT AND WASHER, M8 X 1.25 X 18 MM LG.	4
23	25531-G1		EXHAUST GASKET.....	1
24				
25	00438-G8		BOLT, 5/16 - 18 X 1" LG.....	1
26	00565-G8		LOCK WASHER, 5/16"	1
27	00642-G8		WASHER, 5/16"	1
28				
29	00276-G6		BOLT, 5/16 - 24 X 3/4" LG.....	2
30	00565-G8		LOCK WASHER, 5/16"	2



When ordering parts, please specify the model and serial number of the product.
 * Indicates a component that is not available as an individual part.
 G** Indicates consult Customer Service Department for additional information.

ITEM	PART NO.	1 2 3 4 5	DESCRIPTION	QTY.
31				
32	26630-G01		TIMING BELT COVER	1
33	26626-G01		TIMING BELT	1
34	26678-G01		BOLT, M6 X 1 X 12 MM LG.	3
35				
36	26591-G01		OIL FILTER	1
37	26710-G01		OIL FILTER "O" RING	1
38	26680-G01		BOLT AND WASHER, M6 X 1 X 12 MM LG.	3





When ordering parts, please specify the model and serial number of the product.

* Indicates a component that is not available as an individual part.

G** Indicates consult Customer Service Department for additional information.

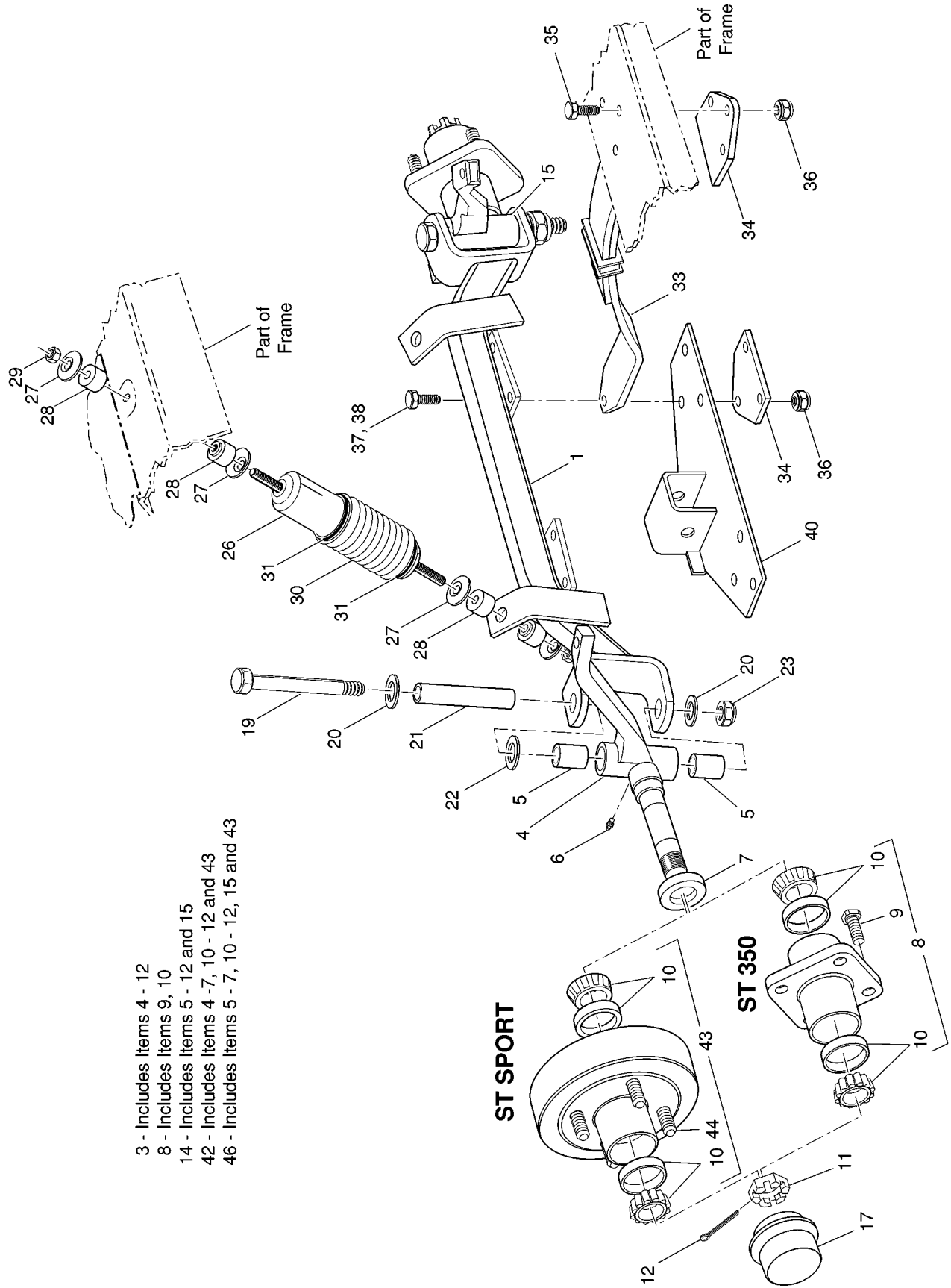
ITEM	PART NO.	1 2 3 4 5	DESCRIPTION	QTY.
1	72010-G01		FRONT ENGINE MOUNT	1
2	00463-G4		BOLT, 7/16 - 14 X 1 1/2" LG	2
3	00566-G2		LOCK WASHER, 7/16"	2
4	00922-G3		WASHER, 7/16"	1
5	15121-G1		WASHER, 1 1/4" X 3/8"	1
6	72253-G01		ISOLATOR BRACKET	1
7	00428-G6		BOLT, 3/8 - 16 X 2 3/4" LG	2
8	11098-G5		LOCK NUT, 3/8 - 16	2
9	00643-G1		WASHER, 3/8"	2
10	00430-G4		BOLT, 3/8 - 16 X 4 1/2" LG	1
11	72051-G02		WASHER, 2 1/2" X 11/32"	1
12	72050-G01		PLASTIC WASHER, 2 1/2" X 5/8"	4
13	72051-G01		WASHER, 2 1/2" X 5/8"	2
14	72015-G01		ISOLATION MOUNT	1
15	11098-G5		LOCK NUT, 3/8 - 16	1
16	72596-G01		AIR FILTER BRACKET	1
17	XXXXX-XX		SEE REAR AXLE SECTION	X
18	00415-G2		BOLT, 1/4 - 20 X 1 1/4 LG	2
19	72011-G01		REAR ENGINE MOUNT	1
20	72035-G01		"U" BOLT, 7/16 - 14 X 1 3/8"	2
21	00922-G3		WASHER, 7/16"	4
22	00734-G1		LOCK NUT, 7/16 - 14	4
23	00605-G07		WASHER, 1/4	2
24	00463-G4		BOLT, 7/16 - 14 X 1 1/2" LG	2
25	00566-G2		LOCK WASHER, 7/16"	2
26	00922-G3		WASHER, 7/16"	2
27	14390-G4		LOCK NUT, 1/4 - 20	2
28	70527-G01		ENGINE GUARD	1
29	00463-G4		BOLT, 7/16 - 14 X 1 1/2" LG	4
30	00566-G2		LOCK WASHER, 7/16"	4

When ordering parts, please specify the model and serial number of the product.

* Indicates a component that is not available as an individual part.

G** Indicates consult Customer Service Department for additional information.

ITEM	PART NO.	1 2 3 4 5	DESCRIPTION	QTY.
31	00922-G3		WASHER, 7/16"	4
32	12547-G3		BOLT, M6 X 1MM X 20MM LG	1
33	XXXXX-XX		SEE STARTER / GENERATOR SECTION	1
34	00938-G4		BOLT, 1/2 - 13 X 8" LG	1
35	00560-G3		WASHER, 1/2"	2
36	00566-G3		LOCK WASHER, 1/2"	1
37	00533-G1		NUT, 1/2 - 13	1
38	00905-G7		LOCK WASHER, 1/4	1
39	72045-G01		STARTER / GENERATOR ADJUSTER	1
40	00544-G5		JAM NUT, 3/8 - 16	1
41	00532-G5		NUT, 3/8 - 16	1
42	00560-G1		WASHER, 3/8"	1
43	12064-G1		PUSH NUT, 5/16"	1
44	00559-G7		WASHER, 1/4	1
45	72017-G01		REAR AXLE BRACKET	1
46	75048-G01		SPACER, 1/2"	1
47	26826-G01		LOCK WASHER, 8 MM	2
48	26827-G01		NUT, M8 X 1.25 MM	2
49	00439-G2		BOLT, 5/16 - 18 X 1 1/4" LG	1
50	11098-G6		LOCK NUT, 5/16 - 18	1
51				
52	70269-G01		CROSSMEMBER BRACE (ST SPORT)	1
53	72016-G01		SPACER	2
54	00438-G7		BOLT, 5/16 X 7/8" LG	2
55	00571-G2		WASHER, 5/16"	2
56	11098-G6		LOCK NUT, 5/16 - 18	2



- 3 - Includes Items 4 - 12
- 8 - Includes Items 9, 10
- 14 - Includes Items 5 - 12 and 15
- 42 - Includes Items 4 - 7, 10 - 12 and 43
- 46 - Includes Items 5 - 7, 10 - 12, 15 and 43

When ordering parts, please specify the model and serial number of the product.
 * Indicates a component that is not available as an individual part.
 G** Indicates consult Customer Service Department for additional information.

ITEM	PART NO.	1 2 3 4 5	DESCRIPTION	QTY.
1	70515-G01		FRONT AXLE.....	1
2				
3	70535-G01		SPINDLE ASSEMBLY (DRIVER SIDE) (INCLUDES ITEMS 4 - 12) (ST 350)...	1
4	*		SPINDLE (DRIVER SIDE)	1
5	16623-G1		BEARING.....	2
6	10389-G3		GREASE FITTING, STRAIGHT.....	1
7	25146-G1		GREASE SEAL.....	1
8	19932-G1		WHEEL HUB ASSEMBLY (INCLUDES ITEMS 9, 10) (ST 350)	1
9	19862-G1		LUG BOLT, 1/2 - 20 X 1 7/32" LG	4
10	50892-G1		BEARING AND RACE ASSEMBLY (COMPLETE)	2
11	12093-G1		SLOTTED NUT, 1 - 14.....	1
12	00798-G8		COTTER PIN, 5/32 X 1 3/4" LG.	1
13				
14	70534-G01		SPINDLE ASSEMBLY (PASSENGER SIDE)(INCL ITEMS 5 - 12, 15)(ST 350)	1
15	*		SPINDLE (PASSENGER SIDE)	1
16				
17	12091-G2		SPINDLE CAP	2
18				
19	01040-G01		SPINDLE PIN, 1/2 - 13 X 5" LG.	2
20	00571-G5		WASHER, 1/2"	4
21	70328-G01		SPINDLE PIN TUBE	2
22	16982-G1		THRUST WASHER, 7/8"	2
23	14390-G6		LOCK NUT, 1/2 -13	2
24				
25				
26	70630-G01		SHOCK ABSORBER	2
27	10435-G1		SHOCK ABSORBER WASHER.....	8
28	10194-G1		RUBBER SHOCK ABSORBER BUSHING	8
29	00532-G6		NUT, 3/8 - 24	4
30	70509-G01		SHOCK ABSORBER BOOT	2



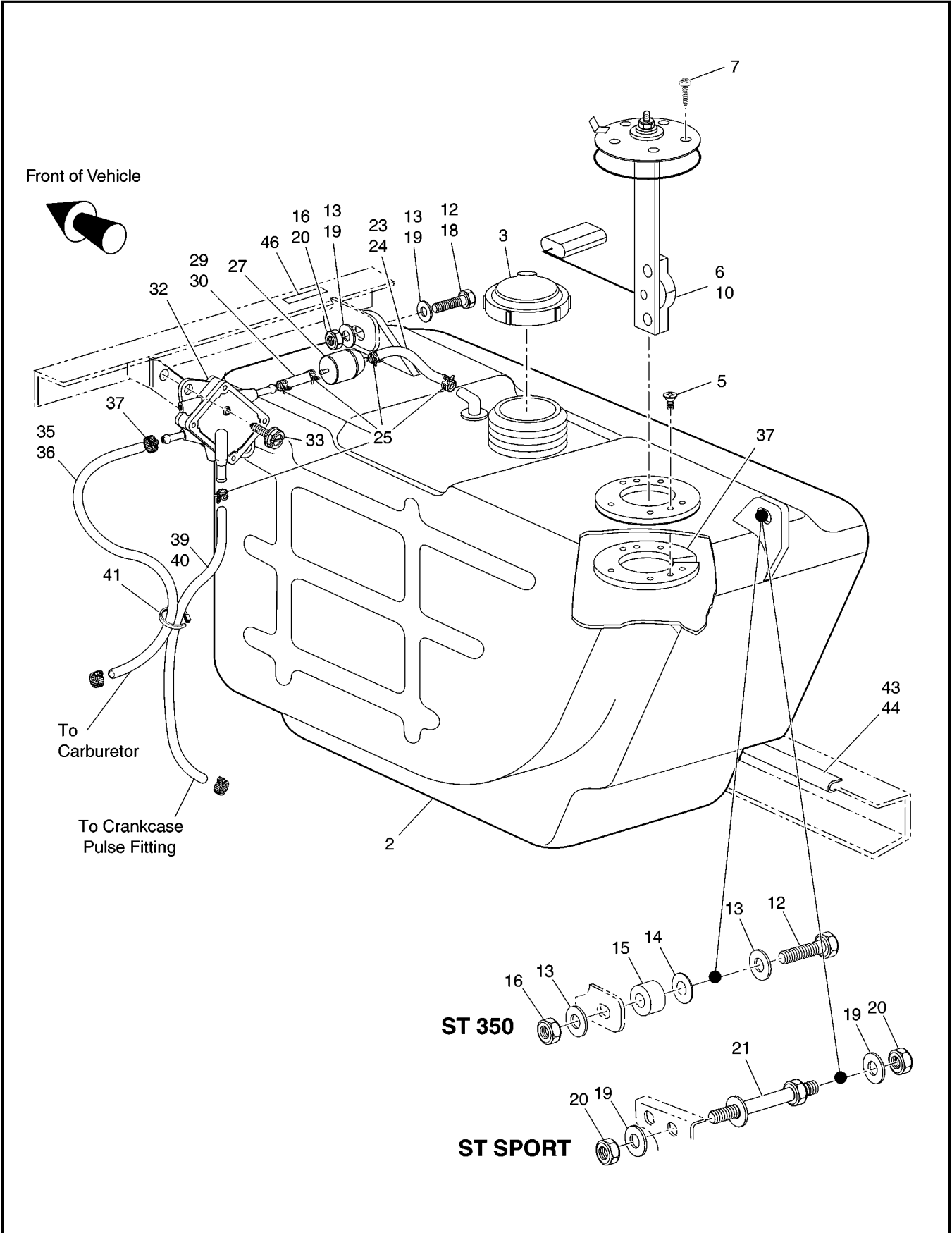
FRONT SUSPENSION

Gasoline Vehicle

When ordering parts, please specify the model and serial number of the product.
 * Indicates a component that is not available as an individual part.
 G** Indicates consult Customer Service Department for additional information.

ITEM	PART NO.	1 2 3 4 5	DESCRIPTION	QTY.
31	31539-G1		WIRE TIE	4
32				
33	70422-G01		LEAF SPRING (HEAVY DUTY)	2
34	70163-G02		SPRING PLATE	4
35	00463-G6		BOLT, 7/16 - 14 X 1 3/4" LG.	6
36	00734-G1		LOCK NUT, 7/16 - 14	12
37	00463-G4		BOLT, 7/16 - 14 X 1 1/2" LG (WITHOUT WINCH RECEIVER).	6
38	00463-G6		BOLT, 7/16 - 14 X 1 3/4" LG (WITH WINCH RECEIVER) (ST 350).....	6
39				
40	74255-G01		WINCH RECEIVER (ST 350).....	1
41				
42	70535-G02		SPINDLE ASSEMBLY (DRIVER SIDE) (INCLUDES ITEMS 4 - 7, 11 - 12, 43) (ST SPORT)	1
43	72590-G01		WHEEL HUB ASSEMBLY (INCLUDES ITEMS 10, 44) (ST SPORT)	1
44	*		SET SCREW, 1/2 - 18 X 2" LG.....	4
45				
46	70534-G02		SPINDLE ASSEMBLY (PASSENGER SIDE) (INCLUDES ITEMS 5 - 7, 11 - 12, 15, 43) (ST SPORT)	1





When ordering parts, please specify the model and serial number of the product.

* Indicates a component that is not available as an individual part.

G** Indicates consult Customer Service Department for additional information.

ITEM	PART NO.	1 2 3 4 5	DESCRIPTION	QTY.
1	72231-G01		FUEL TANK ASSEMBLY (INCLUDES ITEMS 2 - 7).....	1
2	72092-G02		FUEL TANK (FOR ELECTRIC GAUGE / WARNING LIGHT)	1
3	72282-G01		FUEL TANK CAP.....	1
4	72229-G01		FUEL LEVEL SENDER ADAPTER	1
5	72230-G01		SCREW, #6 - 32 X 1/2" LG.....	2
6	20048-G2		FUEL LEVEL SENDER (ELECTRIC FUEL GAUGE).....	1
7	72232-G01		SCREW, #10 - 32 X 3/4"	5
8				
9	72231-G02		FUEL TANK ASSEMBLY (INCLUDES ITEMS 2 - 5, 7, 10) (ST 350).....	1
10	20048-G4		FUEL LEVEL SENDER (LOW FUEL WARNING LIGHT).....	1
11				
12	00439-G1		BOLT, 5/16 - 18 X 1 1/8" LG (ST 350).....	2
13	00559-G8		WASHER, 5/16" (ST 350)	4
14	15121-G1		WASHER, 1 1/4" X 3/8" (ST 350).....	1
15	72234-G01		PLASTIC SPACER (ST 350).....	1
16	11098-G6		LOCK NUT, 5/16 - 18 (ST 350)	2
17				
18	00438-G8		BOLT, 5/16 - 18 X 1" LG (ST SPORT).....	1
19	00559-G8		WASHER, 5/16" (ST SPORT)	4
20	11098-G6		LOCK NUT, 5/16 - 18 (ST SPORT)	3
21	70483-G01		SPACER (ST SPORT)	1
22				
23	17470-G1		FUEL SYSTEM TUBE, 2 5/8" LG (ST 350) (BULK).....	1
24	17470-G1		FUEL SYSTEM TUBE, 3 1/4" LG (ST SPORT) (BULK).....	1
25	18292-G1		CLAMP.....	5
26				
27	72084-G01		FUEL FILTER.....	1
28				
29	17470-G1		FUEL SYSTEM TUBE, 4" LG (ST 350) (BULK).....	1
30	17470-G1		FUEL SYSTEM TUBE, 3 1/4" LG (ST SPORT) (BULK).....	1



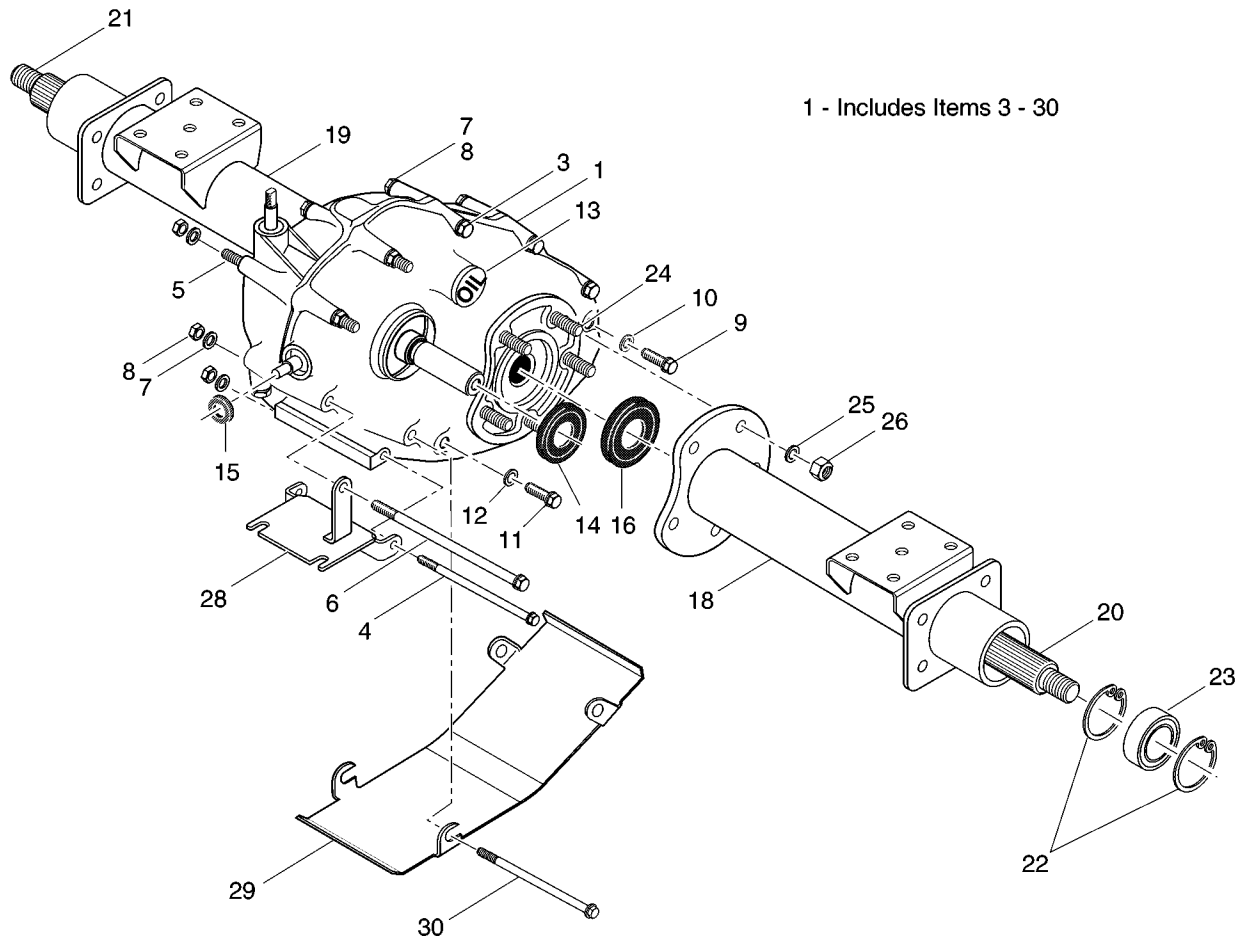
FUEL SYSTEM

Gasoline Vehicle

When ordering parts, please specify the model and serial number of the product.
 * Indicates a component that is not available as an individual part.
 G** Indicates consult Customer Service Department for additional information.

ITEM	PART NO.	1	2	3	4	5	DESCRIPTION	QTY.
31								
32	72021-G01						FUEL PUMP	1
33	00114-G6						SCREW, 1/4 - 14 X 3/4" LG.	2
34								
35	17470-G1						FUEL SYSTEM TUBE, 26" LG (ST 350 (BULK)	1
36	17470-G1						FUEL SYSTEM TUBE, 16" LG (ST SPORT) (BULK).....	1
37	11391-G4						HOSE CLAMP, 1/4"	3
38								
39	27183-G01						PULSE TUBE, 26" LG (ST 350) (BULK)	1
40	27183-G01						PULSE TUBE, 16" LG (ST SPORT) (BULK).....	1
41	17618-G1						WIRE TIE	3
42								
43	22280-G1						VINYL TRIM, 14" LG (ST 350) (BULK)	1
44	22280-G1						VINYL TRIM, 6 1/4" LG (ST SPORT) (BULK).....	1
45								
46	26459-G01						LABEL (UNLEADED GASOLINE ONLY)	1





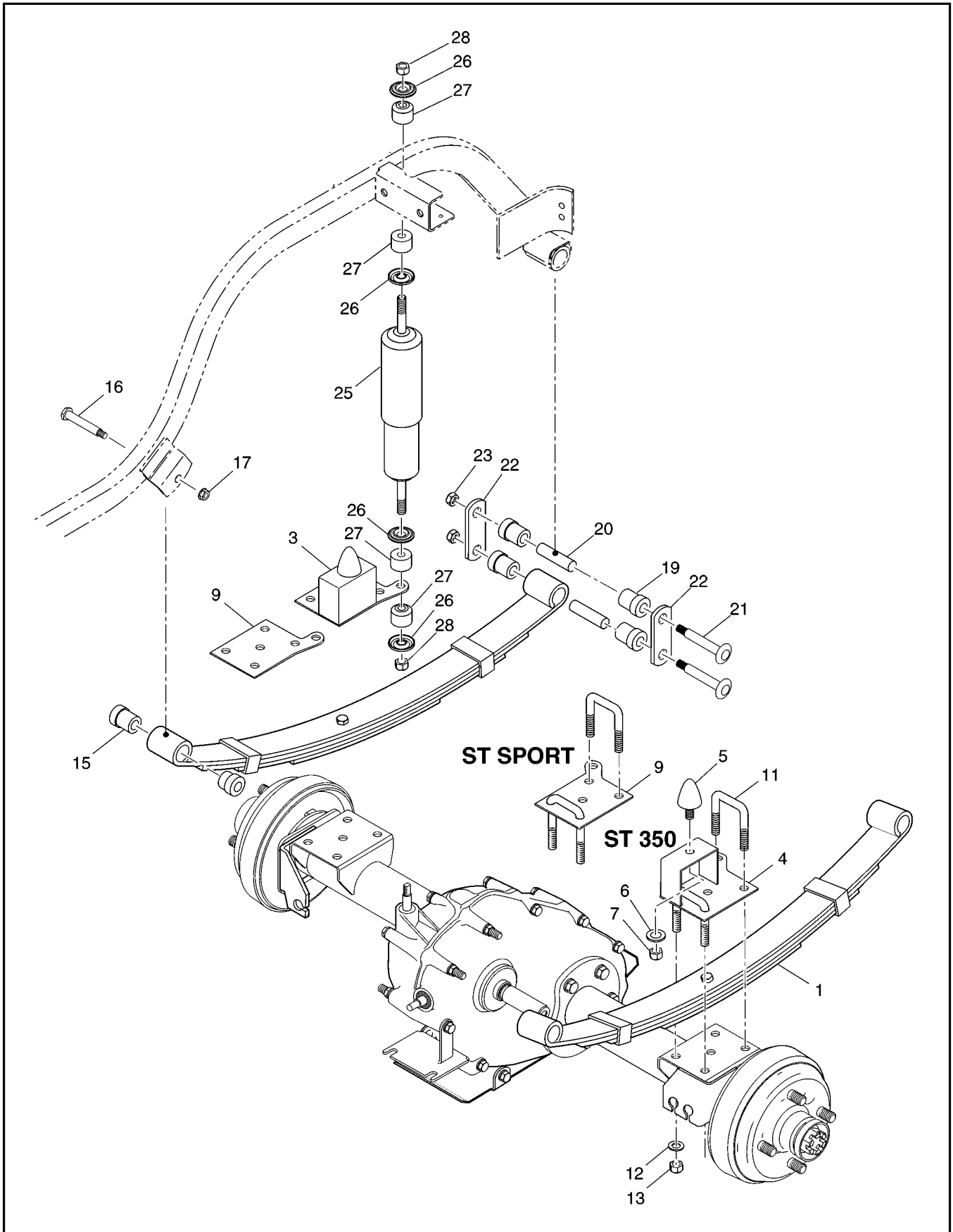
When ordering parts, please specify the model and serial number of the product.

* Indicates a component that is not available as an individual part.

G** Indicates consult Customer Service Department for additional information.

ITEM	PART NO.	1 2 3 4 5	DESCRIPTION	QTY.
1	72408-G01		REAR AXLE (13.32:1) (INCLUDES ITEMS 3 - 30)	1
2				
3	26823-G01		FLANGED BOLT, M8 X 1.25 X 100 MM LG.	7
4	26824-G01		FLANGED BOLT, M8 X 1.25 X 110 MM LG.	1
5	72053-G01		BOLT, M8 X 1.25 X 120 MM LG.	1
6	72052-G01		FLANGED BOLT, M8 X 1.25 X 130 MM LG.	1
7	26826-G01		LOCK WASHER, 8 MM	14
8	26827-G01		NUT, M8 X 1.25 MM	14
9	26768-G01		OIL CHECK PLUG	1
10	26769-G01		GASKET, 8 MM	1
11	26770-G01		OIL DRAIN PLUG	1
12	26771-G01		GASKET, 14 MM	1
13	26772-G01		OIL FILLER PLUG	1
14	26761-G01		INPUT SHAFT SEAL	1
15	26762-G01		SHIFTER SHAFT SEAL	1
16	26766-G01		AXLE SHAFT SEAL	2
17				
18	70636-G01		AXLE TUBE (DRIVER SIDE)	1
19	70637-G01		AXLE TUBE (PASSENGER SIDE)	1
20	72056-G01		AXLE SHAFT (DRIVER SIDE)	1
21	72057-G01		AXLE SHAFT (PASSENGER SIDE)	1
22	26814-G01		RETAINING RING	4
23	26811-G01		BALL BEARING	2
24	26667-G01		STUD, M10 X 1.5 X 40 MM LG.	5
25	26828-G01		WASHER, 10 MM	10
26	26829-G01		NUT, 10 MM X 1.5 MM	10
27				
28	26815-G01		SHIFTER CABLE BRACKET	1
29	72349-G01		DIFFERENTIAL SKID PLATE	1
30	72053-G01		FLANGED BOLT, M8 X 1.25 X 110 MM LG	2





When ordering parts, please specify the model and serial number of the product.
 * Indicates a component that is not available as an individual part.
 G** Indicates consult Customer Service Department for additional information.

ITEM	PART NO.	1 2 3 4 5	DESCRIPTION	QTY.
1	74207-G01		HEAVY DUTY LEAF SPRING.....	2
2				
3	72360-G01		SHOCK/STOP MOUNT (PASSENGER SIDE) (ST 350).....	1
4	72360-G02		SHOCK/STOP MOUNT (DRIVER SIDE) (ST 350)	1
5	70492-G01		RUBBER BUMPER (ST 350).....	2
6	00968-G01		LOCK WASHER, 10 MM (ST 350).....	2
7	00974-G01		NUT, M10 X 1.5 (ST 350).....	2
8				
9	72357-G02		SPRING PLATE (ST SPORT).....	2
10				
11	72618-G01		"U" BOLT, 3/8 - 16	4
12	00560-G1		WASHER, 3/8"	8
13	11098-G5		LOCK NUT, 3/8 - 16	8
14				
15	70291-G01		RUBBER BUSHING.....	4
16	14158-G1		SHOULDER BOLT, 3/8 - 16 X 3 1/4" LG.....	2
17	12262-G1		LOCK NUT, 3/8 - 16	2
18				
19	70291-G01		RUBBER BUSHING.....	8
20	70289-G02		SPACER.....	4
21	00429-G4		BOLT, 3/8 - 16 X 3 1/2" LG.....	4
22	70290-G01		SHACKLE PLATE	4
23	11098-G5		LOCK NUT, 3/8 - 16	4
24				
25	70324-G01		SHOCK ABSORBER	2
26	10435-G1		SHOCK ABSORBER WASHER.....	8
27	10194-G1		RUBBER SHOCK ABSORBER BUSHING	8
28	00532-G6		NUT, 3/8 - 24.....	4

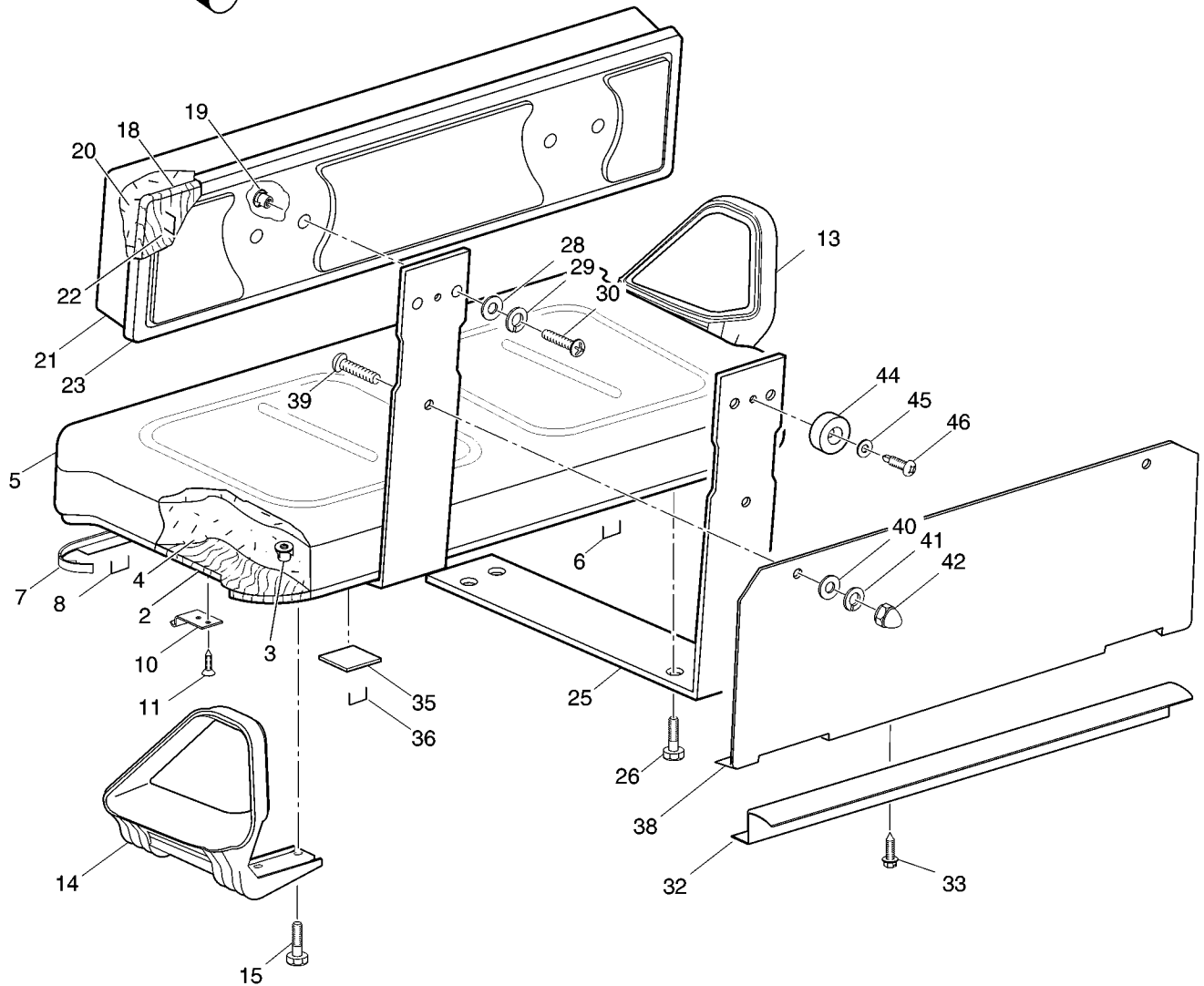


ST 350

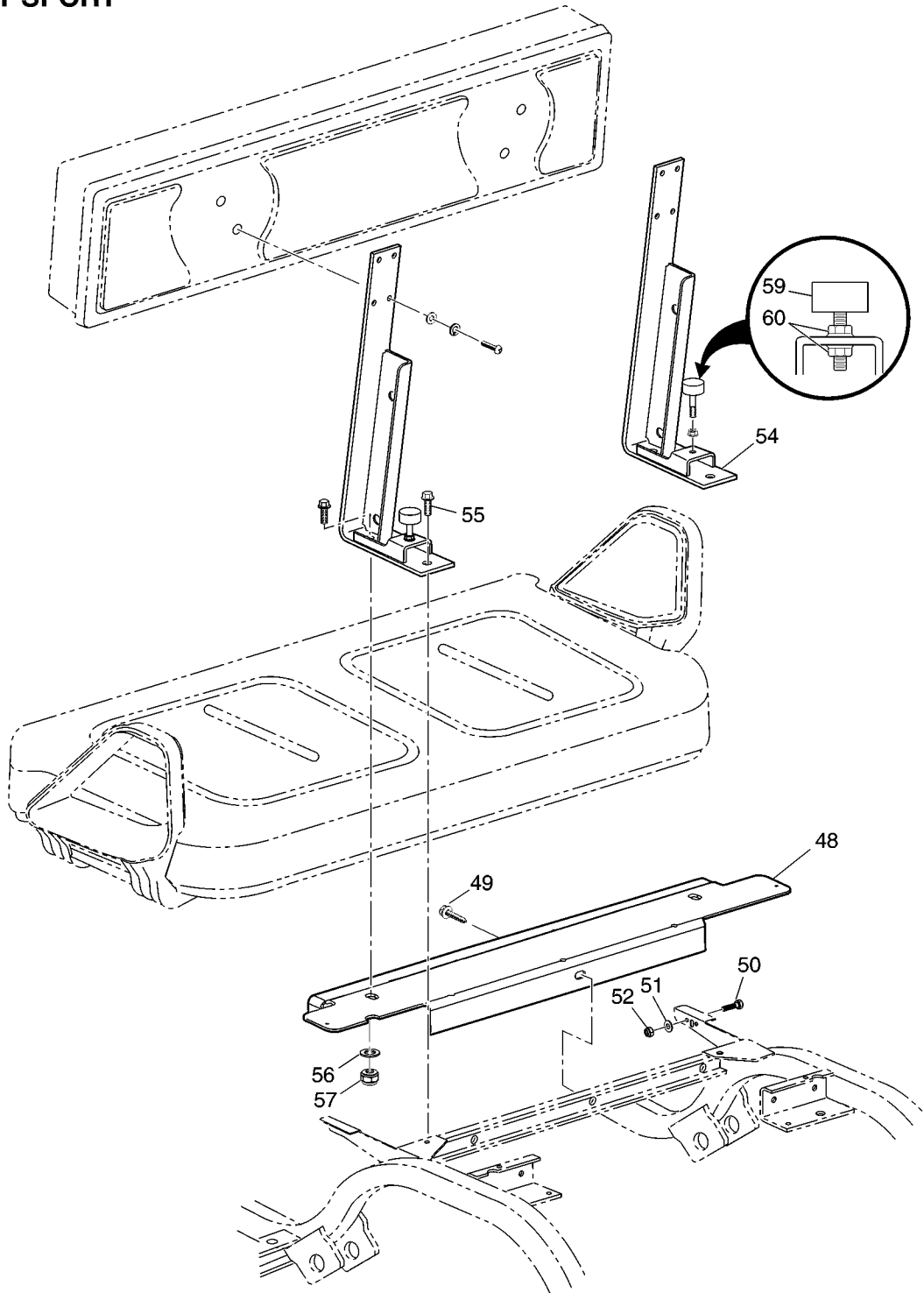
Front of Vehicle



1 - Includes Items 2 - 8
17 - Includes Items 18 - 23



ST SPORT



SEATING

Gasoline Vehicle

When ordering parts, please specify the model and serial number of the product.

* Indicates a component that is not available as an individual part.

G** Indicates consult Customer Service Department for additional information.

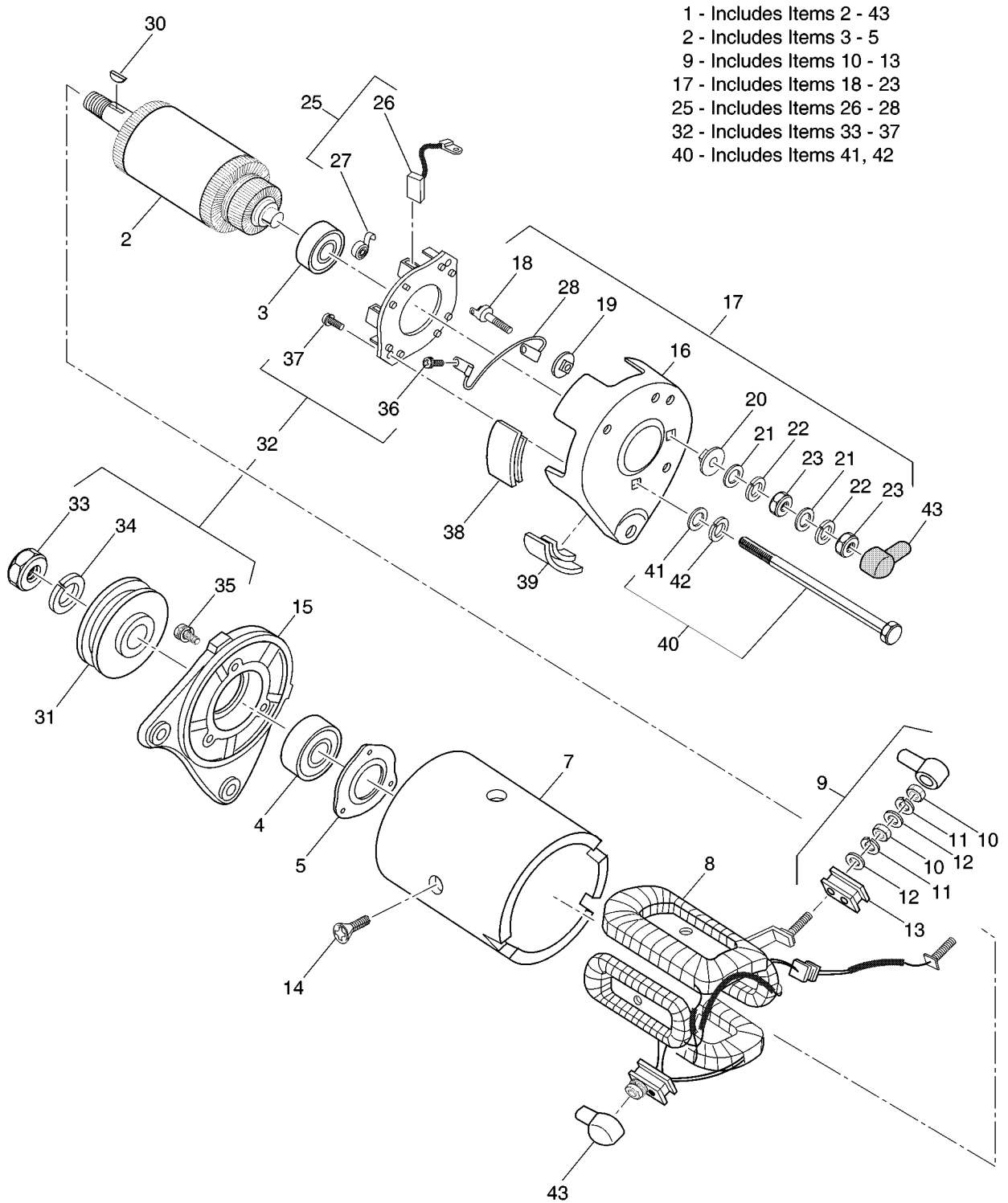
ITEM	PART NO.	1 2 3 4 5	DESCRIPTION	QTY.
1	71664-G**		SEAT BOTTOM ASSEMBLY (INCLUDES ITEMS 2 - 8)	1
2	*		PLYWOOD BASE	1
3	*		TEE NUT, 1/4 - 20	16
4	*		FOAM.....	1
5	71602-G**		VINYL SEAT BOTTOM COVER	1
6	*		FLAT STAPLES	110
7	71012-G01		VINYL TRIM (SEAT BOTTOM).....	1
8	*		FLAT STAPLES	26
9				
10	71610-G01		SEAT HINGE	2
11	00720-G08		SCREW, #12 - 14 X 1" LG.....	6
12				
13	71701-G01		HIP RESTRAINT (PASSENGER SIDE)	1
14	71702-G01		HIP RESTRAINT (DRIVER SIDE).....	1
15	71204-G01		BOLT, 1/4 - 20 X 7/8" LG.	8
16				
17	27546-G**		SEAT BACK ASSEMBLY (INCLUDES ITEMS 18 - 23).....	1
18	*		PLYWOOD SEAT BACK	1
19	*		TEE NUT, 1/4 - 20	4
20	*		FOAM.....	1
21	18144-G**		VINYL SEAT BACK COVER	1
22	*		FLAT STAPLES	95
23	18868-G3		PLASTIC SEAT BACK COVER (BLACK)	1
24				
25	71662-G01		SEAT BACK SUPPORT BRACKET	2
26	71204-G01		BOLT, 1/4 - 20 X 7/8" LG.	8
27				
28	00559-G7		WASHER, 1/4"	4
29	00565-G7		LOCK WASHER, 1/4".....	4
30	16705-G1		BOLT, 1/4 - 20 X 1" LG.	4



When ordering parts, please specify the model and serial number of the product.
 * Indicates a component that is not available as an individual part.
 G** Indicates consult Customer Service Department for additional information.

ITEM	PART NO.	1	2	3	4	5	DESCRIPTION	QTY.
31								
32	71762-G02						SEAL	1
33	00114-G6						SCREW, 1/4 - 14 X 3/4" LG	2
34								
35	17074-G1						BUMPER.....	2
36	*						FLAT STAPLE	10
37								
38	71783-G01						SEAT SHIELD	1
39	16705-G3						SCREW, 1/4 - 20 X 3/4" LG.	2
40	00559-G7						WASHER, 1/4"	2
41	00565-G7						LOCK WASHER, 1/4"	2
42	15158-G1						ACORN NUT, 1/4 - 20	2
43								
44	13728-G1						RUBBER BUMPER.....	2
45	00559-G5						WASHER, #10.....	2
46	00106-G6						SELF THREADING SCREW, #12 - 24 X 3/4" LG	2
47								
48	71262-G01						SEAT BACK SUPPORT	1
49	00715-G2						BOLT, 5/16 - 18 X 13/16" LG.....	1
50	00438-G6						BOLT, 5/16 - 18 X 3/4" LG.....	2
51	00642-G8						WASHER, 5/16"	2
52	11098-G6						LOCK NUT, 5/16 - 18	2
53								
54	71436-G01						SEAT BACK SUPPORT BRACKET	2
55	01006-G1						BOLT, 3/8 - 16 X 1 1/4" LG.....	4
56	00560-G1						WASHER, 3/8"	2
57	11098-G5						LOCK NUT, 3/8 - 16	2
58								
59	70113-G01						ADJUSTABLE BUMPER.....	2
60	11027-G1						LOCK NUT, 5/16 - 18	4





THE USE OF NON U.L. PARTS WILL VOID ANY U.L. LISTING.
 When ordering parts, please specify the model and serial number of the product.
 * Indicates a component that is not available as an individual part.
 G** Indicates consult Customer Service Department for additional information.

ITEM	PART NO.	1 2 3 4 5	DESCRIPTION	QTY.
1	27065-G01		STARTER / GENERATOR (INCLUDES ITEMS 2 - 44).....	1
2	26870-G01		ARMATURE (INCLUDES ITEMS 3 - 5).....	1
3	26871-G01		REAR BALL BEARING	1
4	26872-G01		FRONT BALL BEARING.....	1
5	26873-G01		BEARING HOLDER	1
6				
7				
8	26875-G01		FIELD COIL	1
9	26876-G01		INSULATING BRUSH ASSEMBLY ('F') (INCLUDES ITEMS 10 - 13).....	2
10	*		NUT	2
11	*		LOCK WASHER.....	2
12	*		WASHER.....	2
13	*		INSULATOR	1
14	26877-G01		POLE CORE SETSCREW	4
15	26878-G01		FRONT COVER.....	1
16	27879-G01		REAR COVER.....	1
17	26880-G01		TERMINAL ASSEMBLY ('A') (INCLUDES ITEMS 18 - 23).....	2
18	*		TERMINAL	2
19	*		INSULATOR	2
20	*		INSULATOR	2
21	*		WASHER.....	4
22	*		LOCK WASHER.....	4
23	*		NUT	4
24				
25	26881-G01		BRUSH HOLDER ASSEMBLY (INCLUDES ITEMS 26 - 28)	1
26	26658-G01		BRUSH.....	4
27	26882-G01		BRUSH SPRING.....	4
28	26883-G01		BRUSH CONNECTOR.....	2
29				
30	26884-G01		KEY.....	1



STARTER / GENERATOR**Gasoline Vehicle**

THE USE OF NON U.L. PARTS WILL VOID ANY U.L. LISTING.

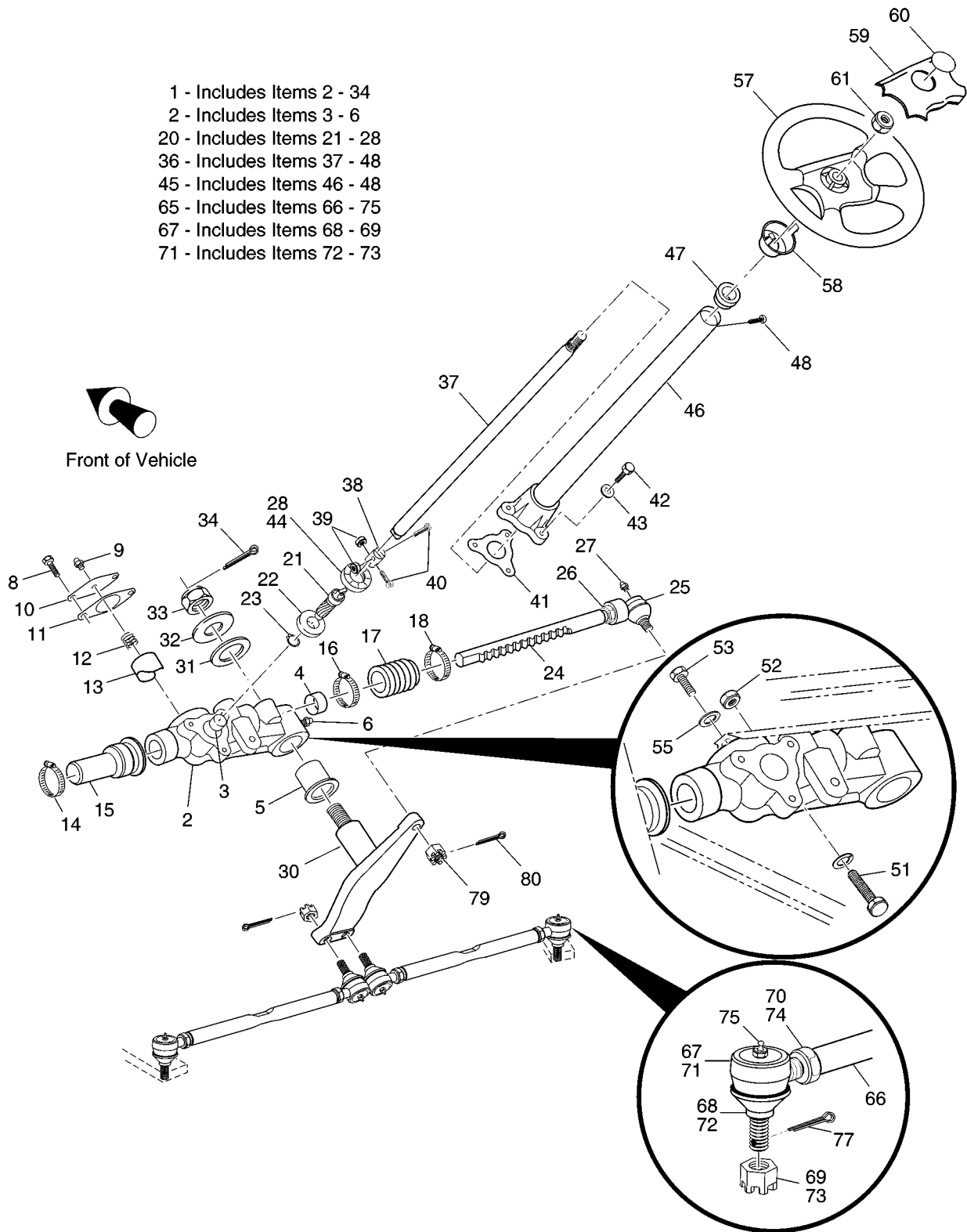
When ordering parts, please specify the model and serial number of the product.

* Indicates a component that is not available as an individual part.

G** Indicates consult Customer Service Department for additional information.

ITEM	PART NO.	1	2	3	4	5	DESCRIPTION	QTY.
31	26885-G01						PULLEY	1
32	26886-G01						PULLEY HARDWARE KIT (INCLUDES ITEMS 33 - 37)	1
33	*						NUT	1
34	*						LOCK WASHER	1
35	*						SCREW	3
36	*						SCREW	4
37	*						SCREW	2
38	26887-G01						BRUSH 1 COVER.....	3
39	26888-G01						BRUSH 2 COVER.....	2
40	26889-G01						BOLT AND WASHER ASSEMBLY (INCLUDES ITEMS 41, 43)	2
41	*						BOLT	2
42	*						LOCK WASHER	2
43	*						WASHER.....	2
44	16896-G1						TERMINAL COVER	4

- 1 - Includes Items 2 - 34
- 2 - Includes Items 3 - 6
- 20 - Includes Items 21 - 28
- 36 - Includes Items 37 - 48
- 45 - Includes Items 46 - 48
- 65 - Includes Items 66 - 75
- 67 - Includes Items 68 - 69
- 71 - Includes Items 72 - 73



When ordering parts, please specify the model and serial number of the product.
 * Indicates a component that is not available as an individual part.
 G** Indicates consult Customer Service Department for additional information.

ITEM	PART NO.	1	2	3	4	5	DESCRIPTION	QTY.
1	70314-G02						STEERING BOX ASSEMBLY (COMPLETE) (INCLUDES ITEMS 2 - 34)	1
2	75364-G01						STEERING HOUSING (INCLUDES ITEMS 3 - 6).....	1
3	*						SLEEVE BEARING	1
4	*						SLEEVE BEARING	1
5	*						FLANGED BEARING	1
6	10389-G3						GREASE FITTING, STRAIGHT	1
7								
8	00426-G6						BOLT, 3/8 - 16 X 3/4" LG.....	2
9	18456-G1						GREASE FITTING, 90°	1
10	70177-G01						RACK GUIDE COVER	1
11	70225-G01						GASKET	1
12	70178-G01						COMPRESSION SPRING.....	1
13	70179-G01						RACK GUIDE	1
14	11391-G1						HOSE CLAMP, 1 1/4"	1
15	70041-G01						RACK COVER.....	1
16	11391-G1						HOSE CLAMP, 1 1/4"	1
17	70183-G01						BELLOWS	1
18	11391-G5						HOSE CLAMP, 3/4"	1
19								
20	70299-G01						STEERING GEAR KIT (INCLUDES ITEMS 21 - 28).....	1
21	70297-G01						GEAR PINION.....	1
22	15112-G1						BALL BEARING	1
23	70190-G01						EXTERNAL RETAINING RING	1
24	70298-G01						STEERING RACK	1
25	70192-G01						RACK BALL END	1
26	00532-G8						NUT, 7/16 - 20	1
27	18456-G1						GREASE FITTING, 90°	1
28	70466-G01						RETAINER	1
29								
30	70184-G01						IDLER.....	1



When ordering parts, please specify the model and serial number of the product.
 * Indicates a component that is not available as an individual part.
 G** Indicates consult Customer Service Department for additional information.

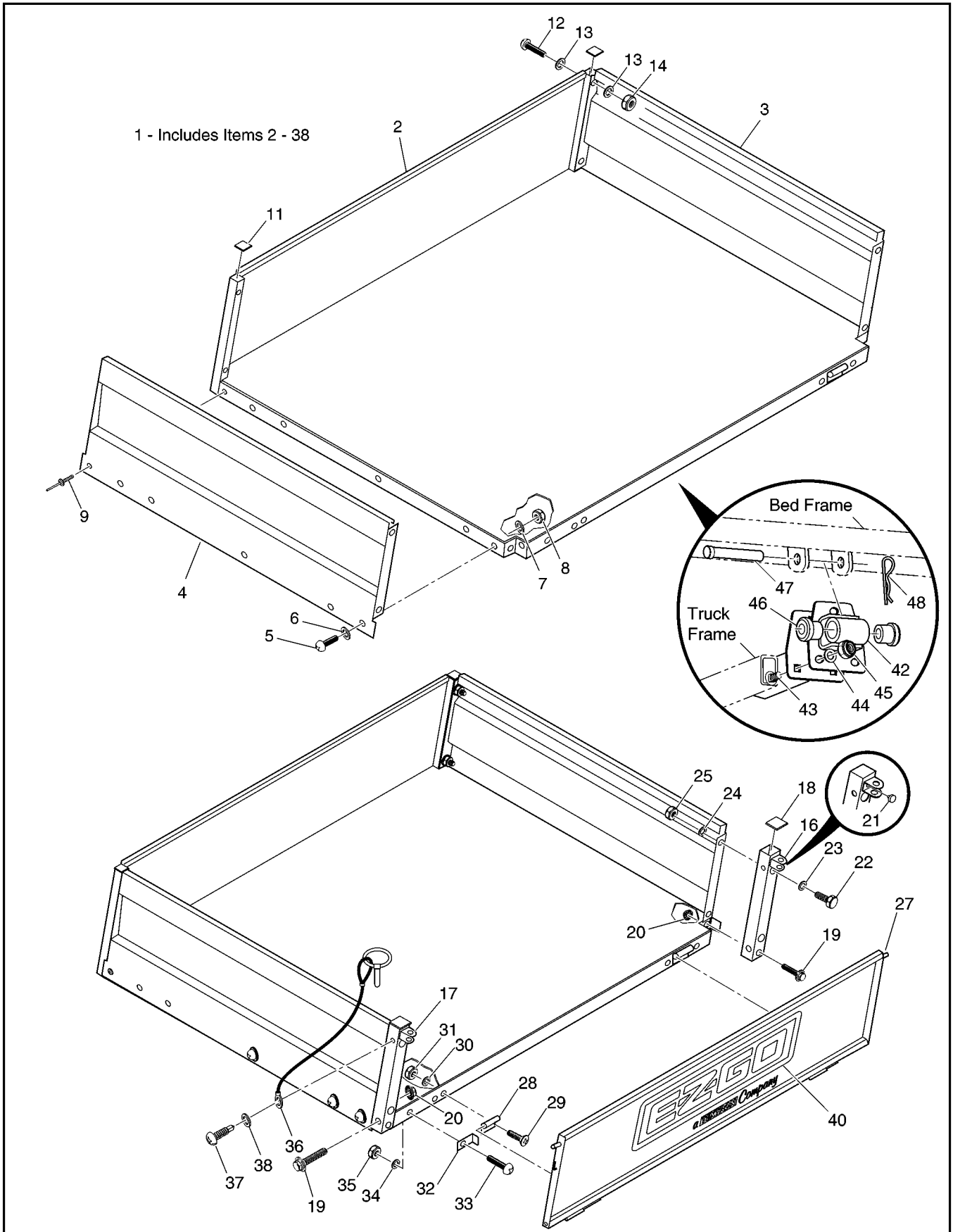
ITEM	PART NO.	1 2 3 4 5	DESCRIPTION	QTY.
31	70216-G01		THRUST WASHER, 1 1/2"	1
32	70195-G01		THRUST WASHER, 7/8"	1
33	00734-G6		LOCK NUT, 7/8 - 9.....	1
34	00798-G8		COTTER PIN, 5/32" X 1 3/4" LG.....	1
35				
36	70360-G01		STEERING SHAFT/COLUMN KIT (INCLUDES ITEMS 37 - 48)	1
37	14322-G3		STEERING SHAFT.....	1
38	70558-G01		COUPLING.....	1
39	00550-G1		LOCK NUT, 1/4 - 20.....	2
40	70227-G01		BOLT, 1/4 - 20 X 7/8" LG	2
41	70223-G01		GASKET	1
42	01034-G01		BOLT, 3/8 - 16 X 1 1/2" LG WITH PATCHLOCK	3
43	00878-G1		LOCK WASHER, 3/8".....	3
44	70466-G01		RETAINER.....	1
45	28633-G01		STEERING COLUMN KIT (INCLUDES ITEMS 46 - 48)	1
46	*		STEERING COLUMN	1
47	28569-G01		STEERING COLUMN BUSHING	1
48	01022-G01		SCREW, #6 - 20 X 5/16" LG	1
49				
50				
51	00470-G4		BOLT, 7/16 - 20 X 2 1/2" LG.....	1
52	00734-G3		LOCK NUT, 7/16 - 20	1
53	01033-G01		BOLT, 7/16 - 14 X 1 1/4" LG. WITH PATCHLOCK	2
54				
55	00566-G2		LOCK WASHER, 7/16".....	3
56				
57	71146-G01		STEERING WHEEL	1
58	71949-G01		HUB.....	1
59	71147-G01		COVER	1
60	71047-G01		DECAL	1

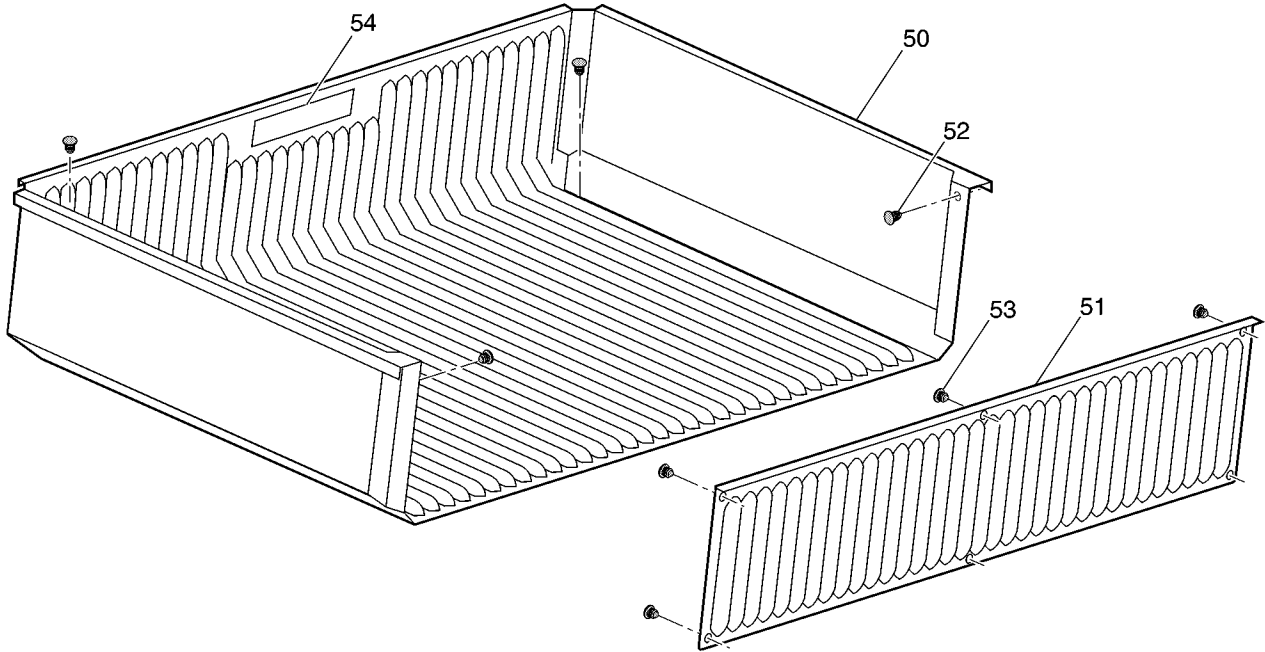


When ordering parts, please specify the model and serial number of the product.
 * Indicates a component that is not available as an individual part.
 G** Indicates consult Customer Service Department for additional information.

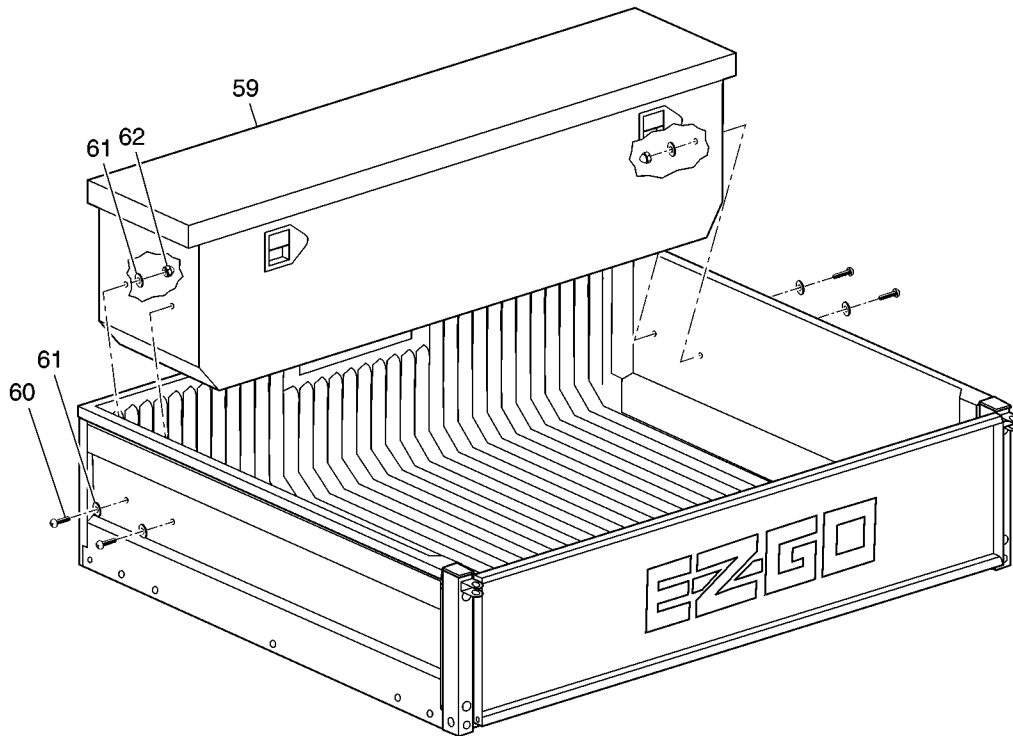
ITEM	PART NO.	1	2	3	4	5	DESCRIPTION	QTY.
61	14390-G2						LOCK NUT, 5/8 - 18	1
62								
63								
64								
65	75069-G01						TIE ROD ASSEMBLY (INCLUDES ITEMS 66 - 75).....	2
66	70583-G05						THREADED TUBE WITH FLAT	1
67	27205-G01						TIE ROD END (LEFT HAND THREAD) (INCLUDES ITEMS 68 - 69).....	1
68	50641-G1						RUBBER BOOT	1
69	50209-G2						SLOTTED NUT, 7/16 - 20.....	1
70	18434-G3						JAM NUT, 9/16 - 18 (LEFT HAND THREAD)	1
71	27205-G02						TIE ROD END (RIGHT HAND THREAD) (INCLUDES ITEMS 72 - 73).....	1
72	50641-G1						RUBBER BOOT	1
73	50209-G2						SLOTTED NUT, 7/16 - 20.....	1
74	18434-G4						JAM NUT, 9/16 - 18 (RIGHT HAND THREAD).....	1
75	10389-G3						GREASE FITTING, STRAIGHT	2
76								
77	10387-G2						COTTER PIN, 3/32" X 1" LG.....	2
78								
79	50209-G2						SLOTTED NUT, 7/16 - 20	1
80	10387-G2						COTTER PIN, 3/32" X 1" LG.....	1

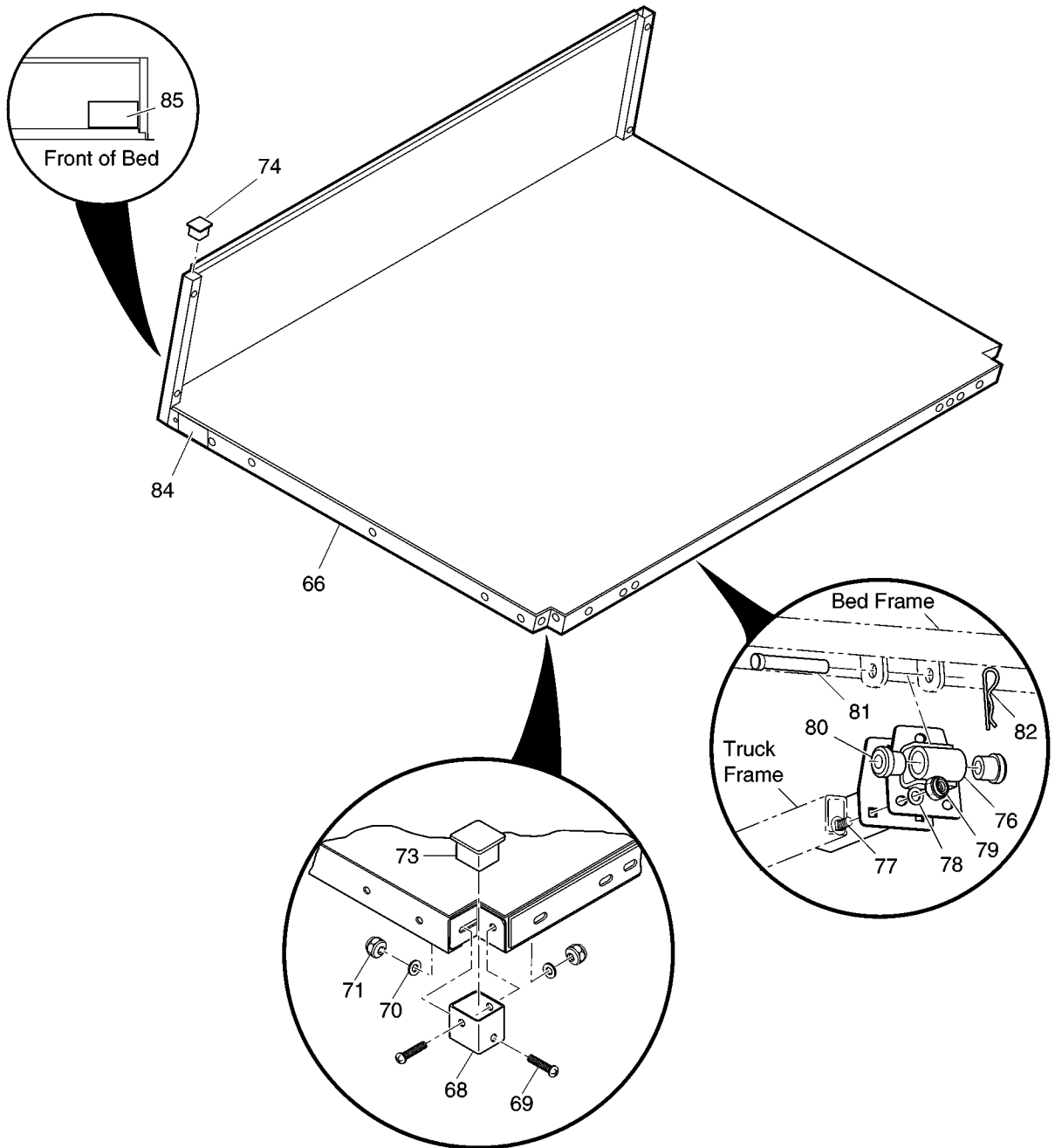


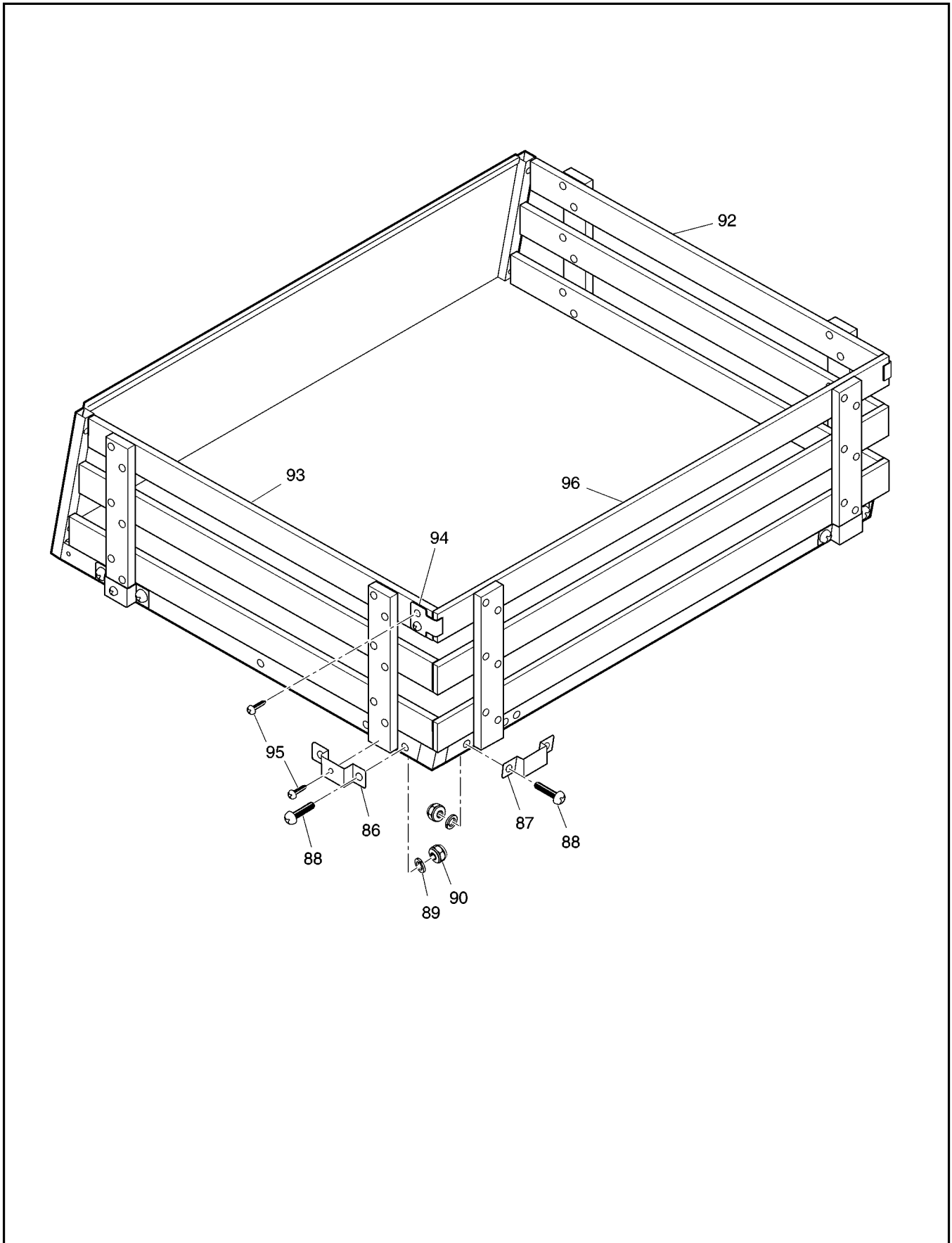


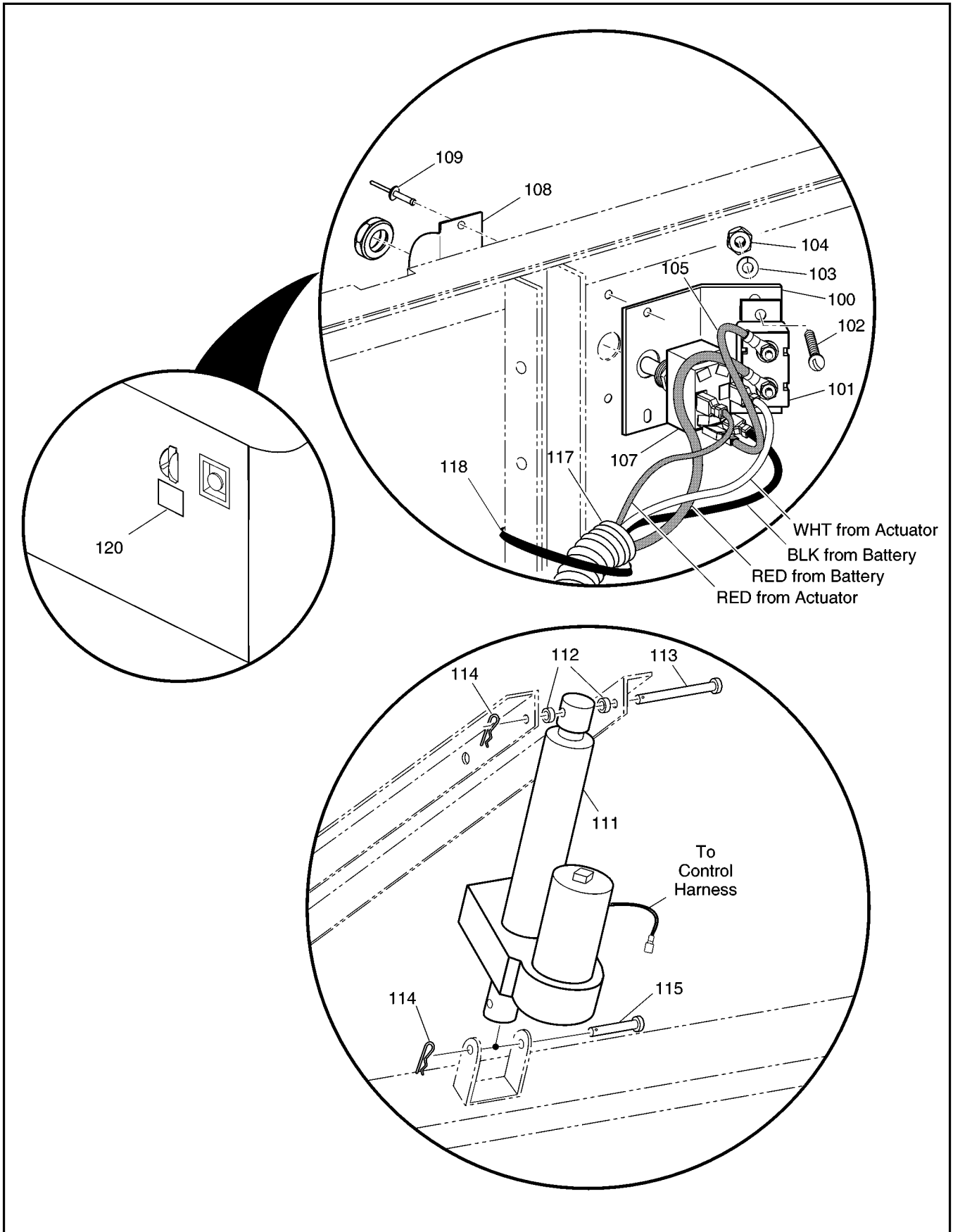


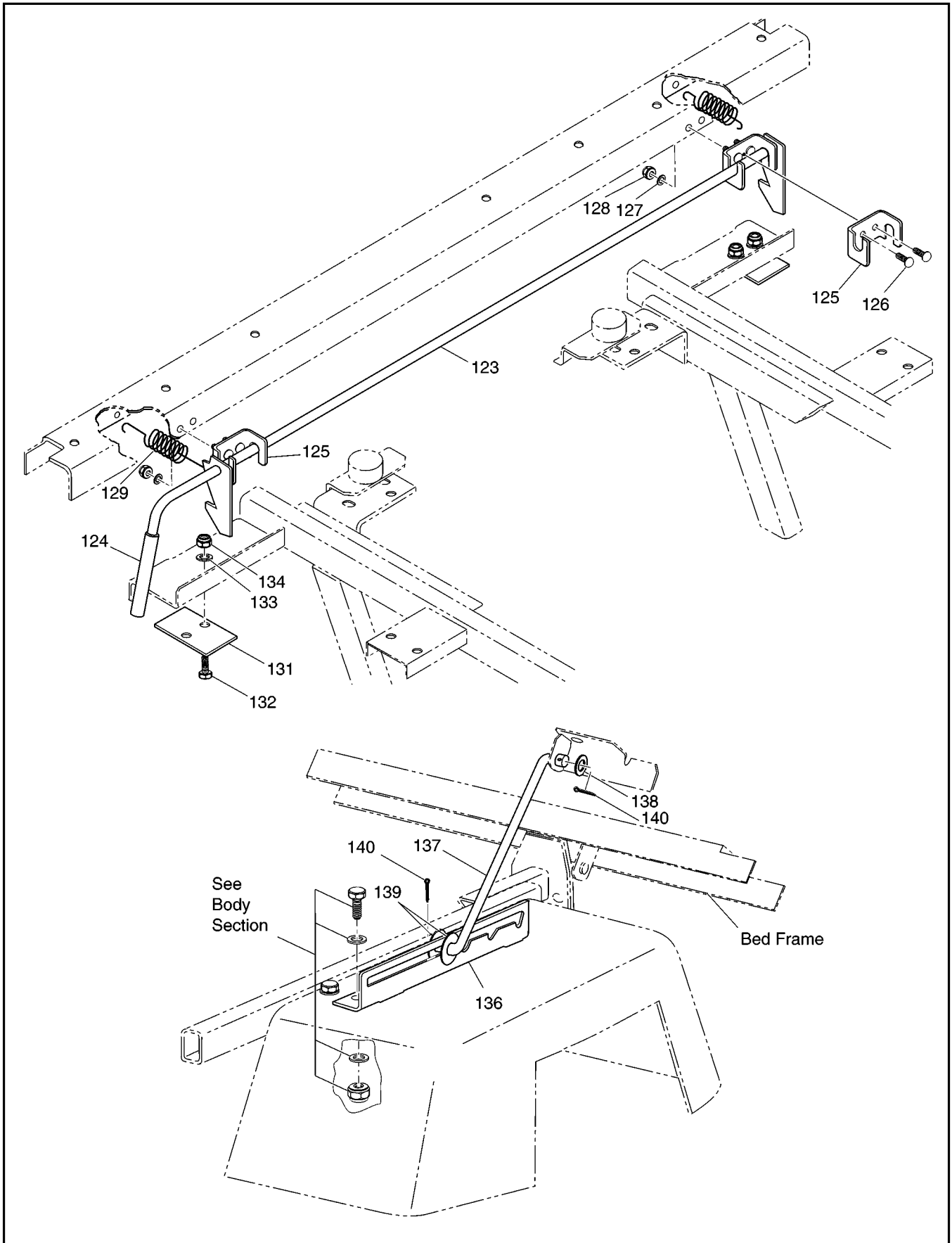
58 - Includes Items 59 - 62











When ordering parts, please specify the model and serial number of the product.

* Indicates a component that is not available as an individual part.

G** Indicates consult Customer Service Department for additional information.

ITEM	PART NO.	1	2	3	4	5	DESCRIPTION	QTY.	
1	71711-G01	TRUCK BED ASSEMBLY (40") (INCLUDES ITEMS 2-38).....							1
2	71719-G01	BED FRAME.....							1
3	71714-G01	SIDE PANEL (PASSENGER SIDE).....							1
4	71714-G02	SIDE PANEL (DRIVER SIDE)							1
5	16705-G3	SCREW, 1/4 - 20 X 3/4" LG.....							10
6	00915-G1	BONDED WASHER, 1/4"							10
7	00559-G7	WASHER, 1/4".....							10
8	14390-G4	LOCK NUT, 1/4-20.....							10
9	14601-G8	RIVET, 3/8" X 7/16" LG (ALUMINUM)							2
10									
11	71717-G01	END CAP, 1".....							2
12	16705-G6	SCREW, 1/4 - 20 X 1 3/4" LG.....							4
13	00915-G1	BONDED WASHER, 1/4"							8
14	14390-G4	LOCK NUT, 1/4 - 20.....							4
15									
16	71837-G01	POST (PASSENGER SIDE).....							1
17	71837-G02	POST (DRIVER SIDE)							1
18	71718-G01	END CAP, 1 1/2".....							2
19	13437-G8	LOCK SCREW, 3/8 - 16 X 2" LG.....							4
20	11027-G5	LOCK NUT, 3/8 - 16.....							4
21	71838-G01	BUMPER							2
22	16705-G3	SCREW, 1/4 - 20 X 3/4" LG.....							4
23	00915-G1	BONDED WASHER, 1/4"							4
24	00559-G7	WASHER, 1/4".....							4
25	14390-G4	LOCK NUT, 1/4 - 20.....							4
26									
27	71732-G01	TAILGATE.....							1
28	27666-G01	HINGE							2
29	01002-G08	SCREW, 1/4 - 20 X 1" LG.....							4
30	00559-G7	WASHER, 1/4".....							4



When ordering parts, please specify the model and serial number of the product.

* Indicates a component that is not available as an individual part.

G** Indicates consult Customer Service Department for additional information.

ITEM	PART NO.	1 2 3 4 5	DESCRIPTION	QTY.
31	14390-G4		LOCK NUT, 1/4 - 20.....	4
32	71748-G01		TAILGATE KEEPER.....	1
33	16705-G3		SCREW, 1/4 - 20 X 3/4" LG.....	1
34	00559-G7		WASHER, 1/4".....	1
35	14390-G4		LOCK NUT, 1/4 - 20.....	1
36	71083-G01		TAILGATE CABLE.....	2
37	00106-G6		SELF-THREADING SCREW, #12 - 24 X 3/4" LG.....	2
38	00915-G1		BONDED WASHER, 1/4".....	2
39				
40	71901-G01		E-Z-GO DECAL (E-Z-GO).....	1
41				
42	70396-G01		BED PIVOT.....	2
43	00764-G1		CARRIAGE BOLT, 5/16 - 18 X 3/4" LG.....	6
44	00559-G8		WASHER, 5/16".....	6
45	11098-G6		LOCK NUT, 5/16-18.....	6
46	70291-G01		FLANGED BUSHING.....	4
47	21682-G1		CLEVIS PIN, 1/2" X 2 7/8" LG.....	2
48	21683-G1		COTTER PIN, 15/32" X 2 11/16" LG.....	2
49				
50	74234-G01		BED LINER, 40".....	1
51	74235-G01		TAILGATE LINER.....	1
52	18436-G1		RIVET, 1/4" X 3/4" LG.....	4
53	14601-G10		RIVET, 5/32" X 7/16" LG.....	6
54	71517-G01		BED CAPACITY DECAL.....	1
55				
56				
57				
58	75454-G02		ALUMINUM TOOLBOX KIT (INCLUDES ITEMS 59 - 62).....	1
59	75493-G01		ALUMINUM TOOLBOX.....	1
60	16705-G3		SCREW, 1/4 - 20 X 3/4" LG.....	4



When ordering parts, please specify the model and serial number of the product.

* Indicates a component that is not available as an individual part.

G** Indicates consult Customer Service Department for additional information.

ITEM	PART NO.	1 2 3 4 5	DESCRIPTION	QTY.
61	00915-G1		BONDED WASHER, 1/4"	8
62	00903-G1		ACORN NUT, 1/4 - 20	4
63				
64				
65				
66	71719-G01		BED FRAME	1
67				
68	71772-G01		CORNER TUBE	2
69	00762-G9		SCREW, 5/16 - 18 X 2 1/2" LG	4
70	00559-G8		WASHER, 5/16"	4
71	00550-G3		LOCK NUT, 5/16 - 18	4
72				
73	71718-G01		END CAP, 1 1/2"	2
74	71717-G01		END CAP, 1"	2
75				
76	70396-G01		BED PIVOT	2
77	00764-G2		CARRIAGE BOLT, 5/16 - 18 X 1" LG	6
78	00559-G8		WASHER, 5/16"	6
79	11098-G6		LOCK NUT, 5/16-18	6
80	70291-G01		FLANGED BUSHING	4
81	21682-G1		CLEVIS PIN, 1/2" X 2 7/8" LG	2
82	21683-G1		COTTER PIN, 15/32" X 2 11/16" LG	2
83				
84	71777-G01		LABEL (WARNING)	1
85	71200-G01		LABEL (LOAD WARNING).....	1
86	74157-G01		SIDE RAIL SUPPORT	4
87	74161-G01		BACK RAIL SUPPORT	2
88	16705-G1		SCREW, 1/4-20 X 1" LG	12
89	00559-G7		WASHER, 1/4"	12
90	14390-G4		LOCK NUT, 1/4 - 20	12



When ordering parts, please specify the model and serial number of the product.

* Indicates a component that is not available as an individual part.

G** Indicates consult Customer Service Department for additional information.

ITEM	PART NO.	1 2 3 4 5	DESCRIPTION	QTY.
91				
92	74167-G01		SIDE CARGO RACK (PASSENGER SIDE).....	1
93	74167-G02		SIDE CARGO RACK (DRIVER SIDE)	1
94	74079-G01		TAILGATE RETAINER BRACKET.....	2
95	00666-G6		SCREW, #10 - 12 X 3/4" LG	8
96	74162-G03		REAR CARGO RACK	1
97				
98				
99				
100	74165-G01		CIRCUIT BREAKER MOUNTING BRACKET	1
101	21320-G3		CIRCUIT BREAKER, 30 AMP, 12V.....	1
102	00150-G4		SCREW, #10 - 24 X 1/2" LG	2
103	00565-G5		LOCK WASHER, #10.....	2
104	00526-G3		NUT, #10 - 24	2
105	25976-G14		14 GA WIRE (RED 5")	1
106				
107	27680-G01		TOGGLE SWITCH	1
108	27447-G01		TOGGLE GUARD	1
109	10570-G9		RIVET, 1/8" X 11/32" LG.....	2
110				
111	27612-G02		ELECTRIC ACTUATOR, 12V.....	1
112	27613-G01		SPACER.....	2
113	14443-G10		CLEVIS PIN, 1/2" X 3" LG.....	1
114	21683-G1		COTTER PIN, 2 11/16" LG.....	2
115	14443-G11		CLEVIS PIN, 1/2" X 1 7/8" LG.....	1
116				
117	74163-G01		WIRE HARNESS (CONTROL).....	1
118	17618-G1		WIRE TIE	8
119				
120	71489-G01		LABEL (READ INSTRUCTIONS).....	1

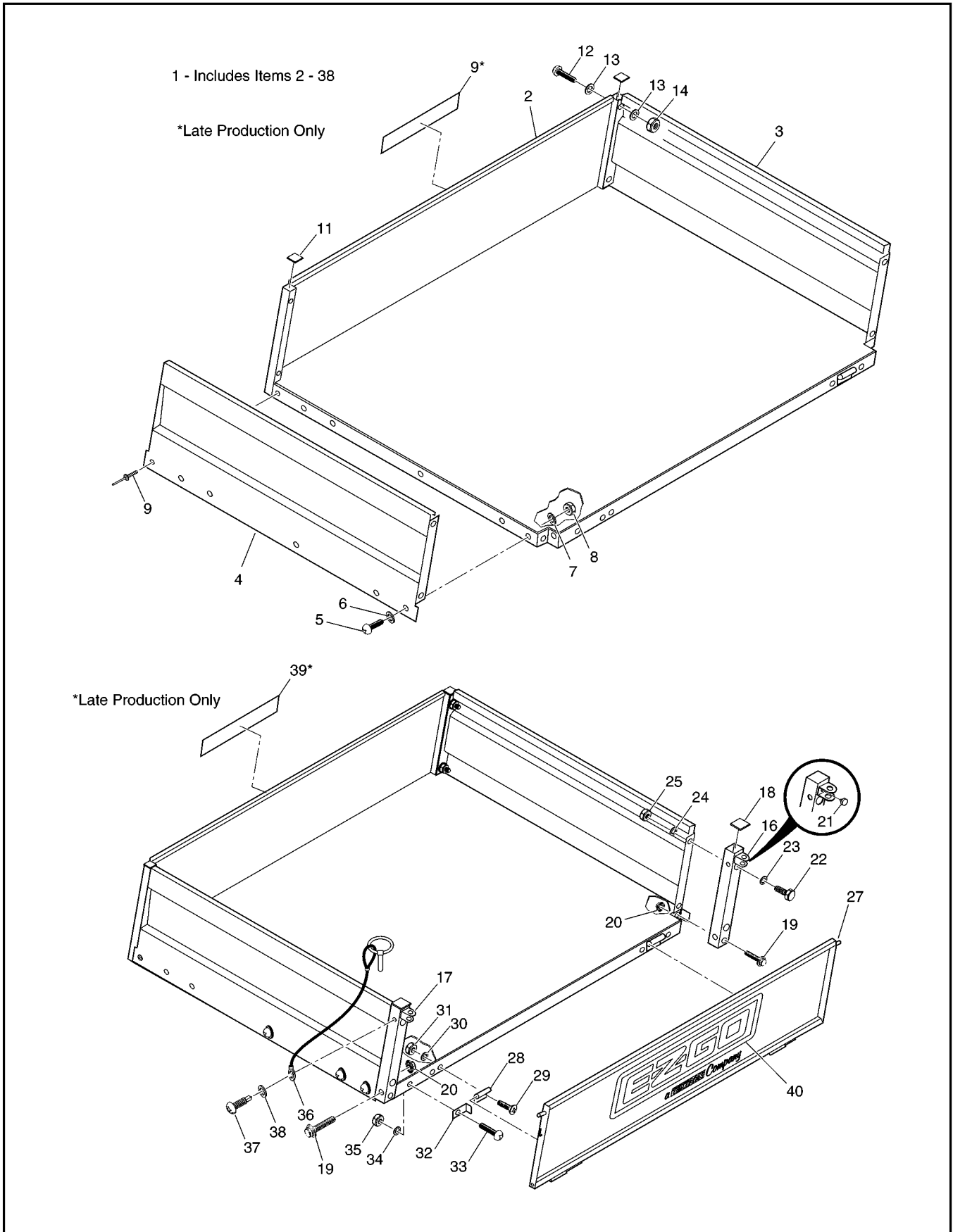


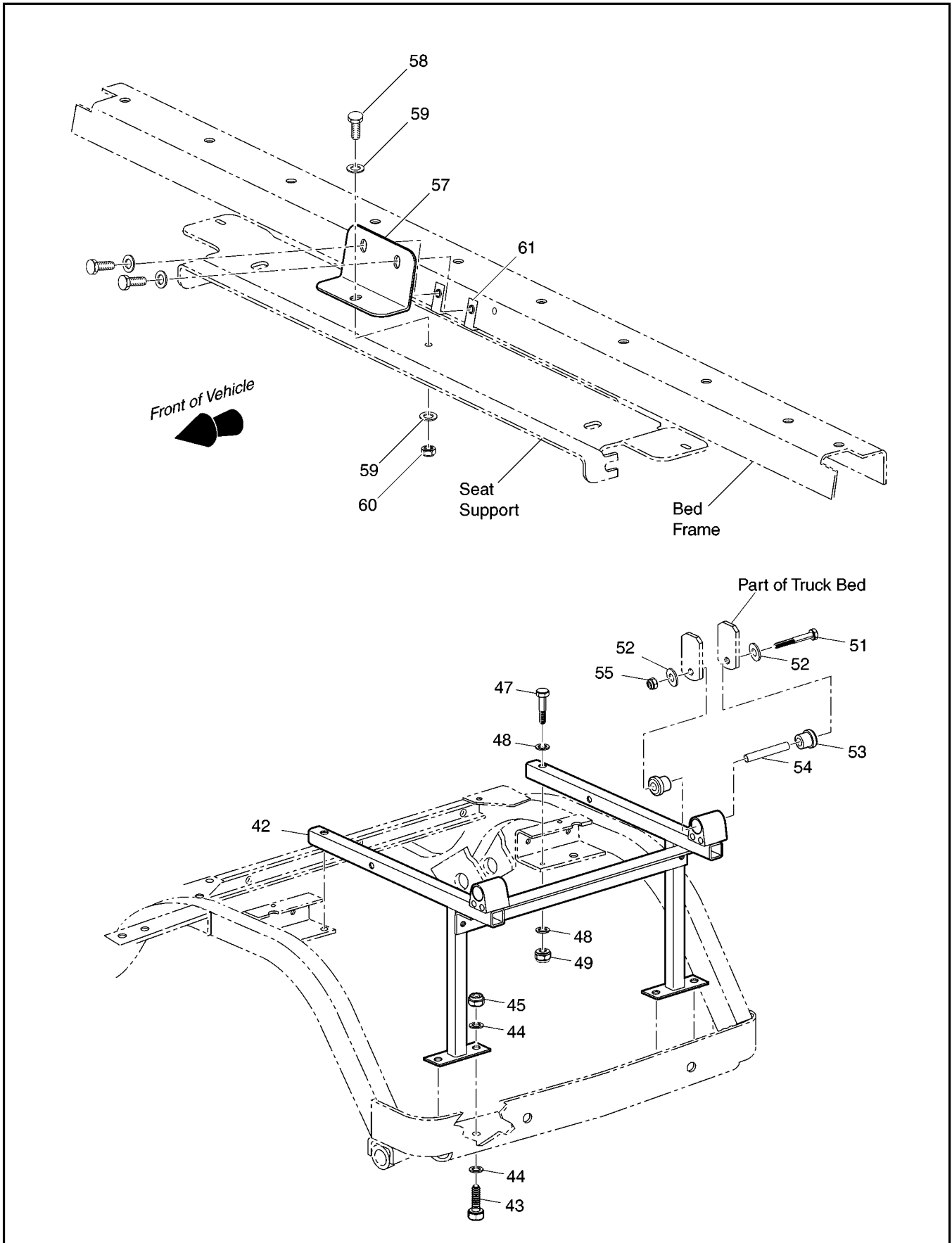
When ordering parts, please specify the model and serial number of the product.
 * Indicates a component that is not available as an individual part.
 G** Indicates consult Customer Service Department for additional information.

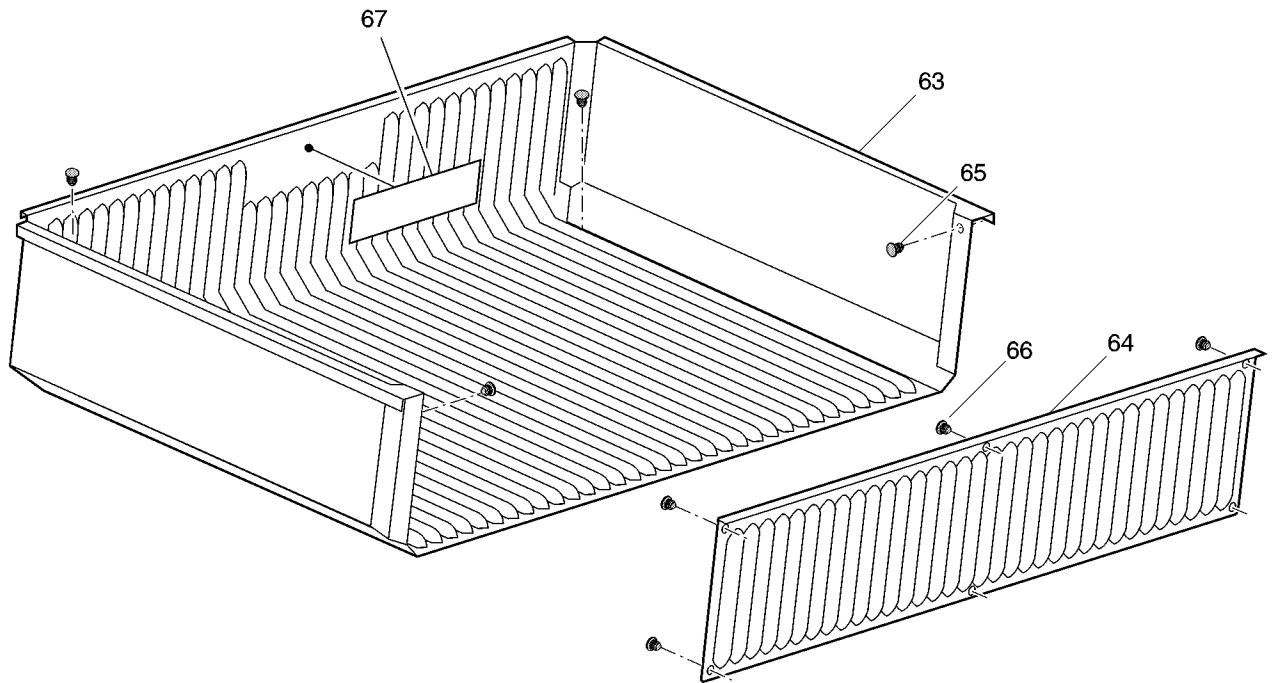
ITEM	PART NO.	1 2 3 4 5	DESCRIPTION	QTY.
121				
122				
123	71831-G01		BED LATCH	1
124	71704-G01		HANDLE GRIP	1
125	71827-G01		LATCH BRACKET	2
126	01014-G03		CARRIAGE BOLT, 1/4-20 X 3/4" LG	4
127	00559-G7		WASHER, 1/4"	4
128	14390-G4		LOCK NUT, 1/4-20	4
129	71707-G01		EXTENSION SPRING.....	2
130				
131	71766-G01		CATCH BRACKET	2
132	00414-G6		BOLT, 1/4-20 X 3/4" LG	4
133	00559-G7		WASHER, 1/4"	4
134	14390-G4		LOCK NUT, 1/4-20	4
135				
136	71673-G01		PROP BRACKET	1
137	71657-G01		PROP ROD	1
138	00560-G3		WASHER, 1/2"	1
139	15121-G1		WASHER, 3/8"	2
140	10387-G3		COTTER PIN, 3/32 X 3/4" LG	2











When ordering parts, please specify the model and serial number of the product.
 * Indicates a component that is not available as an individual part.
 G** Indicates consult Customer Service Department for additional information.

ITEM	PART NO.	1	2	3	4	5	DESCRIPTION	QTY.
1	71260-G01						TRUCK BED ASSEMBLY (35") (INCLUDES ITEMS 2 - 38).....	1
2	71231-G01						BED (35").....	1
3	71248-G01						SIDE PANEL (35") (PASSENGER SIDE)	1
4	71248-G02						SIDE PANEL (35") (DRIVER SIDE).....	1
5	16705-G3						SCREW, 1/4-20 X 3/4" LG.....	10
6	00915-G1						BONDED WASHER, 1/4"	10
7	00559-G7						WASHER, 1/4".....	10
8	14390-G4						LOCK NUT, 1/4-20.....	10
9	74093-G01						LABEL (WARNING).....	1
10								
11	71717-G01						END CAP 1"	2
12	16705-G6						SCREW, 1/4-20 X 1 3/4" LG.....	4
13	00915-G1						BONDED WASHER, 1/4"	8
14	14390-G4						LOCK NUT, 1/4-20.....	4
15								
16	71322-G01						POST (PASSENGER SIDE).....	1
17	71322-G02						POST (DRIVER SIDE).....	1
18	71718-G01						END CAP 1 1/2"	2
19	71838-G01						RUBBER BUMPER	2
20	16705-G3						SCREW, 1/4-20 X 3/4" LG.....	4
21	00915-G1						BONDED WASHER, 1/4"	4
22	00559-G7						WASHER, 1/4"	4
23	14390-G4						LOCK NUT, 1/4-20.....	4
24	13437-G8						LOCK SCREW, 3/8-16 X 2" LG	4
25	11027-G5						LOCK NUT, 3/8-16.....	4
26								
27	71245-G01						TAILGATE.....	1
28	27666-G01						HINGE	2
29	01002-G08						BOLT, 1/4-20 X 1" LG.	4
30	00559-G7						WASHER, 1/4"	4



When ordering parts, please specify the model and serial number of the product.

* Indicates a component that is not available as an individual part.

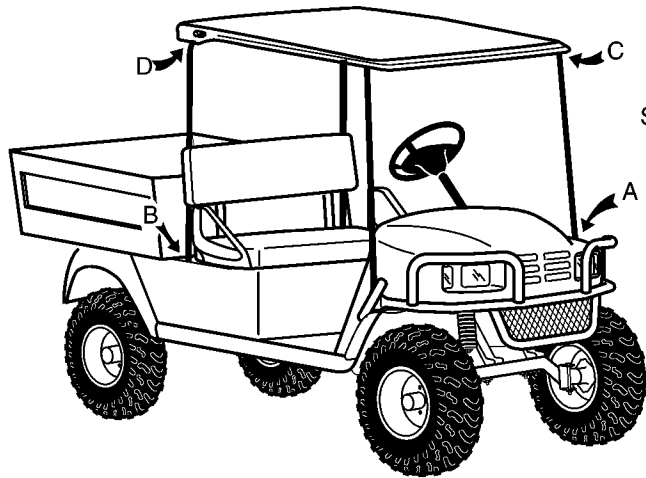
G** Indicates consult Customer Service Department for additional information.

ITEM	PART NO.	1	2	3	4	5	DESCRIPTION	QTY.
31	14390-G4						LOCK NUT, 1/4 - 20.....	4
32	71748-G01						TAILGATE KEEPER	1
33	16705-G3						SCREW, 1/4-20 X 3/4" LG.....	1
34	00559-G7						WASHER, 1/4".....	1
35	14390-G4						LOCK NUT, 1/4 - 20.....	1
36	71083-G01						TAILGATE CABLE	2
37	00106-G6						SELF-TAPPING SCREW, #12 - 24 X 3/4" LG.....	2
38	00915-G1						BONDED WASHER, 1/4"	2
39	74093-G01						LABEL (WARNING)	1
40	71901-G01						E-Z-GO DECAL (E-Z-GO).....	1
41								
42	71258-G01						BED FRAME	1
43	00438-G8						SCREW, 5/16 - 18 X 1" LG	4
44	00642-G8						WASHER, 5/16"	8
45	11098-G6						LOCK NUT, 5/16 - 18	4
46								
47	00415-G6						BOLT, 1/4 - 20 X 1 3/4" LG.....	2
48	00642-G7						WASHER, 1/4"	4
49	00891-G2						LOCK NUT, 1/4 - 20	2
50								
51	00429-G4						BOLT, 3/8 - 16 X 3 1/2".....	2
52	00643-G1						WASHER, 3/8"	4
53	70291-G01						RUBBER BUSHING.....	4
54	70289-G02						SPACER.....	2
55	11098-G5						LOCK NUT, 3/8 - 16	2
56								
57	74333-G01						BED BRACKET.....	1
58	00414-G6						BOLT, 1/4 - 20 X 3/4" LG.....	3
59	00559-G7						WASHER, 1/4"	4
60	14390-G04						LOCK NUT, 1/4 - 20	1

When ordering parts, please specify the model and serial number of the product.
 * Indicates a component that is not available as an individual part.
 G** Indicates consult Customer Service Department for additional information.

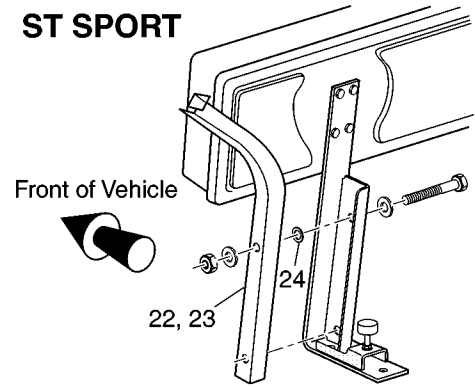
ITEM	PART NO.	1 2 3 4 5	DESCRIPTION	QTY.
61	14776-G1		'J' RETAINER NUT	2
62				
63	74231-G01		BED LINER	1
64	74232-G01		TAILGATE LINER.....	1
65	18436-G1		RIVET, 1/4" X 3/4" LG	4
66	14601-G10		RIVET, 3/16" X 3/8" LG	6
67	71517-G04		BED CAPACITY DECAL (250 LB)	1



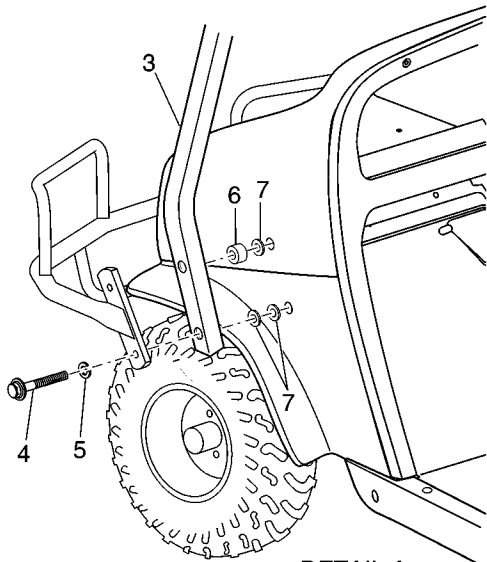
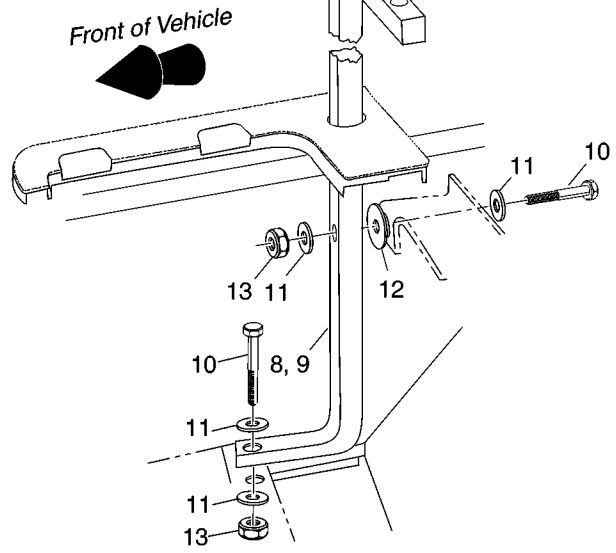


SUN TOP

ST SPORT

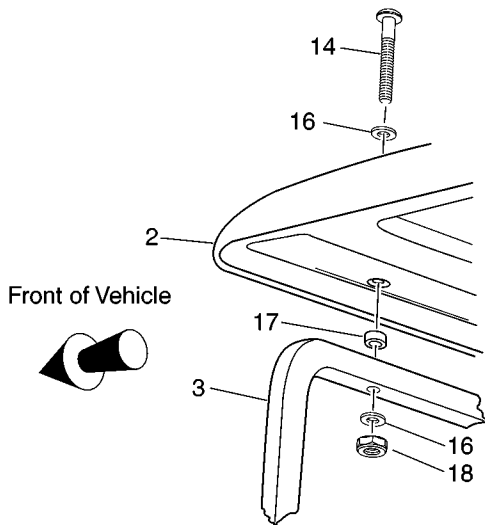


ST 350

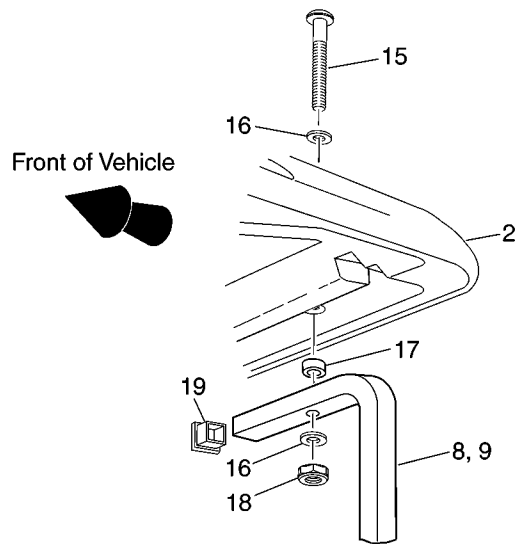


DETAIL A

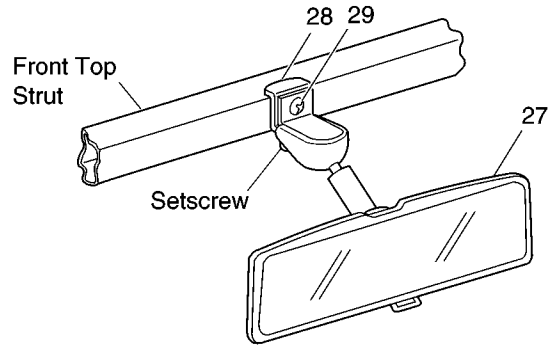
DETAIL B



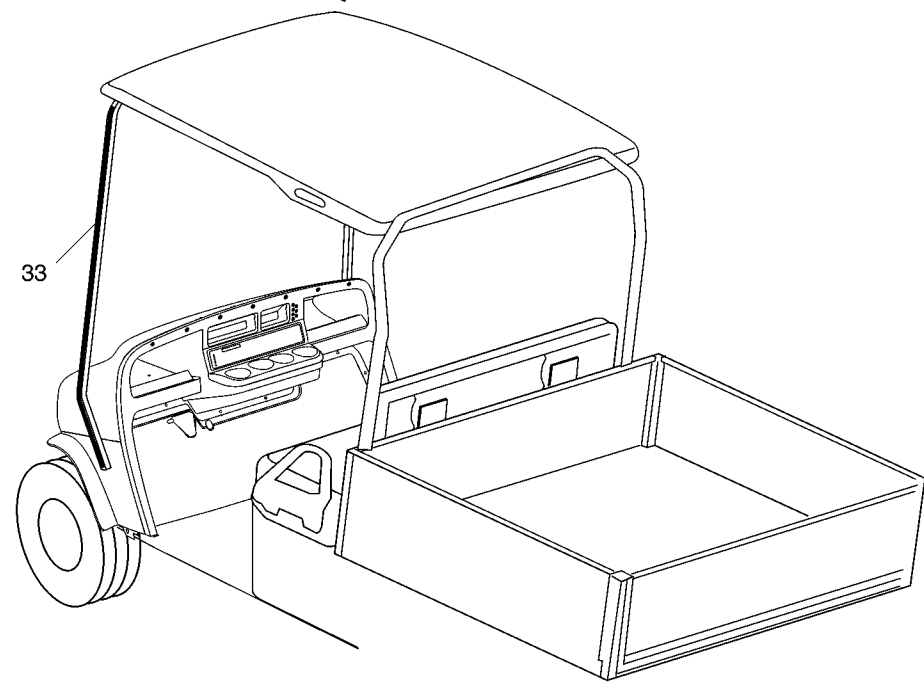
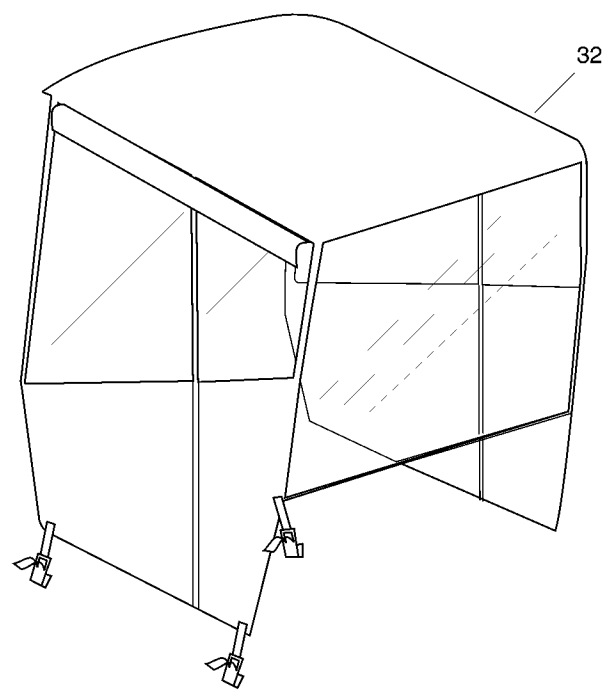
DETAIL C
(FRONT)



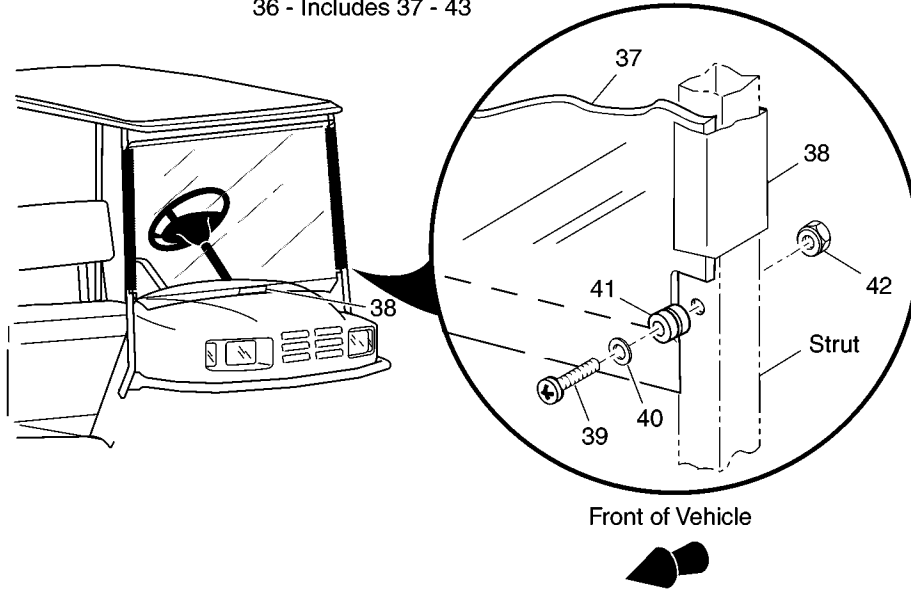
DETAIL D
(REAR)



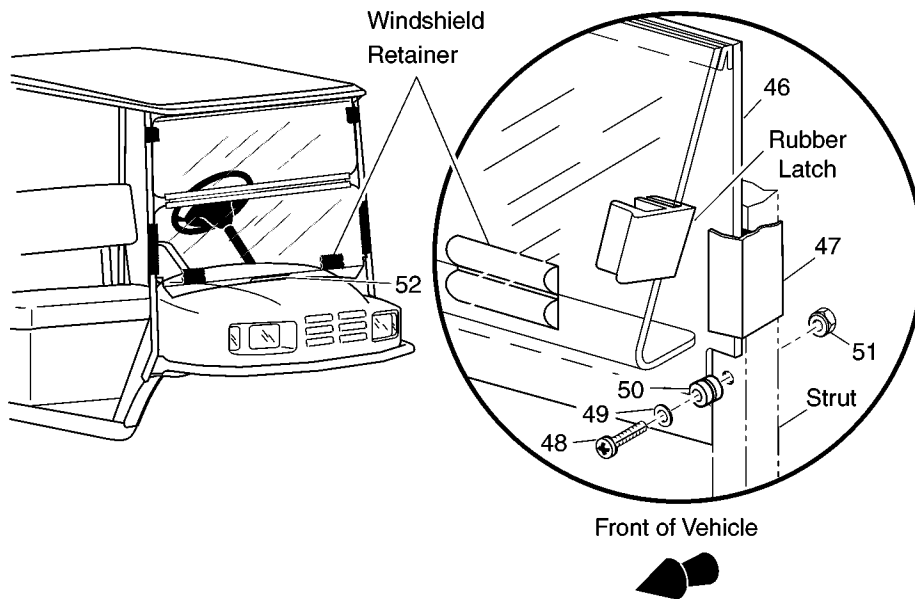
REAR VIEW MIRROR
26 - Includes Items 27 - 29



36 - Includes 37 - 43



45 Includes Items 46 - 52



When ordering parts, please specify the model and serial number of the product.

* Indicates a component that is not available as an individual part.

G** Indicates consult Customer Service Department for additional information.

ITEM	PART NO.	1 2 3 4 5	DESCRIPTION	QTY.
1	75350-G02		SUN TOP KIT (INCLUDES ITEMS 2 -19) (ST 350)	1
2	27069-G07		SUN TOP.....	1
3	75045-G01		FRONT STRUT	1
4	01035-G02		BOLT, 5/16-18 X 2 1/2" LG	4
5	00905-G8		LOCK WASHER, 5/16".....	4
6	75048-G01		SPACER, 1/2".....	2
7	00570-G2		WASHER, 5/16".....	6
8	75343-G01		REAR STRUT (PASSENGER SIDE).....	1
9	75343-G02		REAR STRUT (DRIVER SIDE)	1
10	00439-G6		BOLT, 5/16-18 X 1 3/4" LG	4
11	00571-G2		WASHER, 5/16".....	8
12	15121-G1		WASHER, 3/8" X 1 1/4".....	2
13	11098-G6		LOCK NUT, 5/16-18.....	4
14	00753-G5		BOLT, 1/4-20 X 2" LG (STAINLESS STEEL).....	2
15	00753-G6		BOLT, 1/4-20 X 2 1/4" LG (STAINLESS STEEL).....	2
16	00559-G7		WASHER, 1/4".....	8
17	75051-G01		PLASTIC SPACER.....	4
18	00891-G2		LOCK NUT, 1/4-20.....	4
19	19853-G1		END CAP, 1".....	2
20				
21	75040-G05		SUN TOP KIT (INCL ITEMS 2 -7, 10 - 11, 13 - 19, 22 - 24) (ST SPORT)	1
22	71328-G01		REAR STRUT (DRIVER SIDE)	1
23	71328-G02		REAR STRUT (PASSENGER SIDE).....	1
24	17255-G1		TEFLON WASHER, 3/8 X 5/8"	4
25				
26	19528G2		REAR VIEW MIRROR KIT (INCLUDES ITEMS 27 -29)	1
27	19496-G1		REAR VIEW MIRROR.....	1
28	19502-G2		SUPPORT BRACKET	1
29	19527-G1		SELF TAPPING SCREW, #8-32 X 5/8" LG (STAINLESS STEEL).....	1
30				



WEATHER PROTECTION

Gasoline Vehicle

Replacement parts for the windshield may be obtained from Eagle Parts, Inc. 1811 Wilkinson Rd. Augusta, GA 30904. Telephone (706) 729-9911 or FAX (706) 729-9955

* Indicates a component that is not available as an individual part.

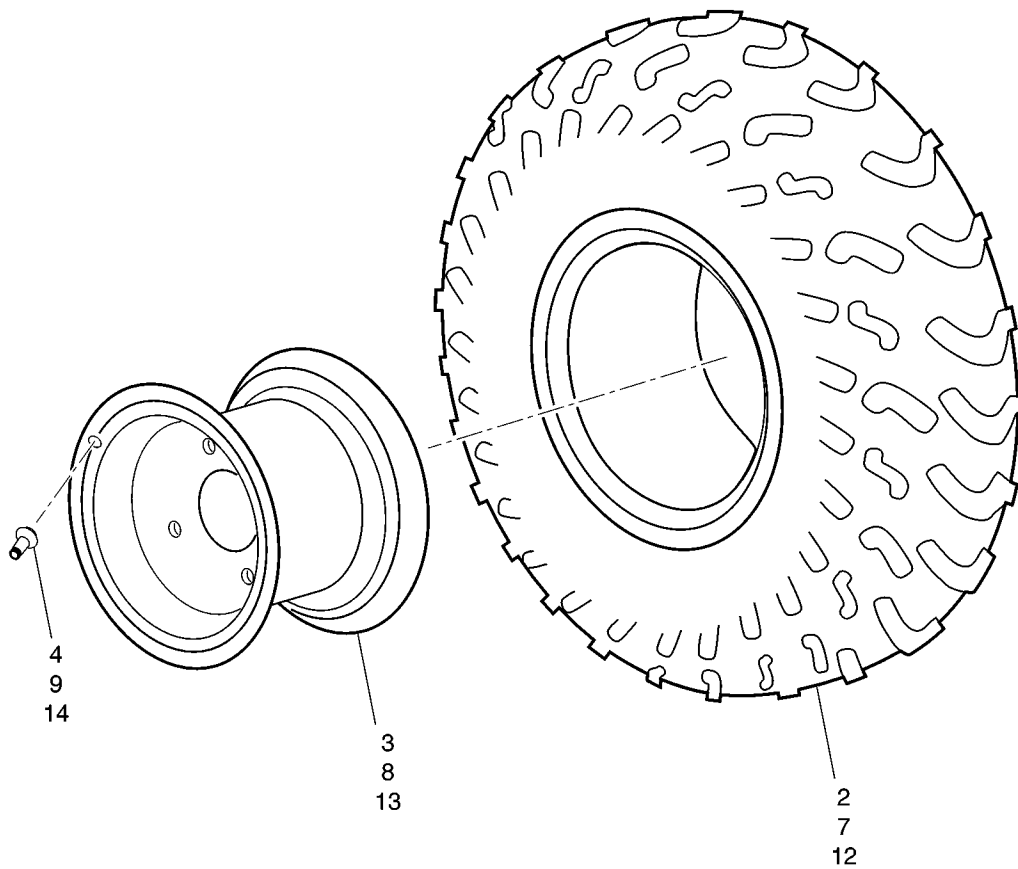
G** Indicates consult Customer Service Department for additional information.

ITEM	PART NO.	1 2 3 4 5	DESCRIPTION	QTY.
31	75367-G**		3 SIDED SOFT ENCLOSURE KIT (INCLUDES ITEMS 32 - 33)	1
32	XXXXX-XX		ENCLOSURE	1
33	XXXXX-XX		VELCRO.....	AR
34				
35				
36	71966-G01		WINDSHIELD KIT (FULL) (INCLUDES ITEMS 37 - 43) (REQUIRES SUN TOP KIT)	1
37	71954-G01		WINDSHIELD (FULL) (LEXAN).....	1
38	EGWHC12		SASH, 26" LG.....	2
39	EGWHS12		BOLT, 1/4 - 20 X 1 3/4" LG (STAINLESS STEEL).....	2
40	EGWHW12		WASHER, 1/4" (STAINLESS STEEL)	4
41	EGWHG13		RUBBER GROMMET	2
42	EGWHN12		LOCK NUT, 1/4 - 20 (STAINLESS STEEL)	2
43	EGWHL14		SAFETY LABEL	1
44				
45	71966-G02		WINDSHIELD KIT (SPLIT) (INCLUDES ITEMS 46, 47) (REQUIRES SUN TOP KIT)	1
46	71955-G01		WINDSHIELD (SPLIT) (LEXAN)	1
47	EGWHC10		SASH, 12" LG.....	2
48	EGWHS12		BOLT, 1/4 - 20 X 1 3/4" LG (STAINLESS STEEL).....	2
49	EGWHW12		WASHER, 1/4" (STAINLESS STEEL)	4
50	EGWHG13		RUBBER GROMMET	2
51	EGWHN12		LOCK NUT, 1/4 - 20 (STAINLESS STEEL)	2
52	EGWHL14		SAFETY LABEL	1



- 1 - Includes Items 2 - 4
- 6 - Includes Items 7 - 9
- 11 - Includes Items 12 - 14

(Style of tire may be different from tire shown)



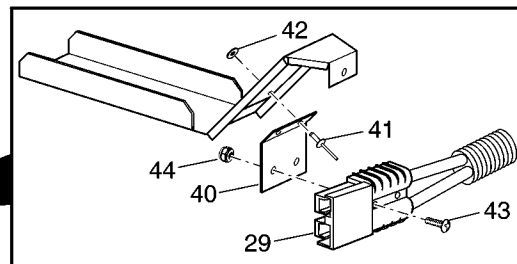
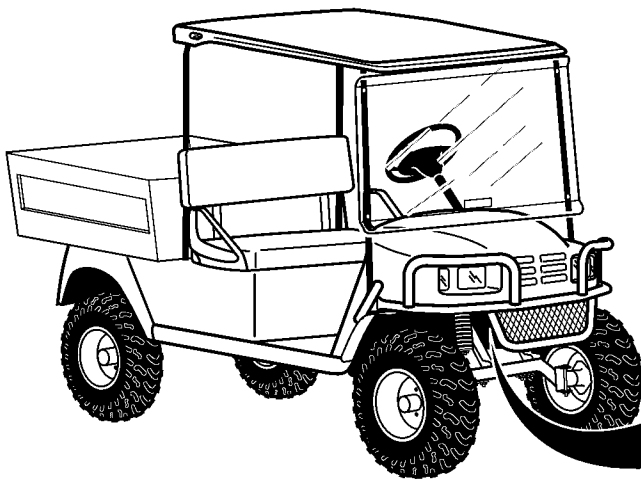
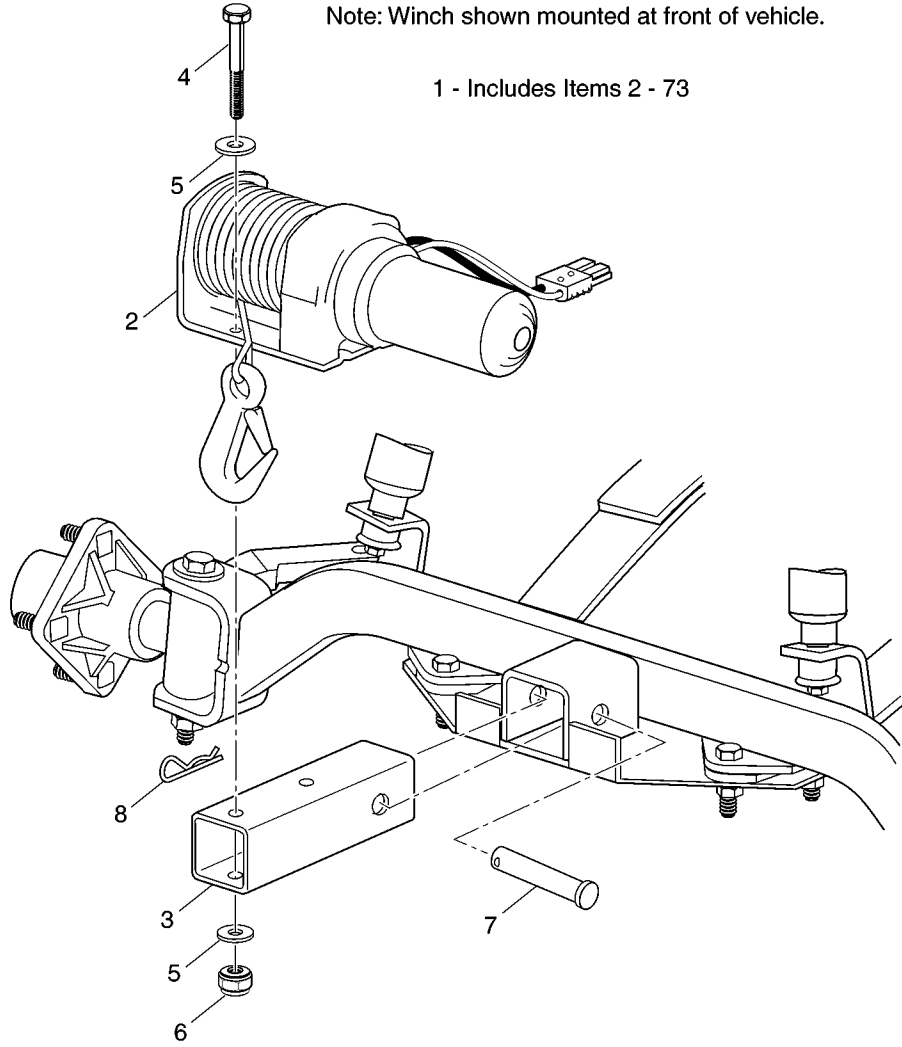
When ordering parts, please specify the model and serial number of the product.
 * Indicates a component that is not available as an individual part.
 G** Indicates consult Customer Service Department for additional information.

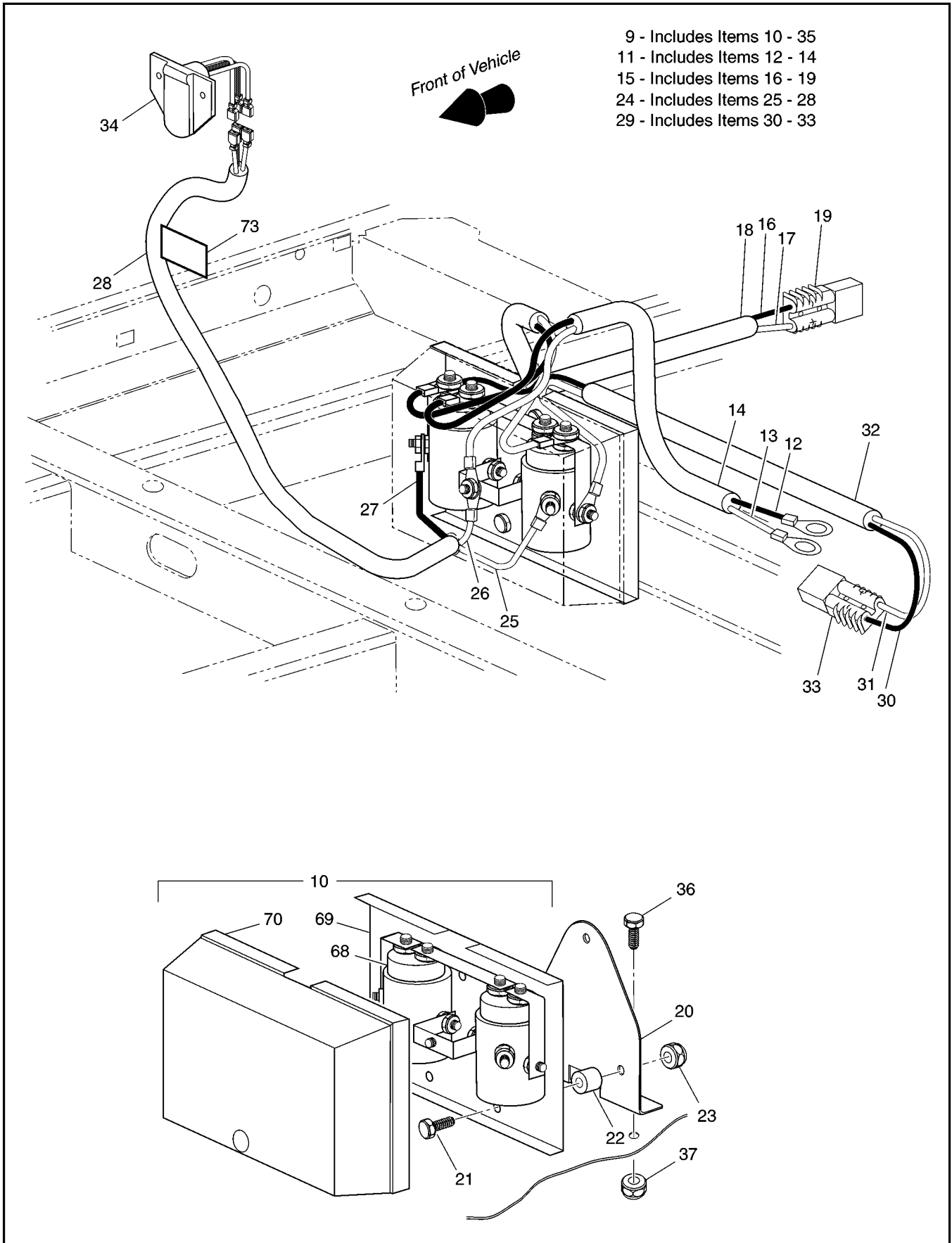
ITEM	PART NO.	1 2 3 4 5	DESCRIPTION	QTY.
1	28513-G01		WHEEL AND TIRE ASSEMBLY (DRIVER SIDE) (INCLUDES ITEMS 2 - 4)	
2	28513-G03		TIRE, 21 X 9 - 10 UTILITY.....	1
3	15172-G01		WHEEL RIM (4 LUG).....	1
4	11657-G1		VALVE STEM.....	1
5				
6	28513-G02		WHEEL AND TIRE ASSEMBLY (PASSENGER SIDE)(INCLUDES ITEMS 7 - 9)	
7	28513-G03		TIRE, 21 X 9 - 10 UTILITY.....	1
8	15172-G01		WHEEL RIM (4 LUG).....	1
9	11657-G1		VALVE STEM.....	1
10				
11	28442-G01		WHEEL AND TIRE ASSEMBLY, TURF SAVER (INCLUDES ITEMS 12 - 14)	
12	28442-G02		TIRE, 20 X 10 - 10 TURF SAVER.....	1
13	15172-G01		WHEEL RIM (4 LUG).....	1
14	11657-G1		VALVE STEM.....	1

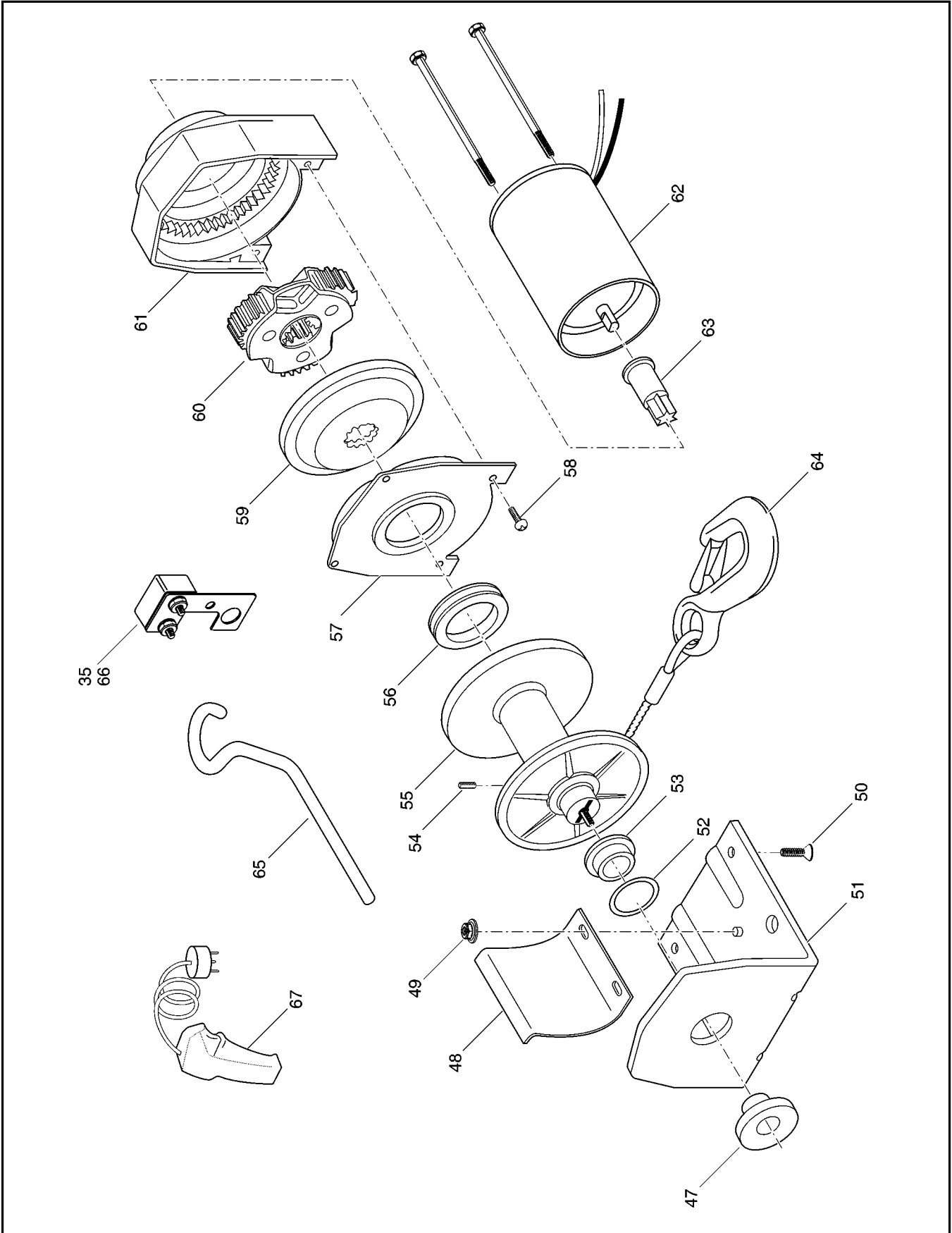


Note: Winch shown mounted at front of vehicle.

1 - Includes Items 2 - 73







When ordering parts, please specify the model and serial number of the product.

* Indicates a component that is not available as an individual part.

G** Indicates consult Customer Service Department for additional information.

ITEM	PART NO.	1 2 3 4 5	DESCRIPTION	QTY.
1	74259-G02		WINCH KIT (INCLUDES ITEMS 2 - 73) (ST 350).....	1
2	74299-G01		WINCH ASSEMBLY, T1500	1
3	74271-G01		WINCH MOUNTING TUBE	1
4	00440-G6		BOLT, 5/16 - 18 X 2 3/4" LG	2
5	00571-G2		WASHER, 5/16".....	4
6	00891-G3		LOCK NUT, 5/16 - 18.....	2
7	21317-G01		CLEVIS PIN, 5/8" x 3" LG.....	1
8	21683-G1		COTTER PIN, 15/32" x 2 11/16" LG.....	1
9	74286-G02		REMOTE SOLENOID (INCLUDES ITEMS 10 - 35).....	1
10	74256-G02		SOLENOID KIT	1
11	74327-G01		WIRE HARNESS (SOLENOID to BATTERY) (INCLUDES 12 - 14).....	1
12	25973-G07		8 GA WIRE (BLACK, 30")	1
13	25973-G08		8 GA WIRE (RED, 30")	1
14	18833-G1		FLEX LOOM, 20" (BULK).....	1
15	74328-G01		WIRE HARNESS (SOLENOID to REAR WINCH) (INCLUDES 16 - 19)	1
16	25973-G09		8 GA WIRE (BLACK, 67")	1
17	25973-G10		8 GA WIRE (RED, 67")	1
18	18833-G1		FLEX LOOM, 42" (BULK).....	1
19	73235-G01		CONNECTOR	1
20	74326-G01		MOUNTING BRACKET.....	1
21	00414-G6		BOLT, 1/4 - 20 X 3/4" LG	3
22	23726-G1		SPACER, 1/4"	3
23	14390-G4		LOCK NUT, 1/4 - 20	3
24	74298-G01		WIRE HARNESS (SOLENOID to RECEPTACLE) (INCLUDES 25-28) .	1
25	25977-G63		16 GA WIRE (GREEN, 14")	1
26	25977-G64		16 GA WIRE (WHITE, 14")	1
27	25977-G65		16 GA WIRE (BLACK, 14")	1
28	20436-G1		FLEX LOOM, 4" (BULK).....	1
29	74329-G01		WIRE HARNESS (SOLENOID to FRONT WINCH) (INCLUDES 30-33)	1
30	25973-G11		8 GA WIRE (BLACK, 94")	1



When ordering parts, please specify the model and serial number of the product.
 * Indicates a component that is not available as an individual part.
 G** Indicates consult Customer Service Department for additional information.

ITEM	PART NO.	1	2	3	4	5	DESCRIPTION	QTY.
31	25973-G12						8 GA WIRE (RED, 94")	1
32	18833-G1						FLEX LOOM, 84" (BULK).....	1
33	73235-G01						CONNECTOR	1
34	74285-G01						RECEPTACLE WITH LEADS (GREEN, WHITE, BLACK)	1
35	*						CIRCUIT BREAKER WITH BRACKET	1
36	00414-G5						BOLT, 1/4 - 20 X 5/8" LG	2
37	14390-G4						LOCK NUT, 1/4 - 20.....	2
38								
39								
40	74289-G01						CONNECTOR MOUNT PLATE	1
41	14601-G5						RIVET, 3/16 X 13/32" LG (STAINLESS STEEL).....	2
42	00559-G4						WASHER, #8.....	2
43	00156-G8						SCREW, #10 - 32 X 1" LG.....	2
44	00526-G4						NUT, #10 - 32	2
45								
46								
<p>The following items are replacement components for the winch. For service or replacement parts, contact Superwinch, Inc., Winch Drive, Putnam, CT 06260 Phone: (860) 928-7787, FAX: (860) 928-1143</p> <p>Always provide the following information when requesting information or ordering replacement parts:</p> <p>Winch Part Number: T1500 Serial Number: (found on housing) Part Number and Description</p>								
47	87-10490						KNOB ASSEMBLY, T-SERIES F/W	1
48	87-22381						TENSION PLATE	1
49	87-23149-05						NUT, HEX, FLANGED, M5 X 0.8.....	2
50	89-22291-01						SCREW, ST HEX SKY FH, M6 X 1 X 20.....	2
51	87-22394						BASEPLATE ASSEMBLY, T-SERIES.....	1
52	AS REQ'D						WASHER, .020 OR .030 THICK.....	A/R
53	87-10466						BUSHING, T-SERIES.....	1



When ordering parts, please specify the model and serial number of the product.
 * Indicates a component that is not available as an individual part.
 G** Indicates consult Customer Service Department for additional information.

ITEM	PART NO.	1	2	3	4	5	DESCRIPTION	QTY.
54	87-23309-01						SET SCREW, M5 X 0.8 X 6.....	1
55	87-22397						DRUM ASSEMBLY.....	1
56	87-10470						DRUM SUPPORT BUSHING.....	1
57	87-33257						DRUM SUPPORT PLATE	1
58	87-23030-10						SCREW, ST PAN HEAD, M4 X 0.7 X 10.....	4
59	87-33251						ROTATOR GEAR, T-SERIES.....	1
60	87-22380						CARRIER ASSEMBLY, T-SERIES	1
61	87-22396						STATIONARY GEAR HOUSING ASSEMBLY, T-SERIES	1
62	87-33249						MOTOR, 12 VOLT	1
63	87-22401						MOTOR PINION GEAR.....	1
64	1535A						WIRE ROPE AND HOOK ASSEMBLY, 5/32" X 25 FEET	1
65	89-32300						HANSAVER BAR.....	1
66	90-22873-03						CIRCUIT BREAKER ASSEMBLY, 12 VOLT, T-SERIES.....	1
67	90-22117						REMOTE CONTROL ASSEMBLY	1
68	92-20172						SOLENOID, 12 VOLT.....	2
69	90-32070						SOLENOID BACK PLATE	1
70	90-31079						SOLENOID COVER	1
71								
72								
73	71489-G01						LABEL (READ INSTRUCTIONS).....	1



SPECIALTY PRODUCTS

SPECIALTY PRODUCTS

SPECIALTY PRODUCTS

SPECIAL TOOLS	Part No.
DRIVE CLUTCH PULLER.....	19779-G2
FLYWHEEL PULLER.....	27111-G01
CAM PULLER.....	27851-G01
TACHOMETER.....	72526-G01
FEELER GAUGE.....	72525-G01
COMPRESSION TESTER	72524-G01
ENGINE REBUILD MANUAL	27615-G01
REAR AXLE REBUILD MANUAL.....	27660-G01
CURRENT INDICATOR.....	16489-G1
DIGITAL MULTI-METER.....	27481-G01
CRIMPING TOOL.....	27765-G01
SLIDE HAMMER (AXLE/HUB REMOVAL).....	15947-G1
SLIDE HAMMER (AXLE REMOVAL ONLY).....	18753-G1

PERFORMANCE PRODUCTS

BATTERY PROTECTOR, 14 OZ AEROSOL	75500-G01
CARBURETOR & CHOKE CLEANER, 15 OZ AEROSOL.....	75501-G01
WHITE LITHIUM GREASE, 14 OZ AEROSOL	75502-G01
PENETRANT/LUBRICANT, 15 OZ AEROSOL	75503-G01
MULTI-PURPOSE CLEANER & DEGREASER, 14 OZ AEROSOL.....	75504-G01
MULTI-PURPOSE HAND CLEANER, 32 OZ LIQUID	75505-G01
BATTERY CLEANER, 32 OZ W/TRIGGER SPRAYER.....	75506-G01
BIODEGRADABLE CLEANER, 32 OZ W/TRIGGER SPRAYER.....	75507-G01
MULTI-PURPOSE VALUE PACK	75508-G01
<ul style="list-style-type: none"> •BATTERY PROTECTOR, 4 OZ AEROSOL •PENETRANT/LUBRICANT, 4 OZ AEROSOL •WHITE LITHIUM GREASE, 4 OZ AEROSOL •CARBURETOR & CHOKE CLEANER, 4 OZ AEROSOL 	

PAINT

HUNTER GREEN - TOUCH-UP PEN	28432-G02
HUNTER GREEN - 12 OZ. AEROSOL	28140-G09

ENGINE OIL

4-CYCLE ENGINE OIL, 10W-30, 5 GALLON.....	25730-G03
4-CYCLE ENGINE OIL, 10W-30, 12 QUART CASE.....	25730-G04
4-CYCLE ENGINE OIL, 10W-30, QUART BOTTLE.....	25730-G06

ACCESSORIES

ACCESSORIES LIST

ACCESSORIES

ACCESSORIES LISTING	KIT NO.	LOCATION IN MANUAL
ASHTRAY KIT.....	75109-G02	See BODY
BALL HITCH KIT.....	75326-G02	See BODY
BALL HITCH RECEIVER.....	74270-G0*	See BODY
“C” HITCH KIT	75327-G02	See BODY
CONSOLE POWER OUTLET.....	71079-G01	See ELECTRICAL SYSTEM
DEFROSTER/COOLING FAN	74248-G01	See CAB (ST 350)
DOME LIGHT.....	20495-G2	See CAB (ST 350)
DOOR SET (STEEL)	74229-G0*	See CAB (ST 350)
DOOR SET (VINYL)	74242-G01	See CAB (ST 350)
GLOVE BOX DOOR	75456-G0*	See BODY
HOUR METER KIT	75114-G02	See ELECTRICAL SYSTEM
INSIDE MIRROR	27924-G01	See CAB (ST 350)
INSTRUMENT/SWITCH PANEL.....	74250-G01	See CAB (ST 350)
REAR VIEW MIRROR KIT (REQUIRES SUN TOP KIT).....	19528-G2	See WEATHER PROTECTION
SOFT ENCLOSURE (3 SIDED).....	75367-G0*	See WEATHER PROTECTION
STEEL CAB, W/O DOORS.....	74227-G0*	See CAB (ST 350)
STROBE LIGHT.....	74245-G01	See CAB (ST 350)
SUN TOP KIT (ST 350)	75350-G02	See WEATHER PROTECTION
SUN TOP KIT (ST SPORT)	75040-G05	See WEATHER PROTECTION
TURN SIGNAL KIT	75107-G02	See ELECTRICAL SYSTEM
WINCH.....	74259-G02	See WINCH (ST 350)
WINDSHIELD KIT (REQUIRES SUN TOP KIT).....	71966-G0*	See WEATHER PROTECTION
SPLIT WINDSHIELD KIT (REQUIRES SUN TOP KIT)	71966-G0*	See WEATHER PROTECTION
WINDSHIELD WIPER.....	74244-G01	See CAB (ST 350)
WORK LIGHTS.....	74247-G01	See CAB (ST 350)
ALUMINUM TOOLBOX	75454-G02	See TRUCKBEDS (ST 350)



a **TEXTRON** Company

E-Z-GO Division of Textron Inc.
P.O. Box 388 Augusta, Georgia 30903-0388 USA
Inside USA Phone: 1-800-241-5855, FAX: 1-800-448-8124
Outside USA Phone: 010-1-706-798-4311, FAX: 010-1-706-771-4609

Copyrighted Material
This manual may not be reproduced in whole or
in part without the express permission of
E-Z-GO Division of Textron Inc.
Technical Communications Department