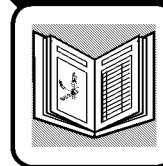
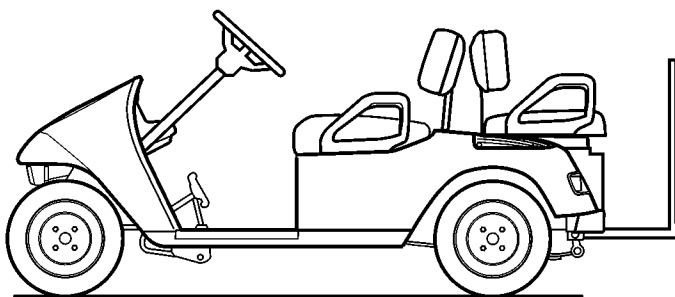
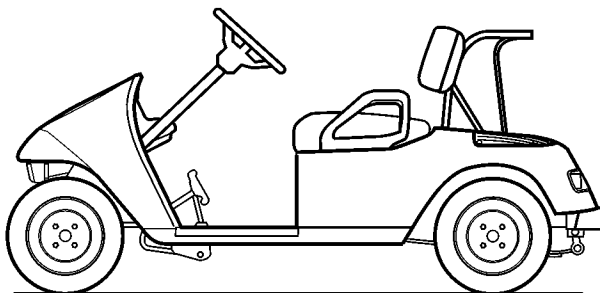


28730-G01

TEXTRON
GOLF, TURF & SPECIALTY PRODUCTS



SERVICE PARTS MANUAL



GASOLINE POWERED FLEET GOLF CARS & PERSONAL VEHICLES

MODEL YEAR: 2002

REVISED: 7/2002

SERVICE PARTS MANUAL

GASOLINE POWERED FLEET GOLF CARS & PERSONAL VEHICLES

VEHICLES

FLEET GOLF CAR

FREEDOM™

FREEDOM™ HP

SHUTTLE™ 2+2

TEXTRON Golf, Turf & Specialty Products reserves the right to make design changes without obligation to make these changes on units previously sold and the information contained in this manual is subject to change without notice.

TEXTRON Golf, Turf & Specialty Products is not liable for errors in this manual or for incidental or consequential damages that result from the use of the material in this manual.

CUSTOMER SERVICE DEPARTMENT IN USA PHONE: 1-800-241-5855 FAX: 1-800-448-8124

OUTSIDE USA PHONE: 010-1-706-798-4311, FAX: 010-1-706-771-4609

TEXTRON GOLF, TURF & SPECIALTY PRODUCTS, P.O.BOX 388, AUGUSTA, GEORGIA USA 30903-0388

NOTES

To obtain a copy of the limited warranty applicable to the vehicle, call or write a local Distributor, an authorized Branch or the Warranty Department with vehicle serial number and manufacturer code.

The use of non Original Equipment Manufacturer (OEM) approved parts may void the warranty.

Tampering with or adjusting the governor to permit vehicle to operate at above factory specifications will void the vehicle warranty.

When servicing engines, all adjustments and replacement components must be per original vehicle specifications in order to maintain the United States of America Federal and State emission certification applicable at the time of manufacture.

BATTERY PROLONGED STORAGE

All batteries will self discharge over time. The rate of self discharge varies depending on the ambient temperature and the age and condition of the batteries.

A fully charged battery will not freeze in winter temperatures unless the temperature falls below -75° F (-60° C).

GENERAL INDEX

SECTION	Page No.
How to use the Service Parts Manual	v
ACCELERATOR - ALL CABLES	
• Accelerator Pedal, Pedal Pivot Cover, Pivot Pin	A-1
• Accelerator Rod, Pedal Box, Micro Switch, Accelerator Cable	A-2
• Throttle Cable, Governor, Governor Cover, Mounting Brackets.....	A-3
ACCELERATOR - CABLE AND LINKAGES	
• Accelerator Pedal, Accelerator Rod, Pedal Box, Micro Switch, Accelerator Cable.....	A-5
• Choke, Governor Linkage Rod, Throttle Linkage Rod, Mounting Brackets	A-6
AIR FILTER	
• Air Cleaner, Carburetor Baffle, Choke Bracket, Gasket	B-1
BODY	
• Front Cowl, Front Shield, Ashtray Kit, Instrument Panel.....	C-1
• Floorboard, Floormat, Rocker Panel, Seat Frame	C-2
• Rear Body, Bumper, Access Lid, Scuff Guards, Sound Foam, Battery Tray.....	C-3
• Rear Body-Shuttle 2+2/Convertible Carrier, Footrest, Two Bag Attachment	C-4
• Sand Bottle and Basket Divot Repair Kit, Side Basket, Center Basket	C-5
• Message Holder, Cooler Jug, Cooler Box, Rake and Holder	C-6
• Four Bag Attachment, Ash Tray	C-7
BRAKES	
• Brake Pedal Without Lights, Equalizer and Brake Cables	D-1
• Brake Pedal With Lights.....	D-2
• Brake Drum, Brake Shoes, Adjuster	D-3
CARBURETOR	
• Pilot Jet, Main Jet, Carburetor Mount Gasket	E-1
• Choke Cable, Adapter, Retainer	E-2
CLUTCHES	
• Drive Belt, Drive Clutch, Driven Clutch	F-1
DIRECTION SELECTOR - SINGLE CABLE	
• Shifter Handle, Push/Pull Shifter Cable, Reverse Warning Buzzer, Neutral Lock, Micro Switch	G-1
DIRECTION SELECTOR - DUAL CABLE	
• Shifter Handle, Shifter Cables, Reverse Warning Buzzer, Neutral Lock, Micro Switch.....	G-5

GENERAL INDEX

SECTION	Page No.
ELECTRICAL SYSTEM	
• Battery, Ground Strap, Control Harness, Ignition Pickup, Ignition Coil.....	H-1
• Electrical Plate, Voltage Regulator, Ignitor, Solenoid.....	H-2
• Fuse Block, Horn	H-3
• Headlight, Tail Light	H-4
• Ignition Switch, Turn Signal, Oil Pressure Indicator Light, Fuel Gauge	H-5
• Hour Meter.....	H-6
ENGINE AND MUFFLER	
• Engine, Muffler, Oil Filter, Spark Plugs, Timing Belt	J-1
ENGINE MOUNTING	
• Front and Rear Engine Mounts, Engine Guard, Isolation Mount.....	K-1
FRONT SUSPENSION AND STEERING	
• Front Axle, Spindle, Wheel Hub, Rack and Pinion Unit, Tie Rod, Steering Column and Wheel.....	L-1
FUEL SYSTEM	
• Fuel Gauge- Mechanical, Fuel Level Sender, Fuel Pump, Fuel Tank Assembly	M-1
REAR AXLE - SINGLE CABLE SHIFTER	
• Axle Shaft, Axle Tube, Seals, Bearings	P-1
REAR AXLE - DUAL CABLE SHIFTER	
• Axle Shaft, Axle Tube, Seals, Bearings, Shifter Cable Bracket	P-3
REAR SUSPENSION	
• U-Bolt, Leaf Spring Set, Shock Absorber, Bushings.....	Q-1
SEATING AND BAGHOLDER, GOLF CAR	
• Seat Bottom, Seat Back, Hip Restraint.....	R-1
SEATING, SHUTTLE 2+2	
• Front Seat Bottom, Front Seat Back, Hip Restraint.....	R-5
• Rear Seat Bottom, Rear Seat Back, Hip Restraint	R-6
SEATING, CONVERTIBLE CARRIER	
• Front Seat Bottom, Front Seat Back, Hip Restraint.....	R-9
• Rear Seat Bottom, Rear Seat Back, Hip Restraint	R-10
STARTER/GENERATOR	
• Brush Holder, Pulley, Terminal, Belt, Adjuster, Starter/Generator.....	S-1

GENERAL INDEX

SECTION	Page No.
TOW BAR, PERMANENT	
• Tow Bar, Tow Bar Hitch	U-1
TOW BAR, CASUAL	
• Tow Bar, Tie Rod.....	U-5
WEATHER PROTECTION, GOLF CAR	
• Sun Top Kit	V-1
• Fold Down Windshield Kit, Full Windshield Kit, Rear View Mirror Kit	V-2
• Weather Enclosures, Golf Bag Cover/Rain Curtain	V-3
WEATHER PROTECTION, SHUTTLE 2+2	
• Sun Top Kit	V-7
• Fold Down Windshield Kit, Full Windshield Kit, Rear View Mirror Kit	V-8
WHEELS AND TIRES	
• Tire, Wheel Rim, Valve Stem, Chrome Hubcaps, Spoke Hubcaps.....	W-1
SPECIALTY PRODUCTS	Appendix A
• Special Tools	
• Performance Products	
• Paint	
• Engine Oil	
ACCESSORIES	Appendix B

GENERAL INDEX

HOW TO USE THE SERVICE PARTS MANUAL

This manual is divided into several sections:

- GENERAL INFORMATION
- ILLUSTRATED PARTS BREAKDOWN
- APPENDIX

The first section, GENERAL INFORMATION, contains the following information:

- WARRANTY INFORMATION
- GENERAL INDEX
- HOW TO USE THE SERVICE PARTS MANUAL

The second section, ILLUSTRATED PARTS BREAKDOWN, contains illustrations and parts lists for all systems of your vehicle.

The third section, APPENDIX, contains a listing of specialty products and accessories.

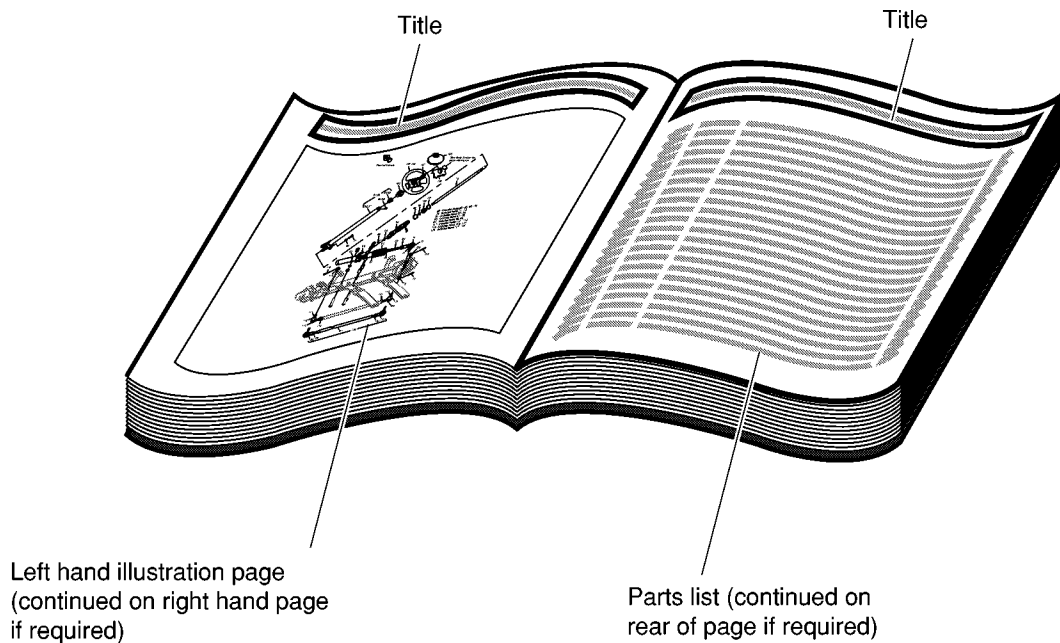
USE OF THE MANUAL

To use this manual, consult the GENERAL INDEX to locate the information or illustration required.

Introduction of some revisions varies due to supply of components; therefore, it is possible that various combinations of components may be found that are not directly reflected by each illustration. Consult the illustration that best suits your situation and then contact the Service Parts Department. It is important that the serial number of your vehicle and its model number be supplied to Service Parts when ordering any replacement components.

Locate the serial number plate (see BODY located in the Illustrated Parts Breakdown section of this manual for its location) and note the complete number shown on the plate.

HOW TO USE THE SERVICE PARTS MANUAL



1. WHEN THE PART NUMBER IS NOT KNOWN

- Determine the function and application of the part required. Turn to the General Index and select the most appropriate title.
- Turn to the page number indicated and locate the desired part on the illustration.
- From the illustration, obtain the item number assigned to the desired part. Refer to the accompanying description for specific information regarding the part.

2. IF YOU KNOW THE PART NUMBER

- Locate the part number or description in the appropriate column on the parts list page.

NOTE: It is suggested that you confirm that the part selected is correct by verifying it with the pictorial representation on the illustrated page.

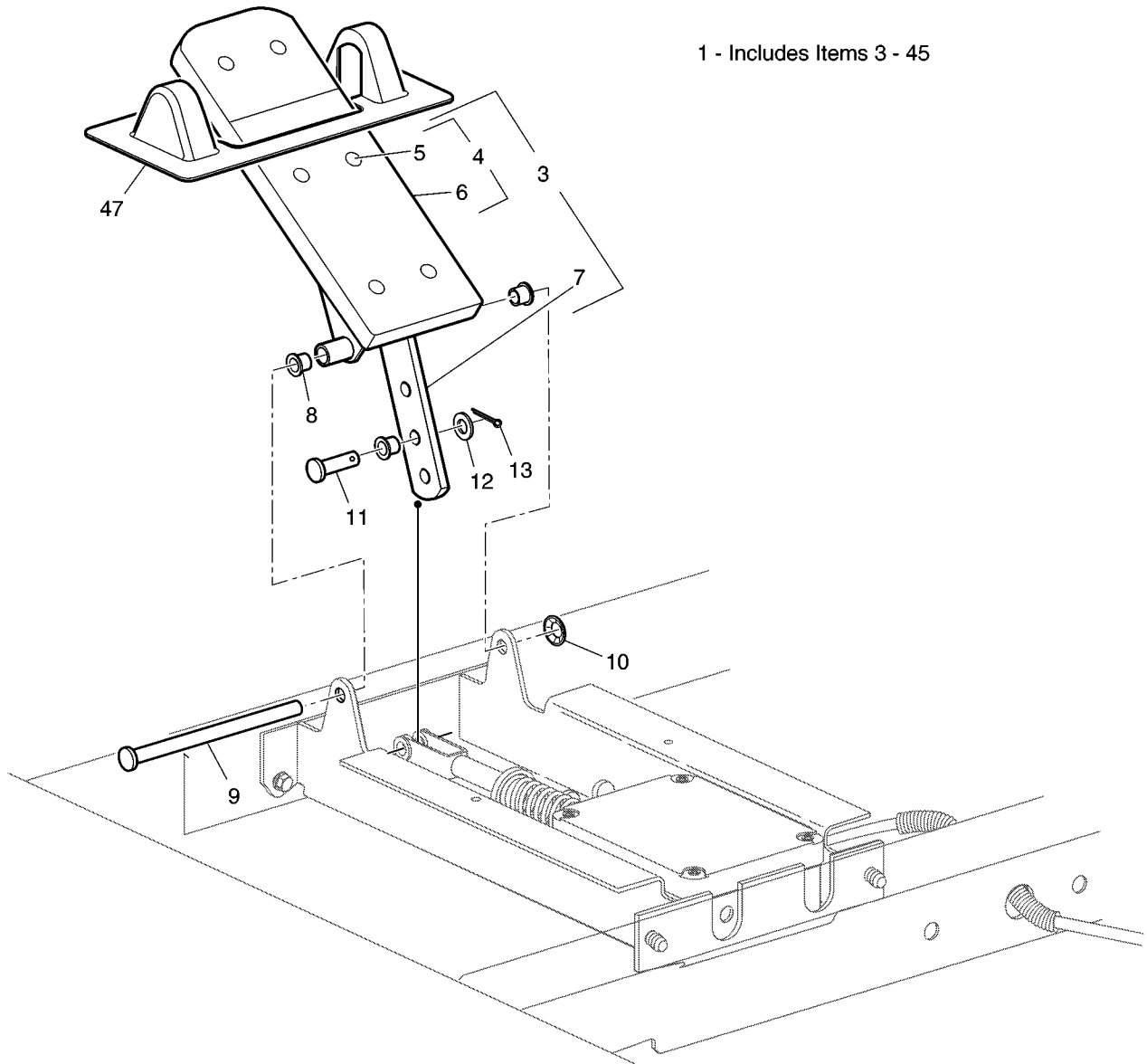
Should an asterisk (*) appear in the part number column on the parts list page, read upwards until a part number is found. The part number is the lowest assembly sold by Service Parts and the asterisk (*) indicates that the part depicted is not available for purchase.

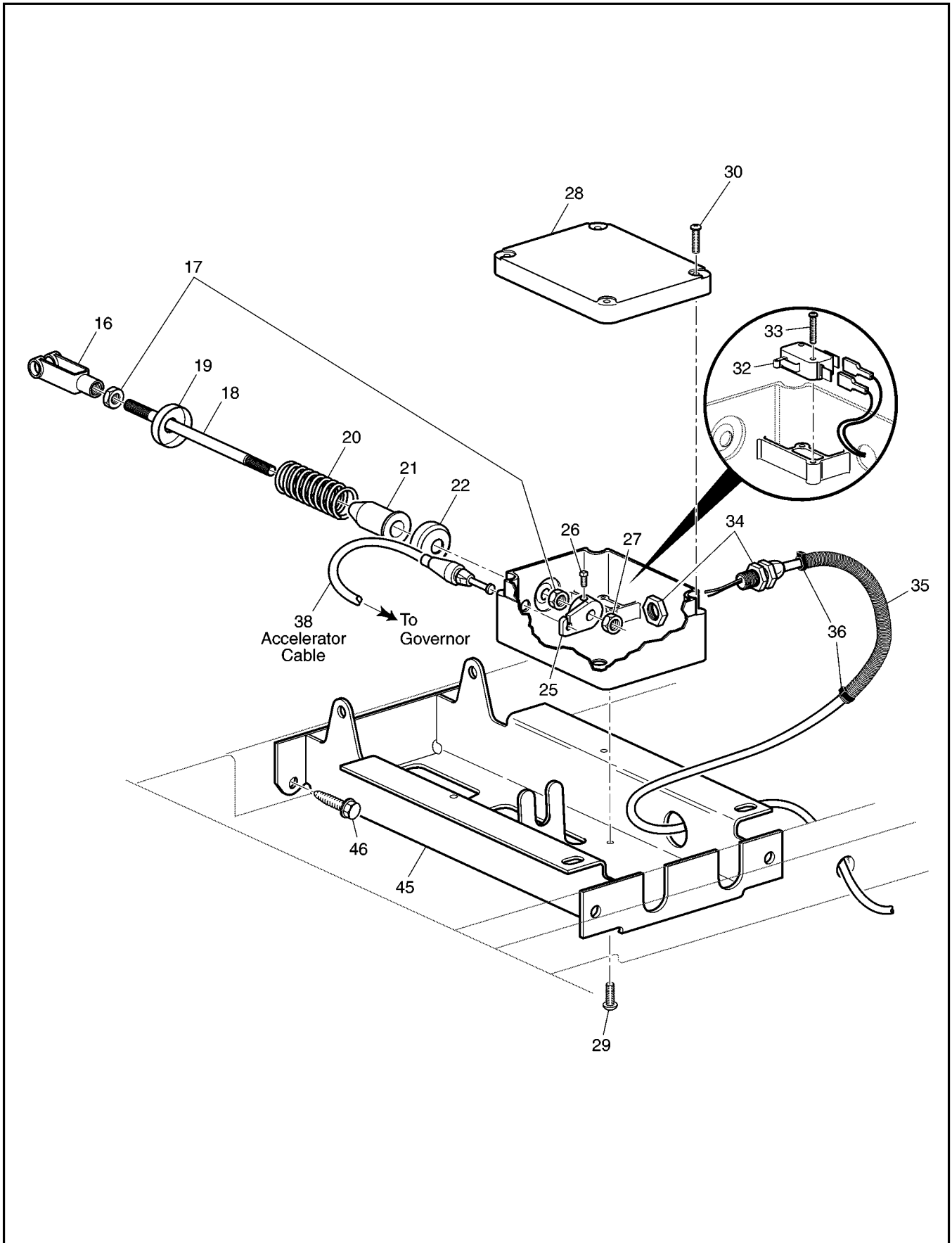
NOTE: Descriptions are indented under the assembly that they are used on. That assembly is, in turn listed under the assembly that it is used on. This process is repeated until the highest final assembly is reached.

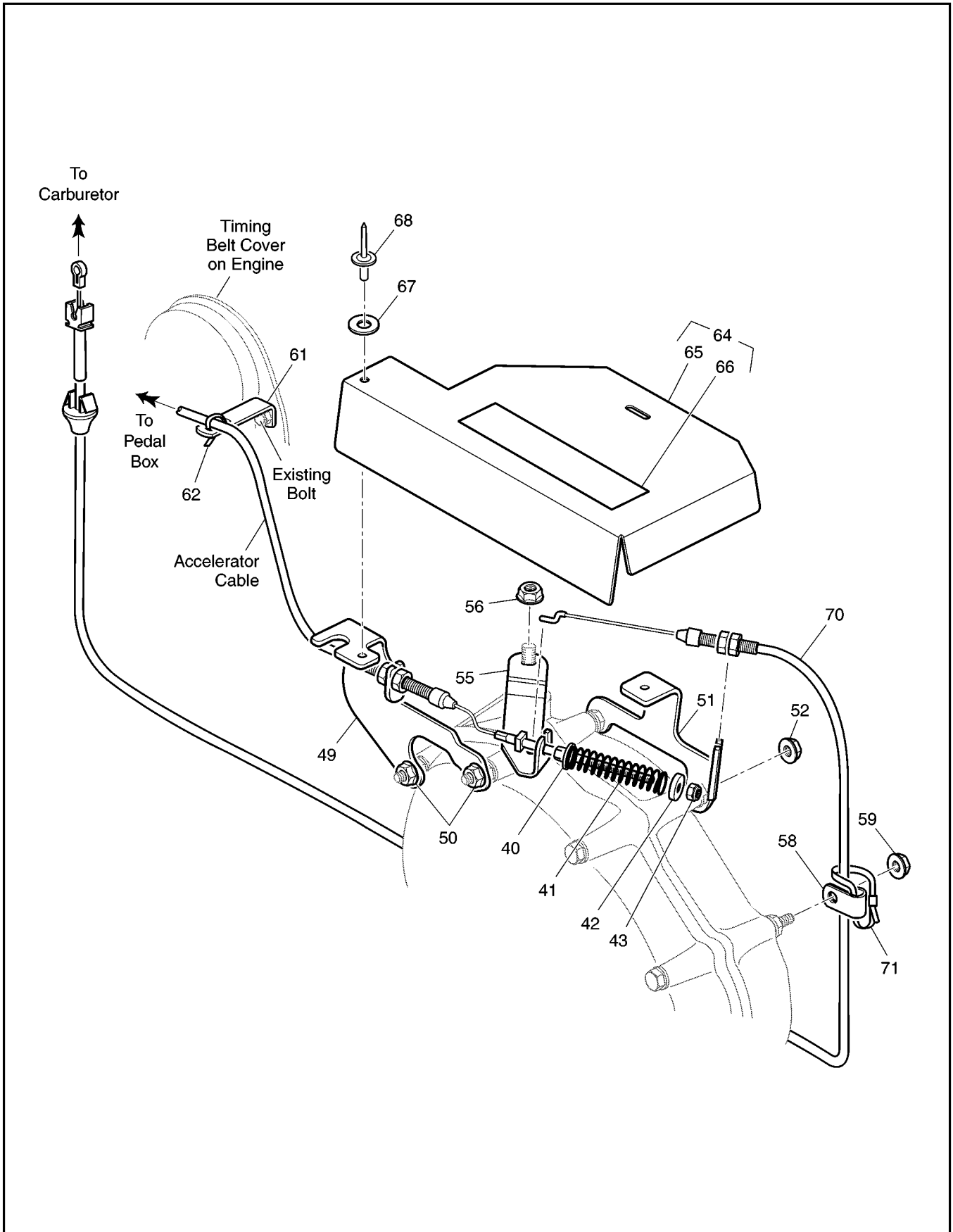
To facilitate the maintenance and repair of the vehicle, a Technician's Repair and Service Manual is available from the Service Parts Department.

ILLUSTRATED PARTS BREAKDOWN

ILLUSTRATED PARTS BREAKDOWN







When ordering parts, please specify the model and serial number of the product.

* Indicates a component that is not available as an individual part.

G** Indicates consult Customer Service Department for additional information.

ITEM	PART NO.	1 2 3 4 5	DESCRIPTION	QTY.
1	72717-G01		PEDAL BOX ASSEMBLY (INCLUDES ITEMS 3 - 45).....	1
2				
3	25799-G01		ACCELERATOR PEDAL ASSEMBLY (INCLUDES ITEMS 4 - 7)	1
4	27844-G01		ACCELERATOR PEDAL PAD KIT (INCLUDES ITEMS 5 - 6)	1
5	15766-G1		OVAL RIVET, 3/16" X 3/8" LG.....	6
6	27512-G01		ACCELERATOR PEDAL PAD.....	1
7	*		ACCELERATOR PEDAL.....	1
8	17838-G1		NYLON BUSHING.....	3
9	74432-G01		PEDAL PIVOT PIN.....	1
10	12064-G6		PUSH NUT, 9/32"	1
11	10386-G3		CLEVIS PIN, 5/16" X 1" LG.....	1
12	17255-G1		TEFLON WASHER, 5/16"	1
13	10387-G3		COTTER PIN, 3/32" X 3/4" LG.....	1
14				
15				
16	10385-G4		CLEVIS YOKE (ADJUSTABLE)	1
17	00532-G4		LOCK NUT, 5/16 - 24.....	2
18	72072-G01		ACCELERATOR ROD.....	1
19	17677-G2		SPRING RETAINER.....	1
20	73046-G01		COMPRESSION SPRING.....	1
21	17979-G1		ACCELERATOR ROD BUSHING	1
22	17677-G1		SPRING RETAINER.....	1
23				
24				
25	72716-G01		MICRO SWITCH CAM	1
26	00487-G3		SETSCREW, 1/4 - 20 X 3/8" LG.....	1
27	00550-G4		LOCK NUT, 5/16 - 24.....	1
28	25853-G03		PEDAL BOX AND COVER.....	1
29	01051-G01		SCREW, #8 - 16 X 1/2" LG.....	4
30	00684-G6		SCREW, #8 - 32 X 3/4" LG.....	4

ACCELERATOR - ALL CABLES

Gasoline Vehicle

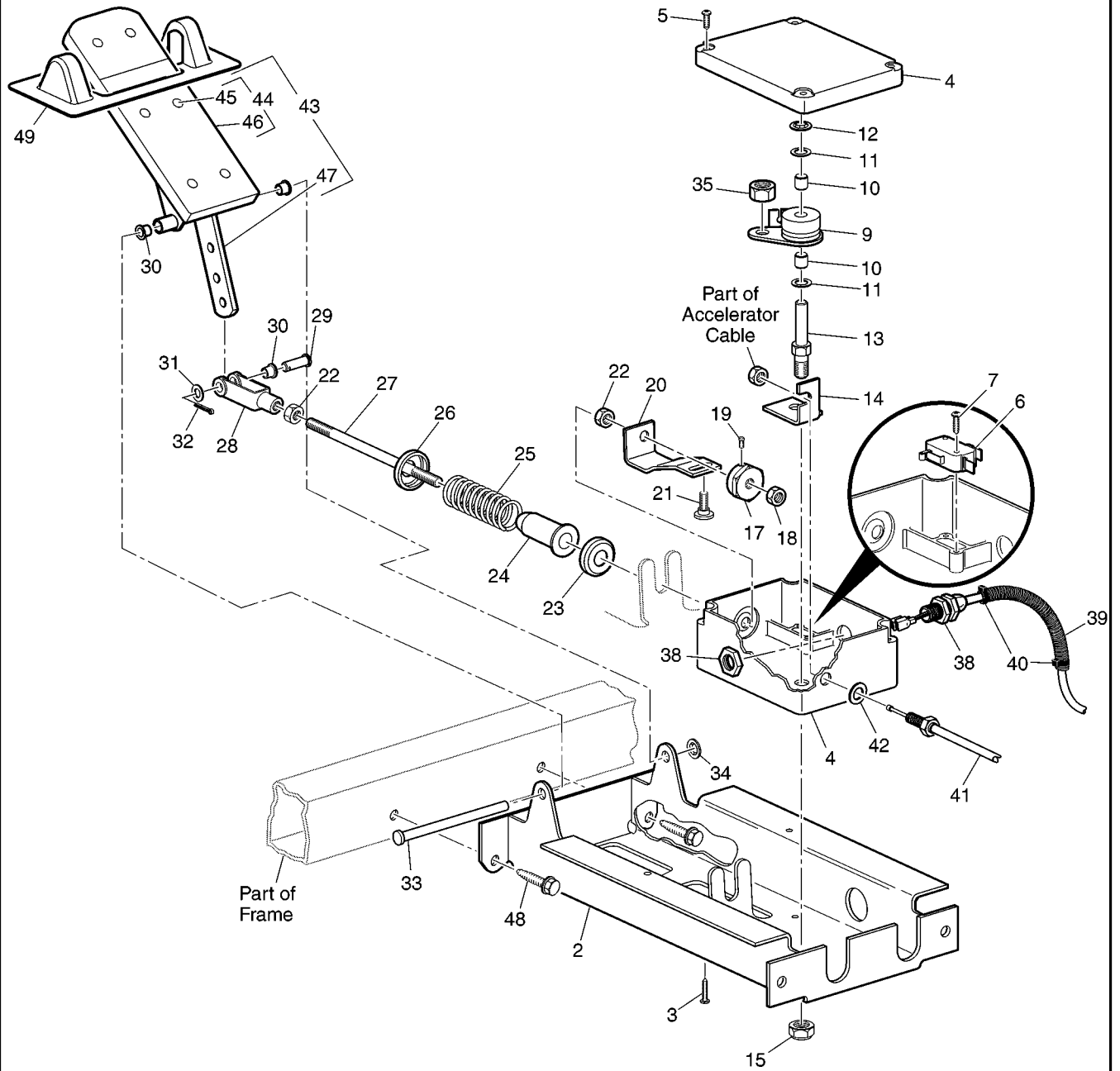
When ordering parts, please specify the model and serial number of the product.
 * Indicates a component that is not available as an individual part.
 G** Indicates consult Customer Service Department for additional information.

ITEM	PART NO.	1	2	3	4	5	DESCRIPTION	QTY.
31								
32	25861-G01						MICRO SWITCH	1
33	01050-G01						SCREW, 4 - 20 X 5/8" LG.....	2
34	72201-G04						WIRE HARNESS (PEDAL BOX)	1
35	17313-G1						LOOM FLEX (BULK)	AR
36	17618-G1						WIRE TIE.....	2
37								
38	72713-G01						ACCELERATOR CABLE	1
39								
40	72706-G01						ACCELERATOR CABLE BUSHING.....	1
41	72707-G01						COMPRESSION SPRING.....	1
42	25727-G02						CUP WASHER	1
43	00734-G5						LOCK NUT, #10 - 32.....	1
44								
45	70116-G01						ACCELERATOR PEDAL BRACKET	1
46	00715-G2						BOLT, 5/16 - 18 X 13/16" LG.....	4
47	70135-G01						PEDAL PIVOT COVER.....	1
48								
49	72701-G01						ACCELERATOR CABLE MOUNTING BRACKET	1
50	26830-G01						LOCK NUT, M8 X 1.25 MM	2
51	72703-G01						THROTTLE CABLE MOUNTING BRACKET	1
52	26830-G01						LOCK NUT, M8 X 1.25 MM	2
53								
54								
55	72708-G01						GOVERNOR ARM	1
56	26830-G01						LOCK NUT, M8 X 1.25 MM	1
57								
58	11845-G3						CLAMP	1
59	26830-G01						LOCK NUT, M8 X 1.25 MM	1
60								

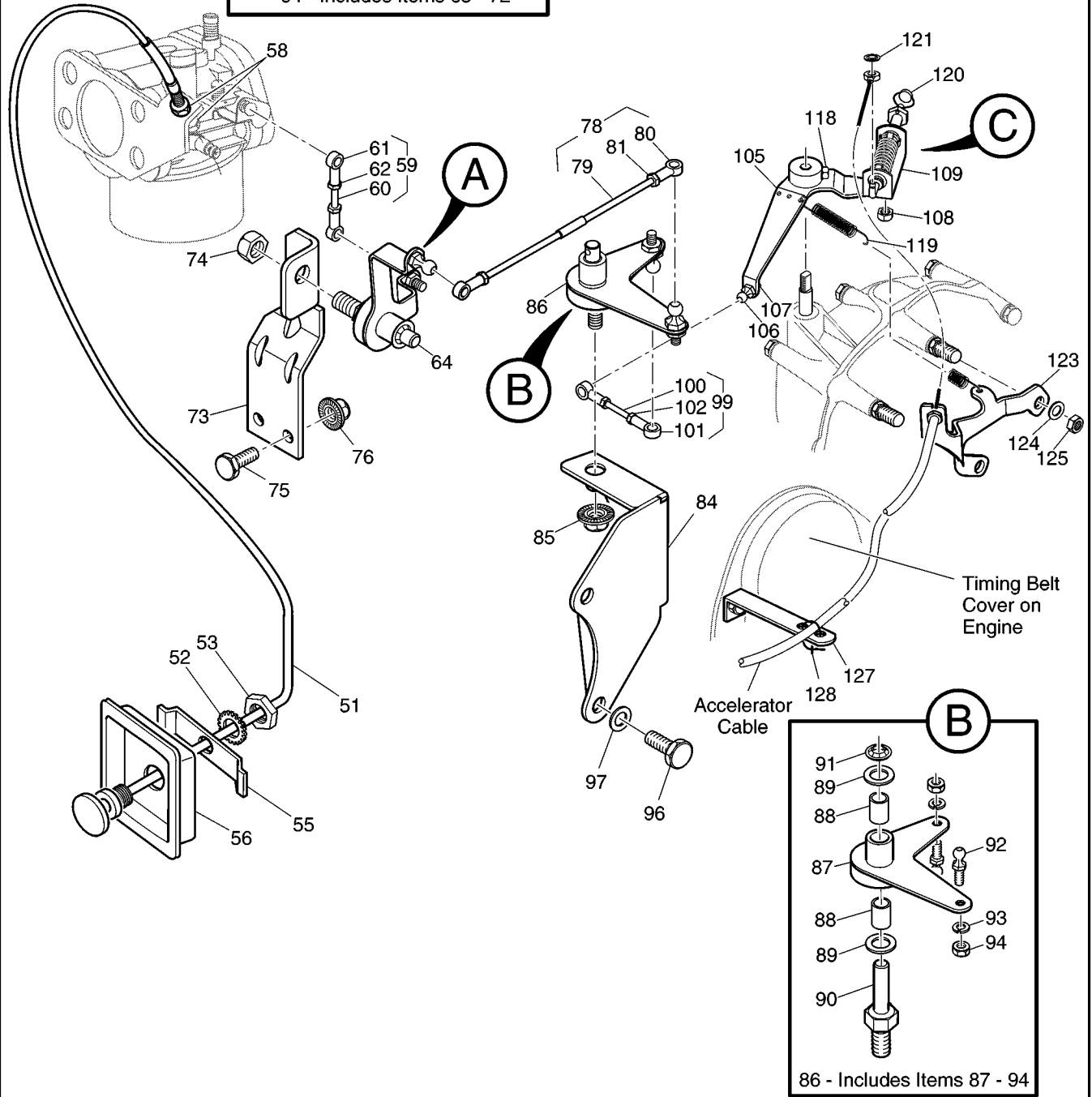
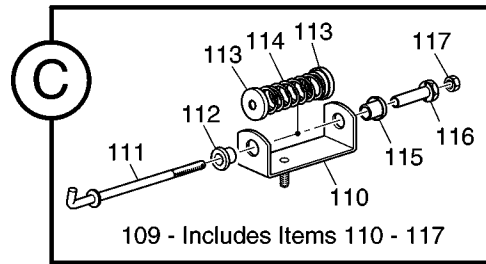
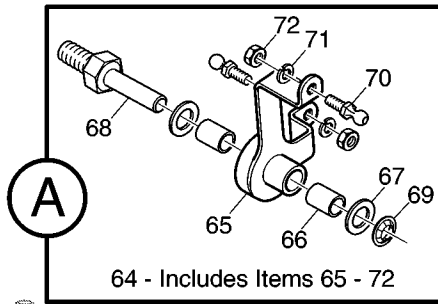
When ordering parts, please specify the model and serial number of the product.
 * Indicates a component that is not available as an individual part.
 G** Indicates consult Customer Service Department for additional information.

ITEM	PART NO.	1 2 3 4 5	DESCRIPTION	QTY.
61	72055-G01		ACCELERATOR CABLE BRACKET	1
62	17618-G1		WIRE TIE	1
63				
64	74457-G01		GOVERNOR COVER/DECAL ASSEMBLY (INCLUDES ITEMS 65, 66).....	1
65	72705-G01		GOVERNOR COVER.....	1
66	24880-G01		LABEL (WARNING - GOVERNOR)	1
67	00915-G1		BONDED WASHER, 1/4"	2
68	14601-G11		RIVET, 3/16" X 9/16" LG	2
69				
70	72714-G01		THROTTLE CABLE	1
71	17618-G1		WIRE TIE	1

1 - Includes Items 2 - 47



83 - Includes Items 84 - 94
104 - Includes Items 105 - 117



ACCELERATOR - CABLE AND LINKAGES**Gasoline Vehicle**

When ordering parts, please specify the model and serial number of the product.

* Indicates a component that is not available as an individual part.

G** Indicates consult Customer Service Department for additional information.

ITEM	PART NO.	1 2 3 4 5	DESCRIPTION	QTY.
1	72062-G01		PEDAL BOX ASSEMBLY (INCLUDES ITEMS 2 - 47)	1
2	70116-G01		ACCELERATOR PEDAL BRACKET.....	1
3	01051-G01		SCREW, #8 - 16 X 1/2" LG	4
4	25853-G02		PEDAL BOX AND COVER	1
5	00684-G6		SCREW, #8 - 32 X 3/4" LG	4
6	25861-G01		MICRO SWITCH.....	1
7	01050-G01		SCREW, #4 - 20 X 5/8" LG	2
8				
9	72066-G01		CONTROL ARM	1
10	23860-G1		BEARING.....	2
11	24621-G1		NYLON WASHER, 5/16".....	2
12	12064-G1		PUSH NUT, 5/16".....	1
13	25768-G01		PIVOT ROD	1
14	72199-G01		PIVOT BRACKET	1
15	14390-G1		LOCK NUT, 3/8-24	1
16				
17	72198-G03		MICRO SWITCH CAM.....	1
18	00550-G4		LOCK NUT, 5/16-24	1
19	00487-G3		SETSCREW, 1/4 - 20 X 3/8" LG	1
20	72074-G01		CONTROL ARM LINK	1
21	72225-G01		SHOULDER BOLT, #10-24 X 11/16" LG.....	1
22	00532-G4		LOCKNUT, 5/16-24	2
23	17677-G1		SPRING RETAINER	1
24	17979-G1		ACCELERATOR ROD BUSHING.....	1
25	73046-G01		COMPRESSION SPRING	1
26	17677-G2		SPRING RETAINER	1
27	72072-G01		ACCELERATOR ROD	1
28	10385-G4		CLEVIS YOKE (ADJUSTABLE).....	1
29	10386-G3		CLEVIS PIN, 5/16" X 1" LG	1
30	17838-G1		NYLON BUSHING	3

When ordering parts, please specify the model and serial number of the product.

* Indicates a component that is not available as an individual part.

G** Indicates consult Customer Service Department for additional information.

ITEM	PART NO.	1	2	3	4	5	DESCRIPTION	QTY.
31	17255-G1						TEFLON WASHER, 5/16".....	1
32	10387-G3						COTTER PIN, 3/32" X 3/4" LG	1
33	74432-G01						PEDAL PIVOT PIN	1
34	12064-G6						PUSH NUT, 9/32"	1
35	14390-G10						LOCK NUT, #10 - 24.....	1
36	12730-G1						WHEEL BEARING GREASE (NOT ILLUSTRATED).....	A/R
37								
38	72201-G02						WIRE HARNESS (PEDAL BOX)	1
39	17313-G1						LOOM FLEX (BULK)	AR
40	17618-G1						WIRE TIE.....	2
41	72065-G01						ACCELERATOR CABLE	1
42	00559-G8						WASHER, 5/16".....	1
43	25799-G01						ACCELERATOR PEDAL ASSEMBLY (INCLUDES ITEMS 44 - 47)	1
44	27844-G01						ACCELERATOR PEDAL PAD KIT (INCLUDES ITEMS 45 - 46)	1
45	15766-G1						OVAL RIVET, 3/16" X 3/8" LG	6
46	27512-G01						ACCELERATOR PEDAL PAD	1
47	*						ACCELERATOR PEDAL	
48	00715-G2						BOLT, 5/16-18 X 13/16" LG.....	4
49	70135-G01						PEDAL PIVOT COVER.....	1
50								
51	25693-G04						CHOKE CABLE (WITH NUTS)	1
52	00568-G4						LOCK WASHER, 9/16"	1
53	00545-G4						NUT, 9/16-18	1
54								
55	72155-G01						RETAINER	1
56	72154-G01						CHOKE CABLE ADAPTER.....	1
57								
58	00544-G4						JAM NUT, 5/16-24.....	2
59	25737-G01						CARBURETOR LINKAGE ROD (INCLUDES ITEMS 60 - 62).....	1
60	23722-G1						ADJUSTING ROD (SHORT)	1

ACCELERATOR - CABLE AND LINKAGES**Gasoline Vehicle**

When ordering parts, please specify the model and serial number of the product.

* Indicates a component that is not available as an individual part.

G** Indicates consult Customer Service Department for additional information.

ITEM	PART NO.	1 2 3 4 5	DESCRIPTION	QTY.
61	24465-G1		BALL JOINT SOCKET	2
62	00526-G4		NUT, #10-32.....	2
63				
64	25760-G01		CARBURETOR LINKAGE BELLCRANK (INCLUDES ITEMS 65 - 72).....	1
65	25759-G01		CARBURETOR PIVOT	1
66	23860-G1		BEARING.....	2
67	24621-G1		NYLON WASHER, 5/16".....	2
68	25768-G01		PIVOT ROD	1
69	12064-G1		PUSH NUT, 5/16".....	1
70	24479-G1		BALL JOINT BALL	2
71	00565-G5		LOCK WASHER, #10	2
72	00526-G4		NUT, #10-32.....	2
73	72197-G01		PIVOT BRACKET.....	1
74	14390-G1		LOCK NUT, 3/8-24	1
75	00414-G8		BOLT, 1/4-20 X 1" LG	2
76	14390-G4		LOCK NUT, 1/4-20	2
77				
78	72254-G01		THROTTLE LINKAGE ROD ASSEMBLY (INCLUDES ITEMS 79 - 81).....	1
79	72255-G01		ADJUSTING ROD (LONG).....	1
80	24465-G1		BALL JOINT SOCKET	2
81	00526-G4		NUT, #10-32.....	2
82				
83	25702-G01		GOVERNOR PIVOT BRACKET ASSEMBLY (INCLUDES ITEMS 84 - 94).....	1
84	25655-G01		BELLCRANK BRACKET.....	1
85	14390-G1		LOCK NUT, 3/8-24.....	1
86	25763-G01		GOVERNOR PIVOT ASSEMBLY (INCLUDES ITEMS 87 - 94)	1
87	25762-G01		GOVERNOR PIVOT.....	1
88	23860-G1		BEARING	2
89	24621-G1		NYLON WASHER, 5/16"	2
90	25768-G01		PIVOT ROD.....	1

When ordering parts, please specify the model and serial number of the product.

* Indicates a component that is not available as an individual part.

G** Indicates consult Customer Service Department for additional information.

ITEM	PART NO.	1	2	3	4	5	DESCRIPTION	QTY.
91	12064-G1						PUSH NUT, 5/16"	1
92	24479-G1						BALL JOINT BALL	2
93	00565-G5						LOCK WASHER, #10	2
94	00526-G4						NUT, #10-32	2
95								
96	00276-G6						BOLT, 5/16-24 X 3/4" LG	2
97	00565-G8						LOCK WASHER, 5/16"	2
98								
99	25737-G03						GOVERNOR LINKAGE ROD (INCLUDES ITEMS 100 - 102)	1
100	23722-G1						ADJUSTING ROD	1
101	24465-G1						BALL JOINT SOCKET	2
102	00526-G4						NUT, #10-32	2
103								
104	25690-G01						GOVERNOR BELLCRANK ASSEMBLY (INCLUDES ITEMS 105 - 117)	1
105	25765-G01						GOVERNOR BELLCRANK	1
106	24479-G1						BALL JOINT BALL	1
107	00734-G5						LOCK NUT, #10 - 32	1
108	14390-G4						LOCK NUT, 1/4-20	1
109	22751-G2						GOVERNOR BRACKET ASSEMBLY (INCLUDES ITEMS 110 - 117)	1
110	22752-G1						GOVERNOR BRACKET	1
111	25274-G1						GOVERNOR ROD	1
112	22754-G1						BUSHING	1
113	25661-G01						CUP WASHER	2
114	23578-G1						COMPRESSION SPRING	1
115	22754-G2						BUSHING	1
116	23859-G1						GOVERNOR ADJUSTER	1
117	00526-G4						NUT, #10-32	1
118	00491-G4						SETSCREW, 1/4-20 X 1/2" LG	2
119	25738-G01						SPRING	1
120	25286-G1						SAFETY SEAL, 3/8"	1

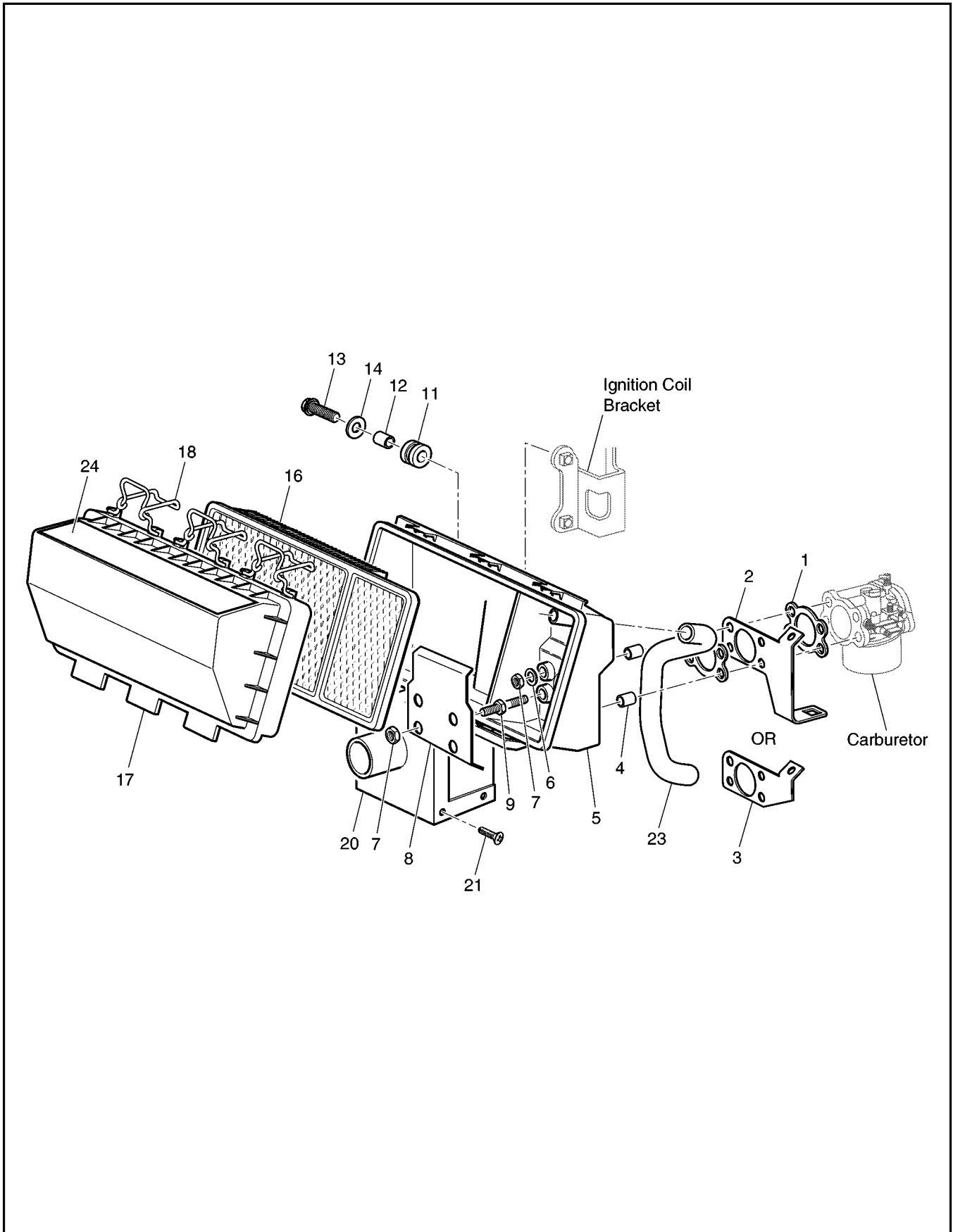
ACCELERATOR - CABLE AND LINKAGES**Gasoline Vehicle**

When ordering parts, please specify the model and serial number of the product.

* Indicates a component that is not available as an individual part.

G** Indicates consult Customer Service Department for additional information.

ITEM	PART NO.	1 2 3 4 5	DESCRIPTION	QTY.
121	12064-G3		PUSH NUT, 3/16"	1
122				
123	25653-G01		ACCELERATOR CABLE BRACKET	1
124	26826-G01		LOCK WASHER, 8 MM	2
125	26827-G01		NUT, M8 X 1.25 MM	2
126				
127	72055-G01		ACCELERATOR CABLE BRACKET	1
128	17618-G1		WIRE TIE	7

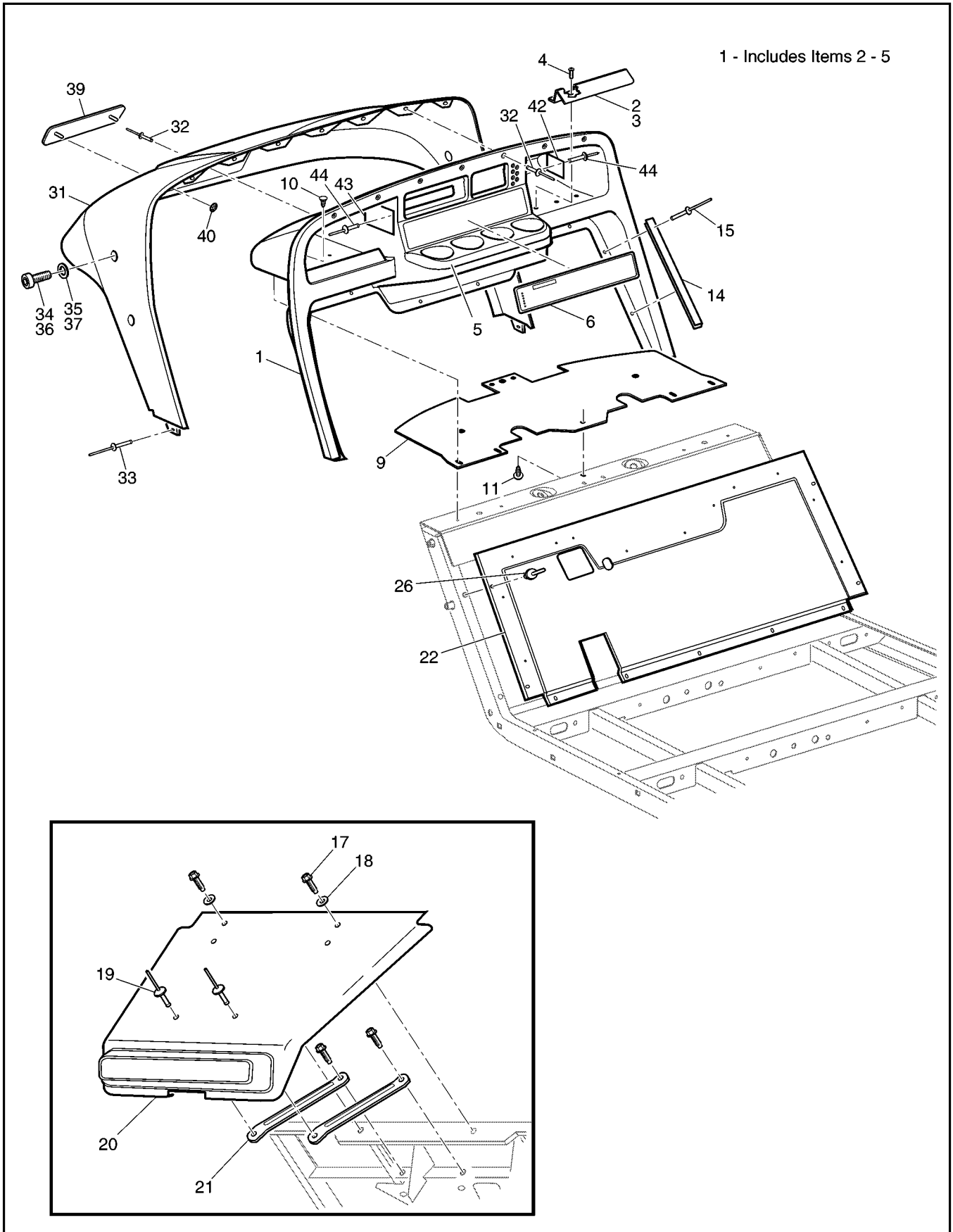


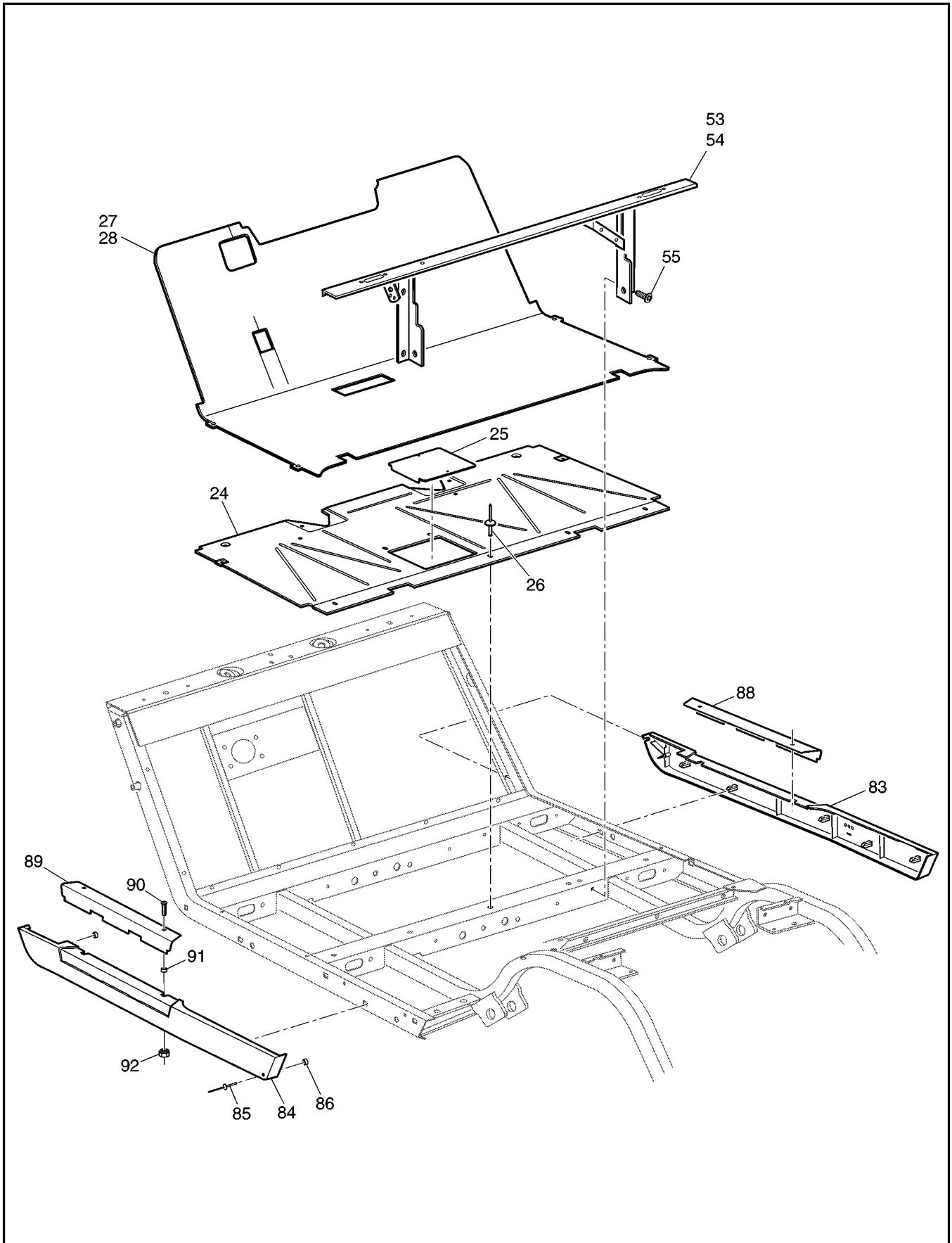
When ordering parts, please specify the model and serial number of the product.

* Indicates a component that is not available as an individual part.

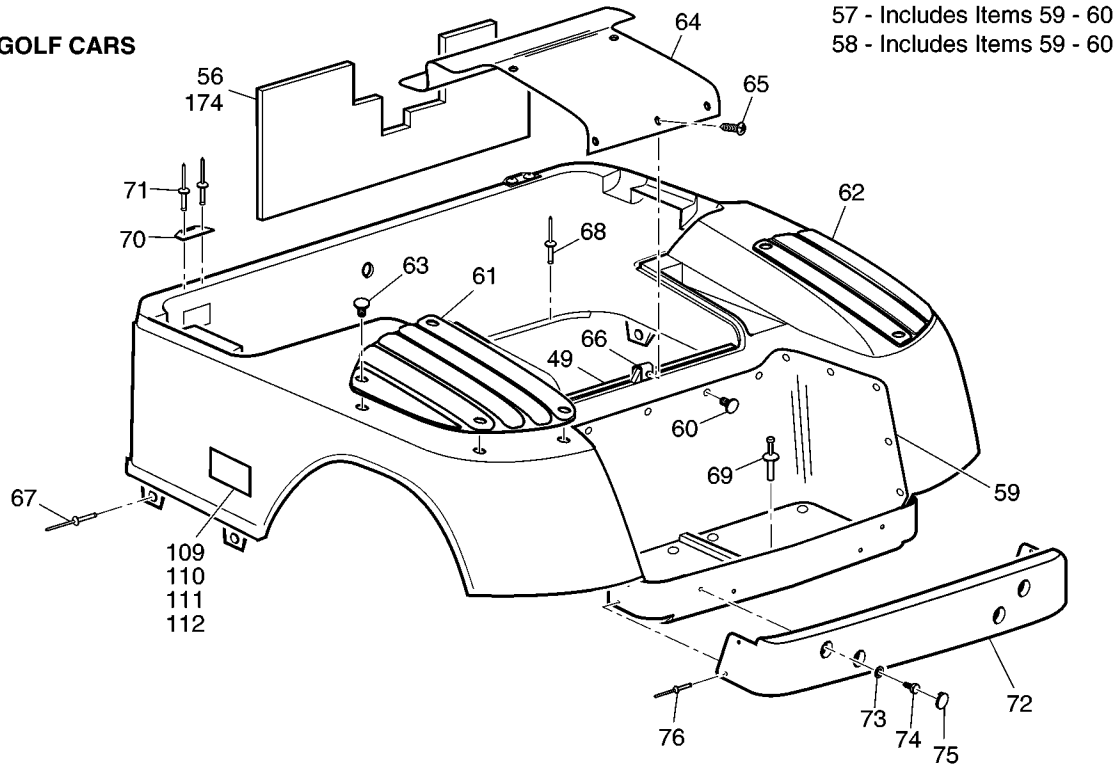
G** Indicates consult Customer Service Department for additional information.

ITEM	PART NO.	1 2 3 4 5	DESCRIPTION	QTY.
1	72710-G01		CARBURETOR / AIR BOX GASKET	2
2	72739-G01		CHOKE / THROTTLE BRACKET	1
3	26728-G01		CHOKE BRACKET	1
4	23726-G6		SPACER, 7/16"	4
5	72178-G01		HOUSING	1
6	00664-G7		LOCK WASHER, 6 MM.....	2
7	13632-G1		NUT, M6 X 1.....	4
8	72529-G01		BAFFLE	1
9	72514-G01		STUD, M6 X 1 X 39 MM LG.....	2
10				
11	72147-G01		HOUSING MOUNT GROMMET	2
12	23726-G7		SPACER, 9/16"	2
13	26671-G01		BOLT AND WASHER, M6 X 1 X 30 MM LG	2
14	26701-G01		WASHER, 6.5 MM	2
15				
16	72368-G01		AIR FILTER ELEMENT.....	1
17	72179-G01		AIR FILTER COVER	1
18	72145-G01		LATCH	3
19				
20	72146-G01		INLET COVER.....	1
21	00614-G5		SCREW, #8 - 18 X 5/8" LG	6
22				
23	72151-G01		PCV HOSE	1
24	74093-G01		LABEL (WARNING)	1

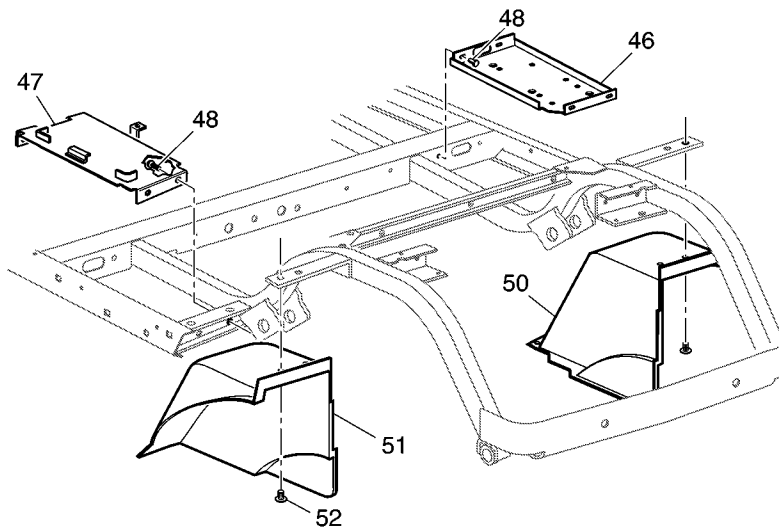
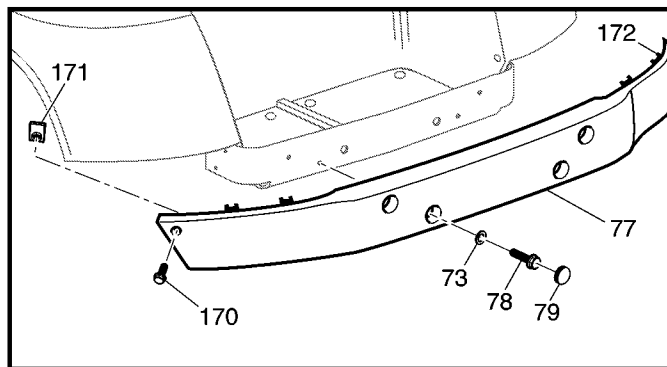




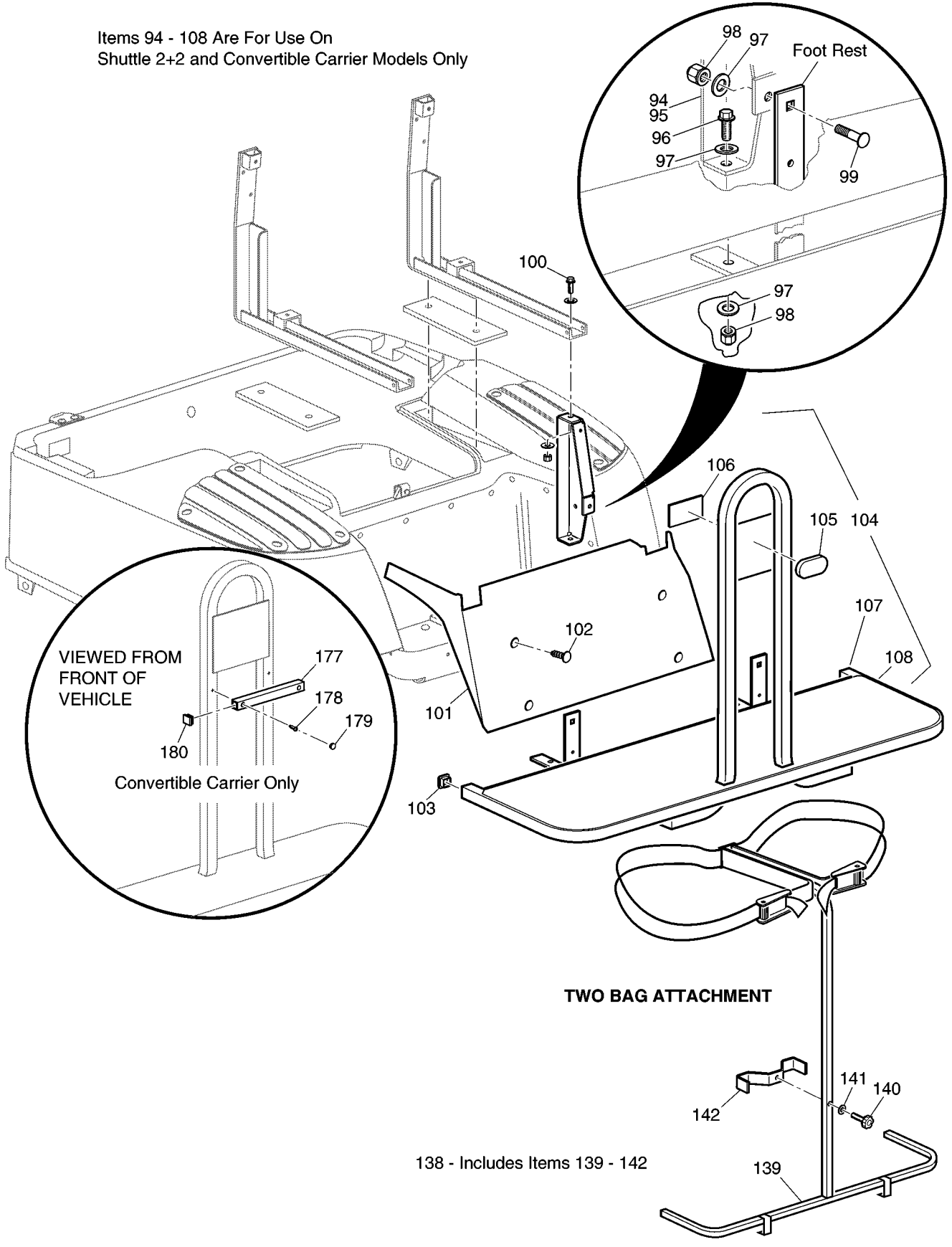
GOLF CARS



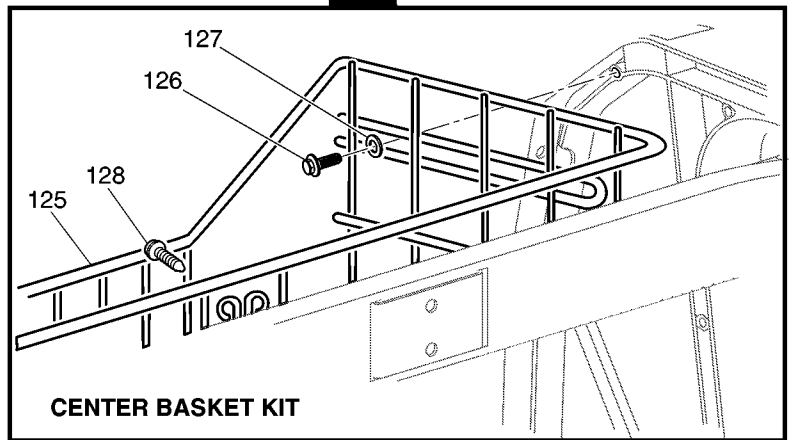
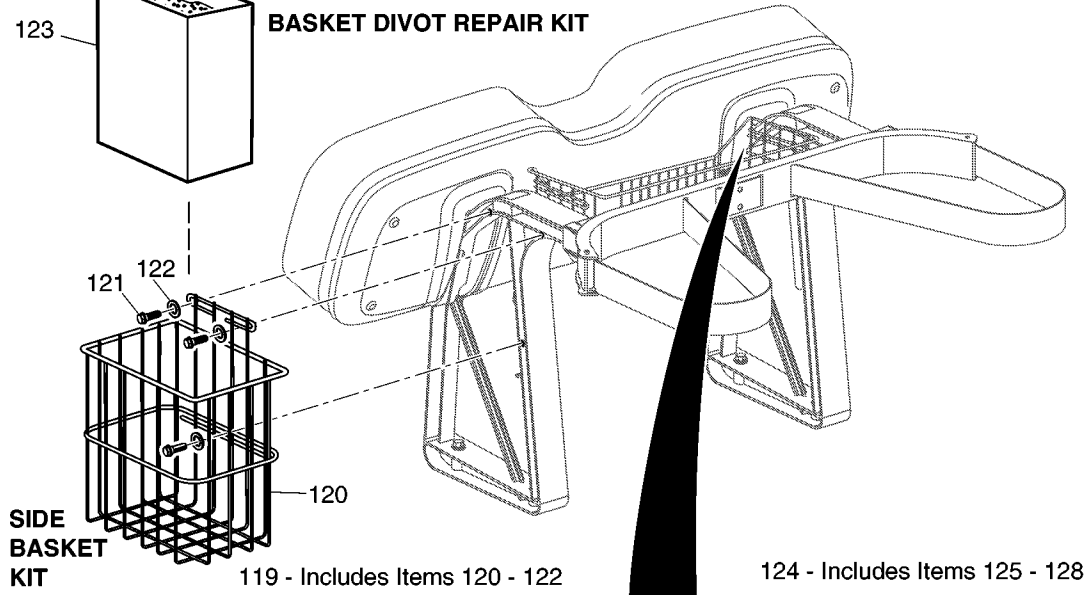
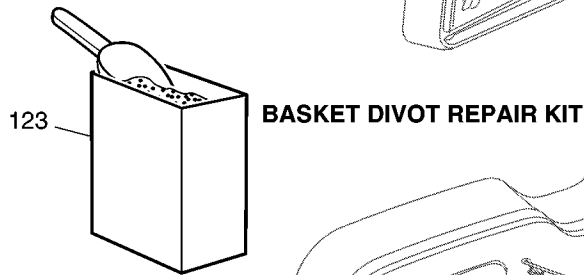
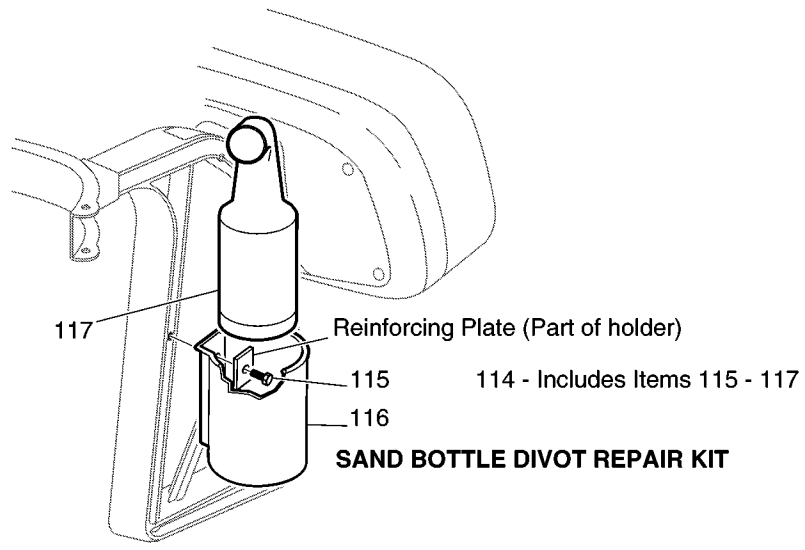
SHUTTLE 2+2 AND CONVERTIBLE CARRIER

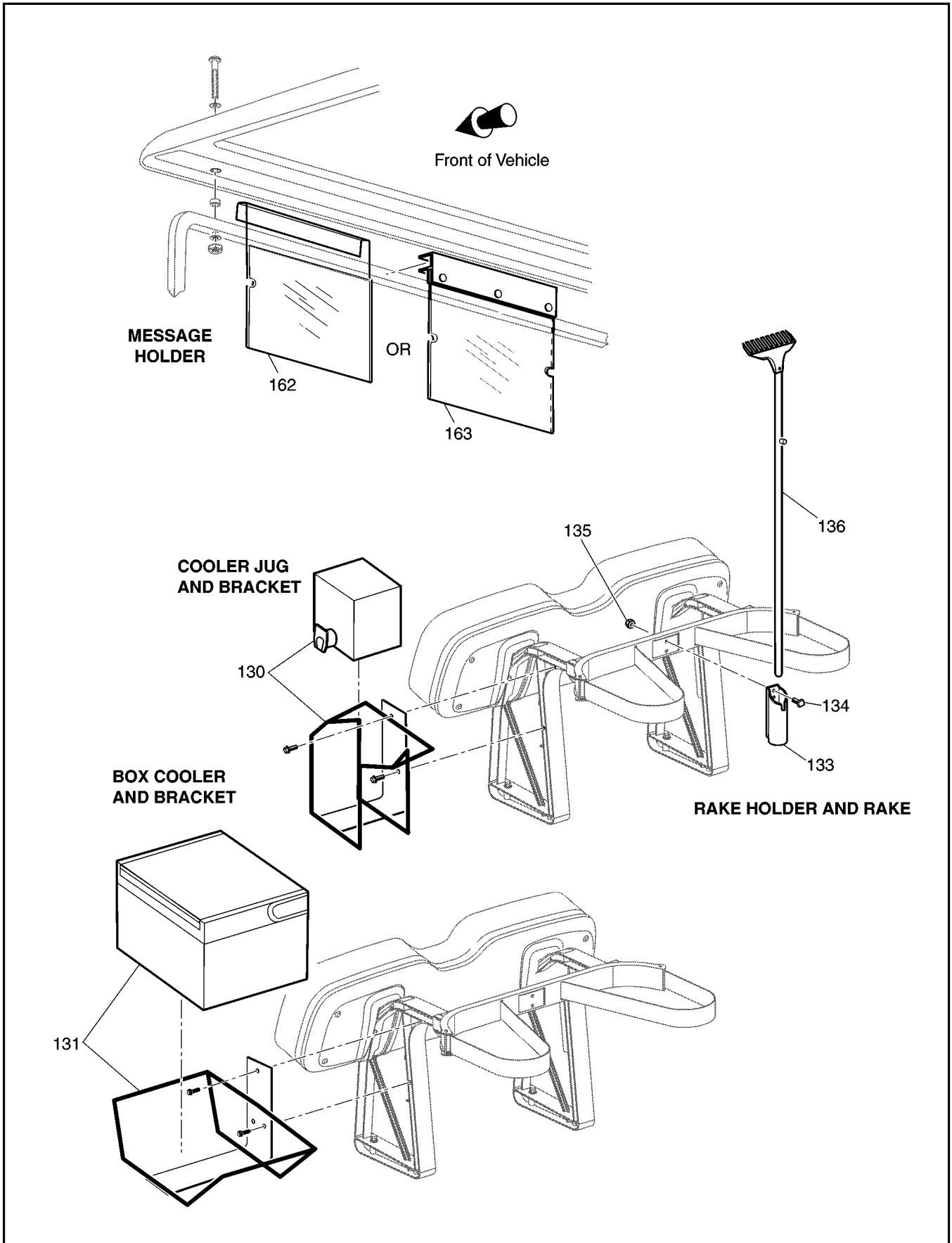


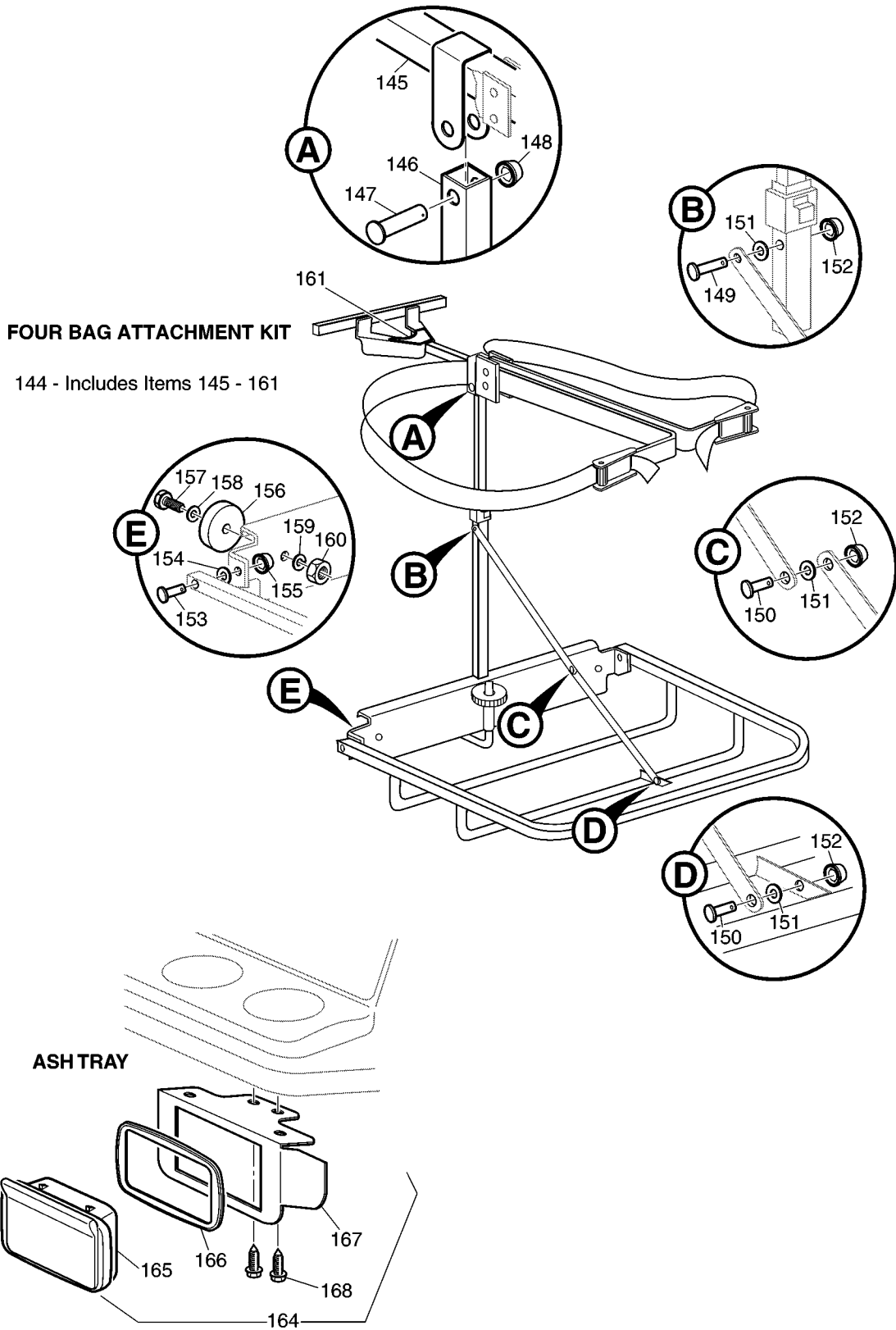
Items 94 - 108 Are For Use On Shuttle 2+2 and Convertible Carrier Models Only



138 - Includes Items 139 - 142







When ordering parts, please specify the model and serial number of the product.

* Indicates a component that is not available as an individual part.

G** Indicates consult Customer Service Department for additional information.

ITEM	PART NO.	1 2 3 4 5	DESCRIPTION	QTY.
1	71151-G01		INSTRUMENT PANEL ASSEMBLY (INCLUDES ITEMS 2 - 5)	1
2	71153-G01		DEFLECTOR (PASSENGER SIDE)	1
3	71154-G01		DEFLECTOR (DRIVER SIDE)	1
4	00614-G5		SCREW, #8 - 18 X 5/8" LG.....	6
5	71158-G01		INSTRUMENT PANEL INSERT (FOUR CUP)	1
6	27826-G01		LABEL (SAFETY).....	1
7				
8				
9	71413-G01		SPLASH PANEL.....	1
10	16816-G2		RATCHET FASTENER, 1/4" X 3/4" LG	4
11	16816-G2		RATCHET FASTENER, 1/4" X 3/4" LG	1
12				
13				
14	71115-G01		VINYL TRIM	2
15	71055-G01		RIVET, 3/16" X 3/8" LG	10
16				
17	01038-G01		BOLT, 1/4 - 20 X 1/2" LG.....	4
18	16469-G1		WASHER, 1/4"	2
19	01057-G01		RIVET, KTR, 1/4" X 1" LG	2
20	27166-G02		FRONT SHIELD	1
21	70725-G01		FRONT SHIELD BRACE.....	2
22	70662-G01		UPPER FLOORPAN	1
23				
24	70451-G01		LOWER FLOORPAN.....	1
25	70452-G01		ACCESS COVER.....	1
26	14601-G11		RIVET, 3/16" X 9/16" LG	16
27	70663-G01		FLOORMAT.....	1
28	70663-G02		FLOORMAT WITH HORN HOLE	1
29				
30				

BODY AND ASSOCIATED PARTS

Gasoline Vehicle

When ordering parts, please specify the model and serial number of the product.

* Indicates a component that is not available as an individual part.

G** Indicates consult Customer Service Department for additional information.

ITEM	PART NO.	1 2 3 4 5	DESCRIPTION	QTY.
31	71051-G**		COWL	1
32	71055-G01		RIVET, 3/16" X 3/8" LG	9
33	10570-G11		RIVET, 3/16" X 3/4" LG	2
34	71056-G01		BOLT, 5/16 - 18 X 5/8" LG	4
35	00570-G2		WASHER, 5/16.....	4
36	00438-G6		BOLT, 5/16 - 18 X 3/4" LG (WITH TOP)	2
37	00571-G2		WASHER, 5/16" (WITH TOP)	2
38				
39	71037-G02		E-Z-GO NAMEPLATE (GOLD).....	1
40	12064-G3		PUSHNUT, 3/16"	2
41				
42	*		SERIAL NUMBER PLATE.....	1
43	*		EC PLATE	1
44	01041-G01		RIVET, 5/32" X 7/8" LG	4
45				
46	70244-G02		SPLASH PANEL.....	1
47	70245-G01		BATTERY TRAY.....	1
48	00715-G2		BOLT, 5/16 - 18 X 13/16" LG	8
49	22744-G1		BAGWELL NOISE SUPPRESSOR.....	1
50	71812-G01		FENDER LINER (PASSENGER SIDE)	1
51	71812-G02		FENDER LINER (DRIVER SIDE).....	1
52	16816-G2		RATCHET FASTENER, 1/4" X 3/4" LG	8
53	70440-G01		SEAT FRAME (FOR DUAL CABLE DIRECTION SELECTOR)	1
54	70440-G03		SEAT FRAME (FOR SINGLE CABLE DIRECTION SELECTOR)	1
55	00715-G2		BOLT, 5/16 - 18 X 13/16" LG	2
56	72112-G01		SEAT SUPPORT NOISE SUPPRESSOR.....	1
57	71912-G**		REAR BODY (WITHOUT TAILLIGHTS) (INCLUDES ITEMS 59, 60)	1
58	71334-G**		REAR BODY (WITH TAILLIGHTS) (INCLUDES ITEMS 59, 60).....	1
59	71318-G01		BAGWELL LINER.....	1
60	16816-G1		RATCHET FASTENER, 1/4" X 5/8" LG	26

When ordering parts, please specify the model and serial number of the product.

* Indicates a component that is not available as an individual part.

G** Indicates consult Customer Service Department for additional information.

ITEM	PART NO.	1 2 3 4 5	DESCRIPTION	QTY.
61	75126-G01		FENDER SCUFFGUARD (DRIVER SIDE)	1
62	75126-G02		FENDER SCUFFGUARD (PASSENGER SIDE).....	1
63	16816-G2		RATCHET FASTENER, 1/4" X 3/4" LG	8
64	71320-G01		ACCESS PANEL	1
65	71002-G01		SCREW, #8 X 5/8" LG.....	5
66	71364-G02		"J" CLIP	1
67	10570-G12		RIVET, 1/4" X 1/2" LG	4
68	10570-G10		RIVET, 5/32" X 9/16" LG	6
69	18436-G1		PLASTIC DRIVE RIVET, 1/4" X 5/8" LG	2
70	71609-G01		SEAT HINGE PLATE.....	2
71	10570-G11		RIVET, 3/16" X 3/4" LG	4
72	70939-G01		REAR BUMPER.....	1
73	00559-G8		WASHER, 5/16"	4
74	71102-G01		BOLT, 1/4 - 20 X 3/4" LG.....	4
75	71514-G01		BUMPER PLUG	4
76	14601-G17		RIVET, 3/16" X 9/16" LG	4
77	71456-G01		NOTCHED REAR BUMPER	1
78	71398-G01		BOLT, 1/4 - 20 X 1 1/4" LG.....	4
79	71455-G01		BUMPER PLUG	4
80				
81				
82				
83	71501-G01		ROCKER PANEL (PASSENGER SIDE)	1
84	71502-G01		ROCKER PANEL (DRIVER SIDE)	1
85	15058-G6		RIVET, 3/16" X 3/4" LG	4
86	23726-G4		SPACER.....	4
87				
88	71507-G01		SILL PLATE (PASSENGER SIDE).....	1
89	71507-G02		SILL PLATE (DRIVER SIDE)	1
90	16705-G1		SCREW, 1/4 - 20 X 1" LG (STAINLESS STEEL)	4

BODY AND ASSOCIATED PARTS

Gasoline Vehicle

When ordering parts, please specify the model and serial number of the product.

* Indicates a component that is not available as an individual part.

G** Indicates consult Customer Service Department for additional information.

ITEM	PART NO.	1 2 3 4 5	DESCRIPTION	QTY.
91	23726-G4		SPACER.....	4
92	00891-G2		LOCK NUT, 1/4 - 20	4
93				
94	74126-G01		VERTICAL FRAME SUPPORT (PASSENGER SIDE)	1
95	74126-G02		VERTICAL FRAME SUPPORT (DRIVER SIDE)	1
96	00427-G4		BOLT, 3/8 - 16 X 1 1/2" LG	2
97	00560-G1		WASHER, 3/8"	10
98	11098-G5		LOCK NUT, 3/8 - 16	10
99	00769-G2		CARRIAGE BOLT, 3/8 - 16 X 1 1/4" LG	2
100	00426-G8		BOLT, 3/8 - 16 X 1" LG	2
101	74149-G01		VALANCE PANEL	1
102	16816-G2		RATCHET FASTENER, 1/4" X 3/4" LG	4
103	19853-G1		END CAP, 1"	2
104	70361-G01		FOOTREST ASSEMBLY (INCLUDES ITEMS 105 - 108).....	1
105	74129-G01		REFLECTOR.....	1
106	74132-G01		LABEL (WARNING).....	1
107	70362-G01		FLOORMAT	1
108	70350-G01		FOOTREST	1
109	23676-G1		DECAL (FREEDOM)	AR
110	27504-G01		DECAL (FREEDOM HP)	AR
111	35434-G01		DECAL (SHUTTLE).....	AR
112	35430-G19		DECAL (2+2).....	AR
113				
114	75009-G01		SAND BOTTLE DIVOT REPAIR KIT (INCLUDES ITEMS 115 - 117)	1
115	71102-G01		BOLT, 1/4 - 20 X 3/4" LG	1
116	27374-G01		SAND BOTTLE HOLDER.....	1
117	27373-G01		SAND BOTTLE.....	1
118				
119	75007-G02		SIDE BASKET KIT (INCLUDES ITEMS 120 - 122)	1
120	75460-G01		SIDE BASKET	1

When ordering parts, please specify the model and serial number of the product.

* Indicates a component that is not available as an individual part.

G** Indicates consult Customer Service Department for additional information.

ITEM	PART NO.	1 2 3 4 5	DESCRIPTION	QTY.
121	71102-G01		BOLT, 1/4 - 20 X 3/4" LG	3
122	01031-G01		FLAT WASHER, 1/4"	3
123	23300-G01		BASKET DIVOT REPAIR KIT (INCLUDES SCOOP).....	1
124	75003-G02		CENTER BASKET KIT (INCLUDES ITEMS 125 - 128).....	1
125	75461-G01		CENTER BASKET.....	1
126	71102-G01		BOLT, 1/4 - 20 X 3/4" LG	2
127	01031-G01		FLAT WASHER, 1/4"	2
128	01032-G01		PLASTITE SCREW, #10 X 5/8" LG.....	2
129				
130	75495-G01		COOLER JUG AND BRACKET KIT.....	1
131	75344-G01		BOX COOLER AND BRACKET KIT	1
132				
133	25885-G01		RAKE HOLDER	1
134	00989-G06		SQUARE HEAD BOLT, 1/4 - 20 X 3/4" LG.....	2
135	11027-G2		LOCK NUT, 1/4 - 20	2
136	14735-G1		RAKE	1
137				
138	75183-G01		TWO BAG ATTACHMENT KIT (INCLUDES ITEMS 139 - 142).....	1
139	75188-G01		BAG ATTACHMENT	1
140	22238-G2		KNOB, 3/8 - 16 X 1 1/2" LG.....	1
141	17255-G1		TEFLON WASHER, 5/16"	1
142	75187-G01		SUPPORT BRACKET	1
143				
144	75355-G01		FOUR BAG ATTACHMENT KIT (INCLUDES ITEMS 145 - 161).....	1
145	*		TOP ASSEMBLY	1
146	*		BOTTOM ASSEMBLY	1
147	17651-G2		CLEVIS PIN, 5/16 X 1 1/4" LG	1
148	28129-G01		PUSH NUT, 5/16"	1
149	17651-G2		CLEVIS PIN, 5/16 X 1 1/4" LG	1
150	17651-G3		CLEVIS PIN, 5/16 X 5/8" LG	2

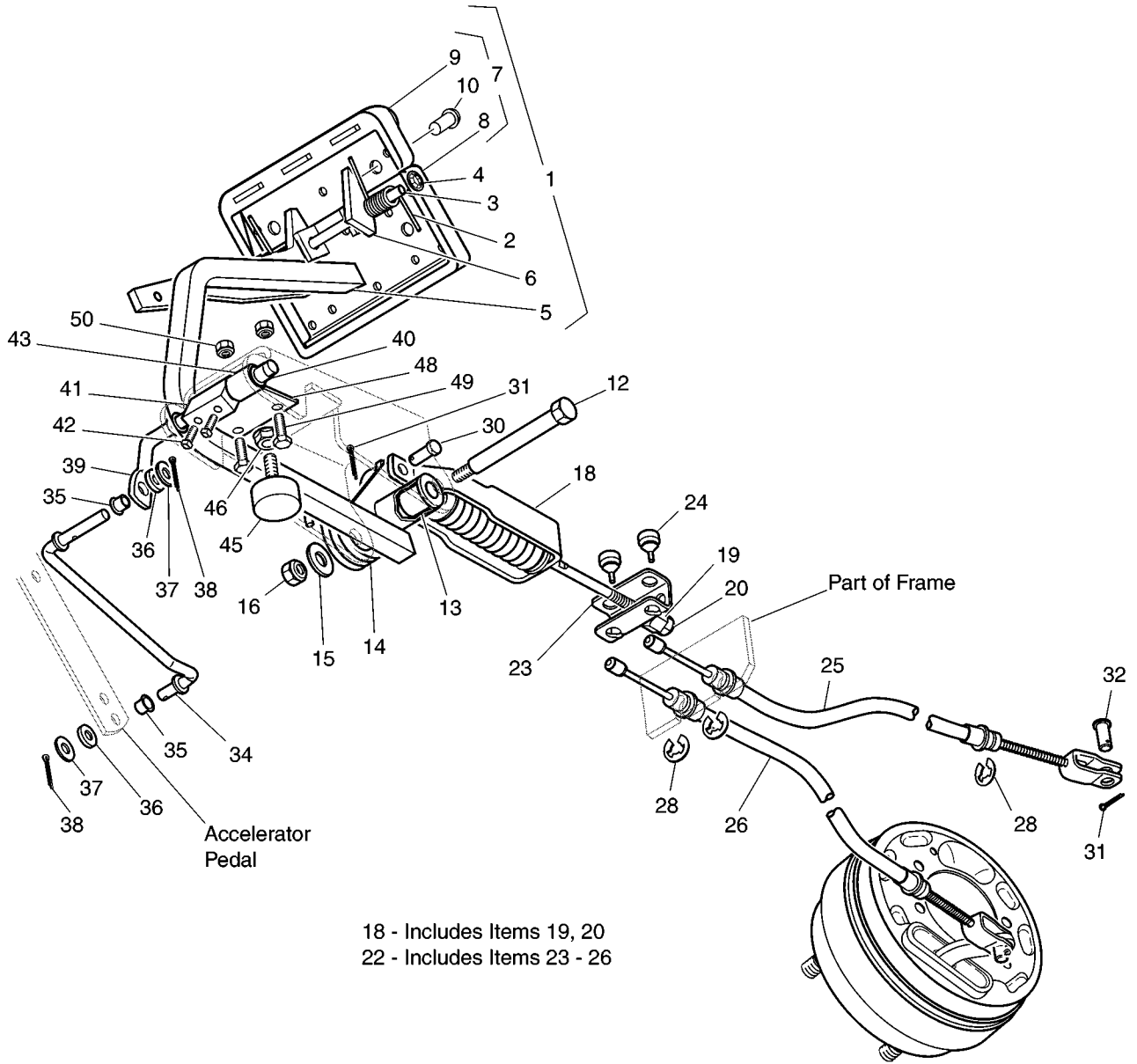
BODY AND ASSOCIATED PARTS**Gasoline Vehicle**

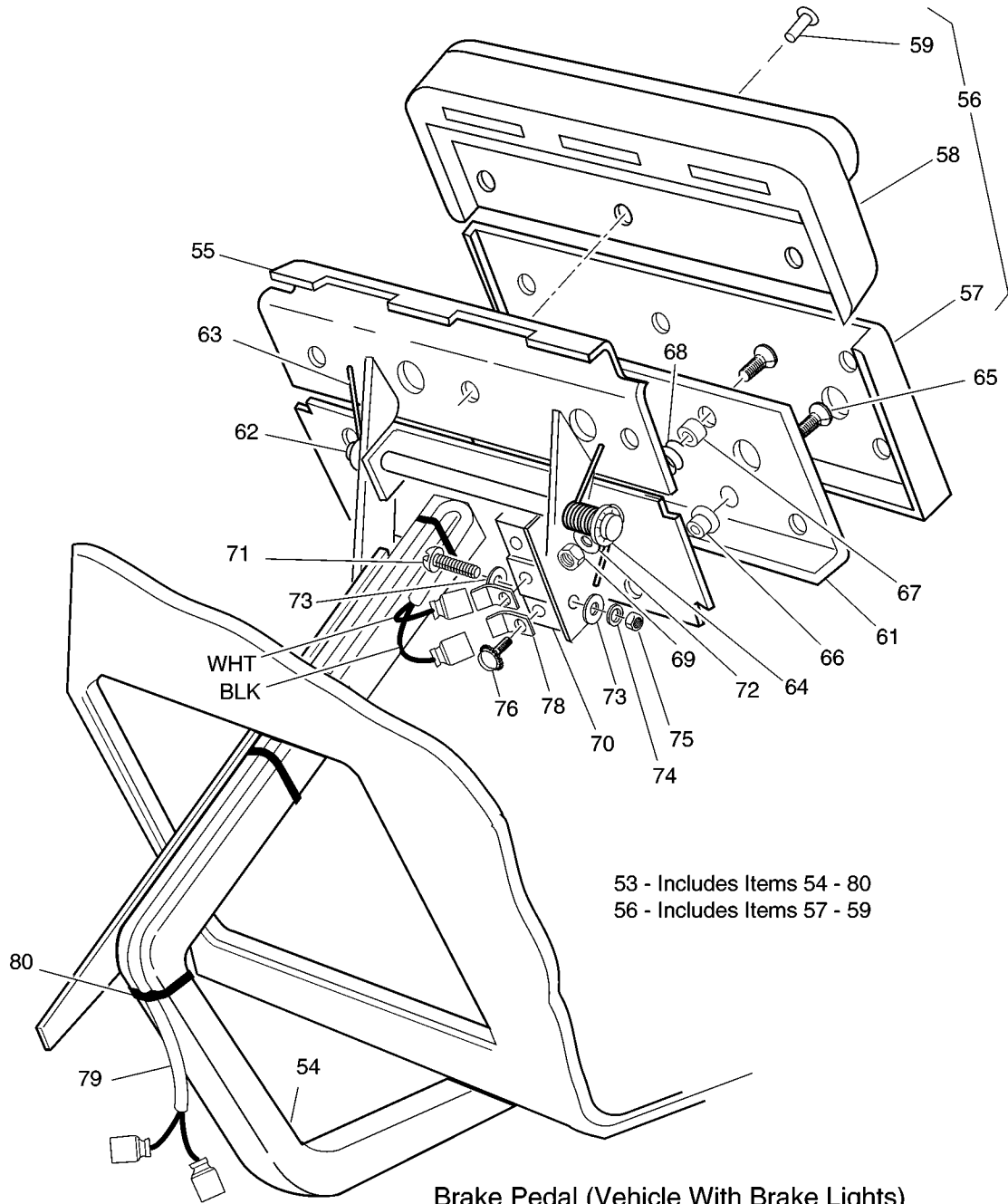
When ordering parts, please specify the model and serial number of the product.

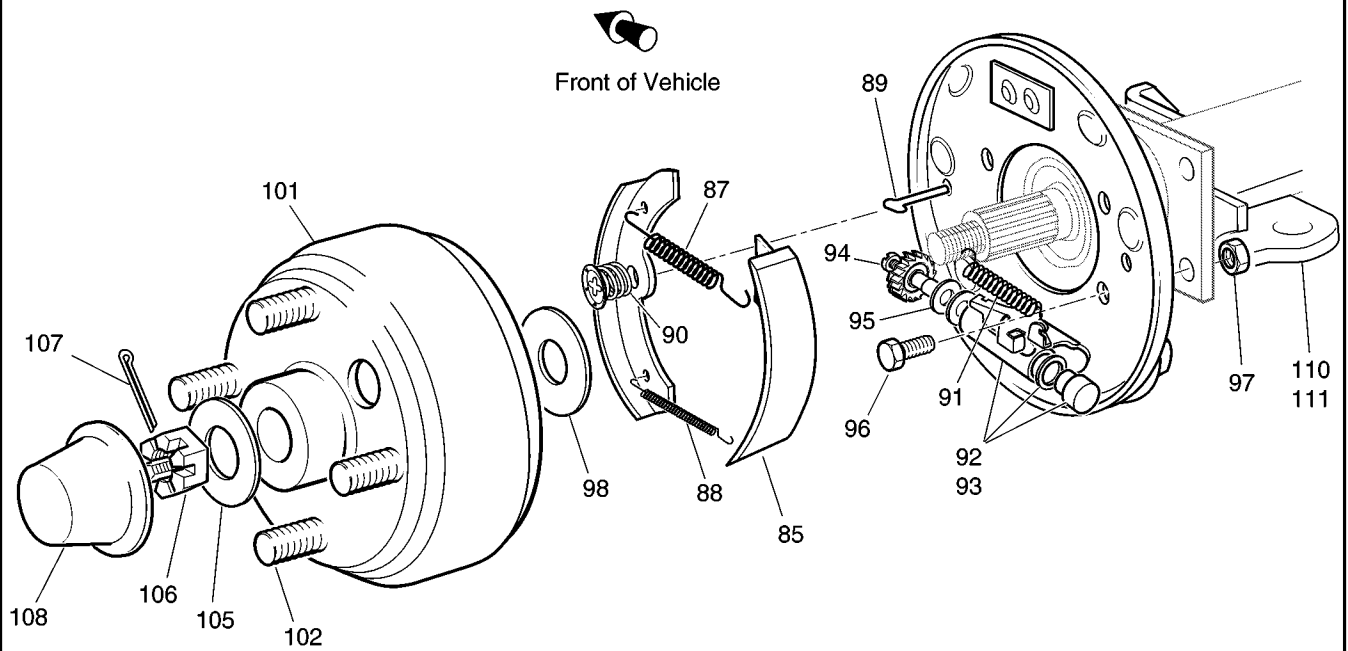
* Indicates a component that is not available as an individual part.

G** Indicates consult Customer Service Department for additional information.

ITEM	PART NO.	1 2 3 4 5	DESCRIPTION	QTY.
151	00559-G8		WASHER, 5/16".....	3
152	28129-G01		PUSH NUT, 5/16"	3
153	*		CLEVIS PIN 3/8 X 1 1/4" LG	2
154	00560-G1		WASHER, 3/8".....	2
155	*		PUSH NUT, 3/8"	2
156	13728-G1		RUBBER BUMPER	2
157	00150-G6		SCREW, #10 - 24 X 3/4" LG.....	2
158	00559-G5		WASHER, #10.....	2
159	00565-G5		LOCK WASHER, #10	2
160	00526-G3		NUT, #10 - 24	2
161	*		WARNING LABEL	1
162	75509-G01		MESSAGE HOLDER (ONE PIECE).....	1
163	75496-G01		MESSAGE HOLDER.....	1
164	75109-G02		ASH TRAY KIT (INCLUDES ITEMS 165 - 168)	1
165	27731-G01		ASH TRAY	1
166	27736-G01		GASKET	1
167	75108-G01		BRACKET.....	1
168	00100-G4		SCREW, #10 - 16 X 1/2" LG.....	4
169				
170	01038-G01		BOLT, 1/4 - 20 x 11/16" LG.....	2
171	01042-G01		J-TYPE NUT RETAINER.....	2
172	71457-G01		BUMPER STAY	4
173				
174	74024-G01		SEAT WRAP NOISE SUPPRESSOR	1
175				
176				
177	75268-G01		SUPPORT TUBE	1
178	00106-G6		SCREW, #12 - 24 X 3/4" LG	2
179	19859-G1		END CAP, 3/4"	2
180	20271-G2		HOLE PLUG, 1/2"	2







- 82 - Includes Items 84 - 92, 94, 95
- 83 - Includes Items 84 - 91, 93 - 95
- 84 - Includes Items 85
- 86 - Includes Items 87 - 91
- 92 - Includes Items 94, 95
- 93 - Includes Items 94, 95
- 100 - Includes Items 101, 102

When ordering parts, please specify the model and serial number of the product.

* Indicates a component that is not available as an individual part.

G** Indicates consult Customer Service Department for additional information.

ITEM	PART NO.	1 2 3 4 5	DESCRIPTION	QTY.
1	70612-G01		BRAKE PEDAL ASSEMBLY (WITHOUT BRAKE LIGHTS) (INCLUDES ITEMS 2 - 10)	1
2	70681-G01		TORSION SPRING	2
3	70682-G01		PIVOT PIN.....	1
4	01071-G01		PUSHNUT, 5/16"	2
5	*		BRAKE PEDAL.....	1
6	70611-G01		PARK BRAKE PEDAL.....	1
7	70274-G01		BRAKE/PARK BRAKE PEDAL PAD KIT (INCLUDES ITEMS 8 - 10).....	1
8	*		SERVICE BRAKE PAD	1
9	*		PARK BRAKE PEDAL PAD.....	1
10	15766-G1		OVAL RIVET, 3/16" X 3/8" LG	9
11				
12	70582-G01		SHOULDER BOLT, 3/8 - 16 X 4" LG.....	1
13	70581-G01		FLANGED BUSHING	2
14	70676-G01		TORSION SPRING	1
15	00643-G1		WASHER, 3/8"	1
16	11098-G5		LOCK NUT, 3/8 - 16	1
17				
18	70272-G04		COMPENSATOR ASSEMBLY (INCLUDES ITEMS 19, 20).....	1
19	00963-G01		SPHERICAL NUT, 5/16 - 24.....	1
20	11098-G9		LOCK NUT, 5/16 - 24.....	1
21				
22	70716-G03		EQUALIZER AND BRAKE CABLE ASSEMBLY (INCLUDES ITEMS 23-26)	1
23	28082-G01		EQUALIZER BRACKET	1
24	28083-G01		BRAKE COMPENSATOR BUMPER.....	2
25	*		BRAKE CABLE (DRIVER SIDE)	1
26	*		BRAKE CABLE (PASSENGER SIDE).....	1
27				
28	12305-G1		RETAINING RING.....	4
29				

BRAKES**Gasoline Vehicle**

When ordering parts, please specify the model and serial number of the product.

* Indicates a component that is not available as an individual part.

G** Indicates consult Customer Service Department for additional information.

ITEM	PART NO.	1 2 3 4 5	DESCRIPTION	QTY.
30	10386-G3		CLEVIS PIN, 5/16" X 1" LG.....	1
31	10387-G3		COTTER PIN, 3/32" X 3/4" LG.....	3
32	14443-G2		CLEVIS PIN, 5/16" X 3/4" LG.....	2
33				
34	70601-G01		KICK-OFF LINK	1
35	17838-G1		NYLON BUSHING.....	2
36	20835-G1		TEFLON WASHER, 3/8"	2
37	00559-G8		WASHER, 5/16"	2
38	10387-G3		COTTER PIN, 3/32" X 3/4" LG.....	2
39	70098-G01		KICK-OFF CAM PIVOT.....	1
40	10097-G6		FLANGED BEARING	2
41	70587-G01		KICK-OFF CAM.....	1
42	71215-G01		SETSCREW, 1/4 - 20 X 1/2" LG	2
43	14134-G4		SPACER.....	1
44				
45	70113-G01		ADJUSTABLE BUMPER.....	1
46	11027-G1		LOCK NUT, 5/16 - 18	1
47				
48	70080-G01		CATCH BRACKET	1
49	00414-G6		BOLT, 1/4 - 20 X 3/4" LG.....	2
50	00891-G2		LOCK NUT, 1/4 - 20	2
51				
52				
53	70690-G01		BRAKE PEDAL ASSEMBLY (WITH BRAKE LIGHTS) (INCLUDES ITEMS 54 - 80)	1
54	*		BRAKE PEDAL.....	1
55	70611-G01		PARK BRAKE PEDAL	1
56	70274-G01		BRAKE/PARK BRAKE PEDAL PAD KIT (INCLUDES ITEMS 57 - 59)	1
57	*		SERVICE BRAKE PAD	1
58	*		PARK BRAKE PAD	1

When ordering parts, please specify the model and serial number of the product.
 * Indicates a component that is not available as an individual part.
 G** Indicates consult Customer Service Department for additional information.

ITEM	PART NO.	1	2	3	4	5	DESCRIPTION	QTY.
59	15766-G1						OVAL RIVET, 3/16" x 3/8" LG.....	9
60								
61	70258-G02						SERVICE BRAKE PEDAL PLATE.....	1
62	70682-G01						PIVOT PIN.....	1
63	70681-G01						TORSION SPRING	2
64	12064-G1						PUSHNUT, 5/16"	1
65	00737-G8						SCREW, #10 - 24 X 1" LG.....	4
66	00739-G1						RUBBER NUT, #10 - 24	2
67	22362-G3						BRAKE PEDAL STANDOFF	2
68	27137-G01						CONICAL SPRING.....	2
69	11098-G7						LOCK NUT, #10 - 24.....	2
70	10606-G8						MICRO SWITCH	1
71	00957-G1						SCREW, #6 - 32 X 1 1/4" LG.....	2
72	00559-G5						WASHER, #10.....	2
73	00559-G3						WASHER, #6.....	4
74	00565-G3						LOCK WASHER, #6.....	2
75	00525-G5						NUT, #6 - 32	2
76	13514-G1						SCREW AND LOCK WASHER, #6	2
77								
78	14628-G1						FASTON TAB	2
79	24605-G1						WIRE HARNESS (BRAKE LIGHT).....	1
80	17618-G1						WIRE TIE.....	3
81								
82	70793-G01						BRAKE ASSEMBLY (DRIVER SIDE) (INCLUDES ITEMS 84 - 92, 94, 95).....	1
83	70793-G02						BRAKE ASSEMBLY (PASSENGER SIDE) (INCLUDES ITEMS 84 - 91, 93 - 95)	1
84	70794-G01						BRAKE SHOE KIT (INCLUDES ITEM 85)	2
85	*						BRAKE SHOE.....	2
86	27944-G01						BRAKE SPRING KIT (INCLUDES ITEMS 87 - 91)	2
87	*						UPPER SPRING	1

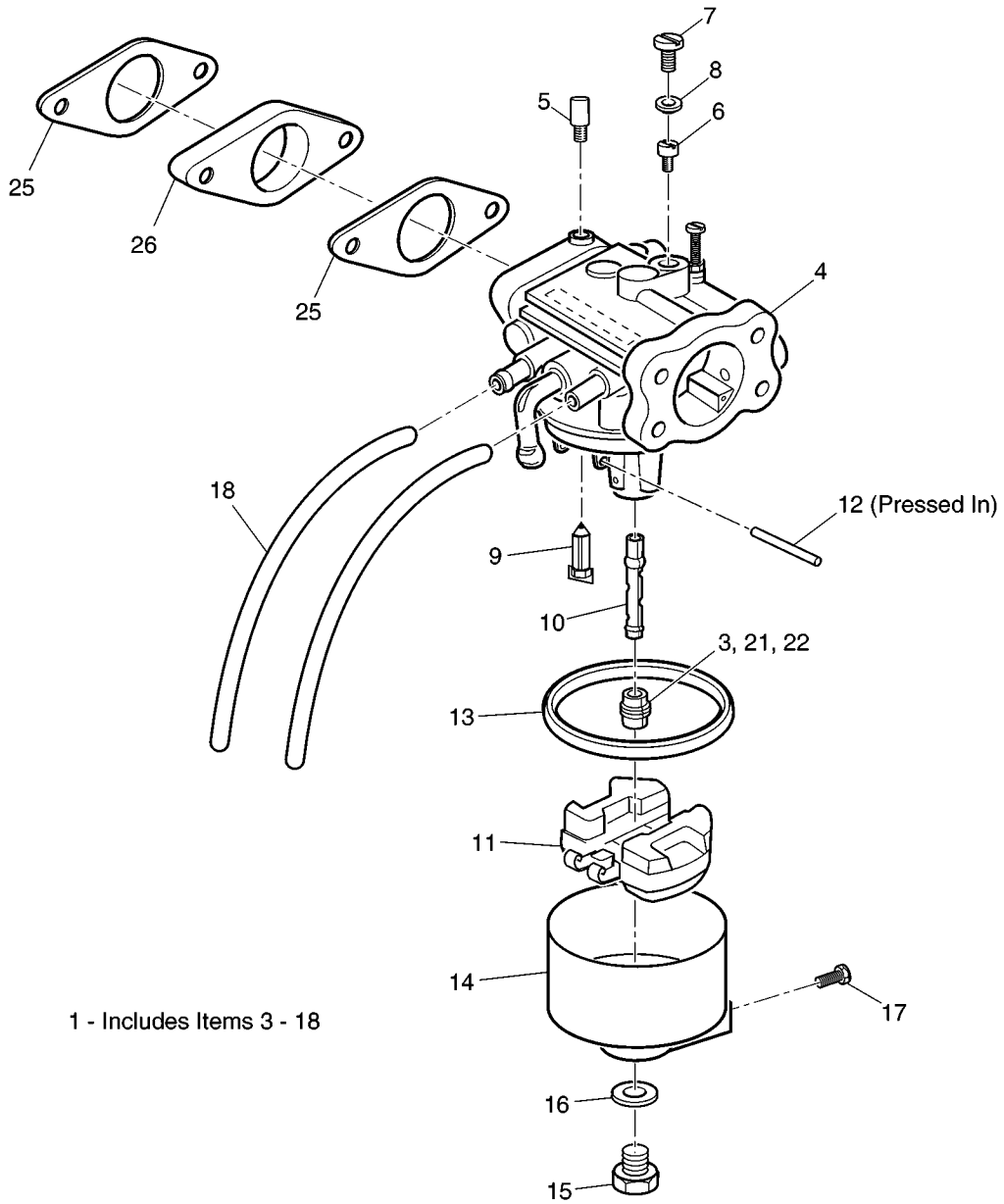
BRAKES**Gasoline Vehicle**

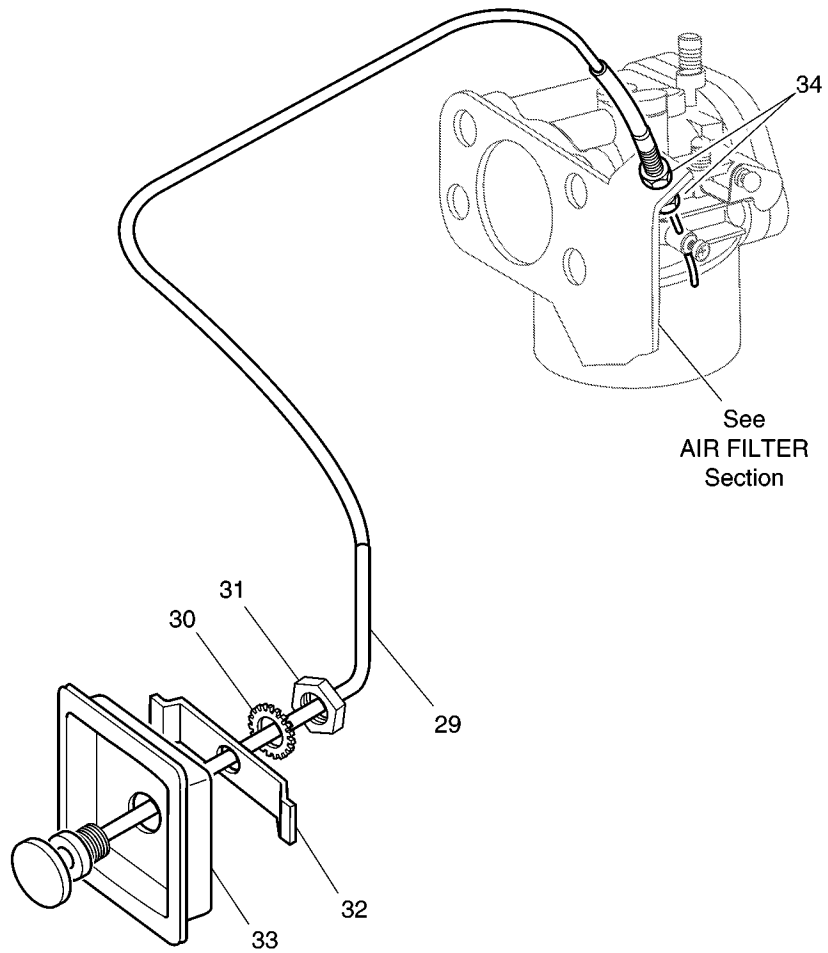
When ordering parts, please specify the model and serial number of the product.

* Indicates a component that is not available as an individual part.

G** Indicates consult Customer Service Department for additional information.

ITEM	PART NO.	1	2	3	4	5	DESCRIPTION	QTY.
88	*						LOWER SPRING	1
89	*						PIN	2
90	*						CUP AND SPRING	2
91	*						ADJUSTER SPRING.....	1
92	72582-G01						BRAKE ADJUSTER KIT (DRIVER SIDE) (INCLUDES ITEMS 94, 95).....	1
93	72582-G02						BRAKE ADJUSTER KIT (PASSENGER SIDE) (INCL. ITEMS 94, 95)	1
94	*						ADJUSTER	1
95	*						TEFLON WASHER	2
96	17083-G2						BOLT, 5/16 - 24 X 1" LG.....	8
97	15126-G1						LOCK NUT, 5/16 - 24	8
98	21809-G1						INNER BRAKE DRUM WASHER, 1 5/16" O.D. X 1" I.D. X 1/32"	2
99								
100	21807-G1						BRAKE DRUM ASSEMBLY (INCLUDES ITEMS 101 - 102)	2
101	*						BRAKE DRUM.....	1
102	19862-G1						LUG BOLT, 1/2 - 20	4
103								
104								
105	21830-G1						OUTER BRAKE DRUM WASHER	2
106	00518-G8						SLOTTED NUT, 3/4 - 16.....	2
107	10387-G1						COTTER PIN, 1/8" X 1 1/2" LG.....	2
108	74175-G01						SPINDLE CAP	2
109								
110	72036-G01						BRAKE CABLE BRACKET (PASSENGER SIDE)	1
111	72036-G02						BRAKE CABLE BRACKET (DRIVER SIDE).....	1





CARBURETOR**Gasoline Vehicle**

When ordering parts, please specify the model and serial number of the product.

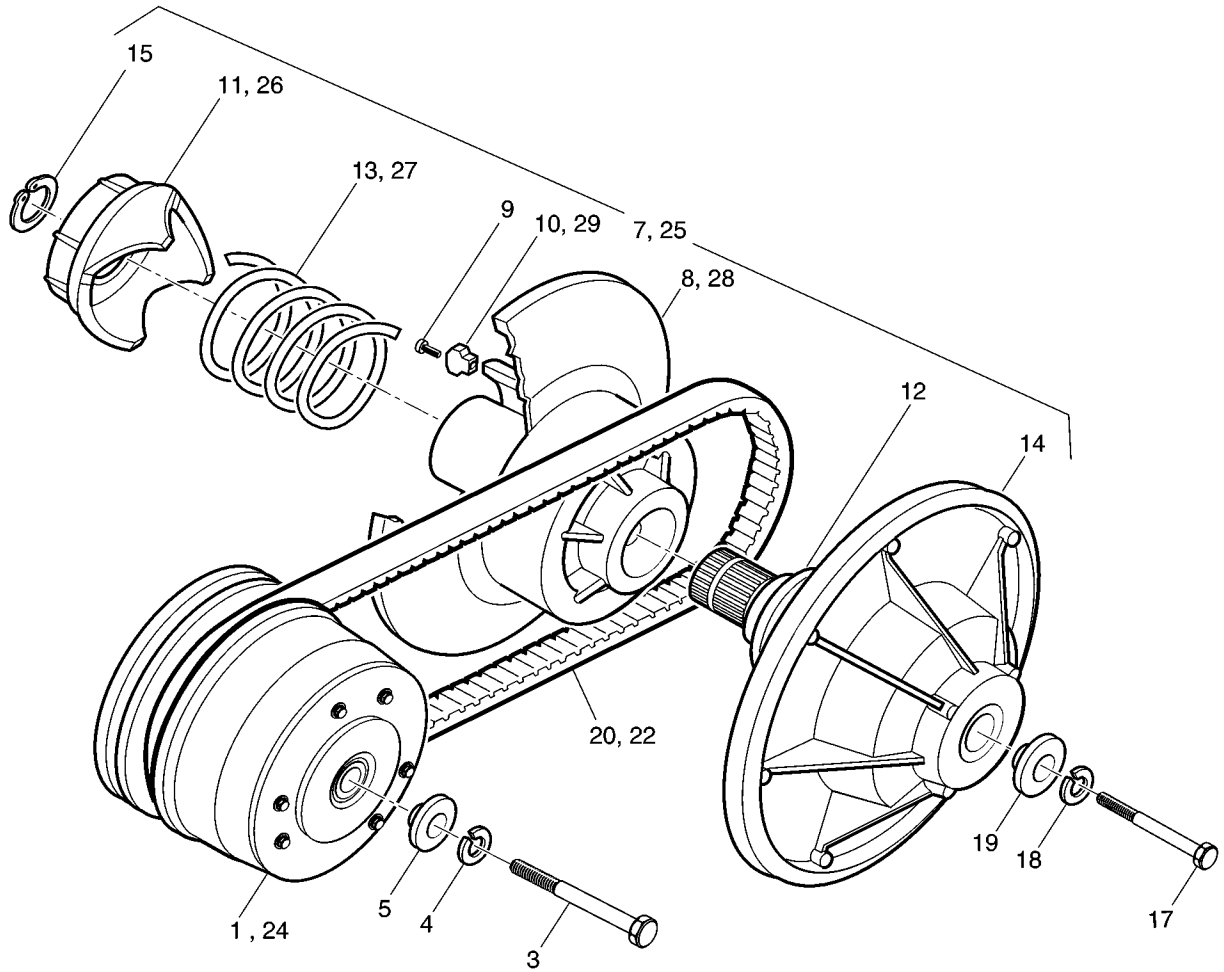
* Indicates a component that is not available as an individual part.

G** Indicates consult Customer Service Department for additional information.

ITEM	PART NO.	1 2 3 4 5	DESCRIPTION	QTY.
1	72558-G02		CARBURETOR ASSEMBLY (INCLUDES ITEMS 3 - 18)	1
2				
3	26646-G07		MAIN JET (#90).....	1
4	*		CARBURETOR BODY	1
5	*		PILOT SCREW.....	1
6	26649-G05		PILOT JET (#46)	1
7	26841-G01		PLUG.....	1
8	72306-G01		GASKET	1
9	72578-G01		NEEDLE VALVE	1
10	72576-G01		MAIN NOZZLE	1
11	26648-G01		FLOAT	1
12	26840-G01		FLOAT PIN	1
13	26843-G01		FLOAT BOWL GASKET	1
14	26844-G01		FLOAT CHAMBER	1
15	26839-G01		BOWL SCREW.....	1
16	26838-G01		BOWL GASKET	1
17	*		DRAIN SCREW	1
18	26650-G01		VENT TUBE	2
19				
20				
21	26646-G08		MAIN JET (#86) (FOR ELEVATIONS OF 3000 FT - 6000 FT).....	1
22	26646-G02		MAIN JET (#84) (FOR ELEVATIONS OF 6000 FT - 10000 FT).....	1
23				
24				
25	26726-G01		CARBURETOR MOUNT GASKET	2
26	26637-G01		CARBURETOR INSULATOR.....	1
27				
28				
29	25693-G04		CHOKE CABLE (WITH NUTS)	1
30	00568-G4		LOCK WASHER, 9/16".....	1

When ordering parts, please specify the model and serial number of the product.
 * Indicates a component that is not available as an individual part.
 G** Indicates consult Customer Service Department for additional information.

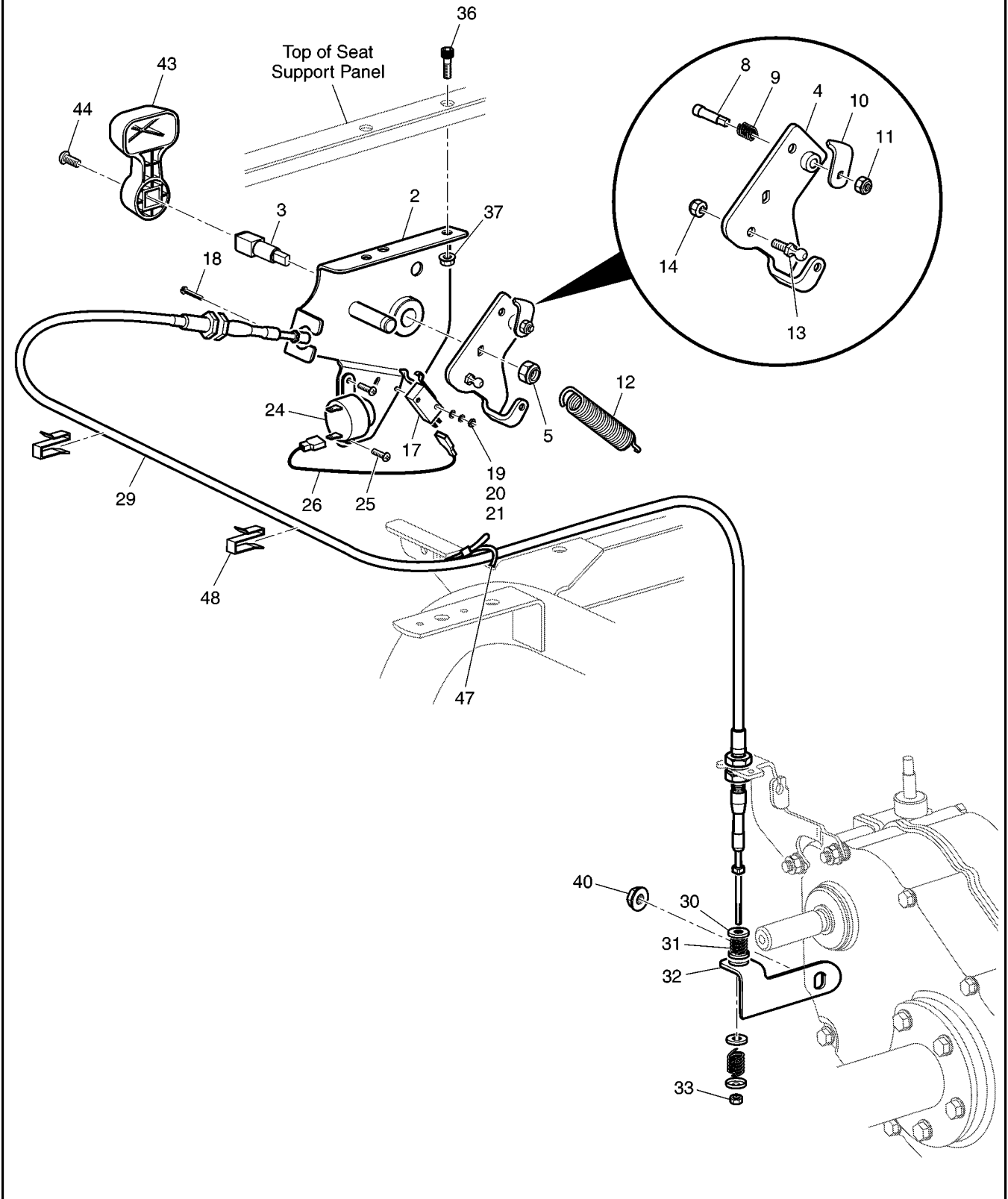
ITEM	PART NO.	1 2 3 4 5 DESCRIPTION	QTY.
31	00545-G4	NUT, 9/16 - 18	1
32	72155-G01	RETAINER	1
33	72154-G01	CHOKE CABLE ADAPTER.....	1
34	00544-G4	JAM NUT, 5/16 - 24	2



When ordering parts, please specify the model and serial number of the product.
 * Indicates a component that is not available as an individual part.
 G** Indicates consult Customer Service Department for additional information.

ITEM	PART NO.	1 2 3 4 5	DESCRIPTION	QTY.
1	26952-G01		DRIVE CLUTCH	1
2				
3	00473-G9		BOLT, 7/16 - 20 X 6 1/2" LG	1
4	00566-G2		LOCK WASHER, 7/16"	1
5	25757-G1		PILOT WASHER	1
6				
7	26301-G02		DRIVEN CLUTCH ASSEMBLY (INCLUDES ITEMS 8 - 15)	1
8	*		MOVABLE SHEAVE (INCLUDES ITEMS 9 -10)	1
9	00979-G01		SCREW, #10 - 24 X 7/8" LG	3
10	26479-G01		RAMP BUTTON	3
11	*		CAM.....	1
12	24600-G1		SPACER	1
13	26304-G01		COMPRESSION SPRING	1
14	*		SHEAVE AND POST	1
15	27270-G01		HEAVY DUTY RETAINING RING.....	1
16				
17	00441-G8		BOLT, 5/16 - 18 X 4" LG.....	1
18	00565-G8		LOCK WASHER, 5/16"	4
19	25756-G1		RETAINING WASHER	1
20	72054-G01		DRIVE BELT	1
21				
22	72328-G01		DRIVE BELT (HIGH ALTITUDE).....	1
23				
24	26952-G01		DRIVE CLUTCH (HIGH ALTITUDE)	1
25	26301-G03		DRIVEN CLUTCH ASSEMBLY (HIGH ALTITUDE) (INCLUDES ITEMS 12, 14, 15, 26, 27, 28, 29).....	1
26	*		CAM.....	1
27	26304-G01		COMPRESSION SPRING	1
28	*		MOVABLE SHEAVE (INCLUDES ITEMS 9, 29).....	1
29	72324-G01		RAMP BUTTON, 4 CYCLE	3

1 - Includes Items 2 - 33



When ordering parts, please specify the model and serial number of the product.

* Indicates a component that is not available as an individual part.

G** Indicates consult Customer Service Department for additional information.

ITEM	PART NO.	1	2	3	4	5	DESCRIPTION	QTY.
1	72721-G01						DIRECTION SELECTOR ASSEMBLY (INCLUDES ITEMS 2 - 33)	1
2	74456-G01						DIRECTION SELECTOR BRACKET WITH BUSHING.....	1
3	70233-G01						DIRECTION SELECTOR SHAFT	1
4	72738-G01						DIRECTION SELECTOR CAM	1
5	14390-G1						LOCK NUT, 3/8 - 24.....	1
6								
7								
8	72724-G01						NEUTRAL LOCK PIN.....	1
9	72733-G01						COMPRESSION SPRING, 3/8" X 5/8" LG.....	1
10	72729-G01						NEUTRAL LOCK BRACKET	1
11	00734-G2						LOCK NUT, 1/4 - 28.....	1
12	28574-G01						EXTENSION SPRING.....	1
13	72732-G01						BALL STUD.....	1
14	00734-G5						LOCK NUT, #10 - 32.....	1
15								
16								
17	72736-G01						MICRO SWITCH	1
18	01062-G01						SCREW, #4 - 40 X 1" LG.....	2
19	00559-G1						WASHER, #4.....	2
20	00565-G1						LOCK WASHER, #4.....	2
21	00526-G2						NUT, #4 - 40	2
22								
23								
24	73290-G03						REVERSE WARNING BUZZER.....	1
25	01063-G01						SCREW, #6 - 32 X 3/8" LG.....	2
26	25978-G345						18 GA WIRE (RED 7").....	1
27								
28								
29	72734-G01						PUSH / PULL SHIFTER CABLE.....	1
30	25727-G01						CUP WASHER	4

DIRECTION SELECTOR - SINGLE CABLE

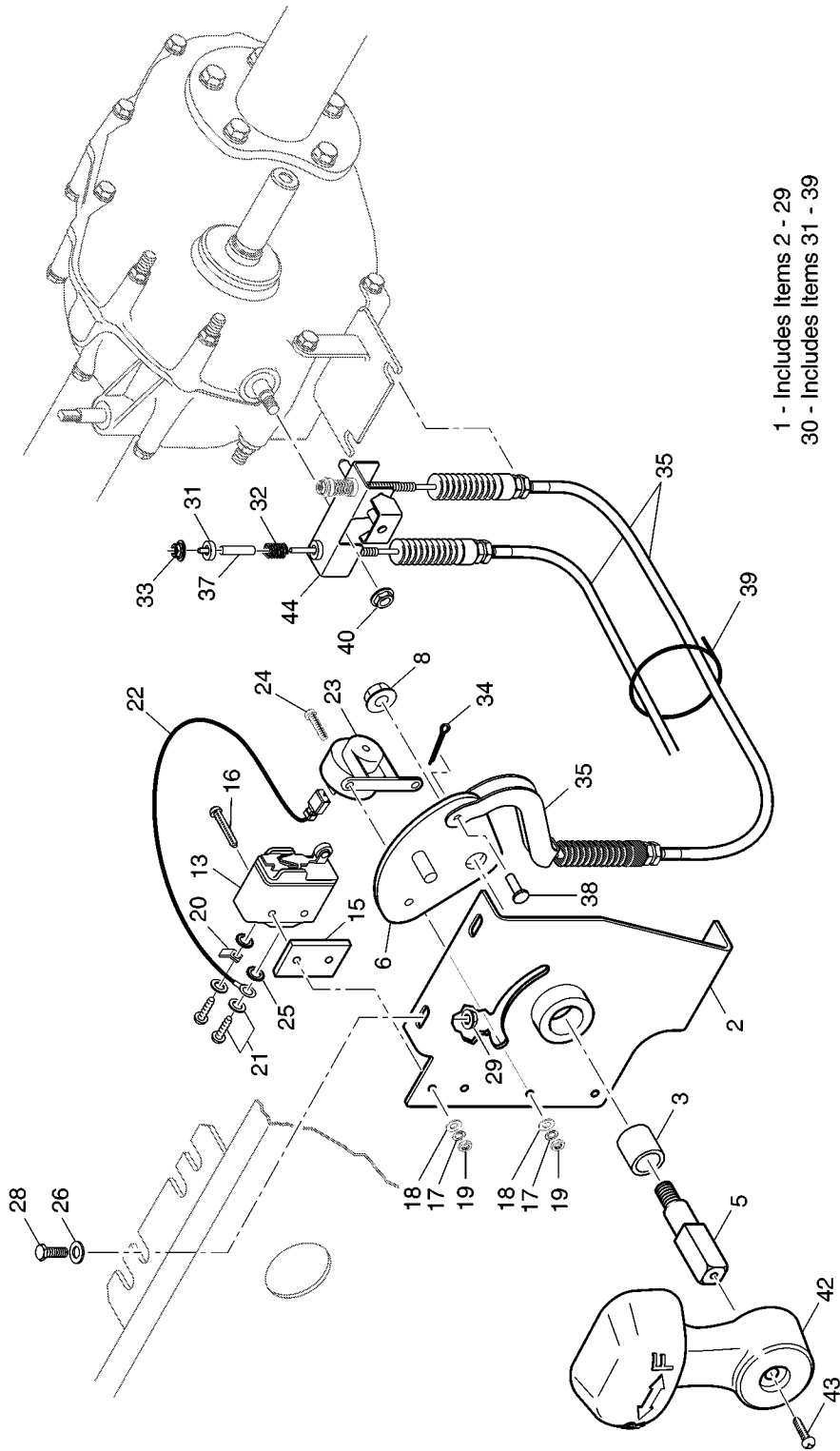
Gasoline Vehicle

When ordering parts, please specify the model and serial number of the product.

* Indicates a component that is not available as an individual part.

G** Indicates consult Customer Service Department for additional information.

ITEM	PART NO.	1 2 3 4 5	DESCRIPTION	QTY.
31	72735-G01		COMPRESSION SPRING, 19/32" X 1" LG	2
32	74455-G01		SHIFTER BRACKET WITH BUSHING.....	1
33	00734-G5		LOCK NUT, #10 - 32.....	1
34				
35				
36	70227-G01		SCREW, 1/4 - 20 X 7/8" LG	2
37	11027-G2		LOCK NUT, 1/4 - 20	2
38				
39				
40	26830-G01		LOCK NUT, M8 X 1.25 MM	1
41				
42				
43	71205-G01		DIRECTION SELECTOR HANDLE.....	1
44	00740-G4		SCREW, #10 - 32 X 1/2" LG (STAINLESS STEEL)	1
45				
46				
47	17618-G1		WIRE TIE	1
48	01072-G01		CABLE CLIP	2



When ordering parts, please specify the model and serial number of the product.

* Indicates a component that is not available as an individual part.

G** Indicates consult Customer Service Department for additional information.

ITEM	PART NO.	1 2 3 4 5	DESCRIPTION	QTY.
1	70594-G01		DIRECTION SELECTOR ASSEMBLY (INCLUDES ITEMS 2 - 29)	1
2	25684-G01		DIRECTION SELECTOR BRACKET	1
3	25664-G1		BUSHING	1
4				
5	27537-G01		DIRECTION SELECTOR SHAFT	1
6	25745-G01		DIRECTION SELECTOR CAM	1
7				
8	14390-G1		LOCK NUT, 3/8 - 24.....	1
9				
10				
11				
12				
13	10606-G1		MICRO SWITCH	1
14				
15	27151-G01		SPACER.....	1
16	00645-G2		SCREW, #6 - 32 X 1 1/4" LG.....	2
17	00565-G3		LOCK WASHER, #6	4
18	00559-G3		WASHER, #6.....	4
19	00525-G5		NUT, #6 - 32	4
20	14628-G1		FASTON TAB	1
21	*		SCREW AND WASHER ASSEMBLY.....	2
22	25978-G234		18 GA WIRE (RED 6").....	1
23	73290-G03		REVERSE WARNING BUZZER.....	1
24	00138-G5		SCREW, #6 - 32 X 5/8" LG.....	2
25	00567-G3		LOCK WASHER, #6	2
26	00559-G7		WASHER, 1/4.....	2
27				
28	00414-G6		BOLT, 1/4 - 20 X 3/4" LG.....	2
29	11027-G2		LOCK NUT, 1/4 - 20.....	2
30	27170-G01		CABLE KIT (INCLUDES ITEMS 31 - 39)	2

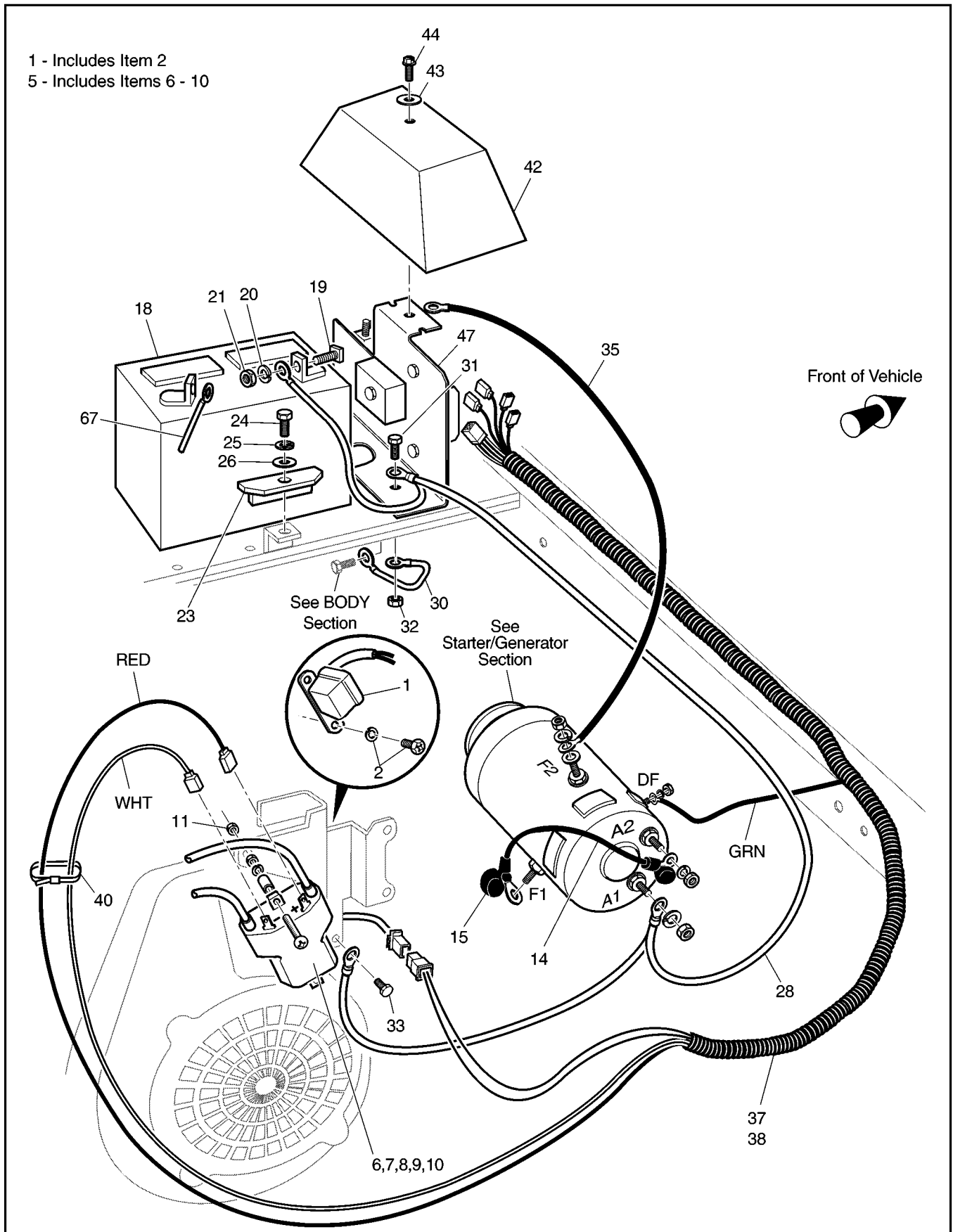
DIRECTION SELECTOR - DUAL CABLE**Gasoline Vehicle**

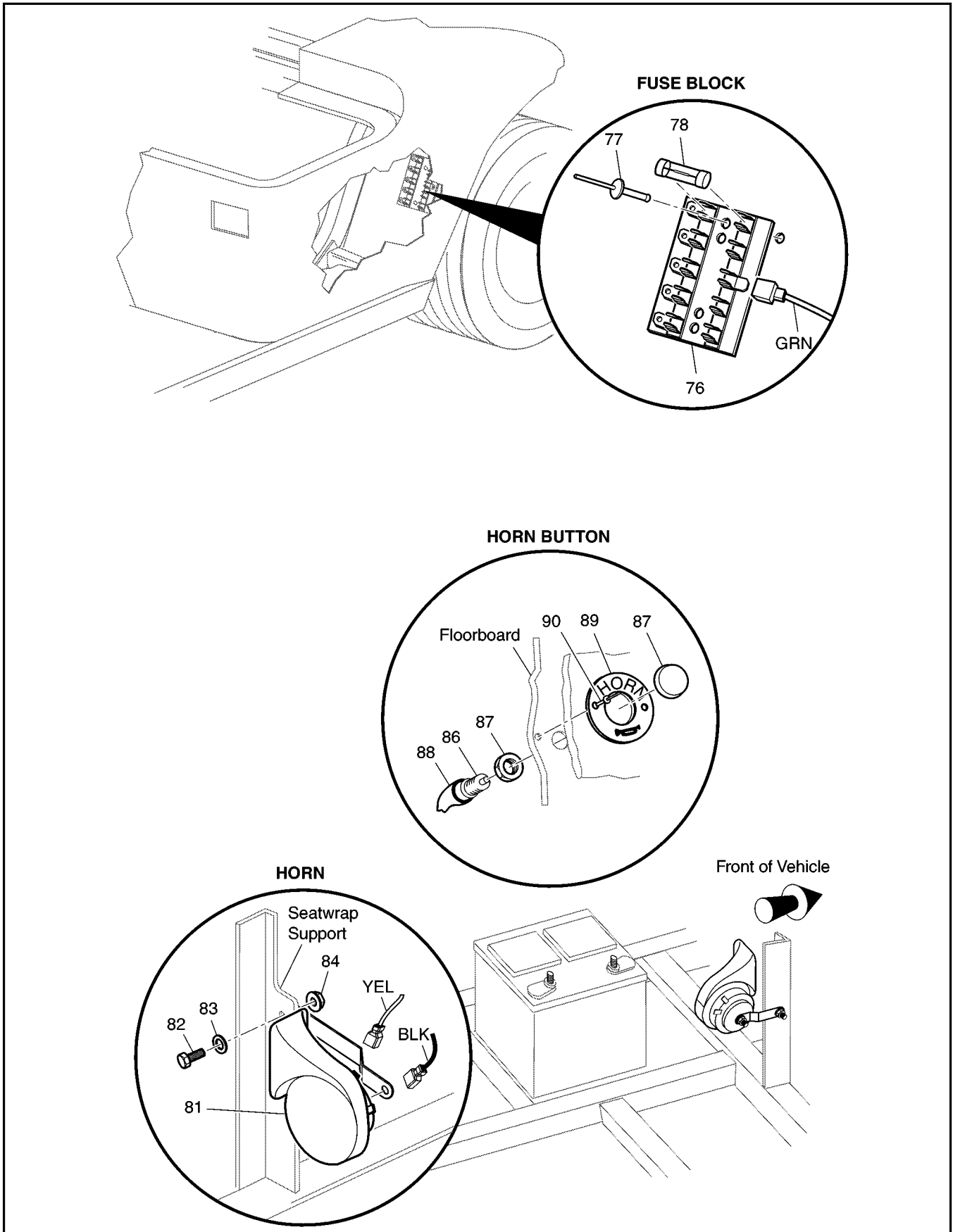
When ordering parts, please specify the model and serial number of the product.

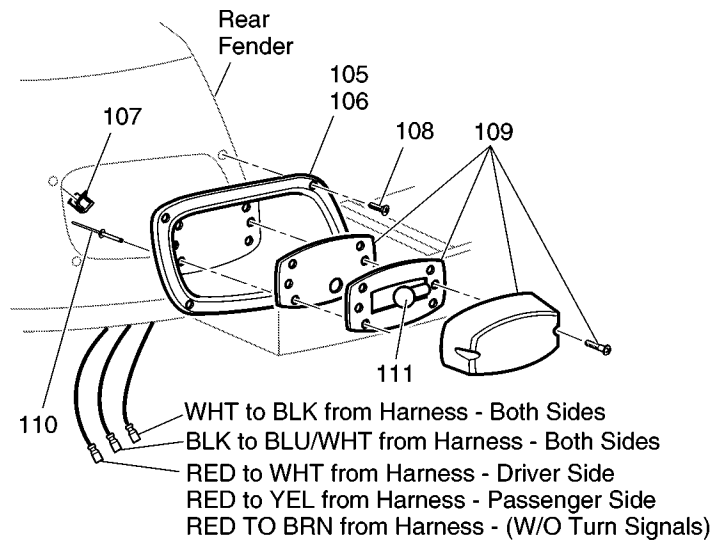
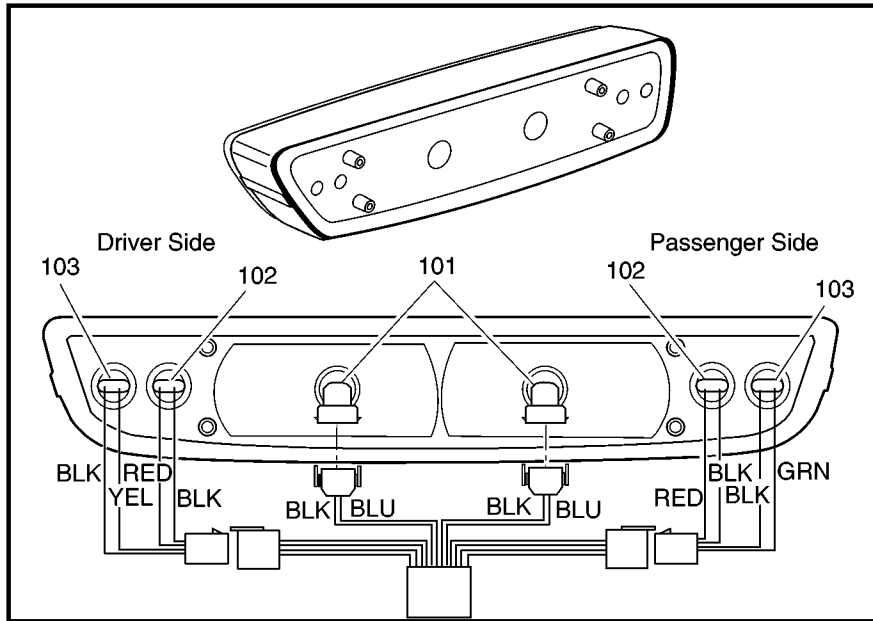
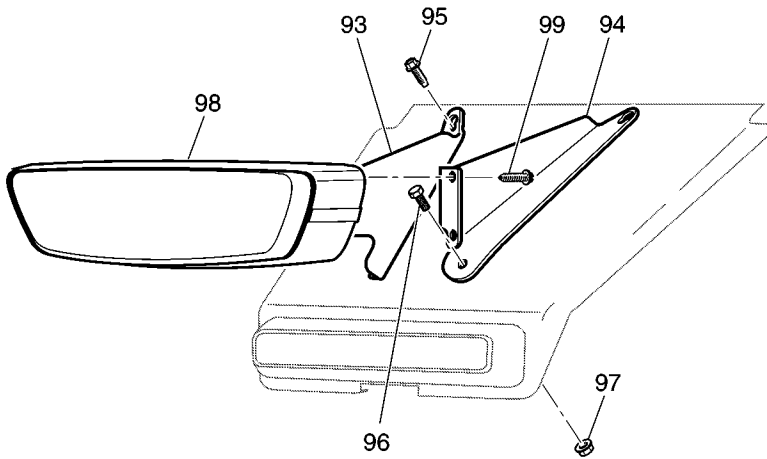
* Indicates a component that is not available as an individual part.

G** Indicates consult Customer Service Department for additional information.

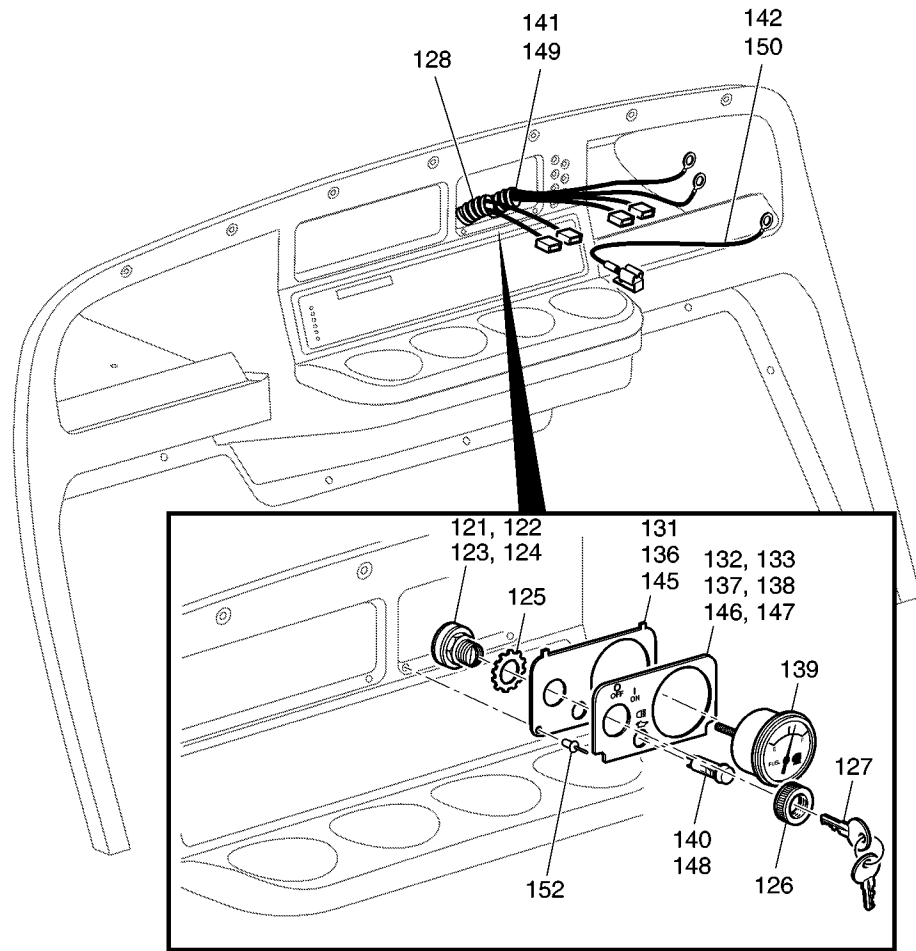
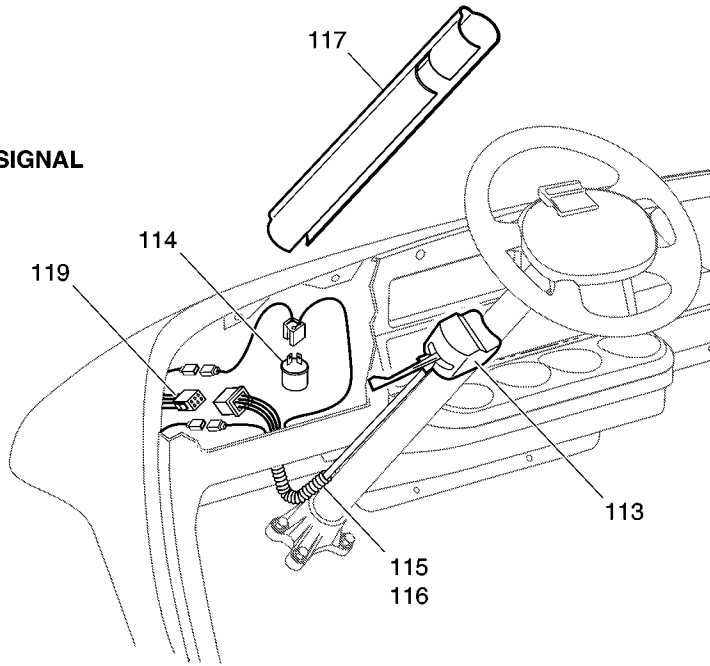
ITEM	PART NO.	1	2	3	4	5	DESCRIPTION	QTY.
31	25727-G01						CUP WASHER	4
32	27764-G01						SPRING.....	2
33	11098-G7						NUT, #10 - 24	2
34	10387-G8						COTTER PIN, 1/16" X 3/4" LG	2
35	25691-G01						SHIFTER CONTROL CABLE	2
36								
37	23726-G5						SPACER	2
38	23176-G1						CLEVIS PIN, 5/16" X 1/2" LG	2
39	17618-G1						WIRE TIE.....	1
40	26830-G01						SHIFTER LEVER NUT, M8 X 1.25 MM	1
41								
42	71205-G01						DIRECTION SELECTOR HANDLE.....	1
43	00740-G4						SCREW, #10 - 32 X 1/2" LG (STAINLESS STEEL)	1
44	72619-G01						SHIFTER CONTROL PIVOT	1





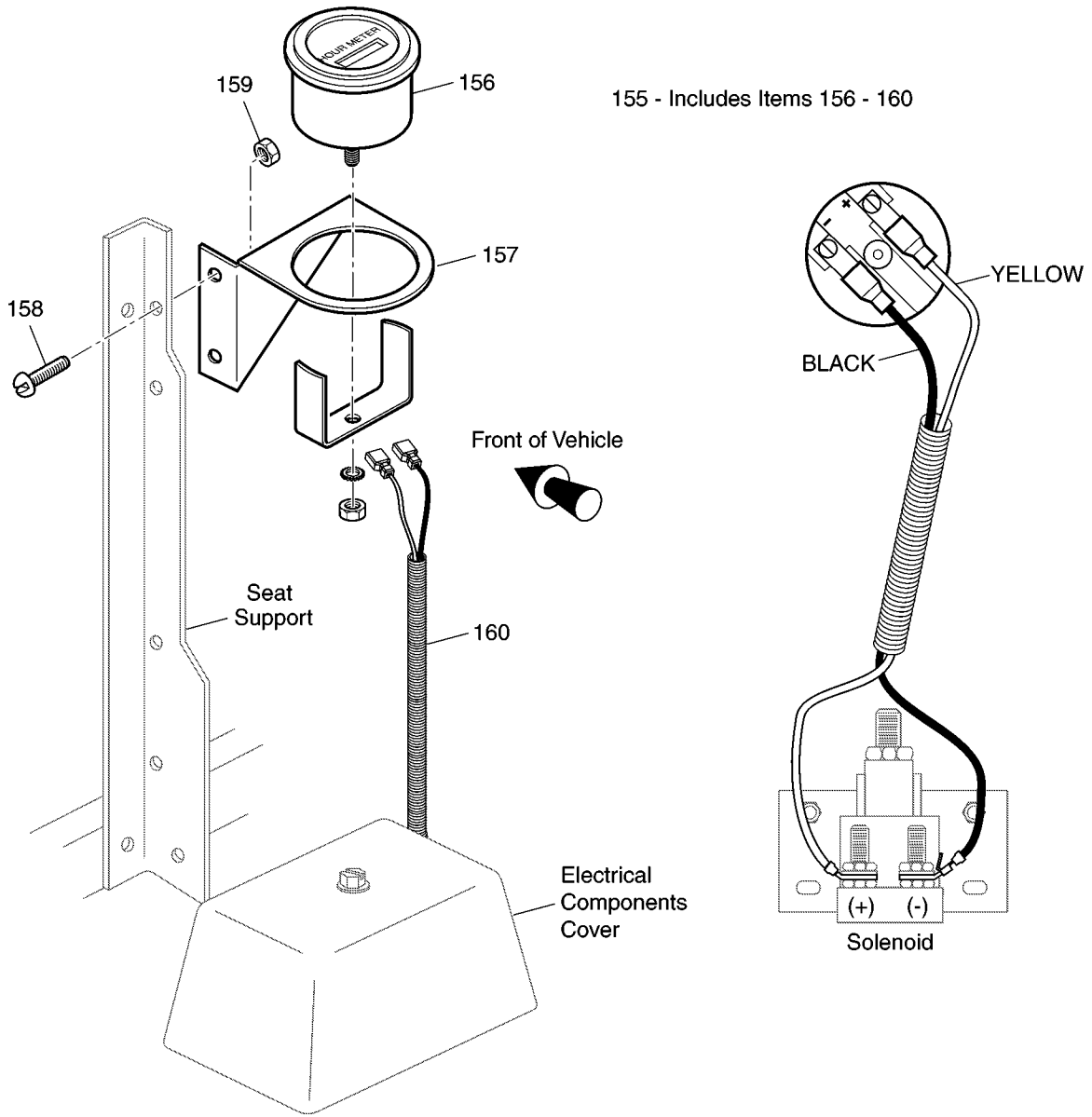


TURN SIGNAL



FUEL GAUGE, LOW OIL PRESSURE LIGHT, AND KEY SWITCH

HOUR METER



ELECTRICAL SYSTEM**Gasoline Vehicle**

When ordering parts, please specify the model and serial number of the product.

* Indicates a component that is not available as an individual part.

G** Indicates consult Customer Service Department for additional information.

ITEM	PART NO.	1 2 3 4 5	DESCRIPTION	QTY.
1	26651-G02		IGNITION PICKUP ASSEMBLY (INCLUDES ITEM 2).....	1
2	26707-G01		BOLT AND WASHER ASSEMBLY, M5 X .8 X 10 MM LG.....	1
3				
4				
5	26652-G01		IGNITION COIL ASSEMBLY (INCLUDES ITEMS 6 - 10).....	1
6	*		IGNITION COIL	1
7	*		SPACER	1
8	*		LOCK WASHER	1
9	*		NUT	1
10	*		SCREW	1
11	13632-G1		NUT, M6 X 1	2
12				
13				
14	25887-G01		6 GA WIRE (BLACK, 6", F1 - A2)	1
15	25682-G1		TERMINAL COVER	3
16				
17				
18	24775-G*		BATTERY, 12V	1
19	00962-G1		BOLT, 5/16 - 18 X 1 1/4" LG.....	2
20	00993-G01		LOCK WASHER, 5/16" (SILICON BRONZE).....	2
21	00994-G01		NUT, 5/16 - 18 (SILICON BRONZE)	2
22				
23	72101-G01		BATTERY HOLD DOWN.....	1
24	00438-G6		BOLT, 5/16 - 18 X 3/4" LG.....	1
25	00565-G8		LOCK WASHER, 5/16".....	1
26	00571-G2		WASHER, 5/16"	1
27				
28				
29	27044-G03		GROUND CABLE.....	1
30	25976-G19		14 GA WIRE (BLACK, 6")	1

When ordering parts, please specify the model and serial number of the product.

* Indicates a component that is not available as an individual part.

G** Indicates consult Customer Service Department for additional information.

ITEM	PART NO.	1 2 3 4 5	DESCRIPTION	QTY.
31	00438-G6		BOLT, 5/16 - 18 X 3/4" LG.....	2
32	11027-G1		LOCK NUT, 5/16 - 18	2
33	26676-G01		SCREW, M6 X 1 X 23 MM LG	1
34				
35	25972-G85		6 GA WIRE (BLACK 23", F2 - SOL).....	1
36				
37	70899-G01		WIRE HARNESS (CONTROL) - SINGLE CABLE DIRECTION SELECTOR	1
38	70595-G01		WIRE HARNESS (CONTROL) - DUAL CABLE DIRECTION SELECTOR.....	1
39				
40	17618-G1		WIRE TIE	AR
41				
42	73049-G01		COVER	1
43	16469-G1		WASHER, 1/4"	1
44	00114-G6		SCREW, 1/4 - 14 X 3/4" LG	1
45				
46				
47	73059-G01		ELECTRICAL PLATE ASSEMBLY (INCLUDES ITEMS 48 - 73)	1
48	73057-G01		BRACKET.....	1
49	27739-G01		VOLTAGE REGULATOR.....	1
50	00415-G2		BOLT, 1/4 - 20 X 1 1/4" LG	1
51	11027-G2		LOCK NUT, 1/4 - 20.....	1
52				
53	27746-G01		IGNITOR.....	1
54	00414-G8		BOLT, 1/4 - 20 X 1" LG	1
55	00414-G5		BOLT, 1/4 - 20 X 5/8" LG	1
56				
57	27153-G01		SOLENOID	1
58	00414-G5		BOLT, 1/4 - 20 X 5/8" LG	1
59	11027-G2		LOCK NUT, 1/4 - 20.....	3
60				

ELECTRICAL SYSTEM**Gasoline Vehicle**

When ordering parts, please specify the model and serial number of the product.

* Indicates a component that is not available as an individual part.

G** Indicates consult Customer Service Department for additional information.

ITEM	PART NO.	1 2 3 4 5	DESCRIPTION	QTY.
61	12914-G2		FASTON TAB	2
62	00650-G7		WASHER, 1/4"	1
63	00565-G7		LOCK WASHER, 1/4"	1
64	00532-G1		NUT, 1/4 - 20	1
65				
66	12914-G1		FASTON TAB	2
67	00565-G5		LOCK WASHER, #10	2
68	00526-G4		NUT, #10 - 32	2
69	25978-G56		18 GA WIRE (BLACK, 5 3/4")	1
70	22585-G3		IN-LINE FUSE HOLDER	1
71	00565-G8		LOCK WASHER, 5/16"	2
72	00544-G4		NUT, 5/16 - 24	2
73	25972-G33		6 GA WIRE (BLACK, 24", B+ - SOL).....	1
74				
75				
76	22674-G1		FUSE BLOCK	1
77	01041-G01		RIVET, 5/32" X 3/8" LG	2
78	18392-G1		15 AMP FUSE	3
79				
80				
81	32860-G1		HORN.....	1
82	00414-G5		BOLT, 1/4 - 20 x 5/8" LG	1
83	00559-G7		WASHER, 1/4"	1
84	00891-G2		LOCK NUT, 1/4 - 20	1
85				
86	17318-G1		HORN SWITCH.....	1
87	17318-G2		HORN SWITCH CAP AND NUT	1
88	27068-G01		HORN SWITCH BOOT	1
89	19233-G1		HORN SWITCH LABEL	1
90	71055-G01		RIVET, 5/32" X 3/8" GRIP (STAINLESS STEEL)	2

When ordering parts, please specify the model and serial number of the product.

* Indicates a component that is not available as an individual part.

G** Indicates consult Customer Service Department for additional information.

ITEM	PART NO.	1 2 3 4 5	DESCRIPTION	QTY.
91				
92				
93	74236-G01		HEADLIGHT MOUNT BRACKET (PASSENGER SIDE).....	1
94	74236-G02		HEADLIGHT MOUNT BRACKET (DRIVER SIDE)	1
95	01038-G01		BOLT, 1/4 - 14 X 3/4" LG.....	2
96	00414-G6		BOLT, 1/4 - 20 X 3/4" LG.....	2
97	11027-G2		LOCK NUT, 1/4 - 20	2
98	74001-G01		HEADLIGHT AND TURN SIGNAL LIGHT	1
99	00114-G6		SCREW, 1/4 - 14 X 3/4" LG	4
100				
101	74004-G01		HEADLIGHT BULB	AR
102	74005-G01		MARKER LIGHT BULB.....	AR
103	74006-G01		TURN SIGNAL BULB.....	AR
104				
105	74371-G01		BEZEL (DRIVER SIDE)	1
106	74371-G02		BEZEL (PASSENGER SIDE).....	1
107	71364-G02		'J' CLIP.....	8
108	71425-G01		COUNTERSUNK SCREW, #8	8
109	22288-G2		TAILLIGHT ASSEMBLY	1
110	14601-G11		RIVET, 3/16" X 9/16" LG	4
111	21759-G1		TAILLIGHT BULB.....	AR
112				
113	17867-G1		TURN SIGNAL (WITH MOUNTING HARDWARE) (INCLUDES ITEM 114)	1
114	21640-G1		TURN SIGNAL FLASHER.....	1
115	32307-G3		FLEX LOOM, 3/8 X 8" LG	1
116	17618-G1		WIRE TIE	2
117	20965-G3		STEERING COLUMN COVER.....	1
118				
119	72228-G01		WIRE HARNESS (ACCESSORY).....	1
120				

ELECTRICAL SYSTEM**Gasoline Vehicle**

When ordering parts, please specify the model and serial number of the product.

* Indicates a component that is not available as an individual part.

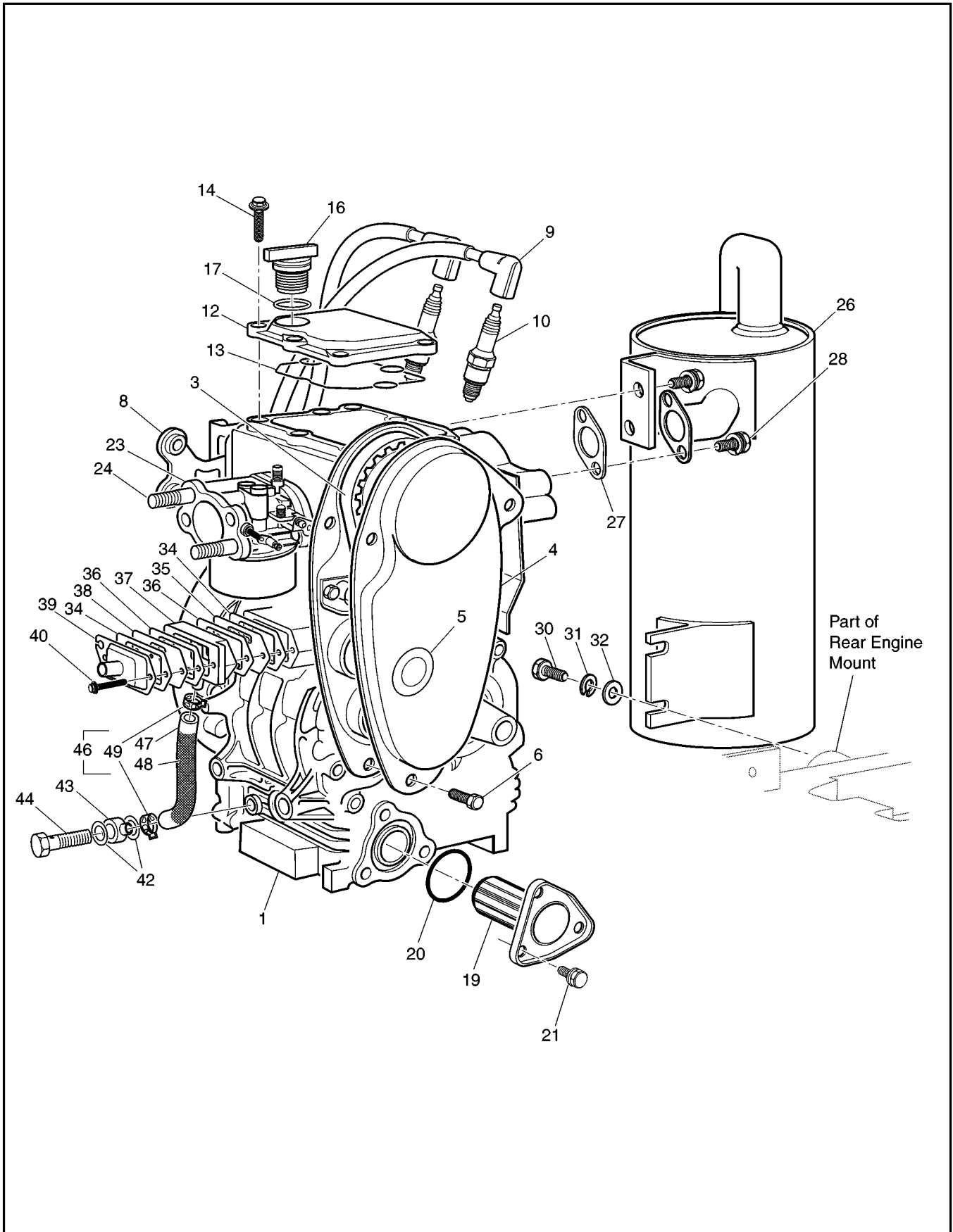
G** Indicates consult Customer Service Department for additional information.

ITEM	PART NO.	1 2 3 4 5	DESCRIPTION	QTY.
121	17421-G1		IGNITION SWITCH KIT (W/O LIGHTS - STANDARD - WITH HARDWARE)	1
122	17955-G1		IGNITION SWITCH (WITHOUT LIGHTS - NON STANDARD)	1
123	18027-G1		IGNITION SWITCH (WITHOUT LIGHTS - INDIVIDUALLY KEYED)	1
124	33639-G**		IGNITION SWITCH (WITH LIGHTS).....	1
125	00568-G6		LOCK WASHER, 3/4".....	1
126	17137-G1		FACE NUT, 3/4 - 20.....	1
127	17063-G1		IGNITION KEY (SET).....	1
128	73041-G01		WIRE HARNESS (KEY SWITCH).....	1
129				
130				
131	73030-G01		PLATE (IGNITION SWITCH ONLY)	1
132	71145-G01		LABEL (IGNITION SWITCH ONLY) WITHOUT HEADLIGHTS	1
133	71181-G01		LABEL (IGNITION SWITCH ONLY) WITH HEADLIGHTS.....	1
134				
135				
136	73030-G04		PLATE (FUEL GAUGE AND OIL LIGHT).....	1
137	71127-G01		LABEL (OIL LIGHT AND FUEL GAUGE W/O HEADLIGHTS)	1
138	71131-G01		LABEL (OIL LIGHT AND FUEL GAUGE WITH HEADLIGHTS)	1
139	21553-G1		FUEL GAUGE	1
140	23474-G1		INDICATOR LIGHT	1
141	74311-G01		HARNESS (OIL LIGHT/FUEL GAUGE)	1
142	25978-G122		18 GA WIRE (RED, 6" LG).....	1
143				
144				
145	73030-G03		PLATE (LOW FUEL AND OIL LIGHT INDICATOR)	1
146	71125-G01		LABEL (LOW FUEL AND LOW OIL W/O HEADLIGHTS).....	1
147	71183-G01		LABEL (OIL AND FUEL LIGHTS WITH HEADLIGHTS)	1
148	23474-G1		INDICATOR LIGHT	2
149	74309-G01		HARNESS (OIL LIGHT/FUEL LIGHT)	1
150	25978-G74		18 GA WIRE (RED, 6" LG).....	1

ELECTRICAL SYSTEM**Gasoline Vehicle**

When ordering parts, please specify the model and serial number of the product.
 * Indicates a component that is not available as an individual part.
 G** Indicates consult Customer Service Department for additional information.

ITEM	PART NO.	1 2 3 4 5	DESCRIPTION	QTY.
151				
152	33623-G02		DRIVE RIVET, 3/16" X 3/8" LG	2
153				
154				
155	75114-G02		HOUR METER KIT (INCLUDES ITEMS 156 - 160).....	1
156	21573-G1		HOUR METER ASSEMBLY	1
157	74019-G01		HOUR METER BRACKET	1
158	00150-G4		SCREW, #10 - 24 X 1/2" LG.....	2
159	11098-G7		LOCK NUT, #10 - 24.....	2
160	75117-G01		WIRE HARNESS (HOUR METER)	1

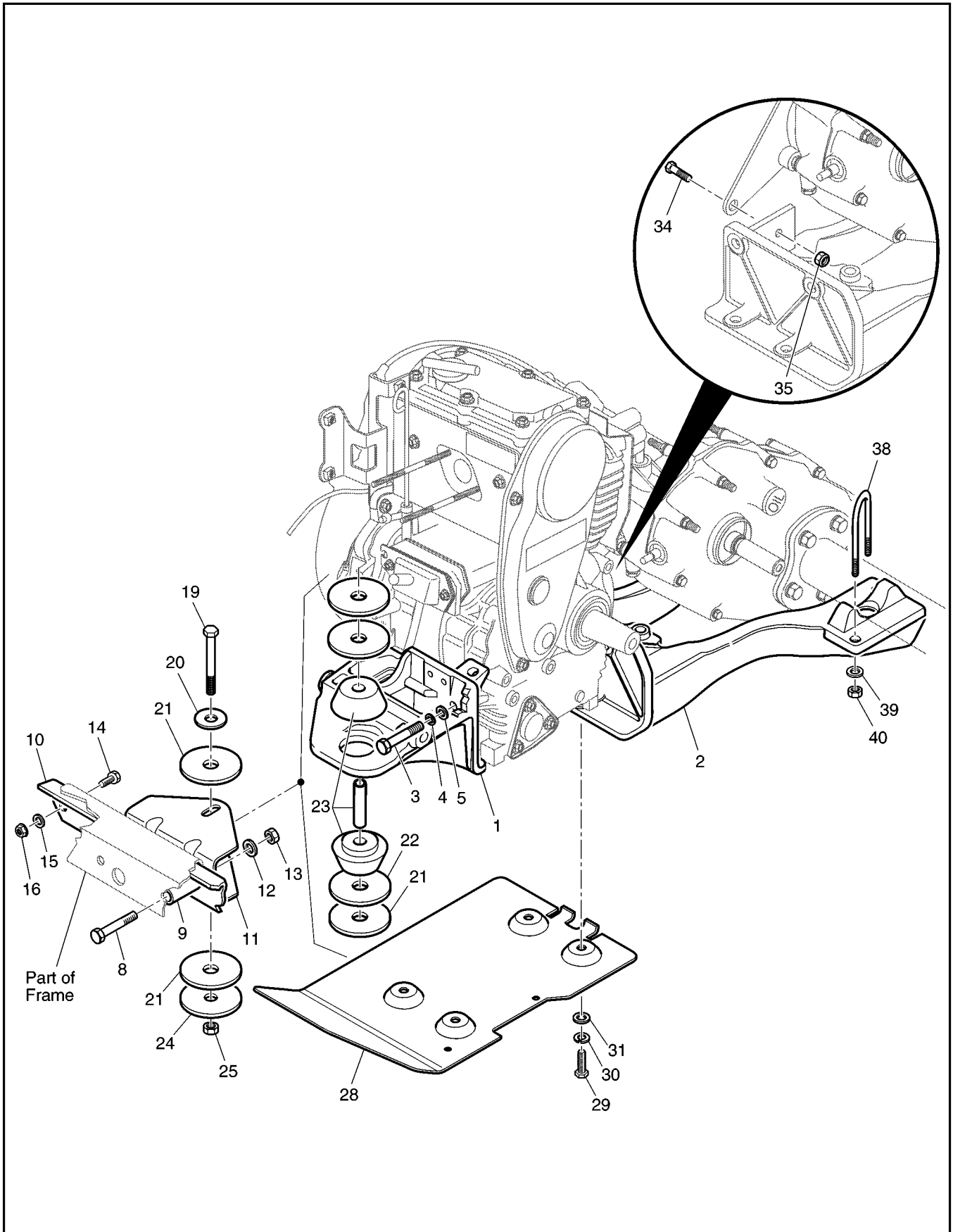


When ordering parts, please specify the model and serial number of the product.
 * Indicates a component that is not available as an individual part.
 G** Indicates consult Customer Service Department for additional information.

ITEM	PART NO.	1 2 3 4 5	DESCRIPTION	QTY.
1	28590-G02		ENGINE, 295cc.....	1
2				
3	26626-G01		TIMING BELT.....	1
4	26630-G01		TIMING BELT COVER.....	1
5	26631-G01		TIMING BELT COVER GROMMET.....	1
6	26678-G01		BOLT, M6 X 1 X 12 MM LG.....	3
7				
8	26657-G01		IGNITION COIL BRACKET.....	1
9	26733-G01		SPARK PLUG WIRE SET (2 WITH BOOTS).....	1
10	25523-G3		SPARK PLUG (NGK BPR4ES - RESISTOR).....	2
11				
12	26600-G01		VALVE COVER.....	1
13	26719-G01		VALVE COVER GASKET.....	1
14	26676-G01		FLANGED BOLT, M6 X 1 X 23 MM LG.....	6
15				
16	26601-G01		OIL FILLER CAP.....	1
17	26720-G01		OIL FILTER "O" RING.....	1
18				
19	26591-G01		OIL FILTER.....	1
20	26710-G01		OIL FILTER "O" RING.....	1
21	26680-G01		BOLT AND WASHER, M6 X 1 X 12 MM LG.....	3
22				
23	XXXXX-XX		CARBURETOR (SEE CARBURETOR SECTION).....	X
24	26667-G01		STUD.....	2
25				
26	72019-G01		MUFFLER.....	1
27	25531-G1		EXHAUST GASKET.....	1
28	25532-G1		BOLT AND WASHER, M8 X 1.25 X 18 MM LG.....	4
29				
30	00438-G8		BOLT, 5/16 - 18 X 1" LG.....	1

When ordering parts, please specify the model and serial number of the product.
 * Indicates a component that is not available as an individual part.
 G** Indicates consult Customer Service Department for additional information.

ITEM	PART NO.	1 2 3 4 5	DESCRIPTION	QTY.
31	00565-G8		LOCK WASHER, 5/16".....	1
32	00642-G8		WASHER, 5/16"	1
33				
34	72555-G01		BREATHER COVER GASKET.....	2
35	72657-G01		BREATHER PLATE	1
36	72554-G01		BREATHER COVER GASKET.....	2
37	72658-G01		BREATHER BOX.....	1
38	72676-G01		BREATHER PLATE	1
39	72659-G01		BREATHER COVER	1
40	72680-G01		FLANGED BOLT, M6 X 1 X 70 MM LG	2
41				
42	72656-G01		ALUMINUM GASKET.....	2
43	72655-G01		BANJO UNION.....	1
44	72654-G01		BANJO BOLT	1
45				
46	72653-G01		RUBBER RETURN HOSE (INCLUDES ITEMS 47 - 49)	1
47	72677-G01		RUBBER HOSE, 6 MM ID X 12 MM OD X 145 MM LG	1
48	72678-G01		MESH PROTECTIVE COVER.....	1
49	72679-G01		HOSE CLAMP	2



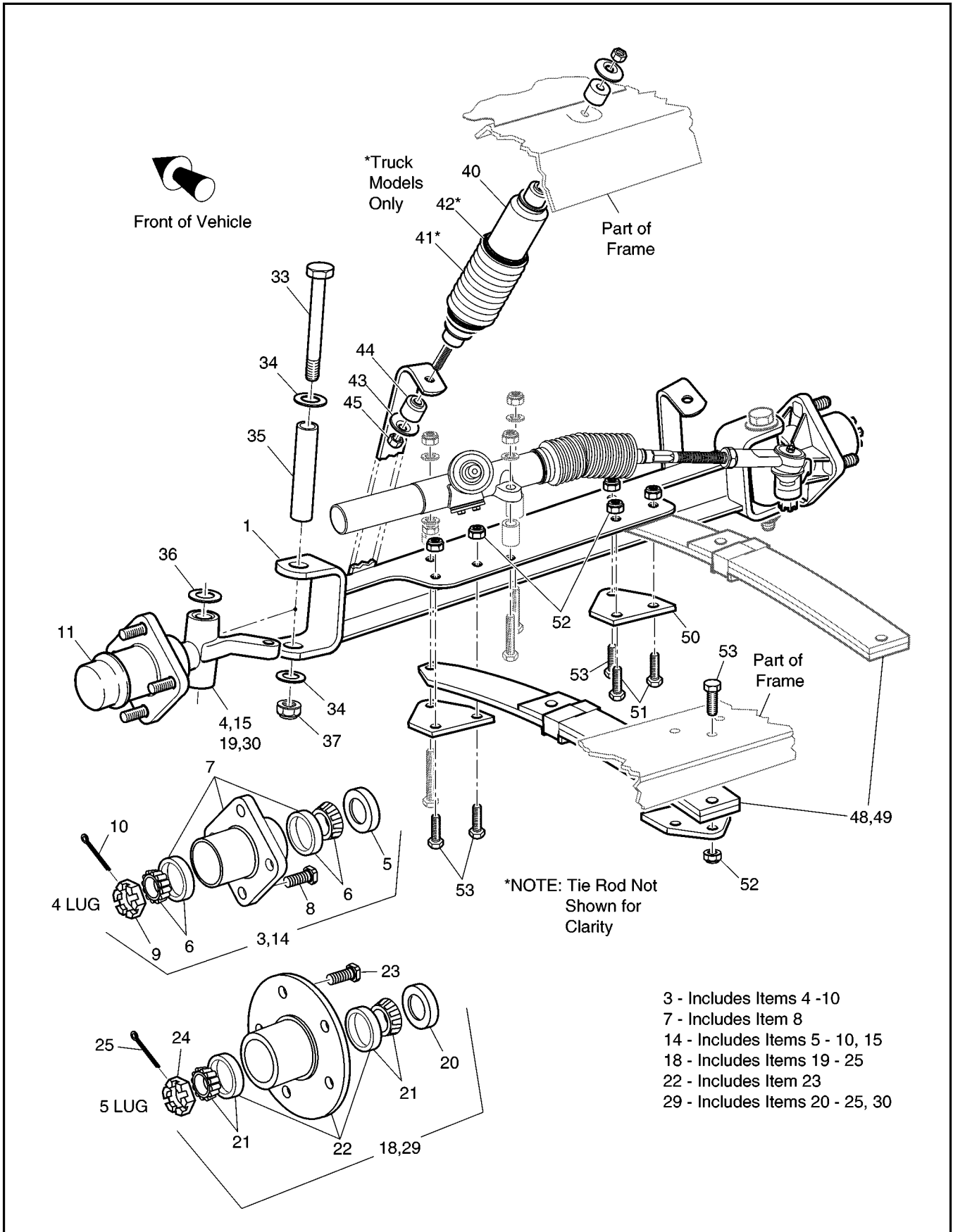
When ordering parts, please specify the model and serial number of the product.
 * Indicates a component that is not available as an individual part.
 G** Indicates consult Customer Service Department for additional information.

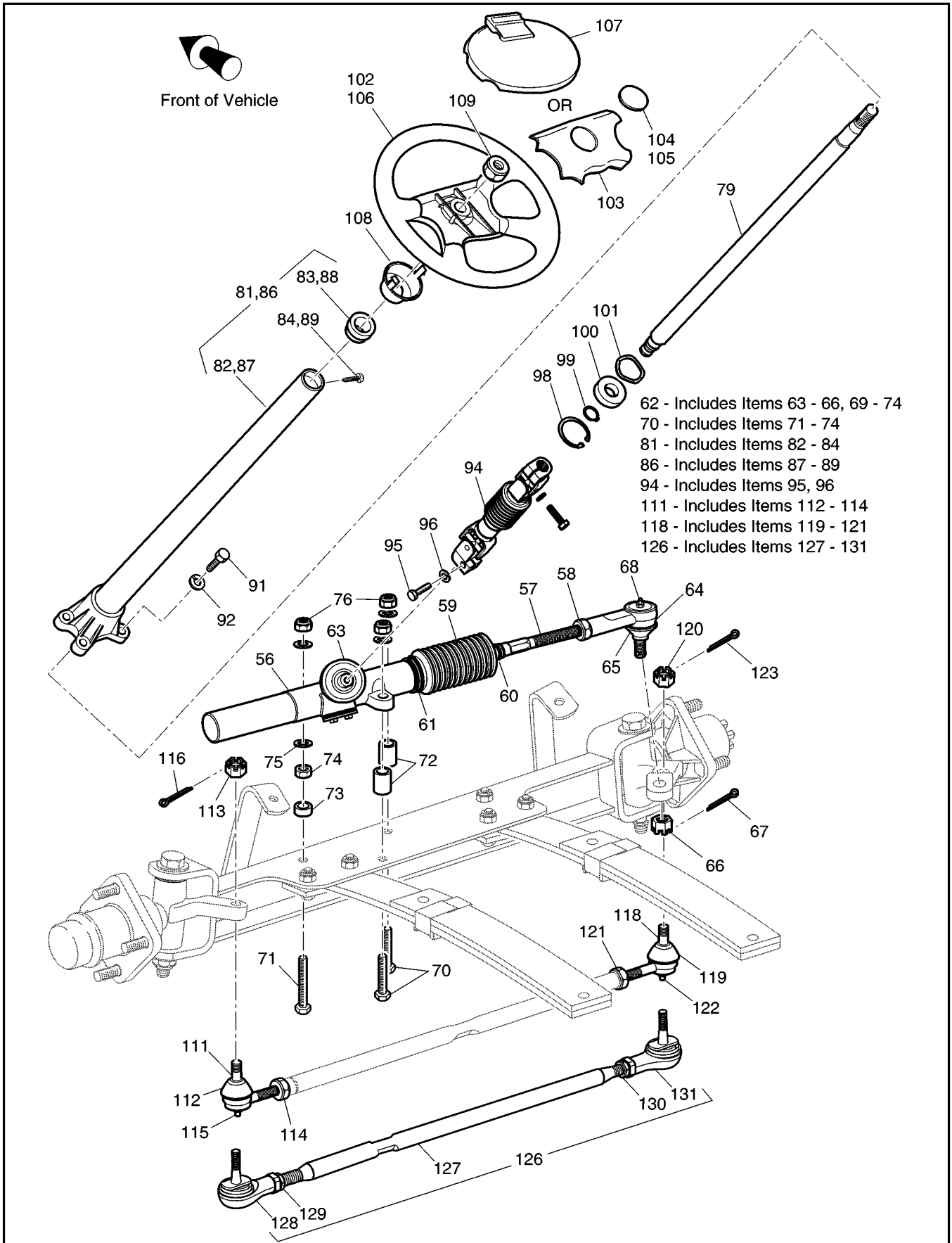
ITEM	PART NO.	1 2 3 4 5	DESCRIPTION	QTY.
1	72010-G01		FRONT ENGINE MOUNT	1
2	72011-G01		REAR ENGINE MOUNT	1
3	00463-G4		BOLT, 7/16 - 14 X 1 1/2" LG	4
4	00566-G2		LOCK WASHER, 7/16"	4
5	00922-G3		WASHER, 7/16"	4
6				
7				
8	00428-G6		BOLT, 3/8 - 16 X 2 3/4" LG	2
9	72016-G01		ISOLATOR SPACER	2
10	70269-G01		CROSSMEMBER BRACE	1
11	72044-G01		MOUNT BRACKET	1
12	00643-G1		WASHER, 3/8"	2
13	11098-G5		LOCK NUT, 3/8 - 16	2
14	00438-G7		BOLT, 5/16 - 18 X 7/8" LG	2
15	00571-G2		WASHER, 5/16"	2
16	11098-G6		LOCK NUT, 5/16 - 18	2
17				
18				
19	00430-G4		BOLT, 3/8 - 16 X 4 1/2" LG	1
20	15121-G1		WASHER, 1 1/4" X 3/8"	1
21	72050-G01		PLASTIC WASHER, 2 1/2" x 5/8"	4
22	72051-G01		WASHER, 2 1/2" X 5/8"	2
23	72015-G01		ISOLATION MOUNT	1
24	72051-G02		WASHER, 2 1/2" X 11/32"	1
25	11098-G5		LOCK NUT, 3/8 - 16	1
26				
27				
28	72719-G01		ENGINE GUARD	1
29	00463-G4		BOLT, 7/16 - 14 X 1 1/2" LG	4
30	00566-G2		LOCK WASHER, 7/16"	4

ENGINE MOUNTING**Gasoline Vehicle**

When ordering parts, please specify the model and serial number of the product.
 * Indicates a component that is not available as an individual part.
 G** Indicates consult Customer Service Department for additional information.

ITEM	PART NO.	1 2 3 4 5	DESCRIPTION	QTY.
31	00922-G3		WASHER, 7/16"	4
32				
33				
34	00439-G1		BOLT, 5/16 - 18 X 1 1/8" LG	1
35	11098-G6		LOCK NUT, 5/16 - 18	1
36				
37				
38	72035-G01		'U' BOLT, 7/16 - 14	2
39	00922-G3		WASHER, 7/16"	4
40	00734-G1		LOCK NUT, 7/16 - 14	4





FRONT SUSPENSION/STEERING

Gasoline Vehicle

When ordering parts, please specify the model and serial number of the product.

* Indicates a component that is not available as an individual part.

G** Indicates consult Customer Service Department for additional information.

ITEM	PART NO.	1 2 3 4 5	DESCRIPTION	QTY.
1	70744-G01		FRONT AXLE.....	1
2				
3	70942-G01		SPINDLE AND HUB ASSEMBLY, 4 LUG (PASSENGER SIDE) (INCLUDES ITEMS 4 - 10)	1
4	70942-G02		SPINDLE ASSEMBLY (PASSENGER SIDE)	1
5	25146-G1		GREASE SEAL	1
6	50892-G1		ROLLER BEARING AND RACE ASSEMBLY	2
7	70895-G01		WHEEL HUB ASSEMBLY WITH RACES, 4 LUG (INCLUDES ITEM 8)	1
8	19862-G1		LUG BOLT, 1/2 - 20 X 1 7/32" LG.....	4
9	12093-G1		SLOTTED NUT, 1 - 14.....	1
10	00798-G8		COTTER PIN, 5/32" X 1 3/4" LG	1
11	12091-G2		SPINDLE CAP	2
12				
13				
14	70673-G01		SPINDLE AND HUB ASSEMBLY, 4 LUG (DRIVER SIDE) (INCLUDES ITEMS 5 - 10, 15)	1
15	70673-G02		SPINDLE ASSEMBLY (DRIVER SIDE).....	1
16				
17				
18	70943-G01		SPINDLE AND HUB ASSEMBLY, 5 LUG (PASSENGER SIDE) (INCLUDES ITEMS 19 - 25)	1
19	70942-G02		SPINDLE ASSEMBLY (PASSENGER SIDE)	1
20	12092-G1		GREASE SEAL	1
21	50892-G1		ROLLER BEARING AND RACE ASSEMBLY	2
22	70772-G01		WHEEL HUB ASSEMBLY WITH RACES, 5 LUG (INCLUDES ITEM 23).....	1
23	30143-G1		LUG BOLT, 1/2 - 20 X 1 7/32" LG.....	5
24	12093-G1		SLOTTED NUT, 1 - 14.....	1
25	00798-G8		COTTER PIN, 5/32" X 1 3/4" LG	1
26				
27				
28				

When ordering parts, please specify the model and serial number of the product.
 * Indicates a component that is not available as an individual part.
 G** Indicates consult Customer Service Department for additional information.

ITEM	PART NO.	1 2 3 4 5	DESCRIPTION	QTY.
29	70797-G01		SPINDLE AND HUB ASSEMBLY, 5 LUG (DRIVER SIDE) (INCLUDES ITEMS 20 - 25, 30)	1
30	70673-G02		SPINDLE ASSEMBLY (DRIVER SIDE).....	1
31				
32				
33	00407-G6		BOLT, 1/2 - 13 X 6" LG.....	2
34	00560-G3		WASHER, 1/2"	4
35	70745-G01		KING PIN TUBE.....	2
36	70754-G01		THRUST WASHER (STAINLESS STEEL).....	2
37	14390-G6		LOCK NUT, 1/2 - 13	2
38				
39				
40	70928-G01		SHOCK ABSORBER	2
41	70509-G01		SHOCK ABSORBER BOOT	2
42	31539-G1		WIRE TIE	4
43	10435-G1		SHOCK ABSORBER WASHER.....	8
44	10194-G1		RUBBER BUSHING	8
45	00532-G6		NUT, 3/8 - 24	4
46				
47				
48	70597-G02		LEAF SPRING (SEE PART NUMBER ON SPRING).....	2
49	70664-G02		LEAF SPRING (HEAVY DUTY) (SEE PART NUMBER ON SPRING).....	2
50	70163-G02		SPRING PLATE	4
51	00463-G4		BOLT, 7/16 - 14 X 1 1/2" LG.....	2
52	00734-G1		LOCK NUT, 7/16 - 14	9
53	00463-G6		BOLT, 7/16 - 14 X 1 3/4" LG.....	9
54				
55				
56	70602-G01		RACK AND PINION UNIT (COMPLETE) (INCLUDES ITEMS 57 - 60, 63 - 68).....	1
57	70694-G01		RACK EXTENSION.....	1

FRONT SUSPENSION/STEERING

Gasoline Vehicle

When ordering parts, please specify the model and serial number of the product.

* Indicates a component that is not available as an individual part.

G** Indicates consult Customer Service Department for additional information.

ITEM	PART NO.	1 2 3 4 5	DESCRIPTION	QTY.
58	*		JAM NUT, 1/2 - 20	1
59	70675-G01		RACK BOOT	1
60	17618-G1		WIRE TIE.....	1
61	12416-G2		WIRE TIE	1
62				
63	70638-G01		PINION SEAL.....	1
64	70695-G01		RACK BALL JOINT (INCLUDES ITEMS 65 - 68).....	1
65	50641-G1		RUBBER BOOT	1
66	50209-G2		SLOTTED NUT, 7/16 - 20.....	1
67	10387-G2		COTTER PIN, 3/32" X 1" LG.....	1
68	10389-G3		GREASE FITTING, STRAIGHT	1
69				
70	00464-G6		BOLT, 7/16 - 14 X 2 3/4" LG.....	2
71	01068-G01		BOLT, 7/16 - 14 X 3 1/2" LG.....	1
72	70667-G02		SPACER.....	2
73	70667-G03		SPACER (SHORT).....	1
74	00532-G7		NUT, 7/16 - 14	1
75	00560-G2		FLAT WASHER, 7/16"	4
76	00734-G1		LOCK NUT, 7/16 - 14	3
77				
78				
79	70607-G01		STEERING SHAFT	1
80				
81	70758-G03		STEERING COLUMN KIT (INCLUDES ITEMS 82 - 84).....	1
82	70610-G01		STEERING COLUMN.....	1
83	28569-G01		STEERING COLUMN BUSHING	1
84	01022-G01		SCREW, #6 - 20 X 5/16" LG.....	1
85				
86	70758-G04		STEERING COLUMN KIT (HORN) (INCLUDES ITEMS 87 - 89).....	1
87	70610-G02		STEERING COLUMN.....	1

When ordering parts, please specify the model and serial number of the product.

* Indicates a component that is not available as an individual part.

G** Indicates consult Customer Service Department for additional information.

ITEM	PART NO.	1 2 3 4 5	DESCRIPTION	QTY.
88	28569-G01		STEERING COLUMN BUSHING	1
89	01022-G01		SCREW, #6 - 20 X 5/16" LG.....	1
90				
91	01006-G01		BOLT, 3/8 - 16 X 1 1/4" LG WITH PATCHLOCK	4
92	00879-G1		LOCK WASHER, 3/8".....	4
93				
94	70580-G01		INTERMEDIATE SHAFT (INCLUDES ITEMS 95, 96).....	1
95	01055-G01		BOLT, M8 X 1 1/4" LG	2
96	00565-G8		LOCK WASHER, 5/16".....	2
97				
98	70751-G01		RETAINING RING (INTERNAL).....	1
99	70888-G01		RETAINING RING (EXTERNAL).....	1
100	15112-G1		BALL BEARING	1
101	70887-G01		WAVE WASHER	1
102	71146-G01		STEERING WHEEL	1
103	71147-G01		STEERING WHEEL COVER	1
104	71047-G01		LABEL (E-Z-GO)	1
105	74405-G01		LABEL (CUSHMAN)	1
106	71948-G01		STEERING WHEEL	1
107	71950-G01		CLIPBOARD	1
108	71949-G01		HUB COVER.....	1
109	14390-G2		LOCK NUT, 5/8 - 18	1
110				
111	27205-G01		TIE ROD END (LEFT HAND THREAD) (INCLUDES ITEMS 112 - 114).....	1
112	50641-G1		RUBBER BOOT	1
113	50209-G2		SLOTTED NUT, 7/16 - 20.....	1
114	18434-G3		JAM NUT, 9/16 - 18 (LEFT HAND THREAD)	1
115	10389-G3		GREASE FITTING, STRAIGHT	1
116	10387-G2		COTTER PIN, 3/32" X 1" LG.....	1
117				

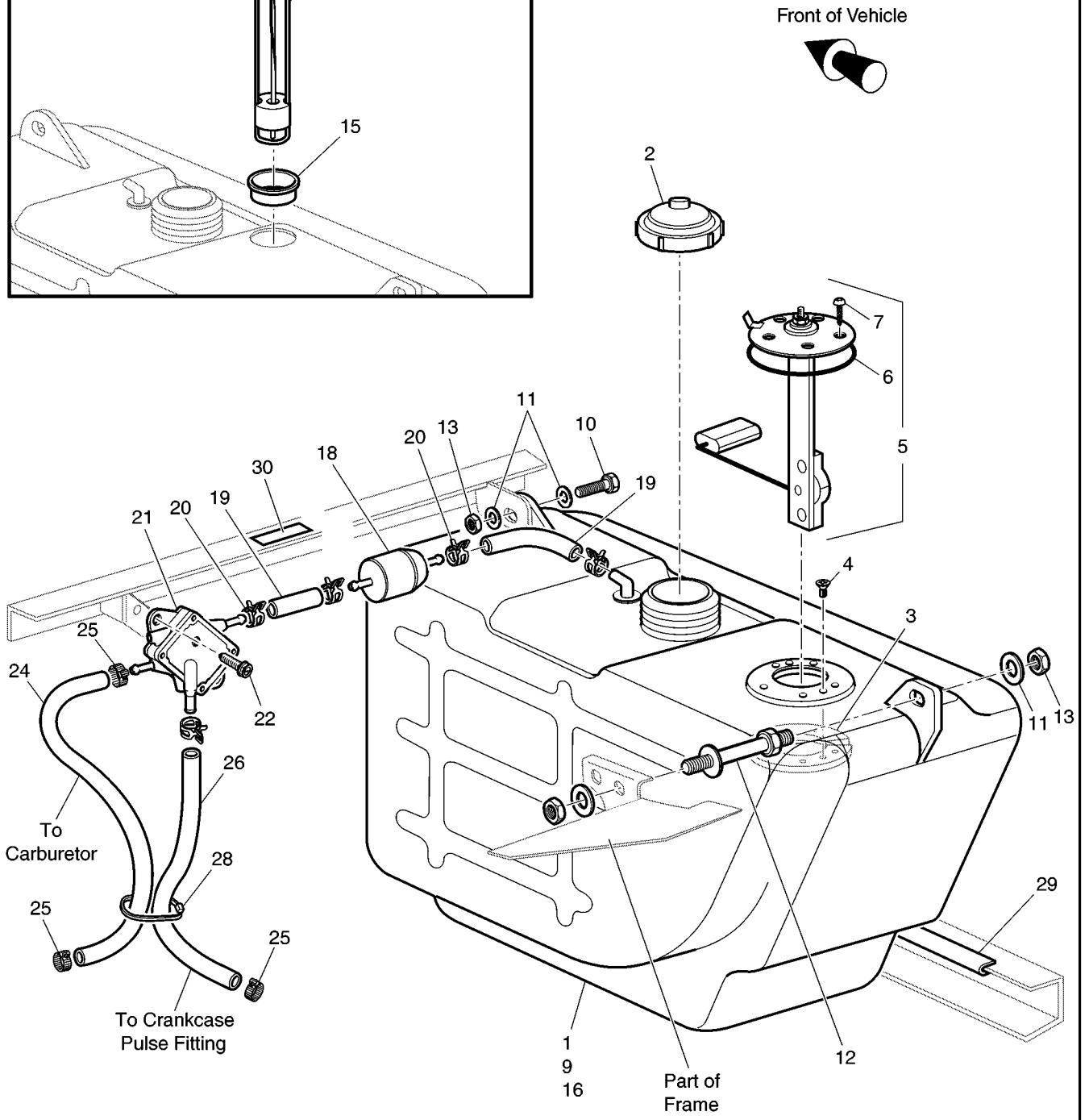
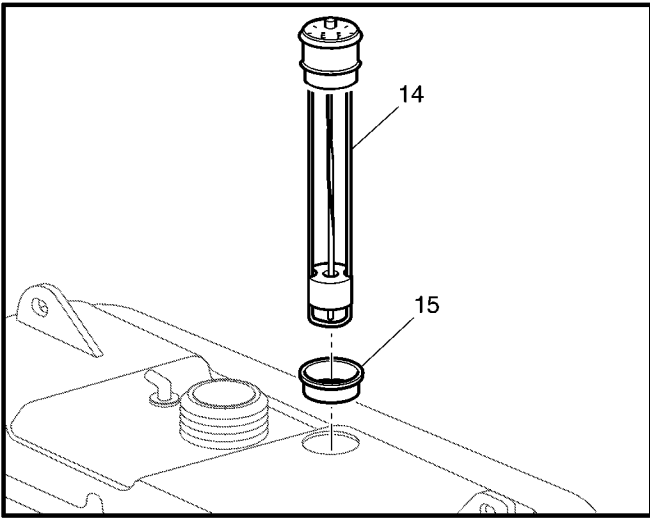
FRONT SUSPENSION/STEERING

Gasoline Vehicle

When ordering parts, please specify the model and serial number of the product.
 * Indicates a component that is not available as an individual part.
 G** Indicates consult Customer Service Department for additional information.

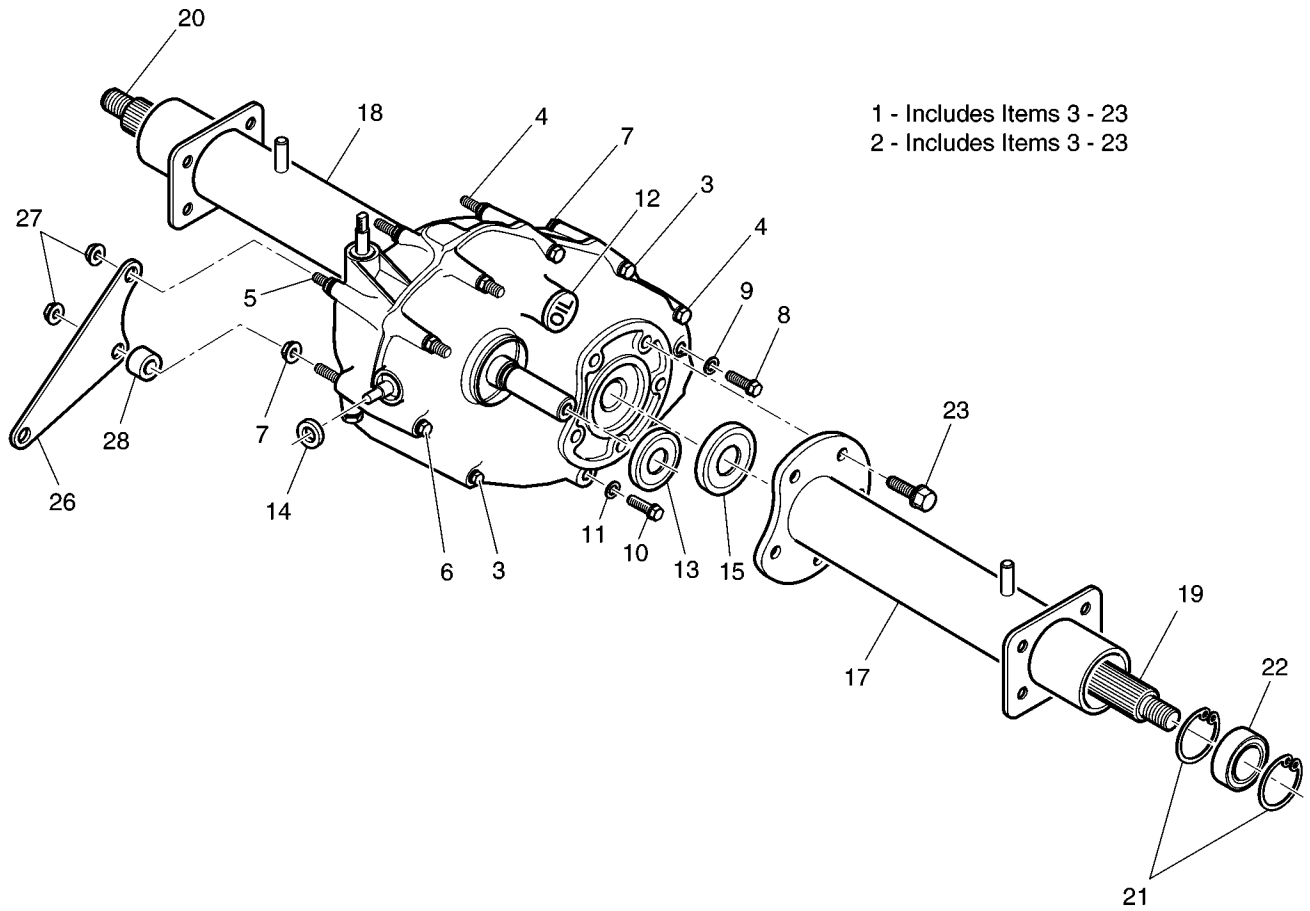
ITEM	PART NO.	1	2	3	4	5	DESCRIPTION	QTY.
118	27205-G02						TIE ROD END (RIGHT HAND THREAD) (INCLUDES ITEMS 119 - 121)	1
119	50641-G1						RUBBER BOOT	1
120	50209-G2						SLOTTED NUT, 7/16 - 20.....	1
121	18434-G4						JAM NUT, 9/16 - 18 (RIGHT HAND THREAD).....	1
122	10389-G3						GREASE FITTING, STRAIGHT	1
123	10387-G2						COTTER PIN, 3/32" X 1" LG.....	1
124								
125								
126	70876-G02						TIE ROD ASSEMBLY (INCLUDES ITEMS 127 - 131).....	1
127	70897-G02						THREADED ROD (24" LG)	1
128	70902-G01						TIE ROD END (LEFT HAND THREADS)	1
129	01069-G01						JAM NUT, M12 X 1.25-05 (LEFT HAND THREADS)	1
130	70902-G02						TIE ROD END (RIGHT HAND THREADS)	1
131	01069-G02						JAM NUT, M12 X 1.25-05 (RIGHT HAND THREADS).....	1
132								
133	00734-G1						LOCK NUT, 7/16 - 14	2

MECHANICAL GAUGE



When ordering parts, please specify the model and serial number of the product.
 * Indicates a component that is not available as an individual part.
 G** Indicates consult Customer Service Department for additional information.

ITEM	PART NO.	1 2 3 4 5	DESCRIPTION	QTY.
1	72092-G01		FUEL TANK (FOR VEHICLES WITHOUT GAUGE)	1
2	72282-G01		FUEL TANK CAP	1
3	72229-G01		FUEL LEVEL SENDER ADAPTER	1
4	72230-G01		SCREW, #6 - 32 X 1/2" LG	2
5	20048-G2		FUEL LEVEL SENDER (ELEC. FUEL GAUGE) (INCLUDES ITEMS 6, 7)	1
6	*		GASKET	1
7	72232-G01		SCREW, #10 - 32 x 3/4" LG	5
8				
9	72092-G02		FUEL TANK (FOR ELECTRIC FUEL GAUGE)	1
10	00438-G8		BOLT, 5/16 - 18 X 1" LG	1
11	00559-G8		WASHER, 5/16"	4
12	70483-G01		SPACER	1
13	11098-G6		LOCK NUT, 5/16 - 18	3
14	72281-G01		FUEL GAUGE (MECHANICAL)	1
15	72280-G01		GROMMET	1
16	72092-G04		FUEL TANK (FOR MECHANICAL GAUGE)	1
17				
18	72084-G01		FUEL FILTER	1
19	17470-G1		TUBING, 3 1/4" LG (BULK)	2
20	18292-G1		CLAMP	5
21	72021-G01		FUEL PUMP	1
22	00114-G6		SCREW, 1/4 - 14 X 3/4" LG	2
23				
24	17470-G1		TUBING, 16" LG (BULK)	A/R
25	11391-G4		HOSE CLAMP	3
26	27183-G01		PULSE TUBING, 16" LG (BULK)	A/R
27				
28	17618-G1		WIRE TIE	3
29	22280-G1		VINYL TRIM, 6 1/4" LG (BULK)	A/R
30	26459-G01		LABEL (UNLEADED GASOLINE ONLY)	1

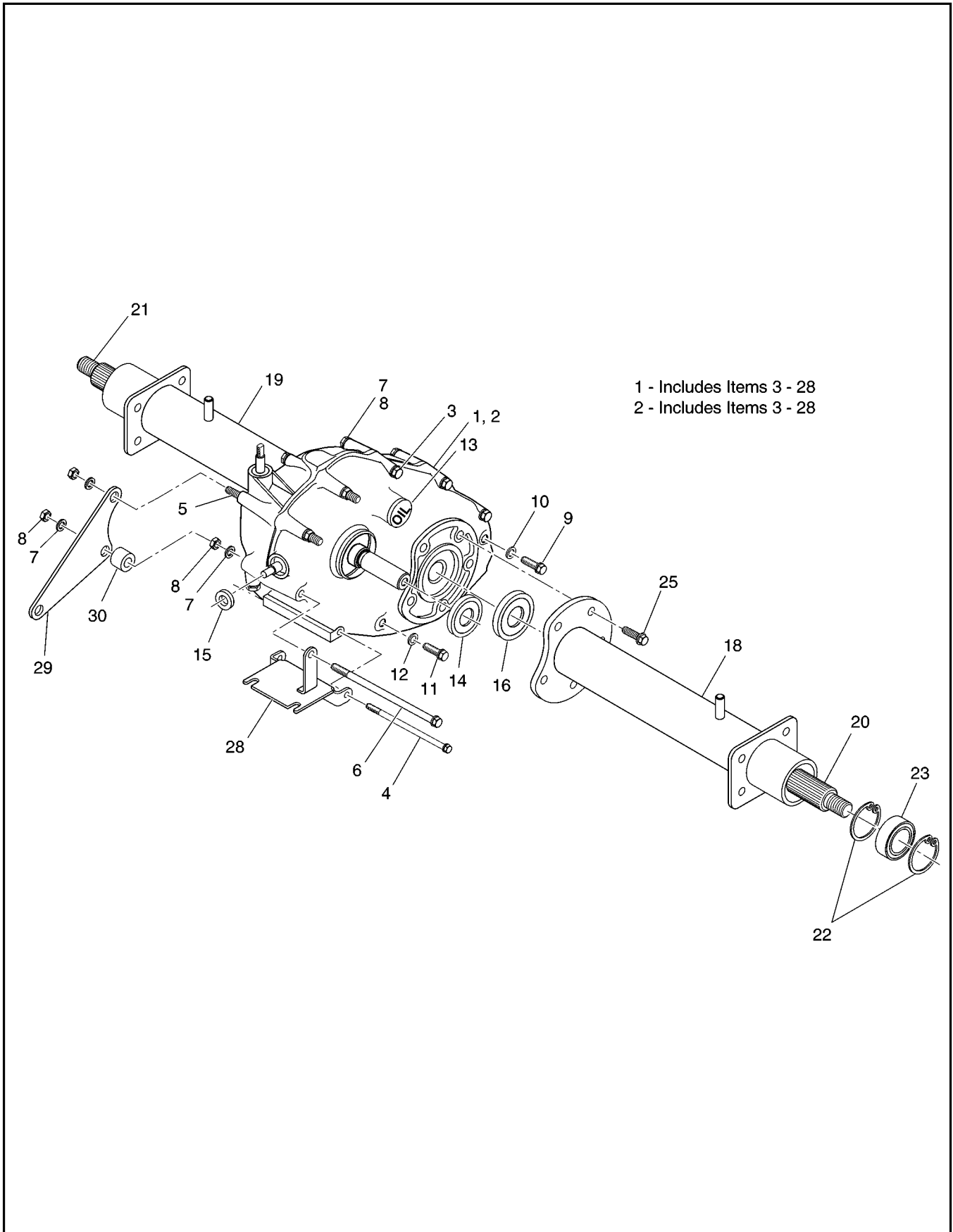


When ordering parts, please specify the model and serial number of the product.

* Indicates a component that is not available as an individual part.

G** Indicates consult Customer Service Department for additional information.

ITEM	PART NO.	1 2 3 4 5	DESCRIPTION	QTY.
1	72715-G01		REAR AXLE (13.32:1) (INCLUDES ITEMS 3 - 23)	1
2	72715-G02		REAR AXLE, FREEDOM HP (10.67:1) (INCLUDES ITEMS 3 - 23).....	1
3	26823-G01		FLANGED BOLT, M8 X 1.25 X 100 MM LG	5
4	26824-G01		FLANGED BOLT, M8 X 1.25 X 110 MM LG	2
5	*		BOLT, M8 X 1.25 X 146 MM LG	2
6	72052-G01		FLANGED BOLT, M8 X 1.25 X 130 MM LG	1
7	72269-G01		FLANGE NUT, M8 X 1.25 MM.....	12
8	26768-G01		OIL CHECK PLUG	1
9	26769-G01		GASKET, 8 MM	1
10	26770-G01		OIL DRAIN PLUG.....	1
11	26771-G01		GASKET, 14 MM	1
12	26772-G01		OIL FILLER PLUG.....	1
13	26761-G01		INPUT SHAFT SEAL	1
14	26762-G01		SHIFTER SHAFT SEAL.....	1
15	72259-G01		AXLE SHAFT SEAL.....	2
16				
17	72115-G01		AXLE TUBE (DRIVER SIDE)	1
18	72116-G01		AXLE TUBE (PASSENGER SIDE).....	1
19	72056-G01		AXLE SHAFT (DRIVER SIDE)	1
20	72057-G01		AXLE SHAFT (PASSENGER SIDE).....	1
21	26814-G01		RETAINING RING	4
22	26811-G01		BALL BEARING.....	2
23	72260-G01		FLANGED BOLT, M10 X 1.5 X 23 MM LG	10
24				
25				
26	72017-G01		AXLE BRACKET	1
27	26830-G01		LOCK NUT, M8 X 1.25 MM	2
28	75048-G01		SPACER, 1/2"	1

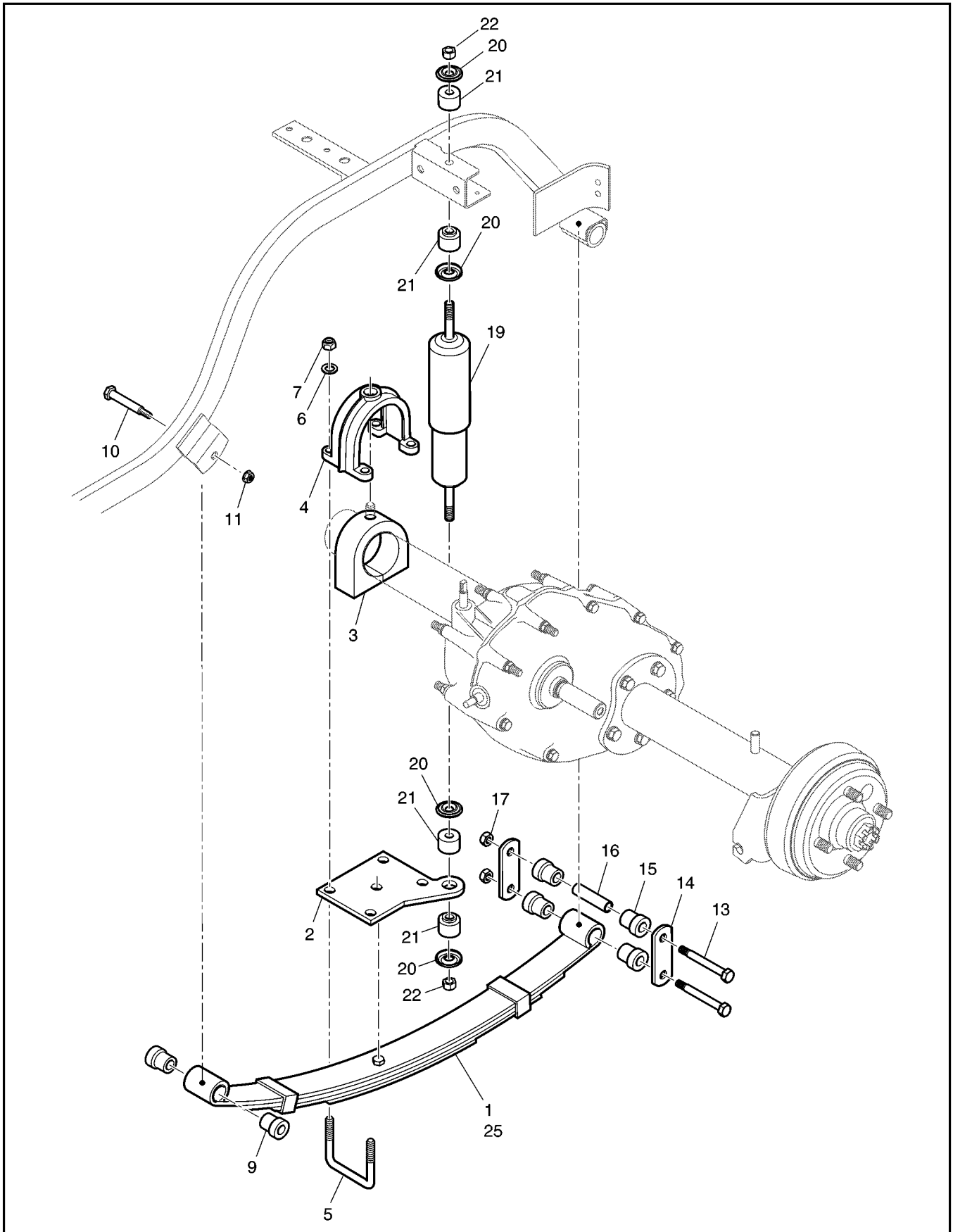


When ordering parts, please specify the model and serial number of the product.

* Indicates a component that is not available as an individual part.

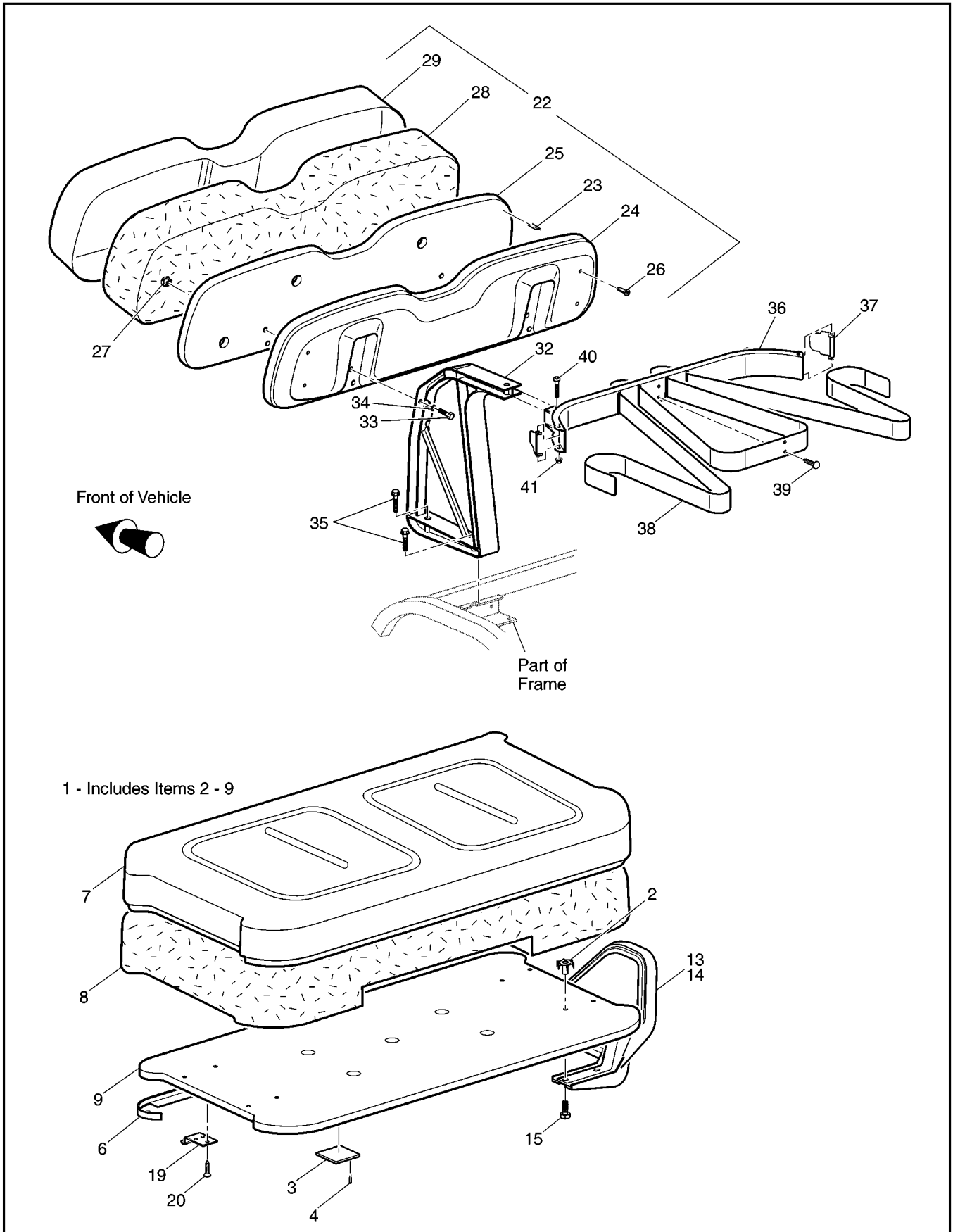
G** Indicates consult Customer Service Department for additional information.

ITEM	PART NO.	1 2 3 4 5	DESCRIPTION	QTY.
1	72031-G01		REAR AXLE (13.32:1) (INCLUDES ITEMS 3 - 28)	1
2	72031-G02		REAR AXLE, FREEDOM HP (10.67:1) (INCLUDES ITEMS 3 - 28).....	1
3	26823-G01		FLANGED BOLT, M8 X 1.25 X 100 MM LG	7
4	26824-G01		FLANGED BOLT, M8 X 1.25 X 110 MM LG.....	1
5	72053-G01		FLANGED BOLT, M8 X 1.25 X 120 MM LG	1
6	72052-G01		FLANGED BOLT, M8 X 1.25 X 130 MM LG	1
7	26826-G01		LOCK WASHER, M8	14
8	26827-G01		NUT, M8 X 1.25 MM	14
9	26768-G01		OIL CHECK PLUG.....	1
10	26769-G01		GASKET, 8 MM.....	1
11	26770-G01		OIL DRAIN PLUG	1
12	26771-G01		GASKET, 14 MM.....	1
13	26772-G01		OIL FILLER PLUG	1
14	26761-G01		INPUT SHAFT SEAL	1
15	26762-G01		SHIFTER SHAFT SEAL	1
16	26766-G01		AXLE SHAFT SEAL.....	2
17				
18	72115-G01		AXLE TUBE (DRIVER SIDE).....	1
19	72116-G01		AXLE TUBE (PASSENGER SIDE)	1
20	72056-G01		AXLE SHAFT (DRIVER SIDE).....	1
21	72057-G01		AXLE SHAFT (PASSENGER SIDE)	1
22	26814-G01		RETAINING RING	4
23	26811-G01		BALL BEARING.....	2
24				
25	72260-G01		FLANGED BOLT, M10 X 1.5 X 23 MM LG	10
26				
27				
28	26815-G01		SHIFTER CABLE BRACKET	1
29	72017-G01		AXLE BRACKET	1
30	75048-G01		SPACER, 1/2"	1



When ordering parts, please specify the model and serial number of the product.
 * Indicates a component that is not available as an individual part.
 G** Indicates consult Customer Service Department for additional information.

ITEM	PART NO.	1 2 3 4 5	DESCRIPTION	QTY.
1	70505-G01		LEAF SPRING SET (CONTAINS 2 SPRINGS).....	1
2	72028-G01		ISOMOUNT BASE PLATE	2
3	72117-G01		ISOMOUNT BUSHING.....	2
4	72037-G01		ISOMOUNT CAP	2
5	72618-G01		'U' BOLT, 3/8 - 16	4
6	00560-G1		WASHER, 3/8"	8
7	11098-G5		LOCK NUT, 3/8 - 16	8
8				
9	70291-G01		FLANGED BUSHING	4
10	14158-G1		SHOULDER BOLT, 3/8 - 16 x 3 1/4" LG	2
11	12262-G1		LOCK NUT, 3/8 - 16	2
12				
13	00429-G4		BOLT, 3/8 - 16 X 3 1/2" LG	4
14	70290-G01		SHACKLE PLATE	4
15	70291-G01		FLANGED BUSHING	8
16	70289-G02		SPACER.....	4
17	11098-G5		LOCK NUT, 3/8 - 16	4
18				
19	70324-G01		SHOCK ABSORBER	2
20	10435-G1		SHOCK ABSORBER WASHER.....	8
21	10194-G1		RUBBER BUSHING	8
22	00532-G6		NUT, 3/8 - 24	4
23				
24				
25	70506-G01		LEAF SPRING SET, (USE ON SHUTTLE 2+2 AND CONVERTIBLE CARRIER ONLY) (CONTAINS 2 SPRINGS)	1



When ordering parts, please specify the model and serial number of the product.

* Indicates a component that is not available as an individual part.

G** Indicates consult Customer Service Department for additional information.

ITEM	PART NO.	1 2 3 4 5	DESCRIPTION	QTY.
1	71611-G**		SEAT BOTTOM ASSEMBLY (INCLUDES ITEMS 2 - 9).....	1
2	*		TEE NUT	8
3	17074-G1		RUBBER PAD.....	2
4	*		FLAT STAPLE.....	110
5				
6	71012-G01		VINYL TRIM (SEAT BOTTOM).....	1
7	71602-G**		VINYL SEAT BOTTOM COVER	1
8	*		FOAM PADDING (SEAT BOTTOM)	1
9	*		SEAT BOTTOM (WOOD)	1
10				
11				
12				
13	71701-G01		HIP RESTRAINT (PASSENGER SIDE).....	1
14	71702-G01		HIP RESTRAINT (DRIVER SIDE)	1
15	71204-G01		BOLT, 1/4 - 20 X 7/8" LG.....	8
16				
17				
18				
19	71610-G01		SEAT HINGE.....	2
20	00720-G08		SCREW, #12 - 14 X 1" LG	4
21				
22	71751-G**		SEAT BACK ASSEMBLY (INCLUDES ITEMS 23 - 29)	1
23	*		FLAT STAPLE.....	95
24	71752-G01		PLASTIC SEAT BACK COVER	1
25	*		SEAT BACK (WOOD).....	1
26	71002-G01		SCREW, #8 X 5/8" LG	4
27	*		TEE NUT	4
28	*		FOAM PADDING (SEAT BACK).....	1
29	71753-G**		VINYL SEAT BACK COVER	1
30				

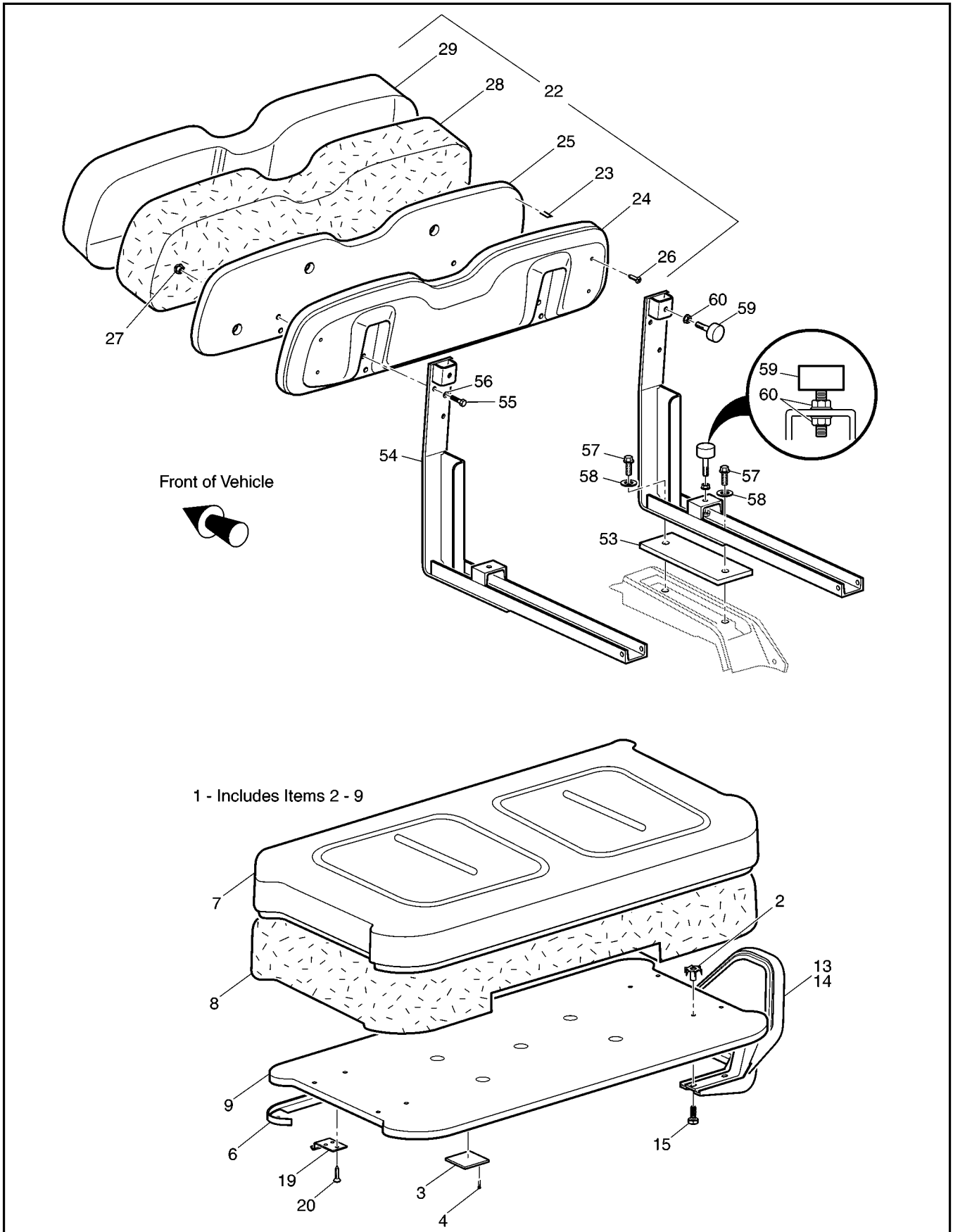
SEATING AND BAG HOLDER, GOLF CAR**Gasoline Vehicle**

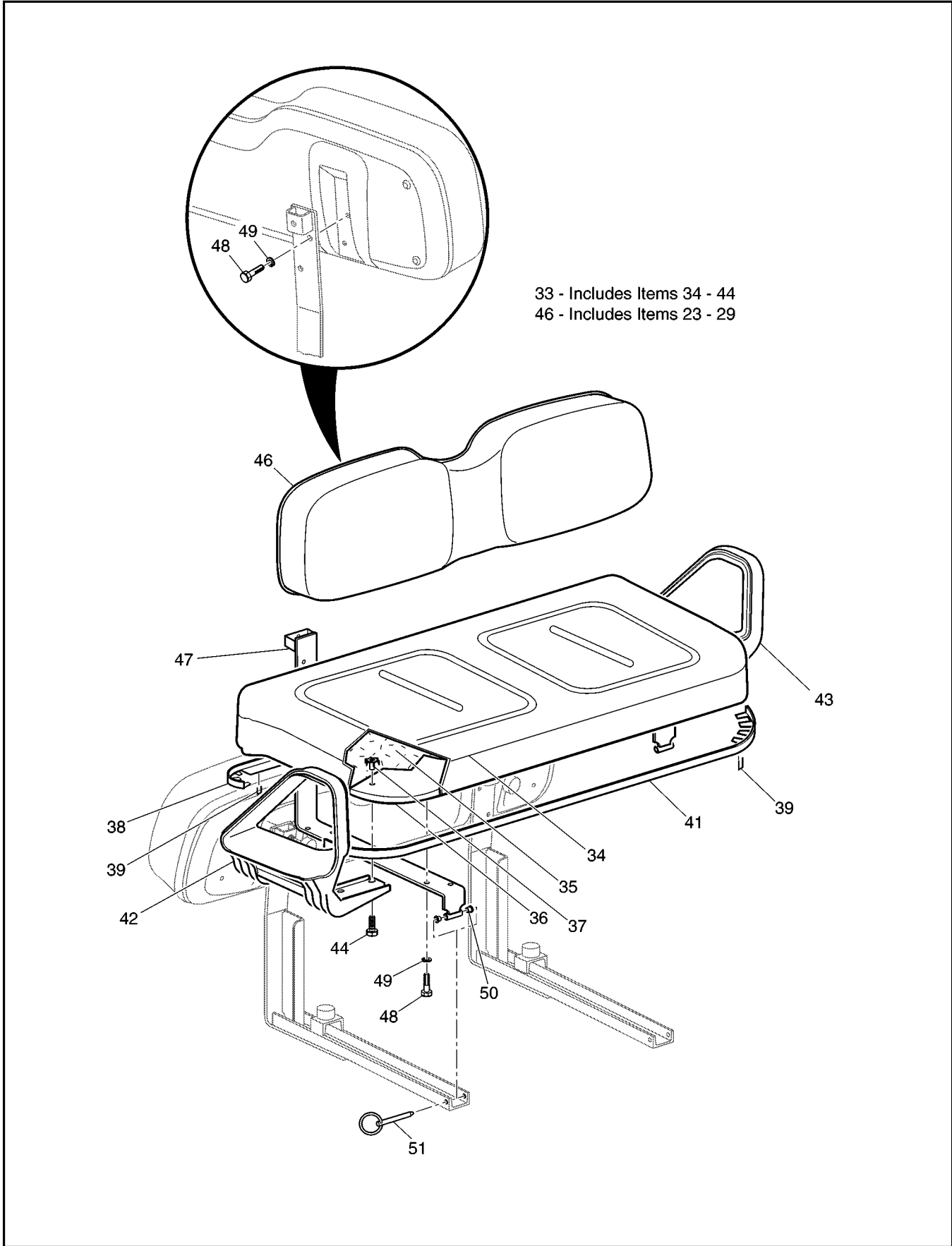
When ordering parts, please specify the model and serial number of the product.

* Indicates a component that is not available as an individual part.

G** Indicates consult Customer Service Department for additional information.

ITEM	PART NO.	1 2 3 4 5	DESCRIPTION	QTY.
31				
32	71811-G02		SEAT SUPPORT BRACKET	2
33	00414-G8		BOLT, 1/4 - 20 X 1" LG	4
34	00565-G7		LOCK WASHER, 1/4"	4
35	71802-G01		BOLT, 3/8 - 16 X 2 1/4" LG	4
36	71851-G01		BAG HOLDER BRACKET	1
37	71856-G01		BAG RETAINER CLAMP	2
38	71853-G01		BAG RETAINER STRAP	1
39	16816-G1		RATCHET FASTENER, 1/4" X 5/8" LG	2
40	71821-G01		CARRIAGE BOLT, 1/4 - 20 X 1 1/2" LG	2
41	11027-G2		LOCK NUT, 1/4 - 20	2





When ordering parts, please specify the model and serial number of the product.

* Indicates a component that is not available as an individual part.

G** Indicates consult Customer Service Department for additional information.

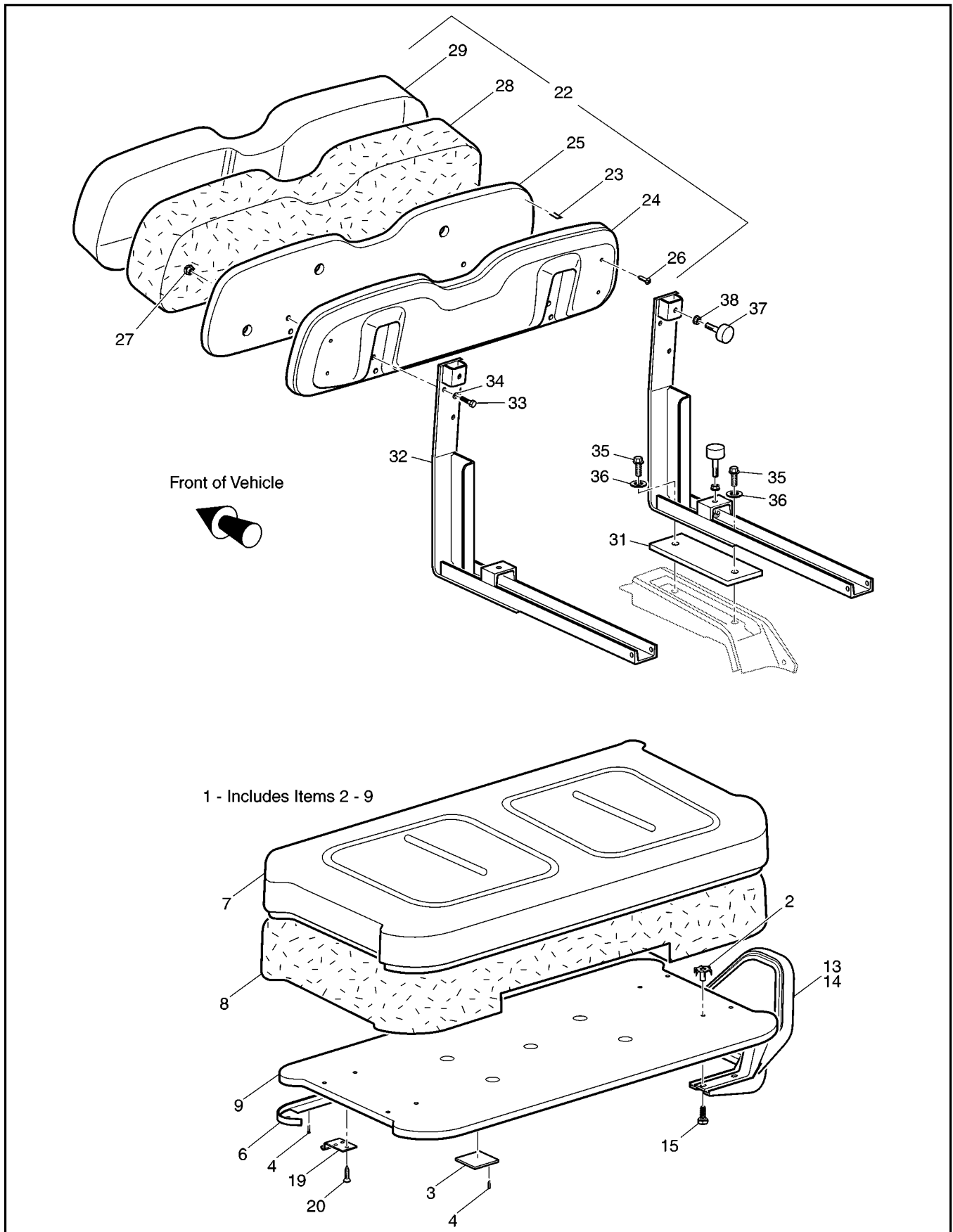
ITEM	PART NO.	1 2 3 4 5	DESCRIPTION	QTY.
1	71611-G**		SEAT BOTTOM ASSEMBLY (INCLUDES ITEMS 2 - 9)	1
2	*		TEE NUT.....	8
3	17074-G1		RUBBER PAD.....	2
4	*		FLAT STAPLE.....	110
5				
6	71012-G01		VINYL TRIM (SEAT BOTTOM).....	1
7	71602-G**		VINYL SEAT BOTTOM COVER	1
8	*		FOAM PADDING (SEAT BOTTOM).....	1
9	*		SEAT BOTTOM (WOOD).....	1
10				
11				
12				
13	71701-G01		HIP RESTRAINT (PASSENGER SIDE)	1
14	71702-G01		HIP RESTRAINT (DRIVER SIDE).....	1
15	71204-G01		BOLT, 1/4 - 20 X 7/8" LG.....	8
16				
17				
18				
19	71610-G01		SEAT HINGE	2
20	00720-G08		SCREW, #12 - 14 X 1" LG.....	6
21				
22	71751-G**		SEAT BACK ASSEMBLY (INCLUDES ITEMS 23 - 29).....	1
23	*		FLAT STAPLE.....	95
24	71752-G01		PLASTIC SEAT BACK COVER	1
25	*		SEAT BACK (WOOD).....	1
26	71002-G01		SCREW, #8 X 5/8" LG	4
27	*		TEE NUT.....	4
28	*		FOAM PADDING (SEAT BACK)	1
29	71753-G**		VINYL SEAT BACK COVER	1
30				

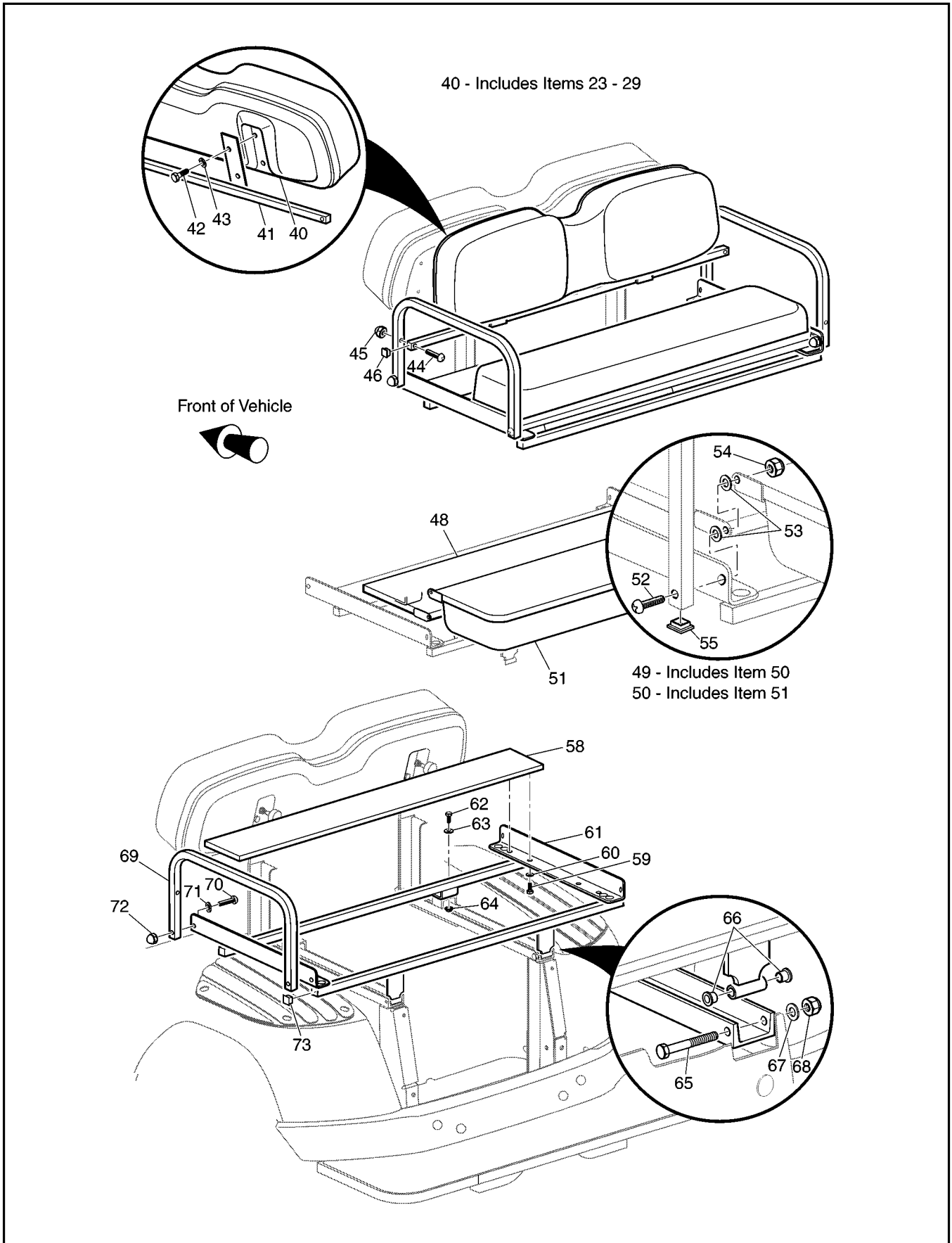
When ordering parts, please specify the model and serial number of the product.

* Indicates a component that is not available as an individual part.

G** Indicates consult Customer Service Department for additional information.

ITEM	PART NO.	1	2	3	4	5	DESCRIPTION	QTY.
31								
32								
33	74139-G**						SEAT BOTTOM ASSEMBLY (INCLUDES ITEMS 34 - 44).....	1
34	71602-G**						VINYL COVER (SEAT BOTTOM).....	1
35	*						FOAM PADDING (SEAT BOTTOM)	1
36	*						SEAT BOTTOM (WOOD)	1
37	*						TEE NUT	16
38	74140-G01						TRIM	1
39	*						FLAT STAPLE.....	110
40								
41	71012-G01						TRIM	1
42	71702-G01						HIP RESTRAINT (DRIVER SIDE)	1
43	71701-G01						HIP RESTRAINT (PASSENGER SIDE)	1
44	00414-G8						BOLT, 1/4 - 20 X 1" LG	8
45								
46	71751-G**						SEAT BACK ASSEMBLY (INCLUDES ITEMS 23 - 29)	1
47	74117-G01						SEAT SUPPORT BRACKET	2
48	00414-G8						BOLT, 1/4 - 20 X 1" LG.....	12
49	00565-G7						LOCK WASHER, 1/4"	12
50	17838-G1						NYLON BUSHING	4
51	74134-G01						QUICK RELEASE PIN	2
52								
53	70364-G01						SPACER.....	2
54	74111-G01						SEAT BACK SUPPORT	2
55	00414-G8						BOLT, 1/4 - 20 X 1" LG.....	4
56	00565-G7						LOCK WASHER, 1/4"	4
57	01006-G02						BOLT, 3/8 - 16 X 1 1/2" LG.....	4
58	00560-G1						WASHER, 3/8"	4
59	70113-G01						RUBBER BUMPER.....	4
60	11027-G1						LOCK NUT, 5/16 - 18	6





SEATING, CONVERTIBLE CARRIER

Gasoline Vehicle

When ordering parts, please specify the model and serial number of the product.

* Indicates a component that is not available as an individual part.

G** Indicates consult Customer Service Department for additional information.

ITEM	PART NO.	1 2 3 4 5	DESCRIPTION	QTY.
1	71611-G**		SEAT BOTTOM ASSEMBLY (INCLUDES ITEMS 2 - 9)	1
2	*		TEE NUT.....	8
3	17074-G1		RUBBER PAD.....	2
4	*		FLAT STAPLE.....	110
5	*		FLAT STAPLE.....	46
6	71012-G01		VINYL TRIM (SEAT BOTTOM).....	1
7	71602-G**		VINYL SEAT BOTTOM COVER	1
8	*		FOAM PADDING (SEAT BOTTOM).....	1
9	*		SEAT BOTTOM (WOOD).....	1
10				
11				
12				
13	71701-G01		HIP RESTRAINT (PASSENGER SIDE)	1
14	71702-G01		HIP RESTRAINT (DRIVER SIDE).....	1
15	00414-G8		BOLT, 1/4 - 20 X 1" LG	8
16				
17				
18				
19	71610-G01		SEAT HINGE	2
20	00720-G08		SCREW, #12 - 14 X 1" LG.....	4
21				
22	71751-G**		SEAT BACK ASSEMBLY (INCLUDES ITEMS 23 - 29).....	1
23	*		FLAT STAPLE.....	95
24	71752-G01		PLASTIC SEAT BACK COVER	1
25	*		SEAT BACK (WOOD)	1
26	71002-G01		SCREW, #8 X 5/8" LG	4
27	*		TEE NUT.....	4
28	*		FOAM PADDING (SEAT BACK)	1
29	71753-G**		VINYL SEAT BACK COVER	1
30				

When ordering parts, please specify the model and serial number of the product.

* Indicates a component that is not available as an individual part.

G** Indicates consult Customer Service Department for additional information.

ITEM	PART NO.	1 2 3 4 5	DESCRIPTION	QTY.
31	70364-G01		SPACER.....	2
32	74111-G01		SEAT BACK SUPPORT	2
33	00414-G8		BOLT, 1/4 - 20 X 1" LG.....	4
34	00565-G7		LOCK WASHER, 1/4"	4
35	01006-G02		BOLT, 3/8 - 16 X 1 1/2" LG.....	4
36	00560-G1		WASHER, 3/8"	4
37	70113-G01		RUBBER BUMPER.....	2
38	11027-G1		LOCK NUT, 5/16 - 18	2
39				
40	71751-G**		SEAT BACK ASSEMBLY (INCLUDES ITEMS 23 - 29)	1
41	75258-G01		SEAT BACK MOUNT	1
42	00414-G8		BOLT, 1/4 - 20 X 1" LG.....	4
43	00565-G7		LOCK WASHER, 1/4"	4
44	16705-G6		BOLT, 1/4 - 20 X 1 3/4" LG.....	2
45	00520-G1		ACORN NUT, 1/4 - 20	2
46	19859-G1		END PLUG, 3/4".....	2
47				
48	75229-G01		BED.....	1
49	75263-G01		SEAT BOTTOM ASSEMBLY (INCLUDES ITEM 50)	1
50	75197-G**		SEAT BOTTOM (INCLUDES ITEM 51)	1
51	75252-G01		VINYL SEAT BOTTOM COVER.....	1
52	00762-G4		SCREW, 5/16 - 18 X 1 1/2" LG	2
53	17255-G1		TEFLON WASHER, 5/16"	4
54	00654-G3		LOCK NUT, 5/16 - 18	2
55	19859-G1		END CAP, 3/4"	4
56				
57				
58	75273-G01		BED FRONT (INCLUDES MAT).....	1
59	00661-G6		BOLT, 1/4 - 20 X 3/4" LG.....	4
60	00559-G8		WASHER, 5/16"	4

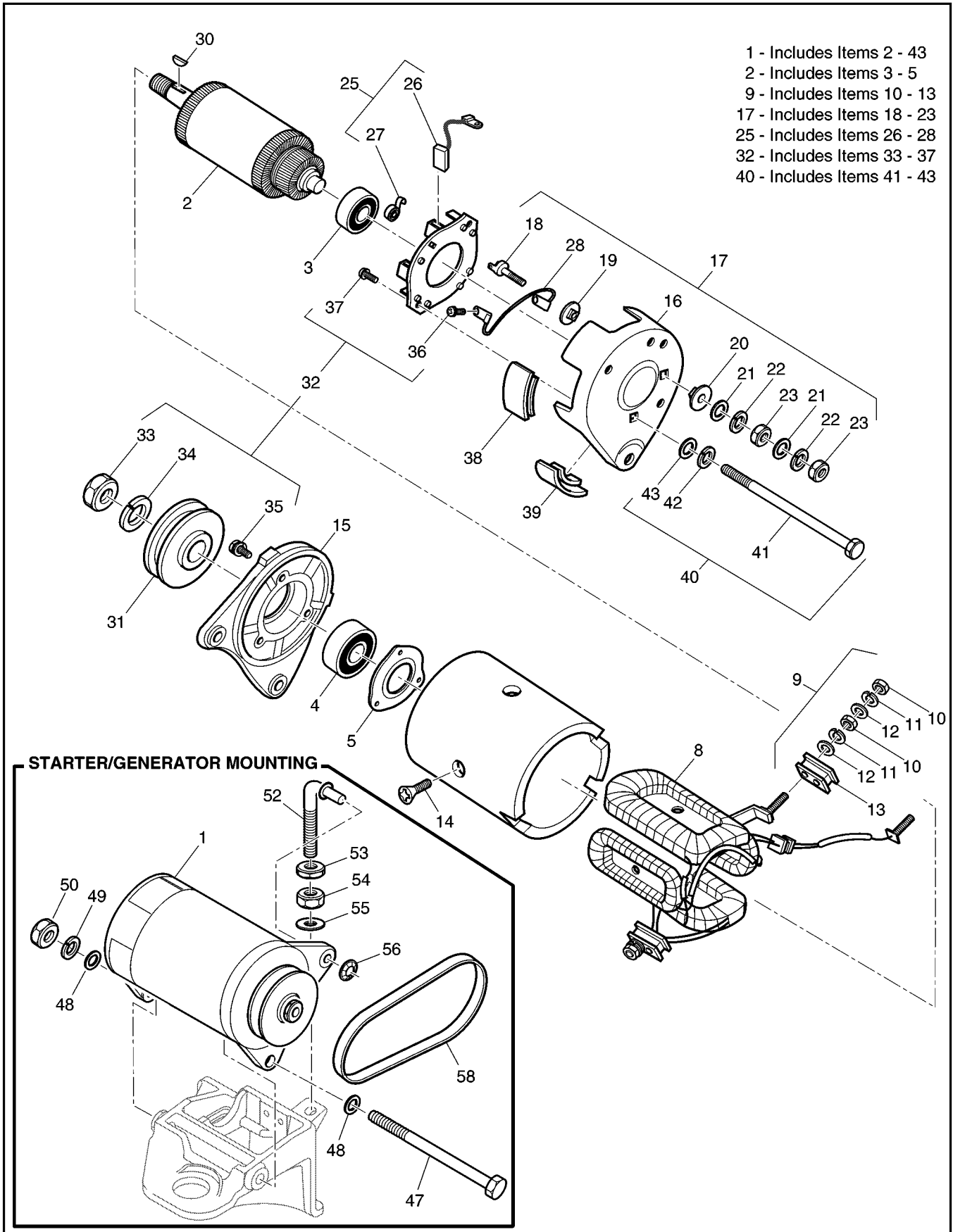
SEATING, CONVERTIBLE CARRIER**Gasoline Vehicle**

When ordering parts, please specify the model and serial number of the product.

* Indicates a component that is not available as an individual part.

G** Indicates consult Customer Service Department for additional information.

ITEM	PART NO.	1 2 3 4 5	DESCRIPTION	QTY.
61	75193-G01		SUPPORT FRAME.....	1
62	00438-G8		BOLT, 5/16 - 18 X 1" LG	2
63	00559-G8		WASHER, 5/16"	2
64	11027-G1		LOCK NUT, 5/16 - 18	2
65	00440-G4		BOLT, 5/16 - 18 X 2 1/2" LG	2
66	17838-G1		NYLON BUSHING.....	4
67	00559-G8		WASHER, 5/16"	2
68	00654-G3		LOCK NUT, 5/16 - 18	2
69	75196-G01		HANDRAIL	2
70	00762-G02		BOLT, 5/16 - 18 X 1 1/4" LG	2
71	00664-G8		LOCK WASHER, 5/16".....	2
72	00520-G3		ACORN NUT, 5/16 - 18	2
73	75261-G02		END CAP, 1".....	4



When ordering parts, please specify the model and serial number of the product.
 * Indicates a component that is not available as an individual part.
 G** Indicates consult Customer Service Department for additional information.

ITEM	PART NO.	1 2 3 4 5	DESCRIPTION	QTY.
1	27065-G01		STARTER / GENERATOR (INCLUDES ITEMS 2 - 43).....	1
2	26870-G01		ARMATURE (INCLUDES ITEMS 3 - 5).....	1
3	26871-G01		REAR BALL BEARING	1
4	26872-G01		FRONT BALL BEARING.....	1
5	26873-G01		BEARING HOLDER	1
6				
7				
8	26875-G01		FIELD COIL	1
9	26876-G01		INSULATING BRUSH ASSEMBLY ('F') (INCLUDES ITEMS 10 - 13).....	2
10	*		NUT	2
11	*		LOCK WASHER.....	2
12	*		WASHER.....	2
13	*		INSULATOR	1
14	26877-G01		POLE CORE SETSCREW	4
15	26878-G01		FRONT COVER.....	1
16	27879-G01		REAR COVER.....	1
17	26880-G01		TERMINAL ASSEMBLY ('A') (INCLUDES ITEMS 18 - 23).....	2
18	*		TERMINAL	2
19	*		INSULATOR	2
20	*		INSULATOR	2
21	*		WASHER.....	4
22	*		LOCK WASHER.....	4
23	*		NUT	4
24				
25	26881-G01		BRUSH HOLDER ASSEMBLY (INCLUDES ITEMS 26 - 28)	1
26	26658-G01		BRUSH.....	4
27	26882-G01		BRUSH SPRING.....	4
28	26883-G01		BRUSH CONNECTOR.....	2
29				
30	26884-G01		KEY.....	1

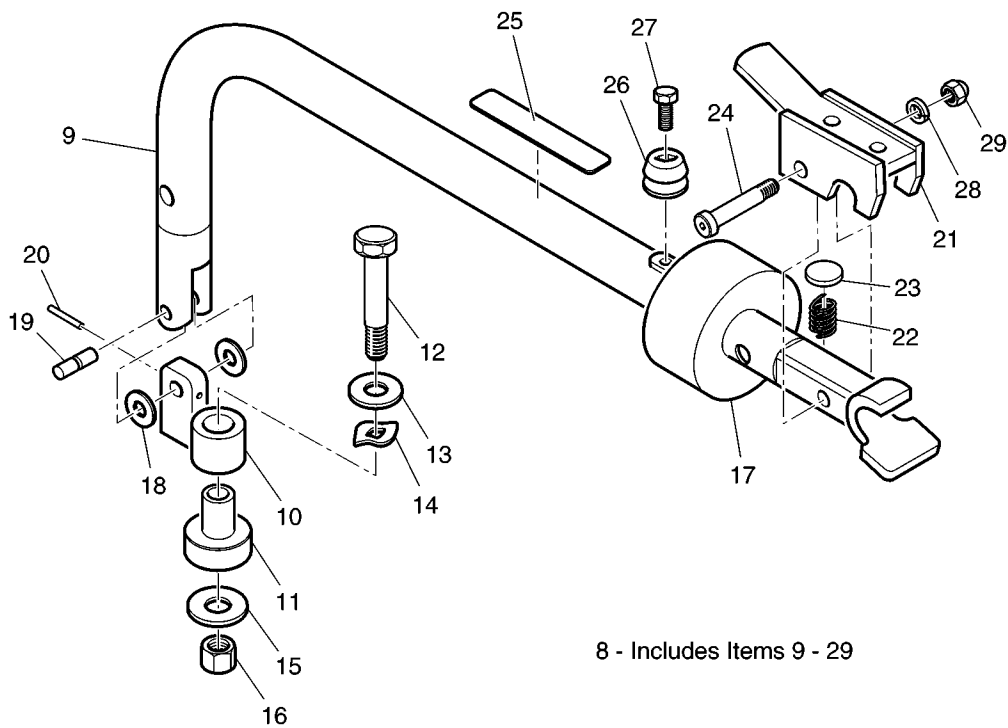
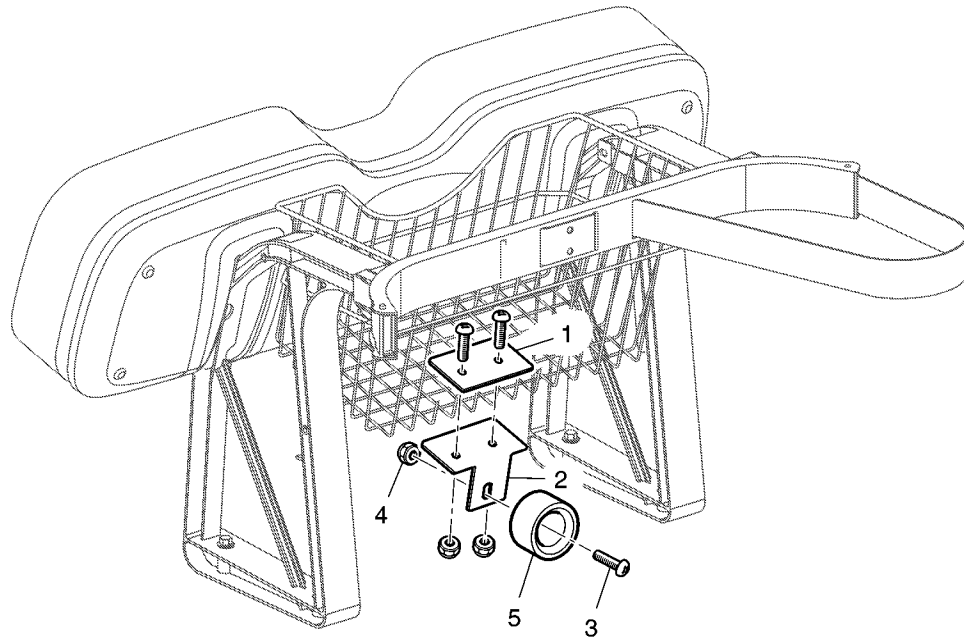
STARTER / GENERATOR**Gasoline Vehicle**

When ordering parts, please specify the model and serial number of the product.

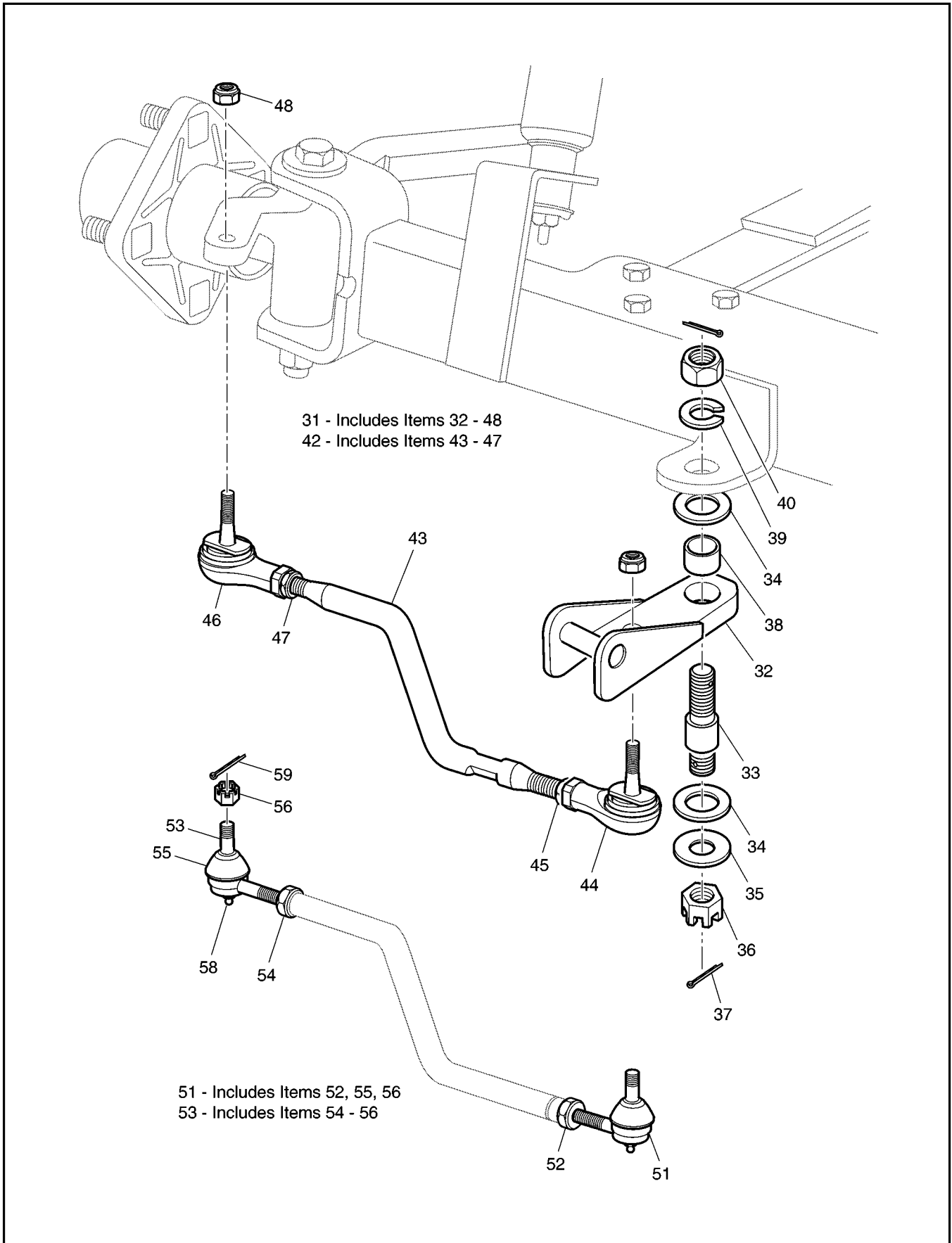
* Indicates a component that is not available as an individual part.

G** Indicates consult Customer Service Department for additional information.

ITEM	PART NO.	1	2	3	4	5	DESCRIPTION	QTY.
31	26885-G01						PULLEY	1
32	26886-G01						BRUSH AND PULLEY HARDWARE KIT (INCLUDES ITEMS 33 - 37).....	1
33	*						NUT	1
34	*						LOCK WASHER.....	1
35	*						SCREW	3
36	*						SCREW	4
37	*						SCREW	2
38	26887-G01						BRUSH 1 COVER.....	3
39	26888-G01						BRUSH 2 COVER.....	2
40	26889-G01						HOUSING HARDWARE KIT (INCLUDES ITEMS 41 - 43).....	2
41	*						BOLT	2
42	*						LOCK WASHER.....	2
43	*						WASHER.....	2
44								
45								
46								
47	00938-G4						BOLT, 1/2 - 13 X 8" LG	1
48	00560-G3						WASHER, 1/2"	2
49	00566-G3						LOCK WASHER, 1/2".....	1
50	00533-G1						NUT, 1/2 - 13	1
51								
52	28617-G01						STARTER / GENERATOR ADJUSTER.....	1
53	00544-G5						JAM NUT, 3/8 - 16	1
54	00532-G5						NUT, 3/8 - 16	1
55	00560-G1						WASHER, 3/8"	1
56	12064-G4						PUSH NUT, 5/16"	1
57								
58	26414-G01						STARTER / GENERATOR BELT	1



8 - Includes Items 9 - 29



TOW BAR, PERMANENT**Gasoline Vehicle**

When ordering parts, please specify the model and serial number of the product.

* Indicates a component that is not available as an individual part.

G** Indicates consult Customer Service Department for additional information.

ITEM	PART NO.	1 2 3 4 5	DESCRIPTION	QTY.
1	75318-G01		MOUNTING PLATE.....	1
2	75319-G01		STOP MOUNT PLATE	1
3	16705-G1		SCREW, 1/4 - 20 X 1" LG.....	3
4	00891-G2		LOCK NUT, 1/4 - 20.....	3
5	75338-G02		FEMALE STOP	1
6				
7				
8	75304-G01		TOW BAR (TOWING VEHICLE) (INCLUDES ITEMS 9 - 29)	1
9	75299-G01		TOW BAR	1
10	75302-G01		UPPER PIVOT	1
11	75291-G01		LOWER PIVOT	1
12	00410-G8		BOLT, 1/2 - 20 X 3" LG.	1
13	00675-G3		WASHER, 1/2".....	1
14	75339-G01		SPRING WASHER	1
15	00571-G5		WASHER, 1/2".....	1
16	11098-G8		LOCK NUT, 1/2 - 20.....	1
17	75362-G01		LATCH STOP	1
18	75340-G01		DELTRIN WASHER, 3/8".....	2
19	75360-G01		PIVOT PIN.....	2
20	13571-G7		SPRING PIN.....	2
21	75303-G01		LATCH	1
22	20852-G2		COMPRESSION SPRING	1
23	25661-G02		CUP WASHER	1
24	13005-G4		SHOULDER BOLT, 5/16 - 18 X 1 5/8" LG	1
25	75370-G01		LABEL (WARNING).....	1
26	75338-G03		MALE STOP	1
27	12547-G4		BOLT, 6MM X 1 X 30 MM LG	1
28	00565-G8		LOCK WASHER, 5/16".....	1
29	00520-G3		ACORN NUT, 5/16 - 18.....	1
30				

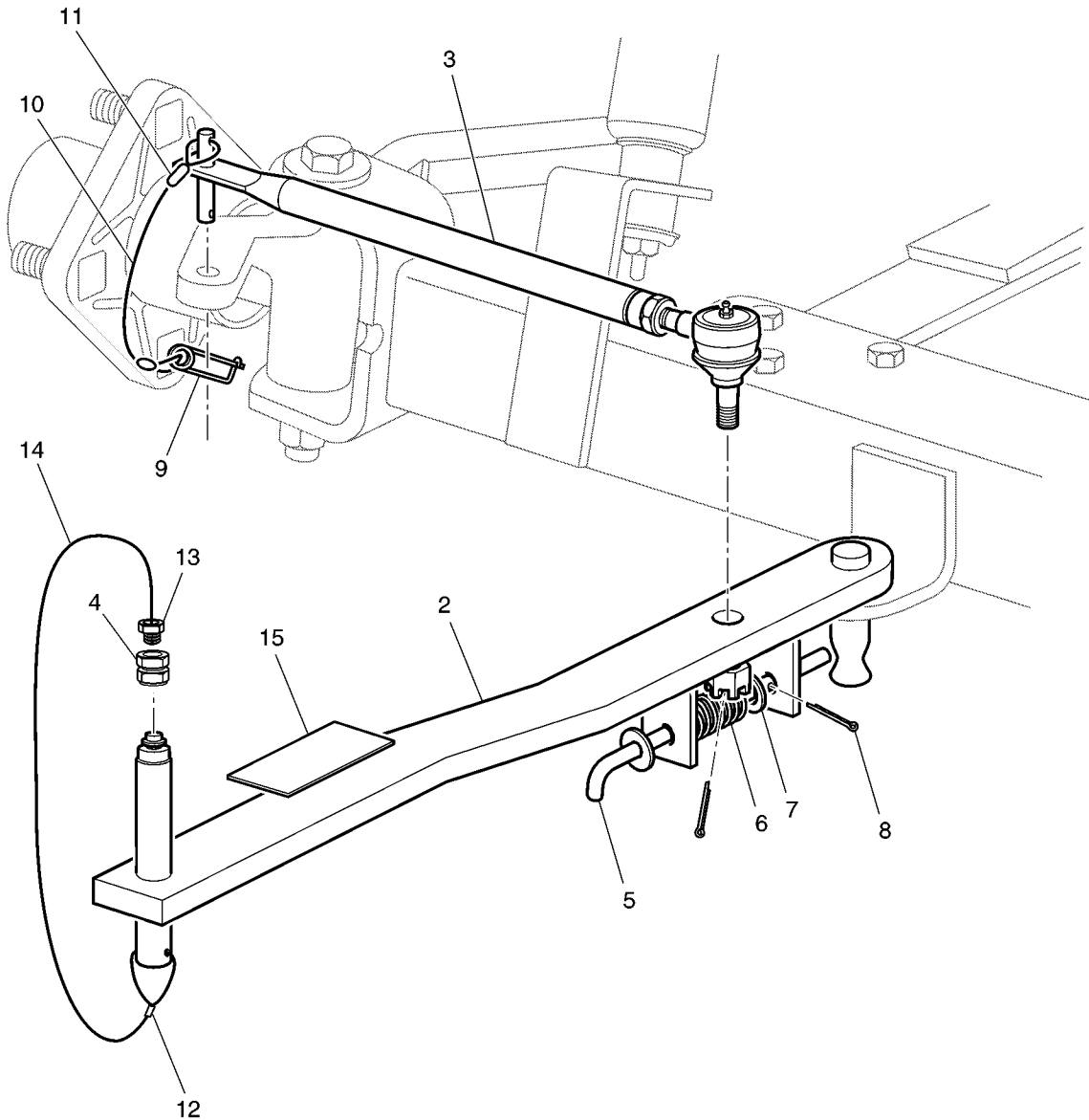
When ordering parts, please specify the model and serial number of the product.

* Indicates a component that is not available as an individual part.

G** Indicates consult Customer Service Department for additional information.

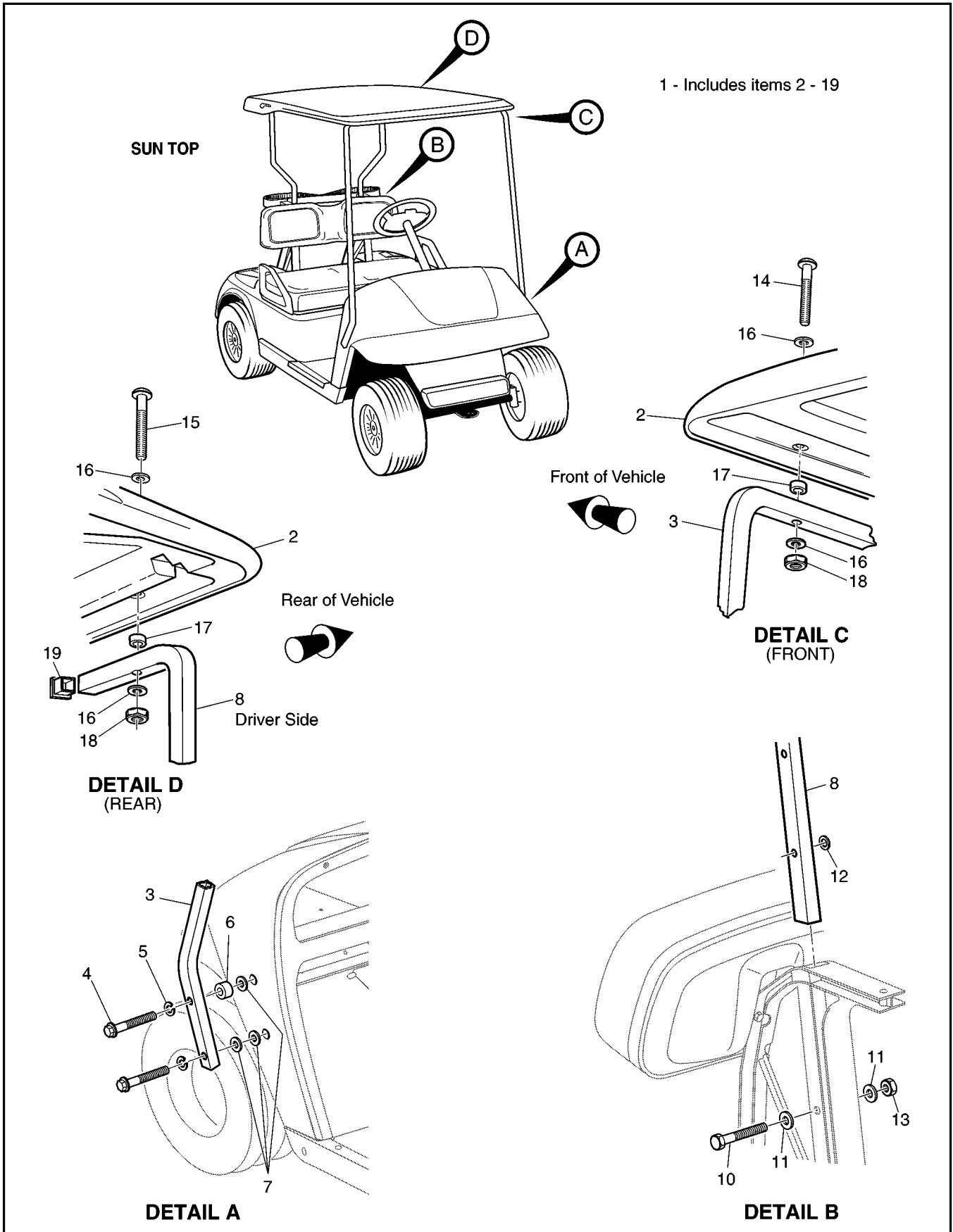
ITEM	PART NO.	1 2 3 4 5	DESCRIPTION	QTY.
31	75308-G01		TOW BAR HITCH (TOWED VEHICLE) (INCLUDES ITEMS 32 - 48).....	1
32	75305-G01		HITCH.....	1
33	75292-G01		PIVOT BOLT.....	1
34	75309-G01		THRUST WASHER	2
35	75342-G01		WASHER, 3/4".....	1
36	00518-G8		CASTELLATED NUT, 3/4 - 16	1
37	10387-G1		COTTER PIN, 1/8" X 1 1/2" LG.....	2
38	75307-G01		BEARING	1
39	00566-G6		LOCK WASHER, 3/4".....	1
40	00533-G8		NUT, 3/4 - 16	1
41				
42	70905-G01		TIE ROD ASSEMBLY (INCLUDES ITEMS 43 - 47)	1
43	70903-G01		THREADED ROD.....	1
44	70902-G01		TIE ROD END (LEFT HAND THREADS).....	1
45	01069-G01		JAM NUT, M12 X 1.25-05 (LEFT HAND THREADS)	1
46	70902-G02		TIE ROD END (RIGHT HAND THREADS)	1
47	01069-G02		JAM NUT, M12 X 1.25-05 (RIGHT HAND THREADS).....	1
48	00734-G1		LOCK NUT, 7/16 - 14.....	2
49				
50				
51	27205-G01		TIE ROD END (LEFT HAND THREAD) (INCLUDES ITEMS 52, 55, 56).....	1
52	18434-G3		JAM NUT, 9/16 - 18 (LEFT HAND THREAD)	1
53	27205-G02		TIE ROD END (RIGHT HAND THREAD) (INCLUDES ITEMS 54 - 56).....	1
54	18434-G4		JAM NUT, 9/16 - 18 (RIGHT HAND THREAD).....	1
55	50641-G1		RUBBER BOOT	1
56	50209-G2		SLOTTED NUT, 7/16 - 20.....	1
57				
58	10389-G3		GREASE FITTING, STRAIGHT	2
59	10387-G2		COTTER PIN, 3/32" X 1" LG.....	2

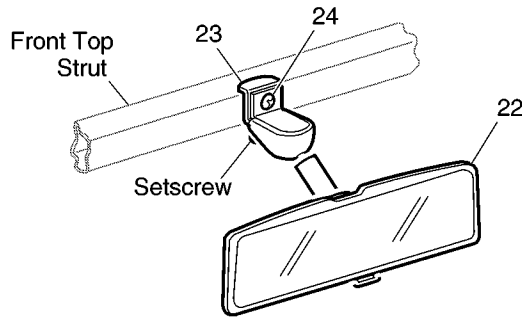
1 - Includes Items 2 - 15



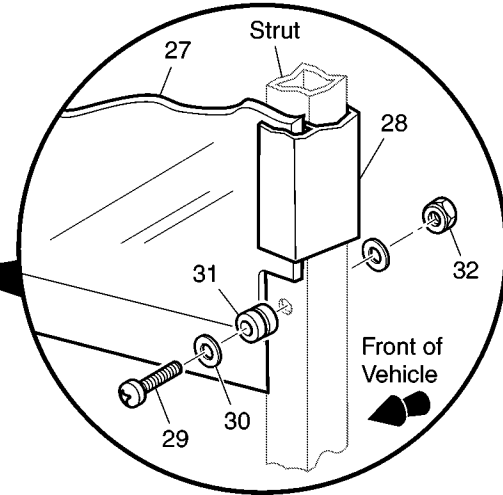
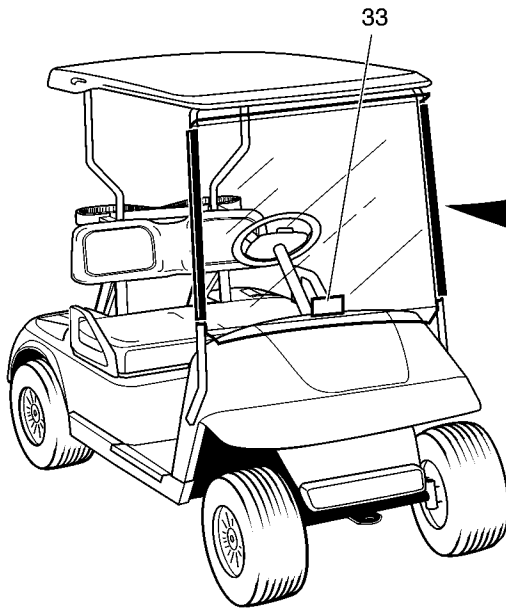
When ordering parts, please specify the model and serial number of the product.
 * Indicates a component that is not available as an individual part.
 G** Indicates consult Customer Service Department for additional information.

ITEM	PART NO.	1 2 3 4 5	DESCRIPTION	QTY.
1	75033-G01		CASUAL TOW BAR (INCLUDES ITEMS 2 - 15)	1
2	*		TOW BAR.....	1
3	75034-G01		TIE ROD (INCLUDES NUT AND COTTER PIN).....	1
4	75060-G01		COUPLING	1
5	*		LOCK PIN.....	1
6	75065-G01		COMPRESSION SPRING.....	1
7	00922-G2		WASHER, 3/8".....	1
8	10387-G2		COTTER PIN, 3/32" X 1" LG.....	1
9	75068-G01		SAFETY PIN.....	1
10	14869-G5		WIRE ROPE.....	1
11	16783-G1		FERRULE.....	3
12	75067-G01		FERRULE.....	1
13	75035-G02		HEX HEAD PLUG	1
14	14869-G3		WIRE ROPE.....	1
15	75091-G01		LABEL (WARNING).....	1

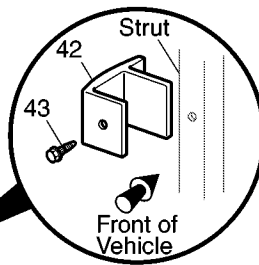
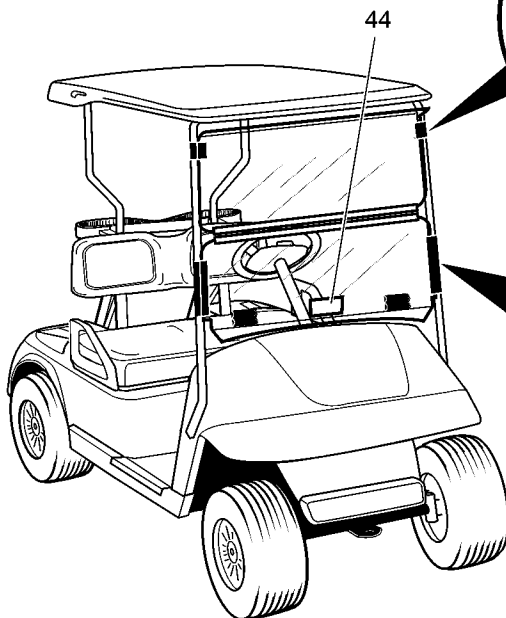




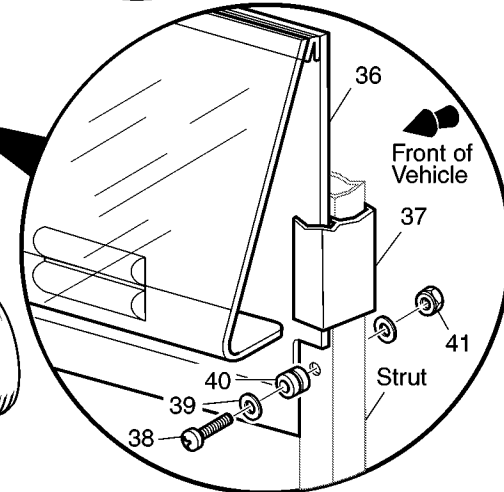
REAR VIEW MIRROR
21 - Includes Items 22 - 24



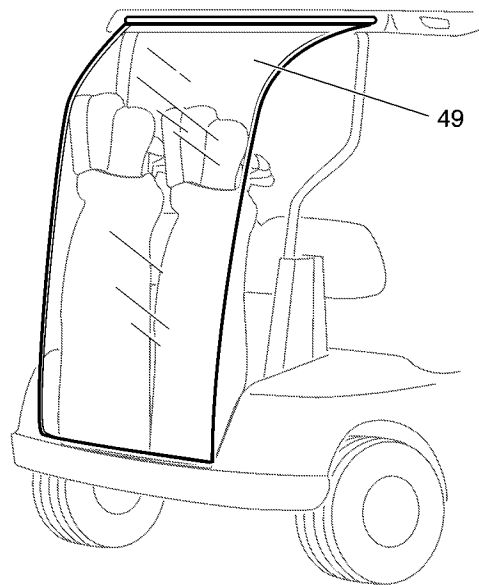
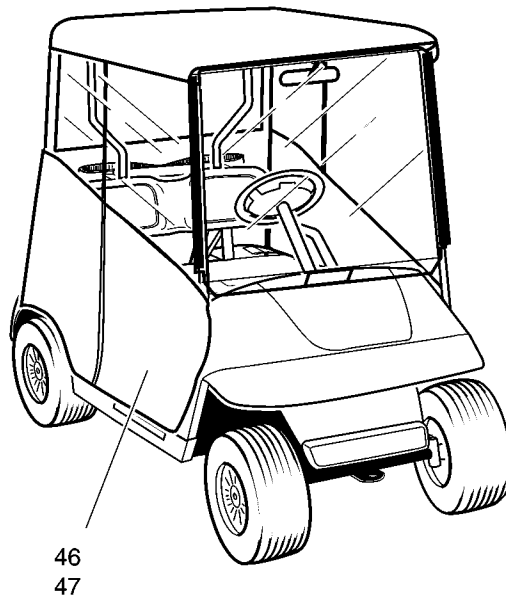
FULL WINDSHIELD
26 - Includes Items 27 - 33



FOLD DOWN WINDSHIELD
35 - Includes Items 36 - 44



WEATHER ENCLOSURE



BAG AND RAIN CURTAIN

Replacement parts for the windshield may be obtained from Eagle Parts, Inc. 1411 Marvin Griffin Rd. Augusta, GA 30906. Telephone (706) 790-6687 or FAX (706) 790-6066

* Indicates a component that is not available as an individual part.

G** Indicates consult Customer Service Department for additional information.

ITEM	PART NO.	1	2	3	4	5	DESCRIPTION	QTY.
1	75040-G**						SUN TOP KIT (GOLF CAR) (INCLUDES ITEMS 2 - 19)	1
2	27069-G**						SUN TOP	1
3	75045-G01						FRONT STRUT	1
4	01035-G01						BOLT, 5/16 - 18 X 2 1/4" LG	4
5	00905-G8						LOCK WASHER, 5/16"	4
6	75048-G01						SPACER, 1/2"	2
7	00570-G2						WASHER, 5/16"	6
8	75046-G01						REAR STRUT	2
9								
10	00439-G6						BOLT, 5/16 - 18 X 1 3/4" LG	4
11	00571-G2						WASHER, 5/16"	8
12	17255-G1						TEFLON WASHER, 5/16"	4
13	11098-G6						LOCK NUT, 5/16 - 18	4
14	00753-G5						SCREW, 1/4 - 20 X 2" LG (STAINLESS STEEL)	2
15	00753-G6						SCREW, 1/4 - 20 X 2 1/4" LG (STAINLESS STEEL)	2
16	00559-G7						WASHER, 1/4"	8
17	75051-G01						SPACER	4
18	00891-G2						LOCK NUT, 1/4 - 20	4
19	19853-G1						END CAP, 1"	2
20								
21	19528-G2						REAR VIEW MIRROR KIT (INCLUDES ITEMS 22 - 24)	1
22	19496-G1						REAR VIEW MIRROR	1
23	19502-G2						SUPPORT BRACKET	1
24	19527-G1						SCREW, #8 - 32 X 5/8" LG (STAINLESS STEEL)	1
25								
26	75524-G01						WINDSHIELD KIT (GOLF CAR) (INCLUDES ITEMS 27 - 33)	1
27	*						WINDSHIELD	1
28	EGWHC12						SASH, 26" LG	2
29	EGWHS12						SCREW, 1/4 - 20 X 1 3/4" LG (STAINLESS STEEL)	2
30	EGWHW12						WASHER, 1/4" (STAINLESS STEEL)	4

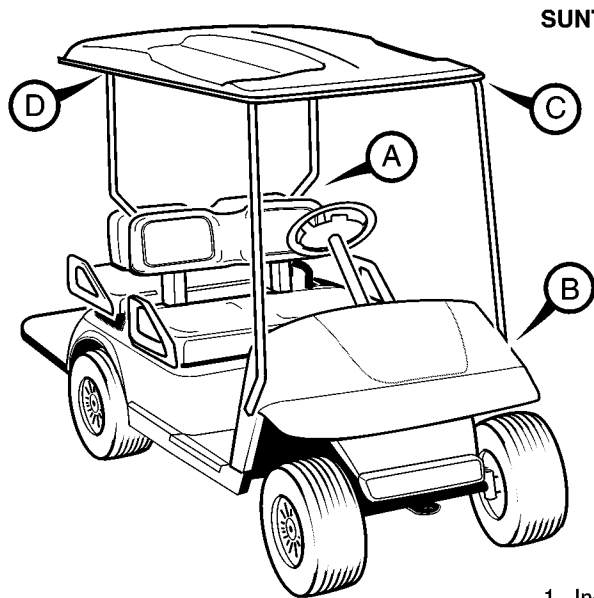
WEATHER PROTECTION, GOLF CAR**Gasoline Vehicle**

Replacement parts for the windshield may be obtained from Eagle Parts, Inc. 1411 Marvin Griffin Rd. Augusta, GA 30906. Telephone (706) 790-6687 or FAX (706) 790-6066

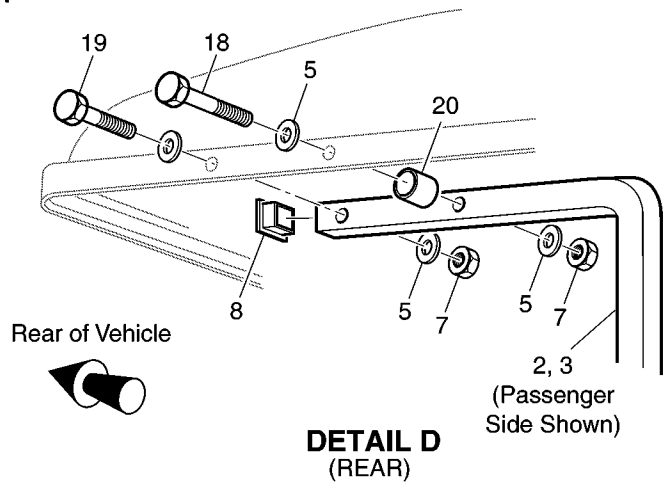
* Indicates a component that is not available as an individual part.

G** Indicates consult Customer Service Department for additional information.

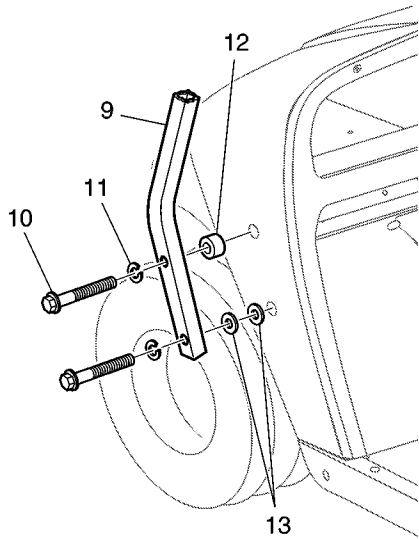
ITEM	PART NO.	1	2	3	4	5	DESCRIPTION	QTY.
31	EGWHG13						RUBBER GROMMET	2
32	EGWHN12						LOCK NUT, 1/4 - 20 (STAINLESS STEEL).....	2
33	EGWHL-14						LABEL (SAFETY)	1
34								
35	75525-G01						FOLD DOWN WINDSHIELD KIT (GOLF CAR) (INCLUDES ITEMS 36 - 42).....	1
36	*						WINDSHIELD	1
37	EGWHC10						SASH, 12" LG	2
38	EGWHS12						SCREW, 1/4 - 20 X 1 3/4" LG (STAINLESS STEEL).....	2
39	EGWHW12						WASHER, 1/4" (STAINLESS STEEL).....	4
40	EGWHG13						RUBBER GROMMET	2
41	EGWHN12						LOCK NUT, 1/4 - 20 (STAINLESS STEEL).....	2
42	137-010						TOP GRIP, 3/4" X 2"	2
43	136-008						TOP GRIP FASTENER.....	2
44	EGWHL-14						LABEL (SAFETY)	1
45								
46	75078-G01						WEATHER ENCLOSURE (3 SIDED) RECOMMENDED FOR VEHICLES WITH WINDSHIELDS	1
47	75079-G01						WEATHER ENCLOSURE (4 SIDED) RECOMMENDED FOR VEHICLES WITHOUT WINDSHIELDS	1
48								
49	75191-G01						BAG COVER AND RAIN CURTAIN KIT.....	1



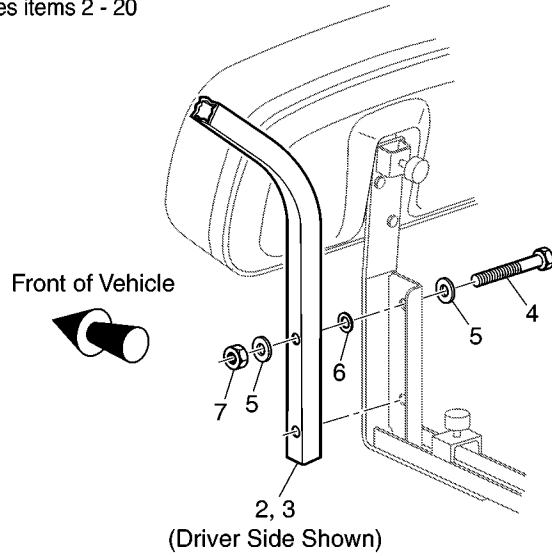
SUNTOP



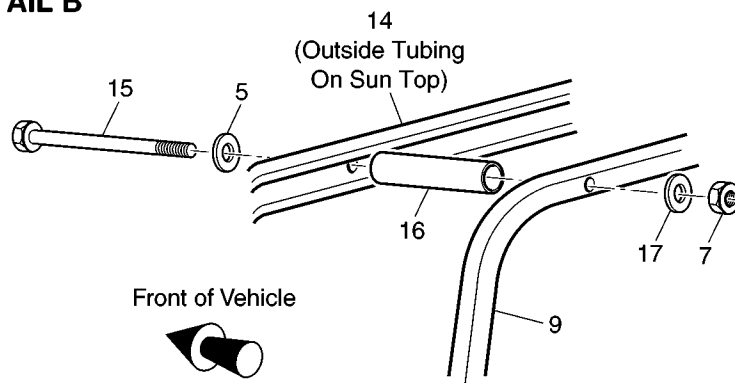
1 - Includes items 2 - 20



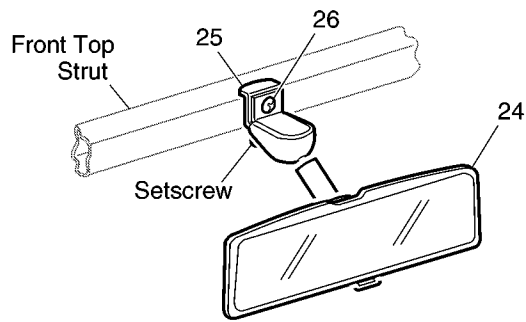
DETAIL B



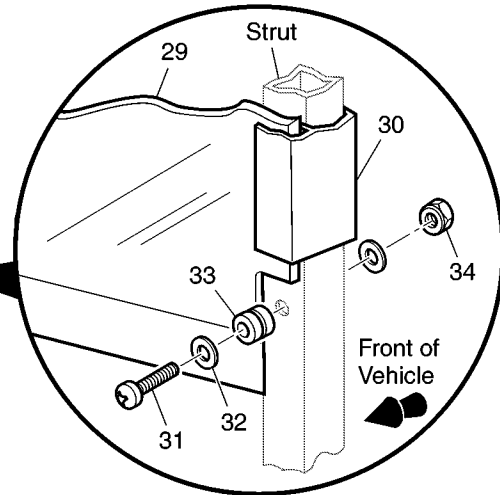
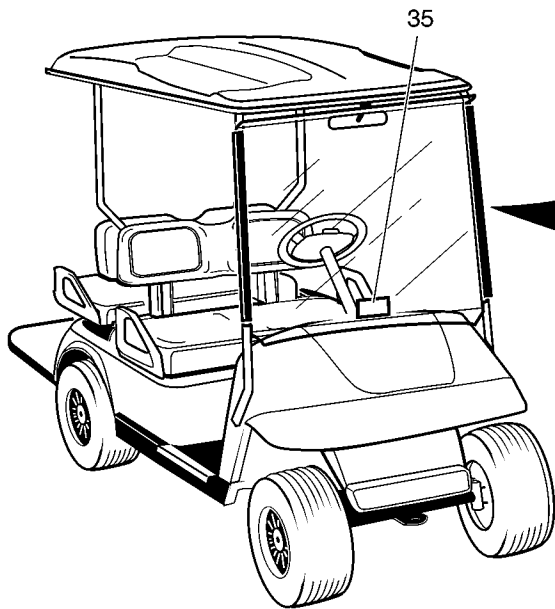
DETAIL A



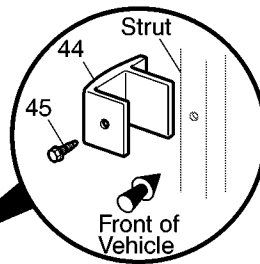
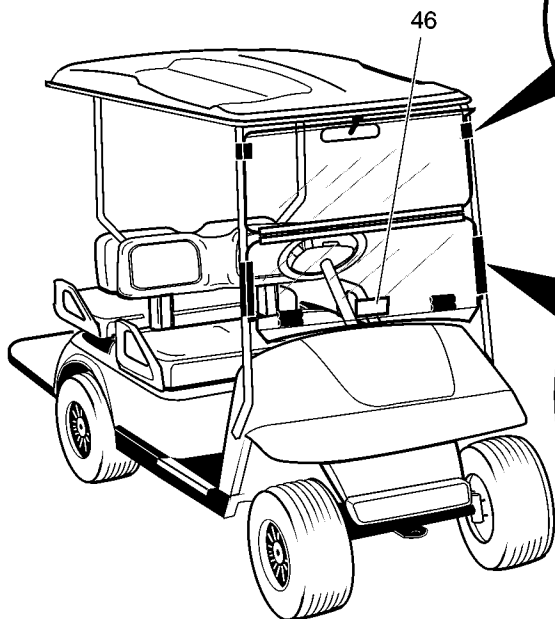
**DETAIL C
(FRONT)**



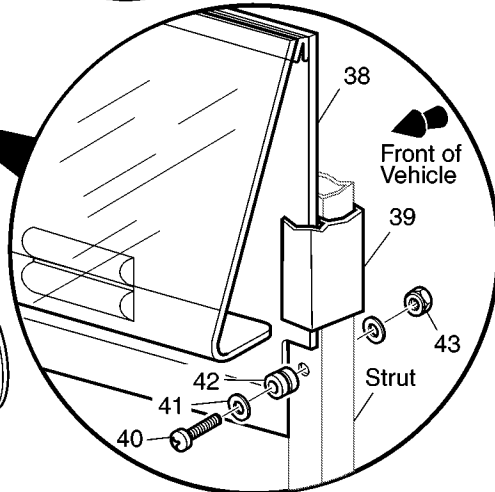
REAR VIEW MIRROR
23 - Includes Items 24 - 26



FULL WINDSHIELD
28 - Includes Items 29 - 35



FOLD DOWN WINDSHIELD
37 - Includes Items 38 - 46



WEATHER PROTECTION, SHUTTLE 2+2

Gasoline Vehicle

Replacement parts for the windshield may be obtained from Eagle Parts, Inc. 1411 Marvin Griffin Rd. Augusta, GA 30906. Telephone (706) 790-6687 or FAX (706) 790-6066

* Indicates a component that is not available as an individual part.

G** Indicates consult Customer Service Department for additional information.

ITEM	PART NO.	1 2 3 4 5	DESCRIPTION	QTY.
1	75123-G01		SUN TOP (SHUTTLE 2+2) (INCLUDES ITEMS 2 - 20).....	1
2	75074-G01		REAR STRUT (DRIVER SIDE).....	1
3	75074-G02		REAR STRUT (PASSENGER SIDE).....	1
4	00665-G5		BOLT, 3/8 - 16 X 1 3/4" LG.....	4
5	00679-G1		WASHER, 3/8	18
6	00771-G5		WASHER, 3/8	4
7	00891-G5		LOCK NUT, 3/8 - 16.....	10
8	19853-G1		END CAP, 1"	2
9	75125-G01		FRONT STRUT.....	1
10	01035-G01		BOLT, 5/16 - 18 X 2 1/4" LG.....	4
11	00905-G8		LOCK WASHER, 5/16"	4
12	75048-G01		SPACER, 1/2"	2
13	00879-G1		WASHER, 3/8"	4
14	27604-G01		SUN TOP	1
15	00674-G8		BOLT, 3/8 - 16 X 5" LG.....	2
16	18716-G1		SPACER	2
17	00653-G1		WASHER, 3/8" (STAINLESS STEEL).....	2
18	00665-G3		BOLT, 3/8 - 16 X 2 1/2" LG (STAINLESS STEEL)	2
19	00665-G6		BOLT, 3/8 - 16 X 2" LG.....	2
20	24647-G1		SPACER, 1/4"	2
21				
22				
23	19528-G2		REAR VIEW MIRROR KIT (INCLUDES ITEMS 24 - 26)	1
24	19496-G1		REAR VIEW MIRROR	1
25	19502-G2		SUPPORT BRACKET.....	1
26	19527-G1		SCREW, #8 - 32 X 5/8" LG (STAINLESS STEEL).....	1
27				
28	75524-G02		WINDSHIELD KIT (SHUTTLE 2+2) (INCLUDES ITEMS 29 - 35).....	1
29	*		WINDSHIELD	1
30	EGWHC12		SASH, 26" LG	2

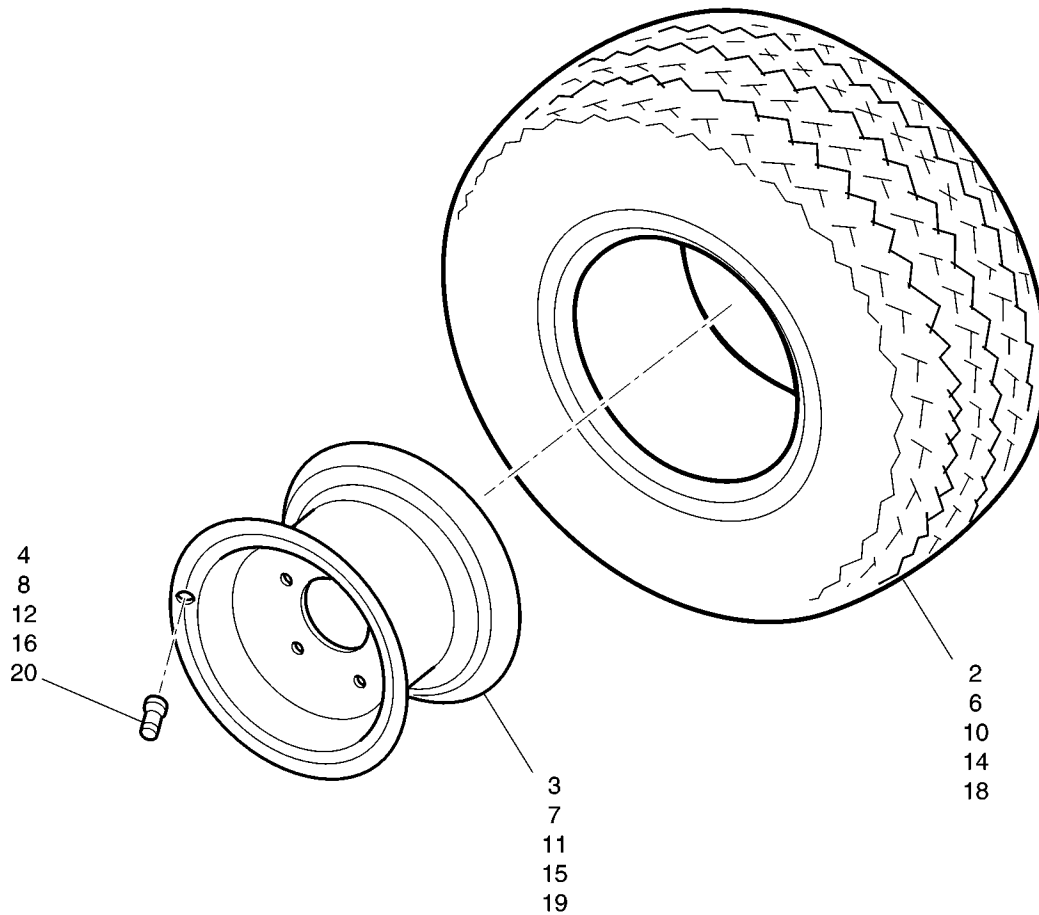
Replacement parts for the windshield may be obtained from Eagle Parts, Inc. 1411 Marvin Griffin Rd. Augusta, GA 30906. Telephone (706) 790-6687 or FAX (706) 790-6066

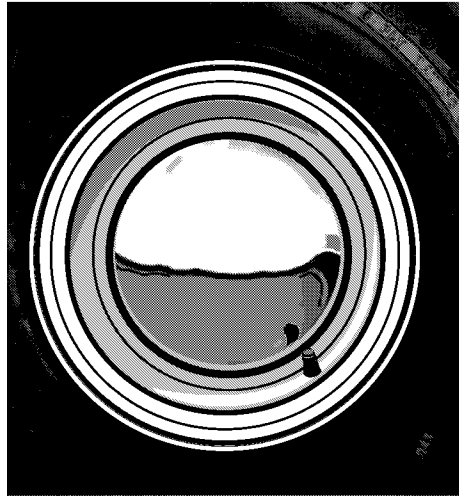
* Indicates a component that is not available as an individual part.

G** Indicates consult Customer Service Department for additional information.

ITEM	PART NO.	1	2	3	4	5	DESCRIPTION	QTY.
31	EGWHS12						SCREW, 1/4 - 20 X 1 3/4" LG (STAINLESS STEEL).....	2
32	EGWHW12						WASHER, 1/4" (STAINLESS STEEL)	4
33	EGWHG13						RUBBER GROMMET	2
34	EGWHN12						LOCK NUT, 1/4 - 20 (STAINLESS STEEL)	2
35	EGWHL-14						LABEL (SAFETY)	1
36								
37	75525-G02						FOLD DOWN WINDSHIELD KIT (SHUTTLE 2+2) (INCLUDES ITEMS 38 - 44)	1
38	*						WINDSHIELD	1
39	EGWHC10						SASH, 12" LG.....	2
40	EGWHS12						SCREW, 1/4 - 20 X 1 3/4" LG (STAINLESS STEEL).....	2
41	EGWHW12						WASHER, 1/4" (STAINLESS STEEL)	4
42	EGWHG13						RUBBER GROMMET	2
43	EGWHN12						LOCK NUT, 1/4 - 20 (STAINLESS STEEL)	2
44	137-010						TOP GRIP, 3/4" X 2"	2
45	136-008						TOP GRIP FASTENER.....	2
46	EGWHL-14						LABEL (SAFETY)	1

- 1 - Includes Items 2 - 4
- 5 - Includes Items 6 - 8
- 9 - Includes Items 10 - 12
- 13 - Includes Items 14 - 16
- 17 - Includes Items 18 - 20

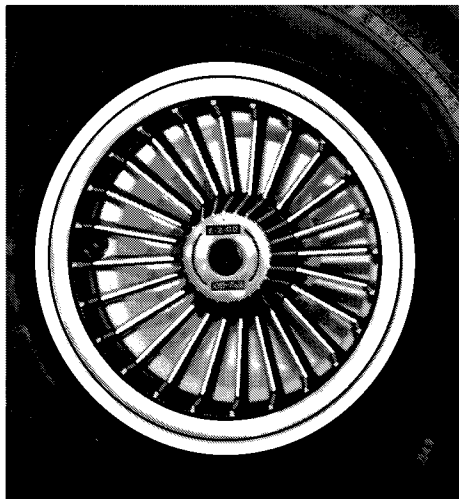




6" CHROME HUBCAP
23



8" CHROME HUBCAP
22



GOLD / SILVER SPOKE HUBCAP
24
25

WHEELS AND TIRES**Gasoline Vehicle**

When ordering parts, please specify the model and serial number of the product.

* Indicates a component that is not available as an individual part.

G** Indicates consult Customer Service Department for additional information.

ITEM	PART NO.	1 2 3 4 5	DESCRIPTION	QTY.
1	27772-G09		TIRE AND WHEEL ASSEMBLY (LINKS 1 18 X 8.5 - 8) (INCLUDES ITEMS 2 - 4).....	AR
2	27772-G10		LINKS 1 CARLISLE TIRE, 18 X 8.5 - 8	AR
3	15169-G1		WHEEL RIM (4 LUG).....	AR
4	11657-G1		VALVE STEM.....	AR
5	27772-G03		WHEEL AND TIRE ASSEMBLY (TURF SAVER 18 X 8.5 - 8) (INCLUDES ITEMS 6 - 8).....	AR
6	27772-G07		CARLISLE TIRE (TURF SAVER 18 X 8.5 - 8).....	AR
7	15169-G1		WHEEL RIM (4 LUG).....	AR
8	11657-G1		VALVE STEM.....	AR
9	27775-G01		WHEEL AND TIRE ASSEMBLY (USA TRAIL 6-PLY 18.5 X 8.5 - 8) (INCLUDES ITEMS 10 - 12).....	AR
10	27775-G02		CARLISLE TIRE (USA TRAIL, 6 PLY 18 X 8.5 - 8)	AR
11	15169-G1		WHEEL RIM (4 LUG).....	AR
12	11657-G1		VALVE STEM.....	AR
13	27772-G02		WHEEL AND TIRE ASSEMBLY (TURF GLIDE 18 X 8.5 - 8) (INCLUDES ITEMS 14 - 16).....	AR
14	27772-G06		CARLISLE TIRE (TURF GLIDE 18 X 8.5 - 8).....	AR
15	15169-G1		WHEEL RIM (4 LUG).....	AR
16	11657-G1		VALVE STEM.....	AR
17	27772-G04		WHEEL AND TIRE ASSEMBLY (FAIRWAY 18 X 8.5 - 8) (INCLUDES ITEMS 18 - 20).....	AR
18	27772-G08		CARLISLE TIRE (FAIRWAY 18 X 8.5 - 8).....	AR
19	15169-G1		WHEEL RIM (4 LUG).....	AR
20	11657-G1		VALVE STEM.....	AR
21				
22	14913-G**		8" CHROME HUBCAP	AR
23	16042-G**		6" CHROME HUBCAP	AR
24	19241-G**		GOLD SPOKE HUBCAP.....	AR
25	19241-G**		SILVER SPOKE HUBCAP.....	AR

SPECIALTY PRODUCTS

SPECIALTY PRODUCTS

SPECIALTY PRODUCTS

SPECIAL TOOLS

PART NO.

HIGH RESISTANCE SPARK PLUG WIRE SET	26733-G02
CLUTCH PULLER (2 PRONG).....	19779-G1
CLUTCH PULLER (3 PRONG - 4 CYCLE).....	19779-G2
FLYWHEEL PULLER.....	27111-G01
CAM PULLEY TOOL	27851-G01
CURRENT INDICATOR.....	16489-G2
DIGITAL MULTI-METER.....	27481-G01
CRIMPING TOOL	27765-G01
SLIDE HAMMER (AXLE/HUB REMOVAL)	15947-G1
SLIDE HAMMER (AXLE REMOVAL ONLY)	18753-G1
VALVE SEAT CUTTER KIT.....	72516-G01
FLEX-HONE CYLINDER HONE - 240 GRIT	72517-G01
FLEX-HONE HONING OIL - 1 QUART (950 ML)	72518-G01
FLEX-HONE CLEANING BRUSH	72519-G01
PISTON RING INSTALLER	72521-G01
VALVE GRINDER - CUP TYPE	72522-G01
GRINDING COMPOUND - 280/320 GRIT.....	72523-G01
COMPRESSION TESTER.....	72524-G01
FEELER GAUGE	72525-G01
TACHOMETER	72526-G01

ENGINE OIL

4 CYCLE ENGINE OIL, 5 GALLON (19 LITER)	25730-G03
4 CYCLE ENGINE OIL, 12 QUART CASE	25730-G04
4 CYCLE ENGINE OIL, 1 QUART BOTTLE (950 ML)	25730-G06

PAINT

TOUCH UP PEN - HUNTER GREEN.....	28432-G02
TOUCH UP PEN - CHAMPAGNE BEIGE.....	28432-G01
TOUCH UP PEN - WHITE.....	28432-G05
12 OUNCE SPRAY - HUNTER GREEN	28140-G09
12 OUNCE SPRAY - CHAMPAGNE BEIGE.....	28140-G15
12 OUNCE SPRAY - WHITE	28140-G03

SPECIALTY PRODUCTS

PERFORMANCE PRODUCTS	PART NO.
FORMULA 40 VINYL-COAT® - WHITE	28166-G01
PLEXUS® CLEANER, 7 OUNCE (210 ML) (FOR WINDSHIELDS)	28433-G01
PLEXUS® CLEANER, 13 OUNCE (380 ML) (FOR WINDSHIELDS)	28433-G02
BATTERY PROTECTOR, 14 OUNCE (410 ML) SPRAY	75500-G01
CARBURETOR & CHOKE CLEANER, 15 OUNCE (440 ML) SPRAY	75501-G01
WHITE LITHIUM GREASE, 14 OUNCE (410 ML) SPRAY	75502-G01
PENETRANT/LUBRICANT, 15 OUNCE (440 ML) SPRAY	75503-G01
MULTI-PURPOSE CLEANER & DEGREASER, 14 OUNCE (410 ML) SPRAY	75504-G01
MULTI-PURPOSE HAND CLEANER, 32 OUNCE (950 ML) LIQUID	75505-G01
BATTERY CLEANER, 32 OUNCE (950 ML) WITH TRIGGER SPRAYER	75506-G01
BIO-DEGRADABLE CLEANER, 32 OUNCE (950 ML) WITH TRIGGER SPRAYER	75507-G01
MULTI-PURPOSE VALUE PACK	75508-G01
<ul style="list-style-type: none"> • BATTERY PROTECTOR, 4 OUNCE (120 ML) SPRAY • PENETRANT/LUBRICANT, 4 OUNCE (120 ML) SPRAY • WHITE LITHIUM GREASE, 4 OUNCE (120 ML) SPRAY • CARBURETOR & CHOKE CLEANER, 4 OUNCE (120 ML) SPRAY 	

SPECIALTY PRODUCTS

ACCESSORIES

ACCESSORIES LISTING

ACCESSORIES

ACCESSORIES LISTING	KIT NO.	LOCATION IN MANUAL
SUN TOP KIT, GOLF CAR	75040-G**	See Weather Protection (Golf Car)
SUN TOP KIT, SHUTTLE 2+2	75123-G01	See Weather Protection, (Shuttle 2+2)
WINDSHIELD KIT, GOLF CAR.....	75524-G01	See Weather Protection (Golf Car)
WINDSHIELD KIT, SHUTTLE 2+2.....	75524-G02	See Weather Protection (Shuttle 2+2)
WINDSHIELD KIT, FOLD DOWN, GOLF CAR	75525-G01	See Weather Protection (Golf Car)
WINDSHIELD KIT, FOLD DOWN, SHUTTLE 2+2.....	75525-G02	See Weather Protection (Shuttle 2+2)
SAND RAKE	14735-G1	See Body
TOW BAR KIT (PERMANENT).....	75310-G01	See Tow Bar (Permanent)
WEATHER ENCLOSURE (3 SIDED)	75078-G01	See Weather Protection (Golf Car)
WEATHER ENCLOSURE (3 SIDED)	75492-G01	See Weather Protection (Shuttle 2+2)
WEATHER ENCLOSURE (4 SIDED)	75079-G01	See Weather Protection (Golf Car)
REAR VIEW MIRROR (REQUIRES SUN TOP)	19528-G2	See Weather Protection (Golf Car)
MESSAGE HOLDER KIT (REQUIRES SUN TOP)	75094-G01	See Body
HOURMETER.....	75114-G02	See Gauges, Horn and Lighting Section
COOLER JUG / BRACKET KIT	75495-G01	See Body
BAG COVER / RAIN CURTAIN KIT.....	75191-G01	See Weather Protection (Golf Car)
ASHTRAY KIT.....	75109-G02	See Body
TURN SIGNAL KIT	75107-G02	See Electrical
SAND BOTTLE	75009-G01	See Body
8" CHROME HUBCAP	14913-G*	See Wheels and Tires
6" CHROME HUBCAP	16042-G*	See Wheels and Tires
GOLD SPOKE HUBCAP	19241-G*	See Wheels and Tires
SILVER SPOKE HUBCAP	19241-G*	See Wheels and Tires
SHUTTLE 2+2 KIT	74150-G**	See Body, Seating (Shuttle 2+2)
CENTER BASKET	75003-G02	See Body
SIDE BASKET	75007-G02	See Body
TWO BAG ATTACHMENT	75183-G01	See Body
CONVERTIBLE CARRIER KIT.....	75179-G*	See Body, Seating (Convertible Carrier)
4 BAG ATTACHMENT	75335-G01	See Body



TEXTRON Golf, Turf & Specialty Products.
P.O. Box 388 Augusta, Georgia 30903-0388 USA
Inside USA Phone: 1-800-241-5855, FAX: 1-800-448-8124
Outside USA Phone: 010-1-706-798-4311, FAX: 010-1-706-771-4609

Copyrighted Material
This manual may not be reproduced in whole or
in part without the express permission of
TEXTRON Golf, Turf & Specialty Products
Technical Communications Department