

**DID YOU
KNOW?**

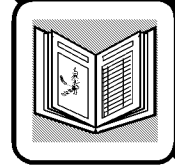
CartPros directs you to the right part using the part numbers from this manual. Enter the part number into our search box and it will find the part you are looking for.

**GET STARTED
HERE** →

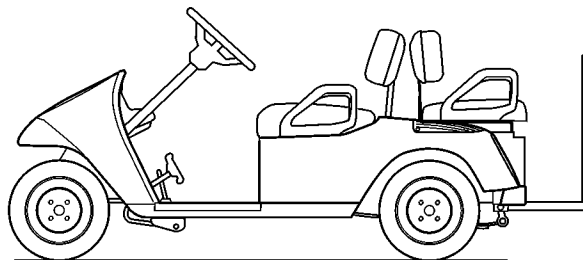
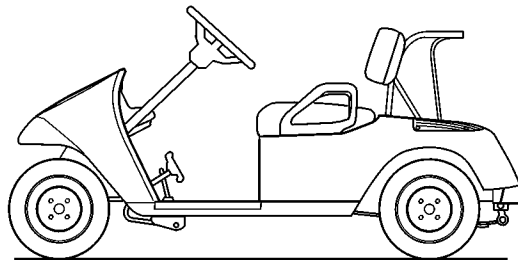
<https://CartPros.com/html>

28729-G01

TEXTRON
GOLF, TURF & SPECIALTY PRODUCTS



SERVICE PARTS MANUAL



ELECTRIC & PRECISION DRIVE SYSTEM™ FLEET GOLF CARS & PERSONAL VEHICLES

MODEL YEAR: 2002

REVISED: 7/2002

 **CARTPROS**

SERVICE PARTS MANUAL

ELECTRIC & PRECISION DRIVE SYSTEM™ FLEET GOLF CARS & PERSONAL VEHICLES

VEHICLES

FLEET GOLF CAR

PDS FLEET GOLF CAR

FREEDOM™

PDS FREEDOM™

SHUTTLE™ 2+2

TEXTRON Golf, Turf & Specialty Products reserves the right to make design changes without obligation to make these changes on units previously sold and the information contained in this manual is subject to change without notice.

TEXTRON Golf, Turf & Specialty Products is not liable for errors in this manual or for incidental or consequential damages that result from the use of the material in this manual.

CUSTOMER SERVICE DEPARTMENT IN USA PHONE: 1-800-241-5855 FAX: 1-800-448-8124

OUTSIDE USA PHONE: 010-1-706-798-4311, FAX: 010-1-706-771-4609

TEXTRON GOLF, TURF & SPECIALTY PRODUCTS, P.O.BOX 388, AUGUSTA, GEORGIA USA 30903-0388

NOTES

To obtain a copy of the limited warranty applicable to the vehicle, call or write a local Distributor, an authorized Branch or the Warranty Department with vehicle serial number and manufacturer code.

The use of non Original Equipment Manufacturer (OEM) parts may void the warranty.

Overfilling of batteries may void the warranty.

BATTERY PROLONGED STORAGE

All batteries will self discharge over time. The rate of self discharge varies depending on the ambient temperature and the age and condition of the batteries.

A fully charged battery will not freeze in winter temperatures unless the temperature falls below -75° F (-60° C).

As with all electric vehicles, the batteries must be checked and recharged as required or at a minimum of 30 day intervals.

GENERAL INDEX

SECTION	Page No.
How to use the Service Parts Manual	vii
ILLUSTRATED PARTS BREAKDOWN:	
ACCELERATOR	
• Pedal Box.....	A-1
• Accelerator Pedal.....	A-2
BATTERY CHARGER, PORTABLE	
• PowerWise™ Battery Charger, PowerWise™ + Battery Charger	B-1
BATTERY CHARGER, ON BOARD	
• PowerWise™ Battery Charger, PowerWise™ + Battery Charger	B-9
BATTERY CHARGER, LESTER	
• Lester Battery Chargers	B-17
BODY	
• Front Cowl, Instrument Panel, Front Shield	C-1
• Floorboard, Floormat, Rocker Panel	C-2
• Seat Wrap Support, Battery Rack	C-3
• Rear Body, Access Lid, Scuff Guards, Bumper.....	C-4
• Rear Body-Shuttle 2+2/Convertible Carrier, Footrest, Two Bag Attachment	C-5
• Sand Bottle and Basket Divot Repair Kit, Side Basket, Center Basket	C-6
• Message Holder, Cooler Jug, Cooler Box, Rake and Holder	C-7
• Four Bag Attachment, Ashtray Kit.....	C-8
BRAKES	
• Brake Pedal With Lights, Equalizer and Brake Cables	D-1
• Brake Pedal Without Lights.....	D-2
• Wheel Brake Assembly	D-3
DIRECTION SELECTOR	
• Direction Selector.....	E-1
DIRECTION SELECTOR (PDS)	
• Direction Selector.....	E-5

GENERAL INDEX

SECTION	Page No.
ELECTRONIC SPEED CONTROL	
• Electronic Speed Controller, Solenoid	F-1
ELECTRONIC SPEED CONTROL (PDS)	
• Electronic Speed Controller, Solenoid	F-5
ELECTRONIC SPEED CONTROL (HD)	
• Electronic Speed Controller, Solenoid	F-9
ELECTRICAL SYSTEM	
• Charger Receptacle (PDS), Wiring	G-1
• Charger Receptacle (Non PDS), Wiring	G-2
• Horn, Fuse Block, Hour Meter	G-3
• Turn Signal, Key Switch, State of Charge Meter	G-4
• Lights	G-5
ELECTRIC MOTOR	
• Electric Motor	H-1
FRONT SUSPENSION AND STEERING	
• Front Axle, Spindle, Wheel Hub, Shock absorber	J-1
• Steering Box, Steering Column and Wheel, Tie Rod	J-2
REAR AXLE	
• Axle, Axle Shaft, Scuff Guard	K-1
REAR SUSPENSION	
• Leaf Spring, U-Bolt, Shock Absorber	L-1
SEATING AND BAG HOLDER, GOLF CAR	
• Seat Back, Bag Holder, Seat Bottom, Hip Restraint	M-1
SEATING, SHUTTLE 2+2	
• Front Seat Back, Front Seat Bottom, Hip Restraint	M-5
• Rear Seat Back, Rear Seat Bottom, Hip Restraint	M-6
SEATING, CONVERTIBLE CARRIER	
• Front Seat Back, Front Seat Bottom, Hip Restraint	M-9
• Rear Seat Back, Rear Seat Bottom, Support Frame	M-10

GENERAL INDEX

SECTION	Page No.
TOW BAR, PERMANENT	
• Tow Bar	P-1
• Tow Bar Hitch	P-2
TOW BAR, CASUAL	
• Tow Bar, Tie Rod	P-5
WEATHER PROTECTION, GOLF CAR	
• Sun Top Kit	Q-1
• Fold Down Windshield Kit, Full Windshield Kit, Rear View Mirror Kit	Q-2
• Weather Enclosures, Golf Bag Cover/Rain Curtain	Q-3
WEATHER PROTECTION, SHUTTLE 2+2	
• Sun Top Kit	Q-7
• Fold Down Windshield Kit, Full Windshield Kit, Rear View Mirror Kit	Q-8
WHEELS AND TIRES	
• Tire, Wheel Rim, Valve Stem	R-1
• Chrome Hubcaps, Spoke Hubcaps	R-2
SPECIALTY PRODUCTS	Appendix - A
• Special Tools	
• Paint	
• Performance Products	
ACCESSORIES	Appendix - B
• Accessory Listing	

**DID YOU
KNOW?**

CartPros directs you to the right part using the part numbers from this manual. Enter the part number into our search box and it will find the part you are looking for.

**GET STARTED
HERE**



<https://CartPros.com/f.html>

GENERAL INDEX

HOW TO USE THE SERVICE PARTS MANUAL

This manual is divided into several sections:

- GENERAL INFORMATION
- ILLUSTRATED PARTS BREAKDOWN
- APPENDIX

The first section, GENERAL INFORMATION, contains the following information:

- WARRANTY INFORMATION
- GENERAL INDEX
- HOW TO USE THE SERVICE PARTS MANUAL

The second section, ILLUSTRATED PARTS BREAKDOWN, contains illustrations and parts lists for all systems of your vehicle.

The third section, APPENDIX, contains a listing of specialty products and accessories.

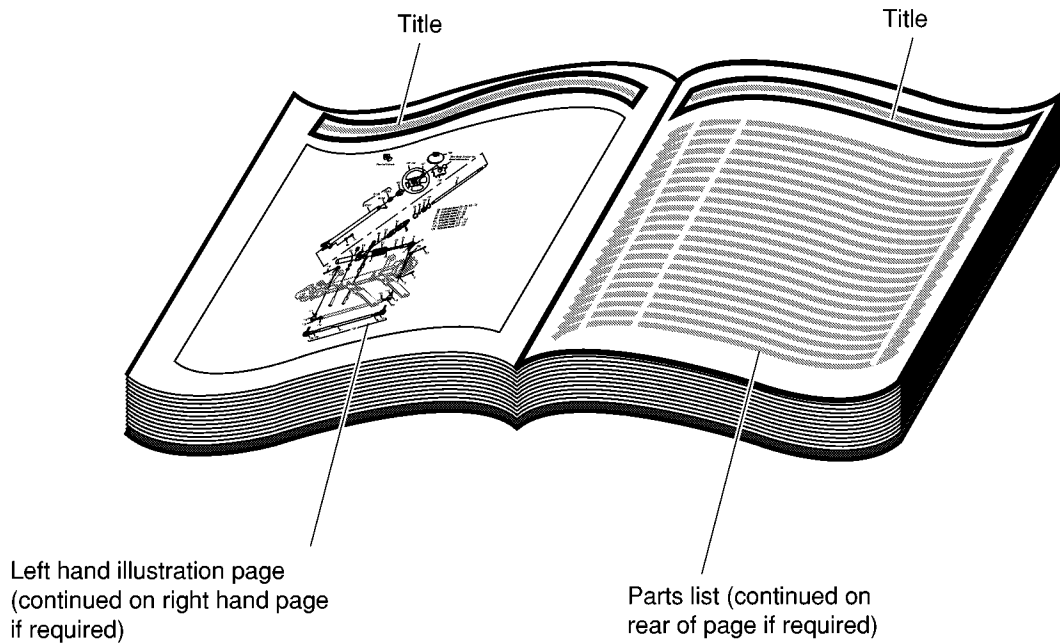
USE OF THE MANUAL

To use this manual, consult the GENERAL INDEX to locate the information or illustration required.

Introduction of some revisions varies due to supply of components; therefore, it is possible that various combinations of components may be found that are not directly reflected by each illustration. Consult the illustration that best suits your situation and then contact the Service Parts Department. It is important that the serial number of your vehicle and its model number be supplied to Service Parts when ordering any replacement components.

Locate the serial number plate (see BODY located in the Illustrated Parts Breakdown section of this manual for its location) and note the complete number shown on the plate.

HOW TO USE THE SERVICE PARTS MANUAL



1. WHEN THE PART NUMBER IS NOT KNOWN

- Determine the function and application of the part required. Turn to the General Index and select the most appropriate title.
- Turn to the page number indicated and locate the desired part on the illustration.
- From the illustration, obtain the item number assigned to the desired part. Refer to the accompanying description for specific information regarding the part.

2. IF YOU KNOW THE PART NUMBER

- Locate the part number or description in the appropriate column on the parts list page.

NOTE: It is suggested that you confirm that the part selected is correct by verifying it with the pictorial representation on the illustrated page.

Should an asterisk (*) appear in the part number column on the parts list page, read upwards until a part number is found. The part number is the lowest assembly sold by Service Parts and the asterisk (*) indicates that the part depicted is not available for purchase.

NOTE: Descriptions are indented under the assembly that they are used on. That assembly is, in turn listed under the assembly that it is used on. This process is repeated until the highest final assembly is reached.

To facilitate the maintenance and repair of the vehicle, a Technician's Repair and Service Manual is available from the Service Parts Department.

**DID YOU
KNOW?**

CartPros directs you to the right part using the part numbers from this manual. Enter the part number into our search box and it will find the part you are looking for.

**GET STARTED
HERE**



<https://CartPros.com/f.html>

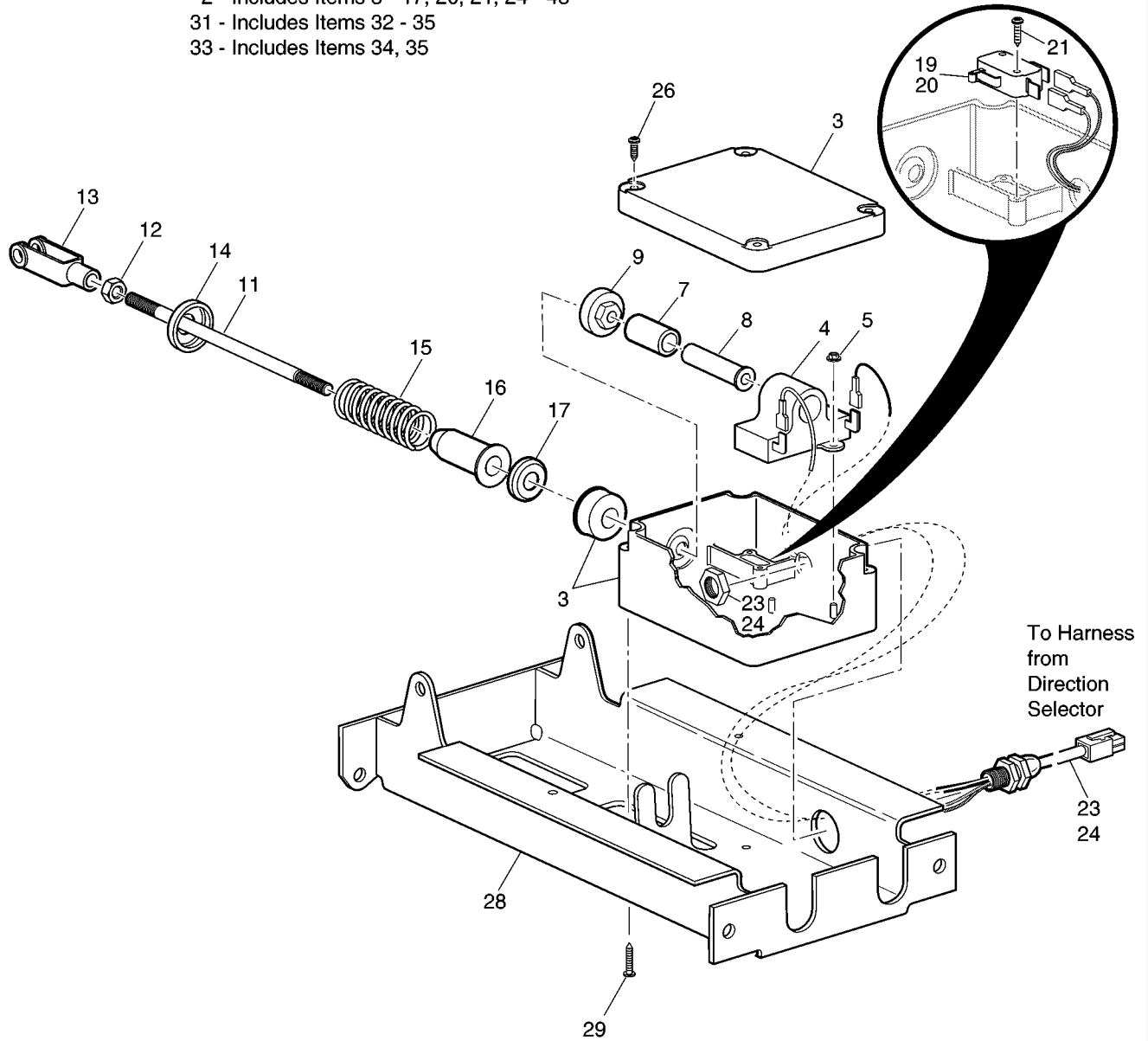
ILLUSTRATED PARTS BREAKDOWN

ILLUSTRATED PARTS BREAKDOWN

ACCELERATOR

Electric Vehicle

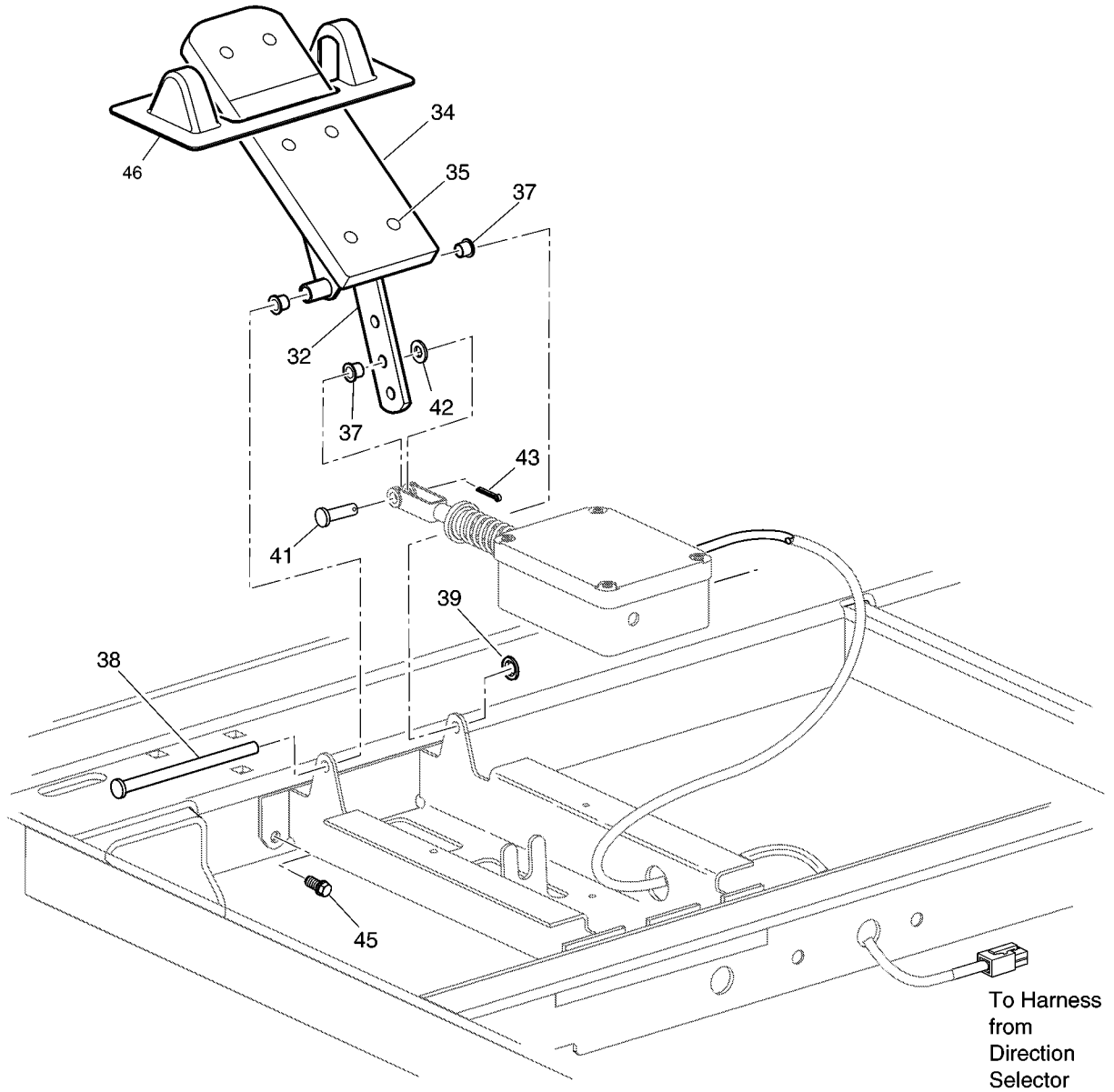
- 1 - Includes Items 3 - 19, 21, 23, 26 - 43
- 2 - Includes Items 3 - 17, 20, 21, 24 - 43
- 31 - Includes Items 32 - 35
- 33 - Includes Items 34, 35





Electric Vehicle

ACCELERATOR



ACCELERATOR

Electric Vehicle

THE USE OF NON UL PARTS WILL VOID ANY UL LISTING.

When ordering parts, please specify the model and serial number of the product.

* Indicates a component that is not available as an individual part.

G** Indicates consult Customer Service Department for additional information.

ITEM	PART NO.	1 2 3 4 5	DESCRIPTION	QTY.
1	73333-G01		PEDAL BOX ASSEMBLY (INCLUDES ITEMS 3 - 19, 21, 23, 26 - 43)	1
2	73333-G05		PEDAL BOX ASSEMBLY, PDS MODEL ONLY (INCLUDES ITEMS 3 - 17, 20, 21, 24 - 43)	1
3	25853-G01		PEDAL BOX AND COVER (SEAL AND BEARING)	1
4	25854-G01		INDUCTIVE THROTTLE SENSOR	1
5	00983-G01		SELF THREADING NUT, 3/16"	2
6				
7	25857-G01		PLUNGER SLEEVE.....	1
8	28443-G01		PLUNGER.....	1
9	28444-G01		PLUNGER CAM.....	1
10				
11	73332-G01		ACCELERATOR ROD	1
12	00532-G4		LOCK NUT, 5/16 - 24	1
13	10385-G4		YOKE (ADJUSTABLE).....	1
14	17677-G2		SPRING RETAINER, 3/8"	1
15	73046-G01		COMPRESSION SPRING	1
16	17979-G1		ACCELERATOR ROD BUSHING	1
17	17677-G1		SPRING RETAINER, 1/2"	1
18				
19	25861-G01		MICRO SWITCH.....	1
20	25861-G02		MICRO SWITCH (PDS MODEL ONLY).....	1
21	00982-G01		SCREW, #4 - 14 X 5/8" LG	2
22				
23	25879-G03		WIRING HARNESS (PEDAL BOX ASSEMBLY)	1
24	25879-G05		WIRING HARNESS (PEDAL BOX ASSEMBLY) (PDS MODEL ONLY)	1
25				
26	00684-G6		SCREW, #8 - 32 X 3/4" LG	4
27				
28	70116-G01		ACCELERATOR PEDAL BRACKET.....	1
29	01051-G01		SCREW, #8 - 16 X 1/2" LG	4

Electric Vehicle

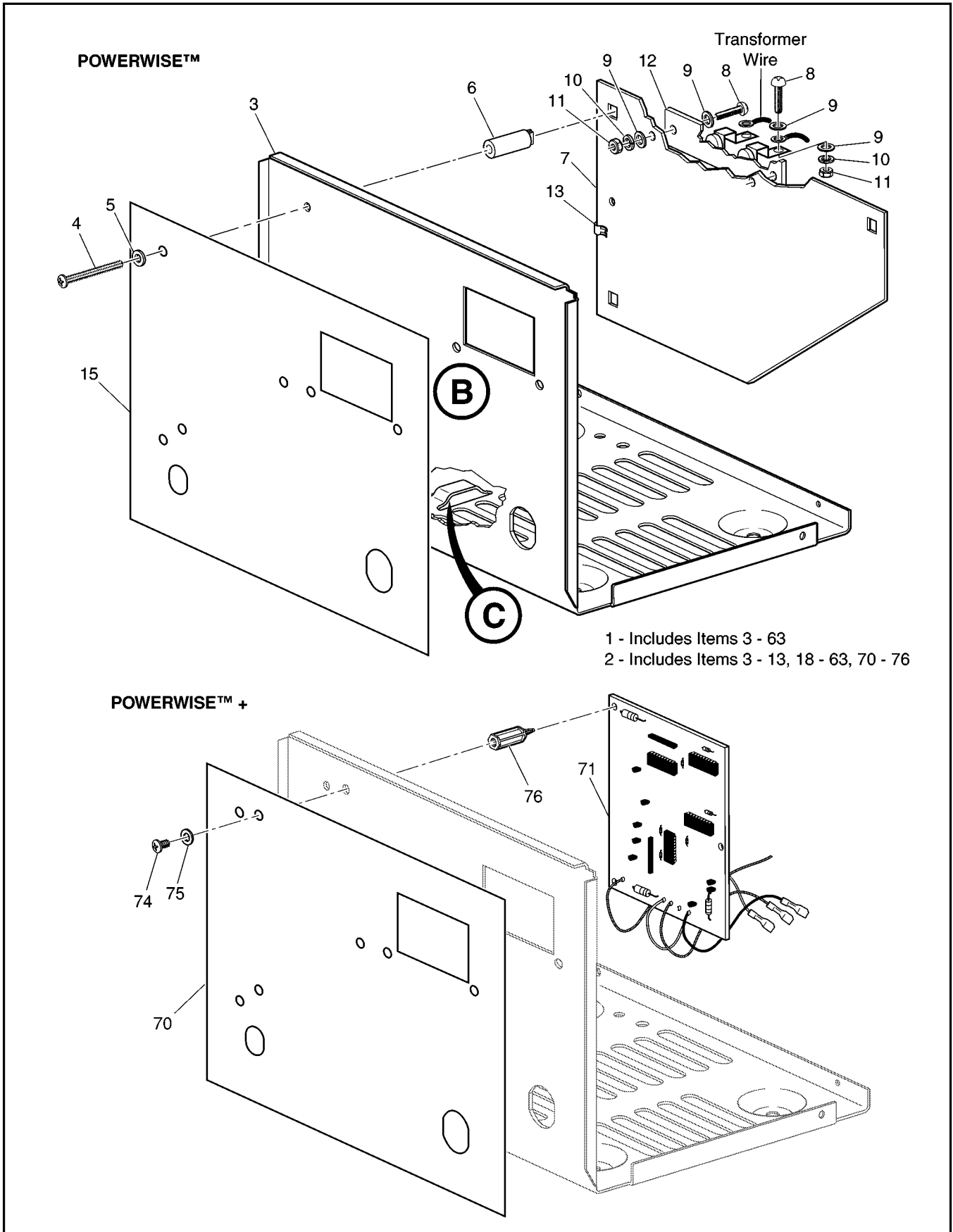
ACCELERATOR

THE USE OF NON UL PARTS WILL VOID ANY UL LISTING.
 When ordering parts, please specify the model and serial number of the product.
 * Indicates a component that is not available as an individual part.
 G** Indicates consult Customer Service Department for additional information.

ITEM	PART NO.	1	2	3	4	5	DESCRIPTION	QTY.
30								
31	25799-G01						ACCELERATOR PEDAL ASSEMBLY (INCLUDES ITEMS 32 - 35)	1
32	*						ACCELERATOR PEDAL	1
33	27844-G01						ACCELERATOR PEDAL PAD KIT (INCLUDES ITEMS 34, 35)	1
34	27512-G01						ACCELERATOR PEDAL PAD	1
35	15766-G1						OVAL RIVET 3/8" X 3/8" LG	6
36								
37	17838-G1						BUSHING	3
38	74432-G01						PEDAL PIVOT PIN	1
39	12064-G6						PUSHNUT, 9/32" I.D.	1
40								
41	10386-G3						CLEVIS PIN, 5/16" X 1" LG	1
42	17255-G1						TEFLON WASHER, 5/16"	1
43	10387-G3						COTTER PIN, 3/32" X 3/4" LG	1
44								
45	00715-G2						BOLT, 5/16 - 18 X 13/16" LG.	4
46	70135-G01						PEDAL PIVOT COVER	1

BATTERY CHARGER (PORTABLE)

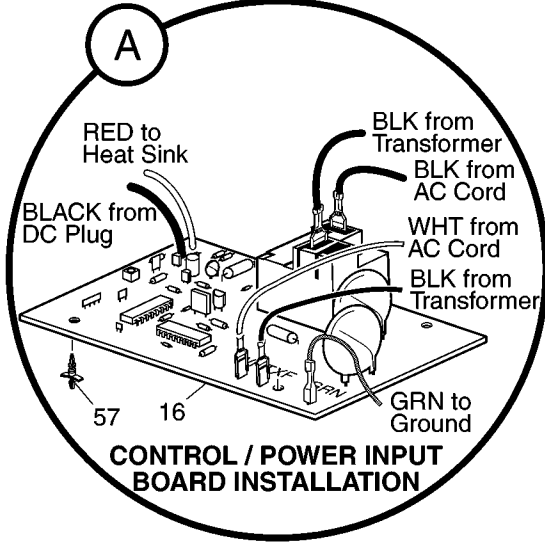
Electric Vehicle



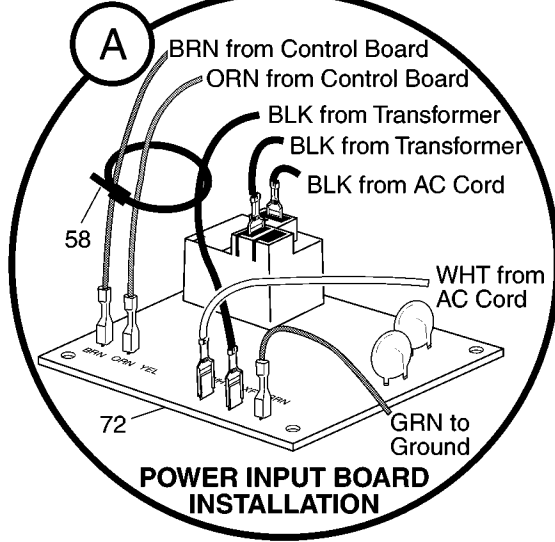
BATTERY CHARGER (PORTABLE)

Electric Vehicle

POWERWISE™

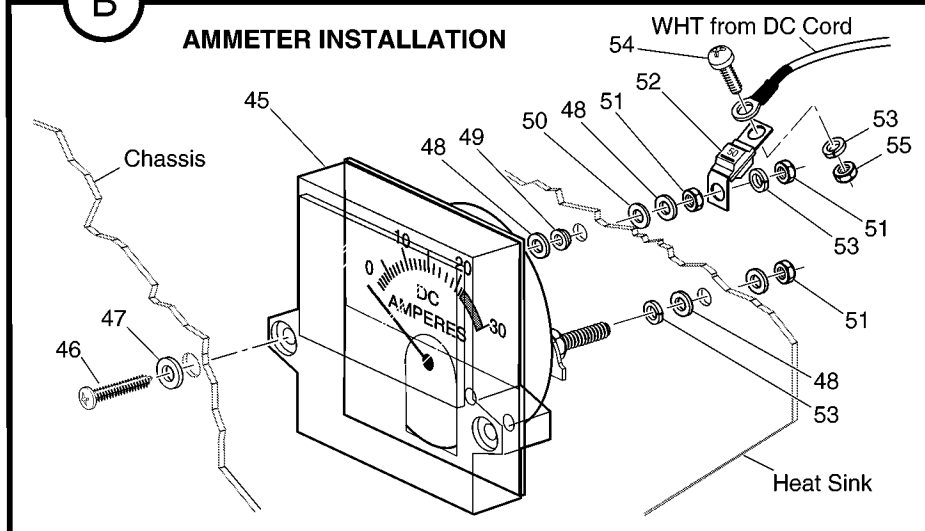


POWERWISE™ +



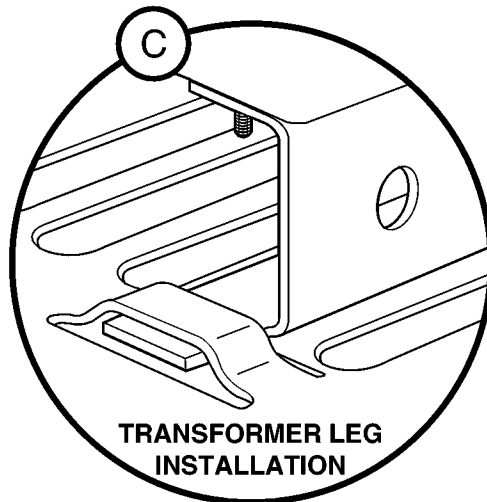
B

AMMETER INSTALLATION



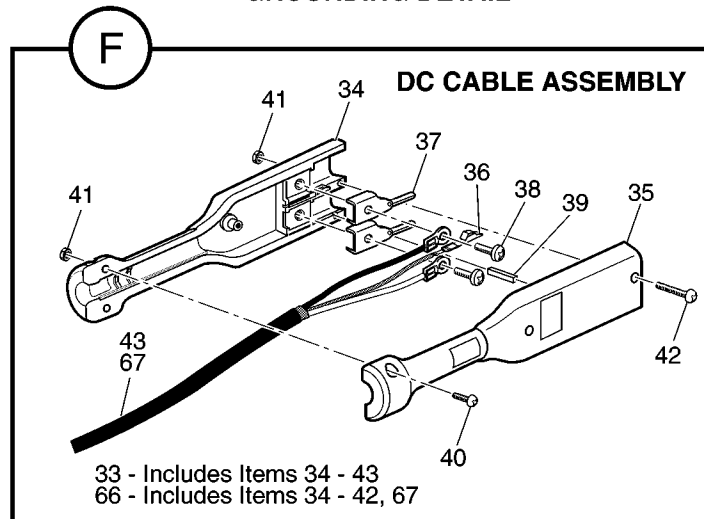
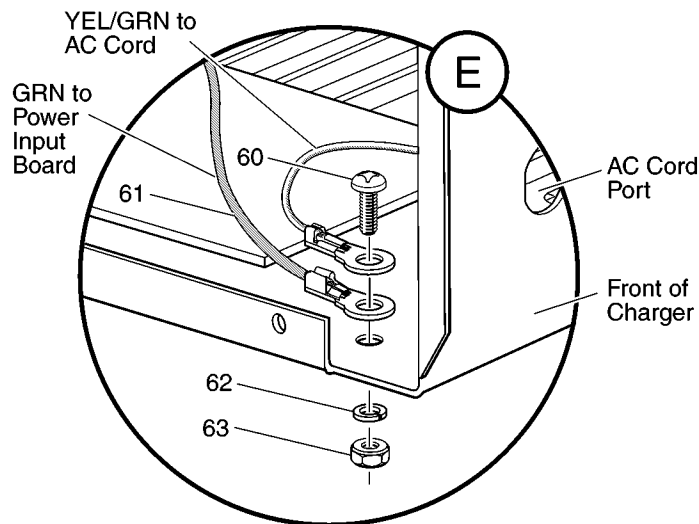
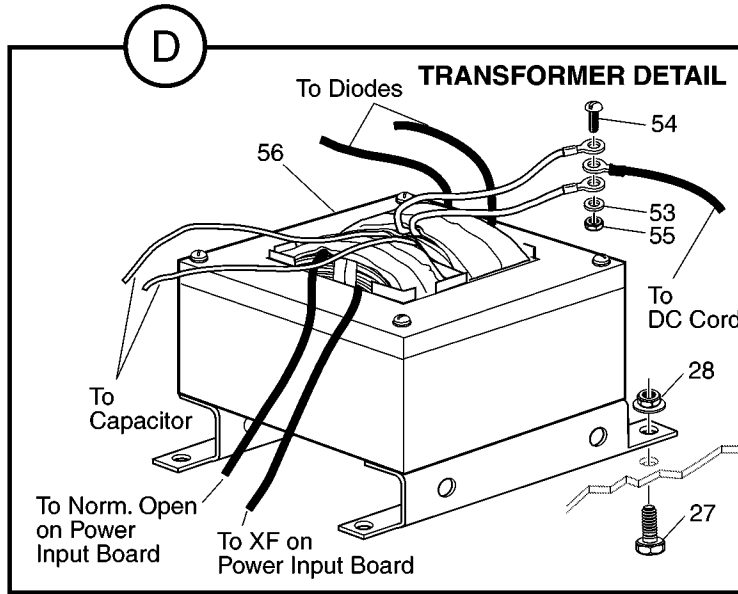
C

TRANSFORMER LEG INSTALLATION



Electric Vehicle

BATTERY CHARGER (PORTABLE)



BATTERY CHARGER (PORTABLE)

Electric Vehicle

THE USE OF NON U.L. PARTS WILL VOID ANY U.L. LISTING.

When ordering parts, please specify the model and serial number of the product.

* Indicates a component that is not available as an individual part.

G** Indicates consult Customer Service Department for additional information.

ITEM	PART NO.	1 2 3 4 5	DESCRIPTION	QTY.
1	28115-G01		POWERWISE™ CHARGER (10' CORD) (INCLUDES ITEMS 3 - 63).....	1
2	28115-G02		POWERWISE™ + CHARGER (PORTABLE, 10' CORD) (INCLUDES ITEMS 3 - 13, 18 - 63, 70 - 76).....	1
3	*		CHASSIS	1
4	00513-G6		SCREW, #8 - 18 X 1 3/4" LG	2
5	00559-G4		WASHER, #8	2
6	11572-G3		EXPANSION NUT	2
7	28104-G01		HEAT SINK	1
8	00372-G4		SCREW, #8 - 32 X 1/2" LG	4
9	00559-G4		WASHER, #8	4
10	00565-G4		LOCK WASHER, #8	4
11	00526-G1		NUT, #8 - 32.....	4
12	28548-G01		DIODE.....	1
13	28110-G01		ELECTRICAL CLIP	1
14				
15	*		LABEL (POWERWISE™)	1
16	28667-G01		CONTROL / POWER INPUT BOARD	1
17				
18	*		COVER	1
19	28102-G01		HANDLE	1
20	00614-G4		SCREW, #8 - 18 X 1/2" LG	6
21	28136-G01		LABEL (VENTILATION)	1
22	28136-G02		LABEL (CORD CONDITION).....	1
23				
24	26979-G01		CAPACITOR BRACKET	1
25	28109-G01		CAPACITOR	1
26	00969-G01		SCREW, #8 - 32 X 3/8" LG	3
27	00414-G5		BOLT, 1/4 - 20 X 5/8" LG.....	3
28	11027-G2		LOCK NUT, 1/4 - 20.....	3
29	19388-G4		AC CORD	1



Electric Vehicle

BATTERY CHARGER (PORTABLE)

THE USE OF NON U.L. PARTS WILL VOID ANY U.L. LISTING.

When ordering parts, please specify the model and serial number of the product.

* Indicates a component that is not available as an individual part.

G** Indicates consult Customer Service Department for additional information.

ITEM	PART NO.	1	2	3	4	5	DESCRIPTION	QTY.
30	13557-G2						STRAIN RELIEF (AC).....	1
31	13557-G3						STRAIN RELIEF (DC)	1
32								
33	73345-G01						DC CORD AND HANDLE ASSEMBLY (INCLUDES ITEMS 34 - 43).....	1
34	73051-G11						PLUG (TOP HALF).....	1
35	73051-G12						PLUG (BOTTOM HALF).....	1
36	73051-G27						AUXILARY CONTACT	1
37	73051-G14						MALE PIN	2
38	73051-G08						BRASS SCREW, #10 - 32 X 1/2" LG	2
39	73051-G15						MAGNET	1
40	73051-G16						SCREW, #6 - 32 X 1/2" LG (STAINLESS STEEL)	2
41	73051-G10						LOCK NUT, #6 - 32	4
42	73051-G17						SCREW, #6 - 32 X 1" LG	2
43	73344-G01						DC CORD, 10' LG.....	1
44								
45	28105-G01						AMMETER.....	1
46	01051-G01						SCREW, #8 - 15 X 1/2" LG.....	2
47	00559-G4						WASHER, #8	2
48	01003-G01						BRASS WASHER, #10.....	4
49	22589-G2						SHOULDER WASHER, #10	1
50	00771-G6						NYLON WASHER, #10.....	1
51	00528-G4						NUT, #10 - 32.....	3
52	28106-G01						50 AMP FUSE	1
53	00565-G5						LOCK WASHER, #10	4
54	00378-G4						SCREW, #10 - 24 X 1/2" LG.....	2
55	00526-G3						NUT, #10 - 24.....	2
56	28103-G01						TRANSFORMER	1
57	27877-G01						SPACER SUPPORT	4
58	17618-G1						WIRE TIE.....	2
59								

BATTERY CHARGER (PORTABLE)

Electric Vehicle

THE USE OF NON U.L. PARTS WILL VOID ANY U.L. LISTING.
 When ordering parts, please specify the model and serial number of the product.
 * Indicates a component that is not available as an individual part.
 G** Indicates consult Customer Service Department for additional information.

ITEM	PART NO.	1	2	3	4	5	DESCRIPTION	QTY.
60	00372-G3						SCREW, #8 - 32 X 3/8" LG	1
61	25977-G32						16 GA WIRE (GREEN 4")	1
62	00565-G4						LOCK WASHER, #8	1
63	00526-G1						NUT, #8 - 32.....	1
64								
65	28115-G07						POWERWISE™ CHARGER (PORTABLE, 18' CORD) (INCLUDES ITEMS 3 - 31, 45 - 63, 66, 67)	1
66	73345-G03						DC CORD AND HANDLE ASSEMBLY (INCLUDES ITEMS 34 - 42, 67)	1
67	73344-G03						DC CORD, 18' LG	1
68								
69	28115-G08						POWERWISE™ + CHARGER (PORTABLE, 18' CORD) (INCLUDES ITEMS 3 - 13, 18 - 31, 45 - 63, 66, 67, 70 - 76)	1
70	*						LABEL (POWERWISE™ +)	1
71	28667-G02						CONTROL BOARD.....	1
72	28667-G03						POWER INPUT BOARD.....	1
73								
74	01995-G01						SCREW, #6 - 19 X 5/16" LG	3
75	00559-G3						WASHER, #6	3
76	28111-G01						SUPPORT SPACER	3

**DID YOU
KNOW?**

CartPros directs you to the right part using the part numbers from this manual. Enter the part number into our search box and it will find the part you are looking for.

**GET STARTED
HERE**



<https://CartPros.com/f.html>

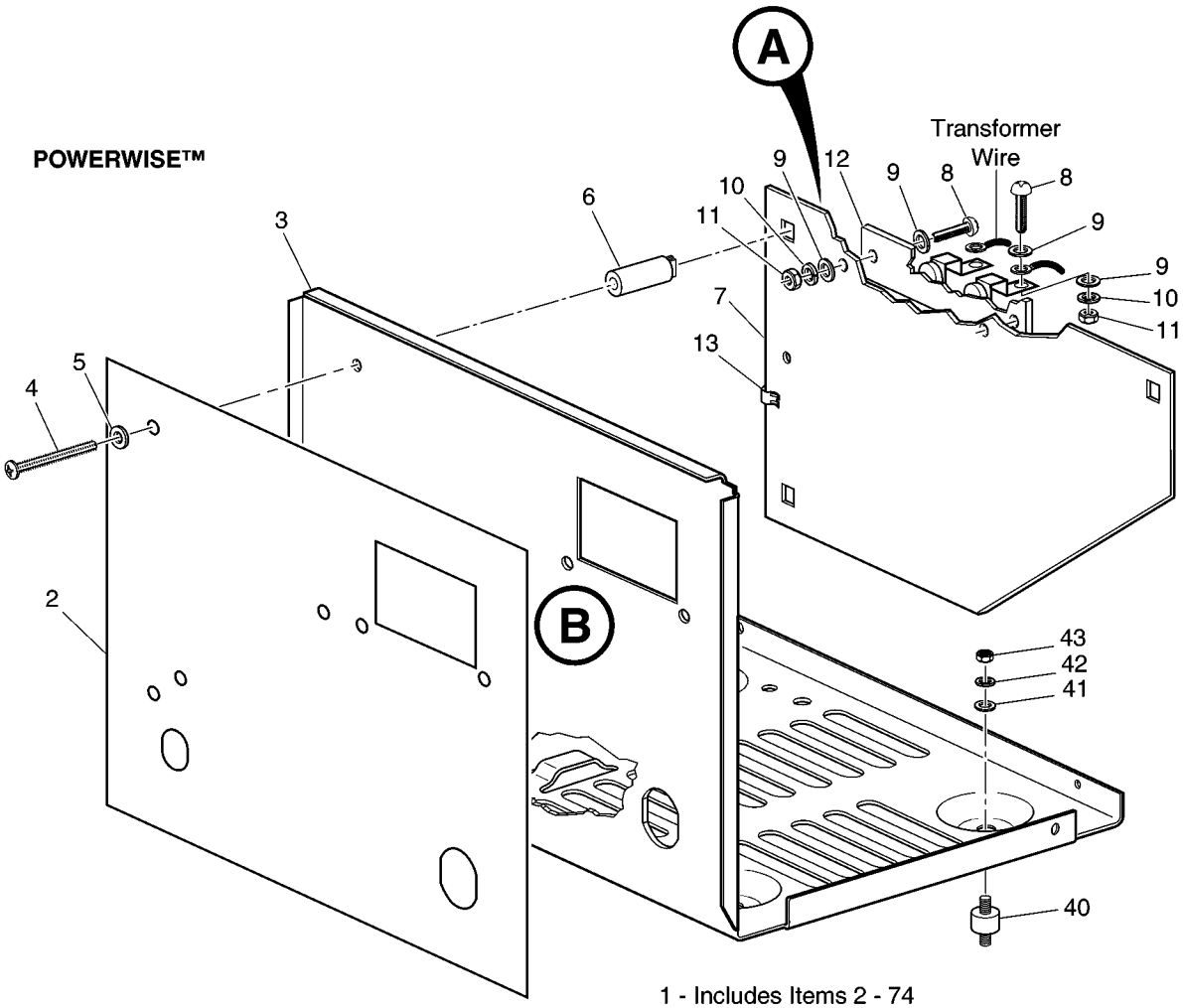
Electric Vehicle

BATTERY CHARGER (PORTABLE)

BATTERY CHARGER (ON BOARD)

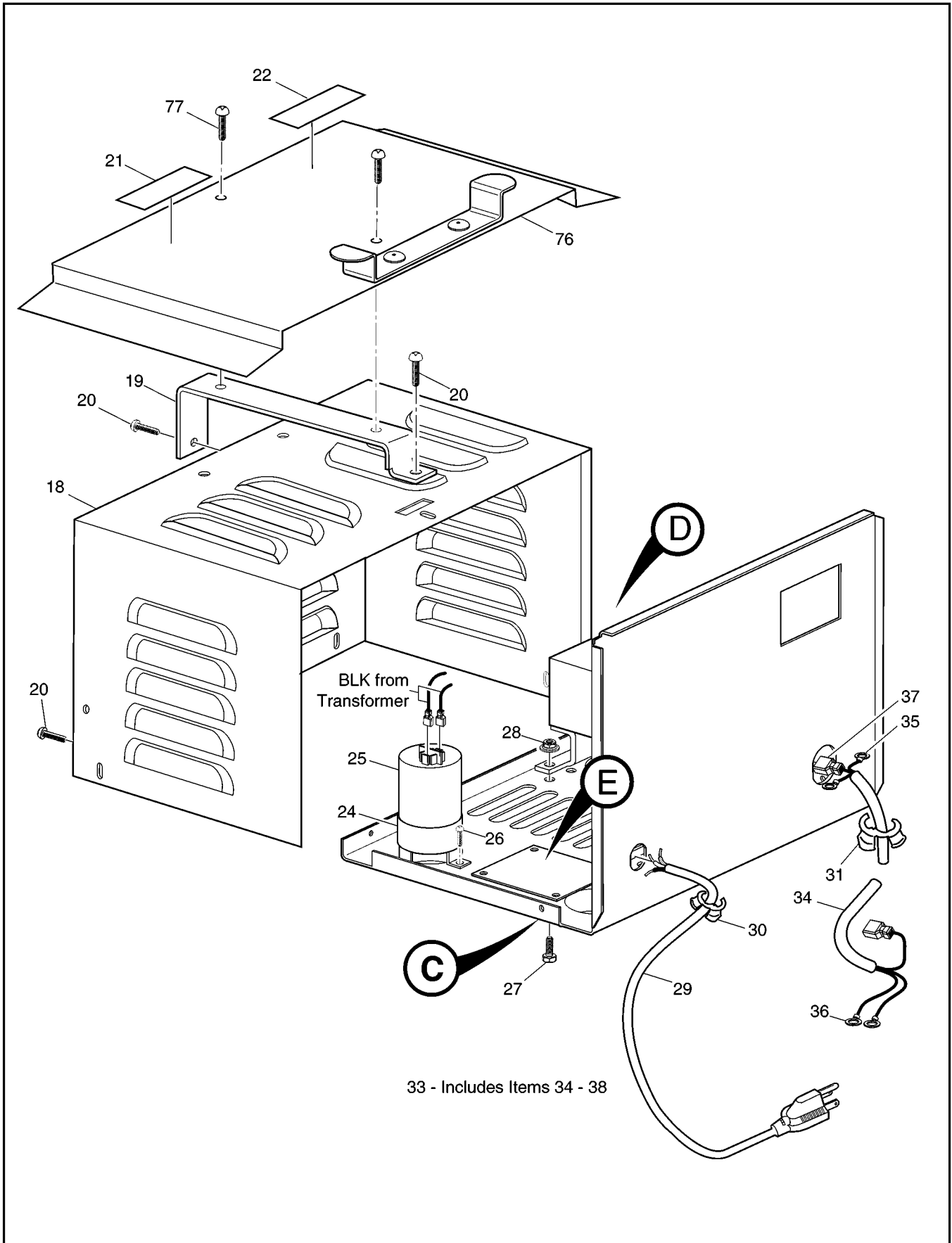
Electric Vehicle

SHUTTLE 2+2 ONLY



Electric Vehicle

BATTERY CHARGER (ON BOARD)

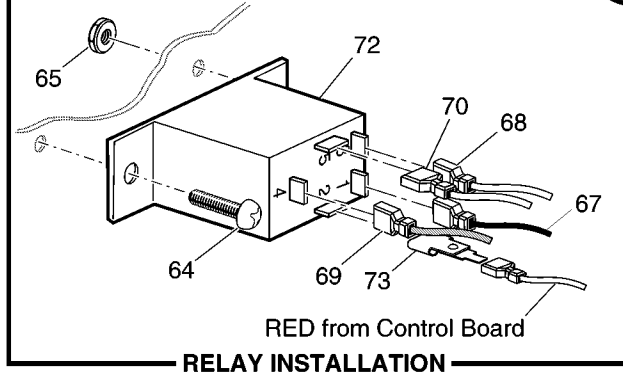


BATTERY CHARGER (ON BOARD)

Electric Vehicle

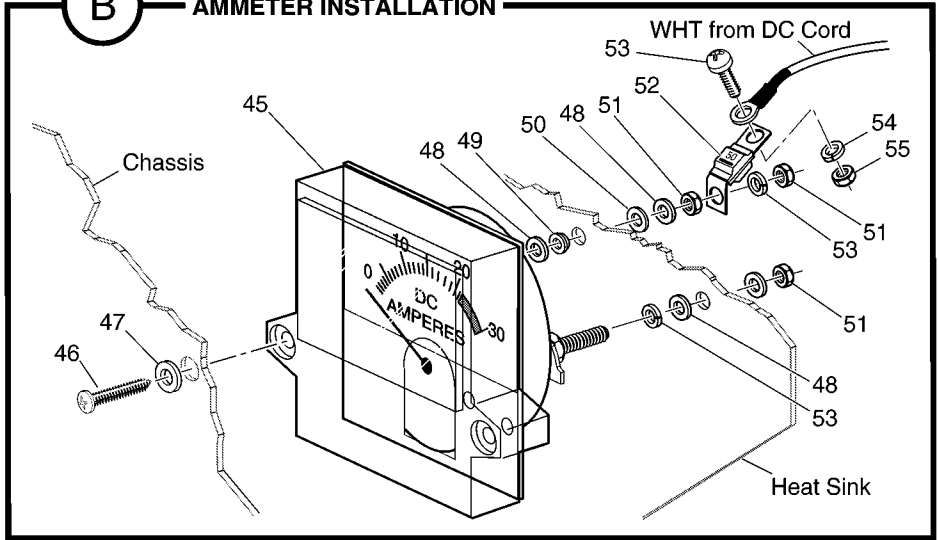
- Pin 1 - Wire 67 to Input Board "COM"
- Pin 2 - Tab Adapter 73, RED wire from Control Board
- Pin 3 - Wire 68 to Input Board "WHT"
- Pin 4 - Wire 69 to Heat Sink Clip
- Pin 5 - Wire 70 to DC Cord RED Wire

A



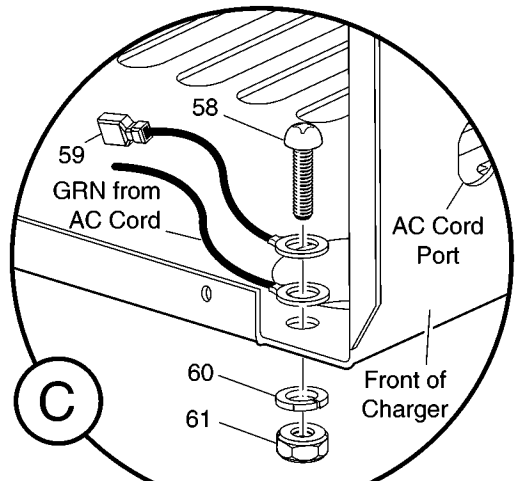
B

AMMETER INSTALLATION



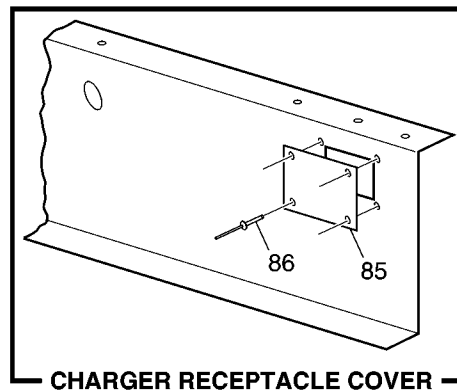
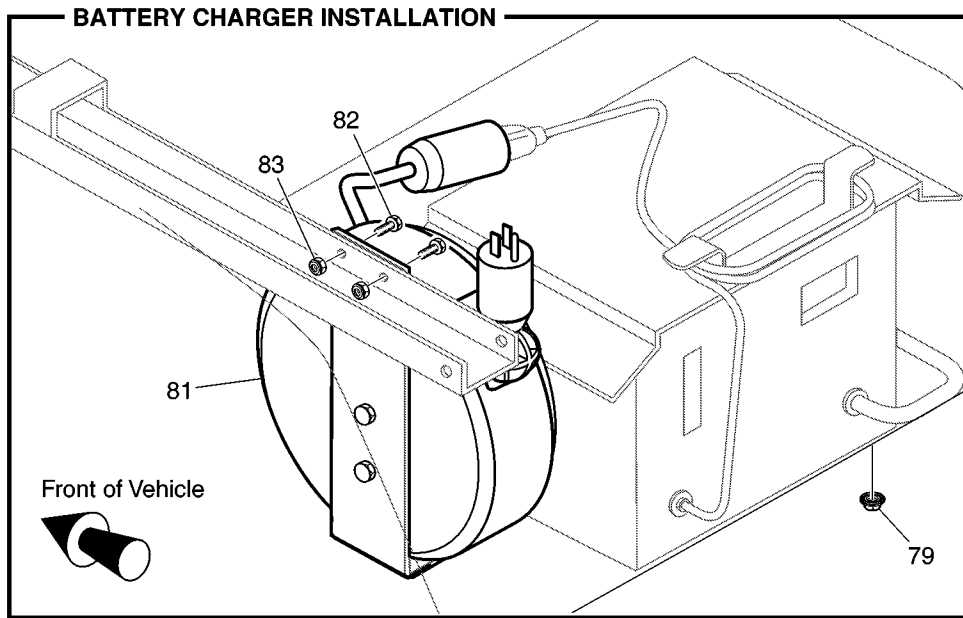
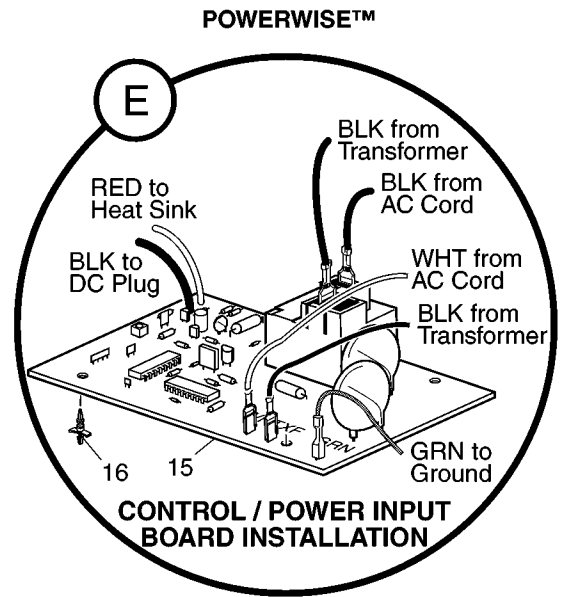
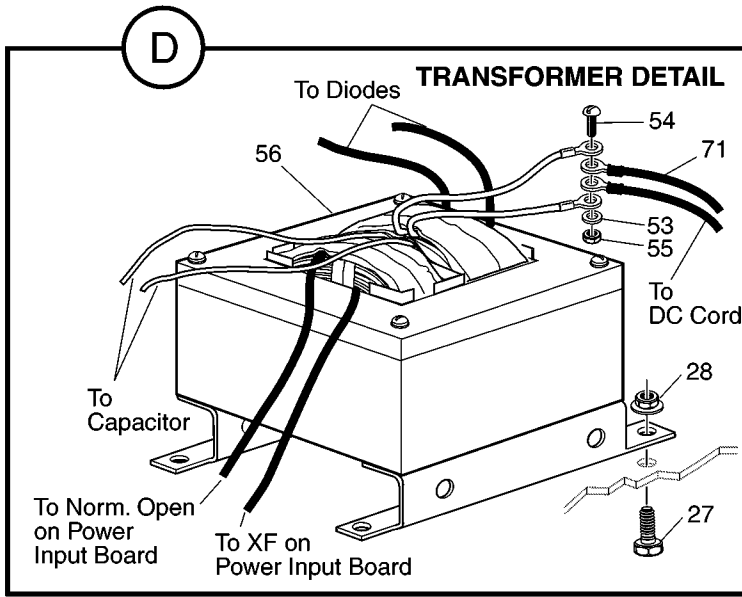
C

GROUNDING DETAIL



Electric Vehicle

BATTERY CHARGER (ON BOARD)



BATTERY CHARGER (ON BOARD)

Electric Vehicle

THE USE OF NON U.L. PARTS WILL VOID ANY U.L. LISTING.

When ordering parts, please specify the model and serial number of the product.

* Indicates a component that is not available as an individual part.

G** Indicates consult Customer Service Department for additional information.

ITEM	PART NO.	1 2 3 4 5	DESCRIPTION	QTY.
1	28115-G11		POWERWISE™ CHARGER (ON BOARD) (INCLUDES ITEMS 2 - 74).....	1
2	*		LABEL (POWERWISE™)	1
3	*		CHASSIS	1
4	00513-G6		SCREW, #8 - 18 X 1 3/4" LG	2
5	00559-G4		WASHER, #8	2
6	11572-G3		EXPANSION NUT	2
7	28104-G01		HEAT SINK	1
8	00372-G4		SCREW, #8 - 32 X 1/2" LG	4
9	00559-G4		WASHER, #8	6
10	00565-G4		LOCK WASHER, #8	4
11	00526-G1		NUT, #8 - 32.....	4
12	28548-G01		DIODE.....	1
13	28110-G01		ELECTRICAL CLIP	1
14				
15	28667-G01		CONTROL / POWER INPUT BOARD	1
16	27877-G01		SPACER SUPPORT	4
17				
18	*		COVER	1
19	28102-G01		HANDLE	1
20	00614-G4		SCREW, #8 - 18 X 1/2" LG	4
21	28136-G01		LABEL (VENTILATION)	1
22	28136-G02		LABEL (CORD CONDITION).....	1
23				
24	26979-G01		CAPACITOR BRACKET	1
25	28109-G01		CAPACITOR	1
26	00969-G01		SCREW, #8 - 32 X 3/8" LG	3
27	00414-G5		BOLT, 1/4 - 20 X 5/8" LG.....	3
28	11027-G2		LOCK NUT, 1/4 - 20.....	3
29	19388-G4		AC CORD	1
30	13557-G2		STRAIN RELIEF (AC).....	1

Electric Vehicle

BATTERY CHARGER (ON BOARD)

THE USE OF NON U.L. PARTS WILL VOID ANY U.L. LISTING.

When ordering parts, please specify the model and serial number of the product.

* Indicates a component that is not available as an individual part.

G** Indicates consult Customer Service Department for additional information.

ITEM	PART NO.	1	2	3	4	5	DESCRIPTION	QTY.
31	13557-G3						STRAIN RELIEF (DC)	1
32								
33	73344-G06						DC CORD ASSEMBLY (INCLUDES ITEMS 34 - 38)	1
34	28108-G01						DC CORD	1
35	11343-G3						RING TERMINAL, 3/16"	2
36	11343-G1						RING TERMINAL, 5/16"	2
37	17064-G1						FEMALE TERMINAL	2
38	22476-G1						HEAT SHRINK TUBING	A/R
39								
40	22009-G2						ISOLATION MOUNT	4
41	00559-G7						WASHER, 1/4"	4
42	00565-G7						LOCK WASHER, 1/4"	4
43	00532-G1						NUT, 1/4 - 20	4
44								
45	28105-G01						AMMETER	1
46	01051-G01						SCREW, #8 - 15 X 1/2" LG	2
47	00559-G4						WASHER, #8	2
48	01003-G01						BRASS WASHER, #10	4
49	22589-G2						SHOULDER WASHER, #10	1
50	00771-G6						NYLON WASHER, #10	1
51	00528-G4						NUT, #10 - 32	3
52	28106-G01						50 AMP FUSE	1
53	00378-G4						SCREW, #10 - 24 X 1/2" LG	2
54	00565-G5						LOCK WASHER, #10	4
55	00526-G3						NUT, #10 - 24	2
56	28103-G01						TRANSFORMER	1
57								
58	00372-G3						SCREW, #8 - 32 X 3/8" LG	1
59	25977-G32						16 GA WIRE (GREEN 4")	1
60	00565-G4						LOCK WASHER, #8	1

BATTERY CHARGER (ON BOARD)

Electric Vehicle

THE USE OF NON U.L. PARTS WILL VOID ANY U.L. LISTING.
 When ordering parts, please specify the model and serial number of the product.
 * Indicates a component that is not available as an individual part.
 G** Indicates consult Customer Service Department for additional information.

ITEM	PART NO.	1	2	3	4	5	DESCRIPTION	QTY.
61	00526-G1						NUT, #8 - 32.....	1
62								
63	21971-G4						RELAY	1
64	00138-G4						SCREW, #6 - 32 X 1/2" LG	2
65	14390-G9						LOCK NUT, #6 - 32.....	2
66								
67	25977-G38						16 GA WIRE (BLACK 4").....	1
68	25977-G37						16 GA WIRE (WHITE 5").....	1
69	25978-G161						18 GA WIRE (BLUE 6").....	1
70	25978-G162						18 GA WIRE (YELLOW 6").....	1
71	25978-G163						18 GA WIRE (BLACK 7").....	1
72	17902-G1						ADAPTER TAB	1
73	28305-G01						ADAPTER TERMINAL, 1/4" X 3/16".....	1
74	27285-G01						ADAPTER TERMINAL, 1/4" (1 FEMALE, 3 MALE).....	1
75								
76	71968-G01						SHIELD	1
77	00106-G6						SCREW, #12 - 24 X 3/4" LG.....	2
78								
79	11027-G1						LOCK NUT, 5/16 - 18	2
80								
81	73368-G01						CORD REEL	1
82	00438-G6						BOLT, 5/16 - 18 X 3/4" LG.....	2
83	11027-G1						LOCK NUT, 5/16 - 18	2
84								
85	73173-G01						COVER PLATE	1
86	14601-G10						RIVET, 5/32" X 7/16" LG	4

**DID YOU
KNOW?**

CartPros directs you to the right part using the part numbers from this manual. Enter the part number into our search box and it will find the part you are looking for.

**GET STARTED
HERE**



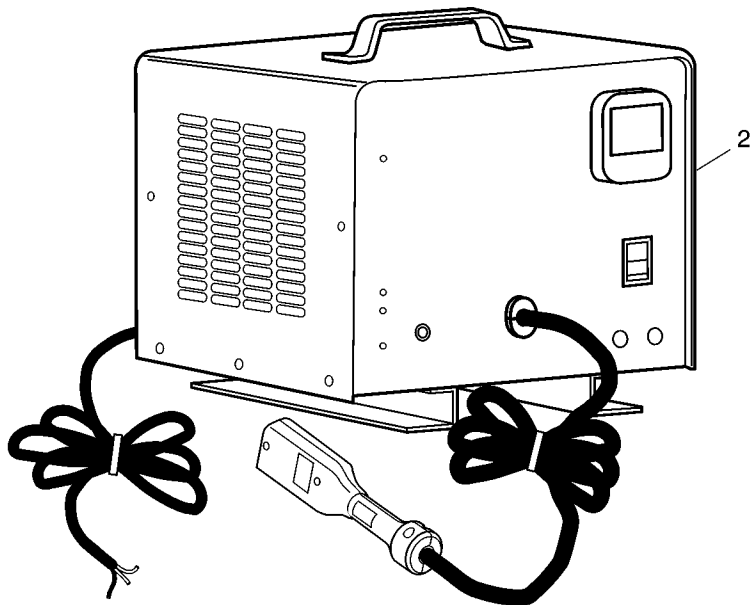
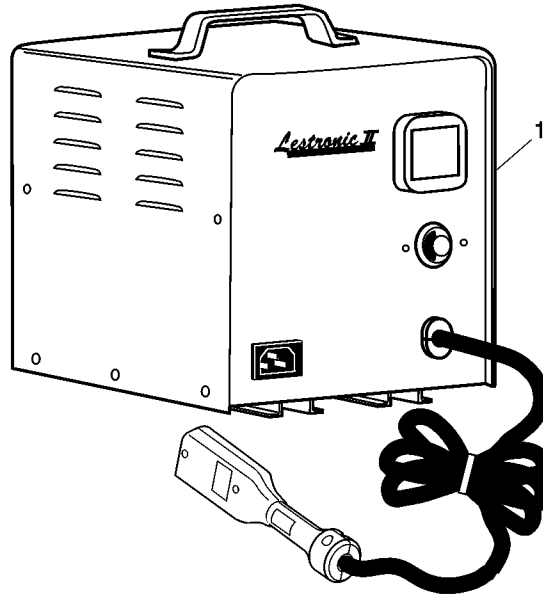
<https://CartPros.com/f.html>

Electric Vehicle

BATTERY CHARGER (ON BOARD)

BATTERY CHARGER, LESTER, 36 VOLT

Electric Vehicle



Electric Vehicle

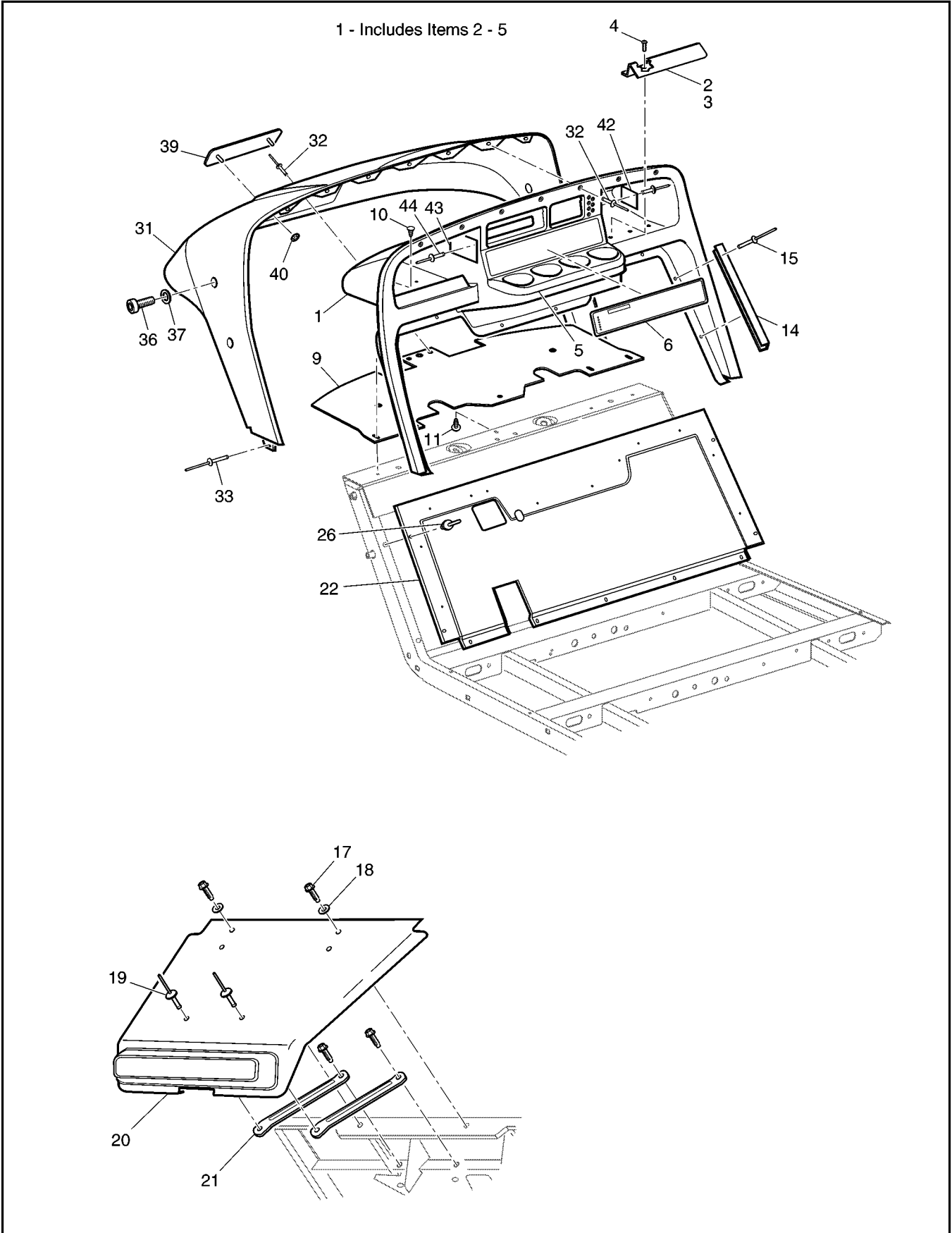
BATTERY CHARGER, LESTER, 36 VOLT

THE USE OF NON U.L. PARTS WILL VOID ANY U.L. LISTING.
 When ordering parts, please specify the model and serial number of the product.
 * Indicates a component that is not available as an individual part.
 G** Indicates consult Customer Service Department for additional information.

ITEM	PART NO.	1 2 3 4 5	DESCRIPTION	QTY.
1	28516-G01		BATTERY CHARGER, LESTER, 36 VOLT, PORTABLE WITH POWERWISE CONNECTOR, CE APPROVED (OPTIONAL)	
2	28380-G02		BATTERY CHARGER, LESTER, 36 VOLT, PORTABLE WITH POWERWISE CONNECTOR, SWITCHABLE INPUT (OPTIONAL)	
			<p>For service or replacement parts, contact: Lester Electrical 625 West "A" Street Lincoln, NE 68522</p> <p>Phone: (402) 477-8988, FAX: (402) 474-1769</p> <p>Always provide the following information when requesting information or ordering replacement parts:</p> <p>Model Number: Serial Number: (stamped into housing)</p>	

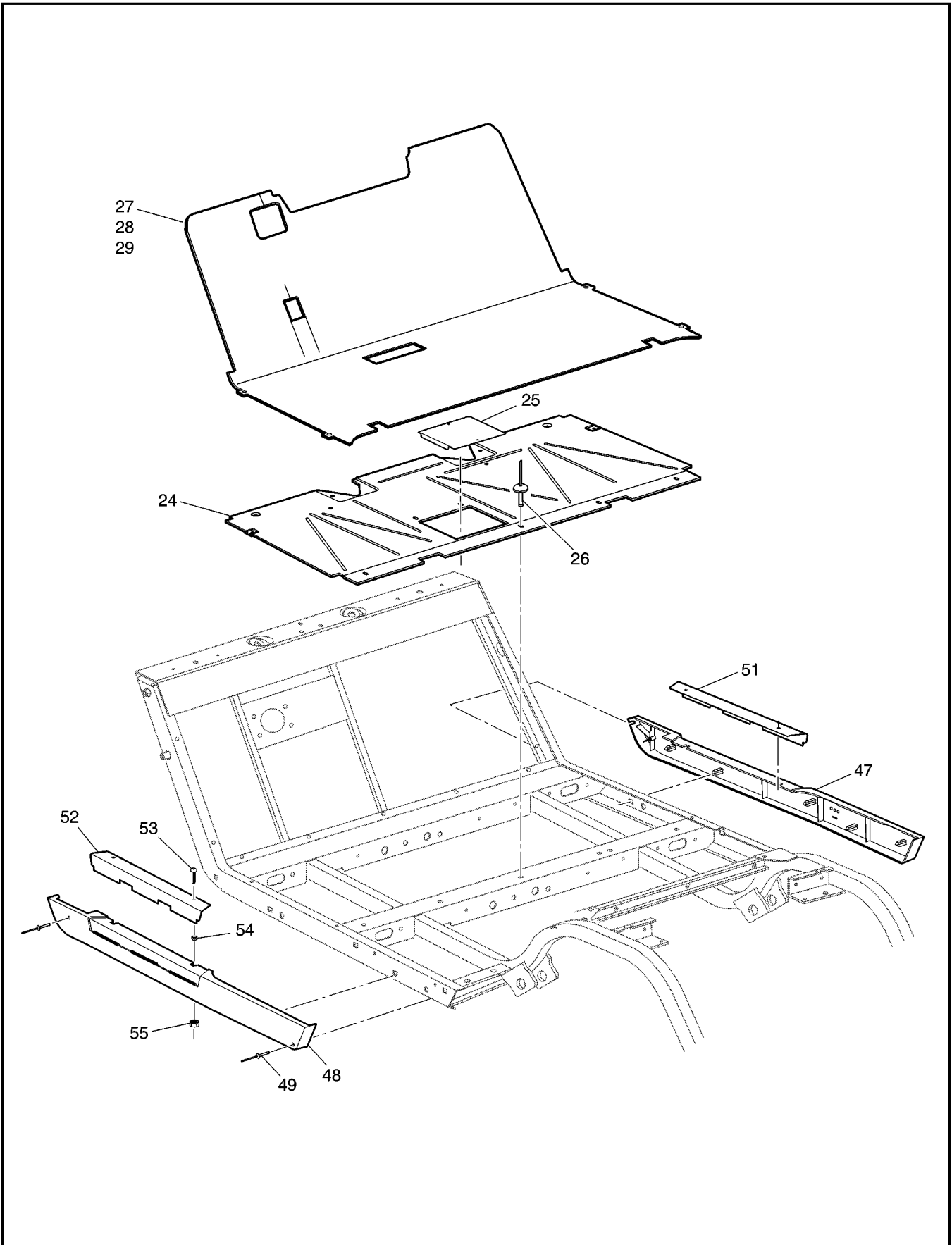
BODY

Electric Vehicle



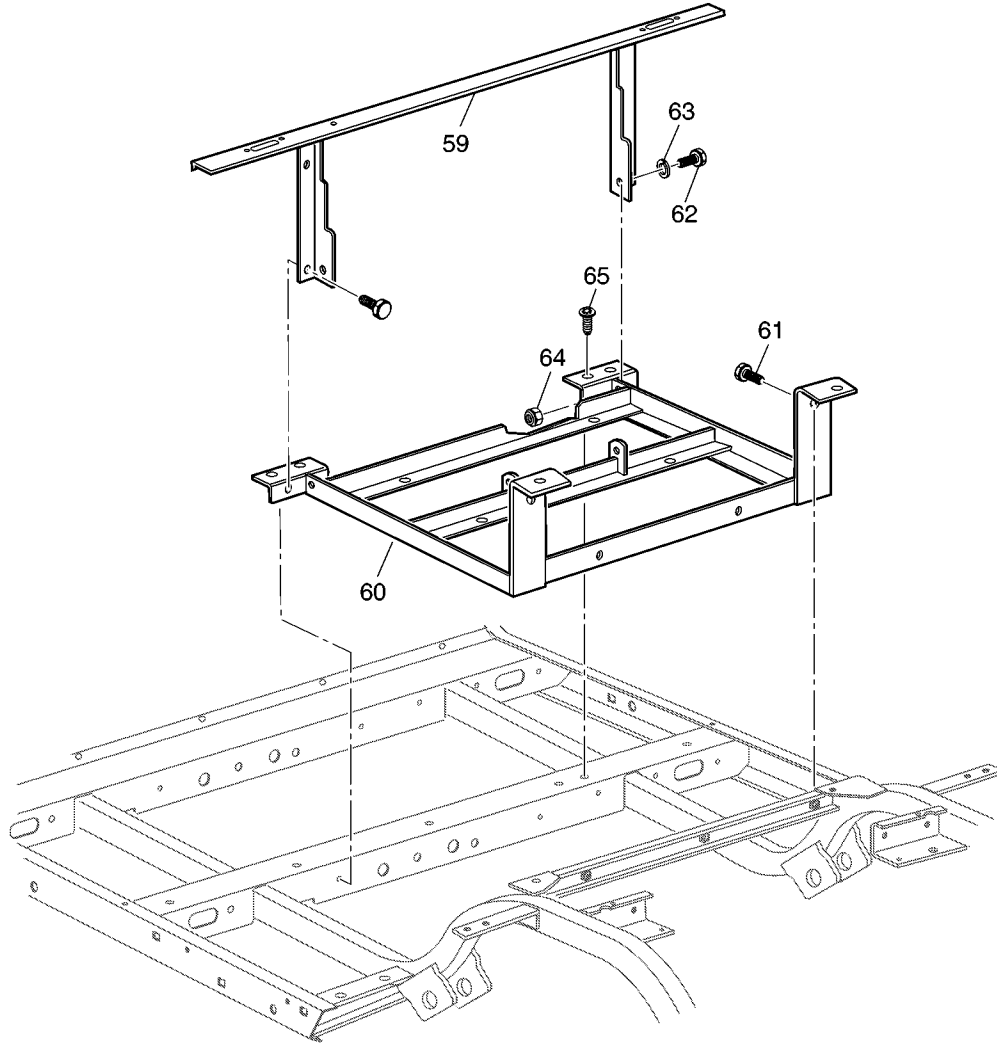
Electric Vehicle

BODY



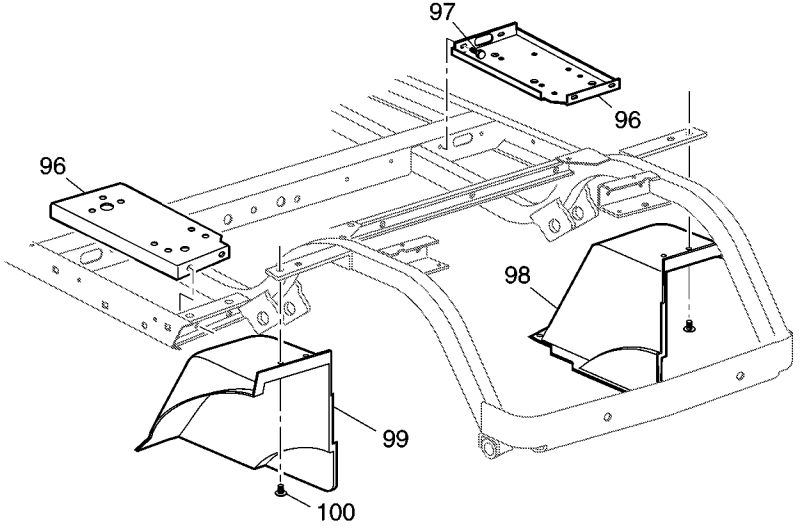
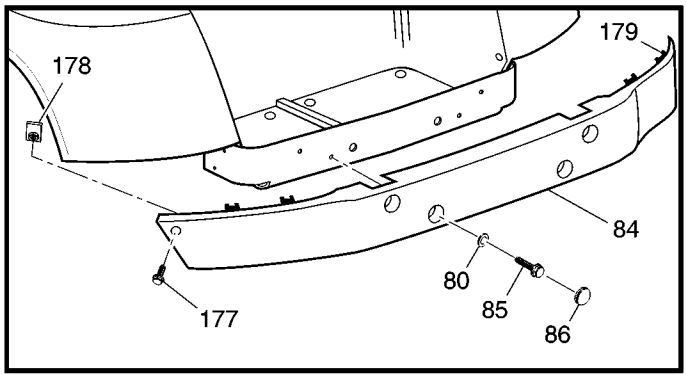
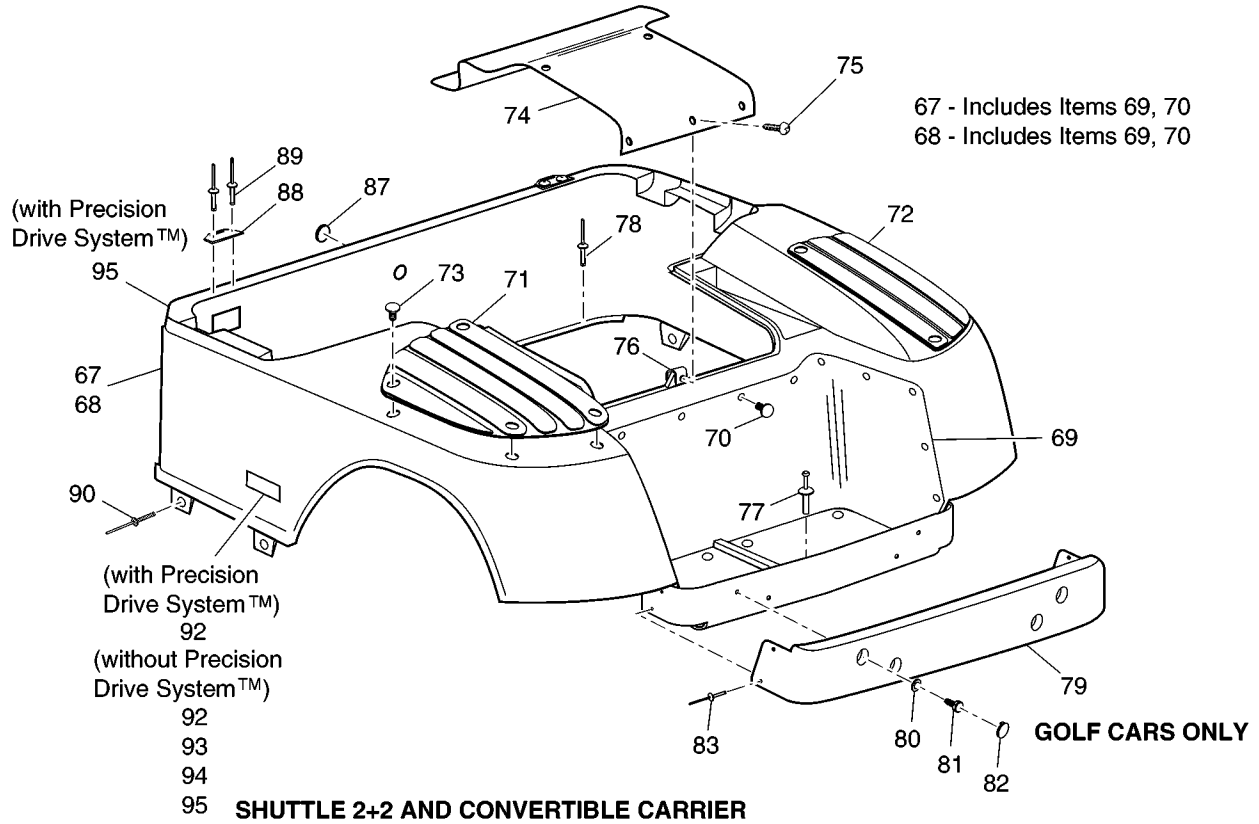
BODY

Electric Vehicle



Electric Vehicle

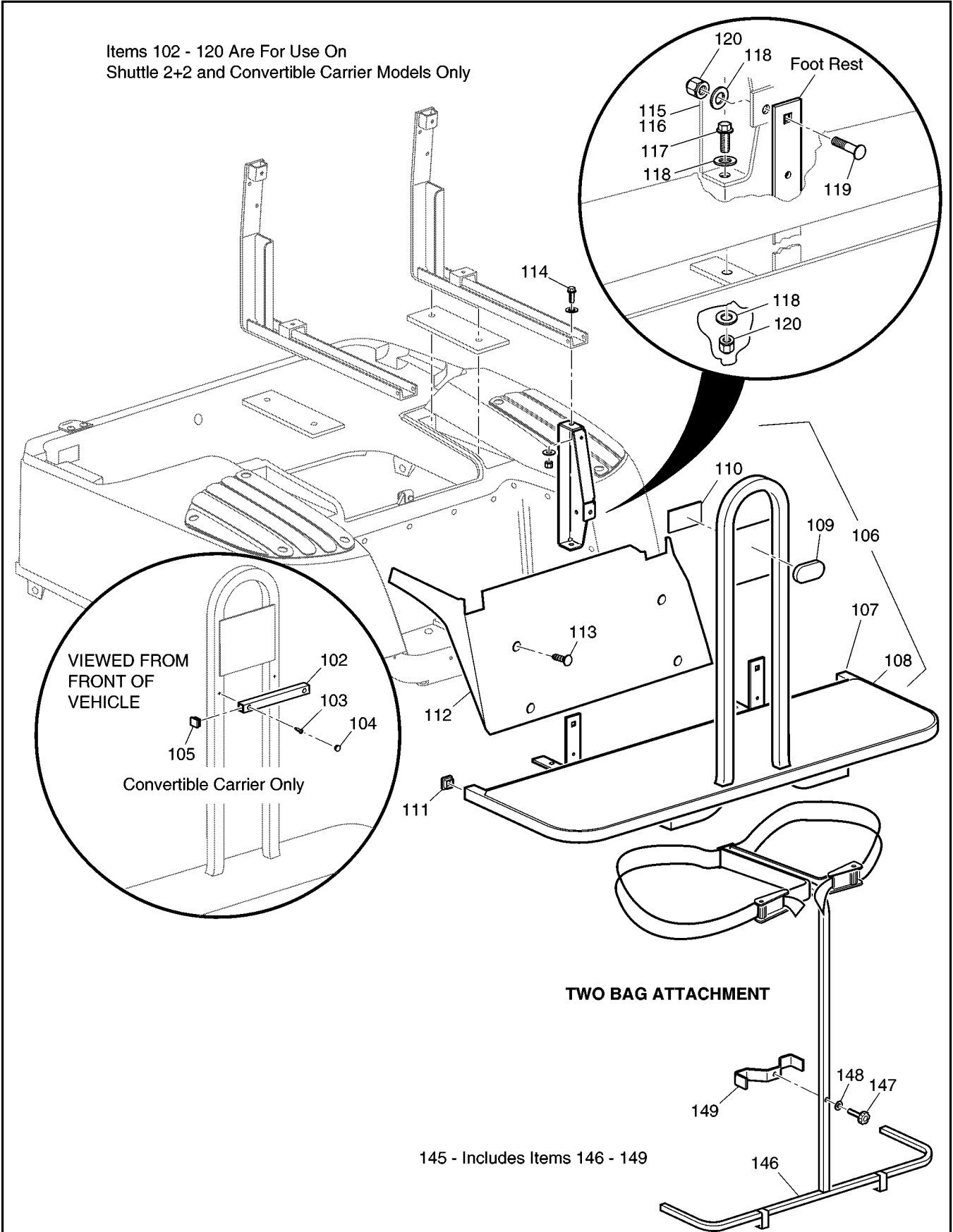
BODY



BODY

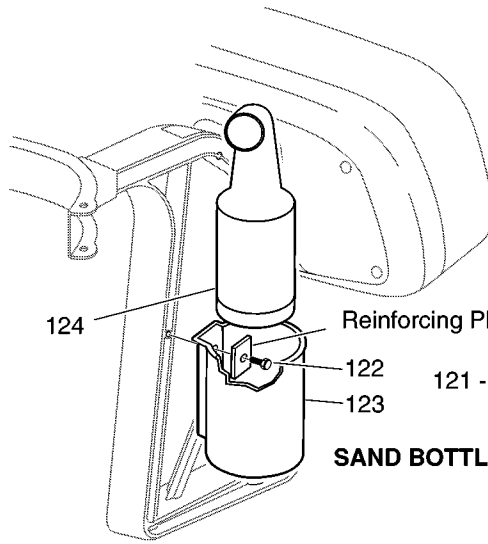
Electric Vehicle

Items 102 - 120 Are For Use On Shuttle 2+2 and Convertible Carrier Models Only



Electric Vehicle

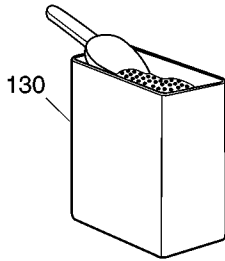
BODY



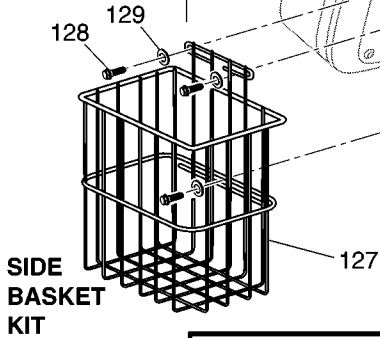
Reinforcing Plate

121 - Includes Items 122 - 124

SAND BOTTLE DIVOT REPAIR KIT

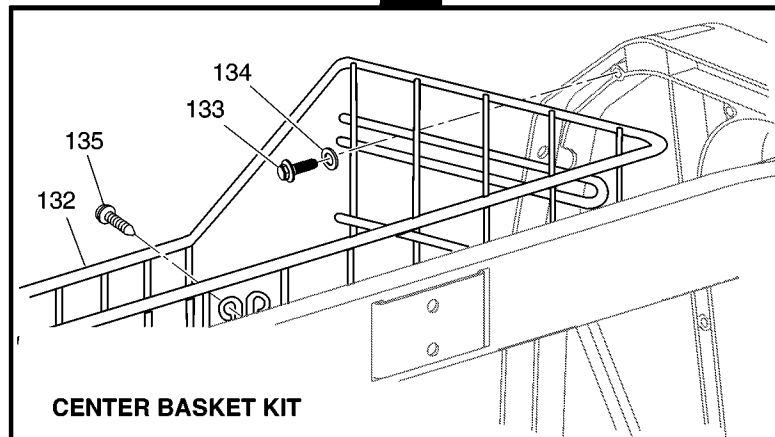


BASKET DIVOT REPAIR KIT



SIDE BASKET KIT

126 - Includes Items 127 - 129

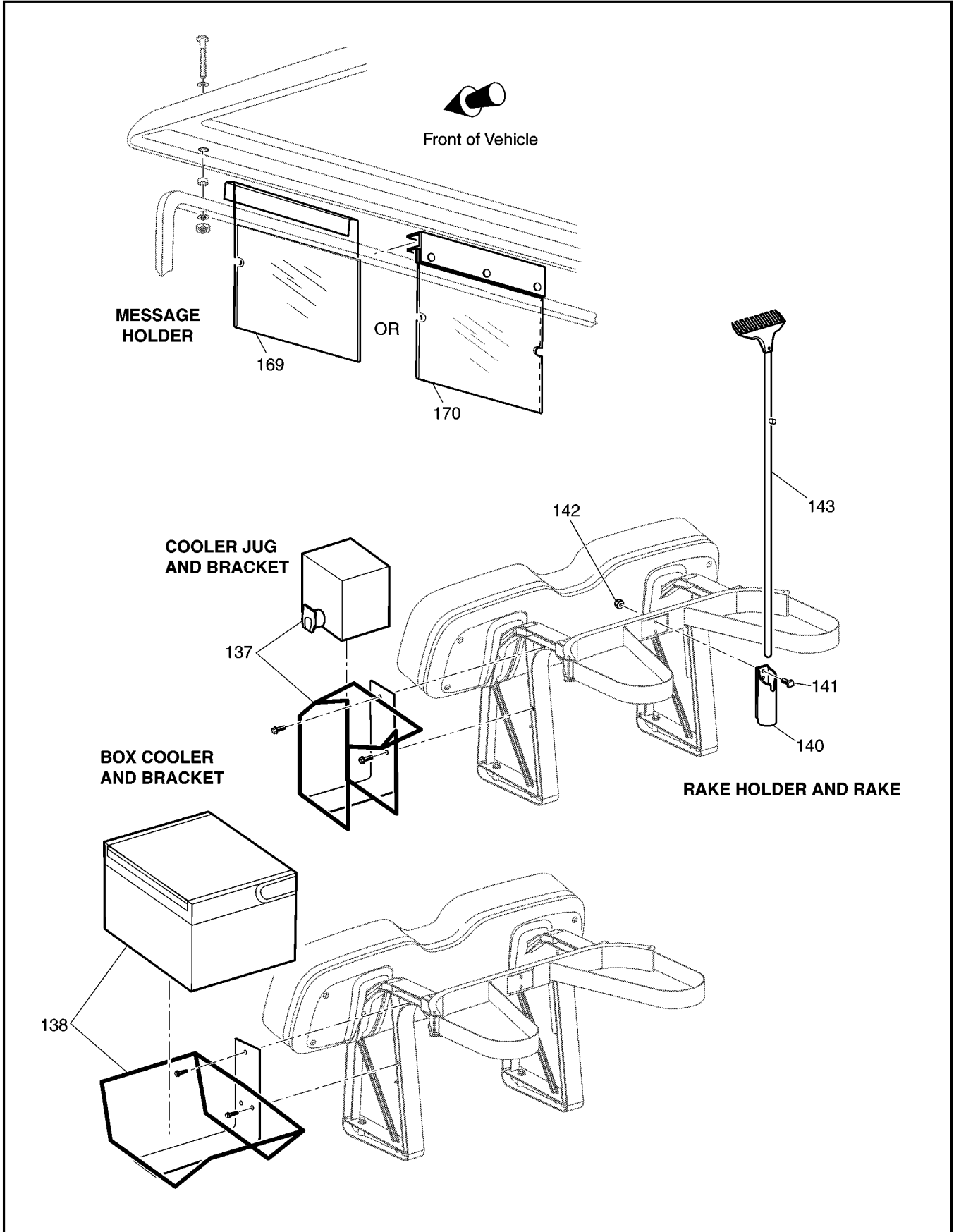


CENTER BASKET KIT

131 - Includes Items 132 - 135

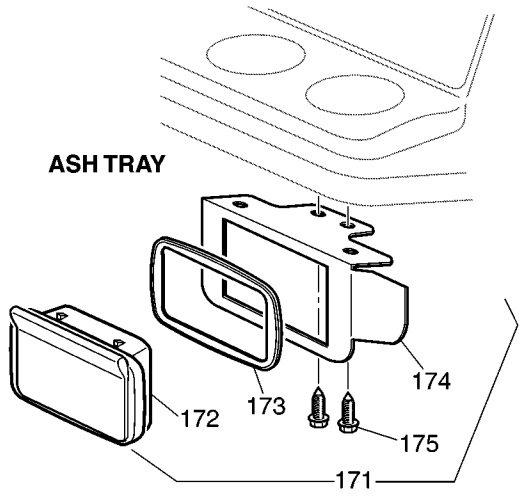
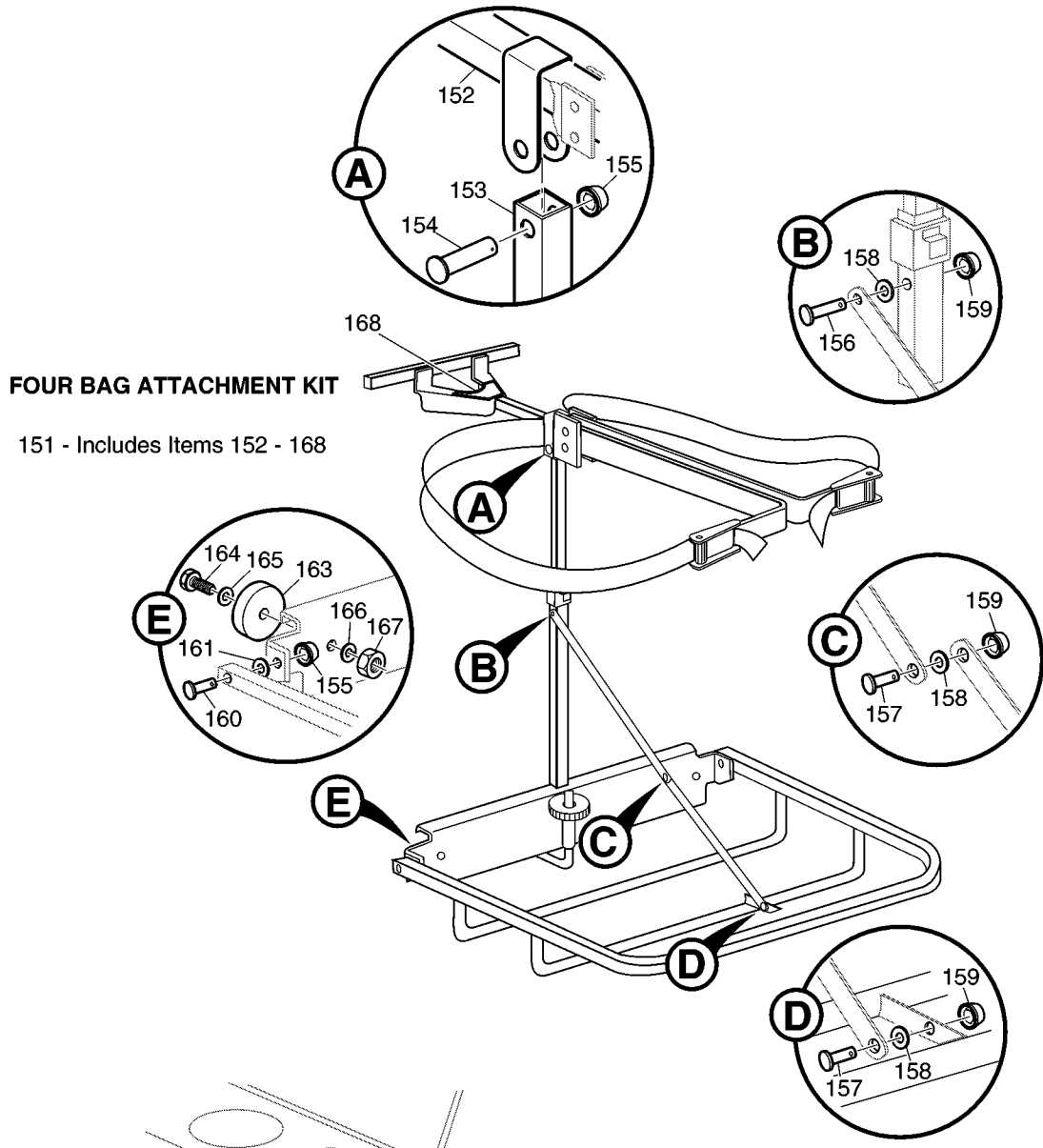
BODY

Electric Vehicle



Electric Vehicle

BODY



BODY

Electric Vehicle

When ordering parts, please specify the model and serial number of the product.

* Indicates a component that is not available as an individual part.

G** Indicates consult Customer Service Department for additional information.

ITEM	PART NO.	1 2 3 4 5	DESCRIPTION	QTY.
1	71151-G01		INSTRUMENT PANEL ASSEMBLY (INCLUDES ITEMS 2 - 5)	1
2	71153-G01		BALL DEFLECTOR (PASSENGER SIDE)	1
3	71154-G01		BALL DEFLECTOR (DRIVER SIDE).....	1
4	00614-G5		SCREW, #8 - 18 X 5/8" LG.....	6
5	71158-G01		INSTRUMENT PANEL INSERT (4 CUP HOLDER)	1
6	27647-G01		LABEL (SAFETY).....	1
7				
8				
9	71413-G01		SPLASH PANEL.....	1
10	16816-G2		RATCHET FASTENER, 1/4" X 3/4" LG	4
11	16816-G2		RATCHET FASTENER, 1/4" X 3/4" LG	1
12				
13				
14	71115-G01		VINYL TRIM	2
15	71055-G01		RIVET, 3/16" X 3/8" LG	10
16				
17	01038-G01		BOLT, 1/4 - 20 X 1/2" LG.....	4
18	16469-G1		WASHER, 1/4"	2
19	01057-G01		RIVET, KTR, 1/4" X 1" LG	2
20	27166-G02		FRONT SHIELD	1
21	70725-G01		FRONT SHIELD BRACE.....	2
22	70662-G01		UPPER FLOORPAN	1
23				
24	70451-G01		LOWER FLOORPAN.....	1
25	70452-G01		ACCESS COVER.....	1
26	14601-G11		RIVET, 3/16" X 9/16" LG	16
27	70663-G01		FLOORMAT.....	1
28	70663-G02		FLOORMAT WITH HORN HOLE	1
29				
30				

Electric Vehicle

BODY

When ordering parts, please specify the model and serial number of the product.

* Indicates a component that is not available as an individual part.

G** Indicates consult Customer Service Department for additional information.

ITEM	PART NO.	1 2 3 4 5	DESCRIPTION	QTY.
31	71051-G**		COWL	1
32	71055-G01		RIVET, 3/16" X 3/8" LG	9
33	10570-G11		RIVET, 3/16" X 3/4" LG	2
34	71056-G01		BOLT, 5/16 - 18 X 5/8" LG	4
35	00570-G2		WASHER, 5/16.....	4
36	00438-G6		BOLT, 5/16 - 18 X 3/4" LG (WITH TOP)	2
37	00571-G2		WASHER, 5/16" (WITH TOP)	2
38				
39	71037-G02		E-Z-GO NAMEPLATE (GOLD).....	1
40	12064-G3		PUSHNUT, 3/16"	2
41				
42	*		SERIAL NUMBER PLATE.....	1
43	*		EC PLATE	1
44	01041-G01		RIVET, 5/32" X 7/8" LG	4
45				
46				
47	71501-G01		ROCKER PANEL (PASSENGER SIDE)	1
48	71502-G01		ROCKER PANEL (DRIVER SIDE)	1
49	15058-G6		RIVET, 3/16" X 15/16" LG	4
50				
51	71507-G01		SILL PLATE (PASSENGER SIDE).....	1
52	71507-G02		SILL PLATE (DRIVER SIDE)	1
53	16705-G1		SCREW, 1/4 - 20 X 1" LG (STAINLESS STEEL)	4
54	23726-G4		SPACER.....	4
55	00891-G2		LOCK NUT, 1/4 - 20	4
56				
57				
58				
59	70441-G01		SEAT FRAME.....	1
60	70046-G01		BATTERY RACK	1

BODY

Electric Vehicle

When ordering parts, please specify the model and serial number of the product.
 * Indicates a component that is not available as an individual part.
 G** Indicates consult Customer Service Department for additional information.

ITEM	PART NO.	1 2 3 4 5	DESCRIPTION	QTY.
61	00715-G2		BOLT, 5/16 - 18 X 13/16" LG	4
62	00438-G6		BOLT, 5/16 - 18 X 3/4" LG	2
63	00559-G8		WASHER, 5/16"	2
64	11098-G6		LOCK NUT, 5/16 - 18	2
65	70200-G01		SCREW, 3/8 - 16 X 1/4" LG	2
66				
67	71912-G**		REAR BODY (WITHOUT TAILLIGHTS) (INCLUDES ITEMS 69, 70)	1
68	71334-G**		REAR BODY (WITH TAILLIGHTS) (INCLUDES ITEMS 69, 70)	1
69	71318-G01		BAGWELL LINER.....	1
70	16816-G1		RATCHET FASTENER, 1/4" X 5/8" LG	26
71	75126-G01		FENDER SCUFFGUARD (DRIVER SIDE)	1
72	75126-G02		FENDER SCUFFGUARD (PASSENGER SIDE).....	1
73	16816-G2		RATCHET FASTENER, 1/4" X 3/4" LG	8
74	71320-G01		ACCESS PANEL	1
75	71002-G01		SCREW, #8 X 5/8" LG.....	5
76	71364-G02		"J" CLIP	1
77	18436-G1		RIVET, 1/4" X 3/4" LG	2
78	10570-G10		RIVET, 5/32" X 9/16" LG	6
79	70939-G01		REAR BUMPER.....	1
80	00559-G8		WASHER, 5/16"	4
81	71102-G01		BOLT, 1/4 - 20 X 3/4" LG.....	4
82	71514-G01		BUMPER PLUG	4
83	14601-G17		RIVET, 3/16" X 9/16" LG	4
84	71456-G01		NOTCHED REAR BUMPER (SHUTTLE 2+2)	1
85	71398-G01		BOLT, 1/4 - 20 X 1 1/4" LG.....	4
86	71455-G01		BUMPER PLUG	4
87	71316-G01		HOLE PLUG (DASH MOUNDED DIRECTION SELECTOR SWITCH ONLY)	1
88	71609-G01		HINGE PLATE.....	2
89	10570-G11		RIVET, 3/16" X 3/4" LG	4
90	10570-G12		RIVET, 1/4" X 1/2" LG	4

Electric Vehicle

BODY

When ordering parts, please specify the model and serial number of the product.

* Indicates a component that is not available as an individual part.

G** Indicates consult Customer Service Department for additional information.

ITEM	PART NO.	1 2 3 4 5	DESCRIPTION	QTY.
91				
92	71914-G01		DECAL (FREEDOM).....	AR
93	35434-G01		DECAL (SHUTTLE)	AR
94	35430-G19		DECAL (TXT 2+2)	AR
95	73330-G01		DECAL (PRECISION DRIVE SYSTEM™).....	AR
96	70244-G02		SPLASH PANEL.....	2
97	00715-G2		BOLT, 5/16 - 18 X 13/16" LG.....	8
98	71812-G01		FENDER LINER (PASSENGER SIDE)	1
99	71812-G02		FENDER LINER (DRIVER SIDE).....	1
100	16816-G2		RATCHET FASTENER, 1/4" X 3/4" LG.....	8
101				
102	75268-G01		SUPPORT	1
103	00106-G6		SCREW, #12 - 24 X 3/4" LG	2
104	20271-G2		HOLE PLUG, 1/2"	2
105	19859-G1		END CAP, 3/4"	2
106	70361-G01		FOOT REST ASSEMBLY (INCLUDES ITEMS 107 - 110)	1
107	70350-G01		FOOTREST	1
108	70362-G01		FLOORMAT	1
109	74129-G01		REFLECTOR.....	1
110	74132-G01		LABEL (WARNING).....	1
111	19853-G1		END CAP, 1"	2
112	74149-G01		VALANCE PANEL	1
113	16816-G2		RATCHET FASTENER, 1/4" X 3/4" LG.....	4
114	00426-G8		BOLT, 3/8 - 16 X 1" LG.....	2
115	74126-G01		VERTICAL FRAME SUPPORT (PASSENGER SIDE).....	1
116	74126-G02		VERTICAL FRAME SUPPORT (DRIVER SIDE)	1
117	00427-G4		BOLT, 3/8 - 16 X 1 1/2" LG.....	2
118	00560-G1		WASHER, 3/8"	10
119	00769-G2		CARRIAGE BOLT, 3/8 - 16 X 1 1/4" LG	2
120	11098-G5		LOCK NUT, 3/8 - 16	10

BODY

Electric Vehicle

When ordering parts, please specify the model and serial number of the product.

* Indicates a component that is not available as an individual part.

G** Indicates consult Customer Service Department for additional information.

ITEM	PART NO.	1 2 3 4 5	DESCRIPTION	QTY.
121	28661-G01		SAND BOTTLE DIVOT REPAIR KIT (INCLUDES ITEMS 122 - 124).....	1
122	71102-G01		BOLT, 1/4 - 20 X 3/4" LG	1
123	28660-G01		SAND BOTTLE HOLDER.....	1
124	28659-G01		SAND BOTTLE.....	1
125				
126	75007-G02		SIDE BASKET KIT (INCLUDES ITEMS 127 - 129)	1
127	75460-G01		SIDE BASKET	1
128	71102-G01		BOLT, 1/4 - 20 X 3/4" LG	3
129	01031-G01		FLAT WASHER, 1/4"	3
130	23300-G01		BASKET DIVOT REPAIR KIT (INCLUDES SCOOP).....	1
131	75003-G02		CENTER BASKET KIT (INCLUDES ITEMS 132 - 135)	1
132	75461-G01		CENTER BASKET.....	1
133	71102-G01		BOLT, 1/4 - 20 X 3/4" LG	3
134	01031-G01		FLAT WASHER, 1/4"	3
135	01032-G01		PLASTITE SCREW, #10 X 5/8" LG	2
136				
137	75495-G01		COOLER JUG AND BRACKET KIT.....	1
138	75344-G01		BOX COOLER AND BRACKET KIT	1
139				
140	25885-G01		RAKE HOLDER	1
141	00989-G06		SQUARE HEAD BOLT, 1/4 - 20 X 3/4" LG.....	2
142	11027-G2		LOCK NUT, 1/4 - 20	2
143	14735-G1		RAKE	1
144				
145	75183-G01		TWO BAG ATTACHMENT KIT (INCLUDES ITEMS 146 - 149).....	1
146	75188-G01		BAG ATTACHMENT	1
147	22238-G2		KNOB, 3/8 - 16 X 1 1/2" LG.....	1
148	17255-G1		TEFLON WASHER, 5/16"	1
149	75187-G01		SUPPORT BRACKET	1
150				

Electric Vehicle

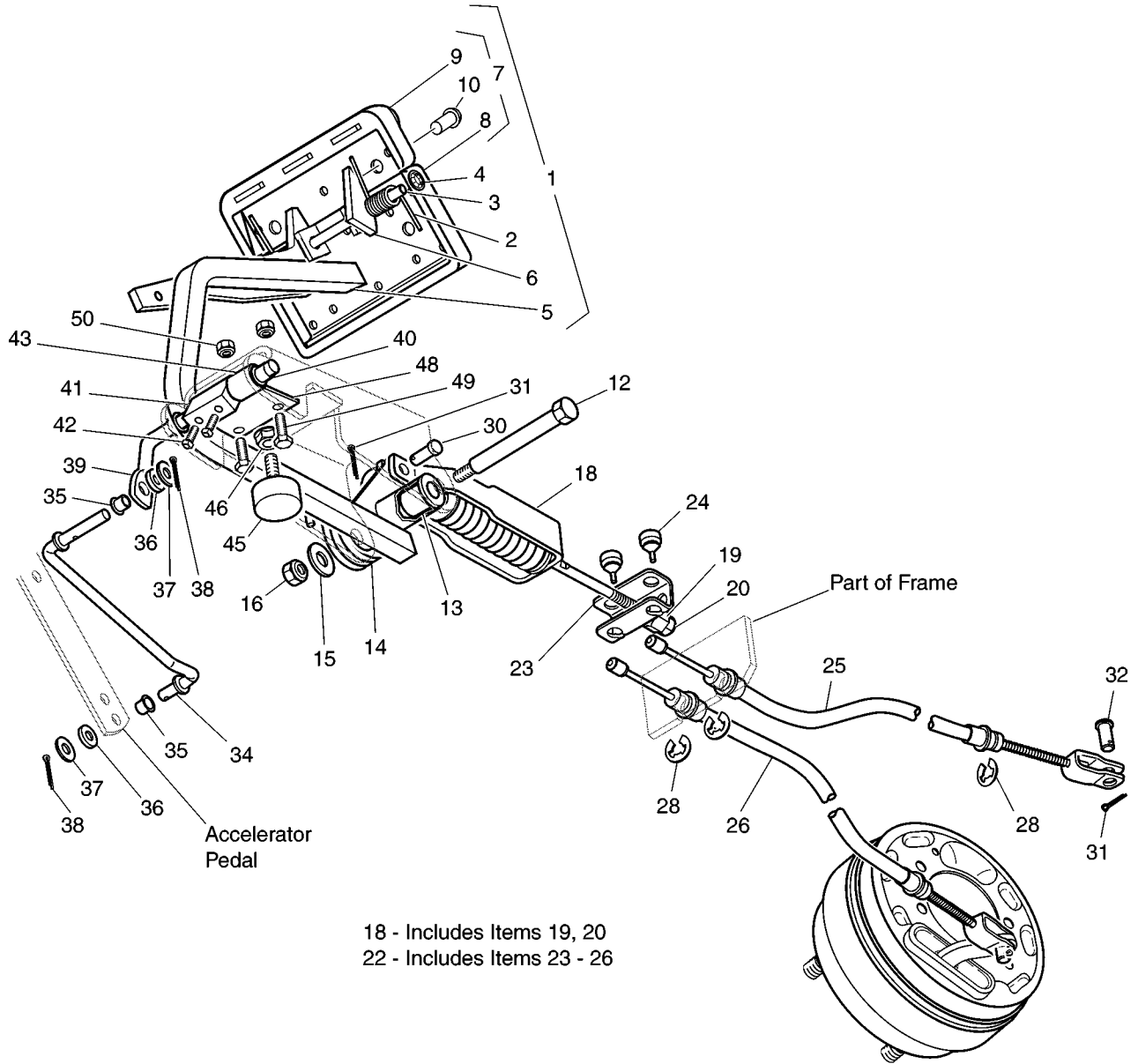
BODY

When ordering parts, please specify the model and serial number of the product.
 * Indicates a component that is not available as an individual part.
 G** Indicates consult Customer Service Department for additional information.

ITEM	PART NO.	1 2 3 4 5	DESCRIPTION	QTY.
151	75355-G01		FOUR BAG ATTACHMENT KIT (INCLUDES ITEMS 152 - 168)	1
152	*		TOP ASSEMBLY	1
153	*		BOTTOM ASSEMBLY	1
154	17651-G2		CLEVIS PIN, 5/16 X 1 1/4" LG	1
155	28129-G01		PUSH NUT, 5/16"	1
156	17651-G2		CLEVIS PIN, 5/16 X 1 1/4" LG	1
157	17651-G3		CLEVIS PIN, 5/16 X 1/2" LG	2
158	00559-G8		WASHER, 5/16"	3
159	28129-G01		PUSH NUT, 5/16"	3
160	*		CLEVIS PIN 3/8 X 1 1/4" LG	2
161	00560-G1		WASHER, 3/8"	2
162	*		PUSH NUT, 3/8"	2
163	13728-G1		RUBBER BUMPER	2
164	00150-G6		SCREW, #10 - 24 X 3/4" LG	2
165	00559-G5		WASHER, #10	2
166	00565-G5		LOCK WASHER, #10	2
167	00526-G3		NUT, #10 - 24	2
168	*		LABEL (WARNING)	1
169	75509-G01		MESSAGE HOLDER (ONE PIECE)	1
170	75496-G01		MESSAGE HOLDER	1
171	75109-G02		ASH TRAY KIT (INCLUDES ITEMS 172 - 175)	1
172	27731-G01		ASH TRAY	1
173	27736-G01		GASKET	1
174	75108-G01		BRACKET	1
175	00100-G4		SCREW, #10 - 16 X 1/2" LG	4
176				
177	01038-G01		BOLT, 1/4 - 20 X 11/16" LG	2
178	01042-G01		"J" TYPE NUT RETAINER	2
179	71457-G01		BUMPER STAY	4

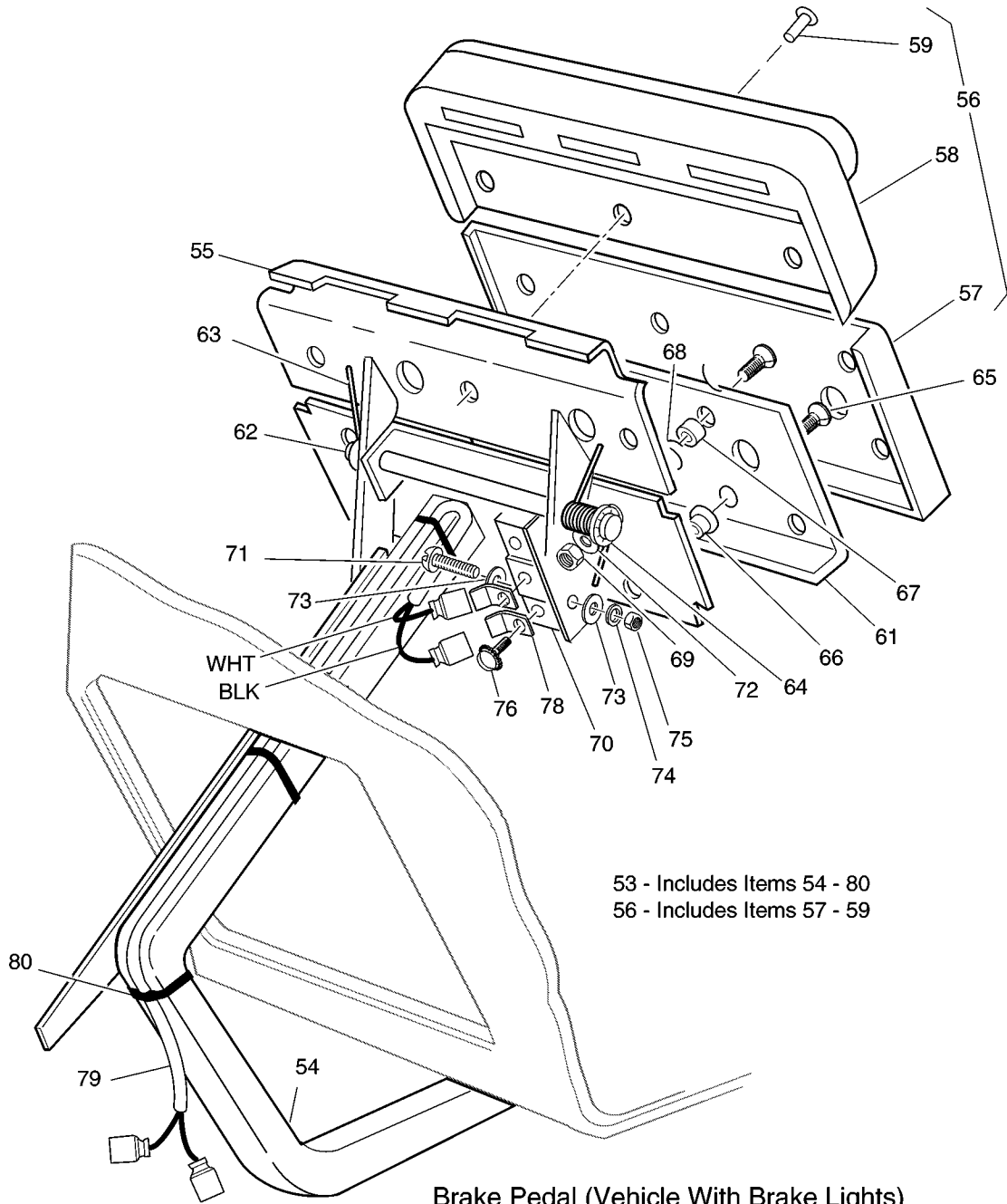
BRAKES

Electric Vehicle



Electric Vehicle

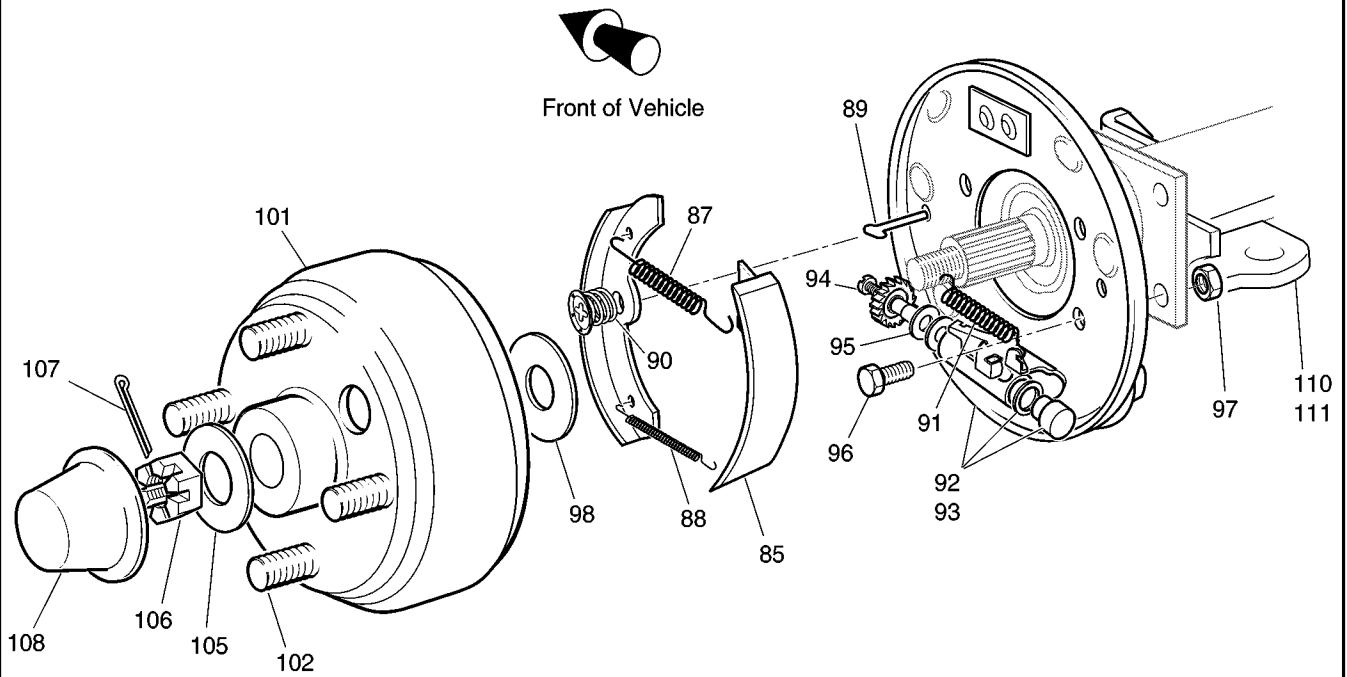
BRAKES



Brake Pedal (Vehicle With Brake Lights)

BRAKES

Electric Vehicle



- 82 - Includes Items 84 - 95
- 83 - Includes Items 84-95
- 84 - Includes Items 85
- 86 - Includes Items 87 - 91
- 92 - Includes Items 94, 95
- 93 - Includes Items 94, 95
- 100 - Includes Items 101, 102

Electric Vehicle

BRAKES

When ordering parts, please specify the model and serial number of the product.

* Indicates a component that is not available as an individual part.

G** Indicates consult Customer Service Department for additional information.

ITEM	PART NO.	1 2 3 4 5	DESCRIPTION	QTY.
1	70612-G01		BRAKE PEDAL ASSEMBLY (WITHOUT BRAKE LIGHTS) (INCLUDES ITEMS 2 - 10)	1
2	70681-G01		TORSION SPRING	2
3	70682-G01		PIVOT PIN	1
4	01071-G01		PUSHNUT, 5/16"	2
5	*		BRAKE PEDAL	1
6	70611-G01		PARK BRAKE PEDAL	1
7	70274-G01		BRAKE/PARK BRAKE PEDAL PAD KIT (INCLUDES ITEMS 8 - 10)	1
8	*		SERVICE BRAKE PAD	1
9	*		PARK BRAKE PEDAL PAD	1
10	15766-G1		OVAL RIVET, 3/16" X 3/8" LG	9
11				
12	70582-G01		SHOULDER BOLT, 3/8 - 16 X 4" LG	1
13	70581-G01		FLANGED BUSHING	2
14	70676-G01		TORSION SPRING	1
15	00643-G1		WASHER, 3/8"	1
16	11098-G5		LOCK NUT, 3/8 - 16	1
17				
18	70272-G04		COMPENSATOR ASSEMBLY (INCLUDES ITEMS 19, 20)	1
19	00963-G01		SPHERICAL NUT, 5/16 - 24	1
20	11098-G9		LOCK NUT, 5/16 - 24	1
21				
22	70716-G03		EQUALIZER AND BRAKE CABLE ASSEMBLY (INCLUDES ITEMS 23 - 26) ...	1
23	28082-G01		EQUALIZER BRACKET	1
24	28083-G01		BRAKE COMPENSATOR BUMPER	2
25	*		BRAKE CABLE (DRIVER SIDE)	1
26	*		BRAKE CABLE (PASSENGER SIDE)	1
27				
28	12305-G1		RETAINING RING	4
29				

BRAKES

Electric Vehicle

When ordering parts, please specify the model and serial number of the product.
 * Indicates a component that is not available as an individual part.
 G** Indicates consult Customer Service Department for additional information.

ITEM	PART NO.	1 2 3 4 5	DESCRIPTION	QTY.
30	10386-G3		CLEVIS PIN, 5/16" X 1" LG.....	1
31	10387-G3		COTTER PIN, 3/32" X 3/4" LG.....	3
32	14443-G2		CLEVIS PIN, 5/16" X 3/4" LG.....	2
33				
34	70601-G01		KICK-OFF LINK	1
35	17838-G1		NYLON BUSHING.....	2
36	20835-G1		TEFLON WASHER, 3/8"	2
37	00559-G8		WASHER, 5/16"	2
38	10387-G3		COTTER PIN, 3/32" X 3/4" LG.....	2
39	70098-G01		KICK-OFF CAM PIVOT.....	1
40	10097-G6		FLANGED BEARING	2
41	70587-G01		KICK-OFF CAM.....	1
42	71215-G01		SETSCREW, 1/4 - 20 X 1/2" LG	2
43	14134-G4		SPACER.....	1
44				
45	70113-G01		ADJUSTABLE BUMPER.....	1
46	11027-G1		LOCK NUT, 5/16 - 18	1
47				
48	70080-G01		CATCH BRACKET	1
49	00414-G6		BOLT, 1/4 - 20 X 3/4" LG.....	2
50	00891-G2		LOCK NUT, 1/4 - 20	2
51				
52				
53	70690-G01		BRAKE PEDAL ASSEMBLY (WITH BRAKE LIGHTS) (INCLUDES ITEMS 54 - 80)	1
54	*		BRAKE PEDAL.....	1
55	70611-G01		PARK BRAKE PEDAL	1
56	70274-G01		BRAKE/PARK BRAKE PEDAL PAD KIT (INCLUDES ITEMS 57 - 59)	1
57	*		SERVICE BRAKE PAD	1
58	*		PARK BRAKE PAD	1

Electric Vehicle

BRAKES

When ordering parts, please specify the model and serial number of the product.
 * Indicates a component that is not available as an individual part.
 G** Indicates consult Customer Service Department for additional information.

ITEM	PART NO.	1	2	3	4	5	DESCRIPTION	QTY.
59	15766-G1						OVAL RIVET, 3/16" x 3/8" LG.....	9
60								
61	70258-G02						SERVICE BRAKE PEDAL PLATE.....	1
62	70682-G01						PIVOT PIN.....	1
63	70681-G01						TORSION SPRING	2
64	01071-G01						PUSHNUT, 5/16"	2
65	00737-G8						SCREW, #10 - 24 X 1" LG.....	4
66	00739-G1						RUBBER NUT, #10 - 24	2
67	22362-G3						BRAKE PEDAL STANDOFF	2
68	27137-G01						CONICAL SPRING.....	2
69	11098-G7						LOCK NUT, #10 - 24.....	2
70	10606-G8						MICRO SWITCH	1
71	00957-G1						SCREW, #6 - 32 X 1 1/4" LG.....	2
72	00559-G5						WASHER, #10.....	2
73	00559-G3						WASHER, #6.....	4
74	00565-G3						LOCK WASHER, #6.....	2
75	00525-G5						NUT, #6 - 32	2
76	13514-G1						SCREW AND LOCK WASHER, #6	2
77								
78	14628-G1						FASTON TAB	2
79	24605-G1						WIRE HARNESS (BRAKE LIGHT).....	1
80	17618-G1						WIRE TIE.....	2
81								
82	70793-G01						BRAKE ASSEMBLY (DRIVER SIDE) (INCLUDES ITEMS 84 - 95).....	1
83	70793-G02						BRAKE ASSEMBLY (PASSENGER SIDE) (INCLUDES ITEMS 84 - 95)	1
84	70794-G01						BRAKE SHOE KIT (INCLUDES ITEM 85)	2
85	*						BRAKE SHOE.....	2
86	27944-G01						BRAKE SPRING KIT (INCLUDES ITEMS 87 - 91)	2
87	*						UPPER SPRING	1
88	*						LOWER SPRING	1

BRAKES

Electric Vehicle

When ordering parts, please specify the model and serial number of the product.
 * Indicates a component that is not available as an individual part.
 G** Indicates consult Customer Service Department for additional information.

ITEM	PART NO.	1	2	3	4	5	DESCRIPTION	QTY.
89	*						PIN	2
90	*						CUP AND SPRING	2
91	*						ADJUSTER SPRING.....	1
92	72582-G01						BRAKE ADJUSTER KIT (DRIVER SIDE) (INCLUDES ITEMS 94, 95).....	1
93	72582-G02						BRAKE ADJUSTER KIT (PASSENGER SIDE) (INCL. ITEMS 94, 95)	1
94	*						ADJUSTER	1
95	*						TEFLON WASHER	2
96	17083-G2						BOLT, 5/16 - 24 X 1" LG.....	8
97	15126-G1						LOCK NUT, 5/16 - 24	8
98	15485-G1						INNER BRAKE DRUM WASHER	2
99								
100	19186-G1						BRAKE DRUM ASSEMBLY (INCLUDES ITEMS 101 - 102)	2
101	*						BRAKE DRUM.....	1
102	19862-G1						LUG BOLT, 1/2 - 20	4
103								
104								
105	15487-G1						WASHER, 1 3/8" O.D. X 21/32"	2
106	15483-G1						SLOTTED NUT, 5/8 - 18.....	2
107	10387-G1						COTTER PIN, 1/8" X 1 1/2" LG.....	2
108	74175-G01						SPINDLE CAP	2
109								
110	72036-G01						BRAKE CABLE BRACKET (PASSENGER SIDE)	1
111	72036-G02						BRAKE CABLE BRACKET (DRIVER SIDE).....	1

**DID YOU
KNOW?**

CartPros directs you to the right part using the part numbers from this manual. Enter the part number into our search box and it will find the part you are looking for.

**GET STARTED
HERE**



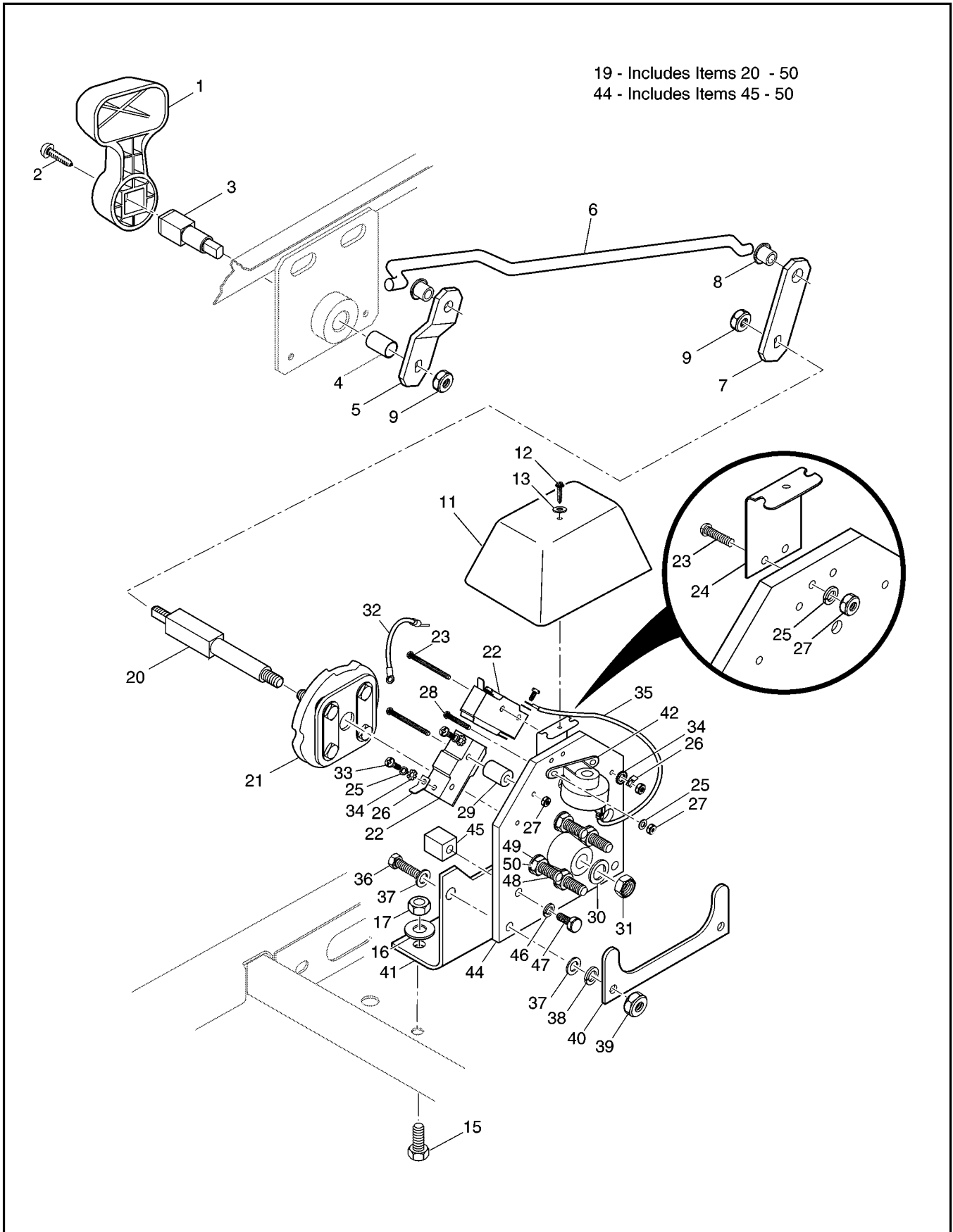
<https://CartPros.com/f.html>

Electric Vehicle

BRAKES

DIRECTION SELECTOR

Electric Vehicle



Electric Vehicle

DIRECTION SELECTOR

THE USE OF NON UL PARTS WILL VOID ANY UL LISTING.

When ordering parts, please specify the model and serial number of the product.

* Indicates a component that is not available as an individual part.

G** Indicates consult Customer Service Department for additional information.

ITEM	PART NO.	1 2 3 4 5	DESCRIPTION	QTY.
1	71205-G01		DIRECTION SELECTOR HANDLE	1
2	00740-G4		SCREW, #10 - 32 X 1/2" LG (STAINLESS STEEL)	1
3	70233-G01		DIRECTION SELECTOR SHAFT.....	1
4	25664-G2		BUSHING.....	1
5	70334-G01		OFFSET SHIFT LINKAGE ARM	1
6	70313-G01		LINKAGE ROD.....	1
7	70232-G03		SHIFT LINKAGE ARM	1
8	22754-G3		BUSHING.....	2
9	14390-G1		LOCK NUT, 3/8 - 24	2
10				
11	73049-G01		DIRECTION SELECTOR COVER	1
12	00114-G6		SCREW, 1/4 - 14 X 3/4" LG	1
13	16469-G7		WASHER, 1/4" (STAINLESS STEEL).....	1
14				
15	00438-G6		BOLT, 5/16 - 18 X 3/4" LG.....	2
16	00571-G2		WASHER, 5/16"	2
17	11098-G6		LOCK NUT, 5/16 - 18	2
18				
19	70578-G01		DIRECTION SELECTOR ASSEMBLY (INCLUDES ITEMS 20 - 50)	1
20	73027-G01		DIRECTION SELECTOR SHAFT	1
21	12835-G1		CAM.....	1
22	10606-G2		MICRO SWITCH.....	2
23	00645-G7		SCREW, #6 - 32 X 2" LG	4
24	73048-G01		COVER BRACKET	1
25	00565-G3		LOCK WASHER, #6	8
26	14628-G1		FASTON TAB, 5/16" X 5/16".....	4
27	00525-G5		NUT, #6 - 32.....	8
28	00645-G5		SCREW, #6 - 32 X 5/8" LG.....	3
29	12806-G1		SPACER	4
30	00560-G1		WASHER, 3/8"	1

DIRECTION SELECTOR

Electric Vehicle

THE USE OF NON UL PARTS WILL VOID ANY UL LISTING.

When ordering parts, please specify the model and serial number of the product.

* Indicates a component that is not available as an individual part.

G** Indicates consult Customer Service Department for additional information.

ITEM	PART NO.	1	2	3	4	5	DESCRIPTION	QTY.
31	14390-G1						LOCK NUT, 3/8 - 24	2
32	25978-G37						18 GA WIRE (RED 4")	1
33	*						SCREW.....	4
34	00567-G3						LOCK WASHER, #6	4
35	25978-G343						18 GA WIRE (RED 6")	1
36	00414-G8						BOLT, 1/4 - 20 X 1" LG.....	2
37	00559-G7						WASHER, 1/4"	4
38	00565-G7						LOCK WASHER, 1/4"	2
39	00532-G1						NUT, 1/4 - 20.....	2
40	15461-G1						SUPPORT BRACKET.....	1
41	73031-G01						DIRECTION SELECTOR MOUNTING BRACKET	1
42	73290-G02						REVERSE WARNING BUZZER	1
43								
44	14651-G1						CONTACT BOARD ASSEMBLY (INCLUDES ITEMS 45 - 50)	1
45	24940-G1						STOP	2
46	00565-G7						LOCK WASHER, 1/4"	2
47	00414-G6						BOLT, 1/4 - 20 X 3/4" LG	2
48	18888-G1						CONTACT STUD, 5/16 - 18	4
49	00565-G8						LOCK WASHER, 5/16".....	4
50	00544-G3						NUT, 5/16 - 18	4

**DID YOU
KNOW?**

CartPros directs you to the right part using the part numbers from this manual. Enter the part number into our search box and it will find the part you are looking for.

**GET STARTED
HERE**



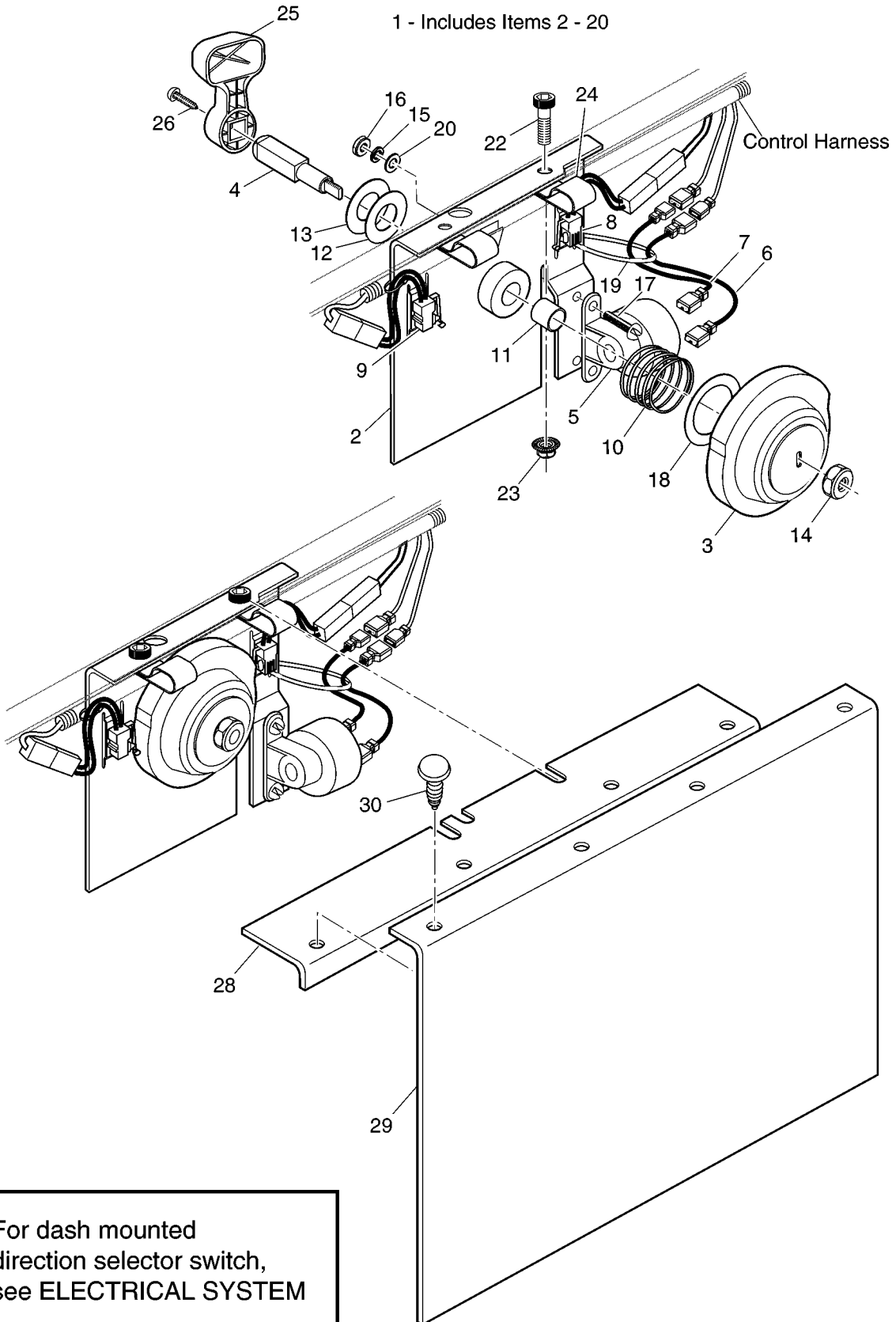
<https://CartPros.com/f.html>

Electric Vehicle

DIRECTION SELECTOR

DIRECTION SELECTOR (PDS)

Electric Vehicle



For dash mounted direction selector switch, see ELECTRICAL SYSTEM

Electric Vehicle

DIRECTION SELECTOR (PDS)

THE USE OF NON UL PARTS WILL VOID ANY UL LISTING.

When ordering parts, please specify the model and serial number of the product.

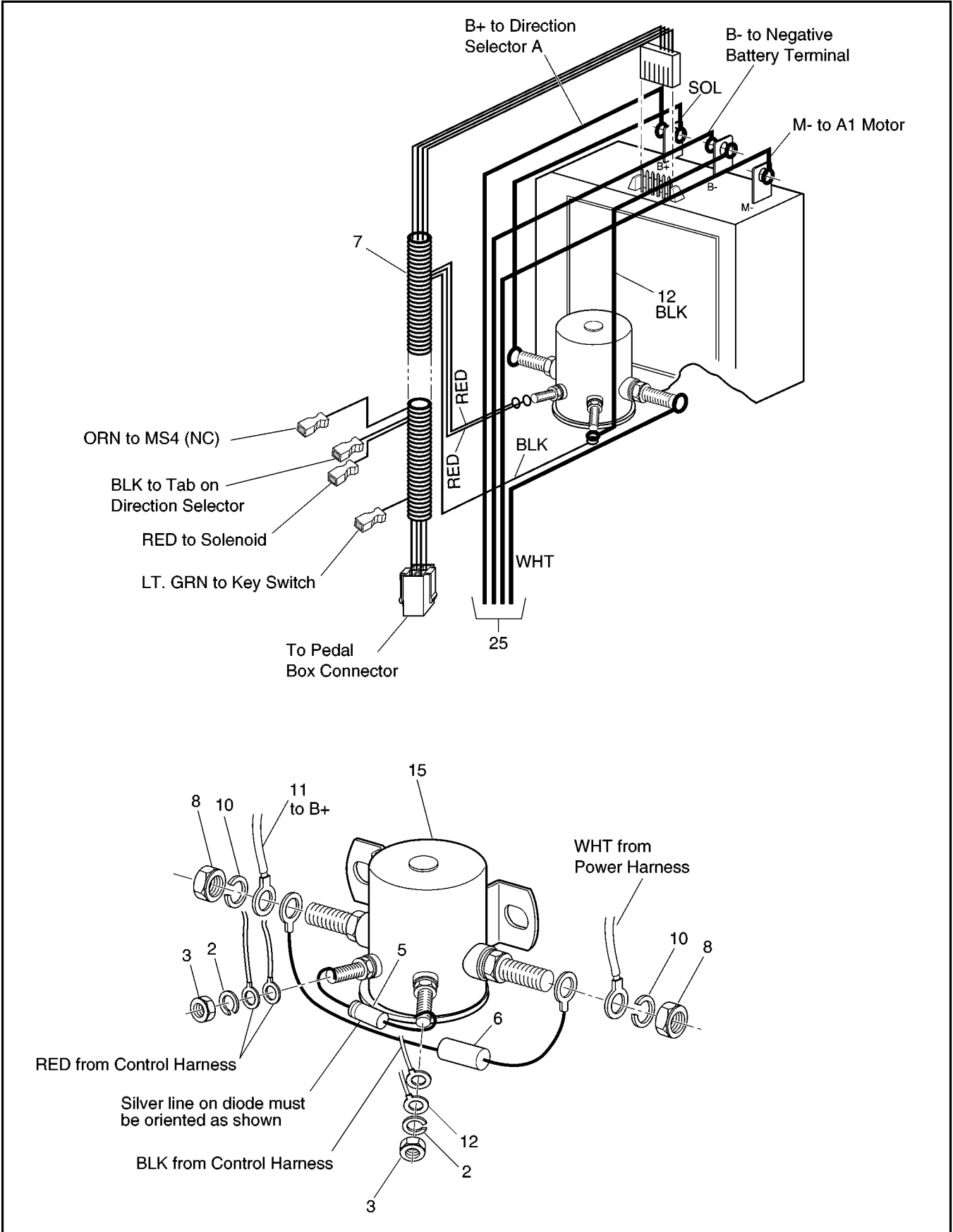
* Indicates a component that is not available as an individual part.

G** Indicates consult Customer Service Department for additional information.

ITEM	PART NO.	1 2 3 4 5	DESCRIPTION	QTY.
1	73180-G03		DIRECTION SELECTOR ASSEMBLY (INCLUDES ITEMS 2 - 20)	1
2	73179-G01		BRACKET.....	1
3	73167-G02		CAM.....	1
4	73171-G01		DIRECTION SELECTOR SHAFT	1
5	73290-G02		REVERSE WARNING BUZZER (CONTINUOUS TONE)	1
6	25978-G287		18 GA WIRE (BLACK 6").....	1
7	25978-G286		18 GA WIRE (RED 6").....	1
8	73195-G01		MICRO SWITCH.....	1
9	73194-G01		MICRO SWITCH.....	1
10	73188-G01		COMPRESSION SPRING	1
11	25664-G1		BUSHING	1
12	00771-G4		NYLON WASHER, 1/2"	1
13	73181-G01		WASHER, 1/2"	1
14	14390-G1		LOCK NUT, 3/8 - 24.....	1
15	00565-G3		LOCK WASHER, #6	2
16	00525-G5		NUT, #6 - 32.....	2
17	00138-G5		SCREW, #6 - 32 X 5/8" LG.....	2
18	73182-G01		NYLON WASHER, 1 3/8"	1
19	17618-G1		WIRE TIE.....	3
20	00559-G3		WASHER, #6	2
21				
22	70227-G01		SCREW, 1/4 - 20 X 7/8" LG	2
23	11027-G2		LOCK NUT, 1/4 - 20	2
24	73053-G01		DOUBLE TUBE CLAMP	2
25	71905-G01		DIRECTION SELECTOR HANDLE	1
26	00740-G4		SCREW (STAINLESS STEEL) #10 - 32 X 1/2" LG.....	1
27				
28	73301-G01		DIRECTION SELECTOR COVER BRACKET	1
29	73293-G01		DIRECTION SELECTOR COVER	1
30	16816-G1		RATCHET FASTENER	4

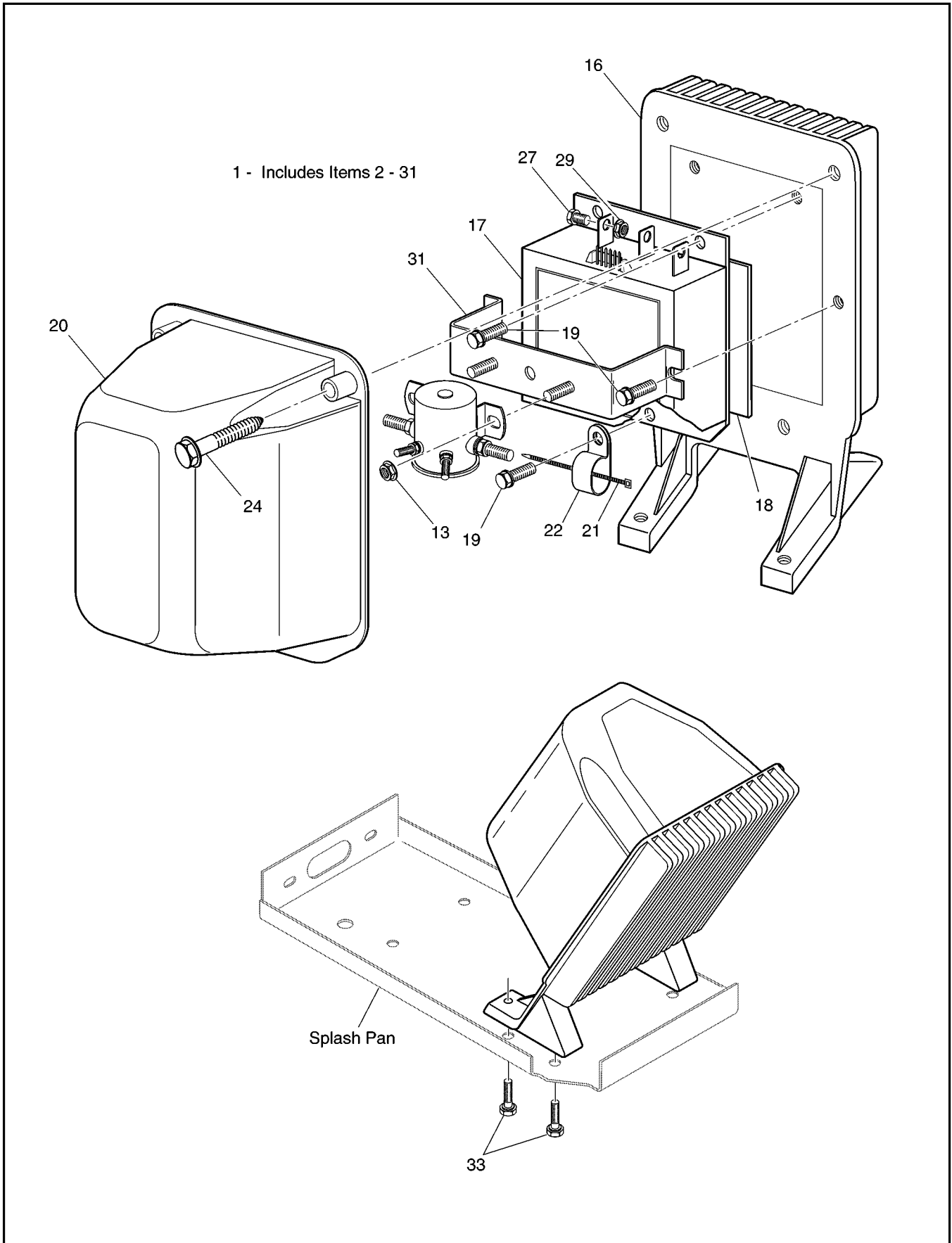
ELECTRONIC SPEED CONTROL

Electric Vehicle



Electric Vehicle

ELECTRONIC SPEED CONTROL



ELECTRONIC SPEED CONTROL

Electric Vehicle

THE USE OF NON UL PARTS WILL VOID ANY UL LISTING.

When ordering parts, please specify the model and serial number of the product.

* Indicates a component that is not available as an individual part.

G** Indicates consult Customer Service Department for additional information.

ITEM	PART NO.	1 2 3 4 5	DESCRIPTION	QTY.
1	73056-G04		ELECTRONIC SPEED CONTROL ASSEMBLY (INCLUDES ITEMS 2 - 31).....	1
2	*		LOCK WASHER, #10	2
3	*		NUT, 10 - 32.....	2
4				
5	30353-G1		DIODE, 3 AMP.....	1
6	21764-G1		RESISTOR.....	1
7	73103-G02		WIRE HARNESS (CONTROL)	1
8	*		NUT, 5/16 - 24.....	2
9				
10	*		LOCK WASHER, 5/16"	2
11	25972-G02		WIRE (SOL - B+)	1
12	25978-G10		WIRE (SOL - B-)	1
13	11027-G2		LOCK NUT, 1/4 - 20	2
14				
15	27855-G01		SOLENOID, 36 VOLT	1
16	73083-G01		HEATSINK	1
17	25864-G05		ELECTRONIC SPEED CONTROLLER	1
18	73190-G01		THERMAL MOUNTING PAD	1
19	71102-G01		BOLT, 1/4 - 20 X 3/4" LG.....	5
20	73028-G01		COVER	1
21	31539-G1		WIRE TIE	1
22	73053-G01		DOUBLE TUBE CLAMP	1
23				
24	71102-G03		BOLT, 1/4 - 20 X 1 1/4" LG.....	3
25	73039-G02		WIRE HARNESS (POWER)	1
26				
27	00270-G5		BOLT, 5/16 - 18 X 5/8" LG.....	3
28				
29	11027-G1		LOCK NUT, 5/16 - 18.....	3
30				

Electric Vehicle

ELECTRONIC SPEED CONTROL

THE USE OF NON UL PARTS WILL VOID ANY UL LISTING.

When ordering parts, please specify the model and serial number of the product.

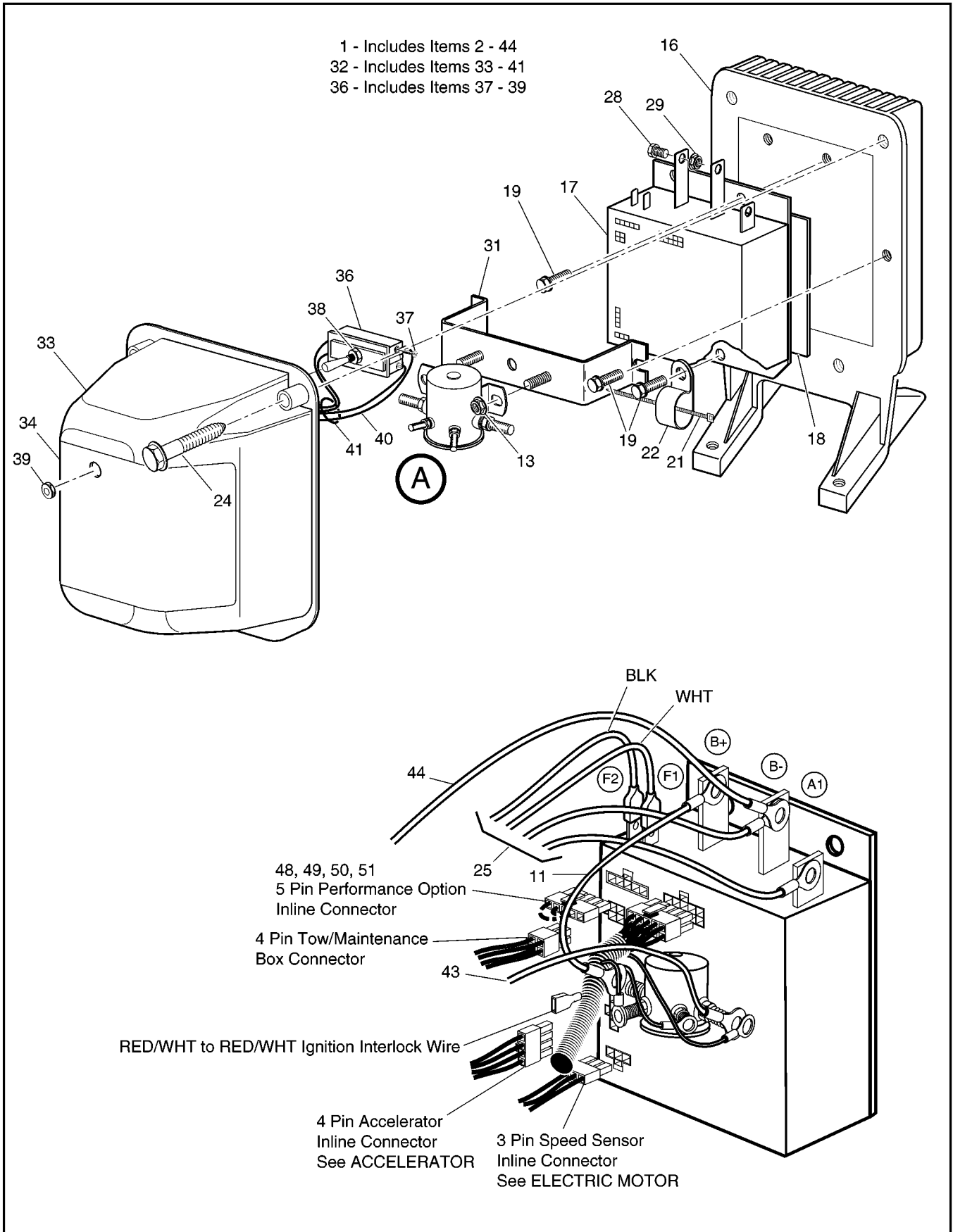
* Indicates a component that is not available as an individual part.

G** Indicates consult Customer Service Department for additional information.

ITEM	PART NO.	1 2 3 4 5	DESCRIPTION	QTY.
31	25866-G01		SOLENOID BRACKET	1
32				
33	71102-G01		BOLT, 1/4 - 20 X 3/4" LG.....	4

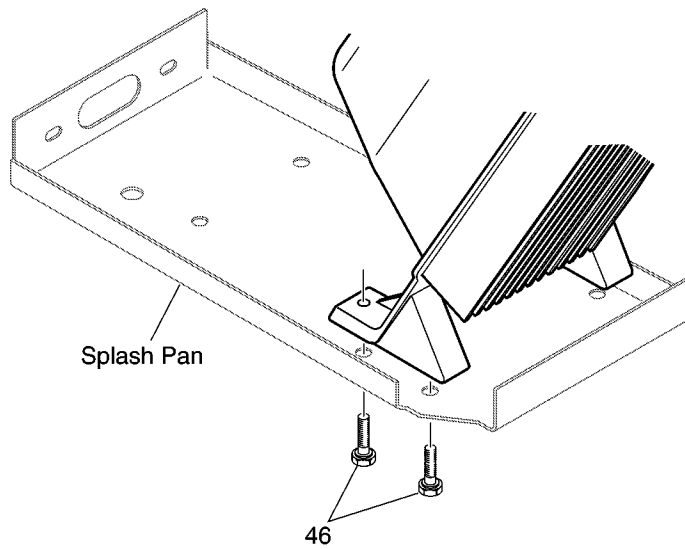
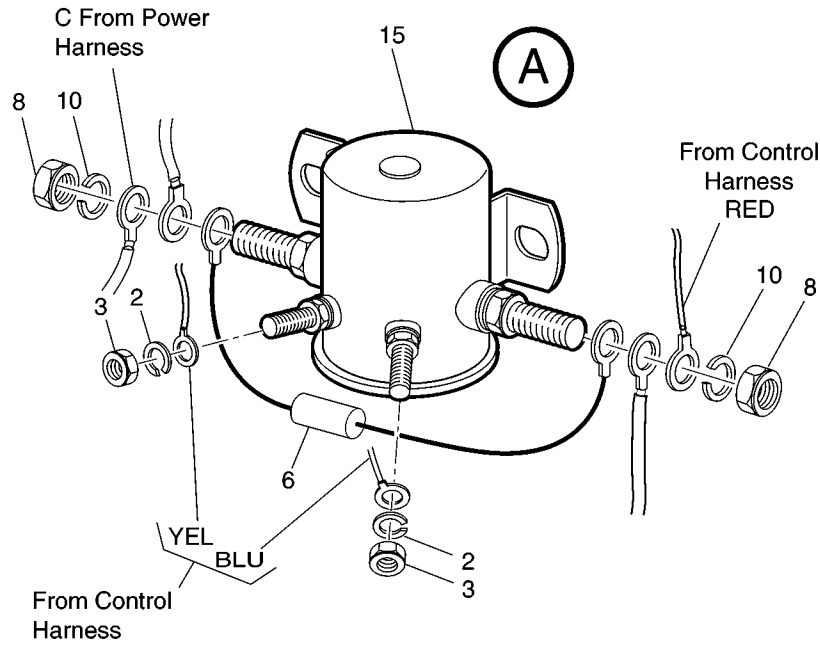
ELECTRONIC SPEED CONTROL - PDS

Electric Vehicle



Electric Vehicle

ELECTRONIC SPEED CONTROL - PDS



ELECTRONIC SPEED CONTROL - PDS

Electric Vehicle

THE USE OF NON UL PARTS WILL VOID ANY UL LISTING.

When ordering parts, please specify the model and serial number of the product.

* Indicates a component that is not available as an individual part.

G** Indicates consult Customer Service Department for additional information.

ITEM	PART NO.	1	2	3	4	5	DESCRIPTION	QTY.
1	73276-G02	ELECTRONIC SPEED CONTROL ASSEMBLY (INCLUDES ITEMS 2 - 44).....					1	
2	*	LOCK WASHER, #10					2	
3	*	NUT, 10 - 32.....					2	
4								
5								
6	21764-G1	RESISTOR.....					1	
7								
8	*	NUT, 5/16 - 24.....					2	
9								
10	*	LOCK WASHER, 5/16"					2	
11	25972-G56	6 GA WIRE (BLACK 6", C - B+).....					1	
12								
13	11027-G2	LOCK NUT, 1/4 - 20					2	
14								
15	27855-G01	SOLENOID					1	
16	73083-G01	HEATSINK					1	
17	73326-G02	ELECTRONIC SPEED CONTROLLER					1	
18	73190-G01	THERMAL MOUNTING PAD					1	
19	71102-G01	BOLT, 1/4 - 20 X 3/4" LG.....					5	
20								
21	31539-G1	WIRE TIE					1	
22	73053-G01	DOUBLE TUBE CLAMP					1	
23								
24	71102-G03	BOLT, 1/4 - 20 X 1 1/4" LG.....					4	
25	73106-G01	WIRE HARNESS (POWER)					1	
26								
27	XXXXX-XXX	WIRE HARNESS, CONTROL (SEE ELECTRICAL SYSTEM)					1	
28	00270-G5	BOLT, 5/16 - 18 X 5/8" LG.....					3	
29	11027-G1	LOCK NUT, 5/16 - 18					3	
30								

Electric Vehicle

ELECTRONIC SPEED CONTROL - PDS

THE USE OF NON UL PARTS WILL VOID ANY UL LISTING.

When ordering parts, please specify the model and serial number of the product.

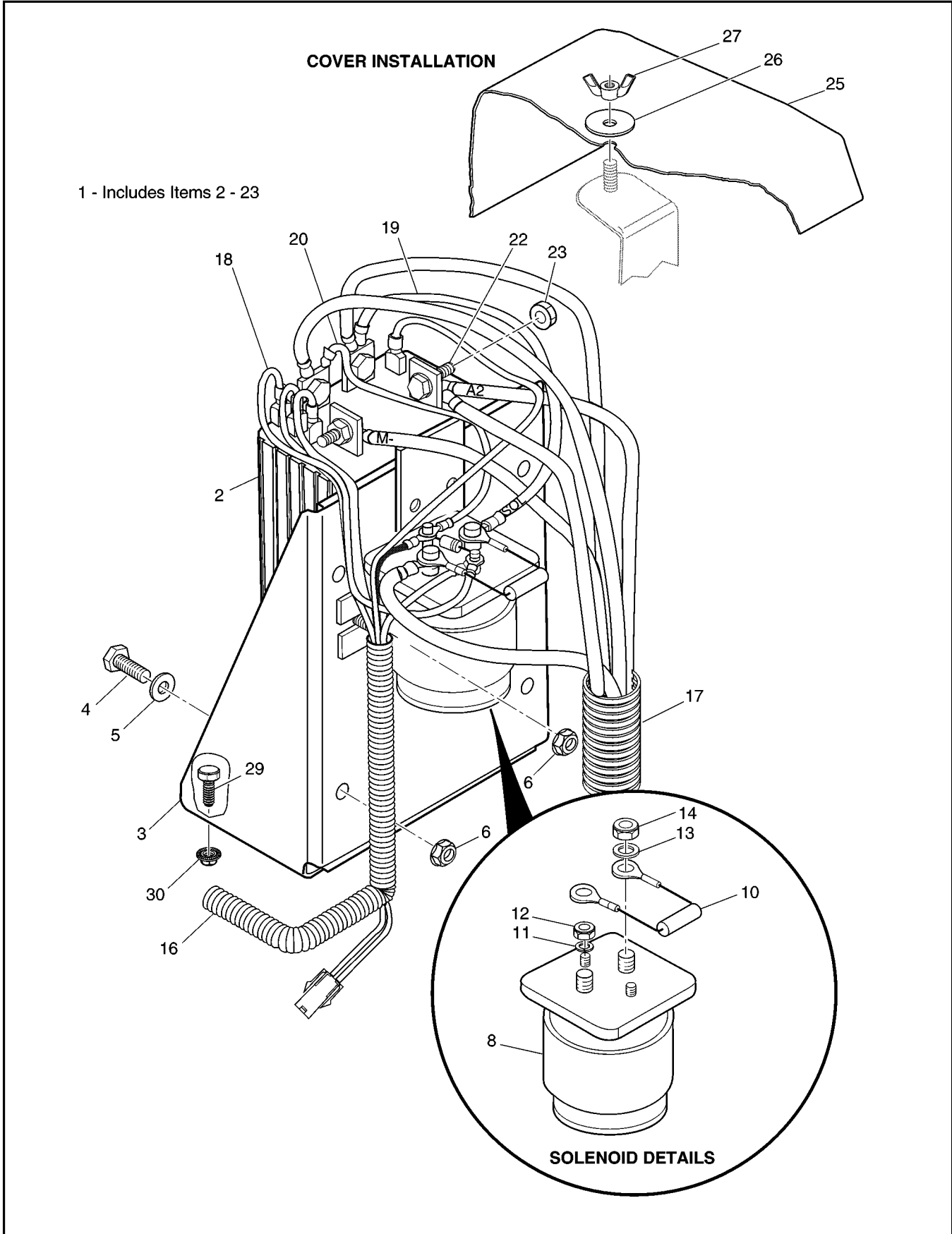
* Indicates a component that is not available as an individual part.

G** Indicates consult Customer Service Department for additional information.

ITEM	PART NO.	1	2	3	4	5	DESCRIPTION	QTY.
31	25866-G01						SOLENOID BRACKET	1
32	73089-G01						COVER ASSEMBLY (INCLUDES ITEMS 33 - 41)	1
33	73028-G02						COVER (WITH GASKET)	1
34	73093-G01						LABEL (TOW SWITCH)	1
35								
36	73125-G01						TOGGLE SWITCH WITH SEAL (INCLUDES ITEMS 37 - 39)	1
37	*						SCREW, #5 - 40	4
38	*						NUT, 15/32 - 32.....	1
39	73139-G01						NUT SEAL	1
40	73138-G02						WIRE HARNESS (TOW SWITCH).....	1
41	17618-G1						WIRE TIE	1
42								
43	25972-G22						6 GA WIRE (BLACK 27", BL+ TO SOL)	1
44	25972-G32						6 GA WIRE (BLACK 36", BL- TO B-).....	1
45								
46	71102-G01						BOLT, 1/4 - 20 X 3/4" LG.....	4
47								
48	73272-G01						PERFORMANCE OPTION (FREEDOM) (NOT AVAILABLE FOR FLEET)	1
49	73272-G02						PERFORMANCE OPTION (STEEP HILL).....	1
50	73272-G03						PERFORMANCE OPTION (MILD HILL)	1
51	73272-G04						PERFORMANCE OPTION (ALL TERRAIN).....	1

ELECTRONIC SPEED CONTROL - HD

Electric Vehicle



Electric Vehicle

ELECTRONIC SPEED CONTROL - HD

THE USE OF NON UL PARTS WILL VOID ANY UL LISTING.

When ordering parts, please specify the model and serial number of the product.

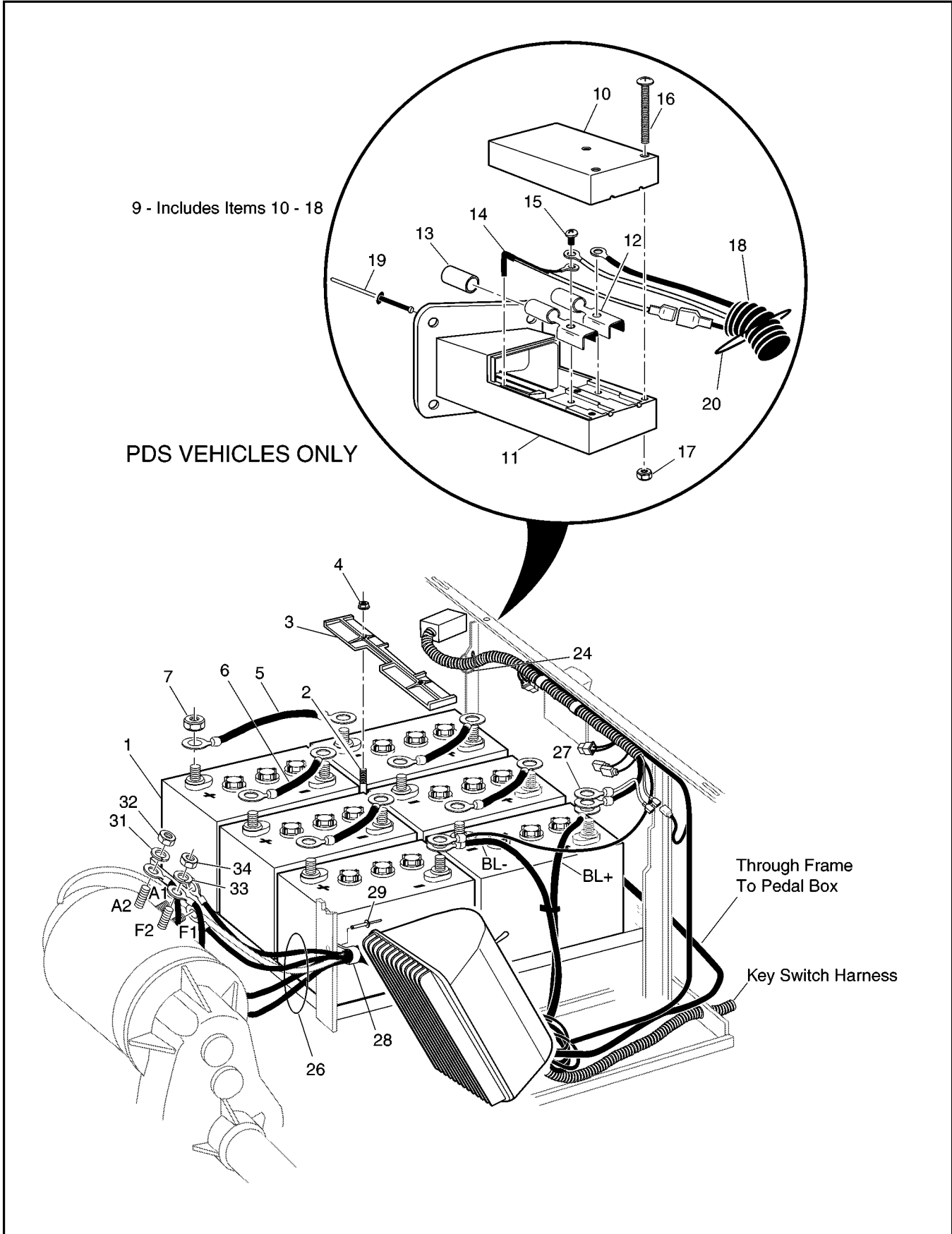
* Indicates a component that is not available as an individual part.

G** Indicates consult Customer Service Department for additional information.

ITEM	PART NO.	1 2 3 4 5	DESCRIPTION	QTY.
1	73055-G02		ELECTRONIC SPEED CONTROL ASSEMBLY (INCLUDES ITEMS 2 - 23) ...	1
2	73060-G01		ELECTRONIC SPEED CONTROLLER.....	1
3	74014-G01		CONTROLLER MOUNT	1
4	00414-G5		BOLT, 1/4 - 20 X 5/8" LG	4
5	00559-G7		WASHER, 1/4"	2
6	11027-G2		LOCK NUT, 1/4 - 20.....	6
7				
8	28562-G01		SOLENOID	1
9				
10	21764-G1		RESISTOR	1
11	*		LOCK WASHER, #10	2
12	*		NUT, #10 - 32.....	2
13	*		WASHER, 5/16"	2
14	*		NUT, 5/16 - 24.....	2
15				
16	73095-G02		WIRE HARNESS (CONTROL)	1
17	28325-G01		WIRE HARNESS (POWER)	1
18	25978-G88		18 GA WIRE (RED 9").....	1
19	25972-G02		6 GA WIRE (BLK 6 ", SOL - B+).....	1
20	25978-G10		18 GA WIRE(BLK 6", SOL - B-).....	1
21				
22	00438-G6		BOLT, 5/16 - 18 X 3/4" LG	4
23	11027-G1		LOCK NUT, 5/16 - 18.....	4
24				
25	23723-G2		COVER	1
26	16469-G1		WASHER, 1/4"	1
27	14419-G1		WING NUT, 1/4 - 20	1
28				
29	00414-G5		BOLT, 1/4 - 20 X 5/8" LG.....	4
30	11027-G2		NUT, 1/4 - 20	4

ELECTRICAL SYSTEM

Electric Vehicle

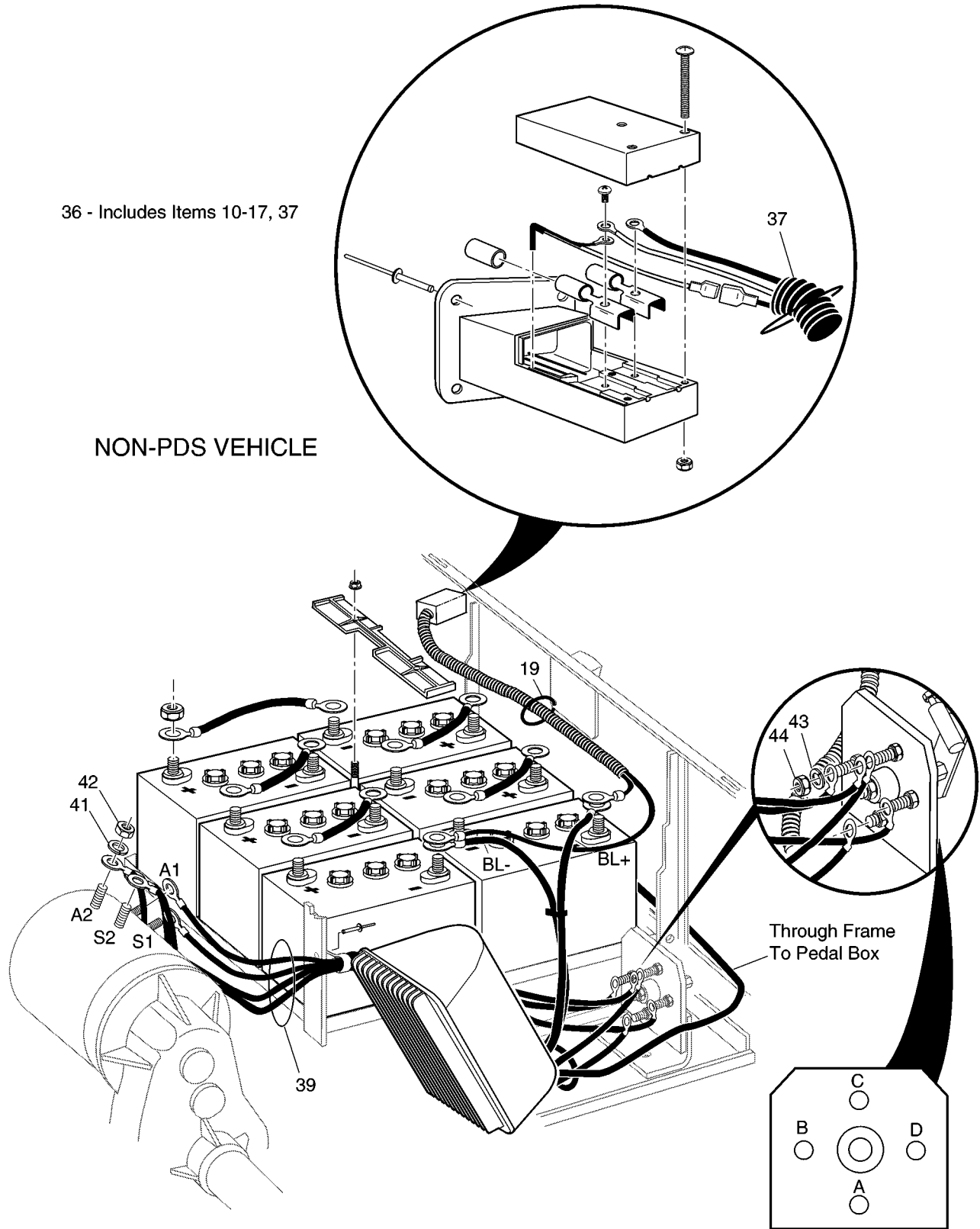


Electric Vehicle

ELECTRICAL SYSTEM

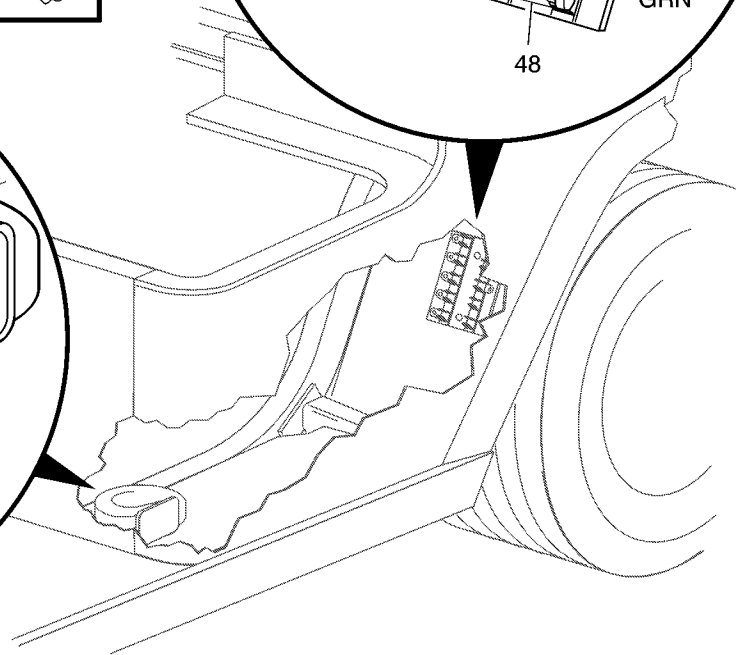
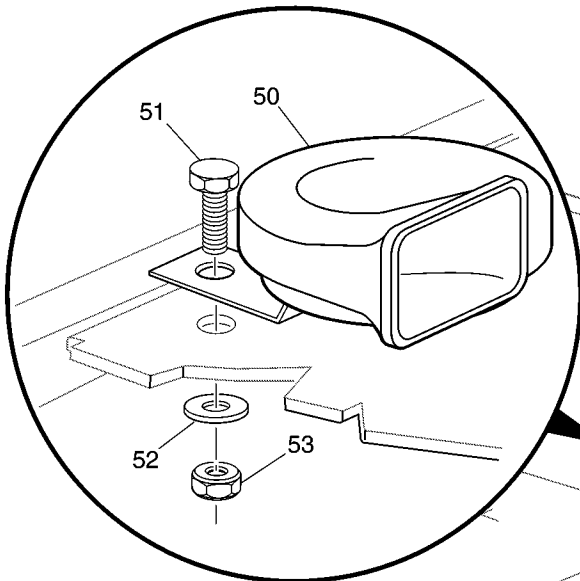
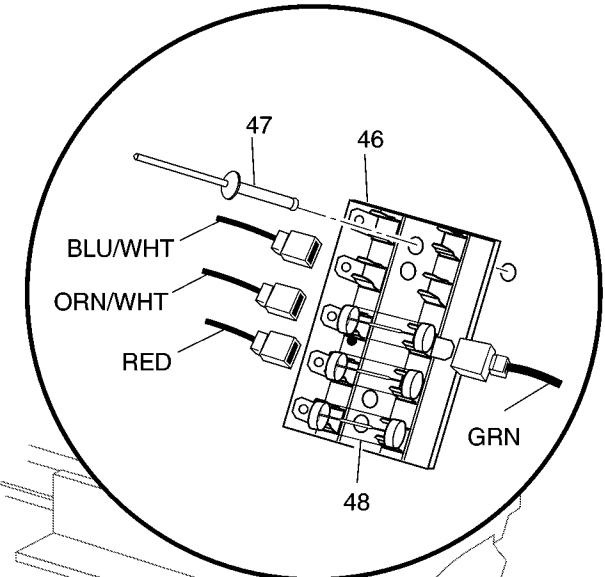
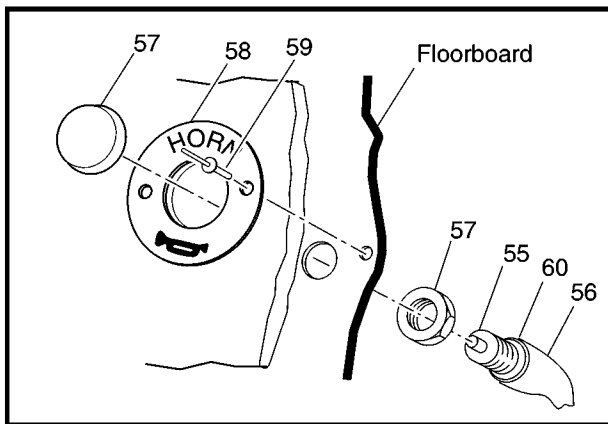
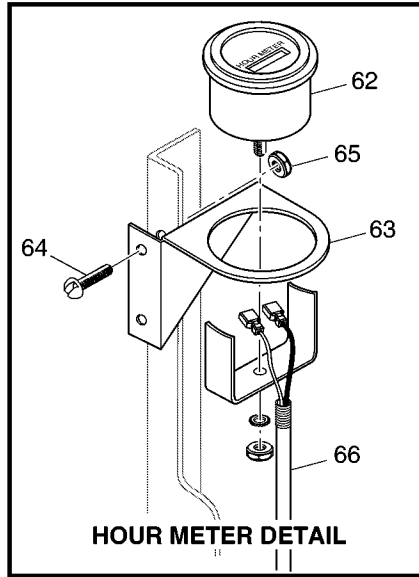
36 - Includes Items 10-17, 37

NON-PDS VEHICLE



ELECTRICAL SYSTEM

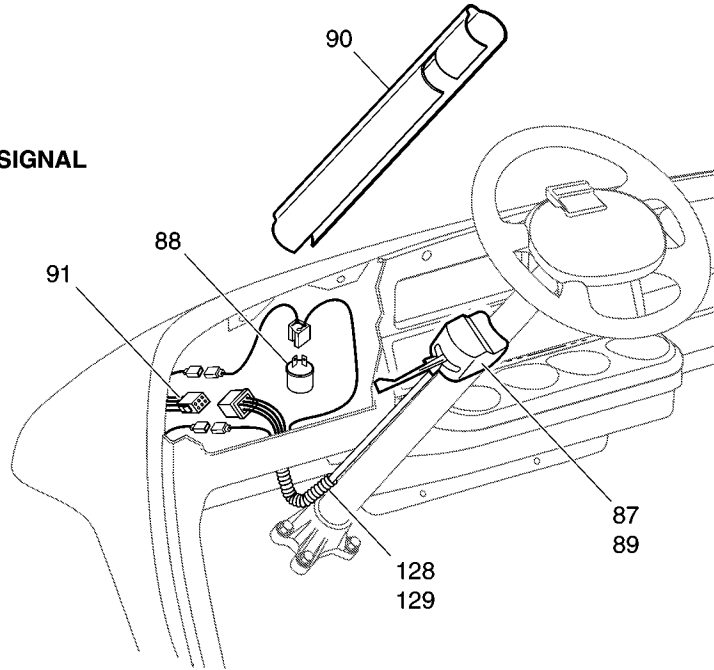
Electric Vehicle



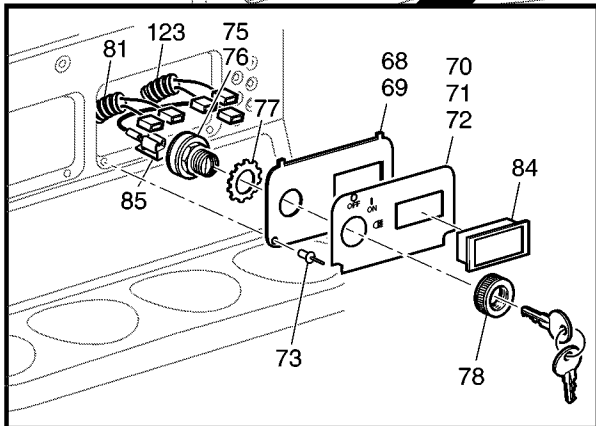
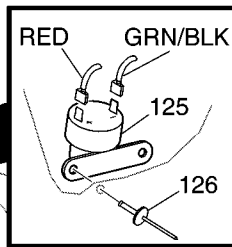
Electric Vehicle

ELECTRICAL SYSTEM

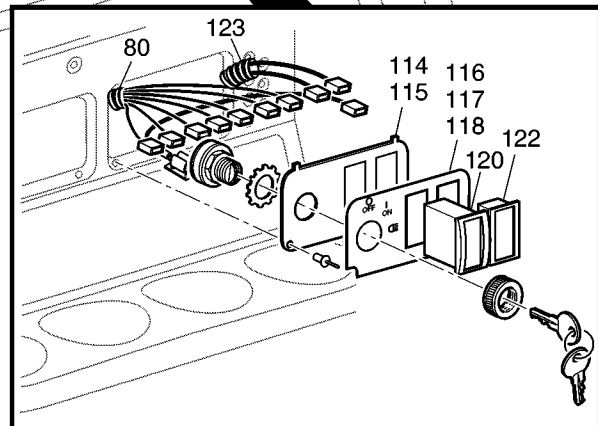
TURN SIGNAL



PDS MODELS ONLY



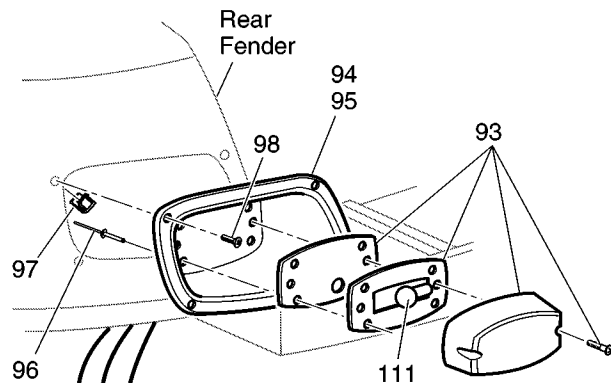
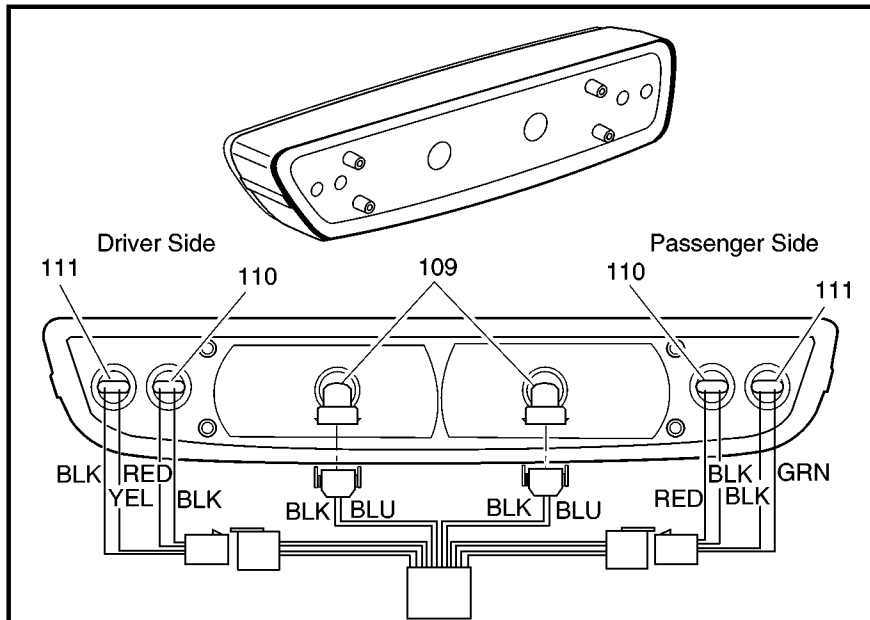
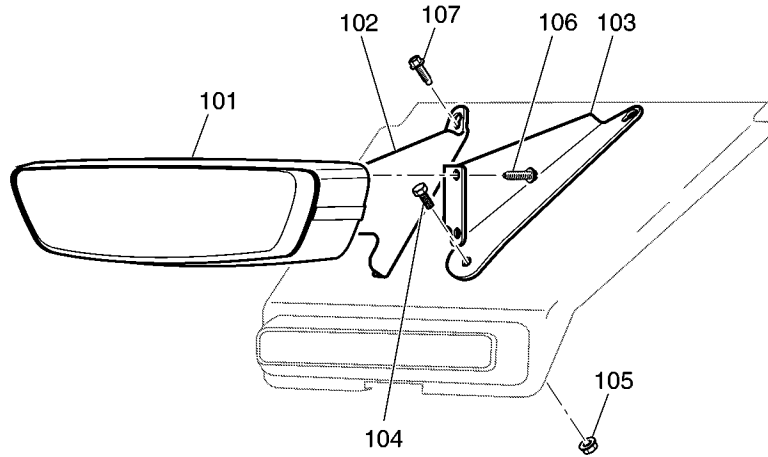
STATE OF CHARGE METER AND KEY SWITCH



**PDS MODELS ONLY:
DASH MOUNTED DIRECTION SELECTOR,
STATE OF CHARGE METER AND KEY SWITCH**

ELECTRICAL SYSTEM

Electric Vehicle



- WHT to BLK from Harness - Both Sides
- BLK to BLU/WHT from Harness - Both Sides
- RED to WHT from Harness - Driver Side
- RED to YEL from Harness - Passenger Side
- RED TO BRN from Harness - (W/O Turn Signals)

Electric Vehicle

ELECTRICAL SYSTEM

THE USE OF NON UL PARTS WILL VOID ANY UL LISTING.

When ordering parts, please specify the model and serial number of the product.

* Indicates a component that is not available as an individual part.

G** Indicates consult Customer Service Department for additional information.

ITEM	PART NO.	1 2 3 4 5	DESCRIPTION	QTY.
1	76045-G0*		BATTERY (6 VOLT)	6
2	70121-G01		HOLD DOWN BOLT	2
3	70045-G01		BATTERY RETAINER	1
4	11027-G1		LOCK NUT, 5/16 - 18	2
5	25972-G32		6 GA WIRE (BATTERY INTERCONNECT, BLACK, 10 1/2").....	1
6	25972-G40		6 GA WIRE (BATTERY INTERCONNECT, 6").....	4
7	00702-G2		NUT, 5/16 - 18	12
8				
9	73149-G01		CHARGER RECEPTACLE ASSEMBLY (PDS MODELS ONLY) (INCLUDES ITEMS 10 - 18)	1
10	*		RECEPTACLE COVER	1
11	*		RECEPTACLE BOTTOM.....	1
12	73051-G05		FEMALE CONNECTOR	2
13	73051-G06		INSULATOR SLEEVE	1
14	73051-G18		REED SWITCH	1
15	73051-G08		SCREW, #10 - 32 X 1/2" LG.....	2
16	73051-G09		SCREW, #6 - 32 X 1 3/4" LG (STAINLESS STEEL)	3
17	73051-G10		LOCK NUT, #6 - 32.....	3
18	*		WIRE HARNESS (CHARGER)	1
19	71055-G01		RIVET, 3/16" X 3/8" LG	4
20	17618-G1		WIRE TIE	3
21				
22				
23				
24	17618-G1		WIRE TIE	11
25				
26	XXXXX-XXX		POWER HARNESS (SEE ELECTRONIC SPEED CONTROL - PDS)	1
27	25974-G25		10 GA WIRE (WHITE 11").....	1
28	27327-G01		TWISTED CLAMP	1
29	10570-G11		RIVET, 3/16" X 3/4" LG	1

ELECTRICAL SYSTEM

Electric Vehicle

THE USE OF NON UL PARTS WILL VOID ANY UL LISTING.

When ordering parts, please specify the model and serial number of the product.

* Indicates a component that is not available as an individual part.

G** Indicates consult Customer Service Department for additional information.

ITEM	PART NO.	1 2 3 4 5	DESCRIPTION	QTY.
30				
31	00993-G01		LOCK WASHER, 5/16" (SILICON BRONZE).....	2
32	28418-G01		NUT, 5/16 - 18 (BRASS).....	2
33	00993-G02		LOCK WASHER, 1/4" (SILICON BRONZE).....	2
34	28418-G02		NUT, 1/4 - 20 (BRASS).....	2
35				
36	73063-G01		CHARGER RECEPTACLE ASSEMBLY (NON-PDS MODELS ONLY) (INCLUDES ITEMS 10 - 17, 37)	1
37	*		WIRE HARNESS (CHARGER)	1
38				
39	XXXXX-XXX		POWER HARNESS (SEE ELECTRONIC SPEED CONTROL).....	1
40				
41	00993-G01		LOCK WASHER, 5/16" (SILICON BRONZE).....	4
42	28418-G01		NUT, 5/16 - 18 (BRASS).....	4
43	00565-G8		LOCK WASHER, 5/16".....	4
44	00532-G3		NUT, 5/16 - 18.....	4
45				
46	22674-G1		FUSE BLOCK	1
47	01041-G01		RIVET, 5/32" BULBEX.....	2
48	18392-G1		15 AMP FUSE.....	3
49				
50	32860-G1		HORN (WITH MOUNTING HARDWARE).....	1
51	00414-G5		BOLT, 1/4 - 20 X 5/8" LG.....	1
52	00559-G7		WASHER, 1/4"	1
53	00891-G2		LOCK NUT, 1/4 - 20	1
54				
55	17318-G1		HORN SWITCH.....	1
56	27068-G01		HORN SWITCH BOOT	1
57	17318-G2		HORN SWITCH CAP AND NUT	1
58	19233-G1		HORN SWITCH PLATE	1

Electric Vehicle

ELECTRICAL SYSTEM

THE USE OF NON UL PARTS WILL VOID ANY UL LISTING.

When ordering parts, please specify the model and serial number of the product.

* Indicates a component that is not available as an individual part.

G** Indicates consult Customer Service Department for additional information.

ITEM	PART NO.	1 2 3 4 5	DESCRIPTION	QTY.
59	71055-G01		RIVET, 3/16" X 3/8" LG	2
60	17618-G1		WIRE TIE	2
61				
62	21573-G1		HOUR METER	1
63	74019-G01		HOUR METER BRACKET	1
64	00150-G4		SCREW, #10 - 24 X 1/2" LG	2
65	11098-G7		LOCK NUT, #10 - 24	2
66	75117-G02		WIRE HARNESS (HOUR METER)	1
67				
68	73030-G01		PLATE (IGNITION SWITCH ONLY)	1
69	73030-G02		PLATE (IGNITION SWITCH, STATE OF CHARGE METER).....	1
70	71145-G01		LABEL (IGNITION SWITCH ONLY)	1
71	71123-G01		LABEL (IGNITION SWITCH W/O LIGHTS, STATE OF CHARGE METER)	1
72	71129-G01		LABEL (IGNITION SWITCH W/ LIGHTS, STATE OF CHARGE METER)	1
73	33623-G02		RIVET, 3/16" X 3/8" LG	2
74				
75	XXXXX-XX		IGNITION SWITCH (WITHOUT LIGHTS) (INCLUDES ITEMS 77 - 78)	1
76	33639-G0*		IGNITION SWITCH (WITH LIGHTS) (INCLUDES ITEMS 77 - 78).....	1
77	00568-G6		LOCK WASHER, 3/4"	1
78	17137-G1		FACE NUT, 3/4 - 20.....	1
79				
80	74324-G01		HARNESS (CONTROL) (PDS MODEL ONLY)	1
81	73041-G01		HARNESS (KEY SWITCH) (FLEET).....	1
82	17618-G1		WIRE TIE	1
83				
84	33636-G01		STATE OF CHARGE METER	1
85	25978-G74		18 GA WIRE (RED 6")	1
86				
87	17867-G1		TURN SIGNAL (WITH MOUNTING HARDWARE)	1
88	21640-G1		TURN SIGNAL FLASHER.....	1

ELECTRICAL SYSTEM

Electric Vehicle

THE USE OF NON UL PARTS WILL VOID ANY UL LISTING.

When ordering parts, please specify the model and serial number of the product.

* Indicates a component that is not available as an individual part.

G** Indicates consult Customer Service Department for additional information.

ITEM	PART NO.	1 2 3 4 5	DESCRIPTION	QTY.
89	*		VINYL TAPE.....	AR
90	20965-G3		STEERING COLUMN COVER (VEHICLES WITH TURN SIGNALS).....	1
91	73043-G01		WIRE HARNESS (ACCESSORY).....	1
92				
93	22260-G2		TAILLIGHT ASSEMBLY (COMPLETE)	1
94	74371-G01		BEZEL (DRIVER SIDE).....	1
95	74371-G02		BEZEL (PASSENGER SIDE)	1
96	14601-G11		RIVET, 3/16" X 9/16" LG	2
97	71364-G02		'J' CLIP	8
98	71425-G01		COUNTERSUNK SCREW, #8 - 18 X 3/4" LG.....	8
99				
100				
101	74001-G01		HEADLIGHT AND TURN SIGNAL LIGHT BAR.....	1
102	74236-G01		HEADLIGHT MOUNT BRACKET (PASSENGER SIDE).....	1
103	74236-G02		HEADLIGHT MOUNT BRACKET (DRIVER SIDE)	1
104	00414-G6		BOLT, 1/4 - 20 X 3/4" LG.....	2
105	11027-G2		LOCK NUT, 1/4 - 20	2
106	00114-G6		SCREW, 1/4 - 14 X 3/4" LG	4
107	01038-G01		BOLT, 1/4 - 14 X 1/2" LG.....	2
108				
109	74004-G01		HEADLIGHT BULB	AR
110	74005-G01		MARKER LIGHT BULB.....	AR
111	74006-G01		TURN SIGNAL BULB.....	AR
112	21759-G1		TAILLIGHT BULB.....	AR
113				
114	73030-G05		PLATE (IGNITION SWITCH, DIRECTION SELECTOR)	1
115	73030-G06		PLATE (IGNITION SWITCH, DIRECTION SELECTOR, STATE OF CHARGE METER)	1
116	74316-G01		LABEL (IGNITION SWITCH WITHOUT LIGHTS, DIRECTION SELECTOR).....	1
117	74320-G01		LABEL (IGNITION SWITCH WITHOUT LIGHTS, DIRECTION SELECTOR, STATE OF CHARGE METER)	1

Electric Vehicle

ELECTRICAL SYSTEM

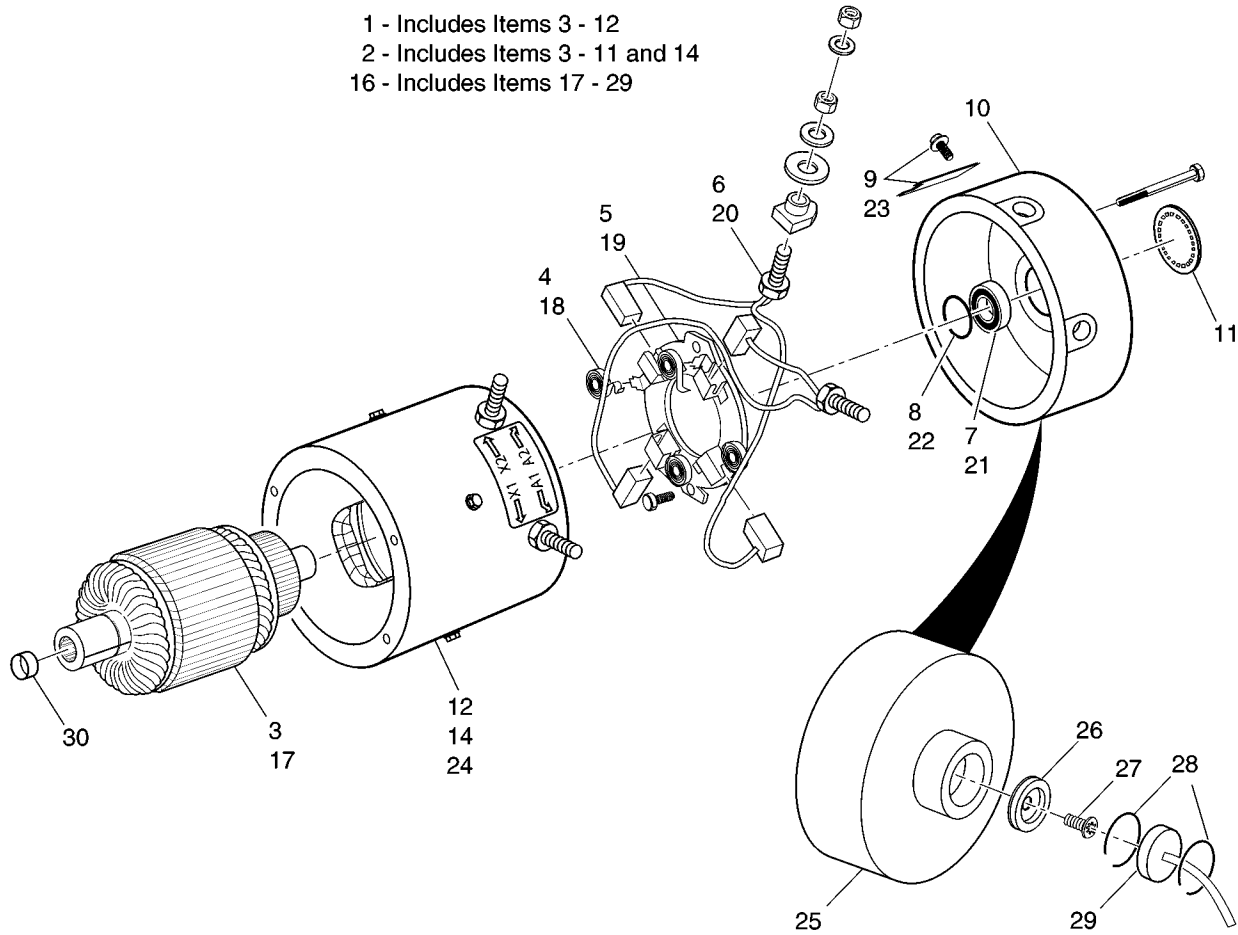
THE USE OF NON UL PARTS WILL VOID ANY UL LISTING.
 When ordering parts, please specify the model and serial number of the product.
 * Indicates a component that is not available as an individual part.
 G** Indicates consult Customer Service Department for additional information.

ITEM	PART NO.	1 2 3 4 5	DESCRIPTION	QTY.
118	74322-G01		LABEL (IGNITION SWITCH WITH LIGHTS, DIRECTION SELECTOR, STATE OF CHARGE METER)	1
119				
120	74323-G01		DIRECTION SELECTOR SWITCH (DASH MOUNTED)	1
121				
122	33636-G04		STATE OF CHARGE METER (VERTICAL)	1
123	74018-G01		HARNESS (STATE OF CHARGE METER)	1
124				
125	73290-G02		REVERSE BUZZER.....	1
126	01041-G01		RIVET, 5/32" X 3/4" LG	2
127				
128	32307-G3		FLEX LOOM, 3/8" X 8" LG	1
129	17618-G1		WIRE TIE	2

ELECTRIC MOTOR

Electric Vehicle

- 1 - Includes Items 3 - 12
- 2 - Includes Items 3 - 11 and 14
- 16 - Includes Items 17 - 29



PDS Only

Electric Vehicle

ELECTRIC MOTOR

THE USE OF NON UL PARTS WILL VOID ANY UL LISTING.

When ordering parts, please specify the model and serial number of the product.

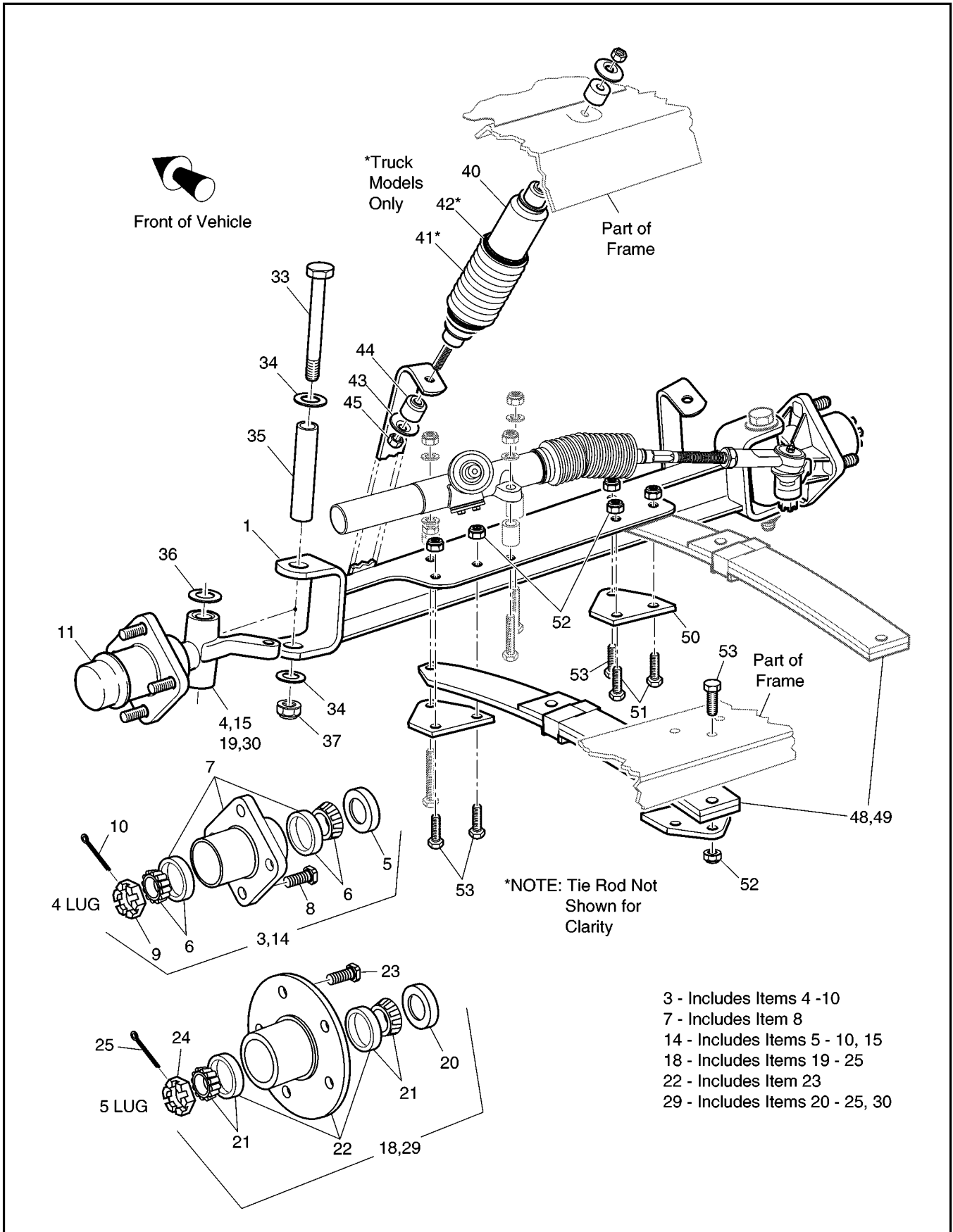
* Indicates a component that is not available as an individual part.

G** Indicates consult Customer Service Department for additional information.

ITEM	PART NO.	1 2 3 4 5	DESCRIPTION	QTY.
1	73124-G02		MOTOR (SERIES, FLEET SPEED) (INCLUDES ITEMS 3 - 12)	1
2	73124-G03		MOTOR (SERIES, HIGH SPEED) (INCLUDES ITEMS 3 - 11, 14).....	1
3	73120-G01		ARMATURE	1
4	73120-G03		BRUSH SPRING	4
5	73120-G15		BRUSH PLATE AND BOX.....	1
6	73120-G25		BRUSH REPLACEMENT KIT (INCLUDES HARDWARE)	1
7	73120-G07		BEARING.....	1
8	73120-G06		SNAP RING	1
9	73120-G09		COVER PLATE & SCREW	1
10	73120-G08		COVER COMMUTATOR END	1
11	73120-G16		CAP	1
12	73120-G29		FRAME AND FIELD COIL (G02 MOTOR) (INCLUDES HARDWARE)	1
13				
14	73120-G30		FRAME AND FIELD COIL (G03 MOTOR) (INCLUDES HARDWARE)	1
15				
16	73124-G08		MOTOR (SEPARATELY EXCITED) (PDS) (INCLUDES ITEMS 17 - 29).....	1
17	73120-G18		ARMATURE	1
18	73120-G03		BRUSH SPRING	4
19	73120-G15		BRUSH PLATE AND BOX.....	1
20	73120-G25		BRUSH REPLACEMENT KIT (INCLUDES HARDWARE)	1
21	73120-G07		BEARING.....	1
22	73120-G06		SNAP RING	1
23	73120-G09		COVER PLATE & SCREW	1
24	73120-G31		FRAME AND FIELD COIL (INCLUDES HARDWARE).....	1
25	73120-G19		COVER COMMUTATOR END	1
26	73328-G01		MAGNET	1
27	01037-G02		SCREW, #10 - 32 X 1/2" LG.....	1
28	73277-G01		RETAINING RING	2
29	73327-G01		SPEED SENSOR	1
30	24261-G1		BUMPER SPLINE	1

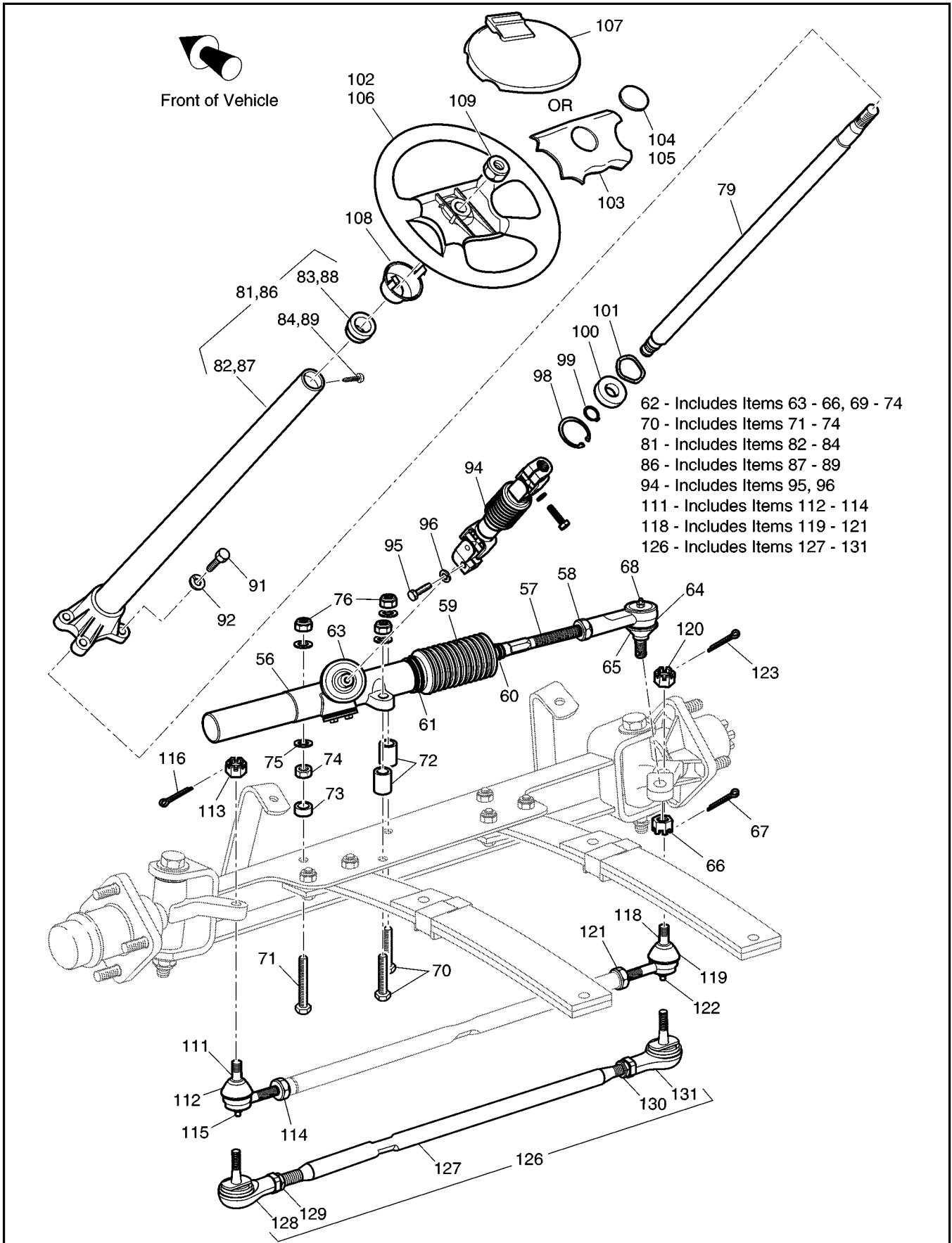
FRONT SUSPENSION/STEERING

Electric Vehicle



Electric Vehicle

FRONT SUSPENSION/STEERING



FRONT SUSPENSION/STEERING

Electric Vehicle

When ordering parts, please specify the model and serial number of the product.

* Indicates a component that is not available as an individual part.

G** Indicates consult Customer Service Department for additional information.

ITEM	PART NO.	1 2 3 4 5	DESCRIPTION	QTY.
1	70744-G01		FRONT AXLE.....	1
2				
3	70942-G01		SPINDLE AND HUB ASSEMBLY, 4 LUG (PASSENGER SIDE) (INCLUDES ITEMS 4 - 10)	1
4	70942-G02		SPINDLE ASSEMBLY (PASSENGER SIDE)	1
5	25146-G1		GREASE SEAL	1
6	50892-G1		ROLLER BEARING AND RACE ASSEMBLY	2
7	70895-G01		WHEEL HUB ASSEMBLY WITH RACES, 4 LUG (INCLUDES ITEM 8).....	1
8	19862-G1		LUG BOLT, 1/2 - 20 X 1 7/32" LG.....	4
9	12093-G1		SLOTTED NUT, 1 - 14.....	1
10	00798-G8		COTTER PIN, 5/32" X 1 3/4" LG	1
11	12091-G2		SPINDLE CAP	2
12				
13				
14	70673-G01		SPINDLE AND HUB ASSEMBLY, 4 LUG (DRIVER SIDE) (INCLUDES ITEMS 5 - 10, 15)	1
15	70673-G02		SPINDLE ASSEMBLY (DRIVER SIDE).....	1
16				
17				
18	70943-G01		SPINDLE AND HUB ASSEMBLY, 5 LUG (PASSENGER SIDE) (INCLUDES ITEMS 19 - 25)	1
19	70942-G02		SPINDLE ASSEMBLY (PASSENGER SIDE)	1
20	12092-G1		GREASE SEAL	1
21	50892-G1		ROLLER BEARING AND RACE ASSEMBLY	2
22	70772-G01		WHEEL HUB ASSEMBLY WITH RACES, 5 LUG (INCLUDES ITEM 23).....	1
23	30143-G1		LUG BOLT, 1/2 - 20 X 1 7/32" LG.....	5
24	12093-G1		SLOTTED NUT, 1 - 14.....	1
25	00798-G8		COTTER PIN, 5/32" X 1 3/4" LG	1
26				
27				
28				

Electric Vehicle

FRONT SUSPENSION/STEERING

When ordering parts, please specify the model and serial number of the product.

* Indicates a component that is not available as an individual part.

G** Indicates consult Customer Service Department for additional information.

ITEM	PART NO.	1 2 3 4 5	DESCRIPTION	QTY.
29	70797-G01		SPINDLE AND HUB ASSEMBLY, 5 LUG (DRIVER SIDE) (INCLUDES ITEMS 20 - 25, 30)	1
30	70673-G02		SPINDLE ASSEMBLY (DRIVER SIDE).....	1
31				
32				
33	00407-G6		BOLT, 1/2 - 13 X 6" LG.....	2
34	00560-G3		WASHER, 1/2"	4
35	70745-G01		KING PIN TUBE.....	2
36	70754-G01		THRUST WASHER (STAINLESS STEEL).....	2
37	14390-G6		LOCK NUT, 1/2 - 13	2
38				
39				
40	70928-G01		SHOCK ABSORBER	2
41	70509-G01		SHOCK ABSORBER BOOT	2
42	31539-G1		WIRE TIE	4
43	10435-G1		SHOCK ABSORBER WASHER.....	8
44	10194-G1		RUBBER BUSHING	8
45	00532-G6		NUT, 3/8 - 24	4
46				
47				
48	70597-G02		LEAF SPRING (SEE PART NUMBER ON SPRING).....	2
49	70664-G02		LEAF SPRING (HEAVY DUTY) (SEE PART NUMBER ON SPRING).....	2
50	70163-G02		SPRING PLATE	4
51	00463-G4		BOLT, 7/16 - 14 X 1 1/2" LG.....	2
52	00734-G1		LOCK NUT, 7/16 - 14	9
53	00463-G6		BOLT, 7/16 - 14 X 1 3/4" LG.....	9
54				
55				
56	70602-G01		RACK AND PINION UNIT (COMPLETE) (INCLUDES ITEMS 57 - 60, 63 - 68).....	1
57	70694-G01		RACK EXTENSION.....	1

FRONT SUSPENSION/STEERING

Electric Vehicle

When ordering parts, please specify the model and serial number of the product.
 * Indicates a component that is not available as an individual part.
 G** Indicates consult Customer Service Department for additional information.

ITEM	PART NO.	1	2	3	4	5	DESCRIPTION	QTY.
58	*						JAM NUT, 1/2 - 20	1
59	70675-G01						RACK BOOT	1
60	17618-G1						WIRE TIE.....	1
61	12416-G2						WIRE TIE	1
62								
63	70638-G01						PINION SEAL.....	1
64	70695-G01						RACK BALL JOINT (INCLUDES ITEMS 65 - 68).....	1
65	50641-G1						RUBBER BOOT	1
66	50209-G2						SLOTTED NUT, 7/16 - 20.....	1
67	10387-G2						COTTER PIN, 3/32" X 1" LG.....	1
68	10389-G3						GREASE FITTING, STRAIGHT	1
69								
70	00464-G6						BOLT, 7/16 - 14 X 2 3/4" LG.....	2
71	01068-G01						BOLT, 7/16 - 14 X 3 1/2" LG.....	1
72	70667-G02						SPACER.....	2
73	70667-G03						SPACER (SHORT).....	1
74	00532-G7						NUT, 7/16 - 14	1
75	00560-G2						FLAT WASHER, 7/16"	4
76	00734-G1						LOCK NUT, 7/16 - 14	3
77								
78								
79	70607-G01						STEERING SHAFT	1
80								
81	70758-G03						STEERING COLUMN KIT (INCLUDES ITEMS 82 - 84).....	1
82	70610-G01						STEERING COLUMN.....	1
83	28569-G01						STEERING COLUMN BUSHING	1
84	01022-G01						SCREW, #6 - 20 X 5/16" LG.....	1
85								
86	70758-G04						STEERING COLUMN KIT (HORN) (INCLUDES ITEMS 87 - 89).....	1
87	70610-G02						STEERING COLUMN.....	1

Electric Vehicle

FRONT SUSPENSION/STEERING

When ordering parts, please specify the model and serial number of the product.

* Indicates a component that is not available as an individual part.

G** Indicates consult Customer Service Department for additional information.

ITEM	PART NO.	1 2 3 4 5	DESCRIPTION	QTY.
88	28569-G01		STEERING COLUMN BUSHING	1
89	01022-G01		SCREW, #6 - 20 X 5/16" LG.....	1
90				
91	01006-G01		BOLT, 3/8 - 16 X 1 1/4" LG WITH PATCHLOCK	4
92	00879-G1		LOCK WASHER, 3/8".....	4
93				
94	70580-G01		INTERMEDIATE SHAFT (INCLUDES ITEMS 95, 96).....	1
95	01055-G01		BOLT, M8 X 1 1/4" LG	2
96	00565-G8		LOCK WASHER, 5/16".....	2
97				
98	70751-G01		RETAINING RING (INTERNAL).....	1
99	70888-G01		RETAINING RING (EXTERNAL).....	1
100	15112-G1		BALL BEARING	1
101	70887-G01		WAVE WASHER	1
102	71146-G01		STEERING WHEEL	1
103	71147-G01		STEERING WHEEL COVER	1
104	71047-G01		LABEL (E-Z-GO)	1
105	74405-G01		LABEL (CUSHMAN)	1
106	71948-G01		STEERING WHEEL	1
107	71950-G01		CLIPBOARD	1
108	71949-G01		HUB COVER.....	1
109	14390-G2		LOCK NUT, 5/8 - 18	1
110				
111	27205-G01		TIE ROD END (LEFT HAND THREAD) (INCLUDES ITEMS 112 - 114).....	1
112	50641-G1		RUBBER BOOT	1
113	50209-G2		SLOTTED NUT, 7/16 - 20.....	1
114	18434-G3		JAM NUT, 9/16 - 18 (LEFT HAND THREAD)	1
115	10389-G3		GREASE FITTING, STRAIGHT	1
116	10387-G2		COTTER PIN, 3/32" X 1" LG.....	1
117				

FRONT SUSPENSION/STEERING

Electric Vehicle

When ordering parts, please specify the model and serial number of the product.
 * Indicates a component that is not available as an individual part.
 G** Indicates consult Customer Service Department for additional information.

ITEM	PART NO.	1	2	3	4	5	DESCRIPTION	QTY.
118	27205-G02						TIE ROD END (RIGHT HAND THREAD) (INCLUDES ITEMS 119 - 121)	1
119	50641-G1						RUBBER BOOT	1
120	50209-G2						SLOTTED NUT, 7/16 - 20	1
121	18434-G4						JAM NUT, 9/16 - 18 (RIGHT HAND THREAD).....	1
122	10389-G3						GREASE FITTING, STRAIGHT	1
123	10387-G2						COTTER PIN, 3/32" X 1" LG	1
124								
125								
126	70876-G02						TIE ROD ASSEMBLY (INCLUDES ITEMS 127 - 131).....	1
127	70897-G02						THREADED ROD (24" LG)	1
128	70902-G01						TIE ROD END (LEFT HAND THREADS)	1
129	01069-G01						JAM NUT, M12 X 1.25-05 (LEFT HAND THREADS)	1
130	70902-G02						TIE ROD END (RIGHT HAND THREADS)	1
131	01069-G02						JAM NUT, M12 X 1.25-05 (RIGHT HAND THREADS).....	1
132								
133	00734-G1						LOCK NUT, 7/16 - 14	2

**DID YOU
KNOW?**

CartPros directs you to the right part using the part numbers from this manual. Enter the part number into our search box and it will find the part you are looking for.

**GET STARTED
HERE**



<https://CartPros.com/f.html>

Electric Vehicle

FRONT SUSPENSION/STEERING

Electric Vehicle

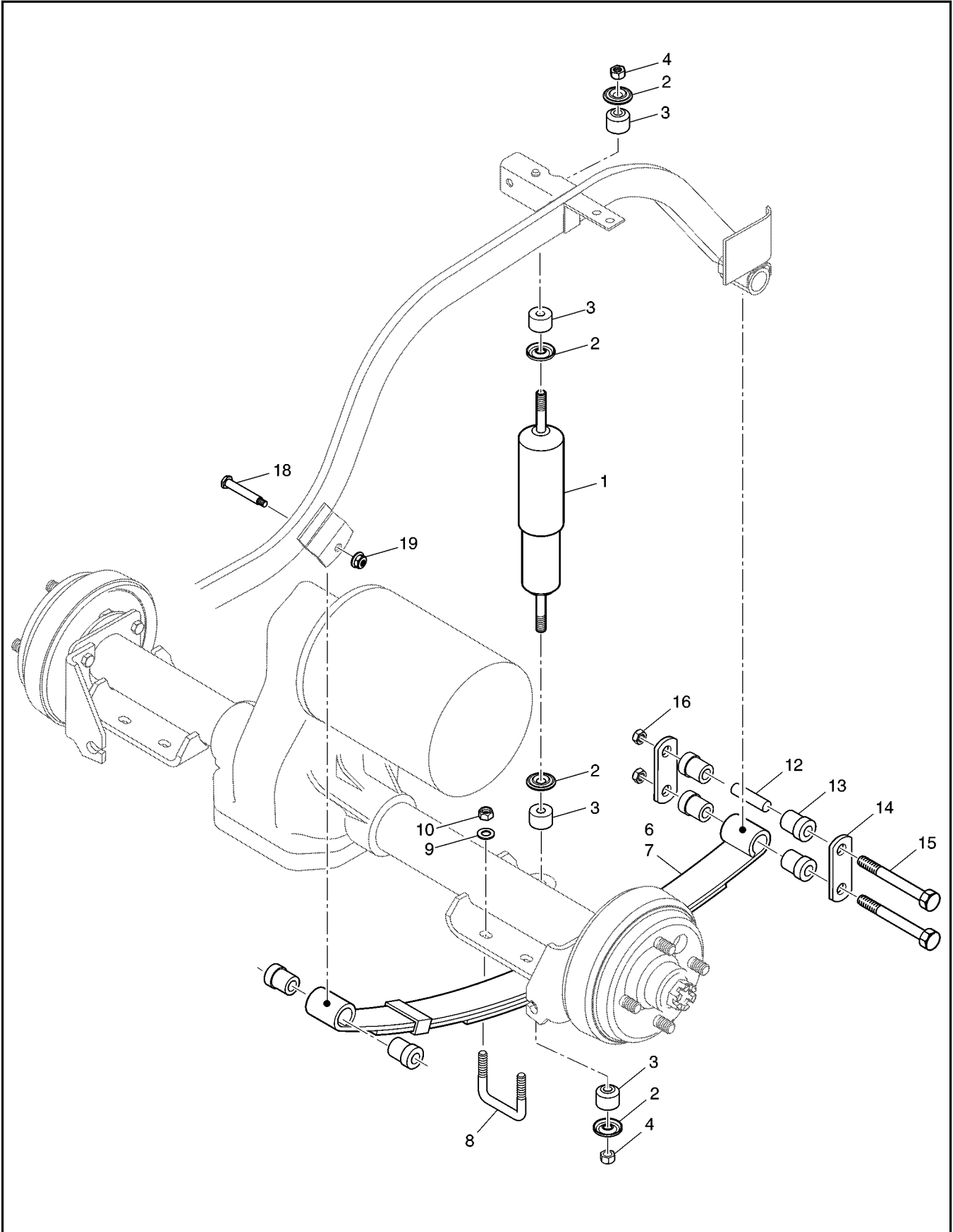
REAR AXLE

When ordering parts, please specify the model and serial number of the product.
 * Indicates a component that is not available as an individual part.
 G** Indicates consult Customer Service Department for additional information.

ITEM	PART NO.	1 2 3 4 5	DESCRIPTION	QTY.
1	73500-G01		REAR AXLE ASSEMBLY (INCLUDES ITEMS 2 - 7)	1
2	20377-G12		AXLE SHAFT (PASSENGER SIDE)	1
3	20377-G11		AXLE SHAFT (DRIVER SIDE).....	1
4	*		DIFFERENTIAL COVER	1
5	28610-G01		FILL PLUG WITH O-RING.....	1
6	15558-G1		BOLT, 5/16 - 18 X 3/4" LG	10
7	73050-G01		VENT	1
8				
9	72763-G01		SCUFF GUARD	1
10				
11	XXXXX-XXX		BUMPER SPLINE (SEE ELECTRIC MOTOR)	1
12	00797-G2		BOLT, 1/4 - 20 X 1 1/4" LG.....	3
13	00565-G7		LOCK WASHER, 1/4"	3
14	00559-G7		WASHER, 1/4"	3
15	28095-G01		MOLY LUBE, 2 OZ.....	AR

REAR SUSPENSION

Electric Vehicle



Electric Vehicle

REAR SUSPENSION

When ordering parts, please specify the model and serial number of the product.

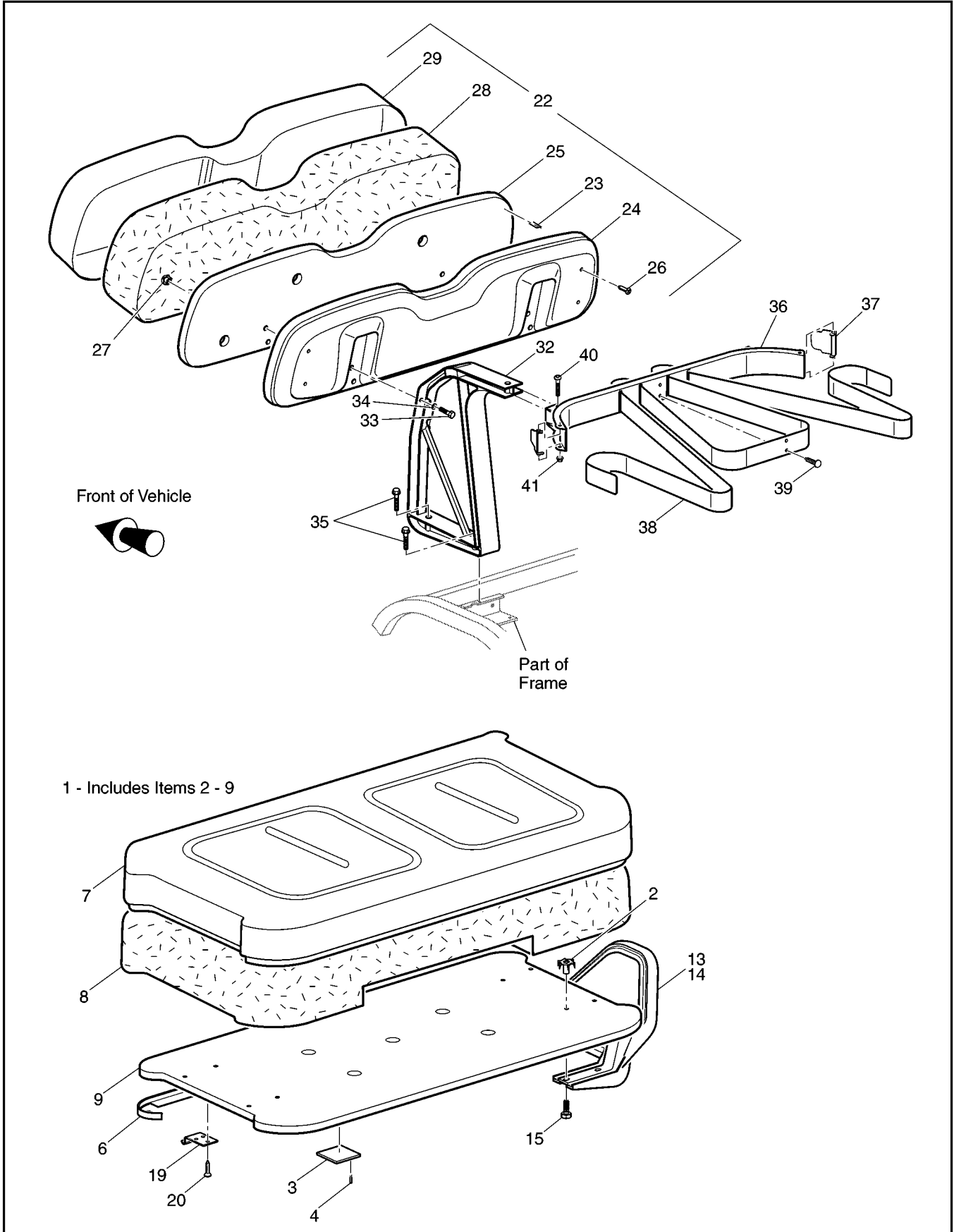
* Indicates a component that is not available as an individual part.

G** Indicates consult Customer Service Department for additional information.

ITEM	PART NO.	1 2 3 4 5	DESCRIPTION	QTY.
1	70324-G01		SHOCK ABSORBER	2
2	10435-G1		SHOCK ABSORBER WASHER.....	8
3	10194-G1		RUBBER BUSHING.....	8
4	00532-G6		NUT, 3/8 - 24	4
5				
6	70474-G01		LEAF SPRING, 2 LEAF	2
7	74207-G01		LEAF SPRING, 4 LEAF	2
8	72618-G01		"U" BOLT, 3/8 - 16	4
9	00560-G1		WASHER, 3/8"	8
10	11098-G5		LOCK NUT, 3/8 - 16	8
11				
12	70289-G02		SPACER.....	4
13	70291-G01		FLANGED BUSHING (LEAF SPRING).....	12
14	70290-G01		SHACKLE PLATE	4
15	00429-G4		BOLT, 3/8 - 16 X 3 1/2" LG.....	4
16	11098-G5		LOCK NUT, 3/8 - 16	4
17				
18	14158-G1		SHOULDER BOLT, 3/8 - 16 X 3 1/4" LG.....	2
19	12262-G1		LOCK NUT, 3/8 - 16	2

SEATING AND BAG HOLDER, GOLF CAR

Electric Vehicle



Electric Vehicle SEATING AND BAG HOLDER, GOLF CAR

When ordering parts, please specify the model and serial number of the product.

* Indicates a component that is not available as an individual part.

G** Indicates consult Customer Service Department for additional information.

ITEM	PART NO.	1 2 3 4 5	DESCRIPTION	QTY.
1	71611-G**		SEAT BOTTOM ASSEMBLY (INCLUDES ITEMS 2 - 9)	1
2	*		TEE NUT	8
3	17074-G1		RUBBER PAD.....	2
4	*		FLAT STAPLE.....	110
5				
6	71012-G01		VINYL TRIM (SEAT BOTTOM).....	1
7	71602-G**		VINYL SEAT BOTTOM COVER	1
8	*		FOAM PADDING (SEAT BOTTOM)	1
9	*		SEAT BOTTOM (WOOD)	1
10				
11				
12				
13	71701-G01		HIP RESTRAINT (PASSENGER SIDE)	1
14	71702-G01		HIP RESTRAINT (DRIVER SIDE)	1
15	71204-G01		BOLT, 1/4 - 20 X 7/8" LG.....	8
16				
17				
18				
19	71610-G01		SEAT HINGE.....	2
20	00720-G08		SCREW, #12 - 14 X 1" LG	4
21				
22	71751-G**		SEAT BACK ASSEMBLY (INCLUDES ITEMS 23 - 29)	1
23	*		FLAT STAPLE.....	95
24	71752-G01		PLASTIC SEAT BACK COVER	1
25	*		SEAT BACK (WOOD).....	1
26	71002-G01		SCREW, #8 X 5/8" LG	4
27	*		TEE NUT	4
28	*		FOAM PADDING (SEAT BACK)	1
29	71753-G**		VINYL SEAT BACK COVER	1
30				

SEATING AND BAG HOLDER, GOLF CAR

Electric Vehicle

When ordering parts, please specify the model and serial number of the product.
 * Indicates a component that is not available as an individual part.
 G** Indicates consult Customer Service Department for additional information.

ITEM	PART NO.	1 2 3 4 5	DESCRIPTION	QTY.
31				
32	71811-G02		SEAT SUPPORT BRACKET	2
33	00414-G8		BOLT, 1/4 - 20 X 1" LG	4
34	00565-G7		LOCK WASHER, 1/4"	4
35	71802-G01		BOLT, 3/8 - 16 X 2 1/4" LG	4
36	71851-G01		BAG HOLDER BRACKET	1
37	71856-G01		BAG RETAINER CLAMP	2
38	71853-G01		BAG RETAINER STRAP	1
39	16816-G1		RATCHET FASTENER, 1/4" X 5/8" LG	2
40	71821-G01		CARRIAGE BOLT, 1/4 - 20 X 1 1/2" LG	2
41	11027-G2		LOCK NUT, 1/4 - 20	2

**DID YOU
KNOW?**

CartPros directs you to the right part using the part numbers from this manual. Enter the part number into our search box and it will find the part you are looking for.

**GET STARTED
HERE**



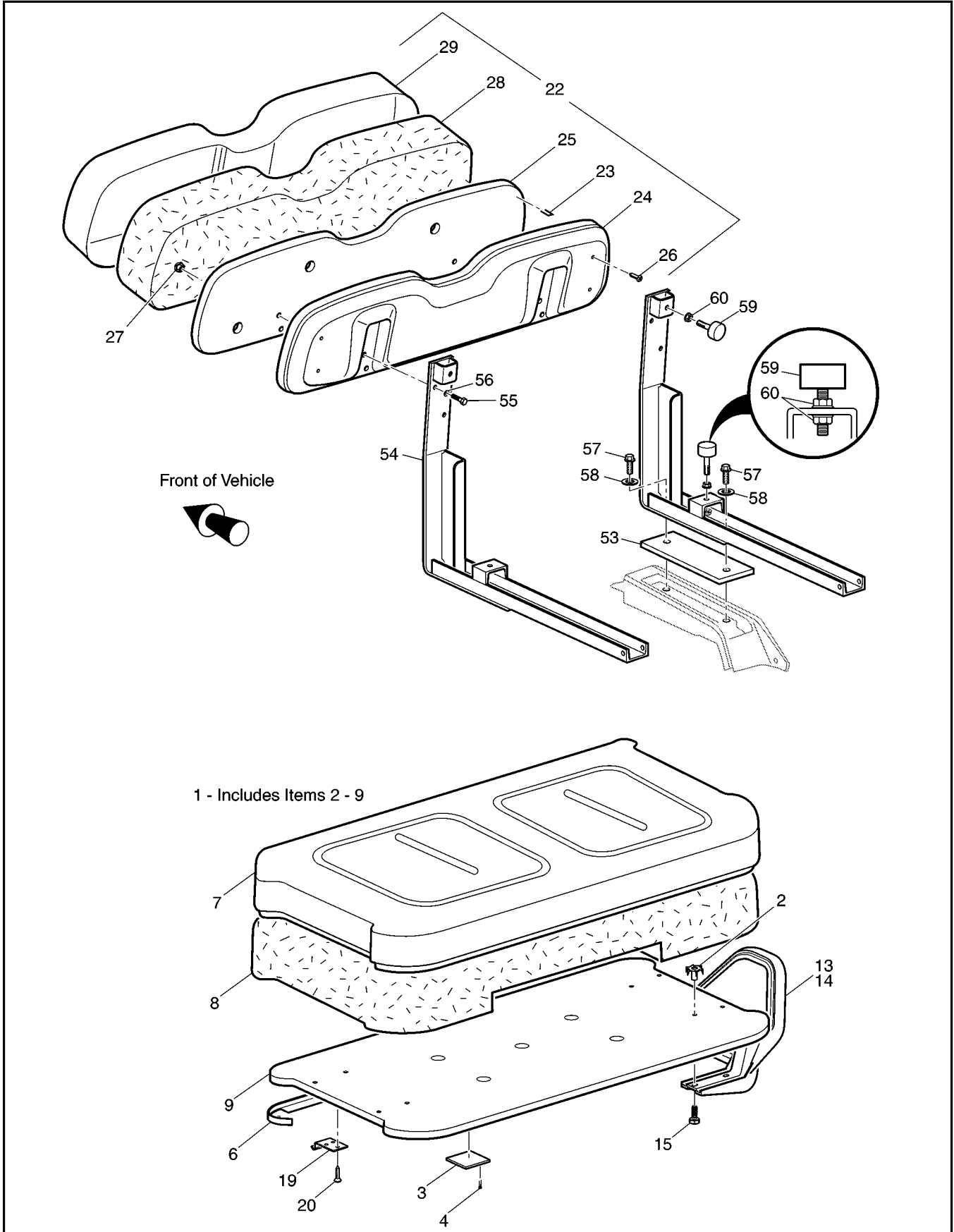
<https://CartPros.com/f.html>

Electric Vehicle

SEATING AND BAG HOLDER, GOLF CAR

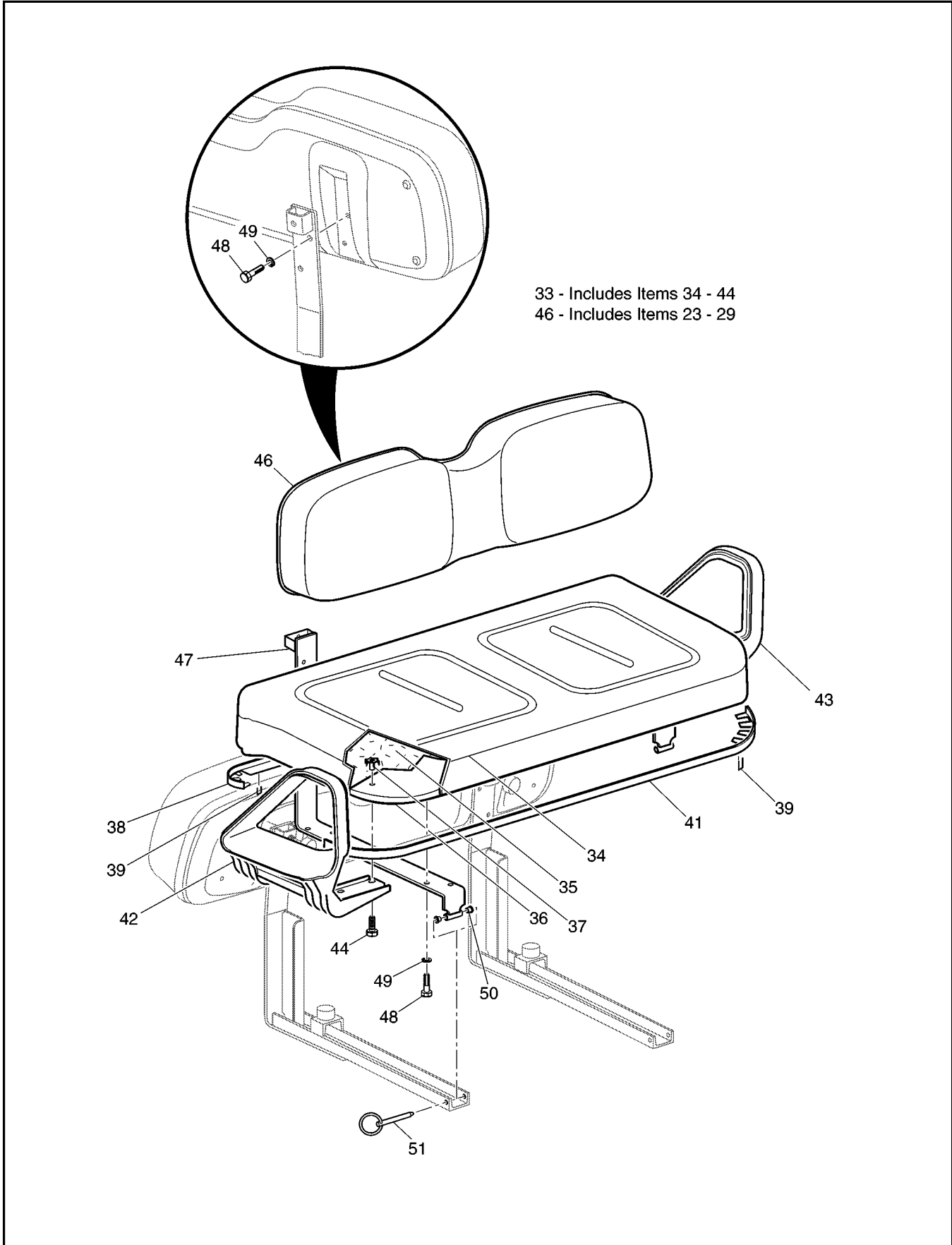
SEATING, SHUTTLE 2+2

Electric Vehicle



Electric Vehicle

SEATING, SHUTTLE 2+2



SEATING, SHUTTLE 2+2

Electric Vehicle

When ordering parts, please specify the model and serial number of the product.
 * Indicates a component that is not available as an individual part.
 G** Indicates consult Customer Service Department for additional information.

ITEM	PART NO.	1 2 3 4 5	DESCRIPTION	QTY.
1	71611-G**		SEAT BOTTOM ASSEMBLY (INCLUDES ITEMS 2 - 9)	1
2	*		TEE NUT.....	8
3	17074-G1		RUBBER PAD.....	2
4	*		FLAT STAPLE.....	110
5				
6	71012-G01		VINYL TRIM (SEAT BOTTOM).....	1
7	71602-G**		VINYL SEAT BOTTOM COVER	1
8	*		FOAM PADDING (SEAT BOTTOM).....	1
9	*		SEAT BOTTOM (WOOD).....	1
10				
11				
12				
13	71701-G01		HIP RESTRAINT (PASSENGER SIDE)	1
14	71702-G01		HIP RESTRAINT (DRIVER SIDE).....	1
15	71204-G01		BOLT, 1/4 - 20 X 7/8" LG.....	8
16				
17				
18				
19	71610-G01		SEAT HINGE.....	2
20	00720-G08		SCREW, #12 - 14 X 1" LG.....	6
21				
22	71751-G**		SEAT BACK ASSEMBLY (INCLUDES ITEMS 23 - 29).....	1
23	*		FLAT STAPLE.....	95
24	71752-G01		PLASTIC SEAT BACK COVER	1
25	*		SEAT BACK (WOOD).....	1
26	71002-G01		SCREW, #8 X 5/8" LG	4
27	*		TEE NUT.....	4
28	*		FOAM PADDING (SEAT BACK)	1
29	71753-G**		VINYL SEAT BACK COVER	1
30				

Electric Vehicle

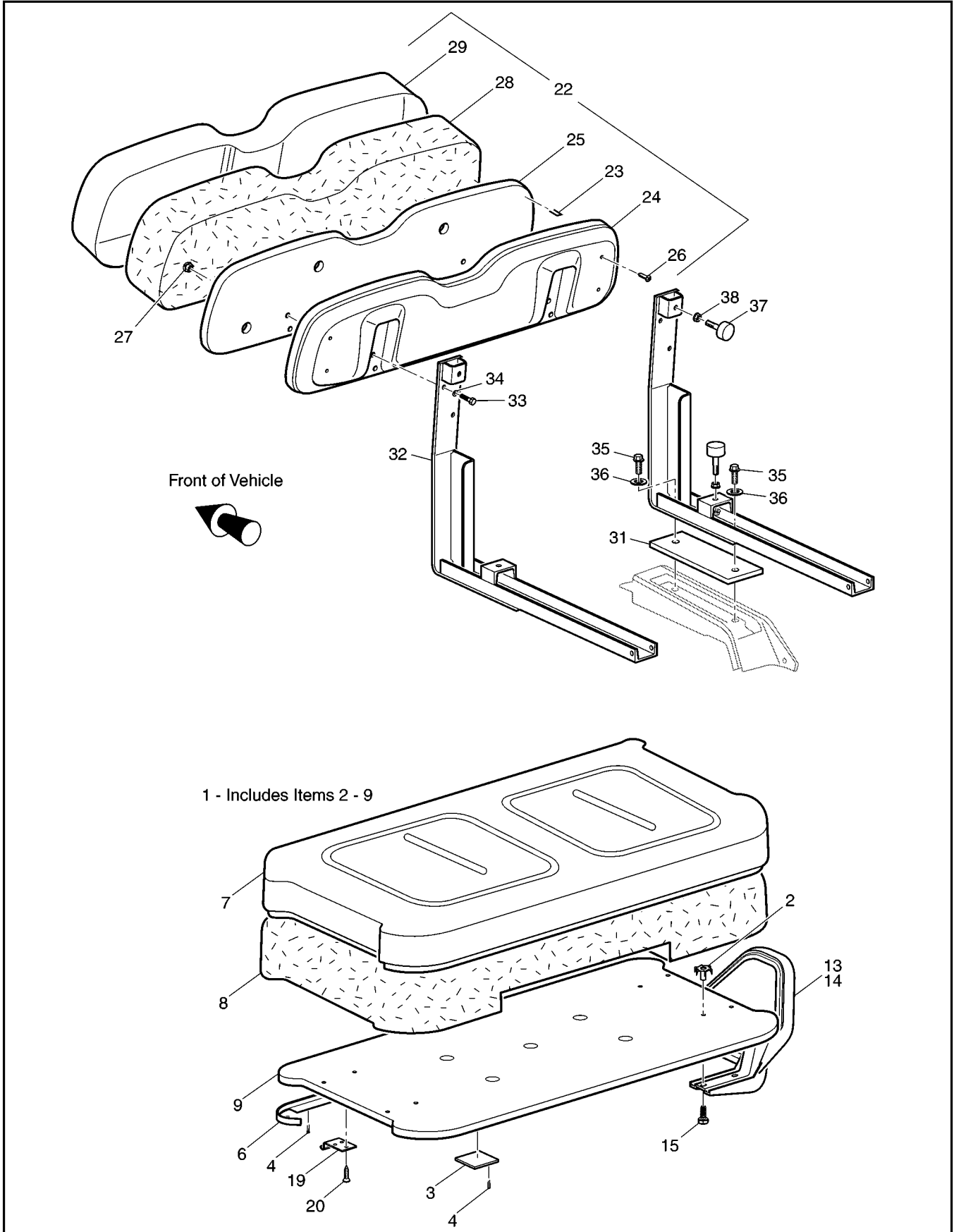
SEATING, SHUTTLE 2+2

When ordering parts, please specify the model and serial number of the product.
 * Indicates a component that is not available as an individual part.
 G** Indicates consult Customer Service Department for additional information.

ITEM	PART NO.	1	2	3	4	5	DESCRIPTION	QTY.
31								
32								
33	74139-G**						SEAT BOTTOM ASSEMBLY (INCLUDES ITEMS 34 - 44)	1
34	71602-G**						VINYL COVER (SEAT BOTTOM)	1
35	*						FOAM PADDING (SEAT BOTTOM)	1
36	*						SEAT BOTTOM (WOOD)	1
37	*						TEE NUT	16
38	74140-G01						TRIM	1
39	*						FLAT STAPLE	110
40								
41	71012-G01						TRIM	1
42	71702-G01						HIP RESTRAINT (DRIVER SIDE)	1
43	71701-G01						HIP RESTRAINT (PASSENGER SIDE)	1
44	00414-G8						BOLT, 1/4 - 20 X 1" LG	8
45								
46	71751-G**						SEAT BACK ASSEMBLY (INCLUDES ITEMS 23 - 29)	1
47	74117-G01						SEAT SUPPORT BRACKET	2
48	00414-G8						BOLT, 1/4 - 20 X 1" LG	12
49	00565-G7						LOCK WASHER, 1/4"	12
50	17838-G1						NYLON BUSHING	4
51	74134-G01						QUICK RELEASE PIN	2
52								
53	70364-G01						SPACER	2
54	74111-G01						SEAT BACK SUPPORT	2
55	00414-G8						BOLT, 1/4 - 20 X 1" LG	4
56	00565-G7						LOCK WASHER, 1/4"	4
57	01006-G02						BOLT, 3/8 - 16 X 1 1/2" LG	4
58	00560-G1						WASHER, 3/8"	4
59	70113-G01						RUBBER BUMPER	4
60	11027-G1						LOCK NUT, 5/16 - 18	6

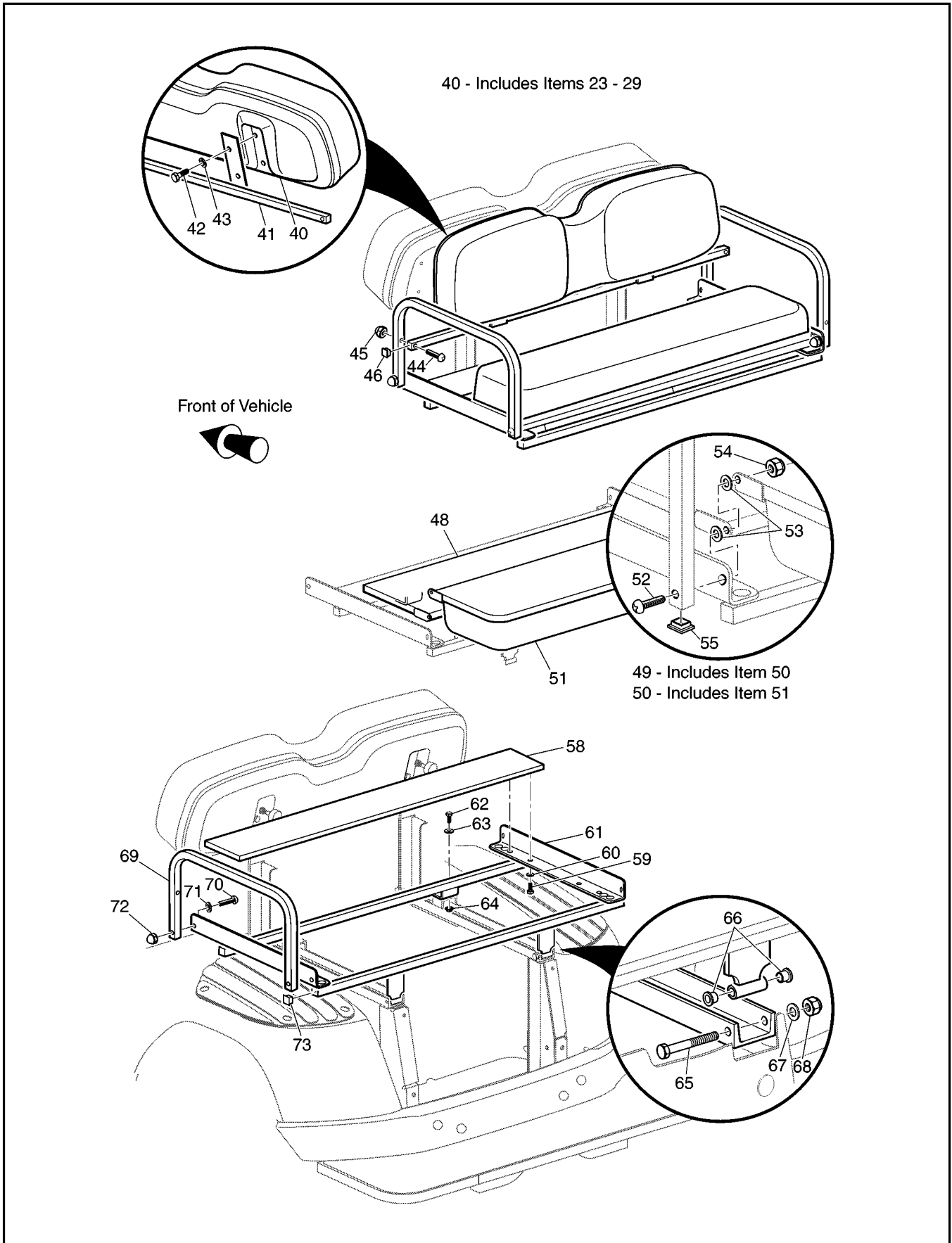
SEATING, CONVERTIBLE CARRIER

Electric Vehicle



Electric Vehicle

SEATING, CONVERTIBLE CARRIER



SEATING, CONVERTIBLE CARRIER

Electric Vehicle

When ordering parts, please specify the model and serial number of the product.
 * Indicates a component that is not available as an individual part.
 G** Indicates consult Customer Service Department for additional information.

ITEM	PART NO.	1 2 3 4 5	DESCRIPTION	QTY.
1	71611-G**		SEAT BOTTOM ASSEMBLY (INCLUDES ITEMS 2 - 9)	1
2	*		TEE NUT.....	8
3	17074-G1		RUBBER PAD.....	2
4	*		FLAT STAPLE.....	110
5	*		FLAT STAPLE.....	46
6	71012-G01		VINYL TRIM (SEAT BOTTOM).....	1
7	71602-G**		VINYL SEAT BOTTOM COVER	1
8	*		FOAM PADDING (SEAT BOTTOM).....	1
9	*		SEAT BOTTOM (WOOD).....	1
10				
11				
12				
13	71701-G01		HIP RESTRAINT (PASSENGER SIDE)	1
14	71702-G01		HIP RESTRAINT (DRIVER SIDE).....	1
15	00414-G8		BOLT, 1/4 - 20 X 1" LG.....	8
16				
17				
18				
19	71610-G01		SEAT HINGE.....	2
20	00720-G08		SCREW, #12 - 14 X 1" LG.....	4
21				
22	71751-G**		SEAT BACK ASSEMBLY (INCLUDES ITEMS 23 - 29).....	1
23	*		FLAT STAPLE.....	95
24	71752-G01		PLASTIC SEAT BACK COVER	1
25	*		SEAT BACK (WOOD).....	1
26	71002-G01		SCREW, #8 X 5/8" LG	4
27	*		TEE NUT.....	4
28	*		FOAM PADDING (SEAT BACK)	1
29	71753-G**		VINYL SEAT BACK COVER	1
30				

Electric Vehicle

SEATING, CONVERTIBLE CARRIER

When ordering parts, please specify the model and serial number of the product.

* Indicates a component that is not available as an individual part.

G** Indicates consult Customer Service Department for additional information.

ITEM	PART NO.	1 2 3 4 5	DESCRIPTION	QTY.
31	70364-G01		SPACER.....	2
32	74111-G01		SEAT BACK SUPPORT	2
33	00414-G8		BOLT, 1/4 - 20 X 1" LG.....	4
34	00565-G7		LOCK WASHER, 1/4"	4
35	01006-G02		BOLT, 3/8 - 16 X 1 1/2" LG.....	4
36	00560-G1		WASHER, 3/8"	4
37	70113-G01		RUBBER BUMPER.....	2
38	11027-G1		LOCK NUT, 5/16 - 18	2
39				
40	71751-G**		SEAT BACK ASSEMBLY (INCLUDES ITEMS 23 - 29)	1
41	75258-G01		SEAT BACK MOUNT	1
42	00414-G8		BOLT, 1/4 - 20 X 1" LG.....	4
43	00565-G7		LOCK WASHER, 1/4"	4
44	16705-G6		BOLT, 1/4 - 20 X 1 3/4" LG.....	2
45	00520-G1		ACORN NUT, 1/4 - 20	2
46	19859-G1		END PLUG, 3/4".....	2
47				
48	75229-G01		BED.....	1
49	75263-G**		SEAT BOTTOM ASSEMBLY (INCLUDES ITEM 50)	1
50	75197-G**		SEAT BOTTOM (INCLUDES ITEM 51)	1
51	75252-G**		VINYL SEAT BOTTOM COVER.....	1
52	00762-G4		SCREW, 5/16 - 18 X 1 1/2" LG	2
53	17255-G1		TEFLON WASHER, 5/16"	4
54	00654-G3		LOCK NUT, 5/16 - 18	2
55	19859-G1		END CAP, 3/4"	4
56				
57				
58	75273-G01		BED FRONT (INCLUDES MAT).....	1
59	00661-G6		BOLT, 1/4 - 20 X 3/4" LG.....	4
60	00559-G8		WASHER, 5/16"	4

SEATING, CONVERTIBLE CARRIER

Electric Vehicle

When ordering parts, please specify the model and serial number of the product.

* Indicates a component that is not available as an individual part.

G** Indicates consult Customer Service Department for additional information.

ITEM	PART NO.	1 2 3 4 5	DESCRIPTION	QTY.
61	75193-G01		SUPPORT FRAME.....	1
62	00438-G8		BOLT, 5/16 - 18 X 1" LG	2
63	00559-G8		WASHER, 5/16"	2
64	11027-G1		LOCK NUT, 5/16 - 18	2
65	00440-G4		BOLT, 5/16 - 18 X 2 1/2" LG	2
66	17838-G1		NYLON BUSHING.....	4
67	00559-G8		WASHER, 5/16"	2
68	00654-G3		LOCK NUT, 5/16 - 18	2
69	75196-G01		HANDRAIL	2
70	00762-G02		BOLT, 5/16 - 18 X 1 1/4" LG	2
71	00664-G8		LOCK WASHER, 5/16".....	2
72	00520-G3		ACORN NUT, 5/16 - 18	2
73	75261-G02		END CAP, 1"	4

**DID YOU
KNOW?**

CartPros directs you to the right part using the part numbers from this manual. Enter the part number into our search box and it will find the part you are looking for.

**GET STARTED
HERE**



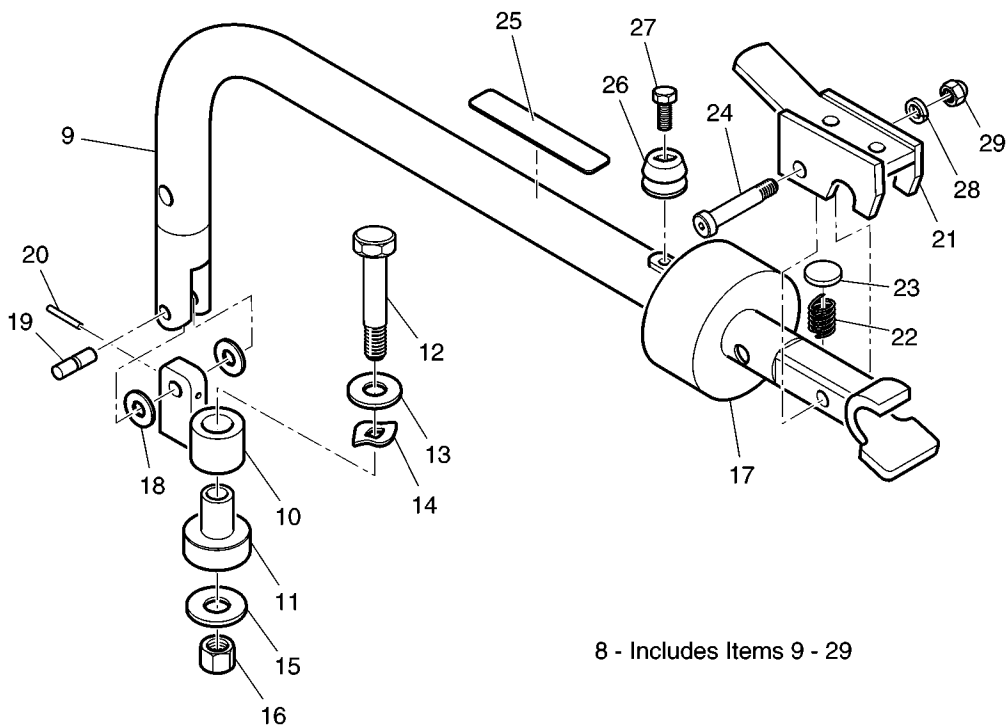
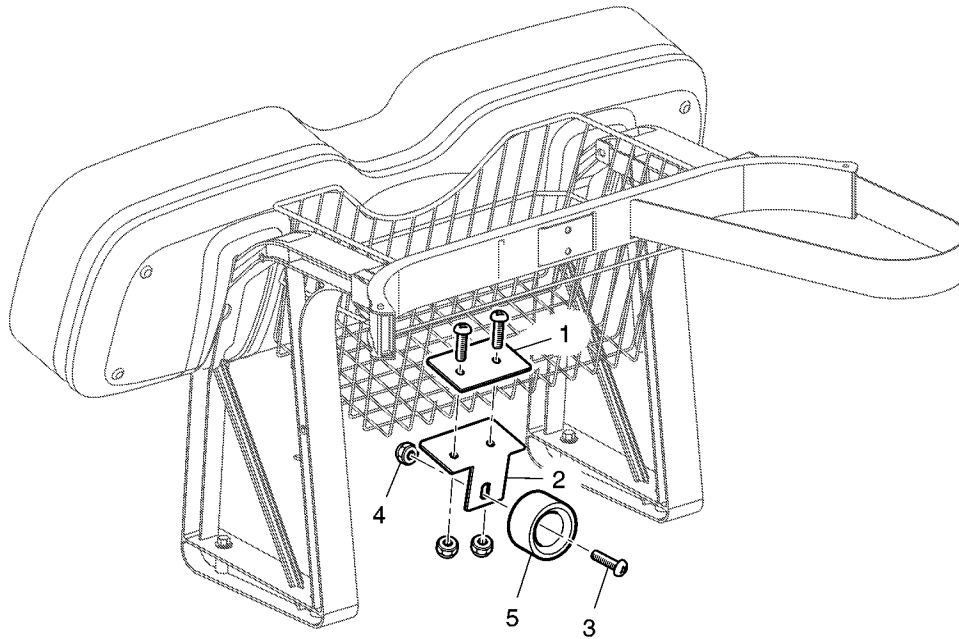
<https://CartPros.com/f.html>

Electric Vehicle

SEATING, CONVERTIBLE CARRIER

TOW BAR, PERMANENT

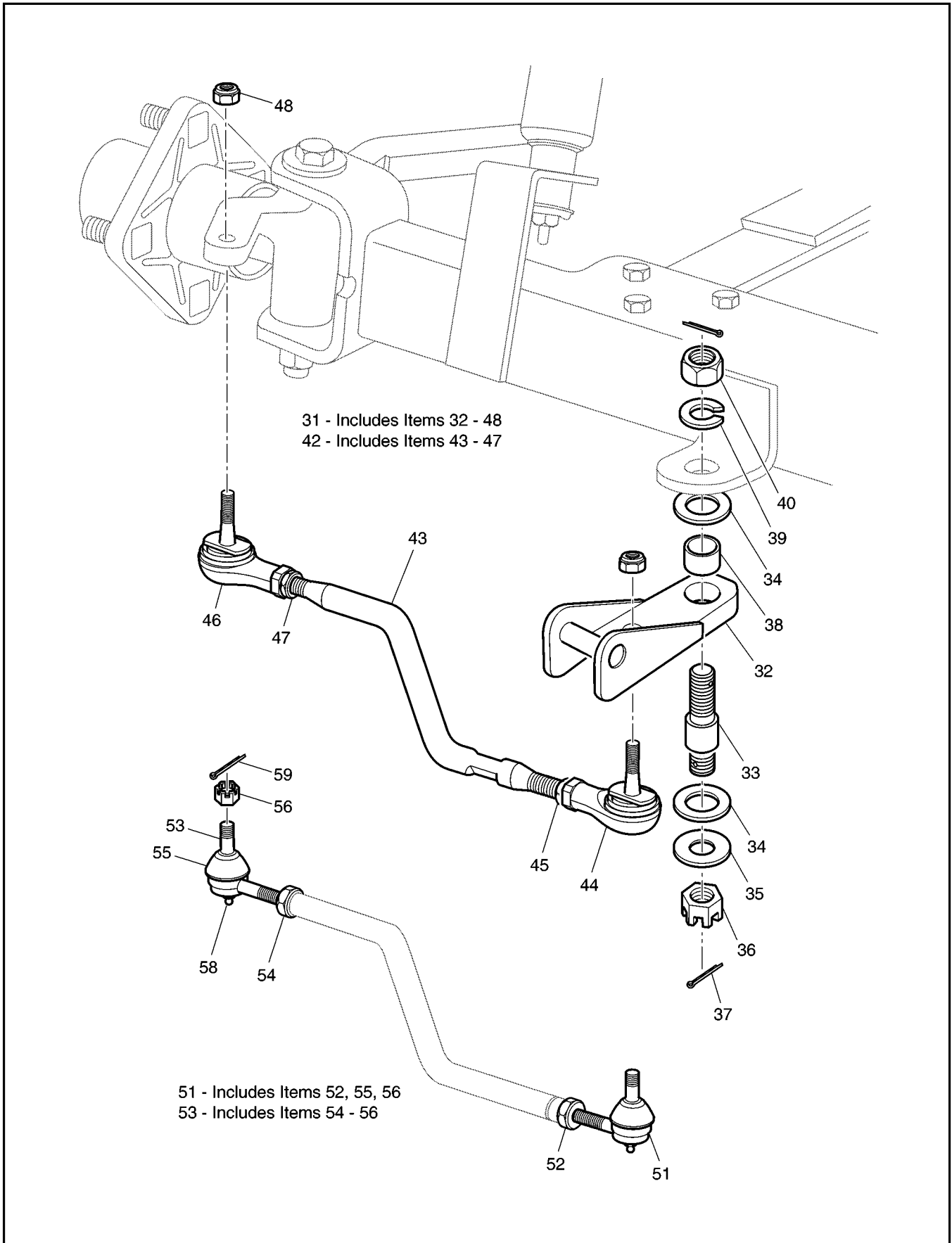
Electric Vehicle



8 - Includes Items 9 - 29

Electric Vehicle

TOW BAR, PERMANENT



TOW BAR, PERMANENT

Electric Vehicle

When ordering parts, please specify the model and serial number of the product.

* Indicates a component that is not available as an individual part.

G** Indicates consult Customer Service Department for additional information.

ITEM	PART NO.	1 2 3 4 5	DESCRIPTION	QTY.
1	75318-G01		MOUNTING PLATE.....	1
2	75319-G01		STOP MOUNT PLATE	1
3	16705-G1		SCREW, 1/4 - 20 X 1" LG.....	3
4	00891-G2		LOCK NUT, 1/4 - 20.....	3
5	75338-G02		FEMALE STOP	1
6				
7				
8	75304-G01		TOW BAR (TOWING VEHICLE) (INCLUDES ITEMS 9 - 29)	1
9	75299-G01		TOW BAR	1
10	75302-G01		UPPER PIVOT	1
11	75291-G01		LOWER PIVOT	1
12	00410-G8		BOLT, 1/2 - 20 X 3" LG	1
13	00675-G3		WASHER, 1/2".....	1
14	75339-G01		SPRING WASHER	1
15	00571-G5		WASHER, 1/2".....	1
16	11098-G8		LOCK NUT, 1/2 - 20.....	1
17	75362-G01		LATCH STOP	1
18	75340-G01		DELRIN WASHER, 3/8".....	2
19	75360-G01		PIVOT PIN.....	2
20	13571-G7		SPRING PIN.....	2
21	75303-G01		LATCH	1
22	20852-G2		COMPRESSION SPRING	1
23	25661-G02		CUP WASHER	1
24	13005-G4		SHOULDER BOLT, 5/16 - 18 X 1 5/8" LG	1
25	75370-G01		LABEL (WARNING).....	1
26	75338-G03		MALE STOP	1
27	12547-G4		BOLT, 6MM X 1 X 30 MM LG	1
28	00565-G8		LOCK WASHER, 5/16".....	1
29	00520-G3		ACORN NUT, 5/16 - 18.....	1
30				

Electric Vehicle

TOW BAR, PERMANENT

When ordering parts, please specify the model and serial number of the product.

* Indicates a component that is not available as an individual part.

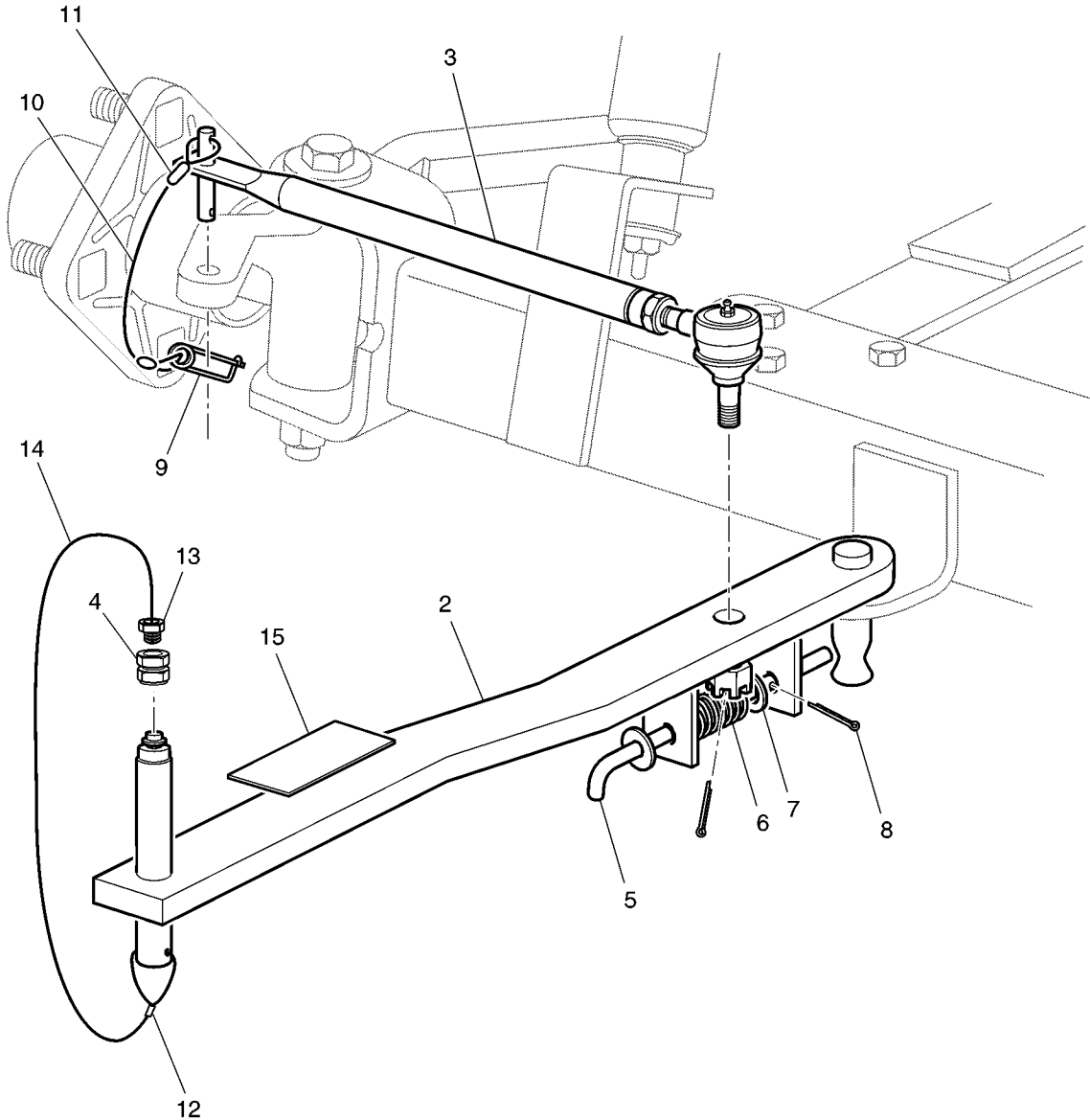
G** Indicates consult Customer Service Department for additional information.

ITEM	PART NO.	1 2 3 4 5	DESCRIPTION	QTY.
31	75308-G01		TOW BAR HITCH (TOWED VEHICLE) (INCLUDES ITEMS 32 - 48).....	1
32	75305-G01		HITCH.....	1
33	75292-G01		PIVOT BOLT.....	1
34	75309-G01		THRUST WASHER	2
35	75342-G01		WASHER, 3/4".....	1
36	00518-G8		CASTELLATED NUT, 3/4 - 16	1
37	10387-G1		COTTER PIN, 1/8" X 1 1/2" LG.....	2
38	75307-G01		BEARING	1
39	00566-G6		LOCK WASHER, 3/4".....	1
40	00533-G8		NUT, 3/4 - 16	1
41				
42	70905-G01		TIE ROD ASSEMBLY (INCLUDES ITEMS 43 - 47)	1
43	70903-G01		THREADED ROD.....	1
44	70902-G01		TIE ROD END (LEFT HAND THREADS).....	1
45	01069-G01		JAM NUT, M12 X 1.25-05 (LEFT HAND THREADS)	1
46	70902-G02		TIE ROD END (RIGHT HAND THREADS)	1
47	01069-G02		JAM NUT, M12 X 1.25-05 (RIGHT HAND THREADS).....	1
48	00734-G1		LOCK NUT, 7/16 - 14.....	2
49				
50				
51	27205-G01		TIE ROD END (LEFT HAND THREAD) (INCLUDES ITEMS 52, 55, 56).....	1
52	18434-G3		JAM NUT, 9/16 - 18 (LEFT HAND THREAD)	1
53	27205-G02		TIE ROD END (RIGHT HAND THREAD) (INCLUDES ITEMS 54 - 56).....	1
54	18434-G4		JAM NUT, 9/16 - 18 (RIGHT HAND THREAD).....	1
55	50641-G1		RUBBER BOOT	1
56	50209-G2		SLOTTED NUT, 7/16 - 20.....	1
57				
58	10389-G3		GREASE FITTING, STRAIGHT	2
59	10387-G2		COTTER PIN, 3/32" X 1" LG.....	2

TOW BAR, CASUAL

Electric Vehicle

1 - Includes Items 2 - 15



Electric Vehicle

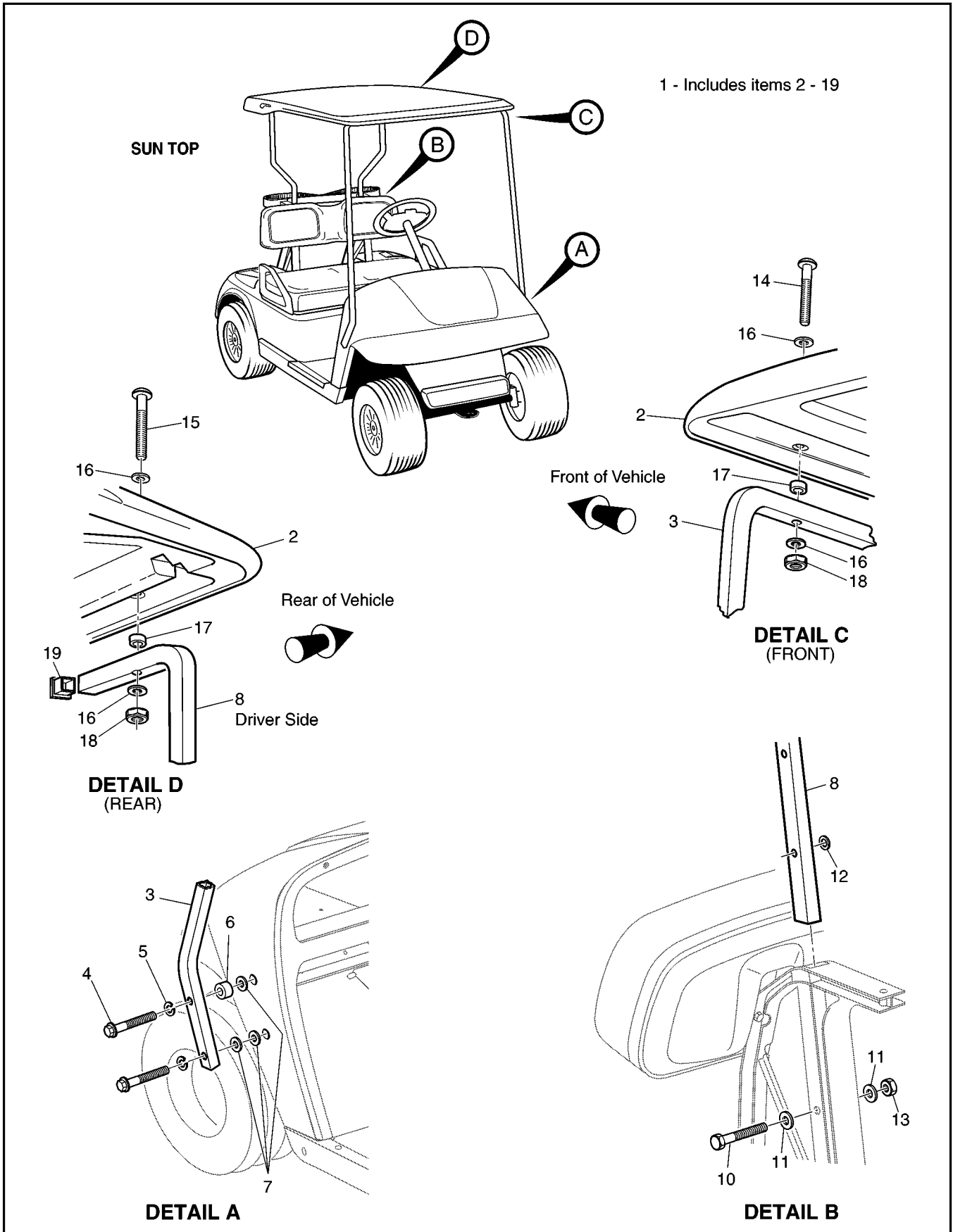
TOW BAR, CASUAL

When ordering parts, please specify the model and serial number of the product.
 * Indicates a component that is not available as an individual part.
 G** Indicates consult Customer Service Department for additional information.

ITEM	PART NO.	1	2	3	4	5	DESCRIPTION	QTY.
1	75033-G01						CASUAL TOW BAR (INCLUDES ITEMS 2 - 15)	1
2	*						TOW BAR.....	1
3	75034-G01						TIE ROD (INCLUDES NUT AND COTTER PIN).....	1
4	75060-G01						COUPLING	1
5	*						LOCK PIN.....	1
6	75065-G01						COMPRESSION SPRING.....	1
7	00922-G2						WASHER, 3/8".....	1
8	10387-G2						COTTER PIN, 3/32" X 1" LG.....	1
9	75068-G01						SAFETY PIN.....	1
10	14869-G5						WIRE ROPE.....	1
11	16783-G1						FERRULE.....	3
12	75067-G01						FERRULE.....	1
13	75035-G02						HEX HEAD PLUG	1
14	14869-G3						WIRE ROPE.....	1
15	75091-G01						LABEL (WARNING).....	1

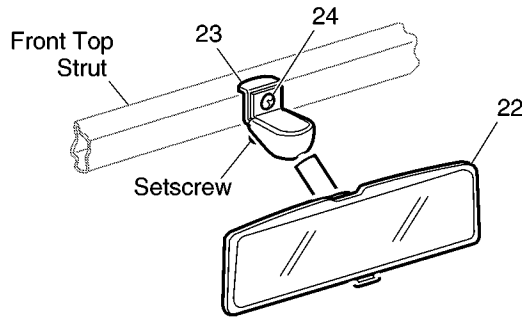
WEATHER PROTECTION, GOLF CAR

Electric Vehicle

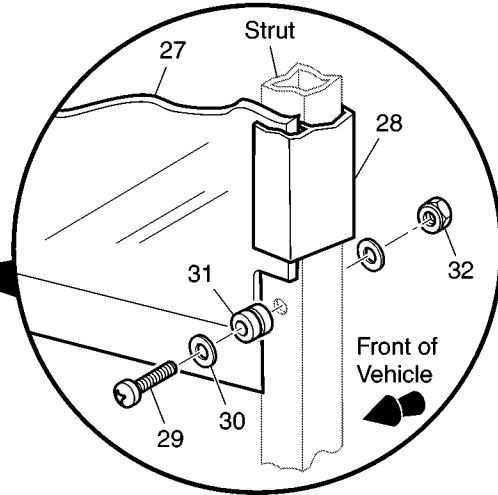
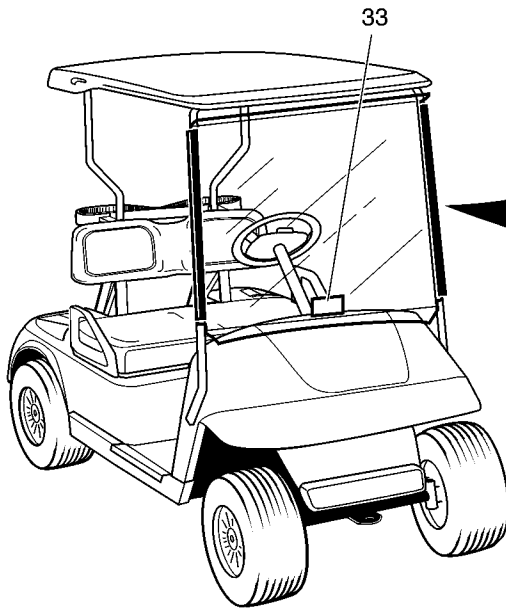


Electric Vehicle

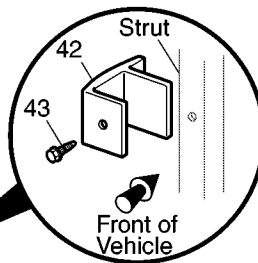
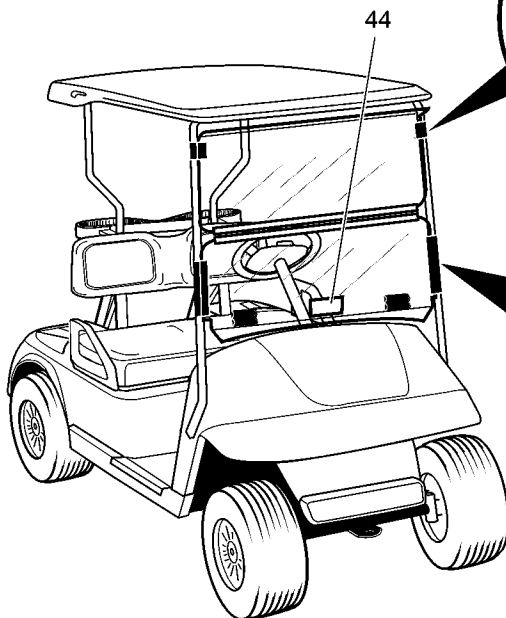
WEATHER PROTECTION, GOLF CAR



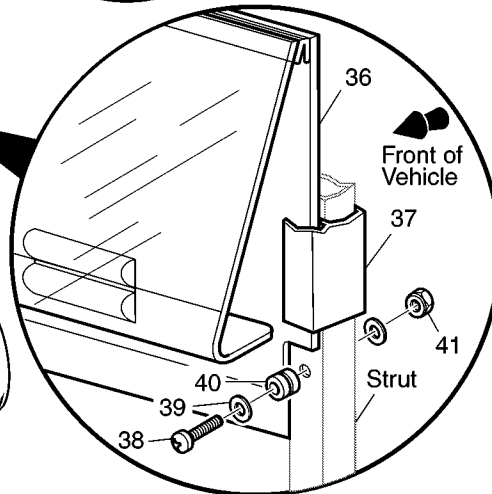
REAR VIEW MIRROR
21 - Includes Items 22 - 24



FULL WINDSHIELD
26 - Includes Items 27 - 33



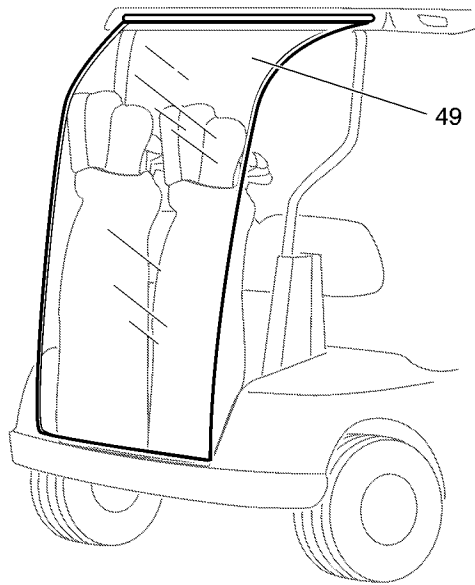
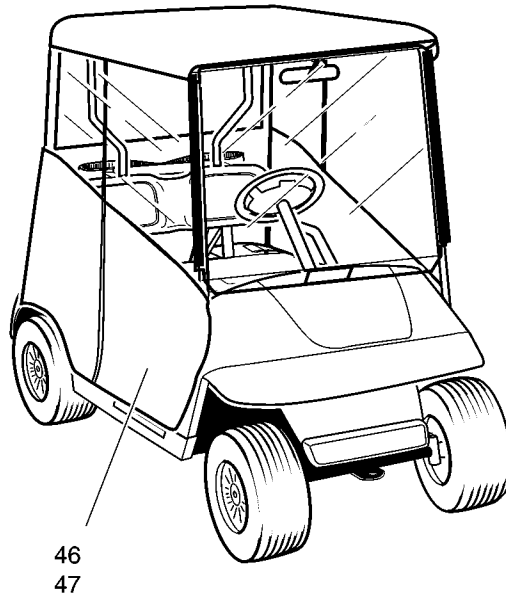
FOLD DOWN WINDSHIELD
35 - Includes Items 36 - 44



WEATHER PROTECTION, GOLF CAR

Electric Vehicle

WEATHER ENCLOSURE



BAG AND RAIN CURTAIN

Electric Vehicle

WEATHER PROTECTION, GOLF CAR

Replacement parts for the windshield may be obtained from Eagle Parts, Inc. 1411 Marvin Griffin Rd. Augusta, GA 30906. Telephone (706) 790-6687 or FAX (706) 790-6066

* Indicates a component that is not available as an individual part.

G** Indicates consult Customer Service Department for additional information.

ITEM	PART NO.	1 2 3 4 5	DESCRIPTION	QTY.
1	75040-G**		SUN TOP KIT (GOLF CAR) (INCLUDES ITEMS 2 - 19)	1
2	27069-G**		SUN TOP	1
3	75045-G01		FRONT STRUT	1
4	01035-G01		BOLT, 5/16 - 18 X 2 1/4" LG	4
5	00905-G8		LOCK WASHER, 5/16"	4
6	75048-G01		SPACER, 1/2"	2
7	00570-G2		WASHER, 5/16"	6
8	75046-G01		REAR STRUT	2
9				
10	00439-G6		BOLT, 5/16 - 18 X 1 3/4" LG	4
11	00571-G2		WASHER, 5/16"	8
12	17255-G1		TEFLON WASHER, 5/16"	4
13	11098-G6		LOCK NUT, 5/16 - 18	4
14	00753-G5		SCREW, 1/4 - 20 X 2" LG (STAINLESS STEEL)	2
15	00753-G6		SCREW, 1/4 - 20 X 2 1/4" LG (STAINLESS STEEL)	2
16	00559-G7		WASHER, 1/4"	8
17	75051-G01		SPACER	4
18	00891-G2		LOCK NUT, 1/4 - 20	4
19	19853-G1		END CAP, 1"	2
20				
21	19528-G2		REAR VIEW MIRROR KIT (INCLUDES ITEMS 22 - 24)	1
22	19496-G1		REAR VIEW MIRROR	1
23	19502-G2		SUPPORT BRACKET	1
24	19527-G1		SCREW, #8 - 32 X 5/8" LG (STAINLESS STEEL)	1
25				
26	75524-G01		WINDSHIELD KIT (GOLF CAR) (INCLUDES ITEMS 27 - 33)	1
27	*		WINDSHIELD	1
28	EGWHC12		SASH, 26" LG	2
29	EGWHS12		SCREW, 1/4 - 20 X 1 3/4" LG (STAINLESS STEEL)	2
30	EGWHW12		WASHER, 1/4" (STAINLESS STEEL)	4

WEATHER PROTECTION, GOLF CAR

Electric Vehicle

Replacement parts for the windshield may be obtained from Eagle Parts, Inc. 1411 Marvin Griffin Rd. Augusta, GA 30906. Telephone (706) 790-6687 or FAX (706) 790-6066
 * Indicates a component that is not available as an individual part.
 G** Indicates consult Customer Service Department for additional information.

ITEM	PART NO.	1 2 3 4 5	DESCRIPTION	QTY.
31	EGWHG13		RUBBER GROMMET	2
32	EGWHN12		LOCK NUT, 1/4 - 20 (STAINLESS STEEL).....	2
33	EGWHL-14		LABEL (SAFETY)	1
34				
35	75525-G01		FOLD DOWN WINDSHIELD KIT (GOLF CAR) (INCLUDES ITEMS 36 - 42).....	1
36	*		WINDSHIELD	1
37	EGWHC10		SASH, 12" LG	2
38	EGWHS12		SCREW, 1/4 - 20 X 1 3/4" LG (STAINLESS STEEL).....	2
39	EGWHW12		WASHER, 1/4" (STAINLESS STEEL).....	4
40	EGWHG13		RUBBER GROMMET	2
41	EGWHN12		LOCK NUT, 1/4 - 20 (STAINLESS STEEL).....	2
42	137-010		TOP GRIP, 3/4" X 2"	2
43	136-008		TOP GRIP FASTENER.....	2
44	EGWHL-14		LABEL (SAFETY)	1
45				
46	75078-G01		WEATHER ENCLOSURE (3 SIDED) RECOMMENDED FOR VEHICLES WITH WINDSHIELDS	1
47	75079-G01		WEATHER ENCLOSURE (4 SIDED) RECOMMENDED FOR VEHICLES WITHOUT WINDSHIELDS	1
48				
49	75191-G01		BAG COVER AND RAIN CURTAIN KIT.....	1

**DID YOU
KNOW?**

CartPros directs you to the right part using the part numbers from this manual. Enter the part number into our search box and it will find the part you are looking for.

**GET STARTED
HERE**



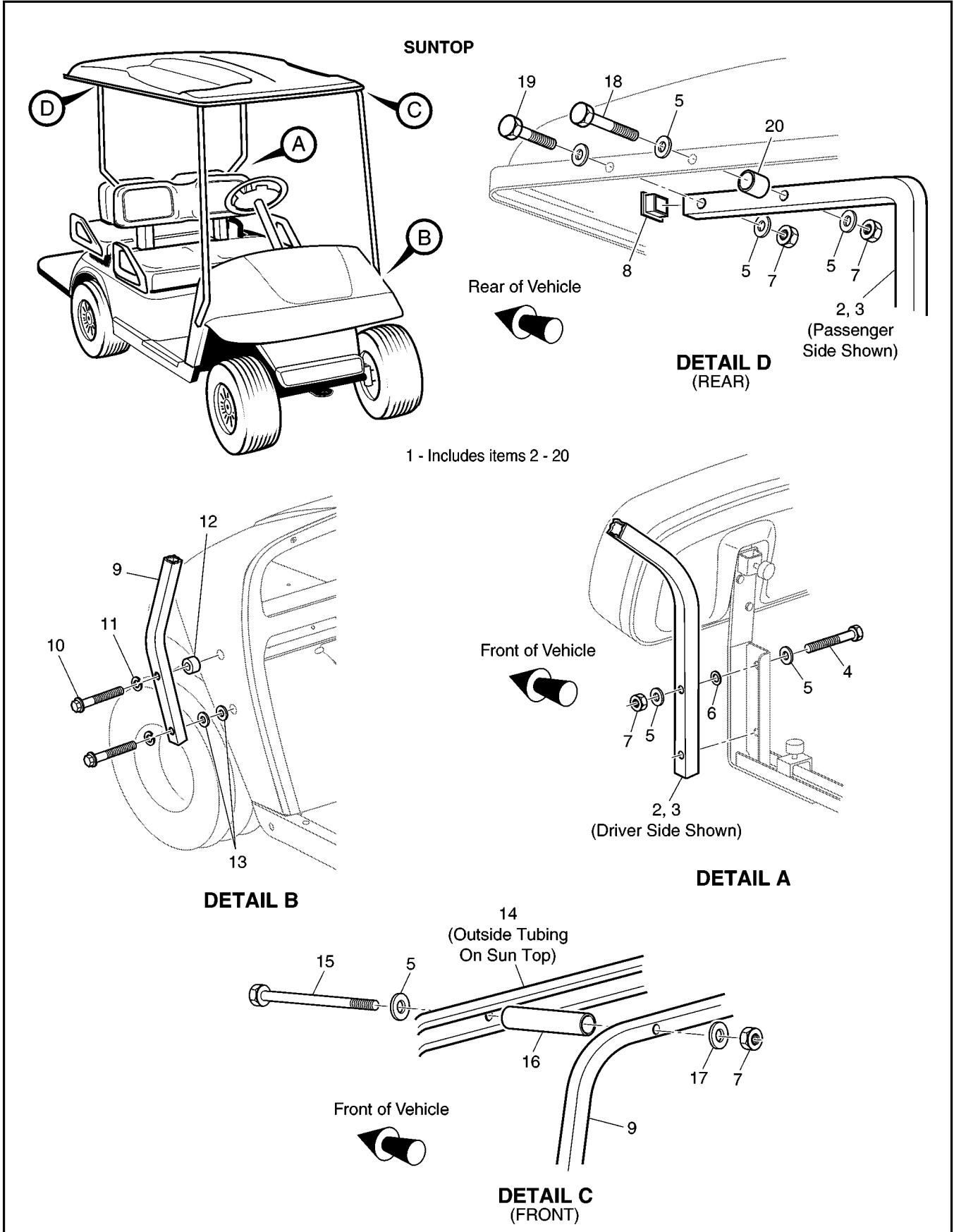
<https://CartPros.com/f.html>

Electric Vehicle

WEATHER PROTECTION, GOLF CAR

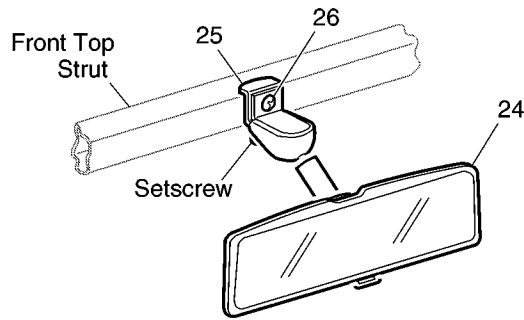
WEATHER PROTECTION, SHUTTLE 2+2

Electric Vehicle

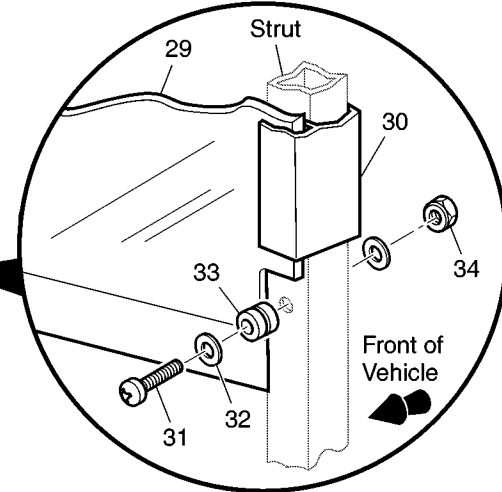
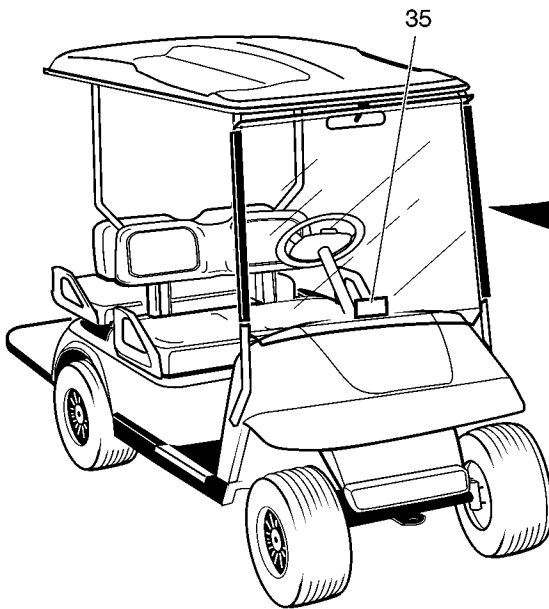


Electric Vehicle

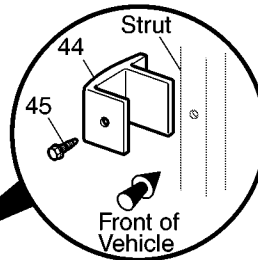
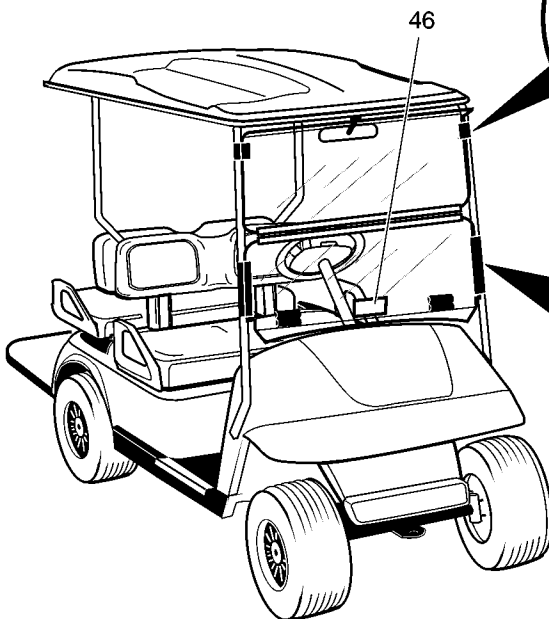
WEATHER PROTECTION, SHUTTLE 2+2



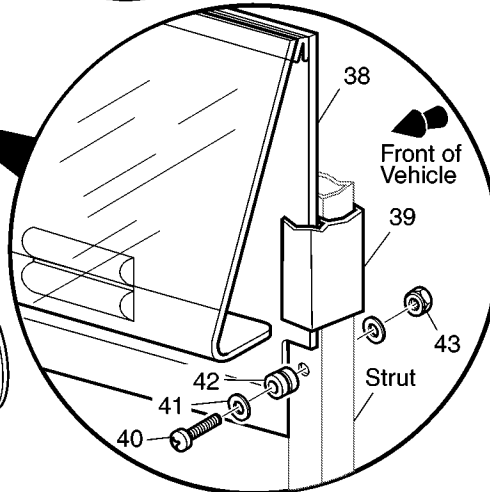
REAR VIEW MIRROR
23 - Includes Items 24 - 26



FULL WINDSHIELD
28 - Includes Items 29 - 35



FOLD DOWN WINDSHIELD
37 - Includes Items 38 - 46



WEATHER PROTECTION, SHUTTLE 2+2

Electric Vehicle

Replacement parts for the windshield may be obtained from Eagle Parts, Inc. 1411 Marvin Griffin Rd. Augusta, GA 30906. Telephone (706) 790-6687 or FAX (706) 790-6066

* Indicates a component that is not available as an individual part.

G** Indicates consult Customer Service Department for additional information.

ITEM	PART NO.	1 2 3 4 5	DESCRIPTION	QTY.
1	75123-G01		SUN TOP (SHUTTLE 2+2) (INCLUDES ITEMS 2 - 20).....	1
2	75074-G01		REAR STRUT (DRIVER SIDE).....	1
3	75074-G02		REAR STRUT (PASSENGER SIDE).....	1
4	00665-G5		BOLT, 3/8 - 16 X 1 3/4" LG.....	4
5	00679-G1		WASHER, 3/8.....	18
6	00771-G5		WASHER, 3/8.....	4
7	00891-G5		LOCK NUT, 3/8 - 16.....	10
8	19853-G1		END CAP, 1".....	2
9	75125-G01		FRONT STRUT.....	1
10	01035-G01		BOLT, 5/16 - 18 X 2 1/4" LG.....	4
11	00905-G8		LOCK WASHER, 5/16".....	4
12	75048-G01		SPACER, 1/2".....	2
13	00879-G1		WASHER, 3/8".....	4
14	27604-G01		SUN TOP.....	1
15	00674-G8		BOLT, 3/8 - 16 X 5" LG.....	2
16	18716-G1		SPACER.....	2
17	00653-G1		WASHER, 3/8" (STAINLESS STEEL).....	2
18	00665-G3		BOLT, 3/8 - 16 X 2 1/2" LG (STAINLESS STEEL).....	2
19	00665-G6		BOLT, 3/8 - 16 X 2" LG.....	2
20	24647-G1		SPACER, 1/4".....	2
21				
22				
23	19528-G2		REAR VIEW MIRROR KIT (INCLUDES ITEMS 24 - 26).....	1
24	19496-G1		REAR VIEW MIRROR.....	1
25	19502-G2		SUPPORT BRACKET.....	1
26	19527-G1		SCREW, #8 - 32 X 5/8" LG (STAINLESS STEEL).....	1
27				
28	75524-G02		WINDSHIELD KIT (SHUTTLE 2+2) (INCLUDES ITEMS 29 - 35).....	1
29	*		WINDSHIELD.....	1
30	EGWHC12		SASH, 26" LG.....	2

Electric Vehicle

WEATHER PROTECTION, SHUTTLE 2+2

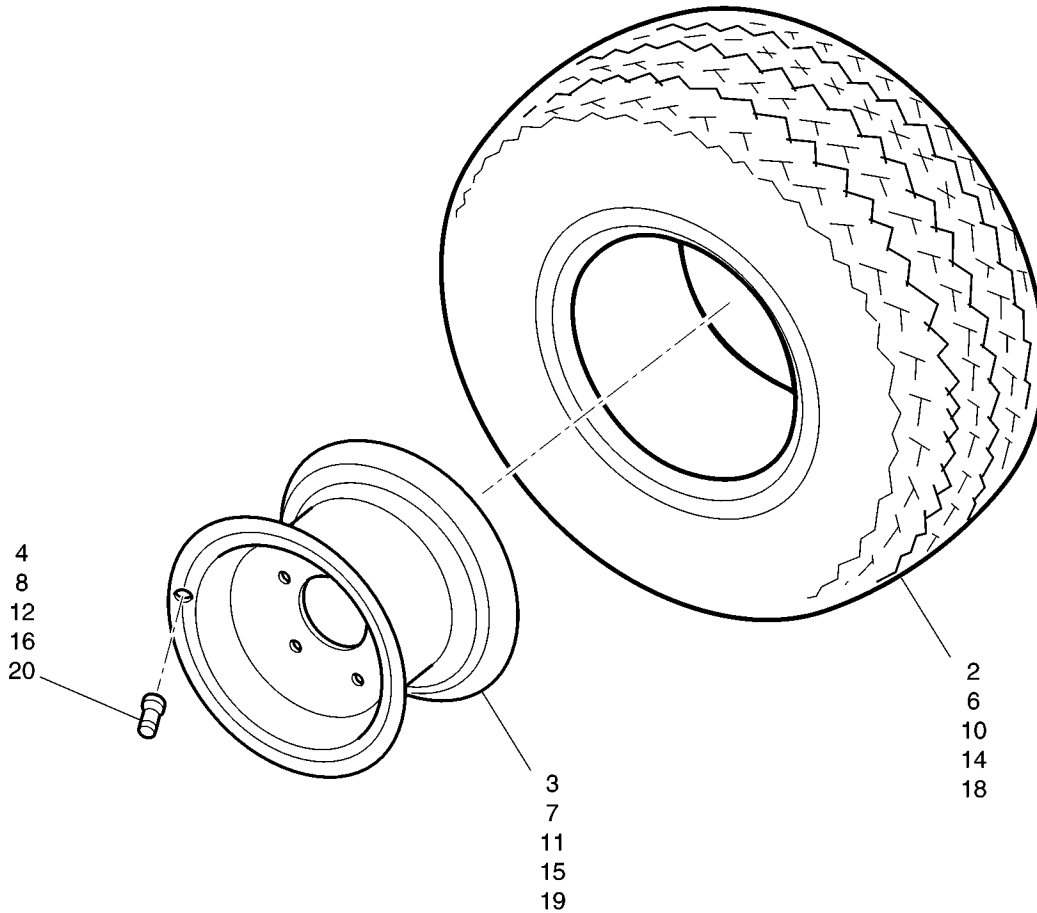
Replacement parts for the windshield may be obtained from Eagle Parts, Inc. 1411 Marvin Griffin Rd. Augusta, GA 30906. Telephone (706) 790-6687 or FAX (706) 790-6066
 * Indicates a component that is not available as an individual part.
 G** Indicates consult Customer Service Department for additional information.

ITEM	PART NO.	1	2	3	4	5	DESCRIPTION	QTY.
31	EGWHS12						SCREW, 1/4 - 20 X 1 3/4" LG (STAINLESS STEEL).....	2
32	EGWHW12						WASHER, 1/4" (STAINLESS STEEL)	4
33	EGWHG13						RUBBER GROMMET	2
34	EGWHN12						LOCK NUT, 1/4 - 20 (STAINLESS STEEL)	2
35	EGWHL-14						LABEL (SAFETY)	1
36								
37	75525-G02						FOLD DOWN WINDSHIELD KIT (SHUTTLE 2+2) (INCLUDES ITEMS 38 - 44)	1
38	*						WINDSHIELD	1
39	EGWHC10						SASH, 12" LG.....	2
40	EGWHS12						SCREW, 1/4 - 20 X 1 3/4" LG (STAINLESS STEEL).....	2
41	EGWHW12						WASHER, 1/4" (STAINLESS STEEL)	4
42	EGWHG13						RUBBER GROMMET	2
43	EGWHN12						LOCK NUT, 1/4 - 20 (STAINLESS STEEL)	2
44	137-010						TOP GRIP, 3/4" X 2"	2
45	136-008						TOP GRIP FASTENER.....	2
46	EGWHL-14						LABEL (SAFETY)	1

WHEELS AND TIRES

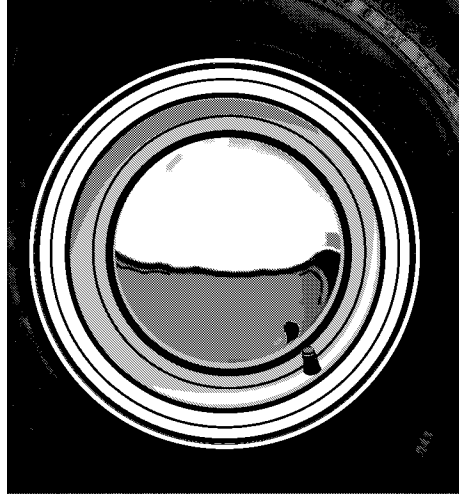
Electric Vehicle

- 1 - Includes Items 2 - 4
- 5 - Includes Items 6 - 8
- 9 - Includes Items 10 - 12
- 13 - Includes Items 14 - 16
- 17 - Includes Items 18 - 20



Electric Vehicle

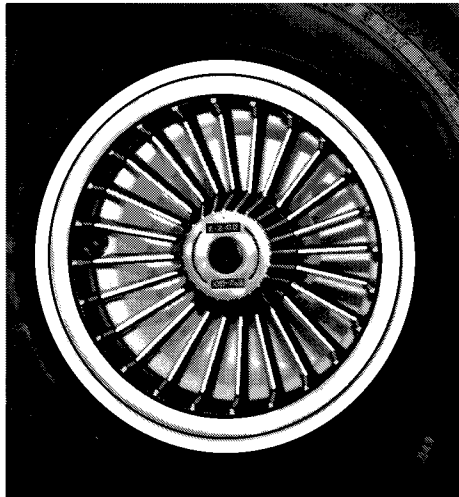
WHEELS AND TIRES



6" CHROME HUBCAP
23



8" CHROME HUBCAP
22



GOLD / SILVER SPOKE HUBCAP
24
25

WHEELS AND TIRES

Electric Vehicle

When ordering parts, please specify the model and serial number of the product.

* Indicates a component that is not available as an individual part.

G** Indicates consult Customer Service Department for additional information.

ITEM	PART NO.	1 2 3 4 5	DESCRIPTION	QTY.
1	27772-G09		TIRE AND WHEEL ASSEMBLY (LINKS 1 18 X 8.5 - 8) (INCLUDES ITEMS 2 - 4).....	AR
2	27772-G10		LINKS 1 CARLISLE TIRE, 18 X 8.5 - 8	AR
3	15169-G1		WHEEL RIM (4 LUG).....	AR
4	11657-G1		VALVE STEM.....	AR
5	27772-G03		WHEEL AND TIRE ASSEMBLY (TURF SAVER 18 X 8.5 - 8) (INCLUDES ITEMS 6 - 8).....	AR
6	27772-G07		CARLISLE TIRE (TURF SAVER 18 X 8.5 - 8).....	AR
7	15169-G1		WHEEL RIM (4 LUG).....	AR
8	11657-G1		VALVE STEM.....	AR
9	27775-G01		WHEEL AND TIRE ASSEMBLY (USA TRAIL 6-PLY 18.5 X 8.5 - 8) (INCLUDES ITEMS 10 - 12).....	AR
10	27775-G02		CARLISLE TIRE (USA TRAIL, 6 PLY 18 X 8.5 - 8)	AR
11	15169-G1		WHEEL RIM (4 LUG).....	AR
12	11657-G1		VALVE STEM.....	AR
13	27772-G02		WHEEL AND TIRE ASSEMBLY (TURF GLIDE 18 X 8.5 - 8) (INCLUDES ITEMS 14 - 16).....	AR
14	27772-G06		CARLISLE TIRE (TURF GLIDE 18 X 8.5 - 8).....	AR
15	15169-G1		WHEEL RIM (4 LUG).....	AR
16	11657-G1		VALVE STEM.....	AR
17	27772-G04		WHEEL AND TIRE ASSEMBLY (FAIRWAY 18 X 8.5 - 8) (INCLUDES ITEMS 18 - 20).....	AR
18	27772-G08		CARLISLE TIRE (FAIRWAY 18 X 8.5 - 8).....	AR
19	15169-G1		WHEEL RIM (4 LUG).....	AR
20	11657-G1		VALVE STEM.....	AR
21				
22	14913-G**		8" CHROME HUBCAP	AR
23	16042-G**		6" CHROME HUBCAP	AR
24	19241-G**		GOLD SPOKE HUBCAP.....	AR
25	19241-G**		SILVER SPOKE HUBCAP.....	AR

**DID YOU
KNOW?**

CartPros directs you to the right part using the part numbers from this manual. Enter the part number into our search box and it will find the part you are looking for.

**GET STARTED
HERE**



<https://CartPros.com/f.html>

SPECIALTY PRODUCTS

SPECIALTY PRODUCTS

SPECIALTY PRODUCTS

SPECIAL TOOLS	Part No.
BATTERY SET DISCHARGER, 36 VOLT, 75 AMP	28251-G01
BATTERY MAINTANANCE KIT	25587-G01
CURRENT INDICATOR.....	16489-G1
DIGITAL MULTI-METER.....	27481-G01
CRIMPING TOOL	27765-G01
SLIDE HAMMER (AXLE/HUB REMOVAL)	15947-G1
SLIDE HAMMER (AXLE REMOVAL ONLY).....	18753-G1

PAINT

HUNTER GREEN - TOUCH-UP PEN.....	28432-G02
CHAMPAGNE BEIGE - TOUCH-UP PEN.....	28432-G01
HUNTER GREEN - 12 OZ. AEROSOL.....	28140-G09
CHAMPAGNE BEIGE - 12 OZ. AEROSOL	28140-G15

PERFORMANCE PRODUCTS

FORMULA 40 VINYL-COAT® - WHITE	28166-G01
PLEXUS® CLEANER, 7 OZ (FOR WINDSHIELDS).....	28433-G01
PLEXUS® CLEANER, 13 OZ (FOR WINDSHIELDS).....	28433-G02
BATTERY PROTECTOR, 14 OZ AEROSOL.....	75500-G01
CARBURETOR & CHOKE CLEANER, 15 OZ AEROSOL	75501-G01
WHITE LITHIUM GREASE, 14 OZ AEROSOL.....	75502-G01
PENETRANT/LUBRICANT, 15 OZ AEROSOL.....	75503-G01
MULTI-PURPOSE CLEANER & DEGREASER, 14 OZ AEROSOL	75504-G01
MULTI-PURPOSE HAND CLEANER, 32 OZ LIQUID.....	75505-G01
BATTERY CLEANER, 32 OZ WITH TRIGGER SPRAYER	75506-G01
BIODEGRADEABLE CLEANER, 32 OZ WITH TRIGGER SPRAYER	75507-G01
MULTI-PURPOSE VALUE PACK.....	75508-G01
• BATTERY PROTECTOR, 4 OZ AEROSOL	• WHITE LITHIUM GREASE, 4 OZ AEROSOL
• PENETRANT/LUBRICANT, 4 OZ AEROSOL	• CARBURETOR & CHOKE CLEANER, 4 OZ AEROSOL

**DID YOU
KNOW?**

CartPros directs you to the right part using the part numbers from this manual. Enter the part number into our search box and it will find the part you are looking for.

**GET STARTED
HERE**



<https://CartPros.com/f.html>

ACCESSORIES

ACCESSORIES LISTING

ACCESSORIES

ACCESSORIES LISTING

KIT NO.

SUN TOP KIT, GOLF CAR	75040-G**	See Weather Protection (Golf Car)
SUN TOP KIT, SHUTTLE 2+2	75123-G01	See Weather Protection, (Shuttle 2+2)
WINDSHIELD KIT, GOLF CAR.....	75524-G01	See Weather Protection (Golf Car)
WINDSHIELD KIT, SHUTTLE 2+2.....	75524-G02	See Weather Protection (Shuttle 2+2)
WINDSHIELD KIT, FOLD DOWN, GOLF CAR	75525-G01	See Weather Protection (Golf Car)
WINDSHIELD KIT, FOLD DOWN, SHUTTLE 2+2.....	75525-G02	See Weather Protection (Shuttle 2+2)
SAND RAKE	14735-G1	See Body
TOW BAR KIT (PERMANENT).....	75310-G01	See Tow Bar (Permanent)
WEATHER ENCLOSURE (3 SIDED)	75078-G01	See Weather Protection (Golf Car)
WEATHER ENCLOSURE (3 SIDED)	75492-G01	See Weather Protection (Shuttle 2+2)
WEATHER ENCLOSURE (4 SIDED)	75079-G01	See Weather Protection (Golf Car)
REAR VIEW MIRROR (REQUIRES SUN TOP)	19528-G2	See Weather Protection (Golf Car)
MESSAGE HOLDER KIT (REQUIRES SUN TOP)	75094-G01	See Body
HOUR METER.....	75113-G02	See Electrical
COOLER JUG / BRACKET KIT	75495-G01	See Body
BAG COVER / RAIN CURTAIN KIT.....	75191-G01	See Weather Protection (Golf Car)
ASHTRAY KIT.....	75109-G02	See Body
TURN SIGNAL KIT	75107-G02	See Electrical
SAND BOTTLE.....	28661-G01	See Body
8" CHROME HUBCAP.....	14913-G*	See Wheels and Tires
6" CHROME HUBCAP.....	16042-G*	See Wheels and Tires
GOLD SPOKE HUBCAP	19241-G*	See Wheels and Tires
SILVER SPOKE HUBCAP	19241-G*	See Wheels and Tires
SHUTTLE 2+2 KIT	74150-G**	See Body, Seating (Shuttle 2+2)
CENTER BASKET	75003-G02	See Body
SIDE BASKET	75007-G02	See Body
TWO BAG ATTACHMENT	75183-G01	See Body
CONVERTIBLE CARRIER KIT	75179-G*	See Body, Seating (Convertible Carrier)
4 BAG ATTACHMENT	75335-G01	See Body

**DID YOU
KNOW?**

CartPros directs you to the right part using the part numbers from this manual. Enter the part number into our search box and it will find the part you are looking for.

**GET STARTED
HERE**



<https://CartPros.com/f.html>

TEXTRON
GOLF, TURF & SPECIALTY PRODUCTS

TEXTRON Golf, Turf & Specialty Products
P.O. Box 388 Augusta, Georgia 30903-0388 USA
Inside USA Phone: 1-800-241-5855, FAX: 1-800-448-8124
Outside USA Phone: 010-1-706-798-4311, FAX: 010-1-706-771-4609

Copyrighted Material
This manual may not be reproduced in whole or
in part without the express permission of
TEXTRON Golf, Turf & Specialty Products
Technical Communications Department