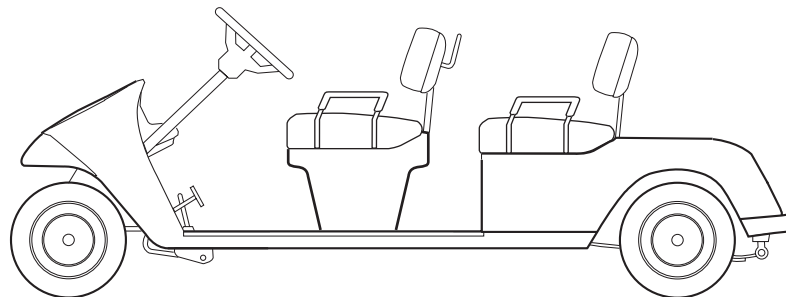
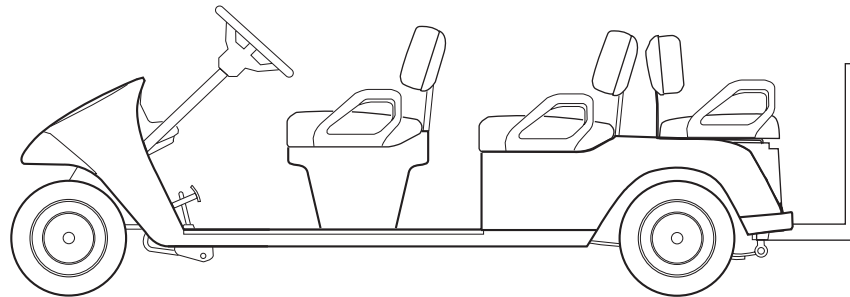
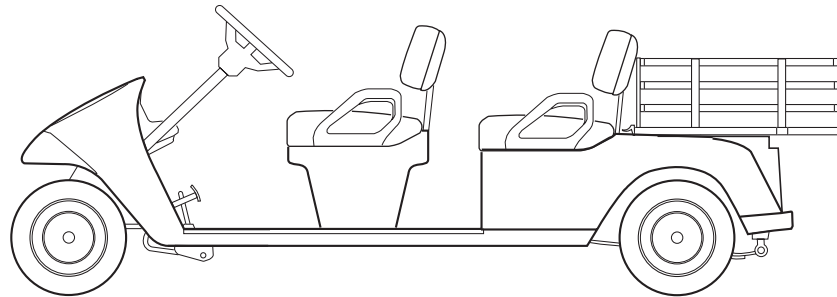




A Textron Company



SERVICE PARTS MANUAL



Ref Fcv 7

GASOLINE POWERED PERSONNEL CARRIERS AND 5 PASSENGER GOLF CAR

STARTING MODEL YEAR: 2002

REVISED: 12/2002

SERVICE PARTS MANUAL

GASOLINE POWERED PERSONNEL CARRIERS & 5 PASSENGER GOLF CAR

SHUTTLE 4

SHUTTLE 6

TG5

Textron Golf, Turf & Specialty Products reserves the right to make design changes without obligation to make these changes on units previously sold and the information contained in this manual is subject to change without notice.

Textron Golf, Turf & Specialty Products is not liable for errors in this manual or for incidental or consequential damages that result from the use of the material in this manual.

CUSTOMER SERVICE DEPARTMENT IN USA PHONE: 1-800-241-5855 FAX: 1-800-448-8124

OUTSIDE USA PHONE: 010-1-706-798-4311, FAX: 010-1-706-771-4609

TEXTRON GOLF, TURF & SPECIALTY PRODUCTS, P.O.BOX 388, AUGUSTA, GEORGIA USA 30903-0388

NOTES

To obtain a copy of the limited warranty applicable to the vehicle, call or write a local distributor, authorized Branch or the Warranty Department with vehicle serial number and manufacturer code.

The use of non Original Equipment Manufacturer (OEM) approved parts may void the warranty.

Tampering with or adjusting the governor to permit vehicle to operate at above factory specifications will void the vehicle warranty.

When servicing engines, all adjustments and replacement components must be per original vehicle specifications in order to maintain the United States of America Federal and State emission certification applicable at the time of manufacture.

BATTERY PROLONGED STORAGE

All batteries will self discharge over time. The rate of self discharge varies depending on the ambient temperature and the age and condition of the batteries.

A fully charged battery will not freeze in winter temperatures unless the temperature falls below -75° F (-60° C).

TABLE OF CONTENTS

SECTION	Page No.
HOW TO USE THE SERVICE PARTS MANUAL	v
ILLUSTRATED PARTS BREAKDOWN	vii
ACCELERATOR	A-1
AIR CLEANER	B-1
BODY	C-1
BRAKES - HYDRAULIC	D-1
BRAKES - MECHANICAL	D-11
CARBURETOR	E-1
CLUTCH	F-1
DIRECTION SELECTOR - SEAT CONSOLE	G-1
DIRECTION SELECTOR - SEAT PANEL	G-5
ELECTRICAL SYSTEM	H-1
ENGINE AND MUFFLER	J-1
ENGINE MOUNTING	K-1
FRONT SUSPENSION/STEERING	L-1
FUEL SYSTEM	M-1
REAR SUSPENSION - HYDRAULIC BRAKES	N-1
REAR SUSPENSION - MECHANICAL BRAKES	N-3
REAR AXLE - HYDRAULIC BRAKES	P-1
REAR AXLE - MECHANICAL BRAKES	P-3
SEATING	Q-1
STARTER / GENERATOR	R-1
WEATHER PROTECTION	S-1
WHEELS AND TIRES	T-1
INDEX OF MAJOR COMPONENTS	INDEX-1

TABLE OF CONTENTS

Notes:

HOW TO USE THE SERVICE PARTS MANUAL

This manual is divided into several sections:

GENERAL INFORMATION

- TABLE OF CONTENTS
- HOW TO USE THE SERVICE PARTS MANUAL

ILLUSTRATED PARTS BREAKDOWN

- Contains illustrations and parts lists for all systems of the vehicle

APPENDIX

- Contains a listing of specialty products and options/accessories

INDEX OF MAJOR COMPONENTS

- Contains a listing of parts (excluding hardware) grouped by part number and description and indicates on which page(s) they can be found

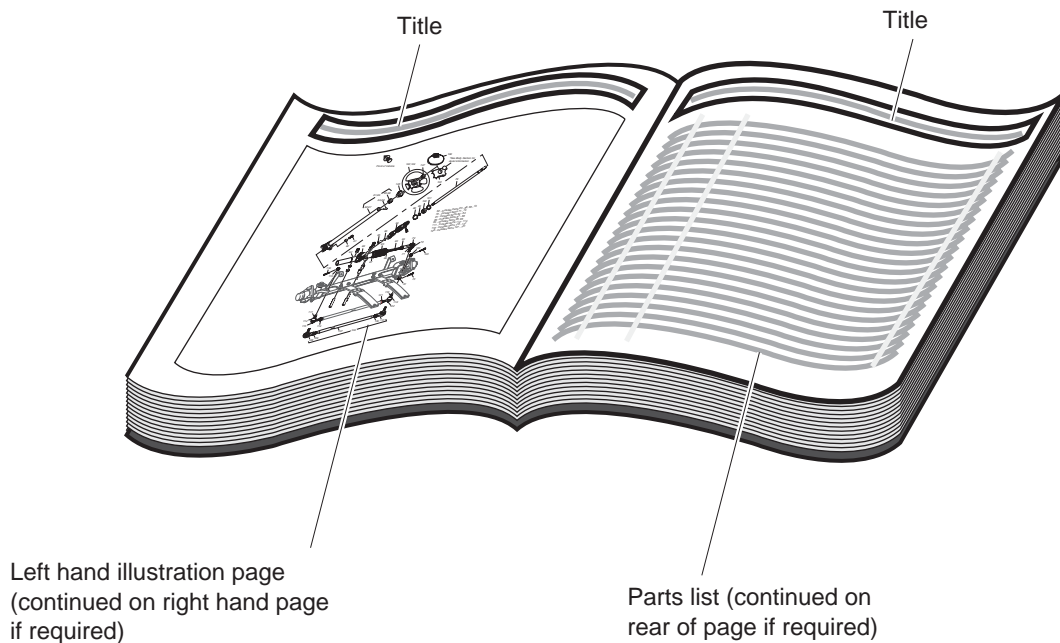
USE OF THE MANUAL

To use this manual, consult the TABLE OF CONTENTS (page iii) or the INDEX OF MAJOR COMPONENTS (located at rear of this manual) to locate the information or illustration required.

Introduction of some revisions varies due to supply of components; therefore, it is possible that various combinations of components may be found that are not directly reflected by each illustration. Consult the illustration that best suits your situation. Locate the serial number plate (see BODY located in the Illustrated Parts Breakdown section of this manual for its location) and note the complete number shown on the plate. It is important that the serial number of your vehicle and its model number be supplied to Service Parts when ordering any replacement components.

Locate the serial number plate (see BODY located in the Illustrated Parts Breakdown section of this manual for its location) and note the complete number shown on the plate.

HOW TO USE THE SERVICE PARTS MANUAL



1. WHEN THE PART NUMBER IS NOT KNOWN

- Determine the function and application of the part required. Turn to the INDEX OF MAJOR COMPONENTS and select the most appropriate component description.
- Turn to the page number indicated and locate the part description in the parts list. Read the full accompanying description for specific information regarding the part that was not shown in the index.
- From the parts list, obtain the item number assigned to it and confirm that the part selected is correct by verifying it with the pictorial representation on the illustrated page.

2. IF YOU KNOW THE PART NUMBER

- Use the INDEX OF MAJOR COMPONENTS to find the page(s) the part number appears on.
- Turn to the page number indicated and locate the part number in the parts list. Refer to the accompanying description for specific information regarding the part.
- From the parts list, obtain the item number assigned to it and confirm that the part selected is correct by verifying it with the pictorial representation on the illustrated page.

Should an asterisk (*) appear in the part number column on the parts list page, read upwards until a part number is found. The part number is the lowest assembly sold by Service Parts. The asterisk (*) indicates that the part depicted is not available for purchase.

NOTE: Descriptions are indented under the assembly that they are used on. That assembly is, in turn listed under the assembly that it is used on. This process is repeated until the highest final assembly is reached.

To facilitate the maintenance and repair of the vehicle, a Technician's Repair and Service Manual is available from the Service Parts Department.

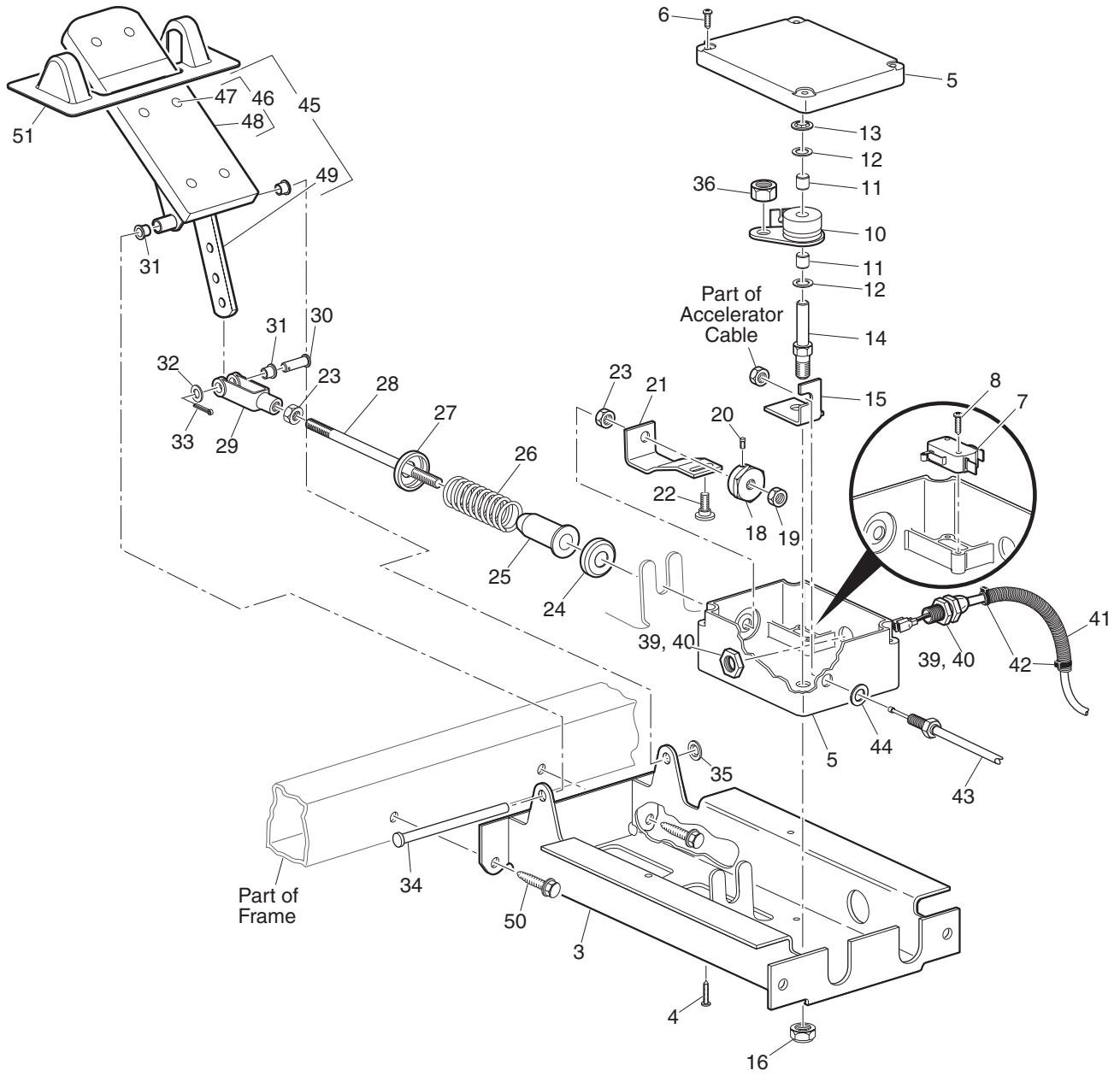
ILLUSTRATED PARTS BREAKDOWN

HOW TO USE THE SERVICE PARTS MANUAL



ACCELERATOR

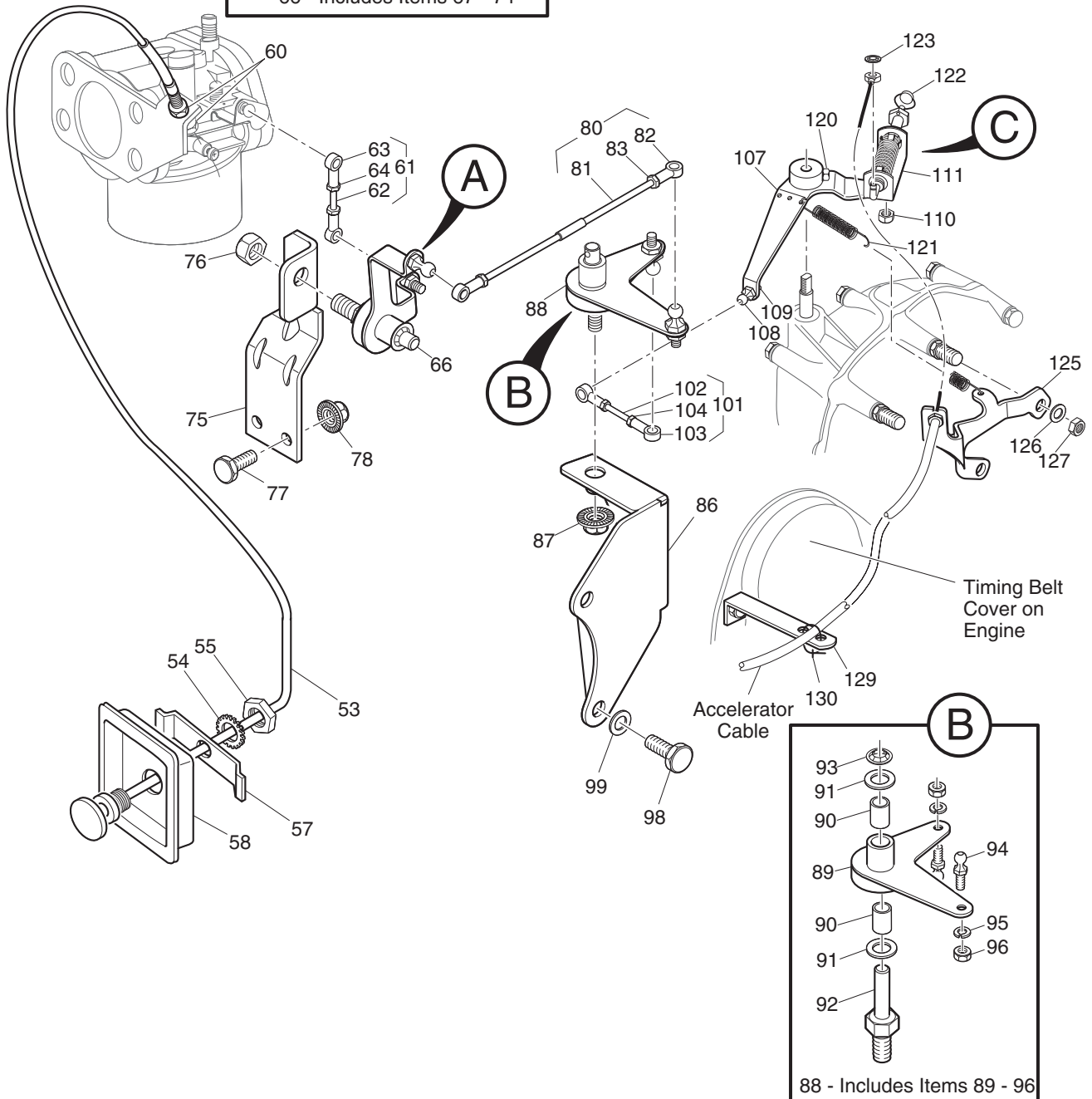
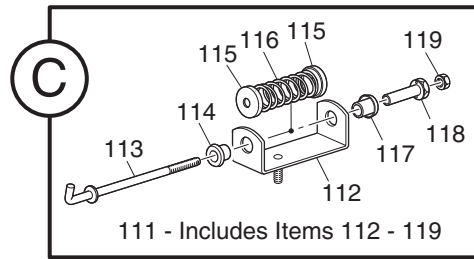
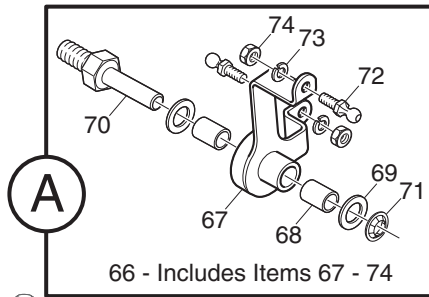
- 1 - Includes Items 3 - 39, 41 - 49
- 2 - Includes Items 3 - 37, 40 - 49 (TG5)



Ref Acl 8-1

ACCELERATOR

85 - Includes Items 86 - 96
106 - Includes Items 107 - 119



Ref Acl 8-2

ACCELERATOR

When ordering parts, please specify the model and serial number of the product.

* Indicates a component that is not available as an individual part.

G** Indicates consult Customer Service Department for additional information.

ITEM	PART NO.	1 2 3 4 5	DESCRIPTION	QTY.
1	<u>72062-G02</u>		PEDAL BOX ASSEMBLY (INCLUDES ITEMS 3 - 39, 41 - 49).....	1
2	<u>72062-G06</u>		PEDAL BOX ASSEMBLY (INCLUDES ITEMS 3 - 37, 40 - 49) (TG5).....	1
3	70116-G01		ACCELERATOR PEDAL BRACKET.....	1
4	<u>01051-G01</u>		SCREW, #8 - 16 X 1/2" LG	4
5	<u>25853-G02</u>		PEDAL BOX AND COVER	1
6	<u>00684-G6</u>		SCREW, #8 - 32 X 3/4" LG (STAINLESS STEEL).....	4
7	<u>25861-G01</u>		MICRO SWITCH.....	1
8	<u>01050-G01</u>		SCREW, #4 - 20 X 5/8" LG	2
9				
10	72066-G01		CONTROL ARM	1
11	<u>23860-G1</u>		BEARING.....	2
12	<u>24621-G1</u>		NYLON WASHER, 5/16".....	2
13	<u>12064-G1</u>		PUSH NUT, 5/16".....	1
14	25768-G01		PIVOT ROD	1
15	<u>72199-G01</u>		PIVOT BRACKET	1
16	<u>14390-G1</u>		LOCK NUT, 3/8-24.....	1
17				
18	<u>72198-G03</u>		MICRO SWITCH CAM.....	1
19	<u>00550-G4</u>		LOCK NUT, 5/16 - 24.....	1
20	<u>00487-G3</u>		SETSCREW, 1/4 - 20 X 3/8" LG	1
21	72074-G01		CONTROL ARM LINK	1
22	<u>72225-G01</u>		SHOULDER BOLT, #10 - 24 X 11/16" LG.....	1
23	<u>00532-G4</u>		NUT, 5/16 - 24.....	2
24	<u>17677-G1</u>		SPRING RETAINER	1
25	<u>17979-G1</u>		ACCELERATOR ROD BUSHING.....	1
26	<u>73046-G01</u>		COMPRESSION SPRING	1
27	<u>17677-G2</u>		SPRING RETAINER	1
28	72072-G01		ACCELERATOR ROD	1
29	10385-G4		CLEVIS YOKE (ADJUSTABLE).....	1
30	<u>10386-G3</u>		CLEVIS PIN, 5/16" X 13/16" LG	1

ACCELERATOR

When ordering parts, please specify the model and serial number of the product.

* Indicates a component that is not available as an individual part.

G** Indicates consult Customer Service Department for additional information.

ITEM	PART NO.	1	2	3	4	5	DESCRIPTION	QTY.
31	<u>17838-G1</u>						NYLON BUSHING	3
32	<u>17255-G1</u>						TEFLON WASHER, 5/16"	1
33	<u>10387-G3</u>						COTTER PIN, 3/32" X 3/4" LG	1
34	<u>74432-G01</u>						PEDAL PIVOT PIN	1
35	<u>12064-G6</u>						PUSH NUT, 9/32"	1
36	<u>14390-G10</u>						LOCK NUT, #10 - 24	1
37	12730-G1						WHEEL BEARING GREASE (NOT ILLUSTRATED)	A/R
38								
39	<u>72201-G02</u>						WIRE HARNESS (PEDAL BOX)	1
40	<u>72201-G03</u>						WIRE HARNESS (PEDAL BOX) (TG5)	1
41	<u>17313-G1</u>						FLEX LOOM (BULK)	AR
42	<u>17618-G1</u>						WIRE TIE	2
43	72402-G01						ACCELERATOR CABLE	1
44	00559-G8						WASHER, 5/16"	1
45	25799-G01						ACCELERATOR PEDAL ASSEMBLY (INCLUDES ITEMS 44 - 47)	1
46	<u>27844-G01</u>						ACCELERATOR PEDAL PAD KIT (INCLUDES ITEMS 45 - 46)	1
47	<u>15766-G1</u>						OVAL RIVET, 3/16" X 7/16" LG	6
48	<u>27512-G01</u>						ACCELERATOR PEDAL PAD	1
49	*						ACCELERATOR PEDAL	
50	<u>00715-G2</u>						BOLT, 5/16 - 18 X 4/5" LG	4
51	<u>70135-G01</u>						PEDAL PIVOT COVER	1
52								
53	72401-G01						CHOKE CABLE (WITH NUTS)	1
54	<u>00568-G4</u>						LOCK WASHER, 9/16"	1
55	<u>00545-G4</u>						JAM NUT, 9/16 - 18	1
56								
57	<u>72155-G01</u>						RETAINER	1
58	<u>72154-G01</u>						CHOKE CABLE ADAPTER	1
59								
60	<u>00544-G4</u>						JAM NUT, 5/16 - 24	2

ACCELERATOR

When ordering parts, please specify the model and serial number of the product.

* Indicates a component that is not available as an individual part.

G** Indicates consult Customer Service Department for additional information.

ITEM	PART NO.	1	2	3	4	5	DESCRIPTION	QTY.
61	<u>25737-G01</u>						CARBURETOR LINKAGE ROD (INCLUDES ITEMS 60 - 62).....	1
62	<u>23722-G1</u>						ADJUSTING ROD (SHORT).....	1
63	<u>24465-G1</u>						BALL JOINT SOCKET	2
64	<u>00526-G4</u>						NUT, #10 - 32.....	2
65								
66	<u>25760-G01</u>						CARBURETOR LINKAGE BELLCRANK (INCLUDES ITEMS 65 - 72).....	1
67	<u>25759-G01</u>						CARBURETOR PIVOT	1
68	<u>23860-G1</u>						BEARING	2
69	<u>24621-G1</u>						NYLON WASHER, 5/16".....	2
70	<u>25768-G01</u>						PIVOT ROD	1
71	<u>12064-G1</u>						PUSH NUT, 5/16".....	1
72	<u>24479-G1</u>						BALL JOINT BALL	2
73	<u>00565-G5</u>						LOCK WASHER, #10	2
74	<u>00526-G4</u>						NUT, #10 - 32.....	2
75	<u>72197-G01</u>						PIVOT BRACKET.....	1
76	<u>14390-G1</u>						LOCK NUT, 3/8 - 24	1
77	<u>00661-G8</u>						BOLT, 1/4 - 20 X 1" LG (STAINLESS STEEL).....	2
78	<u>14390-G4</u>						LOCK NUT, 1/4 - 20	2
79								
80	<u>72254-G01</u>						THROTTLE LINKAGE ROD ASSEMBLY (INCLUDES ITEMS 79 - 81).....	1
81	<u>72609-G01</u>						ADJUSTING ROD (LONG).....	1
82	<u>24465-G1</u>						BALL JOINT SOCKET	2
83	<u>00526-G4</u>						NUT, #10 - 32.....	2
84								
85	<u>25702-G01</u>						GOVERNOR PIVOT BRACKET ASSEMBLY (INCLUDES ITEMS 84 - 94).....	1
86	<u>25655-G01</u>						BELLCRANK BRACKET.....	1
87	<u>14390-G1</u>						LOCK NUT, 3/8 - 24.....	1
88	<u>25763-G01</u>						GOVERNOR PIVOT ASSEMBLY (INCLUDES ITEMS 87 - 94)	1
89	<u>25762-G01</u>						GOVERNOR PIVOT.....	1
90	<u>23860-G1</u>						BEARING	2

ACCELERATOR

When ordering parts, please specify the model and serial number of the product.

* Indicates a component that is not available as an individual part.

G** Indicates consult Customer Service Department for additional information.

ITEM	PART NO.	1	2	3	4	5	DESCRIPTION	QTY.
91	<u>24621-G1</u>						NYLON WASHER, 5/16"	2
92	<u>25768-G01</u>						PIVOT ROD.....	1
93	<u>12064-G1</u>						PUSH NUT, 5/16"	1
94	<u>24479-G1</u>						BALL JOINT BALL	2
95	<u>00565-G5</u>						LOCK WASHER, #10	2
96	<u>00526-G4</u>						NUT, #10 - 32	2
97								
98	<u>00276-G6</u>						BOLT, 5/16 - 24 X 3/4" LG	2
99	<u>00565-G8</u>						LOCK WASHER, 5/16".....	2
100								
101	<u>25737-G03</u>						GOVERNOR LINKAGE ROD (INCLUDES ITEMS 100 - 102)	1
102	<u>23722-G1</u>						ADJUSTING ROD.....	1
103	<u>24465-G1</u>						BALL JOINT SOCKET	2
104	<u>00526-G4</u>						NUT, #10 - 32.....	2
105								
106	<u>25690-G01</u>						GOVERNOR BELLCRANK ASSEMBLY (INCLUDES ITEMS 105 - 117)	1
107	<u>25765-G01</u>						GOVERNOR BELLCRANK.....	1
108	<u>24479-G1</u>						BALL JOINT BALL	1
109	<u>00734-G5</u>						LOCK NUT, #10 - 32.....	1
110	<u>14390-G4</u>						LOCK NUT, 1/4 - 20.....	1
111	<u>22751-G2</u>						GOVERNOR BRACKET ASSEMBLY (INCLUDES ITEMS 110 - 117).....	1
112	<u>22752-G1</u>						GOVERNOR BRACKET	1
113	<u>25274-G1</u>						GOVERNOR ROD	1
114	<u>22754-G1</u>						BUSHING	1
115	<u>25661-G01</u>						CUP WASHER	2
116	<u>23578-G1</u>						COMPRESSION SPRING.....	1
117	<u>22754-G2</u>						BUSHING	1
118	<u>23859-G1</u>						GOVERNOR ADJUSTER	1
119	<u>00526-G4</u>						NUT, #10 - 32	1
120	<u>00491-G4</u>						SETSCREW, 1/4 - 20 X 1/2" LG.....	2

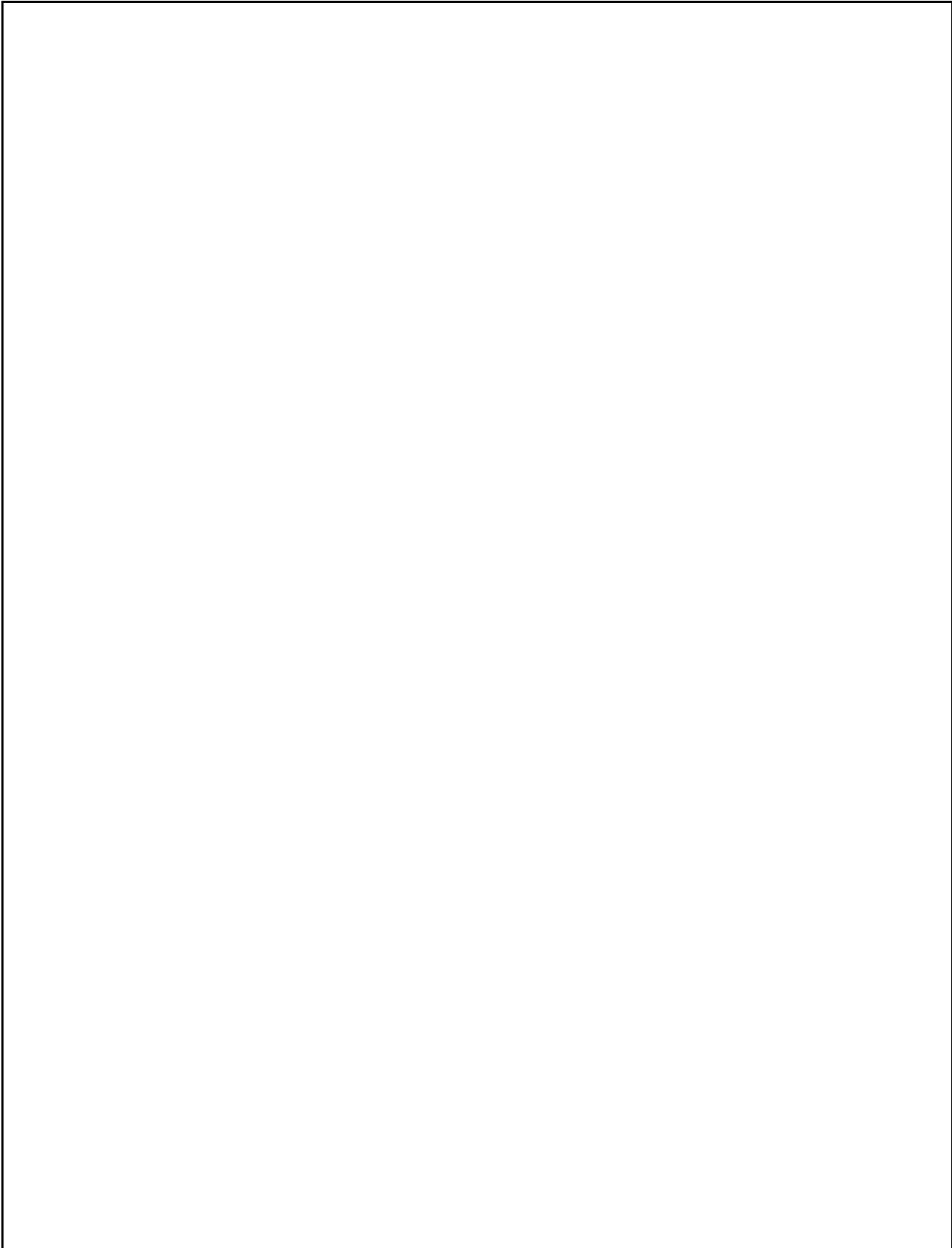
ACCELERATOR

When ordering parts, please specify the model and serial number of the product.

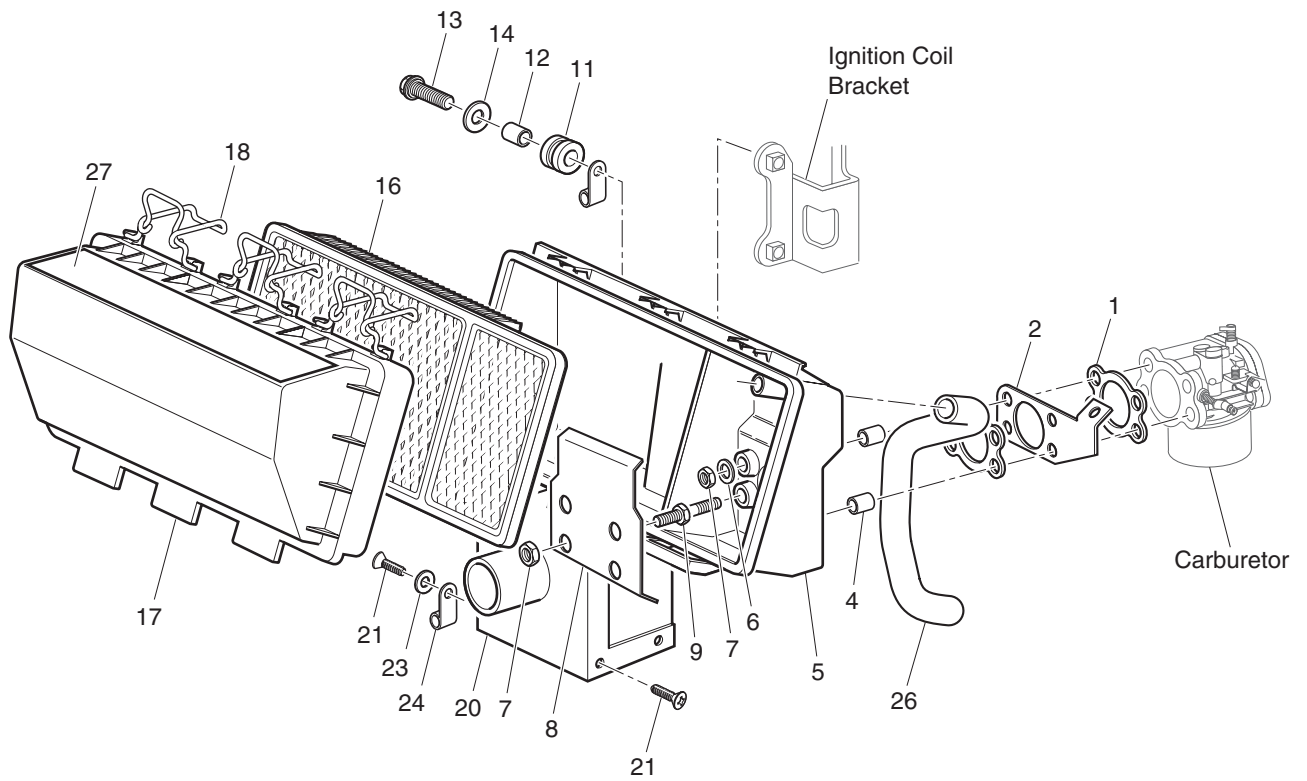
* Indicates a component that is not available as an individual part.

G** Indicates consult Customer Service Department for additional information.

ITEM	PART NO.	1 2 3 4 5	DESCRIPTION	QTY.
121	<u>25738-G01</u>		SPRING.....	1
122	<u>25286-G1</u>		SAFETY SEAL, 3/8"	1
123	<u>12064-G3</u>		PUSH NUT, 3/16"	1
124				
125	<u>25653-G01</u>		ACCELERATOR CABLE BRACKET	1
126	<u>26826-G01</u>		LOCK WASHER, 8 MM	2
127	<u>26827-G01</u>		NUT, M8 X 1.25 MM	2
128				
129	<u>72055-G01</u>		ACCELERATOR CABLE BRACKET	1
130	<u>17618-G1</u>		WIRE TIE	7



AIR CLEANER



Ref Air 8

AIR CLEANER

THE USE OF NON U.L. PARTS WILL VOID ANY U.L. LISTING.

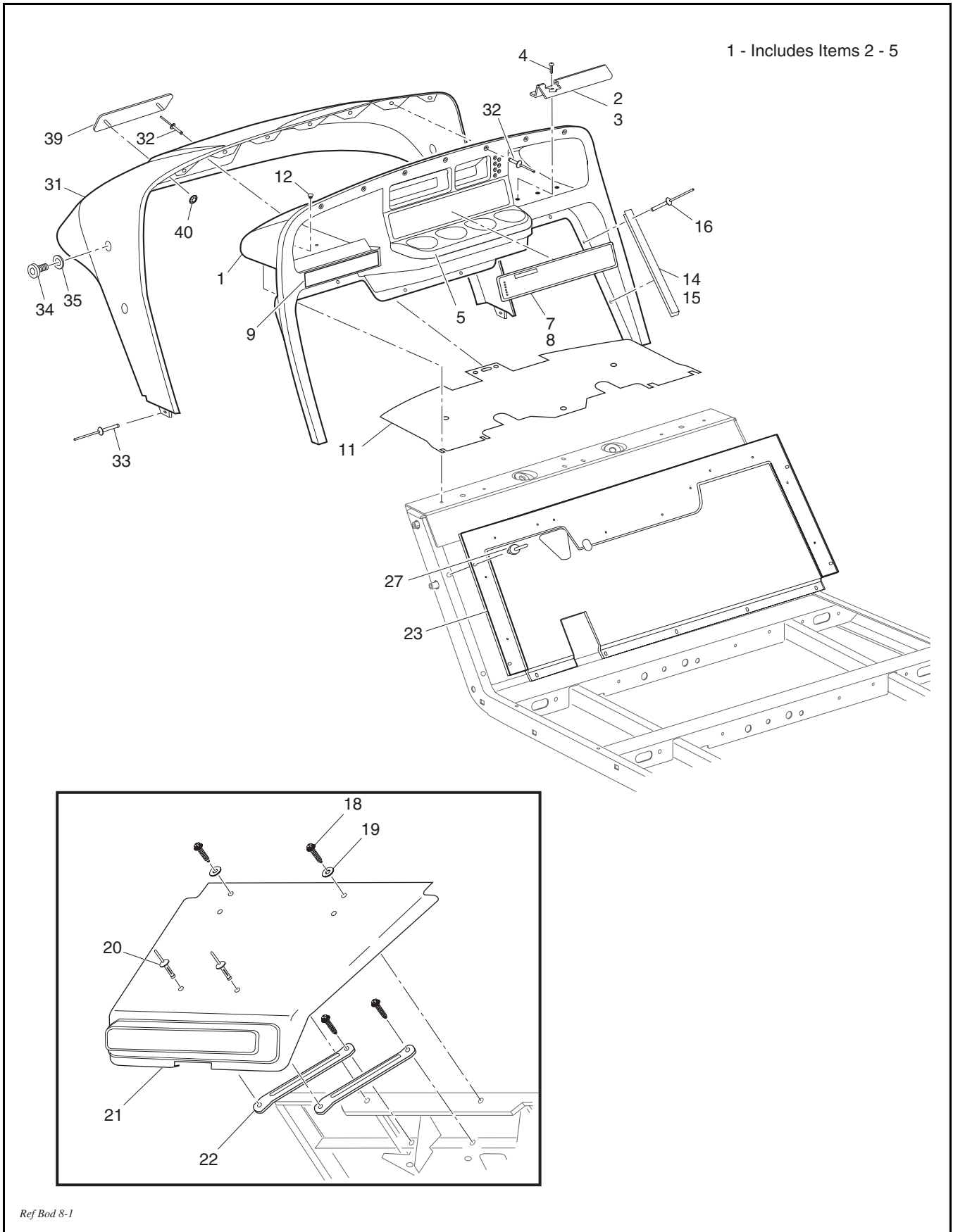
When ordering parts, please specify the model and serial number of the product.

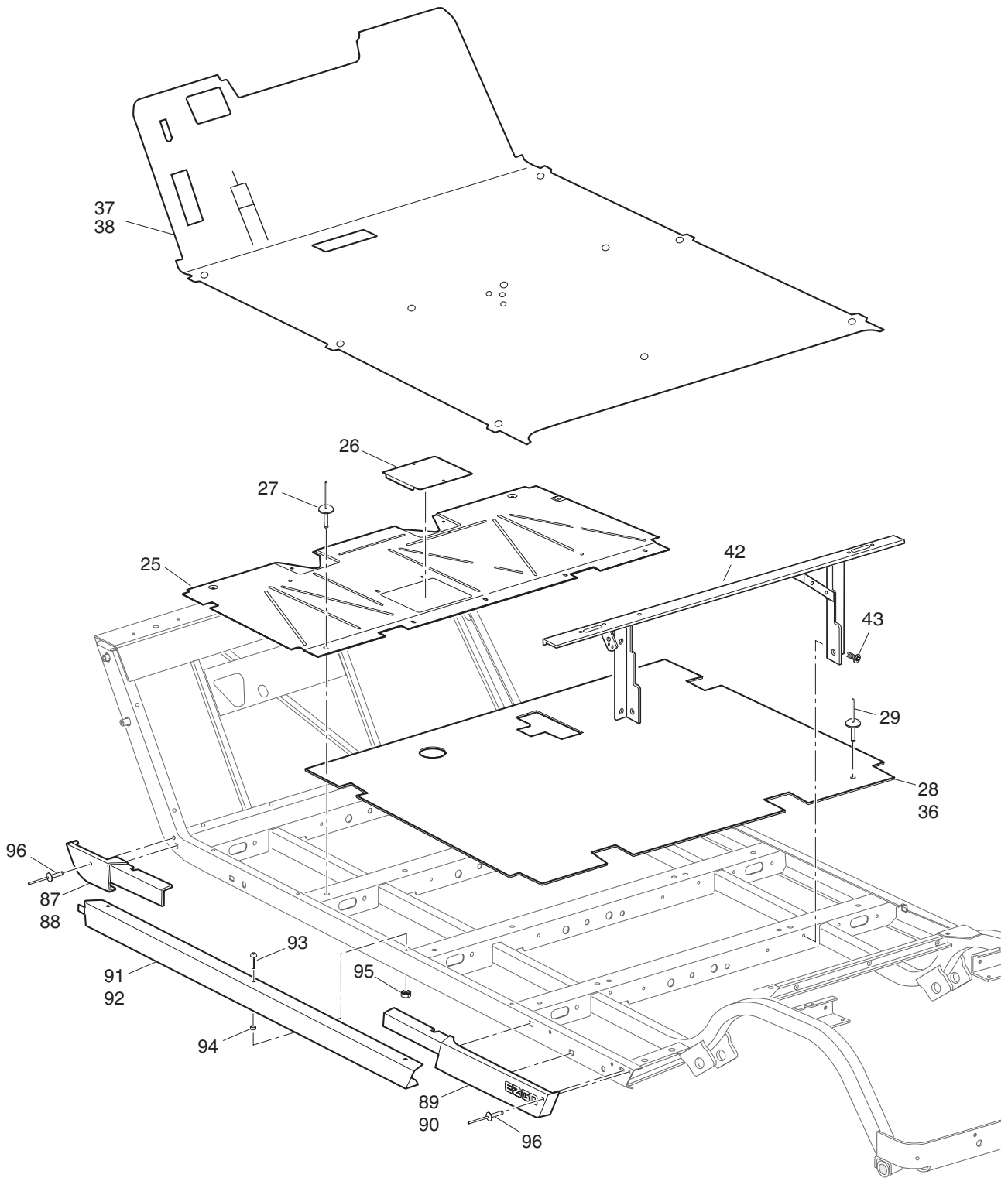
* Indicates a component that is not available as an individual part.

G** Indicates consult Customer Service Department for additional information.

ITEM	PART NO.	1 2 3 4 5	DESCRIPTION	QTY.
1	72710-G01		CARBURETOR / AIR BOX GASKET	2
2	<u>26728-G01</u>		CHOKE BRACKET.....	1
3				
4	<u>23726-G6</u>		SPACER, 7/16".....	4
5	<u>72178-G01</u>		HOUSING.....	1
6	<u>00664-G7</u>		LOCK WASHER, 1/4" (STAINLESS STEEL)	2
7	<u>13632-G1</u>		NUT, M6 X 1	4
8	<u>72529-G01</u>		BAFFLE.....	1
9	<u>72514-G01</u>		STUD, M6 X 1 X 39 MM LG	2
10				
11	72147-G01		RUBBER GROMMET.....	2
12	23726-G7		SPACER, 9/16".....	2
13	26671-G01		BOLT AND WASHER, M6 X 1 X 30 MM LG	2
14	<u>26701-G01</u>		WASHER, 6.5 MM.....	2
15				
16	<u>72368-G01</u>		AIR FILTER ELEMENT	1
17	<u>72179-G01</u>		AIR FILTER COVER.....	1
18	<u>72145-G01</u>		LATCH.....	3
19				
20	<u>72146-G01</u>		INLET COVER	1
21	<u>00614-G5</u>		SCREW, #8 - 18 X 5/8" LG.....	6
22				
23	<u>00559-G5</u>		WASHER, #10.....	1
24	<u>27327-G01</u>		CLAMP	2
25				
26	<u>72151-G01</u>		PCV HOSE	1
27	<u>74093-G01</u>		LABEL (WARNING).....	1

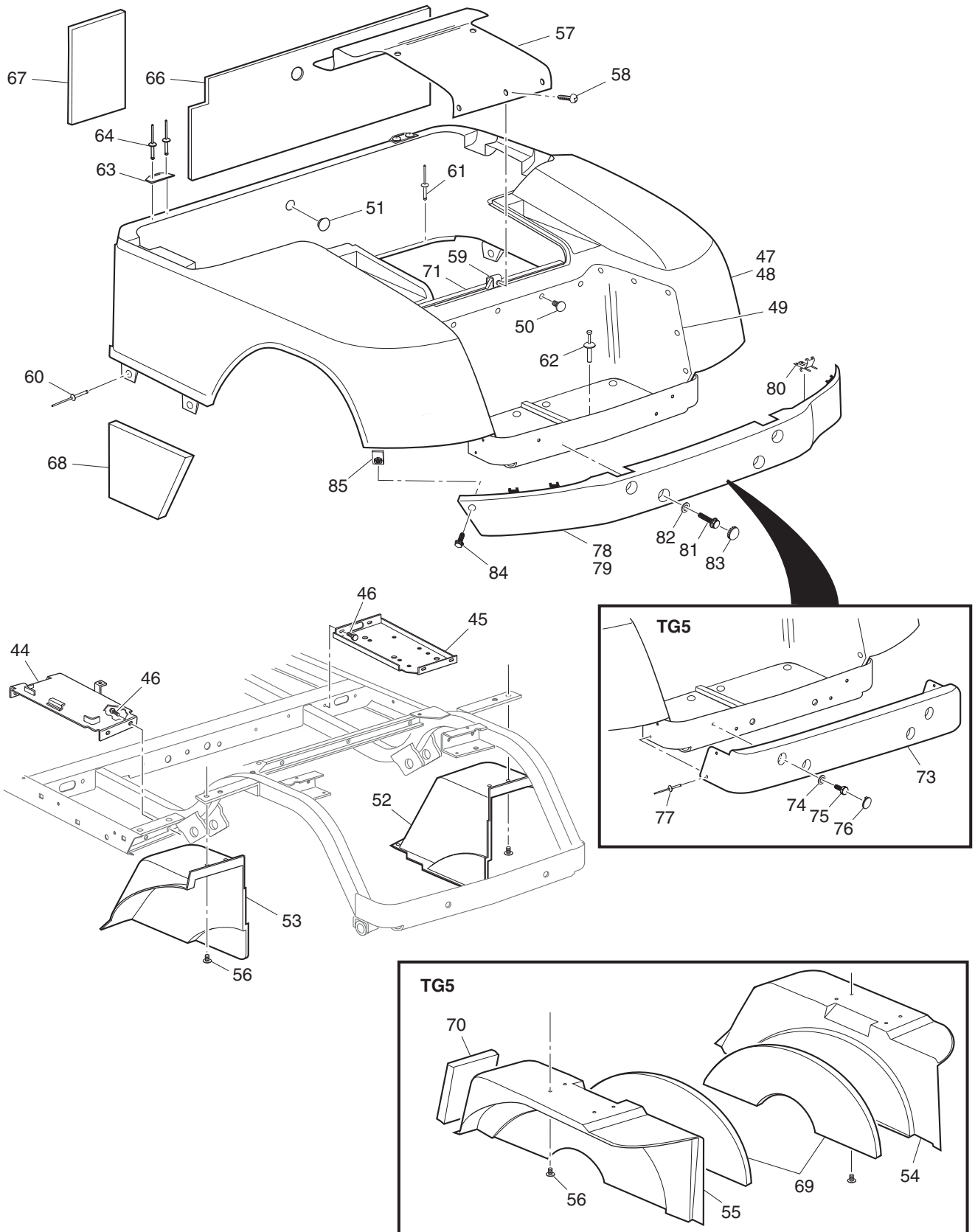
BODY



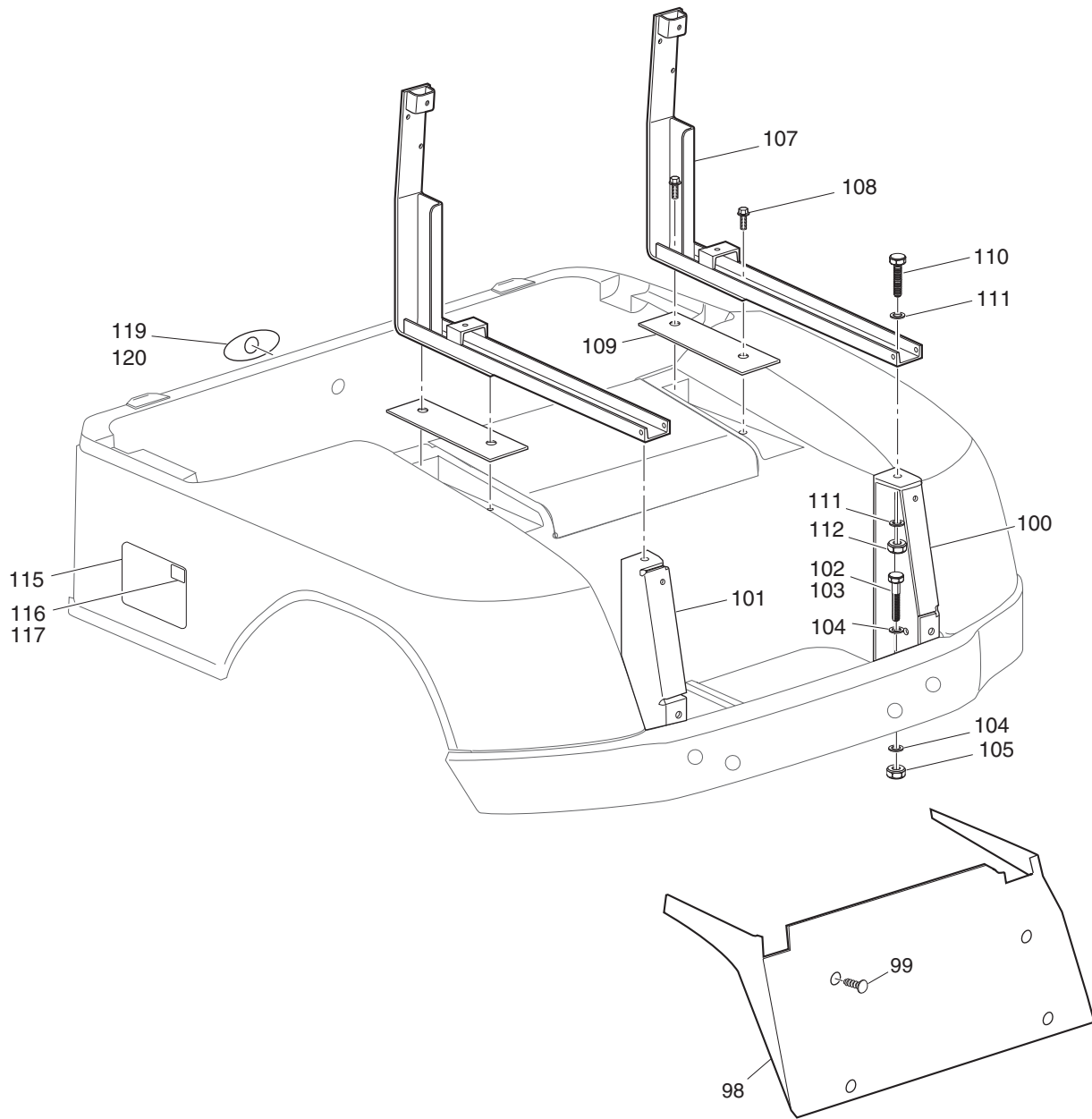


Ref Bod 8-2

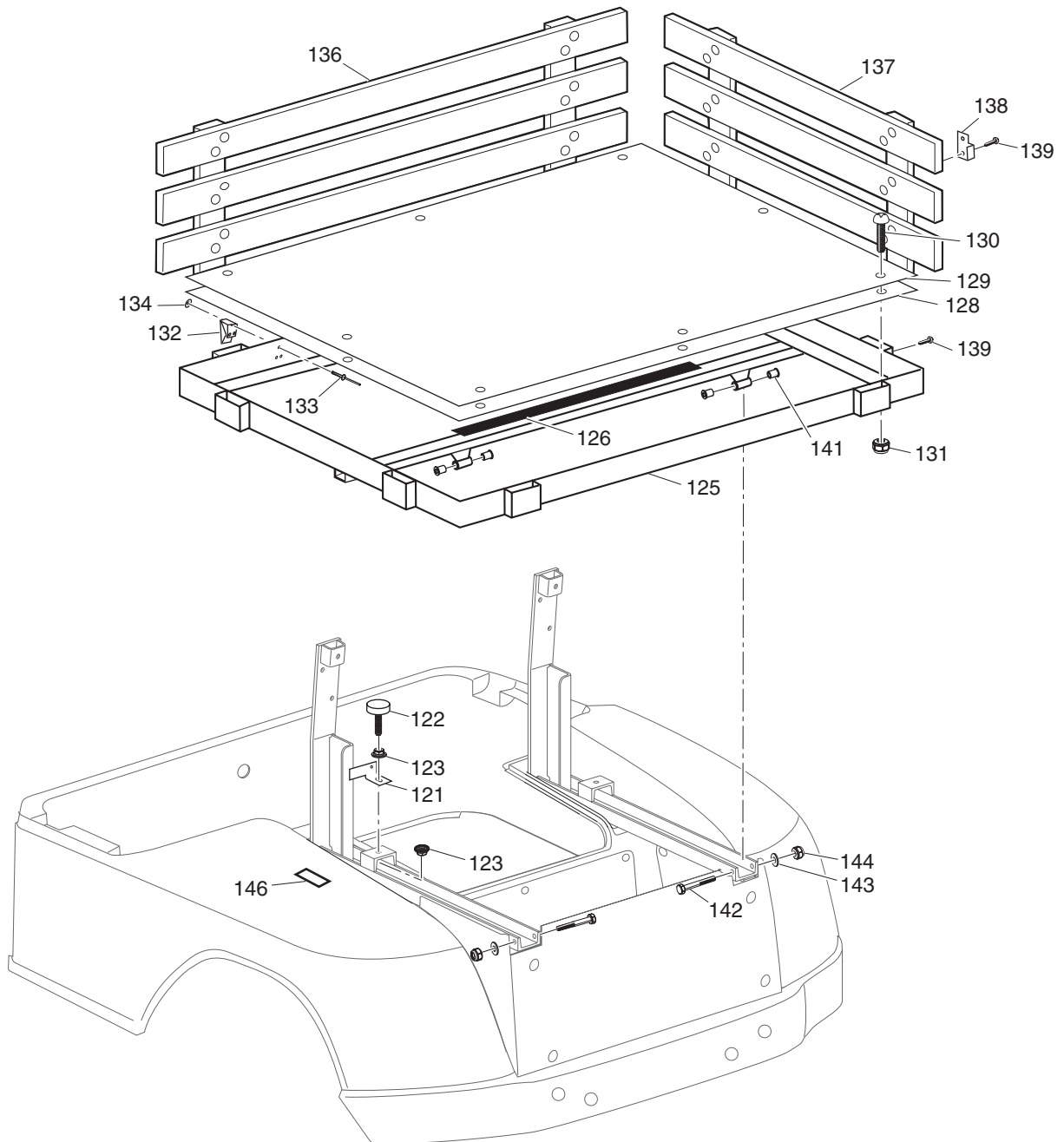
BODY



Ref Bod 8-3

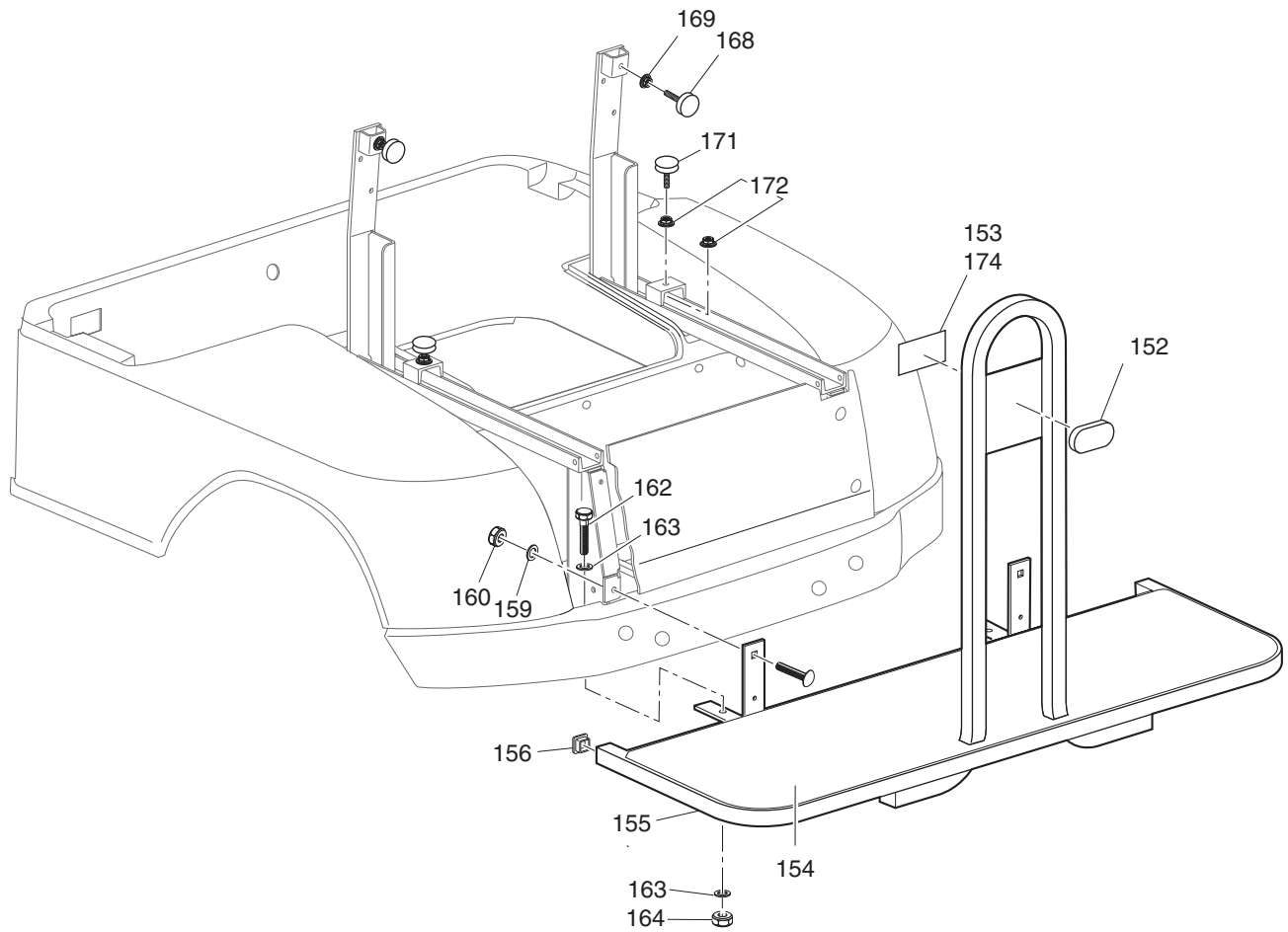


BODY



Ref Bod 8-5

151 - Includes Items 152 - 155



BODY

THE USE OF NON U.L. PARTS WILL VOID ANY U.L. LISTING.

When ordering parts, please specify the model and serial number of the product.

* Indicates a component that is not available as an individual part.

G** Indicates consult Customer Service Department for additional information.

ITEM	PART NO.	1 2 3 4 5	DESCRIPTION	QTY.
1	<u>71151-G01</u>		INSTRUMENT PANEL ASSEMBLY (INCLUDES ITEMS 2 - 5)	1
2	<u>71153-G01</u>		BALL DEFLECTOR (PASSENGER SIDE).....	1
3	<u>71154-G01</u>		BALL DEFLECTOR (DRIVER SIDE)	1
4	<u>00614-G5</u>		SCREW, #8 - 18 X 5/8" LG	6
5	<u>71158-G01</u>		INSTRUMENT PANEL INSERT (4 CUP HOLDER).....	1
6				
7	<u>74078-G01</u>		LABEL (SAFETY).....	1
8	<u>35345-G01</u>		LABEL (SAFETY) (EC)	1
9	<u>74443-G01</u>		LABEL (ANTI-ROLLBACK)	1
10				
11	<u>71413-G01</u>		SPLASH PANEL.....	1
12	<u>16816-G2</u>		RATCHET FASTENER, 1/4" X 3/4" LG	5
13				
14	<u>71115-G01</u>		VINYL TRIM (SHUTTLE - QTY 2) (TG5 - QTY 1).....	AR
15	<u>71115-G02</u>		VINYL TRIM DRIVER SIDE (TG5).....	1
16	<u>71055-G01</u>		RIVET, 3/16" X 1" LG (ALUMINUM).....	10
17				
18	<u>01038-G01</u>		BOLT, 1/4 - 20 X 11/16" LG	4
19	<u>16469-G7</u>		WASHER, 1/4"	2
20	<u>01057-G01</u>		RIVET, KTR, 1/4" X 3/4" LG	2
21	<u>27166-G02</u>		FRONT SHIELD	1
22	<u>71015-G01</u>		FRONT SHIELD BRACE.....	2
23	<u>70662-G01</u>		UPPER FLOORPAN.....	1
24				
25	<u>70451-G01</u>		LOWER FLOORPAN.....	1
26	<u>70452-G01</u>		ACCESS COVER.....	1
27	<u>14601-G11</u>		RIVET, 3/16" X 9/16" LG (ALUMINUM)	16
28	<u>70316-G01</u>		REAR FLOORPAN	1
29	<u>10570-G10</u>		RIVET, 5/32" X 9/16" LG (STAINLESS STEEL)	5
30				

THE USE OF NON U.L. PARTS WILL VOID ANY U.L. LISTING.
 When ordering parts, please specify the model and serial number of the product.
 * Indicates a component that is not available as an individual part.
 G** Indicates consult Customer Service Department for additional information.

ITEM	PART NO.	1 2 3 4 5	DESCRIPTION	QTY.
31	71051-G**		COWL.....	1
32	<u>71055-G01</u>		RIVET, 3/16" X 1" LG (ALUMINUM).....	9
33	<u>10570-G11</u>		RIVET, 3/16" X 3/4" LG (STAINLESS STEEL).....	2
34	<u>71056-G01</u>		BOLT, 5/16 - 18 X 5/8" LG.....	4
35	<u>00570-G2</u>		WASHER, 5/16.....	4
36	<u>70823-G01</u>		REAR FLOORPAN (HAND PARK BRAKE).....	1
37	70668-G0*		FLOORMAT (HAND PARK BRAKE).....	1
38	70663-G0*		FLOORMAT.....	1
39	<u>71037-G02</u>		E-Z-GO NAMEPLATE (GOLD).....	1
40	<u>12064-G3</u>		PUSHNUT, 3/16".....	2
41				
42	70440-G01		SEAT FRAME.....	1
43	<u>00715-G2</u>		BOLT, 5/16 - 18 X 4/5" LG.....	2
44	70245-G01		BATTERY TRAY.....	1
45	70244-G02		SPLASH PAN.....	1
46	<u>00715-G2</u>		BOLT, 5/16 - 18 X 4/5" LG.....	8
47	71912-G6**		REAR BODY ASSEMBLY (W/OUT TAILLIGHTS) (INCLUDES ITEMS 49, 50)...	1
48	71332-G3**		REAR BODY ASSEMBLY (W/ TAILLIGHTS) (INCLUDES ITEMS 49, 50).....	1
49	71318-G01		BAGWELL LINER.....	1
50	<u>16816-G1</u>		RATCHET FASTENER, 1/4" X 9/16" LG.....	12
51	<u>71316-G01</u>		PLUG.....	1
52	<u>71812-G01</u>		FENDER LINER (PASSENGER SIDE) (SHUTTLE).....	1
53	<u>71812-G02</u>		FENDER LINER (DRIVER SIDE) (SHUTTLE).....	1
54	<u>71551-G05</u>		FENDER LINER (PASSENGER SIDE) (TG5).....	1
55	<u>71552-G05</u>		FENDER LINER (DRIVER SIDE) (TG5).....	1
56	<u>16816-G2</u>		RATCHET FASTENER, 1/4" X 3/4" LG.....	8
57	<u>71320-G01</u>		ACCESS PANEL.....	1
58	<u>01107-G01</u>		SCREW, #8 X 3/8" LG (STAINLESS STEEL).....	5
59	<u>71364-G02</u>		'J' CLIP.....	1
60	10570-G12		RIVET, 1/4" X 9/16" LG (ALUMINUM).....	4

BODY

THE USE OF NON U.L. PARTS WILL VOID ANY U.L. LISTING.

When ordering parts, please specify the model and serial number of the product.

* Indicates a component that is not available as an individual part.

G** Indicates consult Customer Service Department for additional information.

ITEM	PART NO.	1 2 3 4 5	DESCRIPTION	QTY.
61	<u>10570-G10</u>		RIVET, 5/32" X 9/16" LG (STAINLESS STEEL)	6
62	<u>18436-G1</u>		PLASTIC DRIVE RIVET, 1/4" X 3/4" LG	2
63	<u>71609-G01</u>		HINGE PLATE	2
64	<u>10570-G11</u>		RIVET, 3/16" X 3/4" LG (STAINLESS STEEL)	4
65				
66	<u>72112-G01</u>		SEATWRAP NOISE SUPPRESSOR (LARGE).....	1
67	<u>72549-G01</u>		SEATWRAP NOISE SUPPRESSOR (SMALL)	1
68	<u>72552-G01</u>		SEATWRAP NOISE SUPPRESSOR (DRIVER SIDE, SIDE).....	1
69	<u>72548-G01</u>		FENDER NOISE SUPPRESSOR	2
70	<u>72551-G01</u>		FENDER NOISE SUPPRESSOR (DRIVER SIDE, FRONT).....	1
71	<u>22744-G1</u>		BAGWELL NOISE SUPPRESSOR	1
72				
73	70939-G01		BUMPER (TG5).....	1
74	00559-G8		WASHER, 5/16"	4
75	<u>01039-G01</u>		BOLT, 1/4 - 20 X 5/8" LG	4
76	<u>71514-G01</u>		BUMPER PLUG	4
77	14601-G17		RIVET, 3/16" X 9/16" LG (ALUMINUM)	4
78	<u>71451-G02</u>		BUMPER (SHUTTLE 4)	1
79	<u>71456-G01</u>		BUMPER (SHUTTLE 6)	1
80	<u>71457-G01</u>		STAY	4
81	71398-G01		BOLT, 1/4 - 20 X 1 1/4" LG (SHUTTLE 4 - QTY 4) (SHUTTLE 6 - QTY 2)	AR
82	00559-G8		WASHER, 5/16" (SHUTTLE 4 - QTY 4) (SHUTTLE 6 - QTY 2).....	AR
83	<u>71455-G01</u>		BUMPER PLUG	4
84	<u>01038-G01</u>		BOLT, 1/4 - 20 x 11/16" LG	2
85	<u>01042-G01</u>		'J' TYPE NUT RETAINER, 1/4 - 20	2
86				
87	<u>71642-G02</u>		ROCKER PANEL (FRONT, PASSENGER SIDE).....	1
88	<u>71642-G01</u>		ROCKER PANEL (FRONT, DRIVER SIDE)	1
89	<u>71643-G02</u>		ROCKER PANEL (REAR, PASSENGER SIDE).....	1
90	<u>71643-G01</u>		ROCKER PANEL (REAR, DRIVER SIDE)	1

THE USE OF NON U.L. PARTS WILL VOID ANY U.L. LISTING.
 When ordering parts, please specify the model and serial number of the product.
 * Indicates a component that is not available as an individual part.
 G** Indicates consult Customer Service Department for additional information.

ITEM	PART NO.	1 2 3 4 5	DESCRIPTION	QTY.
91	<u>71641-G01</u>		SILL PLATE (PASSENGER SIDE)	1
92	<u>71641-G02</u>		SILL PLATE (DRIVER SIDE).....	1
93	<u>16705-G1</u>		SCREW, 1/4 - 20 X 1" LG (STAINLESS STEEL)	6
94	<u>23726-G4</u>		SPACER, 5/16".....	6
95	<u>00654-G2</u>		LOCK NUT, 1/4 - 20 (STAINLESS STEEL)	6
96	<u>15058-G6</u>		RIVET, 3/16" X 15/16" LG (ALUMINUM).....	4
97				
98	<u>74149-G01</u>		VALANCE PANEL	1
99	<u>16816-G2</u>		RATCHET FASTENER, 1/4" X 3/4" LG	4
100	<u>74126-G01</u>		VERTICAL FRAME SUPPORT (PASSENGER SIDE)	1
101	<u>74126-G02</u>		VERTICAL FRAME SUPPORT (DRIVER SIDE).....	1
102	<u>00427-G4</u>		BOLT, 3/8 - 16 X 1 1/2" LG (SHUTTLE 4)	2
103	<u>00427-G6</u>		BOLT, 3/8 - 16 X 1 3/4" LG (SHUTTLE 6)	2
104	<u>00560-G1</u>		WASHER, 3/8"	4
105	<u>11098-G5</u>		LOCK NUT, 3/8 - 16	2
106				
107	<u>74111-G01</u>		SEAT BACK SUPPORT	2
108	<u>01006-G02</u>		SELF TAPPING SCREW, 3/8 - 16 X 1 1/2" LG	4
109	<u>70364-G01</u>		SPACER	2
110	<u>00426-G8</u>		BOLT, 3/8 - 16 X 1" LG	2
111	<u>00560-G1</u>		WASHER, 3/8"	4
112	<u>11098-G5</u>		LOCK NUT, 3/8 - 16	2
113				
114				
115	<u>35434-G01</u>		LABEL (SHUTTLE)	2
116	<u>35430-G13</u>		LABEL (6).....	2
117	<u>35430-G14</u>		LABEL (4).....	2
118				
119	12109-G01		LABEL (F-R).....	1
120	<u>73317-G01</u>		LABEL (F-R) (EC)	1

BODY

THE USE OF NON U.L. PARTS WILL VOID ANY U.L. LISTING.

When ordering parts, please specify the model and serial number of the product.

* Indicates a component that is not available as an individual part.

G** Indicates consult Customer Service Department for additional information.

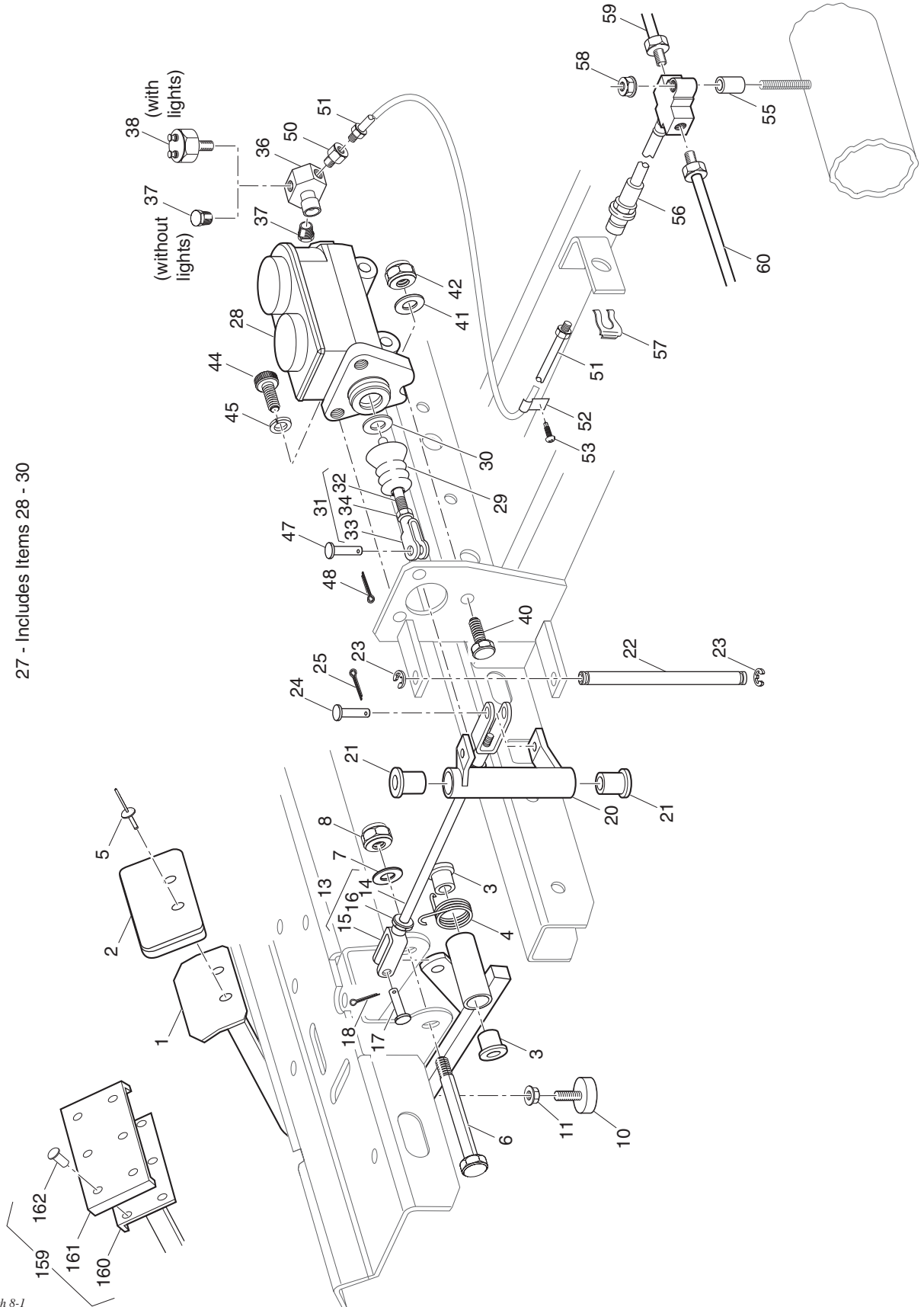
ITEM	PART NO.	1 2 3 4 5	DESCRIPTION	QTY.
121	<u>74086-G01</u>		HOLD DOWN BRACKET	1
122	<u>70113-G01</u>		ADJUSTABLE BUMPER	2
123	<u>11027-G1</u>		LOCK NUT, 5/16 - 18	4
124				
125	<u>74080-G01</u>		CARGO DECK	1
126	23052-G1		NOISE SUPPRESSOR	1
127				
128	<u>74082-G01</u>		STEEL DECK	1
129	<u>74097-G01</u>		CARGO BED MAT	1
130	16705-G3		SCREW, 1/4 - 20 X 3/4" LG (STAINLESS STEEL)	8
131	<u>14390-G4</u>		LOCK NUT, 1/4 - 20	8
132	<u>74089-G01</u>		LATCH	1
133	<u>10570-G10</u>		RIVET, 5/32" X 9/16" LG (STAINLESS STEEL)	3
134	<u>00559-G4</u>		WASHER, #8	1
135				
136	<u>34280-G02</u>		FRONT/REAR CARGO RACK	2
137	<u>34280-G01</u>		SIDE CARGO RACK	2
138	74079-G01		TAILGATE RETAINER BRACKET	2
139	00666-G6		SCREW, #10 - 12 X 3/4" LG (STAINLESS STEEL)	10
140				
141	<u>17838-G1</u>		BUSHING	4
142	<u>00440-G4</u>		BOLT, 5/16 - 18 X 2 1/2" LG	2
143	00559-G8		WASHER, 5/16"	2
144	<u>01109-G01</u>		LOCK NUT, 5/16 - 18 (STAINLESS STEEL)	2
145				
146	<u>74099-G01</u>		WARNING LABEL	1
147				
148				
149				
150				

THE USE OF NON U.L. PARTS WILL VOID ANY U.L. LISTING.
 When ordering parts, please specify the model and serial number of the product.
 * Indicates a component that is not available as an individual part.
 G** Indicates consult Customer Service Department for additional information.

ITEM	PART NO.	1 2 3 4 5	DESCRIPTION	QTY.
151	<u>70361-G02</u>		FOOT REST ASSEMBLY (INCLUDES ITEMS 152 - 155)	1
152	74129-G01		REFLECTOR	1
153	<u>74132-G01</u>		WARNING LABEL	1
154	<u>70362-G01</u>		FLOOR MAT	1
155	<u>70633-G01</u>		FOOT REST	1
156	<u>19853-G1</u>		END PLUG	2
157				
158	<u>00769-G2</u>		CARRIAGE BOLT, 3/8 - 16 X 1 1/4" LG	2
159	<u>00560-G1</u>		WASHER, 3/8"	2
160	<u>11098-G5</u>		LOCK NUT, 3/8 - 16	2
161				
162	<u>00427-G6</u>		BOLT, 3/8 - 16 X 1 3/4" LG	2
163	<u>00560-G1</u>		WASHER, 3/8"	4
164	<u>11098-G5</u>		LOCK NUT, 3/8 - 16	2
165				
166				
167				
168	<u>70113-G01</u>		ADJUSTABLE BUMPER	2
169	<u>11027-G1</u>		LOCK NUT, 5/16 - 18	2
170				
171	<u>70113-G01</u>		ADJUSTABLE BUMPER	2
172	<u>11027-G1</u>		LOCK NUT, 5/16 - 18	4
173				
174	<u>74074-G01</u>		LABEL, WARNING (EC).....	1

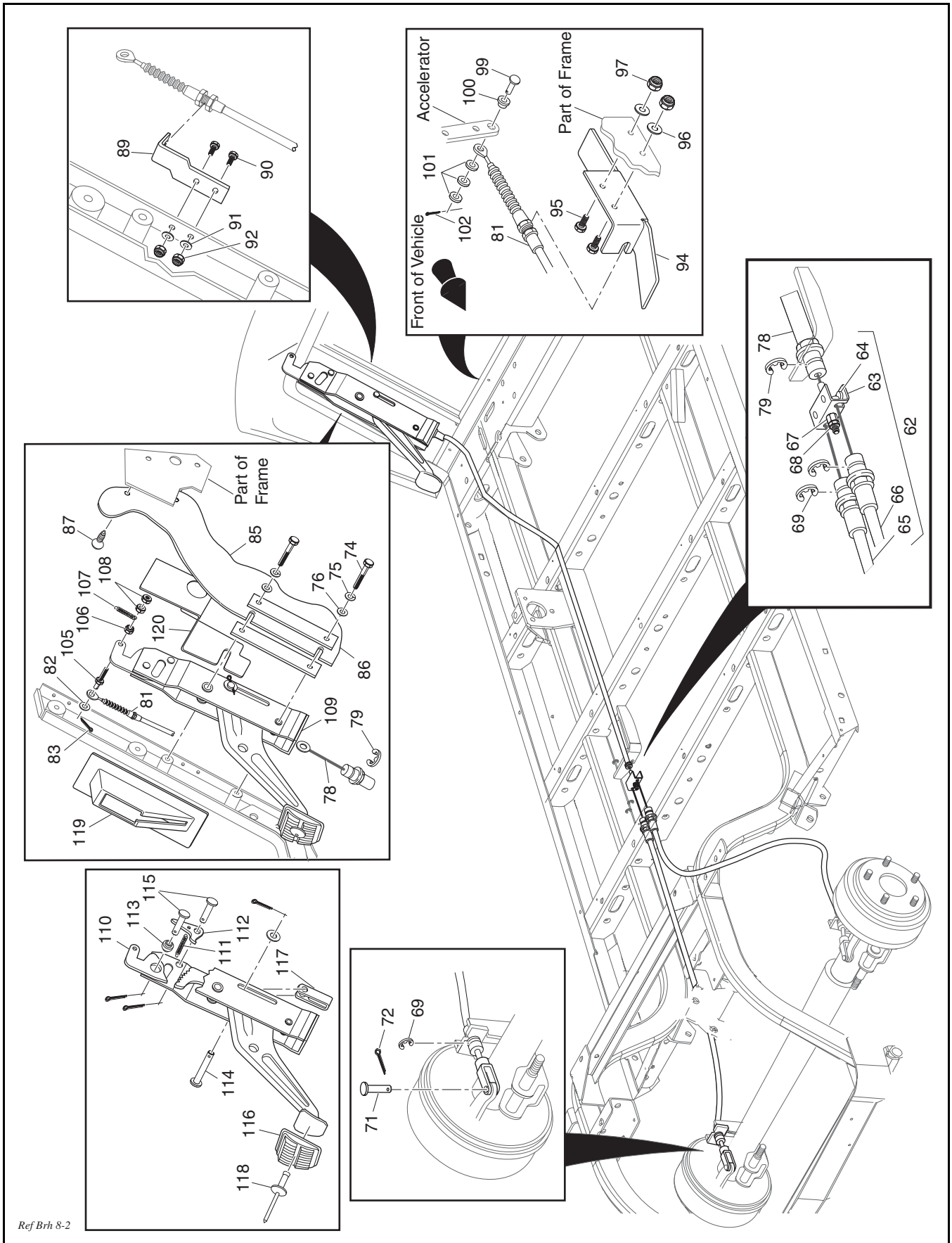
BRAKES - HYDRAULIC

27 - Includes Items 28 - 30



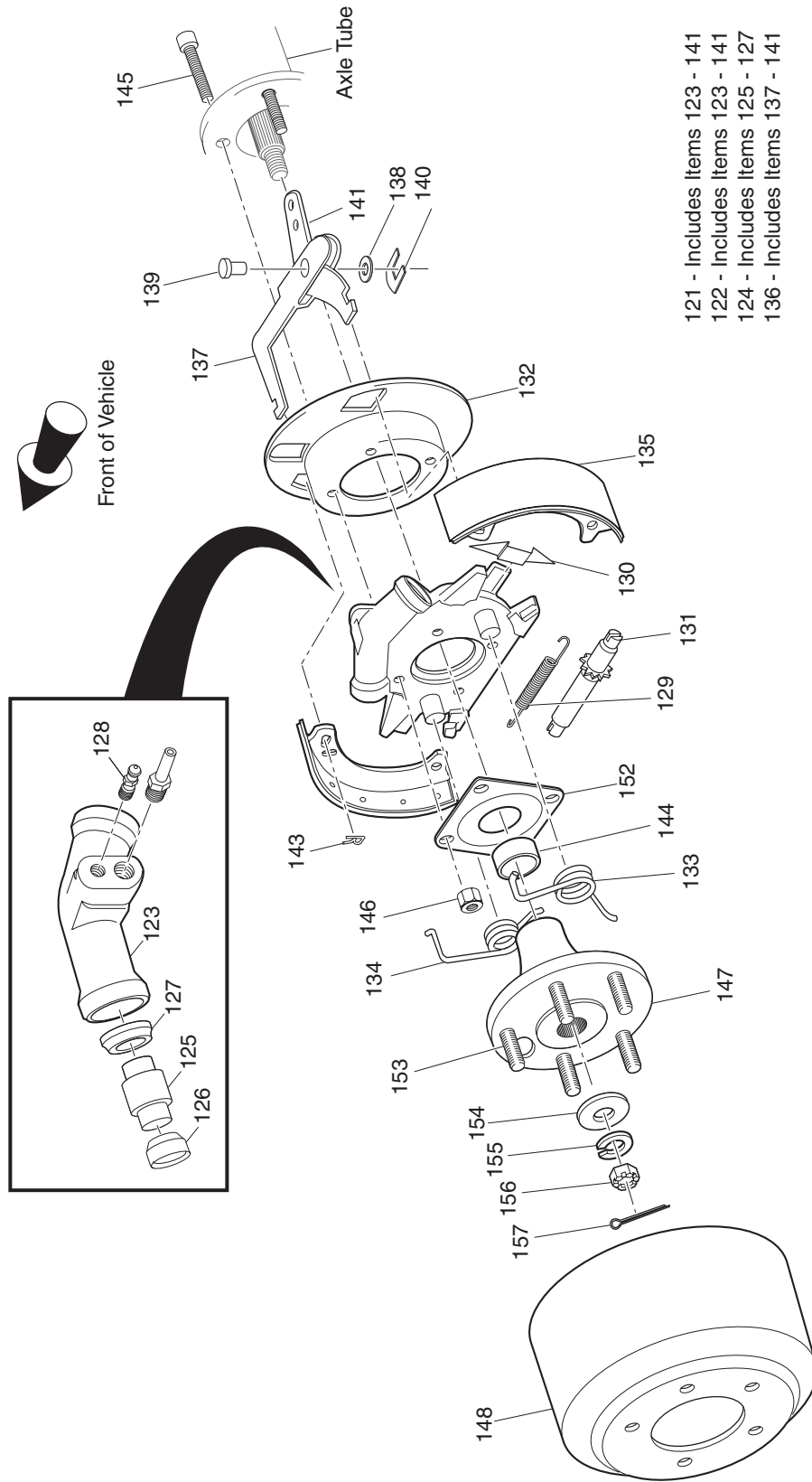
Ref Brh 8-1

BRAKES - HYDRAULIC



Ref Brh 8-2

BRAKES - HYDRAULIC



Ref Brh 8-3

BRAKES - HYDRAULIC

THE USE OF NON U.L. PARTS WILL VOID ANY U.L. LISTING.

When ordering parts, please specify the model and serial number of the product.

* Indicates a component that is not available as an individual part.

G** Indicates consult Customer Service Department for additional information.

ITEM	PART NO.	1 2 3 4 5	DESCRIPTION	QTY.
1	70687-G01		BRAKE PEDAL	1
2	<u>11039-G1</u>		BRAKE PEDAL PAD	1
3	<u>70581-G01</u>		FLANGED BUSHING	2
4	<u>70676-G01</u>		TORSION SPRING	1
5	<u>14269-G1</u>		RIVET, 3/16" X 1/2" LG	2
6	<u>70582-G01</u>		SHOULDER BOLT, 3/8 - 16 X 4" LG (STAINLESS STEEL).....	1
7	<u>00643-G1</u>		WASHER, 3/8"	1
8	<u>11098-G5</u>		LOCK NUT, 3/8 - 16	1
9				
10	<u>70113-G01</u>		ADJUSTABLE RUBBER BUMPER	1
11	<u>11027-G1</u>		LOCK NUT, 5/16 - 18	1
12				
13	<u>30295-G8</u>		LINKAGE ROD ASSEMBLY (INCLUDES ITEMS 14 - 16).....	1
14	30297-G8		THREADED ROD	1
15	10385-G4		CLEVIS YOKE (ADJUSTABLE).....	2
16	<u>00544-G4</u>		JAM NUT, 5/16 - 24.....	2
17	<u>10386-G3</u>		CLEVIS PIN, 5/16" X 13/16" LG.....	1
18	<u>10387-G3</u>		COTTER PIN, 3/32" X 3/4" LG.....	1
19				
20	<u>70415-G01</u>		BRAKE BELLCRANK.....	1
21	<u>70581-G01</u>		FLANGED BUSHING	2
22	<u>70410-G01</u>		BELLCRANK SHAFT	1
23	<u>01111-G01</u>		RETAINING RING, 13/32" (STAINLESS STEEL).....	2
24	<u>10386-G3</u>		CLEVIS PIN, 5/16" X 13/16" LG.....	1
25	<u>10387-G3</u>		COTTER PIN, 3/32" X 3/4" LG.....	1
26	28066-G02		MASTER CYLINDER REPAIR KIT (NOT SHOWN).....	AR
27	<u>70643-G03</u>		MASTER CYLINDER SERVICE KIT (INCLUDES ITEMS 28 - 30).....	1
28	*		MASTER CYLINDER (INCLUDES ITEM 29).....	1
29	<u>32768-G1</u>		BOOT	1
30	<u>00675-G1</u>		WASHER, 3/8" (STAINLESS STEEL).....	1

BRAKES - HYDRAULIC

THE USE OF NON U.L. PARTS WILL VOID ANY U.L. LISTING.

When ordering parts, please specify the model and serial number of the product.

* Indicates a component that is not available as an individual part.

G** Indicates consult Customer Service Department for additional information.

ITEM	PART NO.	1 2 3 4 5	DESCRIPTION	QTY.
31	<u>30298-G2</u>		PUSH ROD ASSEMBLY (INCLUDES ITEMS 32 - 34).....	1
32	<u>30293-G2</u>		PUSH ROD, 3 1/8" LG	1
33	<u>21508-G1</u>		CLEVIS YOKE	1
34	<u>00544-G6</u>		JAM NUT, 3/8 - 24.....	1
35				
36	<u>26469-G01</u>		MALE BRANCH - TEE	1
37	<u>21503-G1</u>		PIPE PLUG	A/R
38	<u>21510-G1</u>		BRAKE LIGHT SWITCH (IF EQUIPPED WITH BRAKE LIGHTS).....	1
39				
40	<u>00427-G4</u>		BOLT, 3/8 - 16 X 1 1/2" LG	2
41	<u>00560-G1</u>		WASHER, 3/8"	1
42	<u>11098-G5</u>		LOCK NUT, 3/8 - 16	2
43				
44	01020-G01		SCREW, 3/8 - 16 X 1" LG.....	1
45	<u>00566-G1</u>		LOCK WASHER, 3/8"	1
46				
47	<u>14443-G3</u>		CLEVIS PIN, 5/16" X 1" LG	1
48	<u>10387-G3</u>		COTTER PIN, 3/32" X 3/4" LG	1
49				
50	<u>33724-G01</u>		INVERTED FLARE FITTING	1
51	<u>21104-G11</u>		BRAKE LINE WITH NUTS, 60" LG	1
52	<u>11845-G5</u>		INSULATED CABLE CLAMP, 3/8"	2
53	<u>00100-G6</u>		SELF THREADING SCREW, #10 X 3/4" LG.....	2
54				
55	73266-G01		SPACER.....	1
56	<u>33534-G01</u>		HYDRAULIC HOSE	1
57	<u>11456-G1</u>		FLEX HOSE CLIP	1
58	<u>01109-G01</u>		LOCK NUT, 5/16 - 18 (STAINLESS STEEL)	1
59	<u>21104-G9</u>		BRAKE LINE WITH NUTS - 30" LG	1
60	<u>21104-G3</u>		BRAKE LINE WITH NUTS - 12" LG	1

BRAKES - HYDRAULIC

THE USE OF NON U.L. PARTS WILL VOID ANY U.L. LISTING.

When ordering parts, please specify the model and serial number of the product.

* Indicates a component that is not available as an individual part.

G** Indicates consult Customer Service Department for additional information.

ITEM	PART NO.	1 2 3 4 5	DESCRIPTION	QTY.
61				
62	70716-G04		BRAKE CABLE ASSEMBLY (INCLUDES ITEMS 63 - 66).....	1
63	<u>28082-G01</u>		EQUALIZER BRACKET.....	1
64	<u>28083-G01</u>		BRAKE COMPENSATOR BUMPER.....	2
65	*		BRAKE CABLE, DRIVER SIDE.....	1
66	*		BRAKE CABLE, PASSENGER SIDE.....	1
67	<u>00963-G01</u>		SPHERICAL NUT, 5/16 - 24.....	1
68	<u>11098-G9</u>		LOCK NUT, 5/16 - 24.....	1
69	<u>01111-G01</u>		RETAINING RING, 13/32" (STAINLESS STEEL).....	4
70				
71	<u>10386-G3</u>		CLEVIS PIN, 5/16" X 13/16" LG.....	2
72	<u>10387-G3</u>		COTTER PIN, 3/32" X 3/4" LG.....	2
73				
74	<u>00440-G2</u>		BOLT, 5/16 - 18 X 2 1/4" LG.....	2
75	<u>00565-G8</u>		LOCK WASHER, 5/16".....	2
76	<u>01110-G03</u>		WASHER, 5/16" (STAINLESS STEEL).....	2
77				
78	<u>74176-G01</u>		PARKING BRAKE CABLE.....	1
79	<u>01111-G01</u>		RETAINING RING, 13/32" (STAINLESS STEEL).....	2
80				
81	<u>70735-G01</u>		PARKING BRAKE RELEASE CABLE.....	1
82	<u>01110-G01</u>		WASHER, 1/4" (STAINLESS STEEL).....	1
83	<u>10387-G8</u>		COTTER PIN, 1/16" X 3/4" LG.....	1
84				
85	<u>70734-G01</u>		PARKING BRAKE COVER.....	1
86	<u>71892-G01</u>		RETAINER PLATE.....	2
87	<u>16816-G2</u>		RATCHET FASTENER.....	2
88				
89	<u>71864-G01</u>		UPPER CABLE MOUNT.....	1
90	<u>00414-G6</u>		BOLT, 1/4 - 20 X 3/4" LG.....	2

BRAKES - HYDRAULIC

THE USE OF NON U.L. PARTS WILL VOID ANY U.L. LISTING.

When ordering parts, please specify the model and serial number of the product.

* Indicates a component that is not available as an individual part.

G** Indicates consult Customer Service Department for additional information.

ITEM	PART NO.	1 2 3 4 5	DESCRIPTION	QTY.
91	<u>01110-G01</u>		WASHER, 1/4" (STAINLESS STEEL)	2
92	<u>00654-G2</u>		LOCK NUT, 1/4 - 20 (STAINLESS STEEL)	2
93				
94	<u>71865-G01</u>		LOWER CABLE MOUNT	1
95	<u>00414-G6</u>		BOLT, 1/4 - 20 X 3/4" LG	2
96	<u>01110-G01</u>		WASHER, 1/4" (STAINLESS STEEL)	2
97	<u>00654-G2</u>		LOCK NUT, 1/4 - 20 (STAINLESS STEEL)	2
98				
99	<u>10386-G3</u>		CLEVIS PIN, 5/16" X 13/16" LG	1
100	<u>17838-G1</u>		NYLON BUSHING.....	1
101	00559-G8		WASHER, 5/16"	3
102	<u>10387-G3</u>		COTTER PIN, 3/32" X 3/4" LG	1
103				
104	<u>70766-G01</u>		PARKING BRAKE ASSEMBLY (INCLUDES ITEMS 105 - 117).....	1
105	<u>70545-G01</u>		PARKING BRAKE RELEASE PIN	1
106	<u>00654-G2</u>		LOCK NUT, 1/4 - 20 (STAINLESS STEEL).....	1
107	<u>71974-G01</u>		BRAKE RELEASE COIL SPRING	1
108	<u>00544-G1</u>		JAM NUT, 5/16 - 18.....	2
109	<u>71975-G01</u>		PARKING BRAKE (INCLUDES ITEMS 110 - 117).....	1
110	70767-G01		RELEASE ARM.....	1
111	<u>70653-G01</u>		SPRING.....	1
112	<u>70768-G01</u>		PAWL.....	1
113	70770-G01		SPACER	1
114	70769-G01		CLEVIS PIN, 5/16" X 1 3/8" LG	1
115	<u>70659-G01</u>		CLEVIS PIN, 5/16" X 5/8" LG	2
116	<u>70660-G01</u>		RUBBER PEDAL COVER.....	1
117	<u>70661-G01</u>		SLOTTED CLEVIS	1
118	<u>14269-G1</u>		RIVET, 3/16" X 1/2" LG	1
119	70729-G01		PARKING BRAKE PEDAL SHIELD.....	1
120	70730-G01		COVER ATTACHMENT.....	1

BRAKES - HYDRAULIC

THE USE OF NON U.L. PARTS WILL VOID ANY U.L. LISTING.

When ordering parts, please specify the model and serial number of the product.

* Indicates a component that is not available as an individual part.

G** Indicates consult Customer Service Department for additional information.

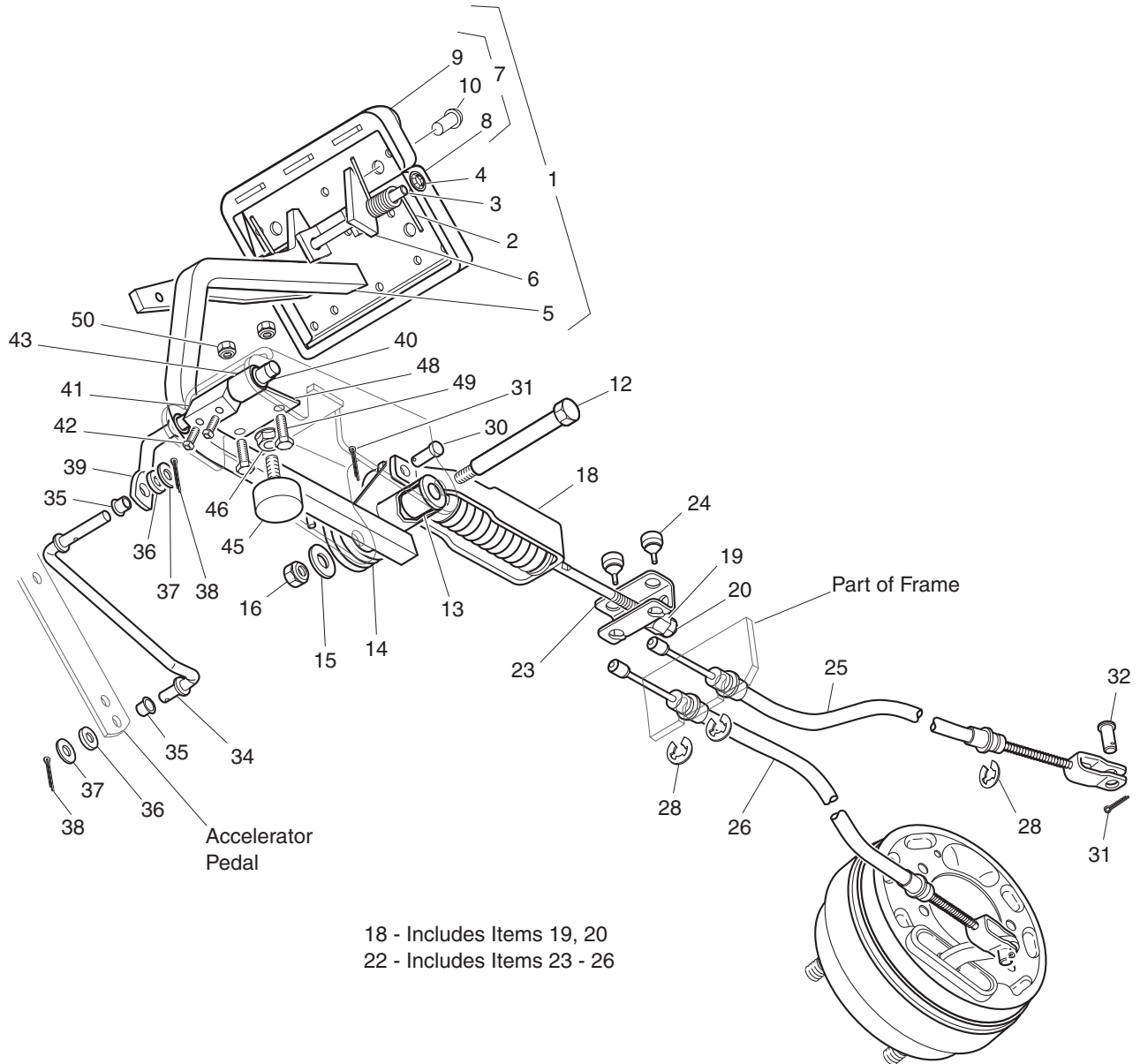
ITEM	PART NO.	1 2 3 4 5	DESCRIPTION	QTY.
121	<u>33725-G02</u>		BRAKE ASSEMBLY (DRIVER SIDE) (INCLUDES ITEMS 123 - 141)	1
122	<u>33725-G01</u>		BRAKE ASSEMBLY (PASSENGER SIDE) (INCLUDES ITEMS 123 - 141)	1
123	<u>21086-G1</u>		TORQUE SPIDER	1
124	<u>70771-G01</u>		WHEEL CYLINDER REPAIR KIT (INCLUDES ITEMS 125 - 127)	1
125	<u>21087-G1</u>		WHEEL CYLINDER PISTON	2
126	21088-G1		HYDRAULIC CUP	2
127	<u>21089-G1</u>		SEAL	2
128	<u>21094-G1</u>		BLEEDER VALVE	1
129	21095-G1		LOWER SPRING	1
130	<u>21096-G1</u>		SHOE HOLD DOWN	2
131	<u>21097-G1</u>		ADJUSTER	1
132	<u>21908-G1</u>		DUST SHIELD	1
133	<u>70670-G01</u>		SPRING (YELLOW).....	1
134	<u>70669-G01</u>		SPRING (BLUE)	1
135	33726-G01		BRAKE SHOE.....	2
136	*		PARKING BRAKE LEVER ASSEMBLY (INCLUDES ITEMS 137 - 141)	1
137	<u>13460-G1</u>		CURVED LEVER.....	1
138	<u>13463-G1</u>		SPRING WASHER	1
139	<u>13462-G1</u>		CLEVIS PIN.....	1
140	<u>13464-G1</u>		CLEVIS PIN RETAINER.....	1
141	<u>22604-G1</u>		STRAIGHT LEVER	2
142				
143	<u>13468-G1</u>		CLIP	4
144	34287-G01		COLLAR	2
145	33662-G01		STUD, 5/16 - 24 X 1 5/8" LG	8
146	<u>21562-G1</u>		NUT, 5/16 - 24	8
147	<u>33661-G01</u>		FLANGE	2
148	<u>17953-G2</u>		BRAKE DRUM	2
149				
150				

BRAKES - HYDRAULIC

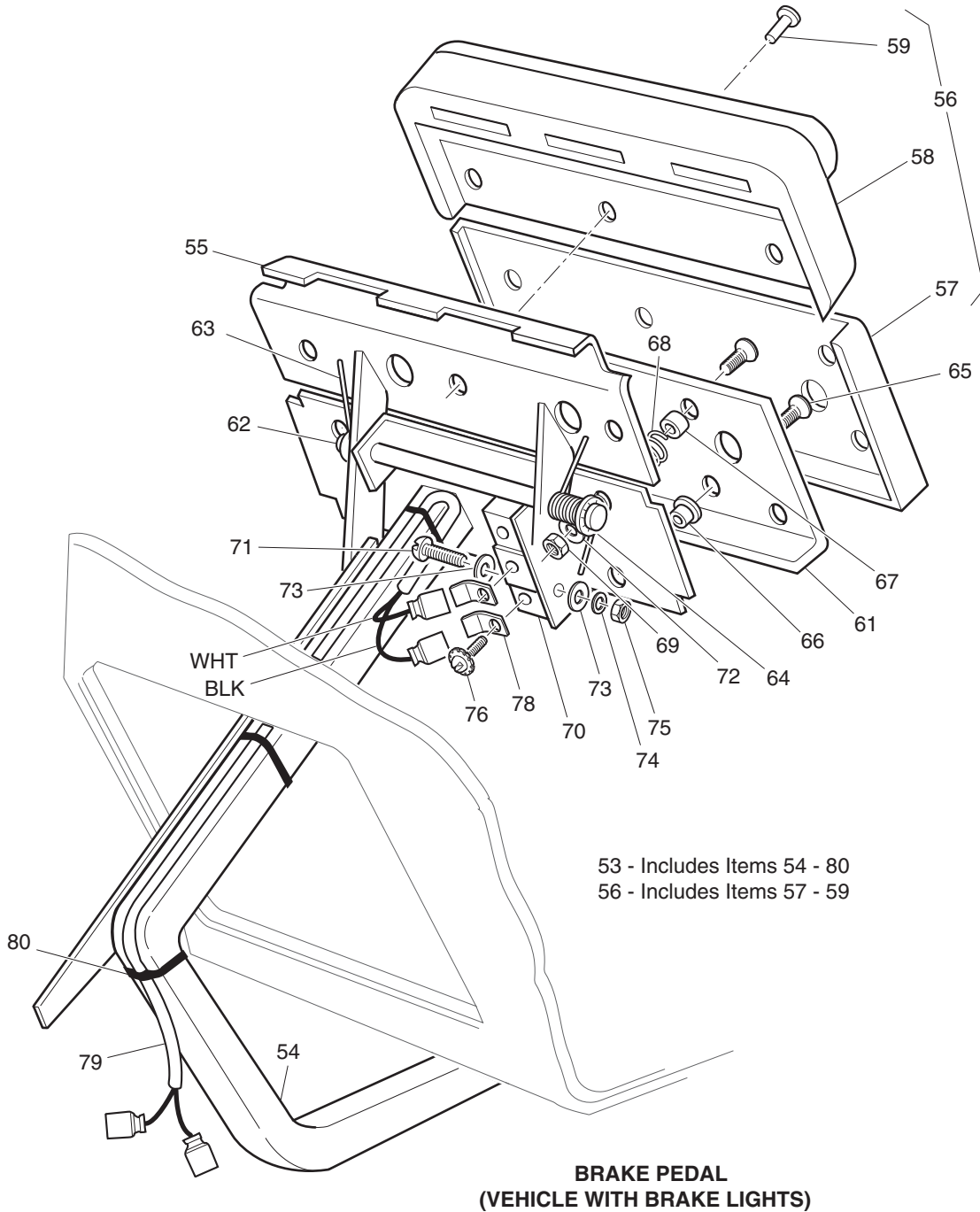
THE USE OF NON U.L. PARTS WILL VOID ANY U.L. LISTING.
 When ordering parts, please specify the model and serial number of the product.
 * Indicates a component that is not available as an individual part.
 G** Indicates consult Customer Service Department for additional information.

ITEM	PART NO.	1 2 3 4 5	DESCRIPTION	QTY.
151				
152	21559-G1		WIPER SEAL	2
153	14590-G1		WHEEL BOLT, 1/2 - 20.....	10
154	<u>33665-G01</u>		WASHER, 3/4"	2
155	<u>00566-G6</u>		LOCK WASHER, 3/4".....	2
156	<u>00518-G8</u>		SLOTTED NUT, 3/4 - 16.....	2
157	<u>10387-G1</u>		COTTER PIN, 1/8" X 1 1/2" LG.....	2
158				
159	<u>70886-G01</u>		BRAKE PEDAL (INCLUDES ITEMS 160 - 162).....	1
160	70883-G01		PEDAL	1
161	<u>70257-G01</u>		BRAKE PEDAL PAD.....	1
162	<u>16409-G1</u>		OVAL RIVET, 1/8" X 15/32" LG.....	6

BRAKES - MECHANICAL

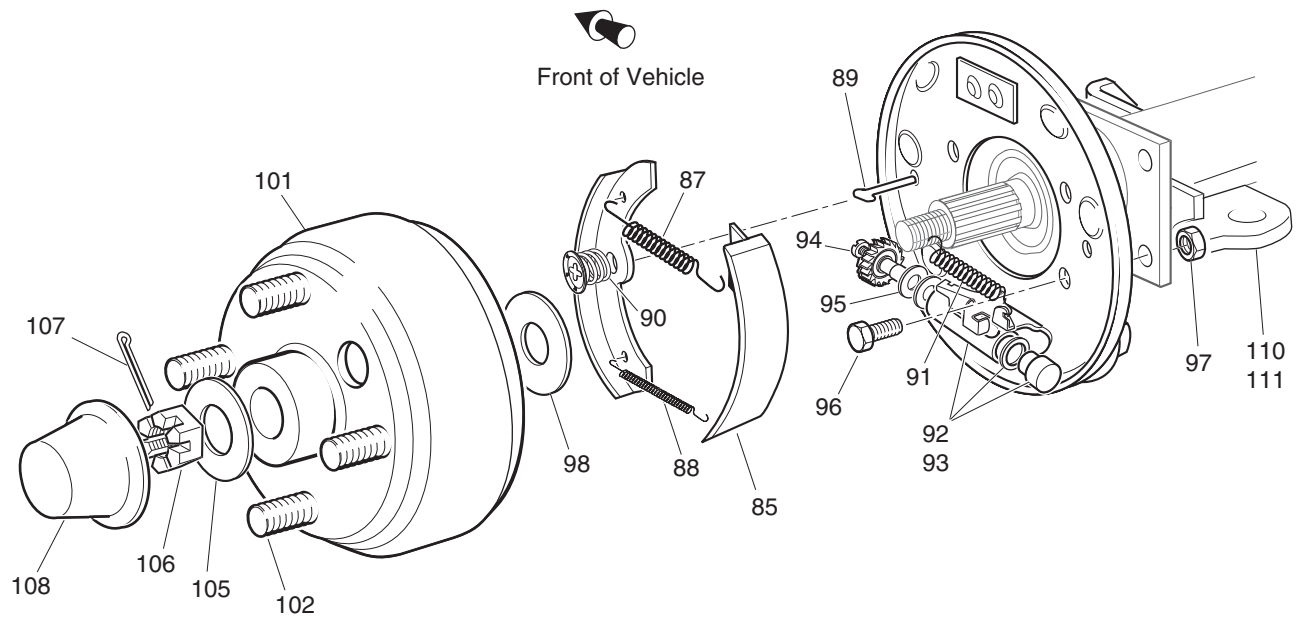


Ref Brm 8-1



Ref Brm 8-2

BRAKES - MECHANICAL



- 82 - Includes Items 84 - 92, 94, 95
- 83 - Includes Items 84 - 91, 93 - 95
- 84 - Includes Items 85
- 86 - Includes Items 87 - 91
- 92 - Includes Items 94, 95
- 93 - Includes Items 94, 95
- 100 - Includes Items 101, 102

Ref Brm 8-3

BRAKES - MECHANICAL

THE USE OF NON U.L. PARTS WILL VOID ANY U.L. LISTING.

When ordering parts, please specify the model and serial number of the product.

* Indicates a component that is not available as an individual part.

G** Indicates consult Customer Service Department for additional information.

ITEM	PART NO.	1	2	3	4	5	DESCRIPTION	QTY.
1	<u>70612-G01</u>						BRAKE PEDAL ASSEMBLY (WITHOUT BRAKE LIGHTS) (INCLUDES ITEMS 2 - 10).....	1
2	<u>70681-G01</u>						TORSION SPRING.....	2
3	<u>70682-G01</u>						PIVOT PIN.....	1
4	<u>01071-G01</u>						PUSHNUT, 5/16".....	2
5	*						BRAKE PEDAL.....	1
6	<u>70611-G01</u>						PARK BRAKE PEDAL.....	1
7	70274-G01						BRAKE/PARK BRAKE PEDAL PAD KIT (INCLUDES ITEMS 8 - 10).....	1
8	*						SERVICE BRAKE PAD.....	1
9	*						PARK BRAKE PEDAL PAD.....	1
10	<u>15766-G1</u>						OVAL RIVET, 3/16" X 7/16" LG.....	9
11								
12	<u>70582-G01</u>						SHOULDER BOLT, 3/8 - 16 X 4" LG (STAINLESS STEEL).....	1
13	<u>70581-G01</u>						FLANGED BUSHING.....	2
14	<u>70676-G01</u>						TORSION SPRING.....	1
15	<u>00643-G1</u>						WASHER, 3/8".....	1
16	<u>11098-G5</u>						LOCK NUT, 3/8 - 16.....	1
17								
18	70272-G04						COMPENSATOR ASSEMBLY (INCLUDES ITEMS 19, 20).....	1
19	<u>00963-G01</u>						SPHERICAL NUT, 5/16 - 24.....	1
20	<u>11098-G9</u>						LOCK NUT, 5/16 - 24.....	1
21								
22	<u>70969-G06</u>						EQUALIZER AND BRAKE CABLE ASSEMBLY (INCLUDES ITEMS 23-26).....	1
23	<u>28082-G01</u>						EQUALIZER BRACKET.....	1
24	<u>28083-G01</u>						BRAKE COMPENSATOR BUMPER.....	2
25	*						BRAKE CABLE (DRIVER SIDE).....	1
26	*						BRAKE CABLE (PASSENGER SIDE).....	1
27								
28	<u>01111-G01</u>						RETAINING RING, 13/32" (STAINLESS STEEL).....	4
29								

BRAKES - MECHANICAL

THE USE OF NON U.L. PARTS WILL VOID ANY U.L. LISTING.
 When ordering parts, please specify the model and serial number of the product.
 * Indicates a component that is not available as an individual part.
 G** Indicates consult Customer Service Department for additional information.

ITEM	PART NO.	1 2 3 4 5	DESCRIPTION	QTY.
30	<u>10386-G3</u>		CLEVIS PIN, 5/16" X 13/16" LG	1
31	<u>10387-G3</u>		COTTER PIN, 3/32" X 3/4" LG	3
32	<u>14443-G2</u>		CLEVIS PIN, 5/16" X 5/8" LG	2
33				
34	<u>70601-G01</u>		KICK-OFF LINK.....	1
35	<u>17838-G1</u>		NYLON BUSHING.....	2
36	<u>20835-G1</u>		TEFLON WASHER, 3/8"	2
37	00559-G8		WASHER, 5/16"	2
38	<u>10387-G3</u>		COTTER PIN, 3/32" X 3/4" LG	2
39	<u>70098-G01</u>		KICK-OFF CAM PIVOT	1
40	<u>10097-G6</u>		FLANGED BEARING	2
41	<u>70587-G01</u>		KICK-OFF CAM.....	1
42	<u>71215-G01</u>		SETSCREW, 1/4 - 20 X 1/2" LG.....	2
43	<u>14134-G4</u>		SPACER	1
44				
45	<u>70113-G01</u>		ADJUSTABLE BUMPER	1
46	<u>11027-G1</u>		LOCK NUT, 5/16 - 18	1
47				
48	<u>70080-G01</u>		CATCH BRACKET	1
49	<u>00414-G6</u>		BOLT, 1/4 - 20 X 3/4" LG	2
50	<u>00654-G2</u>		LOCK NUT, 1/4 - 20 (STAINLESS STEEL)	2
51				
52				
53	70690-G01		BRAKE PEDAL ASSEMBLY (WITH BRAKE LIGHTS) (INCLUDES ITEMS 54 - 80).....	1
54	*		BRAKE PEDAL	1
55	<u>70611-G01</u>		PARK BRAKE PEDAL	1
56	70274-G01		BRAKE/PARK BRAKE PEDAL PAD KIT (INCLUDES ITEMS 57 - 59).....	1
57	*		SERVICE BRAKE PAD	1
58	*		PARK BRAKE PAD.....	1

BRAKES - MECHANICAL

THE USE OF NON U.L. PARTS WILL VOID ANY U.L. LISTING.

When ordering parts, please specify the model and serial number of the product.

* Indicates a component that is not available as an individual part.

G** Indicates consult Customer Service Department for additional information.

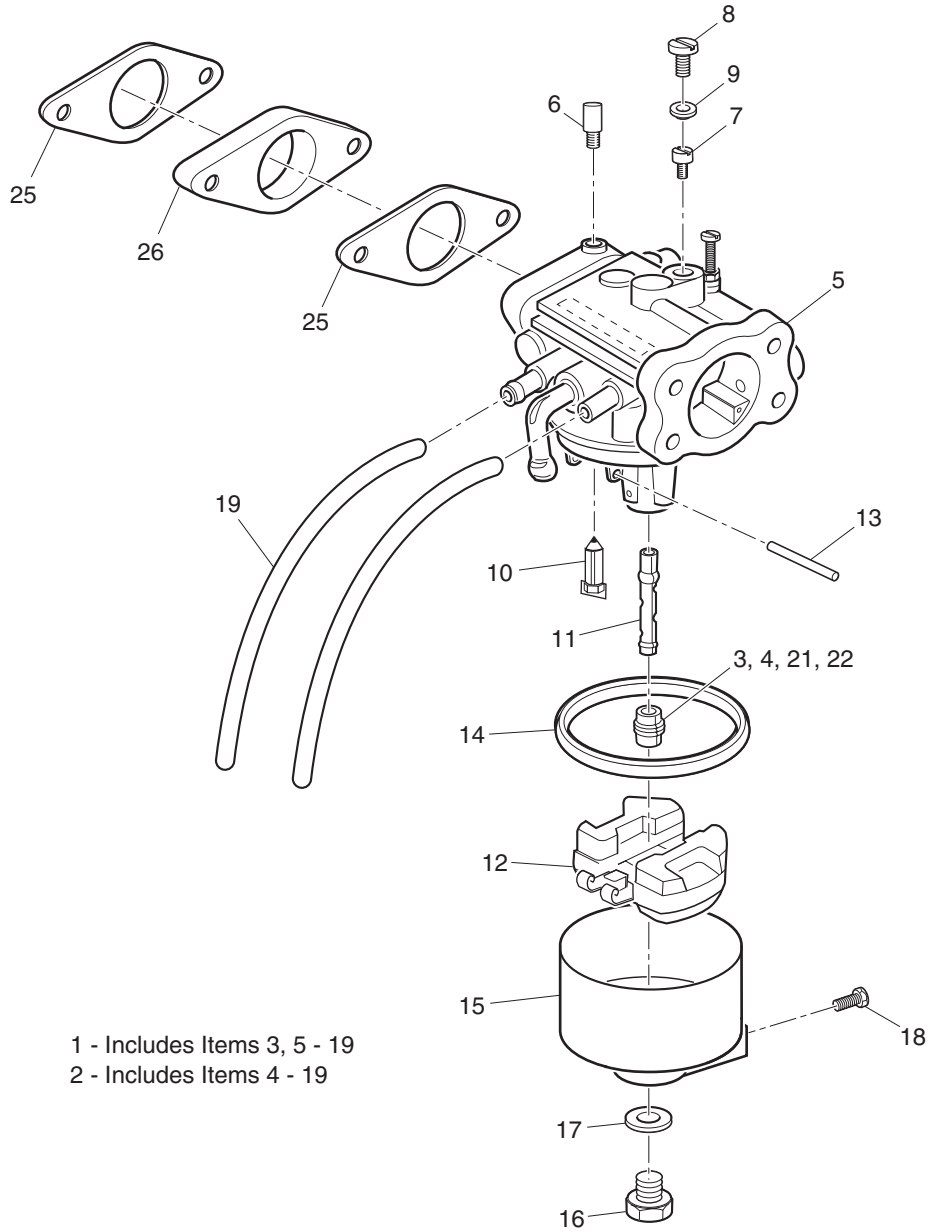
ITEM	PART NO.	1	2	3	4	5	DESCRIPTION	QTY.
59	<u>15766-G1</u>						OVAL RIVET, 3/16" x 7/16" LG	9
60								
61	70258-G02						BRAKE PEDAL PLATE	1
62	<u>70682-G01</u>						PIVOT PIN	1
63	<u>70681-G01</u>						TORSION SPRING	2
64	<u>01071-G01</u>						PUSHNUT, 5/16"	1
65	<u>00737-G8</u>						SCREW, #10 - 24 X 7/8" LG	4
66	<u>00739-G1</u>						RUBBER NUT, #10 - 24	2
67	22362-G3						BRAKE PEDAL STANDOFF	2
68	<u>27137-G01</u>						CONICAL SPRING	2
69	11098-G7						LOCK NUT, #10 - 24	2
70	10606-G8						MICRO SWITCH	1
71	<u>00957-G1</u>						BOLT, #6 - 32 X 1 1/4" LG	2
72	<u>00559-G5</u>						WASHER, #10	2
73	<u>00559-G3</u>						WASHER, #6	4
74	<u>00565-G3</u>						LOCK WASHER, #6	2
75	<u>00525-G5</u>						NUT, #6 - 32	2
76	<u>13514-G1</u>						SCREW AND LOCK WASHER, #6	2
77								
78	<u>14628-G1</u>						FASTON TAB	2
79	<u>24605-G1</u>						WIRE HARNESS (BRAKE LIGHT)	1
80	<u>17618-G1</u>						WIRE TIE	3
81								
82	<u>70793-G01</u>						BRAKE ASSEMBLY (DRIVER SIDE) (INCLUDES ITEMS 84 - 92, 94, 95)	1
83	<u>70793-G02</u>						BRAKE ASSEMBLY (PASSENGER SIDE) (INCLUDES ITEMS 84 - 91, 93 - 95)	1
84	70794-G01						BRAKE SHOE KIT (INCLUDES ITEM 85)	2
85	*						BRAKE SHOE	2
86	<u>27944-G01</u>						BRAKE SPRING KIT (INCLUDES ITEMS 87 - 91)	2
87	*						UPPER SPRING	1

BRAKES - MECHANICAL

THE USE OF NON U.L. PARTS WILL VOID ANY U.L. LISTING.
 When ordering parts, please specify the model and serial number of the product.
 * Indicates a component that is not available as an individual part.
 G** Indicates consult Customer Service Department for additional information.

ITEM	PART NO.	1	2	3	4	5	DESCRIPTION	QTY.
88	*						LOWER SPRING	1
89	*						PIN	2
90	*						CUP AND SPRING	2
91	*						ADJUSTER SPRING.....	1
92	<u>72582-G01</u>						BRAKE ADJUSTER KIT (DRIVER SIDE) (INCLUDES ITEMS 94, 95)	1
93	<u>72582-G02</u>						BRAKE ADJUSTER KIT (PASSENGER SIDE) (INCL. ITEMS 94, 95).....	1
94	*						ADJUSTER	1
95	*						TEFLON WASHER.....	2
96	<u>17083-G2</u>						BOLT, 5/16 - 24 X 1" LG	8
97	<u>15126-G1</u>						LOCK NUT, 5/16 - 24	8
98	<u>21809-G1</u>						INNER BRAKE DRUM WASHER, 1 5/16" OD X 1" ID X 1/32"	2
99								
100	<u>21807-G1</u>						BRAKE DRUM ASSEMBLY (INCLUDES ITEMS 101 - 102).....	2
101	*						BRAKE DRUM	1
102	<u>19862-G1</u>						LUG BOLT, 1/2 - 20 X 1 3/16" LG	4
103								
104								
105	<u>21830-G1</u>						OUTER BRAKE DRUM WASHER	2
106	<u>00518-G8</u>						SLOTTED NUT, 3/4 - 16.....	2
107	<u>10387-G1</u>						COTTER PIN, 1/8" X 1 1/2" LG	2
108	<u>74175-G01</u>						SPINDLE CAP.....	2
109								
110	<u>72036-G01</u>						BRAKE CABLE BRACKET (PASSENGER SIDE).....	1
111	<u>72036-G02</u>						BRAKE CABLE BRACKET (DRIVER SIDE)	1

CARBURETOR



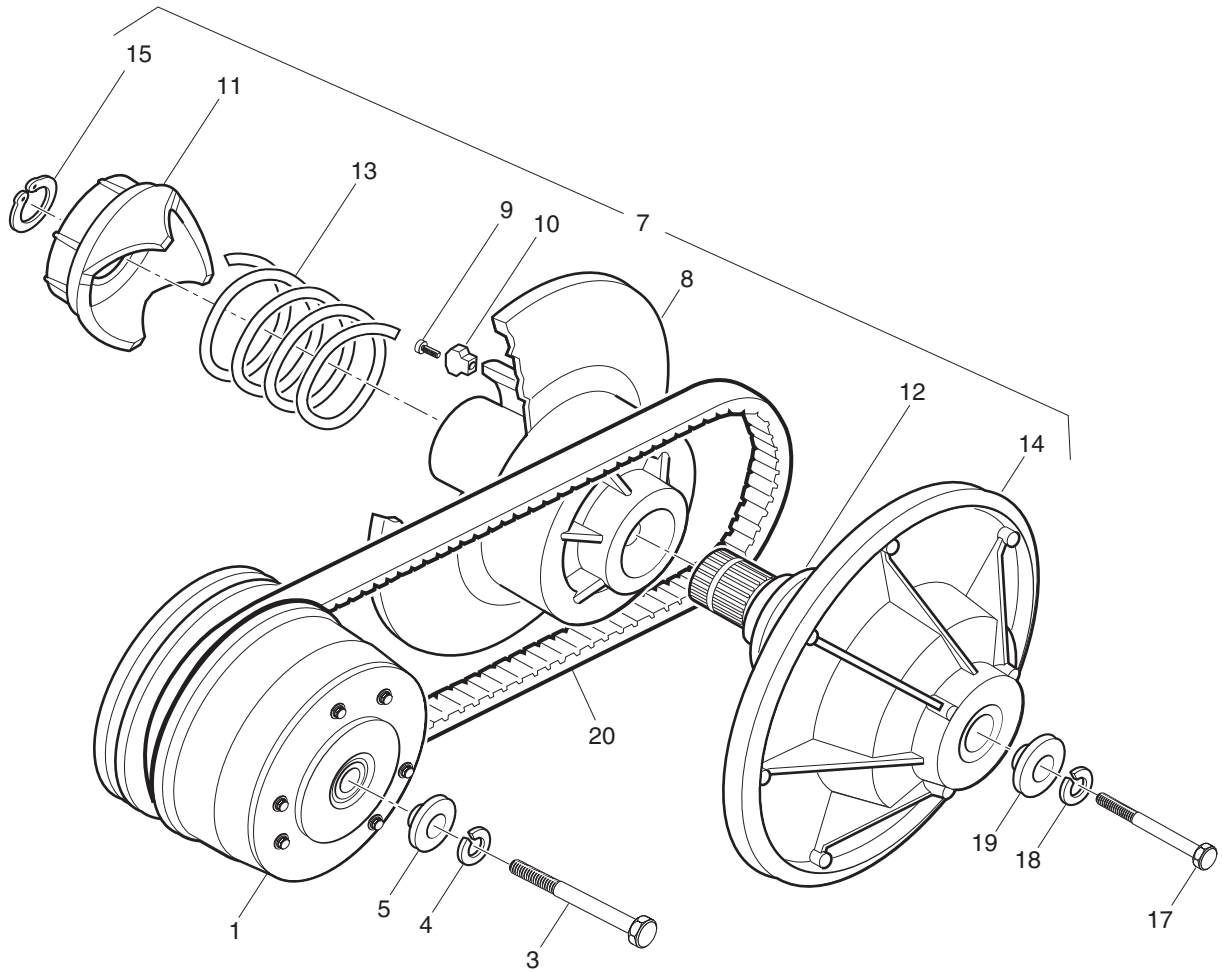
Ref Cac 8

CARBURETOR

THE USE OF NON U.L. PARTS WILL VOID ANY U.L. LISTING.
 When ordering parts, please specify the model and serial number of the product.
 * Indicates a component that is not available as an individual part.
 G** Indicates consult Customer Service Department for additional information.

ITEM	PART NO.	1 2 3 4 5	DESCRIPTION	QTY.
1	<u>72558-G01</u>		CARBURETOR ASSEMBLY (FOR FUJI ENGINE PN: EH35CPG5032) (INCLUDES ITEMS 3, 5 - 19).....	1
2	<u>72558-G05</u>		CARBURETOR ASSEMBLY (FOR FUJI ENGINE PN: EH35CPG5033) (INCLUDES ITEMS 4 - 19).....	1
3	<u>26646-G09</u>		MAIN JET (#92)	1
4	<u>26646-G07</u>		MAIN JET (#90)	1
5	*		CARBURETOR BODY.....	1
6	*		PILOT SCREW	1
7	<u>26649-G05</u>		PILOT JET (#46).....	1
8	<u>26841-G01</u>		PLUG	1
9	<u>72306-G01</u>		GASKET	1
10	<u>72578-G01</u>		NEEDLE VALVE	1
11	*		MAIN NOZZLE	1
12	<u>26648-G01</u>		FLOAT.....	1
13	<u>26840-G01</u>		FLOAT PIN.....	1
14	<u>26843-G01</u>		FLOAT BOWL GASKET	1
15	<u>26844-G01</u>		FLOAT CHAMBER.....	1
16	<u>26839-G01</u>		BOWL SCREW	1
17	<u>26838-G01</u>		BOWL GASKET	1
18	*		DRAIN SCREW	1
19	<u>26650-G01</u>		VENT TUBE.....	2
20				
21	<u>26646-G01</u>		MAIN JET (#88) (FOR ELEVATIONS OF 3000 FT - 6000 FT).....	1
22	<u>26646-G08</u>		MAIN JET (#86) (FOR ELEVATIONS OF 6000 FT - 10000 FT).....	1
23				
24				
25	<u>26726-G01</u>		CARBURETOR MOUNT GASKET.....	2
26	<u>72311-G01</u>		CARBURETOR INSULATOR	1

CLUTCH



Ref Clt 8

CLUTCH

THE USE OF NON U.L. PARTS WILL VOID ANY U.L. LISTING.

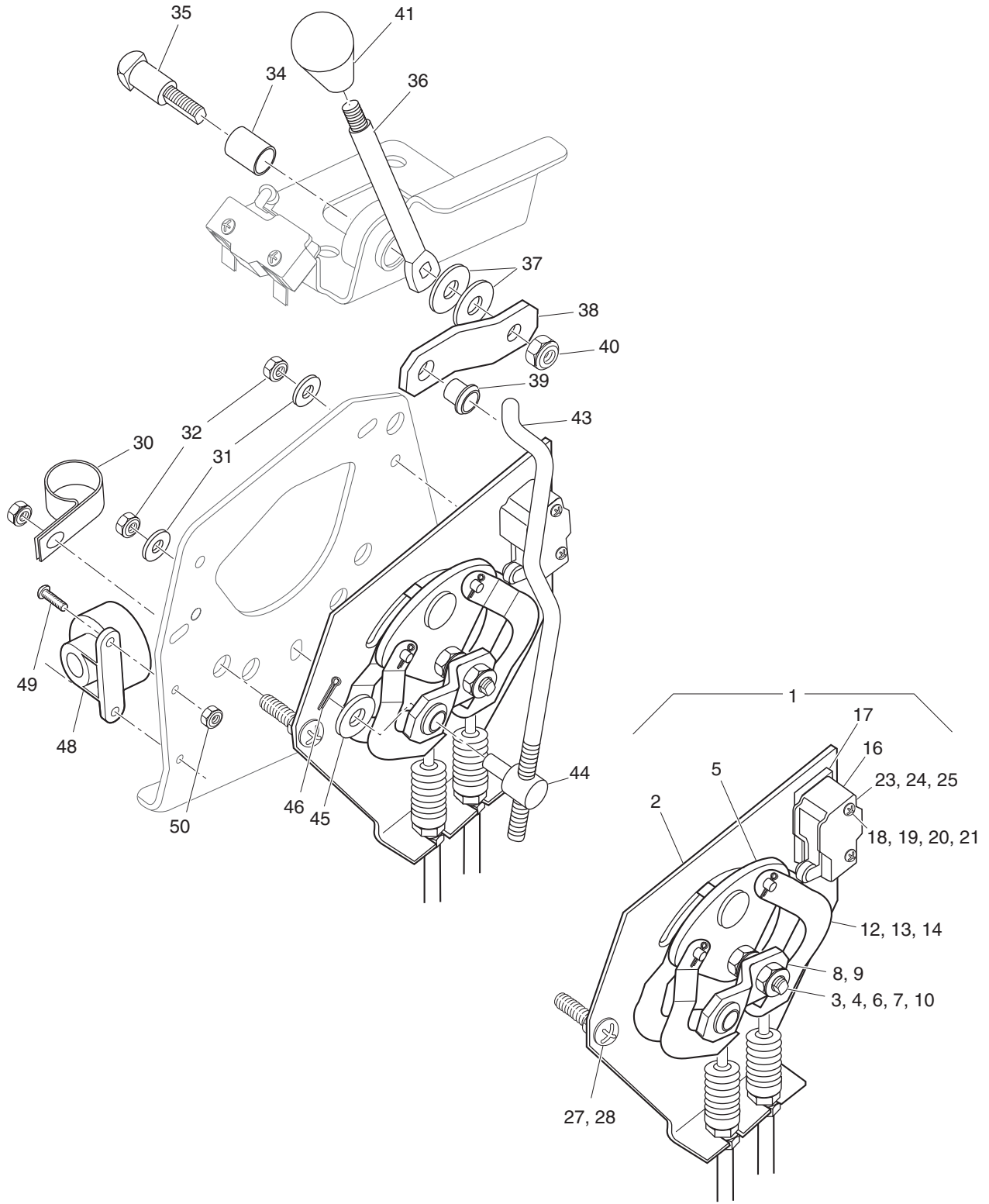
When ordering parts, please specify the model and serial number of the product.

* Indicates a component that is not available as an individual part.

G** Indicates consult Customer Service Department for additional information.

ITEM	PART NO.	1 2 3 4 5	DESCRIPTION	QTY.
1	<u>26952-G01</u>		DRIVE CLUTCH	1
2				
3	<u>00473-G9</u>		BOLT, 7/16 - 20 X 6 1/2" LG	1
4	<u>00566-G2</u>		LOCK WASHER, 7/16"	1
5	<u>25757-G1</u>		PILOT WASHER	1
6				
7	<u>26301-G**</u>		DRIVEN CLUTCH ASSEMBLY (INCLUDES ITEMS 8 - 15)	1
8	*		MOVABLE SHEAVE (INCLUDES ITEMS 9 -10)	1
9	<u>00979-G01</u>		SCREW, #10 - 24 X 7/8" LG	3
10	<u>26479-G01</u>		RAMP BUTTON	3
11	*		CAM	1
12	<u>24600-G1</u>		SPACER, 1 1/2"	1
13	<u>26304-G01</u>		COMPRESSION SPRING	1
14	*		SHEAVE AND POST	1
15	<u>27270-G01</u>		HEAVY DUTY RETAINING RING	1
16				
17	<u>00441-G8</u>		BOLT, 5/16 - 18 X 4" LG	1
18	<u>00565-G8</u>		LOCK WASHER, 5/16"	4
19	<u>25756-G1</u>		RETAINING WASHER	1
20	<u>72054-G01</u>		DRIVE BELT	1

DIRECTION SELECTOR - SEAT CONSOLE



Ref Dsc 8

DIRECTION SELECTOR - SEAT CONSOLE

THE USE OF NON U.L. PARTS WILL VOID ANY U.L. LISTING.

When ordering parts, please specify the model and serial number of the product.

* Indicates a component that is not available as an individual part.

G** Indicates consult Customer Service Department for additional information.

ITEM	PART NO.	1 2 3 4 5	DESCRIPTION	QTY.
1	<u>70840-G01</u>		DIRECTION SELECTOR ASSEMBLY (INCLUDES ITEMS 2 - 28)	1
2	<u>70839-G01</u>		DIRECTION SELECTOR BRACKET	1
3	<u>25664-G1</u>		BUSHING, DU.....	1
4	<u>34170-G01</u>		DIRECTION SELECTOR SHAFT	1
5	<u>25745-G01</u>		DIRECTION SELECTOR CAM.....	1
6	<u>00532-G6</u>		NUT, 3/8 - 24.....	1
7	<u>00544-G6</u>		JAM NUT, 3/8 - 24.....	1
8	<u>70817-G01</u>		SELECTOR ARM.....	1
9	<u>22754-G3</u>		BUSHING.....	1
10	<u>14390-G1</u>		LOCK NUT, 3/8 - 24	1
11				
12	<u>72400-G02</u>		SHIFTER CONTROL ASSEMBLY	2
13	<u>23176-G1</u>		CLEVIS PIN, 3/16" X 7/16" LG	2
14	<u>10387-G8</u>		COTTER PIN, 1/16" X 3/4" LG	2
15				
16	<u>10606-G1</u>		MICRO SWITCH.....	1
17	<u>27151-G01</u>		SWITCH SPACER	1
18	<u>00645-G2</u>		SCREW, #6 - 32 X 1 1/4" LG	2
19	<u>00559-G3</u>		WASHER, #6	2
20	<u>00565-G3</u>		LOCK WASHER, #6	2
21	<u>00525-G5</u>		NUT, #6 - 32.....	2
22				
23	<u>13514-G1</u>		SCREW AND WASHER ASSEMBLY	2
24	<u>14628-G1</u>		FASTON TAB.....	2
25	<u>25978-G341</u>		18 GA WIRE (RED 16 1/2")	1
26				
27	<u>16705-G1</u>		SCREW, 1/4 - 20 X 1" LG (STAINLESS STEEL).....	3
28	<u>11027-G2</u>		LOCK NUT, 1/4 - 20.....	3
29				
30	<u>11845-G6</u>		INSULATED CABLE CLAMP, 1"	1

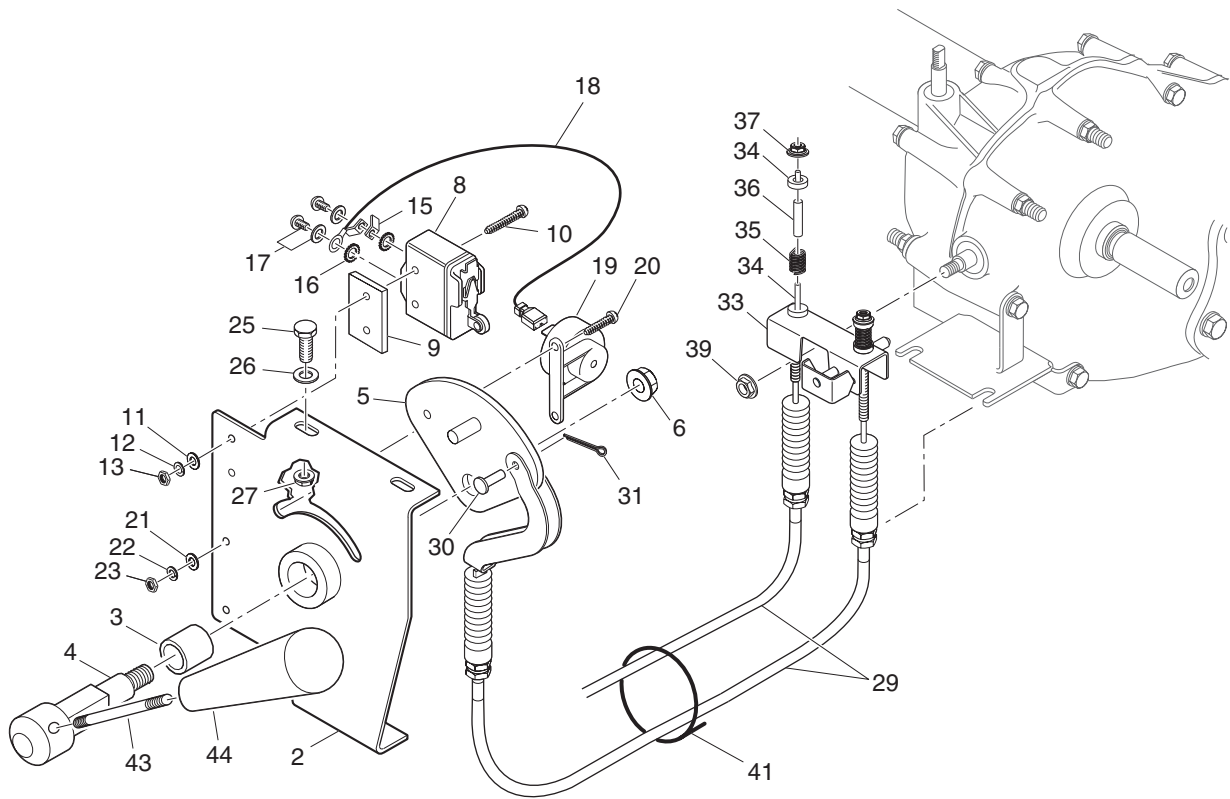
DIRECTION SELECTOR - SEAT CONSOLE

THE USE OF NON U.L. PARTS WILL VOID ANY U.L. LISTING.
 When ordering parts, please specify the model and serial number of the product.
 * Indicates a component that is not available as an individual part.
 G** Indicates consult Customer Service Department for additional information.

ITEM	PART NO.	1	2	3	4	5	DESCRIPTION	QTY.
31	<u>01110-G01</u>						WASHER, 1/4" (STAINLESS STEEL)	2
32	<u>14390-G4</u>						LOCK NUT, 1/4 - 20	3
33								
34	<u>25664-G2</u>						BUSHING	1
35	<u>70824-G01</u>						DIRECTION SELECTOR SHAFT.....	1
36	<u>34168-G01</u>						SELECTOR ARM	1
37	<u>00560-G1</u>						WASHER, 3/8"	2
38	70825-G01						SHIFT ARM	1
39	<u>22754-G3</u>						BUSHING	1
40	<u>14390-G1</u>						LOCK NUT, 3/8 - 24	1
41	<u>11989-G1</u>						DIRECTION SELECTOR KNOB	1
42								
43	<u>70816-G01</u>						SHIFT LINK	1
44	<u>70815-G01</u>						TRUNNION	1
45	<u>00570-G2</u>						WASHER, 5/16"	1
46	<u>10387-G3</u>						COTTER PIN, 3/32" X 3/4" LG	1
47								
48	<u>73290-G02</u>						BUZZER	1
49	<u>00645-G4</u>						SCREW, #6 - 32 X 1/2" LG.....	2
50	<u>14390-G4</u>						LOCK NUT, #6 - 32	2

DIRECTION SELECTOR - SEAT CONSOLE

DIRECTION SELECTOR - SEAT PANEL



1 - Includes Items 2 - 37

DIRECTION SELECTOR - SEAT PANEL

THE USE OF NON U.L. PARTS WILL VOID ANY U.L. LISTING.

When ordering parts, please specify the model and serial number of the product.

* Indicates a component that is not available as an individual part.

G** Indicates consult Customer Service Department for additional information.

ITEM	PART NO.	1	2	3	4	5	DESCRIPTION	QTY.
1	<u>70594-G03</u>						DIRECTION SELECTOR ASSEMBLY (INCLUDES ITEMS 2 - 27)	1
2	<u>25684-G01</u>						DIRECTION SELECTOR BRACKET	1
3	<u>25664-G1</u>						BUSHING.....	1
4	<u>25677-G01</u>						DIRECTION SELECTOR SHAFT	1
5	<u>25745-G01</u>						DIRECTION SELECTOR CAM.....	1
6	<u>14390-G1</u>						LOCK NUT, 3/8 - 24	1
7								
8	<u>10606-G1</u>						MICRO SWITCH.....	1
9	<u>27151-G01</u>						MICRO SWITCH SPACER	1
10	<u>00645-G2</u>						SCREW, #6 - 32 X 1 1/4" LG	2
11	<u>00559-G3</u>						WASHER, #6	2
12	<u>00565-G3</u>						LOCK WASHER, #6	2
13	<u>00525-G5</u>						NUT, #6 - 32.....	2
14								
15	<u>14628-G1</u>						FASTON TAB.....	2
16	<u>00567-G3</u>						LOCK WASHER, #6	2
17	<u>13514-G1</u>						SCREW AND WASHER ASSEMBLY	2
18	<u>25978-G343</u>						18 GA WIRE (RED)	1
19	<u>73290-G01</u>						REVERSE WARNING BUZZER	1
20	<u>00138-G5</u>						SCREW, #6 - 32 X 5/8" LG	2
21	<u>00559-G3</u>						WASHER, #6	2
22	<u>00565-G3</u>						LOCK WASHER, #6	2
23	<u>00525-G5</u>						NUT, #6 - 32.....	2
24								
25	<u>00414-G6</u>						BOLT, 1/4 - 20 X 3/4" LG.....	2
26	<u>01110-G01</u>						WASHER, 1/4" (STAINLESS STEEL).....	2
27	<u>11027-G2</u>						LOCK NUT, 1/4 - 20.....	2
28								
29	<u>72400-G01</u>						SHIFTER CONTROL CABLE.....	2
30	<u>23176-G1</u>						CLEVIS PIN, 3/16" X 7/16" LG	2

DIRECTION SELECTOR - SEAT PANEL

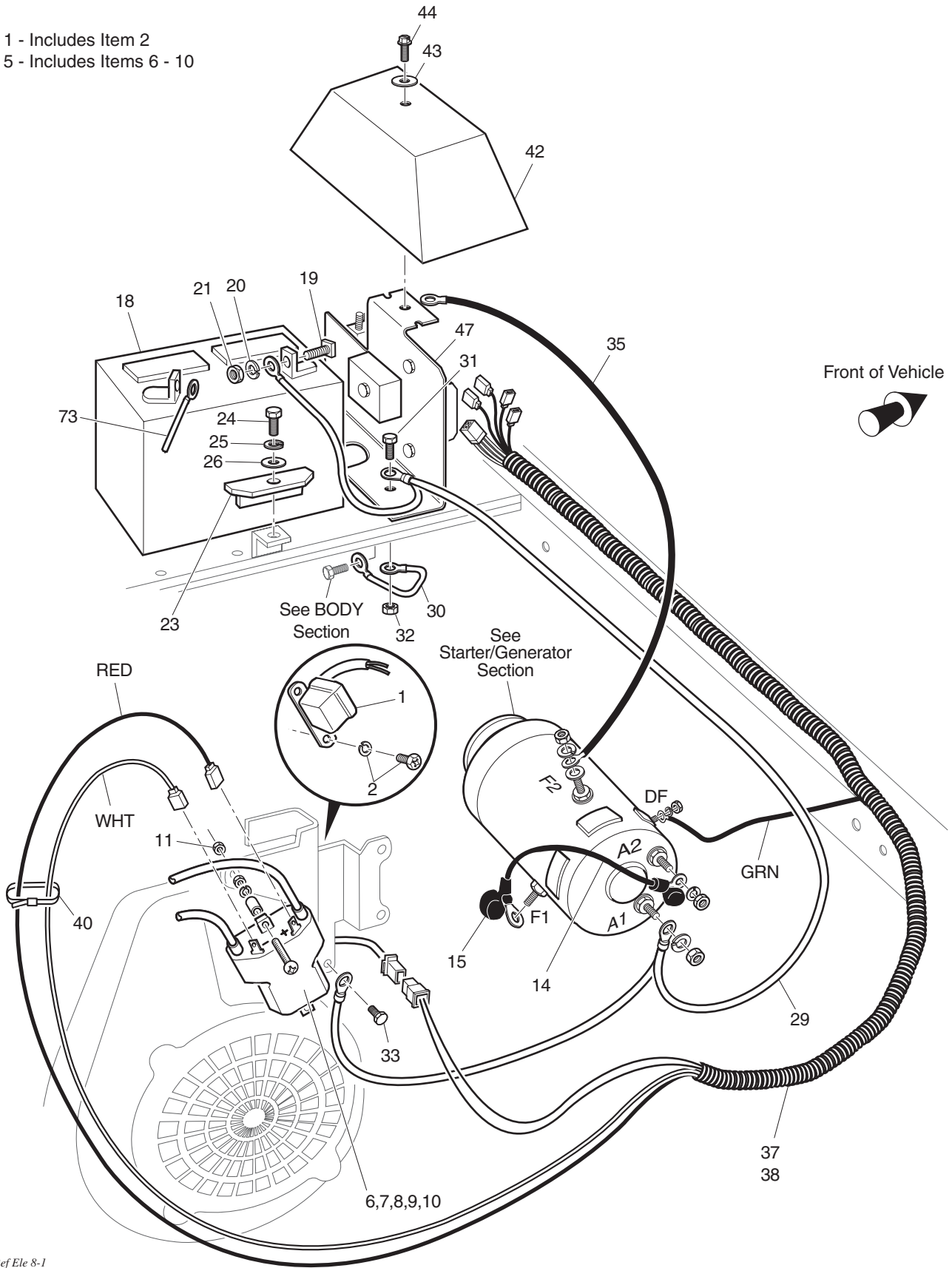
THE USE OF NON U.L. PARTS WILL VOID ANY U.L. LISTING.
 When ordering parts, please specify the model and serial number of the product.
 * Indicates a component that is not available as an individual part.
 G** Indicates consult Customer Service Department for additional information.

ITEM	PART NO.	1 2 3 4 5	DESCRIPTION	QTY.
31	<u>10387-G8</u>		COTTER PIN, 1/16" X 3/4" LG	2
32				
33	25946-G01		PIVOT ARM.....	1
34	<u>25727-G01</u>		CUP WASHER, 1/4"	4
35	27764-G01		SPRING.....	2
36	23726-G5		SPACER, 1 1/8"	2
37	11098-G7		NUT, #10 - 24	2
38				
39	26830-G01		NUT, M8 X 1.25 MM	1
40				
41	<u>17618-G1</u>		WIRE TIE	1
42				
43	<u>25748-G01</u>		DIRECTION SELECTOR ROD	1
44	<u>11989-G1</u>		DIRECTION SELECTOR KNOB	1

DIRECTION SELECTOR - SEAT PANEL

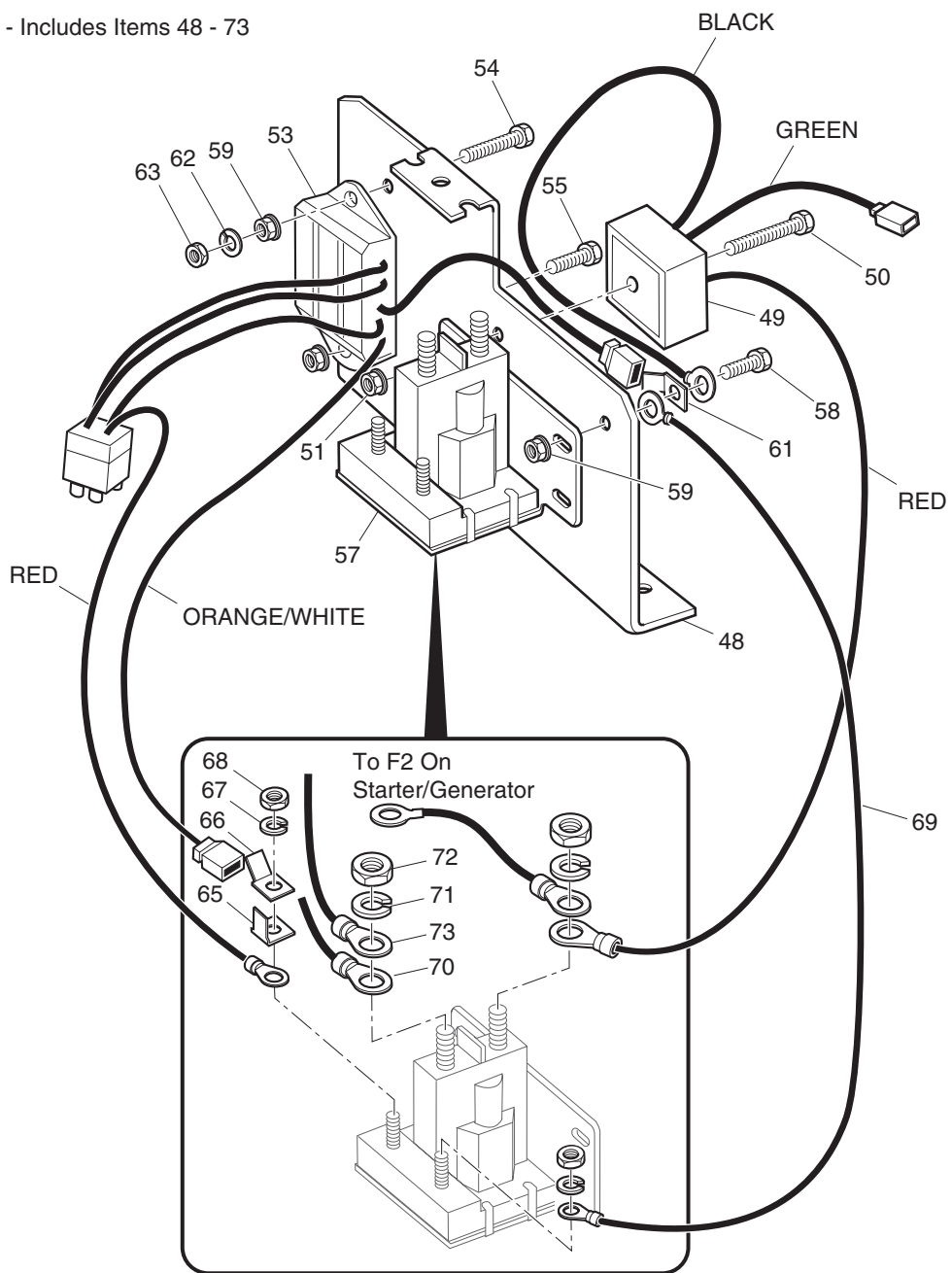
ELECTRICAL SYSTEM

- 1 - Includes Item 2
- 5 - Includes Items 6 - 10



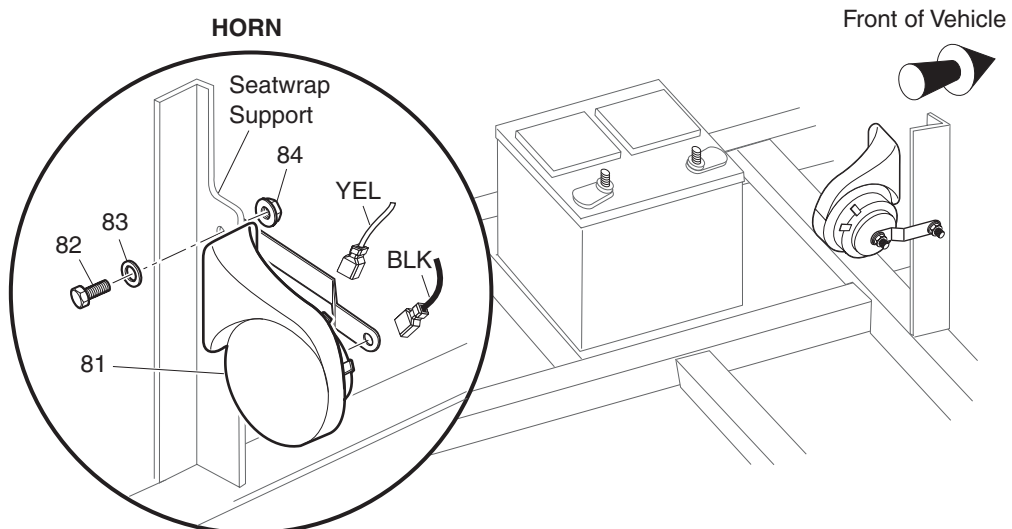
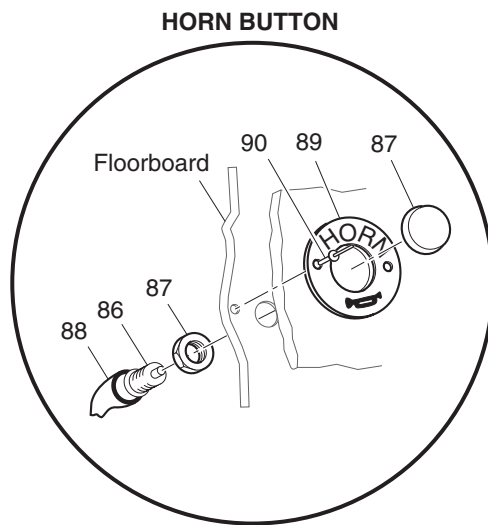
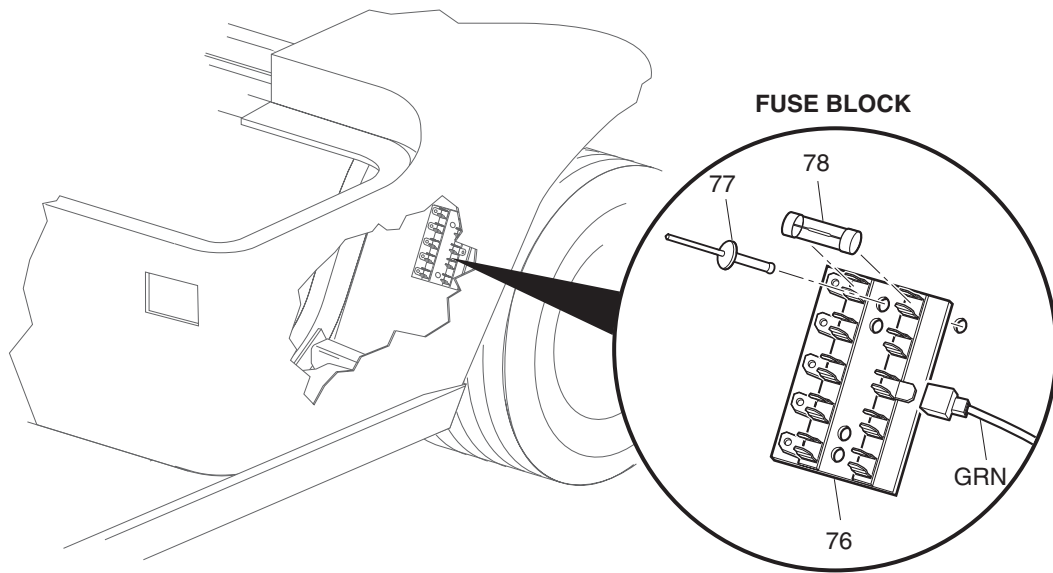
Ref Ele 8-1

47 - Includes Items 48 - 73

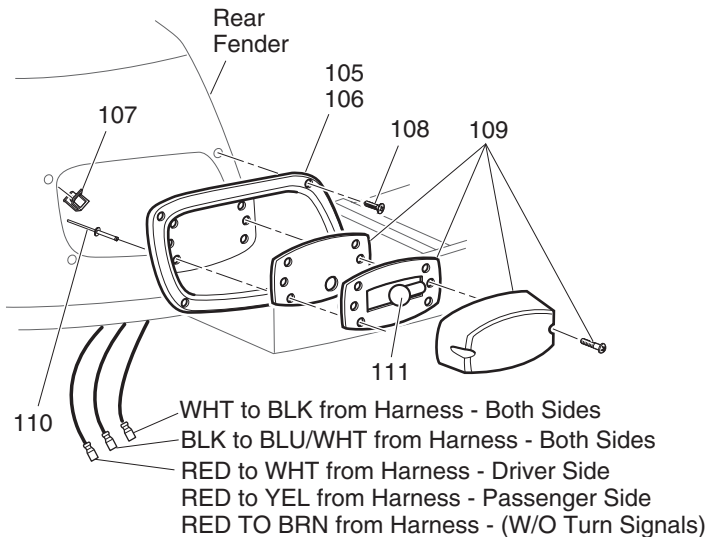
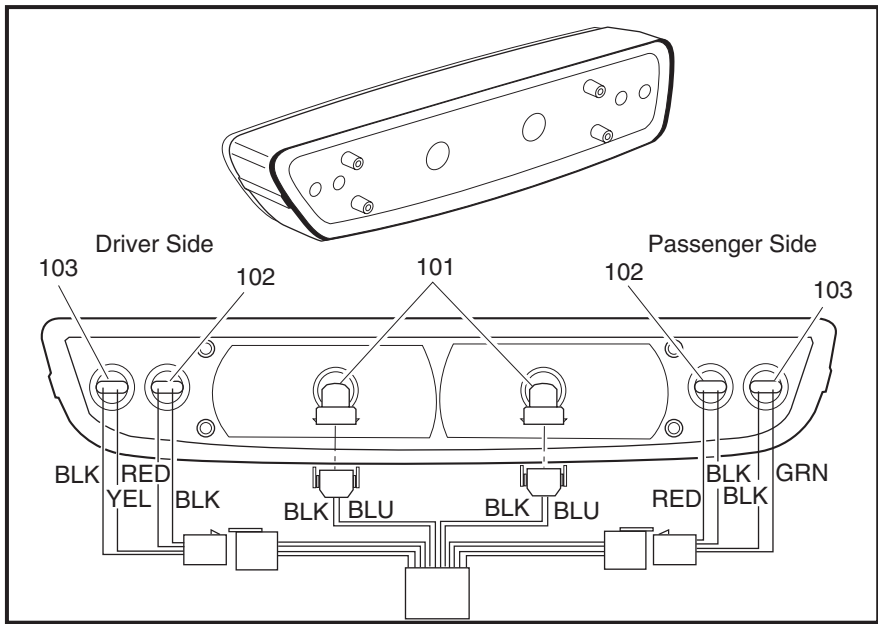
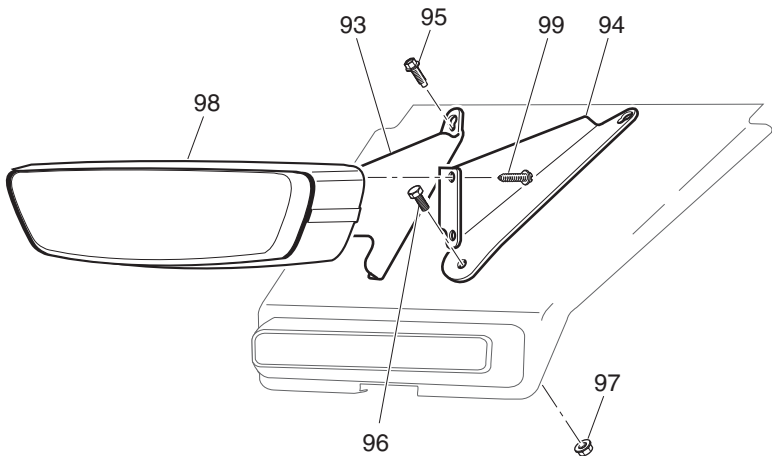


Ref Ele 8-2

ELECTRICAL SYSTEM



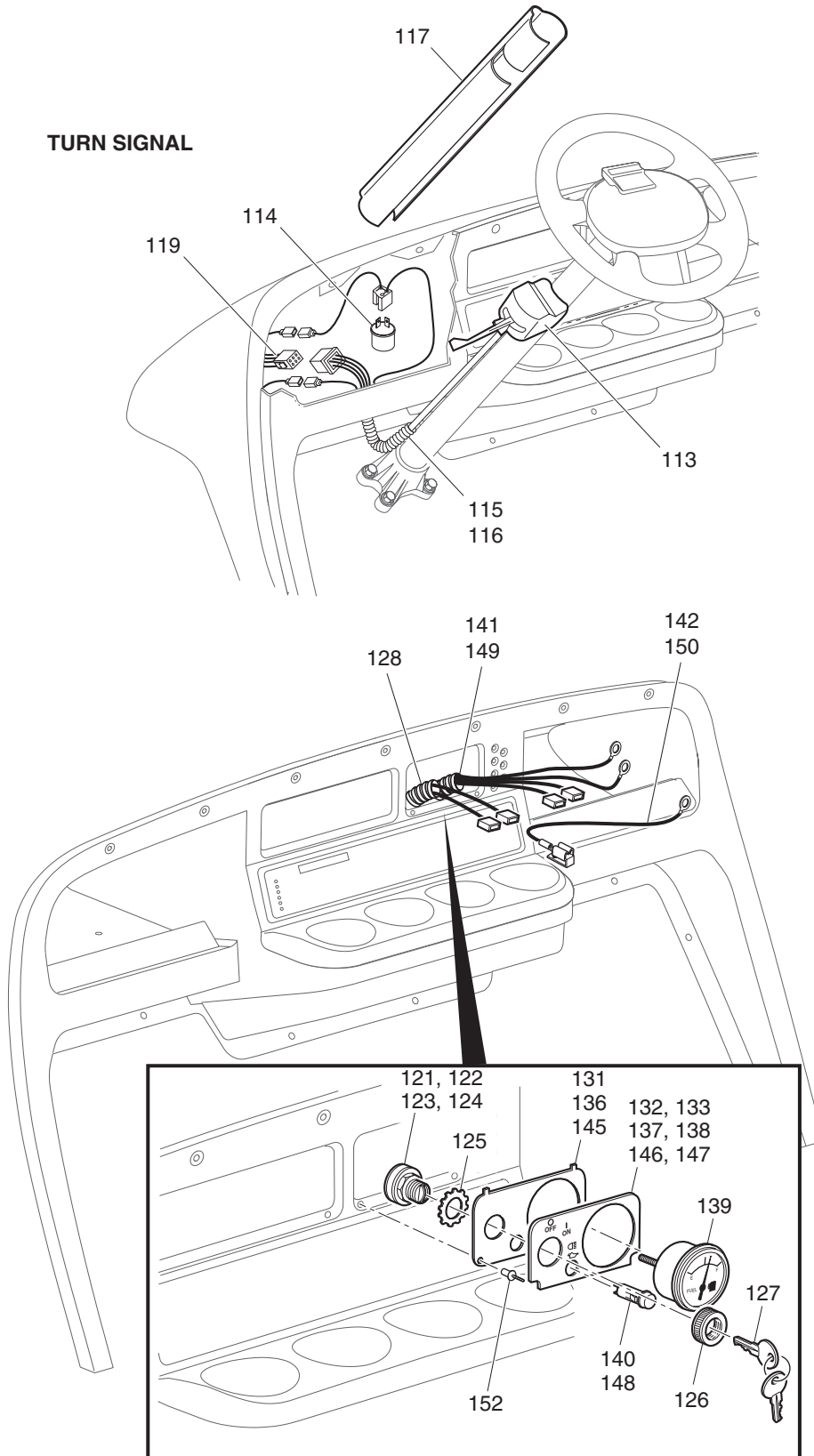
Ref Ele 8-3



Ref Ele 8-4

ELECTRICAL SYSTEM

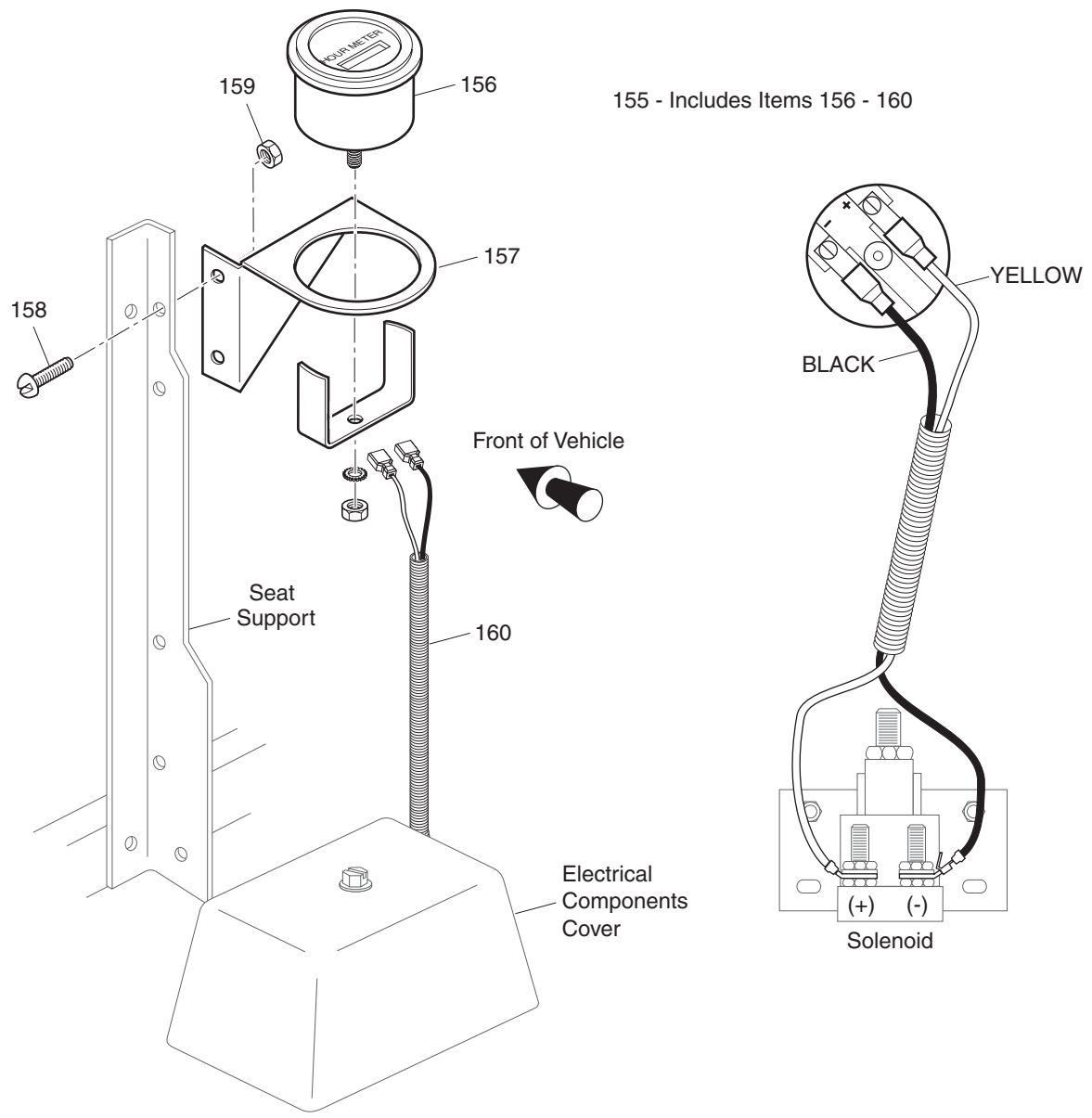
TURN SIGNAL



FUEL GAUGE, LOW OIL PRESSURE LIGHT, AND KEY SWITCH

Ref Ele 8-5

HOUR METER



Ref Ele 8-6

ELECTRICAL SYSTEM

THE USE OF NON U.L. PARTS WILL VOID ANY U.L. LISTING.

When ordering parts, please specify the model and serial number of the product.

* Indicates a component that is not available as an individual part.

G** Indicates consult Customer Service Department for additional information.

ITEM	PART NO.	1 2 3 4 5	DESCRIPTION	QTY.
1	<u>26651-G02</u>		IGNITION PICKUP ASSEMBLY (INCLUDES ITEM 2).....	1
2	<u>26707-G01</u>		BOLT AND WASHER ASSEMBLY, M5 X .8 X 10 MM LG	1
3				
4				
5	<u>26652-G01</u>		IGNITION COIL ASSEMBLY (INCLUDES ITEMS 6 - 10)	1
6	*		IGNITION COIL.....	1
7	*		SPACER	1
8	*		LOCK WASHER	1
9	*		NUT.....	1
10	*		SCREW.....	1
11	<u>13632-G1</u>		NUT, M6 X 1	2
12				
13				
14	<u>25887-G01</u>		6 GA WIRE (BLACK 6", F1 - A2).....	1
15	<u>25682-G1</u>		TERMINAL COVER	3
16				
17				
18	24775-G*		BATTERY, 12V	1
19	<u>00962-G1</u>		BOLT, 5/16 - 18 X 1 1/4" LG	2
20	<u>00993-G01</u>		LOCK WASHER, 5/16" (SILICON BRONZE).....	2
21	<u>00994-G01</u>		NUT, 5/16 - 18 (SILICON BRONZE)	2
22				
23	<u>72101-G01</u>		BATTERY HOLD DOWN.....	1
24	00438-G6		BOLT, 5/16 - 18 X 3/4" LG	1
25	<u>00565-G8</u>		LOCK WASHER, 5/16".....	1
26	<u>01110-G03</u>		WASHER, 5/16" (STAINLESS STEEL)	1
27				
28				
29	<u>27044-G03</u>		GROUND CABLE.....	1
30	<u>25976-G19</u>		14 GA WIRE (BLACK 6")	1

ELECTRICAL SYSTEM

THE USE OF NON U.L. PARTS WILL VOID ANY U.L. LISTING.
 When ordering parts, please specify the model and serial number of the product.
 * Indicates a component that is not available as an individual part.
 G** Indicates consult Customer Service Department for additional information.

ITEM	PART NO.	1	2	3	4	5	DESCRIPTION	QTY.
31	00438-G6						BOLT, 5/16 - 18 X 3/4" LG	2
32	<u>11027-G1</u>						LOCK NUT, 5/16 - 18	2
33	<u>26676-G01</u>						FLANGED BOLT, M6 X 1 X 23 MM LG	1
34								
35	<u>25972-G85</u>						6 GA WIRE (BLACK 23", F2 - SOL).....	1
36								
37	<u>70595-G02</u>						WIRE HARNESS (CONTROL) (SHUTTLE).....	1
38	70867-G01						WIRE HARNESS (CONTROL) (TG5)	1
39								
40	<u>17618-G1</u>						WIRE TIE	AR
41								
42	<u>73049-G01</u>						COVER.....	1
43	<u>16469-G1</u>						WASHER, 1/4"	1
44	<u>00114-G6</u>						SCREW, 1/4 - 14 X 3/4" LG.....	1
45								
46								
47	<u>73059-G01</u>						ELECTRICAL PLATE ASSEMBLY (INCLUDES ITEMS 48 - 73)	1
48	<u>73057-G01</u>						BRACKET	1
49	<u>27739-G01</u>						VOLTAGE REGULATOR	1
50	<u>00415-G2</u>						BOLT, 1/4 - 20 X 1 1/4" LG.....	1
51	<u>11027-G2</u>						LOCK NUT, 1/4 - 20	1
52								
53	<u>27746-G01</u>						IGNITOR	1
54	<u>00661-G8</u>						BOLT, 1/4 - 20 X 1" LG (STAINLESS STEEL)	1
55	<u>00414-G5</u>						BOLT, 1/4 - 20 X 5/8" LG.....	1
56								
57	<u>27153-G01</u>						SOLENOID	1
58	<u>00414-G5</u>						BOLT, 1/4 - 20 X 5/8" LG.....	1
59	<u>11027-G2</u>						LOCK NUT, 1/4 - 20	3
60								

ELECTRICAL SYSTEM

THE USE OF NON U.L. PARTS WILL VOID ANY U.L. LISTING.
 When ordering parts, please specify the model and serial number of the product.
 * Indicates a component that is not available as an individual part.
 G** Indicates consult Customer Service Department for additional information.

ITEM	PART NO.	1	2	3	4	5	DESCRIPTION	QTY.
61	<u>12914-G2</u>						FASTON TAB, 1/4" X 1/4"	1
62	<u>00664-G7</u>						LOCK WASHER, 1/4" (STAINLESS STEEL)	1
63	<u>00532-G1</u>						NUT, 1/4 - 20.....	1
64								
65	<u>73446-G01</u>						FASTON TAB, 90°	1
66	<u>12914-G1</u>						FASTON TAB, #10 X 1/4"	1
67	<u>00565-G5</u>						LOCK WASHER, #10	2
68	<u>00526-G4</u>						NUT, #10 - 32.....	2
69	<u>25978-G56</u>						18 GA WIRE (BLACK 5 3/4").....	1
70	<u>22585-G3</u>						IN-LINE FUSE HOLDER.....	1
71	<u>00565-G8</u>						LOCK WASHER, 5/16"	2
72	<u>00544-G4</u>						JAM NUT, 5/16 - 24.....	2
73	<u>25972-G33</u>						6 GA WIRE (BLACK 24", B+ - SOL).....	1
74								
75								
76	<u>22674-G1</u>						FUSE BLOCK.....	1
77	<u>01041-G01</u>						RIVET, 1/8" X 13/16" LG	2
78	<u>18392-G1</u>						15 AMP FUSE	3
79								
80								
81	<u>32860-G1</u>						HORN.....	1
82	<u>00414-G5</u>						BOLT, 1/4 - 20 x 5/8" LG.....	1
83	<u>01110-G01</u>						WASHER, 1/4" (STAINLESS STEEL)	1
84	<u>00654-G2</u>						LOCK NUT, 1/4 - 20 (STAINLESS STEEL)	1
85								
86	<u>17318-G1</u>						HORN SWITCH.....	1
87	<u>17318-G2</u>						HORN SWITCH CAP AND NUT	1
88	<u>27068-G01</u>						HORN SWITCH BOOT	1
89	<u>19233-G1</u>						HORN SWITCH LABEL	1
90	<u>71055-G01</u>						RIVET, 3/8" X 1" LG (STAINLESS STEEL)	2

ELECTRICAL SYSTEM

THE USE OF NON U.L. PARTS WILL VOID ANY U.L. LISTING.
 When ordering parts, please specify the model and serial number of the product.
 * Indicates a component that is not available as an individual part.
 G** Indicates consult Customer Service Department for additional information.

ITEM	PART NO.	1	2	3	4	5	DESCRIPTION	QTY.
91								
92								
93	<u>74236-G01</u>						LIGHT BRACKET (PASSENGER SIDE)	1
94	<u>74236-G02</u>						LIGHT BRACKET (DRIVER SIDE)	1
95	<u>01038-G01</u>						BOLT, 1/4 - 20 X 11/16" LG	2
96	<u>00414-G6</u>						BOLT, 1/4 - 20 X 3/4" LG	2
97	<u>11027-G2</u>						LOCK NUT, 1/4 - 20	2
98	<u>74001-G01</u>						HEADLIGHT AND TURN SIGNAL LIGHT	1
99	<u>00114-G6</u>						SCREW, 1/4 - 14 X 3/4" LG	4
100								
101	<u>74004-G01</u>						HEADLIGHT BULB	AR
102	<u>74005-G01</u>						MARKER LIGHT BULB	AR
103	<u>74006-G01</u>						TURN SIGNAL BULB	AR
104								
105	<u>74371-G01</u>						BEZEL (DRIVER SIDE)	1
106	<u>74371-G02</u>						BEZEL (PASSENGER SIDE)	1
107	<u>71364-G02</u>						'J' CLIP	8
108	<u>71425-G01</u>						COUNTERSUNK SCREW, #8	8
109	<u>22288-G2</u>						TAILLIGHT ASSEMBLY	1
110	<u>14601-G11</u>						RIVET, 3/16" X 9/16" LG (ALUMINUM)	4
111	<u>21759-G1</u>						TAILLIGHT BULB	AR
112								
113	<u>17867-G1</u>						TURN SIGNAL (WITH MOUNTING HARDWARE) (INCLUDES ITEM 114)	1
114	<u>21640-G1</u>						TURN SIGNAL FLASHER	1
115	<u>32307-G3</u>						FLEX LOOM, 3/8 X 8" LG	1
116	<u>17618-G1</u>						WIRE TIE	2
117	<u>20965-G3</u>						STEERING COLUMN COVER	1
118								
119	<u>72228-G01</u>						WIRE HARNESS (ACCESSORY)	1
120								

ELECTRICAL SYSTEM

THE USE OF NON U.L. PARTS WILL VOID ANY U.L. LISTING.

When ordering parts, please specify the model and serial number of the product.

* Indicates a component that is not available as an individual part.

G** Indicates consult Customer Service Department for additional information.

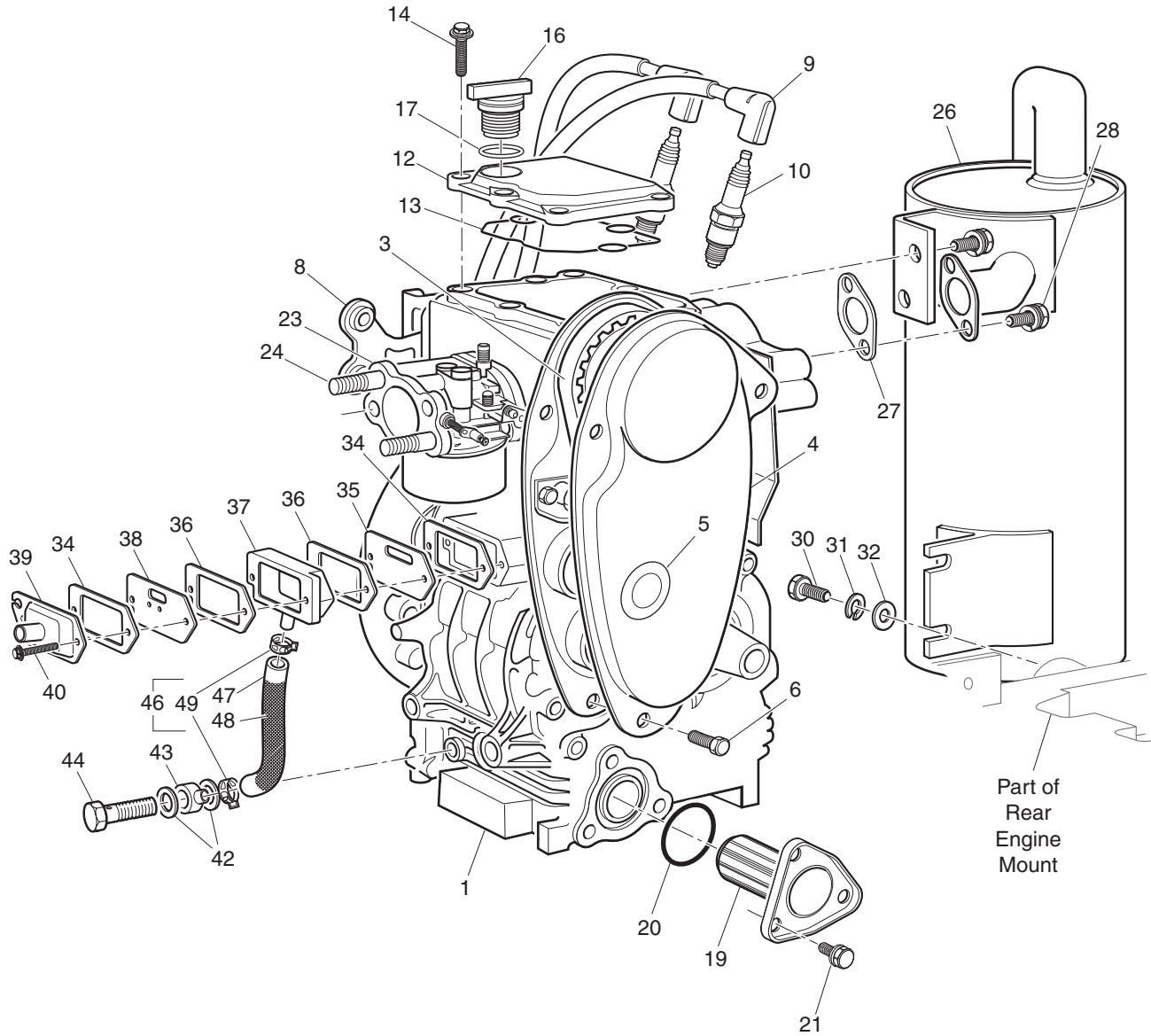
ITEM	PART NO.	1	2	3	4	5	DESCRIPTION	QTY.
121	<u>17421-G1</u>						IGNITION SWITCH KIT (W/O LIGHTS - STANDARD)	1
122	<u>17955-G1</u>						IGNITION SWITCH (WITHOUT LIGHTS - NON STANDARD)	1
123	<u>18027-G1</u>						IGNITION SWITCH (WITHOUT LIGHTS - INDIVIDUALLY KEYED)	1
124	33639-G**						IGNITION SWITCH (WITH LIGHTS).....	1
125	<u>00568-G6</u>						LOCK WASHER, 3/4".....	1
126	17137-G1						FACE NUT, 3/4 - 20.....	1
127	<u>17063-G1</u>						IGNITION KEY (SET).....	1
128	<u>73041-G01</u>						WIRE HARNESS (KEY SWITCH).....	1
129								
130								
131	<u>73030-G01</u>						PLATE (IGNITION SWITCH ONLY)	1
132	<u>71145-G01</u>						LABEL (IGNITION SWITCH ONLY) WITHOUT HEADLIGHTS	1
133	<u>71181-G01</u>						LABEL (IGNITION SWITCH ONLY) WITH HEADLIGHTS.....	1
134								
135								
136	73030-G04						PLATE (FUEL GAUGE AND OIL LIGHT).....	1
137	71127-G01						LABEL (OIL LIGHT AND FUEL GAUGE W/O HEADLIGHTS)	1
138	<u>71131-G01</u>						LABEL (OIL LIGHT AND FUEL GAUGE WITH HEADLIGHTS)	1
139	<u>21553-G1</u>						FUEL GAUGE	1
140	<u>23474-G1</u>						INDICATOR LIGHT	1
141	<u>74311-G01</u>						HARNESS (OIL LIGHT/FUEL GAUGE)	1
142	<u>25978-G122</u>						18 GA WIRE (RED 6" LG).....	1
143								
144								
145	73030-G03						PLATE (LOW FUEL AND OIL LIGHT INDICATOR)	1
146	<u>71125-G01</u>						LABEL (LOW FUEL AND LOW OIL W/O HEADLIGHTS).....	1
147	<u>71183-G01</u>						LABEL (OIL AND FUEL LIGHTS WITH HEADLIGHTS)	1
148	<u>23474-G1</u>						INDICATOR LIGHT	2
149	74309-G01						HARNESS (OIL LIGHT/FUEL LIGHT)	1
150	<u>25978-G74</u>						18 GA WIRE (RED 6" LG).....	1

ELECTRICAL SYSTEM

THE USE OF NON U.L. PARTS WILL VOID ANY U.L. LISTING.
 When ordering parts, please specify the model and serial number of the product.
 * Indicates a component that is not available as an individual part.
 G** Indicates consult Customer Service Department for additional information.

ITEM	PART NO.	1	2	3	4	5	DESCRIPTION	QTY.
151								
152	33623-G02						DRIVE RIVET, 3/16" X 3/8" LG	2
153								
154								
155	75114-G02						HOUR METER KIT (INCLUDES ITEMS 156 - 160).....	1
156	<u>21573-G1</u>						HOUR METER ASSEMBLY.....	1
157	74019-G01						HOUR METER BRACKET	1
158	<u>00150-G4</u>						SCREW, #10 - 24 X 1/2" LG	2
159	11098-G7						LOCK NUT, #10 - 24.....	2
160	<u>75117-G01</u>						WIRE HARNESS (HOUR METER).....	1

ENGINE AND MUFFLER



Ref Emf 8

ENGINE AND MUFFLER

THE USE OF NON U.L. PARTS WILL VOID ANY U.L. LISTING.
 When ordering parts, please specify the model and serial number of the product.
 * Indicates a component that is not available as an individual part.
 G** Indicates consult Customer Service Department for additional information.

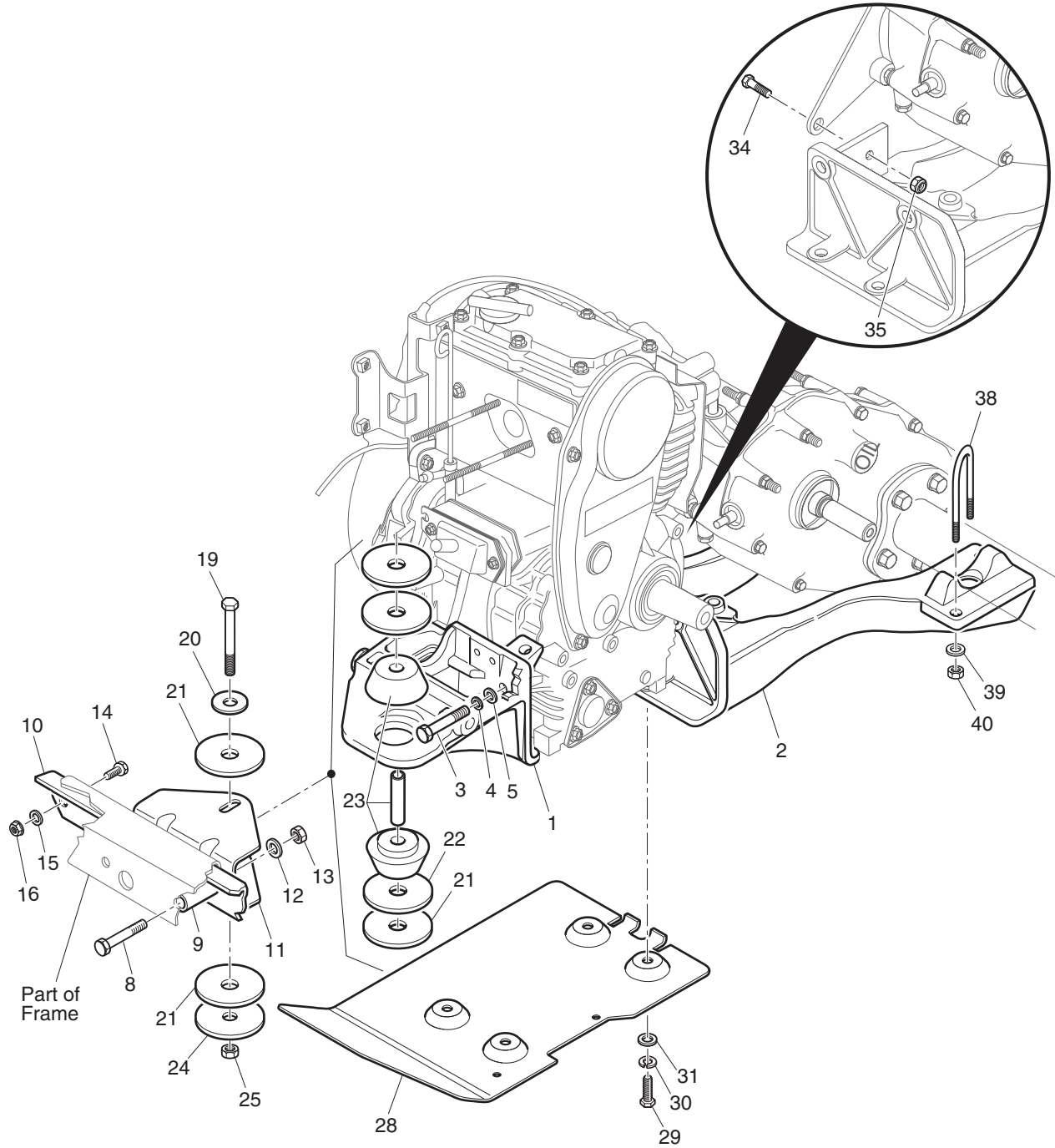
ITEM	PART NO.	1 2 3 4 5	DESCRIPTION	QTY.
1	72650-G02		ENGINE, 350cc	1
2				
3	<u>26626-G01</u>		TIMING BELT	1
4	26630-G01		TIMING BELT COVER	1
5	<u>26631-G01</u>		TIMING BELT COVER GROMMET.....	1
6	<u>26678-G01</u>		BOLT, M6 X 1 X 12 MM LG	3
7				
8	<u>26657-G01</u>		IGNITION COIL BRACKET	1
9	<u>26733-G01</u>		SPARK PLUG WIRE SET (2 WITH BOOTS)	1
10	<u>25523-G3</u>		SPARK PLUG (NGK BPR5ES - RESISTOR).....	2
11				
12	<u>26600-G01</u>		VALVE COVER.....	1
13	<u>26719-G01</u>		VALVE COVER GASKET	1
14	<u>26676-G01</u>		FLANGED BOLT, M6 X 1 X 23 MM LG	6
15				
16	<u>26601-G01</u>		OIL FILLER CAP	1
17	26720-G01		OIL FILLER "O" RING	1
18				
19	<u>26591-G01</u>		OIL FILTER	1
20	<u>26710-G01</u>		OIL FILTER "O" RING	1
21	<u>26680-G01</u>		BOLT AND WASHER, M6 X 1 X 12 MM LG	3
22				
23	XXXXX-XX		CARBURETOR (SEE CARBURETOR SECTION).....	X
24	<u>26667-G01</u>		STUD.....	2
25				
26	72019-G01		MUFFLER	1
27	25531-G1		EXHAUST GASKET	1
28	<u>25532-G1</u>		BOLT AND WASHER, M8 X 1.25 X 18 MM LG	4
29				
30	<u>00438-G8</u>		BOLT, 5/16 - 18 X 1" LG	1

ENGINE AND MUFFLER

THE USE OF NON U.L. PARTS WILL VOID ANY U.L. LISTING.
 When ordering parts, please specify the model and serial number of the product.
 * Indicates a component that is not available as an individual part.
 G** Indicates consult Customer Service Department for additional information.

ITEM	PART NO.	1	2	3	4	5	DESCRIPTION	QTY.
31	<u>00565-G8</u>						LOCK WASHER, 5/16".....	1
32	<u>00642-G8</u>						WASHER, 5/16"	1
33								
34	72555-G01						BREATHER COVER GASKET (THICK).....	2
35	<u>72657-G01</u>						INNER BREATHER PLATE (LONG SLOT).....	1
36	72554-G01						BREATHER COVER GASKET (THIN).....	2
37	<u>72658-G01</u>						BREATHER BOX.....	1
38	<u>72676-G01</u>						OUTER BREATHER PLATE (SHORT SLOT)	1
39	72659-G01						BREATHER COVER	1
40	<u>72680-G01</u>						FLANGED BOLT, M6 X 1 X 70 MM LG	2
41								
42	<u>72656-G01</u>						ALUMINUM GASKET.....	2
43	72655-G01						BANJO UNION.....	1
44	72654-G01						BANJO BOLT	1
45								
46	72653-G01						RUBBER RETURN HOSE (INCLUDES ITEMS 47 - 49)	1
47	<u>72677-G01</u>						RUBBER HOSE, 6 MM ID X 12 MM OD X 145 MM LG	1
48	72678-G01						MESH PROTECTIVE COVER.....	1
49	72679-G01						HOSE CLAMP	2

ENGINE MOUNTING



Ref Emt 8

ENGINE MOUNTING

THE USE OF NON U.L. PARTS WILL VOID ANY U.L. LISTING.

When ordering parts, please specify the model and serial number of the product.

* Indicates a component that is not available as an individual part.

G** Indicates consult Customer Service Department for additional information.

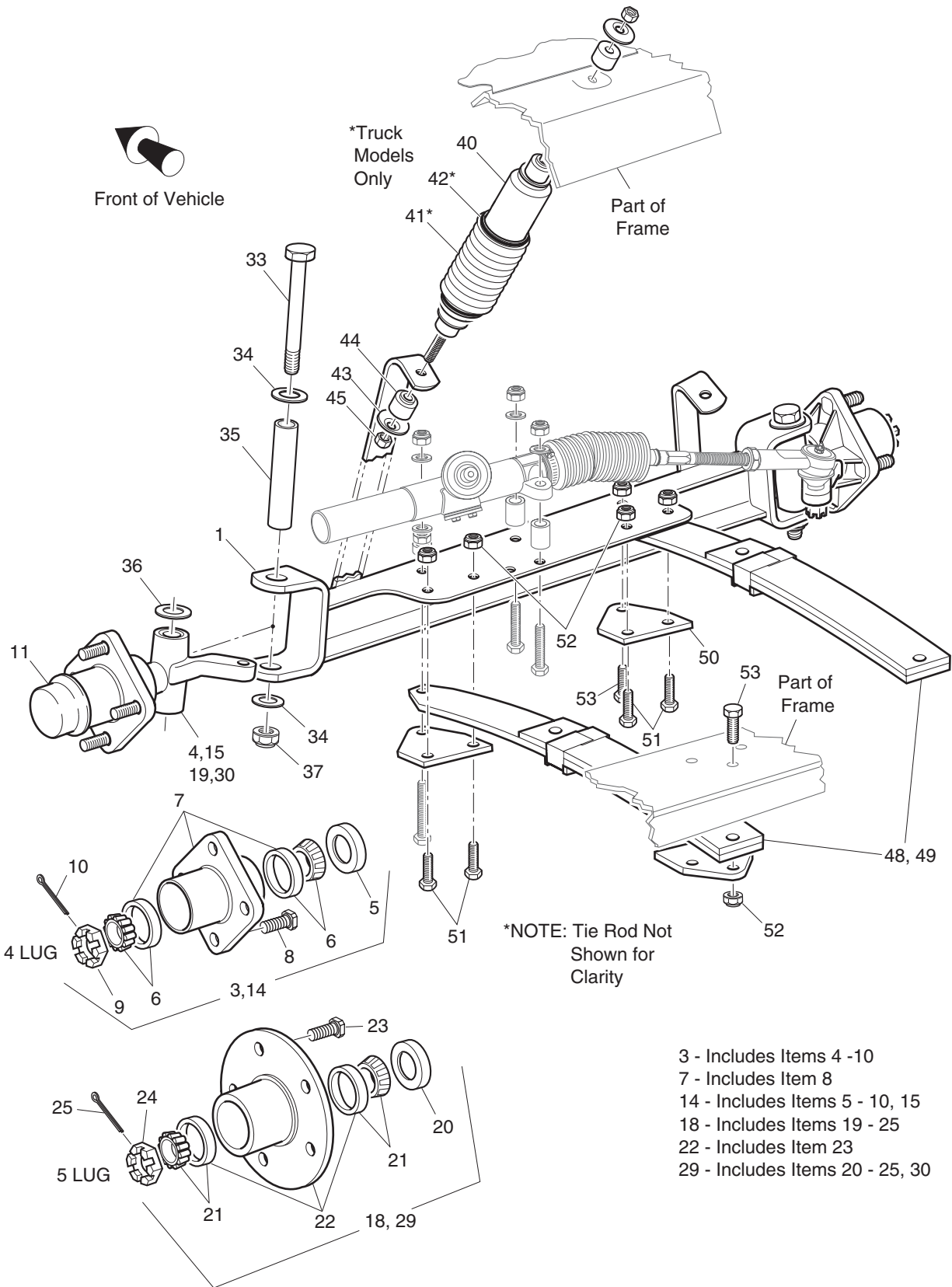
ITEM	PART NO.	1 2 3 4 5	DESCRIPTION	QTY.
1	<u>72010-G01</u>		FRONT ENGINE MOUNT	1
2	<u>72011-G01</u>		REAR ENGINE MOUNT	1
3	<u>00463-G4</u>		BOLT, 7/16 - 14 X 1 1/2" LG	4
4	<u>00566-G2</u>		LOCK WASHER, 7/16"	4
5	<u>00922-G3</u>		WASHER, 7/16"	4
6				
7				
8	<u>00428-G6</u>		BOLT, 3/8 - 16 X 2 3/4" LG	2
9	<u>72016-G01</u>		SPACER	2
10	<u>70269-G01</u>		CROSSMEMBER BRACE	1
11	<u>72044-G01</u>		MOUNT BRACKET	1
12	<u>00643-G1</u>		WASHER, 3/8"	2
13	<u>11098-G5</u>		LOCK NUT, 3/8 - 16	2
14	<u>00438-G7</u>		BOLT, 5/16 - 18 X 7/8" LG	2
15	<u>01110-G03</u>		WASHER, 5/16" (STAINLESS STEEL)	2
16	<u>01109-G01</u>		LOCK NUT, 5/16 - 18 (STAINLESS STEEL)	2
17				
18				
19	<u>00430-G4</u>		BOLT, 3/8 - 16 X 4 1/2" LG	1
20	<u>15121-G1</u>		WASHER, 1 1/4" X 3/8"	1
21	<u>72050-G01</u>		PLASTIC WASHER, 5/8" X 2 1/4"	4
22	<u>72051-G01</u>		WASHER, 2 1/2" X 5/8"	2
23	<u>72015-G01</u>		ISOLATION MOUNT	1
24	<u>72051-G02</u>		WASHER, 3/8"	1
25	<u>11098-G5</u>		LOCK NUT, 3/8 - 16	1
26				
27				
28	<u>72719-G01</u>		ENGINE GUARD	1
29	<u>00463-G4</u>		BOLT, 7/16 - 14 X 1 1/2" LG	4
30	<u>00566-G2</u>		LOCK WASHER, 7/16"	4

ENGINE MOUNTING

THE USE OF NON U.L. PARTS WILL VOID ANY U.L. LISTING.
 When ordering parts, please specify the model and serial number of the product.
 * Indicates a component that is not available as an individual part.
 G** Indicates consult Customer Service Department for additional information.

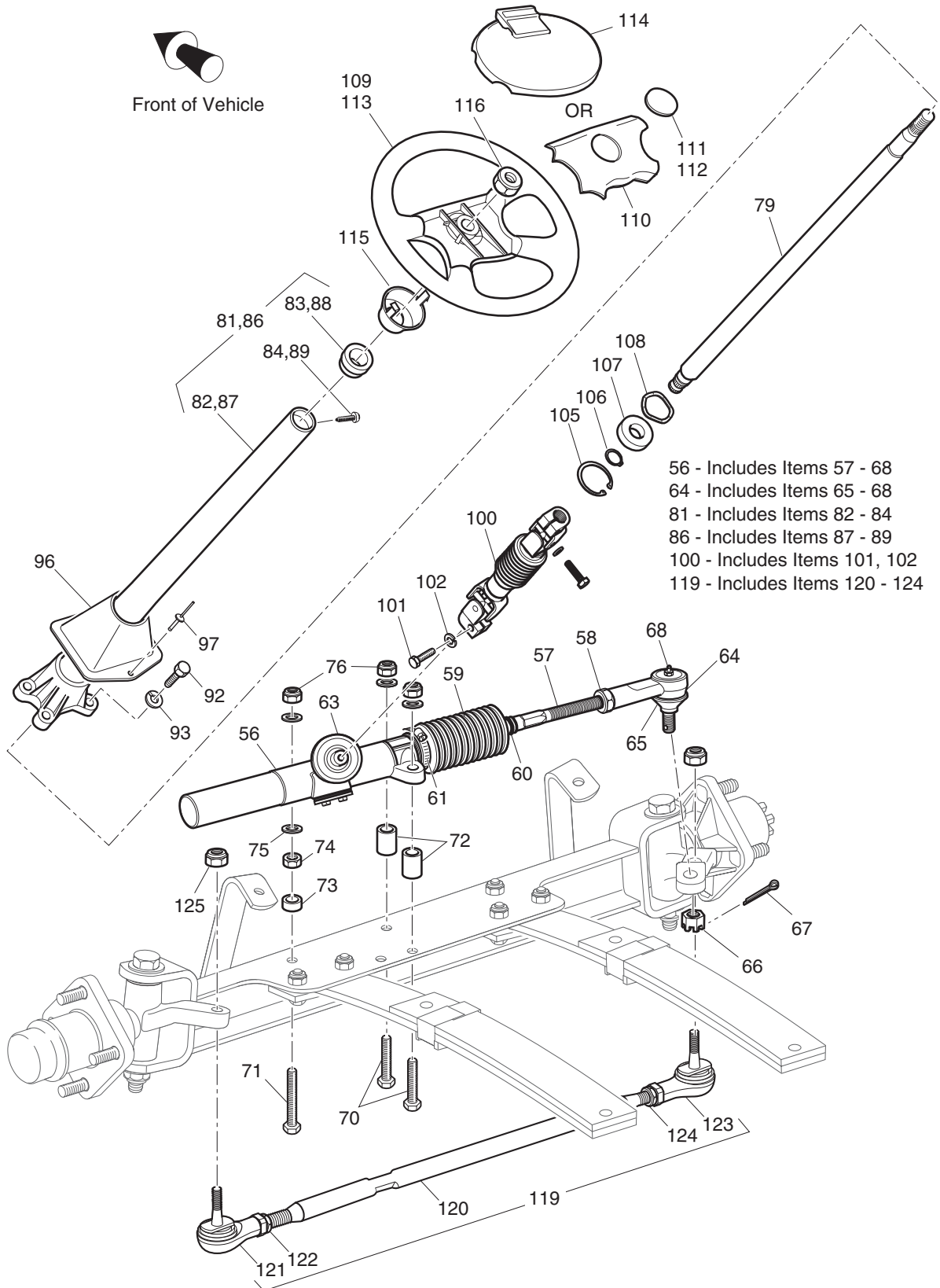
ITEM	PART NO.	1 2 3 4 5	DESCRIPTION	QTY.
31	<u>00922-G3</u>		WASHER, 7/16"	4
32				
33				
34	<u>00439-G1</u>		BOLT, 5/16 - 18 X 1 1/8" LG	1
35	<u>01109-G01</u>		LOCK NUT, 5/16 - 18 (STAINLESS STEEL)	1
36				
37				
38	<u>72035-G01</u>		'U' BOLT, 7/16 - 14 X 3 7/16" X 3 9/16" LG	2
39	<u>00922-G3</u>		WASHER, 7/16"	4
40	<u>00734-G1</u>		LOCK NUT, 7/16 - 14	4

FRONT SUSPENSION/STEERING



Ref Fss 1-1

FRONT SUSPENSION/STEERING



Ref Fss 1-2

FRONT SUSPENSION/STEERING

Where applicable, THE USE OF NON UL PARTS WILL VOID ANY UL LISTING.
 When ordering parts, please specify the model and serial number of the product.
 * Indicates a component that is not available as an individual part.
 G** Indicates consult Customer Service Department for additional information.

ITEM	PART NO.	1	2	3	4	5	DESCRIPTION	QTY.
1	70963-G01						FRONT AXLE	1
2								
3	<u>70942-G01</u>						SPINDLE AND HUB ASSEMBLY, 4 LUG (PASSENGER SIDE) (INCLUDES ITEMS 4 - 10).....	1
4	<u>70942-G02</u>						SPINDLE ASSEMBLY (PASSENGER SIDE).....	1
5	<u>25146-G1</u>						GREASE SEAL.....	1
6	<u>50892-G1</u>						ROLLER BEARING AND RACE ASSEMBLY.....	2
7	<u>70895-G01</u>						WHEEL HUB ASSEMBLY WITH RACES, 4 LUG (INCLUDES ITEM 8)	1
8	<u>19862-G1</u>						LUG BOLT, 1/2 - 20 X 1 3/16" LG.....	4
9	12093-G1						CASTELLATED NUT, 1 - 14	1
10	<u>00798-G8</u>						COTTER PIN, 5/32" X 1 3/4" LG	1
11	<u>12091-G2</u>						SPINDLE CAP.....	2
12								
13								
14	70673-G01						SPINDLE AND HUB ASSEMBLY, 4 LUG (DRIVER SIDE) (INCLUDES ITEMS 5 - 10, 15).....	1
15	70673-G02						SPINDLE ASSEMBLY (DRIVER SIDE)	1
16								
17								
18	<u>70943-G01</u>						SPINDLE AND HUB ASSEMBLY, 5 LUG (PASSENGER SIDE) (INCLUDES ITEMS 19 - 25).....	1
19	<u>70942-G02</u>						SPINDLE ASSEMBLY (PASSENGER SIDE).....	1
20	<u>12092-G1</u>						GREASE SEAL.....	1
21	<u>50892-G1</u>						ROLLER BEARING AND RACE ASSEMBLY.....	2
22	<u>70772-G01</u>						WHEEL HUB ASSEMBLY WITH RACES, 5 LUG (INCLUDES ITEM 23)	1
23	30143-G1						LUG BOLT, 1/2 - 20 X 1 7/32" LG.....	5
24	12093-G1						CASTELLATED NUT, 1 - 14	1
25	<u>00798-G8</u>						COTTER PIN, 5/32" X 1 3/4" LG	1
26								
27								
28								

FRONT SUSPENSION/STEERING

Where applicable, THE USE OF NON UL PARTS WILL VOID ANY UL LISTING.

When ordering parts, please specify the model and serial number of the product.

* Indicates a component that is not available as an individual part.

G** Indicates consult Customer Service Department for additional information.

ITEM	PART NO.	1	2	3	4	5	DESCRIPTION	QTY.
29	<u>70797-G01</u>						SPINDLE AND HUB ASSEMBLY, 5 LUG (DRIVER SIDE) (INCLUDES ITEMS 20 - 25, 30).....	1
30	70673-G02						SPINDLE ASSEMBLY (DRIVER SIDE)	1
31								
32								
33	<u>00407-G6</u>						BOLT, 1/2 - 13 X 6" LG	2
34	<u>00560-G3</u>						WASHER, 1/2"	4
35	<u>70745-G01</u>						KING PIN TUBE	2
36	<u>70754-G01</u>						THRUST WASHER, 1" (STAINLESS STEEL).....	2
37	<u>14390-G6</u>						LOCK NUT, 1/2 - 13	2
38								
39								
40	70928-G01						SHOCK ABSORBER.....	2
41	<u>70509-G01</u>						SHOCK ABSORBER BOOT	2
42	<u>31539-G1</u>						WIRE TIE	4
43	<u>10435-G1</u>						SHOCK ABSORBER WASHER	8
44	<u>10194-G1</u>						RUBBER BUSHING	8
45	<u>00532-G6</u>						NUT, 3/8 - 24	4
46								
47								
48	70990-G02						LEAF SPRING (SEE PART NUMBER ON SPRING).....	2
49	70989-G02						LEAF SPRING (HEAVY DUTY) (SEE PART NUMBER ON SPRING).....	2
50	<u>70163-G02</u>						SPRING PLATE	4
51	<u>00463-G4</u>						BOLT, 7/16 - 14 X 1 1/2" LG	4
52	<u>00734-G1</u>						LOCK NUT, 7/16 - 14	11
53	<u>00463-G6</u>						BOLT, 7/16 - 14 X 1 3/4" LG	7
54								
55								
56	<u>70964-G01</u>						RACK AND PINION UNIT (COMPLETE) (INCLUDES ITEMS 57 - 68)	1
57	<u>70694-G01</u>						RACK EXTENSION	1

FRONT SUSPENSION/STEERING

Where applicable, THE USE OF NON UL PARTS WILL VOID ANY UL LISTING.
 When ordering parts, please specify the model and serial number of the product.
 * Indicates a component that is not available as an individual part.
 G** Indicates consult Customer Service Department for additional information.

ITEM	PART NO.	1	2	3	4	5	DESCRIPTION	QTY.
58	*						JAM NUT, 1/2 - 20.....	1
59	<u>70961-G01</u>						RACK BOOT.....	1
60	<u>12416-G2</u>						WIRE TIE.....	1
61	<u>11391-G8</u>						CLAMP, 1 13/16 - 2 3/8".....	1
62								
63	<u>70638-G01</u>						PINION SEAL.....	1
64	<u>70695-G01</u>						RACK BALL JOINT (INCLUDES ITEMS 65 - 68).....	1
65	<u>50641-G1</u>						RUBBER BOOT.....	1
66	<u>50209-G2</u>						CASTELLATED NUT, 7/16 - 20.....	1
67	<u>10387-G2</u>						COTTER PIN, 3/32" X 1" LG.....	1
68	<u>10389-G3</u>						GREASE FITTING, STRAIGHT.....	1
69								
70	<u>00464-G6</u>						BOLT, 7/16 - 14 X 2 3/4" LG.....	2
71	<u>01068-G01</u>						BOLT, 7/16 - 14 X 3 1/2" LG.....	1
72	<u>70667-G02</u>						SPACER.....	2
73	<u>70667-G03</u>						SPACER (SHORT).....	1
74	<u>00532-G7</u>						NUT, 7/16 - 14.....	1
75	<u>00560-G2</u>						FLAT WASHER, 7/16".....	4
76	<u>00734-G1</u>						LOCK NUT, 7/16 - 14.....	3
77								
78								
79	<u>70607-G01</u>						STEERING SHAFT.....	1
80								
81	<u>70758-G03</u>						STEERING COLUMN KIT (INCLUDES ITEMS 82 - 84).....	1
82	<u>70610-G01</u>						STEERING COLUMN.....	1
83	<u>28569-G01</u>						STEERING COLUMN BUSHING.....	1
84	<u>01022-G01</u>						SCREW, #6 - 20 X 5/16" LG.....	1
85								
86	<u>70758-G04</u>						STEERING COLUMN KIT (HORN) (INCLUDES ITEMS 87 - 89).....	1
87	<u>70610-G02</u>						STEERING COLUMN.....	1

FRONT SUSPENSION/STEERING

Where applicable, THE USE OF NON UL PARTS WILL VOID ANY UL LISTING.

When ordering parts, please specify the model and serial number of the product.

* Indicates a component that is not available as an individual part.

G** Indicates consult Customer Service Department for additional information.

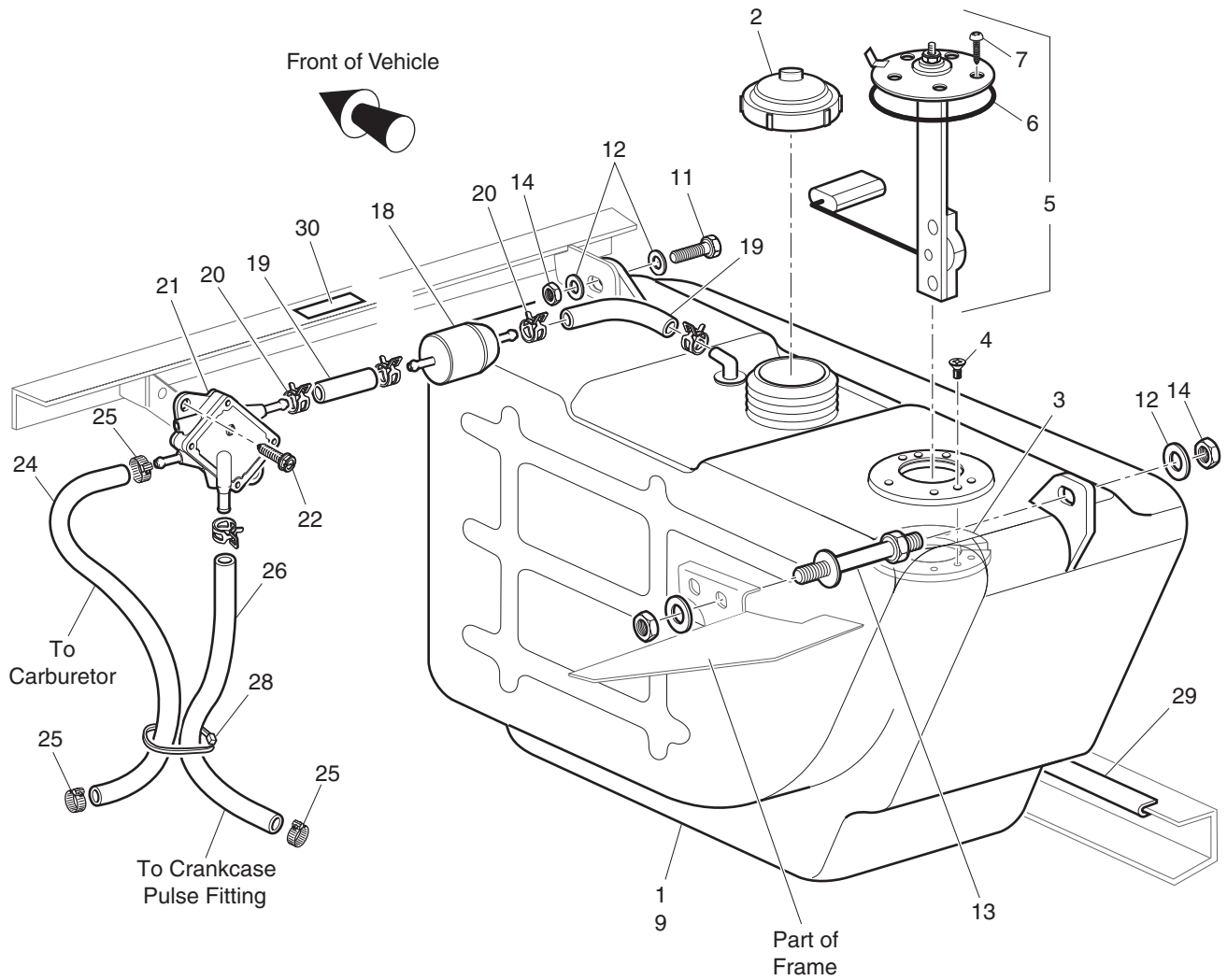
ITEM	PART NO.	1	2	3	4	5	DESCRIPTION	QTY.
88	<u>28569-G01</u>						STEERING COLUMN BUSHING.....	1
89	<u>01022-G01</u>						SCREW, #6 - 20 X 5/16" LG	1
90								
91								
92	<u>01006-G01</u>						BOLT, 3/8 - 16 X 1 1/4" LG	4
93	<u>00879-G1</u>						LOCK WASHER, 3/8"	4
94								
95								
96	<u>70997-G01</u>						COVER.....	1
97	<u>71055-G01</u>						RIVET, 3/16" X 1" LG (ALUMINUM).....	1
98								
99								
100	<u>70580-G01</u>						INTERMEDIATE SHAFT (INCLUDES ITEMS 101, 102).....	1
101	<u>01055-G01</u>						BOLT, M8 X 1.25 - 05.....	2
102	<u>00565-G8</u>						LOCK WASHER, 5/16"	2
103								
104								
105	<u>70751-G01</u>						RETAINING RING (INTERNAL).....	1
106	<u>70888-G01</u>						RETAINING RING (EXTERNAL).....	1
107	<u>15112-G1</u>						BALL BEARING	1
108	<u>70887-G01</u>						WAVE WASHER.....	1
109	<u>71146-G01</u>						STEERING WHEEL	1
110	<u>71147-G01</u>						STEERING WHEEL COVER	1
111	<u>71047-G01</u>						LABEL (E-Z-GO)	1
112	<u>74405-G01</u>						LABEL (CUSHMAN).....	1
113	<u>71948-G01</u>						STEERING WHEEL	1
114	<u>71950-G01</u>						CLIPBOARD.....	1
115	<u>71949-G01</u>						HUB COVER	1
116	<u>14390-G2</u>						LOCK NUT, 5/8 - 18	1
117								

FRONT SUSPENSION/STEERING

Where applicable, THE USE OF NON UL PARTS WILL VOID ANY UL LISTING.
 When ordering parts, please specify the model and serial number of the product.
 * Indicates a component that is not available as an individual part.
 G** Indicates consult Customer Service Department for additional information.

ITEM	PART NO.	1	2	3	4	5	DESCRIPTION	QTY.
118								
119	<u>70876-G02</u>						TIE ROD ASSEMBLY (INCLUDES ITEMS 120 - 124)	1
120	<u>70897-G02</u>						THREADED ROD (24" LG)	1
121	<u>70902-G01</u>						TIE ROD END (LEFT HAND THREADS)	1
122	<u>01069-G01</u>						JAM NUT, M12 X 1.25 - 05 (LEFT HAND THREADS).....	1
123	<u>70902-G02</u>						TIE ROD END (RIGHT HAND THREADS)	1
124	<u>01069-G02</u>						JAM NUT, M12 X 1.25 - 05 (RIGHT HAND THREADS)	1
125	<u>00734-G1</u>						LOCK NUT, 7/16 - 14	2

FUEL SYSTEM



Ref E5y 8

FUEL SYSTEM

THE USE OF NON U.L. PARTS WILL VOID ANY U.L. LISTING.

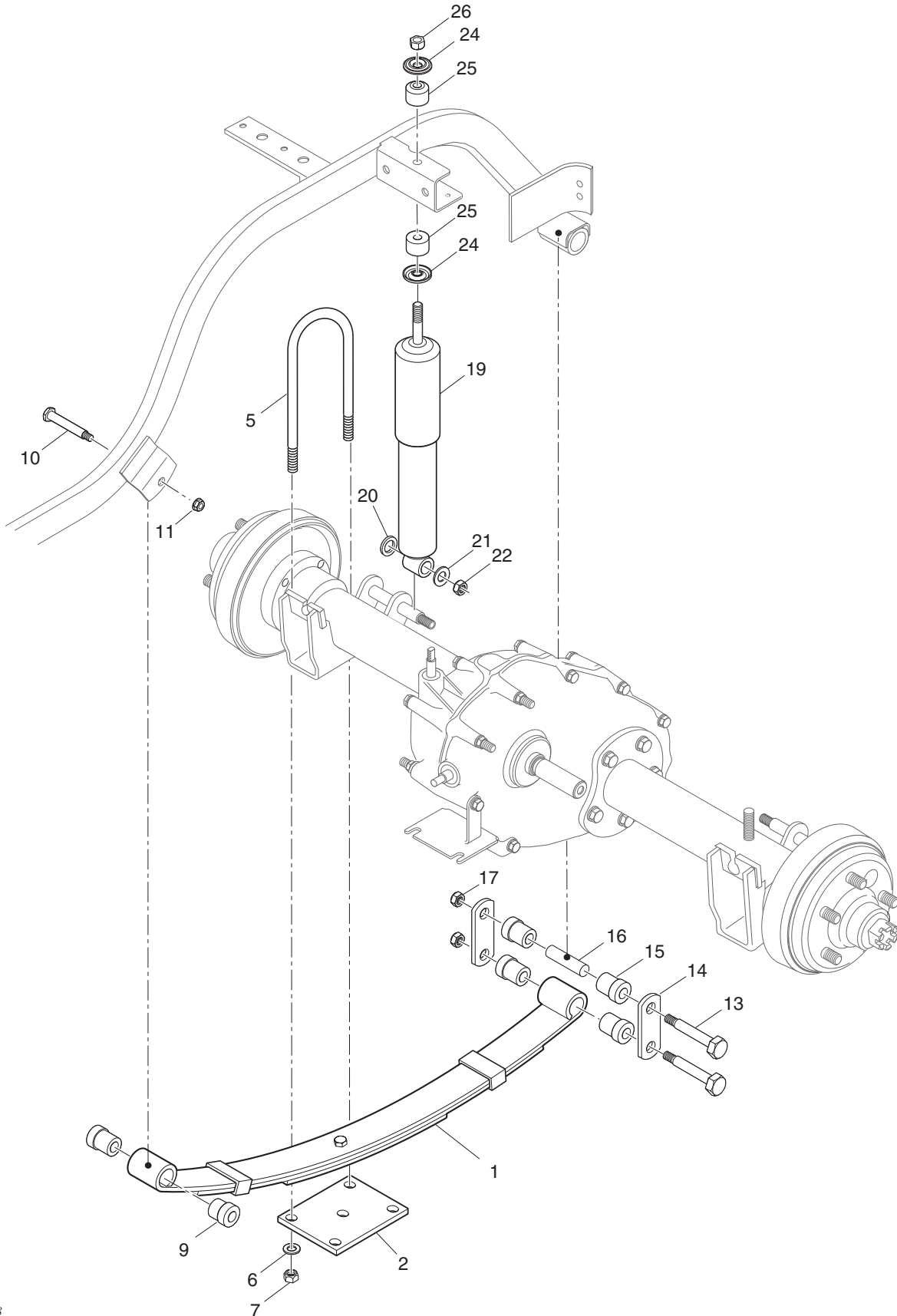
When ordering parts, please specify the model and serial number of the product.

* Indicates a component that is not available as an individual part.

G** Indicates consult Customer Service Department for additional information.

ITEM	PART NO.	1 2 3 4 5	DESCRIPTION	QTY.
1	<u>72092-G02</u>		FUEL TANK (FOR ELECTRIC FUEL GAUGE)	1
2	<u>72282-G01</u>		FUEL TANK CAP	1
3	<u>72229-G01</u>		FUEL LEVEL SENDER ADAPTER	1
4	<u>72230-G01</u>		SCREW, #6 - 32 X 1/2" LG.....	2
5	<u>20048-G2</u>		FUEL LEVEL SENDER (ELEC. FUEL GAUGE) (INCLUDES ITEMS 6, 7)	1
6	*		GASKET	1
7	<u>72232-G01</u>		SCREW, #10 - 32 x 3/4" LG.....	5
8				
9	<u>72092-G01</u>		FUEL TANK (FOR VEHICLES WITHOUT GAUGE)	1
10				
11	<u>00438-G8</u>		BOLT, 5/16 - 18 X 1" LG	1
12	<u>00559-G8</u>		WASHER, 5/16"	4
13	<u>70483-G01</u>		SPACER.....	1
14	<u>01109-G01</u>		LOCK NUT, 5/16 - 18 (STAINLESS STEEL)	3
15				
16				
17				
18	<u>72084-G01</u>		FUEL FILTER	1
19	<u>17470-G1</u>		TUBING, 1/4" ID X 1/2" OD (BULK), 3 1/4" LG	2
20	<u>18292-G1</u>		CLAMP	5
21	<u>72021-G01</u>		FUEL PUMP	1
22	<u>00114-G6</u>		SCREW, 1/4 - 14 X 3/4" LG.....	2
23				
24	<u>17470-G1</u>		TUBING, 16" LG (BULK)	A/R
25	<u>11391-G4</u>		HOSE CLAMP, 1/4"	3
26	<u>27183-G01</u>		PULSE TUBING, 19" LG (BULK).....	A/R
27				
28	<u>17618-G1</u>		WIRE TIE	3
29	<u>22280-G1</u>		VINYL TRIM, 6 1/4" LG (BULK)	A/R
30	<u>26459-G01</u>		LABEL (UNLEADED GASOLINE ONLY)	1

REAR SUSPENSION - HYDRAULIC BRAKES



Ref Rsh 8

REAR SUSPENSION - HYDRAULIC BRAKES

THE USE OF NON U.L. PARTS WILL VOID ANY U.L. LISTING.

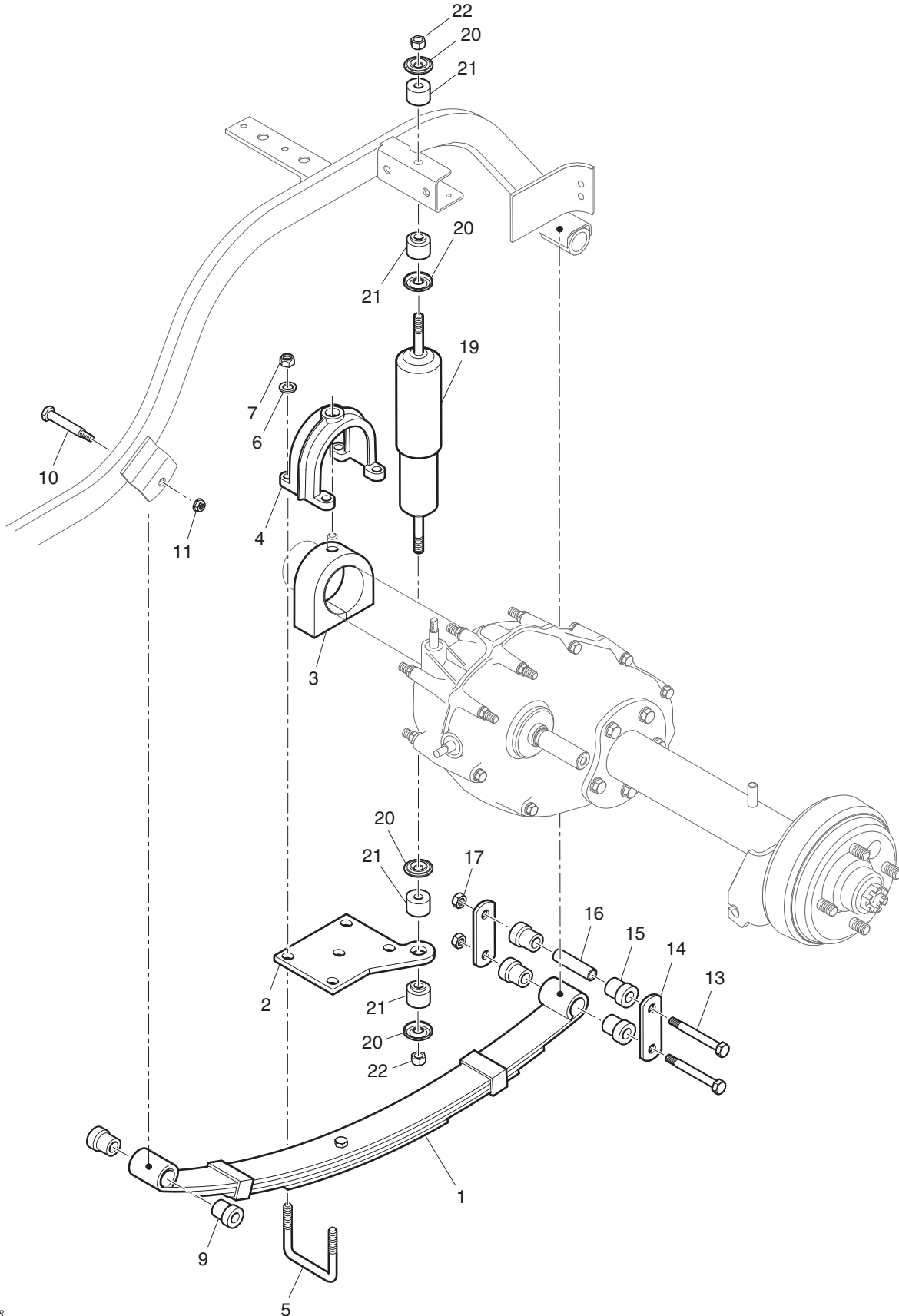
When ordering parts, please specify the model and serial number of the product.

* Indicates a component that is not available as an individual part.

G** Indicates consult Customer Service Department for additional information.

ITEM	PART NO.	1	2	3	4	5	DESCRIPTION	QTY.
1	<u>74207-G01</u>						HEAVY DUTY LEAF SPRING	2
2	<u>34011-G01</u>						SPRING MOUNTING PLATE	2
3								
4								
5	<u>32195-G1</u>						'U' BOLT, 3/8 - 16 X 2 1/2" X 5 3/8" LG	4
6	<u>00560-G1</u>						WASHER, 3/8"	8
7	<u>11098-G5</u>						LOCK NUT, 3/8 - 16	8
8								
9	<u>70291-G01</u>						FLANGED BUSHING	4
10	<u>14158-G1</u>						SHOULDER BOLT, 3/16 x 3 1/4" LG	2
11	<u>12262-G1</u>						LOCK NUT, 3/8 - 16	2
12								
13	<u>00429-G2</u>						BOLT, 3/8 - 16 X 3 1/4" LG	4
14	<u>70290-G01</u>						SHACKLE PLATE	4
15	<u>70291-G01</u>						FLANGED BUSHING	8
16	<u>70289-G02</u>						SPACER	4
17	<u>11098-G5</u>						LOCK NUT, 3/8 - 16	4
18								
19	<u>70469-G01</u>						SHOCK ABSORBER.....	2
20	<u>70472-G01</u>						SPACER	2
21	<u>00643-G3</u>						WASHER, 1/2"	2
22	<u>00551-G1</u>						LOCK NUT, 1/2 - 13	2
23								
24	<u>10435-G1</u>						SHOCK ABSORBER WASHER.....	4
25	<u>10194-G1</u>						RUBBER BUSHING	4
26	<u>00532-G6</u>						NUT, 3/8 - 24	2

REAR SUSPENSION - MECHANICAL BRAKES



Ref Rsm 8

REAR SUSPENSION - MECHANICAL BRAKES

THE USE OF NON U.L. PARTS WILL VOID ANY U.L. LISTING.

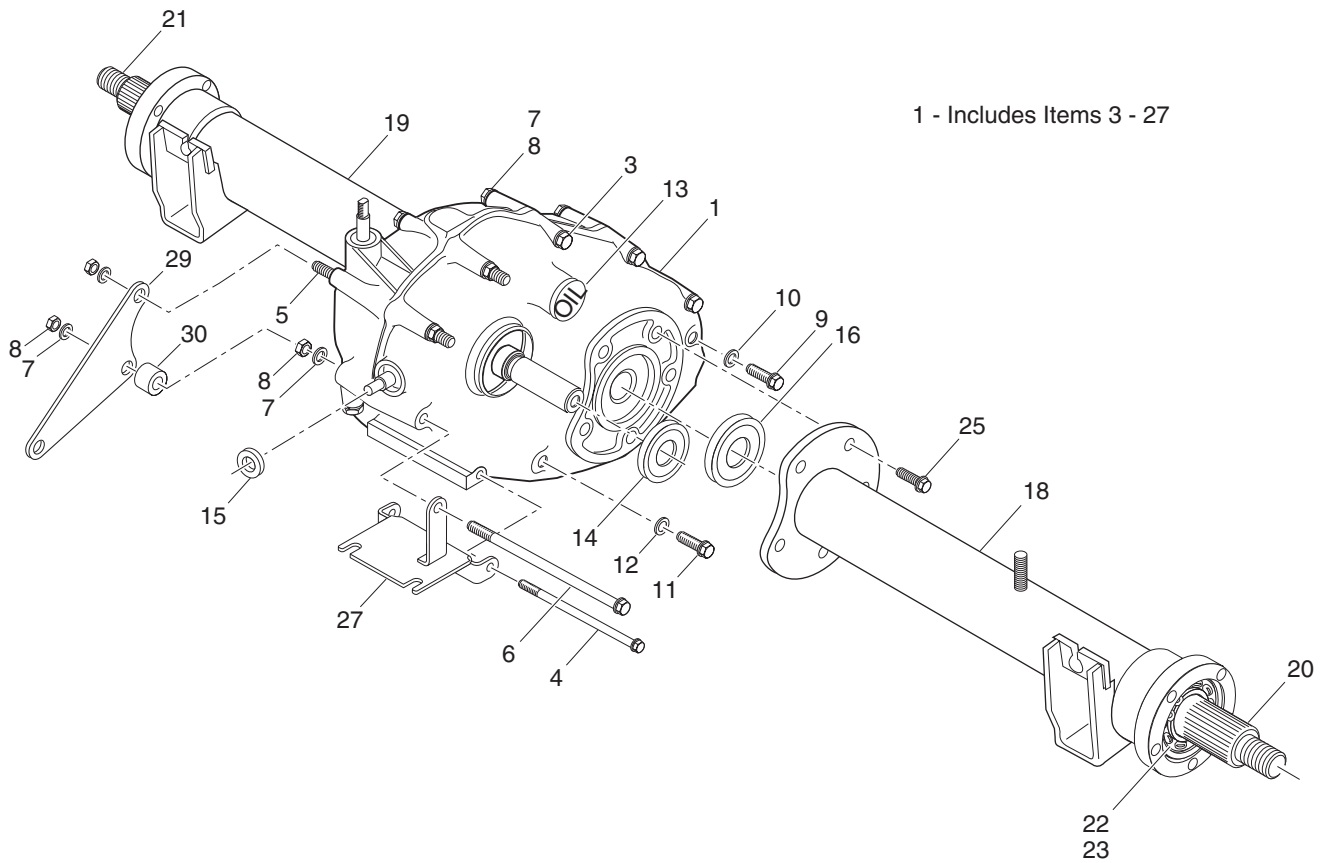
When ordering parts, please specify the model and serial number of the product.

* Indicates a component that is not available as an individual part.

G** Indicates consult Customer Service Department for additional information.

ITEM	PART NO.	1	2	3	4	5	DESCRIPTION	QTY.
1	<u>74207-G01</u>						HEAVY DUTY LEAF SPRING	1
2	<u>72028-G01</u>						ISOMOUNT BASE PLATE	2
3	<u>72117-G01</u>						ISOMOUNT BUSHING.....	2
4	<u>72037-G01</u>						ISOMOUNT CAP.....	2
5	<u>72618-G01</u>						'U' BOLT, 3/8 - 16 X 2" X 2 1/2" LG	4
6	<u>00560-G1</u>						WASHER, 3/8"	8
7	<u>11098-G5</u>						LOCK NUT, 3/8 - 16	8
8								
9	<u>70291-G01</u>						FLANGED BUSHING	4
10	<u>14158-G1</u>						SHOULDER BOLT, 3/8 - 16 x 3 1/4" LG.....	2
11	<u>12262-G1</u>						LOCK NUT, 3/8 - 16	2
12								
13	<u>00665-G9</u>						BOLT, 3/8 - 16 X 3 1/2" LG (STAINLESS STEEL).....	4
14	<u>70290-G01</u>						SHACKLE PLATE	4
15	<u>70291-G01</u>						FLANGED BUSHING	8
16	<u>70289-G02</u>						SPACER	4
17	<u>11098-G5</u>						LOCK NUT, 3/8 - 16	4
18								
19	<u>70324-G01</u>						SHOCK ABSORBER.....	2
20	<u>10435-G1</u>						SHOCK ABSORBER WASHER.....	8
21	<u>10194-G1</u>						RUBBER BUSHING	8
22	<u>00532-G6</u>						NUT, 3/8 - 24	4

REAR AXLE - HYDRAULIC BRAKES



Ref R3h 8

REAR AXLE - HYDRAULIC BRAKES

THE USE OF NON U.L. PARTS WILL VOID ANY U.L. LISTING.

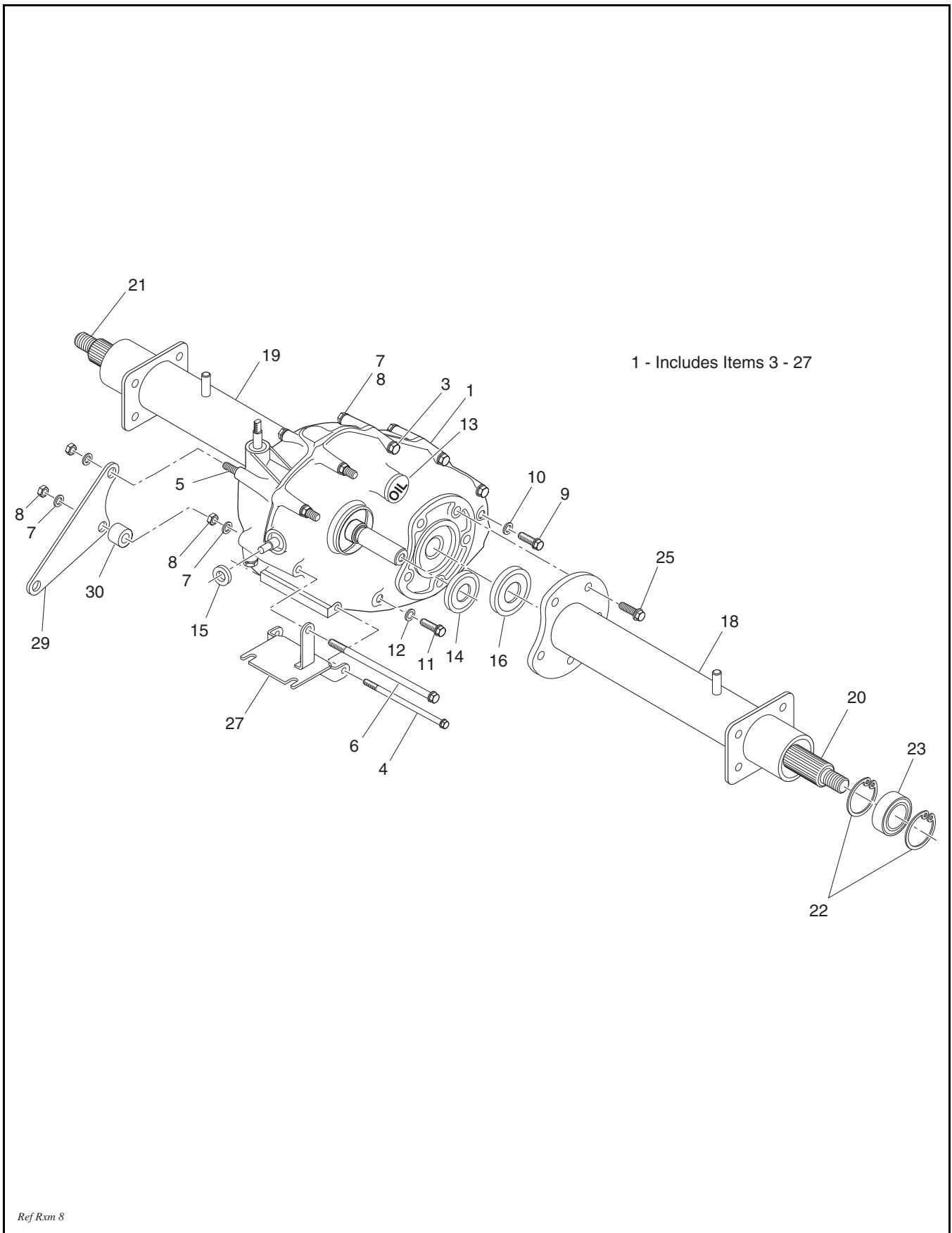
When ordering parts, please specify the model and serial number of the product.

* Indicates a component that is not available as an individual part.

G** Indicates consult Customer Service Department for additional information.

ITEM	PART NO.	1	2	3	4	5	DESCRIPTION	QTY.	
1	72602-G02							REAR AXLE (13.32:1) (INCLUDES ITEMS 3 - 27) (SERVICE)	1
2									
3	<u>26823-G01</u>							FLANGED BOLT, M8 X 1.25 X 100 MM LG	7
4	<u>26824-G01</u>							FLANGED BOLT, M8 X 1.25 X 110 MM LG	1
5	<u>72053-G01</u>							FLANGED BOLT, M8 X 1.25 X 120 MM LG	1
6	<u>72052-G01</u>							FLANGED BOLT, M8 X 1.25 X 130 MM LG	1
7	<u>26826-G01</u>							LOCK WASHER, M8	14
8	26827-G01							NUT, M8 X 1.25 MM	14
9	<u>26768-G01</u>							OIL CHECK PLUG	1
10	<u>26769-G01</u>							GASKET, 8 MM	1
11	<u>26770-G01</u>							OIL DRAIN PLUG	1
12	<u>26771-G01</u>							GASKET, 14 MM	1
13	<u>26772-G01</u>							OIL FILLER PLUG	1
14	<u>26761-G01</u>							INPUT SHAFT SEAL	1
15	<u>26762-G01</u>							SHIFTER SHAFT SEAL	1
16	26766-G01							AXLE SHAFT SEAL	2
17									
18	<u>34138-G01</u>							AXLE TUBE (DRIVER SIDE)	1
19	34139-G01							AXLE TUBE (PASSENGER SIDE)	1
20	<u>34136-G01</u>							AXLE SHAFT (DRIVER SIDE)	1
21	<u>34137-G01</u>							AXLE SHAFT (PASSENGER SIDE)	1
22	<u>33687-G01</u>							RETAINING RING	2
23	<u>33686-G01</u>							BEARING	4
24									
25	<u>72260-G01</u>							FLANGED BOLT, M10 X 1.5 X 23 MM LG	10
26									
27	<u>26815-G01</u>							SHIFTER CABLE BRACKET	1
28									
29	72017-G01							AXLE BRACKET	1
30	<u>75048-G01</u>							SPACER, 1/2"	1

REAR AXLE - MECHANICAL BRAKES



Ref Rsm 8

REAR AXLE - MECHANICAL BRAKES

THE USE OF NON U.L. PARTS WILL VOID ANY U.L. LISTING.

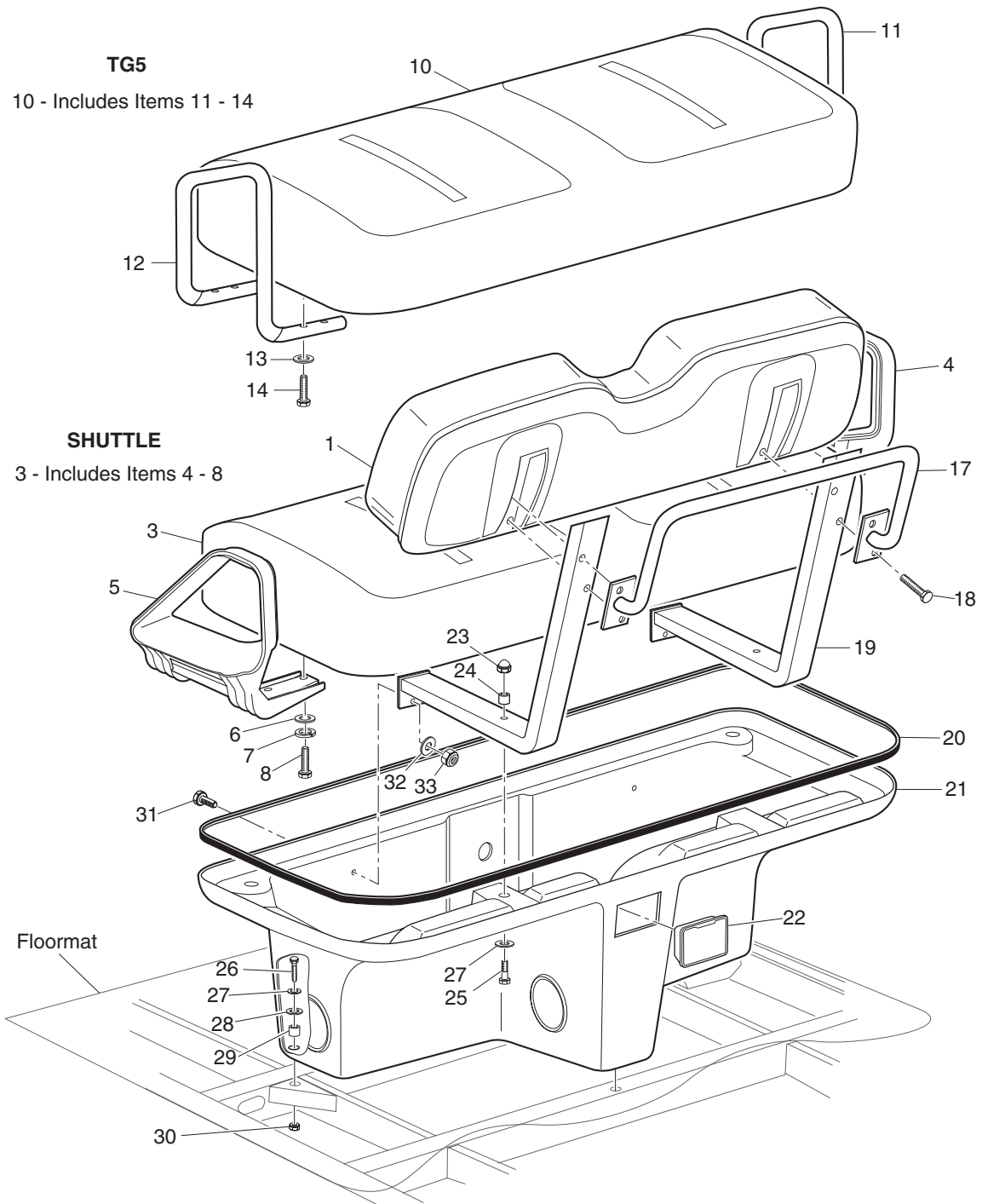
When ordering parts, please specify the model and serial number of the product.

* Indicates a component that is not available as an individual part.

G** Indicates consult Customer Service Department for additional information.

ITEM	PART NO.	1	2	3	4	5	DESCRIPTION	QTY.
1	72031-G01						REAR AXLE (13.32:1) (INCLUDES ITEMS 3 - 27)	1
2								
3	<u>26823-G01</u>						FLANGED BOLT, M8 X 1.25 X 100 MM LG.....	7
4	<u>26824-G01</u>						FLANGED BOLT, M8 X 1.25 X 110 MM LG	1
5	<u>72053-G01</u>						FLANGED BOLT, M8 X 1.25 X 120 MM LG.....	1
6	<u>72052-G01</u>						FLANGED BOLT, M8 X 1.25 X 130 MM LG.....	1
7	<u>26826-G01</u>						LOCK WASHER, M8	14
8	26827-G01						NUT, M8 X 1.25 MM.....	14
9	<u>26768-G01</u>						OIL CHECK PLUG.....	1
10	<u>26769-G01</u>						GASKET, 8 MM.....	1
11	<u>26770-G01</u>						OIL DRAIN PLUG	1
12	<u>26771-G01</u>						GASKET, 14 MM.....	1
13	<u>26772-G01</u>						OIL FILLER PLUG	1
14	<u>26761-G01</u>						INPUT SHAFT SEAL	1
15	<u>26762-G01</u>						SHIFTER SHAFT SEAL.....	1
16	26766-G01						AXLE SHAFT SEAL.....	2
17								
18	<u>72115-G01</u>						AXLE TUBE (DRIVER SIDE).....	1
19	<u>72116-G01</u>						AXLE TUBE (PASSENGER SIDE)	1
20	<u>72056-G01</u>						AXLE SHAFT (DRIVER SIDE).....	1
21	72057-G01						AXLE SHAFT (PASSENGER SIDE)	1
22	26814-G01						RETAINING RING.....	4
23	<u>26811-G01</u>						BALL BEARING	2
24								
25	<u>72260-G01</u>						FLANGED BOLT, M10 X 1.5 X 23 MM LG.....	10
26								
27	<u>26815-G01</u>						SHIFTER CABLE BRACKET.....	1
28								
29	72017-G01						AXLE BRACKET	1
30	<u>75048-G01</u>						SPACER, 1/2".....	1

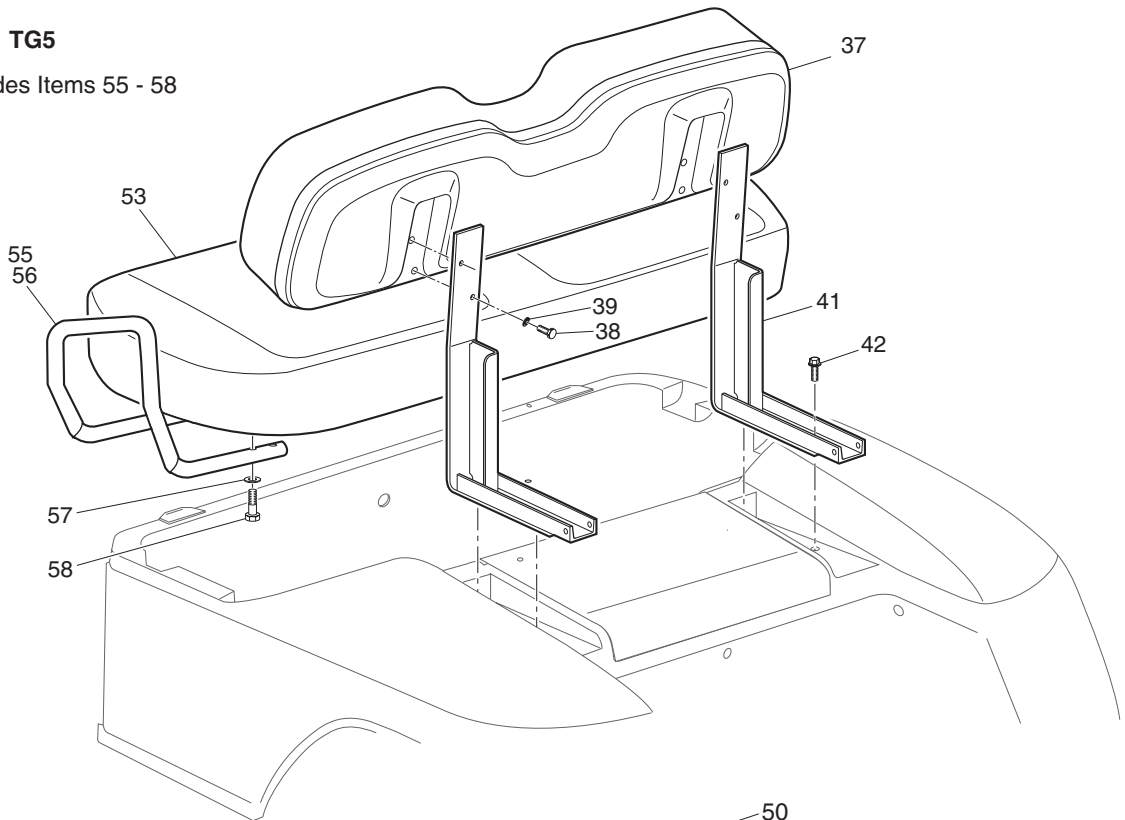
SEATING



Ref Sea 8-1

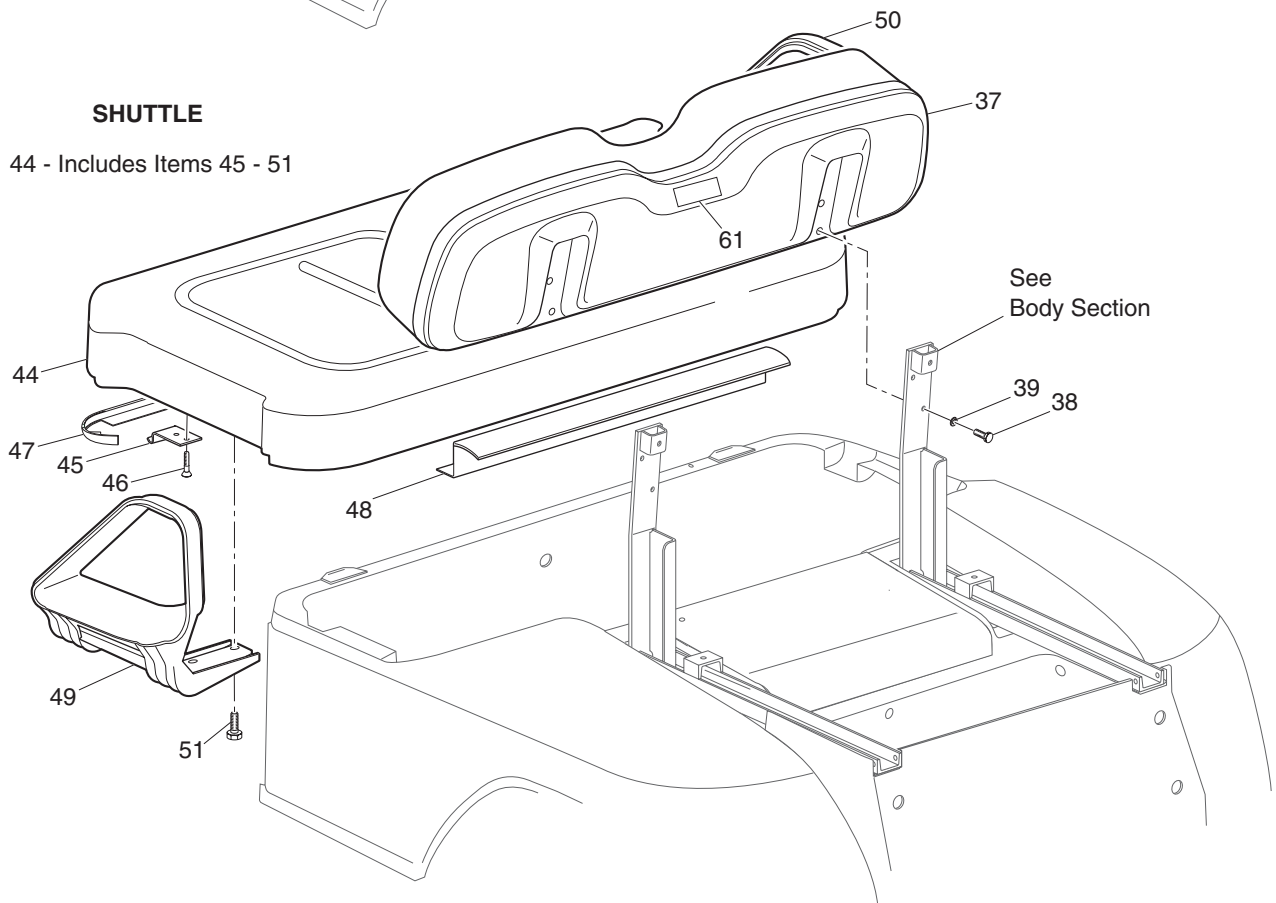
TG5

54 - Includes Items 55 - 58



SHUTTLE

44 - Includes Items 45 - 51



See
Body Section

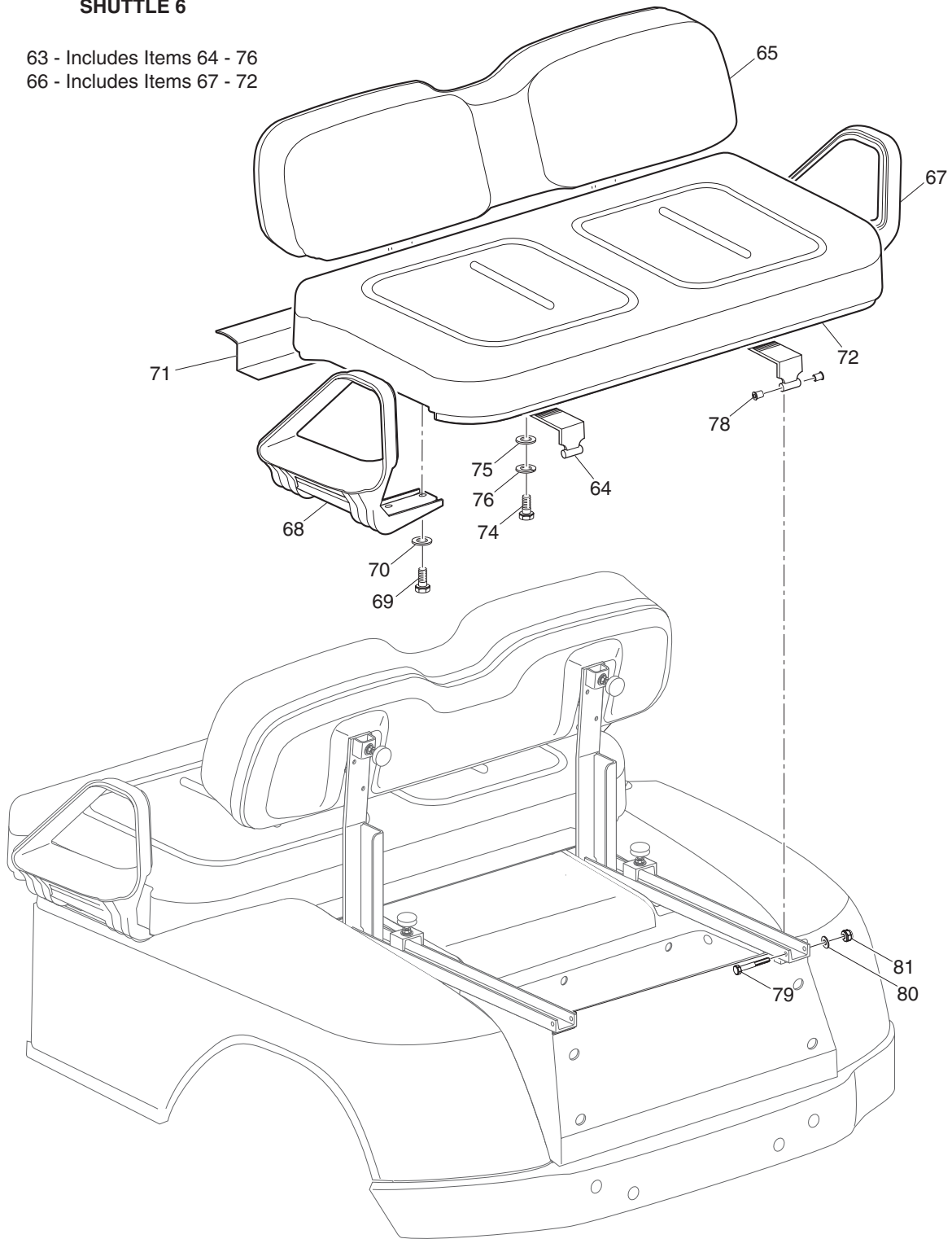
Ref Sea 8-2

SEATING

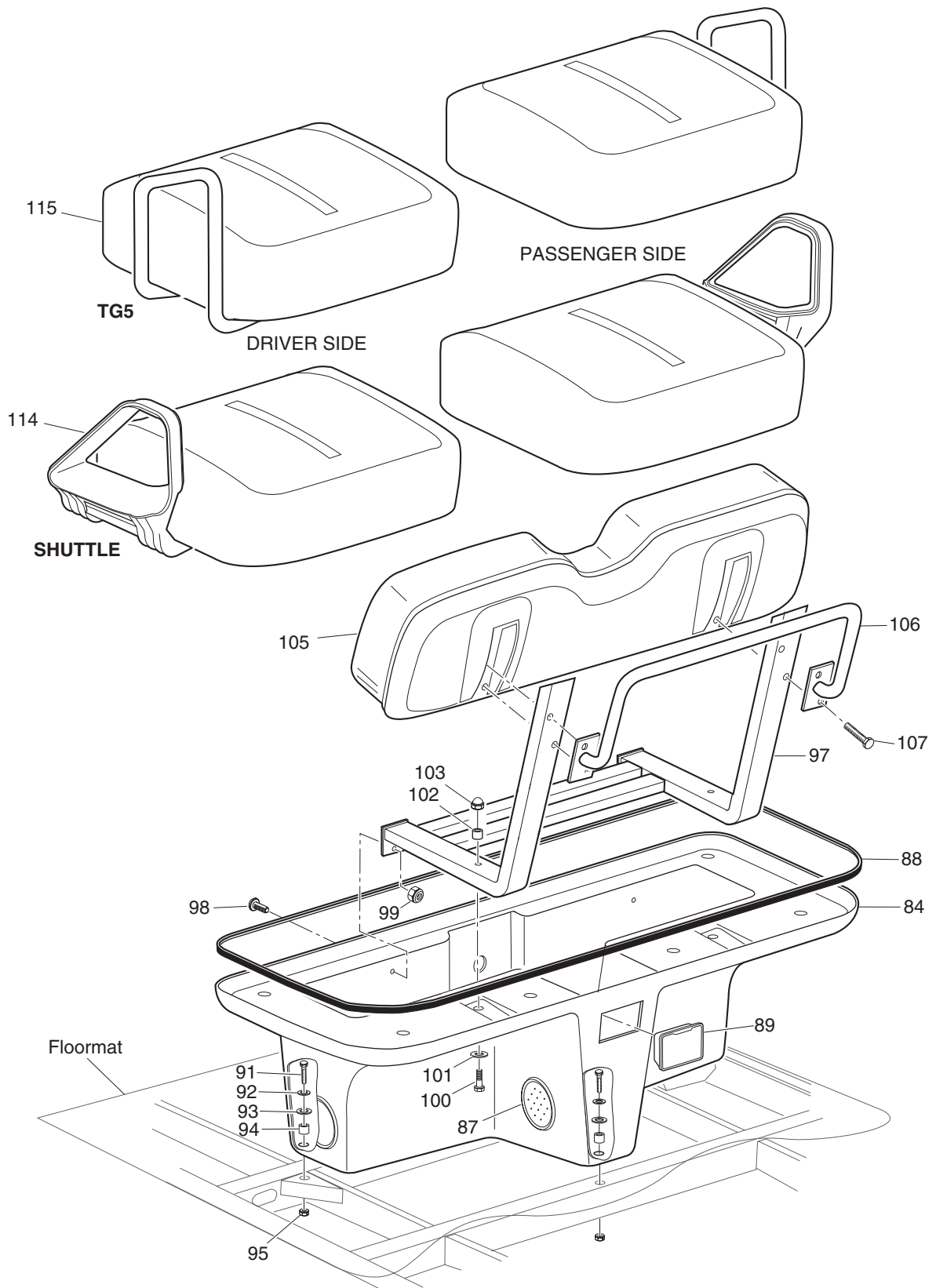
SHUTTLE 6

63 - Includes Items 64 - 76

66 - Includes Items 67 - 72

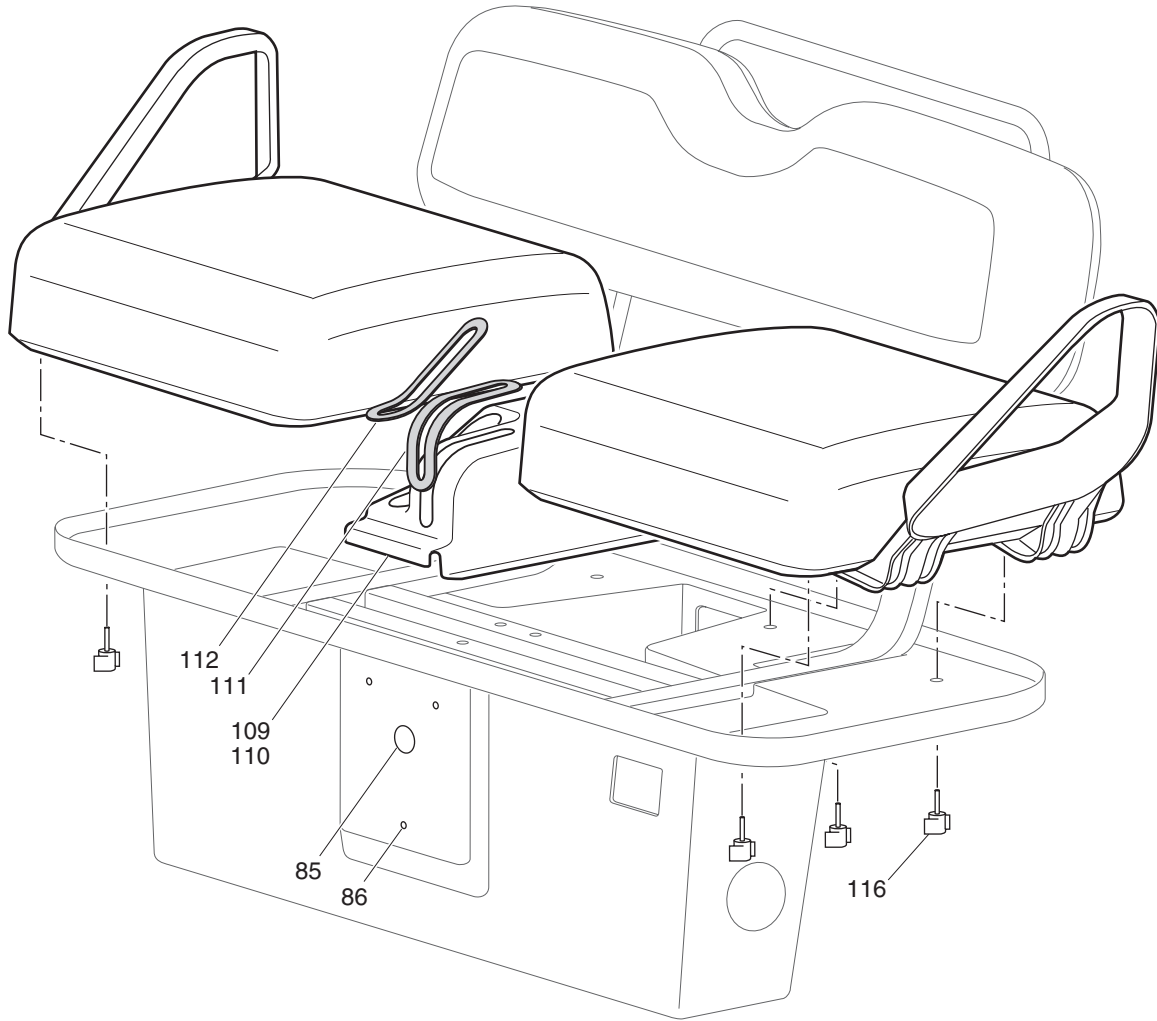


Ref Sea 8-3



Ref Sea 8-4

SEATING



Ref Sea 8-5

SEATING

THE USE OF NON U.L. PARTS WILL VOID ANY U.L. LISTING.
 When ordering parts, please specify the model and serial number of the product.
 * Indicates a component that is not available as an individual part.
 G** Indicates consult Customer Service Department for additional information.

ITEM	PART NO.	1 2 3 4 5	DESCRIPTION	QTY.
1	71751-G**		SEAT BACK ASSEMBLY	1
2				
3	71888-G**		SEAT BOTTOM (INCLUDES ITEMS 4 - 8) (SHUTTLE 4 & 6)	1
4	<u>71701-G01</u>		HIP RESTRAINT (PASSENGER SIDE).....	1
5	<u>71702-G01</u>		HIP RESTRAINT (DRIVER SIDE)	1
6	<u>01110-G01</u>		WASHER, 1/4" (STAINLESS STEEL).....	8
7	<u>00664-G7</u>		LOCKWASHER, 1/4" (STAINLESS STEEL).....	8
8	<u>00415-G2</u>		BOLT, 1/4 - 20 X 1 1/4" LG.....	8
9				
10	71875-G**		SEAT BOTTOM (INCLUDES ITEMS 11 - 14) (TG5)	1
11	<u>71877-G01</u>		HIP RESTRAINT (PASSENGER SIDE).....	1
12	<u>71877-G02</u>		HIP RESTRAINT (DRIVER SIDE)	1
13	<u>01110-G01</u>		WASHER, 1/4" (STAINLESS STEEL).....	8
14	<u>00415-G2</u>		BOLT, 1/4 - 20 X 1 1/4" LG.....	8
15				
16				
17	<u>71632-G01</u>		REAR HAND HOLD BAR.....	1
18	<u>71204-G02</u>		BOLT, 1/4 - 20 X 2" LG	4
19	<u>71868-G01</u>		SEAT BACK BRACKET	2
20	<u>32805-G6</u>		TRIM, BLACK.....	1
21	70836-G0**		SEAT POD	1
22	27731-G01		ASHTRAY	1
23	<u>15717-G5</u>		ACORN NUT, 3/8 - 16	2
24	<u>23726-G4</u>		SPACER, 5/16".....	2
25	<u>00427-G8</u>		BOLT, 3/8 - 16 X 2" LG	2
26	00439-G8		BOLT, 5/16 - 18 X 2" LG	3
27	<u>00675-G1</u>		WASHER, 3/8" (STAINLESS STEEL)	5
28	<u>71883-G01</u>		RUBBER WASHER, 5/8"	3
29	<u>23726-G9</u>		SPACER, 3/4"	3
30	<u>01109-G01</u>		LOCK NUT, 5/16 - 18 (STAINLESS STEEL)	3

SEATING

THE USE OF NON U.L. PARTS WILL VOID ANY U.L. LISTING.
 When ordering parts, please specify the model and serial number of the product.
 * Indicates a component that is not available as an individual part.
 G** Indicates consult Customer Service Department for additional information.

ITEM	PART NO.	1 2 3 4 5	DESCRIPTION	QTY.
31	<u>00976-G06</u>		SCREW, 5/16 - 18 X 3/4" LG (STAINLESS STEEL)	2
32	<u>01110-G01</u>		WASHER, 1/4" (STAINLESS STEEL)	2
33	<u>00654-G2</u>		LOCK NUT, 1/4 - 20 (STAINLESS STEEL)	2
34	<u>71599-G01</u>		VENT PLUG	4
35				
36				
37	71751-G**		SEAT BACK	1
38	<u>00661-G8</u>		BOLT, 1/4 - 20 X 1" LG (STAINLESS STEEL).....	4
39	<u>00664-G7</u>		LOCK WASHER, 1/4" (STAINLESS STEEL)	4
40				
41	<u>74137-G01</u>		SEAT BACK SUPPORT (TG5).....	2
42	<u>01006-G01</u>		BOLT, 3/8 - 16 X 1 1/4" LG (TG5).....	4
43				
44	71611-G**		SEAT BOTTOM (INCLUDES ITEMS 45 - 51) (SHUTTLE 4 & 6)	1
45	<u>71610-G01</u>		SEAT HINGE	2
46	<u>00720-G08</u>		SCREW, #12 - 14 X 1" LG (STAINLESS STEEL).....	6
47	<u>71012-G01</u>		FRONT EDGE TRIM.....	1
48	<u>71608-G01</u>		BACK EDGE TRIM	1
49	<u>71702-G01</u>		HIP RESTRAINT (DRIVER SIDE)	1
50	<u>71701-G01</u>		HIP RESTRAINT (PASSENGER SIDE).....	1
51	71204-G01		BOLT, 1/4 - 20 X 7/8" LG	8
52				
53	71651-G**		SEAT BOTTOM (TG5).....	1
54	<u>71646-G01</u>		HAND HOLD KIT (INCLUDES ITEMS 55 - 58)	1
55	<u>71876-G01</u>		HIP RESTRAINT, REAR SEAT (DRIVER SIDE)	1
56	<u>71876-G02</u>		HIP RESTRAINT, REAR SEAT (PASSENGER SIDE).....	1
57	<u>01110-G01</u>		WASHER, 1/4" (STAINLESS STEEL).....	8
58	<u>00415-G2</u>		BOLT, 1/4 - 20 X 1 1/4" LG	8
59				
60				

SEATING

THE USE OF NON U.L. PARTS WILL VOID ANY U.L. LISTING.

When ordering parts, please specify the model and serial number of the product.

* Indicates a component that is not available as an individual part.

G** Indicates consult Customer Service Department for additional information.

ITEM	PART NO.	1 2 3 4 5	DESCRIPTION	QTY.
61	<u>74095-G01</u>		LABEL (WARNING) (SHUTTLE 4).....	1
62				
63	74131-G**		SEAT ASSEMBLY (INCLUDES ITEMS 64 - 76) (SHUTTLE 6).....	1
64	<u>74117-G01</u>		SEAT SUPPORT BRACKET	2
65	71751-G**		SEAT BACK.....	1
66	74139-G**		SEAT BOTTOM (INCLUDES ITEMS 67 - 72).....	1
67	<u>71701-G01</u>		HIP RESTRAINT (PASSENGER SIDE)	1
68	<u>71702-G01</u>		HIP RESTRAINT (DRIVER SIDE).....	1
69	<u>00661-G8</u>		BOLT, 1/4 - 20 X 1" LG (STAINLESS STEEL).....	8
70	<u>01110-G01</u>		WASHER, 1/4" (STAINLESS STEEL)	8
71	<u>71012-G01</u>		SEAT TRIM (REAR)	1
72	<u>74140-G01</u>		SEAT TRIM (FRONT).....	1
73				
74	<u>00661-G8</u>		BOLT, 1/4 - 20 X 1" LG (STAINLESS STEEL)	12
75	<u>01110-G01</u>		WASHER, 1/4" (STAINLESS STEEL).....	12
76	<u>00565-G2</u>		LOCK WASHER, 1/4"	12
77				
78	<u>17838-G1</u>		NYLON BUSHING.....	4
79	<u>00440-G4</u>		BOLT, 5/16 - 18 X 2 1/2" LG	2
80	00559-G8		WASHER, 5/16"	2
81	<u>01109-G01</u>		LOCK NUT, 5/16 - 18 (STAINLESS STEEL)	2
82				
83				
84	70836-G0**		SEAT POD	1
85	<u>71316-G01</u>		PLUG, 1 1/8"	1
86	<u>71055-G01</u>		RIVET, 3/16" X 1" LG (ALUMINUM).....	3
87	<u>71599-G01</u>		VENT PLUG	4
88	<u>32805-G6</u>		TRIM, BLACK.....	1
89	27731-G01		ASHTRAY.....	1
90				

SEATING

THE USE OF NON U.L. PARTS WILL VOID ANY U.L. LISTING.

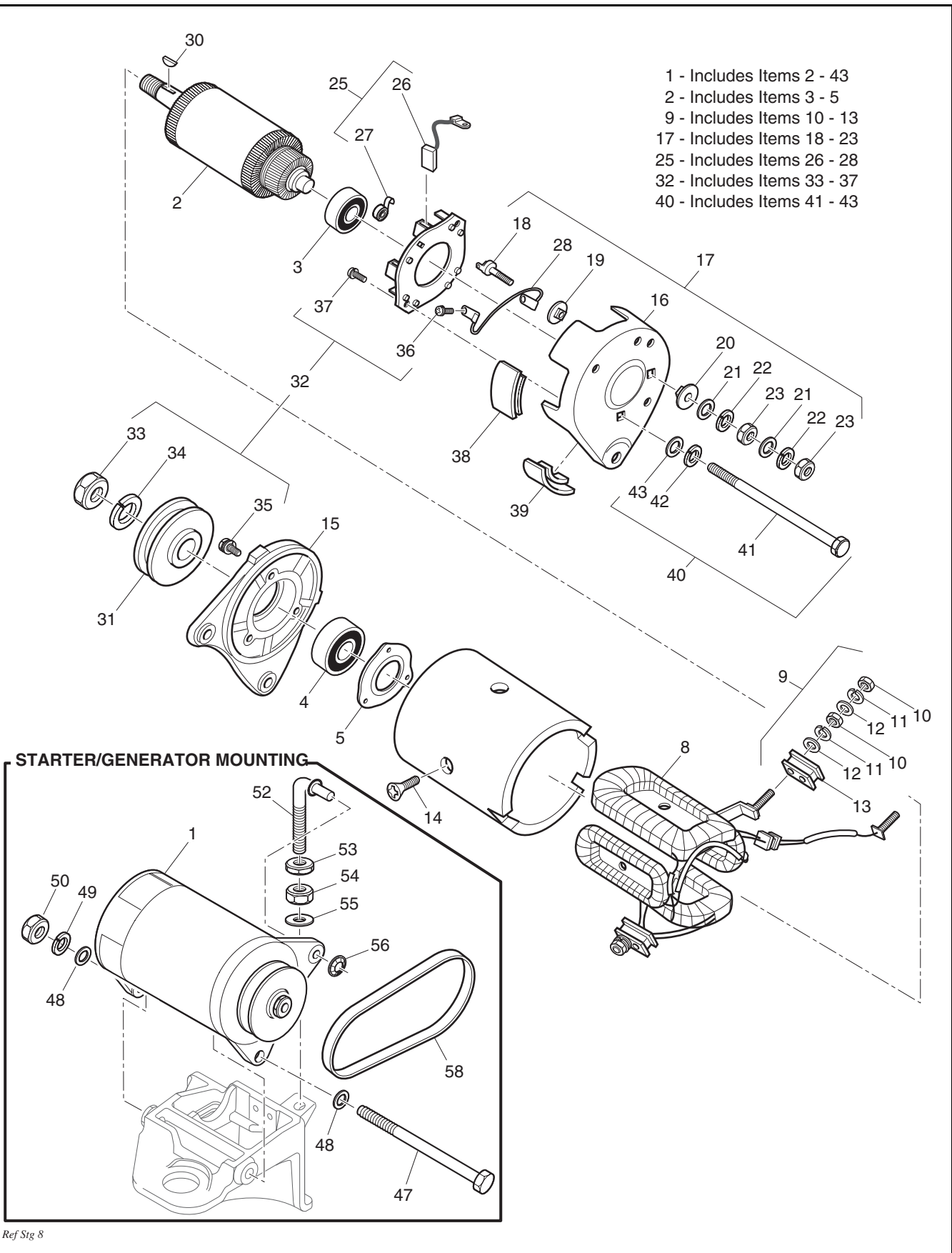
When ordering parts, please specify the model and serial number of the product.

* Indicates a component that is not available as an individual part.

G** Indicates consult Customer Service Department for additional information.

ITEM	PART NO.	1 2 3 4 5	DESCRIPTION	QTY.
91	00439-G8		BOLT, 5/16 - 18 X 2" LG	3
92	<u>00675-G1</u>		WASHER, 3/8" (STAINLESS STEEL)	3
93	<u>71883-G01</u>		RUBBER WASHER, 5/8"	3
94	<u>23726-G9</u>		SPACER, 3/4"	3
95	<u>01109-G01</u>		LOCK NUT, 5/16 - 18 (STAINLESS STEEL)	3
96				
97	<u>70820-G01</u>		SEAT BACK SUPPORT	1
98	<u>00976-G06</u>		SCREW, 5/16 - 18 X 3/4" LG (STAINLESS STEEL)	2
99	<u>01109-G01</u>		LOCK NUT, 5/16 - 18 (STAINLESS STEEL)	2
100	<u>00427-G8</u>		BOLT, 3/8 - 16 X 2" LG	2
101	<u>00675-G1</u>		WASHER, 3/8" (STAINLESS STEEL)	2
102	<u>23726-G4</u>		SPACER, 5/16"	2
103	<u>15717-G5</u>		ACORN NUT, 3/8 - 16	2
104				
105	71751-G**		SEAT BACK	1
106	<u>71632-G01</u>		HAND GRIP	1
107	<u>71204-G02</u>		BOLT, 1/4 - 20 X 2" LG	4
108				
109	70845-G01		CONSOLE COVER (WITHOUT DIRECTION SELECTOR)	1
110	70845-G02		CONSOLE COVER (WITH DIRECTION SELECTOR)	1
111	<u>70846-G01</u>		SEAL (DIRECTION SELECTOR)	1
112	70847-G01		SEAL (BRAKE LEVER)	1
113				
114	70853-G**		SEAT BOTTOM (SHUTTLE)	2
115	70835-G**		SEAT BOTTOM (TG5)	2
116	70864-G01		'T' KNOB	6

STARTER / GENERATOR



STARTER / GENERATOR

THE USE OF NON U.L. PARTS WILL VOID ANY U.L. LISTING.
 When ordering parts, please specify the model and serial number of the product.
 * Indicates a component that is not available as an individual part.
 G** Indicates consult Customer Service Department for additional information.

ITEM	PART NO.	1	2	3	4	5	DESCRIPTION	QTY.	
1	<u>27065-G01</u>							STARTER / GENERATOR (INCLUDES ITEMS 2 - 43).....	1
2	<u>26870-G01</u>							ARMATURE (INCLUDES ITEMS 3 - 5)	1
3	26871-G01							REAR BALL BEARING	1
4	<u>26872-G01</u>							FRONT BALL BEARING	1
5	<u>26873-G01</u>							BEARING HOLDER	1
6									
7									
8	<u>26875-G01</u>							FIELD COIL	1
9	<u>26876-G01</u>							INSULATING BRUSH ASSEMBLY ('F') (INCLUDES ITEMS 10 - 13).....	2
10	*							NUT	2
11	*							LOCK WASHER.....	2
12	*							WASHER.....	2
13	*							INSULATOR	1
14	26877-G01							POLE CORE SETSCREW.....	4
15	<u>26878-G01</u>							FRONT COVER.....	1
16	27879-G01							REAR COVER	1
17	<u>26880-G01</u>							TERMINAL ASSEMBLY ('A') (INCLUDES ITEMS 18 - 23).....	2
18	*							TERMINAL	2
19	*							INSULATOR	2
20	*							INSULATOR	2
21	*							WASHER.....	4
22	*							LOCK WASHER.....	4
23	*							NUT	4
24									
25	<u>26881-G01</u>							BRUSH HOLDER ASSEMBLY (INCLUDES ITEMS 26 - 28)	1
26	<u>26658-G01</u>							BRUSH.....	4
27	<u>26882-G01</u>							BRUSH SPRING	4
28	<u>26883-G01</u>							BRUSH CONNECTOR.....	2
29									
30	<u>26884-G01</u>							KEY.....	1

STARTER / GENERATOR

THE USE OF NON U.L. PARTS WILL VOID ANY U.L. LISTING.

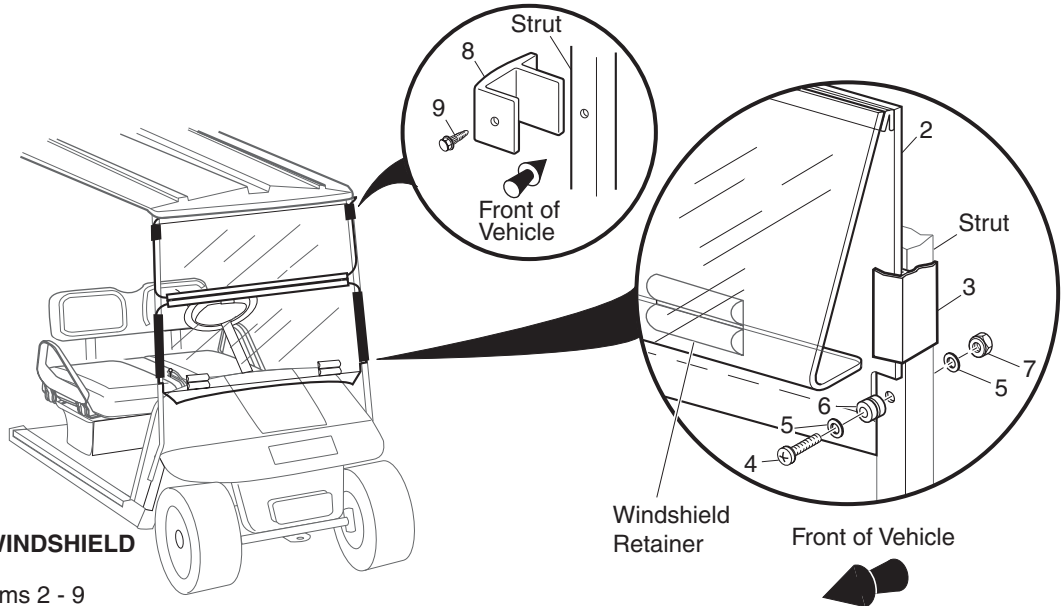
When ordering parts, please specify the model and serial number of the product.

* Indicates a component that is not available as an individual part.

G** Indicates consult Customer Service Department for additional information.

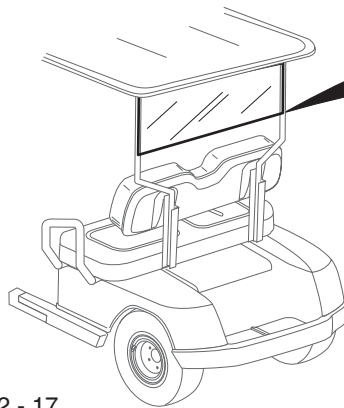
ITEM	PART NO.	1	2	3	4	5	DESCRIPTION	QTY.
31	<u>26885-G01</u>						PULLEY	1
32	<u>26886-G01</u>						NUT AND SCREW ASSEMBLY (INCLUDES ITEMS 33 - 37).....	1
33	*						NUT	1
34	*						LOCK WASHER	1
35	*						SCREW	3
36	*						SCREW	4
37	*						SCREW	2
38	<u>26887-G01</u>						BRUSH 1 COVER.....	3
39	<u>26888-G01</u>						BRUSH 2 COVER.....	2
40	<u>26889-G01</u>						BOLT AND WASHER ASSEMBLY (INCLUDES ITEMS 41 - 43).....	2
41	*						BOLT	2
42	*						LOCK WASHER	2
43	*						WASHER.....	2
44								
45								
46								
47	<u>00938-G4</u>						BOLT, 1/2 - 13 X 8" LG	1
48	<u>00560-G3</u>						WASHER, 1/2"	2
49	<u>00566-G3</u>						LOCK WASHER, 1/2"	1
50	<u>00533-G1</u>						NUT, 1/2 - 13	1
51								
52	<u>28617-G01</u>						STARTER / GENERATOR ADJUSTER.....	1
53	<u>00544-G5</u>						JAM NUT, 3/8 - 16	1
54	00532-G5						NUT, 3/8 - 16	1
55	<u>00560-G1</u>						WASHER, 3/8"	1
56	12064-G4						PUSH NUT, 5/16"	1
57								
58	<u>26414-G01</u>						STARTER / GENERATOR BELT	1

WEATHER PROTECTION



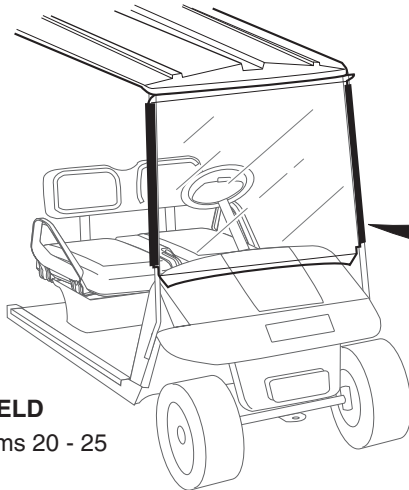
FOLD DOWN WINDSHIELD

1 - Includes Items 2 - 9



REAR WINDSHIELD

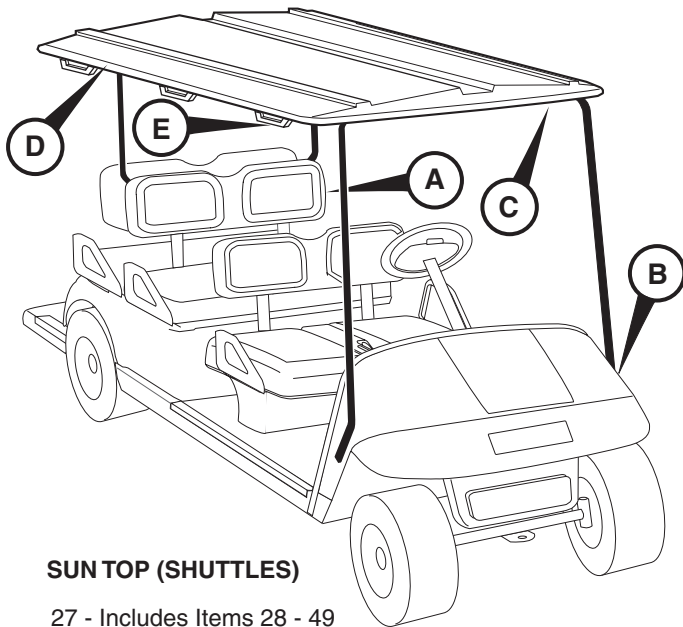
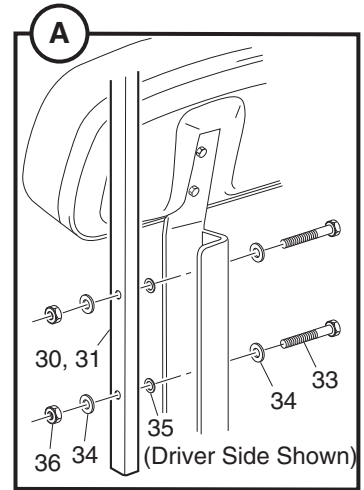
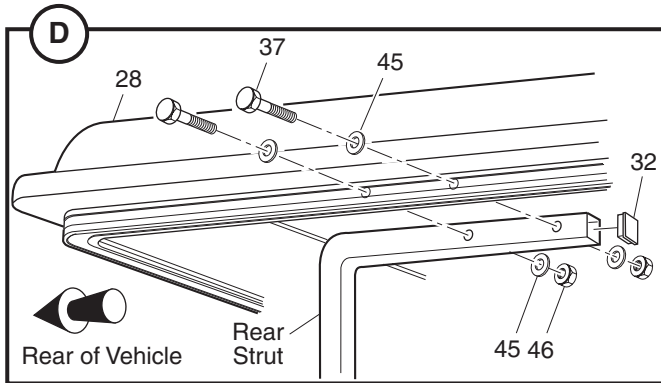
11 - Includes Items 12 - 17



FULL WINDSHIELD

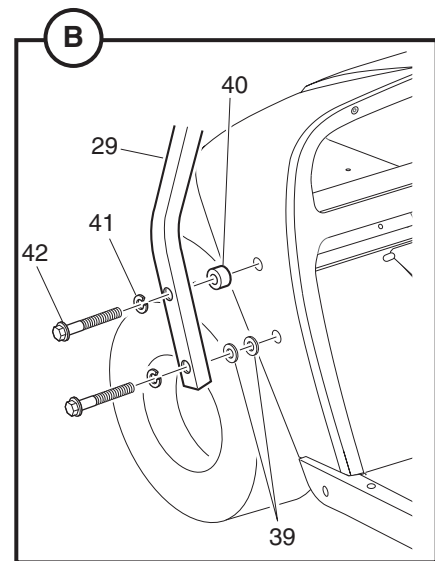
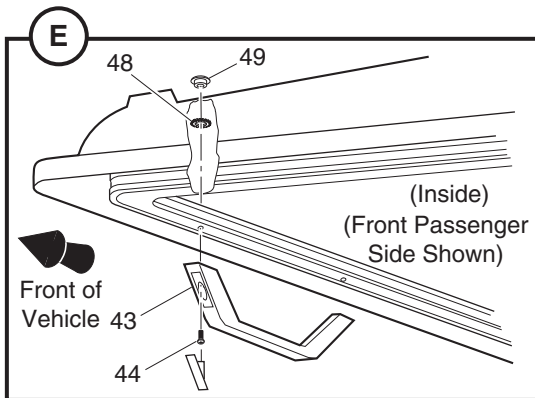
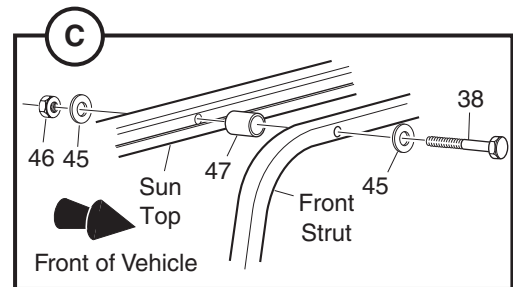
19 - Includes Items 20 - 25

Ref Wea 7-1

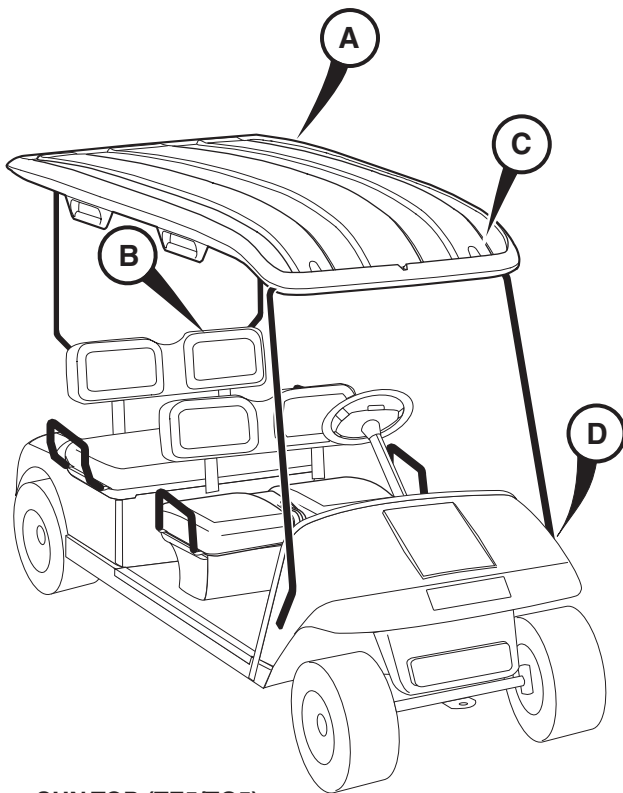
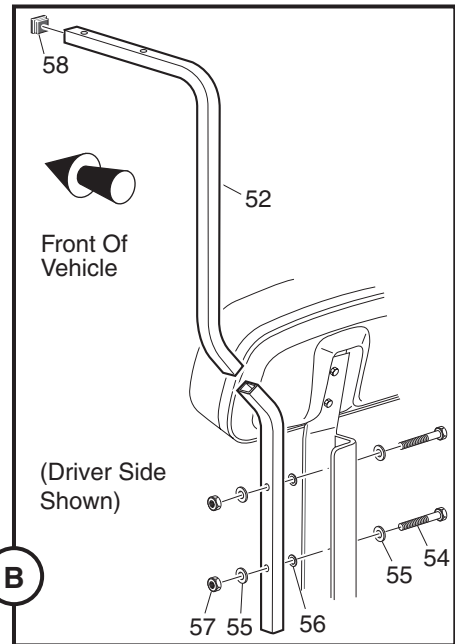
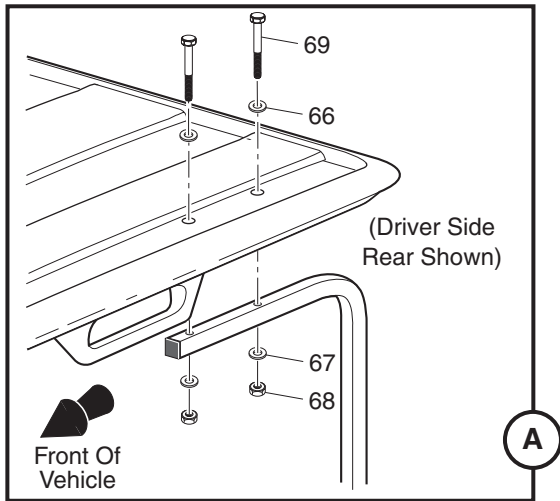


SUN TOP (SHUTTLES)

27 - Includes Items 28 - 49

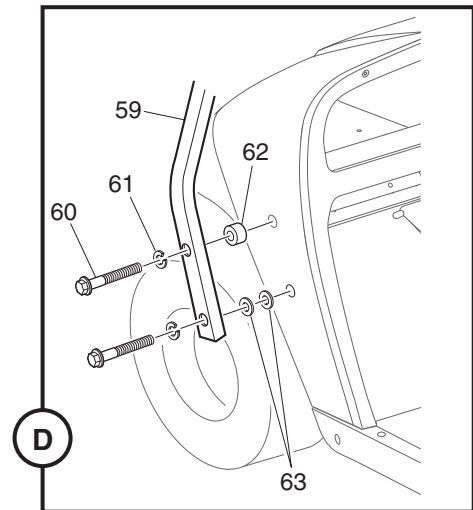
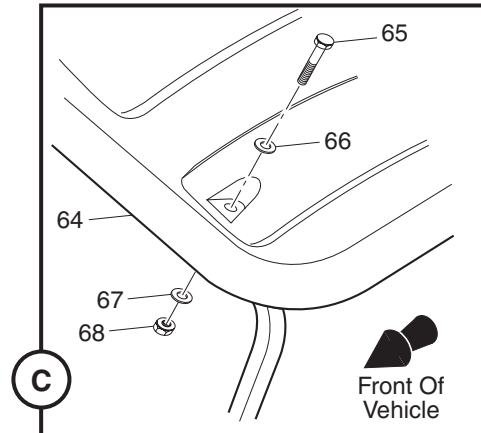


WEATHER PROTECTION



SUN TOP (TE5/TG5)

51 - Includes Items 52 - 69



WEATHER PROTECTION

THE USE OF NON U.L. PARTS WILL VOID ANY U.L. LISTING.

When ordering parts, please specify the model and serial number of the product.

* Indicates a component that is not available as an individual part.

G** Indicates consult Customer Service Department for additional information.

ITEM	PART NO.	1 2 3 4 5	DESCRIPTION	QTY.
1	<u>75534-G01</u>		WINDSHIELD KIT, FOLD DOWN (INCLUDES ITEMS 2 - 9).....	1
2	E950WSB3		FOLD DOWN WINDSHIELD	1
3	EGWHC24		SASH, 3/4" X 14" LG	2
4	EGWHS12		SCREW, 1/4 - 20 X 1 3/4" LG (STAINLESS STEEL).....	2
5	EGWHW12		WASHER, 1/4" (STAINLESS STEEL).....	4
6	EGWHG13		RUBBER GROMMET	2
7	EGWHN12		LOCK NUT, 1/4 - 20 (STAINLESS STEEL).....	2
8	137-010		TOP GRIP	2
9	136-008		FASTENER	2
10				
11	<u>75535-G01</u>		WINDSHIELD KIT, REAR (INCLUDES ITEMS 12 - 17).....	1
12	EIRWFB3		REAR WINDSHIELD	1
13	EGWHC14		SASH, 1" X 15 9/16" LG	2
14	EGWHS14		SCREW, 1/4 - 20 X 2" LG (STAINLESS STEEL).....	2
15	EGWHW13		WASHER, 1/4" (STAINLESS STEEL).....	6
16	EGWHG13		RUBBER GROMMET	2
17	EGWHN13		LOCK NUT, 1/4 - 20 (STAINLESS STEEL).....	2
18				
19	<u>75536-G01</u>		WINDSHIELD KIT, FULL (INCLUDES ITEMS 20 - 25).....	1
20	EISWFB3		FULL, WINDSHIELD.....	1
21	EGWHC13		SASH, 3/4" X 22 7/16" LG	2
22	EGWHS13		SCREW, 1/4 - 20 X 1 3/4" LG (STAINLESS STEEL).....	2
23	EGWHW13		WASHER, 1/4" (STAINLESS STEEL).....	4
24	EGWHG13		RUBBER GROMMET	2
25	EGWHN13		LOCK NUT, 1/4 - 20 (STAINLESS STEEL).....	2
26				
27	75282-G0*		SUN TOP KIT (SHUTTLE) (INCLUDES ITEMS 28 - 49)	1
28	75271-G0*		SUN TOP	1
29	<u>75045-G03</u>		FRONT STRUT.....	1
30	<u>75274-G01</u>		REAR STRUT (DRIVER SIDE).....	1

WEATHER PROTECTION

THE USE OF NON U.L. PARTS WILL VOID ANY U.L. LISTING.

When ordering parts, please specify the model and serial number of the product.

* Indicates a component that is not available as an individual part.

G** Indicates consult Customer Service Department for additional information.

ITEM	PART NO.	1	2	3	4	5	DESCRIPTION	QTY.
31	<u>75274-G02</u>						REAR STRUT (PASSENGER SIDE)	1
32	<u>19853-G1</u>						END CAP, 1"	2
33	<u>00665-G5</u>						BOLT, 3/8 - 16 X 1 3/4" LG (STAINLESS STEEL)	4
34	<u>00679-G1</u>						WASHER, 3/8" (STAINLESS STEEL).....	8
35	<u>00771-G5</u>						NYLON WASHER, 3/8"	4
36	<u>00891-G5</u>						LOCK NUT, 3/8 - 16	4
37	<u>00440-G4</u>						BOLT, 5/16 - 18 X 2 1/2" LG.....	4
38	<u>00441-G2</u>						BOLT, 5/16 - 18 X 3 1/4" LG.....	2
39	<u>00879-G1</u>						WASHER, 3/8"	4
40	<u>75048-G01</u>						SPACER, 1/2"	2
41	<u>00905-G8</u>						LOCK WASHER, 5/16"	4
42	01035-G01						BOLT, 5/16 - 18 X 2 1/4" LG.....	4
43	<u>75240-G01</u>						HANDLE	5
44	00163-G2						SCREW, 1/4 - 20 X 1 1/4" LG	10
45	<u>00642-G8</u>						WASHER, 5/16"	12
46	<u>01109-G01</u>						LOCK NUT, 5/16 - 18 (STAINLESS STEEL).....	6
47	<u>18716-G2</u>						SPACER, 1"	2
48	<u>00567-G8</u>						LOCK WASHER, 5/16"	10
49	<u>01010-G01</u>						TEE NUT, 1/4 - 20.....	10
50								
51	<u>75485-G01</u>						SUN TOP KIT (TE5/TG5) (INCLUDES ITEMS 52 - 69)	1
52	<u>75487-G02</u>						REAR SUPPORT (DRIVER SIDE)	1
53	<u>75487-G01</u>						REAR SUPPORT (PASSENGER SIDE).....	1
54	<u>00665-G5</u>						BOLT, 3/8 - 16 X 1 3/4" LG (STAINLESS STEEL)	4
55	<u>00679-G1</u>						WASHER, 3/8" (STAINLESS STEEL).....	8
56	<u>00771-G5</u>						NYLON WASHER, 3/8"	4
57	<u>00891-G5</u>						LOCK NUT, 3/8 - 16	4
58	<u>19853-G1</u>						END CAP, 1"	2
59	<u>75488-G01</u>						FRONT SUPPORT	1
60	01035-G01						BOLT, 5/16 - 18 X 2 1/4" LG.....	4

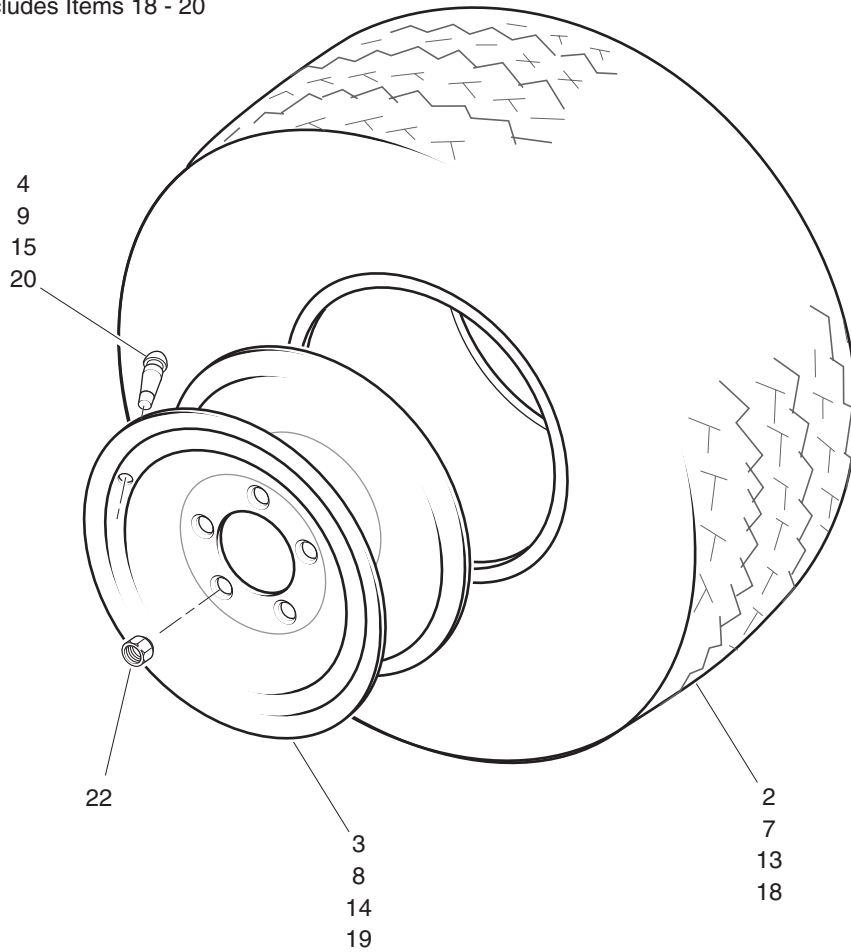
WEATHER PROTECTION

THE USE OF NON U.L. PARTS WILL VOID ANY U.L. LISTING.
 When ordering parts, please specify the model and serial number of the product.
 * Indicates a component that is not available as an individual part.
 G** Indicates consult Customer Service Department for additional information.

ITEM	PART NO.	1	2	3	4	5	DESCRIPTION	QTY.
61	<u>00905-G8</u>						LOCK WASHER, 5/16"	4
62	<u>75048-G01</u>						SPACER, 1/2"	2
63	<u>00879-G1</u>						LOCK WASHER, 3/8"	4
64	<u>74374-G01</u>						SUN TOP	1
65	<u>00685-G10</u>						BOLT, 5/16 - 18 X 2 3/4" LG (STAINLESS STEEL)	2
66	<u>00907-G2</u>						WASHER, 5/16" (STAINLESS STEEL).....	6
67	<u>00660-G8</u>						WASHER, 5/16" (STAINLESS STEEL).....	6
68	<u>01109-G01</u>						LOCK NUT, 5/16 - 18 (STAINLESS STEEL).....	6
69	<u>00685-G11</u>						BOLT, 5/16 - 18 X 3 1/4" LG (STAINLESS STEEL)	4

WHEELS AND TIRES

- 1 - Includes Items 2 - 4
- 6 - Includes Items 7 - 9
- 12 - Includes Items 13 - 15
- 17 - Includes Items 18 - 20



6"CHROME HUBCAP
24



8"CHROME HUBCAP
25



GOLD / SILVER SPOKE HUBCAP
26, 27

Ref Whl 8

WHEELS AND TIRES

Where applicable, THE USE OF NON UL PARTS WILL VOID ANY UL LISTING.
 When ordering parts, please specify the model and serial number of the product.
 * Indicates a component that is not available as an individual part.
 G** Indicates consult Customer Service Department for additional information.

ITEM	PART NO.	1	2	3	4	5	DESCRIPTION	QTY.
1	27772-G09						TIRE AND WHEEL, 18.5 X 8.5 - 8, 4 PLY RATING (SHUTTLE, STANDARD) ...	AR
2	27772-G10						18.5 X 8.5 - 8 CARLISLE TIRE (LINKS1)	AR
3	15169-G1						WHEEL RIM, 4 LUG	AR
4	<u>11657-G2</u>						VALVE STEM	AR
5								
6	27775-G01						TIRE AND WHEEL, 18.5 X 8.5 - 8, 6 PLY RATING (SHUTTLE, OPTIONAL)	AR
7	27775-G02						18.5 X 8.5 - 8 CARLISLE TIRE (USA TRAIL)	AR
8	15169-G2						WHEEL RIM, 4 LUG	AR
9	<u>11657-G2</u>						VALVE STEM	AR
10								
11								
12	27772-G11						TIRE AND WHEEL, 18.5 X 8.5 - 8, 4 PLY RATING (TG5, STANDARD)	AR
13	27772-G10						18.5 X 8.5 - 8 CARLISLE TIRE (LINKS1)	AR
14	10641-G1						WHEEL RIM, 5 LUG	AR
15	<u>11657-G2</u>						VALVE STEM	AR
16								
17	<u>32028-G2</u>						TIRE AND WHEEL, 18.5 X 8.5 - 8, 6 PLY RATING (TG5, OPTIONAL)	AR
18	27775-G02						18.5 X 8.5 - 8 CARLISLE TIRE (USA TRAIL)	AR
19	<u>10641-G2</u>						WHEEL RIM, 5 LUG	AR
20	<u>11657-G2</u>						VALVE STEM	AR
21								
22	<u>14723-G1</u>						LUG NUT, 1/2 - 20	AR
23								
24	16042-G*						6" CHROME WHEEL CAP	AR
25	14913-G*						8" CHROME WHEEL COVER	AR
26	19241-G*						SILVER SPOKE WHEEL COVER	AR
27	19241-G*						GOLD SPOKE WHEEL COVER	AR

WHEELS AND TIRES

SPECIALTY PRODUCTS

SPECIALTY PRODUCTS

SPECIAL TOOLS	PART NO.
HIGH RESISTANCE SPARK PLUG WIRE SET	26733-G02
CLUTCH PULLER (DRIVE)	19779-G2
FLYWHEEL PULLER	27111-G01
CURRENT INDICATOR	16489-G2
DIGITAL MULTI-METER	27481-G01
SLIDE HAMMER (AXLE/HUB REMOVAL)	15947-G1
SLIDE HAMMER (AXLE REMOVAL ONLY)	18753-G1
COMPRESSION TESTER	72524-G01
FEELER GAUGE	72525-G01
TACHOMETER	72526-G01

ENGINE OIL	PART NO.
4 CYCLE ENGINE OIL, 5 GALLON (19 LITER)	25730-G03
4 CYCLE ENGINE OIL, 12 QUART CASE	25730-G04
4 CYCLE ENGINE OIL, 1 QUART BOTTLE (950 ML)	25730-G06

TOUCH UP PAINT	PART NO.
PEN 3 OUNCE (89 ML) - HUNTER GREEN	28432-G02
PEN 3 OUNCE (89 ML) - CHAMPAGNE BEIGE	28432-G01
PEN 3 OUNCE (89 ML) - WHITE	28432-G05
PEN 3 OUNCE (89 ML) - INDUSTRIAL YELLOW	28432-G03
PEN 3 OUNCE (89 ML) - ORANGE	28432-G04
PEN 3 OUNCE (89 ML) - STEEL BLUE PEARL	28432-G**
PEN 3 OUNCE (89 ML) - CAMOUFLAGE PAINT (THREE PENS)	75831-G01
AEROSOL 12 OUNCE (360 ML) - HUNTER GREEN	28140-G09
AEROSOL 12 OUNCE (360 ML) - CHAMPAGNE BEIGE	28140-G15
AEROSOL 12 OUNCE (360 ML) - WHITE	28140-G03
AEROSOL 12 OUNCE (360 ML) - INDUSTRIAL YELLOW	28140-G14
AEROSOL 12 OUNCE (360 ML) - ORANGE	28140-G13
AEROSOL 12 OUNCE (360 ML) - STEEL BLUE PEARL	28140-G**

SPECIALTY PRODUCTS

MAINTENANCE PRODUCTS	PART NO.
FORMULA 40 VINYL-COAT® - WHITE	28166-G01
PLEXUS® CLEANER, 7 OUNCE (210 ML) (FOR WINDSHIELDS)	28433-G01
PLEXUS® CLEANER, 13 OUNCE (380 ML) (FOR WINDSHIELDS)	28433-G02
BATTERY PROTECTOR, 14 OUNCE (410 ML) SPRAY	75500-G01
CARBURETOR & CHOKE CLEANER, 15 OUNCE (440 ML) SPRAY	75501-G01
WHITE LITHIUM GREASE, 14 OUNCE (410 ML) SPRAY	75502-G01
PENETRANT/LUBRICANT, 15 OUNCE (440 ML) SPRAY	75503-G01
MULTI-PURPOSE CLEANER & DEGREASER, 14 OUNCE (410 ML) SPRAY	75504-G01
MULTI-PURPOSE HAND CLEANER, 32 OUNCE (950 ML) LIQUID	75505-G01
BATTERY CLEANER, 32 OUNCE (950 ML) WITH TRIGGER SPRAYER	75506-G01
BIO-DEGRADABLE CLEANER, 32 OUNCE (950 ML) WITH TRIGGER SPRAYER	75507-G01
MULTI-PURPOSE VALUE PACK	75508-G01
<ul style="list-style-type: none"> • BATTERY PROTECTOR, 4 OUNCE (120 ML) SPRAY • PENETRANT/LUBRICANT, 4 OUNCE (120 ML) SPRAY • WHITE LITHIUM GREASE, 4 OUNCE (120 ML) SPRAY • CARBURETOR & CHOKE CLEANER, 4 OUNCE (120 ML) SPRAY 	

SPECIALTY PRODUCTS

Notes:

OPTIONS/ACCESSORIES

OPTIONS/ACCESSORIES

ITEM	KIT NO.	COMMENTS
ACCESSORIES LISTING	KIT NO.	SECTION
CHROME HUB CAP 8"	14913-G1	WHEELS AND TIRES
CHROME HUB CAP 6"	16042-G1	WHEELS AND TIRES
SILVER SPOKE WHEEL COVERS	19241-G1	WHEELS AND TIRES
GOLD SPOKE WHEEL COVERS	19241-G2	WHEELS AND TIRES
HOUR METER	75114-G02	ELECTRICAL
WINDSHIELD, FOLD DOWN (REQUIRES SUN TOP)	75534-G01	WEATHER PROTECTION
WINDSHIELD, REAR (REQUIRES SUN TOP)	75535-G01	WEATHER PROTECTION
WINDSHIELD, FULL (REQUIRES SUN TOP)	75536-G01	WEATHER PROTECTION
 SHUTTLES		
SUN TOP, 118", WHITE (INCLUDES HANDLES)	75282-G01	WEATHER PROTECTION
SUN TOP, 118", CHAMPAGNE (INCLUDES HANDLES)	75282-G02	WEATHER PROTECTION
TURN SIGNAL	75107-G02	ELECTRICAL
ASH TRAY	75109-G02	SEATING
CONVERTIBLE CARRIER	75278-G0*	BODY
 TG5		
CENTER BASKET	75003-G02	
SUN TOP	75485-G01	WEATHER PROTECTION

INDEX OF MAJOR COMPONENTS

INDEX OF MAJOR COMPONENTS

BY PART DESCRIPTION



A Textron Company

E-Z-GO Division of Textron, Inc.
P.O. Box 388 Augusta, Georgia 30903-0388 USA
Inside USA Phone: 1-800-241-5855, FAX: 1-800-448-8124
Outside USA Phone: 010-1-706-798-4311, FAX: 010-1-706-771-4609

Copyrighted Material
This manual may not be reproduced in whole or
in part without the express permission of
E-Z-GO Division of Textron, Inc.
Technical Communications Department