

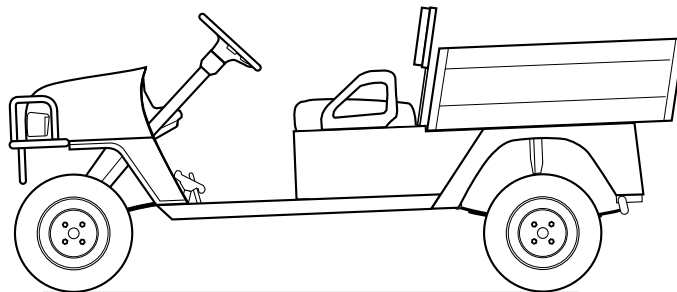
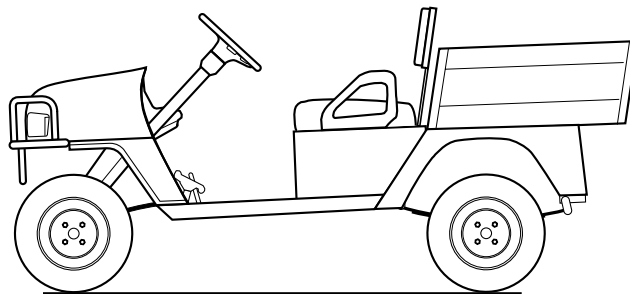
28765-G01

TEXTRON

GOLF, TURF & SPECIALTY PRODUCTS



SERVICE PARTS MANUAL



GASOLINE POWERED UTILITY VEHICLES

STARTING MODEL YEAR: 2002

REVISED 7/2002

SERVICE PARTS MANUAL

GASOLINE POWERED UTILITY VEHICLES

ST 350

ST SPORT

Textron Golf, Turf & Specialty Products reserves the right to make design changes without obligation to make these changes on units previously sold and the information contained in this manual is subject to change without notice.

Textron Golf, Turf & Specialty Products is not liable for errors in this manual or for incidental or consequential damages that result from the use of the material in this manual.

CUSTOMER SERVICE DEPARTMENT IN USA PHONE: 1-800-241-5855 FAX: 1-800-448-8124

OUTSIDE USA PHONE: 010-1-706-798-4311, FAX: 010-1-706-771-4609

TEXTRON GOLF, TURF & SPECIALTY PRODUCTS, P.O.BOX 388, AUGUSTA, GEORGIA USA 30903-0388

NOTES

To obtain a copy of the limited warranty applicable to the vehicle, call or write a local Distributor, authorized Branch or Warranty Department with vehicle serial number and manufacture date code.

The use of non Original Equipment Manufacturer (OEM) parts may void the warranty.

Tampering with or adjusting the governor to permit vehicle to operate at above factory specifications will void the vehicle warranty.

When servicing engines, all adjustments and replacement components must be per original vehicle specifications in order to maintain the United States of America Federal and State emission certification applicable at time of manufacture.

BATTERY PROLONGED STORAGE

All batteries will self discharge over time. The rate of self discharge varies depending on the ambient temperature and the age and condition of the batteries.

A fully charged battery will not freeze in winter temperatures unless the temperature falls below -75° F (-60° C).

TABLE OF CONTENTS

SECTION	Page No.
HOW TO USE THE SERVICE PARTS MANUAL	vii
ILLUSTRATED PARTS BREAKDOWN	ix
ACCELERATOR - ALL CABLES	A-1
ACCELERATOR - CABLE AND LINKAGES	A-7
AIR CLEANER	B-1
BODY	C-1
BRAKES	D-1
CAB (FLAT WINDSHIELD)	E-1
CAB (CURVED WINDSHIELD)	E-9
CARBURETOR AND CHOKE	F-1
CLUTCH	G-1
DIRECTION SELECTOR - SINGLE CABLE	H-1
DIRECTION SELECTOR - DUAL CABLE	H-5
ELECTRICAL SYSTEM	J-1
ENGINE AND MUFFLER	K-1
ENGINE MOUNTING	L-1
FRONT SUSPENSION	M-1
FUEL SYSTEM	N-1
REAR AXLE - SINGLE CABLE SHIFTER	P-1
REAR AXLE - DUAL CABLE SHIFTER	P-3
REAR SUSPENSION	Q-1
SEATING	R-1
STARTER / GENERATOR	S-1
STEERING	T-1
TRUCK BEDS - ST 350	U-1
TRUCK BEDS - ST SPORT	U-13
WEATHER PROTECTION	V-1
WHEELS AND TIRES	W-1
WINCH - ST 350	X-1

TABLE OF CONTENTS

SECTION	Page No.
OPTIONS/ACCESSORIES	APPENDIX B-1
INDEX OF MAJOR COMPONENTS	INDEX-1

TABLE OF CONTENTS

SECTION

Page No.

HOW TO USE THE SERVICE PARTS MANUAL

This manual is divided into several sections:

GENERAL INFORMATION

- TABLE OF CONTENTS
- HOW TO USE THE SERVICE PARTS MANUAL

ILLUSTRATED PARTS BREAKDOWN

- Contains illustrations and parts lists for all systems of the vehicle

APPENDIX

- Contains a listing of specialty products and options/accessories

INDEX OF MAJOR COMPONENTS

- Contains a listing of parts (excluding hardware) grouped by part number and description and indicates on which page(s) they can be found

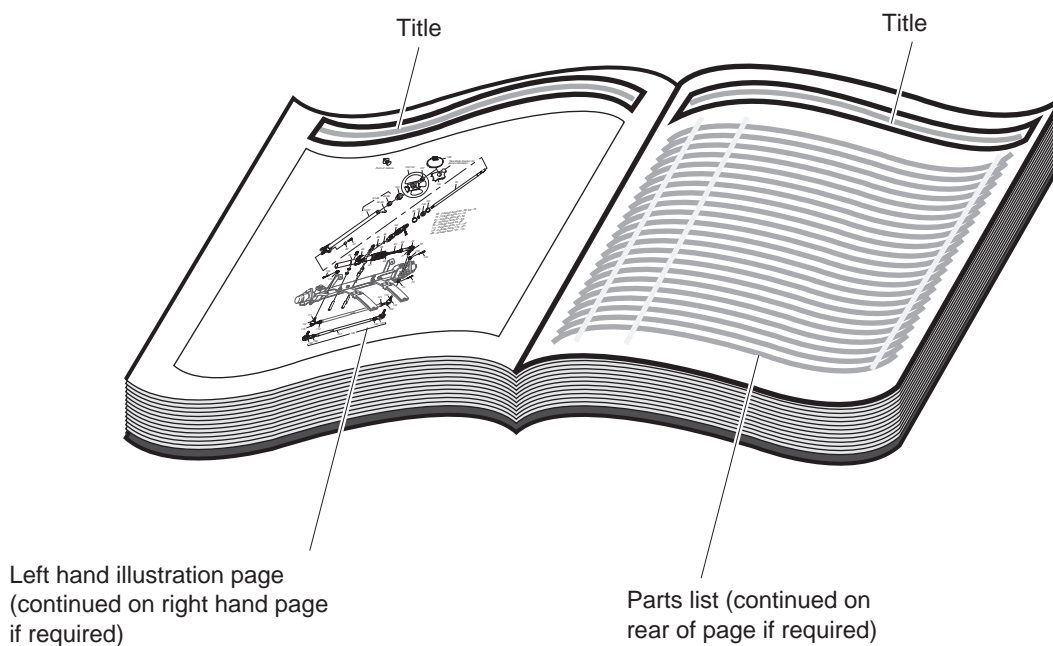
USE OF THE MANUAL

To use this manual, consult the TABLE OF CONTENTS (page iii) or the INDEX OF MAJOR COMPONENTS (located at rear of this manual) to locate the information or illustration required.

Introduction of some revisions varies due to supply of components; therefore, it is possible that various combinations of components may be found that are not directly reflected by each illustration. Consult the illustration that best suits your situation. Locate the serial number plate (see BODY located in the Illustrated Parts Breakdown section of this manual for its location) and note the complete number shown on the plate. It is important that the serial number of your vehicle and its model number be supplied to Service Parts when ordering any replacement components.

Locate the serial number plate (see BODY located in the Illustrated Parts Breakdown section of this manual for its location) and note the complete number shown on the plate.

HOW TO USE THE SERVICE PARTS MANUAL



1. WHEN THE PART NUMBER IS NOT KNOWN

- Determine the function and application of the part required. Turn to the INDEX OF MAJOR COMPONENTS and select the most appropriate component description.
- Turn to the page number indicated and locate the part description in the parts list. Read the full accompanying description for specific information regarding the part that was not shown in the index.
- From the parts list, obtain the item number assigned to it and confirm that the part selected is correct by verifying it with the pictorial representation on the illustrated page.

2. IF YOU KNOW THE PART NUMBER

- Use the INDEX OF MAJOR COMPONENTS to find the page(s) the part number appears on.
- Turn to the page number indicated and locate the part number in the parts list. Refer to the accompanying description for specific information regarding the part.
- From the parts list, obtain the item number assigned to it and confirm that the part selected is correct by verifying it with the pictorial representation on the illustrated page.

Should an asterisk (*) appear in the part number column on the parts list page, read upwards until a part number is found. The part number is the lowest assembly sold by Service Parts. The asterisk (*) indicates that the part depicted is not available for purchase.

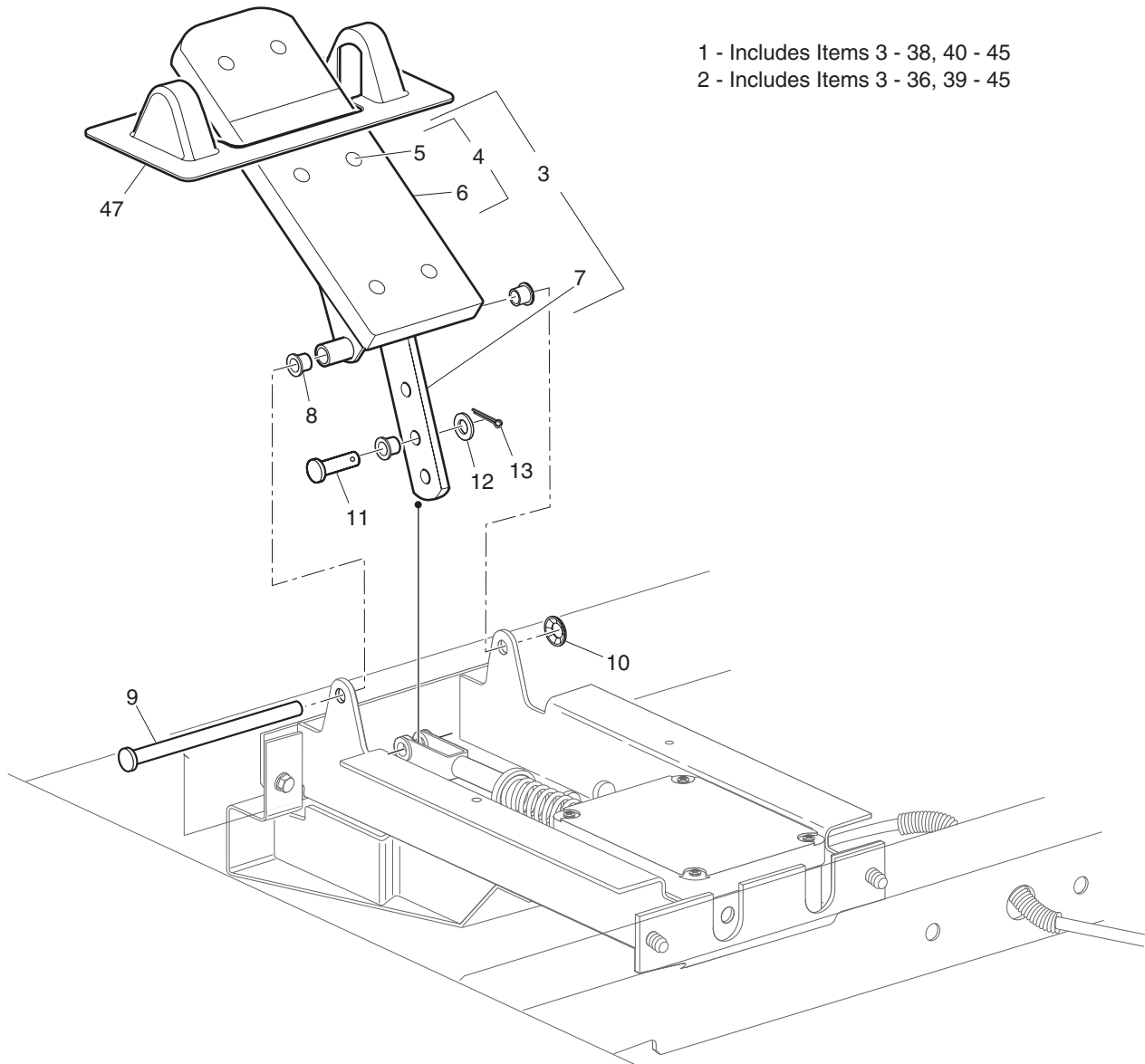
NOTE: Descriptions are indented under the assembly that they are used on. That assembly is, in turn listed under the assembly that it is used on. This process is repeated until the highest final assembly is reached.

To facilitate the maintenance and repair of the vehicle, a Technician's Repair and Service Manual is available from the Service Parts Department.

ILLUSTRATED PARTS BREAKDOWN

ILLUSTRATED PARTS BREAKDOWN

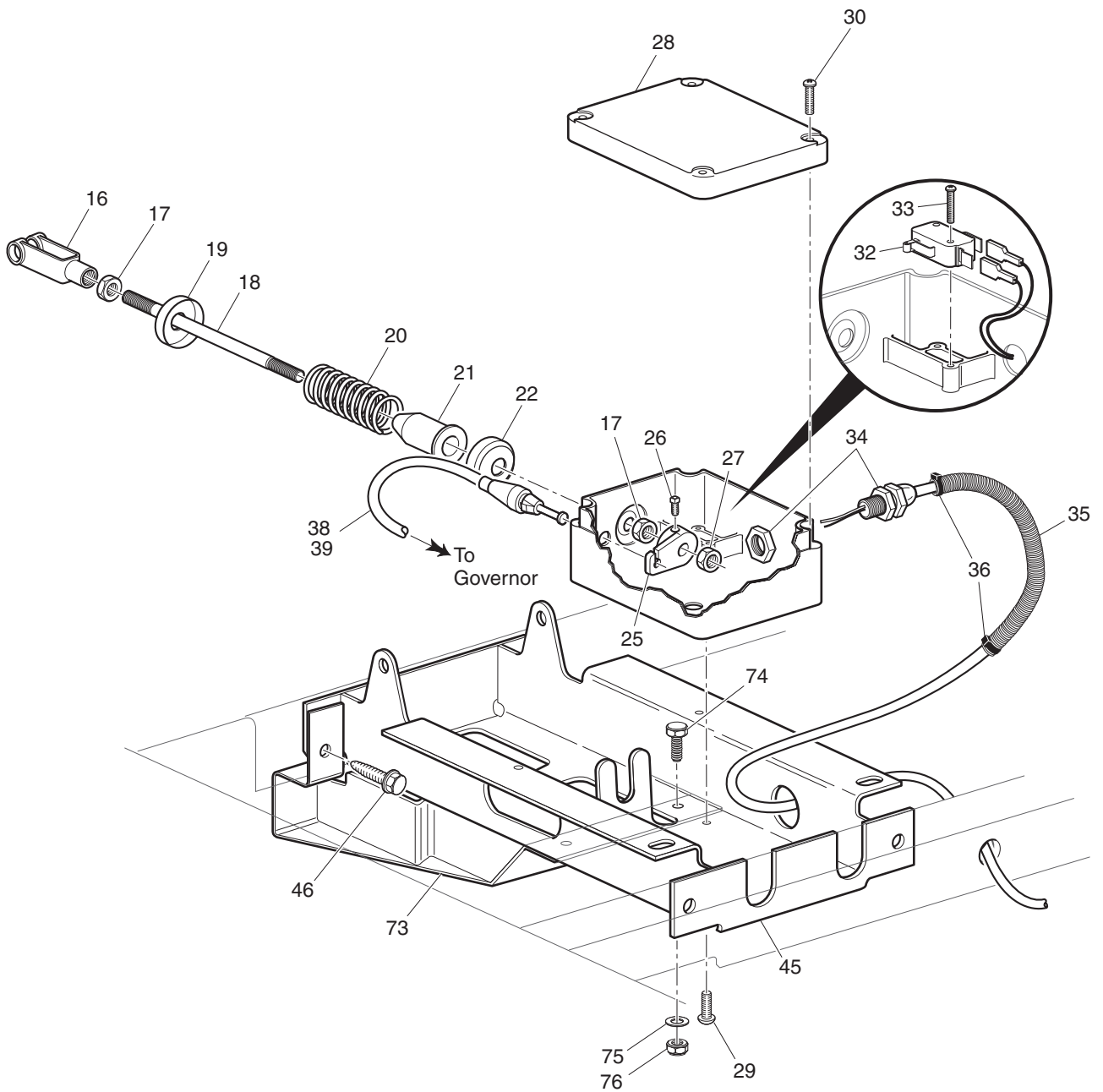
ACCELERATOR - ALL CABLES



- 1 - Includes Items 3 - 38, 40 - 45
- 2 - Includes Items 3 - 36, 39 - 45

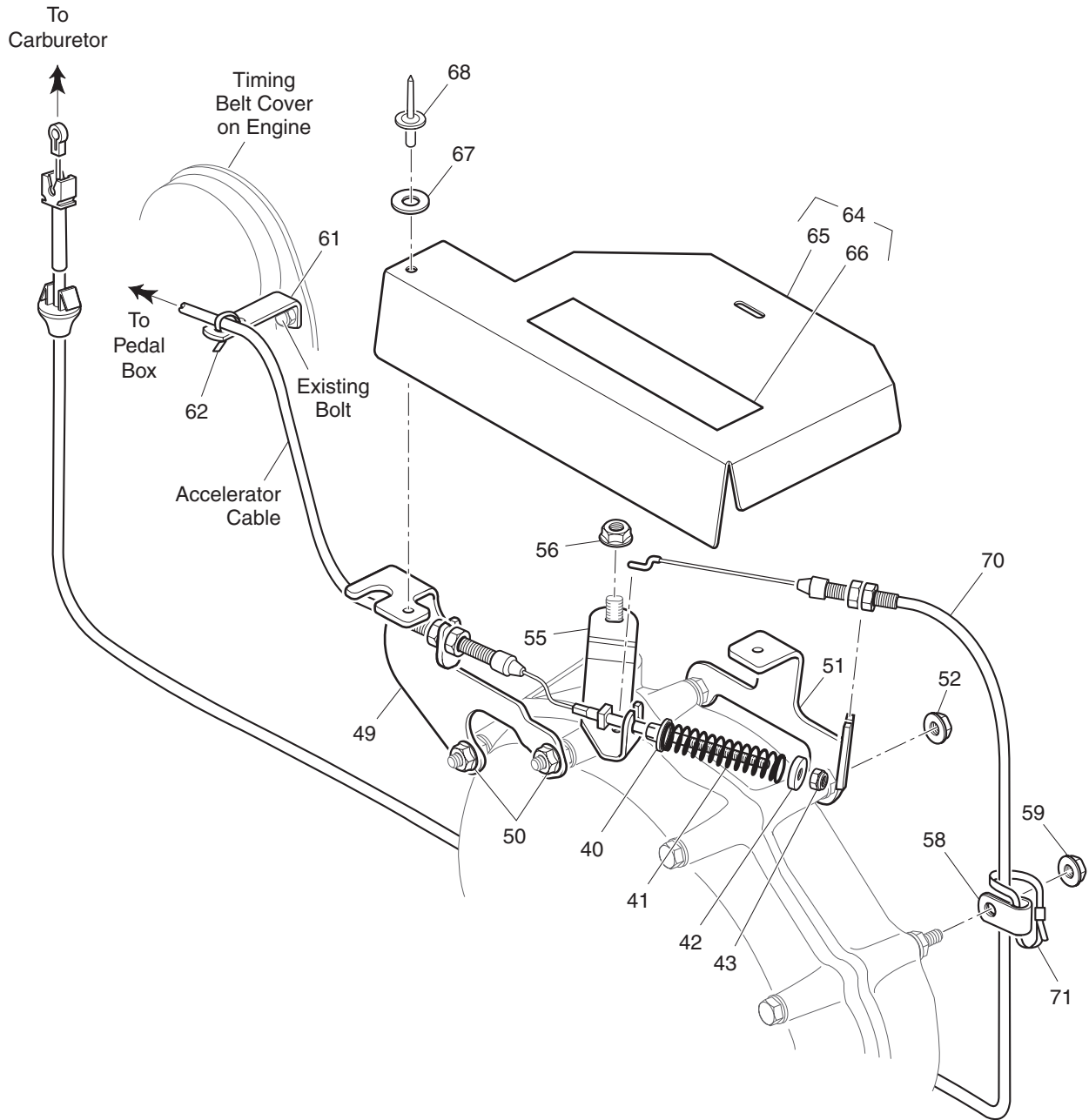
Ref Acc 9-1

ACCELERATOR - ALL CABLES



Ref Acc 9-2

ACCELERATOR - ALL CABLES



Ref Acc 9-3

ACCELERATOR - ALL CABLES

When ordering parts, please specify the model and serial number of the product.

* Indicates a component that is not available as an individual part.

G** Indicates consult Customer Service Department for additional information.

ITEM	PART NO.	1	2	3	4	5	DESCRIPTION	QTY.
1	<u>72717-G01</u>						PEDAL BOX ASSEMBLY (INCLUDES ITEMS 3 - 38, 40 - 45) (ST SPORT).....	1
2	<u>72717-G02</u>						PEDAL BOX ASSEMBLY (INCLUDES ITEMS 3 - 36, 39 - 45) (ST 350).....	1
3	25799-G01						ACCELERATOR PEDAL ASSEMBLY (INCLUDES ITEMS 4 - 7).....	1
4	<u>27844-G01</u>						ACCELERATOR PEDAL PAD KIT (INCLUDES ITEMS 5 - 6).....	1
5	<u>15766-G1</u>						OVAL RIVET, 3/16" X 7/16" LG.....	6
6	<u>27512-G01</u>						ACCELERATOR PEDAL PAD	1
7	*						ACCELERATOR PEDAL.....	1
8	<u>17838-G1</u>						NYLON BUSHING	3
9	<u>74432-G01</u>						PEDAL PIVOT PIN	1
10	<u>12064-G6</u>						PUSH NUT, 9/32".....	1
11	<u>10386-G3</u>						CLEVIS PIN, 5/16" X 13/16" LG	1
12	<u>17255-G1</u>						TEFLON WASHER, 5/16".....	1
13	<u>10387-G3</u>						COTTER PIN, 3/32" X 3/4" LG	1
14								
15								
16	10385-G4						CLEVIS YOKE (ADJUSTABLE).....	1
17	<u>00532-G4</u>						NUT, 5/16 - 24.....	2
18	72072-G01						ACCELERATOR ROD	1
19	<u>17677-G2</u>						SPRING RETAINER	1
20	<u>73046-G01</u>						COMPRESSION SPRING	1
21	<u>17979-G1</u>						ACCELERATOR ROD BUSHING.....	1
22	<u>17677-G1</u>						SPRING RETAINER	1
23								
24								
25	<u>72716-G01</u>						MICRO SWITCH CAM.....	1
26	<u>00487-G3</u>						SETSCREW, 1/4 - 20 X 3/8" LG	1
27	<u>00550-G4</u>						LOCK NUT, 5/16 - 24.....	1
28	<u>25853-G03</u>						PEDAL BOX AND COVER	1
29	<u>01051-G01</u>						SCREW, #8 - 16 X 1/2" LG	4
30	<u>00684-G6</u>						SCREW, #8 - 32 X 3/4" LG (STAINLESS STEEL).....	4

ACCELERATOR - ALL CABLES

When ordering parts, please specify the model and serial number of the product.

* Indicates a component that is not available as an individual part.

G** Indicates consult Customer Service Department for additional information.

ITEM	PART NO.	1	2	3	4	5	DESCRIPTION	QTY.
31								
32	<u>25861-G01</u>						MICRO SWITCH.....	1
33	<u>01050-G01</u>						SCREW, #4 - 20 X 5/8" LG	2
34	<u>72201-G04</u>						WIRE HARNESS (PEDAL BOX)	1
35	<u>17313-G1</u>						LOOM FLEX (BULK).....	AR
36	<u>17618-G1</u>						WIRE TIE	2
37								
38	<u>72713-G01</u>						ACCELERATOR CABLE (ST SPORT)	1
39	<u>72713-G02</u>						ACCELERATOR CABLE (ST 350).....	1
40	<u>72706-G01</u>						ACCELERATOR CABLE BUSHING	1
41	<u>72809-G01</u>						COMPRESSION SPRING	1
42	<u>25727-G02</u>						CUP WASHER, 1/5"	1
43	<u>00734-G5</u>						LOCK NUT, #10 - 32.....	1
44								
45	70116-G01						ACCELERATOR PEDAL BRACKET.....	1
46	<u>00715-G2</u>						BOLT, 5/16 - 18 X 4/5" LG	4
47	<u>70135-G01</u>						PEDAL PIVOT COVER	1
48								
49	72701-G01						ACCELERATOR CABLE MOUNTING BRACKET	1
50	26830-G01						LOCK NUT, M8 X 1.25 MM	2
51	72703-G01						THROTTLE CABLE MOUNTING BRACKET	1
52	72269-G01						FLANGED NUT, M8 X 1.25 MM	2
53								
54								
55	<u>72708-G01</u>						GOVERNOR ARM	1
56	26830-G01						LOCK NUT, M8 X 1.25 MM	1
57								
58	11845-G3						INSULATED CABLE CLAMP, 11/16"	1
59	72269-G01						FLANGED NUT, M8 X 1.25 MM.....	1
60								

ACCELERATOR - ALL CABLES

When ordering parts, please specify the model and serial number of the product.

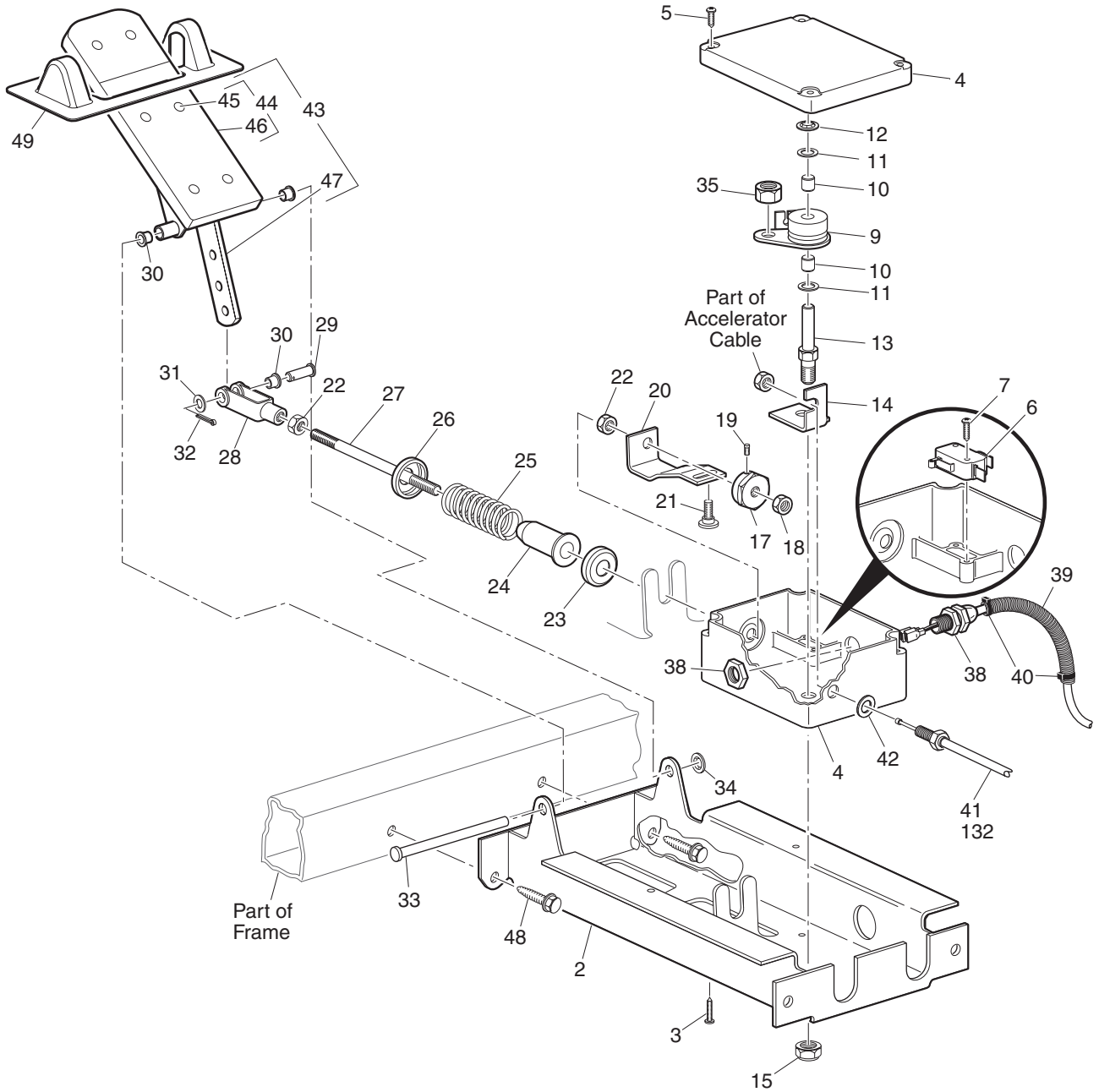
* Indicates a component that is not available as an individual part.

G** Indicates consult Customer Service Department for additional information.

ITEM	PART NO.	1	2	3	4	5	DESCRIPTION	QTY.
61	<u>72055-G01</u>						ACCELERATOR CABLE BRACKET	1
62	<u>17618-G1</u>						WIRE TIE	1
63								
64	<u>74457-G01</u>						GOVERNOR COVER/DECAL ASSEMBLY (INCLUDES ITEMS 65, 66).....	1
65	72705-G01						GOVERNOR COVER	1
66	24880-G01						DECAL (WARNING - GOVERNOR)	1
67	<u>00915-G1</u>						BONDED WASHER, 1/4"	2
68	<u>14601-G11</u>						RIVET, 3/16" X 9/16" LG (ALUMINUM).....	2
69								
70	<u>72714-G01</u>						THROTTLE CABLE.....	1
71	<u>17618-G1</u>						WIRE TIE	1
72								
73	<u>75757-G01</u>						PEDAL GUARD.....	1
74	<u>00414-G6</u>						BOLT, 1/4 - 20 X 3/4" LG	2
75	<u>01110-G01</u>						WASHER, 1/4" (STAINLESS STEEL)	2
76	<u>00654-G2</u>						LOCK NUT, 1/4 - 20 (STAINLESS STEEL)	2

ACCELERATOR - CABLE AND LINKAGES

1 - Includes Items 2 - 47
 131 - Includes Items 2 - 40, 42 - 47, 132

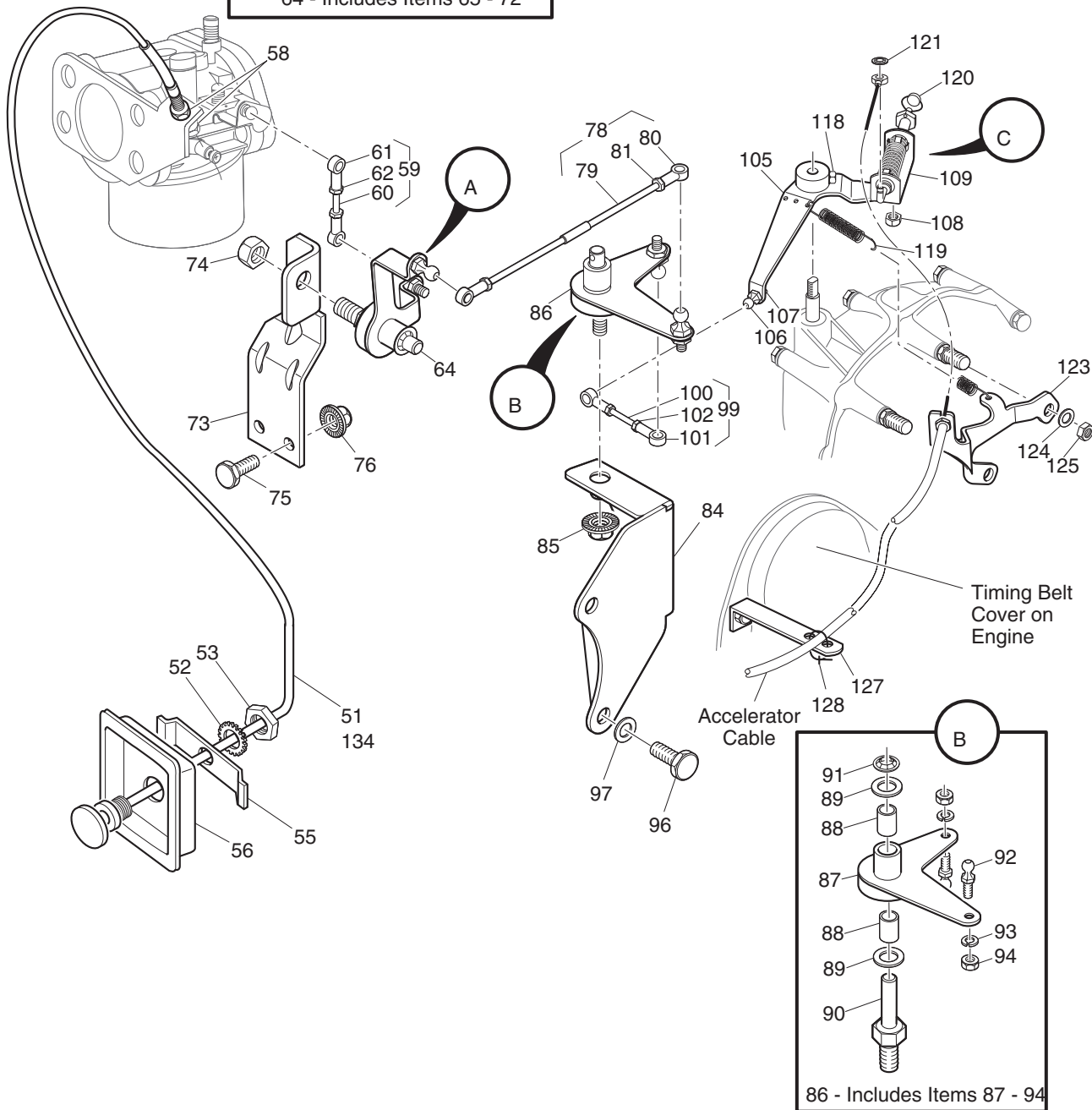
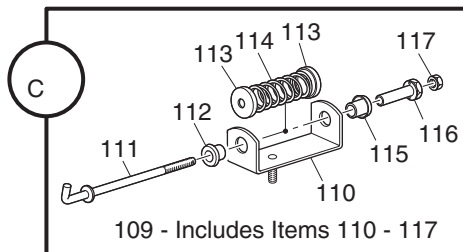
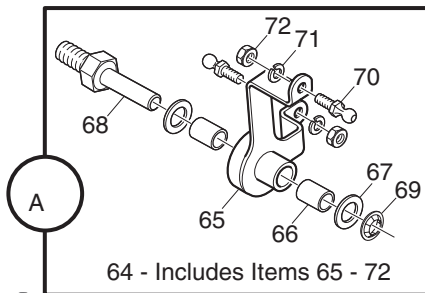


Ref Acl 9-1

ACCELERATOR - CABLE AND LINKAGES

83 - Includes Items 84 - 94

104 - Includes Items 105 - 117



Ref Acl 9-2

ACCELERATOR - CABLE AND LINKAGES

THE USE OF NON U.L. PARTS WILL VOID ANY U.L. LISTING.

When ordering parts, please specify the model and serial number of the product.

* Indicates a component that is not available as an individual part.

G** Indicates consult Customer Service Department for additional information.

ITEM	PART NO.	1	2	3	4	5	DESCRIPTION	QTY.
1	<u>72062-G03</u>						PEDAL BOX ASSEMBLY (INCLUDES ITEMS 2 - 47) (ST 350)	1
2	<u>70116-G01</u>						ACCELERATOR PEDAL BRACKET.....	1
3	<u>01051-G01</u>						SCREW, #8 - 16 X 1/2" LG	4
4	<u>25853-G02</u>						PEDAL BOX AND COVER	1
5	<u>00684-G6</u>						SCREW, #8 - 32 X 3/4" LG (STAINLESS STEEL).....	4
6	<u>25861-G01</u>						MICRO SWITCH.....	1
7	<u>01050-G01</u>						SCREW, #4 - 20 X 5/8" LG	2
8								
9	<u>72066-G01</u>						CONTROL ARM	1
10	<u>23860-G1</u>						BEARING.....	2
11	<u>24621-G1</u>						NYLON WASHER, 5/16".....	2
12	<u>12064-G1</u>						PUSH NUT, 5/16".....	1
13	<u>25768-G01</u>						PIVOT ROD	1
14	<u>72199-G01</u>						PIVOT BRACKET	1
15	<u>14390-G1</u>						LOCK NUT, 3/8 - 24.....	1
16								
17	<u>72198-G03</u>						MICRO SWITCH CAM.....	1
18	<u>00550-G4</u>						LOCK NUT, 5/16 - 24	1
19	<u>00487-G3</u>						SETSCREW, 1/4 - 20 X 3/8" LG	1
20	<u>72074-G01</u>						CONTROL ARM LINK	1
21	<u>72225-G01</u>						SHOULDER BOLT, #10 - 24 X 11/16" LG.....	1
22	<u>00532-G4</u>						NUT, 5/16 - 24.....	2
23	<u>17677-G1</u>						SPRING RETAINER	1
24	<u>17979-G1</u>						ACCELERATOR ROD BUSHING	1
25	<u>73046-G01</u>						COMPRESSION SPRING	1
26	<u>17677-G2</u>						SPRING RETAINER	1
27	<u>72072-G01</u>						ACCELERATOR ROD	1
28	<u>10385-G4</u>						CLEVIS YOKE (ADJUSTABLE).....	1
29	<u>10386-G3</u>						CLEVIS PIN, 5/16" X 13/16" LG	1
30	<u>17838-G1</u>						NYLON BUSHING	3

ACCELERATOR - CABLE AND LINKAGES

THE USE OF NON U.L. PARTS WILL VOID ANY U.L. LISTING.

When ordering parts, please specify the model and serial number of the product.

* Indicates a component that is not available as an individual part.

G** Indicates consult Customer Service Department for additional information.

ITEM	PART NO.	1	2	3	4	5	DESCRIPTION	QTY.
31	<u>17255-G1</u>						TEFLON WASHER, 5/16"	1
32	<u>10387-G3</u>						COTTER PIN, 3/32" X 3/4" LG	1
33	<u>74432-G01</u>						PEDAL PIVOT PIN	1
34	<u>12064-G6</u>						PUSH NUT, 9/32"	1
35	<u>14390-G10</u>						LOCK NUT, #10 - 24	1
36	<u>12730-G1</u>						WHEEL BEARING GREASE (NOT ILLUSTRATED)	A/R
37								
38	<u>72201-G02</u>						WIRE HARNESS (PEDAL BOX)	1
39	<u>17313-G1</u>						LOOM FLEX (BULK)	AR
40	<u>17618-G1</u>						WIRE TIE	2
41	<u>72065-G02</u>						ACCELERATOR CABLE (ST 350)	1
42	<u>00559-G8</u>						WASHER, 5/16"	1
43	<u>25799-G01</u>						ACCELERATOR PEDAL ASSEMBLY (INCLUDES ITEMS 44 - 47)	1
44	<u>27844-G01</u>						ACCELERATOR PEDAL PAD KIT (INCLUDES ITEMS 45 - 46)	1
45	<u>15766-G1</u>						OVAL RIVET, 3/16" X 7/16" LG	6
46	<u>27512-G01</u>						ACCELERATOR PEDAL PAD	1
47	*						ACCELERATOR PEDAL	
48	<u>00715-G2</u>						BOLT, 5/16 - 18 X 4/5" LG	4
49	<u>70135-G01</u>						PEDAL PIVOT COVER	1
50								
51	<u>72401-G02</u>						CHOKE CABLE (WITH NUTS) (ST 350)	1
52	<u>00568-G4</u>						LOCK WASHER, 9/16"	1
53	<u>00545-G4</u>						JAM NUT, 9/16 - 18	1
54								
55	<u>72155-G01</u>						RETAINER	1
56	<u>72154-G01</u>						CHOKE CABLE ADAPTER	1
57								
58	<u>00544-G4</u>						JAM NUT, 5/16 - 24	2
59	<u>25737-G01</u>						CARBURETOR LINKAGE ROD (INCLUDES ITEMS 60 - 62)	1
60	<u>23722-G1</u>						ADJUSTING ROD (SHORT)	1

ACCELERATOR - CABLE AND LINKAGES

THE USE OF NON U.L. PARTS WILL VOID ANY U.L. LISTING.

When ordering parts, please specify the model and serial number of the product.

* Indicates a component that is not available as an individual part.

G** Indicates consult Customer Service Department for additional information.

ITEM	PART NO.	1	2	3	4	5	DESCRIPTION	QTY.
61	<u>24465-G1</u>						BALL JOINT SOCKET	2
62	<u>00526-G4</u>						NUT, #10 - 32.....	2
63								
64	<u>25760-G01</u>						CARBURETOR LINKAGE BELLCRANK (INCLUDES ITEMS 65 - 72).....	1
65	<u>25759-G01</u>						CARBURETOR PIVOT	1
66	<u>23860-G1</u>						BEARING.....	2
67	<u>24621-G1</u>						NYLON WASHER, 5/16".....	2
68	<u>25768-G01</u>						PIVOT ROD	1
69	<u>12064-G1</u>						PUSH NUT, 5/16".....	1
70	<u>24479-G1</u>						BALL JOINT BALL	2
71	<u>00565-G5</u>						LOCK WASHER, #10	2
72	<u>00526-G4</u>						NUT, #10 - 32.....	2
73	<u>72197-G01</u>						PIVOT BRACKET.....	1
74	<u>14390-G1</u>						LOCK NUT, 3/8 - 24	1
75	<u>00661-G8</u>						BOLT, 1/4 - 20 X 1" LG (STAINLESS STEEL).....	2
76	<u>14390-G4</u>						LOCK NUT, 1/4 - 20	2
77								
78	<u>72254-G01</u>						THROTTLE LINKAGE ROD ASSEMBLY (INCLUDES ITEMS 79 - 81).....	1
79	<u>72609-G01</u>						ADJUSTING ROD (LONG).....	1
80	<u>24465-G1</u>						BALL JOINT SOCKET	2
81	<u>00526-G4</u>						NUT, #10 - 32.....	2
82								
83	<u>25702-G01</u>						GOVERNOR PIVOT BRACKET ASSEMBLY (INCLUDES ITEMS 84 - 94).....	1
84	<u>25655-G01</u>						BELLCRANK BRACKET.....	1
85	<u>14390-G1</u>						LOCK NUT, 3/8 - 24	1
86	<u>25763-G01</u>						GOVERNOR PIVOT ASSEMBLY (INCLUDES ITEMS 87 - 94)	1
87	<u>25762-G01</u>						GOVERNOR PIVOT.....	1
88	<u>23860-G1</u>						BEARING	2
89	<u>24621-G1</u>						NYLON WASHER, 5/16".....	2
90	<u>25768-G01</u>						PIVOT ROD.....	1

ACCELERATOR - CABLE AND LINKAGES

THE USE OF NON U.L. PARTS WILL VOID ANY U.L. LISTING.

When ordering parts, please specify the model and serial number of the product.

* Indicates a component that is not available as an individual part.

G** Indicates consult Customer Service Department for additional information.

ITEM	PART NO.	1	2	3	4	5	DESCRIPTION	QTY.
91	<u>12064-G1</u>						PUSH NUT, 5/16"	1
92	<u>24479-G1</u>						BALL JOINT BALL	2
93	<u>00565-G5</u>						LOCK WASHER, #10	2
94	<u>00526-G4</u>						NUT, #10 - 32	2
95								
96	<u>00276-G6</u>						BOLT, 5/16 - 24 X 3/4" LG	2
97	<u>00565-G8</u>						LOCK WASHER, 5/16"	2
98								
99	<u>25737-G03</u>						GOVERNOR LINKAGE ROD (INCLUDES ITEMS 100 - 102)	1
100	<u>23722-G1</u>						ADJUSTING ROD	1
101	<u>24465-G1</u>						BALL JOINT SOCKET	2
102	<u>00526-G4</u>						NUT, #10 - 32	2
103								
104	<u>25690-G01</u>						GOVERNOR BELLCRANK ASSEMBLY (INCLUDES ITEMS 105 - 117)	1
105	<u>25765-G01</u>						GOVERNOR BELLCRANK	1
106	<u>24479-G1</u>						BALL JOINT BALL	1
107	<u>00734-G5</u>						LOCK NUT, #10 - 32	1
108	<u>14390-G4</u>						LOCK NUT, 1/4 - 20	1
109	<u>22751-G2</u>						GOVERNOR BRACKET ASSEMBLY (INCLUDES ITEMS 110 - 117)	1
110	<u>22752-G1</u>						GOVERNOR BRACKET	1
111	<u>25274-G1</u>						GOVERNOR ROD	1
112	<u>22754-G1</u>						BUSHING	1
113	<u>25661-G01</u>						CUP WASHER	2
114	<u>23578-G1</u>						COMPRESSION SPRING	1
115	<u>22754-G2</u>						BUSHING	1
116	<u>23859-G1</u>						GOVERNOR ADJUSTER	1
117	<u>00526-G4</u>						NUT, #10 - 32	1
118	<u>00491-G4</u>						SETSCREW, 1/4 - 20 X 1/2" LG	2
119	<u>25738-G01</u>						SPRING	1
120	<u>25286-G1</u>						SAFETY SEAL, 3/8"	1

ACCELERATOR - CABLE AND LINKAGES

THE USE OF NON U.L. PARTS WILL VOID ANY U.L. LISTING.

When ordering parts, please specify the model and serial number of the product.

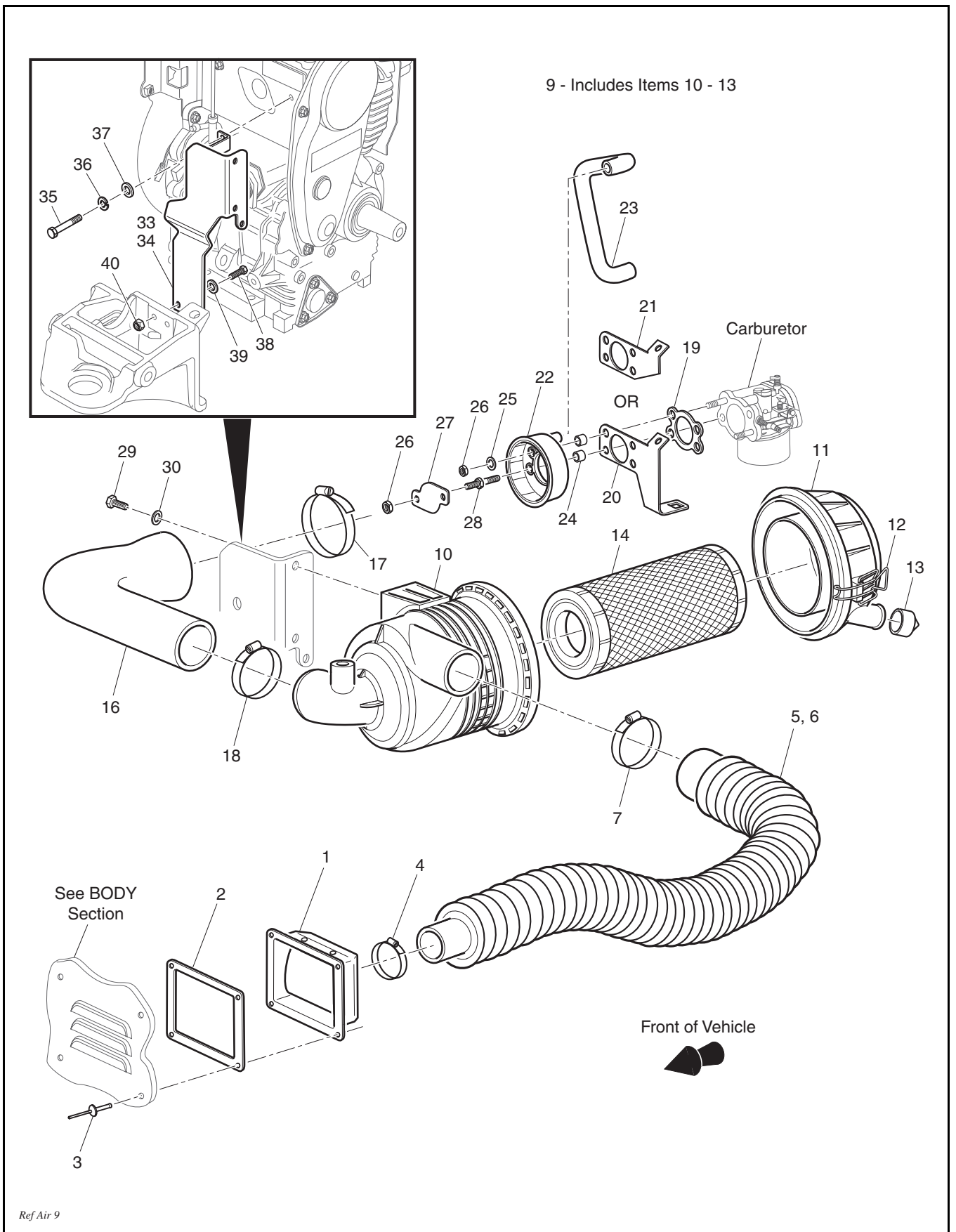
* Indicates a component that is not available as an individual part.

G** Indicates consult Customer Service Department for additional information.

ITEM	PART NO.	1	2	3	4	5	DESCRIPTION	QTY.
121	<u>12064-G3</u>						PUSH NUT, 3/16"	1
122								
123	<u>25653-G01</u>						ACCELERATOR CABLE BRACKET	1
124	<u>26826-G01</u>						LOCK WASHER, 8 MM	2
125	<u>26827-G01</u>						NUT, M8 X 1.25 MM	2
126								
127	<u>72055-G01</u>						ACCELERATOR CABLE BRACKET	1
128	<u>17618-G1</u>						WIRE TIE	7
129								
130								
131	<u>72062-G01</u>						PEDAL BOX ASSEMBLY (INCL ITEMS 2 - 40, 42 - 47, 132) (ST SPORT).....	1
132	<u>72065-G01</u>						ACCELERATOR CABLE	1
133								
134	<u>25693-G04</u>						CHOKE CABLE (WITH NUTS) (ST SPORT)	1

ACCELERATOR - CABLE AND LINKAGES

AIR CLEANER



AIR CLEANER

THE USE OF NON U.L. PARTS WILL VOID ANY U.L. LISTING.

When ordering parts, please specify the model and serial number of the product.

* Indicates a component that is not available as an individual part.

G** Indicates consult Customer Service Department for additional information.

ITEM	PART NO.	1 2 3 4 5	DESCRIPTION	QTY.
1	<u>72416-G01</u>		INLET ADAPTER	1
2	<u>72415-G01</u>		GASKET	1
3	<u>71055-G01</u>		RIVET, 3/16" X 1" LG (ALUMINUM)	4
4	<u>11391-G2</u>		HOSE CLAMP, 2 1/16"	1
5	<u>72637-G02</u>		HOSE (CONVOLUTED) (ST 350)	1
6	<u>72637-G01</u>		HOSE (CONVOLUTED) (ST SPORT)	1
7	<u>11391-G1</u>		HOSE CLAMP, 1 5/16"	1
8				
9	<u>72607-G01</u>		AIR CLEANER CANISTER ASSEMBLY (INCLUDES ITEMS 10 - 13)	1
10	<u>72598-G01</u>		AIR CLEANER CANISTER	1
11	<u>72599-G01</u>		AIR CLEANER COVER	1
12	<u>72604-G01</u>		AIR CLEANER LATCH	2
13	<u>28462-G01</u>		AIR CLEANER DUST COLLECTOR	1
14	<u>28463-G01</u>		AIR CLEANER ELEMENT	1
15				
16	<u>72592-G01</u>		HOSE (AIR FILTER TO CARBURETOR)	1
17	<u>11391-G6</u>		HOSE CLAMP, 2 1/8"	1
18	<u>11391-G7</u>		HOSE CLAMP, 1 9/16"	1
19	<u>26727-G01</u>		CARBURETOR GASKET	2
20	<u>72739-G01</u>		CHOKE / THROTTLE BRACKET	1
21	<u>26728-G01</u>		CHOKE BRACKET	1
22	<u>72591-G01</u>		CARBURETOR ADAPTER	1
23	<u>72151-G01</u>		PCV HOSE	1
24	<u>23726-G11</u>		SPACER, 5/16"	4
25	<u>00664-G7</u>		LOCK WASHER, 1/4" (STAINLESS STEEL)	2
26	<u>13632-G1</u>		NUT, M6 X 1	4
27	<u>72605-G01</u>		CARBURETOR BAFFLE	1
28	<u>72514-G01</u>		STUD	2
29	<u>26639-G01</u>		BOLT AND WASHER, M8 X 1.25 X 20 MM	2
30	<u>00565-G8</u>		WASHER, 5/16"	2

AIR CLEANER

THE USE OF NON U.L. PARTS WILL VOID ANY U.L. LISTING.

When ordering parts, please specify the model and serial number of the product.

* Indicates a component that is not available as an individual part.

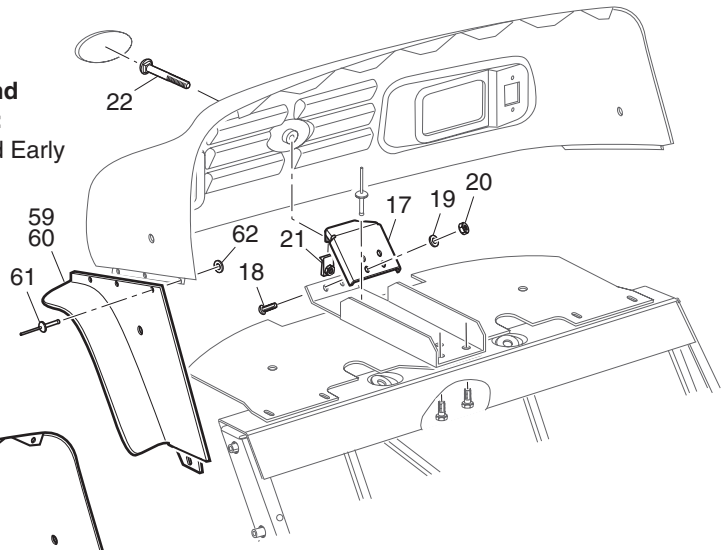
G** Indicates consult Customer Service Department for additional information.

ITEM	PART NO.	1	2	3	4	5	DESCRIPTION	QTY.
31								
32								
33	72596-G01						AIR FILTER BRACKET (LINKAGE ACTUATED CARBURETOR)	1
34	75878-G01						AIR FILTER BRACKET (CABLE ACTUATED CARBURETOR)	1
35	<u>12547-G3</u>						BOLT, M6 X 1 X 20MM LG	1
36	<u>00664-G7</u>						LOCK WASHER, 1/4" (STAINLESS STEEL)	1
37	<u>01110-G01</u>						WASHER, 1/4" (STAINLESS STEEL)	1
38	<u>00415-G2</u>						BOLT, 1/4 - 20 X 1 1/4" LG	2
39	00559-G07						WASHER, 1/4"	2
40	<u>14390-G4</u>						LOCK NUT, 1/4 - 20	2

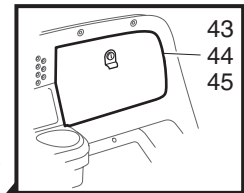
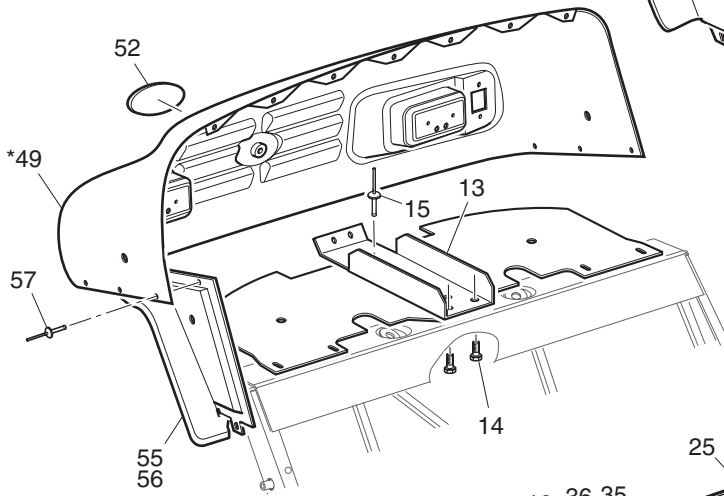
BODY

**ST 350
and
ST SPORT**

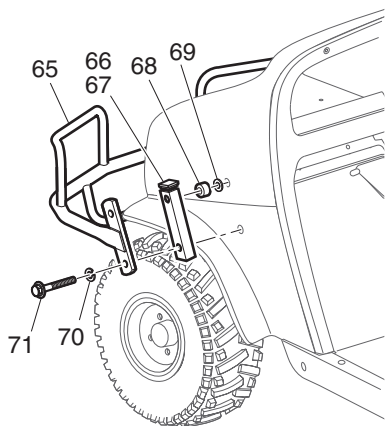
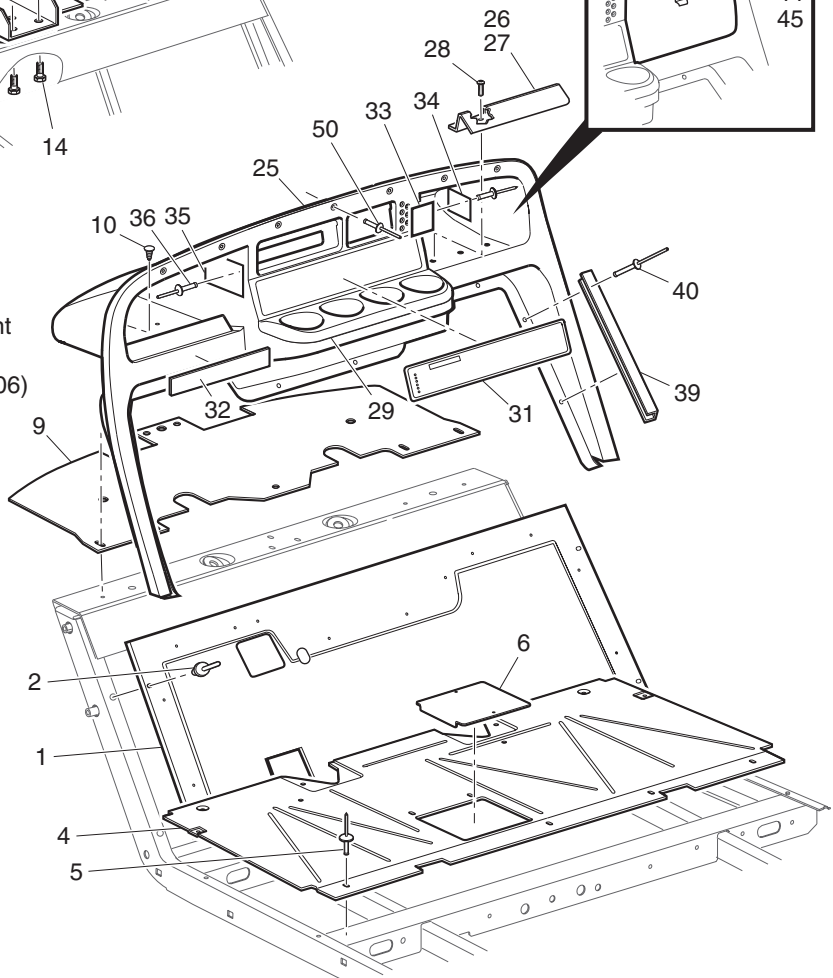
**Cowl Mounted Behind
Top Of Fender Flare:**
Used On All 2001 And Early
2002 Model Vehicles



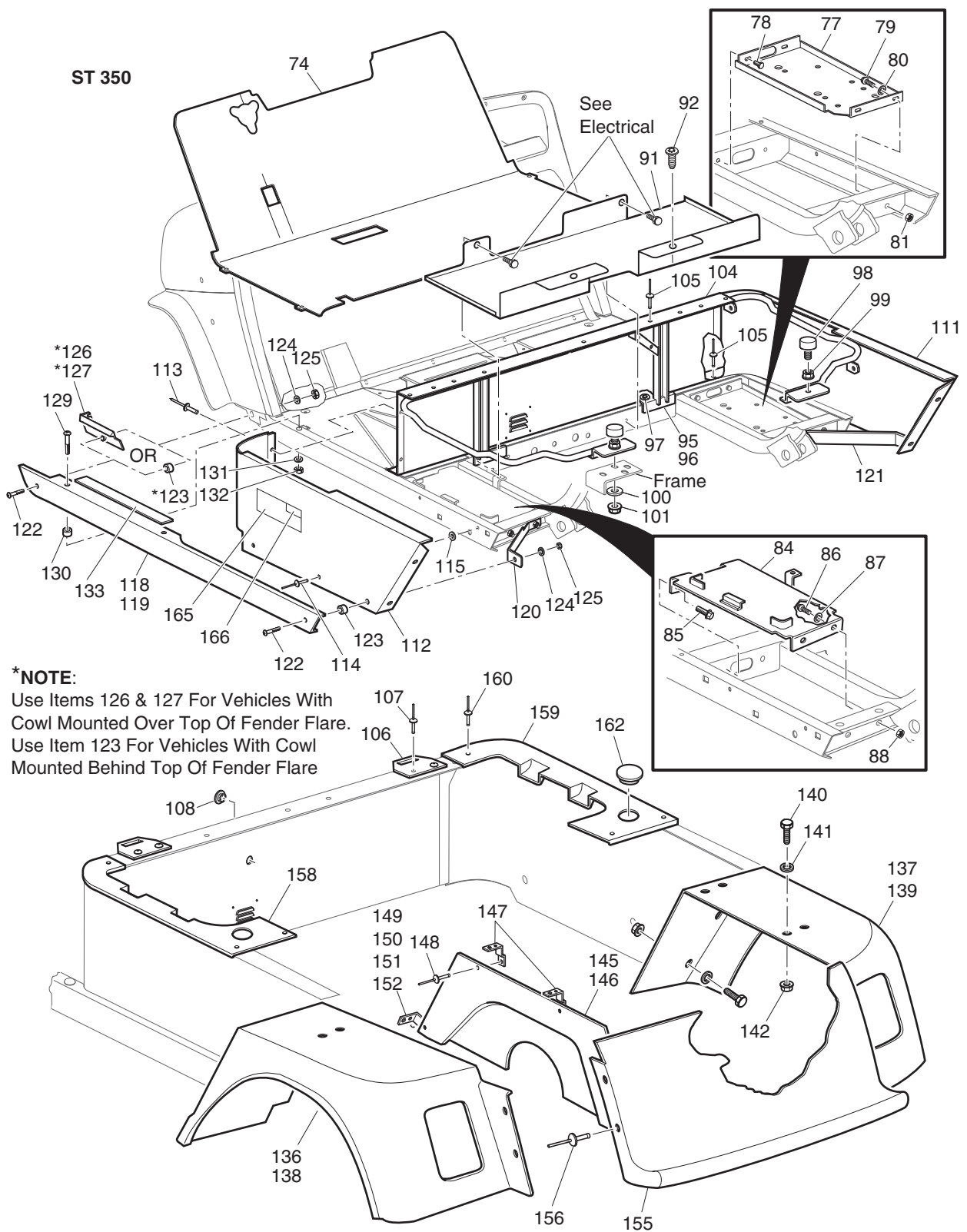
Cowl Mounted Over Top Of Fender Flare:
Used On Most 2002 Model Vehicles



***NOTE:** This Cowl Is Service Replacement
For All Prior Model Years When
Ordered With Retrofit Kit (Item 206)

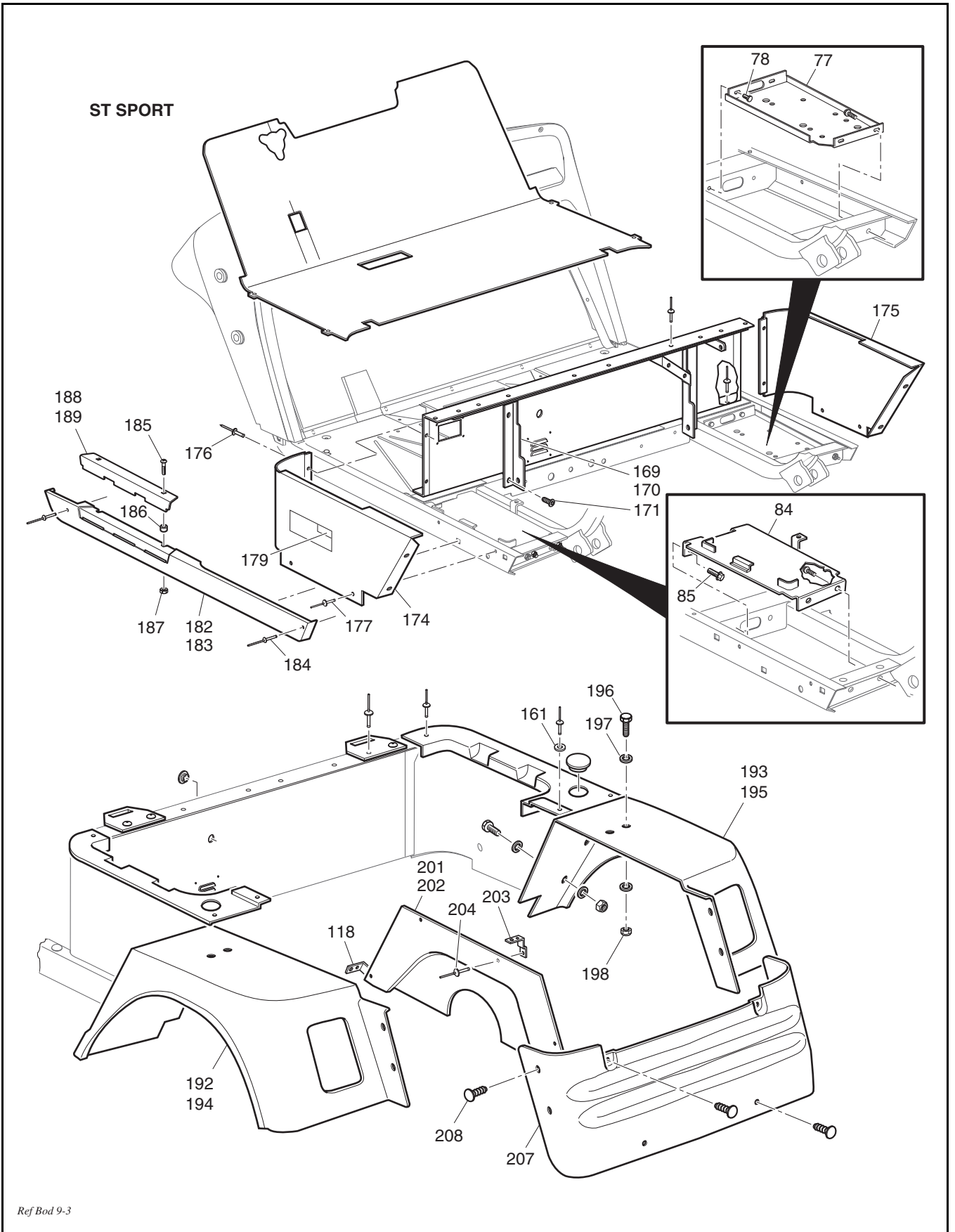


Ref Bod 9-1



Ref Bod 9-2

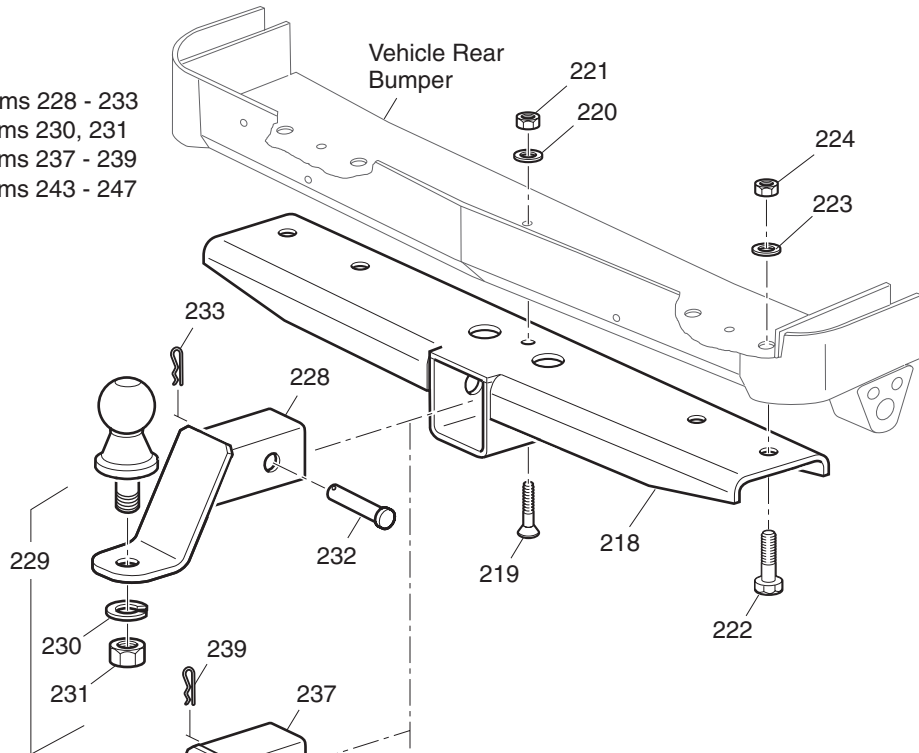
BODY



227 - Includes Items 228 - 233
 229 - Includes items 230, 231
 236 - Includes items 237 - 239
 242 - Includes items 243 - 247

HITCHES

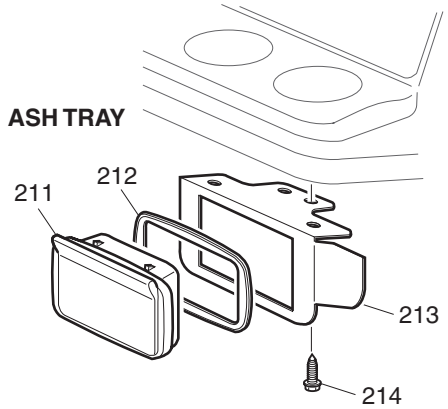
Dropped
Heavy Duty
Hitch



Dropped
Angle Hitch

Dropped
Clevis Hitch

ASH TRAY



Ref Bod 9-4

BODY

THE USE OF NON U.L. PARTS WILL VOID ANY U.L. LISTING.

When ordering parts, please specify the model and serial number of the product.

* Indicates a component that is not available as an individual part.

G** Indicates consult Customer Service Department for additional information.

ITEM	PART NO.	1 2 3 4 5	DESCRIPTION	QTY.
1	<u>71510-G01</u>		UPPER FLOORPAN.....	1
2	<u>14601-G11</u>		RIVET, 3/16" X 9/16" LG (ALUMINUM)	9
3				
4	<u>70451-G01</u>		LOWER FLOORPAN.....	1
5	<u>14601-G11</u>		RIVET, 3/16" X 9/16" LG (ALUMINUM)	7
6	<u>70452-G01</u>		ACCESS COVER.....	1
7				
8				
9	<u>71413-G02</u>		SPLASH PANEL.....	1
10	<u>16816-G2</u>		RATCHET FASTENER, 1/4" X 3/4" LG	4
11				
12				
13	<u>71101-G01</u>		COWL SUPPORT BRACKET	1
14	<u>71102-G02</u>		SELF TAPPING SCREW, 1/4 - 20 X 1/2" LG	3
15	<u>71055-G02</u>		RIVET, 3/16" X 1 1/8" LG (ALUMINUM)	1
16				
17	<u>71462-G01</u>		COWL SUPPORT (2001 - EARLY 2002)	1
18	<u>00740-G4</u>		SCREW, #10 - 32 X 1/2" LG (STAINLESS STEEL) (2001 - EARLY 2002)	2
19	<u>00559-G5</u>		WASHER, #10 (2001 - EARLY 2002).....	2
20	<u>00921-G8</u>		LOCK NUT, #10 - 32 (2001 - EARLY 2002)	2
21	<u>14776-G1</u>		RETAINER NUT (J TYPE) (2001 - EARLY 2002)	1
22	<u>16705-G9</u>		SCREW, 1/4 - 20 X 1 1/4" LG (STAINLESS STEEL) (2001 - EARLY 2002)	1
23				
24				
25	<u>71151-G01</u>		INSTRUMENT PANEL ASSEMBLY (INCLUDES ITEMS 26 - 29)	1
26	<u>71153-G01</u>		DEFLECTOR (PASSENGER SIDE)	1
27	<u>71154-G01</u>		DEFLECTOR (DRIVER SIDE).....	1
28	<u>00614-G5</u>		SCREW, #8 - 18 X 5/8" LG	6
29	<u>71158-G01</u>		INSTRUMENT PANEL INSERT (FOUR CUP).....	1
30				

THE USE OF NON U.L. PARTS WILL VOID ANY U.L. LISTING.
 When ordering parts, please specify the model and serial number of the product.
 * Indicates a component that is not available as an individual part.
 G** Indicates consult Customer Service Department for additional information.

ITEM	PART NO.	1 2 3 4 5	DESCRIPTION	QTY.
31	<u>35962-G01</u>		LABEL (SAFETY).....	1
32	<u>74443-G01</u>		LABEL (ANTI-ROLL BACK)	1
33	<u>35968-G01</u>		LABEL (T-HOLDER COVER).....	1
34	*		SERIAL NUMBER PLATE	1
35	*		CAPACITY PLATE.....	1
36	<u>01041-G01</u>		RIVET, 1/8" X 13/16" LG	4
37				
38				
39	<u>71115-G01</u>		VINYL TRIM	2
40	<u>71055-G01</u>		RIVET, 3/16" X 1" LG (ALUMINUM).....	10
41				
42				
43	<u>75459-G01</u>		GLOVE BOX DOORS (BOTH SIDES)	1
44	<u>75459-G02</u>		GLOVE BOX DOOR (DRIVER SIDE)	1
45	<u>75459-G03</u>		GLOVE BOX DOOR (PASSENGER SIDE).....	1
46				
47				
48				
49	<u>71468-G01</u>		COWL.....	1
50	<u>71055-G01</u>		RIVET, 3/16" X 1" LG (ALUMINUM).....	7
51				
52	<u>71289-G01</u>		NAMEPLATE (E-Z-GO) (OVAL)	1
53				
54				
55	<u>71338-G01</u>		FENDER FLARE (DRIVER SIDE).....	1
56	<u>71338-G02</u>		FENDER FLARE (PASSENGER SIDE)	1
57	<u>71055-G01</u>		RIVET, 3/16" X 1" LG (ALUMINUM).....	6
58				
59	<u>75815-G01</u>		FENDER FLARE (DRIVER SIDE) (2001 - EARLY 2002).....	1
60	<u>75815-G02</u>		FENDER FLARE (PASSENGER SIDE) (2001 - EARLY 2002).....	1

BODY

THE USE OF NON U.L. PARTS WILL VOID ANY U.L. LISTING.

When ordering parts, please specify the model and serial number of the product.

* Indicates a component that is not available as an individual part.

G** Indicates consult Customer Service Department for additional information.

ITEM	PART NO.	1 2 3 4 5	DESCRIPTION	QTY.
61	<u>71045-G01</u>		RIVET, 5/32 X 3/4" LG	6
62	<u>00559-G4</u>		WASHER, #8.....	6
63				
64				
65	74265-G01		BUMPER	1
66	<u>74037-G01</u>		SPACER TUBE	2
67	<u>19859-G1</u>		END CAP, 3/4".....	2
68	<u>75048-G01</u>		SPACER, 1/2".....	2
69	<u>00570-G2</u>		WASHER, 5/16"	2
70	<u>00905-G8</u>		LOCK WASHER, 5/16".....	4
71	<u>01035-G02</u>		BOLT, 5/16 - 18 X 2 1/2" LG	4
72				
73				
74	70048-G**		FLOORMAT.....	1
75				
76				
77	70244-G02		SPLASH PANEL.....	1
78	<u>00715-G2</u>		BOLT, 5/16 - 18 X 4/5" LG	4
79	<u>00438-G8</u>		BOLT, 5/16 - 18 X 1" LG (ST 350)	2
80	00559-G8		WASHER, 5/16" (ST 350)	2
81	<u>01109-G01</u>		LOCK NUT, 5/16 - 18 (STAINLESS STEEL) (ST 350).....	2
82				
83				
84	70245-G01		BATTERY TRAY.....	1
85	<u>00715-G2</u>		BOLT, 5/16 - 18 X 4/5" LG	AR
86	<u>00438-G8</u>		BOLT, 5/16 - 18 X 1" LG (ST 350)	2
87	<u>01110-G03</u>		WASHER, 5/16" (STAINLESS STEEL) (ST 350)	2
88	<u>01109-G01</u>		LOCK NUT, 5/16 - 18 (STAINLESS STEEL) (ST 350).....	2
89				
90				

THE USE OF NON U.L. PARTS WILL VOID ANY U.L. LISTING.
 When ordering parts, please specify the model and serial number of the product.
 * Indicates a component that is not available as an individual part.
 G** Indicates consult Customer Service Department for additional information.

ITEM	PART NO.	1 2 3 4 5	DESCRIPTION	QTY.
91	<u>70629-G01</u>		SPLASH PANEL (ST 350).....	1
92	<u>00106-G6</u>		SELF THREADING SCREW, #12 - 24 X 3/4" LG	2
93				
94				
95	70440-G02		SEAT FRAME (ST 350) (DUAL CABLE DIRECTION SELECTOR).....	1
96	<u>70384-G03</u>		SEAT FRAME (ST 350) (SINGLE CABLE DIRECTION SELECTOR)	1
97	<u>70200-G01</u>		SCREW, 3/8 - 16 X 3/4" LG.....	4
98	<u>70113-G01</u>		ADJUSTABLE BUMPER.....	2
99	<u>11027-G1</u>		LOCK NUT, 5/16 - 18	2
100	00559-G8		WASHER, 5/16"	2
101	<u>01109-G01</u>		LOCK NUT, 5/16 - 18 (STAINLESS STEEL)	2
102				
103				
104	71977-G**		SEAT WRAP PANEL WITH LOUVERS.....	1
105	<u>10570-G10</u>		RIVET, 5/32" X 9/16" LG (STAINLESS STEEL)	8
106	<u>71609-G01</u>		SEAT HINGE PLATE.....	2
107	<u>10570-G11</u>		RIVET, 3/16" X 3/4" LG (STAINLESS STEEL)	4
108	<u>20271-G9</u>		HOLE PLUG.....	1
109				
110				
111	71674-G01		SIDE PANEL (DRIVER SIDE) (ST 350)	1
112	71674-G02		SIDE PANEL (PASSENGER SIDE) (ST 350).....	1
113	<u>10570-G10</u>		RIVET, 5/32" X 9/16" LG (STAINLESS STEEL)	4
114	10570-G12		RIVET, 1/4" X 9/16" LG (ALUMINUM).....	4
115	<u>16469-G7</u>		WASHER, 1/4"	4
116				
117				
118	71439-G01		ROCKER PANEL (DRIVER SIDE) (ST 350)	1
119	71439-G02		ROCKER PANEL (PASSENGER SIDE) (ST 350).....	1
120	<u>71440-G01</u>		BRACE (DRIVER SIDE).....	1

BODY

THE USE OF NON U.L. PARTS WILL VOID ANY U.L. LISTING.

When ordering parts, please specify the model and serial number of the product.

* Indicates a component that is not available as an individual part.

G** Indicates consult Customer Service Department for additional information.

ITEM	PART NO.	1 2 3 4 5	DESCRIPTION	QTY.
121	<u>71440-G02</u>		BRACE (PASSENGER SIDE)	1
122	<u>00789-G2</u>		SCREW, #10 - 24 X 1 1/4" LG.....	4
123	<u>23726-G2</u>		SPACER, 1/4".....	4
124	<u>00660-G5</u>		WASHER, #10 (STAINLESS STEEL)	4
125	11098-G7		LOCK NUT, #10 - 24	4
126	<u>71424-G01</u>		SPACER (DRIVER SIDE).....	1
127	<u>71424-G02</u>		SPACER (PASSENGER SIDE)	1
128				
129	<u>16705-G1</u>		SCREW, 1/4 - 20 X 1" LG (STAINLESS STEEL)	4
130	<u>23726-G2</u>		SPACER, 1/4".....	4
131	<u>01110-G01</u>		WASHER, 1/4" (STAINLESS STEEL)	4
132	<u>14390-G4</u>		LOCK NUT, 1/4 - 20	4
133	<u>71764-G01</u>		SILL PLATE TREAD.....	2
134				
135				
136	<u>74297-G01</u>		FENDER (DRIVER SIDE)	1
137	<u>74297-G02</u>		FENDER (PASSENGER SIDE).....	1
138	<u>74297-G03</u>		FENDER WITH TAILLIGHT (DRIVER SIDE)	1
139	<u>74297-G04</u>		FENDER WITH TAILLIGHT (PASSENGER SIDE).....	1
140	<u>00414-G7</u>		BOLT, 1/4 - 20 X 7/8" LG	12
141	<u>01110-G01</u>		WASHER, 1/4" (STAINLESS STEEL)	24
142	<u>11027-G2</u>		LOCK NUT, 1/4 - 20	12
143				
144				
145	<u>75661-G01</u>		INNER FENDER (PASSENGER SIDE) (ST 350).....	1
146	<u>75661-G02</u>		INNER FENDER (DRIVER SIDE) (ST 350)	1
147	<u>74441-G01</u>		BRACKET	4
148	<u>15058-G1</u>		RIVET, 3/16" X 7/16" LG (ALUMINUM).....	8
149	71734-G01		BRACKET	2
150	<u>00438-G7</u>		BOLT, 5/16 - 18 X 7/8" LG	2

THE USE OF NON U.L. PARTS WILL VOID ANY U.L. LISTING.
 When ordering parts, please specify the model and serial number of the product.
 * Indicates a component that is not available as an individual part.
 G** Indicates consult Customer Service Department for additional information.

ITEM	PART NO.	1 2 3 4 5	DESCRIPTION	QTY.
151	<u>01110-G03</u>		WASHER, 5/16" (STAINLESS STEEL)	2
152	<u>01109-G01</u>		LOCK NUT, 5/16 - 18 (STAINLESS STEEL)	2
153				
154				
155	<u>71587-G01</u>		REAR PANEL (ST 350)	1
156	<u>71055-G01</u>		RIVET, 3/16" X 1" LG (ALUMINUM)	4
157				
158	71588-G01		SEAT FILLER PANEL (DRIVER SIDE)	1
159	71588-G02		SEAT FILLER PANEL (PASSENGER SIDE)	1
160	<u>10570-G10</u>		RIVET, 5/32" X 9/16" LG (STAINLESS STEEL)	6
161	<u>00559-G3</u>		WASHER, #6 (ST SPORT)	2
162	<u>20271-G3</u>		HOLE PLUG, 2" (VEHICLES WITHOUT TOP)	2
163				
164				
165	<u>35062-G01</u>		LABEL (WORKHORSE)	2
166	35430-G08		LABEL (ST 350)	2
167				
168				
169	70440-G01		SEAT FRAME (ST SPORT) (DUAL CABLE DIRECTION SELECTOR)	1
170	70440-G03		SEAT FRAME (ST SPORT) (SINGLE CABLE DIRECTION SELECTOR)	1
171	<u>00715-G2</u>		BOLT, 5/16 - 18 X 4/5" LG	2
172				
173				
174	71259-G**		SIDE PANEL (DRIVER SIDE) (ST SPORT)	1
175	71259-G**		SIDE PANEL (PASSENGER SIDE) (ST SPORT)	1
176	<u>10570-G10</u>		RIVET, 5/32" X 9/16" LG (STAINLESS STEEL)	4
177	10570-G12		RIVET, 1/4" X 9/16" LG (ALUMINUM)	4
178				
179	35430-G22		LABEL (ST SPORT)	2
180				

BODY

THE USE OF NON U.L. PARTS WILL VOID ANY U.L. LISTING.

When ordering parts, please specify the model and serial number of the product.

* Indicates a component that is not available as an individual part.

G** Indicates consult Customer Service Department for additional information.

ITEM	PART NO.	1	2	3	4	5	DESCRIPTION	QTY.
181								
182	<u>71502-G01</u>						ROCKER PANEL (DRIVER SIDE) (ST SPORT).....	1
183	<u>71501-G01</u>						ROCKER PANEL (PASSENGER SIDE) (ST SPORT)	1
184	<u>15058-G6</u>						RIVET, 3/16" X 15/16" LG (ALUMINUM).....	4
185	<u>16705-G1</u>						SCREW, 1/4 - 20 X 1" LG (STAINLESS STEEL)	4
186	<u>23726-G4</u>						SPACER, 5/16".....	4
187	<u>00654-G2</u>						LOCK NUT, 1/4 - 20 (STAINLESS STEEL)	4
188	<u>71507-G02</u>						SILL PLATE (DRIVER SIDE).....	1
189	71507-G01						SILL PLATE (PASSENGER SIDE).....	1
190								
191								
192	71224-G01						FENDER (DRIVER SIDE) (ST SPORT).....	1
193	71224-G02						FENDER (PASSENGER SIDE) (ST SPORT)	1
194	71224-G03						FENDER WITH TAILLIGHT (DRIVER SIDE) (ST SPORT).....	1
195	71224-G04						FENDER WITH TAILLIGHT (PASSENGER SIDE) (ST SPORT)	1
196	<u>00414-G6</u>						BOLT, 1/4 - 20 X 3/4" LG	8
197	<u>00642-G7</u>						WASHER, 1/4"	16
198	<u>00654-G2</u>						LOCK NUT, 1/4 - 20 (STAINLESS STEEL)	8
199								
200								
201	<u>75661-G01</u>						INNER FENDER (PASSENGER SIDE) (ST SPORT)	1
202	<u>75661-G02</u>						INNER FENDER (DRIVER SIDE) (ST SPORT).....	1
203	<u>71374-G01</u>						BRACKET	4
204	<u>71055-G01</u>						RIVET, 3/16" X 7/16" LG (ALUMINUM).....	8
205								
206	<u>73464-G01</u>						COWL RETROFIT SERVICE KIT (INCLUDES ITEMS 55 - 57, 126, 127)	
207	71225-G01						REAR PANEL (ST SPORT).....	1
208	<u>16816-G2</u>						RATCHET FASTENER, 1/4" X 3/4" LG	8
209								
210								

THE USE OF NON U.L. PARTS WILL VOID ANY U.L. LISTING.
 When ordering parts, please specify the model and serial number of the product.
 * Indicates a component that is not available as an individual part.
 G** Indicates consult Customer Service Department for additional information.

ITEM	PART NO.	1 2 3 4 5	DESCRIPTION	QTY.
211	27731-G01		ASH TRAY	1
212	27736-G01		GASKET	1
213	75108-G01		BRACKET	1
214	<u>00100-G4</u>		SCREW, #10 - 16 X 1/2" LG.....	4
215				
216				
217				
218	74348-G01		HITCH RECEIVER	1
219	<u>00198-G8</u>		BOLT, 5/16 - 18 X 1" LG	1
220	00569-G2		WASHER, 5/16"	1
221	<u>01109-G01</u>		LOCK NUT, 5/16 - 18 (STAINLESS STEEL)	1
222	<u>00463-G4</u>		BOLT, 7/16 - 14 X 1 1/2" LG	4
223	<u>00922-G3</u>		WASHER, 7/16"	4
224	<u>00734-G1</u>		LOCK NUT, 7/16 - 14	4
225				
226				
227	<u>74492-G10</u>		DROPPED BALL HITCH KIT (INCLUDES ITEMS 228 - 233)	1
228	<u>74491-G01</u>		DROPPED BALL HITCH	1
229	<u>31757-G1</u>		HITCH BALL, 1 7/8" (INCLUDES ITEMS 230 - 231)	1
230	<u>00566-G6</u>		LOCK WASHER, 3/4"	1
231	00702-G11		NUT, 3/4 - 16	1
232	<u>21317-G1</u>		CLEVIS PIN, 5/8" X 3" LG	1
233	<u>21683-G1</u>		COTTER PIN, 15/32" X 2 13/16" LG	1
234				
235				
236	<u>74492-G08</u>		DROPPED ANGLE HITCH KIT (INCLUDES ITEMS 237 - 239)	1
237	74489-G01		DROPPED ANGLE HITCH	1
238	<u>21317-G1</u>		CLEVIS PIN, 5/8" X 3" LG	1
239	<u>21683-G1</u>		COTTER PIN, 15/32" X 2 13/16" LG	1
240				

BODY

THE USE OF NON U.L. PARTS WILL VOID ANY U.L. LISTING.

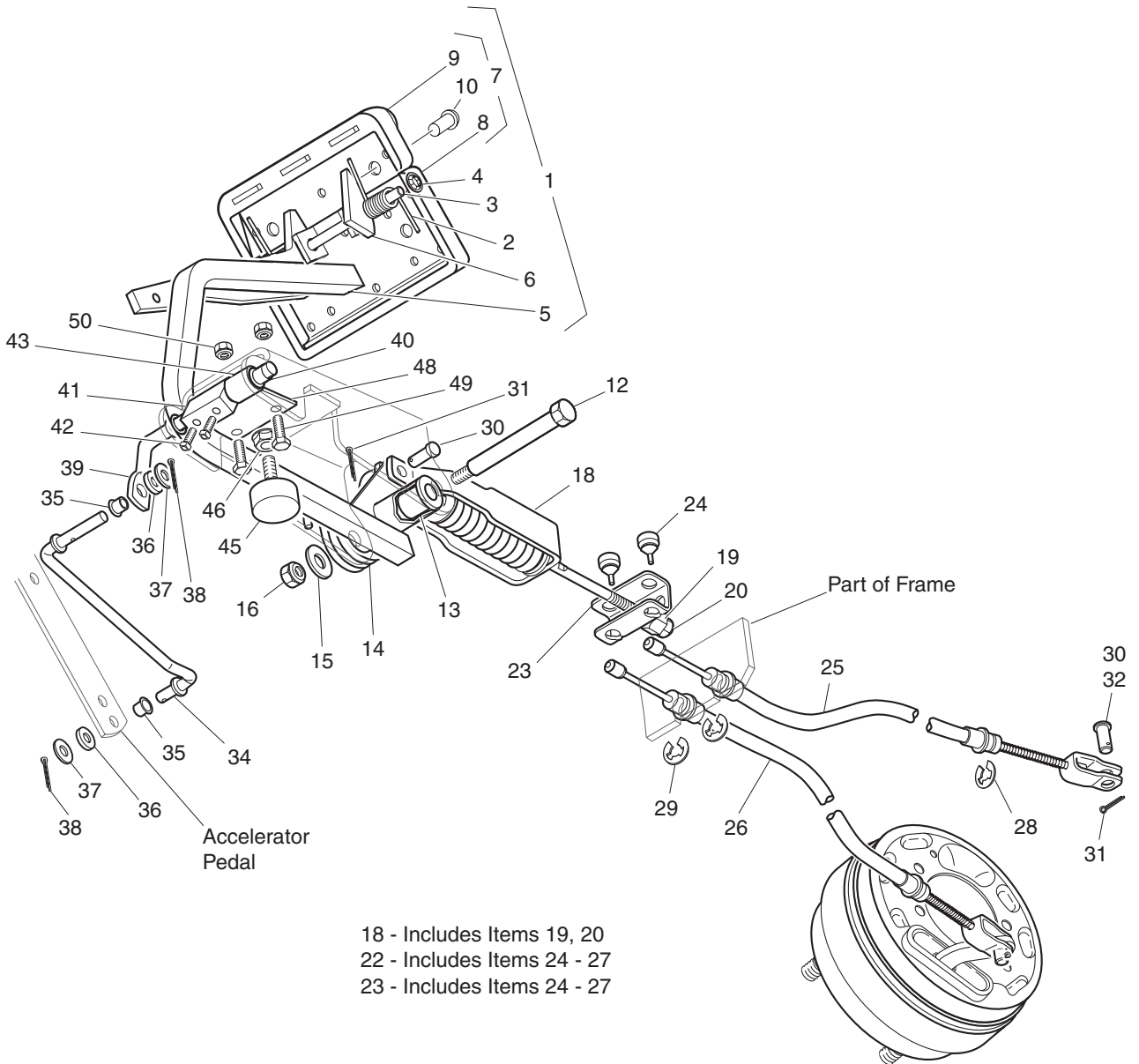
When ordering parts, please specify the model and serial number of the product.

* Indicates a component that is not available as an individual part.

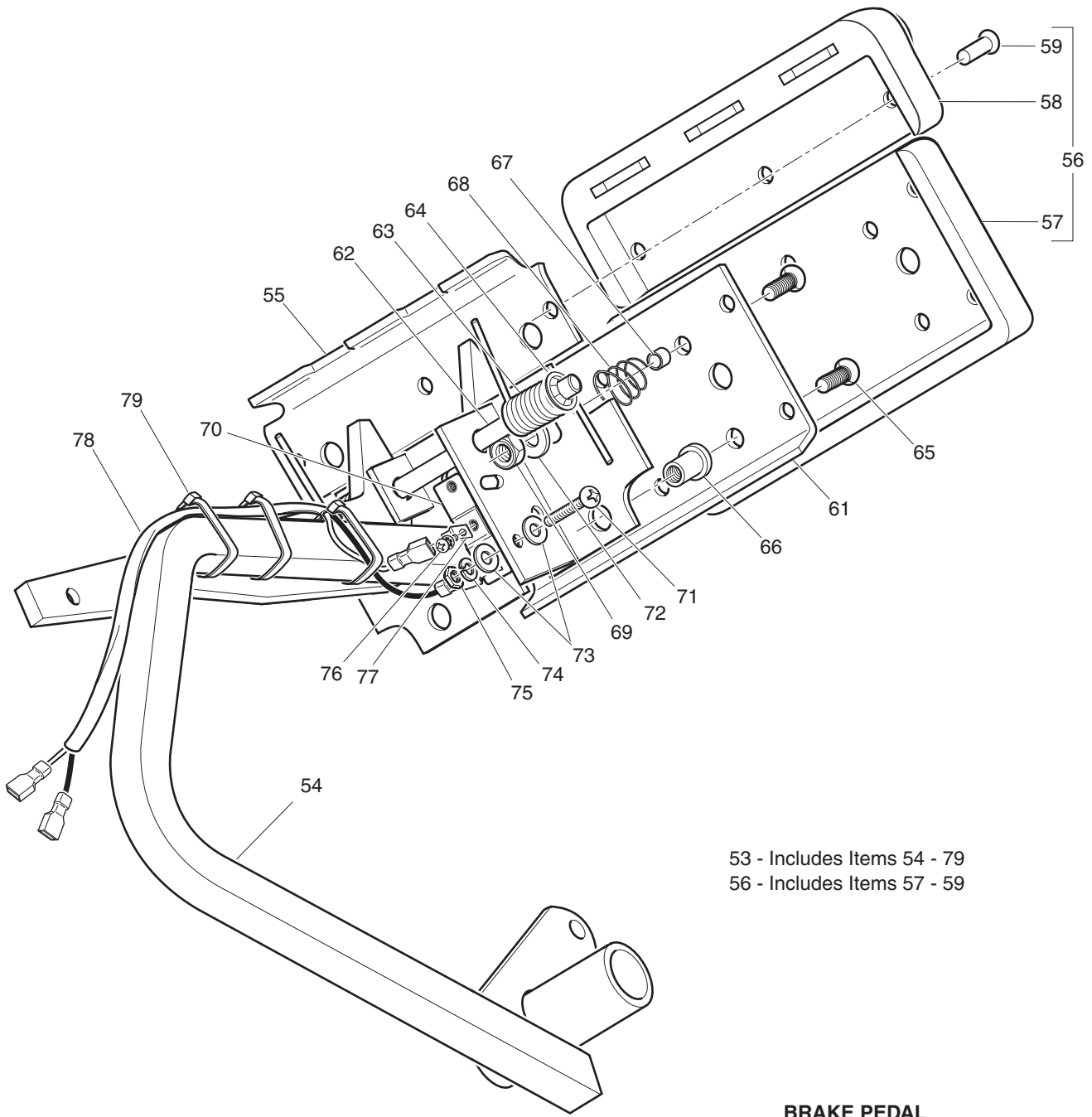
G** Indicates consult Customer Service Department for additional information.

ITEM	PART NO.	1	2	3	4	5	DESCRIPTION	QTY.
241								
242	<u>74492-G12</u>						DROPPED CLEVIS HITCH KIT (INCLUDES ITEMS 243 - 247)	1
243	74495-G01						DROPPED CLEVIS HITCH	1
244	<u>21317-G1</u>						CLEVIS PIN, 5/8" X 3" LG	1
245	<u>21683-G1</u>						COTTER PIN, 15/32" X 2 13/16" LG	1
246	<u>14443-G7</u>						CLEVIS PIN, 1/2" X 2 5/8" LG	1
247	<u>19314-G1</u>						COTTER PIN	1

BRAKES



Ref Brk 9-1

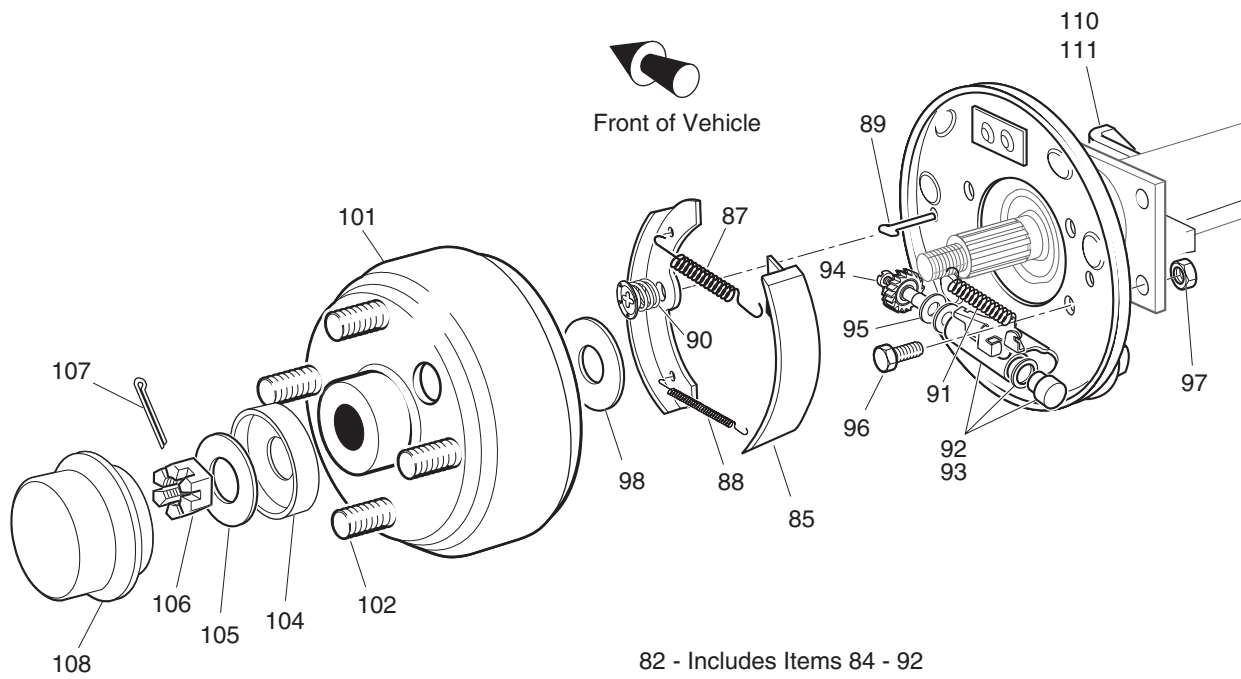


53 - Includes Items 54 - 79
56 - Includes Items 57 - 59

**BRAKE PEDAL
(VEHICLE WITH BRAKE LIGHTS)**

Ref Brk 9-2

BRAKES



- 82 - Includes Items 84 - 92
- 83 - Includes Items 84 - 91, 93
- 84 - Includes Items 85
- 86 - Includes Items 87 - 91
- 92 - Includes Items 94, 95
- 93 - Includes Items 94, 95
- 100 - Includes Items 101, 102

Ref Brk 9-3

BRAKES

THE USE OF NON U.L. PARTS WILL VOID ANY U.L. LISTING.

When ordering parts, please specify the model and serial number of the product.

* Indicates a component that is not available as an individual part.

G** Indicates consult Customer Service Department for additional information.

ITEM	PART NO.	1 2 3 4 5	DESCRIPTION	QTY.
1	<u>70612-G01</u>		BRAKE PEDAL ASSEMBLY (WITHOUT BRAKE LIGHTS) (INCLUDES ITEMS 2 - 10).....	1
2	<u>70681-G01</u>		TORSION SPRING.....	2
3	<u>70682-G01</u>		PIVOT PIN.....	1
4	<u>01071-G01</u>		PUSHNUT, 5/16".....	1
5	*		BRAKE PEDAL.....	1
6	<u>70611-G01</u>		PARK BRAKE PEDAL.....	1
7	<u>70274-G01</u>		BRAKE/PARK BRAKE PEDAL PAD KIT (INCLUDES ITEMS 8 - 10).....	1
8	*		SERVICE BRAKE PAD.....	1
9	*		PARK BRAKE PEDAL PAD.....	1
10	<u>15766-G1</u>		OVAL RIVET, 3/16" X 7/16" LG.....	9
11				
12	<u>70582-G01</u>		SHOULDER BOLT, 3/8 - 16 X 4" LG (STAINLESS STEEL).....	1
13	<u>70581-G01</u>		FLANGED BUSHING.....	2
14	<u>70676-G01</u>		TORSION SPRING.....	1
15	<u>00643-G1</u>		WASHER, 3/8".....	1
16	<u>11098-G5</u>		LOCK NUT, 3/8 - 16.....	1
17				
18	<u>70272-G04</u>		COMPENSATOR ASSEMBLY (INCLUDES ITEMS 19, 20).....	1
19	<u>00963-G01</u>		SPHERICAL NUT, 5/16 - 24.....	1
20	<u>11098-G9</u>		LOCK NUT, 5/16 - 24.....	1
21				
22	<u>70969-G05</u>		EQUALIZER & BRAKE CABLE ASSEMBLY (INCL ITEMS 24 - 27) (ST 350)....	1
23	<u>70969-G03</u>		EQUALIZER & BRAKE CABLE ASSEMBLY (INCL ITEMS 24 - 27) (SPORT) ...	1
24	<u>28082-G01</u>		EQUALIZER BRACKET.....	1
25	<u>28083-G01</u>		BRAKE COMPENSATOR BUMPER.....	2
26	*		BRAKE CABLE (DRIVER SIDE).....	1
27	*		BRAKE CABLE (PASSENGER SIDE).....	1
28				
29	<u>01111-G01</u>		RETAINING RING, 13/32" (STAINLESS STEEL).....	4

BRAKES

THE USE OF NON U.L. PARTS WILL VOID ANY U.L. LISTING.

When ordering parts, please specify the model and serial number of the product.

* Indicates a component that is not available as an individual part.

G** Indicates consult Customer Service Department for additional information.

ITEM	PART NO.	1 2 3 4 5	DESCRIPTION	QTY.
30	<u>10386-G3</u>		CLEVIS PIN, 5/16" X 13/16" LG	3
31	<u>10387-G3</u>		COTTER PIN, 3/32" X 3/4" LG	3
32	<u>14443-G2</u>		CLEVIS PIN, 5/16" X 5/8" LG (ST SPORT).....	2
33				
34	<u>70601-G01</u>		KICK-OFF LINK.....	1
35	<u>17838-G1</u>		NYLON BUSHING.....	2
36	<u>20835-G1</u>		TEFLON WASHER, 3/8"	2
37	00559-G8		WASHER, 5/16"	2
38	<u>10387-G3</u>		COTTER PIN, 3/32" X 3/4" LG	2
39	<u>70098-G01</u>		KICK-OFF CAM PIVOT.....	1
40	<u>10097-G6</u>		FLANGED BEARING	2
41	<u>70587-G01</u>		KICK-OFF CAM.....	1
42	<u>71215-G01</u>		SETSCREW, 1/4 - 20 X 1/2" LG.....	2
43	<u>14134-G4</u>		SPACER.....	1
44				
45	<u>70113-G01</u>		ADJUSTABLE BUMPER	1
46	<u>11027-G1</u>		LOCK NUT, 5/16 - 18	1
47				
48	<u>70080-G01</u>		CATCH BRACKET	1
49	<u>00414-G6</u>		BOLT, 1/4 - 20 X 3/4" LG	2
50	<u>00654-G2</u>		LOCK NUT, 1/4 - 20 (STAINLESS STEEL)	2
51				
52				
53	70690-G01		BRAKE PEDAL ASSEMBLY (WITH BRAKE LIGHTS) (INCLUDES ITEMS 54 - 79).....	1
54	*		BRAKE PEDAL.....	1
55	<u>70611-G01</u>		PARK BRAKE PEDAL	1
56	70274-G01		BRAKE/PARK BRAKE PEDAL PAD KIT (INCLUDES ITEMS 57 - 59).....	1
57	*		SERVICE BRAKE PAD	1
58	*		PARK BRAKE PAD.....	1

BRAKES

THE USE OF NON U.L. PARTS WILL VOID ANY U.L. LISTING.

When ordering parts, please specify the model and serial number of the product.

* Indicates a component that is not available as an individual part.

G** Indicates consult Customer Service Department for additional information.

ITEM	PART NO.	1	2	3	4	5	DESCRIPTION	QTY.
59	<u>15766-G1</u>						OVAL RIVET, 3/16" x 7/16" LG.....	9
60								
61	70258-G02						BRAKE PEDAL PLATE.....	1
62	<u>70682-G01</u>						PIVOT PIN.....	1
63	<u>70681-G01</u>						TORSION SPRING.....	2
64	<u>01071-G01</u>						PUSHNUT, 5/16".....	1
65	<u>00737-G8</u>						SCREW, #10 - 24 X 7/8" LG.....	4
66	<u>00739-G1</u>						RUBBER NUT, #10 - 24.....	2
67	22362-G3						BRAKE PEDAL STANDOFF.....	2
68	<u>27137-G01</u>						CONICAL SPRING.....	2
69	11098-G7						LOCK NUT, #10 - 24.....	2
70	10606-G8						MICRO SWITCH.....	1
71	<u>00957-G1</u>						BOLT, #6 - 32 X 1 1/4" LG.....	2
72	<u>00559-G5</u>						WASHER, #10.....	2
73	<u>00559-G3</u>						WASHER, #6.....	4
74	<u>00565-G3</u>						LOCK WASHER, #6.....	2
75	<u>00525-G5</u>						NUT, #6 - 32.....	2
76	<u>13514-G1</u>						SCREW AND LOCK WASHER, #6.....	2
77	<u>14628-G1</u>						FASTON TAB.....	2
78	<u>24605-G1</u>						WIRE HARNESS (BRAKE LIGHT).....	1
79	<u>17618-G1</u>						WIRE TIE.....	3
80								
81								
82	<u>70793-G01</u>						BRAKE ASSEMBLY (DRIVER SIDE) (INCLUDES ITEMS 84 - 92).....	1
83	<u>70793-G02</u>						BRAKE ASSEMBLY (PASSENGER SIDE) (INCL. ITEMS 84 - 91, 93).....	1
84	70794-G01						BRAKE SHOE KIT (INCLUDES ITEM 85).....	2
85	*						BRAKE SHOE.....	2
86	<u>27944-G01</u>						BRAKE SPRING KIT (INCLUDES ITEMS 87 - 91).....	2
87	*						UPPER SPRING.....	1
88	*						LOWER SPRING.....	1

BRAKES

THE USE OF NON U.L. PARTS WILL VOID ANY U.L. LISTING.

When ordering parts, please specify the model and serial number of the product.

* Indicates a component that is not available as an individual part.

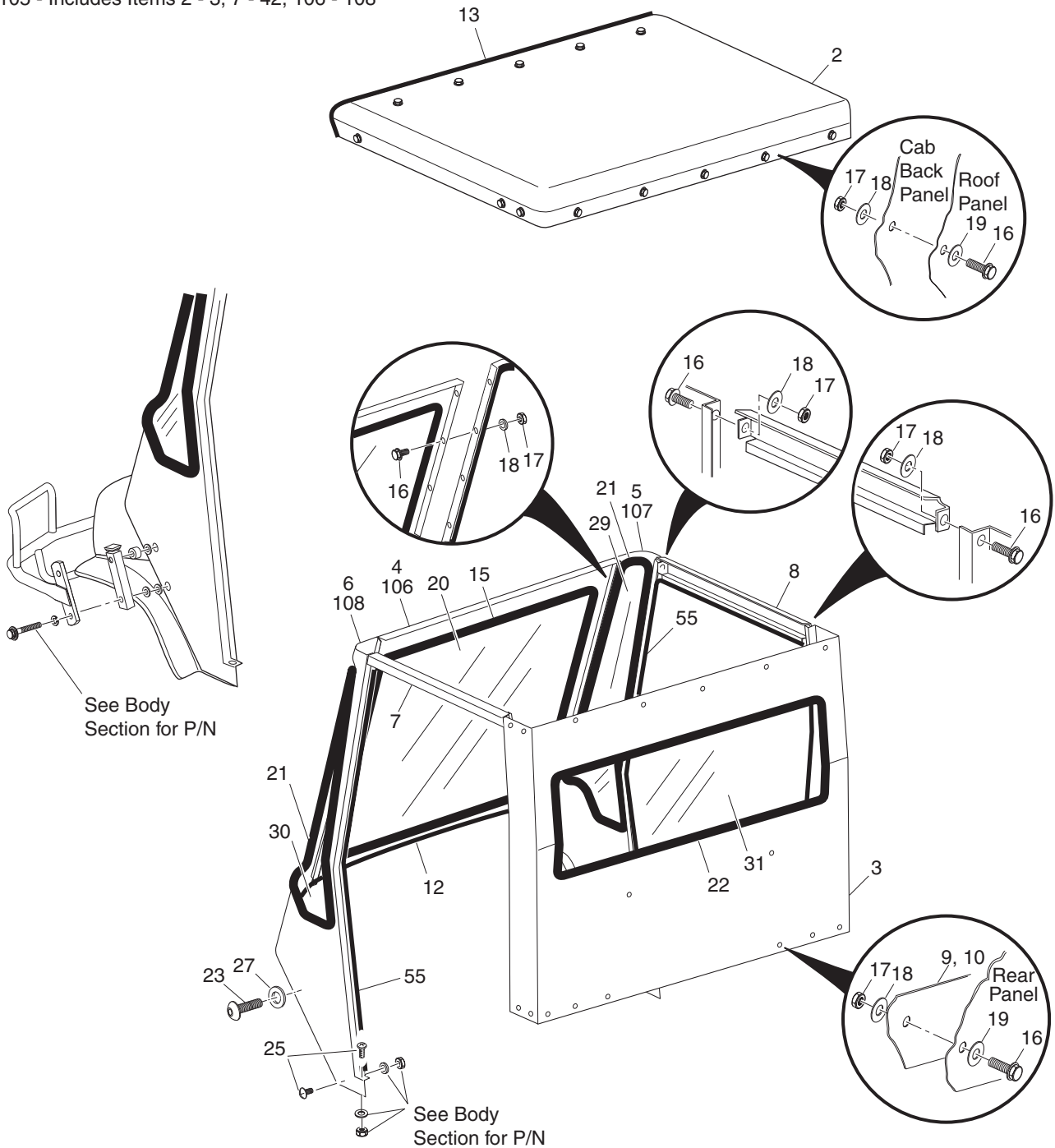
G** Indicates consult Customer Service Department for additional information.

ITEM	PART NO.	1	2	3	4	5	DESCRIPTION	QTY.
89	*						PIN	2
90	*						CUP AND SPRING	2
91	*						ADJUSTER SPRING.....	1
92	<u>72582-G01</u>						BRAKE ADJUSTER KIT (DRIVER SIDE) (INCLUDES ITEMS 94, 95)	1
93	<u>72582-G02</u>						BRAKE ADJUSTER KIT (PASSENGER SIDE) (INCL ITEMS 94, 95).....	1
94	*						ADJUSTER	1
95	*						TEFLON WASHER.....	2
96	<u>17083-G2</u>						BOLT, 5/16 - 24 X 1" LG	8
97	<u>15126-G1</u>						LOCK NUT, 5/16 - 24	8
98	<u>21809-G1</u>						INNER BRAKE DRUM WASHER, 1 5/16" OD X 1" ID X 1/32"	2
99								
100	<u>21807-G2</u>						BRAKE DRUM ASSEMBLY (INCLUDES ITEMS 101 - 102).....	2
101	*						BRAKE DRUM.....	1
102	<u>19862-G2</u>						LUG BOLT, 1/2 - 20 X 1 11/16" LG	4
103								
104	<u>24939-G2</u>						SPINDLE CAP ADAPTER.....	1
105	<u>21830-G1</u>						OUTER BRAKE DRUM WASHER	2
106	<u>00518-G8</u>						SLOTTED NUT, 3/4 - 16.....	2
107	<u>10387-G1</u>						COTTER PIN, 1/8" X 1 1/2" LG.....	2
108	<u>12091-G1</u>						SPINDLE CAP.....	2
109								
110	<u>75870-G01</u>						BRAKE CABLE BRACKET (PASSENGER SIDE).....	1
111	<u>75870-G02</u>						BRAKE CABLE BRACKET (DRIVER SIDE)	1

CAB (FLAT WINDSHIELD)

CAB COMPONENTS

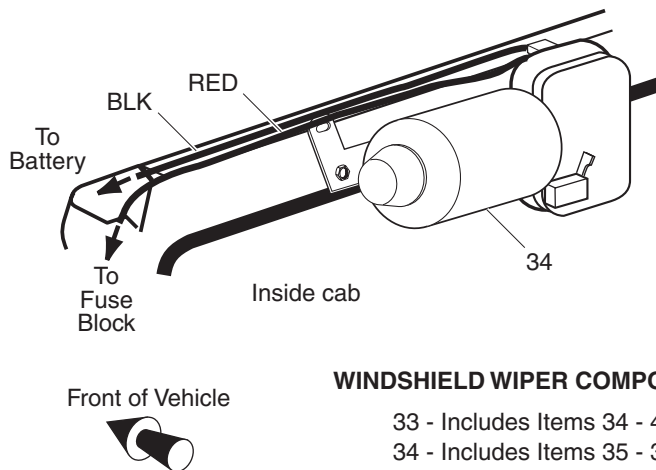
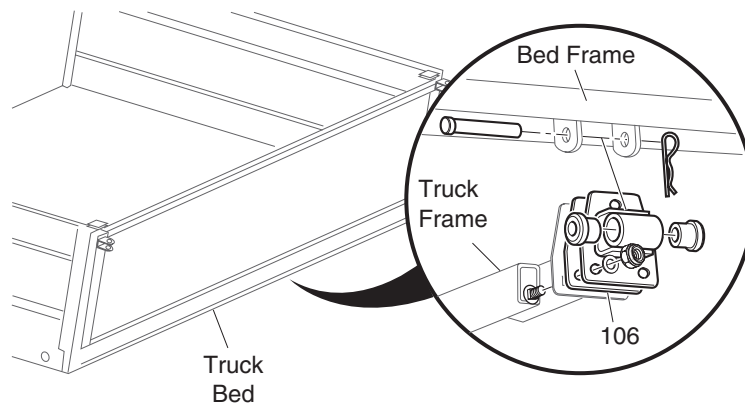
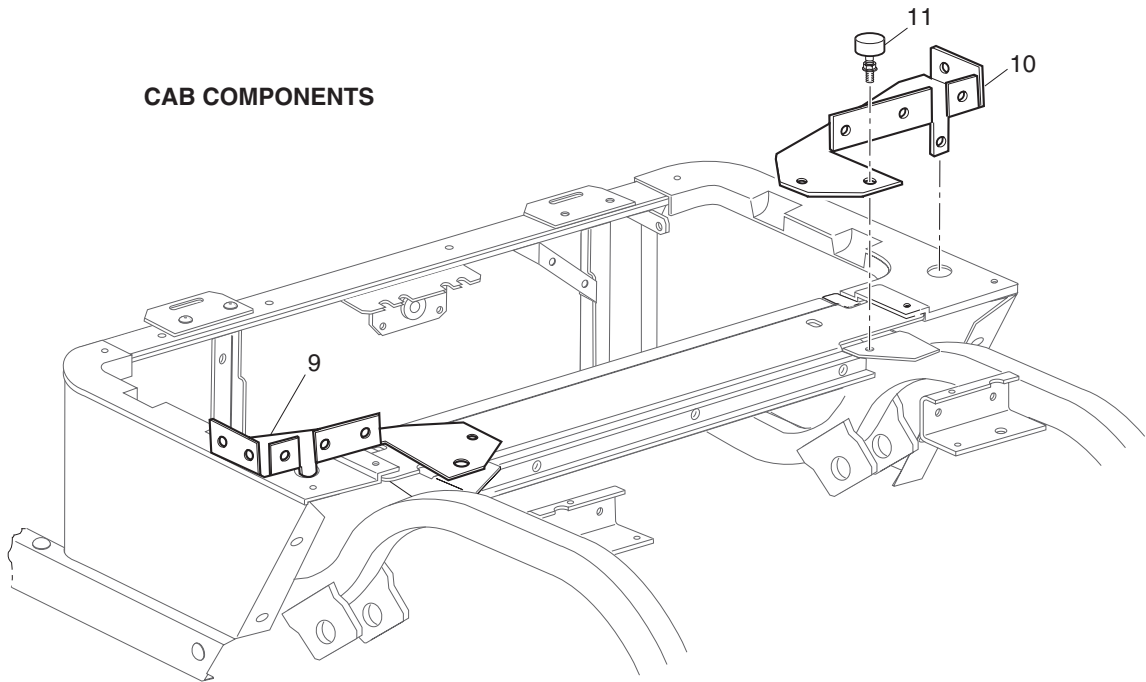
105 - Includes Items 2 - 3, 7 - 42, 106 - 108



Ref Cbo 9-1

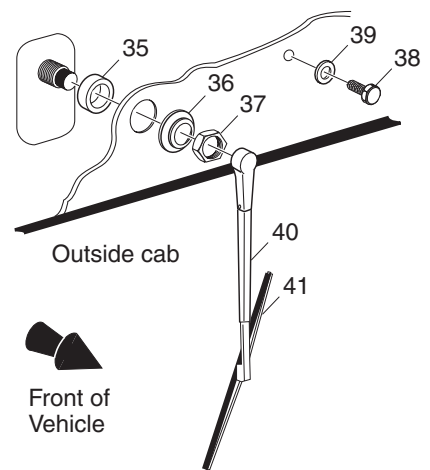
CAB (FLAT WINDSHIELD)

CAB COMPONENTS



WINDSHIELD WIPER COMPONENTS

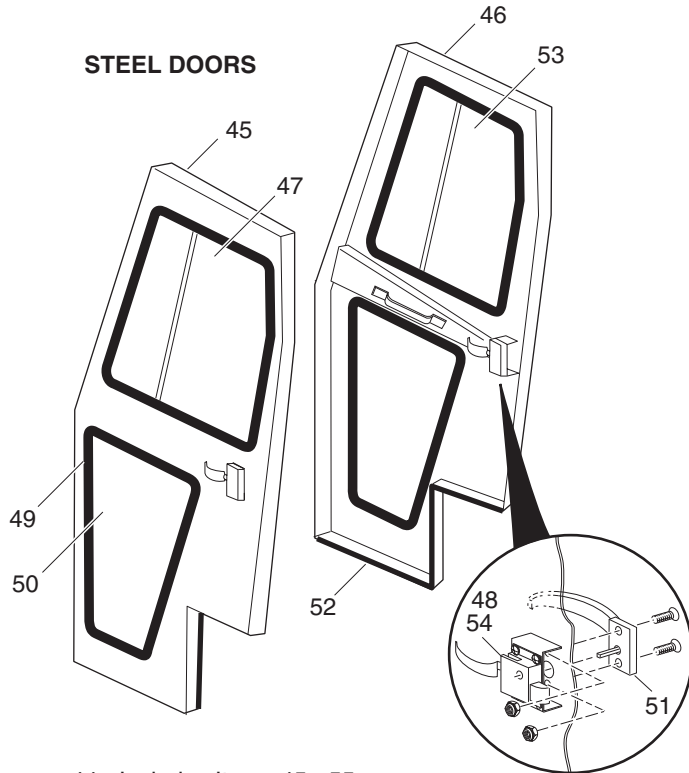
- 33 - Includes Items 34 - 42
- 34 - Includes Items 35 - 39



Ref Cbo 9-2

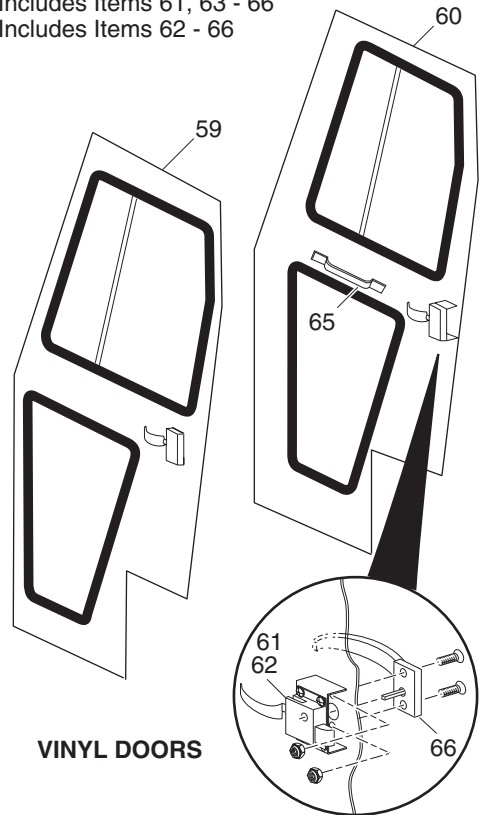
CAB (FLAT WINDSHIELD)

STEEL DOORS

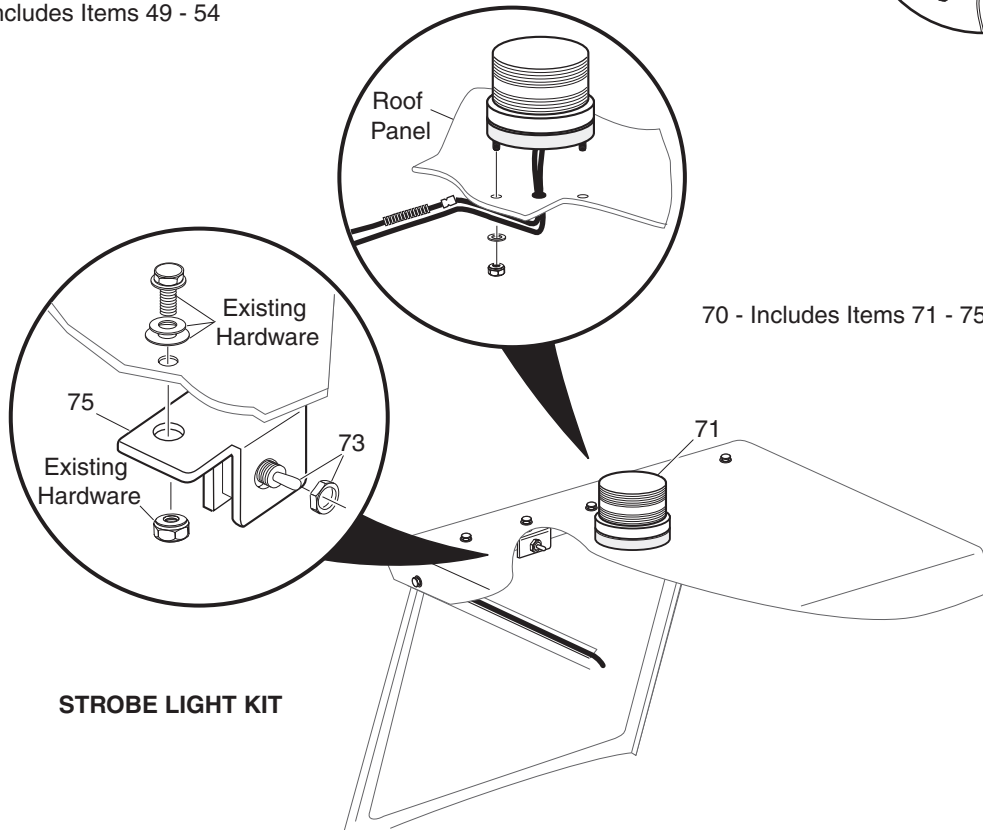


- 44 - Includes Items 45 - 55
- 45 - Includes Items 47 - 52
- 46 - Includes Items 49 - 54

- 58 - Includes Items 59 - 66
- 59 - Includes Items 61, 63 - 66
- 60 - Includes Items 62 - 66



VINYL DOORS



- 70 - Includes Items 71 - 75

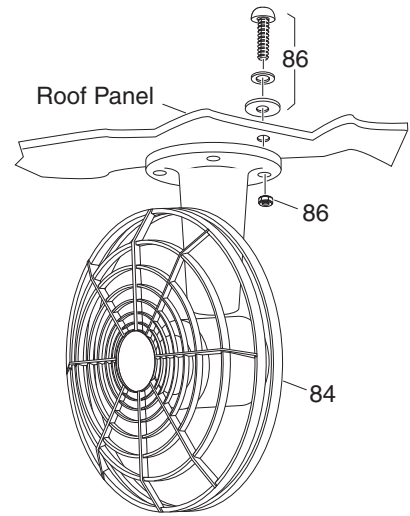
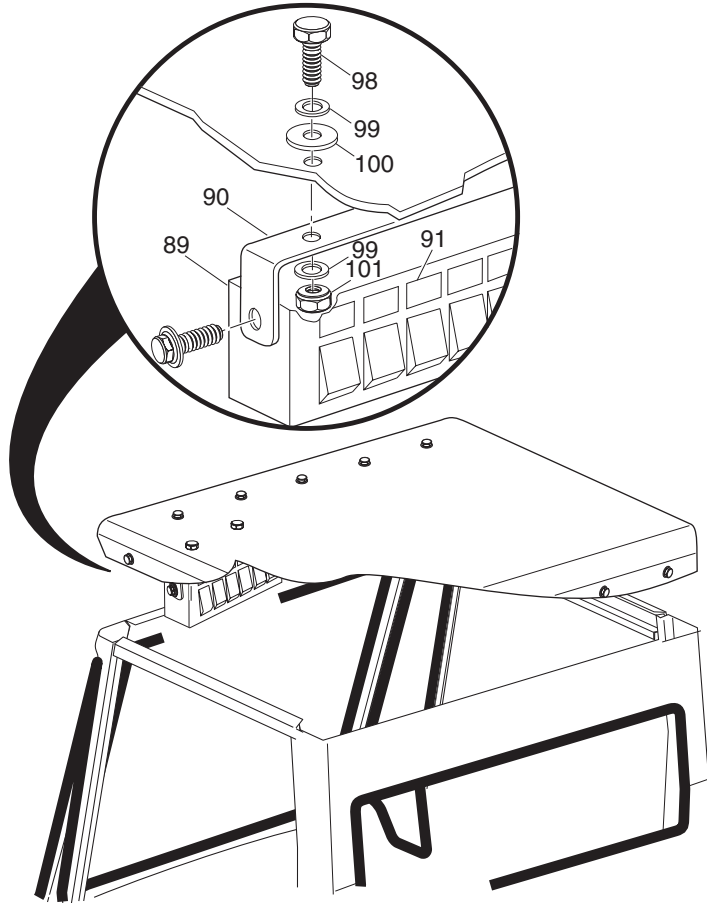
STROBE LIGHT KIT

Ref Cbo 9-3

CAB (FLAT WINDSHIELD)

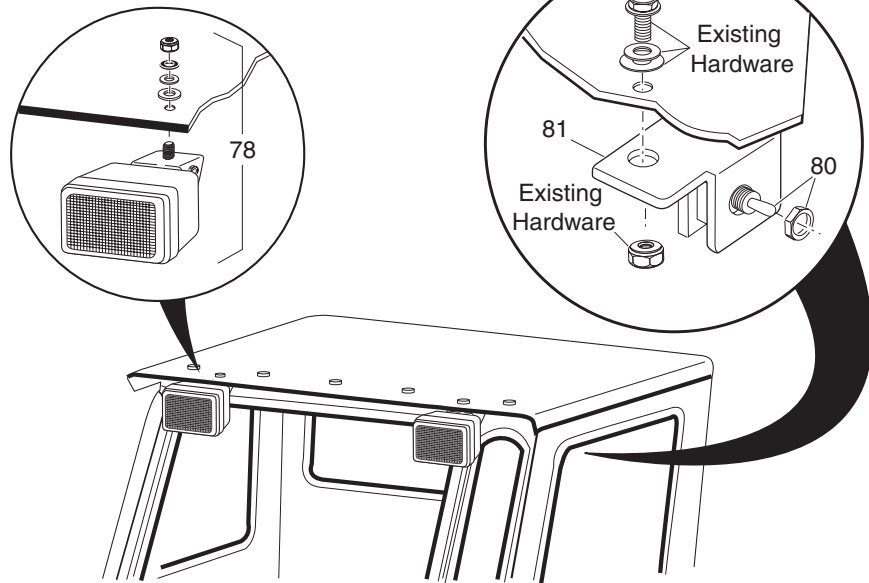
SWITCH PANEL KIT

88 - Includes Items 89 - 103



DEFROSTER / COOLING FAN KIT

83 - Includes Items 84 - 86



WORKLIGHT KIT

77 - Includes Items 78 - 81

Ref Cbo 9-4

CAB (FLAT WINDSHIELD)

THE USE OF NON U.L. PARTS WILL VOID ANY U.L. LISTING.

When ordering parts, please specify the model and serial number of the product.

* Indicates a component that is not available as an individual part.

G** Indicates consult Customer Service Department for additional information.

ITEM	PART NO.	1 2 3 4 5	DESCRIPTION	QTY.
1	*		STEEL CAB (WITHOUT DOORS) (NO LONGER AVAILABLE, REPLACED BY 75854-G**, SEE PAGE E-9).....	1
2	74228-G0*A		ROOF PANEL	1
3	74228-G0*B		REAR PANEL.....	1
4	74227-G0*C		WINDSHIELD PANEL	1
5	74227-G0*D		FRONT CORNER PANEL (PASSENGER SIDE)	1
6	74227-G0*E		FRONT CORNER PANEL (DRIVER SIDE).....	1
7	74228-G0*F		RECEIVER (DRIVER SIDE).....	1
8	74228-G0*G		RECEIVER (PASSENGER SIDE)	1
9	74228-G0*H		LOWER MOUNTING BRACKET (DRIVER SIDE)	1
10	74228-G0*I		LOWER MOUNTING BRACKET (PASSENGER SIDE).....	1
11	<u>70113-G01</u>		ADJUSTABLE BUMPER	2
12	1P004A		FRONT PANEL COWL SEAL GASKET (85" LG)	1
13	1P004D		ROOF TRIM (50" LG).....	1
14				
15	6E03		FRONT WINDSHIELD MOUNTING GASKET	1
16	6E03A		BOLT, 3/8 - 16 X 7/8" LG	44
17	6E03B		LOCK NUT, 3/8 - 16	44
18	6E03C		WASHER, 3/8"	44
19	6E03D		NYLON WASHER, 3/8"	26
20	6E03E		FRONT WINDSHIELD GLASS	1
21	6E03H		FRONT CORNER PANEL MOUNTING GASKET	2
22	6E03J		REAR PANEL WINDOW MOUNTING GASKET	1
23	6E03S		ALLEN BUTTON HEAD BOLT	4
24				
25	6E03U		BOLT, 1/4 - 20 X 1 1/2" LG	4
26	6E03V		NYLON SPACER, 1/4"	4
27	6E03W		WASHER, 5/16"	4
28				
29	6E05A		FRONT CORNER PANEL WINDOW (PASSENGER SIDE)	1

CAB (FLAT WINDSHIELD)

THE USE OF NON U.L. PARTS WILL VOID ANY U.L. LISTING.

When ordering parts, please specify the model and serial number of the product.

* Indicates a component that is not available as an individual part.

G** Indicates consult Customer Service Department for additional information.

ITEM	PART NO.	1	2	3	4	5	DESCRIPTION	QTY.
30	6E05B						FRONT CORNER PANEL WINDOW (DRIVER SIDE).....	1
31	6E05C						REAR PANEL WINDOW	1
32								
33	<u>74244-G01</u>						WINDSHIELD WIPER KIT (INCLUDES ITEMS 34 - 42).....	1
34	9PWM85						WIPER MOTOR (INCLUDES ITEMS 35 - 39).....	1
35	*						SPACER	1
36	*						SHAFT COVER (SEAL)	1
37	*						NUT	1
38	*						BOLT	1
39	*						WASHER.....	1
40	9PWA						WIPER ARM	1
41	9PWB						WINDSHIELD WIPER BLADE.....	1
42	9E003						ELECTRICAL HARDWARE KIT (NOT ILLUSTRATED)	1
43								
44	74301-G0*						STEEL DOOR KIT (INCLUDES ITEMS 45 - 55).....	1
45	74301-G0*A						STEEL DOOR (DRIVER SIDE) (INCLUDES ITEMS 47 - 52).....	1
46	74301-G0*B						STEEL DOOR (PASSENGER SIDE) (INCLUDES ITEMS 49 - 54).....	1
47	6E05D						SLIDING DOOR WINDOW ASSEMBLY (DRIVER SIDE)	1
48	<u>9DHSL</u>						INSIDE DOOR LATCH (DRIVER SIDE).....	1
49	6E03P						LOWER DOOR WINDOW MOUNTING GASKET.....	1
50	6E05F						LOWER DOOR WINDOW.....	1
51	<u>9DHOS1</u>						OUTSIDE DOOR HANDLE (KEY LOCKING)	2
52	1P004B						LOWER DOOR SEAL GASKET (43" LG)	1
53	6E05E						SLIDING DOOR WINDOW ASSEMBLY (PASSENGER SIDE)	1
54	<u>9DHSLR</u>						INSIDE DOOR LATCH (PASSENGER SIDE)	1
55	1P004C						DOOR SEAL GASKET (123" LG).....	2
56	9P001A						REPLACEMENT DOOR HINGE KIT (NOT ILLUSTRATED).....	A/R
57								
58	74242-G01						VINYL DOOR KIT (INCLUDES ITEMS 59 - 66).....	1
59	9DVK-L						VINYL DOOR (DRIVER SIDE) (INCLUDES ITEMS 61, 63 - 66).....	1

CAB (FLAT WINDSHIELD)

THE USE OF NON U.L. PARTS WILL VOID ANY U.L. LISTING.

When ordering parts, please specify the model and serial number of the product.

* Indicates a component that is not available as an individual part.

G** Indicates consult Customer Service Department for additional information.

ITEM	PART NO.	1 2 3 4 5	DESCRIPTION	QTY.
60	9DVK-R		VINYL DOOR (PASSENGER SIDE) (INCLUDES ITEMS 62 - 66)	1
61	<u>9DHSL</u>		INSIDE DOOR LATCH (DRIVER SIDE)	1
62	<u>9DHSLR</u>		INSIDE DOOR LATCH (PASSENGER SIDE)	1
63	9DCK		DOOR CHECK (NOT ILLUSTRATED)	1
64	9DSTK1		DOOR STRIKER (NOT ILLUSTRATED)	1
65	9DGH1		DOOR GRAB HANDLE	1
66	<u>9DHOS1</u>		OUTSIDE DOOR HANDLE (KEY LOCKING)	1
67	9PSSHL		REPLACEMENT DOOR HINGE (DRIVER SIDE) (NOT ILLUSTRATED)	1
68	9PSSHR		REPLACEMENT DOOR HINGE (PASSENGER SIDE) (NOT ILLUSTRATED) ..	1
69				
70	<u>74245-G01</u>		STROBE LIGHT KIT (INCLUDES ITEMS 71 - 75)	1
71	9PSLRL		STROBE LENS	1
72	9E001		ELECTRICAL HARDWARE KIT (NOT ILLUSTRATED)	1
73	9E002		TOGGLE SWITCH	1
74	9PSLRB		REPLACEMENT BULB (NOT ILLUSTRATED)	1
75	9PB001		BRACKET	1
76				
77	<u>74247-G01</u>		WORK LIGHT KIT (INCLUDES ITEMS 78 - 81)	1
78	9LW1A		WORK LIGHT (INCLUDES HARDWARE)	2
79	9E001		ELECTRICAL HARDWARE KIT (NOT ILLUSTRATED)	1
80	9E002		TOGGLE SWITCH	1
81	9PB001		BRACKET	1
82				
83	<u>74248-G01</u>		DEFROSTER / COOLING FAN KIT (INCLUDES ITEMS 84 - 86)	1
84	9PDF		FAN	1
85	9E001		ELECTRICAL HARDWARE KIT (NOT ILLUSTRATED)	1
86	9PFHK		HARDWARE KIT	1
87				
88	<u>74250-G01</u>		SWITCH PANEL KIT (INCLUDES ITEMS 89 - 103)	1
89	9PSF1-001		SWITCH PANEL	1

CAB (FLAT WINDSHIELD)

THE USE OF NON U.L. PARTS WILL VOID ANY U.L. LISTING.

When ordering parts, please specify the model and serial number of the product.

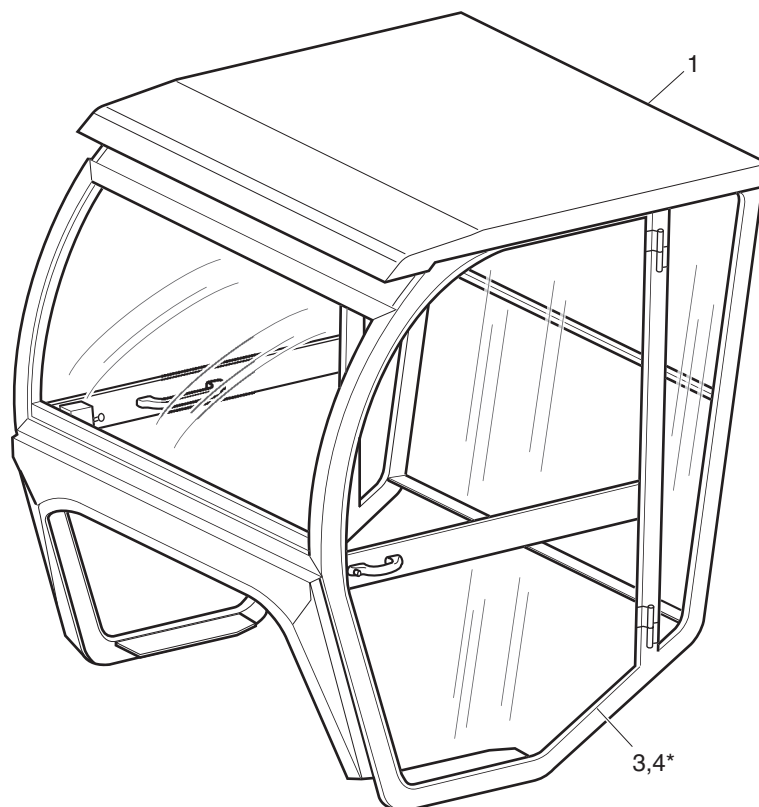
* Indicates a component that is not available as an individual part.

G** Indicates consult Customer Service Department for additional information.

ITEM	PART NO.	1	2	3	4	5	DESCRIPTION	QTY.
90	9PSF1-002						MOUNTING BRACKET AND HARDWARE	1
91	9PSF1-003						ADHESIVE LABELS	1
92	9PSF1-004						3 AMP FUSE (NOT ILLUSTRATED)	2
93	9PSF1-005						5 AMP FUSE (NOT ILLUSTRATED)	3
94	9PSF1-006						7.5 AMP FUSE (NOT ILLUSTRATED)	1
95	9PSF1-007						FLEX LOOM, 5/8" X 10 FT LG (NOT ILLUSTRATED)	1
96	9PSF1-008						4-WAY BASE TIE (NOT ILLUSTRATED).....	6
97	9PSF1-009						WIRE TIE (NOT ILLUSTRATED).....	14
98	9PSF1-010						BOLT, 1/4 - 20 X 7/8" LG.....	2
99	9PSF1-011						WASHER, 1/4"	4
100	9PSF1-012						NYLON WASHER, 1/4".....	2
101	9PSF1-013						LOCK NUT, 1/4 - 20.....	2
102	9PSF1-014						10 GA WIRE (RED 8") (NOT ILLUSTRATED).....	1
103	9PSF1-015						10 GA WIRE (BLACK 8") (NOT ILLUSTRATED).....	1
104								
105								
106	6E03T						BED SPACER	2

CAB (CURVED WINDSHIELD)

ST 350



*Steel Doors Shown

For Cab Accessories, See ACCESSORIES LISTING in Appendix B

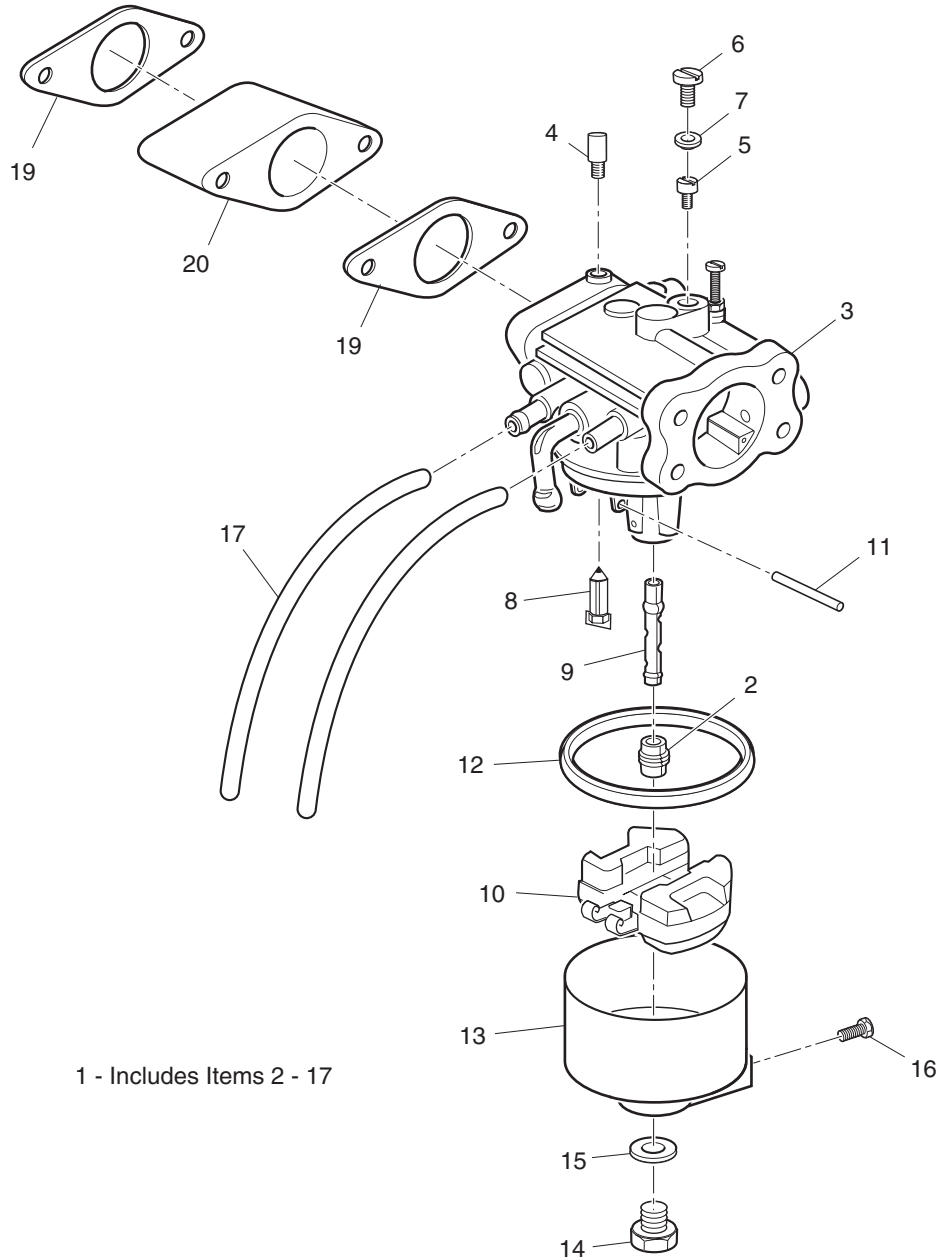
Ref Cab 9

CAB (CURVED WINDSHIELD)

THE USE OF NON U.L. PARTS WILL VOID ANY U.L. LISTING.
 When ordering parts, please specify the model and serial number of the product.
 * Indicates a component that is not available as an individual part.
 G** Indicates consult Customer Service Department for additional information.

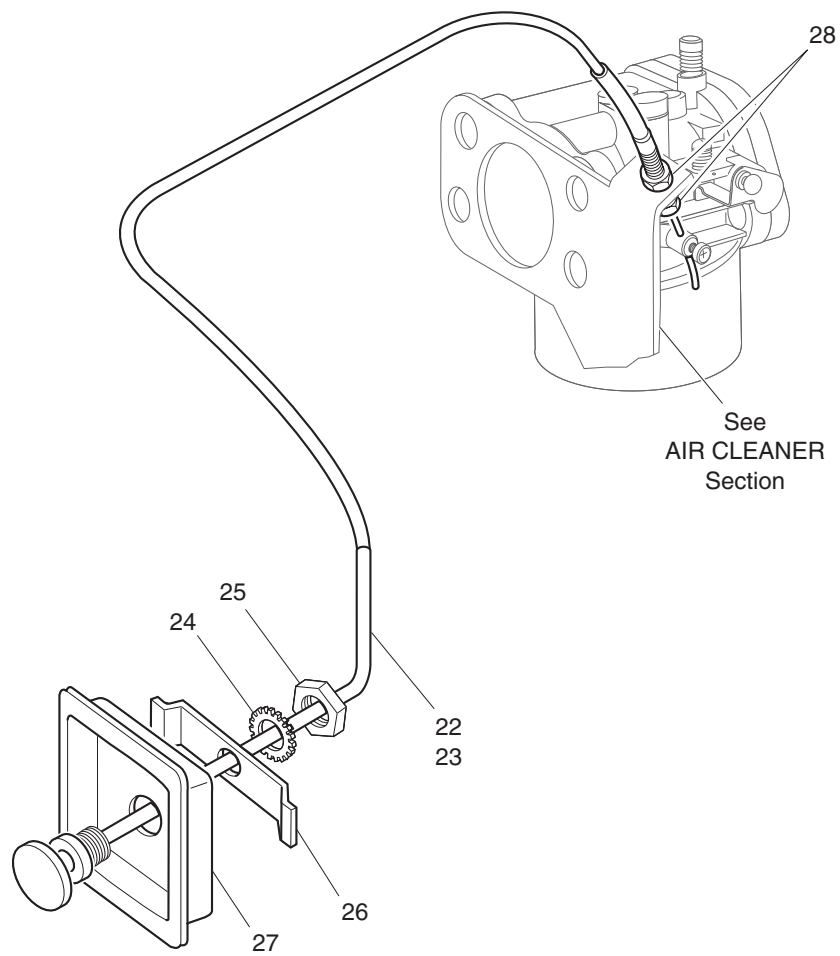
ITEM	PART NO.	1	2	3	4	5	DESCRIPTION	QTY.
1	75854-G**						STEEL CAB (WITHOUT DOORS) REPACEMENT PARTS AND ACCESSORIES MAY BE OBTAINED FROM CURTIS CAB, INC.) (ST 350)	1
2								
3	<u>75855-G01</u>						VINYL DOOR KIT.....	1
4	75856-G**						STEEL DOOR KIT.....	1

CARBURETOR AND CHOKE



Ref Cac 9-1

CARBURETOR AND CHOKE



Ref Cac 9-2

CARBURETOR AND CHOKE

THE USE OF NON U.L. PARTS WILL VOID ANY U.L. LISTING.

When ordering parts, please specify the model and serial number of the product.

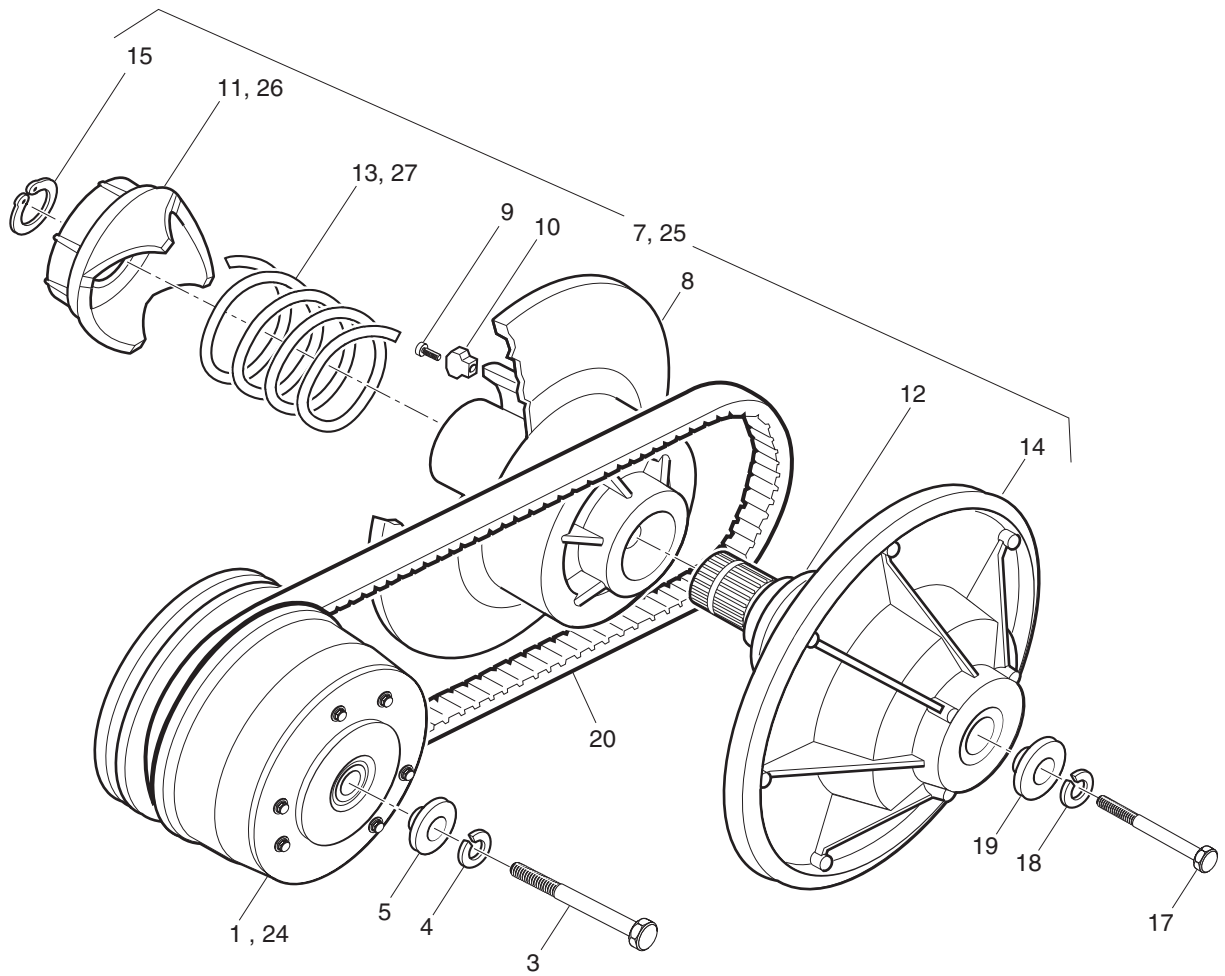
* Indicates a component that is not available as an individual part.

G** Indicates consult Customer Service Department for additional information.

ITEM	PART NO.	1	2	3	4	5	DESCRIPTION	QTY.
1	<u>72558-G05</u>						CARBURETOR ASSEMBLY (FOR FUJI ENGINE P/N EH35CPG5033) (INCLUDES ITEMS 2 - 17).....	1
2	<u>26646-G07</u>						MAIN JET (#90)	1
3	*						CARBURETOR BODY.....	1
4	*						PILOT SCREW	1
5	<u>26649-G05</u>						PILOT JET (#46).....	1
6	<u>26841-G01</u>						PLUG	1
7	<u>72306-G01</u>						GASKET	1
8	<u>72578-G01</u>						NEEDLE VALVE	1
9	*						MAIN NOZZLE	1
10	<u>26648-G01</u>						FLOAT.....	1
11	<u>26840-G01</u>						FLOAT PIN.....	1
12	<u>26843-G01</u>						FLOAT BOWL GASKET	1
13	<u>26844-G01</u>						FLOAT CHAMBER.....	1
14	<u>26839-G01</u>						BOWL SCREW	1
15	<u>26838-G01</u>						BOWL GASKET	1
16	*						DRAIN SCREW	1
17	<u>26650-G01</u>						VENT TUBE.....	2
18								
19	<u>26726-G01</u>						CARBURETOR MOUNT GASKET.....	2
20	<u>72311-G01</u>						CARBURETOR INSULATOR	1
21								
22	<u>72401-G02</u>						CHOKE CABLE (WITH NUTS) (ST 350)	1
23	<u>25693-G04</u>						CHOKE CABLE (WITH NUTS) (ST SPORT)	1
24	<u>00568-G4</u>						LOCK WASHER, 9/16".....	1
25	<u>00545-G4</u>						JAM NUT, 9/16 - 18	1
26	<u>72155-G01</u>						RETAINER	1
27	<u>72154-G01</u>						CHOKE CABLE ADAPTER.....	1
28	<u>00544-G4</u>						JAM NUT, 5/16 - 24	2

CARBURETOR AND CHOKE

CLUTCH



Ref Clt 9

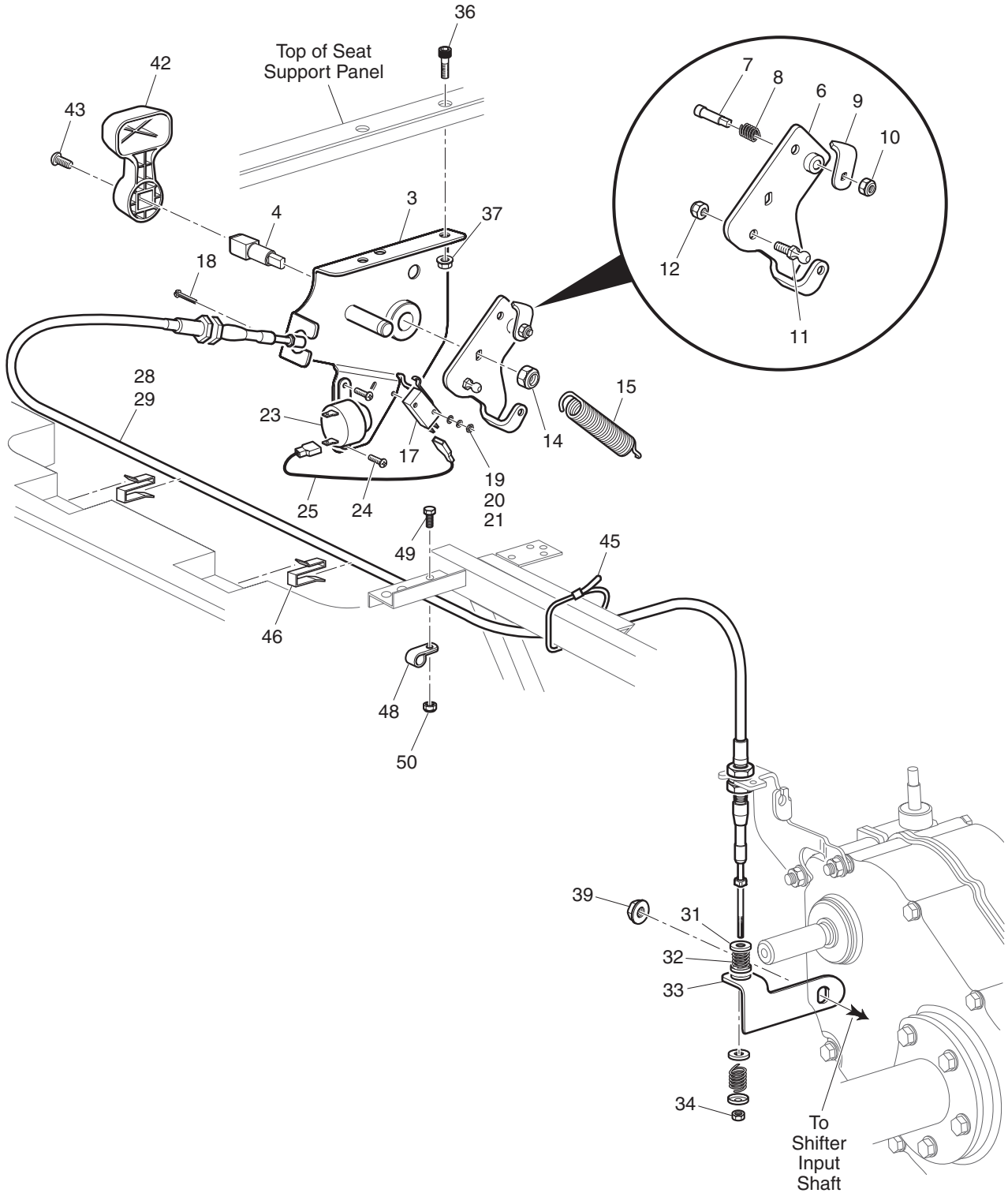
CLUTCH

THE USE OF NON U.L. PARTS WILL VOID ANY U.L. LISTING.
 When ordering parts, please specify the model and serial number of the product.
 * Indicates a component that is not available as an individual part.
 G** Indicates consult Customer Service Department for additional information.

ITEM	PART NO.	1 2 3 4 5	DESCRIPTION	QTY.
1	<u>26952-G01</u>		DRIVE CLUTCH	1
2				
3	<u>00473-G9</u>		BOLT, 7/16 - 20 X 6 1/2" LG	1
4	<u>00566-G2</u>		LOCK WASHER, 7/16"	1
5	<u>25757-G1</u>		PILOT WASHER	1
6				
7	<u>26301-G03</u>		DRIVEN CLUTCH ASSEMBLY (INCLUDES ITEMS 8 - 15)	1
8	*		MOVABLE SHEAVE (INCLUDES ITEMS 9 -10).....	1
9	<u>00979-G01</u>		SCREW, #10 - 24 X 7/8" LG.....	3
10	<u>72324-G01</u>		RAMP BUTTON	3
11	*		CAM	1
12	<u>24600-G1</u>		SPACER, 1 1/2"	1
13	<u>26304-G01</u>		COMPRESSION SPRING	1
14	*		SHEAVE AND POST	1
15	<u>27270-G01</u>		HEAVY DUTY RETAINING RING	1
16				
17	<u>00441-G8</u>		BOLT, 5/16 - 18 X 4" LG	1
18	<u>00565-G8</u>		LOCK WASHER, 5/16"	4
19	<u>25756-G1</u>		RETAINING WASHER	1
20	<u>72328-G01</u>		DRIVE BELT (SEVERE DUTY)	1
21				
22				
23				
24	<u>26952-G02</u>		DRIVE CLUTCH (HIGH ALTITUDE)	1
25	<u>25632-G03</u>		DRIVEN CLUTCH (HIGH ALTITUDE) (INCLUDES ITEMS 8, 12, 14, 15, 26, 27).....	1
26	*		CAM	1
27	<u>25612-G1</u>		COMPRESSION SPRING	1

DIRECTION SELECTOR - SINGLE CABLE

- 1 - Includes Items 3 - 28, 31 - 34 (ST 350)
- 2 - Includes Items 3 - 25, 29 - 34 (ST SPORT)



Ref Dsl 9

DIRECTION SELECTOR - SINGLE CABLE

THE USE OF NON U.L. PARTS WILL VOID ANY U.L. LISTING.

When ordering parts, please specify the model and serial number of the product.

* Indicates a component that is not available as an individual part.

G** Indicates consult Customer Service Department for additional information.

ITEM	PART NO.	1	2	3	4	5	DESCRIPTION	QTY.
1	72721-G03						DIRECTION SELECTOR ASSY (INCLUDES ITEMS 3 - 28, 31 - 34) (ST 350)..	1
2	72721-G02						DIRECTION SELECTOR ASSY (INCLUDES ITEMS 3 - 25, 29 - 34) (SPORT)..	1
3	<u>74456-G01</u>						DIRECTION SELECTOR BRACKET	1
4	<u>70233-G01</u>						DIRECTION SELECTOR SHAFT	1
5								
6	<u>72738-G01</u>						DIRECTION SELECTOR CAM	1
7	<u>72724-G01</u>						NEUTRAL LOCK PIN	1
8	<u>72733-G01</u>						COMPRESSION SPRING, 3/8" X 5/8" LG	1
9	<u>72729-G01</u>						NEUTRAL LOCK LATCH	1
10	<u>00734-G2</u>						LOCK NUT, 1/4 - 28	1
11	<u>72732-G01</u>						BALL STUD	1
12	<u>00734-G5</u>						LOCK NUT, #10 - 32	1
13								
14	<u>14390-G1</u>						LOCK NUT, 3/8 - 24	1
15	<u>28574-G01</u>						EXTENSION SPRING	1
16								
17	<u>72736-G01</u>						MICRO SWITCH	1
18	<u>01062-G01</u>						SCREW, #4 - 40 X 1" LG	2
19	<u>00559-G1</u>						WASHER, #4	2
20	<u>00565-G1</u>						LOCK WASHER, #4	2
21	<u>00526-G2</u>						NUT, #4 - 40	2
22								
23	<u>73290-G03</u>						REVERSE WARNING BUZZER	1
24	<u>01063-G01</u>						SCREW, #6 - 32 X 3/8" LG	2
25	<u>25978-G345</u>						18 GA WIRE (RED 7")	1
26								
27								
28	<u>72734-G03</u>						SHIFTER CABLE (ST 350)	1
29	<u>72734-G02</u>						SHIFTER CABLE (ST SPORT)	1
30								

DIRECTION SELECTOR - SINGLE CABLE

THE USE OF NON U.L. PARTS WILL VOID ANY U.L. LISTING.

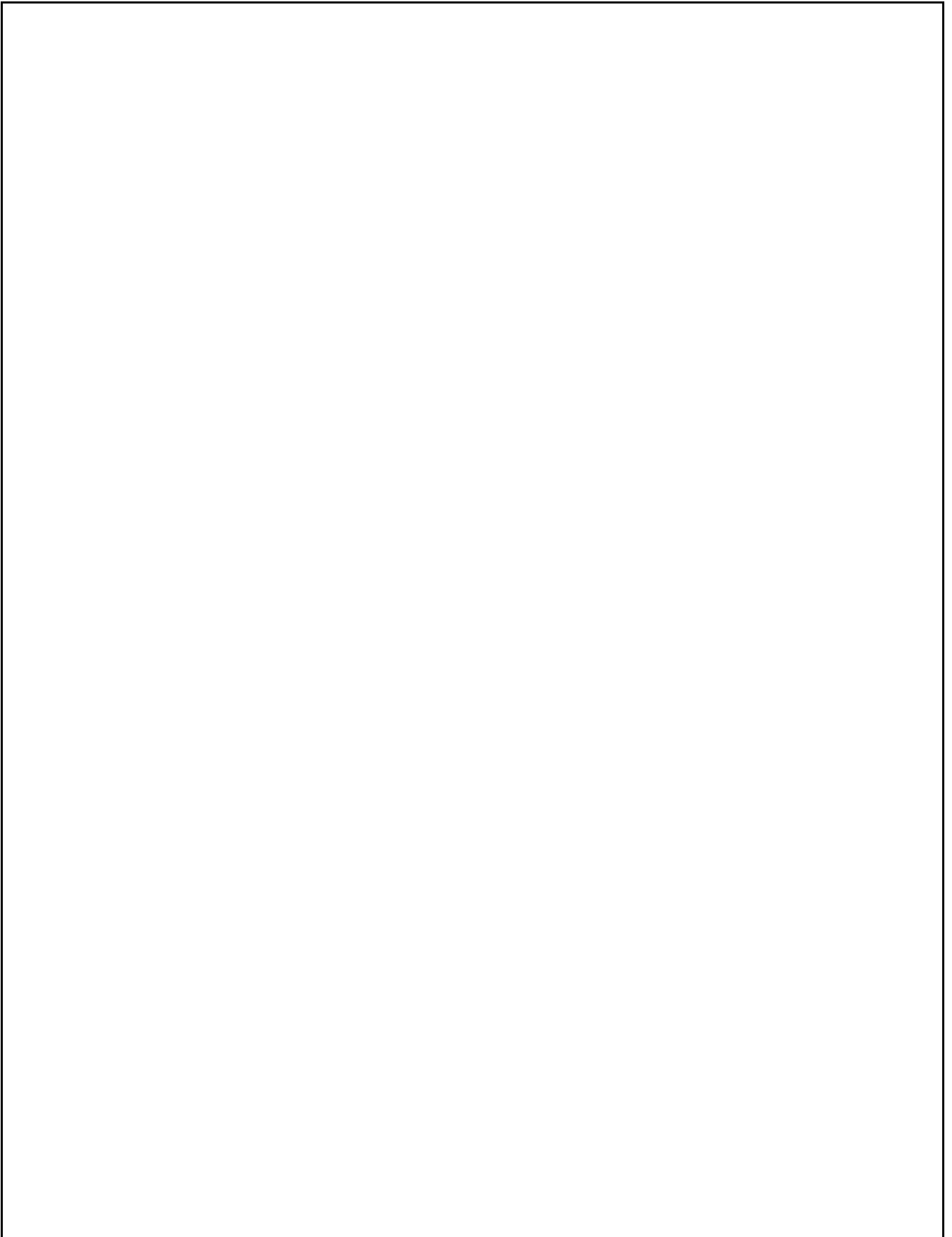
When ordering parts, please specify the model and serial number of the product.

* Indicates a component that is not available as an individual part.

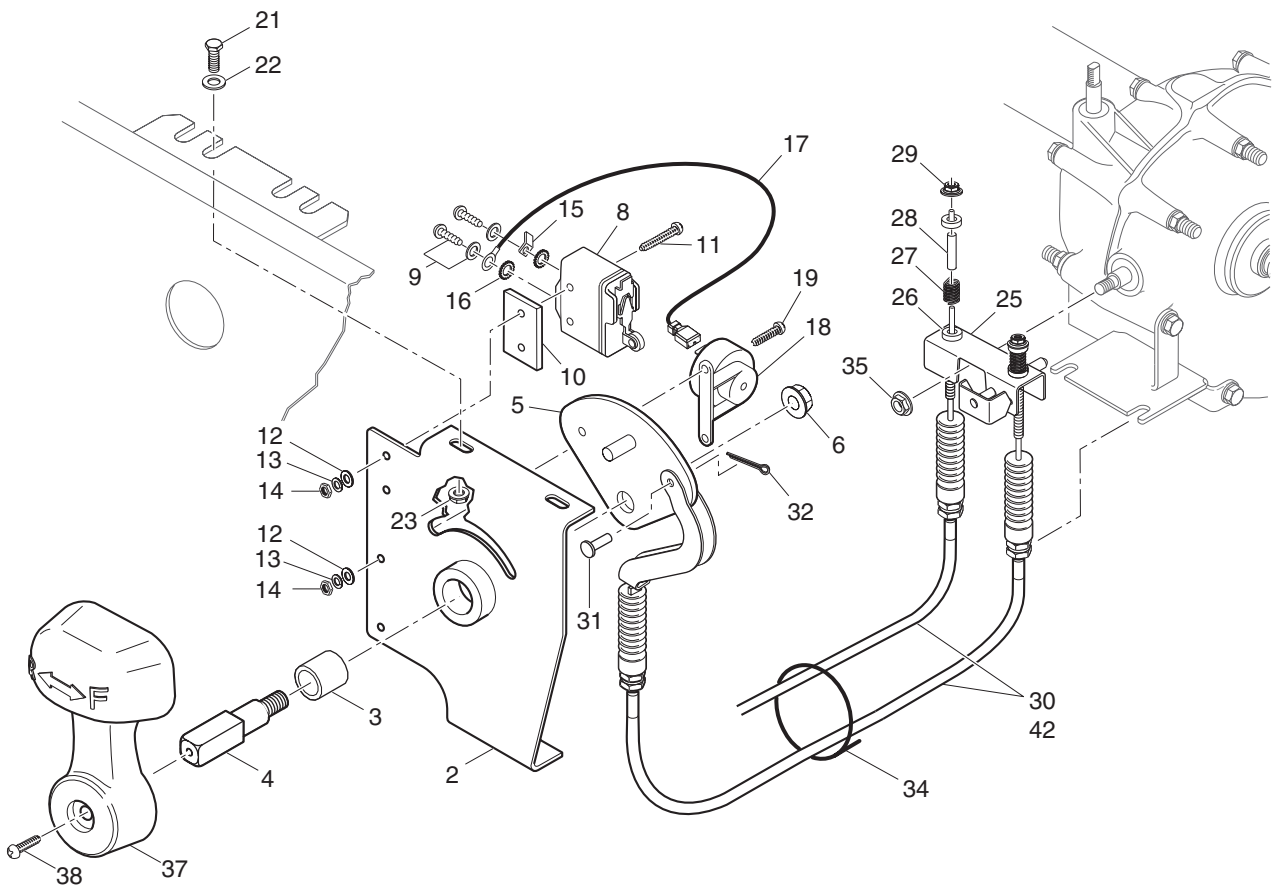
G** Indicates consult Customer Service Department for additional information.

ITEM	PART NO.	1	2	3	4	5	DESCRIPTION	QTY.
31	<u>25727-G01</u>						CUP WASHER, 1/4"	4
32	<u>72735-G01</u>						COMPRESSION SPRING, 19/32" X 1" LG	2
33	<u>74455-G01</u>						SHIFTER ARM WITH BUSHING	1
34	<u>00734-G5</u>						LOCK NUT, #10 - 32	1
35								
36	<u>70227-G01</u>						SCREW, 1/4 - 20 X 7/8" LG	2
37	<u>11027-G2</u>						LOCK NUT, 1/4 - 20	2
38								
39	26830-G01						LOCK NUT, M8 X 1.25 MM	1
40								
41								
42	<u>71205-G01</u>						DIRECTION SELECTOR HANDLE	1
43	<u>00740-G4</u>						SCREW, #10 - 32 X 1/2" LG (STAINLESS STEEL)	1
44								
45	<u>31539-G1</u>						WIRE TIE	1
46	<u>01072-G01</u>						CABLE CLIP	2
47								
48	<u>11845-G5</u>						INSULATED CABLE CLAMP, 3/8" (ST 350)	1
49	<u>00414-G6</u>						BOLT, 1/4 - 20 X 3/4" LG (ST 350)	1
50	<u>14390-G4</u>						LOCK NUT, 1/4 - 20 (ST 350)	1

DIRECTION SELECTOR - SINGLE CABLE



DIRECTION SELECTOR - DUAL CABLE



1 - Includes Items 2 - 32
41 - Includes Items 2 - 29, 31, 32, 42

Ref Dcl 9

DIRECTION SELECTOR - DUAL CABLE

THE USE OF NON U.L. PARTS WILL VOID ANY U.L. LISTING.

When ordering parts, please specify the model and serial number of the product.

* Indicates a component that is not available as an individual part.

G** Indicates consult Customer Service Department for additional information.

ITEM	PART NO.	1	2	3	4	5	DESCRIPTION	QTY.
1	<u>70594-G01</u>						DIRECTION SELECTOR ASSEMBLY (INCLUDES ITEMS 2 - 32) (ST SPORT)	1
2	<u>25684-G01</u>						DIRECTION SELECTOR BRACKET	1
3	<u>25664-G1</u>						BUSHING.....	1
4	<u>27537-G01</u>						DIRECTION SELECTOR SHAFT	1
5	<u>25745-G01</u>						DIRECTION SELECTOR CAM.....	1
6	<u>14390-G1</u>						LOCK NUT, 3/8 - 24	1
7								
8	<u>10606-G1</u>						MICRO SWITCH.....	1
9	*						SCREW AND WASHER ASSEMBLY	2
10	<u>27151-G01</u>						SPACER	1
11	<u>00645-G2</u>						SCREW, #6 - 32 X 1 1/4" LG	2
12	<u>00559-G3</u>						WASHER, #6	4
13	<u>00565-G3</u>						LOCK WASHER, #6	4
14	<u>00525-G5</u>						NUT, #6 - 32.....	4
15	<u>14628-G1</u>						FASTON TAB.....	1
16	<u>00567-G3</u>						LOCK WASHER, #6	2
17	<u>25978-G343</u>						18 GA WIRE (RED 6")	1
18	<u>73290-G03</u>						REVERSE WARNING BUZZER	1
19	<u>00138-G5</u>						SCREW, #6 - 32 X 5/8" LG	2
20								
21	<u>00414-G6</u>						BOLT, 1/4 - 20 X 3/4" LG.....	2
22	<u>01110-G01</u>						WASHER, 1/4" (STAINLESS STEEL).....	2
23	<u>11027-G2</u>						LOCK NUT, 1/4 - 20.....	2
24								
25	<u>72619-G01</u>						SHIFTER CONTROL PIVOT	1
26	<u>25727-G01</u>						CUP WASHER, 1/4"	4
27	<u>27764-G01</u>						SPRING	2
28	<u>23726-G5</u>						SPACER, 1 1/8"	2
29	<u>11098-G7</u>						LOCK NUT, #10 - 24.....	2
30	<u>25961-G01</u>						SHIFTER CONTROL CABLE (ST SPORT).....	2

DIRECTION SELECTOR - DUAL CABLE

THE USE OF NON U.L. PARTS WILL VOID ANY U.L. LISTING.

When ordering parts, please specify the model and serial number of the product.

* Indicates a component that is not available as an individual part.

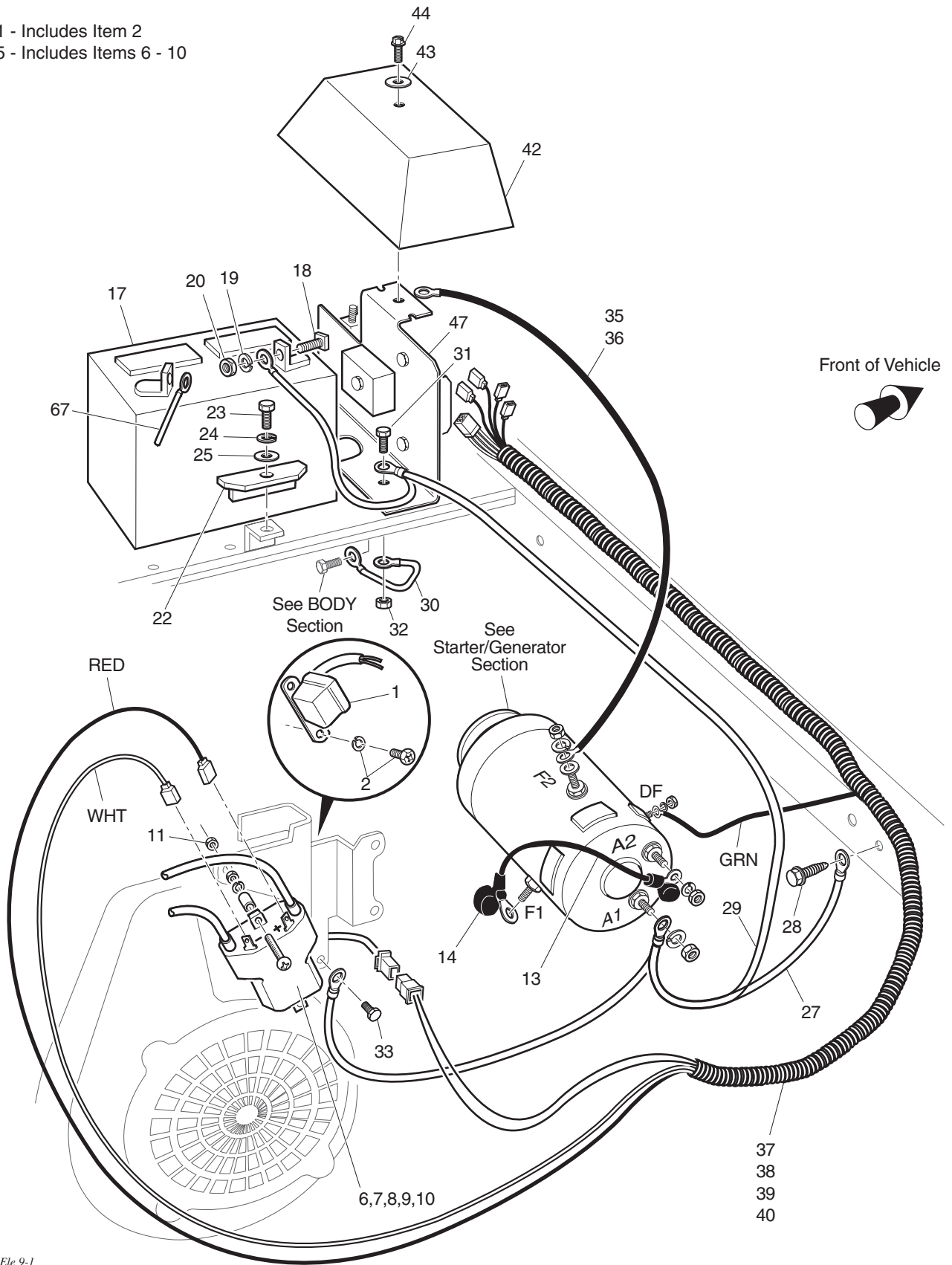
G** Indicates consult Customer Service Department for additional information.

ITEM	PART NO.	1	2	3	4	5	DESCRIPTION	QTY.
31	<u>23176-G1</u>						CLEVIS PIN, 3/16" X 7/16"	2
32	<u>10387-G8</u>						COTTER PIN, 1/16" X 3/4" LG	2
33								
34	<u>17618-G1</u>						WIRE TIE	1
35	26830-G01						LOCK NUT, M8 X 1.25 MM	1
36								
37	<u>71205-G01</u>						DIRECTION SELECTOR HANDLE	1
38	<u>00740-G4</u>						SCREW, #10 - 32 X 1/2" LG (STAINLESS STEEL)	1
39								
40								
41	<u>70594-G02</u>						DIRECTION SELECTOR ASSY (INCL ITEMS 2 - 29, 31, 32, 42 (ST 350)	1
42	<u>72341-G01</u>						SHIFTER CONTROL CABLE (ST 350)	2

DIRECTION SELECTOR - DUAL CABLE

ELECTRICAL SYSTEM

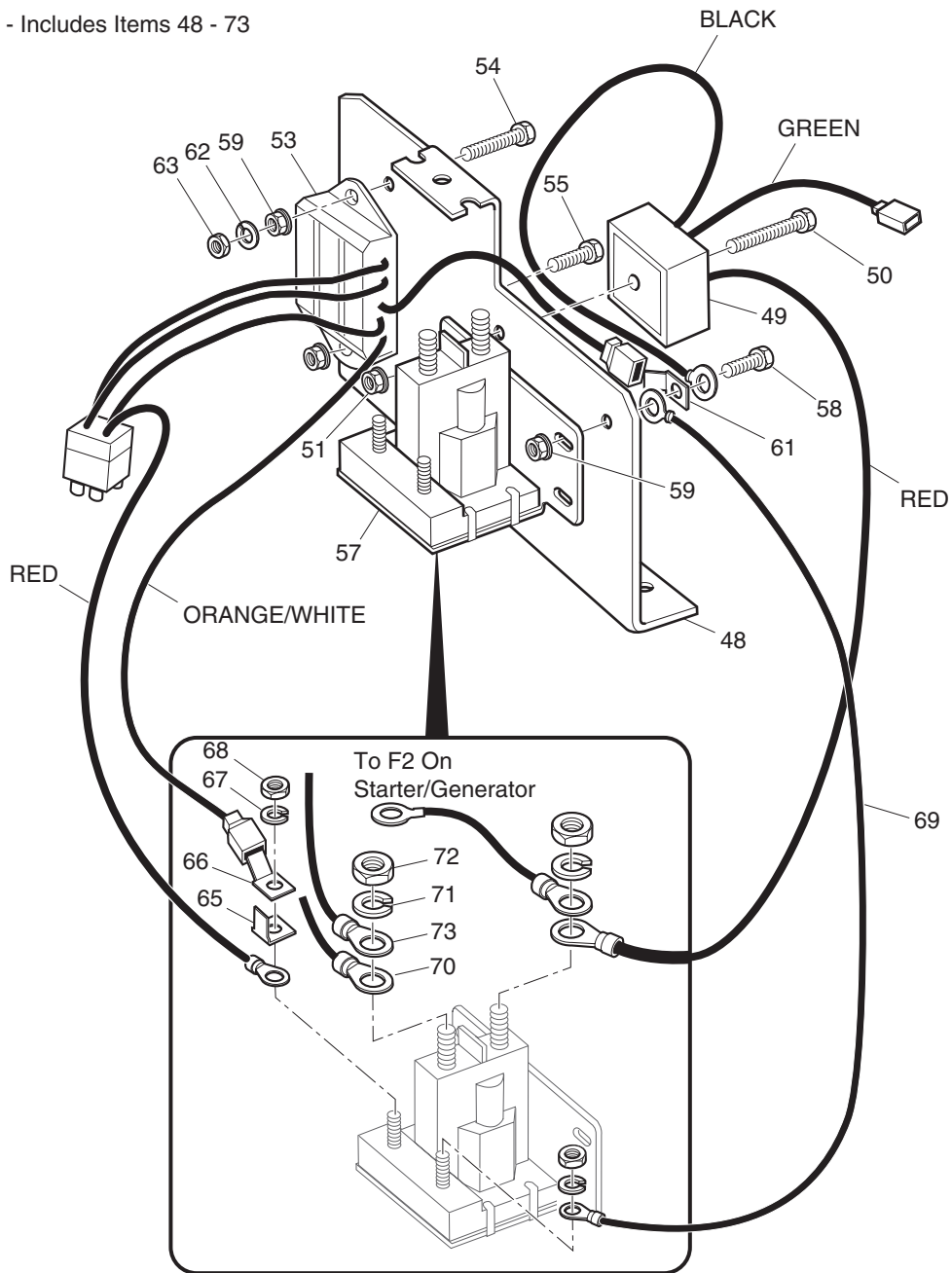
1 - Includes Item 2
 5 - Includes Items 6 - 10



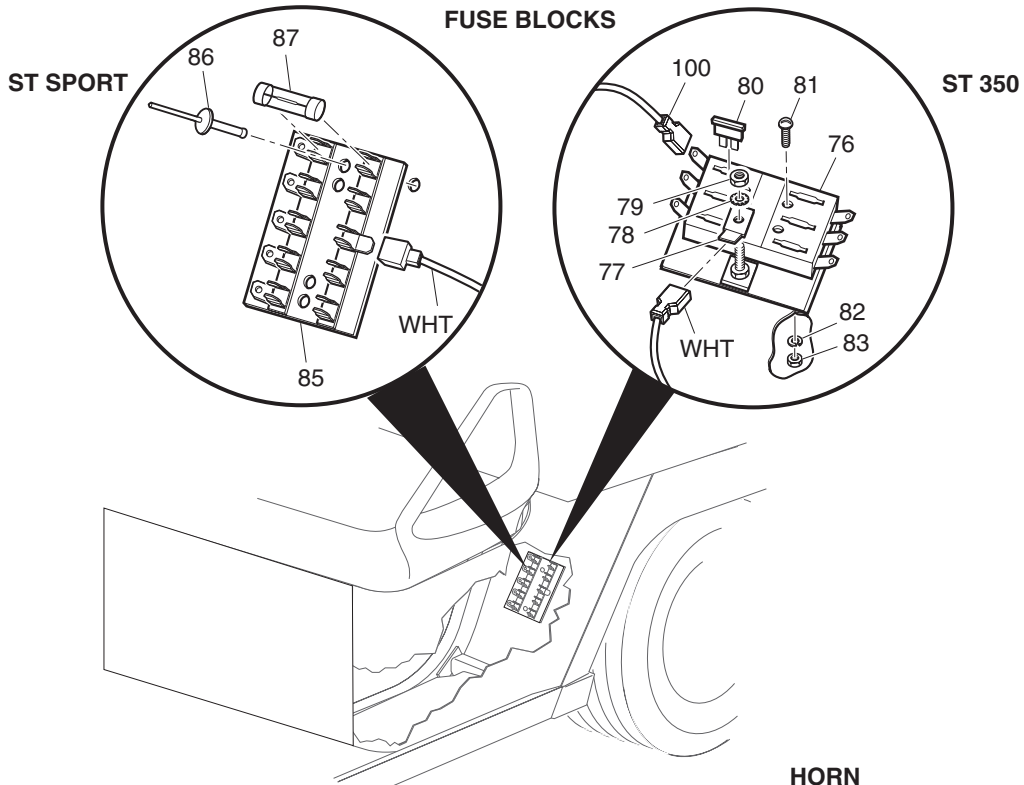
Ref Ele 9-1

ELECTRICAL SYSTEM

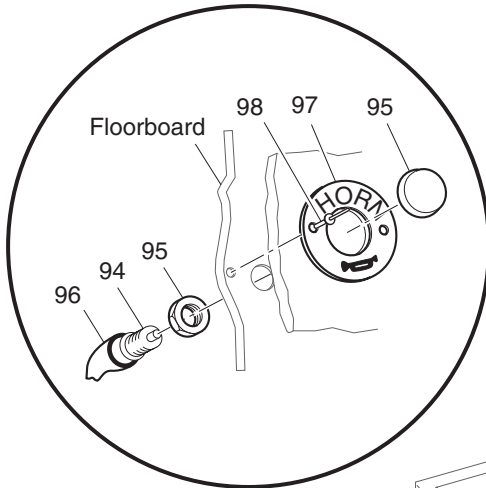
47 - Includes Items 48 - 73



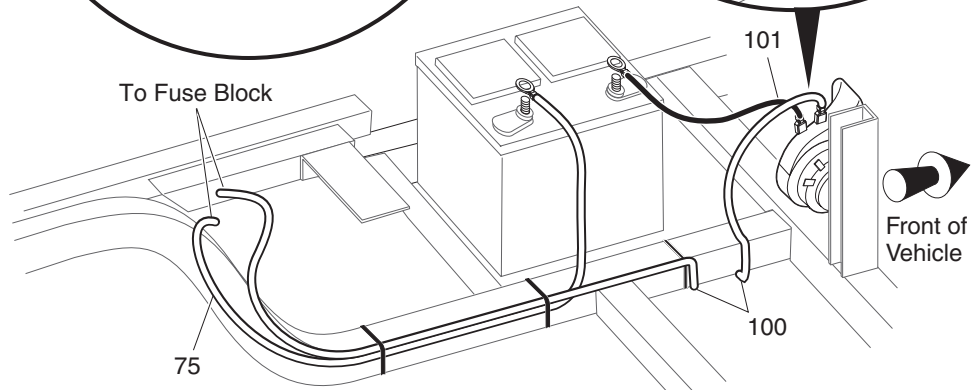
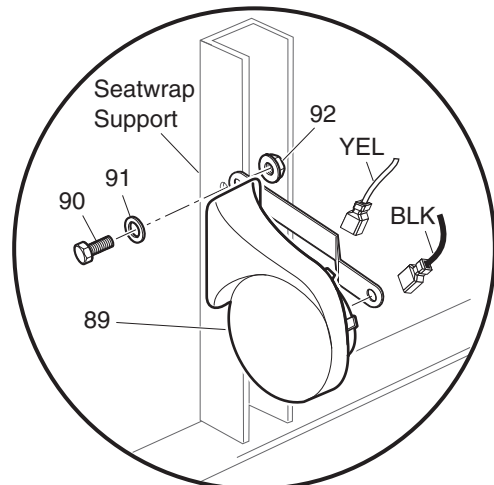
ELECTRICAL SYSTEM



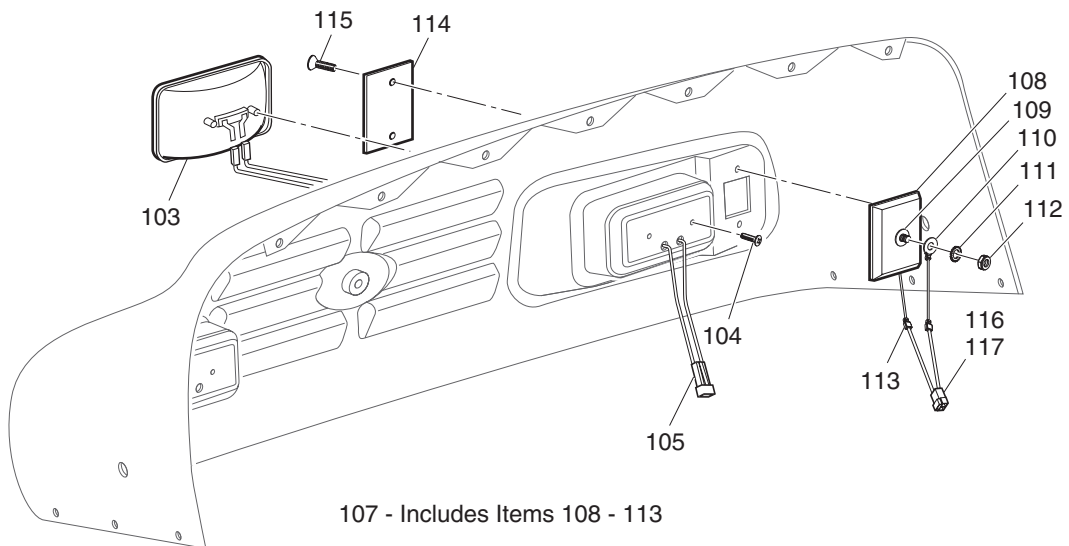
HORN BUTTON



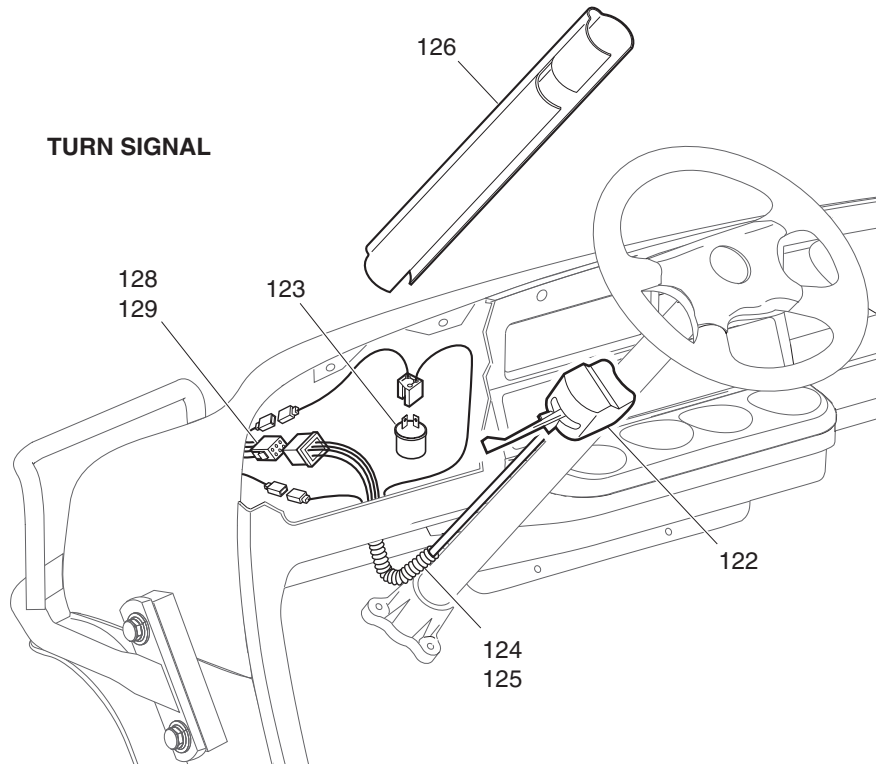
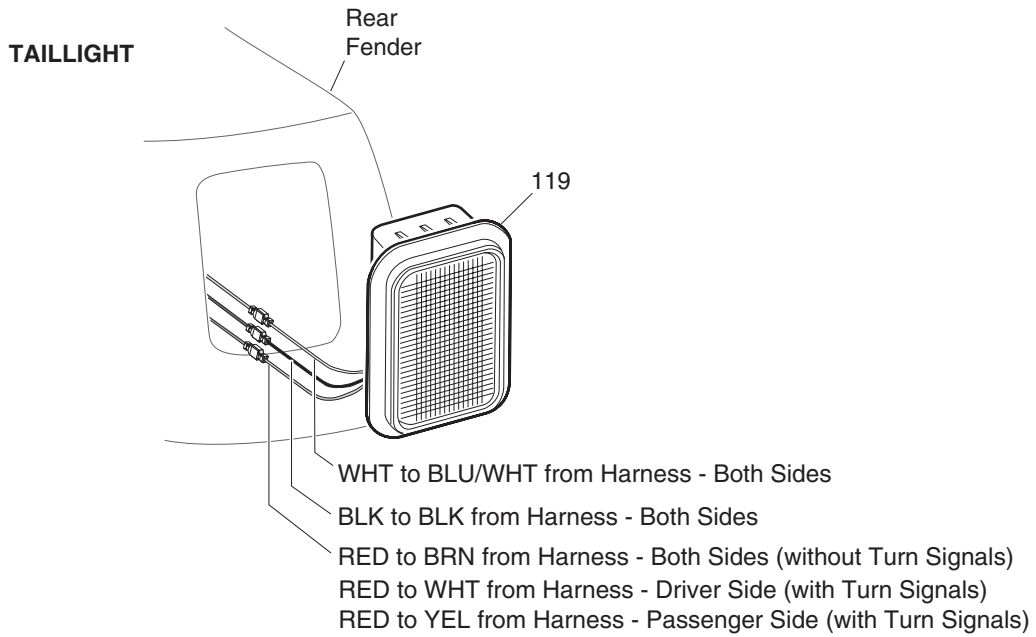
HORN



Ref Ele 9-3

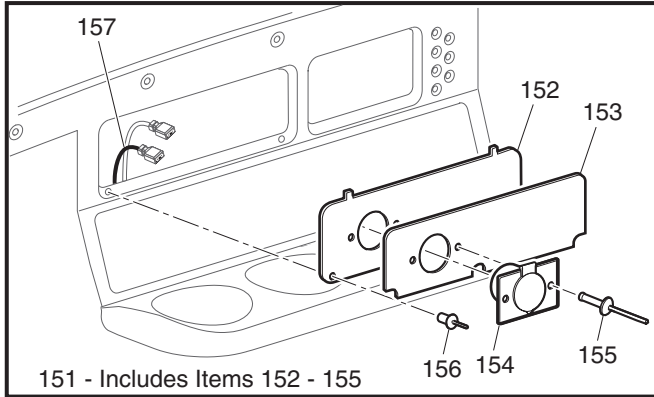


ELECTRICAL SYSTEM

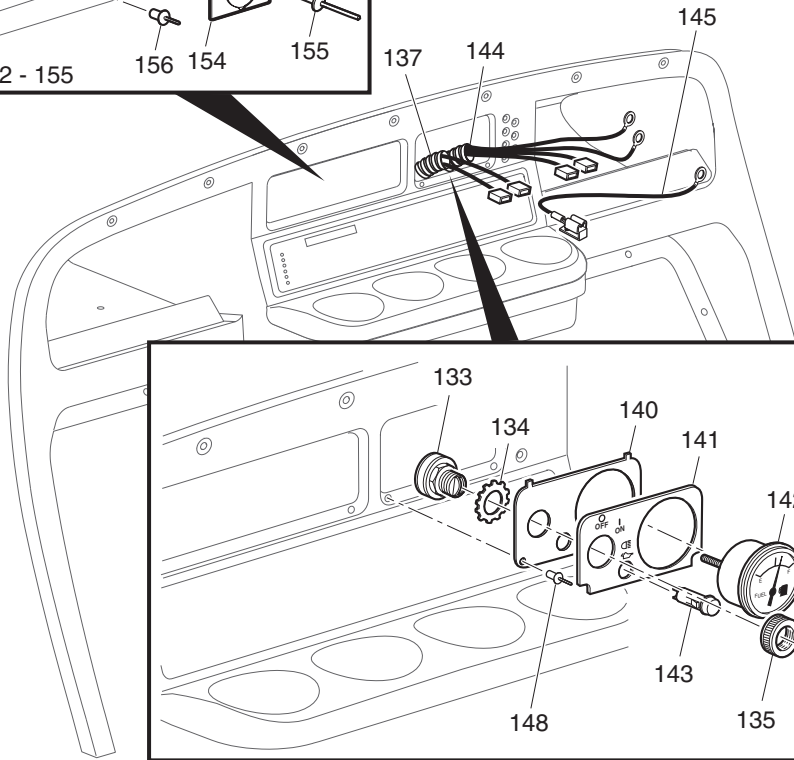


Ref Ele 9-5

CONSOLE INSERT PLATE (WITH POWER OUTLET SHOWN)



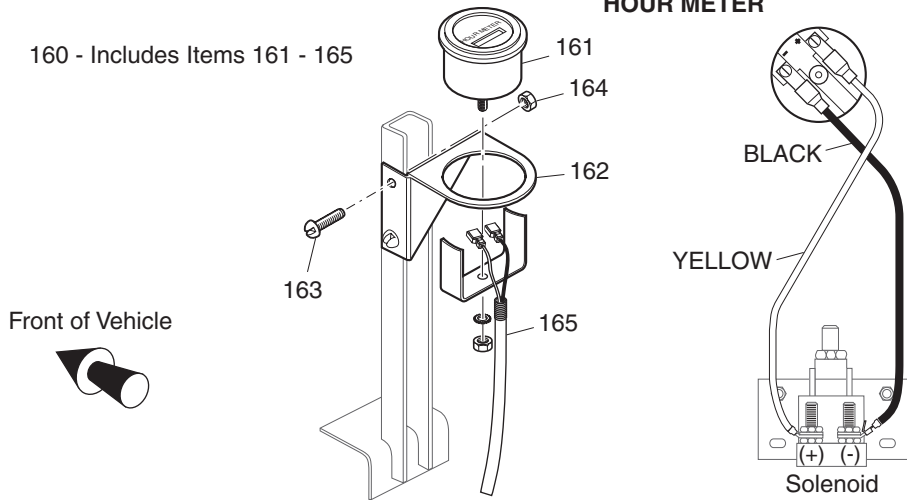
151 - Includes Items 152 - 155



KEY SWITCH, INDICATOR LIGHT(S), AND FUEL GAUGE

HOUR METER

160 - Includes Items 161 - 165



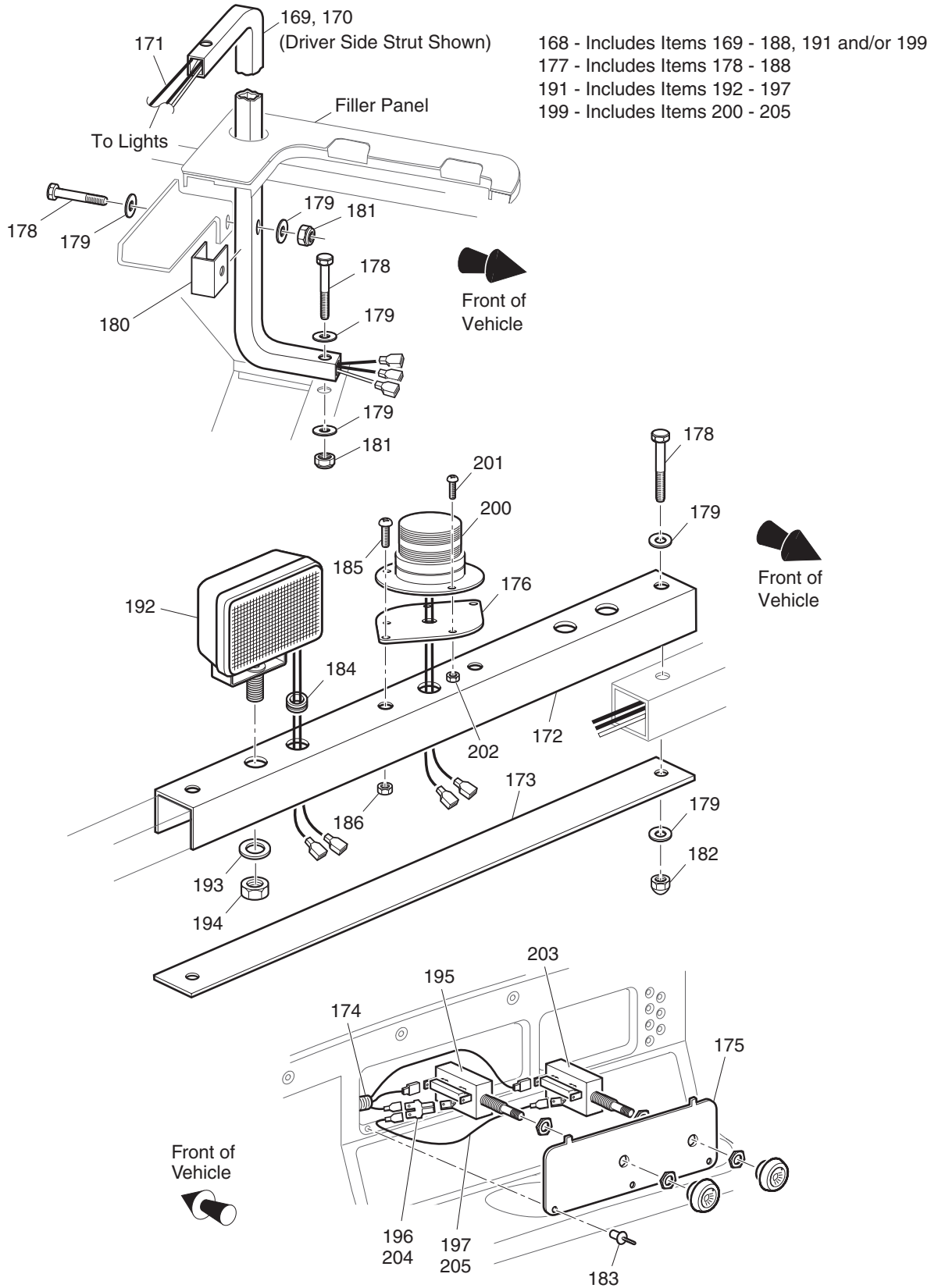
Front of Vehicle



Ref Ele 9-6

ELECTRICAL SYSTEM

WORK AND STROBE LIGHTS



Ref Ele 9-7

ELECTRICAL SYSTEM

THE USE OF NON U.L. PARTS WILL VOID ANY U.L. LISTING.
 When ordering parts, please specify the model and serial number of the product.
 * Indicates a component that is not available as an individual part.
 G** Indicates consult Customer Service Department for additional information.

ITEM	PART NO.	1	2	3	4	5	DESCRIPTION	QTY.
1	<u>26651-G02</u>						IGNITION PICKUP ASSEMBLY (INCLUDES ITEM 2).....	1
2	<u>26707-G01</u>						BOLT AND WASHER ASSEMBLY, M5 X .8 X 10 MM LG	1
3								
4								
5	<u>26652-G01</u>						IGNITION COIL ASSEMBLY (INCLUDES ITEMS 6 - 10)	1
6	*						IGNITION COIL.....	1
7	*						SPACER	1
8	*						LOCK WASHER	1
9	*						NUT.....	1
10	*						SCREW.....	1
11	<u>13632-G1</u>						NUT, M6 X 1	2
12								
13	<u>25887-G01</u>						6 GA WIRE (BLACK 6", F1 - A2).....	1
14	<u>25682-G1</u>						TERMINAL COVER	3
15								
16								
17	24775-G*						BATTERY, 12V	1
18	<u>00962-G1</u>						BOLT, 5/16 - 18 X 1 1/4" LG	2
19	<u>00993-G01</u>						LOCK WASHER, 5/16" (SILICON BRONZE)	2
20	<u>00994-G01</u>						NUT, 5/16 - 18 (SILICON BRONZE)	2
21								
22	<u>72101-G01</u>						BATTERY HOLD DOWN.....	1
23	00438-G6						BOLT, 5/16 - 18 X 3/4" LG	1
24	<u>00565-G8</u>						LOCK WASHER, 5/16".....	1
25	<u>01110-G03</u>						WASHER, 5/16" (STAINLESS STEEL)	1
26								
27	<u>28520-G01</u>						GROUND CABLE (ST 350).....	1
28	<u>00715-G2</u>						BOLT, 5/16 - 18 X 4/5" LG	1
29	<u>27044-G03</u>						GROUND CABLE (ST SPORT)	1
30	<u>25976-G19</u>						14 GA WIRE (BLACK 6")	1

ELECTRICAL SYSTEM

THE USE OF NON U.L. PARTS WILL VOID ANY U.L. LISTING.

When ordering parts, please specify the model and serial number of the product.

* Indicates a component that is not available as an individual part.

G** Indicates consult Customer Service Department for additional information.

ITEM	PART NO.	1	2	3	4	5	DESCRIPTION	QTY.
31	00438-G6						BOLT, 5/16 - 18 X 3/4" LG	2
32	<u>11027-G1</u>						LOCK NUT, 5/16 - 18	2
33	<u>26676-G01</u>						BOLT, M6 X 1 X 23 MM LG	1
34								
35	<u>25972-G58</u>						6 GA WIRE (BLACK 26", F2 - SOL) (ST 350).....	1
36	<u>25972-G85</u>						6 GA WIRE (BLACK 23", F2 - SOL) (ST SPORT)	1
37	<u>74519-G01</u>						HARNESS (CONTROL) - SINGLE CABLE DIRECTION SELECTOR (ST 350) ..	1
38	<u>70596-G01</u>						HARNESS (CONTROL) - DUAL CABLE DIRECTION SELECTOR (ST 350)	1
39	70899-G01						HARNESS (CONTROL) - SINGLE CABLE DIRECTION SELECTOR (SPORT)	1
40	<u>70595-G01</u>						HARNESS (CONTROL) - DUAL CABLE DIRECTION SELECTOR) (SPORT) ..	1
41								
42	<u>73049-G01</u>						COVER.....	1
43	<u>16469-G1</u>						WASHER, 1/4"	1
44	<u>00114-G6</u>						SCREW, 1/4 - 14 X 3/4" LG.....	1
45								
46								
47	<u>73059-G01</u>						ELECTRICAL PLATE ASSEMBLY (INCLUDES ITEMS 48 - 73)	1
48	<u>73057-G01</u>						BRACKET	1
49	<u>27739-G01</u>						VOLTAGE REGULATOR	1
50	<u>00415-G2</u>						BOLT, 1/4 - 20 X 1 1/4" LG.....	1
51	<u>11027-G2</u>						LOCK NUT, 1/4 - 20	1
52								
53	<u>27746-G01</u>						IGNITOR	1
54	<u>00661-G8</u>						BOLT, 1/4 - 20 X 1" LG (STAINLESS STEEL)	1
55	<u>00414-G5</u>						BOLT, 1/4 - 20 X 5/8" LG.....	1
56								
57	<u>27153-G01</u>						SOLENOID	1
58	<u>00414-G5</u>						BOLT, 1/4 - 20 X 5/8" LG.....	1
59	<u>11027-G2</u>						LOCK NUT, 1/4 - 20	3
60								

ELECTRICAL SYSTEM

THE USE OF NON U.L. PARTS WILL VOID ANY U.L. LISTING.

When ordering parts, please specify the model and serial number of the product.

* Indicates a component that is not available as an individual part.

G** Indicates consult Customer Service Department for additional information.

ITEM	PART NO.	1	2	3	4	5	DESCRIPTION	QTY.
61	<u>12914-G2</u>						FASTON TAB, 1/4" X 1/4"	1
62	<u>00664-G7</u>						LOCK WASHER, 1/4" (STAINLESS STEEL)	1
63	<u>00532-G1</u>						NUT, 1/4 - 20.....	1
64								
65	<u>73446-G01</u>						FASTON TAB, 90°	1
66	<u>12914-G1</u>						FASTON TAB, #10 X 1/4"	1
67	<u>00565-G5</u>						LOCK WASHER, #10	2
68	<u>00526-G4</u>						NUT, #10 - 32.....	2
69	<u>25978-G56</u>						18 GA WIRE (BLACK 5 3/4").....	1
70	<u>22585-G3</u>						IN-LINE FUSE HOLDER	1
71	<u>00565-G8</u>						LOCK WASHER, 5/16"	2
72	<u>00544-G4</u>						JAM NUT, 5/16 - 24.....	2
73	<u>25972-G33</u>						6 GA WIRE (BLACK 24", B+ - SOL).....	1
74								
75	<u>25974-G22</u>						10 GA WIRE (WHITE 34") (ST 350).....	1
76	<u>35211-G01</u>						FUSE BLOCK (ST 350).....	1
77	<u>12914-G1</u>						FASTON TAB	1
78	<u>00567-G5</u>						LOCK WASHER, #10	1
79	<u>00526-G4</u>						NUT, #10 - 32	1
80	<u>35212-G01</u>						FUSE, 15 AMP	1
81	<u>00379-G2</u>						SCREW, #10 - 24 X 1 1/4" LG.....	2
82	<u>00559-G5</u>						WASHER, #10.....	2
83	<u>14390-G10</u>						LOCK NUT, #10 - 24	2
84								
85	<u>22674-G1</u>						FUSE BLOCK (ST SPORT)	1
86	<u>01041-G01</u>						RIVET, 1/8" X 13/16" LG	2
87	<u>18392-G1</u>						15 AMP FUSE	3
88								
89	<u>32860-G1</u>						HORN.....	1
90	<u>00414-G5</u>						BOLT, 1/4 - 20 x 5/8" LG.....	1

ELECTRICAL SYSTEM

THE USE OF NON U.L. PARTS WILL VOID ANY U.L. LISTING.

When ordering parts, please specify the model and serial number of the product.

* Indicates a component that is not available as an individual part.

G** Indicates consult Customer Service Department for additional information.

ITEM	PART NO.	1 2 3 4 5	DESCRIPTION	QTY.
91	<u>01110-G01</u>		WASHER, 1/4" (STAINLESS STEEL)	1
92	<u>00654-G2</u>		LOCK NUT, 1/4 - 20 (STAINLESS STEEL)	1
93				
94	<u>17318-G1</u>		HORN SWITCH.....	1
95	<u>17318-G2</u>		HORN SWITCH CAP AND NUT	1
96	<u>27068-G01</u>		HORN SWITCH BOOT	1
97	<u>19233-G1</u>		HORN SWITCH LABEL	1
98	<u>71055-G01</u>		RIVET, 3/16" X 1" LG (STAINLESS STEEL)	2
99				
100	<u>73214-G01</u>		HORN HARNESS (ST 350)	1
101	<u>25977-G40</u>		16 GA WIRE (BLACK 17")	1
102				
103	<u>20209-G3</u>		HEADLIGHT (INCLUDES ITEM 104).....	2
104	<u>00906-G6</u>		SCREW, #10 - 16 X 1" LG	2
105	<u>74337-G01</u>		HEADLIGHT JUMPER	2
106				
107	<u>20570-G3</u>		TURN SIGNAL LIGHT (INCLUDES ITEMS 108 - 113)	2
108	<u>20574-G3</u>		TURN SIGNAL LIGHT	1
109	<u>00660-G7</u>		WASHER, 1/4" (STAINLESS STEEL).....	1
110	<u>20606-G1</u>		WIRE ASSEMBLY	1
111	<u>00567-G7</u>		LOCK WASHER, 1/4"	1
112	<u>00532-G1</u>		NUT, 1/4 - 20.....	1
113	<u>18995-G1</u>		PUSH-ON MALE TERMINAL	1
114	<u>20574-G5</u>		LENS, AMBER	1
115	<u>00118-G5</u>		SCREW, #6 - 18 X 5/8" LG.....	2
116	<u>74056-G01</u>		TURN SIGNAL JUMPER, RED/BLACK (PASSENGER SIDE)	1
117	<u>74056-G02</u>		TURN SIGNAL JUMPER, GREEN/BLACK (DRIVER SIDE)	1
118				
119	<u>32739-G2</u>		TAILLIGHT ASSEMBLY (COMPLETE)	2
120				

ELECTRICAL SYSTEM

THE USE OF NON U.L. PARTS WILL VOID ANY U.L. LISTING.

When ordering parts, please specify the model and serial number of the product.

* Indicates a component that is not available as an individual part.

G** Indicates consult Customer Service Department for additional information.

ITEM	PART NO.	1	2	3	4	5	DESCRIPTION	QTY.
121								
122	<u>17867-G1</u>						TURN SIGNAL (WITH MOUNTING HARDWARE) (INCLUDES ITEM 123)	1
123	<u>21640-G1</u>						TURN SIGNAL FLASHER	1
124	<u>32307-G3</u>						FLEX LOOM, 3/8" X 8" LG	1
125	<u>17618-G1</u>						WIRE TIE	2
126	<u>20965-G3</u>						STEERING COLUMN COVER.....	1
127								
128	72228-G01						WIRE HARNESS (ACCESSORY) (ST SPORT)	1
129	<u>74042-G01</u>						HARNESS (LIGHTS) (ST 350).....	1
130	<u>35212-G01</u>						FUSE, 15 AMP	1
131								
132								
133	33639-G**						IGNITION SWITCH (WITH LIGHTS).....	1
134	<u>00568-G6</u>						LOCK WASHER, 3/4".....	1
135	17137-G1						FACE NUT, 3/4 - 20.....	1
136	<u>17063-G1</u>						IGNITION KEY (SET).....	1
137	<u>73041-G01</u>						WIRE HARNESS (KEY SWITCH).....	1
138								
139								
140	73030-G04						PLATE (FUEL GAUGE AND OIL LIGHT).....	1
141	<u>71131-G01</u>						LABEL (OIL LIGHT AND FUEL GAUGE WITH HEADLIGHTS)	1
142	<u>21553-G1</u>						FUEL GAUGE	1
143	<u>23474-G1</u>						INDICATOR LIGHT	1
144	<u>74311-G01</u>						HARNESS (OIL LIGHT/FUEL GAUGE) (ST 350)	1
145	<u>25978-G122</u>						18 GA WIRE (RED 6").....	1
146								
147								
148	33623-G02						DRIVE RIVET, 3/16" X 3/8" LG	2
149								
150								

ELECTRICAL SYSTEM

THE USE OF NON U.L. PARTS WILL VOID ANY U.L. LISTING.

When ordering parts, please specify the model and serial number of the product.

* Indicates a component that is not available as an individual part.

G** Indicates consult Customer Service Department for additional information.

ITEM	PART NO.	1 2 3 4 5	DESCRIPTION	QTY.
151	74444-G**		CONSOLE INSERT ASSEMBLY (WITH OR W/O POWER OUTLET) (INCLUDES ITEMS 152 - 155).....	1
152	71077-G**		CONSOLE INSERT PLATE	1
153	35966-G**		DECAL (CONSOLE INSERT PLATE).....	1
154	<u>71078-G01</u>		POWER OUTLET (12 VOLT).....	1
155	<u>14601-G10</u>		RIVET, 3/16" X 7/16" LG	2
156	<u>33623-G01</u>		DRIVE RIVET, 5/32" X 5/16" LG	3
157	<u>71081-G01</u>		WIRE HARNESS (POWER OUTLET)	1
158				
159				
160	75114-G02		HOUR METER KIT (INCLUDES ITEMS 161 - 165).....	1
161	<u>21573-G1</u>		HOUR METER ASSEMBLY.....	1
162	74019-G01		HOUR METER BRACKET.....	1
163	<u>00150-G4</u>		SCREW, #10 - 24 X 1/2" LG	2
164	11098-G7		LOCK NUT, #10 - 24.....	2
165	<u>75117-G01</u>		WIRE HARNESS (HOUR METER).....	1
166				
167				
168	71323-G**		LIGHT BAR (INCLUDES ITEMS 169 - 188, 191 AND/OR 199) (ST 350).....	1
169	75838-G01		STRUT (PASSENGER SIDE)	1
170	75838-G02		STRUT (DRIVER SIDE).....	1
171	<u>75346-G01</u>		WIRE HARNESS (WORK LIGHT)	1
172	<u>71294-G01</u>		BRACE.....	1
173	<u>71293-G01</u>		COVER PLATE	1
174	<u>75347-G01</u>		SWITCH HARNESS	1
175	71077-G**		CONSOLE INSERT PLATE	1
176	33201-G02		STROBE LIGHT MOUNT (USED ONLY WITH STROBE LIGHT).....	1
177	<u>75365-G01</u>		HARDWARE KIT (INCLUDES ITEMS 178 - 188).....	1
178	<u>00685-G7</u>		BOLT, 5/16 - 18 X 1 3/4" LG (STAINLESS STEEL).....	6
179	<u>00660-G8</u>		WASHER, 5/16" (STAINLESS STEEL)	12

ELECTRICAL SYSTEM

THE USE OF NON U.L. PARTS WILL VOID ANY U.L. LISTING.

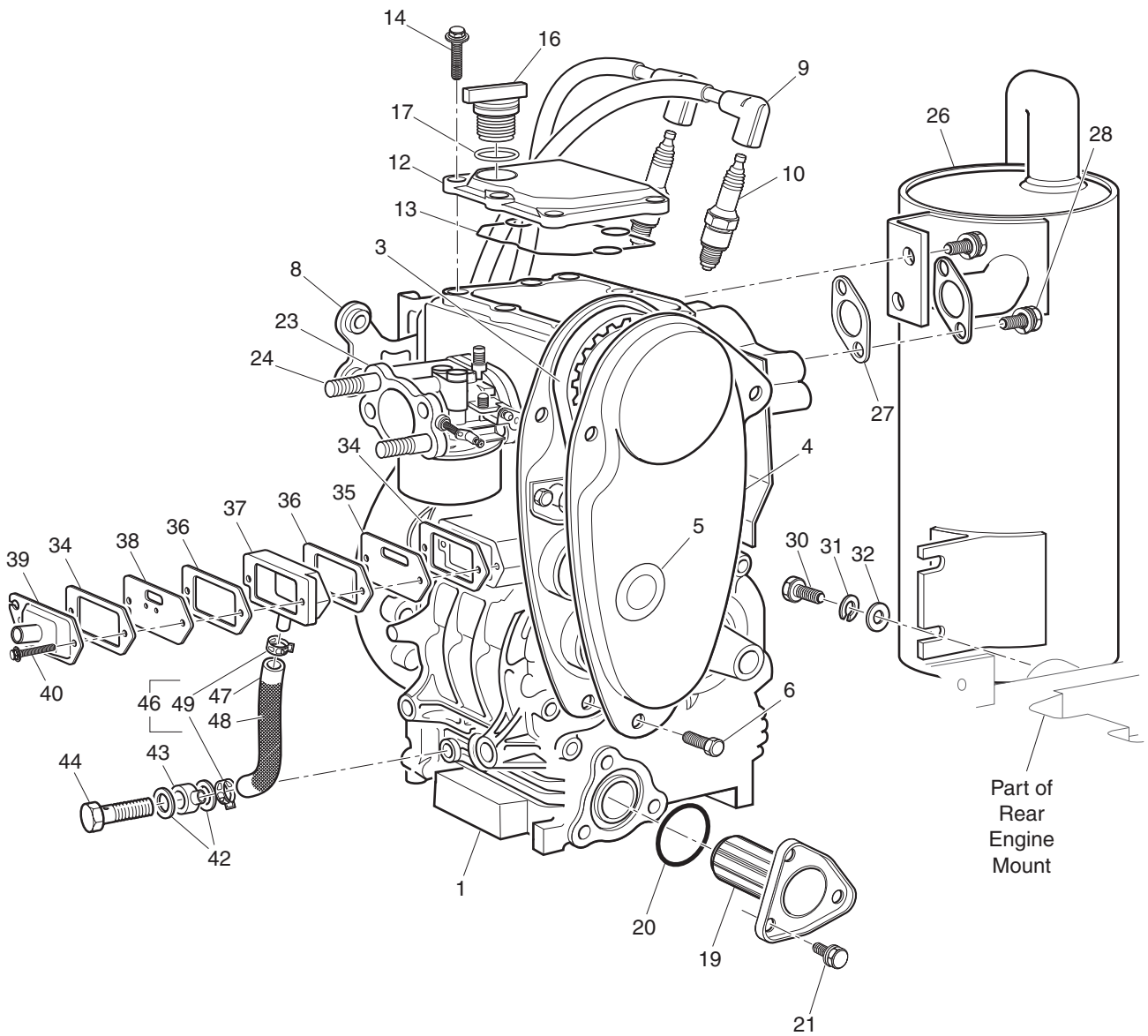
When ordering parts, please specify the model and serial number of the product.

* Indicates a component that is not available as an individual part.

G** Indicates consult Customer Service Department for additional information.

ITEM	PART NO.	1	2	3	4	5	DESCRIPTION	QTY.
180	74537-G01						BRACKET, REAR STRUT SUPPORT.....	2
181	<u>01109-G01</u>						LOCK NUT, 5/16 - 18 (STAINLESS STEEL)	4
182	<u>00918-G3</u>						ACORN NUT, 5/16 - 18	2
183	33623-G02						DRIVE RIVET, 3/16" X 7/16" LG.....	3
184	<u>20367-G1</u>						GROMMET	2
185	16705-G3						SCREW, 1/4 - 20 X 3/4" LG (STAINLESS STEEL)	2
186	<u>14390-G4</u>						LOCK NUT, 1/4 - 20	2
187	17314-G1						FLEX LOOM, 3/8" X 24" LG	1
188	<u>17618-G1</u>						WIRE TIE	3
189								
190								
191	<u>20383-G2</u>						WORK LIGHT KIT (INCLUDES ITEMS 192 - 197).....	1
192	<u>20209-G2</u>						WORK LIGHT (RECTANGULAR)	2
193	<u>00566-G3</u>						LOCK WASHER, 1/2"	2
194	<u>00533-G1</u>						NUT, 1/2 - 13	2
195	<u>17317-G1</u>						LIGHT SWITCH.....	1
196	<u>17902-G1</u>						TAB ADAPTER.....	1
197	<u>20053-G1</u>						16 GA WIRE (RED 5 3/8").....	1
198								
199	20385-G2						STROBE LIGHT KIT (INCLUDES ITEMS 200 - 205)	1
200	20394-G1						STROBE LIGHT	1
201	<u>00379-G4</u>						SCREW, #10 - 24 x 1/2" LG	3
202	11098-G7						LOCK NUT, #10 - 24	3
203	<u>17317-G1</u>						LIGHT SWITCH.....	1
204	<u>17902-G1</u>						TAB ADAPTER.....	1
205	<u>20053-G1</u>						16 GA WIRE (RED 5 3/8").....	1

ENGINE AND MUFFLER



Ref Emf 9

ENGINE AND MUFFLER

THE USE OF NON U.L. PARTS WILL VOID ANY U.L. LISTING.

When ordering parts, please specify the model and serial number of the product.

* Indicates a component that is not available as an individual part.

G** Indicates consult Customer Service Department for additional information.

ITEM	PART NO.	1	2	3	4	5	DESCRIPTION	QTY.
1	72650-G02						ENGINE, 350 CC	1
2								
3	<u>26626-G01</u>						TIMING BELT	1
4	26630-G01						TIMING BELT COVER	1
5	<u>26631-G01</u>						TIMING BELT COVER GROMMET.....	1
6	<u>26678-G01</u>						BOLT, M6 X 1 X 12 MM LG	3
7								
8	<u>26657-G01</u>						IGNITION COIL BRACKET	1
9	<u>26733-G01</u>						SPARK PLUG WIRE SET (2 WITH BOOTS)	1
10	<u>25523-G4</u>						SPARK PLUG (NGK BPR5ES)	2
11								
12	<u>26600-G01</u>						VALVE COVER.....	1
13	<u>26719-G01</u>						VALVE COVER GASKET	1
14	<u>26676-G01</u>						FLANGED BOLT, M6 X 1 X 23 MM LG	6
15								
16	<u>26601-G01</u>						OIL FILLER CAP	1
17	26720-G01						OIL FILLER 'O' RING	1
18								
19	<u>26591-G01</u>						OIL FILTER	1
20	<u>26710-G01</u>						OIL FILTER 'O' RING	1
21	<u>26680-G01</u>						BOLT AND WASHER, M6 X 1 X 12 MM LG	3
22								
23	XXXXX-XX						CARBURETOR (SEE CARBURETOR SECTION).....	X
24	<u>26667-G01</u>						STUD.....	2
25								
26	72019-G01						MUFFLER	1
27	<u>25531-G1</u>						EXHAUST GASKET	1
28	<u>25532-G1</u>						BOLT AND WASHER, M8 X 1.25 X 18 MM LG	4
29								
30	<u>00438-G8</u>						BOLT, 5/16 - 18 X 1" LG	1

ENGINE AND MUFFLER

THE USE OF NON U.L. PARTS WILL VOID ANY U.L. LISTING.

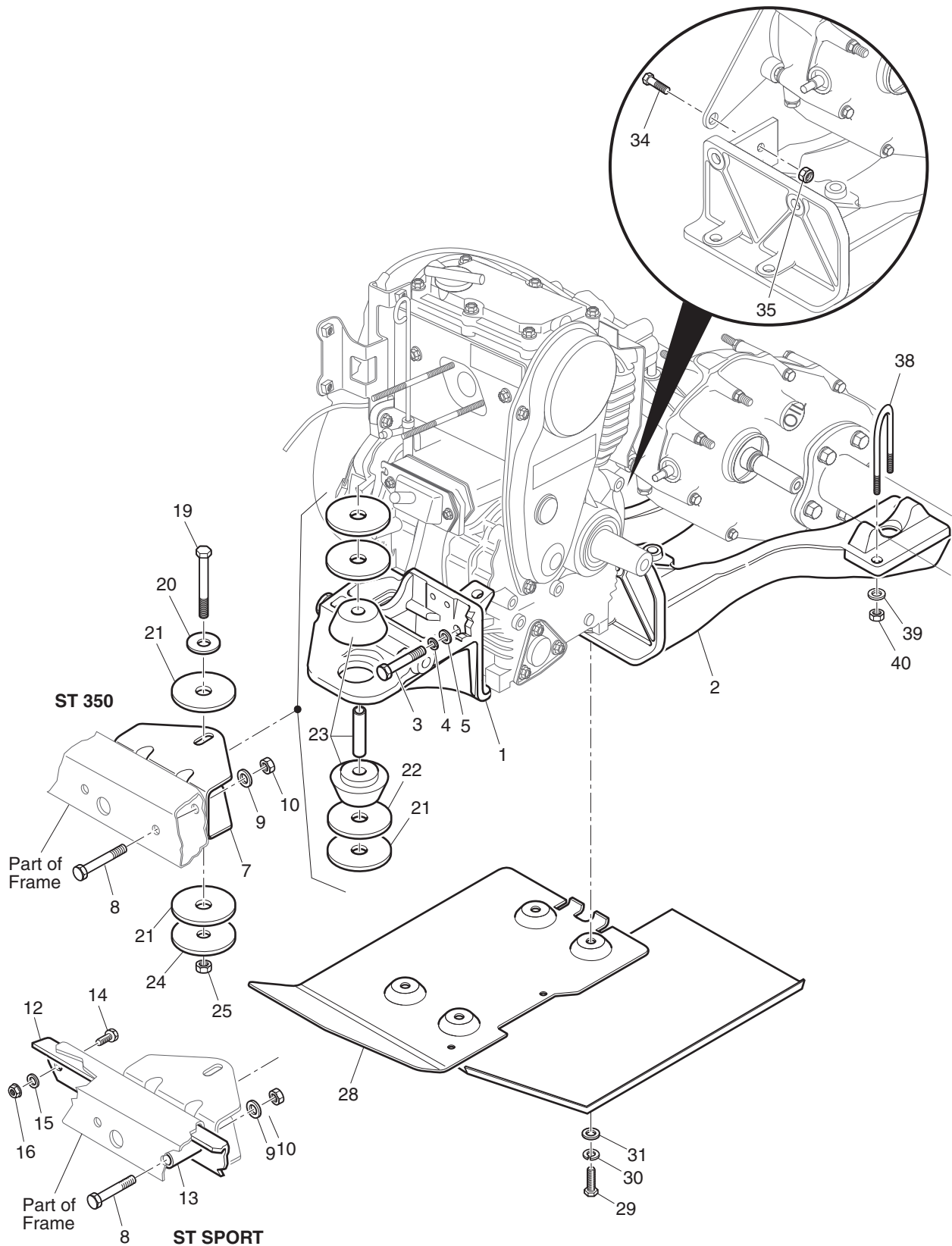
When ordering parts, please specify the model and serial number of the product.

* Indicates a component that is not available as an individual part.

G** Indicates consult Customer Service Department for additional information.

ITEM	PART NO.	1 2 3 4 5	DESCRIPTION	QTY.
31	<u>00565-G8</u>		LOCK WASHER, 5/16"	1
32	<u>00642-G8</u>		WASHER, 5/16"	1
33				
34	72555-G01		BREATHER COVER GASKET (THICK).....	2
35	<u>72657-G01</u>		INNER BREATHER PLATE (LONG SLOT).....	1
36	72554-G01		BREATHER COVER GASKET (THIN).....	2
37	<u>72658-G01</u>		BREATHER BOX.....	1
38	<u>72676-G01</u>		OUTER BREATHER PLATE (SHORT SLOT)	1
39	72659-G01		BREATHER COVER	1
40	<u>72680-G01</u>		FLANGED BOLT, M6 X 1 X 70 MM LG	2
41				
42	<u>72656-G01</u>		ALUMINUM GASKET.....	2
43	72655-G01		BANJO UNION.....	1
44	72654-G01		BANJO BOLT	1
45				
46	72653-G01		RUBBER RETURN HOSE (INCLUDES ITEMS 47 - 49)	1
47	<u>72677-G01</u>		RUBBER HOSE, 6 MM ID X 12 MM OD X 145 MM LG	1
48	72678-G01		MESH PROTECTIVE COVER.....	1
49	72679-G01		HOSE CLAMP	2

ENGINE MOUNTING



Ref Emt 9

ENGINE MOUNTING

THE USE OF NON U.L. PARTS WILL VOID ANY U.L. LISTING.

When ordering parts, please specify the model and serial number of the product.

* Indicates a component that is not available as an individual part.

G** Indicates consult Customer Service Department for additional information.

ITEM	PART NO.	1	2	3	4	5	DESCRIPTION	QTY.
1	<u>72010-G01</u>						FRONT ENGINE MOUNT	1
2	<u>72011-G01</u>						REAR ENGINE MOUNT	1
3	<u>00463-G4</u>						BOLT, 7/16 - 14 X 1 1/2" LG	4
4	<u>00566-G2</u>						LOCK WASHER, 7/16"	4
5	<u>00922-G3</u>						WASHER, 7/16"	4
6								
7	<u>72044-G01</u>						MOUNT BRACKET (ST 350)	1
8	<u>00428-G6</u>						BOLT, 3/8 - 16 X 2 3/4" LG	2
9	<u>00643-G1</u>						WASHER, 3/8"	2
10	<u>11098-G5</u>						LOCK NUT, 3/8 - 16	2
11								
12	<u>70269-G01</u>						CROSSMEMBER BRACE (ST SPORT)	1
13	<u>72016-G01</u>						SPACER	2
14	<u>00438-G7</u>						BOLT, 5/16 - 18 X 7/8"	2
15	<u>01110-G03</u>						WASHER, 5/16" (STAINLESS STEEL)	2
16	<u>01109-G01</u>						LOCK NUT, 5/16 - 18 (STAINLESS STEEL)	2
17								
18								
19	<u>00430-G4</u>						BOLT, 3/8 - 16 X 4 1/2" LG	1
20	<u>15121-G1</u>						WASHER, 1 1/4" X 3/8"	1
21	<u>72050-G01</u>						PLASTIC WASHER, 5/8" X 2 1/4"	4
22	<u>72051-G01</u>						WASHER, 2 1/2" X 5/8"	2
23	<u>72015-G01</u>						ISOLATION MOUNT	1
24	<u>72051-G02</u>						WASHER, 3/8"	1
25	<u>11098-G5</u>						LOCK NUT, 3/8 - 16	1
26								
27								
28	<u>72719-G01</u>						ENGINE GUARD	1
29	<u>00463-G4</u>						BOLT, 7/16 - 14 X 1 1/2" LG	4
30	<u>00566-G2</u>						LOCK WASHER, 7/16"	4

ENGINE MOUNTING

THE USE OF NON U.L. PARTS WILL VOID ANY U.L. LISTING.

When ordering parts, please specify the model and serial number of the product.

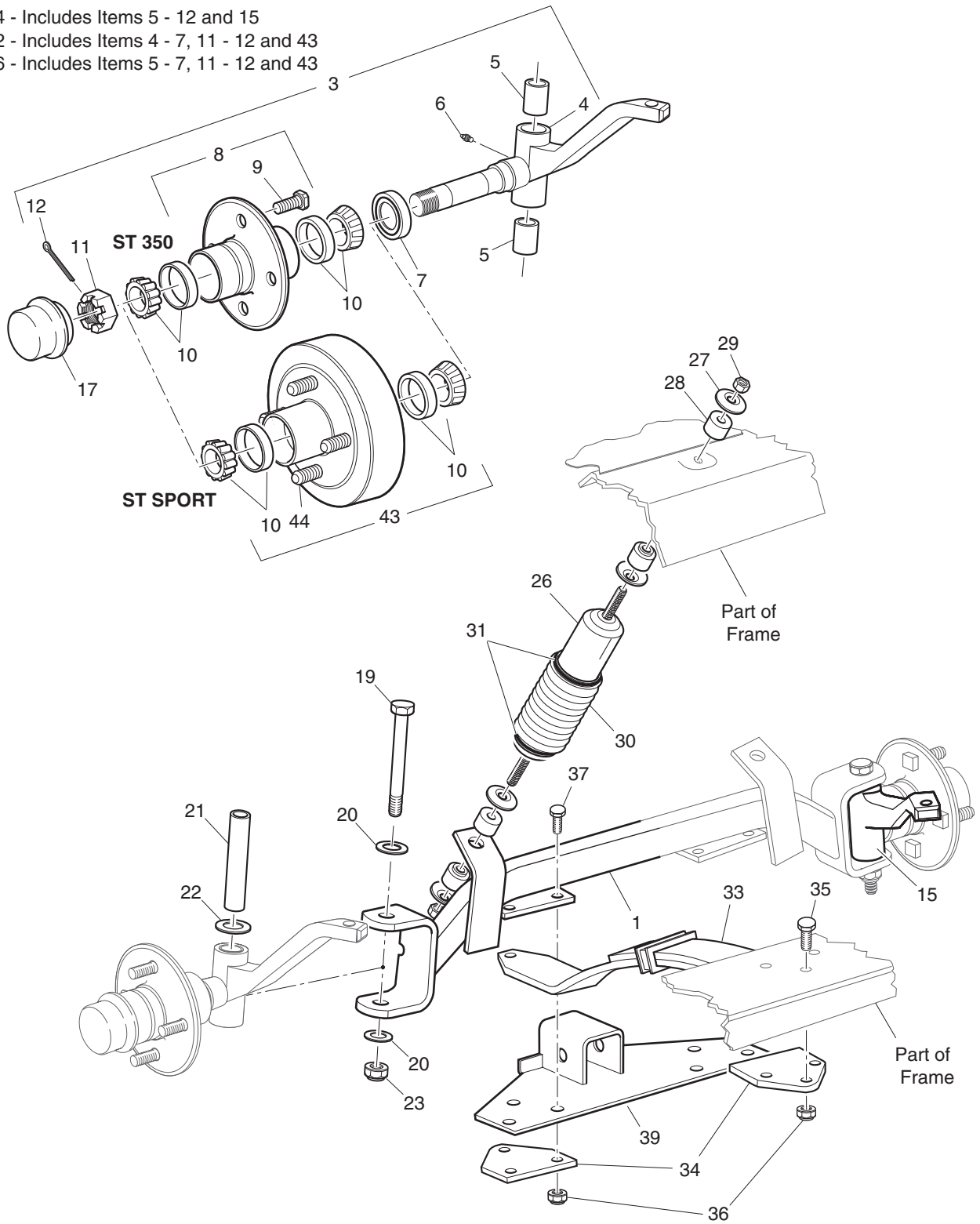
* Indicates a component that is not available as an individual part.

G** Indicates consult Customer Service Department for additional information.

ITEM	PART NO.	1 2 3 4 5	DESCRIPTION	QTY.
31	<u>00922-G3</u>		WASHER, 7/16"	4
32				
33				
34	<u>00439-G1</u>		BOLT, 5/16 - 18 X 1 1/8" LG	1
35	<u>01109-G01</u>		LOCK NUT, 5/16 - 18 (STAINLESS STEEL)	1
36				
37				
38	<u>72035-G01</u>		'U' BOLT, 7/16 - 14 X 3 7/16" X 3 9/16" LG	2
39	<u>00922-G3</u>		WASHER, 7/16"	4
40	<u>00734-G1</u>		LOCK NUT, 7/16 - 14	4

FRONT SUSPENSION

- 14 - Includes Items 5 - 12 and 15
- 42 - Includes Items 4 - 7, 11 - 12 and 43
- 46 - Includes Items 5 - 7, 11 - 12 and 43



Ref Fsp 9

FRONT SUSPENSION

THE USE OF NON U.L. PARTS WILL VOID ANY U.L. LISTING.

When ordering parts, please specify the model and serial number of the product.

* Indicates a component that is not available as an individual part.

G** Indicates consult Customer Service Department for additional information.

ITEM	PART NO.	1	2	3	4	5	DESCRIPTION	QTY.
1	<u>70515-G01</u>						FRONT AXLE	1
2								
3	<u>70535-G03</u>						SPINDLE ASSEMBLY (DRIVER SIDE) (INCLUDES ITEMS 4 - 12)	1
4	*						SPINDLE (DRIVER SIDE)	1
5	<u>16623-G1</u>						BEARING	2
6	<u>10389-G3</u>						GREASE FITTING, STRAIGHT	1
7	<u>25146-G1</u>						GREASE SEAL	1
8	<u>35886-G01</u>						WHEEL HUB ASSEMBLY WITH RACES (INCLUDES ITEMS 9)	1
9	<u>19862-G1</u>						LUG BOLT, 1/2 - 20 X 1 3/16" LG	4
10	<u>50892-G1</u>						BEARING AND RACE ASSEMBLY (COMPLETE)	2
11	<u>12093-G1</u>						SLOTTED NUT, 1 - 14	1
12	<u>00798-G8</u>						COTTER PIN, 5/32" X 1 3/4" LG	1
13								
14	<u>70534-G03</u>						SPINDLE ASSEMBLY (PASSENGER SIDE) (INCL ITEMS 5 - 12, 15)	1
15	*						SPINDLE (PASSENGER SIDE)	1
16								
17	<u>12091-G2</u>						SPINDLE CAP	2
18								
19	<u>01040-G01</u>						BOLT, 1/2 - 13 X 5" LG	2
20	<u>00571-G5</u>						WASHER, 1/2"	4
21	<u>70328-G01</u>						KING PIN TUBE	2
22	<u>16982-G1</u>						THRUST WASHER, 7/8"	2
23	<u>14390-G6</u>						LOCK NUT, 1/2 - 13	2
24								
25								
26	<u>70630-G01</u>						SHOCK ABSORBER	2
27	<u>10435-G1</u>						SHOCK ABSORBER WASHER	8
28	<u>10194-G1</u>						RUBBER BUSHING	8
29	<u>00532-G6</u>						NUT, 3/8 - 24	4
30	<u>70509-G01</u>						SHOCK ABSORBER BOOT	2

FRONT SUSPENSION

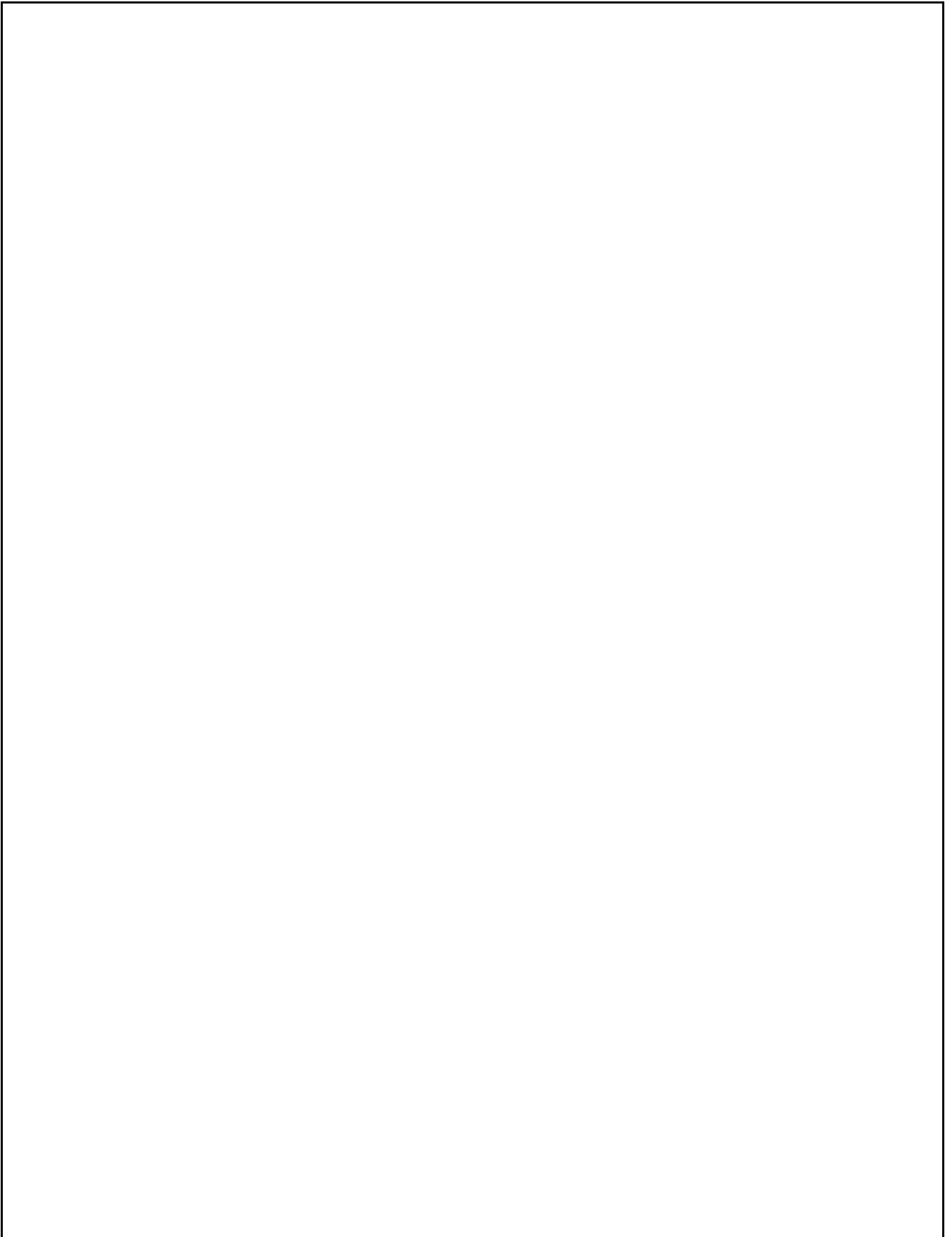
THE USE OF NON U.L. PARTS WILL VOID ANY U.L. LISTING.

When ordering parts, please specify the model and serial number of the product.

* Indicates a component that is not available as an individual part.

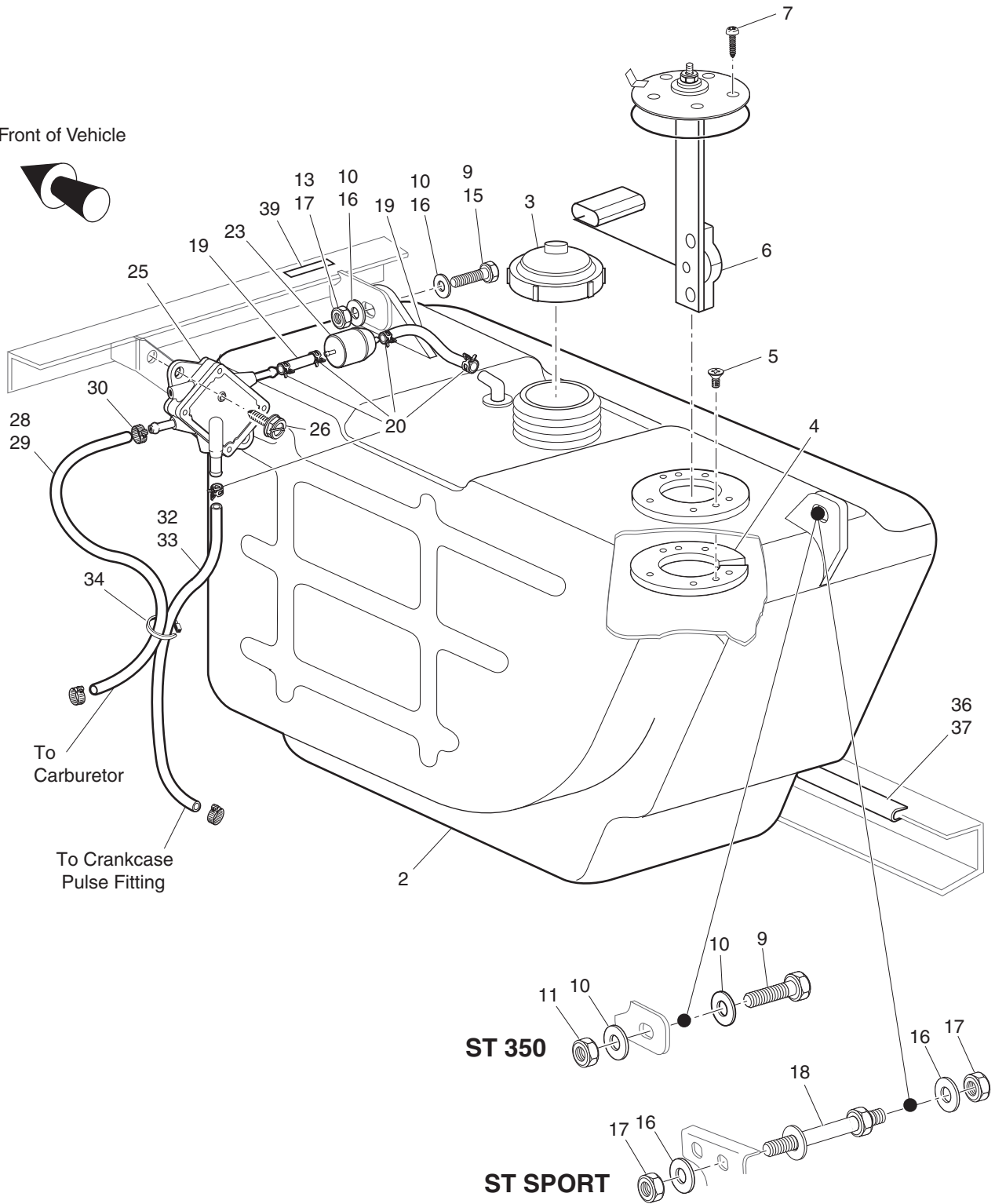
G** Indicates consult Customer Service Department for additional information.

ITEM	PART NO.	1 2 3 4 5	DESCRIPTION	QTY.
31	<u>31539-G1</u>		WIRE TIE	4
32				
33	<u>70422-G01</u>		LEAF SPRING (HEAVY DUTY).....	2
34	<u>70163-G02</u>		SPRING PLATE	4
35	<u>00463-G6</u>		BOLT, 7/16 - 14 X 1 3/4" LG	6
36	<u>00734-G1</u>		LOCK NUT, 7/16 - 14	12
37	<u>00463-G6</u>		BOLT, 7/16 - 14 X 1 3/4" LG	6
38				
39	<u>74255-G01</u>		WINCH RECEIVER.....	1
40				
41				
42	<u>70535-G02</u>		SPINDLE ASSEMBLY (DRIVER SIDE) (INCLUDES ITEMS 4 - 7, 11 - 12, 43) (ST SPORT)	1
43	<u>72590-G01</u>		WHEEL HUB ASSEMBLY (INCLUDES ITEMS 10, 44) (ST SPORT).....	1
44	*		SET SCREW, 1/2 - 20 X 2" LG.....	4
45				
46	<u>70534-G02</u>		SPINDLE ASSEMBLY (PASSENGER SIDE) (INCLUDES ITEMS 5 - 7, 11 - 12, 15, 43) (ST SPORT)	1



FUEL SYSTEM

Front of Vehicle



Ref Fsy 9

FUEL SYSTEM

THE USE OF NON U.L. PARTS WILL VOID ANY U.L. LISTING.

When ordering parts, please specify the model and serial number of the product.

* Indicates a component that is not available as an individual part.

G** Indicates consult Customer Service Department for additional information.

ITEM	PART NO.	1 2 3 4 5	DESCRIPTION	QTY.
1	<u>72231-G01</u>		FUEL TANK ASSEMBLY (INCLUDES ITEMS 2 - 7)	1
2	<u>72092-G02</u>		FUEL TANK (FOR ELECTRIC GAUGE / WARNING LIGHT)	1
3	<u>72282-G01</u>		FUEL TANK CAP	1
4	<u>72229-G01</u>		FUEL LEVEL SENDER ADAPTER.....	1
5	<u>72230-G01</u>		SCREW, #6 - 32 X 1/2" LG	2
6	<u>20048-G2</u>		FUEL LEVEL SENDER (ELECTRIC FUEL GAUGE)	1
7	<u>72232-G01</u>		SCREW, #10 - 32 X 3/4"	5
8				
9	<u>00439-G1</u>		BOLT, 5/16 - 18 X 1 1/8" LG (ST 350)	2
10	<u>00559-G8</u>		WASHER, 5/16" (ST 350)	4
11	<u>01109-G01</u>		LOCK NUT, 5/16 - 18 (STAINLESS STEEL) (ST 350)	2
12				
13				
14				
15	<u>00438-G8</u>		BOLT, 5/16 - 18 X 1" LG (ST SPORT).....	1
16	<u>00559-G8</u>		WASHER, 5/16" (ST SPORT)	4
17	<u>01109-G01</u>		LOCK NUT, 5/16 - 18 (STAINLESS STEEL) (ST SPORT).....	3
18	<u>70483-G01</u>		SPACER (ST SPORT).....	1
19				
20	<u>17470-G1</u>		FUEL SYSTEM TUBE, 1/4" ID X 1/2" OD (BULK), 3 1/4" LG	2
21	<u>18292-G1</u>		CLAMP	5
22				
23	<u>72084-G01</u>		FUEL FILTER	1
24				
25	<u>72021-G01</u>		FUEL PUMP.....	1
26	<u>00114-G6</u>		SCREW, 1/4 - 14 X 3/4" LG.....	2
27				
28	<u>17470-G1</u>		FUEL SYSTEM TUBE, 1/4" ID X 1/2" OD (BULK), 26" LG (ST 350)	1
29	<u>17470-G1</u>		FUEL SYSTEM TUBE, 1/4" ID X 1/2" OD (BULK), 16" LG (ST SPORT).....	1
30	<u>11391-G4</u>		HOSE CLAMP, 1/4"	3

FUEL SYSTEM

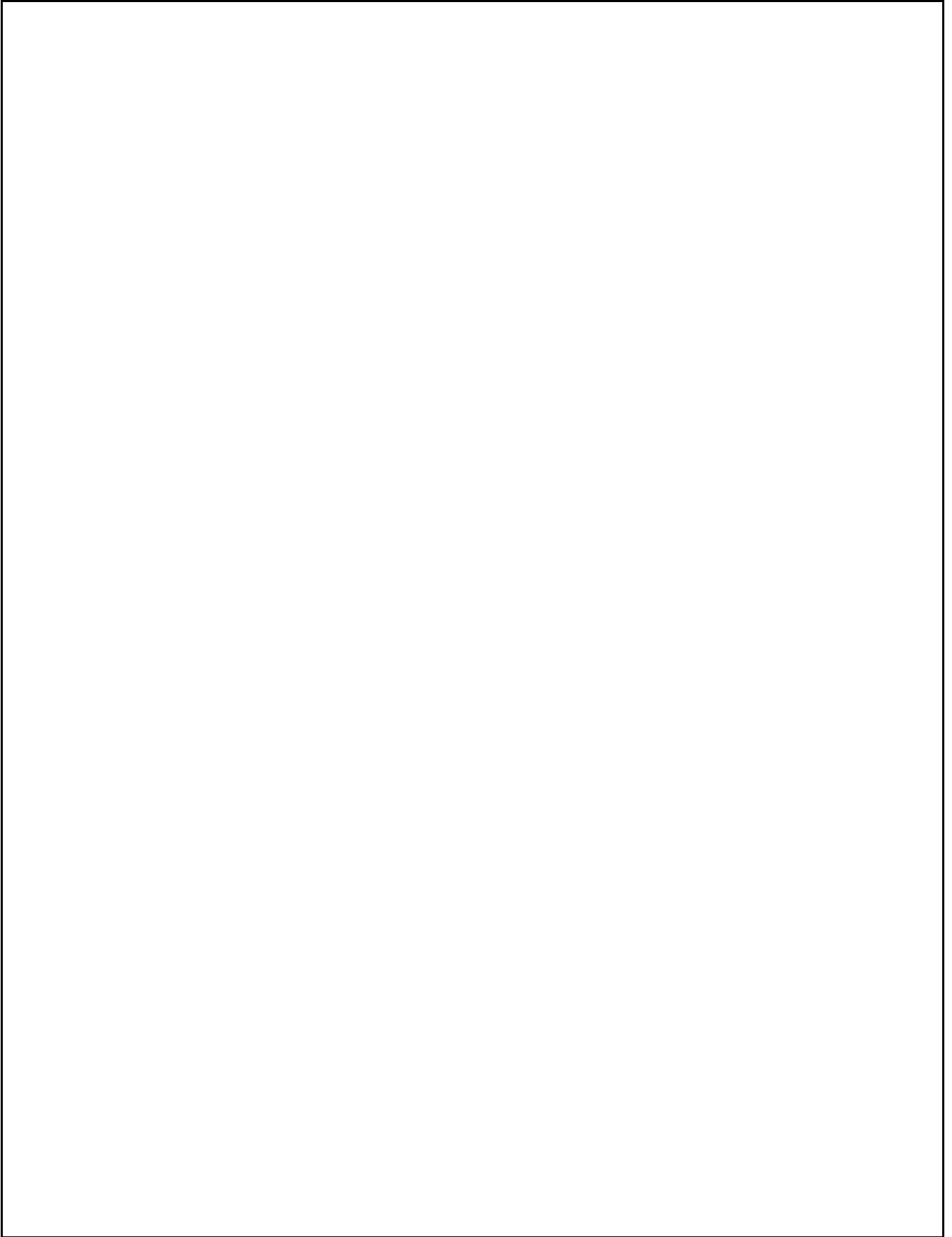
THE USE OF NON U.L. PARTS WILL VOID ANY U.L. LISTING.

When ordering parts, please specify the model and serial number of the product.

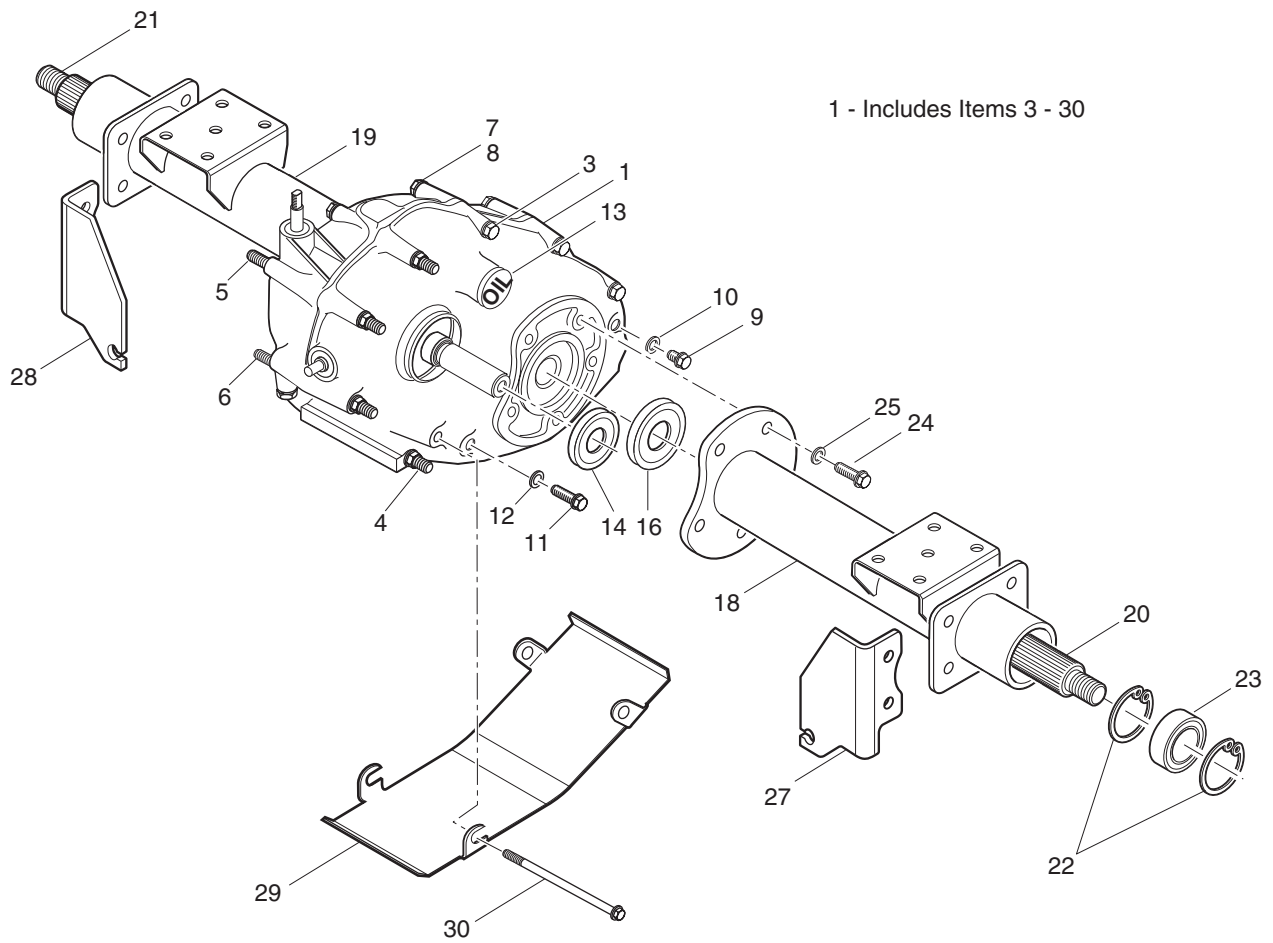
* Indicates a component that is not available as an individual part.

G** Indicates consult Customer Service Department for additional information.

ITEM	PART NO.	1 2 3 4 5	DESCRIPTION	QTY.
31				
32	<u>27183-G01</u>		TUBE, 1/4" ID X 1/2" OD (BULK), 26" LG (ST 350)	1
33	<u>27183-G01</u>		TUBE, 1/4" ID X 1/2" OD (BULK), 16" LG (ST SPORT).....	1
34	<u>17618-G1</u>		WIRE TIE	3
35				
36	<u>22280-G1</u>		VINYL TRIM - BLACK (BULK), 14" LG (ST 350)	1
37	<u>22280-G1</u>		VINYL TRIM - BLACK (BULK), 6 1/4" LG (ST SPORT)	1
38				
39	<u>26459-G01</u>		LABEL (UNLEADED GASOLINE ONLY)	1



REAR AXLE - SINGLE CABLE SHIFTER



Ref Rax 9

REAR AXLE - SINGLE CABLE SHIFTER

THE USE OF NON U.L. PARTS WILL VOID ANY U.L. LISTING.

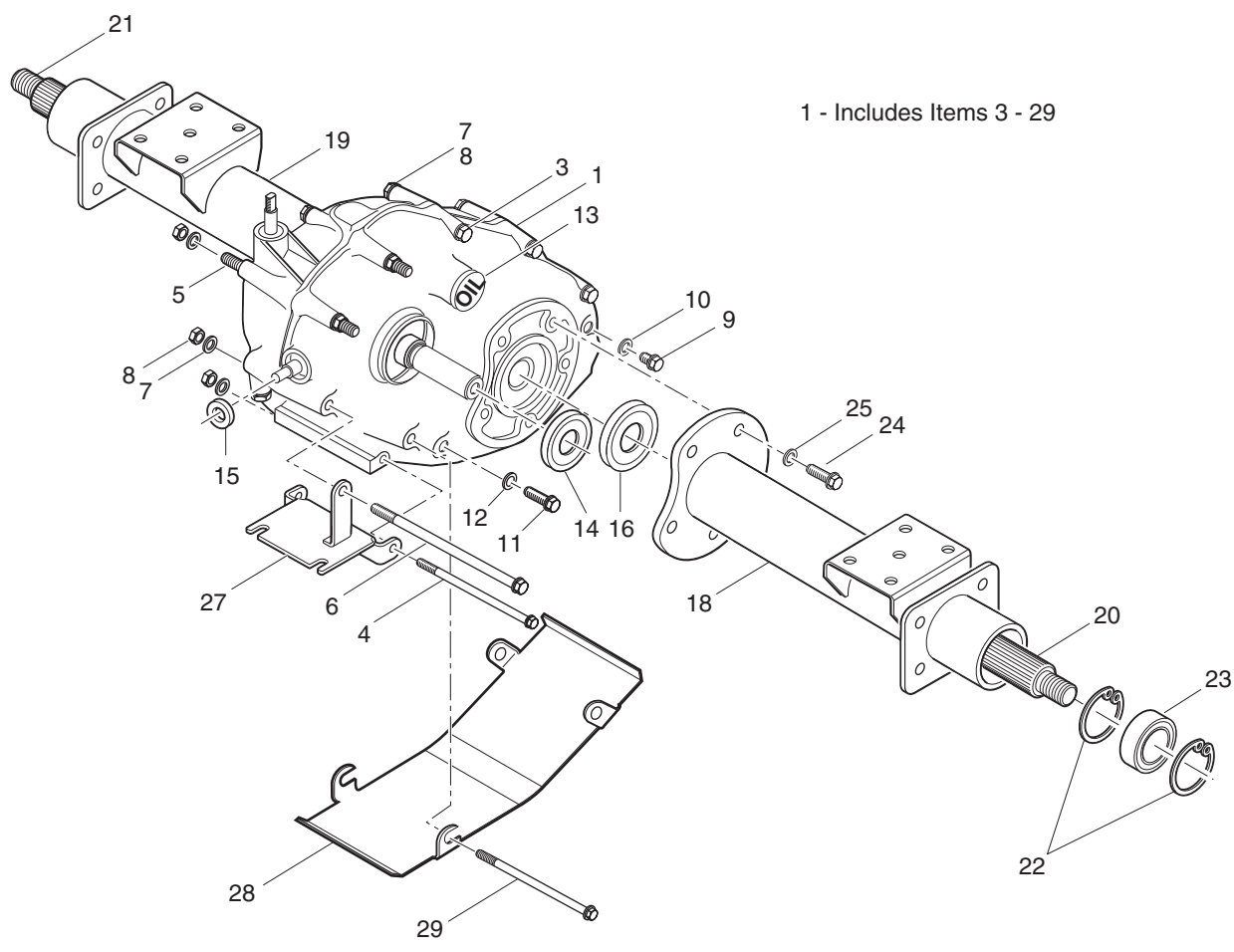
When ordering parts, please specify the model and serial number of the product.

* Indicates a component that is not available as an individual part.

G** Indicates consult Customer Service Department for additional information.

ITEM	PART NO.	1	2	3	4	5	DESCRIPTION	QTY.
1	<u>74545-G01</u>						REAR AXLE ASSEMBLY (13.32:1) (INCLUDES ITEMS 3 - 30).....	1
2								
3	<u>26823-G01</u>						FLANGED BOLT, M8 X 1.25 X 100 MM LG.....	7
4	<u>26824-G01</u>						FLANGED BOLT, M8 X 1.25 X 110 MM LG.....	1
5	<u>72053-G01</u>						FLANGED BOLT, M8 X 1.25 X 120 MM LG.....	1
6	<u>72052-G01</u>						FLANGED BOLT, M8 X 1.25 X 130 MM LG.....	1
7	<u>26826-G01</u>						LOCK WASHER, 8 MM	4
8	<u>26827-G01</u>						NUT, M8 X 1.25 MM.....	4
9	<u>26768-G01</u>						OIL CHECK PLUG.....	1
10	<u>26769-G01</u>						GASKET, 8 MM.....	1
11	<u>26770-G01</u>						OIL DRAIN PLUG	1
12	<u>26771-G01</u>						GASKET, 14 MM.....	1
13	<u>26772-G01</u>						OIL FILLER PLUG	1
14	<u>26761-G01</u>						INPUT SHAFT SEAL	1
15	<u>26762-G01</u>						SHIFTER SHAFT SEAL.....	1
16	<u>26766-G01</u>						AXLE SHAFT SEAL.....	2
17								
18	<u>72058-G01</u>						AXLE TUBE (DRIVER SIDE).....	1
19	<u>72059-G01</u>						AXLE TUBE (PASSENGER SIDE)	1
20	<u>72056-G01</u>						AXLE SHAFT (DRIVER SIDE).....	1
21	<u>72057-G01</u>						AXLE SHAFT (PASSENGER SIDE)	1
22	<u>26814-G01</u>						RETAINING RING.....	4
23	<u>26811-G01</u>						BALL BEARING	2
24	<u>72260-G01</u>						FLANGED BOLT, M10 X 1.5 X 23 MM LG.....	10
25	<u>26828-G01</u>						WASHER, 10 MM	10
26								
27	<u>75870-G01</u>						BRAKE CABLE BRACKET (DRIVER SIDE).....	1
28	<u>75870-G02</u>						BRAKE CABLE BRACKET (PASSENGER SIDE)	1
29	<u>72349-G01</u>						DIFFERENTIAL SKID PLATE	1
30	<u>72053-G01</u>						FLANGED BOLT, M8 X 1.25 X 110 MM LG.....	2

REAR AXLE - DUAL CABLE SHIFTER



1 - Includes Items 3 - 29

Ref Rxd 9

REAR AXLE - DUAL CABLE SHIFTER

THE USE OF NON U.L. PARTS WILL VOID ANY U.L. LISTING.

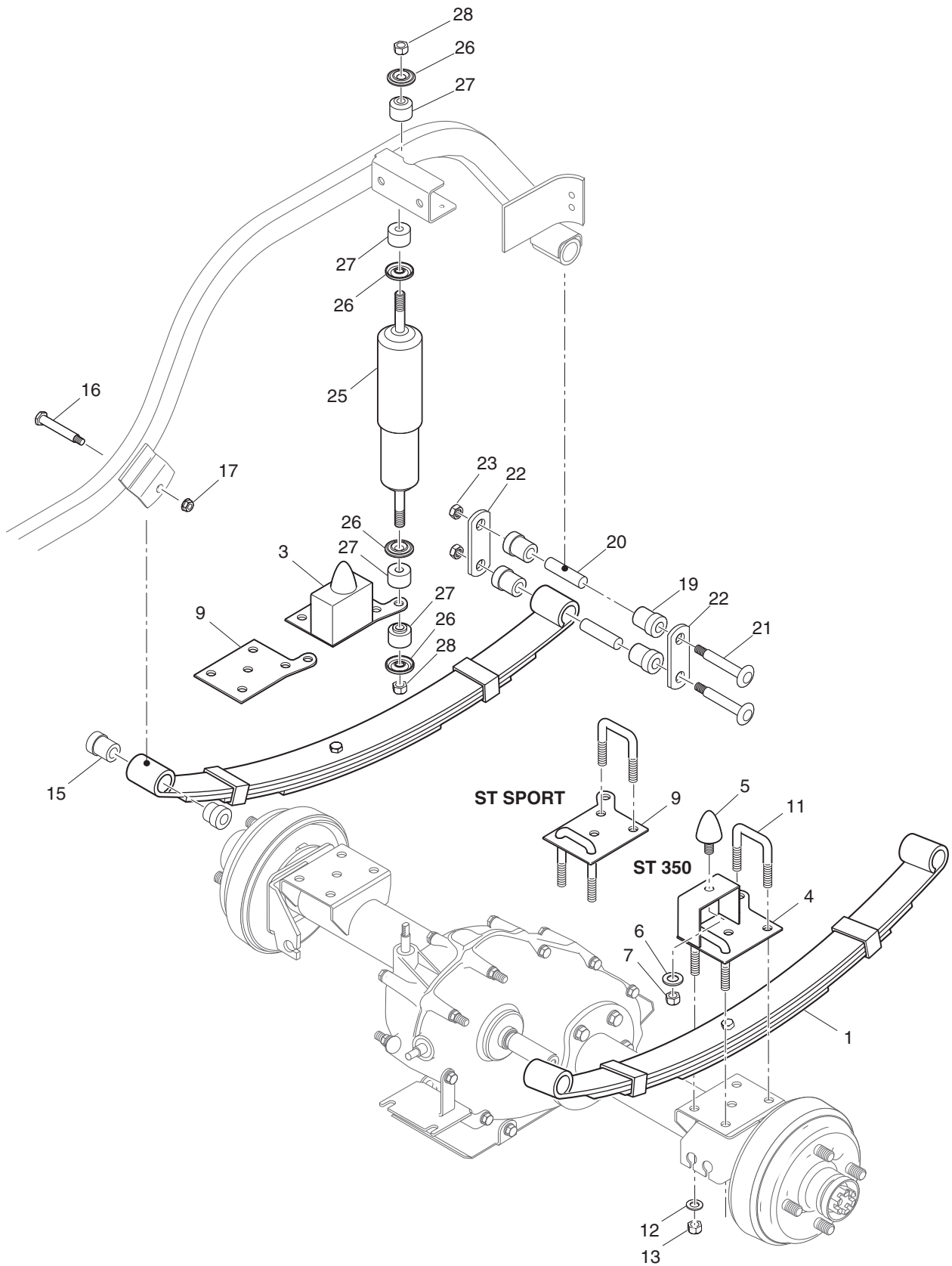
When ordering parts, please specify the model and serial number of the product.

* Indicates a component that is not available as an individual part.

G** Indicates consult Customer Service Department for additional information.

ITEM	PART NO.	1	2	3	4	5	DESCRIPTION	QTY.
1	<u>72408-G01</u>						REAR AXLE ASSEMBLY (13.32:1) (INCLUDES ITEMS 3 - 29).....	1
2								
3	<u>26823-G01</u>						FLANGED BOLT, M8 X 1.25 X 100 MM LG.....	7
4	<u>26824-G01</u>						FLANGED BOLT, M8 X 1.25 X 110 MM LG.....	1
5	<u>72053-G01</u>						FLANGED BOLT, M8 X 1.25 X 120 MM LG.....	1
6	<u>72052-G01</u>						FLANGED BOLT, M8 X 1.25 X 130 MM LG.....	1
7	<u>26826-G01</u>						LOCK WASHER, 8 MM	4
8	<u>26827-G01</u>						NUT, M8 X 1.25 MM.....	4
9	<u>26768-G01</u>						OIL CHECK PLUG.....	1
10	<u>26769-G01</u>						GASKET, 8 MM.....	1
11	<u>26770-G01</u>						OIL DRAIN PLUG	1
12	<u>26771-G01</u>						GASKET, 14 MM.....	1
13	<u>26772-G01</u>						OIL FILLER PLUG	1
14	<u>26761-G01</u>						INPUT SHAFT SEAL	1
15	<u>26762-G01</u>						SHIFTER SHAFT SEAL.....	1
16	<u>26766-G01</u>						AXLE SHAFT SEAL.....	2
17								
18	<u>72058-G01</u>						AXLE TUBE (DRIVER SIDE).....	1
19	<u>72059-G01</u>						AXLE TUBE (PASSENGER SIDE)	1
20	<u>72056-G01</u>						AXLE SHAFT (DRIVER SIDE).....	1
21	<u>72057-G01</u>						AXLE SHAFT (PASSENGER SIDE)	1
22	<u>26814-G01</u>						RETAINING RING.....	4
23	<u>26811-G01</u>						BALL BEARING	2
24	<u>72260-G01</u>						FLANGED BOLT, M10 X 1.5 X 23 MM LG.....	10
25	<u>26828-G01</u>						WASHER, 10 MM	10
26								
27	<u>26815-G01</u>						SHIFTER CABLE BRACKET.....	1
28	<u>72349-G01</u>						DIFFERENTIAL SKID PLATE	1
29	<u>72053-G01</u>						FLANGED BOLT, M8 X 1.25 X 110 MM LG.....	2

REAR SUSPENSION



Ref Rsp 9

REAR SUSPENSION

THE USE OF NON U.L. PARTS WILL VOID ANY U.L. LISTING.

When ordering parts, please specify the model and serial number of the product.

* Indicates a component that is not available as an individual part.

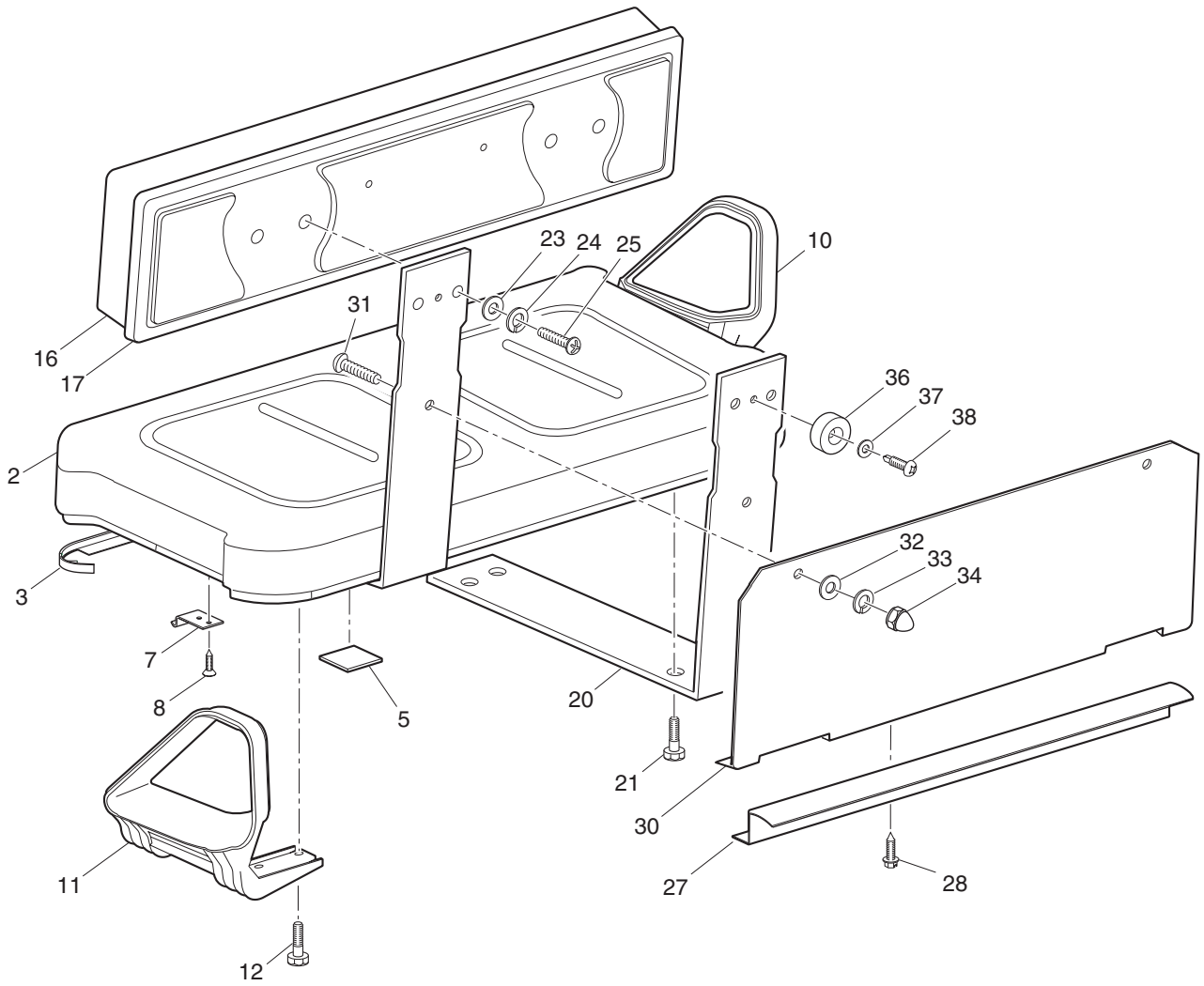
G** Indicates consult Customer Service Department for additional information.

ITEM	PART NO.	1	2	3	4	5	DESCRIPTION	QTY.
1	<u>74207-G01</u>						HEAVY DUTY LEAF SPRING	2
2								
3	<u>72360-G01</u>						SHOCK/STOP MOUNT (PASSENGER SIDE) (ST 350)	1
4	<u>72360-G02</u>						SHOCK/STOP MOUNT (DRIVER SIDE) (ST 350)	1
5	<u>70492-G01</u>						RUBBER BUMPER (ST 350)	2
6	<u>00968-G01</u>						LOCK WASHER, 10 MM (ST 350)	2
7	<u>00974-G01</u>						NUT, M10 X 1.5 (ST 350)	2
8								
9	<u>72357-G02</u>						SPRING PLATE (ST SPORT)	2
10								
11	<u>72618-G02</u>						'U' BOLT, 3/8 - 16 X 2" X 2 1/8" LG	4
12	<u>00560-G1</u>						WASHER, 3/8"	8
13	<u>11098-G5</u>						LOCK NUT, 3/8 - 16	8
14								
15	<u>70291-G01</u>						FLANGED BUSHING	4
16	<u>14158-G1</u>						SHOULDER BOLT, 3/8 - 16 X 3 1/4" LG	2
17	<u>12262-G1</u>						LOCK NUT, 3/8 - 16	2
18								
19	<u>70291-G01</u>						FLANGED BUSHING	8
20	<u>70289-G02</u>						SPACER	4
21	<u>00665-G9</u>						BOLT, 3/8 - 16 X 3 1/2" LG (STAINLESS STEEL)	4
22	<u>70290-G01</u>						SHACKLE PLATE	4
23	<u>11098-G5</u>						LOCK NUT, 3/8 - 16	4
24								
25	<u>70324-G01</u>						SHOCK ABSORBER	2
26	<u>10435-G1</u>						SHOCK ABSORBER WASHER	8
27	<u>10194-G1</u>						RUBBER SHOCK ABSORBER BUSHING	8
28	<u>00532-G6</u>						NUT, 3/8 - 24	4

SEATING

ST 350

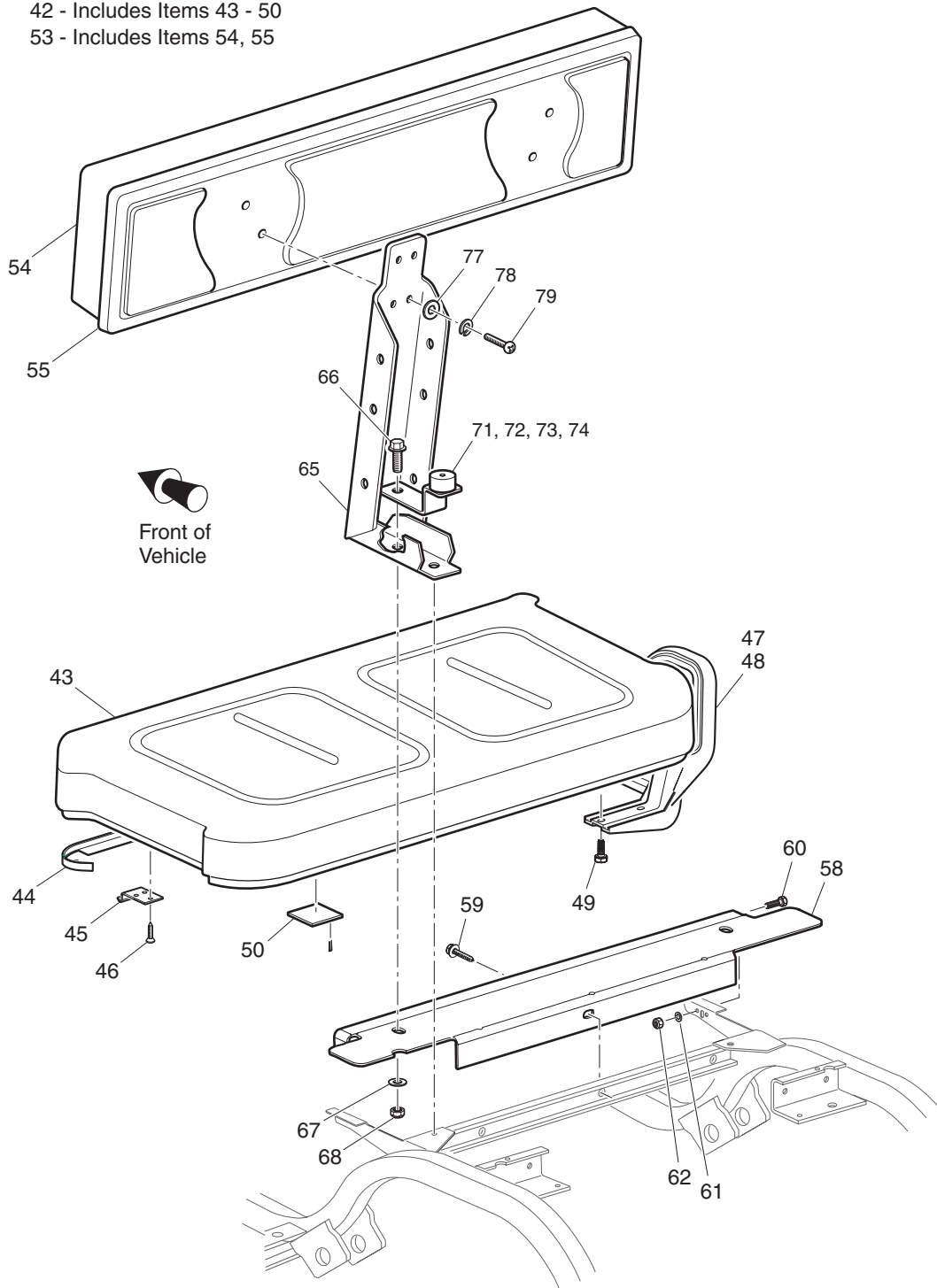
1 - Includes Items 2, 3
15 - Includes Items 16, 17



Ref Sea 9-1

ST SPORT

42 - Includes Items 43 - 50
53 - Includes Items 54, 55



Ref Sea 9-2

SEATING

THE USE OF NON U.L. PARTS WILL VOID ANY U.L. LISTING.

When ordering parts, please specify the model and serial number of the product.

* Indicates a component that is not available as an individual part.

G** Indicates consult Customer Service Department for additional information.

ITEM	PART NO.	1 2 3 4 5	DESCRIPTION	QTY.
1	71664-G**		SEAT BOTTOM ASSEMBLY (INCLUDES ITEMS 2, 3)	1
2	71602-G**		VINYL SEAT BOTTOM COVER	1
3	<u>71012-G01</u>		VINYL TRIM (SEAT BOTTOM)	1
4				
5	<u>17074-G1</u>		RUBBER PAD	2
6				
7	<u>71610-G01</u>		SEAT HINGE	2
8	<u>00720-G08</u>		SCREW, #12 - 14 X 1" LG (STAINLESS STEEL)	6
9				
10	<u>71701-G01</u>		HIP RESTRAINT (PASSENGER SIDE)	1
11	<u>71702-G01</u>		HIP RESTRAINT (DRIVER SIDE)	1
12	71204-G01		BOLT, 1/4 - 20 X 7/8" LG	8
13				
14				
15	27546-G**		SEAT BACK ASSEMBLY (INCLUDES ITEMS 16, 17)	1
16	18144-G**		VINYL SEAT BACK COVER	1
17	18868-G3		PLASTIC SEAT BACK COVER (BLACK)	1
18				
19				
20	71662-G01		SEAT BACK SUPPORT BRACKET	2
21	71204-G01		BOLT, 1/4 - 20 X 7/8" LG	8
22				
23	<u>01110-G01</u>		WASHER, 1/4" (STAINLESS STEEL)	4
24	<u>00664-G7</u>		LOCK WASHER, 1/4" (STAINLESS STEEL)	4
25	<u>16705-G1</u>		SCREW, 1/4 - 20 X 1" LG (STAINLESS STEEL)	4
26				
27	<u>71762-G02</u>		SEAL	1
28	<u>00114-G6</u>		SCREW, 1/4 - 14 X 3/4" LG	2
29				
30	<u>71783-G01</u>		SEAT SHIELD	1

SEATING

THE USE OF NON U.L. PARTS WILL VOID ANY U.L. LISTING.

When ordering parts, please specify the model and serial number of the product.

* Indicates a component that is not available as an individual part.

G** Indicates consult Customer Service Department for additional information.

ITEM	PART NO.	1 2 3 4 5	DESCRIPTION	QTY.
31	16705-G3		SCREW, 1/4 - 20 X 3/4" LG (STAINLESS STEEL)	2
32	<u>01110-G01</u>		WASHER, 1/4" (STAINLESS STEEL)	2
33	<u>00664-G7</u>		LOCK WASHER, 1/4" (STAINLESS STEEL)	2
34	<u>15158-G1</u>		ACORN NUT, 1/4 - 20	2
35				
36	<u>13728-G1</u>		RUBBER BUMPER	2
37	<u>00650-G7</u>		WASHER, 1/4"	2
38	74384-G01		SCREW, 1/4 - 20 X 5/8" LG.....	2
39				
40				
41				
42	71611-G**		SEAT BOTTOM ASSEMBLY (INCLUDES ITEMS 43 - 50)	1
43	71602-G**		VINYL SEAT BOTTOM COVER	1
44	<u>71012-G01</u>		VINYL TRIM (SEAT BOTTOM)	1
45	<u>71610-G01</u>		SEAT HINGE	2
46	<u>00720-G08</u>		SCREW, #12 - 14 X 1" LG (STAINLESS STEEL).....	6
47	<u>71701-G01</u>		HIP RESTRAINT (PASSENGER SIDE).....	1
48	<u>71702-G01</u>		HIP RESTRAINT (DRIVER SIDE)	1
49	71204-G01		BOLT, 1/4 - 20 X 7/8" LG	8
50	<u>17074-G1</u>		RUBBER PAD	2
51				
52				
53	71274-G**		SEAT BACK ASSEMBLY (INCLUDES ITEMS 54, 55).....	1
54	18144-G**		VINYL SEAT BACK COVER	1
55	18868-G4		PLASTIC SEAT BACK COVER (BLACK)	1
56				
57				
58	71262-G01		SEAT BACK SUPPORT	1
59	<u>00715-G2</u>		BOLT, 5/16 - 18 X 4/5" LG	1
60	<u>00438-G8</u>		BOLT, 5/16 - 18 X 1" LG	2

SEATING

THE USE OF NON U.L. PARTS WILL VOID ANY U.L. LISTING.

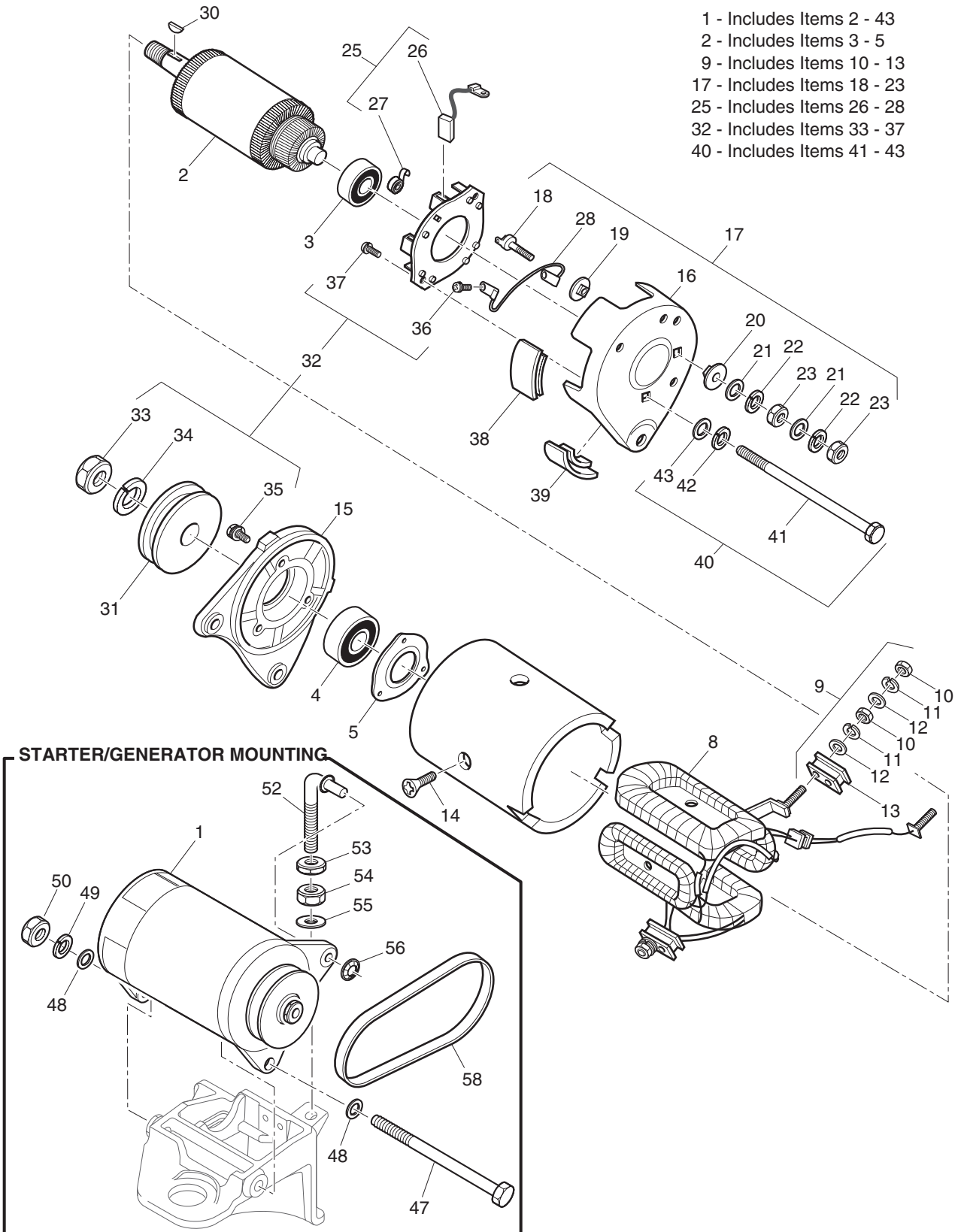
When ordering parts, please specify the model and serial number of the product.

* Indicates a component that is not available as an individual part.

G** Indicates consult Customer Service Department for additional information.

ITEM	PART NO.	1 2 3 4 5	DESCRIPTION	QTY.
61	<u>00642-G8</u>		WASHER, 5/16"	2
62	<u>01109-G01</u>		LOCK NUT, 5/16 - 18 (STAINLESS STEEL)	2
63				
64				
65	75900-G01		SEAT BACK SUPPORT BRACKET	2
66	01006-G1		BOLT, 3/8 - 16 X 1 1/4" LG	4
67	<u>00560-G1</u>		WASHER, 3/8"	2
68	<u>11098-G5</u>		LOCK NUT, 3/8 - 16	2
69				
70				
71	75901-G01		BED BUMPER BRACKET	2
72	<u>13728-G1</u>		RUBBER BUMPER	2
73	<u>00559-G5</u>		WASHER,	2
74	<u>14601-G1</u>		RIVET, 3/16" X 13/16" LG (ALUMINUM)	2
75				
76				
77	<u>16705-G1</u>		SCREW, 1/4 - 20 X 1" LG (STAINLESS STEEL)	4
78	<u>00664-G7</u>		LOCK WASHER, 1/4" (STAINLESS STEEL)	4
79	<u>01110-G01</u>		WASHER, 1/4" (STAINLESS STEEL)	4

STARTER / GENERATOR



Ref Stg 9

STARTER / GENERATOR

THE USE OF NON U.L. PARTS WILL VOID ANY U.L. LISTING.

When ordering parts, please specify the model and serial number of the product.

* Indicates a component that is not available as an individual part.

G** Indicates consult Customer Service Department for additional information.

ITEM	PART NO.	1	2	3	4	5	DESCRIPTION	QTY.
1	<u>27065-G01</u>						STARTER / GENERATOR (INCLUDES ITEMS 2 - 43).....	1
2	<u>26870-G01</u>						ARMATURE (INCLUDES ITEMS 3 - 5)	1
3	26871-G01						REAR BALL BEARING	1
4	<u>26872-G01</u>						FRONT BALL BEARING	1
5	<u>26873-G01</u>						BEARING HOLDER	1
6								
7								
8	<u>26875-G01</u>						FIELD COIL	1
9	<u>26876-G01</u>						INSULATING BRUSH ASSEMBLY ('F') (INCLUDES ITEMS 10 - 13).....	2
10	*						NUT	2
11	*						LOCK WASHER	2
12	*						WASHER	2
13	*						INSULATOR	1
14	26877-G01						POLE CORE SETSCREW.....	4
15	<u>26878-G01</u>						FRONT COVER.....	1
16	27879-G01						REAR COVER	1
17	<u>26880-G01</u>						TERMINAL ASSEMBLY ('A') (INCLUDES ITEMS 18 - 23).....	2
18	*						TERMINAL	2
19	*						INSULATOR	2
20	*						INSULATOR	2
21	*						WASHER.....	4
22	*						LOCK WASHER	4
23	*						NUT	4
24								
25	<u>26881-G01</u>						BRUSH HOLDER ASSEMBLY (INCLUDES ITEMS 26 - 28)	1
26	<u>26658-G01</u>						BRUSH.....	4
27	<u>26882-G01</u>						BRUSH SPRING	4
28	<u>26883-G01</u>						BRUSH CONNECTOR.....	2
29								
30	<u>26884-G01</u>						KEY.....	1

STARTER / GENERATOR

THE USE OF NON U.L. PARTS WILL VOID ANY U.L. LISTING.

When ordering parts, please specify the model and serial number of the product.

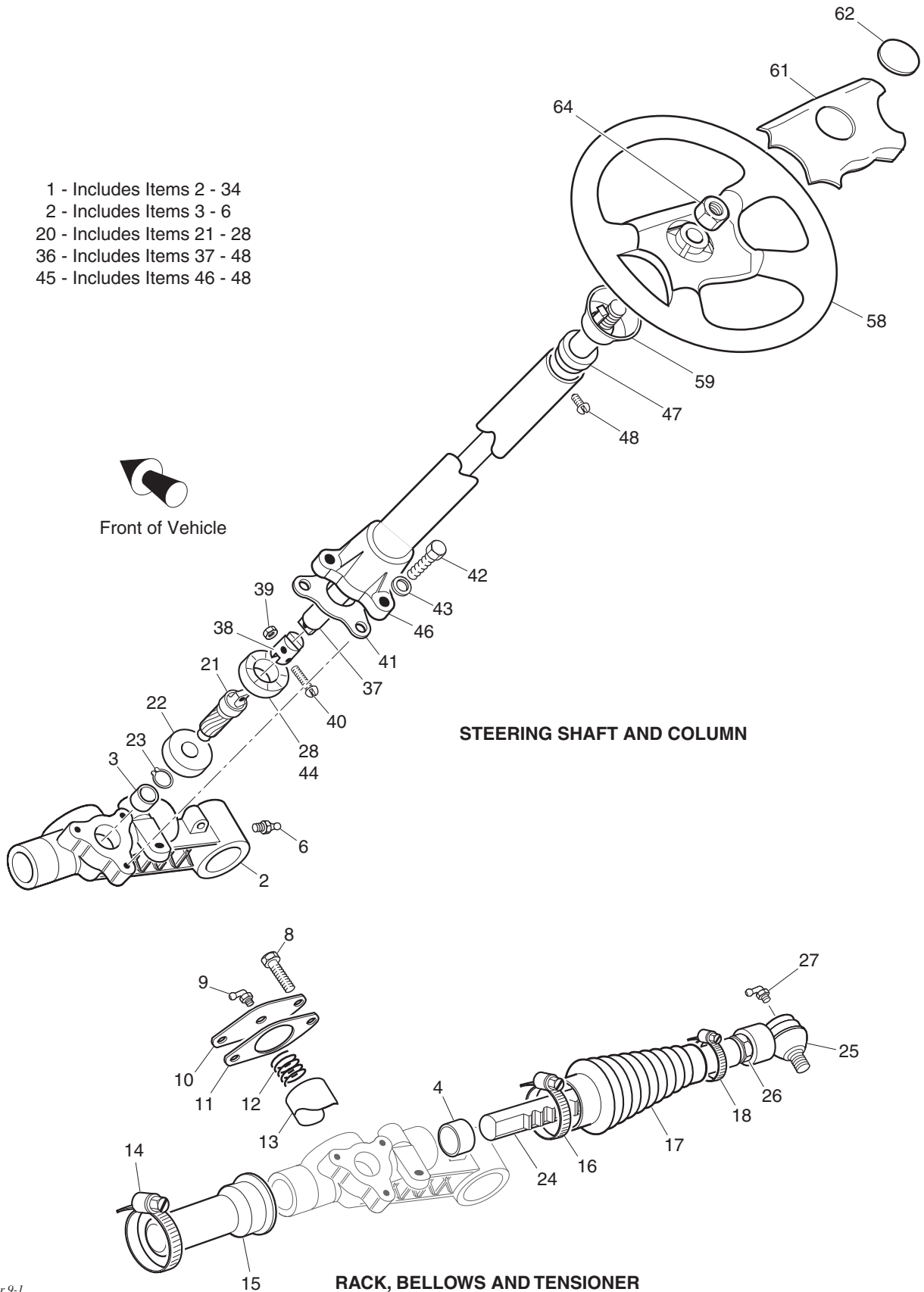
* Indicates a component that is not available as an individual part.

G** Indicates consult Customer Service Department for additional information.

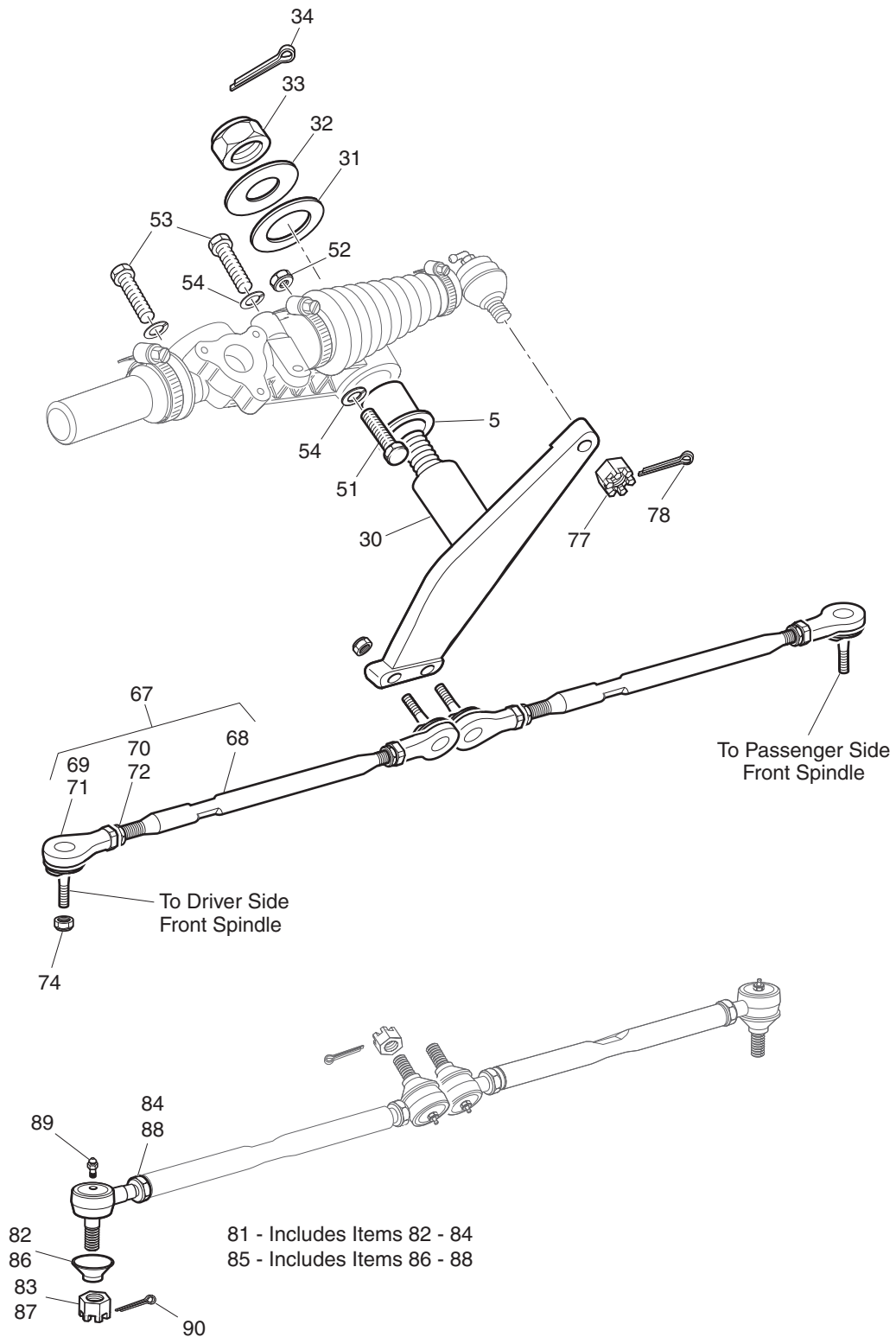
ITEM	PART NO.	1	2	3	4	5	DESCRIPTION	QTY.
31	*						PULLEY	1
32	<u>26886-G01</u>						BRUSH AND PULLEY HARDWARE KIT (INCLUDES ITEMS 33 - 37).....	1
33	*						NUT	1
34	*						LOCK WASHER	1
35	*						SCREW	3
36	*						SCREW	4
37	*						SCREW	2
38	<u>26887-G01</u>						BRUSH 1 COVER.....	3
39	<u>26888-G01</u>						BRUSH 2 COVER.....	2
40	<u>26889-G01</u>						HOUSING HARDWARE KIT (INCLUDES ITEMS 41 - 43).....	2
41	*						BOLT	2
42	*						LOCK WASHER	2
43	*						WASHER.....	2
44								
45								
46								
47	<u>00938-G4</u>						BOLT, 1/2 - 13 X 8" LG	1
48	<u>00560-G3</u>						WASHER, 1/2"	2
49	<u>00566-G3</u>						LOCK WASHER, 1/2".....	1
50	<u>00533-G1</u>						NUT, 1/2 - 13	1
51								
52	<u>28617-G01</u>						STARTER / GENERATOR ADJUSTER.....	1
53	<u>00544-G5</u>						JAM NUT, 3/8 - 16	1
54	00532-G5						NUT, 3/8 - 16	1
55	<u>00560-G1</u>						WASHER, 3/8"	1
56	12064-G4						PUSH NUT, 5/16"	1
57								
58	<u>26414-G01</u>						STARTER / GENERATOR BELT	1

STEERING

- 1 - Includes Items 2 - 34
- 2 - Includes Items 3 - 6
- 20 - Includes Items 21 - 28
- 36 - Includes Items 37 - 48
- 45 - Includes Items 46 - 48



IDLER, TIE RODS AND MOUNTING



Ref Str 9-2

STEERING

THE USE OF NON U.L. PARTS WILL VOID ANY U.L. LISTING.

When ordering parts, please specify the model and serial number of the product.

* Indicates a component that is not available as an individual part.

G** Indicates consult Customer Service Department for additional information.

ITEM	PART NO.	1 2 3 4 5	DESCRIPTION	QTY.
1	<u>70723-G02</u>		STEERING BOX ASSEMBLY (COMPLETE) (INCLUDES ITEMS 2 - 34)	1
2	<u>75364-G01</u>		STEERING HOUSING (INCLUDES ITEMS 3 - 6)	1
3	*		SLEEVE BEARING	1
4	*		SLEEVE BEARING	1
5	*		FLANGED BEARING	1
6	<u>10389-G3</u>		GREASE FITTING, STRAIGHT	1
7				
8	<u>00426-G6</u>		BOLT, 3/8 - 16 X 3/4" LG.....	2
9	<u>18456-G1</u>		GREASE FITTING, 90°	1
10	<u>70177-G01</u>		RACK GUIDE COVER	1
11	<u>70225-G01</u>		GASKET	1
12	<u>70178-G01</u>		COMPRESSION SPRING	1
13	<u>70179-G01</u>		RACK GUIDE.....	1
14	<u>11391-G1</u>		HOSE CLAMP, 1 5/16"	1
15	<u>70041-G01</u>		RACK COVER	1
16	<u>11391-G1</u>		HOSE CLAMP, 1 5/16"	1
17	<u>70183-G01</u>		BELLOWS.....	1
18	<u>11391-G5</u>		HOSE CLAMP, 13/16"	1
19				
20	<u>70724-G01</u>		STEERING GEAR KIT (INCLUDES ITEMS 21 - 28)	1
21	<u>70717-G01</u>		GEAR PINION	1
22	<u>15112-G1</u>		BALL BEARING	1
23	<u>70190-G01</u>		EXTERNAL RETAINING RING	1
24	<u>70718-G01</u>		STEERING RACK	1
25	<u>70192-G01</u>		RACK BALL END	1
26	<u>00544-G8</u>		JAM NUT, 7/16 - 20	1
27	<u>18456-G1</u>		GREASE FITTING, 90°	1
28	<u>70466-G01</u>		RETAINER.....	1
29				
30	<u>70184-G01</u>		IDLER	1

STEERING

THE USE OF NON U.L. PARTS WILL VOID ANY U.L. LISTING.

When ordering parts, please specify the model and serial number of the product.

* Indicates a component that is not available as an individual part.

G** Indicates consult Customer Service Department for additional information.

ITEM	PART NO.	1 2 3 4 5	DESCRIPTION	QTY.
31	<u>70216-G01</u>		THRUST WASHER, 1 1/2"	1
32	<u>70195-G01</u>		THRUST WASHER, 7/8"	1
33	<u>00734-G6</u>		LOCK NUT, 7/8 - 9	1
34	<u>00798-G8</u>		COTTER PIN, 5/32" X 1 3/4" LG	1
35				
36	<u>70360-G01</u>		STEERING SHAFT/COLUMN KIT (INCLUDES ITEMS 37 - 48)	1
37	<u>14322-G6</u>		STEERING SHAFT	1
38	<u>70558-G01</u>		COUPLING	1
39	<u>00550-G1</u>		LOCK NUT, 1/4 - 20	2
40	<u>70227-G01</u>		BOLT, 1/4 - 20 X 7/8" LG	2
41	<u>70223-G01</u>		GASKET	1
42	<u>00876-G2</u>		BOLT, 3/8 - 16 X 1 1/4" LG WITH PATCHLOCK	3
43	<u>00878-G1</u>		LOCK WASHER, 3/8"	3
44	<u>70466-G01</u>		RETAINER	1
45	<u>28633-G01</u>		STEERING COLUMN KIT (INCLUDES ITEMS 46 - 48)	1
46	*		STEERING COLUMN	1
47	<u>28569-G01</u>		STEERING COLUMN BUSHING	1
48	<u>01022-G01</u>		SCREW, #6 - 20 X 5/16" LG	1
49				
50				
51	<u>00470-G4</u>		BOLT, 7/16 - 20 X 2 1/2" LG	1
52	<u>00734-G3</u>		LOCK NUT, 7/16 - 20	1
53	<u>01033-G01</u>		BOLT, 7/16 - 14 X 1 1/4" LG WITH PATCHLOCK	2
54	<u>00566-G2</u>		LOCK WASHER, 7/16"	3
55				
56				
57				
58	<u>71146-G01</u>		STEERING WHEEL	1
59	<u>71949-G01</u>		HUB COVER	1
60				

STEERING

THE USE OF NON U.L. PARTS WILL VOID ANY U.L. LISTING.

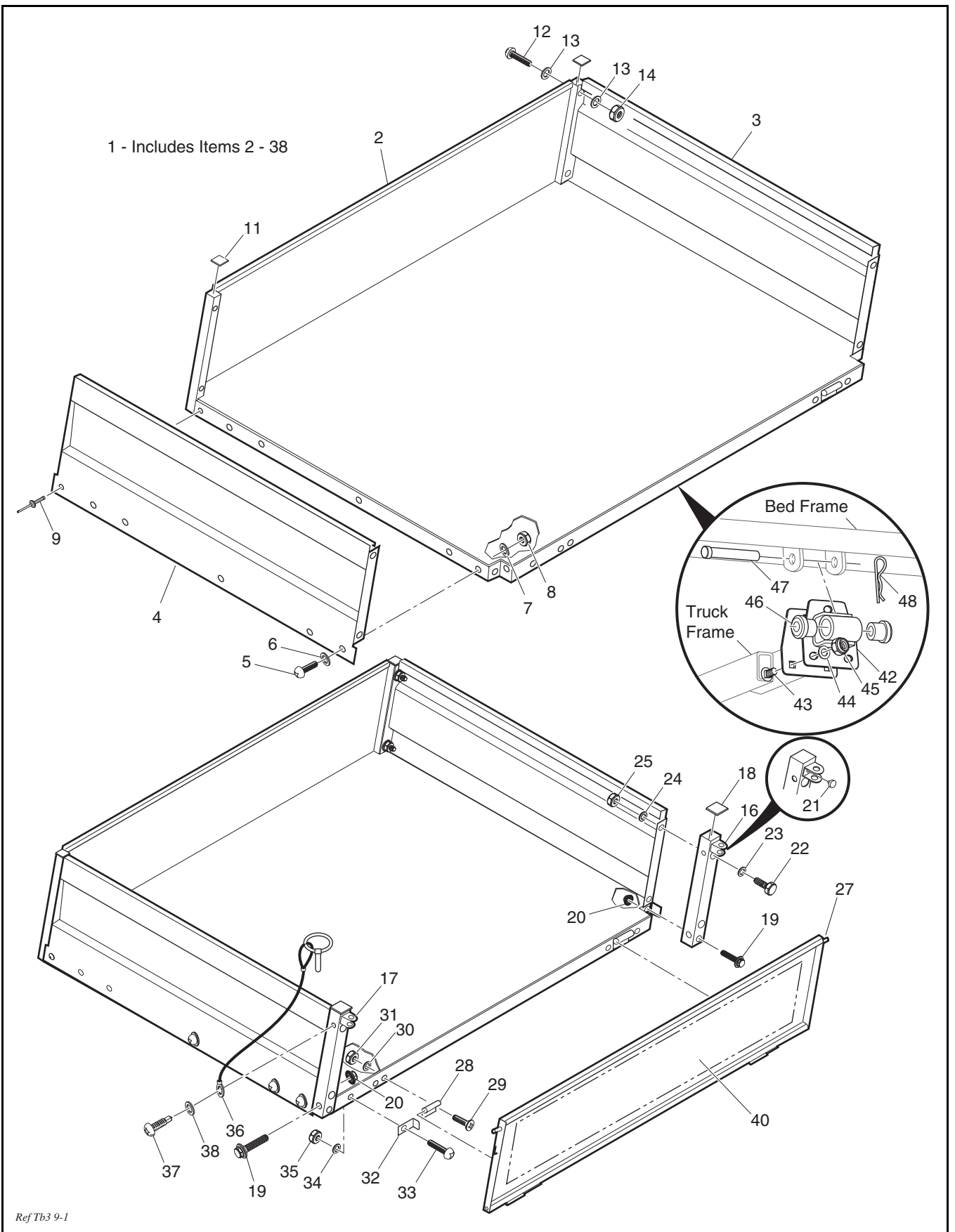
When ordering parts, please specify the model and serial number of the product.

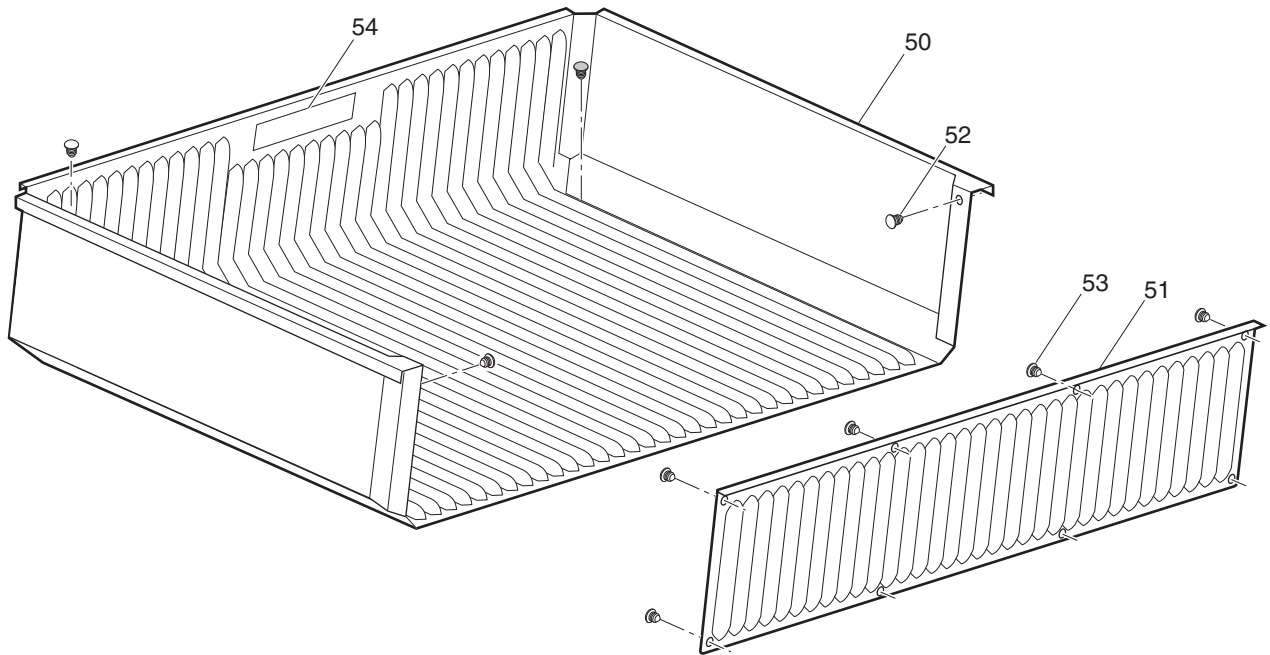
* Indicates a component that is not available as an individual part.

G** Indicates consult Customer Service Department for additional information.

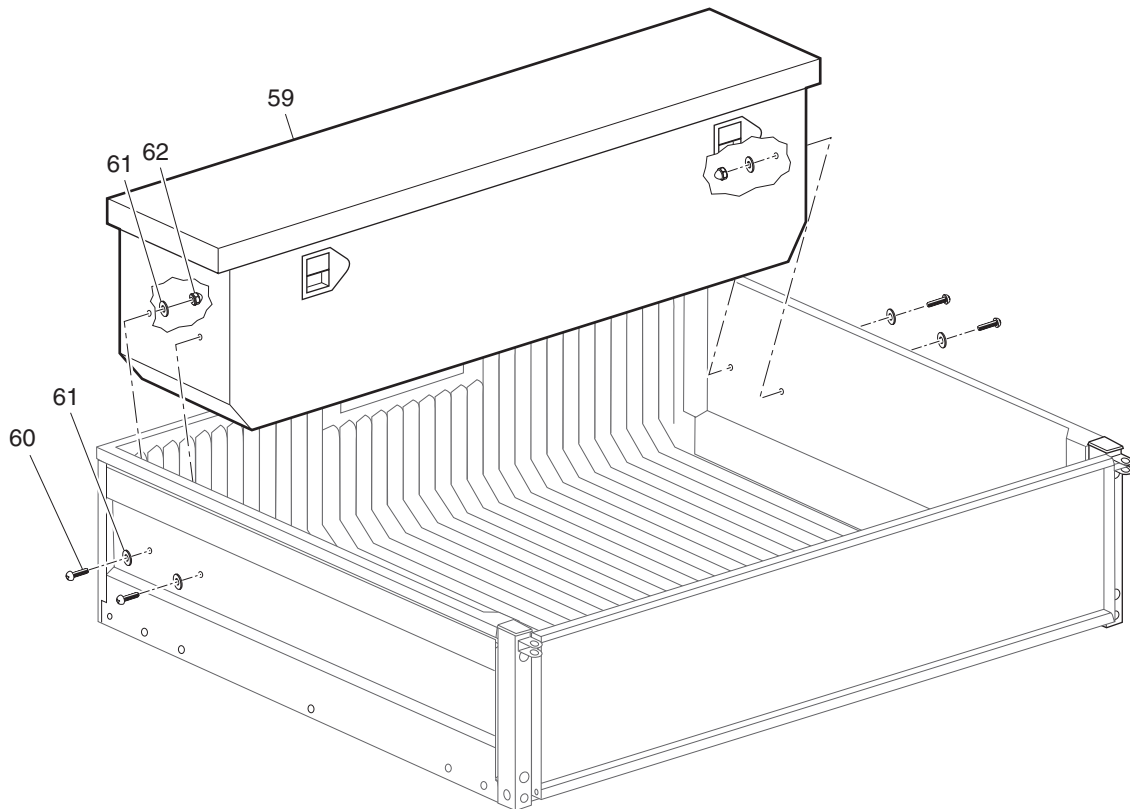
ITEM	PART NO.	1 2 3 4 5	DESCRIPTION	QTY.
61	<u>71147-G01</u>		STEERING WHEEL COVER	1
62	<u>71047-G01</u>		LABEL (E-Z-GO)	1
63				
64	<u>14390-G2</u>		LOCK NUT, 5/8 - 18	1
65				
66				
67	<u>70904-G04</u>		TIE ROD ASSEMBLY (INCLUDES ITEMS 68 - 72)	2
68	<u>70855-G03</u>		THREADED ROD (10 1/8" LG).....	1
69	<u>70902-G01</u>		TIE ROD END (LEFT HAND THREADS)	1
70	<u>01069-G01</u>		JAM NUT, M12 X 1.25-05 (LEFT HAND THREADS).....	1
71	<u>70902-G02</u>		TIE ROD END (RIGHT HAND THREADS).....	1
72	<u>01069-G02</u>		JAM NUT, M12 X 1.25-05 (RIGHT HAND THREADS)	1
73				
74	<u>00734-G1</u>		LOCK NUT, 7/16 - 14	4
75				
76				
77	<u>50209-G2</u>		CASTELLATED NUT, 7/16 - 20	1
78	<u>10387-G2</u>		COTTER PIN, 3/32" X 1" LG	1
79				
80				
81	<u>27205-G01</u>		TIE ROD END (LEFT HAND THREAD) (INCLUDES ITEMS 82 - 84)	1
82	<u>50641-G1</u>		RUBBER BOOT	1
83	<u>50209-G2</u>		CASTELLATED NUT, 7/16 - 20	1
84	<u>18434-G3</u>		JAM NUT, 9/16 - 18 (LEFT HAND THREAD)	1
85	<u>27205-G02</u>		TIE ROD END (RIGHT HAND THREAD) (INCLUDES ITEMS 86 - 88).....	1
86	<u>50641-G1</u>		RUBBER BOOT	1
87	<u>50209-G2</u>		CASTELLATED NUT, 7/16 - 20	1
88	<u>18434-G4</u>		JAM NUT, 9/16 - 18 (RIGHT HAND THREAD)	1
89	<u>10389-G3</u>		GREASE FITTING, STRAIGHT.....	2
90	<u>10387-G2</u>		COTTER PIN, 3/32" X 1" LG	4

TRUCK BEDS - ST 350



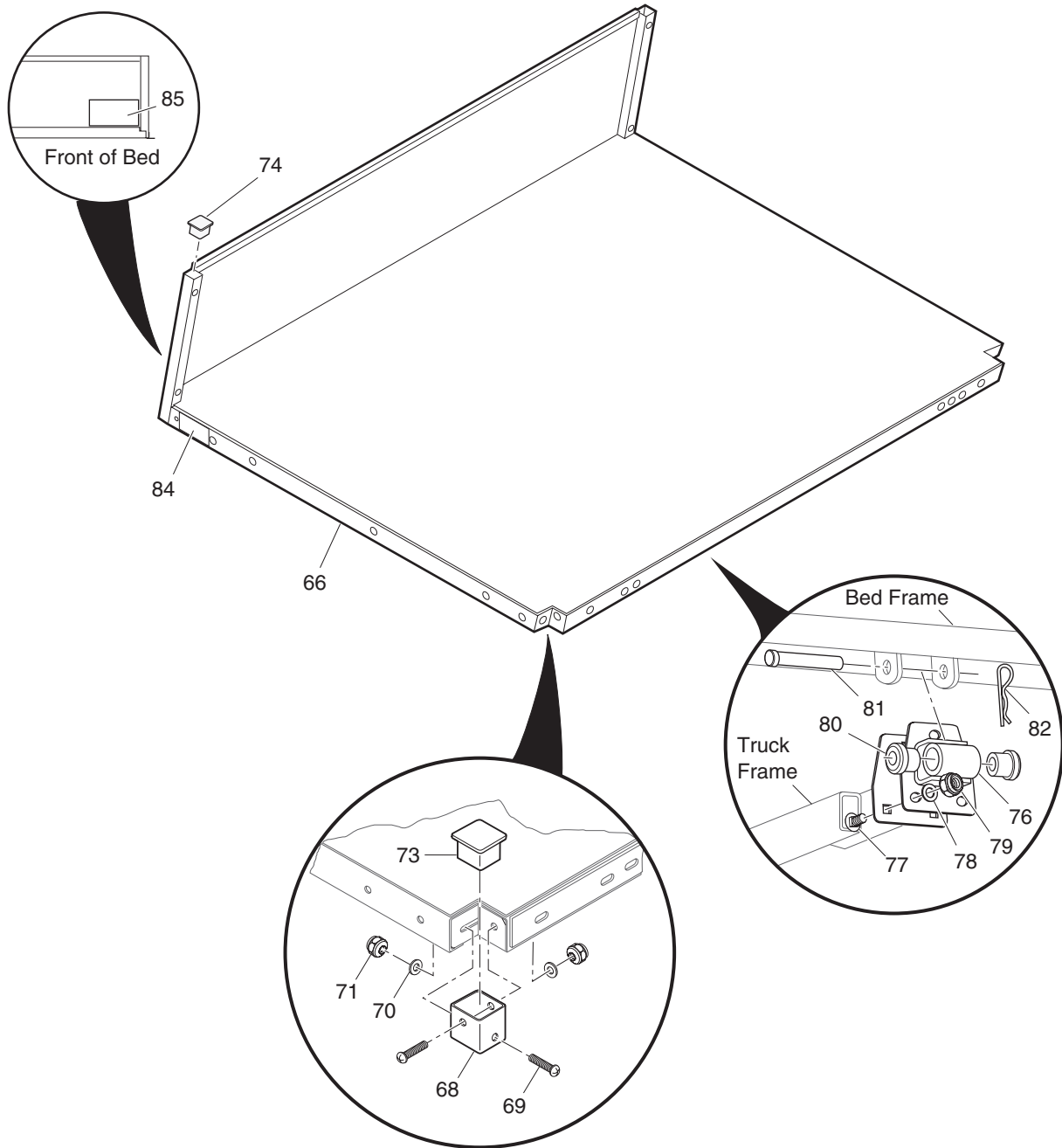


58 - Includes Items 59 - 62

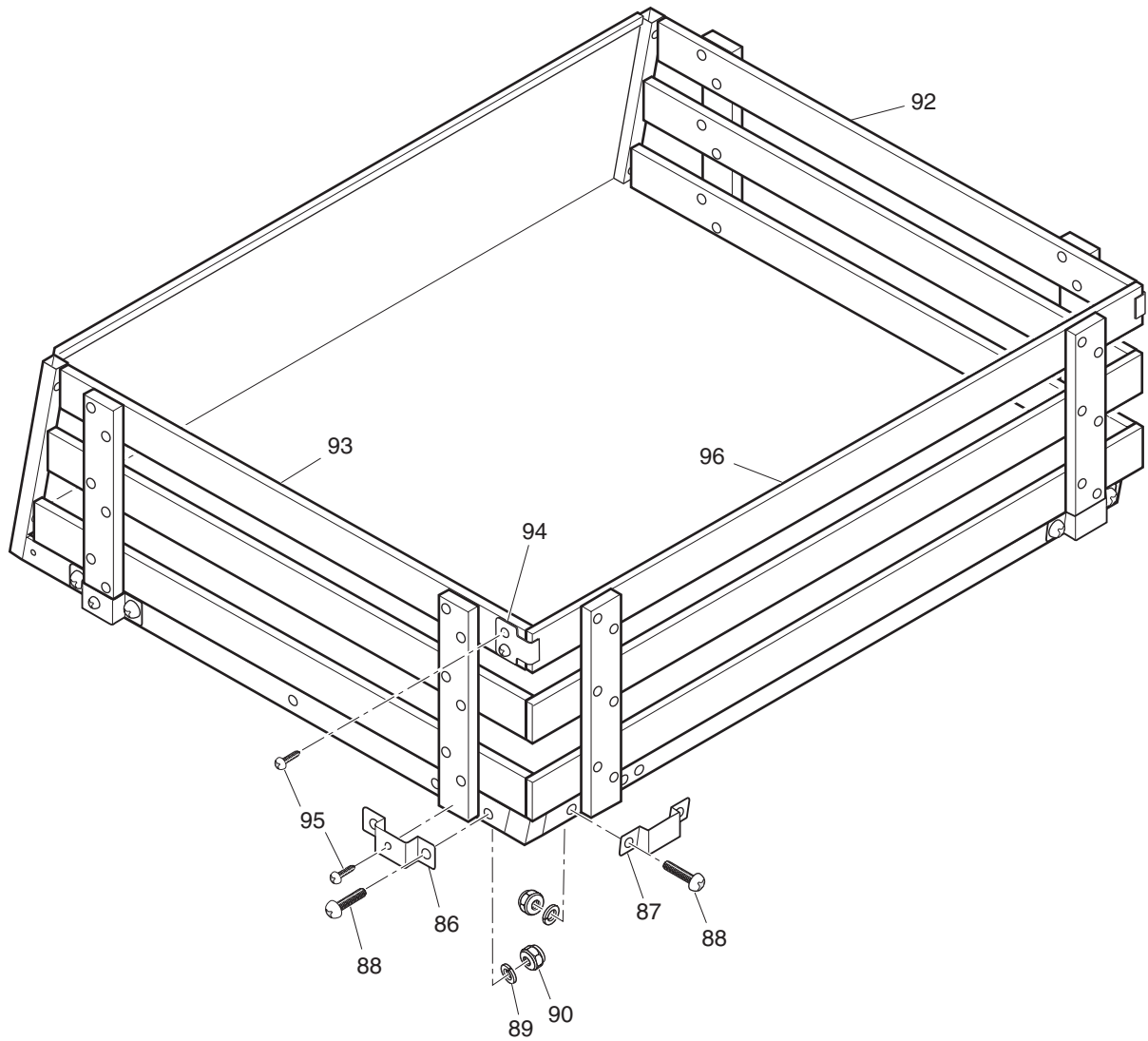


Ref Tb3 9-2

TRUCK BEDS - ST 350

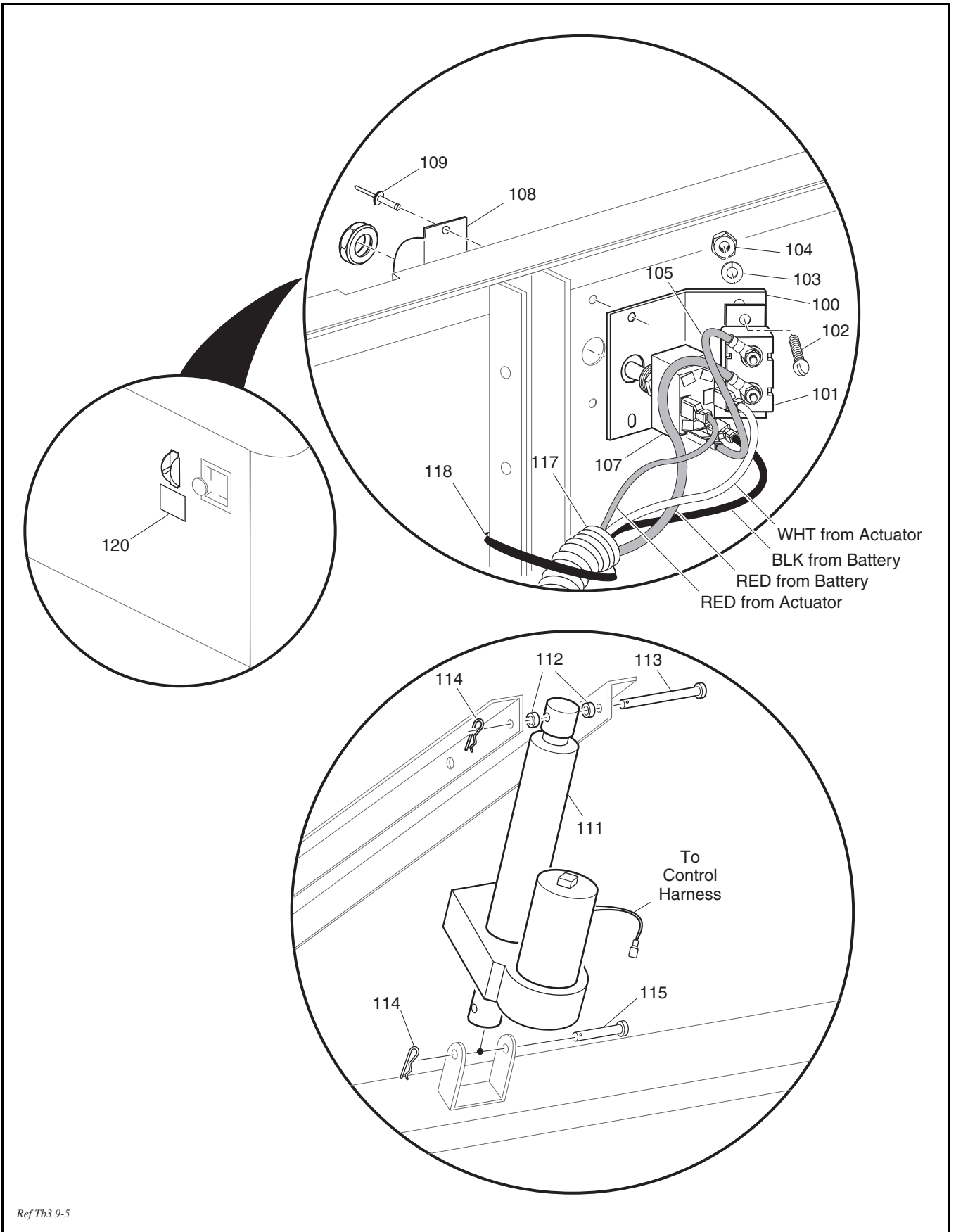


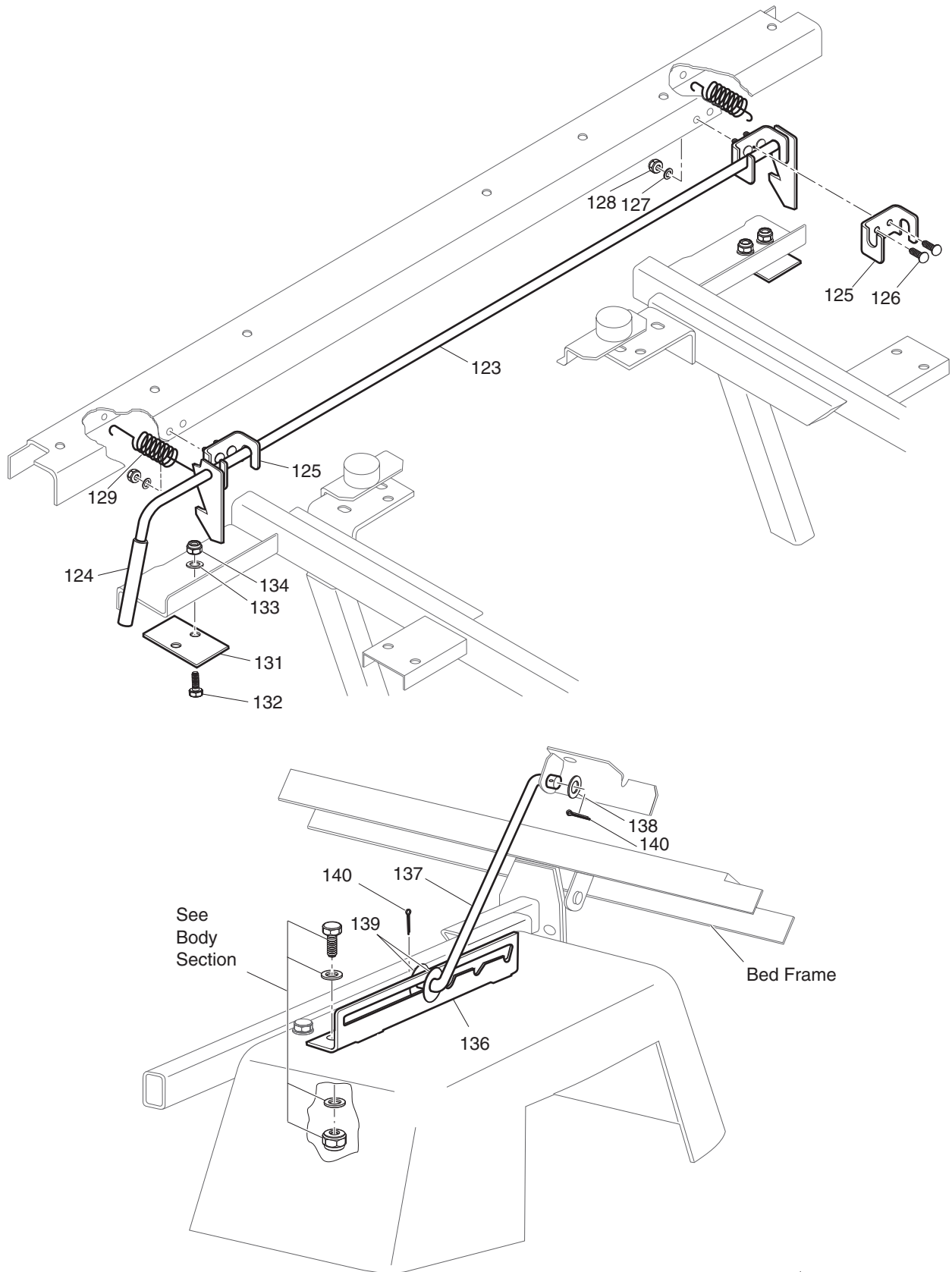
Ref Tb3 9-3



Ref Tb3 9-4

TRUCK BEDS - ST 350





Ref Tb3 9-6

TRUCK BEDS - ST 350

THE USE OF NON U.L. PARTS WILL VOID ANY U.L. LISTING.

When ordering parts, please specify the model and serial number of the product.

* Indicates a component that is not available as an individual part.

G** Indicates consult Customer Service Department for additional information.

ITEM	PART NO.	1 2 3 4 5	DESCRIPTION	QTY.
1	<u>71711-G01</u>		TRUCK BED ASSEMBLY (40") (INCLUDES ITEMS 2 - 38)	1
2	<u>71719-G01</u>		BED FRAME	1
3	<u>71714-G01</u>		SIDE PANEL (PASSENGER SIDE)	1
4	<u>71714-G02</u>		SIDE PANEL (DRIVER SIDE).....	1
5	<u>16705-G3</u>		SCREW, 1/4 - 20 X 3/4" LG (STAINLESS STEEL).....	10
6	<u>00915-G1</u>		BONDED WASHER, 1/4"	10
7	<u>01110-G01</u>		WASHER, 1/4" (STAINLESS STEEL).....	10
8	<u>14390-G4</u>		LOCK NUT, 1/4 - 20	10
9	<u>14601-G8</u>		RIVET, 3/16" X 7/16" LG (ALUMINUM)	2
10				
11	<u>71717-G01</u>		END CAP, 1"	2
12	<u>16705-G6</u>		SCREW, 1/4 - 20 X 1 3/4" LG (STAINLESS STEEL).....	4
13	<u>00915-G1</u>		BONDED WASHER, 1/4"	8
14	<u>14390-G4</u>		LOCK NUT, 1/4 - 20	4
15				
16	<u>71837-G01</u>		POST (PASSENGER SIDE)	1
17	<u>71837-G02</u>		POST (DRIVER SIDE).....	1
18	<u>71718-G01</u>		END CAP, 1 1/2"	2
19	<u>01074-G01</u>		SCREW, 3/8 - 16 X 3/4" LG	4
20	<u>11027-G5</u>		LOCK NUT, 3/8 - 16	4
21	<u>71838-G01</u>		BUMPER.....	2
22	<u>16705-G3</u>		SCREW, 1/4 - 20 X 3/4" LG (STAINLESS STEEL).....	4
23	<u>00915-G1</u>		BONDED WASHER, 1/4"	4
24	<u>01110-G01</u>		WASHER, 1/4" (STAINLESS STEEL).....	4
25	<u>14390-G4</u>		LOCK NUT, 1/4 - 20	4
26				
27	<u>71732-G01</u>		TAILGATE	1
28	<u>27666-G01</u>		HINGE.....	2
29	<u>01002-G08</u>		SCREW, 1/4 - 20 X 1" LG	4
30	<u>01110-G01</u>		WASHER, 1/4" (STAINLESS STEEL).....	4

TRUCK BEDS - ST 350

THE USE OF NON U.L. PARTS WILL VOID ANY U.L. LISTING.

When ordering parts, please specify the model and serial number of the product.

* Indicates a component that is not available as an individual part.

G** Indicates consult Customer Service Department for additional information.

ITEM	PART NO.	1 2 3 4 5	DESCRIPTION	QTY.
31	<u>14390-G4</u>		LOCK NUT, 1/4 - 20	4
32	<u>71748-G01</u>		TAILGATE KEEPER	1
33	16705-G3		SCREW, 1/4 - 20 X 3/4" LG (STAINLESS STEEL).....	1
34	<u>01110-G01</u>		WASHER, 1/4" (STAINLESS STEEL).....	1
35	<u>14390-G4</u>		LOCK NUT, 1/4 - 20	1
36	71083-G01		TAILGATE CABLE	2
37	<u>00106-G6</u>		SELF-THREADING SCREW, #12 - 24 X 3/4" LG.....	2
38	<u>00915-G1</u>		BONDED WASHER, 1/4".....	2
39				
40	<u>35978-G01</u>		LABEL (WORKHORSE).....	1
41				
42	<u>70396-G01</u>		BED PIVOT	2
43	<u>00764-G2</u>		CARRIAGE BOLT, 5/16 - 18 X 1" LG	6
44	00559-G8		WASHER, 5/16"	6
45	<u>01109-G01</u>		LOCK NUT, 5/16 - 18 (STAINLESS STEEL)	6
46	<u>70291-G01</u>		FLANGED BUSHING	4
47	<u>21682-G1</u>		CLEVIS PIN, 1/2" X 2 7/8" LG	2
48	<u>21683-G1</u>		COTTER PIN, 15/32" X 2 13/16" LG	2
49				
50	74234-G01		BED LINER, 40"	1
51	74235-G01		TAILGATE LINER.....	1
52	<u>18436-G1</u>		RIVET, 1/4" X 3/4" LG	4
53	<u>14601-G10</u>		RIVET, 3/16" X 7/16" LG (ALUMINUM)	6
54	71517-G01		BED CAPACITY LABEL	1
55				
56				
57				
58	<u>75454-G02</u>		ALUMINUM TOOLBOX KIT (INCLUDES ITEMS 59 - 62).....	1
59	<u>75493-G01</u>		ALUMINUM TOOLBOX	1
60	16705-G3		SCREW, 1/4 - 20 X 3/4" LG (STAINLESS STEEL).....	4

TRUCK BEDS - ST 350

THE USE OF NON U.L. PARTS WILL VOID ANY U.L. LISTING.

When ordering parts, please specify the model and serial number of the product.

* Indicates a component that is not available as an individual part.

G** Indicates consult Customer Service Department for additional information.

ITEM	PART NO.	1 2 3 4 5	DESCRIPTION	QTY.
61	<u>00915-G1</u>		BONDED WASHER, 1/4"	8
62	00903-G1		ACORN NUT, 1/4 - 20.....	4
63				
64				
65				
66	71719-G01		BED FRAME	1
67				
68	<u>71772-G01</u>		CORNER TUBE	2
69	<u>00762-G9</u>		SCREW, 5/16 - 18 X 2 1/2" LG (STAINLESS STEEL)	4
70	00559-G8		WASHER, 5/16"	4
71	00550-G3		LOCK NUT, 5/16 - 18	4
72				
73	<u>71718-G01</u>		END CAP, 1 1/2".....	2
74	71717-G01		END CAP, 1".....	2
75				
76	<u>70396-G01</u>		BED PIVOT	2
77	<u>00764-G2</u>		CARRIAGE BOLT, 5/16 - 18 X 1" LG	6
78	00559-G8		WASHER, 5/16"	6
79	<u>01109-G01</u>		LOCK NUT, 5/16 - 18 (STAINLESS STEEL)	6
80	<u>70291-G01</u>		FLANGED BUSHING	4
81	<u>21682-G1</u>		CLEVIS PIN, 1/2" X 2 7/8" LG	2
82	<u>21683-G1</u>		COTTER PIN, 15/32" X 2 13/16" LG	2
83				
84	71777-G01		LABEL (WARNING).....	1
85	71200-G01		LABEL (LOAD WARNING).....	1
86	<u>74157-G01</u>		SIDE RAIL SUPPORT	4
87	<u>74161-G01</u>		BACK RAIL SUPPORT	2
88	<u>16705-G1</u>		SCREW, 1/4 - 20 X 1" LG (STAINLESS STEEL)	12
89	<u>01110-G01</u>		WASHER, 1/4" (STAINLESS STEEL)	12
90	<u>14390-G4</u>		LOCK NUT, 1/4 - 20	12

TRUCK BEDS - ST 350

THE USE OF NON U.L. PARTS WILL VOID ANY U.L. LISTING.

When ordering parts, please specify the model and serial number of the product.

* Indicates a component that is not available as an individual part.

G** Indicates consult Customer Service Department for additional information.

ITEM	PART NO.	1	2	3	4	5	DESCRIPTION	QTY.
91								
92	74167-G01						SIDE CARGO RACK (PASSENGER SIDE)	1
93	74167-G02						SIDE CARGO RACK (DRIVER SIDE)	1
94	74079-G01						TAILGATE RETAINER BRACKET	2
95	00666-G6						SCREW, #10 - 12 X 3/4" LG (STAINLESS STEEL)	8
96	<u>74162-G03</u>						REAR CARGO RACK	1
97								
98								
99								
100	<u>74165-G01</u>						CIRCUIT BREAKER MOUNTING BRACKET	1
101	<u>21320-G3</u>						CIRCUIT BREAKER, 30 AMP, 12V	1
102	<u>00150-G4</u>						SCREW, #10 - 24 X 1/2" LG.....	2
103	<u>00565-G5</u>						LOCK WASHER, #10	2
104	<u>00526-G3</u>						NUT, #10 - 24	2
105	<u>25976-G14</u>						14 GA WIRE (RED 5").....	1
106								
107	<u>27680-G01</u>						TOGGLE SWITCH	1
108	<u>27447-G01</u>						TOGGLE GUARD.....	1
109	<u>10570-G9</u>						RIVET, 1/8" X 11/32" LG (ALUMINUM)	2
110								
111	<u>27612-G02</u>						ELECTRIC ACTUATOR, 12V.....	1
112	<u>27613-G01</u>						SPACER.....	2
113	<u>14443-G10</u>						CLEVIS PIN, 1/2" X 2 7/8" LG	1
114	<u>21683-G1</u>						COTTER PIN, 15/32" X 2 13/16" LG	2
115	<u>14443-G11</u>						CLEVIS PIN, 1/2" X 1 3/4" LG	1
116								
117	<u>74163-G01</u>						WIRE HARNESS (CONTROL).....	1
118	<u>17618-G1</u>						WIRE TIE	8
119								
120	<u>71489-G01</u>						LABEL (READ INSTRUCTIONS).....	1

TRUCK BEDS - ST 350

THE USE OF NON U.L. PARTS WILL VOID ANY U.L. LISTING.

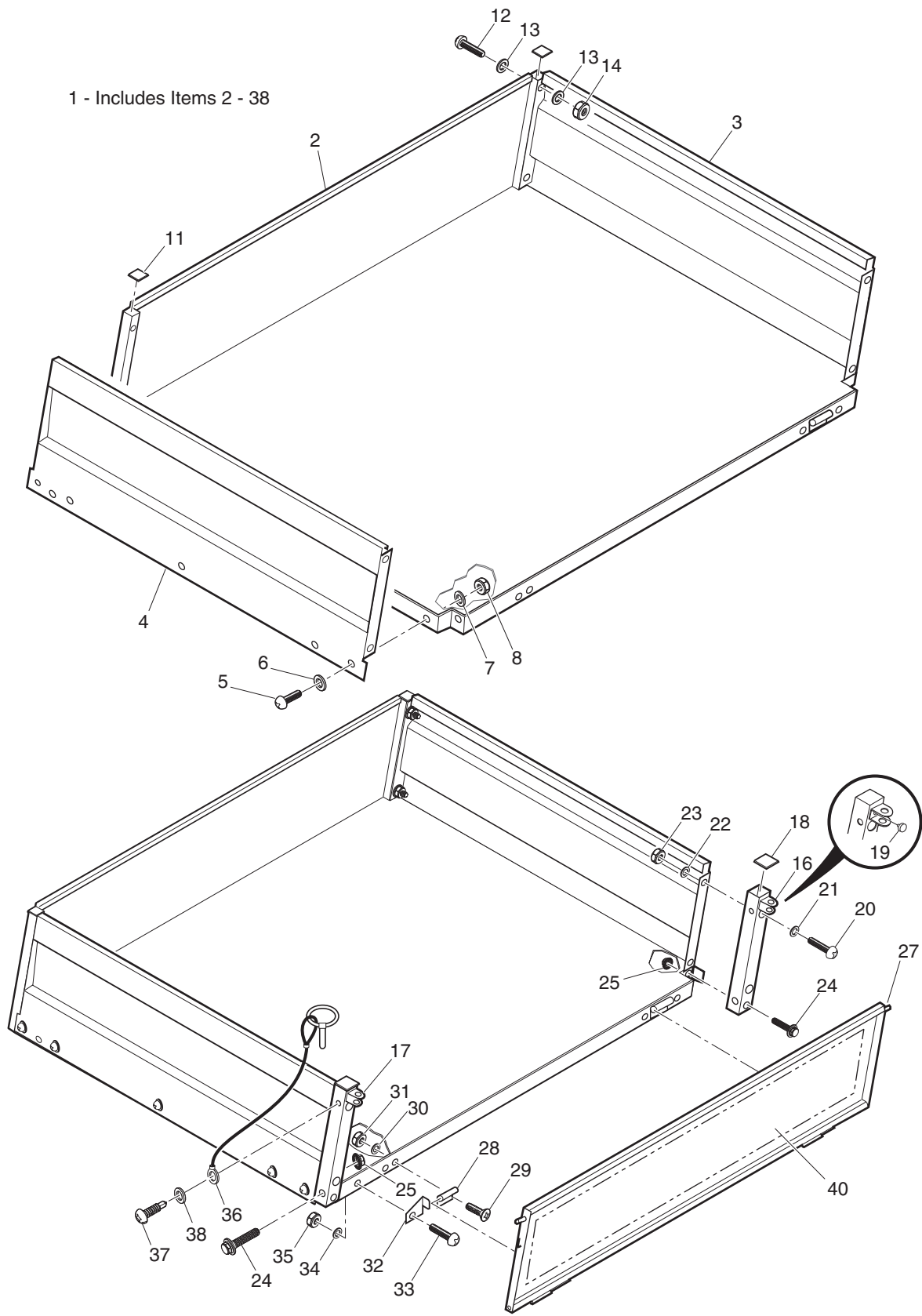
When ordering parts, please specify the model and serial number of the product.

* Indicates a component that is not available as an individual part.

G** Indicates consult Customer Service Department for additional information.

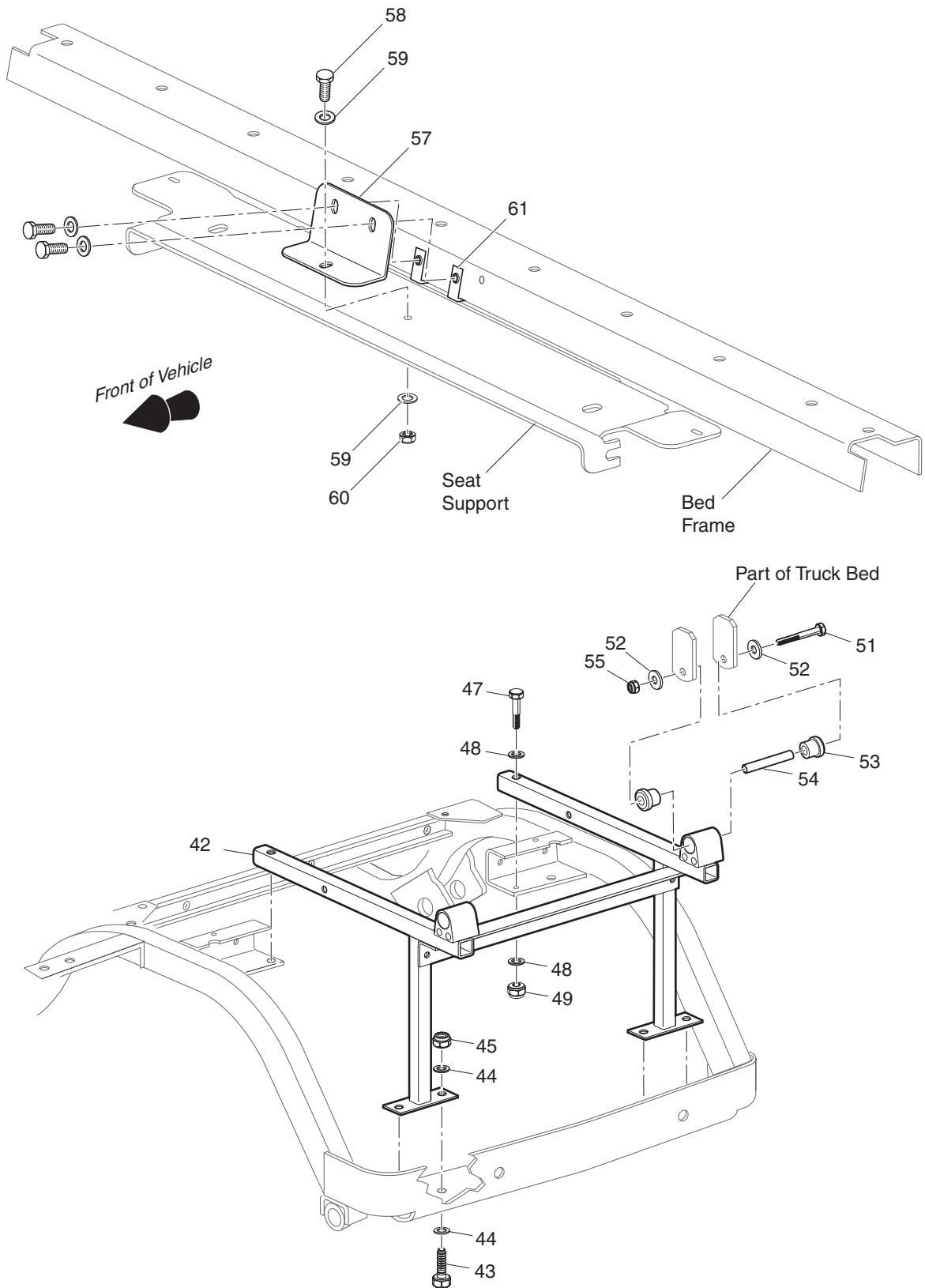
ITEM	PART NO.	1	2	3	4	5	DESCRIPTION	QTY.
121								
122								
123	<u>71831-G01</u>						BED LATCH	1
124	<u>71704-G01</u>						HANDLE GRIP	1
125	<u>71827-G01</u>						LATCH BRACKET	2
126	<u>01014-G03</u>						CARRIAGE BOLT, 1/4 - 20 X 3/4" LG	4
127	<u>01110-G01</u>						WASHER, 1/4" (STAINLESS STEEL)	4
128	<u>14390-G4</u>						LOCK NUT, 1/4 - 20	4
129	<u>71707-G02</u>						EXTENSION SPRING	2
130								
131	<u>71766-G01</u>						CATCH BRACKET	2
132	<u>00414-G6</u>						BOLT, 1/4 - 20 X 3/4" LG	4
133	<u>01110-G01</u>						WASHER, 1/4" (STAINLESS STEEL)	4
134	<u>14390-G4</u>						LOCK NUT, 1/4 - 20	4
135								
136	<u>71673-G01</u>						PROP BRACKET	1
137	<u>71657-G01</u>						PROP ROD	1
138	<u>00560-G1</u>						WASHER, 3/8"	1
139	<u>15121-G1</u>						WASHER, 3/8"	2
140	<u>10387-G3</u>						COTTER PIN, 3/32" X 3/4" LG	2

TRUCK BEDS - ST SPORT



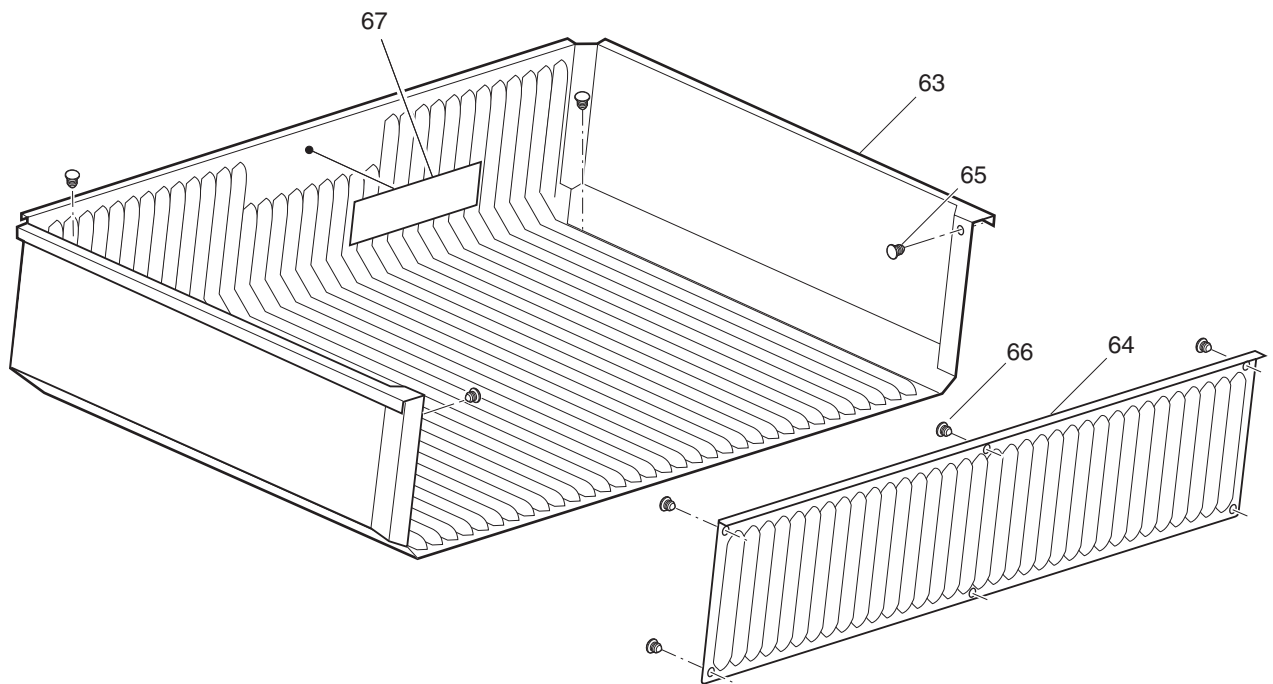
Ref Tbs 9-1

TRUCK BEDS - ST SPORT



Ref Tbs 9-2

TRUCK BEDS - ST SPORT



Ref Tbs 9-3

TRUCK BEDS - ST SPORT

THE USE OF NON U.L. PARTS WILL VOID ANY U.L. LISTING.

When ordering parts, please specify the model and serial number of the product.

* Indicates a component that is not available as an individual part.

G** Indicates consult Customer Service Department for additional information.

ITEM	PART NO.	1	2	3	4	5	DESCRIPTION	QTY.
1	<u>71260-G01</u>						TRUCK BED ASSEMBLY (35") (INCLUDES ITEMS 2 - 38)	1
2	<u>71231-G01</u>						BED (35")	1
3	<u>71248-G01</u>						SIDE PANEL (35") (PASSENGER SIDE)	1
4	<u>71248-G02</u>						SIDE PANEL (35") (DRIVER SIDE)	1
5	16705-G3						SCREW, 1/4 - 20 X 3/4" LG (STAINLESS STEEL)	10
6	<u>00915-G1</u>						BONDED WASHER, 1/4"	10
7	<u>01110-G01</u>						WASHER, 1/4" (STAINLESS STEEL)	10
8	<u>14390-G4</u>						LOCK NUT, 1/4 - 20	10
9								
10								
11	71717-G01						END CAP 1"	2
12	<u>16705-G6</u>						SCREW, 1/4 - 20 X 1 3/4" LG (STAINLESS STEEL)	4
13	<u>00915-G1</u>						BONDED WASHER, 1/4"	8
14	<u>14390-G4</u>						LOCK NUT, 1/4 - 20	4
15								
16	<u>71322-G01</u>						POST (PASSENGER SIDE)	1
17	<u>71322-G02</u>						POST (DRIVER SIDE)	1
18	<u>71718-G01</u>						END CAP 1 1/2"	2
19	<u>71838-G01</u>						RUBBER BUMPER	2
20	16705-G3						SCREW, 1/4 - 20 X 3/4" LG (STAINLESS STEEL)	4
21	<u>00915-G1</u>						BONDED WASHER, 1/4"	4
22	<u>01110-G01</u>						WASHER, 1/4" (STAINLESS STEEL)	4
23	<u>14390-G4</u>						LOCK NUT, 1/4 - 20	4
24	<u>01074-G01</u>						SCREW, 3/8 - 16 X 3/4" LG	4
25	<u>11027-G5</u>						LOCK NUT, 3/8 - 16	4
26								
27	71245-G01						TAILGATE	1
28	<u>27666-G01</u>						HINGE	2
29	<u>01002-G08</u>						BOLT, 1/4 - 20 X 1" LG	4
30	<u>01110-G01</u>						WASHER, 1/4" (STAINLESS STEEL)	4

TRUCK BEDS - ST SPORT

THE USE OF NON U.L. PARTS WILL VOID ANY U.L. LISTING.

When ordering parts, please specify the model and serial number of the product.

* Indicates a component that is not available as an individual part.

G** Indicates consult Customer Service Department for additional information.

ITEM	PART NO.	1	2	3	4	5	DESCRIPTION	QTY.
31	<u>14390-G4</u>						LOCK NUT, 1/4 - 20	4
32	<u>71748-G01</u>						TAILGATE KEEPER	1
33	16705-G3						SCREW, 1/4 - 20 X 3/4" LG (STAINLESS STEEL).....	1
34	<u>01110-G01</u>						WASHER, 1/4" (STAINLESS STEEL).....	1
35	<u>14390-G4</u>						LOCK NUT, 1/4 - 20	1
36	71083-G01						TAILGATE CABLE	2
37	<u>00106-G6</u>						SELF-TAPPING SCREW, #12 - 24 X 3/4" LG	2
38	<u>00915-G1</u>						BONDED WASHER, 1/4".....	2
39								
40	<u>35978-G01</u>						LABEL (WORKHORSE).....	1
41								
42	71258-G01						BED FRAME	1
43	<u>00439-G2</u>						BOLT, 5/16 - 18 X 1 1/4" LG	4
44	<u>00642-G8</u>						WASHER, 5/16"	8
45	<u>01109-G01</u>						LOCK NUT, 5/16 - 18 (STAINLESS STEEL)	4
46								
47	00415-G6						BOLT, 1/4 - 20 X 1 3/4" LG	2
48	<u>00642-G7</u>						WASHER, 1/4"	4
49	<u>00654-G2</u>						LOCK NUT, 1/4 - 20 (STAINLESS STEEL)	2
50								
51	<u>00665-G9</u>						BOLT, 3/8 - 16 X 3 1/2" (STAINLESS STEEL)	2
52	<u>00643-G1</u>						WASHER, 3/8"	4
53	<u>70291-G01</u>						FLANGED BUSHING	4
54	<u>70289-G02</u>						SPACER	2
55	<u>11098-G5</u>						LOCK NUT, 3/8 - 16	2
56								
57	<u>74333-G01</u>						BED BRACKET	1
58	<u>00414-G6</u>						BOLT, 1/4 - 20 X 3/4" LG	3
59	<u>01110-G01</u>						WASHER, 1/4" (STAINLESS STEEL)	4
60	14390-G04						LOCK NUT, 1/4 - 20	1

TRUCK BEDS - ST SPORT

THE USE OF NON U.L. PARTS WILL VOID ANY U.L. LISTING.

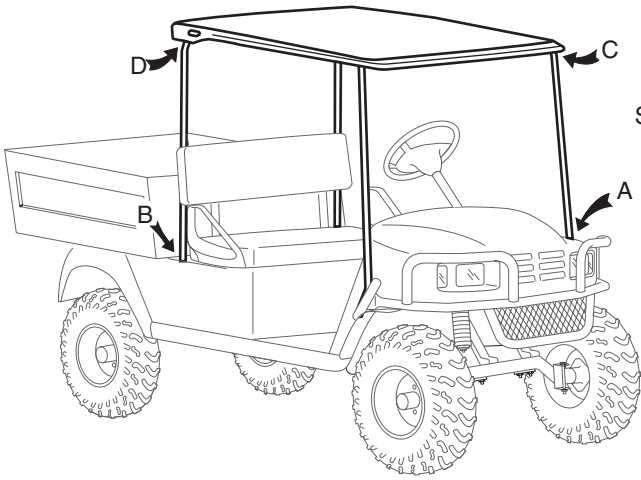
When ordering parts, please specify the model and serial number of the product.

* Indicates a component that is not available as an individual part.

G** Indicates consult Customer Service Department for additional information.

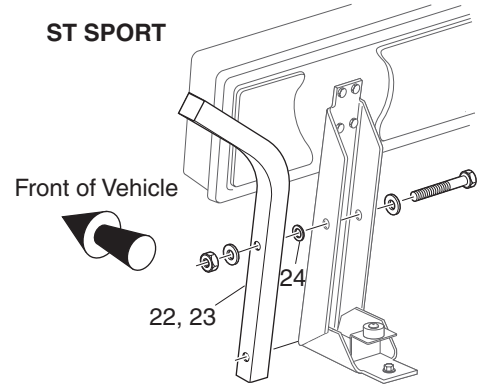
ITEM	PART NO.	1	2	3	4	5	DESCRIPTION	QTY.
61	<u>14776-G1</u>						'J' RETAINER NUT	2
62								
63	<u>74231-G01</u>						BED LINER	1
64	<u>74232-G01</u>						TAILGATE LINER	1
65	<u>18436-G1</u>						RIVET, 1/4" X 3/4" LG	4
66	<u>14601-G10</u>						RIVET, 3/16" X 7/16" LG (ALUMINUM)	6
67	<u>71517-G04</u>						BED CAPACITY LABEL (250 LB)	1

WEATHER PROTECTION



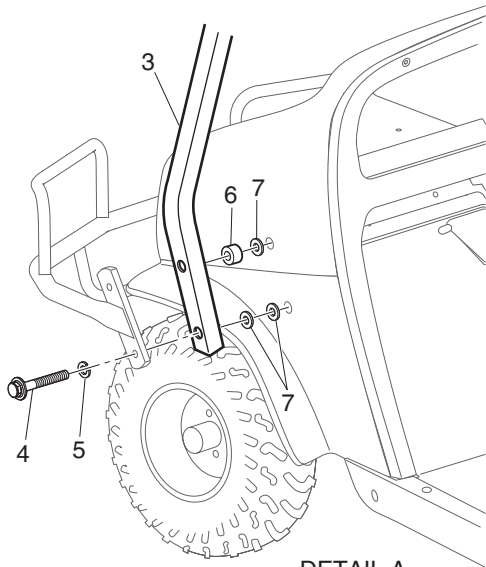
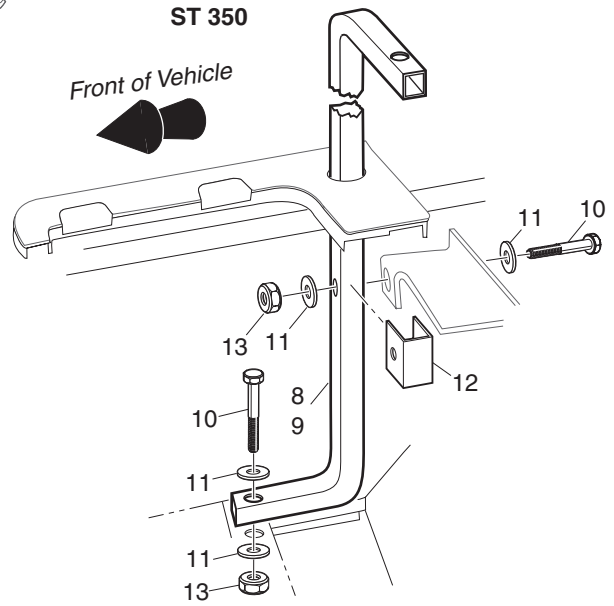
SUN TOP

ST SPORT



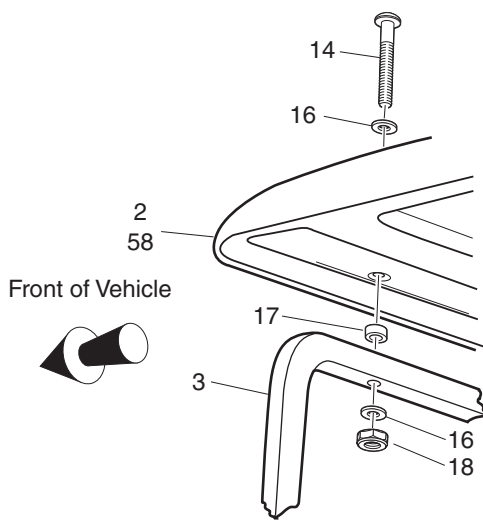
ST 350

Front of Vehicle

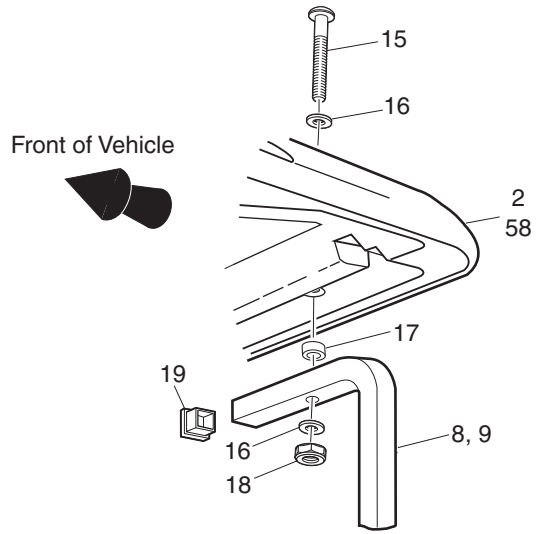


DETAIL A

DETAIL B



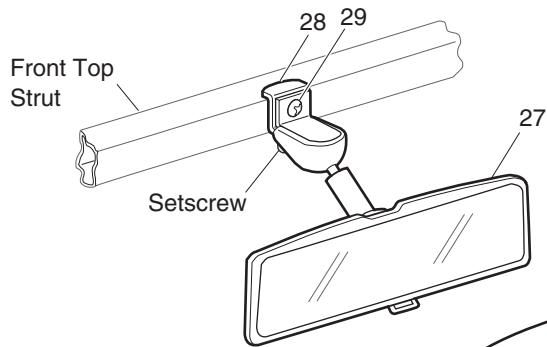
DETAIL C
(FRONT)



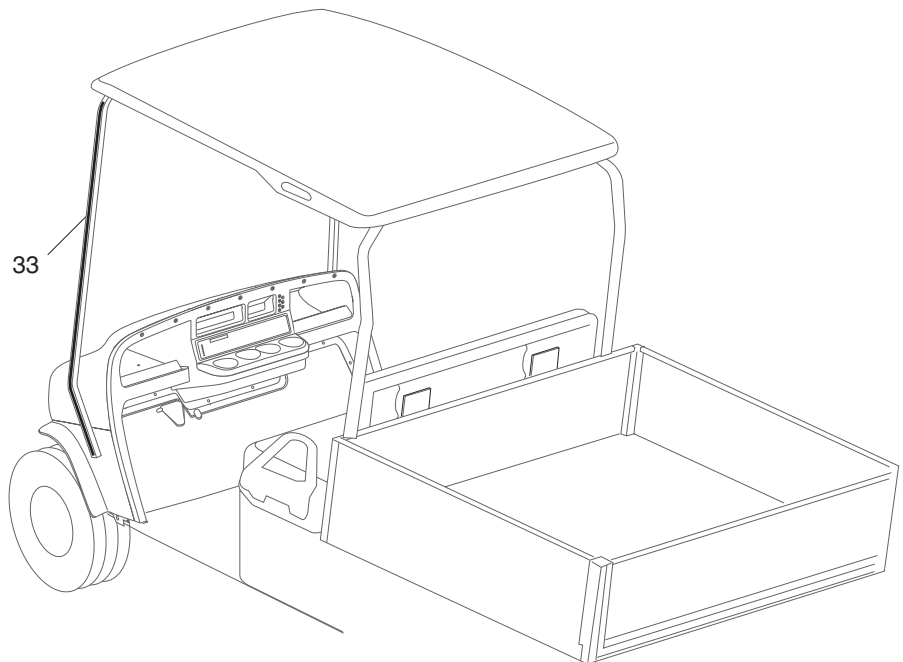
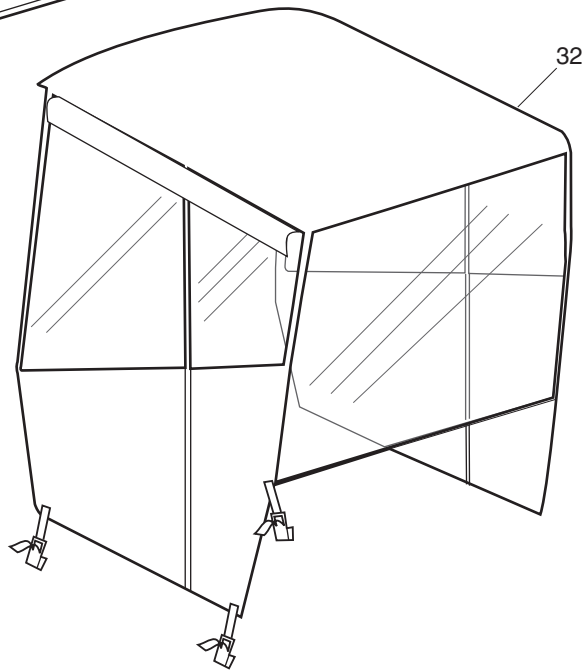
DETAIL D
(REAR)

Ref Wea 9-1

WEATHER PROTECTION



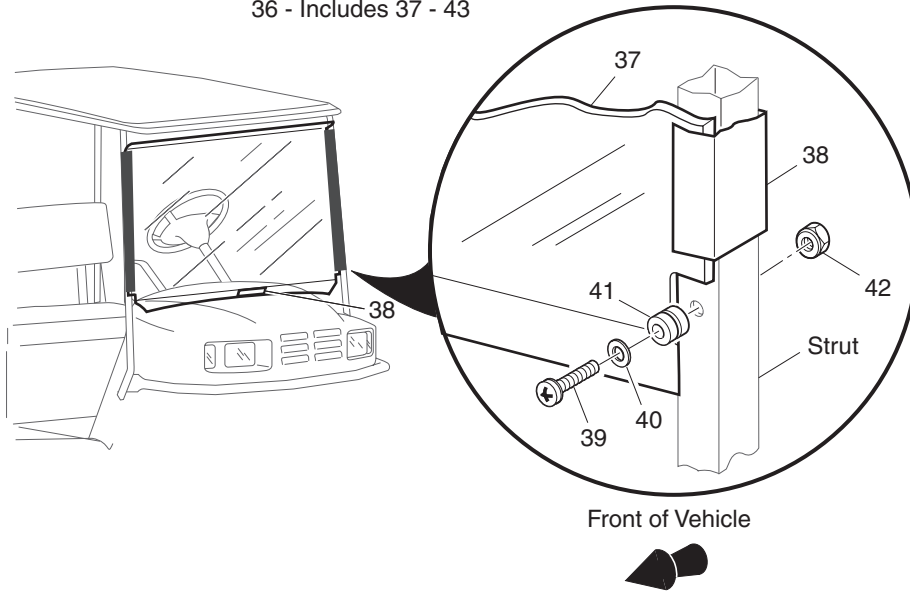
REAR VIEW MIRROR
26 - Includes Items 27 - 29



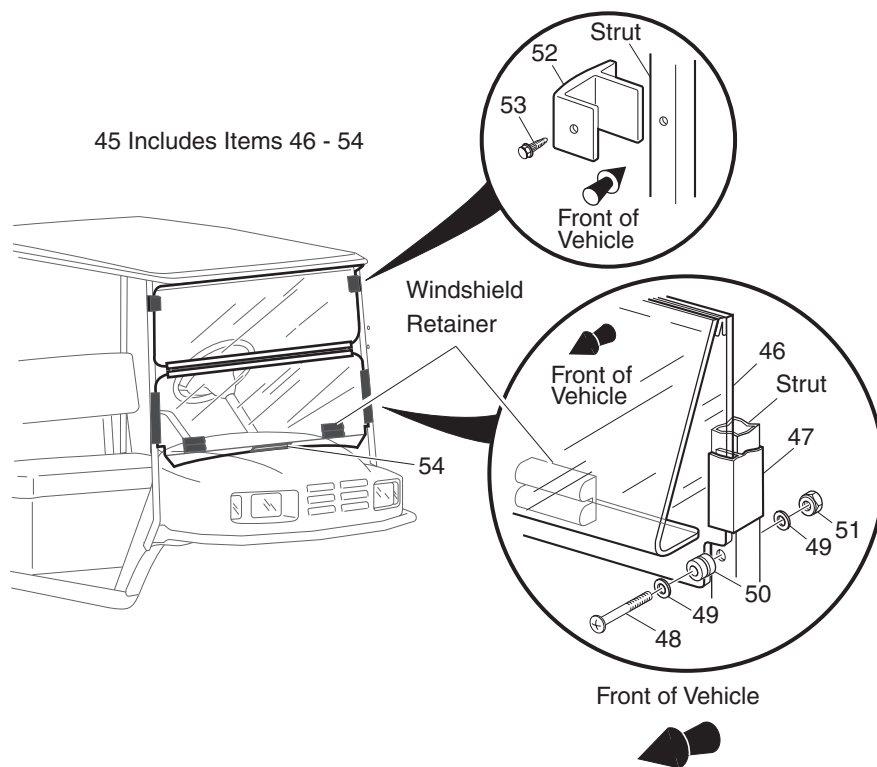
Ref Wea 9-2

WEATHER PROTECTION

36 - Includes 37 - 43

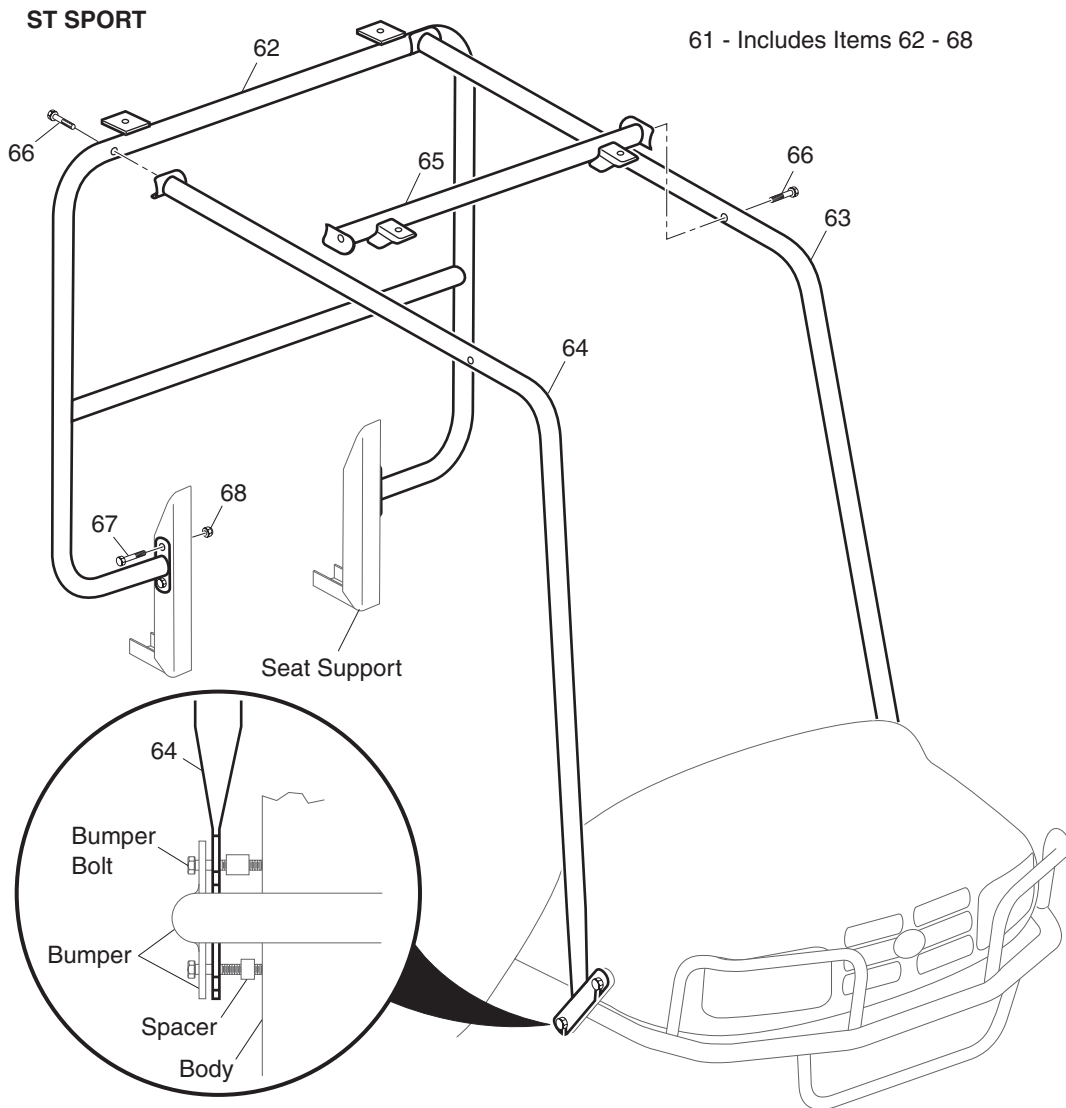


45 Includes Items 46 - 54



Ref Wea 9-3

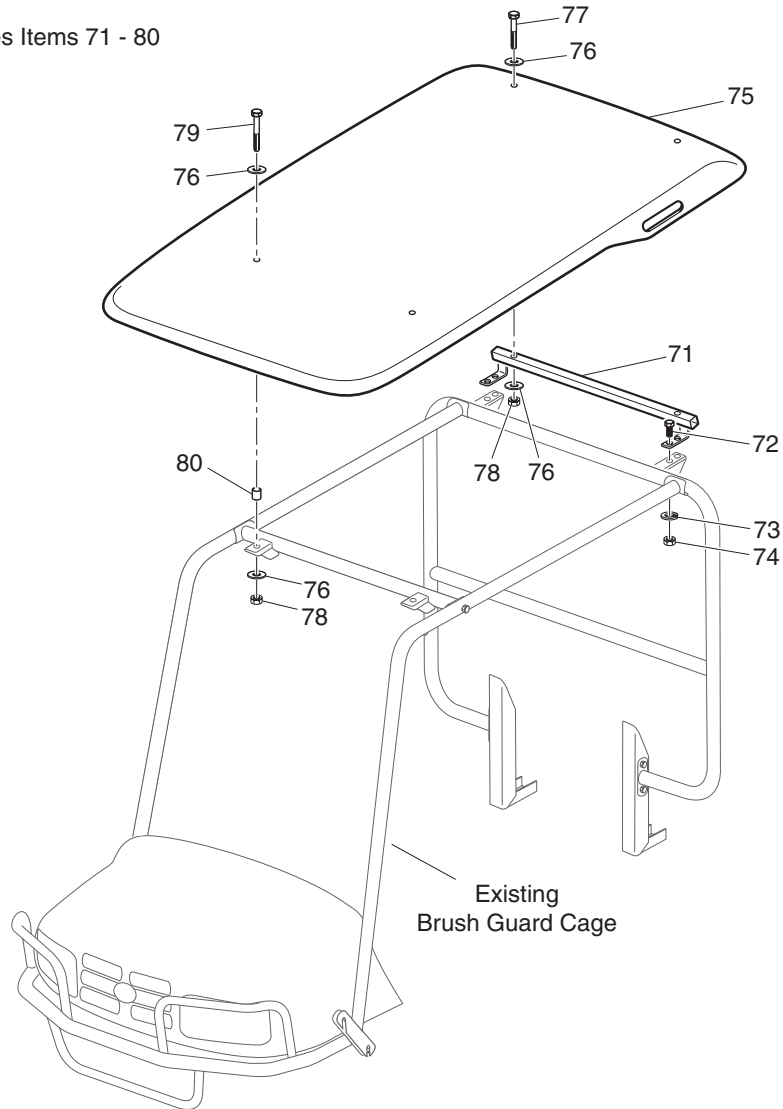
WEATHER PROTECTION



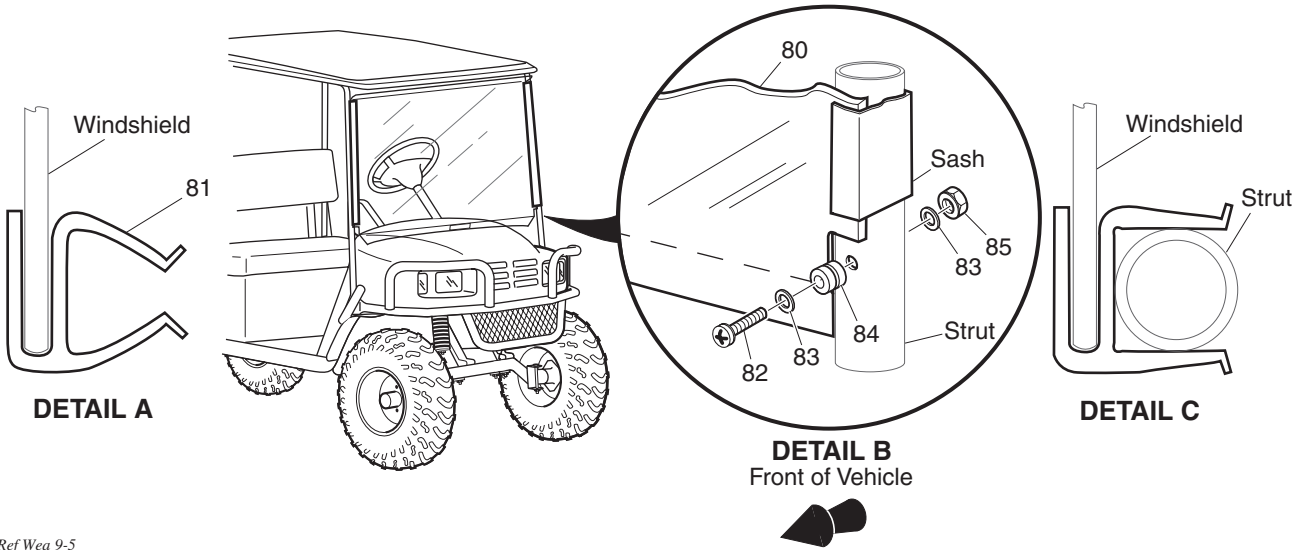
Ref Wea 9-4

WEATHER PROTECTION

70 - Includes Items 71 - 80



79 - Includes Items 80 - 85



Ref Wea 9-5

WEATHER PROTECTION

THE USE OF NON U.L. PARTS WILL VOID ANY U.L. LISTING.

When ordering parts, please specify the model and serial number of the product.

* Indicates a component that is not available as an individual part.

G** Indicates consult Customer Service Department for additional information.

ITEM	PART NO.	1	2	3	4	5	DESCRIPTION	QTY.
1	<u>75350-G02</u>						SUN TOP KIT (INCLUDES ITEMS 2 -19) (ST 350)	1
2	<u>27069-G07</u>						SUN TOP (TAN).....	1
3	<u>75045-G01</u>						FRONT STRUT.....	1
4	<u>01035-G02</u>						BOLT, 5/16 - 18 X 2 1/2" LG.....	4
5	<u>00905-G8</u>						LOCK WASHER, 5/16"	4
6	<u>75048-G01</u>						SPACER, 1/2"	2
7	<u>00570-G2</u>						WASHER, 5/16"	6
8	<u>75343-G01</u>						REAR STRUT (PASSENGER SIDE)	1
9	<u>75343-G02</u>						REAR STRUT (DRIVER SIDE).....	1
10	<u>00685-G7</u>						BOLT, 5/16 - 18 X 1 3/4" LG (STAINLESS STEEL)	4
11	<u>01110-G03</u>						WASHER, 5/16" (STAINLESS STEEL).....	8
12	<u>74537-G01</u>						BRACKET, REAR STRUT SUPPORT	2
13	<u>01109-G01</u>						LOCK NUT, 5/16 - 18 (STAINLESS STEEL).....	4
14	<u>00753-G5</u>						SCREW, 1/4 - 20 X 2" LG (STAINLESS STEEL).....	2
15	<u>00753-G6</u>						SCREW, 1/4 - 20 X 2 1/4" LG (STAINLESS STEEL).....	2
16	<u>01110-G01</u>						WASHER, 1/4" (STAINLESS STEEL).....	8
17	<u>75051-G01</u>						PLASTIC SPACER	4
18	<u>00654-G2</u>						LOCK NUT, 1/4 - 20 (STAINLESS STEEL).....	4
19	<u>19853-G1</u>						END CAP, 1"	2
20								
21	<u>75040-G05</u>						SUN TOP KIT (INCL ITEMS 2 -7, 10 - 11, 13 - 19, 22 - 24) (ST SPORT)	1
22	<u>75838-G01</u>						REAR STRUT (DRIVER SIDE).....	1
23	<u>75838-G02</u>						REAR STRUT (PASSENGER SIDE)	1
24	<u>17255-G1</u>						TEFLON WASHER, 3/8" X 5/8" X 5/16"	4
25								
26	<u>19528-G2</u>						REAR VIEW MIRROR KIT (INCLUDES ITEMS 27 -29)	1
27	<u>19496-G1</u>						REAR VIEW MIRROR	1
28	<u>19502-G2</u>						SUPPORT BRACKET.....	1
29	<u>19527-G1</u>						SCREW, #8 - 32 X 5/8" LG (STAINLESS STEEL).....	1
30								

WEATHER PROTECTION

Replacement parts for the windshield may be obtained from Eagle Parts, Inc. 1811 Wilkinson Rd. Augusta, GA 30904. Telephone (706) 729-9911 or FAX (706) 729-9955

* Indicates a component that is not available as an individual part.

G** Indicates consult Customer Service Department for additional information.

ITEM	PART NO.	1	2	3	4	5	DESCRIPTION	QTY.	
31	75367-G**	3 SIDED SOFT ENCLOSURE KIT (INCLUDES ITEMS 32 - 33).....							1
32	*	ENCLOSURE							1
33	*	VELCRO.....							AR
34									
35									
36	<u>71966-G01</u>	WINDSHIELD KIT (FULL) (INCLUDES ITEMS 37 - 43) (REQUIRES SUN TOP KIT)							1
37	<u>71954-G01</u>	WINDSHIELD (FULL) (LEXAN).....							1
38	EGWHC12	SASH, 26" LG							2
39	EGWHS12	SCREW, 1/4 - 20 X 1 3/4" LG (STAINLESS STEEL).....							2
40	EGWHW12	WASHER, 1/4" (STAINLESS STEEL)							4
41	EGWHG13	RUBBER GROMMET							2
42	EGWHN12	LOCK NUT, 1/4 - 20 (STAINLESS STEEL)							2
43	EGWHL14	SAFETY LABEL.....							1
44									
45	<u>71966-G02</u>	WINDSHIELD KIT (FOLD DOWN) (INCLUDES ITEMS 46 - 54) (REQUIRES SUN TOP KIT)							1
46	<u>71955-G01</u>	WINDSHIELD (SPLIT) (LEXAN).....							1
47	EGWHC10	SASH, 12" LG							2
48	EGWHS12	SCREW, 1/4 - 20 X 1 3/4" LG (STAINLESS STEEL).....							2
49	EGWHW12	WASHER, 1/4" (STAINLESS STEEL)							4
50	EGWHG13	RUBBER GROMMET							2
51	EGWHN12	LOCK NUT, 1/4 - 20 (STAINLESS STEEL)							2
52	137-010	TOP GRIP							2
53	136-008	GRIP FASTENER							2
54	EGWHL14	SAFETY LABEL.....							1
55									
56									
57	<u>75350-G03</u>	SUN TOP KIT (INCLUDES ITEMS 58, 3 -19) (ST 350).....							1
58	<u>27069-G10</u>	SUN TOP (BROWN).....							1
59									

WEATHER PROTECTION

Replacement parts for the windshield may be obtained from Eagle Parts, Inc. 1811 Wilkinson Rd. Augusta, GA 30904. Telephone (706) 729-9911 or FAX (706) 729-9955

* Indicates a component that is not available as an individual part.

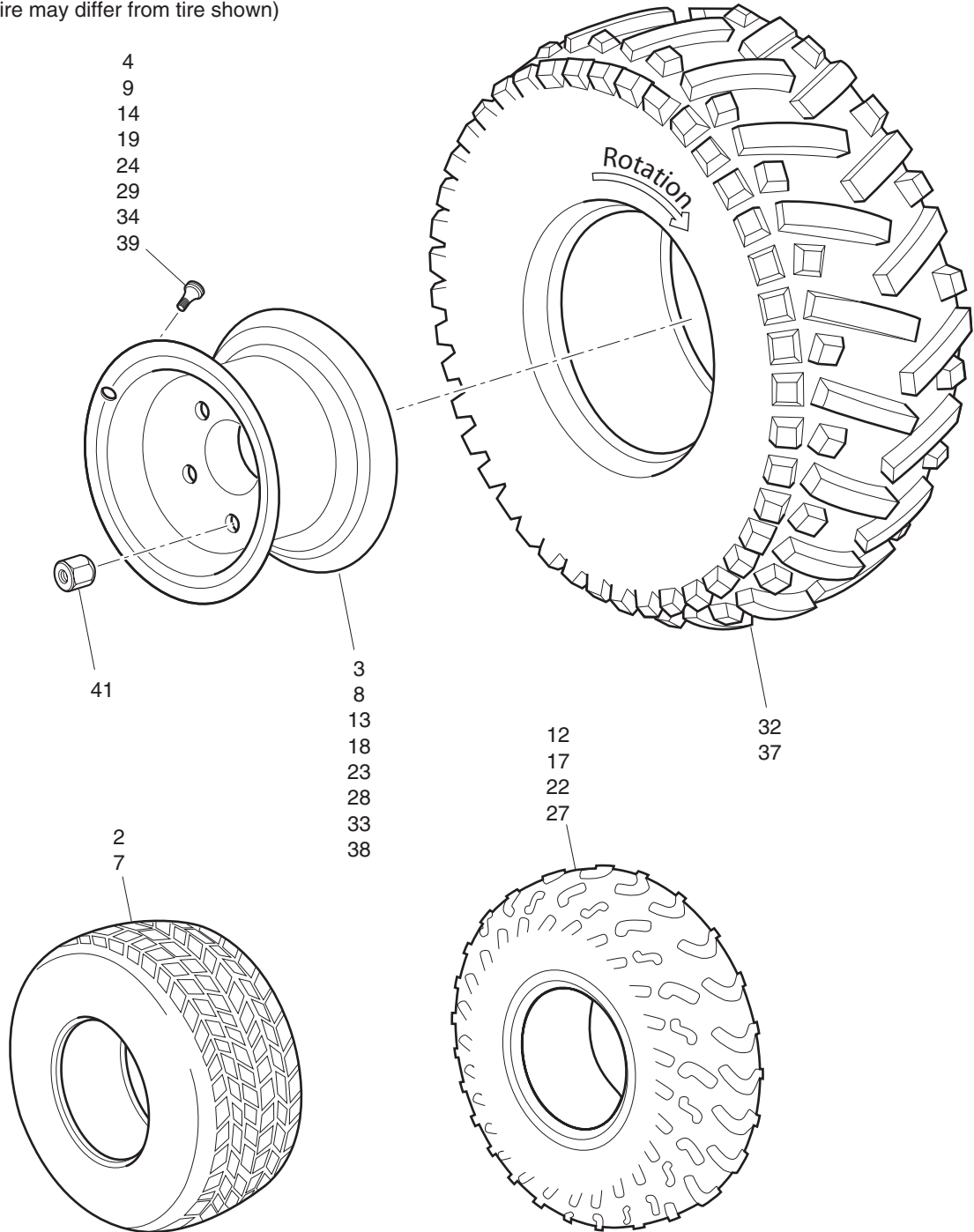
G** Indicates consult Customer Service Department for additional information.

ITEM	PART NO.	1	2	3	4	5	DESCRIPTION	QTY.
60								
61	<u>74479-G01</u>						BRUSH GUARD KIT (ST SPORT).....	1
62	74465-G01						BACK.....	1
63	<u>74459-G01</u>						SIDE (DRIVER SIDE).....	1
64	<u>74460-G01</u>						SIDE (PASSENGER SIDE)	1
65	74462-G01						TOP	1
66	<u>00428-G2</u>						BOLT, 3/8 - 16 X 2 1/4" LG	4
67	<u>00438-G7</u>						BOLT, 5/16 - 18 X 7/8" LG	4
68	<u>01109-G01</u>						LOCK NUT, 5/16 - 18 (STAINLESS STEEL)	4
69								
70	74496-G0*						SUN TOP KIT (WITH BRUSH GUARD).....	1
71	<u>74466-G01</u>						MOUNTING BRACKET	1
72	00438-G5						BOLT, 5/16 - 18 X 5/8" LG	4
73	<u>00565-G8</u>						LOCK WASHER, 5/16"	4
74	<u>00532-G3</u>						NUT, 5/16 - 18.....	4
75	74497-G0*						SUN TOP	1
76	<u>01110-G01</u>						WASHER, 1/4" (STAINLESS STEEL)	8
77	00753-G6						SCREW, 1/4 - 20 X 2 1/4" LG (STAINLESS STEEL).....	2
78	<u>00654-G2</u>						LOCK NUT, 1/4 - 20 (STAINLESS STEEL)	4
79	<u>00753-G7</u>						SCREW, 1/4 - 20 X 2 1/2" LG (STAINLESS STEEL).....	2
80	<u>74469-G01</u>						SPACER	2
81								
82	<u>74542-G01</u>						WINDSHIELD KIT (WITH BRUSH GUARD) (Replacement Parts available from Eagle Parts, 706-790-6687).....	1
83	110-735A						WINDSHIELD (POLYCARBONATE)	1
84	EGWHC12						SASH, 26" LG	2
85	110-072E						SCREW, 1/4 - 20 X 1/2" LG (STAINLESS STEEL).....	2
86	EGWHG12						WASHER, 1/4" (STAINLESS STEEL)	4
87	EGWHG13						RUBBER GROMMET	2
88	EGWHN12						LOCK NUT, 1/4 - 20 (STAINLESS STEEL)	2

WHEELS AND TIRES

- 1 - Includes Items 2 - 4
- 6 - Includes Items 7 - 9
- 11 - Includes Items 12 - 14
- 16 - Includes Items 17 - 19
- 21 - Includes Items 22 - 24
- 26 - Includes Items 27 - 29
- 31 - Includes Items 32 - 34
- 36 - Includes Items 37 - 39

(Style of tire may differ from tire shown)



Ref Whl 9

WHEELS AND TIRES

THE USE OF NON U.L. PARTS WILL VOID ANY U.L. LISTING.

When ordering parts, please specify the model and serial number of the product.

* Indicates a component that is not available as an individual part.

G** Indicates consult Customer Service Department for additional information.

ITEM	PART NO.	1	2	3	4	5	DESCRIPTION	QTY.
1	<u>28442-G03</u>						WHEEL AND TIRE ASSEMBLY, TURF SAVER (INCLUDES ITEMS 2 - 4)	
2	<u>28442-G02</u>						TIRE, 20 X 10 - 10 TURF SAVER.....	1
3	<u>15172-G02</u>						WHEEL RIM (BLACK, 4 LUG).....	1
4	<u>11657-G1</u>						VALVE STEM.....	1
5								
6	<u>28442-G04</u>						WHEEL AND TIRE ASSEMBLY, TURF SAVER (INCLUDES ITEMS 7 - 9)	
7	<u>28442-G02</u>						TIRE, 20 X 10 - 10 TURF SAVER.....	1
8	<u>15172-G03</u>						WHEEL RIM (SILVER, 4 LUG)	1
9	<u>11657-G1</u>						VALVE STEM.....	1
10								
11	<u>28513-G04</u>						WHEEL AND TIRE ASSY (PASSENGER SIDE) (INCLUDES ITEMS 12 - 14)	
12	<u>28513-G03</u>						TIRE, 21 X 9 - 10 WORKMATE	1
13	<u>15172-G02</u>						WHEEL RIM (BLACK, 4 LUG).....	1
14	<u>11657-G1</u>						VALVE STEM.....	1
15								
16	<u>28513-G05</u>						WHEEL AND TIRE ASSEMBLY (DRIVER SIDE) (INCLUDES ITEMS 17 - 19)	
17	<u>28513-G03</u>						TIRE, 21 X 9 - 10 WORKMATE	1
18	<u>15172-G02</u>						WHEEL RIM (BLACK, 4 LUG).....	1
19	<u>11657-G1</u>						VALVE STEM.....	1
20								
21	<u>28513-G06</u>						WHEEL AND TIRE ASSY (PASSENGER SIDE) (INCLUDES ITEMS 22 - 24)	
22	<u>28513-G03</u>						TIRE, 21 X 9 - 10 WORKMATE	1
23	<u>15172-G03</u>						WHEEL RIM (SILVER, 4 LUG)	1
24	<u>11657-G1</u>						VALVE STEM.....	1
25								
26	<u>28513-G07</u>						WHEEL AND TIRE ASSEMBLY (DRIVER SIDE) (INCLUDES ITEMS 27 - 29)	
27	<u>28513-G03</u>						TIRE, 21 X 9 - 10 WORKMATE	1
28	<u>15172-G03</u>						WHEEL RIM (SILVER, 4 LUG)	1
29	<u>11657-G1</u>						VALVE STEM.....	1
30								

WHEELS AND TIRES

THE USE OF NON U.L. PARTS WILL VOID ANY U.L. LISTING.

When ordering parts, please specify the model and serial number of the product.

* Indicates a component that is not available as an individual part.

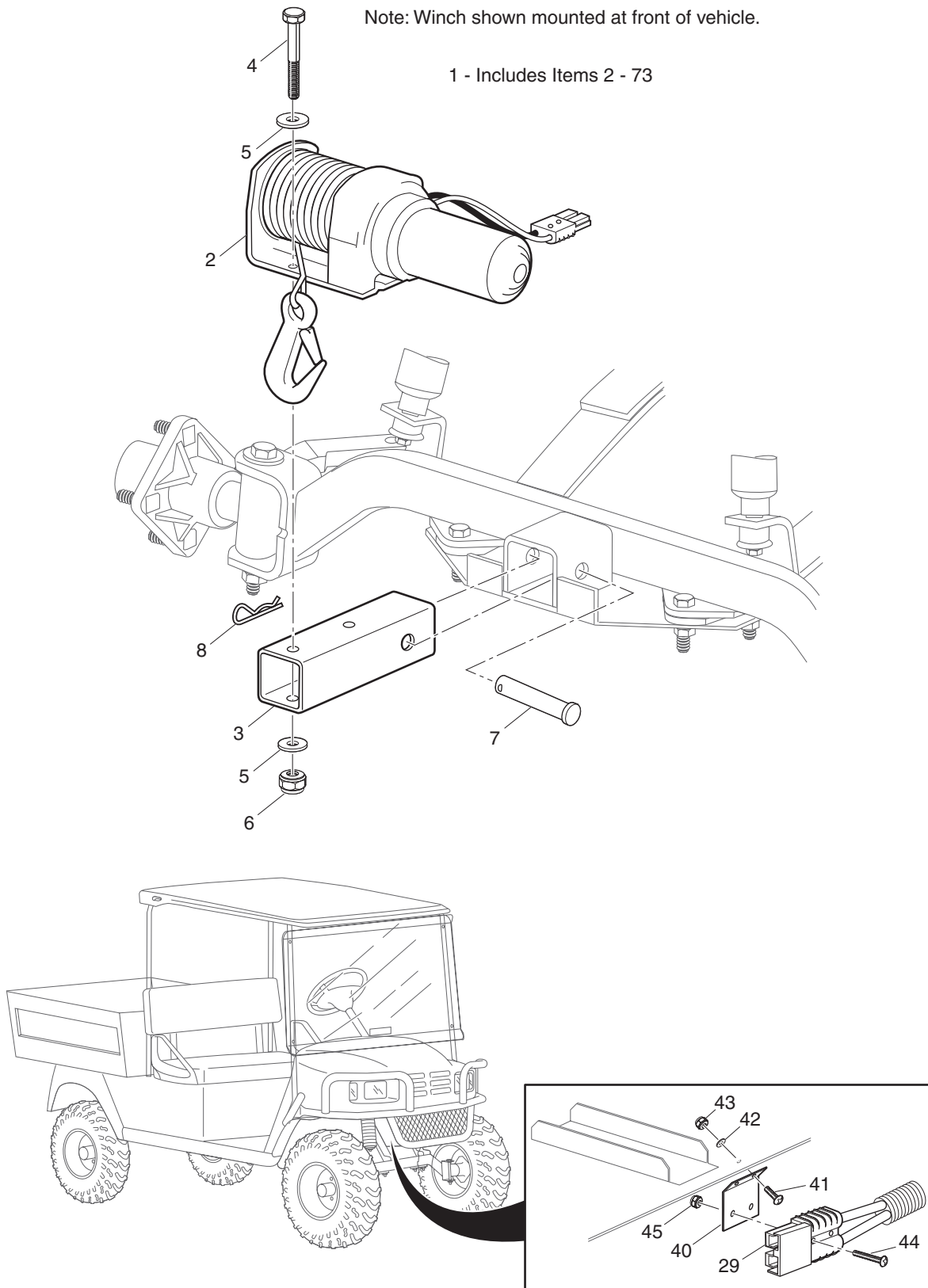
G** Indicates consult Customer Service Department for additional information.

ITEM	PART NO.	1	2	3	4	5	DESCRIPTION	QTY.
31	<u>28630-G04</u>						WHEEL AND TIRE ASSEMBLY (DRIVER SIDE) (INCLUDES ITEMS 32 - 34)	
32	<u>28630-G01</u>						TIRE, 22 X 9 - 10 STRYKER	1
33	<u>15172-G02</u>						WHEEL RIM (BLACK, 4 LUG)	1
34	<u>11657-G1</u>						VALVE STEM	1
35								
36	<u>28630-G05</u>						WHEEL AND TIRE ASSY (PASSENGER SIDE) (INCLUDES ITEMS 37 - 39)	
37	<u>28630-G01</u>						TIRE, 22 X 9 - 10 STRYKER	1
38	<u>15172-G02</u>						WHEEL RIM (BLACK, 4 LUG)	1
39	<u>11657-G1</u>						VALVE STEM	1
40								
41	<u>14723-G1</u>						LUG NUT, 1/2 - 20	AR

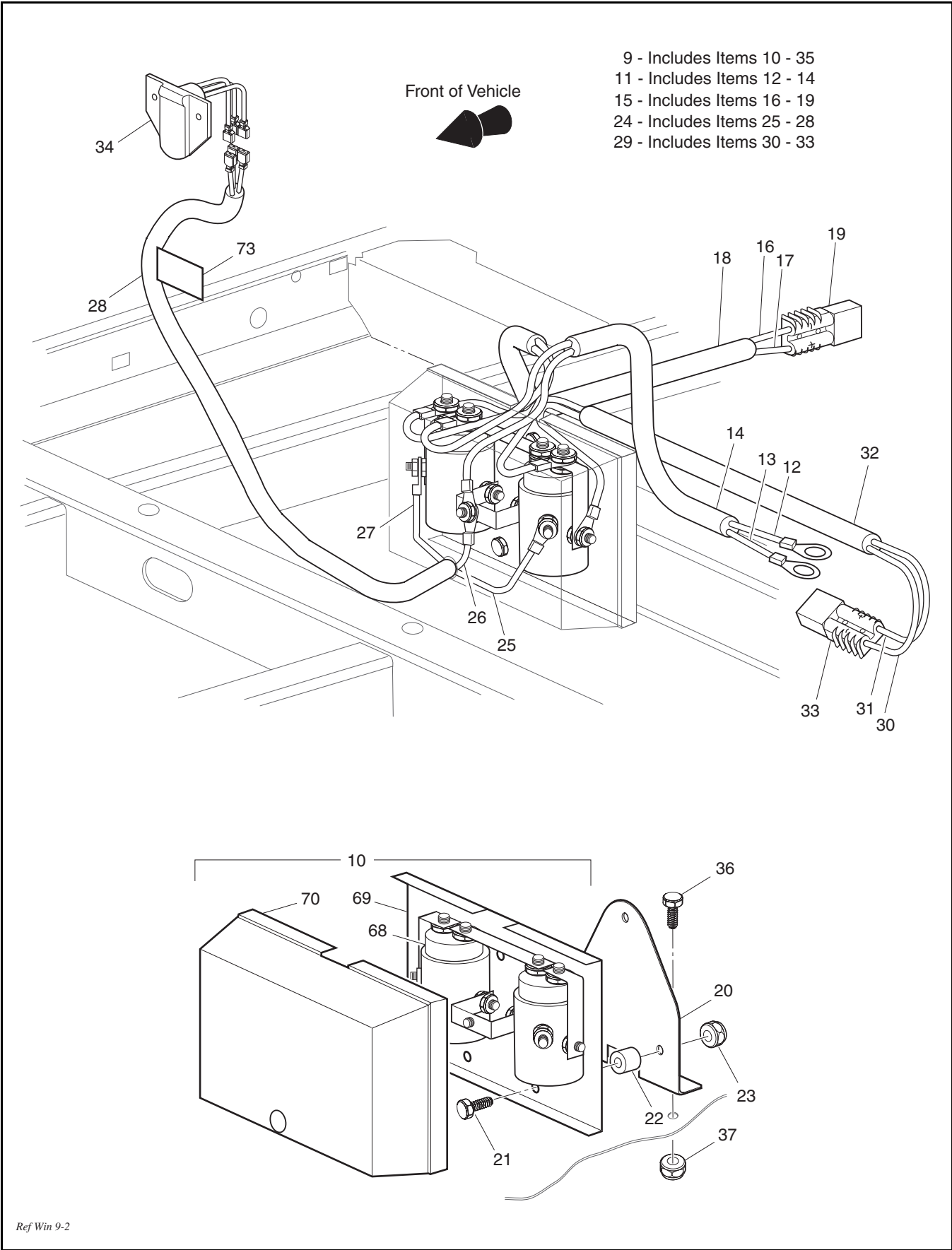
WINCH - ST 350

Note: Winch shown mounted at front of vehicle.

1 - Includes Items 2 - 73

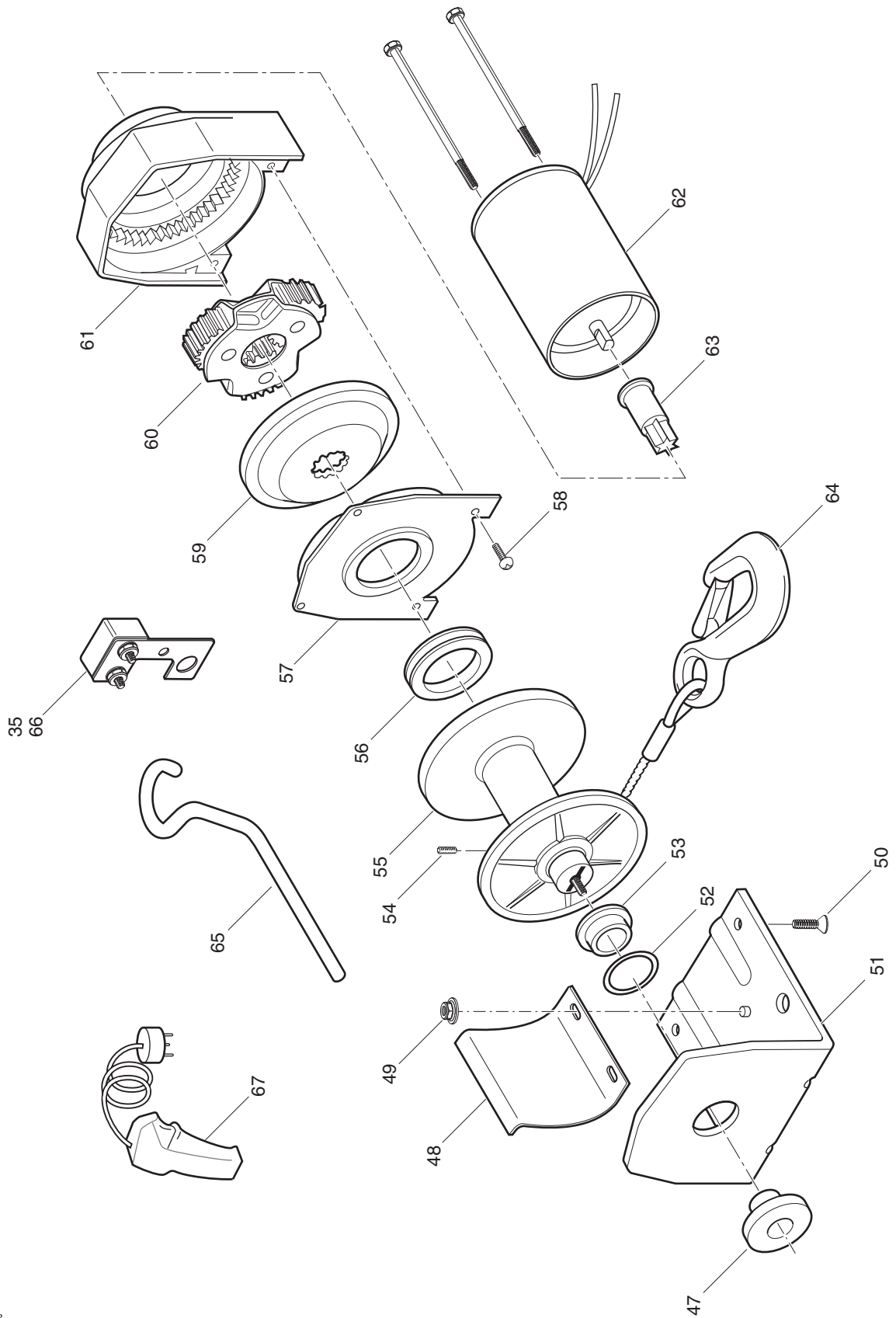


Ref Win 9-1



Ref Win 9-2

WINCH - ST 350



Ref Win 9-3

When ordering parts, please specify the model and serial number of the product.

* Indicates a component that is not available as an individual part.

G** Indicates consult Customer Service Department for additional information.

ITEM	PART NO.	1 2 3 4 5	DESCRIPTION	QTY.
1	74259-G02		WINCH KIT (INCLUDES ITEMS 2 - 73) (ST 350).....	1
2	74299-G01		WINCH ASSEMBLY, T1500.....	1
3	<u>74271-G01</u>		WINCH MOUNTING TUBE.....	1
4	<u>00440-G6</u>		BOLT, 5/16 - 18 X 2 3/4" LG.....	2
5	<u>01110-G03</u>		WASHER, 5/16" (STAINLESS STEEL).....	4
6	<u>00891-G3</u>		LOCK NUT, 5/16 - 18.....	2
7	<u>21317-G1</u>		CLEVIS PIN, 5/8" x 3" LG.....	1
8	<u>21683-G1</u>		COTTER PIN, 15/32" X 2 13/16" LG.....	1
9	74286-G02		REMOTE SOLENOID (INCLUDES ITEMS 10 - 35).....	1
10	<u>74256-G02</u>		SOLENOID KIT.....	1
11	74327-G01		WIRE HARNESS (SOLENOID to BATTERY) (INCLUDES 12 - 14).....	1
12	25973-G07		8 GA WIRE (BLACK 30").....	1
13	25973-G08		8 GA WIRE (RED 30").....	1
14	<u>20436-G1</u>		FLEX LOOM (BULK), 13".....	1
15	74328-G01		WIRE HARNESS (SOLENOID to REAR WINCH) (INCLUDES 16 - 19)	1
16	25973-G09		8 GA WIRE (BLACK 67").....	1
17	25973-G10		8 GA WIRE (RED 67").....	1
18	<u>20436-G1</u>		FLEX LOOM (BULK), 49".....	1
19	<u>73235-G01</u>		CONNECTOR.....	1
20	<u>74326-G01</u>		MOUNTING BRACKET.....	1
21	<u>00414-G6</u>		BOLT, 1/4 - 20 X 3/4" LG.....	3
22	<u>23726-G1</u>		SPACER, 1/4".....	3
23	<u>14390-G4</u>		LOCK NUT, 1/4 - 20.....	3
24	74298-G01		WIRE HARNESS (SOLENOID to RECEPTACLE) (INCLUDES 25-28)	1
25	25977-G63		16 GA WIRE (GREEN 14").....	1
26	25977-G64		16 GA WIRE (WHITE 14").....	1
27	25977-G65		16 GA WIRE (BLACK 14").....	1
28	<u>17313-G1</u>		FLEX LOOM (BULK), 4".....	1
29	74329-G01		WIRE HARNESS (SOLENOID to FRONT WINCH) (INCLUDES 30-33)	1
30	25973-G11		8 GA WIRE (BLACK 94").....	1

WINCH - ST 350

When ordering parts, please specify the model and serial number of the product.

* Indicates a component that is not available as an individual part.

G** Indicates consult Customer Service Department for additional information.

ITEM	PART NO.	1	2	3	4	5	DESCRIPTION	QTY.
31	25973-G12						8 GA WIRE (RED 94")	1
32	<u>20436-G1</u>						FLEX LOOM, 75 5/8" (BULK)	1
33	<u>73235-G01</u>						CONNECTOR	1
34	74285-G01						RECEPTACLE WITH LEADS (GREEN, WHITE, BLACK)	1
35	*						CIRCUIT BREAKER WITH BRACKET	1
36	<u>00414-G5</u>						BOLT, 1/4 - 20 X 5/8" LG	2
37	<u>14390-G4</u>						LOCK NUT, 1/4 - 20	2
38								
39								
40	<u>74289-G01</u>						CONNECTOR MOUNT PLATE	1
41	<u>00740-G4</u>						SCREW, #10 - 32 X 1/2" LG (STAINLESS STEEL)	2
42	<u>00559-G5</u>						WASHER, #10	2
43	<u>00921-G8</u>						LOCK NUT, #10 - 32	2
44	<u>00156-G8</u>						SCREW, #10 - 32 X 1" LG	2
45	<u>00526-G4</u>						NUT, #10 - 32	2
46							<p>The following items are replacement components for the winch. For service or replacement parts, contact Superwinch, Inc., Winch Drive, Putnam, CT 06260 Phone: (860) 928-7787, FAX: (860) 928-1143</p> <p>Always provide the following information when requesting information or ordering replacement parts:</p> <p>Winch Part Number: T1500 Serial Number: (found on housing) Part Number and Description</p>	
47	87-10490						KNOB ASSEMBLY, T-SERIES F/W	1
48	87-22381						TENSION PLATE	1
49	87-23149-05						NUT, HEX, FLANGED, M5 X 0.8	2
50	89-22291-01						SCREW, ST HEX SKY FH, M6 X 1 X 20	2
51	87-22394						BASEPLATE ASSEMBLY, T-SERIES	1
52	AS REQ'D						WASHER, .020 OR .030 THICK	A/R
53	87-10466						BUSHING, T-SERIES	1

When ordering parts, please specify the model and serial number of the product.

* Indicates a component that is not available as an individual part.

G** Indicates consult Customer Service Department for additional information.

ITEM	PART NO.	1	2	3	4	5	DESCRIPTION	QTY.
54	87-23309-01						SET SCREW, M5 X 0.8 X 6	1
55	87-22397						DRUM ASSEMBLY	1
56	87-10470						DRUM SUPPORT BUSHING	1
57	87-33257						DRUM SUPPORT PLATE	1
58	87-23030-10						SCREW, ST PAN HEAD, M4 X 0.7 X 10	4
59	87-33251						ROTATOR GEAR, T-SERIES	1
60	87-22380						CARRIER ASSEMBLY, T-SERIES.....	1
61	87-22396						STATIONARY GEAR HOUSING ASSEMBLY, T-SERIES.....	1
62	87-33249						MOTOR, 12 VOLT	1
63	87-22401						MOTOR PINION GEAR	1
64	1535A						WIRE ROPE AND HOOK ASSEMBLY, 5/32" X 25 FEET.....	1
65	89-32300						HANSAVER BAR	1
66	90-22873-03						CIRCUIT BREAKER ASSEMBLY, 12 VOLT, T-SERIES	1
67	90-22117						REMOTE CONTROL ASSEMBLY	1
68	92-20172						SOLENOID, 12 VOLT	2
69	90-32070						SOLENOID BACK PLATE	1
70	90-31079						SOLENOID COVER.....	1
71								
72								
73	<u>71489-G01</u>						LABEL (READ INSTRUCTIONS)	1

SPECIALTY PRODUCTS

SPECIALTY PRODUCTS

SPECIALTY PRODUCTS

SPECIAL TOOLS	PART NO.
HIGH RESISTANCE SPARK PLUG WIRE SET	26733-G02
CLUTCH PULLER (DRIVE)	19779-G2
FLYWHEEL PULLER	27111-G01
CURRENT INDICATOR	16489-G2
DIGITAL MULTI-METER	27481-G01
SLIDE HAMMER (AXLE/HUB REMOVAL)	15947-G1
SLIDE HAMMER (AXLE REMOVAL ONLY)	18753-G1
COMPRESSION TESTER	72524-G01
FEELER GAUGE	72525-G01
TACHOMETER	72526-G01

ENGINE OIL	PART NO.
4 CYCLE ENGINE OIL, 5 GALLON (19 LITER)	25730-G03
4 CYCLE ENGINE OIL, 12 QUART CASE	25730-G04
4 CYCLE ENGINE OIL, 1 QUART BOTTLE (950 ML)	25730-G06

TOUCH UP PAINT	PART NO.
PEN 3 OUNCE (89 ML) - HUNTER GREEN	28432-G02
PEN 3 OUNCE (89 ML) - CHAMPAGNE BEIGE	28432-G01
PEN 3 OUNCE (89 ML) - WHITE	28432-G05
PEN 3 OUNCE (89 ML) - INDUSTRIAL YELLOW	28432-G03
PEN 3 OUNCE (89 ML) - ORANGE	28432-G04
PEN 3 OUNCE (89 ML) - STEEL BLUE PEARL	28432-G**
PEN 3 OUNCE (89 ML) - CAMOUFLAGE PAINT (THREE PENS)	75831-G01
AEROSOL 12 OUNCE (360 ML) - HUNTER GREEN	28140-G09
AEROSOL 12 OUNCE (360 ML) - CHAMPAGNE BEIGE	28140-G15
AEROSOL 12 OUNCE (360 ML) - WHITE	28140-G03
AEROSOL 12 OUNCE (360 ML) - INDUSTRIAL YELLOW	28140-G14
AEROSOL 12 OUNCE (360 ML) - ORANGE	28140-G13
AEROSOL 12 OUNCE (360 ML) - STEEL BLUE PEARL	28140-G**

SPECIALTY PRODUCTS

MAINTENANCE PRODUCTS	PART NO.
FORMULA 40 VINYL-COAT® - WHITE	28166-G01
PLEXUS® CLEANER, 7 OUNCE (210 ML) (FOR WINDSHIELDS)	28433-G01
PLEXUS® CLEANER, 13 OUNCE (380 ML) (FOR WINDSHIELDS)	28433-G02
BATTERY PROTECTOR, 14 OUNCE (410 ML) SPRAY	75500-G01
CARBURETOR & CHOKE CLEANER, 15 OUNCE (440 ML) SPRAY	75501-G01
WHITE LITHIUM GREASE, 14 OUNCE (410 ML) SPRAY	75502-G01
PENETRANT/LUBRICANT, 15 OUNCE (440 ML) SPRAY	75503-G01
MULTI-PURPOSE CLEANER & DEGREASER, 14 OUNCE (410 ML) SPRAY	75504-G01
MULTI-PURPOSE HAND CLEANER, 32 OUNCE (950 ML) LIQUID	75505-G01
BATTERY CLEANER, 32 OUNCE (950 ML) WITH TRIGGER SPRAYER	75506-G01
BIO-DEGRADABLE CLEANER, 32 OUNCE (950 ML) WITH TRIGGER SPRAYER	75507-G01
MULTI-PURPOSE VALUE PACK.....	75508-G01
• BATTERY PROTECTOR, 4 OUNCE (120 ML) SPRAY	
• PENETRANT/LUBRICANT, 4 OUNCE (120 ML) SPRAY	
• WHITE LITHIUM GREASE, 4 OUNCE (120 ML) SPRAY	
• CARBURETOR & CHOKE CLEANER, 4 OUNCE (120 ML) SPRAY	

OPTIONS/ACCESSORIES

OPTIONS/ACCESSORIES

OPTIONS/ACCESSORIES

ITEM	KIT NO.	COMMENTS
ACCESSORY LIST	KIT NO.	LOCATION IN MANUAL
ASHTRAY KIT.....	75109-G02.....	See BODY
BALL HITCH KIT.....	75326-G02.....	See BODY
CARGO BED COVER.....	73521-G01	
CARGO TRAILER (STEEL).....	74486-G01	
CARGO TRAILER (POLY).....	74487-G01	
CONSOLE POWER OUTLET.....	71079-G01.....	See ELECTRICAL SYSTEM
DEFROSTER/COOLING FAN.....	74248-G01.....	See CAB (FLAT WINDSHIELD)
DOME LIGHT.....	20495-G2.....	See CAB (FLAT WINDSHIELD)
DOOR SET (STEEL).....	74301-G0*.....	See CAB (FLAT WINDSHIELD)
DOOR SET (STEEL).....	75856-G0*.....	See CAB (CURVED WINDSHIELD)
DOOR SET (VINYL).....	74242-G01.....	See CAB (FLAT WINDSHIELD)
DOOR SET (VINYL).....	75855-G01.....	See CAB (CURVED WINDSHIELD)
GLOVE BOX DOOR.....	75459-G0*.....	See BODY
GUN HOLDER.....	74365-G01	
HITCH KITS.....	74492-G0*.....	See BODY
HOUR METER KIT.....	75114-G02.....	See ELECTRICAL SYSTEM
RECTANGULAR SIDE MIRROR KIT.....	27924-G01.....	See CAB (FLAT WINDSHIELD)
INSTRUMENT/SWITCH PANEL.....	74250-G01.....	See CAB (FLAT WINDSHIELD)
LIGHT BAR.....	75354-G0*.....	See ELECTRICAL
REAR VIEW MIRROR KIT (REQUIRES SUN TOP KIT).....	19528-G2.....	See WEATHER PROTECTION
SOFT ENCLOSURE (3 SIDED).....	75367-G0*.....	See WEATHER PROTECTION
STEEL CAB, W/O DOORS.....	75854-G0*.....	See CAB (CURVED WINDSHIELD)
STROBE LIGHT.....	74245-G01.....	See CAB (FLAT WINDSHIELD)
SUN TOP KIT (CAMO).....	75378-G0*.....	See WEATHER PROTECTION
SUN TOP KIT (ST 350).....	75350-G02.....	See WEATHER PROTECTION
SUN TOP KIT (ST SPORT).....	75040-G05.....	See WEATHER PROTECTION
TURN SIGNAL KIT.....	75107-G02.....	See ELECTRICAL SYSTEM
WINCH.....	74259-G02.....	See WINCH (ST 350)
WINDSHIELD KIT (REQUIRES SUN TOP KIT).....	71966-G0*.....	See WEATHER PROTECTION
FOLD DOWN WINDSHIELD KIT (REQUIRES SUN TOP KIT).....	71966-G0*.....	See WEATHER PROTECTION
WINDSHIELD WIPER.....	74244-G01.....	See CAB (FLAT WINDSHIELD)

OPTIONS/ACCESSORIES

ITEM	KIT NO.	COMMENTS
WORK LIGHTS	74247-G01	See CAB (FLAT WINDSHIELD)
ALUMINUM TOOLBOX.....	75454-G02.....	See TRUCKBEDS (ST 350)

OPTIONS/ACCESSORIES

ITEM

KIT NO.

COMMENTS

INDEX OF MAJOR COMPONENTS

INDEX OF MAJOR COMPONENTS

BY PART DESCRIPTION



A Textron Company

E-Z-GO Division of Textron, Inc.
P.O. Box 388 Augusta, Georgia 30903-0388 USA
Inside USA Phone: 1-800-241-5855, FAX: 1-800-448-8124
Outside USA Phone: 010-1-706-798-4311, FAX: 010-1-706-771-4609

Copyrighted Material
This manual may not be reproduced in whole or
in part without the express permission of
E-Z-GO Division of Textron, Inc.
Technical Communications Department