



A Textron Company

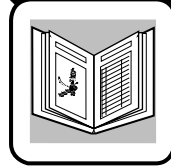
CUSHMAN

A Textron Company

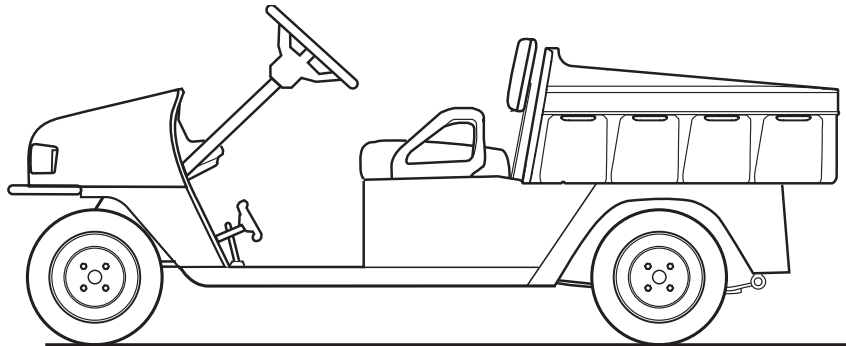
JACOBSEN

A Textron Company

604937



SERVICE PARTS MANUAL



Ref Fcv 4 28812

ELECTRIC POWERED UTILITY VEHICLES

REVISED DATE: DEC 2006

SERVICE PARTS MANUAL

ELECTRIC UTILITY VEHICLES

MPT™ 1000

INDUSTRIAL™ 1000

COMMANDER™ 2100

JACOBSEN HAULER® 1000

STARTING MODEL YEAR 2006+

E-Z-GO Division of TEXTRON, Inc. reserves the right to make design changes without obligation to make these changes on units previously sold and the information contained in this manual is subject to change without notice.

E-Z-GO Division of TEXTRON, Inc. is not liable for errors in this manual or for incidental or consequential damages that result from the use of the material in this manual.

CUSTOMER SERVICE DEPARTMENT IN USA PHONE: 1-800-241-5855 FAX: 1-800-448-8124

OUTSIDE USA PHONE: 010-1-706-798-4311, FAX: 010-1-706-771-4609

E-Z-GO DIVISION OF TEXTRON, INC., P.O.BOX 388, AUGUSTA, GEORGIA USA 30903-0388

NOTES

To obtain a copy of the limited warranty applicable to the vehicle, call or write a local Distributor, authorized Branch or the Warranty Department with vehicle serial number and manufacturer code.

The use of non Original Equipment Manufacturer (OEM) parts may void the warranty.

Tampering with or adjusting the governor to permit vehicle to operate at above factory specifications will void the vehicle warranty.

When servicing engines, all adjustments and replacement components must be per original vehicle specifications in order to maintain the United States of America Federal and State emission certification applicable at the time of manufacture.

BATTERY PROLONGED STORAGE

All batteries will self discharge over time. The rate of self discharge varies depending on the ambient temperature and the age and condition of the batteries.

A fully charged battery will not freeze in winter temperatures unless the temperature falls below -75° F (-60° C).

TABLE OF CONTENTS

SECTION	Page No.
HOW TO USE THE SERVICE PARTS MANUAL	v
ILLUSTRATED PARTS BREAKDOWN	vii
ACCELERATOR	A-1
BATTERY CHARGER (LESTER)	B-1
BODY	C-1
BRAKES	D-1
BRAKES - FRONT DISC	E-1
CAB	F-1
ELECTRICAL	G-1
ELECTRONIC SPEED CONTROL - PDS	H-1
FRONT SUSPENSION/STEERING	J-1
MOTOR	K-1
REAR AXLE	L-1
REAR SUSPENSION	M-1
SEATING	N-1
TRUCK BED, PLASTIC	P-1
WEATHER PROTECTION	Q-1
WHEELS AND TIRES	R-1
SPECIALTY PRODUCTS	APPENDIX A-1
OPTIONS/ACCESSORIES	APPENDIX B-1

TABLE OF CONTENTS

SECTION

Page No.

HOW TO USE THE SERVICE PARTS MANUAL

This manual is divided into several sections:

GENERAL INFORMATION

- TABLE OF CONTENTS
- HOW TO USE THE SERVICE PARTS MANUAL

ILLUSTRATED PARTS BREAKDOWN

- Contains illustrations and parts lists for all systems of the vehicle

APPENDIX

- Contains a listing of specialty products and options/accessories

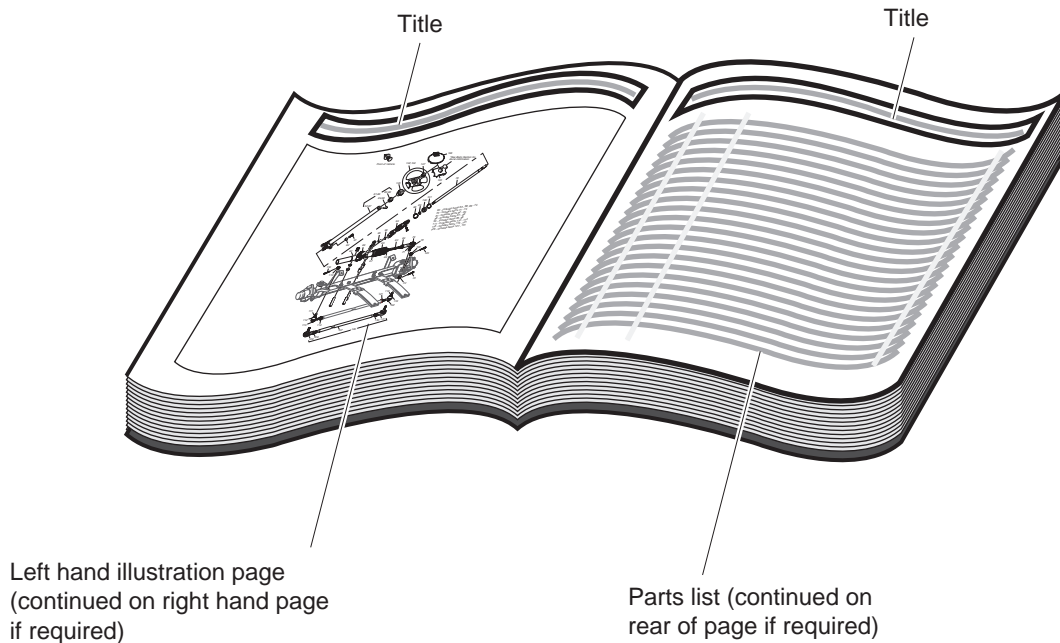
I

USE OF THE MANUAL

To use this manual, consult the TABLE OF CONTENTS (page iii) (located at rear of this manual) to locate the information or illustration required.

Introduction of some revisions varies due to supply of components; therefore, it is possible that various combinations of components may be found that are not directly reflected by each illustration. Consult the illustration that best suits your situation. Locate the serial number plate (see BODY located in the Illustrated Parts Breakdown section of this manual for its location) and note the complete number shown on the plate. It is important that the serial number of your vehicle and its model number be supplied to Service Parts when ordering any replacement components.

HOW TO USE THE SERVICE PARTS MANUAL



1. WHEN THE PART NUMBER IS NOT KNOWN

- Determine the function and application of the part required. Turn to the INDEX OF MAJOR COMPONENTS and select the most appropriate component description.
- Turn to the page number indicated and locate the part description in the parts list. Read the full accompanying description for specific information regarding the part that was not shown in the index.
- From the parts list, obtain the item number assigned to it and confirm that the part selected is correct by verifying it with the pictorial representation on the illustrated page.

2. IF YOU KNOW THE PART NUMBER

- Use the INDEX OF MAJOR COMPONENTS to find the page(s) the part number appears on.
- Turn to the page number indicated and locate the part number in the parts list. Refer to the accompanying description for specific information regarding the part.
- From the parts list, obtain the item number assigned to it and confirm that the part selected is correct by verifying it with the pictorial representation on the illustrated page.

Should an asterisk (*) appear in the part number column on the parts list page, read upwards until a part number is found. The part number is the lowest assembly sold by Service Parts. The asterisk (*) indicates that the part depicted is not available for purchase.

NOTE: Descriptions are indented under the assembly that they are used on. That assembly is, in turn listed under the assembly that it is used on. This process is repeated until the highest final assembly is reached.

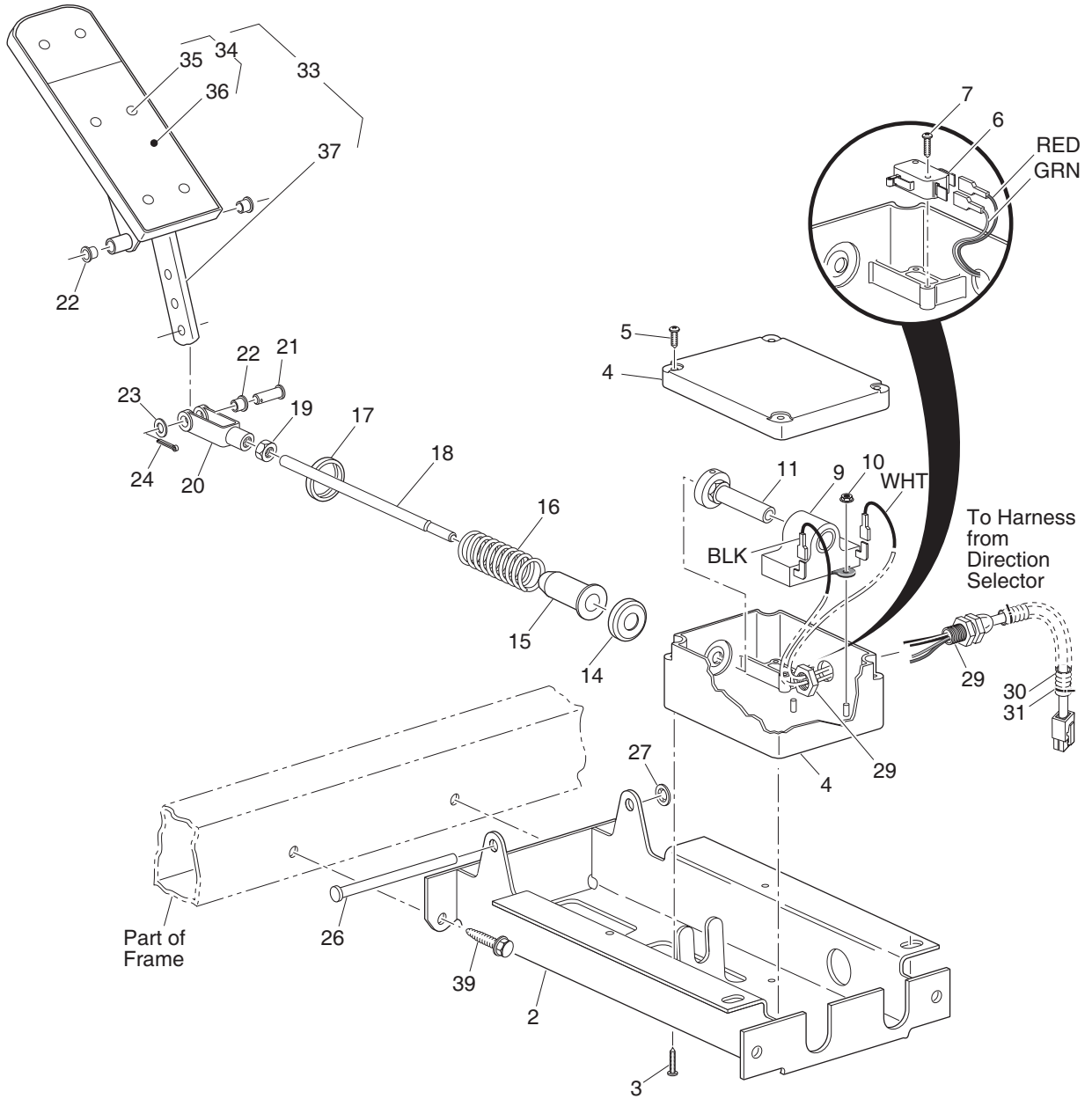
To facilitate the maintenance and repair of the vehicle, a Technician's Repair and Service Manual is available from the Service Parts Department.

ILLUSTRATED PARTS BREAKDOWN

ILLUSTRATED PARTS BREAKDOWN

ACCELERATOR

1 - Includes Items 2 - 37



Ref Acl 4-1

ACCELERATOR

When ordering parts, please specify the model and serial number of the product.

* Indicates a component that is not available as an individual part.

G** Indicates consult Customer Service Department for additional information.

ITEM	PART NO.	1 2 3 4 5	DESCRIPTION	QTY.
1	25870-G03		PEDAL BOX ASSEMBLY (INCLUDES ITEMS 2 - 37)	1
2	70116-G01		ACCELERATOR PEDAL BRACKET	1
3	00984-G01		SCREW, #8 - 10 X 1/2" LG.	4
4	<u>25853-G01</u>		PEDAL BOX AND COVER	1
5	<u>00684-G6</u>		SCREW, #8 - 32 X 3/4" LG.	4
6	<u>25861-G01</u>		MICRO SWITCH	1
7	00982-G01		SCREW, #4 - 14 X 5/8" LG.	2
8				
9	<u>25854-G01</u>		INDUCTIVE THROTTLE SENSOR	1
10	<u>00983-G01</u>		SELF THREADING NUT, 3/16"	2
11	<u>602484</u>		PLUNGER.....	1
12				
13				
14	<u>17677-G1</u>		SPRING RETAINER, 1/2"	1
15	<u>17979-G1</u>		BUSHING.....	1
16	<u>73046-G01</u>		COMPRESSION SPRING	1
17	<u>17677-G2</u>		SPRING RETAINER, 3/8"	1
18	<u>73332-G01</u>		ACCELERATOR ROD	1
19	<u>00532-G4</u>		LOCK NUT, 5/16 - 24.....	1
20	10385-G4		CLEVIS YOKE (ADJUSTABLE).....	1
21	<u>10386-G3</u>		CLEVIS PIN, 5/16" X 1" LG	1
22	<u>17838-G1</u>		NYLON BUSHING	3
23	<u>17255-G1</u>		TEFLON WASHER, 5/16"	1
24	<u>10387-G3</u>		COTTER PIN, 3/32" X 3/4" LG	1
25				
26	70134-G01		PEDAL PIVOT PIN	1
27	<u>00986-G01</u>		PUSH NUT, 9/32"	1
28				
29	<u>25879-G03</u>		WIRING HARNESS (PEDAL BOX ASSEMBLY)	1
30	<u>17313-G1</u>		LOOM FLEX, 3/8" X 6" LG (BULK).....	1

ACCELERATOR

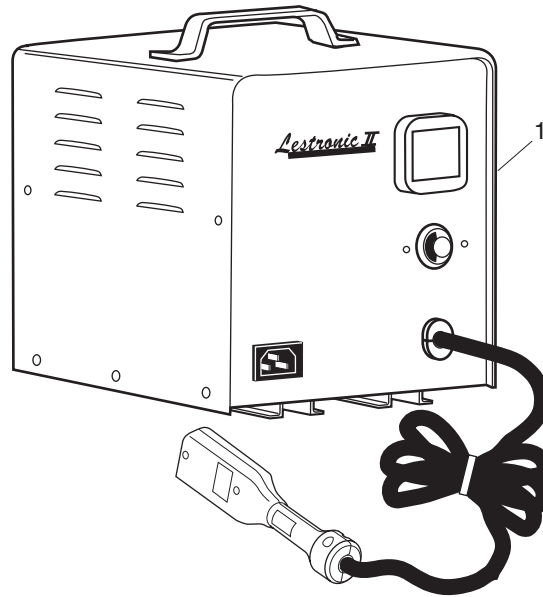
When ordering parts, please specify the model and serial number of the product.

* Indicates a component that is not available as an individual part.

G** Indicates consult Customer Service Department for additional information.

ITEM	PART NO.	1	2	3	4	5	DESCRIPTION	QTY.
31	<u>17618-G1</u>						WIRE TIE	2
32								
33	<u>25799-G03</u>						ACCELERATOR PEDAL ASSEMBLY (INCLUDES ITEMS 34 - 37)	1
34	<u>27844-G01</u>						ACCELERATOR PEDAL PAD KIT (INCLUDES ITEMS 35 - 36)	1
35	<u>15766-G1</u>						OVAL RIVET, 3/16" X 3/8" LG	6
36	<u>27512-G01</u>						ACCELERATOR PEDAL PAD	1
37	*						ACCELERATOR PEDAL	1
38								
39	<u>00715-G2</u>						BOLT, 5/16 - 18 X 13/16" LG	4

BATTERY CHARGER (LESTER)



Ref Bcl 4-1

BATTERY CHARGER (LESTER)

THE USE OF NON U.L. PARTS WILL VOID ANY U.L. LISTING.

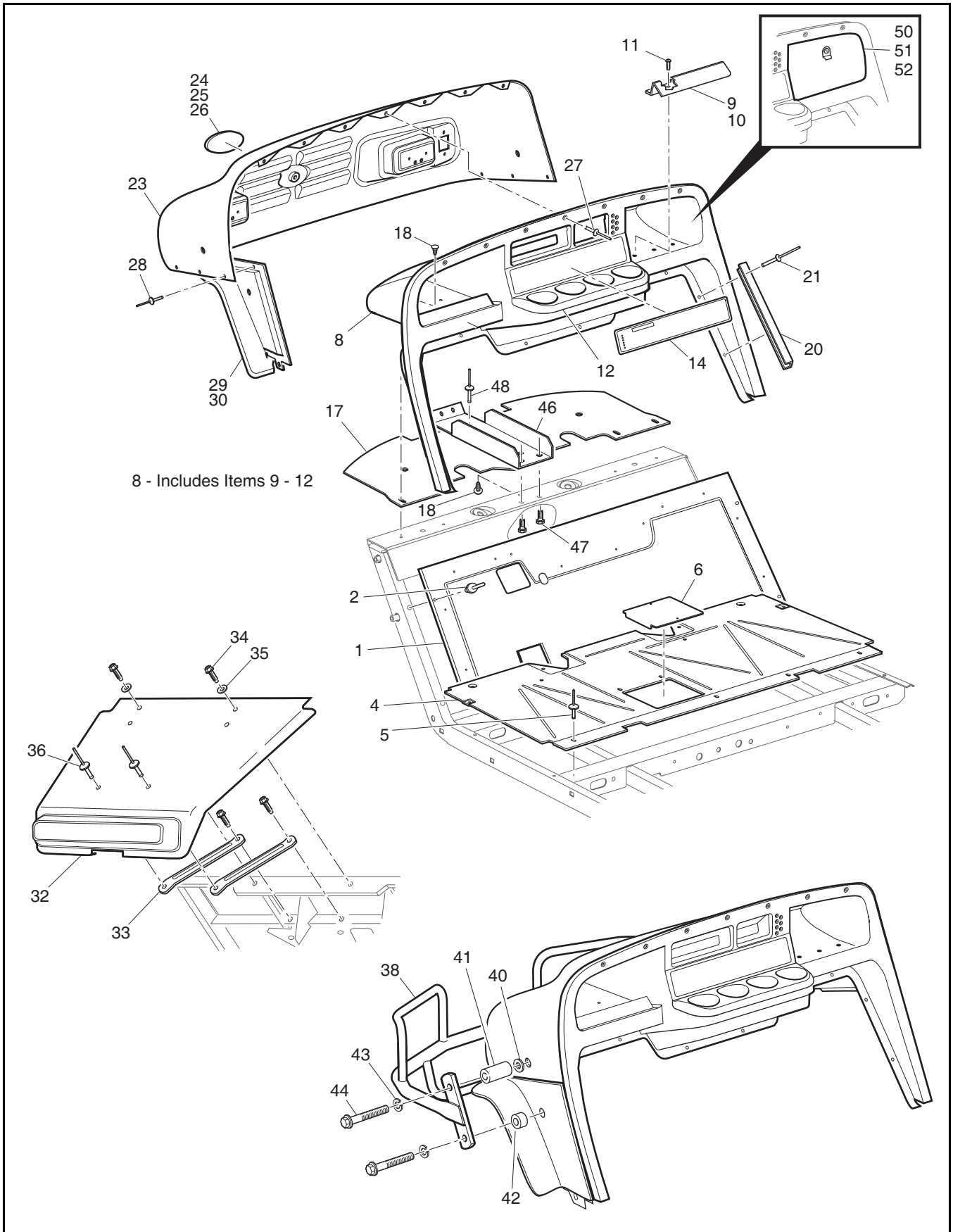
When ordering parts, please specify the model and serial number of the product.

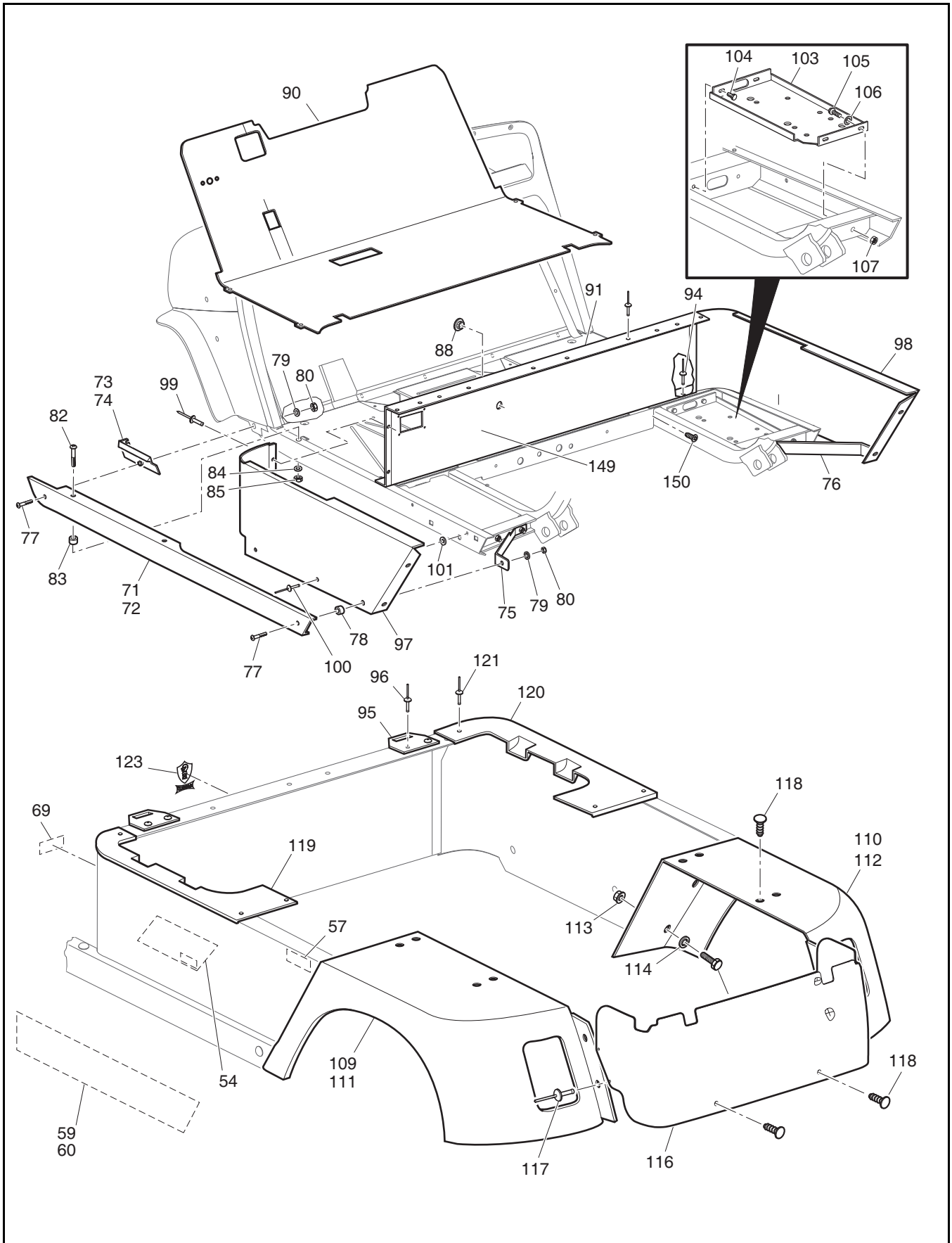
* Indicates a component that is not available as an individual part.

G** Indicates consult Customer Service Department for additional information.

ITEM	PART NO.	1	2	3	4	5	DESCRIPTION	QTY.
1	<u>28435-G03</u>						<p>BATTERY CHARGER, LESTER, 36 VOLT, PORTABLE WITH POWERWISE CONNECTOR, CE APPROVED (OPTIONAL)</p> <p>For service or replacement parts, contact: Lester Electrical 625 West "A" Street Lincoln, NE 68522</p> <p>Phone: (402) 477-8988, FAX: (402) 474-1769</p> <p>Always provide the following information when requesting information or ordering replacement parts:</p> <p>Model Number: Serial Number: (stamped into housing)</p>	

BODY

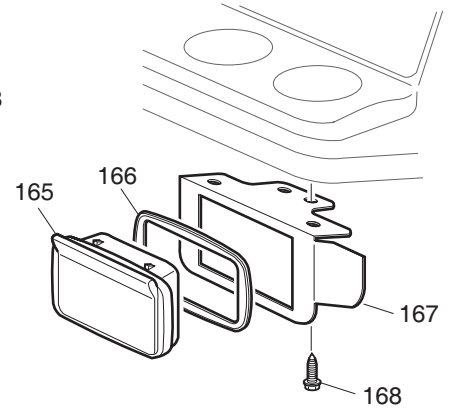




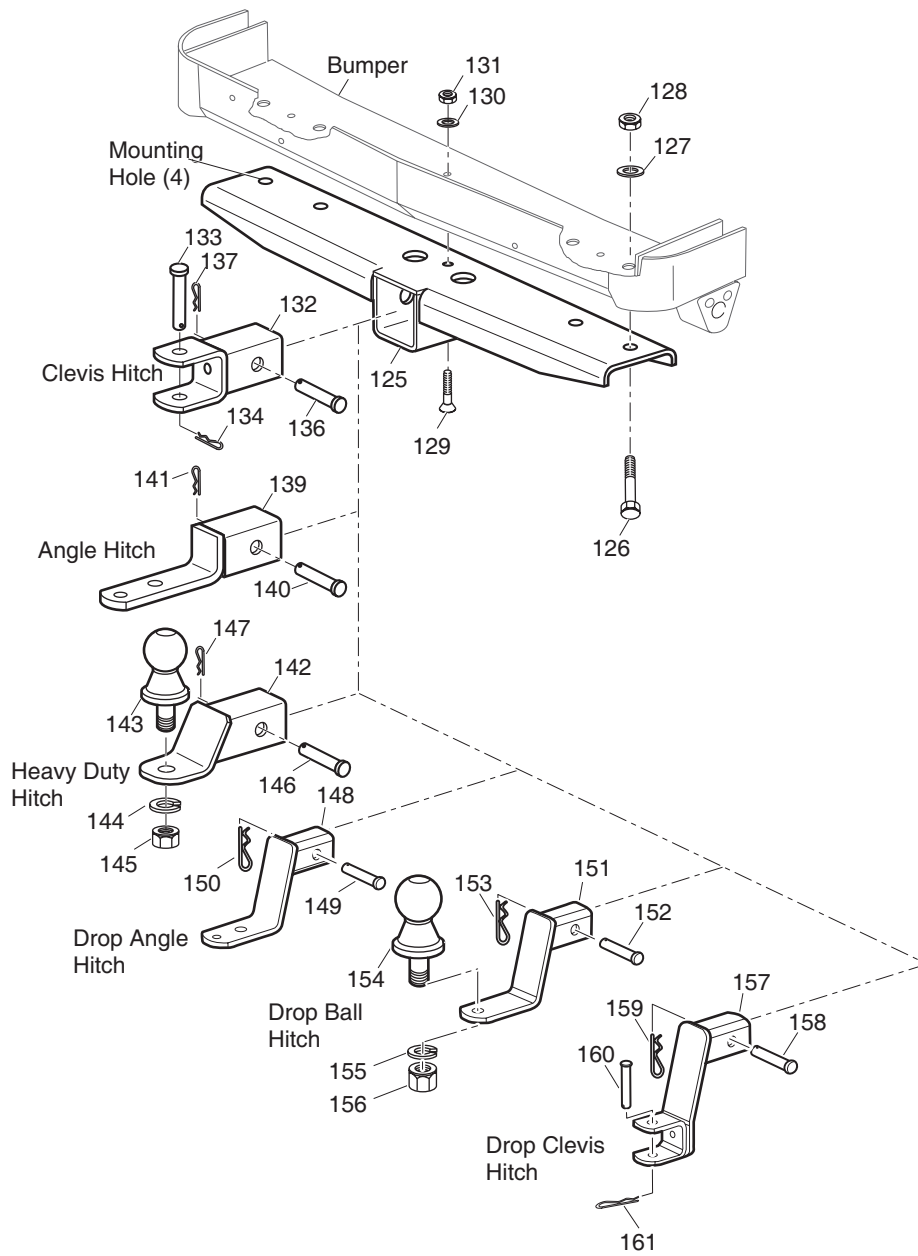
BODY

ASH TRAY

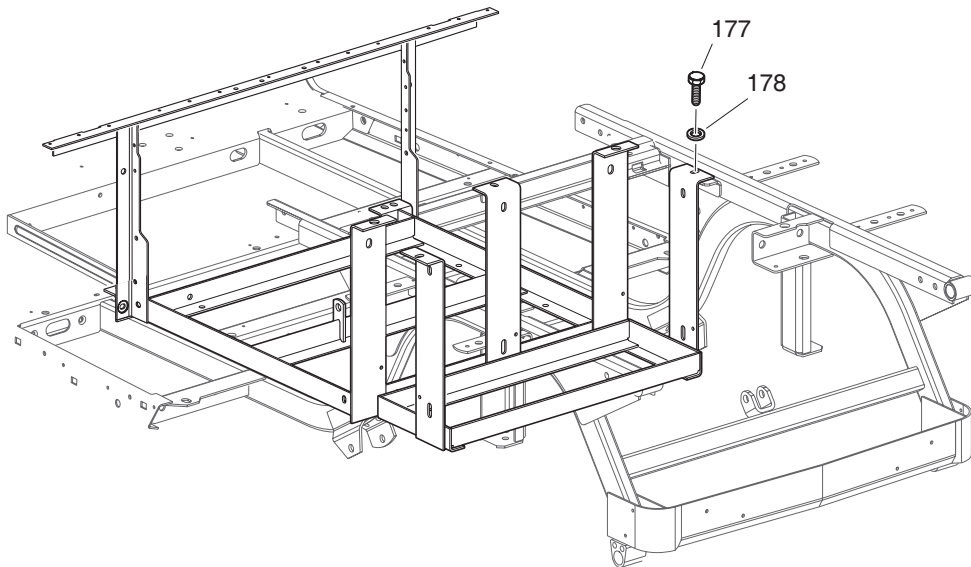
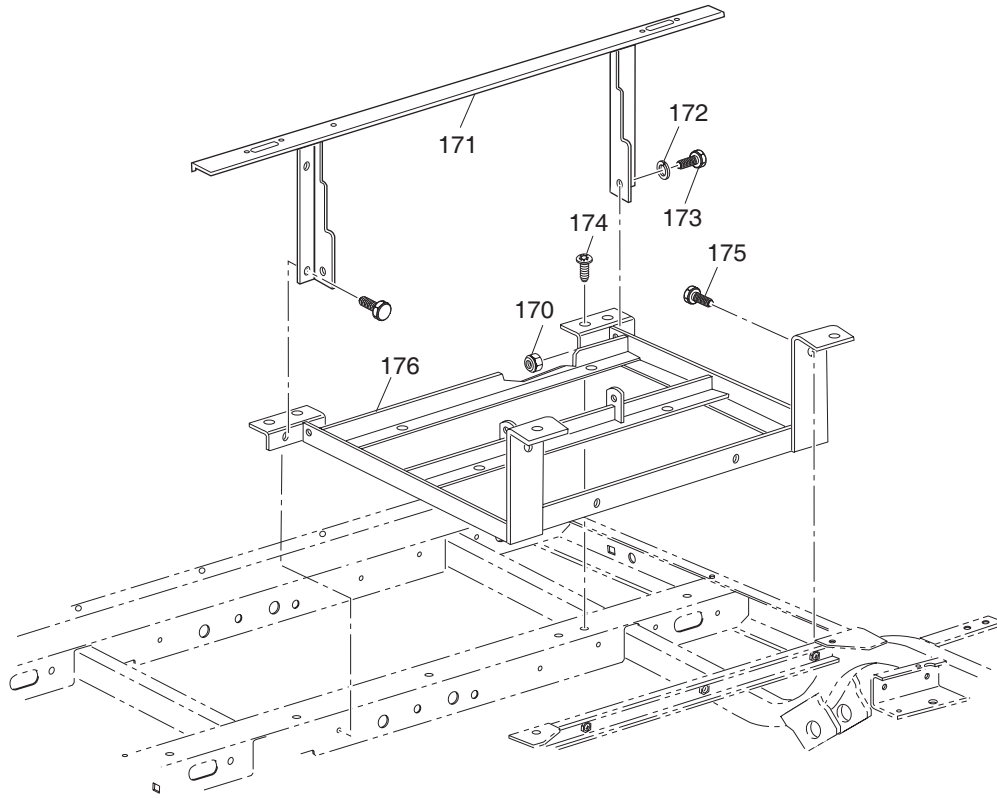
164 - Includes Items 165 - 168



HITCHES



Ref Bod 21-3



BODY

THE USE OF NON U.L. PARTS WILL VOID ANY U.L. LISTING.

When ordering parts, please specify the model and serial number of the product.

* Indicates a component that is not available as an individual part.

G** Indicates consult Customer Service Department for additional information.

ITEM	PART NO.	1 2 3 4 5	DESCRIPTION	QTY.
1	70662-G01		UPPER FLOORPAN (AXLE MOUNTED STEERING)	1
2	<u>14601-G11</u>		RIVET, 3/16" X 9/16" LG	9
3				
4	<u>70451-G01</u>		LOWER FLOORPAN	1
5	<u>14601-G11</u>		RIVET, 3/16" X 9/16" LG	7
6	<u>70452-G01</u>		ACCESS COVER	1
7				
8	<u>71151-G03</u>		INSTRUMENT PANEL ASSEMBLY (INCLUDES ITEMS 9 - 12)	1
9	<u>71153-G01</u>		DEFLECTOR (PASSENGER SIDE)	1
10	<u>71154-G01</u>		DEFLECTOR (DRIVER SIDE)	1
11	<u>00614-G5</u>		SCREW, #8 - 18 X 5/8" LG	6
12	<u>71158-G01</u>		INSTRUMENT PANEL INSERT (FOUR CUP)	1
13				
14	74409-G01		LABEL (SAFETY) (PICTOGRAPH)	1
15				
16				
17	<u>71413-G01</u>		SPLASH PANEL	1
18	<u>16816-G2</u>		RATCHET FASTENER, 1/4" X 3/4" LG	5
19				
20	<u>71115-G01</u>		VINYL TRIM	2
21	<u>71055-G01</u>		RIVET, 3/16" X 1" LG	10
22				
23	71468-G**		COWL	1
24	<u>74813-G01</u>		NAMEPLATE (E-Z-GO) (OVAL)	1
25	<u>28907-G01</u>		NAMEPLATE (JACOBSEN) (OVAL)	1
26	74401-G01		NAMEPLATE (CUSHMAN) (OVAL)	1
27	<u>71055-G01</u>		RIVET, 3/16" X 1" LG	9
28	<u>71055-G01</u>		RIVET, 3/16" X 1" LG	6
29	<u>71338-G01</u>		FENDER FLARE (DRIVER SIDE)	1
30	<u>71338-G02</u>		FENDER FLARE (PASSENGER SIDE)	1

THE USE OF NON U.L. PARTS WILL VOID ANY U.L. LISTING.
 When ordering parts, please specify the model and serial number of the product.
 * Indicates a component that is not available as an individual part.
 G** Indicates consult Customer Service Department for additional information.

ITEM	PART NO.	1 2 3 4 5	DESCRIPTION	QTY.
31				
32	<u>27166-G04</u>		FRONT SHIELD	1
33	<u>70725-G02</u>		FRONT SHIELD BRACE.....	2
34	<u>01038-G01</u>		SCREW, 1/4 - 20 X 1/2" LG	4
35	<u>16469-G1</u>		WASHER, 1/4"	2
36	<u>01057-G01</u>		RIVET, KTR, 1/4" X 1" LG.....	2
37				
38	<u>74265-G02</u>		BUMPER.....	1
39				
40	<u>00570-G2</u>		WASHER, 5/16"	2
41	<u>75048-G04</u>		SPACER, 1"	2
42	<u>75048-G01</u>		SPACER, 1/2"	2
43	<u>00905-G8</u>		LOCK WASHER, 5/16".....	4
44	<u>01035-G02</u>		BOLT, 5/16 - 18 X 2 1/2" LG	4
45				
46	<u>71101-G02</u>		COWL SUPPORT BRACKET	1
47	<u>71102-G02</u>		SELF TAPPING SCREW, 1/4 - 20 X 1/2" LG.....	3
48	<u>71055-G01</u>		RIVET, 3/16" X 1 1/8" LG	1
49				
50	<u>75459-G01</u>		GLOVE BOX DOORS (BOTH SIDES)	1
51	<u>75459-G02</u>		GLOVE BOX DOOR (DRIVER SIDE)	1
52	<u>75459-G03</u>		GLOVE BOX DOOR (PASSENGER SIDE)	1
53				
54	<u>600823</u>		LABEL (MPT™).....	2
55				
56				
57	<u>74099-G01</u>		LABEL, TILT WARNING PICTOGRAPH.....	2
58				
59	<u>28915-G01</u>		LABEL (JACOBSEN HAULER™) (DRIVER SIDE).....	1
60	<u>28915-G02</u>		LABEL (JACOBSEN HAULER™) (PASSENGER SIDE).....	1

BODY

THE USE OF NON U.L. PARTS WILL VOID ANY U.L. LISTING.
 When ordering parts, please specify the model and serial number of the product.
 * Indicates a component that is not available as an individual part.
 G** Indicates consult Customer Service Department for additional information.

ITEM	PART NO.	1	2	3	4	5	DESCRIPTION	QTY.
61								
62								
63								
64								
65								
66								
67								
68								
69	*						SERIAL NUMBER PLATE.....	1
70								
71	<u>71439-G03</u>						ROCKER PANEL (DRIVER SIDE).....	1
72	<u>71439-G04</u>						ROCKER PANEL (PASSENGER SIDE).....	1
73	<u>71424-G01</u>						FENDER SPACER (DRIVER SIDE).....	1
74	<u>71424-G02</u>						FENDER SPACER (PASSENGER SIDE).....	1
75	<u>71440-G03</u>						BRACE (DRIVER SIDE).....	1
76	<u>71440-G04</u>						BRACE (PASSENGER SIDE).....	1
77	<u>00789-G2</u>						SCREW, #10 - 24 X 1 1/4" LG.....	4
78	<u>23726-G2</u>						SPACER, 1/4".....	2
79	<u>00660-G5</u>						WASHER, #10.....	4
80	<u>14390-G10</u>						LOCK NUT, #10 - 24.....	4
81								
82	<u>16705-G1</u>						SCREW, 1/4 - 20 X 1" LG.....	4
83	<u>23726-G2</u>						SPACER, 1/4".....	4
84	<u>00559-G7</u>						WASHER, 1/4".....	4
85	<u>14390-G4</u>						LOCK NUT, 1/4 - 20.....	4
86								
87								
88	<u>20271-G9</u>						HOLE PLUG, 1/2".....	1
89								
90	<u>70663-G04</u>						FLOORMAT (AXLE MOUNTED STEERING).....	1

THE USE OF NON U.L. PARTS WILL VOID ANY U.L. LISTING.
 When ordering parts, please specify the model and serial number of the product.
 * Indicates a component that is not available as an individual part.
 G** Indicates consult Customer Service Department for additional information.

ITEM	PART NO.	1 2 3 4 5	DESCRIPTION	QTY.
91	74619-G01		SEAT SUPPORT PANEL.....	1
92				
93				
94	<u>10570-G10</u>		RIVET, 5/32" X 9/16" LG.....	8
95	<u>71609-G01</u>		SEAT HINGE PLATE.....	2
96	<u>10570-G11</u>		RIVET, 3/16" X 3/4" LG.....	4
97	71674-G01		SIDE PANEL (DRIVER SIDE).....	1
98	71674-G02		SIDE PANEL (PASSENGER SIDE).....	1
99	<u>10570-G10</u>		RIVET, 5/32" X 9/16" LG.....	4
100	10570-G12		RIVET, 1/4" X 1/2" LG.....	4
101	<u>16469-G7</u>		WASHER, 1/4".....	4
102				
103	<u>70244-G03</u>		SPLASH PANEL.....	2
104	<u>00715-G2</u>		BOLT, 5/16 - 18 X 13/16" LG.....	4
105	<u>00438-G8</u>		BOLT, 5/16 - 18 X 1" LG.....	4
106	00559-G8		WASHER, 5/16".....	4
107	11098-G6		LOCK NUT, 5/16 - 18.....	4
108				
109	<u>74893-G01</u>		FENDER (DRIVER SIDE).....	1
110	<u>74893-G02</u>		FENDER (PASSENGER SIDE).....	1
111	<u>74893-G03</u>		FENDER WITH TAILLIGHT (DRIVER SIDE).....	1
112	<u>74893-G04</u>		FENDER WITH TAILLIGHT (PASSENGER SIDE).....	1
113	<u>14390-G4</u>		LOCK NUT, 1/4 - 20.....	12
114	<u>00642-G7</u>		WASHER, 1/4".....	12
115	<u>00414-G6</u>		BOLT, 1/4 - 20 X 7/8" LG.....	12
116	<u>74890-G01</u>		REAR PANEL.....	1
117	<u>71055-G01</u>		RIVET, 3/16" X 1" LG.....	4
118	<u>16816-G2</u>		RATCHET FASTENER, 1/4" X 3/4" LG.....	10
119	<u>74891-G01</u>		SEAT FILLER PANEL (DRIVER SIDE).....	1
120	<u>74891-G02</u>		SEAT FILLER PANEL (PASSENGER SIDE).....	1

BODY

THE USE OF NON U.L. PARTS WILL VOID ANY U.L. LISTING.
 When ordering parts, please specify the model and serial number of the product.
 * Indicates a component that is not available as an individual part.
 G** Indicates consult Customer Service Department for additional information.

ITEM	PART NO.	1 2 3 4 5	DESCRIPTION	QTY.
121	<u>10570-G10</u>		RIVET, 5/32" X 9/16" LG	6
122				
123	<u>74755-G01</u>		LABEL (E-SHIELD™).....	1
124				
125	<u>74348-G02</u>		HITCH RECEIVER	1
126	<u>00463-G4</u>		BOLT, 7/16 - 14 X 1 1/2" LG	4
127	<u>00922-G3</u>		WASHER, 7/16"	4
128	<u>00734-G1</u>		LOCK NUT, 7/16 - 14	4
129	<u>00198-G8</u>		SCREW, 5/16 - 18 X 1" LG	1
130	<u>00559-G8</u>		WASHER, 5/16"	1
131	<u>11098-G6</u>		LOCK NUT, 5/16 - 18	1
132	<u>74338-G02</u>		CLEVIS HITCH.....	1
133	<u>14443-G7</u>		CLEVIS PIN, 1/2" X 2 1/2" LG	1
134	<u>19314-G1</u>		COTTER PIN, 2 1/2" LG.....	1
135				
136	<u>21317-G01</u>		CLEVIS PIN, 5/8" X 3" LG	1
137	<u>21683-G1</u>		COTTER PIN, 15/32" X 2 11/16" LG	1
138				
139	<u>74339-G02</u>		ANGLE HITCH	1
140	<u>21317-G01</u>		CLEVIS PIN, 5/8" X 3" LG	1
141	<u>21683-G1</u>		COTTER PIN, 15/32" X 2 11/16" LG	1
142	<u>74351-G02</u>		HEAVY DUTY HITCH	1
143	<u>31757-G1</u>		HITCH BALL, 1 7/8"	1
144	<u>00566-G6</u>		LOCK WASHER, 3/4".....	1
145	<u>00702-G11</u>		NUT, 3/4 - 16.....	1
146	<u>21317-G01</u>		CLEVIS PIN, 5/8" X 3" LG	1
147	<u>21683-G1</u>		COTTER PIN, 15/32" X 2 11/16" LG	1
148	<u>74489-G02</u>		DROP ANGLE HITCH.....	1
149	<u>21317-G01</u>		CLEVIS PIN, 5/8" X 3" LG	1
150	<u>21683-G1</u>		COTTER PIN, 15/32" X 2 11/16" LG	1

THE USE OF NON U.L. PARTS WILL VOID ANY U.L. LISTING.

When ordering parts, please specify the model and serial number of the product.

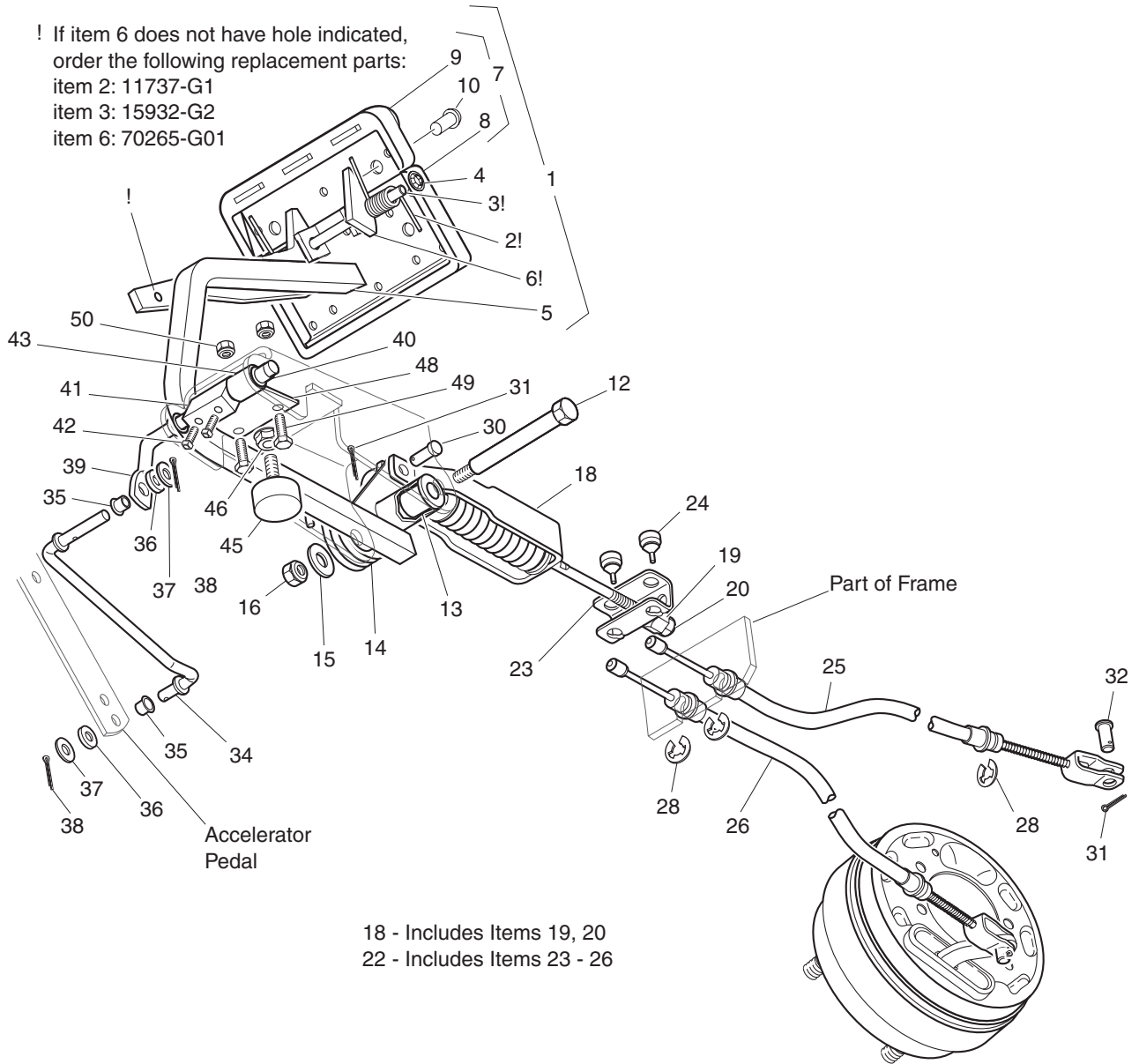
* Indicates a component that is not available as an individual part.

G** Indicates consult Customer Service Department for additional information.

ITEM	PART NO.	1 2 3 4 5	DESCRIPTION	QTY.
151	<u>74491-G02</u>		DROP BALL HITCH	1
152	21317-G01		CLEVIS PIN, 5/8" X 3" LG	1
153	<u>21683-G1</u>		COTTER PIN, 15/32" X 2 11/16" LG	1
154	<u>31757-G1</u>		HITCH BALL, 1 7/8"	1
155	<u>00566-G6</u>		LOCK WASHER, 3/4"	1
156	00702-G11		NUT, 3/4 - 16	1
157	<u>74495-G02</u>		DROP CLEVIS HITCH	1
158	21317-G01		CLEVIS PIN, 5/8" X 3" LG	1
159	<u>21683-G1</u>		COTTER PIN, 15/32" X 2 11/16" LG	1
160	<u>14443-G7</u>		CLEVIS PIN, 1/2" X 2 1/2" LG	1
161	<u>19314-G1</u>		COTTER PIN, 2 1/2" LG	1
162				
163				
164	<u>75109-G04</u>		ASH TRAY KIT (INCLUDES ITEMS 165 - 168)	1
165	27731-G01		ASH TRAY	1
166	27736-G01		GASKET	1
167	<u>75108-G02</u>		BRACKET	1
168	<u>00100-G4</u>		SCREW, #10 - 16 X 1/2" LG	4
169				
170	11098-G6		LOCK NUT, 5/16 - 18	2
171	70441-G02		SEAT FRAME	1
172	00559-G8		WASHER, 5/16"	2
173	00438-G6		BOLT, 5/16 - 18 X 3/4" LG	2
174	<u>70200-G01</u>		SCREW, 3/8 - 16 X 1/4" LG	2
175	<u>00715-G2</u>		BOLT, 5/16 - 18 X 13/16" LG	4
176	<u>70046-G02</u>		BATTERY RACK	1
177	00438-G6		BOLT, 5/16 - 18 X 3/4" LG	3
178	<u>00565-G8</u>		WASHER, 5/16"	3

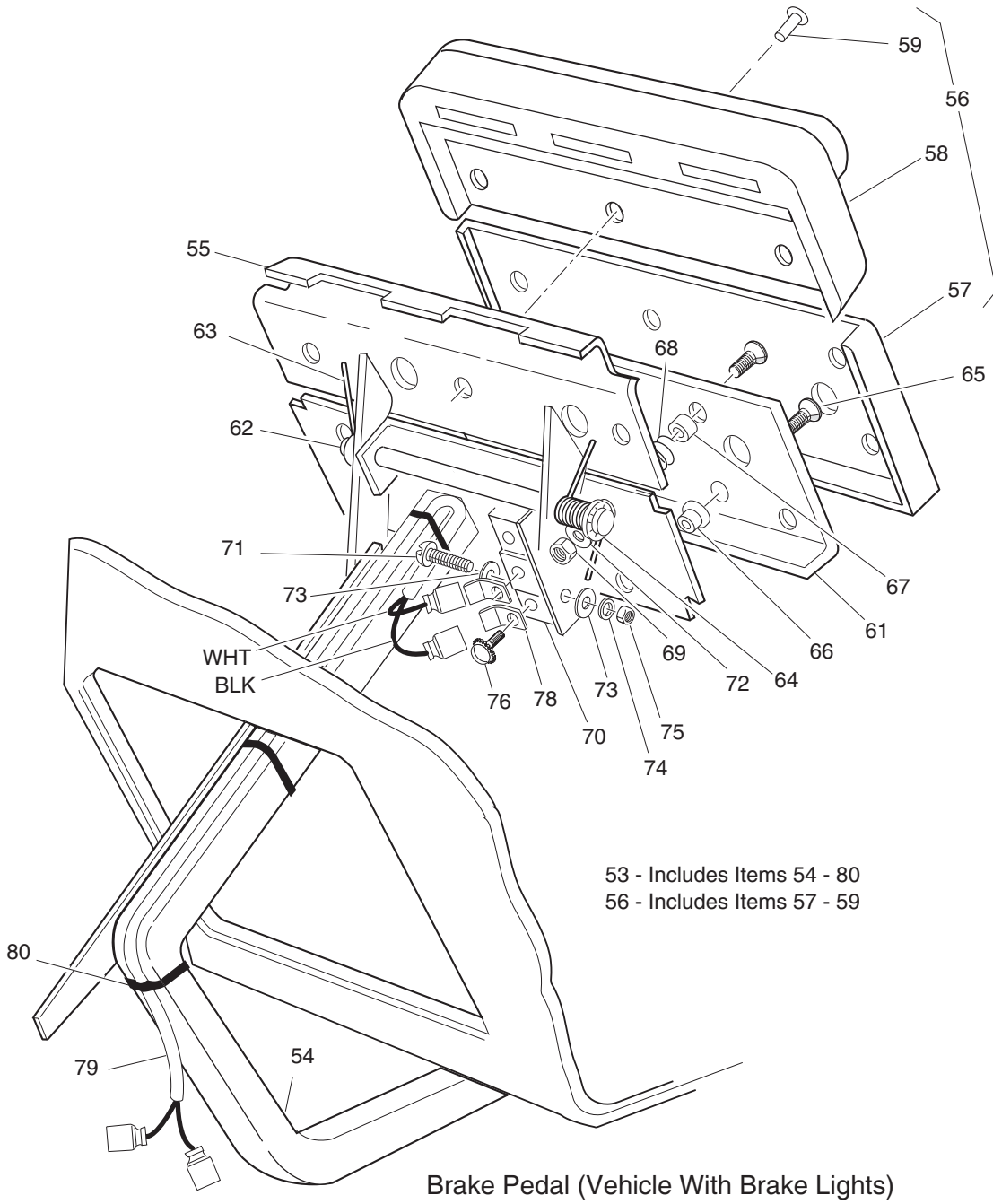
BRAKES

! If item 6 does not have hole indicated,
 order the following replacement parts:
 item 2: 11737-G1
 item 3: 15932-G2
 item 6: 70265-G01



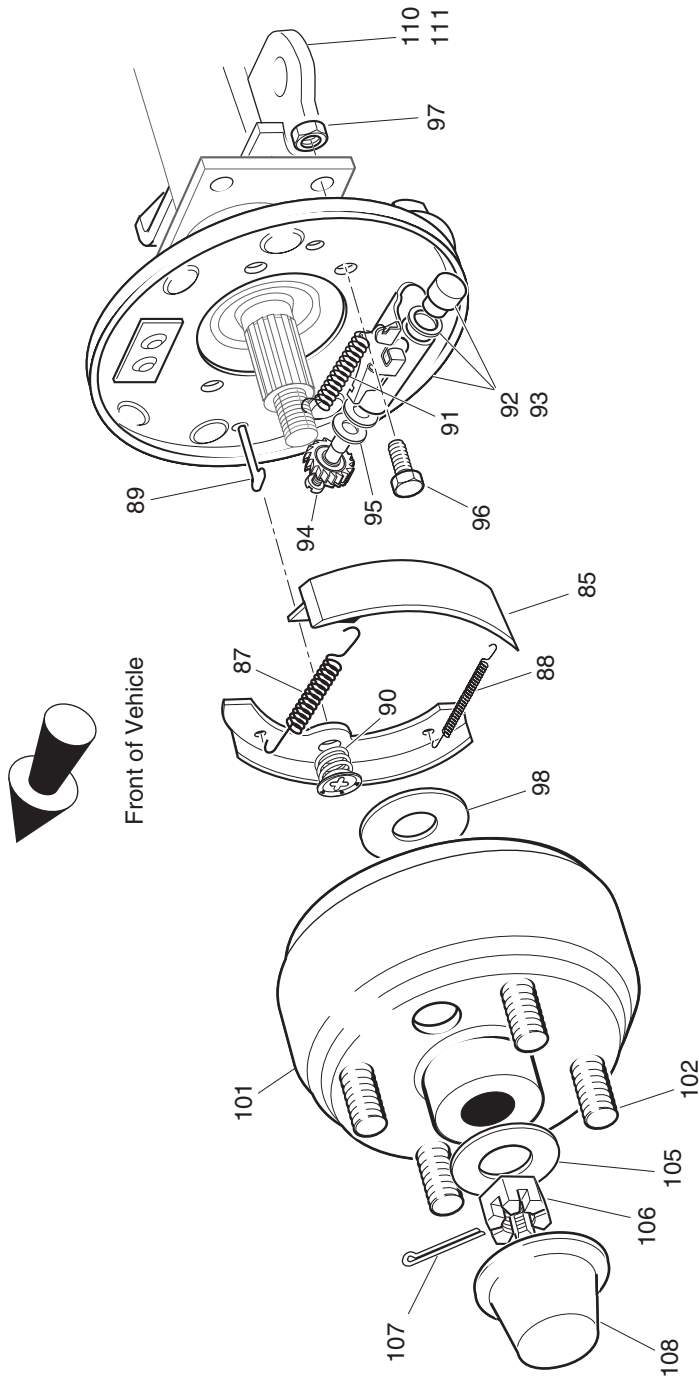
18 - Includes Items 19, 20
 22 - Includes Items 23 - 26

Ref Brk 4-1



Ref Brk 4-2

BRAKES



- 82 - Includes Items 84 - 92
- 83 - Includes Items 84-91, 93
- 84 - Includes Items 85
- 86 - Includes Items 87 - 91
- 92 - Includes Items 94, 95
- 93 - Includes Items 94, 95
- 100 - Includes Items 101, 102

Ref Brk 4-3

BRAKES

THE USE OF NON U.L. PARTS WILL VOID ANY U.L. LISTING.

When ordering parts, please specify the model and serial number of the product.

* Indicates a component that is not available as an individual part.

G** Indicates consult Customer Service Department for additional information.

ITEM	PART NO.	1 2 3 4 5	DESCRIPTION	QTY.
1	<u>70612-G02</u>		BRAKE PEDAL ASSEMBLY (WITHOUT BRAKE LIGHTS) (INCLUDES ITEMS 2 - 10).....	1
2	<u>70681-G01</u>		TORSION SPRING.....	2
3	<u>70682-G01</u>		PIVOT PIN.....	1
4	<u>01071-G01</u>		PUSHNUT, 5/16".....	1
5	*		BRAKE PEDAL.....	1
6	<u>70611-G02</u>		PARK BRAKE PEDAL.....	1
7	<u>70274-G01</u>		BRAKE/PARK BRAKE PEDAL PAD KIT (INCLUDES ITEMS 8 - 10).....	1
8	*		SERVICE BRAKE PAD.....	1
9	*		PARK BRAKE PEDAL PAD.....	1
10	<u>15766-G1</u>		OVAL RIVET, 3/16" X 3/8" LG.....	9
11				
12	<u>70582-G01</u>		SHOULDER BOLT, 3/8 - 16 X 4" LG.....	1
13	<u>70581-G01</u>		FLANGED BUSHING.....	2
14	<u>70676-G01</u>		TORSION SPRING.....	1
15	<u>00643-G1</u>		WASHER, 3/8".....	1
16	<u>11098-G5</u>		LOCK NUT, 3/8 - 16.....	1
17				
18	<u>70272-G04</u>		COMPENSATOR ASSEMBLY (INCLUDES ITEMS 19, 20).....	1
19	<u>00963-G01</u>		SPHERICAL NUT, 5/16 - 24.....	1
20	<u>11098-G9</u>		LOCK NUT, 5/16 - 24.....	1
21				
22	<u>70969-G05</u>		EQUALIZER AND BRAKE CABLE ASSEMBLY (INCLUDES ITEMS 23-26).....	1
23	<u>28082-G01</u>		EQUALIZER BRACKET.....	1
24	<u>28083-G01</u>		BRAKE COMPENSATOR BUMPER.....	2
25	*		BRAKE CABLE (DRIVER SIDE).....	1
26	*		BRAKE CABLE (PASSENGER SIDE).....	1
27				
28	<u>01111-G01</u>		RETAINING RING, 13/32" (STAINLESS STEEL).....	4
29				

BRAKES

THE USE OF NON U.L. PARTS WILL VOID ANY U.L. LISTING.

When ordering parts, please specify the model and serial number of the product.

* Indicates a component that is not available as an individual part.

G** Indicates consult Customer Service Department for additional information.

ITEM	PART NO.	1 2 3 4 5	DESCRIPTION	QTY.
30	<u>10386-G3</u>		CLEVIS PIN, 5/16" X 1" LG	1
31	<u>10387-G3</u>		COTTER PIN, 3/32" X 3/4" LG	3
32	<u>14443-G2</u>		CLEVIS PIN, 5/16" X 3/4" LG	2
33				
34	<u>70601-G01</u>		KICK-OFF LINK.....	1
35	<u>17838-G1</u>		NYLON BUSHING.....	2
36	<u>20835-G1</u>		TEFLON WASHER, 3/8"	2
37	00559-G8		WASHER, 5/16"	2
38	<u>10387-G3</u>		COTTER PIN, 3/32" X 3/4" LG	2
39	<u>70098-G01</u>		KICK-OFF CAM PIVOT	1
40	<u>10097-G6</u>		FLANGED BEARING	2
41	<u>70587-G01</u>		KICK-OFF CAM.....	1
42	<u>71215-G01</u>		SETSCREW, 1/4 - 20 X 1/2" LG	2
43	<u>14134-G4</u>		SPACER.....	1
44				
45	<u>70113-G01</u>		ADJUSTABLE BUMPER.....	1
46	<u>11027-G1</u>		LOCK NUT, 5/16 - 18	1
47				
48	<u>70080-G02</u>		CATCH BRACKET	1
49	<u>00414-G6</u>		BOLT, 1/4 - 20 X 3/4" LG	2
50	<u>00891-G2</u>		LOCK NUT, 1/4 - 20	2
51				
52				
53	70690-G02		BRAKE PEDAL ASSEMBLY (WITH BRAKE LIGHTS) (INCLUDES ITEMS 54 - 80).....	1
54	*		BRAKE PEDAL.....	1
55	<u>70611-G02</u>		PARK BRAKE PEDAL	1
56	70274-G01		BRAKE/PARK BRAKE PEDAL PAD KIT (INCLUDES ITEMS 57 - 59)	1
57	*		SERVICE BRAKE PAD	1
58	*		PARK BRAKE PAD	1

BRAKES

THE USE OF NON U.L. PARTS WILL VOID ANY U.L. LISTING.

When ordering parts, please specify the model and serial number of the product.

* Indicates a component that is not available as an individual part.

G** Indicates consult Customer Service Department for additional information.

ITEM	PART NO.	1	2	3	4	5	DESCRIPTION	QTY.
59	<u>15766-G1</u>						OVAL RIVET, 3/16" x 3/8" LG	9
60								
61	<u>70258-G03</u>						SERVICE BRAKE PEDAL PLATE	1
62	<u>70682-G01</u>						PIVOT PIN	1
63	<u>70681-G01</u>						TORSION SPRING	2
64	<u>01071-G01</u>						PUSHNUT, 5/16"	2
65	<u>00737-G8</u>						SCREW, #10 - 24 X 1" LG	4
66	<u>00739-G1</u>						RUBBER NUT, #10 - 24	2
67	<u>74535-G01</u>						BRAKE PEDAL STANDOFF	2
68	<u>27137-G01</u>						CONICAL SPRING	2
69	<u>14390-G10</u>						LOCK NUT, #10 - 24	2
70	10606-G8						MICRO SWITCH	1
71	<u>00957-G1</u>						SCREW, #6 - 32 X 1 1/4" LG	2
72	<u>00559-G5</u>						WASHER, #10	2
73	<u>00559-G3</u>						WASHER, #6	4
74	<u>00565-G3</u>						LOCK WASHER, #6	2
75	<u>00525-G5</u>						NUT, #6 - 32	2
76	<u>13514-G1</u>						SCREW AND LOCK WASHER, #6	2
77								
78	<u>14628-G1</u>						FASTON TAB	2
79	<u>24605-G1</u>						WIRE HARNESS (BRAKE LIGHT)	1
80	<u>17618-G1</u>						WIRE TIE	3
81								
82	<u>70998-G01</u>						BRAKE ASSEMBLY (DRIVER SIDE) (INCLUDES ITEMS 84 - 95)	1
83	<u>70998-G02</u>						BRAKE ASSEMBLY (PASSENGER SIDE) (INCLUDES ITEMS 84 - 95)	1
84	70794-G01						BRAKE SHOE KIT (INCLUDES ITEM 85)	2
85	*						BRAKE SHOE	2
86	<u>27944-G01</u>						BRAKE SPRING KIT (INCLUDES ITEMS 87 - 91)	2
87	*						UPPER SPRING	1
88	*						LOWER SPRING	1

BRAKES

THE USE OF NON U.L. PARTS WILL VOID ANY U.L. LISTING.

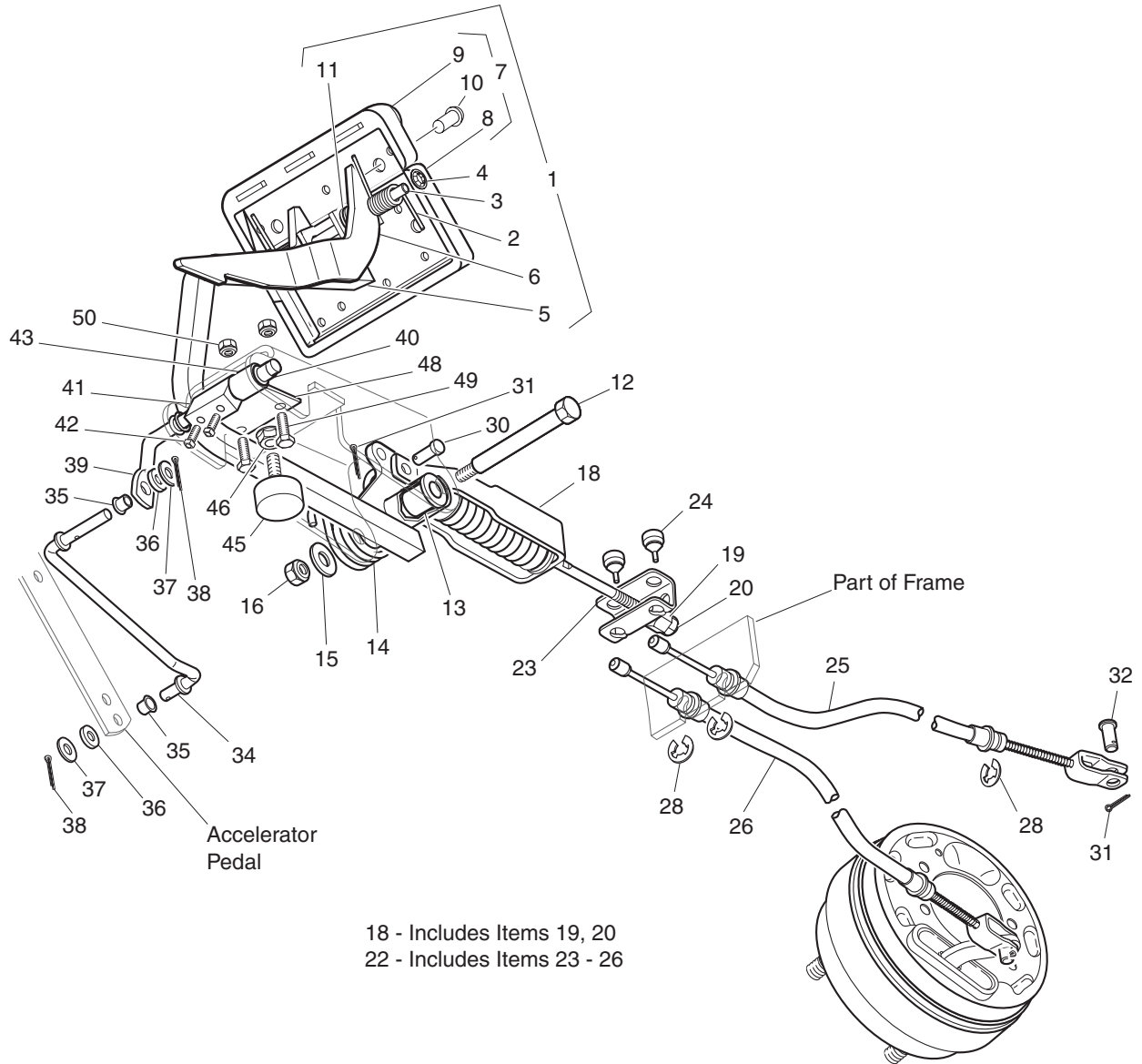
When ordering parts, please specify the model and serial number of the product.

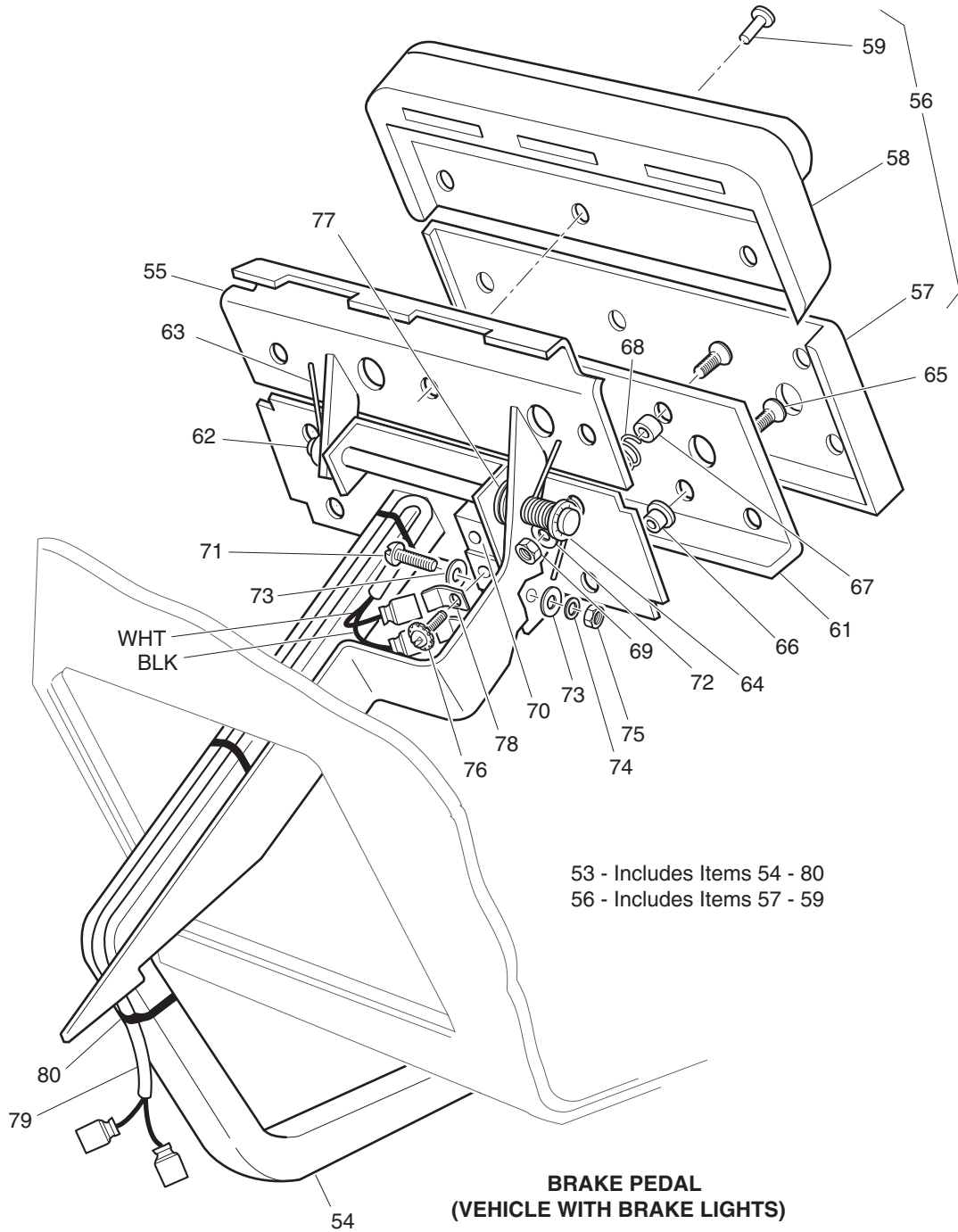
* Indicates a component that is not available as an individual part.

G** Indicates consult Customer Service Department for additional information.

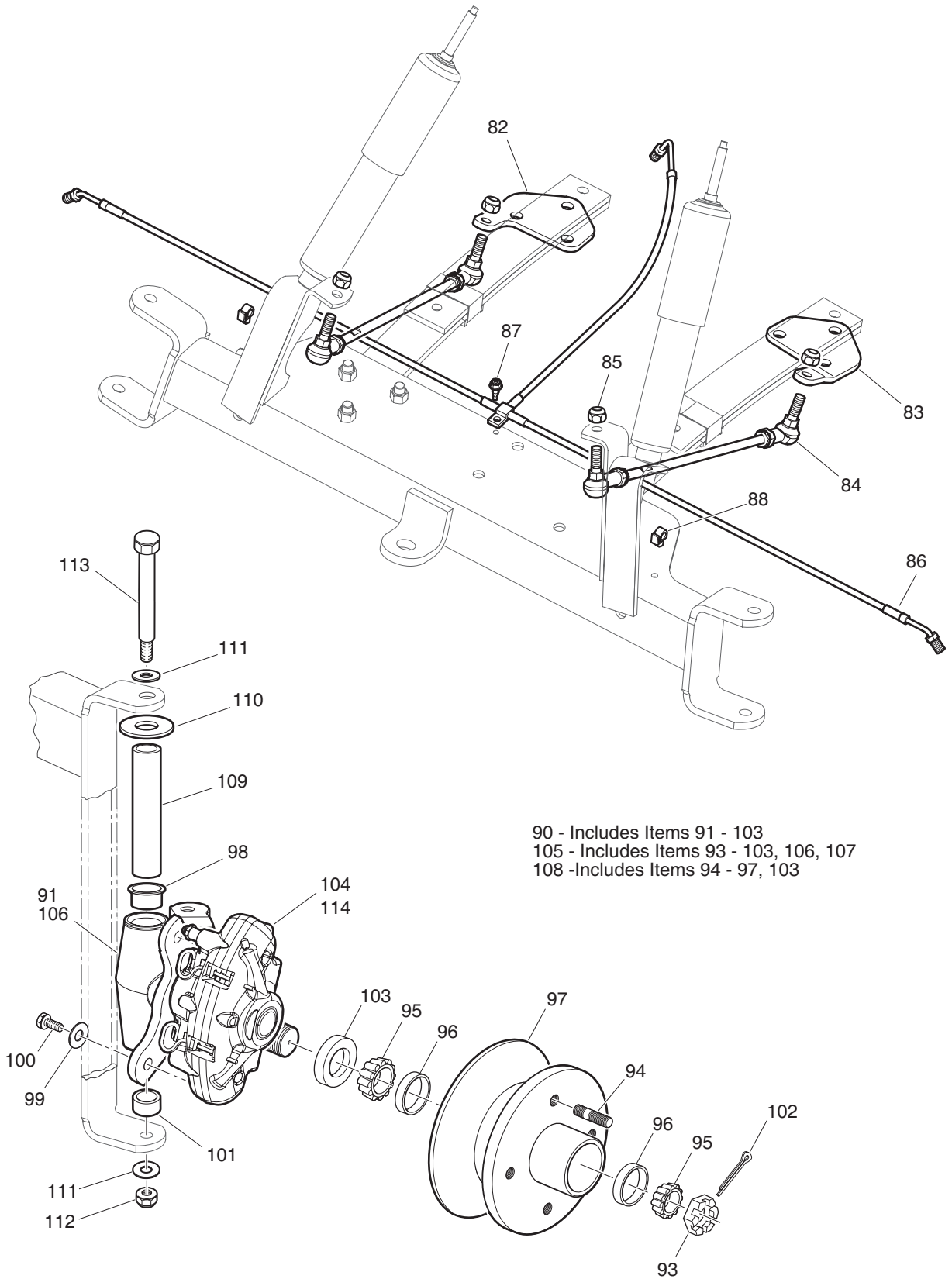
ITEM	PART NO.	1	2	3	4	5	DESCRIPTION	QTY.
89	*						PIN	2
90	*						CUP AND SPRING	2
91	*						ADJUSTER SPRING.....	1
92	<u>72582-G01</u>						BRAKE ADJUSTER KIT (DRIVER SIDE) (INCLUDES ITEMS 94, 95)	1
93	<u>72582-G02</u>						BRAKE ADJUSTER KIT (PASSENGER SIDE) (INCL. ITEMS 94, 95)	1
94	*						ADJUSTER	1
95	*						TEFLON WASHER	2
96	<u>17083-G2</u>						BOLT, 5/16 - 24 X 1" LG	8
97	<u>15126-G1</u>						LOCK NUT, 5/16 - 24	8
98	<u>21809-G1</u>						INNER BRAKE DRUM WASHER	2
99								
100	<u>21807-G1</u>						BRAKE DRUM ASSEMBLY (INCLUDES ITEMS 101 - 102)	2
101	*						BRAKE DRUM.....	1
102	<u>19862-G1</u>						LUG BOLT, 1/2 - 20.....	4
103								
104								
105	<u>21830-G1</u>						WASHER, 1 3/8" O.D. X 21/32"	2
106	<u>00518-G8</u>						SLOTTED NUT, 3/4 - 16	2
107	<u>10387-G1</u>						COTTER PIN, 1/8" X 1 1/2" LG.....	2
108	<u>74175-G01</u>						SPINDLE CAP.....	2
109								
110	<u>72036-G03</u>						BRAKE CABLE BRACKET (PASSENGER SIDE)	1
111	<u>72036-G04</u>						BRAKE CABLE BRACKET (DRIVER SIDE)	1

BRAKES - FRONT DISC

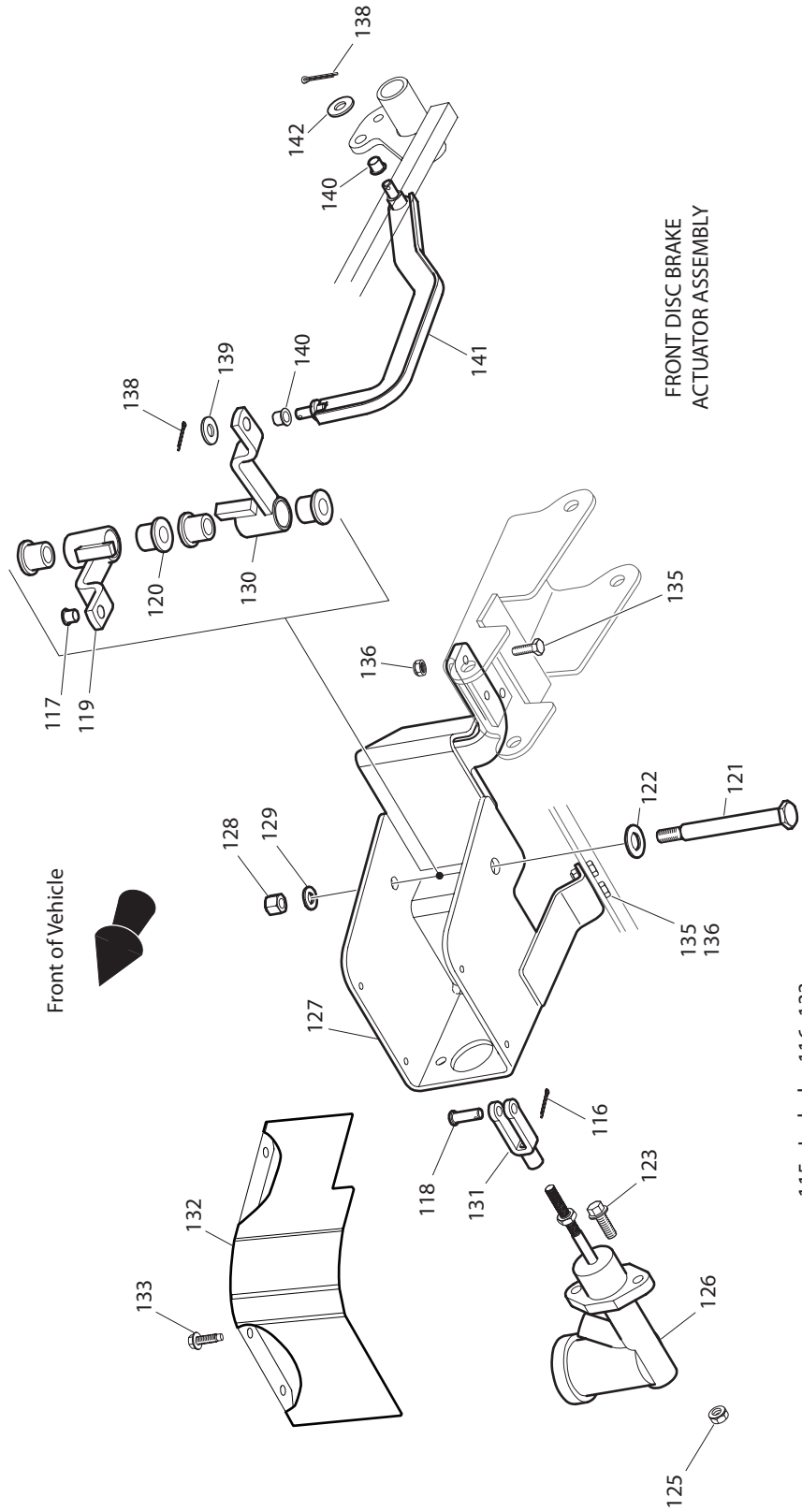




BRAKES - FRONT DISC



Ref Brh 21-3



BRAKES - FRONT DISC

THE USE OF NON U.L. PARTS WILL VOID ANY U.L. LISTING.

When ordering parts, please specify the model and serial number of the product.

* Indicates a component that is not available as an individual part.

G** Indicates consult Customer Service Department for additional information.

ITEM	PART NO.	1 2 3 4 5	DESCRIPTION	QTY.
1	<u>74723-G01</u>		BRAKE PEDAL ASSEMBLY (WITHOUT BRAKE LIGHTS) (INCLUDES ITEMS 2 - 11)	1
2	<u>70681-G01</u>		TORSION SPRING	2
3	<u>70682-G01</u>		PIVOT PIN	1
4	<u>01071-G01</u>		PUSHNUT, 5/16"	1
5	*		BRAKE PEDAL	1
6	74724-G01		PARK BRAKE PEDAL	1
7	70274-G01		BRAKE/PARK BRAKE PEDAL PAD KIT (INCLUDES ITEMS 8 - 10)	1
8	*		SERVICE BRAKE PAD	1
9	*		PARK BRAKE PEDAL PAD	1
10	<u>15766-G1</u>		OVAL RIVET, 3/16" X 15/32" LG	9
11	<u>20835-G1</u>		WASHER, TEFLON, 3/8"	2
12	<u>70582-G01</u>		SHOULDER BOLT, 3/8 - 16 X 4" LG	1
13	<u>70581-G01</u>		FLANGED BUSHING	2
14	<u>70676-G01</u>		TORSION SPRING	1
15	<u>00643-G1</u>		WASHER, 3/8"	1
16	<u>11098-G5</u>		LOCK NUT, 3/8 - 16	1
17				
18	70272-G04		COMPENSATOR ASSEMBLY (INCLUDES ITEMS 19, 20)	1
19	<u>00963-G01</u>		SPHERICAL NUT, 5/16 - 24	1
20	<u>11098-G9</u>		LOCK NUT, 5/16 - 24	1
21				
22	<u>70969-G05</u>		EQUALIZER AND BRAKE CABLE ASSEMBLY (INCLUDES ITEMS 23 - 26)....	1
23	<u>28082-G01</u>		EQUALIZER BRACKET	1
24	<u>28083-G01</u>		BRAKE COMPENSATOR BUMPER.....	2
25	*		BRAKE CABLE (DRIVER SIDE).....	1
26	*		BRAKE CABLE (PASSENGER SIDE)	1
27				
28	<u>01111-G01</u>		RETAINING RING, S.S.....	4
29				

BRAKES - FRONT DISC

THE USE OF NON U.L. PARTS WILL VOID ANY U.L. LISTING.
 When ordering parts, please specify the model and serial number of the product.
 * Indicates a component that is not available as an individual part.
 G** Indicates consult Customer Service Department for additional information.

ITEM	PART NO.	1 2 3 4 5	DESCRIPTION	QTY.
30	<u>10386-G3</u>		CLEVIS PIN, 5/16" X 1" LG	3
31	<u>10387-G3</u>		COTTER PIN, 3/32" X 3/4" LG	3
32	<u>14443-G2</u>		CLEVIS PIN, 5/16" X 3/4" LG	2
33				
34	<u>70601-G01</u>		KICK-OFF LINK.....	1
35	<u>17838-G1</u>		NYLON BUSHING.....	2
36	<u>20835-G1</u>		TEFLON WASHER, 3/8"	2
37	00559-G8		WASHER, 5/16"	2
38	<u>10387-G3</u>		COTTER PIN, 3/32" X 3/4" LG	2
39	<u>70098-G01</u>		KICK-OFF CAM PIVOT.....	1
40	<u>10097-G6</u>		FLANGED BEARING	2
41	<u>70587-G01</u>		KICK-OFF CAM.....	1
42	<u>71215-G01</u>		SETSCREW, 1/4 - 20 X 1/2" LG.....	2
43	<u>14134-G4</u>		SPACER	1
44				
45	<u>70113-G01</u>		ADJUSTABLE BUMPER	1
46	<u>11027-G1</u>		LOCK NUT, 5/16 - 18	1
47				
48	<u>70080-G02</u>		CATCH BRACKET	1
49	00141-G8		BOLT, 1/4 - 20 X 3/4" LG	2
50	<u>00891-G2</u>		LOCK NUT, 1/4 - 20	2
51				
52				
53	<u>74874-G01</u>		BRAKE PEDAL ASSEMBLY (WITH BRAKE LIGHTS) (INCLUDES ITEMS 54 - 80).....	1
54	*		BRAKE PEDAL.....	1
55	74724-G01		PARK BRAKE PEDAL	1
56	70274-G01		BRAKE/PARK BRAKE PEDAL PAD KIT (INCLUDES ITEMS 57 - 59).....	1
57	*		SERVICE BRAKE PAD	1
58	*		PARK BRAKE PAD.....	1

BRAKES - FRONT DISC

THE USE OF NON U.L. PARTS WILL VOID ANY U.L. LISTING.

When ordering parts, please specify the model and serial number of the product.

* Indicates a component that is not available as an individual part.

G** Indicates consult Customer Service Department for additional information.

ITEM	PART NO.	1	2	3	4	5	DESCRIPTION	QTY.
59	<u>15766-G1</u>						OVAL RIVET, 3/16" X 15/32" LG	9
60								
61	<u>70258-G03</u>						BRAKE PEDAL PLATE	1
62	<u>70682-G01</u>						PIVOT PIN	1
63	<u>70681-G01</u>						TORSION SPRING	2
64	<u>01071-G01</u>						PUSHNUT, 5/16"	1
65	<u>00737-G8</u>						SCREW, #10 - 24 X 1" LG	4
66	<u>00739-G1</u>						RUBBER NUT, #10 - 24	2
67	<u>74535-G01</u>						BRAKE PEDAL STANDOFF	2
68	<u>27137-G01</u>						CONICAL SPRING	2
69	<u>14390-G10</u>						LOCK NUT, #10 - 24	2
70	10606-G8						MICRO SWITCH	1
71	<u>00957-G1</u>						SCREW, #6 - 32 X 1 1/4" LG	2
72	<u>00559-G5</u>						WASHER, #10	2
73	<u>00559-G3</u>						WASHER, #6	4
74	<u>00565-G3</u>						LOCK WASHER, #6	2
75	<u>00525-G5</u>						NUT, #6 - 32	2
76	<u>13514-G1</u>						SCREW AND LOCK WASHER, #6	2
77	<u>20835-G1</u>						WASHER, TEFLON, 3/8"	2
78	<u>14628-G1</u>						FASTON TAB	2
79	<u>24605-G1</u>						WIRE HARNESS (BRAKE LIGHT)	1
80	<u>17618-G1</u>						WIRE TIE	3
81								
82	<u>74731-G02</u>						SPRING PLATE (PASSENGER SIDE)	1
83	<u>74731-G01</u>						SPRING PLATE (DRIVER SIDE)	1
84	74730-G01						FOUR LINK ROD	2
85	<u>01084-G01</u>						LOCK NUT, M10-1.25	4
86	<u>74736-G01</u>						BRAKE LINE	1
87	<u>01038-G01</u>						SCREW, 1/4 - 20 X 4444" LG	1
88	<u>74875-G01</u>						WIRE RETAINER	2

BRAKES - FRONT DISC

THE USE OF NON U.L. PARTS WILL VOID ANY U.L. LISTING.

When ordering parts, please specify the model and serial number of the product.

* Indicates a component that is not available as an individual part.

G** Indicates consult Customer Service Department for additional information.

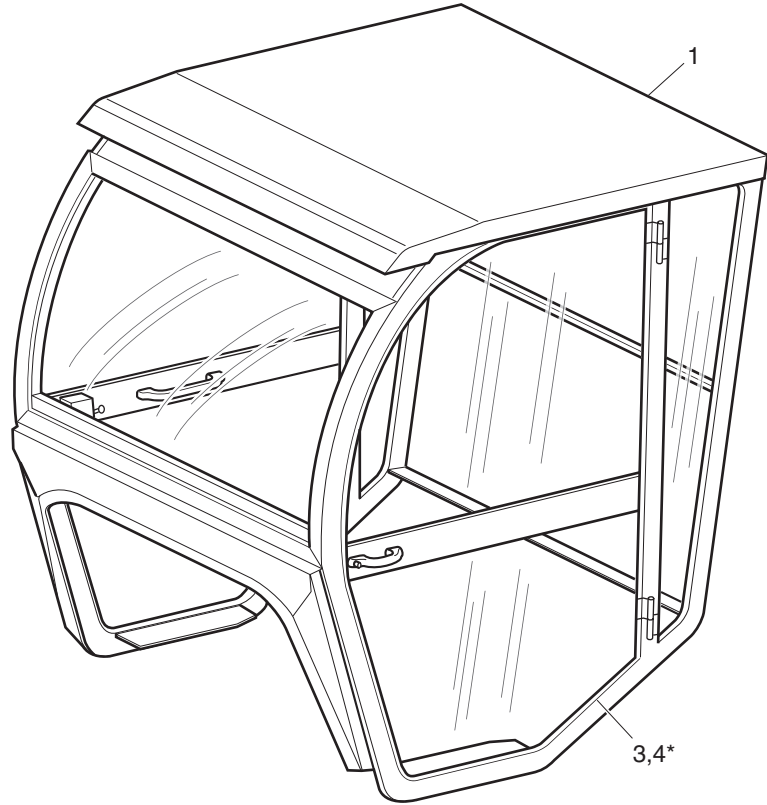
ITEM	PART NO.	1	2	3	4	5	DESCRIPTION	QTY.
89								
90	<u>602281</u>						SPINDLE, CALIPER AND DISC HUB ASSEMBLY (DRIVER SIDE) (INCLUDES ITEMS 91 - 103).....	1
91	<u>602176</u>						DISC BRAKE SPINDLE (DRIVER SIDE)	1
92								
93	<u>12093-G1</u>						SLOTTED NUT	1
94	<u>74864-G01</u>						DRIVE FLANGE STUD	4
95	<u>11750-G2</u>						ROLLER BEARING	2
96	<u>51141-G1</u>						BEARING RACE	2
97	<u>74673-G01</u>						DISC BRAKE HUB.....	1
98	<u>70648-G01</u>						FLANGED BEARING.....	1
99	<u>00566-G1</u>						WASHER, 3/8"	2
100	<u>00426-G8</u>						BOLT, 3/8 - 16 X 1	2
101	<u>70749-G01</u>						BEARING.....	1
102	<u>00798-G8</u>						COTTER PIN	1
103	<u>25146-G1</u>						GREASE SEAL.....	1
104	<u>74733-G02</u>						CALIPER (DRIVER SIDE).....	1
105	<u>602288</u>						SPINDLE, CALIPER AND DISC HUB ASSEMBLY (PASSENGER SIDE) (INCLUDES ITEMS 93 - 103, 106, 107).....	1
106	<u>602158</u>						DISC BRAKE SPINDLE (PASSENGER SIDE).....	1
107								
108								
109	<u>70745-G01</u>						KINGPIN TUBE	2
110	<u>70754-G01</u>						THRUST WASHER	2
111	<u>00560-G3</u>						WASHER, 1/2"	4
112	<u>14390-G6</u>						LOCKNUT, 1/2 - 13	2
113	<u>00407-G6</u>						CAPSCREW, 1/2 - 13 X 6" LG	2
114	<u>74733-G01</u>						CALIPER (PASSENGER SIDE)	1
115	<u>74702-G01</u>						FRONT DISC BRAKE BRAKE ACTUATOR ASSEMBLY (INCLUDES ITEMS 116 - 133).....	1
116	<u>10387-G3</u>						COTTER PIN, 3/32 X 3/4" LG.....	1

BRAKES - FRONT DISC

THE USE OF NON U.L. PARTS WILL VOID ANY U.L. LISTING.
 When ordering parts, please specify the model and serial number of the product.
 * Indicates a component that is not available as an individual part.
 G** Indicates consult Customer Service Department for additional information.

ITEM	PART NO.	1	2	3	4	5	DESCRIPTION	QTY.
117	<u>17838-G1</u>						NYLON BUSHING	1
118	<u>10386-G3</u>						CLEVIS PIN, 5/16 X 1" LG.....	1
119	<u>74753-G01</u>						UPPER ACTUATOR PIVOT	1
120	<u>70581-G02</u>						ACETAL BUSHING	4
121	<u>74711-G01</u>						SHOULDER BOLT	1
122	<u>00560-G3</u>						WASHER, 1/2"	1
123	<u>13437-G3</u>						BOLT, 1/2 - 13 X 6" LG.....	2
124								
125	<u>800697</u>						LOCKNUT, 5/16 - 18	2
126	<u>74742-G01</u>						MASTER CYLINDER.....	1
127	<u>74703-G01</u>						BRAKE ACTUATOR ASSEMBLY HOUSING	1
128	<u>11098-G5</u>						LOCKNUT, 3/8 - 16.....	1
129	<u>00679-G1</u>						WASHER, 3/8" STAINLESS	1
130	<u>74707-G01</u>						LOWER ACTUATOR PIVOT.....	1
131	10385-G4						CLEVIS YOKE	1
132	<u>605778</u>						BRAKE ACTUATOR ASSEMBLY COVER	1
133	<u>01038-G01</u>						SCREW, 1/4 -20 SWAGEFORM.....	3
134								
135	00414-G8						BOLT, 1/4 - 20 X 1 1/4" LG	4
136	<u>00891-G2</u>						LOCKNUT, 1/4 - 20	4
137								
138	<u>10387-G3</u>						COTTER PIN, 3/32 X 3/4	2
139	<u>20835-G1</u>						WASHER, NYLON	1
140	<u>17838-G1</u>						NYLON BUSHING.....	2
141	<u>74865-G01</u>						ACTUATOR LINKAGE	1
142	<u>00771-G5</u>						WASHER, 3/8"	1
143	<u>74917-G01</u>						DISC BRAKE PAD AND PIN KIT (SERVICES ONE CORNER) (INCLUDES ITEMS 144 - 145).....	1
144	*						BRAKE PADS	2
145	*						BRAKE PAD RETAINER PINS	2

CAB



CAB

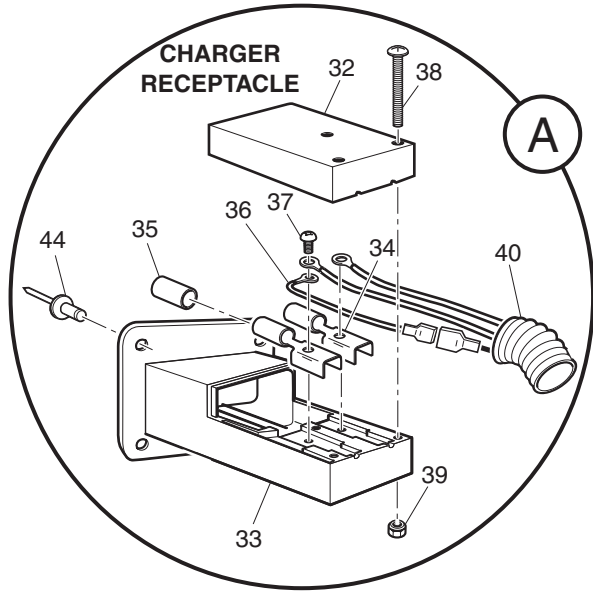
*Steel Doors Shown

For Cab Accessories, See ACCESSORIES LISTING in Appendix B

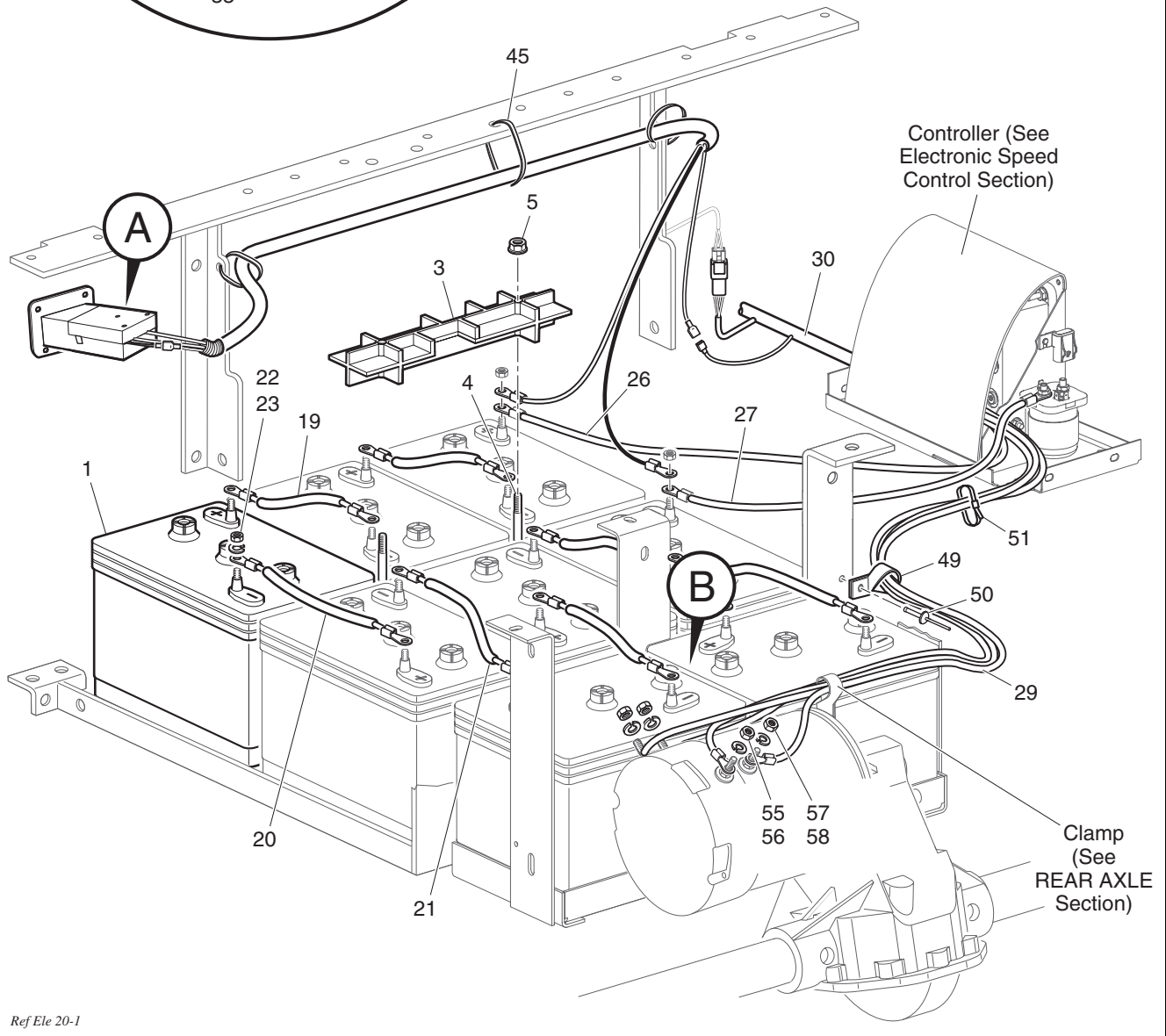
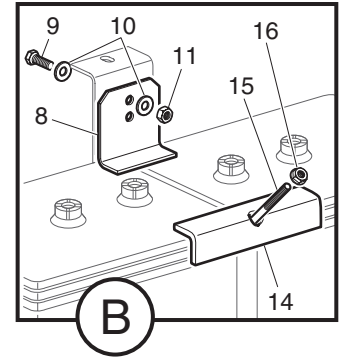
THE USE OF NON U.L. PARTS WILL VOID ANY U.L. LISTING.
 When ordering parts, please specify the model and serial number of the product.
 * Indicates a component that is not available as an individual part.
 G** Indicates consult Customer Service Department for additional information.

ITEM	PART NO.	1 2 3 4 5	DESCRIPTION	QTY.
1	72684-G**		STEEL CAB (WITHOUT DOORS) REPACEMENT PARTS AND ACCESSORIES MAY BE OBTAINED FROM CURTIS CAB, INC.....	1
2				
3	<u>75855-G01</u>		VINYL DOOR KIT.....	1
4	75856-G**		STEEL DOOR KIT.....	1
<p>ForCab replacement parts and accessories, contact Curtis Cab at: Curtis Cab, Inc. 111 Higgins Street, Worcester, Massachusetts, 01606. Tel.: 508-853-2200. Toll free: 800-343-7676. www.curtiscab.com</p>				

ELECTRICAL



31 - Includes Items 32 - 40



Ref Ele 20-1

ELECTRICAL

Where applicable, THE USE OF NON UL PARTS WILL VOID ANY UL LISTING.
 When ordering parts, please specify the model and serial number of the product.
 * Indicates a component that is not available as an individual part.
 G** Indicates consult Customer Service Department for additional information.

ITEM	PART NO.	1 2 3 4 5	DESCRIPTION	QTY.
1	XXXXX-GXX		6 VOLT BATTERY	8
2				
3	<u>70045-G01</u>		BATTERY RETAINER.....	1
4	<u>01101-G01</u>		HOLD DOWN BOLT (STAINLESS STEEL)	2
5	<u>11027-G1</u>		LOCK NUT, 5/16 - 18	2
6				
7				
8	<u>73218-G02</u>		BATTERY RETAINER ANGLE	1
9	00438-G6		BOLT, 5/16 - 18 X 3/4" LG	1
10	00559-G8		WASHER, 5/16"	2
11	11098-G6		LOCK NUT, 5/16 - 18	1
12				
13				
14	<u>11841-G1</u>		BATTERY RETAINER ANGLE INNER	1
15	<u>01087-G01</u>		HOLD DOWN BOLT (STAINLESS STEEL)	1
16	<u>11027-G1</u>		LOCK NUT, 5/16 - 18	1
17				
18				
19	<u>25971-G18</u>		4 GA WIRE (BATTERY INTERCONNECT, BLACK, 6")	2
20	<u>25971-G13</u>		4 GA WIRE (BATTERY INTERCONNECT, BLACK, 10 1/2")	1
21	<u>25971-G14</u>		4 GA WIRE (BATTERY INTERCONNECT, BLACK, 15")	4
22	<u>00565-G8</u>		LOCK WASHER, 5/16"	16
23	<u>00702-G2</u>		NUT, 5/16 - 18	16
24				
25				
26	<u>25971-G15</u>		4 GA WIRE (BATTERY +, BLACK, 17")	1
27	<u>25971-G16</u>		4 GA WIRE (BATTERY -, BLACK, 19")	1
28				
29	<u>74659-G01</u>		POWER HARNESS	1
30	<u>74649-G01</u>		CONTROL HARNESS	1

ELECTRICAL

Where applicable, THE USE OF NON UL PARTS WILL VOID ANY UL LISTING.

When ordering parts, please specify the model and serial number of the product.

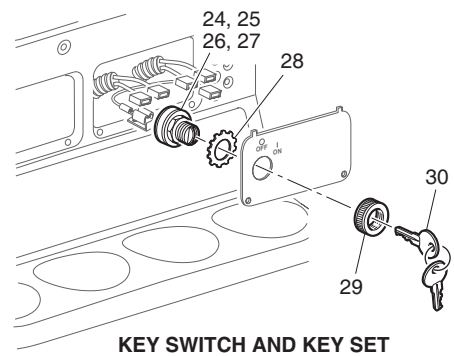
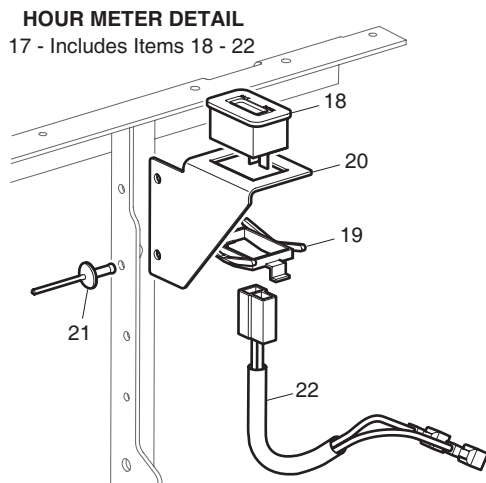
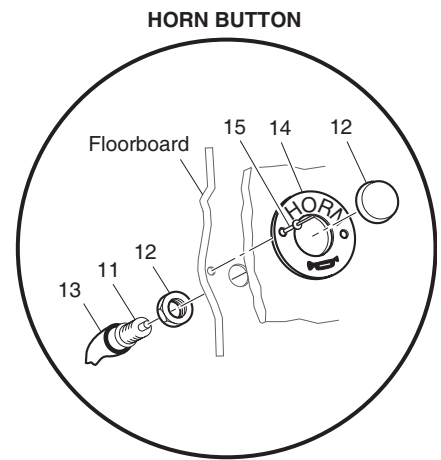
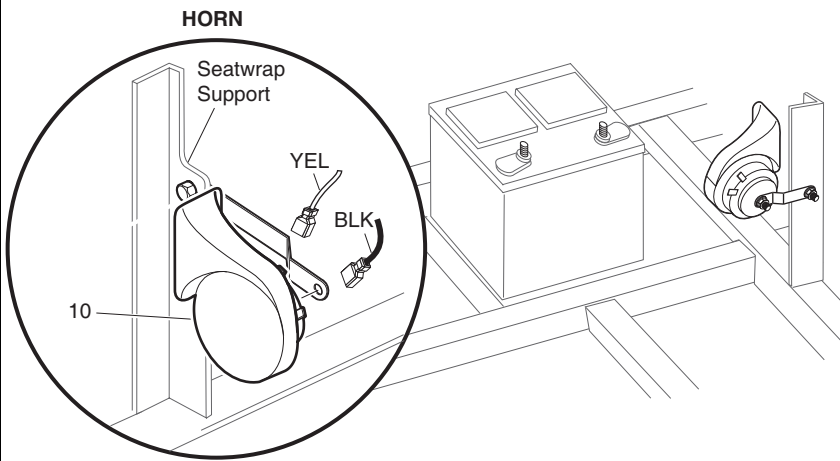
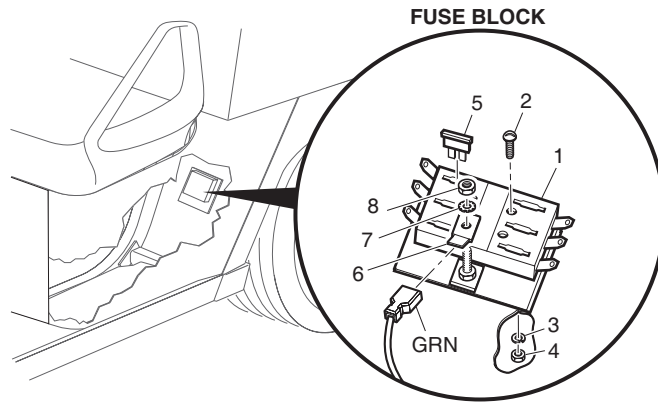
* Indicates a component that is not available as an individual part.

G** Indicates consult Customer Service Department for additional information.

ITEM	PART NO.	1 2 3 4 5	DESCRIPTION	QTY.
31	<u>73063-G03</u>		CHARGER RECEPTACLE ASSEMBLY (INCLUDES ITEMS 32 - 40)	1
32	*		RECEPTACLE COVER	1
33	*		RECEPTACLE BOTTOM.....	1
34	73051-G23		FEMALE CONNECTOR	2
35	<u>73051-G24</u>		INSULATOR SLEEVE	1
36	<u>25978-G25</u>		18 GA WIRE (RED 9")	1
37	<u>73051-G08</u>		SCREW, #10 - 32 X 1/2" LG (BRASS)	2
38	<u>73051-G09</u>		SCREW, #6 - 32 X 1 3/4" LG (STAINLESS STEEL)	3
39	<u>73051-G10</u>		LOCK NUT, #6 - 32.....	3
40	*		WIRE HARNESS (CHARGER).....	1
41				
42				
43				
44	<u>14601-G10</u>		RIVET, 3/16" X 1" LG (ALUMINUM)	4
45	<u>17618-G1</u>		WIRE TIE	3
46				
47				
48				
49	<u>27327-G02</u>		CABLE CLAMP	1
50	<u>10570-G11</u>		RIVET, 3/16" X 3/4" LG (STAINLESS STEEL)	1
51	<u>17618-G1</u>		WIRE TIE	8
52				
53				
54				
55	<u>00993-G01</u>		LOCK WASHER, 5/16" (SILICON BRONZE).....	2
56	<u>28418-G01</u>		NUT, 5/16 - 18 (BRASS)	2
57	<u>00993-G02</u>		LOCK WASHER, 1/4" (SILICON BRONZE).....	2
58	<u>28418-G02</u>		NUT, 1/4 - 20 (BRASS)	2



ELECTRICAL



Ref Ele 20-2

ELECTRICAL

Where applicable, THE USE OF NON UL PARTS WILL VOID ANY UL LISTING.

When ordering parts, please specify the model and serial number of the product.

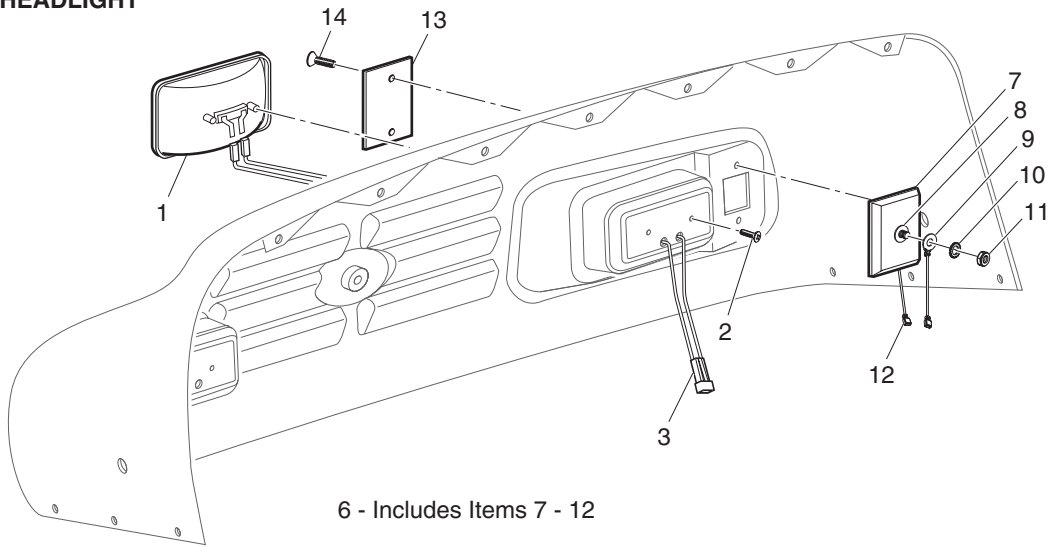
* Indicates a component that is not available as an individual part.

G** Indicates consult Customer Service Department for additional information.

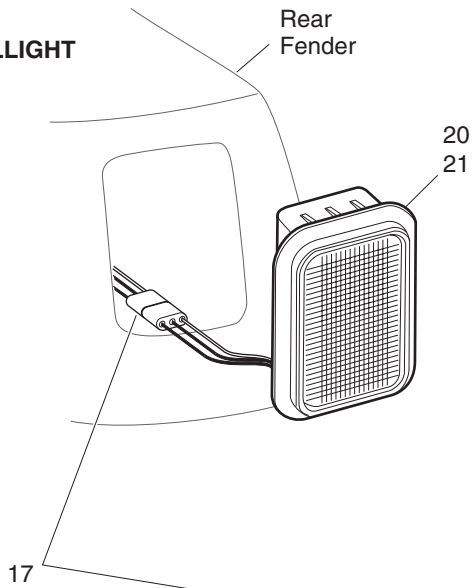
ITEM	PART NO.	1	2	3	4	5	DESCRIPTION	QTY.
1	<u>35211-G01</u>						FUSE BLOCK (6 POSITION)	1
2	<u>00379-G2</u>						SCREW, #10 - 24 X 1 1/4" LG	2
3	<u>00559-G5</u>						WASHER, #10.....	2
4	<u>14390-G10</u>						LOCK NUT, #10 - 24	2
5	<u>35212-G01</u>						FUSE, 15 AMP	AR
6	<u>12914-G1</u>						PUSH ON MALE TERMINAL	1
7	<u>00567-G5</u>						LOCK WASHER, #10.....	1
8	<u>00526-G4</u>						NUT, #10 - 32.....	1
9								
10	<u>32860-G2</u>						HORN.....	1
11	<u>17318-G1</u>						HORN SWITCH.....	1
12	<u>17318-G2</u>						HORN SWITCH CAP AND NUT	1
13	<u>27068-G01</u>						HORN SWITCH BOOT	1
14	<u>19233-G1</u>						HORN SWITCH LABEL	1
15	<u>71055-G01</u>						RIVET, 3/16" X 1" LG (ALUMINUM)	2
16								
17	<u>74914-G02</u>						HOUR METER KIT (INCLUDES ITEMS 18 - 22).....	1
18	<u>74665-G02</u>						HOUR METER.....	1
19	<u>74696-G01</u>						HOUR METER RETAINER CLIP.....	1
20	<u>74716-G02</u>						HOUR METER BRACKET.....	1
21	<u>10570-G11</u>						RIVET, 3/16" X 3/4" LG (STAINLESS STEEL)	2
22	<u>74908-G01</u>						WIRE HARNESS (HOUR METER).....	1
23								
24	<u>17421-G1</u>						KEY SWITCH KIT (W/O LIGHTS - STANDARD - WITH HARDWARE).....	1
25	<u>33639-G02</u>						KEY SWITCH (WITHOUT LIGHTS - NON STANDARD)	1
26	<u>33639-G03</u>						KEY SWITCH (WITHOUT LIGHTS - INDIVIDUALLY KEYED).....	1
27	<u>33639-G**</u>						KEY SWITCH (WITH LIGHTS)	1
28	<u>00568-G6</u>						LOCK WASHER, 3/4".....	1
29	<u>17137-G1</u>						FACE NUT, 3/4 - 20	1
30	<u>17063-G1</u>						KEY (SET).....	1

ELECTRICAL

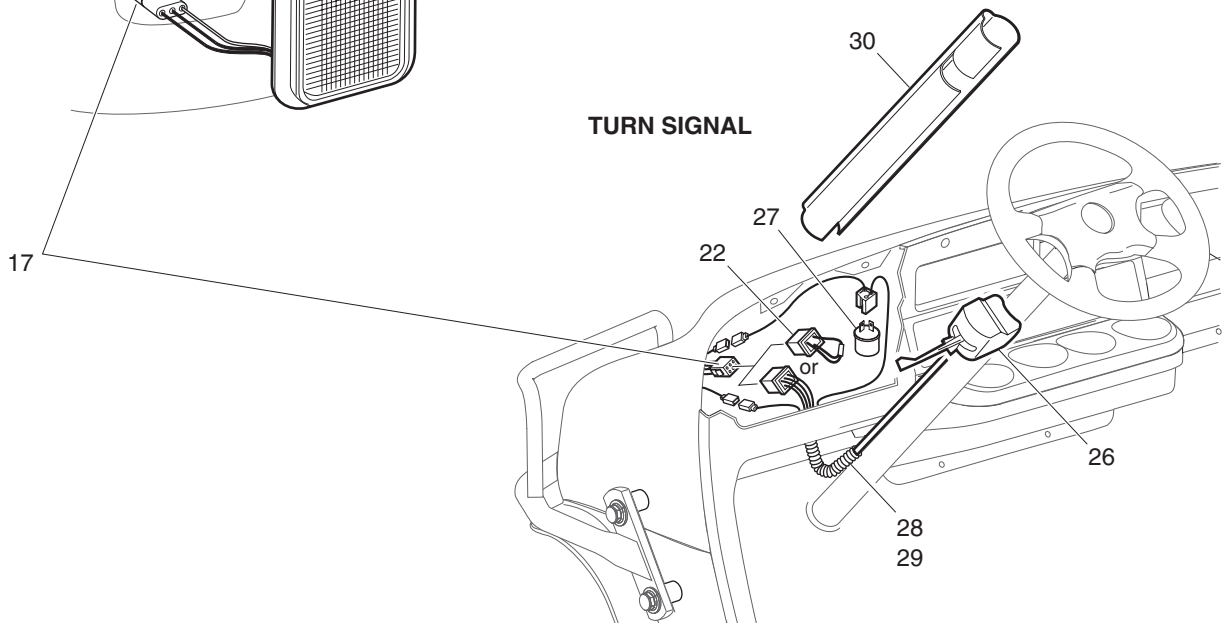
HEADLIGHT



TAILLIGHT



TURN SIGNAL



Ref Ele 20-3

ELECTRICAL

Where applicable, THE USE OF NON UL PARTS WILL VOID ANY UL LISTING.

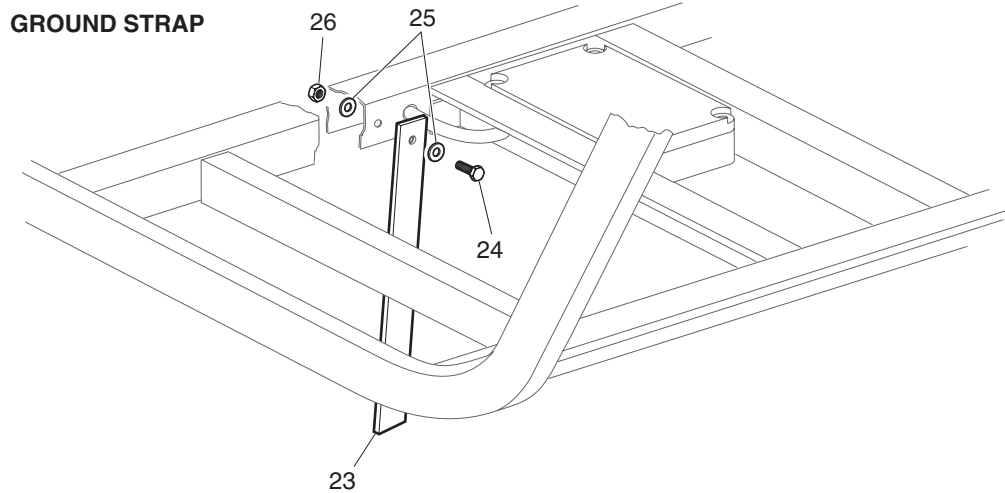
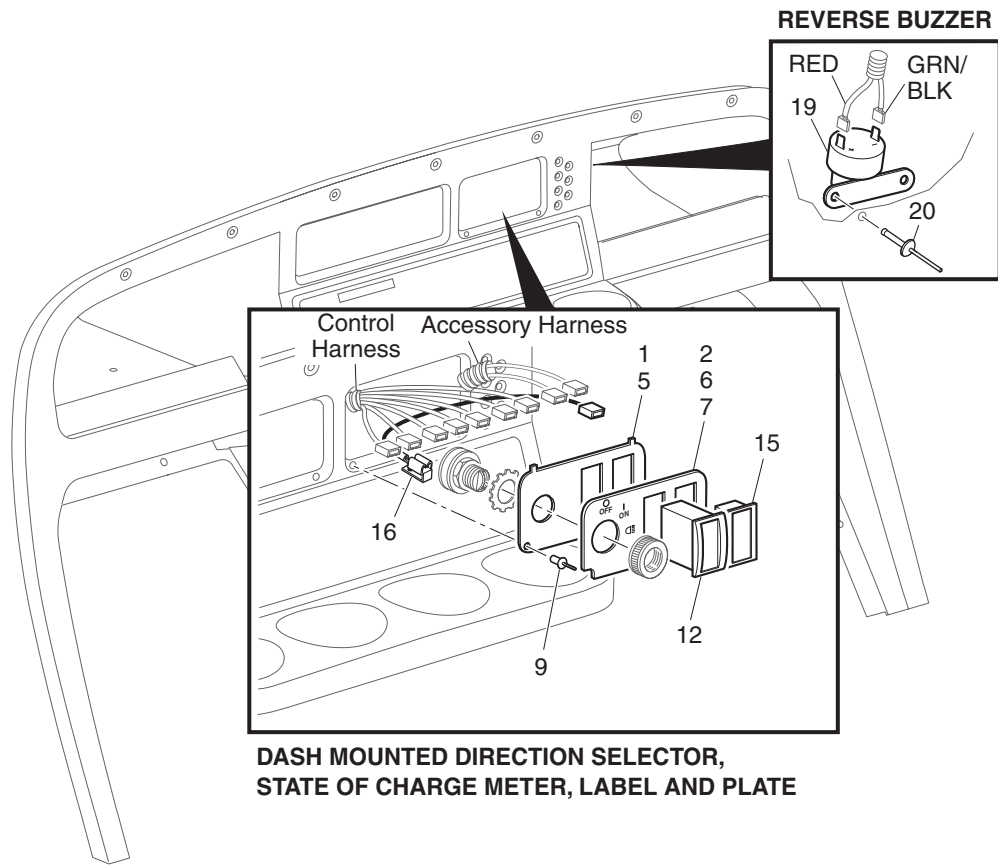
When ordering parts, please specify the model and serial number of the product.

* Indicates a component that is not available as an individual part.

G** Indicates consult Customer Service Department for additional information.

ITEM	PART NO.	1	2	3	4	5	DESCRIPTION	QTY.
1	<u>22523-G1</u>						HEADLIGHT (RECTANGULAR) (INCLUDES ITEM 2)	2
2	<u>00906-G6</u>						SCREW, #10 - 16 X 1" LG	2
3	<u>74337-G01</u>						JUMPER WIRE (HEADLIGHT)	2
4								
5								
6	<u>20570-G3</u>						TURN SIGNAL LIGHT (INCLUDES ITEMS 7 - 12)	2
7	<u>20574-G3</u>						TURN SIGNAL LIGHT	1
8	<u>00660-G7</u>						WASHER, 1/4" (STAINLESS STEEL)	1
9	<u>20606-G1</u>						WIRE.....	1
10	<u>00567-G7</u>						LOCK WASHER, 1/4"	1
11	<u>00532-G1</u>						NUT, 1/4 - 20	1
12	<u>18995-G1</u>						PUSH-ON MALE TERMINAL	1
13	<u>20574-G5</u>						LENS, AMBER	1
14	<u>00118-G5</u>						SCREW, #6 - 18 X 5/8" LG	2
15								
16								
17	<u>74651-G01</u>						WIRE HARNESS (ACCESSORY).....	1
18								
19								
20	<u>32739-G3</u>						TAILLIGHT (WITH SEALED CONNECTORS).....	2
21	<u>21759-G1</u>						TAILLIGHT BULB.....	AR
22	<u>75711-G01</u>						TAILLIGHT JUMPER PLUG (FOR VEHICLE W/OUT TURN SGL)	1
23								
24								
25	<u>75107-G02</u>						TURN SIGNAL KIT (INCLUDES ITEMS 26 - 30).....	1
26	<u>17867-G1</u>						TURN SIGNAL (WITH MOUNTING HARDWARE).....	1
27	<u>21640-G1</u>						TURN SIGNAL FLASHER.....	1
28	<u>32307-G3</u>						FLEX LOOM, 3/8" X 8" LG.....	1
29	<u>17618-G1</u>						WIRE TIE	2
30	<u>20965-G3</u>						STEERING COLUMN COVER	1

ELECTRICAL



Ref Ele 20-4

ELECTRICAL

Where applicable, THE USE OF NON UL PARTS WILL VOID ANY UL LISTING.

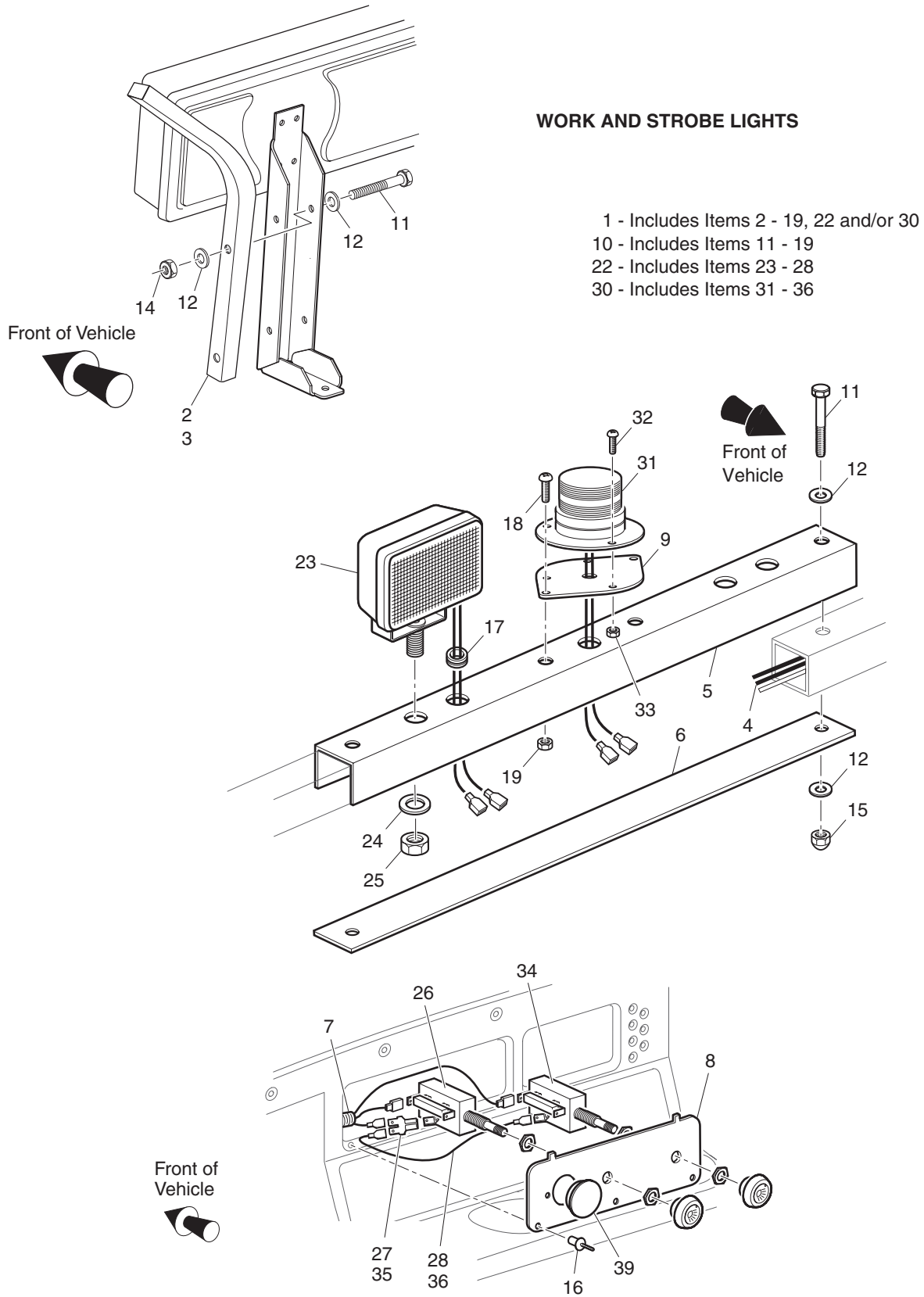
When ordering parts, please specify the model and serial number of the product.

* Indicates a component that is not available as an individual part.

G** Indicates consult Customer Service Department for additional information.

ITEM	PART NO.	1 2 3 4 5	DESCRIPTION	QTY.
1	<u>601016</u>		PLATE (KEY SWITCH, DIRECTION SELECTOR)	1
2	<u>74316-G01</u>		LABEL (KEY SWITCH WITHOUT LIGHTS, DIRECTION SELECTOR)	1
3				
4				
5	<u>73030-G06</u>		PLATE (KEY SWITCH, DIRECTION SELECTOR, CHARGE METER)	1
6	<u>74320-G01</u>		LABEL (KEY SWITCH WITHOUT LIGHTS, DIRECTION SELECTOR, CHARGE METER)	1
7	<u>74322-G01</u>		LABEL (KEY SWITCH WITH LIGHTS, DIRECTION SELECTOR, CHARGE METER)	1
8				
9	<u>33623-G02</u>		DRIVE RIVET, 3/16" X 3/8" LG	2
10				
11				
12	<u>74323-G01</u>		DIRECTION SELECTOR SWITCH (DASH MOUNTED)	1
13				
14				
15	<u>33636-G05</u>		STATE OF CHARGE METER (VERTICAL)	1
16	<u>25978-G74</u>		18 GA WIRE (RED 6")	1
17				
18				
19	<u>73290-G02</u>		REVERSE WARNING BUZZER (CONTINUOUS TONE)	1
20	<u>01041-G01</u>		RIVET, 1/8" X 13/16" LG	2
21				
22				
23	<u>35213-G02</u>		GROUND STRAP, 16" (EE ONLY)	1
24	<u>00426-G8</u>		BOLT, 3/8 - 16 X 1" LG	1
25	<u>00560-G1</u>		WASHER, 3/8"	2
26	<u>11098-G4</u>		LOCK NUT, 3/8 - 16	1

WORK AND STROBE LIGHTS



Ref Ele 20-5

ELECTRICAL

Where applicable, THE USE OF NON UL PARTS WILL VOID ANY UL LISTING.

When ordering parts, please specify the model and serial number of the product.

* Indicates a component that is not available as an individual part.

G** Indicates consult Customer Service Department for additional information.

ITEM	PART NO.	1 2 3 4 5	DESCRIPTION	QTY.
1	71323-G**		WORK LIGHT BAR WITH LIGHTS AND/OR STROBE (INCLUDES ITEMS 2 - 19, 22 AND/OR 30).....	1
2	<u>75838-G03</u>		STRUT (DRIVER SIDE).....	1
3	<u>75838-G04</u>		STRUT (PASSENGER SIDE).....	1
4	<u>75346-G01</u>		WIRE HARNESS (WORK LIGHT)	1
5	<u>71294-G02</u>		BRACE.....	1
6	<u>71293-G02</u>		COVER PLATE.....	1
7	<u>75430-G01</u>		SWITCH HARNESS	1
8	73522-G**		CONSOLE INSERT PLATE.....	1
9	<u>33201-G03</u>		STROBE LIGHT MOUNT (USED ONLY WITH STROBE LIGHT).....	1
10	<u>75365-G01</u>		HARDWARE KIT (INCLUDES ITEMS 11 - 19).....	1
11	<u>00685-G7</u>		BOLT, 5/16 - 18 X 1 3/4" LG	6
12	<u>00660-G8</u>		WASHER, 5/16"	12
13	<u>15121-G1</u>		WASHER, 3/8" X 1 1/4".....	2
14	<u>01109-G01</u>		LOCK NUT, 5/16 - 18.....	4
15	<u>00918-G3</u>		ACORN NUT, 5/16 - 18.....	2
16	33623-G02		DRIVE RIVET, 3/16" X 3/8" LG	3
17	<u>20367-G1</u>		GROMMET.....	2
18	16705-G3		SCREW, 1/4 - 20 X 3/4" LG	2
19	<u>14390-G4</u>		LOCK NUT, 1/4 - 20	2
20				
21				
22	<u>20383-G2</u>		WORK LIGHT KIT (INCLUDES ITEMS 23 - 28).....	1
23	<u>20209-G2</u>		WORK LIGHT (RECTANGULAR)	2
24	<u>00566-G3</u>		LOCK WASHER, 1/2".....	2
25	<u>00533-G1</u>		NUT, 1/2 - 13.....	2
26	<u>17317-G1</u>		LIGHT SWITCH.....	1
27	<u>17902-G1</u>		TAB ADAPTER	1
28	<u>20053-G1</u>		16 GA WIRE (RED 5 3/8").....	1
29				

ELECTRICAL

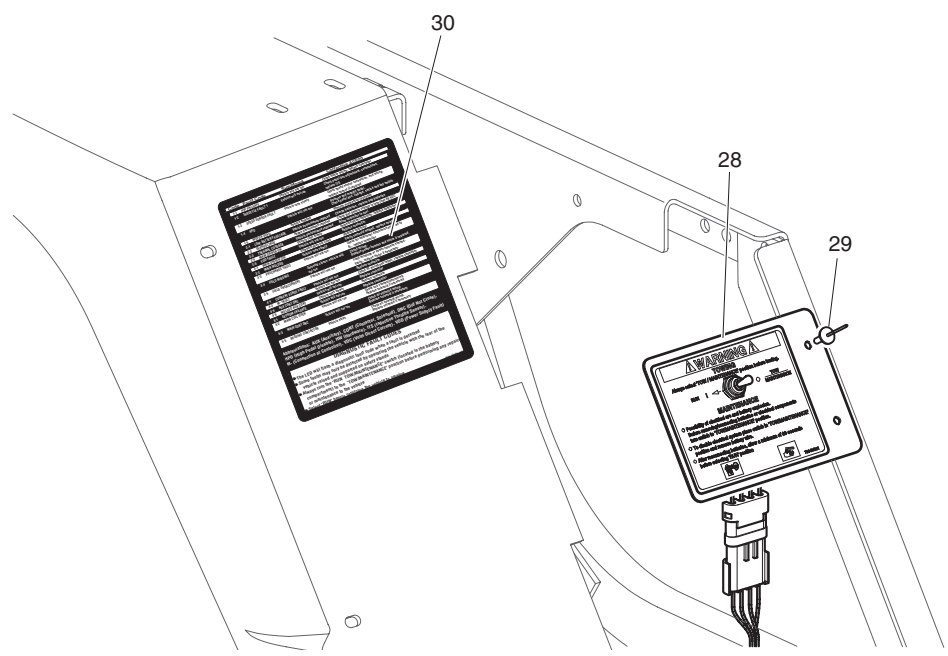
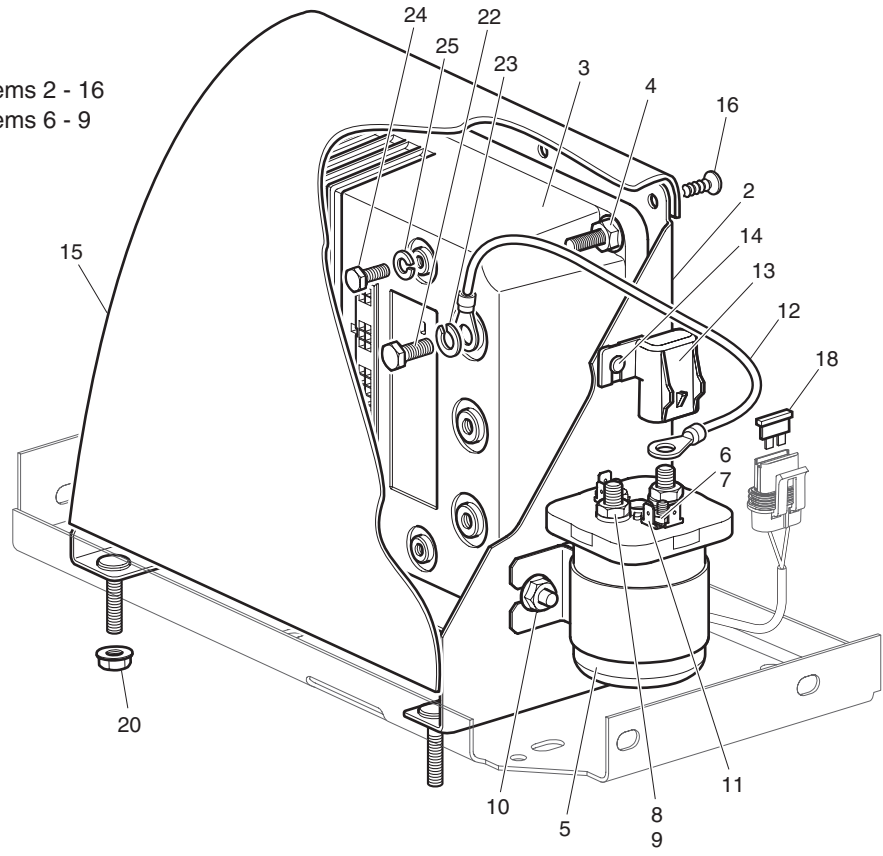
Where applicable, THE USE OF NON UL PARTS WILL VOID ANY UL LISTING.
 When ordering parts, please specify the model and serial number of the product.
 * Indicates a component that is not available as an individual part.
 G** Indicates consult Customer Service Department for additional information.

ITEM	PART NO.	1	2	3	4	5	DESCRIPTION	QTY.
30	<u>20385-G3</u>						STROBE LIGHT KIT (INCLUDES ITEMS 31 - 36)	1
31	<u>20394-G4</u>						STROBE LIGHT	1
32	<u>00379-G4</u>						SCREW, #10 - 24 x 1/2" LG	3
33	<u>14390-G10</u>						LOCK NUT, #10 - 24	3
34	<u>17317-G1</u>						LIGHT SWITCH.....	1
35	<u>17902-G1</u>						TAB ADAPTER	1
36	<u>20053-G1</u>						16 GA WIRE (RED 5 3/8").....	1
37								
38								
39	<u>20271-G10</u>						HOLE PLUG.....	1



ELECTRONIC SPEED CONTROL - PDS

1 - Includes Items 2 - 16
5 - Includes Items 6 - 9



Ref Esp 20-1

ELECTRONIC SPEED CONTROL - PDS

Where applicable, THE USE OF NON UL PARTS WILL VOID ANY UL LISTING.

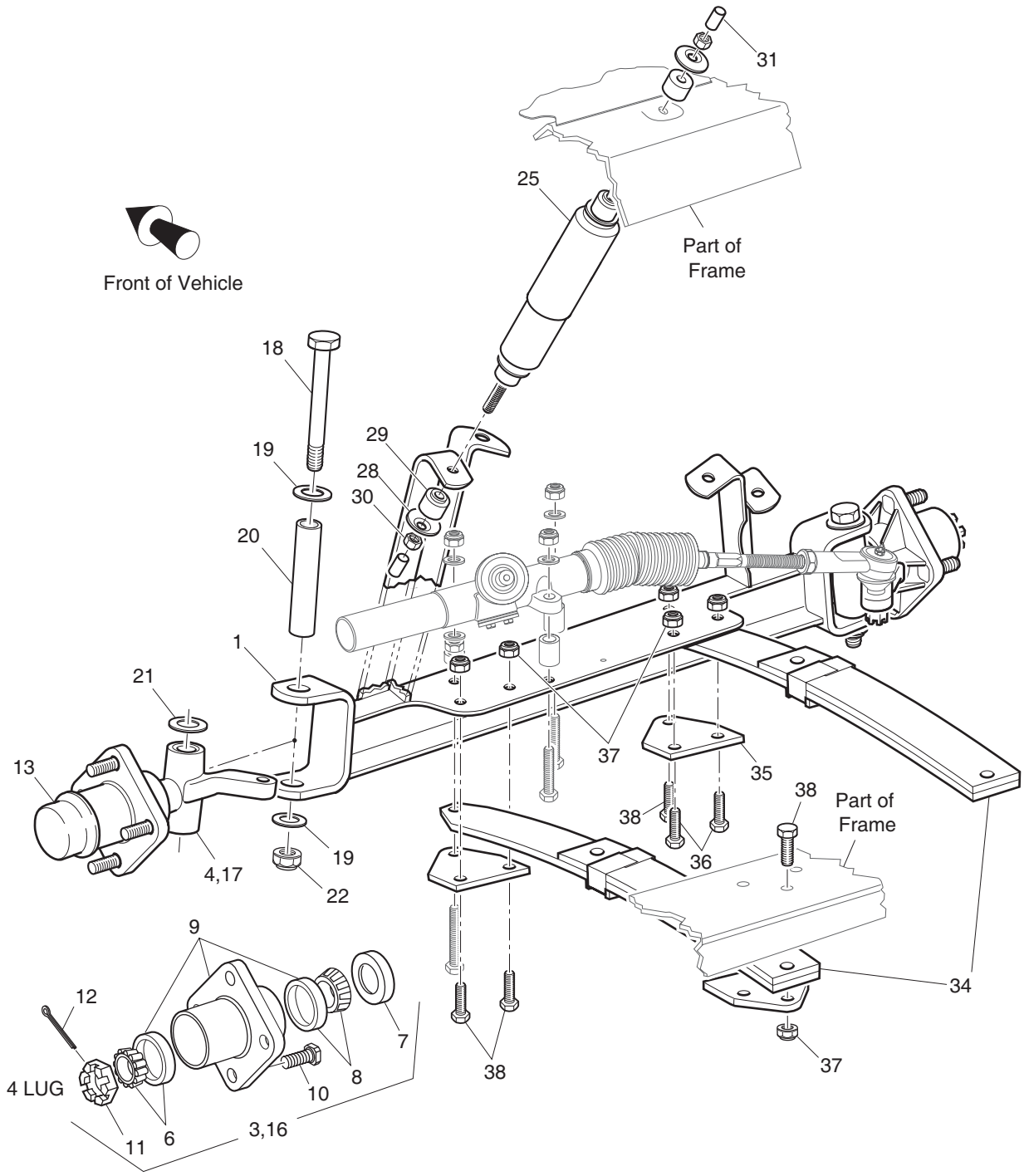
When ordering parts, please specify the model and serial number of the product.

* Indicates a component that is not available as an individual part.

G** Indicates consult Customer Service Department for additional information.

ITEM	PART NO.	1 2 3 4 5	DESCRIPTION	QTY.
1	<u>73348-G03</u>		ELECTRONIC SPEED CONTROL ASSEMBLY (INCLUDES ITEMS 2 - 16)	1
2	<u>73351-G02</u>		CONTROLLER MOUNT	1
3	<u>73098-G04</u>		ELECTRONIC SPEED CONTROLLER	1
4	<u>11027-G2</u>		LOCK NUT, 1/4 - 20.....	4
5	<u>73231-G01</u>		SOLENOID (INCLUDES ITEMS 6 - 9).....	1
6	*		LOCK WASHER, #10.....	2
7	*		NUT, #10 - 32.....	2
8	*		LOCK WASHER, 5/16".....	2
9	*		JAM NUT, 5/16 - 24.....	2
10	<u>11027-G2</u>		LOCK NUT, 1/4 - 20.....	2
11	<u>73446-G01</u>		FASTON TAB, 90°	4
12	<u>25971-G17</u>		4 GA WIRE (BLACK 9").....	1
13	<u>73499-G01</u>		IN-LINE FUSE COVER.....	1
14	<u>15058-G1</u>		RIVET, 3/16" X 7/16" LG (ALUMINUM)	1
15	<u>73523-G01</u>		COVER	1
16	<u>16816-G1</u>		RATCHET FASTENER, 1/4" X 9/16" LG	4
17				
18	<u>35212-G05</u>		FUSE, 7.5 AMP	1
19				
20	<u>11027-G2</u>		LOCK NUT, 1/4 - 20	4
21				
22	<u>73296-G01</u>		BOLT, 8MM X 16MM LG.....	3
23	<u>00993-G01</u>		LOCK WASHER, 5/16" (SILICON BRONZE).....	3
24	<u>73346-G01</u>		BOLT, 6MM X 1 X 12MM LG	2
25	<u>00993-G02</u>		LOCK WASHER, 1/4" (SILICON BRONZE).....	2
26				
27				
28	<u>74878-G01</u>		TOW-MAINTENANCE SWITCH	1
29	<u>71055-G01</u>		RIVET, 3/16" X 1" LG (ALUMINUM)	2
30	<u>73398-G01</u>		DIAGNOSTIC LABEL (FAULT CODE).....	1

FRONT SUSPENSION/STEERING

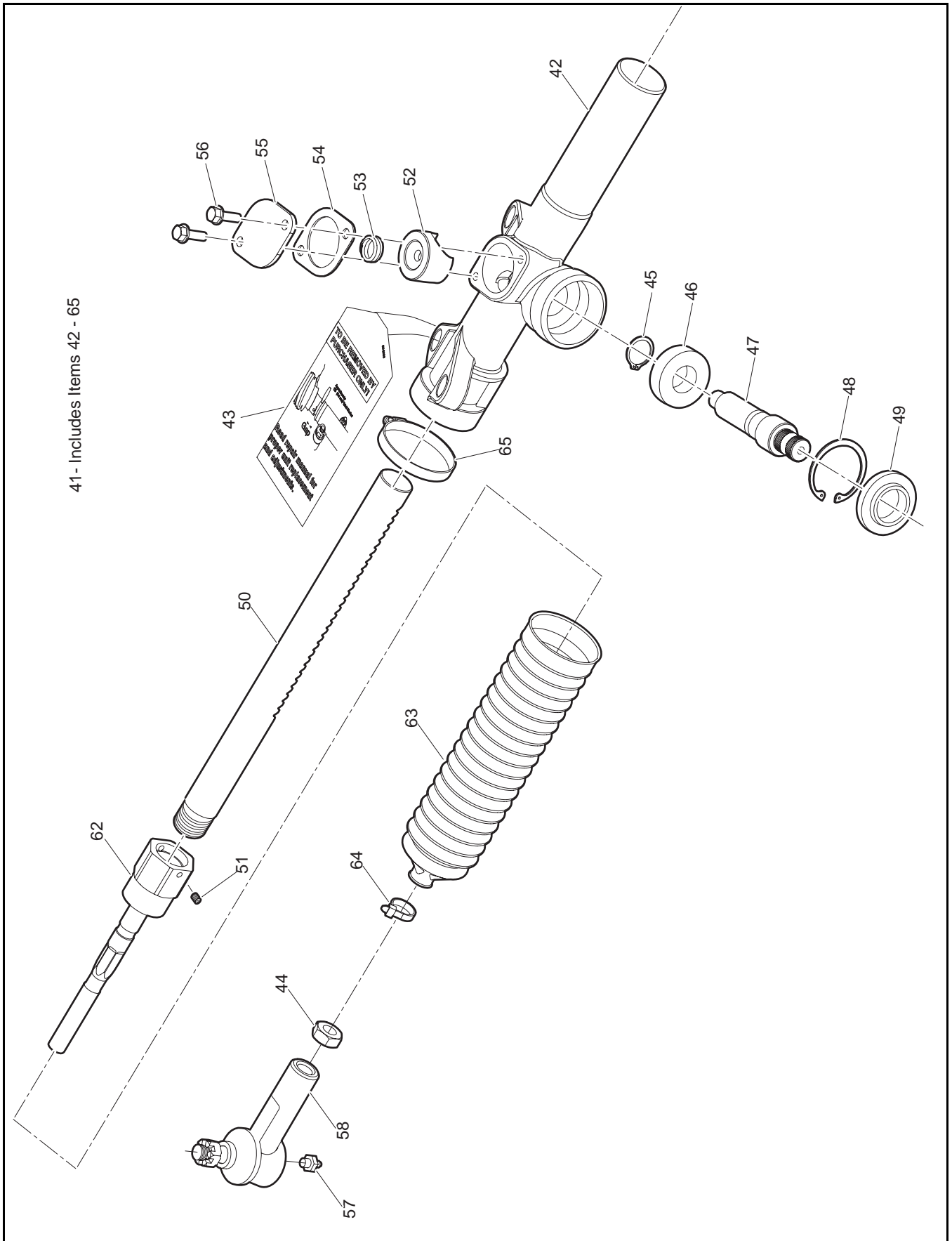


- 3 - Includes Items 4 - 13
- 9 - Includes Item 10
- 16 - Includes Items 7 - 13, 17

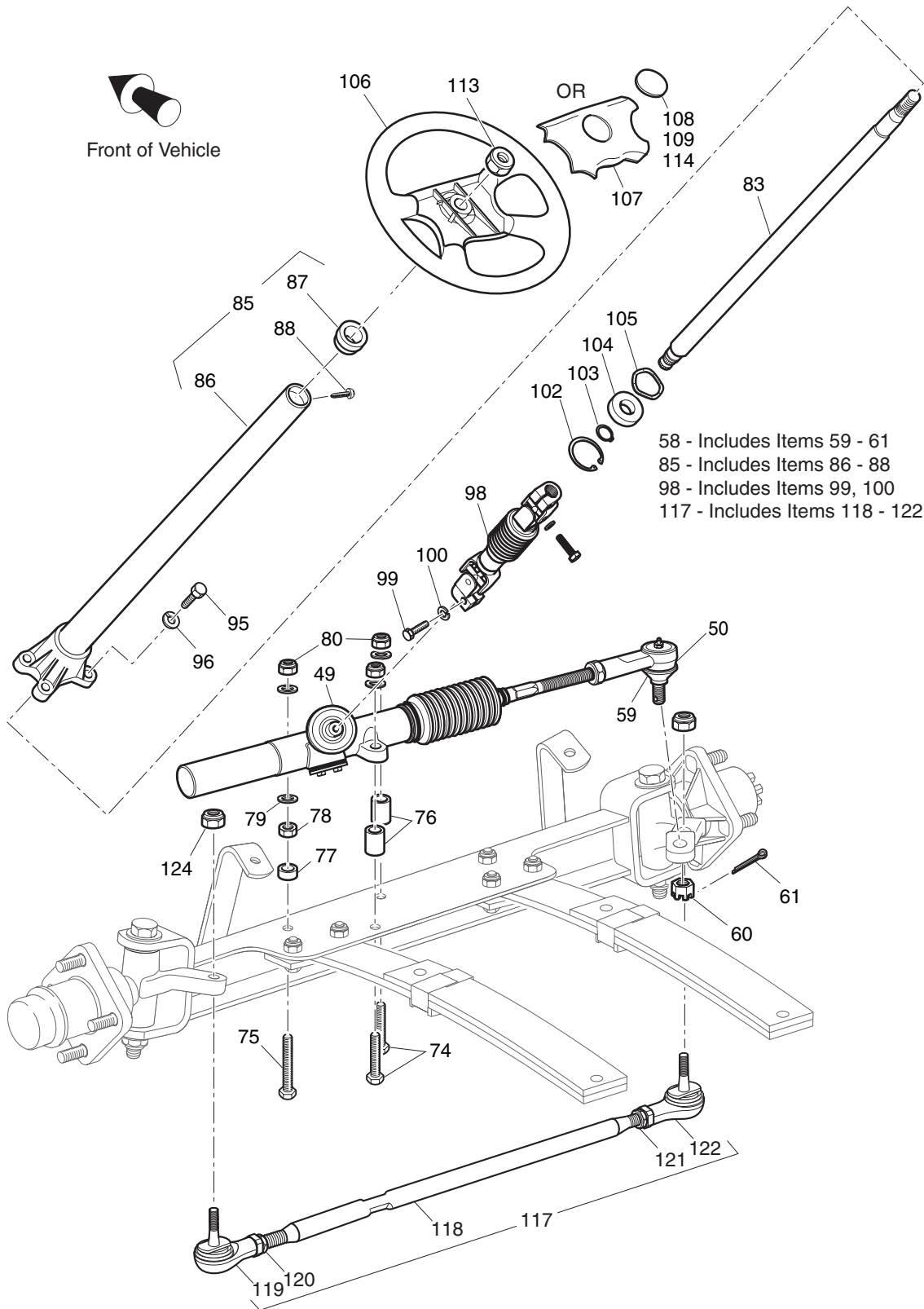
*NOTE: Tie Rod Not Shown for Clarity

Ref Fss 21-1

FRONT SUSPENSION/STEERING



FRONT SUSPENSION/STEERING



Ref Fss 21-2

FRONT SUSPENSION/STEERING

THE USE OF NON U.L. PARTS WILL VOID ANY U.L. LISTING.

When ordering parts, please specify the model and serial number of the product.

* Indicates a component that is not available as an individual part.

G** Indicates consult Customer Service Department for additional information.

ITEM	PART NO.	1	2	3	4	5	DESCRIPTION	QTY.
1	<u>602513</u>						FRONT AXLE	1
2								
3	<u>70942-G03</u>						SPINDLE AND HUB ASSEMBLY, 4 LUG (PASSENGER SIDE) (INCLUDES ITEMS 4 - 13).....	1
4	<u>70940-G04</u>						SPINDLE ASSEMBLY (PASSENGER SIDE) (INCLUDES ITEMS 5 - 6).....	1
5	<u>70648-G01</u>						BEARING	1
6	<u>70749-G01</u>						BEARING, DP4.....	1
7	<u>25146-G1</u>						GREASE SEAL.....	1
8	<u>50892-G1</u>						ROLLER BEARING AND RACE ASSEMBLY.....	2
9	<u>70589-G1</u>						WHEEL HUB ASSEMBLY WITH RACES, 4 LUG (INCLUDES ITEM 10)	1
10	<u>19862-G1</u>						LUG BOLT, 1/2 - 20 X 1 7/32" LG.....	4
11	<u>12093-G1</u>						SLOTTED NUT, 1 - 14	1
12	<u>00798-G8</u>						COTTER PIN, 5/32" X 1 3/4" LG	1
13	<u>12091-G2</u>						SPINDLE CAP	2
14								
15								
16	<u>70673-G03</u>						SPINDLE AND HUB ASSEMBLY, 4 LUG (DRIVER SIDE) (INCLUDES ITEMS 7 - 13 & 17)	1
17	<u>70742-G02</u>						SPINDLE ASSEMBLY (DRIVER SIDE) (INCLUDES ITEMS 5 - 6)	1
18	<u>00407-G6</u>						BOLT, 1/2 - 13 X 6" LG	2
19	<u>00560-G3</u>						WASHER, 1/2"	4
20	<u>70745-G01</u>						KING PIN TUBE	2
21	<u>70754-G01</u>						THRUST WASHER (STAINLESS STEEL).....	2
22	<u>14390-G6</u>						LOCK NUT, 1/2 - 13	2
23								
24								
25	<u>76419-G01</u>						SHOCK ABSORBER.....	2
26								
27								
28	<u>10435-G1</u>						SHOCK ABSORBER WASHER.....	8
29	<u>10194-G1</u>						RUBBER SHOCK ABSORBER BUSHING	8

FRONT SUSPENSION/STEERING

THE USE OF NON U.L. PARTS WILL VOID ANY U.L. LISTING.
 When ordering parts, please specify the model and serial number of the product.
 * Indicates a component that is not available as an individual part.
 G** Indicates consult Customer Service Department for additional information.

ITEM	PART NO.	1 2 3 4 5	DESCRIPTION	QTY.
30	<u>00532-G6</u>		NUT, 3/8 - 24	4
31	<u>10044-G01</u>		VINYL CAP	4
32				
33				
34	<u>70664-G03</u>		LEAF SPRING (HEAVY DUTY) (SEE PART NUMBER ON SPRING).....	2
35	<u>70163-G03</u>		SPRING PLATE	4
36	<u>00463-G4</u>		BOLT, 7/16 - 14 X 1 1/2" LG	4
37	<u>00734-G1</u>		LOCK NUT, 7/16 - 14	11
38	<u>00463-G6</u>		BOLT, 7/16 - 14 X 1 3/4" LG	7
39				
40				
41	<u>70964-G02</u>		RACK AND PINION UNIT (COMPLETE) (INCLUDES ITEMS 42 - 65)	1
42	<u>70965-G01</u>		STEERING RACK COVER & BEARING	1
43	*		STEERING BOX INSTALLATION TAG	1
44	*		JAM NUT, 1/2 - 20.....	1
45	<u>70750-G01</u>		RETAINING RING (EXTERNAL)	1
46	15115-G1		BALL BEARING	1
47	<u>70603-G01</u>		PINION.....	1
48	<u>70751-G01</u>		RETAINING RING (INTERNAL)	1
49	<u>70638-G01</u>		SEAL PINION	1
50	<u>70604-G01</u>		RACK STEERING.....	1
51	01053-G01		SCREW, 10- 32.....	1
52	<u>70590-G01</u>		RACK LOADER	1
53	<u>70666-G01</u>		SPRING COMPRESSION	1
54	<u>70645-G01</u>		GASKET RACK LOADER.....	1
55	<u>70591-G01</u>		COVER RACK LOADER	1
56	<u>71102-G01</u>		SCREW, 1/4 - 20.....	2
57	<u>10389-G3</u>		GREASE FITTING, STRAIGHT	1
58	<u>70695-G01</u>		RACK BALL JOINT (INCLUDES ITEMS 59 - 61)	1
59	<u>50641-G1</u>		RUBBER BOOT	1

FRONT SUSPENSION/STEERING

THE USE OF NON U.L. PARTS WILL VOID ANY U.L. LISTING.

When ordering parts, please specify the model and serial number of the product.

* Indicates a component that is not available as an individual part.

G** Indicates consult Customer Service Department for additional information.

ITEM	PART NO.	1	2	3	4	5	DESCRIPTION	QTY.
60	<u>50209-G2</u>						SLOTTED NUT, 7/16 - 20.....	1
61	<u>10387-G2</u>						COTTER PIN, 3/32" X 1" LG	1
62	74694-G01						ROD END (INNER).....	1
63	<u>70961-G01</u>						RACK BOOT	1
64	<u>12416-G2</u>						WIRE TIE	1
65	<u>11391-G8</u>						WIRE TIE	1
66								
67								
68								
69								
70								
71								
72								
73								
74	<u>00464-G6</u>						BOLT, 7/16 - 14 X 2 3/4" LG	2
75	<u>01068-G01</u>						BOLT, 7/16 - 14 X 3 1/2" LG	1
76	<u>70667-G02</u>						SPACER.....	2
77	<u>70667-G03</u>						SPACER (SHORT).....	1
78	<u>00532-G7</u>						NUT, 7/16 - 14	1
79	<u>00560-G2</u>						FLAT WASHER, 7/16"	7
80	<u>00734-G1</u>						LOCK NUT, 7/16 - 14	3
81								
82								
83	<u>70607-G01</u>						STEERING SHAFT	1
84								
85	<u>70758-G05</u>						STEERING COLUMN KIT (INCLUDES ITEMS 86 - 88)	1
86	<u>70610-G03</u>						STEERING COLUMN	1
87	<u>28569-G01</u>						STEERING COLUMN BUSHING.....	1
88	<u>01022-G01</u>						SCREW, #6 - 20 X 5/16" LG	1
89								

FRONT SUSPENSION/STEERING

THE USE OF NON U.L. PARTS WILL VOID ANY U.L. LISTING.

When ordering parts, please specify the model and serial number of the product.

* Indicates a component that is not available as an individual part.

G** Indicates consult Customer Service Department for additional information.

ITEM	PART NO.	1	2	3	4	5	DESCRIPTION	QTY.
90								
91								
92								
93								
94								
95	<u>01006-G01</u>						BOLT, 3/8 - 16 X 1 1/4" LG WITH PATCHLOCK	4
96	<u>00879-G1</u>						LOCK WASHER, 3/8".....	4
97								
98	<u>70580-G01</u>						INTERMEDIATE SHAFT (INCLUDES ITEMS 99, 100).....	1
99	<u>01055-G01</u>						BOLT, M8 X 1 1/4" LG.....	2
100	<u>00565-G8</u>						LOCK WASHER, 5/16"	2
101								
102	<u>70751-G01</u>						RETAINING RING (INTERNAL).....	1
103	<u>70888-G01</u>						RETAINING RING (EXTERNAL).....	1
104	<u>15112-G1</u>						BALL BEARING	1
105	<u>70887-G01</u>						WAVE WASHER.....	1
106	<u>602980</u>						STEERING WHEEL	1
107	<u>71147-G01</u>						STEERING WHEEL COVER	1
108	<u>74815-G01</u>						LABEL (E-Z-GO)	1
109	<u>74954-G01</u>						LABEL (CUSHMAN).....	1
110								
111								
112								
113	<u>14390-G2</u>						LOCK NUT, 5/8 - 18	1
114	<u>28909-G01</u>						LABEL (JACOBSEN)	1
115								
116								
117	<u>74604-G01</u>						TIE ROD ASSEMBLY (INCLUDES ITEMS 118 - 122)	1
118	<u>74603-G01</u>						THREADED ROD (24" LG).....	1
119	<u>70902-G01</u>						TIE ROD END (LEFT HAND THREADS)	1

FRONT SUSPENSION/STEERING

THE USE OF NON U.L. PARTS WILL VOID ANY U.L. LISTING.

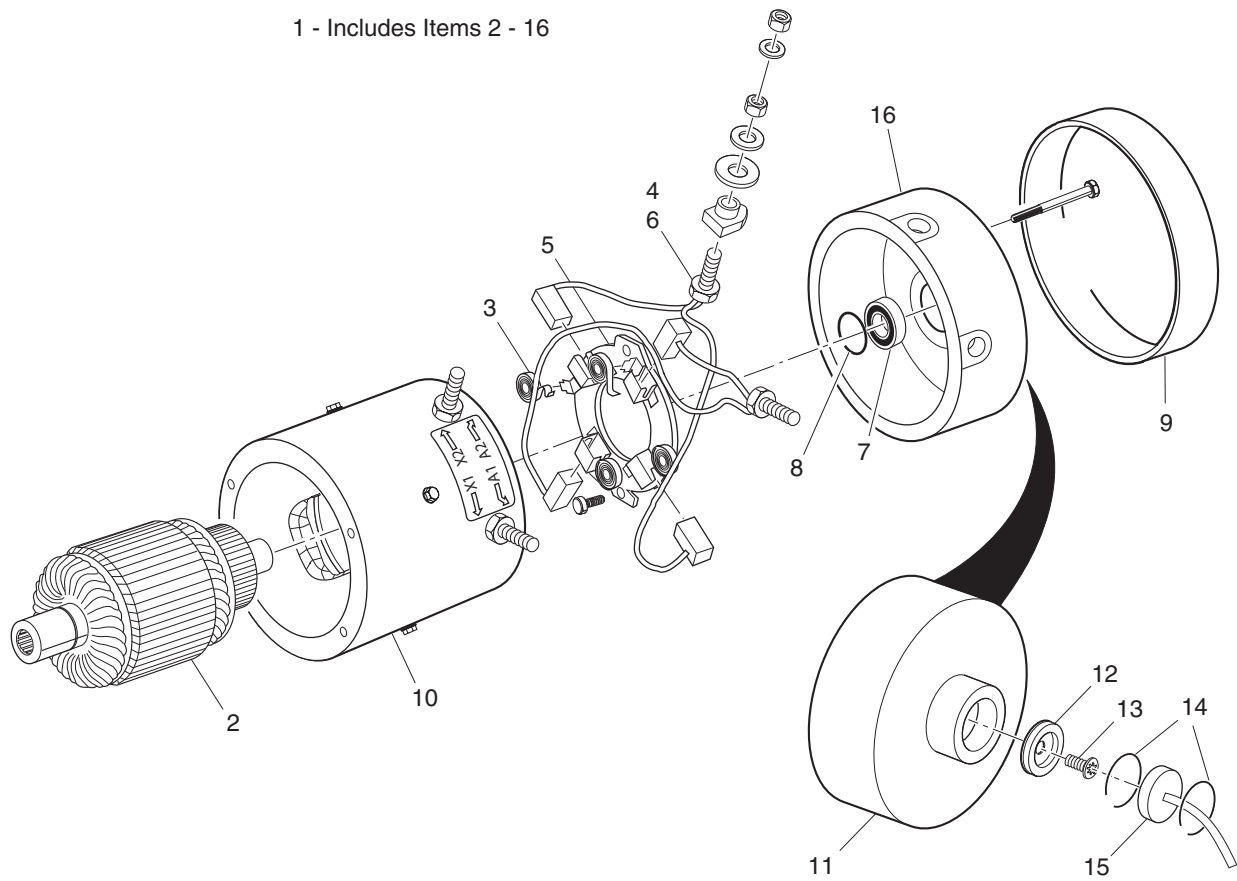
When ordering parts, please specify the model and serial number of the product.

* Indicates a component that is not available as an individual part.

G** Indicates consult Customer Service Department for additional information.

ITEM	PART NO.	1	2	3	4	5	DESCRIPTION	QTY.
120	<u>01069-G01</u>						JAM NUT, M12 X 1.25-05 (LEFT HAND THREADS).....	1
121	<u>70902-G02</u>						TIE ROD END (RIGHT HAND THREADS).....	1
122	<u>01069-G02</u>						JAM NUT, M12 X 1.25-05 (RIGHT HAND THREADS)	1
123								
124	<u>00734-G1</u>						LOCK NUT, 7/16 - 14	2

MOTOR



MOTOR

THE USE OF NON U.L. PARTS WILL VOID ANY U.L. LISTING.

When ordering parts, please specify the model and serial number of the product.

* Indicates a component that is not available as an individual part.

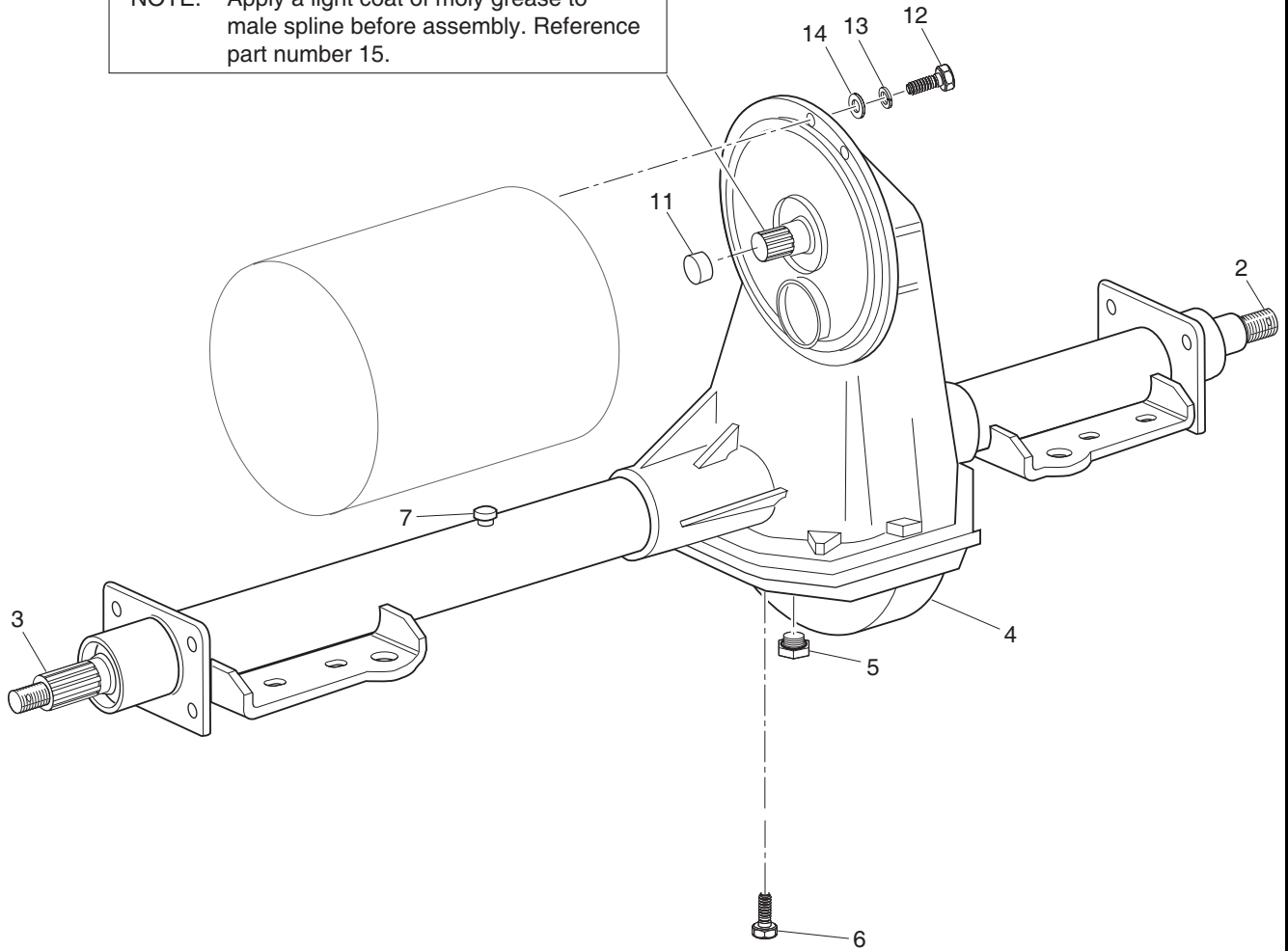
G** Indicates consult Customer Service Department for additional information.

ITEM	PART NO.	1 2 3 4 5	DESCRIPTION	QTY.
1	<u>73291-G04</u>		MOTOR (SEPARATELY EXCITED) (PDS) (INCLUDES ITEMS 15 - 28).....	1
2	<u>73120-G36</u>		ARMATURE.....	1
3	<u>73120-G38</u>		BRUSH SPRING.....	8
4	<u>73120-G39</u>		BRUSH	1
5	<u>73120-G40</u>		BRUSH BOX.....	1
6	<u>73120-G41</u>		BRUSH REPLACEMENT KIT (INCLUDES HARDWARE)	1
7	<u>73120-G07</u>		BEARING.....	1
8	<u>73120-G06</u>		SNAP RING	1
9	<u>73120-G43</u>		HEADBAND	1
10	<u>73120-G37</u>		FRAME AND FIELD COIL (INCLUDES HARDWARE).....	1
11	<u>73120-G42</u>		COVER COMMUTATOR END	1
12	<u>73328-G01</u>		MAGNET.....	1
13	<u>01037-G02</u>		SCREW, #10 - 32 X 1/2" LG	1
14	<u>73277-G01</u>		RETAINING RING	2
15	<u>73327-G01</u>		SPEED SENSOR.....	1

REAR AXLE

1 - Includes Items 2 - 7

NOTE: Apply a light coat of moly grease to male spline before assembly. Reference part number 15.



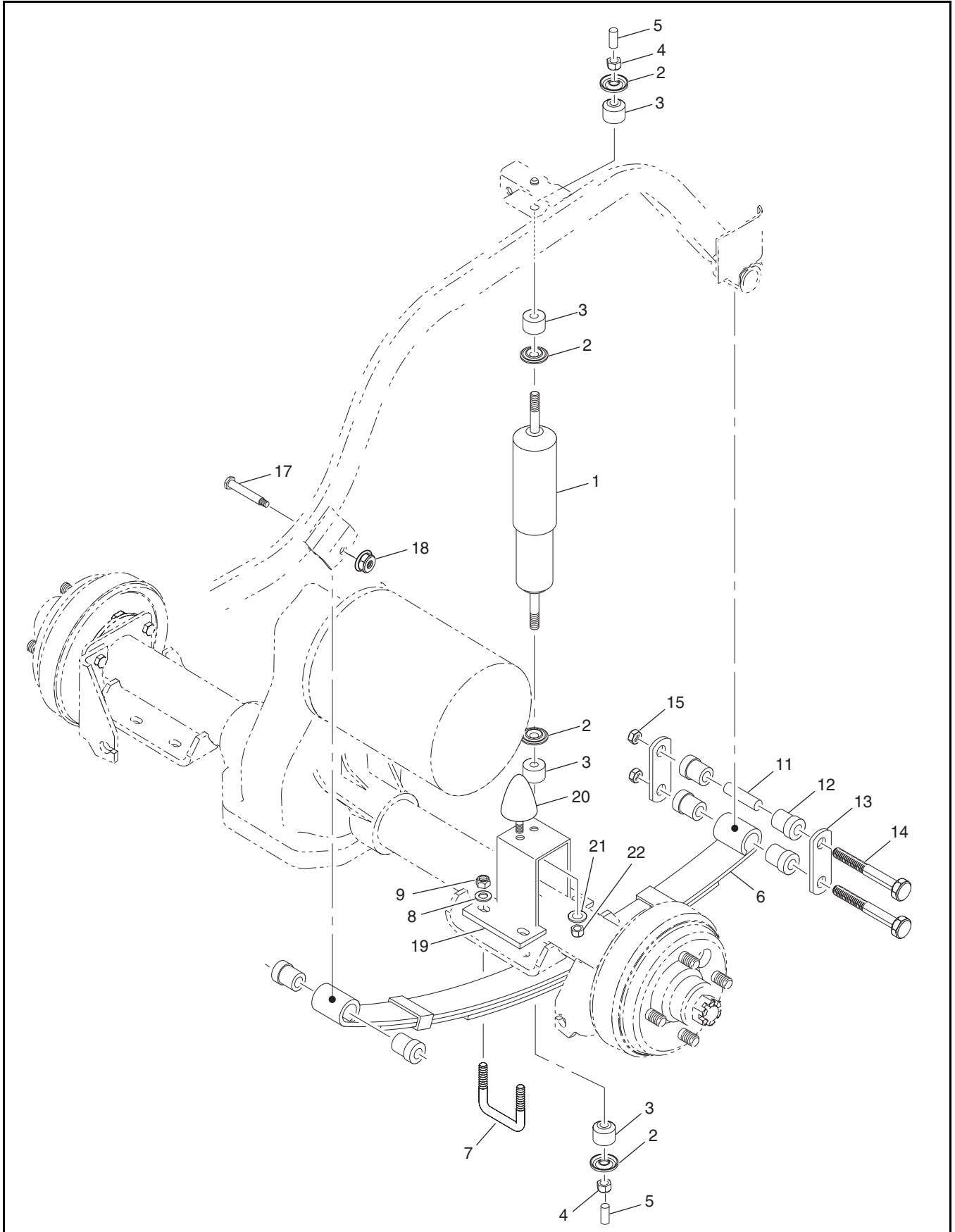
Ref Rax 1

REAR AXLE

Where applicable, THE USE OF NON UL PARTS WILL VOID ANY UL LISTING.
 When ordering parts, please specify the model and serial number of the product.
 * Indicates a component that is not available as an individual part.
 G** Indicates consult Customer Service Department for additional information.

ITEM	PART NO.	1 2 3 4 5	DESCRIPTION	QTY.
1	<u>74612-G01</u>		REAR AXLE ASSEMBLY 14.76:1 (INCLUDES ITEMS 2 - 7)	1
2	<u>20377-G12</u>		AXLE SHAFT (PASSENGER SIDE).....	1
3	<u>20377-G11</u>		AXLE SHAFT (DRIVER SIDE).....	1
4	*		DIFFERENTIAL COVER.....	1
5	<u>28610-G01</u>		FILL PLUG WITH 'O' RING.....	1
6	<u>15558-G1</u>		BOLT, 5/16 - 18 X 3/4" LG.....	10
7	<u>73050-G01</u>		VENT	1
8				
9				
10				
11	<u>24261-G1</u>		SPLINE BUMPER	1
12	<u>00797-G2</u>		BOLT, 1/4 - 20 X 1 1/4" LG	3
13	<u>00565-G7</u>		LOCK WASHER, 1/4" (STAINLESS STEEL)	3
14	<u>00559-G7</u>		WASHER, 1/4" (STAINLESS STEEL).....	3
15	<u>28095-G01</u>		MOLY LUBE, 2 OZ.....	AR

REAR SUSPENSION



REAR SUSPENSION

THE USE OF NON U.L. PARTS WILL VOID ANY U.L. LISTING.

When ordering parts, please specify the model and serial number of the product.

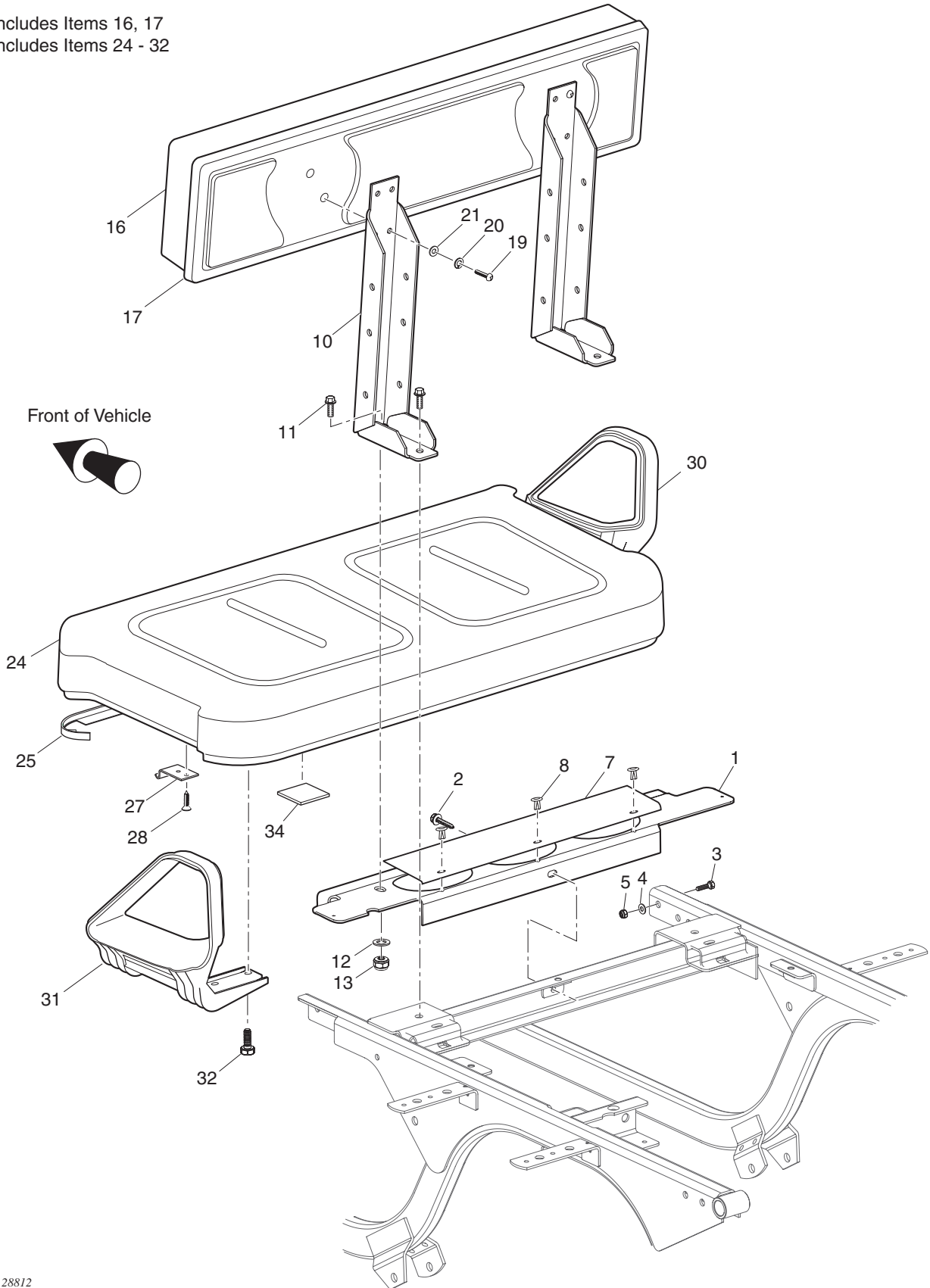
* Indicates a component that is not available as an individual part.

G** Indicates consult Customer Service Department for additional information.

ITEM	PART NO.	1 2 3 4 5	DESCRIPTION	QTY.
1	<u>70248-G01</u>		SHOCK ABSORBER.....	2
2	<u>10435-G1</u>		SHOCK ABSORBER WASHER.....	8
3	<u>10194-G1</u>		RUBBER SHOCK ABSORBER BUSHING	8
4	<u>00532-G6</u>		NUT, 3/8 - 24.....	4
5	<u>10044-G01</u>		VINYL CAP.....	4
6	<u>74345-G03</u>		LEAF SPRING.....	2
7	<u>72618-G01</u>		"U" BOLT, 3/8 - 16.....	4
8	<u>00560-G1</u>		WASHER, 3/8"	8
9	<u>11098-G5</u>		LOCK NUT, 3/8 - 16	8
10				
11	<u>70289-G02</u>		SPACER.....	4
12	<u>70291-G01</u>		RUBBER BUSHING	12
13	<u>70290-G02</u>		SHACKLE PLATE	4
14	<u>00665-G9</u>		BOLT, 3/8 - 16 X 3 1/2" LG (STAINLESS STEEL).....	4
15	<u>11098-G5</u>		LOCK NUT, 3/8 - 16	4
16				
17	<u>14158-G1</u>		SHOULDER BOLT, 3/8 - 16 X 3 1/4" LG.	2
18	<u>12262-G1</u>		LOCK NUT, 3/8 - 16	2
19	<u>71498-G01</u>		AXLE BUMPER BRACKET.....	2
20	<u>70492-G01</u>		RUBER BUMPER	2
21	<u>00968-G01</u>		LOCK WASHER, M10.....	2
22	<u>00974-G01</u>		NUT, M10	2

SEATING

15 - Includes Items 16, 17
23 - Includes Items 24 - 32



Ref Sea 4-1 28812

SEATING

THE USE OF NON U.L. PARTS WILL VOID ANY U.L. LISTING.

When ordering parts, please specify the model and serial number of the product.

* Indicates a component that is not available as an individual part.

G** Indicates consult Customer Service Department for additional information.

ITEM	PART NO.	1 2 3 4 5	DESCRIPTION	QTY.
1	<u>74971-G01</u>		SEAT BACK SUPPORT	1
2	<u>00715-G2</u>		BOLT, 5/16 - 18 X 13/16" LG	1
3	<u>00438-G8</u>		BOLT, 5/16 - 18 X 3/4" LG	2
4	<u>00642-G8</u>		WASHER, 5/16"	2
5	11098-G6		LOCK NUT, 5/16 - 18	2
6				
7	<u>71263-G01</u>		ACCESS COVER	1
8	<u>18436-G1</u>		DRIVE RIVET	3
9				
10	<u>75900-G02</u>		SEAT BACK SUPPORT BRACKET	2
11	<u>01006-G01</u>		BOLT, 3/8 - 16 X 1 1/4" LG	4
12	<u>00643-G1</u>		WASHER, 3/8"	2
13	<u>11098-G5</u>		LOCK NUT, 3/8 - 16	2
14				
15	71274-G**		SEAT BACK ASSEMBLY (INCLUDES ITEMS 16, 17)	1
16	18144-G**		VINYL SEAT BACK COVER	1
17	<u>74889-G01</u>		PLASTIC SEAT BACK COVER (BLACK)	1
18				
19	<u>16705-G12</u>		SCREW, 1/4 - 20 X 1" LG	4
20	<u>00664-G7</u>		LOCK WASHER, 1/4"	4
21	<u>01110-G01</u>		WASHER, 1/4"	4
22				
23	71611-G**		SEAT BOTTOM ASSEMBLY (INCLUDES ITEMS 24 - 32)	1
24	71602-G**		VINYL SEAT BOTTOM COVER	1
25	<u>71012-G01</u>		VINYL TRIM (SEAT BOTTOM)	1
26				
27	<u>71610-G01</u>		SEAT HINGE	2
28	<u>00720-G08</u>		SCREW, #12 - 14 X 1" LG	6
29				
30	<u>71701-G01</u>		HIP RESTRAINT (PASSENGER SIDE)	1

SEATING

THE USE OF NON U.L. PARTS WILL VOID ANY U.L. LISTING.

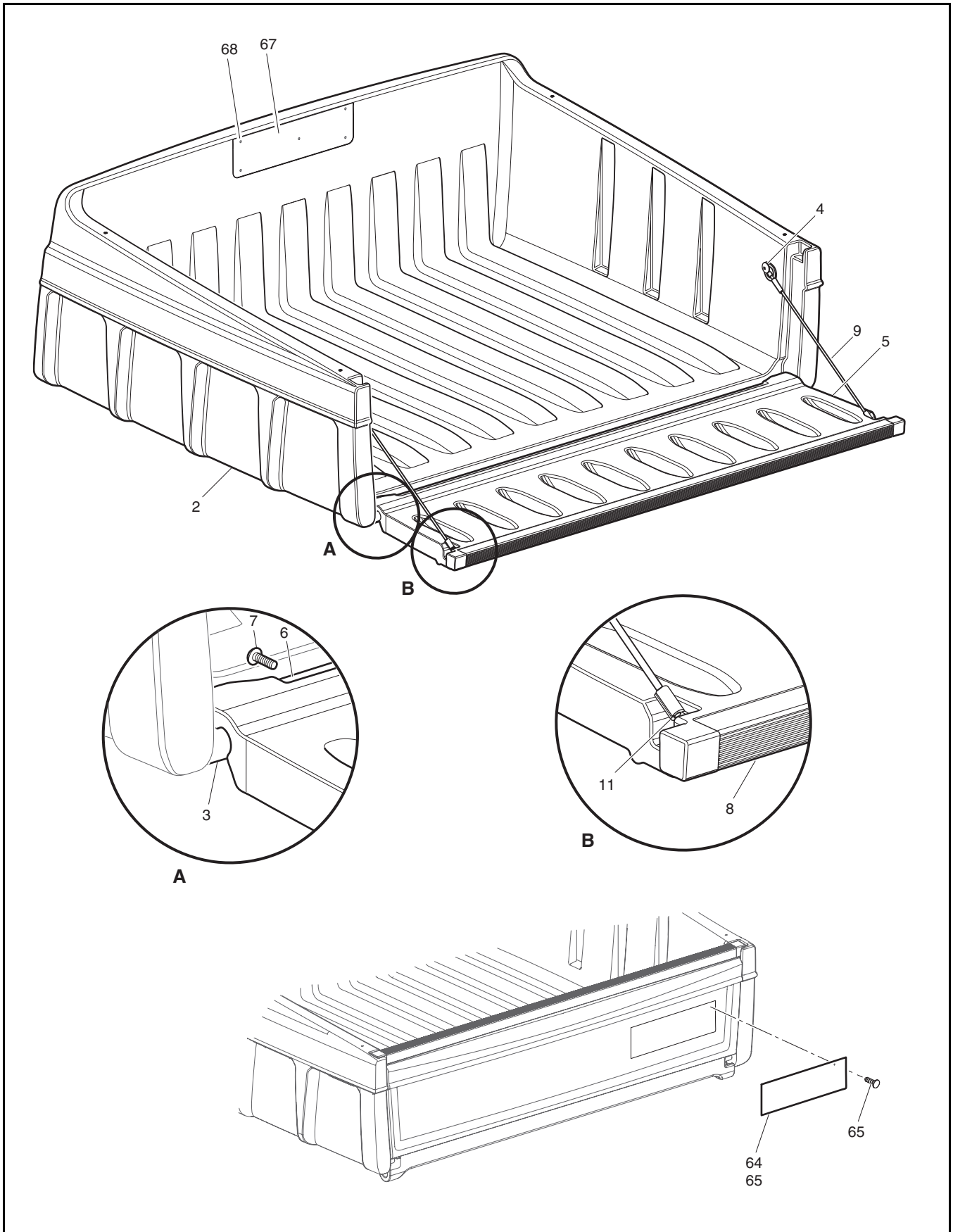
When ordering parts, please specify the model and serial number of the product.

* Indicates a component that is not available as an individual part.

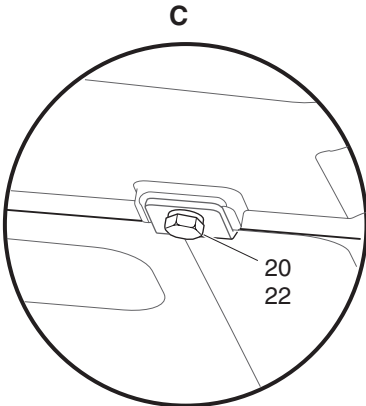
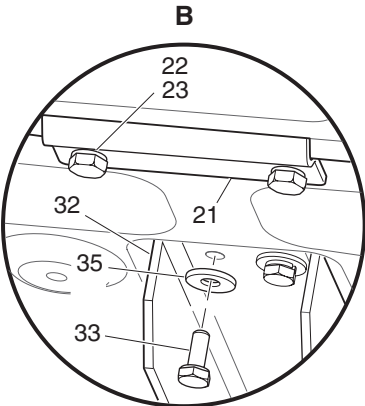
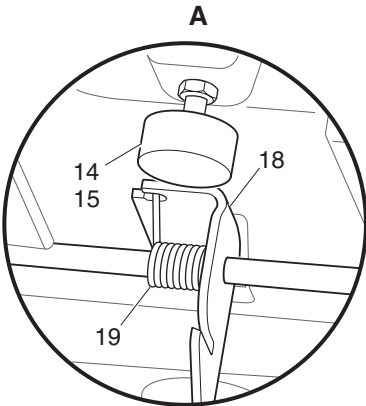
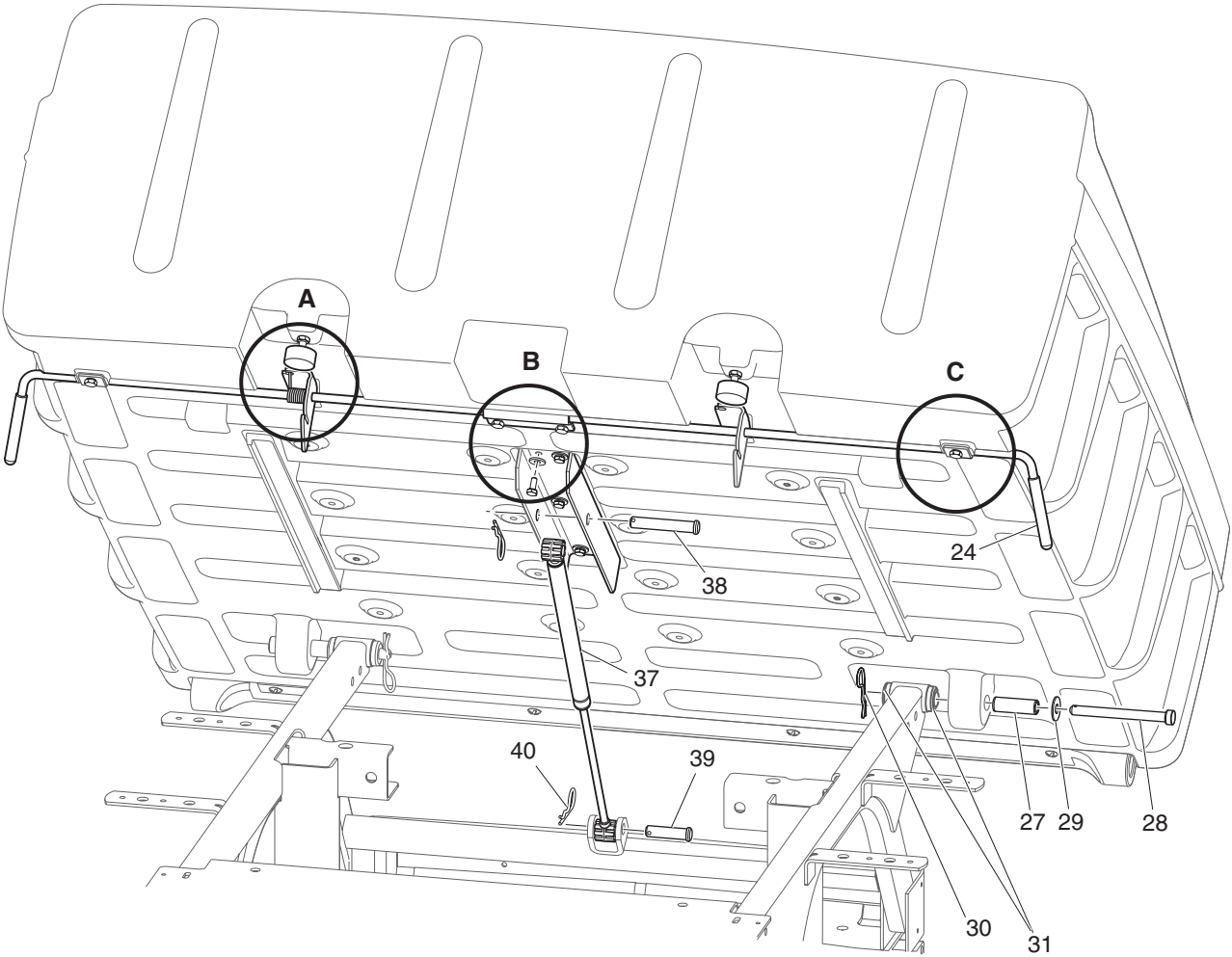
G** Indicates consult Customer Service Department for additional information.

ITEM	PART NO.	1	2	3	4	5	DESCRIPTION	QTY.
31	<u>71702-G01</u>						HIP RESTRAINT (DRIVER SIDE)	1
32	71204-G01						BOLT, 1/4 - 20 X 7/8" LG.....	8
33								
34	<u>17074-G1</u>						BUMPER.....	2

TRUCK BED, PLASTIC

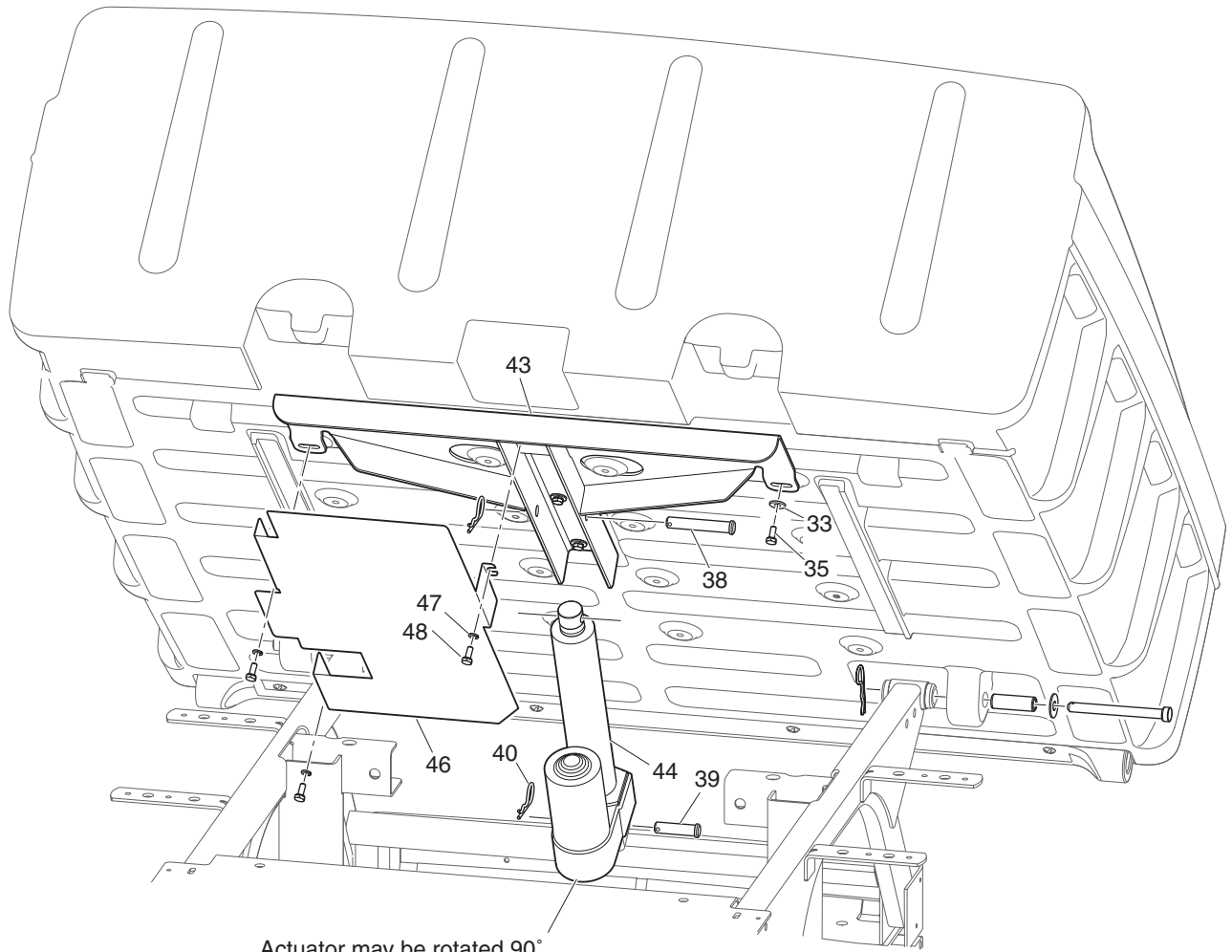


TRUCK BED, PLASTIC



Ref Tbp 21-2

TRUCK BED, PLASTIC



Actuator may be rotated 90°
on some models

Ref Tbp 21-3

TRUCK BED, PLASTIC

Where applicable, THE USE OF NON UL PARTS WILL VOID ANY UL LISTING.
 When ordering parts, please specify the model and serial number of the product.
 * Indicates a component that is not available as an individual part.
 G** Indicates consult Customer Service Department for additional information.

ITEM	PART NO.	1 2 3 4 5	DESCRIPTION	QTY.
1	<u>73451-G01</u>		BED ASSEMBLY, 40" (INCLUDES ITEMS 2 -11).....	1
2	<u>73447-G01</u>		PLASTIC BED, 40"	1
3	<u>73454-G01</u>		PIVOT SHAFT	2
4	<u>73460-G01</u>		SHOULDER BOLT, 1/4 - 20 X 3/4" LG	2
5	<u>73448-G01</u>		TAILGATE.....	1
6	<u>73450-G01</u>		BOWED ANGLE	1
7	<u>16705-G2</u>		SCREW, 1/4 - 20 X 5/8" LG (STAINLESS STEEL)	4
8	<u>73449-G01</u>		EXTRUSION CHANNEL.....	1
9	<u>73455-G01</u>		TAILGATE CABLE	1
10				
11	<u>00415-G2</u>		SCREW, 1/4 - 20 X 5/8" LG (STAINLESS STEEL)	2
12				
13				
14	<u>70113-G01</u>		ADJUSTABLE RUBBER BUMPER.....	2
15	<u>11027-G1</u>		LOCK NUT, 5/16 - 18.....	2
16				
17				
18	<u>74962-G01</u>		BED LATCH	1
19	<u>71538-G01</u>		LATCH TORSION SPRING	1
20	<u>71099-G02</u>		KEEPER PLATE	2
21	<u>71477-G02</u>		RETAINER BRACKET	1
22	<u>01118-G01</u>		SCREW, 1/4 - 20 X 5/8" LG	4
23				
24	<u>71704-G01</u>		HANDLE GRIP	2
25				
26				
27	<u>71570-G01</u>		BUSHING	2
28	<u>71571-G01</u>		CLEVIS PIN.....	2
29	<u>00571-G5</u>		WASHER, 1/2"	2
30	<u>21683-G1</u>		COTTER PIN.....	2

TRUCK BED, PLASTIC

Where applicable, THE USE OF NON UL PARTS WILL VOID ANY UL LISTING.

When ordering parts, please specify the model and serial number of the product.

* Indicates a component that is not available as an individual part.

G** Indicates consult Customer Service Department for additional information.

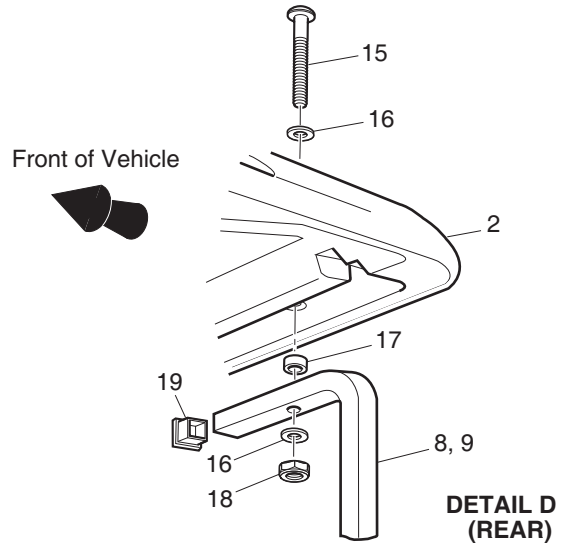
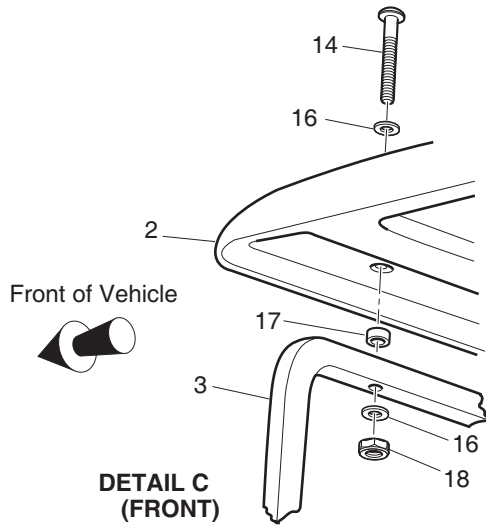
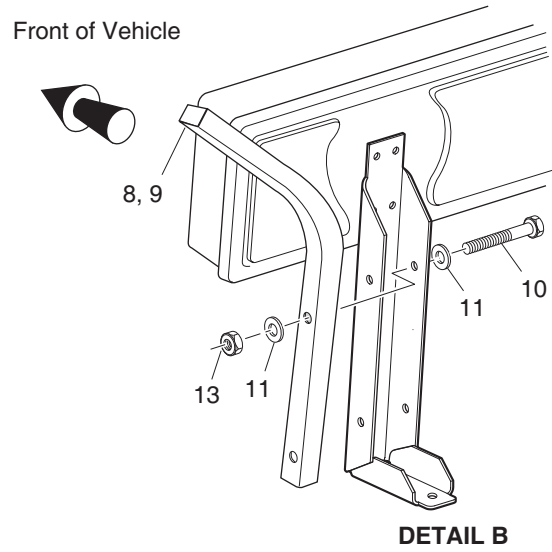
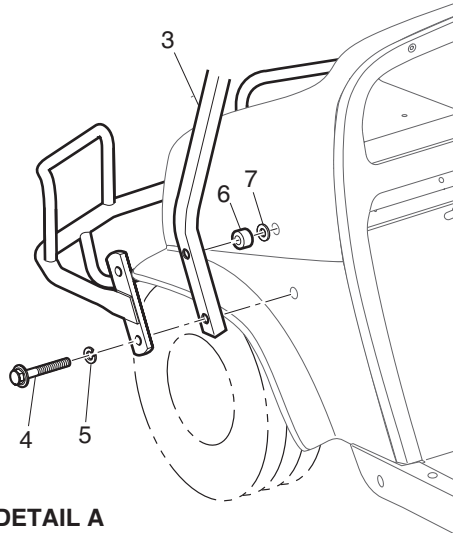
ITEM	PART NO.	1 2 3 4 5	DESCRIPTION	QTY.
31	<u>70291-G01</u>		BUSHING	4
32	<u>71569-G02</u>		SPRING CHANNEL	1
33	<u>01118-G01</u>		SCREW, 1/4 - 20 X 5/8" LG	8
34				
35	<u>00642-G7</u>		WASHER, 1/4"	8
36				
37	<u>71537-G02</u>		GAS SPRING	2
38	<u>14443-G10</u>		CLEVIS PIN, 1/2" X 2 27/32" LG	1
39	<u>14443-G11</u>		CLEVIS PIN, 1/2" X 1 3/4" LG	1
40	<u>21683-G1</u>		COTTER PIN,	2
41				
42				
43	<u>71547-G02</u>		OUTRIGGER CHANNEL	1
44	<u>27612-G02</u>		ELECTRIC ACTUATOR, 12 VOLT, 1500 LBS.....	1
45				
46	<u>72339-G02</u>		PLASTIC BED HEAT SHIELD (GASOLINE VEHICLE ONLY)	1
47	<u>00642-G7</u>		WASHER, 1/4"	2
48	<u>01118-G01</u>		SCREW, 1/4-20 X 5/8"	2
49				
50				
51				
52				
53				
54				
55				
56				
57				
58				
59				
60				

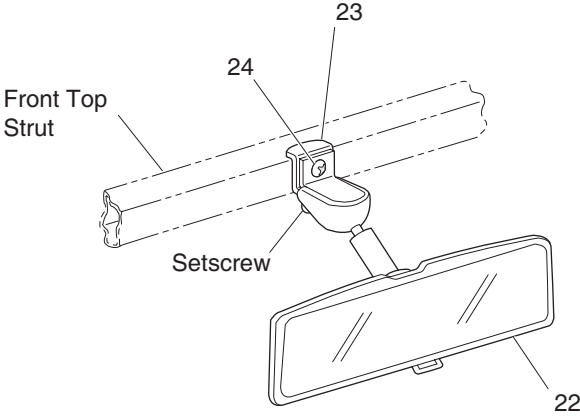
TRUCK BED, PLASTIC

Where applicable, THE USE OF NON UL PARTS WILL VOID ANY UL LISTING.
 When ordering parts, please specify the model and serial number of the product.
 * Indicates a component that is not available as an individual part.
 G** Indicates consult Customer Service Department for additional information.

ITEM	PART NO.	1 2 3 4 5	DESCRIPTION	QTY.
61				
62				
63	600110		JACOBSEN PLATE.....	1
64	<u>600108-G01</u>		CUSHMAN PLATE.....	1
65	<u>16816-G2</u>		RATCHET FASTENER.....	4
66				
67	<u>74821-G01</u>		LOAD BED DECAL.....	1
68	<u>71055-G01</u>		RIVET.....	5

WEATHER PROTECTION

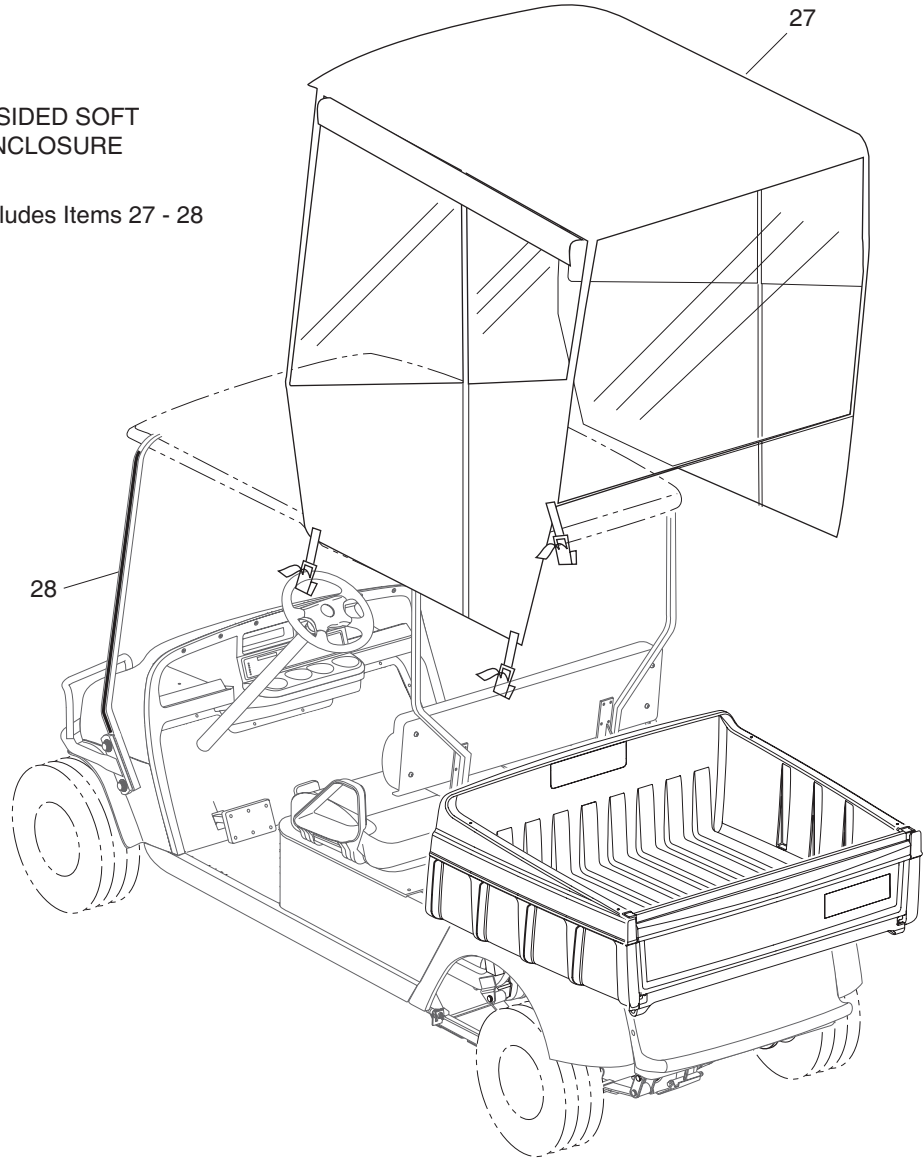




REAR VIEW MIRROR

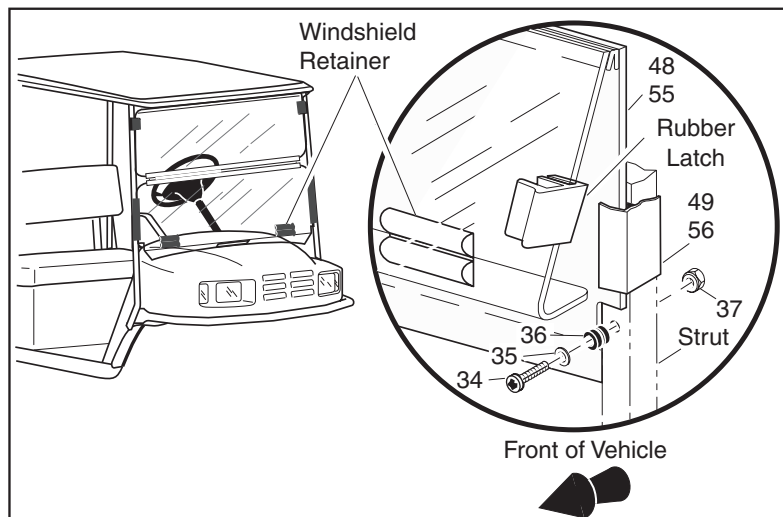
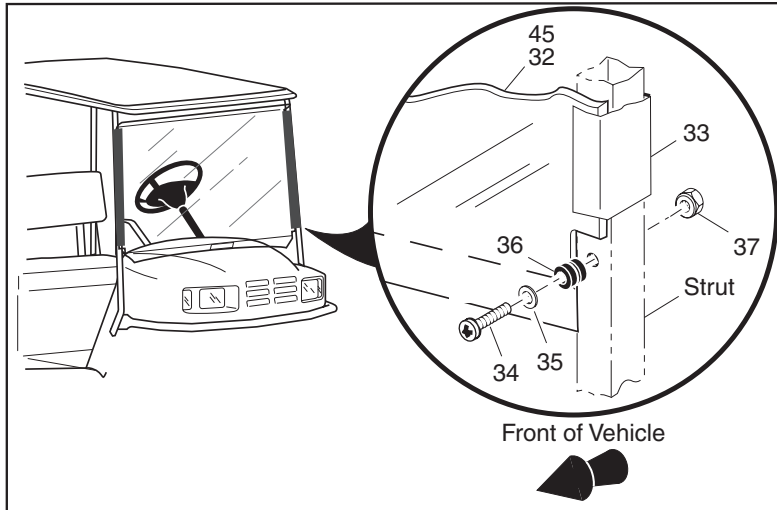
21 - Includes Items 22 - 24

3-SIDED SOFT ENCLOSURE
26 - Includes Items 27 - 28



Ref Wea 20-2

WEATHER PROTECTION



WEATHER PROTECTION

THE USE OF NON U.L. PARTS WILL VOID ANY U.L. LISTING.

When ordering parts, please specify the model and serial number of the product.

* Indicates a component that is not available as an individual part.

G** Indicates consult Customer Service Department for additional information.

ITEM	PART NO.	1 2 3 4 5	DESCRIPTION	QTY.
1	75040-G**		SUN TOP KIT (INCLUDES ITEMS 2 - 19)	1
2	<u>27069-G01</u>		SUN TOP	1
3	<u>75045-G05</u>		FRONT STRUT	1
4	<u>00440-G2</u>		BOLT, 5/16 - 18 X 2 1/4" LG	4
5	<u>00905-G8</u>		LOCK WASHER, 5/16"	4
6	<u>75048-G01</u>		SPACER, 1/2"	2
7	<u>00570-G2</u>		WASHER, 5/16"	6
8	<u>75838-G04</u>		REAR STRUT (PASSENGER SIDE)	1
9	<u>75838-G03</u>		REAR STRUT (DRIVER SIDE)	1
10	<u>00685-G7</u>		BOLT, 5/16 - 18 X 1 3/4" LG	4
11	<u>01110-G03</u>		WASHER, 5/16"	8
12				
13	11098-G6		LOCK NUT, 5/16 - 18	4
14	<u>00753-G5</u>		SCREW, 1/4 - 20 X 2" LG (STAINLESS STEEL)	2
15	00753-G6		SCREW, 1/4 - 20 X 2 1/4" LG (STAINLESS STEEL)	2
16	<u>01110-G01</u>		WASHER, 1/4" (STAINLESS STEEL)	8
17	<u>75051-G01</u>		SPACER	4
18	<u>00891-G2</u>		LOCK NUT, 1/4 - 20	4
19	<u>19853-G1</u>		END CAP, 1"	2
20				
21	<u>19528-G2</u>		REAR VIEW MIRROR KIT (REQUIRES SUN TOP) (INCLUDES ITEMS 22 - 24)	1
22	<u>19496-G1</u>		REAR VIEW MIRROR	1
23	19502-G2		SUPPORT BRACKET	1
24	<u>19527-G1</u>		SCREW, #8 - 32 X 5/8" LG (STAINLESS STEEL)	1
25				
26	75367-G**		3-SIDED SOFT ENCLOSURE (REQUIRES SUN TOP) (INCL ITEMS 27 - 28)	1
27	*		ENCLOSURE	1
28	*		VELCRO	AR
29				

WEATHER PROTECTION

Replacement parts for the windshield may be obtained from Eagle Parts, Inc. 1411 Marvin Griffin Rd. Augusta, GA 30906. Telephone (706) 790-6687.

* Indicates a component that is not available as an individual part.

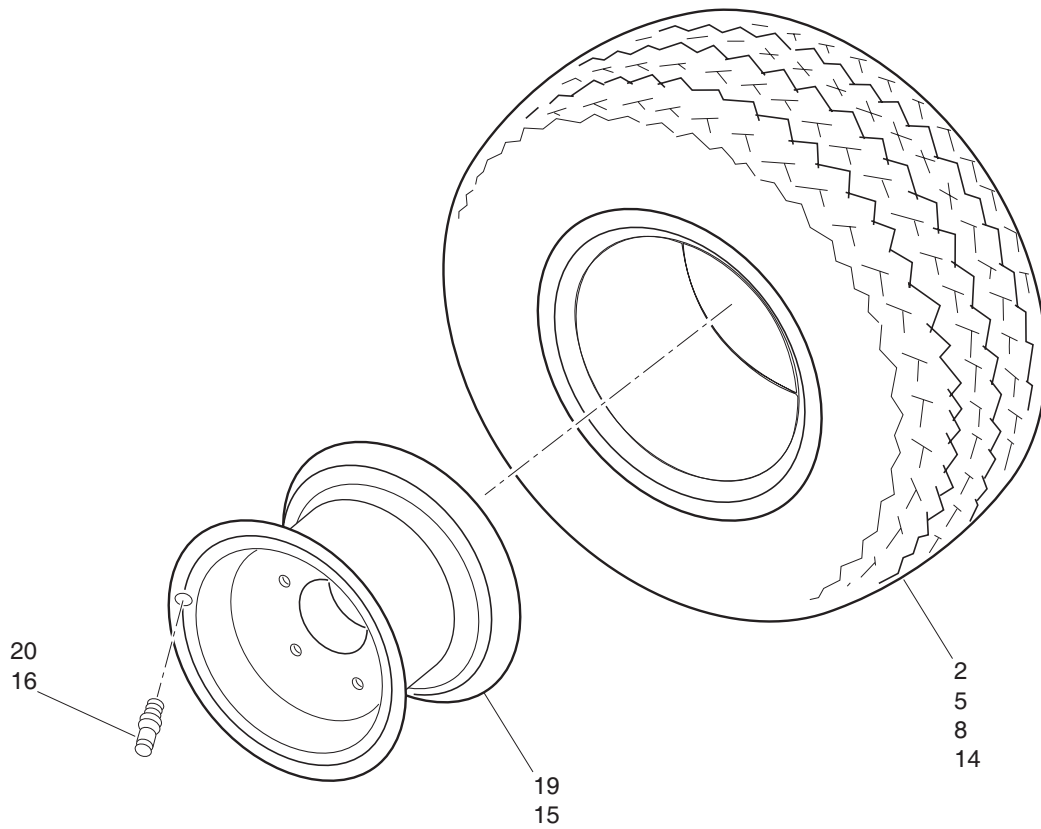
G** Indicates consult Customer Service Department for additional information.

ITEM	PART NO.	1	2	3	4	5	DESCRIPTION	QTY.
30								
31	<u>71966-G01</u>						WINDSHIELD KIT (FULL) (INCLUDES ITEMS 32 - 38)	1
32	<u>71954-G01</u>						WINDSHIELD (FULL) (LEXAN)	1
33	EGWHC12						SASH, 26" LG.	2
34	EGWHS12						BOLT, 1/4 - 20 X 1 3/4" LG. (STAINLESS STEEL)	2
35	EGWHG12						WASHER, 1/4" (STAINLESS STEEL)	4
36	EGWHG13						RUBBER GROMMET	2
37	EGWHN12						LOCK NUT, 1/4 - 20 (STAINLESS STEEL)	2
38	71963-G01						SAFETY LABEL	1
39								
40								
41								
42								
43								
44	<u>71966-G03</u>						WINDSHIELD KIT (FULL) (INCLUDES ITEMS 45, 33 - 37)	1
45	<u>71960-G01</u>						WINDSHIELD (FULL)	1
46								
47	<u>71966-G04</u>						WINDSHIELD KIT (SPLIT) (INCLUDES ITEMS 48, 49, 34 - 37)	1
48	<u>71961-G01</u>						WINDSHIELD (SPLIT)	1
49	EGWHC10						SASH, 12" LG.	2
50								
51								
52								
53								
54	<u>71966-G02</u>						WINDSHIELD KIT (SPLIT) (INCLUDES ITEMS 55, 56, 34 - 37)	1
55	<u>71955-G01</u>						WINDSHIELD (SPLIT) (LEXAN)	1
56	EGWHC10						SASH, 12" LG.	2

WHEELS AND TIRES

- 1 - Includes Items 2, 19, 20
- 4 - Includes Items 5, 19, 20
- 7 - Includes Items 8, 19, 20
- 13 - Includes Items 14, 15, 16

Tire design may vary by Part Number



Ref Whl 3-1



GOLD / SILVER SPOKE HUBCAP
22, 23

WHEELS AND TIRES

When ordering parts, please specify the model and serial number of the product.

* Indicates a component that is not available as an individual part.

G** Indicates consult Customer Service Department for additional information.

ITEM	PART NO.	1 2 3 4 5	DESCRIPTION	QTY.
1	<u>28757-G01</u>		WHEEL AND TIRE ASSEMBLY, LINKS (INCLUDES ITEMS 2, 19, 20)	1
2	<u>28764-G01</u>		CARLISLE TIRE (LINKS 18 X 8.5 - 8, 4 PLY RATED)	1
3				
4	<u>28757-G03</u>		WHEEL AND TIRE ASSEMBLY, TURF SAVER (INCLUDES ITEMS 5, 19, 20)	1
5	<u>28764-G03</u>		CARLISLE TIRE (TURF SAVER 18 X 8.5 - 8, 4 PLY RATED).....	1
6				
7	<u>28842-G01</u>		WHEEL AND TIRE ASSEMBLY, LINKS (INCLUDES ITEMS 8, 19, 20)	1
8	<u>28764-G08</u>		CARLISLE TIRE (USA TRAIL LOAD RANGE C)	1
9				
10				
11				
12				
13	<u>27784-G06</u>		WHEEL AND TIRE ASSEMBLY, USA TRAIL (INCLUDES ITEMS 14, 15 16) ...	1
14	<u>27784-G07</u>		CARLISLE TIRE (USA TRAIL 5.70 X 8)	1
15	<u>33678-G02</u>		WHEEL RIM (4 LUG).....	1
16	<u>26482-G01</u>		VALVE STEM	1
17				
18				
19	<u>28759-G01</u>		WHEEL RIM (4 LUG).....	1
20	<u>11657-G2</u>		VALVE STEM	1
21				
22	19241-G*		GOLD SPOKE HUBCAP (OPTIONAL)	A/R
23	19241-G*		SILVER SPOKE HUBCAP (OPTIONAL).....	A/R

SPECIALTY PRODUCTS

SPECIALTY PRODUCTS

SPECIALTY PRODUCTS

SPECIAL TOOLS	PART NO.
BATTERY MAINTENANCE KIT.....	25587-G01
SEAL INSTALLATION TOOL (REAR AXLE SHAFT SEAL).....	18739-G1
BATTERY SET DISCHARGER, 36 VOLT, 75 AMP	28251-G01
CURRENT INDICATOR.....	16489-G2
DIGITAL MULTI-METER	27481-G01
CRIMPING TOOL	27765-G01
SLIDE HAMMER (AXLE/HUB REMOVAL).....	15947-G1
SLIDE HAMMER (AXLE REMOVAL ONLY).....	18753-G1

TOUCH UP PAINT	PART NO.
PEN 3 OUNCE (89 ML) - HUNTER GREEN	28432-G02
PEN 3 OUNCE (89 ML) - CHAMPAGNE BEIGE.....	28432-G01
PEN 3 OUNCE (89 ML) - WHITE	28432-G05
PEN 3 OUNCE (89 ML) - INDUSTRIAL YELLOW.....	28432-G03
PEN 3 OUNCE (89 ML) - ORANGE	28432-G04
PEN 3 OUNCE (89 ML) - STEEL BLUE PEARL	28432-G**
PEN 3 OUNCE (89 ML) - CAMOUFLAGE PAINT (THREE PENS).....	75831-G01
AEROSOL 12 OUNCE (360 ML) - HUNTER GREEN	28140-G09
AEROSOL 12 OUNCE (360 ML) - CHAMPAGNE BEIGE.....	28140-G15
AEROSOL 12 OUNCE (360 ML) - WHITE	28140-G03
AEROSOL 12 OUNCE (360 ML) - INDUSTRIAL YELLOW.....	28140-G14
AEROSOL 12 OUNCE (360 ML) - ORANGE	28140-G13
AEROSOL 12 OUNCE (360 ML) - STEEL BLUE PEARL	28140-G**

MAINTENANCE PRODUCTS	PART NO.
FORMULA 40 VINYL-COAT® - WHITE.....	28166-G01
PLEXUS® CLEANER, 7 OUNCE (210 ML) (FOR WINDSHIELDS)	28433-G01
PLEXUS® CLEANER, 13 OUNCE (380 ML) (FOR WINDSHIELDS)	28433-G02
BATTERY PROTECTOR, 14 OUNCE (410 ML) SPRAY	75500-G01
WHITE LITHIUM GREASE, 14 OUNCE (410 ML) SPRAY	75502-G01
PENETRANT/LUBRICANT, 15 OUNCE (440 ML) SPRAY	75503-G01
MULTI-PURPOSE CLEANER & DEGREASER, 14 OUNCE (410 ML) SPRAY	75504-G01
MULTI-PURPOSE HAND CLEANER, 32 OUNCE (950 ML) LIQUID.....	75505-G01

SPECIALTY PRODUCTS

BATTERY CLEANER, 32 OUNCE (950 ML) WITH TRIGGER SPRAYER	75506-G01
BIO-DEGRADABLE CLEANER, 32 OUNCE (950 ML) WITH TRIGGER SPRAYER.....	75507-G01
MULTI-PURPOSE VALUE PACK.....	75508-G01
• BATTERY PROTECTOR, 4 OUNCE (120 ML) SPRAY	
• PENETRANT/LUBRICANT, 4 OUNCE (120 ML) SPRAY	
• WHITE LITHIUM GREASE, 4 OUNCE (120 ML) SPRAY	
• CARBURETOR & CHOKE CLEANER, 4 OUNCE (120 ML) SPRAY	

OPTIONS/ACCESSORIES

OPTIONS/ACCESSORIES

OPTIONS/ACCESSORIES

ITEM	KIT NO.	COMMENTS
ACCESSORIES LISTING		
	KIT NO.	
ASHTRAY KIT	75109-G04	See BODY
BALL HITCH KIT	74492-G01	See BODY
CLEVIS HITCH KIT	74492-G05	See BODY
DEFROSTER/COOLING FAN	74248-G01	See CAB
DOOR SET	75856-G0*	See CAB
DOOR SET (VINYL)	75855-G01	See CAB
ELECTRIC DUMP KIT	74658-G05	See TRUCKBED
GLOVE BOX DOOR	75456-G0*	See BODY
HOUR METER KIT	74914-G02	See ELECTRICAL SYSTEM
INSIDE MIRROR	27924-G01	See WEATHER PROTECTION
INSTRUMENT/SWITCH PANEL	74250-G01	See CAB
REAR VIEW MIRROR KIT	19528-G2	See WEATHER PROTECTION
SOFT ENCLOSURE	75367-G**	See WEATHER PROTECTION
STEEL CAB, W/O DOORS	75854-G0*	See CAB
STROBE LIGHT	74245-G01	See CAB
SUN TOP KIT	75040-G**	See WEATHER PROTECTION
TURN SIGNAL KIT	75107-G02	See ELECTRICAL SYSTEM
GOLD SPOKE WHEEL COVERS	19241-G*	See WHEELS AND TIRES
SILVER SPOKE WHEEL COVERS	19241-G*	See WHEELS AND TIRES
WINDSHIELDS	71966-G0*	See WEATHER PROTECTION
WINDSHIELD WIPER	74244-G01	See CAB
WORK LIGHTS	74247-G01	See CAB
WORK LIGHT BAR WITH LIGHTS	71323-G04	See ELECTRICAL SYSTEM
WORK LIGHT BAR WITH STROBE	71323-G05	See ELECTRICAL SYSTEM
WORK LIGHT BAR WITH LIGHTS AND STROBE	71323-G06	See ELECTRICAL SYSTEM



A Textron Company

E-Z-GO Division Of Textron, Inc.,
1451 Marvin Griffin Road, Augusta, Georgia USA 30906-3852

TO CONTACT US

North America:

Technical Assistance & Warranty Phone: 1-800-774-3946, FAX: 1-800-448-8124
Service Parts Phone: 1-888-GET-EZGO (1-888-438-3946), FAX: 1-800-752-6175

International:

Phone: 010-1-706-798-4311, FAX: 010-1-706-771-4609

Certified ISO 9001 / ISO 14001 by



Copyrighted Material
This manual may not be reproduced in whole or
in part without the express permission of
E-Z-GO Division of Textron, Inc.
Technical Communications Department