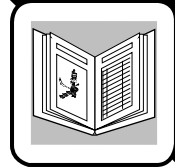


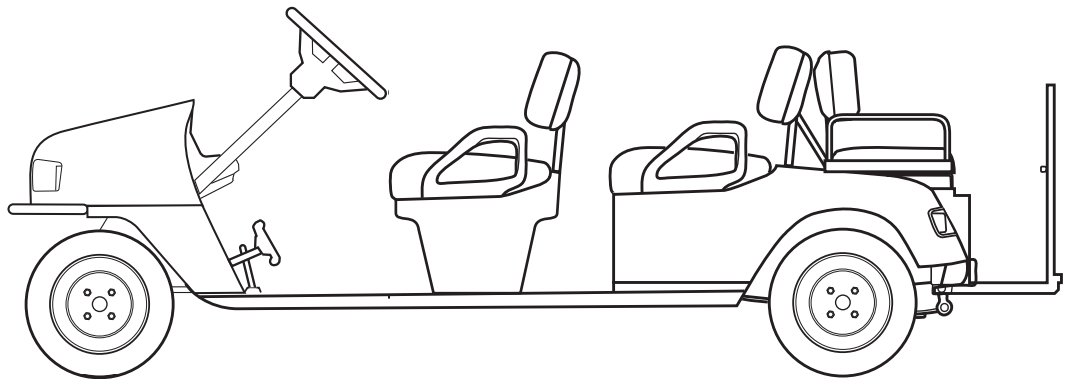
620365



A Textron Company



SERVICE PARTS MANUAL



ELECTRIC POWERED PERSONNEL CARRIERS AND GOLF CAR

ISSUED DATE FEBRUARY 2008

SERVICE PARTS MANUAL

ELECTRIC POWERED PERSONNEL CARRIERS AND GOLF CARS

ST SHUTTLE 4/6 E

STARTING MODEL YEAR 2007

E-Z-GO Division of Textron, Inc. reserves the right to make design changes without obligation to make these changes on units previously sold and the information contained in this manual is subject to change without notice.

E-Z-GO Division of Textron, Inc. is not liable for errors in this manual or for incidental or consequential damages that result from the use of the material in this manual.

CUSTOMER SERVICE DEPARTMENT IN USA PHONE: 1-800-241-5855 FAX: 1-800-448-8124

OUTSIDE USA PHONE: 001-706-798-4311, FAX: 001-706-771-4609

E-Z-GO DIVISION OF TEXTRON, INC., 1451 MARVIN GRIFFIN RD., AUGUSTA, GEORGIA USA 30906

NOTES

To obtain a copy of the limited warranty applicable to the vehicle, call or write a local Distributor, authorized Branch or the Warranty Department with vehicle serial number and manufacturer code.

The use of non Original Equipment Manufacturer (OEM) parts may void the warranty.

Overfilling of batteries may void the warranty.

BATTERY PROLONGED STORAGE

All batteries will self discharge over time. The rate of self discharge varies depending on the ambient temperature and the age and condition of the batteries.

A fully charged battery will not freeze in winter temperatures unless the temperature falls below -75° F (-60° C).

As with all electric vehicles, the batteries must be checked and recharged as required or at a minimum of 30 day intervals.

TABLE OF CONTENTS

SECTION	Page No.
HOW TO USE THE SERVICE PARTS MANUAL	v
ILLUSTRATED PARTS BREAKDOWN	vii
ACCELERATOR	A-1
BATTERY CHARGER (PORTABLE).....	B-1
BODY.....	C-1
BRAKES - FRONT DISC	D-1
ELECTRICAL.....	E-1
ELECTRONIC SPEED CONTROL - PDS	F-1
FRONT SUSPENSION / STEERING.....	G-1
MOTOR	H-1
REAR AXLE.....	I-1
REAR SUSPENSION	J-1
SEATING	K-1
WEATHER PROTECTION	L-1
WHEELS AND TIRES	M-1
SPECIALTY PRODUCTS	APPENDIX A-1

HOW TO USE THE SERVICE PARTS MANUAL

This manual is divided into several sections:

- GENERAL INFORMATION
- ILLUSTRATED PARTS BREAKDOWN
- APPENDIX

The first section, GENERAL INFORMATION, contains the following information:

- WARRANTY INFORMATION
- GENERAL INDEX
- HOW TO USE THE SERVICE PARTS MANUAL

The second section, ILLUSTRATED PARTS BREAKDOWN, contains illustrations and parts lists for all systems of your vehicle.

The third section, APPENDIX, contains a listing of specialty products and accessories.

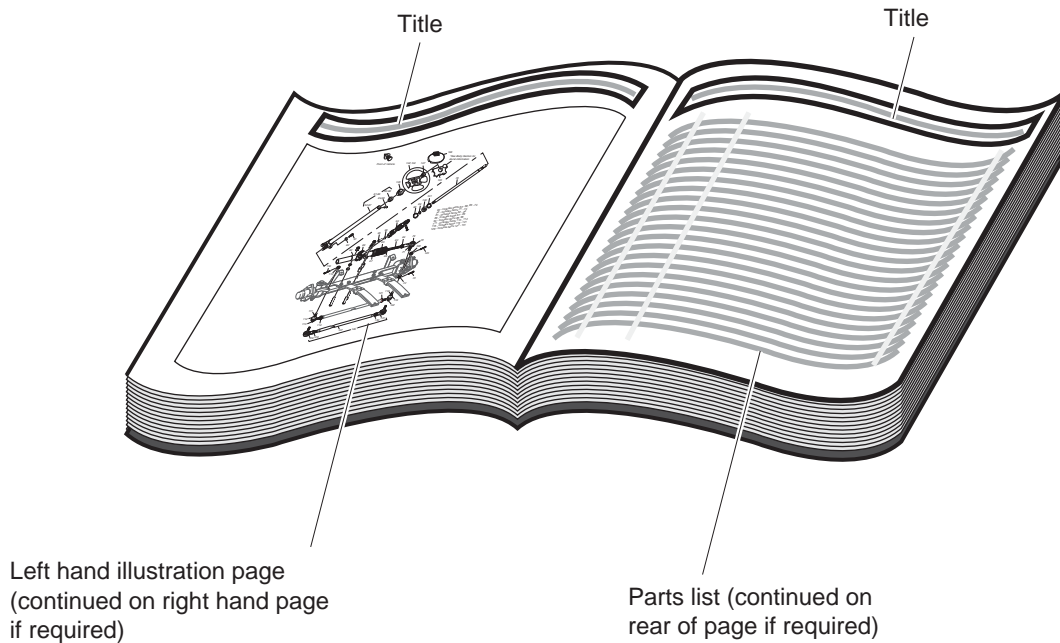
USE OF THE MANUAL

To use this manual, consult the GENERAL INDEX to locate the information or illustration required.

Introduction of some revisions varies due to supply of components; therefore, it is possible that various combinations of components may be found that are not directly reflected by each illustration. Consult the illustration that best suits your situation and then contact the Service Parts Department. It is important that the serial number of your vehicle and its model number be supplied to Service Parts when ordering any replacement components.

Locate the serial number plate (see BODY located in the Illustrated Parts Breakdown section of this manual for its location) and note the complete number shown on the plate.

HOW TO USE THE SERVICE PARTS MANUAL



1. WHEN THE PART NUMBER IS NOT KNOWN

- Determine the function and application of the part required. Turn to the General Index and select the most appropriate title.
- Turn to the page number indicated and locate the desired part on the illustration.
- From the illustration, obtain the item number assigned to the desired part. Refer to the accompanying description for specific information regarding the part.

2. IF YOU KNOW THE PART NUMBER

- Locate the part number or description in the appropriate column on the parts list page.

NOTE: It is suggested that you confirm that the part selected is correct by verifying it with the pictorial representation on the illustrated page.

Should an asterisk (*) appear in the part number column on the parts list page, read upwards until a part number is found. The part number is the lowest assembly sold by Service Parts and the asterisk (*) indicates that the part depicted is not available for purchase.

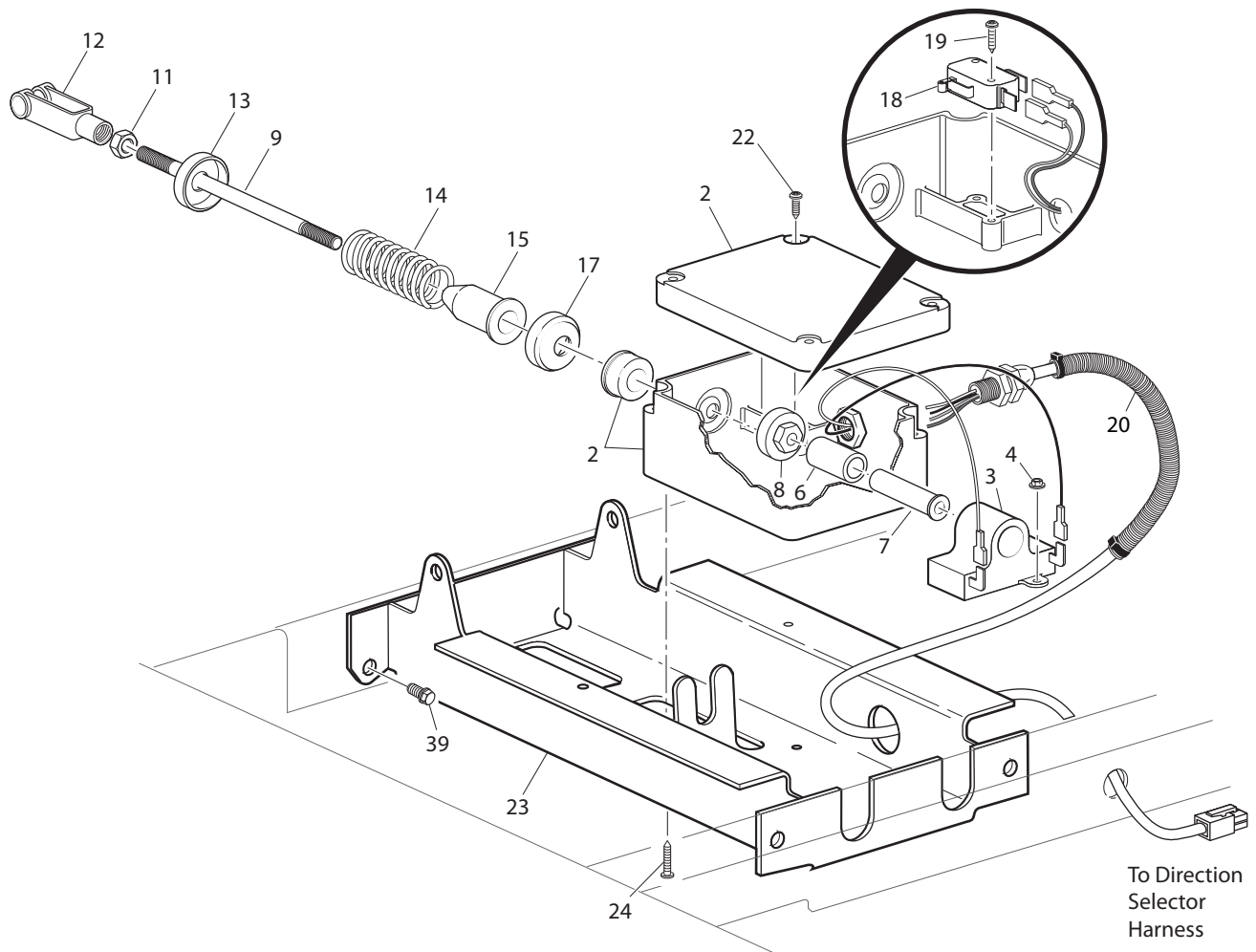
NOTE: Descriptions are indented under the assembly that they are used on. That assembly is, in turn listed under the assembly that it is used on. This process is repeated until the highest final assembly is reached.

To facilitate the maintenance and repair of the vehicle, a Technician's Repair and Service Manual is available from the Service Parts Department.

ILLUSTRATED PARTS BREAKDOWN

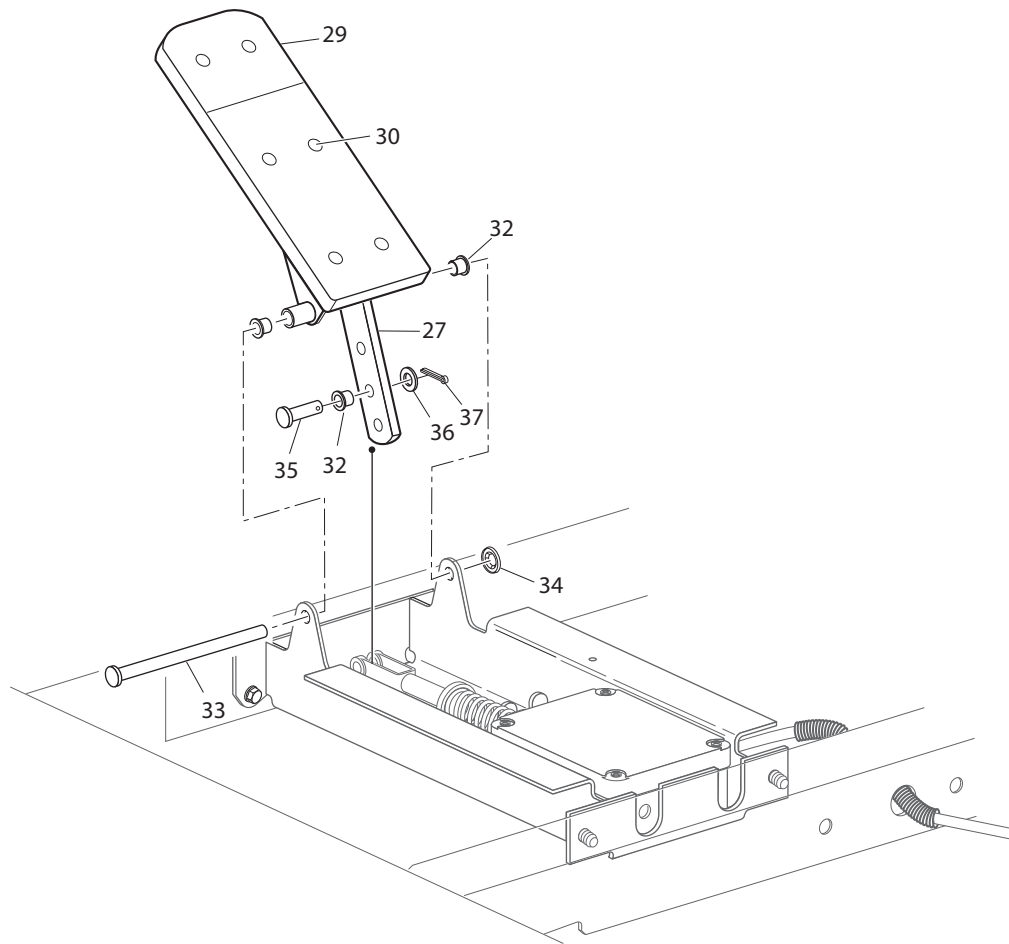
ACCELERATOR

1 - Includes Items 2 - 37



Ref Acl 7-1

26-Includes Item 27-30



Ref Acl 7-2

ACCELERATOR

When ordering parts, please specify the model and serial number of the product.

* Indicates a component that is not available as an individual part.

G** Indicates consult Customer Service Department for additional information.

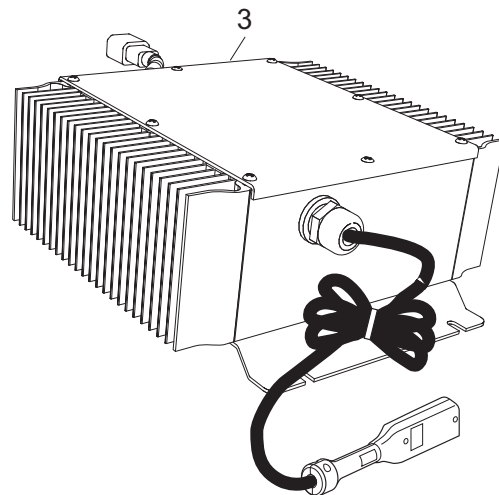
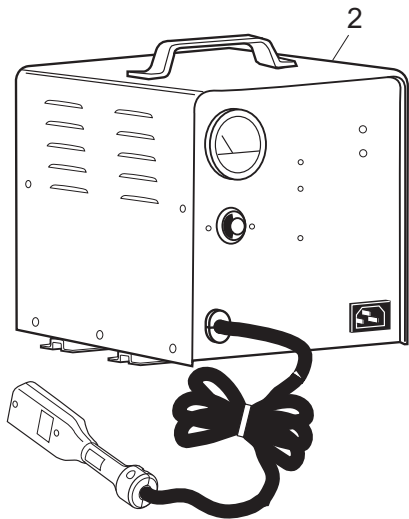
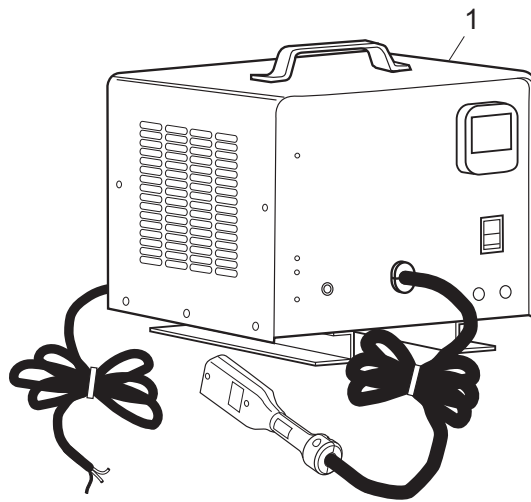
ITEM	PART NO.	1 2 3 4 5	DESCRIPTION	QTY.
1	<u>73333-G07</u>		PEDAL BOX ASSEMBLY, PDS MODEL ONLY (INCLUDES ITEMS 2 - 37).....	1
2	<u>25853-G01</u>		PEDAL BOX AND COVER (SEAL AND BEARING).....	1
3	<u>25854-G01</u>		INDUCTIVE THROTTLE SENSOR	1
4	<u>00983-G01</u>		SELF THREADING NUT, 3/16"	2
5				
6	<u>25857-G01</u>		PLUNGER SLEEVE.....	1
7	<u>28443-G01</u>		PLUNGER.....	1
8	<u>28444-G01</u>		PLUNGER CAM.....	1
9	<u>73332-G01</u>		ACCELERATOR ROD	1
10				
11	<u>00532-G4</u>		LOCK NUT, 5/16 - 24	1
12	<u>10385-G4</u>		YOKE (ADJUSTABLE).....	1
13	<u>17677-G2</u>		SPRING RETAINER, 3/8"	1
14	<u>73046-G01</u>		COMPRESSION SPRING	1
15	<u>17979-G1</u>		ACCELERATOR ROD BUSHING	1
16				
17	<u>17677-G1</u>		SPRING RETAINER, 1/2"	1
18	<u>25861-G02</u>		MICRO SWITCH (PDS MODEL ONLY).....	1
19	<u>01050-G01</u>		SCREW, #4 - 20 X 5/8" LG	2
20	<u>25879-G06</u>		WIRING HARNESS (PEDAL BOX ASSEMBLY) (PDS MODEL ONLY)	1
21				
22	<u>00684-G6</u>		SCREW, #8 - 32 X 3/4" LG	2
23	<u>70116-G02</u>		ACCELERATOR PEDAL BRACKET.....	1
24	<u>01051-G01</u>		SCREW, #8 - 16 X 1/2" LG	4
25				
26	<u>25799-G03</u>		ACCELERATOR PEDAL ASSEMBLY (INCLUDES ITEMS 27 - 30).....	1
27	<u>70125-G04</u>		ACCELERATOR PEDAL	1
28				
29	<u>27512-G01</u>		ACCELERATOR PEDAL PAD	1

ACCELERATOR

When ordering parts, please specify the model and serial number of the product.
 * Indicates a component that is not available as an individual part.
 G** Indicates consult Customer Service Department for additional information.

ITEM	PART NO.	1	2	3	4	5	DESCRIPTION	QTY.
30	<u>16409-G1</u>						OVAL RIVET 3/16" X 7/16" LG	6
31								
32	<u>17838-G1</u>						BUSHING.....	3
33	<u>74432-G01</u>						PEDAL PIVOT PIN	1
34	<u>12064-G6</u>						PUSHNUT, 9/32" I.D.	1
35	<u>10386-G3</u>						CLEVIS PIN, 5/16" X 13/16" LG	1
36	<u>17255-G1</u>						TEFLON WASHER, 5/16"	1
37	<u>10387-G3</u>						COTTER PIN, 3/32" X 3/4" LG	1
38								
39	<u>00715-G2</u>						BOLT, 5/16 - 18 X 13/16" LG.	4

BATTERY CHARGER (PORTABLE)



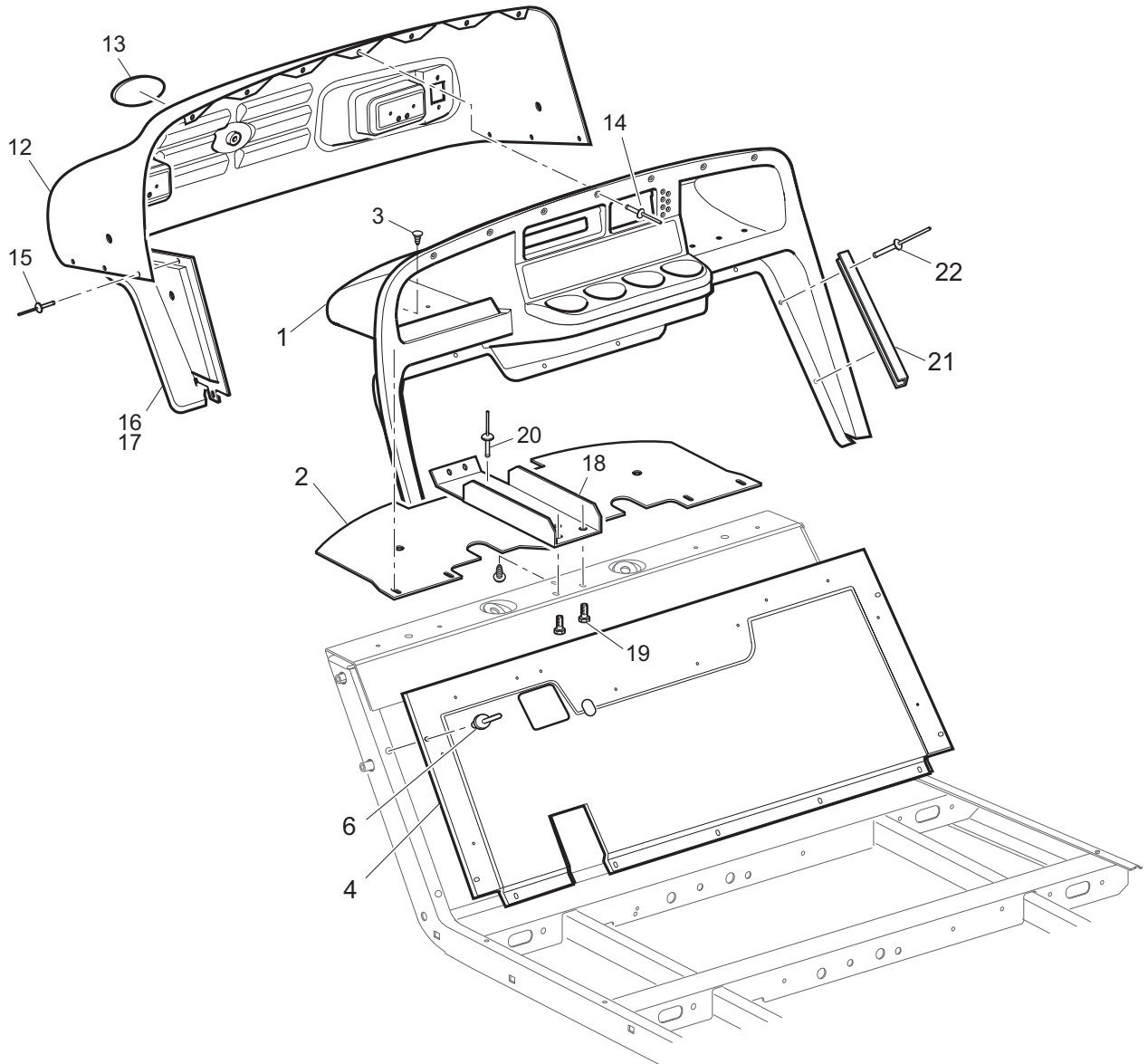
Ref Bcp 1

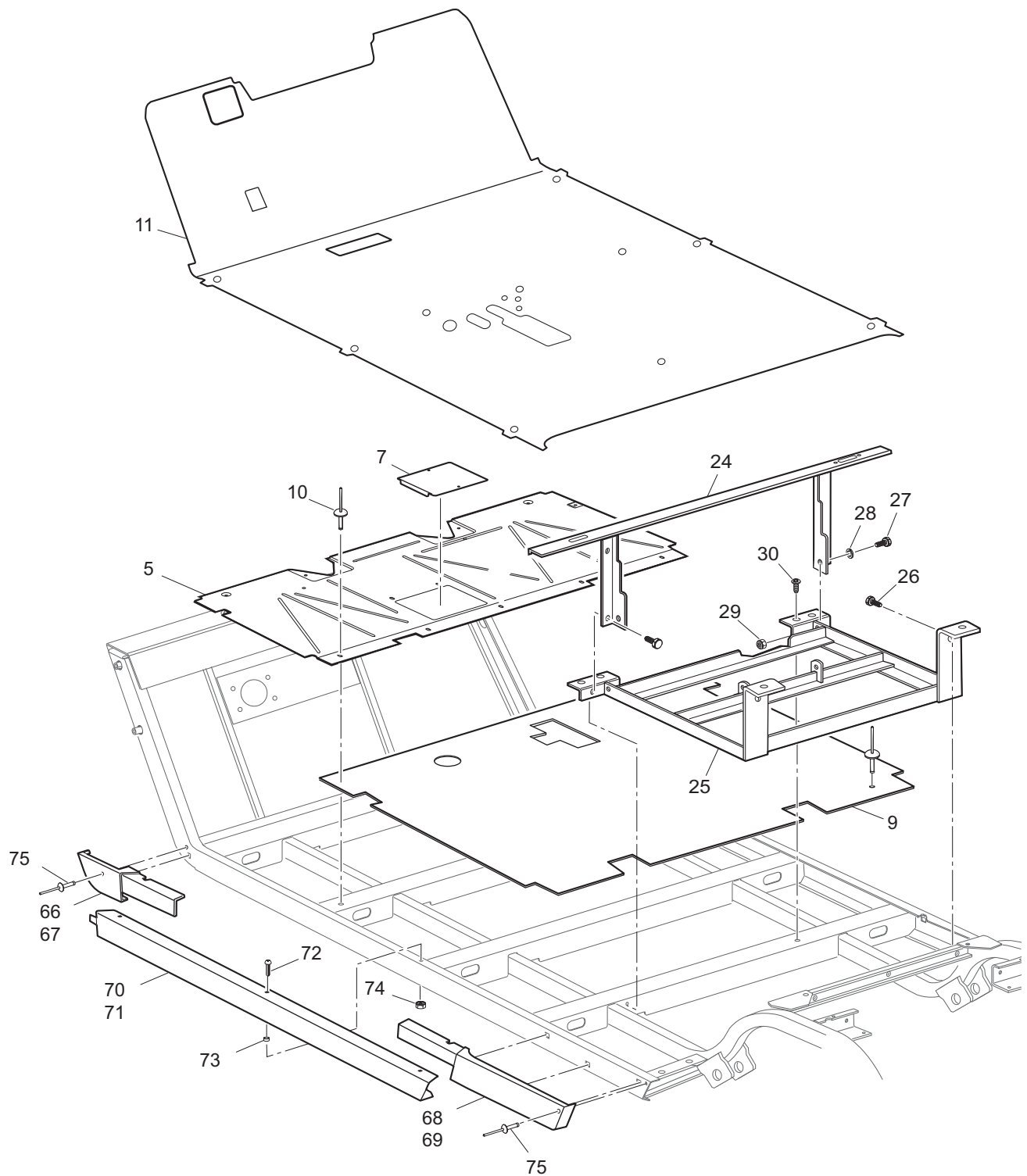
BATTERY CHARGER (PORTABLE)

THE USE OF NON U.L. PARTS WILL VOID ANY U.L. LISTING.
 When ordering parts, please specify the model and serial number of the product.
 * Indicates a component that is not available as an individual part.
 G** Indicates consult Customer Service Department for additional information.

ITEM	PART NO.	1	2	3	4	5	DESCRIPTION	QTY.
1	<u>28435-G01</u>						48V LESTER BATTERY CHARGER WITH SWITCHABLE INPUT	1
2	<u>28435-G05</u>						48V LESTER BATTERY CHARGER CE APPROVED.....	1
							For service or replacement parts, contact: Lester Electrical 625 West "A" Street Lincoln, NE 68522 Phone: (402) 477-8988, FAX: (402) 474-1769 Always provide the following information when requesting information or ordering replacement parts: Model Number: Serial Number: (stamped into housing)	
3	<u>600341-G03</u>						48V DELTA-Q BATTERY CHARGER WITH 10' DC CORD (INCLUDES ITEMS 5-7)	1
4	<u>600340-G02</u>						48V DELTA-Q CHARGER	1
5	<u>600463-G02</u>						48V DC CABLE ASSEMBLY	1
6	<u>600462-G01</u>						AC POWER CORD (NOT SHOWN).....	1z

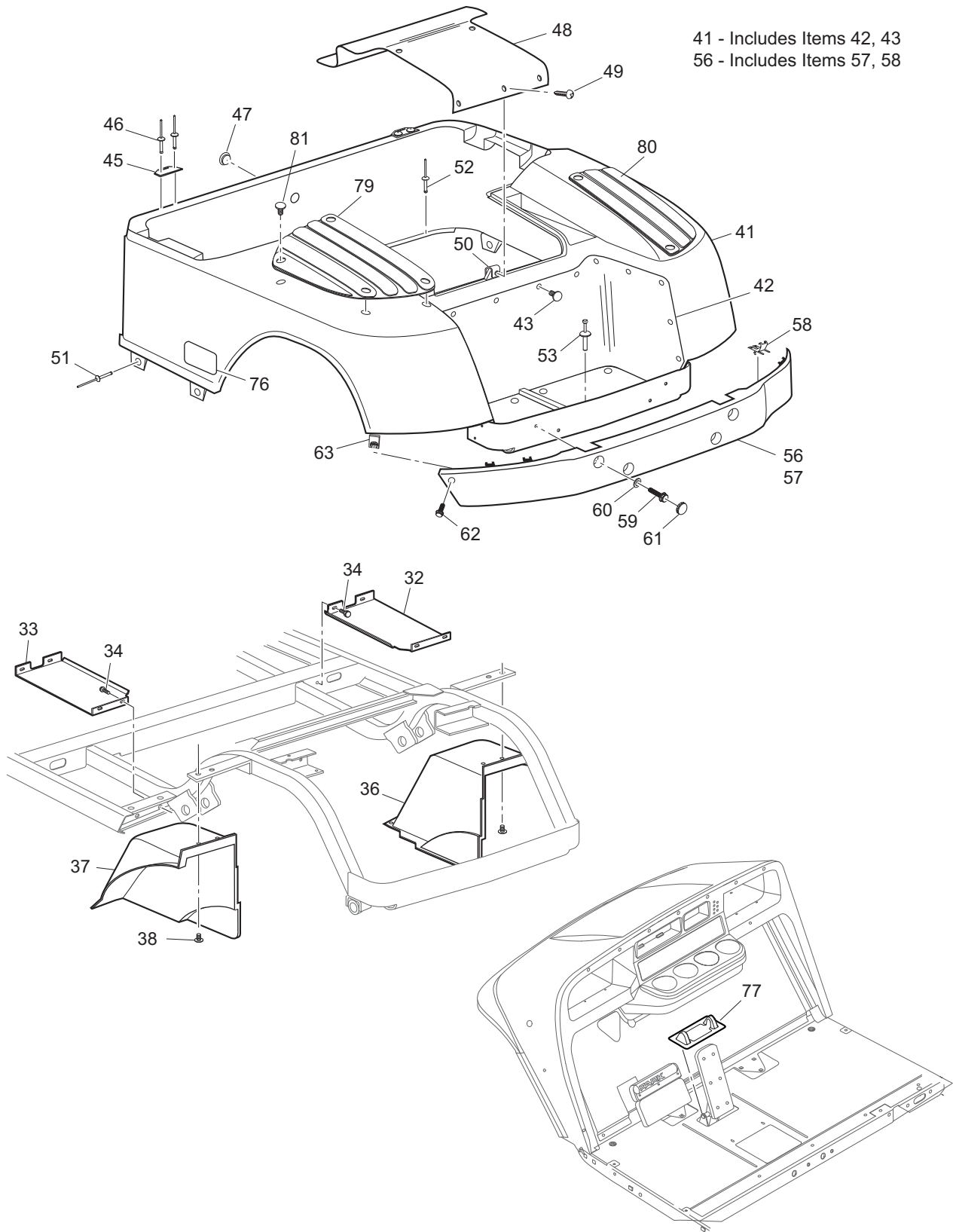
BODY





Ref Bod 7-2

BODY



THE USE OF NON U.L. PARTS WILL VOID ANY U.L. LISTING.
 When ordering parts, please specify the model and serial number of the product.
 * Indicates a component that is not available as an individual part.
 G** Indicates consult Customer Service Department for additional information.

ITEM	PART NO.	1 2 3 4 5	DESCRIPTION	QTY.
1	<u>71151-G03</u>		INSTRUMENT PANEL ASSEMBLY	1
2	<u>71413-G01</u>		SPLASH PANEL.....	1
3	<u>16816-G2</u>		RATCHET FASTENER, 1/4" X 3/4" LG	5
4	<u>70662-G01</u>		UPPER FLOORPAN.....	1
5	<u>70451-G01</u>		LOWER FLOORPAN.....	1
6	<u>14601-G11</u>		RIVET, 3/16" X 9/16" LG (ALUMINUM).....	16
7	<u>70452-G01</u>		ACCESS COVER.....	1
8				
9	<u>70823-G01</u>		REAR FLOORPAN.....	1
10	<u>10570-G10</u>		RIVET, 5/32" X 9/16" LG (STAINLESS STEEL)	5
11	<u>70668-G0*</u>		FLOORMAT.....	1
12	<u>606534-G0xx</u>		COWL.....	1
13	<u>74183-G01</u>		NAMEPLATE (E-Z-GO) (OVAL)	1
14	<u>71055-G01</u>		RIVET, 3/16" X 1" LG	7
15	<u>71055-G01</u>		RIVET, 3/16" X 1" LG	6
16	<u>71338-G01</u>		FENDER FLARE (DRIVER SIDE).....	1
17	<u>71338-G02</u>		FENDER FLARE (PASSENGER SIDE)	1
18	<u>71101-G02</u>		COWL SUPPORT BRACKET	1
19	<u>71102-G02</u>		SELF TAPPING SCREW, 1/4 - 20 X 1/2" LG	3
20	<u>71055-G01</u>		RIVET, 3/16" X 1 1/8" LG	1
21	<u>71115-G01</u>		VINYL TRIM	2
22	<u>71055-G01</u>		RIVET, 3/16" X 1" LG	10
23	<u>00571-G2</u>		WASHER, 5/16 (WITHOUT SUN TOP).....	2
24	<u>70441-G01</u>		SEAT FRAME.....	1
25	<u>70046-G02</u>		BATTERY RACK	1
26	<u>00715-G2</u>		BOLT, 5/16 - 18 X 13/16" LG	4
27	<u>00438-G6</u>		BOLT, 5/16 - 18 X 3/4" LG	2
28	<u>00559-G8</u>		WASHER, 5/16"	2
29	<u>11098-G6</u>		LOCK NUT, 5/16 - 18	2
30	<u>70200-G01</u>		SCREW, 3/8 - 16 X 3/4" LG.....	2

BODY

THE USE OF NON U.L. PARTS WILL VOID ANY U.L. LISTING.

When ordering parts, please specify the model and serial number of the product.

* Indicates a component that is not available as an individual part.

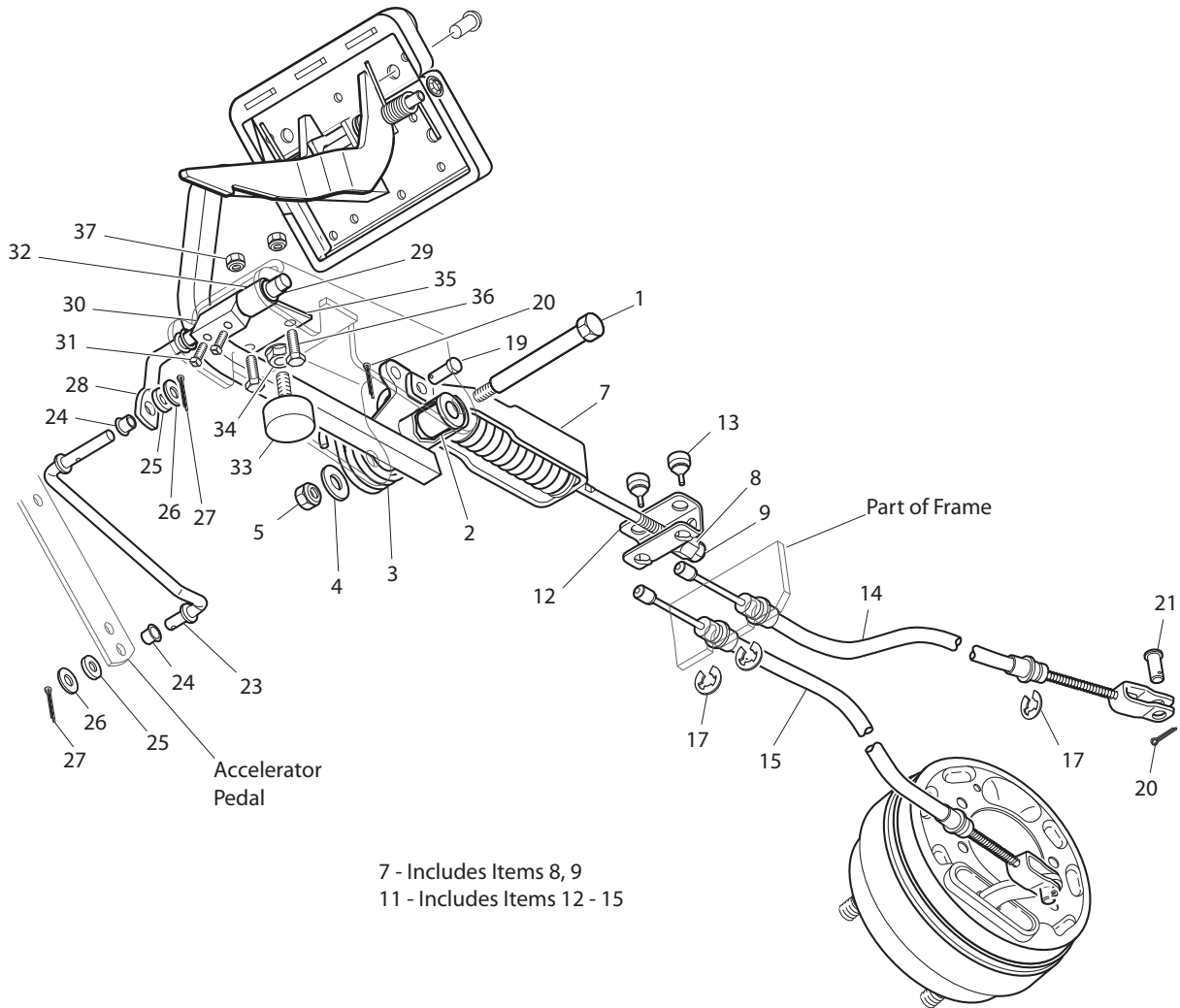
G** Indicates consult Customer Service Department for additional information.

ITEM	PART NO.	1 2 3 4 5	DESCRIPTION	QTY.
31				
32	<u>70385-G01</u>		SPLASH PAN (PASSENGER SIDE)	1
33	<u>70385-G02</u>		SPLASH PAN (DRIVER SIDE).....	1
34	<u>00715-G2</u>		BOLT, 5/16 - 18 X 13/16" LG	8
35				
36	71551-G01		FENDER LINER (PASSENGER SIDE)	1
37	<u>71552-G01</u>		FENDER LINER (DRIVER SIDE).....	1
38	<u>16816-G2</u>		RATCHET FASTENER, 1/4" X 3/4" LG	8
39				
40				
41	71912-G**		REAR BODY ASSEMBLY (W/OUT TAILLIGHTS) (INCLUDES ITEMS 42, 43)..	1
42	71318-G01		BAGWELL LINER	1
43	<u>16816-G1</u>		RATCHET FASTENER, 1/4" X 9/16" LG	20
44				
45	<u>71609-G01</u>		HINGE PLATE	2
46	<u>10570-G11</u>		RIVET, 3/16" X 3/4" LG (STAINLESS STEEL)	4
47	<u>71316-G01</u>		PLUG.....	1
48	<u>71320-G01</u>		ACCESS PANEL	1
49	<u>01107-G01</u>		SCREW, #8 X 5/8" LG	5
50	<u>71364-G02</u>		'J' CLIP	1
51	10570-G12		RIVET, 1/4" X 9/16" LG (ALUMINUM)	4
52	<u>10570-G10</u>		RIVET, 5/32" X 9/16" LG (STAINLESS STEEL)	6
53	<u>18436-G1</u>		PLASTIC DRIVE RIVET, 1/4" X 9/16" LG	2
54				
55				
56	<u>71451-G02</u>		REAR BUMPER ASSEMBLY (INCLUDES ITEMS 69 & 70).....	1
57	*		REAR BUMPER.....	1
58	*		STAY	1
59	71398-G01		BOLT, 1/4 - 20 X 1 1/4" LG	4
60	<u>00571-G2</u>		WASHER, 5/16"	4

THE USE OF NON U.L. PARTS WILL VOID ANY U.L. LISTING.
 When ordering parts, please specify the model and serial number of the product.
 * Indicates a component that is not available as an individual part.
 G** Indicates consult Customer Service Department for additional information.

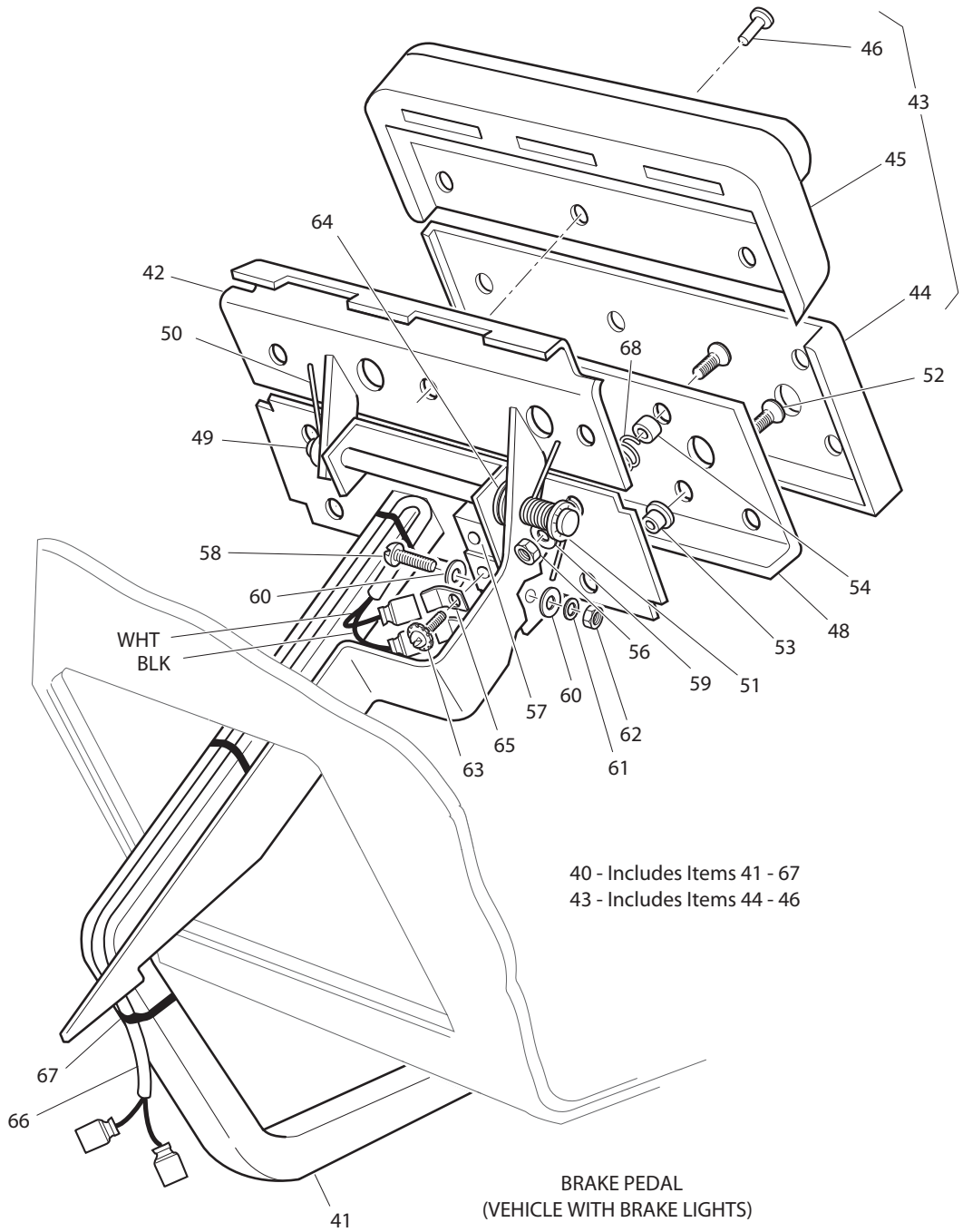
ITEM	PART NO.	1 2 3 4 5	DESCRIPTION	QTY.
61	<u>71455-G01</u>		BUMPER PLUG	4
62	<u>71102-G03</u>		BOLT, 1/4 - 20 x 11/16" LG	2
63	<u>71554-G01</u>		J-TYPE NUT RETAINER, 1/4 - 20.....	2
64				
65				
66	<u>71642-G01</u>		ROCKER PANEL (FRONT, DRIVER SIDE)	1
67	<u>71642-G02</u>		ROCKER PANEL (FRONT, PASSENGER SIDE).....	1
68	<u>71643-G01</u>		ROCKER PANEL (REAR, DRIVER SIDE)	1
69	<u>71643-G02</u>		ROCKER PANEL (REAR, PASSENGER SIDE).....	1
70	<u>71641-G01</u>		SILL PLATE (PASSENGER SIDE)	1
71	<u>71641-G02</u>		SILL PLATE (DRIVER SIDE).....	1
72	<u>16705-G1</u>		SCREW, 1/4 - 20 X 1" LG (STAINLESS STEEL)	6
73	<u>23726-G4</u>		SPACER, 5/16".....	6
74	<u>00891-G2</u>		LOCK NUT, 1/4 - 20	6
75	<u>15058-G6</u>		RIVET, 3/16" X 15/16" LG (ALUMINUM).....	4
76				
77	<u>70135-G01</u>		PEDAL PIVOT COVER	1
78				
79	<u>75126-G01</u>		FENDER SCUFFGUARD (DRIVER SIDE)	1
80	<u>75126-G02</u>		FENDER SCUFFGUARD (PASSENGER SIDE).....	1
81	<u>16816-G2</u>		RATCHET FASTENER, 1/4" x 3/4 " LG.....	8

BRAKES - FRONT DISC



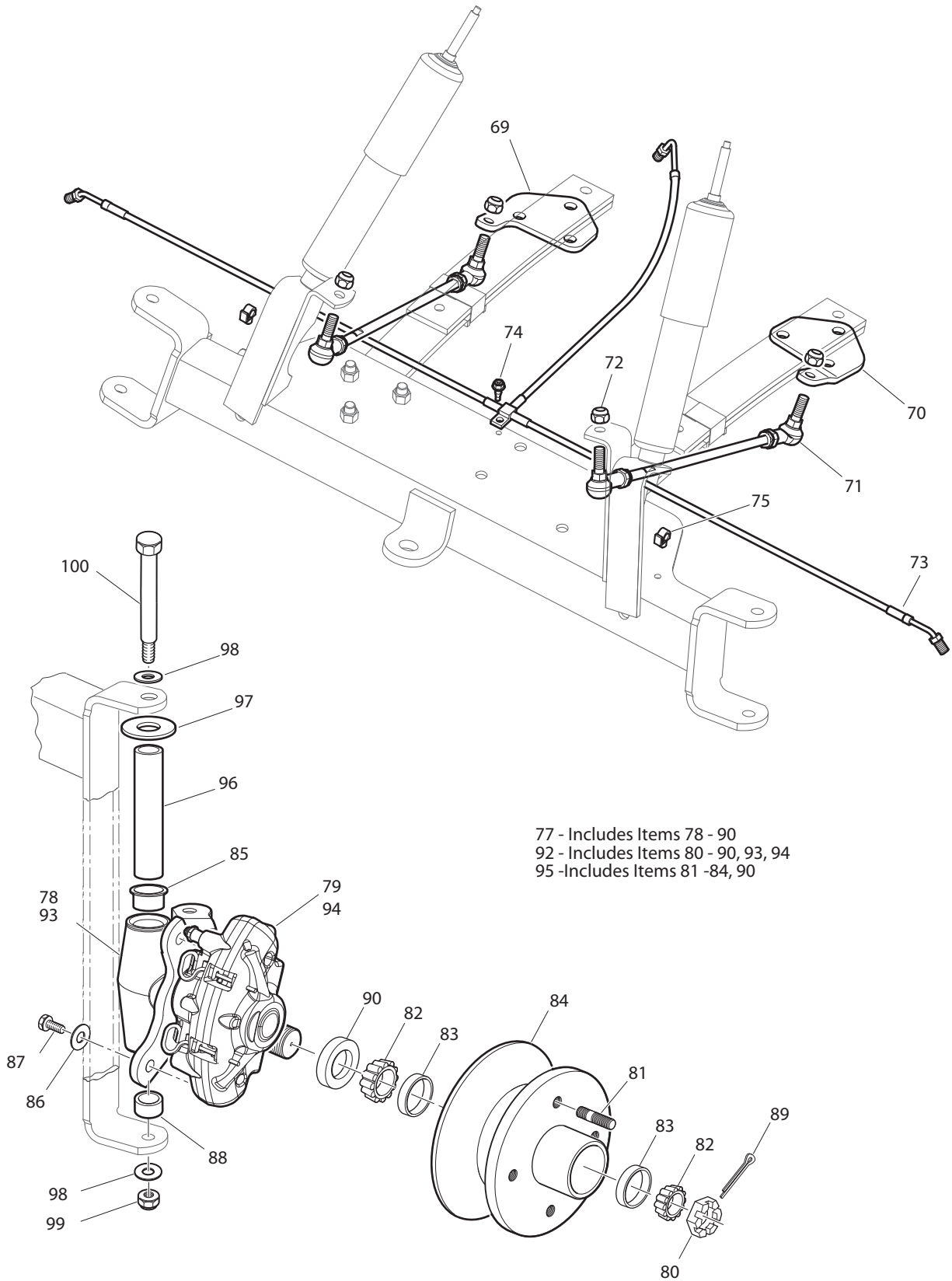
Ref Brh 21-1

BRAKES - FRONT DISC

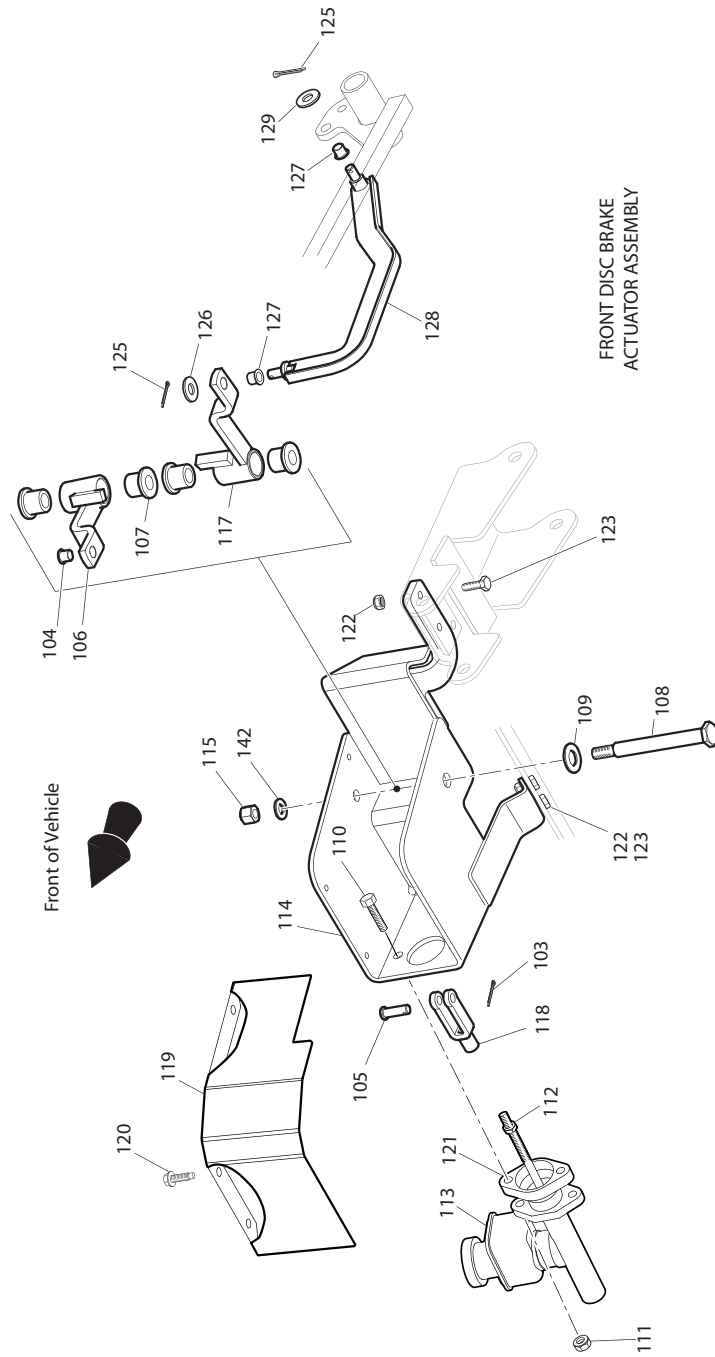


Ref Brh 21-2

BRAKES - FRONT DISC



Ref Brh 21-3



Ref Brh 21-4

BRAKES - FRONT DISC

THE USE OF NON U.L. PARTS WILL VOID ANY U.L. LISTING.

When ordering parts, please specify the model and serial number of the product.

* Indicates a component that is not available as an individual part.

G** Indicates consult Customer Service Department for additional information.

ITEM	PART NO.	1 2 3 4 5	DESCRIPTION	QTY.
1	<u>70582-G01</u>		SHOULDER BOLT, 3/8 - 16 X 4" LG	1
2	<u>70581-G01</u>		FLANGED BUSHING	2
3	<u>70676-G01</u>		TORSION SPRING	1
4	<u>00643-G1</u>		WASHER, 3/8"	1
5	<u>11098-G5</u>		LOCK NUT, 3/8 - 16	1
6				
7	<u>70272-G04</u>		COMPENSATOR ASSEMBLY (INCLUDES ITEMS 8, 9)	1
8	<u>00963-G01</u>		SPHERICAL NUT, 5/16 - 24	1
9	<u>11098-G9</u>		LOCK NUT, 5/16 - 24	1
10				
11	<u>70969-G05</u>		EQUALIZER AND BRAKE CABLE ASSEMBLY (INCLUDES ITEMS 12 - 15)....	1
12	<u>28082-G01</u>		EQUALIZER BRACKET.....	1
13	<u>28083-G01</u>		BRAKE COMPENSATOR BUMPER.....	2
14	*		BRAKE CABLE (DRIVER SIDE).....	1
15	*		BRAKE CABLE (PASSENGER SIDE)	1
16				
17	<u>01111-G01</u>		RETAINING RING, S.S.....	4
18				
19	<u>10386-G3</u>		CLEVIS PIN, 5/16" X 1" LG	1
20	<u>10387-G3</u>		COTTER PIN, 3/32" X 3/4" LG	3
21	<u>14443-G2</u>		CLEVIS PIN, 5/16" X 3/4" LG	2
22				
23	<u>70601-G01</u>		KICK-OFF LINK.....	1
24	<u>17838-G1</u>		NYLON BUSHING.....	2
25	<u>20835-G1</u>		TEFLON WASHER, 3/8"	2
26	<u>00559-G8</u>		WASHER, 5/16"	2
27	<u>10387-G3</u>		COTTER PIN, 3/32" X 3/4" LG	2
28	<u>70098-G01</u>		KICK-OFF CAM PIVOT.....	1
29	<u>10097-G6</u>		FLANGED BEARING	2
30	<u>70587-G01</u>		KICK-OFF CAM.....	1

BRAKES - FRONT DISC

THE USE OF NON U.L. PARTS WILL VOID ANY U.L. LISTING.
 When ordering parts, please specify the model and serial number of the product.
 * Indicates a component that is not available as an individual part.
 G** Indicates consult Customer Service Department for additional information.

ITEM	PART NO.	1 2 3 4 5	DESCRIPTION	QTY.
31	<u>71215-G01</u>		SETSCREW, 1/4 - 20 X 1/2" LG.....	2
32	<u>14134-G4</u>		SPACER	1
33	<u>70113-G01</u>		ADJUSTABLE BUMPER	1
34	<u>11027-G1</u>		LOCK NUT, 5/16 - 18	1
35	<u>70080-G01</u>		CATCH BRACKET	1
36	<u>00414-G6</u>		BOLT, 1/4 - 20 X 3/4" LG	2
37	<u>14390-G4</u>		LOCK NUT, 1/4 - 20	2
38				
39				
40	<u>70690-G02</u>		BRAKE PEDAL ASSEMBLY (WITH BRAKE LIGHTS) (INCLUDES ITEMS 41 - 67).....	1
41	<u>70686-G02</u>		BRAKE PEDAL	1
42	<u>70611-G02</u>		PARK BRAKE PEDAL	1
43	<u>70274-G01</u>		BRAKE/PARK BRAKE PEDAL PAD KIT (INCLUDES ITEMS 44 - 46).....	1
44	*		SERVICE BRAKE PAD	1
45	*		PARK BRAKE PAD.....	1
46	<u>16409-G1</u>		OVAL RIVET, 3/16" X 15/32" LG	9
47				
48	<u>70258-G03</u>		BRAKE PEDAL PLATE	1
49	<u>70682-G01</u>		PIVOT PIN	1
50	<u>70681-G01</u>		TORSION SPRING	2
51	<u>01071-G01</u>		PUSHNUT, 5/16"	1
52	<u>00737-G8</u>		SCREW, #10 - 24 X 1" LG	4
53	<u>00739-G1</u>		RUBBER NUT, #10 - 24.....	2
54	<u>74535-G01</u>		BRAKE PEDAL STANDOFF	2
55	<u>27137-G01</u>		CONICAL SPRING	2
56	<u>14390-G10</u>		LOCK NUT, #10 - 24	2
57	<u>10606-G8</u>		MICRO SWITCH.....	1
58	<u>00957-G1</u>		SCREW, #6 - 32 X 1 1/4" LG	2
59	<u>00559-G5</u>		WASHER, #10	2

BRAKES - FRONT DISC

THE USE OF NON U.L. PARTS WILL VOID ANY U.L. LISTING.

When ordering parts, please specify the model and serial number of the product.

* Indicates a component that is not available as an individual part.

G** Indicates consult Customer Service Department for additional information.

ITEM	PART NO.	1	2	3	4	5	DESCRIPTION	QTY.
60	<u>00559-G3</u>						WASHER, #6	4
61	<u>00565-G3</u>						LOCK WASHER, #6	2
62	<u>00525-G5</u>						NUT, #6 - 32.....	2
63	<u>13514-G1</u>						SCREW AND LOCK WASHER, #6.....	2
64	<u>20835-G1</u>						WASHER, TEFLON, 3/8"	2
65	<u>14628-G1</u>						FASTON TAB	2
66	<u>24605-G1</u>						WIRE HARNESS (BRAKE LIGHT)	1
67	<u>17618-G1</u>						WIRE TIE	2
68								
69	<u>74731-G02</u>						SPRING PLATE (PASSENGER SIDE).....	1
70	<u>74731-G01</u>						SPRING PLATE (DRIVER SIDE)	1
71	<u>74730-G01</u>						FOUR LINK ROD	2
72	<u>01084-G01</u>						LOCK NUT, M10-1.25	4
73	<u>74736-G01</u>						BRAKE LINE	1
74	<u>01038-G01</u>						SCREW, 1/4 - 20 X 4444" LG.....	1
75	<u>74875-G01</u>						WIRE RETAINER	2
76								
77	<u>602281</u>						SPINDLE, CALIPER AND DISC HUB ASSEMBLY (DRIVER SIDE) (INCLUDES ITEMS 78, 80 - 90).....	1
78	<u>70803-G01</u>						DISC BRAKE SPINDLE (DRIVER SIDE)	1
79	<u>74733-G02</u>						CALIPER (DRIVER SIDE)	1
80	<u>12093-G1</u>						SLOTTED NUT	1
81	<u>74864-G01</u>						DRIVE FLANGE STUD.....	4
82	<u>11750-G2</u>						ROLLER BEARING	2
83	<u>51141-G1</u>						BEARING RACE.....	2
84	<u>35886-G01</u>						DISC BRAKE HUB.....	1
85	<u>70648-G01</u>						FLANGED BEARING.....	1
86	<u>00566-G1</u>						WASHER, 3/8"	2
87	<u>00426-G6</u>						BOLT, 3/8 - 16 X 1.....	2
88	<u>70749-G01</u>						BEARING.....	1

BRAKES - FRONT DISC

THE USE OF NON U.L. PARTS WILL VOID ANY U.L. LISTING.

When ordering parts, please specify the model and serial number of the product.

* Indicates a component that is not available as an individual part.

G** Indicates consult Customer Service Department for additional information.

ITEM	PART NO.	1	2	3	4	5	DESCRIPTION	QTY.
89	<u>00798-G8</u>						COTTER PIN	1
90	<u>25146-G1</u>						GREASE SEAL.....	1
91								
92	<u>70803-G01</u>						SPINDLE, CALIPER AND DISC HUB ASSEMBLY (PASSENGER SIDE) (INCLUDES ITEMS 80 - 90, 94).....	1
93	<u>602158</u>						DISC BRAKE SPINDLE (PASSENGER SIDE).....	1
94	<u>74733-G01</u>						CALIPER (PASSENGER SIDE).....	1
95	<u>74948-G01</u>						DISC BRAKE SERVICE HUB (INCLUDES ITEMS 94 - 97, 103).....	1
96	<u>70745-G01</u>						KINGPIN TUBE	2
97	<u>70754-G01</u>						THRUST WASHER	2
98	<u>00560-G3</u>						WASHER, 1/2"	4
99	<u>14390-G6</u>						LOCKNUT, 1/2 - 13	2
100	<u>00407-G6</u>						CAPSCREW, 1/2 - 13 X 6" LG	2
101								
102	<u>74702-G02</u>						FRONT DISC BRAKE BRAKE ACTUATOR ASSEMBLY (INCLUDES ITEMS 103 - 121).....	1
103	<u>10387-G3</u>						COTTER PIN, 3/32 X 3/4" LG.....	1
104	<u>17838-G1</u>						NYLON BUSHING	1
105	<u>10386-G3</u>						CLEVIS PIN, 5/16 X 1" LG.....	1
106	<u>74753-G01</u>						UPPER ACTUATOR PIVOT	1
107	<u>70581-G02</u>						ACETAL BUSHING.....	4
108	<u>74711-G01</u>						SHOULDER BOLT	1
109	<u>00560-G3</u>						WASHER, 1/2"	1
110	<u>00439-G4</u>						BOLT, 1/2 - 13 X 6" LG.....	2
111	<u>11098-G6</u>						FLANDED LOCK NUT, 5/16 - 18	2
112	<u>00544-G4</u>						JAM NUT	1
113	<u>604804</u>						MASTER CYLINDER.....	1
114	<u>606864</u>						MASTER CYLINDER WELDMENT MOUNT	1
115	<u>11098-G5</u>						LOCKNUT, 3/8 - 16.....	1
116	<u>00679-G1</u>						WASHER, 3/8" STAINLESS	1
117	<u>74707-G01</u>						LOWER ACTUATOR PIVOT.....	1

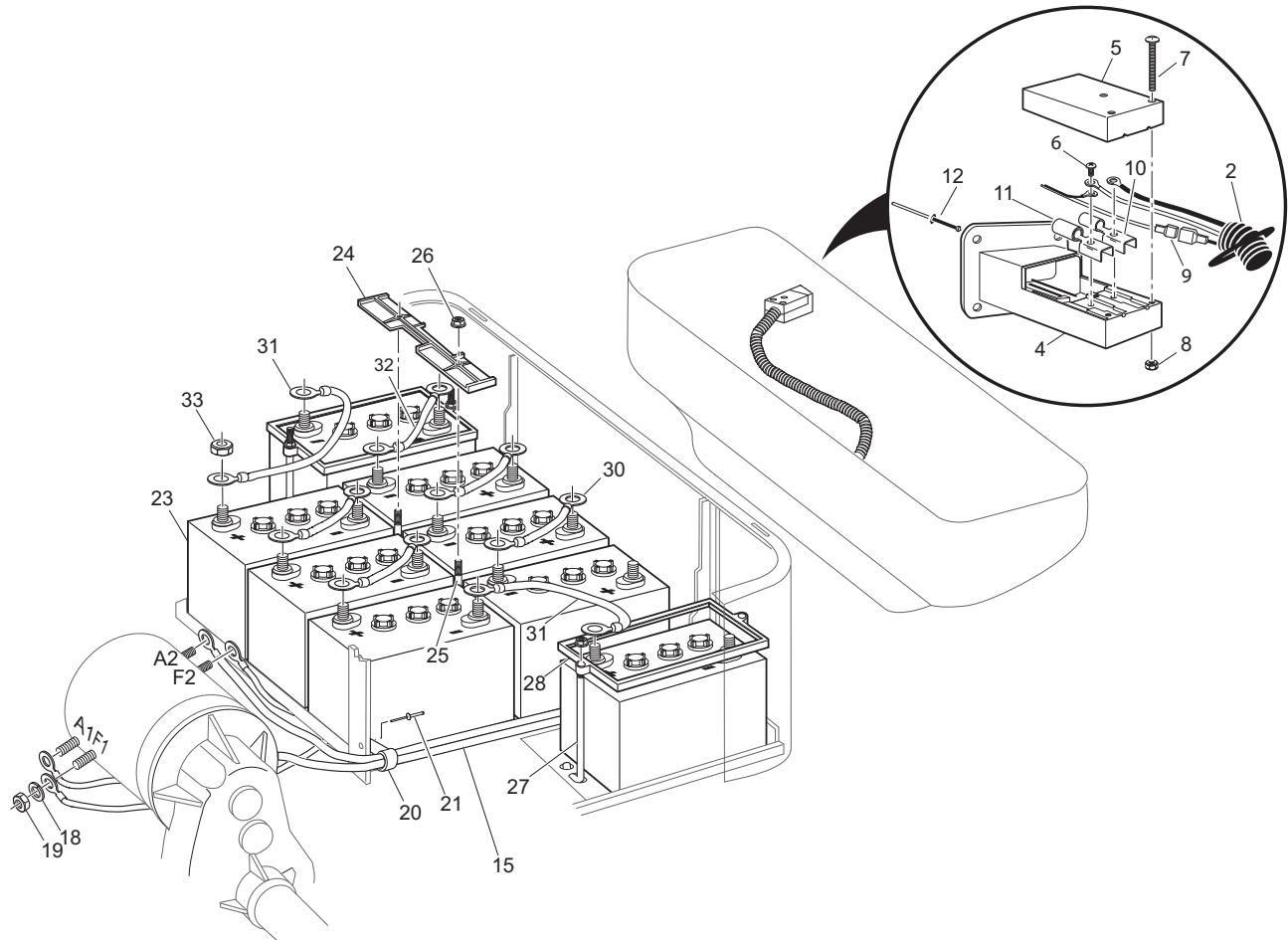
BRAKES - FRONT DISC

THE USE OF NON U.L. PARTS WILL VOID ANY U.L. LISTING.
 When ordering parts, please specify the model and serial number of the product.
 * Indicates a component that is not available as an individual part.
 G** Indicates consult Customer Service Department for additional information.

ITEM	PART NO.	1	2	3	4	5	DESCRIPTION	QTY.
118	10385-G4						CLEVIS YOKE	1
119	606869						ACTUATOR ASSEMBLY COVER.....	1
120	<u>01038-G01</u>						SCREW, 1/4 -20 SWAGEFORM.....	3
121	<u>604565</u>						MASTER CYLINDER SPACER	1
122	00414-G8						BOLT, 1/4 - 20 X 1 1/4" LG	4
123	<u>00891-G2</u>						LOCKNUT, 1/4 - 20	4
124								
125	<u>10387-G3</u>						COTTER PIN, 3/32 X 3/4	2
126	<u>20835-G1</u>						WASHER, NYLON	1
127	<u>17838-G1</u>						NYLON BUSHING.....	2
128	<u>74865-G01</u>						ACTUATOR LINKAGE	1
129	<u>00771-G5</u>						WASHER, 3/8"	1
130	<u>74917-G01</u>						DISC BRAKE PAD AND PIN KIT (SERVICES ONE CORNER) (INCLUDES ITEMS 131 - 132).....	1
131	*						BRAKE PADS	2
132	*						BRAKE PAD RETAINER PINS	2

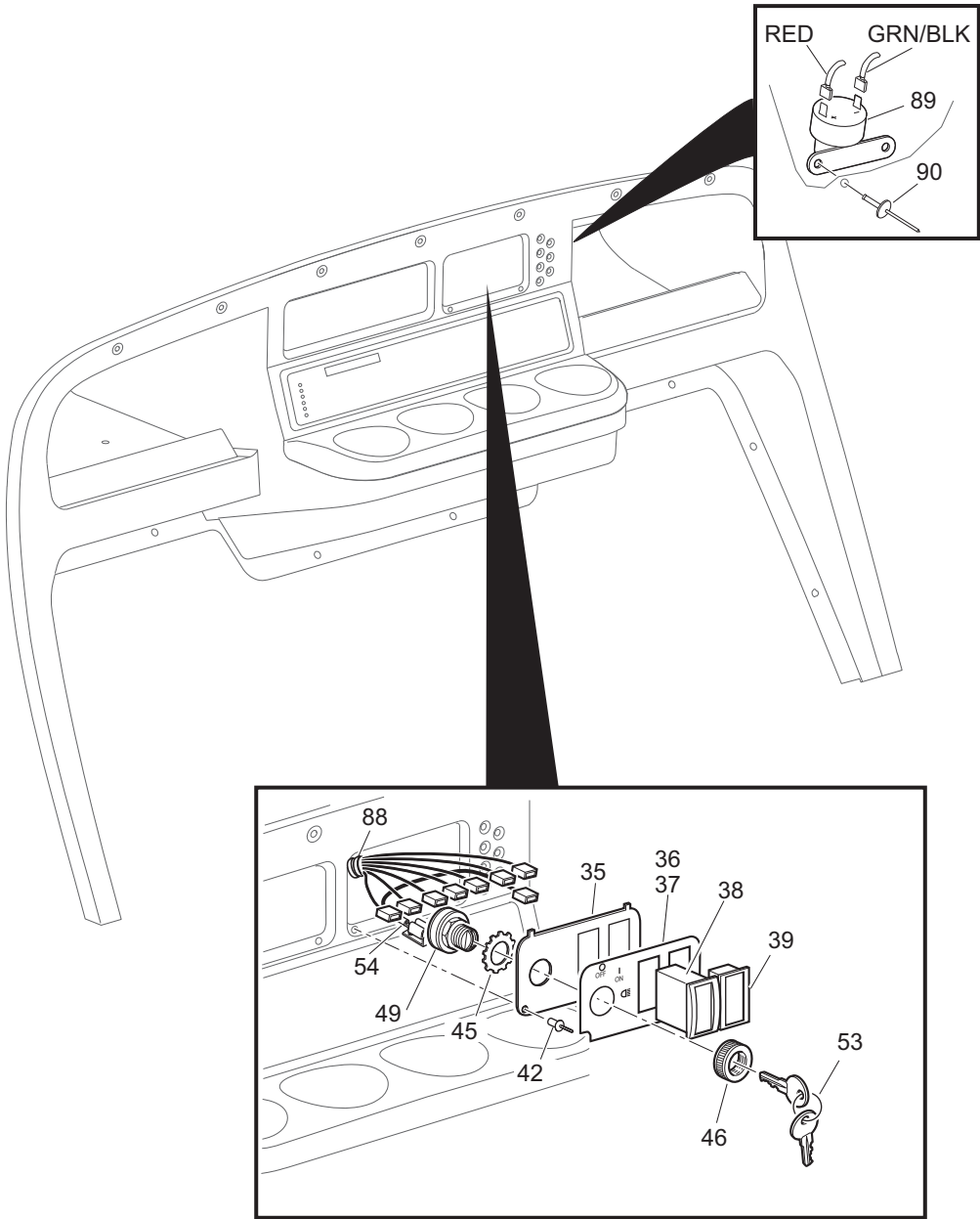
ELECTRICAL SYSTEM

1 - Includes Items 2 - 11
3 - Includes Items 4 - 11



Ref Ele 7-1

ELECTRICAL SYSTEM

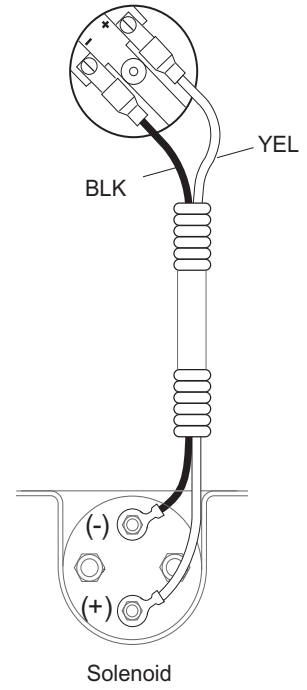
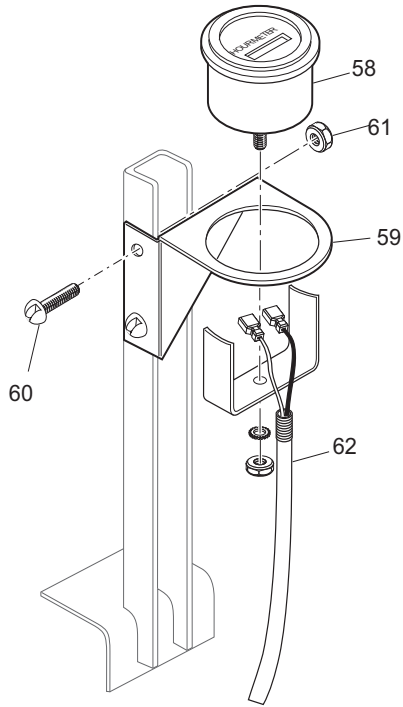


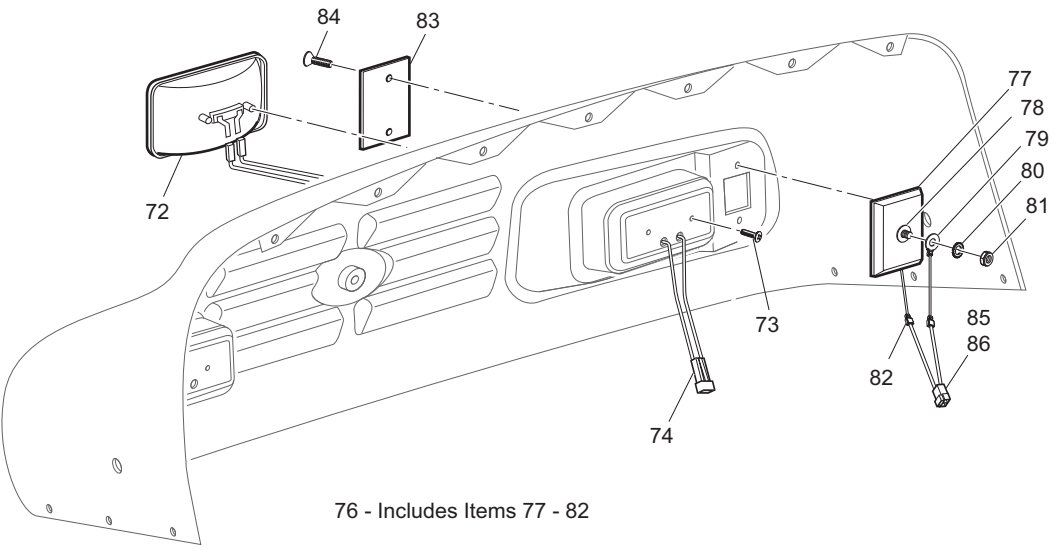
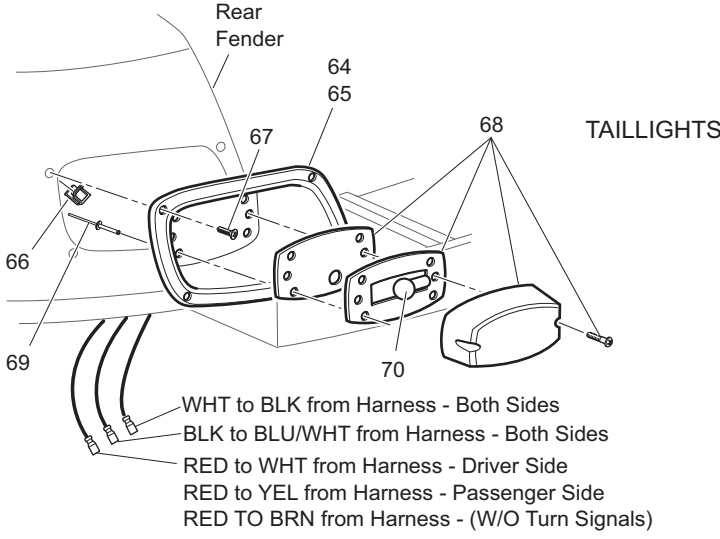
Ref Ele 7-2

ELECTRICAL SYSTEM

HOUR METER

57 - Includes Items 58 - 62





ELECTRICAL SYSTEM

THE USE OF NON U.L. PARTS WILL VOID ANY U.L. LISTING.
 When ordering parts, please specify the model and serial number of the product.
 * Indicates a component that is not available as an individual part.
 G** Indicates consult Customer Service Department for additional information.

ITEM	PART NO.	1 2 3 4 5	DESCRIPTION	QTY.
1	<u>73311-G03</u>		CHARGER HARNESS / RECEPTACLE (INCLUDES ITEMS 2 - 11).....	1
2	<u>602822</u>		CHARGER HARNESS.....	1
3	<u>73051-G30</u>		CHARGER HARNESS RECEPTACLE (INCLUDES ITEMS 4 - 11)	1
4	<u>73051-G22</u>		RECEPTACLE BOTTOM	1
5	<u>73051-G21</u>		RECEPTACLE COVER	1
6	<u>73051-G08</u>		SCREW, #10 - 32 X 1/2" LG.....	2
7	<u>73051-G09</u>		SCREW, #6 - 32 X 1 3/4" LG.....	3
8	<u>73051-G10</u>		LOCK NUT, #6 - 32	3
9	<u>25978-G25</u>		WIRE, RED JUMPER, 18 GA.	1
10	<u>73051-G23</u>		FEMALE CONTACT	1
11	<u>73051-G24</u>		FEMALE CONTACT, INSULATED	1
12	<u>71055-G01</u>		RIVET, 3/16" X 1" LG	4
13				
14				
15	<u>73349-G01</u>		POWER HARNESS	1
16				
17				
18	<u>00993-G02</u>		LOCK WASHER, 5/16"	2
19	<u>28418-G02</u>		NUT, 5/16 - 18	2
20	<u>27327-G02</u>		CLAMP	1
21	<u>10570-G11</u>		RIVET, 3/16" X 3/4" LG (STAINLESS STEEL)	1
22				
23	XXXXX-G**		48 VOLT BATTERY	8
24	<u>70045-G01</u>		BATTERY RETAINER	1
25	<u>01101-G01</u>		HOLD DOWN BOLT	2
26	<u>11027-G1</u>		LOCK NUT, 5/16 - 18	6
27	<u>70386-G01</u>		HOLD DOWN BOLT	4
28	<u>70387-G01</u>		BATTERY RETAINER	2
29				
30	<u>25971-G18</u>		4 GA WIRE (BLK 6")	4

ELECTRICAL SYSTEM

THE USE OF NON U.L. PARTS WILL VOID ANY U.L. LISTING.

When ordering parts, please specify the model and serial number of the product.

* Indicates a component that is not available as an individual part.

G** Indicates consult Customer Service Department for additional information.

ITEM	PART NO.	1	2	3	4	5	DESCRIPTION	QTY.
31	<u>25971-G13</u>						4 GA WIRE (BLK 10 1/2")	2
32	<u>25971-G16</u>						4 GA WIRE (BLK 19")	1
33	<u>00702-G2</u>						NUT, 5/16 - 18	16
34								
35	73030-G02						CONSOLE INSERT PLATE.....	1
36	<u>74320-G01</u>						LABEL, DIRECTION SELECTOR AND STATE OF CHARGE METER	1
37	<u>74322-G01</u>						LABEL, LIGHTS, DIRECTION SELECTOR & STATE OF CHARGE METER.....	1
38	<u>74323-G01</u>						DIRECTION SELECTOR SWITCH	1
39	<u>33636-G05</u>						STATE OF CHARGE METER (VERTICAL)	1
40								
41								
42	33623-G02						RIVET, 3/16" X 3/8" LG	2
43								
44								
45	<u>00568-G6</u>						LOCK WASHER, 3/4".....	1
46	17137-G1						FACE NUT.....	1
47								
48								
49	<u>33639-G01</u>						IGNITION SWITCH (WITH LIGHTS, STANDARD KEY).....	1
50								
51								
52								
53	<u>17618-G1</u>						WIRE TIE	1
54	25978-G18						18 GA WIRE (RED 6").....	1
55								
56								
57	<u>75113-G06</u>						HOUR METER KIT (INCLUDES ITEMS 58 - 62).....	1
58	<u>21573-G1</u>						HOUR METER ASSEMBLY.....	1
59	<u>74019-G02</u>						HOUR METER BRACKET.....	1
60	<u>00379-G4</u>						SCREW, #10 - 24 X 1/2" LG	2

ELECTRICAL SYSTEM

THE USE OF NON U.L. PARTS WILL VOID ANY U.L. LISTING.

When ordering parts, please specify the model and serial number of the product.

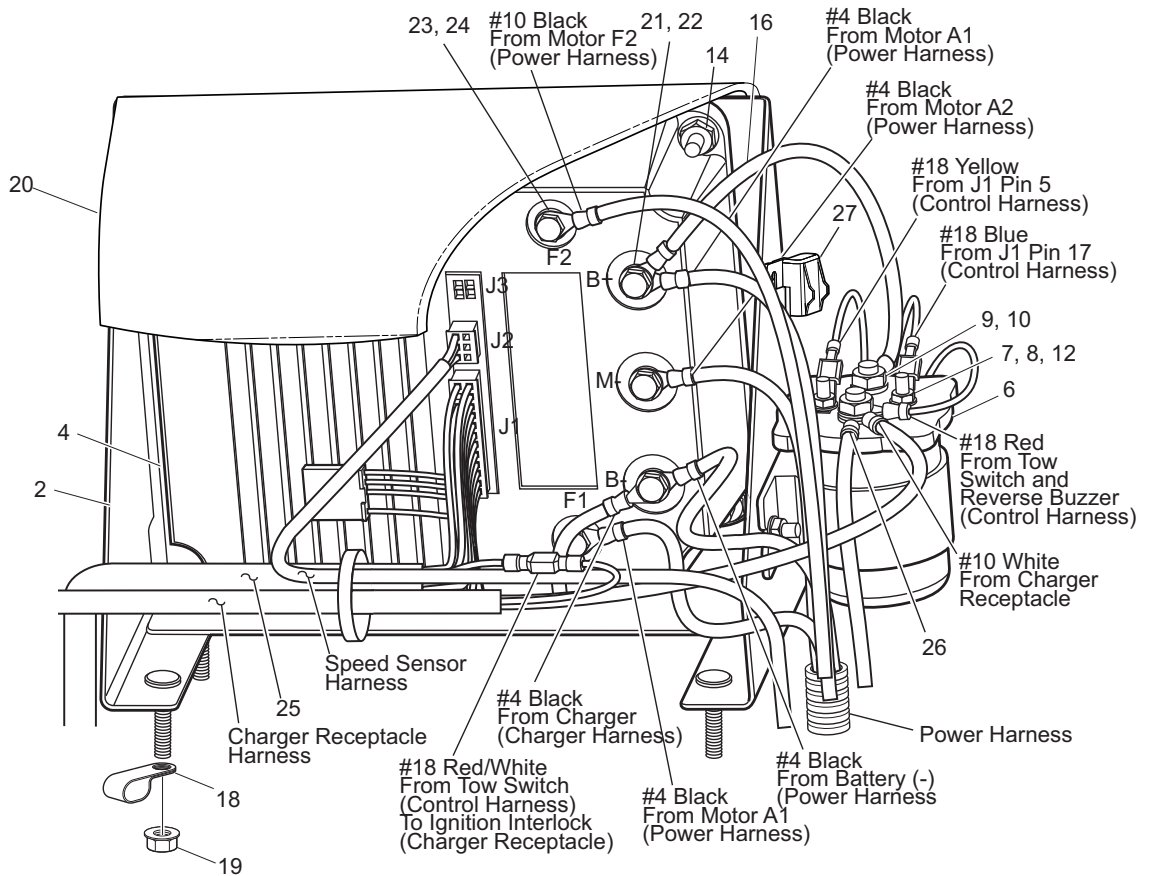
* Indicates a component that is not available as an individual part.

G** Indicates consult Customer Service Department for additional information.

ITEM	PART NO.	1 2 3 4 5	DESCRIPTION	QTY.
61	<u>14390-G10</u>		LOCK NUT, #10 - 24	2
62	<u>75117-G04</u>		WIRE HARNESS (HOUR METER).....	1
63				
64	<u>74371-G02</u>		BEZEL (DRIVER SIDE).....	1
65	<u>74371-G02</u>		BEZEL (PASSENGER SIDE)	1
66	<u>71364-G02</u>		'J' CLIP	8
67	<u>71425-G01</u>		COUNTERSUNK SCREW, #8	8
68	<u>22288-G1</u>		BRAKE/TAILLIGHT LAMP.....	1
69	<u>14601-G11</u>		RIVET, 3/16' X 9/16' LG (ALUMINIUM).....	4
70	<u>00513-G4</u>		SCREW ST 8 - 18 X 1 1/2".....	4
71				
72	<u>22523-G1</u>		HEADLIGHT (INCLUDES ITEM 94).....	2
73	<u>00906-G6</u>		SCREW, #10 - 16 X 1" LG	2
74	<u>74337-G01</u>		JUMPER WIRE (HEADLIGHT)	2
75				
76	<u>20570-G3</u>		TURN SIGNAL LIGHT ASSEMBLY (INCLUDES ITEM 108 - 113)	2
77	<u>20574-G3</u>		TURN SIGNAL LIGHT	1
78	<u>00660-G7</u>		WASHER, 1/4" (STAINLESS STEEL).....	1
79	<u>20606-G1</u>		WIRE ASSEMBLY	1
80	<u>00567-G7</u>		LOCK WASHER, 1/4'.....	1
81	<u>00532-G1</u>		NUT, 1/4 - 20.....	1
82	<u>18995-G1</u>		PUSH-ON TERMINAL (MALE)	1
83	<u>20574-G5</u>		LENS, AMBER	1
84	<u>00118-G5</u>		SCREW, #6 - 18 X 5/8' LG	2
85	<u>74056-G01</u>		TURN SIGNAL JUMPER, RED/BLACK (PASSENGER SIDE)	1
86	<u>74056-G02</u>		TURN SIGNAL JUMPER, GREEN/BLACK (DRIVER SIDE)	1
87				
88	<u>73334-G01</u>		HARNESS (CONTROL)	1
89	<u>73290-G02</u>		BUZZER	1
90	<u>01041-G01</u>		RIVET, 5/32"	2

ELECTRONIC SPEED CONTROL - PDS

1 - Includes 2 - 16



29

SPDS	Pin	Code	Symptoms	Corrective Action
10	10	WHEEL FAULT	Vehicle will not start	Check wheel speed sensor, wheel hub, and tire pressure
11	11	WHEEL FAULT	Vehicle will not start	Check wheel speed sensor, wheel hub, and tire pressure
12	12	WHEEL FAULT	Vehicle will not start	Check wheel speed sensor, wheel hub, and tire pressure
13	13	WHEEL FAULT	Vehicle will not start	Check wheel speed sensor, wheel hub, and tire pressure
14	14	WHEEL FAULT	Vehicle will not start	Check wheel speed sensor, wheel hub, and tire pressure
15	15	WHEEL FAULT	Vehicle will not start	Check wheel speed sensor, wheel hub, and tire pressure
16	16	WHEEL FAULT	Vehicle will not start	Check wheel speed sensor, wheel hub, and tire pressure
17	17	WHEEL FAULT	Vehicle will not start	Check wheel speed sensor, wheel hub, and tire pressure
18	18	WHEEL FAULT	Vehicle will not start	Check wheel speed sensor, wheel hub, and tire pressure
19	19	WHEEL FAULT	Vehicle will not start	Check wheel speed sensor, wheel hub, and tire pressure
20	20	WHEEL FAULT	Vehicle will not start	Check wheel speed sensor, wheel hub, and tire pressure
21	21	WHEEL FAULT	Vehicle will not start	Check wheel speed sensor, wheel hub, and tire pressure
22	22	WHEEL FAULT	Vehicle will not start	Check wheel speed sensor, wheel hub, and tire pressure
23	23	WHEEL FAULT	Vehicle will not start	Check wheel speed sensor, wheel hub, and tire pressure
24	24	WHEEL FAULT	Vehicle will not start	Check wheel speed sensor, wheel hub, and tire pressure
25	25	WHEEL FAULT	Vehicle will not start	Check wheel speed sensor, wheel hub, and tire pressure
26	26	WHEEL FAULT	Vehicle will not start	Check wheel speed sensor, wheel hub, and tire pressure
27	27	WHEEL FAULT	Vehicle will not start	Check wheel speed sensor, wheel hub, and tire pressure
28	28	WHEEL FAULT	Vehicle will not start	Check wheel speed sensor, wheel hub, and tire pressure
29	29	WHEEL FAULT	Vehicle will not start	Check wheel speed sensor, wheel hub, and tire pressure

Abbreviations: AUX (Auxiliary), CONT (Contact), SOLENOID, ONC (On-Off Control), HPS (High Pedal Disable), HW (Hardware), ITS (Inductive Throttle Sensor), M (Common to all Controller), VDC (Voltage Drive Control), VPS (Power Supply Fault)

DIAGNOSTIC FAULT CODES

- The LED will flash a diagnostic fault code when a fault is detected
- Some faults may only be detected by operating the vehicle with the use of the vehicle raised and supported on safety stands
- Always turn the "TOW MAINTENANCE" switch (located in the battery compartment) to the "TOW MAINTENANCE" position before performing any repair or maintenance to the vehicle
- Select "RUN" before returning the vehicle to service

ELECTRONIC SPEED CONTROL - PDS

THE USE OF NON U.L. PARTS WILL VOID ANY U.L. LISTING.

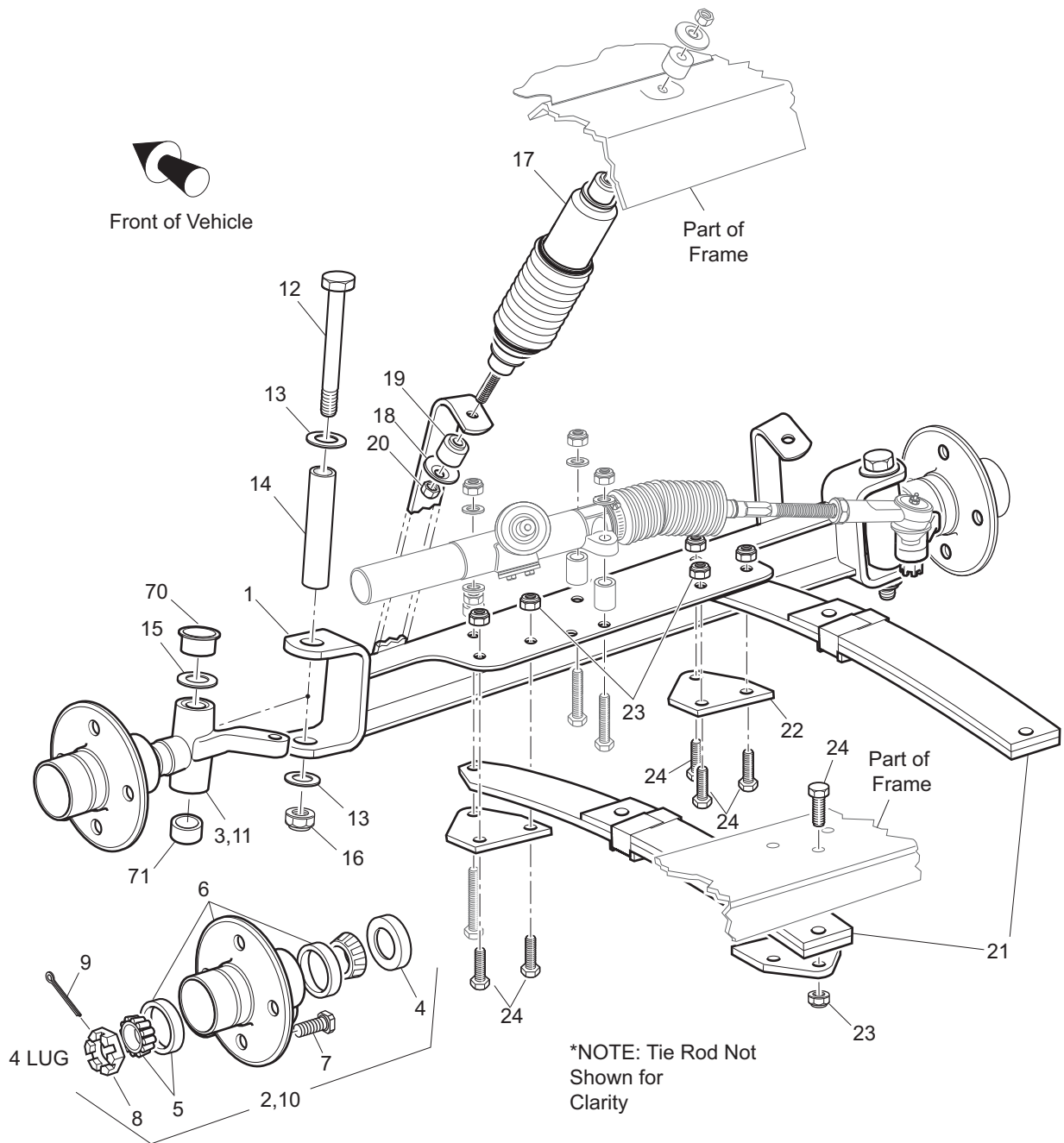
When ordering parts, please specify the model and serial number of the product.

* Indicates a component that is not available as an individual part.

G** Indicates consult Customer Service Department for additional information.

ITEM	PART NO.	1	2	3	4	5	DESCRIPTION	QTY.
1	<u>73348-G04</u>						ELECTRONIC SPEED CONTROL ASSEMBLY (INCLUDES ITEMS 2 - 16).....	1
2	<u>73351-G01</u>						CONTROLLER MOUNT	1
3								
4	<u>73098-G04</u>						ELECTRONIC SPEED CONTROLLER	1
5								
6	<u>73231-G01</u>						48 VOLT SOLENOID (INCLUDES ITEMS 7 - 10)	1
7	00565-G5						LOCK WASHER, #10	2
8	00565-G4						NUT, #10 - 32	2
9	00565-G8						LOCK WASHER, 5/16"	2
10	00544-G4						JAM NUT, 5/16 - 24	2
11								
12	<u>73446-G01</u>						FASTON TAB	4
13								
14	<u>11027-G2</u>						LOCK NUT, 1/4 - 20	6
15								
16	<u>25971-G17</u>						4 GA WIRE (BLK 9")	1
17								
18	<u>73053-G01</u>						DOUBLE TUBE CLAMP	1
19	<u>11027-G2</u>						LOCK NUT, 1/4 - 20	4
20	<u>73523-G01</u>						COVER, PDS CONTROLLER.....	1
21	<u>73296-G01</u>						BOLT, 8MM X 16MM LG.....	3
22	<u>00993-G01</u>						LOCK WASHER, 5/16"	5
23	<u>73346-G01</u>						BOLT, 6MM X 1 X 12MM LG	2
24	<u>00993-G02</u>						LOCK WASHER, 1/4"	2
25	<u>73334-G01</u>						CONTROL HARNESS	1
26	25971-G06						4 GA WIRE (BLK 59 1/2") (SOL - BATTERY +)	1
27	<u>73499-G01</u>						COVER, IN-LINE FUSE	1
28								
29	<u>73398-G01</u>						DIAGNOSTIC LABEL (FAULT CODE)	1

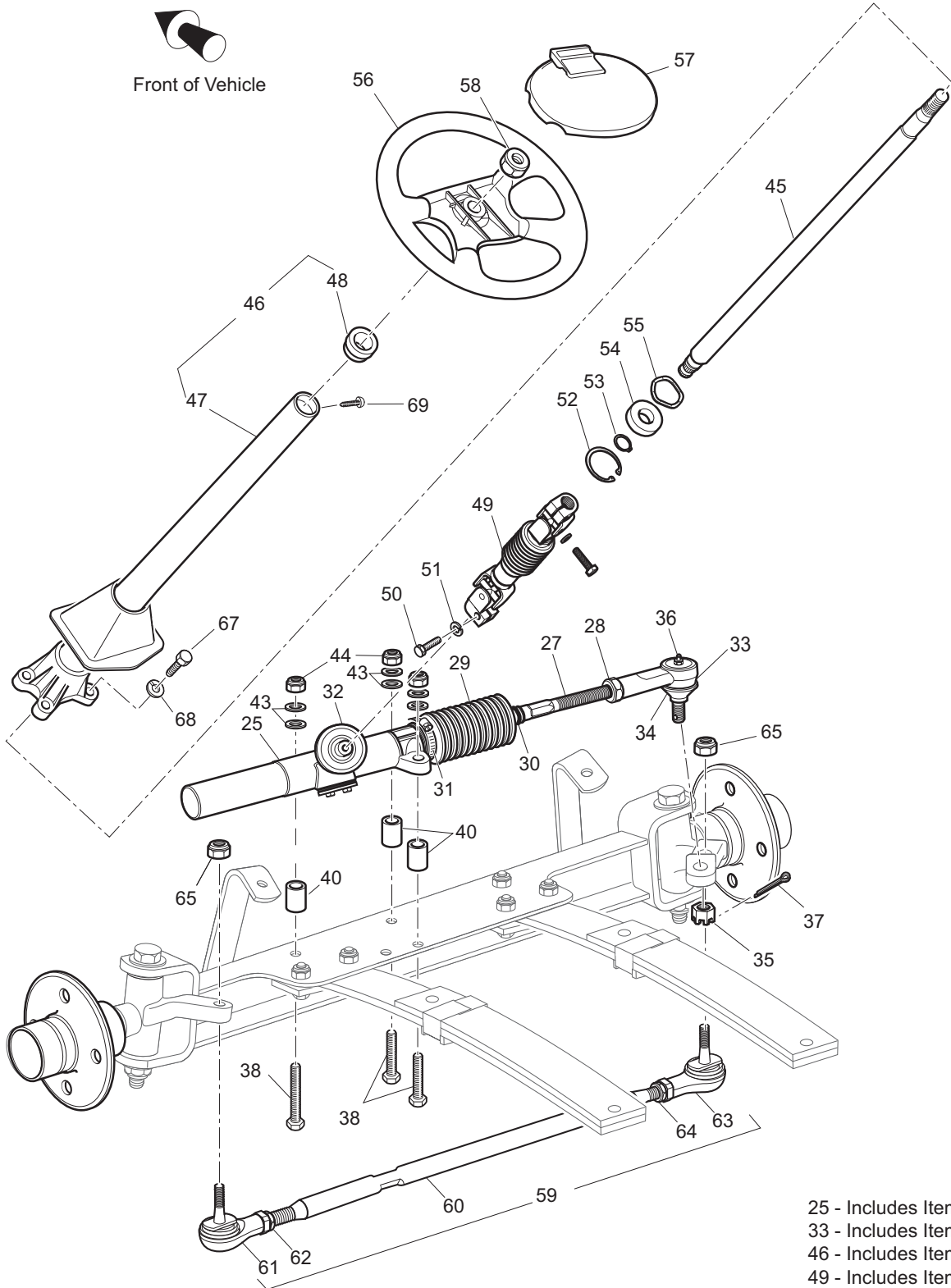
FRONT SUSPENSION/STEERING



- 2 - Includes Items 3 - 9
- 6 - Includes Item 7
- 10 - Includes Items 4 - 9, 11

Ref Fss 1-1

FRONT SUSPENSION/STEERING



Ref Fss 1-2

FRONT SUSPENSION/STEERING

Where applicable, THE USE OF NON UL PARTS WILL VOID ANY UL LISTING.

When ordering parts, please specify the model and serial number of the product.

* Indicates a component that is not available as an individual part.

G** Indicates consult Customer Service Department for additional information.

ITEM	PART NO.	1 2 3 4 5	DESCRIPTION	QTY.
1	<u>606989</u>		FRONT AXLE	1
2	<u>70930-G01</u>		SPINDLE AND HUB ASSEMBLY, 4 LUG (PASSENGER SIDE) (INCLUDES ITEMS 3 - 9).....	1
3	<u>70802-G01</u>		SPINDLE ASSEMBLY (PASSENGER SIDE).....	1
4	<u>25146-G1</u>		GREASE SEAL.....	1
5	<u>11750-G2</u>		ROLLER BEARING AND RACE ASSEMBLY.....	2
6	<u>35886-G01</u>		WHEEL HUB ASSEMBLY WITH RACES, 4 LUG (INCLUDES ITEM 7)	1
7	<u>19862-G1</u>		LUG BOLT, 1/2 - 20 X 1 3/16" LG.....	4
8	12093-G1		CASTELLATED NUT, 1 - 14	1
9	<u>00798-G8</u>		COTTER PIN, 5/32" X 1 3/4" LG	1
10	<u>70931-G01</u>		SPINDLE AND HUB ASSEMBLY, 4 LUG (DRIVER SIDE) (INCLUDES ITEMS 4 - 9, 11).....	1
11	<u>70803-G01</u>		SPINDLE ASSEMBLY (DRIVER SIDE).....	1
12	<u>00407-G6</u>		BOLT, 1/2 - 13 X 6" LG	2
13	<u>00560-G3</u>		WASHER, 1/2"	4
14	<u>70745-G01</u>		KING PIN TUBE	2
15	<u>70754-G01</u>		THRUST WASHER, 1" (STAINLESS STEEL).....	2
16	<u>14390-G6</u>		LOCK NUT, 1/2 - 13	2
17	<u>76419-G01</u>		SHOCK ABSORBER.....	2
18	<u>10435-G1</u>		SHOCK ABSORBER WASHER	8
19	<u>10194-G1</u>		RUBBER BUSHING	8
20	<u>00532-G6</u>		NUT, 3/8 - 24	4
21	<u>70664-G03</u>		LEAF SPRING (HEAVY DUTY)	2
22	<u>70163-G03</u>		SPRING PLATE	4
23	<u>00734-G1</u>		LOCK NUT, 7/16 - 14	12
24	<u>00463-G11</u>		BOLT, 7/16 - 14 X 1 3/4" LG	12
25	<u>70964-G01</u>		RACK AND PINION UNIT (COMPLETE) (INCLUDES ITEMS 26 - 37)	1
26	*		STEERING BOX INSTALLATION TAG.....	1
27	<u>70694-G01</u>		RACK EXTENSION	1
28	*		JAM NUT, 1/2 - 20.....	1
29	<u>70961-G01</u>		RACK BOOT.....	1

FRONT SUSPENSION/STEERING

Where applicable, THE USE OF NON UL PARTS WILL VOID ANY UL LISTING.

When ordering parts, please specify the model and serial number of the product.

* Indicates a component that is not available as an individual part.

G** Indicates consult Customer Service Department for additional information.

ITEM	PART NO.	1	2	3	4	5	DESCRIPTION	QTY.
30	<u>12416-G2</u>						WIRE TIE	1
31	<u>11391-G8</u>						CLAMP, 1 13/16 - 2 3/8"	1
32	<u>70638-G01</u>						PINION SEAL	1
33	<u>70695-G01</u>						RACK BALL JOINT (INCLUDES ITEMS 34 -37)	1
34	<u>50641-G1</u>						RUBBER BOOT	1
35	<u>50209-G2</u>						CASTELLATED NUT, 7/16 - 20	1
36	<u>10387-G2</u>						GREASE FITTING, STRAIGHT	1
37	<u>10389-G3</u>						COTTER PIN, 3/32" X 1" LG	1
38	<u>00464-G6</u>						BOLT, 7/16 - 14 X 2 3/4" LG	3
39								
40	<u>70667-G02</u>						SPACER	3
41								
42								
43	<u>00560-G2</u>						FLAT WASHER, 7/16"	6
44	<u>00734-G1</u>						LOCK NUT, 7/16 - 14	3
45	<u>70607-G01</u>						STEERING SHAFT	1
46	<u>70758-G05</u>						STEERING COLUMN KIT (INCLUDES ITEMS 47,48 & 69)	1
47	<u>70610-G03</u>						STEERING COLUMN	1
48	<u>28569-G01</u>						STEERING COLUMN BUSHING	1
49	<u>70580-G01</u>						INTERMEDIATE SHAFT (INCLUDES ITEMS 50, 51)	1
50	<u>01055-G01</u>						BOLT, M8 X 1.25 - 05	1
51	<u>00565-G8</u>						LOCK WASHER, 5/16"	1
52	<u>70751-G01</u>						RETAINING RING (INTERNAL)	1
53	<u>70888-G01</u>						RETAINING RING (EXTERNAL)	1
54	<u>15112-G1</u>						BALL BEARING	1
55	<u>70887-G01</u>						WAVE WASHER	1
56	<u>602980</u>						STEERING WHEEL	1
57	<u>71950-G01</u>						CLIPBOARD	1
58	<u>14390-G2</u>						LOCK NUT, 5/8 - 18	1
59	<u>70876-G02</u>						TIE ROD ASSEMBLY (INCLUDES ITEMS 60 - 64)	1

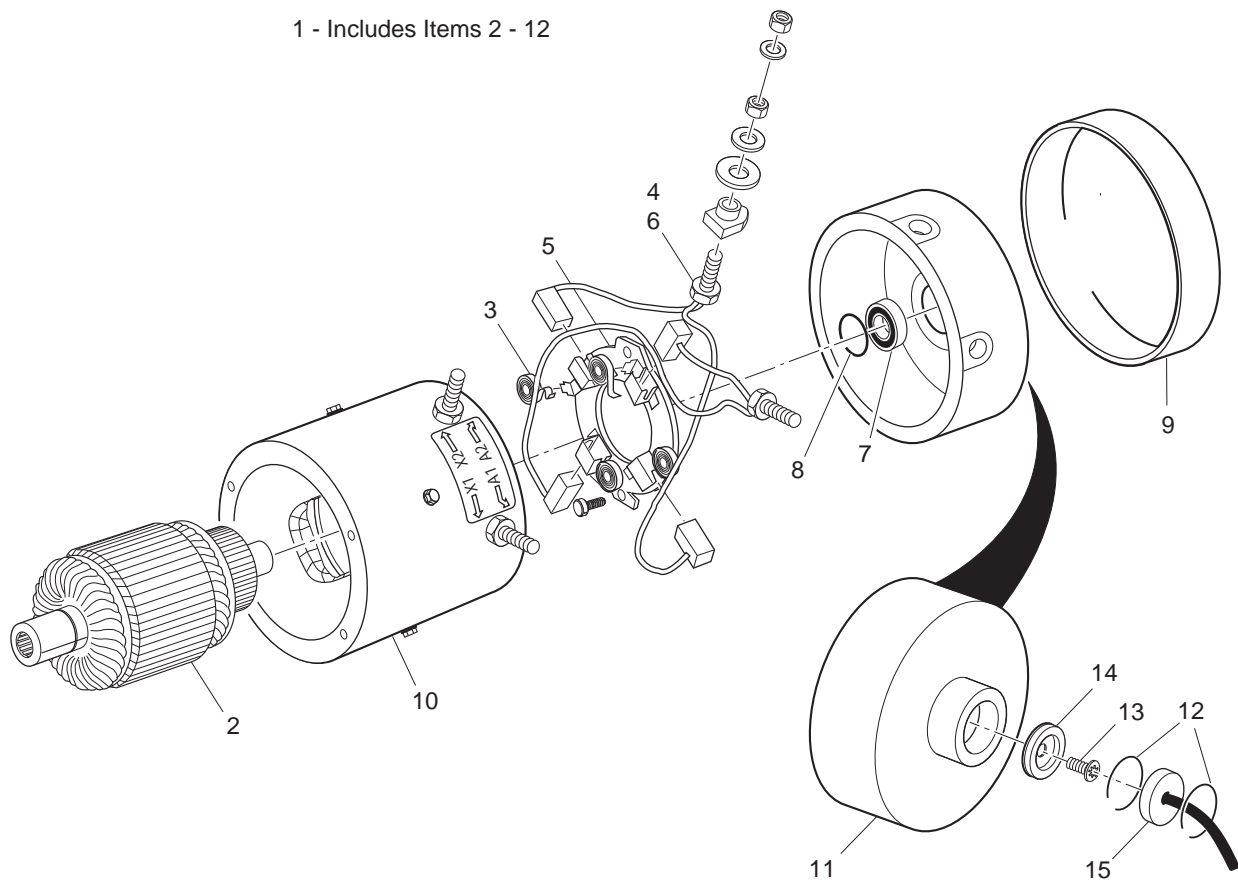
FRONT SUSPENSION/STEERING

Where applicable, THE USE OF NON UL PARTS WILL VOID ANY UL LISTING.
 When ordering parts, please specify the model and serial number of the product.
 * Indicates a component that is not available as an individual part.
 G** Indicates consult Customer Service Department for additional information.

ITEM	PART NO.	1 2 3 4 5	DESCRIPTION	QTY.
60	<u>70897-G02</u>		THREADED ROD (24" LG).....	1
61	<u>70902-G01</u>		TIE ROD END (LEFT HAND THREADS)	1
62	<u>01069-G01</u>		JAM NUT, M12 X 1.25 - 05 (LEFT HAND THREADS).....	1
63	<u>70902-G02</u>		TIE ROD END (RIGHT HAND THREADS).....	1
64	<u>01069-G02</u>		JAM NUT, M12 X 1.25 - 05 (RIGHT HAND THREADS)	1
65	<u>00734-G1</u>		LOCK NUT, 7/16 - 14	2
66				
67	<u>01006-G01</u>		BOLT, 3/8 - 16 x 1 1/4" LG.....	4
68	00879 -G1		LOCK WASHER, 3/8".....	4
69	<u>01022-G01</u>		SCREW #6 - 20 x 5/16" LG	1
70	<u>70648-G01</u>		FLANGED BEARING	1
71	<u>70749-G01</u>		BEARING	1

MOTOR

1 - Includes Items 2 - 12



MOTOR

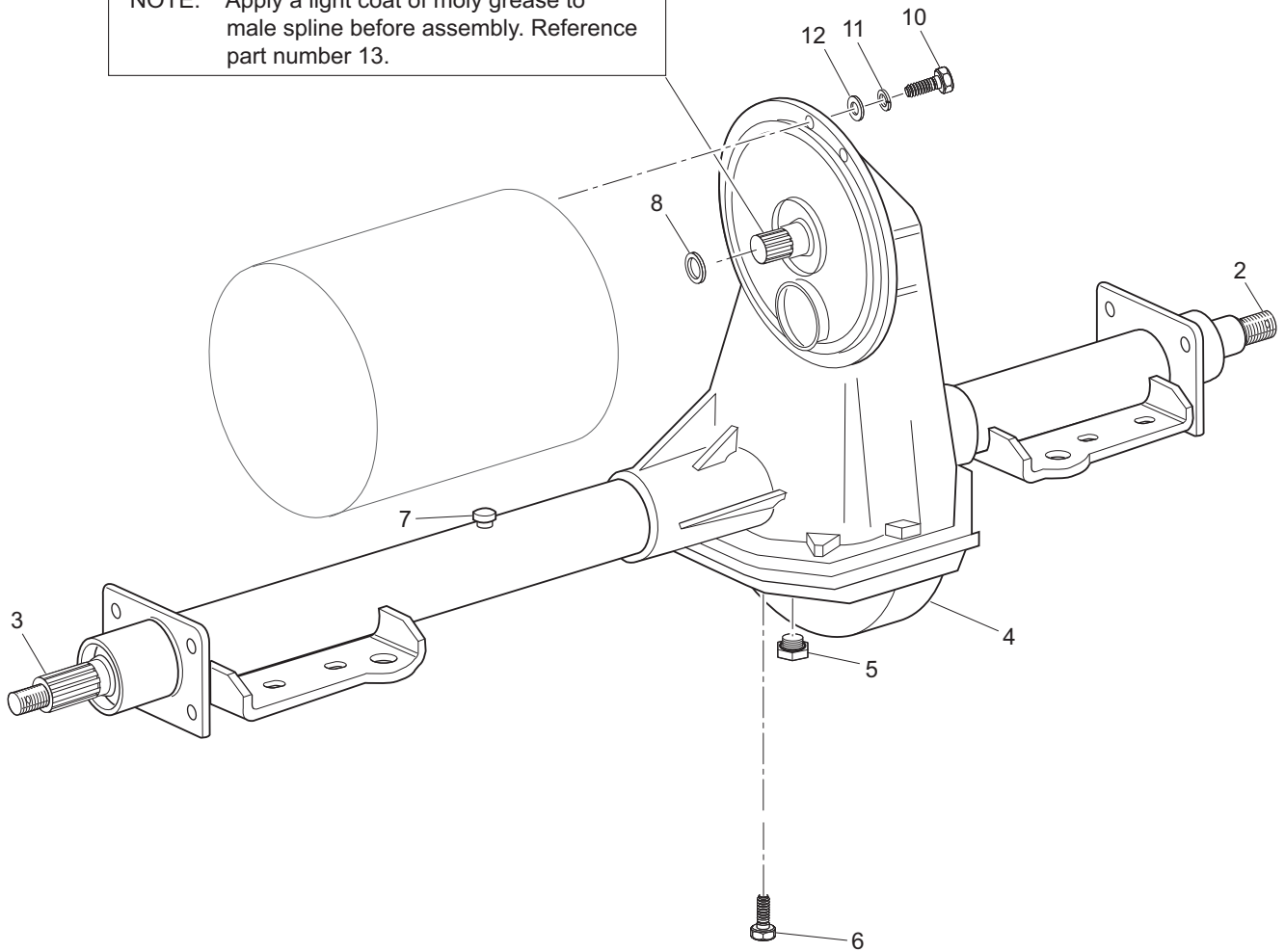
THE USE OF NON U.L. PARTS WILL VOID ANY U.L. LISTING.
 When ordering parts, please specify the model and serial number of the product.
 * Indicates a component that is not available as an individual part.
 G** Indicates consult Customer Service Department for additional information.

ITEM	PART NO.	1	2	3	4	5	DESCRIPTION	QTY.
1	<u>73291-G04</u>						MOTOR (SEPARATELY EXCITED) (PDS) (INCLUDES ITEMS 2-12).....	1
2	<u>73120-G36</u>						ARMATURE ASSEMBLY	1
3	<u>73120-G38</u>						BRUSH SPRING.....	8
4	<u>73120-G39</u>						BRUSH	1
5	<u>73120-G40</u>						BRUSH BOX ASSEMBLY.....	1
6	<u>73120-G41</u>						BRUSH REPLACEMENT KIT (INCLUDES HARDWARE)	1
7	<u>73120-G07</u>						BEARING	1
8	<u>73120-G06</u>						SNAP RING	1
9	<u>73120-G43</u>						HEADBAND	1
10	<u>73120-G37</u>						FRAME AND FIELD COIL (INCLUDES HARDWARE).....	1
11	<u>73120-G42</u>						COVER COMMUTATOR END	1
12	<u>73277-G01</u>						RETAINING RING.....	1
13	<u>01037-G02</u>						SCREW, #10 - 32 X 1/2" LG.....	1
14	<u>73328-G01</u>						MAGNET	1
15	<u>73327-G02</u>						SPEED SENSOR	1

REAR AXLE

1 - Includes Items 2 - 8

NOTE: Apply a light coat of moly grease to male spline before assembly. Reference part number 13.

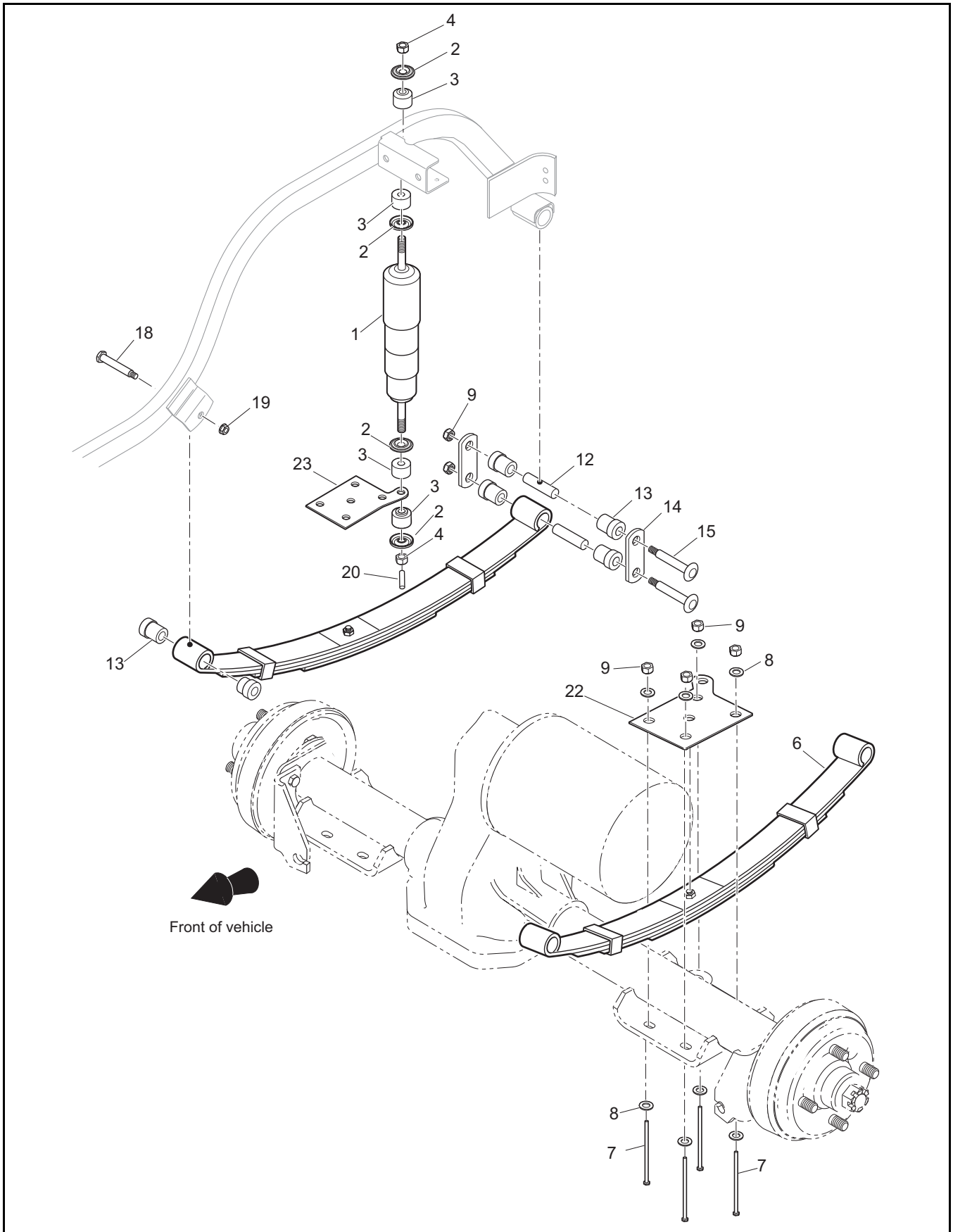


REAR AXLE

Where applicable, THE USE OF NON UL PARTS WILL VOID ANY UL LISTING.
 When ordering parts, please specify the model and serial number of the product.
 * Indicates a component that is not available as an individual part.
 G** Indicates consult Customer Service Department for additional information.

ITEM	PART NO.	1 2 3 4 5	DESCRIPTION	QTY.
1	<u>74612-G01</u>		REAR AXLE ASSEMBLY 14.76:1 (INCLUDES ITEMS 2 - 8)	1
2	<u>20377-G12</u>		AXLE SHAFT (PASSENGER SIDE)	1
3	<u>20377-G11</u>		AXLE SHAFT (DRIVER SIDE).....	1
4	*		DIFFERENTIAL COVER.....	1
5	<u>28610-G01</u>		FILL PLUG WITH 'O' RING.....	1
6	<u>15558-G1</u>		BOLT, 5/16 - 18 X 3/4" LG.....	10
7	<u>73050-G01</u>		VENT	1
8	73356-P01		O-RING INPUT SHAFT	1
9				
10	<u>00797-G2</u>		BOLT, 1/4 - 20 X 1 1/4" LG	3
11	<u>00565-G7</u>		LOCK WASHER, 1/4" (STAINLESS STEEL)	3
12	<u>00559-G7</u>		WASHER, 1/4" (STAINLESS STEEL)	3
13	27023-G01		MOLY GREASE.	AR

REAR SUSPENSION



REAR SUSPENSION

THE USE OF NON U.L. PARTS WILL VOID ANY U.L. LISTING.

When ordering parts, please specify the model and serial number of the product.

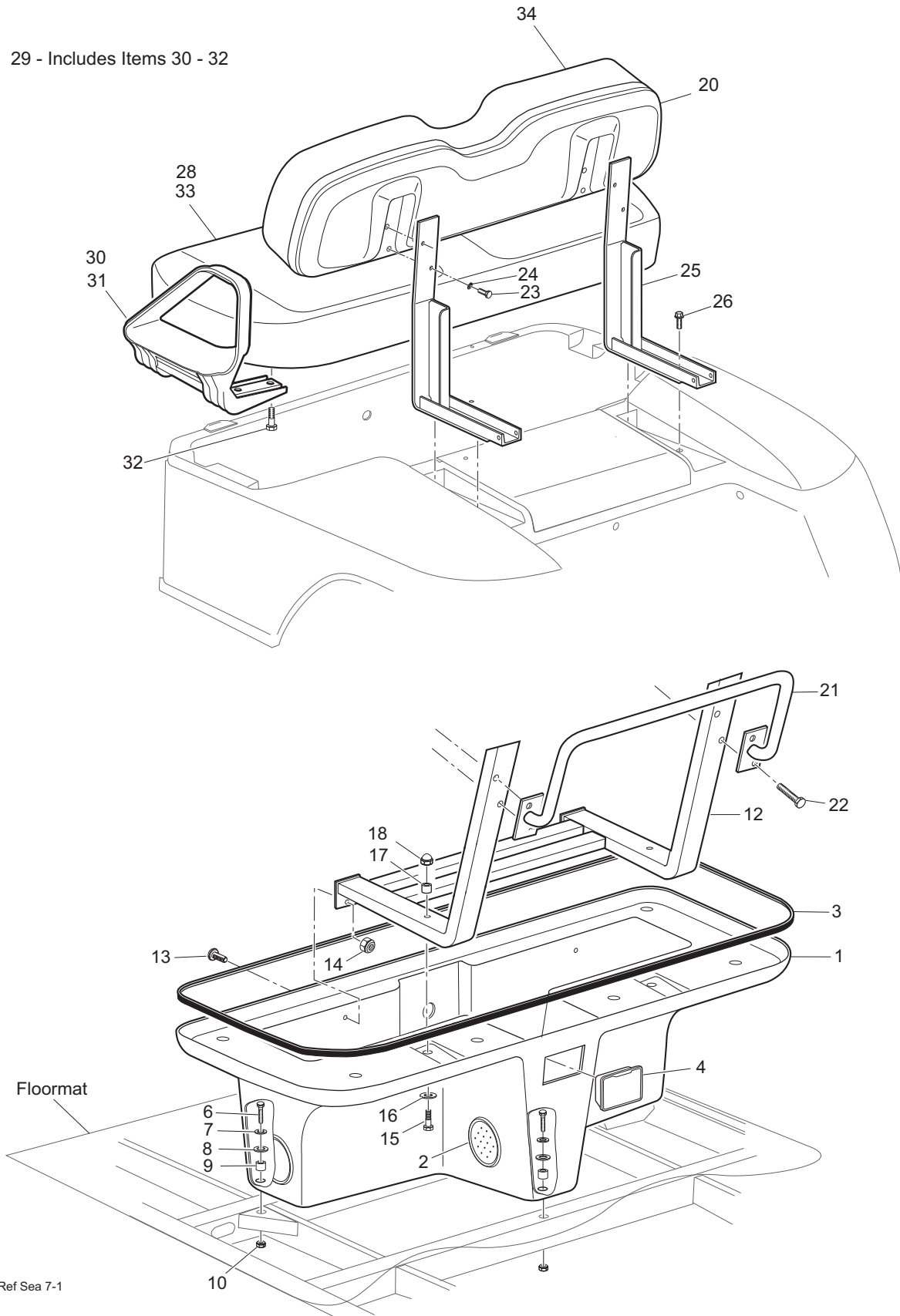
* Indicates a component that is not available as an individual part.

G** Indicates consult Customer Service Department for additional information.

ITEM	PART NO.	1 2 3 4 5	DESCRIPTION	QTY.
1	<u>76418-G01</u>		SHOCK ABSORBER.....	2
2	<u>10435-G1</u>		SHOCK ABSORBER WASHER.....	8
3	<u>10194-G1</u>		RUBBER SHOCK ABSORBER BUSHING.....	8
4	<u>00532-G6</u>		NUT, 3/8 - 24.....	4
5				
6	<u>74207-G03</u>		LEAF SPRING (HEAVY DUTY).....	2
7	<u>00430-G12</u>		SCREW, CAP HEX HEAD, 3/8 - 16.....	8
8	<u>00560-G1</u>		WASHER, 3/8".....	16
9	<u>11098-G5</u>		LOCK NUT, 3/8 - 16.....	12
10				
11				
12	<u>70289-G02</u>		SPACER.....	4
13	<u>70291-G01</u>		RUBBER BUSHING.....	12
14	<u>70290-G02</u>		SHACKLE PLATE.....	4
15	<u>00665-G9</u>		BOLT, 3/8 - 16 X 3 1/2" LG (STAINLESS STEEL).....	4
16				
17				
18	<u>14158-G1</u>		SHOULDER BOLT, 3/8 - 16 X 3 1/4" LG.....	2
19	<u>12262-G1</u>		LOCK NUT, 3/8 - 16.....	2
20	<u>10044-G01</u>		VINYL CAP.....	2
21				
22	<u>72360G02</u>		PLATE, MOUNTING , SHOCK (DRIVER SIDE).....	1
23	<u>72360G01</u>		PLATE, MOUNTING, SHOCK (PASSENGER SIDE).....	1

SEATING

29 - Includes Items 30 - 32



SEATING

THE USE OF NON U.L. PARTS WILL VOID ANY U.L. LISTING.

When ordering parts, please specify the model and serial number of the product.

* Indicates a component that is not available as an individual part.

G** Indicates consult Customer Service Department for additional information.

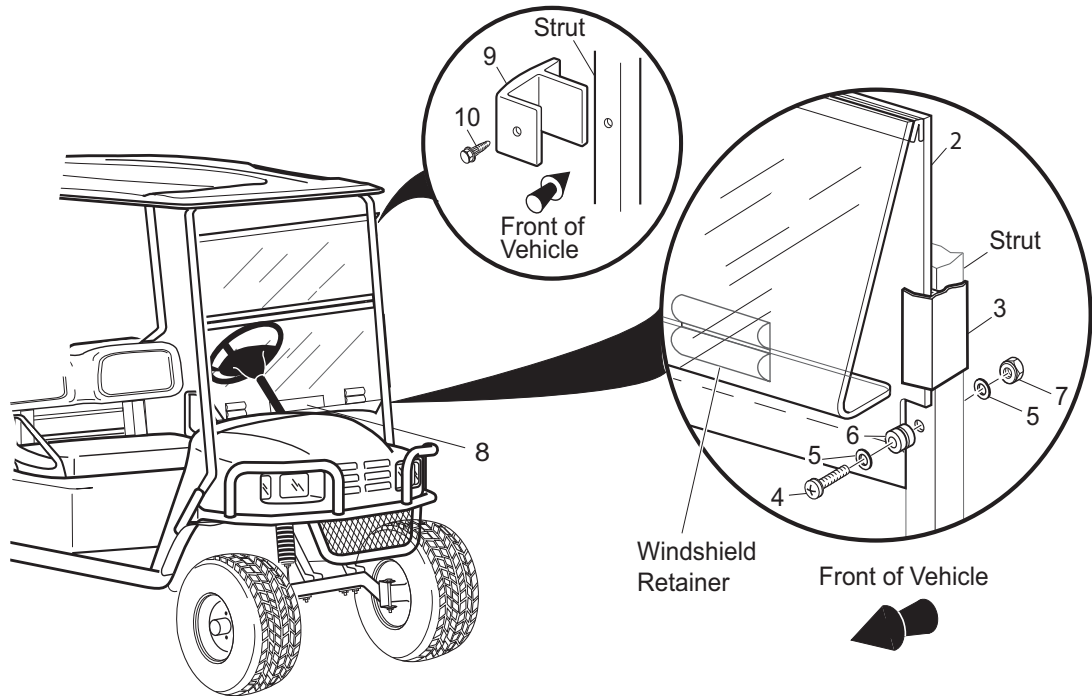
ITEM	PART NO.	1 2 3 4 5	DESCRIPTION	QTY.
1	70836-G00*		SEAT POD	1
2	<u>71599-G01</u>		VENT PLUG	4
3	<u>32805-G6</u>		TRIM, BLACK.....	1
4	27731-G01		ASHTRAY	1
5				
6	00439-G8		BOLT, 5/16 - 18 X 2" LG	3
7	<u>00675-G1</u>		WASHER, 1 1/4" X 3/8".....	3
8	<u>71883-G01</u>		RUBBER WASHER, 5/8"	3
9	<u>23726-G9</u>		SPACER, 3/4".....	3
10	11098-G6		LOCK NUT, 5/16 - 18	3
11				
12	71868 -G01		SEAT BACK SUPPORT	2
13	<u>00976-G06</u>		SCREW, 5/16 - 18 X 3/4" LG.....	2
14	11098-G6		LOCK NUT, 5/16 - 18	2
15	<u>00427-G8</u>		BOLT, 3/8 - 16 X 2" LG	2
16	<u>00675-G1</u>		WASHER, 1 1/4" X 3/8".....	2
17	<u>23726-G4</u>		SPACER, 5/16".....	2
18	<u>15717-G5</u>		ACORN NUT, 3/8 - 16	2
19				
20	<u>606828</u>		SEAT BACK ASSEMBLY	1
21	<u>71632-G01</u>		HAND GRIP	1
22	<u>71204-G02</u>		BOLT, 1/4 - 20 X 2" LG	4
23	<u>00661G8</u>		SCREW, 1/4 - 20 X 1"	4
24	<u>00664G7</u>		LOCK WASHER, 1/4".....	4
25	<u>74137-G01</u>		SEAT BACK SUPPORT	2
26	<u>01006-G02</u>		BOLT, 3/8 - 16 X 1 1/4" LG	4
27				
28	<u>71625-G01</u>		SEAT BOTTOM	1
29				
30	71702-G01		HIP RESTRAINT, REAR SEAT (DRIVER SIDE).....	1

SEATING

THE USE OF NON U.L. PARTS WILL VOID ANY U.L. LISTING.
 When ordering parts, please specify the model and serial number of the product.
 * Indicates a component that is not available as an individual part.
 G** Indicates consult Customer Service Department for additional information.

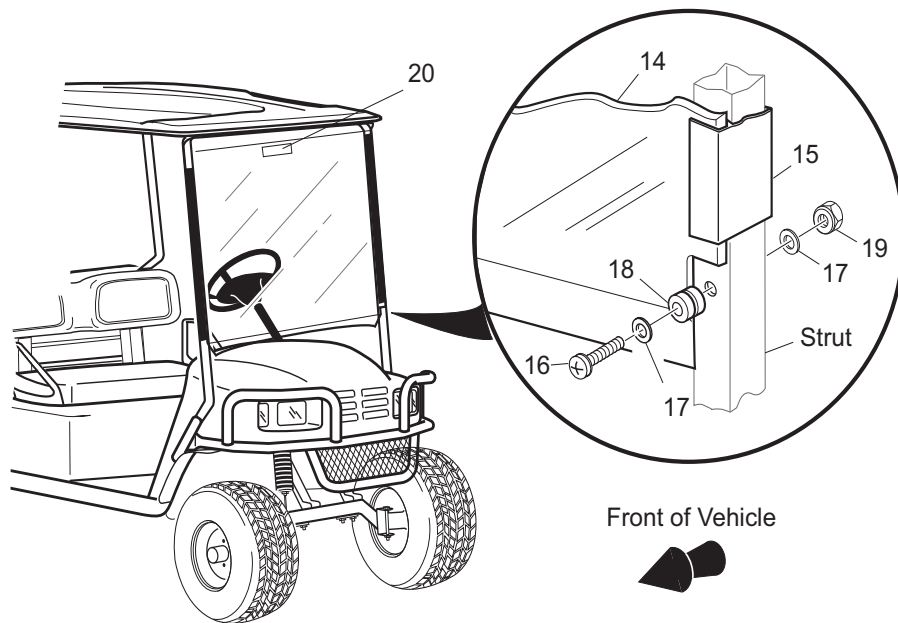
ITEM	PART NO.	1 2 3 4 5	DESCRIPTION	QTY.
31	71701-G01		HIP RESTRAINT, REAR SEAT (PASSENGER SIDE)	1
32	71204-G01		BOLT, 1/4 - 20	1
33	604912-G**		TWO TONE VINYL SEAT BOTTOM	1
34	604916-G**		TWO TONE VINYL SEAT BACK.....	1

WEATHER PROTECTION



WINDSHIELD (4-CADDY)

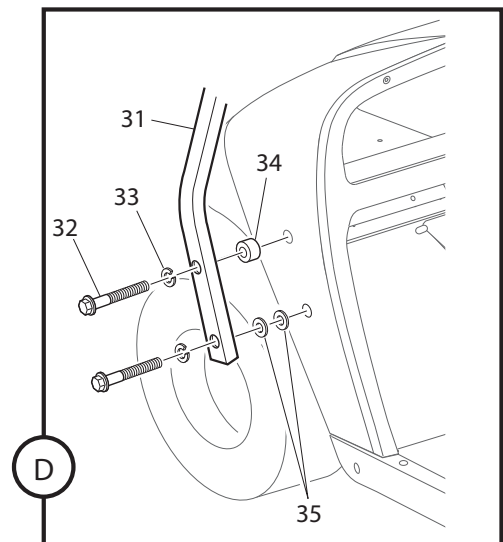
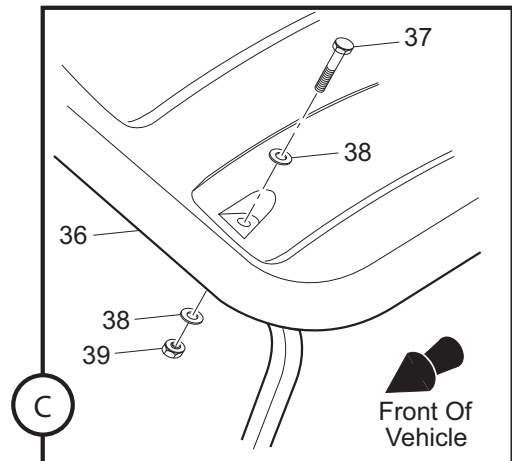
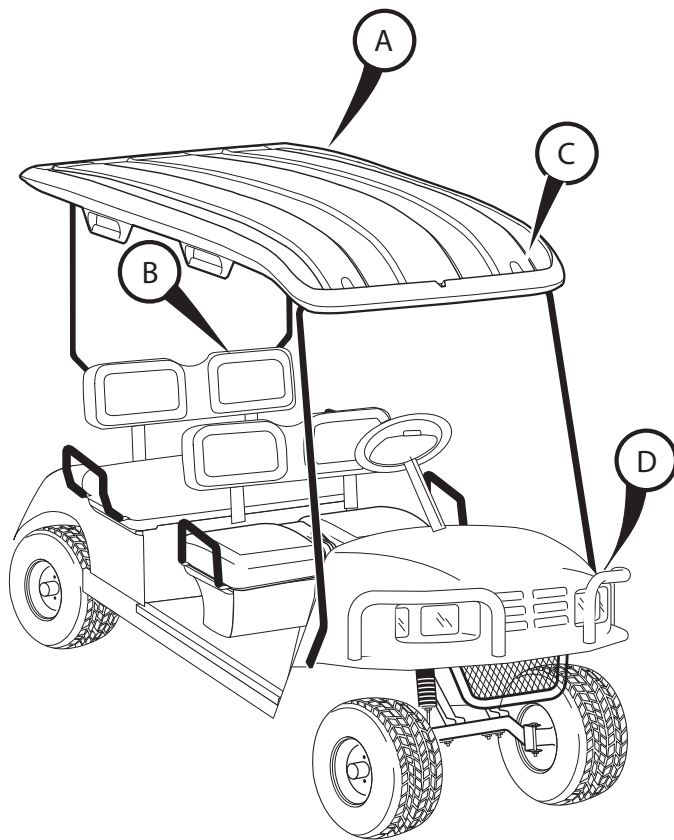
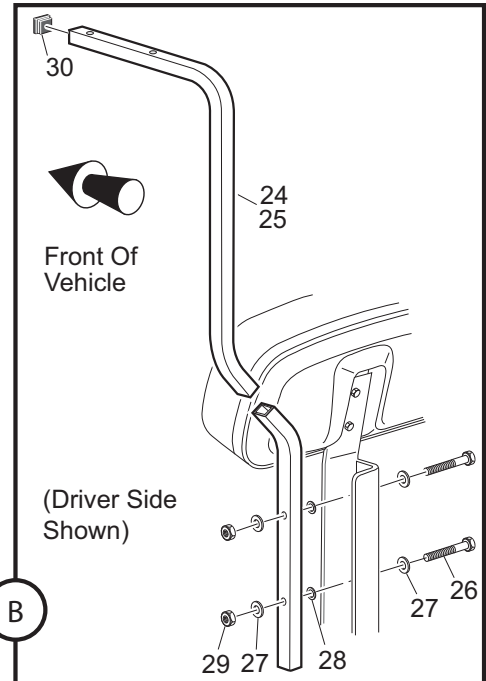
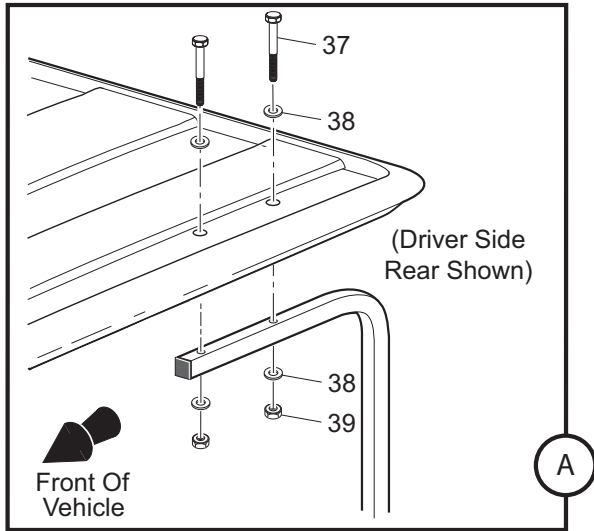
1 - Includes Items 2 - 10



WINDSHIELD (GOLF CAR)

13 - Includes Items 14 - 20

WEATHER PROTECTION



WEATHER PROTECTION

THE USE OF NON U.L. PARTS WILL VOID ANY U.L. LISTING.

When ordering parts, please specify the model and serial number of the product.

* Indicates a component that is not available as an individual part.

G** Indicates consult Customer Service Department for additional information.

ITEM	PART NO.	1 2 3 4 5	DESCRIPTION	QTY.
1	75525G02		WINDSHIELD KIT, SPLIT,CLEAR, 4-CADDY (INCLUDES ITEMS 2 - 10)	1
2	E4WSX03		WINDSHIELD (4-CADDY)	1
3	EGWHC10		SASH, 12"	2
4	EGWHS12		SCREW, 1/4 - 20 X 1 3/4" LG (STAINLESS STEEL)	2
5	EGWHW12		WASHER, 1/4" (STAINLESS STEEL)	4
6	EGWHG13		RUBBER GROMMET	2
7	EGWHN12		LOCK NUT, 1/4 - 20 (STAINLESS STEEL)	2
8	EGWHL14		SAFETY LABEL	1
9	137-011		TOP GRIP, 1" X 2"	2
10	136-008		TOP GRIP FASTENER	2
11				
12				
13	<u>75524G01</u>		WINDSHIELD KIT, FLAT - CLIP ON CLEAR (INCLUDES ITEMS 14 - 20)	1
14	EGWFX03		WINDSHIELD (GOLF CAR)	1
15	EGWHC12		SASH, 26" LG	2
16	EGWHS12		SCREW, 1/4 - 20 X 1 3/4" LG (STAINLESS STEEL)	2
17	EGWHW12		WASHER, 1/4" (STAINLESS STEEL)	4
18	EGWHG13		RUBBER GROMMET	2
19	EGWHN12		LOCK NUT, 1/4 - 20 (STAINLESS STEEL)	2
20	EGWHL14		SAFETY LABEL	1
21				
22				
23	<u>75282G02</u>		SUN TOP KIT (INCLUDES ITEMS 24 - 39)	1
24	<u>75274-G01</u>		REAR SUPPORT (DRIVER SIDE)	1
25	<u>75274-G02</u>		REAR SUPPORT (PASSENGER SIDE)	1
26	<u>00665-G5</u>		BOLT, 3/8 - 16 X 1 3/4" LG (STAINLESS STEEL)	4
27	<u>00679-G1</u>		WASHER, 3/8" (STAINLESS STEEL)	8
28	<u>00771-G5</u>		NYLON WASHER, 3/8"	4
29	<u>00891-G5</u>		LOCK NUT, 3/8 - 16	4
30	<u>19853-G1</u>		END CAP, 1"	2

WEATHER PROTECTION

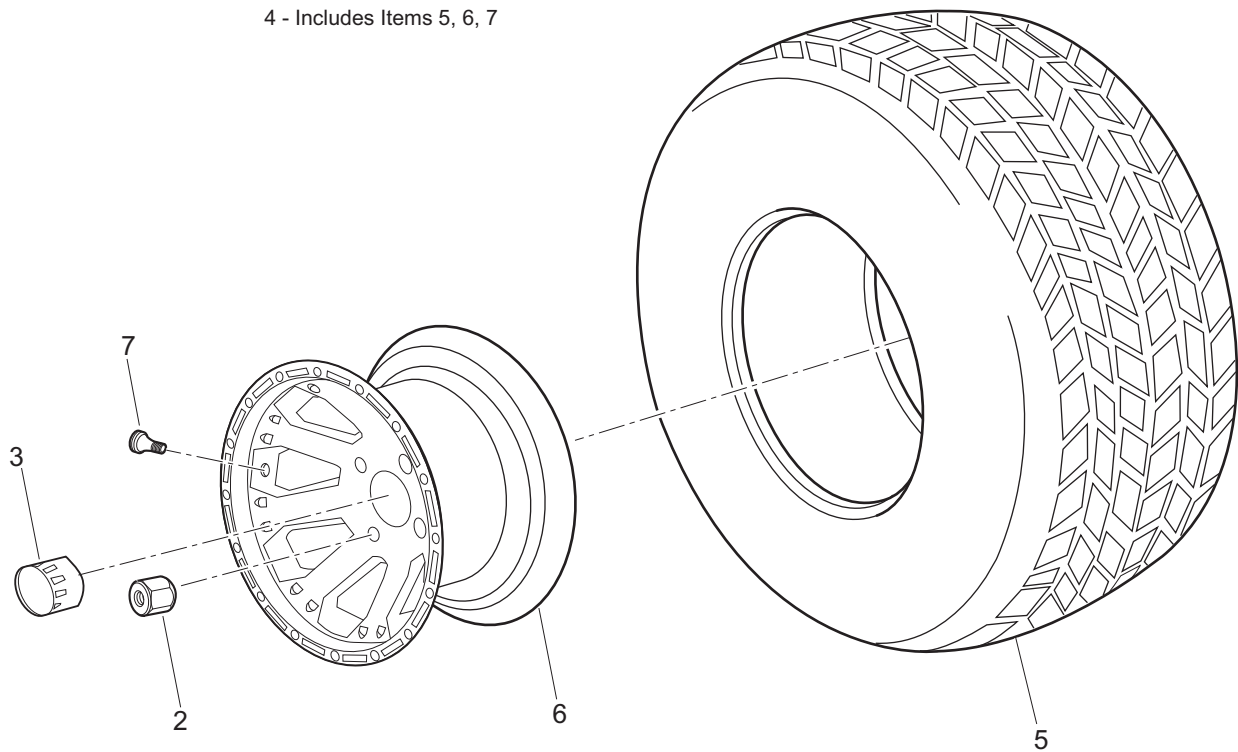
THE USE OF NON U.L. PARTS WILL VOID ANY U.L. LISTING.
 When ordering parts, please specify the model and serial number of the product.
 * Indicates a component that is not available as an individual part.
 G** Indicates consult Customer Service Department for additional information.

ITEM	PART NO.	1 2 3 4 5	DESCRIPTION	QTY.
31	<u>75045-G03</u>		FRONT SUPPORT	1
32	00440-G02		BOLT, 5/16 - 18 X 2 1/4" LG.....	4
33	<u>00905-G8</u>		LOCK WASHER, 5/16"	4
34	<u>75048-G01</u>		SPACER, 1/2"	2
35	<u>00879-G1</u>		LOCK WASHER, 3/8"	4
36	<u>75266-G02</u>		SUN TOP	1
37	00753-G6		SCREW, 1/4 - 20 X 2 1/4" LG (STAINLESS STEEL).....	8
38	<u>00915-G1</u>		WASHER, 1/4"	8
39	<u>14390-G4</u>		LOCK NUT, 1/4 - 20 (STAINLESS STEEL).....	8

WHEELS AND TIRES

1 - Includes Items 2, 3, 4

4 - Includes Items 5, 6, 7



(Style of tire may differ from tire shown)

WHEELS AND TIRES

Where applicable, THE USE OF NON UL PARTS WILL VOID ANY UL LISTING.
 When ordering parts, please specify the model and serial number of the product.
 * Indicates a component that is not available as an individual part.
 G** Indicates consult Customer Service Department for additional information.

ITEM	PART NO.	1	2	3	4	5	DESCRIPTION	QTY.
1	607253						TIRE AND WHEEL ASSEMBLY	AR
2	<u>606925</u>						LUG NUT.....	AR
3	<u>606835</u>						CENTER CAP	1
4	<u>607252</u>						WHEEL ASSEMBLY	1
5	<u>606142</u>						TIRE 23 x 10.5 x 12	1
6	<u>606149</u>						WHEEL RIM.....	1
7	<u>604915</u>						VALVE STEM.....	1

SPECIALTY PRODUCTS

SPECIALTY PRODUCTS

SPECIALTY PRODUCTS

SPECIAL TOOLS	PART NO.
BATTERY MAINTENANCE KIT	25587-G01
BATTERY SET DISCHARGER, 36 VOLT, 75 AMP	28251-G01
DIGITAL MULTI-METER	27481-G01
E-Z-GO RESTORER FIBERGLASS & PLASTIC	606313
E-Z-GO W/SHIELD AND PLASTIC PROTECTOR.....	606314

TOUCH UP PAINT	PART NO.
PEN 3 OUNCE (89 ML) - HUNTER GREEN	28432-G02
PEN 3 OUNCE (89 ML) - CHAMPAGNE BEIGE	28432-G01
PEN 3 OUNCE (89 ML) - WHITE	28432-G05
PEN 3 OUNCE (89 ML) - INDUSTRIAL YELLOW.....	28432-G03
PEN 3 OUNCE (89 ML) - ORANGE	28432-G04
PEN 3 OUNCE (89 ML) - STEEL BLUE PEARL	28432-G**
PEN 3 OUNCE (89 ML) - CAMOUFLAGE PAINT (THREE PENS)	75831-G01
AEROSOL 12 OUNCE (360 ML) - HUNTER GREEN	28140-G09
AEROSOL 12 OUNCE (360 ML) - CHAMPAGNE BEIGE	28140-G15
AEROSOL 12 OUNCE (360 ML) - INDUSTRIAL YELLOW.....	28140-G14
AEROSOL 12 OUNCE (360 ML) - STEEL BLUE PEARL	28140-G**

MAINTENANCE PRODUCTS	PART NO.
FORMULA 40 VINYL-COAT® - WHITE	28166-G01
PLEXUS® CLEANER, 7 OUNCE (210 ML) (FOR WINDSHIELDS)	28433-G01
PLEXUS® CLEANER, 13 OUNCE (380 ML) (FOR WINDSHIELDS)	28433-G02
BATTERY PROTECTOR, 14 OUNCE (410 ML) SPRAY	75500-G01
WHITE LITHIUM GREASE, 14 OUNCE (410 ML) SPRAY.....	75502-G01
PENETRANT/LUBRICANT, 15 OUNCE (440 ML) SPRAY	75503-G01
MULTI-PURPOSE CLEANER & DEGREASER, 14 OUNCE (410 ML) SPRAY	75504-G01
MULTI-PURPOSE HAND CLEANER, 32 OUNCE (950 ML) LIQUID	75505-G01
BATTERY CLEANER, 32 OUNCE (950 ML) WITH TRIGGER SPRAYER.....	75506-G01
E-Z-GO ALL SURFACE CLEANER	606311
E-Z-GO BATTERY TERMINAL PROTECTOR	606312
TUBELESS TIRE REPAIR KIT	606009
TIRE PLUGGER REFILL PACK (50/BOX)	606831

SPECIALTY PRODUCTS

BIO-DEGRADABLE CLEANER, 32 OUNCE (950 ML) WITH TRIGGER SPRAYER..... 75507-G01

MULTI-PURPOSE VALUE PACK..... 75508-G01

- BATTERY PROTECTOR, 4 OUNCE (120 ML) SPRAY
- PENETRANT/LUBRICANT, 4 OUNCE (120 ML) SPRAY
- WHITE LITHIUM GREASE, 4 OUNCE (120 ML) SPRAY
- CARBURETOR & CHOKE CLEANER, 4 OUNCE (120 ML) SPRAY



A Textron Company

E-Z-GO Division Of Textron, Inc.,
1451 Marvin Griffin Road, Augusta, Georgia USA 30906-3852

TO CONTACT US

North America:

Technical Assistance & Warranty Phone: 1-800-774-3946, FAX: 1-800-448-8124
Service Parts Phone: 1-888-GET-EZGO (1-888-438-3946), FAX: 1-800-752-6175

International:

Phone: 001-706-798-4311, FAX: 001-706-771-4609

Certified ISO 9001 / ISO 14001 by



Copyrighted Material
This manual may not be reproduced in whole or
in part without the express permission of
E-Z-GO Division of Textron, Inc.
Technical Communications Department