

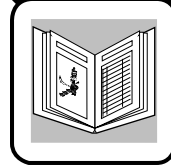
620388



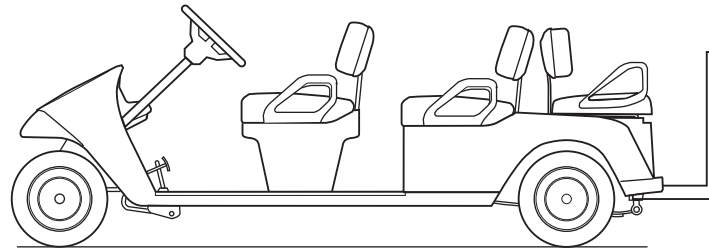
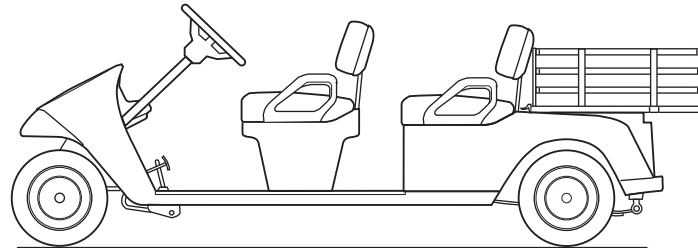
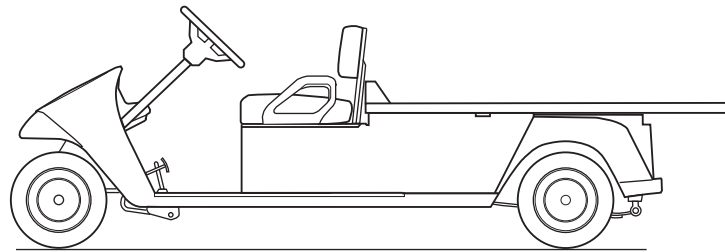
A Textron Company



A Textron Company



SERVICE PARTS MANUAL



GASOLINE POWERED PERSONNEL CARRIERS AND GOLF CAR

ISSUED APRIL 2008

REVISED MAY 2012

SERVICE PARTS MANUAL

GASOLINE POWERED PERSONNEL CARRIERS AND GOLF CARS

SHUTTLE/BELLHOP 2

SHUTTLE/BELLHOP 4

SHUTTLE/BELLHOP 6

STARTING MODEL YEAR 2008

The E-Z-GO Division of Textron Inc. reserves the right to incorporate engineering and design changes to products in this Manual, without obligation to include these changes on units leased/sold previously.

The information contained in this Manual may be revised periodically by the E-Z-GO Division, and therefore is subject to change without notice.

The E-Z-GO Division **DISCLAIMS LIABILITY FOR ERRORS IN THIS MANUAL**, and the E-Z-GO Division **SPECIFICALLY DISCLAIMS LIABILITY FOR INCIDENTAL AND CONSEQUENTIAL DAMAGES** resulting from the use of the information and materials in this Manual.

TO CONTACT US

NORTH AMERICA:

TECHNICAL ASSISTANCE & WARRANTY PHONE: 1-800-774-3946, FAX: 1-800-448-8124

SERVICE PARTS PHONE: 1-888-GET-EZGO (1-888-438-3946), FAX: 1-800-752-6175

INTERNATIONAL: PHONE: 001-706-798-4311, FAX: 001-706-771-4609

E-Z-GO DIVISION OF TEXTRON, INC., 1451 MARVIN GRIFFIN ROAD, AUGUSTA, GEORGIA USA 30906-3852

GENERAL INFORMATION

This vehicle has been designed and manufactured in the United States of America (USA) as a 'World Vehicle'. The Standards and Specifications listed in the following text originate in the USA unless otherwise indicated.

The use of non Original Equipment Manufacturer (OEM) approved parts may void the warranty.

Overfilling battery may void the warranty.

Tampering with or adjusting the governor to permit vehicle to operate at above factory specifications will void the vehicle warranty.

When servicing engines, all adjustments and replacement components must be per original vehicle specifications in order to maintain the United States of America Federal and State emission certification applicable at the time of manufacture.

BATTERY PROLONGED STORAGE

All batteries will self discharge over time. The rate of self discharge varies depending on the ambient temperature and the age and condition of the batteries.

A fully charged battery will not freeze in winter temperatures unless the temperature falls below -75° F (-60° C).

TABLE OF CONTENTS

SECTION	Page No.
HOW TO USE THE SERVICE PARTS MANUAL	V
ACCELERATOR	A-1
• Pedal Cover	
• Pedal Box Assembly	
• Accelerator Pedal Assembly	
AIR FILTER	B-1
• Air Cleaner Element	
• Air Filter Housing	
• Air Cleaner Hose	
BODY	C-1
• Front Bumper	
• Front Splash Shield	
• Cowl	
• Instrument Panel	
• Rocker Panels	
• Rear Body	
• Seat Support	
BRAKES - FRONT DISC	D-1
• Brake Pedal Pad	
• Brake Pedal	
• Brake Compensator Assembly	
• Spindle Calliper Disc Hub Assembly	
BRAKES - MECHANICAL	E-1
• Brake Pedal Pad	
• Brake Pedal	
• Brake Cable	
• Brake Drum Assembly	
CARBURETOR	F-1
• Carburetor	
• Main Jet	
• Choke Cable	
CLUTCH	G-1
• Drive Clutch	
• Driven Clutch	
DIRECTION SELECTOR	H-1
• Push/Pull Shifter Cable	
• Compression Spring	
• Neutral Lock Bracket	
ELECTRICAL SYSTEM	J-1
• Main Harness	
• Battery	
• Hour Meter	
• Ground Cable	
• Turn Signal	
• Headlight	
• Key Switch	
• Tail Lights	

TABLE OF CONTENTS

SECTION	Page No.
ENGINE AND MUFFLER	K-1
• Engine	
• Muffler	
• Oil Dip Stick	
• Oil Filter	
ENGINE MOUNTING	L-1
• Engine Pan Mount	
• Front Engine Mount	
FRONT SUSPENSION AND STEERING	M-1
• Strut	
• Spindle	
• Steering Box	
• Steering Column	
• Steering Wheel	
FUEL SYSTEM	N-1
• Fuel Tank	
• Pulse Line	
REAR AXLE	P-1
• Axle Shaft	
• Axle Tube	
• Oil Check Plug	
REAR SUSPENSION	Q-1
• Shocks	
• Leaf Spring	
• Shackles	
SEATING	R-1
• Seat Bottom	
• Seat Back	
• Hip Restraints	
• Seat Back Support	
• Seat Bottom, Rear Facing Seat	
STARTER / GENERATOR	S-1
• Starter	
• Starter Belt	
• Starter Tensioner	
WEATHER PROTECTION	T-1
• Sun Top	
• Windshield	
WHEELS AND TIRES	U-1
• Tire & Wheel Assembly	
• Lug Nuts	

HOW TO USE THE SERVICE PARTS MANUAL

This manual is divided into several sections:

GENERAL INFORMATION

- TABLE OF CONTENTS
- HOW TO USE THE SERVICE PARTS MANUAL

ILLUSTRATED PARTS BREAKDOWN

- Contains illustrations and parts lists for all systems of the vehicle.

USE OF THE MANUAL

To use this manual, consult the TABLE OF CONTENTS (page iii) to locate the information or illustration required.

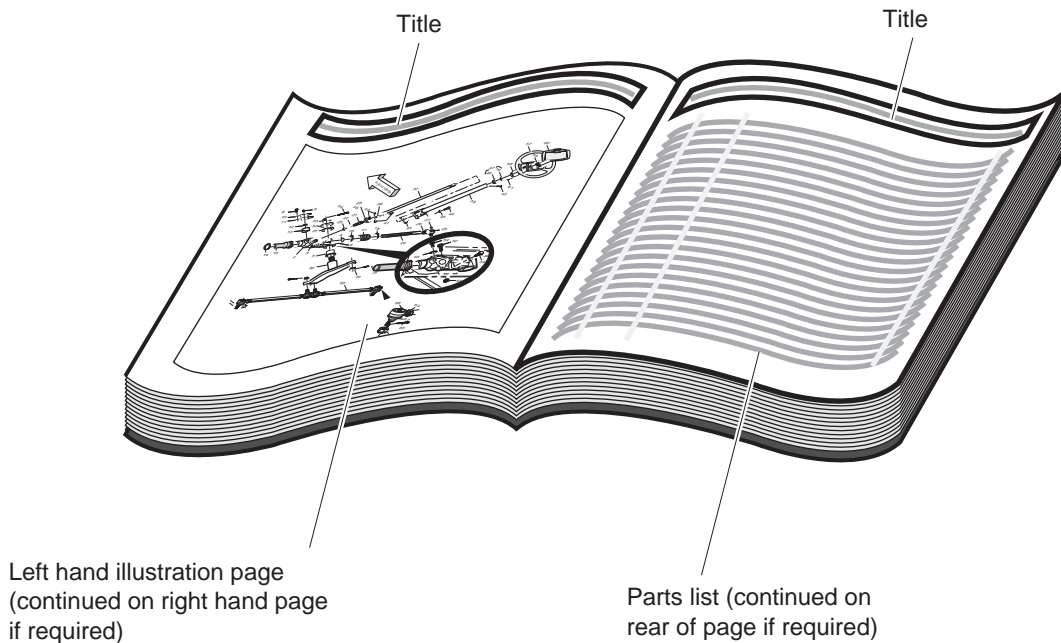
Introduction of some revisions varies due to supply of components; therefore, it is possible that various combinations of components may be found that are not directly reflected by each illustration. Consult the illustration that best suits your situation. Locate the serial number. It is important that the serial number of your vehicle and its model number be supplied to Service Parts when ordering any replacement components.

SERIAL NUMBER LOCATION

Three serial number and manufacture date code labels are on the vehicle. One is placed on the steering column, the second is located on the frame member under the front splash shield on the driver side and the third is located on the passenger side frame rail at the rear of the vehicle.

In order to obtain correct components for the vehicle, the manufacture date code, serial number and vehicle model must be provided when ordering service parts.

HOW TO USE THE SERVICE PARTS MANUAL



1. WHEN THE PART NUMBER IS NOT KNOWN

- Determine the function and application of the part required. Turn to the TABLE OF CONTENTS and select the most appropriate component description.
- Turn to the page number indicated and locate the part description in the parts list. Read the full accompanying description for specific information regarding the part that was not shown in the index.
- From the parts list, obtain the item number assigned to it and confirm that the part selected is correct by verifying it with the pictorial representation on the illustrated page.

Should an asterisk (*) appear in the part number column on the parts list page, read upwards until a part number is found. The part number is the lowest assembly sold by Service Parts. The asterisk (*) indicates that the part depicted is not available for purchase.

NOTE: Descriptions are indented under the assembly that they are used on. That assembly is, in turn listed under the assembly that it is used on. This process is repeated until the highest final assembly is reached.

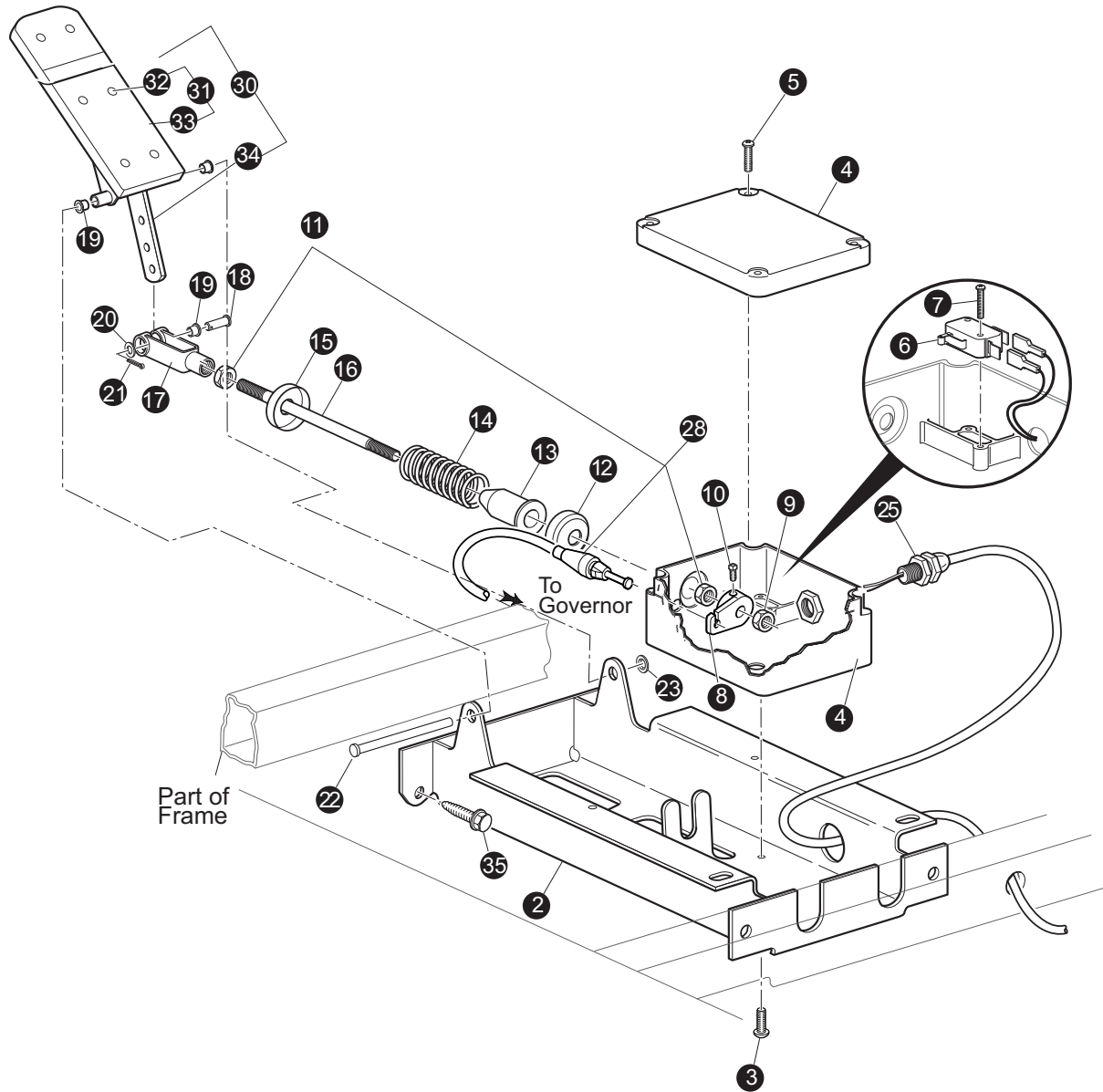
To facilitate the maintenance and repair of the vehicle, a Technician's Repair and Service Manual is available from the Service Parts Department.

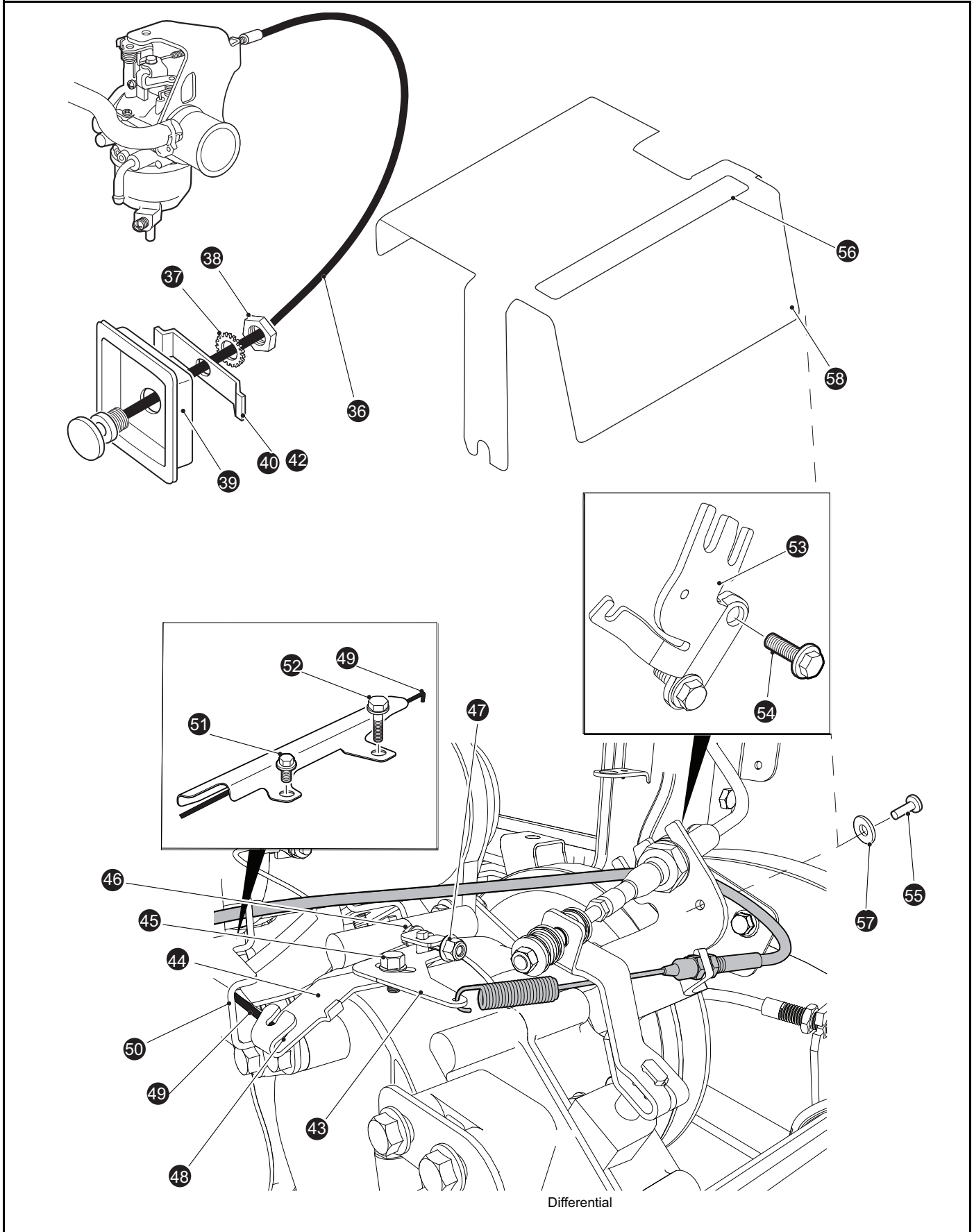
ILLUSTRATED PARTS BREAKDOWN

ILLUSTRATED PARTS BREAKDOWN

ACCELERATOR

1 - Includes Items 3 - 39





ACCELERATOR

When ordering parts, please specify the model and serial number of the product.

* Indicates a component that is not available as an individual part.

*** Indicates consult Customer Service Department for additional information.

ITEM	PART NO.	1 2 3 4 5	DESCRIPTION	QTY.
1	<u>606992</u>		PEDAL BOX ASSEMBLY (INCLUDES ITEMS 2 - 39,	1
2	70116G02		ACCELERATOR PEDAL BRACKET	1
3	<u>01051G01</u>		SCREW, #8 - 16 X 1/2" LG	4
4	<u>25853G03</u>		PEDAL BOX AND COVER	1
5	<u>00684G6</u>		SCREW, #8 - 32 X 3/4" LG (STAINLESS STEEL)	2
6	<u>25861G01</u>		MICRO SWITCH	1
7	<u>01050G01</u>		SCREW, #4 - 20 X 5/8" LG	2
8	<u>72716G01</u>		MICRO SWITCH CAM	1
9	<u>15126G1</u>		LOCK NUT, 5/16 - 24	1
10	<u>00487G3</u>		SETSCREW, 1/4 - 20 X 3/8" LG	1
11	<u>00532G4</u>		NUT, 5/16 - 24	2
12	<u>17677G1</u>		SPRING RETAINER	1
13	<u>17979G1</u>		ACCELERATOR ROD BUSHING	1
14	<u>73046G01</u>		COMPRESSION SPRING	1
15	<u>17677G2</u>		SPRING RETAINER	1
16	72072G01		ACCELERATOR ROD	1
17	10385G4		CLEVIS YOKE (ADJUSTABLE)	1
18	<u>10386G3</u>		CLEVIS PIN, 5/16" X 13/16" LG	1
19	<u>17838G1</u>		NYLON BUSHING	3
20	<u>17255G1</u>		TEFLON WASHER, 5/16"	1
21	<u>10387G3</u>		COTTER PIN, 3/32" X 3/4" LG	1
22	<u>74432G01</u>		PEDAL PIVOT PIN	1
23	<u>12064G6</u>		PUSH NUT, 9/32"	1
24	12730G1		WHEEL BEARING GREASE (NOT ILLUSTRATED)	A/R
25	<u>72201G04</u>		WIRE HARNESS (PEDAL BOX)	1
26				
27				
28	<u>608618</u>		ACCELERATOR CABLE	1
29				
30	<u>25799G03</u>		ACCELERATOR PEDAL ASSEMBLY (INCLUDES ITEMS 31- 33)	1
31	<u>27844G01</u>		ACCELERATOR PEDAL PAD KIT (INCLUDES ITEMS 32- 33)	1

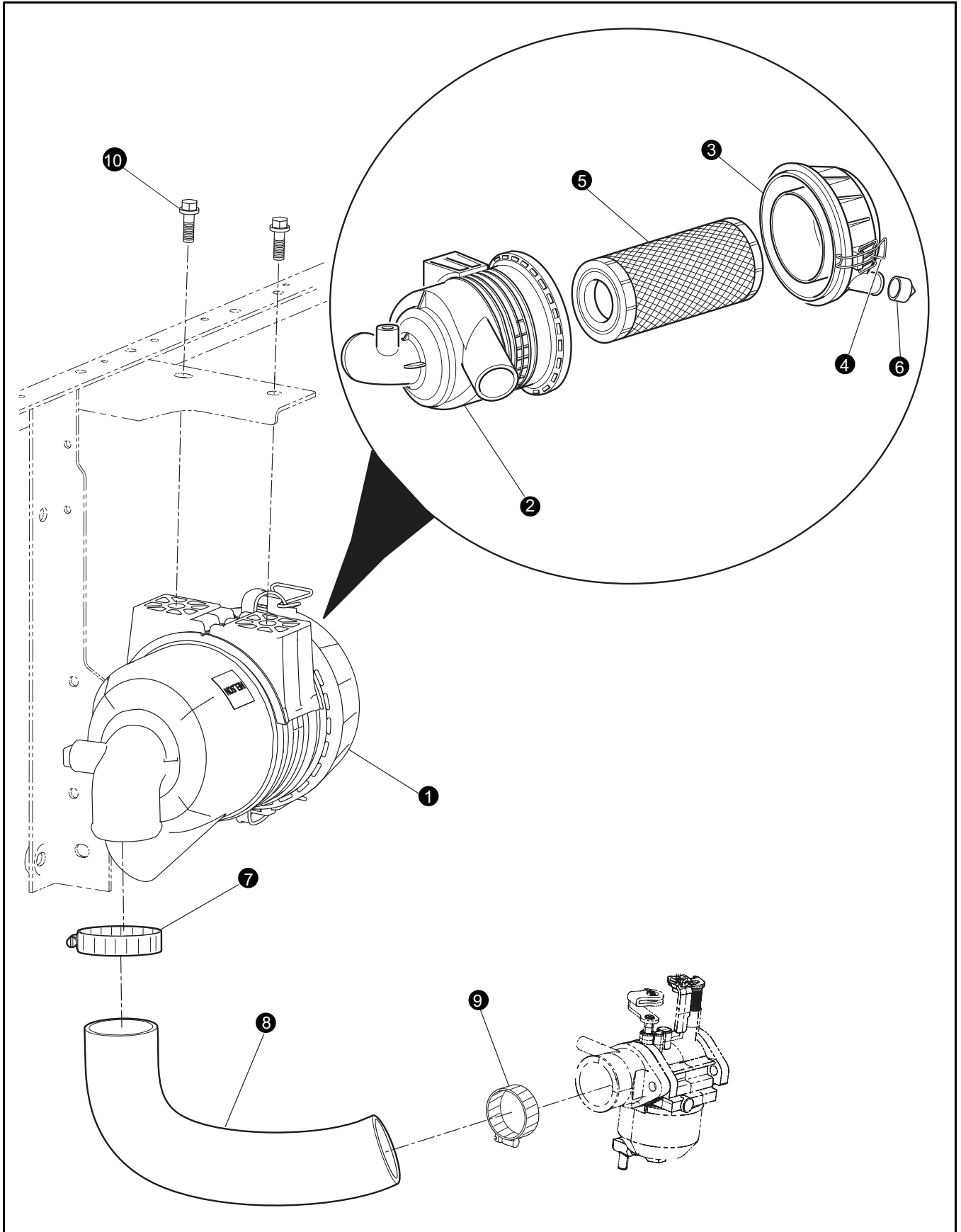
When ordering parts, please specify the model and serial number of the product.

* Indicates a component that is not available as an individual part.

*** Indicates consult Customer Service Department for additional information.

ITEM	PART NO.	1	2	3	4	5	DESCRIPTION	QTY.
32	<u>16409G1</u>						OVAL RIVET, 3/16" X 7/16" LG	6
33	<u>27512G01</u>						ACCELERATOR PEDAL PAD	1
34	*						ACCELERATOR PEDAL	
35	<u>00715G2</u>						BOLT, 5/16 -18 X 4/5" LG.....	4
36	<u>605795</u>						CHOKE CABLE ASSY	1
37	<u>00568G4</u>						LOCK WASHER, 9/16"	1
38	<u>00545G4</u>						JAM NUT, 9/16 - 18.....	1
39	<u>72154G01</u>						CHOKE CABLE ADAPTER.....	1
40	<u>72155G02</u>						RETAINER (SHUTTLE -2)	1
41		1						
42	<u>72155G01</u>						RETAINER (SHUTTLE 4 -6)	1
43	<u>606083</u>						UPPER GOVERNOR BRACKET.....	1
44	<u>606005</u>						LOWER GOVERNOR BRACKET	1
45	<u>606265</u>						BOLT, M6 - 1 X 12.....	1
46	<u>606421</u>						BOLT, M6 - 1 X 30.....	1
47	<u>450452</u>						NUT, M6 - 1.0.....	1
48	<u>606283</u>						GOVERNOR LEVER BUSHING	1
49	<u>606284</u>						GOVERNOR ROD	1
50	<u>603890</u>						GOVERNOR ROD GUARD	1
51	<u>606264</u>						BOLT, M6 - 1 X 20.....	1
52	<u>606262</u>						BOLT, M8 - 1.25 X 16.....	1
53	<u>606074</u>						GOVERNOR CABLE / DIRECTION SELECTOR BRACKET	1
54	<u>606256</u>						BOLT, M10 - 1.25 X 16.....	2
55	<u>14601G11</u>						RIVET.....	1
56	<u>608527</u>						GOVERNOR WARNING DECAL.....	1
57	<u>00915G1</u>						WASHER	1
58	<u>606199</u>						GOVERNOR COVER	1
59	<u>17618G1</u>						NYLON CLAMP	2

AIRFILTER



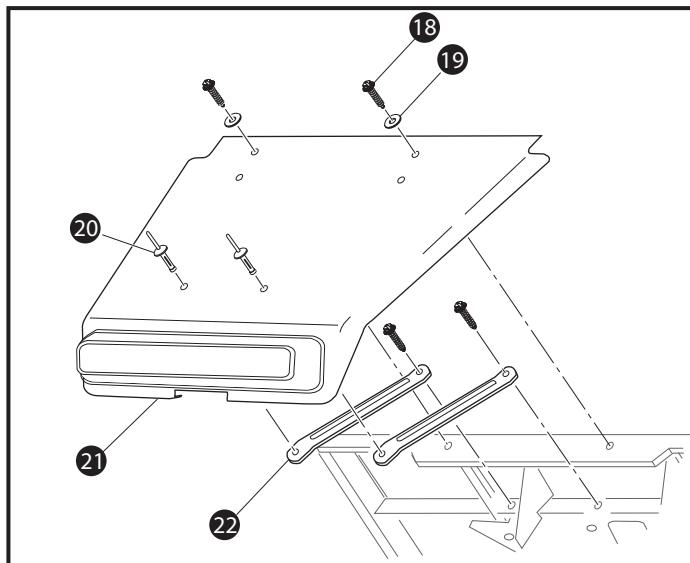
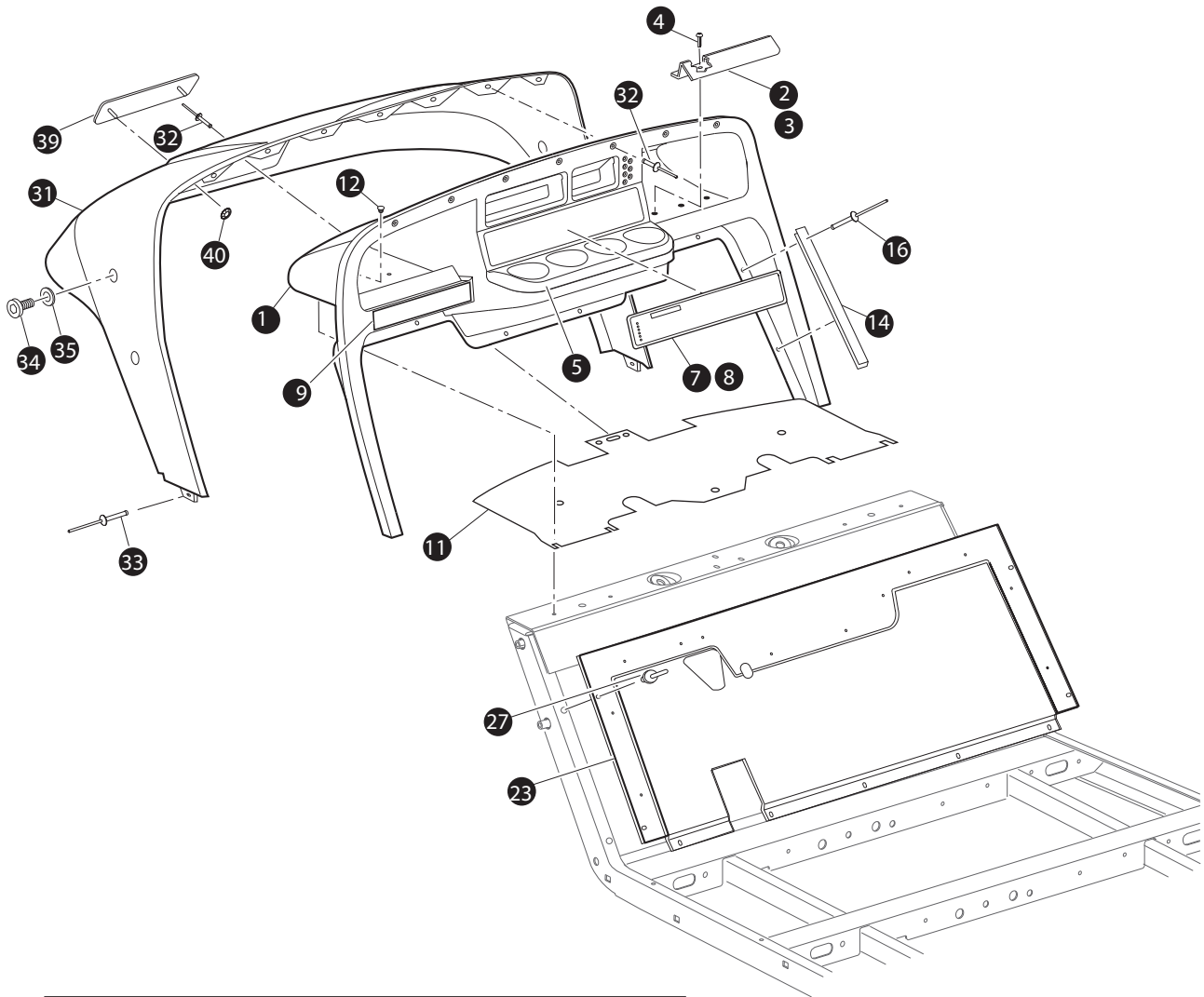
When ordering parts, please specify the model and serial number of the product.

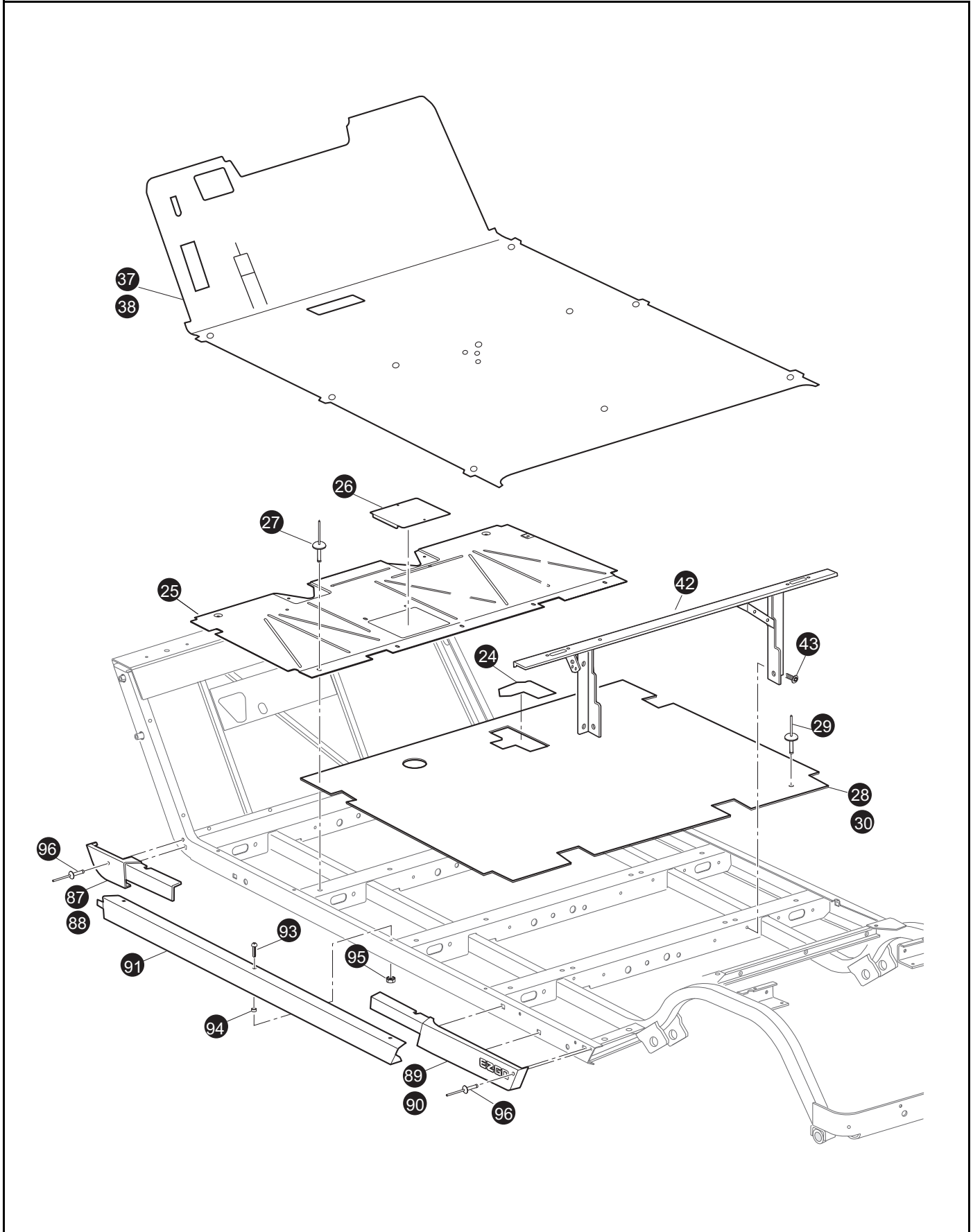
* Indicates a component that is not available as an individual part.

*** Indicates consult Customer Service Department for additional information.

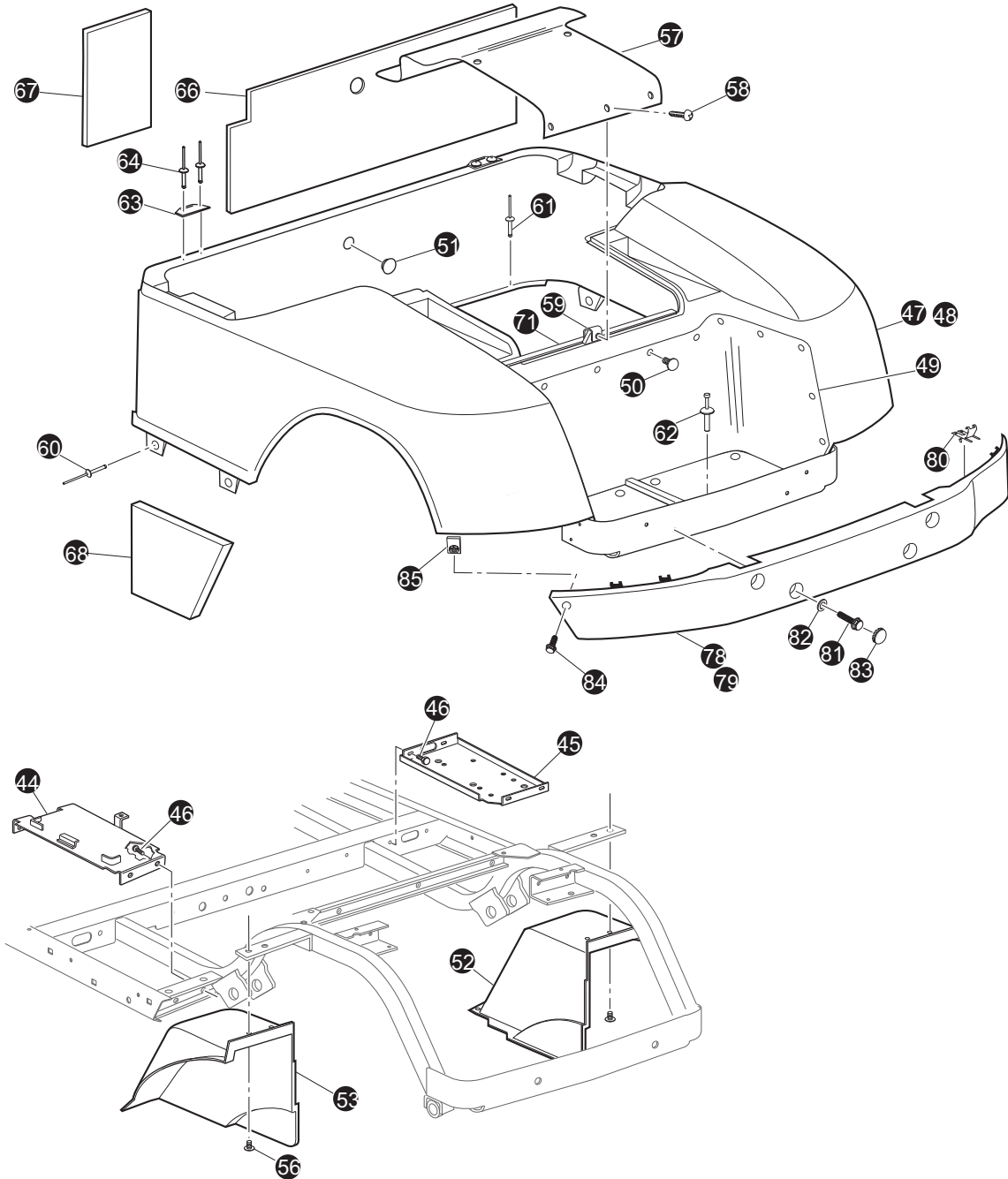
ITEM	PART NO.	1 2 3 4 5	DESCRIPTION	QTY.
1	<u>606952</u>		AIR CLEANER (INCLUDES ITEMS 2 - 6)	1
2	607269		BODY & BRACKET ASSEMBLY	1
3	<u>72599G01</u>		AIR CLEANER COVER	1
4	<u>72604G01</u>		AIR CLEANER CLIP	2
5	<u>28463G01</u>		AIR FILTER	1
6	<u>28462G01</u>		VALVE DUST EJECTOR	1
7	<u>11391G7</u>		HOSE CLAMP	1
8	<u>607950</u>		HOSE	1
9	<u>11391G1</u>		HOSE CLAMP	1
10	<u>25532G1</u>		BOLT AND WASHER, M8 X 1.25 X 18 MM	2

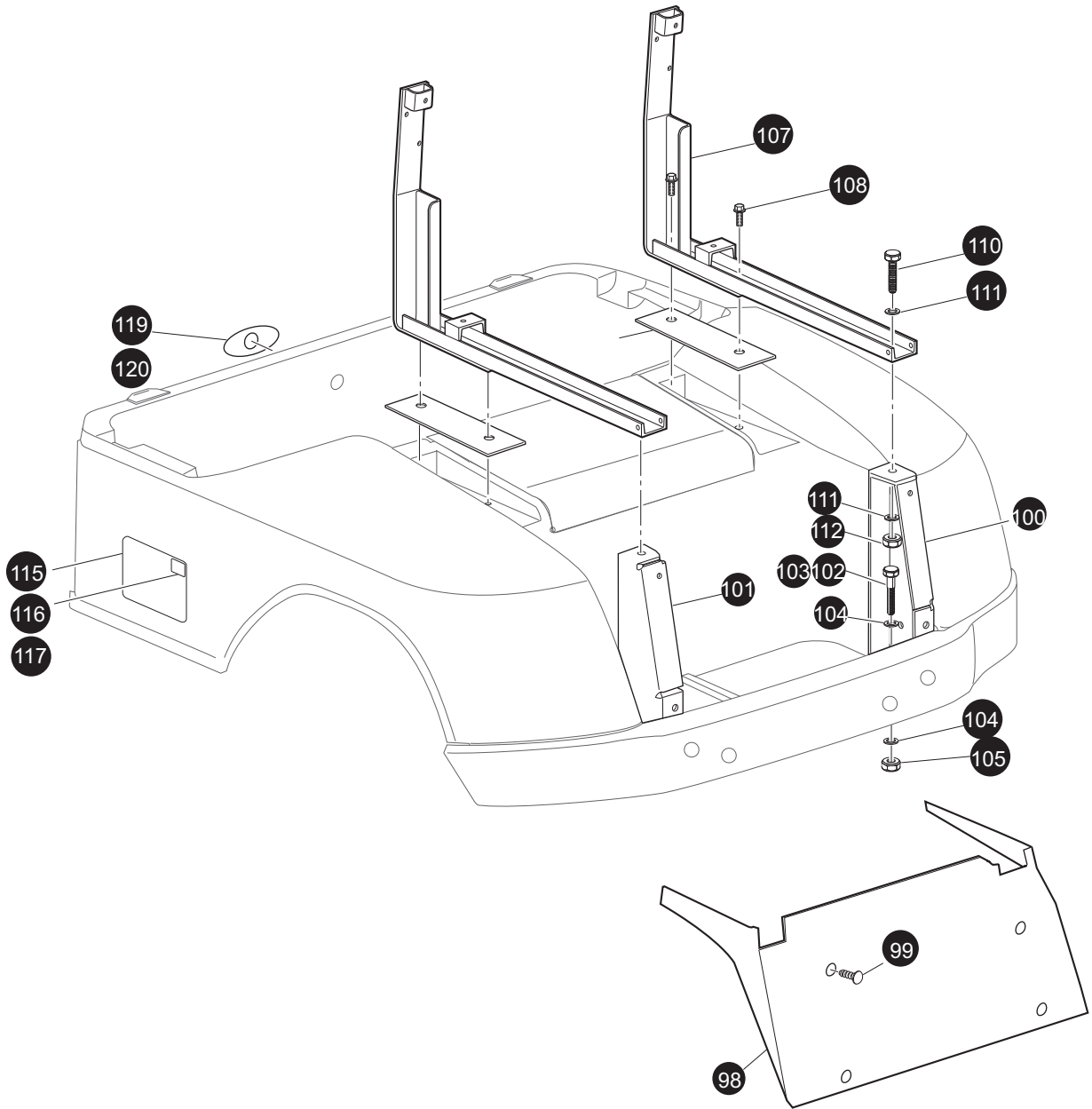
BODY



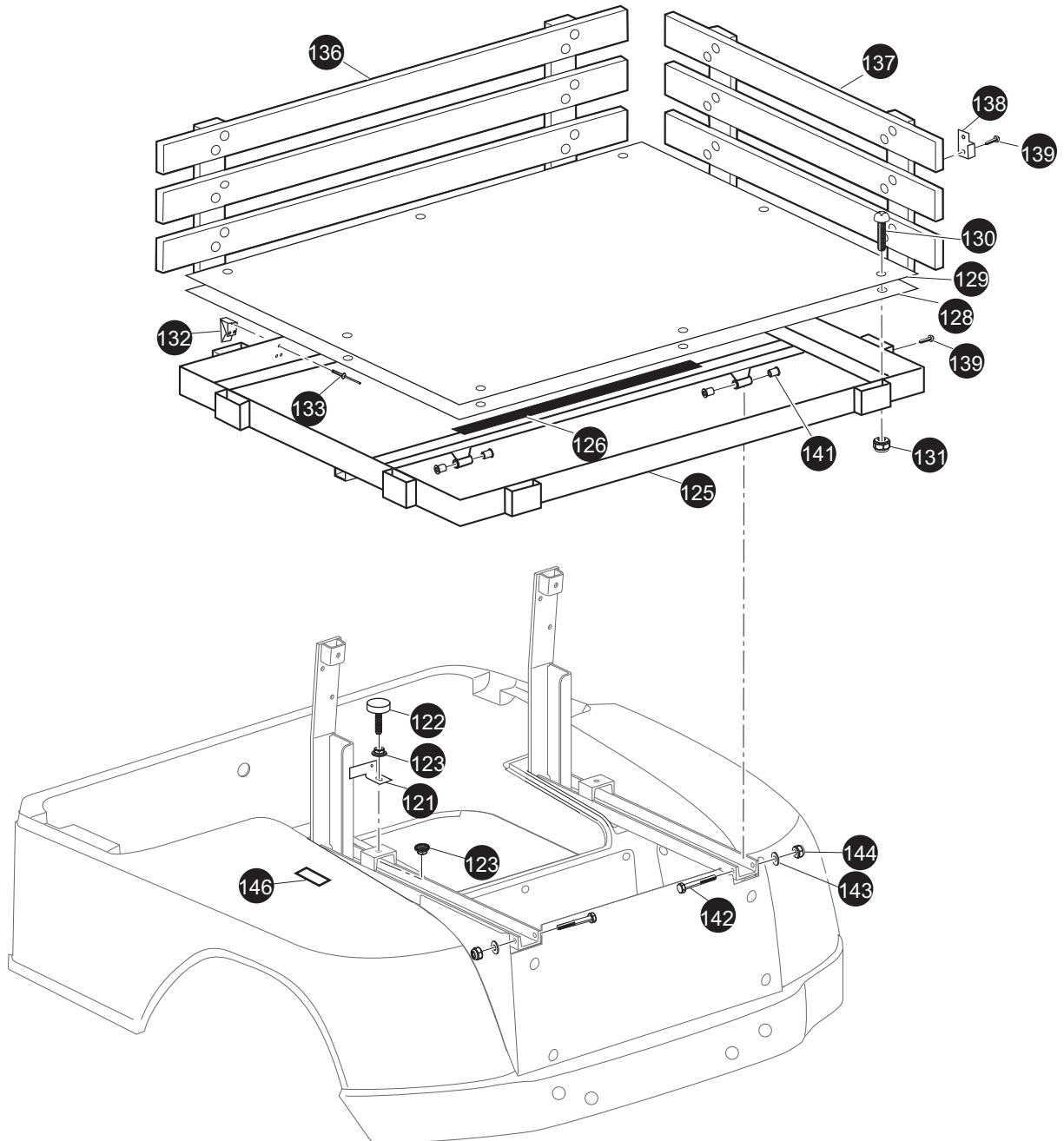


BODY

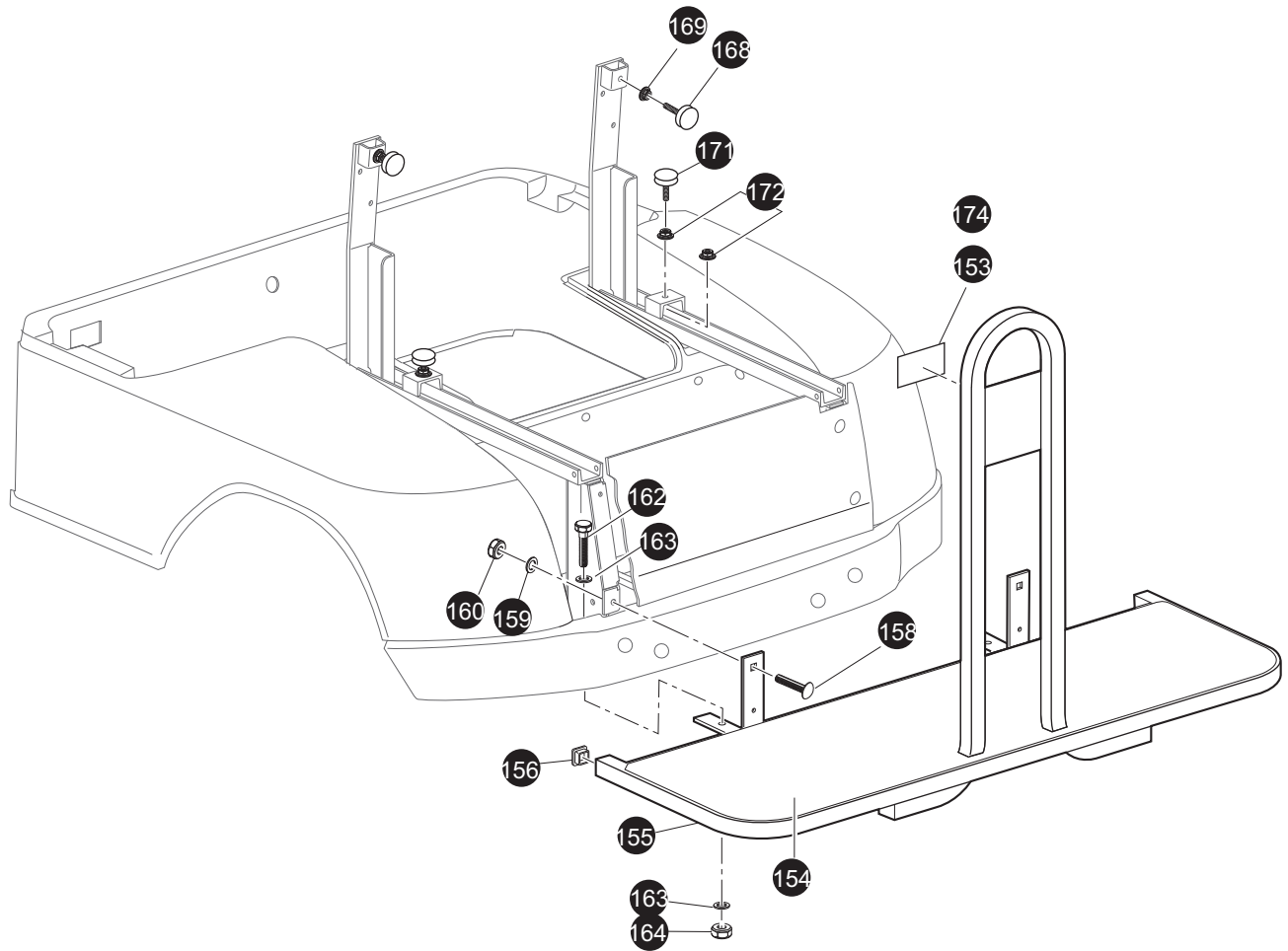


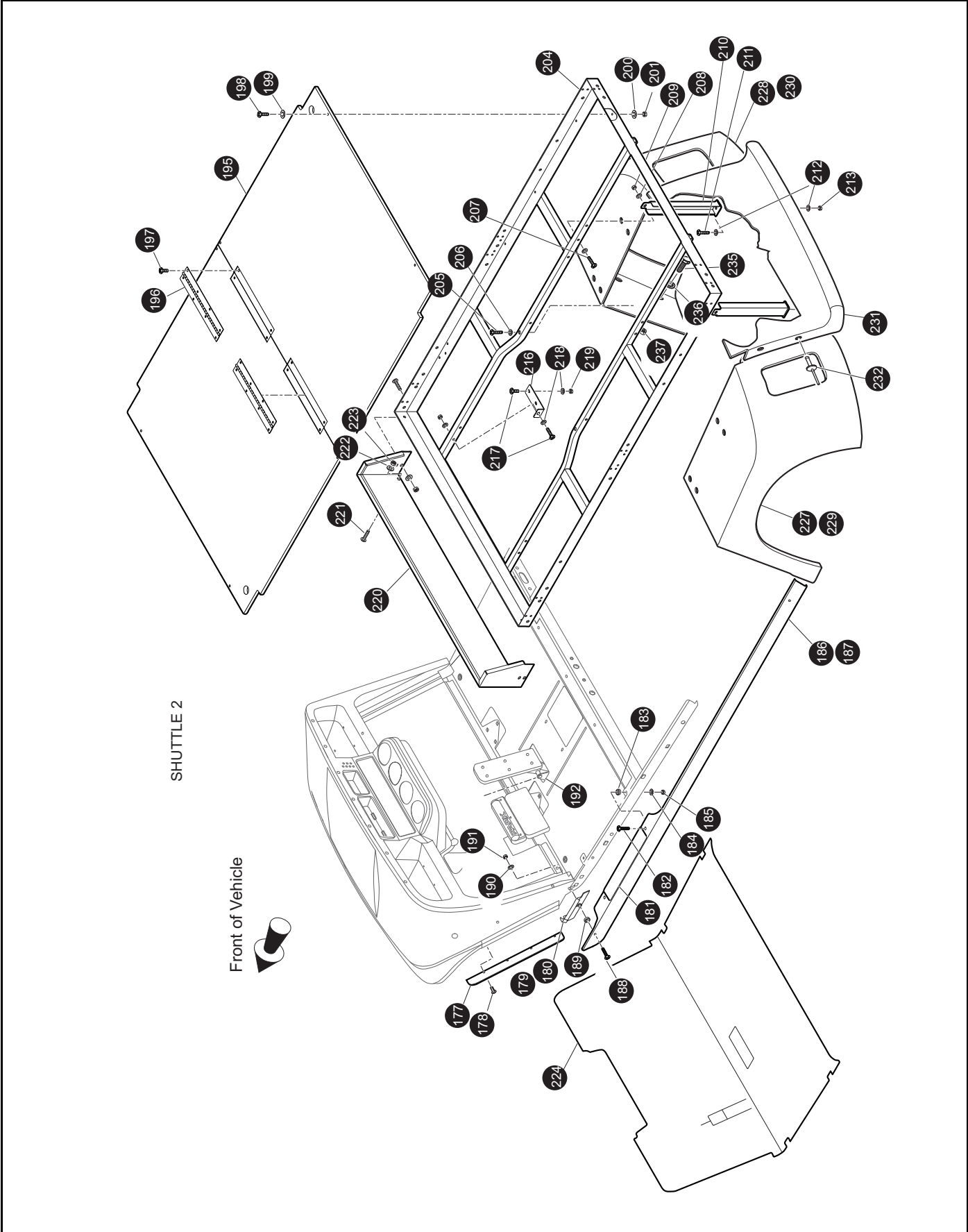


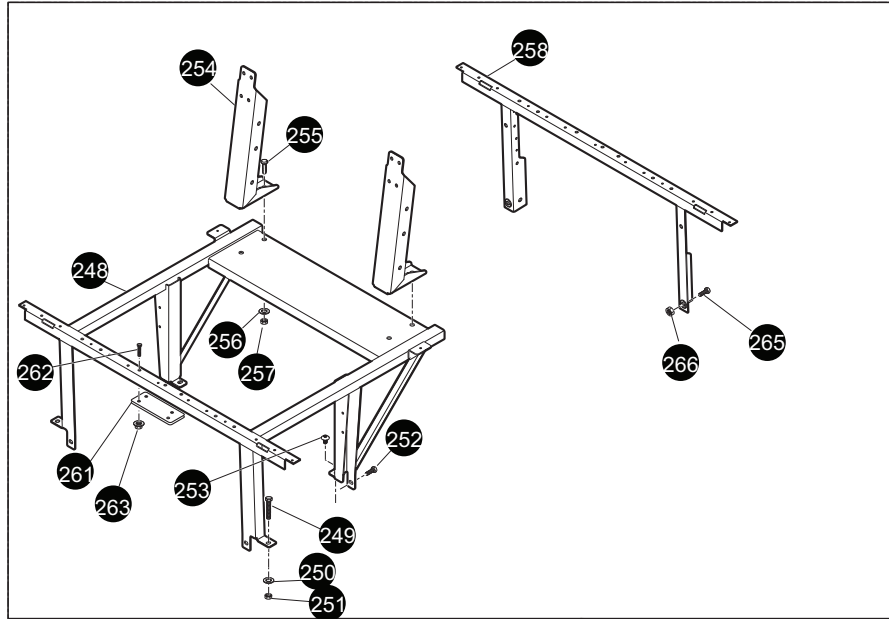
BODY



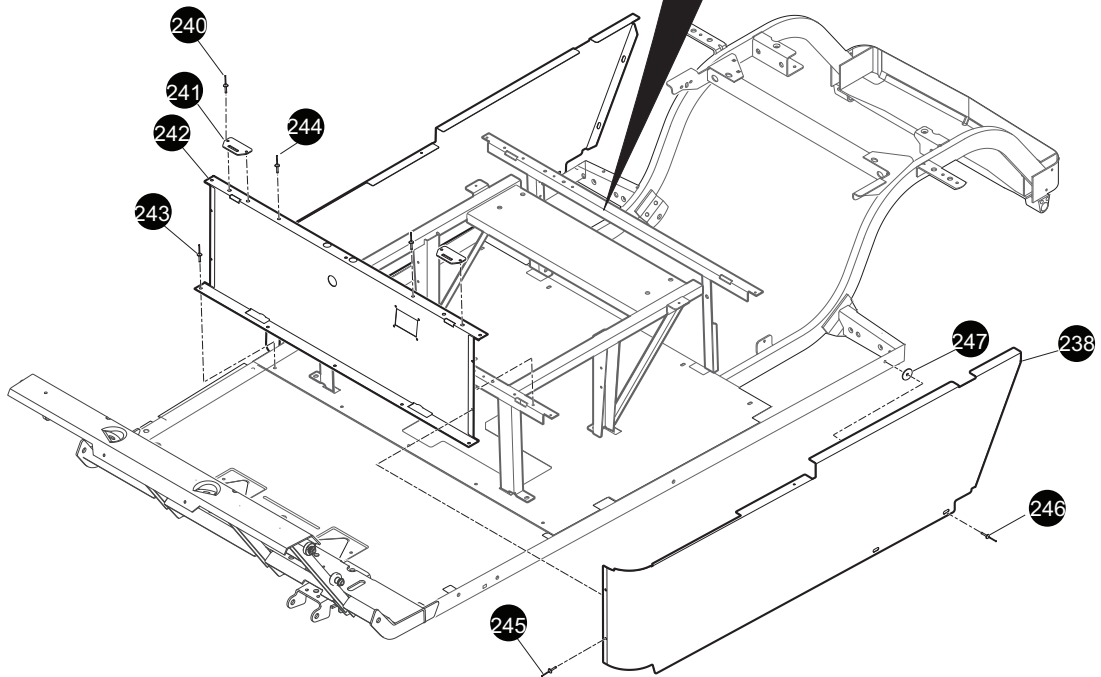
151 - Includes Items 152 - 155







SHUTTLE 2



BODY

When ordering parts, please specify the model and serial number of the product.

* Indicates a component that is not available as an individual part.

*** Indicates consult Customer Service Department for additional information.

ITEM	PART NO.	1 2 3 4 5	DESCRIPTION	QTY.
1	<u>71151G01</u>		INSTRUMENT PANEL ASSEMBLY (INCLUDES ITEMS 2 - 5).....	1
2	<u>71153G01</u>		BALL DEFLECTOR (PASSENGER SIDE).....	1
3	<u>71154G01</u>		BALL DEFLECTOR (DRIVER SIDE)	1
4	<u>00614G5</u>		SCREW, #8 - 18 X 5/8" LG	6
5	<u>71158G01</u>		INSTRUMENT PANEL INSERT (4 CUP HOLDER).....	1
6				
7	<u>35962G01</u>		LABEL (SAFETY).....	1
8	<u>35964G01</u>		LABEL (SAFETY) (EC).....	1
9	<u>74443G01</u>		LABEL (ANTI-ROLLBACK)	1
10				
11	<u>71413G01</u>		SPLASH PANEL.....	1
12	<u>16816G2</u>		RATCHET FASTENER, 1/4" X 3/4" LG	5
13				
14	<u>71115G01</u>		VINYL TRIM	2
15				
16	<u>71055G01</u>		RIVET, 3/16" X 1" LG (ALUMINUM).....	10
17				
18	<u>01038G01</u>		BOLT, 1/4 - 20 X 11/16" LG	4
19	<u>16469G1</u>		WASHER, 1/4".....	2
20	<u>01057G01</u>		RIVET, KTR, 1/4" X 3/4" LG	2
21	<u>27166G04</u>		FRONT SHIELD	1
22	<u>70725G02</u>		FRONT SHIELD BRACE.....	2
23	<u>70662G01</u>		UPPER FLOORPAN.....	1
24	601976		BLCK 3/16 THICK MATTING	1
25	<u>70451G01</u>		LOWER FLOORPAN	1
26	<u>70452G01</u>		ACCESS COVER	1
27	<u>14601G11</u>		RIVET, 3/16" X 9/16" LG (ALUMINUM).....	16
28	<u>70823G01</u>		REAR FLOORPAN	1
29	<u>10570G10</u>		RIVET, 5/32" X 9/16" LG (STAINLESS STEEL)	5
30				
31	71051G**		COWL.....	1

When ordering parts, please specify the model and serial number of the product.

* Indicates a component that is not available as an individual part.

*** Indicates consult Customer Service Department for additional information.

ITEM	PART NO.	1 2 3 4 5	DESCRIPTION	QTY.
32	<u>71055G01</u>		RIVET, 3/16" X 1" LG (ALUMINUM).....	9
33	<u>10570G11</u>		RIVET, 3/16" X 3/4" LG (STAINLESS STEEL).....	2
34	<u>71056G01</u>		BOLT, 5/16 - 18 X 5/8" LG.....	4
35	<u>00570G2</u>		WASHER, 5/16	4
36	<u>70823G01</u>		REAR FLOORPAN (HAND PARK BRAKE)	1
37	<u>70668G02</u>		FLOORMAT (HAND PARK BRAKE)	1
38	<u>70663G04</u>		FLOORMAT	1
39	<u>71037G03</u>		E-Z-GO NAMEPLATE (GOLD)	1
40	<u>71597G01</u>		NUT, SELF THREADING.....	2
41				
42	<u>70440G03</u>		SEAT FRAME	1
43	<u>00715G2</u>		BOLT, 5/16 - 18 X 4/5" LG.....	2
44	<u>600496</u>		BATTERY TRAY.....	1
45	<u>70244G03</u>		SPLASH PAN.....	1
46	<u>00715G2</u>		BOLT, 5/16 - 18 X 4/5" LG.....	8
47	<u>71912G6**</u>		REAR BODY ASSEMBLY (W/OUT TAILLIGHTS) (INCLUDES ITEMS 49, 50)	1
48	<u>71332G3**</u>		REAR BODY ASSEMBLY (W/ TAILLIGHTS) (INCLUDES ITEMS 49, 50).....	1
49	<u>71318G01</u>		BAGWELL LINER.....	1
50	<u>16816G1</u>		RATCHET FASTENER, 1/4" X 9/16" LG	12
51	<u>71316G01</u>		PLUG	1
52	<u>71812G01</u>		FENDER LINER (PASSENGER SIDE) (SHUTTLE)	1
53	<u>71812G02</u>		FENDER LINER (DRIVER SIDE) (SHUTTLE).....	1
54				
55				
56				
57	<u>71320G01</u>		ACCESS PANEL.....	1
58	<u>01107G01</u>		SCREW, #8 X 3/8" LG (STAINLESS STEEL)	5
59	<u>71364G02</u>		'J' CLIP.....	1
60	<u>10570G12</u>		RIVET, 1/4" X 9/16" LG (ALUMINUM).....	4
61	<u>10570G10</u>		RIVET, 5/32" X 9/16" LG (STAINLESS STEEL).....	6
62	<u>18436G1</u>		PLASTIC DRIVE RIVET, 1/4" X 3/4" LG	2

BODY

When ordering parts, please specify the model and serial number of the product.

* Indicates a component that is not available as an individual part.

*** Indicates consult Customer Service Department for additional information.

ITEM	PART NO.	1 2 3 4 5	DESCRIPTION	QTY.
63	<u>71609G01</u>		HINGE PLATE	2
64	<u>10570G11</u>		RIVET, 3/16" X 3/4" LG (STAINLESS STEEL)	4
65				
66	<u>72112G01</u>		SEATWRAP NOISE SUPPRESSOR (LARGE)	1
67	<u>72549G01</u>		SEATWRAP NOISE SUPPRESSOR (SMALL)	1
68	<u>72552G01</u>		SEATWRAP NOISE SUPPRESSOR (DRIVER SIDE, SIDE).....	1
69				
70				
71	<u>22744G1</u>		BAGWELL NOISE SUPPRESSOR	1
72				
73				
74				
75				
76				
77				
78	<u>71451G02</u>		BUMPER (SHUTTLE 4)	1
79	<u>71456G01</u>		BUMPER (SHUTTLE 6)	1
80	<u>71457G01</u>		STAY	4
81	<u>71398G01</u>		BOLT, 1/4 - 20 X 1 1/4" LG (SHUTTLE 4 - QTY 4) (SHUTTLE 6 - QTY 2)	AR
82	<u>00571G2</u>		WASHER, 5/16" (SHUTTLE 4 - QTY 4) (SHUTTLE 6 - QTY 2).....	AR
83	<u>71455G01</u>		BUMPER PLUG	4
84	<u>71102G03</u>		BOLT, 1/4 - 20 x 11/16" LG	2
85	<u>71554G01</u>		'J' TYPE NUT RETAINER, 1/4 - 20	2
86				
87	<u>71642G02</u>		ROCKER PANEL (FRONT, PASSENGER SIDE).....	1
88	<u>71642G01</u>		ROCKER PANEL (FRONT, DRIVER SIDE)	1
89	<u>71643G02</u>		ROCKER PANEL (REAR, PASSENGER SIDE).....	1
90	<u>71643G01</u>		ROCKER PANEL (REAR, DRIVER SIDE)	1
91	<u>71641G01</u>		SILL PLATE (PASSENGER SIDE)	1
92	<u>71641G02</u>		SILL PLATE (DRIVER SIDE).....	1
93	<u>16705G1</u>		SCREW, 1/4 - 20 X 1" LG (STAINLESS STEEL)	6

When ordering parts, please specify the model and serial number of the product.

* Indicates a component that is not available as an individual part.

*** Indicates consult Customer Service Department for additional information.

ITEM	PART NO.	1 2 3 4 5	DESCRIPTION	QTY.
94	<u>23726G4</u>		SPACER, 5/16"	6
95	00891G2		LOCK NUT, 1/4 - 20 (STAINLESS STEEL).....	6
96	<u>15058G6</u>		RIVET, 3/16" X 15/16" LG (ALUMINUM).....	4
97				
98	<u>74149G01</u>		VALANCE PANEL	1
99	<u>16816G2</u>		RATCHET FASTENER, 1/4" X 3/4" LG.....	4
100	<u>74126G01</u>		VERTICAL FRAME SUPPORT (PASSENGER SIDE).....	1
101	<u>74126G02</u>		VERTICAL FRAME SUPPORT (DRIVER SIDE)	1
102	<u>00427G4</u>		BOLT, 3/8 - 16 X 1 1/2" LG (SHUTTLE 4).....	2
103	<u>00427G6</u>		BOLT, 3/8 - 16 X 1 3/4" LG (SHUTTLE 6).....	2
104	<u>00560G1</u>		WASHER, 3/8"	4
105	<u>11098G5</u>		LOCK NUT, 3/8 - 16	2
106				
107	<u>74111G01</u>		SEAT BACK SUPPORT	2
108	<u>01006G02</u>		SELF TAPPING SCREW, 3/8 - 16 X 1 1/2" LG.....	4
109	<u>70364G01</u>		SPACER.....	2
110	<u>00426G8</u>		BOLT, 3/8 - 16 X 1" LG.....	2
111	<u>00560G1</u>		WASHER, 3/8"	4
112	<u>11098G5</u>		LOCK NUT, 3/8 - 16	2
113				
114				
115	<u>35434G01</u>		LABEL (SHUTTLE)	2
116	<u>35430G13</u>		LABEL (6).....	2
117	<u>35430G14</u>		LABEL (4).....	2
118				
119	12109G01		LABEL (F-R).....	1
120	<u>73317G01</u>		LABEL (F-R) (EC)	1
121	<u>72914G01</u>		HOLD DOWN BRACKET	1
122	<u>70113G01</u>		ADJUSTABLE BUMPER.....	2
123	<u>11027G1</u>		LOCK NUT, 5/16 - 18	4
124				

BODY

When ordering parts, please specify the model and serial number of the product.

* Indicates a component that is not available as an individual part.

*** Indicates consult Customer Service Department for additional information.

ITEM	PART NO.	1 2 3 4 5	DESCRIPTION	QTY.
125	<u>74080G01</u>		CARGO DECK	1
126	23052G1		NOISE SUPPRESSOR	1
127	<u>74082G01</u>		STEEL DECK	1
128	<u>74097G01</u>		CARGO BED MAT	1
129	16705G3		SCREW, 1/4 - 20 X 3/4" LG (STAINLESS STEEL)	8
130	<u>14390G4</u>		LOCK NUT, 1/4 - 20.....	8
131	72913G01		LATCH	1
132	<u>00100G6</u>		RIVET, 5/32" X 9/16" LG (STAINLESS STEEL)	3
133				
134				
135	<u>34280G02</u>		FRONT/REAR CARGO RACK	2
136	<u>34280G01</u>		SIDE CARGO RACK	2
137	<u>74079G02</u>		TAILGATE RETAINER BRACKET	2
138	00666G6		SCREW, #10 - 12 X 3/4" LG (STAINLESS STEEL)	10
139				
140	<u>17838G1</u>		BUSHING	4
141	<u>00440G4</u>		BOLT, 5/16 - 18 X 2 1/2" LG	2
142	00559G8		WASHER, 5/16".....	2
143	11098G6		LOCK NUT, 5/16 - 18 (STAINLESS STEEL)	2
144				
145	<u>74099G01</u>		WARNING LABEL	1
146				
147				
148				
149				
150	<u>70361G02</u>		FOOT REST ASSEMBLY (INCLUDES ITEMS 152 - 155)	1
151				
152	<u>74132G01</u>		WARNING LABEL.....	1
153	<u>70362G01</u>		FLOOR MAT	1
154	<u>70633G01</u>		FOOT REST.....	1
155	<u>19853G1</u>		END PLUG	2

When ordering parts, please specify the model and serial number of the product.

* Indicates a component that is not available as an individual part.

*** Indicates consult Customer Service Department for additional information.

ITEM	PART NO.	1 2 3 4 5	DESCRIPTION	QTY.
156				
157	<u>00769G2</u>		CARRIAGE BOLT, 3/8 - 16 X 1 1/4" LG.....	2
158	<u>00560G1</u>		WASHER, 3/8".....	2
159	<u>11098G5</u>		LOCK NUT, 3/8 - 16.....	2
160				
161	<u>00427G6</u>		BOLT, 3/8 - 16 X 1 3/4" LG.....	2
162	<u>00560G1</u>		WASHER, 3/8".....	4
163	<u>11098G5</u>		LOCK NUT, 3/8 - 16.....	2
164				
165				
166				
167	<u>70113G01</u>		ADJUSTABLE BUMPER.....	2
168	<u>11027G1</u>		LOCK NUT, 5/16 - 18.....	2
169	<u>70113G01</u>		ADJUSTABLE BUMPER.....	2
170	<u>11027G1</u>		LOCK NUT, 5/16 - 18.....	4
171				
172	<u>74074G01</u>		LABEL, WARNING (EC).....	1
173				
174				
175				
176				
177	<u>71424G01</u>		SPACER, DRIVER SIDE.....	1
178	<u>71424G02</u>		SPACER, PASSENGER SIDE.....	1
179	<u>71764G01</u>		SILL PLATE TREAD.....	2
180	<u>16705G5</u>		SCREW, 1/4 - 20 X 1" LG (STAINLESS STEEL).....	4
181	<u>23726G2</u>		SPACER, 1/4".....	4
182	<u>00559G7</u>		WASHER, 1/4".....	4
183	<u>14390G4</u>		LOCK NUT, 1/4 - 20.....	4
184	<u>600035G01</u>		ROCKER PANEL, DRIVER SIDE.....	1
185	<u>600035G02</u>		ROCKER PANEL, PASSENGER SIDE.....	1
186	<u>00789G2</u>		SCREW, #10 - 24 X 1 1/4 LG.....	4

BODY

When ordering parts, please specify the model and serial number of the product.

* Indicates a component that is not available as an individual part.

*** Indicates consult Customer Service Department for additional information.

ITEM	PART NO.	1 2 3 4 5	DESCRIPTION	QTY.
187	<u>23726G2</u>		SPACER, 1/4"	4
188	<u>00660G5</u>		WASHER, #10	4
189	11098G7		LOCK NUT, #10-24"	4
190	<u>70135G01</u>		PEDAL PIVOT COVER	1
191				
192				
193	<u>72966G01</u>		CARGO DECK	2
194	<u>33121G01</u>		HINGE	2
195	16705G3		SCREW, 1/4 - 20 X 3/4" LG (STAINLESS STEEL)	16
196	<u>16705G9</u>		SCREW, 1/4 - 20 X 1 1/4" LG (STAINLESS STEEL)	4
197	<u>00559G7</u>		WASHER, 1/4"	4
198	<u>00559G7</u>		WASHER, 1/4"	4
199	<u>00654G2</u>		LOCK NUT, 1/4 - 20	4
200				
201				
202	<u>72956G01</u>		BED FRAME	1
203	<u>01075G01</u>		SCREW, 3/8 - 16 X 2 3/4" LG	2
204	<u>00571G3</u>		WASHER, 3/8	2
205	<u>00439G6</u>		SCREW, 5/16 - 18 X 1 3/4" LG	4
206	00559G8		WASHER, 5/16	8
207	11098G6		LOCK NUT, 5/16 - 18	4
208	<u>72982G01</u>		BRACKET	2
209	00438G6		BOLT, 5/16 - 18 X 3/4" LG	2
210	00559G8		WASHER, 5/16	4
211	11098G6		LOCK NUT, 5/16 - 18	2
212				
213				
214	<u>72983G01</u>		BED MOUNT BRACKET	2
215	16705G3		SCREW, 1/4 - 20 X 3/4" LG (STAINLESS STEEL)	4
216	<u>00559G7</u>		WASHER, 1/4"	4
217	<u>00654G2</u>		LOCK NUT, 1/4 - 20	4

When ordering parts, please specify the model and serial number of the product.

* Indicates a component that is not available as an individual part.

*** Indicates consult Customer Service Department for additional information.

ITEM	PART NO.	1 2 3 4 5	DESCRIPTION	QTY.
218	<u>72967G01</u>		BULKHEAD.....	1
219	16705G3		SCREW, 1/4 - 20 X 3/4" LG (STAINLESS STEEL).....	4
220	<u>00559G7</u>		WASHER, 1/4".....	4
221	<u>00654G2</u>		LOCK NUT, 1/4 - 20.....	4
222	<u>70663G03</u>		FLOORMAT.....	1
223				
224				
225	71572G01		FENDER (DRIVER SIDE).....	1
226	71572G02		FENDER (PASSENGER SIDE).....	1
227	<u>71572G03</u>		FENDER WITH TAILLIGHT (DRIVER SIDE).....	1
228	<u>71572G04</u>		FENDER WITH TAILLIGHT (PASSENGER SIDE).....	1
229	<u>71587G02</u>		REAR PANEL.....	1
230	<u>71055G01</u>		RIVET, 3/16" X 1" LG.....	4
231	<u>11027G2</u>		LOCK NUT, 1/4 - 20.....	12
232	<u>00559G7</u>		WASHER, 1/4".....	12
233	<u>00414G7</u>		BOLT, 1/4 - 20 X 7/8" LG.....	12
234				
235				
236	602037		SIDE PANEL, DRIVER SIDE.....	1
237	602029		SIDE PANEL, PASSENGER SIDE.....	1
238	<u>10570G11</u>		RIVET, 3/16" X 3/4" LG (STAINLESS STEEL).....	4
239	<u>71609G01</u>		SEAT HINGE.....	2
240	600034GXX		SEAT WRAP PANEL.....	1
241	<u>10570G10</u>		RIVET, 5/32" X 9/16" LG (STAINLESS STEEL).....	5
242	<u>10570G10</u>		RIVET, 5/32" X 9/16" LG (STAINLESS STEEL).....	2
243	<u>10570G10</u>		RIVET, 5/32" X 9/16" LG (STAINLESS STEEL).....	4
244	10570G12		RIVET, 1/4" X 9/16" LG.....	2
245	<u>23726G2</u>		WASHER, 1/4".....	4
246	<u>600038G01</u>		SEAT FRAME WELDMENT.....	1
247	<u>00438G8</u>		BOLT, 5/16 - 18 x 1"LG.....	2
248	00559G8		WASHER, 5/16.....	2

BODY

When ordering parts, please specify the model and serial number of the product.

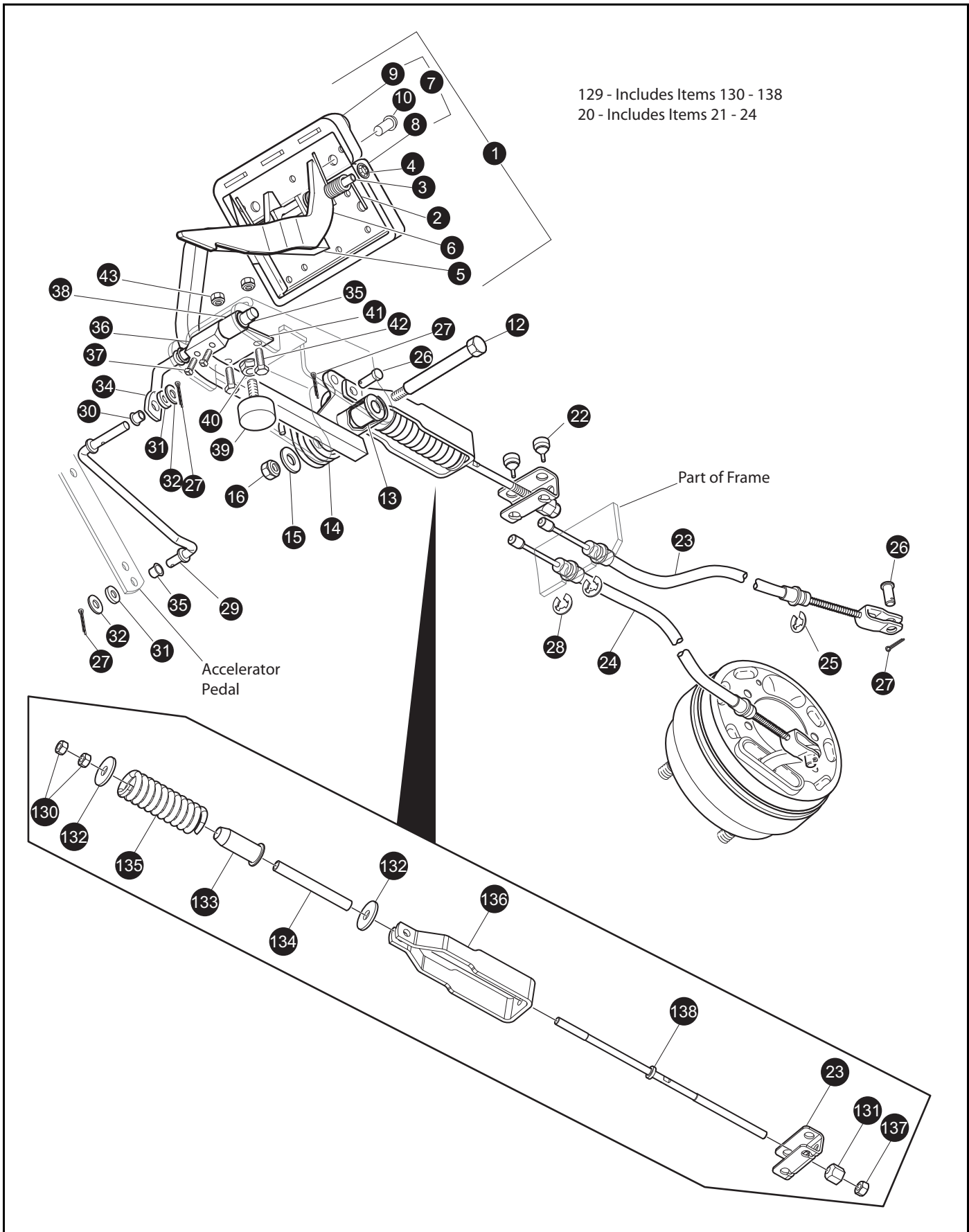
* Indicates a component that is not available as an individual part.

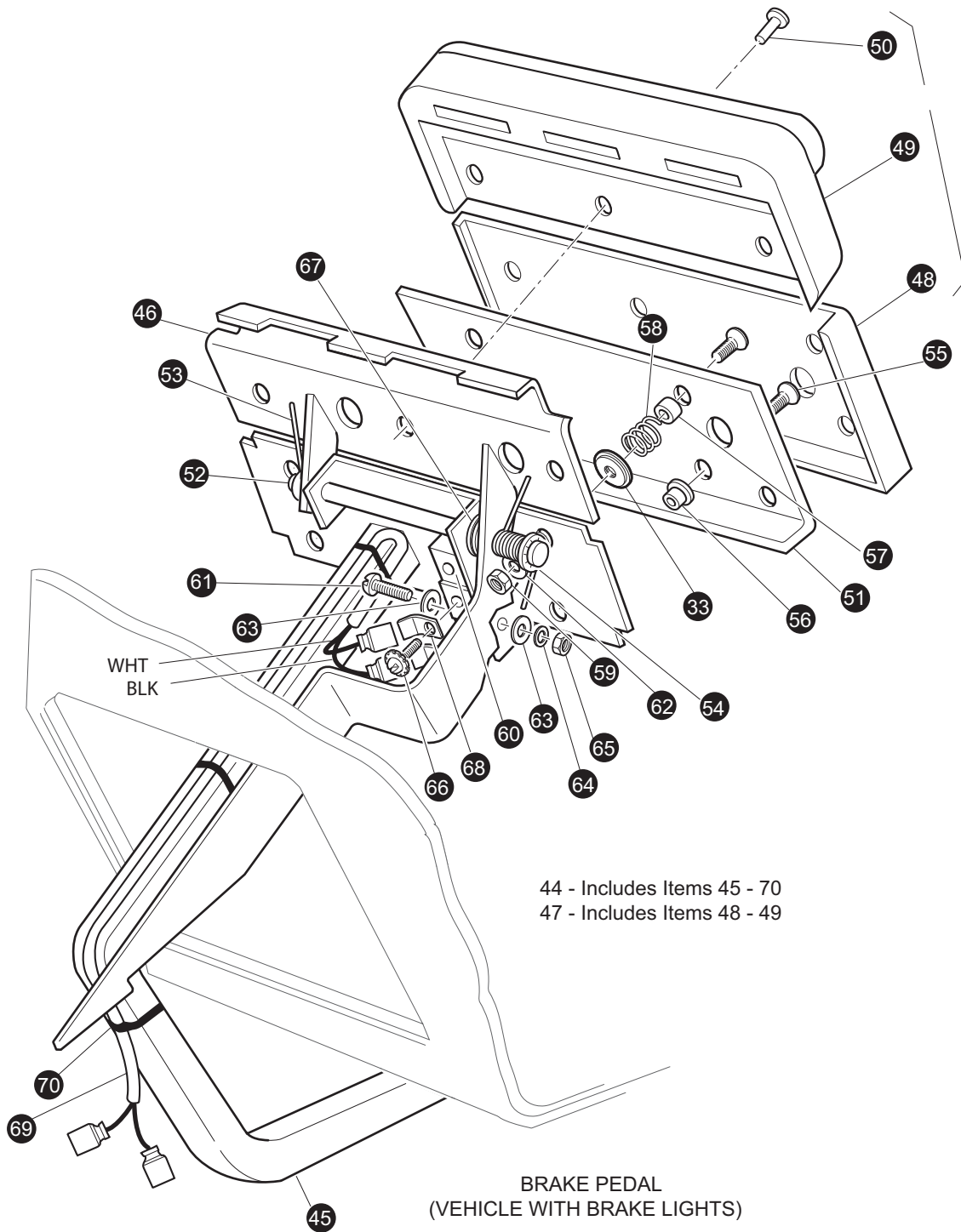
*** Indicates consult Customer Service Department for additional information.

ITEM	PART NO.	1 2 3 4 5	DESCRIPTION	QTY.
249	11098G6		LOCK NUT, 5/16 - 18.....	2
250	<u>00715G2</u>		BOLT, 5/16 - 18 X 13/16" LG	4
251	<u>70200G01</u>		BOLT, 3/8 - 16 X 3/4" LG	2
252	<u>75900G02</u>		SEAT BACK BRACKET.....	2
253	<u>00427G2</u>		BOLT, 3/8 - 16 X 1" LG	4
254	<u>00560G1</u>		WASHER, 3/8".....	4
255	<u>11098G4</u>		LOCK NUT, 3/8 - 16.....	4
256	<u>605694</u>		SEAT FRAME.....	1
257				
258				
259	<u>600264G01</u>		F&R BRACKET	1
260	<u>28272G01</u>		SCREW, 1/4 - 20 X 1.....	2
261	<u>11027G2</u>		LOCK NUT, 1/4 - 20.....	2
262				
263	<u>00715G2</u>		BOLT, 5/16 - 18 X 13/16" LG	2
264	11098G6		LOCK NUT, 5/16 - 18.....	2

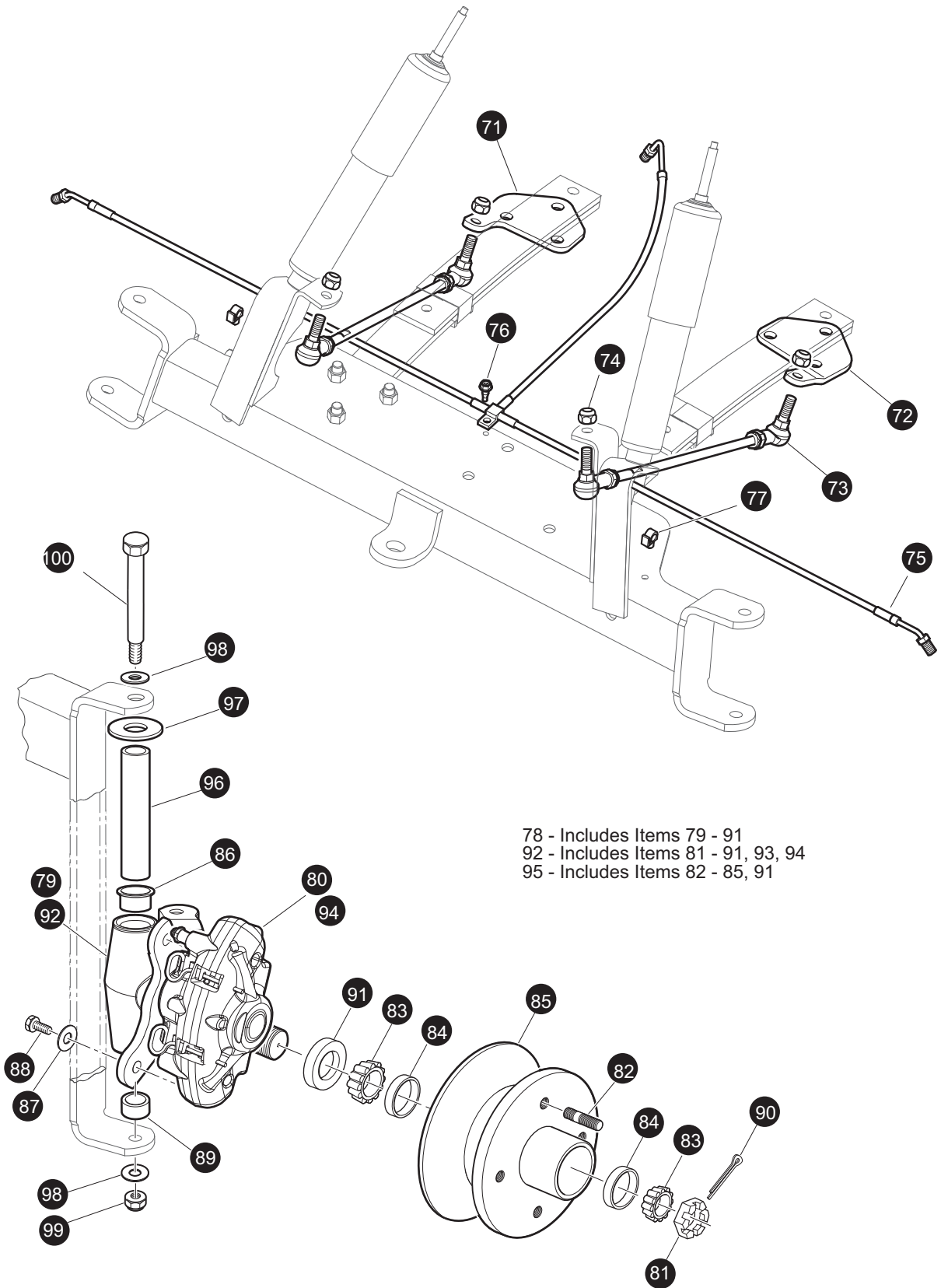
BRAKES - FRONT DISC

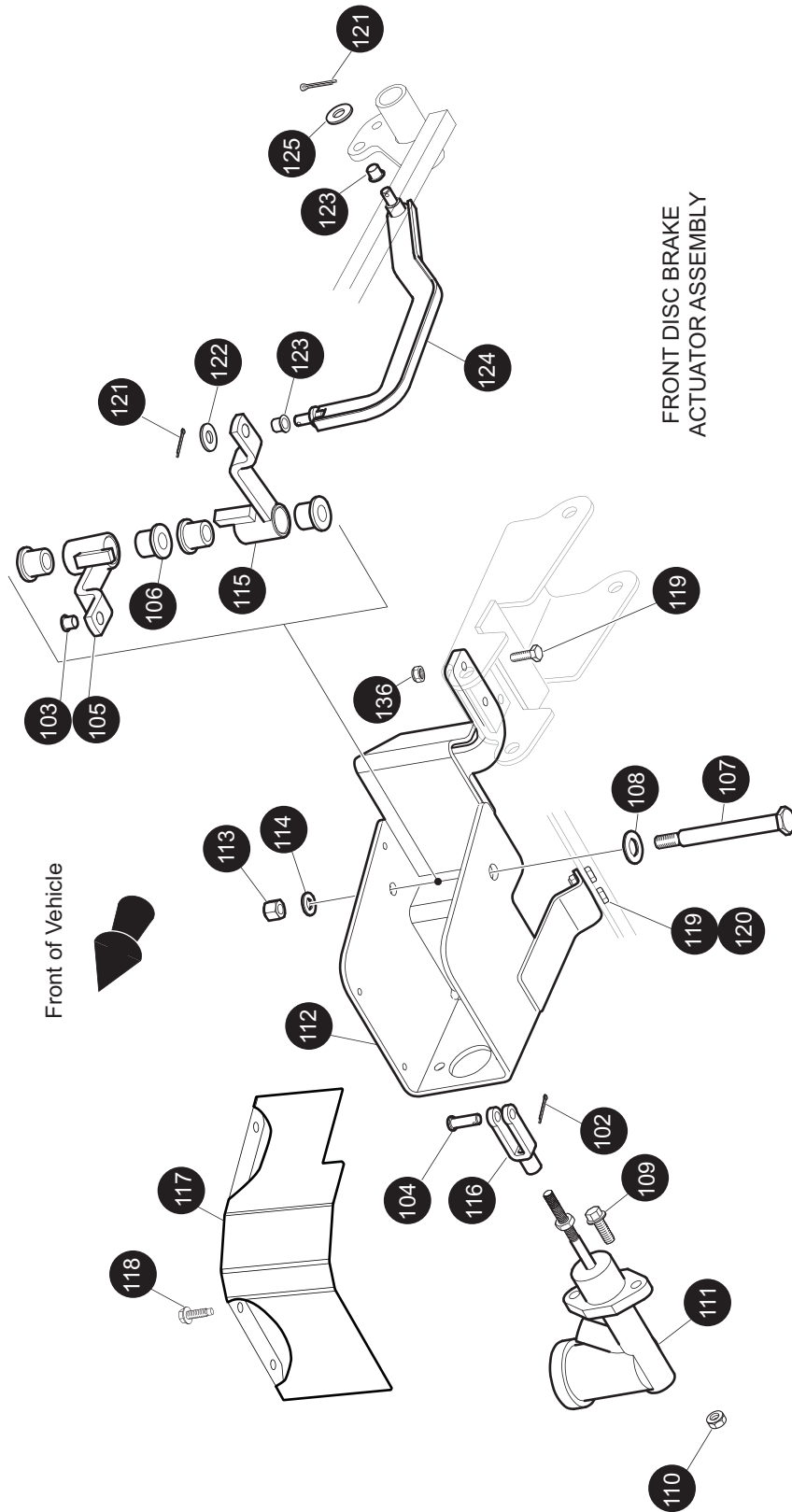
129 - Includes Items 130 - 138
20 - Includes Items 21 - 24





BRAKES - FRONT DISC





BRAKES - FRONT DISC

When ordering parts, please specify the model and serial number of the product.

* Indicates a component that is not available as an individual part.

*** Indicates consult Customer Service Department for additional information.

ITEM	PART NO.	1 2 3 4 5	DESCRIPTION	QTY.
1	<u>74723G01</u>		BRAKE PEDAL ASSEMBLY (WITHOUT BRAKE LIGHTS) (INCLUDES ITEMS 2 - 11)	1
2	<u>70681G01</u>		TORSION SPRING	2
3	<u>70682G01</u>		PIVOT PIN	1
4	<u>01071G01</u>		PUSHNUT, 5/16"	2
5	*		BRAKE PEDAL	1
6	74724G01		PARK BRAKE PEDAL.....	1
7	70274G01		BRAKE/PARK BRAKE PEDAL PAD KIT (INCLUDES ITEMS 8 - 10)	1
8	*		SERVICE BRAKE PAD.....	1
9	*		PARK BRAKE PEDAL PAD	1
10	<u>16409G1</u>		OVAL RIVET, 3/16" X 15/32" LG	9
11				
12	<u>70582G01</u>		SHOULDER BOLT, 3/8 - 16 X 4" LG	1
13	<u>70581G01</u>		FLANGED BUSHING	2
14	<u>70676G01</u>		TORSION SPRING	1
15	<u>00643G1</u>		WASHER, 3/8"	1
16	<u>11098G5</u>		LOCK NUT, 3/8 - 16.....	1
17				
18	<u>12416G2</u>		NYLON WEDGE LOCK CLAMP(NOT ILLUSTRATED)	6
19				
20	<u>624713</u>		EQUALIZER AND BRAKE CABLE ASSEMBLY (INCLUDES ITEMS 21 - 24)	1
21	<u>28082G01</u>		EQUALIZER BRACKET	1
22	<u>28083G01</u>		BRAKE COMPENSATOR BUMPER.....	2
23	<u>624695</u>		BRAKE CABLE (DRIVER SIDE).....	1
24	<u>624696</u>		BRAKE CABLE (PASSENGER SIDE)	1
25	<u>01111G01</u>		RETAINING RING, S.S.	4
26	<u>10386G3</u>		CLEVIS PIN, 5/16" X 1" LG	5
27	<u>10387G3</u>		COTTER PIN, 3/32" X 3/4" LG	3
28				
29	<u>70601G01</u>		KICK-OFF LINK.....	1
30	<u>17838G1</u>		NYLON BUSHING	2

BRAKES - FRONT DISC

When ordering parts, please specify the model and serial number of the product.

* Indicates a component that is not available as an individual part.

*** Indicates consult Customer Service Department for additional information.

ITEM	PART NO.	1 2 3 4 5	DESCRIPTION	QTY.
31	<u>20835G1</u>		NYLON WASHER, 3/8"	2
32	00559G8		WASHER, 5/16"	2
33	<u>00642-G8</u>		WASHER - 5/16"	2
34	<u>70098G01</u>		KICK-OFF CAM PIVOT.....	1
35	<u>10097G6</u>		FLANGED BEARING	2
36	<u>70587G01</u>		KICK-OFF CAM	1
37	<u>71215G01</u>		SETSCREW, 1/4 - 20 X 1/2" LG	2
38	<u>14134G4</u>		SPACER.....	1
39	<u>70113G01</u>		ADJUSTABLE BUMPER.....	1
40	<u>11027G1</u>		LOCK NUT, 5/16 - 18	1
41	<u>70080G02</u>		CATCH BRACKET	1
42	00414G8		BOLT, 1/4 - 20 X 3/4" LG.....	2
43	<u>14390G4</u>		LOCK NUT, 1/4 - 20	2
44	<u>74874G01</u>		BRAKE PEDAL ASSEMBLY (WITH BRAKE LIGHTS) (INCLUDES ITEMS 45 - 70)	1
45	*		BRAKE PEDAL.....	1
46	74724G01		PARK BRAKE PEDAL	1
47	70274G01		BRAKE/PARK BRAKE PEDAL PAD KIT (INCLUDES ITEMS 48 - 49)	1
48	*		SERVICE BRAKE PAD	1
49	*		PARK BRAKE PAD	1
50	<u>16409G1</u>		OVAL RIVET, 3/16" X 15/32" LG.....	9
51	<u>70258G03</u>		BRAKE PEDAL PLATE	1
52	<u>70682G01</u>		PIVOT PIN.....	1
53	<u>70681G01</u>		TORSION SPRING.....	2
54	<u>01071G01</u>		PUSHNUT, 5/16"	2
55	<u>00737G8</u>		SCREW, #10 - 24 X 1" LG.....	4
56	<u>00739G1</u>		RUBBER NUT, #10 - 24	2
57	<u>74535G01</u>		BRAKE PEDAL STANDOFF.....	2
58	<u>27137G01</u>		CONICAL SPRING	2
59	<u>14390G10</u>		LOCK NUT, #10 - 24.....	2
60	10606G8		MICRO SWITCH	1

BRAKES - FRONT DISC

When ordering parts, please specify the model and serial number of the product.

* Indicates a component that is not available as an individual part.

*** Indicates consult Customer Service Department for additional information.

ITEM	PART NO.	1	2	3	4	5	DESCRIPTION	QTY.
61	<u>00645-G2</u>						SCREW, #6 - 32 X 1 1/4" LG	2
62	<u>00559G5</u>						WASHER, #10	2
63	<u>00559G3</u>						WASHER, #6	4
64	<u>00565G3</u>						LOCK WASHER, #6.....	2
65	<u>00525G5</u>						NUT, #6 - 32	2
66	<u>13514G1</u>						SCREW AND LOCK WASHER, #6.....	2
67	<u>20835G1</u>						WASHER, TEFLON, 3/8"	2
68	<u>14628G1</u>						FASTON TAB	2
69	<u>24605G1</u>						WIRE HARNESS (BRAKE LIGHT)	1
70	<u>17618G1</u>						WIRE TIE	3
71	<u>74731G02</u>						SPRING PLATE (PASSENGER SIDE).....	1
72	<u>74731G01</u>						SPRING PLATE (DRIVER SIDE)	1
73	<u>74730G01</u>						FOUR LINK ROD	2
74	<u>01084G01</u>						LOCK NUT, M10-1.25.....	4
75	<u>74736G01</u>						BRAKE LINE	1
76	<u>01038G01</u>						SCREW, 1/4 - 20 X 4444" LG.....	1
77	<u>74875G01</u>						WIRE RETAINER	2
78	<u>602281</u>						SPINDLE, CALIPER AND DISC HUB ASSEMBLY (DRIVER SIDE) (INCLUDES ITEMS 79 - 91).....	1
79	<u>602176</u>						DISC BRAKE SPINDLE (DRIVER SIDE).....	1
80	<u>74733G02</u>						CALIPER (DRIVER SIDE).....	1
81	<u>12093G1</u>						SLOTTED NUT	1
82	<u>74864G01</u>						DRIVE FLANGE STUD.....	4
83	<u>11750G2</u>						ROLLER BEARING.....	2
84	<u>51141G1</u>						BEARING RACE	2
85	<u>74673G01</u>						DISC BRAKE HUB.....	1
86	<u>70648G01</u>						FLANGED BEARING	1
87	<u>00566G1</u>						WASHER, 3/8"	2
88	<u>00426G8</u>						BOLT, 3/8 - 16 X 1	2
89	<u>70749G01</u>						BEARING	1
90	<u>00798G8</u>						COTTER PIN	1
91	<u>25146G1</u>						GREASE SEAL.....	1

BRAKES - FRONT DISC

When ordering parts, please specify the model and serial number of the product.

* Indicates a component that is not available as an individual part.

*** Indicates consult Customer Service Department for additional information.

ITEM	PART NO.	1 2 3 4 5	DESCRIPTION	QTY.
92	<u>602288</u>		SPINDLE, CALIPER AND DISC HUB ASSEMBLY (PASSENGER SIDE) (INCLUDES ITEMS 81 - 91, 93 - 94)	1
93	<u>602158</u>		DISC BRAKE SPINDLE (PASSENGER SIDE).....	1
94	<u>74733G01</u>		CALIPER (PASSENGER SIDE)	1
95	<u>74948G01</u>		DISC BRAKE SERVICE HUB (INCLUDES ITEMS 82 - 85, 91)	1
96	<u>70745G01</u>		KINGPIN TUBE.....	2
97	<u>70754G01</u>		THRUST WASHER.....	2
98	<u>00560G3</u>		WASHER, 1/2"	4
99	<u>14390G3</u>		LOCKNUT, 1/2 - 13	2
100	<u>00407G6</u>		CAPSCREW, 1/2 - 13 X 6" LG.....	2
101	<u>608706</u>		FRONT DISC BRAKE BRAKE ACTUATOR ASSEMBLY (INCLUDES ITEMS 102 - 118).....	1
102	<u>10387G3</u>		COTTER PIN, 3/32 X 3/4" LG	1
103	<u>17838G1</u>		NYLON BUSHING.....	1
104	<u>10386G3</u>		CLEVIS PIN, 5/16 X 1" LG	1
105	<u>608122</u>		UPPER ACTUATOR PIVOT	1
106	<u>70581G02</u>		ACETAL BUSHING.....	4
107	<u>74711G01</u>		SHOULDER BOLT.....	1
108	<u>00560G3</u>		WASHER, 1/2"	1
109	<u>00439G1</u>		BOLT, 1/2 - 13 X 6" LG	2
110	11098G06		LOCKNUT, 5/16 - 18.....	2
111	<u>887364</u>		MASTER CYLINDER	1
112	608661		MASTER CYLINDER MOUNT WELDMENT.....	1
113	<u>11098G5</u>		LOCKNUT, 3/8 - 16.....	1
114	<u>00679G1</u>		WASHER, 3/8" STAINLESS	1
115	<u>608118</u>		LOWER ACTUATOR PIVOT	1
116	10385G4		CLEVIS YOKE	1
117	606869		ACTUATOR COVER	1
118	<u>01038G01</u>		SCREW, 1/4 -20 SWAGEFORM	3
119	00414G8		BOLT, 1/4 - 20 X 1 1/4" LG.....	4
120	00891G2		LOCKNUT, 1/4 - 20	4
121	<u>10387G3</u>		COTTER PIN, 3/32 X 3/4.....	2

BRAKES - FRONT DISC

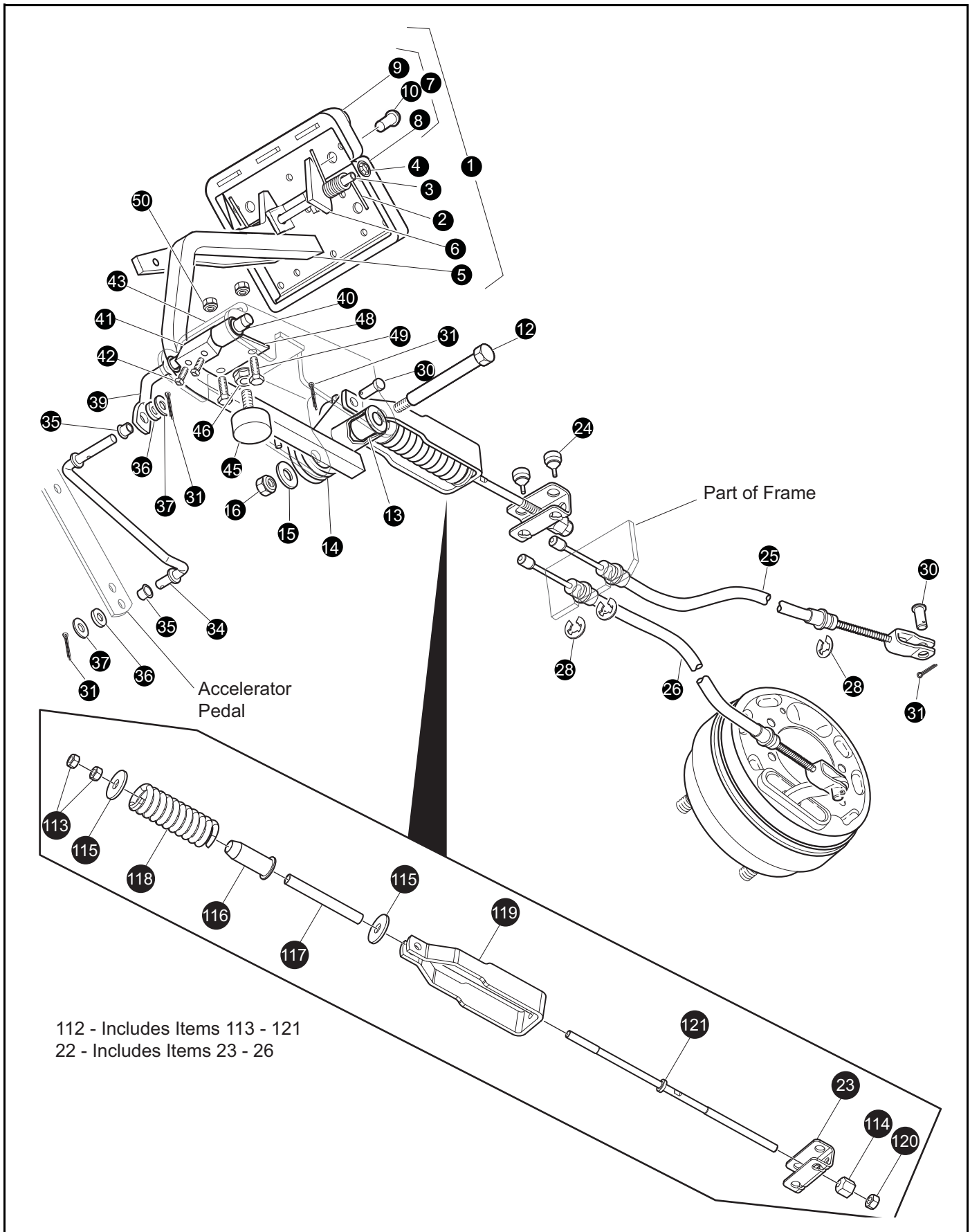
When ordering parts, please specify the model and serial number of the product.

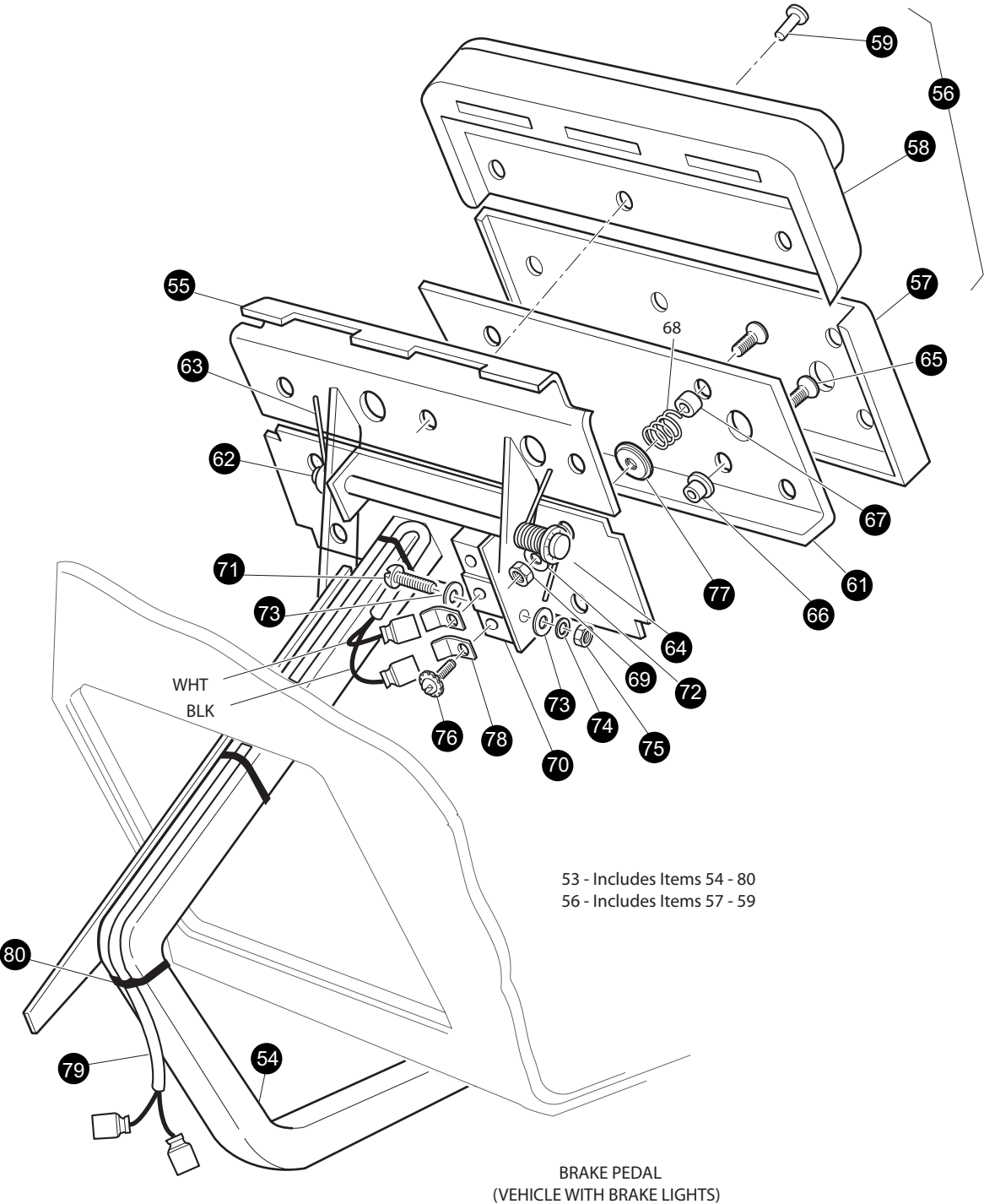
* Indicates a component that is not available as an individual part.

*** Indicates consult Customer Service Department for additional information.

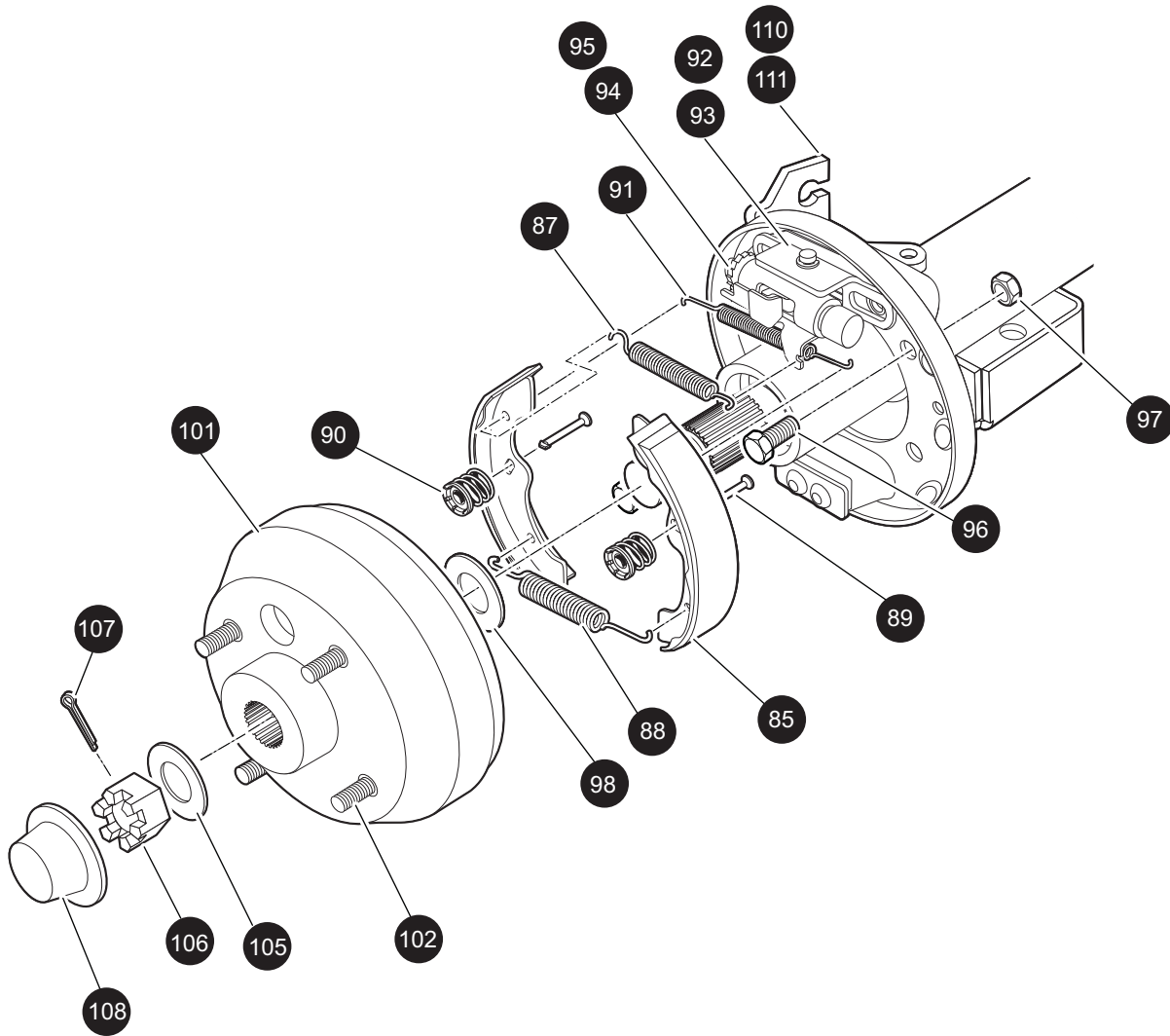
ITEM	PART NO.	1	2	3	4	5	DESCRIPTION	QTY.
122	<u>20835G1</u>						WASHER, NYLON.....	1
123	<u>17838G1</u>						NYLON BUSHING.....	2
124	<u>74865G01</u>						ACTUATOR LINKAGE.....	1
125	<u>00771G5</u>						WASHER, 3/8".....	1
126	<u>74917G01</u>						DISC BRAKE PAD AND PIN KIT (SERVICES ONE CORNER) (INCLUDES ITEMS 127 - 128).....	1
127	*						BRAKE PADS	2
128	*						BRAKE PAD RETAINER PINS	2
129	<u>612558</u>						COMPENSATOR ASSEMBLY (INCLUDES ITEMS 130 - 138).....	1
130	<u>00532G4</u>						HEX NUT	2
131	<u>629486</u>						HEX NUT, 5/16 - 24.....	1
132	<u>15121G1</u>						FLAT WASHER - 5/16.....	2
133	<u>17979G1</u>						ACCELERATOR ROD BUSHING	1
134	<u>23061G2</u>						TUBE.....	1
135	<u>23463G1</u>						COMPRESSION SPRING	1
136	<u>27330G01</u>						BRAKE YOKE	1
137	<u>11098G9</u>						HEX LOCK NUT, 5/16 - 24.....	1
138	<u>612557</u>						COMPENSATOR LINK ROD	1

BRAKES - MECHANICAL





BRAKES - MECHANICAL



- 82 - Includes Items 84 - 92, 94, 95
- 83 - Includes Items 84 - 91, 93 - 95
- 84 - Includes Items 85
- 86 - Includes Items 87 - 91
- 92 - Includes Items 94, 95
- 93 - Includes Items 94, 95
- 100 - Includes Items 101, 102

BRAKES - MECHANICAL

When ordering parts, please specify the model and serial number of the product.

* Indicates a component that is not available as an individual part.

*** Indicates consult Customer Service Department for additional information.

ITEM	PART NO.	1 2 3 4 5	DESCRIPTION	QTY.
1	<u>70612G02</u>		BRAKE PEDAL ASSEMBLY (WITHOUT BRAKE LIGHTS) (INCLUDES ITEMS 2 - 10)	1
2	<u>70681G01</u>		TORSION SPRING.....	2
3	<u>70682G01</u>		PIVOT PIN.....	1
4	<u>01071G01</u>		PUSHNUT, 5/16"	2
5	*		BRAKE PEDAL.....	1
6	<u>70611G02</u>		PARK BRAKE PEDAL	1
7	<u>70274G01</u>		BRAKE/PARK BRAKE PEDAL PAD KIT (INCLUDES ITEMS 8 - 10).....	1
8	*		SERVICE BRAKE PAD	1
9	*		PARK BRAKE PEDAL PAD	1
10	<u>15766G1</u>		OVAL RIVET, 3/16" X 7/16" LG.....	9
11				
12	<u>70582G01</u>		SHOULDER BOLT, 3/8 - 16 X 4" LG (STAINLESS STEEL)	1
13	<u>70581G01</u>		FLANGED BUSHING.....	2
14	<u>70676G01</u>		TORSION SPRING	1
15	<u>00643G1</u>		WASHER, 3/8"	1
16	<u>11098G5</u>		LOCK NUT, 3/8 - 16	1
17				
18	<u>12416G2</u>		NYLON WEDGE LOCK CLAMP (NOT ILLUSTRATED).....	6
19				
20				
21				
22	<u>624714</u>		EQUALIZER AND BRAKE CABLE ASSEMBLY (INCLUDES ITEMS 23 - 26)	1
23	<u>28082G01</u>		EQUALIZER BRACKET	1
24	<u>28083G01</u>		BRAKE COMPENSATOR BUMPER	2
25	<u>624695</u>		BRAKE CABLE DRIVER SIDE.....	1
26	<u>624696</u>		BRAKE CABLE PASSENGER SIDE	1
27				
28	<u>01111G01</u>		RETAINING RING, 13/32" (STAINLESS STEEL).....	4
29				
30	<u>10386G3</u>		CLEVIS PIN, 5/16" X 13/16" LG.....	3

BRAKES - MECHANICAL

When ordering parts, please specify the model and serial number of the product.

* Indicates a component that is not available as an individual part.

*** Indicates consult Customer Service Department for additional information.

ITEM	PART NO.	1 2 3 4 5	DESCRIPTION	QTY.
31	<u>10387G3</u>		COTTER PIN, 3/32" X 3/4" LG	5
32				
33				
34	<u>70601G01</u>		KICK-OFF LINK.....	1
35	<u>17838G1</u>		NYLON BUSHING.....	2
36	<u>20835G1</u>		TEFLON WASHER, 3/8"	2
37	00559G8		WASHER, 5/16".....	2
38				
39	<u>70098G01</u>		KICK-OFF CAM PIVOT	1
40	<u>10097G6</u>		FLANGED BEARING	2
41	<u>70587G01</u>		KICK-OFF CAM.....	1
42	<u>71215G01</u>		SETSCREW, 1/4 - 20 X 1/2" LG.....	2
43	<u>14134G4</u>		SPACER	1
44				
45	<u>70113G01</u>		ADJUSTABLE BUMPER	1
46	<u>11027G1</u>		LOCK NUT, 5/16 - 18.....	1
47				
48	<u>70080G02</u>		CATCH BRACKET	1
49	<u>00414G6</u>		BOLT, 1/4 - 20 X 3/4" LG	2
50	<u>14390G4</u>		LOCK NUT, 1/4 - 20 (STAINLESS STEEL)	2
51				
52				
53	70690G02		BRAKE PEDAL ASSEMBLY (WITH BRAKE LIGHTS) (INCLUDES ITEMS 54 - 80).....	1
54	*		BRAKE PEDAL	1
55	<u>70611G02</u>		PARK BRAKE PEDAL.....	1
56	70274G01		BRAKE/PARK BRAKE PEDAL PAD KIT (INCLUDES ITEMS 57 - 59).....	1
57	*		SERVICE BRAKE PAD.....	1
58	*		PARK BRAKE PAD.....	1
59	<u>16409G1</u>		OVAL RIVET, 3/16" x 7/16" LG	9
60				
61	<u>70258G03</u>		BRAKE PEDAL PLATE	1

BRAKES - MECHANICAL

When ordering parts, please specify the model and serial number of the product.

* Indicates a component that is not available as an individual part.

*** Indicates consult Customer Service Department for additional information.

ITEM	PART NO.	1 2 3 4 5	DESCRIPTION	QTY.
62	<u>70682G01</u>		PIVOT PIN.....	1
63	<u>70681G01</u>		TORSION SPRING.....	2
64	<u>01071G01</u>		PUSHNUT, 5/16"	1
65	<u>00737G8</u>		SCREW, #10 - 24 X 7/8" LG.....	4
66	<u>00739G1</u>		RUBBER NUT, #10 - 24	2
67	<u>74535G01</u>		BRAKE PEDAL STANDOFF.....	2
68	<u>27137G01</u>		CONICAL SPRING.....	2
69	<u>14390G10</u>		LOCK NUT, #10 - 24.....	2
70	10606G8		MICRO SWITCH	1
71	<u>00957G1</u>		BOLT, #6 - 32 X 1 1/4" LG	2
72	<u>00559G5</u>		WASHER, #10	2
73	<u>00559G3</u>		WASHER, #6.....	4
74	<u>00565G3</u>		LOCK WASHER, #6	2
75	<u>00525G5</u>		NUT, #6 - 32	2
76	<u>13514G1</u>		SCREW AND LOCK WASHER, #6	2
77				
78	<u>14628G1</u>		FASTON TAB.....	2
79	<u>24605G1</u>		WIRE HARNESS (BRAKE LIGHT).....	1
80	<u>17618G1</u>		WIRE TIE.....	4
81				
82	<u>70998G01</u>		BRAKE ASSEMBLY (DRIVER SIDE) (INCLUDES ITEMS 84 - 92, 94 - 95) ..	1
83	<u>70998G02</u>		BRAKE ASSEMBLY (PASSENGER SIDE) (INCLUDES ITEMS 84 - 91, 93 - 95)	1
84	70794G01		BRAKE SHOE KIT (INCLUDES ITEM 85)	2
85	*		BRAKE SHOE.....	2
86	<u>27944G01</u>		BRAKE SPRING KIT (INCLUDES ITEMS 87 - 91)	2
87	*		UPPER SPRING	1
88	*		LOWER SPRING	1
89	*		PIN	2
90	*		CUP AND SPRING	2
91	*		ADJUSTER SPRING	1

BRAKES - MECHANICAL

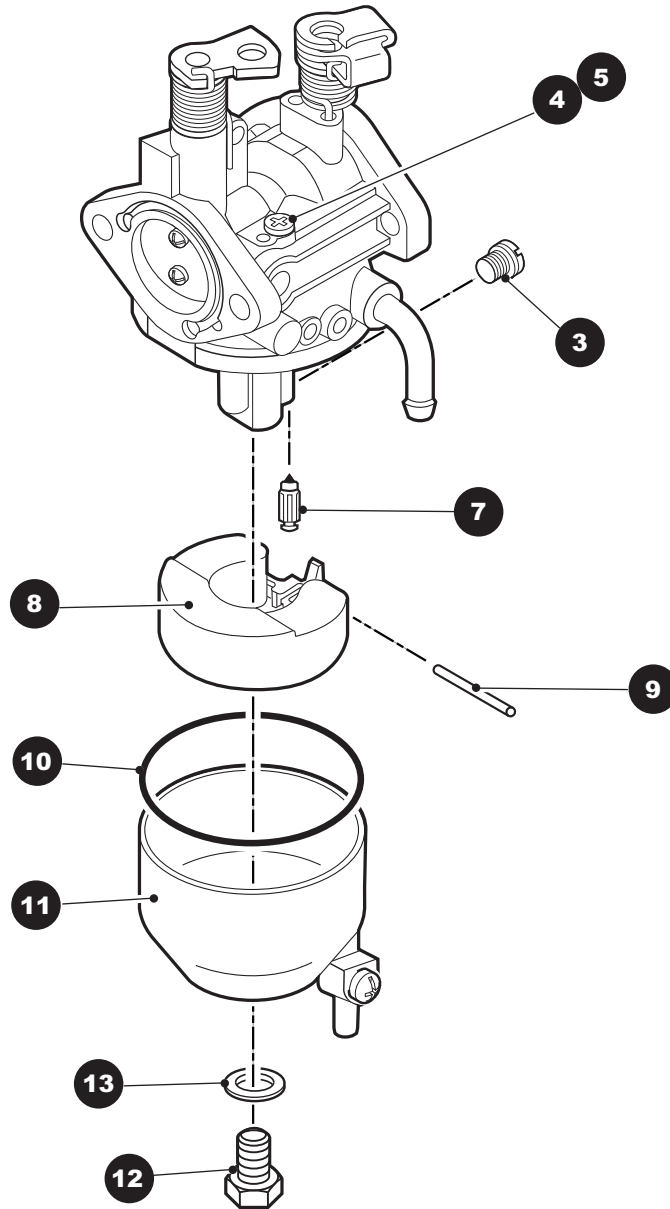
When ordering parts, please specify the model and serial number of the product.

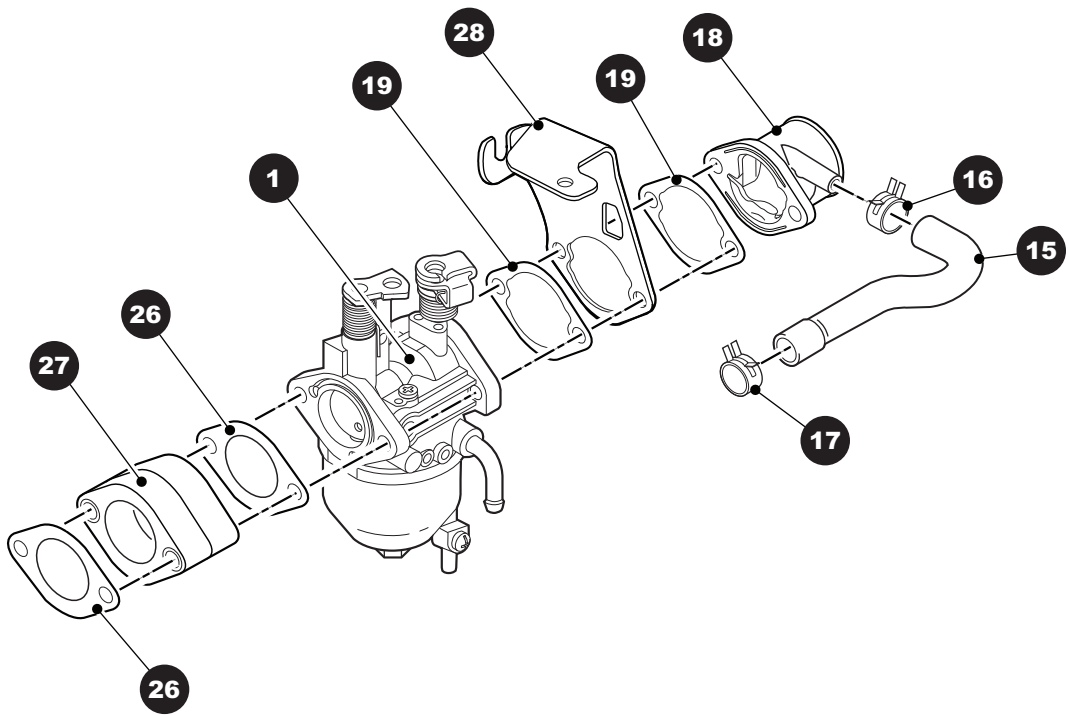
* Indicates a component that is not available as an individual part.

*** Indicates consult Customer Service Department for additional information.

ITEM	PART NO.	1 2 3 4 5	DESCRIPTION	QTY.
92	<u>72582G01</u>		BRAKE ADJUSTER KIT (DRIVER SIDE) (INCLUDES ITEMS 94 - 95) ...	1
93	<u>72582G02</u>		BRAKE ADJUSTER KIT (PASSENGER SIDE) (INCL. ITEMS 94 - 95)....	1
94	*		ADJUSTER.....	1
95	*		TEFLON WASHER.....	2
96	<u>17083G2</u>		BOLT, 5/16 - 24 X 1" LG	8
97	<u>15126G1</u>		LOCK NUT, 5/16 - 24.....	8
98	<u>21809G1</u>		INNER BRAKE DRUM WASHER, 1 5/16" OD X 1" ID X 1/32"	2
99				
100	<u>21807G2</u>		BRAKE DRUM ASSEMBLY (INCLUDES ITEMS 101 - 102).....	2
101	*		BRAKE DRUM	1
102	<u>19862G2</u>		LUG BOLT, 1/2 - 20 X 1 3/16" LG	4
103				
104				
105	<u>606945</u>		OUTER BRAKE DRUM WASHER	2
106	<u>606403</u>		SLOTTED NUT, M22 X 1.5.....	2
107	<u>10387G1</u>		COTTER PIN, 1/8" X 1 1/2" LG	2
108	<u>74175G01</u>		SPINDLE CAP.....	2
109				
110	<u>608200</u>		BRAKE CABLE BRACKET (PASSENGER SIDE).....	1
111	<u>608201</u>		BRAKE CABLE BRACKET (DRIVER SIDE)	1
112	<u>612558</u>		COMPENSATOR ASSEMBLY (INCLUDES ITEMS 113 - 121)	1
113	<u>00532G4</u>		HEX NUT	2
114	<u>629486</u>		HEX NUT, 5/16 - 24.....	1
115	<u>15121G1</u>		FLAT WASHER - 5/16.....	2
116	<u>17979G1</u>		ACCELERATOR ROD BUSHING	1
117	<u>23061G2</u>		TUBE.....	1
118	<u>23463G1</u>		COMPRESSION SPRING	1
119	<u>27330G01</u>		BRAKE YOKE	1
120	<u>11098G9</u>		HEX LOCK NUT, 5/16 - 24.....	1
121	<u>612557</u>		COMPENSATOR LINK ROD	1

CARBURETOR





CARBURETOR

THE USE OF NON U.L. PARTS WILL VOID ANY U.L. LISTING.

When ordering parts, please specify the model and serial number of the product.

* Indicates a component that is not available as an individual part.

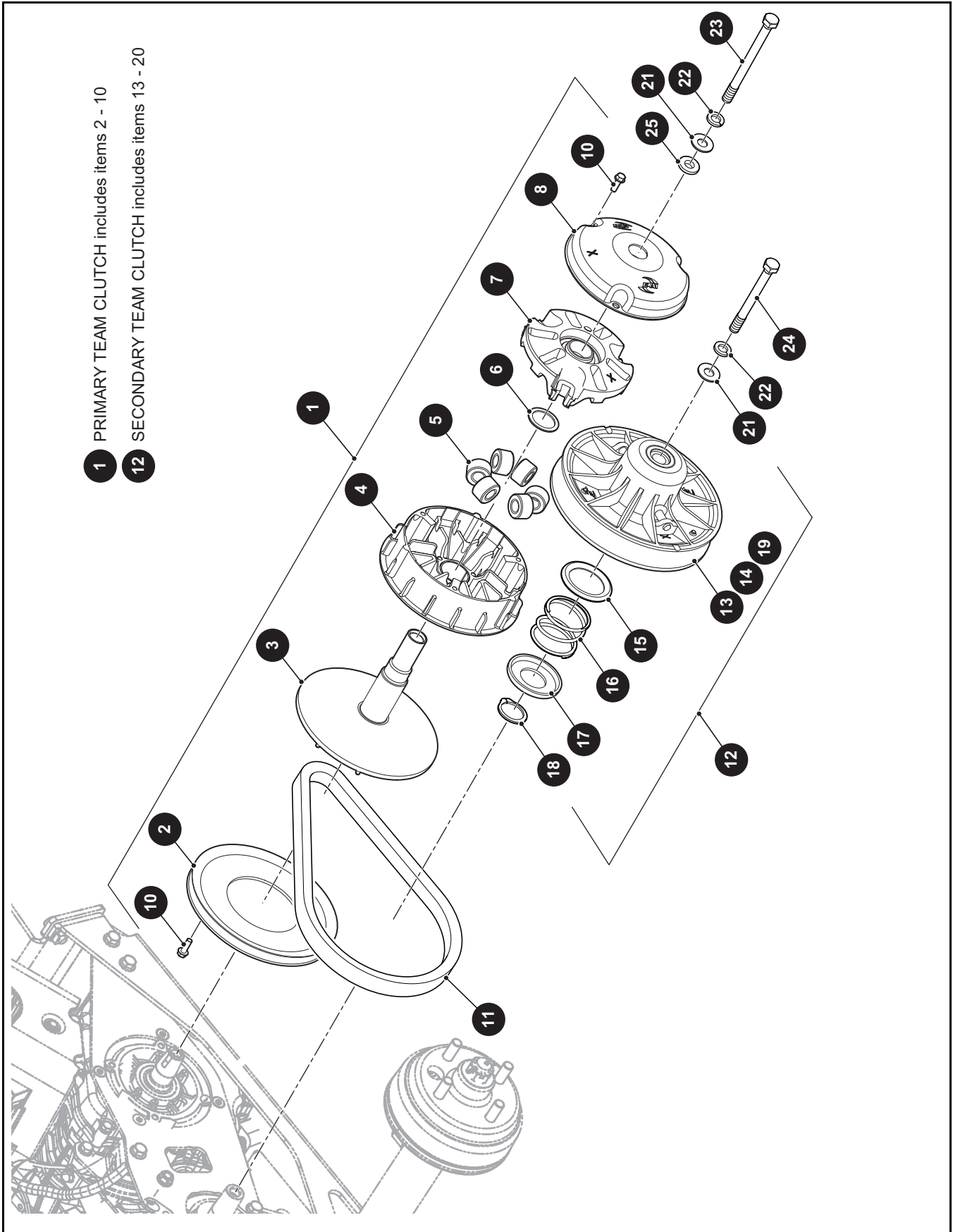
G** Indicates consult Customer Service Department for additional information.

ITEM	PART NO.	1 2 3 4 5	DESCRIPTION	QTY.
1	<u>607954</u>		CARBURETOR (INCLUDES ITEMS 3 - 21).....	1
2				
3	<u>607683</u>		MAIN JET (#104)	1
4	<u>608021</u>		PILOT JET (#44).....	1
5	<u>603585</u>		PLUG	1
6				
7	<u>603586</u>		NEEDLE VALVE	1
8	<u>603587</u>		FLOAT.....	1
9	<u>603588</u>		FLOAT PIN.....	1
10	<u>603589</u>		FLOAT BOWL GASKET	1
11	<u>603590</u>		FLOAT CHAMBER.....	1
12	<u>603592</u>		BOWL SCREW	1
13	<u>603591</u>		BOWL GASKET	1
14				
15	<u>603598</u>		BREATHER TUBE	1
16	<u>603596</u>		CLAMP, INTAKE TUBE.....	1
17	<u>603597</u>		CLAMP CYLINDER HEAD TUBE.....	1
18	<u>603594</u>		INTAKE TUBE.....	1
19	<u>603593</u>		CHOKE GASKET.....	2
20	<u>603595</u>		NUT, M6 X 1.0.....	2
21	<u>608023</u>		THROTTLE ROD ATTACHMENT BUSHING.....	1
22				
23	<u>607684</u>		MAIN JET (#102) (FOR ELEVATIONS OF 3000 FT - 6000 FT).....	1
24	<u>607685</u>		MAIN JET (#100) (FOR ELEVATIONS OF 6000 FT - 10000 FT).....	1
25				
26	<u>603580</u>		CARBURETOR MOUNT GASKET.....	2
27	<u>603581</u>		CARBURETOR INSULATOR	1

Notes:

A large grid of graph paper consisting of 30 columns and 25 rows of small squares, intended for taking notes.

CLUTCH



Where applicable, THE USE OF NON UL PARTS WILL VOID ANY UL LISTING.

When ordering parts, please specify the model and serial number of the product.

* Indicates a component that is not available as an individual part.

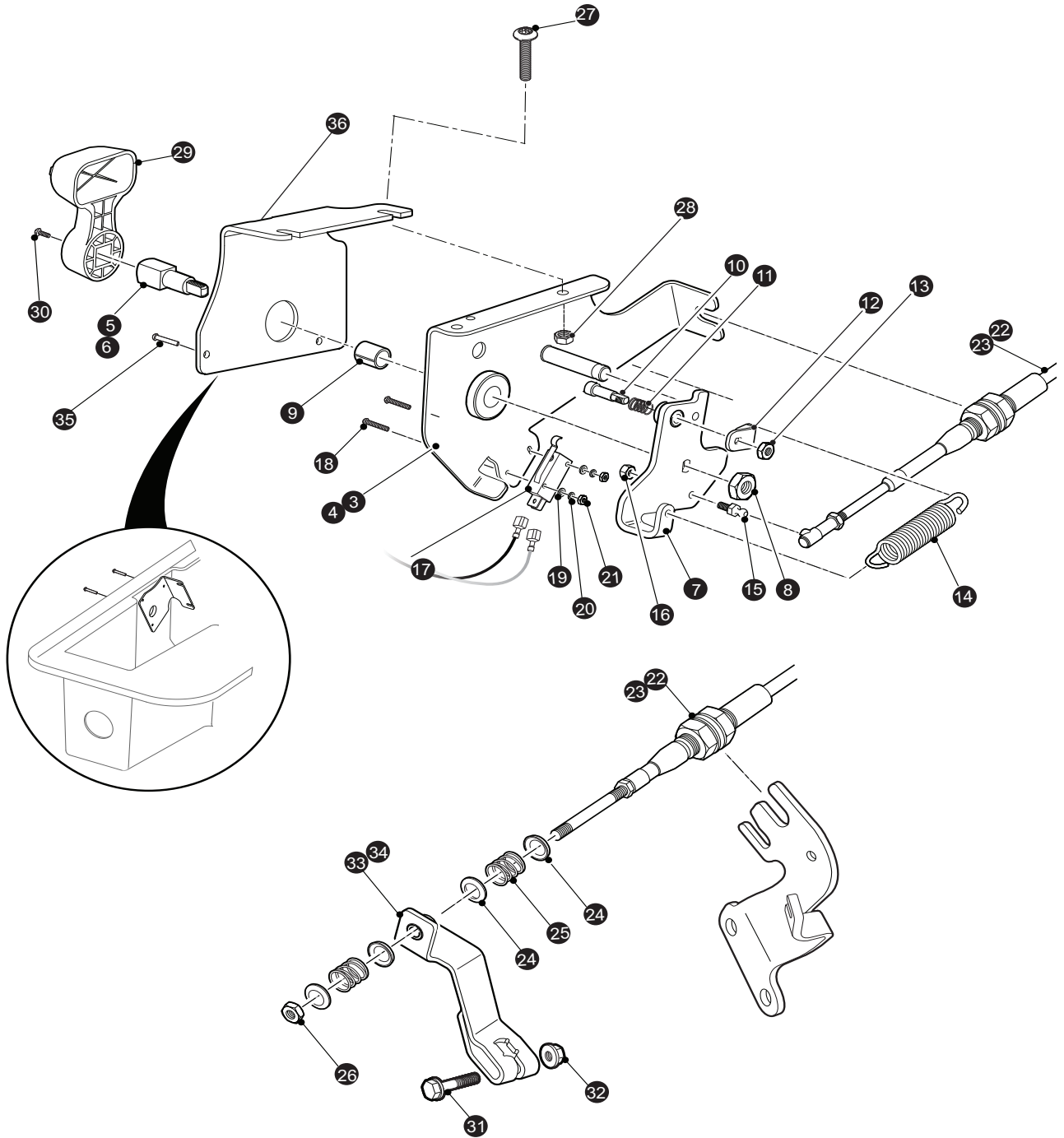
G** Indicates consult Customer Service Department for additional information.

ITEM	PART NO.	1 2 3 4 5	DESCRIPTION	QTY.
1	<u>623948</u>		PRIMARY TEAM CLUTCH (Includes items 2 - 10)	1
2	<u>619333</u>		PRIMARY STARTER PULLY, 195 - SVC	1
3	<u>619334</u>		STATIONARY ASSEMBLY	1
4	<u>619335</u>		MOVEABLE PRIMARY ASSEMBLY	1
5	<u>624112</u>		SHIFT ROLLER ASSEMBLY	6
6	<u>619337</u>		SHIM, 39.5 X 31.75.....	1
7	619338		PRIMARY SPIDER ASSEMBLY	1
8	<u>619339</u>		PRIMARY DUST COVER ASSEMBLY	1
9				
10	<u>619332</u>		BOLT, 1/4 - 20 X.75.....	7
11	<u>618630</u>		DRIVE BELT	1
12	<u>623949</u>		SECONDARY TEAM CLUTCH (Includes items 13 - 20).....	1
13	*		SECONDARY STATIONARY, 9.5	1
14	*		MOVEABLE SECONDARY, 9.5	1
15	<u>619327</u>		INNER RETAINER SPRING	1
16	<u>624111</u>		COMPRESSION SPRING, 2.70 OD	1
17	<u>619329</u>		OUTER SPRING RETAINER.....	1
18	<u>619330</u>		RETAINER RING	1
19	<u>619331</u>		THRUST WASHER, 1.530 x 1.830 x 1	1
20				
21	<u>606239</u>		CONICAL WASHER, M12.....	2
22	<u>00566G3</u>		SPRING TYPE LOCK WASHER	2
23	<u>606245</u>		HEX BOLT, M12 - 1.25 X 160.....	1
24	<u>606243</u>		HEX BOLT, M12 - 1.25 X 120.....	1
25	<u>606230</u>		CLUTCH WASHER	1

DIRECTION SELECTOR

1 - includes Items (3, 5, 7 - 22, 24 - 33)

2 - includes Items (4, 6, 7 - 21, 23 - 33)



DIRECTION SELECTOR

Where applicable, THE USE OF NON UL PARTS WILL VOID ANY UL LISTING.

When ordering parts, please specify the model and serial number of the product.

* Indicates a component that is not available as an individual part.

G** Indicates consult Customer Service Department for additional information.

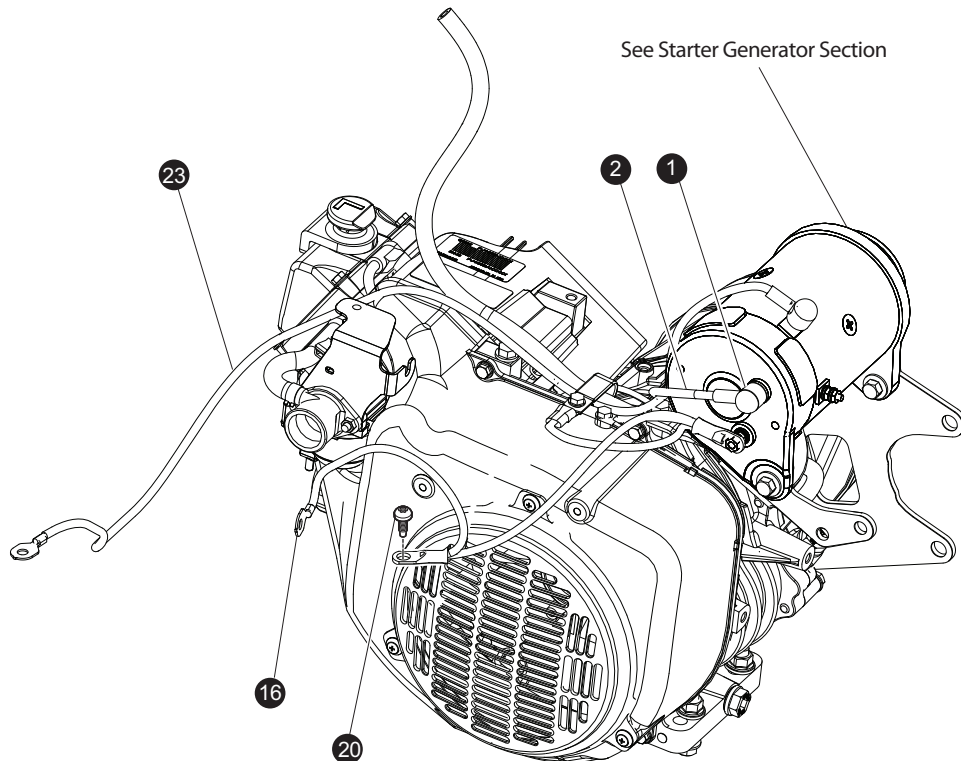
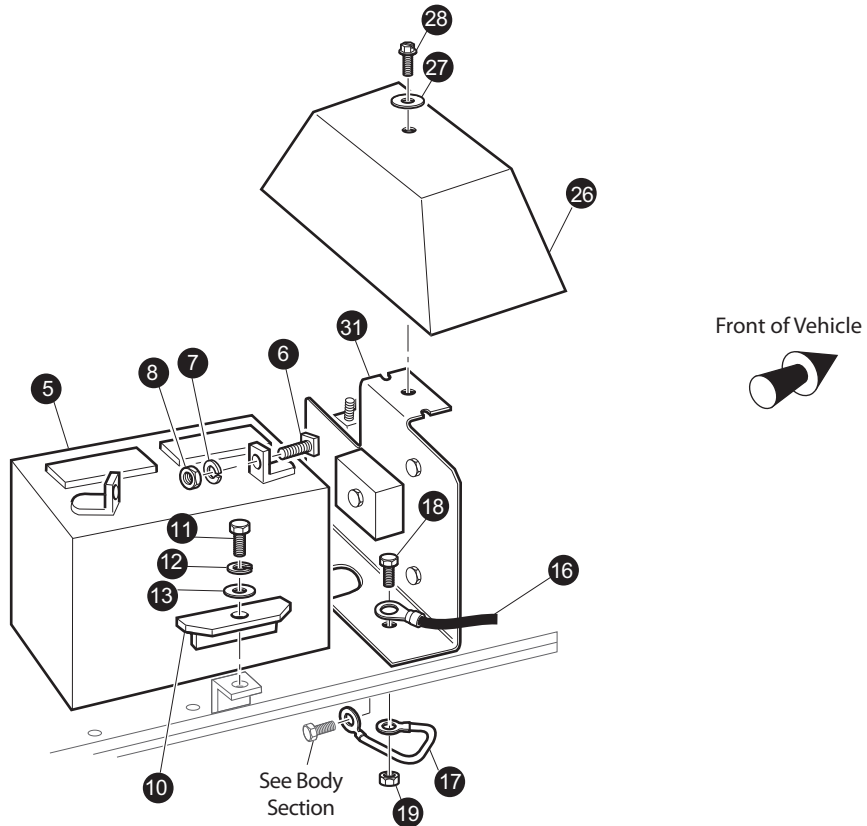
ITEM	PART NO.	1 2 3 4 5	DESCRIPTION	QTY.
1	<u>606170</u>		DIRECTION SELECTOR ASSEMBLY (INCLUDES ITEMS 3, 5, 7-22, 24-33) ...	1
2	<u>605999</u>		DIRECTION SELECTOR ASSEMBLY (INCLUDES ITEMS 4, 6, 7-21, 23-33) ...	1
3	608831		DIRECTION SELECTOR BRACKET WITH BUSHING (INCLUDES ITEM 9)	1
4	608830		DIRECTION SELECTOR BRACKET WITH BUSHING (INCLUDES ITEM 9)	1
5	<u>70233G01</u>		DIRECTION SELECTOR SHAFT	1
6	<u>606266</u>		DIRECTION SELECTOR SHAFT	1
7	<u>603700</u>		DIRECTION SELECTOR CAM	1
8	<u>14390G1</u>		LOCK NUT, 3/8 - 24	1
9	*		BUSHING	1
10	<u>72724G01</u>		NEUTRAL LOCK PIN	1
11	<u>72733G01</u>		COMPRESSION SPRING, 3/8" X 5/8" LG	1
12	<u>72729G01</u>		NEUTRAL LOCK BRACKET	1
13	<u>00734G2</u>		LOCK NUT, 1/4 - 28	1
14	<u>28574G01</u>		EXTENSION SPRING	1
15	<u>72732G01</u>		BALL STUD, 1/4"	1
16	<u>00734G5</u>		LOCK NUT, #10 - 32	1
17	<u>72736G01</u>		MICRO SWITCH	1
18	<u>01062G01</u>		SCREW, #4 - 40 X 1" LG	2
19	<u>00559G1</u>		WASHER, #4	2
20	<u>00565G1</u>		LOCK WASHER, #4	2
21	<u>00526G2</u>		NUT, #4 - 40	2
22	<u>605808</u>		PUSH / PULL SHIFTER CABLE	1
23	<u>605809</u>		PUSH / PULL SHIFTER CABLE	1
24	<u>25727G01</u>		CUP WASHER, 1/4"	4
25	<u>72735G01</u>		COMPRESSION SPRING, 19/32" X 1" LG	2
26	<u>00734G5</u>		LOCK NUT, #10 - 32	1
27	<u>70227G01</u>		SCREW, 1/4 - 20 X 7/8" LG	2
28	<u>11027G2</u>		LOCK NUT, 1/4 - 20	2
29	<u>71205G01</u>		DIRECTION SELECTOR HANDLE	1
30	<u>00740G4</u>		SCREW, #10 - 32 X 1/2" LG (STAINLESS STEEL)	1

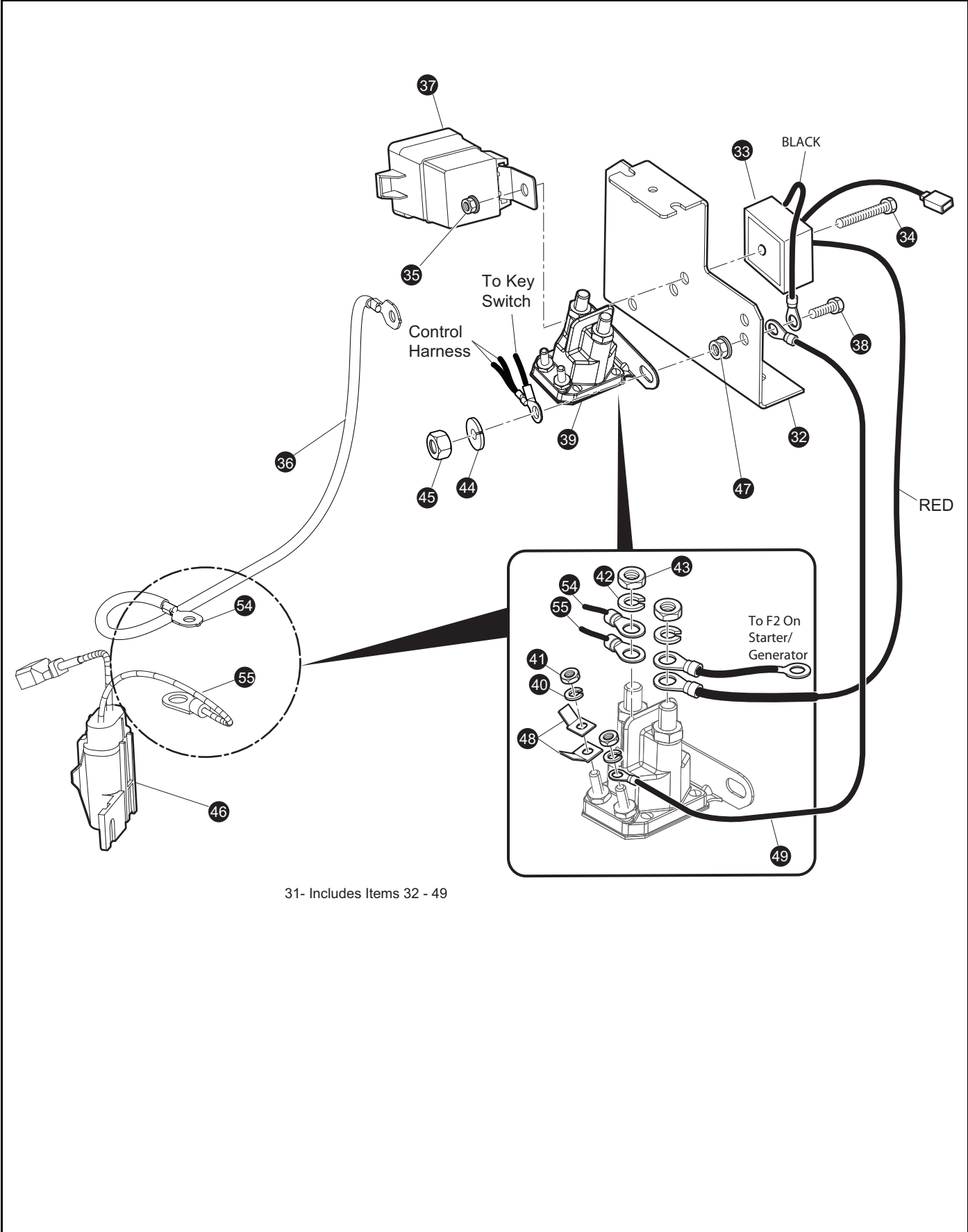
DIRECTION SELECTOR

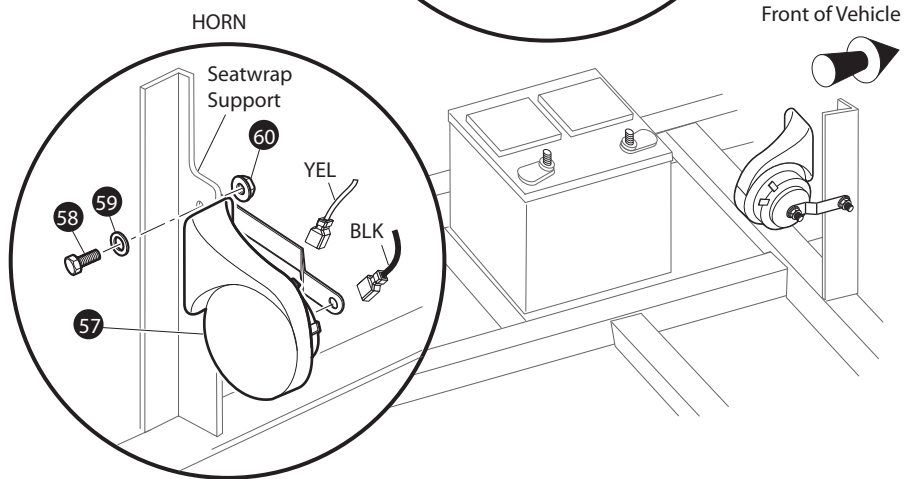
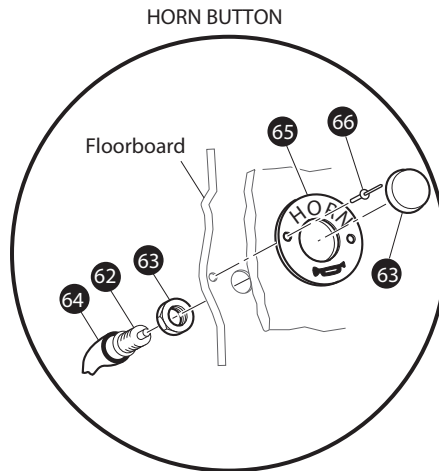
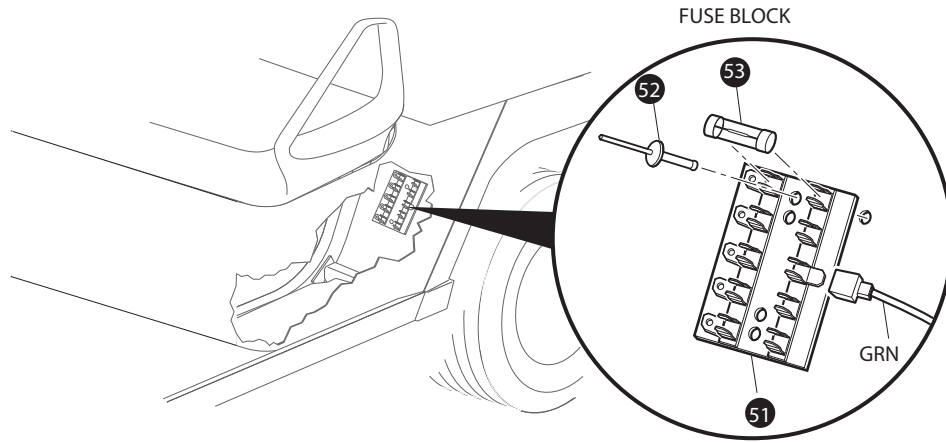
Where applicable, THE USE OF NON UL PARTS WILL VOID ANY UL LISTING.
 When ordering parts, please specify the model and serial number of the product.
 * Indicates a component that is not available as an individual part.
 G** Indicates consult Customer Service Department for additional information.

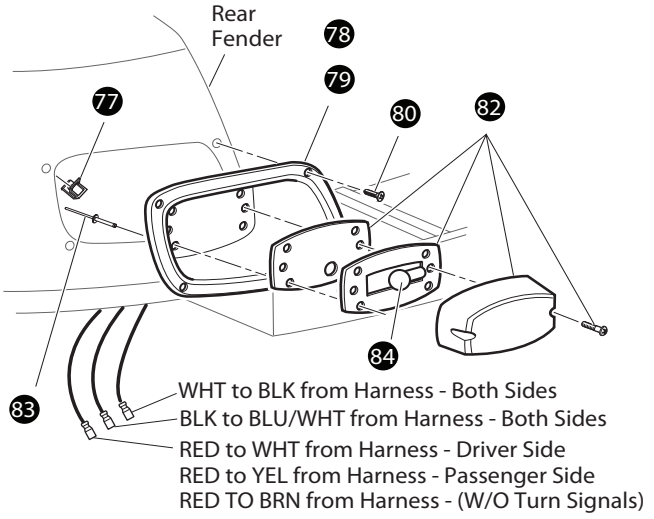
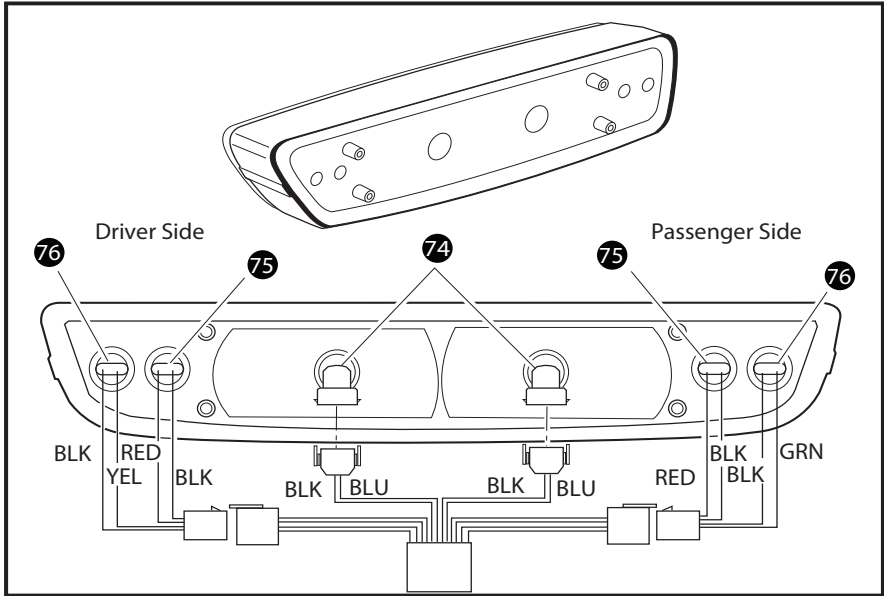
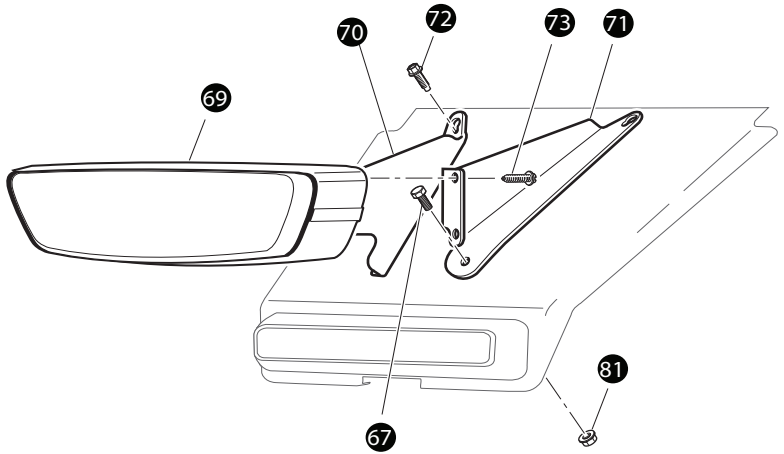
ITEM	PART NO.	1 2 3 4 5	DESCRIPTION	QTY.
31	<u>606421</u>		BOLT, M6 - 1.00 X 30	1
32	<u>450452</u>		NUT, M6 - 1.00	1
33	<u>608832</u>		SHIFTER ARM (INCLUDES ITEM 34)	1
34	*		BUSHING, FLIP LOK, 0.25	1
35	<u>71055G01</u>		RIVET	3
36	<u>605869</u>		MOUNTING BRACKET	1

ELECTRICAL SYSTEM

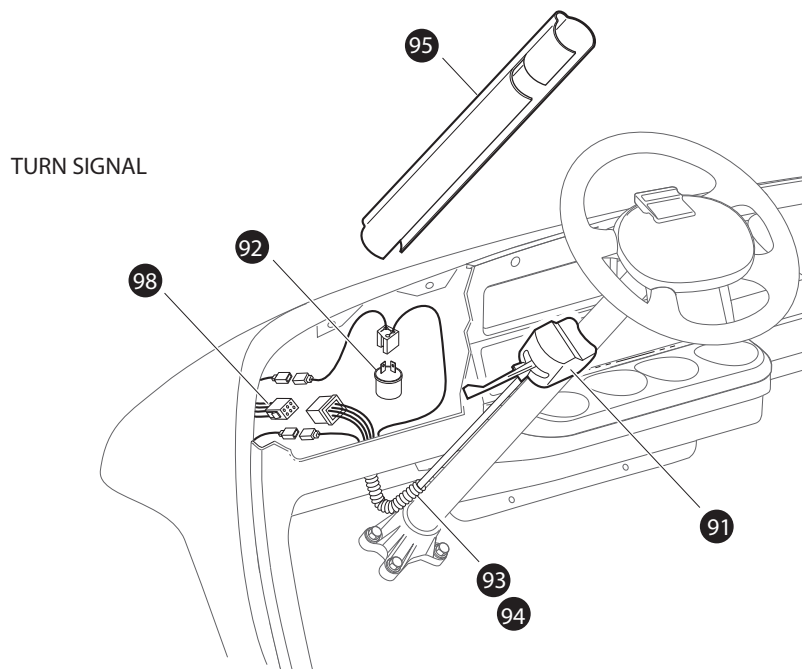
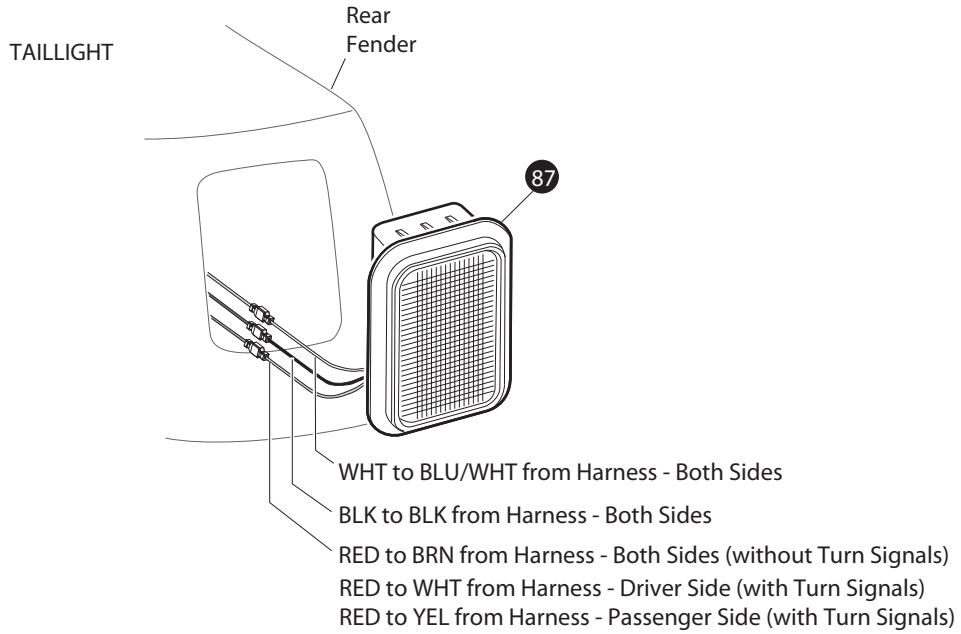






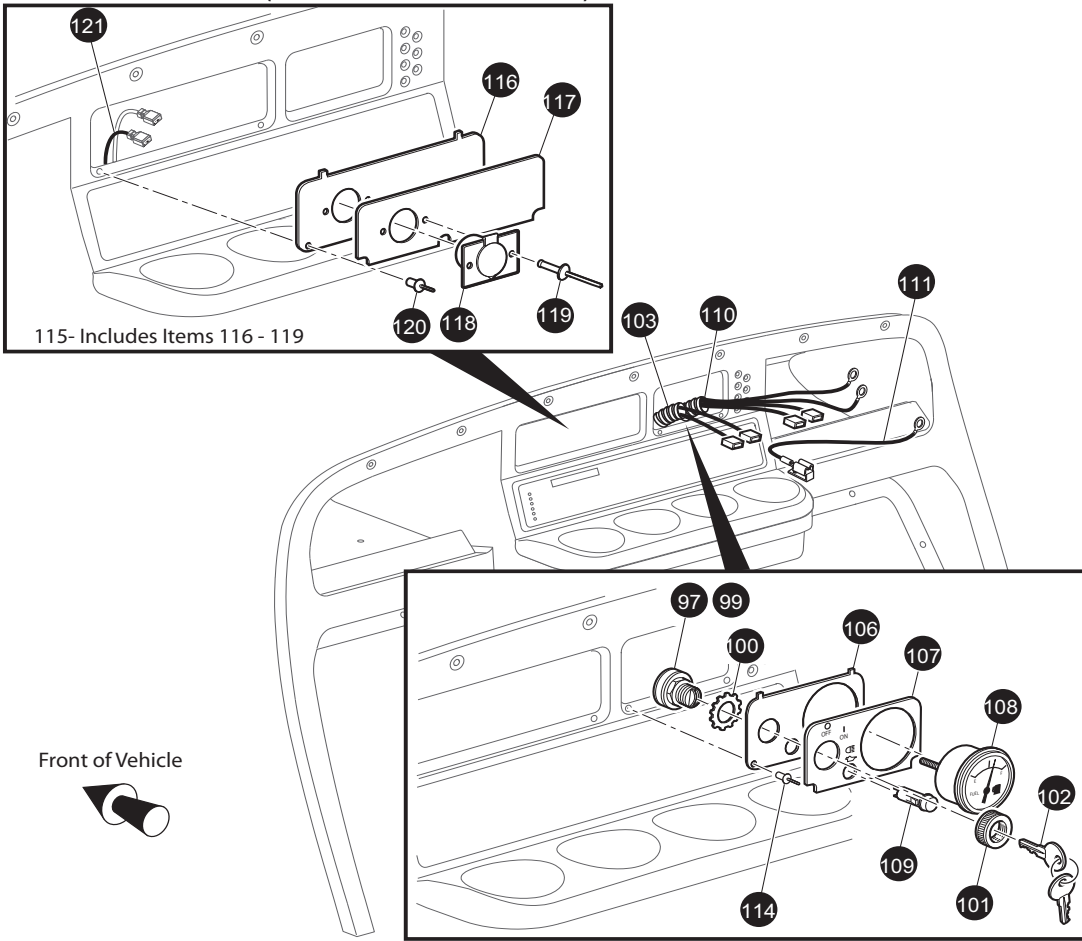


Ref Ele 8-4

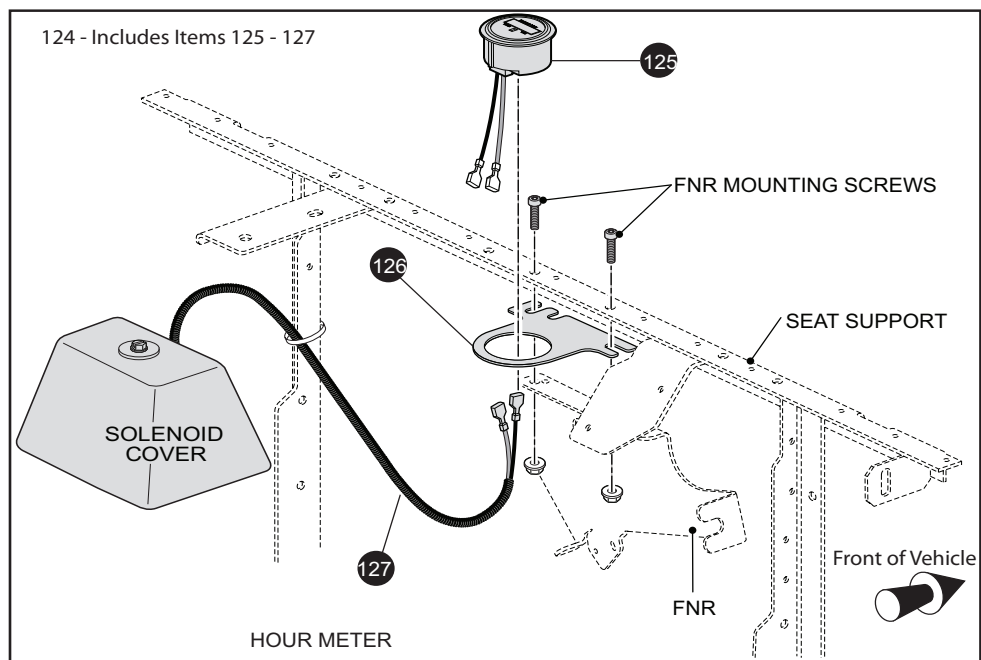


90 - Includes Items 91 - 95

CONSOLE INSERT PLATE (WITH POWER OUTLET SHOWN)



KEY SWITCH, INDICATOR LIGHT(S), AND FUEL GAUGE



ELECTRICAL SYSTEM

When ordering parts, please specify the model and serial number of the product.

* Indicates a component that is not available as an individual part.

*** Indicates consult Customer Service Department for additional information.

ITEM	PART NO.	1 2 3 4 5	DESCRIPTION	QTY.
1	<u>607053</u>		6 GA WIRE (BLACK 6", F1 - A2).....	1
2	<u>25682G01</u>		TERMINAL COVER.....	3
3				
4				
5	24775G*		BATTERY, 12V	1
6	*		BOLT, 5/16 - 18 X 1 1/4" LG.....	2
7	*		LOCK WASHER, 5/16" (SILICON BRONZE).....	2
8	*		NUT, 5/16 - 18 (SILICON BRONZE)	2
9				
10	<u>72101G02</u>		BATTERY HOLD DOWN	1
11	00438G6		BOLT, 5/16 - 18 X 3/4" LG	3
12	<u>00565G8</u>		LOCK WASHER, 5/16"	1
13	<u>00571G2</u>		WASHER, 5/16" (STAINLESS STEEL)	1
14				
15				
16	<u>27044G03</u>		GROUND CABLE.....	1
17	<u>25976G19</u>		14 GA WIRE (BLACK 6").....	1
18	00438G6		BOLT, 5/16 - 18 X 3/4" LG	2
19	<u>11027G1</u>		LOCK NUT, 5/16 - 18.....	2
20	<u>26676G01</u>		FLANGED BOLT	1
21				
22				
23	<u>607103</u>		6 GA WIRE (42" LONG)	1
24	<u>605777</u>		WIRE HARNESS (CONTROL).....	1
25	<u>17618G1</u>		WIRE TIE (NOT ILLUSTRATED)	AR
26	<u>73049G01</u>		COVER FNR	1
27	<u>16469G1</u>		WASHER, 1/4".....	1
28	<u>00114G6</u>		SCREW, 1/4 - 14 X 3/4" LG.....	1
29				
30				
31	<u>605563</u>		ELECTRICAL PLATE ASSEMBLY (INCLUDES ITEMS 32 - 49)	1

ELECTRICAL SYSTEM

When ordering parts, please specify the model and serial number of the product.

* Indicates a component that is not available as an individual part.

*** Indicates consult Customer Service Department for additional information.

ITEM	PART NO.	1 2 3 4 5	DESCRIPTION	QTY.
32	<u>73057G01</u>		BRACKET.....	1
33	<u>27739G01</u>		VOLTAGE REGULATOR.....	1
34	<u>00415G4</u>		BOLT, 1/4 - 20 X 1 1/4" LG.....	1
35	<u>11027G2</u>		LOCK NUT, 1/4 - 20.....	1
36	<u>25972G33</u>		WIRE ASSEMBLY 6 GA.....	1
37	<u>603282</u>		RELAY.....	1
38	<u>00661G8</u>		BOLT, 1/4 - 20 X 1" LG.....	1
39	<u>612813</u>		SOLENOID.....	1
40	*		LOCK WASHER, #10.....	2
41	*		NUT, #10 - 32.....	2
42	*		LOCK WASHER, 5/16".....	2
43	*		NUT, 5/16 - 24.....	2
44	<u>00664G7</u>		LOCK WASHER - SS - .255/.263.....	1
45	<u>00532G1</u>		NUT, 1/4 - 20.....	1
46	600418G01		FUSE HOLDER ASSEMBLY.....	1
47	<u>11027G2</u>		LOCK NUT, 1/4 - 20.....	1
48	<u>73446G01</u>		FASTON TAB, 90°.....	2
49	<u>25978G56</u>		18 GA WIRE (BLACK 5 3/4").....	1
50				
51	<u>22674G1</u>		FUSE BLOCK.....	1
52	<u>01041G01</u>		RIVET, 1/8" X 13/16" LG.....	2
53	<u>18392G1</u>		15 AMP FUSE.....	3
54	<u>25972G33</u>		#6 GA WIRE ASSEMBLY.....	1
55	<u>20216G1</u>		16 GA WIRE (RED).....	1
56				
57	<u>32860G1</u>		HORN.....	1
58	<u>00414G5</u>		BOLT, 1/4 - 20 x 5/8" LG.....	1
59	<u>00559G7</u>		WASHER, 1/4" (STAINLESS STEEL).....	1
60	<u>14390G4</u>		LOCK NUT, 1/4 - 20.....	1
61				
62	<u>17318G1</u>		HORN SWITCH.....	1

ELECTRICAL SYSTEM

When ordering parts, please specify the model and serial number of the product.

* Indicates a component that is not available as an individual part.

*** Indicates consult Customer Service Department for additional information.

ITEM	PART NO.	1 2 3 4 5	DESCRIPTION	QTY.
63	<u>17318G2</u>		HORN SWITCH CAP AND NUT	1
64	<u>27068G01</u>		HORN SWITCH BOOT.....	1
65	19233G1		HORN SWITCH LABEL.....	1
66	<u>71055G01</u>		RIVET, 3/16" X 1" LG (ALUMINUM)	2
67	<u>00414G6</u>		BOLT, 1/4 - 20 x 3/4 " LG.....	2
68				
69	<u>74001G01</u>		HEADLIGHT AND TURN SIGNAL LIGHT.....	1
70	<u>74236G03</u>		HEADLIGHT MOUNT BRACKET (PASSENGER SIDE).....	1
71	<u>74236G04</u>		HEADLIGHT MOUNT BRACKET (DRIVER SIDE)	1
72	<u>01038G01</u>		BOLT, 1/4 20 X 11/16" LG.....	2
73	<u>00114G6</u>		SCREW, 1/4 - 14 X 3/4" LG.....	4
74	<u>74004G01</u>		HEADLIHT BULB	AR
75	<u>74005G01</u>		MARKER LIGHT BULB	AR
76	<u>74006G01</u>		TURN SIGNAL BULB	AR
77	<u>71364G02</u>		'J' CLIP (SHUTTLE 4/6) (SHUTTLE 4/6).....	8
78	<u>74371G01</u>		BEZEL (DRIVER SIDE) (SHUTTLE 4/6).....	1
79	<u>74371G02</u>		BEZEL (PASSENGER SIDE) (SHUTTLE 4/6)	1
80	<u>71425G01</u>		COUNTERSUNK SCREW, #8 (SHUTTLE 4/6).....	8
81	<u>11027G2</u>		LOCT NUT, 1/4 - 20.....	2
82	<u>22288G2</u>		BRAKE / TAILLIGHT LAMP (SHUTTLE 4/6).....	1
83	<u>14601-G11</u>		RIVET, 3/16" X 9/16" LG (ALUMINUM).....	4
84	<u>21759G1</u>		TAILLIGHT BULB	AR
85				
86				
87	<u>32739G2</u>		TAILLIGHT ASSEMBLY (SHUTTLE 2) (COMPLETE).....	2
88				
89				
90	<u>75107G02</u>		TURN SIGNAL KIT (INCLUDES ITEMS 91 - 95).....	1
91	<u>17867G1</u>		TURN SIGNAL (WITH MOUNTING HARDWARE) (INCLUDES ITEM 106)	1
92	<u>21640G1</u>		TURN SIGNAL FLASHER.....	1
93	<u>32307G3</u>		FLEX LOOM, 3/8 X 8" LG	1

ELECTRICAL SYSTEM

When ordering parts, please specify the model and serial number of the product.

* Indicates a component that is not available as an individual part.

*** Indicates consult Customer Service Department for additional information.

ITEM	PART NO.	1 2 3 4 5	DESCRIPTION	QTY.
94	<u>17618G1</u>		WIRE TIE.....	2
95	<u>20965G3</u>		STEERING COLUMN COVER.....	1
96				
97	<u>18602G1</u>		IGNITION SWITCH (FLEET KEYED)	1
98	<u>606045</u>		WIRE HARNESS (ACCESSORY)	1
99	33639G03		IGNITION SWITCH (WITH LIGHTS, INDIVIDUALLY KEYED).....	1
100	<u>00568G6</u>		LOCK WASHER, 3/4"	1
101	17137G1		FACE NUT, 3/4 - 20.....	1
102	<u>17063G1</u>		IGNITION KEY	1
103	<u>605866</u>		WIRE HARNESS (KEY SWITCH).....	1
104				
105				
106	73030G04		PLATE (FUEL GAUGE AND OIL LIGHT)	1
107	71127G01		LABEL (OIL LIGHT AND FUEL GAUGE WITH HEADLIGHTS)	1
108	<u>21553G1</u>		FUEL GAUGE	1
109	<u>23474G1</u>		INDICATOR LIGHT	1
110	<u>74311G01</u>		HARNESS (OIL LIGHT/FUEL GAUGE).....	1
111	<u>25978G122</u>		18 GA WIRE (RED 6")	1
112				
113				
114	33623G02		DRIVE RIVET, 3/16" X 3/8" LG	2
115	<u>74693G01</u>		CONSOLE INSERT ASSEMBLY (INCLUDES ITEMS 116 - 119).....	1
116	<u>73522G03</u>		CONSOLE INSERT PLATE.....	1
117	<u>35962G01</u>		LABEL (CONSOLE INSERT PLATE)	1
118	<u>71078G01</u>		POWER OUTLET (12 VOLT)	1
119	<u>14601G10</u>		RIVET, 3/16" X 7/16" LG (ALUMINUM)	2
120	33623G02		DRIVE RIVET, 3/16" X 3/8" LG	3
121	<u>71081G01</u>		WIRE HARNESS (POWER OUTLET)	1
122				
123				
124	<u>607285</u>		HOUR METER KIT (INCLUDES ITEMS 125 - 127).....	1

ELECTRICAL SYSTEM

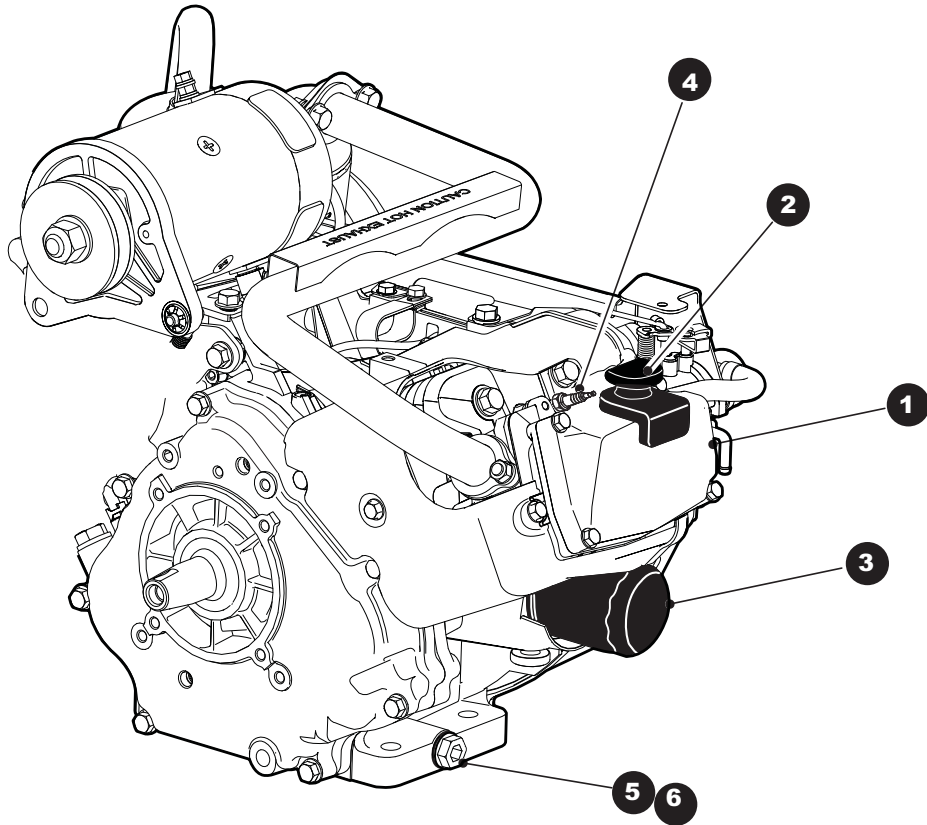
When ordering parts, please specify the model and serial number of the product.

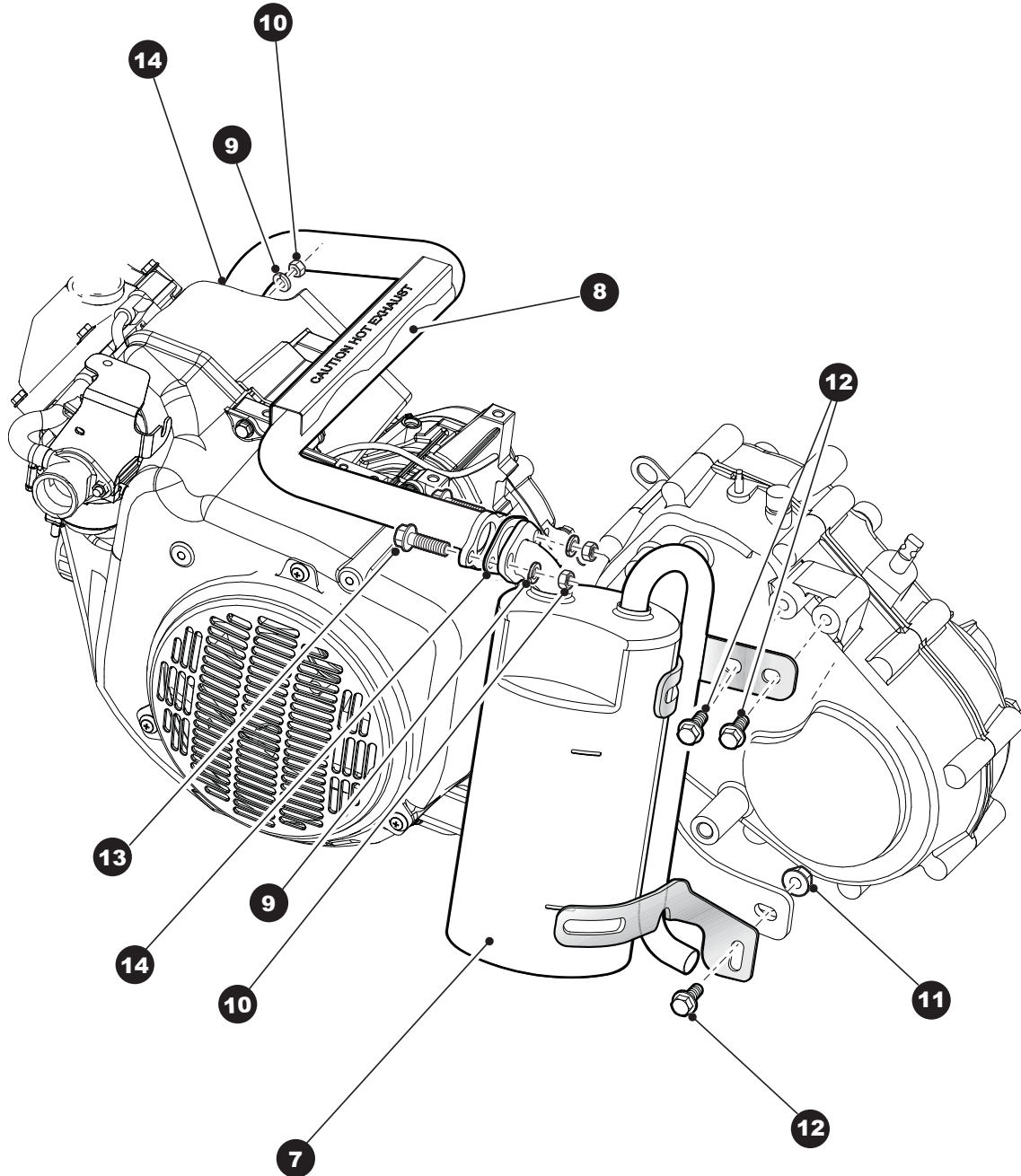
* Indicates a component that is not available as an individual part.

*** Indicates consult Customer Service Department for additional information.

ITEM	PART NO.	1	2	3	4	5	DESCRIPTION	QTY.
125	<u>617074</u>						HOUR METER.....	1
126	<u>603721</u>						HOUR METER BRACKET	1
127	<u>606254</u>						WIRE HARNESS (HOUR METER).....	1
128	<u>31539G1</u>						NYLON CLAMP 15.5" (NOT ILLUSTRATED)	AR
129	<u>73290G03</u>						CONT TONE POTTED BUZZER (NOT SHOWN).....	1

ENGINE AND MUFFLER





ENGINE AND MUFFLER

Where applicable, THE USE OF NON UL PARTS WILL VOID ANY UL LISTING.

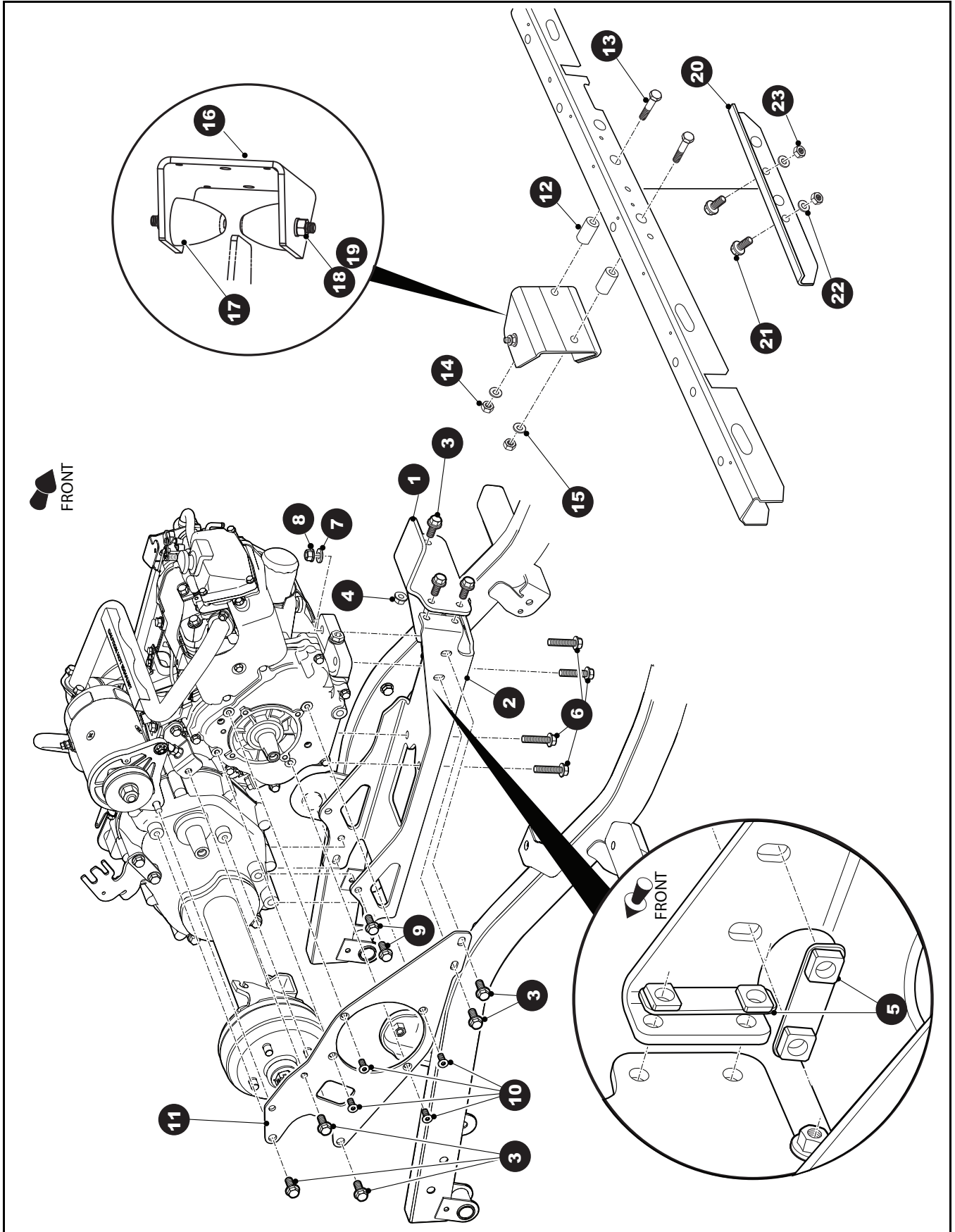
When ordering parts, please specify the model and serial number of the product.

* Indicates a component that is not available as an individual part.

G** Indicates consult Customer Service Department for additional information.

ITEM	PART NO.	1 2 3 4 5	DESCRIPTION	QTY.
1	<u>607154</u>		ENGINE, GAS, 13HP, NON-GOLF.....	1
2	<u>606390</u>		DIP STICK.....	1
3	<u>607454</u>		OIL FILTER.....	1
4	<u>607462</u>		SPARK PLUG (BPR2ES).....	1
5	<u>603557</u>		OIL DRAIN PLUG.....	1
6	<u>603562</u>		'O' RING, 16MM.....	1
7	<u>612266</u>		MUFFLER.....	1
8	<u>606982</u>		EXHAUST PIPE.....	1
9	<u>606272</u>		WASHER, 8MM.....	4
10	<u>606267</u>		NUT, M8 X 1.25.....	4
11	<u>606279</u>		NUT, M10 - 1.25.....	1
12	<u>606256</u>		BOLT, M10 - 1.25 X 25.....	3
13	<u>602330</u>		BOLT, M8 - 1.25 X 30.....	2
14	<u>603599</u>		EXHAUST GASKET.....	2

ENGINE MOUNTING



ENGINE MOUNTING

Where applicable, THE USE OF NON UL PARTS WILL VOID ANY UL LISTING.

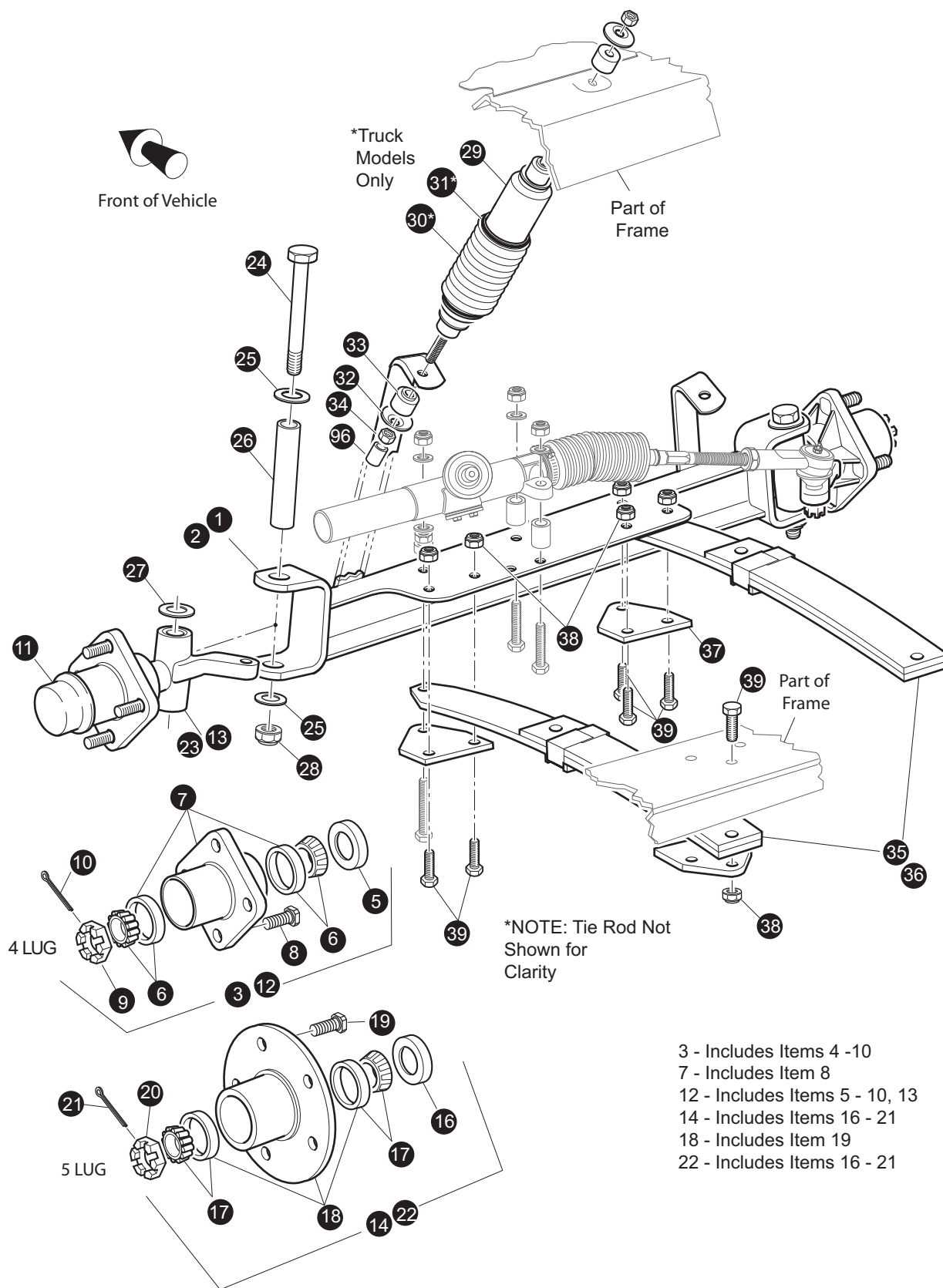
When ordering parts, please specify the model and serial number of the product.

* Indicates a component that is not available as an individual part.

G** Indicates consult Customer Service Department for additional information.

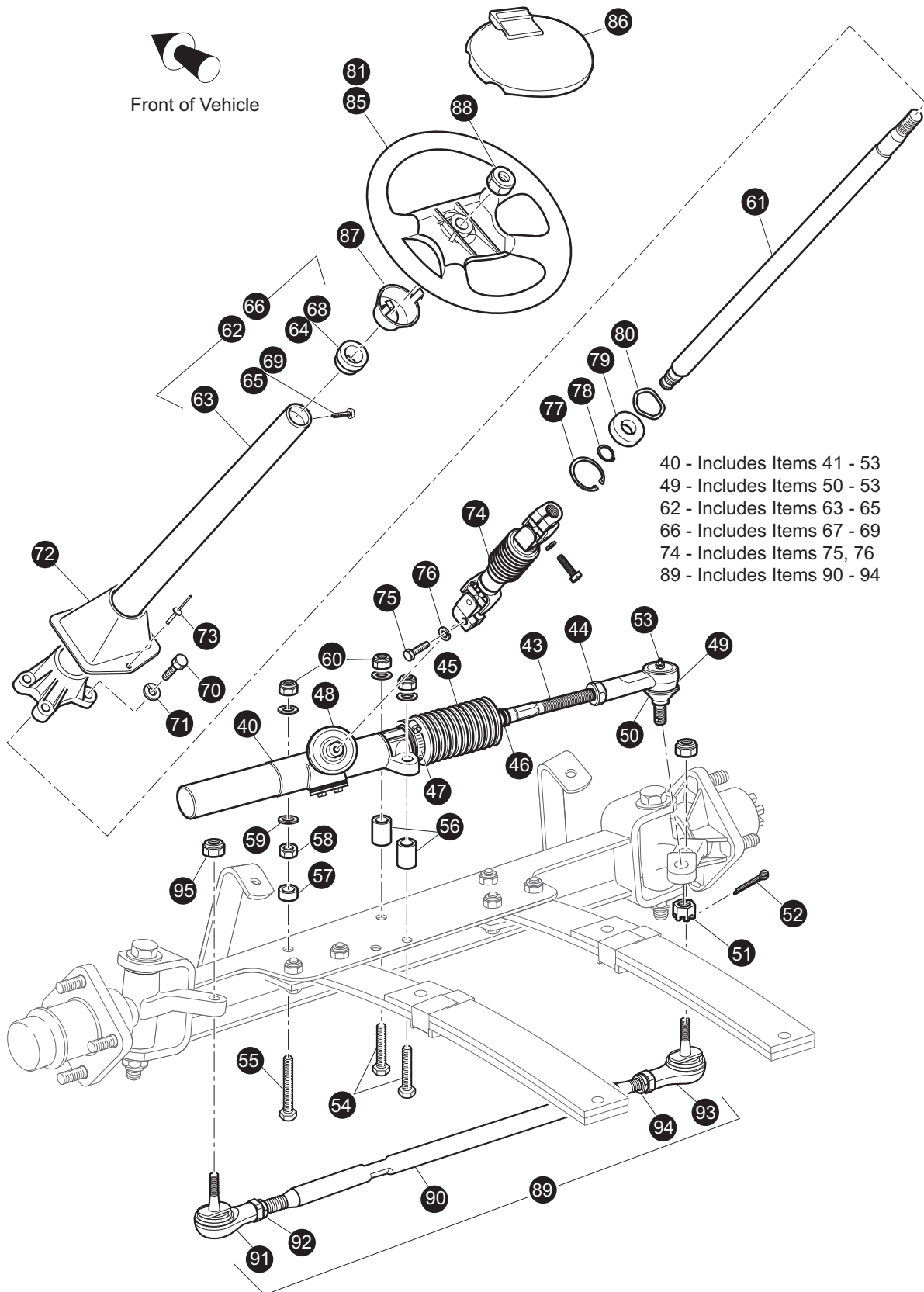
ITEM	PART NO.	1 2 3 4 5	DESCRIPTION	QTY.
1	<u>606007</u>		FRONT ENGINE MOUNT	1
2	<u>603101</u>		ENGINE PAN MOUNT	1
3	<u>606256</u>		BOLT, M10 - 1.25 X 25	8
4	<u>606279</u>		NUT, M10 - 1.25	1
5	<u>606096</u>		NUT PLATE	2
6	<u>606259</u>		BOLT, M10 - 1.25 X 45	4
7	<u>603823</u>		FLAT WASHER, M10 X 22 - 2.5.....	4
8	<u>606279</u>		NUT, M10 - 1.25	4
9	<u>608020</u>		BOLT, M10 - 1.25 X 34	4
10	<u>606246</u>		FLAT HEAD SCREW, T40.....	4
11	<u>602146</u>		DIFFERENTIAL PLATE.....	1
12	<u>72016G01</u>		TUBE SPACER	2
13	<u>00428G8</u>		HEX HEAD 3/8 - 16, UNC X 2.75.....	2
14	<u>11098G5</u>		PLASTIC INSERT LOCK NUT	2
15	<u>00643G1</u>		FLAT WASHER	2
16	<u>605995</u>		TS2 FRONT MOUNT BRACKET	1
17	<u>605757</u>		RUBBER BUMPER	2
18	<u>00974G01</u>		HEX - NUT	2
19	<u>00968G01</u>		LOCK WASHER.....	2
20	<u>70269G02</u>		CROSSMEMBER BRACE	1
21	<u>00438G7</u>		SCREW, HEX HEAD 5/16 - 18 UNC.....	2
22	01110G3		FLAT WASHER	2
23	<u>01109G01</u>		PLASTIC INSERT LOCK NUT	2

FRONT SUSPENSION / STEERING



- 3 - Includes Items 4 - 10
- 7 - Includes Item 8
- 12 - Includes Items 5 - 10, 13
- 14 - Includes Items 16 - 21
- 18 - Includes Item 19
- 22 - Includes Items 16 - 21

FRONT SUSPENSION / STEERING



FRONT SUSPENSION / STEERING

When ordering parts, please specify the model and serial number of the product.

* Indicates a component that is not available as an individual part.

*** Indicates consult Customer Service Department for additional information.

ITEM	PART NO.	1 2 3 4 5	DESCRIPTION	QTY.
1	<u>602513</u>		FRONT AXLE	1
2	<u>602327</u>		FRONT AXLE WITH FRONT DISC BRAKES	1
3	<u>70942G03</u>		SPINDLE AND HUB ASSEMBLY, 4 LUG (PASSENGER SIDE) (INCLUDES ITEMS 4 - 10).....	1
4	<u>70942G04</u>		SPINDLE ASSEMBLY (PASSENGER SIDE).....	1
5	<u>25146G1</u>		GREASE SEAL	1
6	<u>50892G1</u>		ROLLER BEARING AND RACE ASSEMBLY	2
7	<u>70589G01</u>		WHEEL HUB ASSEMBLY WITH RACES, 4 LUG (INCLUDES ITEM 8) ..	1
8	<u>19862G1</u>		LUG BOLT, 1/2 - 20 X 1 3/16" LG.....	4
9	12093G1		CASTELLATED NUT, 1 - 14.....	1
10	<u>00798G8</u>		COTTER PIN, 5/32" X 1 3/4" LG.....	1
11	<u>12091G2</u>		SPINDLE CAP	2
12	<u>70673G03</u>		SPINDLE AND HUB ASSEMBLY, 4 LUG (DRIVER SIDE) (INCLUDES ITEMS 5 - 10, 13).....	1
13	<u>70673G04</u>		SPINDLE ASSEMBLY (DRIVER SIDE)	1
14	<u>602288</u>		SPINDLE AND HUB ASSEMBLY WITH FRONT DISC BRAKES (PASSENGER SIDE)(INCLUDES ITEMS 16 - 21).....	1
15				
16	<u>12092G1</u>		GREASE SEAL	1
17	<u>50892G1</u>		ROLLER BEARING AND RACE ASSEMBLY	2
18	<u>74673G01</u>		WHEEL HUB ASSEMBLY WITH RACES, (INCLUDES ITEM 19).....	1
19	30143G1		LUG BOLT, 1/2 - 20 X 1 7/32" LG	5
20	12093G1		CASTELLATED NUT, 1 - 14.....	1
21	<u>00798G8</u>		COTTER PIN, 5/32" X 1 3/4" LG.....	1
22	<u>602281</u>		SPINDLE AND HUB ASSEMBLY, WITH FRONT DISC BRAKES (DRIVER SIDE)(INCLUDES ITEMS 15 - 20)	1
23				
24	<u>00407G6</u>		BOLT, 1/2 - 13 X 6" LG	2
25	<u>00560G3</u>		WASHER, 1/2".....	4
26	<u>70745G01</u>		KING PIN TUBE	2
27	<u>70754G01</u>		THRUST WASHER, 1" (STAINLESS STEEL).....	2
28	<u>14390G6</u>		LOCK NUT, 1/2 - 13.....	2
29	<u>76419G01</u>		SHOCK ABSORBER.....	2

FRONT SUSPENSION / STEERING

When ordering parts, please specify the model and serial number of the product.

* Indicates a component that is not available as an individual part.

*** Indicates consult Customer Service Department for additional information.

ITEM	PART NO.	1 2 3 4 5	DESCRIPTION	QTY.
30	<u>70509G01</u>		SHOCK ABSORBER BOOT	2
31	<u>31539G1</u>		WIRE TIE	4
32	<u>10435G1</u>		SHOCK ABSORBER WASHER.....	8
33	<u>10194G1</u>		RUBBER BUSHING	8
34	<u>00532G6</u>		NUT, 3/8 - 24	4
35				
36	<u>70664G03</u>		LEAF SPRING (HEAVY DUTY) (SEE PART NUMBER ON SPRING).....	2
37	<u>70163G03</u>		SPRING PLATE	4
38	<u>00734G1</u>		LOCK NUT, 7/16 - 14	11
39	<u>00463G11</u>		BOLT, 7/16 - 14 X 1 3/4" LG.....	11
40	<u>70964G01</u>		RACK AND PINION UNIT (COMPLETE) (INCLUDES ITEMS 41 - 53).....	1
41	<u>70965G01</u>		STEERING RACK COVER & BEARING	1
42	*		STEERING BOX INSTALLATION TAG	1
43	<u>70694G01</u>		RACK EXTENSION	1
44	*		JAM NUT, 1/2 - 20	1
45	<u>70961G01</u>		RACK BOOT	1
46	<u>12416G2</u>		WIRE TIE.....	1
47	<u>11391G8</u>		CLAMP, 1 13/16 - 2 3/8"	1
48	<u>70638G01</u>		PINION SEAL	1
49	<u>70695G01</u>		RACK BALL JOINT (INCLUDES ITEMS 50 - 53).....	1
50	<u>50641G1</u>		RUBBER BOOT	1
51	<u>50209G2</u>		CASTELLATED NUT, 7/16 - 20.....	1
52	<u>10387G2</u>		COTTER PIN, 3/32" X 1" LG.....	1
53	<u>10389G3</u>		GREASE FITTING, STRAIGHT	1
54	<u>00464G6</u>		BOLT, 7/16 - 14 X 2 3/4" LG.....	2
55	<u>01068G01</u>		BOLT, 7/16 - 14 X 3 1/2" LG.....	1
56	<u>70667G02</u>		SPACER.....	2
57	<u>70667G03</u>		SPACER (SHORT).....	1
58	<u>00532G7</u>		NUT, 7/16 - 14	1
59	<u>00560G2</u>		FLAT WASHER, 7/16"	7
60	<u>00734G1</u>		LOCK NUT, 7/16 - 14	3

FRONT SUSPENSION / STEERING

When ordering parts, please specify the model and serial number of the product.

* Indicates a component that is not available as an individual part.

*** Indicates consult Customer Service Department for additional information.

ITEM	PART NO.	1 2 3 4 5	DESCRIPTION	QTY.
61	<u>70607G01</u>		STEERING SHAFT	1
62	<u>70758G06</u>		STEERING COLUMN KIT (INCLUDES ITEMS 63 - 65)	1
63	<u>70610G03</u>		STEERING COLUMN	1
64	<u>28569G01</u>		STEERING COLUMN BUSHING	1
65	<u>01022G01</u>		SCREW, #6 - 20 X 5/16" LG	1
66	<u>70758G08</u>		STEERING COLUMN KIT (HORN) (INCLUDES ITEMS 67 - 69)	1
67	<u>70610G04</u>		STEERING COLUMN	1
68	<u>28569G01</u>		STEERING COLUMN BUSHING	1
69	<u>01022G01</u>		SCREW, #6 - 20 X 5/16" LG	1
70	<u>01006G01</u>		BOLT, 3/8 - 16 X 1 1/4" LG	4
71	<u>00879G1</u>		LOCK WASHER, 3/8"	4
72	<u>70997G01</u>		COVER	1
73	<u>71055G01</u>		RIVET, 3/16" X 1" LG (ALUMINUM)	1
74	<u>70580G01</u>		INTERMEDIATE SHAFT (INCLUDES ITEMS 75, 76)	1
75	<u>01055G01</u>		BOLT, M8 X 1.25 - 05	2
76	<u>00565G8</u>		LOCK WASHER, 5/16"	2
77	<u>70751G01</u>		RETAINING RING (INTERNAL)	1
78	<u>70888G01</u>		RETAINING RING (EXTERNAL)	1
79	<u>15112G1</u>		BALL BEARING	1
80	<u>70887G01</u>		WAVE WASHER	1
81				
82				
83				
84				
85	<u>602979</u>		STEERING WHEEL	1
86	<u>607925</u>		CLIPBOARD	1
87	<u>71949G01</u>		HUB COVER	1
88	<u>14390G2</u>		LOCK NUT, 5/8 - 18	1
89	<u>70876G02</u>		TIE ROD ASSEMBLY (INCLUDES ITEMS 90 - 94)	1
90	<u>70897G02</u>		THREADED ROD (24" LG)	1
91	<u>70902G01</u>		TIE ROD END (LEFT HAND THREADS)	1

FRONT SUSPENSION / STEERING

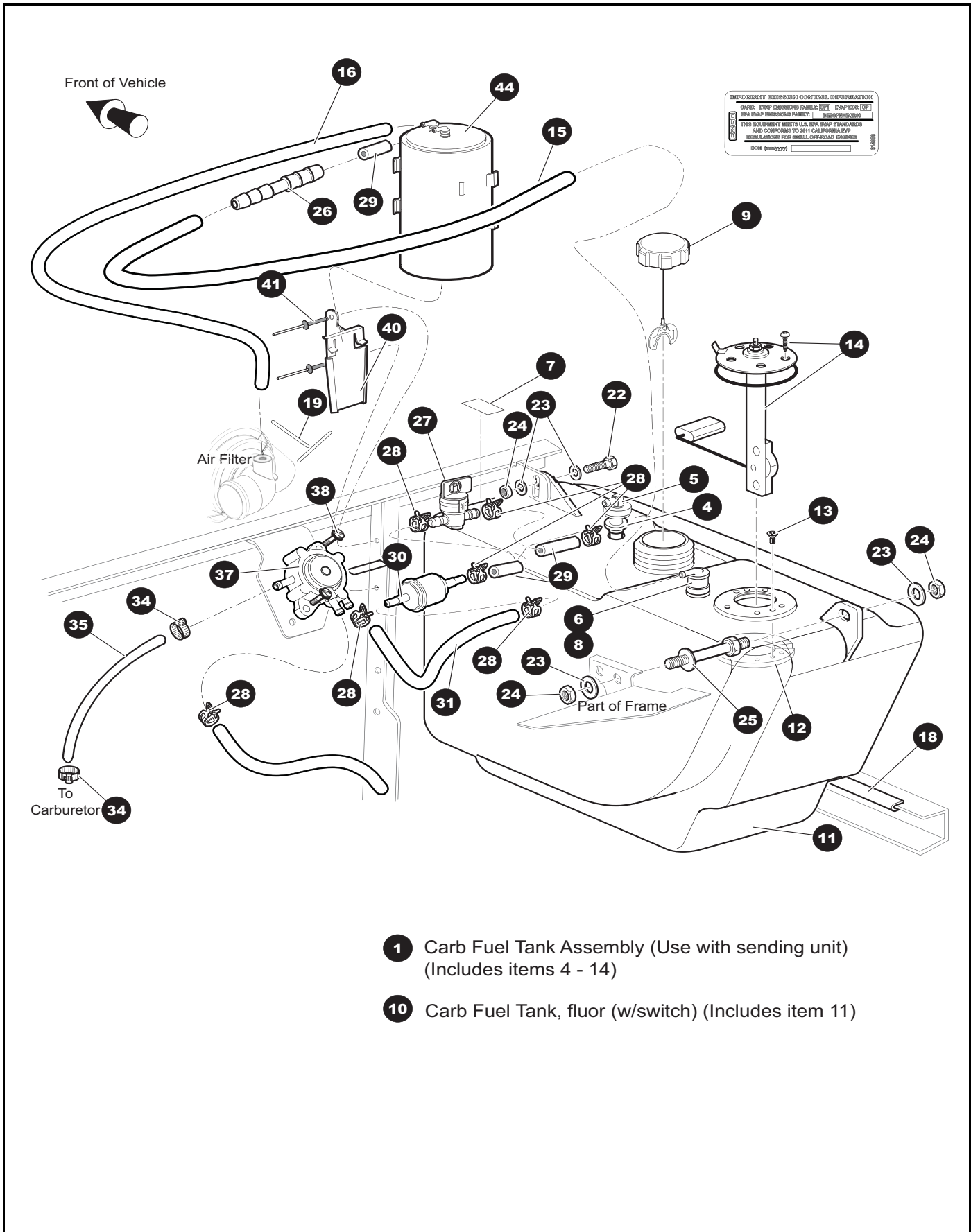
When ordering parts, please specify the model and serial number of the product.

* Indicates a component that is not available as an individual part.

*** Indicates consult Customer Service Department for additional information.

ITEM	PART NO.	1 2 3 4 5	DESCRIPTION	QTY.
92	<u>01069G01</u>		JAM NUT, M12 X 1.25 - 05 (LEFT HAND THREADS)	1
93	<u>70902G02</u>		TIE ROD END (RIGHT HAND THREADS)	1
94	<u>01069G02</u>		JAM NUT, M12 X 1.25 - 05 (RIGHT HAND THREADS).....	1
95	<u>00734G1</u>		LOCK NUT, 7/16 - 14	2
96	<u>10044G01</u>		CAP, VINYL.....	2

FUEL SYSTEM



- 1 Carb Fuel Tank Assembly (Use with sending unit) (Includes items 4 - 14)
- 10 Carb Fuel Tank, fluor (w/switch) (Includes item 11)

FUEL SYSTEM

When ordering parts, please specify the model and serial number of the product.

* Indicates a component that is not available as an individual part.

*** Indicates consult Customer Service Department for additional information.

ITEM	PART NO.	1 2 3 4 5	DESCRIPTION	QTY.
1	<u>620181</u>		CARB FUEL TANK ASSEMBLY (Use with sending unit) (Includes items 4 - 14)	1
2				
3				
4	<u>70988G01</u>		SIPHON TUBE GROMMET	1
5	<u>18287G3</u>		SIPHON TUBE ASSEMBLY	1
6	<u>606068</u>		ROLLOVER VALVE GROMMET	1
7	617886		EPA FUEL TANK LABEL	1
8	<u>606067</u>		ROLLOVER VALVE	1
9	617885		FUEL TANK CAP (RATCHET).....	1
10	<u>607479</u>		CARB FUEL TANK, FLUOR (W/SWITCH) (Includes item 11).....	1
11	618669		FUEL TANK, W/ SENDER UNIT	1
12	72229G01		FUEL TANK ADAPTER	1
13	<u>72230G01</u>		FLAT HEAD MACHINE SCREW	2
14	<u>20048G2</u>		FUEL LEVEL SENDER	1
15	<u>607546</u>		LOW PRESSURE FUEL HOSE, 3/16 I.D. X 3/8 O.D. X 17.00 LONG (CARB)	1
16	<u>606966</u>		LOW PRESSURE FUEL HOSE, 3/16 I.D. X 3/8 O.D. X 34.00 LONG (CARB)	1
17				
18	<u>32372G6</u>		BLACK TRIM, 6.25 LONG	1
19	<u>17618G1</u>		NYLON CLAMP	2
20				
21				
22	<u>00438G8</u>		HEX HEAD BOLT, 5/16 - 18 X 1	1
23	00559G8		FLAT WASHER, 5/16	4
24	11098G6		LOCK NUT, 5/16 - 18	3
25	<u>70483G01</u>		SPACER BOLT, 5/16 - 18.....	1
26	<u>615346</u>		HOSE REDUCER-ID 1/4 X 3/16	1
27	<u>611181</u>		FUEL SHUT-OFF VALVE	1
28	<u>18292G1</u>		HOSE CLAMP,.50 DIAMETER	7
29	<u>615350</u>		FUEL SYSTEM HOSE 2.00"	3
30	<u>72084G01</u>		FUEL LINE FILTER.....	1
31	<u>606969</u>		FUEL SYSTEM HOSE,.25 I.D. X.50 O.D. X 8.00 LONG	1

FUEL SYSTEM

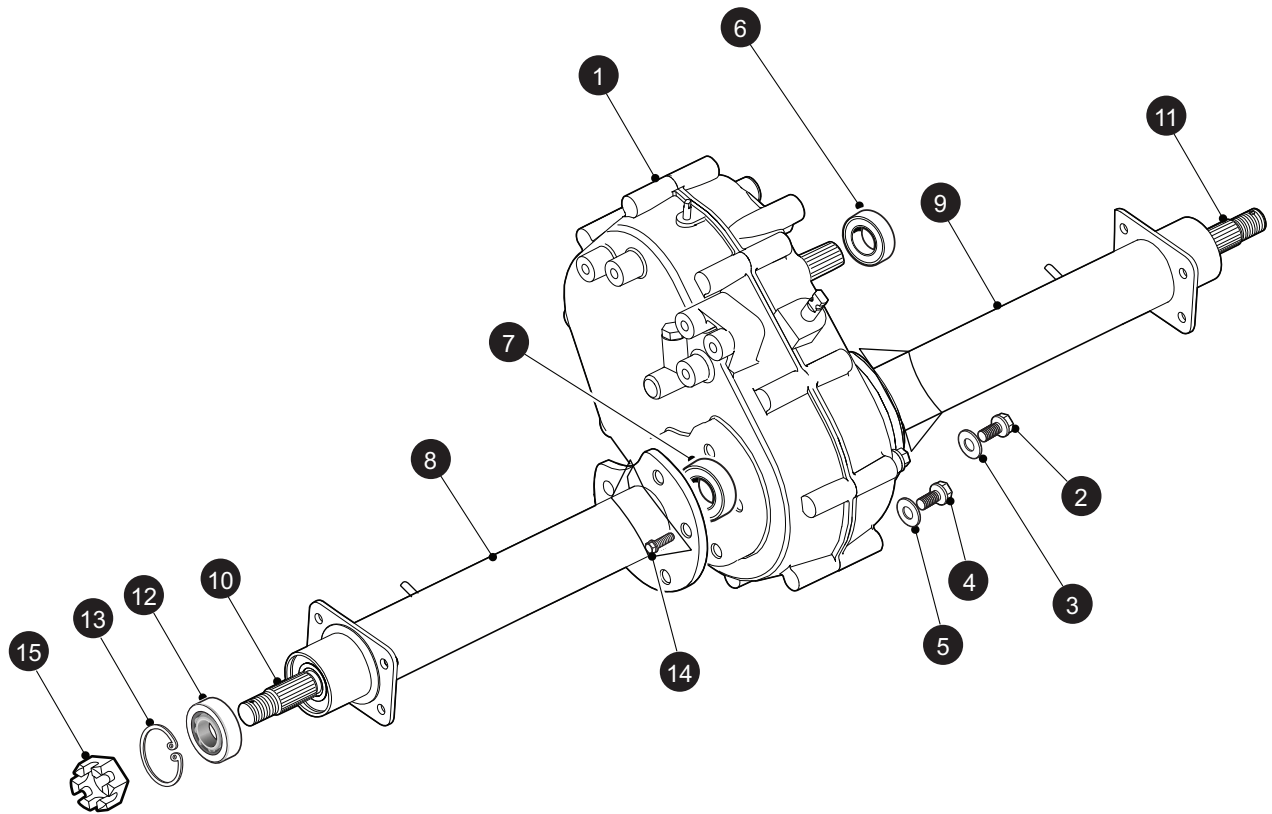
When ordering parts, please specify the model and serial number of the product.

* Indicates a component that is not available as an individual part.

*** Indicates consult Customer Service Department for additional information.

ITEM	PART NO.	1	2	3	4	5	DESCRIPTION	QTY.
32								
33								
34	<u>11391G4</u>						HOSE CLAMP, .25 - .63 DIA	2
35	<u>604597</u>						CARB FUEL SYSTEM HOSE,.25 I.D. X.50 O.D. X 26.00 LONG	1
36								
37	<u>602061</u>						FUEL PUMP	1
38	<u>00114G6</u>						HEX WASHER HEAD SLOTTED TAPPING SCREW, 1/4 - 14 X .75.....	2
39								
40	<u>606310</u>						CARBON CANISTER MOUNTING BRACKET (CARB ONLY).....	1
41	<u>10570G11</u>						RIVET, 3/16 DIA X .70 (CARB ONLY)	2
42								
43								
44	<u>606071</u>						CARBON CANISTER (CARB ONLY)	1

REAR AXLE

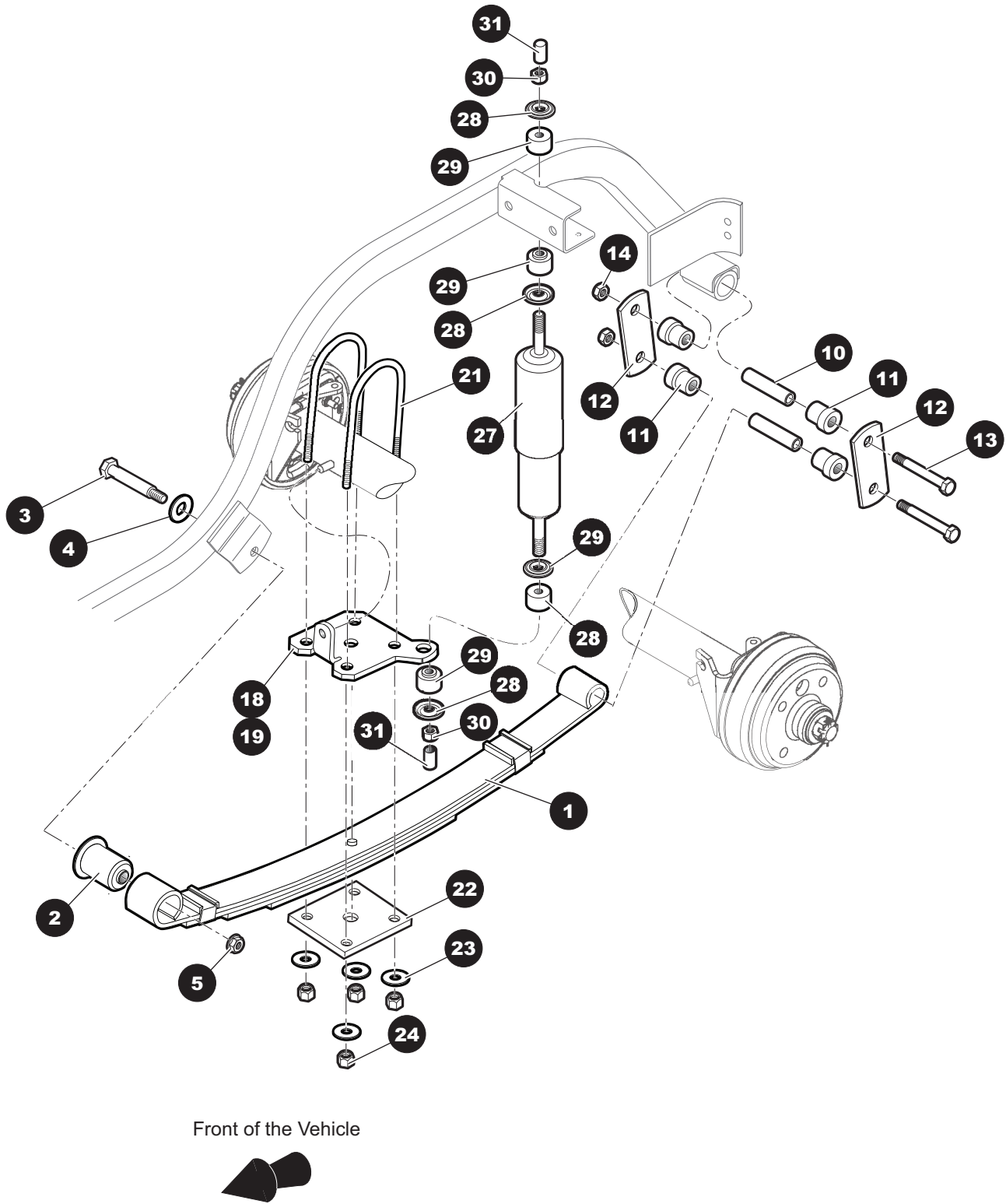


REAR AXLE

Where applicable, THE USE OF NON UL PARTS WILL VOID ANY UL LISTING.
 When ordering parts, please specify the model and serial number of the product.
 * Indicates a component that is not available as an individual part.
 G** Indicates consult Customer Service Department for additional information.

ITEM	PART NO.	1 2 3 4 5	DESCRIPTION	QTY.
1	605891		REAR AXLE, (INCLUDES ITEMS 2 - 15)	1
2	<u>26770G01</u>		OIL CHECK PLUG.....	1
3	<u>26771G01</u>		GASKET, 14 MM.....	1
4	<u>26770G01</u>		OIL DRAIN PLUG	1
5	<u>26771G01</u>		GASKET, 14 MM.....	1
6	<u>72259G01</u>		INPUT SHAFT OIL SEAL	1
7	<u>72259G01</u>		AXLE SHAFT OIL SEAL	2
8	<u>607939</u>		AXLE TUBE (DRIVER SIDE).....	1
9	<u>607940</u>		AXLE TUBE (PASSENGER SIDE)	1
10	<u>607945</u>		AXLE SHAFT (DRIVER SIDE) INCLUDES ITEM 12.....	1
11	<u>607946</u>		AXLE SHAFT (PASSENGER SIDE) INCLUDES ITEM 12	1
12	<u>26811G01</u>		BALL BEARING	2
13	<u>26814G01</u>		RETAINING RING.....	2
14	<u>72260G01</u>		FLANGED BOLT, M10 X 1.5 X 23 MM LG.....	10
15	<u>606403</u>		SLOTTED NUT, M22 X 1.5	2

REAR SUSPENSION



REAR SUSPENSION

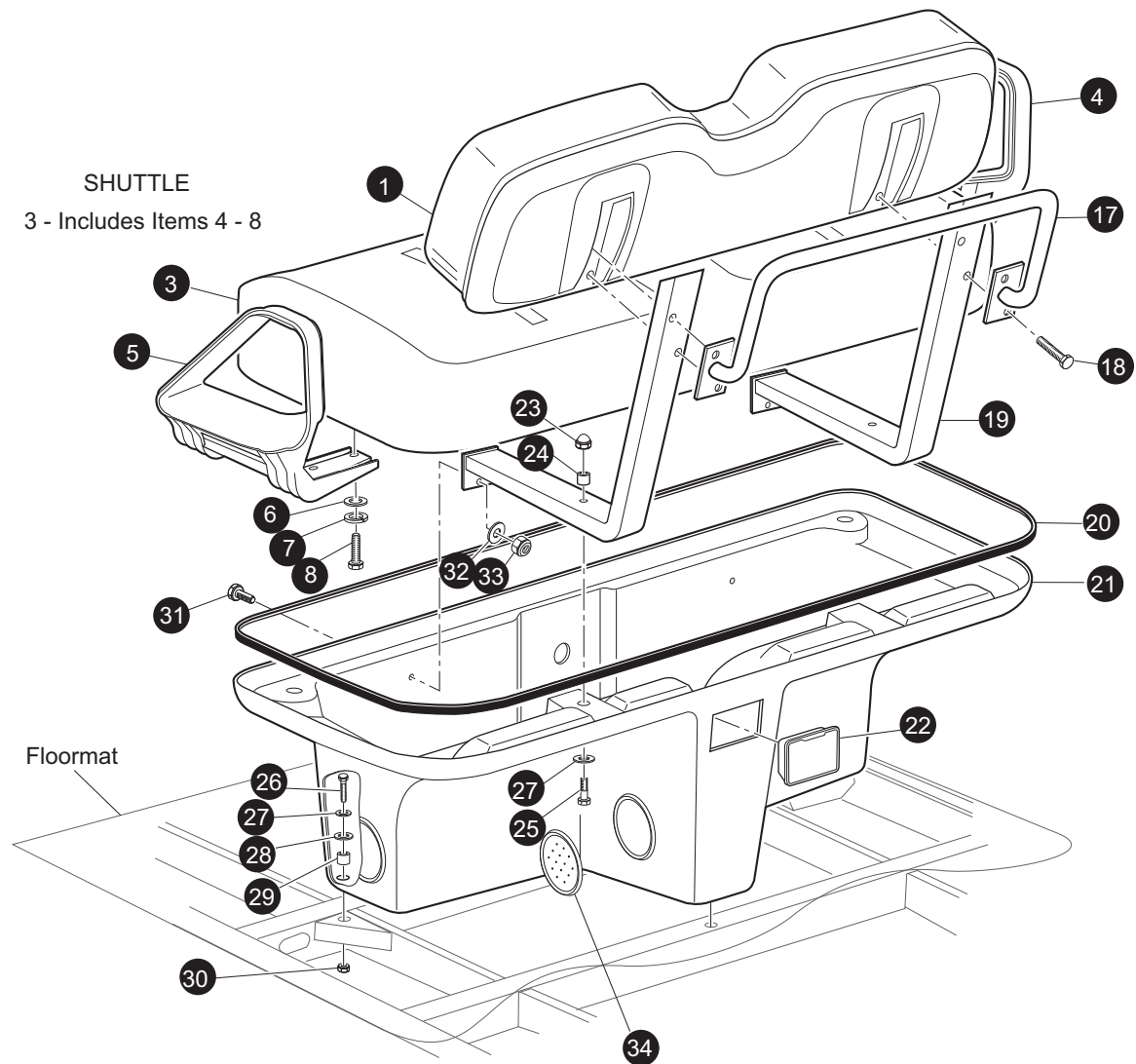
When ordering parts, please specify the model and serial number of the product.

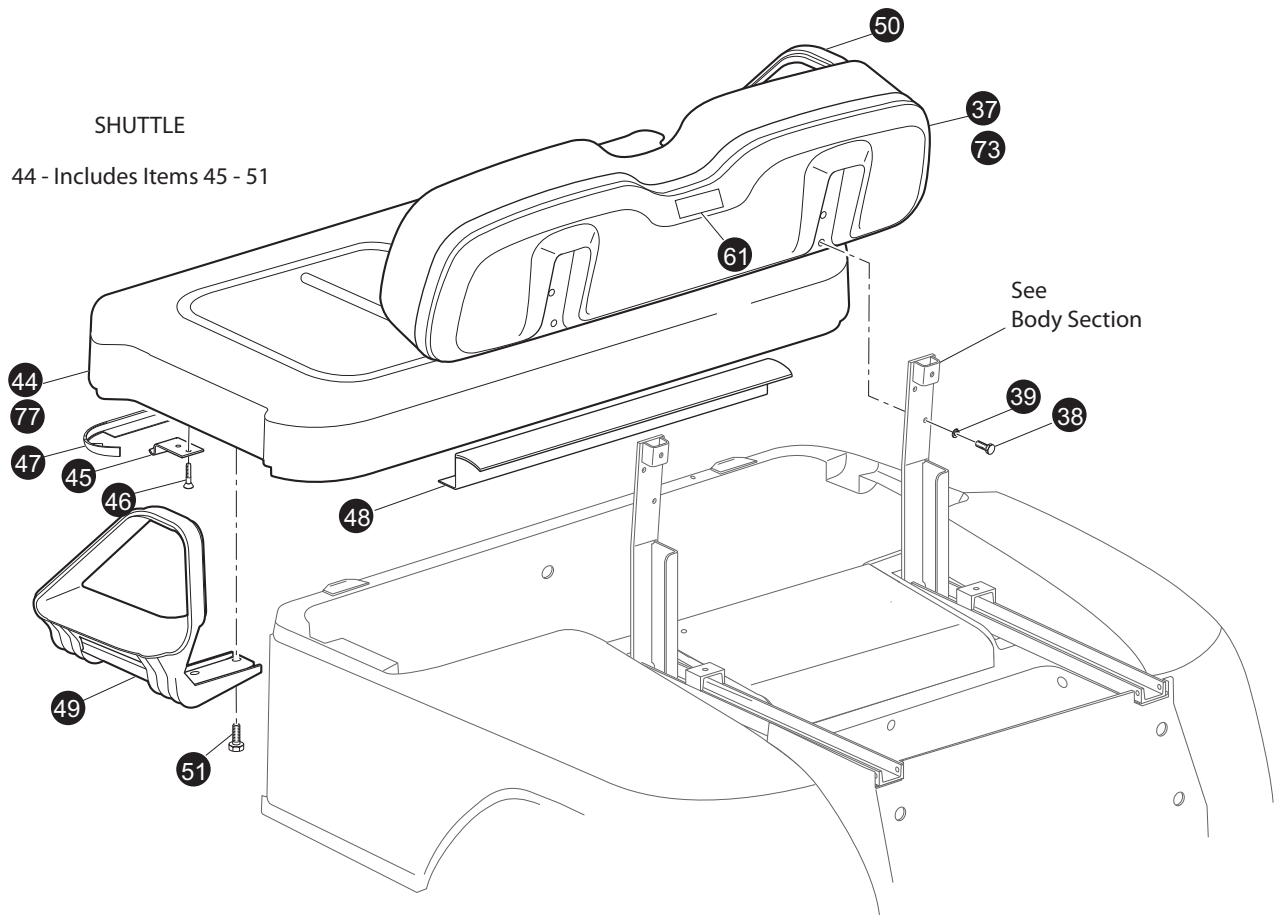
* Indicates a component that is not available as an individual part.

*** Indicates consult Customer Service Department for additional information.

ITEM	PART NO.	1 2 3 4 5	DESCRIPTION	QTY.
1	<u>605722</u>		HEAVY DUTY LEAF SPRING.....	2
2	<u>605445</u>		LEAF SPRING BUSHING, FRONT	2
3	<u>00665G9</u>		HEX HEAD BOLT, SS 3/8 - 16 X 3.5 LG.....	2
4	<u>00643G1</u>		FLAT WASHER, .411 I.D. X 1.00 O.D. X .06	2
5	<u>12262G1</u>		FLANGED LOCK NUT, 3/8 - 16	2
6				
7				
8				
9				
10	<u>70289G02</u>		SPLIT STEEL SPACER	4
11	<u>70291G01</u>		FLANGED URETHANE BUSHING	8
12	<u>604961</u>		SHACKLE PLATE	4
13	<u>00665G9</u>		HEX HEAD BOLT, SS 3/8 - 16 X 3.5 LG.....	4
14	<u>11098G5</u>		LOCK NUT, 3/8 - 16	4
15				
16				
17				
18	<u>605938</u>		AXLE BRACKET, DRIVER SIDE	1
19	<u>605958</u>		AXLE BRACKET, PASSTENGER SIDE.....	1
20	<u>70492G01</u>		RUBBER BUMPER.....	2
21	<u>32195G3</u>		U-BOLT	4
22	<u>605956</u>		REAR SUSPENSION PLATE	2
23	<u>00643G1</u>		FLAT WASHER, .411 I.D. X 1.00 O.D. X .06	8
24	<u>11098G5</u>		LOCK NUT, 3/8 - 16	8
25				
26				
27	<u>70248G01</u>		SHOCK ABSORBER	2
28	<u>10435G1</u>		SHOCK ABSORBER WASHER.....	8
29	<u>10194G1</u>		RUBBER SHOCK BUSHING	8
30	<u>00532G6</u>		HEX NUT, 3/8 - 24.....	4
31	<u>10044G01</u>		VINYL CAP	4

SEATING



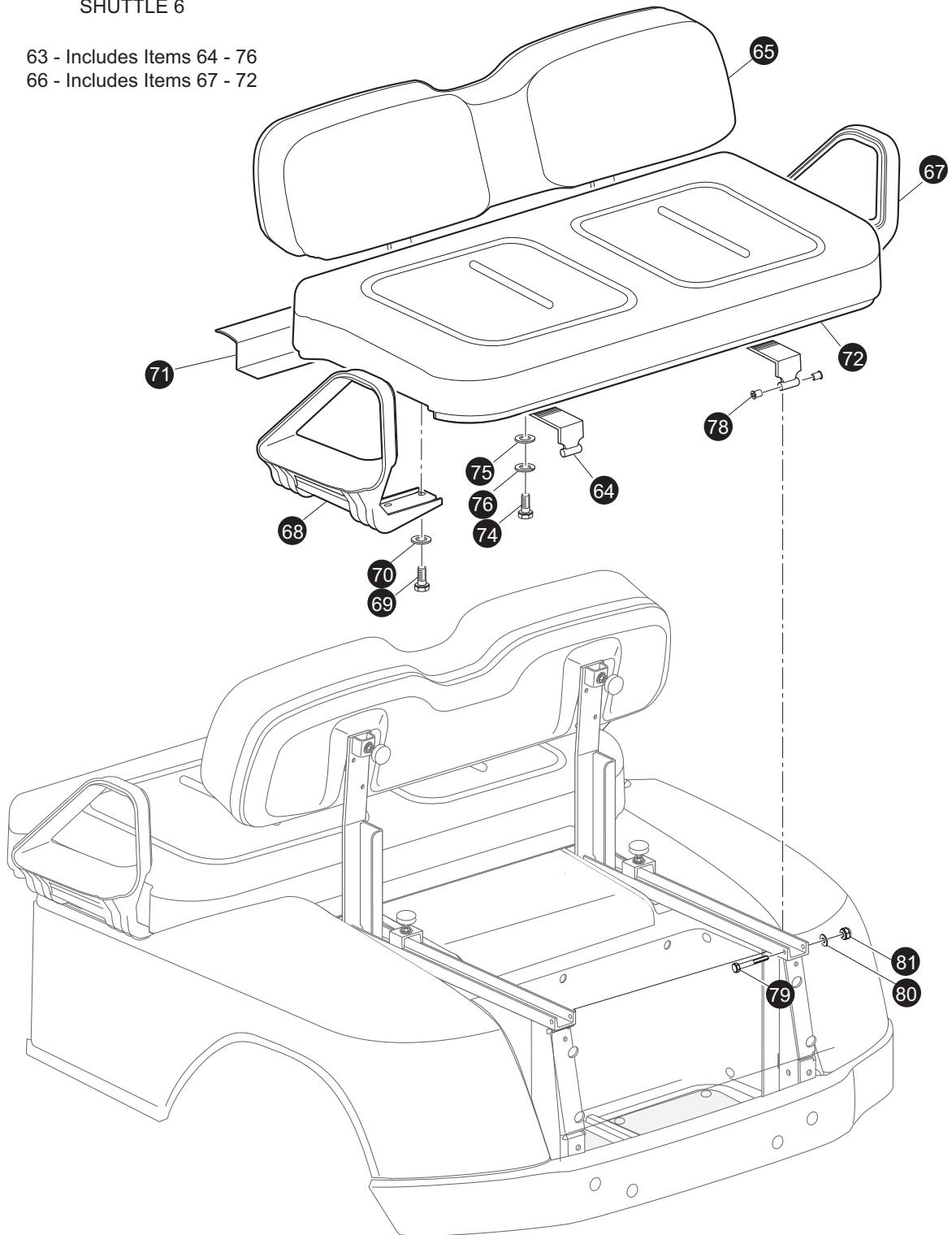


SEATING

SHUTTLE 6

63 - Includes Items 64 - 76

66 - Includes Items 67 - 72



When ordering parts, please specify the model and serial number of the product.

* Indicates a component that is not available as an individual part.

*** Indicates consult Customer Service Department for additional information.

ITEM	PART NO.	1 2 3 4 5	DESCRIPTION	QTY.
1	71751-G**		SEAT BACK ASSEMBLY	1
2				
3	71888-G**		SEAT BOTTOM (INCLUDES ITEMS 4 - 8) (SHUTTLE 4 & 6).....	1
4	<u>71701-G01</u>		HIP RESTRAINT (PASSENGER SIDE)	1
5	<u>71702-G01</u>		HIP RESTRAINT (DRIVER SIDE).....	1
6	<u>01110-G01</u>		WASHER, 1/4" (STAINLESS STEEL)	8
7	<u>00664-G7</u>		LOCKWASHER, 1/4" (STAINLESS STEEL).....	8
8	<u>00415-G2</u>		BOLT, 1/4 - 20 X 1 1/4" LG	8
9				
10				
11				
12				
13				
14				
15				
16				
17	<u>71632-G01</u>		REAR HAND HOLD BAR.....	1
18	<u>71204-G02</u>		BOLT, 1/4 - 20 X 2" LG.....	4
19	<u>71868-G01</u>		SEAT BACK BRACKET	2
20	<u>32805-G6</u>		TRIM, BLACK.....	1
21	70836-G0**		SEAT POD	1
22	27731-G01		ASHTRAY	1
23	<u>15717-G5</u>		ACORN NUT, 3/8 - 16	2
24	<u>23726-G4</u>		SPACER, 5/16"	2
25	<u>00427-G8</u>		BOLT, 3/8 - 16 X 2" LG.....	2
26	00439-G8		BOLT, 5/16 - 18 X 2" LG.....	3
27	<u>00675-G1</u>		WASHER, 3/8" (STAINLESS STEEL).....	5
28	<u>71883-G01</u>		RUBBER WASHER, 5/8"	3
29	<u>23726-G9</u>		SPACER, 3/4"	3
30	11098-G6		LOCK NUT, 5/16 - 18 (STAINLESS STEEL).....	3
31	<u>00976-G06</u>		SCREW, 5/16 - 18 X 3/4" LG (STAINLESS STEEL).....	2

SEATING

When ordering parts, please specify the model and serial number of the product.

* Indicates a component that is not available as an individual part.

*** Indicates consult Customer Service Department for additional information.

ITEM	PART NO.	1 2 3 4 5	DESCRIPTION	QTY.
32	<u>01110-G01</u>		WASHER, 1/4" (STAINLESS STEEL)	2
33	11098-G6		LOCK NUT, 1/4 - 20 (STAINLESS STEEL)	2
34	<u>71599-G01</u>		VENT PLUG	4
35				
36				
37	71751-G**		SEAT BACK.....	1
38	<u>00661-G8</u>		BOLT, 1/4 - 20 X 1" LG (STAINLESS STEEL).....	4
39	<u>00664-G7</u>		LOCK WASHER, 1/4" (STAINLESS STEEL).....	4
40				
41	<u>74137-G01</u>		SEAT BACK SUPPORT (TG5).....	2
42	<u>01006-G02</u>		BOLT, 3/8 - 16 X 1 1/4" LG (TG5).....	4
43				
44	71611-G**		SEAT BOTTOM (INCLUDES ITEMS 45 - 51) (SHUTTLE 4 & 6)	1
45	<u>71610-G01</u>		SEAT HINGE.....	2
46	<u>00720-G08</u>		SCREW, #12 - 14 X 1" LG (STAINLESS STEEL).....	6
47	<u>71012-G01</u>		FRONT EDGE TRIM.....	1
48	<u>71608-G01</u>		BACK EDGE TRIM	1
49	<u>71702-G01</u>		HIP RESTRAINT (DRIVER SIDE)	1
50	<u>71701-G01</u>		HIP RESTRAINT (PASSENGER SIDE).....	1
51	71204-G01		BOLT, 1/4 - 20 X 7/8" LG	8
52				
53				
54				
55				
56				
57				
58				
59				
60				
61	<u>74095-G01</u>		LABEL (WARNING) (SHUTTLE 4).....	1
62				

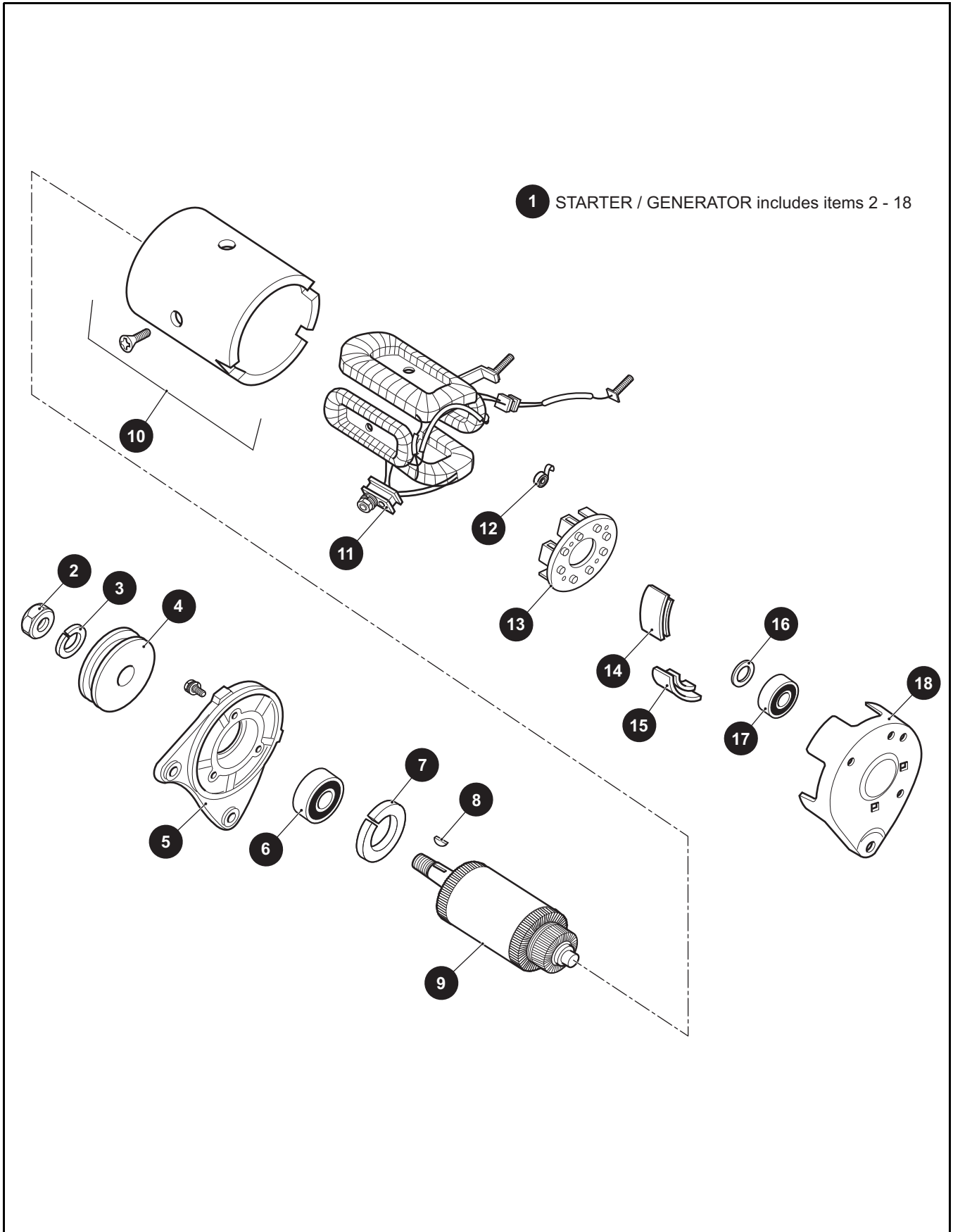
When ordering parts, please specify the model and serial number of the product.

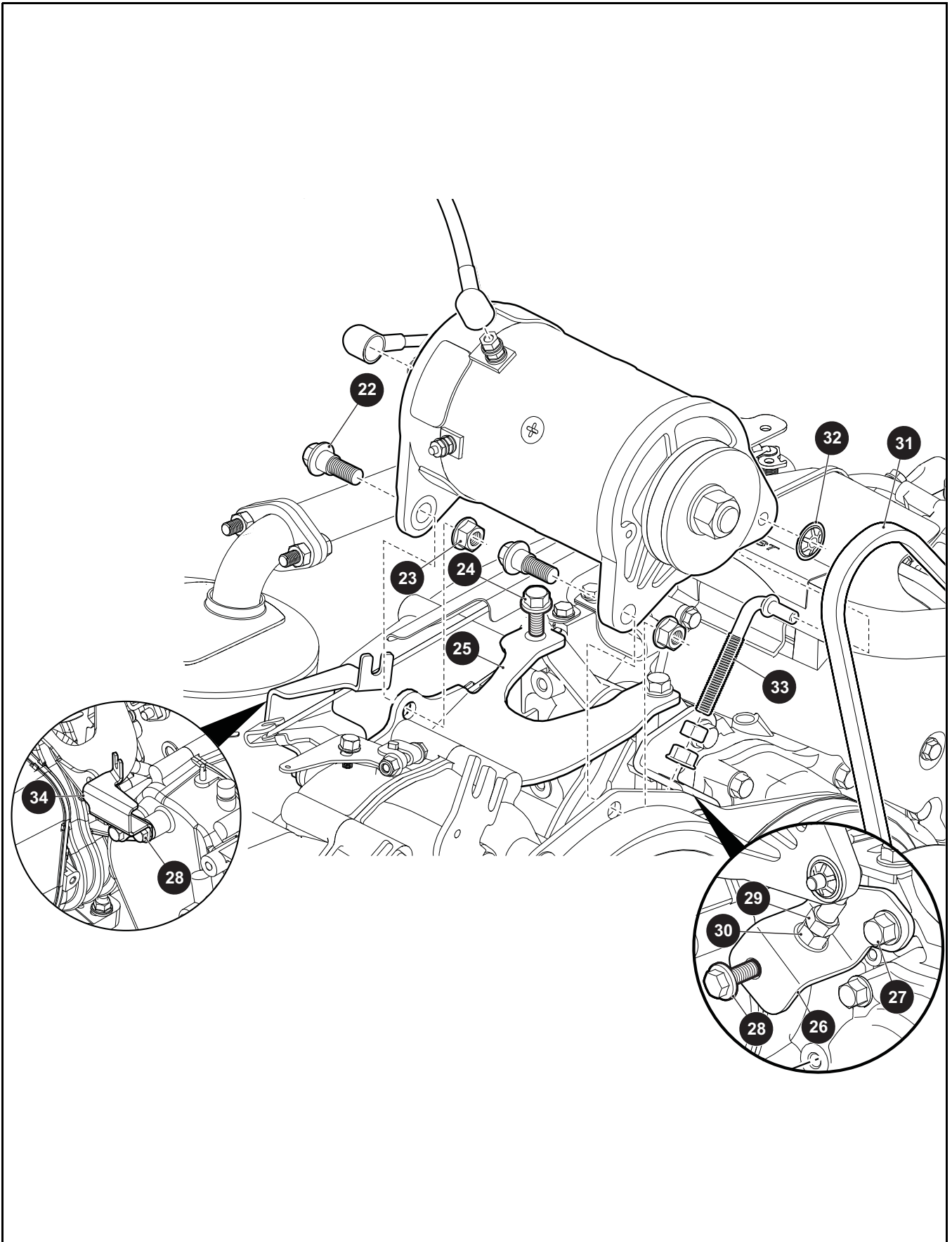
* Indicates a component that is not available as an individual part.

*** Indicates consult Customer Service Department for additional information.

ITEM	PART NO.	1 2 3 4 5	DESCRIPTION	QTY.
63	74131-G**		SEAT ASSEMBLY (INCLUDES ITEMS 64 - 76) (SHUTTLE 6)	1
64	<u>72918-G01</u>		SEAT SUPPORT BRACKET	2
65	71751-G**		SEAT BACK.....	1
66	74139-G**		SEAT BOTTOM (INCLUDES ITEMS 67 - 72)	1
67	<u>71701-G01</u>		HIP RESTRAINT (PASSENGER SIDE).....	1
68	<u>71702-G01</u>		HIP RESTRAINT (DRIVER SIDE)	1
69	<u>00661-G8</u>		BOLT, 1/4 - 20 X 1" LG (STAINLESS STEEL)	8
70	<u>01110-G01</u>		WASHER, 1/4" (STAINLESS STEEL).....	8
71	<u>71012-G01</u>		SEAT TRIM (REAR).....	1
72	<u>74140-G01</u>		SEAT TRIM (FRONT)	1
73	604916-G**		TWO TONE VINYL SEAT BACK	1
74	<u>00661-G8</u>		BOLT, 1/4 - 20 X 1" LG (STAINLESS STEEL).....	12
75	<u>01110-G01</u>		WASHER, 1/4" (STAINLESS STEEL)	12
76	<u>00565-G2</u>		LOCK WASHER, 1/4".....	12
77	604912-G**		TWO TONE VINYL SEAT BOTTOM	1
78	<u>17838-G1</u>		NYLON BUSHING	4
79	<u>00440-G4</u>		BOLT, 5/16 - 18 X 2 1/2" LG.....	2
80	00559-G8		WASHER, 5/16"	2
81	11098-G6		LOCK NUT, 5/16 - 18 (STAINLESS STEEL).....	2

STARTER / GENERATOR





STARTER / GENERATOR

Where applicable, THE USE OF NON UL PARTS WILL VOID ANY UL LISTING.

When ordering parts, please specify the model and serial number of the product.

* Indicates a component that is not available as an individual part.

G** Indicates consult Customer Service Department for additional information.

ITEM	PART NO.	1 2 3 4 5	DESCRIPTION	QTY.
1	<u>617120</u>		STARTER / GENERATOR (INCLUDES 2 - 18).....	1
2	<u>612029</u>		NUT.....	1
3	<u>612030</u>		LOCKWASHER	1
4	<u>617172</u>		PULLEY	1
5	<u>612032</u>		FRONT COVER.....	1
6	<u>612033</u>		BEARING.....	1
7	<u>612034</u>		RETAINING RING.....	1
8	<u>612035</u>		KEY.....	1
9	<u>612036</u>		ARMATURE ASSEMBLY	1
10	<u>612037</u>		FRAME & FIELD ASSEMBLY.....	1
11	<u>612038</u>		BRUSH LEAD & TERMINAL PKG	1
12	<u>612039</u>		BRUSH SPRING.....	1
13	<u>612040</u>		BRUSH BOX ASSEMBLY.....	1
14	<u>612041</u>		BRUSH 1 COVER.....	2
15	<u>612042</u>		BRUSH 2 COVER.....	2
16	<u>612043</u>		WAVY WASHER	1
17	<u>612044</u>		BEARING.....	1
18	<u>612045</u>		REAR COVER	1
19				
20				
21				
22	<u>606235</u>		BOLT, HXFL SHLDR - M10 - 1.25 X 20.....	2
23	<u>606279</u>		NUT, M10 - 1.25	2
24	<u>606261</u>		BOLT, M8 - 1.25 X 20	3
25	<u>602141</u>		STARTER / GENERATOR BRACKET.....	1
26	<u>602145</u>		TENSIONER BRACKET	1
27	<u>606261</u>		BOLT, M8 - 1.25 X 20	1
28	<u>606256</u>		BOLT, M10 - 1.25 X 25	9
29	<u>606255</u>		NUT, M10 - 1.25	1
30	<u>606274</u>		NUT, M10 - 1.25	1

STARTER / GENERATOR

Where applicable, THE USE OF NON UL PARTS WILL VOID ANY UL LISTING.

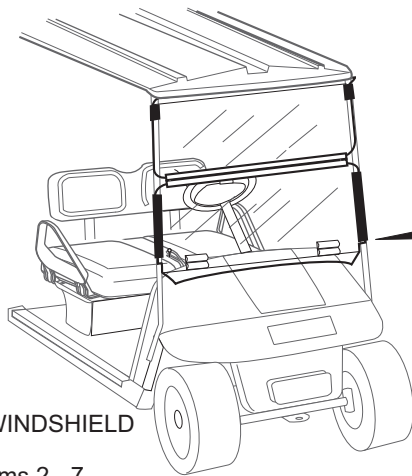
When ordering parts, please specify the model and serial number of the product.

* Indicates a component that is not available as an individual part.

G** Indicates consult Customer Service Department for additional information.

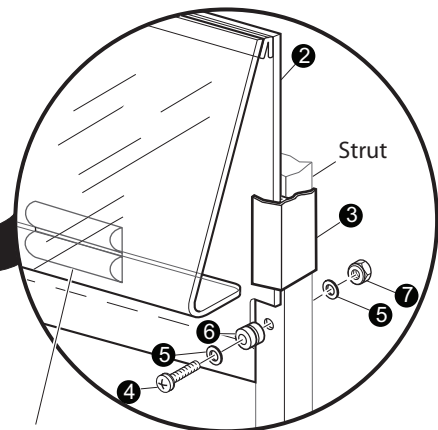
ITEM	PART NO.	1 2 3 4 5	DESCRIPTION	QTY.
31	<u>16548G1</u>		STARTER / GENERATOR BELT	1
32	<u>12064G6</u>		PUSH NUT, 5/16"	1
33	<u>625705</u>		TENSIONER BOLT	1
34	<u>603884</u>		CABLE GUIDE BRACKET	1

WEATHER PROTECTION



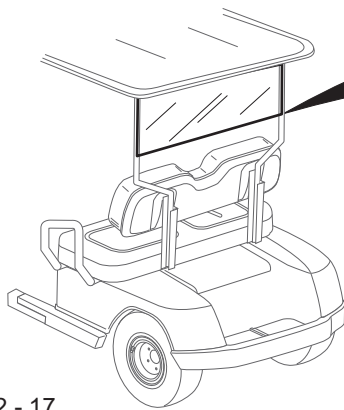
FOLD DOWN WINDSHIELD

1 - Includes Items 2 - 7



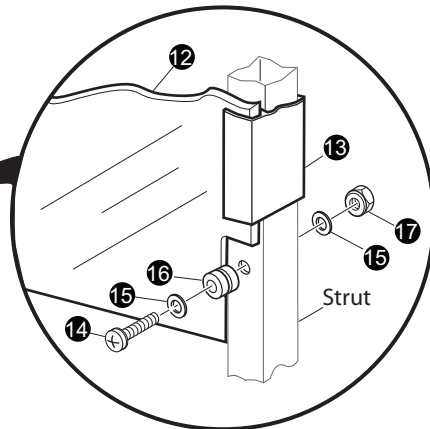
Windshield Retainer

Front of Vehicle

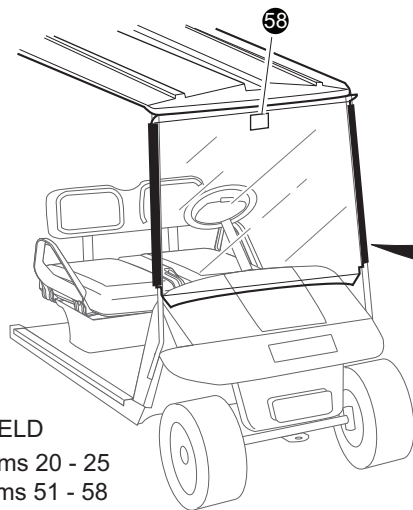


REAR WINDSHIELD

11 - Includes Items 12 - 17

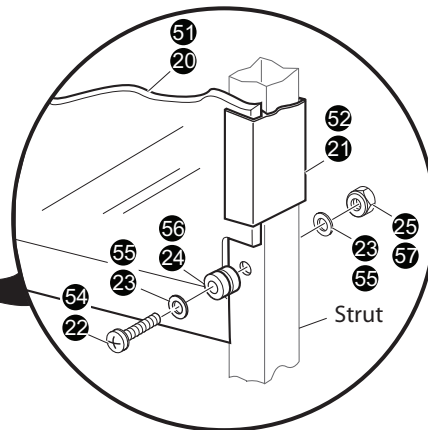


Front of Vehicle

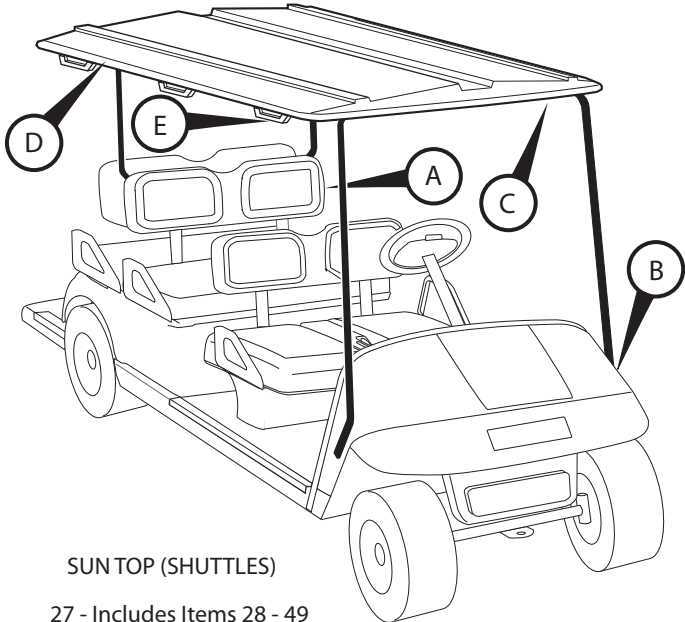
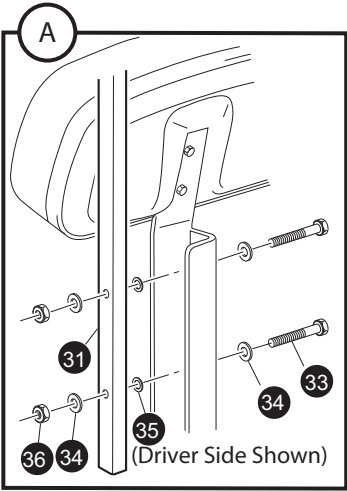
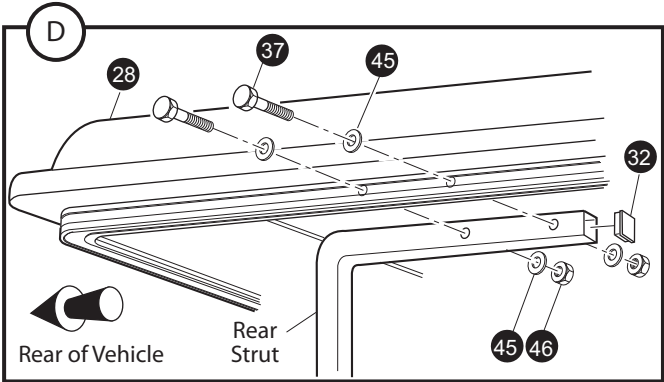


FULL WINDSHIELD

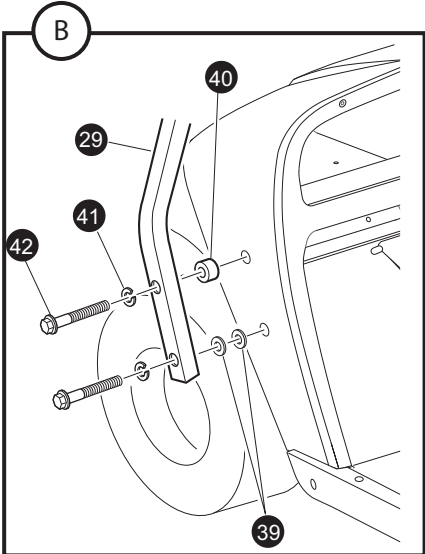
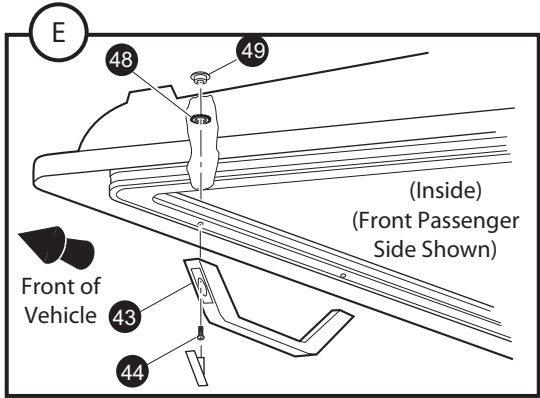
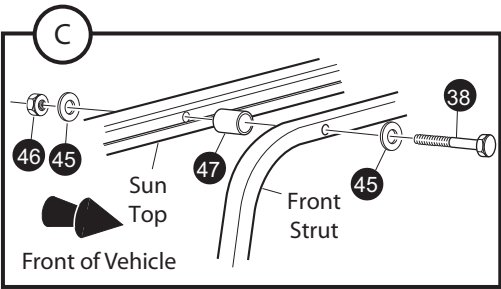
19 - Includes Items 20 - 25
50- Includes Items 51 - 58



Front of Vehicle



SUN TOP (SHUTTLES)
27 - Includes Items 28 - 49



WEATHER PROTECTION

When ordering parts, please specify the model and serial number of the product.

* Indicates a component that is not available as an individual part.

*** Indicates consult Customer Service Department for additional information.

ITEM	PART NO.	1 2 3 4 5	DESCRIPTION	QTY.
1	<u>75534G01</u>		WINDSHIELD KIT, FOLD DOWN (INCLUDES ITEMS 2 - 9)	1
2	E950WSB3		FOLD DOWN WINDSHIELD.....	1
3	EGWHC24		SASH, 3/4" X 14" LG.....	2
4	EGWHS12		SCREW, 1/4 - 20 X 1 3/4" LG (STAINLESS STEEL).....	2
5	EGWHW12		WASHER, 1/4" (STAINLESS STEEL).....	4
6	EGWHG13		RUBBER GROMMET	2
7	EGWHN12		LOCK NUT, 1/4 - 20 (STAINLESS STEEL).....	2
8				
9				
10				
11	<u>75535G01</u>		WINDSHIELD KIT, REAR (INCLUDES ITEMS 12 - 17).....	1
12	EIRWFB3		REAR WINDSHIELD.....	1
13	EGWHC14		SASH, 1" X 15 9/16" LG.....	2
14	EGWHS14		SCREW, 1/4 - 20 X 2" LG (STAINLESS STEEL).....	2
15	EGWHW13		WASHER, 1/4" (STAINLESS STEEL).....	6
16	EGWHG13		RUBBER GROMMET	2
17	EGWHN13		LOCK NUT, 1/4 - 20 (STAINLESS STEEL).....	2
18				
19	<u>75536G01</u>		WINDSHIELD KIT, FULL (INCLUDES ITEMS 20 - 25)	1
20	EISWFB3		FULL, WINDSHIELD.....	1
21	EGWHC13		SASH, 3/4" X 22 7/16" LG.....	2
22	EGWHS13		SCREW, 1/4 - 20 X 1 3/4" LG (STAINLESS STEEL).....	2
23	EGWHW13		WASHER, 1/4" (STAINLESS STEEL).....	4
24	EGWHG13		RUBBER GROMMET	2
25	EGWHN13		LOCK NUT, 1/4 - 20 (STAINLESS STEEL).....	2
26				
27	75282G0*		SUN TOP KIT (SHUTTLE) (INCLUDES ITEMS 28 - 49)	1
28	75271G0*		SUN TOP	1
29	<u>75045G03</u>		FRONT STRUT.....	1
30	<u>75274G01</u>		REAR STRUT (DRIVER SIDE).....	1
31	<u>75274G02</u>		REAR STRUT (PASSENGER SIDE)	1

WEATHER PROTECTION

When ordering parts, please specify the model and serial number of the product.

* Indicates a component that is not available as an individual part.

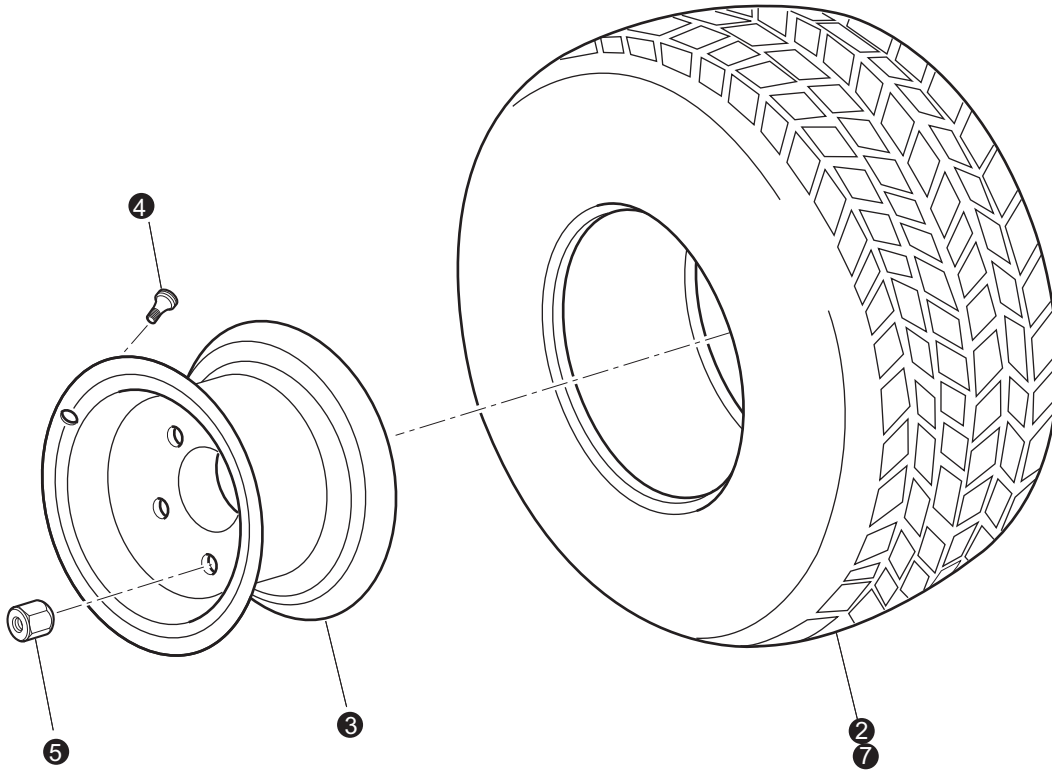
*** Indicates consult Customer Service Department for additional information.

ITEM	PART NO.	1 2 3 4 5	DESCRIPTION	QTY.
32	<u>19853G1</u>		END CAP, 1"	2
33	<u>00665G5</u>		BOLT, 3/8 - 16 X 1 3/4" LG (STAINLESS STEEL)	4
34	<u>00679G1</u>		WASHER, 3/8" (STAINLESS STEEL)	8
35	<u>00771G5</u>		NYLON WASHER, 3/8"	4
36	<u>00891G5</u>		LOCK NUT, 3/8 - 16.....	4
37	<u>00440G4</u>		BOLT, 5/16 - 18 X 2 1/2" LG	4
38	<u>00441G2</u>		BOLT, 5/16 - 18 X 3 1/4" LG	2
39	<u>00879G1</u>		WASHER, 3/8"	4
40	<u>75048G01</u>		SPACER, 1/2"	2
41	<u>00905G8</u>		LOCK WASHER, 5/16"	4
42	<u>00440G2</u>		BOLT, 5/16 - 18 X 2 1/4" LG	4
43	<u>75240G01</u>		HANDLE	5
44	00163G2		SCREW, 1/4 - 20 X 1 1/4" LG.....	10
45	<u>00642G8</u>		WASHER, 5/16".....	12
46	11098G6		LOCK NUT, 5/16 - 18 (STAINLESS STEEL)	6
47	<u>18716G2</u>		SPACER, 1"	2
48	<u>00567G8</u>		LOCK WASHER, 5/16".....	10
49	<u>01010G01</u>		TEE NUT, 1/4 - 20	10
50	<u>611099</u>		WINDSHIELD KIT FULL (INCLUDES ITEMS 51 - 58)	1
51	*		WINDSHIELD (SHUTTLE 4/6)	1
52	110-044		SASH, 1" X 26" LG	2
53	110-074		HARDWARE SET (INCLUDES ITEMS 54 -57).....	1
54			SCREW, 1/4-20 X 2 LG (STAINLESS STEEL)	1
55			WASHER, 1/4" (STAINLESS STEEL).....	4
56	110-072C		RUBBER GROMMET	2
57			LOCK NUT, 1/4-20 (STAINLESS STEEL).....	2
58	110-066		LABEL (SAFETY).....	1

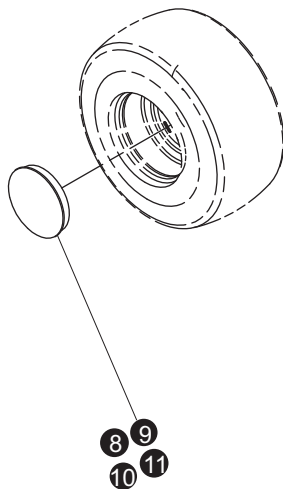
WHEELS AND TIRES

1 - Includes Items 2, 3, 4

6 - Includes Items 3, 4, 7



(Style of tire may differ from tire shown)



WHEELS AND TIRES

When ordering parts, please specify the model and serial number of the product.

* Indicates a component that is not available as an individual part.

*** Indicates consult Customer Service Department for additional information.

ITEM	PART NO.	1 2 3 4 5	DESCRIPTION	QTY.
1	<u>28757G01</u>		TIRE AND WHEEL ASSEMBLY (INCLUDES ITEMS 2, 3, 4).....	AR
2	<u>28764G01</u>		TIRE, 18 X 8.50 - 8 LINKS®	1
3	<u>28759G01</u>		WHEEL RIM	1
4	<u>11657G2</u>		VALVE STEM.....	1
5	<u>14723G1</u>		LUG NUT, 1/2 - 20.....	AR
6	<u>28842G01</u>		TIRE AND WHEEL ASSEMBLY (INCLUDES ITEMS 3,4 AND 7)	1
7	<u>28764G06</u>		TRAIL TIRE,	1
8	<u>14913G1</u>		8"CHROME E-Z-GO WHEEL COVER.....	4
9	<u>16042G1</u>		6"CHROME E-Z-GO WHEEL COVER.....	4
10	<u>19241G2</u>		GOLD SPOKE WHEEL COVER.....	4
11	<u>19241G1</u>		SILVER SPOKE WHEEL COVER.....	4

SPECIALTY PRODUCTS

SPECIALTY PRODUCTS

SPECIAL TOOLS	PART NO.
HIGH RESISTANCE SPARK PLUG WIRE SET	26733G02
CLUTCH PULLER (DRIVE)	19779G2
FLYWHEEL PULLER	27111G01
CURRENT INDICATOR	16489G2
DIGITAL MULTI-METER	27481G01
TUBELESS TIRE REPAIR KIT	606009
TIRE PLUGGER REFILL PACK (50/BOX)	606831

TOUCH UP PAINT	PART NO.
PEN 3 OUNCE (89 ML) - HUNTER GREEN	28432G02
PEN 3 OUNCE (89 ML) - CHAMPAGNE BEIGE	28432G01
PEN 3 OUNCE (89 ML) - WHITE	28432G05
PEN 3 OUNCE (89 ML) - INDUSTRIAL YELLOW	28432G03
PEN 3 OUNCE (89 ML) - ORANGE	28432G04
PEN 3 OUNCE (89 ML) - STEEL BLUE PEARL	28432G24
PEN 3 OUNCE (89 ML) - CAMOUFLAGE PAINT (THREE PENS)	75831G01
AEROSOL 12 OUNCE (360 ML) - HUNTER GREEN	28140G09
AEROSOL 12 OUNCE (360 ML) - CHAMPAGNE BEIGE	28140G15
AEROSOL 12 OUNCE (360 ML) - INDUSTRIAL YELLOW	28140G14

MAINTENANCE PRODUCTS	PART NO.
PLEXUS® CLEANER, 13 OUNCE (380 ML) (FOR WINDSHIELDS)	28433G02
BATTERY PROTECTOR, 14 OUNCE (410 ML) SPRAY	27619G02
E-Z-GO ALL SURFACE CLEANER	606311
E-Z-GO FIBREGLASS/PLASTIC RESTORER	606313
WINDSHIELD AND PLASTIC PROTECTOR	606314
64 OZ HAND CLEANER	607636
4 OZ HAND CLEANER	607637

OPTIONS/ACCESSORIES

OPTIONS/ACCESSORIES

ITEM	KIT NO.	SECTION
ASHTRAY KIT	75109G02	Body - Accessories Continued
CLUTCH BELT SHEILD.	605950	Clutch
DROP SIDE KIT.	34538G03	Body
PINSTRIPING INSTALLATION (GOLD)	75111G01	Body
PINSTRIPING INSTALLATION (DARK GREEN).	75111G01	Body
PINSTRIPING INSTALLATION (WHITE).	75111G01	Body
PINSTRIPING INSTALLATION (BLACK).	75111G01	Body
PINSTRIPING INSTALLATION (RED).	75111G01	Body
PINSTRIPING INSTALLATION (BURGUNDY)	75111G01	Body
PINSTRIPING INSTALLATION (NON STANDARD COLOR)75111G01	75111G01	Body
REAR VIEW MIRROR KIT.	19528G2	Body
SUN TOP KIT, SHUTTLE	606057	Weather Protection
SUN TOP ASSEMBLY,	75282G02	Weather Protection
TURN SIGNAL KIT	75107G02	Electrical System
WINDSHIELD KIT, SHUTTLE 2+2.	606058	Weather Protection
WINDSHIELD KIT, FLAT	75524G04	Weather Protection
4 CADDY CARRIER CONV RETROFIT KIT	75278G03	Weather Protection



A Textron Company

E-Z-GO Division Of Textron, Inc.,
1451 Marvin Griffin Road, Augusta, Georgia USA 30906-3852

TO CONTACT US

North America:

Technical Assistance & Warranty Phone: 1-800-774-3946, FAX: 1-800-448-8124
Service Parts Phone: 1-888-GET-EZGO (1-888-438-3946), FAX: 1-800-752-6175

International:

Phone: 001-706-798-4311, FAX: 001-706-771-4609

Certified ISO 9001 / ISO 14001 by



Copyrighted Material
This manual may not be reproduced in whole or
in part without the express permission of
E-Z-GO Division of Textron, Inc.
Technical Communications Department