



A Textron Company

RXV GASOLINE SERVICE PARTS MANUAL



611106

ISSUED FEBRUARY 2009

REVISED OCTOBER 2013

SERVICE PARTS MANUAL

GASOLINE POWERED GOLF CARS & PERSONAL VEHICLES

RXV GOLF CAR

RXV FREEDOM™

RXV SHUTTLE 2 + 2

STARTING MID-MODEL YEAR 2009

(MANUFACTURED BEGINNING MARCH 16, 2009)

E-Z-GO Division of TEXTRON Inc. reserves the right to incorporate engineering and design changes to products in this Manual, without obligation to include these changes on units leased/sold previously.

The information contained in this Manual may be revised periodically by the E-Z-GO Division, and therefore is subject to change without notice.

The E-Z-GO Division **DISCLAIMS LIABILITY FOR ERRORS IN THIS MANUAL**, and the E-Z-GO Division **SPECIFICALLY DISCLAIMS LIABILITY FOR INCIDENTAL AND CONSEQUENTIAL DAMAGES** resulting from the use of the information and materials in this Manual.

TO CONTACT US

NORTH AMERICA:

TECHNICAL ASSISTANCE & WARRANTY PHONE: 1-800-774-3946, FAX: 1-800-448-8124

SERVICE PARTS PHONE: 1-888-GET-EZGO (1-888-438-3946), FAX: 1-800-752-6175

INTERNATIONAL: PHONE: 001-706-798-4311, FAX: 001-706-771-4609

E-Z-GO DIVISION OF TEXTRON INC., 1451 MARVIN GRIFFIN ROAD, AUGUSTA, GEORGIA USA 30906-3852

GENERAL INFORMATION

This vehicle has been designed and manufactured in the United States of America (USA) as a 'World Vehicle'. The Standards and Specifications listed in the following text originate in the USA unless otherwise indicated.

The use of non Original Equipment Manufacturer (OEM) approved parts may void the warranty.

Tampering with or adjusting the governor to permit vehicle to operate at above factory specifications will void the vehicle warranty.

When servicing engines, all adjustments and replacement components must be per original vehicle specifications in order to maintain the United States of America Federal and State emission certification applicable at the time of manufacture.

BATTERY PROLONGED STORAGE

All batteries will self discharge over time. The rate of self discharge varies depending on the ambient temperature and the age and condition of the batteries.

A fully charged battery will not freeze in winter temperatures unless the temperature falls below -75° F (-60° C).

TABLE OF CONTENTS

SECTION	Page No.
HOW TO USE THE SERVICE PARTS MANUAL	vii
ACCELERATOR PEDAL ASSEMBLY	A-1
• Pedal Cover	
• Accelerator Pedal	
• Accelerator Pedal Switch	
AIR FILTER	B-1
• Air Cleaner Element	
• Air Filter Housing	
• Air Cleaner Hose	
BODY - FRONT	C-1
• Front Bumper	
• Front Splash Shield	
• Cowl	
• Nameplate	
• Instrument Panel	
• Instrument Panel Trim	
• Cup Holder	
BODY - MID SECTION	C-5
• Pedal Cover	
• Floorboard	
• Floormat	
• Rocker Panels	
BODY - REAR	C-7
• Rear Body	
• Rear Splash Shields	
• Seat Support	
• Bagwell Liner	
• Access Panel	
BODY - ACCESSORIES	C-11
• Sand Bottle	
• Cooler Jug	
• Scuff Guard	
• Soft Swipe	
BODY - ACCESSORIES	C-13
• Divot Repair Kit	
• Club & Ball Washer	
• Four Bag Attachment	
BRAKES	D-1
• Brake Pedal Pad	
• Brake Pedal	
• Brake Cable	
• Brake Drum Assembly	
CARBURETOR AND CHOKE	E-1
• Carburetor	
• Main Jet	
• Choke Cable	
CLUTCH	F-1
• Drive Clutch	

TABLE OF CONTENTS

SECTION	Page No.
• Driven Clutch	
DIRECTION SELECTOR	G-1
• Push/Pull Shifter Cable	
• Compression Spring	
• Neutral Lock Bracket	
ELECTRICAL SYSTEM	H-1
• Main Harness	
• Battery	
• Hour Meter	
• Ground Cable	
• Turn Signal	
• Headlight	
• Key Switch	
• Tail Lights	
ENGINE AND MUFFLER	J-1
• Engine	
• Muffler	
• Oil Dip Stick	
• Oil Filter	
ENGINE MOUNTING	K-5
• Engine Pan Mount	
• Front Engine Mount	
FRONT SUSPENSION AND STEERING	L-1
• Strut	
• Spindle	
• A-Arm	
• Steering Box	
• Steering Column	
• Steering Wheel	
FUEL SYSTEM	M-1
• Fuel Tank	
• Pulse Line	
REAR AXLE	N-1
• Axle Shaft	
• Axle Tube	
• Oil Check Plug	
REAR SUSPENSION	P-1
• Shocks	
• Leaf Spring	
• Shackles	
SEATING - GOLF CAR	Q-1
• Seat Bottom	
• Seat Back	
• Hip Restraints	
• Seat Back Support	
SEATING - SHUTTLE 2+2	Q-4
• Seat Bottom, Rear Facing Seat	
• Seat Back, Rear Facing Seat	

TABLE OF CONTENTS

SECTION	Page No.
• Floorboard, Rear Facing Seat • Arm Rest, Rear Facing Seat • Seat Belt	
STARTER / GENERATOR	R-1
• Starter • Starter Belt • Starter Tensioner	
TOW BAR	S-1
WEATHER PROTECTION - GOLF CAR	T-1
• Sun Top	
WEATHER PROTECTION - SHUTTLE 2+2	T-3
• Sun Top	
WEATHER PROTECTION - WINDHIELD	T-5
WHEELS AND TIRES	U-1
• Tire & Wheel Assembly • Lug Nuts • Dust Cap	
FRAMES	V-1
• Frames • Seat Frames	

HOW TO USE THE SERVICE PARTS MANUAL

This manual is divided into several sections:

GENERAL INFORMATION

- TABLE OF CONTENTS
- HOW TO USE THE SERVICE PARTS MANUAL

ILLUSTRATED PARTS BREAKDOWN

- Contains illustrations and parts lists for all systems of the vehicle.

USE OF THE MANUAL

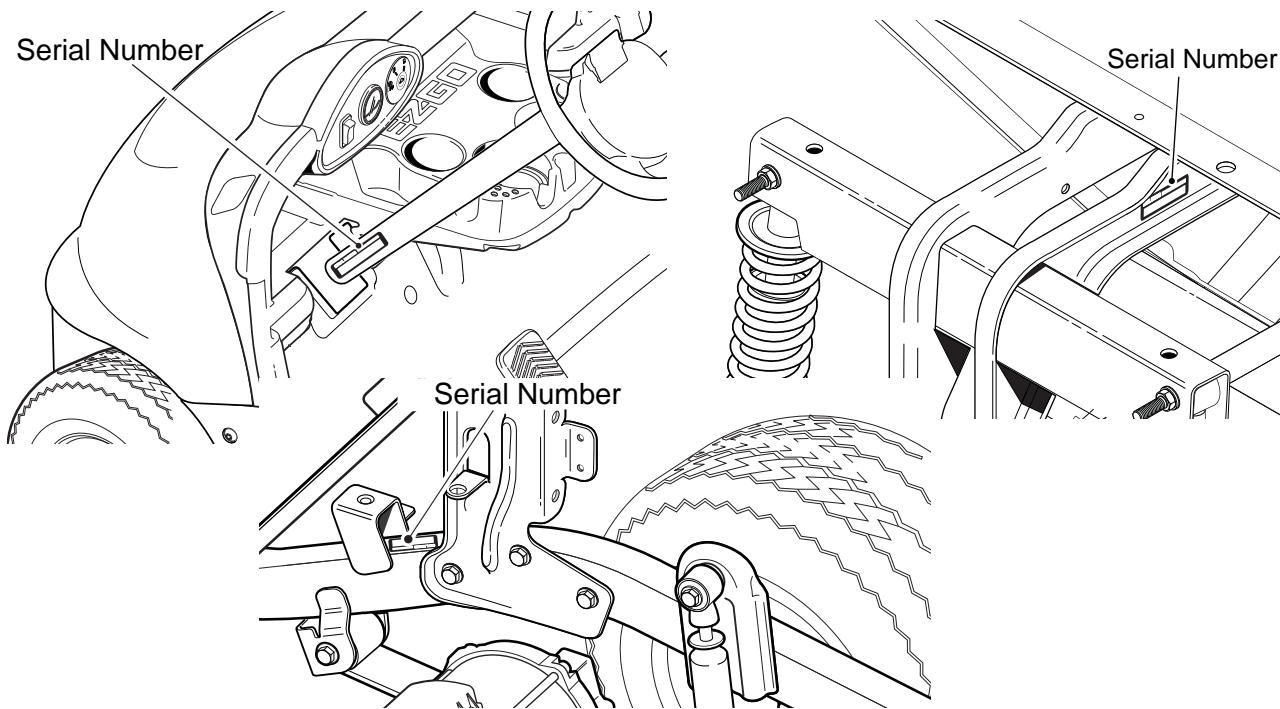
To use this manual, consult the TABLE OF CONTENTS (page iii) to locate the information or illustration required.

Introduction of some revisions varies due to supply of components; therefore, it is possible that various combinations of components may be found that are not directly reflected by each illustration. Consult the illustration that best suits your situation. Locate the serial number. It is important that the serial number of your vehicle and its model number be supplied to Service Parts when ordering any replacement components.

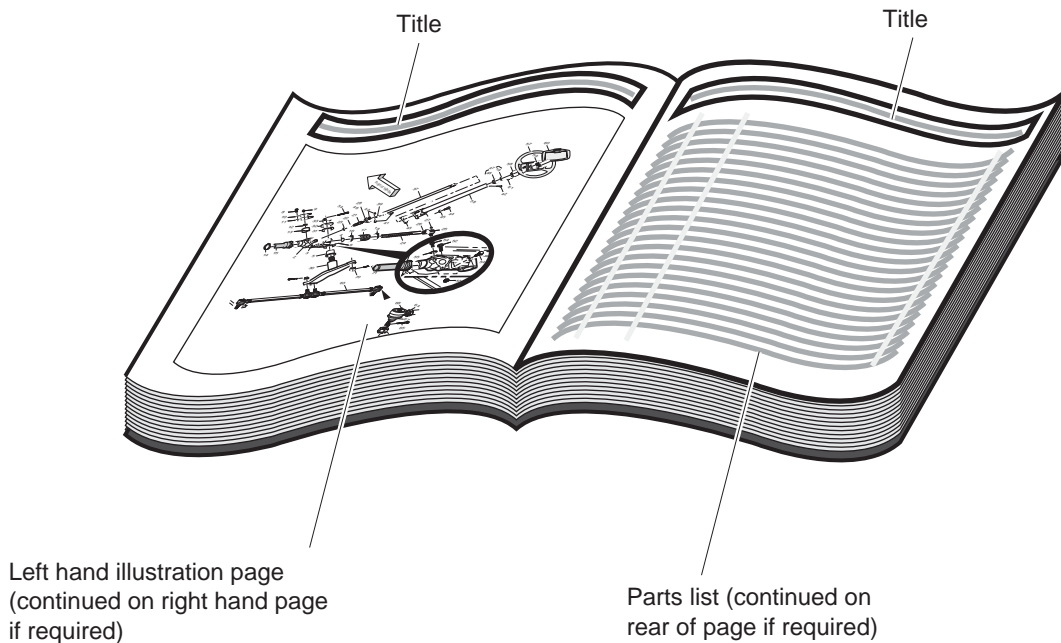
SERIAL NUMBER LOCATION

Three serial number and manufacture date code labels are on the vehicle. One is placed on the steering column, the second is located on the frame member under the front splash shield on the driver side and the third is located on the passenger side frame rail at the rear of the vehicle.

In order to obtain correct components for the vehicle, the manufacture date code, serial number and vehicle model must be provided when ordering service parts.



HOW TO USE THE SERVICE PARTS MANUAL



1. WHEN THE PART NUMBER IS NOT KNOWN

- Determine the function and application of the part required. Turn to the TABLE OF CONTENTS and select the most appropriate component description.
- Turn to the page number indicated and locate the part description in the parts list. Read the full accompanying description for specific information regarding the part that was not shown in the index.
- From the parts list, obtain the item number assigned to it and confirm that the part selected is correct by verifying it with the pictorial representation on the illustrated page.

Should an asterisk (*) appear in the part number column on the parts list page, read upwards until a part number is found. The part number is the lowest assembly sold by Service Parts. The asterisk (*) indicates that the part depicted is not available for purchase.

NOTE: Descriptions are indented under the assembly that they are used on. That assembly is, in turn listed under the assembly that it is used on. This process is repeated until the highest final assembly is reached.

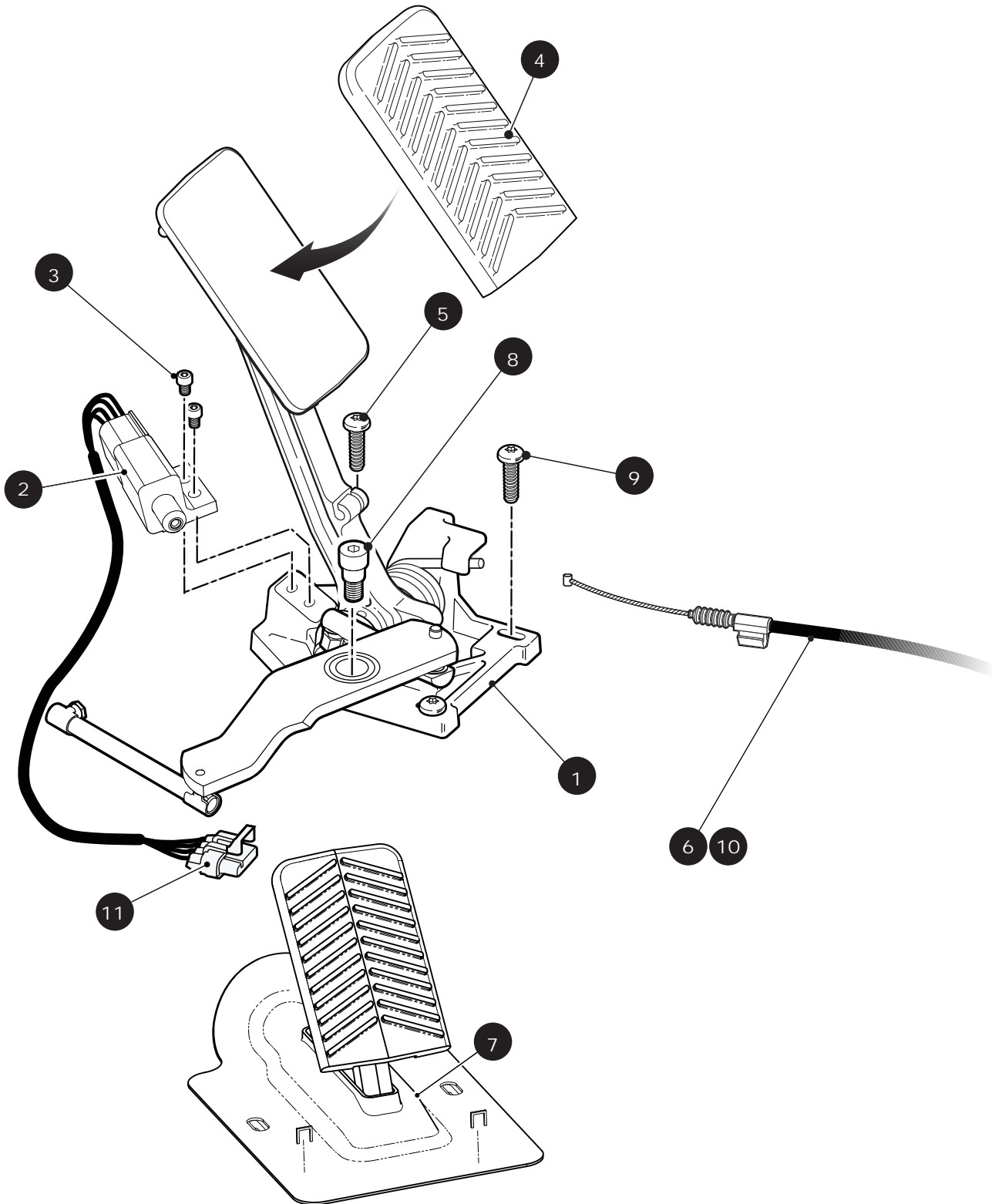
To facilitate the maintenance and repair of the vehicle, a Technician's Repair and Service Manual is available from the Service Parts Department.

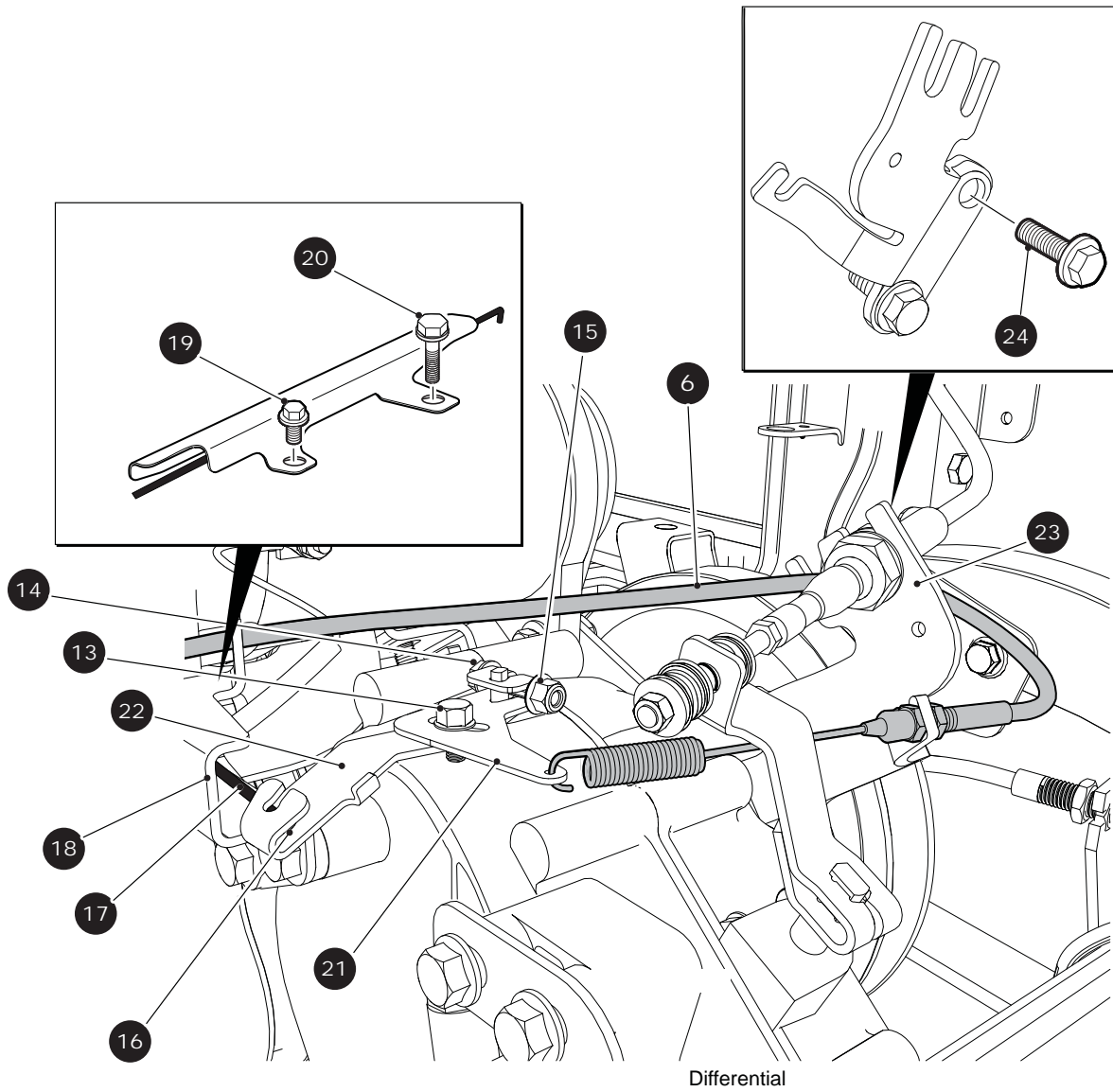
ILLUSTRATED PARTS BREAKDOWN

ILLUSTRATED PARTS BREAKDOWN

ACCELERATOR

1 Accelerator Pedal Assembly includes items 2 - 4





ACCELERATOR

When ordering parts, please specify the model and serial number of the product.

* Indicates a component that is not available as an individual part.

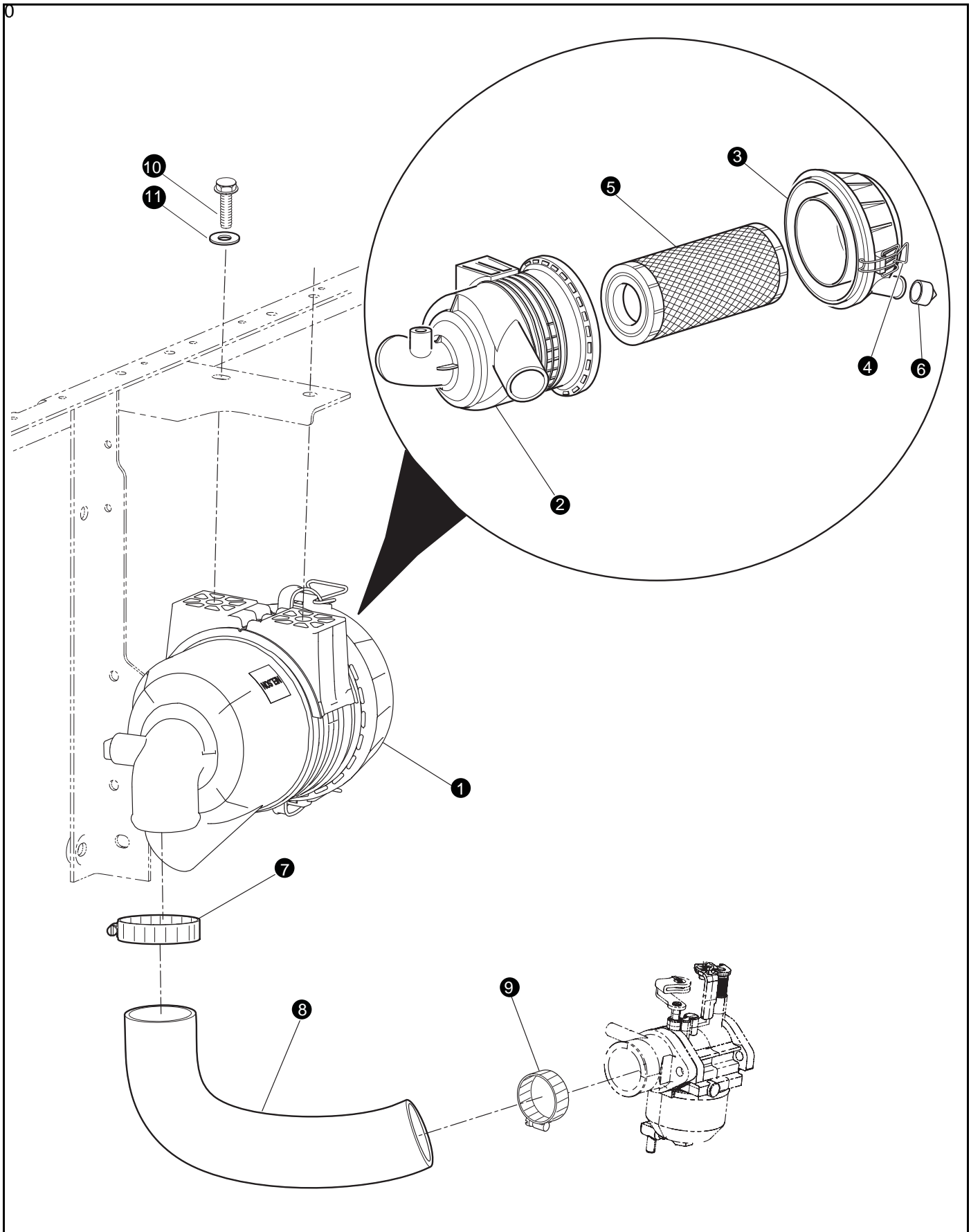
*** Indicates consult Customer Service Department for additional information.

ITEM	PART NO.	1 2 3 4 5	DESCRIPTION	QTY.
1	<u>613269</u>		ACCELERATOR PEDAL ASSEMBLY (includes items 2 - 3)	1
2	<u>612889</u>		ACCELERATOR PEDAL MOLEX SWITCH	1
3	<u>620030</u>		SOCKET HEAD SCREW, M5 X 0.8.....	2
4	<u>610529</u>		ACCELERATOR PEDAL COVER.....	1
5	<u>608290</u>		BOLT,	2
6	<u>609850</u>		ACCELERATOR CABLE, 23.8 LBS - IN.....	1
7	<u>614393</u>		ACCELERATOR PEDAL BOOT	1
8	<u>604536</u>		BOLT, M8 - 1.25 X 20	1
9	<u>606277</u>		BOSS BOLT, M6	3
10	<u>609849</u>		ACCELERATOR CABLE, 16 LBS - IN.....	1
11	<u>615747</u>		JUMPER HARNESS, ACCELERATOR PEDAL SWITCH.....	1
12				
13	<u>606265</u>		BOLT, M6 - 1 X 12	1
14	<u>606421</u>		BOLT, M6 - 1 X 30	1
15	<u>450452</u>		NUT, M6 - 1.0	1
16	<u>606283</u>		GOVERNOR LEVER BUSHING	1
17	<u>606284</u>		GOVERNOR ROD.....	1
18	<u>603890</u>		GOVERNOR ROD GUARD.....	1
19	<u>606264</u>		BOLT, M6 - 1 X 20	1
20	<u>606262</u>		BOLT, M8 - 1.25 X 16	1
21	<u>606083</u>		UPPER GOVERNOR BRACKET	1
22	<u>606005</u>		LOWER GOVERNOR BRACKET	1
23	<u>606074</u>		GOVERNOR CABLE/DIRECTION SELECTOR BRACKET.....	1
24	<u>606256</u>		BOLT, M10 - 1.25 X 16	2

Notes:

A large grid for taking notes, consisting of approximately 30 columns and 30 rows of small squares.

AIR FILTER CARB



AIR FILTER CARB

When ordering parts, please specify the model and serial number of the product.

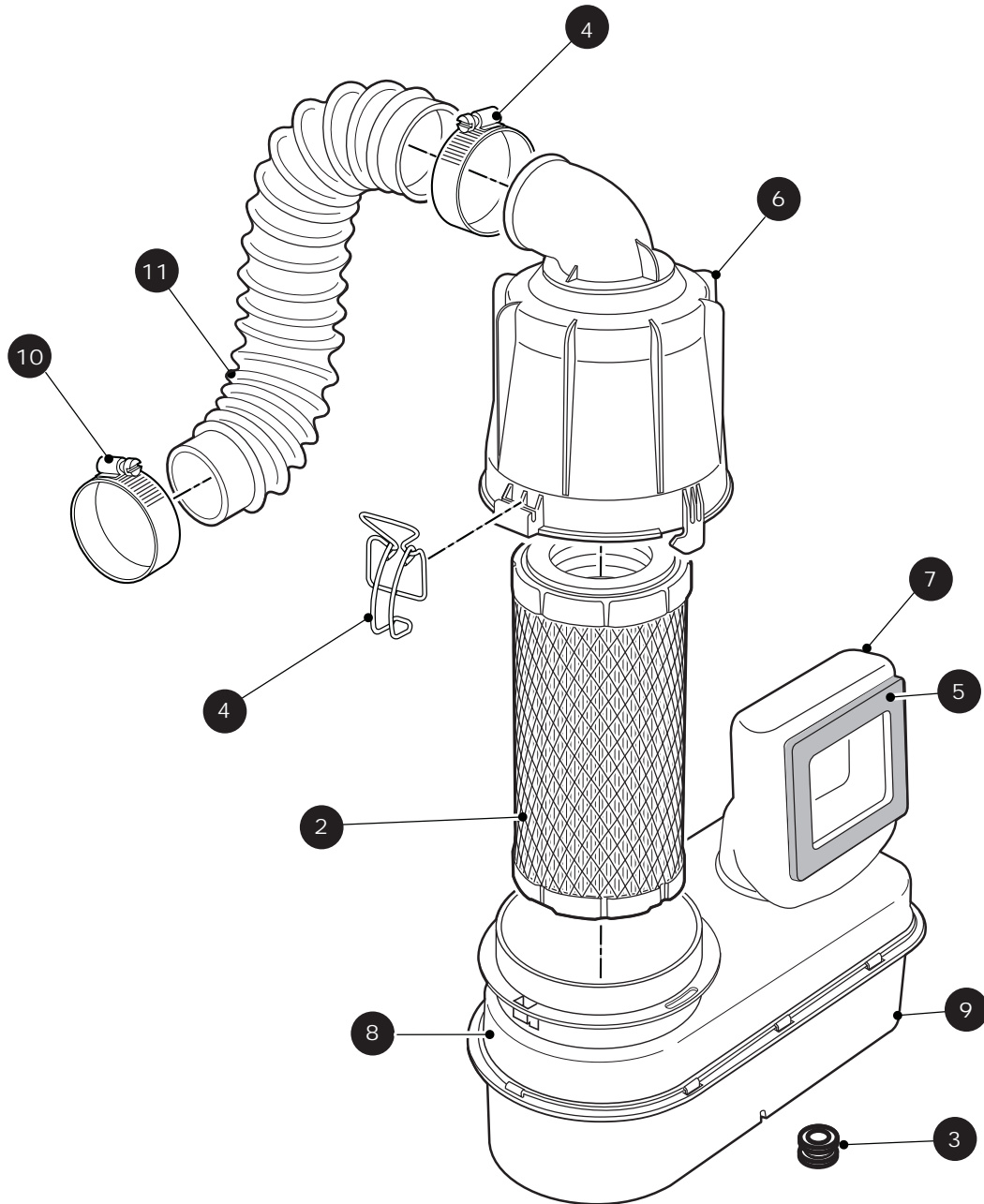
* Indicates a component that is not available as an individual part.

*** Indicates consult Customer Service Department for additional information.

ITEM	PART NO.	1 2 3 4 5	DESCRIPTION	QTY.
1	<u>606952</u>		AIR CLEANER (INCLUDES ITEMS 2 - 6)	1
2	607269		BODY & BRACKET ASSEMBLY	1
3	<u>72599G01</u>		AIR CLEANER COVER	1
4	<u>72604G01</u>		AIR CLEANER CLIP	2
5	<u>28463G01</u>		AIR FILTER	1
6	<u>28462G01</u>		VALVE DUST EJECTOR	1
7	<u>11391G7</u>		HOSE CLAMP	1
8	<u>601910</u>		HOSE	1
9	<u>11391G7</u>		HOSE CLAMP	1
10	<u>606261</u>		BOLT M8 X 1.25 X 20	2
11	<u>606272</u>		WASHER	2

AIR FILTER

1 - Includes items 2 - 9



When ordering parts, please specify the model and serial number of the product.

* Indicates a component that is not available as an individual part.

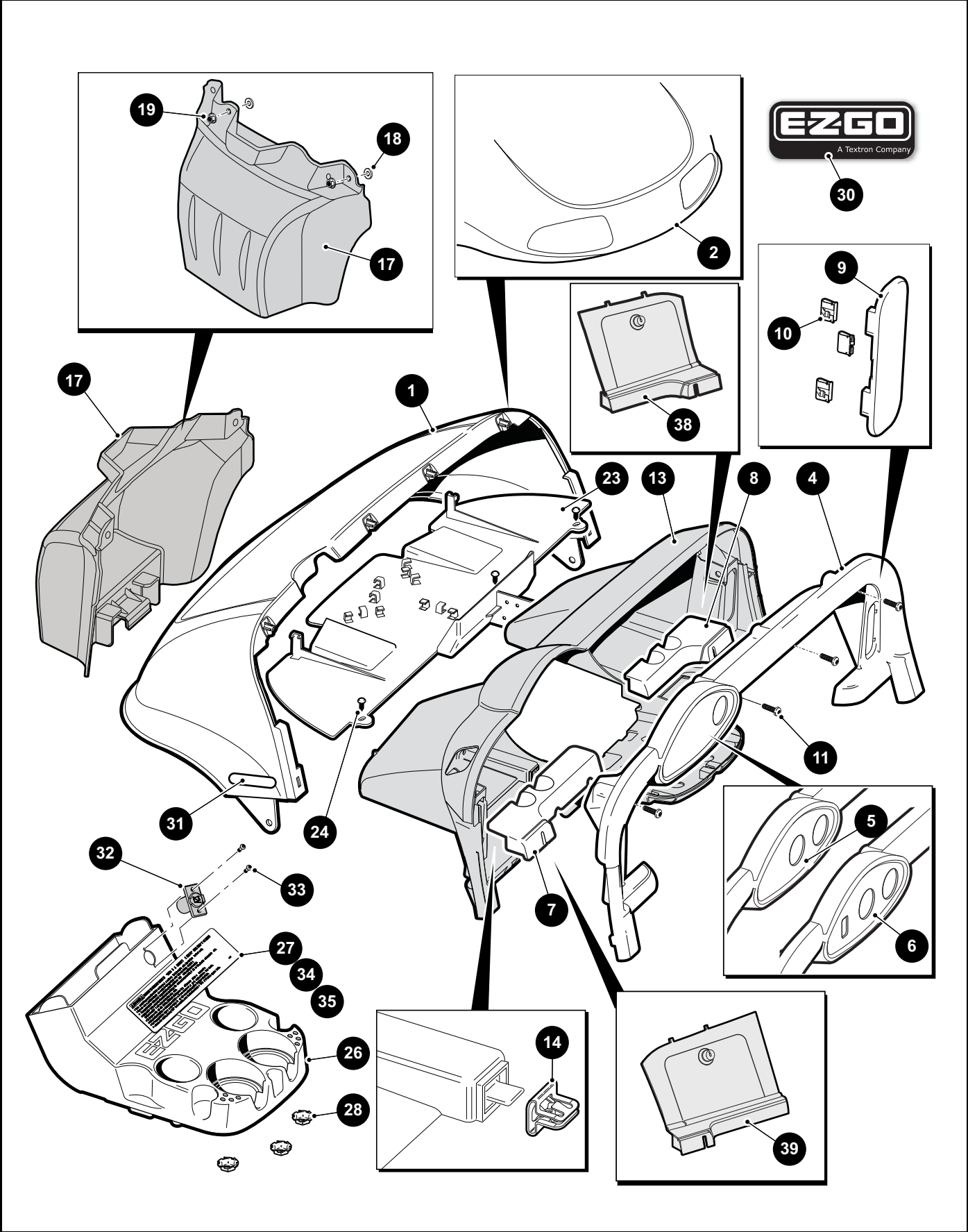
*** Indicates consult Customer Service Department for additional information.

ITEM	PART NO.	1 2 3 4 5	DESCRIPTION	QTY.
1	<u>601729</u>		AIR CLEANER ASSEMBLY	1
2	<u>28463G01</u>		AIR CLEANER ELEMENT.....	1
3	603752		AIR CLEANER BASE GROMMET	3
4	603750		AIR FILTER LATCH.....	1
5	603749		INTAKE TUBE GASKET.....	1
6	601728		AIR FILTER HOUSING.....	1
7	601727		AIR FILTER INTAKE TUBE	1
8	601726		AIR FILTER COVER.....	1
9	601725		AIR FILTER BASE	1
10	<u>11391G7</u>		HOSE CLAMP.....	2
11	<u>601910</u>		AIR CLEANER HOSE	1

Notes:

A large grid of empty squares, intended for handwritten notes. The grid consists of approximately 24 columns and 36 rows of small squares.

BODY



When ordering parts, please specify the model and serial number of the product.

* Indicates a component that is not available as an individual part.

*** Indicates consult Customer Service Department for additional information.

ITEM	PART NO.	1 2 3 4 5	DESCRIPTION	QTY.
1	6XXXXX***		FRONT COWL, WITHOUT HEADLIGHT OPENING (see colors below) 606953 IVORY 606954 FOREST GREEN 606955 PATRIOT BLUE 606956 BLACK 606957 BURGANDY 606958 BRIGHT WHITE 606959 FLAME RED 606960 STEEL BLUE 608476 PLATINUM 608477 ALMOND 608493 ELECTRIC BLUE 608494 INFERNO RED 617580 SUNBURST ORANGE 617578 BRITISH RACING GREEN 630161 BARLEY GOLD 630163 OASIS GREEN 630165 JAVA BROWN 630167 METALLIC CHARCOAL	1
2	6XXXXX***		FRONT COWL, WITH HEADLIGHT OPENING (see colors below) 620227 IVORY 620228 FOREST GREEN 620229 PATRIOT BLUE 620230 BLACK 620231 BURGANDY 620232 BRIGHT WHITE 620233 FLAME RED 620234 STEEL BLUE 608478 PLATINUM 608479 ALMOND 608516 ELECTRIC BLUE 608517 INFERNO RED 617581 SUNBURST ORANGE 617579 BRITISH RACING GREEN 630169 BARLEY GOLD 630171 OASIS GREEN 630173 JAVA BROWN 630175 METALLIC CHARCOAL	1

BODY

When ordering parts, please specify the model and serial number of the product.

* Indicates a component that is not available as an individual part.

*** Indicates consult Customer Service Department for additional information.

ITEM	PART NO.	1 2 3 4 5	DESCRIPTION	QTY.
3				
4	<u>600242</u>		INSTRUMENT PANEL TRIM, OPENING FOR KEY SWITCH ONLY.....	1
5	<u>608808</u>		INSTRUMENT PANEL TRIM, OPENING FOR KEY SWITCH & SOC.....	1
6	<u>608864</u>		INSTRUMENT PANEL TRIM, OPENING FOR KEY SW, SOC & LIGHT SW.	1
7	<u>600243</u>		BALL HOLDER INSERT, DRIVER SIDE	1
8	<u>600241</u>		BALL HOLDER INSERT, PASSENGER SIDE.....	1
9	<u>602388</u>		ACCESS COVER ASSEMBLY (includes item 10)	1
10	<u>602100</u>		U-CLIP	3
11	<u>606277</u>		BOSS SCREW, M6	4
12				
13	<u>602387</u>		INSTRUMENT PANEL (includes item 14)	1
14	<u>602184</u>		SPRING CLIP	4
15				
16				
17	<u>605935</u>		FRONT BUMPER.....	1
18	<u>604066</u>		FLAT WASHER, M10 (O.D. 30, I.D. 10.5, THK. 1.75).....	2
19	<u>600525</u>		FLANGED HEX NUT WITH PLASTIC INSERT, M10-1.5.....	1
20				
21				
22				
23	<u>601634</u>		FRONT SPLASH GUARD.....	1
24	<u>16816G2</u>		CHRISTMAS TREE RIVET (.25" x .88")	3
25				
26	<u>602101</u>		CUPHOLDER ASSEMBLY (includes item 27)	1
27	<u>608522</u>		WARNING AND INSTRUCTION DECAL.....	1
28	<u>71597G01</u>		SELF THREADING NUT	3
29				
30	<u>606405</u>		E - Z - GO NAMEPLATE	1
31	<u>608991</u>		YELLOW REFLECTOR, FRONT	2
32	<u>71078G01</u>		12V OUTLET	1
33	<u>600543</u>		BUTTON HEAD TORX BOLT, M4 - 0.75 X 12.....	2

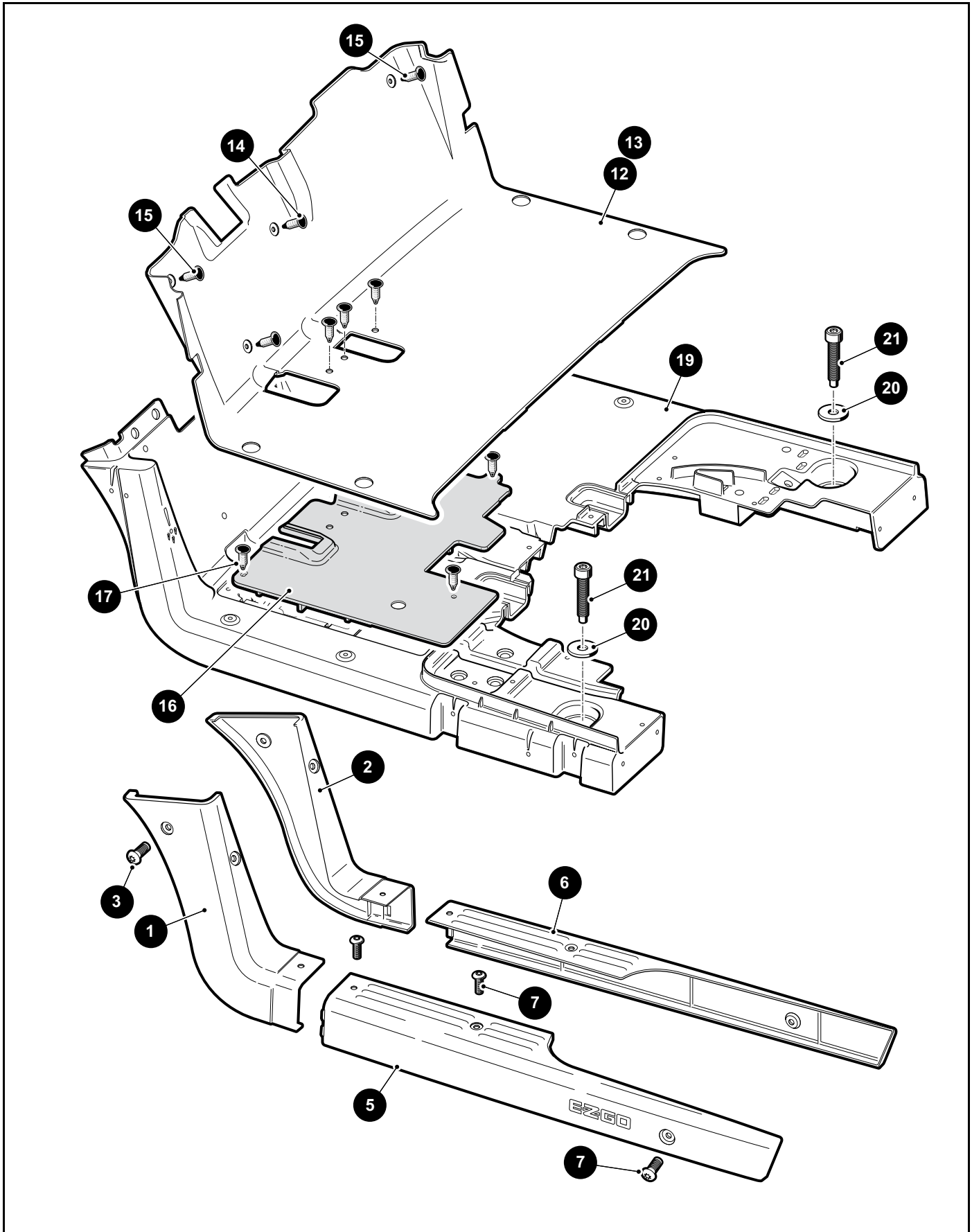
When ordering parts, please specify the model and serial number of the product.

* Indicates a component that is not available as an individual part.

*** Indicates consult Customer Service Department for additional information.

ITEM	PART NO.	1 2 3 4 5	DESCRIPTION	QTY.
34	<u>608528</u>		WARNING AND INSTRUCTION DECAL (Freedom vehicles)	1
35	<u>608701</u>		WARNING AND INSTRUCTION DECAL, PICTOGRAMS (CE vehicles)	1
36				
37				
38	<u>607131</u>		GLOVE BOX, PASSENGER SIDE.....	1
39	<u>607533</u>		GLOVE BOX, DRIVER SIDE	1

BODY



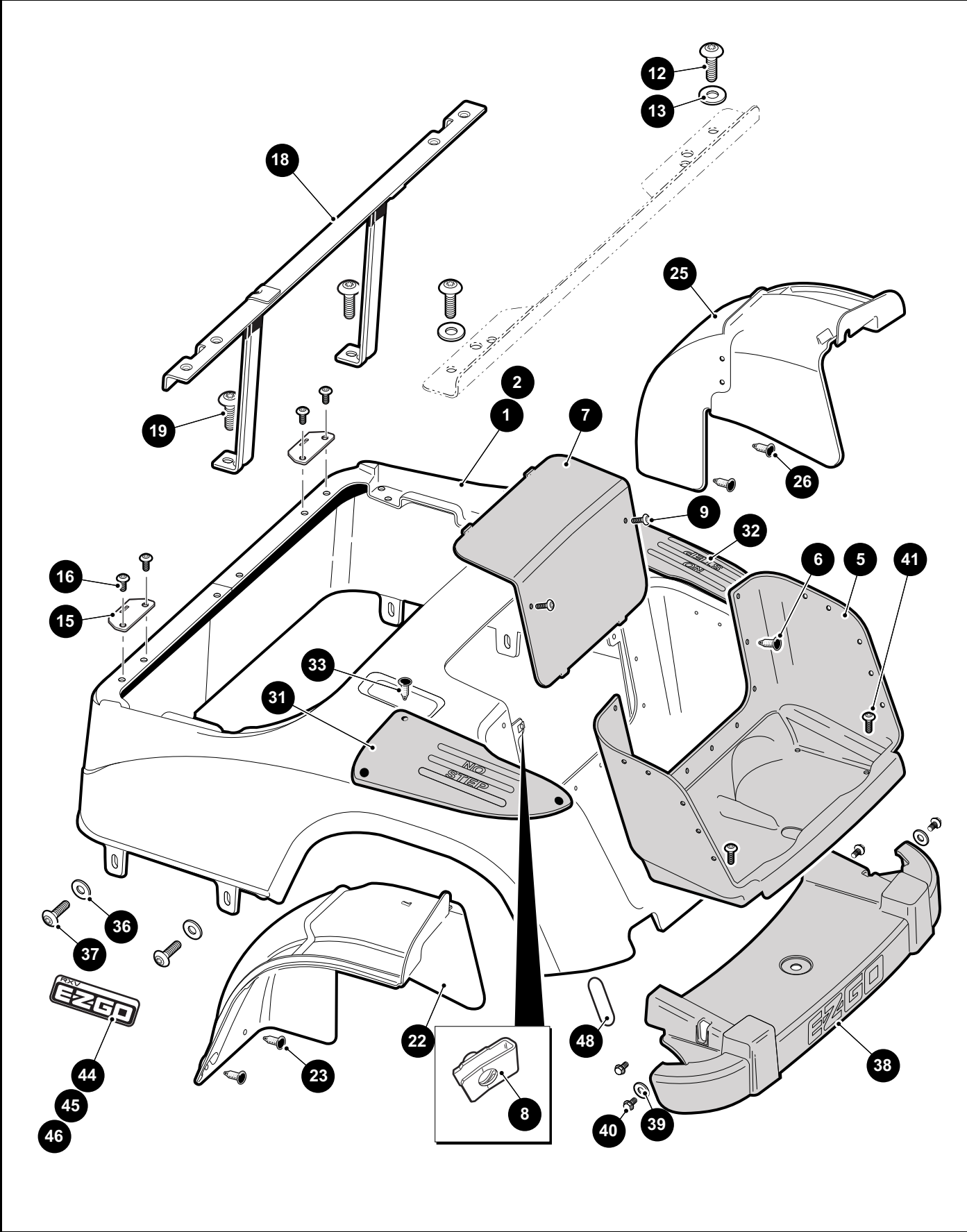
When ordering parts, please specify the model and serial number of the product.

* Indicates a component that is not available as an individual part.

*** Indicates consult Customer Service Department for additional information.

ITEM	PART NO.	1 2 3 4 5	DESCRIPTION	QTY.
1	<u>601257</u>		UPPER ROCKER PANEL, DRIVER SIDE	1
2	<u>601258</u>		UPPER ROCKER PANEL, PASSENGER SIDE	1
3	<u>605957</u>		BUTTON HEAD TORX SCREW, THREAD FORMING, M8	4
4				
5	<u>600253</u>		LOWER ROCKER PANEL, DRIVER SIDE	1
6	<u>600257</u>		LOWER ROCKER PANEL, PASSENGER SIDE	1
7	<u>605957</u>		BUTTON HEAD TORX SCREW, THREAD FORMING, M8	6
8				
9				
10				
11				
12	<u>601118</u>		FLOORMAT WITHOUT HOLE FOR HORN.....	1
13	<u>603707</u>		FLOORMAT WITH HOLE FOR HORN	1
14	<u>16816G2</u>		CHRISTMAS TREE RIVET (.25" X .88")	5
15	<u>16816G1</u>		CHRISTMAS TREE RIVET (.25" X .68")	2
16	<u>605277</u>		PEDAL COVER PLATE	1
17	<u>16816G2</u>		CHRISTMAS TREE RIVET (.25" X .88")	4
18				
19	<u>603798</u>		FLOOR BOARD.....	1
20	<u>604066</u>		FLAT WASHER, M10 (O.D. 30, I.D. 10.5, THK. 1.75)	2
21	<u>602020</u>		TORX SOCKET HEAD CAP SCREW, M10 - 1.5 X 50	2

BODY



When ordering parts, please specify the model and serial number of the product.

* Indicates a component that is not available as an individual part.

*** Indicates consult Customer Service Department for additional information.

ITEM	PART NO.	1 2 3 4 5	DESCRIPTION	QTY.
1	6XXXXX		REAR BODY ASSEMBLY WITHOUT LIGHT OPENINGS (includes items 5 - 6) (see colors below)..... 614976 IVORY 614979 FOREST GREEN 614980 PATRIOT BLUE 614981 BLACK 614982 BURGANDY 614983 BRIGHT WHITE 614984 FLAME RED 614985 STEEL BLUE 614989 PLATINUM 614988 ALMOND 614987 ELECTRIC BLUE 614986 INFERNO RED 617590 SUN BURST ORANGE 617592 BRITISH RACING GREEN 630178 BARLEY GOLD 630181 OASIS GREEN 630184 JAVA BROWN 630187 METALLIC CHARCOAL	1
2	6XXXXX		REAR BODY ASSEMBLY WITH LIGHT OPENINGS (includes items 5 - 6) (see colors below)..... 615014 IVORY 615015 FOREST GREEN 615016 PATRIOT BLUE 615017 BLACK 615018 BURGANDY 615019 BRIGHT WHITE 615020 FLAME RED 615021 STEEL BLUE 615025 PLATINUM 615024 ALMOND 615023 ELECTRIC BLUE 615022 INFERNO RED 617594 SUN BURST ORANG 617596 BRITISH RACING GREEN 630195 BARLEY GOLD	1

BODY

When ordering parts, please specify the model and serial number of the product.

* Indicates a component that is not available as an individual part.

*** Indicates consult Customer Service Department for additional information.

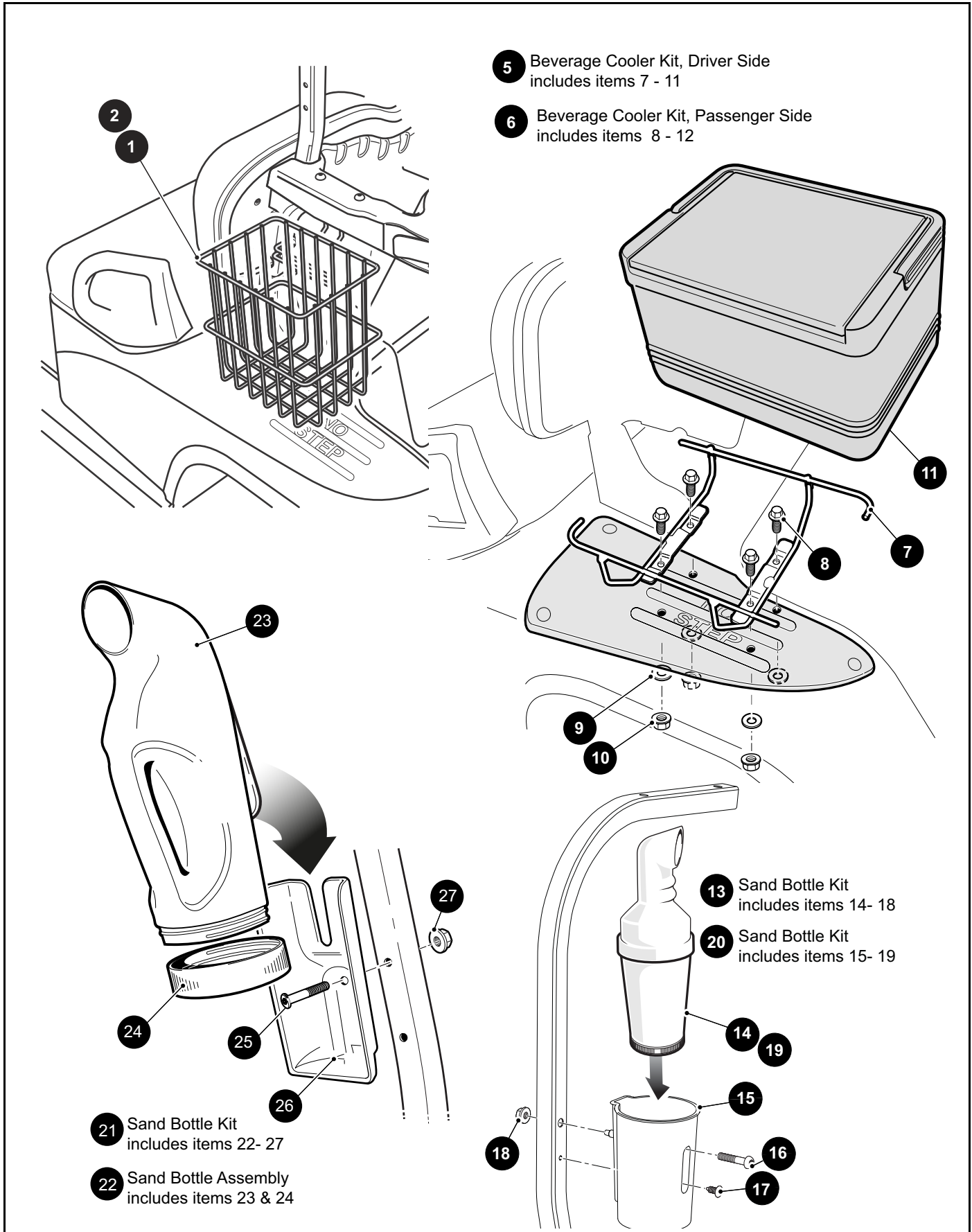
ITEM	PART NO.	1	2	3	4	5	DESCRIPTION	QTY.
							630201..... OASIS GREEN	
							630207..... JAVA BROWN	
							630213..... METALLIC CHARCOAL	
3								
4								
5	<u>601679</u>						BAGWELL LINER INSERT	1
6	<u>16816G2</u>						CHRISTMAS TREE RIVET (.25" X .88")	20
7	<u>600249</u>						REAR BODY ACCESS PANEL	1
8	<u>602409</u>						BARREL CLIP, M6-1	2
9	<u>601326</u>						BUTTON HEAD TORX BOLT, M6 - 1 X 20.....	2
10								
11								
12	<u>602572</u>						PAN HEAD TORX BOLT, M10 - 1.5 X 25	2
13	<u>604066</u>						FLAT WASHER, M10 (O.D. 30, I.D. 10.5, THK. 1.75).....	2
14								
15	<u>602558</u>						SEAT HINGE PLATE	1
16	<u>602572</u>						PAN HEAD TORX BOLT, M10 - 1.5 X 25	2
17								
18	<u>601921</u>						FRONT SEAT SUPPORT ASSEMBLY.....	1
19	<u>602572</u>						PAN HEAD TORX BOLT, M10 - 1.5 X 25	2
20								
21								
22	<u>601621</u>						REAR SPLASH GUARD, DRIVER SIDE	1
23	<u>16816G2</u>						CHRISTMAS TREE RIVET (.25" X .88").....	4
24								
25	<u>601622</u>						REAR SPLASH GUARD, PASSENGER SIDE.....	1
26	<u>16816G2</u>						CHRISTMAS TREE RIVET (.25" X .88").....	4
27								
28								
29								
30								
31	<u>601865</u>						SCUFF GUARD, DRIVER SIDE.....	1

When ordering parts, please specify the model and serial number of the product.

* Indicates a component that is not available as an individual part.

*** Indicates consult Customer Service Department for additional information.

ITEM	PART NO.	1 2 3 4 5	DESCRIPTION	QTY.
32	<u>601864</u>		SCUFF GUARD, PASSENGER SIDE.....	1
33	<u>16816G2</u>		CHRISTMAS TREE RIVET (.25" X .88")	6
34				
35				
36	<u>604066</u>		FLAT WASHER, (O.D. 30, I.D. 10.5, THK. 1.75)	4
37	<u>605957</u>		BUTTON HEAD TORX SCREW, THREAD FORMING, M8	4
38	<u>603819</u>		REAR BUMPER.....	1
39	<u>604266</u>		FLAT WASHER, M10 (O.D. 30, I.D. 10.5, THK. 1.75)	2
40	<u>603799</u>		HEX HEAD FLANGED BOLT, M10 - 1.5 X 25	4
41	<u>608313</u>		BUTTON HEAD TORX BOLT, M10 - 1.5 X 25	2
42				
43				
44	<u>607859</u>		RXV DECAL.....	2
45	<u>610521</u>		E - Z - GO FREEDOM DECAL.....	2
46	<u>607863</u>		E - Z - GO 2 + 2 SHUTTLE DECAL	2
47				
48	<u>608993</u>		RED SIDE REFLECTOR, DRIVER SIDE	1
49	<u>608996</u>		RED SIDE REFLECTOR, PASSENGER SIDE	1
50				
51				
52	<u>608992</u>		RED REAR REFLECTOR, DRIVER SIDE.....	1
53	<u>608998</u>		RED REAR REFLECTOR, PASSENGER SIDE	1



5 Beverage Cooler Kit, Driver Side
includes items 7 - 11

6 Beverage Cooler Kit, Passenger Side
includes items 8 - 12

21 Sand Bottle Kit
includes items 22- 27

22 Sand Bottle Assembly
includes items 23 & 24

13 Sand Bottle Kit
includes items 14- 18

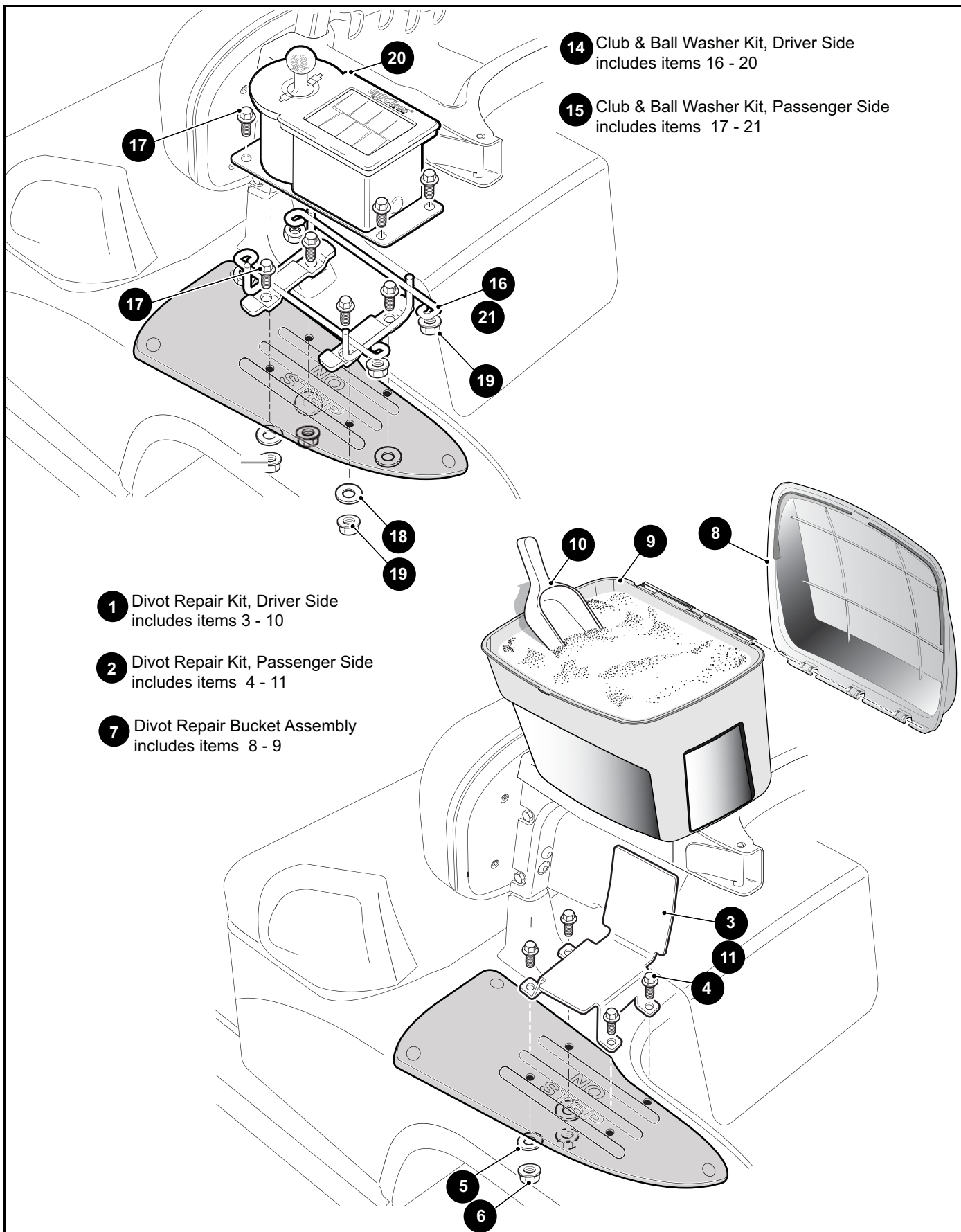
20 Sand Bottle Kit
includes items 15- 19

When ordering parts, please specify the model and serial number of the product.

* Indicates a component that is not available as an individual part.

*** Indicates consult Customer Service Department for additional information.

ITEM	PART NO.	1 2 3 4 5	DESCRIPTION	QTY.
1	<u>603846</u>		SIDE BASKET, DRIVER SIDE (use existing hardware).....	1
2	<u>603702</u>		SIDE BASKET, PASSENGER SIDE (use existing hardware)	1
3				
4				
5	<u>603733</u>		BEVERAGE COOLER KIT, DRIVER SIDE (includes items 7 - 11	1
6	<u>604215</u>		BEVERAGE COOLER KIT, PASSENGER SIDE (includes items 8 - 12)	1
7	<u>603706</u>		MOUNTING BRACKET, DRIVER SIDE	1
8	<u>606256</u>		FLANGED HEX HEAD BOLT, M10 - 1.5 X 34	4
9	<u>608520</u>		POLYPROPYLENE WASHER.....	4
10	<u>606274</u>		FLANGED HEX NUT, M10 - 1.25	4
11	<u>601366</u>		BEVERAGE COOLER.....	1
12	<u>603777</u>		MOUNTING BRACKET, PASSENGER SIDE (not shown in illustration) ..	1
13	<u>614179</u>		SAND BOTTLE KIT (includes items 14 - 18)	1
14	600612		SAND BOTTLE ASSEMBLY.....	1
15	<u>28660G01</u>		SAND BOTTLE ASSEMBLY HOLDER.....	1
16	<u>603800</u>		FLANGE HEAD BOLT, M10 - 1.5 X 50.....	1
17	<u>16816G2</u>		RATCHET RIVET, 0.25" X 0.887"	1
18	<u>600525</u>		LOCK NUT, M10 - 1.5.....	1
19	28459G01		SAND BOTTLE.....	1
20	<u>614195</u>		SAND BOTTLE KIT (includes items 15 - 19)	1
21	614390		SAND BOTTLE KIT (includes items 22 - 27)	1
22	<u>607102</u>		SAND BOTTLE ASSEMBLY (includes items 23 & 24).....	1
23	<u>605961</u>		SAND BOTTLE	1
24	<u>605962</u>		SAND BOTTLE CAP	1
25	<u>603800</u>		FLANGE HEAD BOLT, M10 - 1.5 X 50.....	1
26	<u>606085</u>		SAND BOTTLE MOUNTING BRACKET	1
27	<u>600525</u>		LOCK NUT, M10 - 1.5.....	1

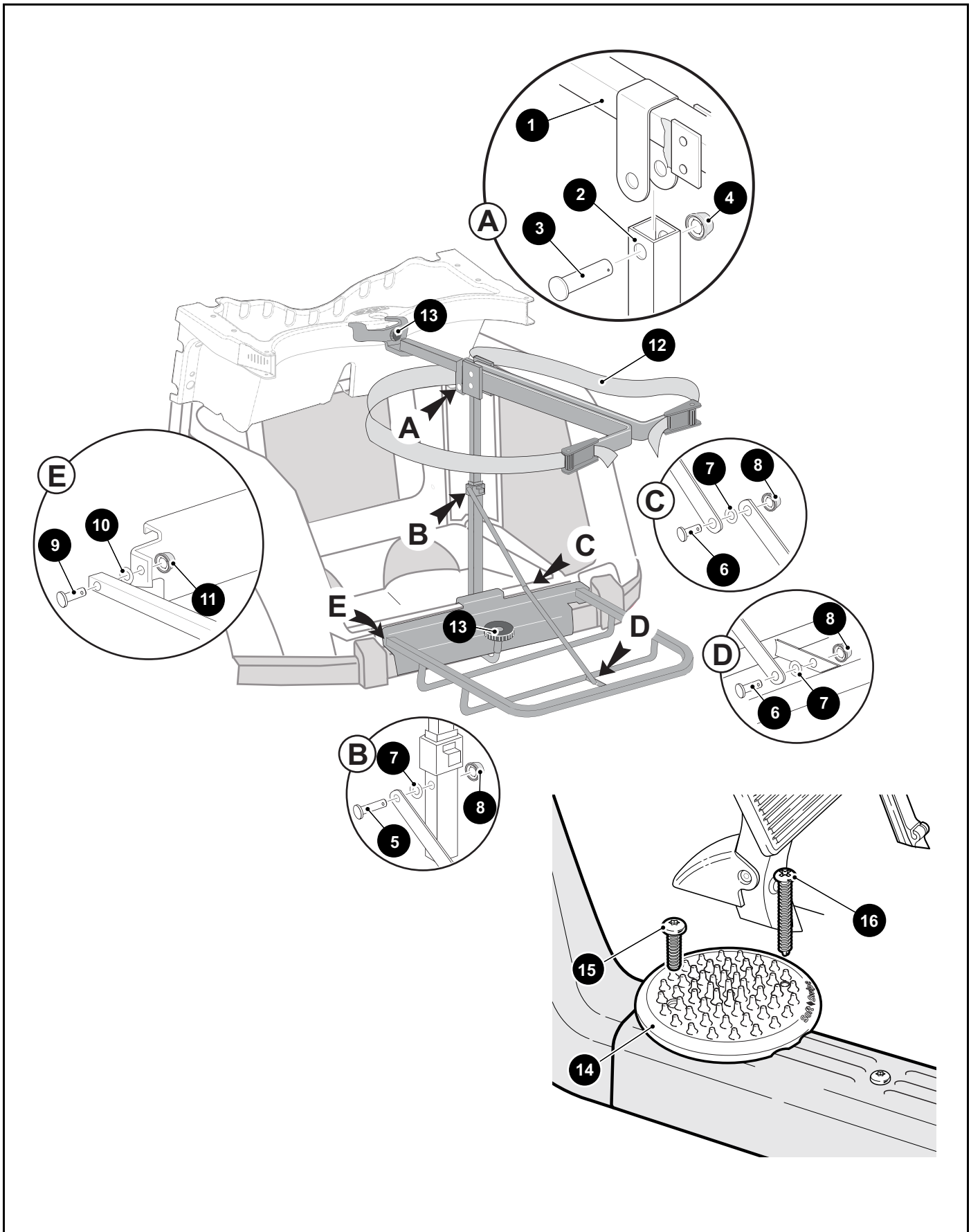


When ordering parts, please specify the model and serial number of the product.

* Indicates a component that is not available as an individual part.

*** Indicates consult Customer Service Department for additional information.

ITEM	PART NO.	1 2 3 4 5	DESCRIPTION	QTY.
1	<u>604214</u>		DIVOT REPAIR KIT, DRIVER SIDE (includes items 3 - 9)	1
2	<u>603250</u>		DIVOT REPAIR KIT, PASSENGER SIDE (includes items 4 - 10)	1
3	<u>603825</u>		MOUNTING BRACKET, DRIVER SIDE	1
4	<u>606256</u>		FLANGED HEX HEAD BOLT, M10 - 1.5 X 34	4
5	<u>608520</u>		POLYPROPYLENE WASHER.....	4
6	<u>606274</u>		FLANGED HEX NUT, M10 - 1.25	4
7	<u>605702</u>		DIVOT REPAIR BUCKET ASSEMBLY (includes items 8 - 9)	1
8	<u>607635</u>		DIVOT REPAIR BUCKET, TOP	1
9	607881		DIVOT REPAIR BUCKET, BOTTOM.....	1
10	<u>74848G01</u>		SCOOP.....	1
11	<u>603824</u>		MOUNTING BRACKET, PASSENGER SIDE	1
12				
13				
14	<u>604216</u>		CLUB & BALL WASHER KIT, DRIVER SIDE (includes items 16 - 20)	1
15	<u>603252</u>		CLUB & BALL WASHER KIT, PASSENGER SIDE (includes items 17 - 21)...	1
16	<u>604576</u>		MOUNTING BRACKET, DRIVER SIDE	1
17	<u>606256</u>		FLANGED HEX HEAD BOLT, M10 - 1.5 X 25	4
18	<u>608520</u>		POLYPROPYLENE WASHER.....	4
19	<u>606274</u>		FLANGED HEX NUT, M10 - 1.25	8
20	<u>603836</u>		CLUB & BALL WASHER	1
21	<u>604577</u>		MOUNTING BRACKET, PASSENGER SIDE	1



When ordering parts, please specify the model and serial number of the product.

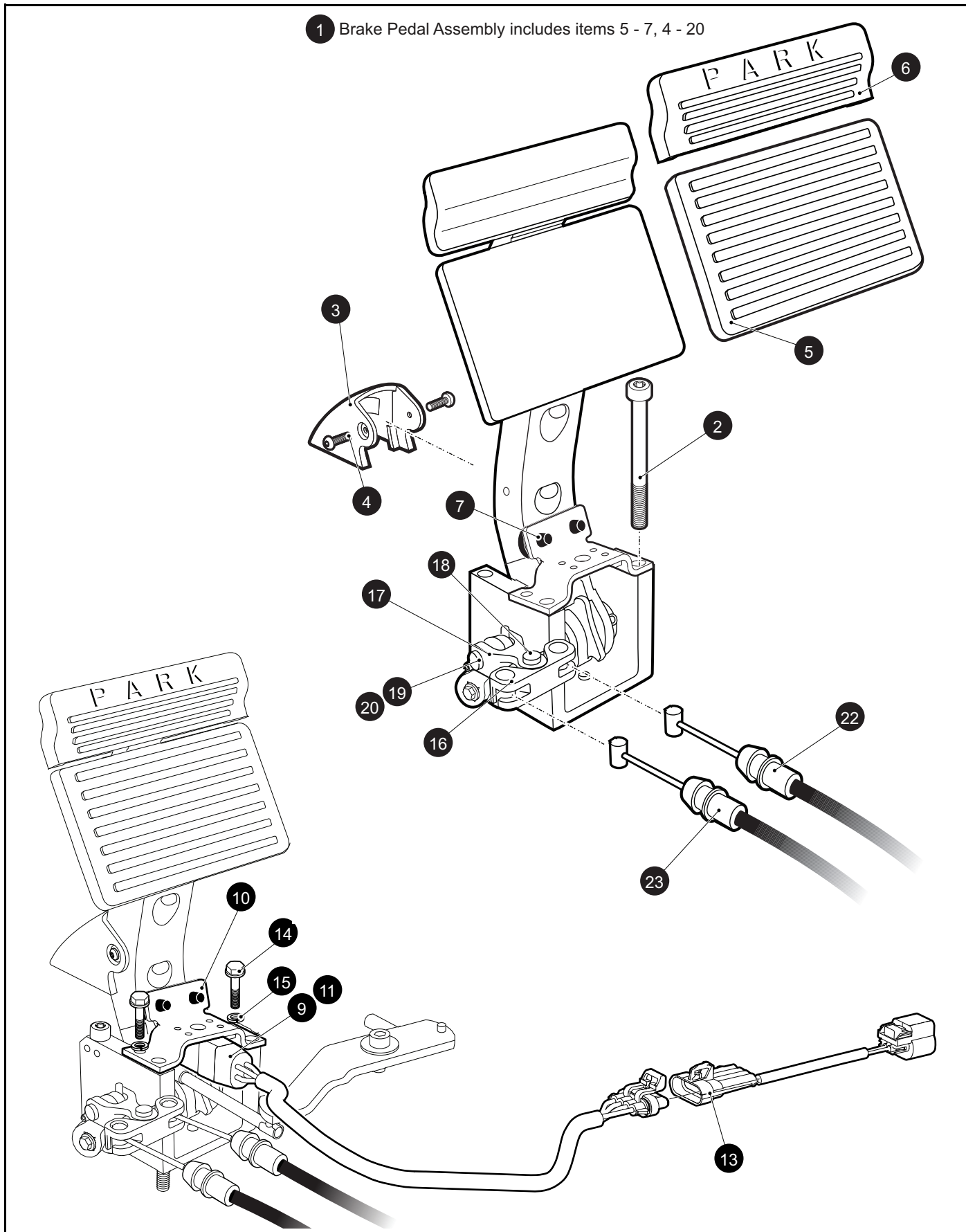
* Indicates a component that is not available as an individual part.

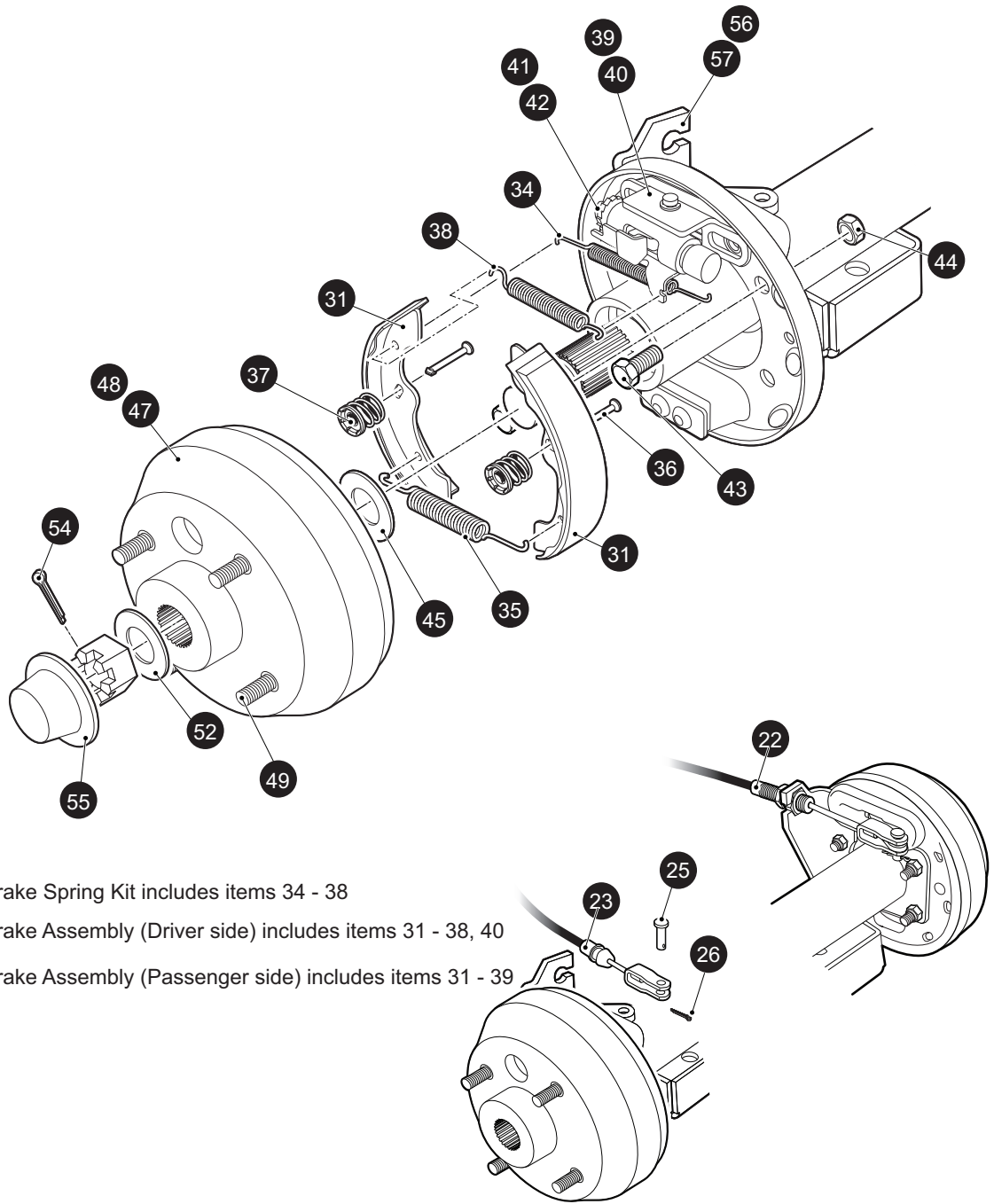
*** Indicates consult Customer Service Department for additional information.

ITEM	PART NO.	1 2 3 4 5	DESCRIPTION	QTY.
1	<u>608949</u>		TOP RACK ASSEMBLY	1
2	<u>608956</u>		BOTTOM RACK ASSEMBLY	1
3	<u>17651G2</u>		CLEVIS PIN 5/16" X 1.250"	1
4	<u>28129G01</u>		CAP NUT 5/16" PLASTIC	1
5	<u>17651G2</u>		CLEVIS PIN 5/16" X 1.250"	1
6	<u>17651G3</u>		CLEVIS PIN 5/16" X 0.625"	2
7	00559G8		FLAT WASHER 5/16"	3
8	<u>28129G01</u>		CAP NUT 5/16" BLACK	3
9	<u>17651G1</u>		CLEVIS PIN 3/8" X 1.250"	2
10	<u>00560G1</u>		FLAT WASHER	2
11	28128G02		CAP NUT 3/8" BLACK	2
12	<u>17641G1</u>		STRAP	2
13	<u>75337G01</u>		KNOB 5/16" - 18 THRU HOLE	2
14	604360		SOFTSWIPE	1
15	<u>605957</u>		BUTTON HEAD TORX SCREW, THREAD FORMING, M8	1
16	620209		PAN HEAD PHILLIPS SCREW, #10 X 2"	1

BRAKES

1 Brake Pedal Assembly includes items 5 - 7, 4 - 20





- 33 Brake Spring Kit includes items 34 - 38
- 30 Brake Assembly (Driver side) includes items 31 - 38, 40
- 29 Brake Assembly (Passenger side) includes items 31 - 39

BRAKES

When ordering parts, please specify the model and serial number of the product.

* Indicates a component that is not available as an individual part.

*** Indicates consult Customer Service Department for additional information.

ITEM	PART NO.	1 2 3 4 5	DESCRIPTION	QTY.
1	<u>626150</u>		BRAKE PEDAL ASSEMBLY (INCLUDES ITEMS 5 - 7, 14 - 20)	1
2	<u>605254</u>		SOCKET HEAD SCREW, M8 - 1.25 X 90MM LG	4
3	<u>605688</u>		BRAKE PEDAL COVER.....	1
4	<u>600543</u>		TORX SCREW, M4 - .7 X 12MM LG	2
5	<u>610471</u>		BRAKE PEDAL RUBBER COVER	1
6	<u>610635</u>		PARK BRAKE PEDAL RUBBER COVER.....	1
7	<u>604097</u>		REBOUND BUMPER.....	2
8				
9	<u>609260</u>		BRAKE LIGHT SWITCH ASSEMBLY (INCLUDES ITEMS 7, 10 - 13).....	1
10	<u>609226</u>		BRAKE LIGHT SWITCH BRACKET	1
11	<u>607605</u>		SWITCH.....	1
12	<u>620030</u>		SOCKET HEAD CAP SCREW, M5 X 0.8 (NOT ILLUSTRATED)	2
13	<u>609181</u>		JUMPER HARNESS.....	1
14	<u>613231</u>		HEX HEAD BOLT, M6 - 1.00 X 20MM LG.....	2
15	<u>601327</u>		LOCK WASHER, M6.....	2
16	<u>604458</u>		EQUALIZER.....	1
17	<u>604459</u>		BRAKE CABLE CLIP	1
18	<u>601894</u>		CLEVIS PIN, 8MM X 21.5MM.....	2
19	<u>601835</u>		E CLIP RING, 8 MM	4
20	<u>601895</u>		CLEVIS PIN, 8MM X 27.0MM	1
21				
22	<u>601286</u>		BRAKE CABLE (PASSENGER SIDE).....	1
23	<u>611373</u>		BRAKE CABLE (DRIVER SIDE)	1
24				
25	<u>10386G3</u>		CLEVIS PIN.....	2
26	<u>10387G3</u>		COTTER PIN, 0.94" X 0.75"	2
27				
28				
29	<u>70998G01</u>		BRAKE ASSEMBLY (PASSENGER SIDE) (INCLUDES ITEMS 31 - 38).....	1
30	<u>70998G02</u>		BRAKE ASSEMBLY (DRIVER SIDE) (INCLUDES ITEMS 31 - 38, 40)	1
31	<u>70795G01</u>		BRAKE SHOE.....	4

When ordering parts, please specify the model and serial number of the product.

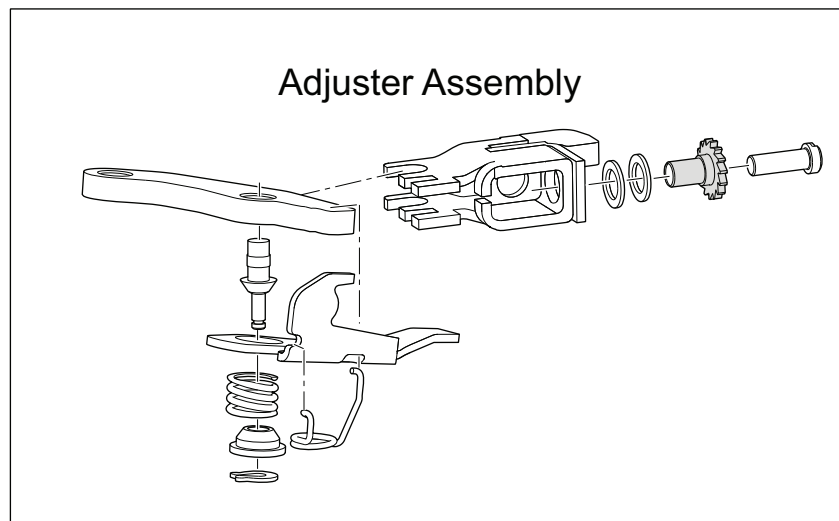
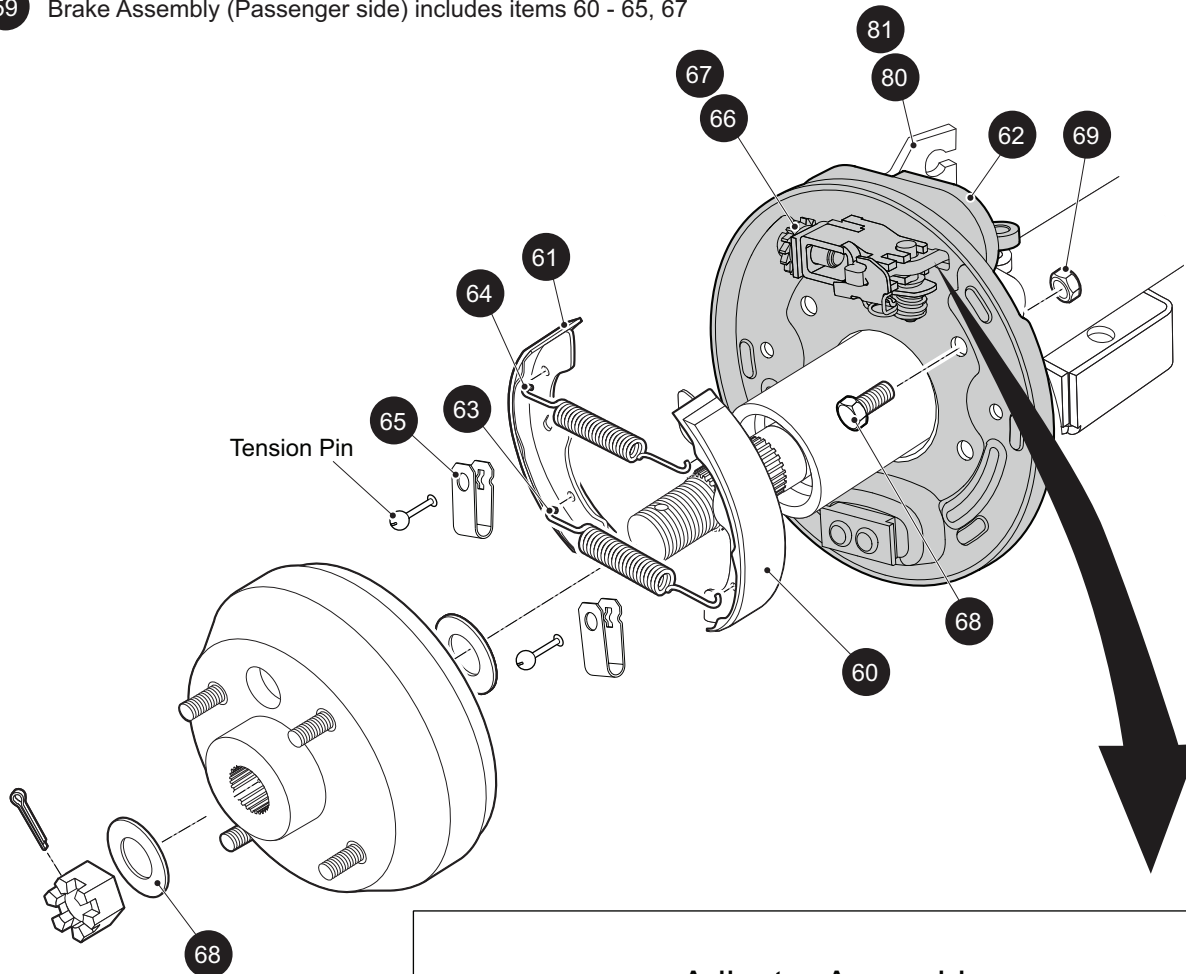
* Indicates a component that is not available as an individual part.

*** Indicates consult Customer Service Department for additional information.

ITEM	PART NO.	1 2 3 4 5	DESCRIPTION	QTY.
32				
33	<u>27944G01</u>		BRAKE SPRING KIT (INCLUDES ITEMS 34 - 38)	2
34	*		UPPER SPRING	1
35	*		LOWER SPRING	1
36	*		PIN	2
37	*		CUP AND SPRING	2
38	*		ADJUSTER SPRING	1
39	<u>72582G01</u>		BRAKE ADJUSTER KIT (PASSENGER SIDE) (INCLUDES ITEMS 41 - 42)	1
40	<u>72582G02</u>		BRAKE ADJUSTER KIT (DRIVER SIDE) (INCLUDES ITEMS 41 - 42)...	1
41	*		ADJUSTER	1
42	*		TEFLON WASHER	2
43	<u>17083G2</u>		HEX HEAD BOLT, 5/16" - 24 X 1" LG	8
44	<u>15126G1</u>		LOCK NUT, 5/16" - 24	8
45	<u>21809G1</u>		INNER BRAKE DRUM WASHER, 1 5/16" O.D. X 1" I.D. X 1/32"	2
46				
47	<u>21807G1</u>		BRAKE DRUM ASSEMBLY (INCLUDES ITEMS 48 - 49)	2
48	*		BRAKE DRUM	1
49	<u>19862G1</u>		LUG BOLT, 1/2" - 20 X 1 3/16" LG	4
50				
51				
52	<u>21830G1</u>		OUTER BRAKE DRUM WASHER	2
53				
54	<u>10387G1</u>		COTTER PIN, 1/8" X 1 1/2" LG	2
55	<u>74175G01</u>		SPINDLE CAP	2
56	<u>608200</u>		BRAKE CABLE BRACKET (PASSENGER SIDE)	1
57	<u>610096</u>		BRAKE CABLE BRACKET (DRIVER SIDE)	1

TOP PULL

- 58 Brake Assembly (Driver side) includes items 60 - 66
- 59 Brake Assembly (Passenger side) includes items 60 - 65, 67



When ordering parts, please specify the model and serial number of the product.

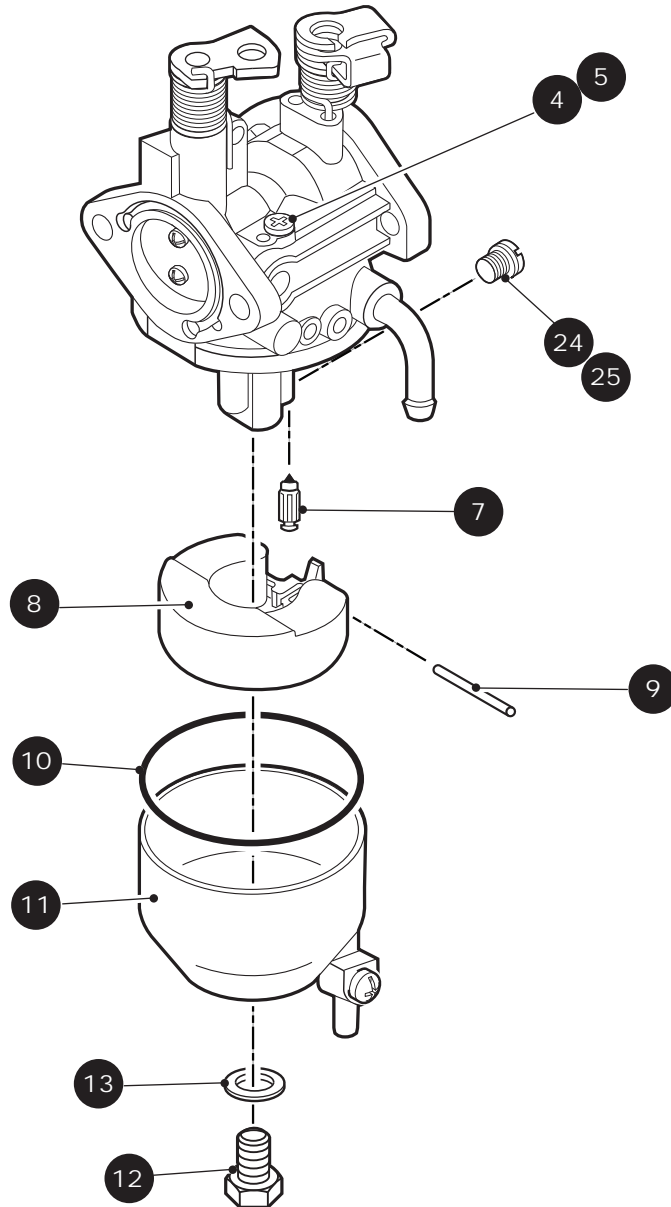
* Indicates a component that is not available as an individual part.

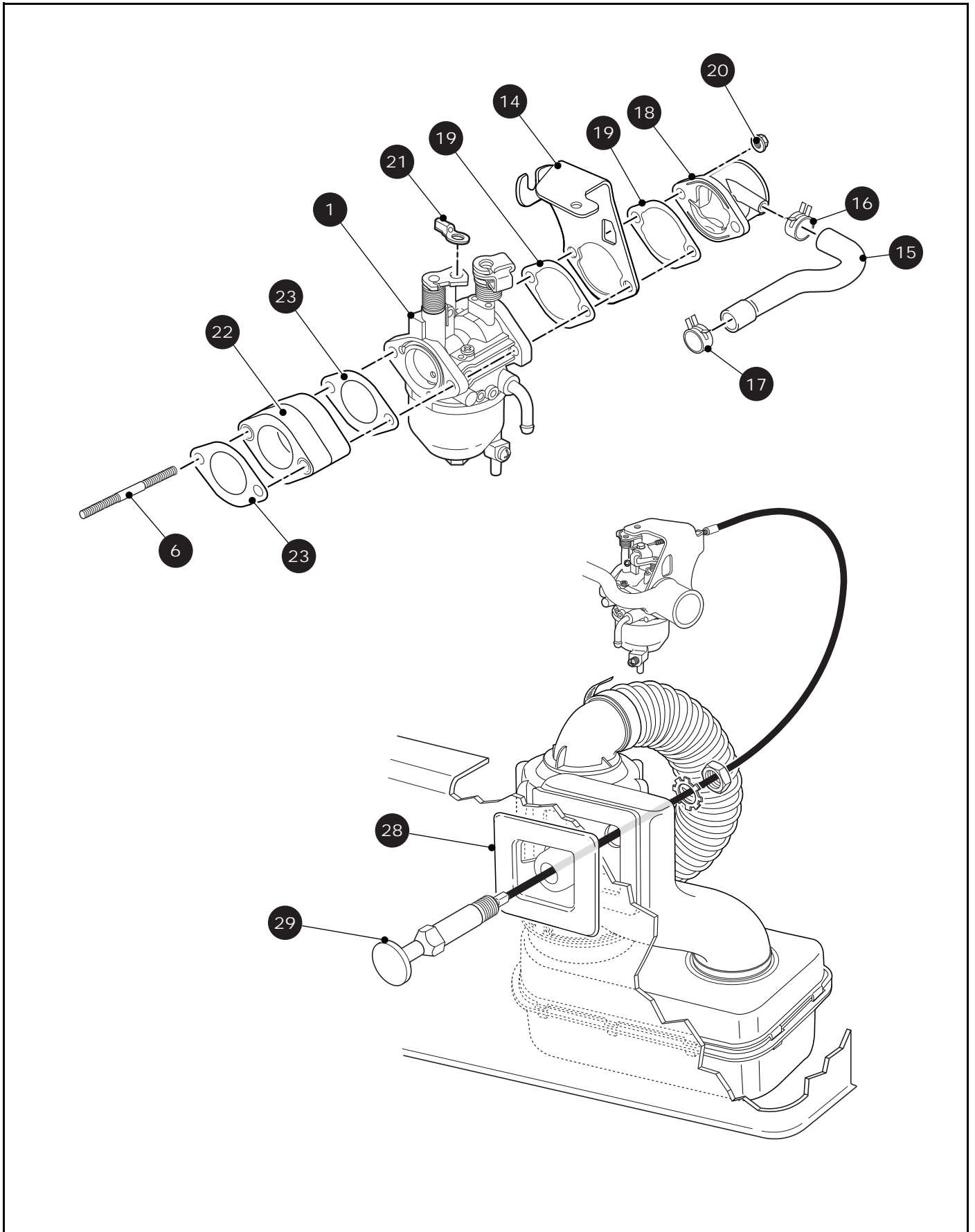
*** Indicates consult Customer Service Department for additional information.

ITEM	PART NO.	1 2 3 4 5	DESCRIPTION	QTY.
58	<u>612211</u>		BRAKE ASSEMBLY (DRIVER SIDE) (INCLUDES ITEMS 60 - 66).....	1
59	<u>612189</u>		BRAKE ASSEMBLY (PASSENGER SIDE) (INCLUDES ITEMS 60 - 65, 67) .	1
60	<u>612411</u>		BRAKE SHOE, L	2
61	<u>612412</u>		BRAKE SHOE, T	2
62	<u>612413</u>		DUST COVER	1
63	<u>612415</u>		BRAKE SPRING, BOTTOM.....	1
64	<u>612414</u>		BRAKE SPRING, TOP	1
65	<u>612416</u>		SHOE CLAMP	2
66	<u>612418</u>		GEAR ADJUSTER (DRIVER SIDE)	1
67	<u>612417</u>		GEAR ADJUSTER (PASSENGER SIDE).....	1
68	<u>606945</u>		FLAT WASHER, BRAKE DRUM	2

CARBURETOR AND CHOKE

1 Carburetor includes items 3 - 23





CARBURETOR AND CHOKE

When ordering parts, please specify the model and serial number of the product.

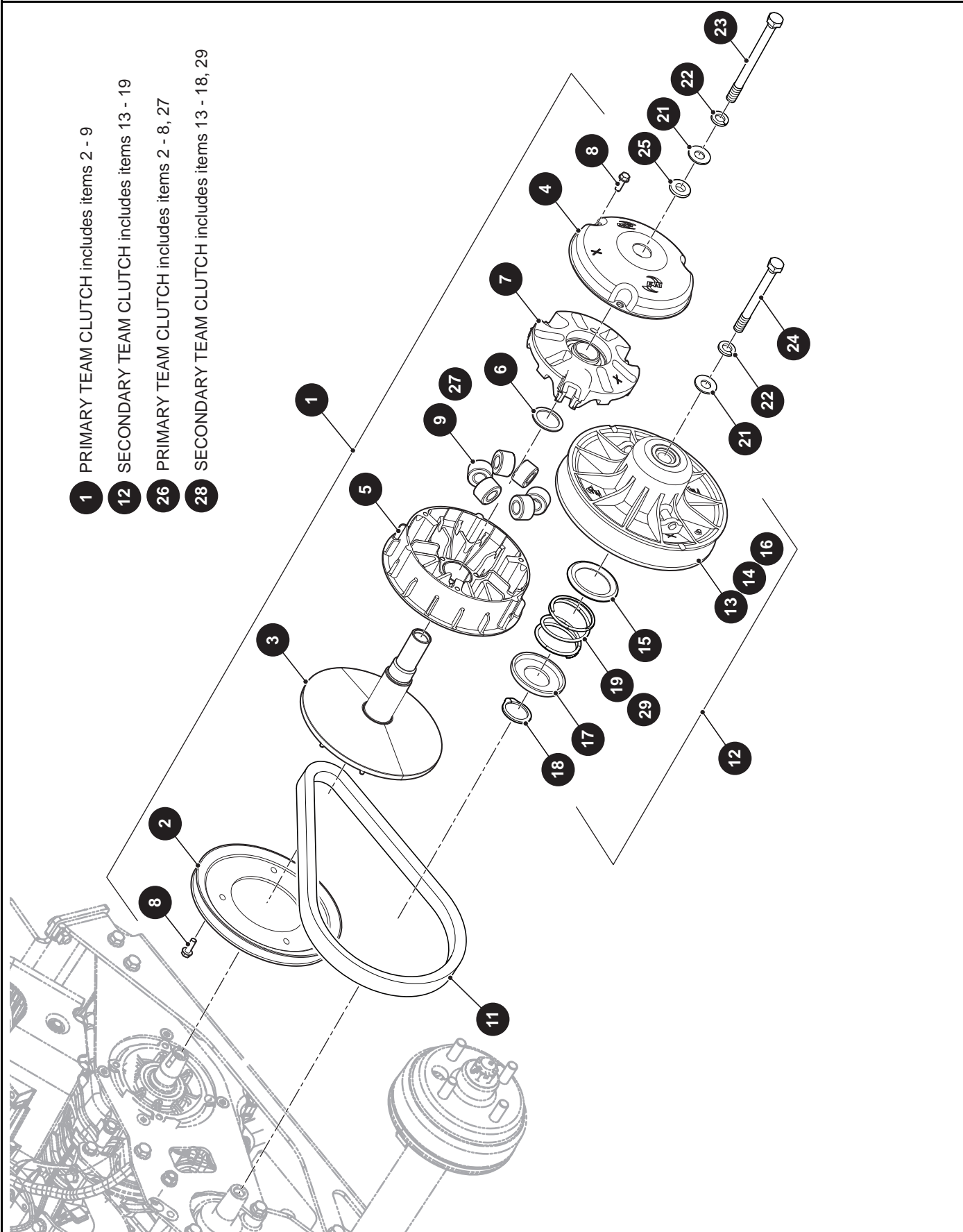
* Indicates a component that is not available as an individual part.

*** Indicates consult Customer Service Department for additional information.

ITEM	PART NO.	1 2 3 4 5	DESCRIPTION	QTY.
1	<u>607954</u>		CARBURETOR (INCLUDES ITEMS 3 - 23).....	1
2				
3				
4	<u>608021</u>		PILOT JET (#44).....	1
5	<u>603585</u>		PLUG	1
6	<u>603584</u>		STUD BOLT	1
7	<u>603586</u>		NEEDLE VALVE.....	1
8	<u>603587</u>		FLOAT.....	1
9	<u>603588</u>		FLOAT PIN.....	1
10	<u>603589</u>		FLOAT BOWL GASKET.....	1
11	<u>603590</u>		FLOAT CHAMBER.....	1
12	<u>603592</u>		CHAMBER PLUG	1
13	<u>603591</u>		BOWL GASKET	1
14	<u>603583</u>		CHOKE BRACKET	1
15	<u>603598</u>		BREATHER TUBE	1
16	<u>603596</u>		CLAMP, INTAKE TUBE.....	1
17	<u>603597</u>		CLAMP CYLINDER HEAD TUBE	1
18	<u>603594</u>		INTAKE TUBE	1
19	<u>603593</u>		CHOKE GASKET.....	2
20	<u>603595</u>		HEX NUT, M6 X 1.0	2
21	<u>608023</u>		THROTTLE ROD ATTACHMENT BUSHING.....	1
22	<u>603581</u>		CARBURETOR INSULATOR	1
23	<u>603580</u>		CARBURETOR MOUNT GASKET	2
24	<u>607684</u>		MAIN JET (#102) (FOR ELEVATIONS OF 3000 FT - 6000 FT).....	1
25	<u>607685</u>		MAIN JET (#100) (FOR ELEVATIONS OF 6000 FT - 10000 FT).....	1
26				
27				
28	<u>600209</u>		CHOKE/AIR INTAKE ADAPTER	1
29	<u>601986</u>		CHOKE CABLE (22 1/4" LG WITH NUTS).....	1
30	<u>607681</u>		LABEL, HIGH ALTITUDE JET, 3000 FT - 6000 FT (NOT ILLUSTRATED)	1
31	<u>607682</u>		LABEL, HIGH ALTITUDE JET, 6000 FT (NOT ILLUSTRATED).....	1

CLUTCH

- 1 PRIMARY TEAM CLUTCH includes items 2 - 9
- 12 SECONDARY TEAM CLUTCH includes items 13 - 19
- 26 PRIMARY TEAM CLUTCH includes items 2 - 8, 27
- 28 SECONDARY TEAM CLUTCH includes items 13 - 18, 29



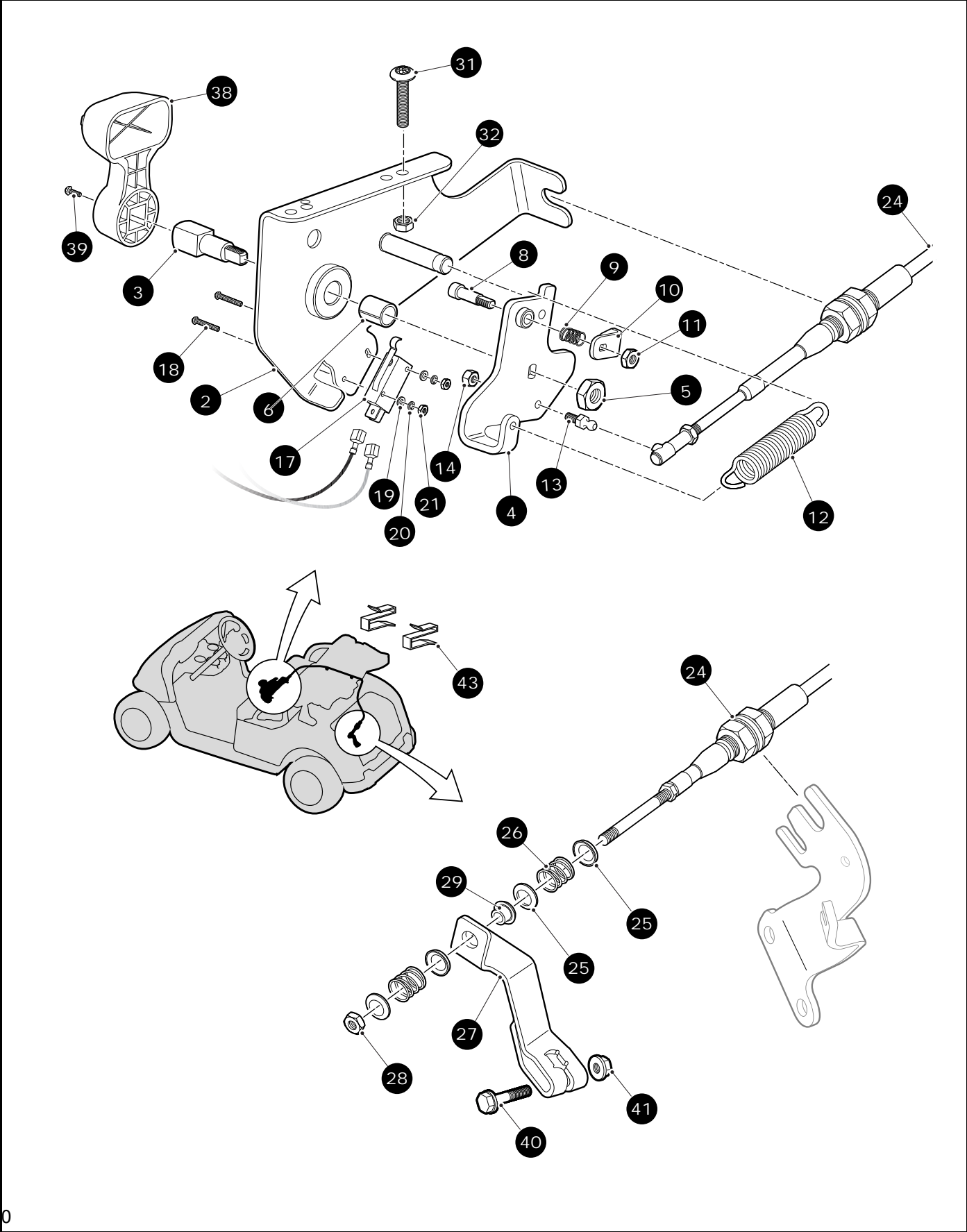
When ordering parts, please specify the model and serial number of the product.

* Indicates a component that is not available as an individual part.

*** Indicates consult Customer Service Department for additional information.

ITEM	PART NO.	1 2 3 4 5	DESCRIPTION	QTY.
1	<u>618684</u>		PRIMARY TEAM CLUTCH (Includes items 2 - 9).....	1
2	<u>619333</u>		PRIMARY STARTER PULLY, 195 - SVC.....	1
3	<u>619334</u>		STATIONARY ASSEMBLY	1
4	<u>619339</u>		PRIMARY DUST COVER ASSEMBLY.....	1
5	<u>619335</u>		MOVEABLE PRIMARY ASSEMBLY	1
6	<u>619337</u>		SHIM, 39.5 MM X 31.75 MM	1
7	<u>619338</u>		PRIMARY SPIDER ASSEMBLY	1
8	<u>619332</u>		HEX TAP BOLT, 1/4" - 20 X 0.75" LG	7
9	<u>619336</u>		SHIFT ROLLER ASSEMBLY.....	6
10				
11	<u>618630</u>		BELT DRIVE	1
12	<u>618685</u>		SECONDARY TEAM CLUTCH (Includes items 13 - 19)	1
13	*		SECONDARY STATIONARY, 9.5	1
14	*		MOVEABLE SECONDARY, 9.5.....	1
15	<u>619327</u>		INNER RETAINER SPRING.....	1
16	<u>619331</u>		THRUST WASHER, 1.530 X 1.830 X 1.....	1
17	<u>619329</u>		OUTER SPRING RETAINER	1
18	<u>619330</u>		RETAINER RING.....	1
19	<u>619328</u>		COMPRESSION SPRING, 2.70 O.D.....	1
20				
21	<u>606239</u>		CONICAL WASHER, M12	2
22	<u>00566G3</u>		SPRING TYPE LOCK WASHER	2
23	<u>606245</u>		HEX HEAD BOLT, M12 - 1.25 X 160 MM LG.....	1
24	<u>606243</u>		HEX HEAD BOLT, M12 - 1.25 X 120 MM LG.....	1
25	<u>606230</u>		CLUTCH WASHER, 13.06 MM DIA.....	1
26	<u>623948</u>		PRIMARY TEAM CLUTCH (Includes items 2 - 8, 27).....	1
27	<u>624112</u>		SHIFT ROLLER ASSEMBLY.....	6
28	<u>623949</u>		SECONDARY TEAM CLUTCH (Includes items 13 - 18, 29)	1
29	<u>624111</u>		COMPRESSION SPRING, 2.70 O.D.....	1

DIRECTION SELECTOR



DIRECTION SELECTOR

When ordering parts, please specify the model and serial number of the product.

* Indicates a component that is not available as an individual part.

*** Indicates consult Customer Service Department for additional information.

0

ITEM	PART NO.	1 2 3 4 5	DESCRIPTION	QTY.
1	<u>608161</u>		DIRECTION SELECTOR ASSEMBLY (INCLUDES ITEMS 2 - 28).....	1
2	<u>603627</u>		DIRECTION SELECTOR BRACKET WITH BUSHING	1
3	<u>608150</u>		DIRECTION SELECTOR SHAFT	1
4	<u>603700</u>		DIRECTION SELECTOR CAM.....	1
5	<u>14390-G1</u>		LOCK NUT, 3/8 - 24.....	1
6	<u>25664-G2</u>		BUSHING	1
7				
8	<u>72724-G01</u>		NEUTRAL LOCK PIN	1
9	<u>72733-G01</u>		COMPRESSION SPRING, 3/8" X 5/8" LG	1
10	<u>72729-G01</u>		NEUTRAL LOCK BRACKET	1
11	<u>00734-G2</u>		LOCK NUT, 1/4 - 28.....	1
12	<u>28574-G01</u>		EXTENSION SPRING	1
13	<u>72732-G01</u>		BALL STUD, 1/4"	1
14	<u>00734-G5</u>		LOCK NUT, #10 - 32.....	1
15				
16				
17	<u>72736-G01</u>		MICRO SWITCH	1
18	<u>01062-G01</u>		SCREW, #4 - 40 X 1" LG.....	2
19	<u>00559-G1</u>		WASHER, #4	2
20	<u>00565-G1</u>		LOCK WASHER, #4	2
21	<u>00526-G2</u>		NUT, #4 - 40	2
22				
23				
24	<u>603615</u>		PUSH / PULL SHIFTER CABLE	1
25	<u>25727-G01</u>		CUP WASHER, 1/4"	4
26	<u>72735-G01</u>		COMPRESSION SPRING, 19/32" X 1" LG	2
27	<u>606014</u>		FNR PIVOT BRACKET	1
28	<u>00734-G5</u>		LOCK NUT, #10 - 32.....	1
29	<u>22754G4</u>		FLIP-LOK BUSHING, .25 DIA.....	1
30				
31	<u>601326</u>		BOLT, M6 - 1.00 X 20.....	2

DIRECTION SELECTOR

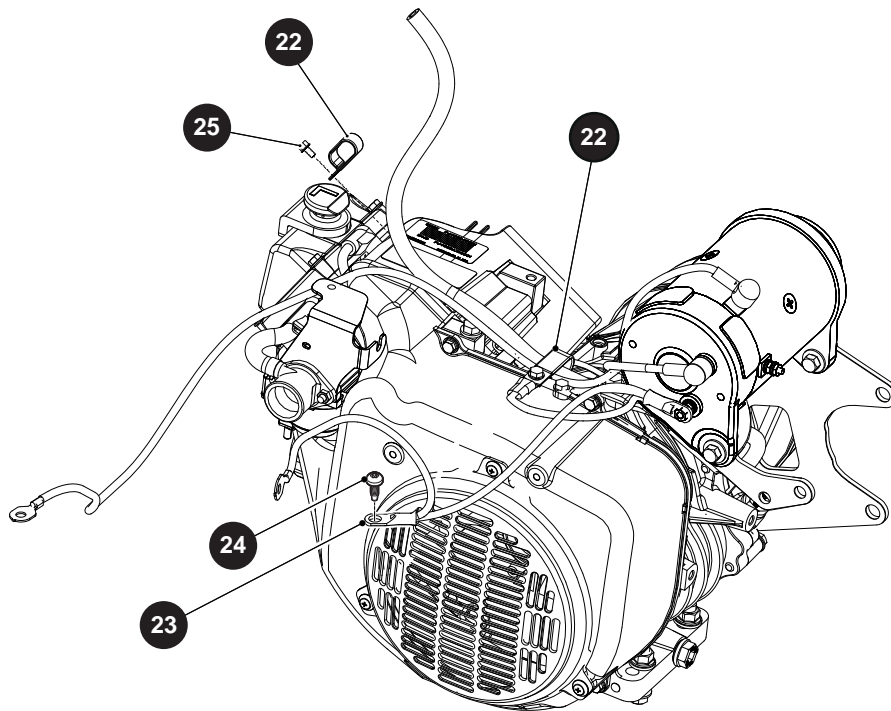
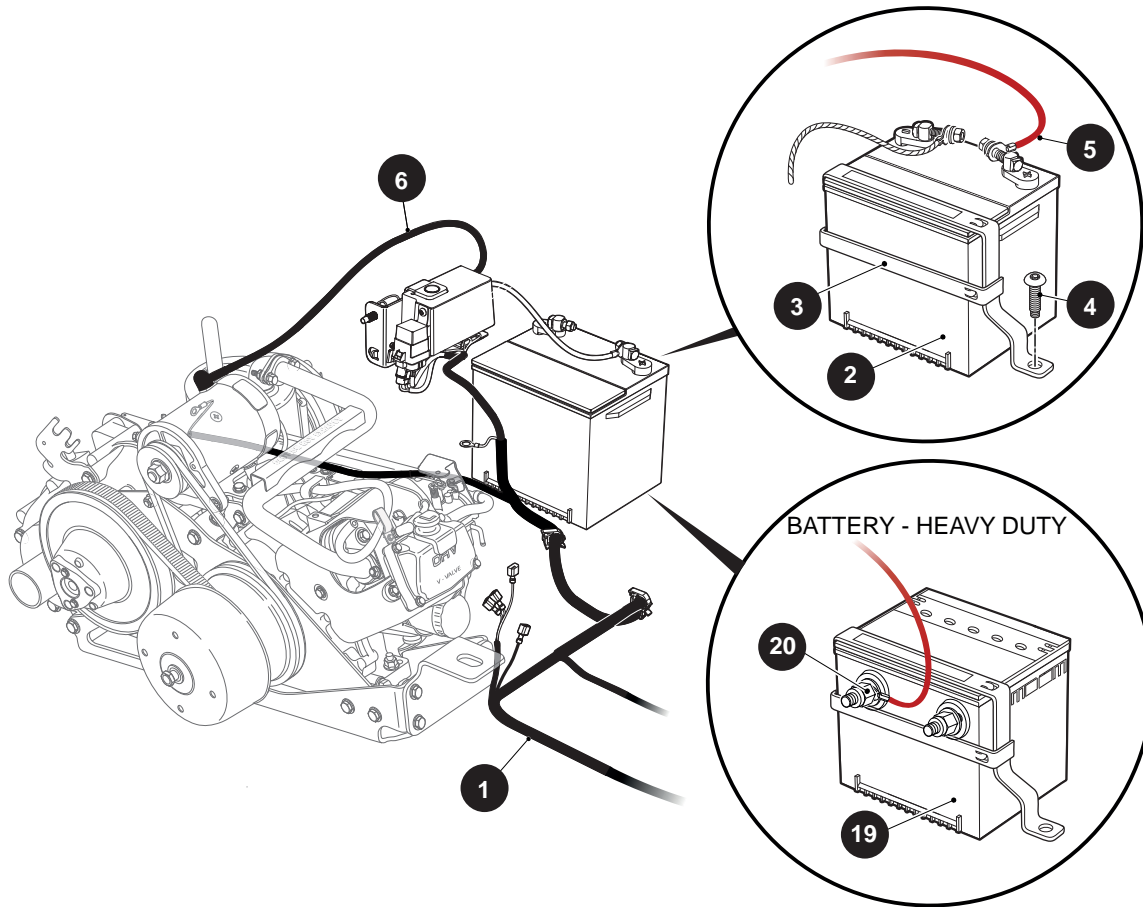
When ordering parts, please specify the model and serial number of the product.

* Indicates a component that is not available as an individual part.

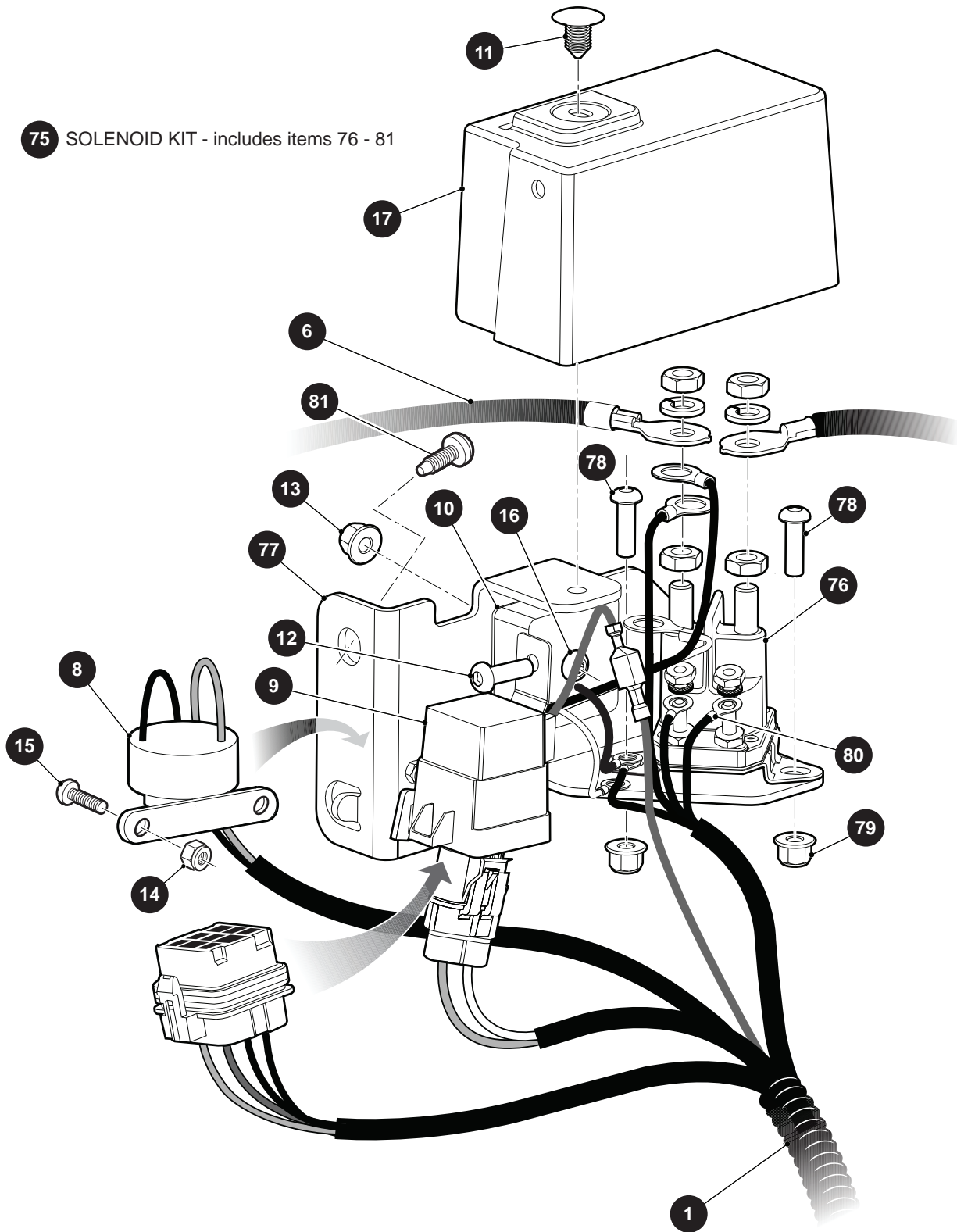
*** Indicates consult Customer Service Department for additional information.

ITEM	PART NO.	1 2 3 4 5	DESCRIPTION	QTY.
32	<u>450452</u>		NUT, M6 - 1.00	2
33				
34				
35	26830-G01		LOCK NUT, M8 X 1.25 MM	1
36				
37				
38	<u>71205-G01</u>		DIRECTION SELECTOR HANDLE	1
39	<u>00740-G4</u>		SCREW, #10 - 32 X 1/2" LG (STAINLESS STEEL)	1
40	<u>606421</u>		BOLT, M6 - 1.00 X 30	1
41	<u>450452</u>		NUT, M6 - 1.00	1
42				
43	<u>01072-G01</u>		CABLE CLIP	2

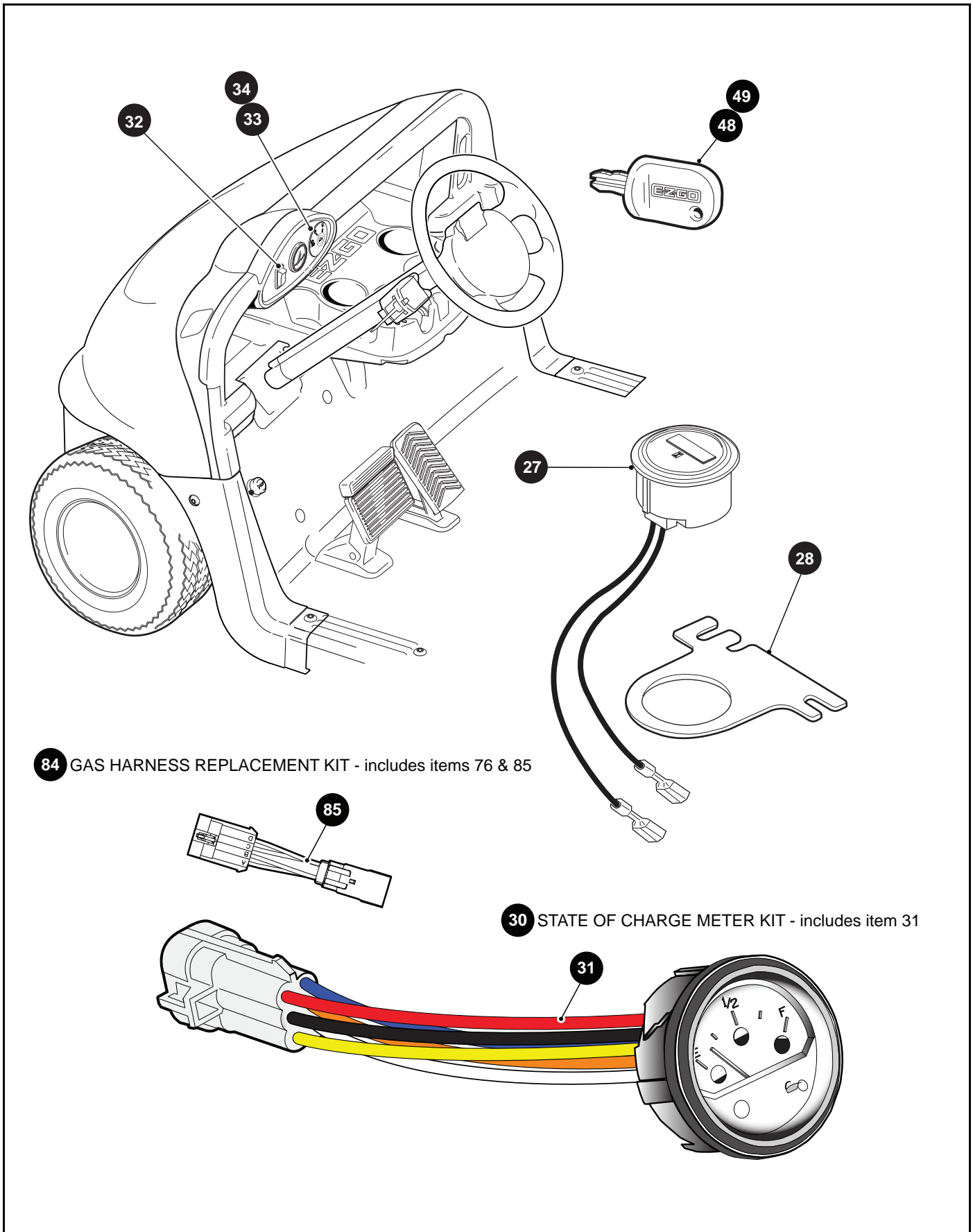
ELECTRICAL SYSTEM



75 SOLENOID KIT - includes items 76 - 81

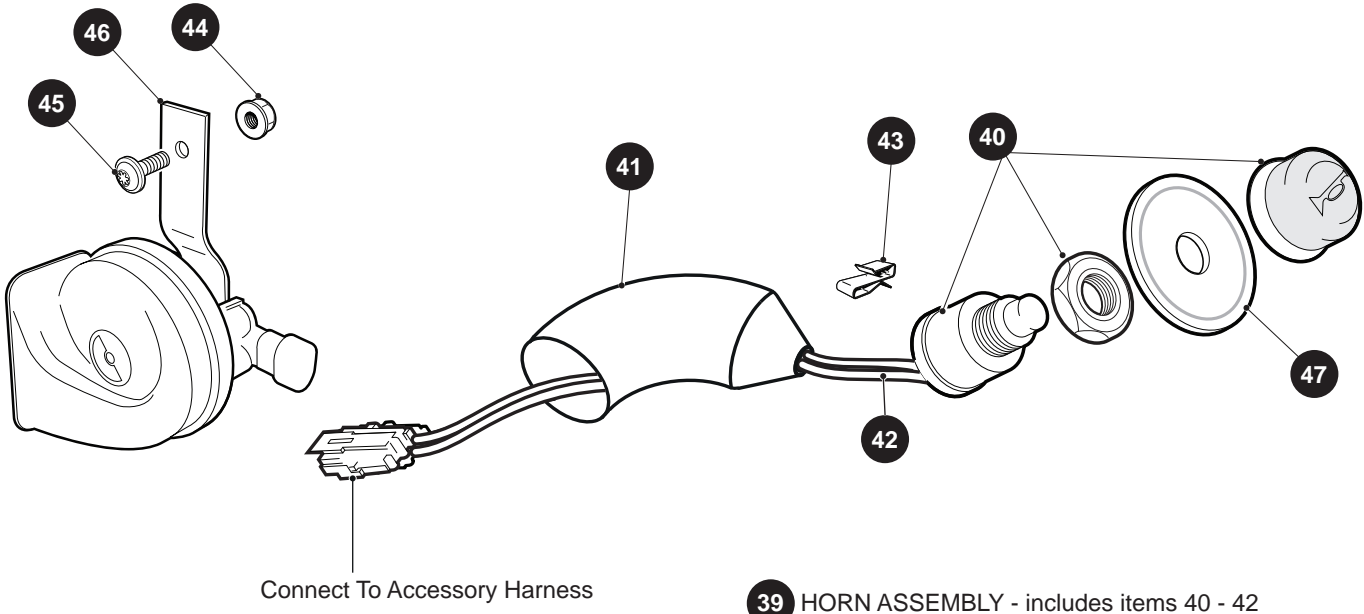
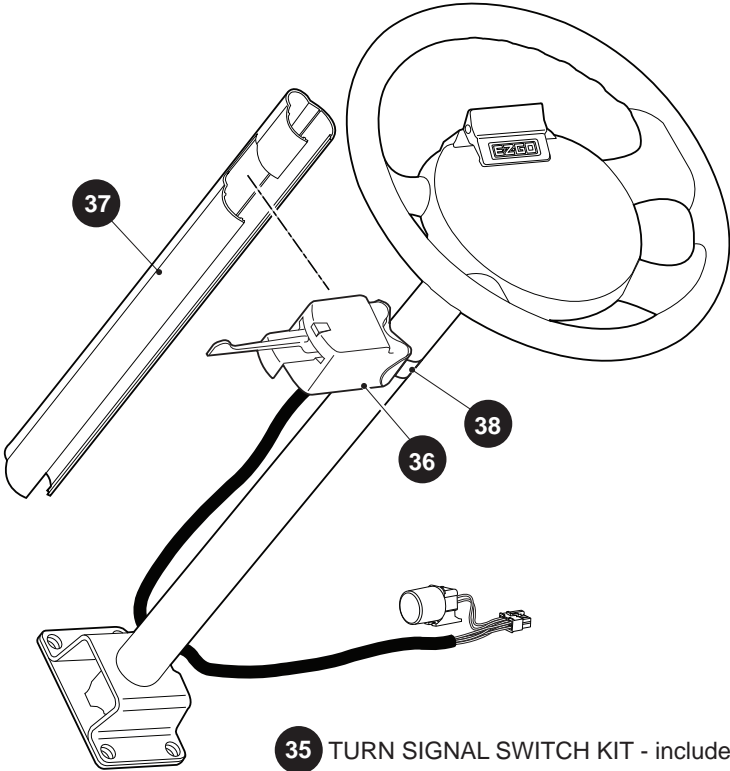


ELECTRICAL SYSTEM

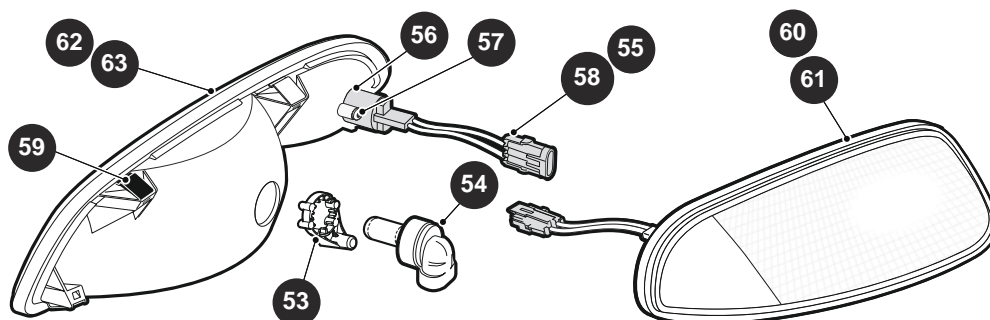


84 GAS HARNESS REPLACEMENT KIT - includes items 76 & 85

30 STATE OF CHARGE METER KIT - includes item 31

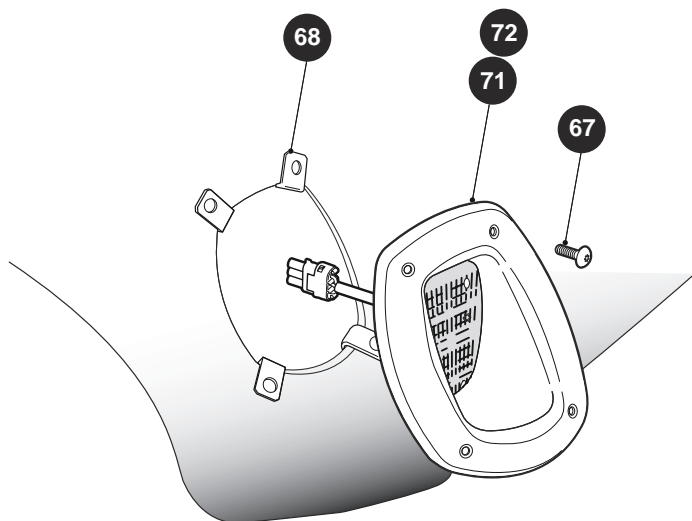


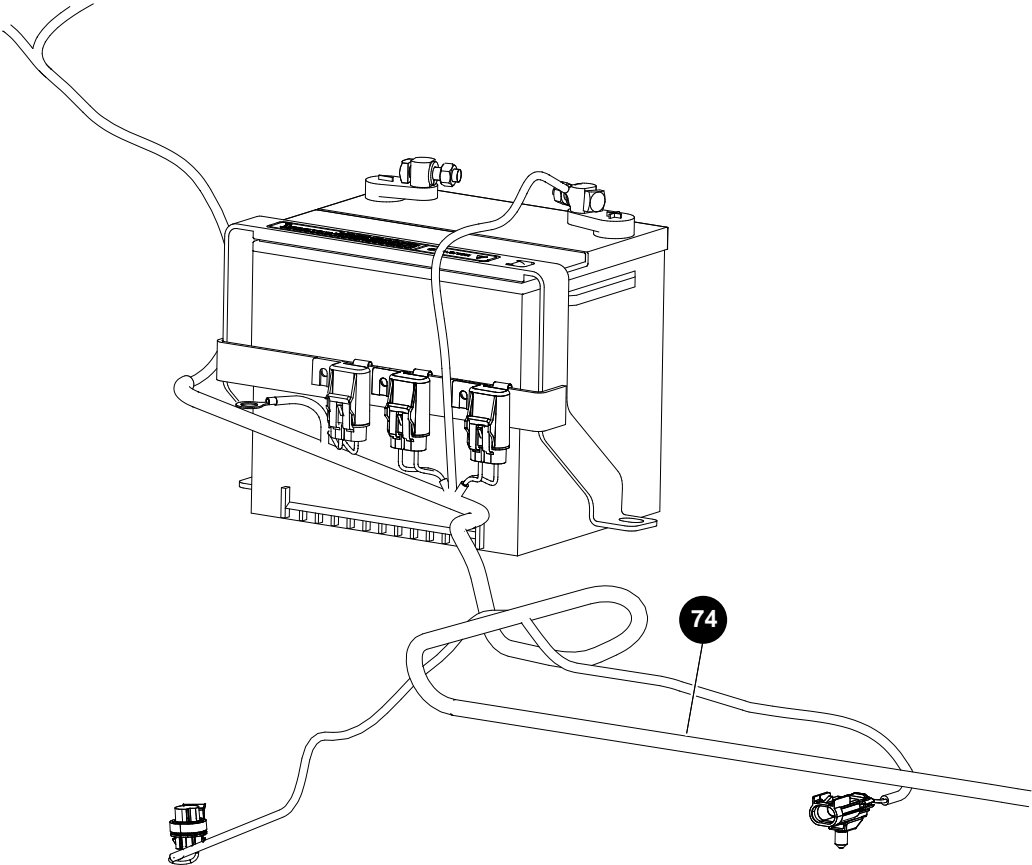
ELECTRICAL SYSTEM



- 50 HEAD LIGHT KIT - includes items 51, 52
- 51 HEAD LIGHT ASSEMBLY, DRIVER SIDE - includes items 53 - 59, 61, 63
- 52 HEAD LIGHT ASSEMBLY, PASSENGER SIDE - includes items 53 - 60, 62

- 65 TAIL LIGHT KIT - includes items 66 - 72
- 66 TAIL LIGHT HARDWARE KIT - includes items 67 & 68
- 69 TAIL LIGHT ASSEMBLY, DRIVER SIDE - includes items 71 & 72
- 70 TAIL LIGHT ASSEMBLY, PASSENGER SIDE - includes items 71 & 72





ELECTRICAL SYSTEM

When ordering parts, please specify the model and serial number of the product.

* Indicates a component that is not available as an individual part.

*** Indicates consult Customer Service Department for additional information.

ITEM	PART NO.	1 2 3 4 5	DESCRIPTION	QTY.
1	<u>615758</u>		MAIN HARNESS	1
2	<u>24775G1</u>		BATTERY, 12V	1
3	<u>601832</u>		BATTERY TIE DOWN	1
4	<u>605957</u>		BOSS SCREW, M8	2
5	<u>601462</u>		POSITIVE BATTERY CABLE (SOL - BATT+)	1
6	<u>603874</u>		6 GA. WIRE, (SOL - F2)	1
7				
8	<u>608899</u>		REVERSE WARNING BUZZER KIT	1
9	<u>603282</u>		RELAY, 12V	1
10	<u>27739G01</u>		VOLTAGE REGULATOR	1
11	<u>16816G1</u>		RACHET FASTENER	1
12	<u>601326</u>		BUTTON HEAD TORX SCREW, M6 - 1.0 X 25 LG	1
13	<u>601476</u>		LOCK NUT, M6 - 1.....	2
14	<u>602053</u>		LOCK NUT, M4 - 0.7.....	3
15	<u>600543</u>		BUTTON HEAD TORX SCREW, M4 - 0.7 X 12 LG	3
16	<u>602063</u>		BUTTON HEAD TORX SCREW, M6 - 1.0 X 40 LG	1
17	<u>603390</u>		COVER.....	1
18				
19	<u>600497</u>		BATTERY, 12V HEAVY DUTY.....	1
20	<u>610428</u>		BOLT EXTENDER, BATTERY.....	2
21	<u>602070</u>		GROUND CABLE	1
22	<u>606962</u>		CLAMP	2
23	<u>606264</u>		HEX FLANGE HEAD BOLT, M6 - 1.0 X 20 LG.....	1
24	<u>602572</u>		PAN HEAD BOLT, M10 - 1.5 X 25 LG	1
25	<u>606265</u>		HEX FLANGE HEAD BOLT, M6 -1 X 12 LG.....	1
26				
27	<u>607120</u>		HOUR METER	1
28	<u>603721</u>		HOUR METER BRACKET	1
29				
30	<u>610583</u>		STATE OF CHARGE METER KIT (includes item 31).....	1
31	<u>612314</u>		FUEL GAUGE	1

ELECTRICAL SYSTEM

When ordering parts, please specify the model and serial number of the product.

* Indicates a component that is not available as an individual part.

*** Indicates consult Customer Service Department for additional information.

ITEM	PART NO.	1 2 3 4 5	DESCRIPTION	QTY.
32	<u>604019</u>		HEADLIGHT SWITCH	1
33	<u>611284</u>		KEY SWITCH.....	1
34	<u>609695</u>		KEY SWITCH.....	1
35	<u>607530</u>		TURN SIGNAL SWITCH KIT (includes items 36 - 38).....	1
36	<u>604511</u>		TURN SIGNAL ASSEMBLY	1
37	<u>20965G3</u>		COVER.....	1
38	<u>608771</u>		RUBBER TAPE/INSULATION	1
39	<u>624610</u>		HORN ASSEMBLY KIT (includes items 40- 42)	1
40	<u>17318G1</u>		MOMENTARY SWITCH	1
41	<u>27068G01</u>		BOOT HORN SWITCH.....	1
42	<u>618801</u>		HORN BUTTON HARNESS.....	1
43	<u>01072G01</u>		CLIP	3
44	<u>601476</u>		LOCK NUT, M6 - 1	1
45	<u>601326</u>		BUTTON HEAD TORX BOLT, M6 - 1 X 20 LG	1
46	<u>604196</u>		HORN ASSEMBLY	1
47	<u>608397</u>		HORN PLATE	1
48	<u>609680</u>		KEY.....	1
49	<u>612956</u>		KEY.....	1
50	<u>607445</u>		HEADLIGHT KIT (includes items 51, 52).....	1
51	<u>607439</u>		HEADLIGHT ASSEMBLY, DRIVER SIDE (includes items 53 - 59, 61, 63)	1
52	<u>607438</u>		HEADLIGHT ASSEMBLY, PASSENGER SIDE (includes items 53 - 60, 62)	1
53	<u>615459</u>		HEADLAMP COLLAR	1
54	<u>74004G01</u>		HEADLIGHT BULB	1
55	<u>604539</u>		TURN SIGNAL BULB.....	1
56	<u>608322</u>		BULB RETAINER.....	1
57	<u>608328</u>		BUTTON HEAD TORX SCREW, PLASTITE, M3 - 1.3 X 14 LG	1
58	<u>607487</u>		TURN SIGNAL WIRE HARNESS	1
59	<u>607434</u>		HEADLIGHT RETAINING CLIP	4
60	<u>607437</u>		GASKET, PASSENGER SIDE	1
61	<u>607452</u>		GASKET, DRIVER SIDE	1

ELECTRICAL SYSTEM

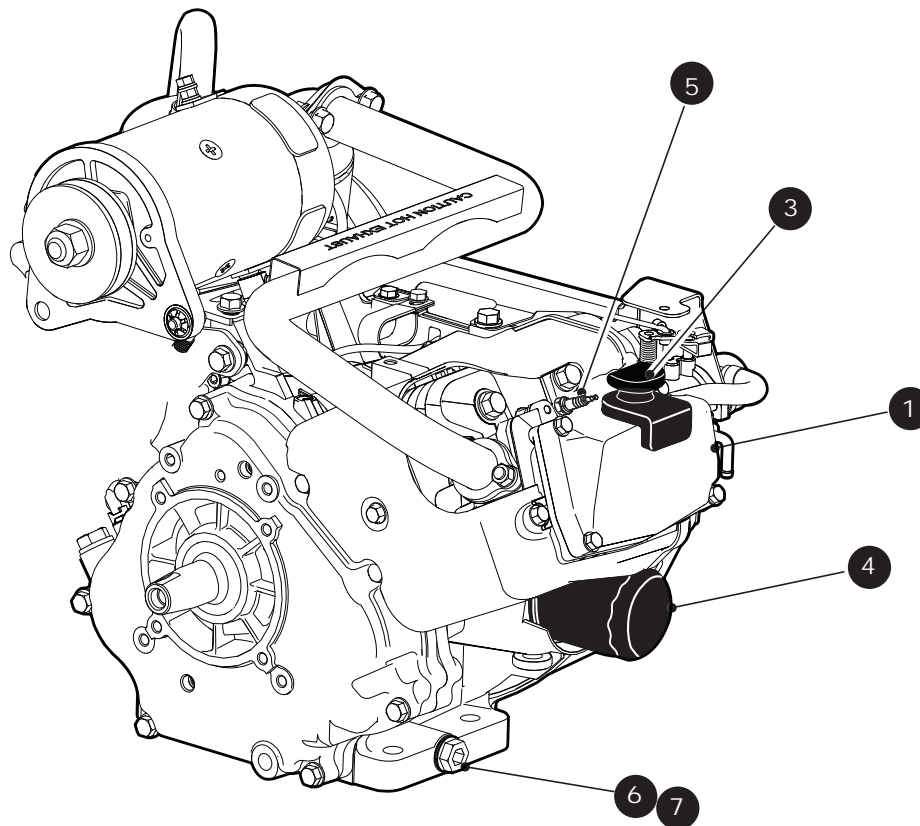
When ordering parts, please specify the model and serial number of the product.

* Indicates a component that is not available as an individual part.

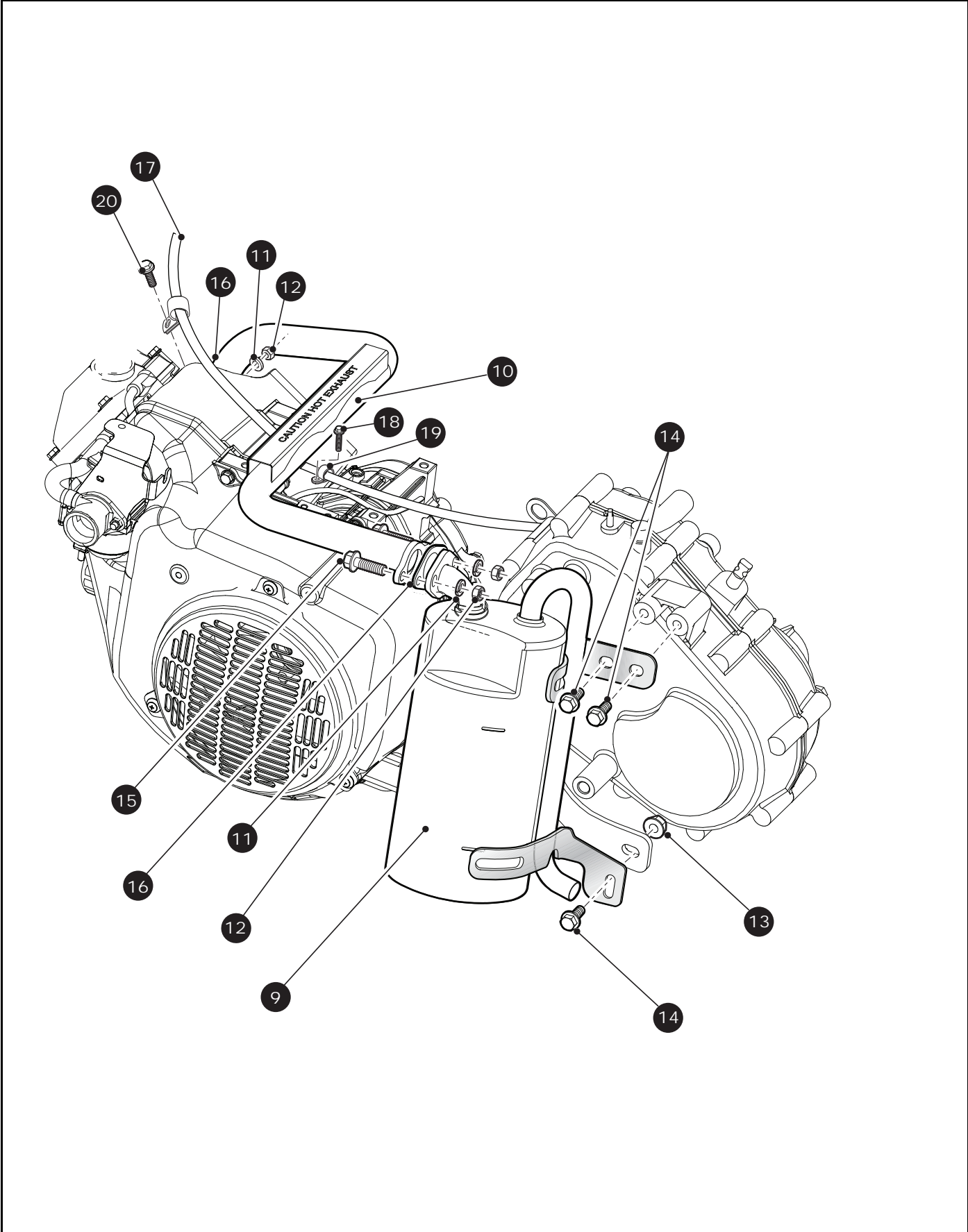
*** Indicates consult Customer Service Department for additional information.

ITEM	PART NO.	1	2	3	4	5	DESCRIPTION	QTY.
62	607435						HEAD LAMP, PASSENGER SIDE	1
63	607436						HEAD LAMP, DRIVER SIDE	1
64								
65	<u>607450</u>						TAIL LIGHT KIT (includes items 66 - 72)	1
66	<u>607474</u>						TAIL LIGHT HARDWARE KIT (includes items 67 & 68)	1
67	<u>601326</u>						BUTTON HEAD TORX BOLT, M6 - 1 X 20 LG	8
68	<u>602409</u>						BARRELL CLIP, M6.....	8
69	<u>603325</u>						TAIL LIGHT ASSEMBLY, DRIVER SIDE (includes items 71 & 72).....	1
70	<u>603326</u>						TAIL LIGHT ASSEMBLY, PASSENGER SIDE (includes items 71 & 72).....	1
71	<u>604311</u>						TAIL LIGHT BULB	1
72	<u>604858</u>						TAIL LIGHT LENS	1
73								
74	621167						ACCESSORY HARNESS.....	1
75	<u>620963</u>						SOLENOID KIT, 14 V (includes items 76 - 81)	1
76	<u>620962</u>						SOLENOID BASE	1
77	<u>615349</u>						BRACKET	1
78	<u>601326</u>						BUTTON HEAD TORX BOLT, M6 - 1.0 X 20 LG	2
79	<u>601476</u>						LOCK NUT, M6 - 1	2
80	11343G2						TERMINAL RING	2
81	<u>602572</u>						PAN HEAD BOLT, M6 - 1.5 X 25 LG	1
82	<u>17618G1</u>						NYLON CLAMP (Not Shown).....	3
83								
84	<u>631284</u>						GAS HARNESS REPLACEMENT KIT (includes items 76, 85).....	1
85	<u>631282</u>						THROTTLE SWITCH JUMPER	1

ENGINE AND MUFFLER



1 ENGINE, GAS, 13HP, NON-GOLF includes items 3 - 7



ENGINE AND MUFFLER

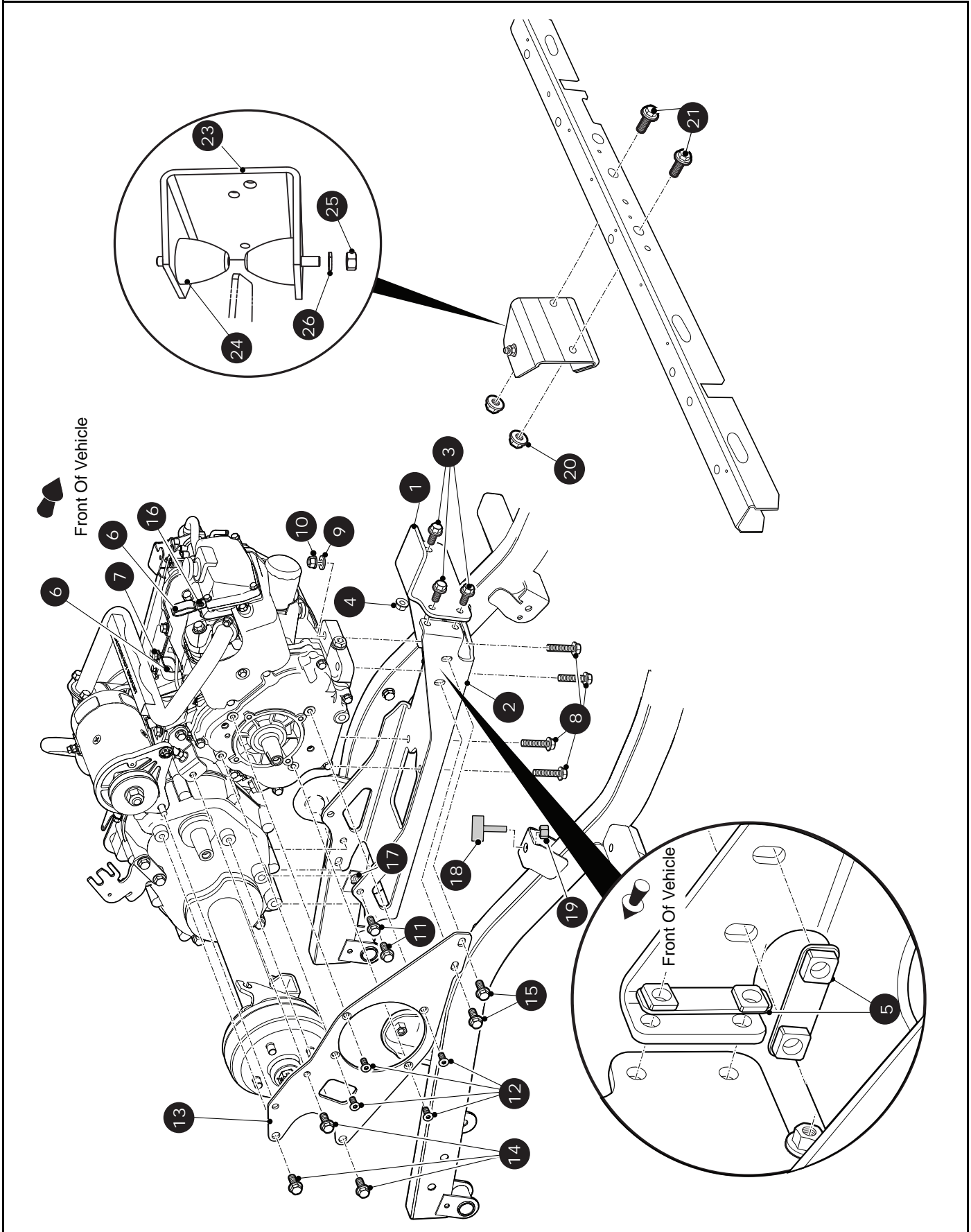
When ordering parts, please specify the model and serial number of the product.

* Indicates a component that is not available as an individual part.

*** Indicates consult Customer Service Department for additional information.

ITEM	PART NO.	1 2 3 4 5	DESCRIPTION	QTY.
1	<u>607154</u>		ENGINE, GAS, 13HP, NON-GOLF (INCLUDES ITEMS 3 - 7).....	1
2				
3	<u>606390</u>		DIP STICK.....	1
4	<u>607454</u>		OIL FILTER	1
5	<u>607462</u>		SPARK PLUG (BPR2ES).....	1
6	<u>603557</u>		OIL DRAIN PLUG	1
7	<u>603562</u>		'O' RING, 16MM	1
8				
9	<u>612266</u>		MUFFLER.....	1
10	<u>606982</u>		EXHAUST PIPE	1
11	<u>606272</u>		SPLIT WASHER, 8MM.....	4
12	<u>606267</u>		JAM NUT, M8 X 1.25	4
13	<u>606279</u>		FLANGE NUT, M10 - 1.25	1
14	<u>606256</u>		HEX HEAD FLANGE BOLT, M10 - 1.25 X 25MM LG.....	3
15	<u>602330</u>		HEX HEAD FLANGE BOLT, M8 - 1.25 X 30MM LG.....	2
16	<u>603599</u>		EXHAUST GASKET	2
17	<u>27184G12</u>		FUEL TUBE.....	1
18	<u>606264</u>		HEX HEAD FLANGE BOLT, M6 - 1 X 20MM LG.....	1
19	<u>606962</u>		CLAMP	2
20	<u>606265</u>		HEX HEAD FLANGE BOLT, M6 - 1 X 12MM LG.....	1

ENGINE MOUNTING



ENGINE MOUNTING

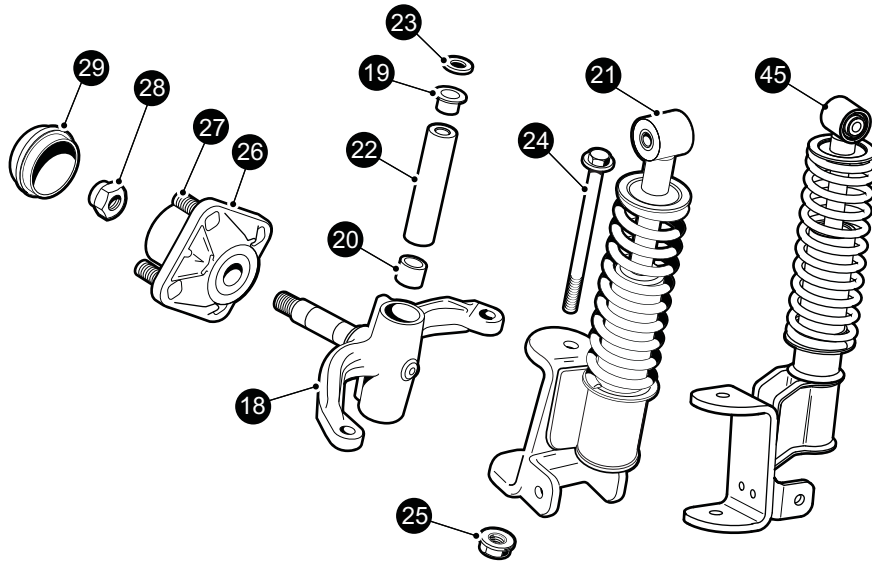
When ordering parts, please specify the model and serial number of the product.

* Indicates a component that is not available as an individual part.

*** Indicates consult Customer Service Department for additional information.

ITEM	PART NO.	1 2 3 4 5	DESCRIPTION	QTY.
1	<u>606007</u>		FRONT ENGINE MOUNT.....	1
2	<u>603101</u>		ENGINE PAN MOUNT	1
3	<u>606256</u>		HEX HEAD BOLT, M10 - 1.25 X 25MM LG.....	3
4	<u>606279</u>		HEX FLANGE NUT, M12 - 1.25	1
5	<u>606096</u>		NUT PLATE.....	2
6	<u>606962</u>		CLAMP.....	2
7	<u>606264</u>		HEX HEAD BOLT, M6 - 1.0 X 20MM LG.....	1
8	<u>606259</u>		HEX HEAD BOLT, M10 - 1.25 X 45MM LG.....	4
9	<u>603823</u>		FLAT WASHER, M10 X 22 - 2.5MM	4
10	<u>606279</u>		HEX FLANGE NUT, M10 - 1.25	4
11	<u>608020</u>		HEX FLANGE HEAD BOLT, M10 - 1.25 X 34MM LG	4
12	<u>606246</u>		FLAT HEAD SCREW, T40	4
13	<u>602146</u>		DIFFERENTIAL PLATE	1
14	<u>606256</u>		HEX FLANGE HEAD BOLT, M10 - 1.25 X 25MM LG	3
15	<u>606256</u>		HEX FLANGE HEAD BOLT, M10 - 1.25 X 25MM LG	2
16	<u>606265</u>		HEX FLANGE HEAD BOLT, M6 -1 X 12MM LG	1
17	<u>00560G2</u>		FLAT WASHER, 3/8".....	2
18	<u>70113G01</u>		ADJUSTABLE RUBBER BUMPER.....	1
19	11098G6		PLASTIC LOCK NUT, 5/16" -18.....	1
20	<u>600525</u>		LOCK NUT, M10 X 1.5.....	2
21	<u>603799</u>		HEX HEAD BOLT, M10 -1.5 X 25MM LG.....	2
22				
23	<u>625345</u>		FRONT MOUNT BRACKET.....	1
24	<u>605757</u>		RUBBER BUMPER.....	2
25	<u>00974G01</u>		HEX NUT, M10 - 1.5.....	2
26	<u>608654</u>		SPLIT LOCK WASHER, 10MM.....	2

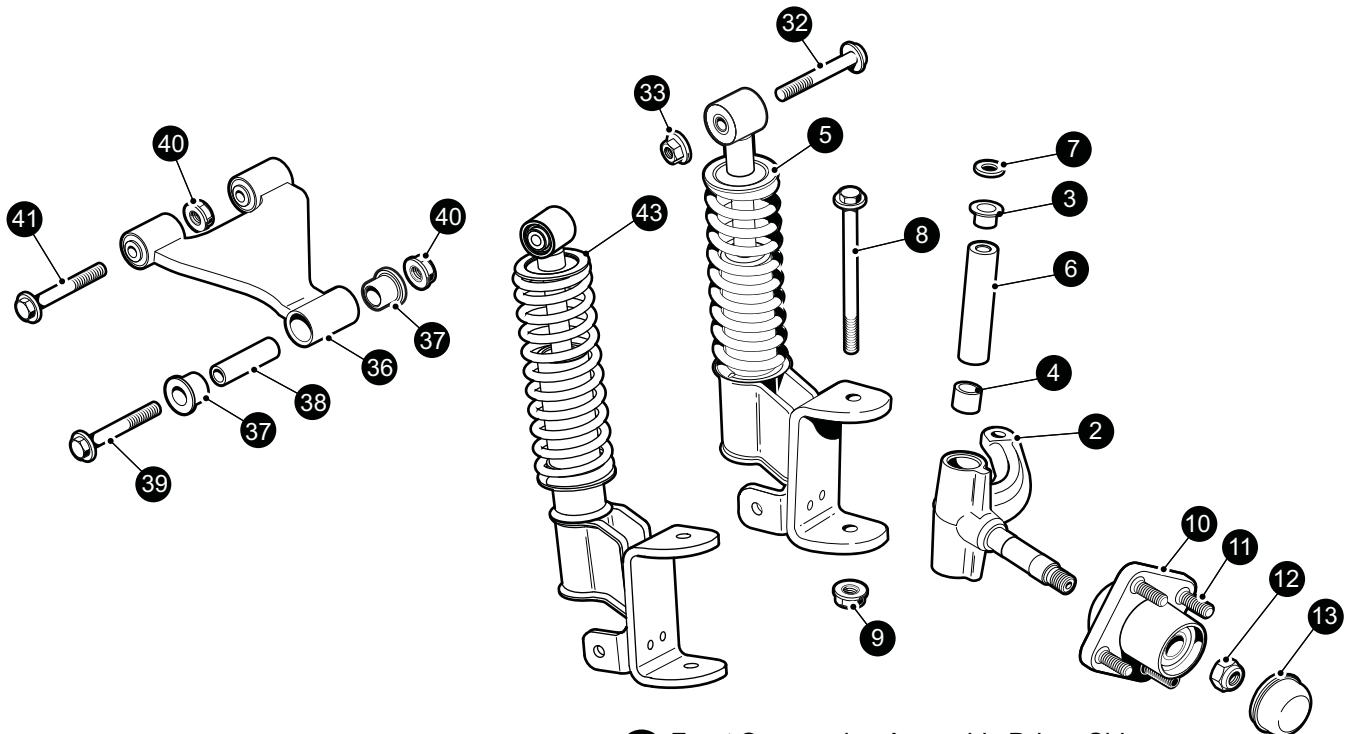
FRONT SUSPENSION



17 Front Suspension Assembly Passenger Side includes items 18 - 29

26 Hub Assembly includes item 27

44 Front Suspension Assembly Passenger Side includes items 18, 22 - 29, 45



1 Front Suspension Assembly Driver Side includes items 2 - 13

10 Hub Assembly includes item 11

42 Front Suspension Assembly Driver Side includes items 2, 6 - 13, 43

FRONT SUSPENSION

When ordering parts, please specify the model and serial number of the product.

* Indicates a component that is not available as an individual part.

*** Indicates consult Customer Service Department for additional information.

ITEM	PART NO.	1 2 3 4 5	DESCRIPTION	QTY.
1	<u>620671</u>		SHOCK ABSORBER ASSEMBLY, DRIVER SIDE (includes items 2 - 13)	1
2	601413		SPINDLE ASSEMBLY, DRIVER SIDE.....	1
3	<u>632925</u>		FLANGE BUSHING, 25MM, DP4	1
4	<u>632926</u>		BUSHING, 25MM, DP4.....	1
5	<u>601246</u>		STRUT ASSEMBLY, DRIVER SIDE	1
6	<u>614034</u>		KINGPIN TUBE	1
7	<u>601920</u>		THRUST WASHER(SS), 2.5MM	1
8	<u>620380</u>		KINGPIN, HEX HEAD FLANGE BOLT, M12 - 1.25 X 145MM LG	1
9	<u>600549</u>		HEX FLANGED NUT, M12 - 1.25	1
10	<u>609603</u>		HUB ASSEMBLY (includes item 11).....	1
11	<u>19862G1</u>		WHEEL STUD.....	4
12	<u>615109</u>		LOCK NUT, M16 - 2.....	1
13	<u>12091G2</u>		SPINDLE CAP.....	1
14				
15				
16				
17	<u>620672</u>		SHOCK ABSORBER ASSEMBLY, PASSENGER SIDE (includes items 18 - 29).....	1
18	610802		SPINDLE ASSEMBLY, PASSENGER SIDE	1
19	<u>632925</u>		FLANGED BUSHING, 25MM, DP4.....	1
20	<u>632926</u>		BUSHING, 25MM, DP4.....	1
21	<u>603024</u>		STRUT ASSEMBLY, PASSENGER SIDE	1
22	<u>614034</u>		KINGPIN TUBE	1
23	<u>601920</u>		THRUST WASHER (SS), 2.5MM	1
24	<u>620380</u>		KINGPIN, HEX HEAD FLANGE BOLT, M12 - 1.25 X 145MM LG	1
25	<u>600549</u>		HEX FLANGE NUT, M12 - 1.25.....	1
26	<u>609603</u>		HUB ASSEMBLY (includes item 27).....	1
27	<u>19862G1</u>		WHEEL STUD.....	4
28	<u>615109</u>		LOCK NUT, M16 - 2.....	1
29	<u>12091G2</u>		SPINDLE CAP.....	1
30				

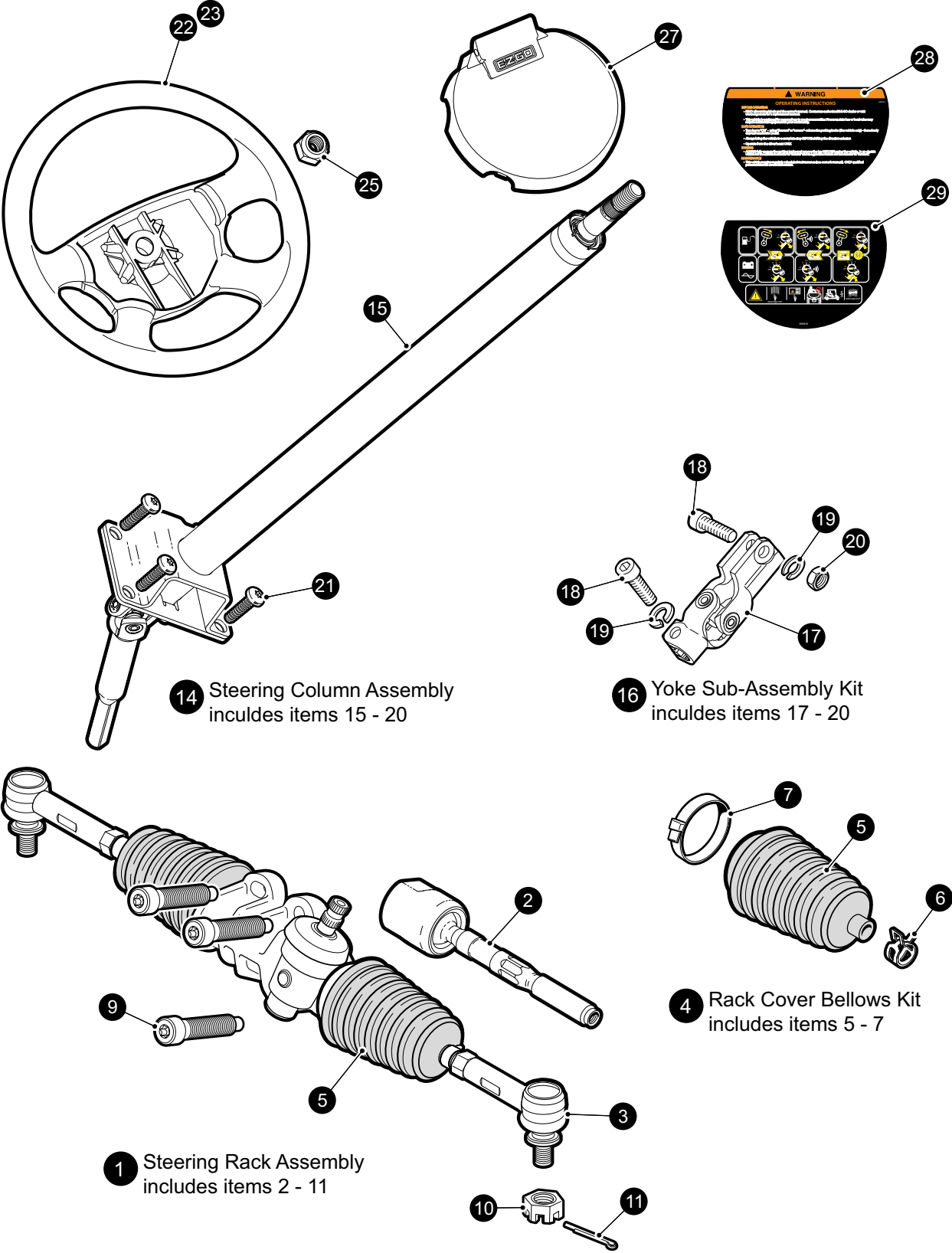
FRONT SUSPENSION

When ordering parts, please specify the model and serial number of the product.

* Indicates a component that is not available as an individual part.

*** Indicates consult Customer Service Department for additional information.

ITEM	PART NO.	1 2 3 4 5	DESCRIPTION	QTY.
31				
32	<u>602415</u>		HEX HEAD FLANGE BOLT, M10 - 1.5 X 80	2
33	<u>600525</u>		HEX FLANGE LOCK NUT, M10 - 1.5.....	2
34				
35				
36	<u>608089</u>		A-ARM ASSEMBLY	2
37	<u>601340</u>		A-ARM BUSHING.....	4
38	<u>602085</u>		A-ARM CARRIER TUBE	2
39	<u>601754</u>		HEX HEAD FLANGE BOLT, M10 - 1.5 X 90	2
40	<u>600525</u>		HEX FLANGE LOCK NUT, M10 - 1.5.....	6
41	<u>602415</u>		HEX HEAD FLANGE BOLT, M10 - 1.5 X 80	4
42	<u>615738</u>		SHOCK ABSORBER ASSEMBLY, DRIVER SIDE (includes items 2, 6 - 13, 43) (FOR MODELS MANUFACTURED AFTER SEPT 20, 2010) (OPTIONAL)....	1
43	634742		STRUT ASSEMBLY, DRIVER SIDE	1
44	<u>615739</u>		SHOCK ABSORBER ASSEMBLY, PASSENGER SIDE (includes items 18, 22 - 29, 45) (FOR MODELS MANUFACTURED AFTER SEPT 20, 2010) (OPTIONAL)....	1
45	634743		STRUT ASSEMBLY, PASSENGER SIDE	1



14 Steering Column Assembly includes items 15 - 20

16 Yoke Sub-Assembly Kit includes items 17 - 20

1 Steering Rack Assembly includes items 2 - 11

4 Rack Cover Bellows Kit includes items 5 - 7

FRONT SUSPENSION

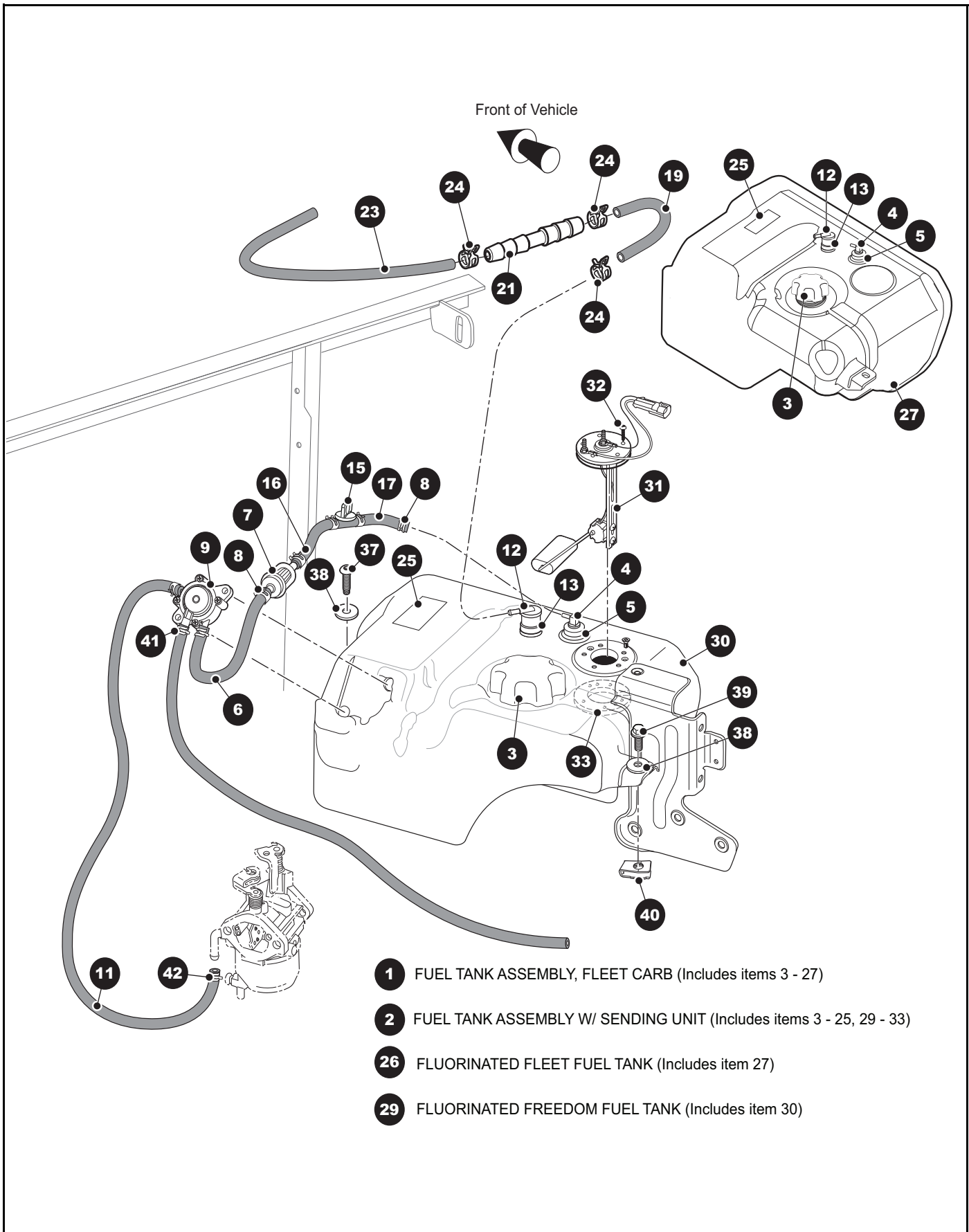
When ordering parts, please specify the model and serial number of the product.

* Indicates a component that is not available as an individual part.

*** Indicates consult Customer Service Department for additional information.

ITEM	PART NO.	1 2 3 4 5	DESCRIPTION	QTY.
1	<u>618329</u>		STEERING RACK ASSEMBLY (includes items 2 - 11)	1
2	<u>603865</u>		STEERING ROD	2
3	<u>604614</u>		ROD END	2
4	<u>604615</u>		RACK COVER BELLOWS KIT (includes items 5 - 7)	2
5	608112		BELLOWS	1
6	608108		BELLOWS CLAMP (small end)	1
7	608109		BELLOWS CLIP (large end)	1
8				
9	<u>602020</u>		TORX SOCKET HEAD CAP SCREW, M10 - 1.5 X 80MM LG	3
10	<u>608005</u>		CASTLE HEX NUT, M12 - 1.25	2
11	<u>10387-G2</u>		COTTER PIN	2
12				
13				
14	<u>600333</u>		STEERING COLUMN ASSEMBLY (includes items 15 - 20)	1
15	<u>608117</u>		STEERING COLUMN SUB ASSEMBLY	1
16	<u>604613</u>		YOKE SUB ASSEMBLY KIT (includes items 17 - 20)	1
17	<u>608114</u>		STEERING YOKE	1
18	<u>608653</u>		SOCKET HEAD BOLT, M10 X 1.5 X 35MM LG	2
19	<u>608654</u>		LOCK WASHER, M10.5	2
20	<u>608655</u>		HEX NUT, M10 - 1.5	1
21	<u>602572</u>		PAN HEAD TORX SCREW, TAPTITE M10 - 1.5 X 25MM LG	4
22	<u>602980</u>		STEERING WHEEL, PREMIUM (Optional)	1
23	<u>602979</u>		STEERING WHEEL, FLEET	1
24				
25	<u>601709</u>		LOCK NUT, M16 - 2	1
26				
27	<u>607925</u>		SCORECARD HOLDER ASSEMBLY	1
28	<u>608529</u>		STEERING WHEEL WARNING LABEL	1
29	<u>608819</u>		STEERING WHEEL WARNING LABEL, CE	1

FUEL SYSTEM CARB



FUEL SYSTEM CARB

When ordering parts, please specify the model and serial number of the product.

* Indicates a component that is not available as an individual part.

*** Indicates consult Customer Service Department for additional information.

ITEM	PART NO.	1 2 3 4 5	DESCRIPTION	QTY.
1	615247		FUEL TANK ASSEMBLY, FLEET CARB (Includes items 3 - 26)	1
2	615248		FUEL TANK ASSEMBLY W/ SENDING UNIT (Includes items 3 - 25, 29 - 33)	1
3	617885		FUEL TANK CAP RATCHET	1
4	618347		SIPHON TUBE, SHORT	1
5	70988G01		SIPHON TUBE GROMMET	1
6	615121		FUEL HOSE, 254 mm	1
7	72084G01		FUEL LINE FILTER	1
8	18292G1		TUBING CLAMP	7
9	602061		FUEL PUMP	1
10				
11	604597		FUEL HOSE, 26.00"	1
12	606067		ROLLOVER VALVE	1
13	606068		ROLLOVER VALVE GROMMET	1
14				
15	611181		SHUT-OFF VALVE.....	1
16	615350		FUEL HOSE, 2.00"	1
17	615120		FUEL HOSE, 156 mm	1
18				
19	614417		HOSE, 3/16" I.D x 39.00"	1
20				
21	615346		HOSE REDUCER I.D 1/4 X 3/16.....	1
22				
23	615345		HOSE, 1/4" I.D X 10"	1
24	606963		HOSE TUBING CLAMP, 3/16" I.D	3
25	617886		FUEL TANK LABEL, EPA	1
26	615245		FLUORINATED FLEET FUEL TANK (Includes item 27)	1
27	613182		RXV FUEL TANK, (WITHOUT SENDING UNIT)	1
28				
29	615246		FLUORINATED FREEDOM FUEL TANK (Includes item 30)	1
30	612916		RXV FUEL TANK, (WITH SENDING UNIT).....	1

FUEL SYSTEM CARB

When ordering parts, please specify the model and serial number of the product.

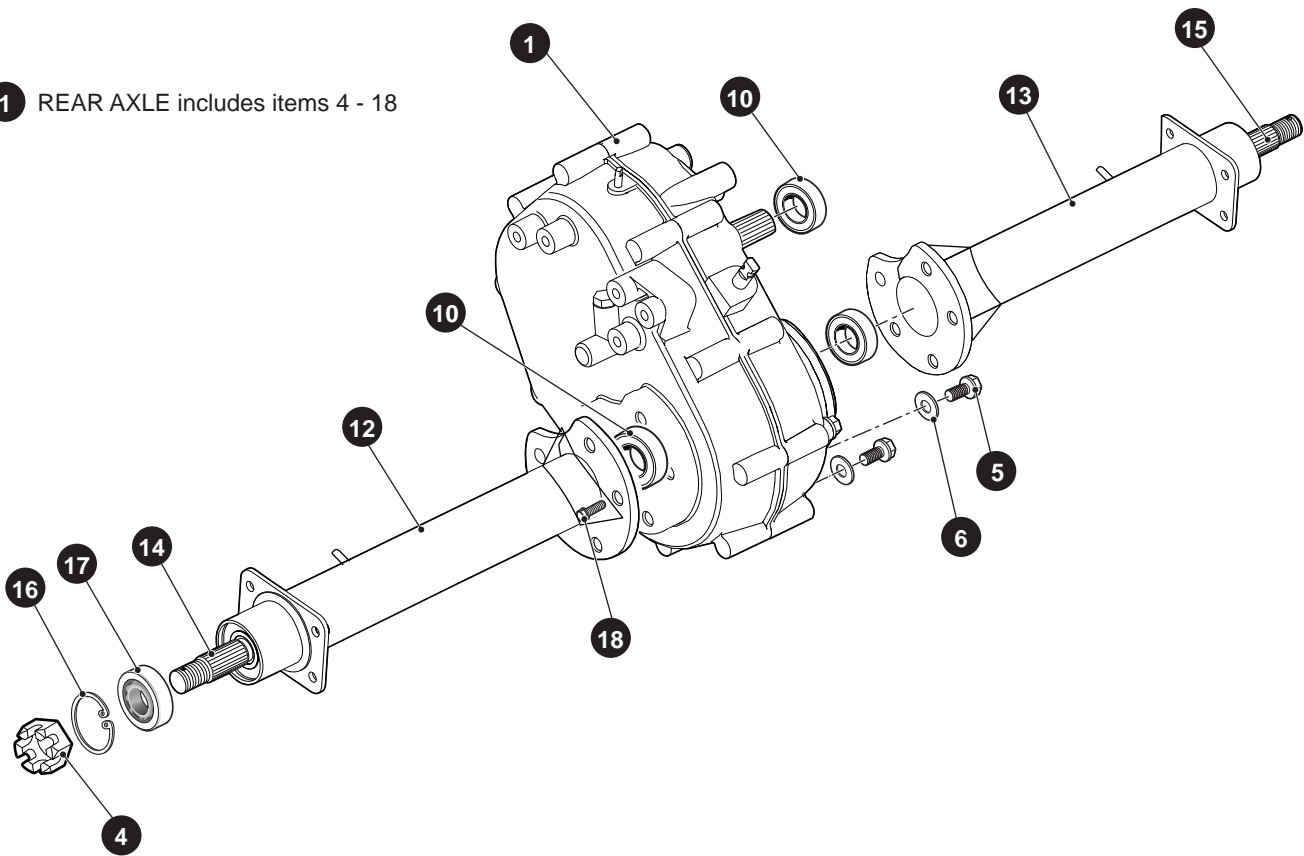
* Indicates a component that is not available as an individual part.

*** Indicates consult Customer Service Department for additional information.

ITEM	PART NO.	1	2	3	4	5	DESCRIPTION	QTY.
31	604188						FUEL LEVEL SENDER.....	1
32	72230G01						FLAT HEAD SCREW	2
33	72229G01						FUEL LEVEL SENDER ADAPTER.....	1
34								
35								
36								
37	605957						SCREW M8 BOSS	1
38	604066						FLAT WASHER, M10, 10.5 X 30	2
39	603799						HEXAGONAL HEAD BOLT, M10 - 1.5 X 25.....	1
40	603818						BARREL CLIP NUT, M10 - 1.5	1
41	18292G1						TUBING CLAMP	1
42	11391G4						HOSE CLAMP,.25	1

REAR AXLE

1 REAR AXLE includes items 4 - 18



REAR AXLE

When ordering parts, please specify the model and serial number of the product.

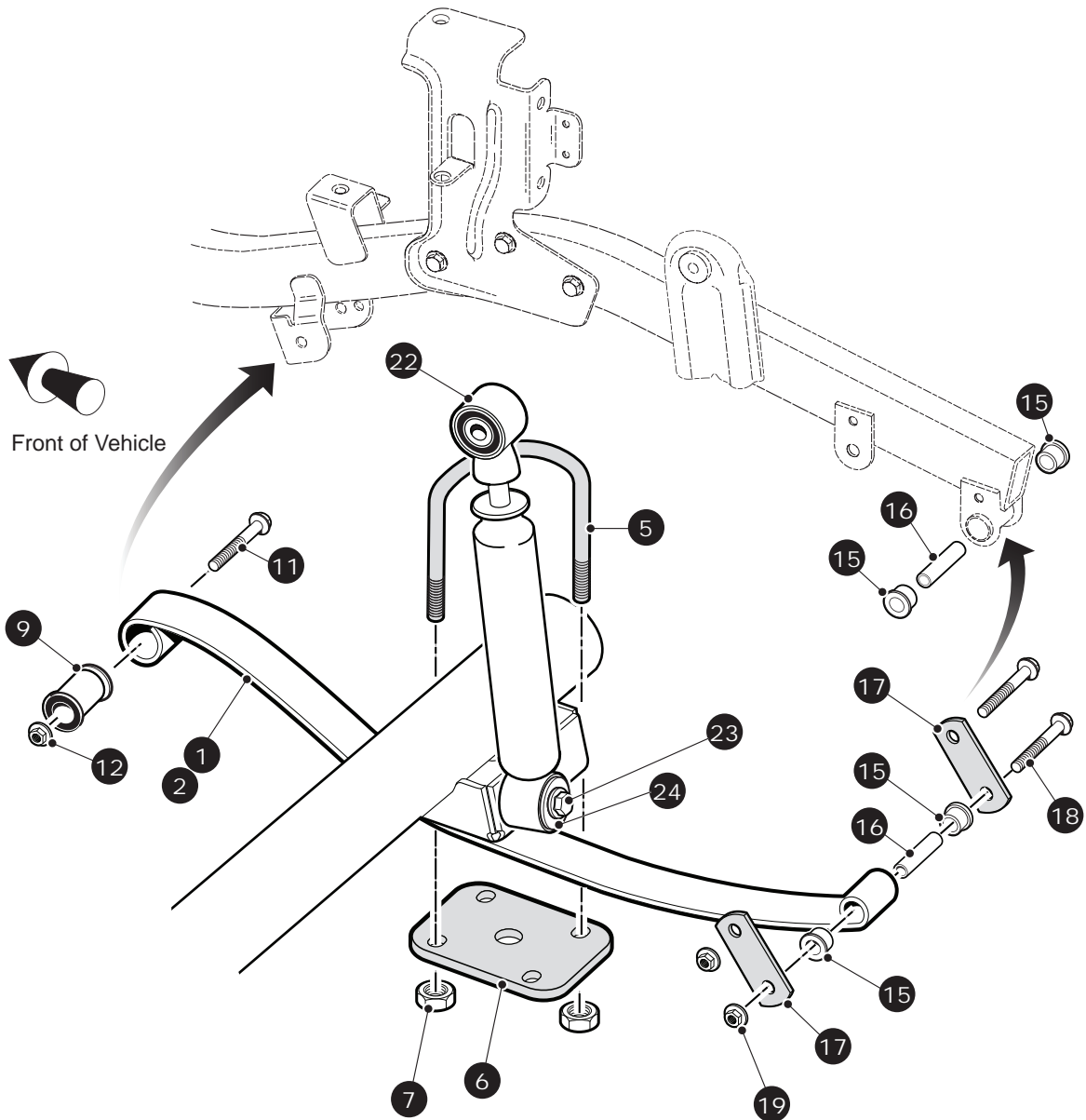
* Indicates a component that is not available as an individual part.

*** Indicates consult Customer Service Department for additional information.

ITEM	PART NO.	1 2 3 4 5	DESCRIPTION	QTY.
1	<u>627891</u>		REAR AXLE (INCLUDES ITEMS 4 - 18)	1
2				
3				
4	<u>606403</u>		SLOTTED NUT, M22 X 1.5.....	2
5	<u>26770G01</u>		OIL DRAIN PLUG	2
6	<u>26771G01</u>		GASKET, 14 MM	2
7				
8				
9				
10	<u>72259G01</u>		OIL SEAL 28 X 47 X 9 MM.....	3
11				
12	<u>607939</u>		AXLE TUBE (DRIVER SIDE)	1
13	<u>607940</u>		AXLE TUBE (PASSENGER SIDE).....	1
14	<u>607945</u>		AXLE SHAFT (DRIVER SIDE)	1
15	<u>607946</u>		AXLE SHAFT (PASSENGER SIDE).....	1
16	<u>26814G01</u>		RETAINING RING, 52 MM.....	2
17	<u>26811G01</u>		BALL BEARING.....	2
18	<u>72260G01</u>		FLANGED HEX HEAD BOLT, M10 X 1.5 X 23 MM LG	10

REAR SUSPENSION

For models manufactured before 5th March 2013



REAR SUSPENSION

When ordering parts, please specify the model and serial number of the product.

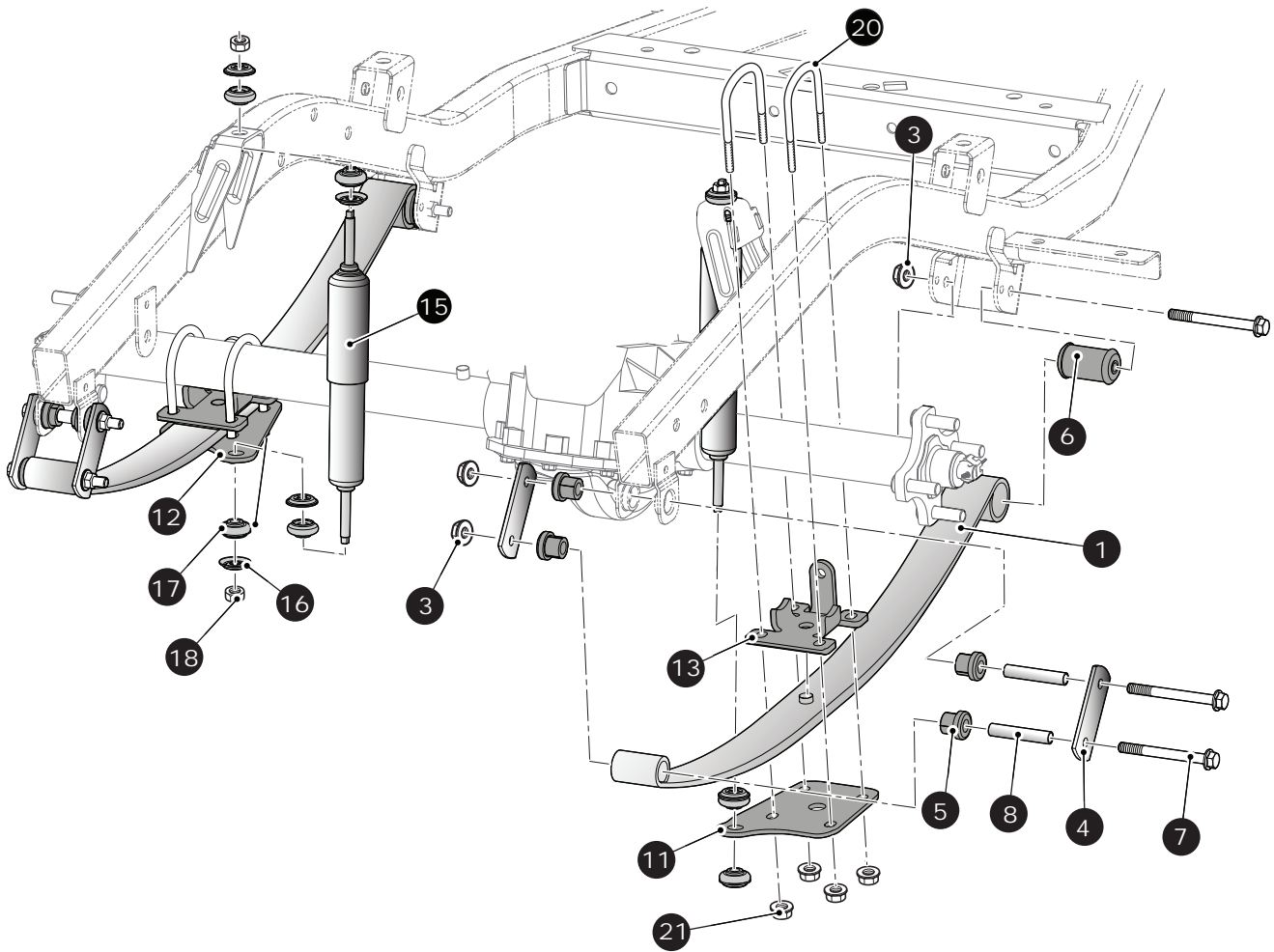
* Indicates a component that is not available as an individual part.

*** Indicates consult Customer Service Department for additional information.

ITEM	PART NO.	1 2 3 4 5	DESCRIPTION	QTY.
1	<u>625709</u>		TAPERED LEAF SPRING, MD	2
2	<u>604494</u>		HEAVY DUTY TAPERED LEAF SPRING	2
3				
4				
5	<u>603415</u>		U-BOLT, M10 - 1.5 X 115.6MM LG	2
6	<u>612765</u>		LEAF SPRING PLATE	2
7	<u>614974</u>		LOCK NUT, M10 - 1.5	4
8				
9	<u>605684</u>		FRONT SPRING BUSHING.....	2
10				
11	<u>601754</u>		FLANGED HEX HEAD BOLT, M10 - 1.5 X 100MM LG.....	2
12	<u>614974</u>		LOCK NUT, M10 - 1.5	2
13				
14				
15	<u>624030</u>		FLANGED BUSHING (small)	8
16	<u>620161</u>		SPLIT STEEL SPACER	4
17	<u>603648</u>		SHACKLE PLATE	4
18	<u>601754</u>		FLANGED HEX HEAD BOLT, M10 - 1.5 X 100MM LG.....	4
19	<u>614974</u>		LOCK NUT, M10 - 1.5	4
20				
21				
22	<u>611724</u>		SHOCK ABSORBER	2
23	<u>601414</u>		FLANGED HEX HEAD BOLT, M10 - 1.5 X 65MM LG.....	4
24	<u>604066</u>		FLAT WASHER, M10.....	4

REAR SUSPENSION

For models manufactured after 5th March 2013



REAR SUSPENSION

When ordering parts, please specify the model and serial number of the product.

* Indicates a component that is not available as an individual part.

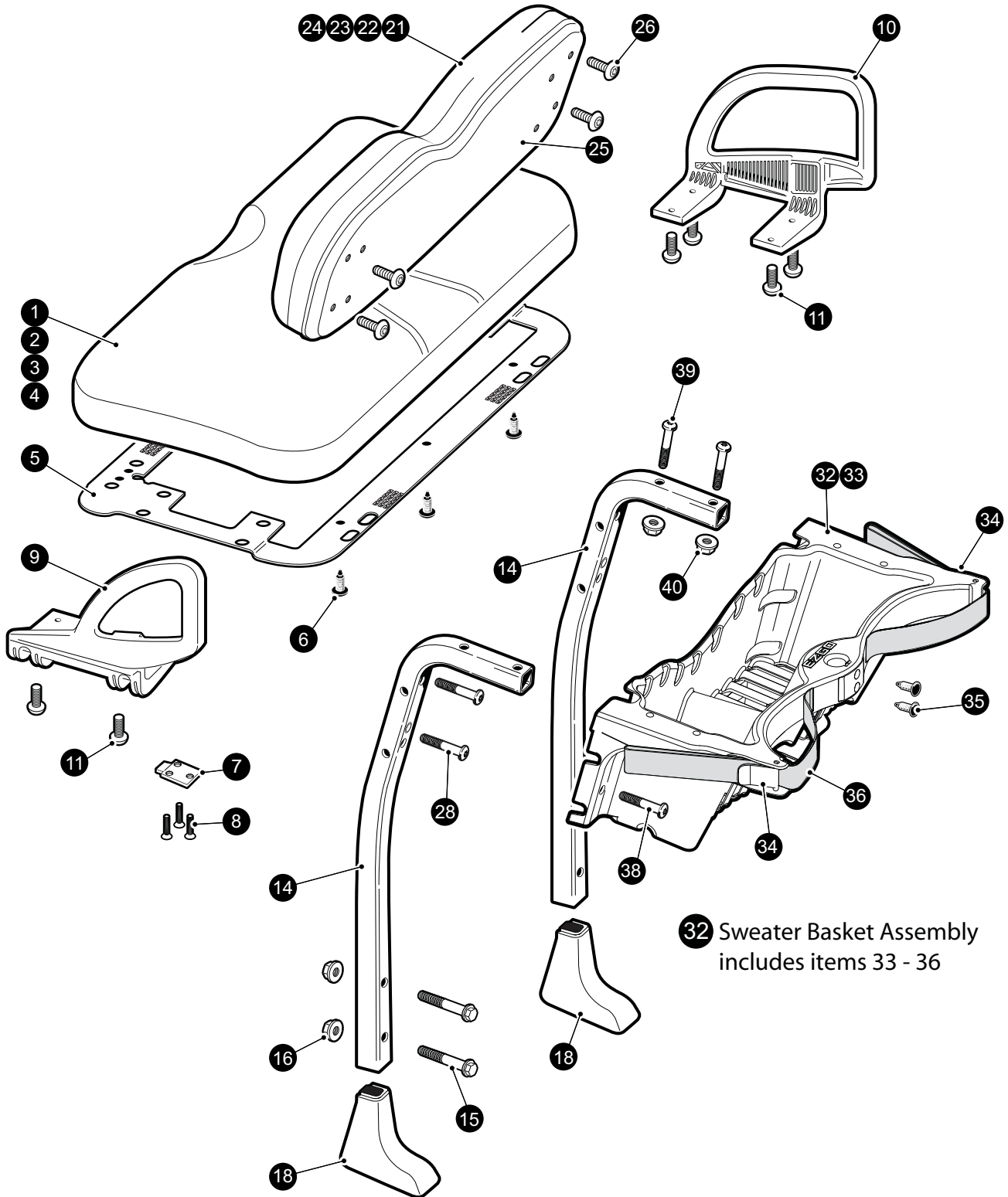
*** Indicates consult Customer Service Department for additional information.

ITEM	PART NO.	1 2 3 4 5	DESCRIPTION	QTY.
1	<u>625709</u>		MID DUTY TAPERED LEAF SPRING	2
2				
3	<u>614974</u>		LOCK NUT, M10 - 1.5	6
4	<u>603648</u>		SHACKLE PLATE	4
5	<u>624030</u>		FLANGED BUSHING (small)	8
6	<u>605684</u>		FRONT SPRING BUSHING.....	2
7	<u>601754</u>		FLANGED HEX HEAD BOLT, M10 - 1.5 X 100MM LG.....	6
8	<u>620161</u>		SPLIT STEEL SPACER, .394" I. D. X .51" O. D. X 2.65" LG.....	4
9				
10				
11	<u>625658</u>		SHOCK MOUNT PLATE (PASSENGER SIDE)	1
12	<u>625657</u>		SHOCK MOUNT PLATE (DRIVER SIDE).....	1
13	<u>626422</u>		AXLE SUPPORT BRACKET.....	2
14				
15	<u>76418G01</u>		SHOCK ABSORBER	2
16	<u>10435G1</u>		SHOCK ABSORBER WASHER.....	8
17	<u>10194G1</u>		SHOCK RUBBER BUSHING	8
18	<u>00532G6</u>		HEX NUT	4
19				
20	<u>632103</u>		U-BOLT, 68MM DIA X 45MM X 110MM LG	4
21	<u>600525</u>		PLASTIC LOCK NUT, M10 - 1.5	8

SEATING & BASKET

1 Seat Bottom Assembly includes items 2 - 11

21 Seat Back Assembly includes items 22 - 26



32 Sweater Basket Assembly includes items 33 - 36

SEATING & BASKET

When ordering parts, please specify the model and serial number of the product.

* Indicates a component that is not available as an individual part.

*** Indicates consult Customer Service Department for additional information.

ITEM	PART QTY	1 2 3 4 5	DESCRIPTION	TOTAL
1	6XXXXX		SEAT BOTTOM ASSEMBLY (select color below), (includes items 2 - 7) 605551 STONE BEIGE SEAT BOTTOM 608013 OYSTER SEAT BOTTOM	1
2	6XXXXX		SEAT BOTTOM VINYL COVER (select color below) 600221 STONE BEIGE SEAT BOTTOM VINYL COVER 608007 OYSTER SEAT BOTTOM VINYL COVER	1
3	600503		SEAT BOTTOM FOAM.....	1
4	600502		SEAT BOTTOM WOODEN BASE ASSEMBLY.....	1
5	602551		SEAT BOTTOM COVER PLATE	1
6	16816-G2		CHRISTMAS TREE RIVET	4
7	71610-G01		SEAT HINGE	2
8	00720-G08		FLAT HEAD PHILLIPS TAPPING SCREW, #12 - 14 X 1.00	6
9	607532		HIP RESTRAINT, DRIVER SIDE.....	1
10	607653		HIP RESTRAINT, PASSENGER SIDE	1
11	615417		BUTTON HEAD TORX BOLT, M10 - 1.5 X 25.....	8
12				
13				
14	602413		SEAT BACK SUPPORT STRUT	2
15	603800		FLANGED HEX HEAD BOLT, M10 - 1.5 X 50	4
16	600525		LOCK NUT, M10 - 1.5	4
17				
18	602112		SEAT BACK SUPPORT STRUT COVER.....	2
19				
20				
21	6XXXXX		SEAT BACK ASSEMBLY (select color below), (includes items 22 -26)..... 605548 STONE BEIGE SEAT BACK ASSEMBLY 608012 OYSTER SEAT BACK ASSEMBLY	1
22	6XXXXX		SEAT BACK VINYL COVER (select color below)..... 605537 STONE BEIGE SEAT BACK VINYL COVER 608006 OYSTER SEAT BACK VINYL COVER	1
23	71754-G01		SEAT BACK FOAM	1
24	605550		SEAT BACK WOODEN BASE ASSEMBLY	1

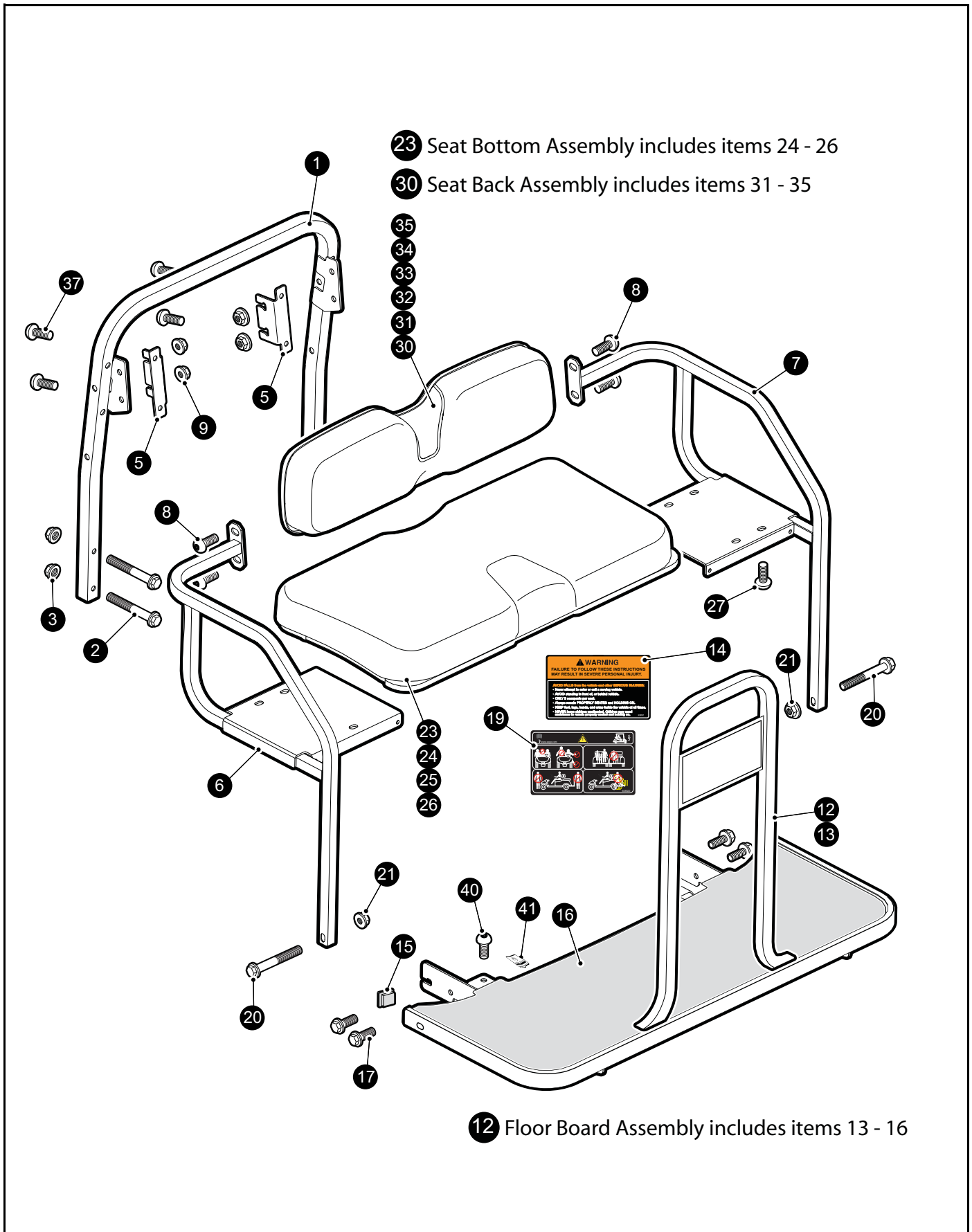
SEATING & BASKET

When ordering parts, please specify the model and serial number of the product.

* Indicates a component that is not available as an individual part.

*** Indicates consult Customer Service Department for additional information.

ITEM	PART QN	1 2 3 4 5	DESCRIPTION	QTY.
25	605529		SEAT BACK BLACK PLASTIC COVER.....	1
26	603000		BUTTON HEAD TORX SCREW, PLASTITE THREAD FORMING, M6 - 1	4
27				
28	600527		BUTTON HEAD TORX BOLT, M10 - 1.5 X 60.....	4
29				
30				
31				
32	602742		SWEATER BASKET ASSEMBLY (includes items 33 - 36)	1
33	610607		SWEATER BASKET	1
34	608051		BAG STRAP CLAMP	2
35	16816-G1		CHRISTMAS TREE RIVET.....	2
36	604102		BAG STRAP.....	1
37				
38	600530		BUTTON HEAD TORX BOLT, M10 - 1.5 X 25.....	2
39	600527		BUTTON HEAD TORX BOLT, M10 - 1.5 X 60.....	4
40	600525		LOCK NUT, M10 - 1.5.....	4



SEATING & BASKET

When ordering parts, please specify the model and serial number of the product.

* Indicates a component that is not available as an individual part.

*** Indicates consult Customer Service Department for additional information.

ITEM	PART QN	1 2 3 4 5	DESCRIPTION	QTY.
1	604473		SEAT BACK SUPPORT, 2 + 2 SEAT	1
2	603800		HEX HEAD FLANGED BOLT, M10 - 1.5 X 50.....	4
3	600525		LOCK NUT, M10 - 1.5.....	4
4				
5	606286		REAR SEAT BACK MOUNTING BRACKET	2
6	604723		ARM REST, DRIVER SIDE	1
7	604725		ARM REST, PASSENGER SIDE	1
8	600530		BUTTON HEAD TORX BOLT, M10 - 1.5 X 25.....	4
9	600525		LOCK NUT, M10 - 1.5.....	4
10				
11				
12	604457		REAR FACING SEAT FLOORBOARD ASSEMBLY (includes items 7 - 10) ...	1
13	604398		FOOTREST WELDMENT	1
14	74074-G01		WARNING DECAL	1
15	19853-G1		END CAP	2
16	604407		RUBBER FLOORMAT	1
17	603799		HEX HEAD FLANGED BOLT, M10 - 1.5 X 25.....	4
18				
19	608820		2 + 2 WARNING DECAL, CE	1
20	602415		HEX HEAD FLANGED BOLT, M10 - 1.5 X 80.....	2
21	600525		LOCK NUT, M10 - 1.5.....	2
22				
23	6XXXXX		SEAT BOTTOM ASSEMBLY (select color below) (includes items 24 - 26)..... 605501..... STONE BEIGE SEAT BOTTOM ASSEMBLY 608010..... OYSTER SEAT BOTTOM ASSEMBLY	1
24	6XXXXX		SEAT BOTTOM VINYL COVER (select color below)	1
			600221..... STONE BEIGE SEAT BOTTOM VINYL COVER 608007..... OYSTER SEAT BOTTOM VINYL COVER	
25	605503		SEAT BOTTOM FOAM	1
26	605502		SEAT BOTTOM WOODEN BASE ASSEMBLY	1
27	603799		HEX HEAD FLANGED BOLT, M10 - 1.5 X 25.....	4
28				

SEATING & BASKET

When ordering parts, please specify the model and serial number of the product.

* Indicates a component that is not available as an individual part.

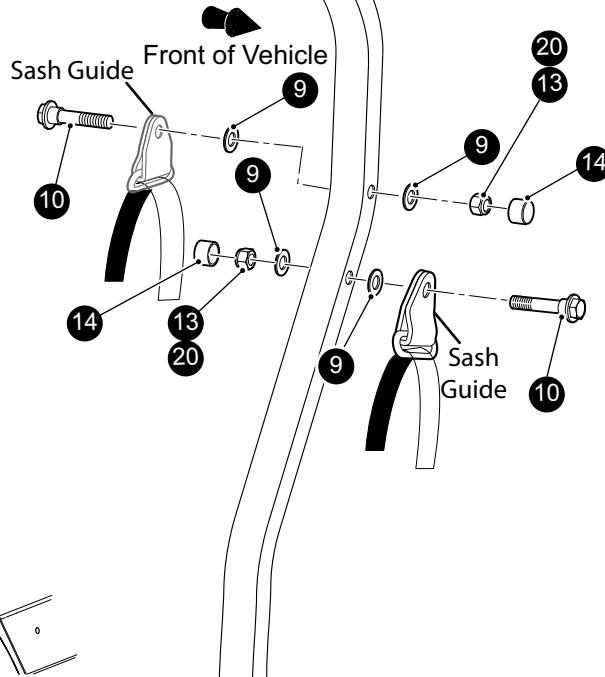
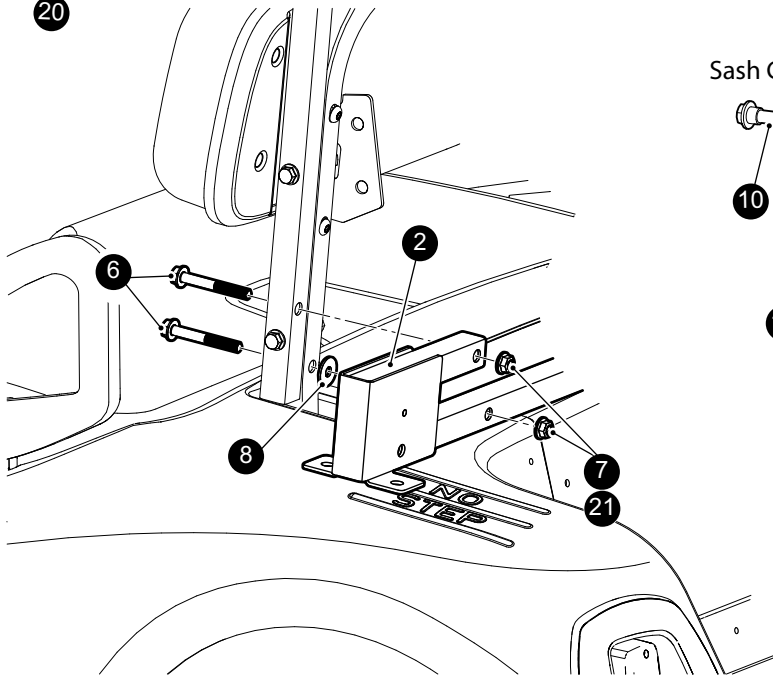
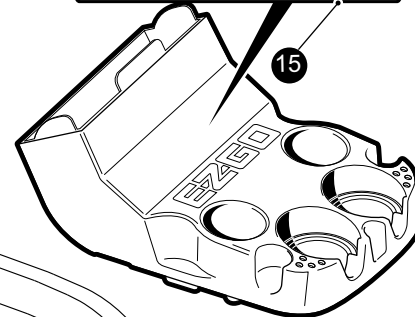
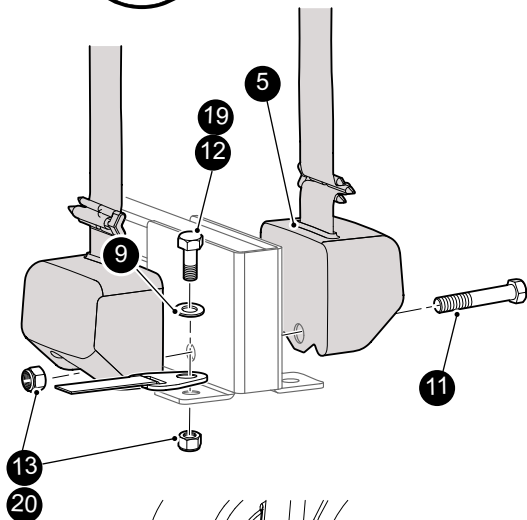
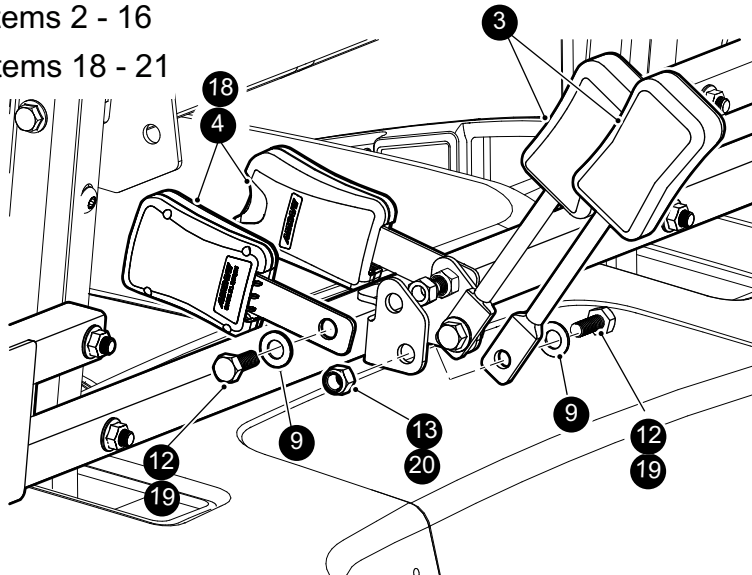
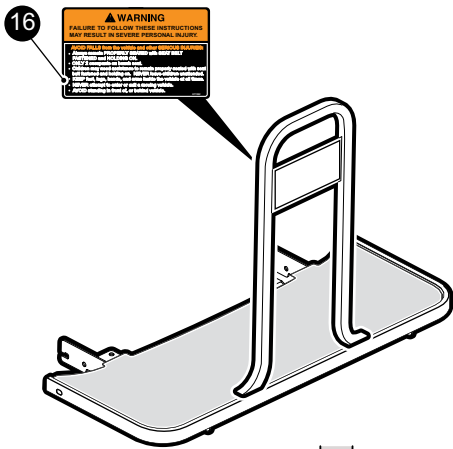
*** Indicates consult Customer Service Department for additional information.

ITEM	PART QTY	1 2 3 4 5	DESCRIPTION	TOTAL
29				
30	6XXXXXX		SEAT BACK ASSEMBLY (select color below) 605548 STONE BEIGE SEAT BACK ASSEMBLY 608012 OYSTER SEAT BACK ASSEMBLY	1
31	6XXXXXX		SEAT BACK VINYL COVER (select color below)..... 605537 STONE BEIGE SEAT BACK VINYL COVER 608006 OYSTER SEAT BACK VINYL COVER	1
32	71754-G01		SEAT BACK FOAM	1
33	605550		SEAT BACK WOODEN BASE ASSEMBLY	1
34	605529		SEAT BACK BLACK PLASTIC COVER	1
35	603000		BUTTON HEAD TORX SCREW, PLASTITE THREAD FORMING, M6 - 1	4
36				
37	600530		BUTTON HEAD TORX BOLT, M101 - 1.5 X 25	2
38				
39				
40	600530		BUTTON HEAD TORX BOLT, M10 - 1.5 X 25	2
41	603818		BARREL CLIP, M10 - 1.5	2

SEATING & BASKET

1 Seat belt assembly kit includes items 2 - 16

17 Seat belt assembly kit includes items 18 - 21



SEATING & BASKET

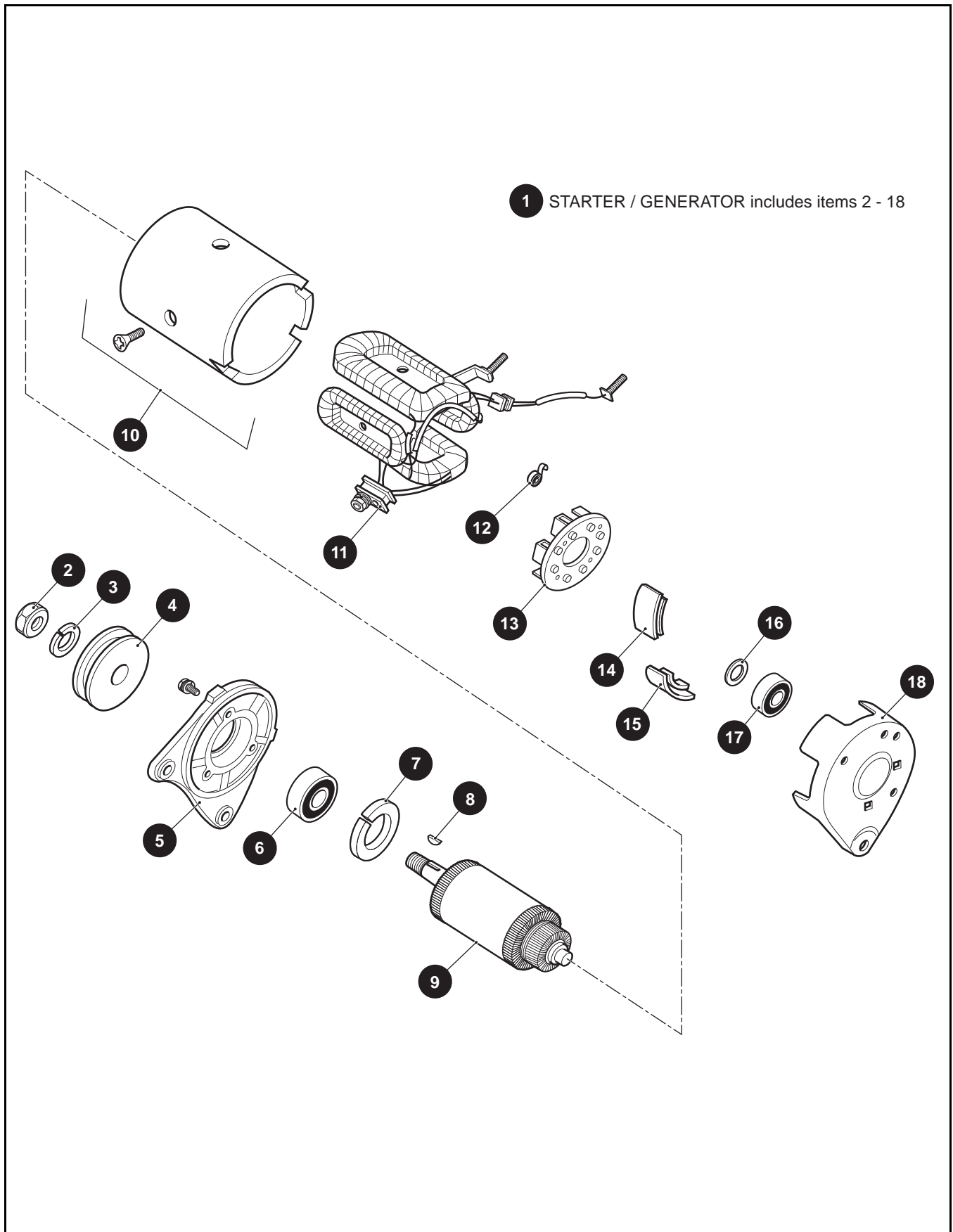
When ordering parts, please specify the model and serial number of the product.

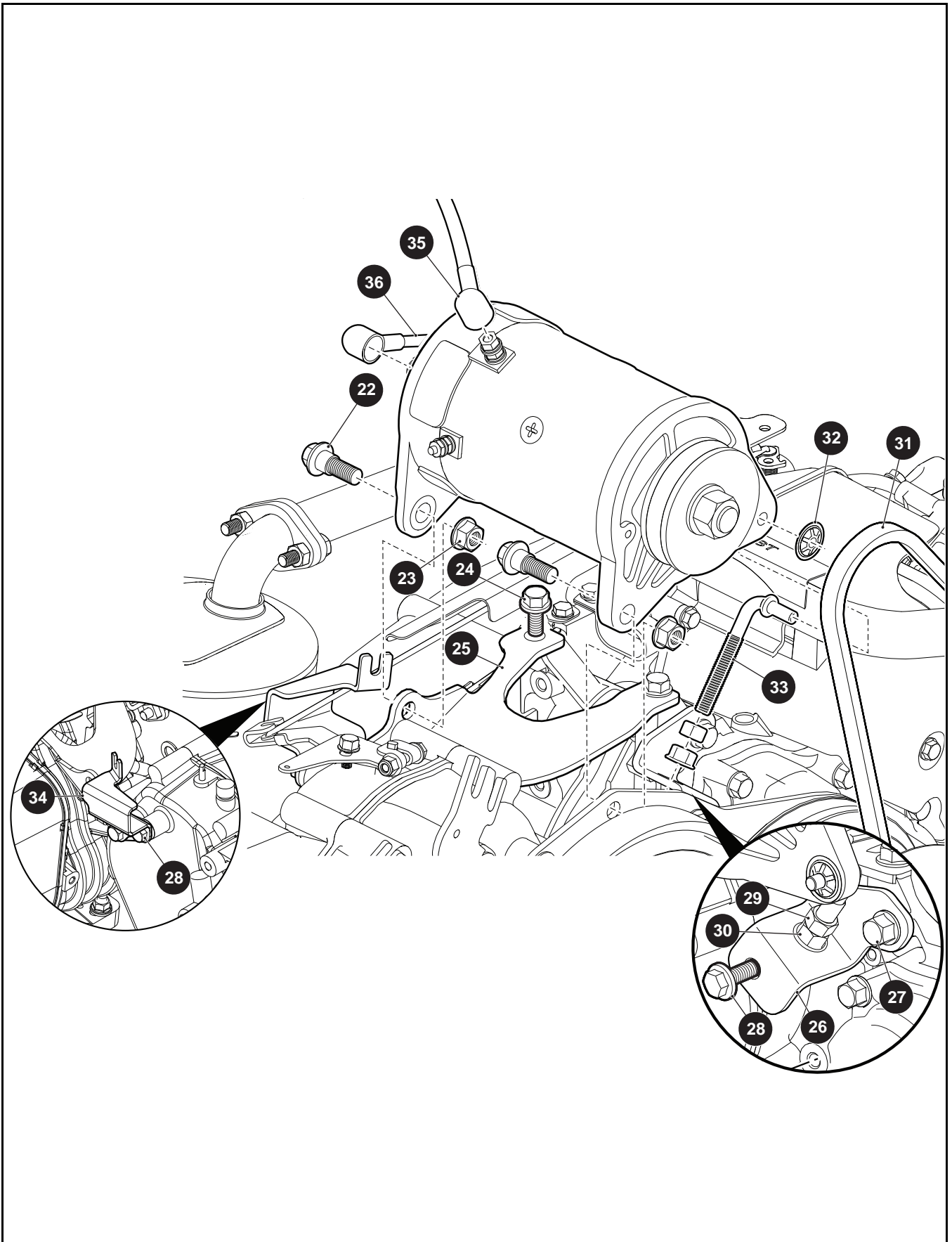
* Indicates a component that is not available as an individual part.

*** Indicates consult Customer Service Department for additional information.

ITEM	PART QTY	1 2 3 4 5	DESCRIPTION	TOTAL
1	620704		SEAT BELT ASSEMBLY KIT (includes items 2 - 16)	1
2	610739		SEAT BELT CROSS BAR.....	1
3	609031		SEAT BELT BUCKLE, 9"	2
4	609854		SEAT BELT BUCKLE, 6"	2
5	611254		SEAT BELT RETRACTOR ASSEMBLY	4
6	602415		FLANGED HEX HEAD BOLT, M10 - 1.5 X 80 MM	4
7	600525		FLANGED LOCK NUT, M10 - 1.5.....	4
8	604066		FLAT WASHER, M10	4
9	00560G2		FLAT WASHER, 7/16	16
10	620770		HEX HEAD SHOULDER BOLT, 7/16 - 20 X 2.28	4
11	612346		HEX HEAD BOLT 7/16 - 20 X 2.50.....	2
12	610753		HEX HEAD CAP SCREW, 7/16 - 20 X 1.00	8
13	00734G3		LOCK NUT, 7/16 - 20.....	14
14	605686		VINYL CAP	4
15	612194		CUP HOLDER DECAL	1
16	611362		REAR FACING SEAT DECAL	1
17	613474		SEAT BELT ASSEMBLY KIT (includes items 18 - 21)	1
18	609854		SEAT BELT BUCKLE, 6"	2
19	610753		HEX HEAD CAP SCREW, 7/16 - 20 X 1.00	8
20	00734-G3		LOCK NUT, 7/16 - 20.....	18
21	600525		FLANGED LOCK NUT, M10 - 1.5.....	4

STARTER / GENERATOR





STARTER / GENERATOR

Where applicable, THE USE OF NON UL PARTS WILL VOID ANY UL LISTING.

When ordering parts, please specify the model and serial number of the product.

* Indicates a component that is not available as an individual part.

G** Indicates consult Customer Service Department for additional information.

ITEM	PART NO.	1 2 3 4 5	DESCRIPTION	QTY.
1	<u>625715</u>		STARTER / GENERATOR (INCLUDES ITEMS 2 - 18).....	1
2	<u>612029</u>		HEX NUT	1
3	<u>612030</u>		LOCK WASHER	1
4	<u>625716</u>		PULLEY, 2.5 O.D	1
5	<u>612032</u>		FRONT COVER.....	1
6	<u>612033</u>		BEARING.....	1
7	<u>612034</u>		RETAINING RING.....	1
8	<u>612035</u>		KEY.....	1
9	<u>612036</u>		ARMATURE ASSEMBLY	1
10	<u>612037</u>		FRAME & FIELD ASSEMBLY	1
11	<u>612038</u>		BRUSH LEAD & TERMINAL PKG.....	1
12	<u>612039</u>		BRUSH SPRING.....	4
13	<u>612040</u>		BRUSH BOX ASSEMBLY.....	1
14	<u>612041</u>		BRUSH 1 COVER.....	3
15	<u>612042</u>		BRUSH 2 COVER.....	2
16	<u>612043</u>		WAVY WASHER	1
17	<u>612044</u>		BEARING.....	1
18	<u>612045</u>		REAR COVER	1
19				
20				
21				
22	<u>606235</u>		HEX FLANGE HEAD SHOULDER BOLT, M10 - 1.25 X 20MM LG.....	2
23	<u>606279</u>		HEX NUT, M10 - 1.25.....	2
24	<u>606261</u>		HEX HEAD BOLT, M8 - 1.25 X 20MM LG	3
25	<u>602141</u>		STARTER / GENERATOR BRACKET.....	1
26	<u>602145</u>		TENSIONER BRACKET	1
27	<u>606261</u>		HEX HEAD BOLT, M8 - 1.25 X 20MM LG	1
28	<u>606256</u>		HEX HEAD BOLT, M10 - 1.25 X 25MM LG	9
29	<u>606255</u>		HEX JAM NUT, M10 - 1.25.....	1
30	<u>606274</u>		HEX FLANGE NUT, M10 - 1.25	1

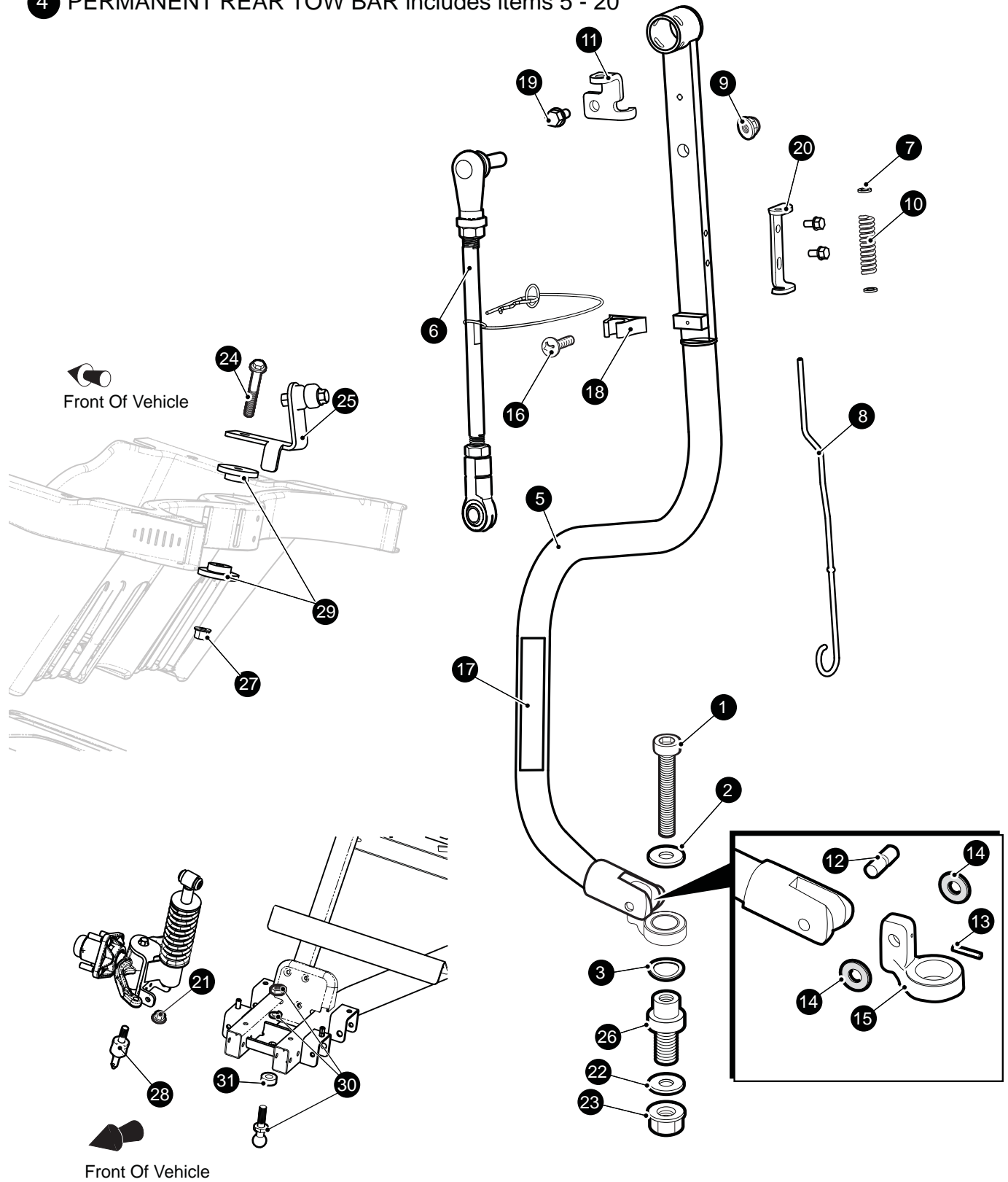
STARTER / GENERATOR

Where applicable, THE USE OF NON UL PARTS WILL VOID ANY UL LISTING.
 When ordering parts, please specify the model and serial number of the product.
 * Indicates a component that is not available as an individual part.
 G** Indicates consult Customer Service Department for additional information.

ITEM	PART NO.	1 2 3 4 5	DESCRIPTION	QTY.
31	<u>630587</u>		STARTER / GENERATOR BELT	1
32	<u>12064G6</u>		PUSH NUT, 5/16"	1
33	<u>629763</u>		TENSIONER BOLT, M10 X 1.25 X 85MM LG	1
34	<u>603884</u>		CABLE GUIDE BRACKET	1
35	<u>25682G01</u>		TERMINAL BOOT	3
36	<u>607053</u>		6 GA WIRE ASSEMBLY	1A

TOW BAR

4 PERMANENT REAR TOW BAR includes items 5 - 20



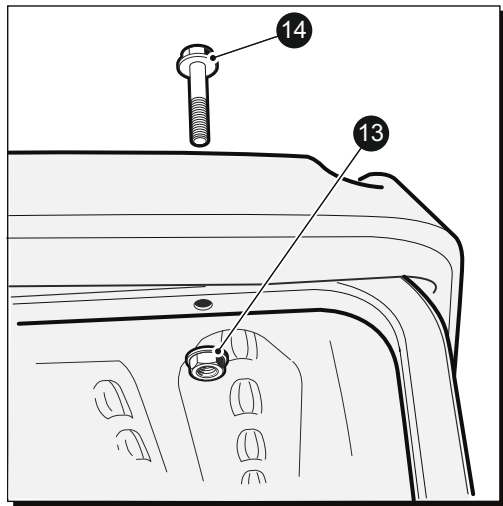
When ordering parts, please specify the model and serial number of the product.

* Indicates a component that is not available as an individual part.

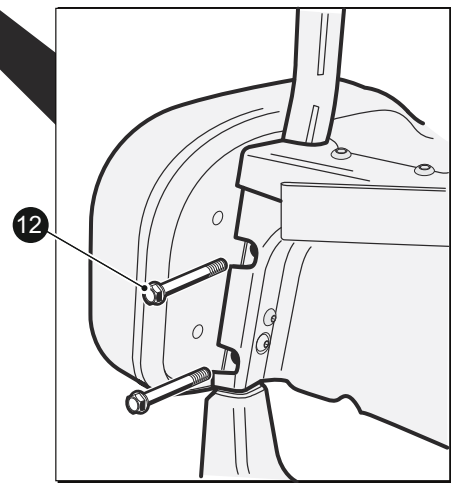
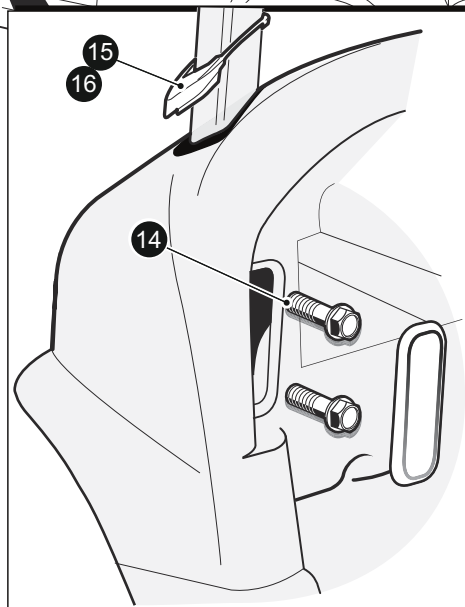
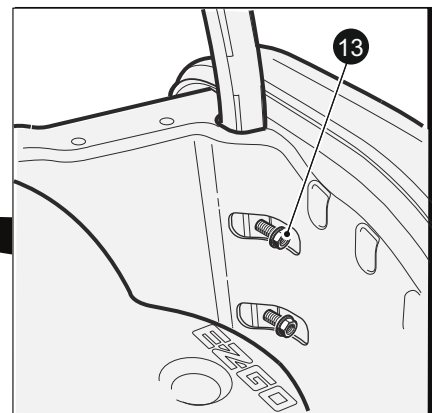
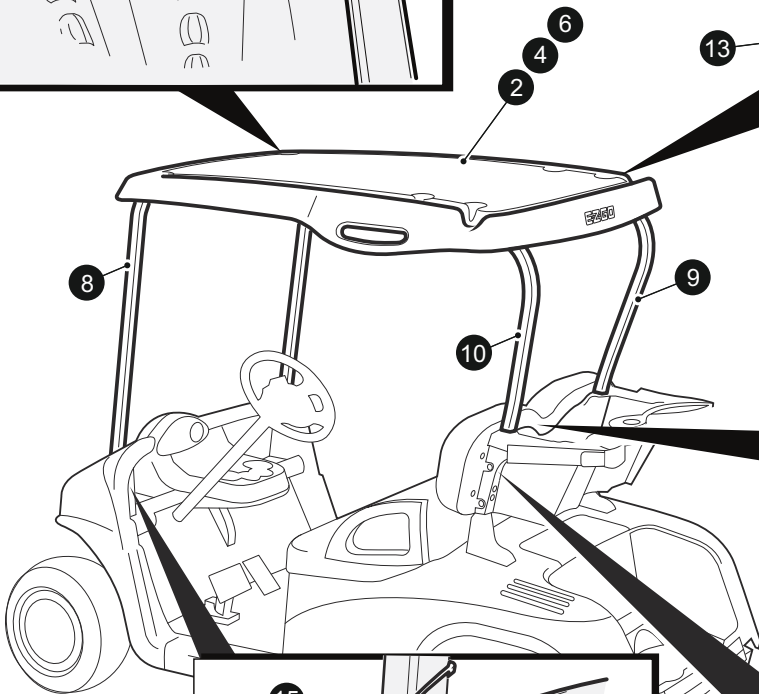
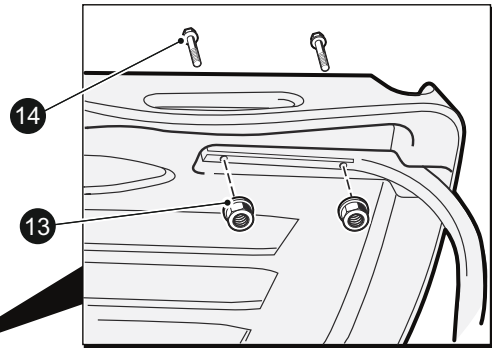
*** Indicates consult Customer Service Department for additional information.

ITEM	PART NO.	1 2 3 4 5	DESCRIPTION	QTY.
1	<u>603384</u>		SOCKET HEAD CAP SCREW, M12 - 1.25 X 100MM LG	1
2	<u>603182</u>		FLAT WASHER, M12, 13.5 X 32 X 3	1
3	<u>603341</u>		WAVY WASHER, 32MM	1
4	<u>612392</u>		PERMANENT TOW BAR (towing vehicle) (includes items 5 - 20)	1
5	<u>613224</u>		TOW BAR WELDMENT	1
6	<u>617752</u>		TIE ROD ASSEMBLY	1
7	<u>00559G5</u>		FLAT WASHER, 1/2"	2
8	<u>613215</u>		TOW BAR PULL HANDLE	1
9	<u>617787</u>		FLANGED LOCK NUT, M12 - 1.75.....	1
10	<u>75065G01</u>		COMPRESSION SPRING	1
11	<u>614893</u>		FRONT PIN GUIDE	1
12	<u>75360G01</u>		PIVOT PIN.....	1
13	<u>608793</u>		SPIROL PIN, 3MM X 22MM	1
14	<u>75340G01</u>		DELRIN WASHER, M10 - 22MM.....	2
15	<u>625458</u>		TOW BAR SWIVEL	1
16	<u>800178</u>		PHILLIPS HEAD SCREW, #8 - 32 X 1/2"LG	1
17	<u>624868</u>		TOW BAR WARNING DECAL.....	1
18	<u>614454</u>		TIE ROD HOLDER.....	1
19	<u>606265</u>		FLANGED HEX HEAD BOLT, M6 - 1 X12MM LG.....	3
20	<u>614865</u>		RETAINER RELEASE PIN.....	1
21	<u>617787</u>		FLANGED LOCK NUT, M12 - 1.75	1
22	<u>603182</u>		FLAT WASHER, M12, 13.5 X 32 X 3	1
23	<u>600549</u>		HEX FLANGED NUT, M12 - 1.25.....	1
24	<u>601414</u>		HEX HEAD FLANGED BOLT, M10 -1.5 X 65MM LG.....	1
25	<u>625441</u>		END MOUNT ASSEMBLY	1
26	<u>602990</u>		TOW BAR PIVOT.....	1
27	<u>600525</u>		HEX LOCK NUT, M10 - 1.5.....	1
28	<u>614714</u>		TIE ROD SPACER, M12.....	1
29	<u>615435</u>		TOW BAR MOUNT SPACER, 51MM.....	2
30	<u>625066</u>		TOW BALL ASSEMBLY	1
31	<u>614394</u>		HITCH BALL SPACER, 34.9MM.....	1

WEATHER PROTECTION



- 1 Stone Beige Sun Top Kit includes items 2 & 7
- 3 Oyster Sun Top Kit includes items 4 & 7
- 5 Black Sun Top Kit includes items 6 & 7
- 7 Strut Kit includes items 8 - 11
- 11 Sun Top Hardware Kit includes items 12 - 16



WEATHER PROTECTION

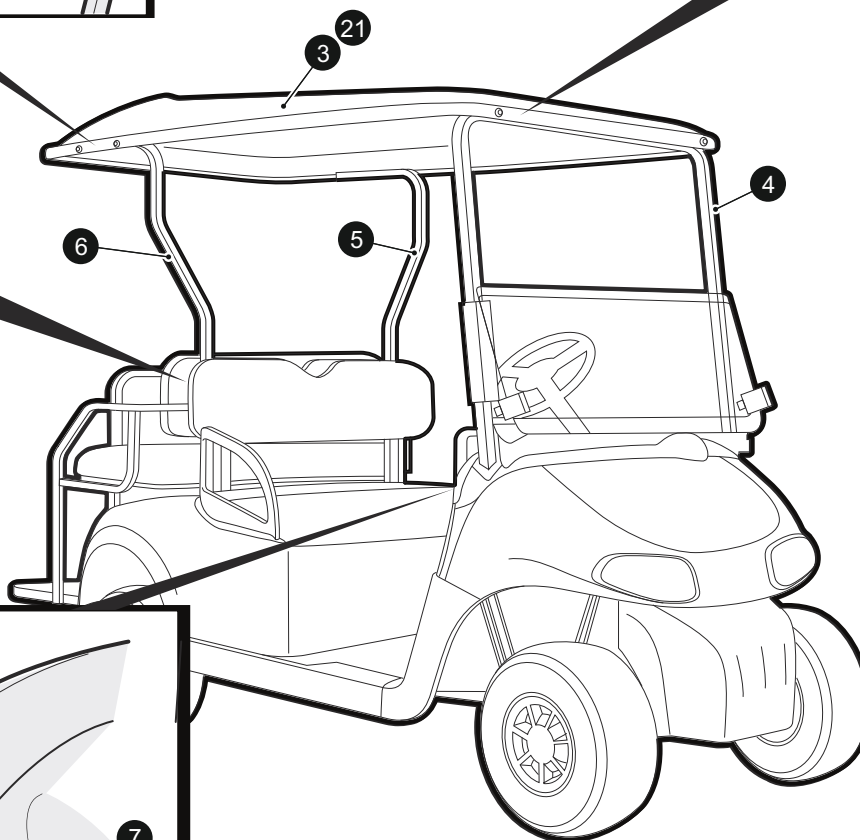
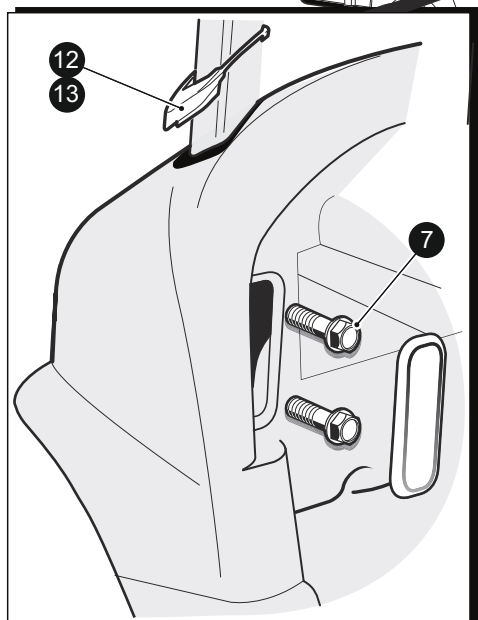
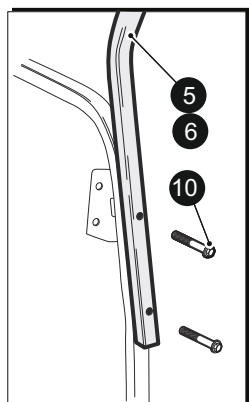
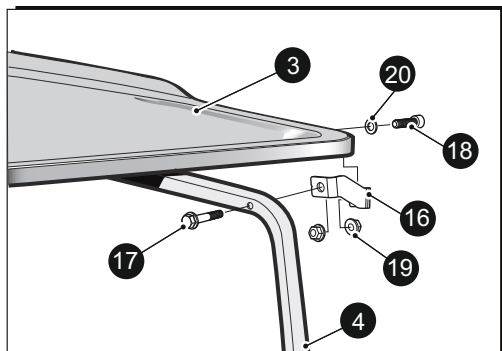
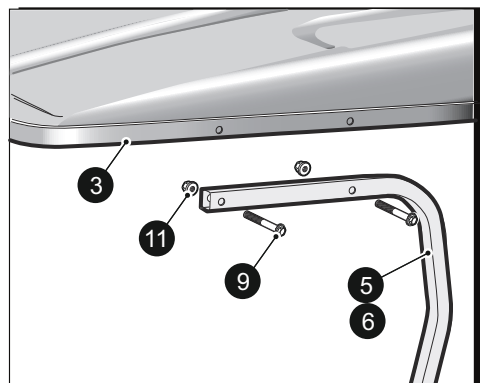
When ordering parts, please specify the model and serial number of the product.

* Indicates a component that is not available as an individual part.

*** Indicates consult Customer Service Department for additional information.

ITEM	PART NO.	1 2 3 4 5	DESCRIPTION	QTY.
1	606354		SUN TOP KIT, STONE BEIGE (includes items 2 & 7)	1
2	<u>608198</u>		SUN TOP, STONE BEIGE	1
3	608695		SUN TOP KIT, OYSTER (includes items 4 & 7).....	1
4	<u>608015</u>		SUN TOP, OYSTER	1
5	<u>613233</u>		SUN TOP KIT, BLACK (includes item 6 & 7)	1
6	<u>613227</u>		SUN TOP, BLACK	
7	608677		SUN TOP STRUT KIT (includes items 8 - 11)	1
8	<u>603203</u>		FRONT STRUT	1
9	<u>614310</u>		REAR STRUT, PASSENGER SIDE	1
10	<u>614309</u>		REAR STRUT, DRIVER SIDE.....	1
11	<u>607013</u>		SUN TOP HARDWARE KIT (includes items 12 - 16)	1
12	<u>602415</u>		HEX HEAD FLANGED BOLT, M10 - 1.5 X 80	4
13	<u>600525</u>		FLANGED LOCK NUT, M10 - 1.5.....	10
14	<u>603800</u>		HEX HEAD FLANGED BOLT, M10 - 1.5 X 50	10
15	<u>602770</u>		GROMMET, DRIVER SIDE	1
16	<u>602992</u>		GROMMET, PASSENGER SIDE	1

WEATHER PROTECTION



- 1 2 + 2 Stone Beige Sun Top Kit includes items 3 - 14
- 2 2 + 2 Oyster Sun Top Kit includes items 4 - 14 & 21
- 8 2 + 2 Sun Top Hardware Kit includes items 9 - 13
- 14 2 + 2 Sun Top Hardware Kit includes items 15 - 20

WEATHER PROTECTION

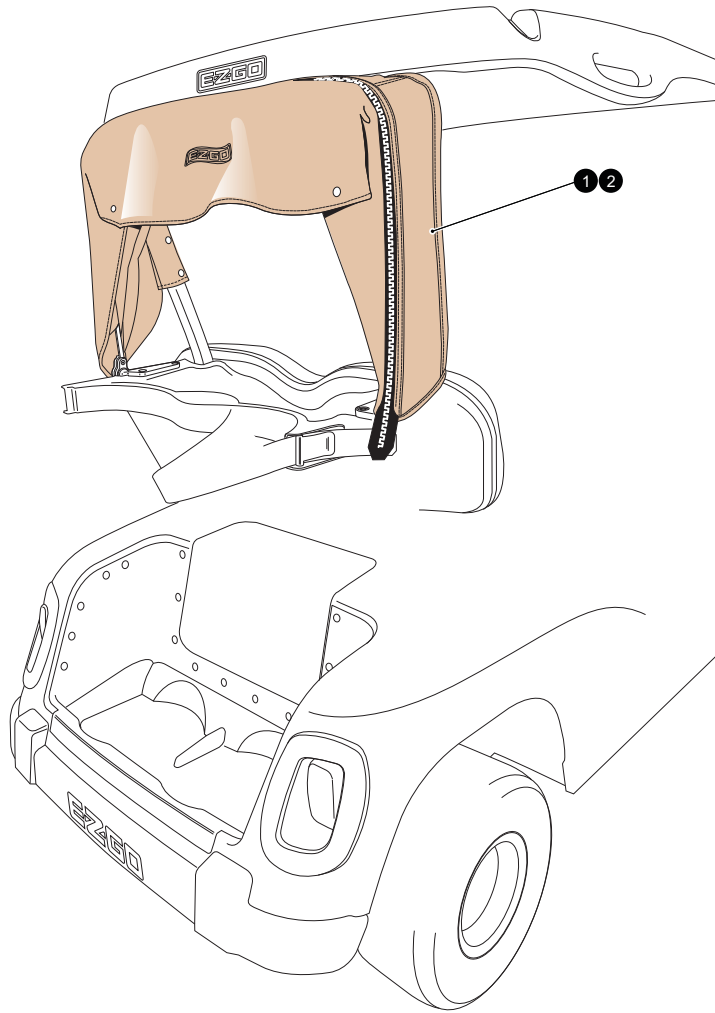
When ordering parts, please specify the model and serial number of the product.

* Indicates a component that is not available as an individual part.

*** Indicates consult Customer Service Department for additional information.

ITEM	PART NO.	1 2 3 4 5	DESCRIPTION	QTY.
1	<u>610461</u>		2 + 2 SUN TOP KIT, STONE BEIGE (includes items 3 - 14)	1
2	<u>610462</u>		2 + 2 SUN TOP KIT, OYSTER (includes items 4 -14 & 21)	
3	<u>610434</u>		2 + 2 SUN TOP, STONE BEIGE	1
4	<u>603203</u>		FRONT STRUT	1
5	<u>604423</u>		2 + 2 REAR STRUT, DRIVER SIDE	1
6	<u>604424</u>		2 + 2 REAR STRUT, PASSENGER SIDE	1
7	<u>603800</u>		HEX HEAD FLANGED BOLT, M10 - 1.5 X 50	1
8	<u>610468</u>		2 + 2 SUN TOP HARDWARE KIT (includes items 9 - 13)	1
9	<u>601414</u>		HEX HEAD FLANGED BOLT, M10 - 1.5 X 65	4
10	<u>602415</u>		HEX HEAD FLANGED BOLT, M10 - 1.5 X 80	4
11	<u>600525</u>		FLANGED LOCK NUT, M10 - 1.5	4
12	<u>602770</u>		STRUT GROMMET, DRIVER SIDE	1
13	<u>602992</u>		STRUT GROMMET, PASSENGER SIDE	1
14	<u>610472</u>		2 + 2 SUN TOP HARDWARE KIT (includes items 15-20)	1
15	<u>610424</u>		BRACKET, DRIVER SIDE (NOT SHOWN)	1
16	<u>610425</u>		BRACKET, PASSENGER SIDE	1
17	<u>603800</u>		HEX HEAD FLANGED BOLT, M10 - 1.5 X 50	2
18	<u>608653</u>		SOCKET HEAD SCREW, M10 - 1.5 X 35	2
19	<u>600525</u>		FLANGED LOCK NUT, M10 - 1.5	4
20	<u>00560G1</u>		FLAT WASHER	2
21	<u>610433</u>		2 + 2 SUN TOP, OYSTER	1

WEATHER PROTECTION



WEATHER PROTECTION

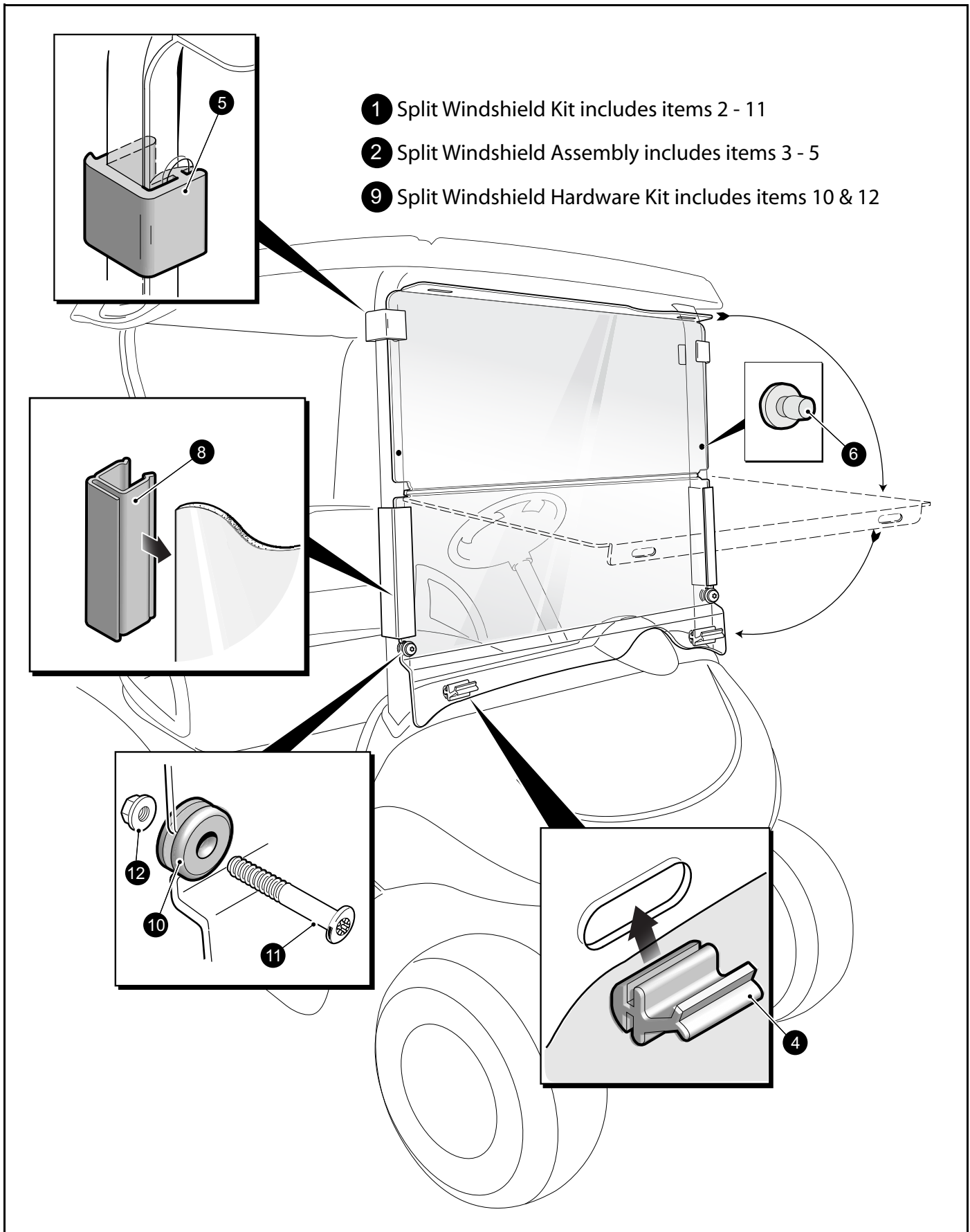
When ordering parts, please specify the model and serial number of the product.

* Indicates a component that is not available as an individual part.

*** Indicates consult Customer Service Department for additional information.

ITEM	PART NO.	1 2 3 4 5	DESCRIPTION	QTY.
1	604666		BAG COVER KIT,STONE BEIGE	1
2	620604		BAG COVER KIT, OYSTER.....	1

WEATHER PROTECTION



- 1 Split Windshield Kit includes items 2 - 11
- 2 Split Windshield Assembly includes items 3 - 5
- 9 Split Windshield Hardware Kit includes items 10 & 12

WEATHER PROTECTION

When ordering parts, please specify the model and serial number of the product.

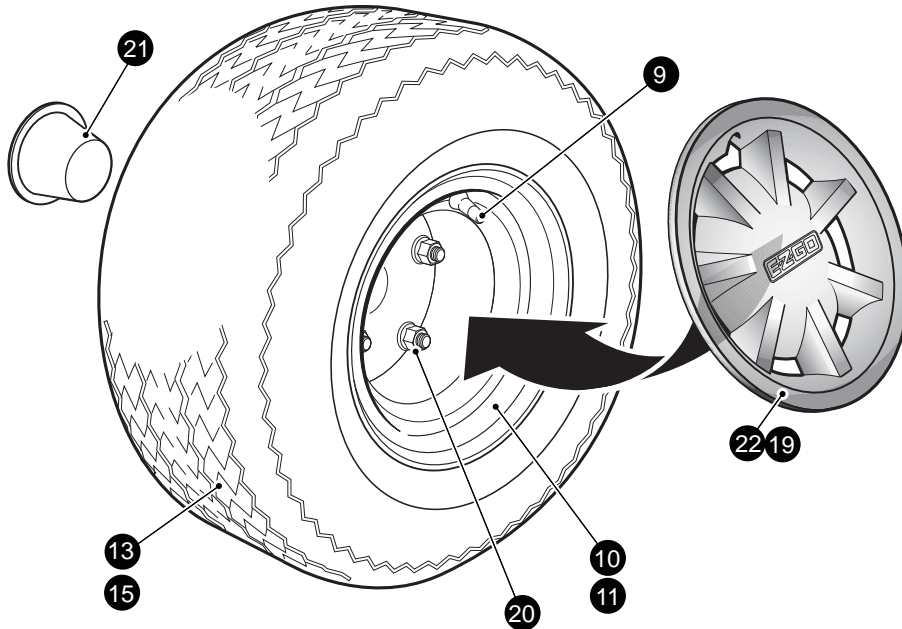
* Indicates a component that is not available as an individual part.

*** Indicates consult Customer Service Department for additional information.

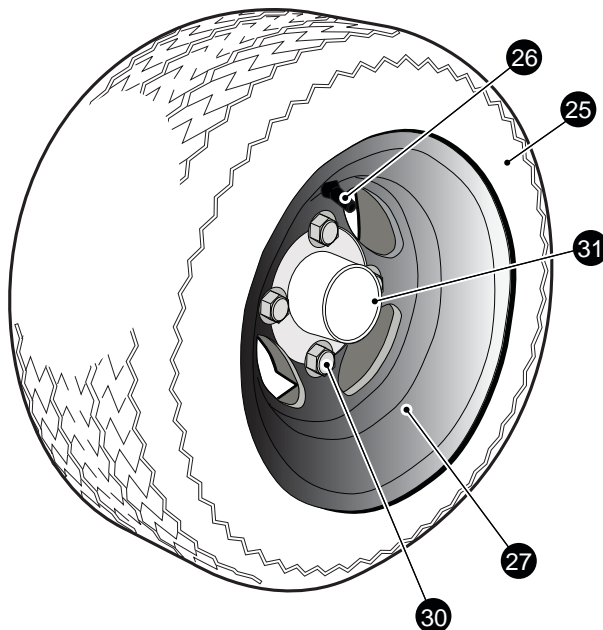
ITEM	PART NO.	1 2 3 4 5	DESCRIPTION	QTY.
1	<u>606584</u>		SPLIT WINDSHIELD KIT (includes items 2 - 11).....	1
2	<u>606623</u>		SPLIT WINDSHIELD ASSEMBLY (includes items 3 - 5).....	1
3	<u>603738</u>		SPLIT WINDSHIELD.....	1
4	<u>603201</u>		LOWER WINDSHIELD LATCH.....	2
5	<u>603198</u>		UPPER WINDSHIELD LATCH.....	2
6	<u>604115</u>		WINDSHIELD ISOLATOR.....	2
7				
8	603852		WINDSHIELD ATTACHMENT SASH.....	2
9	607014		SPLIT WINDSHIELD HARDWARE KIT (includes items 10 & 11)	1
10	<u>604116</u>		GROMMET	2
11	602527		TORX BOLT, BHD, M10 - 1.5 X 60	2
12	<u>600525</u>		LOCK NUT, M10 - 1.5	2

WHEELS AND TIRES

- 1 LINKS STONE BEIGE WHEEL & TIRE ASSEMBLY (includes items 9, 10 & 13)
- 2 LINKS WHITE WHEEL & TIRE ASSEMBLY (includes items 9, 11 & 13)
- 5 USA STONE BEIGE WHEEL& TIRE ASSEMBLY (includes items 9, 10 & 15)
- 6 USA WHITE WHEEL& TIRE ASSEMBLY (includes items 9, 11 & 15)



- 24 ALLOY WHEEL AND TIRE ASSEMBLY (includes items 25 - 27)



WHEELS AND TIRES

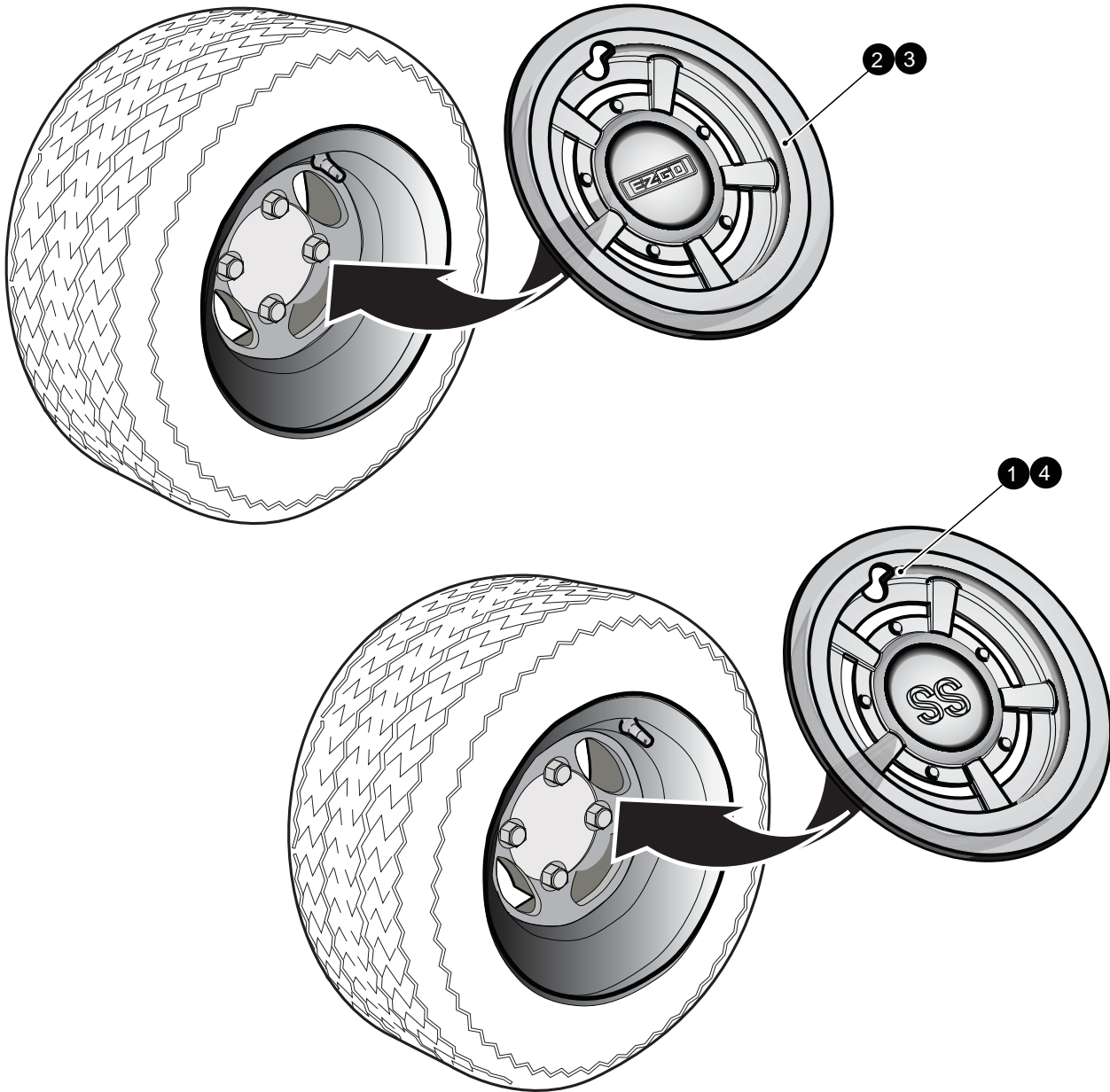
When ordering parts, please specify the model and serial number of the product.

* Indicates a component that is not available as an individual part.

*** Indicates consult Customer Service Department for additional information.

ITEM	PART NO.	1 2 3 4 5	DESCRIPTION	QTY.
1	603173		LINKS STONE BEIGE WHEEL & TIRE ASSEMBLY (includes items 9, 10 & 13)	1
2	<u>28757G01</u>		LINKS WHITE WHEEL & TIRE ASSEMBLY (includes items 9, 11 & 13)	1
3				
4				
5	<u>603216</u>		USA STONE BEIGE WHEEL& TIRE ASSEMBLY (includes items 9, 10 & 15)	1
6	<u>28842G01</u>		USA WHITE WHEEL& TIRE ASSEMBLY (includes items 9, 11 & 15)	1
7				
8				
9	<u>11657G2</u>		VALVE STEM.....	1
10	<u>603172</u>		STONE BEIGE WHEEL.....	1
11	<u>28759G01</u>		WHITE WHEEL	1
12				
13	<u>28764G01</u>		CARLISLE LINKS TIRE, 18 X 8.5 - 8.....	1
14				
15	<u>28764-G08</u>		CARLISLE USA TRAIL TIRE 18.5 X 8.5 - 8.....	1
16				
17				
18				
19	607096		HUB CAP, SILVER	4
20	<u>14723-G1</u>		LUG NUT, 1/2 - 20 UNF	4
21	<u>74175-G01</u>		DUST CAP	1
22	603785		HUB CAP, GOLD	4
23				
24	<u>600599</u>		ALLOY WHEEL AND TIRE ASSEMBLY (includes items 25 - 27)	1
25	<u>601768</u>		TOUR MAX TIRE, 205 / 50 - 10	1
26	<u>601767</u>		VALVE STEM.....	1
27	<u>601766</u>		ITP ALLOY WHEEL.....	1
28				
29				
30	<u>605310</u>		CHROME LUG NUT, 1/20-020 UNF	4
31	<u>601353</u>		ALLOY WHEEL CAP	1

WHEELS AND TIRES



WHEELS AND TIRES

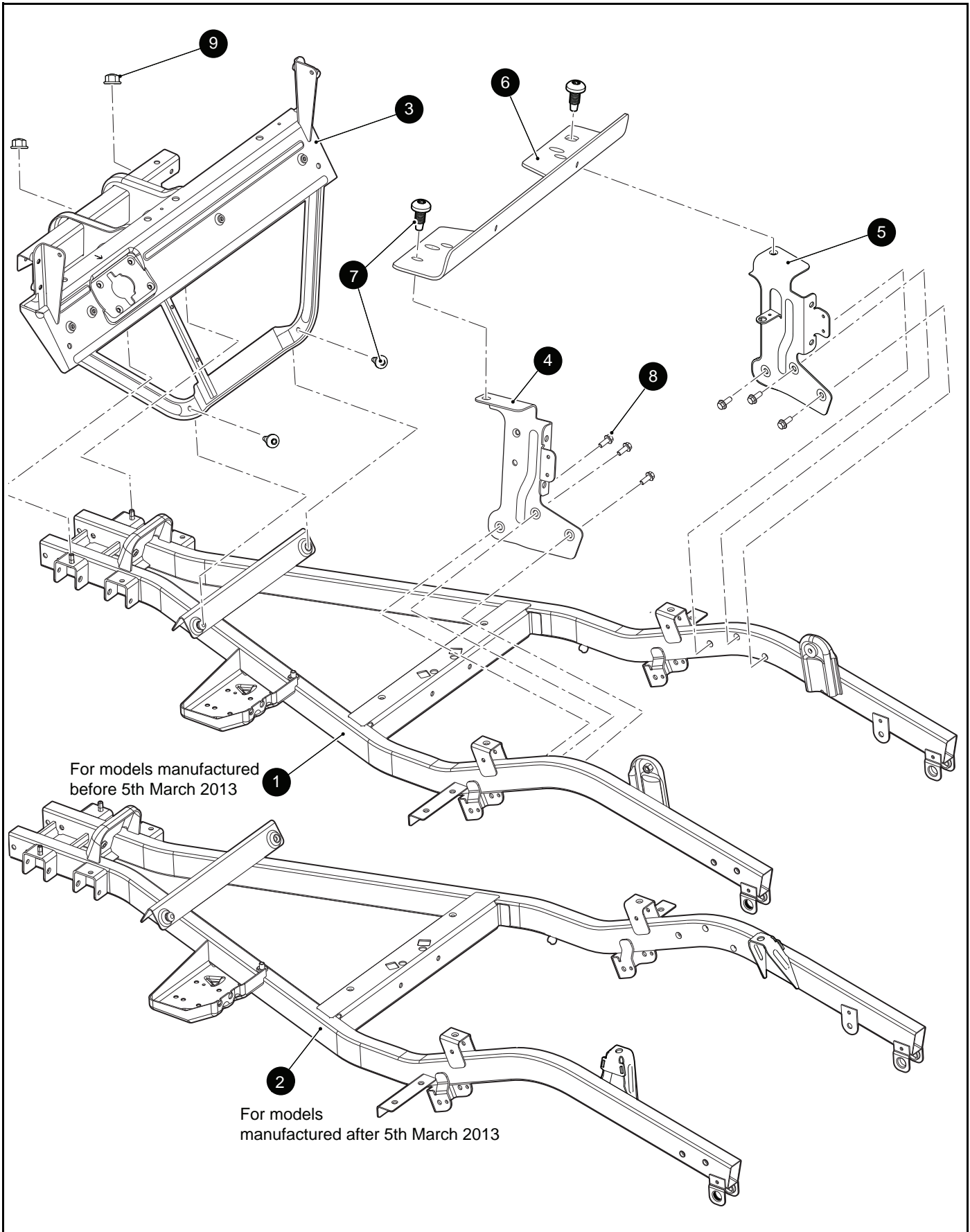
When ordering parts, please specify the model and serial number of the product.

* Indicates a component that is not available as an individual part.

*** Indicates consult Customer Service Department for additional information.

ITEM	PART NO.	1 2 3 4 5	DESCRIPTION	QTY.
1	620942		WHEEL COVER, CHROME SS, 8"	4
2	620943		WHEEL COVER, CHROME E-Z-GO, 8"	4
3	620944		WHEEL COVER, CHROME SILVER E-Z-GO, 8"	4
4	620945		WHEEL COVER, CHROME SILVER SS, 8"	4

FRAME



When ordering parts, please specify the model and serial number of the product.

* Indicates a component that is not available as an individual part.

*** Indicates consult Customer Service Department for additional information.

ITEM	PART NO.	1 2 3 4 5	DESCRIPTION	QTY.
1	612527		FRAME WELDMENT (For models manufactured before 5th March 2013)	1
2	<u>631180</u>		FRAME WELDMENT (For models manufactured after 5th March 2013)	1
3	<u>614597</u>		IP SUPPORT WELDMENT	1
4	<u>600218</u>		SEAT SUPPORT BRACKET (DRIVER SIDE)	1
5	<u>613187</u>		SEAT SUPPORT BRACKET (PASSENGER SIDE).....	1
6	<u>601275</u>		SEAT SUPPORT, BRACE.....	1
7	<u>602572</u>		PAN HEAD TORX BOLT, M10 - 1.5 X 25MM LG	4
8	<u>603799</u>		HEX HEAD FLANGED BOLT , M10 - 1.5 X 23MM LG	6
9	<u>600525</u>		FLANGED HEX NUT, M10 -1.5.....	2



A Textron Company

E-Z-GO Division of Textron Inc.,
1451 Marvin Griffin Road, Augusta, Georgia 30906 - 3852 USA

TO CONTACT US...

North America:

**Technical Assistance & Warranty
Service Parts**

Phone: 1-800-774-3946, FAX: 1-800-448-8124

Phone: 1-888-GET-E-Z-GO (1-888-438-3946), FAX: 1-800-752-6175

International:

Phone: 001-706-798-4311, FAX: 001-706-771-4609

Copyrighted Material
This manual may not be reproduced in whole or
in part without the express permission of
E-Z-GO Division of Textron, Inc.
Technical Communications Department