

28810-G01



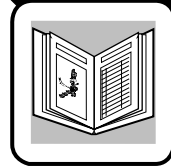
A Textron Company

**CUSHMAN**<sup>®</sup>

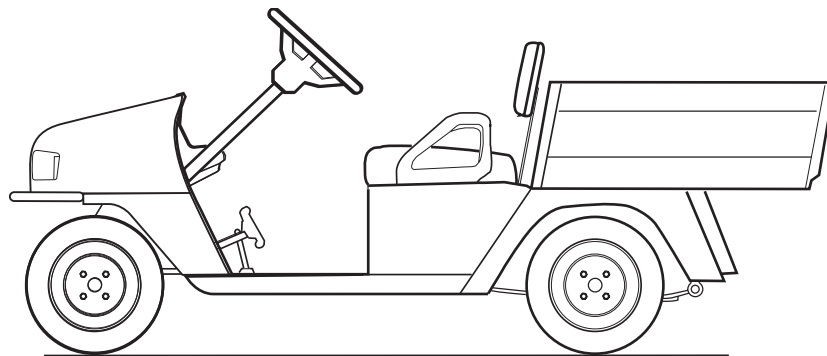
A Textron Company

**JACOBSEN**<sup>®</sup>

A Textron Company



# SERVICE PARTS MANUAL



**ELECTRIC POWERED UTILITY VEHICLE**

STARTING MODEL YEAR: 2004

# SERVICE PARTS MANUAL

## ELECTRIC UTILITY VEHICLES

**MPT™ 800**

**INDUSTRIAL™ 800**

**HAULER™ 800**

**COMMANDER™ 280**

E-Z-GO Division of Textron, Inc. reserves the right to make design changes without obligation to make these changes on units previously sold and the information contained in this manual is subject to change without notice.

E-Z-GO Division of Textron, Inc. is not liable for errors in this manual or for incidental or consequential damages that result from the use of the material in this manual.

**CUSTOMER SERVICE DEPARTMENT IN USA PHONE: 1-800-241-5855 FAX: 1-800-448-8124**

**OUTSIDE USA PHONE: 010-1-706-798-4311 FAX: 010-1-706-771-4609**

**E-Z-GO DIVISION OF TEXTRON, INC., P.O.BOX 388, AUGUSTA, GEORGIA USA 30903-0388**

## **NOTES**

To obtain a copy of the limited warranty applicable to the vehicle, call or write a local Distributor, authorized Branch or the Warranty Department with vehicle serial number and manufacturer code.

The use of non Original Equipment Manufacturer (OEM) parts may void the warranty.

Overfilling of batteries may void the warranty.

### **BATTERY PROLONGED STORAGE**

All batteries will self discharge over time. The rate of self discharge varies depending on the ambient temperature and the age and condition of the batteries.

A fully charged battery will not freeze in winter temperatures unless the temperature falls below -75° F (-60° C).

As with all electric vehicles, the batteries must be checked and recharged as required or at a minimum of 30 day intervals.

# TABLE OF CONTENTS

<b>SECTION</b>	<b>Page No.</b>
HOW TO USE THE SERVICE PARTS MANUAL . . . . .	v
ILLUSTRATED PARTS BREAKDOWN . . . . .	vii
ACCELERATOR . . . . .	A-1
BATTERY CHARGER (ON BOARD) . . . . .	B-1
BATTERY CHARGER (PORTABLE) . . . . .	B-9
BATTERY CHARGER (LESTER - CE) . . . . .	B-17
BODY . . . . .	C-1
BRAKES . . . . .	D-1
BRAKES - FRONT DISC . . . . .	D-9
CAB . . . . .	E-1
DIRECTION SELECTOR . . . . .	F-1
ELECTRIC MOTOR . . . . .	G-1
ELECTRICAL SYSTEM . . . . .	H-1
ELECTRONIC SPEED CONTROL . . . . .	J-1
FRONT SUSPENSION / STEERING . . . . .	K-1
REAR AXLE . . . . .	L-1
REAR SUSPENSION . . . . .	M-1
SEATING . . . . .	N-1
TRUCK BED, MANUAL LIFT . . . . .	Q-1
TRUCK BED, ELECTRIC LIFT . . . . .	Q-9
WEATHER PROTECTION . . . . .	R-1
WHEELS AND TIRES . . . . .	S-1
SPECIALTY PRODUCTS . . . . .	APPENDIX A-1
OPTIONS/ACCESSORIES . . . . .	APPENDIX B-1



# HOW TO USE THE SERVICE PARTS MANUAL

This manual is divided into several sections:

## GENERAL INFORMATION

- TABLE OF CONTENTS
- HOW TO USE THE SERVICE PARTS MANUAL

## ILLUSTRATED PARTS BREAKDOWN

- Contains illustrations and parts lists for all systems of the vehicle

## APPENDIX

- Contains a listing of specialty products and options/accessories

## INDEX OF MAJOR COMPONENTS

- Contains a listing of parts (excluding hardware) grouped by part number and description and indicates on which page(s) they can be found

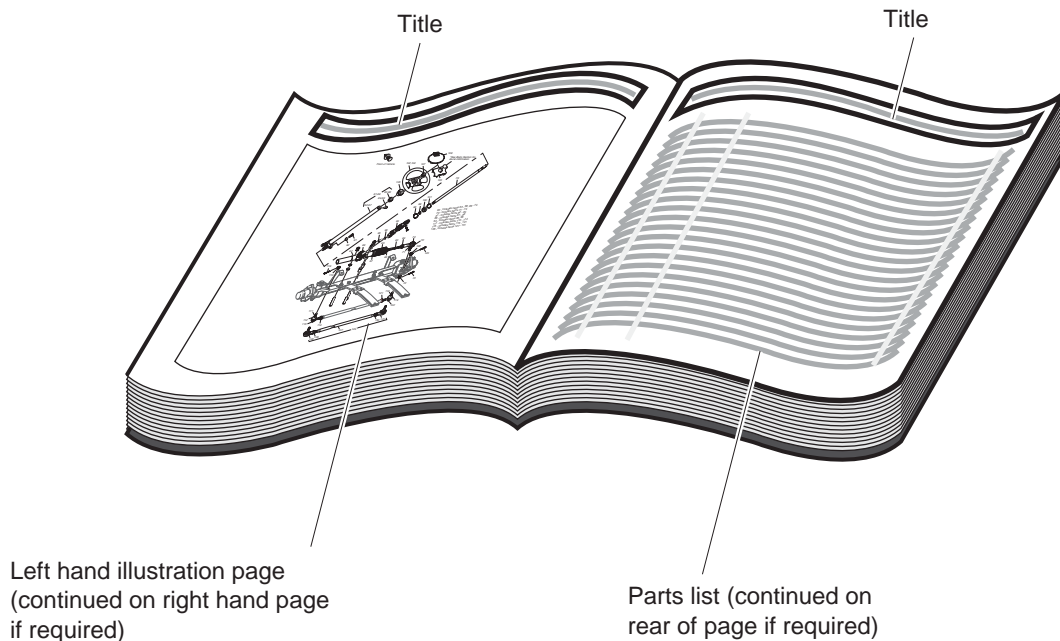
## USE OF THE MANUAL

To use this manual, consult the TABLE OF CONTENTS (page iii) or the INDEX OF MAJOR COMPONENTS (located at rear of this manual) to locate the information or illustration required.

Introduction of some revisions varies due to supply of components; therefore, it is possible that various combinations of components may be found that are not directly reflected by each illustration. Consult the illustration that best suits your situation. Locate the serial number plate (see BODY located in the Illustrated Parts Breakdown section of this manual for its location) and note the complete number shown on the plate. It is important that the serial number of your vehicle and its model number be supplied to Service Parts when ordering any replacement components.

Locate the serial number plate (see BODY located in the Illustrated Parts Breakdown section of this manual for its location) and note the complete number shown on the plate.

# HOW TO USE THE SERVICE PARTS MANUAL



## 1. WHEN THE PART NUMBER IS NOT KNOWN

- Determine the function and application of the part required. Turn to the INDEX OF MAJOR COMPONENTS and select the most appropriate component description.
- Turn to the page number indicated and locate the part description in the parts list. Read the full accompanying description for specific information regarding the part that was not shown in the index.
- From the parts list, obtain the item number assigned to it and confirm that the part selected is correct by verifying it with the pictorial representation on the illustrated page.

## 2. IF YOU KNOW THE PART NUMBER

- Use the INDEX OF MAJOR COMPONENTS to find the page(s) the part number appears on.
- Turn to the page number indicated and locate the part number in the parts list. Refer to the accompanying description for specific information regarding the part.
- From the parts list, obtain the item number assigned to it and confirm that the part selected is correct by verifying it with the pictorial representation on the illustrated page.

Should an asterisk (\*) appear in the part number column on the parts list page, read upwards until a part number is found. The part number is the lowest assembly sold by Service Parts. The asterisk (\*) indicates that the part depicted is not available for purchase.

NOTE: Descriptions are indented under the assembly that they are used on. That assembly is, in turn listed under the assembly that it is used on. This process is repeated until the highest final assembly is reached.

**To facilitate the maintenance and repair of the vehicle, a Technician's Repair and Service Manual is available from the Service Parts Department.**

# **ILLUSTRATED PARTS BREAKDOWN**

# **ILLUSTRATED PARTS BREAKDOWN**

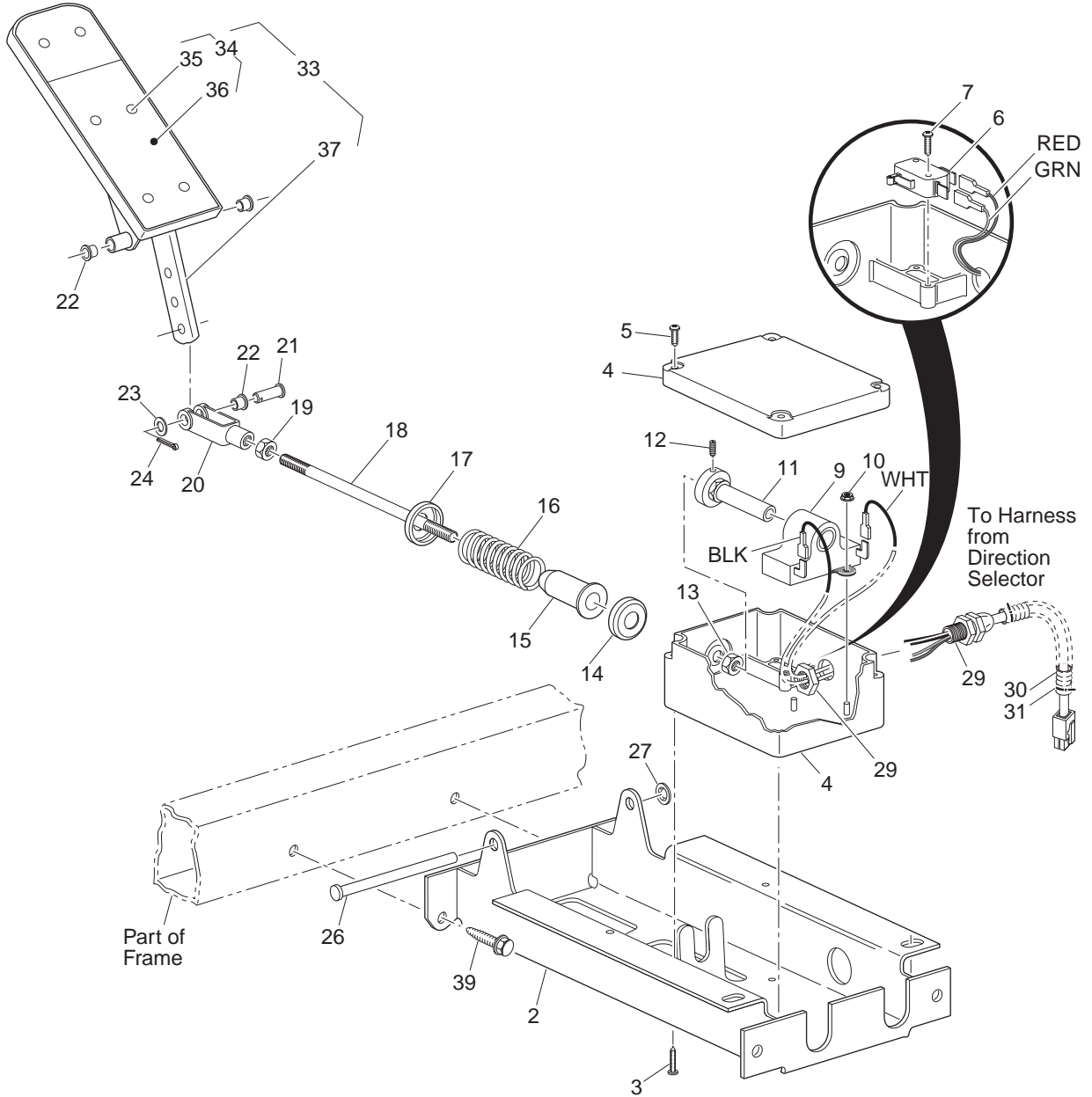


# **HOW TO USE THE SERVICE PARTS MANUAL**



# ACCELERATOR

1 - Includes Items 2 - 37



Ref Acl 3-1

# ACCELERATOR

When ordering parts, please specify the model and serial number of the product.

\* Indicates a component that is not available as an individual part.

G\*\* Indicates consult Customer Service Department for additional information.

ITEM	PART NO.	1 2 3 4 5	DESCRIPTION	QTY.
1	<u>73333-G09</u>		PEDAL BOX ASSEMBLY (INCLUDES ITEMS 2 - 37) .....	1
2	70116-G02		ACCELERATOR PEDAL BRACKET.....	1
3	00984-G02		SCREW, #8 - 10 X 1/2" LG. ....	4
4	<u>25853-G01</u>		PEDAL BOX AND COVER .....	1
5	<u>00684-G6</u>		SCREW, #8 - 32 X 3/4" LG (STAINLESS STEEL).....	4
6	<u>25861-G01</u>		MICRO SWITCH.....	1
7	00982-G01		SCREW, #4 - 14 X 5/8" LG .....	2
8				
9	<u>25854-G01</u>		INDUCTIVE THROTTLE SENSOR .....	1
10	<u>00983-G01</u>		SELF THREADING NUT, 3/16" .....	2
11	<u>26551-G01</u>		PLUNGER.....	1
12	<u>00486-G2</u>		SETSCREW, #8 - 32 X 1/4" LG. ....	1
13	<u>00550-G2</u>		LOCK NUT, 1/4 - 28 .....	1
14	<u>17677-G1</u>		SPRING RETAINER, 1/2" .....	1
15	<u>17979-G1</u>		BUSHING.....	1
16	<u>73046-G01</u>		COMPRESSION SPRING .....	1
17	<u>17677-G2</u>		SPRING RETAINER, 3/8" .....	1
18	<u>73332-G01</u>		ACCELERATOR ROD .....	1
19	<u>00532-G4</u>		NUT, 5/16 - 24.....	1
20	10385-G4		CLEVIS YOKE (ADJUSTABLE).....	1
21	<u>10386-G3</u>		CLEVIS PIN, 5/16" X 13/16" LG .....	1
22	<u>17838-G1</u>		NYLON BUSHING .....	3
23	<u>17255-G1</u>		TEFLON WASHER, 5/16" .....	1
24	<u>10387-G3</u>		COTTER PIN, 3/32" X 3/4" LG .....	1
25				
26	70134-G01		PEDAL PIVOT PIN .....	1
27	<u>00986-G01</u>		PUSH NUT, 5/16".....	1
28				
29	<u>25879-G03</u>		WIRING HARNESS (PEDAL BOX ASSEMBLY) .....	1
30	<u>17313-G1</u>		LOOM FLEX, 3/8" X 6" LG (BULK).....	1

# ACCELERATOR

When ordering parts, please specify the model and serial number of the product.

\* Indicates a component that is not available as an individual part.

G\*\* Indicates consult Customer Service Department for additional information.

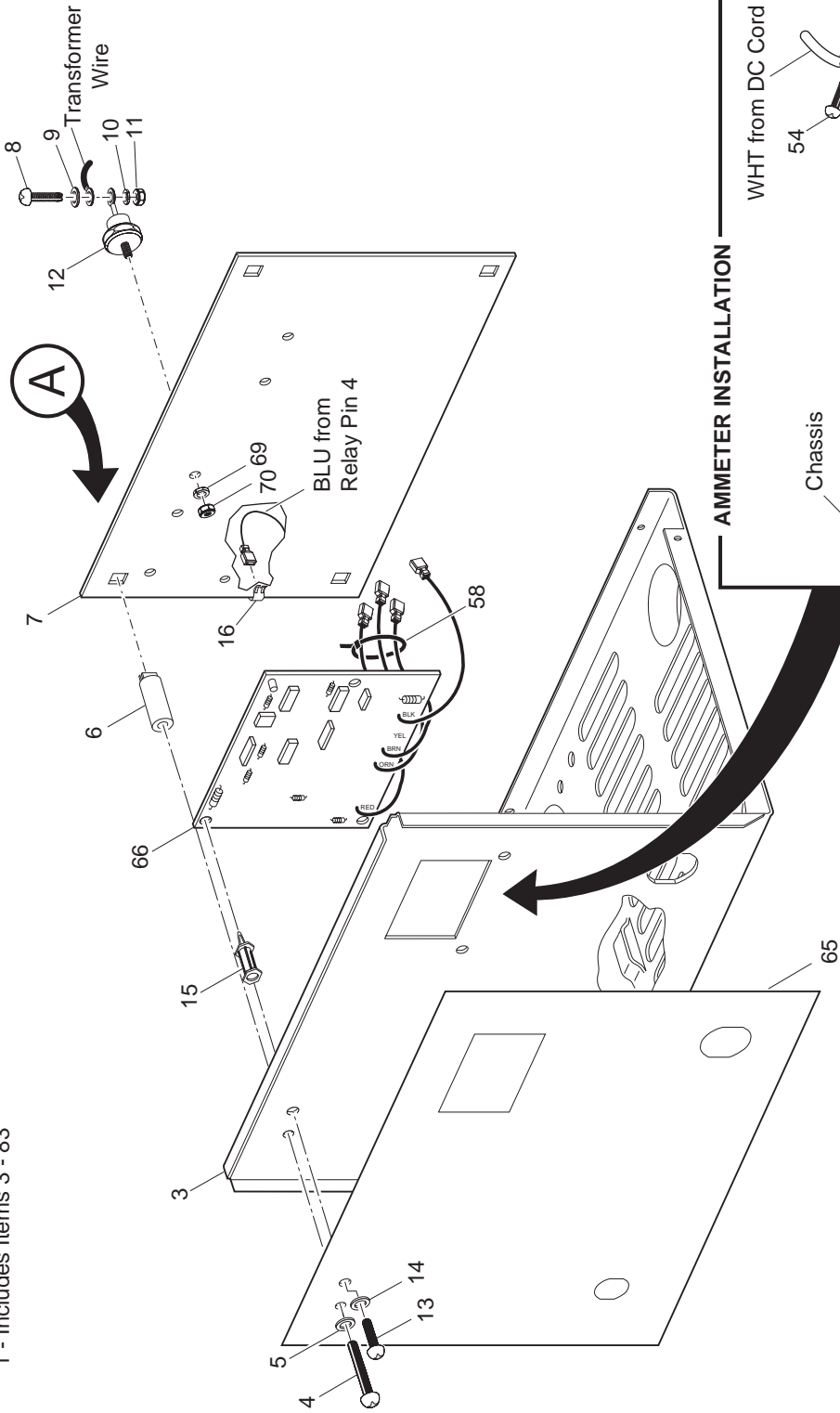
ITEM	PART NO.	1	2	3	4	5	DESCRIPTION	QTY.
31	<u>17618-G1</u>						WIRE TIE .....	2
32								
33	25799-G01						ACCELERATOR PEDAL ASSEMBLY (INCLUDES ITEMS 34 - 37).....	1
34	<u>27844-G01</u>						ACCELERATOR PEDAL PAD KIT (INCLUDES ITEMS 35 - 36).....	1
35	<u>15766-G1</u>						OVAL RIVET, 3/16" X 7/16" LG.....	6
36	<u>27512-G01</u>						ACCELERATOR PEDAL PAD .....	1
37	*						ACCELERATOR PEDAL .....	1
38								
39	<u>00715-G2</u>						BOLT, 5/16 - 18 X 4/5" LG .....	4



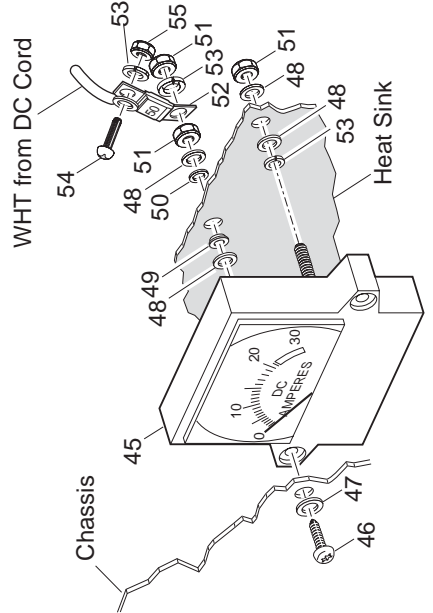
# BATTERY CHARGER, ON BOARD

1 - Includes Items 3 - 83

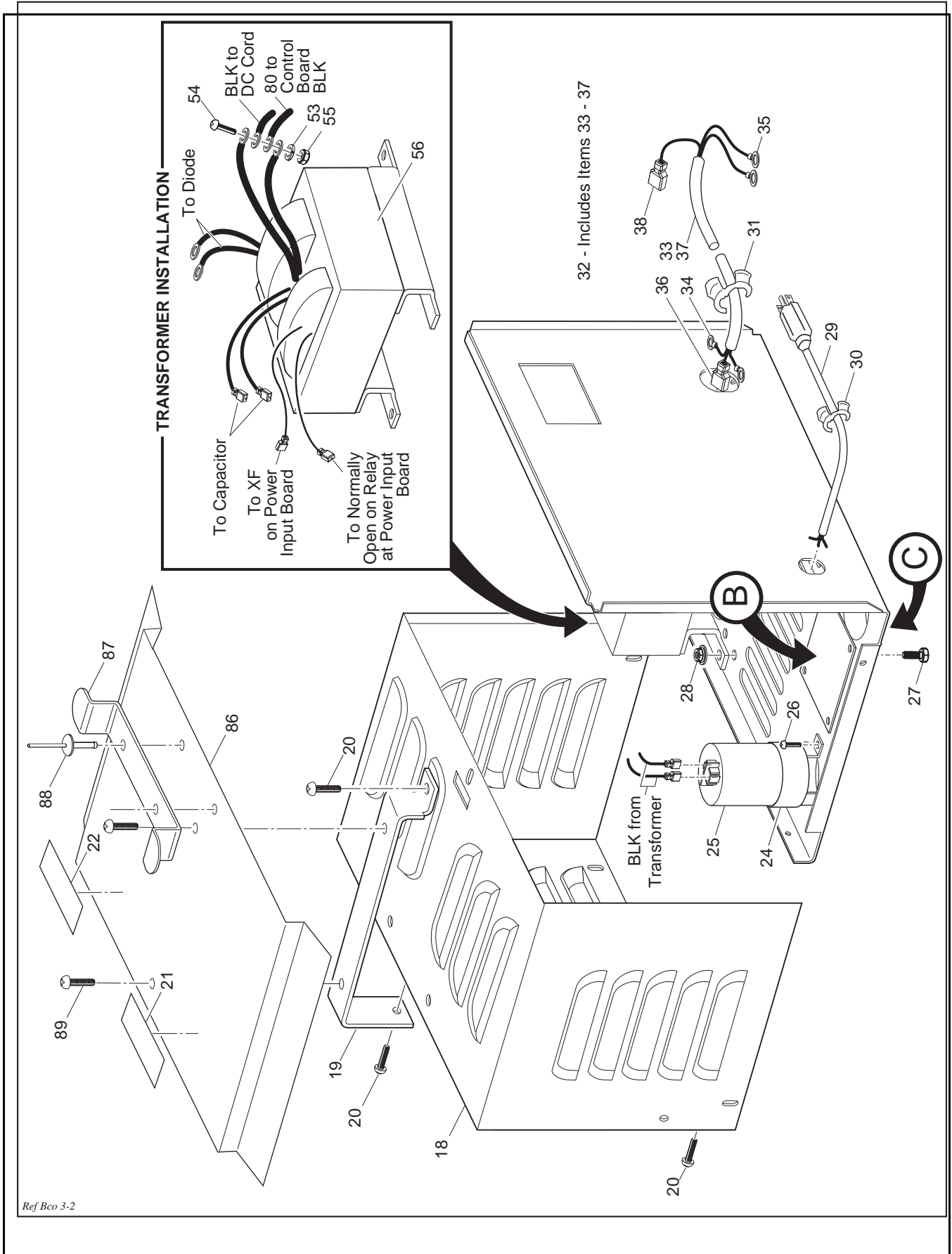
Ref Bco 3-1



## AMMETER INSTALLATION



# BATTERY CHARGER, ON BOARD

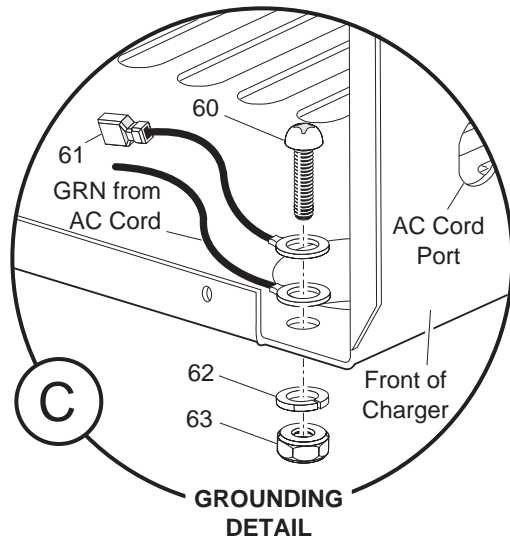
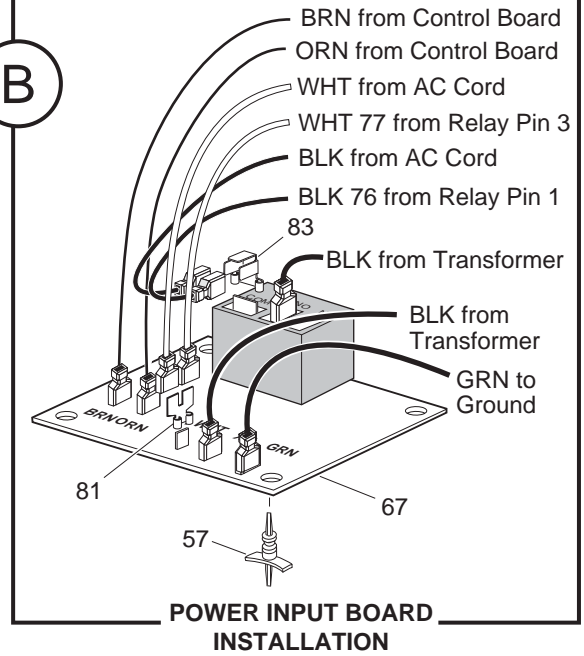
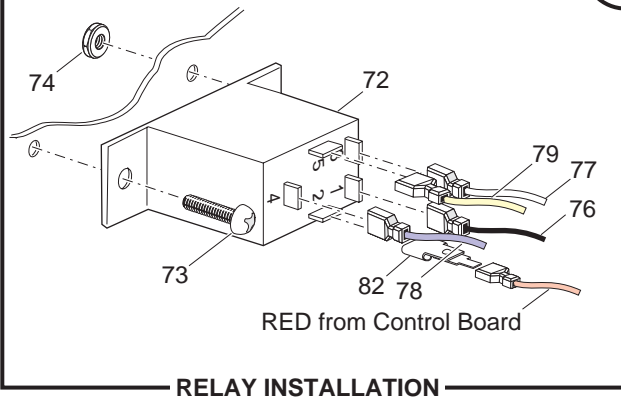


Ref Bco 3-2



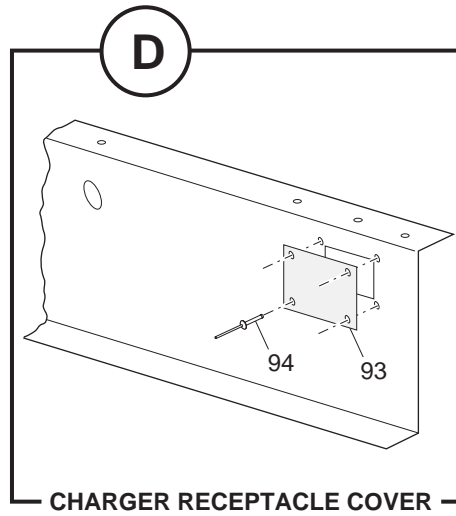
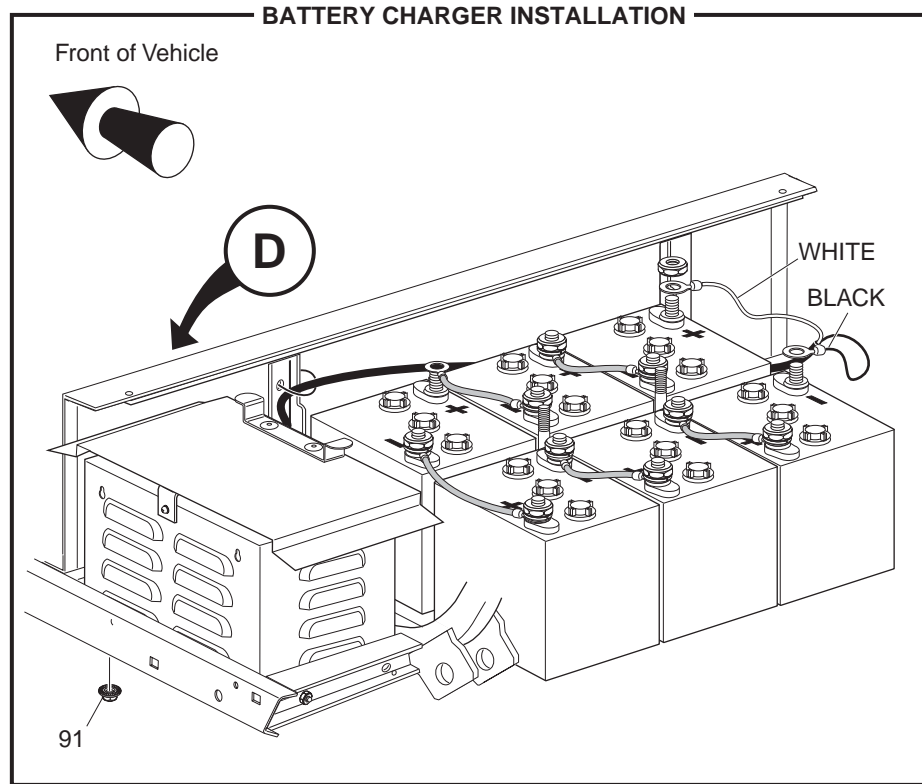
# BATTERY CHARGER, ON BOARD

- Pin 1 - Wire 76 to Input Board "COM"
- Pin 2 - Tab Adapter 82, RED wire from Control Board
- Pin 3 - Wire 77 to Input Board "WHT"
- Pin 4 - Wire 78 to Heat Sink Clip
- Pin 5 - Wire 79 to DC Cord RED Wire



Ref Bco 3-3

# BATTERY CHARGER, ON BOARD



Ref Bco 3-4

# BATTERY CHARGER, ON BOARD

THE USE OF NON U.L. PARTS WILL VOID ANY U.L. LISTING.

When ordering parts, please specify the model and serial number of the product.

\* Indicates a component that is not available as an individual part.

G\*\* Indicates consult Customer Service Department for additional information.

ITEM	PART NO.	1	2	3	4	5	DESCRIPTION	QTY.
1	28115-G06						POWERWISE™ CHARGER (ON BOARD) (INCLUDES ITEMS 3 - 83).....	1
2								
3	*						CHASSIS .....	1
4	<u>00513-G6</u>						SCREW, #8 - 18 X 1 3/4" LG .....	2
5	<u>00559-G4</u>						WASHER, #8 .....	2
6	<u>11572-G3</u>						EXPANSION NUT .....	2
7	<u>28104-G01</u>						HEAT SINK .....	1
8	<u>00138-G3</u>						SCREW, #6 - 32 X 3/8" LG .....	2
9	<u>00559-G3</u>						WASHER, #6 .....	2
10	<u>00567-G3</u>						LOCK WASHER, #6 .....	2
11	<u>00525-G5</u>						NUT, #6 - 32.....	2
12	18488-G1						DIODE.....	2
13	<u>01005-G01</u>						SCREW, #6 - 19 X 5/16" LG .....	3
14	<u>00559-G3</u>						WASHER, #6 .....	3
15	<u>28111-G01</u>						SUPPORT SPACER .....	3
16	<u>28110-G01</u>						ELECTRICAL CLIP.....	1
17								
18	*						COVER .....	1
19	<u>28102-G01</u>						HANDLE .....	1
20	<u>00614-G4</u>						SCREW, #8 - 18 X 1/2" LG .....	6
21	<u>28136-G01</u>						LABEL (VENTILATION) .....	1
22	<u>28136-G02</u>						LABEL (CORD CONDITION).....	1
23								
24	<u>26979-G01</u>						CAPACITOR BRACKET .....	1
25	<u>28109-G01</u>						CAPACITOR .....	1
26	<u>00969-G01</u>						SCREW, #8 - 32 X 3/8" LG .....	3
27	<u>00414-G5</u>						BOLT, 1/4 - 20 X 5/8" LG .....	3
28	<u>11027-G2</u>						LOCK NUT, 1/4 - 20.....	3
29	<u>19388-G5</u>						AC CORD .....	1
30	<u>13557-G2</u>						STRAIN RELIEF (AC).....	1

# BATTERY CHARGER, ON BOARD

THE USE OF NON U.L. PARTS WILL VOID ANY U.L. LISTING.

When ordering parts, please specify the model and serial number of the product.

\* Indicates a component that is not available as an individual part.

G\*\* Indicates consult Customer Service Department for additional information.

ITEM	PART NO.	1	2	3	4	5	DESCRIPTION	QTY.
31	<u>13557-G3</u>						STRAIN RELIEF (DC).....	1
32	<u>73331-G06</u>						DC CORD ASSEMBLY (INCLUDES ITEMS 33 - 37) .....	1
33	28108-G01						DC CORD.....	1
34	<u>11343-G3</u>						RING TERMINAL, 3/16" .....	2
35	11343-G1						RING TERMINAL, 5/16" .....	2
36	<u>17064-G1</u>						FEMALE TERMINAL.....	2
37	22476-G1						HEAT SHRINK TUBING .....	A/R
38								
39								
40	<u>22009-G1</u>						ISOLATION MOUNT .....	4
41	<u>01110-G01</u>						WASHER, 1/4" (STAINLESS STEEL).....	4
42	<u>00664-G7</u>						LOCK WASHER, 1/4" (STAINLESS STEEL).....	4
43	<u>00532-G1</u>						NUT, 1/4 - 20.....	4
44								
45	<u>28105-G01</u>						AMMETER .....	1
46	00984-G01						SCREW, #8 - 10 X 1/2" LG. ....	2
47	<u>00559-G4</u>						WASHER, #8 .....	2
48	<u>01003-G01</u>						BRASS WASHER, #10 .....	4
49	<u>22589-G2</u>						SHOULDER WASHER, #10 .....	1
50	<u>00771-G6</u>						NYLON WASHER, 3/8".....	1
51	00528-G4						NUT, #10 - 32 (BRASS) .....	3
52	<u>28106-G01</u>						50 AMP FUSE.....	1
53	<u>00565-G5</u>						LOCK WASHER, #10 .....	4
54	<u>00378-G4</u>						SCREW, #10 - 24 X 1/2" LG. ....	2
55	<u>00526-G3</u>						NUT, #10 - 24.....	2
56	<u>28103-G01</u>						TRANSFORMER .....	1
57	<u>27877-G01</u>						SPACER SUPPORT .....	4
58	<u>17618-G1</u>						WIRE TIE .....	3
59								
60	<u>00372-G3</u>						SCREW, #8 - 32 X 3/8" LG. ....	1

# BATTERY CHARGER, ON BOARD

THE USE OF NON U.L. PARTS WILL VOID ANY U.L. LISTING.

When ordering parts, please specify the model and serial number of the product.

\* Indicates a component that is not available as an individual part.

G\*\* Indicates consult Customer Service Department for additional information.

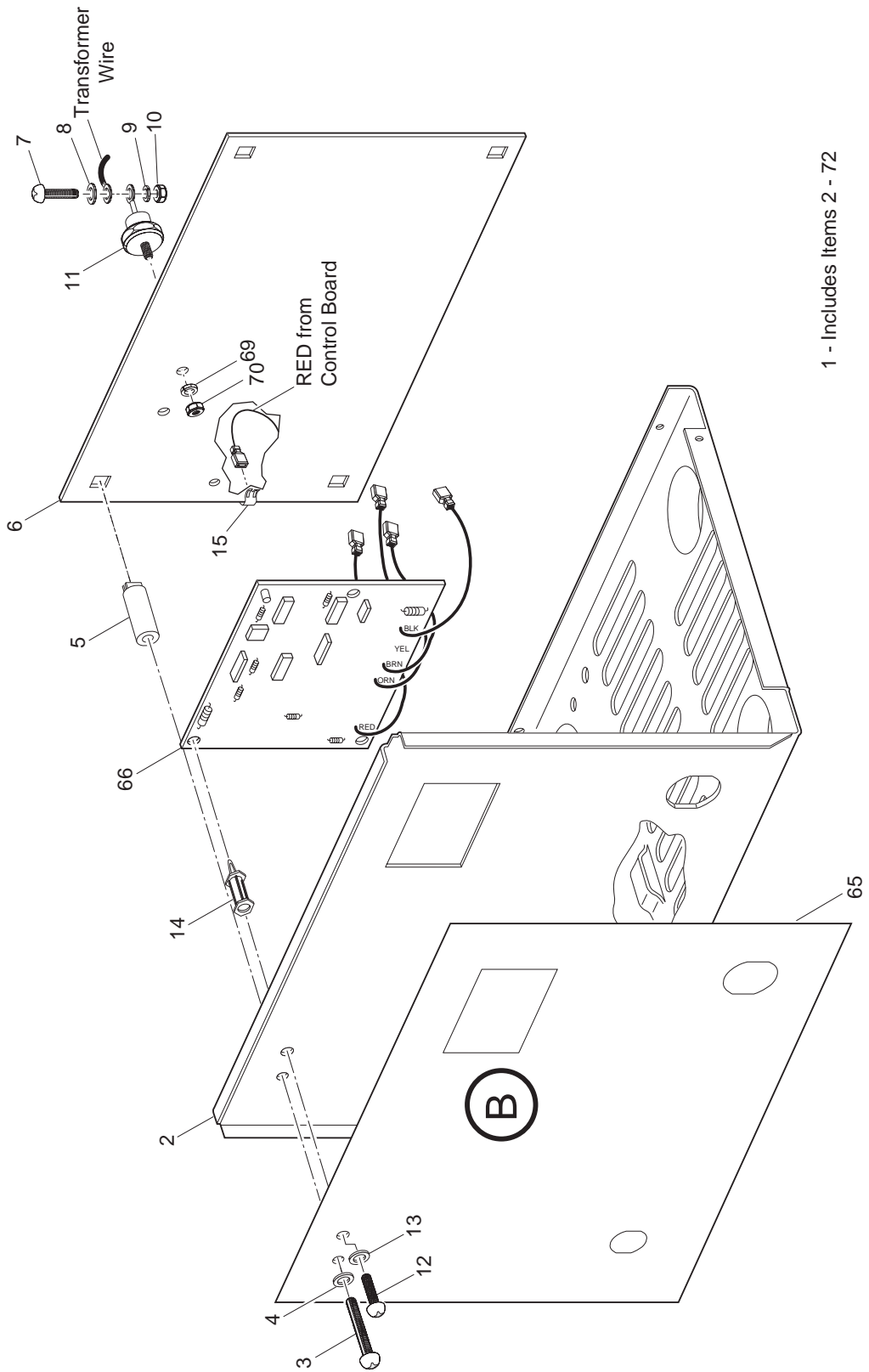
ITEM	PART NO.	1	2	3	4	5	DESCRIPTION	QTY.
61	<u>25977-G32</u>						16 GA WIRE (GREEN 4").....	1
62	<u>00565-G4</u>						LOCK WASHER, #8 .....	1
63	<u>00526-G1</u>						NUT, #8 - 32.....	1
64								
65	*						LABEL (POWERWISE™) .....	1
66	28126-G01						CONTROL BOARD.....	1
67	28126-G03						POWER INPUT BOARD.....	1
68								
69	<u>00664-G7</u>						LOCK WASHER, 1/4" (STAINLESS STEEL).....	2
70	<u>00532-G2</u>						NUT, 1/4 - 28.....	2
71								
72	<u>21971-G4</u>						RELAY .....	1
73	<u>00138-G4</u>						SCREW, #6 - 32 X 1/2" LG .....	2
74	<u>14390-G9</u>						LOCK NUT, #6 - 32 .....	2
75								
76	25977-G38						16 GA WIRE (BLACK 4") (from Relay 1 to Power Input Board "COM") .....	1
77	25977-G37						16 GA WIRE (WHITE 5") (from Relay 3 to Power Input Board "WHT").....	1
78	25978-G161						18 GA WIRE (BLUE 6") (from Relay 4 to Heat Sink clip).....	1
79	25978-G162						18 GA WIRE (YELLOW 6") (from Relay 5 to DC Cord "RED").....	1
80	25978-G163						18 GA WIRE (BLACK 7") (from Transformer S2/S3 to Control Module "Black") .....	1
81	<u>17902-G1</u>						TAB ADAPTER (on Power Input Board "WHT" w/ 77 & AC Cord WHT) .....	1
82	<u>28305-G01</u>						TERMINAL ADAPTER (on Relay 2 w/ Control Board RED).....	1
83	<u>27285-G01</u>						TERMINAL ADAPTER (on Relay "COM" w/ 76 & AC Cord BLK).....	1
84								
85	<u>71968-G01</u>						SHIELD ASSEMBLY (INCLUDES ITEMS 86 - 88).....	1
86	71967-G01						SHIELD .....	1
87	22045-G01						CORD HOLDER .....	1
88	10570-G01						RIVET,.....	2
89	<u>00106-G6</u>						SCREW, #12 - 24 X 3/4" LG. ....	2

# BATTERY CHARGER, ON BOARD

THE USE OF NON U.L. PARTS WILL VOID ANY U.L. LISTING.  
 When ordering parts, please specify the model and serial number of the product.  
 \* Indicates a component that is not available as an individual part.  
 G\*\* Indicates consult Customer Service Department for additional information.

ITEM	PART NO.	1	2	3	4	5	DESCRIPTION	QTY.
90								
91	<u>11027-G2</u>						LOCK NUT, 1/4 - 20 .....	4
92								
93	73173-G01						COVER PLATE .....	1
94	<u>14601-G10</u>						RIVET, 3/16" X 7/16" LG (ALUMINUM) .....	4

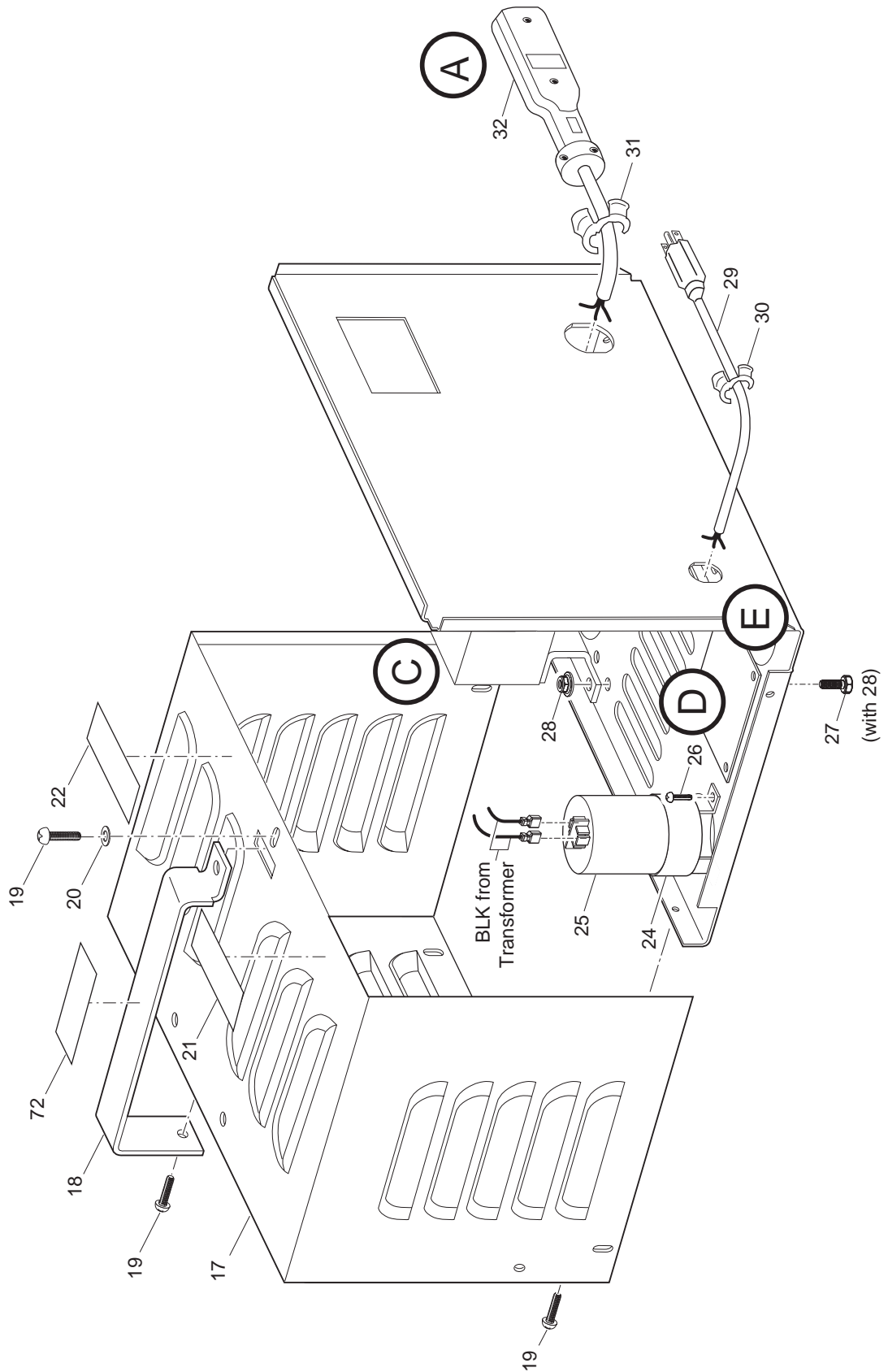
# BATTERY CHARGER, PORTABLE



1 - Includes Items 2 - 72

Ref Bcp 3-1

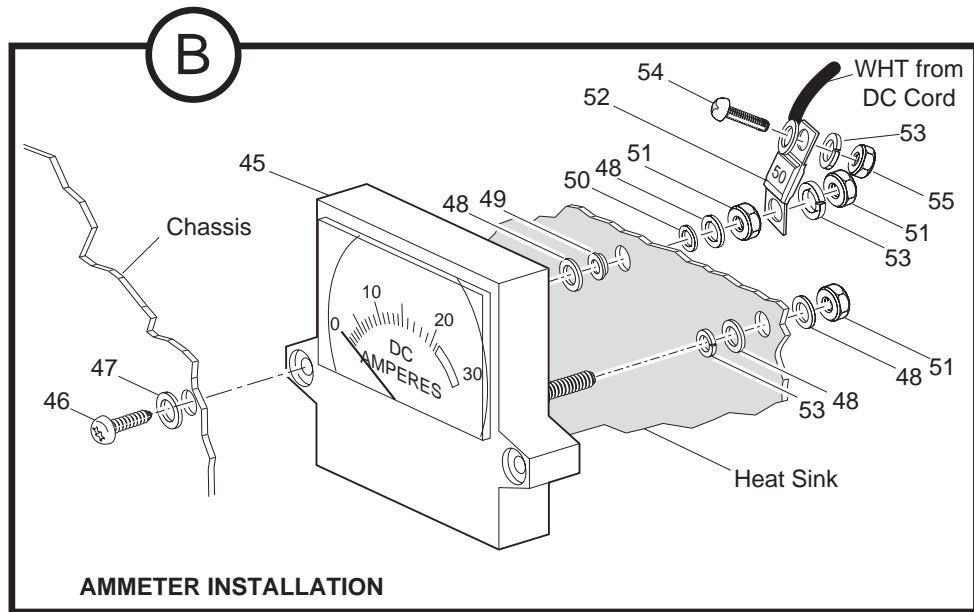
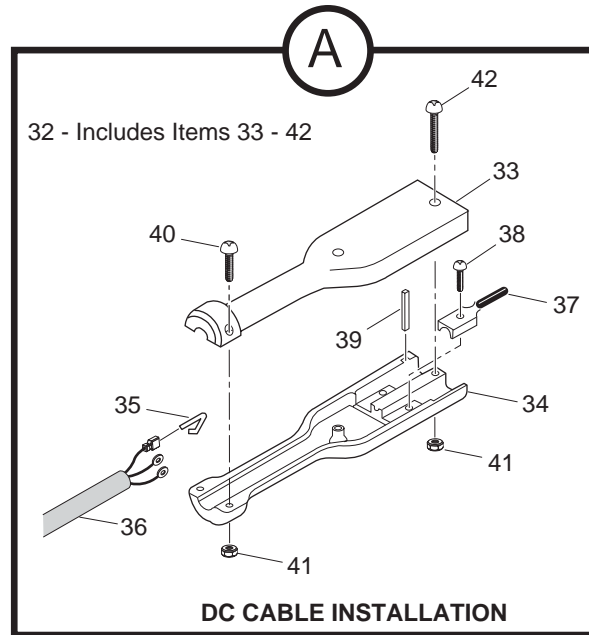
# BATTERY CHARGER, PORTABLE



Ref Bcp 3-2

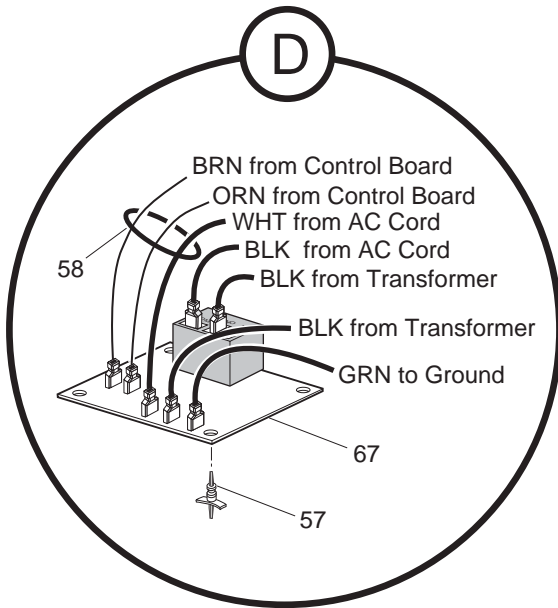
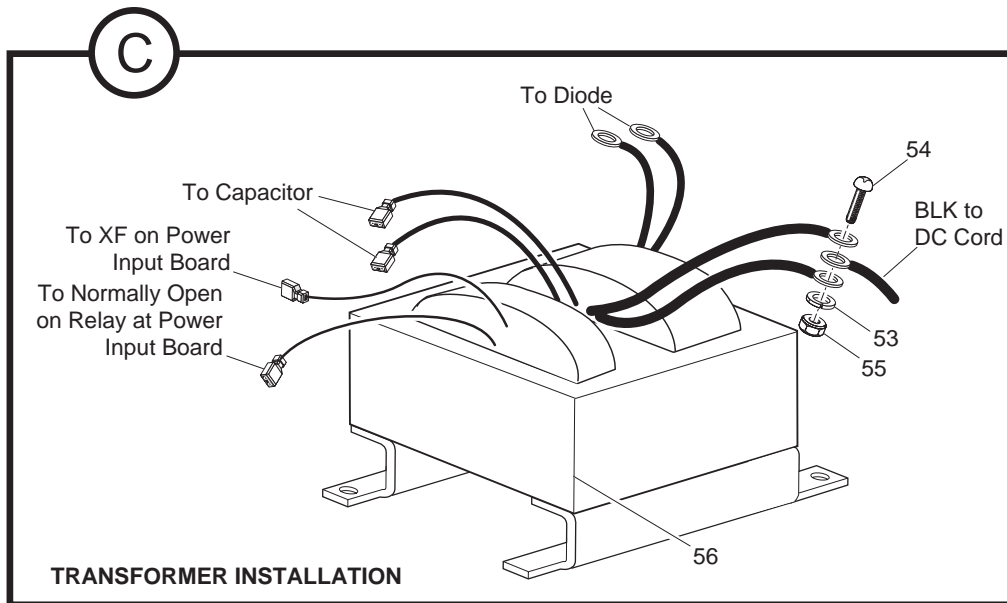


# BATTERY CHARGER, PORTABLE

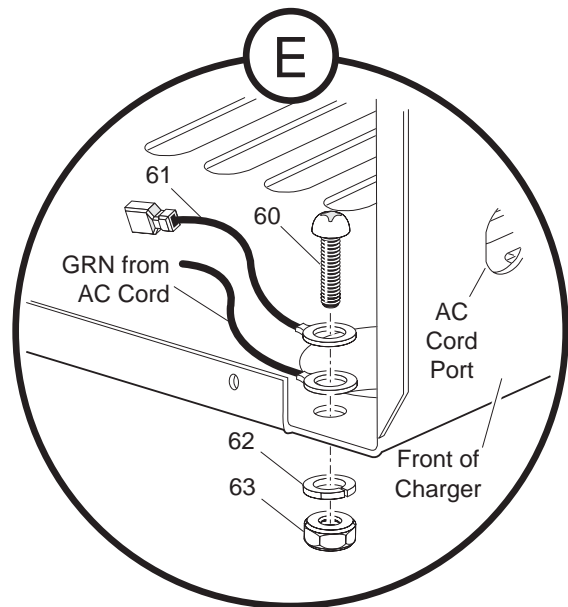


Ref Bcp 3-3

# BATTERY CHARGER, PORTABLE



**POWER INPUT BOARD  
INSTALLATION**



**GROUNDING  
DETAIL**

Ref Bcp 3-4

# BATTERY CHARGER, PORTABLE

THE USE OF NON U.L. PARTS WILL VOID ANY U.L. LISTING.

When ordering parts, please specify the model and serial number of the product.

\* Indicates a component that is not available as an individual part.

G\*\* Indicates consult Customer Service Department for additional information.

ITEM	PART NO.	1	2	3	4	5	DESCRIPTION	QTY.
1	28115-G04						POWERWISE™ CHARGER (INCLUDES ITEMS 2 - 72) .....	1
2	*						CHASSIS .....	1
3	<u>00513-G6</u>						SCREW, #8 - 18 X 1 3/4" LG. ....	2
4	<u>00559-G4</u>						WASHER, #8 .....	2
5	<u>11572-G3</u>						EXPANSION NUT .....	2
6	<u>28104-G01</u>						HEAT SINK .....	1
7	<u>00138-G3</u>						SCREW, #6 - 32 X 3/8" LG. ....	2
8	<u>00559-G3</u>						WASHER, #6 .....	2
9	00567-G3						LOCK WASHER, #6 .....	2
10	<u>00525-G5</u>						NUT, #6 - 32.....	2
11	18488-G1						DIODE.....	2
12	<u>01005-G01</u>						SCREW, #6 - 19 X 5/16" LG. ....	3
13	<u>00559-G3</u>						WASHER, #6 .....	3
14	<u>28111-G01</u>						SUPPORT SPACER .....	3
15	<u>28110-G01</u>						ELECTRICAL CLIP .....	1
16								
17	*						COVER .....	1
18	<u>28102-G01</u>						HANDLE .....	1
19	<u>00614-G4</u>						SCREW, #8 - 18 X 1/2" LG. ....	6
20	<u>00559-G4</u>						WASHER, #8 .....	1
21	<u>28136-G01</u>						LABEL (VENTILATION) .....	1
22	<u>28136-G02</u>						LABEL (DC CORD CONDITION) .....	1
23								
24	<u>26979-G01</u>						CAPACITOR BRACKET .....	1
25	<u>28109-G01</u>						CAPACITOR .....	1
26	<u>00969-G01</u>						SCREW, #8 - 32 X 3/8" LG. ....	3
27	<u>00414-G5</u>						BOLT, 1/4 - 20 X 5/8" LG. ....	3
28	<u>11027-G2</u>						LOCK NUT, 1/4 - 20.....	3
29	<u>19388-G4</u>						AC CORD .....	1
30	<u>13557-G2</u>						STRAIN RELIEF (AC).....	1

# BATTERY CHARGER, PORTABLE

THE USE OF NON U.L. PARTS WILL VOID ANY U.L. LISTING.

When ordering parts, please specify the model and serial number of the product.

\* Indicates a component that is not available as an individual part.

G\*\* Indicates consult Customer Service Department for additional information.

ITEM	PART NO.	1	2	3	4	5	DESCRIPTION	QTY.
31	<u>13557-G3</u>						STRAIN RELIEF (DC).....	1
32	28137-G01						DC CORD AND HANDLE ASSEMBLY (INCLUDES ITEMS 33 - 42) .....	1
33	<u>73051-G11</u>						PLUG (TOP HALF).....	1
34	<u>73051-G12</u>						PLUG (BOTTOM HALF).....	1
35	<u>73051-G27</u>						AUXILIARY CONTACT.....	1
36	73331-G01						DC CORD.....	1
37	<u>73051-G14</u>						MALE PIN.....	2
38	<u>73051-G08</u>						SCREW, #10 - 32 X 1/2" LG (BRASS) .....	2
39	<u>73051-G15</u>						MAGNET .....	1
40	<u>73051-G16</u>						SCREW, #6 - 32 X 1/2" LG (STAINLESS STEEL) .....	2
41	<u>73051-G10</u>						LOCK NUT, #6 - 32 .....	4
42	<u>73051-G17</u>						SCREW, #6 - 32 X 1" LG (STAINLESS STEEL) .....	2
43								
44								
45	<u>28105-G01</u>						AMMETER.....	1
46	00984-G01						SCREW, #8 - 10 X 1/2" LG. ....	2
47	<u>00559-G4</u>						WASHER, #8 .....	2
48	<u>01003-G01</u>						BRASS WASHER, #10 .....	4
49	<u>22589-G2</u>						SHOULDER WASHER, #10 .....	1
50	<u>00771-G6</u>						NYLON WASHER, 3/8".....	1
51	00528-G4						NUT, #10 - 32 (BRASS) .....	3
52	<u>28106-G01</u>						50 AMP FUSE.....	1
53	<u>00565-G5</u>						LOCK WASHER, #10 .....	4
54	<u>00378-G4</u>						SCREW, #10 - 24 X 1/2" LG. ....	2
55	<u>00526-G3</u>						NUT, #10 - 24.....	2
56	<u>28103-G01</u>						TRANSFORMER .....	1
57	<u>27877-G01</u>						SPACER SUPPORT .....	4
58	<u>17618-G1</u>						WIRE TIE .....	2
59								
60	<u>00372-G3</u>						SCREW, #8 - 32 X 3/8" LG. ....	1

# BATTERY CHARGER, PORTABLE

THE USE OF NON U.L. PARTS WILL VOID ANY U.L. LISTING.

When ordering parts, please specify the model and serial number of the product.

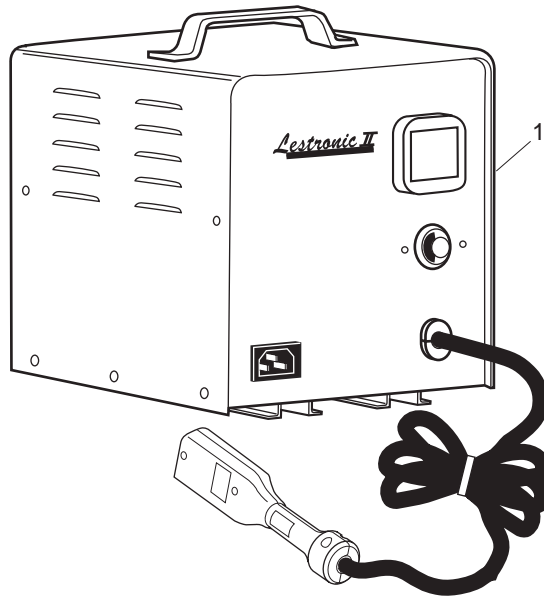
\* Indicates a component that is not available as an individual part.

G\*\* Indicates consult Customer Service Department for additional information.

ITEM	PART NO.	1	2	3	4	5	DESCRIPTION	QTY.
61	<u>25977-G32</u>						16 GA WIRE (GREEN 4" LG) .....	1
62	<u>00565-G4</u>						LOCK WASHER, #8 .....	1
63	<u>00526-G1</u>						NUT, #8 - 32.....	1
64								
65	*						LABEL (POWERWISE™) .....	1
66	28126-G01						CONTROL BOARD (POWERWISE™).....	1
67	28126-G03						POWER INPUT BOARD (POWERWISE™) .....	1
68								
69	<u>00664-G7</u>						LOCK WASHER, 1/4" (STAINLESS STEEL).....	2
70	<u>00532-G2</u>						NUT, 1/4 - 28.....	2
71								
72	71785-G01						LABEL (REMOVE BATTERY) .....	1

# BATTERY CHARGER, PORTABLE

# BATTERY CHARGER, LESTER



Ref Bcl 3-1

# BATTERY CHARGER, LESTER

THE USE OF NON U.L. PARTS WILL VOID ANY U.L. LISTING.

When ordering parts, please specify the model and serial number of the product.

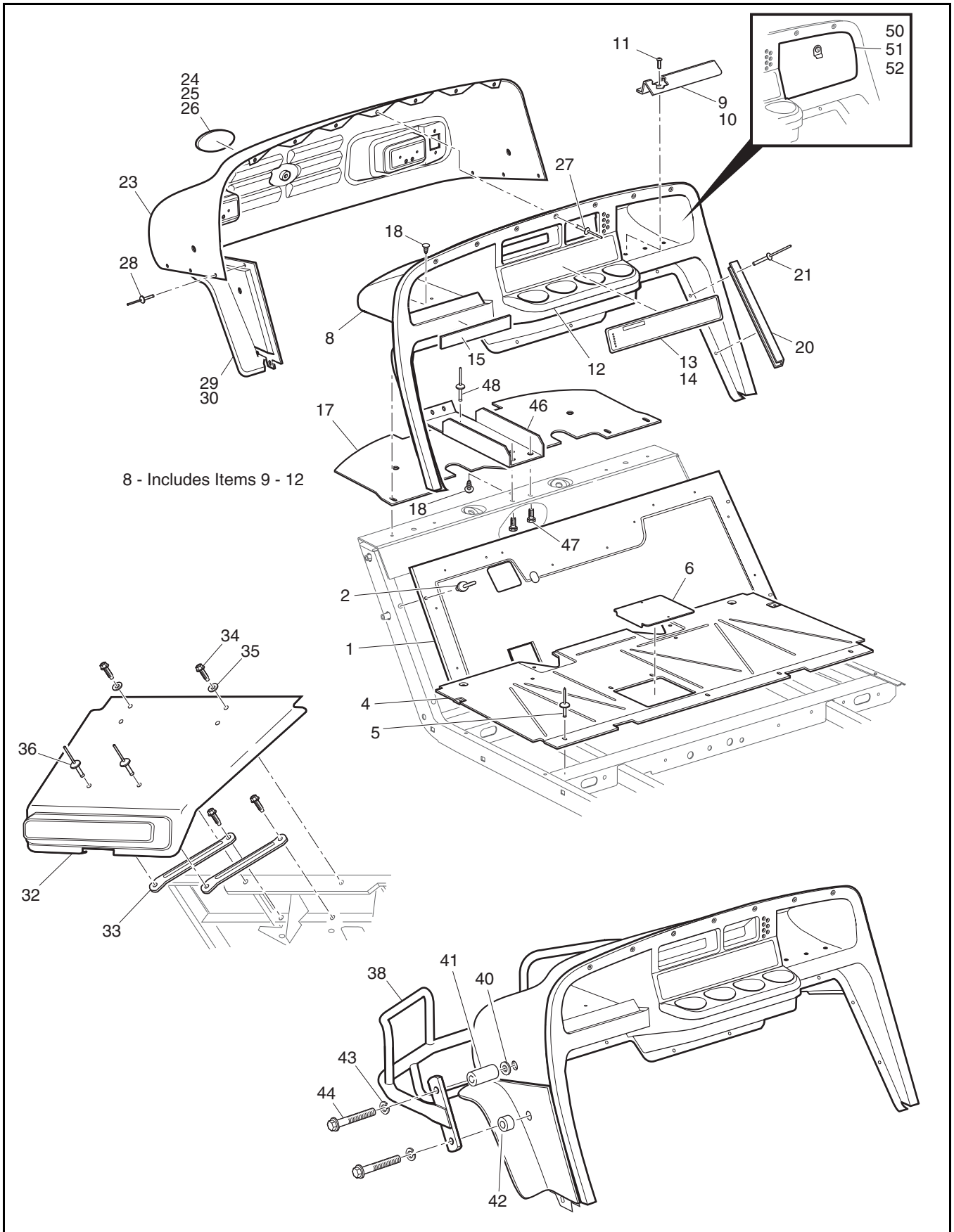
\* Indicates a component that is not available as an individual part.

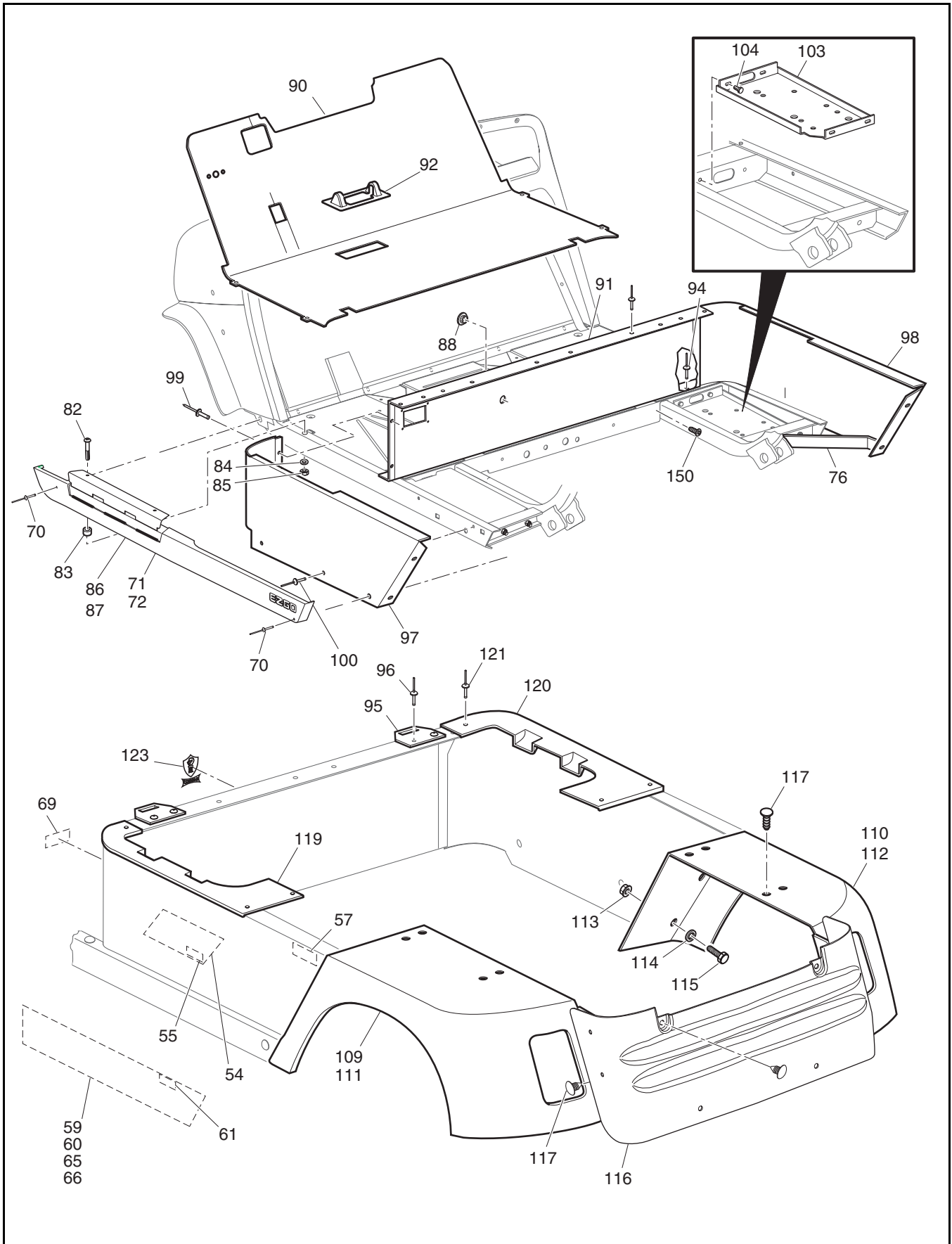
G\*\* Indicates consult Customer Service Department for additional information.

ITEM	PART NO.	1	2	3	4	5	DESCRIPTION	QTY.
1	<u>28516-G01</u>						<p>BATTERY CHARGER, LESTER, 36 VOLT, PORTABLE WITH POWERWISE CONNECTOR, CE APPROVED (OPTIONAL)</p> <p>For service or replacement parts, contact:                      Lester Electrical                      625 West "A" Street                      Lincoln, NE 68522</p> <p>Phone: (402) 477-8988, FAX: (402) 474-1769</p> <p>Always provide the following information when requesting information or ordering replacement parts:</p> <p>Model Number:                      Serial Number: (stamped into housing)</p>	

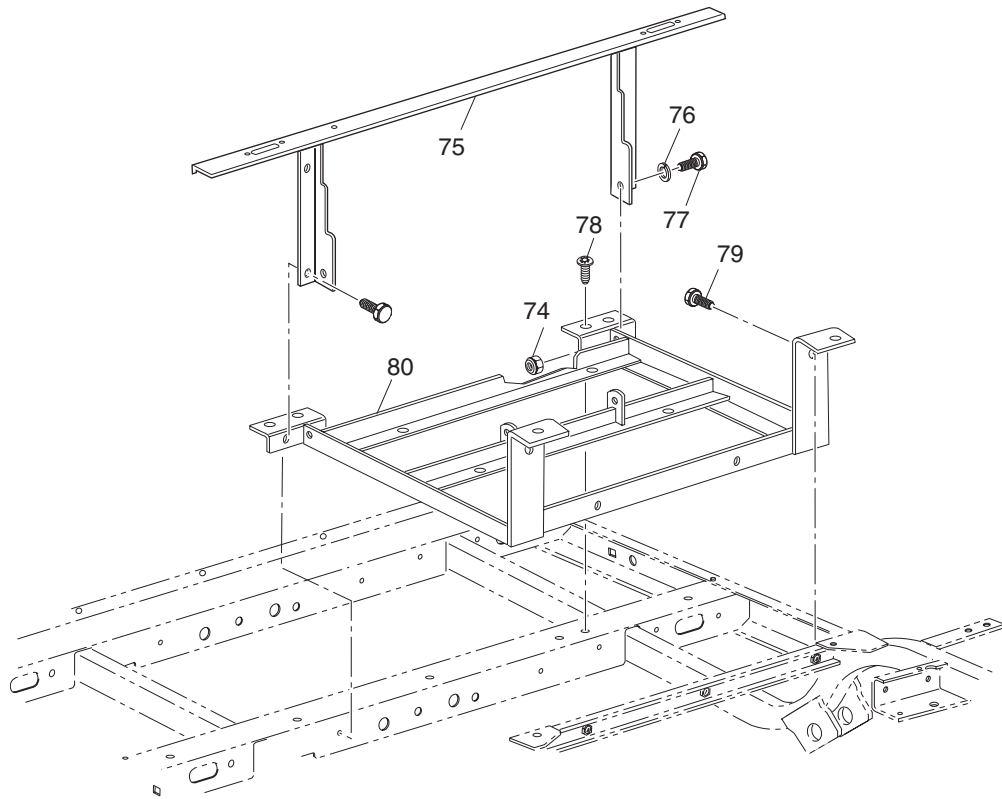


# BODY



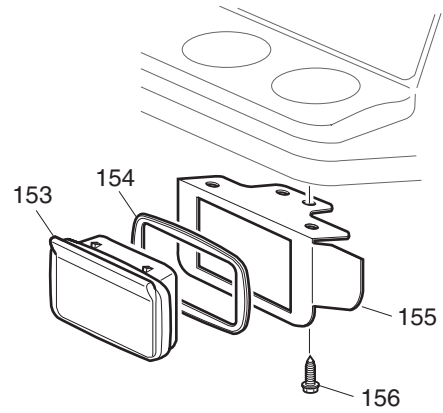


# BODY

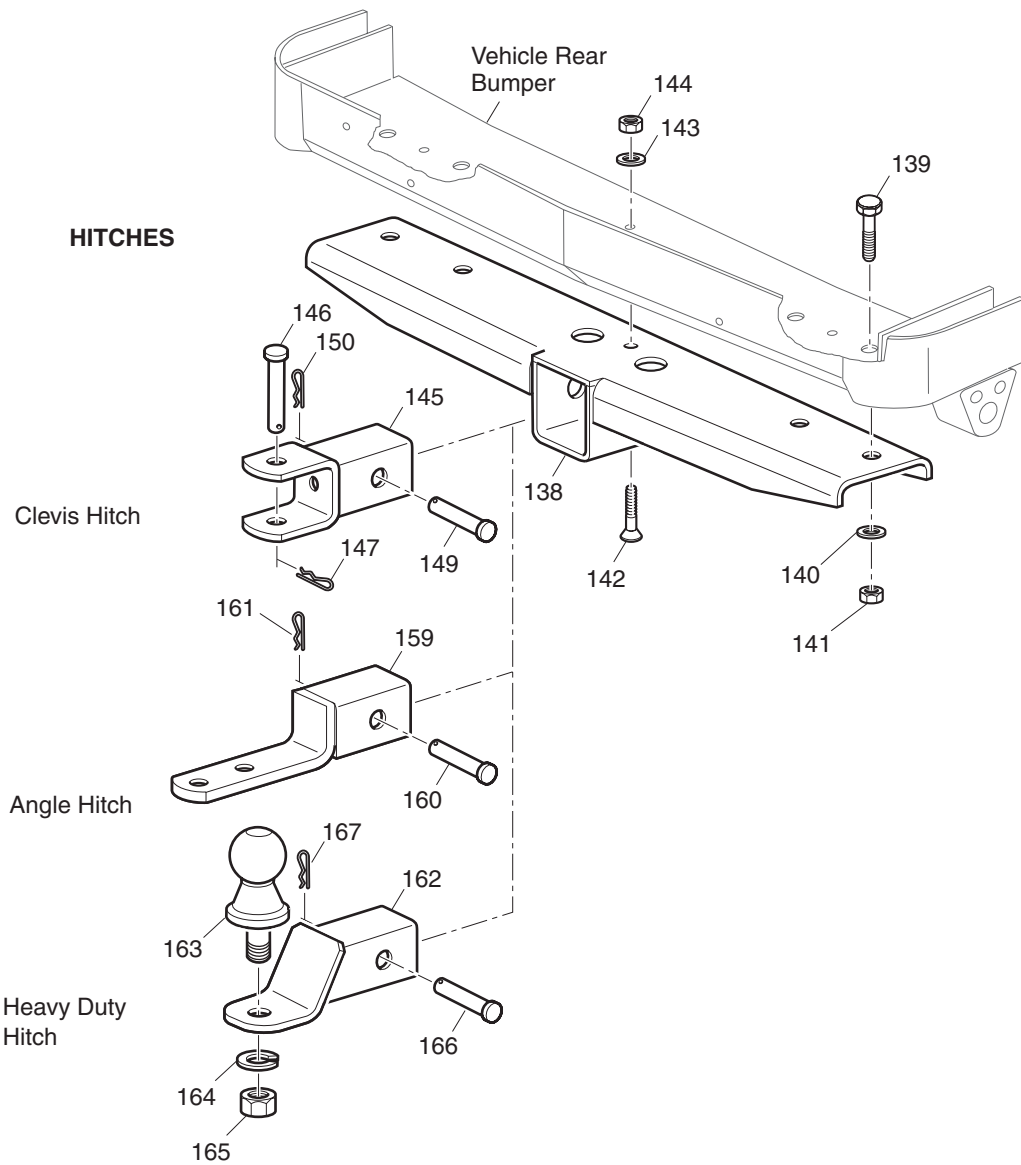


**ASH TRAY**

152 - Includes Items 153 - 156



**HITCHES**



# BODY

THE USE OF NON U.L. PARTS WILL VOID ANY U.L. LISTING.

When ordering parts, please specify the model and serial number of the product.

\* Indicates a component that is not available as an individual part.

G\*\* Indicates consult Customer Service Department for additional information.

ITEM	PART NO.	1 2 3 4 5	DESCRIPTION	QTY.
1	70662-G01		UPPER FLOORPAN.....	1
2	<u>14601-G11</u>		RIVET, 3/16" X 9/16" LG (ALUMINUM).....	9
3				
4	<u>70451-G01</u>		LOWER FLOORPAN.....	1
5	<u>14601-G11</u>		RIVET, 3/16" X 9/16" LG (ALUMINUM).....	7
6	<u>70452-G01</u>		ACCESS COVER.....	1
7				
8	<u>71151-G01</u>		INSTRUMENT PANEL ASSEMBLY (INCLUDES ITEMS 9 - 12) .....	1
9	<u>71153-G01</u>		DEFLECTOR (PASSENGER SIDE) .....	1
10	<u>71154-G01</u>		DEFLECTOR (DRIVER SIDE).....	1
11	<u>00614-G5</u>		SCREW, #8 - 18 X 5/8" LG .....	6
12	<u>71158-G01</u>		INSTRUMENT PANEL INSERT (FOUR CUP).....	1
13	71179-G03		LABEL (SAFETY) (TEXT) .....	1
14	74409-G01		LABEL (SAFETY) (PICTOGRAPH).....	1
15	<u>74443-G01</u>		LABEL (ANTI-ROLLBACK) .....	1
16				
17	<u>71413-G01</u>		SPLASH PANEL.....	1
18	<u>16816-G2</u>		RATCHET FASTENER, 1/4" X 3/4" LG .....	1
19				
20	<u>71115-G01</u>		VINYL TRIM .....	2
21	<u>71055-G01</u>		RIVET, 3/16" X 1" LG (ALUMINUM).....	10
22				
23	71468-G**		COWL.....	1
24	<u>71289-G01</u>		NAMEPLATE (E-Z-GO) (OVAL) .....	1
25	<u>28907-G01</u>		NAMEPLATE (JACOBSEN) (OVAL) .....	1
26	74401-G01		NAMEPLATE (CUSHMAN) (OVAL).....	1
27	<u>71055-G01</u>		RIVET, 3/16" X 1" LG .....	9
28	<u>71055-G01</u>		RIVET, 3/16" X 1" LG .....	6
29	<u>71338-G01</u>		FENDER FLARE (DRIVER SIDE).....	1
30	<u>71338-G02</u>		FENDER FLARE (PASSENGER SIDE) .....	1

THE USE OF NON U.L. PARTS WILL VOID ANY U.L. LISTING.  
 When ordering parts, please specify the model and serial number of the product.  
 \* Indicates a component that is not available as an individual part.  
 G\*\* Indicates consult Customer Service Department for additional information.

ITEM	PART NO.	1 2 3 4 5	DESCRIPTION	QTY.
31				
32	<u>27166-G04</u>		FRONT SHIELD .....	1
33	<u>70725-G02</u>		FRONT SHIELD BRACE.....	2
34	<u>01038-G01</u>		SCREW, 1/4 - 20 X 1/2" LG.....	4
35	<u>16469-G1</u>		WASHER, 1/4" .....	2
36	<u>01057-G01</u>		RIVET, KTR, 1/4" X 1" LG .....	2
37				
38	<u>74265-G02</u>		BUMPER .....	1
39				
40	<u>00570-G2</u>		WASHER, 5/16" .....	2
41	<u>75048-G04</u>		SPACER, 1".....	2
42	<u>75048-G01</u>		SPACER, 1/2".....	2
43	<u>00905-G8</u>		LOCK WASHER, 5/16".....	4
44	<u>01035-G02</u>		BOLT, 5/16 - 18 X 2 1/2" LG .....	4
45				
46	<u>71101-G01</u>		COWL SUPPORT BRACKET .....	1
47	<u>71102-G02</u>		SELF TAPPING SCREW, 1/4 - 20 X 1/2" LG .....	3
48	<u>71055-G02</u>		RIVET, 3/16" X 1 1/8" LG .....	1
49				
50	<u>75459-G01</u>		GLOVE BOX DOORS (BOTH SIDES) .....	1
51	<u>75459-G02</u>		GLOVE BOX DOOR (DRIVER SIDE) .....	1
52	<u>75459-G03</u>		GLOVE BOX DOOR (PASSENGER SIDE).....	1
53				
54	<u>74801-G01</u>		LABEL (MPT™).....	2
55	<u>74803-G01</u>		LABEL (800).....	2
56				
57	<u>74099-G01</u>		LABEL, TILT WARNING PICTOGRAPH .....	2
58				
59	<u>28915-G01</u>		LABEL (JACOBSEN HAULER™) (DRIVER SIDE).....	1
60	<u>28915-G02</u>		LABEL (JACOBSEN HAULER™) (PASSENGER SIDE) .....	1

# BODY

THE USE OF NON U.L. PARTS WILL VOID ANY U.L. LISTING.

When ordering parts, please specify the model and serial number of the product.

\* Indicates a component that is not available as an individual part.

G\*\* Indicates consult Customer Service Department for additional information.

ITEM	PART NO.	1 2 3 4 5	DESCRIPTION	QTY.
61	74803-G01		LABEL (800).....	2
62				
63				
64				
65	<u>28952-G01</u>		LABEL (CUSHMAN COMMANDER™) (DRIVER SIDE).....	1
66	<u>28952-G02</u>		LABEL (CUSHMAN COMMANDER™) (PASSENGER SIDE) .....	1
67				
68				
69	*		SERIAL NUMBER PLATE .....	1
70	<u>15058-G6</u>		RIVET, BLACK (ALUMINUM).....	4
71	<u>71502-G01</u>		ROCKER PANEL (DRIVER SIDE) .....	1
72	<u>71501-G01</u>		ROCKER PANEL (PASSENGER SIDE).....	1
73				
74	11098-G6		LOCK NUT, 5/16 - 18 .....	2
75	70441-G02		SEAT FRAME .....	1
76	00559-G8		WASHER, 5/16" .....	2
77	00438-G6		BOLT, 5/16 - 18 X 3/4" LG .....	2
78	<u>70200-G01</u>		SCREW, 3/8 - 16 X 1/4" LG.....	2
79	<u>00715-G2</u>		BOLT, 5/16 - 18 X 13/16" LG .....	4
80	<u>70046-G02</u>		BATTERY RACK .....	1
81				
82	<u>16705-G1</u>		SCREW, 1/4 - 20 X 1" LG.....	4
83	<u>23726-G4</u>		SPACER .....	4
84	<u>00559-G7</u>		WASHER, 1/4" .....	4
85	<u>00891-G2</u>		LOCK NUT, 1/4 - 20 .....	4
86	28971-G01		SILL PLATE TREAD (PASSENGER SIDE).....	1
87	28971-G02		SILL PLATE TREAD (DRIVER SIDE) .....	1
88	<u>20271-G9</u>		HOLE PLUG, 1/2" .....	1
89				
90	<u>70663-G04</u>		FLOORMAT (AXLE MOUNTED STEERING).....	1

THE USE OF NON U.L. PARTS WILL VOID ANY U.L. LISTING.  
 When ordering parts, please specify the model and serial number of the product.  
 \* Indicates a component that is not available as an individual part.  
 G\*\* Indicates consult Customer Service Department for additional information.

ITEM	PART NO.	1 2 3 4 5	DESCRIPTION	QTY.
91	<u>71379-G21</u>		SEAT WRAP PANEL .....	1
92	<u>70135-G01</u>		PEDAL PIVOT COVER .....	1
93				
94	<u>10570-G10</u>		RIVET, 5/32" X 9/16" LG .....	8
95	<u>71609-G01</u>		SEAT HINGE PLATE .....	2
96	<u>10570-G11</u>		RIVET, 3/16" X 3/4" LG .....	4
97	<u>71259-G01</u>		SIDE PANEL (DRIVER SIDE) .....	1
98	<u>71259-G02</u>		SIDE PANEL (PASSENGER SIDE).....	1
99	<u>10570-G10</u>		RIVET, 5/32" X 9/16" LG .....	4
100	<u>10570-G12</u>		RIVET, 1/4" X 1/2" LG .....	4
101				
102				
103	<u>70244-G03</u>		SPLASH PANEL.....	2
104	<u>00715-G2</u>		BOLT, 5/16 - 18 X 13/16" LG .....	8
105				
106				
107				
108				
109	<u>71224-G01</u>		FENDER (DRIVER SIDE) .....	1
110	<u>71224-G02</u>		FENDER (PASSENGER SIDE).....	1
111	<u>71224-G03</u>		FENDER WITH TAILLIGHT (DRIVER SIDE) .....	1
112	<u>71224-G04</u>		FENDER WITH TAILLIGHT (PASSENGER SIDE).....	1
113	<u>00891-G2</u>		LOCK NUT, 1/4 - 20 .....	8
114	<u>00642-G7</u>		WASHER, 1/4" .....	8
115	<u>00414-G6</u>		BOLT, 1/4 - 20 X 3/4" LG .....	4
116	<u>71225-G01</u>		REAR PANEL.....	1
117	<u>16816-G2</u>		RATCHET FASTENER, 1/4" X 3/4" LG .....	8
118				
119	<u>71588-G03</u>		SEAT FILLER PANEL (DRIVER SIDE) .....	1
120	<u>71588-G04</u>		SEAT FILLER PANEL (PASSENGER SIDE).....	1



# BODY

THE USE OF NON U.L. PARTS WILL VOID ANY U.L. LISTING.

When ordering parts, please specify the model and serial number of the product.

\* Indicates a component that is not available as an individual part.

G\*\* Indicates consult Customer Service Department for additional information.

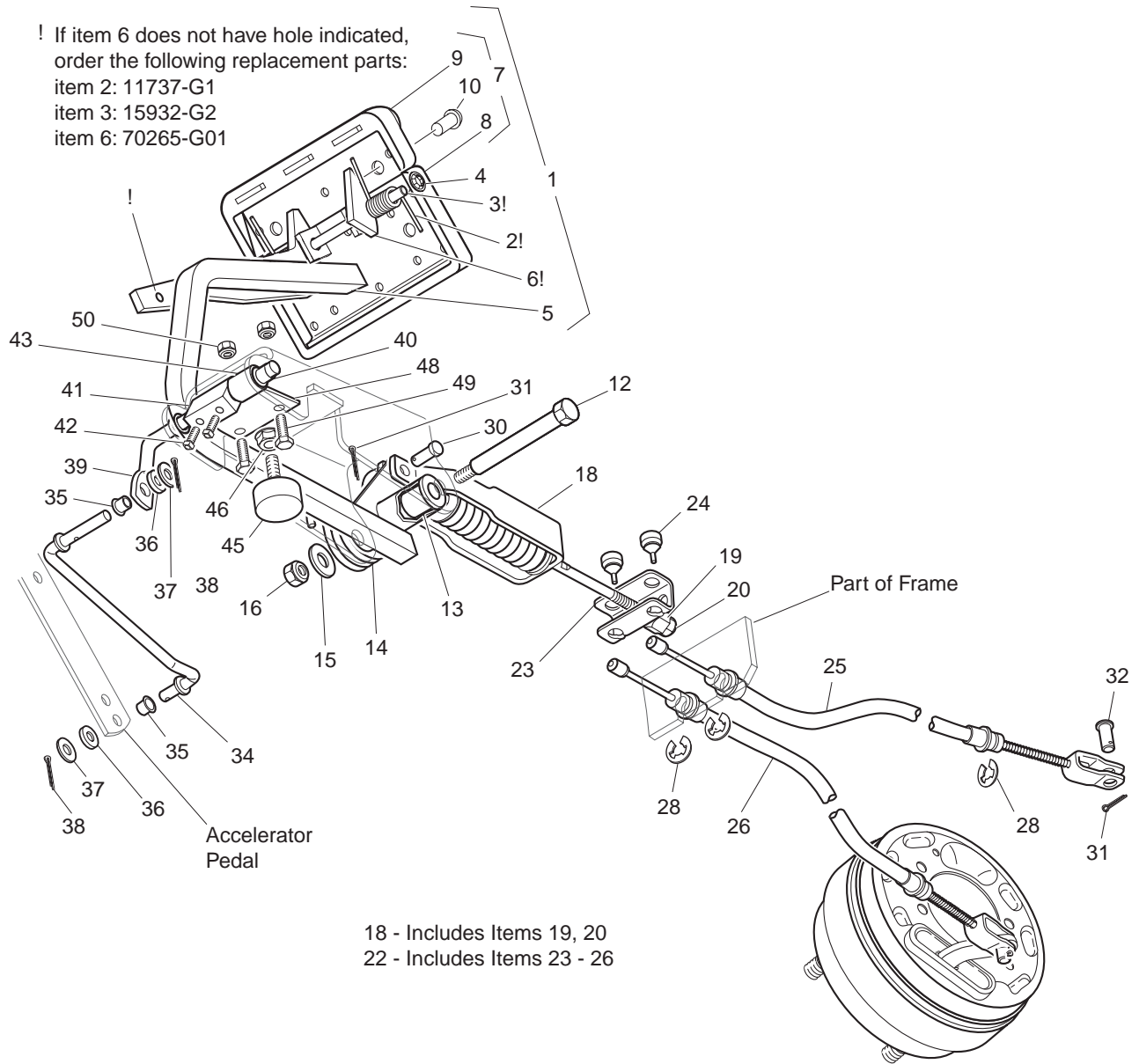
ITEM	PART NO.	1 2 3 4 5	DESCRIPTION	QTY.
121	<u>10570-G10</u>		RIVET, 5/32" X 9/16" LG .....	6
122				
123	<u>74755-G01</u>		LABEL (E-SHIELD™).....	1
124				
125	<u>74348-G02</u>		HITCH RECEIVER .....	1
126	<u>00463-G4</u>		BOLT, 7/16 - 14 X 1 1/2" LG .....	4
127	<u>00922-G3</u>		WASHER, 7/16" .....	4
128	<u>00734-G1</u>		LOCK NUT, 7/16 - 14 .....	4
129	<u>00198-G8</u>		SCREW, 5/16 - 18 X 1" LG.....	1
130	<u>00559-G8</u>		WASHER, 5/16" .....	1
131	<u>11098-G6</u>		LOCK NUT, 5/16 - 18 .....	1
132	<u>74338-G02</u>		CLEVIS HITCH.....	1
133	<u>14443-G7</u>		CLEVIS PIN, 1/2" X 2 1/2" LG .....	1
134	<u>19314-G1</u>		COTTER PIN, 2 1/2" LG.....	1
135				
136	<u>21317-G01</u>		CLEVIS PIN, 5/8" X 3" LG .....	1
137	<u>21683-G1</u>		COTTER PIN, 15/32" X 2 11/16" LG .....	1
138				
139	<u>74339-G02</u>		ANGLE HITCH .....	1
140	<u>21317-G01</u>		CLEVIS PIN, 5/8" X 3" LG .....	1
141	<u>21683-G1</u>		COTTER PIN, 15/32" X 2 11/16" LG .....	1
142	<u>74351-G02</u>		HEAVY DUTY HITCH.....	1
143	<u>31757-G1</u>		HITCH BALL, 1 7/8" .....	1
144	<u>00566-G6</u>		LOCK WASHER, 3/4" .....	1
145	<u>00702-G11</u>		NUT, 3/4 - 16 .....	1
146	<u>21317-G01</u>		CLEVIS PIN, 5/8" X 3" LG .....	1
147	<u>21683-G1</u>		COTTER PIN, 15/32" X 2 11/16" LG .....	1
148				
149				
150				

THE USE OF NON U.L. PARTS WILL VOID ANY U.L. LISTING.  
 When ordering parts, please specify the model and serial number of the product.  
 \* Indicates a component that is not available as an individual part.  
 G\*\* Indicates consult Customer Service Department for additional information.

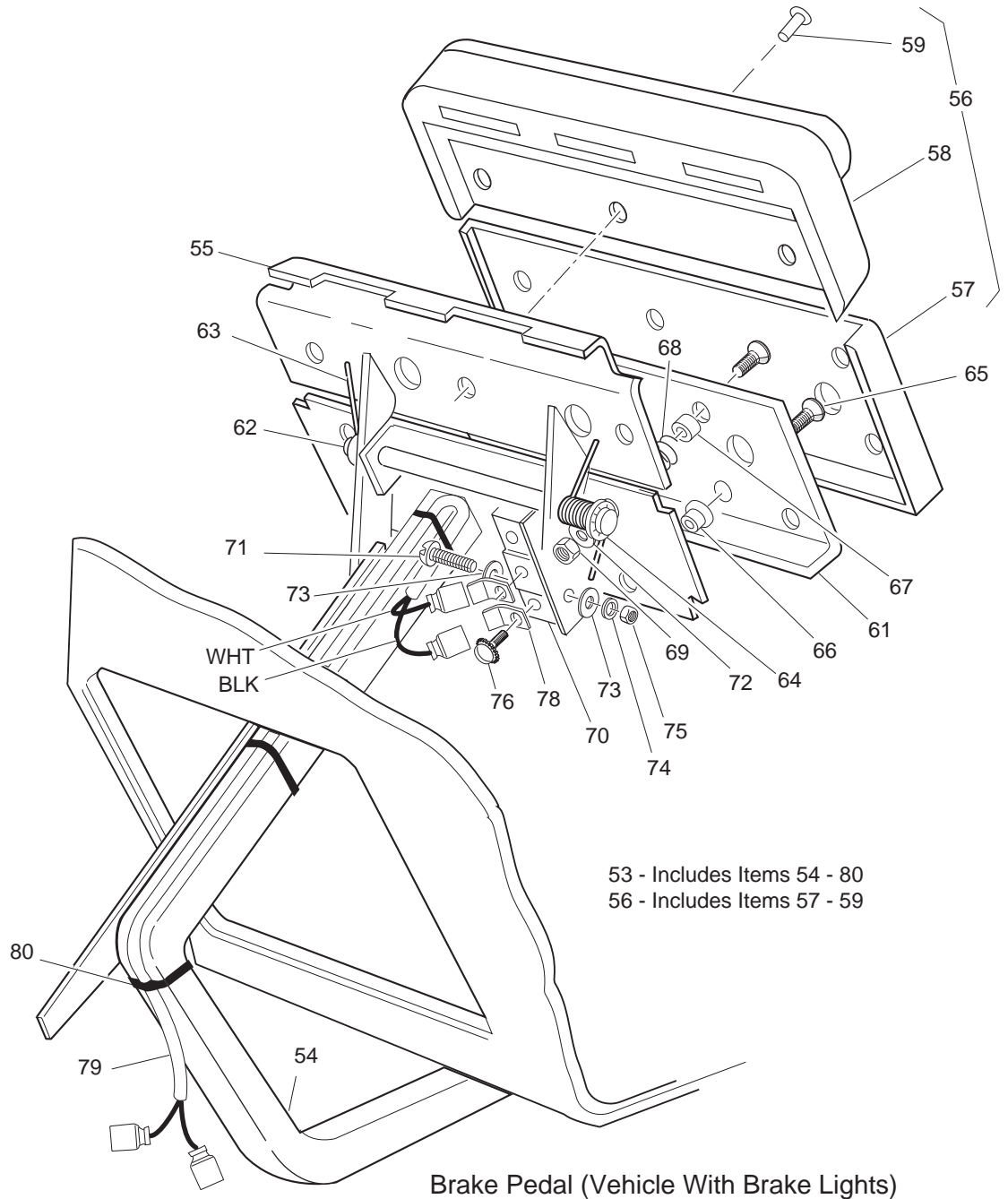
ITEM	PART NO.	1	2	3	4	5	DESCRIPTION	QTY.
151								
152	<u>75109-G04</u>						ASH TRAY KIT (INCLUDES ITEMS 153 - 156) .....	1
153	27731-G01						ASH TRAY .....	1
154	27736-G01						GASKET .....	1
155	<u>75108-G02</u>						BRACKET .....	1
156	<u>00100-G4</u>						SCREW, #10 - 16 X 1/2" LG .....	4

# BRAKES

! If item 6 does not have hole indicated, order the following replacement parts:  
 item 2: 11737-G1  
 item 3: 15932-G2  
 item 6: 70265-G01

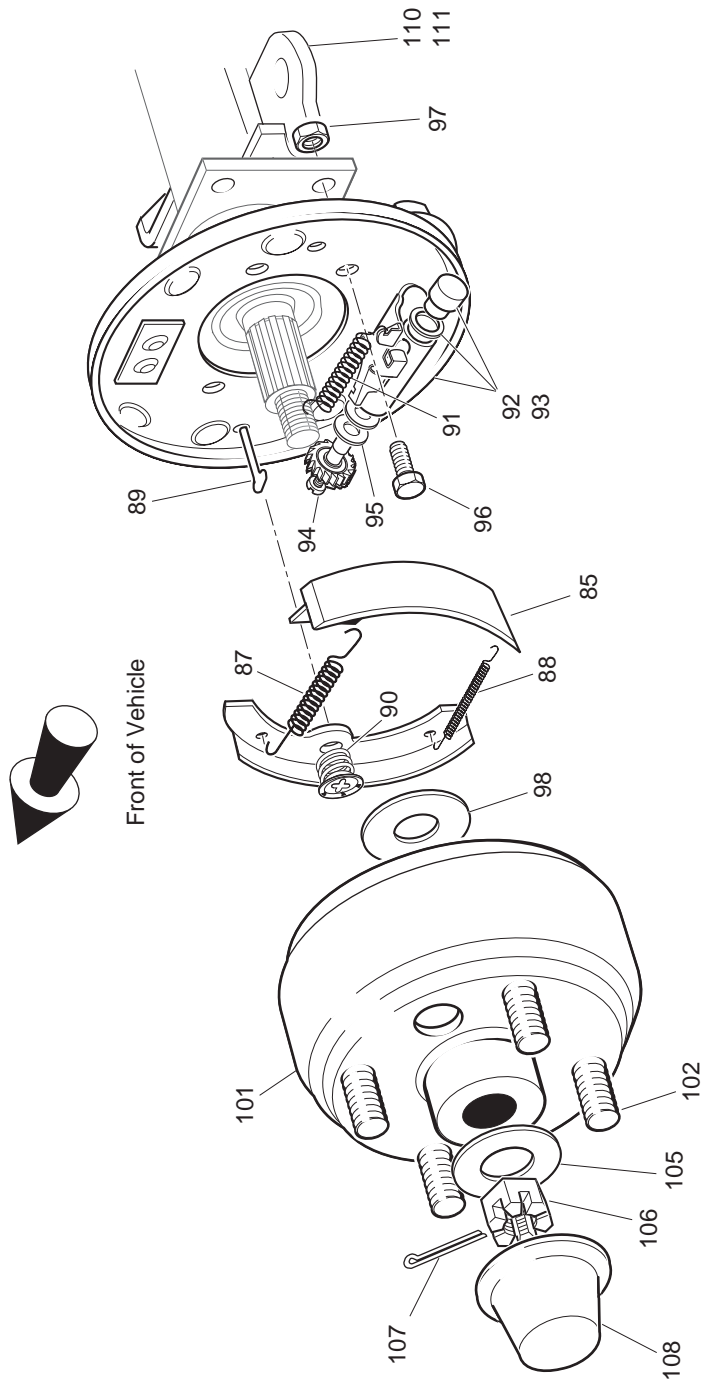


Ref Brk 3-1



Ref Brk 3-2

# BRAKES



- 82 - Includes Items 84 - 92
- 83 - Includes Items 84-91, 93
- 84 - Includes Items 85
- 86 - Includes Items 87 - 91
- 92 - Includes Items 94, 95
- 93 - Includes Items 94, 95
- 100 - Includes Items 101, 102

Ref Brk 3-3

# BRAKES

THE USE OF NON U.L. PARTS WILL VOID ANY U.L. LISTING.

When ordering parts, please specify the model and serial number of the product.

\* Indicates a component that is not available as an individual part.

G\*\* Indicates consult Customer Service Department for additional information.

ITEM	PART NO.	1 2 3 4 5	DESCRIPTION	QTY.
1	<u>70612-G02</u>		BRAKE PEDAL ASSEMBLY (WITHOUT BRAKE LIGHTS) (INCLUDES ITEMS 2 - 10).....	1
2	<u>70681-G01</u>		TORSION SPRING.....	2
3	<u>70682-G01</u>		PIVOT PIN.....	1
4	<u>12064-G1</u>		PUSHNUT, 5/16".....	1
5	*		BRAKE PEDAL.....	1
6	<u>70611-G01</u>		PARK BRAKE PEDAL.....	1
7	<u>70274-G01</u>		BRAKE/PARK BRAKE PEDAL PAD KIT (INCLUDES ITEMS 8 - 10).....	1
8	*		SERVICE BRAKE PAD.....	1
9	*		PARK BRAKE PEDAL PAD.....	1
10	<u>15766-G1</u>		OVAL RIVET, 3/16" X 7/16" LG.....	9
11				
12	<u>70582-G01</u>		SHOULDER BOLT, 3/8 - 16 X 4" LG (STAINLESS STEEL).....	1
13	<u>70581-G01</u>		FLANGED BUSHING.....	2
14	<u>70676-G01</u>		TORSION SPRING.....	1
15	<u>00643-G1</u>		WASHER, 3/8".....	1
16	<u>11098-G5</u>		LOCK NUT, 3/8 - 16.....	1
17				
18	<u>70272-G04</u>		COMPENSATOR ASSEMBLY (INCLUDES ITEMS 19, 20).....	1
19	<u>00963-G01</u>		SPHERICAL NUT, 5/16 - 24.....	1
20	<u>11098-G9</u>		LOCK NUT, 5/16 - 24.....	1
21				
22	<u>70969-G03</u>		EQUALIZER AND BRAKE CABLE ASSEMBLY (INCLUDES ITEMS 23-26).....	1
23	<u>28082-G01</u>		EQUALIZER BRACKET.....	1
24	<u>28083-G01</u>		BRAKE COMPENSATOR BUMPER.....	2
25	*		BRAKE CABLE (DRIVER SIDE).....	1
26	*		BRAKE CABLE (PASSENGER SIDE).....	1
27				
28	<u>01111-G01</u>		RETAINING RING, 13/32" (STAINLESS STEEL).....	4
29				

# BRAKES

THE USE OF NON U.L. PARTS WILL VOID ANY U.L. LISTING.

When ordering parts, please specify the model and serial number of the product.

\* Indicates a component that is not available as an individual part.

G\*\* Indicates consult Customer Service Department for additional information.

ITEM	PART NO.	1 2 3 4 5	DESCRIPTION	QTY.
30	<u>10386-G3</u>		CLEVIS PIN, 5/16" X 13/16" LG .....	3
31	<u>10387-G3</u>		COTTER PIN, 3/32" X 3/4" LG .....	3
32	<u>14443-G2</u>		CLEVIS PIN, 5/16" X 5/8" LG .....	2
33				
34	<u>70601-G01</u>		KICK-OFF LINK.....	1
35	<u>17838-G1</u>		NYLON BUSHING.....	2
36	<u>20835-G1</u>		TEFLON WASHER, 3/8" .....	2
37	00559-G8		WASHER, 5/16" .....	2
38	<u>10387-G3</u>		COTTER PIN, 3/32" X 3/4" LG .....	2
39	<u>70098-G01</u>		KICK-OFF CAM PIVOT .....	1
40	<u>10097-G6</u>		FLANGED BEARING .....	2
41	<u>70587-G01</u>		KICK-OFF CAM.....	1
42	<u>71215-G01</u>		SETSCREW, 1/4 - 20 X 1/2" LG.....	2
43	<u>14134-G4</u>		SPACER.....	1
44				
45	<u>70113-G01</u>		ADJUSTABLE BUMPER .....	1
46	<u>11027-G1</u>		LOCK NUT, 5/16 - 18 .....	1
47				
48	<u>70080-G02</u>		CATCH BRACKET .....	1
49	<u>00414-G6</u>		BOLT, 1/4 - 20 X 3/4" LG .....	2
50	<u>00654-G2</u>		LOCK NUT, 1/4 - 20 (STAINLESS STEEL) .....	2
51				
52				
53	70690-G02		BRAKE PEDAL ASSEMBLY (WITH BRAKE LIGHTS) (INCLUDES ITEMS 54 - 80).....	1
54	*		BRAKE PEDAL.....	1
55	<u>70611-G01</u>		PARK BRAKE PEDAL .....	1
56	70274-G01		BRAKE/PARK BRAKE PEDAL PAD KIT (INCLUDES ITEMS 57 - 59).....	1
57	*		SERVICE BRAKE PAD .....	1
58	*		PARK BRAKE PAD.....	1

# BRAKES

THE USE OF NON U.L. PARTS WILL VOID ANY U.L. LISTING.

When ordering parts, please specify the model and serial number of the product.

\* Indicates a component that is not available as an individual part.

G\*\* Indicates consult Customer Service Department for additional information.

ITEM	PART NO.	1	2	3	4	5	DESCRIPTION	QTY.
59	<u>15766-G1</u>						OVAL RIVET, 3/16" x 7/16" LG.....	9
60								
61	70258-G02						SERVICE BRAKE PEDAL PLATE .....	1
62	<u>70682-G01</u>						PIVOT PIN .....	1
63	<u>70681-G01</u>						TORSION SPRING.....	2
64	<u>12064-G1</u>						PUSHNUT, 5/16".....	1
65	<u>00737-G8</u>						SCREW, #10 - 24 X 7/8" LG.....	4
66	<u>00739-G1</u>						RUBBER NUT, #10 - 24.....	2
67	22362-G3						BRAKE PEDAL STANDOFF.....	2
68	<u>27137-G01</u>						CONICAL SPRING .....	2
69	11098-G7						LOCK NUT, #10 - 24.....	2
70	10606-G8						MICRO SWITCH.....	1
71	<u>00957-G1</u>						BOLT, #6 - 32 X 1 1/4" LG.....	2
72	<u>00559-G5</u>						WASHER, #10 .....	2
73	<u>00559-G3</u>						WASHER, #6 .....	4
74	<u>00565-G3</u>						LOCK WASHER, #6 .....	2
75	<u>00525-G5</u>						NUT, #6 - 32.....	2
76	<u>13514-G1</u>						SCREW AND LOCK WASHER, #6.....	2
77								
78	<u>14628-G1</u>						FASTON TAB.....	2
79	<u>24605-G1</u>						WIRE HARNESS (BRAKE LIGHT).....	1
80	<u>17618-G1</u>						WIRE TIE .....	3
81								
82	<u>70998-G01</u>						BRAKE ASSEMBLY (DRIVER SIDE) (INCLUDES ITEMS 84 - 95).....	1
83	<u>70998-G02</u>						BRAKE ASSEMBLY (PASSENGER SIDE) (INCLUDES ITEMS 84 - 95) .....	1
84	70794-G01						BRAKE SHOE KIT (INCLUDES ITEM 85).....	2
85	*						BRAKE SHOE .....	2
86	<u>27944-G01</u>						BRAKE SPRING KIT (INCLUDES ITEMS 87 - 91).....	2
87	*						UPPER SPRING .....	1
88	*						LOWER SPRING .....	1



# BRAKES

THE USE OF NON U.L. PARTS WILL VOID ANY U.L. LISTING.

When ordering parts, please specify the model and serial number of the product.

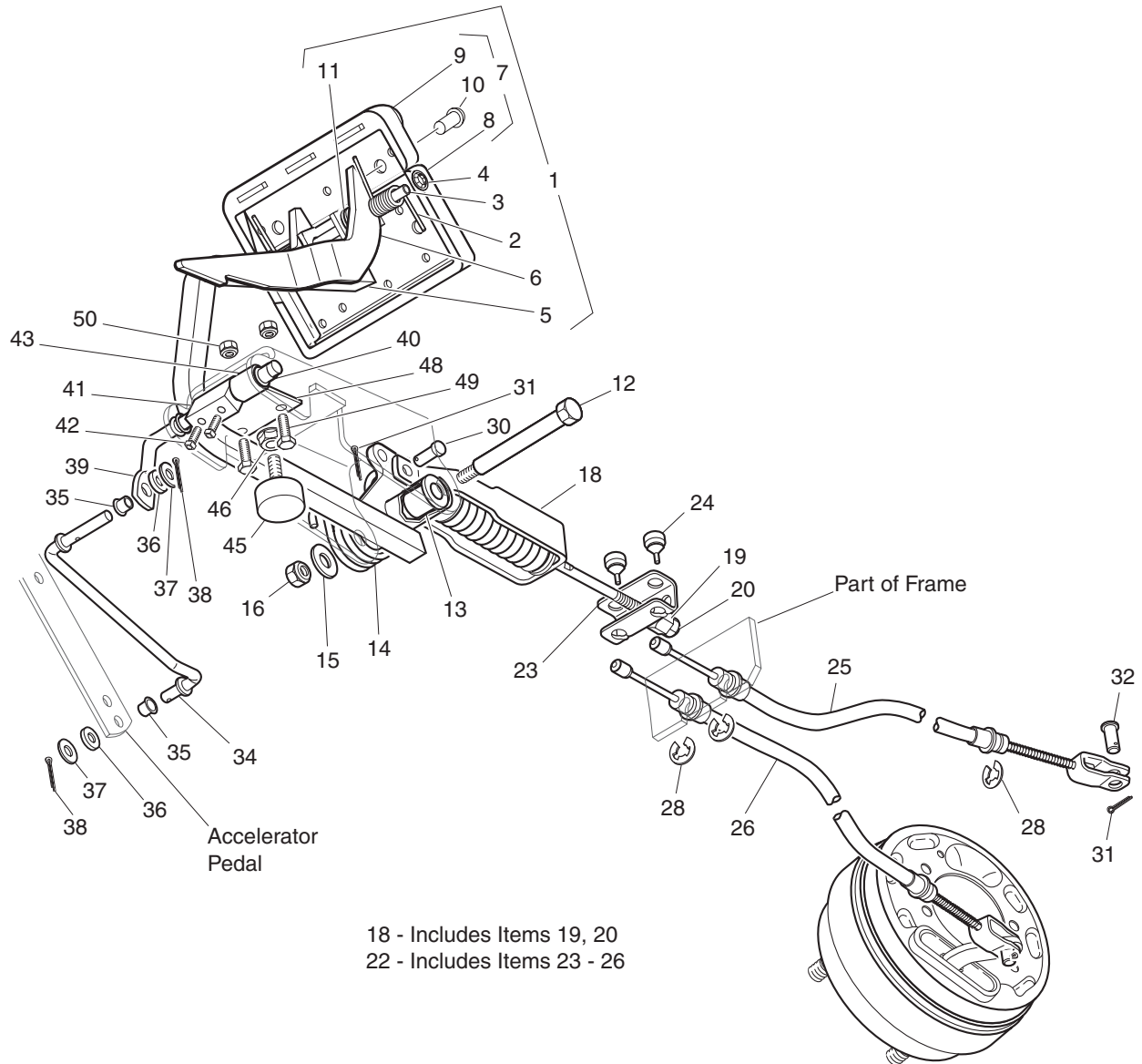
\* Indicates a component that is not available as an individual part.

G\*\* Indicates consult Customer Service Department for additional information.

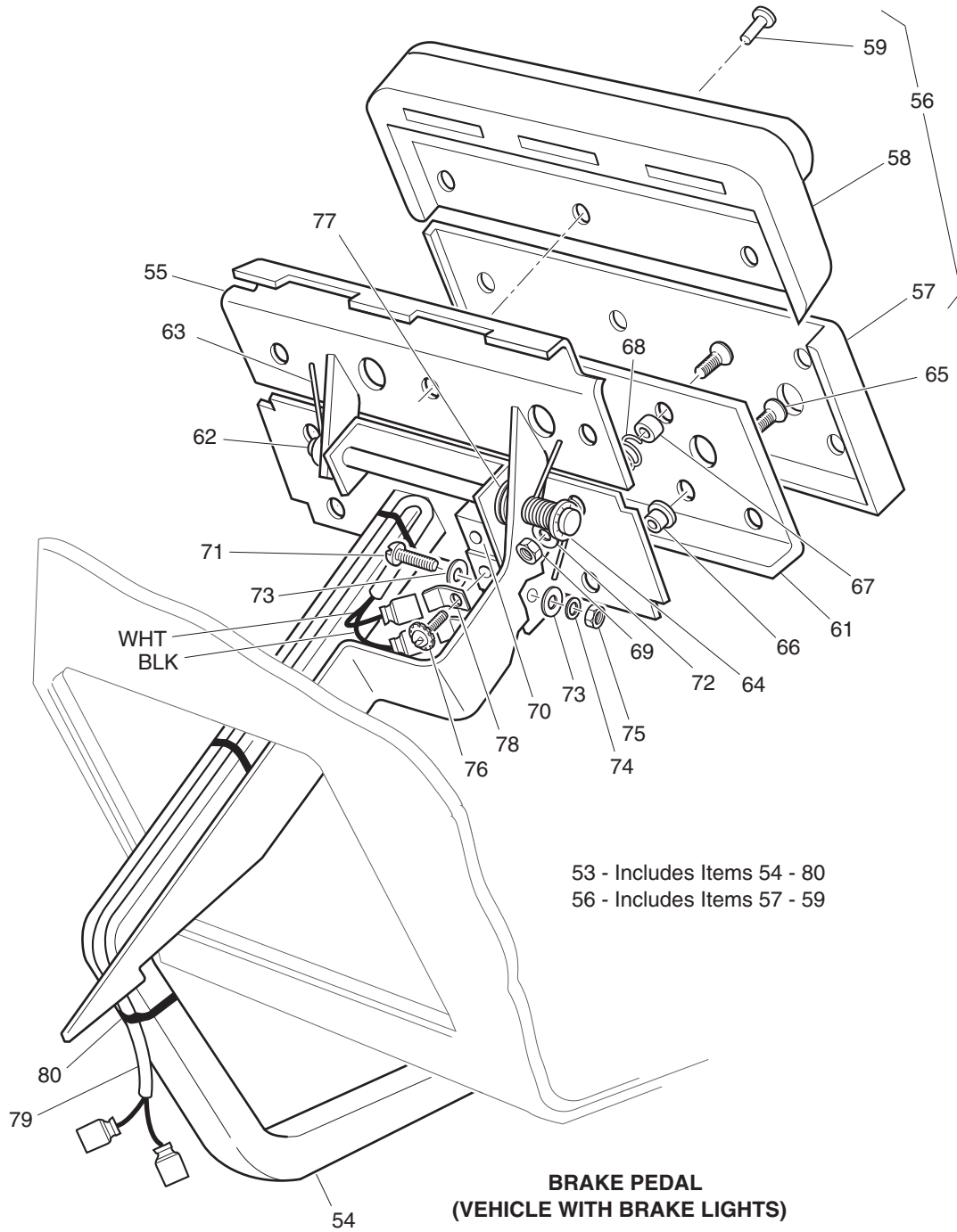
ITEM	PART NO.	1	2	3	4	5	DESCRIPTION	QTY.
89	*						PIN .....	2
90	*						CUP AND SPRING .....	2
91	*						ADJUSTER SPRING.....	1
92	<u>72582-G01</u>						BRAKE ADJUSTER KIT (DRIVER SIDE) (INCLUDES ITEMS 94, 95) .....	1
93	<u>72582-G02</u>						BRAKE ADJUSTER KIT (PASSENGER SIDE) (INCL. ITEMS 94, 95).....	1
94	*						ADJUSTER .....	1
95	*						TEFLON WASHER.....	2
96	<u>17083-G2</u>						BOLT, 5/16 - 24 X 1" LG .....	8
97	<u>15126-G1</u>						LOCK NUT, 5/16 - 24 .....	8
98	<u>15485-G1</u>						WASHER, 13/16" .....	2
99								
100	<u>19186-G1</u>						BRAKE DRUM ASSEMBLY (INCLUDES ITEMS 101 - 102).....	2
101	*						BRAKE DRUM.....	1
102	<u>19862-G1</u>						LUG BOLT, 1/2 - 20 X 1 3/16" LG .....	4
103								
104								
105	<u>15487-G1</u>						WASHER, 1 3/8" O.D. X 21/32" .....	2
106	<u>15483-G1</u>						CASTELLATED NUT, 5/8 - 18.....	2
107	<u>10387-G1</u>						COTTER PIN, 1/8" X 1 1/2" LG .....	2
108	<u>74175-G01</u>						SPINDLE CAP.....	2
109								
110	<u>72036-G03</u>						BRAKE CABLE BRACKET (PASSENGER SIDE).....	1
111	<u>72036-G04</u>						BRAKE CABLE BRACKET (DRIVER SIDE) .....	1



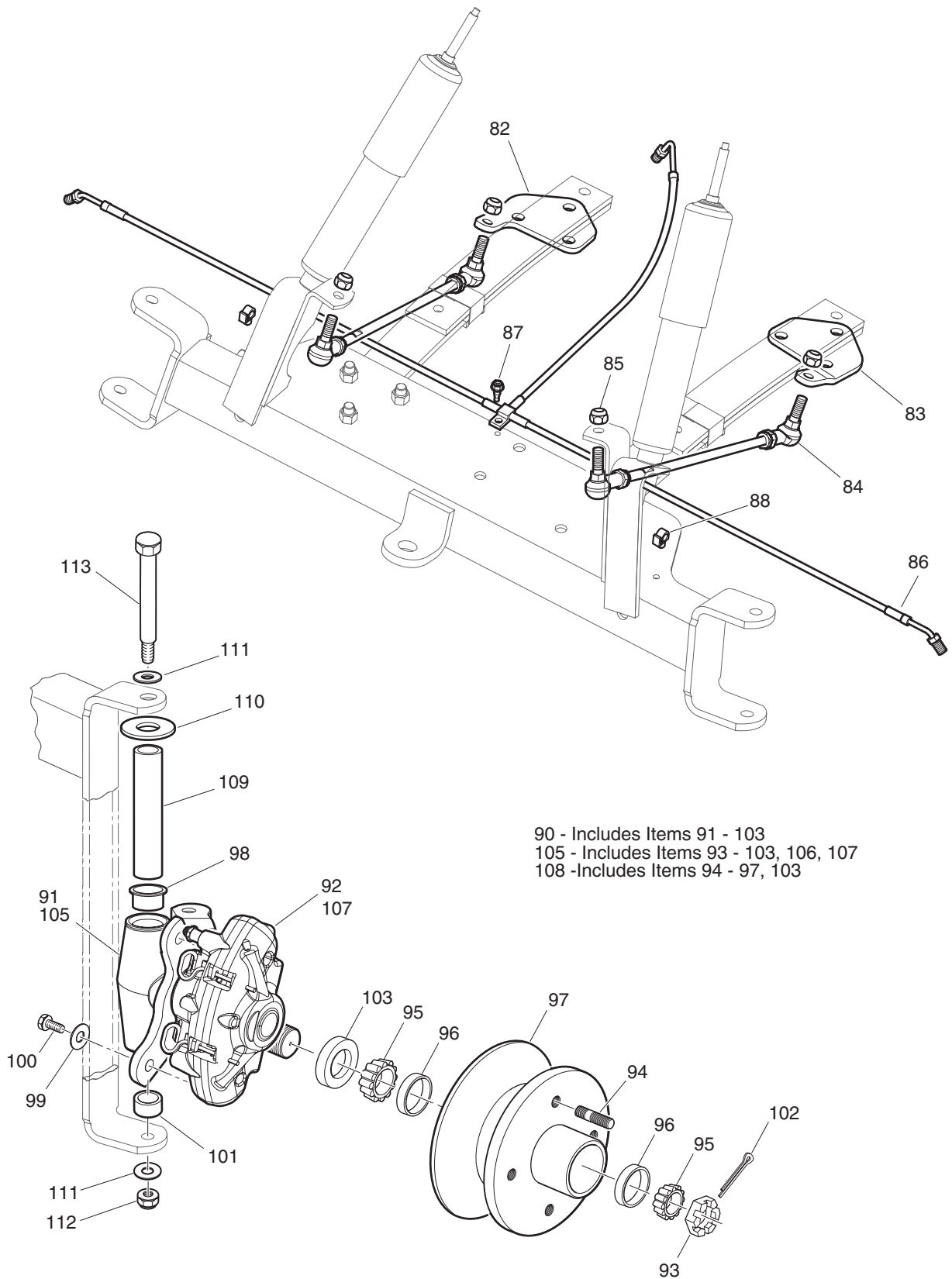
# BRAKES - FRONT DISC



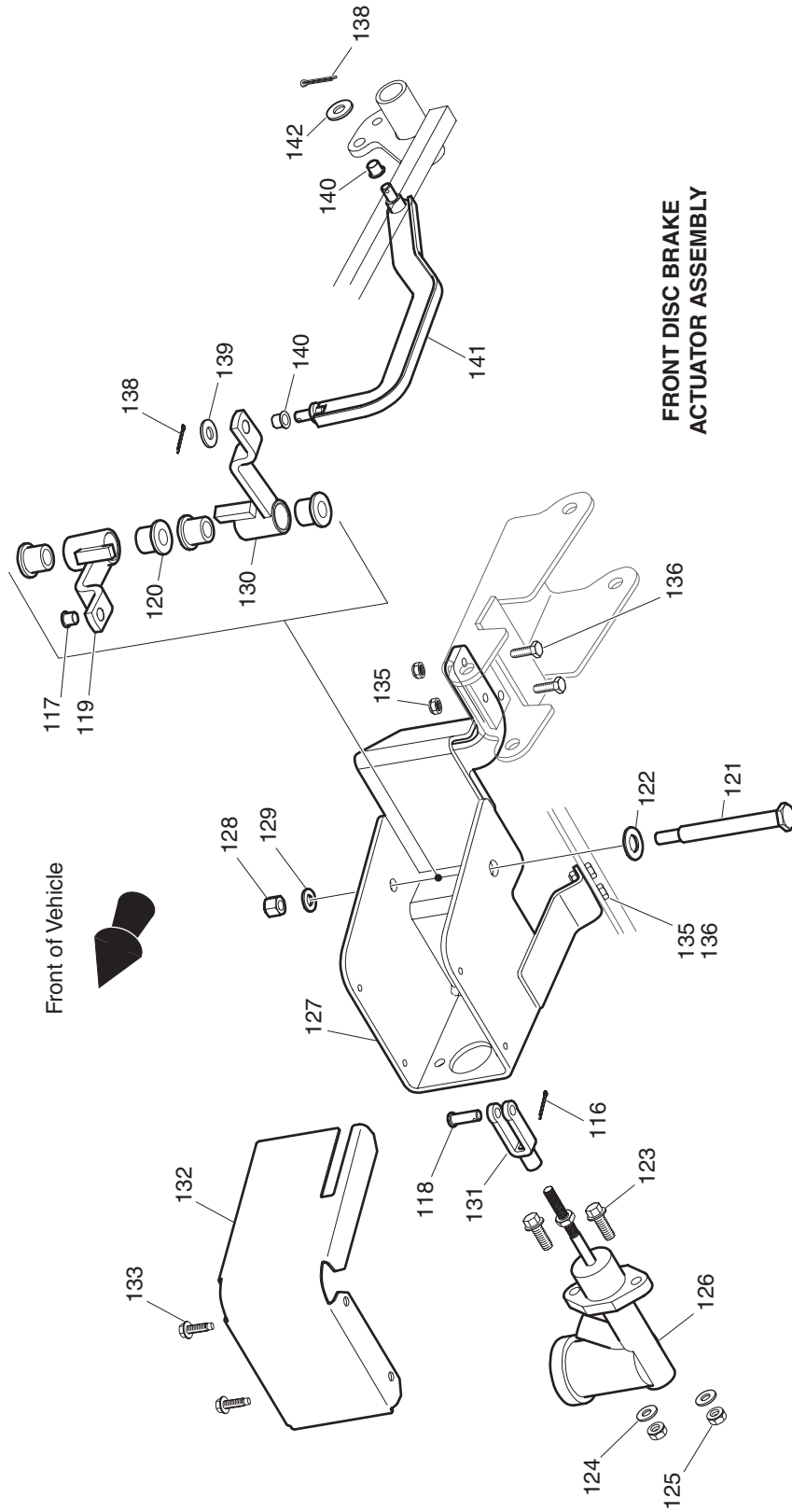
Ref Brh 21-1



# BRAKES - FRONT DISC



Ref Brh 21-3



115 - Includes 116 - 133

# BRAKES - FRONT DISC

THE USE OF NON U.L. PARTS WILL VOID ANY U.L. LISTING.

When ordering parts, please specify the model and serial number of the product.

\* Indicates a component that is not available as an individual part.

G\*\* Indicates consult Customer Service Department for additional information.

ITEM	PART NO.	1 2 3 4 5	DESCRIPTION	QTY.
1	<u>74723-G01</u>		BRAKE PEDAL ASSEMBLY (WITHOUT BRAKE LIGHTS) (INCLUDES ITEMS 2 - 11) .....	1
2	<u>70681-G01</u>		TORSION SPRING .....	2
3	<u>70682-G01</u>		PIVOT PIN .....	1
4	<u>01071-G01</u>		PUSHNUT, 5/16" .....	1
5	*		BRAKE PEDAL .....	1
6	74724-G01		PARK BRAKE PEDAL .....	1
7	70274-G01		BRAKE/PARK BRAKE PEDAL PAD KIT (INCLUDES ITEMS 8 - 10) .....	1
8	*		SERVICE BRAKE PAD .....	1
9	*		PARK BRAKE PEDAL PAD .....	1
10	<u>16409-G1</u>		OVAL RIVET, 3/16" X 15/32" LG .....	9
11	<u>20835-G1</u>		WASHER, TEFLON, 3/8" .....	2
12	<u>70582-G01</u>		SHOULDER BOLT, 3/8 - 16 X 4" LG .....	1
13	<u>70581-G01</u>		FLANGED BUSHING .....	2
14	<u>70676-G01</u>		TORSION SPRING .....	1
15	<u>00643-G1</u>		WASHER, 3/8" .....	1
16	<u>11098-G5</u>		LOCK NUT, 3/8 - 16 .....	1
17				
18	70272-G04		COMPENSATOR ASSEMBLY (INCLUDES ITEMS 19, 20) .....	1
19	<u>00963-G01</u>		SPHERICAL NUT, 5/16 - 24 .....	1
20	<u>11098-G9</u>		LOCK NUT, 5/16 - 24 .....	1
21				
22	<u>70969-G03</u>		EQUALIZER AND BRAKE CABLE ASSEMBLY (INCLUDES ITEMS 23 - 26)....	1
23	<u>28082-G01</u>		EQUALIZER BRACKET .....	1
24	<u>28083-G01</u>		BRAKE COMPENSATOR BUMPER.....	2
25	*		BRAKE CABLE (DRIVER SIDE).....	1
26	*		BRAKE CABLE (PASSENGER SIDE) .....	1
27				
28	<u>12305-G1</u>		RETAINING RING .....	4
29				

## BRAKES - FRONT DISC

THE USE OF NON U.L. PARTS WILL VOID ANY U.L. LISTING.

When ordering parts, please specify the model and serial number of the product.

\* Indicates a component that is not available as an individual part.

G\*\* Indicates consult Customer Service Department for additional information.

ITEM	PART NO.	1 2 3 4 5	DESCRIPTION	QTY.
30	<u>10386-G3</u>		CLEVIS PIN, 5/16" X 1" LG .....	3
31	<u>10387-G3</u>		COTTER PIN, 3/32" X 3/4" LG .....	3
32	<u>14443-G2</u>		CLEVIS PIN, 5/16" X 3/4" LG .....	2
33				
34	<u>70601-G01</u>		KICK-OFF LINK.....	1
35	<u>17838-G1</u>		NYLON BUSHING.....	2
36	<u>20835-G1</u>		TEFLON WASHER, 3/8" .....	2
37	00559-G8		WASHER, 5/16" .....	2
38	<u>10387-G3</u>		COTTER PIN, 3/32" X 3/4" LG .....	2
39	<u>70098-G01</u>		KICK-OFF CAM PIVOT .....	1
40	<u>10097-G6</u>		FLANGED BEARING .....	2
41	<u>70587-G01</u>		KICK-OFF CAM.....	1
42	<u>71215-G01</u>		SETSCREW, 1/4 - 20 X 1/2" LG.....	2
43	<u>14134-G4</u>		SPACER.....	1
44				
45	<u>70113-G01</u>		ADJUSTABLE BUMPER .....	1
46	<u>11027-G1</u>		LOCK NUT, 5/16 - 18 .....	1
47				
48	<u>70080-G01</u>		CATCH BRACKET .....	1
49	<u>00414-G6</u>		BOLT, 1/4 - 20 X 3/4" LG .....	2
50	<u>00891-G2</u>		LOCK NUT, 1/4 - 20 .....	2
51				
52				
53	<u>74874-G01</u>		BRAKE PEDAL ASSEMBLY (WITH BRAKE LIGHTS) (INCLUDES ITEMS 54 - 80).....	1
54	*		BRAKE PEDAL.....	1
55	74724-G01		PARK BRAKE PEDAL .....	1
56	70274-G01		BRAKE/PARK BRAKE PEDAL PAD KIT (INCLUDES ITEMS 57 - 59).....	1
57	*		SERVICE BRAKE PAD .....	1
58	*		PARK BRAKE PAD.....	1



# BRAKES - FRONT DISC

THE USE OF NON U.L. PARTS WILL VOID ANY U.L. LISTING.

When ordering parts, please specify the model and serial number of the product.

\* Indicates a component that is not available as an individual part.

G\*\* Indicates consult Customer Service Department for additional information.

ITEM	PART NO.	1	2	3	4	5	DESCRIPTION	QTY.
59	<u>16409-G1</u>						OVAL RIVET, 3/16" X 15/32" LG .....	9
60								
61	<u>70258-G02</u>						BRAKE PEDAL PLATE .....	1
62	<u>70682-G01</u>						PIVOT PIN .....	1
63	<u>70681-G01</u>						TORSION SPRING .....	2
64	<u>01071-G01</u>						PUSHNUT, 5/16" .....	1
65	<u>00737-G8</u>						SCREW, #10 - 24 X 1" LG .....	4
66	<u>00739-G1</u>						RUBBER NUT, #10 - 24.....	2
67	<u>22362-G3</u>						BRAKE PEDAL STANDOFF .....	2
68	<u>27137-G01</u>						CONICAL SPRING .....	2
69	<u>11098-G7</u>						LOCK NUT, #10 - 24.....	2
70	<u>10606-G8</u>						MICRO SWITCH.....	1
71	<u>00957-G1</u>						SCREW, #6 - 32 X 1 1/4" LG .....	2
72	<u>00559-G5</u>						WASHER, #10 .....	2
73	<u>00559-G3</u>						WASHER, #6 .....	4
74	<u>00565-G3</u>						LOCK WASHER, #6 .....	2
75	<u>00525-G5</u>						NUT, #6 - 32.....	2
76	<u>13514-G1</u>						SCREW AND LOCK WASHER, #6.....	2
77	<u>20835-G1</u>						WASHER, TEFLON, 3/8" .....	2
78	<u>14628-G1</u>						FASTON TAB.....	2
79	<u>24605-G1</u>						WIRE HARNESS (BRAKE LIGHT) .....	1
80	<u>17618-G1</u>						WIRE TIE .....	3
81								
82	<u>74731-G02</u>						SPRING PLATE (PASSENGER SIDE) .....	1
83	<u>74731-G01</u>						SPRING PLATE (DRIVER SIDE).....	1
84	<u>74730-G01</u>						FOUR LINK ROD.....	2
85	<u>01084-G01</u>						LOCK NUT, M10-1.25 .....	4
86	<u>74736-G01</u>						BRAKE LINE.....	1
87	<u>01038-G01</u>						SCREW, 1/4 - 20 X 4444" LG .....	1
88	<u>74875-G01</u>						WIRE RETAINER.....	2

# BRAKES - FRONT DISC

THE USE OF NON U.L. PARTS WILL VOID ANY U.L. LISTING.

When ordering parts, please specify the model and serial number of the product.

\* Indicates a component that is not available as an individual part.

G\*\* Indicates consult Customer Service Department for additional information.

ITEM	PART NO.	1	2	3	4	5	DESCRIPTION	QTY.
89								
90	74677-G01						SPINDLE, CALIPER AND DISC HUB ASSEMBLY (DRIVER SIDE) (INCLUDES ITEMS 91 - 103).....	1
91	<u>74672-G01</u>						DISC BRAKE SPINDLE (DRIVER SIDE) .....	1
92	<u>74733-G02</u>						CALIPER (DRIVER SIDE) .....	1
93	12093-G1						SLOTTED NUT .....	1
94	<u>74864-G01</u>						DRIVE FLANGE STUD.....	4
95	<u>11750-G2</u>						ROLLER BEARING .....	2
96	<u>51141-G1</u>						BEARING RACE.....	2
97	<u>74673-G01</u>						DISC BRAKE HUB.....	1
98	<u>70648-G01</u>						FLANGED BEARING.....	1
99	<u>00565-G8</u>						WASHER, 3/8" .....	2
100	<u>00426-G8</u>						BOLT, 3/8 - 16 X 1.....	2
101	<u>70749-G01</u>						BEARING.....	1
102	<u>00798-G8</u>						COTTER PIN .....	1
103	<u>25146-G1</u>						GREASE SEAL.....	1
104								
105	74676-G01						SPINDLE, CALIPER AND DISC HUB ASSEMBLY (PASSENGER SIDE) (INCLUDES ITEMS 93 - 103, 106, 107).....	1
106	<u>74671-G01</u>						DISC BRAKE SPINDLE (PASSENGER SIDE).....	1
107	<u>74733-G01</u>						CALIPER (PASSENGER SIDE).....	1
108	<u>74948-G01</u>						DISC BRAKE SERVICE HUB (INCLUDES ITEMS 94 - 97, 103).....	1
109	<u>70745-G01</u>						KINGPIN TUBE .....	2
110	<u>70754-G01</u>						THRUST WASHER .....	2
111	<u>00560-G3</u>						WASHER, 1/2" .....	4
112	<u>14390-G6</u>						LOCKNUT, 1/2 - 13 .....	2
113	<u>00407-G6</u>						CAPSCREW, 1/2 - 13 X 6" LG .....	2
114								
115	<u>74702-G01</u>						FRONT DISC BRAKE BRAKE ACTUATOR ASSEMBLY (INCLUDES ITEMS 116 - 133).....	1
116	<u>10387-G3</u>						COTTER PIN, 3/32 X 3/4" LG.....	1

# BRAKES - FRONT DISC

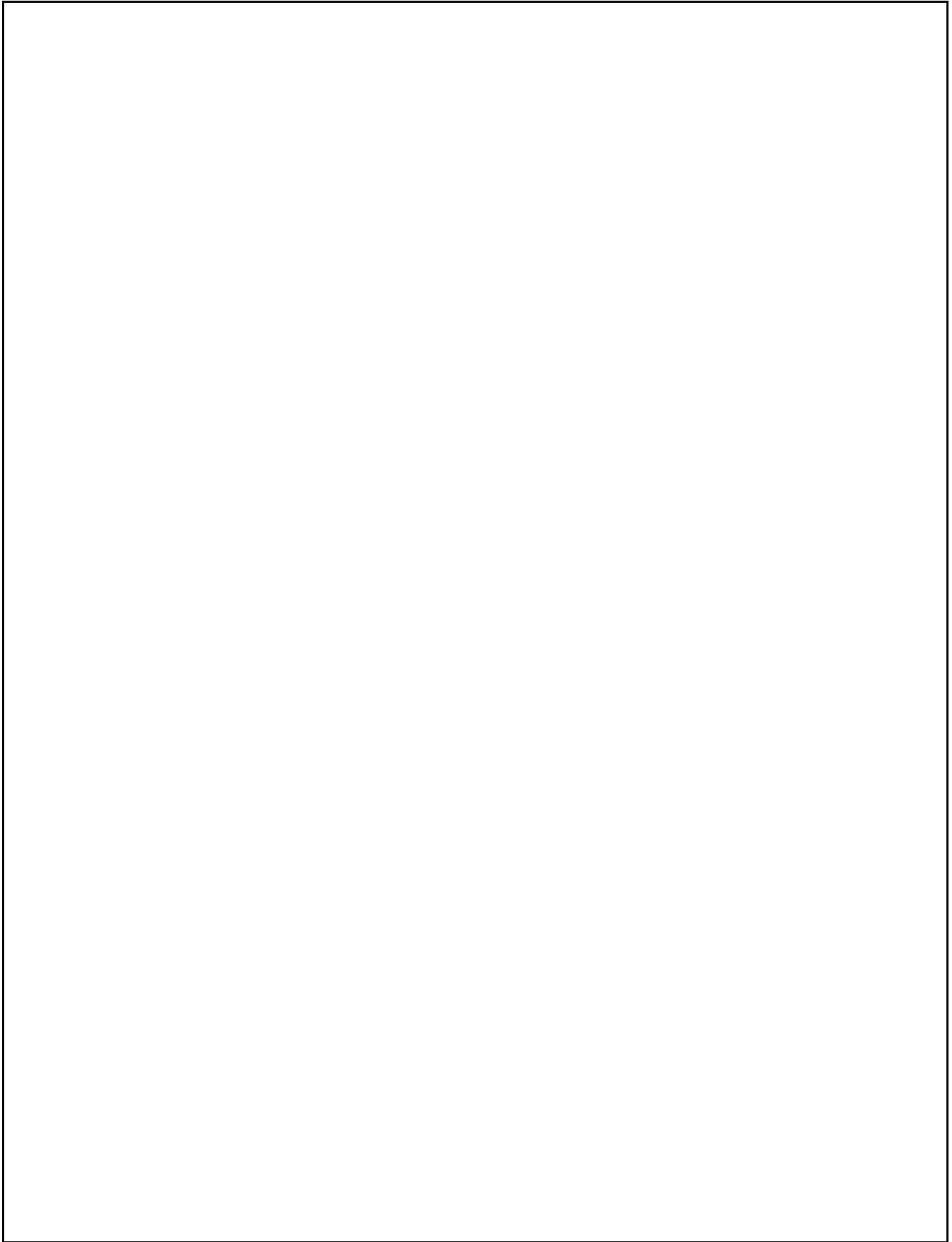
THE USE OF NON U.L. PARTS WILL VOID ANY U.L. LISTING.

When ordering parts, please specify the model and serial number of the product.

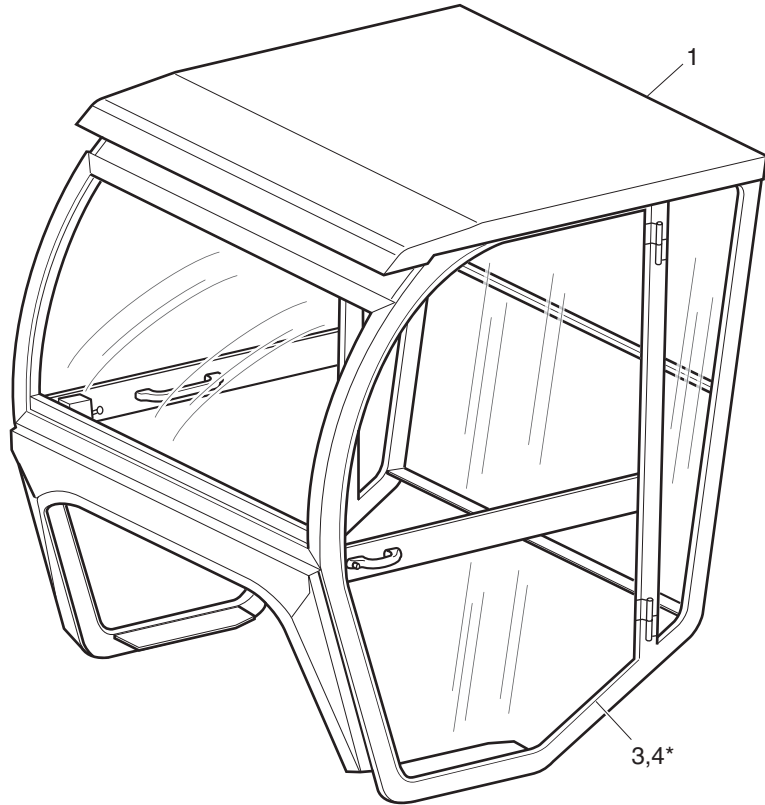
\* Indicates a component that is not available as an individual part.

G\*\* Indicates consult Customer Service Department for additional information.

ITEM	PART NO.	1	2	3	4	5	DESCRIPTION	QTY.
117	<u>17838-G1</u>						NYLON BUSHING .....	1
118	<u>10386-G3</u>						CLEVIS PIN, 5/16 X 1" LG.....	1
119	<u>74753-G01</u>						UPPER ACTUATOR PIVOT .....	1
120	<u>70581-G02</u>						ACETAL BUSHING .....	4
121	<u>74711-G01</u>						SHOULDER BOLT .....	1
122	<u>00560-G3</u>						WASHER, 1/2" .....	1
123	<u>13437-G3</u>						BOLT, 1/2 - 13 X 6" LG.....	2
124	<u>00679-G2</u>						WASHER, 5/16" STAINLESS .....	2
125	<u>00654-G3</u>						LOCKNUT, 5/16 - 18.....	2
126	<u>74742-G01</u>						MASTER CYLINDER.....	1
127	<u>74703-G01</u>						BRAKE ACTUATOR ASSEMBLY HOUSING .....	1
128	<u>11098-G5</u>						LOCKNUT, 3/8 - 16.....	1
129	<u>00679-G1</u>						WASHER, 3/8" STAINLESS .....	1
130	<u>74707-G01</u>						LOWER ACTUATOR PIVOT.....	1
131	10385-G4						CLEVIS YOKE .....	1
132	<u>74873-G01</u>						BRAKE ACTUATOR ASSEMBLY COVER .....	1
133	<u>01038-G01</u>						SCREW, 1/4 -20 SWAGEFORM.....	4
134								
135	00414-G8						BOLT, 1/4 - 20 X 1 1/4" LG .....	4
136	<u>00891-G2</u>						LOCKNUT, 1/4 - 20 .....	4
137								
138	<u>10387-G3</u>						COTTER PIN, 3/32 X 3/4 .....	2
139	<u>20835-G1</u>						WASHER, NYLON .....	1
140	<u>17838-G1</u>						NYLON BUSHING.....	2
141	<u>74865-G01</u>						ACTUATOR LINKAGE .....	1
142	<u>00771-G5</u>						WASHER, 3/8" .....	1
143	<u>74917-G01</u>						DISC BRAKE PAD AND PIN KIT (SERVICES ONE CORNER) (INCLUDES ITEMS 144 - 145).....	1
144	*						BRAKE PADS .....	2
145	*						BRAKE PAD RETAINER PINS .....	2



# CAB



CAB

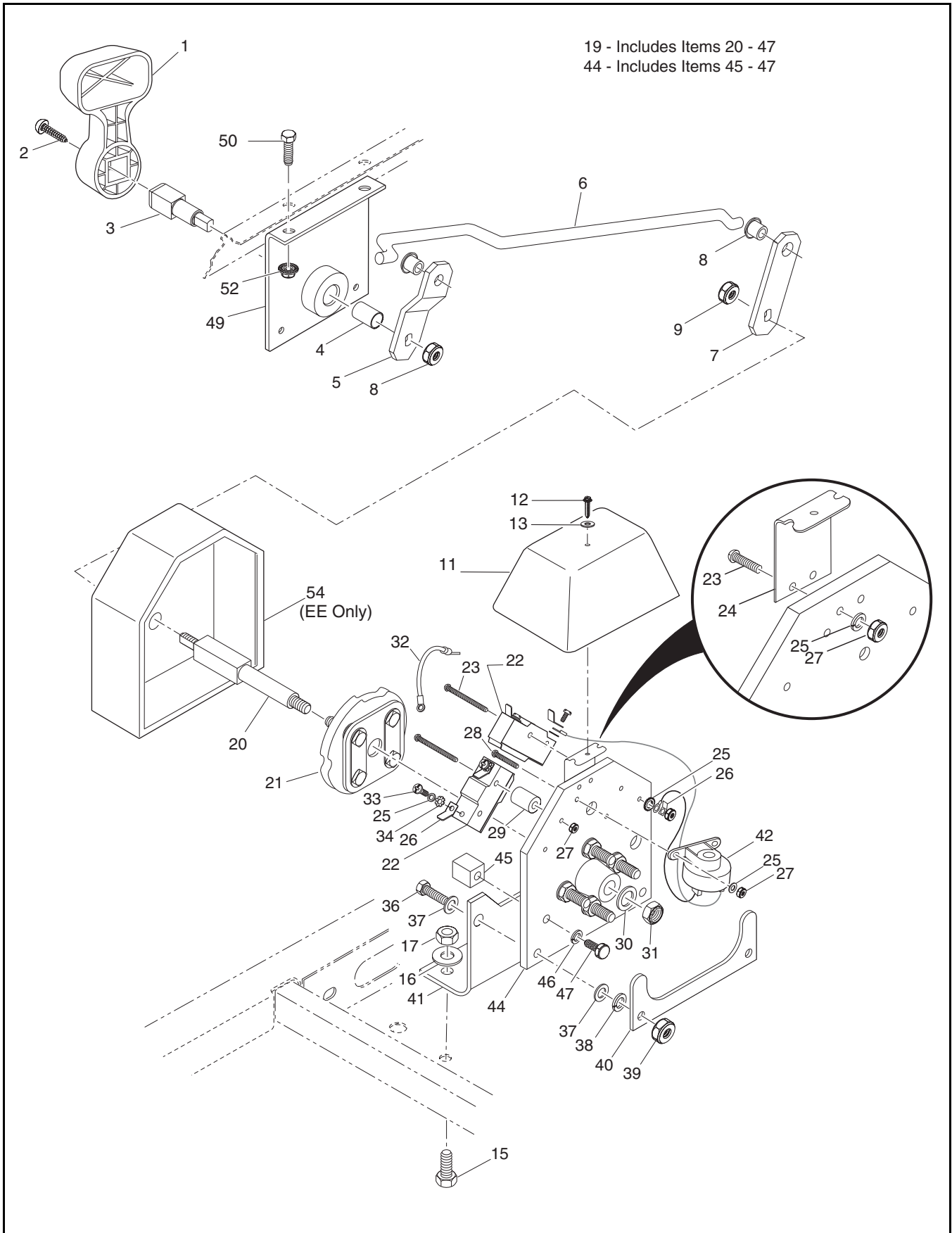
\*Steel Doors Shown

For Cab Accessories, See ACCESSORIES LISTING in Appendix B

THE USE OF NON U.L. PARTS WILL VOID ANY U.L. LISTING.  
 When ordering parts, please specify the model and serial number of the product.  
 \* Indicates a component that is not available as an individual part.  
 G\*\* Indicates consult Customer Service Department for additional information.

ITEM	PART NO.	1 2 3 4 5	DESCRIPTION	QTY.
1	72684-G**		STEEL CAB (WITHOUT DOORS) REPACEMENT PARTS AND ACCESSORIES MAY BE OBTAINED FROM CURTIS CAB, INC. ....	1
2				
3	<u>75855-G01</u>		VINYL DOOR KIT.....	1
4	75856-G**		STEEL DOOR KIT.....	1
<p>For Cab replacement parts and accessories, contact Curtis Cab at:                      Curtis Cab, Inc. 111 Higgins Street, Worcester, Massachusetts, 01606.                      Tel.: 508-853-2200. Toll free: 800-343-7676.                      www.curtiscab.com</p>				

# DIRECTION SELECTOR



# DIRECTION SELECTOR

THE USE OF NON U.L. PARTS WILL VOID ANY U.L. LISTING.

When ordering parts, please specify the model and serial number of the product.

\* Indicates a component that is not available as an individual part.

G\*\* Indicates consult Customer Service Department for additional information.

ITEM	PART NO.	1 2 3 4 5	DESCRIPTION	QTY.
1	<u>71205-G01</u>		DIRECTION SELECTOR HANDLE.....	1
2	<u>00740-G4</u>		SCREW, #10 - 32 X 1/2" LG (STAINLESS STEEL) .....	1
3	<u>70233-G01</u>		DIRECTION SELECTOR SHAFT.....	1
4	<u>25664-G2</u>		BUSHING .....	1
5	<u>70334-G01</u>		OFFSET SHIFT LINKAGE ARM .....	1
6	<u>70313-G01</u>		LINKAGE ROD.....	1
7	<u>70232-G03</u>		SHIFT LINKAGE ARM .....	1
8	<u>22754-G3</u>		BUSHING .....	2
9	<u>14390-G1</u>		LOCK NUT, 3/8 - 24 .....	2
10				
11	<u>73049-G01</u>		COVER.....	1
12	<u>00114-G6</u>		SCREW, 1/4 - 14 x 3/4" LG.....	1
13	<u>16469-G1</u>		WASHER, 1/4" .....	1
14				
15	<u>00438-G6</u>		BOLT, 5/16 - 18 X 3/4" LG. ....	2
16	<u>01110-G03</u>		WASHER, 5/16" (STAINLESS STEEL) .....	2
17	<u>01109-G01</u>		LOCK NUT, 5/16 - 18 (STAINLESS STEEL) .....	2
18				
19	<u>70578-G02</u>		DIRECTION SELECTOR ASSEMBLY (INCLUDES ITEMS 20 - 47) .....	1
20	<u>73027-G01</u>		DIRECTION SELECTOR SHAFT .....	1
21	<u>12835-G1</u>		CAM.....	1
22	<u>10606-G2</u>		MICRO SWITCH.....	2
23	<u>00645-G7</u>		SCREW, #6 - 32 X 2" LG. ....	4
24	<u>73048-G01</u>		COVER BRACKET .....	1
25	<u>00565-G3</u>		LOCK WASHER, #6 .....	8
26	<u>14628-G1</u>		FASTON TAB.....	4
27	<u>00525-G5</u>		NUT, #6 - 32.....	8
28	<u>00645-G5</u>		SCREW, #6 - 32 X 3/4" LG. ....	3
29	<u>12806-G1</u>		SPACER .....	4
30	<u>00560-G1</u>		WASHER, 3/8" .....	1



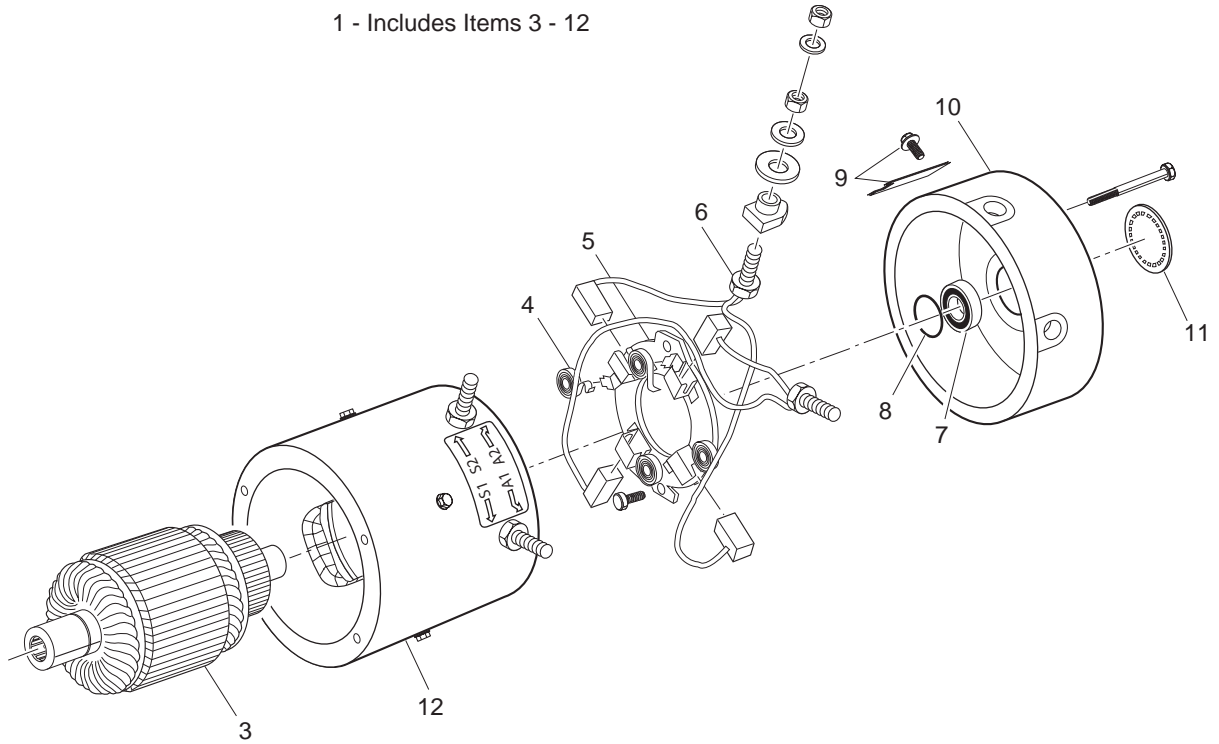
# DIRECTION SELECTOR

THE USE OF NON U.L. PARTS WILL VOID ANY U.L. LISTING.  
 When ordering parts, please specify the model and serial number of the product.  
 \* Indicates a component that is not available as an individual part.  
 G\*\* Indicates consult Customer Service Department for additional information.

ITEM	PART NO.	1	2	3	4	5	DESCRIPTION	QTY.
31	<u>14390-G1</u>						LOCK NUT, 3/8 - 24 .....	2
32	<u>25978-G37</u>						18 GA WIRE (RED 6") .....	1
33	*						SCREW.....	4
34	<u>00567-G3</u>						LOCK WASHER, #6 .....	4
35								
36	<u>00661-G8</u>						BOLT, 1/4 - 20 X 1" LG (STAINLESS STEEL) .....	2
37	<u>01110-G01</u>						WASHER, 1/4" (STAINLESS STEEL).....	4
38	<u>00664-G7</u>						LOCK WASHER, 1/4" (STAINLESS STEEL).....	2
39	<u>00532-G1</u>						NUT, 1/4 - 20.....	2
40	<u>15461-G1</u>						SUPPORT BRACKET.....	1
41	73031-G01						DIRECTION SELECTOR MOUNTING BRACKET .....	1
42	<u>73290-G02</u>						REVERSE WARNING BUZZER .....	1
43								
44	<u>14651-G1</u>						CONTACT BOARD ASSEMBLY (INCLUDES ITEMS 45 - 47) .....	1
45	<u>24940-G1</u>						STOP .....	2
46	<u>00664-G7</u>						LOCK WASHER, 1/4" (STAINLESS STEEL) .....	2
47	<u>00414-G6</u>						BOLT, 1/4 - 20 X 3/4" LG. ....	2
48								
49	<u>70444-G02</u>						BRACKET .....	1
50	<u>28272-G01</u>						BOLT, 1/4 - 20 X 5/8" LG .....	2
51								
52	<u>11027-G2</u>						LOCK NUT, 1/4 - 20 .....	2



# ELECTRIC MOTOR



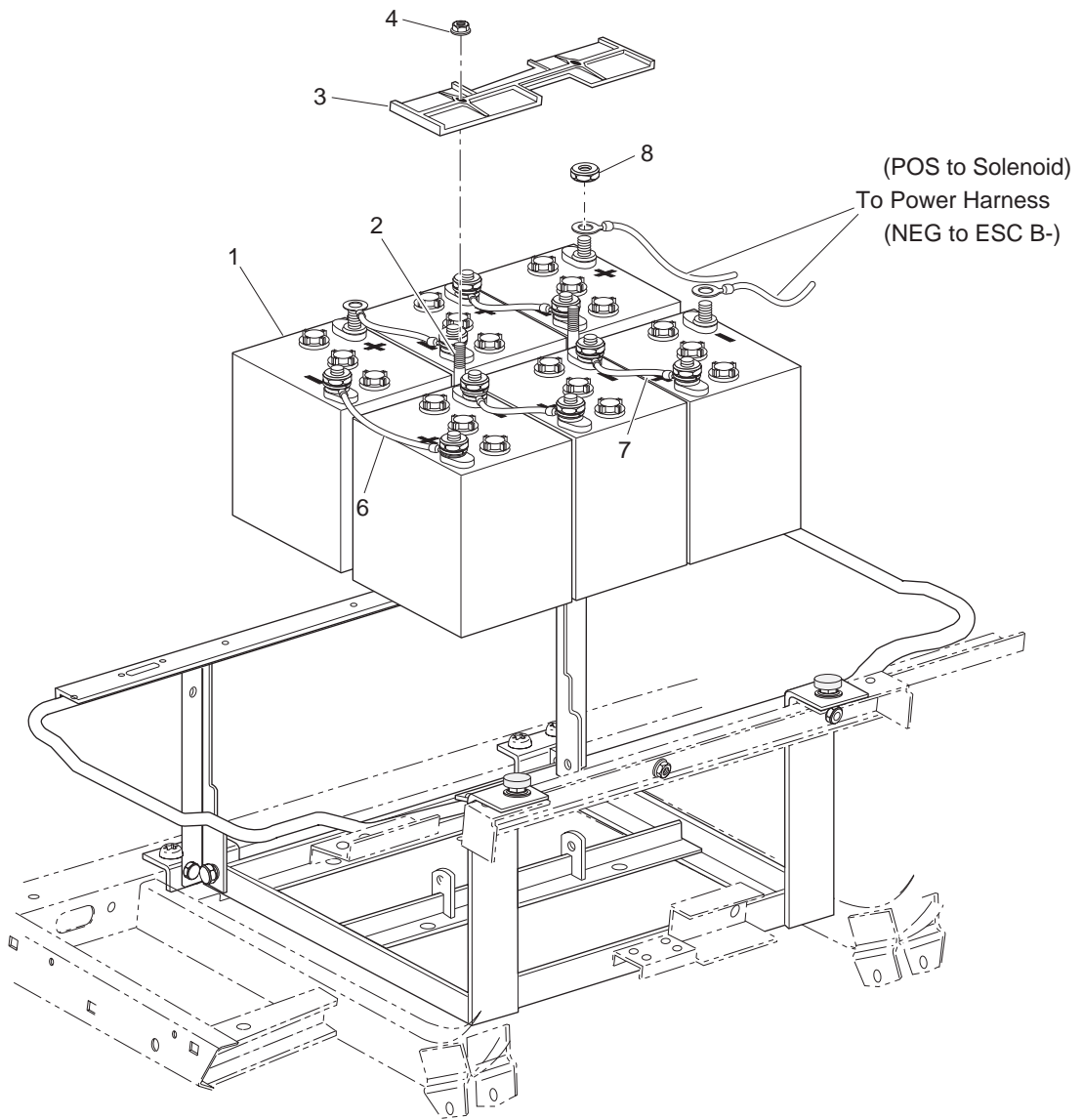
Ref Mtr 3-1

# ELECTRIC MOTOR

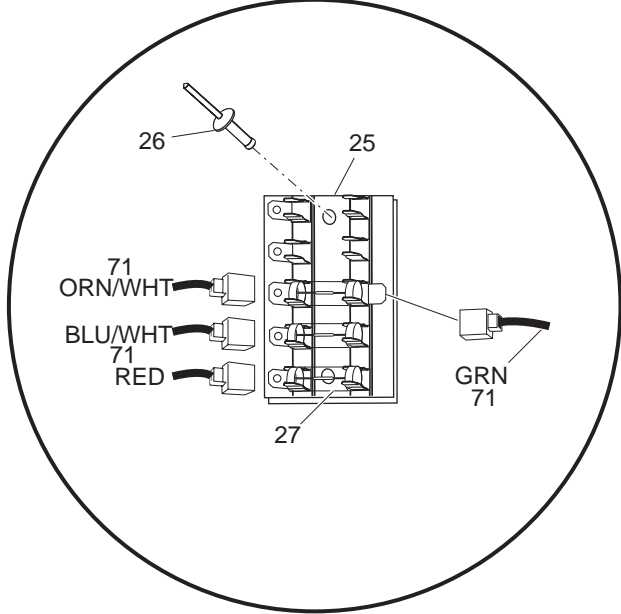
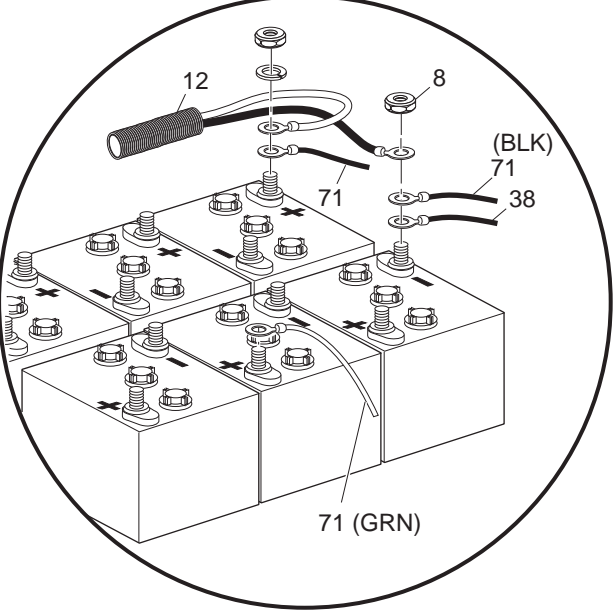
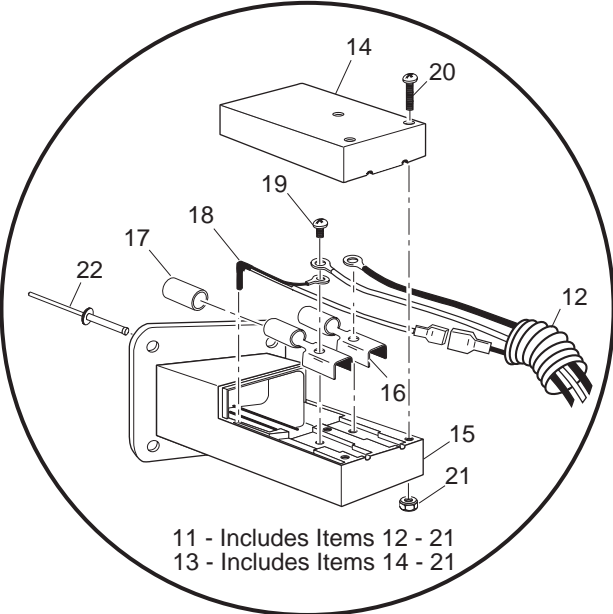
THE USE OF NON U.L. PARTS WILL VOID ANY U.L. LISTING.  
 When ordering parts, please specify the model and serial number of the product.  
 \* Indicates a component that is not available as an individual part.  
 G\*\* Indicates consult Customer Service Department for additional information.

ITEM	PART NO.	1 2 3 4 5	DESCRIPTION	QTY.
1	<u>73445-G01</u>		MOTOR (SERIES, FLEET SPEED) (INCLUDES ITEMS 3 - 12) .....	1
2				
3	<u>73120-G01</u>		ARMATURE .....	1
4	<u>73120-G03</u>		BRUSH SPRING.....	4
5	<u>73120-G15</u>		BRUSH PLATE AND BOX .....	1
6	<u>73120-G25</u>		BRUSH REPLACEMENT KIT (INCLUDES HARDWARE) .....	1
7	<u>73120-G07</u>		BEARING .....	1
8	<u>73120-G06</u>		SNAP RING .....	1
9	<u>73120-G09</u>		COVER PLATE AND SCREW .....	1
10	<u>73120-G08</u>		COVER COMMUTATOR END.....	1
11	<u>73120-G16</u>		CAP.....	1
12	73120-G29		FRAME AND FIELD COIL (INCLUDES HARDWARE).....	1

# ELECTRICAL SYSTEM

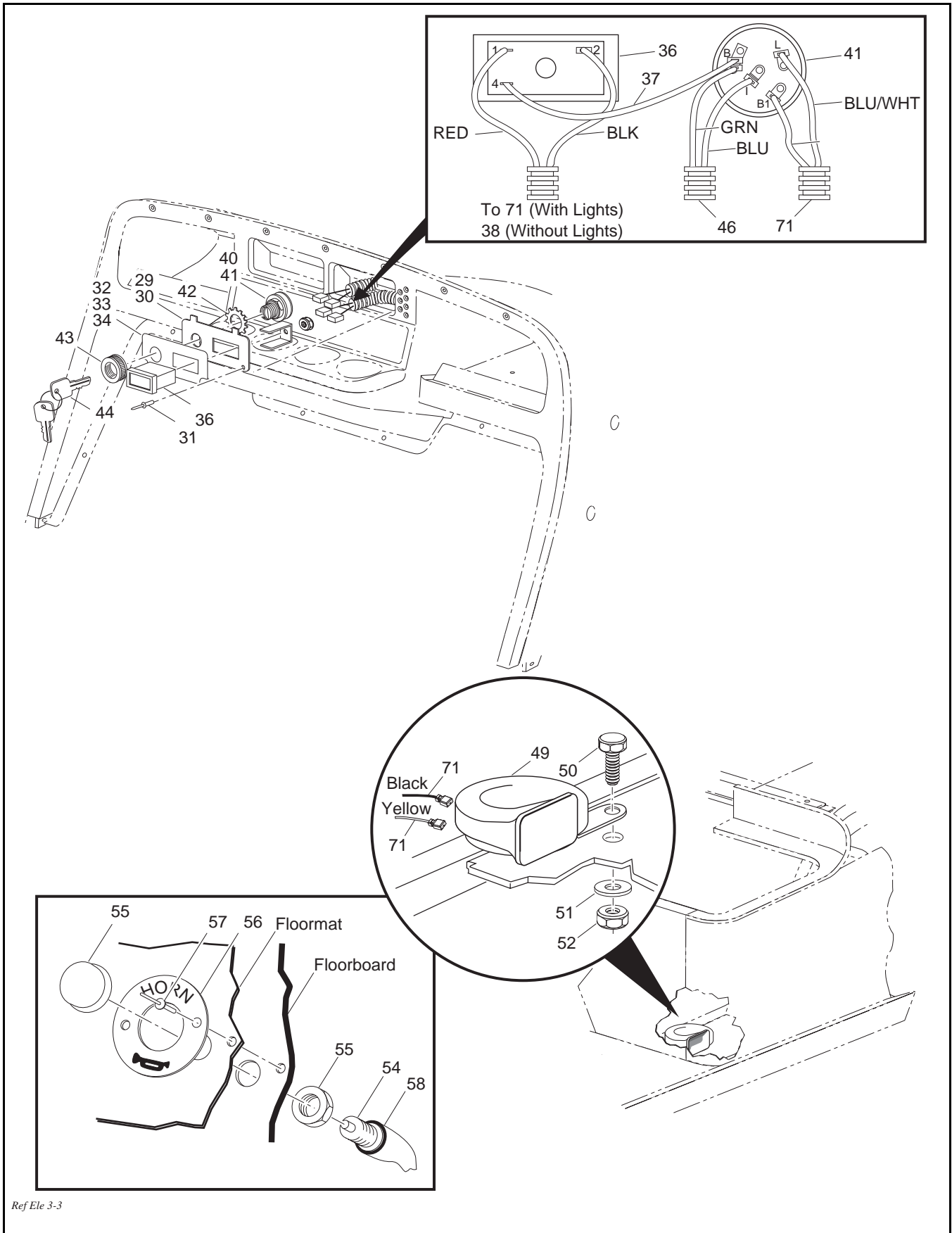


Ref Ele 3-1

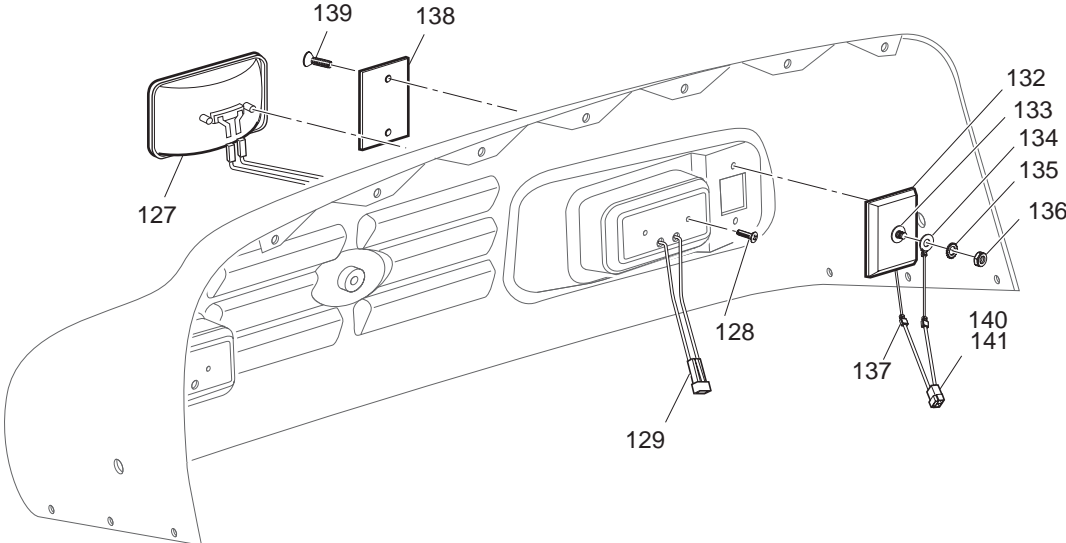


Ref Ele 3-2

# ELECTRICAL SYSTEM

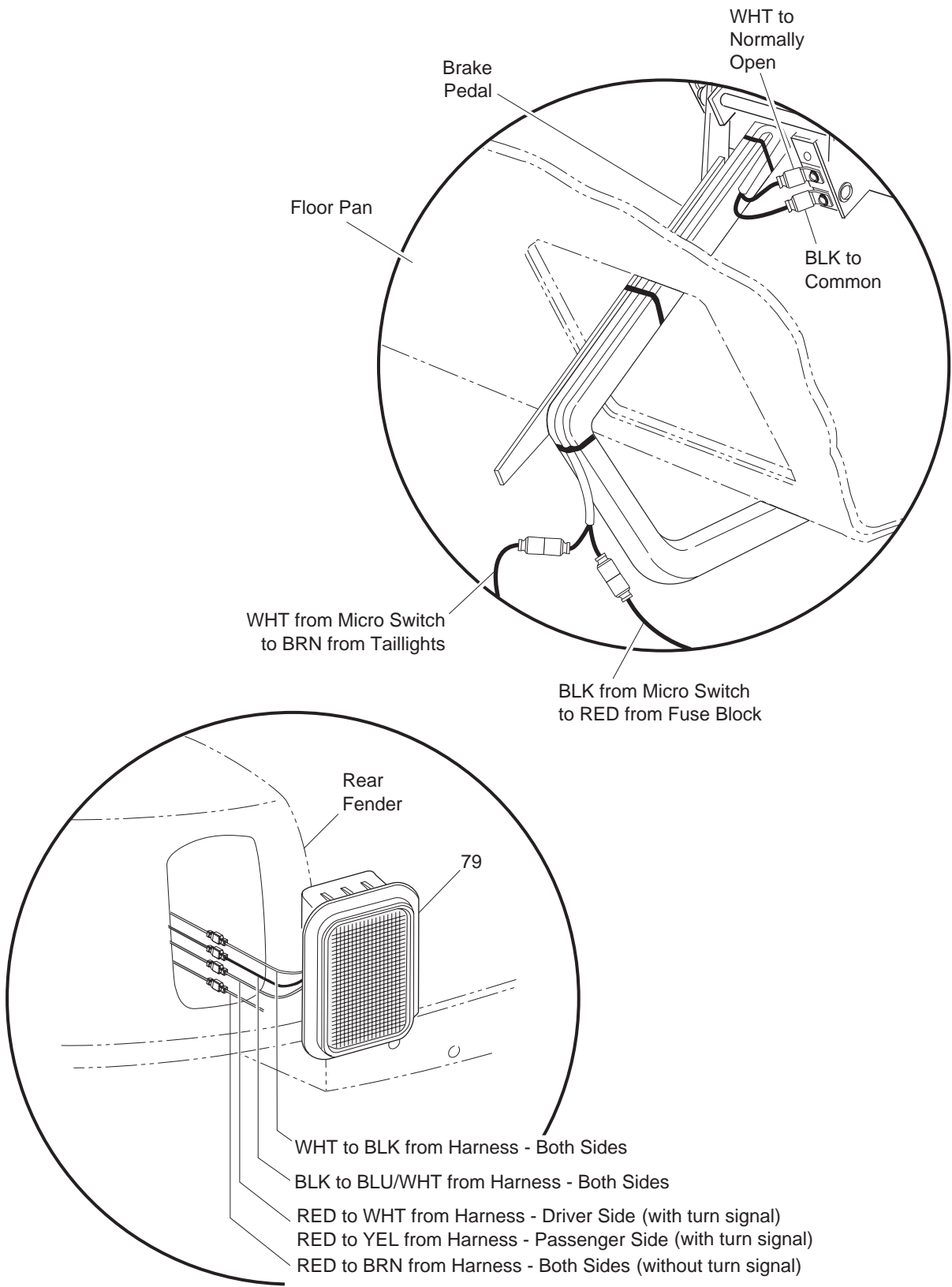


Ref Ele 3-3

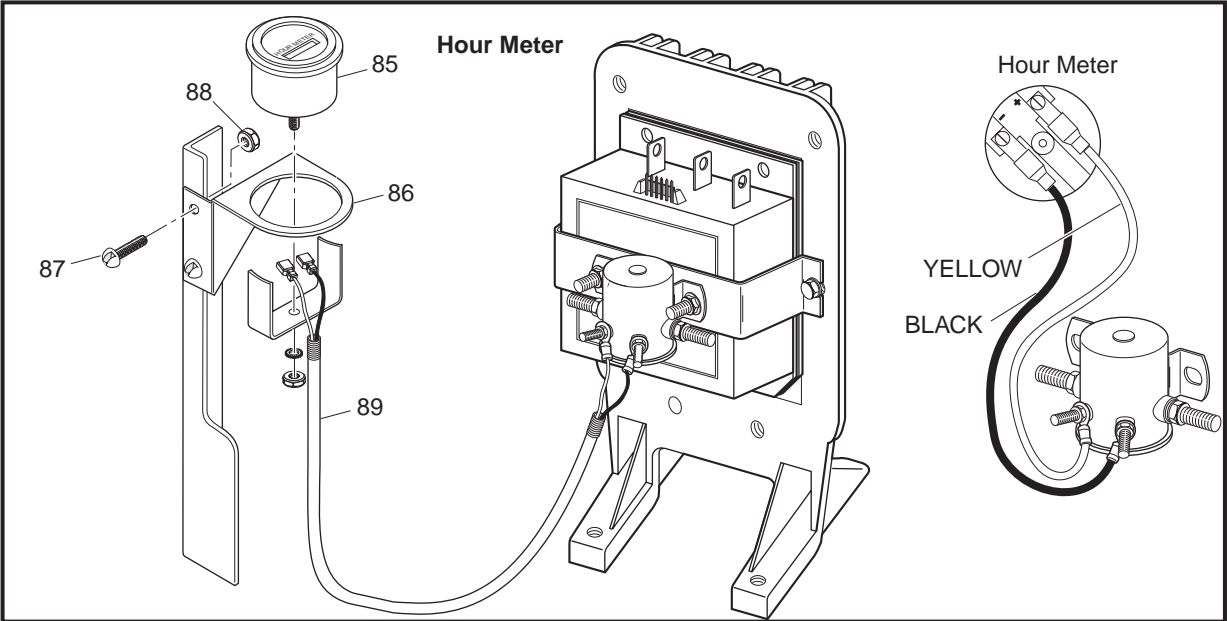
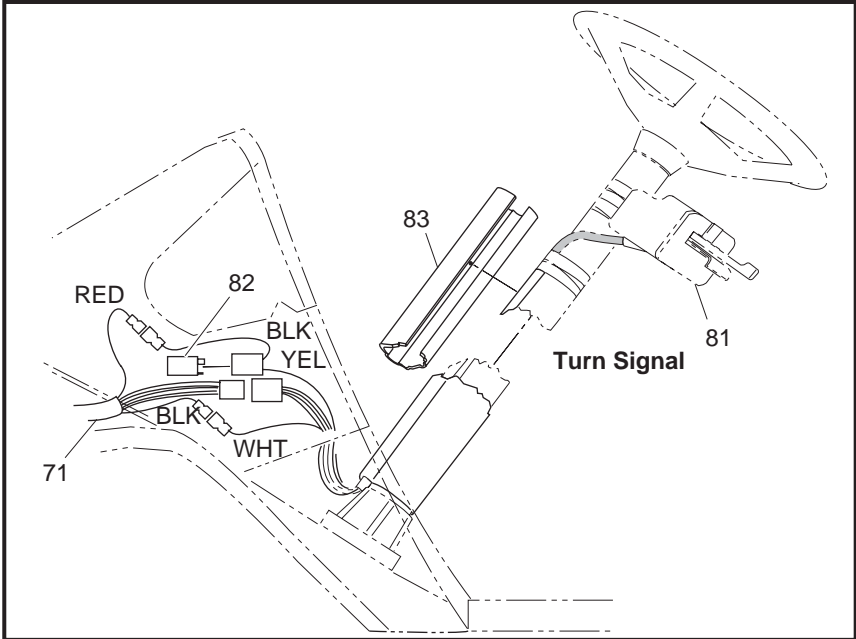




# ELECTRICAL SYSTEM

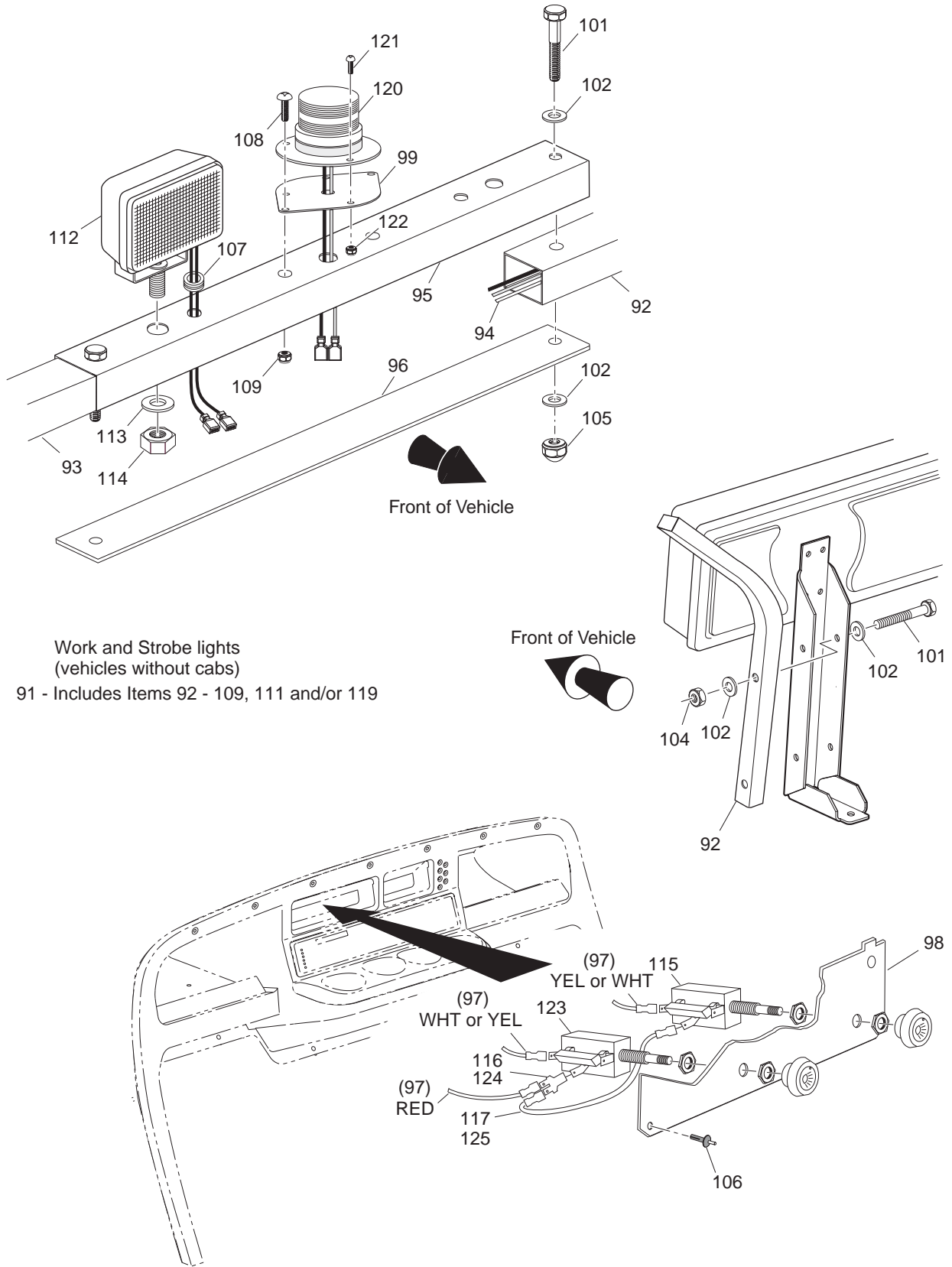


Ref Ele 3-5



Ref Ele 3-6

# ELECTRICAL SYSTEM



Work and Strobe lights  
(vehicles without cabs)  
91 - Includes Items 92 - 109, 111 and/or 119

# ELECTRICAL SYSTEM

THE USE OF NON U.L. PARTS WILL VOID ANY U.L. LISTING.  
 When ordering parts, please specify the model and serial number of the product.  
 \* Indicates a component that is not available as an individual part.  
 G\*\* Indicates consult Customer Service Department for additional information.

ITEM	PART NO.	1 2 3 4 5	DESCRIPTION	QTY.
1	XXXXX-G**		BATTERY (6 VOLT).....	6
2	<u>01101-G01</u>		HOLD DOWN BOLT (STAINLESS STEEL).....	2
3	<u>70045-G01</u>		BATTERY RETAINER .....	1
4	<u>11027-G1</u>		LOCK NUT, 5/16 - 18 .....	2
5				
6	<u>25972-G32</u>		6 GA WIRE (BLACK 10 1/2") .....	1
7	<u>25972-G40</u>		6 GA WIRE (BLACK 6") .....	4
8	<u>00702-G2</u>		NUT, 5/16 - 18 .....	12
9				
10				
11	<u>73063-G01</u>		CHARGER WIRE HARNESS/RECEPTACLE ASSEMBLY (PORTABLE CHARGER) (INCLUDES ITEMS 12 - 21) .....	1
12	73082-G01		CHARGER HARNESS.....	1
13	73051-G01		CHARGER RECEPTACLE (INCLUDES ITEMS 14 - 21).....	1
14	73051-G03		RECEPTACLE COVER .....	1
15	73051-G04		RECEPTACLE BOTTOM .....	1
16	<u>73051-G05</u>		FEMALE CONTACT .....	2
17	<u>73051-G06</u>		INSULATOR SLEEVE .....	1
18	<u>25978-G25</u>		RED JUMPER WIRE.....	1
19	<u>73051-G08</u>		SCREW, #10 - 32 X 1/2" LG. (BRASS, BINDING HEAD) .....	2
20	<u>73051-G09</u>		SCREW, #6 - 32 X 1 3/4" LG. (STAINLESS STEEL).....	3
21	<u>73051-G10</u>		LOCK NUT, #6-32 .....	3
22	<u>71055-G01</u>		RIVET, 3/16" X 1" LG (ALUMINUM).....	4
23	<u>17618-G1</u>		WIRE TIE (NOT ILLUSTRATED) .....	3
24				
25	<u>22674-G1</u>		FUSE BLOCK.....	1
26	<u>01041-G01</u>		RIVET, 5/32" X 3/8" LG .....	2
27	<u>18392-G1</u>		FUSE, 15 AMP .....	3
28				
29	<u>73030-G01</u>		PLATE (IGNITION SWITCH ONLY) .....	1

# ELECTRICAL SYSTEM

THE USE OF NON U.L. PARTS WILL VOID ANY U.L. LISTING.

When ordering parts, please specify the model and serial number of the product.

\* Indicates a component that is not available as an individual part.

G\*\* Indicates consult Customer Service Department for additional information.

ITEM	PART NO.	1 2 3 4 5	DESCRIPTION	QTY.
30	73030-G02		PLATE (IGNITION WITH STATE OF CHARGE METER).....	1
31	33623-G02		DRIVE RIVET, 3/16 X 3/8" LG.....	2
32	<u>71181-G02</u>		DECAL (WITHOUT LIGHTS) .....	1
33	71123-G01		DECAL (WITHOUT LIGHTS, WITH STATE OF CHARGE METER) .....	1
34	71129-G01		DECAL (WITH LIGHTS AND STATE OF CHARGE METER) .....	1
35				
36	<u>33636-G01</u>		STATE OF CHARGE METER .....	1
37	<u>25978-G74</u>		18 GA WIRE (RED 6").....	1
38	<u>74018-G01</u>		STATE OF CHARGE METER HARNESS.....	1
39				
40	<u>18602-G1</u>		IGNITION SWITCH (WITHOUT LIGHTS) .....	1
41	<u>33639-G01</u>		IGNITION SWITCH (WITH LIGHTS).....	1
42	<u>00568-G6</u>		LOCK WASHER, 3/4".....	1
43	17137-G1		FACE NUT, 3/4 - 20.....	1
44	<u>17063-G1</u>		IGNITION KEY (SET).....	A/R
45				
46	<u>73041-G01</u>		IGNITION SWITCH HARNESS.....	1
47	<u>17618-G1</u>		WIRE TIE (NOT ILLUSTRATED) .....	1
48				
49	<u>32860-G1</u>		HORN.....	1
50	<u>00414-G5</u>		BOLT, 1/4 - 20 X 5/8" LG .....	1
51	<u>01110-G01</u>		WASHER, 1/4" (STAINLESS STEEL) .....	1
52	<u>00654-G2</u>		LOCK NUT, 1/4 - 20 (STAINLESS STEEL) .....	1
53				
54	<u>17318-G1</u>		HORN SWITCH (INCLUDES ITEM 55) .....	1
55	<u>17318-G2</u>		BUTTON AND NUT .....	1
56	19233-G1		HORN SWITCH PLATE.....	1
57	<u>71055-G01</u>		RIVET, 3/16 X 1" LG (ALUMINUM) .....	2
58	<u>27068-G01</u>		HORN SWITCH BOOT .....	1
59				

# ELECTRICAL SYSTEM

THE USE OF NON U.L. PARTS WILL VOID ANY U.L. LISTING.  
 When ordering parts, please specify the model and serial number of the product.  
 \* Indicates a component that is not available as an individual part.  
 G\*\* Indicates consult Customer Service Department for additional information.

ITEM	PART NO.	1 2 3 4 5	DESCRIPTION	QTY.
60				
61				
62				
63				
64				
65				
66				
67				
68				
69				
70				
71	73044-G01		WIRE HARNESS (ACCESSORY).....	1
72	<u>17618-G1</u>		WIRE TIE (NOT ILLUSTRATED) .....	5
73	<u>31539-G1</u>		WIRE TIE (NOT ILLUSTRATED) .....	6
74				
75				
76				
77				
78				
79	<u>32739-G2</u>		STOP/TAIL LIGHT .....	2
80				
81	<u>17867-G1</u>		TURN SIGNAL (WITH MOUNTING HARDWARE) (INCLUDES ITEM 82) .....	1
82	<u>21640-G1</u>		FLASHER .....	1
83	<u>20965-G3</u>		STEERING COLUMN COVER.....	1
84				
85	<u>21573-G1</u>		HOUR METER .....	1
86	74019-G01		BRACKET .....	1
87	<u>00150-G4</u>		SCREW. #10 - 24 X 1/2" LG.....	2
88	11098-G7		NUT, #10 - 24 .....	2
89	<u>75117-G02</u>		WIRE HARNESS (HOUR METER) .....	1

# ELECTRICAL SYSTEM

THE USE OF NON U.L. PARTS WILL VOID ANY U.L. LISTING.

When ordering parts, please specify the model and serial number of the product.

\* Indicates a component that is not available as an individual part.

G\*\* Indicates consult Customer Service Department for additional information.

ITEM	PART NO.	1	2	3	4	5	DESCRIPTION	QTY.
90								
91	71323-G**						WORK LIGHT BAR WITH LIGHTS AND/OR STROBE (INCLUDES ITEMS 92 - 109, 111 AND/OR 119) .....	1
92	<u>75838-G03</u>						STRUT (DRIVER SIDE).....	1
93	<u>75838-G04</u>						STRUT (PASSENGER SIDE) .....	1
94	<u>75346-G01</u>						WIRE HARNESS (WORK LIGHT) .....	1
95	<u>71294-G02</u>						BRACE.....	1
96	<u>71293-G02</u>						COVER PLATE .....	1
97	<u>75430-G01</u>						SWITCH HARNESS .....	1
98	71077-G**						LIGHT SWITCH PLATE .....	1
99	33201-G02						STROBE LIGHT MOUNT (USED ONLY WITH STROBE LIGHT) .....	1
100	<u>75365-G01</u>						HARDWARE KIT (INCLUDES ITEMS 101 - 109).....	1
101	<u>00685-G7</u>						BOLT, 5/16 - 18 X 1 3/4" LG (STAINLESS STEEL).....	6
102	<u>00660-G8</u>						WASHER, 5/16" (STAINLESS STEEL) .....	12
103	<u>15121-G1</u>						WASHER, 3/8" X 1 1/4" .....	2
104	11098-G6						LOCK NUT, 5/16 - 18 (STAINLESS STEEL) .....	4
105	<u>00918-G3</u>						ACORN NUT, 5/16 - 18 .....	2
106	33623-G02						DRIVE RIVET, 3/16" X 3/8" LG.....	3
107	<u>20367-G1</u>						GROMMET .....	2
108	16705-G3						SCREW, 1/4 - 20 X 3/4" LG (STAINLESS STEEL) .....	2
109	<u>14390-G4</u>						LOCK NUT, 1/4 - 20 .....	2
110								
111	<u>20383-G2</u>						WORK LIGHT KIT (INCLUDES ITEMS 112-117) .....	1
112	<u>20209-G2</u>						WORK LIGHT (RECTANGULAR) .....	2
113	<u>00566-G3</u>						LOCK WASHER, 1/2" .....	2
114	<u>00533-G1</u>						NUT, 1/2 - 13 .....	2
115	<u>17317-G1</u>						LIGHT SWITCH.....	1
116	<u>17902-G1</u>						TAB ADAPTER.....	1
117	<u>20053-G1</u>						16 GA WIRE (RED 5 3/8").....	1
118								

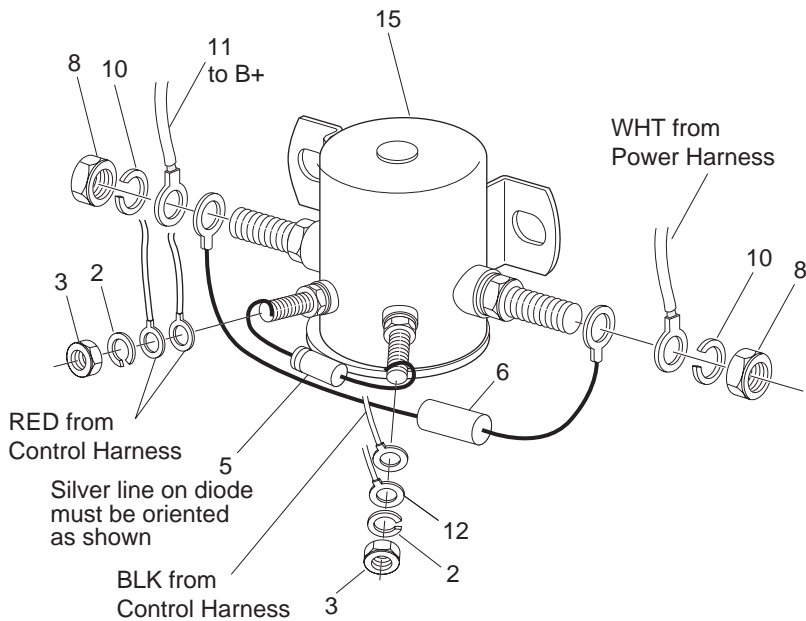
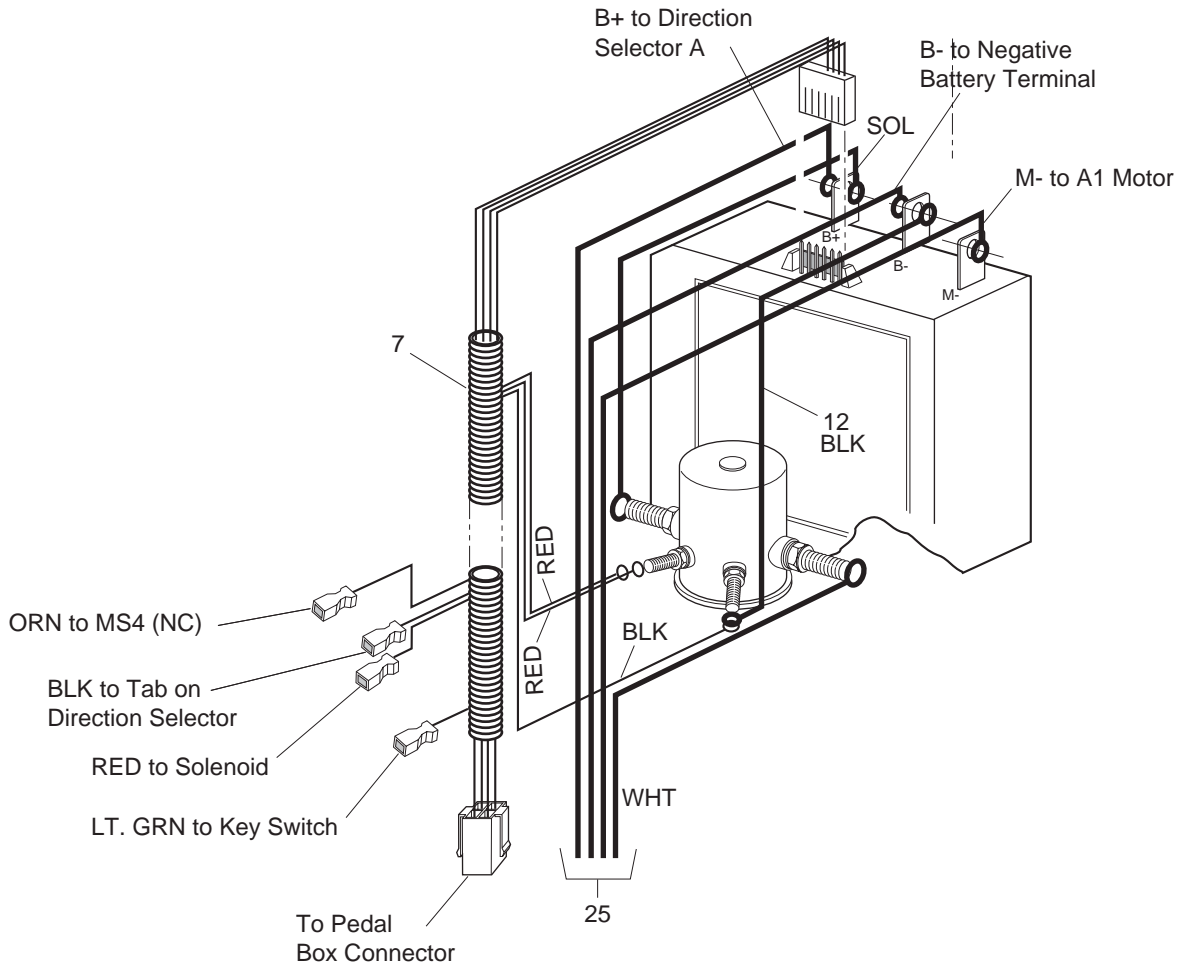
# ELECTRICAL SYSTEM

THE USE OF NON U.L. PARTS WILL VOID ANY U.L. LISTING.  
 When ordering parts, please specify the model and serial number of the product.  
 \* Indicates a component that is not available as an individual part.  
 G\*\* Indicates consult Customer Service Department for additional information.

ITEM	PART NO.	1	2	3	4	5	DESCRIPTION	QTY.
119	20385-G2						STROBE LIGHT KIT (INCLUDES ITEMS 120 - 125) .....	1
120	20394-G1						STROBE LIGHT .....	1
121	<u>00379-G4</u>						SCREW, #10 - 24 x 1/2" LG .....	3
122	11098-G7						LOCK NUT, #10 - 24 .....	3
123	<u>17317-G1</u>						LIGHT SWITCH.....	1
124	<u>17902-G1</u>						TAB ADAPTER.....	1
125	<u>20053-G1</u>						16 GA WIRE (RED 5 3/8").....	1
126								
127	<u>20209-G3</u>						HEADLIGHT (RECTANGULAR) (INCLUDES ITEM 128) .....	2
128	<u>00906-G6</u>						SCREW, #10 - 16 X 1" LG .....	2
129	<u>74055-G01</u>						JUMPER.....	2
130								
131	<u>20570-G3</u>						TURN SIGNAL LIGHT ASSEMBLY (INCLUDES ITEMS 132 - 137).....	2
132	<u>20574-G3</u>						TURN SIGNAL LIGHT .....	1
133	<u>00660-G7</u>						WASHER, 1/4" (STAINLESS STEEL).....	1
134	<u>20606-G1</u>						WIRE ASSEMBLY .....	1
135	<u>00567-G7</u>						LOCK WASHER, 1/4" .....	1
136	<u>00532-G1</u>						NUT, 1/4 - 20.....	1
137	<u>18995-G1</u>						PUSH-ON MALE TERMINAL .....	1
138	20574-G5						LENS, AMBER .....	1
139	<u>00118-G5</u>						SCREW, #6 - 18 X 5/8" LG.....	2
140	<u>74056-G01</u>						JUMPER, RED/BLACK (PASSENGER SIDE) .....	1
141	<u>74056-G02</u>						JUMPER, GREEN/BLACK (DRIVER SIDE).....	1

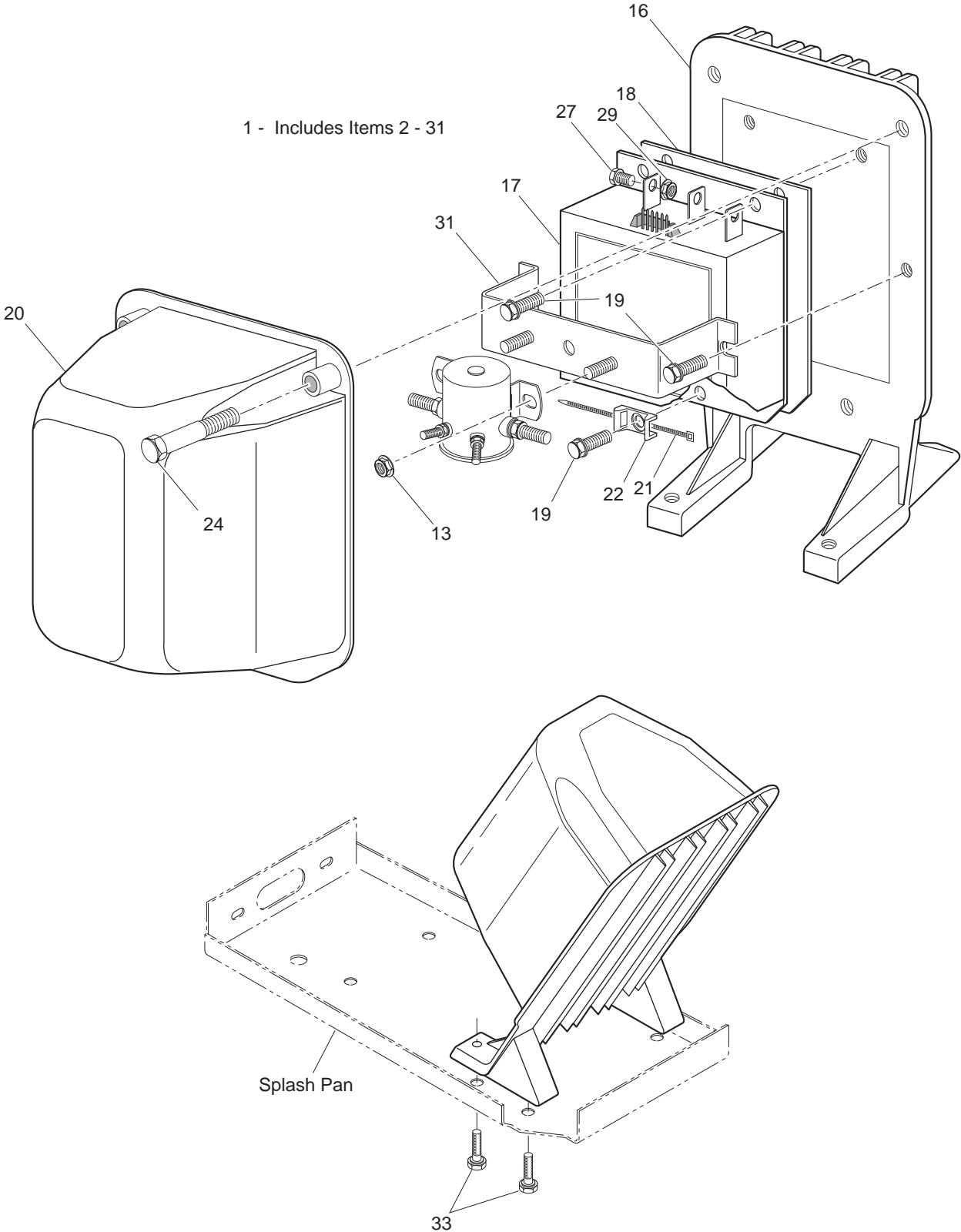


# ELECTRONIC SPEED CONTROL



Ref Esc 3-1

# ELECTRONIC SPEED CONTROL



Ref Esc 3-2

# ELECTRONIC SPEED CONTROL

THE USE OF NON U.L. PARTS WILL VOID ANY U.L. LISTING.

When ordering parts, please specify the model and serial number of the product.

\* Indicates a component that is not available as an individual part.

G\*\* Indicates consult Customer Service Department for additional information.

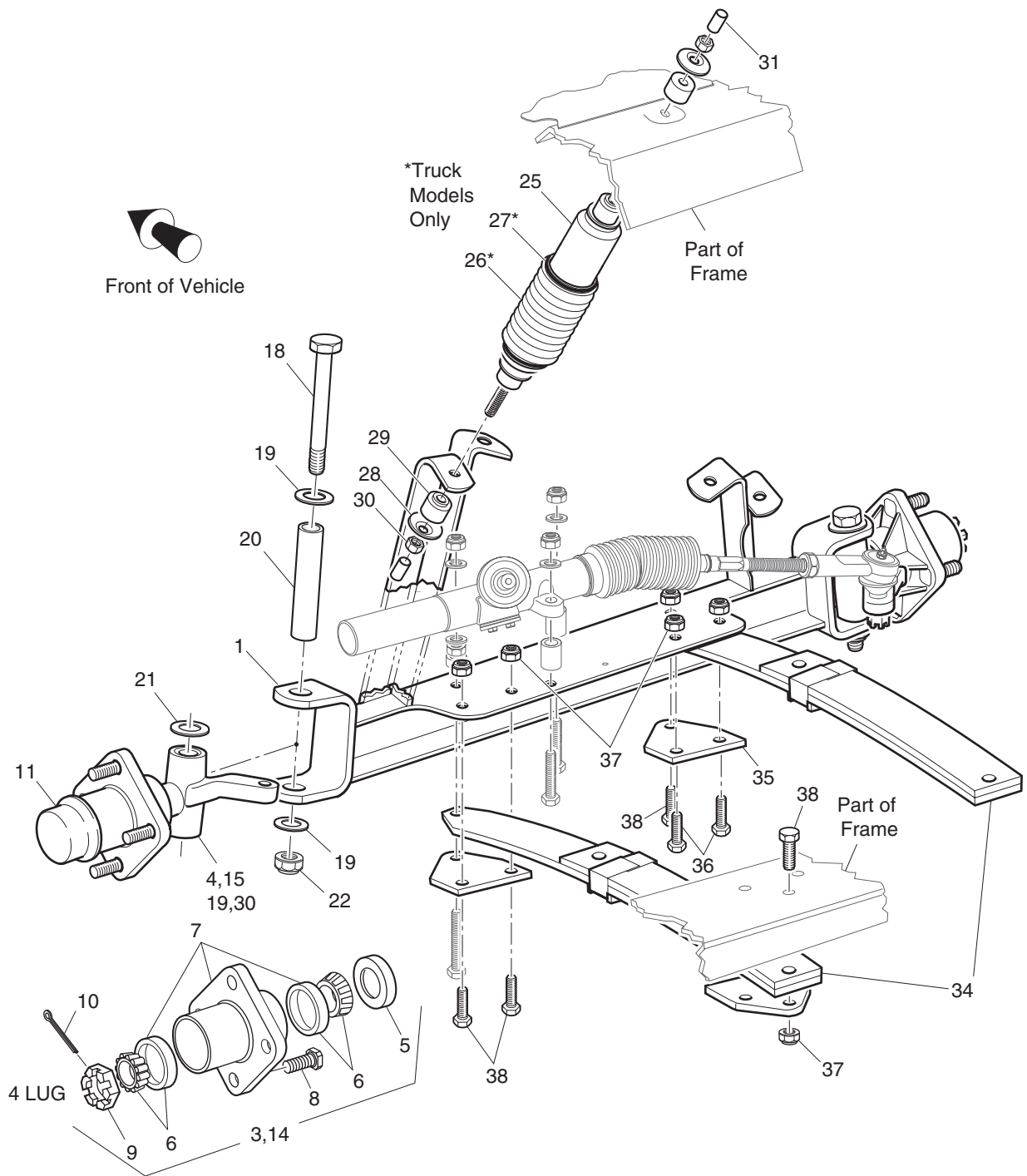
ITEM	PART NO.	1	2	3	4	5	DESCRIPTION	QTY.
1	<u>73056-G04</u>						ELECTRONIC SPEED CONTROL ASSEMBLY (INCLUDES ITEMS 2 - 31).....	1
2	*						LOCK WASHER, #10 .....	2
3	*						NUT, 10 - 32.....	2
4								
5	<u>30353-G1</u>						DIODE, 3 AMP.....	1
6	<u>21764-G1</u>						RESISTOR.....	1
7	<u>73103-G02</u>						WIRE HARNESS (CONTROL) .....	1
8	*						NUT, 5/16 - 24.....	2
9								
10	*						LOCK WASHER, 5/16" .....	2
11	<u>25972-G56</u>						6 GA WIRE (BLACK 6", SOL - B+) .....	1
12	<u>25978-G10</u>						18 GA WIRE (BLACK 6", SOL - B-).....	1
13	<u>11027-G2</u>						LOCK NUT, 1/4 - 20 .....	2
14								
15	<u>27855-G01</u>						SOLENOID, 36 VOLT .....	1
16	<u>73083-G01</u>						HEATSINK .....	1
17	<u>25864-G09</u>						ELECTRONIC SPEED CONTROLLER .....	1
18	<u>73190-G01</u>						THERMAL MOUNTING PAD .....	1
19	<u>71102-G01</u>						BOLT, 1/4 - 20 X 3/4" LG .....	5
20	<u>73028-G01</u>						COVER .....	1
21	<u>31539-G1</u>						WIRE TIE .....	1
22	<u>73053-G01</u>						MOUNT .....	1
23								
24	<u>71102-G03</u>						BOLT, 1/4 - 20 X 1 3/16" LG.....	4
25	<u>73039-G03</u>						WIRE HARNESS (POWER) .....	1
26								
27	<u>00270-G5</u>						BOLT, 5/16 - 18 X 5/8" LG .....	3
28								
29	<u>11027-G1</u>						NUT, 5/16 - 18.....	3
30								

# ELECTRONIC SPEED CONTROL

THE USE OF NON U.L. PARTS WILL VOID ANY U.L. LISTING.  
 When ordering parts, please specify the model and serial number of the product.  
 \* Indicates a component that is not available as an individual part.  
 G\*\* Indicates consult Customer Service Department for additional information.

ITEM	PART NO.	1	2	3	4	5	DESCRIPTION	QTY.
31	25866-G01						SOLENOID BRACKET .....	1
32								
33	<u>71102-G01</u>						BOLT, 1/4 - 20 X 3/4" LG. ....	4

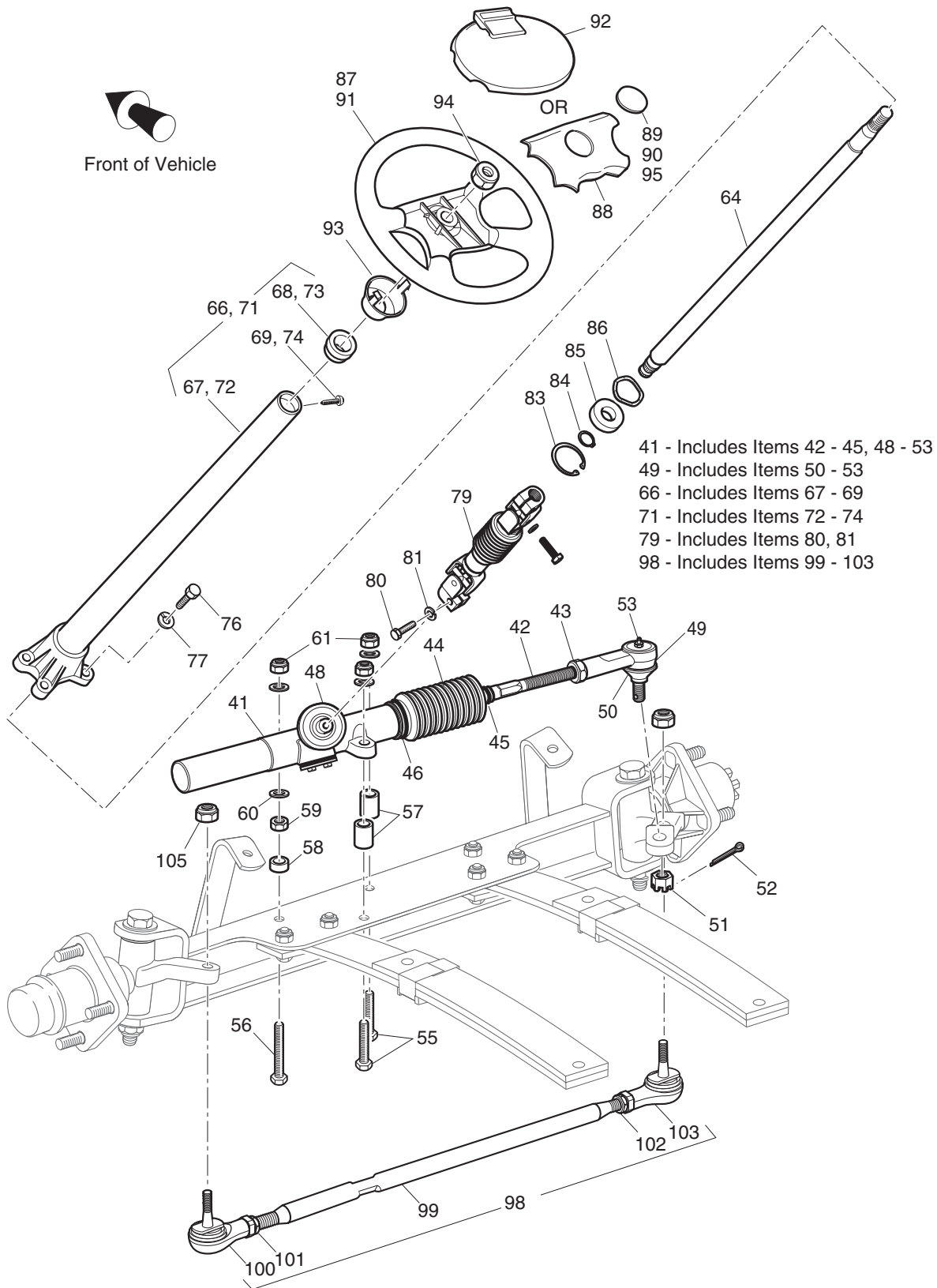
# FRONT SUSPENSION/STEERING



- 3 - Includes Items 4 - 10
- 7 - Includes Item 8
- 14 - Includes Items 5 - 10, 15

\*NOTE: Tie Rod Not Shown for Clarity

# FRONT SUSPENSION/STEERING



# FRONT SUSPENSION/STEERING

THE USE OF NON U.L. PARTS WILL VOID ANY U.L. LISTING.

When ordering parts, please specify the model and serial number of the product.

\* Indicates a component that is not available as an individual part.

G\*\* Indicates consult Customer Service Department for additional information.

ITEM	PART NO.	1	2	3	4	5	DESCRIPTION	QTY.
1	<u>74600-G02</u>						FRONT AXLE .....	1
2								
3	<u>70942-G03</u>						SPINDLE AND HUB ASSEMBLY, 4 LUG (PASSENGER SIDE) (INCLUDES ITEMS 4 - 10).....	1
4	<u>70942-G02</u>						SPINDLE ASSEMBLY (PASSENGER SIDE).....	1
5	<u>25146-G1</u>						GREASE SEAL.....	1
6	<u>50892-G1</u>						ROLLER BEARING AND RACE ASSEMBLY.....	2
7	<u>70895-G01</u>						WHEEL HUB ASSEMBLY WITH RACES, 4 LUG (INCLUDES ITEM 8) .....	1
8	<u>19862-G1</u>						LUG BOLT, 1/2 - 20 X 1 7/32" LG.....	4
9	12093-G1						SLOTTED NUT, 1 - 14 .....	1
10	<u>00798-G8</u>						COTTER PIN, 5/32" X 1 3/4" LG .....	1
11	<u>12091-G2</u>						SPINDLE CAP.....	2
12								
13								
14	<u>70673-G03</u>						SPINDLE AND HUB ASSEMBLY, 4 LUG (DRIVER SIDE) (INCLUDES ITEMS 5 - 10, 15).....	1
15	70673-G02						SPINDLE ASSEMBLY (DRIVER SIDE) .....	1
16								
17								
18	<u>00407-G6</u>						BOLT, 1/2 - 13 X 6" LG .....	2
19	<u>00560-G3</u>						WASHER, 1/2" .....	4
20	<u>70745-G01</u>						KING PIN TUBE .....	2
21	<u>70754-G01</u>						THRUST WASHER (STAINLESS STEEL).....	2
22	<u>14390-G6</u>						LOCK NUT, 1/2 - 13 .....	2
23								
24								
25	70928-G01						SHOCK ABSORBER.....	2
26	<u>70509-G01</u>						SHOCK ABSORBER BOOT .....	2
27	<u>31539-G1</u>						WIRE TIE .....	4
28	<u>10435-G1</u>						SHOCK ABSORBER WASHER.....	8
29	<u>10194-G1</u>						RUBBER SHOCK ABSORBER BUSHING .....	8

## FRONT SUSPENSION/STEERING

THE USE OF NON U.L. PARTS WILL VOID ANY U.L. LISTING.

When ordering parts, please specify the model and serial number of the product.

\* Indicates a component that is not available as an individual part.

G\*\* Indicates consult Customer Service Department for additional information.

ITEM	PART NO.	1 2 3 4 5	DESCRIPTION	QTY.
30	<u>00532-G6</u>		NUT, 3/8 - 24 .....	4
31	<u>10044-G01</u>		VINYL CAP .....	4
32				
33				
34	<u>70664-G03</u>		LEAF SPRING (HEAVY DUTY) (SEE PART NUMBER ON SPRING) .....	2
35	<u>70163-G03</u>		SPRING PLATE .....	4
36	<u>00463-G4</u>		BOLT, 7/16 - 14 X 1 1/2" LG .....	2
37	<u>00734-G1</u>		LOCK NUT, 7/16 - 14 .....	9
38	<u>00463-G6</u>		BOLT, 7/16 - 14 X 1 3/4" LG .....	9
39				
40				
41	<u>74605-G01</u>		RACK AND PINION UNIT (COMPLETE) (INCLUDES ITEMS 42 - 45, 48 - 53) .....	1
42	<u>74602-G01</u>		RACK EXTENSION .....	1
43	*		JAM NUT, 1/2 - 20 .....	1
44	<u>70675-G01</u>		RACK BOOT .....	1
45	<u>17618-G1</u>		WIRE TIE .....	1
46	<u>12416-G2</u>		WIRE TIE .....	1
47				
48	<u>70638-G01</u>		PINION SEAL .....	1
49	<u>70695-G01</u>		RACK BALL JOINT (INCLUDES ITEMS 50 - 53) .....	1
50	<u>50641-G1</u>		RUBBER BOOT .....	1
51	<u>50209-G2</u>		SLOTTED NUT, 7/16 - 20 .....	1
52	<u>10387-G2</u>		COTTER PIN, 3/32" X 1" LG .....	1
53	<u>10389-G3</u>		GREASE FITTING, STRAIGHT .....	1
54				
55	<u>00464-G6</u>		BOLT, 7/16 - 14 X 2 3/4" LG .....	2
56	<u>01068-G01</u>		BOLT, 7/16 - 14 X 3 1/2" LG .....	1
57	<u>70667-G03</u>		SPACER .....	2
58	<u>70667-G03</u>		SPACER (SHORT) .....	1
59	<u>00532-G7</u>		NUT, 7/16 - 14 .....	1



# FRONT SUSPENSION/STEERING

THE USE OF NON U.L. PARTS WILL VOID ANY U.L. LISTING.

When ordering parts, please specify the model and serial number of the product.

\* Indicates a component that is not available as an individual part.

G\*\* Indicates consult Customer Service Department for additional information.

ITEM	PART NO.	1 2 3 4 5	DESCRIPTION	QTY.
60	<u>00560-G2</u>		FLAT WASHER, 7/16" .....	4
61	<u>00734-G1</u>		LOCK NUT, 7/16 - 14 .....	3
62				
63				
64	<u>70607-G01</u>		STEERING SHAFT .....	1
65				
66	<u>70758-G05</u>		STEERING COLUMN KIT (INCLUDES ITEMS 67 - 69) .....	1
67	<u>70610-G01</u>		STEERING COLUMN .....	1
68	<u>28569-G01</u>		STEERING COLUMN BUSHING .....	1
69	<u>01022-G01</u>		SCREW, #6 - 20 X 5/16" LG .....	1
70				
71	<u>70758-G04</u>		STEERING COLUMN KIT (HORN) (INCLUDES ITEMS 72 - 74) .....	1
72	<u>70610-G02</u>		STEERING COLUMN .....	1
73	<u>28569-G01</u>		STEERING COLUMN BUSHING .....	1
74	<u>01022-G01</u>		SCREW, #6 - 20 X 5/16" LG .....	1
75				
76	<u>01006-G01</u>		BOLT, 3/8 - 16 X 1 1/4" LG WITH PATCHLOCK .....	4
77	<u>00879-G1</u>		LOCK WASHER, 3/8" .....	4
78				
79	<u>70580-G01</u>		INTERMEDIATE SHAFT (INCLUDES ITEMS 80, 81) .....	1
80	<u>01055-G01</u>		BOLT, M8 X 1 1/4" LG .....	2
81	<u>00565-G8</u>		LOCK WASHER, 5/16" .....	2
82				
83	<u>70751-G01</u>		RETAINING RING (INTERNAL) .....	1
84	<u>70888-G01</u>		RETAINING RING (EXTERNAL) .....	1
85	<u>15112-G1</u>		BALL BEARING .....	1
86	<u>70887-G01</u>		WAVE WASHER .....	1
87	<u>71146-G01</u>		STEERING WHEEL .....	1
88	<u>71147-G01</u>		STEERING WHEEL COVER .....	1
89	<u>74815-G01</u>		LABEL (E-Z-GO) .....	1

## FRONT SUSPENSION/STEERING

THE USE OF NON U.L. PARTS WILL VOID ANY U.L. LISTING.

When ordering parts, please specify the model and serial number of the product.

\* Indicates a component that is not available as an individual part.

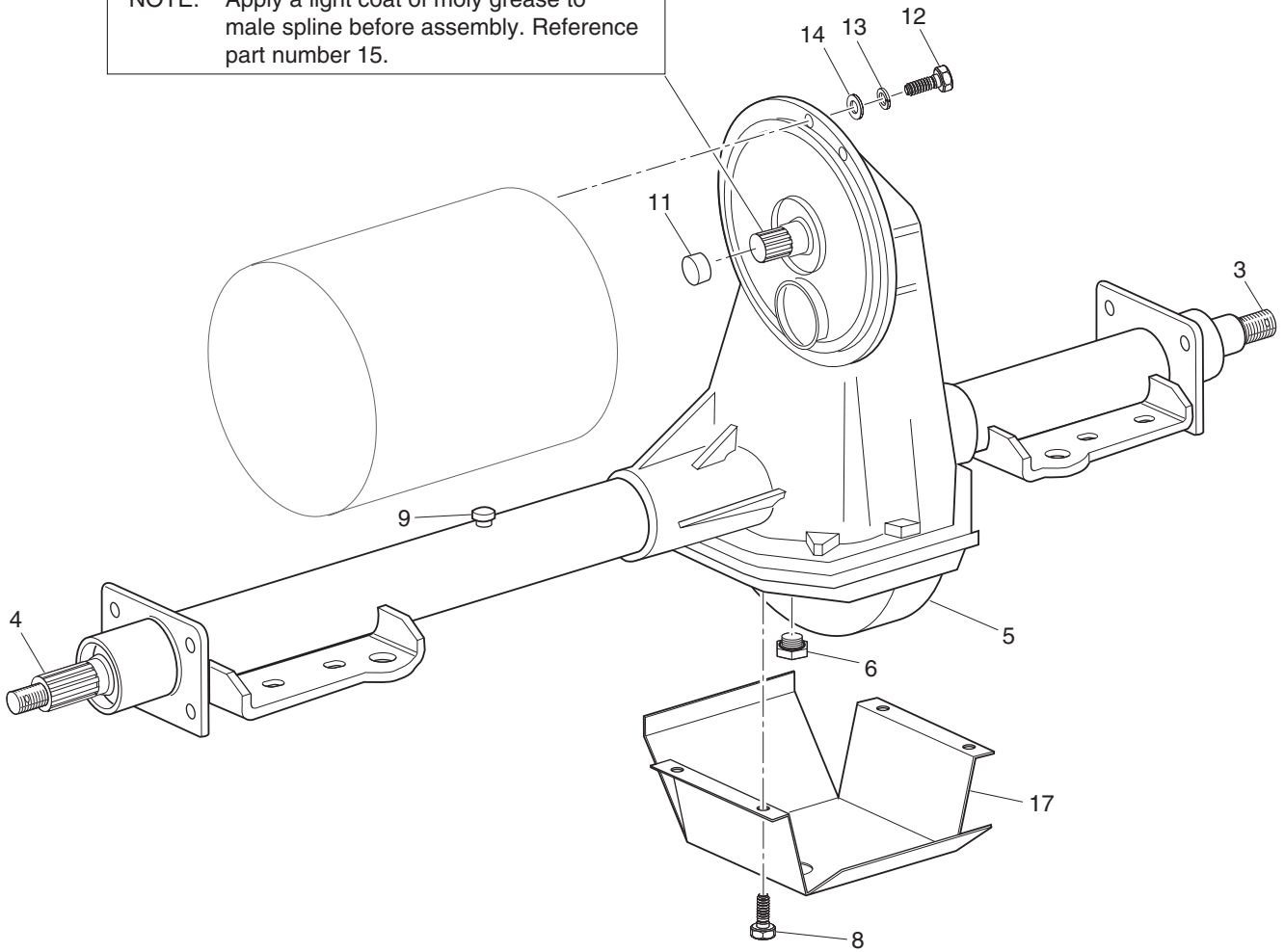
G\*\* Indicates consult Customer Service Department for additional information.

ITEM	PART NO.	1	2	3	4	5	DESCRIPTION	QTY.
90	<u>74954-G01</u>						LABEL (CUSHMAN).....	1
91	<u>71948-G01</u>						STEERING WHEEL .....	1
92	<u>71950-G01</u>						CLIPBOARD.....	1
93	<u>71949-G01</u>						HUB COVER .....	1
94	<u>14390-G2</u>						LOCK NUT, 5/8 - 18 .....	1
95	<u>28909-G01</u>						LABEL (JACOBSEN) .....	1
96								
97								
98	<u>74604-G01</u>						TIE ROD ASSEMBLY (INCLUDES ITEMS 127 - 131).....	1
99	<u>70897-G02</u>						THREADED ROD (24" LG).....	1
100	<u>70902-G01</u>						TIE ROD END (LEFT HAND THREADS) .....	1
101	<u>01069-G01</u>						JAM NUT, M12 X 1.25-05 (LEFT HAND THREADS).....	1
102	<u>70902-G02</u>						TIE ROD END (RIGHT HAND THREADS).....	1
103	<u>01069-G02</u>						JAM NUT, M12 X 1.25-05 (RIGHT HAND THREADS) .....	1
104								
105	<u>00734-G1</u>						LOCK NUT, 7/16 - 14 .....	2

# REAR AXLE

1 - Includes Items 3 - 9

NOTE: Apply a light coat of moly grease to male spline before assembly. Reference part number 15.

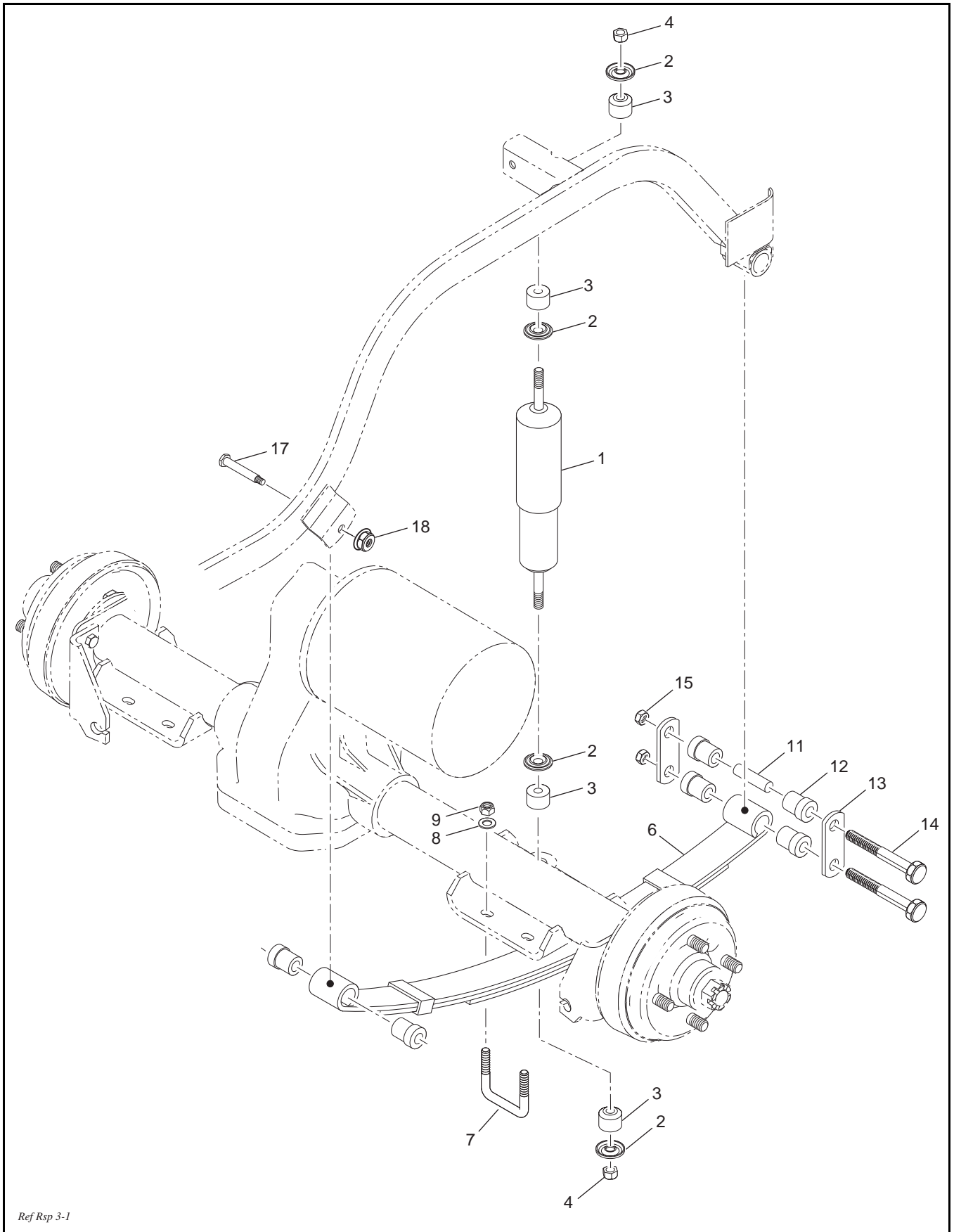


# REAR AXLE

THE USE OF NON U.L. PARTS WILL VOID ANY U.L. LISTING.  
 When ordering parts, please specify the model and serial number of the product.  
 \* Indicates a component that is not available as an individual part.  
 G\*\* Indicates consult Customer Service Department for additional information.

ITEM	PART NO.	1 2 3 4 5	DESCRIPTION	QTY.
1	<u>73500-G01</u>		REAR AXLE ASSEMBLY, 12.44:1 (INCLUDES ITEMS 3 - 9).....	1
2				
3	<u>20377-G12</u>		AXLE SHAFT (PASSENGER SIDE) .....	1
4	<u>20377-G11</u>		AXLE SHAFT (DRIVER SIDE).....	1
5	<u>25228-G1</u>		DIFFERENTIAL COVER.....	1
6	<u>28610-G01</u>		FILL/CHECK PLUG .....	1
7				
8	<u>15558-G1</u>		SCREW, 5/16 - 18 X 3/4" LG. ....	10
9	<u>73050-G01</u>		VENT .....	1
10				
11	<u>24261-G1</u>		BUMPER SPLINE .....	1
12	<u>00797-G2</u>		BOLT, 1/4 - 20 X 1 1/4" LG. ....	3
13	<u>00664-G7</u>		LOCK WASHER, 1/4" (STAINLESS STEEL) .....	3
14	<u>01110-G01</u>		WASHER, 1/4" (STAINLESS STEEL) .....	3
15	28095-G01		MOLY LUBE, 2 OZ. ....	AR
16				
17	<u>72763-G02</u>		DIFFERENTIAL GUARD.....	1

# REAR SUSPENSION



Ref Rsp 3-1

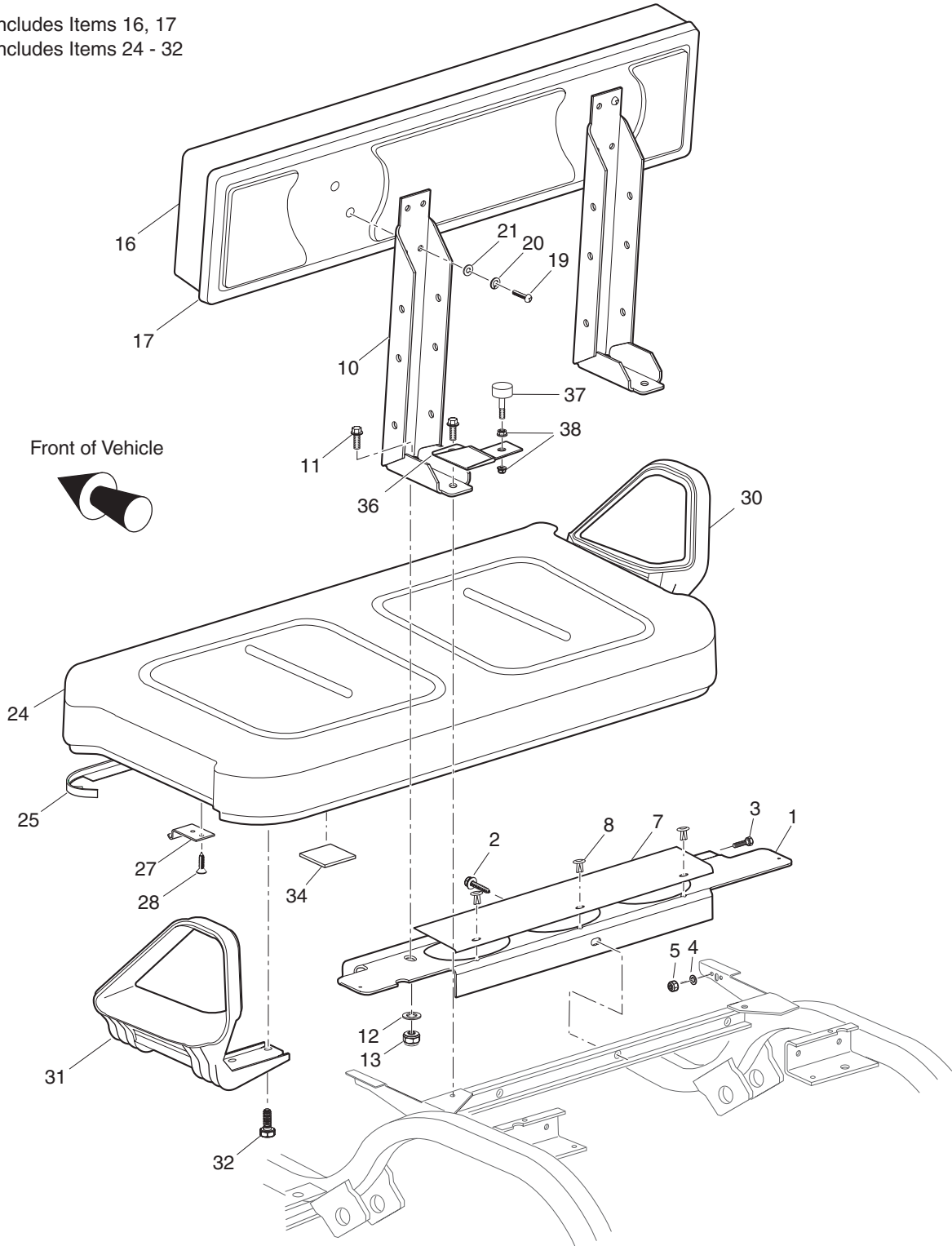
# REAR SUSPENSION

THE USE OF NON U.L. PARTS WILL VOID ANY U.L. LISTING.  
 When ordering parts, please specify the model and serial number of the product.  
 \* Indicates a component that is not available as an individual part.  
 G\*\* Indicates consult Customer Service Department for additional information.

ITEM	PART NO.	1 2 3 4 5	DESCRIPTION	QTY.
1	<u>70248-G01</u>		SHOCK ABSORBER.....	2
2	<u>10435-G1</u>		SHOCK ABSORBER WASHER .....	8
3	<u>10194-G1</u>		RUBBER SHOCK ABSORBER BUSHING .....	8
4	<u>00532-G6</u>		NUT, 3/8 - 24 .....	4
5				
6	<u>74345-G03</u>		LEAF SPRING (HEAVY DUTY).....	2
7	<u>72618-G01</u>		"U" BOLT, 3/8 - 16 X 2" X 2 1/2" LG .....	4
8	<u>00560-G1</u>		WASHER, 3/8" .....	8
9	<u>11098-G5</u>		LOCK NUT, 3/8 - 16 .....	8
10				
11	<u>70289-G02</u>		SPACER .....	4
12	<u>70291-G01</u>		RUBBER BUSHING .....	12
13	<u>70290-G02</u>		SHACKLE PLATE .....	4
14	<u>00665-G9</u>		BOLT, 3/8 - 16 X 3 1/2" LG (STAINLESS STEEL).....	4
15	<u>11098-G5</u>		LOCK NUT, 3/8 - 16 .....	4
16				
17	<u>14158-G1</u>		SHOULDER BOLT, 3/8 - 16 X 3 1/4" LG. ....	2
18	<u>12262-G1</u>		LOCK NUT, 3/8 - 16 .....	2

# SEATING

15 - Includes Items 16, 17  
23 - Includes Items 24 - 32



Ref Sea 4-1 28812

# SEATING

THE USE OF NON U.L. PARTS WILL VOID ANY U.L. LISTING.

When ordering parts, please specify the model and serial number of the product.

\* Indicates a component that is not available as an individual part.

G\*\* Indicates consult Customer Service Department for additional information.

ITEM	PART NO.	1 2 3 4 5	DESCRIPTION	QTY.
1	<u>71262-G04</u>		SEAT BACK SUPPORT .....	1
2	<u>00715-G2</u>		BOLT, 5/16 - 18 X 13/16" LG .....	1
3	<u>00438-G8</u>		BOLT, 5/16 - 18 X 3/4" LG .....	2
4	<u>00642-G8</u>		WASHER, 5/16" .....	2
5	11098-G6		LOCK NUT, 5/16 - 18 .....	2
6				
7	<u>71263-G01</u>		ACCESS COVER.....	1
8	<u>18436-G1</u>		DRIVE RIVET .....	3
9				
10	<u>75900-G02</u>		SEAT BACK SUPPORT BRACKET .....	2
11	01006-G1		BOLT, 3/8 - 16 X 1 1/4" LG .....	4
12	<u>00560-G1</u>		WASHER, 3/8" .....	2
13	<u>11098-G5</u>		LOCK NUT, 3/8 - 16 .....	2
14				
15	71274-G**		SEAT BACK ASSEMBLY (INCLUDES ITEMS 16, 17).....	1
16	18144-G**		VINYL SEAT BACK COVER .....	1
17	18868-G4		PLASTIC SEAT BACK COVER (BLACK) .....	1
18				
19	<u>16705-G1</u>		SCREW, 1/4 - 20 X 1" LG.....	4
20	<u>00664-G7</u>		LOCK WASHER, 1/4" (STAINLESS STEEL) .....	4
21	01110-G7		WASHER, 1/4" (STAINLESS STEEL) .....	4
22				
23	71611-G**		SEAT BOTTOM ASSEMBLY (INCLUDES ITEMS 24 - 32) .....	1
24	71602-G**		VINYL SEAT BOTTOM COVER .....	1
25	<u>71012-G01</u>		VINYL TRIM (SEAT BOTTOM).....	1
26				
27	<u>71610-G01</u>		SEAT HINGE .....	2
28	<u>00720-G08</u>		SCREW, #12 - 14 X 1" LG. ....	6
29				
30	<u>71701-G01</u>		HIP RESTRAINT (PASSENGER SIDE).....	1



# SEATING

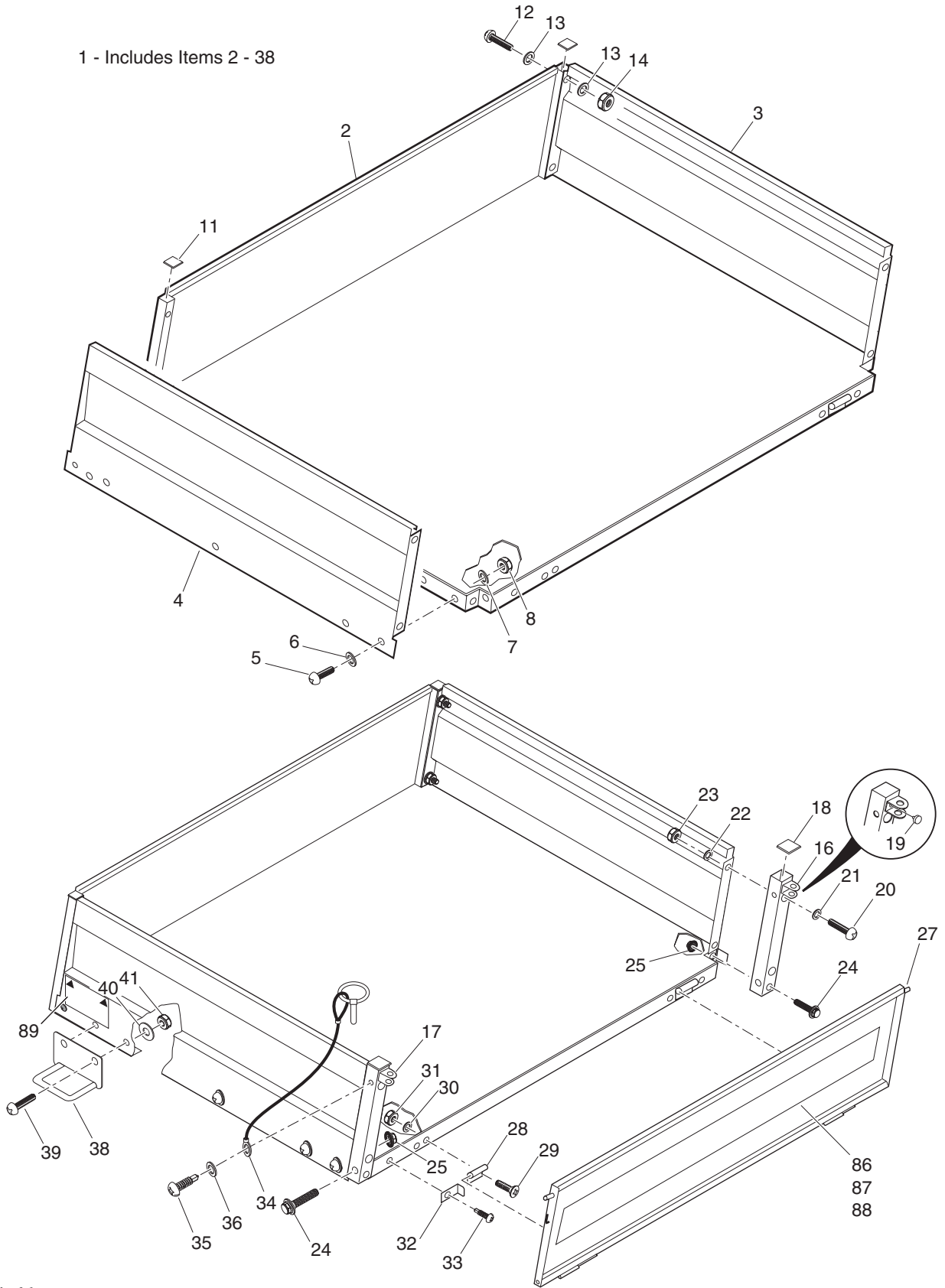
THE USE OF NON U.L. PARTS WILL VOID ANY U.L. LISTING.  
 When ordering parts, please specify the model and serial number of the product.  
 \* Indicates a component that is not available as an individual part.  
 G\*\* Indicates consult Customer Service Department for additional information.

ITEM	PART NO.	1 2 3 4 5	DESCRIPTION	QTY.
31	<u>71702-G01</u>		HIP RESTRAINT (DRIVER SIDE) .....	1
32	71204-G01		BOLT, 1/4 - 20 X 7/8" LG. ....	8
33				
34	<u>17074-G1</u>		BUMPER .....	2
35				
36	<u>71577-G01</u>		BED BUMPER BRACKET .....	2
37	<u>70113-G01</u>		ADJUSTABLE BUMPER .....	2
38	<u>11027-G1</u>		NUT, 5/16" - 18 .....	4



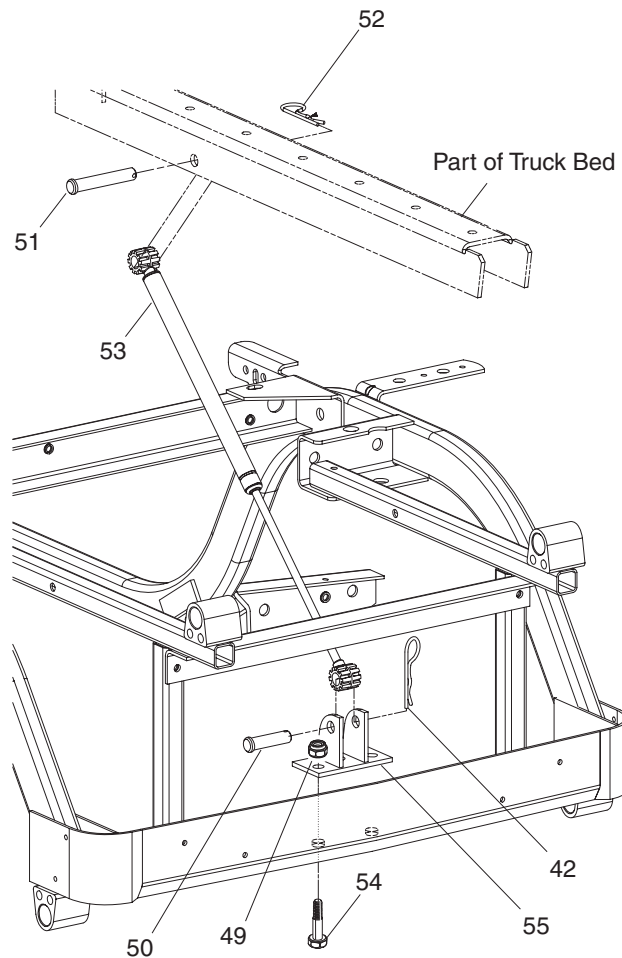
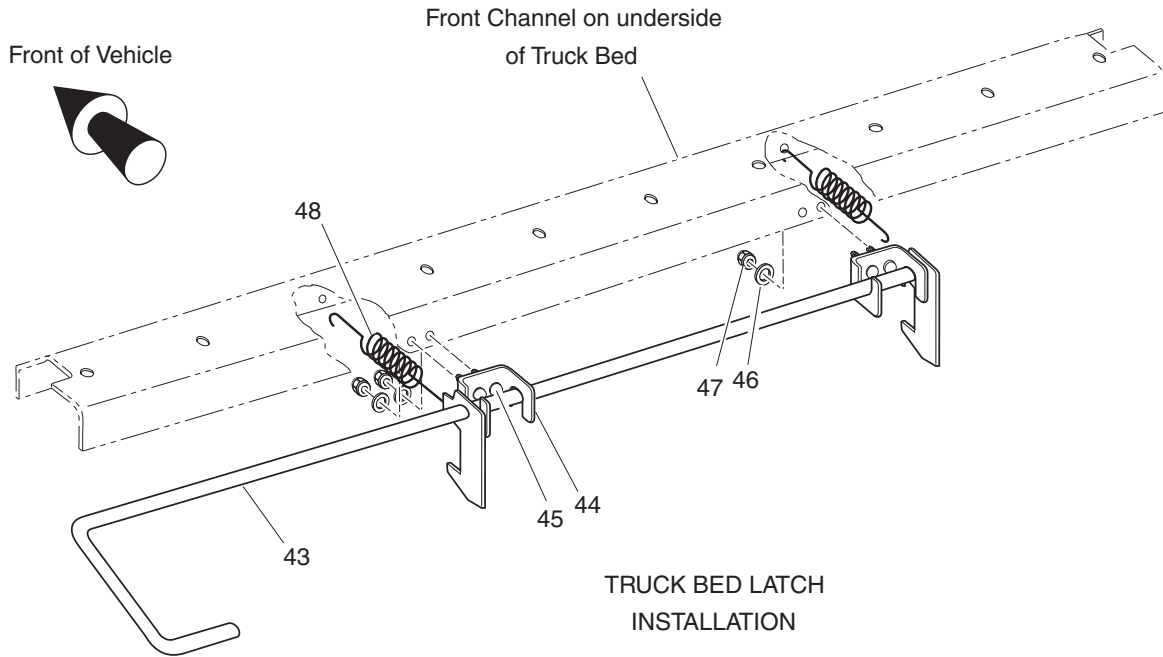
# TRUCK BED, MANUAL LIFT

1 - Includes Items 2 - 38

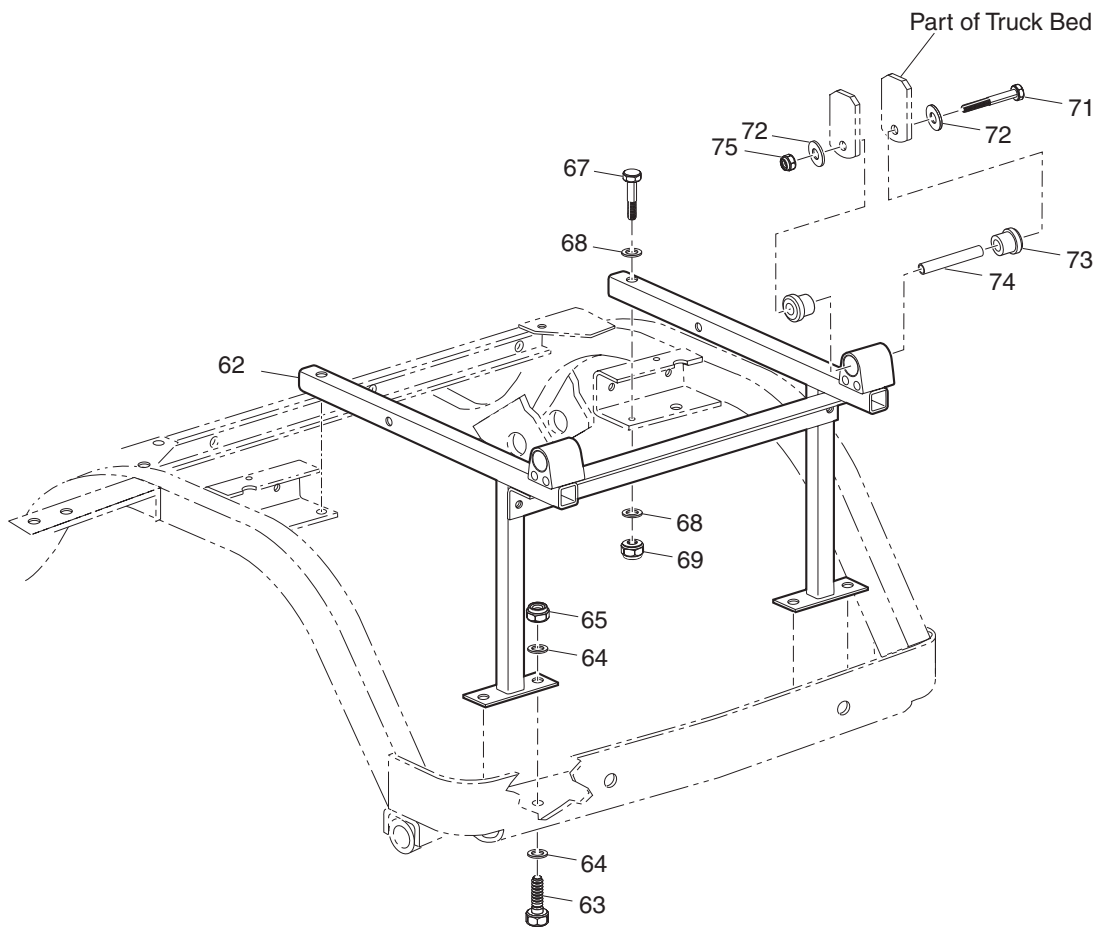
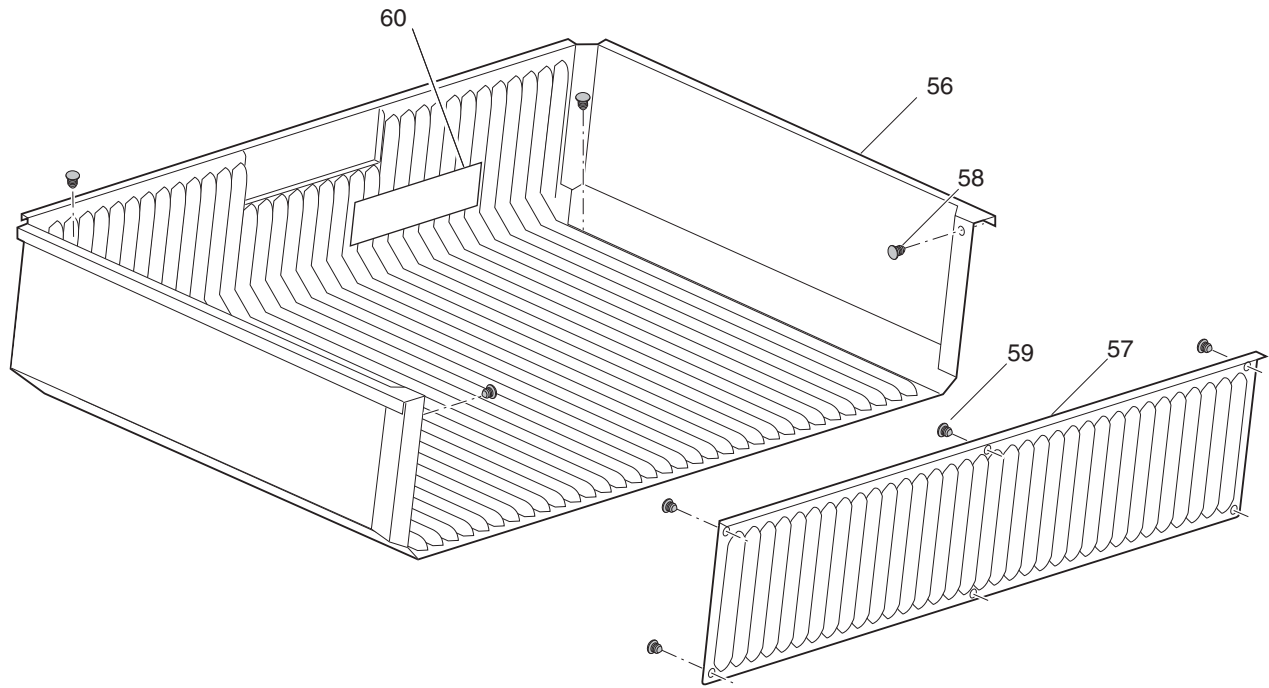


Ref Tbm 3-1

# TRUCK BED, MANUAL LIFT

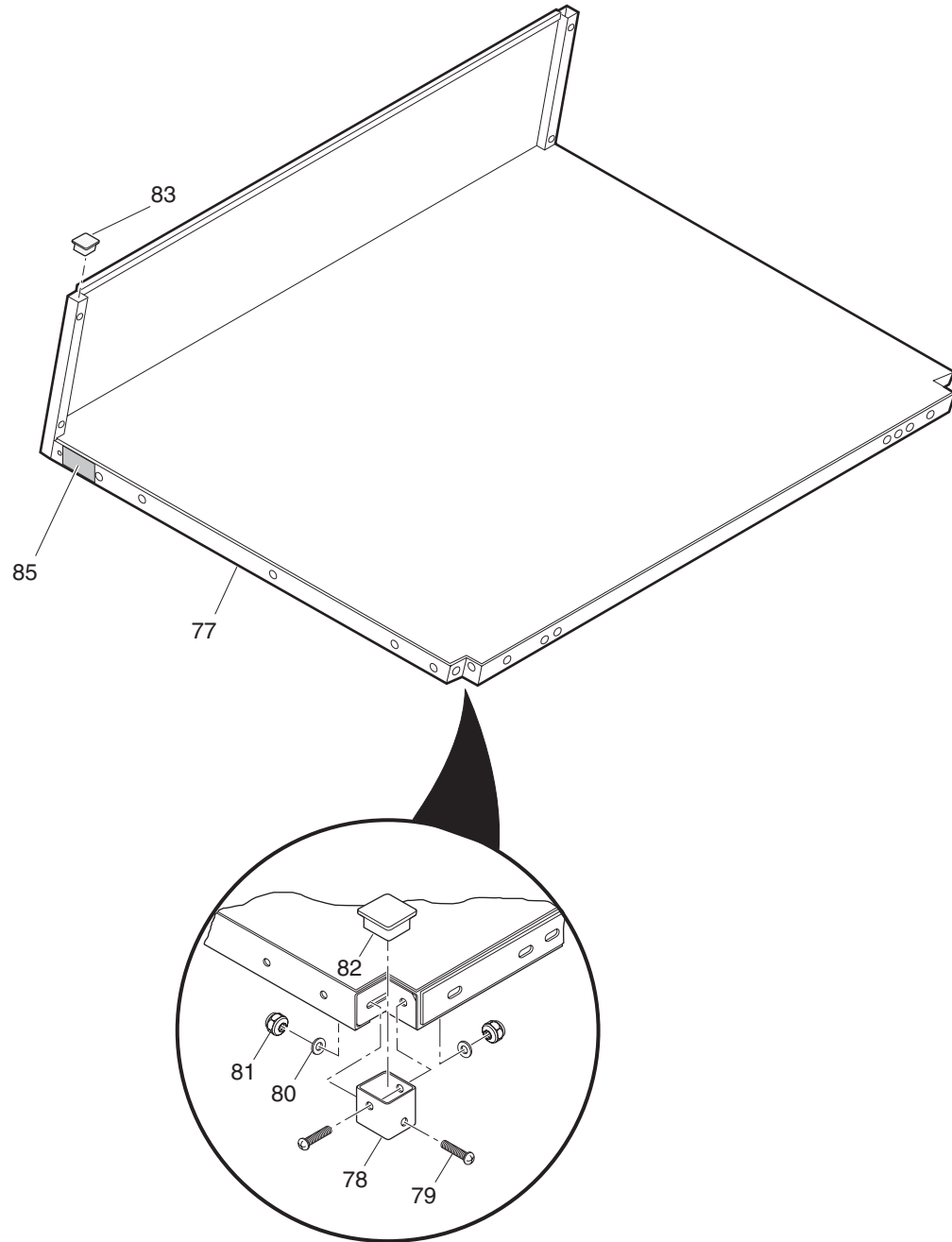


# TRUCK BED, MANUAL LIFT



Ref Tbm 3-3

# TRUCK BED, MANUAL LIFT



Ref Tbm 3-4

# TRUCK BED, MANUAL LIFT

THE USE OF NON U.L. PARTS WILL VOID ANY U.L. LISTING.

When ordering parts, please specify the model and serial number of the product.

\* Indicates a component that is not available as an individual part.

G\*\* Indicates consult Customer Service Department for additional information.

ITEM	PART NO.	1	2	3	4	5	DESCRIPTION	QTY.
1	<u>71260-G01</u>						TRUCK BED ASSEMBLY (35") (INCLUDES ITEMS 2 - 38) .....	1
2	<u>71231-G01</u>						BED (35") .....	1
3	<u>71248-G01</u>						SIDE PANEL (35") (PASSENGER SIDE) .....	1
4	<u>71248-G02</u>						SIDE PANEL (35") (DRIVER SIDE) .....	1
5	16705-G3						SCREW, 1/4 - 20 X 3/4" LG (STAINLESS STEEL) .....	10
6	<u>00915-G1</u>						BONDED WASHER, 1/4" .....	10
7	<u>01110-G01</u>						WASHER, 1/4" (STAINLESS STEEL) .....	10
8	<u>14390-G4</u>						LOCK NUT, 1/4-20 .....	10
9								
10								
11	71717-G01						END CAP 1" .....	2
12	<u>16705-G6</u>						SCREW, 1/4 - 20 X 1 3/4" LG (STAINLESS STEEL) .....	4
13	<u>00915-G1</u>						BONDED WASHER, 1/4" .....	8
14	<u>14390-G4</u>						LOCK NUT, 1/4-20 .....	4
15								
16	71322-G03						POST (PASSENGER SIDE) .....	1
17	71322-G04						POST (DRIVER SIDE) .....	1
18	<u>71718-G01</u>						END CAP 1 1/2" .....	2
19	<u>71838-G01</u>						RUBBER BUMPER .....	2
20	<u>16705-G6</u>						SCREW, 1/4 - 20 X 1 3/4" LG (STAINLESS STEEL) .....	4
21	<u>00915-G1</u>						BONDED WASHER, 1/4" .....	4
22	<u>01110-G01</u>						WASHER, 1/4" (STAINLESS STEEL) .....	4
23	<u>14390-G4</u>						LOCK NUT, 1/4-20 .....	4
24	<u>01074-G01</u>						LOCK SCREW, 3/8-16 X 2" LG .....	4
25	<u>11027-G5</u>						LOCK NUT, 3/8-16 .....	4
26								
27	<u>71245-G03</u>						TAILGATE .....	1
28	<u>27666-G01</u>						HINGE .....	2
29	<u>01002-G08</u>						BOLT, 1/4-20 X 1" LG .....	4
30	<u>01110-G01</u>						WASHER, 1/4" (STAINLESS STEEL) .....	4

# TRUCK BED, MANUAL LIFT

THE USE OF NON U.L. PARTS WILL VOID ANY U.L. LISTING.

When ordering parts, please specify the model and serial number of the product.

\* Indicates a component that is not available as an individual part.

G\*\* Indicates consult Customer Service Department for additional information.

ITEM	PART NO.	1	2	3	4	5	DESCRIPTION	QTY.
31	<u>14390-G4</u>						LOCK NUT, 1/4 - 20 .....	4
32	<u>71748-G01</u>						TAILGATE KEEPER .....	1
33	16705-G3						SCREW, 1/4 - 20 X 3/4" LG (STAINLESS STEEL) .....	1
34	71083-G01						TAILGATE CABLE .....	2
35	<u>00106-G6</u>						SELF-TAPPING SCREW, #12 - 24 X 3/4" LG .....	2
36	<u>00915-G1</u>						BONDED WASHER, 1/4" .....	2
37								
38	71794-G01						LIFT HANDLE .....	1
39	<u>00976-G08</u>						SCREW, 5/16 - 18 X 1" LG (STAINLESS STEEL) .....	2
40	00559-G8						WASHER, 5/16" .....	2
41	<u>01109-G01</u>						LOCK NUT, 5/16 - 18 (STAINLESS STEEL) .....	2
42	<u>21683-G1</u>						COTTER PIN.....	1
43	<u>71264-G01</u>						BED LATCH .....	1
44	<u>71827-G01</u>						LATCH BRACKET .....	2
45	<u>01014-G03</u>						CARRIAGE BOLT, 1/4 - 20 X 3/4" LG .....	4
46	<u>01110-G01</u>						WASHER, 1/4" (STAINLESS STEEL) .....	4
47	<u>14390-G4</u>						LOCK NUT, 1/4 - 20 .....	4
48	<u>71965-G01</u>						EXTENSION SPRING .....	2
49	<u>00734-G1</u>						LOCK NUT, 7/16 - 14 .....	2
50	<u>14443-G11</u>						CLEVIS PIN, 1/2 - 1 7/8" .....	1
51	<u>14443-G10</u>						CLEVIS PIN, 1/2 - 3" .....	1
52	<u>21683-G1</u>						COTTER PIN.....	1
53	<u>71537-G01</u>						GAS SPRING .....	1
54	<u>00462-G7</u>						SCREW, 7/16 - 14 X 3/4" LG.....	1
55	<u>71283-G02</u>						BRACKET .....	1
56	<u>74231-G01</u>						BED LINER .....	1
57	<u>74232-G01</u>						TAILGATE LINER .....	1
58	<u>18436-G1</u>						RIVET, 1/4" X 3/4" LG .....	4
59	<u>14601-G10</u>						RIVET, 3/16" X 7/16" LG (ALUMINUM) .....	6
60	71517-G01						BED CAPACITY LABEL (500 LB) .....	1



# TRUCK BED, MANUAL LIFT

THE USE OF NON U.L. PARTS WILL VOID ANY U.L. LISTING.

When ordering parts, please specify the model and serial number of the product.

\* Indicates a component that is not available as an individual part.

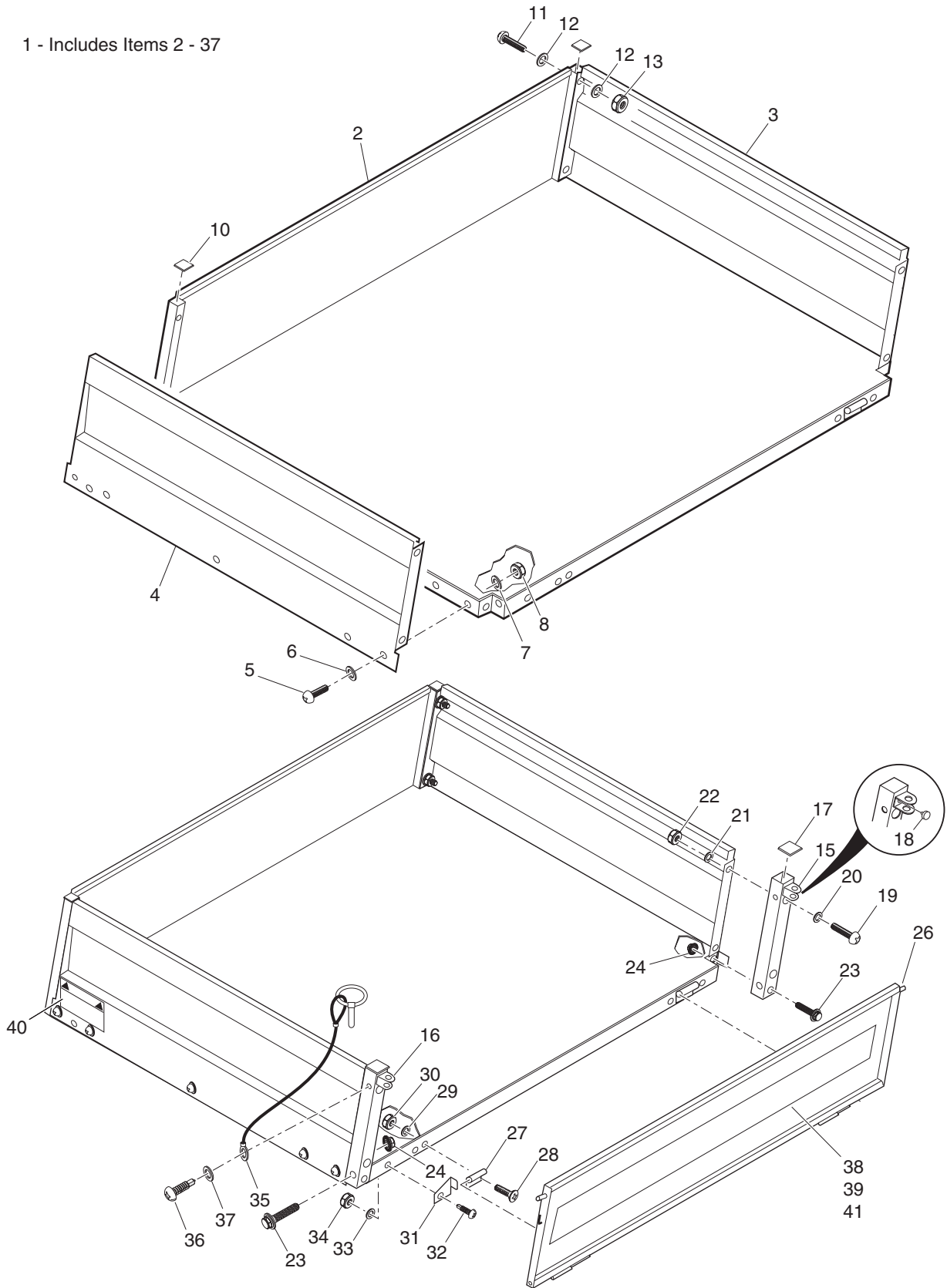
G\*\* Indicates consult Customer Service Department for additional information.

ITEM	PART NO.	1 2 3 4 5	DESCRIPTION	QTY.
61				
62	<u>71258-G02</u>		BED FRAME .....	1
63	<u>00439-G2</u>		SCREW, 5/16 - 18 X 1 1/4" LG.....	4
64	<u>00642-G8</u>		WASHER, 5/16" .....	8
65	<u>01109-G01</u>		LOCK NUT, 5/16 - 18 (STAINLESS STEEL) .....	4
66				
67	00415-G6		BOLT, 1/4 - 20 X 1 3/4" LG .....	2
68	<u>00642-G7</u>		WASHER, 1/4" .....	4
69	<u>00654-G2</u>		LOCK NUT, 1/4 - 20 (STAINLESS STEEL) .....	2
70				
71	<u>00665-G9</u>		BOLT, 3/8 - 16 X 3 1/2" LG (STAINLESS STEEL).....	2
72	<u>00643-G1</u>		WASHER, 3/8" .....	4
73	<u>70291-G01</u>		RUBBER BUSHING .....	4
74	<u>70289-G02</u>		SPACER.....	2
75	<u>11098-G5</u>		LOCK NUT, 3/8 - 16 .....	2
76				
77	<u>71231-G01</u>		BED, 35".....	1
78	<u>71772-G01</u>		CORNER TUBE .....	2
79	<u>00762-G9</u>		SCREW, 5/16 - 18 X 2 1/2" LG (STAINLESS STEEL) .....	4
80	00559-G8		WASHER, 5/16" .....	4
81	00550-G3		LOCK NUT, 5/16 - 18 .....	4
82	<u>71718-G01</u>		END CAP, 1 1/2".....	2
83	71717-G01		END CAP, 1".....	2
84				
85	71777-G01		DECAL (WARNING) .....	1
86	<u>74823-G01</u>		TAILGATE DECAL (JACOBSEN).....	1
87	<u>74811-G01</u>		TAILGATE DECAL (E-Z-GO).....	1
88	28960-G01		TAILGATE DECAL (CUSHMAN).....	1
89	<u>71771-G01</u>		LABEL (TILT WARNING) .....	1



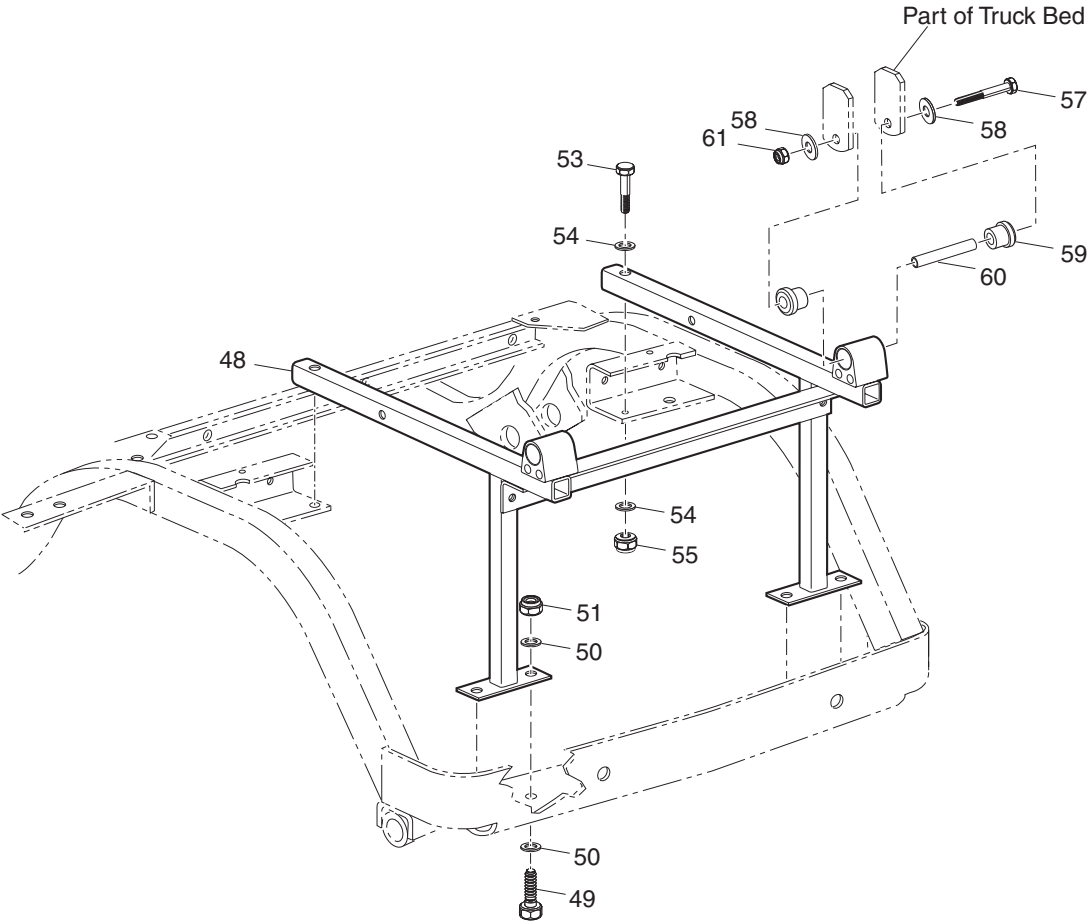
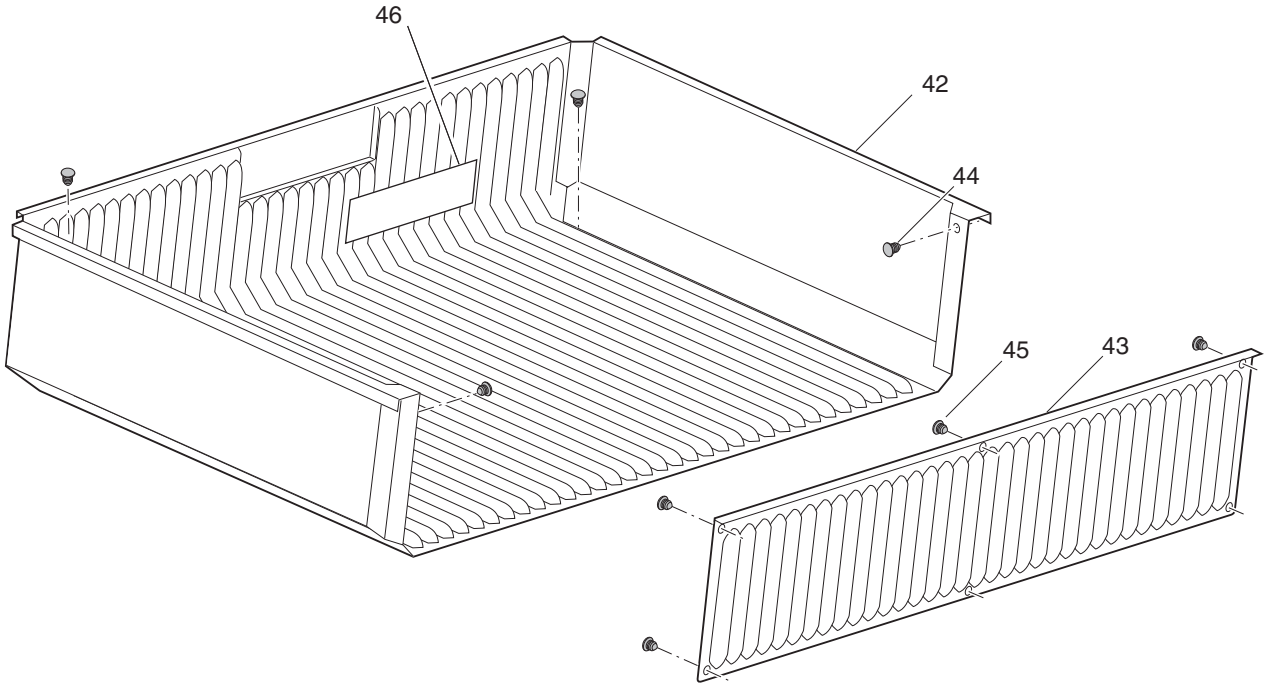
# TRUCK BED, ELECTRIC LIFT

1 - Includes Items 2 - 37



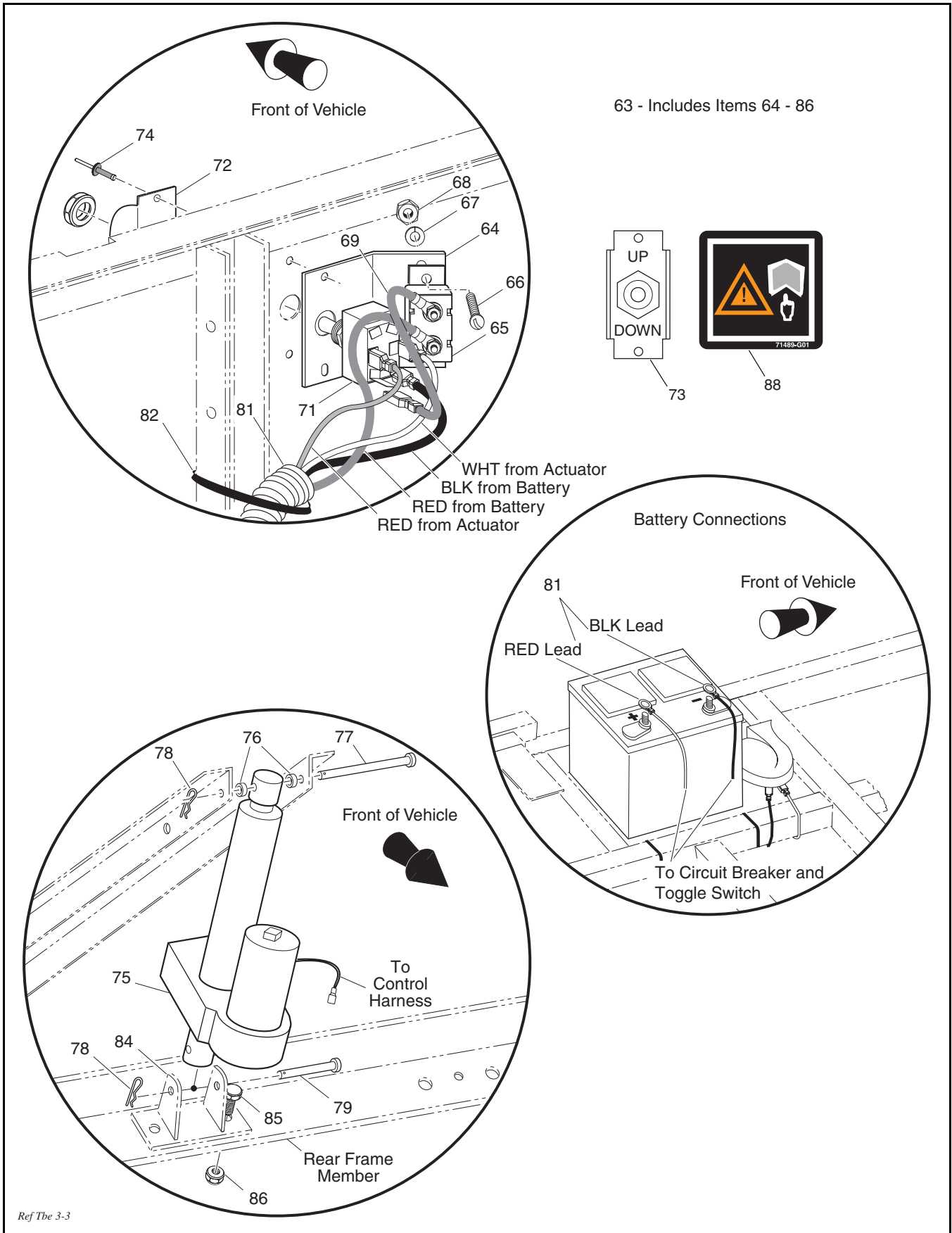
Ref Tbe 3-1

# TRUCK BED, ELECTRIC LIFT



Ref Tbe 3-2

# TRUCK BED, ELECTRIC LIFT



# TRUCK BED, ELECTRIC LIFT

THE USE OF NON U.L. PARTS WILL VOID ANY U.L. LISTING.

When ordering parts, please specify the model and serial number of the product.

\* Indicates a component that is not available as an individual part.

G\*\* Indicates consult Customer Service Department for additional information.

ITEM	PART NO.	1	2	3	4	5	DESCRIPTION	QTY.
1	<u>71260-G01</u>						TRUCK BED ASSEMBLY (35") (INCLUDES ITEMS 2 - 37) .....	1
2	<u>71231-G01</u>						BED (35") .....	1
3	<u>71248-G01</u>						SIDE PANEL (35") (PASSENGER SIDE) .....	1
4	<u>71248-G02</u>						SIDE PANEL (35") (DRIVER SIDE) .....	1
5	16705-G3						SCREW, 1/4 - 20 X 3/4" LG (STAINLESS STEEL) .....	10
6	<u>00915-G1</u>						BONDED WASHER, 1/4" .....	10
7	<u>01110-G01</u>						WASHER, 1/4" (STAINLESS STEEL) .....	10
8	<u>14390-G4</u>						LOCK NUT, 1/4 - 20 .....	10
9								
10	71717-G01						END CAP, 1" .....	2
11	<u>16705-G6</u>						SCREW, 1/4 - 20 X 1 3/4" LG (STAINLESS STEEL) .....	4
12	<u>00915-G1</u>						BONDED WASHER, 1/4" .....	8
13	<u>14390-G4</u>						LOCK NUT, 1/4 - 20 .....	4
14								
15	71322-G03						POST (PASSENGER SIDE) .....	1
16	71322-G04						POST (DRIVER SIDE) .....	1
17	<u>71718-G01</u>						END CAP, 1 1/2" .....	2
18	<u>71838-G01</u>						RUBBER BUMPER .....	2
19	<u>16705-G6</u>						SCREW, 1/4 - 20 X 3/4" LG (STAINLESS STEEL) .....	4
20	<u>00915-G1</u>						BONDED WASHER, 1/4" .....	4
21	<u>01110-G01</u>						WASHER, 1/4" (STAINLESS STEEL) .....	4
22	<u>14390-G4</u>						LOCK NUT, 1/4 - 20 .....	4
23	<u>01074-G01</u>						LOCK SCREW, 3/8 - 16 X 2" LG .....	4
24	<u>11027-G5</u>						LOCK NUT, 3/8 - 16 .....	4
25								
26	<u>71245-G03</u>						TAILGATE .....	1
27	<u>27666-G01</u>						HINGE .....	2
28	<u>01002-G08</u>						BOLT, 1/4 - 20 X 1" LG .....	4
29	<u>01110-G01</u>						WASHER, 1/4" (STAINLESS STEEL) .....	4
30	<u>14390-G4</u>						LOCK NUT, 1/4 - 20 .....	4

# TRUCK BED, ELECTRIC LIFT

THE USE OF NON U.L. PARTS WILL VOID ANY U.L. LISTING.

When ordering parts, please specify the model and serial number of the product.

\* Indicates a component that is not available as an individual part.

G\*\* Indicates consult Customer Service Department for additional information.

ITEM	PART NO.	1	2	3	4	5	DESCRIPTION	QTY.
31	<u>71748-G01</u>						TAILGATE KEEPER .....	1
32	16705-G3						SCREW, 1/4 - 20 X 3/4" LG (STAINLESS STEEL).....	1
33	<u>01110-G01</u>						WASHER, 1/4" (STAINLESS STEEL).....	1
34	<u>14390-G4</u>						LOCK NUT, 1/4 - 20.....	1
35	71083-G01						TAILGATE CABLE .....	2
36	<u>00106-G6</u>						SELF-TAPPING SCREW, #12 - 24 X 3/4" LG.....	2
37	<u>00915-G1</u>						BONDED WASHER, 1/4".....	2
38	<u>74811-G01</u>						TAILGATE LABEL (E-Z-GO) .....	1
39	28960-G01						TAILGATE LABEL (CUSHMAN).....	1
40	<u>71771-G01</u>						LABEL (TILT WARNING) .....	1
41	<u>74823-G01</u>						TAILGATE LABEL (JACOBSEN).....	1
42	<u>74231-G01</u>						BED LINER .....	1
43	<u>74232-G01</u>						TAILGATE LINER.....	1
44	<u>18436-G1</u>						RIVET, 1/4" X 1/2" LG .....	4
45	<u>14601-G10</u>						RIVET, 3/16" X 7/16" LG (ALUMINUM) .....	6
46	71517-G01						BED CAPACITY LABEL (500 LB) .....	1
47								
48	71258-G01						BED FRAME .....	1
49	<u>00438-G8</u>						SCREW, 5/16 - 18 X 1" LG.....	4
50	<u>00642-G8</u>						WASHER, 5/16" .....	8
51	<u>01109-G01</u>						LOCK NUT, 5/16 - 18 (STAINLESS STEEL) .....	4
52								
53	00415-G6						SCREW, 1/4 - 20 X 1 3/4" LG.....	2
54	<u>00642-G7</u>						WASHER, 5/16" .....	4
55	<u>00654-G2</u>						LOCK NUT, 1/4 - 20 (STAINLESS STEEL) .....	2
56								
57	<u>00665-G9</u>						BOLT, 3/8 - 16 X 3 1/2" LG (STAINLESS STEEL).....	2
58	<u>00643-G1</u>						WASHER, 3/8" .....	4
59	<u>70291-G01</u>						RUBBER BUSHING .....	4
60	<u>70289-G02</u>						SPACER .....	2

# TRUCK BED, ELECTRIC LIFT

THE USE OF NON U.L. PARTS WILL VOID ANY U.L. LISTING.

When ordering parts, please specify the model and serial number of the product.

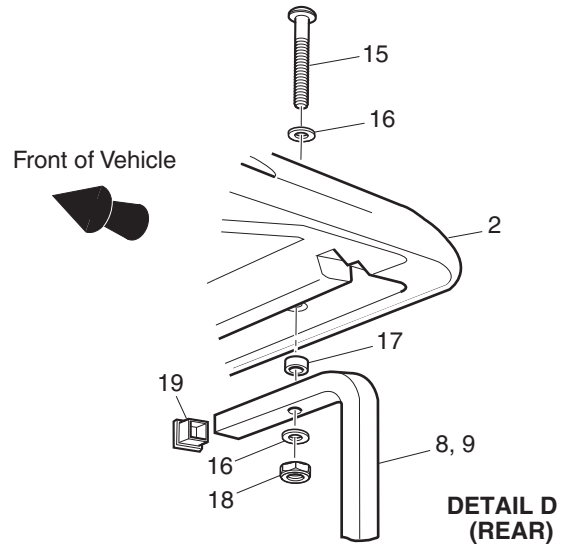
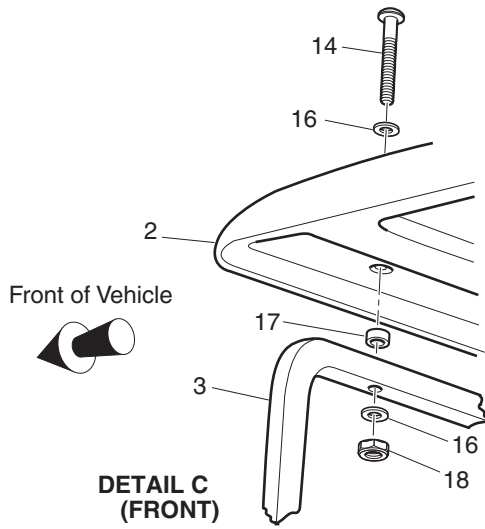
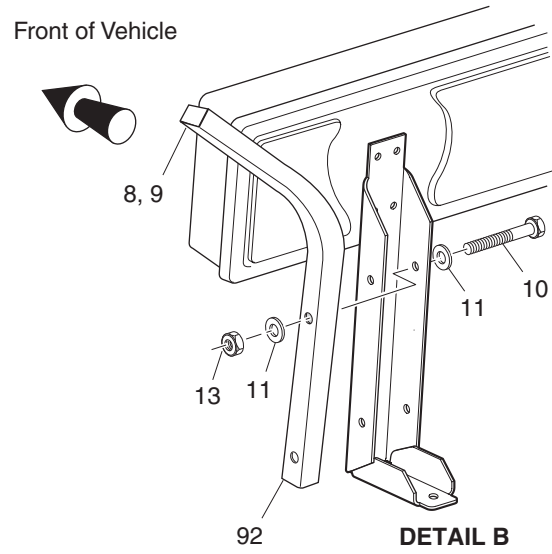
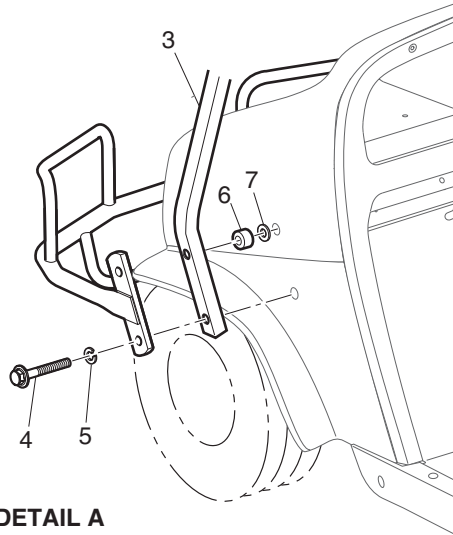
\* Indicates a component that is not available as an individual part.

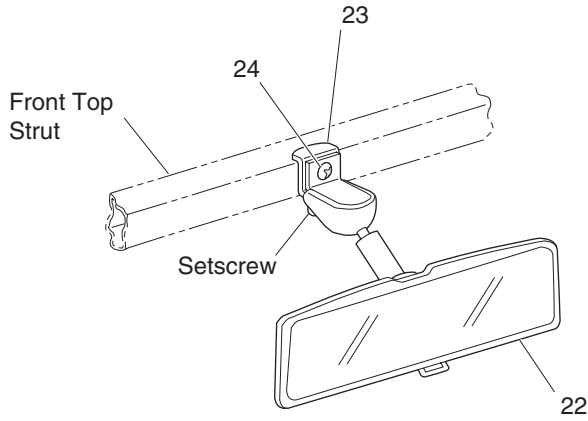
G\*\* Indicates consult Customer Service Department for additional information.

ITEM	PART NO.	1	2	3	4	5	DESCRIPTION	QTY.
61	<u>11098-G5</u>						LOCK NUT, 3/8 - 16 .....	2
62								
63	<u>74052-G03</u>						ELECTRIC DUMP KIT (INCLUDES ITEMS 64 - 86).....	1
64	<u>74165-G01</u>						CIRCUIT BREAKER MOUNTING BRACKET.....	1
65	<u>21320-G4</u>						CIRCUIT BREAKER, 30 AMP, 12V .....	1
66	<u>00150-G4</u>						SCREW, #10 - 24 X 1/2" LG. ....	2
67	<u>00565-G5</u>						LOCK WASHER, #10 .....	2
68	<u>00526-G3</u>						NUT, #10 - 24.....	2
69	<u>25976-G14</u>						14 GA WIRE (RED 5") .....	1
70								
71	<u>27680-G01</u>						TOGGLE SWITCH.....	1
72	<u>27447-G01</u>						TOGGLE GUARD .....	1
73	<u>27446-G01</u>						LABEL.....	1
74	<u>10570-G9</u>						RIVET, 1/8" X 11/32" LG (ALUMINUM).....	2
75	<u>27612-G03</u>						ELECTRIC ACTUATOR.....	1
76	<u>27613-G01</u>						SPACER .....	2
77	<u>14443-G10</u>						CLEVIS PIN, 1/2" X 2 7/8" LG.....	1
78	<u>21683-G1</u>						COTTER PIN, 15/32" X 2 13/16" LG .....	2
79	<u>14443-G11</u>						CLEVIS PIN, 1/2" X 1 3/4" LG .....	1
80								
81	<u>74163-G01</u>						WIRE HARNESS (CONTROL) .....	1
82	<u>17618-G1</u>						WIRE TIE .....	8
83								
84	<u>71283-G01</u>						ELECTRIC LIFT BRACKET.....	1
85	<u>00462-G7</u>						BOLT, 7/16 - 14 X 7/8" LG.....	2
86	<u>00734-G1</u>						LOCK NUT, 7/16 - 14 .....	2
87								
88	<u>71489-G01</u>						WARNING LABEL .....	1



# WEATHER PROTECTION



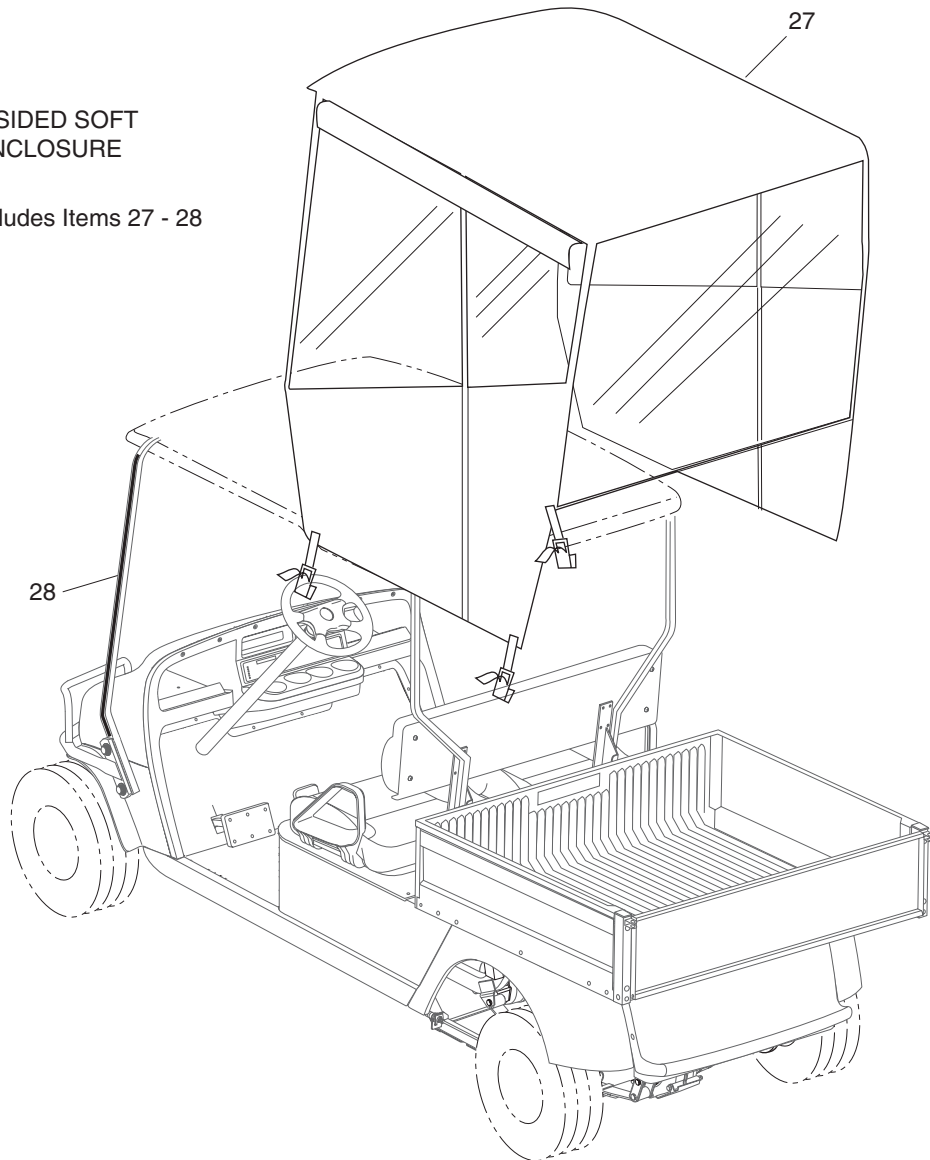


REAR VIEW MIRROR

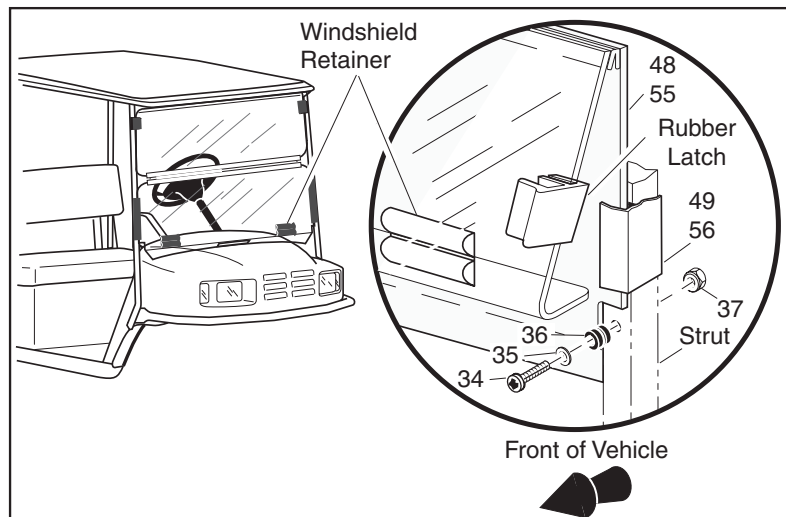
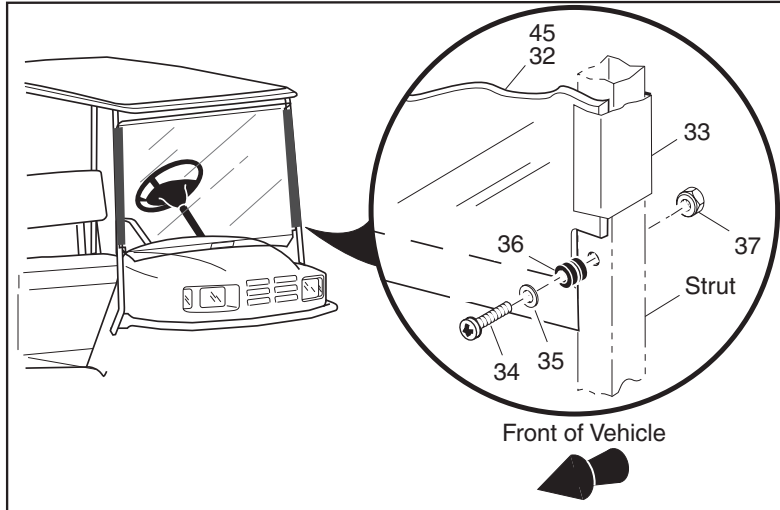
21 - Includes Items 22 - 24

3-SIDED SOFT ENCLOSURE

26 - Includes Items 27 - 28



# WEATHER PROTECTION



# WEATHER PROTECTION

THE USE OF NON U.L. PARTS WILL VOID ANY U.L. LISTING.

When ordering parts, please specify the model and serial number of the product.

\* Indicates a component that is not available as an individual part.

G\*\* Indicates consult Customer Service Department for additional information.

ITEM	PART NO.	1 2 3 4 5	DESCRIPTION	QTY.
1	75040-G**		SUN TOP KIT (INCLUDES ITEMS 2 - 19) .....	1
2	<u>27069-G01</u>		SUN TOP .....	1
3	<u>75045-G05</u>		FRONT STRUT .....	1
4	01035-G01		BOLT, 5/16 - 18 X 2 1/4" LG.....	4
5	<u>00905-G8</u>		LOCK WASHER, 5/16" .....	4
6	<u>75048-G01</u>		SPACER, 1/2" .....	2
7	<u>00570-G2</u>		WASHER, 5/16" .....	6
8	<u>75838-G04</u>		REAR STRUT (PASSENGER SIDE) .....	1
9	<u>75838-G03</u>		REAR STRUT (DRIVER SIDE).....	1
10	<u>00685-G7</u>		BOLT, 5/16 - 18 X 1 3/4" LG.....	4
11	<u>00660-G8</u>		WASHER, 5/16" .....	8
12				
13	11098-G6		LOCK NUT, 5/16 - 18 .....	4
14	<u>00753-G5</u>		SCREW, 1/4 - 20 X 2" LG (STAINLESS STEEL).....	2
15	00753-G6		SCREW, 1/4 - 20 X 2 1/4" LG (STAINLESS STEEL).....	2
16	<u>01110-G01</u>		WASHER, 1/4" (STAINLESS STEEL).....	8
17	<u>75051-G01</u>		SPACER .....	4
18	<u>00654-G2</u>		LOCK NUT, 1/4 - 20 .....	4
19	<u>19853-G1</u>		END CAP, 1" .....	2
20				
21	<u>19528-G2</u>		REAR VIEW MIRROR KIT (REQUIRES SUN TOP) (INCLUDES ITEMS 22 - 24).....	1
22	<u>19496-G1</u>		REAR VIEW MIRROR .....	1
23	19502-G2		SUPPORT BRACKET.....	1
24	<u>19527-G1</u>		SCREW, #8 - 32 X 5/8" LG (STAINLESS STEEL).....	1
25				
26	75367-G**		3-SIDED SOFT ENCLOSURE (REQUIRES SUN TOP) (INCL ITEMS 27 - 28) .....	1
27	*		ENCLOSURE.....	1
28	*		VELCRO .....	AR
29				

# WEATHER PROTECTION

Replacement parts for the windshield may be obtained from Eagle Parts, Inc. 1411 Marvin Griffin Rd. Augusta, GA 30906. Telephone (706) 790-6687.

\* Indicates a component that is not available as an individual part.

G\*\* Indicates consult Customer Service Department for additional information.

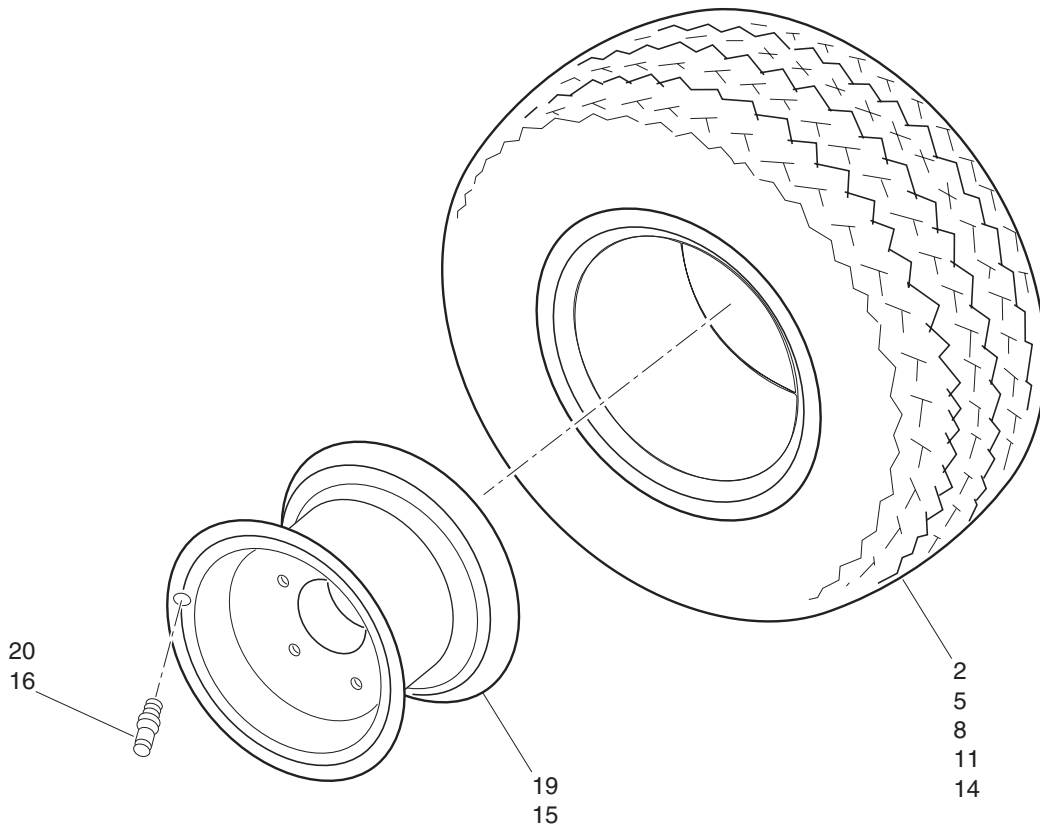
ITEM	PART NO.	1	2	3	4	5	DESCRIPTION	QTY.
30								
31	<u>71966-G01</u>						WINDSHIELD KIT (FULL) (INCLUDES ITEMS 32 - 38) .....	1
32	<u>71954-G01</u>						WINDSHIELD (FULL) (LEXAN) .....	1
33	EGWHC12						SASH, 26" LG. ....	2
34	EGWHS12						BOLT, 1/4 - 20 X 1 3/4" LG. (STAINLESS STEEL) .....	2
35	EGWHG12						WASHER, 1/4" (STAINLESS STEEL) .....	4
36	EGWHG13						RUBBER GROMMET .....	2
37	EGWHN12						LOCK NUT, 1/4 - 20 (STAINLESS STEEL) .....	2
38	EGWHL14						SAFETY LABEL.....	1
39								
40								
41								
42								
43								
44	<u>71966-G03</u>						WINDSHIELD KIT (FULL) (INCLUDES ITEMS 45, 33 - 37) .....	1
45	<u>71960-G01</u>						WINDSHIELD (FULL) .....	1
46								
47	<u>71966-G04</u>						WINDSHIELD KIT (SPLIT) (INCLUDES ITEMS 48, 49, 34 - 37) .....	1
48	<u>71961-G01</u>						WINDSHIELD (SPLIT).....	1
49	EGWHC10						SASH, 12" LG. ....	2
50								
51								
52								
53								
54	<u>71966-G02</u>						WINDSHIELD KIT (SPLIT) (INCLUDES ITEMS 55, 56, 34 - 37) .....	1
55	<u>71955-G01</u>						WINDSHIELD (SPLIT) (LEXAN).....	1
56	EGWHC10						SASH, 12" LG. ....	2



# WHEELS AND TIRES

- 1 - Includes Items 2, 19, 20
- 4 - Includes Items 5, 19, 20
- 7 - Includes Items 8, 19, 20
- 10 - Includes Items 11, 19, 20
- 13 - Includes Items 14, 15, 16

Tire design may vary by Part Number



*Ref Whl 3-1*



GOLD / SILVER SPOKE HUBCAP  
28, 29



# WHEELS AND TIRES

When ordering parts, please specify the model and serial number of the product.

\* Indicates a component that is not available as an individual part.

G\*\* Indicates consult Customer Service Department for additional information.

ITEM	PART NO.	1 2 3 4 5	DESCRIPTION	QTY.
1	27770-G01		WHEEL AND TIRE ASSEMBLY, LINKS (INCLUDES ITEMS 2, 19, 20) .....	A/R
2	<u>28757-G01</u>		CARLISLE TIRE (LINKS 18 X 8.5 - 8, 4 PLY RATED).....	A/R
3				
4	27770-G03		WHEEL AND TIRE ASSEMBLY, TURF SAVER (INCLUDES ITEMS 5, 19, 20) .....	A/R
5	<u>28757-G03</u>		CARLISLE TIRE (TURF SAVER 18 X 8.5 - 8, 4 PLY RATED) .....	A/R
6				
7	27770-G06		WHEEL AND TIRE ASSEMBLY, LINKS (INCLUDES ITEMS 8, 19, 20) .....	A/R
8	28757-G05		CARLISLE TIRE (LINKS 18 X 8.5 - 8, 4 PLY RATED).....	A/R
9				
10	27774-G01		WHEEL AND TIRE ASSEMBLY, USA TRAIL (INCLUDES ITEMS 11, 19, 20) ...	A/R
11	<u>28764-G06</u>		CARLISLE TIRE (USA TRAIL 6 PLY 18.5 X 8.5 - 8, LOAD RANGE C) .....	A/R
12				
13	<u>27784-G02</u>		WHEEL AND TIRE ASSEMBLY, USA TRAIL (INCLUDES ITEMS 14, 15 16) ....	A/R
14	<u>27784-G04</u>		CARLISLE TIRE (USA TRAIL 5.70 X 8).....	A/R
15	<u>33678-G01</u>		WHEEL RIM (4 LUG).....	A/R
16	26482-G01		VALVE STEM.....	A/R
17				
18				
19	<u>28759-G01</u>		WHEEL RIM (4 LUG).....	A/R
20	<u>11657-G1</u>		VALVE STEM.....	A/R
21				
22				
23				
24				
25				
26				
27	19241-G*		GOLD SPOKE HUBCAP (OPTIONAL) .....	A/R
28	19241-G*		SILVER SPOKE HUBCAP (OPTIONAL).....	A/R

## **SPECIALTY PRODUCTS**

# **SPECIALTY PRODUCTS**

## SPECIALTY PRODUCTS

<b>SPECIAL TOOLS</b>	<b>PART NO.</b>
BATTERY MAINTENANCE KIT .....	25587-G01
SEAL INSTALLATION TOOL (REAR AXLE SHAFT SEAL) .....	18739-G1
BATTERY SET DISCHARGER, 36 VOLT, 75 AMP .....	28251-G01
CURRENT INDICATOR.....	16489-G2
DIGITAL MULTI-METER .....	27481-G01
CRIMPING TOOL .....	27765-G01
SLIDE HAMMER (AXLE/HUB REMOVAL) .....	15947-G1
SLIDE HAMMER (AXLE REMOVAL ONLY) .....	18753-G1

<b>TOUCH UP PAINT</b>	<b>PART NO.</b>
PEN 3 OUNCE (89 ML) - HUNTER GREEN .....	28432-G02
PEN 3 OUNCE (89 ML) - CHAMPAGNE BEIGE .....	28432-G01
PEN 3 OUNCE (89 ML) - WHITE .....	28432-G05
PEN 3 OUNCE (89 ML) - INDUSTRIAL YELLOW.....	28432-G03
PEN 3 OUNCE (89 ML) - ORANGE .....	28432-G04
PEN 3 OUNCE (89 ML) - STEEL BLUE PEARL .....	28432-G**
PEN 3 OUNCE (89 ML) - CAMOUFLAGE PAINT (THREE PENS) .....	75831-G01
AEROSOL 12 OUNCE (360 ML) - HUNTER GREEN .....	28140-G09
AEROSOL 12 OUNCE (360 ML) - CHAMPAGNE BEIGE .....	28140-G15
AEROSOL 12 OUNCE (360 ML) - WHITE .....	28140-G03
AEROSOL 12 OUNCE (360 ML) - INDUSTRIAL YELLOW.....	28140-G14
AEROSOL 12 OUNCE (360 ML) - ORANGE .....	28140-G13
AEROSOL 12 OUNCE (360 ML) - STEEL BLUE PEARL .....	28140-G**

<b>MAINTENANCE PRODUCTS</b>	<b>PART NO.</b>
FORMULA 40 VINYL-COAT® - WHITE .....	28166-G01
PLEXUS® CLEANER, 7 OUNCE (210 ML) (FOR WINDSHIELDS) .....	28433-G01
PLEXUS® CLEANER, 13 OUNCE (380 ML) (FOR WINDSHIELDS) .....	28433-G02
BATTERY PROTECTOR, 14 OUNCE (410 ML) SPRAY .....	75500-G01
WHITE LITHIUM GREASE, 14 OUNCE (410 ML) SPRAY.....	75502-G01
PENETRANT/LUBRICANT, 15 OUNCE (440 ML) SPRAY .....	75503-G01
MULTI-PURPOSE CLEANER & DEGREASER, 14 OUNCE (410 ML) SPRAY .....	75504-G01
MULTI-PURPOSE HAND CLEANER, 32 OUNCE (950 ML) LIQUID .....	75505-G01

## **SPECIALTY PRODUCTS**

BATTERY CLEANER, 32 OUNCE (950 ML) WITH TRIGGER SPRAYER .....	75506-G01
BIO-DEGRADABLE CLEANER, 32 OUNCE (950 ML) WITH TRIGGER SPRAYER .....	75507-G01
MULTI-PURPOSE VALUE PACK .....	75508-G01
• BATTERY PROTECTOR, 4 OUNCE (120 ML) SPRAY	
• PENETRANT/LUBRICANT, 4 OUNCE (120 ML) SPRAY	
• WHITE LITHIUM GREASE, 4 OUNCE (120 ML) SPRAY	
• CARBURETOR & CHOKE CLEANER, 4 OUNCE (120 ML) SPRAY	



## **OPTIONS/ACCESSORIES**

# **OPTIONS/ACCESSORIES**

## OPTIONS/ACCESSORIES

ITEM	KIT NO.	COMMENTS
<b>ACCESSORIES LISTING</b>		
	<b>KIT NO.</b>	
ASHTRAY KIT . . . . .	75109-G04 . . . . .	See BODY
BALL HITCH KIT . . . . .	74492-G02 . . . . .	See BODY
BUMPER KIT . . . . .	74292-G04 . . . . .	See BODY
CLEVIS HITCH KIT . . . . .	74492-G05 . . . . .	See BODY
DEFROSTER/COOLING FAN . . . . .	74248-G01 . . . . .	See CAB
DIFFERENTIAL GUARD . . . . .	25353-G01 . . . . .	See REAR AXLE
DOOR SET . . . . .	75856-G0* . . . . .	See CAB
DOOR SET (VINYL) . . . . .	75855-G01 . . . . .	See CAB
ELECTRIC DUMP KIT . . . . .	74637-G01 . . . . .	See TRUCKBED
GLOVE BOX DOOR . . . . .	75456-G0* . . . . .	See BODY
HOUR METER KIT . . . . .	75113-G02 . . . . .	See ELECTRICAL SYSTEM
INSIDE MIRROR . . . . .	27924-G01 . . . . .	See WEATHER PROTECTION
INSTRUMENT/SWITCH PANEL . . . . .	74250-G01 . . . . .	See CAB
REAR VIEW MIRROR KIT . . . . .	19528-G2 . . . . .	See WEATHER PROTECTION
SOFT ENCLOSURE . . . . .	75367-G01 . . . . .	See WEATHER PROTECTION
STEEL CAB, W/O DOORS . . . . .	75854-G0* . . . . .	See CAB
STROBE LIGHT . . . . .	74245-G01 . . . . .	See CAB
SUN TOP KIT . . . . .	75040-G0* . . . . .	See WEATHER PROTECTION
TURN SIGNAL KIT . . . . .	75107-G02 . . . . .	See ELECTRICAL SYSTEM
GOLD SPOKE WHEEL COVERS . . . . .	19241-G* . . . . .	See WHEELS AND TIRES
SILVER SPOKE WHEEL COVERS . . . . .	19241-G* . . . . .	See WHEELS AND TIRES
WINDSHIELDS . . . . .	71966-G0* . . . . .	See WEATHER PROTECTION
WINDSHIELD WIPER . . . . .	74244-G01 . . . . .	See CAB
WORK LIGHTS . . . . .	74247-G01 . . . . .	See CAB
WORK LIGHT BAR WITH LIGHTS . . . . .	71323-G04 . . . . .	See ELECTRICAL SYSTEM
WORK LIGHT BAR WITH STROBE . . . . .	71323-G05 . . . . .	See ELECTRICAL SYSTEM
WORK LIGHT BAR WITH LIGHTS AND STROBE . . . . .	71323-G06 . . . . .	See ELECTRICAL SYSTEM



A Textron Company

E-Z-GO Division of Textron, Inc.  
P.O. Box 388 Augusta, Georgia 30903-0388 USA  
Inside USA Phone: 1-800-241-5855, FAX: 1-800-448-8124  
Outside USA Phone: 010-1-706-798-4311, FAX: 010-1-706-771-4609

Copyrighted Material  
This manual may not be reproduced in whole or  
in part without the express permission of  
E-Z-GO Division of Textron, Inc.  
Technical Communications Department