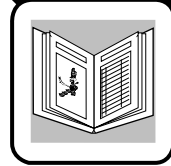
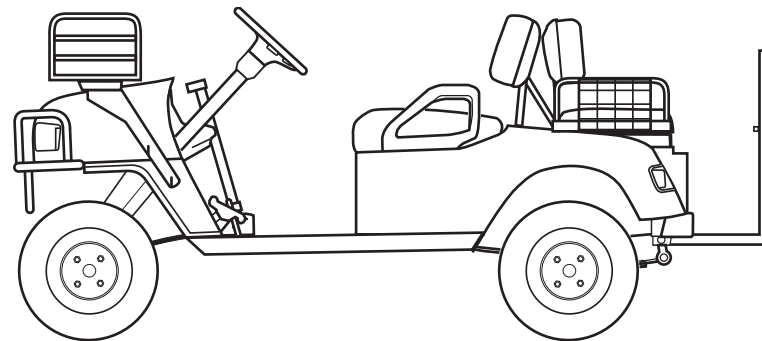
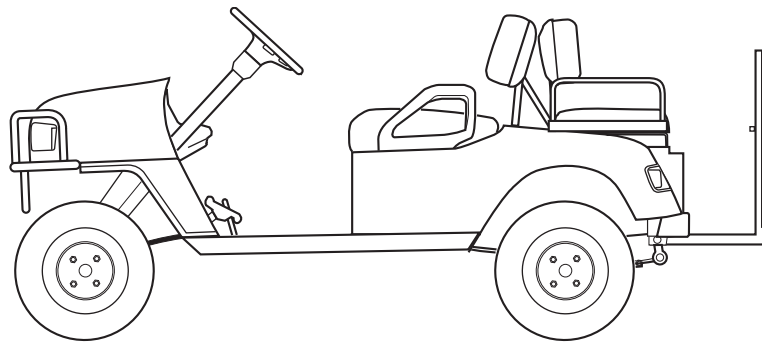


600115G01



# SERVICE PARTS MANUAL



## GASOLINE POWERED UTILITY VEHICLE

ISSUED SEPTEMBER 2005 REVISED MAY 2008



# **SERVICE PARTS MANUAL**

## **GASOLINE POWERED UTILITY VEHICLE**

**CLAYS CAR**

**CLAYS CAR CARB**

**ST SPORT 2+2**

**ST SPORT 2+2 CARB**

**ST CUSTOM**

**STARTING MODEL YEAR 2005**

DISCLAIMER: The E-Z-GO Division of Textron Inc. reserves the right to incorporate engineering and design changes to products in this Manual, without obligation to include these changes on units leased/sold previously.

The information contained in this Manual may be revised periodically by the E-Z-GO Division, and therefore is subject to change without notice.

The E-Z-GO Division DISCLAIMS LIABILITY FOR ERRORS IN THIS MANUAL, and the E-Z-GO Division SPECIFICALLY DISCLAIMS LIABILITY FOR INCIDENTAL AND CONSEQUENTIAL DAMAGES resulting from the use of the information and materials in this Manual.

**CUSTOMER SERVICE DEPARTMENT IN USA PHONE: 1-800-241-5855 FAX: 1-800-448-8124**

**OUTSIDE USA PHONE: 001-706-798-4311, FAX: 001-706-771-4609**

**E-Z-GO DIVISION OF TEXTRON, INC., 1451 MARVIN GRIFFIN RD., AUGUSTA, GEORGIA USA 30906**

## NOTES

To obtain a copy of the limited warranty applicable to the vehicle, call or write a local Distributor, authorized Branch or the Warranty Department with vehicle serial number and manufacturer code.

The use of non Original Equipment Manufacturer (OEM) parts may void the warranty.

Overfilling of batteries may void the warranty.

### BATTERY PROLONGED STORAGE

All batteries will self discharge over time. The rate of self discharge varies depending on the ambient temperature and the age and condition of the batteries.

A fully charged battery will not freeze in winter temperatures unless the temperature falls below -75° F (-60° C).

As with all electric vehicles, the batteries must be checked and recharged as required or at a minimum of 30 day intervals.

# TABLE OF CONTENTS

<b>SECTION</b>	<b>Page No.</b>
HOW TO USE THE SERVICE PARTS MANUAL .....	v
ILLUSTRATED PARTS BREAKDOWN .....	vii
ACCELERATOR .....	A-1
AIR FILTER .....	B-1
BODY .....	C-1
BRAKES .....	D-1
CARBURETOR AND CHOKE .....	E-1
CLUTCH .....	F-1
DIRECTION SELECTOR .....	G-1
ELECTRICAL SYSTEM .....	H-1
ENGINE AND MUFFLER .....	J-1
ENGINE MOUNTING .....	K-1
FRONT SUSPENSION .....	L-1
FUEL SYSTEM .....	M-1
REAR AXLE .....	N-1
REAR SUSPENSION .....	P-1
SEATING .....	Q-1
STARTER / GENERATOR .....	R-1
STEERING .....	S-1
WEATHER PROTECTION .....	T-1
WHEELS AND TIRES .....	U-1
SPECIALTY PRODUCTS .....	APPENDIX A-1
OPTIONS AND ACCESSORIES .....	APPENDIX B-1



# HOW TO USE THE SERVICE PARTS MANUAL

This manual is divided into several sections:

- GENERAL INFORMATION
- ILLUSTRATED PARTS BREAKDOWN
- APPENDIX

The first section, GENERAL INFORMATION, contains the following information:

- WARRANTY INFORMATION
- GENERAL INDEX
- HOW TO USE THE SERVICE PARTS MANUAL

The second section, ILLUSTRATED PARTS BREAKDOWN, contains illustrations and parts lists for all systems of your vehicle.

The third section, APPENDIX, contains a listing of specialty products and accessories.

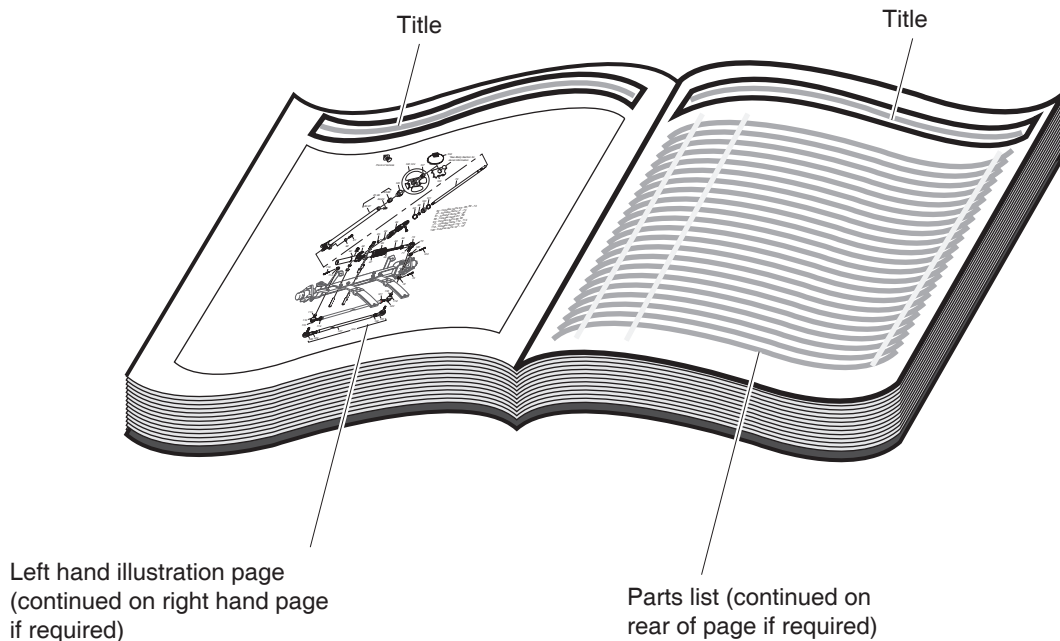
## USE OF THE MANUAL

To use this manual, consult the GENERAL INDEX to locate the information or illustration required.

Introduction of some revisions varies due to supply of components; therefore, it is possible that various combinations of components may be found that are not directly reflected by each illustration. Consult the illustration that best suits your situation and then contact the Service Parts Department. It is important that the serial number of your vehicle and its model number be supplied to Service Parts when ordering any replacement components.

Locate the serial number plate (see BODY located in the Illustrated Parts Breakdown section of this manual for its location) and note the complete number shown on the plate.

# HOW TO USE THE SERVICE PARTS MANUAL



## 1. WHEN THE PART NUMBER IS NOT KNOWN

- Determine the function and application of the part required. Turn to the General Index and select the most appropriate title.
- Turn to the page number indicated and locate the desired part on the illustration.
- From the illustration, obtain the item number assigned to the desired part. Refer to the accompanying description for specific information regarding the part.

## 2. IF YOU KNOW THE PART NUMBER

- Locate the part number or description in the appropriate column on the parts list page.

NOTE: It is suggested that you confirm that the part selected is correct by verifying it with the pictorial representation on the illustrated page.

Should an asterisk (\*) appear in the part number column on the parts list page, read upwards until a part number is found. The part number is the lowest assembly sold by Service Parts and the asterisk (\*) indicates that the part depicted is not available for purchase.

NOTE: Descriptions are indented under the assembly that they are used on. That assembly is, in turn listed under the assembly that it is used on. This process is repeated until the highest final assembly is reached.

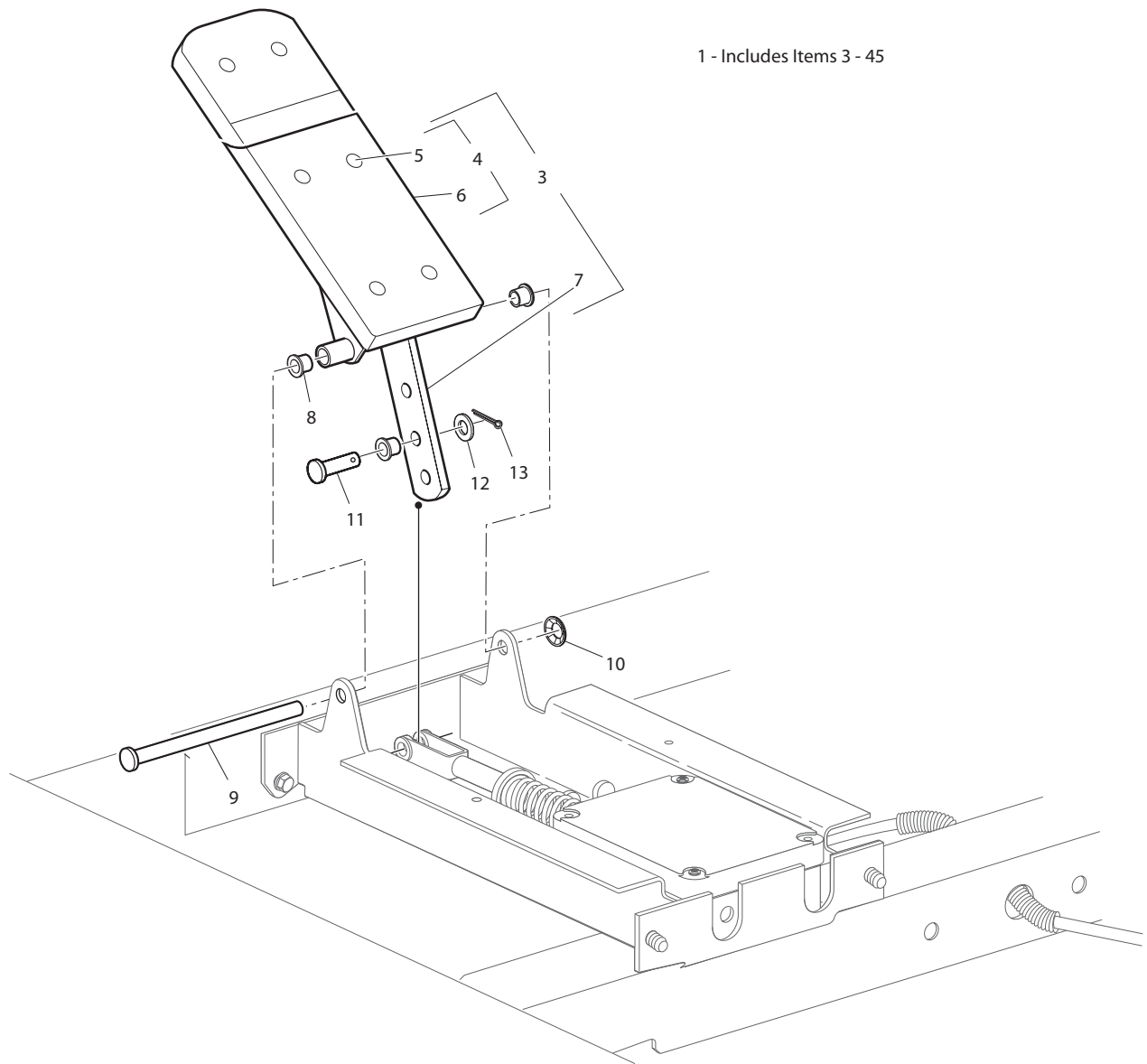
**To facilitate the maintenance and repair of the vehicle, a Technician's Repair and Service Manual is available from the Service Parts Department.**



# **ILLUSTRATED PARTS BREAKDOWN**

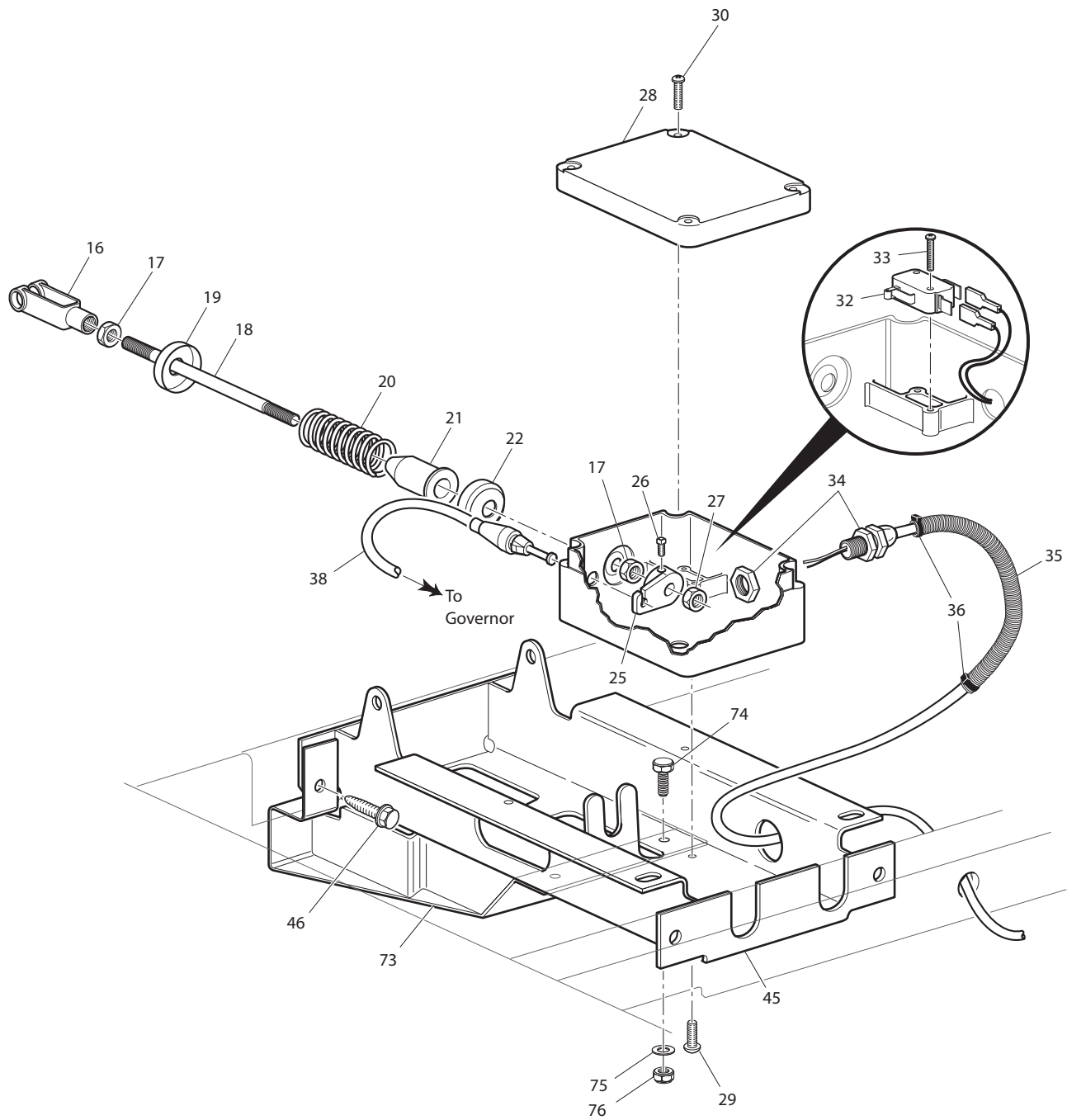
# **ILLUSTRATED PARTS BREAKDOWN**

# ACCELERATOR



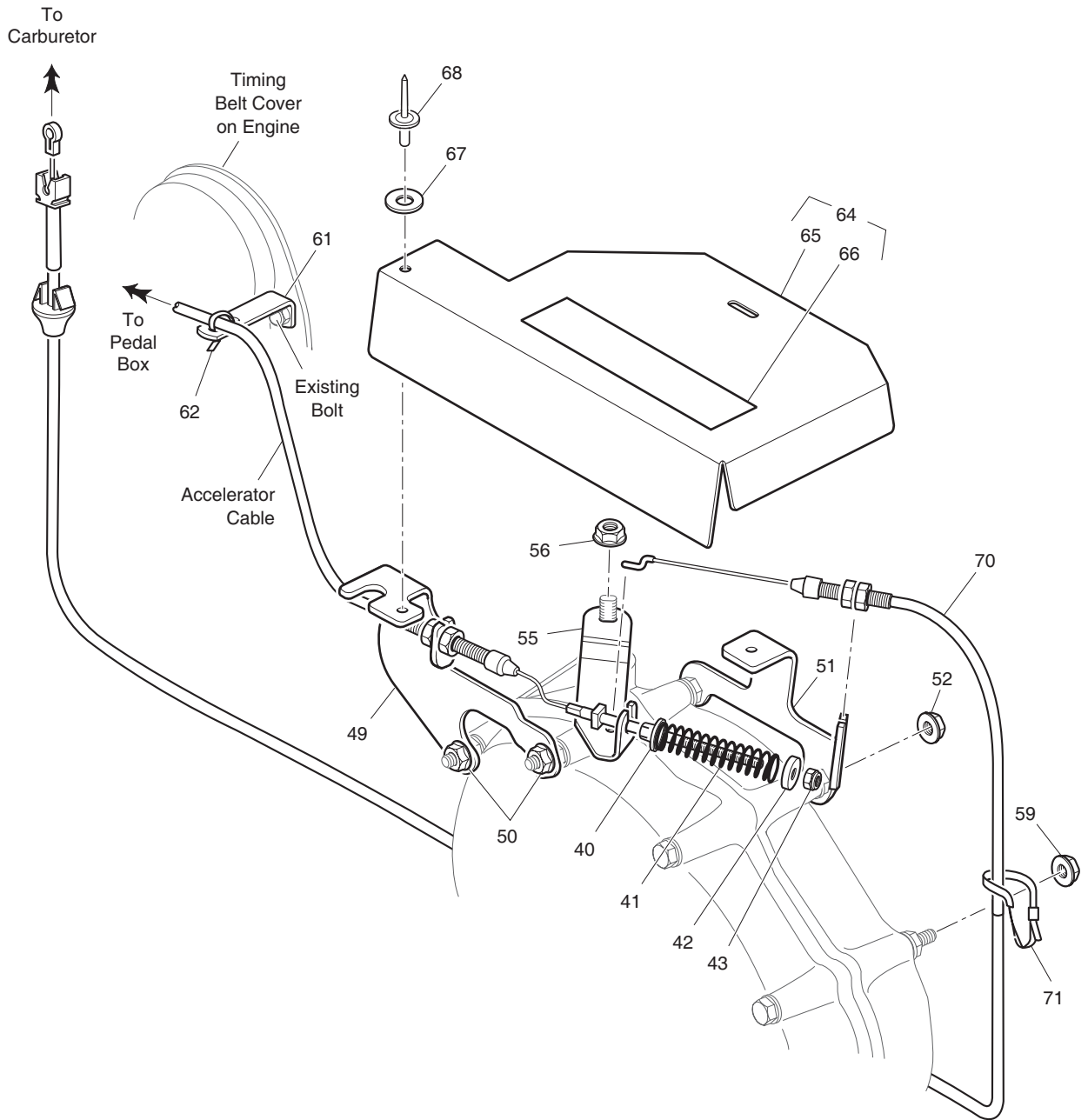
Ref Acl 11-1

# ACCELERATOR



Ref Acl 11-2

# ACCELERATOR



Ref Acl 11-3

# ACCELERATOR

When ordering parts, please specify the model and serial number of the product.

\* Indicates a component that is not available as an individual part.

G\*\* Indicates consult Customer Service Department for additional information.

ITEM	PART NO.	1 2 3 4 5	DESCRIPTION	QTY.
1	<u>72717-G04</u>		PEDAL BOX ASSEMBLY (INCLUDES ITEMS 3 - 45) .....	1
2				
3	<u>25799-G03</u>		ACCELERATOR PEDAL ASSEMBLY (INCLUDES ITEMS 4 - 7).....	1
4	<u>27844-G01</u>		ACCELERATOR PEDAL PAD KIT (INCLUDES ITEMS 5 - 6).....	1
5	<u>15766-G1</u>		OVAL RIVET, 3/16" X 7/16" LG.....	6
6	<u>27512-G01</u>		ACCELERATOR PEDAL PAD .....	1
7	*		ACCELERATOR PEDAL .....	1
8	<u>17838-G1</u>		NYLON BUSHING .....	3
9	<u>74432-G01</u>		PEDAL PIVOT PIN .....	1
10	<u>12064-G6</u>		PUSH NUT, 9/32".....	1
11	<u>10386-G3</u>		CLEVIS PIN, 5/16" X 13/16" LG .....	1
12	<u>17255-G1</u>		TEFLON WASHER, 5/16".....	1
13	<u>10387-G3</u>		COTTER PIN, 3/32" X 3/4" LG .....	1
14				
15				
16	<u>10385-G4</u>		CLEVIS YOKE (ADJUSTABLE).....	1
17	<u>00532-G4</u>		NUT, 5/16 - 24.....	2
18	<u>72072-G01</u>		ACCELERATOR ROD .....	1
19	<u>17677-G2</u>		SPRING RETAINER, 3/8" .....	1
20	<u>73046-G01</u>		COMPRESSION SPRING .....	1
21	<u>17979-G1</u>		ACCELERATOR ROD BUSHING .....	1
22	<u>17677-G1</u>		SPRING RETAINER, 1/2" .....	1
23				
24				
25	<u>72716-G01</u>		MICRO SWITCH CAM.....	1
26	<u>00487-G3</u>		SETSCREW, 1/4 - 20 X 3/8" LG. ....	1
27	<u>15126-G1</u>		LOCK NUT, 5/16 - 24.....	1
28	<u>25853-G03</u>		PEDAL BOX AND COVER .....	1
29	<u>01051-G01</u>		SCREW, #8 - 16 X 1/2" LG. ....	4
30	<u>00684-G6</u>		SCREW, #8 - 32 X 3/4" LG (STAINLESS STEEL).....	2

# ACCELERATOR

When ordering parts, please specify the model and serial number of the product.

\* Indicates a component that is not available as an individual part.

G\*\* Indicates consult Customer Service Department for additional information.

ITEM	PART NO.	1	2	3	4	5	DESCRIPTION	QTY.
31								
32	<u>25861-G01</u>						MICRO SWITCH.....	1
33	<u>01050-G01</u>						SCREW, #4 - 20 X 5/8" LG .....	2
34	<u>72201-G04</u>						WIRE HARNESS (PEDAL BOX) .....	1
35	<u>17313-G1</u>						FLEX LOOM (BULK).....	AR
36	<u>17618-G1</u>						WIRE TIE .....	2
37								
38	<u>72713-G01</u>						ACCELERATOR CABLE .....	1
39								
40	<u>72706-G01</u>						ACCELERATOR CABLE BUSHING .....	1
41	<u>72707-G01</u>						COMPRESSION SPRING .....	1
42	<u>25727-G02</u>						CUP WASHER, 1/5" .....	1
43	<u>00734-G5</u>						LOCK NUT, #10 - 32.....	1
44								
45	70116-G02						ACCELERATOR PEDAL BRACKET.....	1
46	<u>00715-G2</u>						BOLT, 5/16 - 18 X 4/5" LG .....	4
47	<u>70135-G01</u>						PEDAL PIVOT COVER .....	1
48								
49	<u>72701-G02</u>						ACCELERATOR CABLE MOUNTING BRACKET .....	1
50	26830-G01						LOCK NUT, M8 X 1.25 MM .....	2
51	<u>72703-G02</u>						THROTTLE CABLE MOUNTING BRACKET .....	1
52	26830-G01						LOCK NUT, M8 X 1.25 MM .....	2
53								
54								
55	<u>72708-G01</u>						GOVERNOR ARM .....	1
56	26830-G01						LOCK NUT, M8 X 1.25 MM .....	1
57								
58								
59	26830-G01						LOCK NUT, M8 X 1.25 MM .....	1
60								

# ACCELERATOR

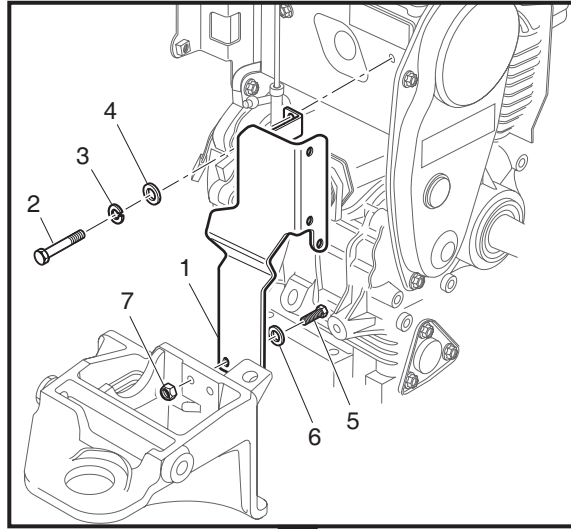
When ordering parts, please specify the model and serial number of the product.

\* Indicates a component that is not available as an individual part.

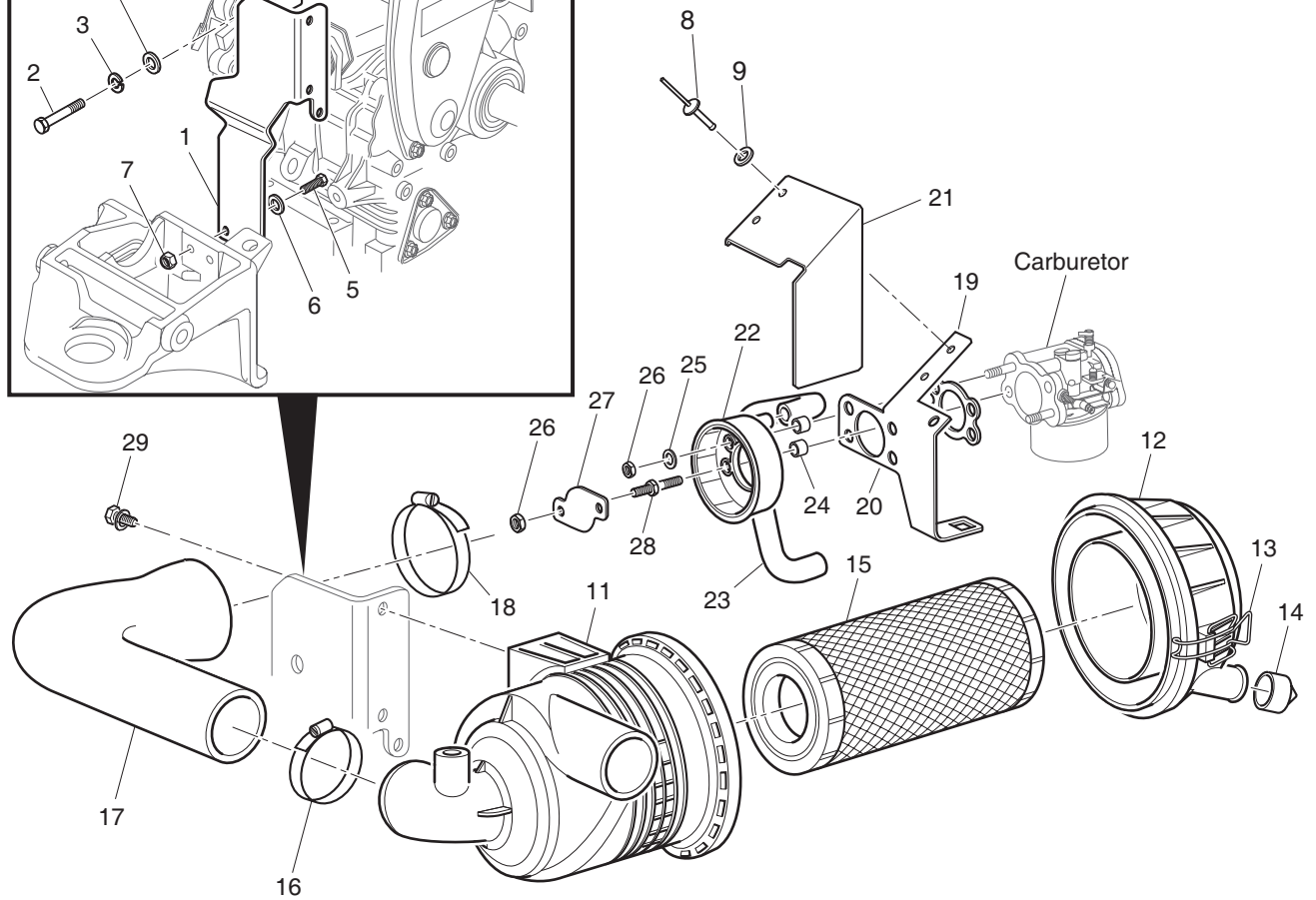
G\*\* Indicates consult Customer Service Department for additional information.

ITEM	PART NO.	1 2 3 4 5	DESCRIPTION	QTY.
61	<u>72701-G02</u>		ACCELERATOR CABLE BRACKET .....	1
62	<u>17618-G1</u>		WIRE TIE .....	1
63				
64	74457-G02		GOVERNOR COVER/DECAL ASSEMBLY (INCLUDES ITEMS 65, 66) .....	1
65	<u>72705-G02</u>		GOVERNOR COVER .....	1
66	<u>24880-G1</u>		LABEL (WARNING - GOVERNOR) .....	1
67	<u>00915-G1</u>		BONDED WASHER, 1/4" .....	2
68	<u>14601-G11</u>		RIVET, 3/16" X 9/16" LG (ALUMINUM) .....	2
69				
70	<u>72714-G01</u>		THROTTLE CABLE .....	1
71	<u>17618-G1</u>		WIRE TIE .....	1
72				
73	<u>75757-G01</u>		PEDAL GUARD .....	1
74	<u>00414-G6</u>		BOLT 1/4 - 20 X 3/4" LG .....	2
75	<u>01110-G01</u>		WASHER, 1/4" (STAINLESS STEEL) .....	2
76	<u>00654-G2</u>		LOCK NUT, 1/4 - 20 (STAINLESS STEEL) .....	2

# AIR FILTER



10 - Includes Items 11 - 15



Front of Vehicle





# AIR FILTER

THE USE OF NON U.L. PARTS WILL VOID ANY U.L. LISTING.

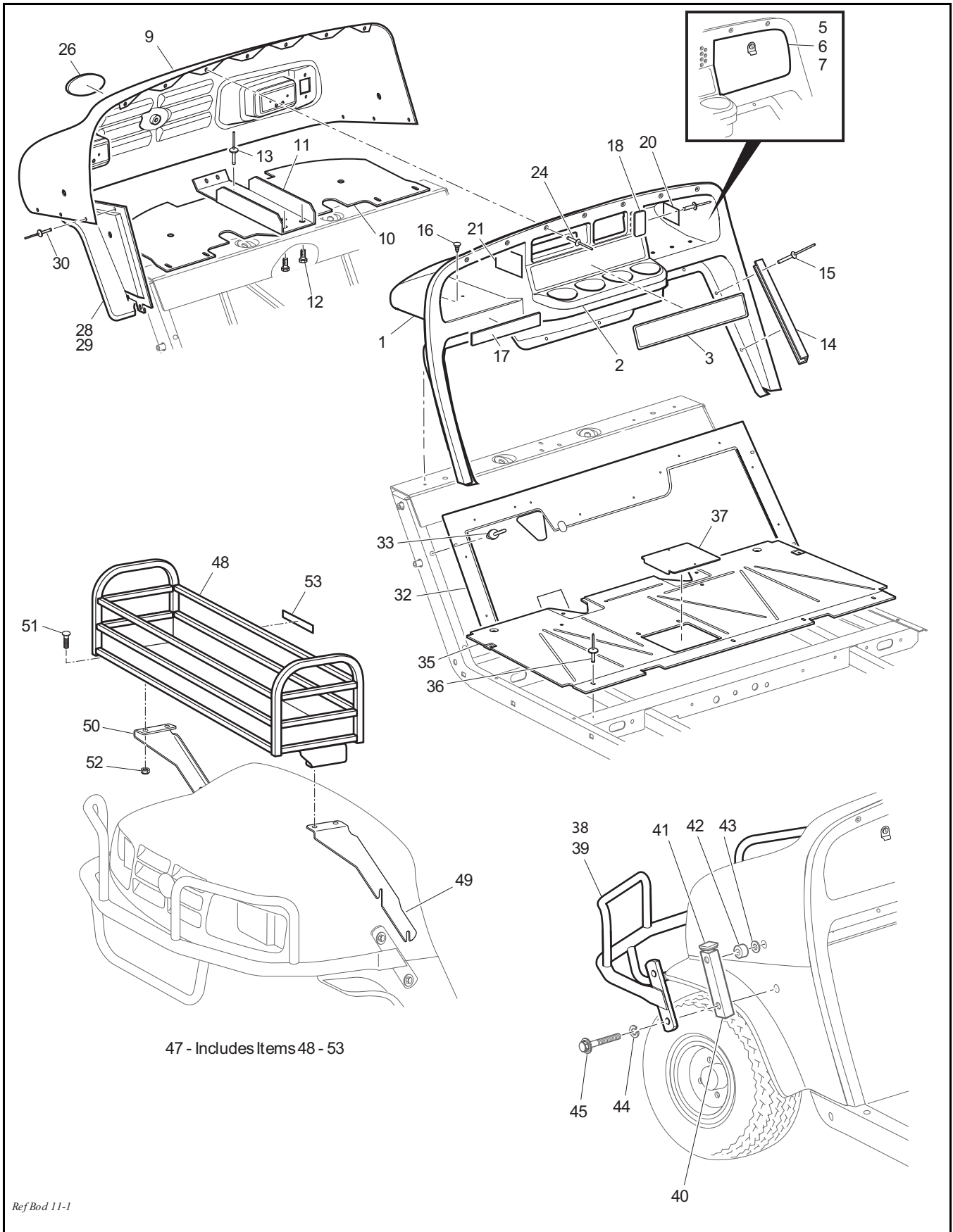
When ordering parts, please specify the model and serial number of the product.

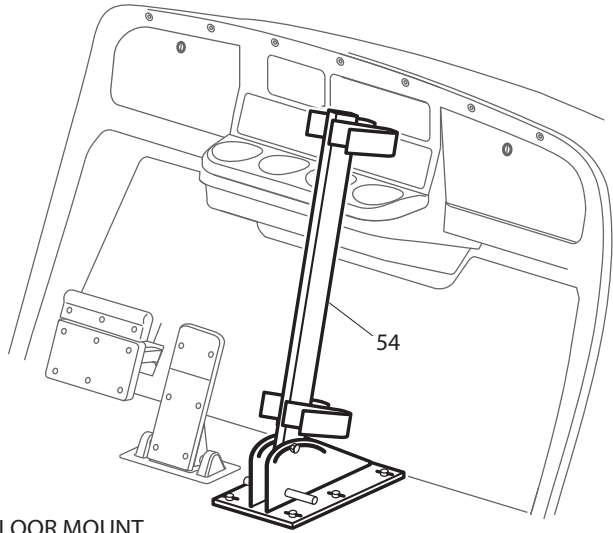
\* Indicates a component that is not available as an individual part.

G\*\* Indicates consult Customer Service Department for additional information.

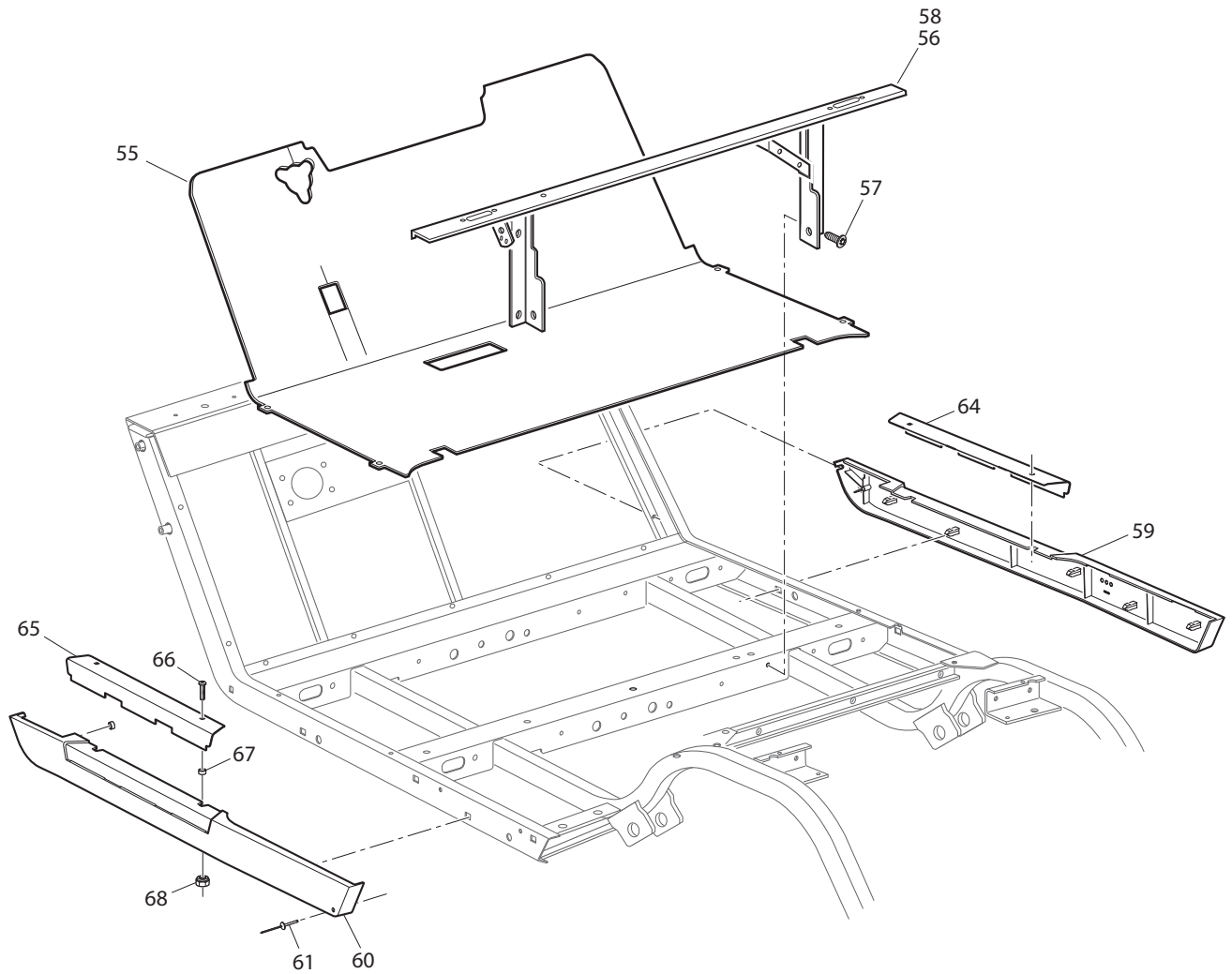
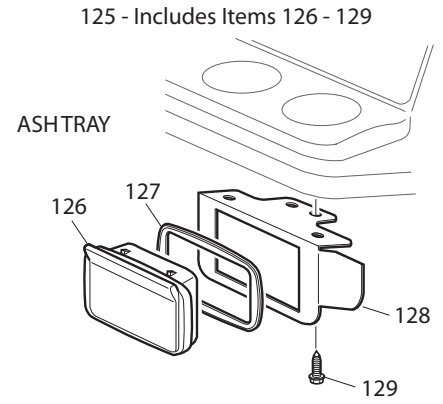
ITEM	PART NO.	1 2 3 4 5	DESCRIPTION	QTY.
1	<u>75878-G02</u>		AIR FILTER BRACKET (CABLE ACTUATED CARBURETOR) .....	1
2	<u>12547-G3</u>		BOLT, M6 X 1MM X 20MM LG .....	1
3	<u>00664-G7</u>		LOCK WASHER, 1/4".....	1
4	<u>00559-G7</u>		WASHER, 1/4" .....	1
5	<u>00415-G2</u>		BOLT, 1/4 - 20 X 1 1/4" LG .....	2
6	<u>00559-G7</u>		WASHER, 1/4" .....	2
7	<u>14390-G4</u>		LOCK NUT, 1/4 - 20 .....	2
8	<u>14601-G11</u>		RIVET .....	2
9	<u>00915-G1</u>		BONDED WASHER .....	2
10	<u>72607-G01</u>		AIR CLEANER CANISTER ASSEMBLY (INCLUDES ITEMS 11 - 14) .....	1
11	<u>72598-G01</u>		AIR CLEANER CANISTER .....	1
12	<u>72599-G01</u>		AIR CLEANER COVER.....	1
13	<u>72604-G01</u>		AIR CLEANER LATCH.....	2
14	<u>28462-G01</u>		AIR CLEANER DUST COLLECTOR.....	1
15	<u>28463-G01</u>		AIR CLEANER ELEMENT .....	1
16	<u>11391-G7</u>		HOSE CLAMP .....	1
17	<u>72592-G01</u>		HOSE (AIR FILTER TO CARBURETOR) .....	1
18	<u>11391-G6</u>		HOSE CLAMP .....	2
19	<u>26727-G01</u>		CARBURETOR GASKET .....	2
20	<u>74498-G02</u>		CHOKE / THROTTLE BRACKET.....	1
21	<u>74499-G02</u>		CHOKE / THROTTLE COVER.....	1
22	<u>72591-G01</u>		CARBURETOR ADAPTER .....	1
23	<u>72151-G01</u>		PCV HOSE.....	1
24	<u>23726-G11</u>		CARBURETOR MOUNTING SPACER.....	4
25	<u>00664-G7</u>		WASHER, 1/4" .....	2
26	<u>13632-G1</u>		NUT, M6 X 1.....	4
27	<u>72605-G01</u>		CARBURETOR BAFFLE.....	1
28	<u>72514-G01</u>		STUD.....	2
29	<u>25532-G1</u>		BOLT AND WASHER, M8 X 1.25 X 18 MM.....	2

# BODY



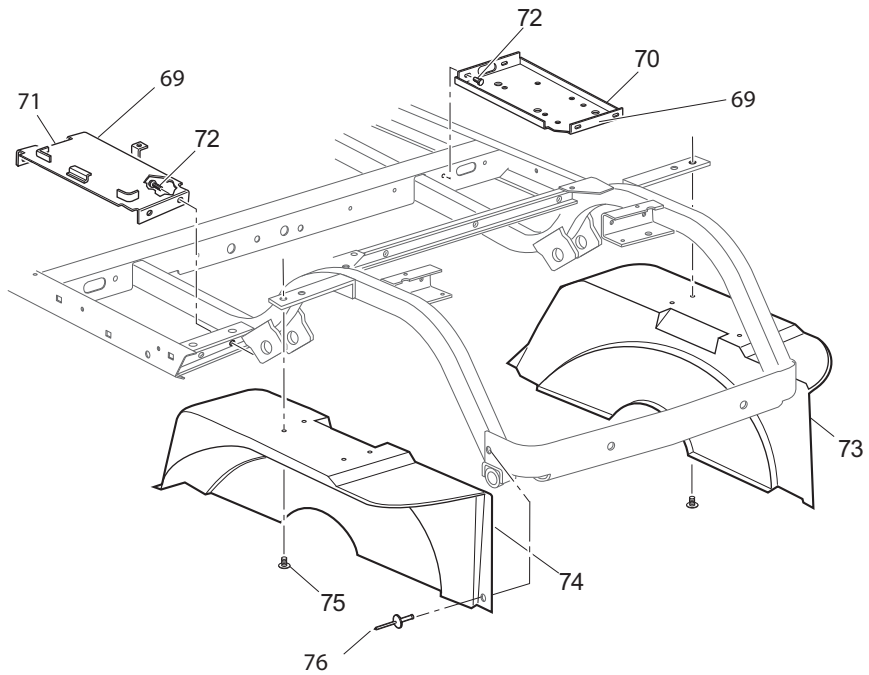
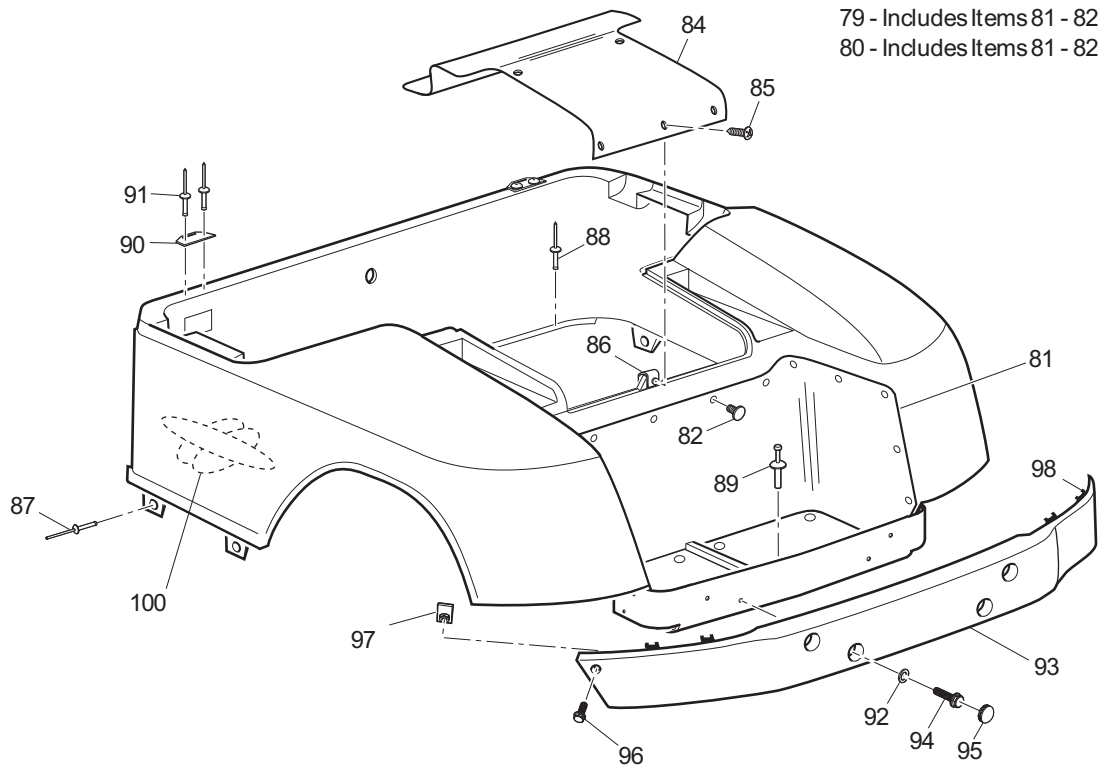


FLOOR MOUNT  
GUN HOLDER

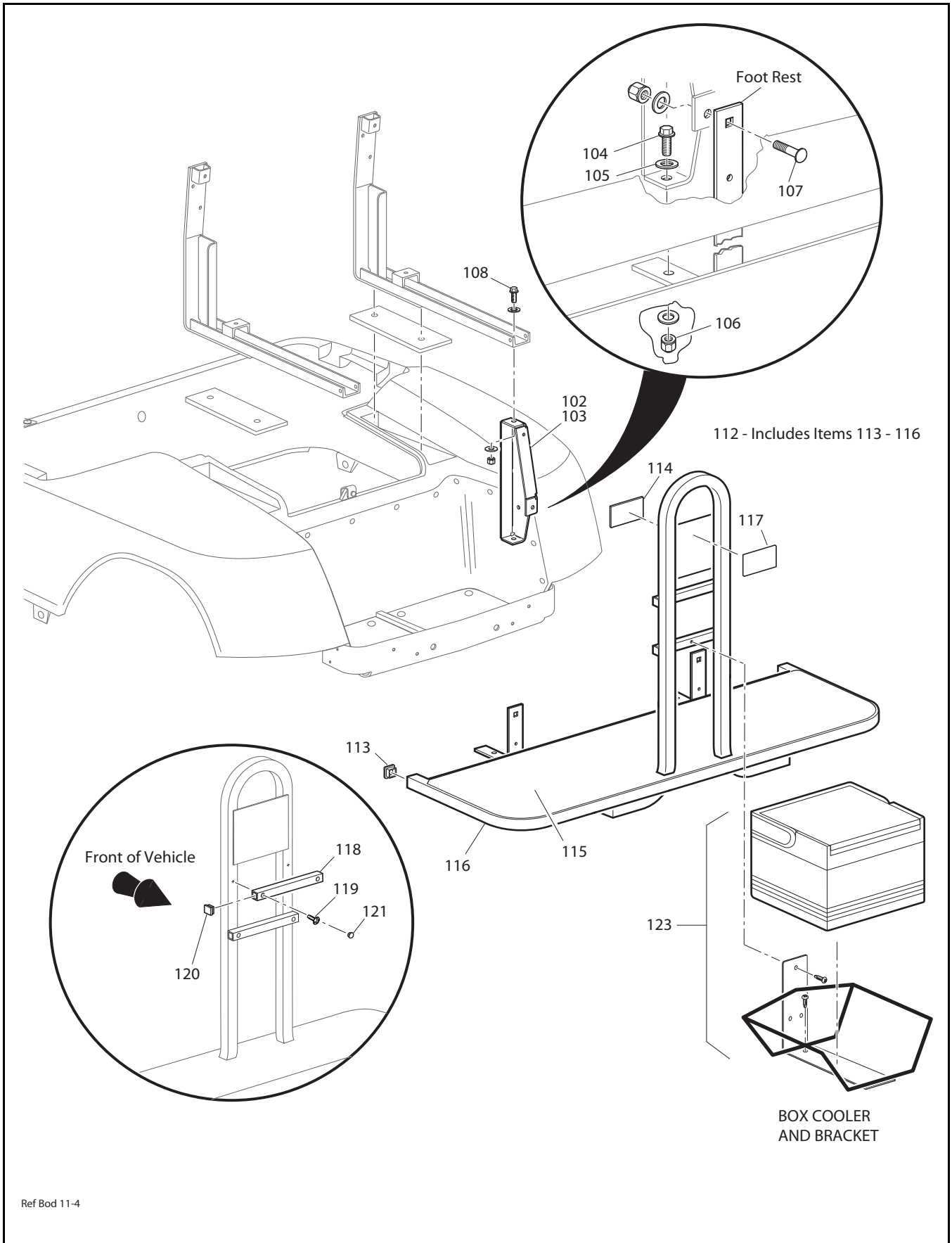


Ref Bod 11-2

# BODY



RefBod 11-3



# BODY

THE USE OF NON U.L. PARTS WILL VOID ANY U.L. LISTING.  
 When ordering parts, please specify the model and serial number of the product.  
 \* Indicates a component that is not available as an individual part.  
 G\*\* Indicates consult Customer Service Department for additional information.

ITEM	PART NO.	1 2 3 4 5	DESCRIPTION	QTY.
1	<u>71151-G03</u>		INSTRUMENT PANEL ASSEMBLY .....	1
2	<u>71158-G01</u>		INSTRUMENT PANEL INSERT (FOUR CUP) .....	1
3	<u>27826-G01</u>		LABEL (SAFETY).....	1
4				
5	<u>75459-G01</u>		GLOVE BOX DOORS (BOTH SIDES) .....	1
6	<u>75459-G02</u>		GLOVE BOX DOOR (DRIVER SIDE) .....	1
7	<u>75459-G03</u>		GLOVE BOX DOOR (PASSENGER SIDE).....	1
8				
9	606534-G**		COWL.....	1
10	<u>71413-G01</u>		SPLASH PANEL.....	1
11	71101-G01		COWL SUPPORT BRACKET .....	1
12	<u>71102-G02</u>		BOLT, 1/4 - 20 X 1/2" LG .....	3
13	<u>71055-G02</u>		RIVET, 3/16" X 1 1/8" LG (ALUMINUM).....	1
14	<u>71115-G01</u>		VINYL TRIM .....	2
15	<u>71055-G01</u>		RIVET, 3/16" X 1" LG (ALUMINUM).....	10
16	<u>16816-G2</u>		RATCHET FASTENER, 1/4" X 3/4" LG .....	4
17	<u>74443-G01</u>		LABEL (ANTI-ROLLBACK) .....	1
18	<u>35968-G01</u>		LABEL (TEE HOLDER COVER) .....	1
19				
20	*		SERIAL NUMBER PLATE .....	1
21	*		CAPACITY PLATE.....	1
22				
23				
24	<u>71055-G01</u>		RIVET, 3/16" X 1" LG (ALUMINUM).....	10
25				
26	<u>74813-G01</u>		NAMEPLATE (E-Z-GO) (OVAL) .....	1
27				
28	<u>71338-G01</u>		FENDER FLARE (DRIVER SIDE).....	1
29	<u>71338-G02</u>		FENDER FLARE (PASSENGER SIDE) .....	1
30	<u>71055-G01</u>		RIVET, 3/16" X 1" LG (ALUMINUM).....	6

THE USE OF NON U.L. PARTS WILL VOID ANY U.L. LISTING.  
 When ordering parts, please specify the model and serial number of the product.  
 \* Indicates a component that is not available as an individual part.  
 G\*\* Indicates consult Customer Service Department for additional information.

ITEM	PART NO.	1 2 3 4 5	DESCRIPTION	QTY.
31				
32	<u>71510-G01</u>		UPPER FLOORPAN (FRAME MOUNTED STEERING).....	1
33	<u>14601-G11</u>		RIVET, 3/16" X 9/16" LG (ALUMINUM).....	9
34				
35	<u>70451-G01</u>		LOWER FLOORPAN.....	1
36	<u>14601-G11</u>		RIVET, 3/16" X 9/16" LG (ALUMINUM).....	7
37	<u>70452-G01</u>		ACCESS COVER.....	1
38	604891		3 BAR CHROME BRUSH GUARD (ST CUSTOM).....	1
39	<u>74265-G02</u>		BUMPER.....	1
40	<u>74037-G01</u>		SPACER TUBE.....	2
41	<u>19859-G1</u>		END CAP, 3/4".....	2
42	<u>75048-G01</u>		SPACER, 1/2".....	2
43	<u>00570-G2</u>		WASHER, 5/16".....	6
44	<u>00905-G8</u>		LOCK WASHER, 5/16".....	4
45	<u>01035-G02</u>		BOLT, 5/16 - 18 X 2 1/2" LG.....	4
46				
47	<u>74521-G02</u>		FRONT BASKET ASSEMBLY (INCLUDES ITEMS 48 - 53).....	1
48	<u>74523-G01</u>		FRONT BASKET.....	1
49	<u>74522-G01</u>		BASKET MOUNTING BRACKET (DRIVER SIDE).....	1
50	<u>74522-G02</u>		BASKET MOUNTING BRACKET (PASSENGER SIDE).....	1
51	00725-G1		CARRIAGE BOLT, 3/8 - 16 X 1" LG (STAINLESS STEEL).....	4
52	<u>00891-G1</u>		LOCK NUT, 3/8 - 16.....	4
53	<u>71931-G01</u>		LABEL, FRONT BASKET (WARNING).....	1
54	<u>74365-G01</u>		GUN HOLDER, FLOOR MOUNT.....	1
55	<u>70048-G06</u>		FLOORMAT WITH HORN HOLES (1/8").....	1
56	70440-G03		SEAT FRAME (FOR SINGLE CABLE DIRECTION SELECTOR).....	1
57	<u>00715-G2</u>		BOLT, 5/16 - 18 X 4/5" LG.....	2
58	<u>70440-G04</u>		SEAT FRAME (ST CUSTOM).....	1
59	<u>71501-G01</u>		ROCKER PANEL (PASSENGER SIDE).....	1
60	<u>71502-G01</u>		ROCKER PANEL (DRIVER SIDE).....	1

# BODY

THE USE OF NON U.L. PARTS WILL VOID ANY U.L. LISTING.

When ordering parts, please specify the model and serial number of the product.

\* Indicates a component that is not available as an individual part.

G\*\* Indicates consult Customer Service Department for additional information.

ITEM	PART NO.	1 2 3 4 5	DESCRIPTION	QTY.
61	<u>15058-G6</u>		RIVET, 3/16" X 15/16" LG (ALUMINUM) .....	4
62				
63				
64	71507-G01		SILL PLATE (PASSENGER SIDE) .....	1
65	<u>71507-G02</u>		SILL PLATE (DRIVER SIDE).....	1
66	<u>16705-G1</u>		SCREW, 1/4 - 20 X 1" LG (STAINLESS STEEL) .....	4
67	<u>23726-G4</u>		SPACER, 5/16".....	4
68	<u>00891-G2</u>		LOCK NUT, 1/4 - 20 (STAINLESS STEEL) .....	4
69	<u>70244-G03</u>		SPLASH PANEL (ST CUSTOM) .....	2
70	70244-G02		SPLASH PANEL.....	1
71	70245-G01		BATTERY TRAY.....	1
72	<u>00715-G2</u>		BOLT, 5/16 - 18 X 4/5" LG .....	8
73	71551-G01		FENDER LINER, EXTENDED (PASSENGER SIDE).....	1
74	<u>71552-G01</u>		FENDER LINER, EXTENDED (DRIVER SIDE) .....	1
75	<u>16816-G2</u>		RATCHET FASTENER, 1/4" X 3/4" LG .....	8
76	14601-G17		RIVET .....	2
77				
78				
79	71912-G4**		REAR BODY (WITHOUT TAILLIGHTS) (INCLUDES ITEMS 81, 82) .....	1
80	71334-G0**		REAR BODY (WITH TAILLIGHTS) (INCLUDES ITEMS 81, 82).....	1
81	71318-G01		BAGWELL LINER .....	1
82	<u>16816-G1</u>		RATCHET FASTENER, 1/4" X 9/16" LG .....	26
83				
84	<u>71320-G01</u>		ACCESS PANEL .....	1
85	<u>01107-G01</u>		SCREW, #8 X 3/8" LG (STAINLESS STEEL) .....	5
86	<u>71364-G02</u>		"J" CLIP .....	1
87	10570-G12		RIVET, 1/4" X 9/16" LG (ALUMINUM) .....	4
88	<u>10570-G10</u>		RIVET, 5/32" X 9/16" LG (STAINLESS STEEL) .....	6
89	<u>18436-G1</u>		PLASTIC DRIVE RIVET, 1/4" X 3/4" LG .....	2
90	<u>71609-G01</u>		SEAT HINGE PLATE.....	2



THE USE OF NON U.L. PARTS WILL VOID ANY U.L. LISTING.  
 When ordering parts, please specify the model and serial number of the product.  
 \* Indicates a component that is not available as an individual part.  
 G\*\* Indicates consult Customer Service Department for additional information.

ITEM	PART NO.	1 2 3 4 5	DESCRIPTION	QTY.
91	<u>10570-G11</u>		RIVET, 3/16" X 3/4" LG (STAINLESS STEEL) .....	4
92	<u>00571-G2</u>		WASHER, 5/16" .....	4
93	<u>71456-G01</u>		NOTCHED REAR BUMPER .....	1
94	<u>71398-G01</u>		BOLT, 1/4 - 20 X 1 1/4" LG .....	4
95	<u>71455-G01</u>		BUMPER PLUG .....	4
96	<u>71102-G01</u>		BOLT, 1/4 - 20 x 11/16" LG .....	2
97	<u>71554-G01</u>		J-TYPE NUT RETAINER, 1/4 - 20.....	2
98	<u>71457-G01</u>		BUMPER STAY .....	4
99				
100	<u>74532-G01</u>		LABEL (CLAYS CAR).....	2
101				
102	<u>74126-G01</u>		VERTICAL FRAME SUPPORT (PASSENGER SIDE) .....	1
103	<u>74126-G02</u>		VERTICAL FRAME SUPPORT (DRIVER SIDE).....	1
104	<u>00427-G6</u>		BOLT, 3/8 - 16 X 1 1/2" LG .....	2
105	<u>00560-G1</u>		WASHER, 3/8" .....	10
106	<u>11098-G5</u>		LOCK NUT, 3/8 - 16 .....	10
107	<u>00769-G2</u>		CARRIAGE BOLT, 3/8 - 16 X 1 1/4" LG .....	2
108	<u>00426-G8</u>		BOLT, 3/8 - 16 X 1" LG .....	2
109				
110				
111				
112	<u>70361-G01</u>		FOOTREST ASSEMBLY (INCLUDES ITEMS 113 - 116) .....	1
113	<u>19853-G1</u>		END CAP, 1" .....	2
114	<u>74074-G01</u>		LABEL (WARNING) .....	1
115	<u>70362-G01</u>		FLOORMAT .....	1
116	<u>70633-G01</u>		FOOTREST .....	1
117	<u>71093-G01</u>		LABEL (LOAD BED LIMIT WARNING) .....	1
118	<u>75268-G01</u>		SUPPORT TUBE.....	2
119	<u>606882</u>		SELF THREADING SCREW, #12 - 24 X 3/4" LG .....	4
120	<u>19859-G1</u>		END CAP, 3/4" .....	4

# BODY

THE USE OF NON U.L. PARTS WILL VOID ANY U.L. LISTING.

When ordering parts, please specify the model and serial number of the product.

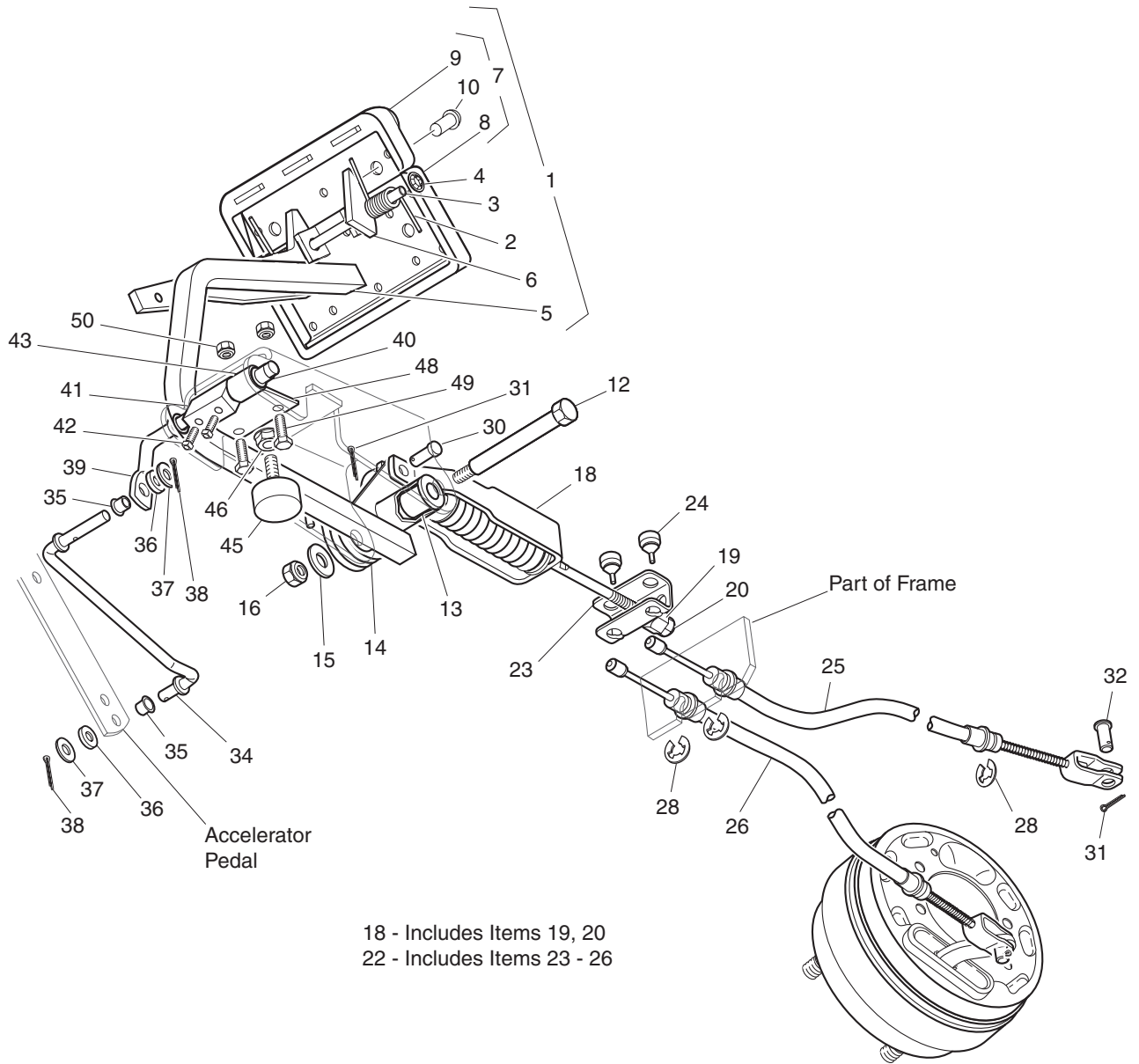
\* Indicates a component that is not available as an individual part.

G\*\* Indicates consult Customer Service Department for additional information.

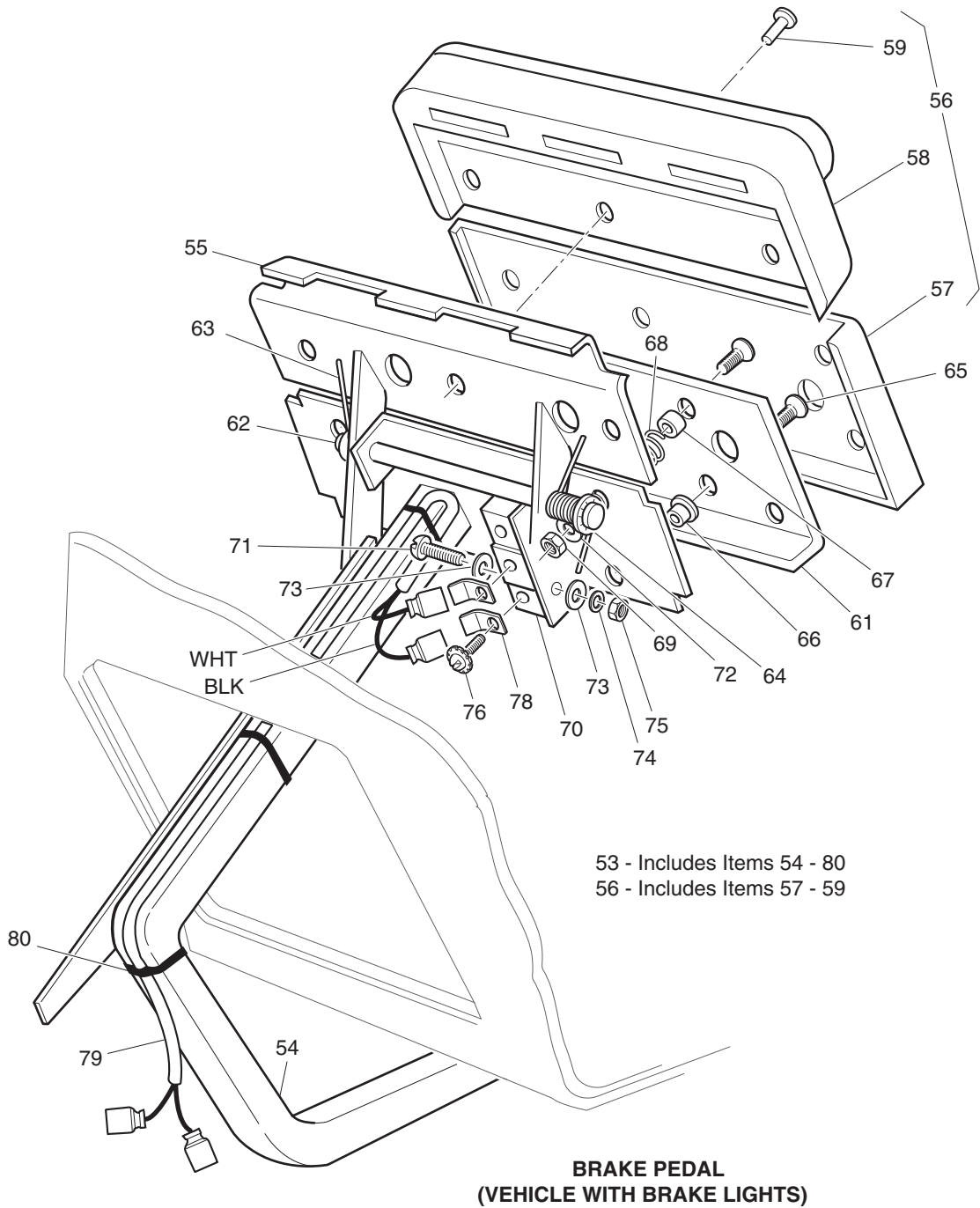
ITEM	PART NO.	1 2 3 4 5	DESCRIPTION	QTY.
121	<u>20271-G2</u>		HOLE PLUG, 1/2" .....	4
122				
123	<u>71048-G01</u>		BOX COOLER AND BRACKET (INCLUDES HARDWARE).....	1
124				
125	75109-G02		ASH TRAY KIT (INCLUDES ITEMS 126 - 129) .....	1
126	27731-G01		ASH TRAY .....	1
127	27736-G01		GASKET .....	1
128	<u>75108-G02</u>		BRACKET .....	1
129	<u>00100-G4</u>		SCREW, #10 - 16 X 1/2" LG .....	4
130				
131	<u>74533-G01</u>		GUN HOLDER (SWIVEL MOUNT) (NOT ILLUSTRATED) .....	1



# BRAKES

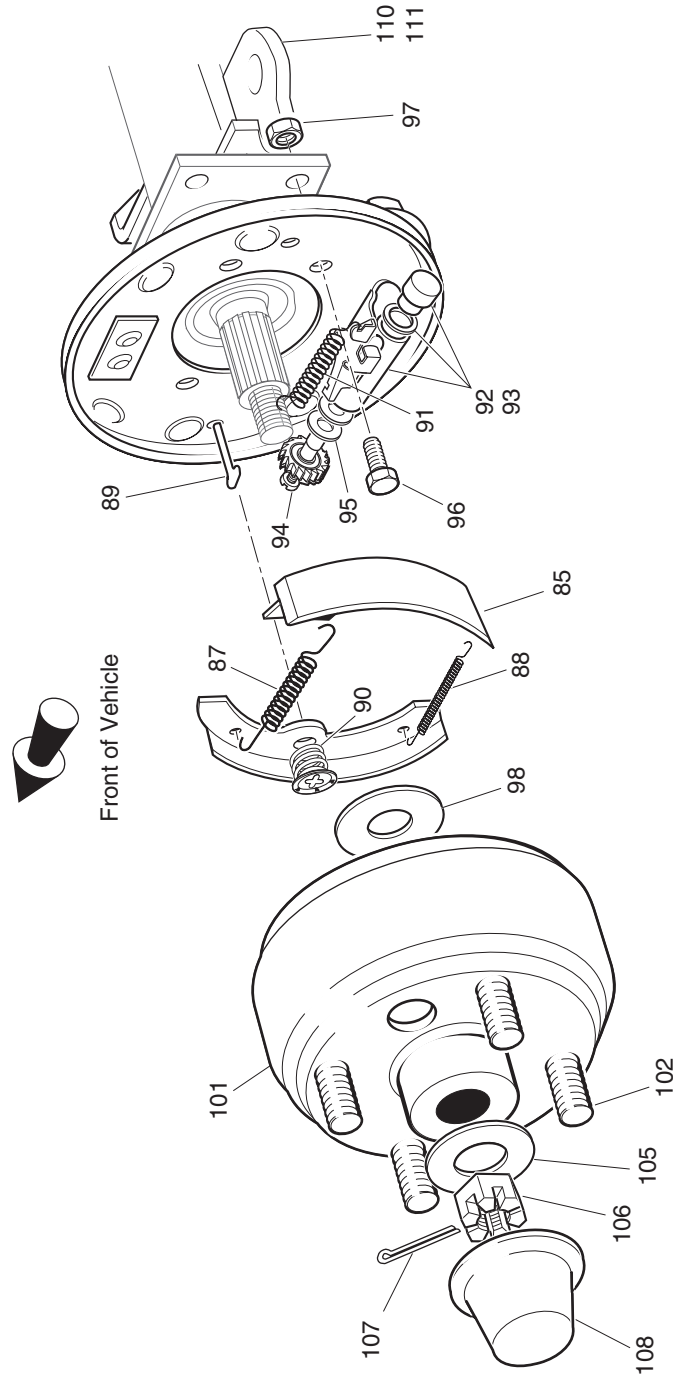


Ref Brk 6-1



Ref Brk 6-2

# BRAKES



- 82 - Includes Items 84 - 92
- 83 - Includes Items 84 - 93
- 84 - Includes Items 85
- 86 - Includes Items 87 - 91
- 92 - Includes Items 94, 95
- 93 - Includes Items 94, 95
- 100 - Includes Items 101, 102

Ref Brk 6-3

# BRAKES

THE USE OF NON U.L. PARTS WILL VOID ANY U.L. LISTING.

When ordering parts, please specify the model and serial number of the product.

\* Indicates a component that is not available as an individual part.

G\*\* Indicates consult Customer Service Department for additional information.

ITEM	PART NO.	1 2 3 4 5	DESCRIPTION	QTY.
1	<u>70612-G02</u>		BRAKE PEDAL ASSEMBLY (WITHOUT BRAKE LIGHTS) (INCLUDES ITEMS 2 - 10).....	1
2	<u>70681-G01</u>		TORSION SPRING.....	2
3	<u>70682-G01</u>		PIVOT PIN.....	1
4	<u>01071-G01</u>		PUSHNUT, 5/16".....	1
5	*		BRAKE PEDAL.....	1
6	<u>70611-G02</u>		PARK BRAKE PEDAL.....	1
7	<u>70274-G01</u>		BRAKE/PARK BRAKE PEDAL PAD KIT (INCLUDES ITEMS 8 - 10).....	1
8	*		SERVICE BRAKE PAD.....	1
9	*		PARK BRAKE PEDAL PAD.....	1
10	<u>15766-G1</u>		OVAL RIVET, 3/16" X 3/8" LG.....	9
11				
12	<u>70582-G01</u>		SHOULDER BOLT, 3/8 - 16 X 4" LG.....	1
13	<u>70581-G01</u>		FLANGED BUSHING.....	2
14	<u>70676-G01</u>		TORSION SPRING.....	1
15	<u>00643-G1</u>		WASHER, 3/8".....	1
16	<u>11098-G5</u>		LOCK NUT, 3/8 - 16.....	1
17				
18	<u>70272-G04</u>		COMPENSATOR ASSEMBLY (INCLUDES ITEMS 19, 20).....	1
19	<u>00963-G01</u>		SPHERICAL NUT, 5/16 - 24.....	1
20	<u>11098-G9</u>		LOCK NUT, 5/16 - 24.....	1
21				
22	<u>70969-G03</u>		EQUALIZER AND BRAKE CABLE ASSEMBLY (INCLUDES ITEMS 23 - 26)....	1
23	<u>28082-G01</u>		EQUALIZER BRACKET.....	1
24	<u>28083-G01</u>		BRAKE COMPENSATOR BUMPER.....	2
25	*		BRAKE CABLE (DRIVER SIDE).....	1
26	*		BRAKE CABLE (PASSENGER SIDE).....	1
27				
28	<u>01111-G01</u>		RETAINING RING, S.S.....	4
29				

# BRAKES

THE USE OF NON U.L. PARTS WILL VOID ANY U.L. LISTING.

When ordering parts, please specify the model and serial number of the product.

\* Indicates a component that is not available as an individual part.

G\*\* Indicates consult Customer Service Department for additional information.

ITEM	PART NO.	1 2 3 4 5	DESCRIPTION	QTY.
30	<u>10386-G3</u>		CLEVIS PIN, 5/16" X 1" LG .....	3
31	<u>10387-G3</u>		COTTER PIN, 3/32" X 3/4" LG .....	3
32	<u>14443-G2</u>		CLEVIS PIN, 5/16" X 3/4" LG .....	2
33				
34	<u>70601-G01</u>		KICK-OFF LINK.....	1
35	<u>17838-G1</u>		NYLON BUSHING.....	2
36	<u>20835-G1</u>		TEFLON WASHER, 3/8" .....	2
37	00559-G8		WASHER, 5/16" .....	2
38	<u>10387-G3</u>		COTTER PIN, 3/32" X 3/4" LG .....	2
39	<u>70098-G01</u>		KICK-OFF CAM PIVOT.....	1
40	<u>10097-G6</u>		FLANGED BEARING .....	2
41	<u>70587-G01</u>		KICK-OFF CAM.....	1
42	<u>71215-G01</u>		SETSCREW, 1/4 - 20 X 1/2" LG.....	2
43	<u>14134-G4</u>		SPACER .....	1
44				
45	<u>70113-G01</u>		ADJUSTABLE BUMPER .....	1
46	<u>11027-G1</u>		LOCK NUT, 5/16 - 18 .....	1
47				
48	<u>70080-G02</u>		CATCH BRACKET .....	1
49	<u>00414-G6</u>		BOLT, 1/4 - 20 X 3/4" LG .....	2
50	<u>00891-G2</u>		LOCK NUT, 1/4 - 20 .....	2
51				
52				
53	70690-G02		BRAKE PEDAL ASSEMBLY (WITH BRAKE LIGHTS) (INCLUDES ITEMS 54 - 80).....	1
54	*		BRAKE PEDAL.....	1
55	<u>70611-G02</u>		PARK BRAKE PEDAL .....	1
56	70274-G01		BRAKE/PARK BRAKE PEDAL PAD KIT (INCLUDES ITEMS 57 - 59).....	1
57	*		SERVICE BRAKE PAD .....	1
58	*		PARK BRAKE PAD.....	1



# BRAKES

THE USE OF NON U.L. PARTS WILL VOID ANY U.L. LISTING.

When ordering parts, please specify the model and serial number of the product.

\* Indicates a component that is not available as an individual part.

G\*\* Indicates consult Customer Service Department for additional information.

ITEM	PART NO.	1	2	3	4	5	DESCRIPTION	QTY.
59	<u>15766-G1</u>						OVAL RIVET, 3/16" x 3/8" LG .....	9
60								
61	<u>70258-G03</u>						BRAKE PEDAL PLATE .....	1
62	<u>70682-G01</u>						PIVOT PIN .....	1
63	<u>70681-G01</u>						TORSION SPRING .....	2
64	<u>01071-G01</u>						PUSHNUT, 5/16" .....	1
65	<u>00737-G8</u>						SCREW, #10 - 24 X 1" LG .....	4
66	<u>00739-G1</u>						RUBBER NUT, #10 - 24 .....	2
67	<u>74536-G01</u>						BRAKE PEDAL STANDOFF .....	2
68	<u>27137-G01</u>						CONICAL SPRING .....	2
69	<u>14390-G10</u>						LOCK NUT, #10 - 24 .....	2
70	<u>10606-G8</u>						MICRO SWITCH .....	1
71	<u>00957-G1</u>						SCREW, #6 - 32 X 1 1/4" LG .....	2
72	<u>00559-G5</u>						WASHER, #10 .....	2
73	<u>00559-G3</u>						WASHER, #6 .....	4
74	<u>00565-G3</u>						LOCK WASHER, #6 .....	2
75	<u>00525-G5</u>						NUT, #6 - 32 .....	2
76	<u>13514-G1</u>						SCREW AND LOCK WASHER, #6 .....	2
77								
78	<u>14628-G1</u>						FASTON TAB .....	2
79	<u>24605-G1</u>						WIRE HARNESS (BRAKE LIGHT) .....	1
80	<u>17618-G1</u>						WIRE TIE .....	3
81								
82	<u>70998-G01</u>						BRAKE ASSEMBLY (DRIVER SIDE) (INCLUDES ITEMS 84 - 92) .....	1
83	<u>70998-G02</u>						BRAKE ASSEMBLY (PASSENGER SIDE) (INCL. ITEMS 84 - 91, 93) .....	1
84	<u>70794-G01</u>						BRAKE SHOE KIT (INCLUDES ITEM 85) .....	2
85	*						BRAKE SHOE .....	2
86	<u>27944-G01</u>						BRAKE SPRING KIT (INCLUDES ITEMS 87 - 91) .....	2
87	*						UPPER SPRING .....	1
88	*						LOWER SPRING .....	1

# BRAKES

THE USE OF NON U.L. PARTS WILL VOID ANY U.L. LISTING.

When ordering parts, please specify the model and serial number of the product.

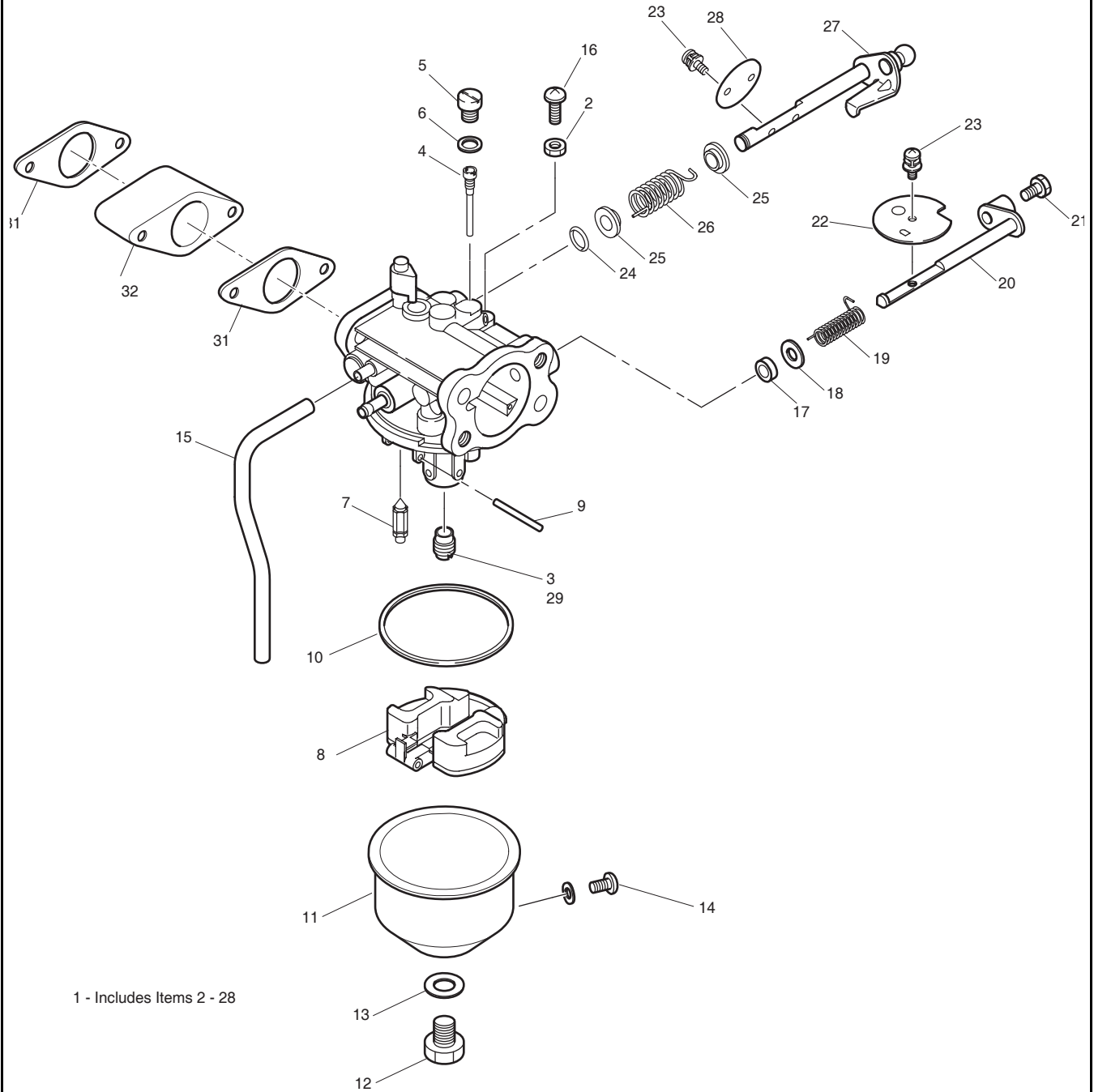
\* Indicates a component that is not available as an individual part.

G\*\* Indicates consult Customer Service Department for additional information.

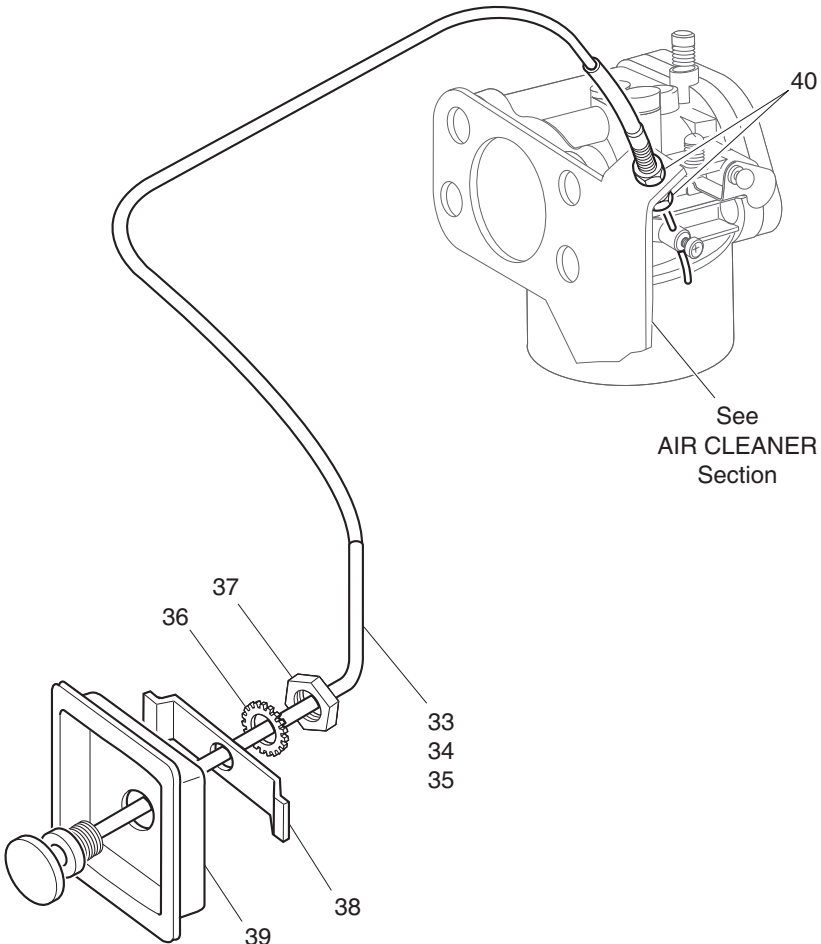
ITEM	PART NO.	1	2	3	4	5	DESCRIPTION	QTY.
89	*						PIN .....	2
90	*						CUP AND SPRING .....	2
91	*						ADJUSTER SPRING.....	1
92	<u>72582-G01</u>						BRAKE ADJUSTER KIT (DRIVER SIDE) (INCLUDES ITEMS 94, 95) .....	1
93	<u>72582-G02</u>						BRAKE ADJUSTER KIT (PASSENGER SIDE) (INCL ITEMS 94, 95).....	1
94	*						ADJUSTER .....	1
95	*						TEFLON WASHER.....	2
96	<u>17083-G2</u>						BOLT, 5/16 - 24 X 1" LG .....	8
97	<u>15126-G1</u>						LOCK NUT, 5/16 - 24 .....	8
98	<u>21809-G1</u>						INNER BRAKE DRUM WASHER, 1 5/16" OD X 1" ID X 1/32" .....	2
99								
100	<u>21807-G2</u>						BRAKE DRUM ASSEMBLY (INCLUDES ITEMS 101 - 102).....	2
101	*						BRAKE DRUM.....	1
102	<u>19862-G1</u>						LUG BOLT, 1/2 - 20.....	4
103								
104	<u>24939-G2</u>						SPINDLE CAP ADAPTER.....	2
105	<u>21830-G1</u>						OUTER BRAKE DRUM WASHER .....	2
106	<u>00518-G8</u>						SLOTTED NUT, 3/4 - 16.....	2
107	<u>10387-G1</u>						COTTER PIN, 1/8" X 1 1/2" LG.....	2
108	<u>12091-G2</u>						SPINDLE CAP.....	2
109								
110	<u>75870-G04</u>						BRAKE CABLE BRACKET (PASSENGER SIDE).....	1
111	<u>75870-G03</u>						BRAKE CABLE BRACKET (DRIVER SIDE) .....	1



# CARBURETOR AND CHOKE



# CARBURETOR AND CHOKE



Ref Cac 2-2

# CARBURETOR AND CHOKE

Where applicable, THE USE OF NON UL PARTS WILL VOID ANY UL LISTING.  
 When ordering parts, please specify the model and serial number of the product.  
 \* Indicates a component that is not available as an individual part.  
 G\*\* Indicates consult Customer Service Department for additional information.

ITEM	PART NO.	1 2 3 4 5	DESCRIPTION	QTY.
1	<u>72840-G02</u>		CARBURETOR (FOR VEHICLES ORIGINALLY EQUIPPED WITH 350cc (EH35C)) (INCLUDES ITEMS 2 - 28) .....	1
2	72310-G01		NUT.....	1
3	26646-G05		MAIN JET (#82) .....	1
4	<u>26649-G05</u>		PILOT JET (#42).....	1
5	<u>26841-G01</u>		PLUG .....	1
6	<u>72306-G01</u>		GASKET .....	1
7	<u>72578-G01</u>		NEEDLE VALVE .....	1
8	26648-G01		FLOAT .....	1
9	<u>26840-G01</u>		FLOAT PIN .....	1
10	<u>26843-G01</u>		FLOAT BOWL GASKET .....	1
11	<u>26844-G01</u>		FLOAT CHAMBER .....	1
12	<u>26839-G01</u>		BOWL SCREW .....	1
13	26838-G01		BOWL GASKET .....	1
14	72579-G01		DRAIN SCREW .....	1
15	<u>26650-G01</u>		VENT TUBE.....	2
16	72317-G01		SCREW.....	1
17	<u>26755-G01</u>		BUSHING.....	1
18	26756-G01		COLLAR.....	1
19	<u>26757-G01</u>		SPRING, CHOKE RETURN .....	1
20	72315-G01		CHOKE SHAFT ASSY .....	1
21	72314-G01		SCREW.....	1
22	*		CHOKE VALVE.....	1
23	<u>72313-G01</u>		SCREW.....	3
24	26750-G01		OV RING.....	1
25	<u>26751-G01</u>		COLLAR.....	2
26	<u>26752-G01</u>		THROTTLE RETURN SPRING .....	1
27	<u>26753-G01</u>		THROTTLE SHAFT ASSY.....	1
28	<u>26748-G01</u>		THROTTLE VALVE .....	1
29	26646-G04		MAIN JET (#78) (FOR ELEVATIONS OF 5000 FT - 10000 FT) .....	1

## CARBURETOR AND CHOKE

Where applicable, THE USE OF NON UL PARTS WILL VOID ANY UL LISTING.

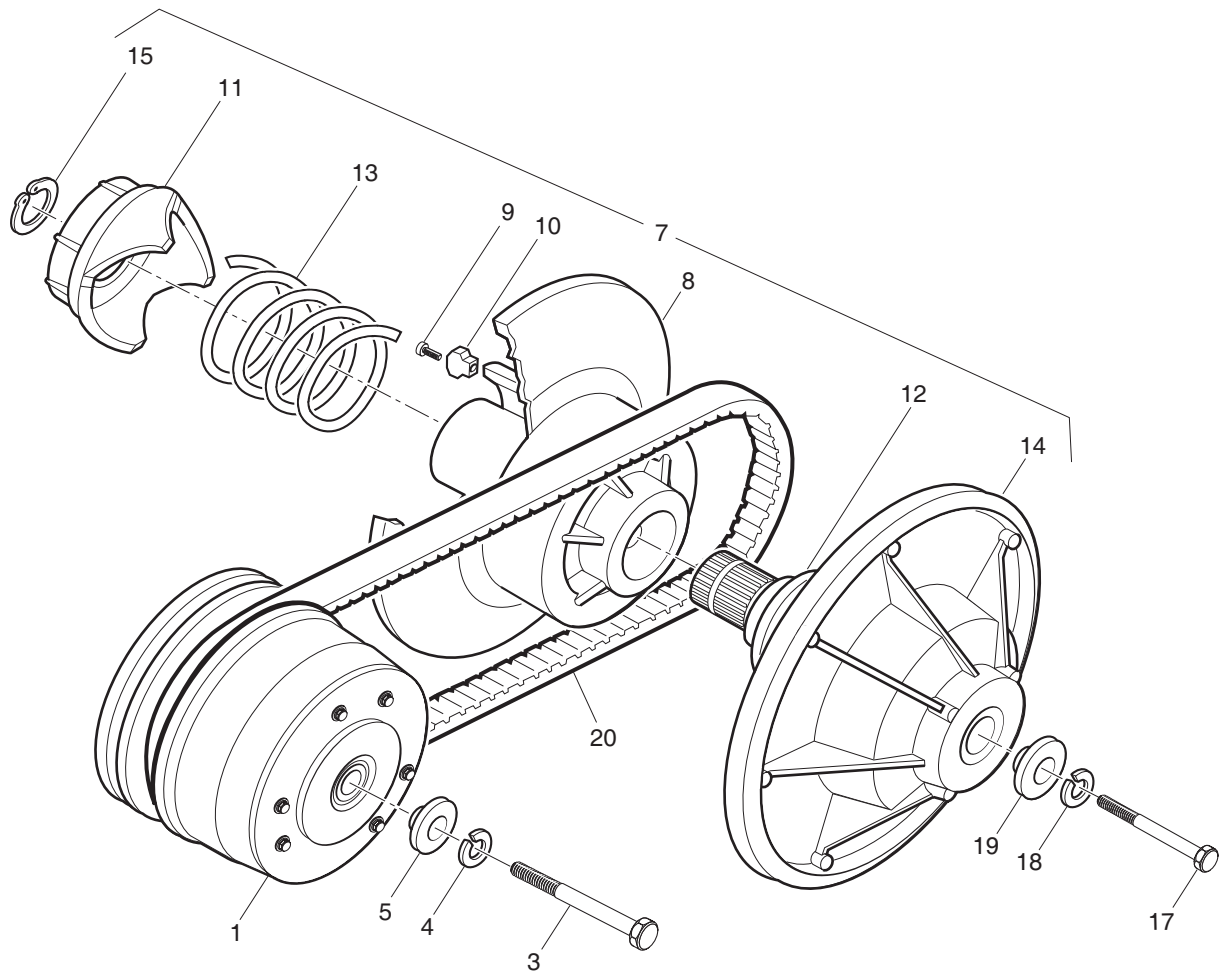
When ordering parts, please specify the model and serial number of the product.

\* Indicates a component that is not available as an individual part.

G\*\* Indicates consult Customer Service Department for additional information.

ITEM	PART NO.	1	2	3	4	5	DESCRIPTION	QTY.
30								
31	<u>26726-G01</u>						CARBURETOR MOUNT GASKET .....	2
32	<u>72883-G01</u>						CARBURETOR INSULATOR (FOR FUJI ENGINE EH35C).....	1
33	<u>25693-G04</u>						CHOKE CABLE (22 1/4" LG WITH NUTS) .....	1
34	72401-G01						CHOKE CABLE (60 1/4" LG WITH NUTS) .....	1
35	72401-G02						CHOKE CABLE (31 1/2" LG WITH NUTS) .....	1
36	<u>00568-G4</u>						LOCK WASHER, 9/16".....	1
37	<u>00545-G4</u>						JAM NUT, 9/16 - 18.....	1
38	<u>72155-G02</u>						RETAINER .....	1
39	<u>72154-G01</u>						CHOKE CABLE ADAPTER.....	1
40	<u>00544-G4</u>						JAM NUT, 5/16 - 24.....	2

# CLUTCH



Ref Clt 11



# CLUTCH

THE USE OF NON U.L. PARTS WILL VOID ANY U.L. LISTING.

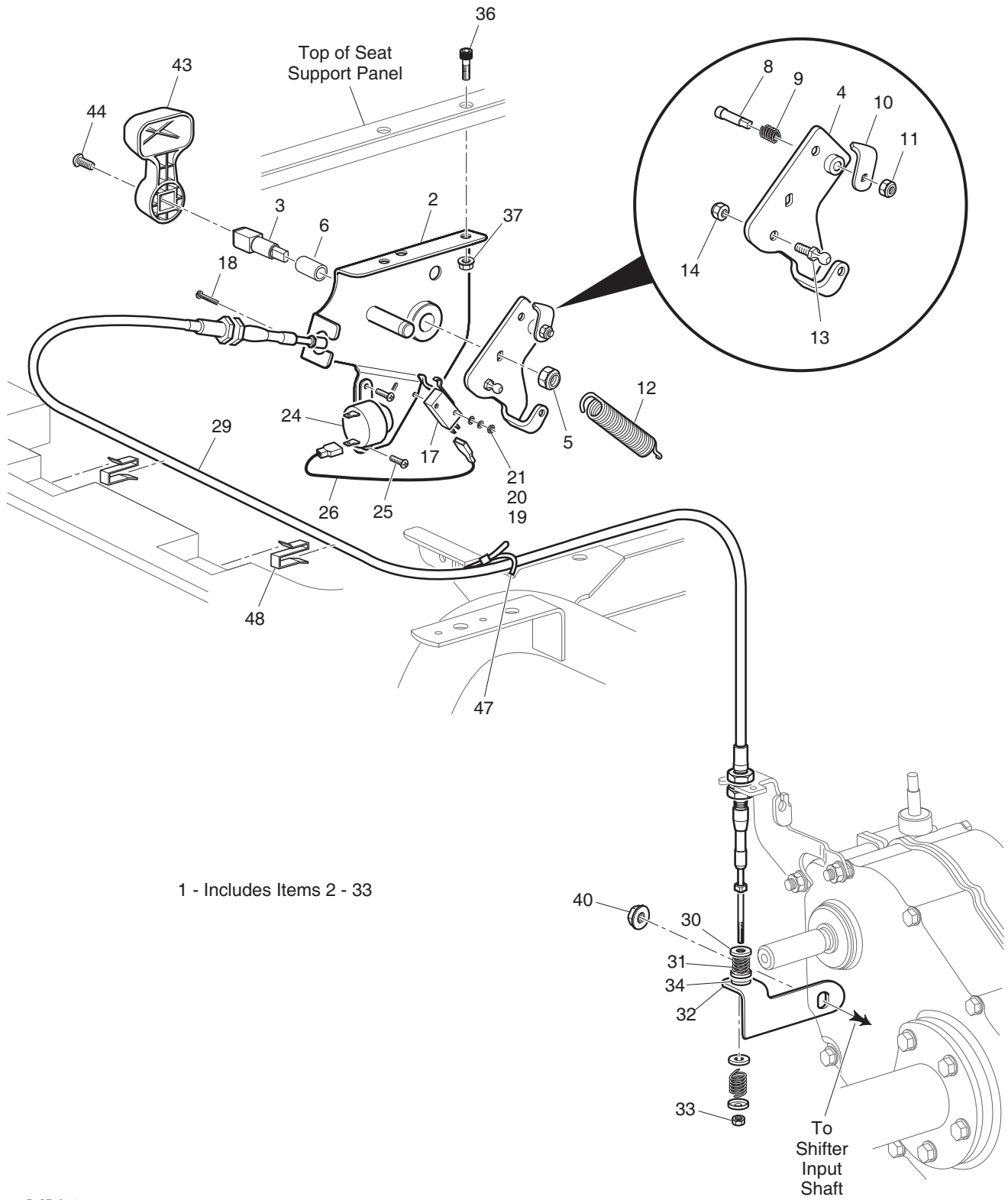
When ordering parts, please specify the model and serial number of the product.

\* Indicates a component that is not available as an individual part.

G\*\* Indicates consult Customer Service Department for additional information.

ITEM	PART NO.	1 2 3 4 5	DESCRIPTION	QTY.
1	<u>26952-G01</u>		DRIVE CLUTCH .....	1
2				
3	<u>00473-G9</u>		BOLT, 7/16 - 20 X 6 1/2" LG .....	1
4	<u>00566-G2</u>		LOCK WASHER, 7/16".....	1
5	<u>25757-G1</u>		PILOT WASHER .....	1
6				
7	<u>26301-G03</u>		DRIVEN CLUTCH ASSEMBLY (INCLUDES ITEMS 8 - 15).....	1
8	*		MOVABLE SHEAVE (INCLUDES ITEMS 9 -10) .....	1
9	<u>00979-G01</u>		SCREW, #10 - 24 X 7/8" LG .....	3
10	<u>72324-G01</u>		RAMP BUTTON .....	3
11	*		CAM.....	1
12	<u>24600-G1</u>		SPACER, 1 1/2" .....	1
13	<u>26304-G01</u>		COMPRESSION SPRING .....	1
14	*		SHEAVE AND POST .....	1
15	<u>27270-G01</u>		HEAVY DUTY RETAINING RING .....	1
16				
17	<u>00441-G8</u>		BOLT, 5/16 - 18 X 4" LG .....	1
18	<u>00565-G8</u>		LOCK WASHER, 5/16".....	1
19	<u>25756-G1</u>		RETAINING WASHER .....	1
20	<u>72328-G01</u>		DRIVE BELT (SEVERE DUTY).....	1

# DIRECTION SELECTOR



Ref Dsl 11

# DIRECTION SELECTOR

THE USE OF NON U.L. PARTS WILL VOID ANY U.L. LISTING.

When ordering parts, please specify the model and serial number of the product.

\* Indicates a component that is not available as an individual part.

G\*\* Indicates consult Customer Service Department for additional information.

ITEM	PART NO.	1	2	3	4	5	DESCRIPTION	QTY.
1	<u>72721-G01</u>						DIRECTION SELECTOR ASSEMBLY (INCLUDES ITEMS 2 - 33) .....	1
2	<u>72737-G02</u>						DIRECTION SELECTOR BRACKET .....	1
3	<u>70233-G01</u>						DIRECTION SELECTOR SHAFT .....	1
4	<u>72738-G01</u>						DIRECTION SELECTOR CAM.....	1
5	<u>14390-G1</u>						LOCK NUT, 3/8 - 24.....	1
6	<u>25664-G2</u>						BUSHING.....	1
7								
8	<u>72724-G01</u>						NEUTRAL LOCK PIN .....	1
9	<u>72733-G01</u>						COMPRESSION SPRING, 3/8" X 5/8" LG .....	1
10	<u>72729-G01</u>						NEUTRAL LOCK LATCH.....	1
11	<u>00734-G2</u>						LOCK NUT, 1/4 - 28.....	1
12	<u>28574-G01</u>						EXTENSION SPRING .....	1
13	<u>72732-G01</u>						BALL STUD, 1/4" .....	1
14	<u>00734-G5</u>						LOCK NUT, #10 - 32.....	1
15								
16								
17	<u>72736-G01</u>						MICRO SWITCH.....	1
18	<u>01062-G01</u>						SCREW, #4 - 40 X 1" LG.....	2
19	<u>00559-G1</u>						WASHER, #4 .....	2
20	<u>00565-G1</u>						LOCK WASHER, #4 .....	2
21	<u>00526-G2</u>						NUT, #4 - 40 .....	2
22								
23								
24	<u>73290-G03</u>						REVERSE WARNING BUZZER .....	1
25	<u>01063-G01</u>						SCREW, #6 - 32 X 3/8" LG.....	2
26	<u>25978-G345</u>						18 GA WIRE (RED 7") .....	1
27								
28								
29	<u>72734-G01</u>						SHIFTER CABLE.....	1
30	<u>25727-G01</u>						CUP WASHER, 1/4" .....	4

# DIRECTION SELECTOR

THE USE OF NON U.L. PARTS WILL VOID ANY U.L. LISTING.

When ordering parts, please specify the model and serial number of the product.

\* Indicates a component that is not available as an individual part.

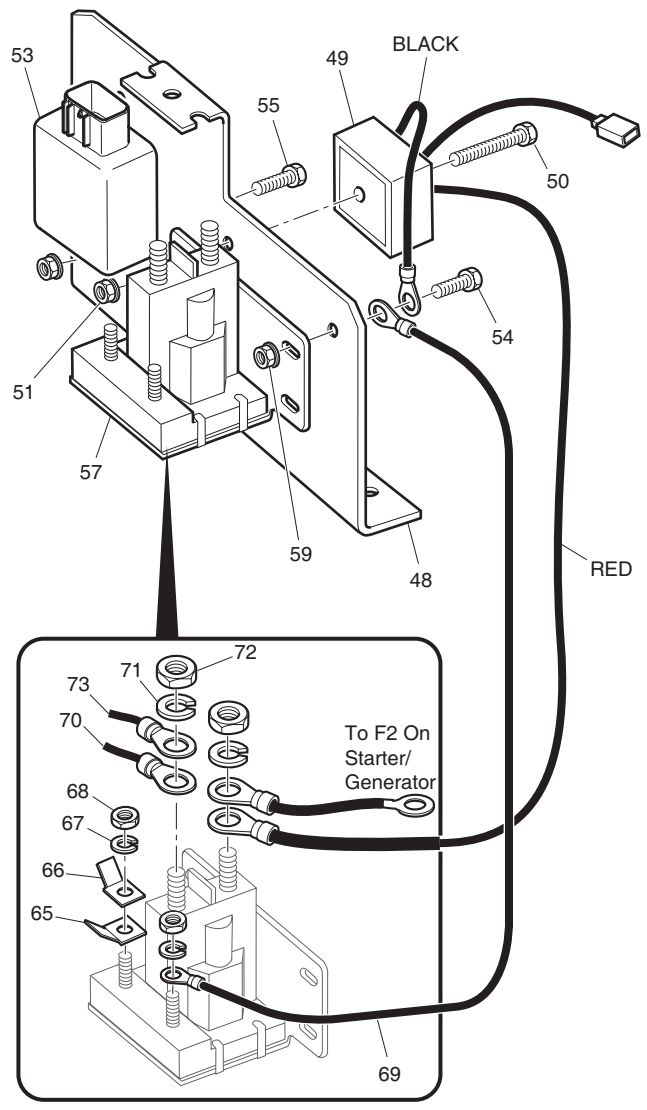
G\*\* Indicates consult Customer Service Department for additional information.

ITEM	PART NO.	1 2 3 4 5	DESCRIPTION	QTY.
31	<u>72735-G01</u>		COMPRESSION SPRING, 19/32" X 1" LG .....	2
32	<u>74455-G01</u>		SHIFTER ARM WITH BUSHING .....	1
33	<u>00734-G5</u>		LOCK NUT, #10 - 32.....	1
34	<u>22754-G4</u>		BUSHING, FLIP LOK, .250.....	1
35				
36	<u>70227-G01</u>		SCREW, 1/4 - 20 X 7/8" LG .....	2
37	<u>11027-G2</u>		LOCK NUT, 1/4 - 20 .....	2
38				
39				
40	26830-G01		LOCK NUT, M8 X 1.25 MM.....	1
41				
42				
43	<u>71205-G01</u>		DIRECTION SELECTOR HANDLE.....	1
44	<u>00740-G4</u>		SCREW, #10 - 32 X 1/2" LG (STAINLESS STEEL).....	1
45				
46				
47	<u>17618-G1</u>		WIRE TIE .....	1
48	<u>01072-G01</u>		CABLE CLIP.....	2



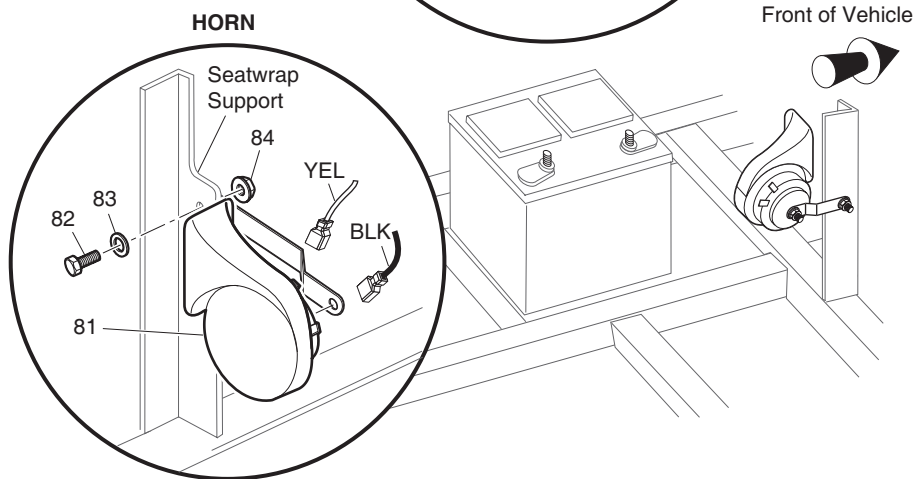
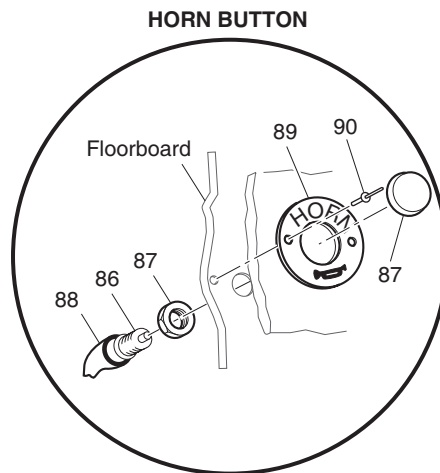
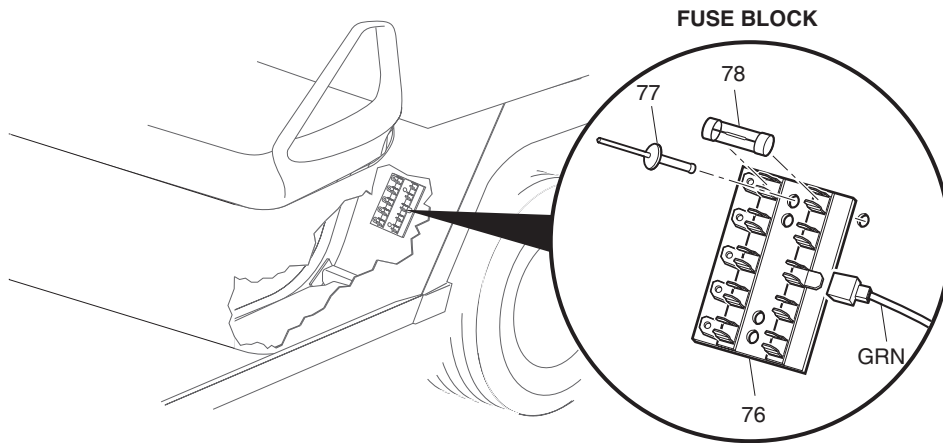


47 - Includes Items 48 - 72



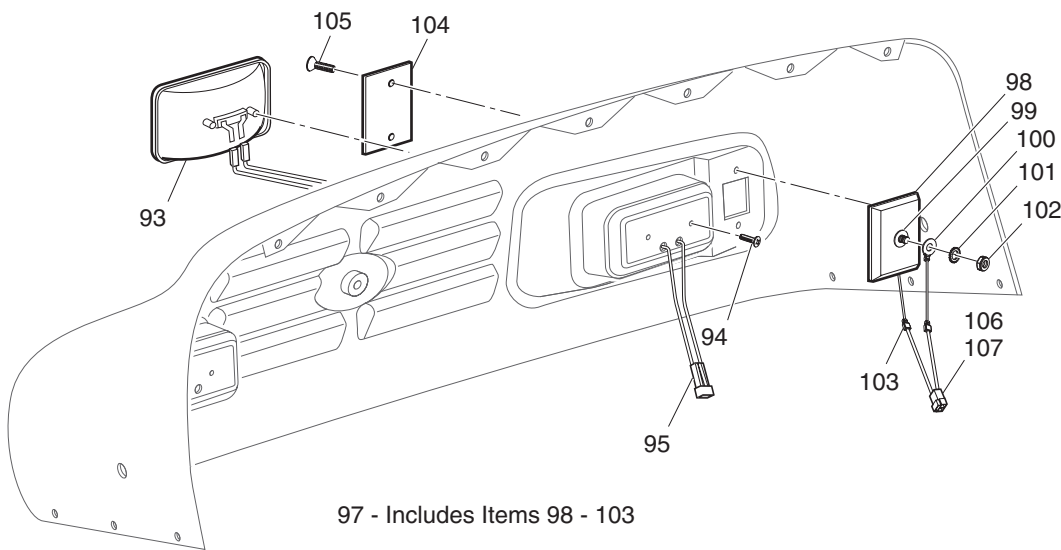
Ref Ele 2-2

# ELECTRICAL SYSTEM



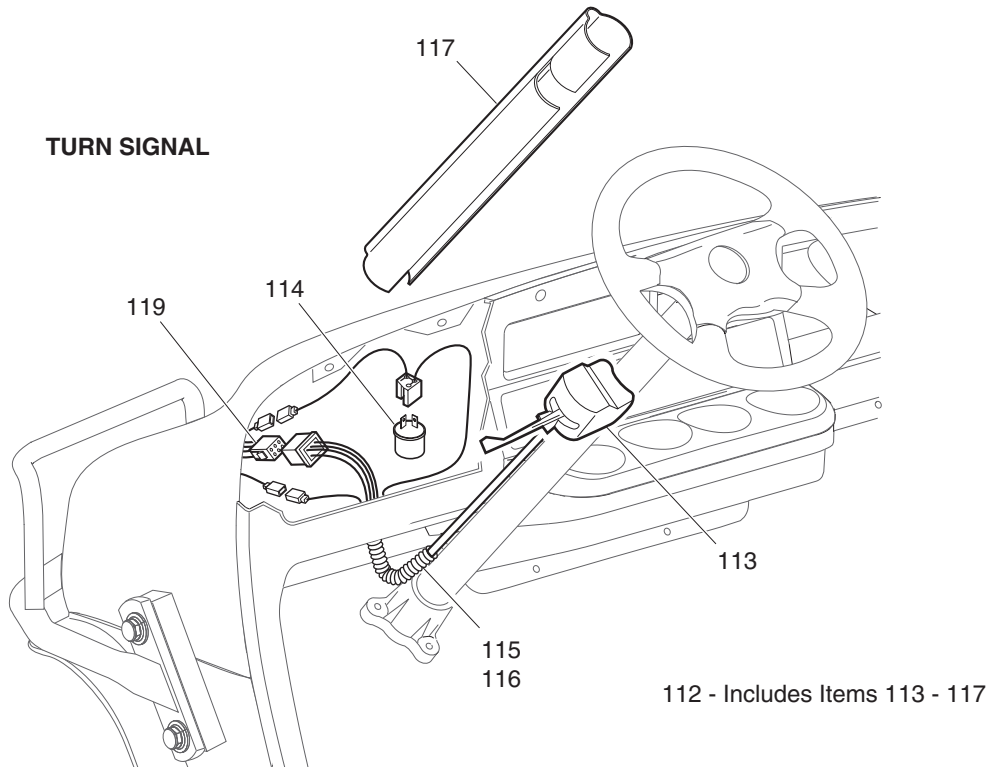
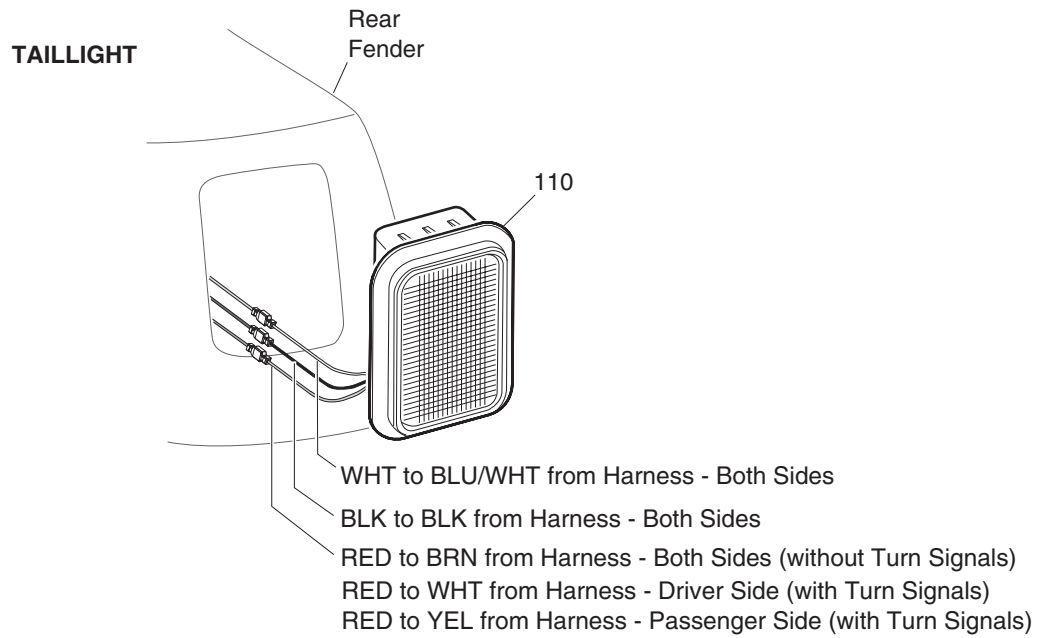
Ref Ele 11-3





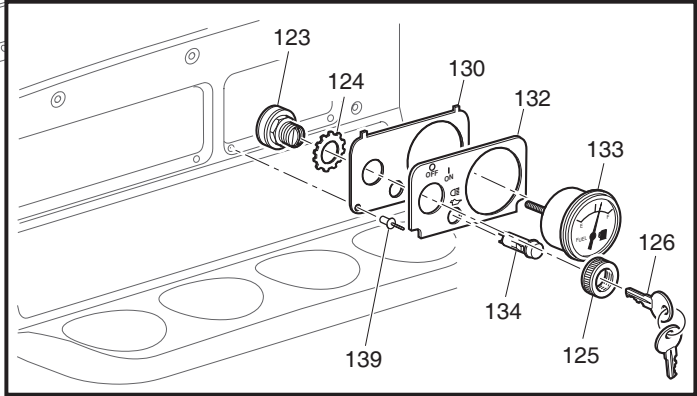
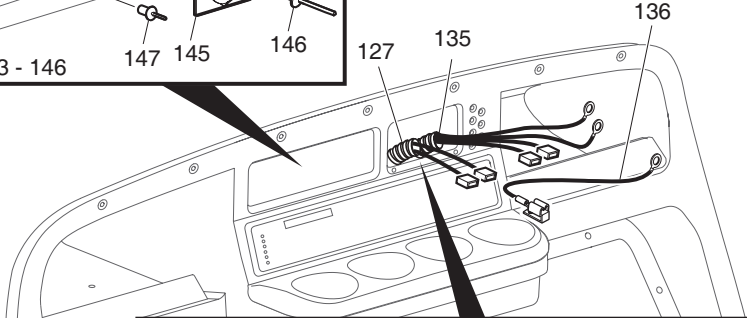
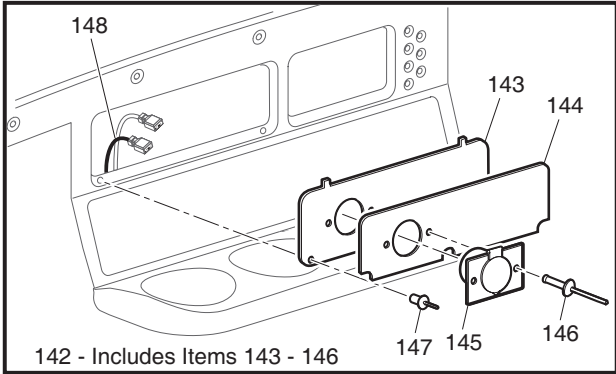
Ref Ele 11-4

# ELECTRICAL SYSTEM



Ref Ele 11-5

**CONSOLE INSERT PLATE (WITH POWER OUTLET SHOWN)**

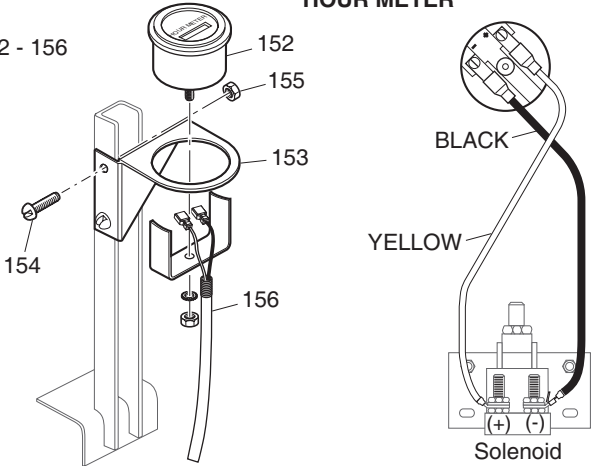


**KEY SWITCH, INDICATOR LIGHT(S), AND FUEL GAUGE**

**HOUR METER**

151 - Includes Items 152 - 156

Front of Vehicle



Ref Ele 11-6

# ELECTRICAL SYSTEM

THE USE OF NON UL PARTS WILL VOID ANY UL LISTING.

When ordering parts, please specify the model and serial number of the product.

\* Indicates a component that is not available as an individual part.

G\*\* Indicates consult Customer Service Department for additional information.

ITEM	PART NO.	1	2	3	4	5	DESCRIPTION	QTY.
1	<u>26651-G02</u>						IGNITION PICKUP ASSEMBLY (INCLUDES ITEM 2) .....	1
2	<u>26707-G01</u>						BOLT AND WASHER ASSEMBLY, M5 X 0.8 X 10 MM LG .....	1
3								
4								
5	<u>26652-G01</u>						IGNITION COIL ASSEMBLY (INCLUDES ITEMS 6 - 10).....	1
6	*						IGNITION COIL.....	1
7	*						SPACER .....	1
8	*						LOCK WASHER .....	1
9	*						NUT.....	1
10	*						SCREW.....	1
11	<u>13632-G1</u>						NUT, M6 X 1.....	2
12								
13								
14	<u>25887-G01</u>						6 GA WIRE (BLACK 6", F1 - A2).....	1
15	<u>25682-G1</u>						TERMINAL COVER .....	3
16								
17								
18	24775-G*						BATTERY, 12V .....	1
19	<u>00962-G1</u>						BOLT, 5/16 - 18 X 1 1/4" LG .....	2
20	<u>00993-G01</u>						LOCK WASHER, 5/16" (SILICON BRONZE).....	2
21	<u>00994-G01</u>						NUT, 5/16 - 18 (SILICON BRONZE) .....	2
22								
23	<u>72101-G02</u>						BATTERY HOLD DOWN .....	1
24	00438-G6						BOLT, 5/16 - 18 X 3/4" LG .....	1
25	<u>00565-G8</u>						LOCK WASHER, 5/16".....	1
26	<u>00571-G2</u>						WASHER, 5/16" (STAINLESS STEEL).....	1
27								
28								
29	<u>27044-G03</u>						GROUND CABLE.....	1
30	<u>25976-G19</u>						14 GA WIRE (BLACK 6") .....	1

# ELECTRICAL SYSTEM

THE USE OF NON UL PARTS WILL VOID ANY UL LISTING.  
 When ordering parts, please specify the model and serial number of the product.  
 \* Indicates a component that is not available as an individual part.  
 G\*\* Indicates consult Customer Service Department for additional information.

ITEM	PART NO.	1	2	3	4	5	DESCRIPTION	QTY.
31	00438-G6						BOLT, 5/16 - 18 X 3/4" LG .....	2
32	<u>11027-G1</u>						LOCK NUT, 5/16 - 18 .....	2
33	<u>26676-G01</u>						FLANGED BOLT, M6 X 1 X 23 MM LG .....	1
34								
35	<u>25972-G85</u>						6 GA WIRE (BLACK 23", F2 - SOL) .....	1
36								
37	<u>74938-G01</u>						WIRE HARNESS (CONTROL) .....	1
38								
39								
40	<u>17618-G1</u>						WIRE TIE .....	AR
41								
42	<u>73049-G01</u>						COVER .....	1
43	<u>16469-G1</u>						WASHER, 1/4" .....	1
44	<u>00114-G6</u>						SCREW, 1/4 - 14 X 3/4" LG .....	1
45								
46								
47	<u>72909-G01</u>						ELECTRICAL PLATE ASSEMBLY (INCLUDES ITEMS 48 - 73) .....	1
48	<u>73057-G01</u>						BRACKET .....	1
49	<u>27739-G01</u>						VOLTAGE REGULATOR .....	1
50	<u>00415-G2</u>						BOLT, 1/4 - 20 X 1 1/4" LG .....	1
51	<u>11027-G2</u>						LOCK NUT, 1/4 - 20 .....	1
52								
53	<u>72872-G01</u>						IGNITOR .....	1
54	00414-G8						BOLT, 1/4 - 20 X 1" LG .....	1
55	<u>00414-G5</u>						BOLT, 1/4 - 20 X 5/8" LG .....	1
56								
57	<u>27153-G01</u>						SOLENOID .....	1
58								
59	<u>11027-G2</u>						LOCK NUT, 1/4 - 20 .....	3
60								

# ELECTRICAL SYSTEM

THE USE OF NON UL PARTS WILL VOID ANY UL LISTING.

When ordering parts, please specify the model and serial number of the product.

\* Indicates a component that is not available as an individual part.

G\*\* Indicates consult Customer Service Department for additional information.

ITEM	PART NO.	1	2	3	4	5	DESCRIPTION	QTY.
61								
62								
63								
64								
65	<u>73446-G01</u>						FASTON TAB, 90° .....	1
66	<u>73446-G01</u>						FASTON TAB, #10 X 1/4" .....	1
67	<u>00565-G5</u>						LOCK WASHER, #10 .....	2
68	<u>00526-G4</u>						NUT, #10 - 32 .....	2
69	<u>25978-G56</u>						18 GA WIRE (BLACK 5 3/4") .....	1
70	600418-G01						IN-LINE FUSE HOLDER .....	1
71	<u>00565-G8</u>						LOCK WASHER, 5/16" .....	2
72	<u>00544-G4</u>						NUT, 5/16 - 24 .....	2
73								
74								
75								
76	<u>22674-G1</u>						FUSE BLOCK.....	1
77	<u>01041-G01</u>						RIVET, 1/8" X 13/16" LG .....	2
78	<u>18392-G1</u>						15 AMP FUSE .....	3
79								
80								
81	<u>32860-G1</u>						HORN.....	1
82	<u>00414-G5</u>						BOLT, 1/4 - 20 x 5/8" LG.....	1
83	<u>00559-G7</u>						WASHER, 1/4" (STAINLESS STEEL).....	1
84	<u>00891-G2</u>						LOCK NUT, 1/4 - 20 (STAINLESS STEEL) .....	1
85								
86	<u>17318-G1</u>						HORN SWITCH.....	1
87	<u>17318-G2</u>						HORN SWITCH CAP AND NUT .....	1
88	<u>27068-G01</u>						HORN SWITCH BOOT .....	1
89	19233-G1						HORN SWITCH LABEL .....	1
90	<u>71055-G01</u>						RIVET, 3/16" X 1" LG (ALUMINUM) .....	2

# ELECTRICAL SYSTEM

THE USE OF NON UL PARTS WILL VOID ANY UL LISTING.

When ordering parts, please specify the model and serial number of the product.

\* Indicates a component that is not available as an individual part.

G\*\* Indicates consult Customer Service Department for additional information.

ITEM	PART NO.	1	2	3	4	5	DESCRIPTION	QTY.
91								
92								
93	<u>20209-G3</u>						HEADLIGHT (INCLUDES ITEM 94).....	2
94	<u>00906-G6</u>						SCREW, #10 - 16 X 1" LG.....	2
95	<u>74337-G01</u>						JUMPER WIRE (HEADLIGHT) .....	2
96								
97	<u>20570-G3</u>						TURN SIGNAL LIGHT ASSEMBLY (INCLUDES ITEMS 98 - 103) .....	2
98	<u>20574-G3</u>						TURN SIGNAL LIGHT .....	1
99	<u>00660-G7</u>						WASHER, 1/4" (STAINLESS STEEL) .....	1
100	<u>20606-G1</u>						WIRE ASSEMBLY .....	1
101	<u>00567-G7</u>						LOCK WASHER, 1/4" .....	1
102	<u>00532-G1</u>						NUT, 1/4 - 20 .....	1
103	<u>18995-G1</u>						PUSH-ON TERMINAL (MALE) .....	1
104	<u>20574-G5</u>						LENS, AMBER .....	1
105	<u>00118-G5</u>						SCREW, #6 - 18 X 5/8" LG .....	2
106	<u>74056-G01</u>						TURN SIGNAL JUMPER, RED/BLACK (PASSENGER SIDE).....	1
107	<u>74056-G02</u>						TURN SIGNAL JUMPER, GREEN/BLACK (DRIVER SIDE) .....	1
108								
109								
110	<u>32739-G2</u>						TAILLIGHT ASSEMBLY (COMPLETE).....	2
111								
112	<u>75107-G01</u>						TURN SIGNAL KIT (INCLUDES ITEMS 113 - 117).....	1
113	<u>17867-G1</u>						TURN SIGNAL (WITH MOUNTING HARDWARE) (INCLUDES ITEM 114)	1
114	<u>21640-G1</u>						TURN SIGNAL FLASHER.....	1
115	<u>32307-G3</u>						FLEX LOOM, 3/8 X 8" LG.....	1
116	<u>17618-G1</u>						WIRE TIE .....	2
117	<u>20965-G3</u>						STEERING COLUMN COVER .....	1
118								
119	<u>72228-G01</u>						WIRE HARNESS (ACCESSORY).....	1
120								

# ELECTRICAL SYSTEM

THE USE OF NON UL PARTS WILL VOID ANY UL LISTING.

When ordering parts, please specify the model and serial number of the product.

\* Indicates a component that is not available as an individual part.

G\*\* Indicates consult Customer Service Department for additional information.

ITEM	PART NO.	1 2 3 4 5	DESCRIPTION	QTY.
121				
122				
123	33639-G03		IGNITION SWITCH (WITH LIGHTS, INDIVIDUALLY KEYED).....	1
124	<u>00568-G6</u>		LOCK WASHER, 3/4".....	1
125	17137-G1		FACE NUT, 3/4 - 20 .....	1
126	<u>17063-G1</u>		IGNITION KEY .....	1
127	<u>73041-G01</u>		WIRE HARNESS (KEY SWITCH).....	1
128				
129				
130	73030-G04		PLATE (FUEL GAUGE AND OIL LIGHT) .....	1
131				
132	<u>71131-G01</u>		LABEL (OIL LIGHT AND FUEL GAUGE WITH HEADLIGHTS) .....	1
133	<u>21553-G1</u>		FUEL GAUGE .....	1
134	<u>23474-G1</u>		INDICATOR LIGHT .....	1
135	<u>74311-G01</u>		HARNESS (OIL LIGHT/FUEL GAUGE) .....	1
136	<u>25978-G122</u>		18 GA WIRE (RED 6").....	1
137				
138				
139	33623-G02		DRIVE RIVET, 3/16" X 3/8" LG .....	2
140				
141				
142	74444-G01		CONSOLE INSERT ASSEMBLY (INCLUDES ITEMS 143 - 146) .....	1
143	<u>71077-G03</u>		CONSOLE INSERT PLATE.....	1
144	<u>35966-G01</u>		LABEL (CONSOLE INSERT PLATE) .....	1
145	<u>71078-G01</u>		POWER OUTLET (12 VOLT) .....	1
146	<u>14601-G10</u>		RIVET, 3/16" X 7/16" LG (ALUMINUM) .....	2
147	<u>33623-G01</u>		DRIVE RIVET, 3/16" X 3/8" LG .....	3
148	<u>71081-G01</u>		WIRE HARNESS (POWER OUTLET) .....	1
149				
150				

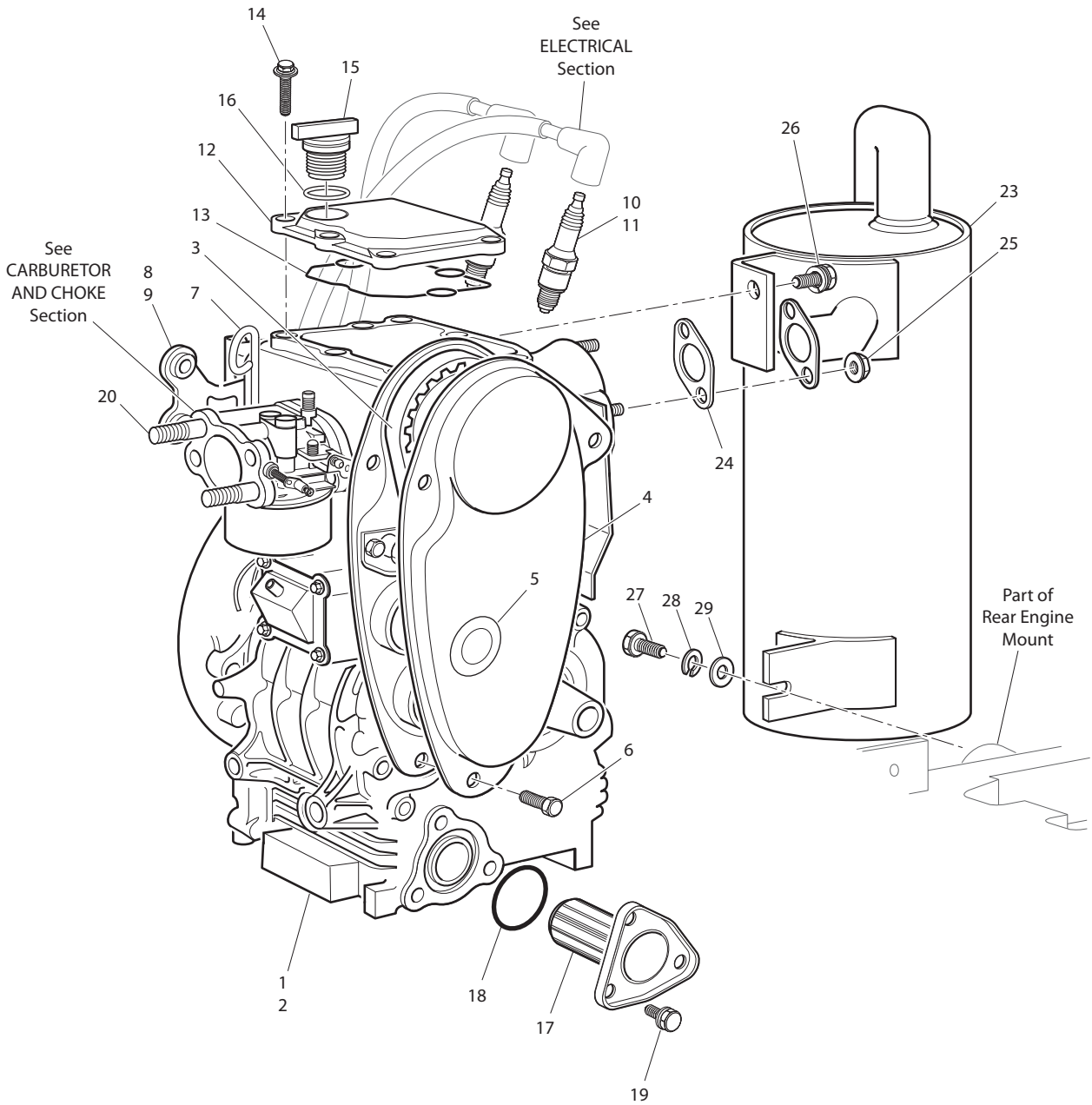


# ELECTRICAL SYSTEM

THE USE OF NON UL PARTS WILL VOID ANY UL LISTING.  
 When ordering parts, please specify the model and serial number of the product.  
 \* Indicates a component that is not available as an individual part.  
 G\*\* Indicates consult Customer Service Department for additional information.

ITEM	PART NO.	1	2	3	4	5	DESCRIPTION	QTY.
151	75114-G02						HOUR METER KIT (INCLUDES ITEMS 152 - 156).....	1
152	<u>21573-G1</u>						HOUR METER.....	1
153	<u>74019-G02</u>						HOUR METER BRACKET.....	1
154	<u>00379-G4</u>						SCREW, #10 - 24 X 1/2" LG.....	2
155	<u>14390-G10</u>						LOCK NUT, #10 - 24.....	2
156	<u>75117-G01</u>						WIRE HARNESS (HOUR METER).....	1

# ENGINE AND MUFFLER



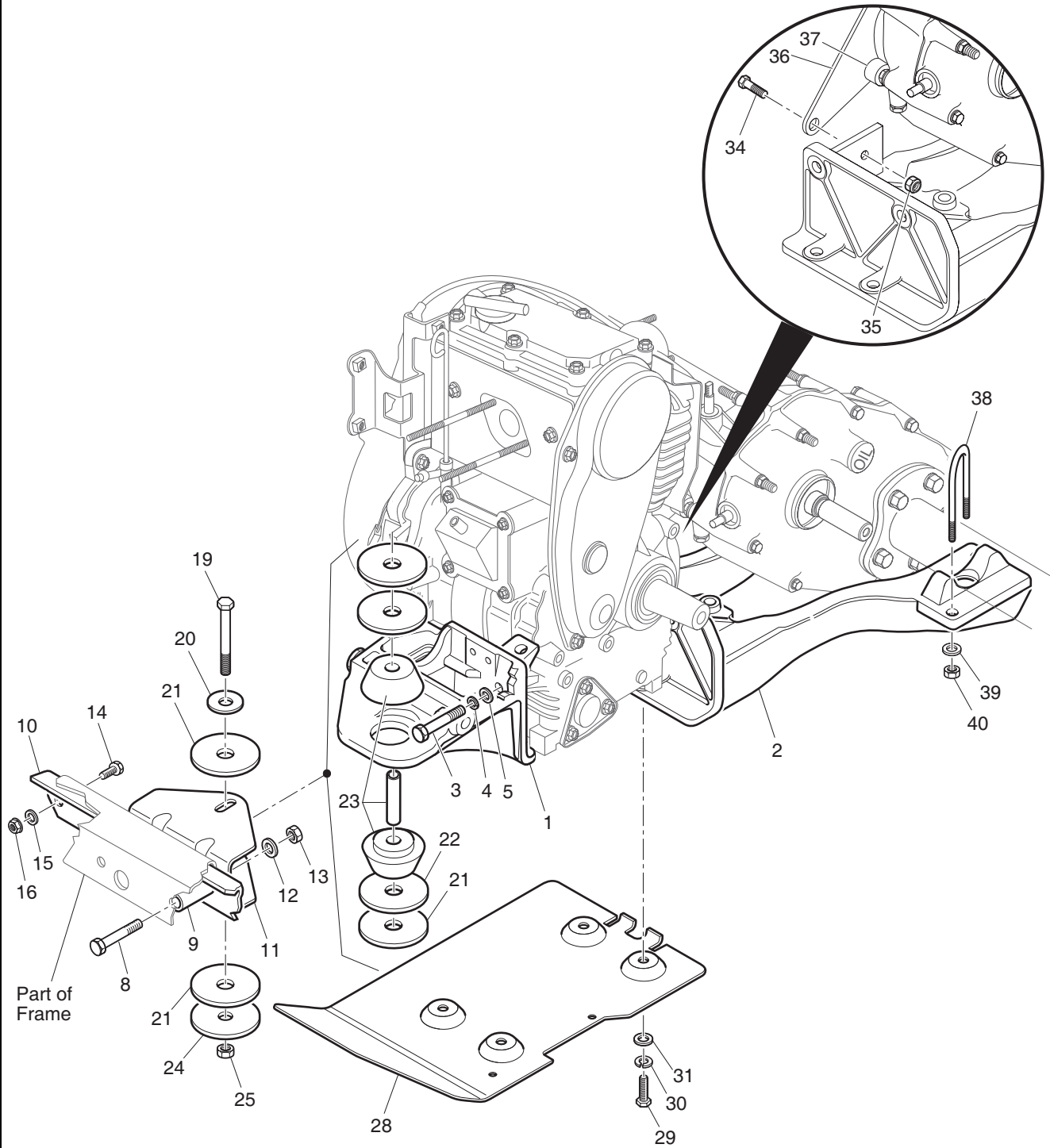
Ref Emf 2

# ENGINE AND MUFFLER

Where applicable, THE USE OF NON UL PARTS WILL VOID ANY UL LISTING.  
 When ordering parts, please specify the model and serial number of the product.  
 \* Indicates a component that is not available as an individual part.  
 G\*\* Indicates consult Customer Service Department for additional information.

ITEM	PART NO.	1 2 3 4 5	DESCRIPTION	QTY.
1	72845-G01		ENGINE (FOR VEHICLES ORIGINALLY EQUIPPED WITH 295cc (EH29C) (INCLUDES ITEMS 3 - 9, 12 - 22) .....	1
2	<u>72846-G02</u>		ENGINE (FOR VEHICLES ORIGINALLY EQUIPPED WITH 350cc (EH35C) (INCLUDES ITEMS 3 - 8, 10 - 20, 23) .....	1
3	<u>26626-G01</u>		TIMING BELT.....	1
4	<u>72908-G01</u>		TIMING BELT COVER.....	1
5	<u>26631-G01</u>		TIMING BELT COVER GROMMET .....	1
6	<u>26678-G01</u>		BOLT, M6 X 1 X 12 MM LG.....	3
7	<u>605910</u>		DIP STICK (10 DEGREES) .....	1
8	72885-G01		IGNITION COIL BRACKET (295cc).....	1
9	<u>72869-G01</u>		IGNITION COIL BRACKET (350cc).....	1
10	72867-G02		SPARK PLUG (NGK B?P? or ?K?R4ES - RESISTOR) (295cc).....	2
11	72867-G01		SPARK PLUG (NGK B?P? or ?K?R5ES - RESISTOR) (350cc).....	2
12	<u>72848-G01</u>		VALVE COVER .....	1
13	<u>72876-G01</u>		VALVE COVER GASKET .....	1
14	<u>26676-G01</u>		FLANGED BOLT, M6 X 1 X 23 MM LG.....	6
15	<u>26601-G01</u>		OIL FILLER CAP.....	1
16	26720-G01		OIL FILLER 'O' RING.....	1
17	<u>26591-G01</u>		OIL FILTER .....	1
18	<u>26710-G01</u>		OIL FILTER 'O' RING.....	1
19	<u>26680-G01</u>		BOLT AND WASHER, M6 X 1 X 12 MM LG .....	3
20	<u>72307-G01</u>		STUD, M6 X 1 X 115MM LG.....	2
21				
22				
23	<u>74829-G01</u>		MUFFLER .....	1
24	25531-G01		EXHAUST GASKET .....	1
25	*		NUT .....	2
26	<u>25532-G1</u>		BOLT AND WASHER, M8 X 1.25 X 18 MM LG .....	1
27	<u>00438-G8</u>		BOLT, 5/16 - 18 X 1" LG .....	1
28	<u>00565-G8</u>		LOCK WASHER, 5/16".....	1
29	<u>00642-G8</u>		WASHER, 5/16" .....	1

# ENGINE MOUNTING



Ref Emt 2

# ENGINE MOUNTING

Where applicable, THE USE OF NON UL PARTS WILL VOID ANY UL LISTING.

When ordering parts, please specify the model and serial number of the product.

\* Indicates a component that is not available as an individual part.

G\*\* Indicates consult Customer Service Department for additional information.

ITEM	PART NO.	1 2 3 4 5	DESCRIPTION	QTY.
1	<u>72010-G01</u>		FRONT ENGINE MOUNT .....	1
2	<u>72011-G01</u>		REAR ENGINE MOUNT .....	1
3	<u>00463-G4</u>		BOLT, 7/16 - 14 X 1 1/2" LG .....	4
4	<u>00566-G2</u>		LOCK WASHER, 7/16".....	4
5	<u>00922-G3</u>		WASHER, 7/16" .....	4
6				
7				
8	<u>00428-G6</u>		BOLT, 3/8 - 16 X 2 3/4" LG .....	2
9	<u>72016-G01</u>		SPACER.....	2
10	<u>70269-G01</u>		CROSSMEMBER BRACE .....	1
11	<u>72253-G01</u>		MOUNT BRACKET .....	1
12	<u>00643-G1</u>		WASHER, 3/8" .....	2
13	<u>11098-G5</u>		LOCK NUT, 3/8 - 16 .....	2
14	<u>00438-G7</u>		BOLT, 5/16 - 18 X 7/8" LG .....	2
15	<u>01110-G03</u>		WASHER, 5/16" (STAINLESS STEEL).....	2
16	<u>01109-G01</u>		LOCK NUT, 5/16 - 18 (STAINLESS STEEL) .....	2
17				
18				
19	<u>00430-G4</u>		BOLT, 3/8 - 16 X 4 1/2" LG .....	1
20	<u>15121-G1</u>		WASHER, 3/8" .....	1
21	<u>72050-G01</u>		PLASTIC WASHER, 2 1/4" OD X 5/8" ID X 1/8" .....	4
22	<u>72051-G01</u>		WASHER, 2 1/2" OD X 5/8" ID X 1/8" .....	2
23	<u>72015-G01</u>		ISOLATION MOUNT .....	1
24	<u>72051-G02</u>		WASHER, 3/8" .....	1
25	<u>11098-G5</u>		LOCK NUT, 3/8 - 16 .....	1
26				
27				
28	<u>70527-G01</u>		ENGINE GUARD.....	1
29	<u>00463-G4</u>		BOLT, 7/16 - 14 X 1 1/2" LG .....	4
30	<u>00566-G2</u>		LOCK WASHER, 7/16".....	4

# ENGINE MOUNTING

Where applicable, THE USE OF NON UL PARTS WILL VOID ANY UL LISTING.

When ordering parts, please specify the model and serial number of the product.

\* Indicates a component that is not available as an individual part.

G\*\* Indicates consult Customer Service Department for additional information.

ITEM	PART NO.	1 2 3 4 5	DESCRIPTION	QTY.
31	<u>00922-G3</u>		WASHER, 7/16" .....	4
32				
33				
34	<u>00439-G2</u>		BOLT, 5/16 - 18 X 1 1/8" LG .....	1
35	11098-G6		LOCK NUT, 5/16 - 18 (STAINLESS STEEL) .....	1
36	<u>72017-G02</u>		STRAP, DIFFERENTIAL - GAS MED/TXT .....	1
37	<u>75048-G01</u>		SPACER.....	1
38	<u>72035-G01</u>		'U' BOLT, 7/16 - 14 X 3 7/16" X 3 9/16" LG.....	2
39	<u>00922-G3</u>		WASHER, 7/16" .....	4
40	<u>00734-G1</u>		LOCK NUT, 7/16 - 14 .....	4







## FRONT SUSPENSION

Where applicable, THE USE OF NON UL PARTS WILL VOID ANY UL LISTING.

When ordering parts, please specify the model and serial number of the product.

\* Indicates a component that is not available as an individual part.

G\*\* Indicates consult Customer Service Department for additional information.

ITEM	PART NO.	1 2 3 4 5	DESCRIPTION	QTY.
1	<u>70515-G01</u>		FRONT AXLE .....	1
2				
3	<u>70535-G03</u>		SPINDLE ASSEMBLY (DRIVER SIDE) (INCLUDES ITEMS 4 - 12).....	1
4	*		SPINDLE (DRIVER SIDE) .....	1
5	<u>16623-G1</u>		BEARING .....	2
6	<u>10389-G3</u>		GREASE FITTING, STRAIGHT .....	1
7	<u>25146-G1</u>		GREASE SEAL .....	1
8	<u>35886-G01</u>		WHEEL HUB ASSEMBLY WITH RACES (INCLUDES ITEMS 9) .....	1
9	<u>19862-G1</u>		LUG BOLT, 1/2 - 20 X 1 3/16" LG .....	4
10	<u>50892-G1</u>		BEARING AND RACE ASSEMBLY (COMPLETE) .....	2
11	12093-G1		SLOTTED NUT, 1 - 14 .....	1
12	<u>00798-G8</u>		COTTER PIN, 5/32" X 1 3/4" LG .....	1
13				
14	70534-G03		SPINDLE ASSEMBLY (PASSENGER SIDE) (INCL ITEMS 5 - 12, 15) .....	1
15	*		SPINDLE (PASSENGER SIDE).....	1
16				
17	<u>12091-G2</u>		SPINDLE CAP .....	2
18				
19	<u>01040-G01</u>		BOLT, 1/2 - 13 X 5" LG .....	2
20	<u>00571-G5</u>		WASHER, 1/2" .....	4
21	<u>70328-G01</u>		KING PIN TUBE .....	2
22	<u>16982-G1</u>		THRUST WASHER, 7/8" .....	2
23	<u>14390-G6</u>		LOCK NUT, 1/2 - 13 .....	2
24				
25				
26	<u>70630-G01</u>		SHOCK ABSORBER.....	2
27	<u>10435-G1</u>		SHOCK ABSORBER WASHER.....	8
28	<u>10194-G1</u>		RUBBER BUSHING .....	8
29	<u>00532-G6</u>		NUT, 3/8 - 24 .....	4
30	<u>70509-G01</u>		SHOCK ABSORBER BOOT .....	2

# FRONT SUSPENSION

Where applicable, THE USE OF NON UL PARTS WILL VOID ANY UL LISTING.

When ordering parts, please specify the model and serial number of the product.

\* Indicates a component that is not available as an individual part.

G\*\* Indicates consult Customer Service Department for additional information.

ITEM	PART NO.	1 2 3 4 5	DESCRIPTION	QTY.
31	<u>31539-G1</u>		WIRE TIE .....	4
32				
33	<u>70422-G01</u>		LEAF SPRING (HEAVY DUTY).....	2
34	<u>70163-G03</u>		SPRING PLATE .....	4
35				
36	<u>00734-G1</u>		LOCK NUT, 7/16 - 14 .....	16
37	<u>00463-G11</u>		BOLT, 7/16 - 14 X 1 3/4" LG .....	12
38				
39	<u>74255-G01</u>		WINCH RECEIVER.....	1
40	<u>10044-G01</u>		VINYL CAP .....	2





# FUEL SYSTEM

Where applicable, THE USE OF NON UL PARTS WILL VOID ANY UL LISTING.  
 When ordering parts, please specify the model and serial number of the product.  
 \* Indicates a component that is not available as an individual part.  
 G\*\* Indicates consult Customer Service Department for additional information.

ITEM	PART NO.	1 2 3 4 5	DESCRIPTION	QTY.
1	<u>72092-G02</u>		FUEL TANK (FOR ELECTRIC FUEL GAUGE) .....	1
2	<u>72282-G01</u>		FUEL TANK CAP .....	1
3	<u>72229-G01</u>		FUEL LEVEL SENDER ADAPTER .....	1
4	<u>72230-G01</u>		SCREW, #6 - 32 X 1/2" LG.....	2
5	<u>20048-G2</u>		FUEL LEVEL SENDER (ELEC. FUEL GAUGE) (INCLUDES ITEMS 6, 7) .....	1
6	*		GASKET .....	1
7	<u>72232-G01</u>		SCREW, #10 - 32 x 3/4" LG.....	5
8				
9				
10	<u>00438-G8</u>		BOLT, 5/16 - 18 X 1" LG .....	1
11	<u>00559-G8</u>		WASHER, 5/16" .....	4
12	<u>70483-G01</u>		SPACER .....	1
13	<u>11098-G6</u>		LOCK NUT, 5/16 - 18 (STAINLESS STEEL) .....	3
14				
15				
16				
17				
18	<u>72084-G01</u>		FUEL FILTER .....	1
19	<u>17470-G1</u>		FUEL SYSTEM TUBING, 1/4" ID X 1/2" OD X 3 1/4" LG (BULK) .....	2
20	<u>18292-G1</u>		CLAMP .....	5
21	<u>72873-G01</u>		FUEL PUMP .....	1
22	<u>00114-G6</u>		SCREW, 1/4 - 14 X 3/4" LG.....	2
23				
24	<u>17470-G1</u>		FUEL SYSTEM TUBING, 1/4" ID X 1/2" OD X 16" LG (BULK) .....	A/R
25	<u>11391-G4</u>		HOSE CLAMP, 1/4" .....	3
26	<u>27183-G01</u>		TUBING, 1/4" ID X 1/2" OD X 16" LG (BULK) .....	A/R
27				
28	<u>17618-G1</u>		WIRE TIE .....	3
29	<u>22280-G1</u>		VINYL TRIM, 6 1/4" LG (BULK) .....	A/R
30				



# REAR AXLE

THE USE OF NON U.L. PARTS WILL VOID ANY U.L. LISTING.

When ordering parts, please specify the model and serial number of the product.

\* Indicates a component that is not available as an individual part.

G\*\* Indicates consult Customer Service Department for additional information.

ITEM	PART NO.	1 2 3 4 5	DESCRIPTION	QTY.
1	<u>74545-G01</u>		REAR AXLE ASSEMBLY (13.32:1) (INCLUDES ITEMS 3 - 30).....	1
2				
3	<u>26823-G01</u>		FLANGED BOLT, M8 X 1.25 X 100 MM LG .....	7
4	<u>26824-G01</u>		FLANGED BOLT, M8 X 1.25 X 110 MM LG .....	1
5	<u>72053-G01</u>		FLANGED BOLT, M8 X 1.25 X 120 MM LG .....	1
6	<u>72052-G01</u>		FLANGED BOLT, M8 X 1.25 X 130 MM LG .....	1
7	<u>26826-G01</u>		LOCK WASHER, 8 MM .....	4
8	<u>26827-G01</u>		NUT, M8 X 1.25 MM .....	4
9	<u>26768-G01</u>		OIL CHECK PLUG.....	1
10	<u>26769-G01</u>		GASKET, 8 MM .....	1
11	<u>26770-G01</u>		OIL DRAIN PLUG .....	1
12	<u>26771-G01</u>		GASKET, 14 MM .....	1
13	<u>26772-G01</u>		OIL FILLER PLUG .....	1
14	<u>26761-G01</u>		INPUT SHAFT SEAL .....	1
15				
16	<u>26766-G01</u>		AXLE SHAFT SEAL.....	2
17				
18	<u>72058-G01</u>		AXLE TUBE (DRIVER SIDE).....	1
19	<u>72059-G01</u>		AXLE TUBE (PASSENGER SIDE) .....	1
20	<u>72056-G01</u>		AXLE SHAFT (DRIVER SIDE).....	1
21	<u>72057-G01</u>		AXLE SHAFT (PASSENGER SIDE).....	1
22	<u>26814-G01</u>		RETAINING RING .....	4
23	<u>26811-G01</u>		BALL BEARING .....	2
24	<u>72260-G01</u>		FLANGED BOLT, M10 X 1.5 X 23 MM LG .....	10
25	<u>26828-G01</u>		WASHER, 10 MM .....	10
26				
27	*****		BRAKE CABLE BRACKET (SEE BRAKES SECTION) .....	1
28	*****		BRAKE CABLE BRACKET (SEE BRAKES SECTION) .....	1
29	<u>72349-G02</u>		DIFFERENTIAL SKID PLATE .....	1
30	<u>72053-G01</u>		FLANGED BOLT, M8 X 1.25 X 120 MM LG .....	2





# REAR SUSPENSION

THE USE OF NON U.L. PARTS WILL VOID ANY U.L. LISTING.

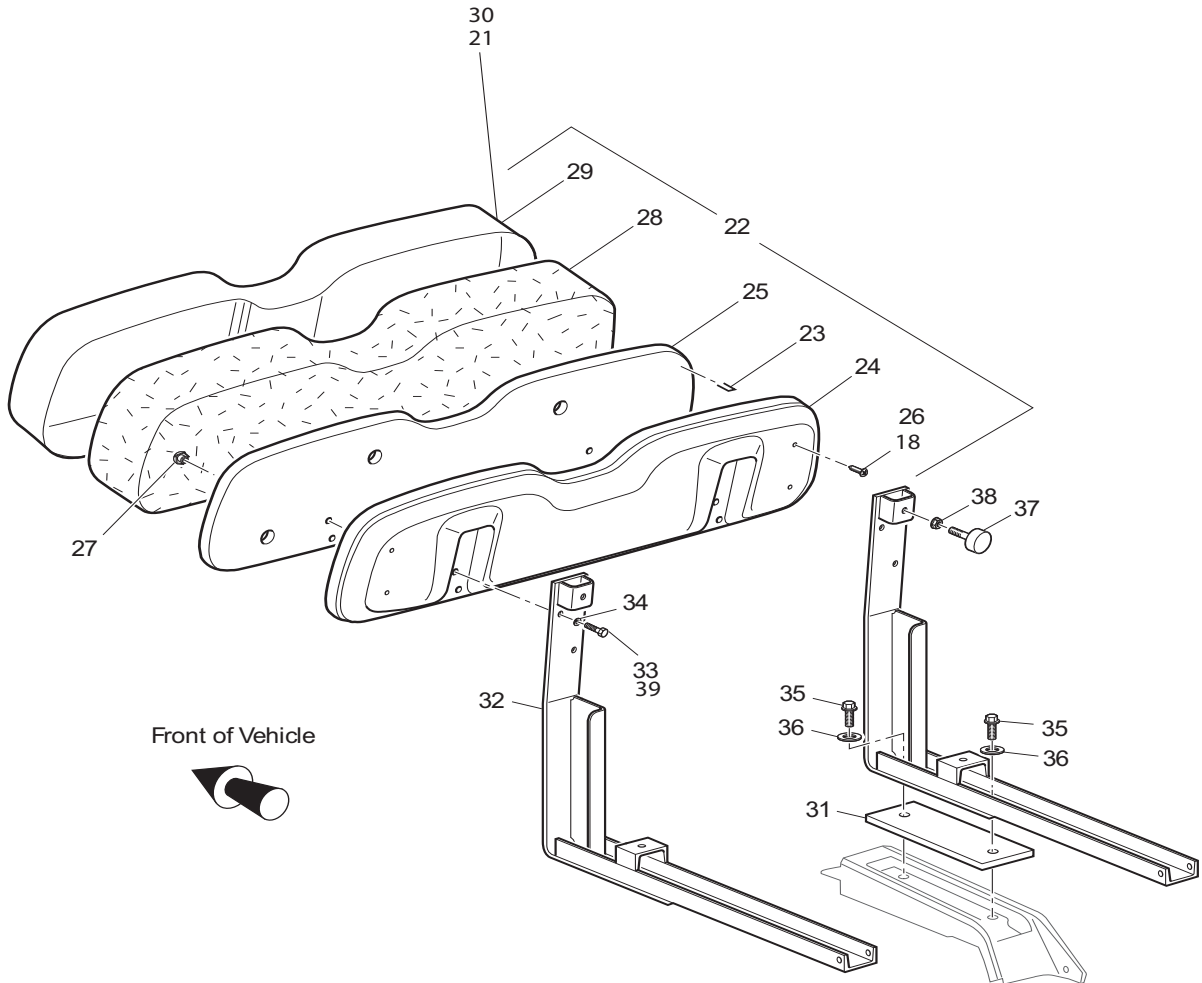
When ordering parts, please specify the model and serial number of the product.

\* Indicates a component that is not available as an individual part.

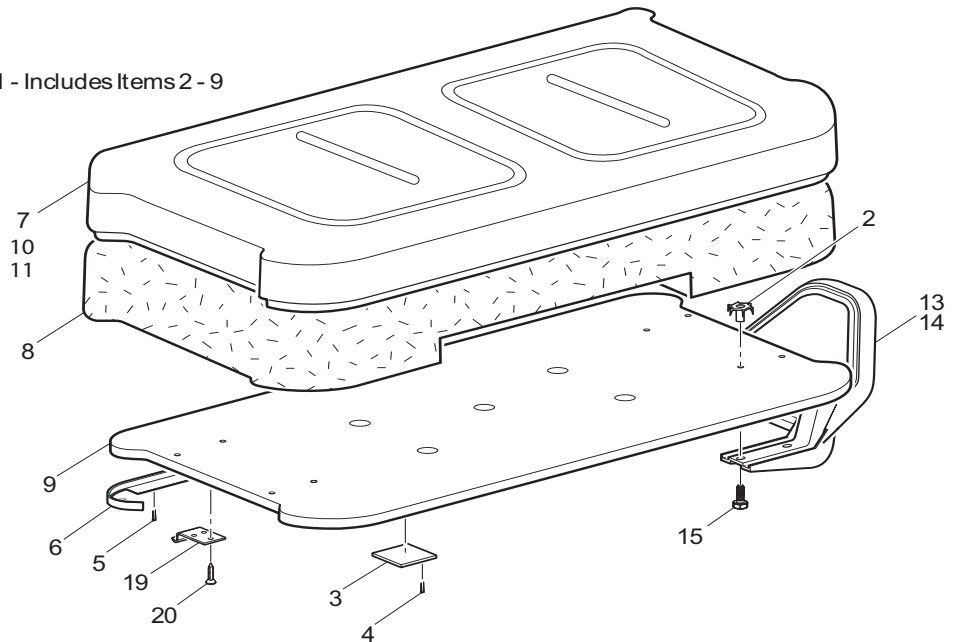
G\*\* Indicates consult Customer Service Department for additional information.

ITEM	PART NO.	1 2 3 4 5	DESCRIPTION	QTY.
1	<u>74207-G01</u>		HEAVY DUTY LEAF SPRING.....	2
2				
3	<u>72357-G02</u>		SPRING PLATE .....	2
4				
5	<u>72618-G02</u>		'U' BOLT, 3/8 - 16 X 2" X 2 1/8" LG .....	4
6	<u>00560-G1</u>		WASHER, 3/8" .....	8
7	<u>11098-G5</u>		LOCK NUT, 3/8 - 16 .....	8
8				
9	<u>70291-G01</u>		FLANGED BUSHING .....	4
10	<u>14158-G1</u>		SHOULDER BOLT, 3/8 - 16 X 3 1/4" LG .....	2
11	<u>12262-G1</u>		LOCK NUT, 3/8 - 16 .....	2
12				
13	<u>70291-G01</u>		FLANGED BUSHING .....	8
14	<u>70289-G02</u>		SPACER.....	4
15	<u>00665-G9</u>		BOLT, 3/8 - 16 X 3 1/2" LG (STAINLESS STEEL).....	4
16	<u>70290-G02</u>		SHACKLE PLATE .....	4
17	<u>11098-G5</u>		LOCK NUT, 3/8 - 16 .....	4
18				
19	<u>76418-G01</u>		SHOCK ABSORBER.....	2
20	<u>10435-G1</u>		SHOCK ABSORBER WASHER.....	8
21	<u>10194-G1</u>		RUBBER BUSHING .....	8
22	<u>00532-G6</u>		NUT, 3/8 - 24.....	4

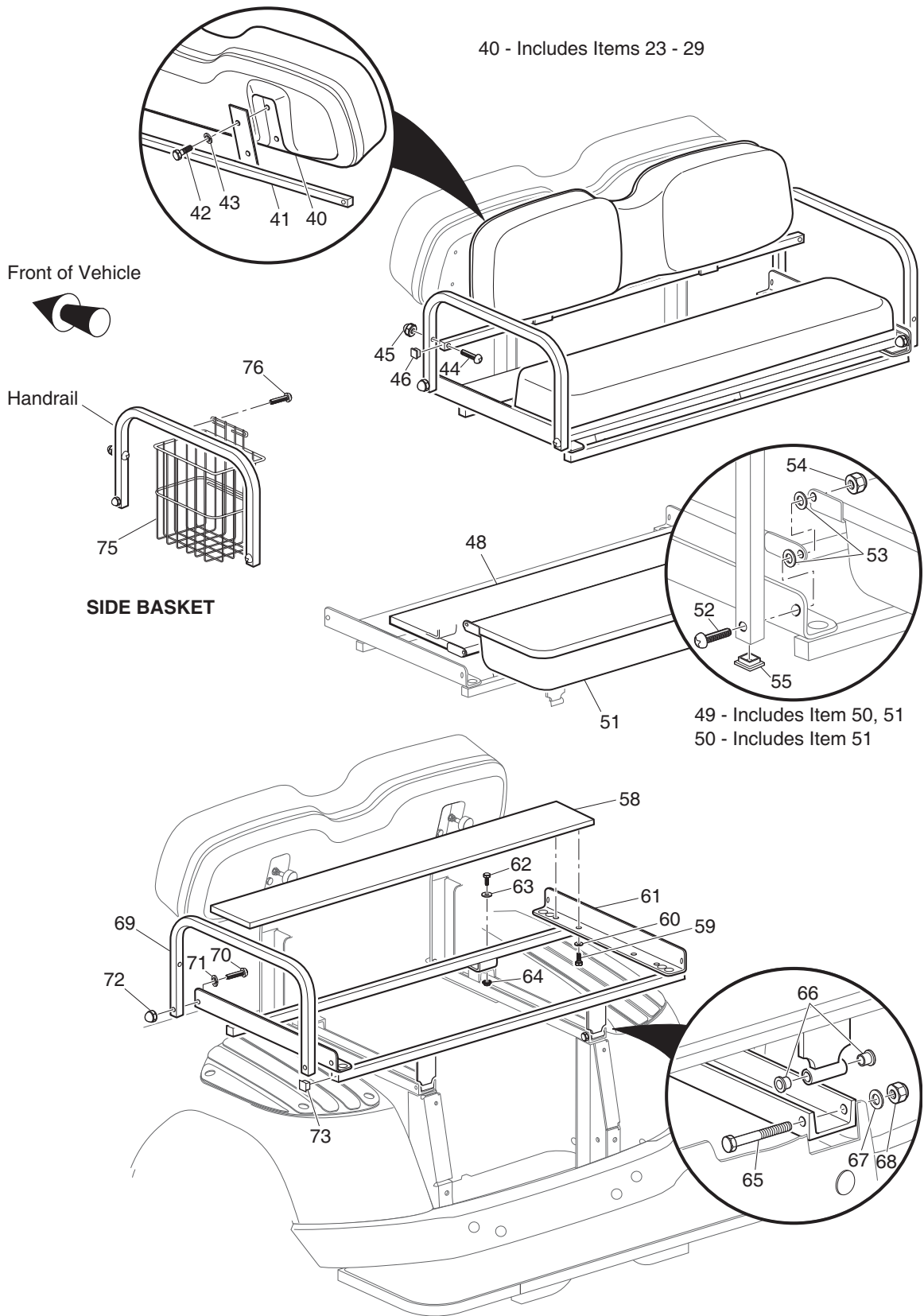
# SEATING



1 - Includes Items 2 - 9



Ref Sea 11-1



Ref Sea 11-2

# SEATING

THE USE OF NON U.L. PARTS WILL VOID ANY U.L. LISTING.

When ordering parts, please specify the model and serial number of the product.

\* Indicates a component that is not available as an individual part.

G\*\* Indicates consult Customer Service Department for additional information.

ITEM	PART NO.	1 2 3 4 5	DESCRIPTION	QTY.
1	71611-G**		SEAT BOTTOM ASSEMBLY (INCLUDES ITEMS 2 - 9) .....	1
2	*		TEE NUT.....	8
3	<u>17074-G1</u>		RUBBER PAD.....	2
4	*		FLAT STAPLE .....	110
5	*		FLAT STAPLE .....	46
6	<u>71012-G01</u>		VINYL TRIM (SEAT BOTTOM) .....	1
7	71602-G**		VINYL SEAT BOTTOM COVER .....	1
8	*		FOAM PADDING (SEAT BOTTOM).....	1
9	*		SEAT BOTTOM (WOOD).....	1
10	604912-G**		TWO TONE VINYL SEAT BOTTOM .....	1
11	<u>604906</u>		SEAT BOTTOM (ST CUSTOM) .....	1
12				
13	<u>71701-G01</u>		HIP RESTRAINT (PASSENGER SIDE) .....	1
14	<u>71702-G01</u>		HIP RESTRAINT (DRIVER SIDE).....	1
15	71204-G01		BOLT, 1/4 - 20 X 1" LG (STAINLESS STEEL).....	8
16				
17				
18	607535		TORX HEAD SCREW .....	4
19	<u>71610-G01</u>		SEAT HINGE .....	2
20	<u>00720-G08</u>		SCREW, #12 - 14 X 1" LG (STAINLESS STEEL) .....	4
21	<u>604908</u>		SEAT BACK (ST CUSTOM) .....	1
22	71751-G**		SEAT BACK ASSEMBLY (INCLUDES ITEMS 23 - 29).....	1
23	*		FLAT STAPLE .....	95
24	71752-G01		PLASTIC SEAT BACK COVER .....	1
25	*		SEAT BACK (WOOD) .....	1
26	<u>01107-G01</u>		SCREW, #8 X 3/8" LG (STAINLESS STEEL) .....	4
27	*		TEE NUT.....	4
28	*		FOAM PADDING (SEAT BACK) .....	1
29	71753-G**		VINYL SEAT BACK COVER .....	1
30	604916-G**		TWO TONE VINYL SEAT BACK.....	1

# SEATING

THE USE OF NON U.L. PARTS WILL VOID ANY U.L. LISTING.

When ordering parts, please specify the model and serial number of the product.

\* Indicates a component that is not available as an individual part.

G\*\* Indicates consult Customer Service Department for additional information.

ITEM	PART NO.	1 2 3 4 5	DESCRIPTION	QTY.
31	<u>70364-G01</u>		SPACER.....	2
32	<u>74111-G01</u>		SEAT BACK SUPPORT .....	2
33	<u>00661-G8</u>		BOLT, 1/4 - 20 X 1" LG (STAINLESS STEEL).....	4
34	<u>00664-G7</u>		LOCK WASHER, 1/4" (STAINLESS STEEL) .....	4
35	<u>01006-G02</u>		BOLT, 3/8 - 16 X 1 1/2" LG .....	4
36	<u>00560-G1</u>		WASHER, 3/8" .....	4
37	<u>70113-G01</u>		ADJUSTABLE BUMPER .....	2
38	<u>11027-G1</u>		LOCK NUT, 5/16 - 18 .....	2
39	<u>605056</u>		SCREW 1/4 - 20 X 1" .....	4
40	71751-G**		SEAT BACK ASSEMBLY (INCLUDES ITEMS 23 - 29).....	1
41	<u>75258-G01</u>		SEAT BACK SUPPORT .....	1
42	<u>00661-G8</u>		BOLT, 1/4 - 20 X 1" LG (STAINLESS STEEL).....	4
43	<u>00664-G7</u>		LOCK WASHER, 1/4" (STAINLESS STEEL) .....	4
44	<u>16705-G6</u>		SCREW, 1/4 - 20 X 1 3/4" LG (STAINLESS STEEL) .....	2
45	<u>00520-G1</u>		ACORN NUT, 1/4 - 20 .....	2
46	<u>75261-G01</u>		END PLUG, 3/4" .....	2
47				
48	<u>71062-G01</u>		BED ASSEMBLY .....	1
49	71063-G**		SEAT BOTTOM ASSEMBLY (INCLUDES ITEM 50, 51).....	1
50	75197-G**		SEAT BOTTOM (INCLUDES ITEM 51) .....	1
51	75252-G**		VINYL SEAT BOTTOM COVER.....	1
52	00762-G4		SCREW, 5/16 - 18 X 1 1/2" LG (STAINLESS STEEL) .....	2
53	<u>17255-G1</u>		TEFLON WASHER, 5/16" .....	4
54	<u>00891-G3</u>		LOCK NUT, 5/16 - 18 (STAINLESS STEEL) .....	2
55	<u>19859-G1</u>		END CAP, 3/4".....	4
56				
57				
58	<u>71060-G01</u>		BED FRONT (INCLUDES MAT).....	1
59	<u>00661-G6</u>		BOLT, 1/4 - 20 X 3/4" LG (STAINLESS STEEL).....	4
60	<u>00664-G7</u>		WASHER, 5/16" .....	4

# SEATING

THE USE OF NON U.L. PARTS WILL VOID ANY U.L. LISTING.

When ordering parts, please specify the model and serial number of the product.

\* Indicates a component that is not available as an individual part.

G\*\* Indicates consult Customer Service Department for additional information.

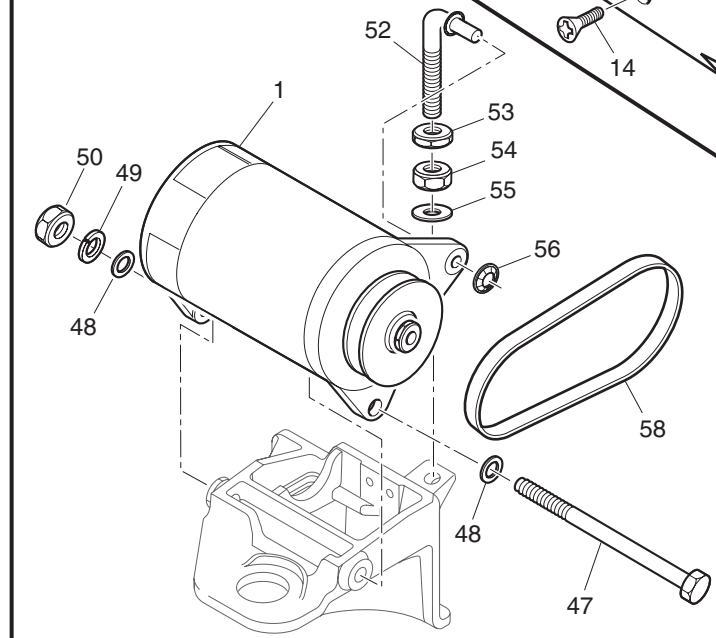
ITEM	PART NO.	1 2 3 4 5	DESCRIPTION	QTY.
61	<u>75193-G01</u>		SUPPORT FRAME.....	1
62	<u>00438-G8</u>		BOLT, 5/16 - 18 X 1" LG .....	2
63	00559-G8		WASHER, 5/16" .....	2
64	<u>00654-G3</u>		LOCK NUT, 5/16 - 18 .....	2
65	<u>00440-G4</u>		BOLT, 5/16 - 18 X 2 1/2" LG .....	2
66	<u>17838-G1</u>		NYLON BUSHING.....	4
67	00559-G8		WASHER, 5/16" .....	2
68	<u>00654-G3</u>		LOCK NUT, 5/16 - 18 (STAINLESS STEEL) .....	2
69	<u>75196-G01</u>		HANDRAIL .....	2
70	<u>00762-G2</u>		SCREW, 5/16 - 18 X 1 1/4" LG (STAINLESS STEEL) .....	2
71	<u>00664-G8</u>		LOCK WASHER, 5/16" (STAINLESS STEEL) .....	2
72	<u>00520-G3</u>		ACORN NUT, 5/16 - 18 .....	2
73	<u>75261-G02</u>		END CAP, 1".....	4
74				
75	<u>75460-G01</u>		SIDE BASKET (BLACK).....	2
76	<u>00106-G6</u>		SELF THREADING SCREW, #12 - 24 X 3/4" LG .....	4



# STARTER / GENERATOR

- 1 - Includes Items 2 - 43
- 2 - Includes Items 3 - 5
- 9 - Includes Items 10 - 13
- 17 - Includes Items 18 - 23
- 25 - Includes Items 26 - 28
- 32 - Includes Items 33 - 37
- 40 - Includes Items 41 - 43

## STARTER/GENERATOR MOUNTING



Ref Sig 11



# STARTER / GENERATOR

THE USE OF NON U.L. PARTS WILL VOID ANY U.L. LISTING.

When ordering parts, please specify the model and serial number of the product.

\* Indicates a component that is not available as an individual part.

G\*\* Indicates consult Customer Service Department for additional information.

ITEM	PART NO.	1	2	3	4	5	DESCRIPTION	QTY.
1	27066-G02						STARTER / GENERATOR (INCLUDES ITEMS 2 - 43) .....	1
2	<u>26870-G01</u>						ARMATURE (INCLUDES ITEMS 3 - 5) .....	1
3	26871-G01						REAR BALL BEARING .....	1
4	<u>26872-G01</u>						FRONT BALL BEARING .....	1
5	<u>26873-G01</u>						BEARING HOLDER .....	1
6								
7								
8	<u>26875-G01</u>						FIELD COIL .....	1
9	<u>26876-G01</u>						INSULATING BRUSH ASSEMBLY ('F') (INCLUDES ITEMS 10 - 13) .....	2
10	*						NUT .....	2
11	*						LOCK WASHER.....	2
12	*						WASHER.....	2
13	*						INSULATOR.....	1
14	26877-G01						POLE CORE SETSCREW.....	4
15	<u>26878-G01</u>						FRONT COVER.....	1
16	27879-G01						REAR COVER .....	1
17	<u>26880-G01</u>						TERMINAL ASSEMBLY ('A') (INCLUDES ITEMS 18 - 23) .....	2
18	*						TERMINAL .....	2
19	*						INSULATOR.....	2
20	*						INSULATOR.....	2
21	*						WASHER.....	4
22	*						LOCK WASHER.....	4
23	*						NUT .....	4
24								
25	<u>26881-G01</u>						BRUSH HOLDER ASSEMBLY (INCLUDES ITEMS 26 - 28) .....	1
26	<u>26658-G01</u>						BRUSH.....	4
27	<u>26882-G01</u>						BRUSH SPRING .....	4
28	<u>26883-G01</u>						BRUSH CONNECTOR.....	2
29								
30	<u>26884-G01</u>						KEY.....	1

# STARTER / GENERATOR

THE USE OF NON U.L. PARTS WILL VOID ANY U.L. LISTING.

When ordering parts, please specify the model and serial number of the product.

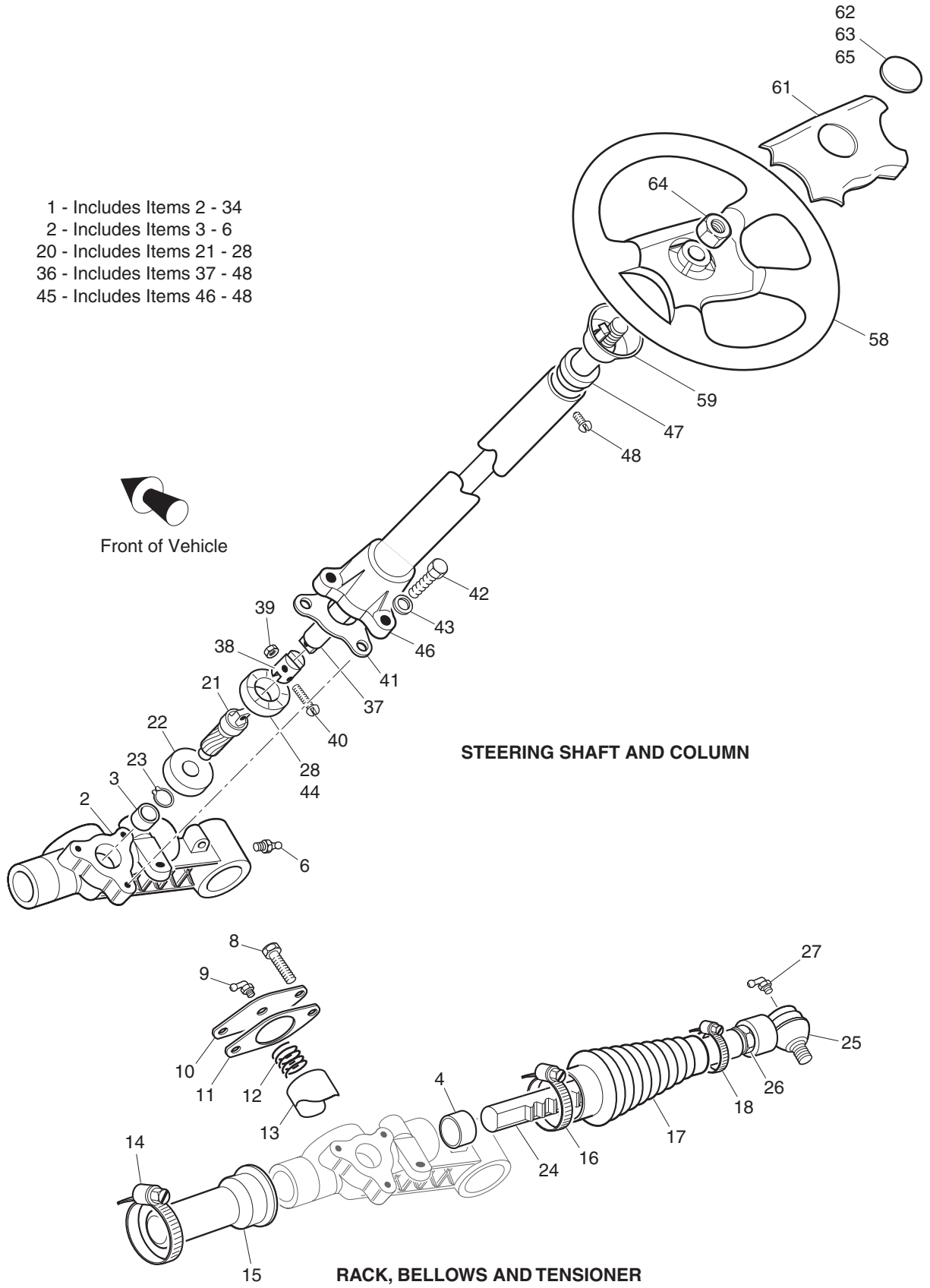
\* Indicates a component that is not available as an individual part.

G\*\* Indicates consult Customer Service Department for additional information.

ITEM	PART NO.	1	2	3	4	5	DESCRIPTION	QTY.
31	*						PULLEY .....	1
32	<u>26886-G01</u>						BRUSH AND PULLEY HARDWARE KIT (INCLUDES ITEMS 33 - 37).....	1
33	*						NUT .....	1
34	*						LOCK WASHER.....	1
35	*						SCREW .....	3
36	*						SCREW .....	4
37	*						SCREW .....	2
38	<u>26887-G01</u>						BRUSH 1 COVER.....	3
39	<u>26888-G01</u>						BRUSH 2 COVER.....	2
40	<u>26889-G01</u>						HOUSING HARDWARE KIT (INCLUDES ITEMS 41 - 43).....	2
41	*						BOLT .....	2
42	*						LOCK WASHER.....	2
43	*						WASHER.....	2
44								
45								
46								
47	<u>00938-G4</u>						BOLT, 1/2 - 13 X 8" LG .....	1
48	<u>00560-G3</u>						WASHER, 1/2" .....	2
49	<u>00566-G3</u>						LOCK WASHER, 1/2".....	1
50	<u>00533-G1</u>						NUT, 1/2 - 13.....	1
51								
52	<u>28617-G01</u>						STARTER / GENERATOR ADJUSTER.....	1
53	<u>00544-G5</u>						JAM NUT, 3/8 - 16.....	1
54	00532-G5						NUT, 3/8 - 16.....	1
55	<u>00560-G1</u>						WASHER, 3/8" .....	1
56	12064-G4						PUSH NUT, 5/16" .....	1
57								
58	<u>26414-G01</u>						STARTER / GENERATOR BELT .....	1



# STEERING



Ref Str 10-1



# STEERING

Where applicable, THE USE OF NON UL PARTS WILL VOID ANY UL LISTING.

When ordering parts, please specify the model and serial number of the product.

\* Indicates a component that is not available as an individual part.

G\*\* Indicates consult Customer Service Department for additional information.

ITEM	PART NO.	1 2 3 4 5	DESCRIPTION	QTY.
1	<u>70723-G02</u>		STEERING BOX ASSEMBLY (COMPLETE) (INCLUDES ITEMS 2 - 34) .....	1
2	<u>70175-G01</u>		STEERING HOUSING (INCLUDES ITEMS 3 - 6) .....	1
3	*		SLEEVE BEARING .....	1
4	*		SLEEVE BEARING .....	1
5	*		FLANGED BEARING .....	1
6	<u>10389-G3</u>		GREASE FITTING, STRAIGHT .....	1
7				
8	<u>00426-G6</u>		BOLT, 3/8 - 16 X 3/4" LG .....	2
9	<u>18456-G1</u>		GREASE FITTING, 90° .....	1
10	<u>70177-G01</u>		RACK GUIDE COVER .....	1
11	<u>70225-G01</u>		GASKET .....	1
12	<u>70178-G01</u>		COMPRESSION SPRING .....	1
13	<u>70179-G01</u>		RACK GUIDE .....	1
14	<u>11391-G1</u>		HOSE CLAMP, 1 5/16" .....	1
15	<u>70041-G01</u>		RACK COVER .....	1
16	<u>11391-G1</u>		HOSE CLAMP, 1 5/16" .....	1
17	<u>70183-G01</u>		BELLOWS .....	1
18	<u>11391-G5</u>		HOSE CLAMP, 13/16" .....	1
19				
20	<u>70724-G01</u>		STEERING GEAR KIT (INCLUDES ITEMS 21 - 28) .....	1
21	<u>70717-G01</u>		GEAR PINION .....	1
22	<u>15112-G1</u>		BALL BEARING .....	1
23	<u>70190-G01</u>		EXTERNAL RETAINING RING .....	1
24	<u>70718-G01</u>		STEERING RACK .....	1
25	<u>70192-G01</u>		RACK BALL END .....	1
26	<u>00532-G8</u>		JAM NUT, 7/16 - 20 .....	1
27	<u>18456-G1</u>		GREASE FITTING, 90° .....	1
28	<u>70466-G01</u>		RETAINER .....	1
29				
30	<u>70184-G01</u>		IDLER .....	1

# STEERING

Where applicable, THE USE OF NON UL PARTS WILL VOID ANY UL LISTING.

When ordering parts, please specify the model and serial number of the product.

\* Indicates a component that is not available as an individual part.

G\*\* Indicates consult Customer Service Department for additional information.

ITEM	PART NO.	1	2	3	4	5	DESCRIPTION	QTY.
31	<u>70216-G01</u>						THRUST WASHER, 1 1/2" .....	1
32	<u>70195-G01</u>						THRUST WASHER, 7/8" .....	1
33	<u>00734-G6</u>						LOCK NUT, 7/8 - 9.....	1
34	<u>00798-G8</u>						COTTER PIN, 5/32" X 1 3/4" LG .....	1
35								
36	<u>70360-G01</u>						STEERING SHAFT/COLUMN KIT (INCLUDES ITEMS 37 - 48) .....	1
37	<u>14322-G6</u>						STEERING SHAFT.....	1
38	<u>70558-G01</u>						COUPLING .....	1
39	<u>00550-G1</u>						LOCK NUT, 1/4 - 20.....	2
40	<u>70227-G01</u>						SCREW, 1/4 - 20 X 7/8" LG.....	2
41	<u>70223-G01</u>						GASKET .....	1
42	<u>01034-G01</u>						BOLT, 3/8 - 16 X 1 1/4" LG WITH PATCHLOCK.....	3
43	<u>00878-G1</u>						LOCK WASHER, 3/8" .....	3
44	<u>70466-G01</u>						RETAINER.....	1
45	<u>28633-G01</u>						STEERING COLUMN KIT (INCLUDES ITEMS 46 - 48).....	1
46	*						STEERING COLUMN .....	1
47	<u>28569-G01</u>						STEERING COLUMN BUSHING .....	1
48	<u>01022-G01</u>						SCREW, #6 - 20 X 5/16" LG .....	1
49								
50								
51	<u>00470-G4</u>						BOLT, 7/16 - 20 X 2 1/2" LG .....	1
52	<u>00734-G3</u>						LOCK NUT, 7/16 - 20.....	1
53	<u>01033-G01</u>						BOLT, 7/16 - 14 X 1 1/4" LG WITH PATCHLOCK .....	2
54	<u>00566-G2</u>						LOCK WASHER, 7/16".....	3
55								
56								
57								
58	<u>602979</u>						STEERING WHEEL .....	1
59								
60								

# STEERING

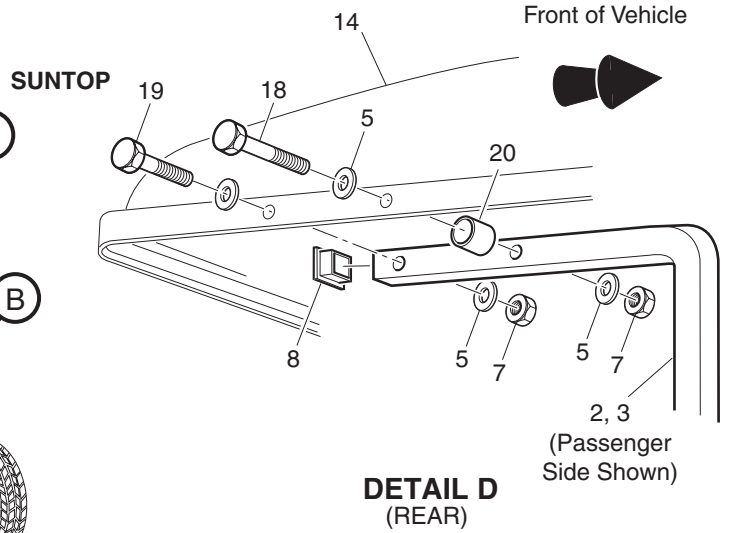
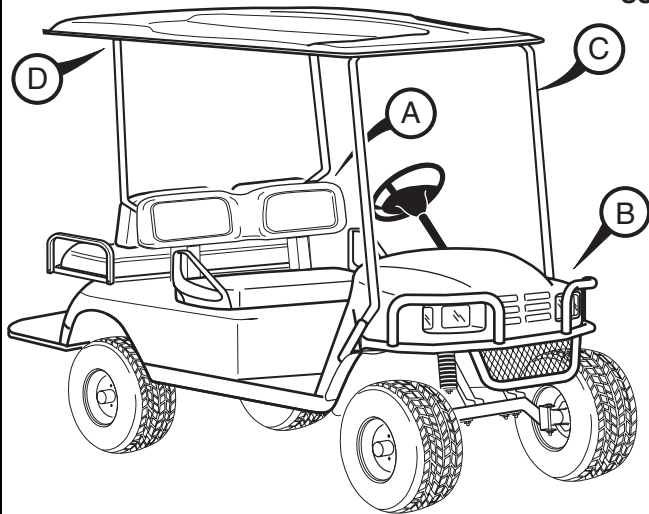
Where applicable, THE USE OF NON UL PARTS WILL VOID ANY UL LISTING.  
 When ordering parts, please specify the model and serial number of the product.  
 \* Indicates a component that is not available as an individual part.  
 G\*\* Indicates consult Customer Service Department for additional information.

ITEM	PART NO.	1 2 3 4 5	DESCRIPTION	QTY.
61	<u>71147-G01</u>		COVER.....	1
62	<u>71047-G01</u>		LABEL (E-Z-GO) .....	1
63	74405-G01		LABEL (CUSHMAN).....	1
64	<u>14390-G2</u>		LOCK NUT, 5/8 - 18 .....	1
65				
66				
67	<u>70904-G04</u>		TIE ROD ASSEMBLY (INCLUDES ITEMS 68 - 72).....	2
68	<u>70855-G03</u>		THREADED ROD (10 1/8" LG).....	1
69	<u>70902-G01</u>		TIE ROD END (LEFT HAND THREADS) .....	1
70	<u>01069-G01</u>		JAM NUT, M12 X 1.25-05 (LEFT HAND THREADS) .....	1
71	<u>70902-G02</u>		TIE ROD END (RIGHT HAND THREADS).....	1
72	<u>01069-G02</u>		JAM NUT, M12 X 1.25-05 (RIGHT HAND THREADS).....	1
73				
74	<u>00734-G1</u>		LOCK NUT, 7/16 - 14 .....	4
75				
76				
77	<u>50209-G2</u>		CASTELLATED NUT, 7/16 - 20 .....	1
78	<u>10387-G2</u>		COTTER PIN, 3/32" X 1" LG .....	1

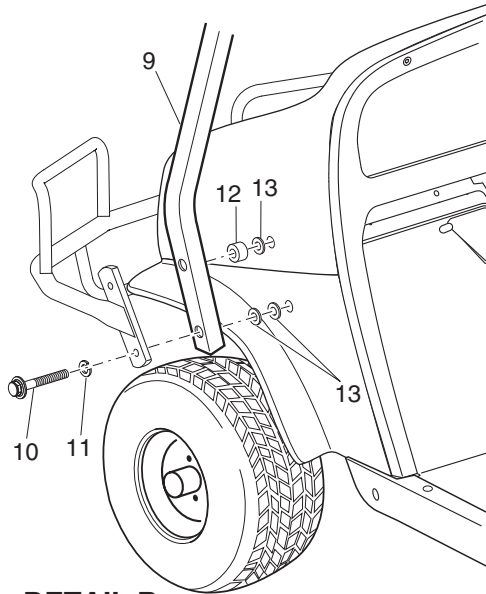




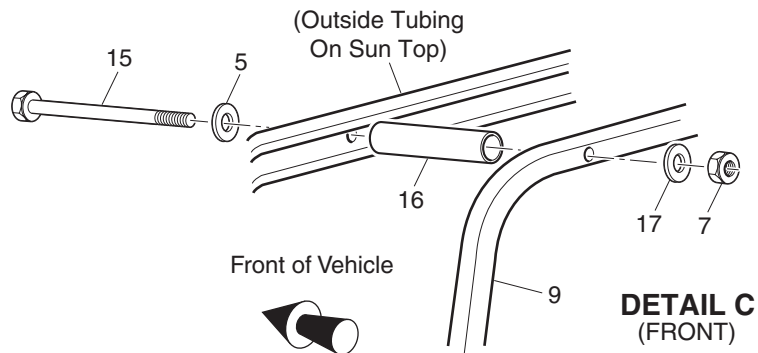
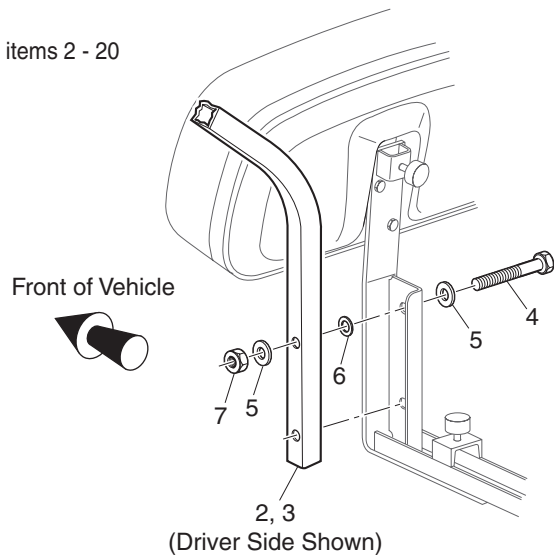
# WEATHER PROTECTION



1 - Includes items 2 - 20

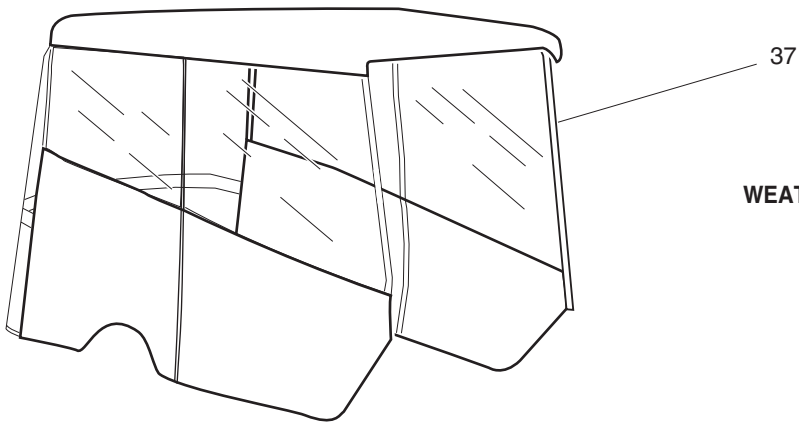
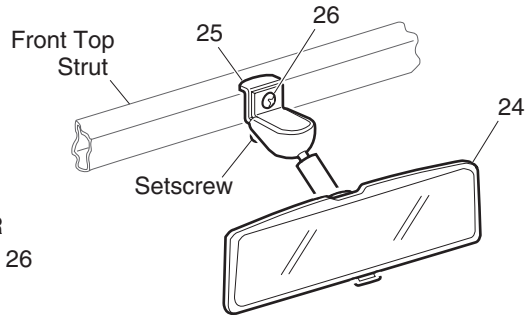


**DETAIL B**

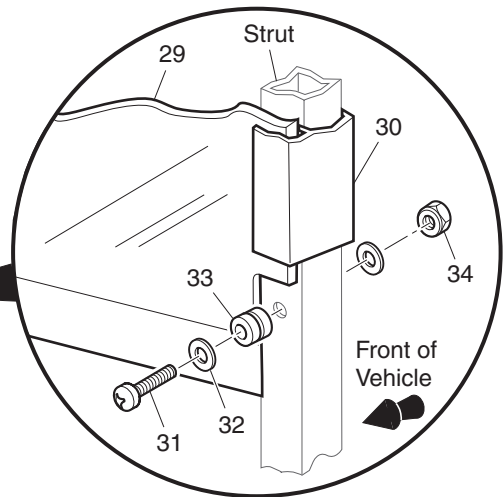
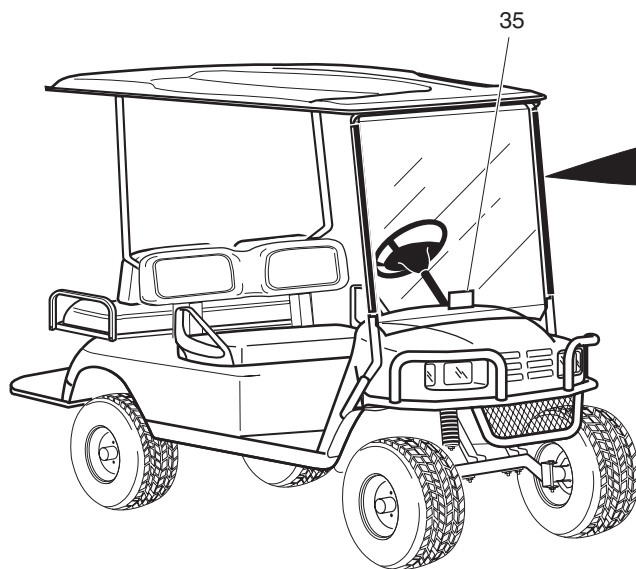


Ref Wea 11-1

**REAR VIEW MIRROR**  
23 - Includes Items 24 - 26



**WEATHER ENCLOSURE**



28 - Includes Items 29 - 35

Ref Wea 11-2

# WEATHER PROTECTION

THE USE OF NON U.L. PARTS WILL VOID ANY U.L. LISTING.

When ordering parts, please specify the model and serial number of the product.

\* Indicates a component that is not available as an individual part.

G\*\* Indicates consult Customer Service Department for additional information.

ITEM	PART NO.	1 2 3 4 5	DESCRIPTION	QTY.
1	<u>75123-G01</u>		SUN TOP KIT (INCLUDES ITEMS 2 - 20) .....	1
2	<u>75074-G01</u>		REAR STRUT (DRIVER SIDE).....	1
3	<u>75074-G02</u>		REAR STRUT (PASSENGER SIDE) .....	1
4	<u>00665-G5</u>		BOLT, 3/8 - 16 X 1 3/4" LG (STAINLESS STEEL) .....	4
5	<u>00679-G1</u>		WASHER, 3/8" (STAINLESS STEEL).....	18
6	<u>00771-G5</u>		NYLON WASHER, 3/8.....	4
7	<u>00891-G5</u>		LOCK NUT, 3/8 - 16.....	10
8	<u>19853-G1</u>		END CAP, 1" .....	2
9	<u>75125-G01</u>		FRONT STRUT.....	1
10	<u>00440-G2</u>		BOLT, 5/16 - 18 X 2 1/4" LG .....	4
11	<u>00905-G8</u>		LOCK WASHER, 5/16" .....	4
12	<u>75048-G01</u>		SPACER, 1/2" .....	2
13	<u>00879-G1</u>		LOCK WASHER, 3/8" .....	4
14	<u>27604-G01</u>		SUN TOP .....	1
15	<u>00674-G8</u>		BOLT, 3/8 - 16 X 5" LG (STAINLESS STEEL) .....	2
16	<u>18716-G1</u>		SPACER .....	2
17	<u>00653-G1</u>		WASHER, 3/8" (STAINLESS STEEL).....	2
18	<u>00665-G3</u>		BOLT, 3/8 - 16 X 2 1/2" LG (STAINLESS STEEL) .....	2
19	<u>00665-G6</u>		BOLT, 3/8 - 16 X 2" LG (STAINLESS STEEL) .....	2
20	<u>24647-G1</u>		SPACER, 1/4" .....	2
21				
22				
23	<u>19528-G2</u>		REAR VIEW MIRROR KIT (INCLUDES ITEMS 24 - 26) .....	1
24	<u>19496-G1</u>		REAR VIEW MIRROR .....	1
25	<u>19502-G2</u>		SUPPORT BRACKET.....	1
26	<u>19527-G1</u>		SCREW, #8 - 32 X 5/8" LG (STAINLESS STEEL).....	1
27				
28	<u>71966-G01</u>		WINDSHIELD KIT (LEXAN) (REQUIRES SUN TOP KIT) (INCLUDES ITEMS 29 - 35).....	1
29	*		WINDSHIELD .....	1

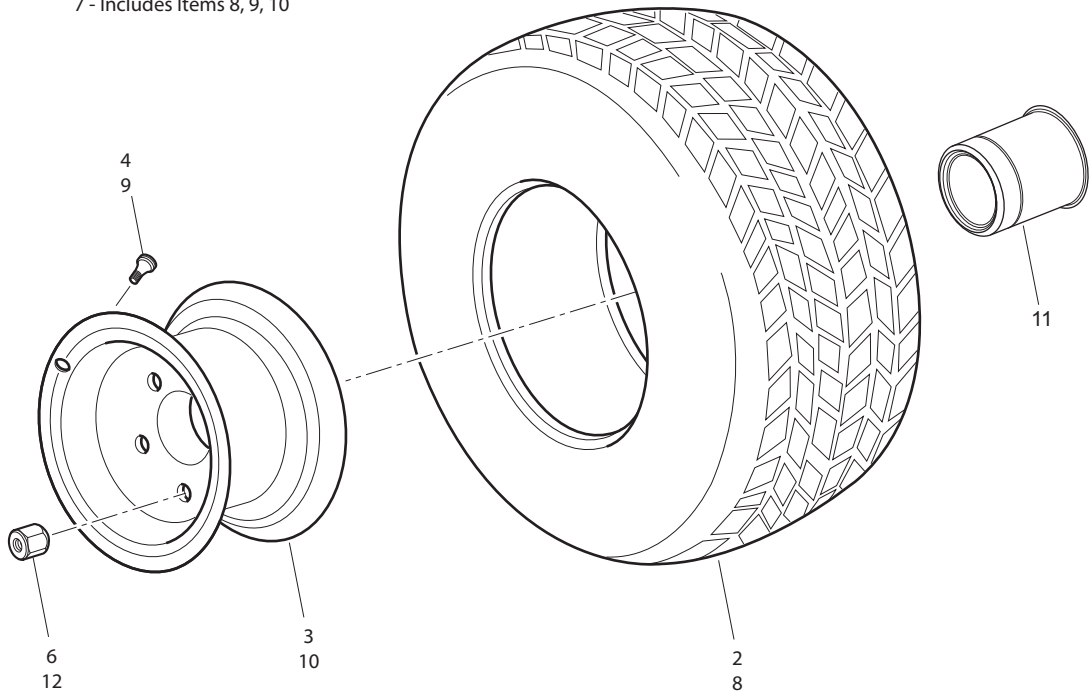
# WEATHER PROTECTION

THE USE OF NON U.L. PARTS WILL VOID ANY U.L. LISTING.  
 When ordering parts, please specify the model and serial number of the product.  
 \* Indicates a component that is not available as an individual part.  
 G\*\* Indicates consult Customer Service Department for additional information.

ITEM	PART NO.	1	2	3	4	5	DESCRIPTION	QTY.
30	110-035A						SASH, 26" LG .....	2
31	110-072A						SCREW, 1/4 - 20 X 1 3/4" LG (STAINLESS STEEL).....	2
32	110-072B						WASHER, 1/4" (STAINLESS STEEL).....	4
33	<u>110-072C</u>						RUBBER GROMMET .....	2
34	010-072D						LOCK NUT, 1/4 - 20 (STAINLESS STEEL).....	2
35	110-066						LABEL (SAFETY) .....	1
36								
37	<u>75492-G01</u>						WEATHER ENCLOSURE (3 SIDED) .....	1
							Replacement Parts for items 30-35 may be obtained from:	
							Eagle Parts, Inc 1811 Wilkinson Rd. Augusta, GA 30904 Telephone (706) 729-9911 Fax (706) 729-9955	

# WHEELS AND TIRES

1 - Includes Items 2, 3, 4  
7 - Includes Items 8, 9, 10



(Style of tire may differ from tire shown)

*Ref Whl 11*

# WHEELS AND TIRES

When ordering parts, please specify the model and serial number of the product.  
 \* Indicates a component that is not available as an individual part.  
 G\*\* Indicates consult Customer Service Department for additional information.

ITEM	PART NO.	1	2	3	4	5	DESCRIPTION	QTY.
1	<u>28442-G03</u>						WHEEL AND TIRE ASSEMBLY (INCLUDES ITEMS 2, 3, 4) .....	AR
2	<u>28442-G02</u>						TIRE, 20 X 10 - 10 TURF SAVER® .....	1
3	<u>15172-G02</u>						WHEEL RIM, BLACK (4 LUG) .....	1
4	<u>11657-G1</u>						VALVE STEM .....	1
5								
6	<u>14723-G1</u>						LUG NUT, 1/2 -20 .....	AR
7	608915						WHEEL ASSEMBLY (INCLUDES ITEM 8, 9, 10) .....	AR
8	<u>606141</u>						TERRA TRAC TIRE .....	1
9	<u>604915</u>						VALVE STEM .....	1
10	<u>604927</u>						WHEEL - POLISHED SPOKED .....	1
11	<u>604929</u>						CENTER CAP .....	AR
12	601354						NUT, LUG .....	AR

# WHEELS AND TIRES



SPECIALTY PRODUCTS

# SPECIALTY PRODUCTS

## SPECIALTY PRODUCTS

<b>SPECIAL TOOLS</b>	<b>PART NO.</b>
HIGH RESISTANCE SPARK PLUG WIRE SET .....	26733-G02
CLUTCH PULLER (DRIVE) .....	19779-G2
FLYWHEEL PULLER.....	27111-G01
CURRENT INDICATOR.....	16489-G2
DIGITAL MULTI-METER.....	27481-G01
TUBELESS TIRE REPAIR KIT .....	606009
TIRE PLUGGER REFIL PACK (50/BOX) .....	606831

<b>TOUCH UP PAINT</b>	<b>PART NO.</b>
PEN 3 OUNCE (89 ML) - HUNTER GREEN .....	28432-G02
PEN 3 OUNCE (89 ML) - CHAMPAGNE BEIGE .....	28432-G01
PEN 3 OUNCE (89 ML) - WHITE .....	28432-G05
PEN 3 OUNCE (89 ML) - INDUSTRIAL YELLOW.....	28432-G03
PEN 3 OUNCE (89 ML) - ORANGE .....	28432-G04
PEN 3 OUNCE (89 ML) - STEEL BLUE PEARL .....	28432-G24
PEN 3 OUNCE (89 ML) - OLIVE GREEN.....	28432-G**
PEN 3 OUNCE (89 ML) - CAMOUFLAGE PAINT (THREE PENS).....	75831-G01
AEROSOL 12 OUNCE (360 ML) - HUNTER GREEN .....	28140-G09
AEROSOL 12 OUNCE (360 ML) - CHAMPAGNE BEIGE .....	28140-G15
AEROSOL 12 OUNCE (360 ML) - INDUSTRIAL YELLOW.....	28140-G14

<b>MAINTENANCE PRODUCTS</b>	<b>PART NO.</b>
PLEXUS® CLEANER, 13 OUNCE (380 ML) (FOR WINDSHIELDS) .....	28433-G02
BATTERY PROTECTOR, 14 OUNCE (410 ML) SPRAY .....	27619-G02
E-Z-GO ALLSURFACE CLEANER.....	606311
E-Z-GO FIBERGLASS/PLASTIC RESTORER.....	606313
WIND SHIELD AND PLASTIC PROTECTOR .....	606314
64 OZ HAND CLEANER.....	607636
4 OZ HAND CLEANER.....	607637

# OPTIONS/ACCESSORIES

## OPTIONS/ACCESSORIES

ITEM	KIT NO.	COMMENTS
ASHTRAY KIT . . . . .	75109-G02 . . . . .	See BODY
BOX COOLER AND BRACKET KIT . . . . .	71048-G01 . . . . .	See BODY
DIFFERENTIAL GUARD . . . . .	72347-G01 . . . . .	See REAR AXLE
FRONT BASKET . . . . .	74521-G02 . . . . .	See BODY
GLOVE BOX DOOR . . . . .	75459-G0* . . . . .	See BODY
GUN HOLDER (FLOOR MOUNT) . . . . .	74365-G01 . . . . .	See BODY
GUN HOLDER (SWIVEL MOUNT) . . . . .	74533-G01 . . . . .	See BODY
HOUR METER KIT . . . . .	75114-G02 . . . . .	See ELECTRICAL SYSTEM
REAR VIEW MIRROR KIT . . . . .	19528-G2 . . . . .	See WEATHER PROTECTION
SOFT ENCLOSURE . . . . .	75492-G01 . . . . .	See WEATHER PROTECTION
SUN TOP KIT . . . . .	75123-G01 . . . . .	See WEATHER PROTECTION
TURN SIGNAL KIT . . . . .	75107-G01 . . . . .	See ELECTRICAL SYSTEM
WINDSHIELD (POLYCARBONATE) . . . . .	71966-G01 . . . . .	See WEATHER PROTECTION
TIRE DOMINATOR 20X11-10 . . . . .	605316 . . . . .	Wheels and Tires
PATHFINDER TIRE, BRUSHED WHEEL LH . . . . .	605355 . . . . .	Wheels and Tires
PATHFINDER TIRE, BRUSHED WHEEL RH . . . . .	605356 . . . . .	Wheels and Tires
V-STEM-BRUSHED SPOKED WHEEL . . . . .	605351 . . . . .	Wheels and Tires
DOMINATOR - POLISHED WHEEL . . . . .	605319 . . . . .	Wheels and Tires
DOMINATOR - BRUSHED WHEEL . . . . .	605320 . . . . .	Wheels and Tires
CHROME CENTER CAP - SPOKED WHEEL . . . . .	604929 . . . . .	Wheels and Tires
NUT, LUG-CHROME . . . . .	605310 . . . . .	Wheels and Tires
V-STEM-POLISHED SPOKED WHEEL . . . . .	605311 . . . . .	Wheels and Tires
PATHFINDER TIRE 22X11-10 . . . . .	604928 . . . . .	Wheels and Tires
PATHFINDER TIRE, POLISHED WHEEL LH . . . . .	604930 . . . . .	Wheels and Tires
PATHFINDER TIRE, POLISHED WHEEL RH . . . . .	605228 . . . . .	Wheels and Tires
WHEEL INSTL FRT/RR 20X9X10 STRYKER . . . . .	605664 . . . . .	Wheels and Tires
SEAT BTM COVER FRONT/REAR W/PIPPING . . . . .	604912GXXXX . . . . .	Seating
SEAT BACK FRNT/RR COVER - W/PIPPING . . . . .	604916GXXXX . . . . .	Seating
VINYL CVR-SEAT BTM CC W/PIPPING . . . . .	604920GXXXX . . . . .	Seating
SEAT BOTTOM CONV-CARR W/PIPPING . . . . .	605372GXXXX . . . . .	Seating
SEAT BACK CUST W/PIPPING . . . . .	605373GXXXX . . . . .	Seating
SEAT BOTTOM FRONT W/PIPPING . . . . .	605374GXXXX . . . . .	Seating

## OPTIONS/ACCESSORIES

ITEM	KIT NO.	COMMENTS
SEAT BOTTOM REAR W/PIPPING.....	605375GXXX.....	Seating

OPTIONS/ACCESSORIES



A Textron Company

E-Z-GO Division Of Textron, Inc.,  
1451 Marvin Griffin Road, Augusta, Georgia USA 30906-3852

**TO CONTACT US**

North America:

Technical Assistance & Warranty Phone: 1-800-774-3946, FAX: 1-800-448-8124  
Service Parts Phone: 1-888-GET-EZGO (1-888-438-3946), FAX: 1-800-752-6175

International:

Phone: 001-706-798-4311, FAX: 001-706-771-4609

Certified ISO 9001 / ISO 14001 by



Copyrighted Material  
This manual may not be reproduced in whole or  
in part without the express permission of  
E-Z-GO Division of Textron, Inc.  
Technical Communications Department