

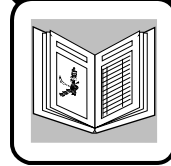
601029



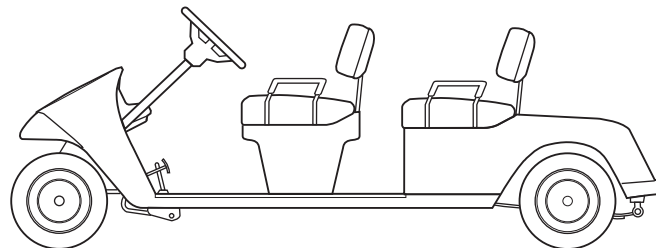
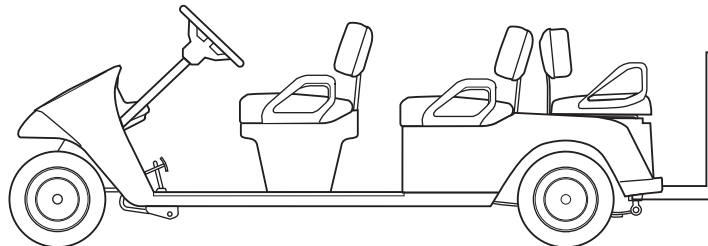
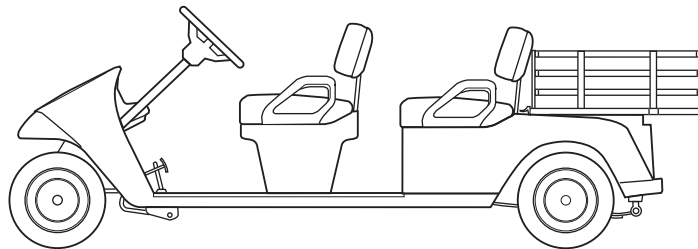
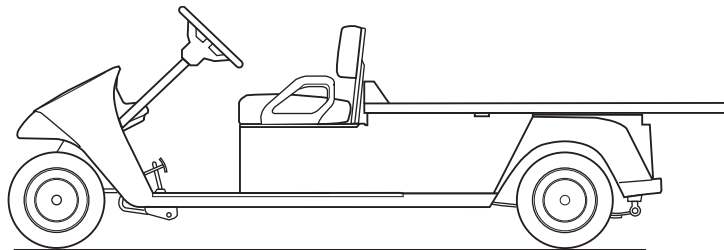
A Textron Company



A Textron Company



# SERVICE PARTS MANUAL



## ELECTRIC POWERED PERSONNEL CARRIERS AND GOLF CAR

ISSUED SEPTEMBER 2005 REVISED FEBRUARY 2011



# **SERVICE PARTS MANUAL**

## **ELECTRIC POWERED PERSONNEL CARRIERS AND GOLF CARS**

**SHUTTLE/BELLHOP 2**

**SHUTTLE/BELLHOP 4**

**SHUTTLE/BELLHOP 6**

**TE5**

**STARTING MODEL YEAR 2005**

DISCLAIMER: The E-Z-GO Division of Textron Inc. reserves the right to incorporate engineering and design changes to products in this Manual, without obligation to include these changes on units leased/sold previously.

The information contained in this Manual may be revised periodically by the E-Z-GO Division, and therefore is subject to change without notice.

The E-Z-GO Division **DISCLAIMS LIABILITY FOR ERRORS IN THIS MANUAL**, and the E-Z-GO Division **SPECIFICALLY DISCLAIMS LIABILITY FOR INCIDENTAL AND CONSEQUENTIAL DAMAGES** resulting from the use of the information and materials in this Manual.

**CUSTOMER SERVICE DEPARTMENT IN USA PHONE: 1-800-241-5855 FAX: 1-800-448-8124**

**OUTSIDE USA PHONE: 001-706-798-4311, FAX: 001-706-771-4609**

**E-Z-GO DIVISION OF TEXTRON, INC., 1451 MARVIN GRIFFIN RD., AUGUSTA, GEORGIA USA 30906**

## NOTES

To obtain a copy of the limited warranty applicable to the vehicle, call or write a local Distributor, authorized Branch or the Warranty Department with vehicle serial number and manufacturer code.

The use of non Original Equipment Manufacturer (OEM) parts may void the warranty.

Overfilling of batteries may void the warranty.

### BATTERY PROLONGED STORAGE

All batteries will self discharge over time. The rate of self discharge varies depending on the ambient temperature and the age and condition of the batteries.

A fully charged battery will not freeze in winter temperatures unless the temperature falls below -75° F (-60° C).

As with all electric vehicles, the batteries must be checked and recharged as required or at a minimum of 30 day intervals.

# TABLE OF CONTENTS

<b>SECTION</b>	<b>Page No.</b>
HOW TO USE THE SERVICE PARTS MANUAL .....	v
ILLUSTRATED PARTS BREAKDOWN .....	vii
ACCELERATOR .....	A-1
BATTERY CHARGER (PORTABLE).....	B-1
BODY.....	C-1
BRAKES .....	D-1
BRAKES - FRONT DISC .....	E-1
ELECTRICAL.....	F-1
ELECTRONIC SPEED CONTROL - PDS .....	G-1
FRONT SUSPENSION / STEERING.....	H-1
MOTOR .....	J-1
REAR AXLE.....	K-1
REAR SUSPENSION .....	L-1
SEATING .....	M-1
WEATHER PROTECTION .....	N-1
WHEELS AND TIRES .....	P-1
SPECIALTY PRODUCTS .....	APPENDIX A-1



# HOW TO USE THE SERVICE PARTS MANUAL

This manual is divided into several sections:

- GENERAL INFORMATION
- ILLUSTRATED PARTS BREAKDOWN
- APPENDIX

The first section, GENERAL INFORMATION, contains the following information:

- WARRANTY INFORMATION
- GENERAL INDEX
- HOW TO USE THE SERVICE PARTS MANUAL

The second section, ILLUSTRATED PARTS BREAKDOWN, contains illustrations and parts lists for all systems of your vehicle.

The third section, APPENDIX, contains a listing of specialty products and accessories.

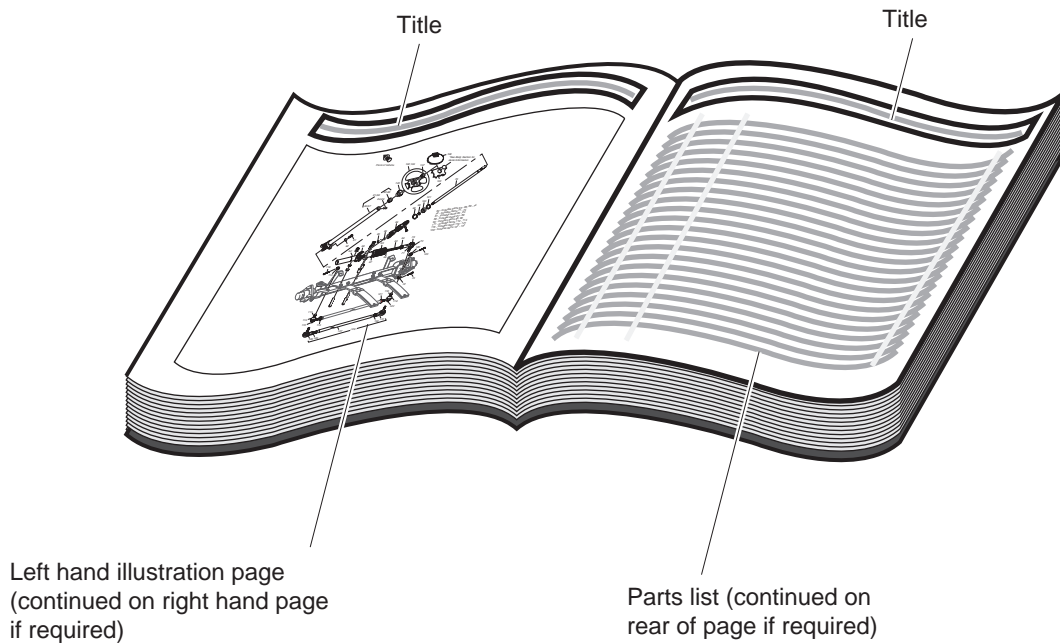
## USE OF THE MANUAL

To use this manual, consult the GENERAL INDEX to locate the information or illustration required.

Introduction of some revisions varies due to supply of components; therefore, it is possible that various combinations of components may be found that are not directly reflected by each illustration. Consult the illustration that best suits your situation and then contact the Service Parts Department. It is important that the serial number of your vehicle and its model number be supplied to Service Parts when ordering any replacement components.

Locate the serial number plate (see BODY located in the Illustrated Parts Breakdown section of this manual for its location) and note the complete number shown on the plate.

# HOW TO USE THE SERVICE PARTS MANUAL



## 1. WHEN THE PART NUMBER IS NOT KNOWN

- Determine the function and application of the part required. Turn to the General Index and select the most appropriate title.
- Turn to the page number indicated and locate the desired part on the illustration.
- From the illustration, obtain the item number assigned to the desired part. Refer to the accompanying description for specific information regarding the part.

## 2. IF YOU KNOW THE PART NUMBER

- Locate the part number or description in the appropriate column on the parts list page.

NOTE: It is suggested that you confirm that the part selected is correct by verifying it with the pictorial representation on the illustrated page.

Should an asterisk (\*) appear in the part number column on the parts list page, read upwards until a part number is found. The part number is the lowest assembly sold by Service Parts and the asterisk (\*) indicates that the part depicted is not available for purchase.

NOTE: Descriptions are indented under the assembly that they are used on. That assembly is, in turn listed under the assembly that it is used on. This process is repeated until the highest final assembly is reached.

**To facilitate the maintenance and repair of the vehicle, a Technician's Repair and Service Manual is available from the Service Parts Department.**

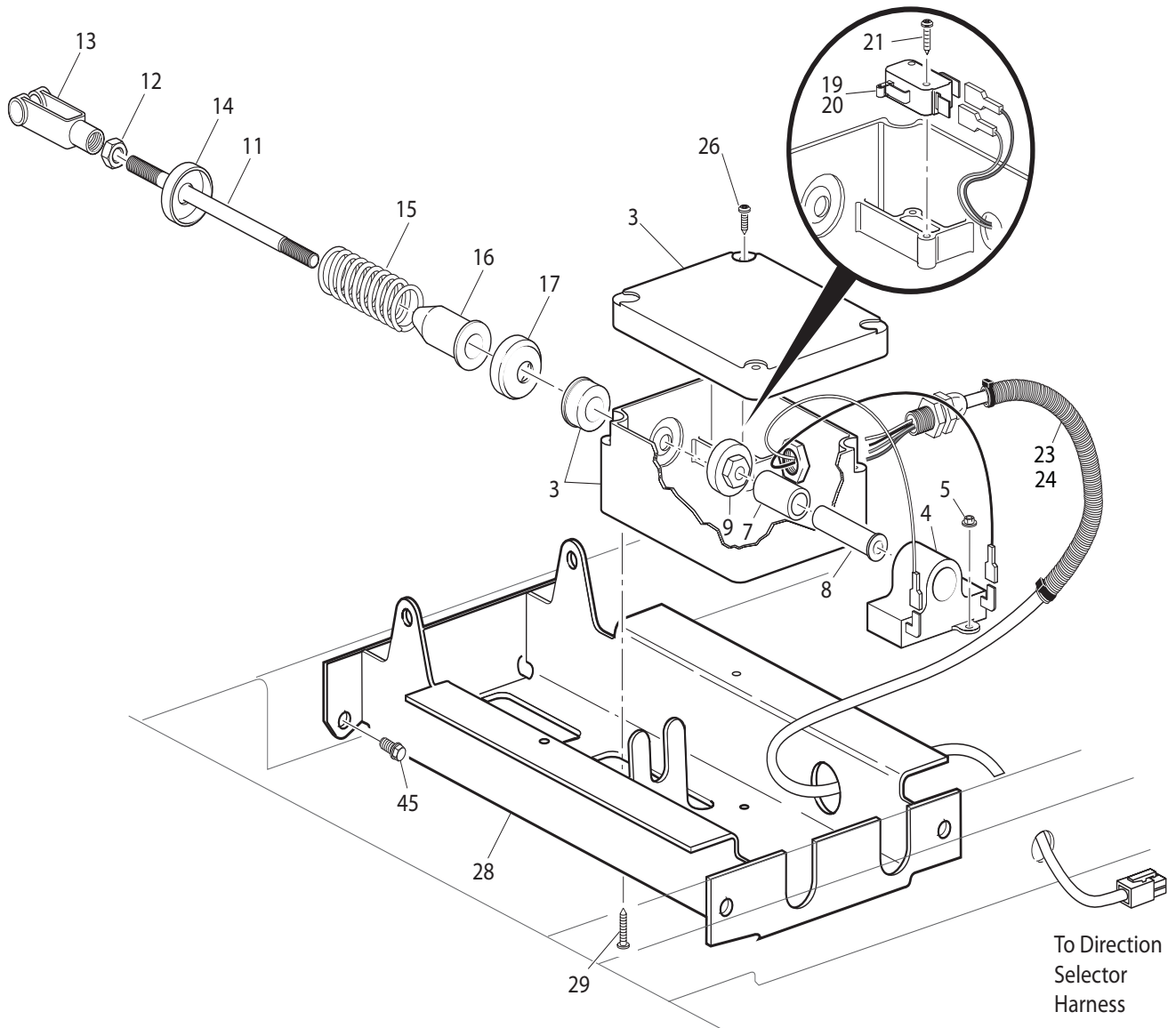


# **ILLUSTRATED PARTS BREAKDOWN**

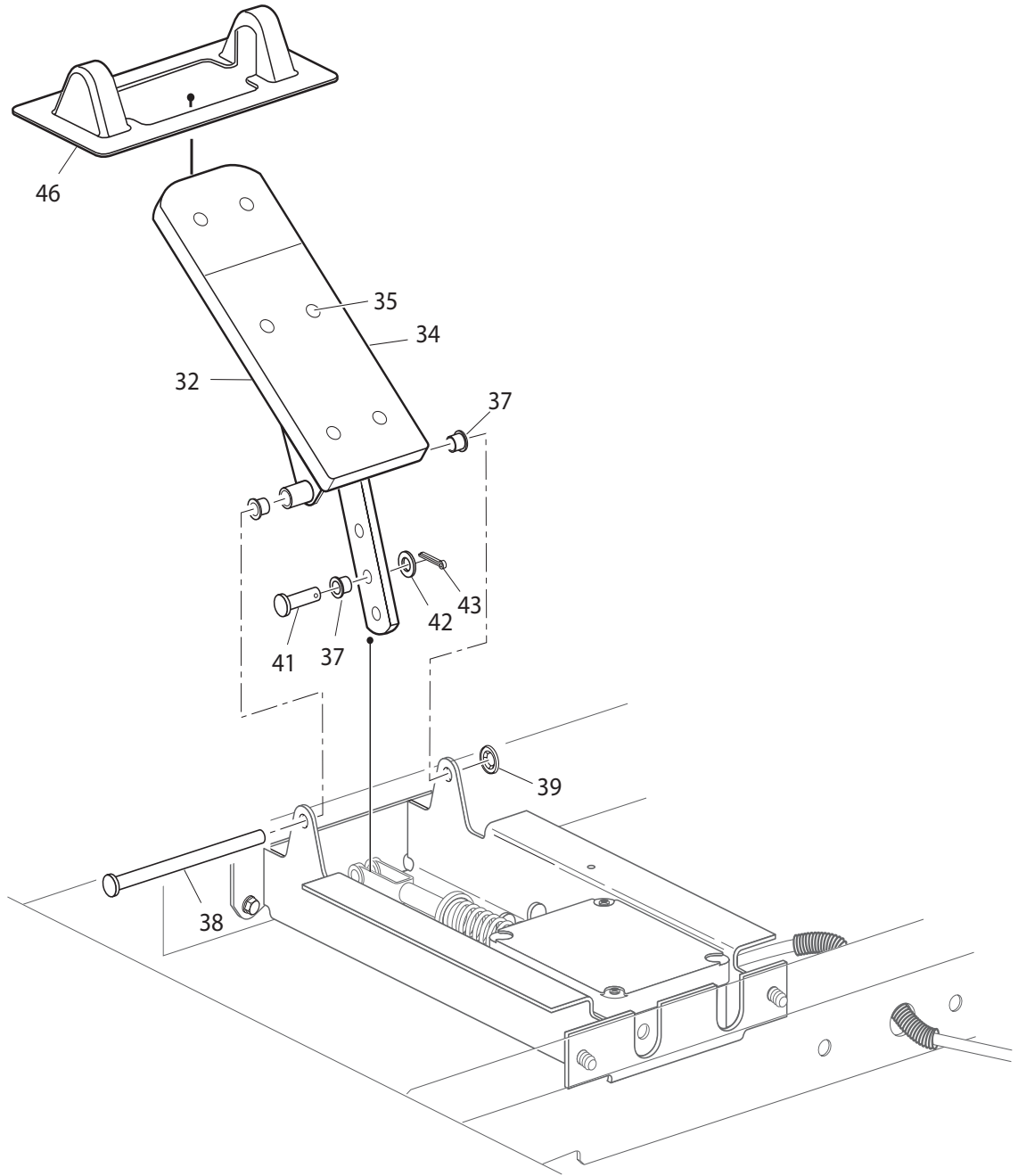
# **ILLUSTRATED PARTS BREAKDOWN**

# ACCELERATOR

- 1 - Includes Items 3 - 19, 21, 23, 26 - 43
- 2 - Includes Items 3 - 17, 20, 21, 24 - 43
- 31 - Includes Items 32 - 35
- 33 - Includes Items 34, 35



Ref Acl 7-1



# ACCELERATOR

When ordering parts, please specify the model and serial number of the product.

\* Indicates a component that is not available as an individual part.

G\*\* Indicates consult Customer Service Department for additional information.

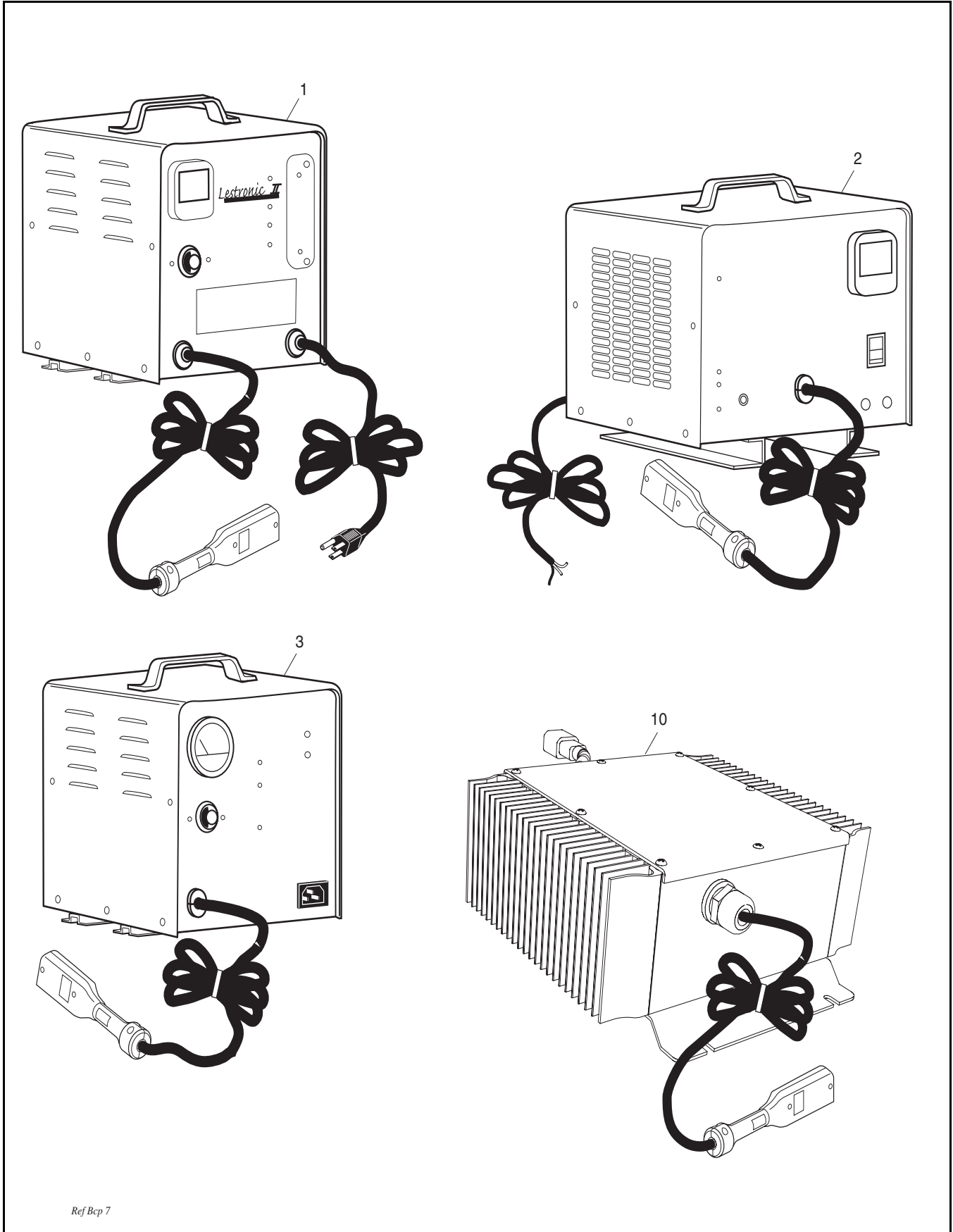
ITEM	PART NO.	1 2 3 4 5	DESCRIPTION	QTY.
1	<u>73333-G08</u>		PEDAL BOX ASSEMBLY (INCLUDES ITEMS 3 - 19, 21, 23, 26 - 43) .....	1
2	<u>73333-G07</u>		PEDAL BOX ASSEMBLY, PDS MODEL ONLY (INCLUDES ITEMS 3 - 17, 20, 21, 24 - 43) .....	1
3	<u>25853-G01</u>		PEDAL BOX AND COVER (SEAL AND BEARING) .....	1
4	<u>25854-G01</u>		INDUCTIVE THROTTLE SENSOR .....	1
5	<u>00983-G01</u>		SELF THREADING NUT, 3/16" .....	2
6				
7	<u>25857-G01</u>		PLUNGER SLEEVE.....	1
8	<u>28443-G01</u>		PLUNGER.....	1
9	<u>28444-G01</u>		PLUNGER CAM.....	1
10				
11	<u>73332-G01</u>		ACCELERATOR ROD .....	1
12	<u>00532-G4</u>		LOCK NUT, 5/16 - 24 .....	1
13	<u>10385-G4</u>		YOKE (ADJUSTABLE).....	1
14	<u>17677-G2</u>		SPRING RETAINER, 3/8" .....	1
15	<u>73046-G01</u>		COMPRESSION SPRING .....	1
16	<u>17979-G1</u>		ACCELERATOR ROD BUSHING .....	1
17	<u>17677-G1</u>		SPRING RETAINER, 1/2" .....	1
18				
19	<u>25861-G01</u>		MICRO SWITCH.....	1
20	<u>25861-G02</u>		MICRO SWITCH (PDS MODEL ONLY).....	1
21	<u>01050-G01</u>		SCREW, #4 - 20 X 5/8" LG .....	2
22				
23	<u>25879-G07</u>		WIRING HARNESS (PEDAL BOX ASSEMBLY) .....	1
24	<u>25879-G06</u>		WIRING HARNESS (PEDAL BOX ASSEMBLY) (PDS MODEL ONLY) .....	1
25				
26	<u>00684-G6</u>		SCREW, #8 - 32 X 3/4" LG .....	2
27				
28	<u>70116-G02</u>		ACCELERATOR PEDAL BRACKET.....	1
29	<u>01051-G01</u>		SCREW, #8 - 16 X 1/2" LG .....	4

# ACCELERATOR

When ordering parts, please specify the model and serial number of the product.  
 \* Indicates a component that is not available as an individual part.  
 G\*\* Indicates consult Customer Service Department for additional information.

ITEM	PART NO.	1	2	3	4	5	DESCRIPTION	QTY.
30								
31	<u>25799-G03</u>						ACCELERATOR PEDAL ASSEMBLY (INCLUDES ITEMS 32 - 35).....	1
32	*						ACCELERATOR PEDAL .....	1
33	<u>27844-G01</u>						ACCELERATOR PEDAL PAD KIT (INCLUDES ITEMS 34, 35).....	1
34	<u>27512-G01</u>						ACCELERATOR PEDAL PAD .....	1
35	<u>15766-G1</u>						OVAL RIVET 3/16" X 7/16" LG .....	6
36								
37	<u>17838-G1</u>						BUSHING.....	3
38	<u>74432-G01</u>						PEDAL PIVOT PIN .....	1
39	<u>12064-G6</u>						PUSHNUT, 9/32" I.D. ....	1
40								
41	<u>10386-G3</u>						CLEVIS PIN, 5/16" X 13/16" LG .....	1
42	<u>17255-G1</u>						TEFLON WASHER, 5/16" .....	1
43	<u>10387-G3</u>						COTTER PIN, 3/32" X 3/4" LG .....	1
44								
45	<u>00715-G2</u>						BOLT, 5/16 - 18 X 13/16" LG. ....	4
46	<u>70135-G01</u>						PEDAL PIVOT COVER.....	1

# BATTERY CHARGER (PORTABLE)



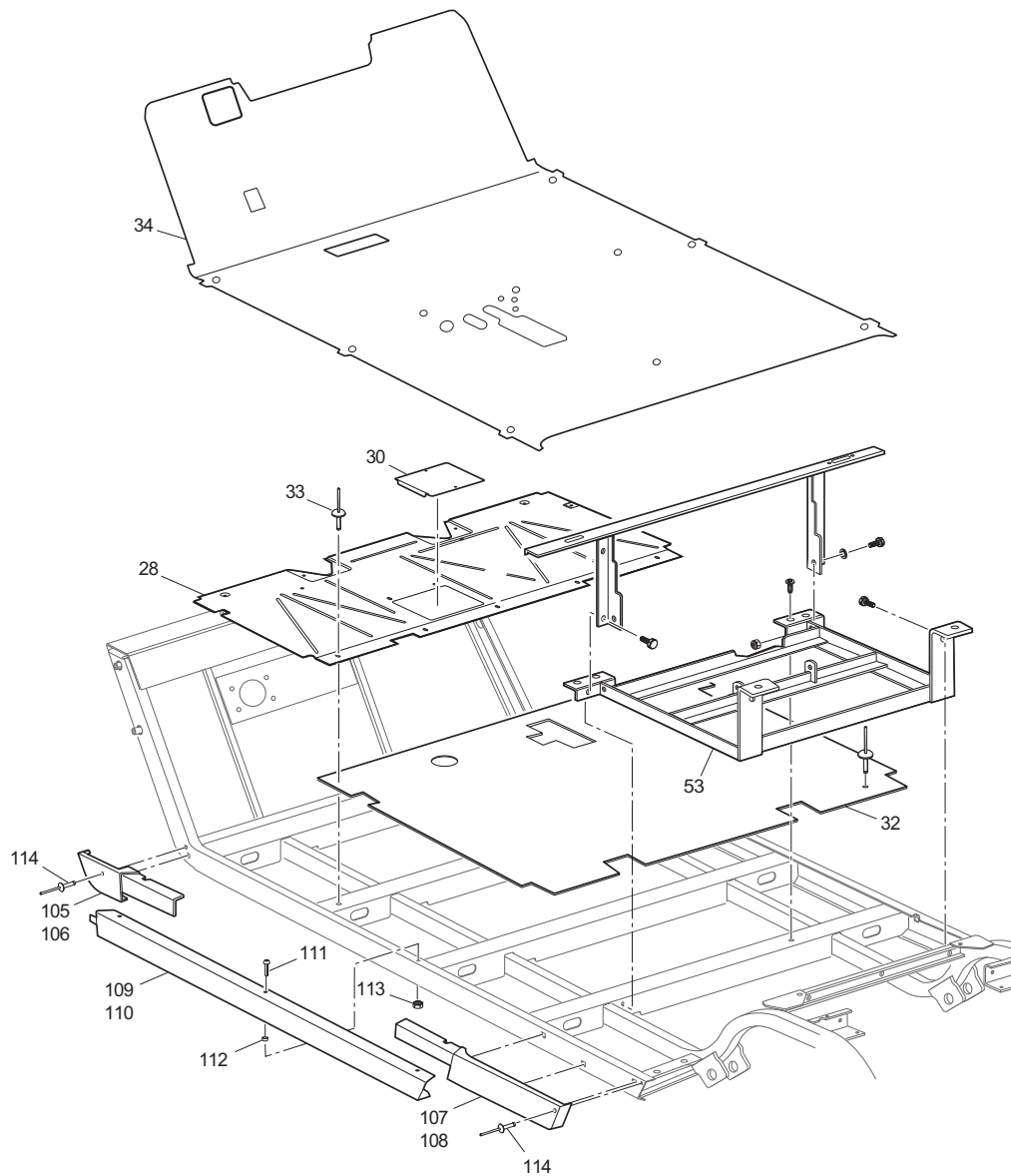
# BATTERY CHARGER (PORTABLE)

THE USE OF NON U.L. PARTS WILL VOID ANY U.L. LISTING.  
 When ordering parts, please specify the model and serial number of the product.  
 \* Indicates a component that is not available as an individual part.  
 G\*\* Indicates consult Customer Service Department for additional information.

ITEM	PART NO.	1	2	3	4	5	DESCRIPTION	QTY.
1	<u>28435-G03</u>						48V LESTER BATTERY CHARGER.....	1
2	<u>28435-G01</u>						48V LESTER BATTERY CHARGER WITH SWITCHABLE INPUT .....	1
3	<u>28435-G05</u>						48V LESTER BATTERY CHARGER CE APPROVED.....	1
							For service or replacement parts, contact: Lester Electrical 625 West "A" Street Lincoln, NE 68522  Phone: (402) 477-8988, FAX: (402) 474-1769  Always provide the following information when requesting information or ordering replacement parts:  Model Number: Serial Number: (stamped into housing)	
4								
5								
6								
7								
8								
9								
10	<u>600341-G03</u>						48V DELTA-Q BATTERY CHARGER WITH 10' DC CORD (INCLUDES ITEMS11-13 .....	1
11	<u>600340-G02</u>						48V DELTA-Q CHARGER .....	1
12	<u>600463-G02</u>						48V DC CABLE ASSEMBLY .....	1
13	<u>600462-G01</u>						AC POWER CORD (NOT SHOWN).....	1

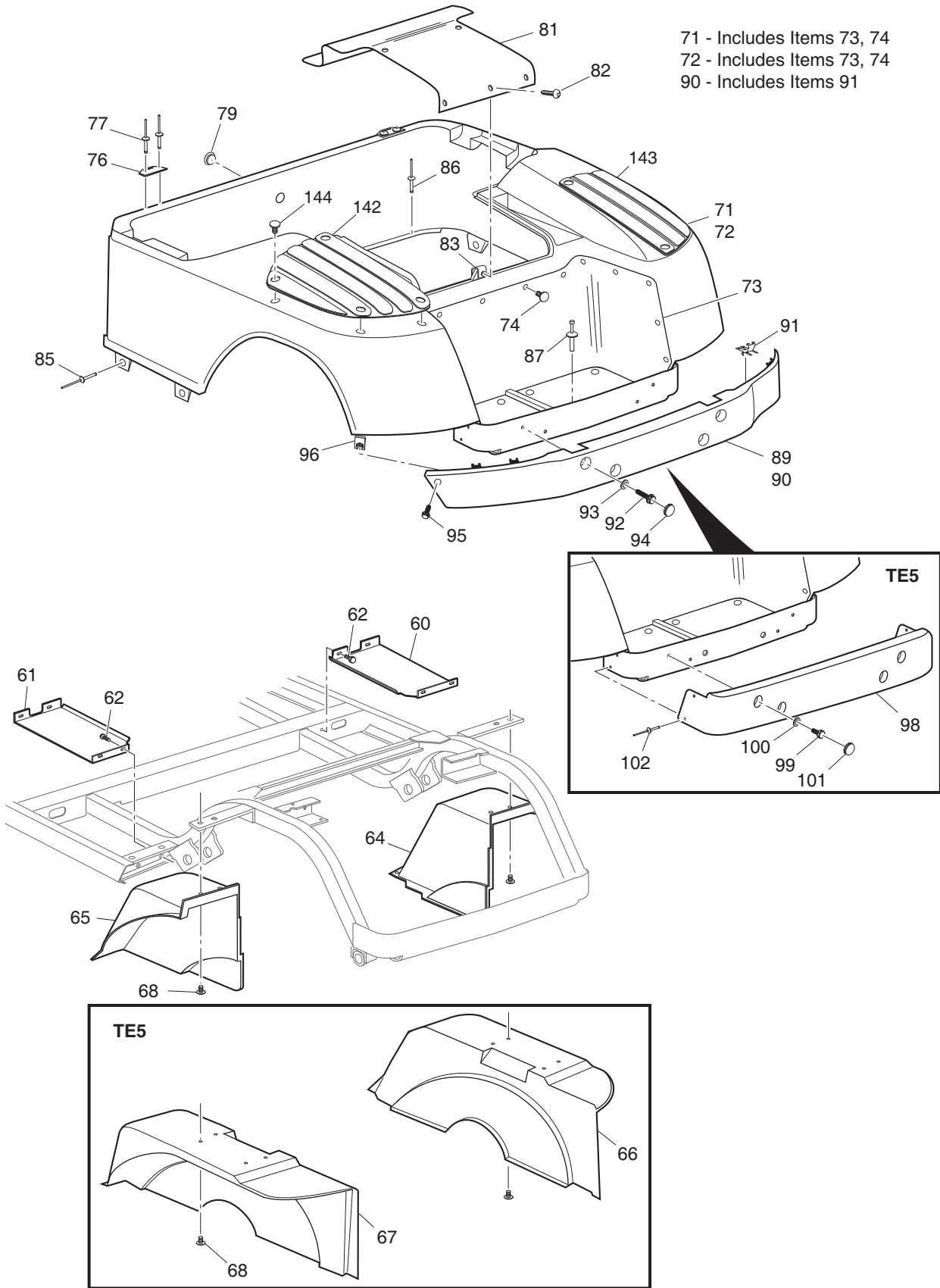




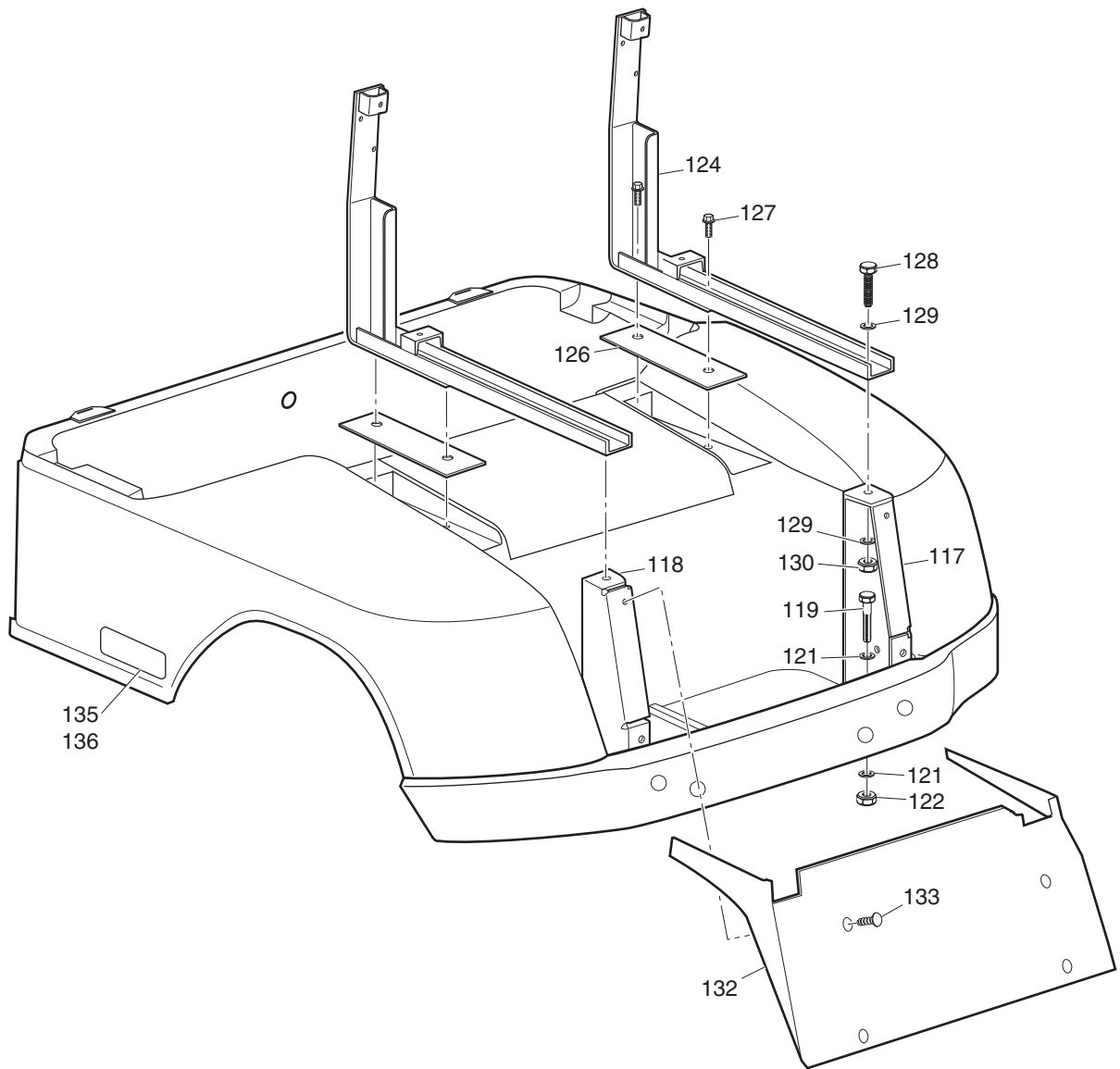


Ref Bod 7-2

# BODY

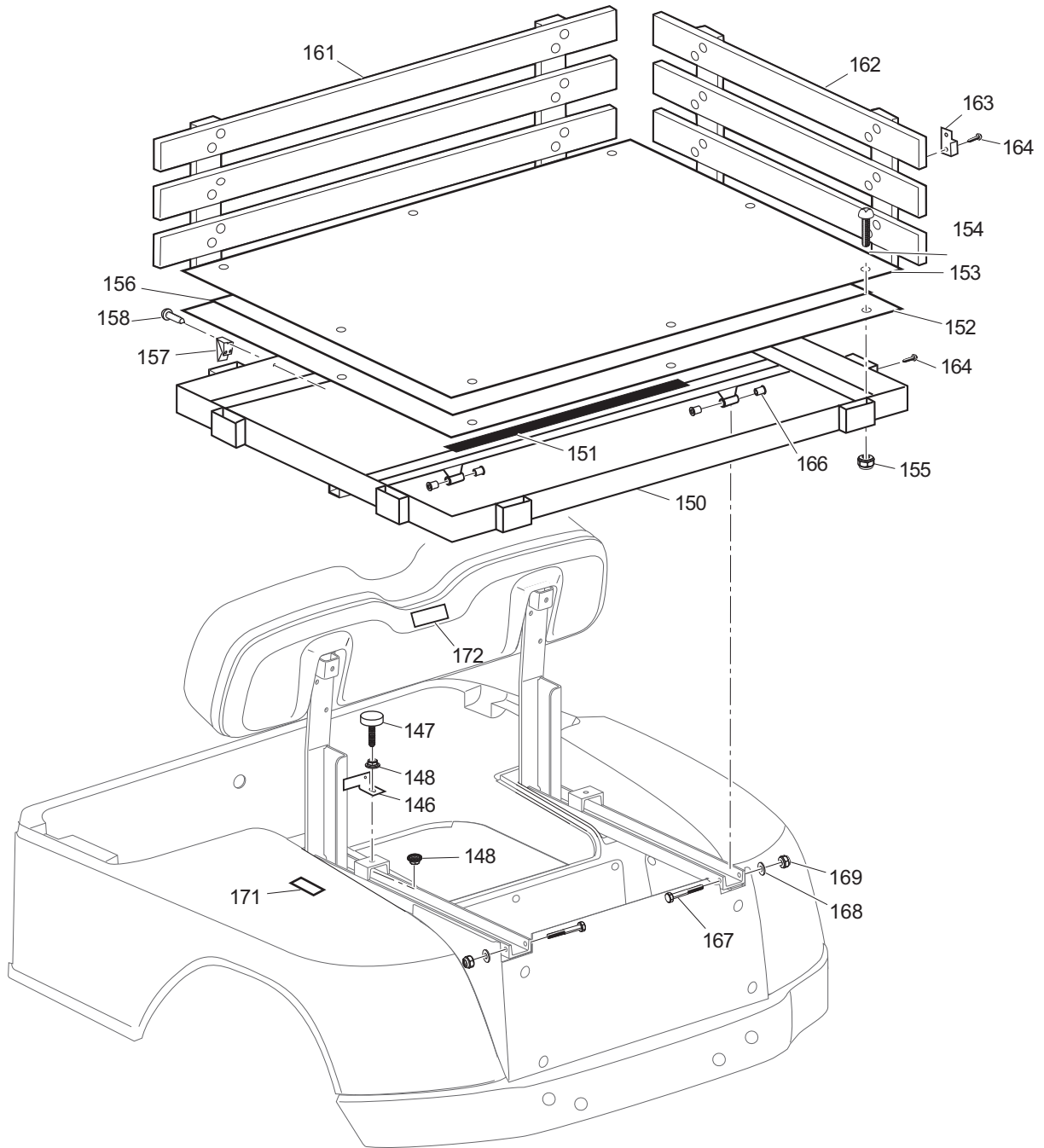


Ref Bod 7-3



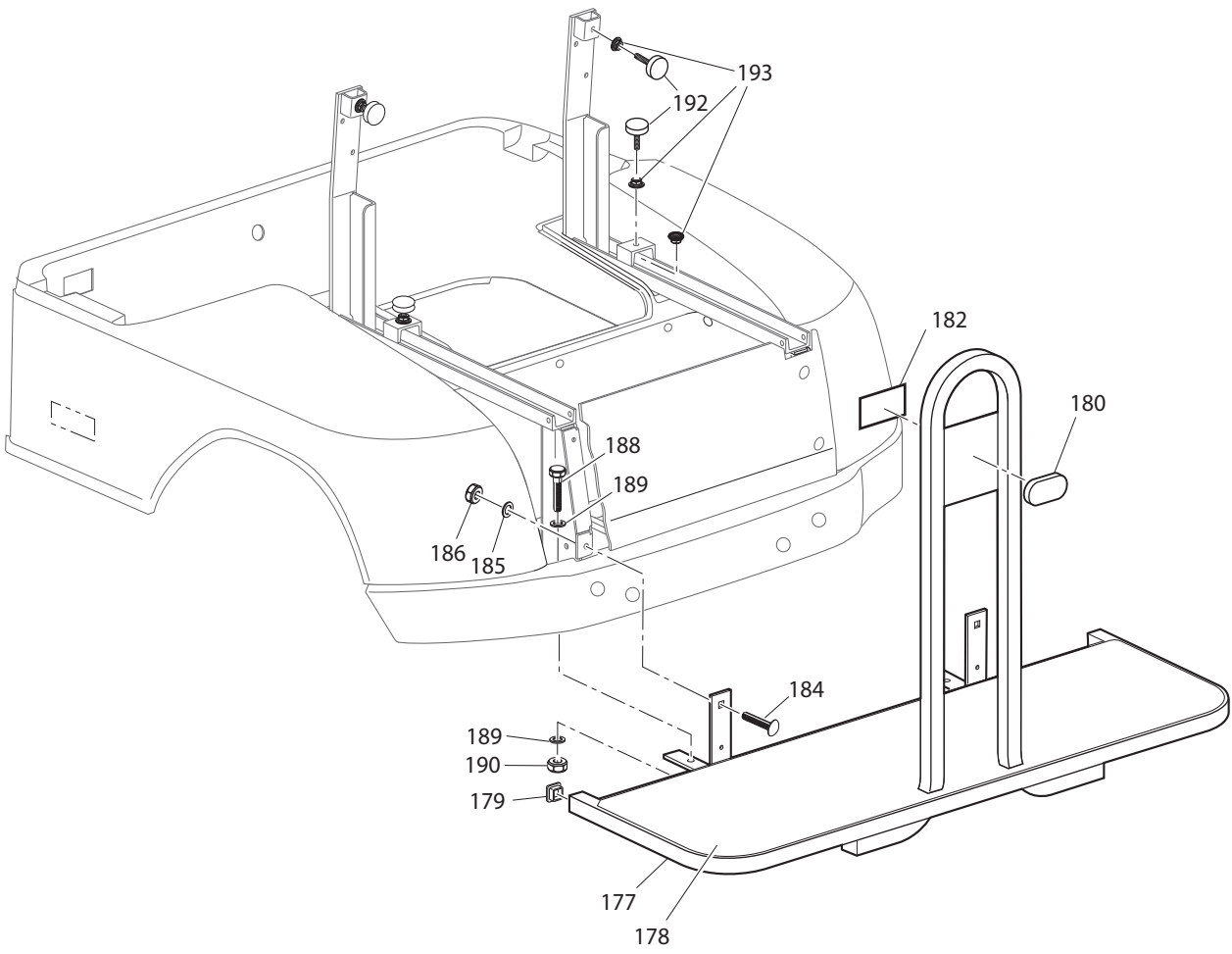
Ref Bod shtl 7-4

# BODY



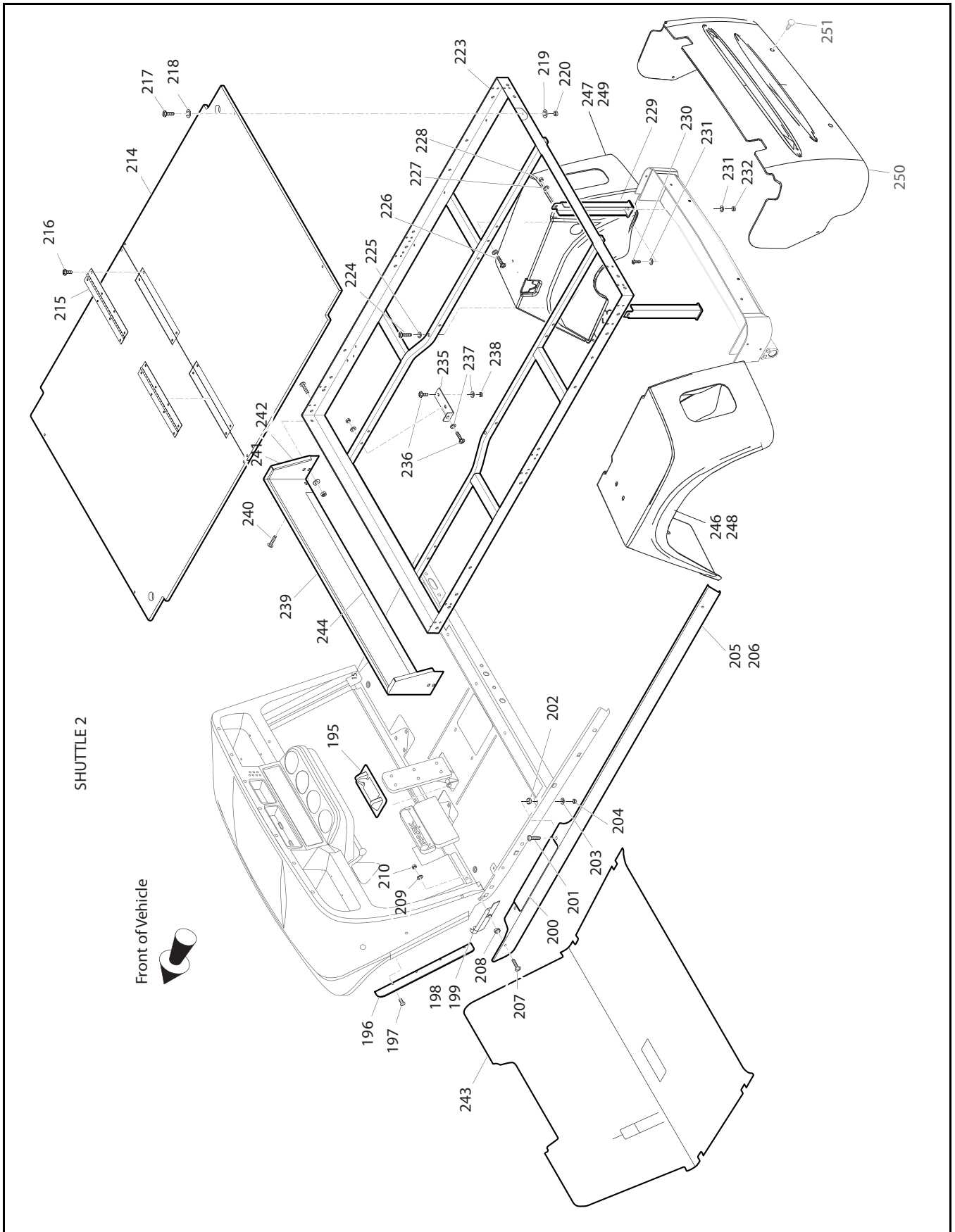
Ref Bod 7-5

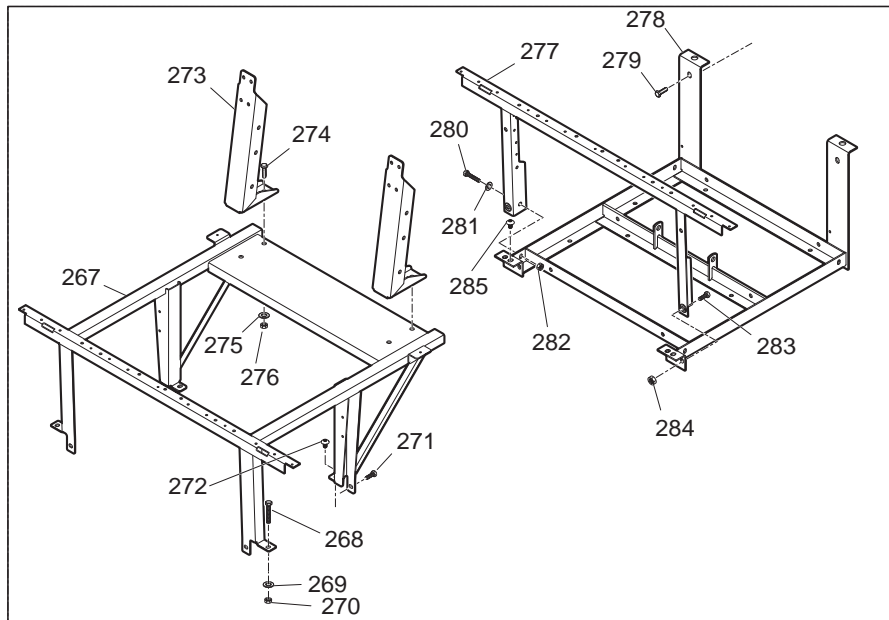
176 - Includes Items 177 - 179



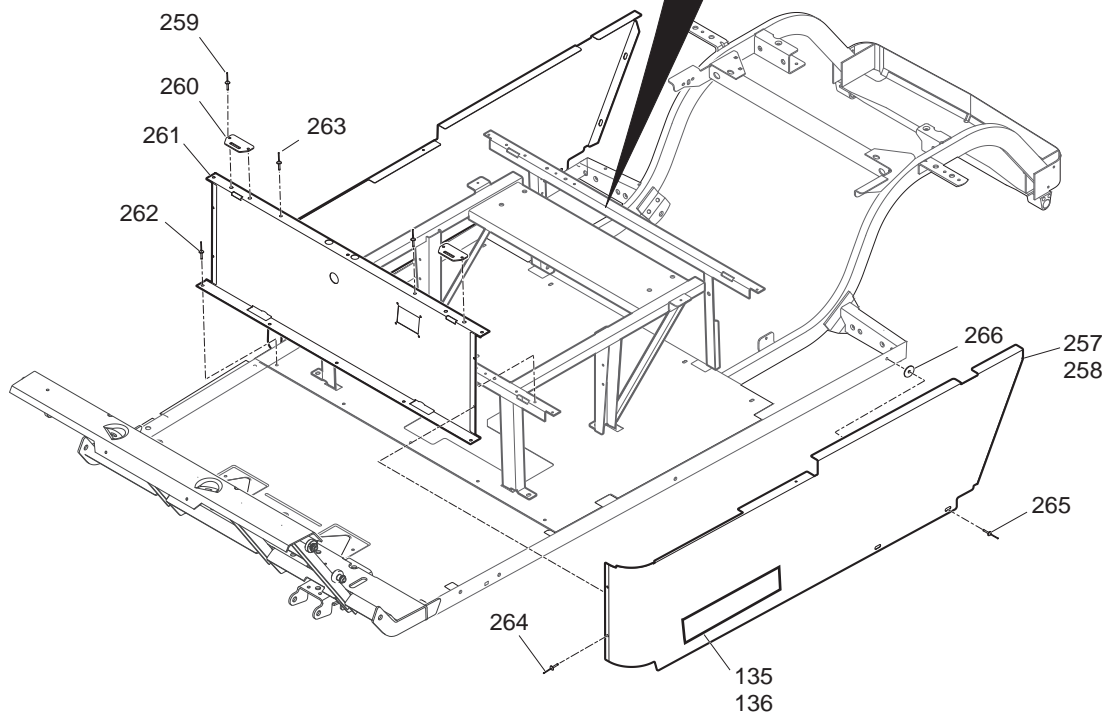
Ref Bod 7-6

# BODY





SHUTTLE 2



# BODY

THE USE OF NON U.L. PARTS WILL VOID ANY U.L. LISTING.  
 When ordering parts, please specify the model and serial number of the product.  
 \* Indicates a component that is not available as an individual part.  
 G\*\* Indicates consult Customer Service Department for additional information.

ITEM	PART NO.	1 2 3 4 5	DESCRIPTION	QTY.
1	<u>71151-G01</u>		INSTRUMENT PANEL ASSEMBLY (INCLUDES ITEMS 2 - 5) .....	1
2	<u>71153-G01</u>		DEFLECTOR (PASSENGER SIDE) .....	1
3	<u>71154-G01</u>		DEFLECTOR (DRIVER SIDE).....	1
4	<u>00614-G5</u>		SCREW, #8 - 18 X 5/8" LG .....	6
5	<u>71158-G01</u>		INSTRUMENT PANEL INSERT (4 CUP HOLDER).....	1
6				
7	<u>74443-G01</u>		LABEL (ANTI-ROLLBACK) .....	1
8	<u>70878-G01</u>		LABEL (SAFETY) (SHUTTLE).....	1
9	<u>35964-G01</u>		LABEL (SAFETY) (TE5).....	1
10				
11				
12				
13				
14				
15				
16				
17				
18	<u>71413-G01</u>		SPLASH PANEL.....	1
19	<u>16816-G2</u>		RATCHET FASTENER, 1/4" X 3/4" LG .....	5
20				
21	<u>70725-G01</u>		FRONT SHIELD BRACE.....	2
22	<u>27166-G04</u>		FRONT SHIELD .....	1
23	<u>01038-G01</u>		BOLT, 1/4 - 20 X 11/16" LG .....	4
24	<u>16469-G1</u>		WASHER, 1/4" .....	2
25	<u>01057-G01</u>		RIVET, KTR, 1/4" X 3/4" LG .....	2
26				
27	<u>70662-G01</u>		UPPER FLOORPAN.....	1
28	<u>70451-G01</u>		LOWER FLOORPAN.....	1
29	<u>14601-G11</u>		RIVET, 3/16" X 9/16" LG (ALUMINUM).....	16
30	<u>70452-G01</u>		ACCESS COVER.....	1



THE USE OF NON U.L. PARTS WILL VOID ANY U.L. LISTING.  
 When ordering parts, please specify the model and serial number of the product.  
 \* Indicates a component that is not available as an individual part.  
 G\*\* Indicates consult Customer Service Department for additional information.

ITEM	PART NO.	1 2 3 4 5	DESCRIPTION	QTY.
31				
32	<u>70823-G01</u>		REAR FLOORPAN .....	1
33	<u>10570-G10</u>		RIVET, 5/32" X 9/16" LG (STAINLESS STEEL) .....	5
34	70668-G0*		FLOORMAT .....	1
35				
36				
37	71051-G**		COWL.....	1
38	<u>71037-G02</u>		E-Z-GO NAMEPLATE (GOLD).....	1
39	<u>71597-G01</u>		PUSHNUT, 3/16" .....	2
40				
41	<u>71055-G01</u>		RIVET, 3/16" X 1" LG .....	9
42	<u>10570-G11</u>		RIVET, 3/16" X 3/4" LG (STAINLESS STEEL) .....	2
43	<u>71056-G01</u>		BOLT, 5/16 - 18 X 5/8" LG (WITHOUT SUN TOP).....	4
44	<u>00570-G2</u>		WASHER, 5/16 (WITHOUT SUN TOP).....	4
45	00438-G6		BOLT, 5/16 - 18 X 5/8" LG (WITHOUT SUN TOP).....	4
46	<u>00571-G2</u>		WASHER, 5/16 (WITHOUT SUN TOP).....	4
47				
48	<u>71115-G01</u>		VINYL TRIM .....	2
49	<u>71055-G01</u>		RIVET, 3/16" X 1" LG .....	10
50				
51				
52				
53	<u>607841</u>		BATTERY RACK ( GALVANIZED).....	1
54				
55				
56				
57				
58				
59				
60	<u>70385-G01</u>		SPLASH PAN (PASSENGER SIDE) .....	1

# BODY

THE USE OF NON U.L. PARTS WILL VOID ANY U.L. LISTING.  
 When ordering parts, please specify the model and serial number of the product.  
 \* Indicates a component that is not available as an individual part.  
 G\*\* Indicates consult Customer Service Department for additional information.

ITEM	PART NO.	1 2 3 4 5	DESCRIPTION	QTY.
61	<u>70385-G02</u>		SPLASH PAN (DRIVER SIDE).....	1
62	<u>00715-G2</u>		BOLT, 5/16 - 18 X 13/16" LG .....	8
63				
64	<u>71812-G01</u>		FENDER LINER (PASSENGER SIDE) (SHUTTLE) .....	1
65	<u>71812-G02</u>		FENDER LINER (DRIVER SIDE) (SHUTTLE).....	1
66	<u>71551-G05</u>		FENDER LINER, EXTENDED (PASSENGER SIDE) (TE5).....	1
67	<u>71552-G05</u>		FENDER LINER, EXTENDED (DRIVER SIDE) (TE5) .....	1
68	<u>16816-G2</u>		RATCHET FASTENER, 1/4" X 3/4" LG (SHUTTLE - QTY 4) (TE5 - QTY 8) .....	AR
69				
70				
71	71332-G**		REAR BODY ASSEMBLY (WITH TAILLIGHTS) (INCLUDES ITEMS 73, 74).....	1
72	71912-G**		REAR BODY ASSEMBLY (W/OUT TAILLIGHTS) (INCLUDES ITEMS 73, 74) ..	1
73	71318-G01		BAGWELL LINER .....	1
74	<u>16816-G1</u>		RATCHET FASTENER, 1/4" X 9/16" LG .....	12
75				
76	<u>71609-G01</u>		HINGE PLATE .....	2
77	<u>10570-G11</u>		RIVET, 3/16" X 3/4" LG (STAINLESS STEEL) .....	4
78				
79	<u>71316-G01</u>		PLUG.....	1
80				
81	<u>71320-G01</u>		ACCESS PANEL .....	1
82	<u>01107-G01</u>		SCREW, #8 X 5/8" LG .....	5
83	<u>71364-G02</u>		'J' CLIP .....	1
84				
85	10570-G12		RIVET, 1/4" X 9/16" LG (ALUMINUM).....	4
86	<u>10570-G10</u>		RIVET, 5/32" X 9/16" LG (STAINLESS STEEL) .....	6
87	<u>18436-G1</u>		PLASTIC DRIVE RIVET, 1/4" X 9/16" LG .....	2
88				
89	<u>71451-G02</u>		REAR BUMPER (SHUTTLE 4, TE5 PDS) (INCLUDES ITEMS 90 & 91) .....	1
90	71451-G01		REAR BUMPER.....	1

THE USE OF NON U.L. PARTS WILL VOID ANY U.L. LISTING.  
 When ordering parts, please specify the model and serial number of the product.  
 \* Indicates a component that is not available as an individual part.  
 G\*\* Indicates consult Customer Service Department for additional information.

ITEM	PART NO.	1 2 3 4 5	DESCRIPTION	QTY.
91	<u>71457-G01</u>		STAY .....	4
92	71398-G01		BOLT, 1/4 - 20 X 1 1/4" LG (SHUTTLE 4 - QTY 4) (SHUTTLE 6 - QTY 2) .....	AR
93	<u>00571-G2</u>		WASHER, 5/16" (SHUTTLE 4 - QTY 4) (SHUTTLE 6 - QTY 2).....	AR
94	<u>71455-G01</u>		BUMPER PLUG .....	4
95	<u>71102-G03</u>		BOLT, 1/4 - 20 x 11/16" LG .....	2
96	<u>71554-G01</u>		J-TYPE NUT RETAINER, 1/4 - 20.....	2
97				
98	<u>71578-G01</u>		REAR BUMPER (TE5).....	1
99	<u>71102-G01</u>		BOLT, 1/4 - 20 X 3/4" LG .....	4
100	<u>00571-G2</u>		WASHER, 5/16" .....	4
101	<u>71514-G01</u>		BUMPER PLUG .....	4
102	14601-G17		RIVET, 3/16" X 9/16" LG (ALUMINUM).....	4
103				
104				
105	<u>71642-G01</u>		ROCKER PANEL (FRONT, DRIVER SIDE) .....	1
106	<u>71642-G02</u>		ROCKER PANEL (FRONT, PASSENGER SIDE).....	1
107	<u>71643-G01</u>		ROCKER PANEL (REAR, DRIVER SIDE) .....	1
108	<u>71643-G02</u>		ROCKER PANEL (REAR, PASSENGER SIDE).....	1
109	<u>71641-G01</u>		SILL PLATE (PASSENGER SIDE).....	1
110	<u>71641-G02</u>		SILL PLATE (DRIVER SIDE).....	1
111	<u>16705-G1</u>		SCREW, 1/4 - 20 X 1" LG (STAINLESS STEEL) .....	6
112	<u>23726-G4</u>		SPACER, 5/16".....	6
113	<u>00891-G2</u>		LOCK NUT, 1/4 - 20 .....	6
114	<u>15058-G6</u>		RIVET, 3/16" X 15/16" LG (ALUMINUM).....	4
115				
116				
117	<u>74126-G01</u>		VERTICAL FRAME SUPPORT (PASSENGER SIDE).....	1
118	<u>74126-G02</u>		VERTICAL FRAME SUPPORT (DRIVER SIDE).....	1
119	<u>00427-G4</u>		BOLT, 3/8 - 16 X 1 1/2" LG (SHUTTLE 4) .....	2
120				

# BODY

THE USE OF NON U.L. PARTS WILL VOID ANY U.L. LISTING.  
 When ordering parts, please specify the model and serial number of the product.  
 \* Indicates a component that is not available as an individual part.  
 G\*\* Indicates consult Customer Service Department for additional information.

ITEM	PART NO.	1 2 3 4 5	DESCRIPTION	QTY.
121	<u>00560-G1</u>		WASHER, 3/8" .....	4
122	<u>11098-G5</u>		LOCK NUT, 3/8 - 16 .....	2
123				
124	<u>74111-G01</u>		SEAT BACK SUPPORT (SHUTTLE) .....	2
125				
126	<u>70364-G01</u>		SPACER (TE5 & SHUTTLE 6) .....	2
127	<u>01006-G02</u>		BOLT, 3/8 - 16 X 1 1/4" LG .....	4
128	<u>00426-G8</u>		BOLT, 3/8 - 16 X 1" LG .....	2
129	<u>00560-G1</u>		WASHER, 3/8" .....	4
130	<u>11098-G5</u>		LOCK NUT, 3/8 - 16 .....	2
131				
132	<u>74149-G01</u>		VALANCE PANEL .....	1
133	<u>16816-G2</u>		RATCHET FASTENER, 1/4" X 3/4" LG .....	4
134				
135	600815		LABEL (E-Z-GO SHUTTLE).....	2
136	<u>600809</u>		LABEL (CUSHMAN BELLHOP).....	2
137				
138				
139				
140				
141				
142	<u>75126-G01</u>		FENDER SCUFFGUARD (DRIVER SIDE) (TE5) .....	1
143	<u>75126-G02</u>		FENDER SCUFFGUARD (PASSENGER SIDE) (TE5).....	1
144	<u>16816-G2</u>		RATCHET FASTENER, 1/4" X 3/4" LG .....	8
145				
146	<u>72914-G01</u>		HOLD DOWN BRACKET .....	1
147	<u>70113-G01</u>		ADJUSTABLE BUMPER .....	2
148	<u>11027-G1</u>		LOCK NUT, 5/16 - 18 .....	4
149				
150	<u>74080-G01</u>		CARGO DECK .....	1

THE USE OF NON U.L. PARTS WILL VOID ANY U.L. LISTING.  
 When ordering parts, please specify the model and serial number of the product.  
 \* Indicates a component that is not available as an individual part.  
 G\*\* Indicates consult Customer Service Department for additional information.

ITEM	PART NO.	1 2 3 4 5	DESCRIPTION	QTY.
151	23052-G1		NOISE SUPPRESSOR .....	1
152	<u>74082-G01</u>		STEEL DECK .....	1
153	<u>74097-G01</u>		CARGO BED MAT .....	1
154	16705-G3		SCREW, 1/4 - 20 X 3/4" LG (STAINLESS STEEL) .....	8
155	<u>14390-G4</u>		LOCK NUT, 1/4 - 20 .....	8
156	<u>608984</u>		TAPE, DOUBLE SIDED.....	40"
157	72913-G01		LATCH.....	1
158	<u>00100-G6</u>		SCREW - # 10-16 X 3/4 HW - SDT - ZP .....	3
159				
160				
161	<u>34280-G02</u>		FRONT/REAR CARGO RACK.....	2
162	<u>34280-G01</u>		SIDE CARGO RACK.....	2
163	74079-G01		TAILGATE RETAINER BRACKET .....	2
164	00666-G6		SCREW, #10 - 12 X 3/4" LG.....	10
165				
166	<u>17838-G1</u>		BUSHING .....	4
167	<u>00440-G4</u>		BOLT, 5/16 - 18 X 2 1/2" LG .....	2
168	00559-G8		WASHER, 5/16" .....	2
169	11098-G6		LOCK NUT, 5/16 - 18 .....	2
170				
171	<u>74099-G01</u>		LABEL (WARNING) (BED LATCH - SHUTTLE 4).....	1
172	<u>74095-G01</u>		LABEL (WARNING) (LOAD BED - SHUTTLE 4) .....	1
173				
174				
175				
176	<u>70361-G02</u>		FOOT REST ASSEMBLY (INCLUDES ITEMS 177 & 178).....	1
177	<u>70633-G01</u>		FOOT REST .....	1
178	<u>70362-G01</u>		FLOOR MAT .....	1
179	<u>19853-G1</u>		END CAP .....	2
180	74129-G01		REFLECTOR.....	1

# BODY

THE USE OF NON U.L. PARTS WILL VOID ANY U.L. LISTING.  
 When ordering parts, please specify the model and serial number of the product.  
 \* Indicates a component that is not available as an individual part.  
 G\*\* Indicates consult Customer Service Department for additional information.

ITEM	PART NO.	1 2 3 4 5	DESCRIPTION	QTY.
181				
182	<u>74074-G01</u>		LABEL (WARNING) (EC) .....	1
183				
184	<u>00769-G2</u>		CARRIAGE BOLT, 3/8 - 16 X 1 1/4" LG .....	2
185	<u>00560-G1</u>		WASHER, 3/8" .....	2
186	<u>11098-G5</u>		LOCK NUT, 3/8 - 16 .....	2
187				
188	<u>00427-G6</u>		BOLT, 3/8 - 16 X 1 3/4" LG .....	2
189	<u>00560-G1</u>		WASHER, 3/8" .....	4
190	<u>11098-G5</u>		LOCK NUT, 3/8 - 16 .....	2
191				
192	<u>70113-G01</u>		ADJUSTABLE BUMPER .....	4
193	<u>11027-G1</u>		LOCK NUT, 5/16 - 18 .....	6
194				
195	<u>70135-G01</u>		PEDAL PIVOT COVER .....	1
196	<u>600776-G01</u>		FENDER FLAIR .....	2
197	<u>16816-G2</u>		RATCHET FASTENER, 1/4" X 3/4" LG .....	8
198	<u>71424-G01</u>		SPACER, DRIVER SIDE .....	1
199	<u>71424-G02</u>		SPACER, PASSENGER SIDE .....	1
200	<u>71764-G01</u>		SILL PLATE TREAD .....	2
201	<u>16705-G1</u>		SCREW, 1/4 - 20 X 1" LG (STAINLESS STEEL) .....	4
202	<u>23726-G2</u>		SPACER, 1/4" .....	4
203	<u>00559-G7</u>		WASHER, 1/4" .....	4
204	<u>14390-G4</u>		LOCK NUT, 1/4 - 20 .....	4
205	<u>600035-G01</u>		ROCKER PANEL, DRIVER SIDE .....	1
206	<u>600035-G02</u>		ROCKER PANEL, PASSENGER SIDE .....	1
207	<u>00789-G2</u>		SCREW, #10 - 24 X 1 1/4 LG .....	4
208	<u>23726-G2</u>		SPACER, 1/4" .....	4
209	<u>00660-G5</u>		WASHER, #10 .....	4
210	<u>14390-G10</u>		LOCK NUT, #10-24" .....	4

THE USE OF NON U.L. PARTS WILL VOID ANY U.L. LISTING.  
 When ordering parts, please specify the model and serial number of the product.  
 \* Indicates a component that is not available as an individual part.  
 G\*\* Indicates consult Customer Service Department for additional information.

ITEM	PART NO.	1 2 3 4 5	DESCRIPTION	QTY.
211				
212				
213				
214	<u>72966-G01</u>		CARGO DECK .....	2
215	<u>33121-G01</u>		HINGE .....	2
216	16705-G3		SCREW, 1/4 - 20 X 3/4" LG (STAINLESS STEEL) .....	16
217	<u>16705-G9</u>		SCREW, 1/4 - 20 X 1 1/4" LG (STAINLESS STEEL) .....	4
218	<u>00559-G7</u>		WASHER, 1/4" .....	4
219	<u>00559-G7</u>		WASHER, 1/4" .....	4
220	<u>00654-G2</u>		LOCK NUT, 1/4 - 20 .....	4
221				
222				
223	<u>72956-G01</u>		BED FRAME .....	1
224	<u>01075-G01</u>		SCREW, 3/8 - 16 X 2 3/4" LG.....	2
225	<u>00571-G3</u>		WASHER, 3/8.....	2
226	<u>00439-G6</u>		SCREW, 5/16 - 18 X 1 3/4" LG.....	4
227	00559-G8		WASHER, 5/16.....	8
228	11098-G6		LOCK NUT, 5/16 - 18 .....	4
229	<u>72982-G01</u>		BRACKET .....	2
230	00438-G6		BOLT, 5/16 - 18 X 3/4" LG .....	2
231	00559-G8		WASHER, 5/16.....	4
232	11098-G6		LOCK NUT, 5/16 - 18 .....	2
233				
234				
235	<u>72983-G01</u>		BED MOUNT BRACKET .....	2
236	16705-G3		SCREW, 1/4 - 20 X 3/4" LG (STAINLESS STEEL) .....	4
237	<u>00559-G7</u>		WASHER, 1/4" .....	4
238	<u>00654-G2</u>		LOCK NUT, 1/4 - 20 .....	4
239	<u>72967-G01</u>		BULKHEAD .....	1
240	16705-G3		SCREW, 1/4 - 20 X 3/4" LG (STAINLESS STEEL) .....	4

# BODY

THE USE OF NON U.L. PARTS WILL VOID ANY U.L. LISTING.

When ordering parts, please specify the model and serial number of the product.

\* Indicates a component that is not available as an individual part.

G\*\* Indicates consult Customer Service Department for additional information.

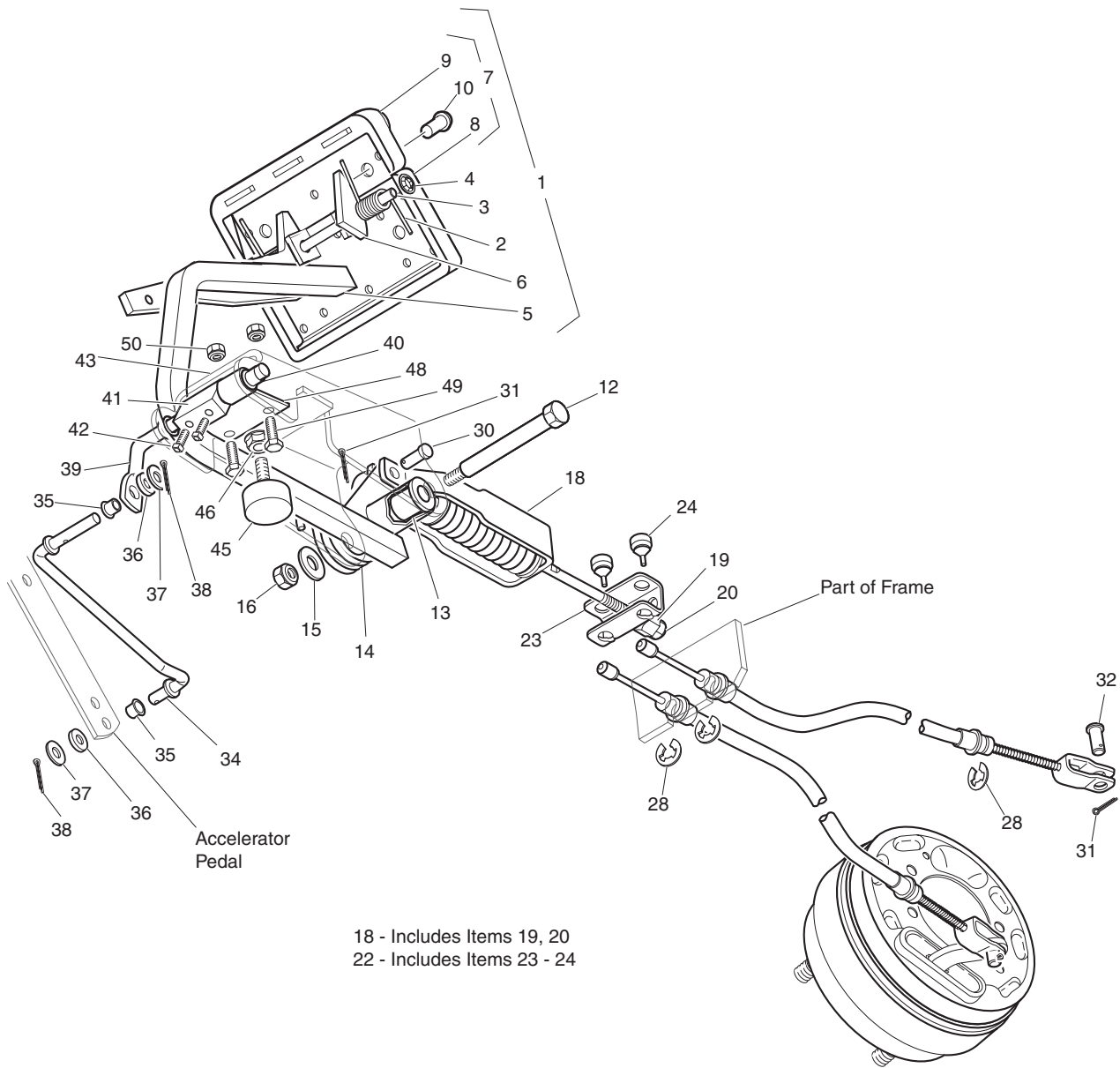
ITEM	PART NO.	1 2 3 4 5	DESCRIPTION	QTY.
241	<u>00559-G7</u>		WASHER, 1/4" .....	4
242	<u>00654-G2</u>		LOCK NUT, 1/4 - 20 .....	4
243	<u>70663-G03</u>		FLOORMAT .....	1
244	22524-G1		FOAM TAPE .....	40"
245				
246	<u>74892-G01</u>		FENDER (DRIVER SIDE) .....	1
247	<u>74892-G02</u>		FENDER (PASSENGER SIDE).....	1
248	<u>74892-G03</u>		FENDER WITH TAILLIGHT (DRIVER SIDE) .....	1
249	<u>74892-G04</u>		FENDER WITH TAILLIGHT (PASSENGER SIDE).....	1
250	<u>74890-G01</u>		REAR PANEL .....	1
251	<u>16816-G2</u>		RATCHET TYPE FASTENER .....	4
252				
253				
254				
255				
256				
257	<u>600037-G01</u>		SIDE PANEL, DRIVER SIDE.....	1
258	<u>600037-G02</u>		SIDE PANEL, PASSENGER SIDE .....	1
259	<u>10570-G11</u>		RIVET, 3/16" X 3/4" LG (STAINLESS STEEL) .....	4
260	<u>71609-G01</u>		SEAT HINGE .....	2
261	<u>600034-G01</u>		SEAT WRAP PANEL .....	1
262	<u>10570-G10</u>		RIVET, 5/32" X 9/16" LG (STAINLESS STEEL) .....	5
263	<u>10570-G10</u>		RIVET, 5/32" X 9/16" LG (STAINLESS STEEL) .....	2
264	<u>10570-G10</u>		RIVET, 5/32" X 9/16" LG (STAINLESS STEEL) .....	4
265	10570-G12		RIVET, 1/4" X 9/16" LG .....	2
266	16469-G01		WASHER, 1/4" .....	4
267	<u>600038-G01</u>		SEAT FRAME WELDMENT .....	1
268	<u>00438-G8</u>		BOLT, 5/16 - 18 x 1"LG.....	2
269	00559-G8		WASHER, 5/16.....	2
270	11098-G6		LOCK NUT, 5/16 - 18 .....	2



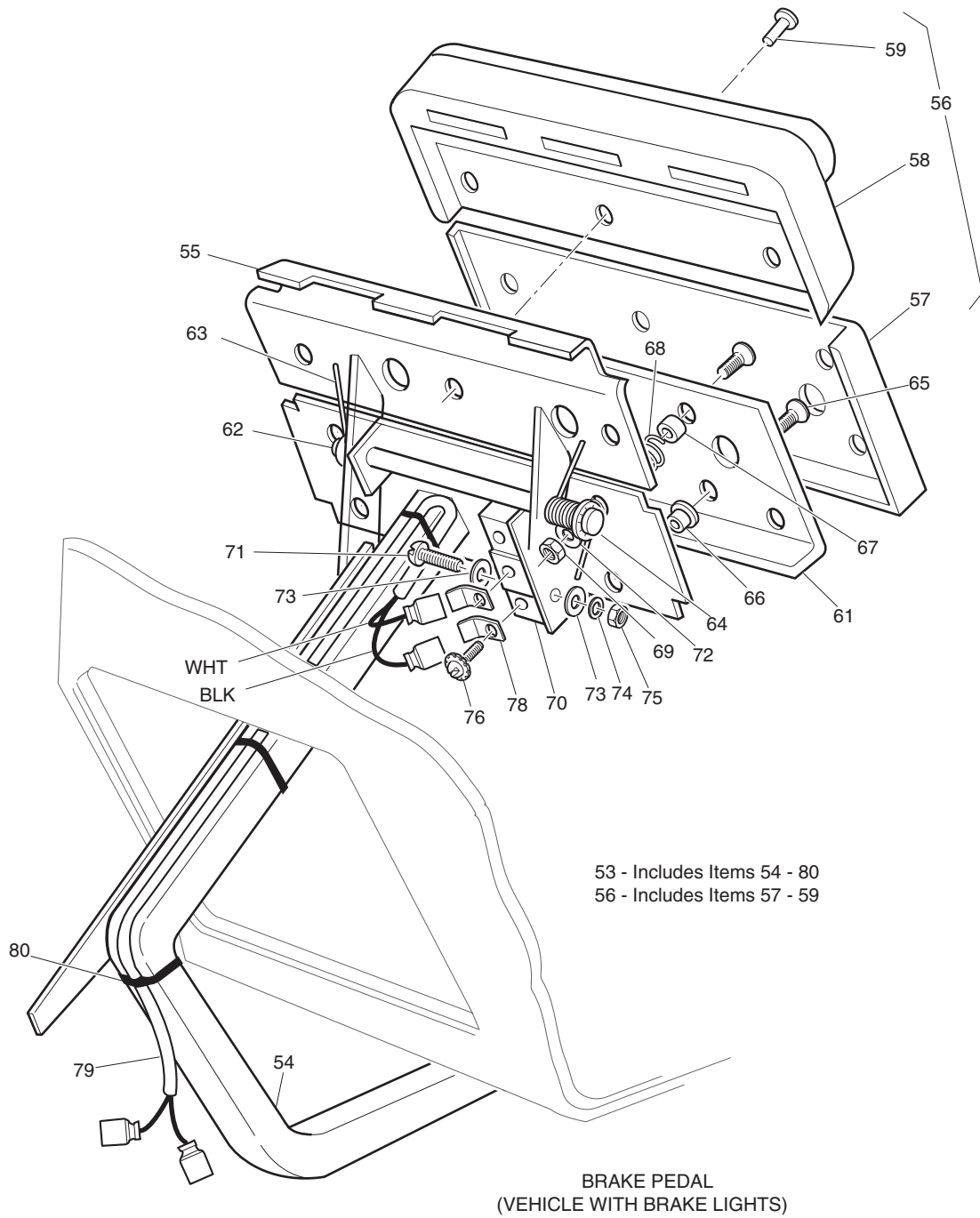
THE USE OF NON U.L. PARTS WILL VOID ANY U.L. LISTING.  
 When ordering parts, please specify the model and serial number of the product.  
 \* Indicates a component that is not available as an individual part.  
 G\*\* Indicates consult Customer Service Department for additional information.

ITEM	PART NO.	1 2 3 4 5	DESCRIPTION	QTY.
271	<u>00715-G2</u>		BOLT, 5/16 - 18 X 13/16" LG .....	4
272	<u>70200-G01</u>		BOLT, 3/8 - 16 X 3/4" LG .....	2
273	<u>75900-G02</u>		SEAT BACK BRACKET.....	2
274	<u>00426-G8</u>		BOLT, 3/8 - 16 X 1" LG .....	4
275	<u>00560-G1</u>		WASHER, 3/8" .....	4
276	<u>11098-G5</u>		LOCK NUT, 3/8 - 16 .....	4
277	<u>70441-G01</u>		SEAT FRAME.....	1
278	70046-G01		BATTERY RACK WELDMENT.....	1
279	<u>00715-G2</u>		BOLT, 5/16 - 18 X 13/16" LG .....	4
280	<u>00438-G8</u>		BOLT, 5/16 - 18 x 1"LG.....	2
281	00559-G8		WASHER, 5/16.....	2
282	11098-G6		LOCK NUT, 5/16 - 18 .....	2
283	<u>00715-G2</u>		BOLT, 5/16 - 18 X 13/16" LG .....	2
284	11098-G6		LOCK NUT, 5/16 - 18 .....	2
285	<u>70200-G01</u>		BOLT, 3/8 - 16 X 3/4" LG .....	2

# BRAKES - MECHANICAL

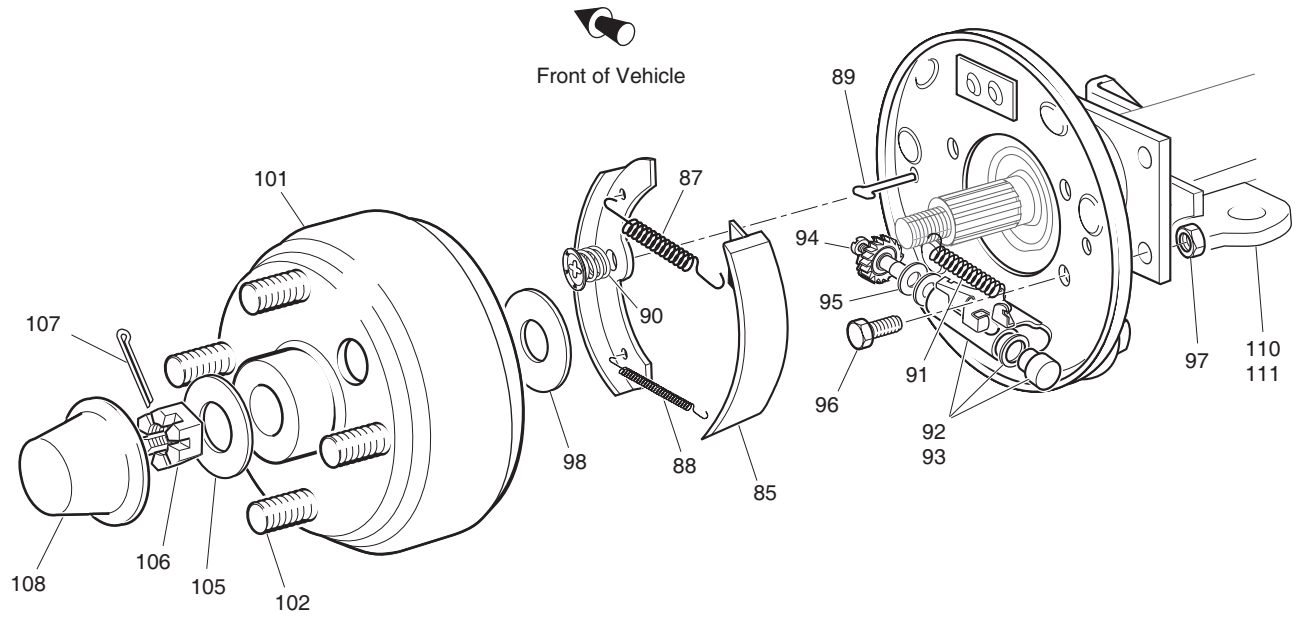


Ref Brm 8-1



Ref Brm 8-2

# BRAKES - MECHANICAL



- 82 - Includes Items 84 - 92, 94, 95
- 83 - Includes Items 84 - 91, 93 - 95
- 84 - Includes Items 85
- 86 - Includes Items 87 - 91
- 92 - Includes Items 94, 95
- 93 - Includes Items 94, 95
- 100 - Includes Items 101, 102

Ref Brm 8-3

## BRAKES - MECHANICAL

THE USE OF NON U.L. PARTS WILL VOID ANY U.L. LISTING.

When ordering parts, please specify the model and serial number of the product.

\* Indicates a component that is not available as an individual part.

G\*\* Indicates consult Customer Service Department for additional information.

ITEM	PART NO.	1 2 3 4 5	DESCRIPTION	QTY.
1	<u>70612-G02</u>		BRAKE PEDAL ASSEMBLY (WITHOUT BRAKE LIGHTS) (INCLUDES ITEMS 2 - 10).....	1
2	<u>70681-G01</u>		TORSION SPRING.....	2
3	<u>70682-G01</u>		PIVOT PIN.....	1
4	<u>01071-G01</u>		PUSHNUT, 5/16".....	2
5	*		BRAKE PEDAL.....	1
6	<u>70611-G02</u>		PARK BRAKE PEDAL.....	1
7	<u>70274-G01</u>		BRAKE/PARK BRAKE PEDAL PAD KIT (INCLUDES ITEMS 8 - 10).....	1
8	*		SERVICE BRAKE PAD.....	1
9	*		PARK BRAKE PEDAL PAD.....	1
10	<u>15766-G1</u>		OVAL RIVET, 3/16" X 7/16" LG.....	9
11				
12	<u>70582-G01</u>		SHOULDER BOLT, 3/8 - 16 X 4" LG (STAINLESS STEEL).....	1
13	<u>70581-G01</u>		FLANGED BUSHING.....	2
14	<u>70676-G01</u>		TORSION SPRING.....	1
15	<u>00643-G1</u>		WASHER, 3/8".....	1
16	<u>11098-G5</u>		LOCK NUT, 3/8 - 16.....	1
17				
18	<u>70272-G04</u>		COMPENSATOR ASSEMBLY (INCLUDES ITEMS 19, 20).....	1
19	<u>00963-G01</u>		SPHERICAL NUT, 5/16 - 24.....	1
20	<u>11098-G9</u>		LOCK NUT, 5/16 - 24.....	1
21				
22	<u>70969-G06</u>		EQUALIZER AND BRAKE CABLE ASSEMBLY (INCLUDES ITEMS 23-24).....	1
23	<u>28082-G01</u>		EQUALIZER BRACKET.....	1
24	<u>28083-G01</u>		BRAKE COMPENSATOR BUMPER.....	2
25				
26				
27				
28	<u>01111-G01</u>		RETAINING RING, 13/32" (STAINLESS STEEL).....	4
29				

# BRAKES - MECHANICAL

THE USE OF NON U.L. PARTS WILL VOID ANY U.L. LISTING.

When ordering parts, please specify the model and serial number of the product.

\* Indicates a component that is not available as an individual part.

G\*\* Indicates consult Customer Service Department for additional information.

ITEM	PART NO.	1 2 3 4 5	DESCRIPTION	QTY.
30	<u>10386-G3</u>		CLEVIS PIN, 5/16" X 13/16" LG .....	1
31	<u>10387-G3</u>		COTTER PIN, 3/32" X 3/4" LG .....	3
32	<u>14443-G2</u>		CLEVIS PIN, 5/16" X 5/8" LG .....	2
33				
34	<u>70601-G01</u>		KICK-OFF LINK.....	1
35	<u>17838-G1</u>		NYLON BUSHING.....	2
36	<u>20835-G1</u>		TEFLON WASHER, 3/8" .....	2
37	00559-G8		WASHER, 5/16" .....	2
38	<u>10387-G3</u>		COTTER PIN, 3/32" X 3/4" LG .....	2
39	<u>70098-G01</u>		KICK-OFF CAM PIVOT .....	1
40	<u>10097-G6</u>		FLANGED BEARING .....	2
41	<u>70587-G01</u>		KICK-OFF CAM.....	1
42	<u>71215-G01</u>		SETSCREW, 1/4 - 20 X 1/2" LG.....	2
43	<u>14134-G4</u>		SPACER .....	1
44				
45	<u>70113-G01</u>		ADJUSTABLE BUMPER .....	1
46	<u>11027-G1</u>		LOCK NUT, 5/16 - 18 .....	1
47				
48	<u>70080-G02</u>		CATCH BRACKET .....	1
49	<u>00414-G6</u>		BOLT, 1/4 - 20 X 3/4" LG .....	2
50	<u>00891-G2</u>		LOCK NUT, 1/4 - 20 (STAINLESS STEEL) .....	2
51				
52				
53	70690-G01		BRAKE PEDAL ASSEMBLY (WITH BRAKE LIGHTS) (INCLUDES ITEMS 54 - 80).....	1
54	*		BRAKE PEDAL.....	1
55	<u>70611-G02</u>		PARK BRAKE PEDAL .....	1
56	70274-G01		BRAKE/PARK BRAKE PEDAL PAD KIT (INCLUDES ITEMS 57 - 59).....	1
57	*		SERVICE BRAKE PAD .....	1
58	*		PARK BRAKE PAD.....	1

# BRAKES - MECHANICAL

THE USE OF NON U.L. PARTS WILL VOID ANY U.L. LISTING.

When ordering parts, please specify the model and serial number of the product.

\* Indicates a component that is not available as an individual part.

G\*\* Indicates consult Customer Service Department for additional information.

ITEM	PART NO.	1	2	3	4	5	DESCRIPTION	QTY.
59	<u>15766-G1</u>						OVAL RIVET, 3/16" x 7/16" LG.....	9
60								
61	<u>70258-G03</u>						BRAKE PEDAL PLATE.....	1
62	<u>70682-G01</u>						PIVOT PIN.....	1
63	<u>70681-G01</u>						TORSION SPRING.....	2
64	<u>01071-G01</u>						PUSHNUT, 5/16".....	1
65	<u>00737-G8</u>						SCREW, #10 - 24 X 7/8" LG.....	4
66	<u>00739-G1</u>						RUBBER NUT, #10 - 24.....	2
67	<u>74535-G01</u>						BRAKE PEDAL STANDOFF.....	2
68	<u>27137-G01</u>						CONICAL SPRING.....	2
69	<u>14390-G10</u>						LOCK NUT, #10 - 24.....	2
70	10606-G8						MICRO SWITCH.....	1
71	<u>00957-G1</u>						BOLT, #6 - 32 X 1 1/4" LG.....	2
72	<u>00559-G5</u>						WASHER, #10.....	2
73	<u>00559-G3</u>						WASHER, #6.....	4
74	<u>00565-G3</u>						LOCK WASHER, #6.....	2
75	<u>00525-G5</u>						NUT, #6 - 32.....	2
76	<u>13514-G1</u>						SCREW AND LOCK WASHER, #6.....	2
77								
78	<u>14628-G1</u>						FASTON TAB.....	2
79	<u>24605-G1</u>						WIRE HARNESS (BRAKE LIGHT).....	1
80	<u>17618-G1</u>						WIRE TIE.....	3
81								
82	<u>70998-G01</u>						BRAKE ASSEMBLY (DRIVER SIDE) (INCLUDES ITEMS 84 - 92, 94, 95).....	1
83	<u>70998-G02</u>						BRAKE ASSEMBLY (PASSENGER SIDE) (INCLUDES ITEMS 84 - 91, 93 - 95).....	1
84	70794-G01						BRAKE SHOE KIT (INCLUDES ITEM 85).....	2
85	*						BRAKE SHOE.....	2
86	<u>27944-G01</u>						BRAKE SPRING KIT (INCLUDES ITEMS 87 - 91).....	2
87	*						UPPER SPRING.....	1

# BRAKES - MECHANICAL

THE USE OF NON U.L. PARTS WILL VOID ANY U.L. LISTING.

When ordering parts, please specify the model and serial number of the product.

\* Indicates a component that is not available as an individual part.

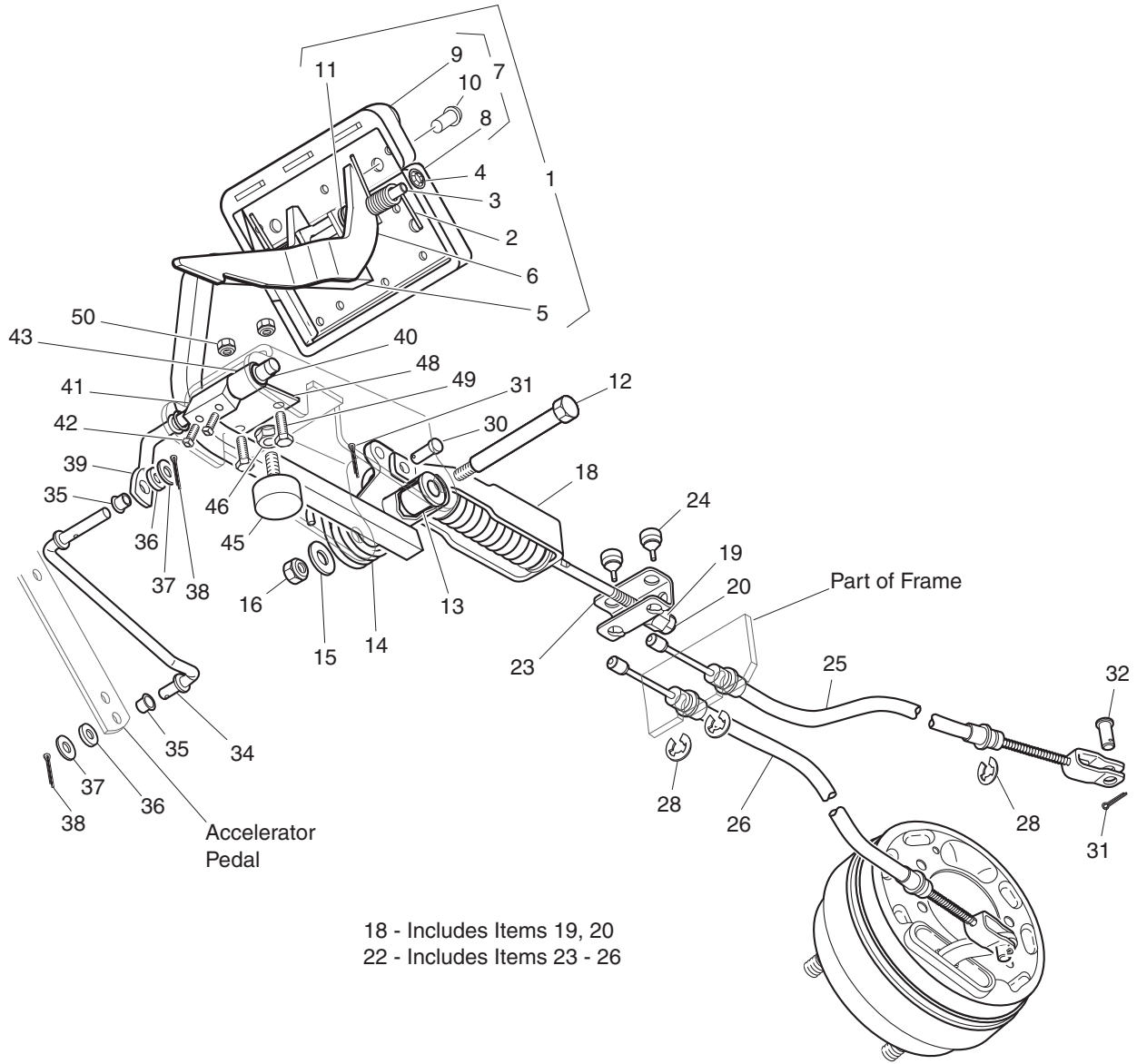
G\*\* Indicates consult Customer Service Department for additional information.

ITEM	PART NO.	1	2	3	4	5	DESCRIPTION	QTY.
88	*						LOWER SPRING .....	1
89	*						PIN .....	2
90	*						CUP AND SPRING .....	2
91	*						ADJUSTER SPRING.....	1
92	<u>72582-G01</u>						BRAKE ADJUSTER KIT (DRIVER SIDE) (INCLUDES ITEMS 94, 95) .....	1
93	<u>72582-G02</u>						BRAKE ADJUSTER KIT (PASSENGER SIDE) (INCL. ITEMS 94, 95).....	1
94	*						ADJUSTER .....	1
95	*						TEFLON WASHER.....	2
96	<u>17083-G2</u>						BOLT, 5/16 - 24 X 1" LG .....	8
97	<u>15126-G1</u>						LOCK NUT, 5/16 - 24 .....	8
98	<u>21809-G1</u>						INNER BRAKE DRUM WASHER, 1 5/16" OD X 1" ID X 1/32" .....	2
99								
100	<u>21807-G1</u>						BRAKE DRUM ASSEMBLY (INCLUDES ITEMS 101 - 102).....	2
101	*						BRAKE DRUM .....	1
102	<u>19862-G1</u>						LUG BOLT, 1/2 - 20 X 1 3/16" LG .....	4
103								
104								
105	<u>21830-G1</u>						OUTER BRAKE DRUM WASHER .....	2
106	<u>00518-G8</u>						SLOTTED NUT, 3/4 - 16.....	2
107	<u>10387-G1</u>						COTTER PIN, 1/8" X 1 1/2" LG .....	2
108	<u>74175-G01</u>						SPINDLE CAP.....	2
109								
110	<u>72036-G03</u>						BRAKE CABLE BRACKET (PASSENGER SIDE).....	1
111	<u>72036-G04</u>						BRAKE CABLE BRACKET (DRIVER SIDE) .....	1

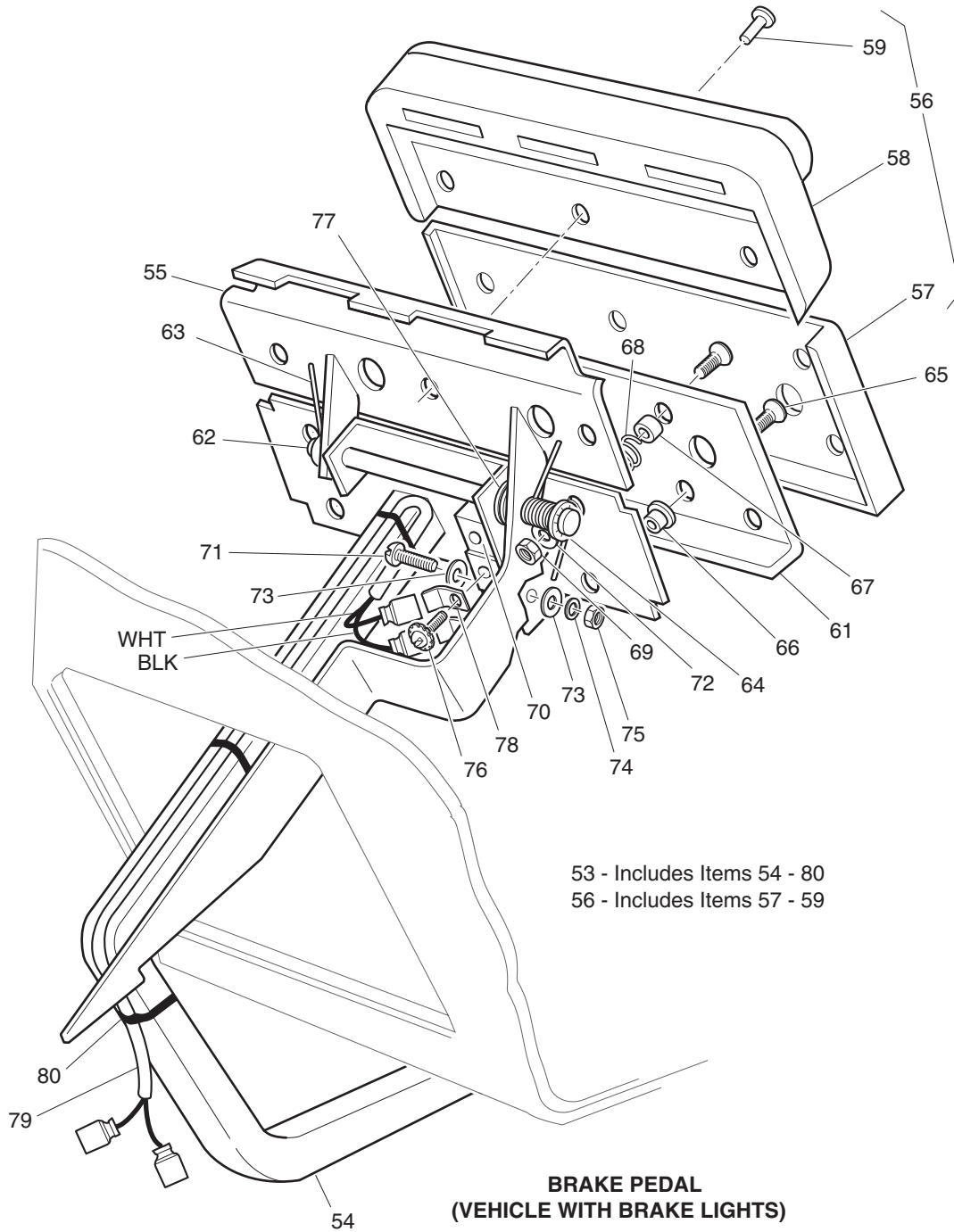




# BRAKES - FRONT DISC

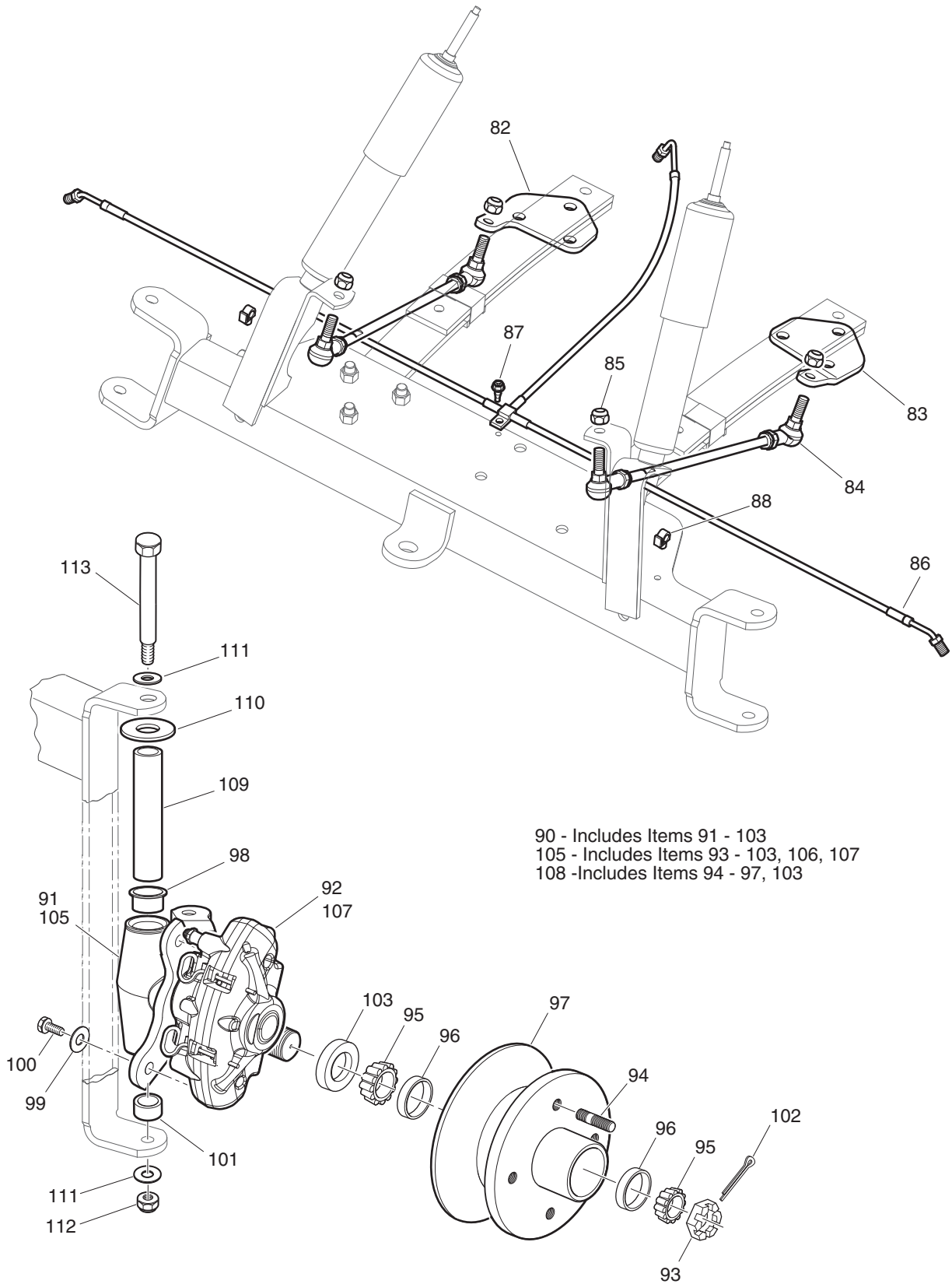


Ref Brh 21-1

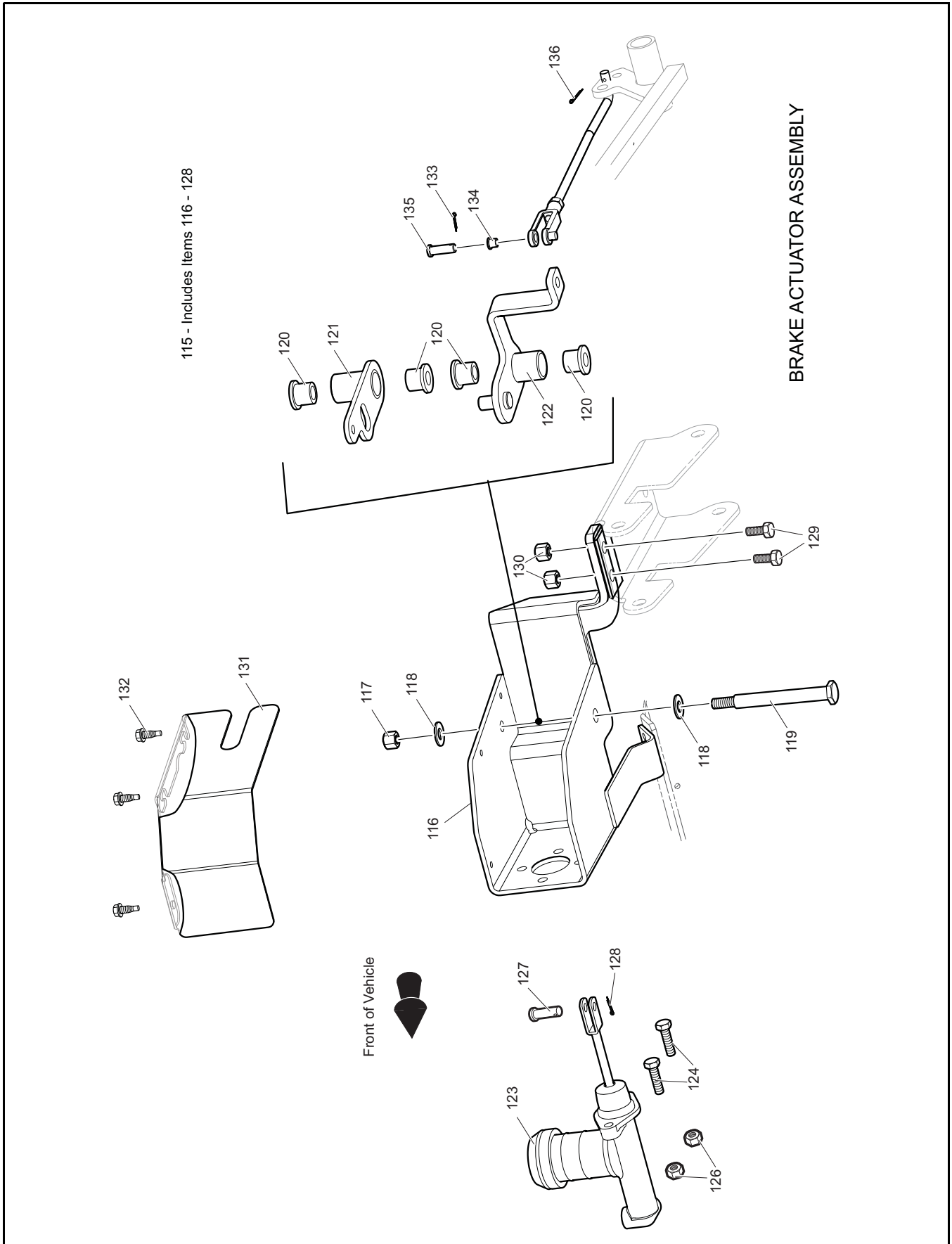


Ref Brh 21-2

# BRAKES - FRONT DISC



Ref Brh 21-3



# BRAKES - FRONT DISC

THE USE OF NON U.L. PARTS WILL VOID ANY U.L. LISTING.

When ordering parts, please specify the model and serial number of the product.

\* Indicates a component that is not available as an individual part.

G\*\* Indicates consult Customer Service Department for additional information.

ITEM	PART NO.	1 2 3 4 5	DESCRIPTION	QTY.
1	<u>70886-G01</u>		BRAKE PEDAL ASSEMBLY (WITHOUT BRAKE LIGHTS) (INCLUDES ITEMS 2 - 11).....	1
2	<u>70681-G01</u>		TORSION SPRING.....	2
3	<u>70682-G01</u>		PIVOT PIN.....	1
4	<u>01071-G01</u>		PUSHNUT, 5/16".....	1
5	*		BRAKE PEDAL.....	1
6	<u>74724-G01</u>		PARK BRAKE PEDAL.....	1
7	<u>70274-G01</u>		BRAKE/PARK BRAKE PEDAL PAD KIT (INCLUDES ITEMS 8 - 10).....	1
8	*		SERVICE BRAKE PAD.....	1
9	*		PARK BRAKE PEDAL PAD.....	1
10	<u>16409-G1</u>		OVAL RIVET, 3/16" X 15/32" LG.....	9
11	<u>20835-G1</u>		WASHER, TEFLON, 3/8".....	2
12	<u>70582-G01</u>		SHOULDER BOLT, 3/8 - 16 X 4" LG.....	1
13	<u>70581-G01</u>		FLANGED BUSHING.....	2
14	<u>70676-G01</u>		TORSION SPRING.....	1
15	<u>00643-G1</u>		WASHER, 3/8".....	1
16	<u>11098-G5</u>		LOCK NUT, 3/8 - 16.....	1
17				
18	<u>70272-G04</u>		COMPENSATOR ASSEMBLY (INCLUDES ITEMS 19, 20).....	1
19	<u>00963-G01</u>		SPHERICAL NUT, 5/16 - 24.....	1
20	<u>11098-G9</u>		LOCK NUT, 5/16 - 24.....	1
21				
22	<u>70969-G05</u>		EQUALIZER AND BRAKE CABLE ASSEMBLY (INCLUDES ITEMS 23 - 26)....	1
23	<u>28082-G01</u>		EQUALIZER BRACKET.....	1
24	<u>28083-G01</u>		BRAKE COMPENSATOR BUMPER.....	2
25	*		BRAKE CABLE (DRIVER SIDE).....	1
26	*		BRAKE CABLE (PASSENGER SIDE).....	1
27				
28	<u>01111-G01</u>		RETAINING RING, S.S.....	4
29				

# BRAKES - FRONT DISC

THE USE OF NON U.L. PARTS WILL VOID ANY U.L. LISTING.  
 When ordering parts, please specify the model and serial number of the product.  
 \* Indicates a component that is not available as an individual part.  
 G\*\* Indicates consult Customer Service Department for additional information.

ITEM	PART NO.	1 2 3 4 5	DESCRIPTION	QTY.
30	<u>10386-G3</u>		CLEVIS PIN, 5/16" X 1" LG .....	3
31	<u>10387-G3</u>		COTTER PIN, 3/32" X 3/4" LG .....	3
32	<u>14443-G2</u>		CLEVIS PIN, 5/16" X 3/4" LG .....	2
33				
34	<u>70601-G01</u>		KICK-OFF LINK.....	1
35	<u>17838-G1</u>		NYLON BUSHING.....	2
36	<u>20835-G1</u>		TEFLON WASHER, 3/8" .....	2
37	<u>00559-G8</u>		WASHER, 5/16" .....	2
38	<u>10387-G3</u>		COTTER PIN, 3/32" X 3/4" LG .....	2
39	<u>70098-G01</u>		KICK-OFF CAM PIVOT .....	1
40	<u>10097-G6</u>		FLANGED BEARING .....	2
41	<u>70587-G01</u>		KICK-OFF CAM.....	1
42	<u>71215-G01</u>		SETSCREW, 1/4 - 20 X 1/2" LG.....	2
43	<u>14134-G4</u>		SPACER.....	1
44				
45	<u>70113-G01</u>		ADJUSTABLE BUMPER.....	1
46	<u>11027-G1</u>		LOCK NUT, 5/16 - 18 .....	1
47				
48	<u>70080-G01</u>		CATCH BRACKET .....	1
49	<u>00414-G6</u>		BOLT, 1/4 - 20 X 3/4" LG .....	2
50	<u>00891-G2</u>		LOCK NUT, 1/4 - 20 .....	2
51				
52				
53	<u>74874-G01</u>		BRAKE PEDAL ASSEMBLY (WITH BRAKE LIGHTS) (INCLUDES ITEMS 54 - 80).....	1
54	*		BRAKE PEDAL .....	1
55	<u>74724-G01</u>		PARK BRAKE PEDAL .....	1
56	<u>70274-G01</u>		BRAKE/PARK BRAKE PEDAL PAD KIT (INCLUDES ITEMS 57 - 59).....	1
57	*		SERVICE BRAKE PAD .....	1
58	*		PARK BRAKE PAD.....	1

# BRAKES - FRONT DISC

THE USE OF NON U.L. PARTS WILL VOID ANY U.L. LISTING.  
 When ordering parts, please specify the model and serial number of the product.  
 \* Indicates a component that is not available as an individual part.  
 G\*\* Indicates consult Customer Service Department for additional information.

ITEM	PART NO.	1 2 3 4 5	DESCRIPTION	QTY.
59	<u>16409-G1</u>		OVAL RIVET, 3/16" X 15/32" LG .....	9
60				
61	<u>70258-G03</u>		BRAKE PEDAL PLATE .....	1
62	<u>70682-G01</u>		PIVOT PIN .....	1
63	<u>70681-G01</u>		TORSION SPRING .....	2
64	<u>01071-G01</u>		PUSHNUT, 5/16" .....	1
65	<u>00737-G8</u>		SCREW, #10 - 24 X 1" LG .....	4
66	<u>00739-G1</u>		RUBBER NUT, #10 - 24 .....	2
67	<u>74535-G01</u>		BRAKE PEDAL STANDOFF .....	2
68	<u>27137-G01</u>		CONICAL SPRING .....	2
69	<u>14390-G10</u>		LOCK NUT, #10 - 24 .....	2
70	<u>10606-G8</u>		MICRO SWITCH .....	1
71	<u>00957-G1</u>		SCREW, #6 - 32 X 1 1/4" LG .....	2
72	<u>00559-G5</u>		WASHER, #10 .....	2
73	<u>00559-G3</u>		WASHER, #6 .....	4
74	<u>00565-G3</u>		LOCK WASHER, #6 .....	2
75	<u>00525-G5</u>		NUT, #6 - 32 .....	2
76	<u>13514-G1</u>		SCREW AND LOCK WASHER, #6 .....	2
77	<u>20835-G1</u>		WASHER, TEFLON, 3/8" .....	2
78	<u>14628-G1</u>		FASTON TAB .....	2
79	<u>24605-G1</u>		WIRE HARNESS (BRAKE LIGHT) .....	1
80	<u>17618-G1</u>		WIRE TIE .....	3
81				
82	<u>74731-G02</u>		SPRING PLATE (PASSENGER SIDE) .....	1
83	<u>74731-G01</u>		SPRING PLATE (DRIVER SIDE) .....	1
84	<u>74730-G01</u>		FOUR LINK ROD .....	2
85	<u>01084-G01</u>		LOCK NUT, M10-1.25 .....	4
86	<u>74736-G01</u>		BRAKE LINE .....	1
87	<u>01038-G01</u>		SCREW, 1/4 - 20 X 4444" LG .....	1
88	<u>74875-G01</u>		WIRE RETAINER .....	2



## BRAKES - FRONT DISC

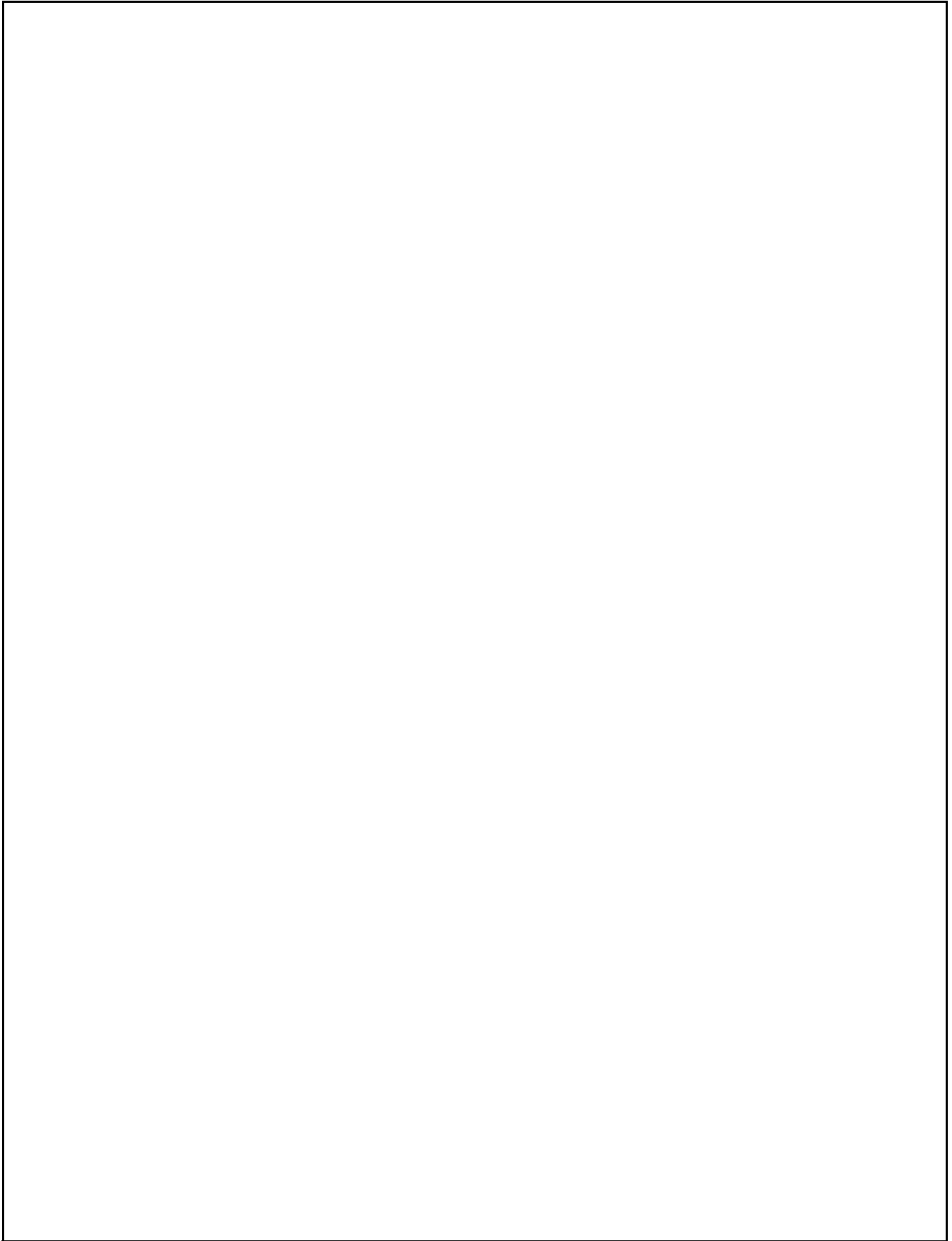
THE USE OF NON U.L. PARTS WILL VOID ANY U.L. LISTING.  
 When ordering parts, please specify the model and serial number of the product.  
 \* Indicates a component that is not available as an individual part.  
 G\*\* Indicates consult Customer Service Department for additional information.

ITEM	PART NO.	1	2	3	4	5	DESCRIPTION	QTY.
89								
90	<u>74677-G01</u>						SPINDLE, CALIPER AND DISC HUB ASSEMBLY (DRIVER SIDE) (INCLUDES ITEMS 91, 93 - 103).....	1
91	<u>74672-G01</u>						DISC BRAKE SPINDLE (DRIVER SIDE) .....	1
92	<u>74733-G02</u>						CALIPER (DRIVER SIDE).....	1
93	<u>12093-G1</u>						SLOTTED NUT .....	1
94	<u>74864-G01</u>						DRIVE FLANGE STUD.....	4
95	<u>11750-G2</u>						ROLLER BEARING .....	2
96	<u>51141-G1</u>						BEARING RACE.....	2
97	<u>74995-G01</u>						DISC BRAKE HUB.....	1
98	<u>70648-G01</u>						FLANGED BEARING.....	1
99	<u>00566-G1</u>						WASHER, 3/8" .....	2
100	<u>00426-G8</u>						BOLT, 3/8 - 16 X 1.....	2
101	<u>70749-G01</u>						BEARING.....	1
102	<u>00798-G8</u>						COTTER PIN .....	1
103	<u>25146-G1</u>						GREASE SEAL.....	1
104								
105	<u>74676-G01</u>						SPINDLE, CALIPER AND DISC HUB ASSEMBLY (PASSENGER SIDE) (INCLUDES ITEMS 93 - 103, 107).....	1
106	<u>74671-G01</u>						DISC BRAKE SPINDLE (PASSENGER SIDE).....	1
107	<u>74733-G01</u>						CALIPER (PASSENGER SIDE) .....	1
108	<u>74948-G01</u>						DISC BRAKE SERVICE HUB (INCLUDES ITEMS 94 - 97, 103).....	1
109	<u>70745-G01</u>						KINGPIN TUBE .....	2
110	<u>70754-G01</u>						THRUST WASHER .....	2
111	<u>00560-G3</u>						WASHER, 1/2" .....	4
112	<u>14390-G3</u>						LOCKNUT, 1/2 - 13 .....	2
113	<u>00407-G6</u>						CAPSCREW, 1/2 - 13 X 6" LG .....	2
114								
115	<u>608706</u>						BRAKE ACTUATOR ASSEMBLY (INCLUDES ITEMS 116 - 128).....	1
116	<u>612706</u>						MASTER CYLINDER WELDMENT MOUNT.....	1

# BRAKES - FRONT DISC

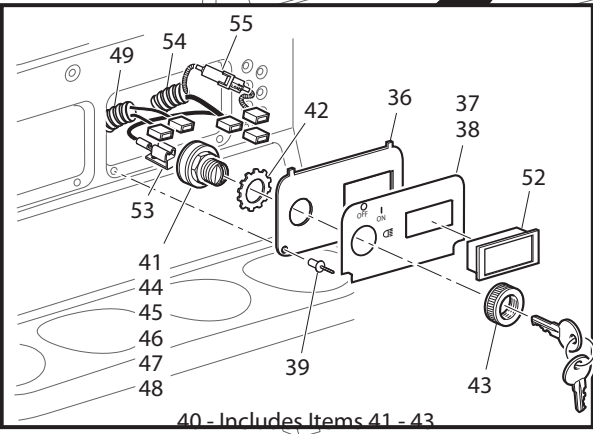
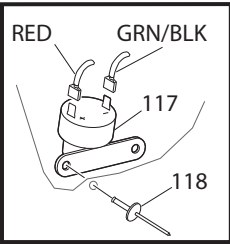
THE USE OF NON U.L. PARTS WILL VOID ANY U.L. LISTING.  
 When ordering parts, please specify the model and serial number of the product.  
 \* Indicates a component that is not available as an individual part.  
 G\*\* Indicates consult Customer Service Department for additional information.

ITEM	PART NO.	1	2	3	4	5	DESCRIPTION	QTY.
117	<u>11098G5</u>						NYLON BUSHING .....	1
118	<u>00679G1</u>						FLAT WASHER.....	1
119	<u>74711G01</u>						SHOULDER BOLT.....	1
120	<u>70581-G02</u>						ACETAL BUSHING.....	4
121	<u>608122</u>						UPPER ACTUATOR PIVOT .....	1
122	<u>608118</u>						LOWER ACTUATOR PIVOT.....	1
123	<u>887364</u>						MASTER CYLINDER.....	1
124	<u>00439G1</u>						CAPSCREW, 5/16 X 18.....	2
125								
126	11098G6						LOCK NUT.....	2
127	<u>10386G3</u>						CLEVIS PIN .....	1
128	<u>10387G3</u>						COTTER PIN 3/32 X 3/4.....	1
129	00414G8						CAPSCREW, 1/4 - 20.....	4
130	00891G2						NYLOCK NUT 1/4 - 20.....	4
131	<u>612704</u>						ACTUATOR ASSEMBLY COVER .....	1
132	<u>01038G01</u>						SCREW, SWAGE FORM.....	3
133	<u>10387G3</u>						COTTER PIN 3/32 X 3/4 .....	1
134	<u>17838-G1</u>						NYLON BUSHING.....	1
135	<u>10386G3</u>						CLEVIS PIN.....	1
136	<u>10387G3</u>						COTTER PIN 3/32 X 3/4 .....	1
137								
138								
139								
140								
141								
142								
143	<u>74917-G01</u>						DISC BRAKE PAD AND PIN KIT (SERVICES ONE CORNER) (INCLUDES ITEMS 144 - 145).....	1
144	*						BRAKE PADS .....	2
145	*						BRAKE PAD RETAINER PINS .....	2

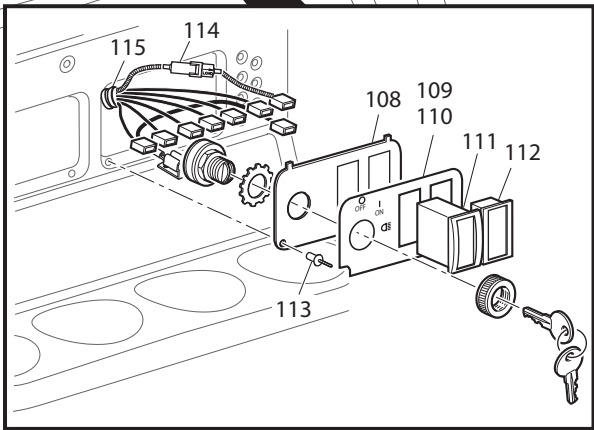




PDS MODELS ONLY



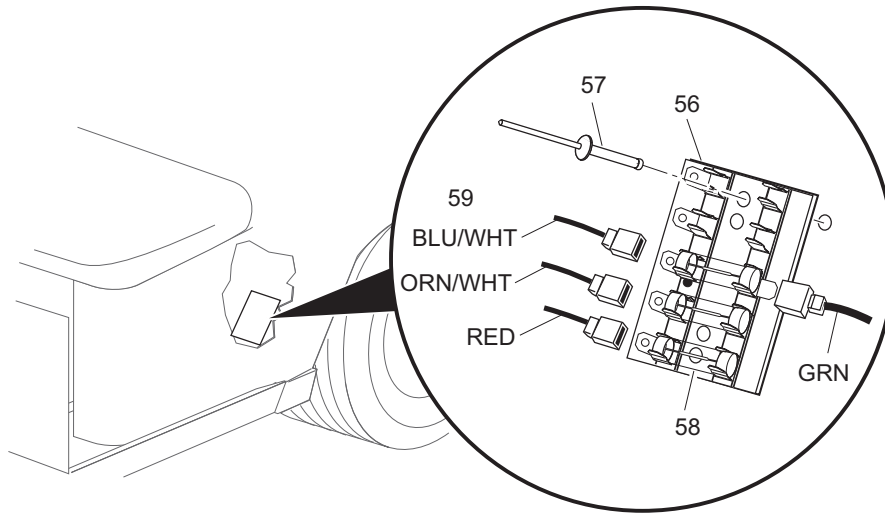
STATE OF CHARGE METER AND KEY SWITCH



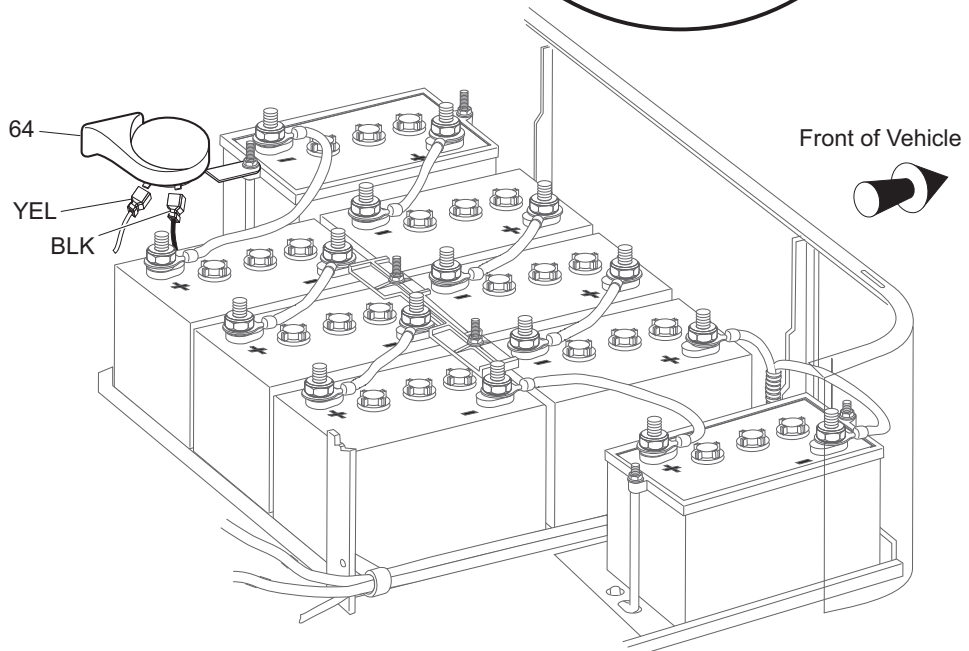
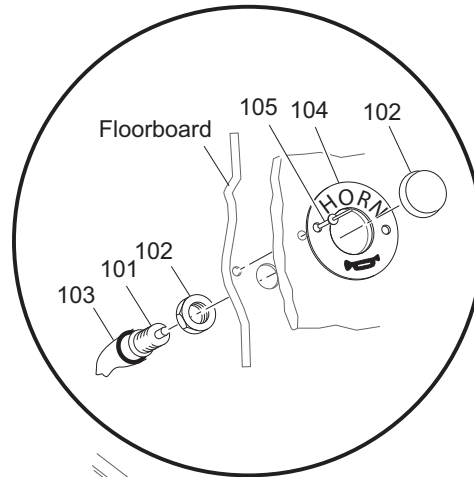
PDS MODELS ONLY:  
DASH MOUNTED DIRECTION SELECTOR,  
STATE OF CHARGE METER AND KEY SWITCH

Ref Ele 7-2

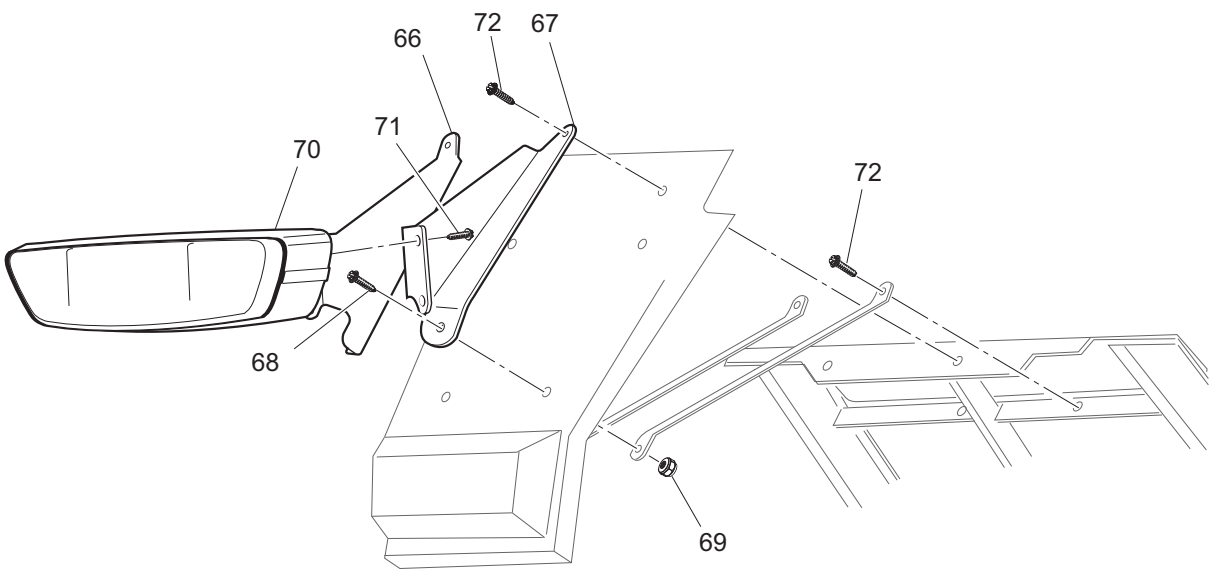
# ELECTRICAL SYSTEM



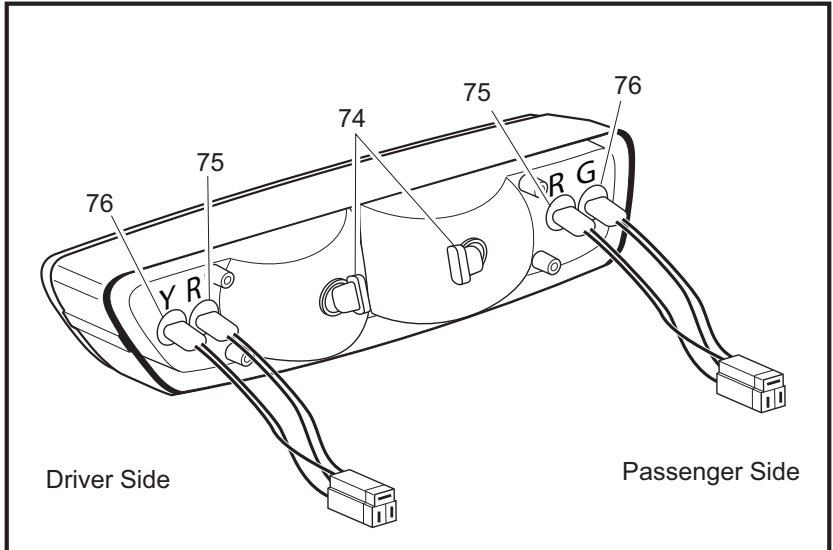
FLOOR MOUNTED HORN BUTTON



Ref Ele 7-3

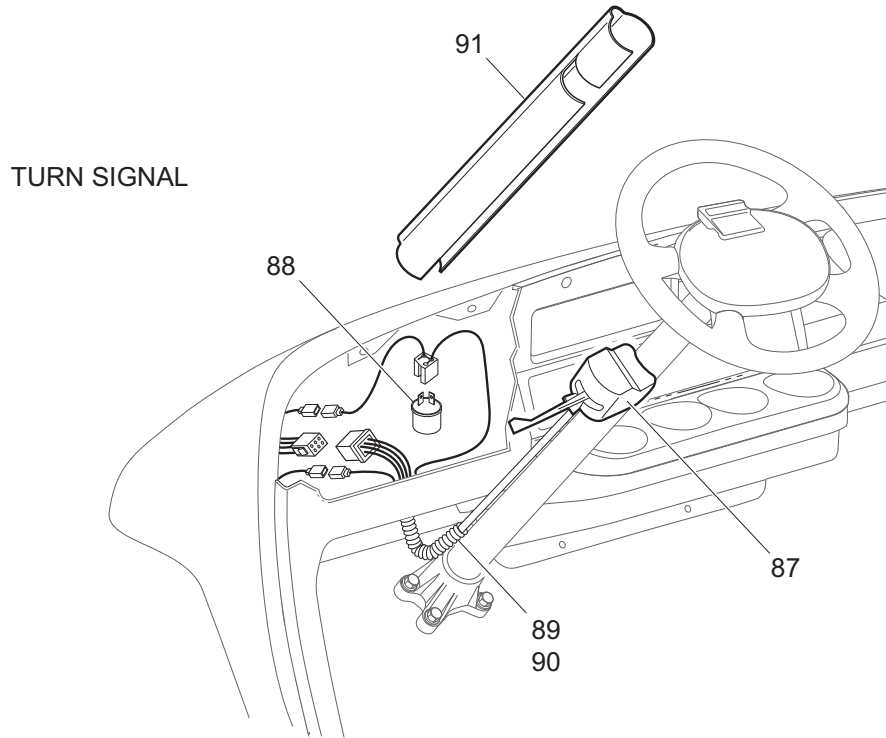
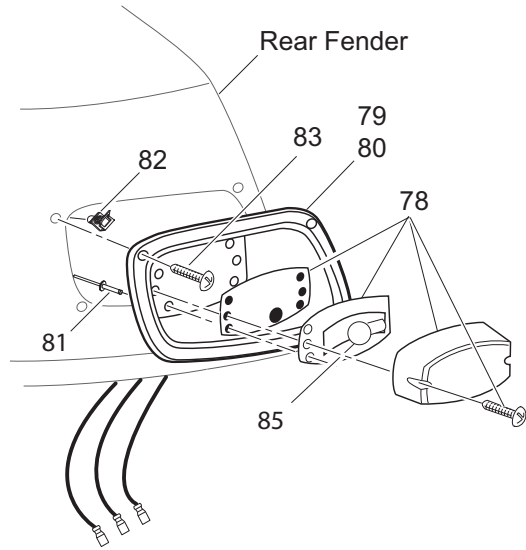


HEADLIGHT



Ref Ele 7-4

# ELECTRICAL SYSTEM

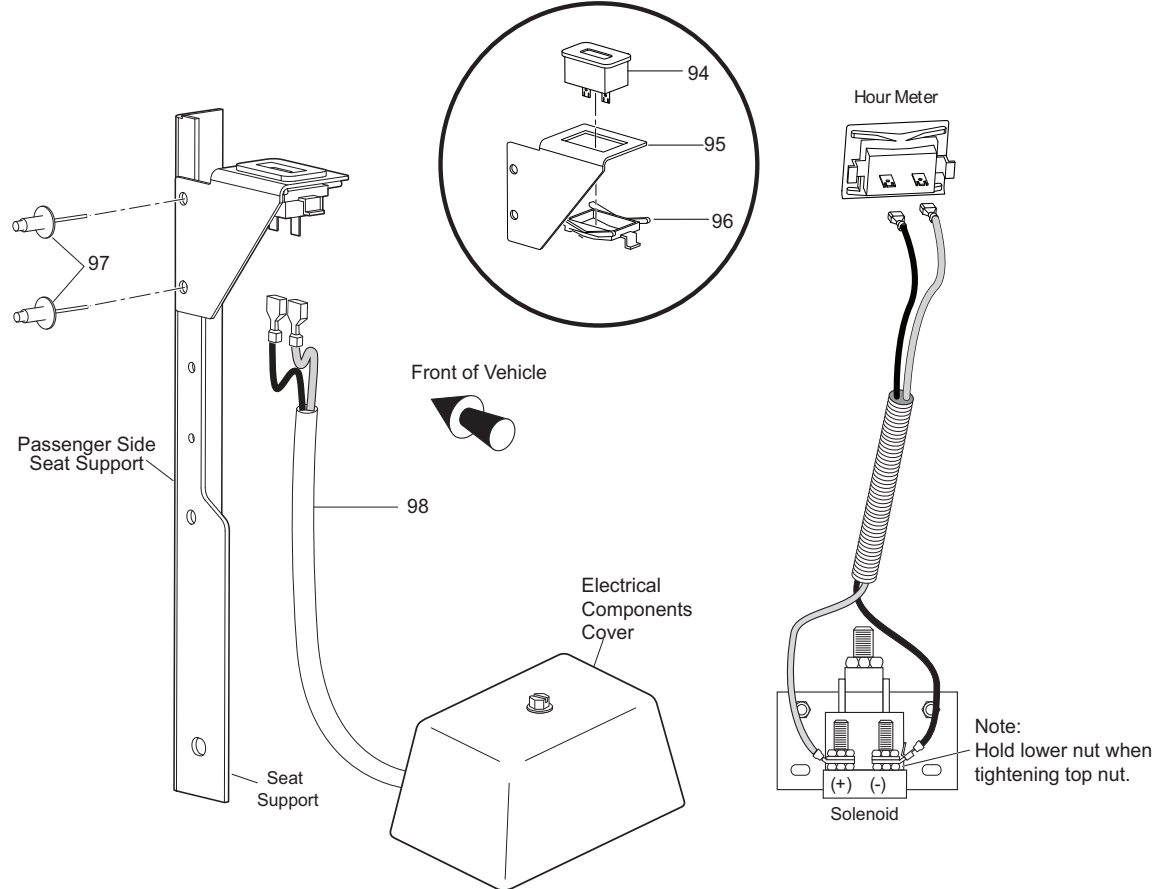


Ref Ele 7-5



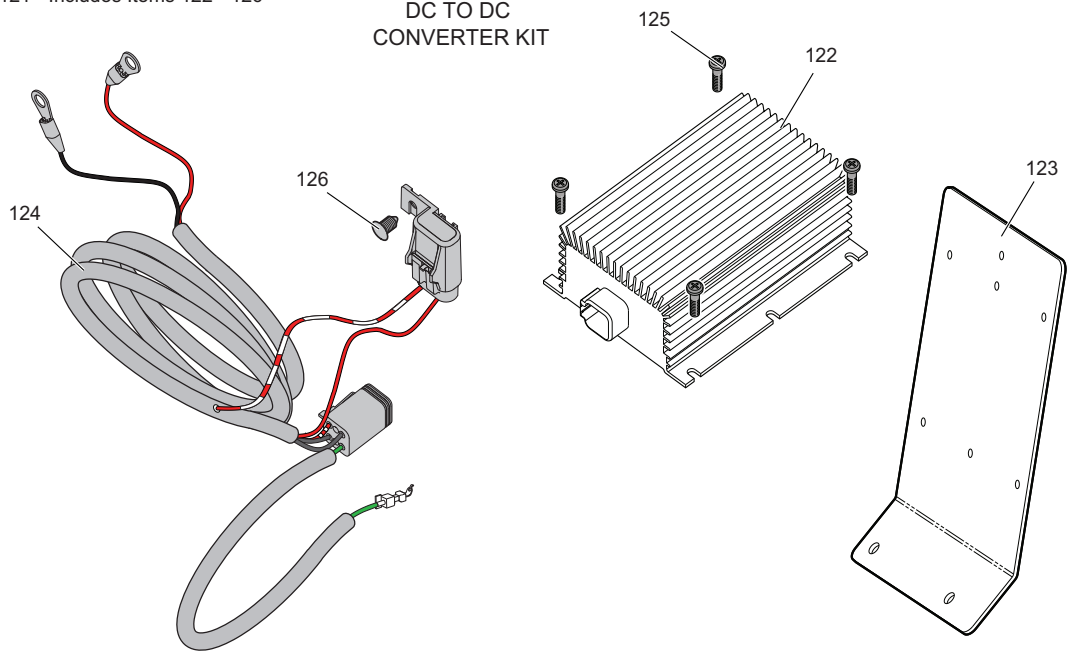
**HOUR METER**

93 - Includes Items 94 - 98



121 - Includes Items 122 - 126

**DC TO DC CONVERTER KIT**



Ref Ele 7-6

# ELECTRICAL SYSTEM

THE USE OF NON U.L. PARTS WILL VOID ANY U.L. LISTING.

When ordering parts, please specify the model and serial number of the product.

\* Indicates a component that is not available as an individual part.

G\*\* Indicates consult Customer Service Department for additional information.

ITEM	PART NO.	1 2 3 4 5	DESCRIPTION	QTY.
1	<u>73311-G03</u>		CHARGER HARNESS / RECEPTACLE (INCLUDES ITEMS 2 - 11).....	1
2	<u>602822</u>		CHARGER HARNESS.....	1
3	<u>73051-G30</u>		CHARGER HARNESS RECEPTACLE (INCLUDES ITEMS 4 - 11) .....	1
4	<u>73051-G22</u>		RECEPTACLE BOTTOM .....	1
5	<u>73051-G21</u>		RECEPTACLE COVER .....	1
6	<u>73051-G08</u>		SCREW, #10 - 32 X 1/2" LG.....	2
7	<u>73051-G09</u>		SCREW, #6 - 32 X 1 3/4" LG.....	3
8	<u>73051-G10</u>		LOCK NUT, #6 - 32 .....	3
9	<u>25978-G25</u>		WIRE, RED JUMPER, 18 GA. ....	1
10	<u>73051-G23</u>		FEMALE CONTACT .....	1
11	<u>73051-G24</u>		FEMALE CONTACT, INSULATED .....	1
12	<u>71055-G01</u>		RIVET, 3/16" X 1" LG .....	4
13				
14				
15	<u>73349-G01</u>		POWER HARNESS .....	1
16				
17				
18	<u>00993-G01</u>		LOCK WASHER, 5/16".....	8
19	<u>28418-G01</u>		NUT, 5/16 - 18 .....	8
20	<u>27327-G0*</u>		CLAMP .....	1
21	<u>10570-G11</u>		RIVET, 3/16" X 3/4" LG (STAINLESS STEEL) .....	1
22				
23	<u>XXXXX-G**</u>		6 VOLT BATTERY .....	8
24	<u>70045-G01</u>		BATTERY RETAINER .....	1
25	<u>01101-G01</u>		HOLD DOWN BOLT .....	2
26	<u>11027-G1</u>		LOCK NUT, 5/16 - 18 .....	6
27	<u>70386-G01</u>		HOLD DOWN BOLT .....	4
28	<u>70387-G01</u>		BATTERY RETAINER .....	2
29				
30	<u>25971-G18</u>		4 GA WIRE (BLK 6") .....	4

# ELECTRICAL SYSTEM

THE USE OF NON U.L. PARTS WILL VOID ANY U.L. LISTING.  
 When ordering parts, please specify the model and serial number of the product.  
 \* Indicates a component that is not available as an individual part.  
 G\*\* Indicates consult Customer Service Department for additional information.

ITEM	PART NO.	1	2	3	4	5	DESCRIPTION	QTY.
31	<u>25971-G16</u>						4 GA WIRE (BLK 19") .....	2
32	<u>25971-G13</u>						4 GA WIRE (BLK 10 1/2") .....	1
33	<u>00702-G2</u>						NUT, 5/16 - 18 .....	16
34								
35								
36	<u>73030-G02</u>						CONSOLE INSERT PLATE .....	1
37	<u>71123-G02</u>						LABEL, CONSOLE INSERT PLATE (WITHOUT LIGHTS) .....	1
38	<u>71129-G01</u>						LABEL, CONSOLE INSERT PLATE (WITH LIGHTS) .....	1
39	<u>33623-G02</u>						RIVET, 3/16" X 3/8" LG .....	2
40	<u>17421-G1</u>						IGNITION SWITCH KIT (INCLUDES ITEMS 41 - 43) .....	1
41	<u>18602-G1</u>						IGNITION SWITCH (WITHOUT LIGHTS, STANDARD KEY) .....	1
42	<u>00568-G6</u>						LOCK WASHER, 3/4" .....	1
43	<u>17137-G1</u>						FACE NUT .....	1
44	<u>17955-G1</u>						IGNITION SWITCH (WITHOUT LIGHTS, NON-STANDARD KEY) .....	1
45	<u>18027-G1</u>						IGNITION SWITCH (WITHOUT LIGHTS, INDIVIDUALLY KEYED) .....	1
46	<u>33639-G01</u>						IGNITION SWITCH (WITH LIGHTS, STANDARD KEY) .....	1
47	<u>33639-G02</u>						IGNITION SWITCH (WITH LIGHTS, NON-STANDARD KEY) .....	1
48	<u>33639-G03</u>						IGNITION SWITCH (WITH LIGHTS, INDIVIDUALLY KEYED) .....	1
49	<u>70828-G01</u>						WIRE HARNESS (KEY SWITCH) .....	1
50	<u>17618-G1</u>						WIRE TIE .....	6
51								
52	<u>33636-G03</u>						STATE OF CHARGE METER .....	1
53	<u>25978-G74</u>						18 GA WIRE (RED 6") .....	1
54	<u>74018-G02</u>						WIRE HARNESS (STATE OF CHARGE METER) .....	1
55	<u>609067</u>						SOC FUSE HARNESS .....	1
56	<u>22674-G1</u>						FUSE BLOCK .....	1
57	<u>01041-G01</u>						RIVET, 5/32" X 3/8" LG .....	2
58	<u>18392-G1</u>						FUSE, 15 AMP .....	3
59	<u>601337</u>						WIRE HARNESS (ACCESSORY) .....	1
60								

# ELECTRICAL SYSTEM

THE USE OF NON U.L. PARTS WILL VOID ANY U.L. LISTING.

When ordering parts, please specify the model and serial number of the product.

\* Indicates a component that is not available as an individual part.

G\*\* Indicates consult Customer Service Department for additional information.

ITEM	PART NO.	1 2 3 4 5	DESCRIPTION	QTY.
61				
62				
63				
64	<u>32860-G1</u>		HORN.....	1
65				
66	<u>74236-G03</u>		HEADLIGHT MOUNT BRACKET (PASSENGER SIDE).....	1
67	<u>74236-G04</u>		HEADLIGHT MOUNT BRACKET (DRIVER SIDE).....	1
68	<u>00414-G6</u>		BOLT, 1/4 - 20 X 3/4" LG.....	2
69	<u>11027-G2</u>		LOCK NUT, 1/4 - 20.....	2
70	<u>74001-G01</u>		HEADLIGHT AND TURN SIGNAL LIGHT BAR.....	1
71	<u>00114-G6</u>		SCREW, 1/4 - 20 X 3/4" LG.....	4
72	XXXXX-XX		SEE BODY SECTION	
73				
74	<u>74004-G01</u>		HEADLIGHT BULB.....	2
75	<u>74005-G01</u>		MARKER LIGHT BULB.....	2
76	<u>74006-G01</u>		TURN SIGNAL BULB.....	2
77				
78	<u>22260-G2</u>		TAILLIGHT ASSEMBLY.....	2
79	<u>74371-G01</u>		BEZEL (DRIVER SIDE).....	1
80	<u>74371-G02</u>		BEZEL (PASSENGER SIDE).....	1
81	<u>14601-G11</u>		RIVET, 3/16" X 9/16" LG (ALUMINUM).....	4
82	<u>71364-G02</u>		'J' CLIP.....	8
83	<u>71425-G01</u>		COUNTERSUNK SCREW, #3 - 18 X 3/4" LG.....	8
84				
85	<u>21759-G1</u>		TAILLIGHT BULB.....	2
86				
87	<u>17867-G1</u>		TURN SIGNAL (WITH MOUNTING HARDWARE) (INCLUDES ITEM 88).....	1
88	<u>21640-G1</u>		TURN SIGNAL FLASHER.....	1
89	<u>32307-G3</u>		FLEX LOOM, 3/8" X 8" LG.....	1
90	<u>17618-G1</u>		WIRE TIE.....	2

# ELECTRICAL SYSTEM

THE USE OF NON U.L. PARTS WILL VOID ANY U.L. LISTING.  
 When ordering parts, please specify the model and serial number of the product.  
 \* Indicates a component that is not available as an individual part.  
 G\*\* Indicates consult Customer Service Department for additional information.

ITEM	PART NO.	1	2	3	4	5	DESCRIPTION	QTY.
91	<u>20965-G3</u>						STEERING COLUMN COVER.....	1
92								
93	<u>75113-G06</u>						HOUR METER KIT (INCLUDES ITEMS 94 - 98).....	1
94	<u>74665-G02</u>						HOUR METER .....	1
95	<u>74716-G01</u>						HOUR METER BRACKET .....	1
96	<u>74696-G01</u>						RETAINER CLIP .....	1
97	<u>10570-G11</u>						RIVET .....	2
98	<u>75117-G04</u>						WIRE HARNESS (HOUR METER).....	1
99								
100								
101	<u>17318-G1</u>						HORN SWITCH.....	1
102	<u>17318-G2</u>						HORN SWITCH CAP AND NUT .....	1
103	<u>27068-G01</u>						HORN SWITCH BOOT .....	1
104	19233-G1						HORN SWITCH LABEL .....	1
105	<u>71055-G01</u>						RIVET, 3/16" X 1" LG .....	2
106								
107								
108	<u>73030-G06</u>						CONSOLE INSERT PLATE.....	1
109	<u>74320-G01</u>						LABEL, DIRECTION SELECTOR AND STATE OF CHARGE METER .....	1
110	<u>74322-G01</u>						LABEL, LIGHTS, DIRECTION SELECTOR & STATE OF CHARGE METER.....	1
111	<u>74323-G01</u>						DIRECTION SELECTOR SWITCH .....	1
112	<u>33636-G05</u>						STATE OF CHARGE METER (VERTICAL) .....	1
113	33623-G02						RIVET, 3/16" X 3/8" LG .....	2
114								
115	<u>73334-G01</u>						HARNESS (CONTROL).....	1
116								
117	<u>73290-G02</u>						BUZZER .....	1
118	<u>71045-G01</u>						RIVET, 5/32" X 3/4" LG .....	2
119								
120								

# ELECTRICAL SYSTEM

THE USE OF NON U.L. PARTS WILL VOID ANY U.L. LISTING.  
 When ordering parts, please specify the model and serial number of the product.  
 \* Indicates a component that is not available as an individual part.  
 G\*\* Indicates consult Customer Service Department for additional information.

ITEM	PART NO.	1	2	3	4	5	DESCRIPTION	QTY.
121	<u>605988</u>						DC TO DC CONVERTER KIT .....	1
122	<u>604884</u>						DC TO DC CONVERTER .....	1
123	607426						BRACKET .....	1
124	<u>606018</u>						DC TO DC WIRING HARNESS .....	1
125	<u>00379-G4</u>						PHILIPS PAN HEAD SCREW .....	6
126	<u>16816-G5</u>						CHRISTMAS TREE RIVET, 0.187 X 0.55 .....	1



# ELECTRONIC SPEED CONTROL - PDS

THE USE OF NON U.L. PARTS WILL VOID ANY U.L. LISTING.  
 When ordering parts, please specify the model and serial number of the product.  
 \* Indicates a component that is not available as an individual part.  
 G\*\* Indicates consult Customer Service Department for additional information.

ITEM	PART NO.	1	2	3	4	5	DESCRIPTION	QTY.
1	<u>73348-G04</u>						ELECTRONIC SPEED CONTROL ASSEMBLY (INCLUDES ITEMS 2 - 16, 35 - 39) .....	1
2	<u>73351-G01</u>						CONTROLLER MOUNT .....	1
3								
4	<u>611173</u>						ELECTRONIC SPEED CONTROLLER .....	1
5								
6	<u>73231-G01</u>						48 VOLT SOLENOID (INCLUDES ITEMS 7 - 10) .....	1
7	*						LOCK WASHER, #10 .....	2
8	*						NUT, #10 - 32 .....	2
9	*						LOCK WASHER, 5/16" .....	2
10	*						JAM NUT, 5/16 - 24 .....	2
11								
12	<u>73446-G01</u>						FASTON TAB .....	4
13								
14	<u>11027-G2</u>						LOCK NUT, 1/4 - 20 .....	6
15								
16	<u>25971-G17</u>						6 GA WIRE (BLK 9") .....	1
17								
18	<u>73053-G01</u>						DOUBLE TUBE CLAMP .....	1
19	<u>11027-G2</u>						LOCK NUT, 1/4 - 20 .....	4
20								
21	<u>73296-G01</u>						BOLT, 8MM X 16MM LG .....	3
22	<u>00993-G01</u>						LOCK WASHER, 5/16" .....	3
23	<u>73346-G01</u>						BOLT, 6MM X 1 X 12MM LG .....	2
24	<u>00993-G02</u>						LOCK WASHER, 1/4" .....	2
25	<u>74649-G01</u>						CONTROL HARNESS .....	1
26	<u>25971-G06</u>						4 GA WIRE (BLK 59 1/2") (SOL - BATTERY +) .....	1
27	<u>74878-G01</u>						TOW-MAINTENANCE SWITCH (SHUTTLE 4/6) .....	1
28	<u>73347-G03</u>						TOW-MAINTENANCE SWITCH (SHUTTLE 2) .....	1
29	<u>71055-G01</u>						RIVET, 5/32" X 3/4" LG .....	2



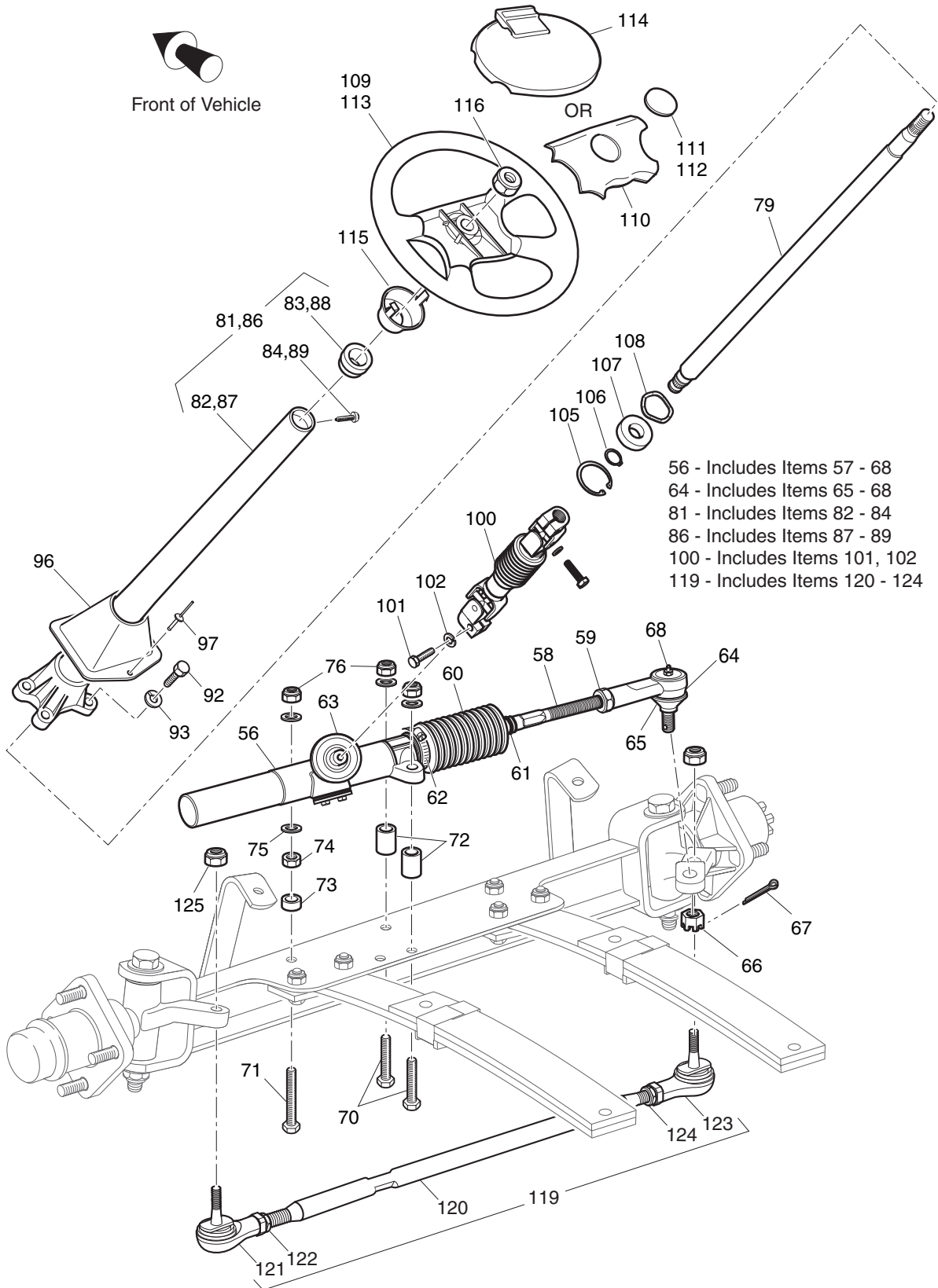
# ELECTRONIC SPEED CONTROL - PDS

THE USE OF NON U.L. PARTS WILL VOID ANY U.L. LISTING.  
 When ordering parts, please specify the model and serial number of the product.  
 \* Indicates a component that is not available as an individual part.  
 G\*\* Indicates consult Customer Service Department for additional information.

ITEM	PART NO.	1	2	3	4	5	DESCRIPTION	QTY.
30	<u>73398-G01</u>						DIAGNOSTIC LABEL (FAULT CODE) .....	1
31								
32								
33	<u>615551</u>						ELECTRONIC SPEED CONTROLLER SVC KIT (includes 4, 34-37).....	1
34	<u>17618G1</u>						NYLON WIRE TIE.....	2
35	608931						WALKAWAY RELAY HARNESS ASSEMBLY (includes 36) .....	1
36	<u>604110</u>						RELAY .....	1
37	<u>16816-G5</u>						RIVET, 0.18 X 0.55 .....	1
38	<u>16816-G2</u>						RIVET, 0.25 X 0.88 .....	1
39	<u>73499-G01</u>						FUSE COVER.....	1



# FRONT SUSPENSION/STEERING



Ref Fss 1-2

# FRONT SUSPENSION/STEERING

Where applicable, THE USE OF NON UL PARTS WILL VOID ANY UL LISTING.

When ordering parts, please specify the model and serial number of the product.

\* Indicates a component that is not available as an individual part.

G\*\* Indicates consult Customer Service Department for additional information.

ITEM	PART NO.	1	2	3	4	5	DESCRIPTION	QTY.
1	<u>602513</u>						FRONT AXLE .....	1
2	<u>600044G01</u>						FRONT AXLE WITH FRONT DISC BRAKES .....	1
3	<u>70942-G01</u>						SPINDLE AND HUB ASSEMBLY, 4 LUG (PASSENGER SIDE) (INCLUDES ITEMS 4 - 10).....	1
4	<u>70942-G02</u>						SPINDLE ASSEMBLY (PASSENGER SIDE).....	1
5	<u>25146-G1</u>						GREASE SEAL .....	1
6	<u>50892-G1</u>						ROLLER BEARING AND RACE ASSEMBLY .....	2
7	<u>70895-G01</u>						WHEEL HUB ASSEMBLY WITH RACES, 4 LUG (INCLUDES ITEM 8) .....	1
8	<u>19862-G1</u>						LUG BOLT, 1/2 - 20 X 1 3/16" LG.....	4
9	12093-G1						CASTELLATED NUT, 1 - 14 .....	1
10	<u>00798-G8</u>						COTTER PIN, 5/32" X 1 3/4" LG .....	1
11	<u>12091-G2</u>						SPINDLE CAP .....	2
12								
13								
14	70673-G01						SPINDLE AND HUB ASSEMBLY, 4 LUG (DRIVER SIDE) (INCLUDES ITEMS 5 - 10, 15).....	1
15	70673-G02						SPINDLE ASSEMBLY (DRIVER SIDE).....	1
16								
17								
18	<u>70943-G01</u>						SPINDLE AND HUB ASSEMBLY, 5 LUG (PASSENGER SIDE) (INCLUDES ITEMS 19 - 25).....	1
19	<u>70942-G02</u>						SPINDLE ASSEMBLY (PASSENGER SIDE).....	1
20	<u>12092-G1</u>						GREASE SEAL .....	1
21	<u>50892-G1</u>						ROLLER BEARING AND RACE ASSEMBLY .....	2
22	<u>70772-G01</u>						WHEEL HUB ASSEMBLY WITH RACES, 5 LUG (INCLUDES ITEM 23) .....	1
23	30143-G1						LUG BOLT, 1/2 - 20 X 1 7/32" LG.....	5
24	12093-G1						CASTELLATED NUT, 1 - 14 .....	1
25	<u>00798-G8</u>						COTTER PIN, 5/32" X 1 3/4" LG .....	1
26								
27								
28								

## FRONT SUSPENSION/STEERING

Where applicable, THE USE OF NON UL PARTS WILL VOID ANY UL LISTING.

When ordering parts, please specify the model and serial number of the product.

\* Indicates a component that is not available as an individual part.

G\*\* Indicates consult Customer Service Department for additional information.

ITEM	PART NO.	1 2 3 4 5	DESCRIPTION	QTY.
29	<u>70797-G01</u>		SPINDLE AND HUB ASSEMBLY, 5 LUG (DRIVER SIDE) (INCLUDES ITEMS 20 - 25, 30).....	1
30	70673-G02		SPINDLE ASSEMBLY (DRIVER SIDE).....	1
31				
32				
33	<u>00407-G6</u>		BOLT, 1/2 - 13 X 6" LG .....	2
34	<u>00560-G3</u>		WASHER, 1/2" .....	4
35	<u>70745-G01</u>		KING PIN TUBE .....	2
36	<u>70754-G01</u>		THRUST WASHER, 1" (STAINLESS STEEL).....	2
37	<u>14390-G6</u>		LOCK NUT, 1/2 - 13 .....	2
38				
39				
40	<u>76419-G01</u>		SHOCK ABSORBER.....	2
41	<u>70509-G01</u>		SHOCK ABSORBER BOOT .....	2
42	<u>31539-G1</u>		WIRE TIE .....	4
43	<u>10435-G1</u>		SHOCK ABSORBER WASHER.....	8
44	<u>10194-G1</u>		RUBBER BUSHING .....	8
45	<u>00532-G6</u>		NUT, 3/8 - 24 .....	4
46				
47				
48	70989-G02		LEAF SPRING (SEE PART NUMBER ON SPRING).....	2
49	<u>70664-G03</u>		LEAF SPRING (HEAVY DUTY) (SEE PART NUMBER ON SPRING).....	2
50	<u>70163-G03</u>		SPRING PLATE .....	4
51				
52	<u>00734-G1</u>		LOCK NUT, 7/16 - 14 .....	11
53	<u>00463-G11</u>		BOLT, 7/16 - 14 X 1 3/4" LG .....	11
54				
55				
56	<u>70964-G02</u>		RACK AND PINION UNIT (COMPLETE) (INCLUDES ITEMS 57 - 68).....	1
57	*		STEERING BOX INSTALLATION TAG.....	1

# FRONT SUSPENSION/STEERING

Where applicable, THE USE OF NON UL PARTS WILL VOID ANY UL LISTING.

When ordering parts, please specify the model and serial number of the product.

\* Indicates a component that is not available as an individual part.

G\*\* Indicates consult Customer Service Department for additional information.

ITEM	PART NO.	1 2 3 4 5	DESCRIPTION	QTY.
58	<u>70694-G01</u>		RACK EXTENSION .....	1
59	*		JAM NUT, 1/2 - 20.....	1
60	<u>70961-G01</u>		RACK BOOT .....	1
61	<u>12416-G2</u>		WIRE TIE .....	1
62	<u>11391-G8</u>		CLAMP, 1 13/16 - 2 3/8".....	1
63	<u>70638-G01</u>		PINION SEAL .....	1
64	<u>70695-G01</u>		RACK BALL JOINT (INCLUDES ITEMS 65 - 68).....	1
65	<u>50641-G1</u>		RUBBER BOOT .....	1
66	<u>50209-G2</u>		CASTELLATED NUT, 7/16 - 20 .....	1
67	<u>10387-G2</u>		COTTER PIN, 3/32" X 1" LG .....	1
68	<u>10389-G3</u>		GREASE FITTING, STRAIGHT.....	1
69				
70	<u>00464-G6</u>		BOLT, 7/16 - 14 X 2 3/4" LG .....	2
71	<u>01068-G01</u>		BOLT, 7/16 - 14 X 3 1/2" LG .....	1
72	<u>70667-G02</u>		SPACER.....	2
73	<u>70667-G03</u>		SPACER (SHORT).....	1
74	<u>00532-G7</u>		NUT, 7/16 - 14 .....	1
75	<u>00560-G2</u>		FLAT WASHER, 7/16" .....	7
76	<u>00734-G1</u>		LOCK NUT, 7/16 - 14 .....	3
77				
78				
79	<u>70607-G01</u>		STEERING SHAFT .....	1
80				
81	<u>70758-G03</u>		STEERING COLUMN KIT (INCLUDES ITEMS 82 - 84).....	1
82	<u>70610-G01</u>		STEERING COLUMN .....	1
83	<u>28569-G01</u>		STEERING COLUMN BUSHING.....	1
84	<u>01022-G01</u>		SCREW, #6 - 20 X 5/16" LG .....	1
85				
86	<u>70758-G04</u>		STEERING COLUMN KIT (HORN) (INCLUDES ITEMS 87 - 89).....	1
87	<u>70610-G02</u>		STEERING COLUMN .....	1

## FRONT SUSPENSION/STEERING

Where applicable, THE USE OF NON UL PARTS WILL VOID ANY UL LISTING.

When ordering parts, please specify the model and serial number of the product.

\* Indicates a component that is not available as an individual part.

G\*\* Indicates consult Customer Service Department for additional information.

ITEM	PART NO.	1 2 3 4 5	DESCRIPTION	QTY.
88	<u>28569-G01</u>		STEERING COLUMN BUSHING.....	1
89	<u>01022-G01</u>		SCREW, #6 - 20 X 5/16" LG .....	1
90				
91				
92	<u>01006-G01</u>		BOLT, 3/8 - 16 X 1 1/4" LG .....	4
93	<u>00879-G1</u>		LOCK WASHER, 3/8".....	4
94				
95				
96	<u>70997-G01</u>		COVER.....	1
97	<u>71055-G01</u>		RIVET, 3/16" X 1" LG (ALUMINUM).....	1
98				
99				
100	<u>70580-G01</u>		INTERMEDIATE SHAFT (INCLUDES ITEMS 101, 102).....	1
101	<u>01055-G01</u>		BOLT, M8 X 1.25 - 05.....	2
102	<u>00565-G8</u>		LOCK WASHER, 5/16" .....	2
103				
104				
105	<u>70751-G01</u>		RETAINING RING (INTERNAL).....	1
106	<u>70888-G01</u>		RETAINING RING (EXTERNAL).....	1
107	<u>15112-G1</u>		BALL BEARING .....	1
108	<u>70887-G01</u>		WAVE WASHER.....	1
109	<u>71146-G01</u>		STEERING WHEEL .....	1
110	<u>71147-G01</u>		STEERING WHEEL COVER .....	1
111	<u>71047-G01</u>		LABEL (E-Z-GO) .....	1
112	<u>74405-G01</u>		LABEL (CUSHMAN).....	1
113	<u>71948-G01</u>		STEERING WHEEL .....	1
114	<u>71950-G01</u>		CLIPBOARD.....	1
115	<u>71949-G01</u>		HUB COVER .....	1
116	<u>14390-G2</u>		LOCK NUT, 5/8 - 18 .....	1
117				

# FRONT SUSPENSION/STEERING

Where applicable, THE USE OF NON UL PARTS WILL VOID ANY UL LISTING.

When ordering parts, please specify the model and serial number of the product.

\* Indicates a component that is not available as an individual part.

G\*\* Indicates consult Customer Service Department for additional information.

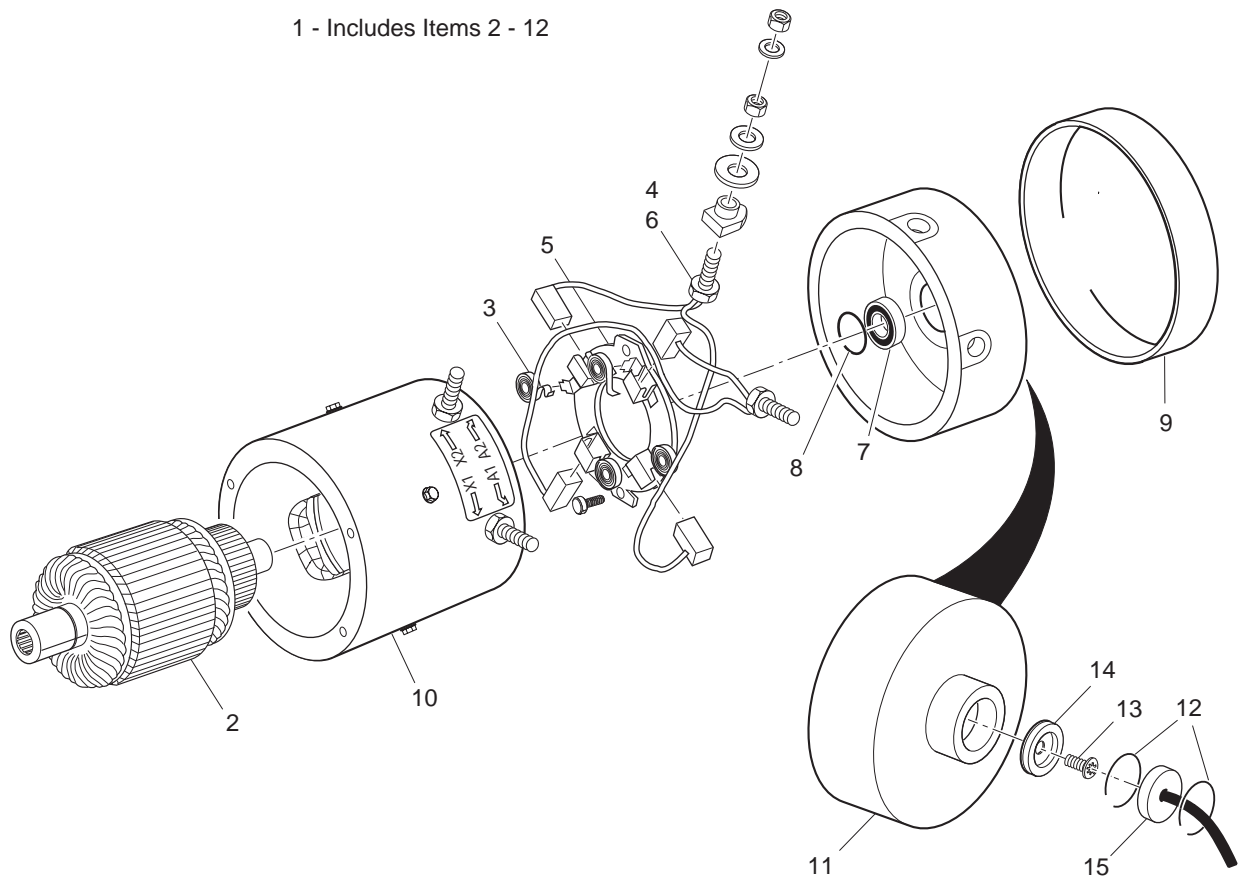
ITEM	PART NO.	1 2 3 4 5	DESCRIPTION	QTY.
118				
119	<u>70876-G02</u>		TIE ROD ASSEMBLY (INCLUDES ITEMS 120 - 124).....	1
120	<u>70897-G02</u>		THREADED ROD (24" LG).....	1
121	<u>70902-G01</u>		TIE ROD END (LEFT HAND THREADS) .....	1
122	<u>01069-G01</u>		JAM NUT, M12 X 1.25 - 05 (LEFT HAND THREADS).....	1
123	<u>70902-G02</u>		TIE ROD END (RIGHT HAND THREADS).....	1
124	<u>01069-G02</u>		JAM NUT, M12 X 1.25 - 05 (RIGHT HAND THREADS) .....	1
125	<u>00734-G1</u>		LOCK NUT, 7/16 - 14 .....	2



## FRONT SUSPENSION/STEERING

# MOTOR

1 - Includes Items 2 - 12



# MOTOR

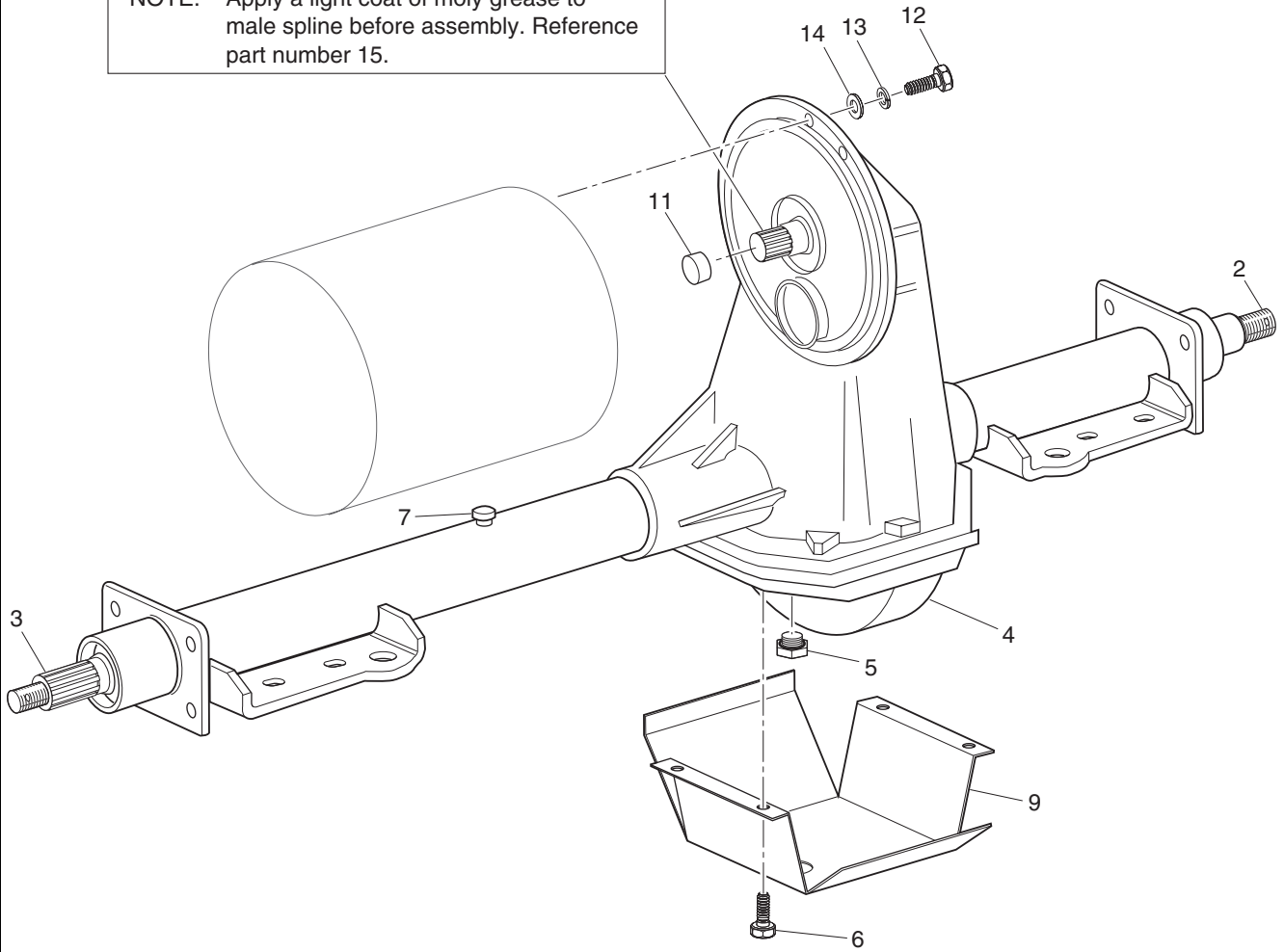
THE USE OF NON U.L. PARTS WILL VOID ANY U.L. LISTING.  
 When ordering parts, please specify the model and serial number of the product.  
 \* Indicates a component that is not available as an individual part.  
 G\*\* Indicates consult Customer Service Department for additional information.

ITEM	PART NO.	1	2	3	4	5	DESCRIPTION	QTY.
1	<u>73291-G04</u>						MOTOR (SEPARATELY EXCITED) (PDS) (INCLUDES ITEMS 2-12).....	1
2	<u>73120-G36</u>						ARMATURE .....	1
3	<u>73120-G38</u>						BRUSH SPRING.....	8
4	<u>73120-G39</u>						BRUSH .....	8
5	<u>73120-G40</u>						BRUSH BOX.....	1
6	<u>73120-G41</u>						BRUSH REPLACEMENT KIT (INCLUDES HARDWARE) .....	1
7	<u>73120-G07</u>						BEARING .....	1
8	<u>73120-G06</u>						SNAP RING .....	1
9	<u>73120-G43</u>						HEADBAND .....	1
10	<u>73120-G37</u>						FRAME AND FIELD COIL (INCLUDES HARDWARE).....	1
11	<u>73120-G42</u>						COVER COMMUTATOR END .....	1
12	<u>73277-G01</u>						RETAINING RING.....	1
13	<u>01037-G02</u>						SCREW, #10 - 32 X 1/2" LG.....	1
14	<u>73328-G01</u>						MAGNET .....	2
15	<u>73327-G02</u>						SPEED SENSOR .....	1

# REAR AXLE

1 - Includes Items 2 - 7

NOTE: Apply a light coat of moly grease to male spline before assembly. Reference part number 15.



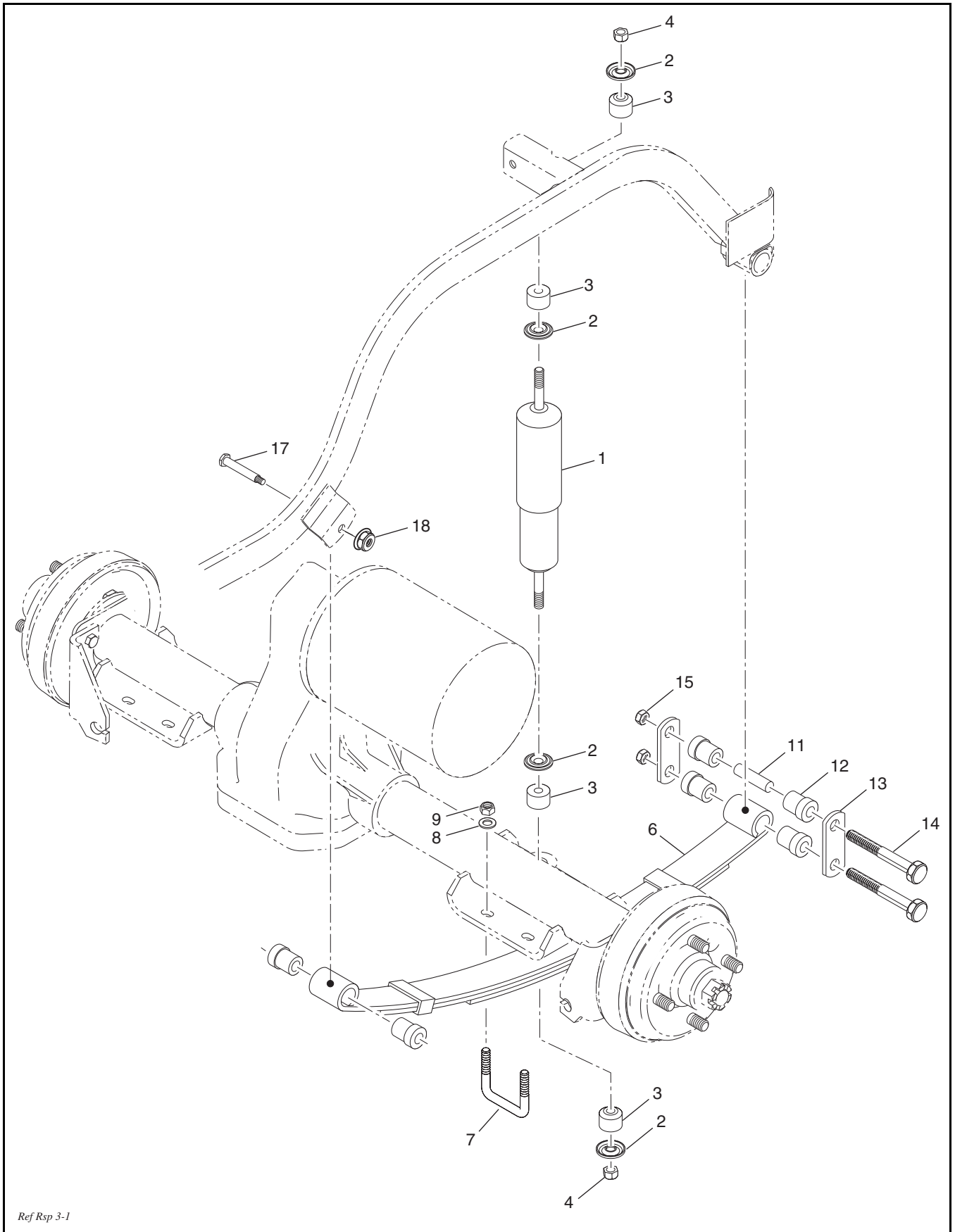
Ref Rax 1

# REAR AXLE

Where applicable, THE USE OF NON UL PARTS WILL VOID ANY UL LISTING.  
 When ordering parts, please specify the model and serial number of the product.  
 \* Indicates a component that is not available as an individual part.  
 G\*\* Indicates consult Customer Service Department for additional information.

ITEM	PART NO.	1 2 3 4 5	DESCRIPTION	QTY.
1	<u>74612-G01</u>		REAR AXLE ASSEMBLY 14.76:1 (INCLUDES ITEMS 2 - 7) .....	1
2	<u>20377-G12</u>		AXLE SHAFT (PASSENGER SIDE) .....	1
3	<u>20377-G11</u>		AXLE SHAFT (DRIVER SIDE).....	1
4	*		DIFFERENTIAL COVER.....	1
5	<u>28610-G01</u>		FILL PLUG WITH 'O' RING.....	1
6	<u>15558-G1</u>		BOLT, 5/16 - 18 X 3/4" LG.....	10
7	<u>73050-G01</u>		VENT .....	1
8				
9	<u>72763-G02</u>		SCUFF GUARD .....	1
10				
11	<u>24261-G1</u>		SPLINE BUMPER .....	1
12	<u>00797-G2</u>		BOLT, 1/4 - 20 X 1 1/4" LG .....	3
13	<u>00565-G7</u>		LOCK WASHER, 1/4" (STAINLESS STEEL) .....	3
14	<u>00559-G7</u>		WASHER, 1/4" (STAINLESS STEEL) .....	3
15	<u>28095-G01</u>		MOLY LUBE, 2 OZ. ....	AR

# REAR SUSPENSION



Ref Rsp 3-1

# REAR SUSPENSION

THE USE OF NON U.L. PARTS WILL VOID ANY U.L. LISTING.

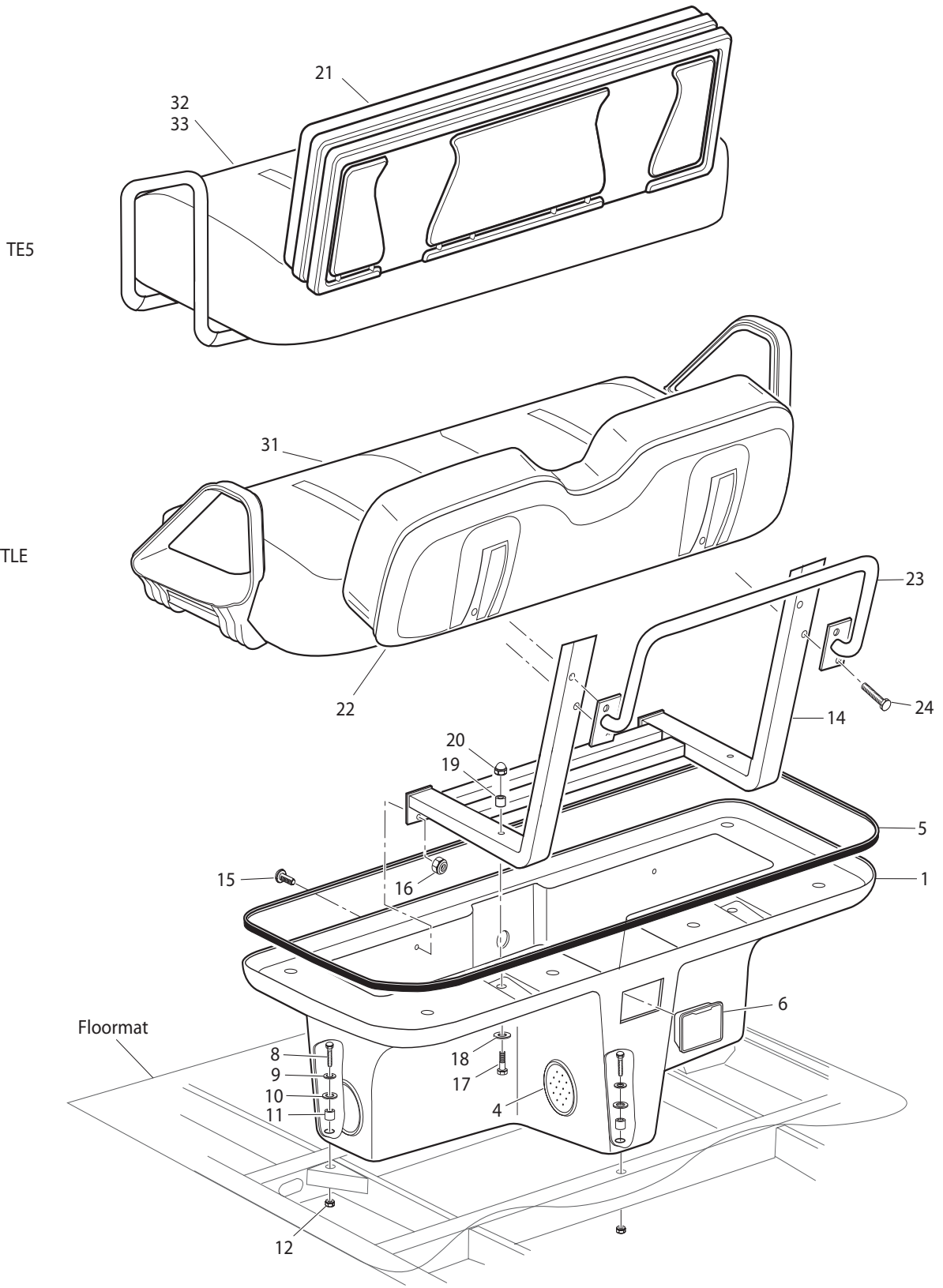
When ordering parts, please specify the model and serial number of the product.

\* Indicates a component that is not available as an individual part.

G\*\* Indicates consult Customer Service Department for additional information.

ITEM	PART NO.	1 2 3 4 5	DESCRIPTION	QTY.
1	<u>76418-G01</u>		SHOCK ABSORBER.....	2
2	<u>10435-G1</u>		SHOCK ABSORBER WASHER.....	8
3	<u>10194-G1</u>		RUBBER SHOCK ABSORBER BUSHING.....	8
4	<u>00532-G6</u>		NUT, 3/8 - 24.....	4
5				
6	<u>74207-G03</u>		LEAF SPRING (HEAVY DUTY).....	2
7	<u>72618-G01</u>		"U" BOLT, 3/8 - 16 X 2" X 2 1/2" LG.....	4
8	<u>00560-G1</u>		WASHER, 3/8".....	8
9	<u>11098-G5</u>		LOCK NUT, 3/8 - 16.....	8
10				
11	<u>70289-G02</u>		SPACER.....	4
12	<u>70291-G01</u>		RUBBER BUSHING.....	12
13	<u>70290-G02</u>		SHACKLE PLATE.....	4
14	<u>00665-G9</u>		BOLT, 3/8 - 16 X 3 1/2" LG (STAINLESS STEEL).....	4
15	<u>11098-G5</u>		LOCK NUT, 3/8 - 16.....	4
16				
17	<u>14158-G1</u>		SHOULDER BOLT, 3/8 - 16 X 3 1/4" LG.....	2
18	<u>12262-G1</u>		LOCK NUT, 3/8 - 16.....	2

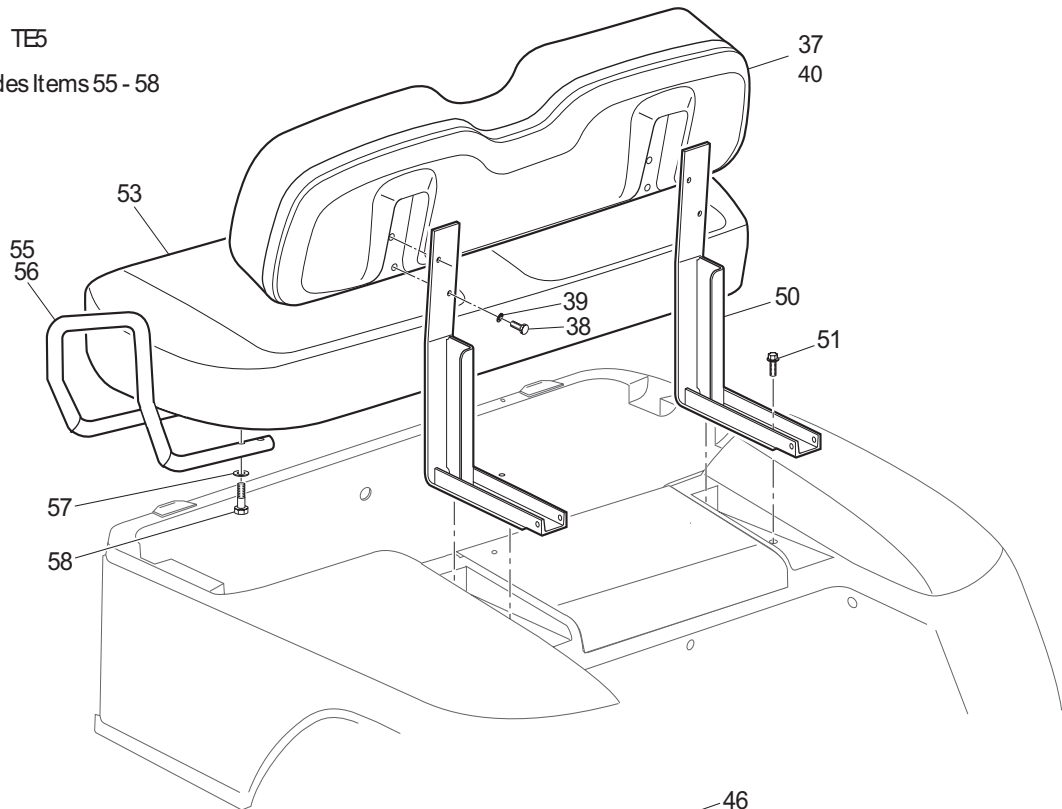
# SEATING



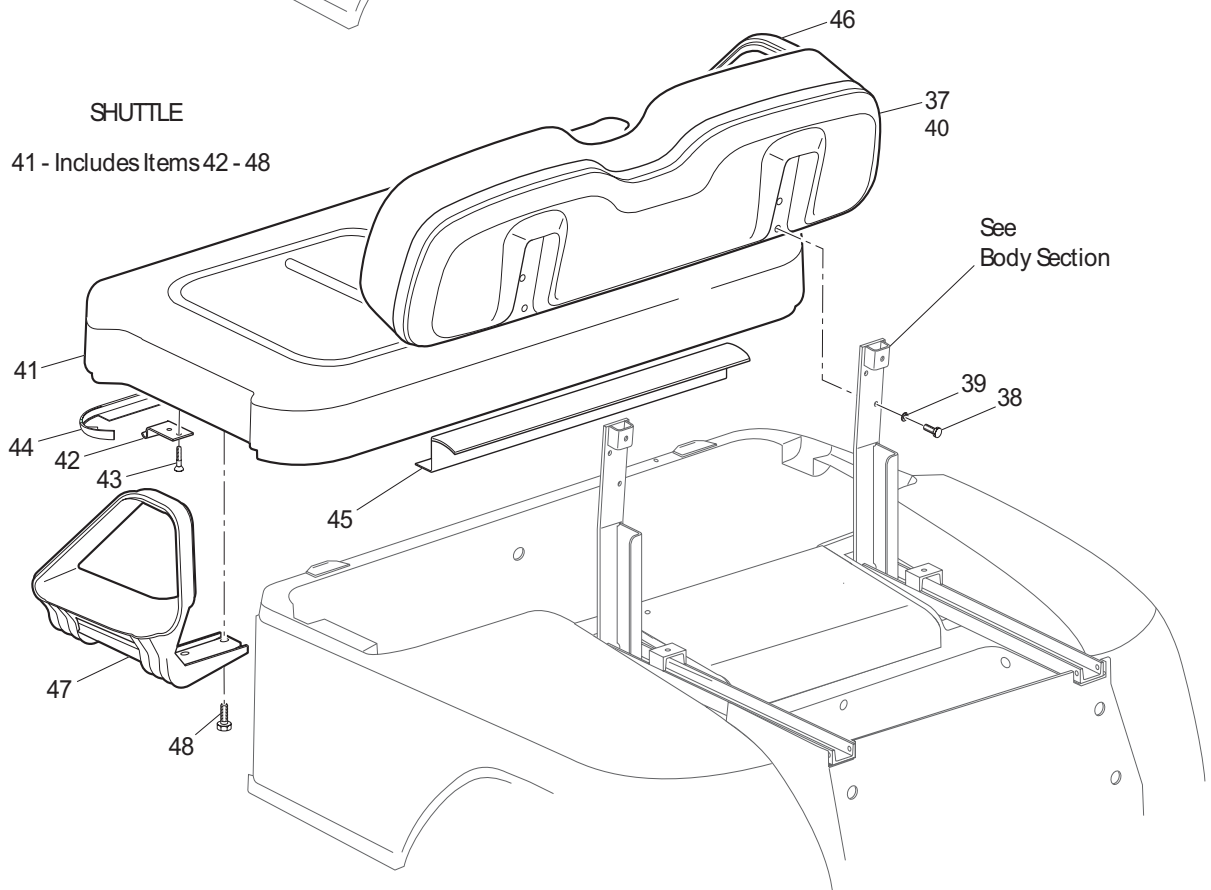
Ref Sea 7-1



TE5  
54 - Includes Items 55 - 58



SHUTTLE  
41 - Includes Items 42 - 48



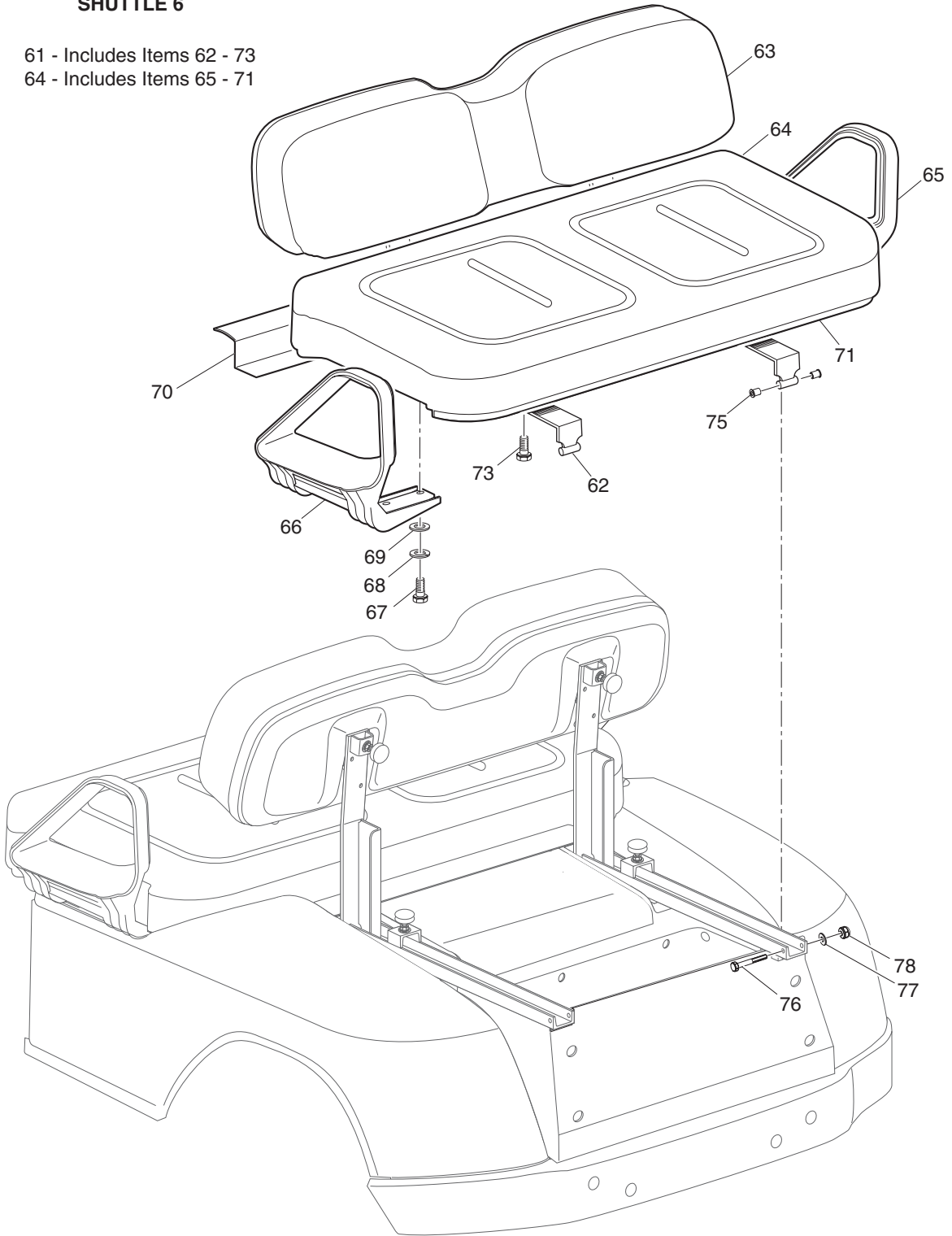
Ref Sea 7-3

# SEATING

## SHUTTLE 6

61 - Includes Items 62 - 73

64 - Includes Items 65 - 71



Ref Sea 7-4

# SEATING

THE USE OF NON U.L. PARTS WILL VOID ANY U.L. LISTING.  
 When ordering parts, please specify the model and serial number of the product.  
 \* Indicates a component that is not available as an individual part.  
 G\*\* Indicates consult Customer Service Department for additional information.

ITEM	PART NO.	1 2 3 4 5	DESCRIPTION	QTY.
1	70836-G00*		SEAT POD .....	1
2				
3				
4	<u>71599-G01</u>		VENT PLUG .....	4
5	<u>32805-G6</u>		TRIM, BLACK.....	1
6	<u>27731-G01</u>		ASHTRAY .....	1
7				
8	<u>00439-G8</u>		BOLT, 5/16 - 18 X 2" LG .....	3
9	<u>00675-G1</u>		WASHER, 1 1/4" X 3/8" .....	3
10	<u>71883-G01</u>		RUBBER WASHER, 5/8" .....	3
11	<u>23726-G9</u>		SPACER, 3/4".....	3
12	<u>11098-G6</u>		LOCK NUT, 5/16 - 18 .....	3
13				
14	<u>70820-G01</u>		SEAT BACK SUPPORT .....	1
15	<u>00976-G06</u>		SCREW, 5/16 - 18 X 3/4" LG.....	2
16	<u>11098-G6</u>		LOCK NUT, 5/16 - 18 .....	2
17	<u>00427-G8</u>		BOLT, 3/8 - 16 X 2" LG .....	2
18	<u>00675-G1</u>		WASHER, 1 1/4" X 3/8" .....	2
19	<u>23726-G4</u>		SPACER, 5/16".....	2
20	<u>15717-G5</u>		ACORN NUT, 3/8 - 16 .....	2
21	<u>71274-G**</u>		SEAT BACK ASSEMBLY .....	1
22	<u>71751-G**</u>		SEAT BACK ASSEMBLY .....	1
23	<u>71632-G01</u>		HAND GRIP .....	1
24	<u>71204-G02</u>		BOLT, 1/4 - 20 X 2" LG .....	4
25				
26				
27				
28				
29				
30				

# SEATING

THE USE OF NON U.L. PARTS WILL VOID ANY U.L. LISTING.

When ordering parts, please specify the model and serial number of the product.

\* Indicates a component that is not available as an individual part.

G\*\* Indicates consult Customer Service Department for additional information.

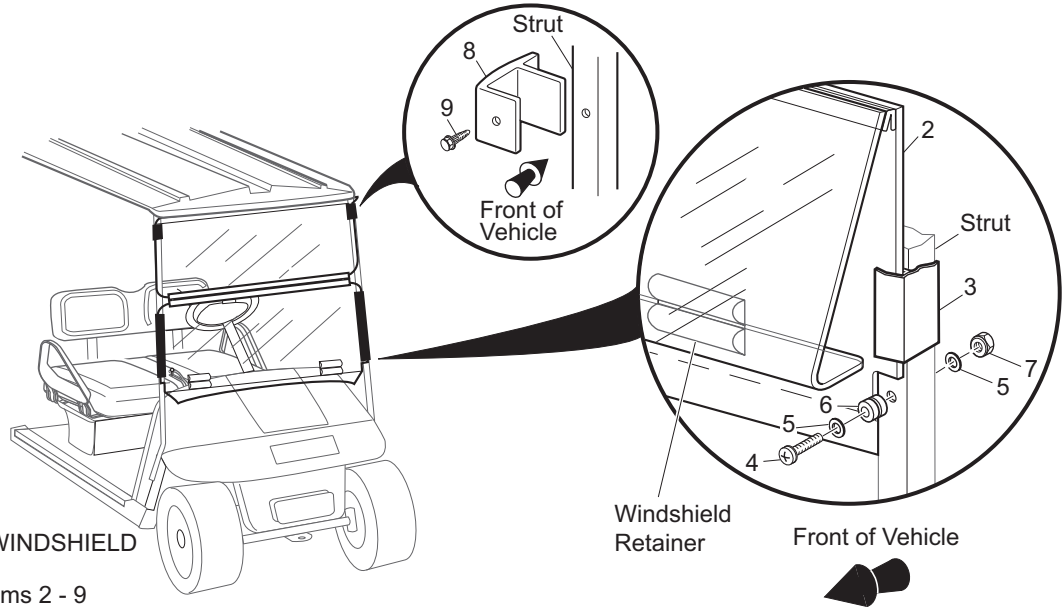
ITEM	PART NO.	1 2 3 4 5	DESCRIPTION	QTY.
31	71611-G**		SEAT BOTTOM (SHUTTLE) .....	2
32	71651-G**		SEAT BOTTOM (TE5).....	2
33	604912-G**		TWO TONE VINYL SEAT BOTTOM .....	1
34				
35				
36				
37	71751-G**		SEAT BACK .....	1
38	<u>00661-G8</u>		BOLT, 1/4 - 20 X 1" LG .....	4
39	<u>00664-G7</u>		LOCK WASHER, 1/4".....	4
40	604916-G**		TWO TONE VINYL SEAT BACK.....	1
41	71611-G**		SEAT BOTTOM (INCLUDES ITEMS 42 - 48) (SHUTTLE 4 & 6) .....	1
42	<u>71610-G01</u>		SEAT HINGE .....	2
43	<u>00720-G08</u>		SCREW, #12 - 14 X 1" LG .....	6
44	<u>71012-G01</u>		FRONT EDGE TRIM.....	1
45	<u>71608-G01</u>		BACK EDGE TRIM .....	1
46	<u>71701-G01</u>		HIP RESTRAINT (PASSENGER SIDE) .....	1
47	<u>71702-G01</u>		HIP RESTRAINT (DRIVER SIDE) .....	1
48	71204-G01		BOLT, 1/4 - 20 X 7/8" LG.....	8
49				
50	<u>74137-G01</u>		SEAT BACK SUPPORT (TE5) .....	2
51	<u>01006-G02</u>		BOLT, 3/8 - 16 X 1 1/4" LG (TE5).....	4
52				
53	71651-G**		SEAT BOTTOM (TE5).....	1
54	<u>71646-G01</u>		HAND HOLD KIT (INCLUDES ITEMS 55 - 58) .....	1
55	<u>71876-G02</u>		HIP RESTRAINT, REAR SEAT (DRIVER SIDE) .....	1
56	<u>71876-G01</u>		HIP RESTRAINT, REAR SEAT (PASSENGER SIDE).....	1
57	<u>00559-G7</u>		WASHER, 1/4" .....	8
58	<u>00415-G2</u>		BOLT, 1/4 - 20 X 1 1/4" LG.....	8
59				
60				

# SEATING

THE USE OF NON U.L. PARTS WILL VOID ANY U.L. LISTING.  
 When ordering parts, please specify the model and serial number of the product.  
 \* Indicates a component that is not available as an individual part.  
 G\*\* Indicates consult Customer Service Department for additional information.

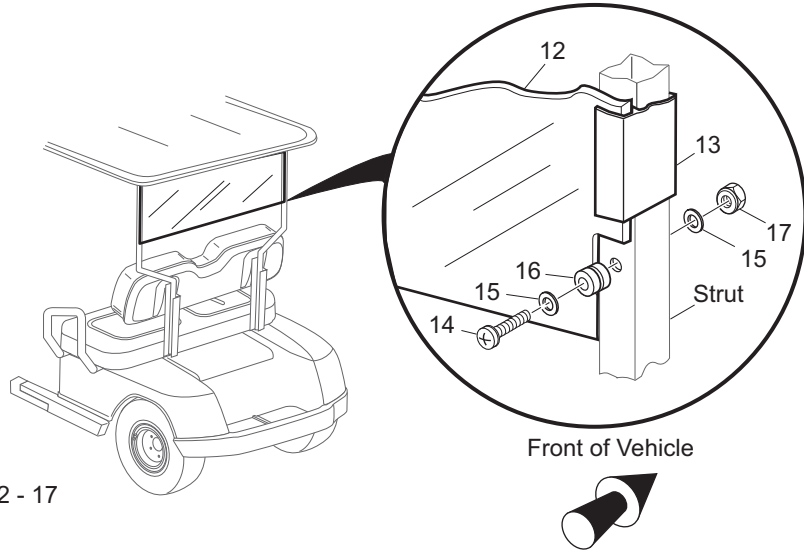
ITEM	PART NO.	1 2 3 4 5	DESCRIPTION	QTY.
61	74131-G**		SEAT ASSEMBLY (INCLUDES ITEMS 62 - 73) (SHUTTLE 6).....	1
62	<u>72918-G01</u>		SEAT SUPPORT BRACKET .....	2
63	71751-G**		SEAT BACK.....	1
64	74139-G**		SEAT BOTTOM (INCLUDES ITEMS 65 - 71).....	1
65	<u>71701-G01</u>		HIP RESTRAINT (PASSENGER SIDE) .....	1
66	<u>71702-G01</u>		HIP RESTRAINT (DRIVER SIDE).....	1
67	<u>00661-G8</u>		BOLT, 1/4 - 20 X 1" LG .....	8
68	<u>00664-G7</u>		LOCK WASHER, 1/4".....	8
69	<u>01110-G01</u>		WASHER, 1/4".....	8
70	<u>71012-G01</u>		SEAT TRIM (REAR) .....	1
71	<u>74140-G01</u>		SEAT TRIM (FRONT).....	1
72				
73	71204-G01		BOLT, 1/4 - 20 X 7/8" LG.....	12
74				
75	<u>17838-G1</u>		NYLON BUSHING.....	4
76	<u>00440-G4</u>		BOLT, 5/16 - 18 X 2 1/2" LG .....	2
77	00559-G8		WASHER, 5/16" .....	2
78	11098-G6		LOCK NUT, 5/16 - 18 .....	2

# WEATHER PROTECTION



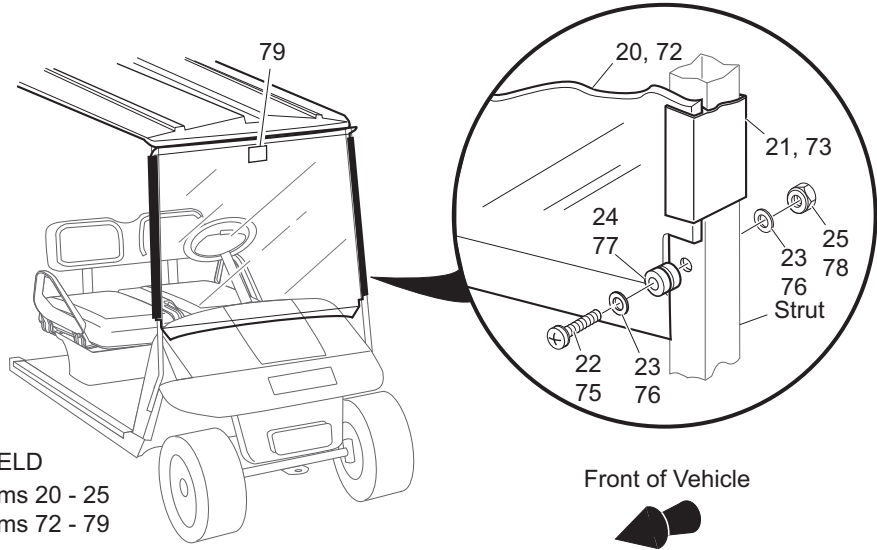
## FOLD DOWN WINDSHIELD

1 - Includes Items 2 - 9



## REAR WINDSHIELD

11 - Includes Items 12 - 17

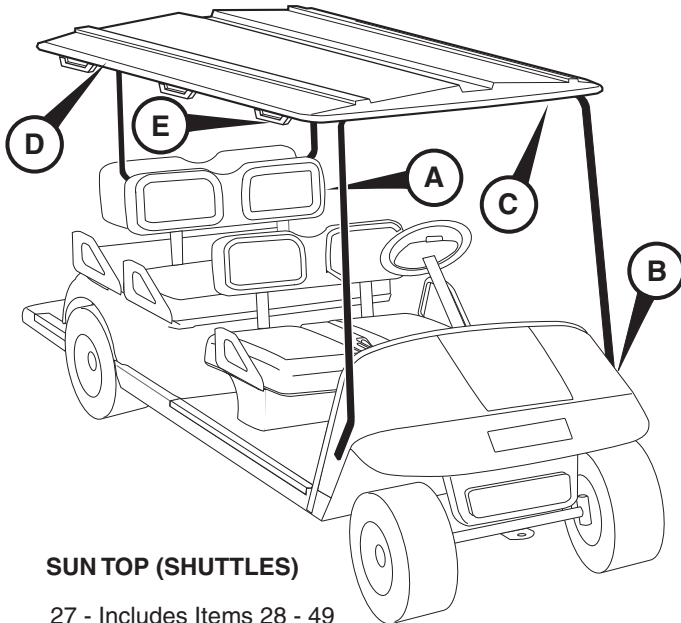
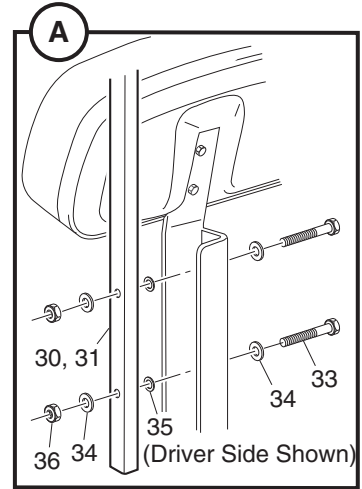
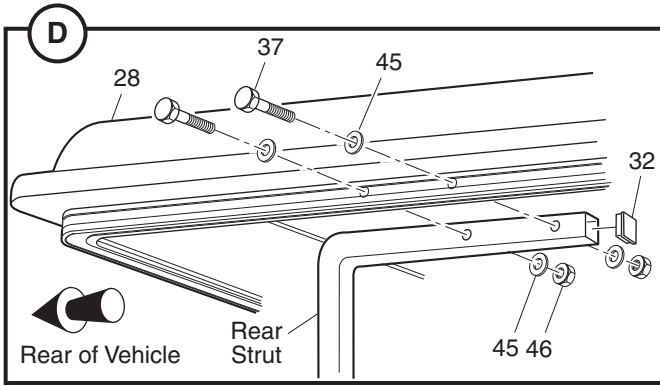


## FULL WINDSHIELD

19 - Includes Items 20 - 25  
71 - Includes Items 72 - 79

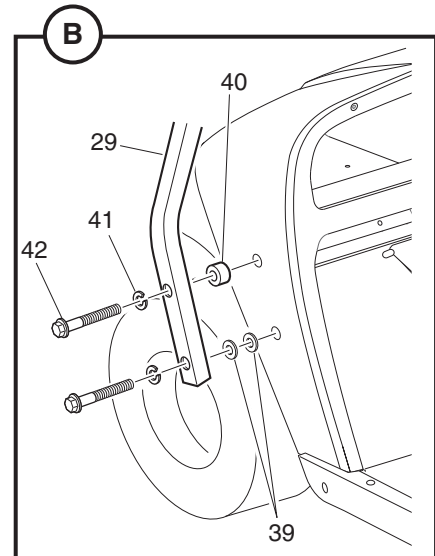
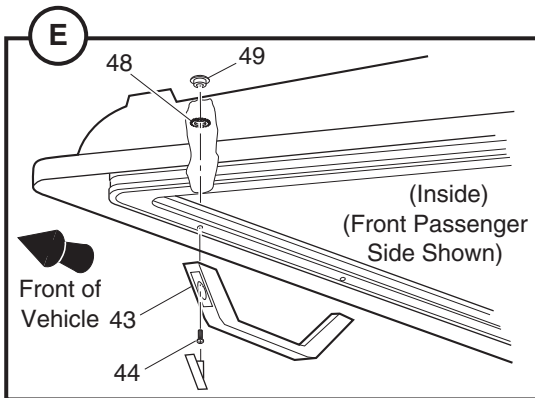
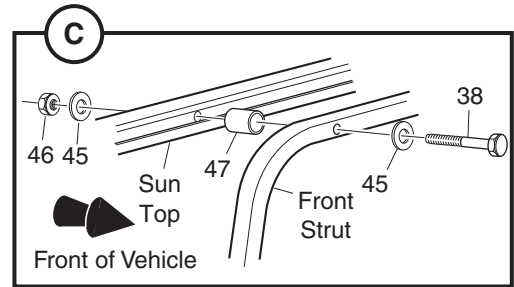
Ref Wea 7-1

# WEATHER PROTECTION



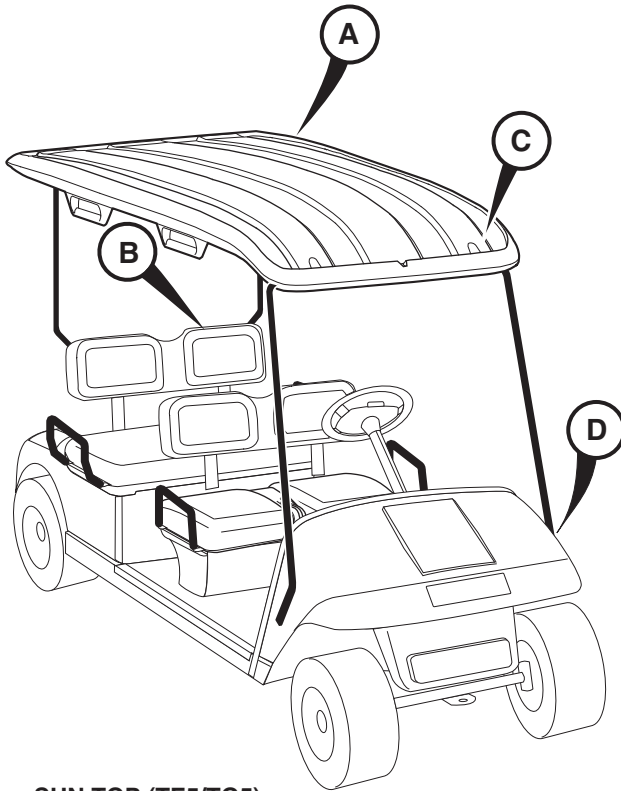
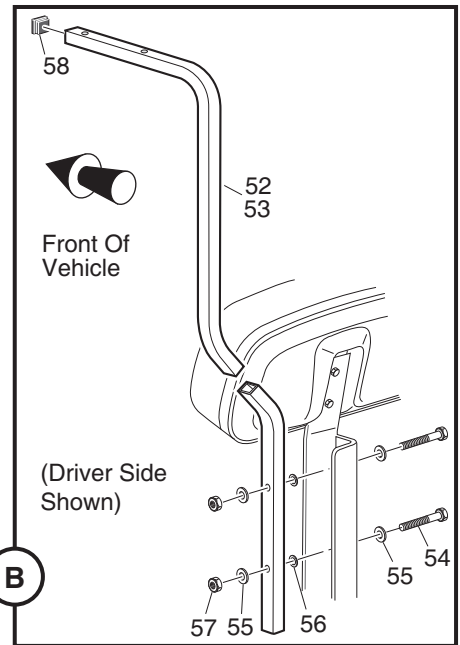
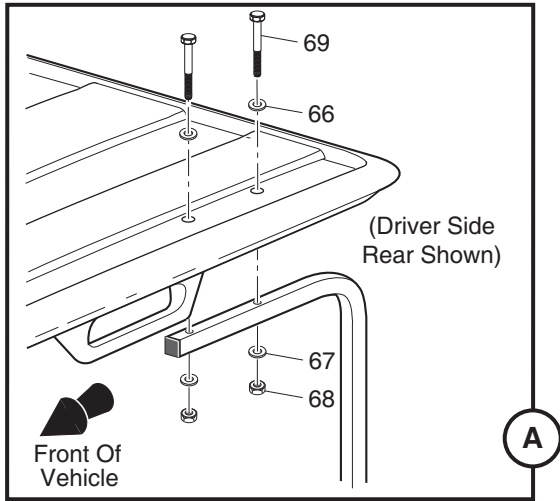
## SUN TOP (SHUTTLES)

27 - Includes Items 28 - 49



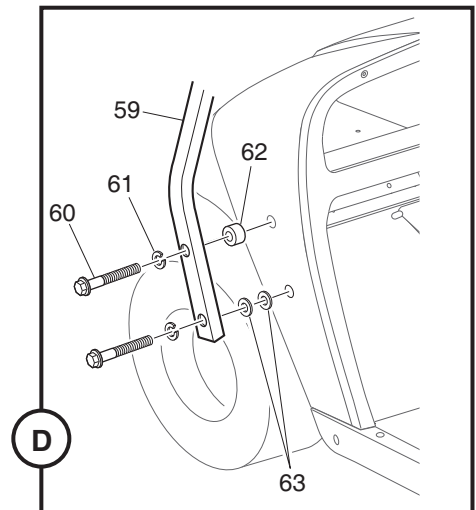
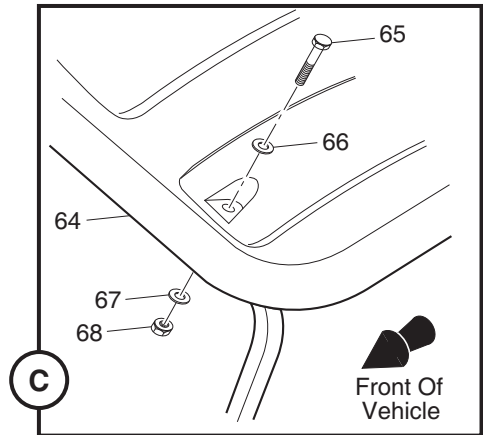
Ref Wea 7-2

# WEATHER PROTECTION



## SUN TOP (TE5/TG5)

51 - Includes Items 52 - 69



Ref Wea 7-3



# WEATHER PROTECTION

THE USE OF NON U.L. PARTS WILL VOID ANY U.L. LISTING.

When ordering parts, please specify the model and serial number of the product.

\* Indicates a component that is not available as an individual part.

G\*\* Indicates consult Customer Service Department for additional information.

ITEM	PART NO.	1 2 3 4 5	DESCRIPTION	QTY.
1	<u>35567-G01</u>		WINDSHIELD KIT, FOLD DOWN (INCLUDES ITEMS 2 - 9) .....	1
2	E950WSB3		FOLD DOWN WINDSHIELD .....	1
3	EGWHC24		SASH, 3/4" X 14" LG .....	2
4	EGWHS12		SCREW, 1/4 - 20 X 1 3/4" LG (STAINLESS STEEL).....	2
5	EGWHG12		WASHER, 1/4" (STAINLESS STEEL).....	4
6	EGWHG13		RUBBER GROMMET .....	2
7	EGWHN12		LOCK NUT, 1/4 - 20 (STAINLESS STEEL).....	2
8	137-010		TOP GRIP .....	2
9	136-008		FASTENER .....	2
10				
11	<u>75535-G01</u>		WINDSHIELD KIT, REAR (INCLUDES ITEMS 12 - 17)(TE5).....	1
12	EIRWFB3		REAR WINDSHIELD .....	1
13	EGWHC14		SASH, 1" X 15 9/16" LG .....	2
14	EGWHS14		SCREW, 1/4 - 20 X 2" LG (STAINLESS STEEL).....	2
15	EGWHW13		WASHER, 1/4" (STAINLESS STEEL).....	6
16	EGWHG13		RUBBER GROMMET .....	2
17	EGWHN13		LOCK NUT, 1/4 - 20 (STAINLESS STEEL).....	2
18				
19	<u>75536-G01</u>		WINDSHIELD KIT, FULL (INCLUDES ITEMS 20 - 25)(TE5) .....	1
20	EISWFB3		FULL, WINDSHIELD.....	1
21	EGWHC13		SASH, 3/4" X 22 7/16" LG .....	2
22	EGWHS13		SCREW, 1/4 - 20 X 1 3/4" LG (STAINLESS STEEL).....	2
23	EGWHW13		WASHER, 1/4" (STAINLESS STEEL).....	4
24	EGWHG13		RUBBER GROMMET .....	2
25	EGWHN13		LOCK NUT, 1/4 - 20 (STAINLESS STEEL).....	2
26				
27	75282-G0*		SUN TOP KIT (SHUTTLE) (INCLUDES ITEMS 28 - 49) .....	1
28	75271-G0*		SUN TOP .....	1
29	<u>75045-G03</u>		FRONT STRUT.....	1
30	<u>75274-G01</u>		REAR STRUT (DRIVER SIDE).....	1

# WEATHER PROTECTION

THE USE OF NON U.L. PARTS WILL VOID ANY U.L. LISTING.

When ordering parts, please specify the model and serial number of the product.

\* Indicates a component that is not available as an individual part.

G\*\* Indicates consult Customer Service Department for additional information.

ITEM	PART NO.	1 2 3 4 5	DESCRIPTION	QTY.
31	<u>75274-G02</u>		REAR STRUT (PASSENGER SIDE).....	1
32	<u>19853-G1</u>		END CAP, 1" .....	2
33	<u>00665-G5</u>		BOLT, 3/8 - 16 X 1 3/4" LG (STAINLESS STEEL) .....	4
34	<u>00679-G1</u>		WASHER, 3/8" (STAINLESS STEEL).....	8
35	<u>00771-G5</u>		NYLON WASHER, 3/8".....	4
36	<u>00891-G5</u>		LOCK NUT, 3/8 - 16.....	4
37	<u>00440-G4</u>		BOLT, 5/16 - 18 X 2 1/2" LG.....	4
38	<u>00441-G2</u>		BOLT, 5/16 - 18 X 3 1/4" LG.....	2
39	<u>00879-G1</u>		WASHER, 3/8" .....	4
40	<u>75048-G01</u>		SPACER, 1/2" .....	2
41	<u>00905-G8</u>		LOCK WASHER, 5/16" .....	4
42	00440-G02		BOLT, 5/16 - 18 X 2 1/4" LG.....	4
43	<u>75240-G01</u>		HANDLE .....	5
44	00163-G2		SCREW, 1/4 - 20 X 1 1/4" LG .....	10
45	<u>00642-G8</u>		WASHER, 5/16" .....	12
46	11098-G6		LOCK NUT, 5/16 - 18 (STAINLESS STEEL).....	6
47	<u>18716-G2</u>		SPACER, 1" .....	2
48	<u>00567-G8</u>		LOCK WASHER, 5/16" .....	10
49	<u>01010-G01</u>		TEE NUT, 1/4 - 20.....	10
50				
51	<u>75485-G01</u>		SUN TOP KIT (TE5/TG5) (INCLUDES ITEMS 52 - 69) .....	1
52	<u>75487-G02</u>		REAR SUPPORT (DRIVER SIDE) .....	2
53	<u>75487-G01</u>		REAR SUPPORT (PASSENGER SIDE).....	2
54	<u>00665-G5</u>		BOLT, 3/8 - 16 X 1 3/4" LG (STAINLESS STEEL) .....	4
55	<u>00679-G1</u>		WASHER, 3/8" (STAINLESS STEEL).....	8
56	<u>00771-G5</u>		NYLON WASHER, 3/8".....	4
57	<u>00891-G5</u>		LOCK NUT, 3/8 - 16.....	4
58	<u>19853-G1</u>		END CAP, 1" .....	2
59	<u>75488-G01</u>		FRONT SUPPORT .....	2
60	00440-G02		BOLT, 5/16 - 18 X 2 1/4" LG.....	4

# WEATHER PROTECTION

THE USE OF NON U.L. PARTS WILL VOID ANY U.L. LISTING.

When ordering parts, please specify the model and serial number of the product.

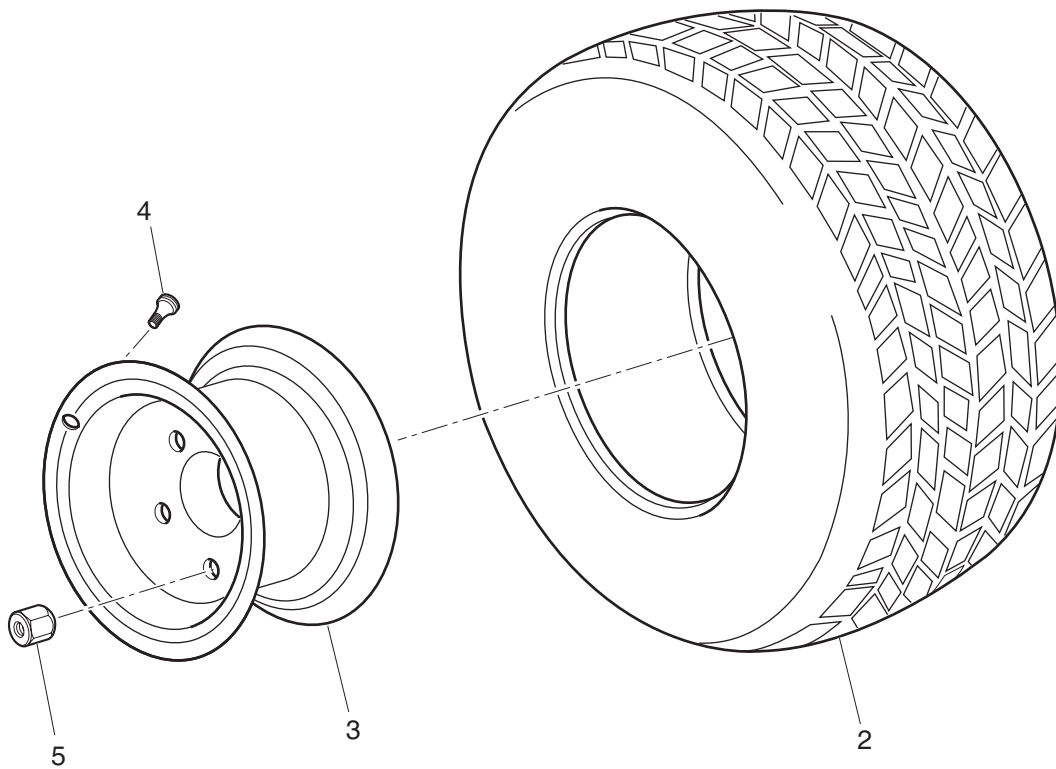
\* Indicates a component that is not available as an individual part.

G\*\* Indicates consult Customer Service Department for additional information.

ITEM	PART NO.	1	2	3	4	5	DESCRIPTION	QTY.
61	<u>00905-G8</u>						LOCK WASHER, 5/16" .....	4
62	<u>75048-G01</u>						SPACER, 1/2" .....	2
63	<u>00879-G1</u>						LOCK WASHER, 3/8" .....	4
64	<u>74374-G01</u>						SUN TOP .....	1
65	<u>00685-G10</u>						BOLT, 5/16 - 18 X 2 3/4" LG (STAINLESS STEEL) .....	2
66	<u>00907-G2</u>						WASHER, 5/16" (STAINLESS STEEL).....	6
67	<u>00660-G8</u>						WASHER, 5/16" (STAINLESS STEEL).....	6
68	11098-G6						LOCK NUT, 5/16 - 18 (STAINLESS STEEL).....	6
69	<u>00685-G11</u>						BOLT, 5/16 - 18 X 3 1/4" LG (STAINLESS STEEL) .....	4
70								
71	<u>611099</u>						WINDSHIELD KIT FULL (INCLUDES ITEMS 72 - 79).....	1
72	*						WINDSHIELD (SHUTTLE 4/6).....	1
73	110-044						SASH, 1" X 26" LG .....	2
74	110-074						HARDWARE SET (INCLUDES ITEMS 75 -78) .....	1
75							SCREW, 1/4-20 X 2 LG (STAINLESS STEEL).....	1
76							WASHER, 1/4" (STAINLESS STEEL) .....	4
77	110-072C						RUBBER GROMMET .....	2
78							LOCK NUT, 1/4-20 (STAINLESS STEEL) .....	2
79	110-066						LABEL (SAFETY) .....	1

# WHEELS AND TIRES

1 - Includes Items 2, 3, 4



(Style of tire may differ from tire shown)

# WHEELS AND TIRES

Where applicable, THE USE OF NON UL PARTS WILL VOID ANY UL LISTING.  
 When ordering parts, please specify the model and serial number of the product.  
 \* Indicates a component that is not available as an individual part.  
 G\*\* Indicates consult Customer Service Department for additional information.

ITEM	PART NO.	1	2	3	4	5	DESCRIPTION	QTY.
1	<u>28757-G01</u>						TIRE AND WHEEL ASSEMBLY (INCLUDES ITEMS 2, 3, 4).....	AR
2	<u>28764-G01</u>						TIRE, 18 X 8.50 - 8 LINKS® .....	1
3	<u>28759-G01</u>						WHEEL RIM.....	1
4	<u>11657-G2</u>						VALVE STEM.....	1
5	<u>14723-G1</u>						LUG NUT, 1/2 - 20.....	AR



SPECIALTY PRODUCTS

# SPECIALTY PRODUCTS

## SPECIALTY PRODUCTS

<b>SPECIAL TOOLS</b>	<b>PART NO.</b>
BATTERY MAINTENANCE KIT .....	25587-G01
SEAL INSTALLATION TOOL (REAR AXLE SHAFT SEAL) .....	18739-G1
BATTERY SET DISCHARGER, 36 VOLT, 75 AMP .....	28251-G01
CURRENT INDICATOR .....	16489-G2
DIGITAL MULTI-METER .....	27481-G01
CRIMPING TOOL .....	27765-G01
TUBELESS TIRE REPAIR KIT .....	606009
TIRE PLUGGER REFILL PACK (50/BOX) .....	606831

<b>TOUCH UP PAINT</b>	<b>PART NO.</b>
PEN 3 OUNCE (89 ML) - HUNTER GREEN .....	28432-G02
PEN 3 OUNCE (89 ML) - CHAMPAGNE BEIGE .....	28432-G01
PEN 3 OUNCE (89 ML) - WHITE .....	28432-G05
PEN 3 OUNCE (89 ML) - INDUSTRIAL YELLOW .....	28432-G03
PEN 3 OUNCE (89 ML) - ORANGE .....	28432-G04
PEN 3 OUNCE (89 ML) - STEEL BLUE PEARL .....	28432-G**
PEN 3 OUNCE (89 ML) - CAMOUFLAGE PAINT (THREE PENS) .....	75831-G01
AEROSOL 12 OUNCE (360 ML) - HUNTER GREEN .....	28140-G09
AEROSOL 12 OUNCE (360 ML) - CHAMPAGNE BEIGE .....	28140-G15
AEROSOL 12 OUNCE (360 ML) - INDUSTRIAL YELLOW .....	28140-G14

<b>MAINTENANCE PRODUCTS</b>	<b>PART NO.</b>
PLEXUS® CLEANER, 13 OUNCE (380 ML) (FOR WINDSHIELDS) .....	28433-G02
BATTERY PROTECTOR, 14 OUNCE (410 ML) SPRAY .....	27619G-02
E-Z-GO ALL SURFACE CLEANER .....	606311
E-Z-GO FIBERGLASS/PLASTIC RESTORER .....	606313
W/SHIELD AND PLASTIC PROTECTOR .....	606314
HAND CLEANER 4 OZ .....	607636
HAND CLEANER 64 OZ .....	607637







A Textron Company

E-Z-GO Division Of Textron, Inc.,  
1451 Marvin Griffin Road, Augusta, Georgia USA 30906-3852

**TO CONTACT US**

North America:

Technical Assistance & Warranty Phone: 1-800-774-3946, FAX: 1-800-448-8124  
Service Parts Phone: 1-888-GET-EZGO (1-888-438-3946), FAX: 1-800-752-6175

International:

Phone: 001-706-798-4311, FAX: 001-706-771-4609

Certified ISO 9001 / ISO 14001 by



Copyrighted Material  
This manual may not be reproduced in whole or  
in part without the express permission of  
E-Z-GO Division of Textron, Inc.  
Technical Communications Department