

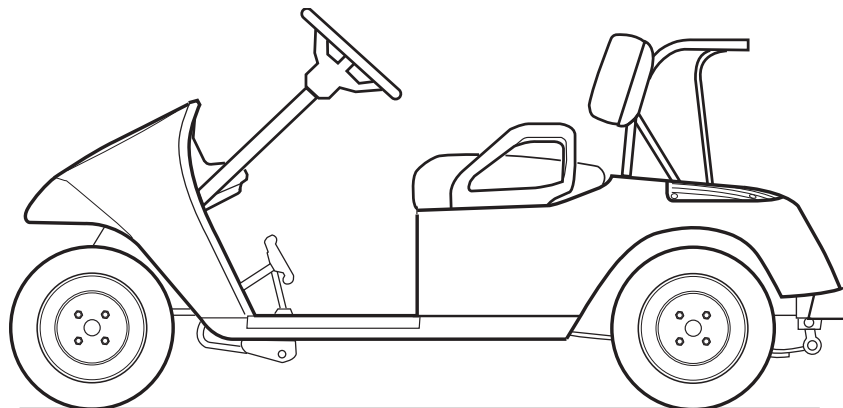
604972



A Textron Company



# SERVICE PARTS MANUAL



*Ref Fcv 17*

## ELECTRIC POWERED COASTAL FLEET GOLF CARS

ISSUED APRIL 2006    REVISED DECEMBER 2007



# **SERVICE PARTS MANUAL**

## **ELECTRIC POWERED COASTAL FLEET GOLF CARS**

### **COASTAL FLEET SERIES GOLF CAR COASTAL FLEET PDS GOLF CAR**

### **STARTING MODEL YEAR 2006+**

DISCLAIMER: The E-Z-GO Division of Textron Inc. reserves the right to incorporate engineering and design changes to products in this Manual, without obligation to include these changes on units leased/sold previously.

The information contained in this Manual may be revised periodically by the E-Z-GO Division, and therefore is subject to change without notice. The E-Z-GO Division DISCLAIMS LIABILITY FOR ERRORS IN THIS MANUAL, and the E-Z-GO Division SPECIFICALLY DISCLAIMS LIABILITY FOR INCIDENTAL AND CONSEQUENTIAL DAMAGES resulting from the use of the information and materials in this Manual.

**CUSTOMER SERVICE DEPARTMENT IN USA PHONE: 1-800-241-5855 FAX: 1-800-448-8124**

**OUTSIDE USA PHONE: 001-706-798-4311, FAX: 001-706-771-4609**

**TEXTRON GOLF, TURF & SPECIALTY PRODUCTS, P.O.BOX 388, AUGUSTA, GEORGIA USA 30903-0388**

## GENERAL INFORMATION

**To obtain a copy of the limited warranty applicable to the vehicle, call or write a local Distributor, authorized Branch or the Warranty Department with vehicle serial number and manufacture date code.**

**The use of non Original Equipment Manufacturer (OEM) parts may void the warranty.**

# TABLE OF CONTENTS

<b>SECTION</b>	<b>Page No.</b>
HOW TO USE THE SERVICE PARTS MANUAL .....	v
ILLUSTRATED PARTS BREAKDOWN .....	vii
ACCELERATOR .....	A-1
BATTERY CHARGER - PORTABLE 36 VOLT .....	B-1
BODY - FRONT .....	C-1
BODY - MID SECTION .....	C-5
BODY - REAR .....	C-7
BODY - ACCESSORIES .....	C-11
BODY - ACCESSORIES CONTINUED .....	C-13
BODY - ACCESSORIES CONTINUED .....	C-15
BRAKES .....	D-1
DIRECTION SELECTOR .....	E-1
ELECTRICAL SYSTEM - COMMON .....	F-1
ELECTRICAL SYSTEM - PDS .....	F-5
ELECTRICAL SYSTEM - SERIES .....	F-7
ELECTRONIC SPEED CONTROL - SERIES .....	G-1
ELECTRONIC SPEED CONTROL - PDS .....	G-3
ELECTRIC MOTOR .....	H-1
FRONT SUSPENSION/STEERING .....	J-1
REAR AXLE .....	K-1
REAR SUSPENSION .....	L-1
SEATING AND BAG HOLDER - GOLF CAR .....	M-1
TOW BAR - PERMANENT .....	N-1
TOW BAR - CASUAL .....	N-5
WEATHER PROTECTION - GOLF CAR .....	P-1
WHEELS AND TIRES .....	Q-1
SPECIALTY PRODUCTS .....	APPENDIX A-1
OPTIONS/ACCESSORIES .....	APPENDIX B-1



# HOW TO USE THE SERVICE PARTS MANUAL

This manual is divided into several sections:

## GENERAL INFORMATION

- TABLE OF CONTENTS
- HOW TO USE THE SERVICE PARTS MANUAL

## ILLUSTRATED PARTS BREAKDOWN

- Contains illustrations and parts lists for all systems of the vehicle

## APPENDIX

- Contains a listing of specialty products and options/accessories

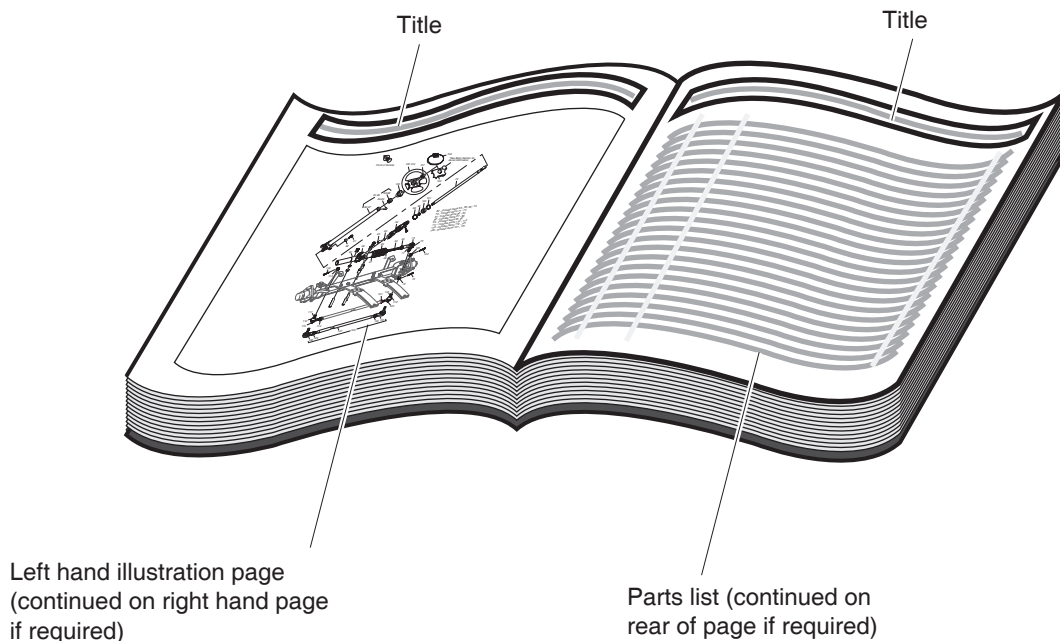
## USE OF THE MANUAL

To use this manual, consult the TABLE OF CONTENTS (page iii) to locate the information or illustration required.

Introduction of some revisions varies due to supply of components; therefore, it is possible that various combinations of components may be found that are not directly reflected by each illustration. Consult the illustration that best suits your situation. Locate the serial number plate (see BODY located in the Illustrated Parts Breakdown section of this manual for its location) and note the complete number shown on the plate. It is important that the serial number of your vehicle and its model number be supplied to Service Parts when ordering any replacement components.

Locate the serial number plate (see BODY located in the Illustrated Parts Breakdown section of this manual for its location) and note the complete number shown on the plate.

# HOW TO USE THE SERVICE PARTS MANUAL



## 1. WHEN THE PART NUMBER IS NOT KNOWN

- Determine the function and application of the part required. Turn to the INDEX OF MAJOR COMPONENTS and select the most appropriate component description.
- Turn to the page number indicated and locate the part description in the parts list. Read the full accompanying description for specific information regarding the part that was not shown in the index.
- From the parts list, obtain the item number assigned to it and confirm that the part selected is correct by verifying it with the pictorial representation on the illustrated page.

## 2. IF YOU KNOW THE PART NUMBER

- Use the INDEX OF MAJOR COMPONENTS to find the page(s) the part number appears on.
- Turn to the page number indicated and locate the part number in the parts list. Refer to the accompanying description for specific information regarding the part.
- From the parts list, obtain the item number assigned to it and confirm that the part selected is correct by verifying it with the pictorial representation on the illustrated page.

Should an asterisk (\*) appear in the part number column on the parts list page, read upwards until a part number is found. The part number is the lowest assembly sold by Service Parts. The asterisk (\*) indicates that the part depicted is not available for purchase.

NOTE: Descriptions are indented under the assembly that they are used on. That assembly is, in turn listed under the assembly that it is used on. This process is repeated until the highest final assembly is reached.

**To facilitate the maintenance and repair of the vehicle, a Technician's Repair and Service Manual is available from the Service Parts Department.**

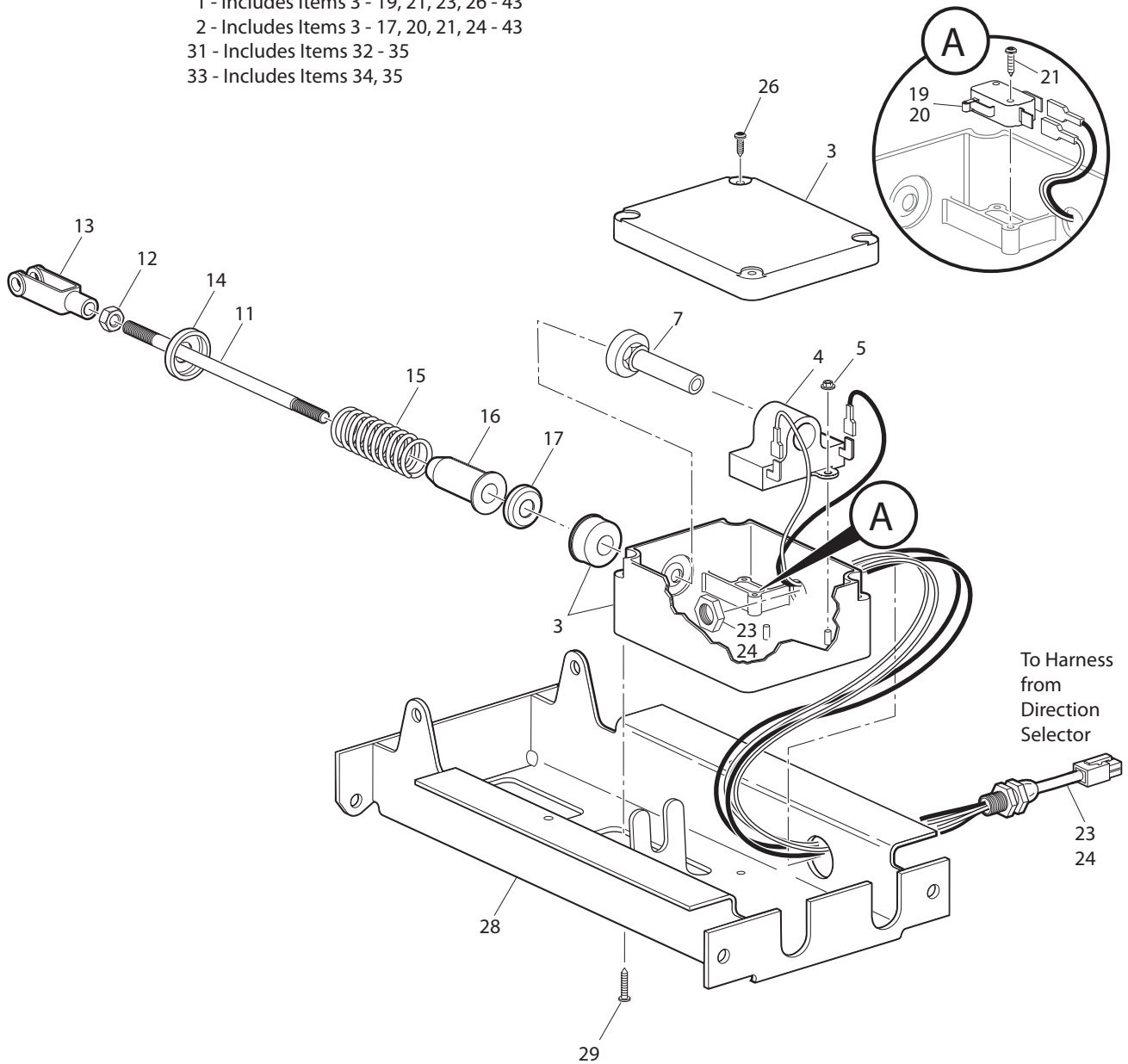


# **ILLUSTRATED PARTS BREAKDOWN**

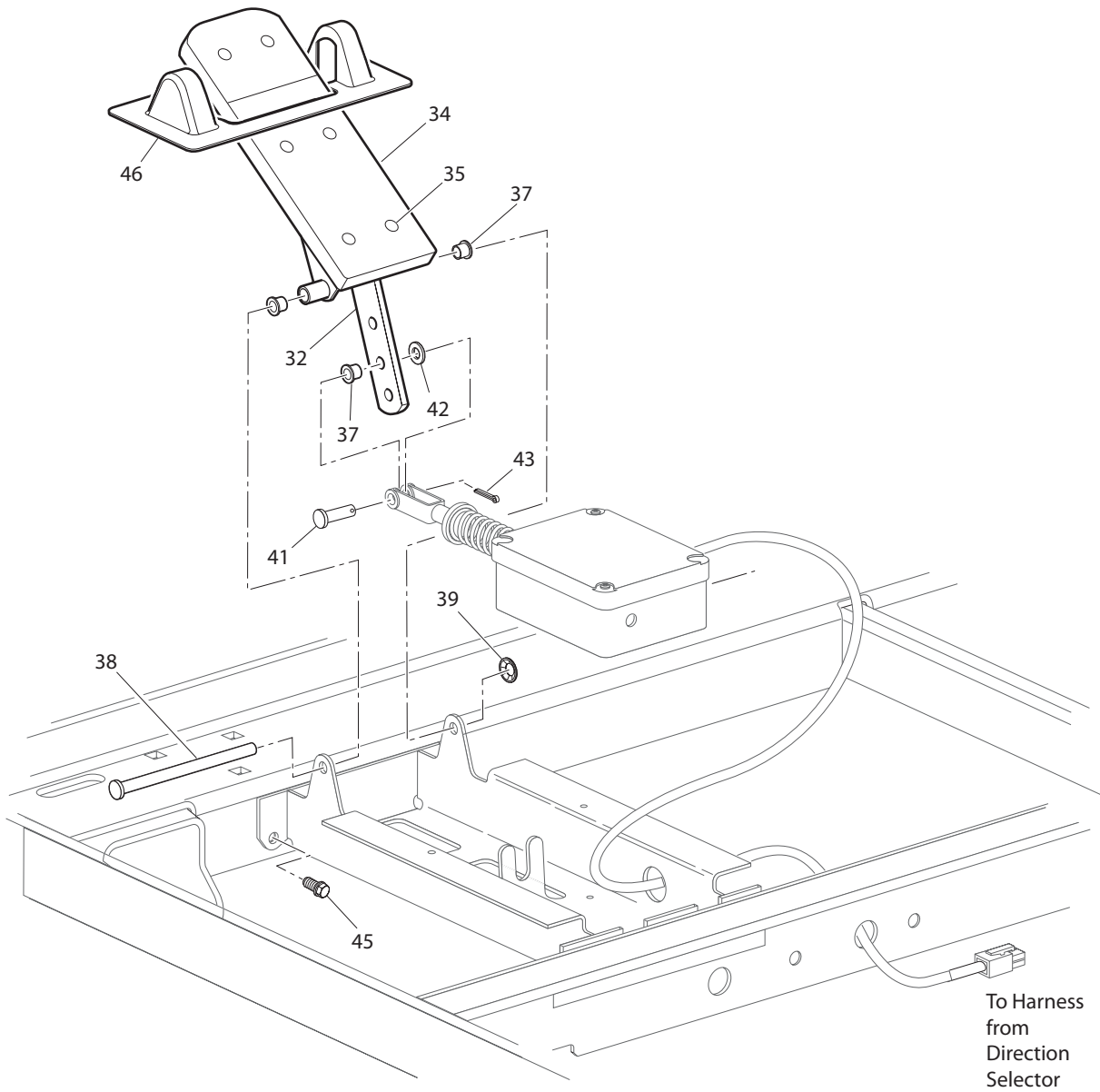
# **ILLUSTRATED PARTS BREAKDOWN**

# ACCELERATOR

- 1 - Includes Items 3 - 19, 21, 23, 26 - 43
- 2 - Includes Items 3 - 17, 20, 21, 24 - 43
- 31 - Includes Items 32 - 35
- 33 - Includes Items 34, 35



Ref Acl 1-1



Ref Acl 1-2

# ACCELERATOR

Where applicable, THE USE OF NON UL PARTS WILL VOID ANY UL LISTING.

When ordering parts, please specify the model and serial number of the product.

\* Indicates a component that is not available as an individual part.

G\*\* Indicates consult Customer Service Department for additional information.

ITEM	PART NO.	1 2 3 4 5	DESCRIPTION	QTY.
1	<u>73333-G09</u>		PEDAL BOX ASSEMBLY (INCLUDES ITEMS 3 - 19, 21, 23, 26 - 43) .....	1
2	<u>73333-G10</u>		PEDAL BOX ASSEMBLY, PDS MODEL ONLY (INCLUDES ITEMS 3 - 17, 20, 21, 24 - 43) .....	1
3	<u>25853-G01</u>		PEDAL BOX AND COVER (SEAL AND BEARING) .....	1
4	<u>25854-G01</u>		INDUCTIVE THROTTLE SENSOR .....	1
5	<u>00983-G01</u>		SELF THREADING NUT, 3/16" .....	2
6				
7	<u>602484</u>		PLUNGER.....	1
8				
9				
10				
11	<u>73332-G01</u>		ACCELERATOR ROD .....	1
12	<u>00532-G4</u>		NUT, 5/16 - 24.....	1
13	10385-G4		CLEVIS YOKE (ADJUSTABLE) .....	1
14	<u>17677-G2</u>		SPRING RETAINER, 3/8" .....	1
15	<u>73046-G01</u>		COMPRESSION SPRING .....	1
16	<u>17979-G1</u>		ACCELERATOR ROD BUSHING .....	1
17	<u>17677-G1</u>		SPRING RETAINER, 1/2" .....	1
18				
19	<u>25861-G01</u>		MICRO SWITCH.....	1
20	<u>25861-G02</u>		MICRO SWITCH (PDS MODEL ONLY).....	1
21	<u>01050-G01</u>		SCREW, #4 - 14 X 5/8" LG .....	2
22				
23	<u>25879-G03</u>		WIRING HARNESS (PEDAL BOX ASSEMBLY) .....	1
24	<u>25879-G05</u>		WIRING HARNESS (PEDAL BOX ASSEMBLY) (PDS MODEL ONLY) .....	1
25				
26	<u>00684-G6</u>		SCREW, #8 - 32 X 3/4" LG (STAINLESS STEEL).....	2
27				
28	70116-G02		ACCELERATOR PEDAL BRACKET.....	1
29	<u>01051-G01</u>		SCREW, #8 - 16 X 1/2" LG .....	4

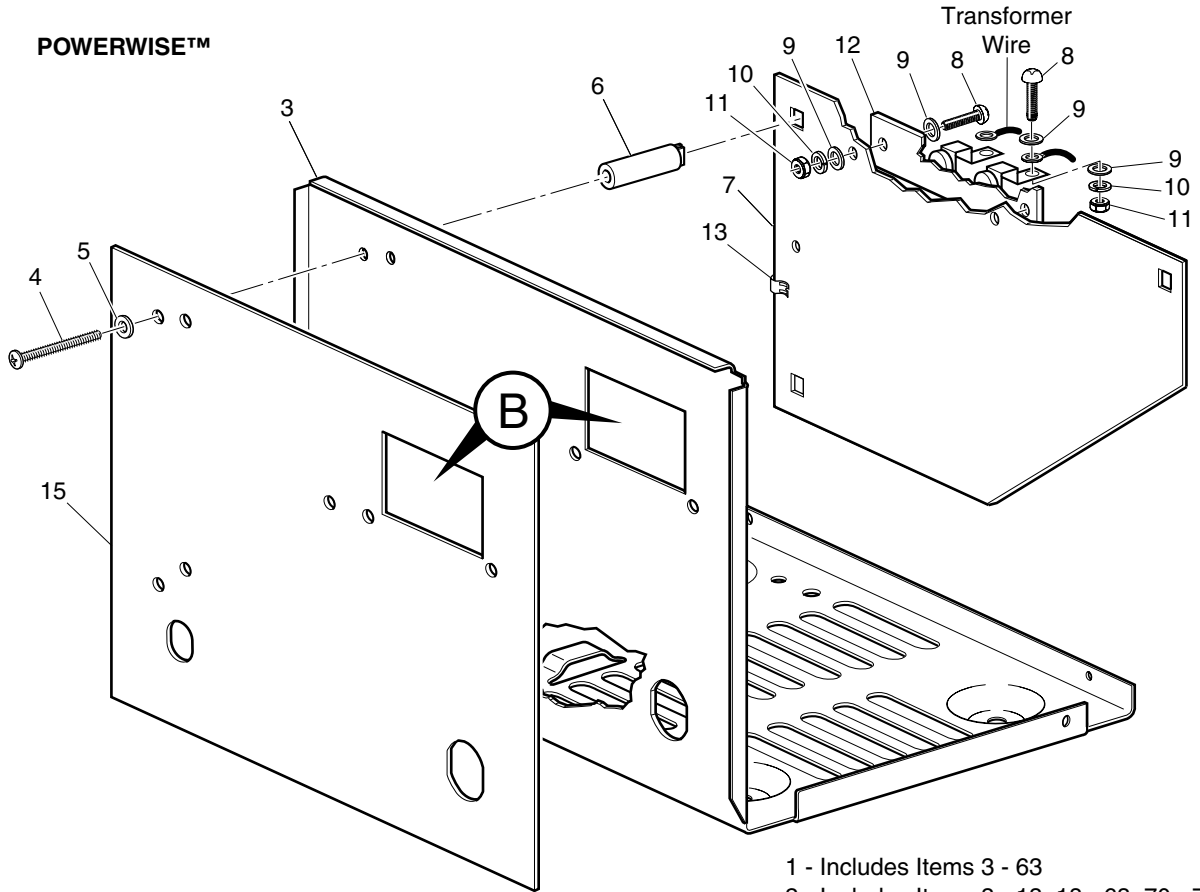
# ACCELERATOR

Where applicable, THE USE OF NON UL PARTS WILL VOID ANY UL LISTING.  
 When ordering parts, please specify the model and serial number of the product.  
 \* Indicates a component that is not available as an individual part.  
 G\*\* Indicates consult Customer Service Department for additional information.

ITEM	PART NO.	1	2	3	4	5	DESCRIPTION	QTY.
30								
31	<u>25799-G03</u>						ACCELERATOR PEDAL ASSEMBLY (INCLUDES ITEMS 32 - 35).....	1
32	*						ACCELERATOR PEDAL .....	1
33	<u>27844-G01</u>						ACCELERATOR PEDAL PAD KIT (INCLUDES ITEMS 34, 35).....	1
34	<u>27512-G01</u>						ACCELERATOR PEDAL PAD .....	1
35	<u>15766-G1</u>						OVAL RIVET 3/16" X 7/16" LG .....	6
36								
37	<u>17838-G1</u>						NYLON BUSHING .....	3
38	<u>74432-G01</u>						PEDAL PIVOT PIN .....	1
39	<u>12064-G6</u>						PUSHNUT, 9/32" I.D. ....	1
40								
41	<u>10386-G3</u>						CLEVIS PIN, 5/16" X 13/16" LG .....	1
42	<u>17255-G1</u>						TEFLON WASHER, 5/16" .....	1
43	<u>10387-G3</u>						COTTER PIN, 3/32" X 3/4" LG .....	1
44								
45	<u>00715-G2</u>						BOLT, 5/16 - 18 X 4/5" LG .....	4
46	<u>70135-G01</u>						PEDAL PIVOT COVER .....	1

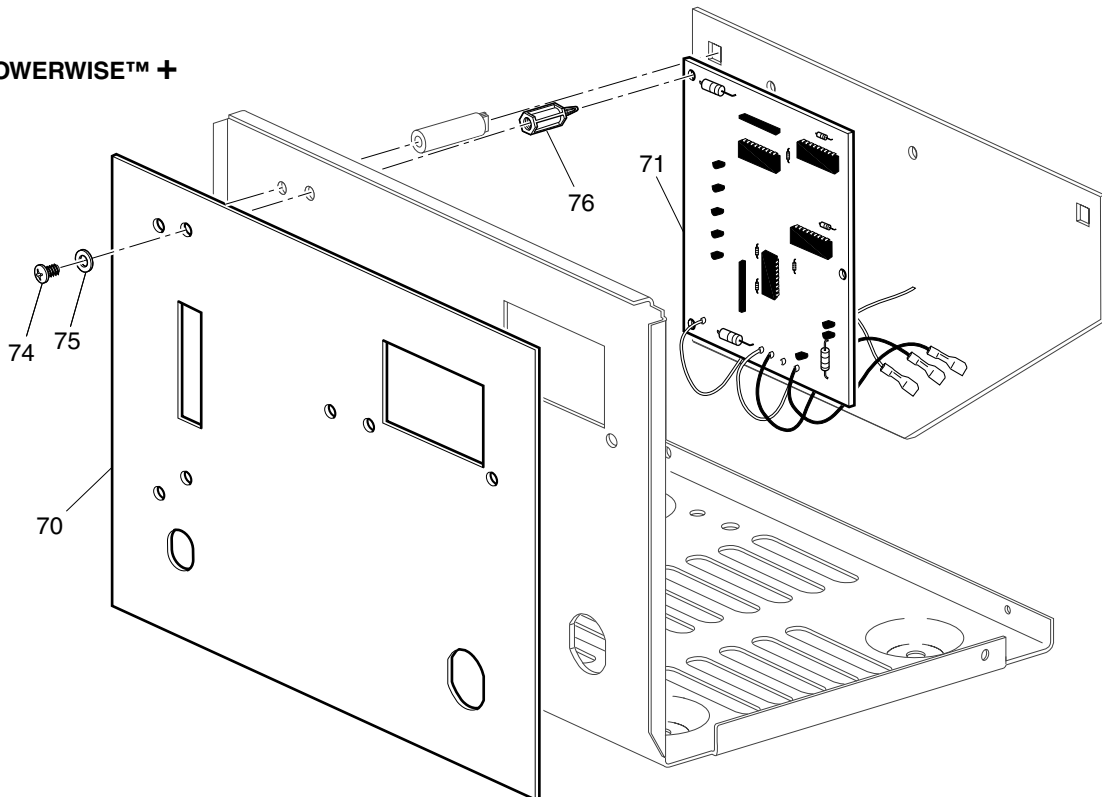
# BATTERY CHARGER - PORTABLE 36 VOLT

POWERWISE™



- 1 - Includes Items 3 - 63
- 2 - Includes Items 3 - 13, 18 - 63, 70 - 76

POWERWISE™ +

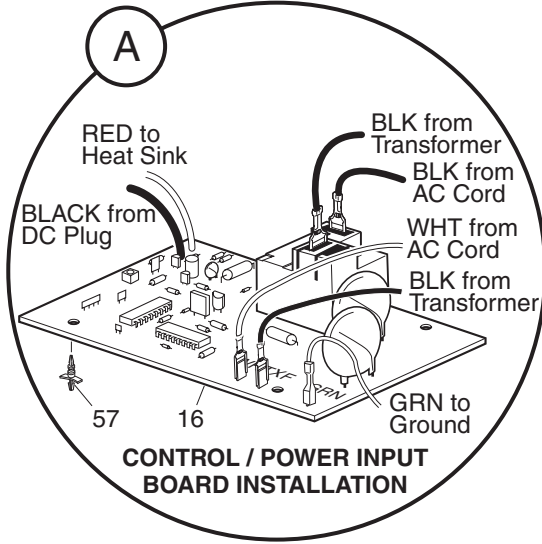


Ref Bcp 1-1

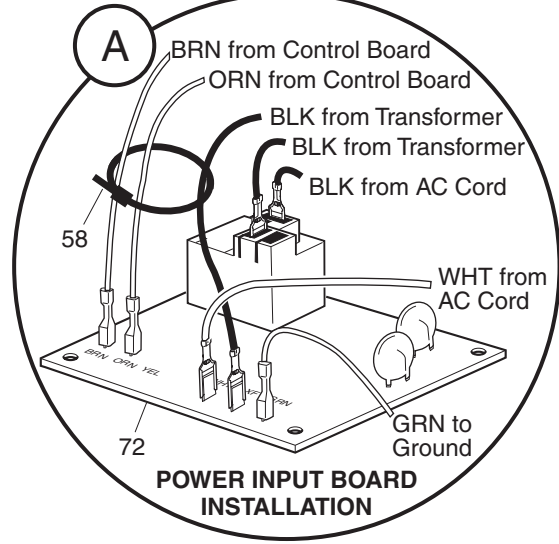


# BATTERY CHARGER - PORTABLE 36 VOLT

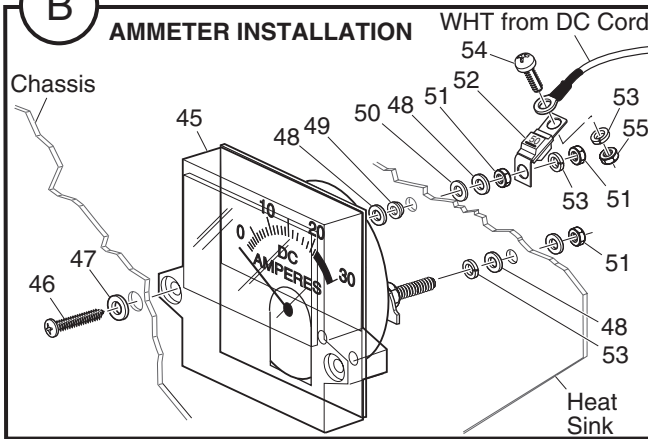
POWERWISE™



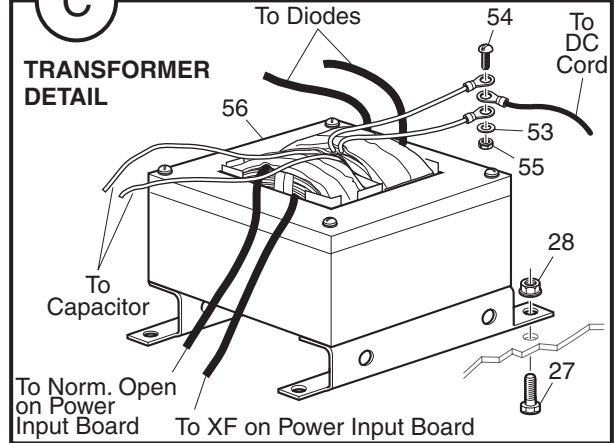
POWERWISE™ +



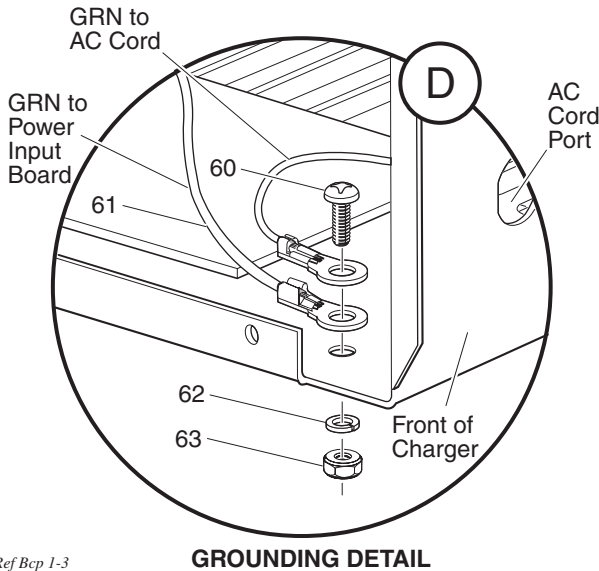
**B**



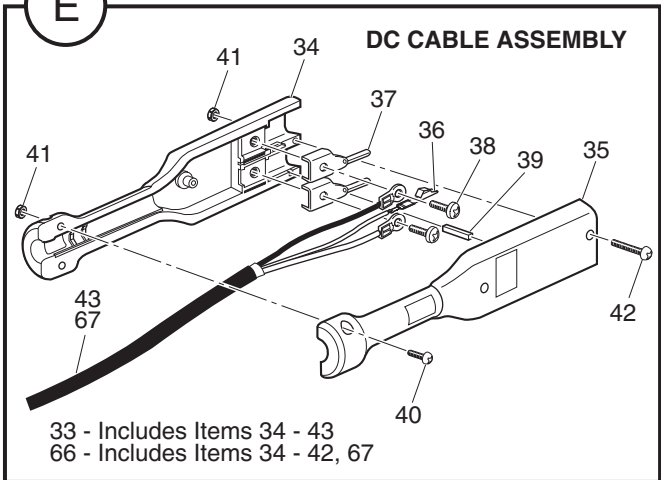
**C**



**D**



**E**



Ref Bcp 1-3



# BATTERY CHARGER - PORTABLE 36 VOLT

Where applicable, THE USE OF NON UL PARTS WILL VOID ANY UL LISTING.

When ordering parts, please specify the model and serial number of the product.

\* Indicates a component that is not available as an individual part.

G\*\* Indicates consult Customer Service Department for additional information.

ITEM	PART NO.	1	2	3	4	5	DESCRIPTION	QTY.
1	28115-G01						POWERWISE™ CHARGER (10' CORD) (INCLUDES ITEMS 3 - 63).....	1
2	<u>28115-G02</u>						POWERWISE™ + CHARGER (PORTABLE, 10' CORD) (INCLUDES ITEMS 3 - 13, 18 - 63, 70 - 76).....	1
3	*						CHASSIS .....	1
4	<u>00513-G6</u>						SCREW, #8 - 18 X 1 3/4" LG .....	2
5	<u>00559-G4</u>						WASHER, #8 .....	2
6	<u>11572-G3</u>						EXPANSION NUT.....	2
7	<u>28104-G01</u>						HEAT SINK .....	1
8	<u>00372-G4</u>						SCREW, #8 - 32 X 1/2" LG .....	4
9	<u>00559-G4</u>						WASHER, #8 .....	4
10	<u>00565-G4</u>						LOCK WASHER, #8 .....	4
11	<u>00526-G1</u>						NUT, #8 - 32 .....	4
12	<u>28548-G01</u>						DIODE.....	1
13	<u>28110-G01</u>						ELECTRICAL CLIP .....	1
14								
15	*						LABEL (POWERWISE™) .....	1
16	<u>28667-G01</u>						CONTROL / POWER INPUT BOARD .....	1
17								
18	*						COVER .....	1
19	<u>28102-G01</u>						HANDLE .....	1
20	<u>00614-G4</u>						SCREW, #8 - 18 X 1/2" LG .....	6
21	<u>28136-G01</u>						LABEL (VENTILATION).....	1
22	<u>28136-G02</u>						LABEL (CORD CONDITION).....	1
23								
24	<u>26979-G01</u>						CAPACITOR BRACKET .....	1
25	<u>28109-G01</u>						CAPACITOR .....	1
26	<u>00969-G01</u>						SCREW, #8 - 32 X 3/8" LG .....	3
27	<u>00414-G5</u>						BOLT, 1/4 - 20 X 5/8" LG .....	3
28	<u>11027-G2</u>						LOCK NUT, 1/4 - 20.....	3
29	<u>19388-G4</u>						AC CORD .....	1

# BATTERY CHARGER - PORTABLE 36 VOLT

Where applicable, THE USE OF NON UL PARTS WILL VOID ANY UL LISTING.

When ordering parts, please specify the model and serial number of the product.

\* Indicates a component that is not available as an individual part.

G\*\* Indicates consult Customer Service Department for additional information.

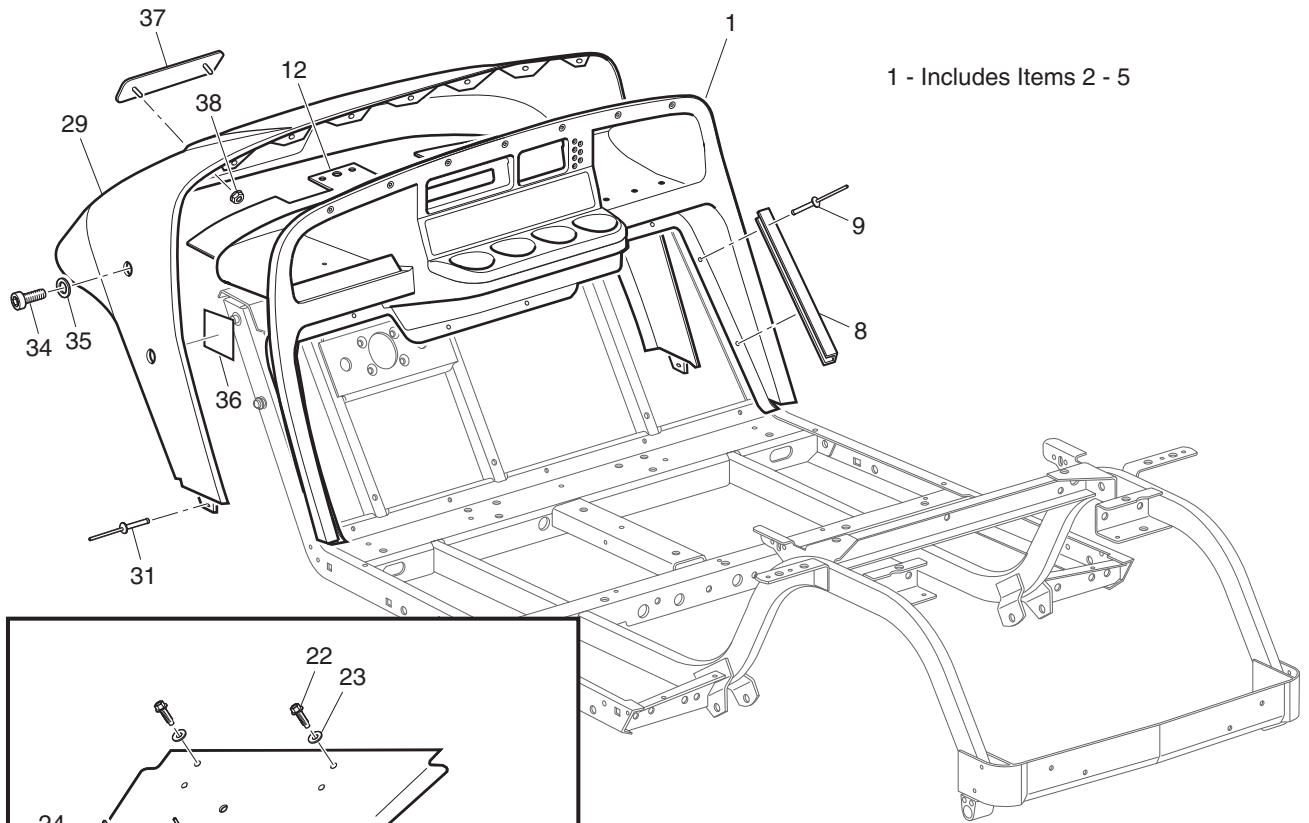
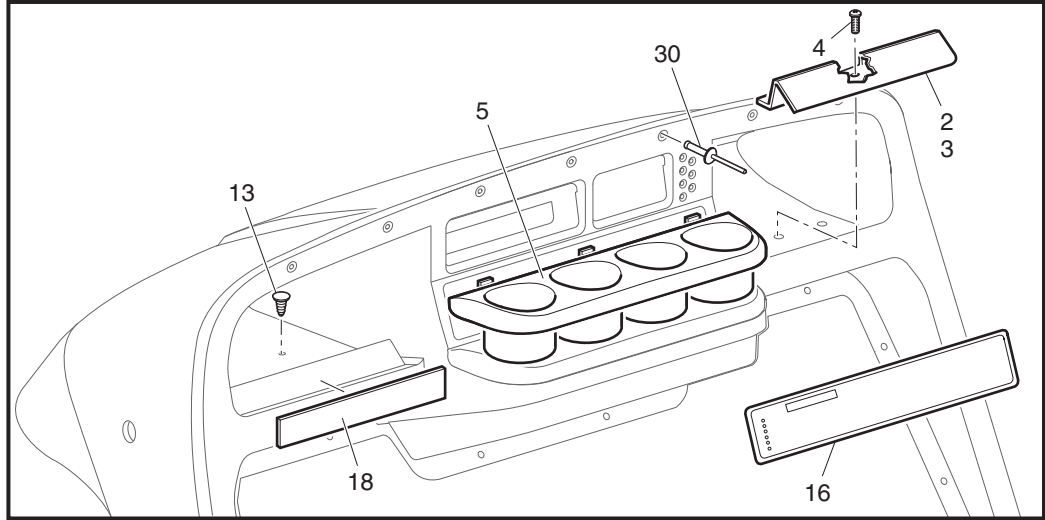
ITEM	PART NO.	1	2	3	4	5	DESCRIPTION	QTY.
30	<u>13557-G2</u>						STRAIN RELIEF (AC).....	1
31	<u>13557-G3</u>						STRAIN RELIEF (DC).....	1
32								
33	<u>73345-G01</u>						DC CORD AND HANDLE ASSEMBLY (INCLUDES ITEMS 34 - 43).....	1
34	<u>73051-G11</u>						PLUG (TOP HALF).....	1
35	<u>73051-G12</u>						PLUG (BOTTOM HALF).....	1
36	<u>73051-G27</u>						AUXILARY CONTACT .....	1
37	<u>73051-G14</u>						MALE PIN.....	2
38	<u>73051-G08</u>						SCREW, #10 - 32 X 1/2" LG (BRASS).....	2
39	<u>73051-G15</u>						MAGNET .....	1
40	<u>73051-G16</u>						SCREW, #6 - 32 X 1/2" LG (STAINLESS STEEL).....	2
41	<u>73051-G10</u>						LOCK NUT, #6 - 32 .....	4
42	<u>73051-G17</u>						SCREW, #6 - 32 X 1" LG (STAINLESS STEEL).....	2
43	<u>73344-G01</u>						DC CORD, 10' LG .....	1
44								
45	<u>28105-G01</u>						AMMETER.....	1
46	<u>01051-G01</u>						SCREW, #8 - 16 X 1/2" LG .....	2
47	<u>00559-G4</u>						WASHER, #8 .....	2
48	<u>01003-G01</u>						WASHER, #10 (BRASS).....	4
49	<u>22589-G2</u>						SHOULDER WASHER, #10 .....	1
50	<u>00771-G6</u>						NYLON WASHER, 3/8" .....	1
51	<u>00528-G4</u>						NUT, #10 - 32 (BRASS).....	3
52	<u>28106-G01</u>						50 AMP FUSE.....	1
53	<u>00565-G5</u>						LOCK WASHER, #10 .....	4
54	<u>00378-G4</u>						SCREW, #10 - 24 X 1/2" LG .....	2
55	<u>00526-G3</u>						NUT, #10 - 24 .....	2
56	<u>28103-G01</u>						TRANSFORMER .....	1
57	<u>27877-G01</u>						SPACER SUPPORT.....	4
58	<u>17618-G1</u>						WIRE TIE .....	2
59								

# BATTERY CHARGER - PORTABLE 36 VOLT

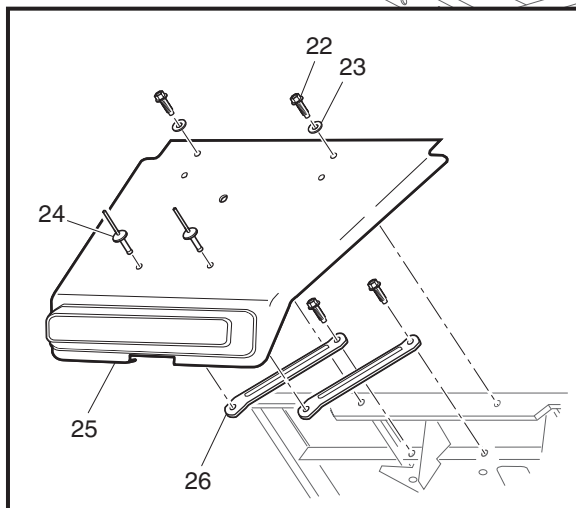
Where applicable, THE USE OF NON UL PARTS WILL VOID ANY UL LISTING.  
 When ordering parts, please specify the model and serial number of the product.  
 \* Indicates a component that is not available as an individual part.  
 G\*\* Indicates consult Customer Service Department for additional information.

ITEM	PART NO.	1	2	3	4	5	DESCRIPTION	QTY.
60	<u>00372-G3</u>						SCREW, #8 - 32 X 3/8" LG .....	1
61	<u>25977-G32</u>						16 GA WIRE (GREEN 4") .....	1
62	<u>00565-G4</u>						LOCK WASHER, #8 .....	1
63	<u>00526-G1</u>						NUT, #8 - 32 .....	1
64								
65	<u>28115-G07</u>						POWERWISE™ CHARGER (PORTABLE, 18' CORD) (INCLUDES ITEMS 3 - 31, 45 - 63, 66, 67) .....	1
66	<u>73345-G03</u>						DC CORD AND HANDLE ASSEMBLY (INCLUDES ITEMS 34 - 42, 67).....	1
67	<u>73344-G03</u>						DC CORD, 18' LG .....	1
68								
69	28115-G08						POWERWISE™ + CHARGER (PORTABLE, 18' CORD) (INCLUDES ITEMS 3 - 13, 18 - 31, 45 - 63, 66, 67, 70 - 76) .....	1
70	*						LABEL (POWERWISE™ +) .....	1
71	<u>28667-G02</u>						CONTROL BOARD.....	1
72	<u>28667-G03</u>						POWER INPUT BOARD.....	1
73								
74	<u>01005-G01</u>						SCREW, #6 - 19 X 5/16" LG .....	3
75	<u>00559-G3</u>						WASHER, #6 .....	3
76	<u>28111-G01</u>						SUPPORT SPACER.....	3

# BODY - FRONT



1 - Includes Items 2 - 5



Ref Bod 17-1

# BODY - FRONT

Where applicable, THE USE OF NON UL PARTS WILL VOID ANY UL LISTING.

When ordering parts, please specify the model and serial number of the product.

\* Indicates a component that is not available as an individual part.

G\*\* Indicates consult Customer Service Department for additional information.

ITEM	PART NO.	1 2 3 4 5	DESCRIPTION	QTY.
1	<u>71151-G01</u>		INSTRUMENT PANEL ASSEMBLY (INCLUDES ITEMS 2 - 5) .....	1
2	<u>71153-G01</u>		BALL DEFLECTOR (PASSENGER SIDE).....	1
3	<u>71154-G01</u>		BALL DEFLECTOR (DRIVER SIDE) .....	1
4	<u>00614-G5</u>		SCREW, #8 - 18 X 5/8" LG .....	6
5	<u>71158-G01</u>		INSTRUMENT PANEL INSERT (4 CUP HOLDER).....	1
6				
7				
8	<u>71115-G01</u>		VINYL TRIM .....	2
9	<u>71055-G01</u>		RIVET, 3/16" X 1" LG (ALUMINUM) .....	10
10				
11				
12	<u>71413-G01</u>		SPLASH PANEL.....	1
13	<u>16816-G2</u>		RIVET, 1/4" X 3/4" LG .....	5
14				
15				
16	<u>27647-G01</u>		LABEL (SAFETY).....	1
17				
18	<u>74443-G01</u>		LABEL (ANTI-ROLLBACK) .....	1
19				
20				
21				
22	<u>01038-G01</u>		BOLT, 1/4 - 20 X 11/16" LG .....	4
23	<u>16469-G1</u>		WASHER, 1/4" .....	2
24	<u>01057-G01</u>		RIVET, 1/4" X 1" LG .....	2
25	<u>27166-G04</u>		FRONT SHIELD .....	1
26	<u>70725-G02</u>		FRONT SHIELD BRACE.....	2
27				
28				
29	71051-G**		COWL.....	1
30	<u>71055-G01</u>		RIVET, 3/16" X 1" LG (ALUMINUM) .....	9

# BODY - FRONT

Where applicable, THE USE OF NON UL PARTS WILL VOID ANY UL LISTING.

When ordering parts, please specify the model and serial number of the product.

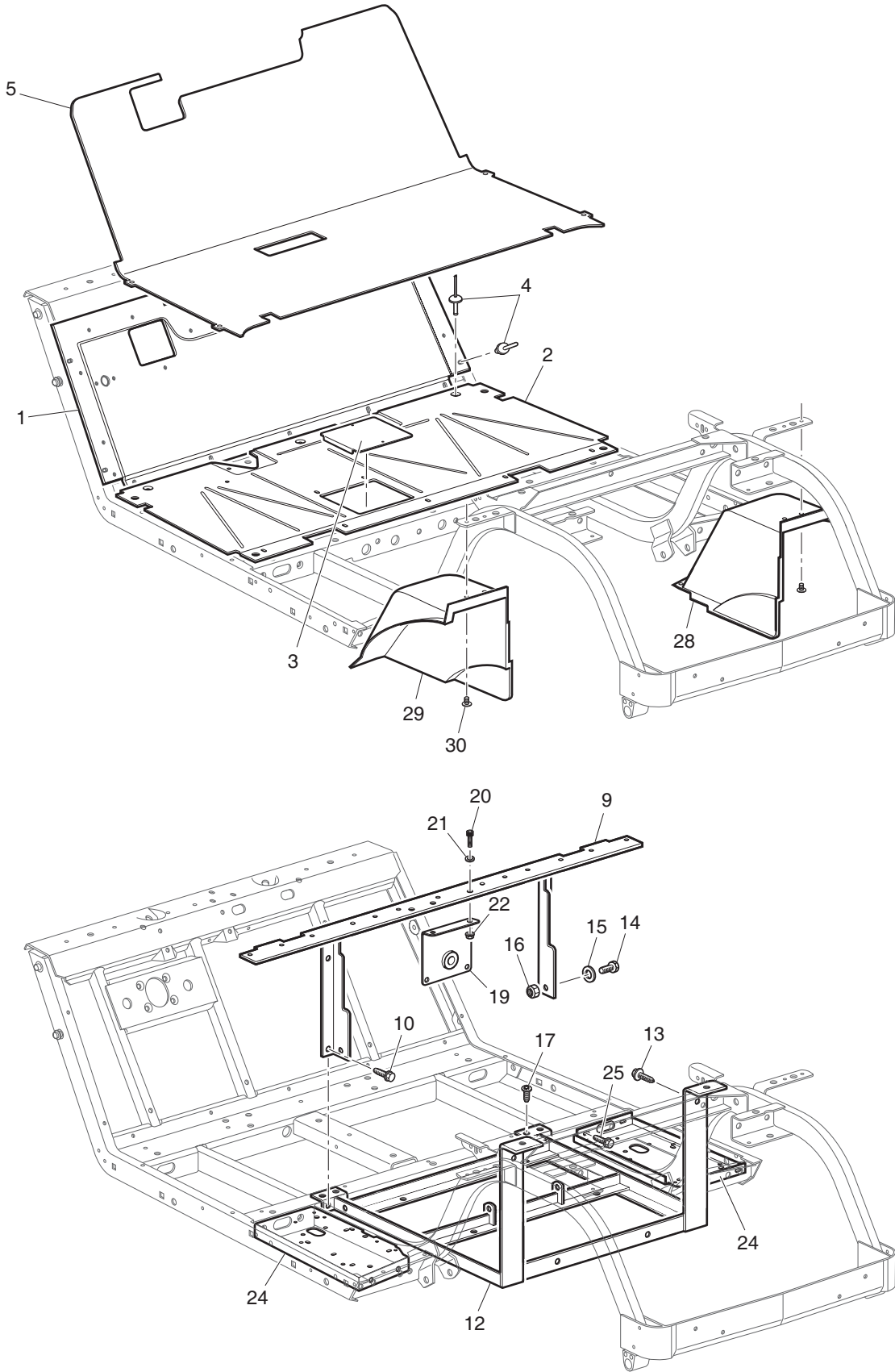
\* Indicates a component that is not available as an individual part.

G\*\* Indicates consult Customer Service Department for additional information.

ITEM	PART NO.	1 2 3 4 5	DESCRIPTION	QTY.
31	<u>10570-G11</u>		RIVET, 3/16" X 3/4" LG (STAINLESS STEEL) .....	2
32				
33				
34	00438-G6		BOLT, 5/16 - 18 X 3/4" LG (WITH TOP) .....	2
35	<u>00571-G2</u>		WASHER, 5/16" (STAINLESS STEEL) (WITH TOP) .....	2
36	<u>71781-G02</u>		VINYL TAPE .....	2
37	<u>71037-G02</u>		E-Z-GO NAMEPLATE (GOLD).....	1
38	<u>71597-G01</u>		PUSHNUT, 3/16" .....	2



# BODY - MID SECTION



Ref Bod 1-2



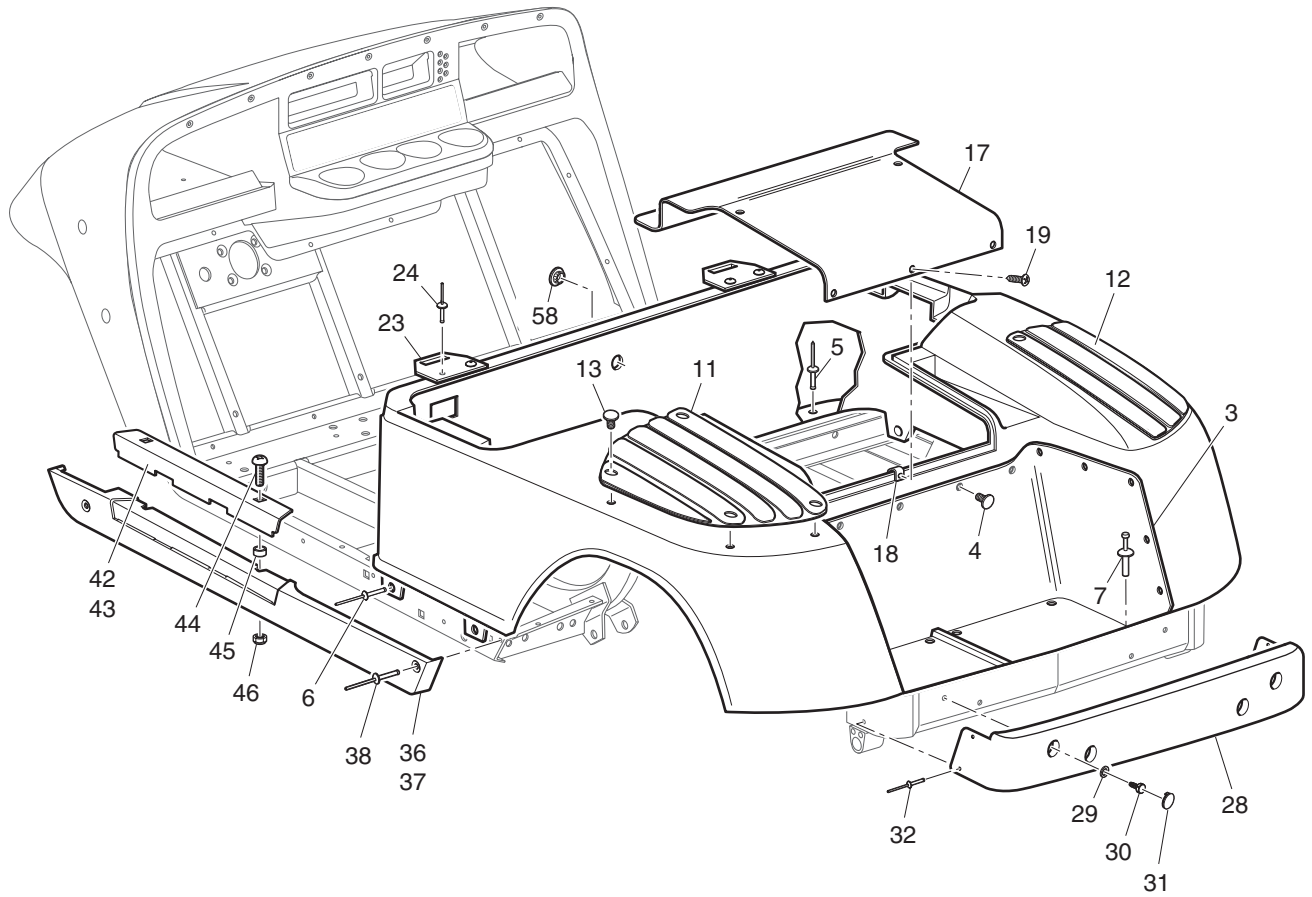
## BODY - MID SECTION

Where applicable, THE USE OF NON UL PARTS WILL VOID ANY UL LISTING.  
 When ordering parts, please specify the model and serial number of the product.  
 \* Indicates a component that is not available as an individual part.  
 G\*\* Indicates consult Customer Service Department for additional information.

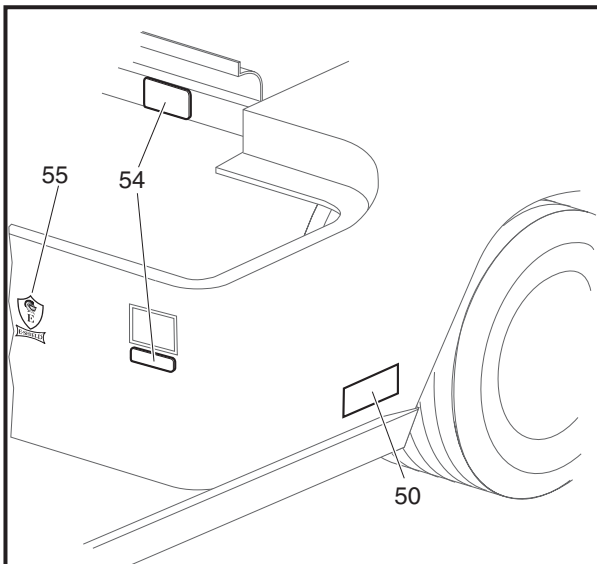
ITEM	PART NO.	1 2 3 4 5	DESCRIPTION	QTY.
1	70662-G01		UPPER FLOORPAN.....	1
2	<u>70451-G01</u>		LOWER FLOORPAN.....	1
3	<u>70452-G01</u>		ACCESS COVER.....	1
4	<u>14601-G11</u>		RIVET, 3/16" X 9/16" LG (ALUMINUM).....	16
5	<u>70995-G01</u>		FLOORMAT.....	1
6				
7				
8				
9	<u>70441-G01</u>		SEAT FRAME.....	1
10	<u>00715-G2</u>		BOLT, 5/16 - 18 X 13/16" LG.....	2
11				
12	<u>70046-G02</u>		BATTERY RACK.....	1
13	<u>00715-G2</u>		BOLT, 5/16 - 18 X 13/16" LG.....	2
14	00438-G6		BOLT, 5/16 - 18 X 3/4" LG.....	2
15	00559-G8		WASHER, 5/16".....	2
16	11098-G6		LOCK NUT, 5/16 - 18 (STAINLESS STEEL).....	2
17	<u>70200-G01</u>		SCREW, 3/8 - 16 X 3/4" LG.....	2
18				
19	<u>70444-G02</u>		BRACKET.....	1
20	<u>28272-G01</u>		BOLT, 1/4 - 20 X 5/8" LG.....	2
21	<u>01110-G01</u>		WASHER, 1/4" (STAINLESS STEEL).....	2
22	<u>11027-G2</u>		LOCK NUT, 1/4 - 20.....	2
23				
24	<u>70244-G03</u>		SPLASH PANEL.....	2
25	<u>00715-G2</u>		BOLT, 5/16 - 18 X 13/16" LG.....	8
26				
27				
28	<u>71812-G01</u>		FENDER LINER (PASSENGER SIDE).....	1
29	<u>71812-G02</u>		FENDER LINER (DRIVER SIDE).....	1
30	<u>16816-G2</u>		RIVET, 1/4" X 3/4" LG.....	8

# BODY - REAR

1 - Includes Items 3, 4



## LABELS



Ref Bod 17-3

# BODY - REAR

Where applicable, THE USE OF NON UL PARTS WILL VOID ANY UL LISTING.

When ordering parts, please specify the model and serial number of the product.

\* Indicates a component that is not available as an individual part.

G\*\* Indicates consult Customer Service Department for additional information.

ITEM	PART NO.	1 2 3 4 5	DESCRIPTION	QTY.
1	71912-G0**		REAR BODY (WITHOUT TAILLIGHTS) (INCLUDES ITEMS 3, 4) .....	1
2				
3	71318-G01		BAGWELL LINER .....	1
4	<u>16816-G1</u>		RATCHET FASTENER, 1/4" X 9/16" LG .....	26
5	<u>10570-G10</u>		RIVET, 5/32" X 9/16" LG (STAINLESS STEEL) .....	6
6	10570-G12		RIVET, 1/4" X 9/16" LG (ALUMINUM) .....	4
7	<u>18436-G1</u>		RIVET, 1/4" X 3/4" LG .....	2
8				
9				
10				
11	<u>75126-G01</u>		FENDER SCUFFGUARD (DRIVER SIDE) .....	1
12	<u>75126-G02</u>		FENDER SCUFFGUARD (PASSENGER SIDE) .....	1
13	<u>16816-G2</u>		RIVET, 1/4" X 3/4" LG .....	8
14				
15				
16				
17	<u>71320-G01</u>		ACCESS PANEL .....	1
18	<u>71364-G02</u>		'J' CLIP .....	1
19	<u>01107-G01</u>		SCREW, #8 X 5/8" LG (STAINLESS STEEL) .....	5
20				
21				
22				
23	<u>71609-G01</u>		SEAT HINGE PLATE .....	2
24	<u>10570-G11</u>		RIVET, 3/16" X 3/4" LG (STAINLESS STEEL) .....	4
25				
26				
27				
28	<u>71578-G01</u>		REAR BUMPER .....	1
29	<u>00571-G2</u>		WASHER, 5/16" .....	4
30	<u>71102-G01</u>		BOLT, 1/4 - 20 X 3/4" LG .....	4

# BODY - REAR

Where applicable, THE USE OF NON UL PARTS WILL VOID ANY UL LISTING.

When ordering parts, please specify the model and serial number of the product.

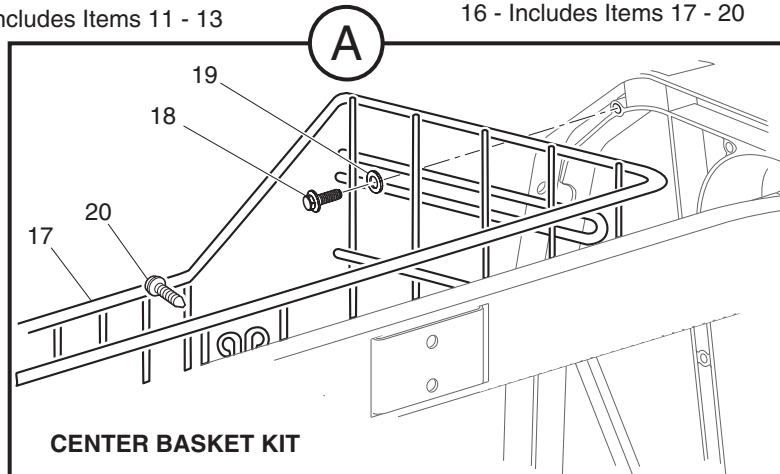
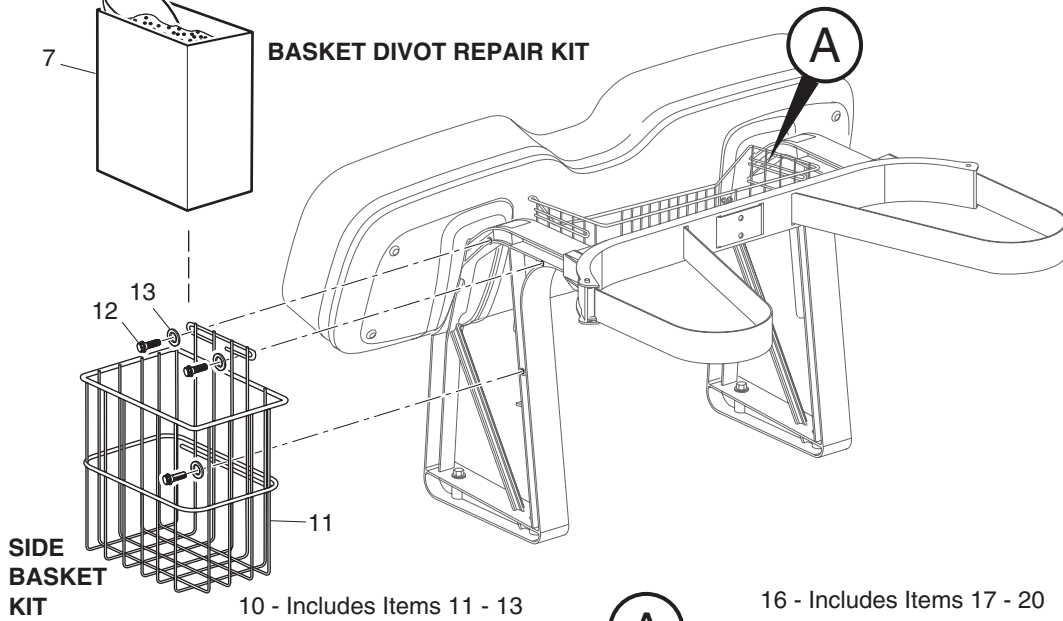
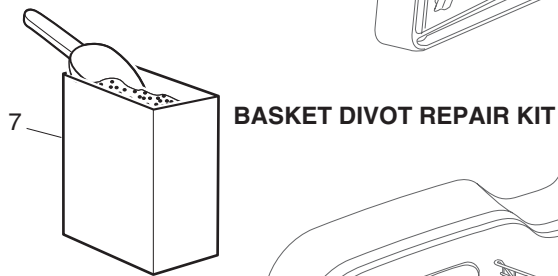
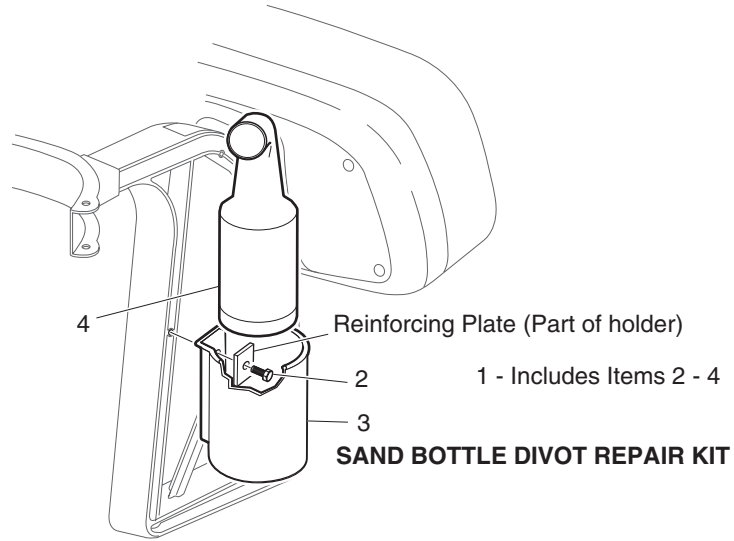
\* Indicates a component that is not available as an individual part.

G\*\* Indicates consult Customer Service Department for additional information.

ITEM	PART NO.	1 2 3 4 5	DESCRIPTION	QTY.
31	<u>71514-G01</u>		BUMPER PLUG .....	4
32	14601-G17		RIVET, 3/16" X 9/16" LG (ALUMINUM) .....	4
33				
34				
35				
36	<u>71501-G01</u>		ROCKER PANEL (PASSENGER SIDE) .....	1
37	<u>71502-G01</u>		ROCKER PANEL (DRIVER SIDE) .....	1
38	<u>15058-G6</u>		RIVET, 3/16" X 15/16" LG (ALUMINUM) .....	4
39				
40				
41				
42	71507-G01		SILL PLATE (PASSENGER SIDE) .....	1
43	<u>71507-G02</u>		SILL PLATE (DRIVER SIDE) .....	1
44	<u>16705-G1</u>		SCREW, 1/4 - 20 X 1" LG (STAINLESS STEEL) .....	4
45	<u>23726-G4</u>		SPACER, 5/16" .....	4
46	14390-G04		LOCK NUT, 1/4 - 20 (STAINLESS STEEL) .....	4
47				
48				
49				
50	<u>73330-G01</u>		LABEL (PRECISION DRIVE SYSTEM™) .....	AR
51				
52				
53				
54	*		LABEL (SERIAL NUMBER) .....	1
55	<u>74755-G01</u>		LABEL (E-SHIELD) .....	1
56				
57				
58	<u>71316-G01</u>		HOLE PLUG (DASH MOUNTED DIRECTION SELECTOR SWITCH ONLY) ....	1



# BODY - ACCESSORIES



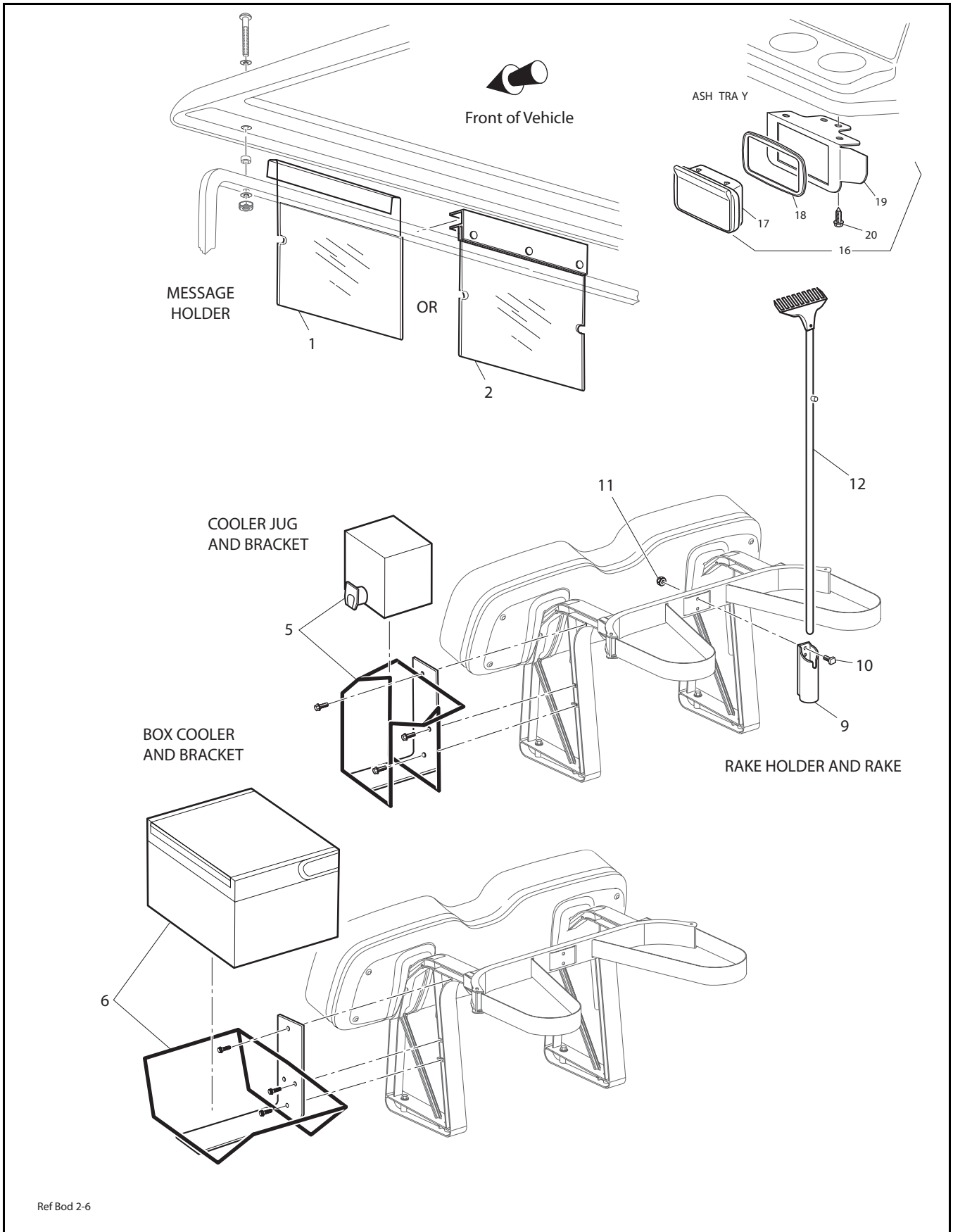
Ref Bod 2-5

## BODY - ACCESSORIES

Where applicable, THE USE OF NON UL PARTS WILL VOID ANY UL LISTING.  
 When ordering parts, please specify the model and serial number of the product.  
 \* Indicates a component that is not available as an individual part.  
 G\*\* Indicates consult Customer Service Department for additional information.

ITEM	PART NO.	1	2	3	4	5	DESCRIPTION	QTY.
1	<u>28661-G01</u>						SAND BOTTLE DIVOT REPAIR KIT (INCLUDES ITEMS 2 - 4) .....	1
2	<u>71102-G01</u>						BOLT, 1/4 - 20 X 3/4" LG.....	1
3	<u>28660-G01</u>						SAND BOTTLE HOLDER .....	1
4	<u>28659-G01</u>						SAND BOTTLE .....	1
5								
6								
7	23300-G01						BASKET DIVOT REPAIR KIT (INCLUDES SCOOP) .....	1
8								
9								
10	75007-G02						SIDE BASKET KIT (INCLUDES ITEMS 11 - 13).....	1
11	<u>75460-G01</u>						SIDE BASKET .....	1
12	<u>71102-G01</u>						BOLT, 1/4 - 20 X 3/4" LG.....	3
13	<u>00793-G2</u>						FLAT WASHER, 1/4" (STAINLESS STEEL) .....	3
14								
15								
16	<u>75003-G02</u>						CENTER BASKET KIT (INCLUDES ITEMS 17 - 20) .....	1
17	75461-G01						CENTER BASKET .....	1
18	<u>71102-G01</u>						BOLT, 1/4 - 20 X 3/4" LG.....	2
19	<u>00793-G2</u>						FLAT WASHER, 1/4" (STAINLESS STEEL) .....	2
20	<u>01105-G01</u>						SCREW, #10 X 5/8" LG (STAINLESS STEEL) .....	2

# BODY - ACCESSORIES CONTINUED



Ref Bod 2-6



## BODY - ACCESSORIES CONTINUED

Where applicable, THE USE OF NON UL PARTS WILL VOID ANY UL LISTING.

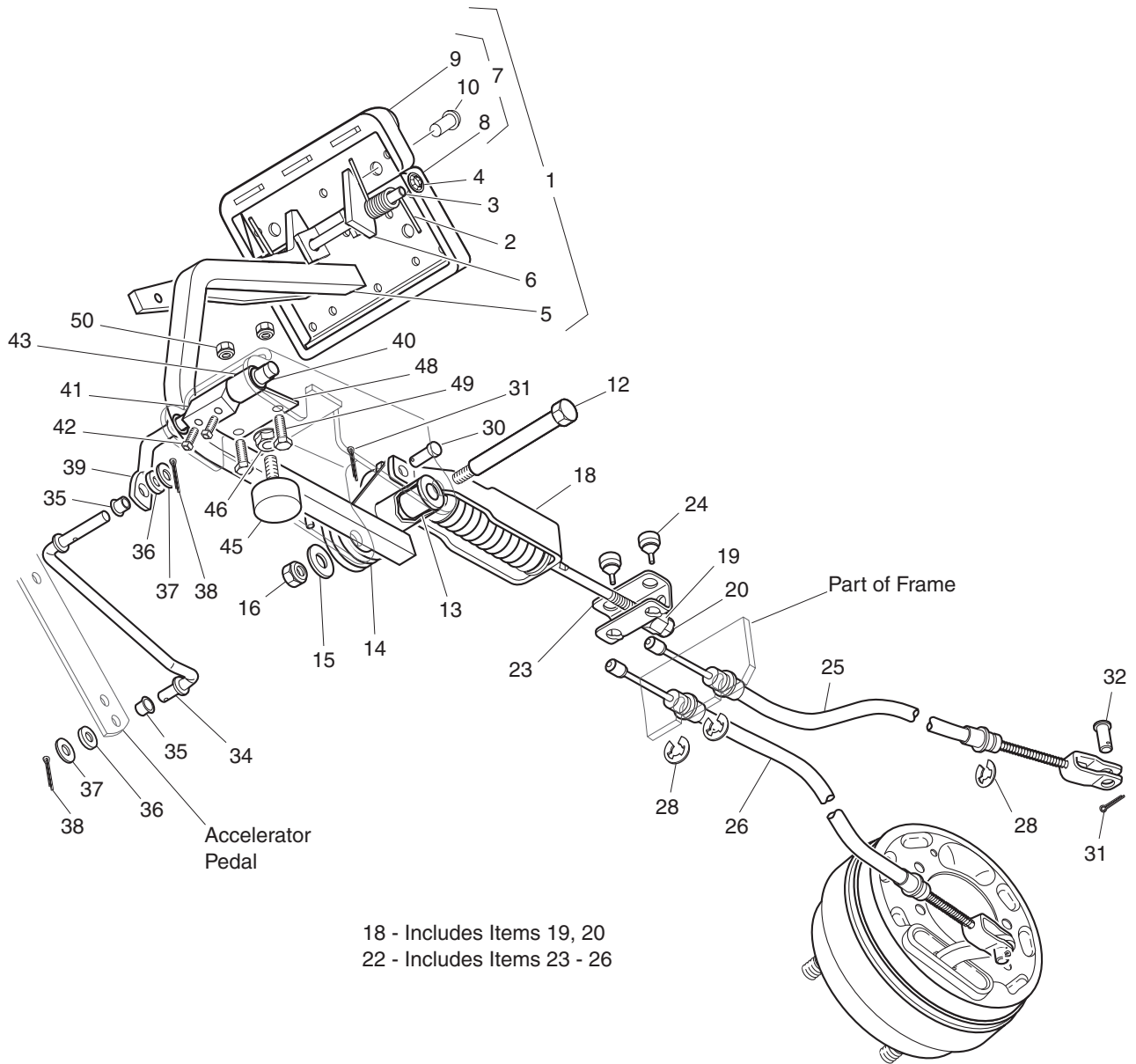
When ordering parts, please specify the model and serial number of the product.

\* Indicates a component that is not available as an individual part.

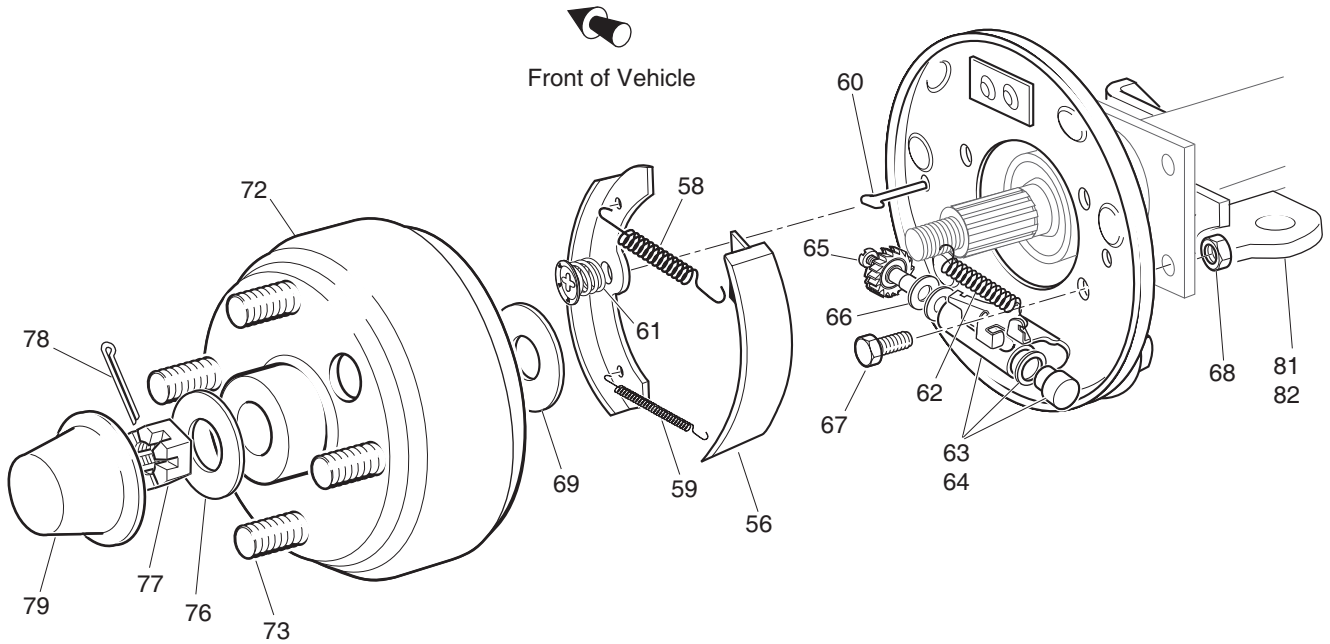
G\*\* Indicates consult Customer Service Department for additional information.

ITEM	PART NO.	1	2	3	4	5	DESCRIPTION	QTY.
1	75509-G01						MESSAGE HOLDER (ONE PIECE).....	1
2	75496-G01						MESSAGE HOLDER.....	1
3								
4								
5	<u>75495-G01</u>						COOLER JUG AND BRACKET KIT .....	1
6	<u>75344-G01</u>						BOX COOLER AND BRACKET KIT .....	1
7								
8								
9	<u>25885-G01</u>						RAKE HOLDER.....	1
10	00989-G6						SQUARE HEAD BOLT, 1/4 - 20 X 3/4" LG .....	2
11	<u>11027-G2</u>						LOCK NUT, 1/4 - 20 .....	2
12	<u>14735-G1</u>						RAKE.....	1
13								
14								
15								
16	75109-G02						ASH TRAY KIT (INCLUDES ITEMS 17 - 20) .....	1
17	27731-G01						ASH TRAY .....	1
18	27736-G01						GASKET .....	1
19	<u>75108-G02</u>						BRACKET .....	1
20	<u>00100-G4</u>						SCREW, #10 - 16 X 1/2" LG .....	4

# BRAKES



Ref Brk 1-1



- 53 - Includes Items 55 - 63, 65, 66
- 54 - Includes Items 55 - 62, 64 - 66
- 55 - Includes Items 56
- 57 - Includes Items 58 - 62
- 63 - Includes Items 65, 66
- 64 - Includes Items 65, 66
- 71 - Includes Items 72, 73

Ref Brk 1-3

# BRAKES

Where applicable, THE USE OF NON UL PARTS WILL VOID ANY UL LISTING.

When ordering parts, please specify the model and serial number of the product.

\* Indicates a component that is not available as an individual part.

G\*\* Indicates consult Customer Service Department for additional information.

ITEM	PART NO.	1 2 3 4 5	DESCRIPTION	QTY.
1	<u>70612-G02</u>		BRAKE PEDAL ASSEMBLY (WITHOUT BRAKE LIGHTS) (INCLUDES ITEMS 2 - 10).....	1
2	<u>70681-G01</u>		TORSION SPRING.....	2
3	<u>70682-G01</u>		PIVOT PIN.....	1
4	<u>01071-G01</u>		PUSHNUT, 5/16".....	2
5	*		BRAKE PEDAL.....	1
6	<u>70611-G02</u>		PARK BRAKE PEDAL.....	1
7	<u>70274-G01</u>		BRAKE/PARK BRAKE PEDAL PAD KIT (INCLUDES ITEMS 8 - 10).....	1
8	*		SERVICE BRAKE PAD.....	1
9	*		PARK BRAKE PEDAL PAD.....	1
10	<u>15766-G1</u>		OVAL RIVET, 3/16" X 7/16" LG.....	9
11				
12	<u>70582-G01</u>		SHOULDER BOLT, 3/8 - 16 X 4" LG (STAINLESS STEEL).....	1
13	<u>70581-G01</u>		FLANGED BUSHING.....	2
14	<u>70676-G01</u>		TORSION SPRING.....	1
15	<u>00643-G1</u>		WASHER, 3/8".....	1
16	<u>11098-G5</u>		LOCK NUT, 3/8 - 16.....	1
17				
18	<u>70272-G04</u>		COMPENSATOR ASSEMBLY (INCLUDES ITEMS 19, 20).....	1
19	<u>00963-G01</u>		SPHERICAL NUT, 5/16 - 24.....	1
20	<u>11098-G9</u>		LOCK NUT, 5/16 - 24.....	1
21				
22	<u>70969-G03</u>		EQUALIZER AND BRAKE CABLE ASSEMBLY (INCLUDES ITEMS 23 - 26) ...	1
23	<u>28082-G01</u>		EQUALIZER BRACKET.....	1
24	<u>28083-G01</u>		BRAKE COMPENSATOR BUMPER.....	2
25	*		BRAKE CABLE (DRIVER SIDE).....	1
26	*		BRAKE CABLE (PASSENGER SIDE).....	1
27				
28	<u>01111-G01</u>		RETAINING RING, 4/5" (STAINLESS STEEL).....	4
29				

# BRAKES

Where applicable, THE USE OF NON UL PARTS WILL VOID ANY UL LISTING.

When ordering parts, please specify the model and serial number of the product.

\* Indicates a component that is not available as an individual part.

G\*\* Indicates consult Customer Service Department for additional information.

ITEM	PART NO.	1 2 3 4 5	DESCRIPTION	QTY.
30	<u>10386-G3</u>		CLEVIS PIN, 5/16" X 13/16" LG.....	1
31	<u>10387-G3</u>		COTTER PIN, 3/32" X 3/4" LG.....	3
32	<u>14443-G2</u>		CLEVIS PIN, 5/16" X 5/8" LG.....	2
33				
34	<u>70601-G01</u>		KICK-OFF LINK.....	1
35	<u>17838-G1</u>		NYLON BUSHING.....	2
36	<u>20835-G1</u>		TEFLON WASHER, 3/8".....	2
37	00559-G8		WASHER, 5/16".....	2
38	<u>10387-G3</u>		COTTER PIN, 3/32" X 3/4" LG.....	2
39	<u>70098-G01</u>		KICK-OFF CAM PIVOT.....	1
40	<u>10097-G6</u>		FLANGED BEARING.....	2
41	<u>70587-G01</u>		KICK-OFF CAM.....	1
42	<u>71215-G01</u>		SETSCREW, 1/4 - 20 X 1/2" LG.....	2
43	<u>14134-G4</u>		SPACER.....	1
44				
45	<u>70113-G01</u>		ADJUSTABLE BUMPER.....	1
46	<u>11027-G1</u>		LOCK NUT, 5/16 - 18.....	1
47				
48	<u>70080-G02</u>		CATCH BRACKET.....	1
49	<u>00414-G6</u>		BOLT, 1/4 - 20 X 3/4" LG.....	2
50	<u>00891-G2</u>		LOCK NUT, 1/4 - 20 (STAINLESS STEEL).....	2
51				
52				
53	<u>70998-G01</u>		BRAKE ASSEMBLY (DRIVER SIDE) (INCLUDES ITEMS 55 - 63, 65, 66).....	1
54	<u>70998-G02</u>		BRAKE ASSEMBLY (PASSENGER SIDE) (INCLUDES ITEMS 55 - 62, 64 - 66).....	1
55	70794-G01		BRAKE SHOE KIT (INCLUDES ITEM 56).....	2
56	*		BRAKE SHOE.....	2
57	<u>27944-G01</u>		BRAKE SPRING KIT (INCLUDES ITEMS 58 - 62).....	2
58	*		UPPER SPRING.....	1

# BRAKES

Where applicable, THE USE OF NON UL PARTS WILL VOID ANY UL LISTING.

When ordering parts, please specify the model and serial number of the product.

\* Indicates a component that is not available as an individual part.

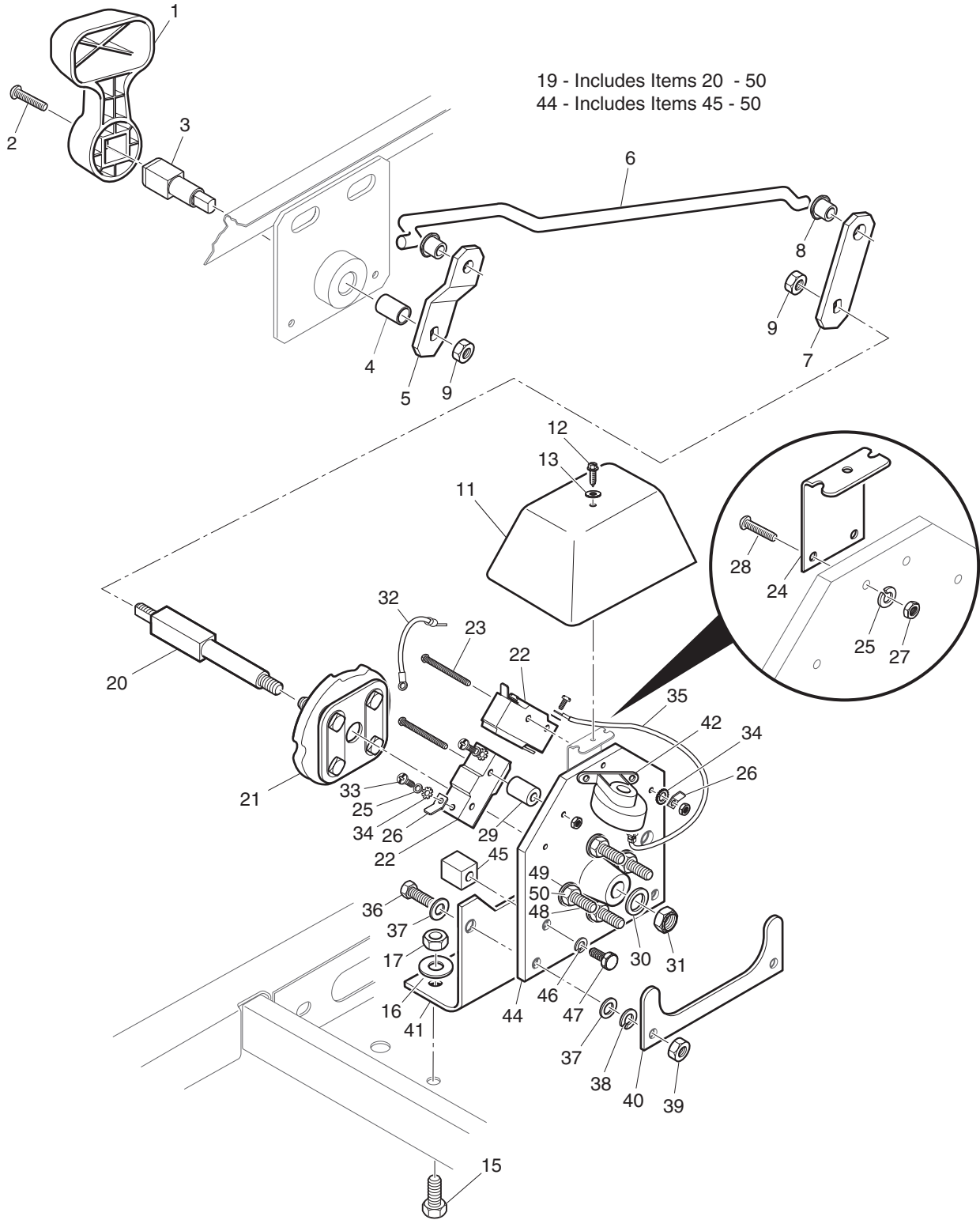
G\*\* Indicates consult Customer Service Department for additional information.

ITEM	PART NO.	1	2	3	4	5	DESCRIPTION	QTY.
59	*						LOWER SPRING .....	1
60	*						PIN .....	2
61	*						CUP AND SPRING .....	2
62	*						ADJUSTER SPRING.....	1
63	<u>72582-G01</u>						BRAKE ADJUSTER KIT (DRIVER SIDE) (INCLUDES ITEMS 65, 66) .....	
64	<u>72582-G02</u>						BRAKE ADJUSTER KIT (PASSENGER SIDE) (INCLUDES ITEMS 65, 66)	1
65	*						ADJUSTER .....	1
66	*						TEFLON WASHER .....	2
67	<u>17083-G2</u>						BOLT, 5/16 - 24 X 1" LG .....	8
68	<u>15126-G1</u>						LOCK NUT, 5/16 - 24 .....	8
69	<u>15485-G1</u>						WASHER, 13/16" .....	2
70								
71	<u>19186-G1</u>						BRAKE DRUM ASSEMBLY (INCLUDES ITEMS 72 - 73) .....	2
72	*						BRAKE DRUM .....	1
73	<u>19862-G1</u>						LUG BOLT, 1/2 - 20 X 1 3/16" LG .....	4
74								
75								
76	<u>15487-G1</u>						WASHER, 1 3/8" O.D. X 21/32" .....	2
77	<u>15483-G1</u>						CASTELLATED NUT, 5/8 - 18 .....	2
78	<u>10387-G1</u>						COTTER PIN, 1/8" X 1 1/2" LG .....	2
79	<u>74175-G01</u>						SPINDLE CAP.....	2
80								
81	<u>72036-G03</u>						BRAKE CABLE BRACKET (PASSENGER SIDE) .....	1
82	<u>72036-G04</u>						BRAKE CABLE BRACKET (DRIVER SIDE) .....	1



# DIRECTION SELECTOR

\*NOTE: For PDS Direction Selector See ELECTRICAL SYSTEM Section



Ref Dsl 1-1



# DIRECTION SELECTOR

Where applicable, THE USE OF NON UL PARTS WILL VOID ANY UL LISTING.

When ordering parts, please specify the model and serial number of the product.

\* Indicates a component that is not available as an individual part.

G\*\* Indicates consult Customer Service Department for additional information.

ITEM	PART NO.	1 2 3 4 5	DESCRIPTION	QTY.
1	<u>71205-G01</u>		DIRECTION SELECTOR HANDLE.....	1
2	<u>00740-G4</u>		SCREW, #10 - 32 X 1/2" LG (STAINLESS STEEL).....	1
3	<u>70233-G01</u>		DIRECTION SELECTOR SHAFT .....	1
4	<u>25664-G2</u>		BUSHING .....	1
5	<u>70334-G01</u>		OFFSET SHIFT LINKAGE ARM .....	1
6	<u>70313-G01</u>		LINKAGE ROD.....	1
7	<u>70232-G03</u>		SHIFT LINKAGE ARM .....	1
8	<u>22754-G3</u>		BUSHING .....	2
9	<u>14390-G1</u>		LOCK NUT, 3/8 - 24 .....	2
10				
11	<u>73049-G01</u>		DIRECTION SELECTOR COVER .....	1
12	<u>00114-G6</u>		SCREW, 1/4 - 14 X 3/4" LG .....	1
13	<u>16469-G1</u>		WASHER, 1/4" .....	1
14				
15	<u>00438-G6</u>		BOLT, 5/16 - 18 X 3/4" LG .....	2
16	<u>00571-G2</u>		WASHER, 5/16" (STAINLESS STEEL).....	2
17	<u>11098-G6</u>		LOCK NUT, 5/16 - 18 (STAINLESS STEEL) .....	2
18				
19	<u>70578-G02</u>		DIRECTION SELECTOR ASSEMBLY (INCLUDES ITEMS 20 - 50) .....	1
20	<u>73027-G01</u>		DIRECTION SELECTOR SHAFT .....	1
21	<u>12835-G1</u>		CAM.....	1
22	<u>10606-G2</u>		MICRO SWITCH.....	2
23	<u>00645-G7</u>		SCREW, #6 - 32 X 2" LG .....	4
24	<u>73048-G01</u>		COVER BRACKET .....	1
25	<u>00565-G3</u>		LOCK WASHER, #6 .....	6
26	<u>14628-G1</u>		PUSH ON MALE TERMINAL.....	3
27	<u>00525-G5</u>		NUT, #6 - 32 .....	6
28	<u>00645-G5</u>		SCREW, #6 - 32 X 5/8" LG .....	2
29	<u>12806-G1</u>		SPACER .....	4
30	<u>00560-G1</u>		WASHER, 3/8" .....	1

# DIRECTION SELECTOR

Where applicable, THE USE OF NON UL PARTS WILL VOID ANY UL LISTING.

When ordering parts, please specify the model and serial number of the product.

\* Indicates a component that is not available as an individual part.

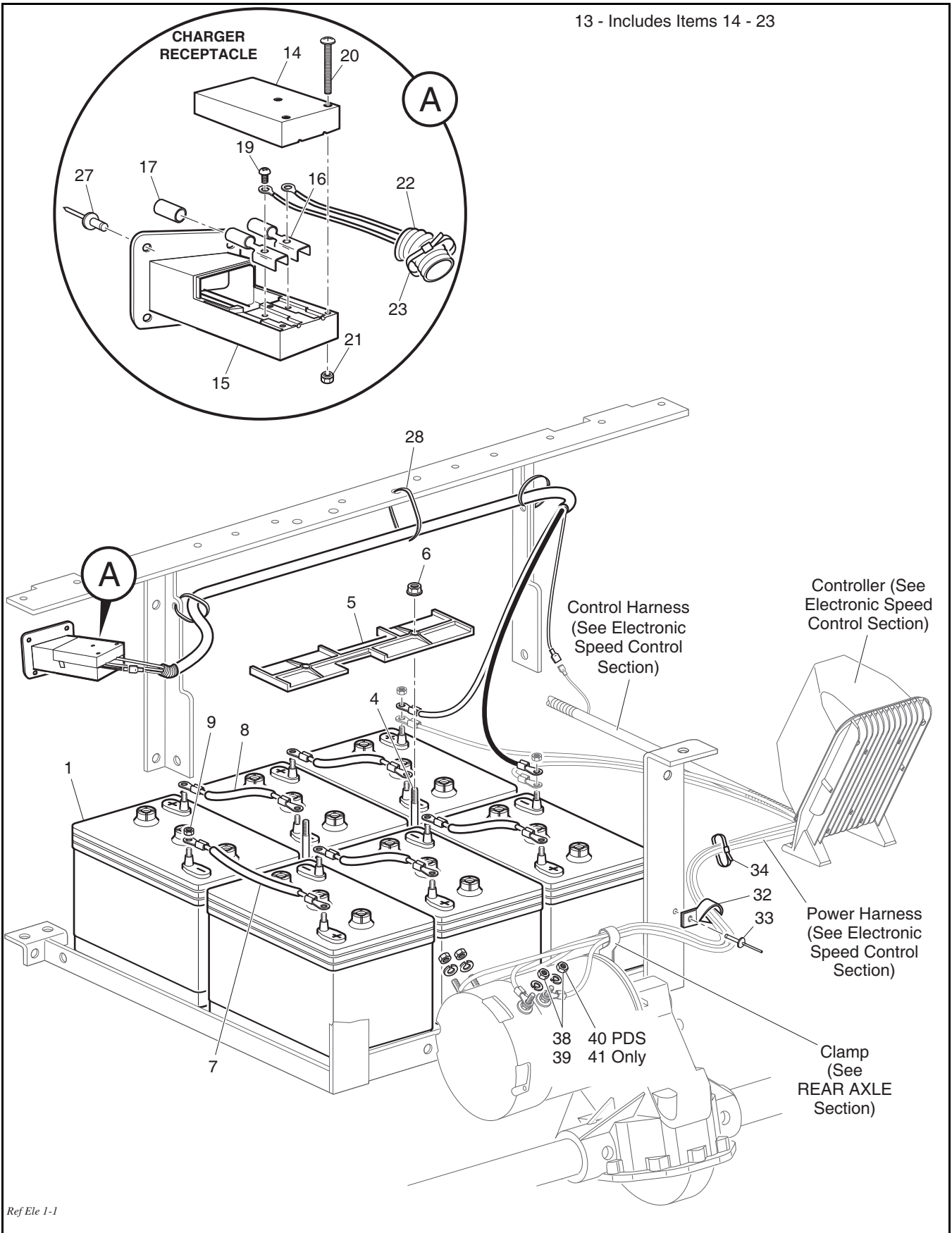
G\*\* Indicates consult Customer Service Department for additional information.

ITEM	PART NO.	1	2	3	4	5	DESCRIPTION	QTY.
31	<u>14390-G1</u>						LOCK NUT, 3/8 - 24.....	1
32	<u>25978-G37</u>						18 GA WIRE (RED 4") .....	1
33	<u>13514-G1</u>						SCREW.....	4
34	<u>00567-G3</u>						LOCK WASHER, #6 .....	4
35	<u>25978-G343</u>						18 GA WIRE (RED 6") .....	1
36	<u>00414-G8</u>						BOLT, 1/4 - 20 X 1" LG (STAINLESS STEEL) .....	2
37	<u>00559-G7</u>						WASHER, 1/4" (STAINLESS STEEL) .....	4
38	<u>00565-G7</u>						LOCK WASHER, 1/4" (STAINLESS STEEL) .....	2
39	<u>00532-G1</u>						NUT, 1/4 - 20 .....	2
40	<u>15461-G1</u>						SUPPORT BRACKET.....	1
41	<u>73031-G02</u>						DIRECTION SELECTOR MOUNTING BRACKET .....	1
42	<u>73290-G02</u>						REVERSE WARNING BUZZER (CONTINUOUS TONE) .....	1
43								
44	<u>14651-G1</u>						CONTACT BOARD ASSEMBLY (INCLUDES ITEMS 45 - 50).....	1
45	<u>24940-G1</u>						STOP.....	2
46	<u>00565-G7</u>						LOCK WASHER, 1/4" (STAINLESS STEEL) .....	2
47	<u>00414-G6</u>						BOLT, 1/4 - 20 X 3/4" LG .....	2
48	<u>18888-G1</u>						CONTACT STUD, 5/16 - 18 .....	4
49	<u>00565-G8</u>						LOCK WASHER, 5/16".....	4
50	<u>00544-G3</u>						NUT, 5/16 - 18.....	4



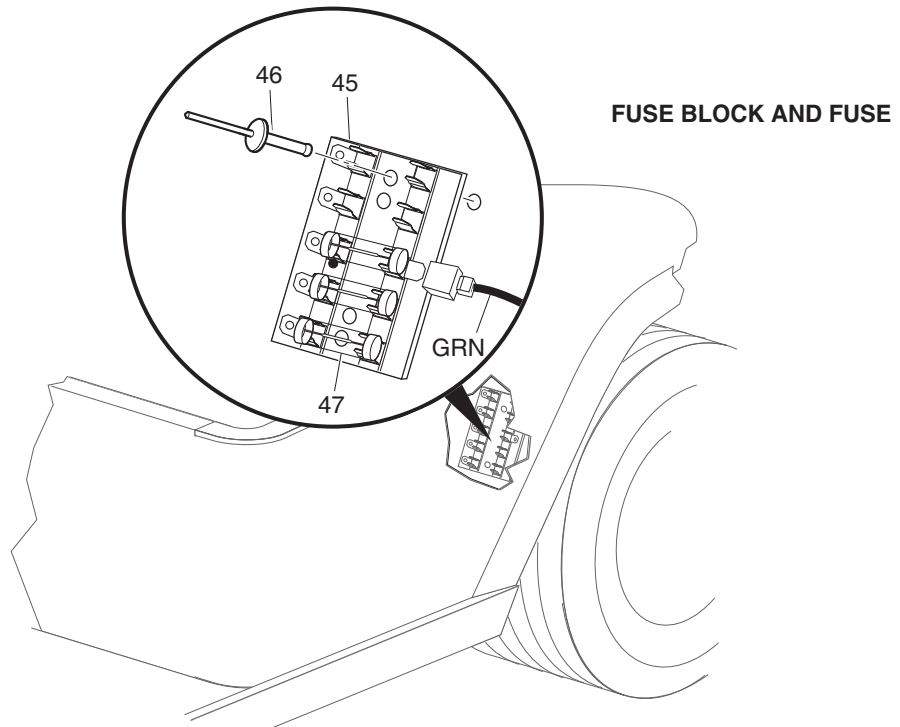
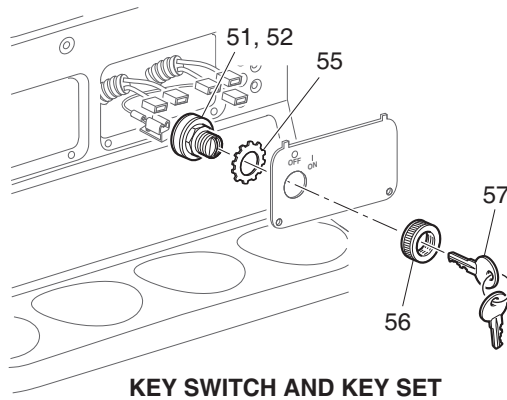
# ELECTRICAL SYSTEM - COMMON

13 - Includes Items 14 - 23



Ref Ele 1-1

# ELECTRICAL SYSTEM - COMMON



Ref Ele 17-2

# ELECTRICAL SYSTEM - COMMON

Where applicable, THE USE OF NON UL PARTS WILL VOID ANY UL LISTING.  
 When ordering parts, please specify the model and serial number of the product.  
 \* Indicates a component that is not available as an individual part.  
 G\*\* Indicates consult Customer Service Department for additional information.

ITEM	PART NO.	1	2	3	4	5	DESCRIPTION	QTY.
1	XXXXX-GXX						6 VOLT BATTERY .....	6
2								
3								
4	<u>01101-G01</u>						HOLD DOWN BOLT (STAINLESS STEEL).....	2
5	<u>70045-G01</u>						BATTERY RETAINER .....	1
6	<u>11027-G1</u>						LOCK NUT, 5/16 - 18 .....	2
7	607651						4 GA WIRE, GREEN 10".....	1
8	<u>607590</u>						4 GA WIRE, GREEN 7".....	5
9	<u>00702-G2</u>						NUT, 5/16 - 18 .....	12
10								
11								
12								
13	<u>73063-G01</u>						CHARGER RECEPTACLE ASSEMBLY (INCLUDES ITEMS 14 - 23).....	1
14	*						RECEPTACLE COVER .....	1
15	*						RECEPTACLE BOTTOM .....	1
16	<u>73051-G05</u>						FEMALE CONNECTOR .....	2
17	<u>73051-G06</u>						INSULATOR SLEEVE.....	1
18								
19	<u>73051-G08</u>						SCREW, #10 - 32 X 1/2" LG (BRASS) .....	2
20	<u>73051-G09</u>						SCREW, #6 - 32 X 1 3/4" LG (STAINLESS STEEL).....	3
21	<u>73051-G10</u>						LOCK NUT, #6 - 32 .....	3
22	*						WIRE HARNESS (CHARGER).....	1
23	<u>17618-G1</u>						WIRE TIE .....	2
24								
25								
26								
27	<u>71055-G01</u>						RIVET, 3/16" X 1" LG (ALUMINUM).....	4
28	<u>17618-G1</u>						WIRE TIE .....	3
29								
30								

## ELECTRICAL SYSTEM - COMMON

Where applicable, THE USE OF NON UL PARTS WILL VOID ANY UL LISTING.

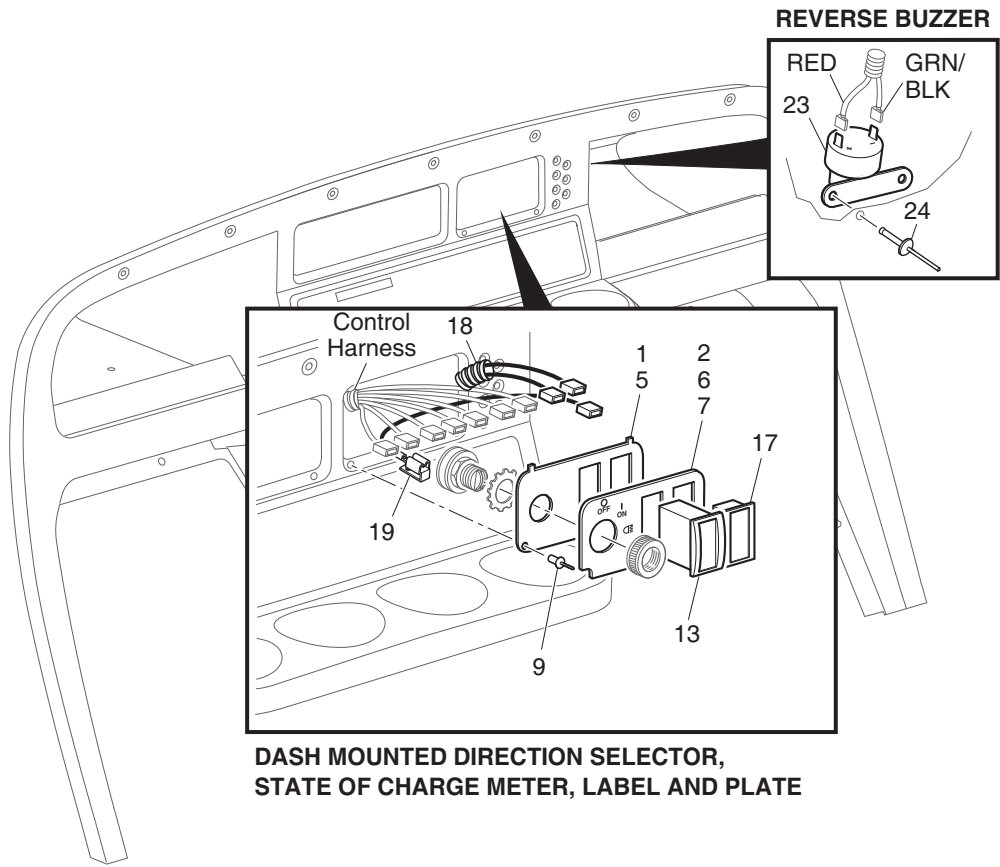
When ordering parts, please specify the model and serial number of the product.

\* Indicates a component that is not available as an individual part.

G\*\* Indicates consult Customer Service Department for additional information.

ITEM	PART NO.	1	2	3	4	5	DESCRIPTION	QTY.
31								
32	<u>27327-G02</u>						CABLE CLAMP .....	1
33	<u>10570-G11</u>						RIVET, 3/16" X 3/4" LG (STAINLESS STEEL) .....	1
34	<u>17618-G1</u>						WIRE TIE .....	8
35								
36								
37								
38	<u>00993-G01</u>						LOCK WASHER, 5/16" (SILICON BRONZE) .....	AR
39	<u>28418-G01</u>						NUT, 5/16 - 18 (BRASS).....	AR
40	<u>00993-G02</u>						LOCK WASHER, 1/4" (SILICON BRONZE) .....	2
41	<u>28418-G02</u>						NUT, 1/4 - 20 (BRASS).....	2
42								
43								
44								
45	<u>22674-G1</u>						FUSE BLOCK.....	1
46	<u>01041-G01</u>						RIVET, 1/8" X 13/16" LG .....	2
47	<u>18392-G1</u>						15 AMP FUSE .....	AR
48								
49								
50								
51	<u>17421-G1</u>						KEY SWITCH KIT (W/O LIGHTS - STANDARD - WITH HARDWARE).....	1
52	<u>17955-G1</u>						KEY SWITCH (WITHOUT LIGHTS - NON STANDARD) .....	1
53								
54								
55	<u>00568-G6</u>						LOCK WASHER, 3/4".....	1
56	<u>17137-G1</u>						FACE NUT, 3/4 - 20 .....	1
57	<u>17063-G1</u>						KEY (SET).....	1

# ELECTRICAL SYSTEM - PDS



Ref Ele 1-4

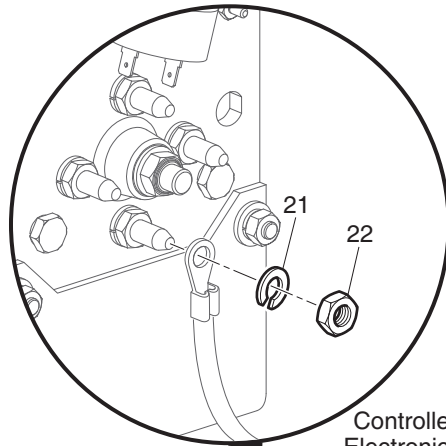


## ELECTRICAL SYSTEM - PDS

Where applicable, THE USE OF NON UL PARTS WILL VOID ANY UL LISTING.  
 When ordering parts, please specify the model and serial number of the product.  
 \* Indicates a component that is not available as an individual part.  
 G\*\* Indicates consult Customer Service Department for additional information.

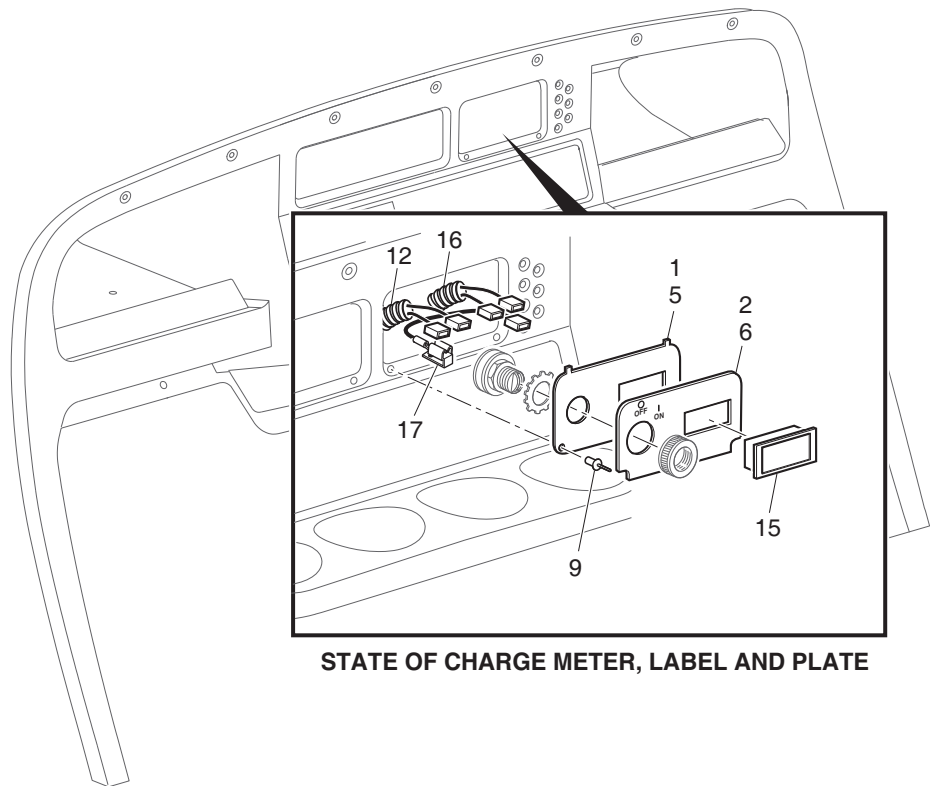
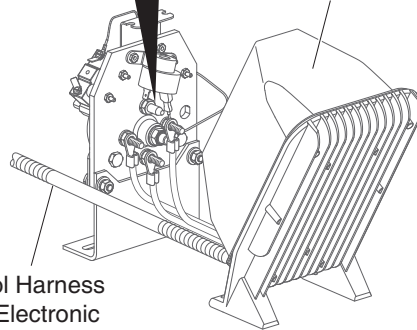
ITEM	PART NO.	1	2	3	4	5	DESCRIPTION	QTY.
1	<u>601016</u>						PLATE (KEY SWITCH, DIRECTION SELECTOR) .....	1
2	<u>74316-G01</u>						LABEL (KEY SWITCH WITHOUT LIGHTS, DIRECTION SELECTOR).....	1
3								
4								
5	<u>73030-G06</u>						PLATE (KEY SWITCH, DIRECTION SELECTOR, CHARGE METER) .....	1
6	<u>74320-G01</u>						LABEL (KEY SWITCH WITHOUT LIGHTS, DIRECTION SELECTOR, CHARGE METER) .....	1
7								
8								
9	<u>33623-G02</u>						DRIVE RIVET, 3/16" X 3/8" LG .....	2
10								
11								
12								
13	<u>74323-G01</u>						DIRECTION SELECTOR SWITCH (DASH MOUNTED).....	1
14								
15								
16								
17	<u>33636-G04</u>						STATE OF CHARGE METER (VERTICAL) .....	1
18	<u>74018-G01</u>						WIRE HARNESS (STATE OF CHARGE METER) .....	1
19	<u>25978-G74</u>						18 GA WIRE (RED 6").....	1
20								
21								
22								
23	<u>73290-G02</u>						REVERSE WARNING BUZZER (CONTINUOUS TONE) .....	1
24	<u>01041-G01</u>						RIVET, 1/8" X 13/16" LG .....	2

# ELECTRICAL SYSTEM - SERIES



Controller (See Electronic Speed Control Section)

Control Harness (See Electronic Speed Control Section)



**STATE OF CHARGE METER, LABEL AND PLATE**

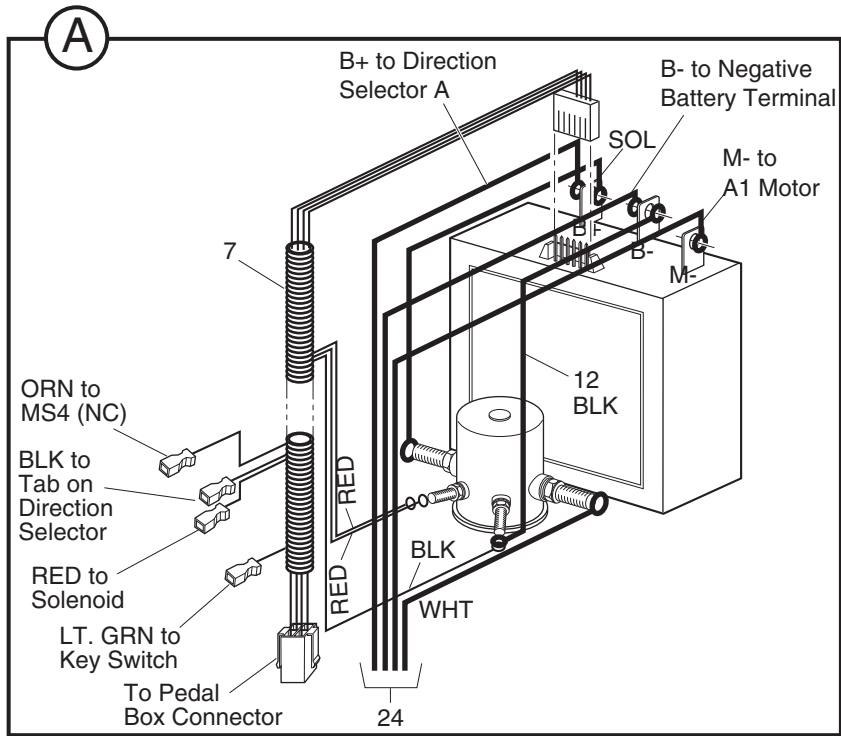
Ref Ele 17-5

## ELECTRICAL SYSTEM - SERIES

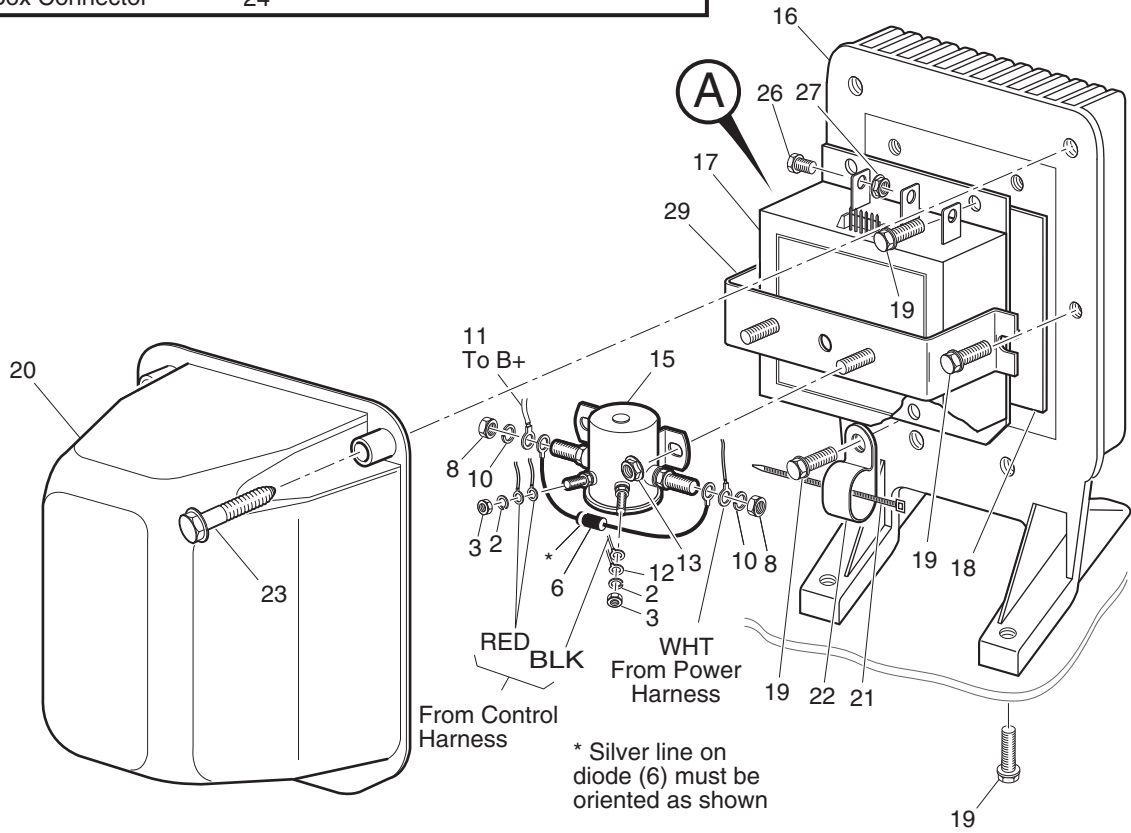
Where applicable, THE USE OF NON UL PARTS WILL VOID ANY UL LISTING.  
 When ordering parts, please specify the model and serial number of the product.  
 \* Indicates a component that is not available as an individual part.  
 G\*\* Indicates consult Customer Service Department for additional information.

ITEM	PART NO.	1	2	3	4	5	DESCRIPTION	QTY.
1	<u>601015</u>						PLATE (KEY SWITCH ONLY).....	1
2	<u>71145-G01</u>						LABEL (KEY SWITCH ONLY).....	1
3								
4								
5	73030-G02						PLATE (KEY SWITCH, STATE OF CHARGE METER) .....	1
6	<u>71123-G02</u>						LABEL (KEY SWITCH W/O LIGHTS, STATE OF CHARGE METER) .....	1
7								
8								
9	33623-G02						DRIVE RIVET, 3/16" X 3/8" LG .....	2
10								
11								
12	<u>73041-G01</u>						WIRE HARNESS (KEY SWITCH).....	1
13								
14								
15	<u>33636-G01</u>						STATE OF CHARGE METER .....	1
16	<u>74018-G01</u>						WIRE HARNESS (STATE OF CHARGE METER) .....	1
17	<u>25978-G74</u>						18 GA WIRE (RED 6").....	1
18								
19								
20								
21	<u>00565-G8</u>						LOCK WASHER, 5/16".....	4
22	<u>00532-G3</u>						NUT, 5/16 - 18 .....	4

# ELECTRONIC SPEED CONTROL - SERIES



1 - Includes Items 2 - 29



Ref Esc 1-1

# ELECTRONIC SPEED CONTROL - SERIES

Where applicable, THE USE OF NON UL PARTS WILL VOID ANY UL LISTING.

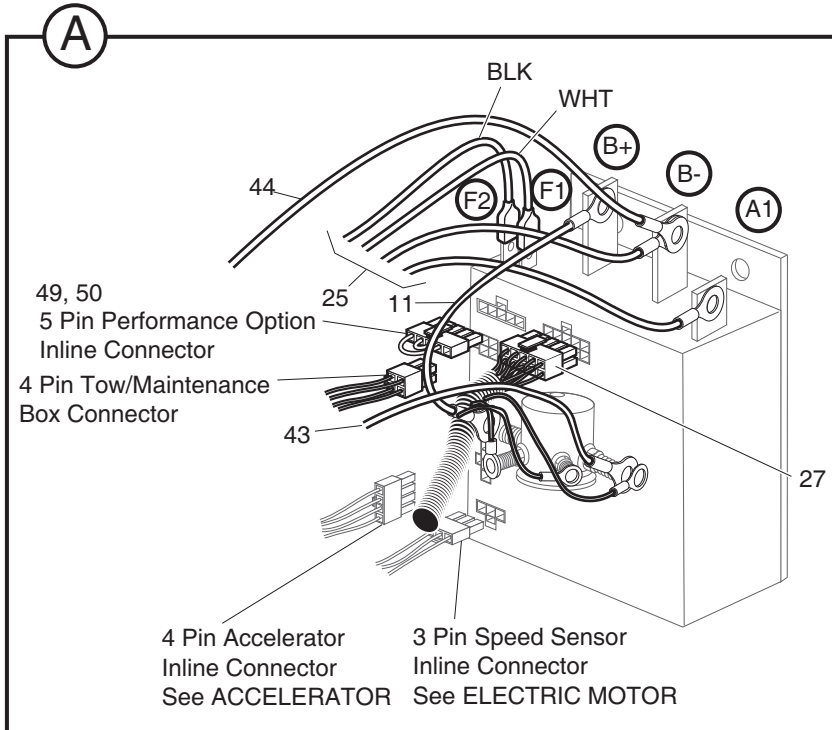
When ordering parts, please specify the model and serial number of the product.

\* Indicates a component that is not available as an individual part.

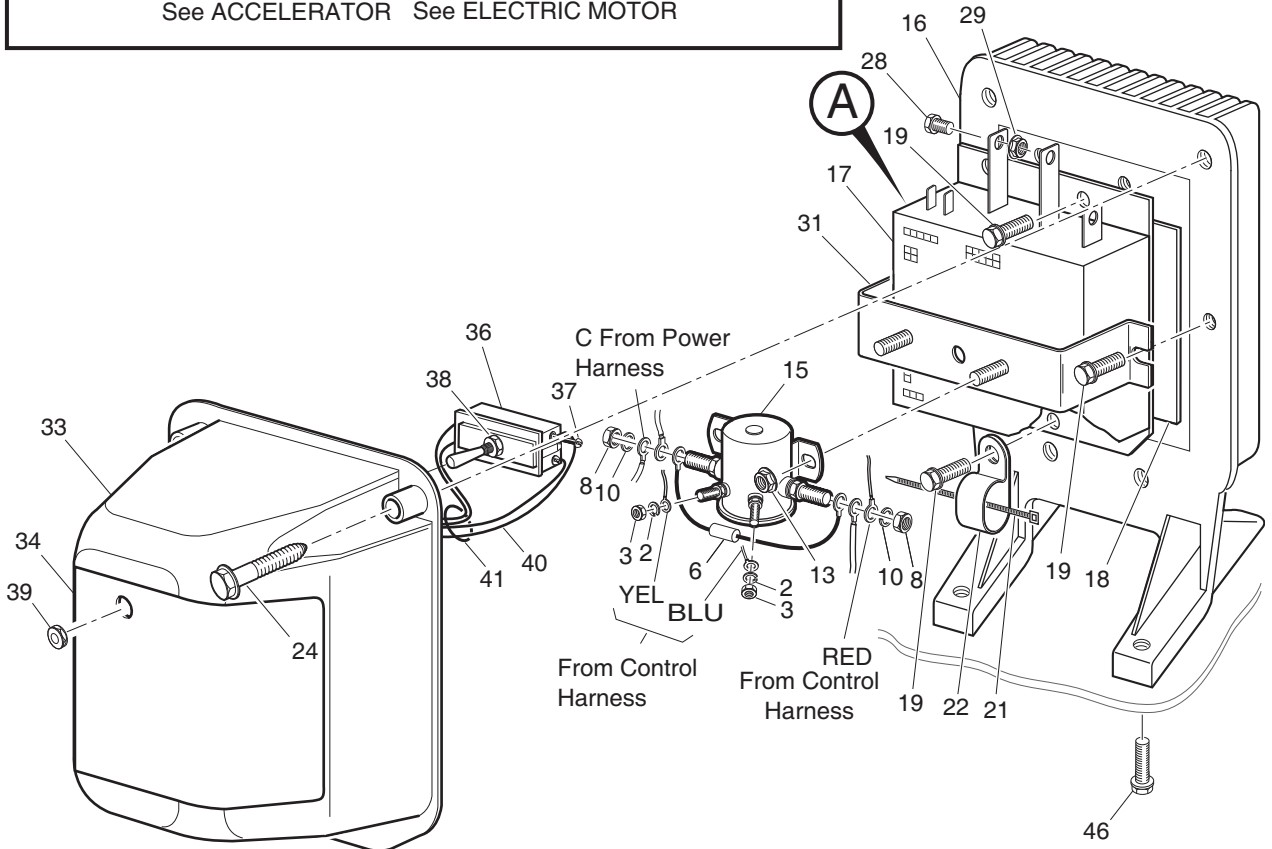
G\*\* Indicates consult Customer Service Department for additional information.

ITEM	PART NO.	1	2	3	4	5	DESCRIPTION	QTY.
1	<u>73056-G04</u>						ELECTRONIC SPEED CONTROL ASSEMBLY (INCLUDES ITEMS 2 - 31).....	1
2	*						LOCK WASHER, #10 .....	2
3	*						NUT, 10 - 32.....	2
4								
5	<u>30353-G1</u>						DIODE, 3 AMP.....	1
6	<u>21764-G1</u>						RESISTOR.....	1
7	<u>73103-G02</u>						WIRE HARNESS (CONTROL) .....	1
8	*						NUT, 5/16 - 24.....	2
9								
10	*						LOCK WASHER, 5/16" .....	2
11	<u>607591</u>						4 GA WIRE GREEN 11.5".....	1
12	<u>25978-G10</u>						18 GA WIRE (SOL - B-).....	1
13	<u>800706</u>						LOCK NUT, 1/4 - 20 .....	2
14								
15	<u>27855-G01</u>						SOLENOID, 36 VOLT .....	1
16	<u>73471-G01</u>						HEATSINK .....	1
17	<u>25864-G05</u>						ELECTRONIC SPEED CONTROLLER.....	1
18	<u>73190-G01</u>						THERMAL MOUNTING PAD .....	1
19	<u>71102-G01</u>						BOLT, 1/4 - 20 X 3/4" LG.....	9
20	<u>73028-G01</u>						COVER .....	1
21	<u>31539-G1</u>						WIRE TIE .....	1
22	<u>73053-G01</u>						DOUBLE TUBE CLAMP .....	1
23	<u>71102-G03</u>						BOLT, 1/4 - 20 X 1 3/16" LG.....	3
24	<u>607656</u>						4 GA WIRE HARNESS, GREEN .....	1
25								
26	<u>00270-G5</u>						BOLT, 5/16 - 18 X 5/8" LG.....	3
27	<u>11027-G1</u>						LOCK NUT, 5/16 - 18.....	3
28								
29	<u>25866-G01</u>						SOLENOID BRACKET .....	1

# ELECTRONIC SPEED CONTROL - PDS



- 1 - Includes Items 2 - 44
- 32 - Includes Items 33 - 41
- 36 - Includes Items 37 - 39



ReRef Esp 17-1

## ELECTRONIC SPEED CONTROL - PDS

Where applicable, THE USE OF NON UL PARTS WILL VOID ANY UL LISTING.

When ordering parts, please specify the model and serial number of the product.

\* Indicates a component that is not available as an individual part.

G\*\* Indicates consult Customer Service Department for additional information.

ITEM	PART NO.	1	2	3	4	5	DESCRIPTION	QTY.
1	<u>73276-G02</u>						ELECTRONIC SPEED CONTROL ASSEMBLY (INCLUDES ITEMS 2 - 44).....	1
2	*						LOCK WASHER, #10 .....	2
3	*						NUT, 10 - 32.....	2
4								
5								
6	<u>21764-G1</u>						RESISTOR.....	1
7								
8	*						NUT, 5/16 - 24.....	2
9								
10	*						LOCK WASHER, 5/16" .....	2
11	<u>607591</u>						4 GA WIRE, GREEN 11.5".....	1
12								
13	<u>800706</u>						LOCK NUT, 1/4 - 20 .....	2
14								
15	<u>27855-G02</u>						SOLENOID, 36 VOLT .....	1
16	<u>73471-G01</u>						HEATSINK .....	1
17	<u>73326-G07</u>						ELECTRONIC SPEED CONTROLLER.....	1
18	<u>73190-G01</u>						THERMAL MOUNTING PAD .....	1
19	<u>71102-G01</u>						BOLT, 1/4 - 20 X 3/4" LG. ....	5
20								
21	<u>31539-G1</u>						WIRE TIE .....	1
22	<u>73053-G01</u>						DOUBLE TUBE CLAMP .....	1
23								
24	<u>71102-G03</u>						BOLT, 1/4 - 20 X 1 3/16" LG. ....	4
25	<u>73106-G01</u>						WIRE HARNESS (POWER) .....	1
26								
27	<u>74324-G02</u>						WIRE HARNESS (CONTROL) .....	1
28	<u>00270-G5</u>						BOLT, 5/16 - 18 X 5/8" LG. ....	3
29	<u>11027-G1</u>						LOCK NUT, 5/16 - 18 .....	3
30								

# ELECTRONIC SPEED CONTROL - PDS

Where applicable, THE USE OF NON UL PARTS WILL VOID ANY UL LISTING.  
 When ordering parts, please specify the model and serial number of the product.  
 \* Indicates a component that is not available as an individual part.  
 G\*\* Indicates consult Customer Service Department for additional information.

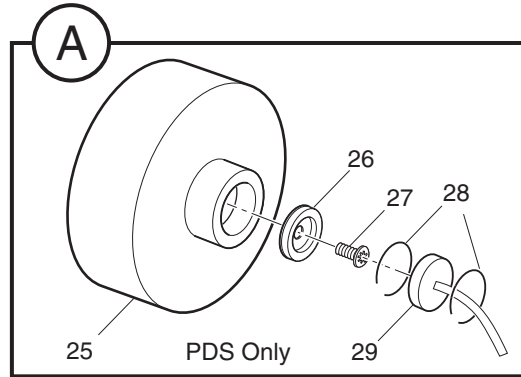
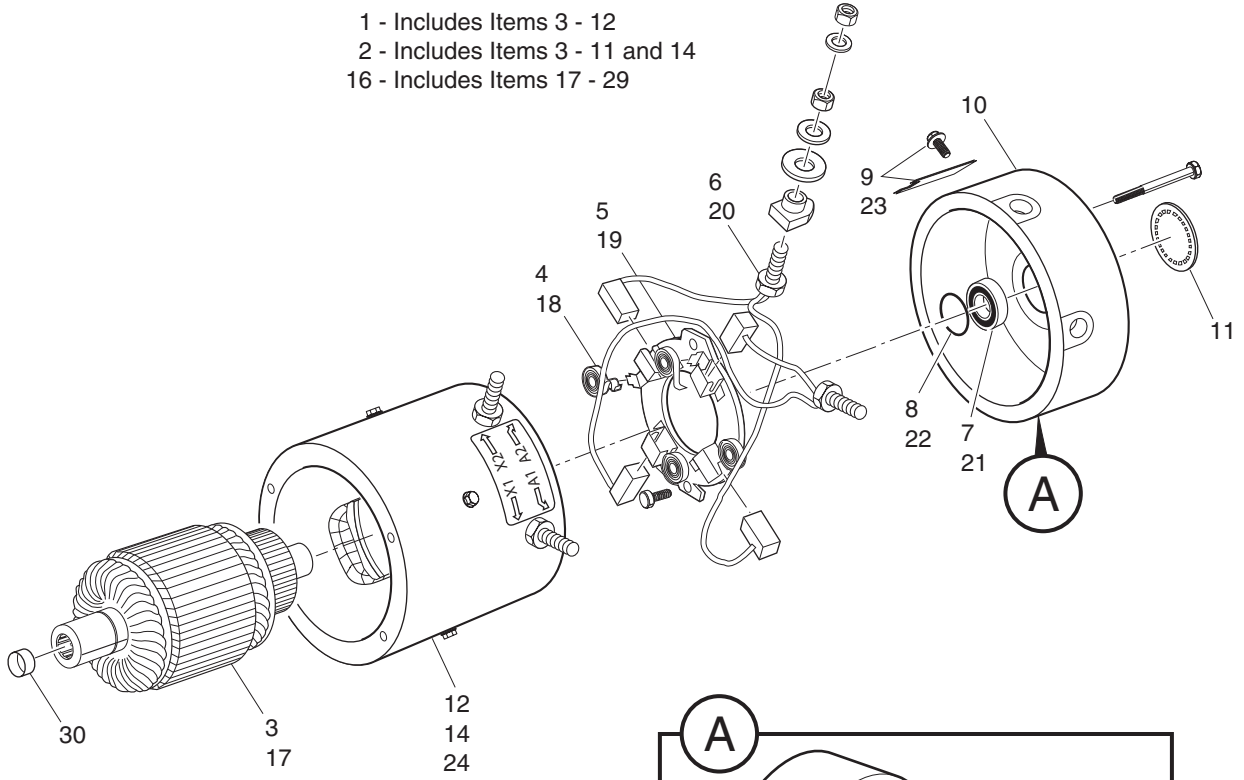
ITEM	PART NO.	1	2	3	4	5	DESCRIPTION	QTY.
31	25866-G01						SOLENOID BRACKET .....	1
32	<u>73089-G01</u>						COVER ASSEMBLY (INCLUDES ITEMS 33 - 41) .....	1
33	<u>73028-G02</u>						COVER (WITH GASKET) .....	1
34	73093-G01						LABEL (TOW SWITCH) .....	1
35								
36	73125-G01						TOGGLE SWITCH WITH SEAL (INCLUDES ITEMS 37 - 39) .....	1
37	*						SCREW, #5 - 40.....	4
38	*						NUT, 15/32 - 32.....	1
39	<u>73139-G01</u>						SEALED NUT, 15/32 - 32.....	1
40	73138-G02						WIRE HARNESS (TOW SWITCH).....	1
41	<u>17618-G1</u>						WIRE TIE .....	1
42								
43	<u>607592</u>						4 GA WIRE, GREEN 28" .....	1
44	<u>607593</u>						4 GA WIRE, GREEN 37" .....	1
45								
46	<u>71102-G01</u>						BOLT, 1/4 - 20 X 3/4" LG .....	4
47								
48								
49	<u>73272-G02</u>						PERFORMANCE OPTION (STEEP HILL).....	1
50	<u>73272-G03</u>						PERFORMANCE OPTION (MILD HILL) .....	1





# ELECTRIC MOTOR

- 1 - Includes Items 3 - 12
- 2 - Includes Items 3 - 11 and 14
- 16 - Includes Items 17 - 29



Ref Mtr 1

# ELECTRIC MOTOR

Where applicable, THE USE OF NON UL PARTS WILL VOID ANY UL LISTING.

When ordering parts, please specify the model and serial number of the product.

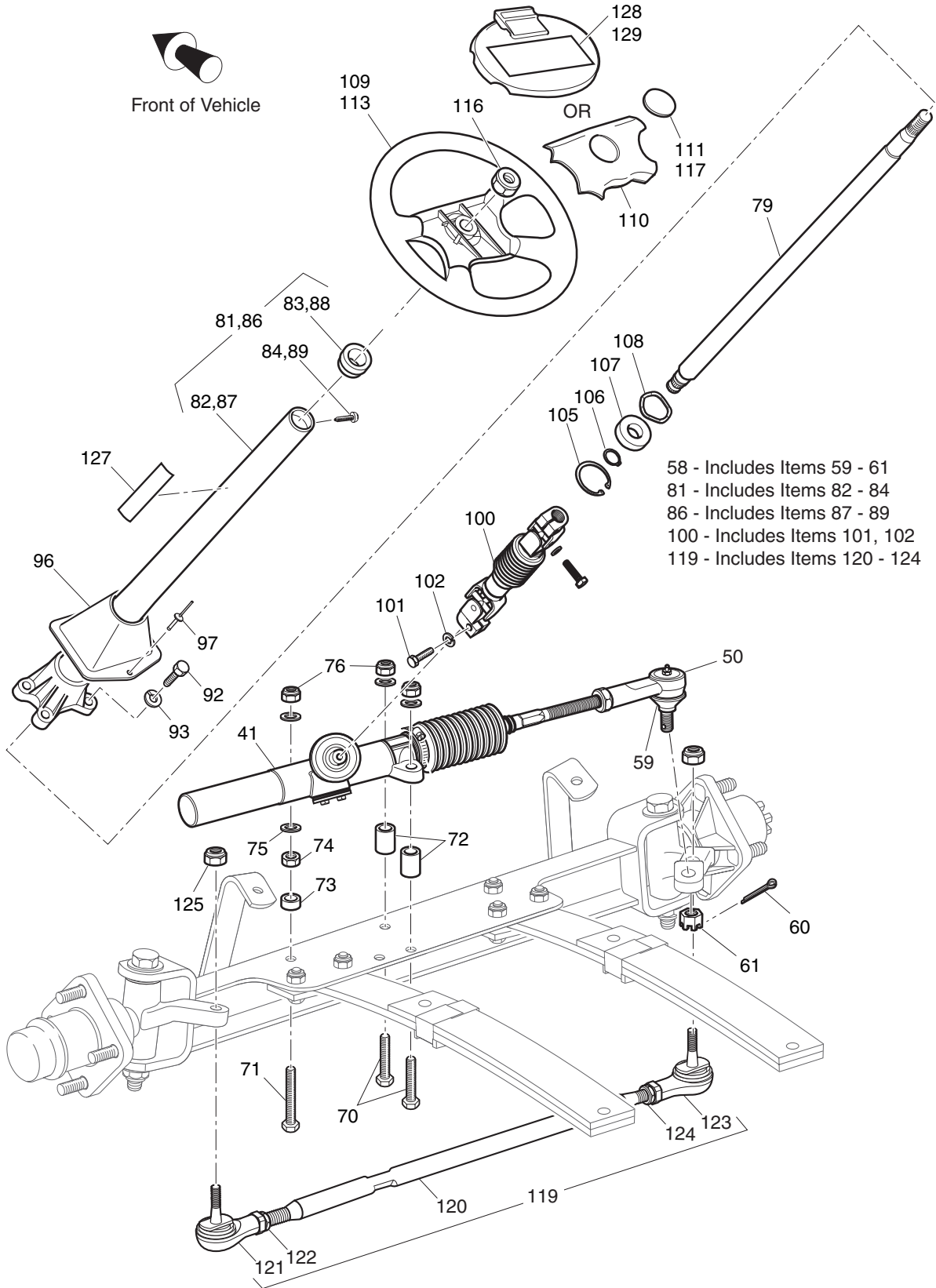
\* Indicates a component that is not available as an individual part.

G\*\* Indicates consult Customer Service Department for additional information.

ITEM	PART NO.	1	2	3	4	5	DESCRIPTION	QTY.
1	<u>73445-G01</u>						MOTOR (SERIES, FLEET SPEED) (INCLUDES ITEMS 3 - 12) .....	1
2	<u>73445-G02</u>						MOTOR (SERIES, HIGH SPEED) (INCLUDES ITEMS 3 - 11, 14) .....	1
3	<u>73120-G01</u>						ARMATURE .....	1
4	<u>73120-G03</u>						BRUSH SPRING.....	4
5	<u>73120-G15</u>						BRUSH PLATE AND BOX.....	1
6	<u>73120-G25</u>						BRUSH REPLACEMENT KIT (INCLUDES HARDWARE) .....	1
7	<u>73120-G07</u>						BEARING .....	1
8	<u>73120-G06</u>						SNAP RING .....	1
9	<u>73120-G09</u>						COVER PLATE AND SCREW.....	1
10	<u>73120-G08</u>						COMMUTATOR END HOUSING .....	1
11	<u>73120-G16</u>						CAP.....	1
12	<u>73120-G29</u>						FRAME AND FIELD COIL (G02 MOTOR) (INCLUDES HARDWARE) .....	1
13								
14	<u>73120-G31</u>						FRAME AND FIELD COIL (G03 MOTOR) (INCLUDES HARDWARE) .....	1
15								
16	<u>73445-G02</u>						MOTOR (SEPARATELY EXCITED) (PDS) (INCLUDES ITEMS 17 - 29) .....	1
17	<u>73120-G18</u>						ARMATURE.....	1
18	<u>73120-G03</u>						BRUSH SPRING.....	4
19	<u>73120-G15</u>						BRUSH PLATE AND BOX.....	1
20	<u>73120-G25</u>						BRUSH REPLACEMENT KIT (INCLUDES HARDWARE) .....	1
21	<u>73120-G07</u>						BEARING.....	1
22	<u>73120-G06</u>						SNAP RING .....	1
23	<u>73120-G09</u>						COVER PLATE AND SCREW.....	1
24	<u>73120-G31</u>						FRAME AND FIELD COIL (INCLUDES HARDWARE).....	1
25	<u>73120-G19</u>						COMMUTATOR END HOUSING .....	1
26	<u>73328-G01</u>						MAGNET.....	1
27	<u>01037-G02</u>						SCREW, #10 - 32 X 1/2" LG.....	1
28	<u>73277-G01</u>						RETAINING RING .....	2
29	<u>73327-G01</u>						SPEED SENSOR.....	1
30	<u>24261-G1</u>						SPLINE BUMPER .....	1



# FRONT SUSPENSION/STEERING



Ref Fss 17-2



## FRONT SUSPENSION/STEERING

Where applicable, THE USE OF NON UL PARTS WILL VOID ANY UL LISTING.

When ordering parts, please specify the model and serial number of the product.

\* Indicates a component that is not available as an individual part.

G\*\* Indicates consult Customer Service Department for additional information.

ITEM	PART NO.	1 2 3 4 5	DESCRIPTION	QTY.
1	<u>602513</u>		FRONT AXLE .....	1
2				
3	<u>70942-G03</u>		SPINDLE AND HUB ASSEMBLY, 4 LUG (PASSENGER SIDE) (INCLUDES ITEMS 4 - 13).....	1
4	<u>70940-G04</u>		SPINDLE ASSEMBLY (PASSENGER SIDE) (INCLUDES ITEMS 5 - 6).....	1
5	<u>70648-G01</u>		BEARING .....	1
6	<u>70749-G01</u>		BEARING, DP4.....	1
7	<u>25146-G1</u>		GREASE SEAL.....	1
8	<u>50892-G1</u>		ROLLER BEARING AND RACE ASSEMBLY.....	2
9	<u>70589-G1</u>		WHEEL HUB ASSEMBLY WITH RACES, 4 LUG (INCLUDES ITEM 10) ....	1
10	<u>19862-G1</u>		LUG BOLT, 1/2 - 20 X 1 7/32" LG.....	4
11	<u>12093-G1</u>		SLOTTED NUT, 1 - 14 .....	1
12	<u>00798-G8</u>		COTTER PIN, 5/32" X 1 3/4" LG .....	1
13	<u>12091-G2</u>		SPINDLE CAP .....	2
14				
15				
16	<u>70673-G03</u>		SPINDLE AND HUB ASSEMBLY, 4 LUG (DRIVER SIDE) (INCLUDES ITEMS 7 - 13 & 17) .....	1
17	<u>70742-G02</u>		SPINDLE ASSEMBLY (DRIVER SIDE) (INCLUDES ITEMS 5 - 6) .....	1
18	<u>00407-G6</u>		BOLT, 1/2 - 13 X 6" LG .....	2
19	<u>00560-G3</u>		WASHER, 1/2" .....	4
20	<u>70745-G01</u>		KING PIN TUBE .....	2
21	<u>70754-G01</u>		THRUST WASHER (STAINLESS STEEL).....	2
22	<u>14390-G6</u>		LOCK NUT, 1/2 - 13 .....	2
23				
24				
25	<u>76419-G01</u>		SHOCK ABSORBER.....	2
26				
27				
28	<u>10435-G1</u>		SHOCK ABSORBER WASHER.....	8
29	<u>10194-G1</u>		RUBBER SHOCK ABSORBER BUSHING .....	8

# FRONT SUSPENSION/STEERING

Where applicable, THE USE OF NON UL PARTS WILL VOID ANY UL LISTING.

When ordering parts, please specify the model and serial number of the product.

\* Indicates a component that is not available as an individual part.

G\*\* Indicates consult Customer Service Department for additional information.

ITEM	PART NO.	1 2 3 4 5	DESCRIPTION	QTY.
30	<u>00532-G6</u>		NUT, 3/8 - 24 .....	4
31	<u>10044-G01</u>		VINYL CAP .....	4
32				
33				
34	<u>70664-G03</u>		LEAF SPRING (HEAVY DUTY) (SEE PART NUMBER ON SPRING).....	2
35	<u>70163-G03</u>		SPRING PLATE .....	4
36				
37	<u>00734-G1</u>		LOCK NUT, 7/16 - 14 .....	11
38	<u>00463-G11</u>		BOLT, 7/16 - 14 X 1 3/4" LG .....	11
39				
40				
41	<u>70964-G02</u>		RACK AND PINION UNIT (COMPLETE) (INCLUDES ITEMS 42 - 65) .....	1
42	<u>70965-G01</u>		STEERING RACK COVER & BEARING .....	1
43	*		STEERING BOX INSTALLATION TAG .....	1
44	*		JAM NUT, 1/2 - 20.....	1
45	<u>70750-G01</u>		RETAINING RING (EXTERNAL) .....	1
46	15115-G1		BALL BEARING .....	1
47	<u>70603-G01</u>		PINION.....	1
48	<u>70751-G01</u>		RETAINING RING (INTERNAL) .....	1
49	<u>70638-G01</u>		SEAL PINION .....	1
50	<u>70604-G01</u>		RACK STEERING.....	1
51	01053-G01		SCREW, 10- 32.....	1
52	<u>70590-G01</u>		RACK LOADER .....	1
53	<u>70666-G01</u>		SPRING COMPRESSION .....	1
54	<u>70645-G01</u>		GASKET RACK LOADER.....	1
55	<u>70591-G01</u>		COVER RACK LOADER .....	1
56	<u>71102-G01</u>		SCREW, 1/4 - 20.....	2
57	<u>10389-G3</u>		GREASE FITTING, STRAIGHT .....	1
58	<u>70695-G01</u>		RACK BALL JOINT (INCLUDES ITEMS 59 - 61).....	1
59	<u>50641-G1</u>		RUBBER BOOT .....	1



## FRONT SUSPENSION/STEERING

Where applicable, THE USE OF NON UL PARTS WILL VOID ANY UL LISTING.

When ordering parts, please specify the model and serial number of the product.

\* Indicates a component that is not available as an individual part.

G\*\* Indicates consult Customer Service Department for additional information.

ITEM	PART NO.	1	2	3	4	5	DESCRIPTION	QTY.
60	<u>50209-G2</u>						SLOTTED NUT, 7/16 - 20.....	1
61	<u>10387-G2</u>						COTTER PIN, 3/32" X 1" LG.....	1
62	<u>74694-G01</u>						ROD END (INNER).....	1
63	<u>70961-G01</u>						RACK BOOT.....	1
64	<u>12416-G2</u>						WIRE TIE.....	1
65	<u>11391-G8</u>						WIRE TIE.....	1
66								
67								
68								
69								
70	<u>00464-G6</u>						BOLT, 7/16 - 14 X 2 3/4" LG.....	2
71	<u>01068-G01</u>						BOLT, 7/16 - 14 X 3 1/2" LG.....	1
72	<u>70667-G02</u>						SPACER.....	2
73	<u>70667-G03</u>						SPACER (SHORT).....	1
74	<u>00532-G7</u>						NUT, 7/16 - 14.....	1
75	<u>00560-G2</u>						FLAT WASHER, 7/16".....	4
76	<u>00734-G1</u>						LOCK NUT, 7/16 - 14.....	3
77								
78								
79	<u>70607-G01</u>						STEERING SHAFT.....	1
80								
81	<u>70758-G06</u>						STEERING COLUMN KIT (INCLUDES ITEMS 82 - 84).....	1
82	<u>70610-G03</u>						STEERING COLUMN.....	1
83	<u>28569-G01</u>						STEERING COLUMN BUSHING.....	1
84	<u>01022-G01</u>						SCREW, #6 - 20 X 5/16" LG.....	1
85								
86	<u>70758-G08</u>						STEERING COLUMN KIT (HORN) (INCLUDES ITEMS 87 - 89).....	1
87	<u>70610-G04</u>						STEERING COLUMN.....	1
88	<u>28569-G01</u>						STEERING COLUMN BUSHING.....	1
89	<u>01022-G01</u>						SCREW, #6 - 20 X 5/16" LG.....	1

# FRONT SUSPENSION/STEERING

Where applicable, THE USE OF NON UL PARTS WILL VOID ANY UL LISTING.  
 When ordering parts, please specify the model and serial number of the product.  
 \* Indicates a component that is not available as an individual part.  
 G\*\* Indicates consult Customer Service Department for additional information.

ITEM	PART NO.	1 2 3 4 5	DESCRIPTION	QTY.
90				
91				
92	<u>01006-G01</u>		BOLT, 3/8 - 16 X 1 1/4" LG .....	4
93	<u>00879-G1</u>		LOCK WASHER, 3/8" .....	4
94				
95				
96	<u>70997-G01</u>		COVER.....	1
97	<u>71055-G01</u>		RIVET, 3/16" X 1" LG (ALUMINUM).....	1
98				
99				
100	<u>70580-G01</u>		INTERMEDIATE SHAFT (INCLUDES ITEMS 101, 102).....	1
101	<u>01055-G01</u>		BOLT, M8 X 1.25 - 05.....	2
102	<u>00565-G8</u>		LOCK WASHER, 5/16" .....	2
103				
104				
105	<u>70751-G01</u>		RETAINING RING (INTERNAL).....	1
106	<u>70888-G01</u>		RETAINING RING (EXTERNAL).....	1
107	<u>15112-G1</u>		BALL BEARING .....	1
108	<u>70887-G01</u>		WAVE WASHER.....	1
109	<u>602980</u>		STEERING WHEEL .....	1
110	<u>71147-G01</u>		STEERING WHEEL COVER .....	1
111	<u>74815-G01</u>		LABEL (E-Z-GO) .....	1
112				
113	<u>602979</u>		STEERING WHEEL .....	1
114				
115				
116	<u>14390-G2</u>		LOCK NUT, 5/8 - 18 .....	1
117	<u>28909-G01</u>		LABEL (JACOBSEN) .....	1
118				
119	<u>70876-G02</u>		TIE ROD ASSEMBLY (INCLUDES ITEMS 120 - 124).....	1

## FRONT SUSPENSION/STEERING

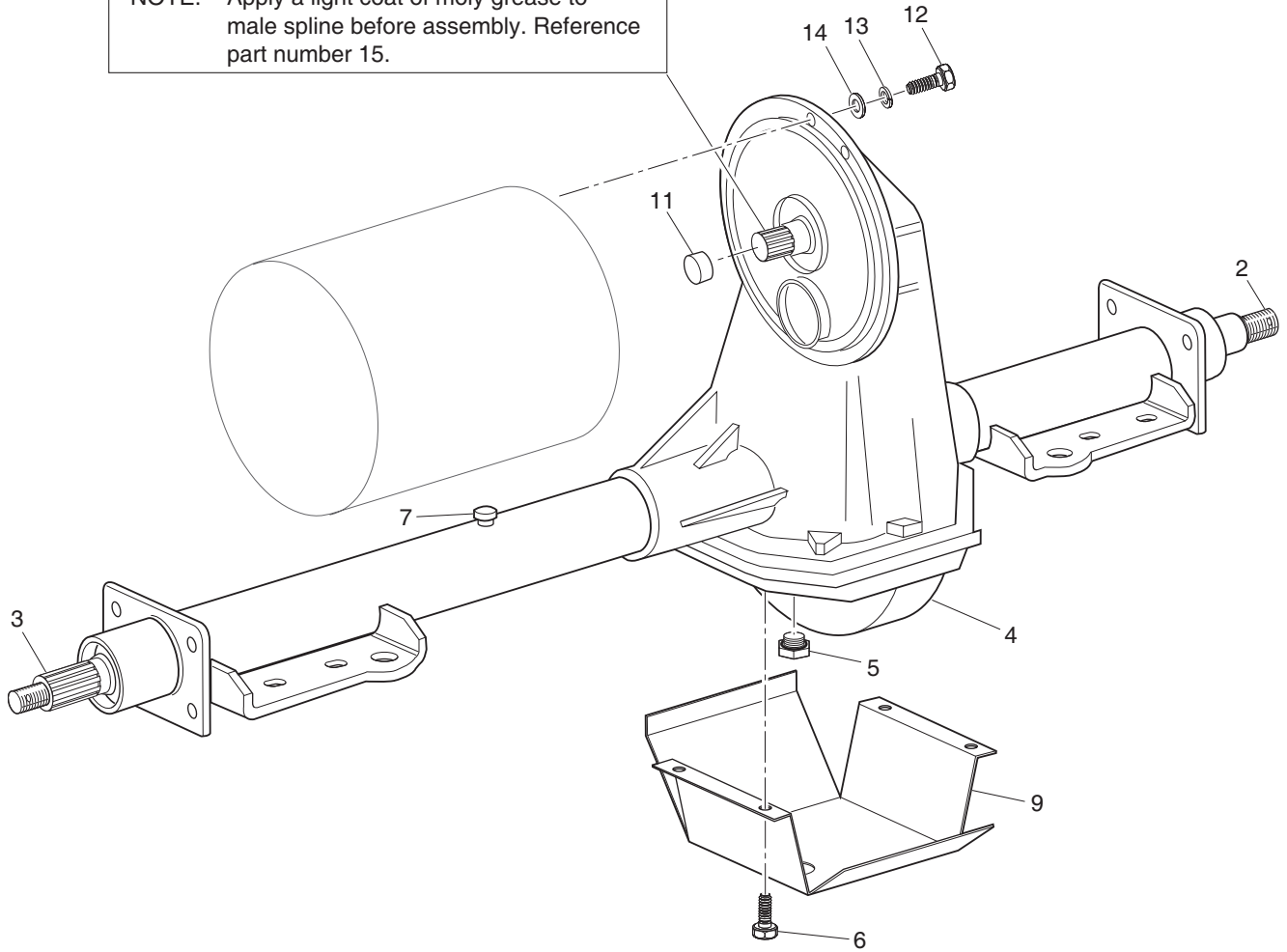
Where applicable, THE USE OF NON UL PARTS WILL VOID ANY UL LISTING.  
 When ordering parts, please specify the model and serial number of the product.  
 \* Indicates a component that is not available as an individual part.  
 G\*\* Indicates consult Customer Service Department for additional information.

ITEM	PART NO.	1	2	3	4	5	DESCRIPTION	QTY.
120	<u>70897-G02</u>						THREADED ROD (24" LG).....	1
121	<u>70902-G01</u>						TIE ROD END (LEFT HAND THREADS) .....	1
122	<u>01069-G01</u>						JAM NUT, M12 X 1.25 - 05 (LEFT HAND THREADS).....	1
123	<u>70902-G02</u>						TIE ROD END (RIGHT HAND THREADS).....	1
124	<u>01069-G02</u>						JAM NUT, M12 X 1.25 - 05 (RIGHT HAND THREADS) .....	1
125	<u>00734-G1</u>						LOCK NUT, 7/16 - 14 .....	2
126								
127	<u>75928-G01</u>						FRENCH STEERING COLUMN SAFETY LABEL .....	1
128	<u>27647-G02</u>						FRENCH CLIPBOARD SAFETY LABEL (ELECTRIC) .....	1
129	<u>27826-G02</u>						FRENCH CLIPBOARD SAFETY LABEL (GAS) .....	1

# REAR AXLE

1 - Includes Items 2 - 7

NOTE: Apply a light coat of moly grease to male spline before assembly. Reference part number 15.



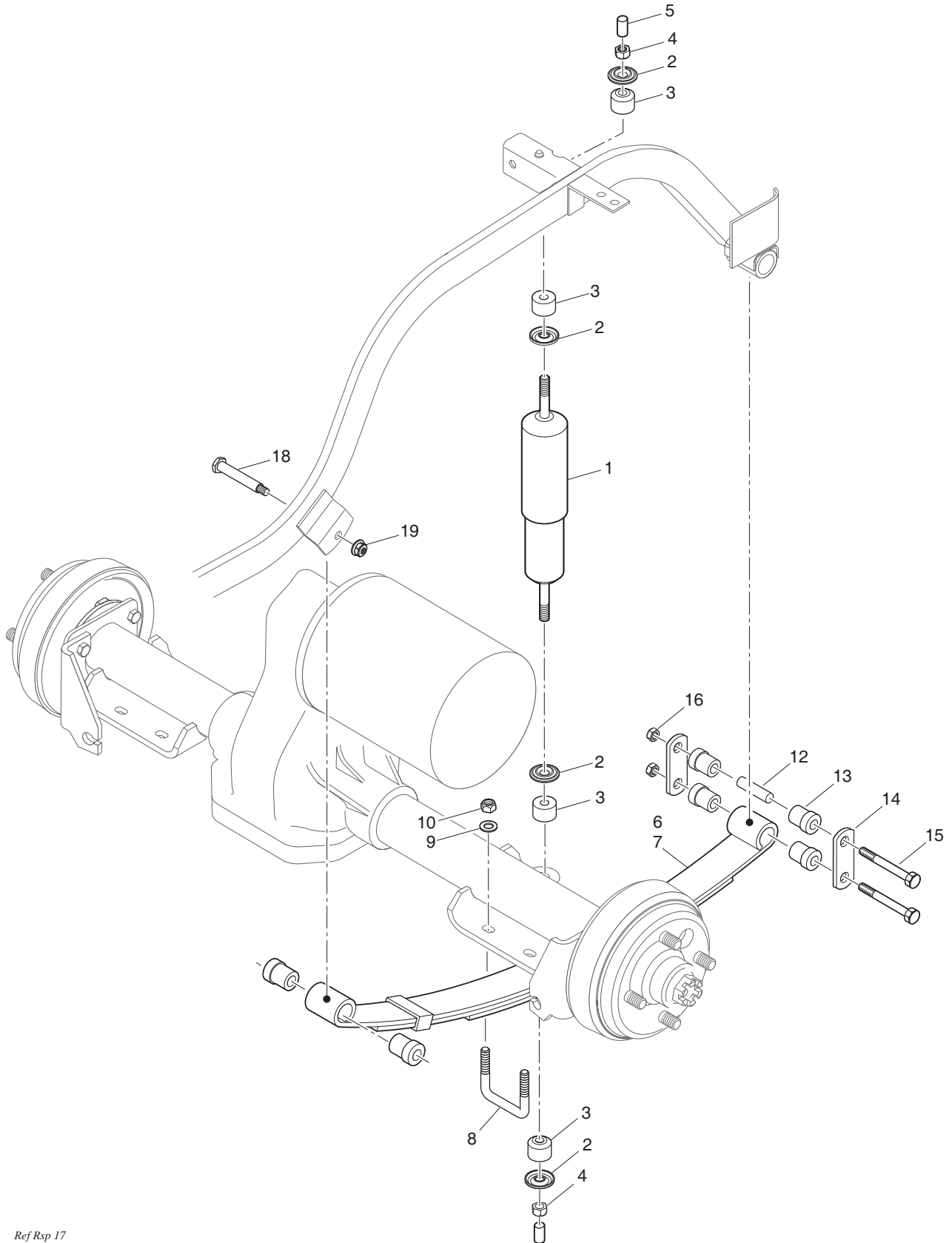
Ref Rax 1

# REAR AXLE

Where applicable, THE USE OF NON UL PARTS WILL VOID ANY UL LISTING.  
 When ordering parts, please specify the model and serial number of the product.  
 \* Indicates a component that is not available as an individual part.  
 G\*\* Indicates consult Customer Service Department for additional information.

ITEM	PART NO.	1 2 3 4 5	DESCRIPTION	QTY.
1	<u>73500-G01</u>		REAR AXLE ASSEMBLY (INCLUDES ITEMS 2 - 7) .....	1
2	<u>20377-G12</u>		AXLE SHAFT (PASSENGER SIDE).....	1
3	<u>20377-G11</u>		AXLE SHAFT (DRIVER SIDE).....	1
4	*		DIFFERENTIAL COVER.....	1
5	<u>28610-G01</u>		FILL PLUG WITH 'O' RING.....	1
6	<u>15558-G1</u>		BOLT, 5/16 - 18 X 3/4" LG.....	10
7	<u>73050-G01</u>		VENT .....	1
8				
9	<u>72763-G02</u>		SCUFF GUARD .....	1
10				
11	XXXXX-XXX		SPLINE BUMPER (SEE ELECTRIC MOTOR) .....	1
12	<u>00797-G2</u>		BOLT, 1/4 - 20 X 1 1/4" LG .....	3
13	<u>00565-G7</u>		LOCK WASHER, 1/4" (STAINLESS STEEL) .....	3
14	<u>00559-G7</u>		WASHER, 1/4" (STAINLESS STEEL).....	3
15	<u>28095-G01</u>		MOLY LUBE, 2 OZ.....	AR

# REAR SUSPENSION



Ref Rsp 17

# REAR SUSPENSION

Where applicable, THE USE OF NON UL PARTS WILL VOID ANY UL LISTING.

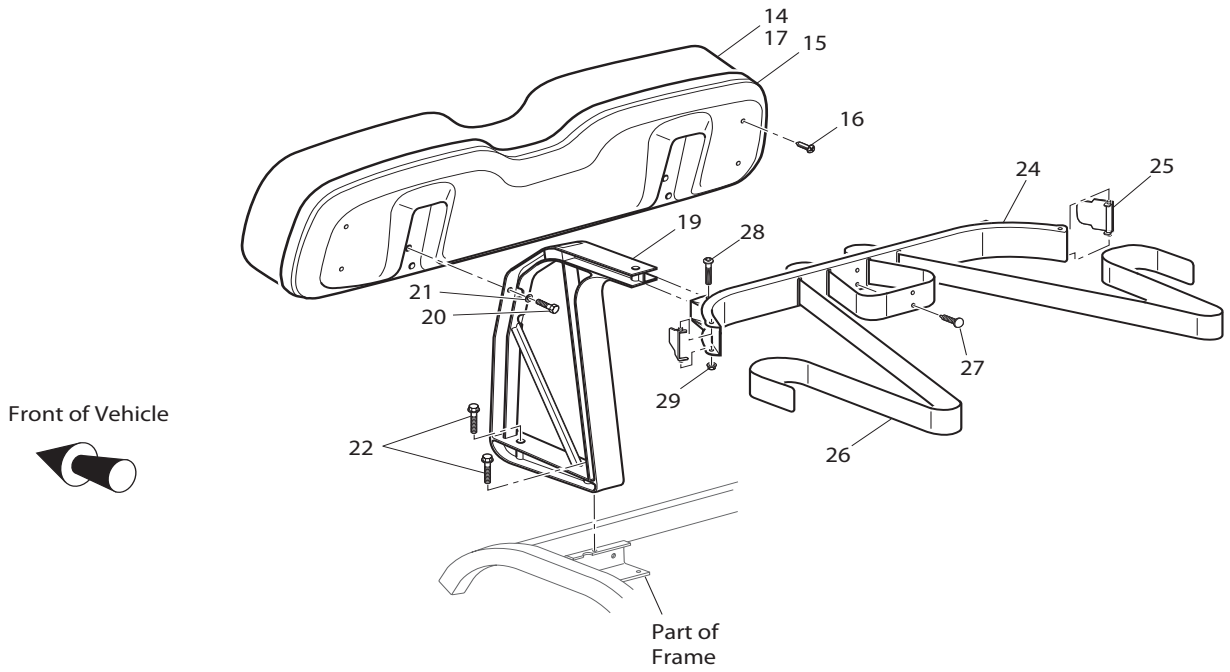
When ordering parts, please specify the model and serial number of the product.

\* Indicates a component that is not available as an individual part.

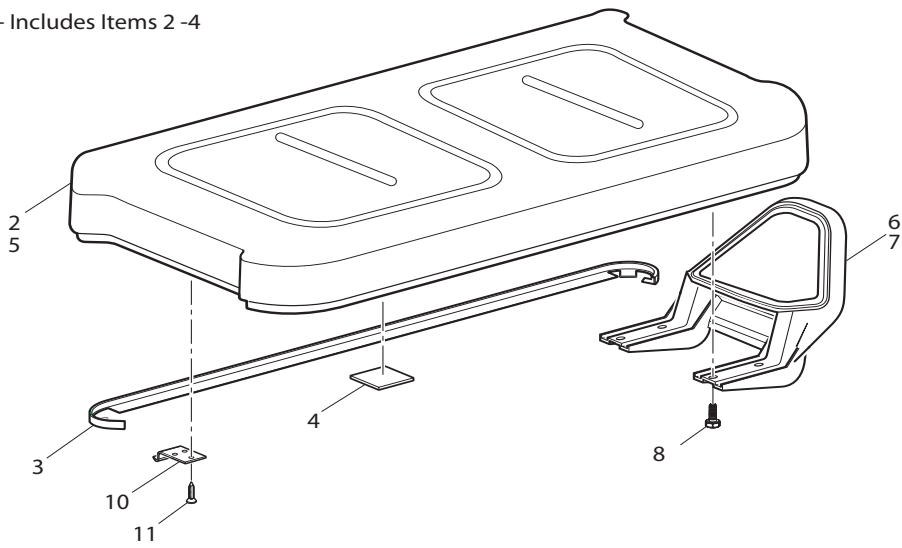
G\*\* Indicates consult Customer Service Department for additional information.

ITEM	PART NO.	1 2 3 4 5	DESCRIPTION	QTY.
1	<u>76418-G01</u>		SHOCK ABSORBER.....	2
2	<u>10435-G1</u>		SHOCK ABSORBER WASHER.....	8
3	<u>10194-G1</u>		RUBBER BUSHING .....	8
4	<u>00532-G6</u>		NUT, 3/8 - 24.....	4
5	<u>10044-G01</u>		VINYL CAP.....	4
6	<u>603109</u>		LEAF SPRING, 2 LEAF.....	2
7	<u>74207-G03</u>		LEAF SPRING, 4 LEAF.....	2
8	<u>72618-G01</u>		'U' BOLT, 3/8 - 16 X 2" X 2 1/2" LG.....	4
9	<u>00560-G1</u>		WASHER, 3/8" .....	8
10	<u>11098-G5</u>		LOCK NUT, 3/8 - 16 .....	8
11				
12	<u>70289-G02</u>		SPACER.....	4
13	<u>70291-G01</u>		FLANGED BUSHING (LEAF SPRING).....	12
14	<u>70290-G02</u>		SHACKLE PLATE .....	4
15	<u>00665-G9</u>		BOLT, 3/8 - 16 X 3 1/2" LG (STAINLESS STEEL).....	4
16	<u>11098-G5</u>		LOCK NUT, 3/8 - 16 .....	4
17				
18	<u>14158-G1</u>		SHOULDER BOLT, 3/8 - 16 X 3 1/4" LG .....	2
19	<u>12262-G1</u>		LOCK NUT, 3/8 - 16 .....	2

# SEATING AND BAG HOLDER - GOLF CAR



1 - Includes Items 2 -4



Ref Sgc 1



## SEATING AND BAG HOLDER - GOLF CAR

Where applicable, THE USE OF NON UL PARTS WILL VOID ANY UL LISTING.

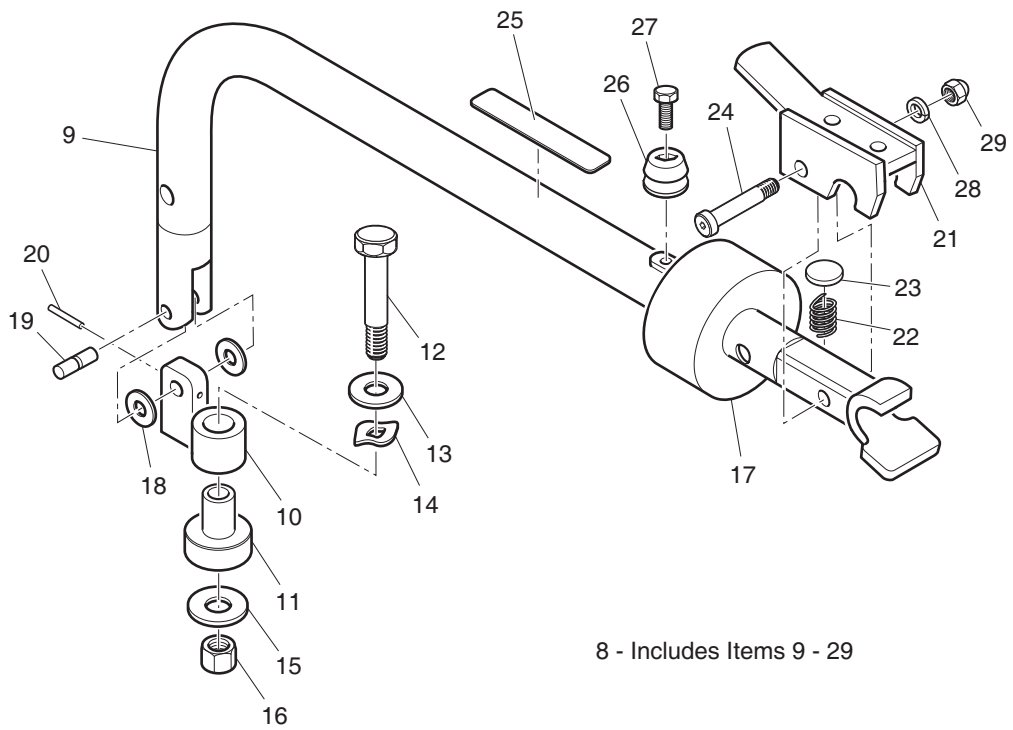
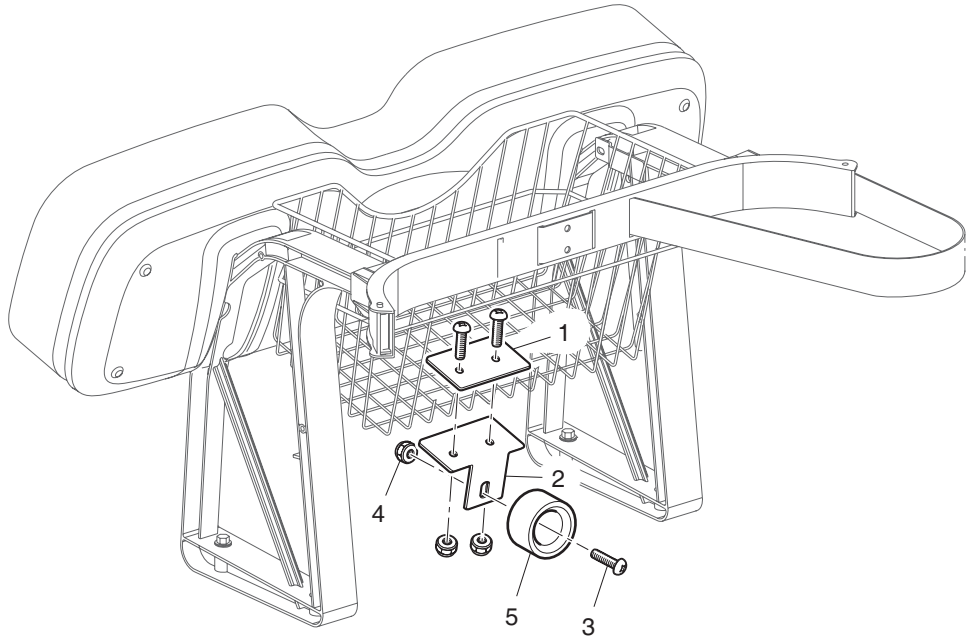
When ordering parts, please specify the model and serial number of the product.

\* Indicates a component that is not available as an individual part.

G\*\* Indicates consult Customer Service Department for additional information.

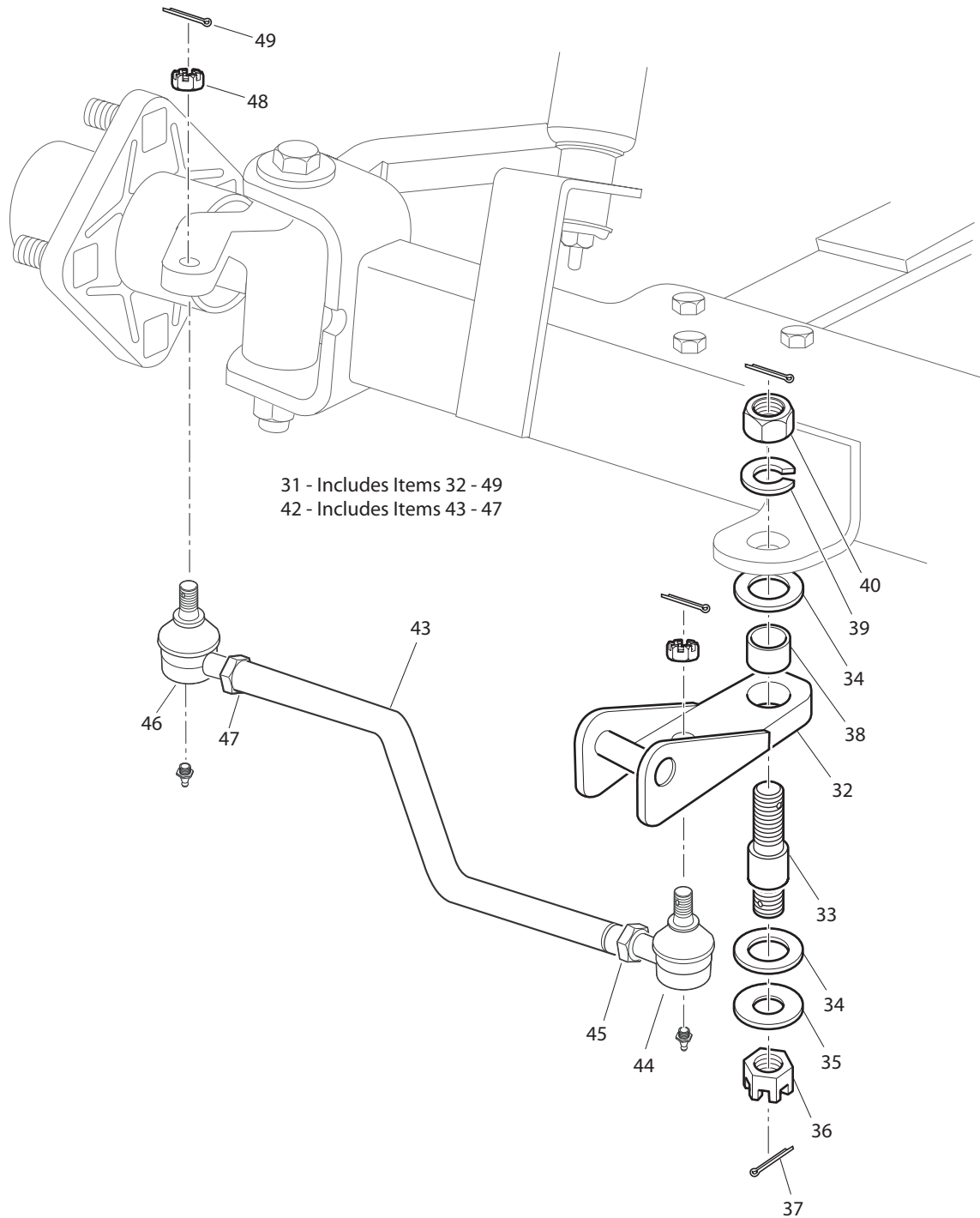
ITEM	PART NO.	1	2	3	4	5	DESCRIPTION	QTY.
1	71611-G**						SEAT BOTTOM ASSEMBLY (INCLUDES ITEMS 2 - 4) .....	1
2	71602-G**						VINYL SEAT BOTTOM COVER .....	1
3	<u>71012-G01</u>						VINYL TRIM (SEAT BOTTOM) .....	1
4	<u>17074-G1</u>						RUBBER PAD .....	2
5	604912-G**						TWO TONE VINYL SEAT BOTTOM .....	1
6	<u>71701-G01</u>						HIP RESTRAINT (PASSENGER SIDE) .....	1
7	<u>71702-G01</u>						HIP RESTRAINT (DRIVER SIDE) .....	1
8	71204-G01						BOLT, 1/4 - 20 X 7/8" LG .....	8
9								
10	<u>71610-G01</u>						SEAT HINGE .....	2
11	<u>00720-G08</u>						SCREW, #12 - 14 X 1" LG (STAINLESS STEEL) .....	4
12								
13	71751-G**						SEAT BACK ASSEMBLY (INCLUDES ITEMS 14 - 16) .....	1
14	71753-G**						VINYL SEAT BACK COVER .....	1
15	71752-G01						PLASTIC SEAT BACK COVER .....	1
16	<u>01107-G01</u>						SCREW, #8 X 5/8" LG (STAINLESS STEEL) .....	4
17	604916-G**						TWO TONE VINYL SEAT BACK .....	1
18								
19	<u>71811-G03</u>						SEAT SUPPORT BRACKET .....	2
20	<u>00661-G8</u>						BOLT, 1/4 - 20 X 1" LG (STAINLESS STEEL) .....	4
21	<u>00664-G7</u>						LOCK WASHER, 1/4" (STAINLESS STEEL) .....	4
22	<u>01075-G01</u>						BOLT, 3/8 - 16 X 2 3/4" LG .....	4
23								
24	<u>71851-G01</u>						BAG HOLDER BRACKET .....	1
25	<u>71856-G01</u>						BAG RETAINER CLAMP .....	2
26	<u>71853-G01</u>						BAG RETAINER STRAP .....	1
27	<u>16816-G1</u>						RATCHET FASTENER, 1/4" X 9/16" LG .....	2
28	<u>01102-G01</u>						CARRIAGE BOLT, 1/4 - 20 X 1 1/2" LG (STAINLESS STEEL) .....	2
29	<u>11027-G2</u>						LOCK NUT, 1/4 - 20 .....	2

# TOW BAR - PERMANENT



Ref Twb 1-1

# TOW BAR - PERMANENT



Ref Twb 1-2

# TOW BAR - PERMANENT

Where applicable, THE USE OF NON UL PARTS WILL VOID ANY UL LISTING.

When ordering parts, please specify the model and serial number of the product.

\* Indicates a component that is not available as an individual part.

G\*\* Indicates consult Customer Service Department for additional information.

ITEM	PART NO.	1 2 3 4 5	DESCRIPTION	QTY.
1	<u>75318-G01</u>		MOUNTING PLATE.....	1
2	<u>75319-G01</u>		STOP MOUNT PLATE .....	1
3	<u>16705-G1</u>		SCREW, 1/4 - 20 X 1" LG (STAINLESS STEEL) .....	3
4	<u>00891-G2</u>		LOCK NUT, 1/4 - 20 (STAINLESS STEEL) .....	3
5	<u>75338-G02</u>		FEMALE STOP .....	1
6				
7				
8	<u>75304-G01</u>		TOW BAR ASSEMBLY (TOWING VEHICLE) (INCLUDES ITEMS 9 - 29) .....	1
9	<u>75299-G01</u>		TOW BAR .....	1
10	<u>75302-G01</u>		UPPER PIVOT .....	1
11	<u>75291-G01</u>		LOWER PIVOT .....	1
12	<u>00410-G8</u>		BOLT, 1/2 - 20 X 3" LG.....	1
13	<u>00675-G3</u>		WASHER, 1/2" (STAINLESS STEEL).....	1
14	<u>75339-G01</u>		SPRING WASHER .....	1
15	<u>00571-G5</u>		WASHER, 1/2" .....	1
16	<u>11098-G8</u>		LOCK NUT, 1/2 - 20.....	1
17	<u>75362-G01</u>		LATCH STOP.....	1
18	<u>75340-G01</u>		WASHER, 3/8" .....	2
19	<u>75360-G01</u>		PIVOT PIN .....	1
20	<u>13571-G7</u>		SPRING PIN .....	1
21	<u>75303-G01</u>		LATCH .....	1
22	<u>20852-G2</u>		COMPRESSION SPRING .....	1
23	<u>25661-G02</u>		CUP WASHER.....	1
24	<u>13005-G4</u>		SHOULDER BOLT, 5/16 - 18 X 2" LG.....	1
25	<u>75370-G01</u>		LABEL (WARNING) .....	1
26	<u>75338-G03</u>		MALE STOP .....	1
27	<u>12547-G4</u>		BOLT, 6MM X 1 X 30 MM LG.....	1
28	<u>00565-G8</u>		LOCK WASHER, 5/16" .....	1
29	<u>00520-G3</u>		ACORN NUT, 5/16 - 18 (STAINLESS STEEL) .....	1
30				

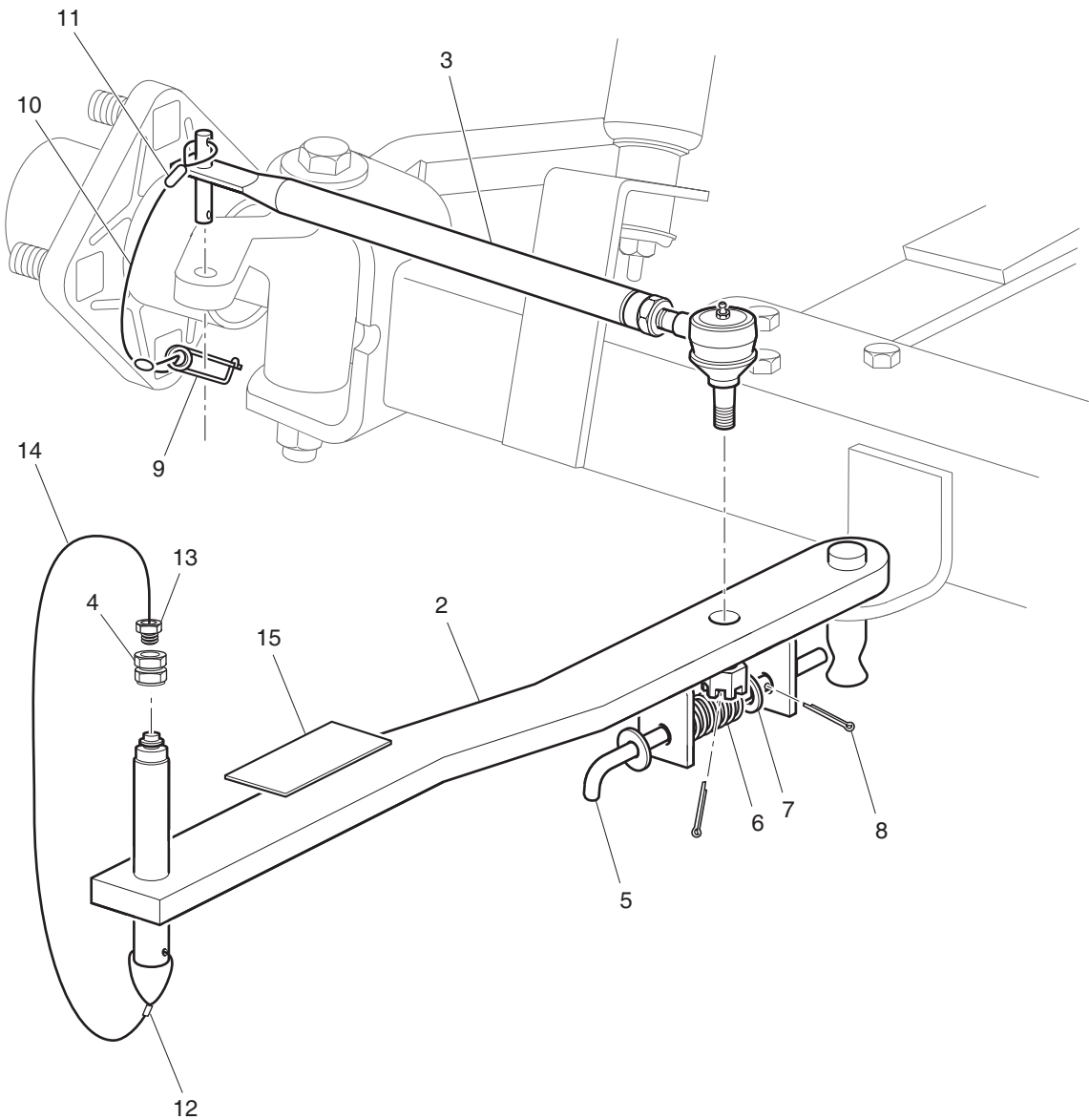
# TOW BAR - PERMANENT

Where applicable, THE USE OF NON UL PARTS WILL VOID ANY UL LISTING.  
 When ordering parts, please specify the model and serial number of the product.  
 \* Indicates a component that is not available as an individual part.  
 G\*\* Indicates consult Customer Service Department for additional information.

ITEM	PART NO.	1 2 3 4 5	DESCRIPTION	QTY.
31	<u>75308-G01</u>		TOW BAR HITCH ASSEMBLY (TOWED VEHICLE) (INCLUDES ITEMS 32 - 49).....	1
32	<u>75305-G01</u>		HITCH .....	1
33	<u>75292-G01</u>		PIVOT BOLT .....	1
34	<u>75309-G01</u>		THRUST WASHER.....	2
35	<u>75342-G01</u>		WASHER, 3/4" .....	1
36	<u>00518-G8</u>		CASTELLATED NUT, 3/4 - 16 .....	1
37	<u>10387-G1</u>		COTTER PIN, 1/8" X 1 1/2" LG .....	2
38	<u>75307-G01</u>		BEARING.....	1
39	<u>00566-G6</u>		LOCK WASHER, 3/4" .....	1
40	<u>00533-G8</u>		NUT, 3/4 - 16.....	1
41				
42	<u>602981</u>		TIE ROD ASSEMBLY (INCLUDES ITEMS 43 - 47) .....	1
43	<u>603089</u>		THREADED ROD.....	1
44	<u>27205-G01</u>		TIE ROD END (LEFT HAND THREADS).....	1
45	<u>18434-G3</u>		JAM NUT, M12 X 1.25-05 (LEFT HAND THREADS) .....	1
46	<u>27205-G02</u>		TIE ROD END (RIGHT HAND THREADS) .....	1
47	<u>18434-G4</u>		JAM NUT, M12 X 1.25-05 (RIGHT HAND THREADS).....	1
48	<u>50209-G2</u>		CASTELLATED NUT, 7/16 - 20 .....	2
49	<u>10387-G2</u>		COTTER PIN, 3/32" X 1" LG .....	2

# TOW BAR - CASUAL

1 - Includes Items 2 - 15



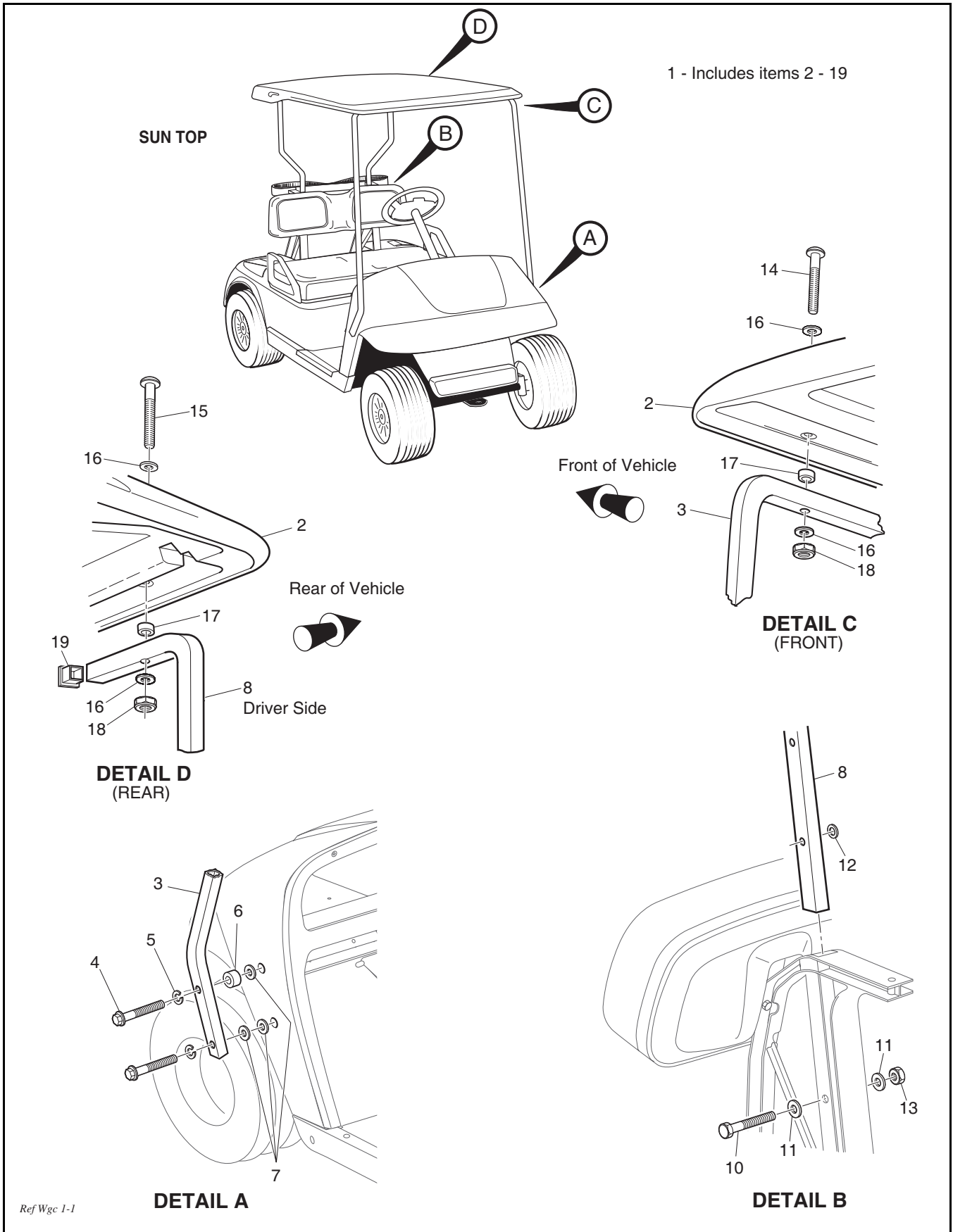
Ref Tbc 1

## TOW BAR - CASUAL

Where applicable, THE USE OF NON UL PARTS WILL VOID ANY UL LISTING.  
 When ordering parts, please specify the model and serial number of the product.  
 \* Indicates a component that is not available as an individual part.  
 G\*\* Indicates consult Customer Service Department for additional information.

ITEM	PART NO.	1 2 3 4 5	DESCRIPTION	QTY.
1	<u>75033-G01</u>		CASUAL TOW BAR (INCLUDES ITEMS 2 - 15) .....	1
2	*		TOW BAR .....	1
3	<u>75034-G01</u>		TIE ROD (INCLUDES NUT AND COTTER PIN) .....	1
4	<u>75060-G01</u>		COUPLING .....	1
5	*		LOCK PIN .....	1
6	<u>75065-G01</u>		COMPRESSION SPRING .....	1
7	<u>00922-G2</u>		WASHER, 3/8" .....	1
8	<u>10387-G2</u>		COTTER PIN, 3/32" X 1" LG .....	1
9	<u>75068-G01</u>		SAFETY PIN .....	1
10	14869-G5		WIRE ROPE .....	1
11	<u>16783-G1</u>		FERRULE .....	3
12	<u>75067-G01</u>		FERRULE .....	1
13	<u>75035-G02</u>		HEX HEAD PLUG .....	1
14	14869-G3		WIRE ROPE .....	1
15	<u>75091-G01</u>		LABEL (WARNING) .....	1

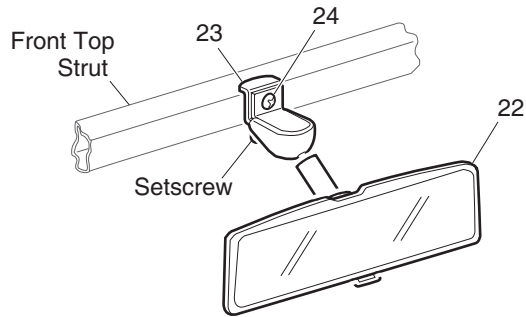
# WEATHER PROTECTION - GOLF CAR



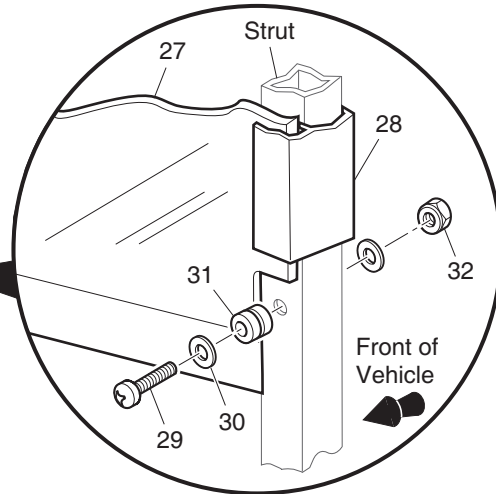
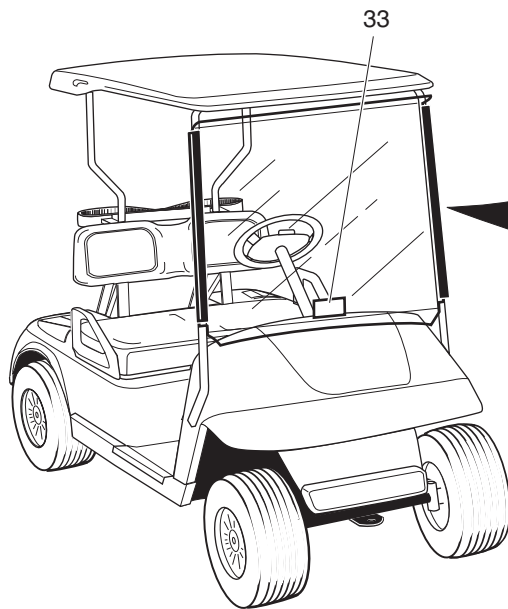
Ref Wgc 1-1



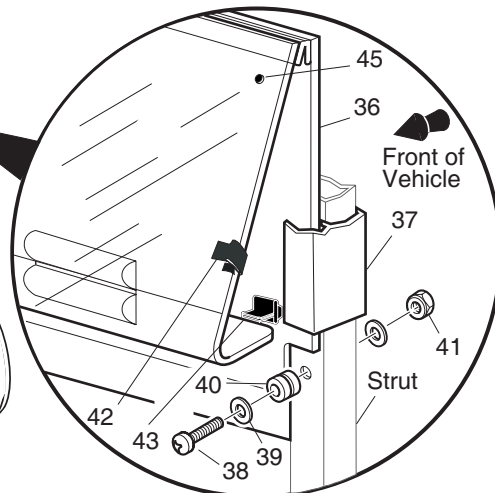
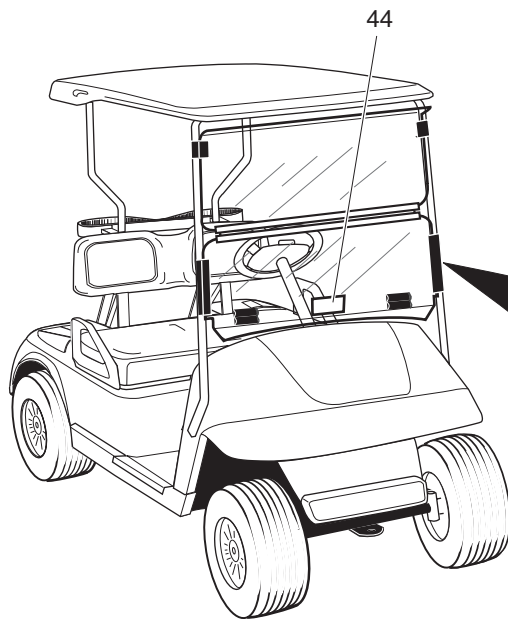
# WEATHER PROTECTION - GOLF CAR



**REAR VIEW MIRROR**  
21 - Includes Items 22 - 24



**FULL WINDSHIELD**  
26 - Includes Items 27 - 33



**FOLD DOWN WINDSHIELD**  
35 - Includes Items 36 - 45

Ref Wgc 1-2

# WEATHER PROTECTION - GOLF CAR

Where applicable, THE USE OF NON UL PARTS WILL VOID ANY UL LISTING.

When ordering parts, please specify the model and serial number of the product.

\* Indicates a component that is not available as an individual part.

G\*\* Indicates consult Customer Service Department for additional information.

ITEM	PART NO.	1	2	3	4	5	DESCRIPTION	QTY.
		<b>For service or replacement parts, contact:</b> <b>Eagle Parts, Inc.</b> <b>1411 Marvin Griffin Rd.</b> <b>Augusta, GA 30906</b> Telephone (706) 790-6687 or FAX (706) 790-6066						
1	75040-G**	SUN TOP KIT (GOLF CAR) (INCLUDES ITEMS 2 - 19) .....						1
2	27069-G**	SUN TOP .....						1
3	<u>75045-G05</u>	FRONT STRUT .....						1
4	01035-G01	BOLT, 5/16 - 18 X 2 1/4" LG .....						4
5	<u>00905-G8</u>	LOCK WASHER, 5/16" .....						4
6	<u>75048-G01</u>	SPACER, 1/2" .....						2
7	<u>00570-G2</u>	WASHER, 5/16" .....						6
8	75046-G02	REAR STRUT .....						2
9								
10	<u>00685-G7</u>	BOLT, 5/16 - 18 X 1 3/4" LG (STAINLESS STEEL) .....						4
11	<u>01110-G03</u>	WASHER, 5/16" (STAINLESS STEEL) .....						8
12	<u>17255-G1</u>	TEFLON WASHER, 5/16" .....						4
13	<u>01109-G01</u>	LOCK NUT, 5/16 - 18 (STAINLESS STEEL) .....						4
14	<u>00753-G5</u>	SCREW, 1/4 - 20 X 2" LG (STAINLESS STEEL) .....						2
15	00753-G6	SCREW, 1/4 - 20 X 2 1/4" LG (STAINLESS STEEL) .....						2
16	<u>01110-G01</u>	WASHER, 1/4" (STAINLESS STEEL) .....						8
17	<u>75051-G01</u>	SPACER .....						4
18	<u>00654-G2</u>	LOCK NUT, 1/4 - 20 (STAINLESS STEEL) .....						4
19	<u>19853-G1</u>	END CAP, 1" .....						2
20								
21	<u>19528-G3</u>	REAR VIEW MIRROR KIT (INCLUDES ITEMS 22 - 24) .....						1
22	<u>19496-G1</u>	REAR VIEW MIRROR .....						1
23	<u>19502-G3</u>	SUPPORT BRACKET .....						1
24	<u>19527-G1</u>	SCREW, #8 - 32 X 5/8" LG (STAINLESS STEEL) .....						1
25								

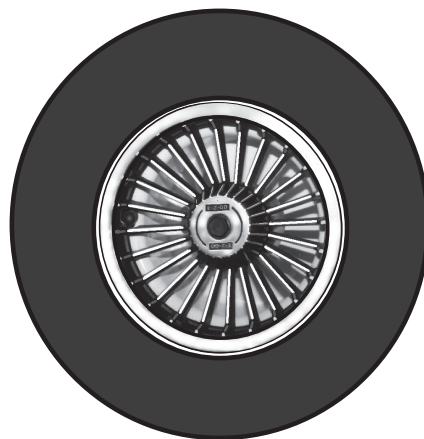
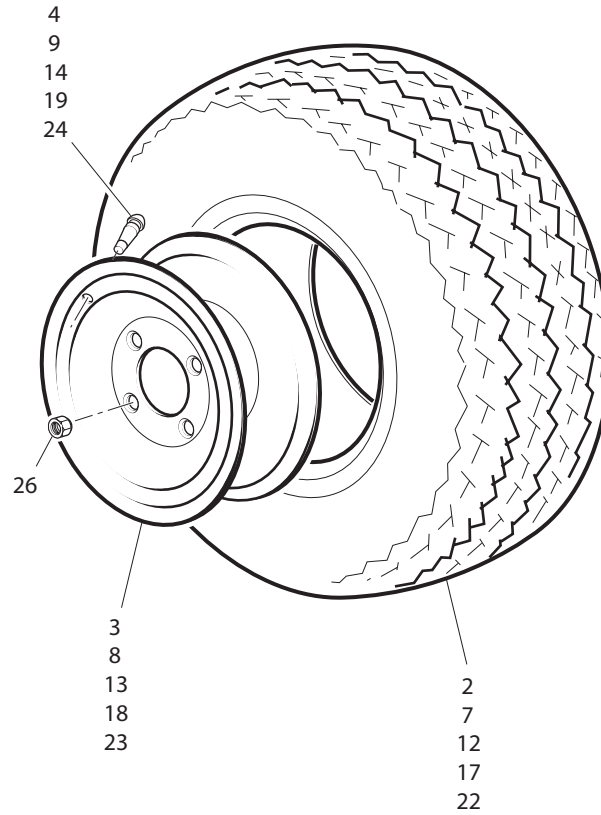
## WEATHER PROTECTION - GOLF CAR

Where applicable, THE USE OF NON UL PARTS WILL VOID ANY UL LISTING.  
 When ordering parts, please specify the model and serial number of the product.  
 \* Indicates a component that is not available as an individual part.  
 G\*\* Indicates consult Customer Service Department for additional information.

ITEM	PART NO.	1	2	3	4	5	DESCRIPTION	QTY.
26	<u>75524-G01</u>						WINDSHIELD KIT (GOLF CAR) (INCLUDES ITEMS 27 - 33).....	1
27	*						WINDSHIELD .....	1
28	EGWHC12						SASH, 26" LG .....	2
29	EGWHS12						SCREW, 1/4 - 20 X 1 3/4" LG (STAINLESS STEEL) .....	2
30	EGWHW12						WASHER, 1/4" (STAINLESS STEEL) .....	4
31	EGWHG13						RUBBER GROMMET .....	2
32	EGWHN12						LOCK NUT, 1/4 - 20 (STAINLESS STEEL) .....	2
33	EGWHL14						LABEL (SAFETY) .....	1
34								
35	<u>74910-G01</u>						FOLD DOWN WINDSHIELD KIT (GOLF CAR) (INCLUDES ITEMS 36 - 44).....	1
36	110-052C						WINDSHIELD .....	1
37	110-032A						SASH, 12" LG .....	2
38	EGWHS12						SCREW, 1/4 - 20 X 1 3/4" LG (STAINLESS STEEL) .....	2
39	EGWHW12						WASHER, 1/4" (STAINLESS STEEL) .....	4
40	EGWHG13						RUBBER GROMMET .....	2
41	EGWHN12						LOCK NUT, 1/4 - 20 (STAINLESS STEEL) .....	2
42	<u>110-055C</u>						TOP GRIP, 3/4" X 2" .....	2
43	110-056C						BOTTOM GRIP .....	2
44	110-066						LABEL (SAFETY) .....	1
45	110-080B						BUMPERS .....	2

# WHEELS AND TIRES

- 1 - Includes Items 2 - 4
- 6 - Includes Items 7 - 9
- 11 - Includes Items 12 - 14
- 16 - Includes Items 17 - 19
- 21 - Includes Items 22 - 24



RefWhl 17

SILVER / GOLD SPOKE HUBCAP  
32, 34

# WHEELS AND TIRES

Where applicable, THE USE OF NON UL PARTS WILL VOID ANY UL LISTING.

When ordering parts, please specify the model and serial number of the product.

\* Indicates a component that is not available as an individual part.

G\*\* Indicates consult Customer Service Department for additional information.

ITEM	PART NO.	1 2 3 4 5	DESCRIPTION	QTY.
1	<u>27771-G01</u>		TIRE AND WHEEL ASSEMBLY (LINKS 1 18 X 8.5 - 8) (INCLUDES ITEMS 2 - 4).....	4
2	<u>28757-G01</u>		LINKS 1 CARLISLE TIRE, 18 X 8.5 - 8 .....	1
3	<u>28759-G01</u>		WHEEL RIM (4 LUG).....	1
4	<u>11657-G2</u>		VALVE STEM.....	1
5				
6	<u>27771-G03</u>		WHEEL AND TIRE ASSEMBLY (TURF SAVER 18 X 8.5 - 8) (INCLUDES ITEMS 7 - 9).....	4
7	<u>28757-G03</u>		CARLISLE TIRE (TURF SAVER 18 X 8.5 - 8).....	1
8	<u>28759-G01</u>		WHEEL RIM (4 LUG).....	1
9	<u>11657-G2</u>		VALVE STEM.....	1
10				
11	<u>27774-G01</u>		WHEEL AND TIRE ASSEMBLY SURE TRAIL 6-PLY 18.5 X 8.5 - 8) (INCLUDES ITEMS 12 - 14).....	4
12	<u>28842-G01</u>		CARLISLE TIRE (SURE TRAIL, 6 PLY 18 X 8.5 - 8).....	1
13	<u>28759-G01</u>		WHEEL RIM (4 LUG).....	1
14	<u>11657-G2</u>		VALVE STEM.....	1
15				
16	<u>27772-G02</u>		WHEEL AND TIRE ASSEMBLY (TURF GLIDE 18 X 8.5 - 8) (INCLUDES ITEMS 17 - 19).....	4
17	<u>27772-G06</u>		CARLISLE TIRE (TURF GLIDE 18 X 8.5 - 8).....	1
18	<u>15169-G1</u>		WHEEL RIM (4 LUG).....	1
19	<u>11657-G2</u>		VALVE STEM.....	1
20				
21	<u>27772-G04</u>		WHEEL AND TIRE ASSEMBLY (FAIRWAY 18 X 8.5 - 8) (INCLUDES ITEMS 22 - 24).....	4
22	<u>27772-G08</u>		CARLISLE TIRE (FAIRWAY 18 X 8.5 - 8).....	1
23	<u>15169-G1</u>		WHEEL RIM (4 LUG).....	1
24	<u>11657-G2</u>		VALVE STEM.....	1
25				
26	<u>14723-G1</u>		LUG NUT, 1/2 - 20.....	8
27				

# WHEELS AND TIRES

Where applicable, THE USE OF NON UL PARTS WILL VOID ANY UL LISTING.  
 When ordering parts, please specify the model and serial number of the product.  
 \* Indicates a component that is not available as an individual part.  
 G\*\* Indicates consult Customer Service Department for additional information.

ITEM	PART NO.	1	2	3	4	5	DESCRIPTION	QTY.
28								
29								
30								
31								
32	<u>19241-G2</u>						GOLD SPOKE HUBCAP .....	4
33								
34	<u>19241-G1</u>						SILVER SPOKE HUBCAP .....	4

SPECIALTY PRODUCTS

# SPECIALTY PRODUCTS

## SPECIALTY PRODUCTS

<b>SPECIAL TOOLS</b>	<b>PART NO.</b>
BATTERY MAINTENANCE KIT .....	25587-G01
SEAL INSTALLATION TOOL (REAR AXLE SHAFT SEAL) .....	18739-G1
BATTERY SET DISCHARGER, 36 VOLT, 75 AMP .....	28251-G01
CURRENT INDICATOR .....	16489-G2
DIGITAL MULTI-METER .....	27481-G01
CRIMPING TOOL .....	27765-G01
TUBELESS TIRE REPAIR KIT .....	606009
TIRE PLUGGER REFILL PACK(50/BOX) .....	606831

<b>TOUCH UP PAINT</b>	<b>PART NO.</b>
PEN 3 OUNCE (89 ML) - HUNTER GREEN .....	28432-G02
PEN 3 OUNCE (89 ML) - CHAMPAGNE BEIGE .....	28432-G01
PEN 3 OUNCE (89 ML) - WHITE .....	28432-G05
PEN 3 OUNCE (89 ML) - INDUSTRIAL YELLOW .....	28432-G03
PEN 3 OUNCE (89 ML) - ORANGE .....	28432-G04
PEN 3 OUNCE (89 ML) - STEEL BLUE PEARL .....	28432-G**
PEN 3 OUNCE (89 ML) - CAMOUFLAGE PAINT (THREE PENS) .....	75831-G01
AEROSOL 12 OUNCE (360 ML) - HUNTER GREEN .....	28140-G09
AEROSOL 12 OUNCE (360 ML) - CHAMPAGNE BEIGE .....	28140-G15
AEROSOL 12 OUNCE (360 ML) - INDUSTRIAL YELLOW .....	28140-G14

<b>MAINTENANCE PRODUCTS</b>	<b>PART NO.</b>
PLEXUS® CLEANER, 13 OUNCE (380 ML) (FOR WINDSHIELDS) .....	28433-G02
BATTERY PROTECTOR, 14 OUNCE (410 ML) SPRAY .....	27619-G02
E-Z-GO ALL SURFACE CLEANER .....	606311
E-Z-GO FIBERGLASS/PLASTIC RESTORER .....	606313
W/SHIELD AND PLASTIC PROTECTOR .....	606314
4 OZ HAND CLEANER .....	607636
64 OZ HAND CLEANER .....	607637





**OPTIONS/ACCESSORIES**

**OPTIONS/ACCESSORIES**

## OPTIONS/ACCESSORIES

2 BAG ATTACHMENT . . . . .	75183-G01 . . . . .	Body -Footrest
4 BAG ATTACHMENT . . . . .	75335-G01 . . . . .	Body - Accessories Continued
8" CHROME HUBCAP . . . . .	14913-G* . . . . .	Wheels And Tires
6" CHROME HUBCAP . . . . .	16042-G* . . . . .	Wheels And Tires
GOLD SPOKE HUBCAP . . . . .	19241-G* . . . . .	Wheels And Tires
SILVER SPOKE HUBCAP . . . . .	19241-G* . . . . .	Wheels And Tires
ASHTRAY KIT . . . . .	75109-G02 . . . . .	Body - Accessories Continued
CENTER BASKET . . . . .	75003-G01 . . . . .	Body - Accessories
COOLER JUG AND BRACKET KIT . . . . .	75495-G01 . . . . .	Body - Accessories Continued
COOLER BOX AND BRACKET KIT . . . . .	75344-G01 . . . . .	Body - Accessories Continued
DIVOT REPAIR KIT . . . . .	23300-G1 . . . . .	Body - Accessories
MESSAGE HOLDER KIT (REQUIRES SUN TOP) . . . . .	75509-G01 . . . . .	Body - Accessories Continued
MESSAGE HOLDER KIT (REQUIRES SUN TOP) . . . . .	75496-G01 . . . . .	Body - Accessories Continued
REAR VIEW MIRROR (REQUIRES SUN TOP) . . . . .	19528-G2 . . . . .	Weather Protection - Golf Car
SAND BOTTLE . . . . .	28661-G** . . . . .	Body - Accessories
SAND RAKE . . . . .	14735-G1 . . . . .	Body - Accessories Continued
SAND RAKE HOLDER . . . . .	75006-G01 . . . . .	Body - Accessories Continued
SAND MUG - KIT, SINGLE . . . . .	606951 . . . . .	Body - Accessories Continued
SAND MUG - KIT, DOUBLE . . . . .	606986 . . . . .	Body - Accessories Continued
SIDE BASKET . . . . .	75007-G** . . . . .	Body - Accessories
SUN TOP KIT, GOLF CAR . . . . .	75040-G** . . . . .	Weather Protection - Golf Car
TOW BAR KIT (CASUAL) . . . . .	75033-G01 . . . . .	Tow Bar - Casual
TOW BAR KIT (PERMANENT) . . . . .	75304-G01 . . . . .	Tow Bar - Permanent
WINDSHIELD KIT, GOLF CAR . . . . .	75524-G01 . . . . .	Weather Protection, Golf Car
WINDSHIELD KIT, FOLD DOWN, GOLF CAR . . . . .	74910-G01 . . . . .	Weather Protection, Golf Car
TIRE DOMINATOR 20X11-10 . . . . .	605316 . . . . .	Wheels and Tires
PATHFINDER TIRE, BRUSHED WHEEL LH . . . . .	605355 . . . . .	Wheels and Tires
PATHFINDER TIRE, BRUSHED WHEEL RH . . . . .	605356 . . . . .	Wheels and Tires
PRO TOUR - POLISHED WHEEL . . . . .	605317 . . . . .	Wheels and Tires
PRO TOUR, TIRE 205/50-10 . . . . .	605315 . . . . .	Wheels and Tires
V-STEM-BRUSHED SPOKED WHEEL . . . . .	605351 . . . . .	Wheels and Tires
PRO BRUSHED WHEEL . . . . .	605318 . . . . .	Wheels and Tires
DOMINATOR - POLISHED WHEEL . . . . .	605319 . . . . .	Wheels and Tires

## OPTIONS/ACCESSORIES

DOMINATOR - BRUSHED WHEEL . . . . .	605320 . . . . .	Wheels and Tires
CHROME CENTER CAP - SPOKED WHEEL . . . . .	604929 . . . . .	Wheels and Tires
NUT, LUG-CHROME . . . . .	605310 . . . . .	Wheels and Tires
V-STEM-POLISHED SPOKED WHEEL . . . . .	605311 . . . . .	Wheels and Tires
PATHFINDER TIRE 22X11-10 . . . . .	604928 . . . . .	Wheels and Tires
PATHFINDER TIRE, POLISHED WHEEL LH . . . . .	604930 . . . . .	Wheels and Tires
PATHFINDER TIRE, POLISHED WHEEL RH . . . . .	605228 . . . . .	Wheels and Tires
JACK-UP KIT . . . . .	74786-G02 . . . . .	Wheels and Tires
BFS INSTALLATION . . . . .	607108 . . . . .	Electrical System
NOZZLE GUN - BFS . . . . .	606238 . . . . .	Electrical System







A Textron Company

E-Z-GO Division Of Textron, Inc.,  
1451 Marvin Griffin Road, Augusta, Georgia USA 30906-3852

**TO CONTACT US**

North America:

Technical Assistance & Warranty Phone: 1-800-774-3946, FAX: 1-800-448-8124  
Service Parts Phone: 1-888-GET-EZGO (1-888-438-3946), FAX: 1-800-752-6175

International:

Phone: 001-706-798-4311, FAX: 001-706-771-4609

Certified ISO 9001 / ISO 14001 by



Copyrighted Material  
This manual may not be reproduced in whole or  
in part without the express permission of  
E-Z-GO Division of Textron, Inc.  
Technical Communications Department